



---

# Illustrated Parts Manual

## *Models* **600S HC3** **660SJ HC3**

PVC  
2201

P/N  
31219934

July 17, 2023 - Rev D

**ANSI**

**CE**



**UK  
CA**

**AS/NZS**



---

An Oshkosh Corporation Company





## REVISION LOG

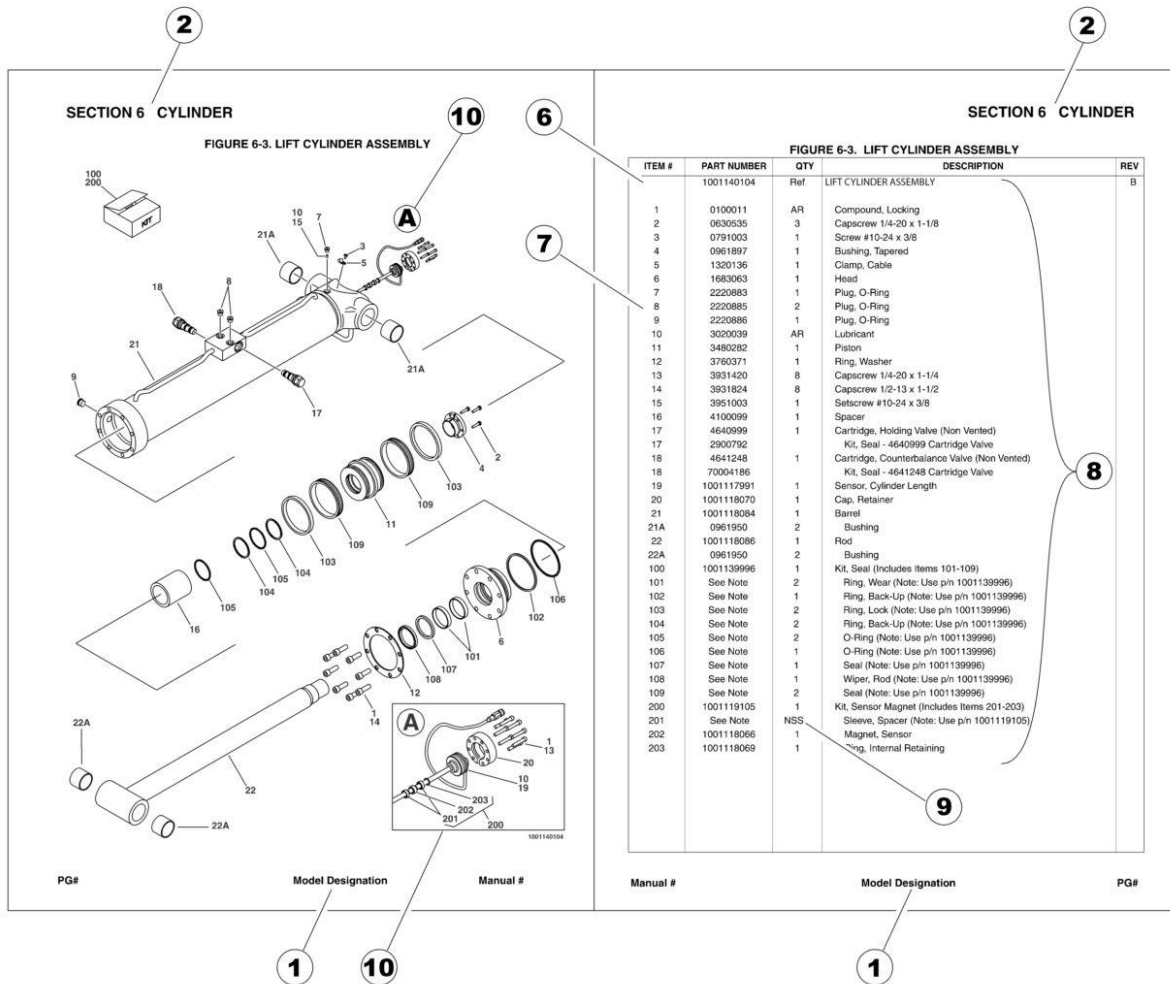
January 10, 2022 - A - Original Issue of Manual (Edited to 1001246000 Revision U)

July 11, 2022 - B - Revised Manual (Edited to B/M 1001246000 Revision W)

January 9, 2023 - C - Revised Manual (Edited to B/M 1001246000 Revision AB)

July 17, 2023 - D - Revised Manual (Edited to B/M 1001246000 Revision AB)

# GENERAL INFORMATION



## 1) MACHINE IDENTIFICATION

Machines are identified by model and in some cases a combination of models, serial number (SN) or regional standard (i.e ANSI, CE, CSA). Components may also be identified by SN or manufacturer. Common components that may be identified by these characteristics are engines and hydraulic components.

## 2) PARTS MANUAL ORGANIZATION

Product information in this manual is organized under section titles. Frame, Cylinder, Hydraulic and Electrical are a few examples. Each section is organized by figure and page number. The information within the Figure is then organized by item number, part number, description and corresponding illustration (s).

## 3) TABLE OF CONTENTS (NOT SHOWN)

A table of contents is found toward the beginning of the manual. Figure number, description and page number are provided for quick reference to the page containing the related information.

## 4) RECOMMENDED SPARE PARTS (NOT SHOWN)

The Recommended Spare Parts List, located near the end of the manual, reference most frequently used maintenance parts.

## 5) PART NUMBER INDEX (NOT SHOWN)

A numerical index listing all part numbers and the corresponding page number(s) appears at the back of the manual.

# GENERAL INFORMATION

## 6) NON-SERVICED PARTS

In some instances, it is necessary to display non-serviced parts, assemblies or installations. In the case of assemblies and installations there will be a Ref in the Qty. column. In case of parts that are not available for service within assemblies or components, there will be a NSS (Not Sold Separately) or NLA (No Longer Available) listed in the Qty. column of the manual.

## 7) PARTS LIST ITEM NUMBERS

Numbers shown in the item# column correspond to numbers used in the associated illustration (s). Item numbers which are missing from the sequence in the parts list are not used on that page.

## 8) INDENTED PARTS DESCRIPTION

An indented part description is included in the item under which it is indented.

## 9) ABBREVIATION AND SYMBOLS

AC.....	Alternating Current	L.....	Liter
ADE.....	Advanced Design Electronics	LB(LBS).....	Pounds
AG.....	Agricultural	LCD.....	Liquid Crystal Display
ANSI.....	American National Standards Institute	LED.....	Light Emitting Diodes
AR.....	As Required	LH.....	Left Hand
ASSY.....	Assembly	LRC.....	Low Rated Countries
AUS.....	Australia	LSS.....	Load Sensing System
AUX.....	Auxiliary	M(m).....	Metric/Meter
AWG.....	American Wire Gauge	MM(mm).....	Milimeter
B/M.....	Bill of Material	mA.....	Miliamps
CAC.....	Charge Air Cooler	NLA.....	No Longer Available
CE.....	European Conformity	NPT.....	National Pipe Threads
CCW.....	Counter Clockwise	NSS.....	Not Sold Separately
CM.....	Centimeter	OD.....	Outside Diameter
CW.....	Clockwise	ORB.....	O-Ring Boss
CSA.....	Canadian Standards Association	ORFS.....	O-Ring Face Seal
CYL.....	Cylinder	OZ (oz).....	Ounces
DIA.....	Diameter	PG.....	Page
DC.....	Direct Current	PN.....	Part Number
DEF.....	Diesel Exhaust Fluid	QT(qt.).....	Quarts
EMS.....	Emergency Stop	QTY.....	Quantity
ENG.....	Engine	REF.....	Reference
FT(ft).....	Feet	REV.....	Revision Level
GA(Ga).....	Gauge	RH.....	Right Hand
HRC.....	High Rated Countries	SAE.....	Society of Automotive Engineers
HVAC.....	Heating, Ventilating, and Air Conditioning	SN.....	Serial Number
HYD.....	Hydraulic	SPEC(S).....	Specifications
Hz.....	Hertz	T/T.....	Turntable
ID.....	Inside Diameter	UGM.....	Universal Ground Module
IN.....	inches	V.....	Volts
ISO.....	International Organization for Standards	W.....	Watts
JIC.....	Joint Industry Council	#.....	Number
KG.....	Kilogram		

## 10) ILLUSTRATION REFERENCE LETTERS

When necessary, illustrations may contain reference letters that are intended to track information (i. e. hoses, harnesses) from one point to another or to track visual enlargement of components to show details that may be located in another area on the illustration.

*Note: Due to continuous product improvements, JLG Industries, Inc. reserves the right to make specification changes without prior notification. Contact JLG Industries, Inc. for updated information.*



# TABLE OF CONTENTS

SECTION 1 - FRAME.....	17
FIGURE 1-1. AXLE INSTALLATION (MACHINES WITH SN STARTING WITH 03).....	18
FIGURE 1-2. AXLE INSTALLATION (MACHINES WITH SN STARTING WITH B3).....	20
FIGURE 1-3. STEER INSTALLATION - WITHOUT TOW PACKAGE .....	22
FIGURE 1-4. STEER INSTALLATION - WITH TOW PACKAGE.....	24
FIGURE 1-5. WHEEL DRIVE INSTALLATION - 4WD/2WS (600S HC3) .....	26
FIGURE 1-6. WHEEL DRIVE INSTALLATION - 4WD/2WS (660SJ HC3) .....	28
FIGURE 1-7. DRIVE MOTOR ASSEMBLY (600S HC3).....	30
FIGURE 1-8. DRIVE MOTOR ASSEMBLY (660SJ HC3).....	32
FIGURE 1-9. DRIVE HUB ASSEMBLY (600S HC3) .....	34
FIGURE 1-10. DRIVE HUB ASSEMBLY (660SJ HC3).....	38
FIGURE 1-11. TRACTION VALVE ASSEMBLY .....	42
FIGURE 1-12. TIRE & WHEEL INSTALLATION - IN355-55 D625 FOAM FILLED (AVAILABLE ON ALL SPECS) .....	44
FIGURE 1-13. TIRE & WHEEL INSTALLATION - IN355-55 D625 FOAM FILLED NON-MARKING (AVAILABLE ON ALL SPECS) .....	46
FIGURE 1-14. TIRE & WHEEL INSTALLATION - 41-18LL X 22.5 FOAM FILLED TURF & SAND (AVAILABLE ON ALL SPECS EXCEPT AUSTRALIAN, RUSSIA, CE & UK CA SPECS) .....	48
FIGURE 1-15. MATTRACKS INSTALLATION .....	50
FIGURE 1-16. MATTRACKS INSTALLATION .....	52
FIGURE 1-17. MATTRACKS INSTALLATION .....	54
FIGURE 1-18. MATTRACKS INSTALLATION .....	56
FIGURE 1-19. LP TANKS AND BRACKETS INSTALLATION (FORD ENGINES).....	62
FIGURE 1-20. FRAME COVERS INSTALLATION - 2WS .....	64
FIGURE 1-21. TOW BAR INSTALLATION (OPTIONAL) .....	66
SECTION 2 - TURNTABLE .....	69
FIGURE 2-1. VALVE INSTALLATION (600S HC3).....	70
FIGURE 2-2. VALVE INSTALLATION (660SJ HC3) .....	72
FIGURE 2-3. AXLE VALVE ASSEMBLY .....	74
FIGURE 2-4. MAIN VALVE ASSEMBLY - 2WS .....	76
FIGURE 2-5. SWING DRIVE INSTALLATION .....	80
FIGURE 2-6. SWING MOTOR/HUB ASSEMBLY.....	82
FIGURE 2-7. TURNTABLE BEARING AND LUBE INSTALLATION .....	86
FIGURE 2-8. TURNTABLE LOCK INSTALLATION.....	88
FIGURE 2-9. ROTARY COUPLING INSTALLATION .....	90
FIGURE 2-10. ROTARY COUPLING ASSEMBLY .....	92
FIGURE 2-11. TANKS INSTALLATION - DIESEL MACHINES (POLY FUEL TANK) (HYDRAULIC TANK WITH 6 INCH BREATHER) (600S HC3).....	94
FIGURE 2-12. TANKS INSTALLATION - DIESEL MACHINES (POLY FUEL TANK) (HYDRAULIC TANK WITH 4 INCH BREATHER) (600S HC3).....	96
FIGURE 2-13. TANKS INSTALLATION - DIESEL MACHINES (POLY FUEL TANK) (HYDRAULIC TANK WITH 6 INCH BREATHER) (660SJ HC3) .....	98
FIGURE 2-14. TANKS INSTALLATION - DIESEL MACHINES (POLY FUEL TANK) (HYDRAULIC TANK WITH 4 INCH BREATHER) (660SJ HC3) .....	100
FIGURE 2-15. TANKS INSTALLATION - DIESEL MACHINES (STEEL FUEL TANK) (HYDRAULIC TANK WITH 6 INCH BREATHER) (600S HC3).....	102

# TABLE OF CONTENTS

FIGURE 2-16. TANKS INSTALLATION - DIESEL MACHINES (STEEL FUEL TANK) (HYDRAULIC TANK WITH 4 INCH BREATHER) (600S HC3).....	104
FIGURE 2-17. TANKS INSTALLATION - DIESEL MACHINES (STEEL FUEL TANK) (HYDRAULIC TANK WITH 6 INCH BREATHER) (660SJ HC3).....	106
FIGURE 2-18. TANKS INSTALLATION - DIESEL MACHINES (STEEL FUEL TANK) (HYDRAULIC TANK WITH 4 INCH BREATHER) (660SJ HC3).....	108
FIGURE 2-19. TANKS INSTALLATION - GAS MACHINES (HYDRAULIC TANK WITH 6 INCH BREATHER) (600S HC3).....	110
FIGURE 2-20. TANKS INSTALLATION - GAS MACHINES (HYDRAULIC TANK WITH 4 INCH BREATHER) (600S HC3).....	112
FIGURE 2-21. TANKS INSTALLATION - GAS MACHINES (HYDRAULIC TANK WITH 6 INCH BREATHER) (660SJ HC3).....	114
FIGURE 2-22. TANKS INSTALLATION - GAS MACHINES (HYDRAULIC TANK WITH 4 INCH BREATHER) (660SJ HC3).....	116
FIGURE 2-23. HYDRAULIC TANK ASSEMBLY (HYDRAULIC TANK WITH 6 INCH BREATHER).....	118
FIGURE 2-24. HYDRAULIC TANK ASSEMBLY (HYDRAULIC TANK WITH 4 INCH BREATHER).....	120
FIGURE 2-25. BATTERY AND AUXILIARY PUMP INSTALLATION (MACHINES WITH SN STARTING WITH 03).....	122
FIGURE 2-26. BATTERY AND AUXILIARY PUMP INSTALLATION (MACHINES WITH SN STARTING WITH B3).....	124
FIGURE 2-27. BATTERY AND AUXILIARY PUMP WITH DISCONNECT SWITCH INSTALLATION (MACHINES WITH SN STARTING WITH 03).....	126
FIGURE 2-28. BATTERY AND AUXILIARY PUMP INSTALLATION WITH DISCONNECT SWITCH (MACHINES WITH SN STARTING WITH B3).....	128
FIGURE 2-29. AUXILIARY MOTOR/PUMP ASSEMBLY (MACHINES WITH SN STARTING WITH B3).....	130
FIGURE 2-30. BREAKER BOX KIT.....	132
FIGURE 2-31. BREAKER BOX KIT WITH THREE BREAKERS.....	134
FIGURE 2-32. ELECTRICAL COMPONENTS INSTALLATION (WITH GROUND CONTROL MODULE 1001187200) (ALL SPECS EXCEPT AUSTRALIAN, CE & UK CA (ULS) SPECS) (600S HC3).....	136
FIGURE 2-33. ELECTRICAL COMPONENTS INSTALLATION (WITH GROUND CONTROL MODULE 1001280340) (ALL SPECS EXCEPT AUSTRALIAN, CE & UK CA (ULS) SPECS) (600S HC3).....	138
FIGURE 2-34. ELECTRICAL COMPONENTS INSTALLATION (WITH GROUND CONTROL MODULE 1001187200) (CE & UK CA (ULS) SPECS) (600S HC3).....	140
FIGURE 2-35. ELECTRICAL COMPONENTS INSTALLATION (WITH GROUND CONTROL MODULE 1001280340) (CE & UK CA (ULS) SPECS) (600S HC3).....	142
FIGURE 2-36. ELECTRICAL COMPONENTS INSTALLATION (WITH GROUND CONTROL MODULE 1001187200) (ALL SPECS EXCEPT CE & UK CA (ULS) SPECS) (660SJ HC3).....	144
FIGURE 2-37. ELECTRICAL COMPONENTS INSTALLATION (WITH GROUND CONTROL MODULE 1001280340) (ALL SPECS EXCEPT CE & UK CA (ULS) SPECS) (660SJ HC3).....	146
FIGURE 2-38. ELECTRICAL COMPONENTS INSTALLATION (WITH GROUND CONTROL MODULE 1001187200) (CE & UK CA (ULS) SPECS) (660SJ HC3).....	148
FIGURE 2-39. ELECTRICAL COMPONENTS INSTALLATION (WITH GROUND CONTROL MODULE 1001280340) (CE & UK CA (ULS) SPECS) (660SJ HC3).....	150
FIGURE 2-40. GROUND CONTROL ASSEMBLY (MACHINES WITH SN STARTING WITH 03 SPECS EXCEPT AUSTRALIAN, CE & UK CA (ULS) SPECS) (600S HC3).....	152
FIGURE 2-41. GROUND CONTROL ASSEMBLY (MACHINES WITH SN STARTING WITH 03 CE & UK CA (ULS) SPECS) (600S HC3).....	154
FIGURE 2-42. GROUND CONTROL ASSEMBLY (ALL SPECS EXCEPT CE & UK CA (ULS) SPECS) (660SJ HC3).....	156
FIGURE 2-43. GROUND CONTROL ASSEMBLY (CE & UK CA (ULS) SPECS) (660SJ HC3).....	158
FIGURE 2-44. LIGHT PANEL INSTALLATION.....	160
FIGURE 2-45. KEYSWITCH INSTALLATION (ANSI, ANSI EXPORT, CHINA, CSA AND JAPANESE SPECS) (600S HC3).....	162
FIGURE 2-46. KEYSWITCH INSTALLATION (RUSSIA, CE & UK CA SPECS) (600S HC3).....	164
FIGURE 2-47. KEYSWITCH INSTALLATION (ANSI, ANSI EXPORT, AUSTRALIAN, CHINA, CSA AND JAPANESE SPECS) (660SJ HC3).....	166
FIGURE 2-48. KEYSWITCH INSTALLATION (RUSSIA, CE & UK CA SPECS) (660SJ HC3).....	168
FIGURE 2-49. KEYSWITCH INSTALLATION (WITHOUT JIB) (WITH MSSO) (CE & UK CA SPECS) (600S HC3).....	170
FIGURE 2-50. KEYSWITCH INSTALLATION (WITH JIB) (WITH MSSO) (CE & UK CA SPECS) (660SJ HC3).....	172

# TABLE OF CONTENTS

FIGURE 2-51. HOODS INSTALLATIONS - ABS - DEUTZ D2011, DEUTZ TD 2.9L4 67HP AND FORD ENGINES .....	174
FIGURE 2-52. HOODS INSTALLATIONS - ABS - DEUTZ TD 2.2L3 AND DEUTZ TD 2.9L4 49HP ENGINES .....	178
FIGURE 2-53. HOOD ASSEMBLY - ENGINE SIDE (ABS) .....	182
FIGURE 2-54. HOOD ASSEMBLY - TANK SIDE (ABS) .....	184
FIGURE 2-55. HOODS INSTALLATIONS - STEEL - DEUTZ D2011, DEUTZ TD 2.9L4 67HP AND FORD ENGINES .....	186
FIGURE 2-56. HOODS INSTALLATIONS - STEEL - DEUTZ TD 2.2L3 AND DEUTZ TD 2.9L4 49HP ENGINES .....	190
FIGURE 2-57. HOOD ASSEMBLY - ENGINE SIDE (STEEL) - DEUTZ D2011, DEUTZ TD2.3L3 DEUTZ TD 2.9L4 49HP & 67HP AND FORD ENGINES .....	194
FIGURE 2-58. HOOD ASSEMBLY - TANK SIDE (STEEL) - DEUTZ D2011, DEUTZ TD2.3L3 DEUTZ TD 2.9L4 49HP & 67HP AND FORD ENGINES .....	196
FIGURE 2-59. HOODS INSTALLATIONS - STEEL - DEUTZ D2011 WITH ARCTIC AND DEUTZ TD2.2L3 ENGINES (660SJ HC3) .....	198
FIGURE 2-60. HOOD ASSEMBLY - ENGINE SIDE (STEEL) - DEUTZ D2011 WITH ARCTIC AND DEUTZ TD2.2L3 ENGINES (660SJ HC3) .....	202
FIGURE 2-61. HOOD ASSEMBLY - TANK SIDE (STEEL) - DEUTZ D2011 WITH ARCTIC AND DEUTZ TD2.2L3 ENGINES (660SJ HC3) .....	204
FIGURE 2-62. NOISE REDUCTION PACKAGE (600S HC3) .....	206
FIGURE 2-63. NOISE REDUCTION PACKAGE (660SJ HC3) .....	208
FIGURE 2-64. STROBE LIGHT INSTALLATION - AMBER (OPTIONAL) .....	210
FIGURE 2-65. STROBE LIGHT INSTALLATION - BLUE (OPTIONAL) .....	212
FIGURE 2-66. STROBE LIGHT INSTALLATION - RED (OPTIONAL) .....	214
FIGURE 2-67. TURNTABLE COVERS INSTALLATION .....	216
FIGURE 2-68. WHITE NOISE ALARM INSTALLATION (AMBIENT) .....	218
FIGURE 2-69. WHITE NOISE ALARM INSTALLATION (CONSTANT) .....	220
SECTION 3 - ENGINE .....	223
FIGURE 3-1. DEUTZ D2011 ENGINE INSTALLATION - DANFOSS PISTON PUMP (WITHOUT ARCTIC PACKAGE) (600S HC3) .....	224
FIGURE 3-2. DEUTZ D2011 ENGINE INSTALLATION - DANFOSS PISTON PUMP (WITHOUT ARCTIC PACKAGE) (660SJ HC3) .....	226
FIGURE 3-3. DEUTZ D2011 ENGINE INSTALLATION - HENGLI PISTON PUMP (WITHOUT ARCTIC PACKAGE) (660SJ HC3) .....	228
FIGURE 3-4. DEUTZ D2011 ENGINE AND PUMPS SUB-ASSEMBLY HENGLI PISTON PUMP (WITHOUT ARCTIC PACKAGE) (660SJ HC3) .....	230
FIGURE 3-5. DEUTZ D2011 ENGINE AND PUMPS SUB-ASSEMBLY - DANFOSS PISTON PUMP (WITHOUT ARCTIC PACKAGE) .....	232
FIGURE 3-6. DEUTZ D2011 ENGINE ASSEMBLY - WITHOUT ARCTIC PACKAGE .....	234
FIGURE 3-7. DEUTZ D2011 ENGINE INSTALLATION - DANFOSS PISTON PUMP (WITH ARCTIC PACKAGE) (600S HC3) .....	238
FIGURE 3-8. DEUTZ D2011 ENGINE INSTALLATION - DANFOSS PISTON PUMP (WITH ARCTIC PACKAGE) (660SJ HC3) .....	242
FIGURE 3-9. DEUTZ D2011 ENGINE INSTALLATION - HENGLI PISTON PUMP (WITH ARCTIC PACKAGE) (660SJ HC3) .....	246
FIGURE 3-10. DEUTZ D2011 ENGINE AND PUMPS SUB-ASSEMBLY - HENGLI PISTON PUMP (WITH ARCTIC PACKAGE) (660SJ HC3) .....	250
FIGURE 3-11. DEUTZ D2011 ENGINE AND PUMPS SUB-ASSEMBLY - DANFOSS PISTON PUMP (WITH ARCTIC PACKAGE) .....	252
FIGURE 3-12. DEUTZ D2011 ENGINE ASSEMBLY - WITH ARCTIC PACKAGE .....	254
FIGURE 3-13. DEUTZ D2011 ENGINE COMPONENTS .....	258
FIGURE 3-14. DEUTZ TD 2.2L3 (STAGE V) ENGINE INSTALLATION - DANFOSS PISTON PUMP (600S HC3) .....	262
FIGURE 3-15. DEUTZ TD 2.2L3 (STAGE V) ENGINE INSTALLATION - DANFOSS PISTON PUMP (660SJ HC3) .....	266
FIGURE 3-16. DEUTZ TD2.2L3 (STAGE V) ENGINE AND PUMPS SUB-ASSEMBLY - DANFOSS PISTON PUMP .....	270
FIGURE 3-17. DEUTZ TD2.2L3 (STAGE V) ENGINE ASSEMBLY .....	272

# TABLE OF CONTENTS

FIGURE 3-18. DEUTZ TD2.2L3 (STAGE V) ENGINE COMPONENTS .....	278
FIGURE 3-19. DEUTZ D 2.9L4 - 49HP ENGINE INSTALLATION - DANFOSS PISTON PUMP (WITHOUT ACTIC PACKAGE) (600S HC3) .....	282
FIGURE 3-20. DEUTZ D 2.9L4 - 49HP ENGINE INSTALLATION - DANFOSS PISTON PUMP (WITHOUT ACTIC PACKAGE) (660SJ HC3) .....	286
FIGURE 3-21. DEUTZ TD2.9L4 - 49HP ENGINE AND PUMPS SUB-ASSEMBLY - DANFOSS PISTON PUMP (WITHOUT ARCTIC PACKAGE) .....	290
FIGURE 3-22. DEUTZ TD2.9L4 - 49HP ENGINE ASSEMBLY - WITHOUT ARCTIC PACKAGE .....	292
FIGURE 3-23. DEUTZ D 2.9L4 - 49HP ENGINE INSTALLATION - DANFOSS PISTON PUMP (WITH ARCTIC PACKAGE) (600S HC3) .....	298
FIGURE 3-24. DEUTZ D 2.9L4 - 49HP ENGINE INSTALLATION - DANFOSS PISTON PUMP (WITH ARCTIC PACKAGE) (660SJ HC3) .....	302
FIGURE 3-25. DEUTZ TD2.9L4 - 49HP ENGINE AND PUMPS SUB-ASSEMBLY - DANFOSS PISTON PUMP (WITH ARCTIC PACKAGE) .....	306
FIGURE 3-26. DEUTZ TD2.9L4 - 49HP ENGINE ASSEMBLY - WITH ARCTIC PACKAGE .....	308
FIGURE 3-27. DEUTZ TD2.9L4 - 49HP ENGINE COMPONENTS .....	314
FIGURE 3-28. DEUTZ TD2.9L4 - 67HP ENGINE INSTALLATION - DANFOSS PISTON PUMP (WITHOUT ARCTIC PACKAGE) (600S HC3) .....	318
FIGURE 3-29. DEUTZ TD2.9L4 - 67HP ENGINE INSTALLATION - DANFOSS PISTON PUMP (WITHOUT ARCTIC PACKAGE) (660SJ HC3) .....	322
FIGURE 3-30. DEUTZ TD2.9L4 - 67HP ENGINE AND PUMPS SUB-ASSEMBLY - DANFOSS PISTON PUMP (WITHOUT ARCTIC PACKAGE) .....	326
FIGURE 3-31. DEUTZ TD2.9L4 - 67HP ENGINE ASSEMBLY - WITHOUT ARCTIC PACKAGE .....	328
FIGURE 3-32. DEUTZ TD2.9L4 - 67HP ENGINE INSTALLATION - DANFOSS PISTON PUMP (WITH ARCTIC PACKAGE) (600S HC3) .....	332
FIGURE 3-33. DEUTZ TD2.9L4 - 67HP ENGINE INSTALLATION - DANFOSS PISTON PUMP (WITH ARCTIC PACKAGE) (660SJ HC3) .....	336
FIGURE 3-34. DEUTZ TD2.9L4 - 67HP ENGINE AND PUMPS SUB-ASSEMBLY - DANFOSS PISTON PUMP (WITH ARCTIC PACKAGE) .....	340
FIGURE 3-35. DEUTZ TD2.9L4 - 67HP ENGINE ASSEMBLY - WITH ARCTIC PACKAGE .....	342
FIGURE 3-36. DEUTZ TD2.9L4 - 67HP ENGINE COMPONENTS .....	346
FIGURE 3-37. BREATHER HEATER INSTALLATION - DEUTZ D2.9L4 - 49HP AND DEUTZ TD2.9L4 - 67HP ENGINES WITH ARCTIC PACKAGE .....	352
FIGURE 3-38. FORD ENGINE INSTALLATION - DANFOSS PISTON PUMP (WITHOUT ARCTIC PACKAGE) (600S HC3) .....	354
FIGURE 3-39. FORD ENGINE INSTALLATION - DANFOSS PISTON PUMP (WITHOUT ARCTIC PACKAGE) (660SJ HC3) .....	358
FIGURE 3-40. FORD ENGINE AND PUMPS SUB-ASSEMBLY - DANFOSS PISTON PUMP (WITHOUT ARCTIC PACKAGE) .....	362
FIGURE 3-41. FORD ENGINE ASSEMBLY - WITHOUT ARCTIC PACKAGE .....	364
FIGURE 3-42. FORD ENGINE INSTALLATION - DANFOSS PISTON PUMP (WITH ARCTIC PACKAGE) (600S HC3) .....	370
FIGURE 3-43. FORD ENGINE INSTALLATION - DANFOSS PISTON PUMP (WITH ARCTIC PACKAGE) (660SJ HC3) .....	374
FIGURE 3-44. FORD ENGINE AND PUMPS SUB-ASSEMBLY - DANFOSS PISTON PUMP (WITH ARCTIC PACKAGE) .....	378
FIGURE 3-45. FORD ENGINE ASSEMBLY - WITH ARCTIC PACKAGE .....	380
FIGURE 3-46. FORD ENGINE PREP ASSEMBLY .....	386
FIGURE 3-47. FORD ENGINE COMPONENTS .....	388
FIGURE 3-48. PUMP COUPLING KIT (DEUTZ ENGINES) .....	392
FIGURE 3-49. PISTON PUMP ASSEMBLY - DANFOSS .....	394
FIGURE 3-50. PISTON PUMP ASSEMBLY - HENGLI .....	398
FIGURE 3-51. FUEL FILTER INSTALLATION (POLY FUEL TANK) .....	400
FIGURE 3-52. FUEL FILTER INSTALLATION (STEEL FUEL TANK) (DEUTZ D2011 ENGINES) .....	402
FIGURE 3-53. FUEL FILTER INSTALLATION (STEEL FUEL TANK) (DEUTZ DT2.9L4 ENGINES) .....	404
FIGURE 3-54. MUFFLER INSTALLATION - SPARK ARRESTING (DEUTZ D2011 ENGINES) .....	406



# TABLE OF CONTENTS

FIGURE 3-55. EXHAUST PIPE INSTALLATION - (DEUTZ D2011 ENGINES) .....	408
FIGURE 3-56. MOTOR MOUNT INSTALLATION - WITHOUT GENERATOR (DEUTZ D2011 ENGINES).....	410
FIGURE 3-57. MOTOR MOUNT INSTALLATION - WITHOUT GENERATOR (DEUTZ TD 2.9L4 ENGINES).....	412
FIGURE 3-58. MOTOR MOUNT INSTALLATION - WITH GENERATOR (DEUTZ D2011 ENGINES) .....	414
FIGURE 3-59. MOTOR MOUNT INSTALLATION - WITH GENERATOR (DEUTZ TD 2.9L4 ENGINES) .....	416
FIGURE 3-60. MOTOR MOUNT INSTALLATION - WITH GENERATOR (STAGE V) (DEUTZ TD 2.2L3 ENGINES) .....	418
FIGURE 3-61. MOTOR MOUNT INSTALLATION - WITHOUT GENERATOR (STAGE V) (DEUTZ TD 2.2L3 ENGINES).....	420
FIGURE 3-62. MOTOR MOUNT INSTALLATION - WITH GENERATOR (DEUTZ TD 2.9L4 49HP ENGINES) .....	422
FIGURE 3-63. MOTOR MOUNT INSTALLATION - WITHOUT GENERATOR (DEUTZ TD 2.9L4 49HP ENGINES).....	424
FIGURE 3-64. BELT WITHOUT GENERATOR INSTALLATION (FORD ENGINES).....	426
FIGURE 3-65. TRAY JACK INSTALLATION.....	428
FIGURE 3-66. TRAY JACK INSTALLATION (STAGE V).....	430
FIGURE 3-67. ENGINE HOOD BAFFLES INSTALLATION - ABS HOODS.....	432
FIGURE 3-68. ENGINE HOOD BAFFLES INSTALLATION - STEEL HOODS.....	434
FIGURE 3-69. ENGINE HOOD BAFFLES INSTALLATION - ABS HOODS (DEUTZ TD 2.2L3 ENGINES AND TD 2.9L4 49HP ENGINES) .....	436
FIGURE 3-70. ENGINE HOOD BAFFLES INSTALLATION - STEEL HOODS (DEUTZ TD 2.2L3 ENGINES AND TD 2.9L4 49HP ENGINES) .....	438
FIGURE 3-71. 2500W GENERATOR INSTALLATION - 110V/60HZ (DEUTZ D2011 ENGINES) (OPTIONAL) .....	440
FIGURE 3-72. 2500W GENERATOR INSTALLATION - 110V/60HZ (DEUTZ TD2.9L4 ENGINES) (OPTIONAL).....	442
FIGURE 3-73. 2500W GENERATOR INSTALLATION - 110V/60HZ (FORD ENGINES) (OPTIONAL) .....	446
FIGURE 3-74. 2500W GENERATOR INSTALLATION - 220V/50HZ (DEUTZ D2011 ENGINES) (OPTIONAL) .....	448
FIGURE 3-75. 2500W GENERATOR INSTALLATION - 120V/60HZ (DEUTZ TD2.9L4 ENGINES) (OPTIONAL).....	450
FIGURE 3-76. 4000W GENERATOR INSTALLATION - 110V/60HZ (DEUTZ D2011 ENGINES) (OPTIONAL) .....	454
FIGURE 3-77. 4000W GENERATOR INSTALLATION - 110V/60HZ (DEUTZ TD2.9L4 ENGINES) (OPTIONAL).....	458
FIGURE 3-78. 4000W GENERATOR INSTALLATION - 220V/50HZ (DEUTZ D2011 ENGINES) (OPTIONAL) .....	462
FIGURE 3-79. 4000W GENERATOR INSTALLATION - 220V/50HZ (DEUTZ TD2.2L3 ENGINES) (SKYPOWER)(OPTIONAL) .....	466
FIGURE 3-80. 4000W GENERATOR INSTALLATION - 220V/60HZ (DEUTZ TD2.9L4 ENGINES) (SKYPOWER)(OPTIONAL) .....	468
FIGURE 3-81. 7500W GENERATOR INSTALLATION - 220V/60HZ (DEUTZ TD2.9L4 ENGINES) (SKYPOWER)(OPTIONAL) .....	472
FIGURE 3-82. 7500W SKYPOWER GENERATOR INSTALLATION - 110/60HZ (DEUTZ D2011 ENGINES) (OPTIONAL).....	476
FIGURE 3-83. 7500W SKYPOWER GENERATOR INSTALLATION - 110V/60HZ (DEUTZ TD2.9L4 ENGINES) (OPTIONAL) .	480
FIGURE 3-84. 7500W SKYPOWER GENERATOR INSTALLATION - 110V/60HZ (FORD ENGINES) (OPTIONAL).....	484
FIGURE 3-85. 7500W SKYPOWER GENERATOR INSTALLATION - 220V/50HZ (DEUTZ D2011 ENGINES) (OPTIONAL) ....	488
SECTION 4 - BOOM .....	491
FIGURE 4-1. BOOM INSTALLATION (600S HC3).....	492
FIGURE 4-2. BOOM INSTALLATION (660SJ HC3).....	496
FIGURE 4-3. BOOM ASSEMBLY (600S HC3).....	500
FIGURE 4-4. BOOM ASSEMBLY (660SJ HC3) .....	504
FIGURE 4-5. JIB ASSEMBLY (660SJ HC3).....	508
FIGURE 4-6. PLATFORM ROTATOR ASSEMBLY (600S HC3) .....	510
FIGURE 4-7. PLATFORM ROTATOR ASSEMBLY (660SJ HC3) .....	512
FIGURE 4-8. POWER TRACK INSTALLATION (600S HC3) .....	514
FIGURE 4-9. POWER TRACK ASSEMBLY (660SJ HC3) .....	516
FIGURE 4-10. VALVE INSTALLATION (600S HC3) .....	518
FIGURE 4-11. BOOM VALVES INSTALLATION (660SJ HC3) .....	520

# TABLE OF CONTENTS

FIGURE 4-12. PLATFORM VALVE ASSEMBLY (600S HC3) .....	522
FIGURE 4-13. PLATFORM VALVE ASSEMBLY (660SJ HC3).....	524
FIGURE 4-14. BOOM SENSORS INSTALLATION (600S HC3).....	526
FIGURE 4-15. BOOM SENSORS INSTALLATION (660SJ HC3) .....	528
FIGURE 4-16. PLATFORM SUPPORT INSTALLATION .....	530
SECTION 5 - PLATFORM .....	533
FIGURE 5-1. PLATFORM ASSEMBLY - 30IN X 3FT (76CM X .91M) - DROP BAR ENTRY .....	534
FIGURE 5-2. PLATFORM ASSEMBLY - 30IN X 4FT (76CM X 1.22M) WITH SWING GATE .....	536
FIGURE 5-3. PLATFORM ASSEMBLY - 30IN X 4FT (76CM X 1.22M) WITH DROP BAR .....	538
FIGURE 5-4. PLATFORM ASSEMBLY - 30IN X 5FT (76CM X 1.52M) WITH SWING GATE .....	540
FIGURE 5-5. PLATFORM ASSEMBLY - 30IN X 5FT (76CM X 1.52M) WITH DROP BAR .....	542
FIGURE 5-6. PLATFORM ASSEMBLY - 36IN X 6FT (91.5CM X 1.83M) WITH SWING GATE .....	544
FIGURE 5-7. PLATFORM ASSEMBLY - 36IN X 6FT (91.5CM X 1.83M) WITH DROP BAR .....	546
FIGURE 5-8. PLATFORM ASSEMBLY - 36IN X 6FT (91.5CM X 1.83M) WITH FALL ARREST (ANSI, ANSI EXPORT, CHINA AND CSA SPECS).....	548
FIGURE 5-9. PLATFORM ASSEMBLY - 36IN X 6FT (91.5CM X 1.83M) TRI-ENTRY WITH SWING GATE .....	550
FIGURE 5-10. PLATFORM ASSEMBLY - 36IN X 6FT (91.5CM X 1.83M) TRI-ENTRY WITH DROP BAR .....	552
FIGURE 5-11. PLATFORM ASSEMBLY - 36IN X 8FT (91.5CM X 2.44M) WITH SWING GATE .....	554
FIGURE 5-12. PLATFORM ASSEMBLY - 36IN X 8FT (91.5CM X 2.44M) WITH DROP BAR .....	556
FIGURE 5-13. PLATFORM ASSEMBLY - 36IN X 8FT (91.5CM X 2.44M) WITH FALL ARREST (ANSI, ANSI EXPORT, CHINA AND CSA SPECS).....	558
FIGURE 5-14. PLATFORM ASSEMBLY - 36IN X 8FT (91.5CM X 2.44M) TRI-ENTRY WITH SWING GATE .....	560
FIGURE 5-15. PLATFORM ASSEMBLY - 36IN X 8FT (91.5CM X 2.44M) TRI-ENTRY WITH DROP BAR .....	562
FIGURE 5-16. PLATFORM POWER USB .....	564
FIGURE 5-17. TRAY ASSEMBLY .....	566
FIGURE 5-18. PLATFORM CONSOLE AND FOOTSWITCH INSTALLATION (600S HC3).....	568
FIGURE 5-19. PLATFORM CONSOLE AND FOOTSWITCH INSTALLATION (660SJ HC3).....	570
FIGURE 5-20. CONSOLE BOX ASSEMBLY .....	572
FIGURE 5-21. CONTROLLER ASSEMBLY (DRIVE AND STEER) .....	576
FIGURE 5-22. CONTROLLER ASSEMBLY (LIFT AND SWING) .....	578
FIGURE 5-23. FOOTSWITCH ASSEMBLY .....	582
FIGURE 5-24. LIGHT PANEL INSTALLATION.....	584
FIGURE 5-25. SKYEYE INSTALLATION.....	586
FIGURE 5-26. SKYGUARD BAR INSTALLATION.....	588
FIGURE 5-27. SKYLINE INSTALLATION .....	590
FIGURE 5-28. SKYWELDER INSTALLATION (50HZ).....	592
FIGURE 5-29. SKYWELDER INSTALLATION (60HZ).....	594
FIGURE 5-30. SKYWELDER PREP PACKAGE (60HZ) .....	596
FIGURE 5-31. WELDER ASSEMBLY .....	598
FIGURE 5-32. SKYGLAZIER INSTALLATION (OPTIONAL) (NOT AVAILABLE ON ALL SPECS) .....	600
FIGURE 5-33. SOFT TOUCH INSTALLATION - 6FT (1.83M) PLATFORM (OPTIONAL) .....	602
FIGURE 5-34. SOFT TOUCH INSTALLATION - 6FT (1.83M) FALL ARREST PLATFORM (600S HC3).....	604
FIGURE 5-35. SOFT TOUCH INSTALLATION - 8FT (2.4M) PLATFORM (OPTIONAL) .....	606
FIGURE 5-36. SOFT TOUCH INSTALLATION - 8FT (2.4M) FALL ARREST PLATFORM (600S HC3).....	608
FIGURE 5-37. FALL ARREST INSTALLATION (BOLT-ON EXTERNAL) (6FT/1.82M PLATFORM).....	610

# TABLE OF CONTENTS

FIGURE 5-38. FALL ARREST INSTALLATION (BOLT-ON EXTERNAL) (6FT/1.82M TRI-ENTRY PLATFORM) .....	612
FIGURE 5-39. FALL ARREST INSTALLATION (BOLT-ON EXTERNAL) (2.5FT/1.22M PLATFORM) .....	614
FIGURE 5-40. FALL ARREST INSTALLATION (BOLT-ON EXTERNAL) (2.5FT/1.52M PLATFORM) .....	616
FIGURE 5-41. FALL ARREST INSTALLATION (BOLT-ON EXTERNAL) (8FT/2.4M PLATFORM) .....	618
SECTION 6 - CYLINDER .....	621
FIGURE 6-1. AXLE LOCKOUT CYLINDER ASSEMBLY (MACHINES WITH SN STARTING WITH 03).....	622
FIGURE 6-2. AXLE LOCKOUT CYLINDER ASSEMBLY (MACHINES WITH SN STARTING WITH B3) .....	624
FIGURE 6-3. LEVEL CYLINDER ASSEMBLY - PLATFORM SLAVE (600S HC3) .....	626
FIGURE 6-4. LEVEL CYLINDER ASSEMBLY - PLATFORM SLAVE (660SJ HC3).....	628
FIGURE 6-5. LIFT CYLINDER ASSEMBLY BOOM (600S HC3) .....	630
FIGURE 6-6. LIFT CYLINDER ASSEMBLY BOOM (660SJ HC3).....	632
FIGURE 6-7. LIFT CYLINDER ASSEMBLY - JIB (660SJ HC3) .....	634
FIGURE 6-8. LIFT CYLINDER ASSEMBLY - JIB (660SJ HC3) .....	636
FIGURE 6-9. LIFT CYLINDER ASSEMBLY - JIB (660SJ HC3) .....	638
FIGURE 6-10. STEER CYLINDER ASSEMBLY.....	640
FIGURE 6-11. TELESCOPE CYLINDER ASSEMBLY .....	642
SECTION 7 - HYDRAULIC .....	645
FIGURE 7-1. DRIVE HYDRAULIC DIAGRAM (2WS WITHOUT ARCTIC PACKAGE) (600S HC3).....	646
FIGURE 7-2. DRIVE HYDRAULIC DIAGRAM (2WS WITHOUT ARCTIC PACKAGE) (660SJ HC3).....	650
FIGURE 7-3. DRIVE HYDRAULIC DIAGRAM (2WS WITH ARCTIC PACKAGE) (600S HC3) .....	654
FIGURE 7-4. DRIVE HYDRAULIC DIAGRAM (2WS WITH ARCTIC PACKAGE) (660SJ HC3) .....	658
FIGURE 7-5. STANDARD HYDRAULIC DIAGRAM (600S HC3) .....	662
FIGURE 7-6. STANDARD HYDRAULIC DIAGRAM (MACHINES WITH SN STARTING WITH 03) (660SJ HC3).....	668
FIGURE 7-7. STANDARD HYDRAULIC DIAGRAM (MACHINES WITH SN STARTING WITH B3) (660SJ HC3) .....	674
SECTION 8 - ELECTRICAL .....	681
FIGURE 8-1. ELECTRICAL LAYOUT.....	682
FIGURE 8-2. AC BOX AT PLATFORM INSTALLATION - 110V (ALL SPECS EXCEPT AUSTRALIAN, RUSSIA, CE & UK CA SPECS) .....	696
FIGURE 8-3. AC BOX AT PLATFORM INSTALLATION - 110V IEC YELLOW (RUSSIA, CE & UK CA SPECS WITHOUT 4000W/50HZ GENERATOR).....	698
FIGURE 8-4. AC BOX AT PLATFORM INSTALLATION - 110V IEC YELLOW (RUSSIA, CE & UK CA SPECS WITH 4000W/50HZ GENERATOR).....	700
FIGURE 8-5. AC BOX AT PLATFORM INSTALLATION - 220V IEC BLUE (RUSSIA, CE & UK CA SPECS WITHOUT 4000W/50HZ GENERATOR).....	702
FIGURE 8-6. AC BOX AT PLATFORM INSTALLATION - 220V IEC BLUE (RUSSIA, CE & UK CA SPECS WITH 4000W/50HZ GENERATOR).....	704
FIGURE 8-7. AC BOX AT PLATFORM INSTALLATION - 220V CEE7 2IN X 4IN POST GROUND (RUSSIA, CE & UK CA SPECS WITHOUT 4000W/50HZ GENERATOR) .....	706
FIGURE 8-8. AC BOX AT PLATFORM INSTALLATION - 220V CEE7 2IN X 4IN POST GROUND (RUSSIA, CE & UK CA SPECS WITH 4000W/50HZ GENERATOR).....	708
FIGURE 8-9. AC BOX AT PLATFORM INSTALLATION - 220V CEE7 2IN X 4IN SIDE GROUND (RUSSIA, CE & UK CA SPECS WITHOUT 4000W/50HZ GENERATOR) .....	710
FIGURE 8-10. AC BOX AT PLATFORM INSTALLATION - 220V CEE7 2IN X 4IN SIDE GROUND (RUSSIA, CE & UK CA SPECS WITH 4000W/50HZ GENERATOR).....	712
FIGURE 8-11. AC BOX AT PLATFORM INSTALLATION - 220V AFSINT107 (RUSSIA, CE & UK CA SPECS WITHOUT 4000W/50HZ GENERATOR).....	714

# TABLE OF CONTENTS

FIGURE 8-12. AC BOX AT PLATFORM INSTALLATION - 220V AFSINT107 (RUSSIA, CE & UK CA SPECS WITH 4000W/50HZ GENERATOR) .....	716
FIGURE 8-13. AC BOX AT PLATFORM INSTALLATION - 220V CUSTOMER SUPPLIED COMPONENTS (ANSI EXPORT, AUSTRALIAN, RUSSIA, CHINA, CE & UK CA SPECS).....	718
FIGURE 8-14. AC BOX AT PLATFORM INSTALLATION - 240V (WITH 4000W GENERATOR).....	720
FIGURE 8-15. AC BOX AT PLATFORM INSTALLATION - 240V (WITH 7500W SKYPOWER GENERATOR).....	722
FIGURE 8-16. AC BREAKER BOX INSTALLATION - SINGLE DOUBLE POLE BREAKER .....	724
FIGURE 8-17. AC BREAKER BOX INSTALLATION - 3 BREAKERS.....	726
FIGURE 8-18. AC CABLES AND CLAMPS INSTALLATION - WITHOUT GENERATOR (ANSI, CSA & JAPANESE SPECS) (600S HC3) .....	728
FIGURE 8-19. AC CABLES AND CLAMPS INSTALLATION - WITHOUT GENERATOR (ANSI EXPORT,CE, RUSSIA CIS, CHINA & UK CA SPECS) (600S HC3).....	730
FIGURE 8-20. AC CABLES AND CLAMPS INSTALLATION - WITH 2500W GENERATOR (ANSI, ANSI EXPORT, CHINA, CSA AND JAPANESE SPECS) (600S HC3).....	732
FIGURE 8-21. AC CABLES AND CLAMPS INSTALLATION - WITH 4000W/50HZ GENERATOR (ANSI EXPORT, CE, CHINA, RUSSIAN CIS & UK CA SPECS) (600S HC3).....	734
FIGURE 8-22. AC CABLES AND CLAMPS INSTALLATION - WITH 4000W/60HZ GENERATOR (ANSI, ANSI EXPORT, CSA AND JAPANESE SPECS) (600S HC3).....	736
FIGURE 8-23. AC CABLES AND CLAMPS INSTALLATION - WITH 7500W GENERATOR (ANSI, ANSI EXPORT, CHINA, CSA, RUSSIAN CIS AND JAPANESE SPECS) (600S HC3).....	738
FIGURE 8-24. AC CABLES AND CLAMPS INSTALLATION - WITHOUT GENERATOR (ANSI, CSA AND JAPANESE SPECS) (660SJ HC3) .....	740
FIGURE 8-25. AC CABLES AND CLAMPS INSTALLATION - WITHOUT GENERATOR (ANSI EXPORT, AUSTRALIAN, RUSSIA CIS, CHINA, CE & UK CA SPECS) (660SJ HC3).....	742
FIGURE 8-26. AC CABLES AND CLAMPS INSTALLATION - WITH 2500W GENERATOR (ANSI, ANSI EXPORT, CHINA, CSA AND JAPANESE SPECS) (660SJ HC3).....	744
FIGURE 8-27. AC CABLES AND CLAMPS INSTALLATION - WITH 4000W/50HZ GENERATOR (ANSI EXPORT, AUSTRALIAN, RUSSIA CIS, CHINA, CE & UK CA SPECS) (660SJ HC3).....	746
FIGURE 8-28. AC CABLES AND CLAMPS INSTALLATION - WITH 4000W/60HZ GENERATOR (ANSI, ANSI EXPORT, CSA AND JAPANESE SPECS) (660SJ HC3).....	748
FIGURE 8-29. AC CABLES AND CLAMPS INSTALLATION - WITH 7500W GENERATOR (ANSI, ANSI EXPORT, AUSTRALIAN, CHINA, CSA, RUSSIAN CIS, AND JAPANESE SPECS) (660SJ HC3).....	750
FIGURE 8-30. BATTERY DISCONNECT SWITCH INSTALLATION.....	752
FIGURE 8-31. BREAKER BOX KIT - SINGLE DOUBLE POLE BREAKER (WITHOUT 4000W/50HZ GENERATOR) .....	754
FIGURE 8-32. BREAKER BOX KIT - SINGLE DOUBLE POLE BREAKER (WITH 4000W/50HZ GENERATOR).....	756
FIGURE 8-33. BREAKER BOX KIT - 3 BREAKERS.....	758
FIGURE 8-34. BOOM ANGLE SENSOR HARNESS .....	760
FIGURE 8-35. BOOM CABLE - LOWER.....	762
FIGURE 8-36. BOOM CABLE - UPPER (600S HC3).....	764
FIGURE 8-37. BOOM CABLE - UPPER (660SJ HC3).....	766
FIGURE 8-38. CAPACITY PROXIMITY HARNESS (1000LBS).....	768
FIGURE 8-39. CAPACITY PROXIMITY HARNESS (750 LBS).....	770
FIGURE 8-40. ELECTRICAL COMPONENTS INSTALLATION (WITH GROUND CONTROL MODULE 1001187200) (ALL SPECS EXCEPT AUSTRALIAN, CE & UK CA (ULS) SPECS) (600S HC3).....	772
FIGURE 8-41. ELECTRICAL COMPONENTS INSTALLATION (WITH GROUND CONTROL MODULE 1001280340) (ALL SPECS EXCEPT AUSTRALIAN, CE & UK CA (ULS) SPECS) (600S HC3).....	774
FIGURE 8-42. ELECTRICAL COMPONENTS INSTALLATION (WITH GROUND CONTROL MODULE 1001187200) (CE & UK CA (ULS) SPECS) (600S HC3).....	776
FIGURE 8-43. ELECTRICAL COMPONENTS INSTALLATION (WITH GROUND CONTROL MODULE 1001280340) (CE & UK CA (ULS) SPECS) (600S HC3).....	778

# TABLE OF CONTENTS

FIGURE 8-44. ELECTRICAL COMPONENTS INSTALLATION (WITH GROUND CONTROL MODULE 1001187200) (ALL SPECS EXCEPT CE & UK CA (ULS) SPECS) (660SJ HC3).....	780
FIGURE 8-45. ELECTRICAL COMPONENTS INSTALLATION (WITH GROUND CONTROL MODULE 1001280340) (ALL SPECS EXCEPT CE & UK CA (ULS) SPECS) (660SJ HC3).....	782
FIGURE 8-46. ELECTRICAL COMPONENTS INSTALLATION (WITH GROUND CONTROL MODULE 1001187200) (CE & UK CA (ULS) SPECS) (660SJ HC3) .....	784
FIGURE 8-47. ELECTRICAL COMPONENTS INSTALLATION (WITH GROUND CONTROL MODULE 1001280340) (CE & UK CA (ULS) SPECS) (660SJ HC3) .....	786
FIGURE 8-48. ENGINE HARNESS - DEUTZ D2011 ENGINES .....	788
FIGURE 8-49. ENGINE HARNESS - DEUTZ TD2.2L3 ENGINES .....	790
FIGURE 8-50. ENGINE HARNESS - DEUTZ D2.9L4 - 49HP AND DEUTZ TD2.9L4 - 67HP ENGINES.....	794
FIGURE 8-51. ENGINE HARNESS - FORD ENGINES.....	798
FIGURE 8-52. FUEL FILTER HARNESS - DEUTZ TD2.2L3 (STAGE V) ENGINES .....	800
FIGURE 8-53. FUEL PUMP HARNESS - DEUTZ D2.9L4 - 49HP AND DEUTZ TD2.9L4 - 67HP ENGINES .....	802
FIGURE 8-54. GENERATOR HARNESS - 2500W.....	804
FIGURE 8-55. GENERATOR HARNESS - 4000W.....	806
FIGURE 8-56. GENERATOR HARNESS - 7500W SKYPOWER.....	808
FIGURE 8-57. GENERATOR TO ENGINE HARNESS - 7500W SKYPOWER GENERATOR (DEUTZ D2011 ONLY) .....	810
FIGURE 8-58. GROUND CONTROL HARNESS .....	812
FIGURE 8-59. LIFT CYLINDER HARNESS .....	814
FIGURE 8-60. PLATFORM BOX HARNESS.....	816
FIGURE 8-61. RECEPTACLE BOX KIT - 110V IEC YELLOW (RUSSIA, CE & UK CA SPECS).....	820
FIGURE 8-62. RECEPTACLE BOX KIT - 220V IEC BLUE (RUSSIA, CE & UK CA SPECS) .....	822
FIGURE 8-63. RECEPTACLE BOX KIT - 220V CEE7 POST GROUND 2X4 BOX (RUSSIA, CE & UK CA SPECS).....	824
FIGURE 8-64. RECEPTACLE BOX KIT - 220V CEE7 SIDE GROUND (RUSSIA, CE & UK CA SPECS) .....	826
FIGURE 8-65. RECEPTACLE BOX KIT - 220V AFSINT 107 (RUSSIA, CE & UK CA SPECS) .....	828
FIGURE 8-66. SKYEYE EMITTER HARNESS.....	830
FIGURE 8-67. SKYEYE INTERMEDIATE HARNESS.....	832
FIGURE 8-68. SKYEYE RECEIVER HARNESS .....	834
FIGURE 8-69. SKYGUARD INTERFACE HARNESS .....	836
FIGURE 8-70. SKYLINE HARNESS.....	838
FIGURE 8-71. STROBE LIGHT HARNESS (RED AND BLUE BEACON LIGHTS).....	840
FIGURE 8-72. TELE PROXIMITY HARNESS .....	842
FIGURE 8-73. TRANSPORT SWITCH HARNESS (660SJ HC3).....	844
FIGURE 8-74. TURNTABLE HARNESS .....	846
FIGURE 8-75. VALVE CABLE - PLATFORM VALVE.....	850
FIGURE 8-76. VALVE HARNESS - MAIN VALVE.....	852
FIGURE 8-77. VALVE HARNESS - PLATFORM VALVE (600S HC3) .....	854
FIGURE 8-78. VALVE HARNESS - PLATFORM VALVE (660SJ HC3) .....	856
FIGURE 8-79. WHITE NOISE ALARM HARNESS.....	858
SECTION 9 - DECALS.....	861
FIGURE 9-1. DECAL INSTALLATION (ANSI SPECS - ENGLISH LANGUAGE) .....	862
FIGURE 9-2. DECAL INSTALLATION (AUSTRALIAN SPECS - ENGLISH LANGUAGE) .....	864
FIGURE 9-3. DECAL INSTALLATION (BRAZIL SPECS - PORTUGUESE/SPANISH LANGUAGES).....	866
FIGURE 9-4. DECAL INSTALLATION (CE & UK CA SPECS - ENGLISH LANGUAGE) .....	868
FIGURE 9-5. DECAL INSTALLATION (CHINESE SPECS - ENGLISH/SIMPLIFIED CHINESE LANGUAGES) .....	870

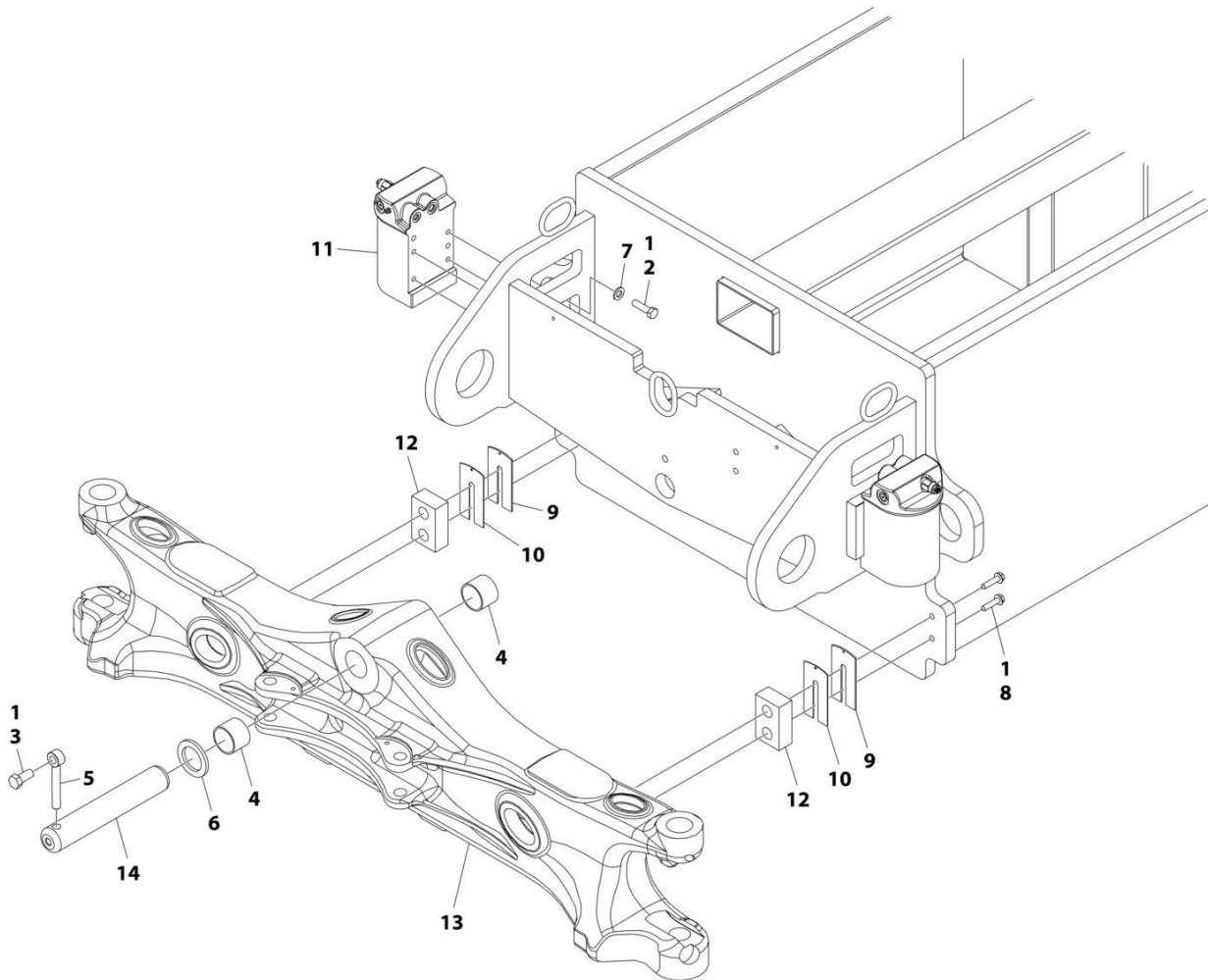
# TABLE OF CONTENTS

FIGURE 9-6. DECAL INSTALLATION (CHINESE SPECS - ENGLISH/TRADITIONAL CHINESE LANGUAGES) .....	872
FIGURE 9-7. DECAL INSTALLATION (CSA SPECS - ENGLISH/FRENCH LANGUAGES) .....	874
FIGURE 9-8. DECAL INSTALLATION (JAPANESE SPECS - ENGLISH/JAPANESE LANGUAGES) .....	876
FIGURE 9-9. DECAL INSTALLATION (KOREAN SPECS - ENGLISH/KOREAN LANGUAGES) .....	878
FIGURE 9-10. DECAL INSTALLATION - LATIN AMERICAN SPECS - ENGLISH/SPANISH LANGUAGES) .....	880
FIGURE 9-11. DECALS INSTALLATION - OPTIONS.....	882
FIGURE 9-12. DECAL INSTALLATION - SKYWELDER (50HZ) .....	886
FIGURE 9-13. DECAL INSTALLATION - SKYWELDER (60HZ) .....	888
FIGURE 9-14. DECAL INSTALLATION - TOW (ANSI SPECS).....	890
FIGURE 9-15. DECAL INSTALLATION - TOW (ANSI EXPORT, RUSSIA, CHINA, CE & UK CA SPECS).....	892
FIGURE 9-16. DECAL INSTALLATION - TOW (CSA SPECS).....	894
SECTION 10 - RECOMMENDED SERVICE PARTS STOCK .....	897
FIGURE 10-1. RECOMMENDED SERVICE PARTS STOCK.....	898
SECTION 11 - SPECIAL OPTIONS/ACCESSORIES/KITS .....	901
FIGURE 11-1. SPECIAL OPTIONS/ACCESSORIES/KITS.....	902
PART NUMBER INDEX.....	907

**SECTION 1 - FRAME**

# SECTION 1 - FRAME

FIGURE 1-1. AXLE INSTALLATION (MACHINES WITH SN STARTING WITH 03)



ART\_1001181774



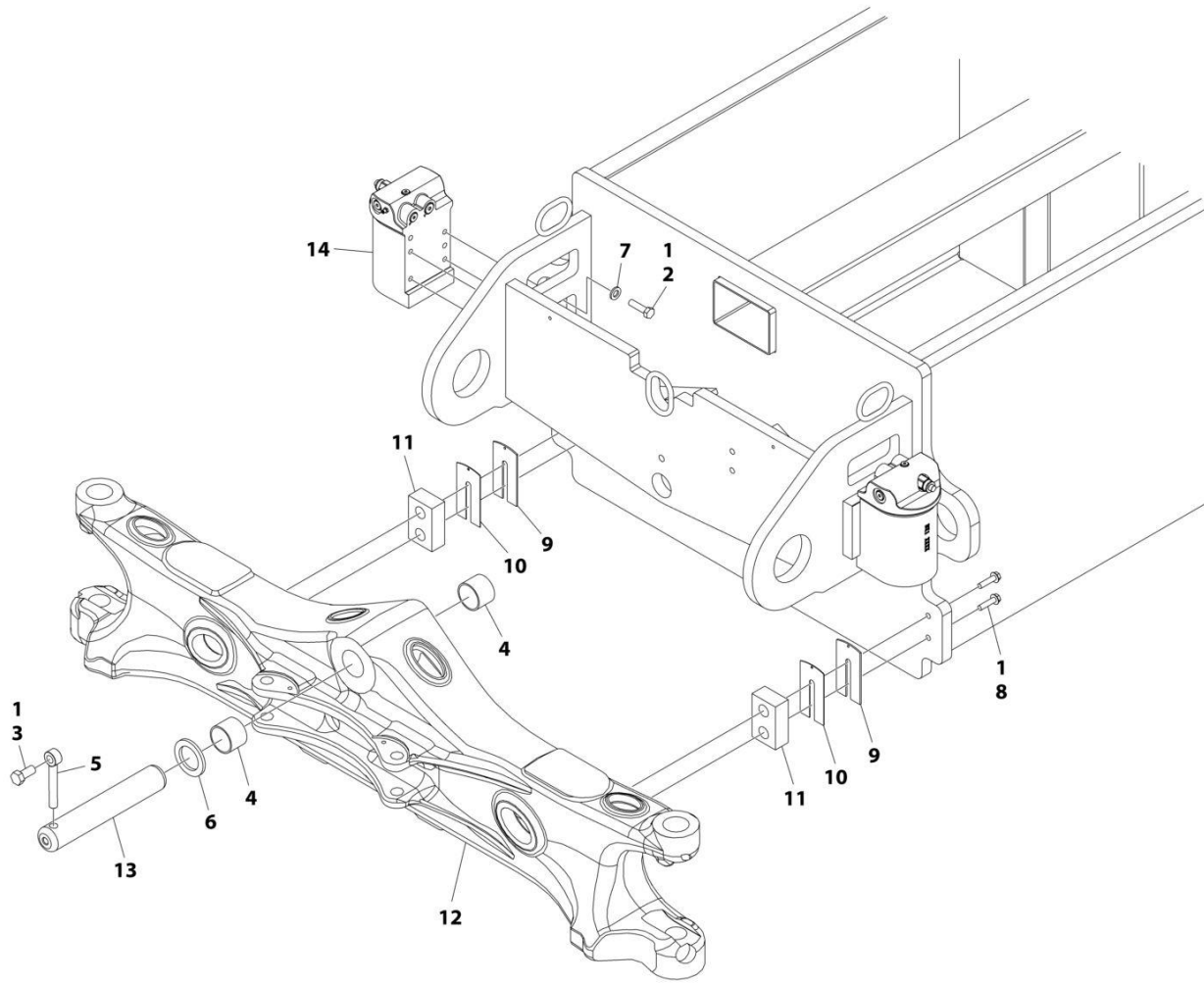
## SECTION 1 - FRAME

**FIGURE 1-1. AXLE INSTALLATION (MACHINES WITH SN STARTING WITH 03)**

ITEM	PART NUMBER	QTY	DESCRIPTION	REV
	1001181774	Ref	AXLE INSTALLATION	B
1	0100011	AR	Compound, Locking	
2	0701217	8	Bolt M12 x 45	
3	0761615	1	Bolt M16 x 35	
4	0961950	2	Bearing	
5	3841258	1	Keeper, Pin	
6	4740158	1	Washer	
7	5241200	8	Washer M12	
8	5251016	4	Bolt M10 x 40	
9	1001150324	2	Shim (3mm)	
10	1001150326	2	Shim (1.2mm)	
11	1001219040	2	Axle Lockout Cylinder (See Separate Breakdown in CYLINDER SECTION)	
12	1001166563	2	Pad, Wear	
13	1001184209	1	Axle	
14	1001185030	1	Pin	

# SECTION 1 - FRAME

## FIGURE 1-2. AXLE INSTALLATION (MACHINES WITH SN STARTING WITH B3)



ART\_1001265535

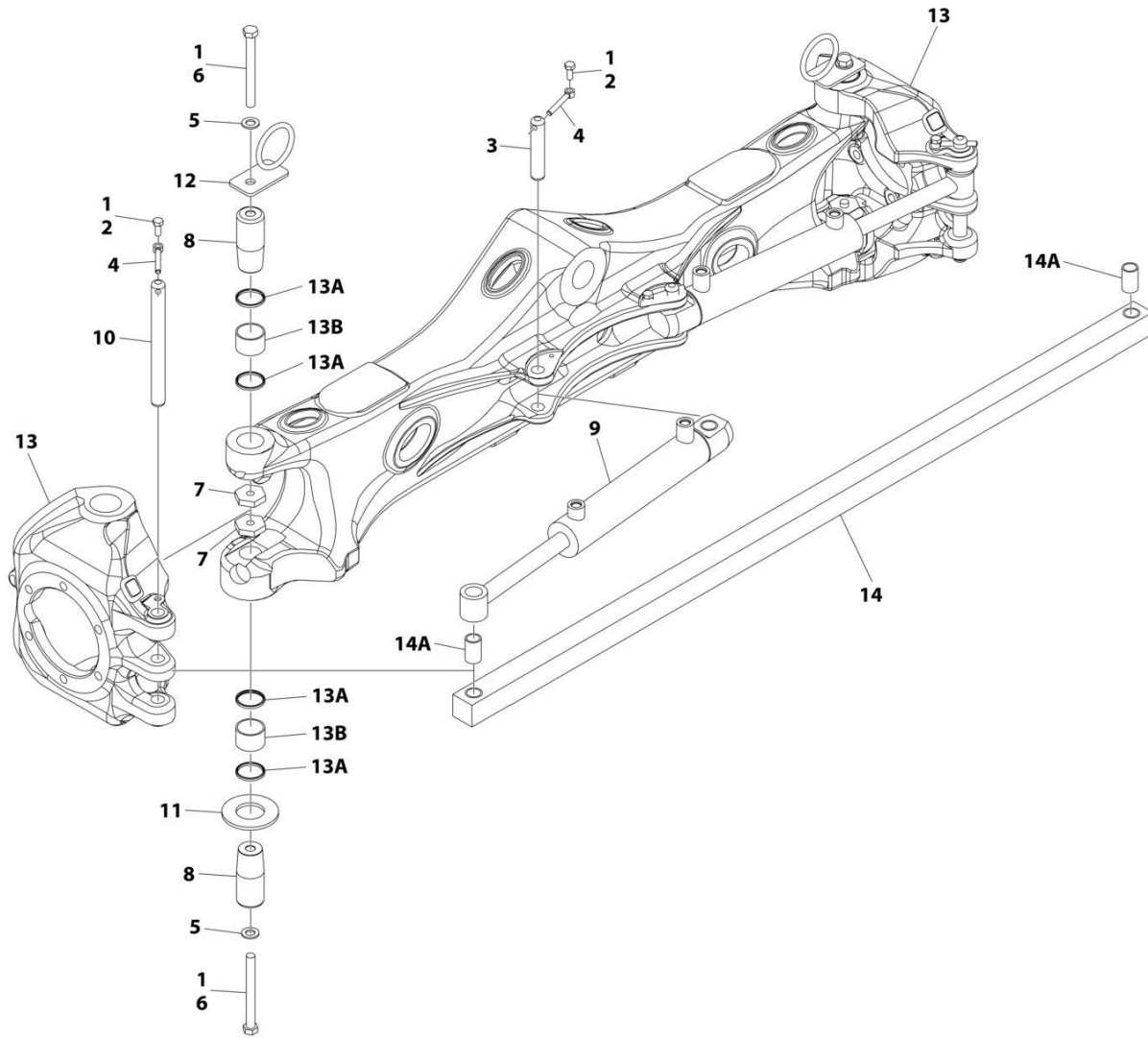
## SECTION 1 - FRAME

**FIGURE 1-2. AXLE INSTALLATION (MACHINES WITH SN STARTING WITH B3)**

ITEM	PART NUMBER	QTY	DESCRIPTION	REV
	1001265535	Ref	AXLE INSTALLATION	A
1	0100011	AR	Compound, Locking	
2	0701217	8	Bolt M12 x 45	
3	0761615	1	Bolt M16 x 35	
4	0961950	2	Bearing	
5	3841258	1	Keeper, Pin	
6	4740158	1	Washer	
7	5241200	8	Washer M12	
8	5251016	4	Bolt M10 x 40	
9	1001150324	AR	Shim (3mm)	
10	1001150326	AR	Shim (1.2mm)	
11	1001166563	2	Pad, Wear	
12	1001184209	1	Axle	
13	1001185030	1	Pin	
14	1001256180	2	Axle Lockout Cylinder (See Separate Breakdown in CYLINDER Section)	

# SECTION 1 - FRAME

## FIGURE 1-3. STEER INSTALLATION - WITHOUT TOW PACKAGE



ART\_1001250106\_D

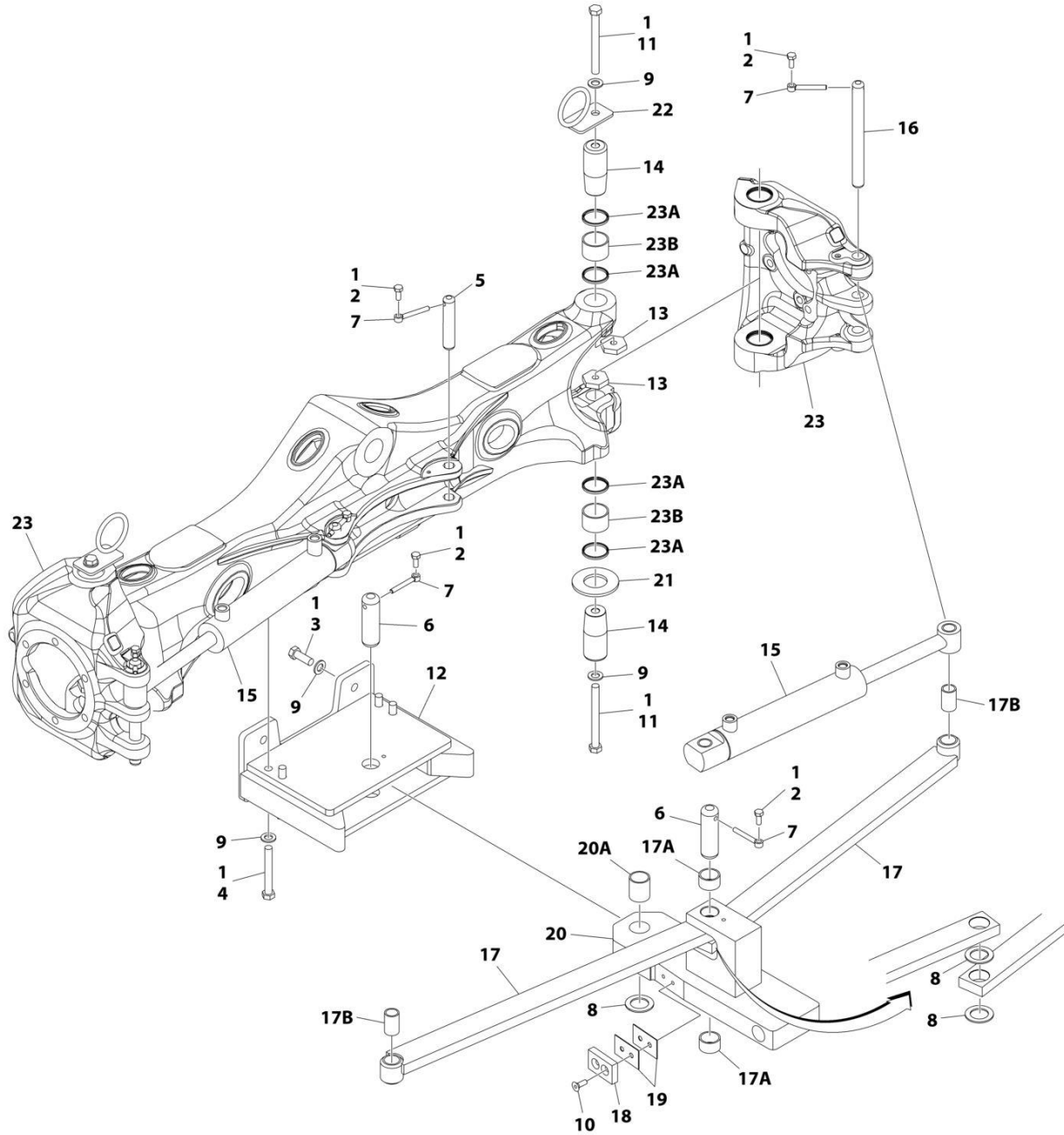
## SECTION 1 - FRAME

**FIGURE 1-3. STEER INSTALLATION - WITHOUT TOW PACKAGE**

ITEM	PART NUMBER	QTY	DESCRIPTION	REV
	1001250106	Ref	STEER INSTALLATION	D
1	0100011	AR	Compound, Locking	
2	0701012	4	Bolt M10 x 25	
3	3422351	2	Pin	
4	3841143	4	Keeper, Pin	
5	5241600	4	Washer M16	
6	1001096456	4	Bolt M16 x 160	
7	1001176848	4	Nut M16	
8	1001181790	4	Kingpin	
9	1001181792	2	Steer Cylinder Assembly (See Separate Breakdown in CYLINDER Section)	
10	1001182697	2	Pin	
11	1001190194	2	Bearing	
12	1001196390	2	Bracket	
13	1001263271	1	Knuckle	
13A	1001181791	8	Seal (4 Per Assembly)	
13B	1001182694	4	Bearing (2 Per Assembly)	
14	1001181793	1	Tie-Rod	
14A	1001182695	2	Bearing	

# SECTION 1 - FRAME

## FIGURE 1-4. STEER INSTALLATION - WITH TOW PACKAGE



ART\_1001250362\_D

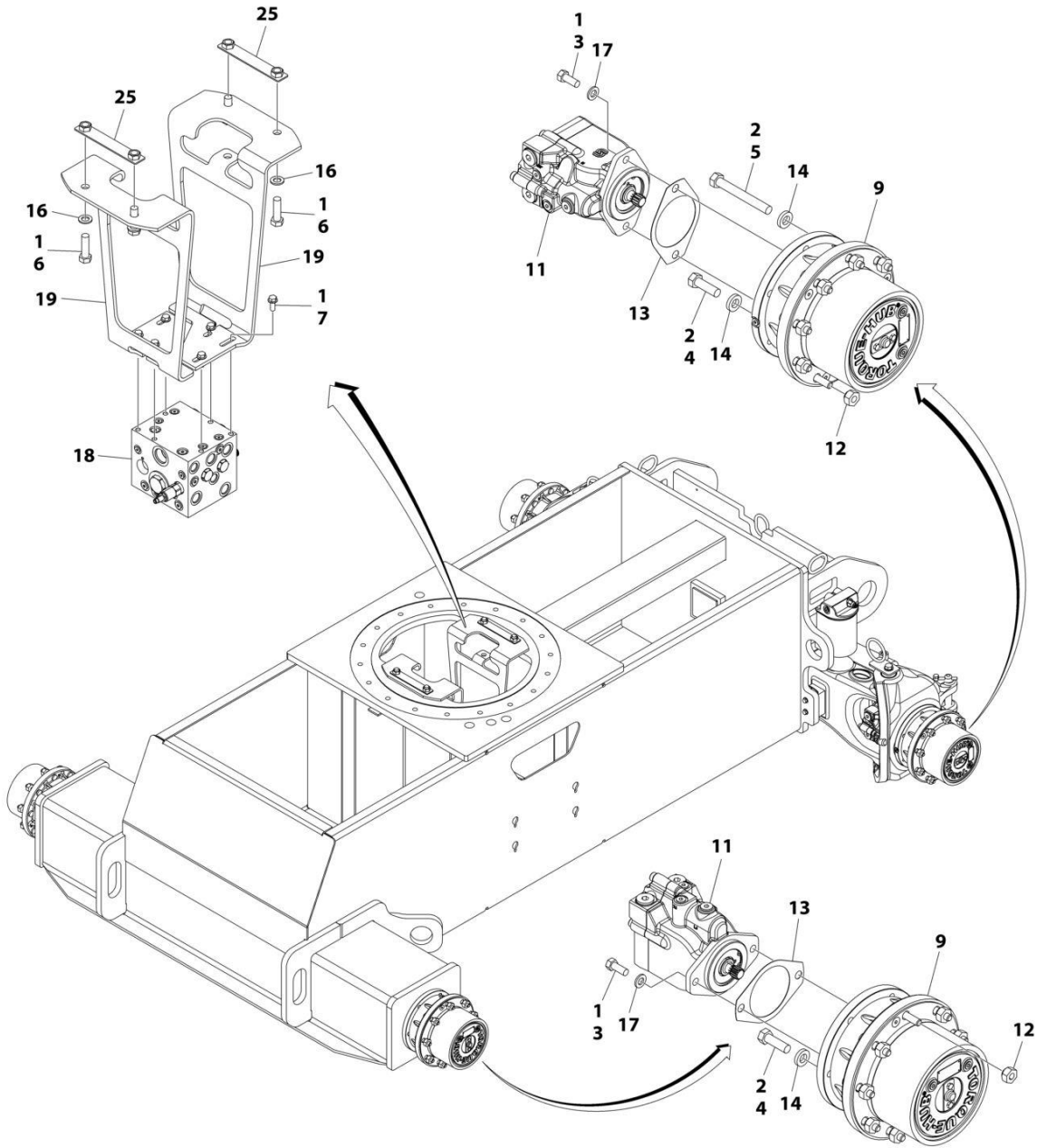
# SECTION 1 - FRAME

## FIGURE 1-4. STEER INSTALLATION - WITH TOW PACKAGE

ITEM	PART NUMBER	QTY	DESCRIPTION	REV
	1001250362	Ref	STEER INSTALLATION	D
1	0100011	AR	Compound, Locking	
2	0701012	6	Bolt M10 x 25	
3	0701617	2	Bolt M16 x 45	
4	0711629	4	Bolt M16 x 120	
5	3422351	2	Pin	
6	3422848	2	Pin	
7	3841143	6	Keeper, Pin	
8	4740155	3	Washer	
9	5241600	10	Washer M16	
10	8310614	4	Screw M10 x 30	
11	1001096456	4	Bolt M16 x 160	
12	1001163717	1	Bracket	
13	1001176848	4	Nut M16	
14	1001181790	4	Kingpin	
15	1001181792	2	Steer Cylinder Assembly (See Separate Breakdown in CYLINDER Section)	
16	1001182697	2	Pin	
17	1001184213	2	Link	
17A	0962181	2	Bushing 1-1/2in ID	
17B	1001182695	2	Bearing 1in ID	
18	1001185906	2	Block, Stop	
19	1001185907	4	Shim (1.5mm)	
20	1001188503	1	Link	
20A	0962348	1	Bearing	
21	1001190194	2	Bearing	
22	1001196390	2	Bracket	
23	1001263271	1	Knuckle	
23A	1001181791	8	Seal (4 Per Assembly)	
23B	1001182694	4	Bearing (2 Per Assembly)	

# SECTION 1 - FRAME

## FIGURE 1-5. WHEEL DRIVE INSTALLATION - 4WD/2WS (600S HC3)



ART\_1001186443\_J



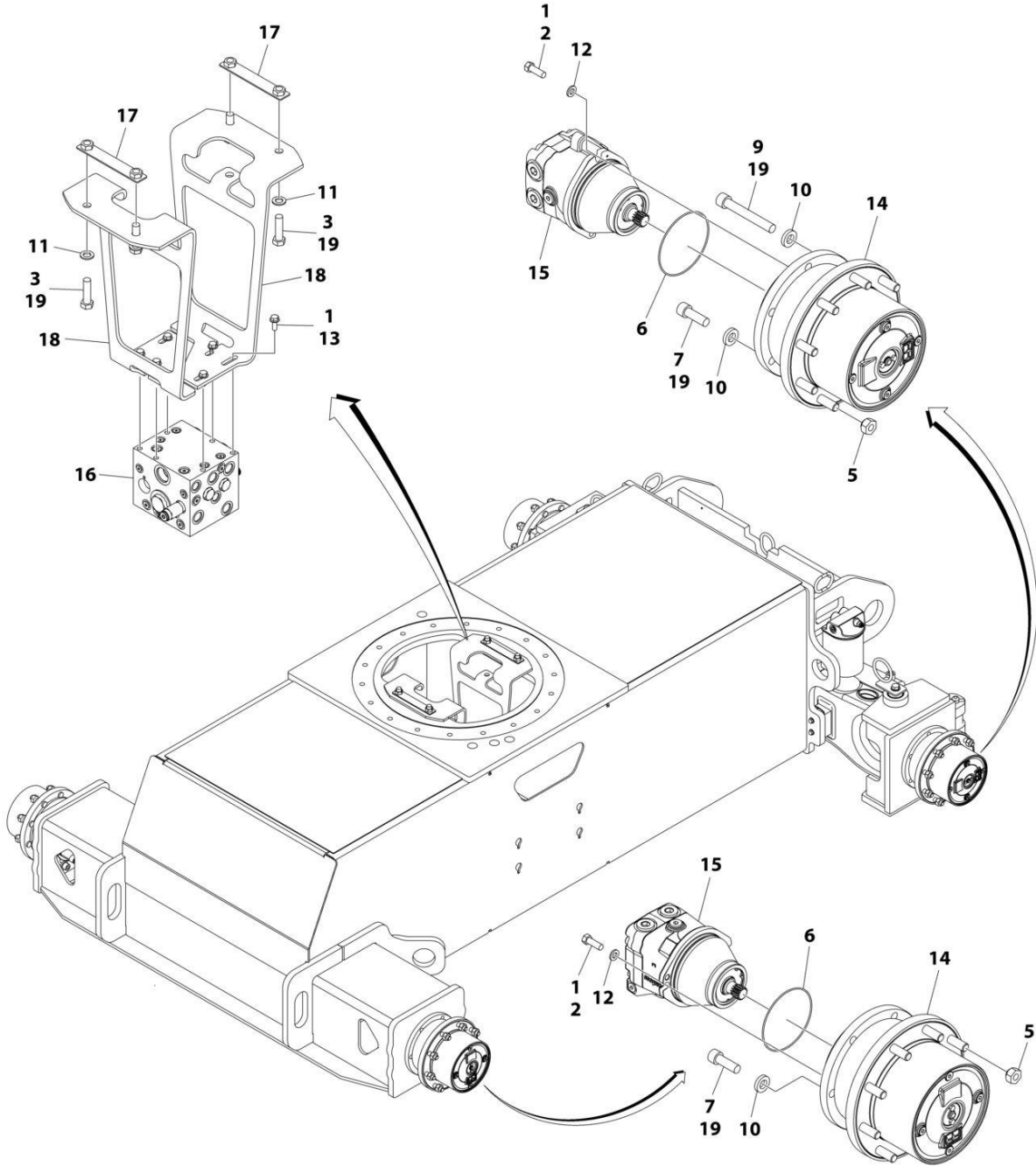
## SECTION 1 - FRAME

**FIGURE 1-5. WHEEL DRIVE INSTALLATION - 4WD/2WS (600S HC3)**

ITEM	PART NUMBER	QTY	DESCRIPTION	REV
	1001186443	Ref	WHEEL DRIVE INSTALLATION	J
1	0100011	AR	Compound, Locking	
2	0100019	AR	Compound, Locking	
3	0681810	8	Bolt 1/2 x 1-1/4 Grade 8	
4	0682016	20	Bolt 5/8 x 2 Grade 8	
5	0682040	4	Bolt 5/8 x 5 Grade 8	
5	0682036	4	Bolt 5/8 x 4 Grade 8	
6	0701619	4	Bolt M16 x 55	
7	5251012	6	Bolt M10 x 25	
9	2780269	4	Drive Hub Assembly (See Separate Breakdown in this Section)	
11	3160350	4	Drive Motor Assembly (See Separate Breakdown in this Section)	
12	3300106	36	Lugnut	
13	3960526	4	Gasket	
14	4740393	24	Washer	
16	4812300	4	Washer M16	
17	5241200	8	Washer M12	
18	1001187521	1	Traction Valve Assembly (See Separate Breakdown in this Section)	
19	1001232292	2	Bracket	
25	1001198631	2	Bracket	

# SECTION 1 - FRAME

## FIGURE 1-6. WHEEL DRIVE INSTALLATION - 4WD/2WS (660SJ HC3)



ART\_1001249985

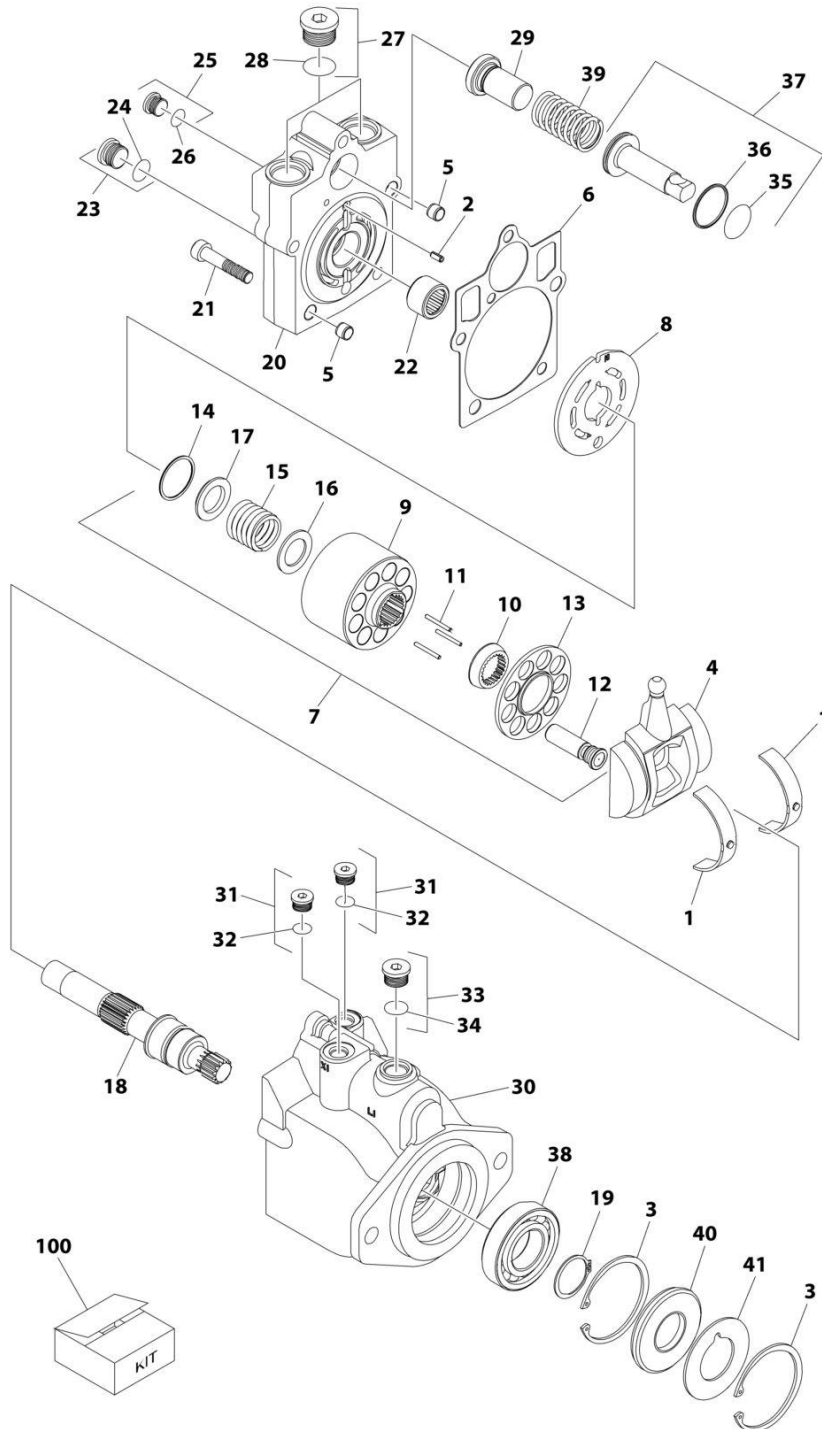
## SECTION 1 - FRAME

**FIGURE 1-6. WHEEL DRIVE INSTALLATION - 4WD/2WS (660SJ HC3)**

ITEM	PART NUMBER	QTY	DESCRIPTION	REV
	1001249985	Ref	WHEEL DRIVE INSTALLATION	E
1	0100011	AR	Compound, Locking	
2	0681710	8	Bolt 7/16 x 1-1/4	
3	0701620	4	Bolt M16 x 60	
5	3300106	36	Lugnut	
6	3790158	4	O-Ring	
7	3932030	20	Capscrew 5/8 x 1-7/8	
8	3932032	8	Capscrew 5/8 x 2	
9	3932072	4	Capscrew 5/8 x 4-1/2	
10	4740393	24	Washer	
11	4812300	4	Washer M16	
12	5241000	8	Washer	
13	5251012	6	Bolt M10 x 25	
14	1001113984	4	Drive Hub Assembly (See Separate Breakdown in this Section)	
15	1001135600	4	Drive Motor Assembly (See Separate Breakdown in this Section)	
16	1001187521	1	Traction Valve Assembly (See Separate Breakdown in this Section)	
17	1001198631	2	Bracket	
18	1001232292	2	Bracket	
19	0100019	AR	Compound, Locking	

# SECTION 1 - FRAME

## FIGURE 1-7. DRIVE MOTOR ASSEMBLY (600S HC3)



ART\_3160350

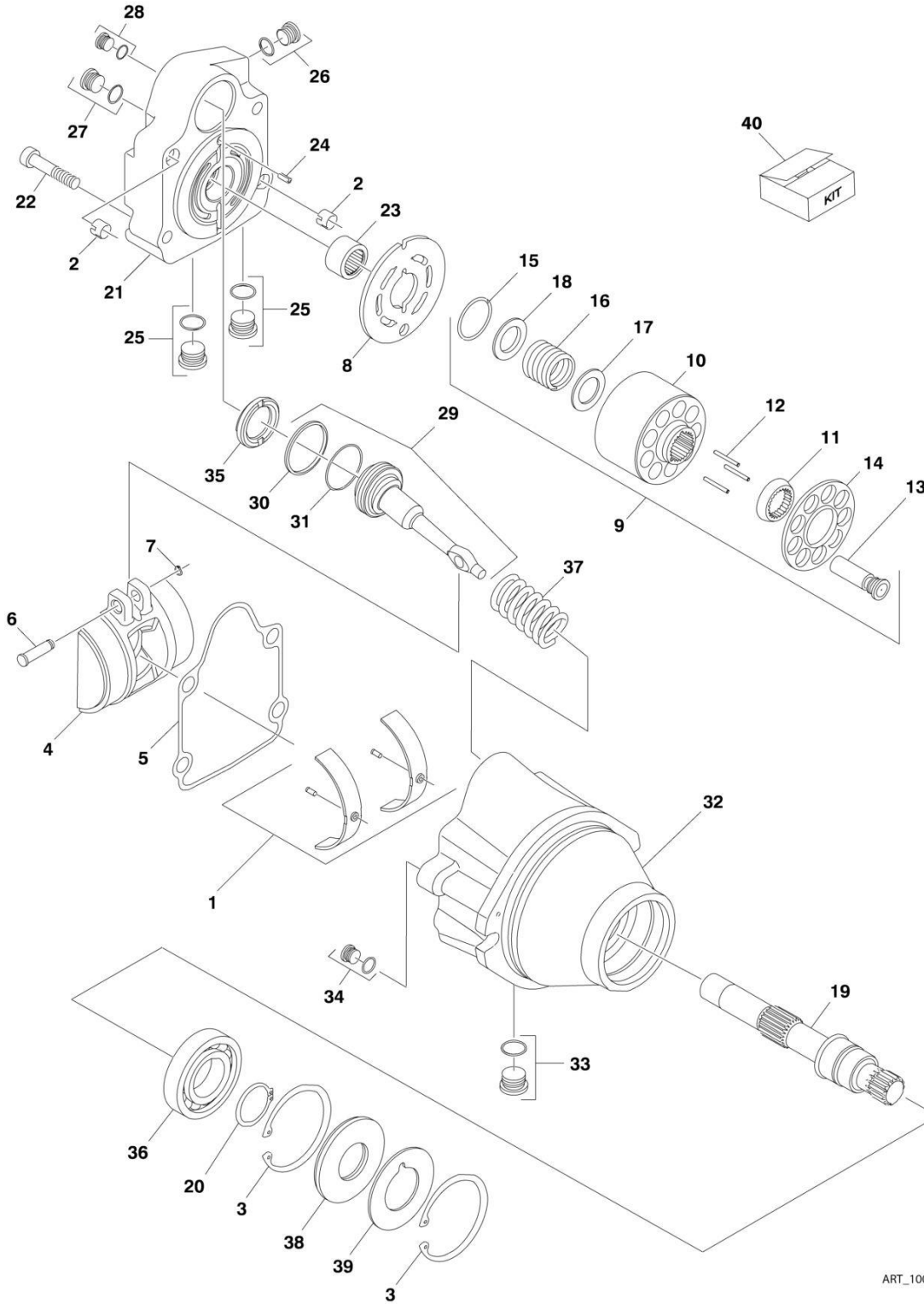
# SECTION 1 - FRAME

## FIGURE 1-7. DRIVE MOTOR ASSEMBLY (600S HC3)

ITEM	PART NUMBER	QTY	DESCRIPTION	REV
	3160350	Ref	DRIVE MOTOR ASSEMBLY	D
1	7022302	2	Bearing, Journal	
2	7007446	1	Pin	
3	7007438	2	Ring, Retaining	
4	70000794	1	Swash Plate	
5	See Note	NSS	Pin (Note: Not Available for Purchase)	
6	See Note	NSS	Gasket (Note: Use Item 42)	
7	7027740	1	Cylinder Block Kit (Includes Items 9-17)	
8	7024862	1	Plate, Valve	
9	See Note	NSS	Block, Cylinder	
10	See Note	NSS	Guide, Slipper Retainer	
11	7021275	3	Pin, Slipper Hold Down	
12	7024865	9	Piston Assembly	
13	See Note	NSS	Retainer, Slipper	
14	7022311	1	Ring, Retaining	
15	7024867	1	Spring	
16	7022313	1	Washer	
17	7022314	1	Retainer, Spring	
18	7023910	1	Shaft	
19	7007439	1	Ring, Retaining	
20	70000795	1	Cap, End - Axial	
21	7022368	5	Screw	
22	7021249	1	Bearing, Needle	
23	2220886	1	Plug (Includes Item 24)	
24	See Note	NSS	O-Ring (Note: Use Item 23 or 42)	
25	2220883	1	Plug (Includes Item 26)	
26	See Note	NSS	O-Ring (Note: Use Item 25 or 42)	
27	7027419	2	Plug (Includes Item 28)	
28	See Note	NSS	O-Ring (Note: Use Item 27 or 42)	
29	7022372	1	Seat, Spring	
30	See Note	NSS	Housing (Note: Not Available - Purchase Complete Assembly)	
31	2220883	2	Plug (Includes Item 32)	
32	See Note	NSS	O-Ring (Note: Use Item 31 or 42)	
33	2220886	1	Plug (Includes Item 34)	
34	See Note	NSS	O-Ring (Note: Use Item 33 or 42)	
35	See Note	NSS	O-Ring (Note: Use Item 42)	
36	See Note	NSS	Ring, Seal (Note: Use Item 42)	
37	7024871	1	Piston, Servo	
38	7007437	1	Bearing	
39	7022326	1	Spring	
40	See Note	NSS	Seal, Lip (Note: Use Item 42)	
41	7022371	1	Washer, Support	
100	7022328	1	Seal Kit (Includes Items 6, 24, 26, 28, 32, 34, 35, 36 & 40)	

# SECTION 1 - FRAME

## FIGURE 1-8. DRIVE MOTOR ASSEMBLY (660SJ HC3)



ART\_1001135600

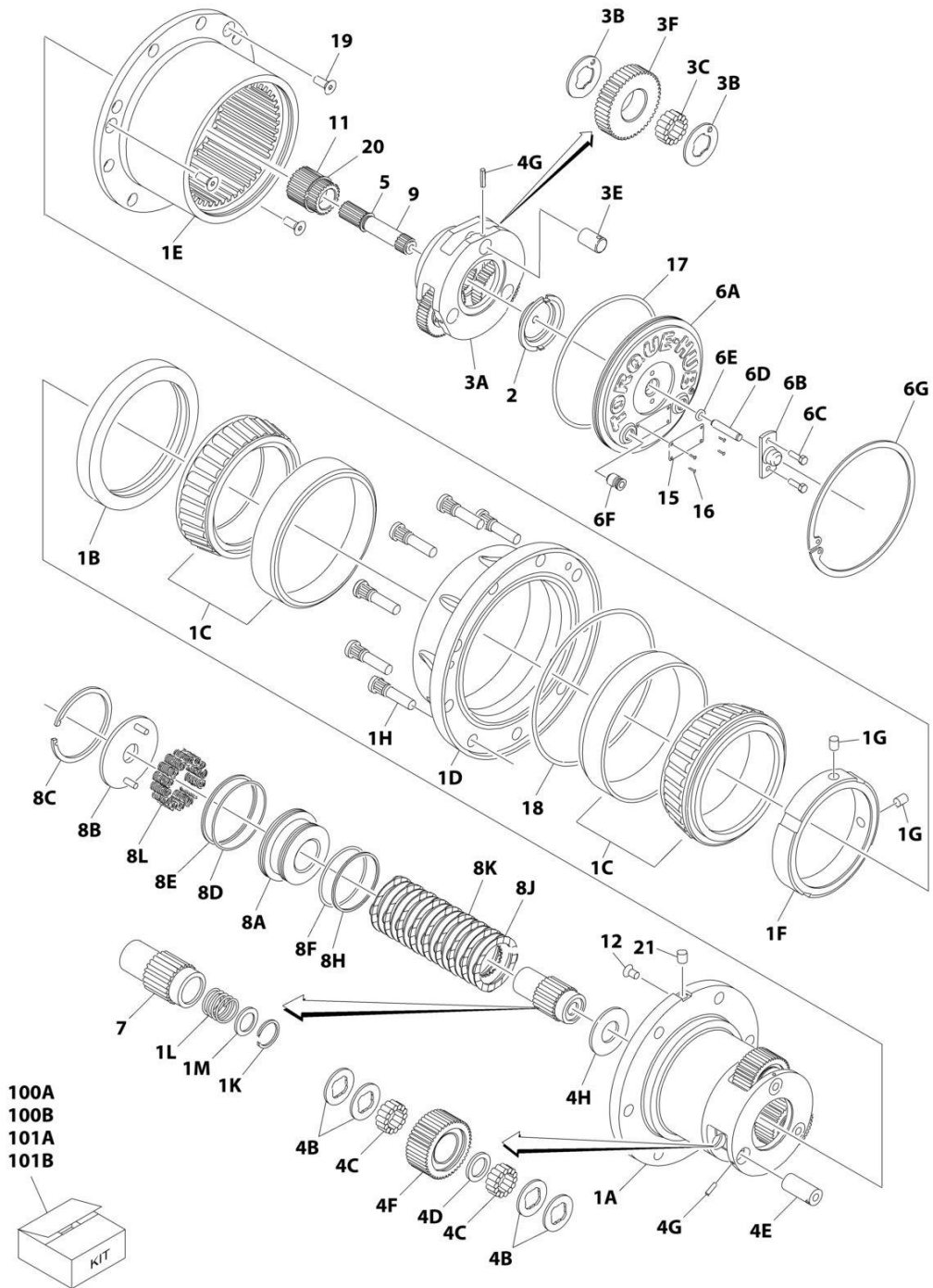
# SECTION 1 - FRAME

## FIGURE 1-8. DRIVE MOTOR ASSEMBLY (660SJ HC3)

ITEM	PART NUMBER	QTY	DESCRIPTION	REV
	1001135600	Ref	DRIVE MOTOR ASSEMBLY	C
1	70000852	1	Swash Plate Bearing Kit	
2	70003628	2	Pin	
3	70007438	2	Ring, Retaining	
4	70000853	1	Swash Plate	
5	See Note	NSS	Gasket (Note: Use Item 40)	
6	70004201	1	Pin	
7	70004202	1	Ring, Retaining	
8	70000854	1	Plate, Valve	
9	7027740	1	Cylinder Block Kit (Includes Items 10-18)	
10	7027740	1	Block, Cylinder	
11	70000854	1	Guide, Slipper Retainer	
12	7021275	3	Pin, Slipper Hold Down	
13	70004203	9	Piston Assembly	
14	70000857	1	Retainer, Slipper	
15	7022311	1	Ring, Retaining	
16	7024867	1	Spring	
17	7024868	1	Washer	
18	7022314	1	Retainer, Spring	
19	70000858	1	Shaft	
20	7007439	1	Ring, Retaining	
21	70004204	1	Cap, End - Axial	
22	7022368	4	Capscrew	
23	7021249	1	Bearing, Needle	
24	7007446	1	Pin	
25	7007419	2	Plug with O-Ring	
25	See Note	NSS	O-Ring (Note: Not Sold Separately - Purchase Item 25 or 40)	
26	7007420	1	Plug with O-Ring	
26	70000862	1	O-Ring (Note: Not Sold Separately - Purchase Item 26 or 40)	
27	7022321	1	Plug with O-Ring	
27	70000862	1	O-Ring (Note: Not Sold Separately - Purchase Item 27 or 40)	
28	7007420	1	Plug with O-Ring	
28	70000862	1	O-Ring (Note: Not Sold Separately - Purchase Item 28 or 40)	
29	70004205	1	Servo - 4WD	
30	See Note	NSS	Ring, Piston (Note: Not Sold Separately - Purchase Item 29 or 40)	
31	See Note	NSS	O-Ring (Note: Not Sold Separately - Purchase Item 29 or 40)	
32	See Note	NSS	Housing (Note: Not Available - Purchase Complete Motor)	
33	7022321	1	Plug with O-Ring	
33	70000862	1	O-Ring (Note: Not Sold Separately - Purchase Item 33 or 40)	
34	70002133	1	Plug with O-Ring	
34	70000862	1	O-Ring (Note: Not Sold Separately - Purchase Item 34 or 40)	
35	70004205	1	Stop (4WD Motor Only)	
36	70002176	1	Bearing	
37	70000861	1	Spring	
38	See Note	NSS	Seal, Lip (Note: Use Item 40)	
39	7022371	1	Washer, Support	
40	70000862	1	Seal Kit (Includes Items 5, 30, 31, 38 and Plug O-Rings)	

# SECTION 1 - FRAME

## FIGURE 1-9. DRIVE HUB ASSEMBLY (600S HC3)



ART\_2780269



# SECTION 1 - FRAME

## FIGURE 1-9. DRIVE HUB ASSEMBLY (600S HC3)

ITEM	PART NUMBER	QTY	DESCRIPTION	REV
	2780269	Ref	DRIVE HUB/BRAKE ASSEMBLY	E
1	See Note	NSS	Spindle/Housing Assembly (Note: Not Available - Purchase Individual Components)	
1A	7024729	1	Spindle	
1B	70001119	1	Seal, Lip	
1C	7024735	2	Bearing (Includes Cup and Cone)	
1D	2780269	1	Housing (Note: Not Available for Purchase)	
1E	7024730	1	Ring, Gear	
1F	7024744	1	Nut, Bearing	
1G	See Note	NSS	Setscrew 1/4 x 1/2 (Note: Use Item 26A, 26B, 27A or 27B)	
1H	7024732	9	Stud, Wheel	
1K	7024125	1	Ring, Retaining	
1L	7024124	1	Spring	
1M	7024129	1	Thrustwasher	
2	7024741	1	Thrustwasher	
3	See Note	NSS	Carrier Assembly (Note: Not Available - Purchase Individual Components)	
3A	7024725	1	Carrier	
3B	7024127	6	Thrustwasher	
3C	7024733	42	Bearing, Needle	
3E	7024724	3	Shaft, Planet	
3F	7024727	3	Gear, Planet	
4	See Note	NSS	Planet Gear Sub-Assembly (Note: Not Available - Purchase Individual Components)	
4B	7024740	12	Thrustwasher	
4C	7024734	84	Bearing, Needle	
4D	7024736	3	Spacer, Thrust	
4E	7024726	3	Shaft, Planet	
4F	7024728	3	Gear, Planet	
4G	7001913	6	Roll Pin	
4H	7024742	1	Thrustwasher	
5	7017027	1	Ring, Retaining	
6	See Note	NSS	Cover Assembly (Note: Not Available - Purchase Individual Components)	
6A	7024731	1	Plate, Cover	
6B	7017093	1	Cap, Disengage	
6C	7000216	2	Bolt 1/2in-20NC x 1/2in	
6D	7024739	1	Pin, Dowel	
6E	7017095	1	O-Ring	
6F	7017072	2	Plug, Pipe	
6G	7024738	1	Ring, Retaining	
7	7024722	1	Coupling	
8	See Note	NSS	Brake, Input (Note: Not Available - Purchase Individual Components)	
8A	70000782	1	Piston, Brake	
8B	7024743	1	Plate, Pressure	
8C	See Note	NSS	Ring, Retaining (Note: Use Item 26B, 27A or 27B)	
8D	See Note	NSS	O-Ring (Note: Use Item 26B or 27A)	
8E	See Note	NSS	Ring, Back-up (Note: Use Item 26B or 27A)	
8F	See Note	NSS	O-Ring (Note: Use Item 26B or 27A)	
8H	See Note	NSS	Ring, Back-up (Note: Use Item 26B or 27A)	

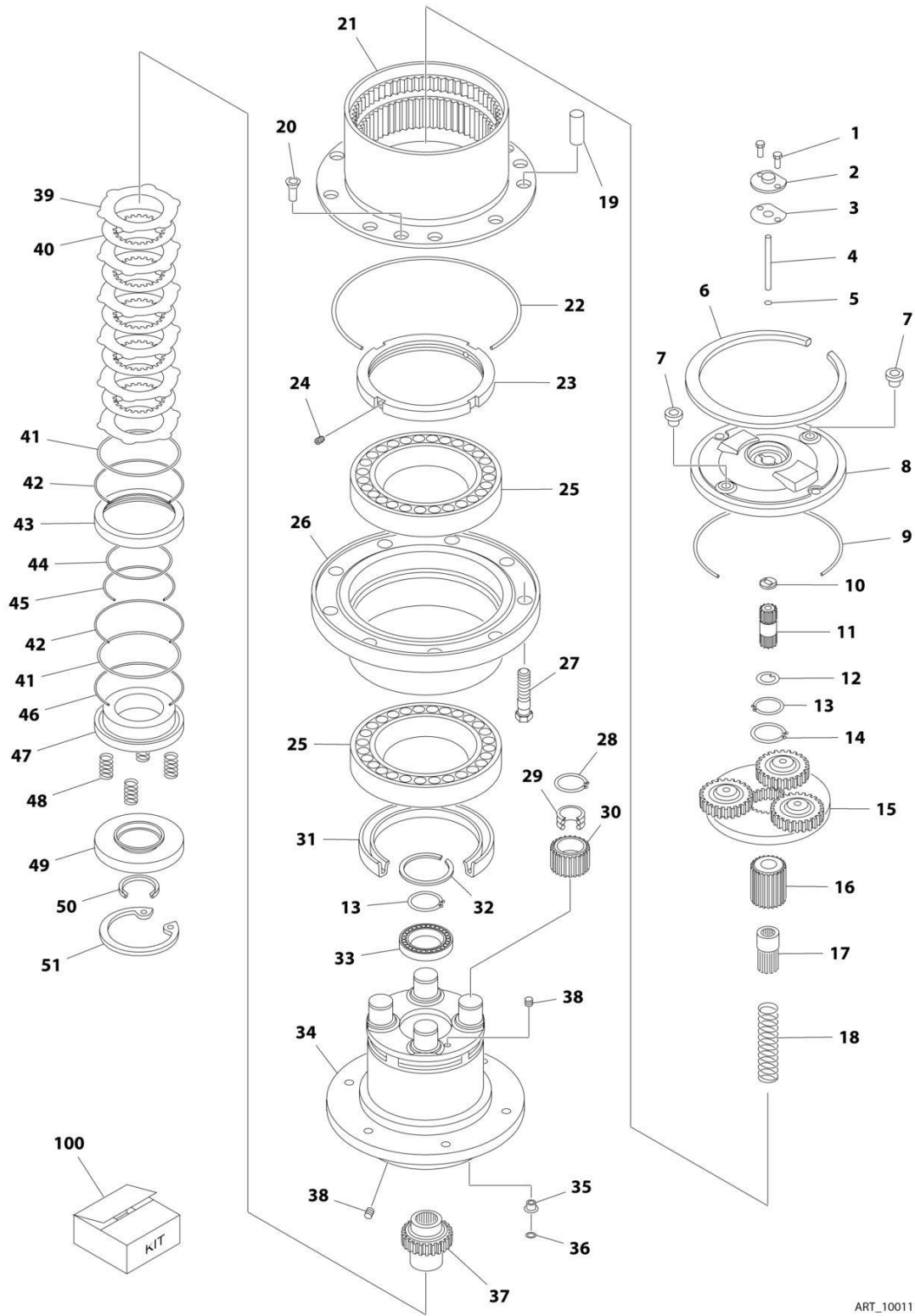
## SECTION 1 - FRAME

ITEM	PART NUMBER	QTY	DESCRIPTION	REV
8J	See Note	NSS	Rotor, Brake (Note: Use Item 27A)	
8K	See Note	NSS	Stator, Brake (Note: Use Item 27A)	
8L	See Note	NSS	Spring, Brake (Note: Use Item 27B)	
9	7024721	1	Shaft, Input	
11	7024723	1	Gear, Sun	
12	See Note	NSS	Plug (Note: Not Available for Purchase)	
15	See Note	NSS	Plate, ID (Not Shown) (Note: Not Available for Purchase)	
16	7000281	4	Screw, Drive	
17	7024134	1	O-Ring	
18	See Note	NSS	O-Ring (Note: Use Item 26A)	
19	7017022	3	Screw, Countersunk 3/8in-16NC	
20	7024737	1	Ring, Retaining	
21	See Note	NSS	Plug (Note: Not Available - Purchase Locally)	
26		Ref	Seal Kit Options:	
26A	7024744	1	Hub Seal Kit (Includes Items 1B, 1F, 1G, 17, 18 & 19)	
26B	7024765	1	Brake Seal Kit (Includes Items 1G, 8C, 8D, 8E, 8F & 8H)	
27		Ref	Repair Kit Options:	
27A	7024764	1	Brake Lining Kit (Includes Items 1G, 8C, 8D, 8E, 8F, 8H, 8J & 8K)	
27B	7024766	1	Brake Spring Kit (Includes Items 1G, 8C & 8L)	



# SECTION 1 - FRAME

## FIGURE 1-10. DRIVE HUB ASSEMBLY (660SJ HC3)



ART\_1001113984

# SECTION 1 - FRAME

## FIGURE 1-10. DRIVE HUB ASSEMBLY (660SJ HC3)

ITEM	PART NUMBER	QTY	DESCRIPTION	REV
	1001113984	Ref	DRIVE HUB ASSEMBLY	E
1	70004353	2	Screw	
2	70005298	1	Cover, Disengagement	
3	70002201	1	Gasket	
4	70002059	1	Pin, Disengagement	
5	See Note	NSS	O-Ring (Note: Use Item 100)	
6	70005299	1	Ring	
7	70002057	4	Plug	
8	70005300	1	Cover	
9	See Note	NSS	O-Ring (Note: Use Item 100)	
10	70002054	1	Shim	
11	70005301	1	Pinion	
12	70005302	1	Shim	
13	70004355	2	Ring, Outer Retention	
14	70004356	1	Ring, Inner Retention	
15	70005303	1	Reduction Gear Assembly	
16	70005304	1	Pinion	
17	70005305	1	Coupling, Disengagement Half	
18	70005306	1	Spring, Disengagement	
19	70005307	9	Plug	
20	70004361	3	Screw	
21	70005308	1	Ring, Planetary	
22	See Note	NSS	O-Ring (Note: Use Item 100)	
23	70005309	1	Nut, Ring	
24	70004363	2	Screw	
25	70005311	2	Bearing	
26	70004365	1	Support, Hub	
27	70005312	9	Column	
28	70004367	4	Ring, Outer Retention	
29	70005313	4	Bearing	
30	70004369	4	Wheel, Planet	
31	See Note	NSS	Seal, Oil (Note: Use Item 100)	
32	70004370	1	Ring	
33	70004371	1	Bearing	
34	70005314	1	Axle, Stub	
35	70005315	1	Plug	
36	See Note	NSS	O-Ring (Note: Use Item 100)	
37	70005316	1	Shaft, Input	
38	70004447	2	Plug	
39	70002027	6	Disc, Steel	
40	70002026	5	Disc, Sintered	
41	See Note	NSS	Seal (Note: Use Item 100)	
42	See Note	NSS	O-Ring (Note: Use Item 100)	
43	70005317	1	Spacer	
44	See Note	NSS	Seal (Note: Use Item 100)	
45	See Note	NSS	O-Ring (Note: Use Item 100)	
46	See Note	NSS	O-Ring (Note: Use Item 100)	
47	70005318	1	Piston	
48	70002020	6	Spring, Brake	
49	70005319	1	Spacer	

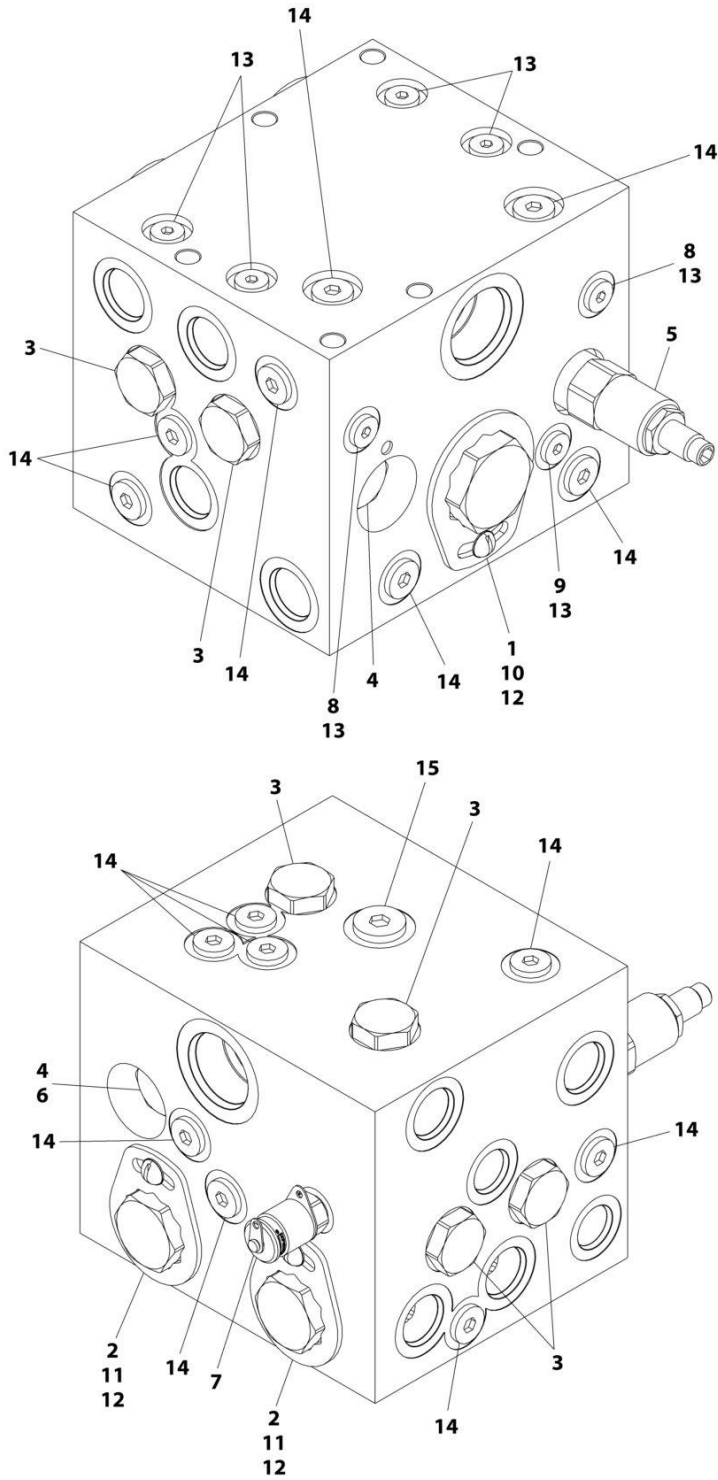
## SECTION 1 - FRAME

ITEM	PART NUMBER	QTY	DESCRIPTION	REV
50	See Note	NSS	Seal, Oil (Note: Use Item 100)	
51	70005320	1	Ring, Inner Retention	
100	70005321	1	Seal Kit (Includes Items 5, 9, 22, 31, 36, 41, 42, 44, 45, 46 & 50)	



# SECTION 1 - FRAME

## FIGURE 1-11. TRACTION VALVE ASSEMBLY



ART\_1001187521



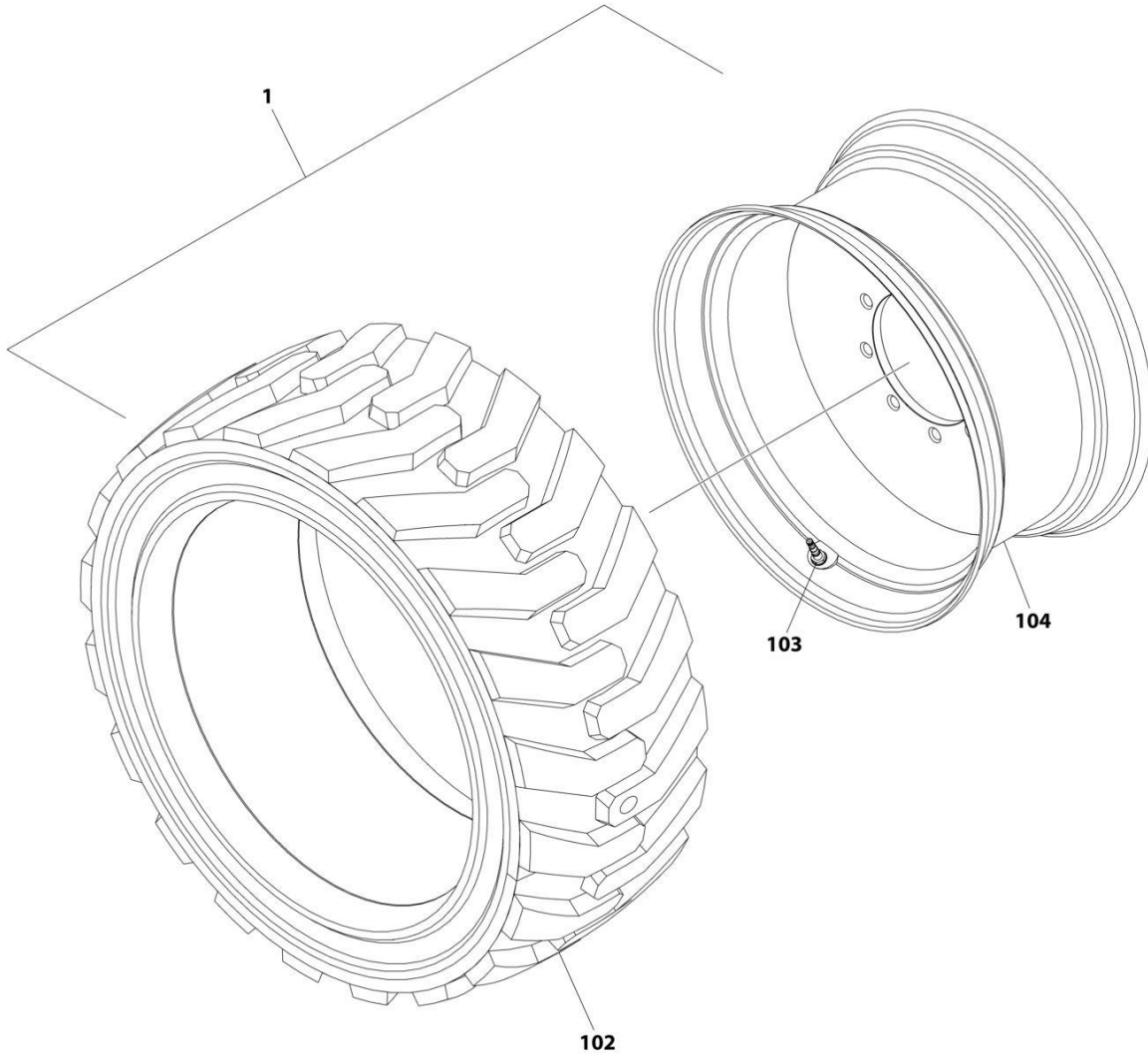
## SECTION 1 - FRAME

### FIGURE 1-11. TRACTION VALVE ASSEMBLY

ITEM	PART NUMBER	QTY	DESCRIPTION	REV
	1001187521	Ref	TRACTION VALVE ASSEMBLY	H
1	70005668	1	Valve, Flow Divider	
1	7021625	1	Seal Kit - 70005668 Valve	
2	70005669	2	Valve, Flow Divider	
2	70004577	2	Seal Kit - 70005669 Valve	
3	70026444	6	Valve, Check	
3	7022399	6	Seal Kit - 7022397 Valve	
4	70002390	2	Valve, Check	
4	7022399	2	Seal Kit - 70002390 Valve	
5	70007507	1	Valve, Relief	
5	7012998	1	Seal Kit - 70007507 Valve	
6	7024881	1	Piston	
7	2221086	1	Fitting, Test	
8	70003975	2	Orifice	
9	70002209	1	Orifice	
10	70000781	1	Lock Down Kit	
11	70002962	2	Lock Down Kit	
12	70004888	3	Screw	
13	2220883	7	Plug	
14	2220885	15	Plug	
15	2220886	1	Plug	

# SECTION 1 - FRAME

FIGURE 1-12. TIRE & WHEEL INSTALLATION - IN355-55 D625 FOAM FILLED (AVAILABLE ON ALL SPECS)



ART\_1001185596

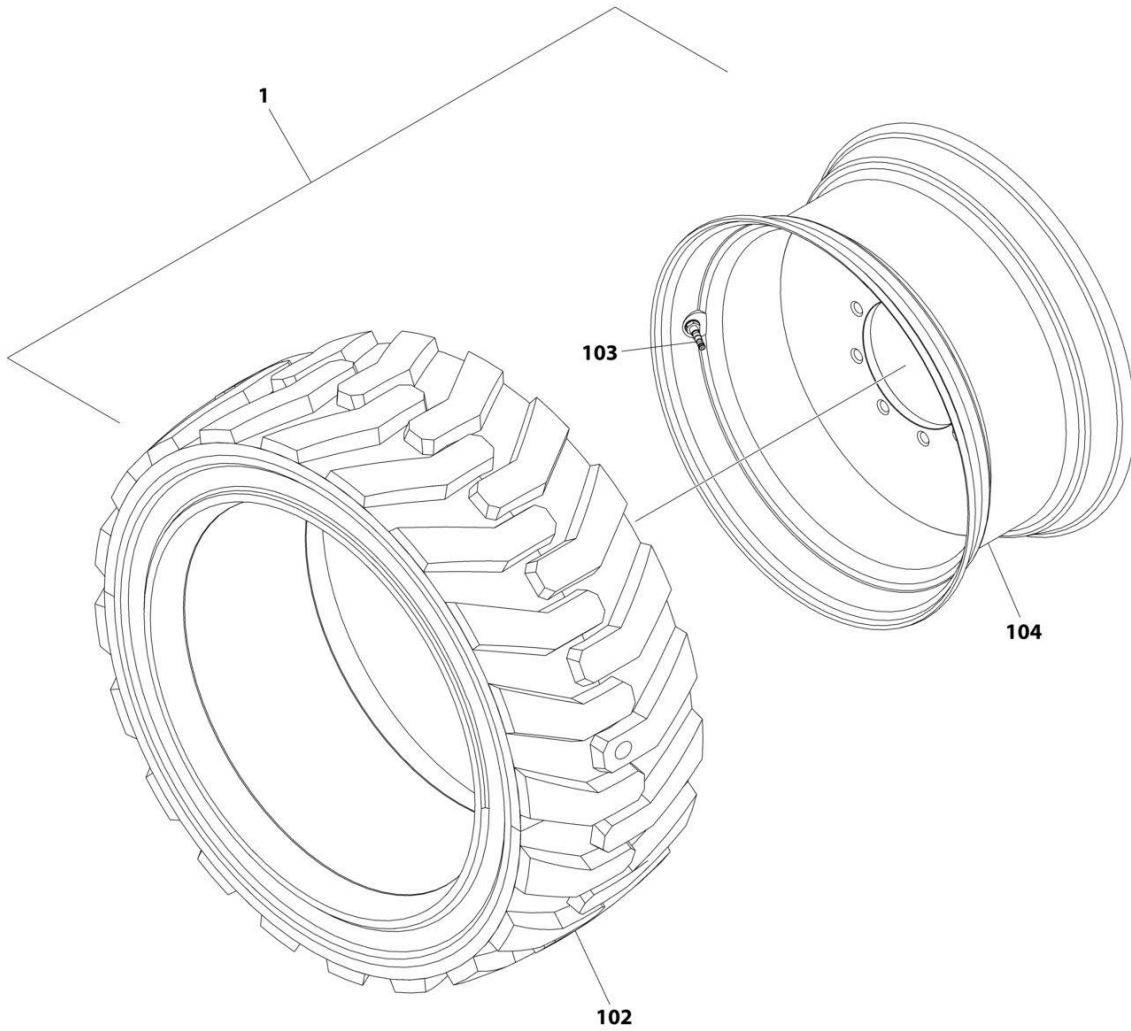
## SECTION 1 - FRAME

**FIGURE 1-12. TIRE & WHEEL INSTALLATION - IN355-55 D625 FOAM FILLED (AVAILABLE ON ALL SPECS)**

ITEM	PART NUMBER	QTY	DESCRIPTION	REV
	1001185596	Ref	TIRE & WHEEL INSTALLATION	A
		Ref	Note: Assemblies may require ballast/foam filling to manufacturer's specifications prior to installing on a machine. Refer to Operation and Safety or Service and Maintenance Manuals.	
		Ref	Note: Purchase individual tire and/or rim only if able to foam fill tire and wheel assembly, otherwise, purchase complete assembly.	
1	1001181795	Ref	Tire and Wheel Assembly (LH Side)	D
1	1001181796	Ref	Tire and Wheel Assembly (RH Side)	D
102	4520288	4	Tire - IN355-55 D625	
103	4641122	4	Valve	
104	1001181797	4	Rim, Wheel	

# SECTION 1 - FRAME

FIGURE 1-13. TIRE & WHEEL INSTALLATION - IN355-55 D625 FOAM FILLED NON-MARKING  
(AVAILABLE ON ALL SPECS)



ART\_1001185597

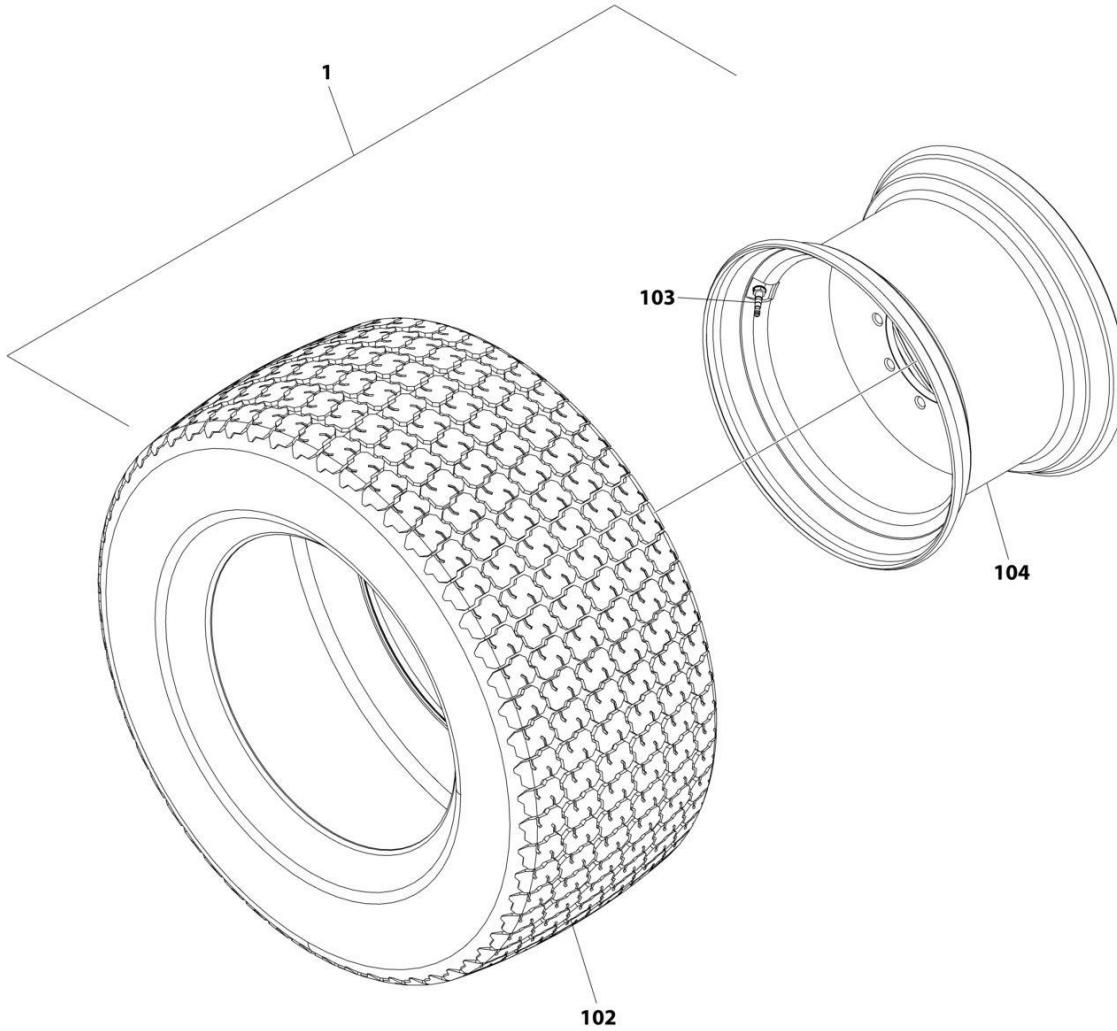
**SECTION 1 - FRAME**

**FIGURE 1-13. TIRE & WHEEL INSTALLATION - IN355-55 D625 FOAM FILLED NON-MARKING  
(AVAILABLE ON ALL SPECS)**

ITEM	PART NUMBER	QTY	DESCRIPTION	REV
	1001185597	Ref	TIRE & WHEEL INSTALLATION	A
		Ref	Note: Assemblies may require ballast/foam filling to manufacturer's specifications prior to installing on a machine. Refer to Operation and Safety or Service and Maintenance Manuals.	
		Ref	Note: Purchase individual tire and/or rim only if able to foam fill tire and wheel assembly, otherwise, purchase complete assembly.	
1	1001184727	Ref	Tire and Wheel Assembly (RH Side)	E
1	1001184728	1	Tire and Wheel Assembly (LH Side)	E
102	1001184881	4	Tire - IN355-55 D625	
103	4641122	4	Valve	
104	1001181797	4	Rim, Wheel	

# SECTION 1 - FRAME

**FIGURE 1-14. TIRE & WHEEL INSTALLATION - 41-18LL X 22.5 FOAM FILLED TURF & SAND  
(AVAILABLE ON ALL SPECS EXCEPT AUSTRALIAN, RUSSIA, CE & UK CA SPECS)**



ART\_1001216195

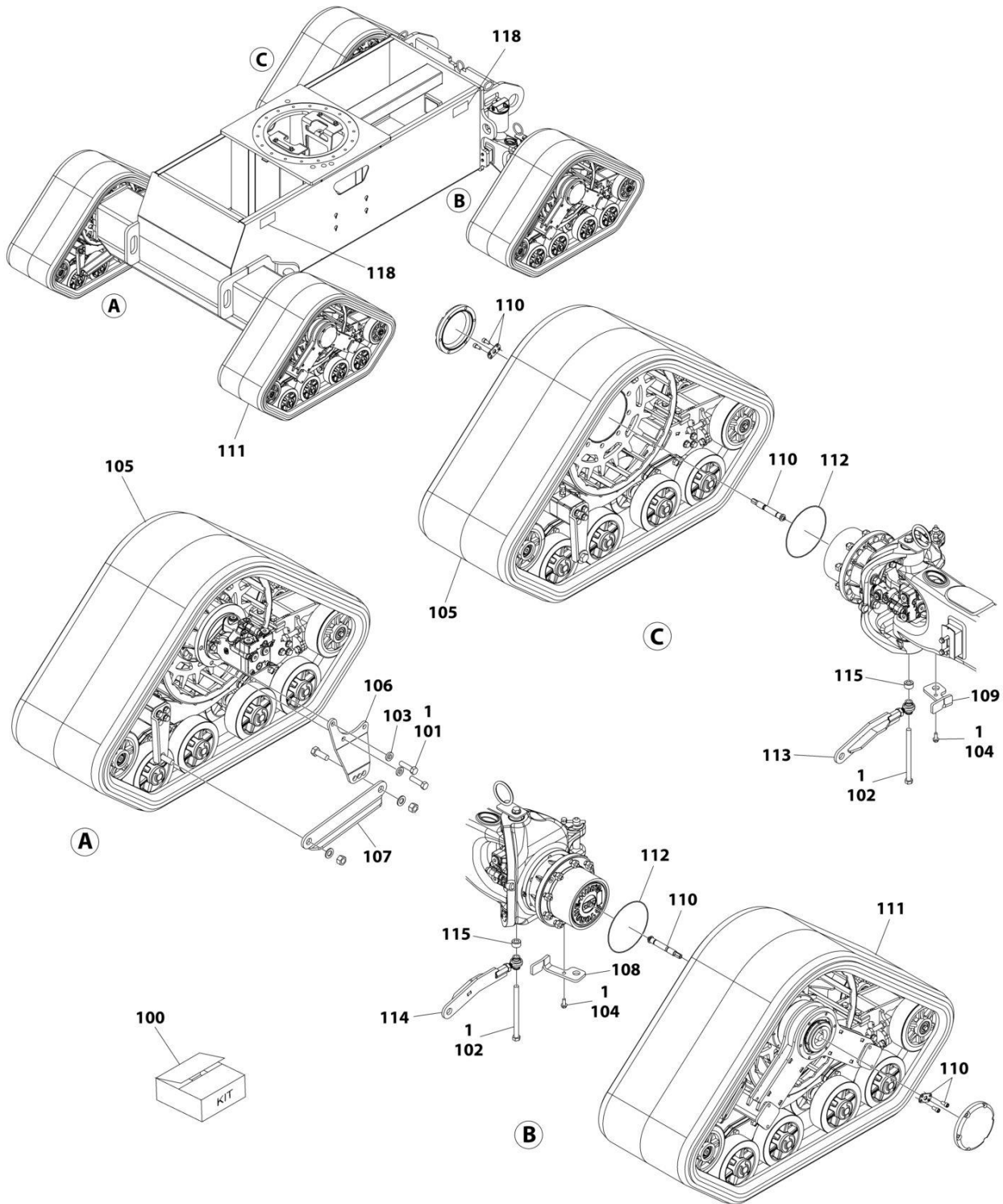
## SECTION 1 - FRAME

**FIGURE 1-14. TIRE & WHEEL INSTALLATION - 41-18LL X 22.5 FOAM FILLED TURF & SAND  
(AVAILABLE ON ALL SPECS EXCEPT AUSTRALIAN, RUSSIA, CE & UK CA SPECS)**

ITEM	PART NUMBER	QTY	DESCRIPTION	REV
	1001216195	Ref	TIRE & WHEEL INSTALLATION	A
		Ref	Note: Not Available on Shipyard Machines.	
		Ref	Note: Turf/Sand Tires Required Additional Chassis Counterweight. See SPECIAL OPTIONS SECTION Before Installing this Option.	
		Ref	Note: Assemblies may require ballast/foam filling to manufacturer's specifications prior to installing on a machine. Refer to Operation and Safety or Service and Maintenance Manuals.	
		Ref	Note: Purchase individual tire and/or rim only if able to foam fill tire and wheel assembly, otherwise, purchase complete assembly.	
1	1001216196	Ref	Tire and Wheel Assembly - Turf and Sand	C
102	4520256	4	Tire - 41-18LL x 22.5	
103	4641122	4	Valve	
104	1001208017	4	Rim, Wheel	

# SECTION 1 - FRAME

## FIGURE 1-15. MATTRACKS INSTALLATION



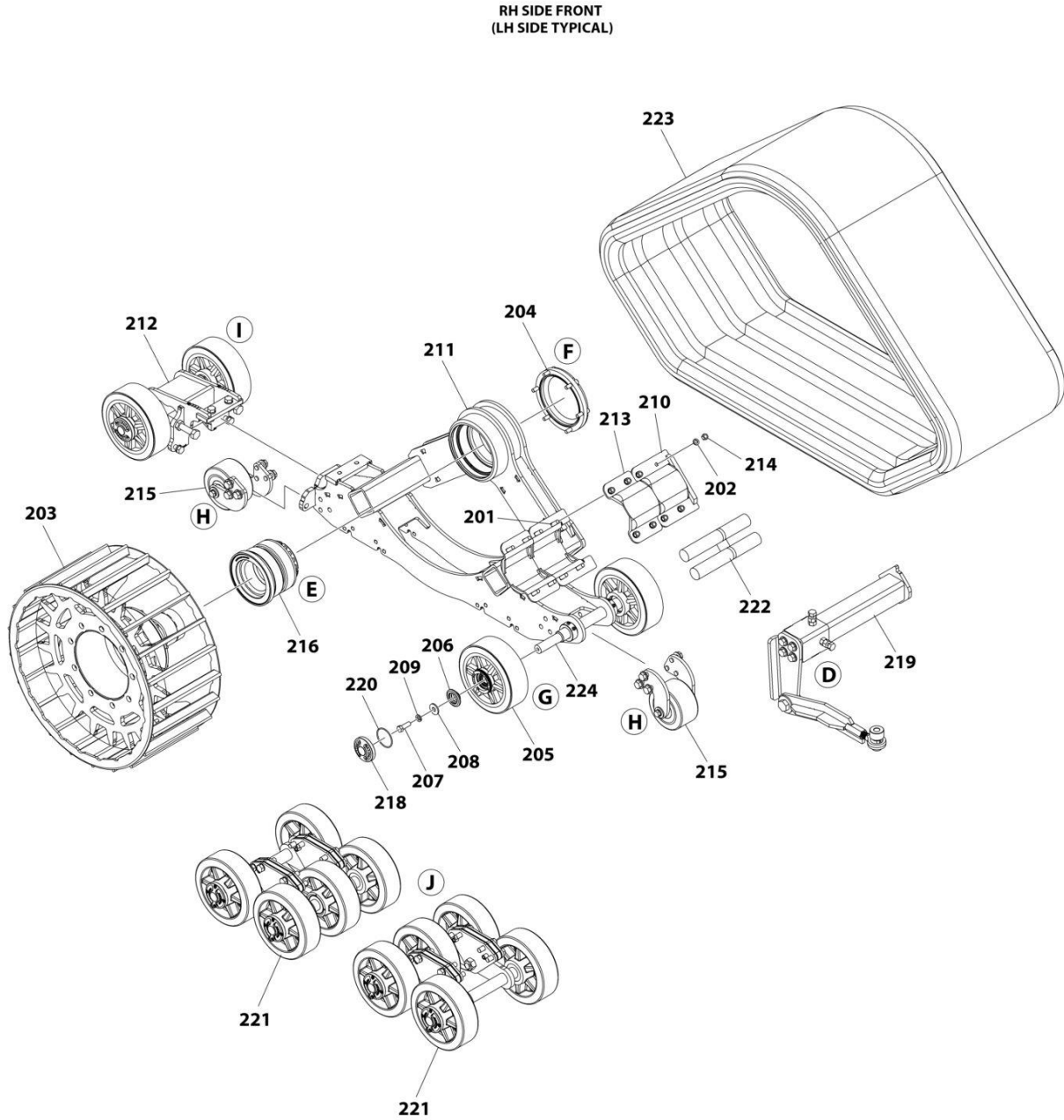
ART\_1001243431\_C\_10F4





# SECTION 1 - FRAME

## FIGURE 1-16. MATTRACKS INSTALLATION

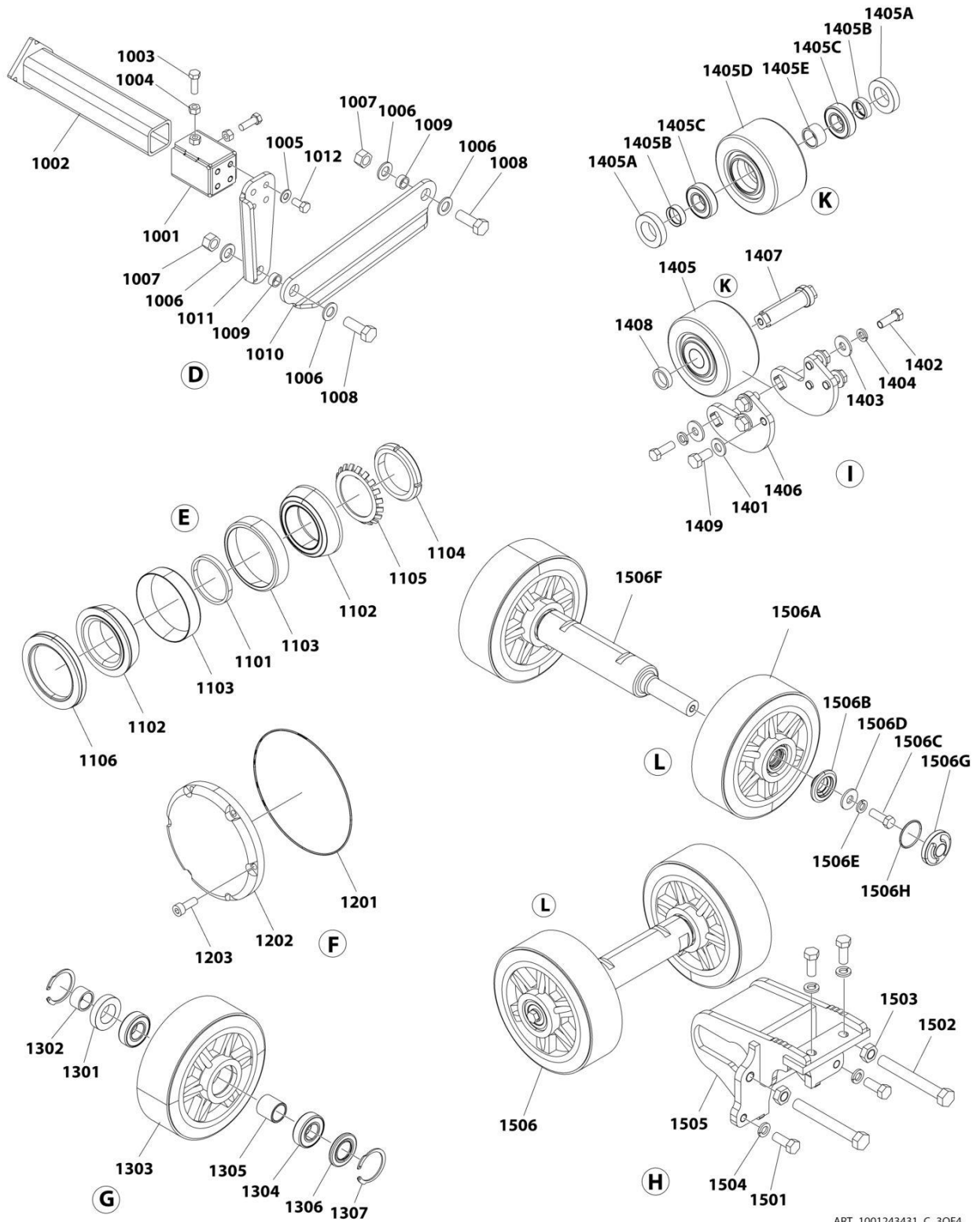


ART\_1001243431\_C\_20F4



# SECTION 1 - FRAME

## FIGURE 1-17. MATTRACKS INSTALLATION

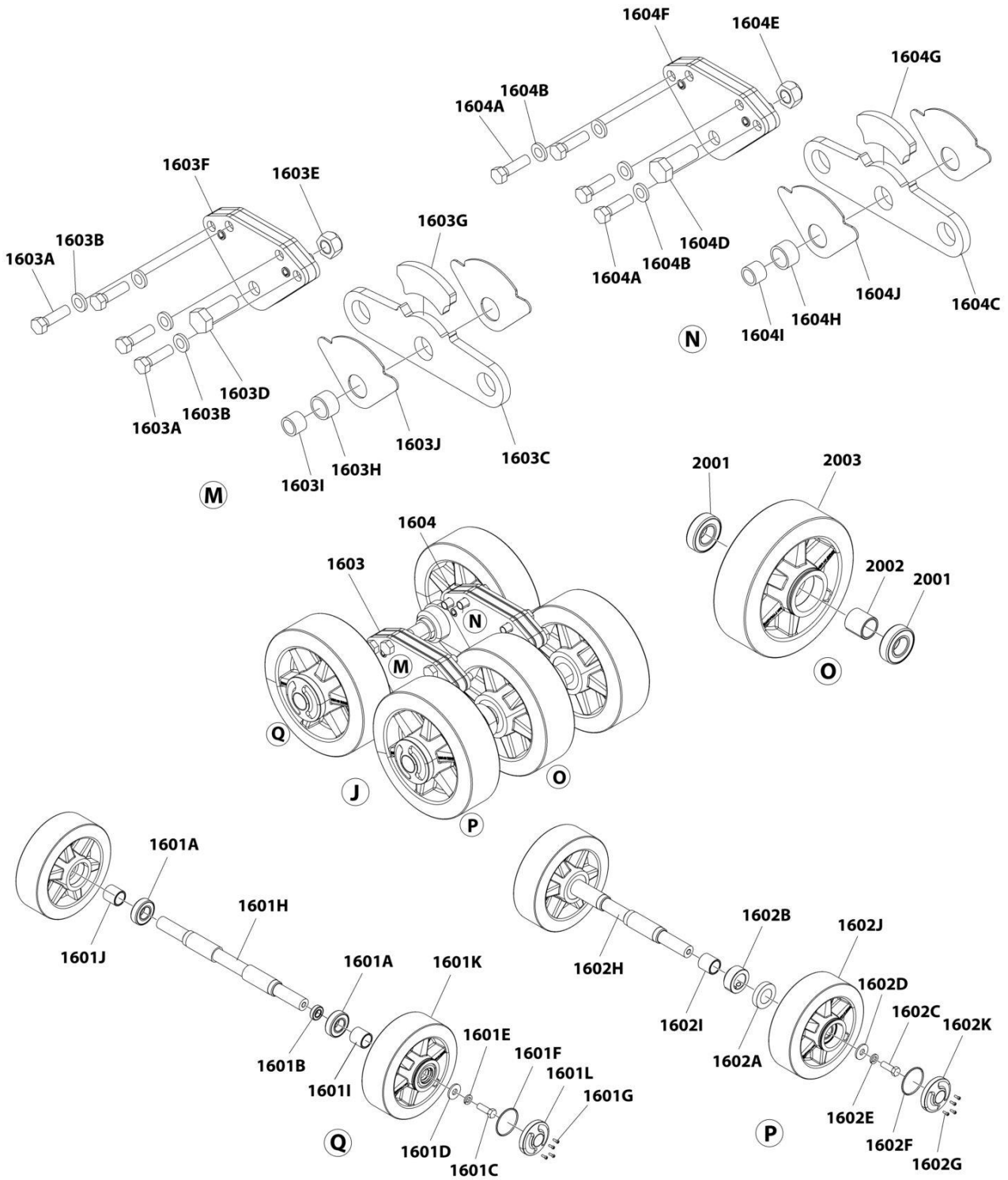


ART\_1001243431\_C\_30F4



# SECTION 1 - FRAME

## FIGURE 1-18. MATTRACKS INSTALLATION



ART\_1001243431\_C\_40F4

# SECTION 1 - FRAME

## FIGURE 1-18. MATTRACKS INSTALLATION

ITEM	PART NUMBER	QTY	DESCRIPTION	REV
	1001243431	Ref	MATTRACKS INSTALLATION	C
1	0100011	AR	Compound, Locking	
100	1001277880	1	Mattracks Kit	B
101	0682019	6	Bolt 5/8 x 2-3/8	
102	0701639	2	Bolt M16 x 220	
103	4740393	6	Washer	
104	5201012	2	Bolt M10 x 25	
105	1001231957	2	Track Assembly (LH) (See Items 201-223)	
106	1001238851	2	Plate, Hub	
107	1001238858	2	Plate	
108	1001239295	1	Plate, Stopper (RH)	
109	1001239296	1	Plate, Stopper (LH)	
110	1001292406	4	Pin	
111	1001242991	2	Track Assembly (RH) (See Items 201-223)	
112	1001248720	4	O-Ring	
113	1001253468	1	Link (LH)	
114	1001253469	1	Link (RH)	
115	1001253470	2	Sleeve	
117	1001293465	1	Manual (Not Shown)	
118	1001293730	4	Decal, Max Track Load	
	1001231957	Ref	TRACK ASSEMBLY (LH)	B
	1001242991	Ref	TRACK ASSEMBLY (RH)	B
		Ref	Note: Quantity Shown is for Quantity 1 Track Assembly.	
201	70007680	8	Screw 3/8 x 1-1/4	
202	70007681	8	Washer 3/8	
203	70007682	1	Spindle/Sprocket	
204	70007683	1	Spindle/Cap Assembly (Includes Items 1201-1203)	
205	70007684	2	Wheel, 8 x 250 (Includes Items 1301-1307)	
206	70007685	2	Washer	
207	70007686	2	Bolt 7/16 x 1-1/4	
208	70007687	2	Washer 1/2	
209	70007688	2	Washer 7/16	
210	70007689	1	Clamp	
211	70007690	1	Frame (LH) (Not Shown)	
211	70007702	1	Frame (RH)	
212	70007691	1	Nose Assembly (Includes Items 1501-1506)	
213	70007692	1	Clamp	
214	70007693	8	Nut 3/8	
215	70007694	2	Guide Wheel Assembly (Includes Items 1401-1408)	
216	70007695	1	Bearing (1 Set) (Includes Items 1101-1106)	
218	70007696	2	Cap, Wheel	
219	70007964	1	Torque/Slide Tube Arm Assembly (LH) (Not Shown) (Includes Items 1001-1012)	
219	70007697	1	Torque/Slide Tube Arm Assembly (RH) (Includes Items 1001-1012)	
220	70007698	2	O-Ring	
221	70007699	2	Rocker Assembly (Includes Items 1601-1604)	
222	70007700	1	Cushions Assembly	
223	70007701	1	Track	
224	70008279	1	Shaft, Frame	

## SECTION 1 - FRAME

ITEM	PART NUMBER	QTY	DESCRIPTION	REV
1001	See Note	NSS	Tube (Note: Not Available for Purchase)	
1002	See Note	NSS	Tube (Note: Not Available for Purchase)	
1003	70008297	1	Bolt 1/2 x 1-1/2 Grade 8	
1004	70008298	2	Nut 1/2	
1005	70008299	4	Washer 1/2	
1006	70008300	2	Washer 3/4	
1007	70008301	2	Nut 3/4	
1008	70008302	2	Bolt 3/4 Grade 8	
1009	70008303	2	Bushing	
1010	70008304	1	Link	
1011	70008305	1	Link	
1012	70008306	4	Bolt 1/2 x 1 Grade 8	
1101	70008308	1	Spacer	
1102	70008309	2	Bearing, Cone	
1103	70008310	2	Bearing, Cup	
1104	70008311	1	Nut	
1105	70008312	1	Nut	
1106	70008313	1	Seal	
1201	70008314	1	O-Ring	
1202	See Note	NSS	Cap, Spindle (Note: Not Available for Purchase)	
1203	70008315	6	Bolt 3/8 x 1-1/4	
1301	70008277	1	Seal	
1302	70008282	1	O-Ring	
1303	See Note	1	Wheel	
1304	70008278	2	Bearing	
1305	70008307	1	Spacer	
1306	70008316	1	Seal	
1307	70008317	2	Ring, Snap	
1401	70008341	6	Washer 1/2	
1402	70007686	2	Bolt 7/16 x 1-1/4	
1403	70007687	2	Washer 1/2	
1404	70007688	2	Washer 7/16	
1405	70008318	1	Bearing/ Wheel Guide	
1405A	70008277	2	Seal	
1405B	70008282	2	O-Ring	
1405C	70008278	2	Bearing	
1405D	See Note	1	Guide, Wheel (Note: Not Available for Purchase)	
1405E	70008319	1	Spacer	
1406	See Note	NSS	Plate (Note: Not Available for Purchase)	
1407	70008320	1	Guide, Wheel	
1408	70008321	1	Spacer	
1409	70008306	6	Bolt 1/2 x 1 Grade 8	
1501	70008326	4	Bolt 1/2 x 1-1/4 Grade 8	
1502	70008327	2	Bolt 5/8 x 5	
1503	70008328	2	Nut 5/8 Grade 8	
1504	70008299	4	Washer 1/2	
1505	70008329	1	Housing, Axle	
1506	70008322	1	Axle Wheel Assembly	
1506A	70007684	2	Wheel	
1506B	70007685	2	Washer	
1506C	70007686	2	Bolt 7/16 x 1-1/4	



## SECTION 1 - FRAME

ITEM	PART NUMBER	QTY	DESCRIPTION	REV
1506D	70007687	2	Washer 1/2	
1506E	70007688	2	Washer 7/16	
1506F	70008324	1	Adjuster	
1506G	70007696	2	Cap, Wheel	
1506H	70007698	2	O-Ring	
1601	See Note	NSS	Wheel and Axle (Note: Not Available for Purchase)	
1601A	70008277	4	Seal	
1601B	70008282	4	O-Ring	
1601C	70007686	2	Bolt 7/16 x 1-1/4	
1601D	70007687	2	Washer 1/2	
1601E	70007688	2	Washer 7/16	
1601F	70008283	2	O-Ring	
1601G	70008284	8	Bolt 32 x 1/2	
1601H	70008285	1	Rocker	
1601I	70008286	2	Spacer	
1601J	70008287	1	Spacer	
1601K	70008288	3	Wheel (Includes Items 2001-2003)	
1601L	70007276	2	Cap, Wheel	
1602	70008330	1	Wheel and Axle	
1602A	70008277	2	Cap, Wheel	
1602B	70008282	2	O-Ring	
1602C	70007686	2	Bolt 7/16 x 1-1/4	
1602D	70007687	2	Washer 1/2	
1602E	70007688	2	Washer 7/16	
1602F	70008283	2	O-Ring	
1602G	70008284	8	Bolt 10 x 1/2	
1602H	70008159	1	Axle, Rocker	
1602I	70008286	2	Spacer	
1602J	70008288	2	Wheel (Includes Items 2001-2003)	
1602K	70008276	2	Cap, Wheel	
1603	70008339	1	Rocker, Cushion	
1603A	70008332	4	Bolt 1/2 x 1-3/4	
1603B	70008333	4	Washer 1/2	
1603C	See Note	NSS	Plate (Note: Not Available for Purchase)	
1603D	70008334	1	Bolt 3/4 x 2	
1603E	70008301	1	Nut 3/4	
1603F	See Note	NSS	Rocker (Note: Not Available for Purchase)	
1603G	70008335	1	Cushion, Rocker	
1603H	70008336	1	Bushing	
1603I	70008337	2	Bushing	
1603J	70008338	2	Spacer	
1604	70008331	1	Rocker, Cushion	
1604A	70008332	4	Bolt 1/2 x 1-3/4 Grade 8	
1604B	70008333	4	Washer 1/2	
1604C	See Note	NSS	Plate (Note: Not Available for Purchase)	
1604D	70008334	1	Bolt 3/4 x 2	
1604E	70008301	1	Nut 3/4	
1604F	See Note	NSS	Rocker (Note: Not Available for Purchase)	
1604G	70008335	1	Cushion	
1604H	70008336	1	Bushing	
1604I	70008337	2	Bushing	

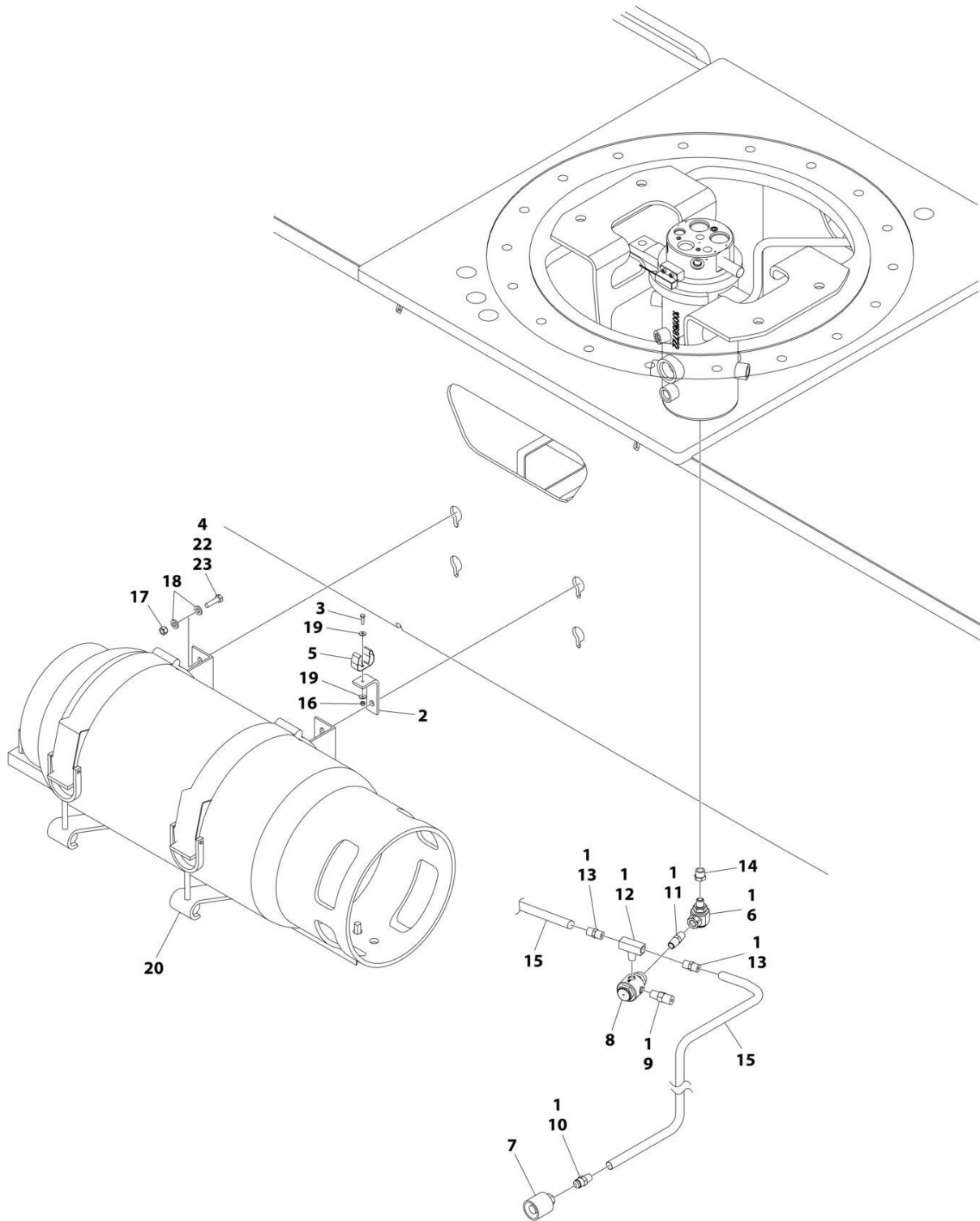
## SECTION 1 - FRAME

ITEM	PART NUMBER	QTY	DESCRIPTION	REV
1604J	70008338	2	Spacer	
2001	70008278	2	Bearing	
2002	70008307	1	Spacer	
2003	See Note	NSS	Wheel (Note: Not Available for Purchase)	



# SECTION 1 - FRAME

## FIGURE 1-19. LP TANKS AND BRACKETS INSTALLATION (FORD ENGINES)



ART\_1001185598

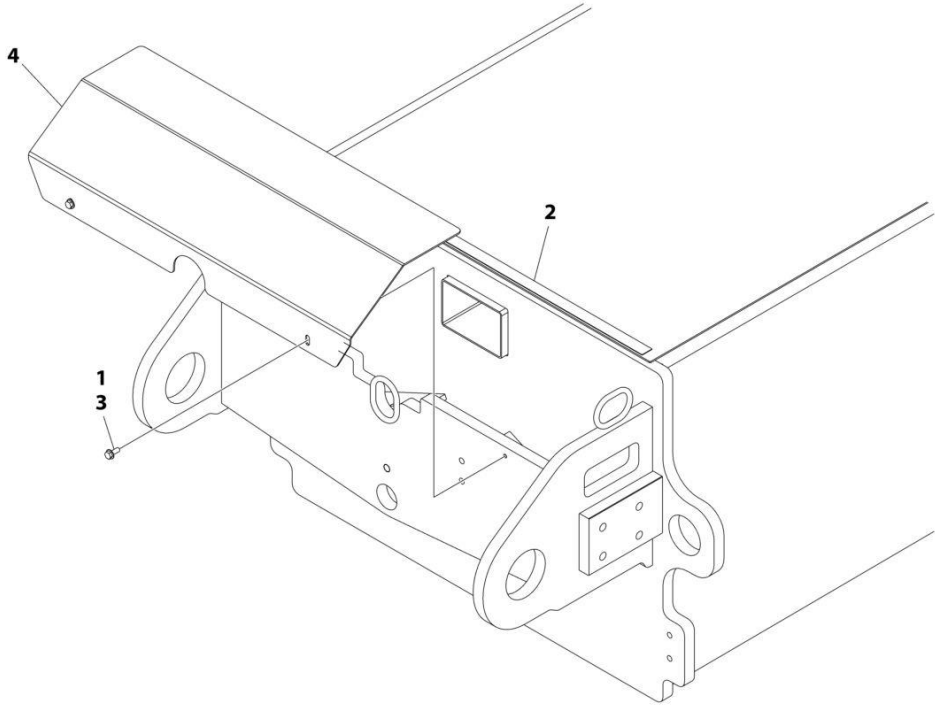
## SECTION 1 - FRAME

**FIGURE 1-19. LP TANKS AND BRACKETS INSTALLATION (FORD ENGINES)**

ITEM	PART NUMBER	QTY	DESCRIPTION	REV
	1001185598	Ref	LP TANK AND BRACKETS INSTALLATION	D
1	0100020	AR	Sealant	
2	0181949	2	Angle	
3	0760408	2	Bolt M4 x 16	
4	0760816	8	Bolt M8 x 40	
5	1320218	2	Clamp	
6	1001247358	1	Fitting, 90	
7	2180387	2	Fitting, Tank Connector	
8	2180388	1	Fitting, Bulkhead	
9	2180389	1	Valve, Relief	
10	2180418	2	Fitting, Straight	
11	2220261	1	Fitting, Nipple	
12	2220418	1	Fitting, Tee	
13	2221024	2	Fitting, Ball Check	
14	2221197	1	Fitting, Straight	
15	2720144	2	Hose	
16	3290405	2	Nut M4	
17	3290805	8	Nut M8	
18	5240800	16	Washer M8	
19	1001091102	4	Washer M4	
20	1001184725	2	Clamp Kit	
20	1320127	2	Clamp, Toggle (1 Per Strap)	
21	4240018	2	Tie-Strap (Not Shown)	
22	0100011	AR	Compound, Locking	
23	0760814	8	Bolt M8 x 30	
100	4400275	2	Tank, LP	

**SECTION 1 - FRAME**

**FIGURE 1-20. FRAME COVERS INSTALLATION - 2WS**



ART\_1001187864

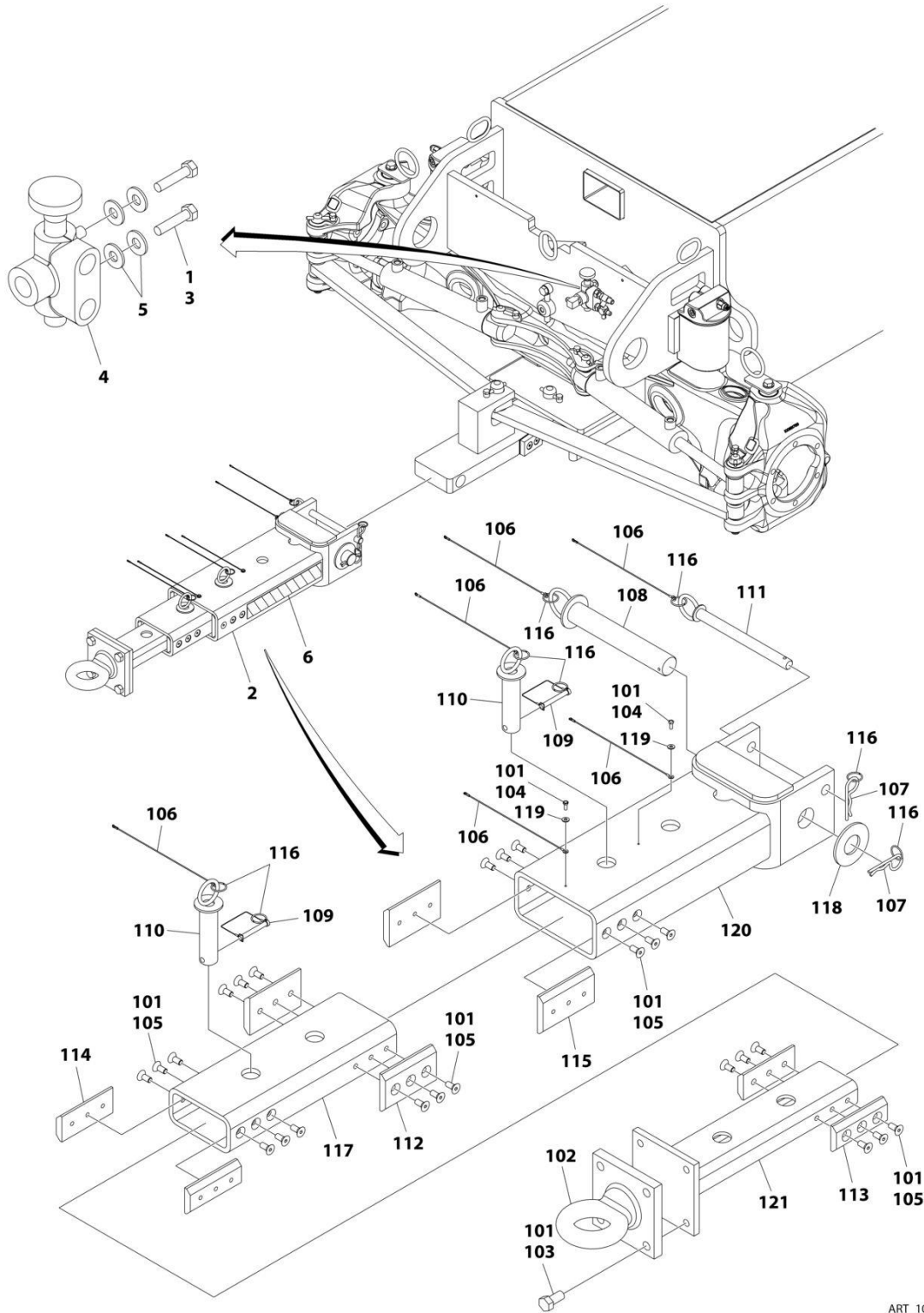
**SECTION 1 - FRAME**

**FIGURE 1-20. FRAME COVERS INSTALLATION - 2WS**

<b>ITEM</b>	<b>PART NUMBER</b>	<b>QTY</b>	<b>DESCRIPTION</b>	<b>REV</b>
	1001187864	Ref	FRAME COVERS INSTALLATION	B
1	0100011	AR	Compound, Locking	
2	4280296	32 in/ 80cm	Tape	
3	5250810	2	Bolt M8 x 20	
4	1001187870	1	Cover	

# SECTION 1 - FRAME

## FIGURE 1-21. TOW BAR INSTALLATION (OPTIONAL)



ART\_1001188893



## SECTION 1 - FRAME

### FIGURE 1-21. TOW BAR INSTALLATION (OPTIONAL)

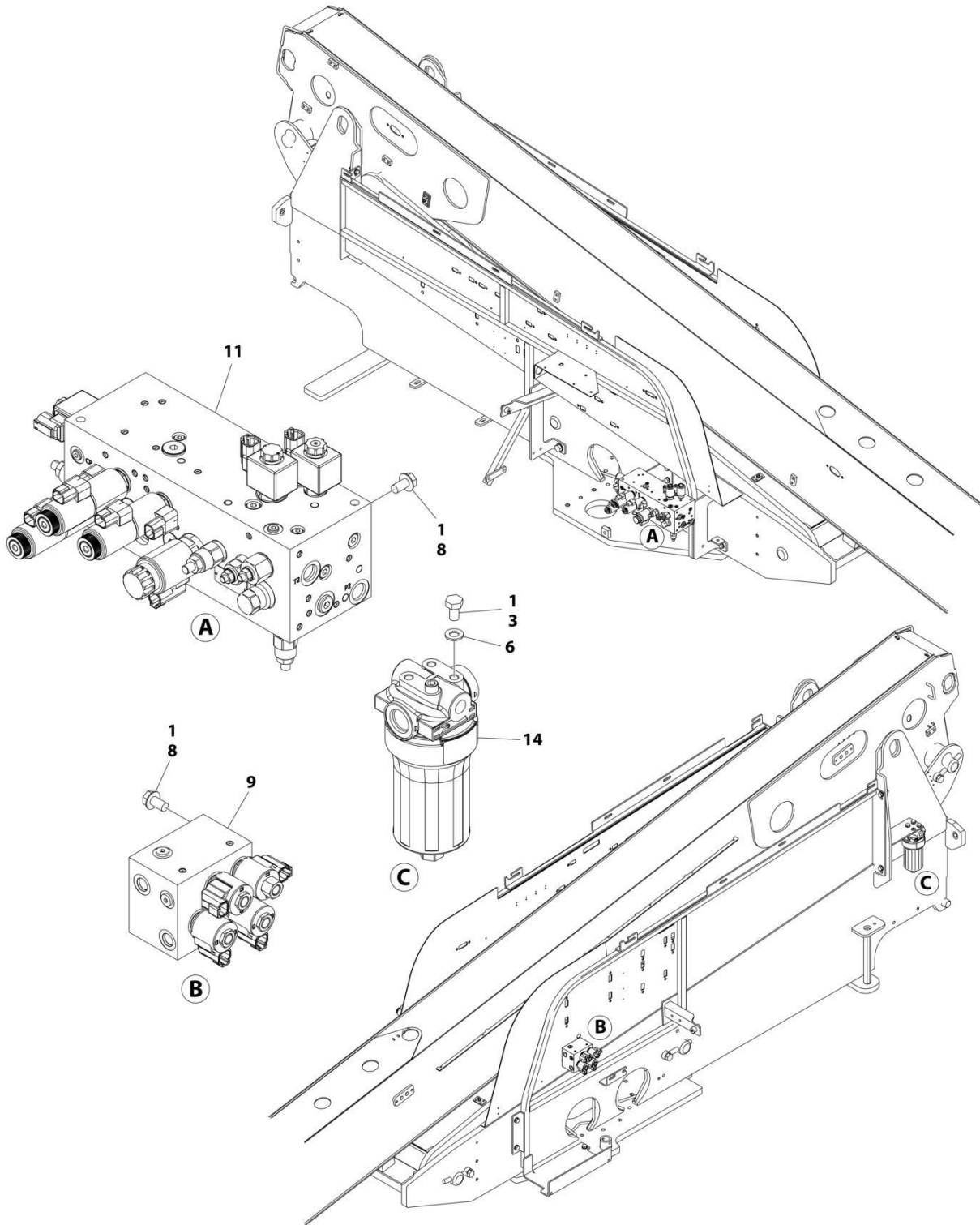
ITEM	PART NUMBER	QTY	DESCRIPTION	REV
	1001188893	Ref	TOW BAR INSTALLATION	B
		Ref	MACHINES WITH SN STARTING WITH 03:	
	1001150571	Ref	ANSI Spec	D
	1001150570	Ref	CSA Spec	D
	1001150569	Ref	CE & UK CA Spec	A
		Ref	MACHINES WITH SN STARTING WITH B3:	
	1001150571	Ref	ANSI Export Spec	D
1	0100011	AR	Compound, Locking	
2	0270528	1	Tow Bar Assembly (See Items 101-121 for Breakdown)	
3	0641511	2	Bolt 5/6 x 1-3/8	
4	4640261	1	Valve, Select	
5	4751500	4	Washer 5/16	
6	4420051	2 ft/.61m	Tape, Safety	
	0270528	Ref	Tow Bar Assembly	B
101	0100011	AR	Compound, Locking	
102	0362910	1	Pintle, Draw Eye	
103	0642010	4	Bolt 5/8 x 1-1/4	
104	0721004	2	Screw	
105	0741607	24	Screw 3/8 x 7/8	
106	1060584	6	Lanyard	
107	3420372	2	Pin, Cotter	
108	3420447	1	Pin	
109	3421565	2	Snap - Pin	
110	3422841	2	Pin	
111	3422847	1	Pin	
112	3572009	2	Plate, Slide Stop	
113	3572010	2	Plate, Slide Stop	
114	3572011	2	Plate, Slide Stop	
115	3572012	2	Plate, Slide Stop	
116	3760170	8	Ring, Split	
117	4568133	1	Tube, Tow Bar	
118	4740036	1	Washer	
119	4751000	2	Washer #10	
120	4846295	1	Tube, Tow Bar Attach	
121	4846296	1	Tube, Pintle Attach	



**SECTION 2 - TURNTABLE**

# SECTION 2 - TURNTABLE

## FIGURE 2-1. VALVE INSTALLATION (600S HC3)



ART\_1001265701\_10F2

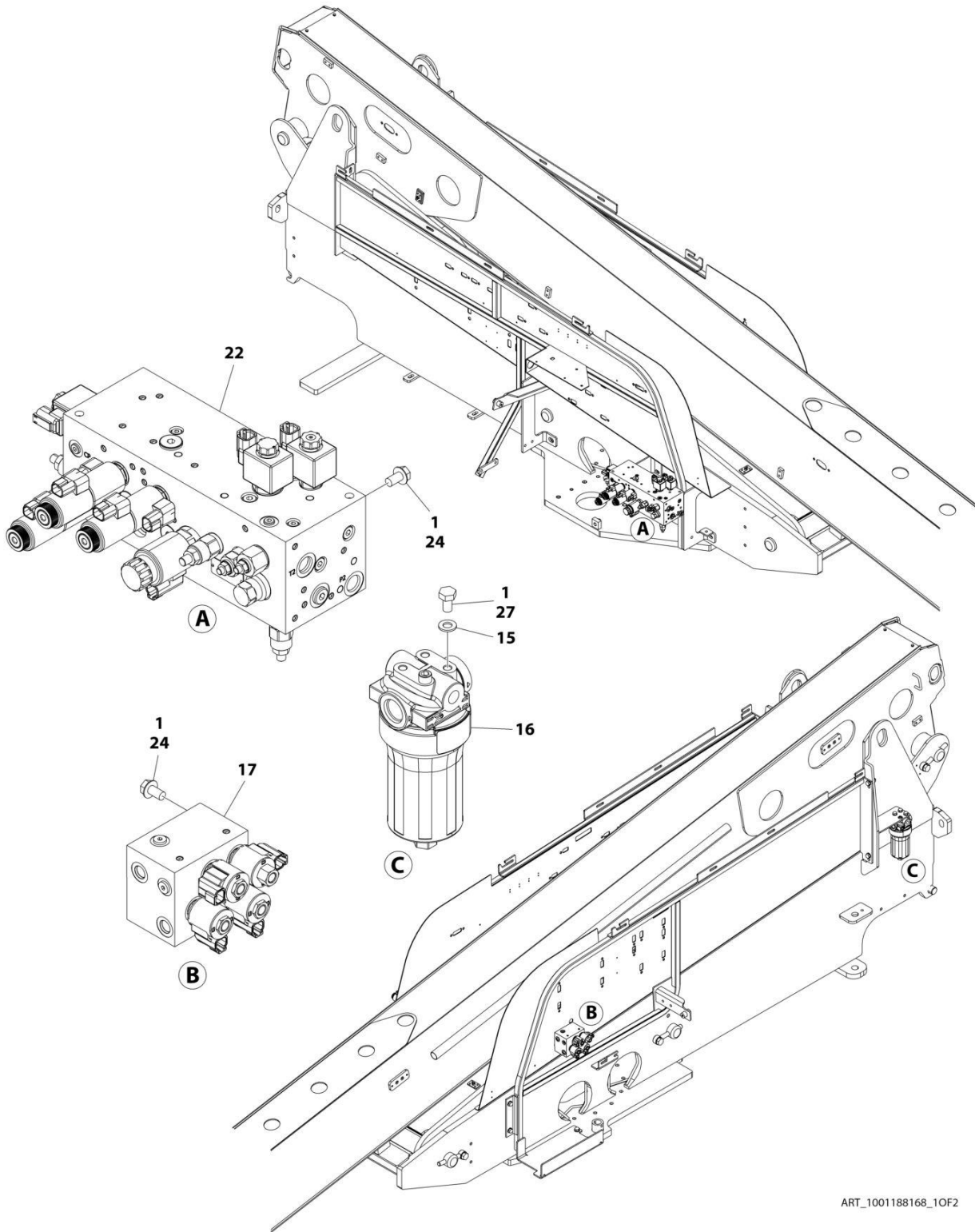
**SECTION 2 - TURNTABLE**

**FIGURE 2-1. VALVE INSTALLATION (600S HC3)**

ITEM	PART NUMBER	QTY	DESCRIPTION	REV
	1001265701	Ref	VALVE INSTALLATION	A
1	0100011	AR	Compound, Locking	
3	0761009	6	Bolt M10 x 18	
6	4812000	6	Washer M10	
8	5251009	6	Bolt M10 x 18	
9	1001162538	1	Axle Valve Assembly (See Separate Breakdown in this Section)	
11	1001190169	1	Main Valve Assembly (See Separate Breakdown in this Section)	
14	1001208874	1	Filter, Hydraulic	
14	70010383	1	Element, Filter	

# SECTION 2 - TURNTABLE

## FIGURE 2-2. VALVE INSTALLATION (660SJ HC3)



ART\_1001188168\_10F2

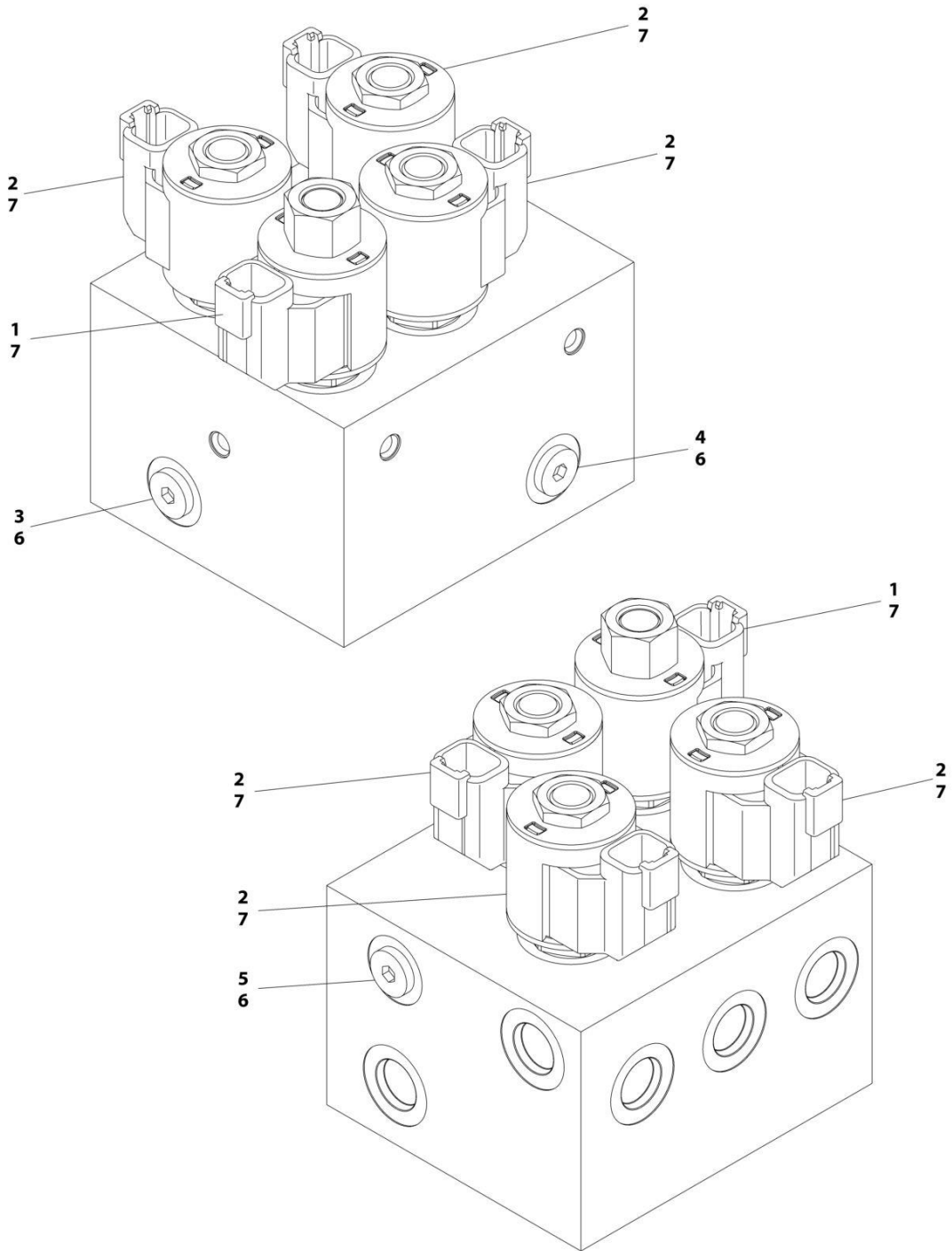
**SECTION 2 - TURNTABLE**

**FIGURE 2-2. VALVE INSTALLATION (660SJ HC3)**

ITEM	PART NUMBER	QTY	DESCRIPTION	REV
	1001188168	Ref	VALVE INSTALLATION	G
1	0100011	AR	Compound, Locking	
15	4812000	3	Washer M10	
16	1001208874	1	Filter, Hydraulic	
16	70010383	1	Element, Filter	
17	1001162538	1	Axle Valve Assembly (See Separate Breakdown in this Section)	
22	1001190169	1	Main Valve Assembly (See Separate Breakdown in this Section)	
24	5251009	6	Bolt M10 x 18	
27	0761009	3	Bolt M10 x 18	

# SECTION 2 - TURNTABLE

## FIGURE 2-3. AXLE VALVE ASSEMBLY



ART\_1001162538



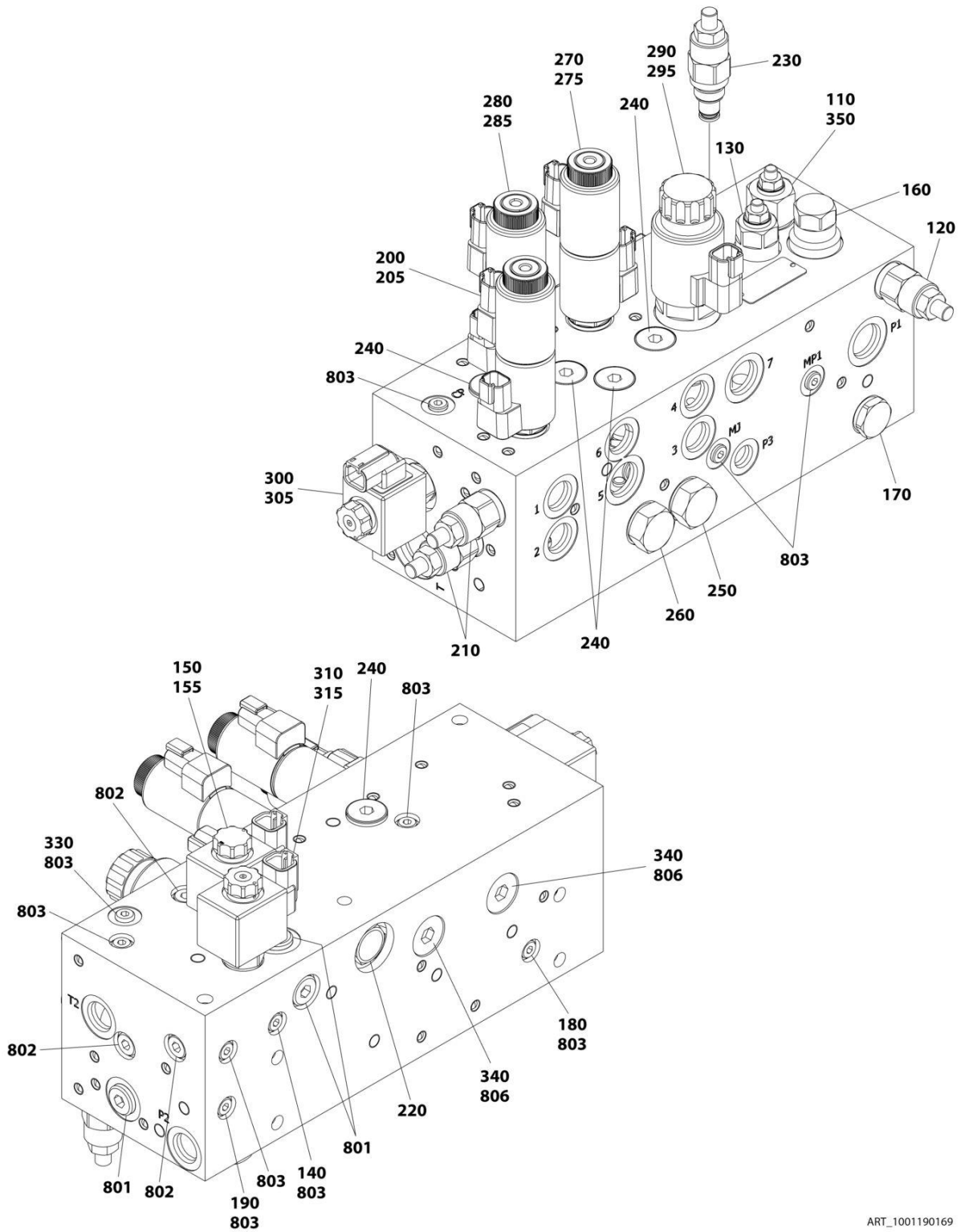
**SECTION 2 - TURNTABLE**

**FIGURE 2-3. AXLE VALVE ASSEMBLY**

ITEM	PART NUMBER	QTY	DESCRIPTION	REV
	1001162538	Ref	AXLE VALVE ASSEMBLY	D
1	7017410	1	Cartridge, Solenoid Valve Less Coil (Secondary Axle Release)	
1	7012967	1	Seal Kit - 7017410 Valve	
2	7012941	3	Cartridge, Solenoid Valve Less Coil (Brake Release, Primary Axle Release and 2 Speed)	
2	7010543	3	Seal Kit - 7012941 Valve	
3	70004883	1	Orifice	
4	70004884	1	Orifice	
5	70002063	1	Orifice	
6	2220883	3	Plug, O-Ring #4	
7	70002386	4	Coil	

# SECTION 2 - TURNTABLE

## FIGURE 2-4. MAIN VALVE ASSEMBLY - 2WS



ART\_1001190169

## SECTION 2 - TURNTABLE

### FIGURE 2-4. MAIN VALVE ASSEMBLY - 2WS

ITEM	PART NUMBER	QTY	DESCRIPTION	REV
	1001190169	Ref	MAIN VALVE ASSEMBLY	F
110	70006109	1	Valve, Flow/Pressure Control	
110	70004656	1	Seal Kit - 70006109 Valve	
120	70003019	1	Valve, Relief	
120	70004052	1	Seal Kit - 70003019 Valve	
130	70004607	1	Valve, Relief	
130	70004602	1	Seal Kit - 70004607 Valve	
140	70004668	1	Orifice	
150	70006111	1	Valve, Solenoid Without Coil	
150	70004584	1	Seal Kit - 70006111 Valve	
150	70004051	1	Coil Nut & Pole Tube O-Ring Kit	
155	70004653	1	Coil	
160	70006112	1	Valve, Load Sense	
160	70006113	1	Seal Kit - 70006112 Valve	
170	70005952	1	Valve, Check	
170	70004052	1	Seal Kit - 70005952 Valve	
180	7022527	1	Orifice 2mm	
190	7022527	1	Orifice 2mm	
200	70004659	1	Valve, Solenoid Without Coil (Steer)	
200	70004660	1	Seal Kit	
200	70004661	1	Nut, Coil	
200	70024457	1	O-Ring at Coil Nut	
200	70004662	1	O-Ring at Bottom of Pole Tube	
205	80434249	2	Coil	
210	70003019	2	Valve, Relief	
210	70004052	2	Seal Kit - 70003019 Valve	
220	70003027	1	Valve, Flow/Pressure Control	
220	70004052	1	Seal Kit - 70003027 Valve	
230	70003019	1	Valve, Relief	
230	70004052	1	Seal Kit - 70003019 Valve	
240	70023859	5	Valve, Relief	
240	70023860	5	Seal Kit - 70023859 Valve	
250	70006114	1	Valve, Pressure Compensator	
250	70004656	1	Seal Kit - 70006114 Valve	
260	70006114	1	Valve, Pressure Compensator	
260	70004656	1	Seal Kit - 70006114 Valve	
270	70006115	1	Valve, Solenoid Without Coil (Swing)	
270	70006116	1	Seal Kit - 70006115 Valve	
270	70004661	1	Nut, Coil	
270	70024457	1	O-Ring at Coil Nut	
270	70004662	1	O-Ring at Bottom of Pole Tube	
275	80434249	2	Coil	
280	70006117	1	Valve, Solenoid Without Coil (Tele)	
280	70006116	1	Seal Kit - 70006117 Valve	
280	70004661	1	Nut, Coil	
280	70024457	1	O-Ring at Coil Nut	
280	70004662	1	O-Ring at Bottom of Pole Tube	
285	80434249	2	Coil	
290	70004657	1	Valve, Solenoid (Lift)	
290	70004594	1	Seal Kit - 70004657 Valve	

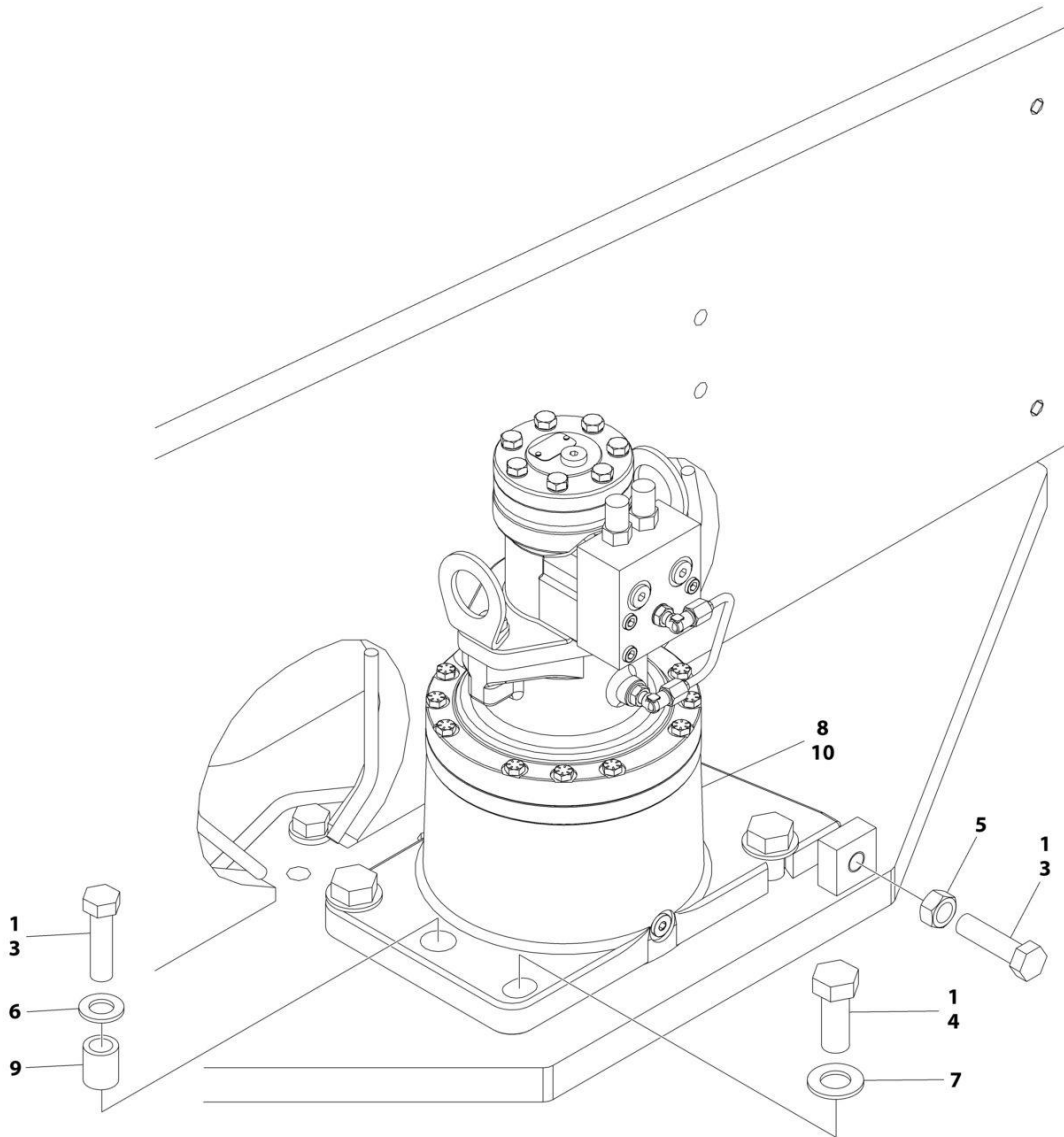
## SECTION 2 - TURNTABLE

ITEM	PART NUMBER	QTY	DESCRIPTION	REV
290	70004597	1	Nut, Coil	
290	70004596	1	O-Ring at Coil Nut	
295	70004595	1	Coil	
300	70004598	1	Valve, Solenoid (Lift)	
300	70004055	1	Seal Kit - 70004598 Valve	
300	70005947	1	Coil Nut & Pole Tube O-Ring Kit	
305	70004653	1	Coil	
310	70006118	1	Valve, Solenoid (Lift)	
310	70004052	1	Seal Kit - 70006118 Valve	
310	70004051	1	Coil Nut & Pole Tube O-Ring Kit	
315	70004653	1	Coil	
330	7023821	1	Orifice 0.8mm	
340	70006119	2	Valve, Check	
350	70006357	1	Orifice 4mm	
801	70002759	3	Plug	
802	70004617	3	Plug	
803	70002758	10	Plug	
806	70006120	2	Plug	



# SECTION 2 - TURNTABLE

## FIGURE 2-5. SWING DRIVE INSTALLATION



ART\_1001185842

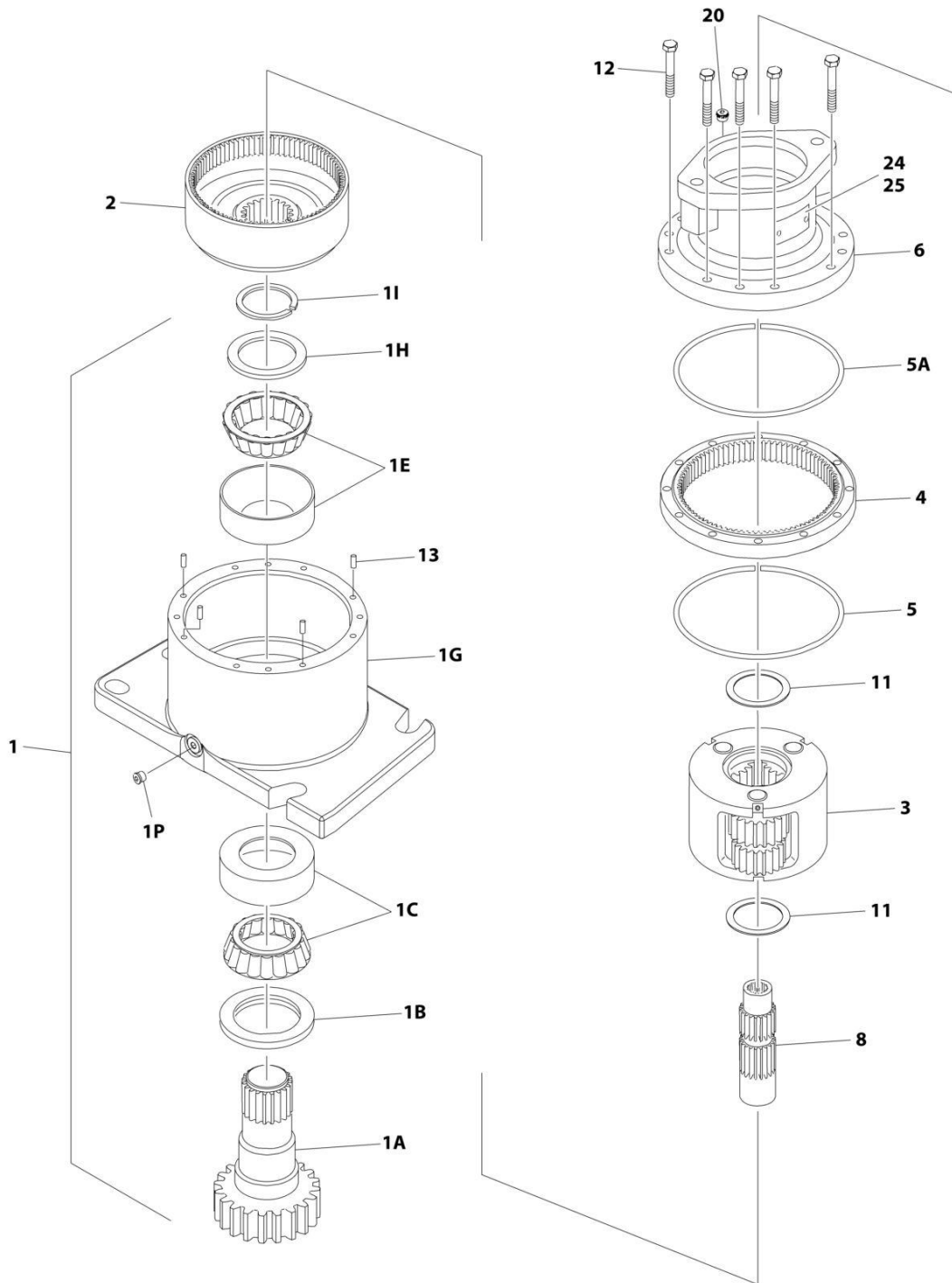
**SECTION 2 - TURNTABLE**

**FIGURE 2-5. SWING DRIVE INSTALLATION**

<b>ITEM</b>	<b>PART NUMBER</b>	<b>QTY</b>	<b>DESCRIPTION</b>	<b>REV</b>
	1001185842	Ref	SWING DRIVE INSTALLATION	B
1	0100019	AR	Compound, Locking	
3	0771620	2	Bolt M16 x 60	
4	0772018	4	Bolt M20 x 50	
5	3291601	1	Nut M16	
6	5241600	1	Washer M16	
7	5242000	4	Washer M20	
8	1001125492	1	Shim	
9	1001134543	1	Spacer	
10	1001187855	1	Swing Motor/Hub Assembly (See Separate Breakdown in this Section)	

# SECTION 2 - TURNTABLE

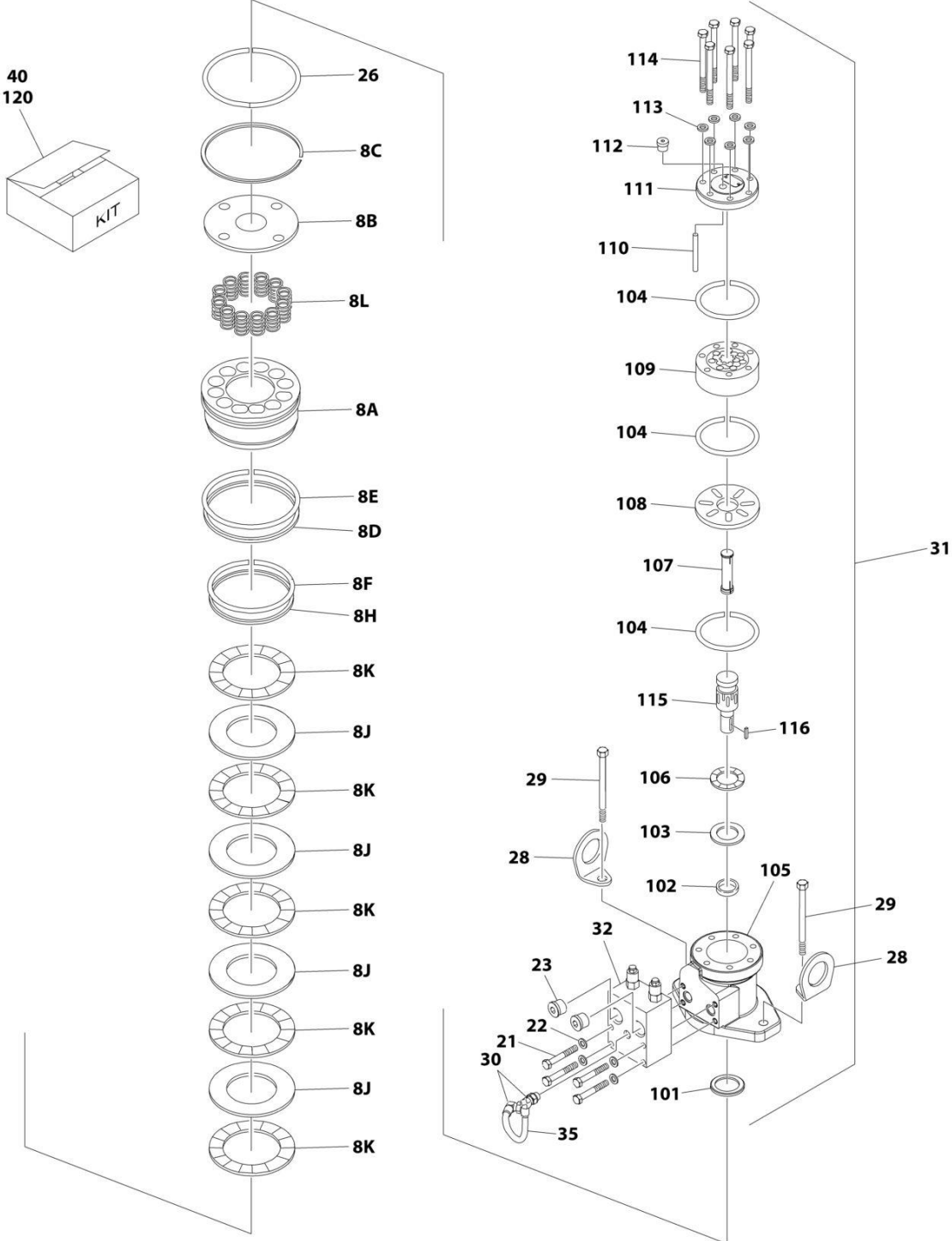
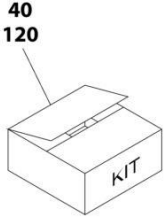
## FIGURE 2-6. SWING MOTOR/HUB ASSEMBLY



ART\_1001187855\_10F2



# SECTION 2 - TURNTABLE



ART\_1001187855\_2OF2

## SECTION 2 - TURNTABLE

**FIGURE 2-6. SWING MOTOR/HUB ASSEMBLY**

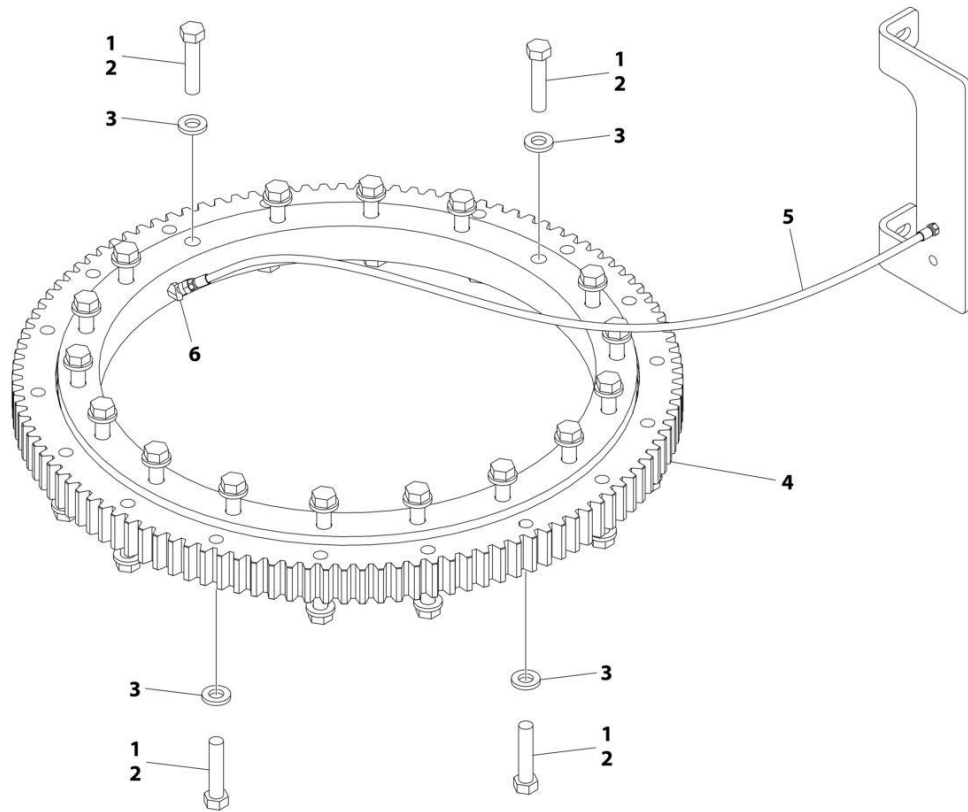
ITEM	PART NUMBER	QTY	DESCRIPTION	REV
	1001187855	Ref	SWING MOTOR/HUB ASSEMBLY	D
1	See Note	NSS	Housing/Shaft Assembly (Note: Not Available - Purchase Complete Swing Motor/Hub Assembly)	
1A	7010492	1	Shaft, Output	
1B	7000228	1	Seal, Lip	
1C	7000255	1	Bearing Kit (Includes Cup and Cone)	
1E	7000257	1	Bearing Kit (Includes Cup and Cone)	
1G	See Note	1	Housing (Note: Not Available for Purchase)	
1H	7007633	1	Thrustwasher	
1I	7000229	1	Ring, Retaining	
1P	7017072	1	Plug, Pipe	
2	7000246	1	Gear, Internal	
3	7000247	1	Carrier Assembly	
3A	7001931	1	Carrier	
3B	7001985	6	Washer, Tanged	
3C	7001909	96	Bearing, Needle	
3D	7000263	3	Thrustwasher	
3E	7001911	3	Shaft, Planet	
3F	7001912	3	Gear, Cluster	
3G	7010474	3	Roll Pin	
4	7000248	1	Gear, Ring	
5	7000230	1	O-Ring (Black)	
5A	7017070	1	O-Ring (White)	
6	See Note	NSS	Housing, Brake (Note: Not Available for Purchase)	
7	70005203	1	Gear, Sun	
8		Ref	Brake Components	
8A	70004037	1	Piston, Brake	
8B	7024743	1	Plate, Pressure	
8C	70004039	1	Ring, Retaining	
8D	70004041	1	O-Ring	
8E	70004044	1	Ring, Back-up	
8F	70004042	1	O-Ring	
8H	70004043	1	Ring, Back-up	
8J	See Note	NSS	Rotor, Brake (Note: Use p/n 70002085)	
8K	See Note	NSS	Stator, Brake (Note: Use p/n 70002085)	
8L	70002066	7	Spring, Brake	
11	7000253	2	Thrustwasher	
12	7000217	12	Bolt, 5/16 x 2-1/4 Grade 8	
13	7017080	4	Pin, Dowel	
20	7017072	1	Plug, Pipe	
21	7024704	4	Bolt 5/16 x 2 Grade 8	
22	70004045	4	Lockwasher	
23	7017023	2	Plug, Pipe	
24	See Note	NSS	Plate, ID (Note: Not Available for Purchase)	
25	See Note	NSS	Rivet	
26	7024763	1	O-Ring	
28	See Note	NSS	Lug, Lifting (Note: Not Available for Purchase)	
29	70004040	2	Bolt 1/2 x 1-1/2 Grade 8	
30	7017085	2	Elbow	
31	70006304	1	Motor Assembly (See Items 101-120 for Breakdown)	

## SECTION 2 - TURNTABLE

ITEM	PART NUMBER	QTY	DESCRIPTION	REV
32	7024784	1	Valve (No Serviceable Parts)	
33	7017082	1	Plug, Pipe (Not Shown)	
35	70004047	1	Tube	
40	7024100	1	Seal Kit - Hub (Includes Items 1B, 1I, 5, 5A & 11)	
	70006304	Ref	Motor Assembly	
101	See Note	NSS	Seal, Dust (Note: Use Item 120)	
102	See Note	NSS	Seal, Shaft (Note: Use Item 120)	
103	See Note	NSS	Thrustwasher (Note: Use Item 120)	
104	See Note	NSS	Seal, Ring (Note: Use Item 120)	
105	See Note	NSS	Housing (Note: Purchase Complete Assembly)	
106	70006306	1	Bearing, Thrust	
107	7005889	1	Link, Drive	
108	70006307	1	Plate, Wear	
109	70006310	1	Rotor Set	
110	7005891	1	Pin	
111	70006308	1	Cover, End	
112	See Note	NSS	Plug (Note: Purchase Complete Assembly)	
113	70006309	1	Washer Kit (Includes 7 Washers)	
114	70006313	1	Bolt Kit (Includes 7 Bolts)	
115	See Note	NSS	Shaft (Note: Purchase Complete Assembly)	
116	See Note	NSS	Key (Note: Purchase Complete Assembly)	
120	70006305	1	Seal Kit - Motor (Includes Items 101-104)	

# SECTION 2 - TURNTABLE

## FIGURE 2-7. TURNTABLE BEARING AND LUBE INSTALLATION



ART\_1001185709

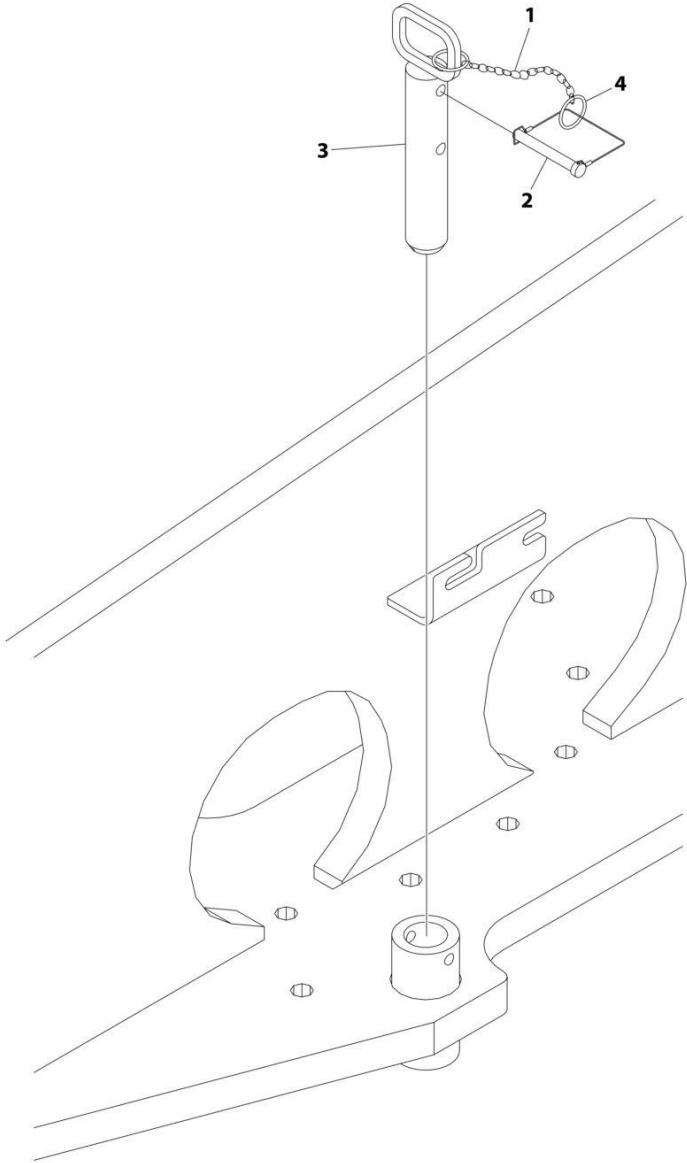
**SECTION 2 - TURNTABLE**

**FIGURE 2-7. TURNTABLE BEARING AND LUBE INSTALLATION**

<b>ITEM</b>	<b>PART NUMBER</b>	<b>QTY</b>	<b>DESCRIPTION</b>	<b>REV</b>
	1001185709	Ref	TURNTABLE BEARING AND LUBE INSTALLATION	D
1	0100019	AR	Compound, Locking	
2	0682023	36	Bolt 5/8 x 2-7/8	
3	4892000	36	Washer 5/8	
4	0440233	1	Bearing, Turntable	
5	1001188125	1	Hose	
6	2220124	1	Fitting, 45	

**SECTION 2 - TURNTABLE**

**FIGURE 2-8. TURNTABLE LOCK INSTALLATION**



ART\_1001187022\_B

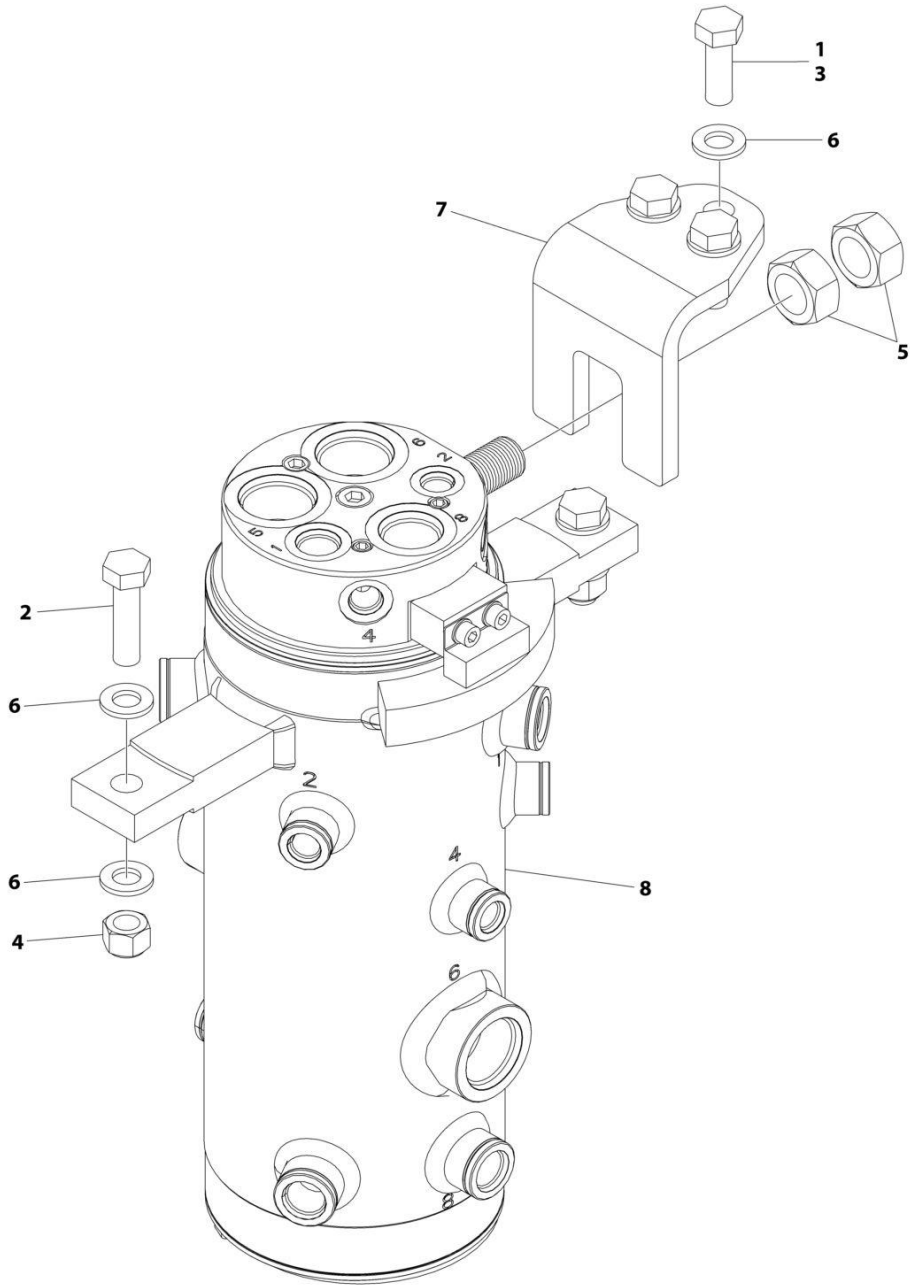
**SECTION 2 - TURNTABLE**

**FIGURE 2-8. TURNTABLE LOCK INSTALLATION**

<b>ITEM</b>	<b>PART NUMBER</b>	<b>QTY</b>	<b>DESCRIPTION</b>	<b>REV</b>
	1001187022	Ref	TURNTABLE LOCK INSTALLATION	B
1	1260017	9 in/23cm	Chain	
2	3421565	1	Snap-Pin	
3	1001169582	1	Pin, Lock	
4	3760170	2	Ring	

# SECTION 2 - TURNTABLE

## FIGURE 2-9. ROTARY COUPLING INSTALLATION



ART\_1001188337



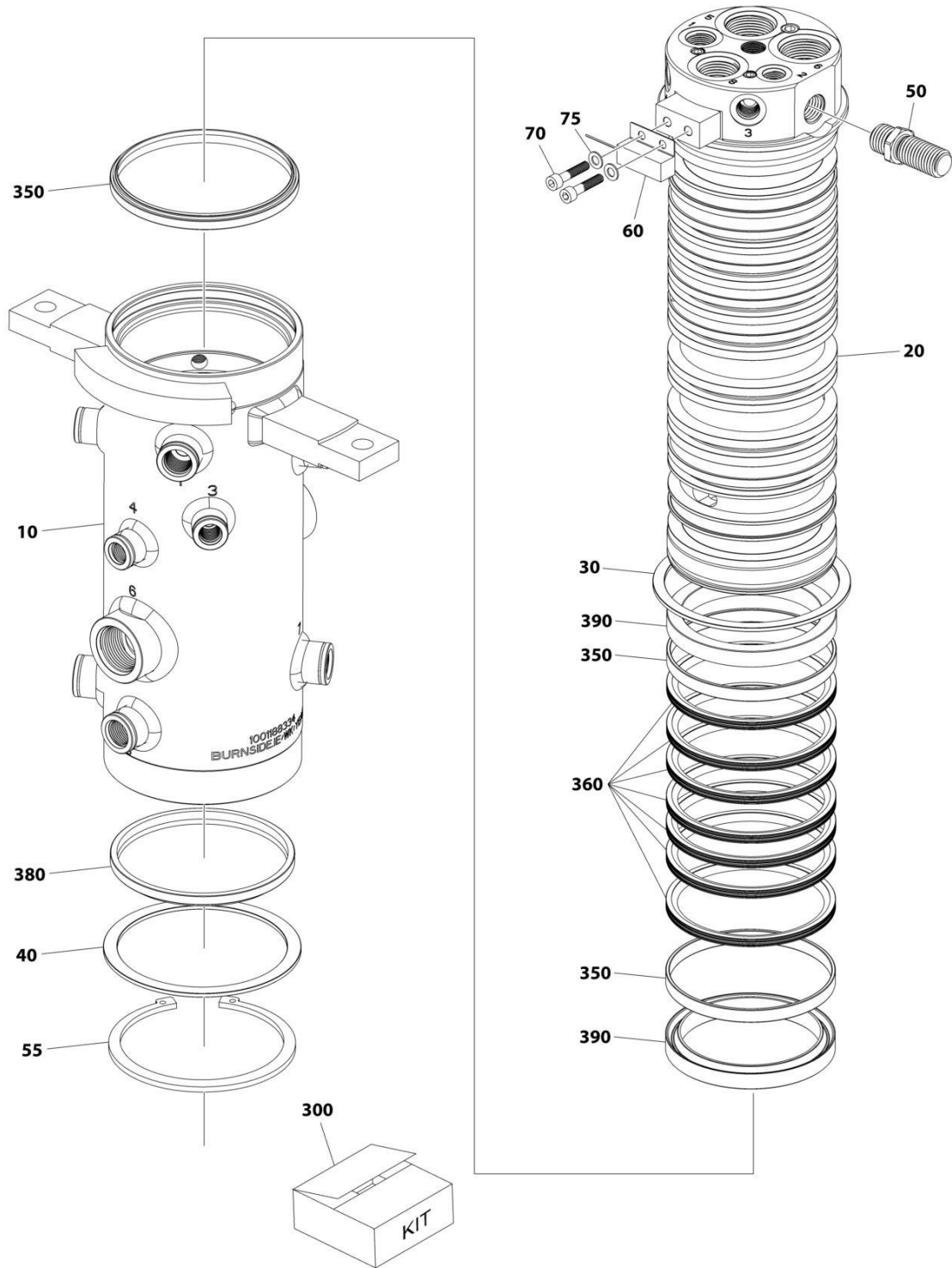
**SECTION 2 - TURNTABLE**

**FIGURE 2-9. ROTARY COUPLING INSTALLATION**

<b>ITEM</b>	<b>PART NUMBER</b>	<b>QTY</b>	<b>DESCRIPTION</b>	<b>REV</b>
	1001188337	Ref	ROTARY COUPLING INSTALLATION	B
1	0100011	AR	Compound, Locking	
2	0701217	2	Bolt M12 x 45	
3	0761215	3	Bolt M12 x 35	
4	3291205	2	Nut M12	
5	3292001	2	Nut M20	
6	4812100	7	Washer M12	
7	1001187953	1	Mount	
8	1001188334	1	Rotary Coupling Assembly (See Separate Breakdown in this Section)	

# SECTION 2 - TURNTABLE

## FIGURE 2-10. ROTARY COUPLING ASSEMBLY



ART\_1001188334

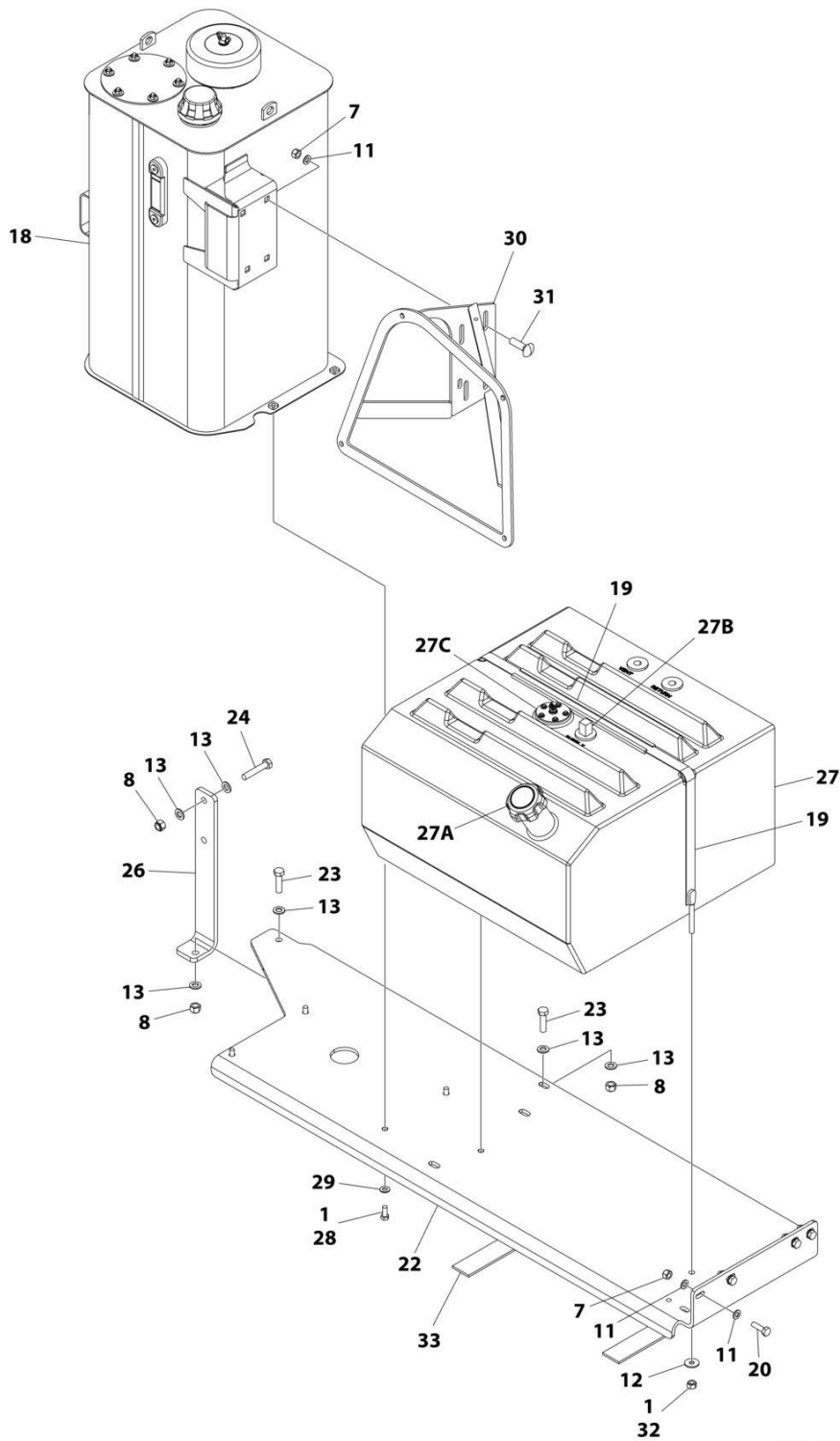
**SECTION 2 - TURNTABLE**

**FIGURE 2-10. ROTARY COUPLING ASSEMBLY**

ITEM	PART NUMBER	QTY	DESCRIPTION	REV
	1001188334	Ref	ROTARY COUPLING ASSEMBLY	G
10	See Note	NSS	Housing (Note: Purchase Complete Assembly)	
20	See Note	NSS	Shaft (Note: Purchase Complete Assembly)	
30	70005710	1	Spacer	
40	70005711	1	Spacer	
50	70005712	1	Fitting	
55	70005713	1	Circlip	
60	4360517	1	Sensor	
60	4460320	1	Plug, Male - 2 Position	
60	4460227	2	Socket, Female	
70	70006537	2	Bolt	
75	70006538	2	Washer	
300	70005716	1	Seal Kit (Includes Items 350-390)	
350	See Note	NSS	Ring, Wear (Note: Use Item 300)	
360	See Note	NSS	Seal (Note: Use Item 300)	
370	See Note	NSS	Wiper (Note: Use Item 300) (Not Shown)	
380	See Note	NSS	Wiper (Note: Use Item 300)	
390	See Note	NSS	Seal, Rod (Note: Use Item 300)	

## SECTION 2 - TURNTABLE

FIGURE 2-11. TANKS INSTALLATION - DIESEL MACHINES (POLY FUEL TANK) (HYDRAULIC TANK WITH 6 INCH BREATHER) (600S HC3)



ART\_1001188257\_L

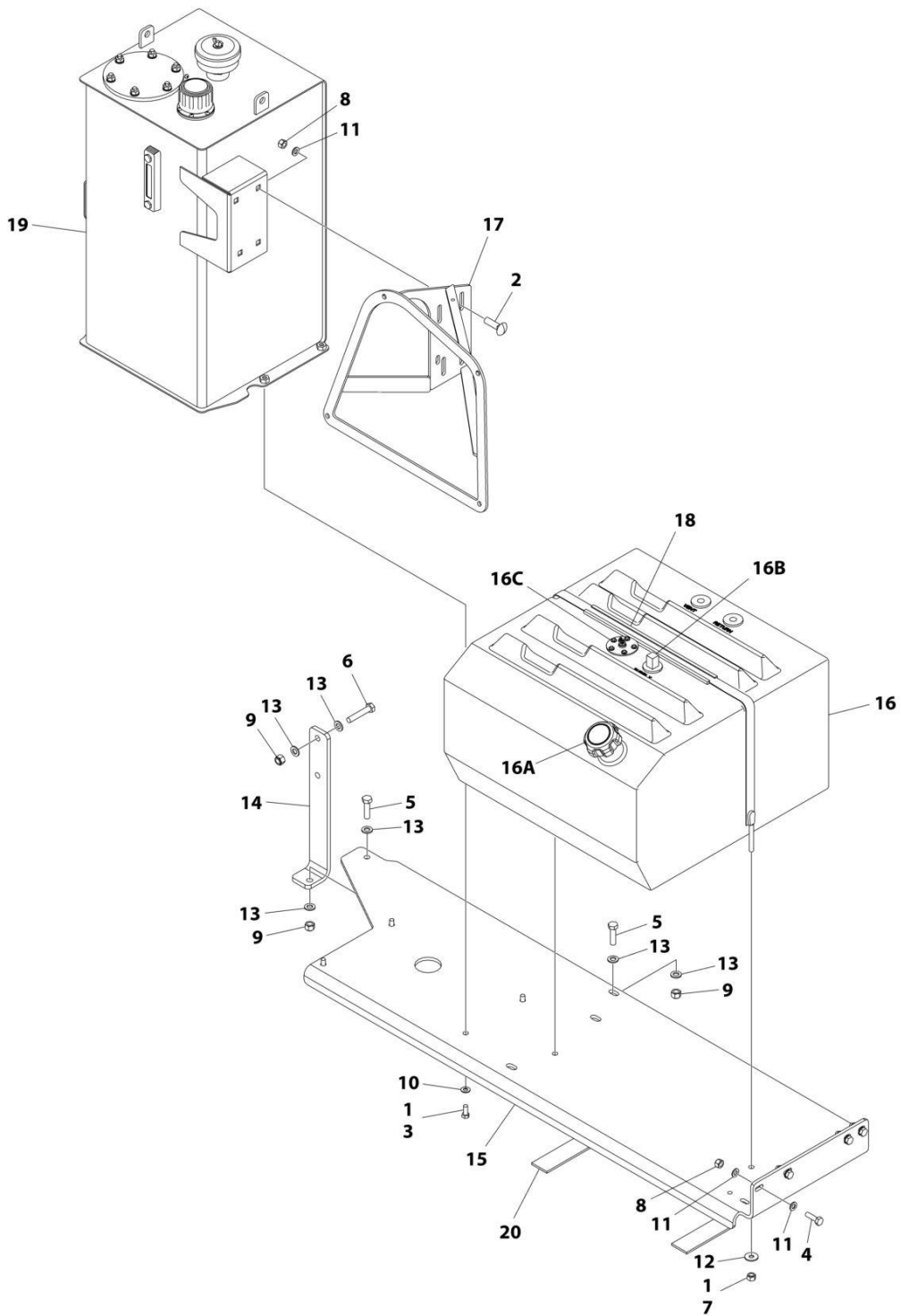
## SECTION 2 - TURNTABLE

**FIGURE 2-11. TANKS INSTALLATION - DIESEL MACHINES (POLY FUEL TANK) (HYDRAULIC TANK WITH 6 INCH BREATHER) (600S HC3)**

ITEM	PART NUMBER	QTY	DESCRIPTION	REV
	1001188257	Ref	TANKS INSTALLATION	L
1	0100011	AR	Compound, Locking	
7	3291005	8	Nut M10	
8	3291205	4	Nut M12	
11	4812000	12	Washer M10	
12	4812002	2	Washer M10	
13	4812100	8	Washer M12	
18	1001178057	1	Hydraulic Tank Assembly (See Separate Breakdown in this Section)	
19	1001238954	1	Strap Assembly	
19	1001189119	1	Strap	
19	4280295	48 in/ 122cm	Strip, Protector	
20	0701015	4	Bolt M10 x 35	
22	1001199933	1	Tray	
23	0701217	2	Bolt M12 x 45	
24	0701221	2	Bolt M12 x 65	
26	1001199883	1	Support	
27	1001201325	1	Tank, Fuel	
27A	70004414	1	Cap, Fill	
27B	7020043	1	Tube, Pickup	
27C	1001148607	1	Sender, Fuel Level	
27C	0731005	5	Screw #10 x 5/8	
27C	4751000	5	Washer #10	
28	0641608	4	Bolt 3/8 x 1	
29	4711600	4	Washer 3/8	
30	1001213251	1	Support, Ground Control	
31	0630613	4	Bolt M10 x 30	
32	3291001	2	Nut M10	
33	4420038	AR	Tape	

## SECTION 2 - TURNTABLE

FIGURE 2-12. TANKS INSTALLATION - DIESEL MACHINES (POLY FUEL TANK) (HYDRAULIC TANK WITH 4 INCH BREATHER) (600S HC3)



ART\_1001267284

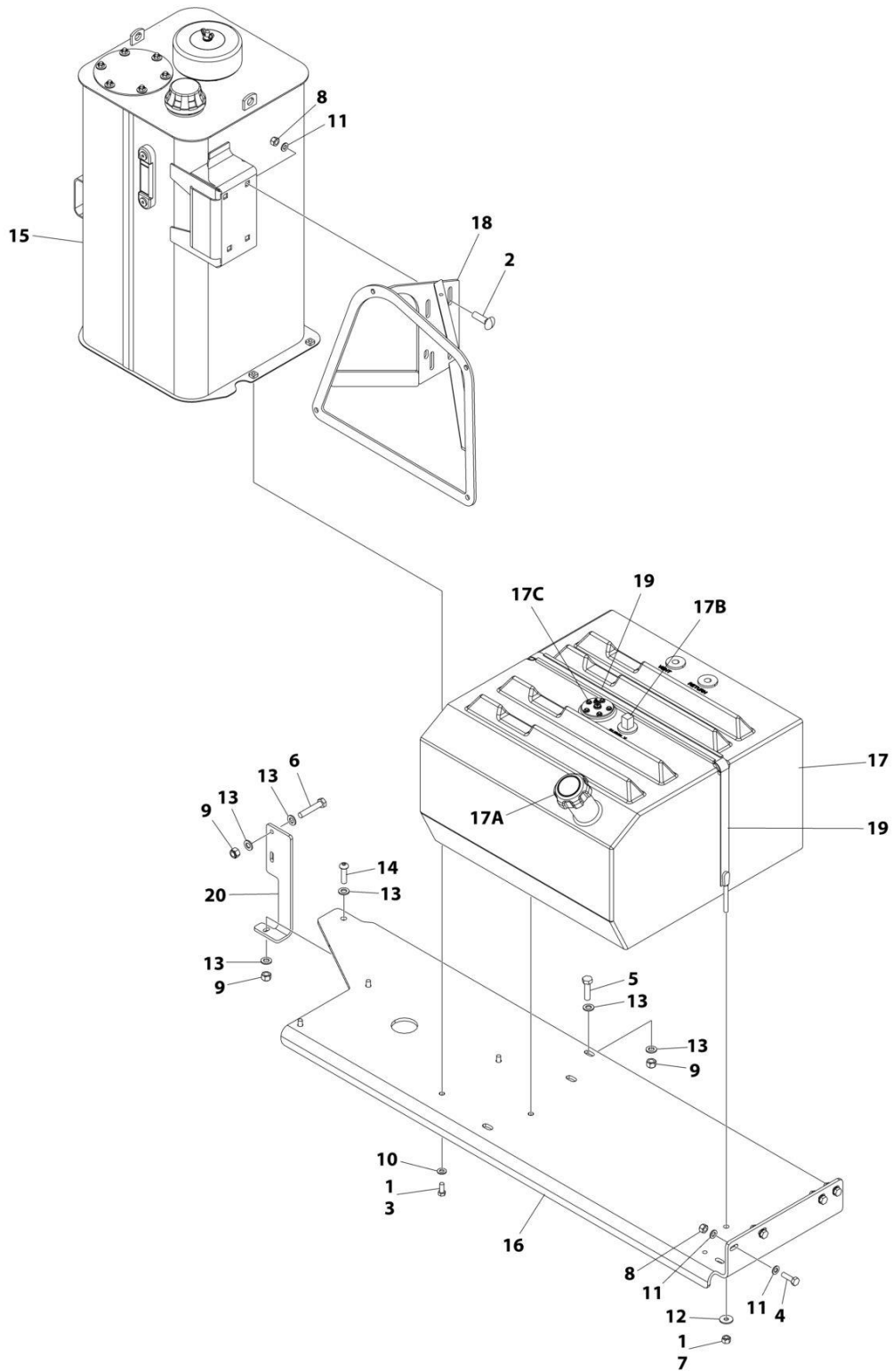
**SECTION 2 - TURNTABLE**

**FIGURE 2-12. TANKS INSTALLATION - DIESEL MACHINES (POLY FUEL TANK) (HYDRAULIC TANK WITH 4 INCH BREATHER) (600S HC3)**

ITEM	PART NUMBER	QTY	DESCRIPTION	REV
	1001267284	Ref	TANKS INSTALLATION – DIESEL MACHINES	A
1	0100011	AR	Compound, Locking	
2	0630613	4	Bolt M10 x 30	
3	0641608	4	Bolt 3/8 x 1	
4	0701015	4	Bolt M10 x 35	
5	0701217	2	Bolt M12 x 45	
6	0701221	2	Bolt M12 x 65	
7	3291001	2	Nut M10	
8	3291005	8	Nut M10	
9	3291205	4	Nut M12	
10	4711600	4	Washer 3/8	
11	4812000	12	Washer M10	
12	4812002	2	Washer M10	
13	4812100	8	Washer M12	
14	1001199883	1	Support	
15	1001199933	1	Tray	
16	1001201325	1	Tank, Fuel	
16A	70004414	1	Cap, Fill	
16B	7020043	1	Tube, Pickup	
16C	1001148607	1	Sender, Fuel Level	
16C	0731005	5	Screw #10 x 5/8	
16C	4751000	5	Washer #10	
17	1001213251	1	Support, Ground Control	
18	1001238954	1	Strap Assembly	
18	1001189119	1	Strap	
18	4280295	48 in/ 122 cm	Strip, Protector	
19	1001267678	1	Hydraulic Tank Assembly	
20	4420038	30 in/ 76.2 cm	Tape, Rubber	

## SECTION 2 - TURNTABLE

FIGURE 2-13. TANKS INSTALLATION - DIESEL MACHINES (POLY FUEL TANK) (HYDRAULIC TANK WITH 6 INCH BREATHER) (660SJ HC3)



ART\_1001258172



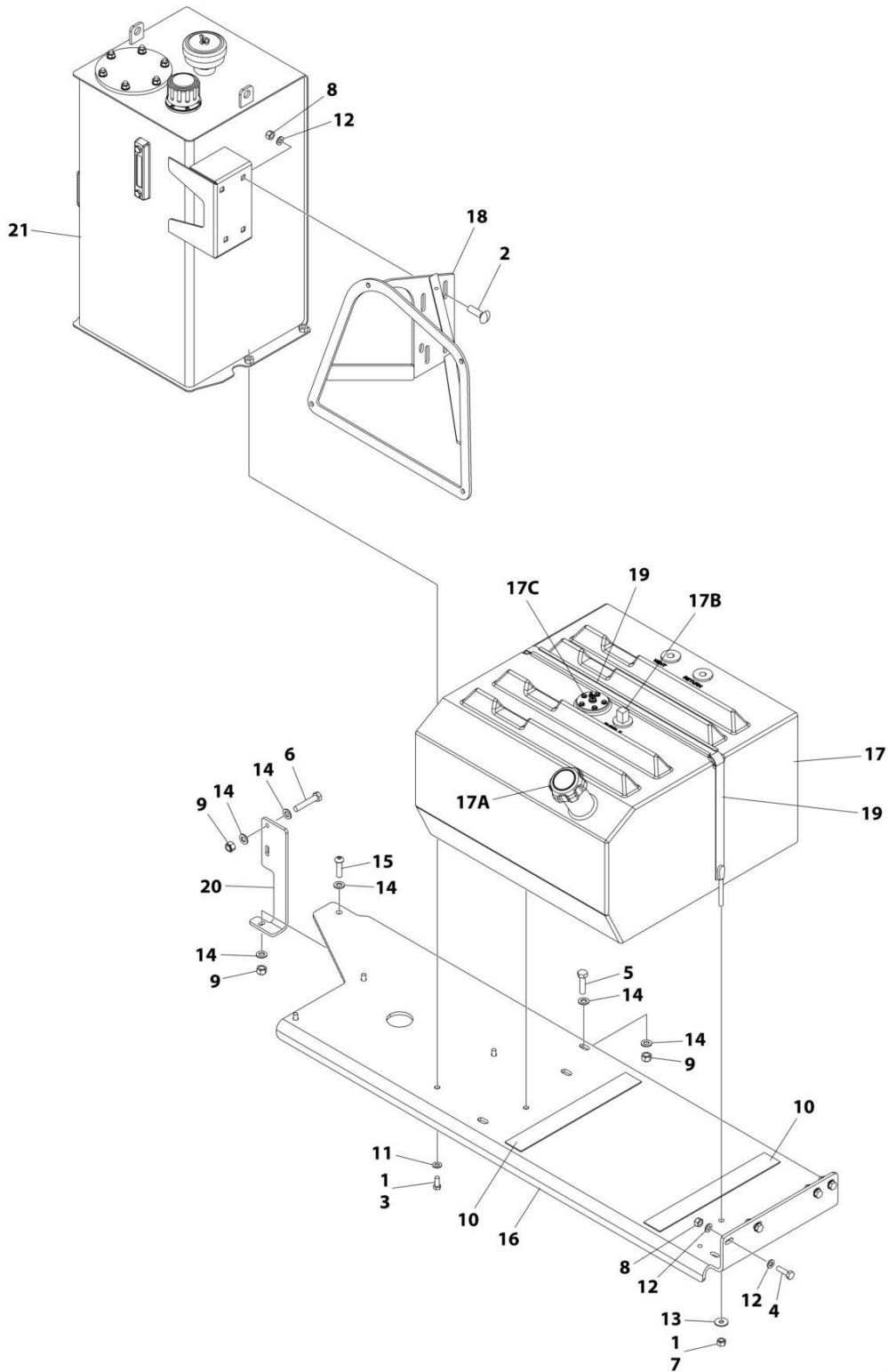
## SECTION 2 - TURNTABLE

**FIGURE 2-13. TANKS INSTALLATION - DIESEL MACHINES (POLY FUEL TANK) (HYDRAULIC TANK WITH 6 INCH BREATHER) (660SJ HC3)**

ITEM	PART NUMBER	QTY	DESCRIPTION	REV
	1001258172	Ref	TANKS INSTALLATION	A
1	0100011	AR	Compound, Locking	
2	0630613	4	Bolt M10 x 30	
3	0641608	4	Bolt 3/8 x 1	
4	0701015	4	Bolt M10 x 35	
5	0701217	1	Bolt M12 x 45	
6	0701221	2	Bolt M12 x 65	
7	3291001	2	Nut M10	
8	3291005	8	Nut, Lock M10	
9	3291205	4	Nut, Lock M12	
10	4711600	4	Washer 3/8	
11	4812000	12	Washer M10	
12	4812002	2	Washer M10	
13	4812100	8	Washer M12	
14	1001102978	1	Screw M12 X 45	
15	1001178057	1	Hydraulic Tank Assembly (See Separate Breakdown in this Section)	
16	1001199933	1	Tray	
17	1001201325	1	Tank, Fuel	
17A	70004414	1	Cap, Fill	
17B	7020043	1	Tube, Pickup	
17C	1001148607	1	Sender, Fuel Level	
17C	0731005	5	Screw #10 x 5/8	
17C	4751000	5	Washer #10	
18	1001213251	1	Support, Ground Control	
19	1001238954	1	Strap Assembly	
19	1001189119	1	Strap	
19	4280295	48 in/ 122cm	Strip, Protector	
20	1001256667	1	Support	

## SECTION 2 - TURNTABLE

FIGURE 2-14. TANKS INSTALLATION - DIESEL MACHINES (POLY FUEL TANK) (HYDRAULIC TANK WITH 4 INCH BREATHER) (660SJ HC3)



ART\_1001284975

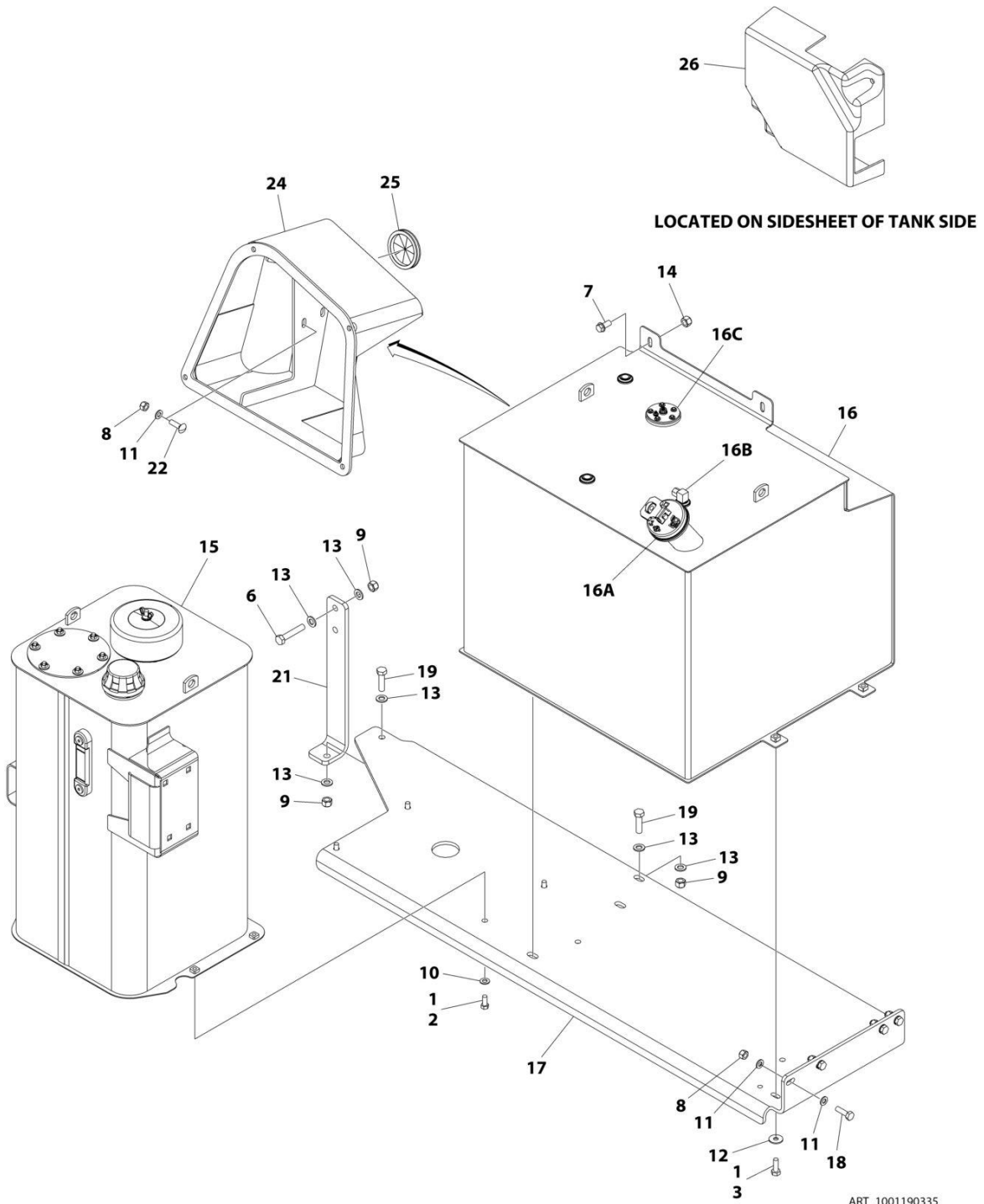
## SECTION 2 - TURNTABLE

**FIGURE 2-14. TANKS INSTALLATION - DIESEL MACHINES (POLY FUEL TANK) (HYDRAULIC TANK WITH 4 INCH BREATHER) (660SJ HC3)**

ITEM	PART NUMBER	QTY	DESCRIPTION	REV
	1001284975	Ref	TANKS INSTALLATION	A
1	0100011	AR	Compound, Locking	
2	0630613	4	Bolt M10 x 30	
3	0641608	4	Bolt 3/8 x 1	
4	0701015	4	Bolt M10 x 35	
5	0701217	1	Bolt M12 x 45	
6	0701221	2	Bolt M12 x 65	
7	3291001	2	Nut M10	
8	3291005	8	Nut, Lock M10	
9	3291205	4	Nut, Lock M12	
10	4420038	AR	Tape	
11	4711600	4	Washer 3/8	
12	4812000	12	Washer M10	
13	4812002	2	Washer M10	
14	4812100	8	Washer M12	
15	1001102978	1	Screw M12 x 45	
16	1001199933	1	Tray	
17	1001201325	1	Tank, Fuel	
17A	70004414	1	Cap, Fill	
17B	7020043	1	Tube, Pickup	
17C	1001148607	1	Sender, Fuel Level	
17C	0731005	5	Screw #10 x 5/8	
17C	4751000	5	Washer #10	
18	1001213251	1	Support, Ground Control	
19	1001238954	1	Strap Assembly	
19	1001189119	1	Strap	
19	4280295	48 in/ 122cm	Strip, Protector	
20	1001256667	1	Support	
21	1001267678	1	Hydraulic Tank Assembly (See Separate Breakdown in this Section)	

## SECTION 2 - TURNTABLE

FIGURE 2-15. TANKS INSTALLATION - DIESEL MACHINES (STEEL FUEL TANK) (HYDRAULIC TANK WITH 6 INCH BREATHER) (600S HC3)



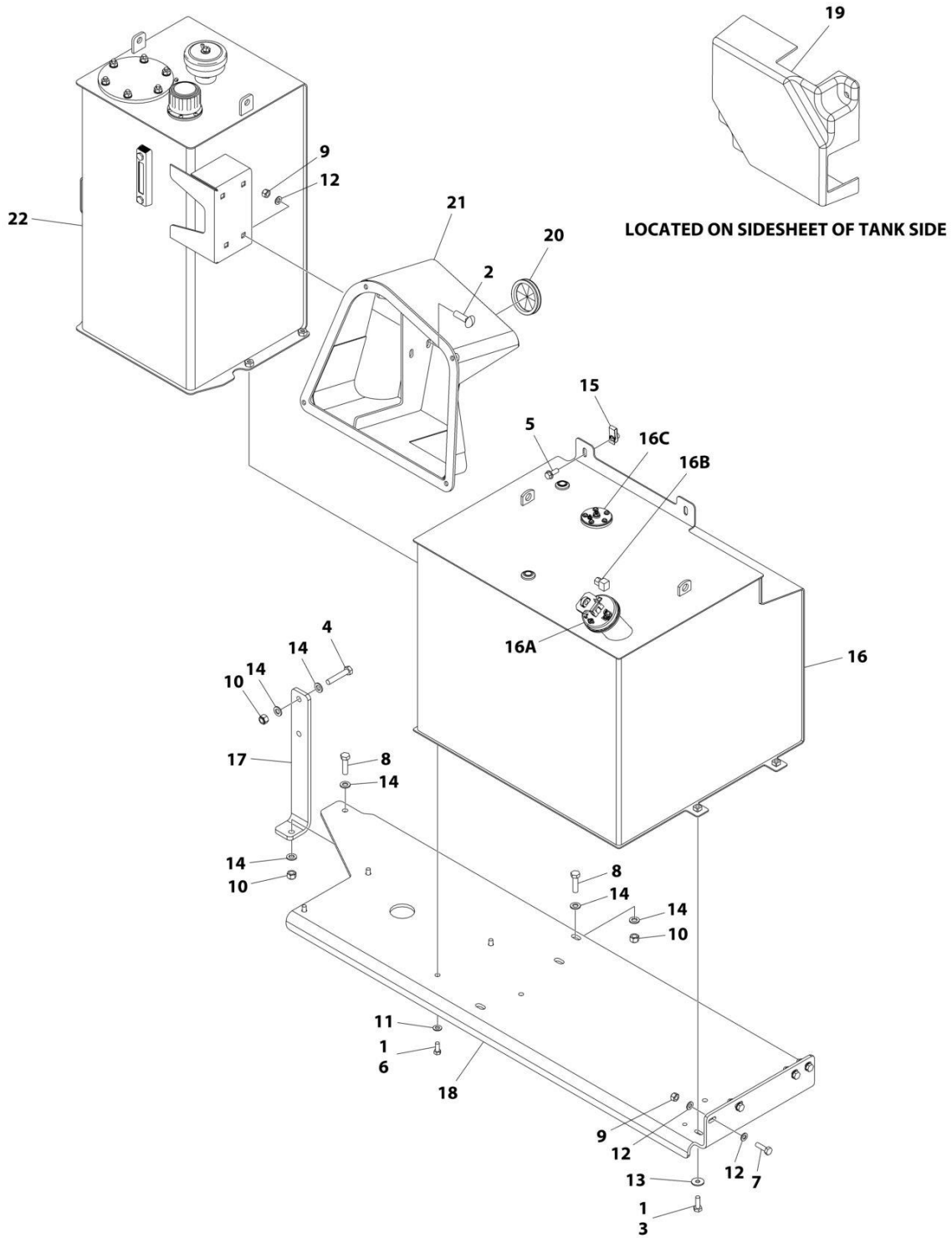
## SECTION 2 - TURNTABLE

**FIGURE 2-15. TANKS INSTALLATION - DIESEL MACHINES (STEEL FUEL TANK) (HYDRAULIC TANK WITH 6 INCH BREATHER) (600S HC3)**

ITEM	PART NUMBER	QTY	DESCRIPTION	REV
	1001190335	Ref	TANKS INSTALLATION	I
1	0100011	AR	Compound, Locking	
2	0641607	4	Bolt 3/8 x 7/8	
2	0641608	4	Bolt 3/8 x 1	
3	0761014	4	Bolt M10 x 30	
6	0701221	2	Bolt M12 x 65	
7	5251012	2	Bolt M10 x 25	
8	3291005	8	Nut M10	
9	3291205	4	Nut M12	
10	4711600	4	Washer 3/8	
11	4812000	12	Washer M10	
12	4812002	4	Washer M10	
13	4812100	8	Washer M12	
14	1001118972	1	Nut, Tinnerman M10	
15	1001178057	1	Hydraulic Tank Assembly (See Separate Breakdown in this Section)	
16	1001189764	1	Tank, Fuel	
16A	1001080707	1	Cap, Fill	
16B	70006314	1	Tube, Pickup	
16C	1001189800	1	Sender, Fuel Level	
16C	0731005	5	Screw #10 x 5/8	
16C	4751000	5	Washer #10	
17	1001199933	1	Tray	
18	0701015	4	Bolt M10 x 35	
19	0701217	2	Bolt M12 x 45	
21	1001199883	1	Support	
22	1001228406	4	Bolt M10 x 35	
22	0630613	4	Bolt M10 x 30	
24	1001229572	1	Mount, Ground Control	
25	1001218676	1	Grommet	
26	1001218539	1	Cover	

## SECTION 2 - TURNTABLE

FIGURE 2-16. TANKS INSTALLATION - DIESEL MACHINES (STEEL FUEL TANK) (HYDRAULIC TANK WITH 4 INCH BREATHER) (600S HC3)



ART\_1001267285

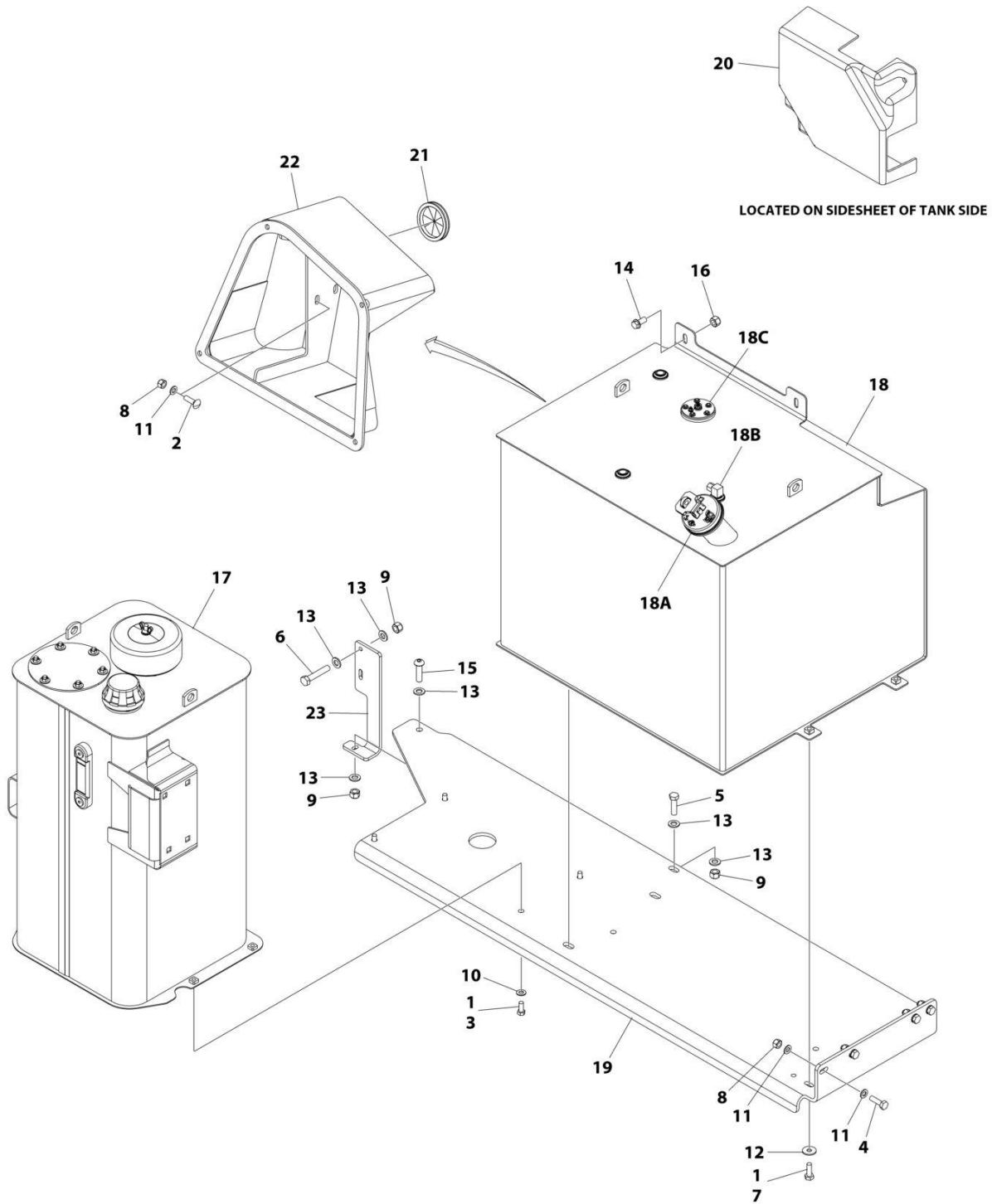
## SECTION 2 - TURNTABLE

**FIGURE 2-16. TANKS INSTALLATION - DIESEL MACHINES (STEEL FUEL TANK) (HYDRAULIC TANK WITH 4 INCH BREATHER) (600S HC3)**

ITEM	PART NUMBER	QTY	DESCRIPTION	REV
	1001267285	Ref	TANKS INSTALLATION – DIESEL MACHINES	A
1	0100011	AR	Compound, Locking	
2	0630613	4	Bolt M10 x 30	
3	0761014	4	Bolt M10 x 30	
4	0701221	2	Bolt M12 x 65	
5	5251012	1	Bolt M10 x 25	
6	0641608	4	Bolt 3/8 x 1	
7	0701015	4	Bolt M10 x 35	
8	0701217	2	Bolt M12 x 45	
9	3291005	8	Nut M10	
10	3291205	4	Nut M12	
11	4711600	4	Washer 3/8	
12	4812000	12	Washer M10	
13	4812002	4	Washer M10	
14	4812100	8	Washer M12	
15	1001118972	1	Nut, Tinnerman M10	
16	1001189764	1	Tank, Fuel	
16A	1001080707	1	Cap, Fill	
16B	70006314	1	Tube, Pickup	
16C	1001189800	1	Sender, Fuel Level	
16C	0731005	5	Screw #10 x 5/8	
16C	4751000	5	Washer #10	
17	1001199883	1	Support	
18	1001199933	1	Tray	
19	1001218539	1	Cover	
20	1001218676	1	Grommet	
21	1001229572	1	Mount, Ground Control	
22	1001267678	1	Hydraulic Tank Assembly	

## SECTION 2 - TURNTABLE

FIGURE 2-17. TANKS INSTALLATION - DIESEL MACHINES (STEEL FUEL TANK) (HYDRAULIC TANK WITH 6 INCH BREATHER) (660SJ HC3)



ART\_1001258174



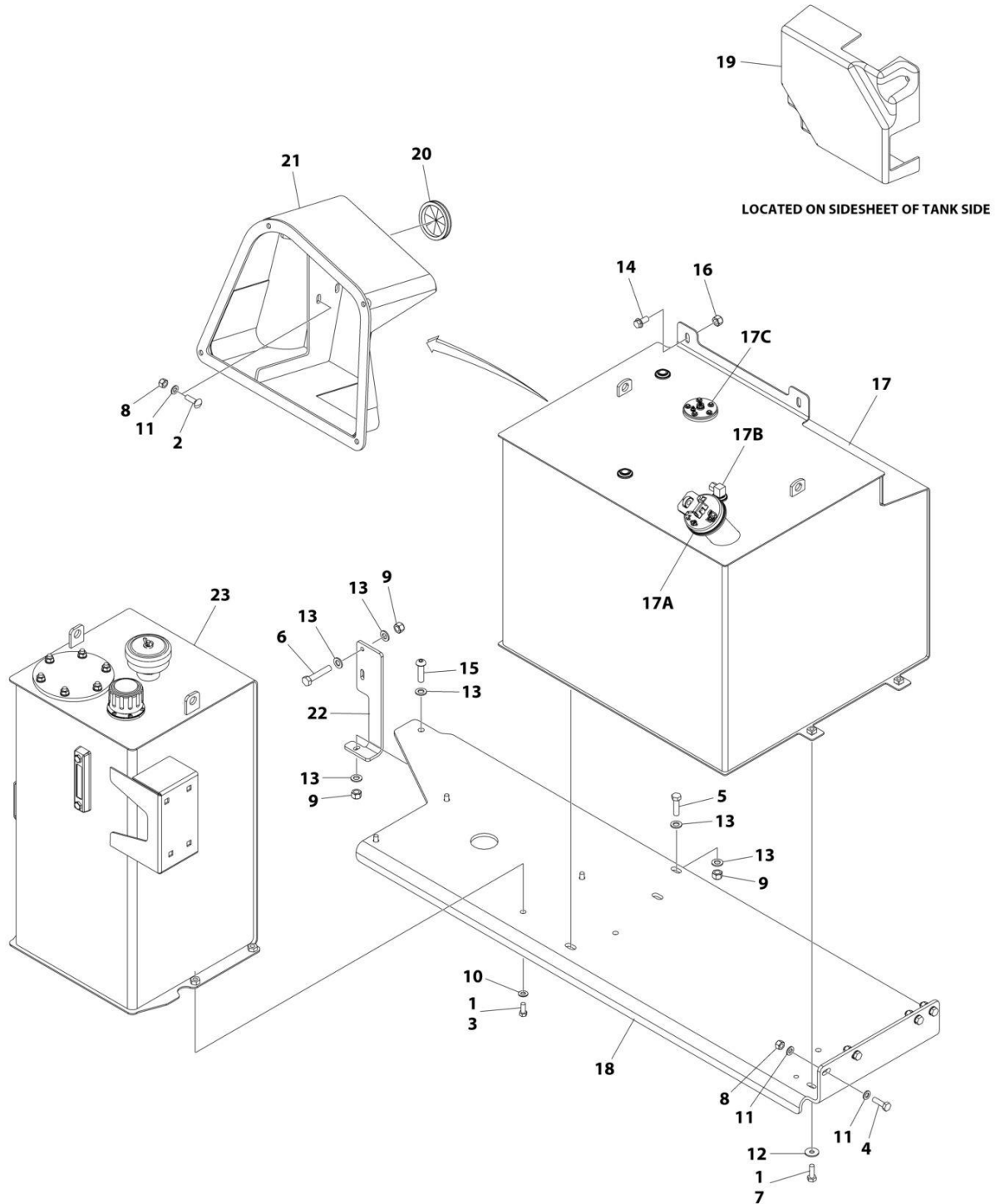
## SECTION 2 - TURNTABLE

**FIGURE 2-17. TANKS INSTALLATION - DIESEL MACHINES (STEEL FUEL TANK) (HYDRAULIC TANK WITH 6 INCH BREATHER) (660SJ HC3)**

ITEM	PART NUMBER	QTY	DESCRIPTION	REV
	1001258174	Ref	TANKS INSTALLATION	A
1	0100011	AR	Compound, Locking	
2	0630613	4	Bolt M10 x 30	
3	0641608	4	Bolt 3/8 x 1	
4	0701015	4	Bolt M10 x 35	
5	0701217	1	Bolt M12 x 45	
6	0701221	2	Bolt M12 x 65	
7	0761014	4	Bolt M10 x 30	
8	3291005	8	Nut M10	
9	3291205	4	Nut M12	
10	4711600	4	Washer 3/8	
11	4812000	12	Washer M10	
12	4812002	4	Washer M10	
13	4812100	8	Washer M12	
14	5251012	1	Bolt M10 x 25	
15	1001102978	1	Screw M12 X 45	
16	1001118972	1	Nut, Tinnerman M10	
17	1001178057	1	Hydraulic Tank Assembly (See Separate Breakdown in this Section)	
18	1001189764	1	Tank, Fuel	
18A	1001080707	1	Cap, Fill	
18B	70006314	1	Tube, Pickup	
18C	1001189800	1	Sender, Fuel Level	
18C	0731005	5	Screw #10 x 5/8	
18C	4751000	5	Washer #10	
19	1001199933	1	Tray	
20	1001218539	1	Cover	
21	1001218676	1	Grommet	
22	1001229572	1	Mount, Ground Control	
23	1001256667	1	Support	

## SECTION 2 - TURNTABLE

FIGURE 2-18. TANKS INSTALLATION - DIESEL MACHINES (STEEL FUEL TANK) (HYDRAULIC TANK WITH 4 INCH BREATHER) (660SJ HC3)



ART\_1001284977

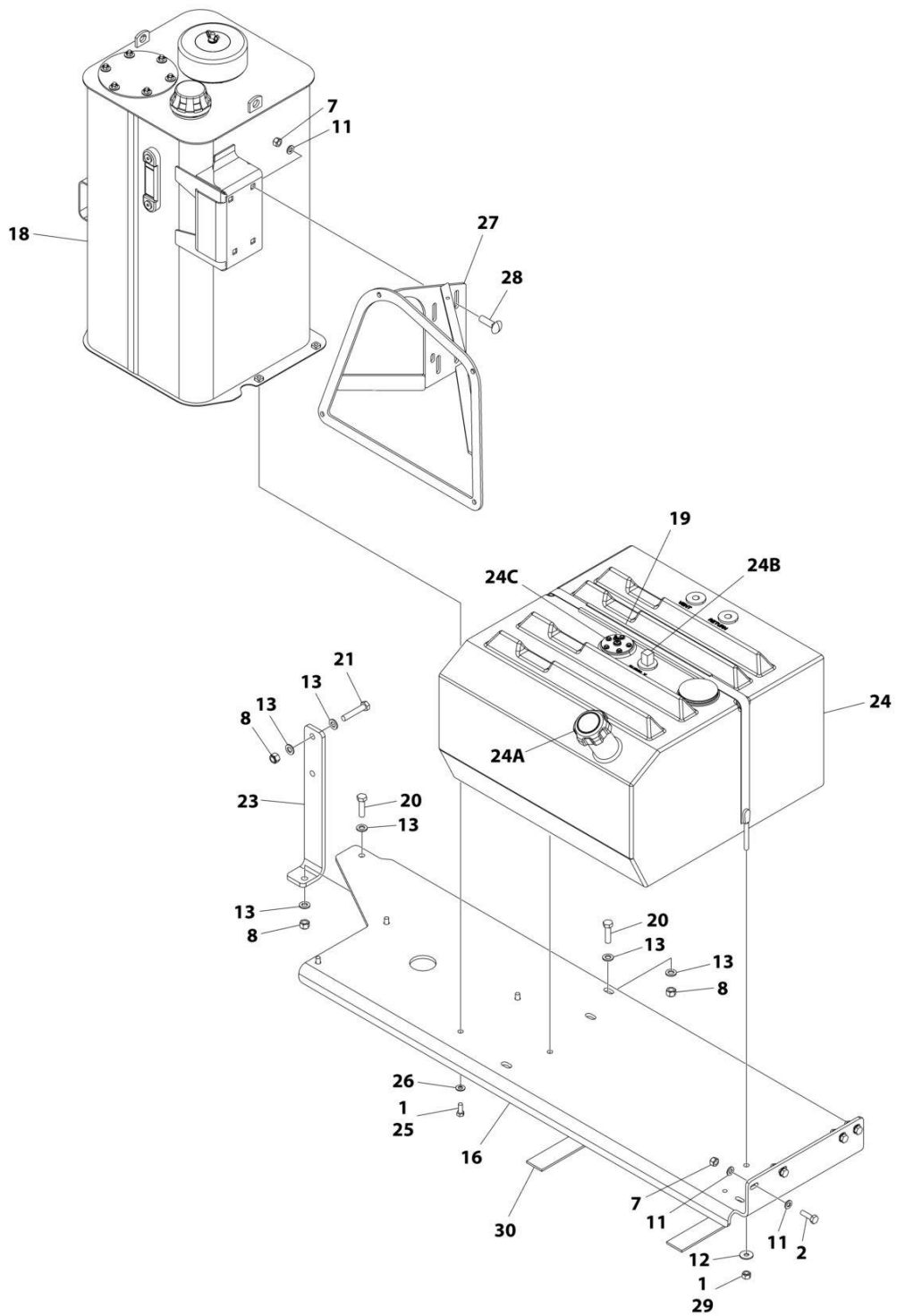
## SECTION 2 - TURNTABLE

**FIGURE 2-18. TANKS INSTALLATION - DIESEL MACHINES (STEEL FUEL TANK) (HYDRAULIC TANK WITH 4 INCH BREATHER) (660SJ HC3)**

ITEM	PART NUMBER	QTY	DESCRIPTION	REV
	1001284977	Ref	TANKS INSTALLATION	A
1	0100011	AR	Compound, Locking	
2	0630613	4	Bolt M10 x 30	
3	0641608	4	Bolt 3/8 x 1	
4	0701015	4	Bolt M10 x 35	
5	0701217	1	Bolt M12 x 45	
6	0701221	2	Bolt M12 x 65	
7	0761014	4	Bolt M10 x 30	
8	3291005	8	Nut, Lock M10	
9	3291205	4	Nut, Lock M12	
10	4711600	4	Washer 3/8	
11	4812000	12	Washer M10	
12	4812002	4	Washer M10	
13	4812100	8	Washer M12	
14	5251012	1	Bolt M10 x 25	
15	1001102978	1	Screw M12 X 45	
16	1001118972	1	Nut, Tinnerman M10	
17	1001189764	1	Tank, Fuel	
17A	1001080707	1	Cap, Fill	
17B	70006314	1	Tube, Pickup	
17C	1001189800	1	Sender, Fuel Level	
17C	0731005	5	Screw #10 x 5/8	
17C	4751000	5	Washer #10	
18	1001199933	1	Tray	
19	1001218539	1	Cover	
20	1001218676	1	Grommet	
21	1001229572	1	Mount, Ground Control	
22	1001256667	1	Support	
23	1001267678	1	Hydraulic Tank Assembly (See Separate Breakdown in this Section)	

## SECTION 2 - TURNTABLE

FIGURE 2-19. TANKS INSTALLATION - GAS MACHINES (HYDRAULIC TANK WITH 6 INCH BREATHER) (600S HC3)



ART\_1001189228

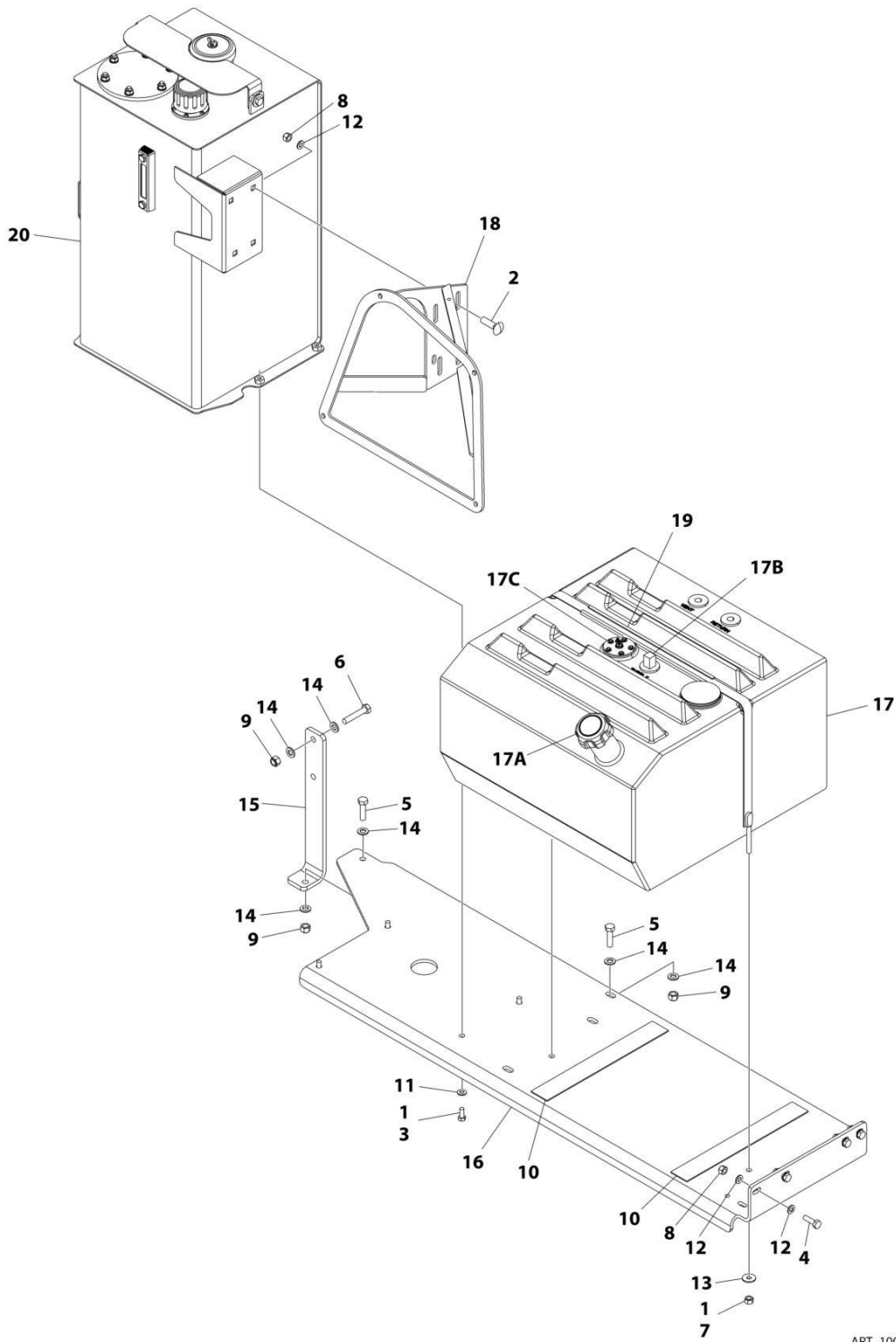
## SECTION 2 - TURNTABLE

**FIGURE 2-19. TANKS INSTALLATION - GAS MACHINES (HYDRAULIC TANK WITH 6 INCH BREATHER) (600S HC3)**

ITEM	PART NUMBER	QTY	DESCRIPTION	REV
	1001189228	Ref	TANKS INSTALLATION	I
1	0100011	AR	Compound, Locking	
2	0701015	4	Bolt M10 x 35	
7	3291005	8	Nut M10	
8	3291205	4	Nut M12	
11	4812000	12	Washer M10	
12	4812002	2	Washer M10	
13	4812100	8	Washer M12	
16	1001199933	1	Tray	
18	1001178057	1	Hydraulic Tank Assembly (See Separate Breakdown in this Section)	
19	1001238954	1	Strap Assembly	
19	1001189119	1	Strap, Tank	
19	4280295	48 in/ 122cm	Strip, Protector	
20	0701217	2	Bolt M12 x 45	
21	0701221	2	Bolt M12 x 65	
23	1001199883	1	Support	
24	1001201326	1	Tank, Fuel	
24A	70001103	1	Cap, Fill	
24B	7020043	1	Tube, Pickup	
24C	1001148607	1	Sender, Fuel Level	
24C	0731005	5	Screw #10 x 5/8	
24C	4751000	5	Washer #10	
25	0641607	4	Bolt 3/8 x 7/8	
25	0641608	4	Bolt 3/8 x 1	
26	4711600	4	Washer 3/8	
27	1001213251	1	Support, Ground Control	
28	1001228406	4	Bolt M10 x 35	
28	0630613	4	Bolt M10 x 30	
29	3291005	2	Nut M10	
29	3291001	2	Nut M10	
30	4420038	30 in/ 76.2 cm	Tape, Rubatex	

## SECTION 2 - TURNTABLE

FIGURE 2-20. TANKS INSTALLATION - GAS MACHINES (HYDRAULIC TANK WITH 4 INCH BREATHER) (600S HC3)



ART\_1001284974

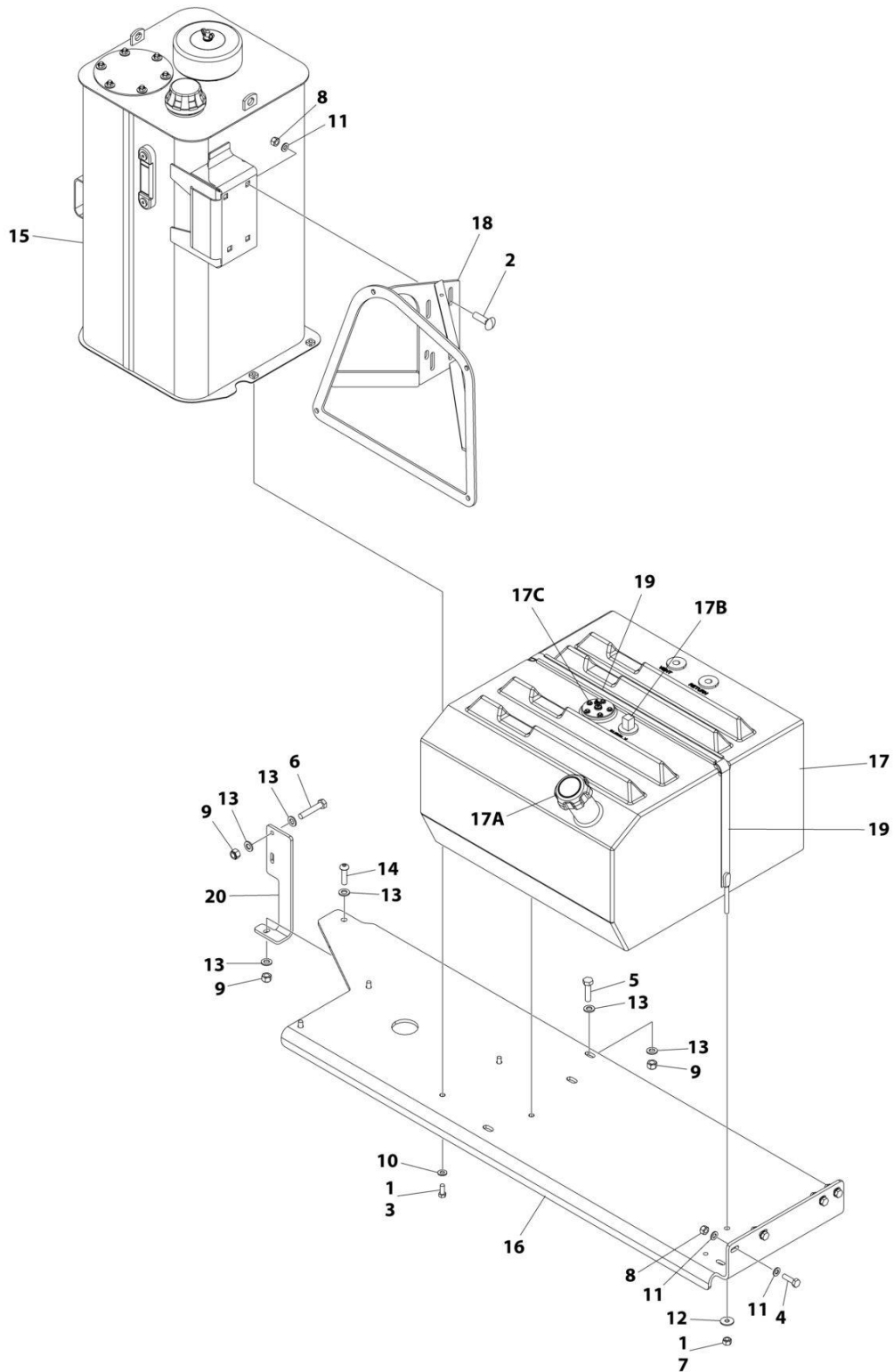
## SECTION 2 - TURNTABLE

**FIGURE 2-20. TANKS INSTALLATION - GAS MACHINES (HYDRAULIC TANK WITH 4 INCH BREATHER) (600S HC3)**

ITEM	PART NUMBER	QTY	DESCRIPTION	REV
	1001284974	Ref	TANKS INSTALLATION	A
1	0100011	AR	Compound, Locking	
2	0630613	4	Bolt M10 x 30	
3	0641608	4	Bolt 3/8 x 1	
4	0701015	4	Bolt M10 x 35	
5	0701217	2	Bolt M12 x 45	
6	0701221	2	Bolt M12 x 65	
7	3291001	2	Nut M10	
8	3291005	8	Nut, Lock M10	
9	3291205	4	Nut, Lock M12	
10	4420038	30 in /76.2 cm	Tape	
11	4711600	4	Washer 3/8	
12	4812000	12	Washer M10	
13	4812002	2	Washer M10	
14	4812100	8	Washer M12	
15	1001199883	1	Support	
16	1001199933	1	Tray	
17	1001201326	1	Tank, Fuel	
17A	70001103	1	Cap, Fill	
17B	7020043	1	Tube, Pickup	
17C	1001148607	1	Sender, Fuel Level	
17C	0731005	5	Screw #10 x 5/8	
17C	4751000	5	Washer #10	
18	1001213251	1	Support, Ground Control	
19	1001238954	1	Strap Assembly	
19	1001189119	1	Strap, Tank	
19	4280295	48 in /122cm	Strip, Protector	
20	1001267678	1	Hydraulic Tank Assembly (See Separate Breakdown in this Section)	

## SECTION 2 - TURNTABLE

FIGURE 2-21. TANKS INSTALLATION - GAS MACHINES (HYDRAULIC TANK WITH 6 INCH BREATHER) (660SJ HC3)



ART\_1001258173



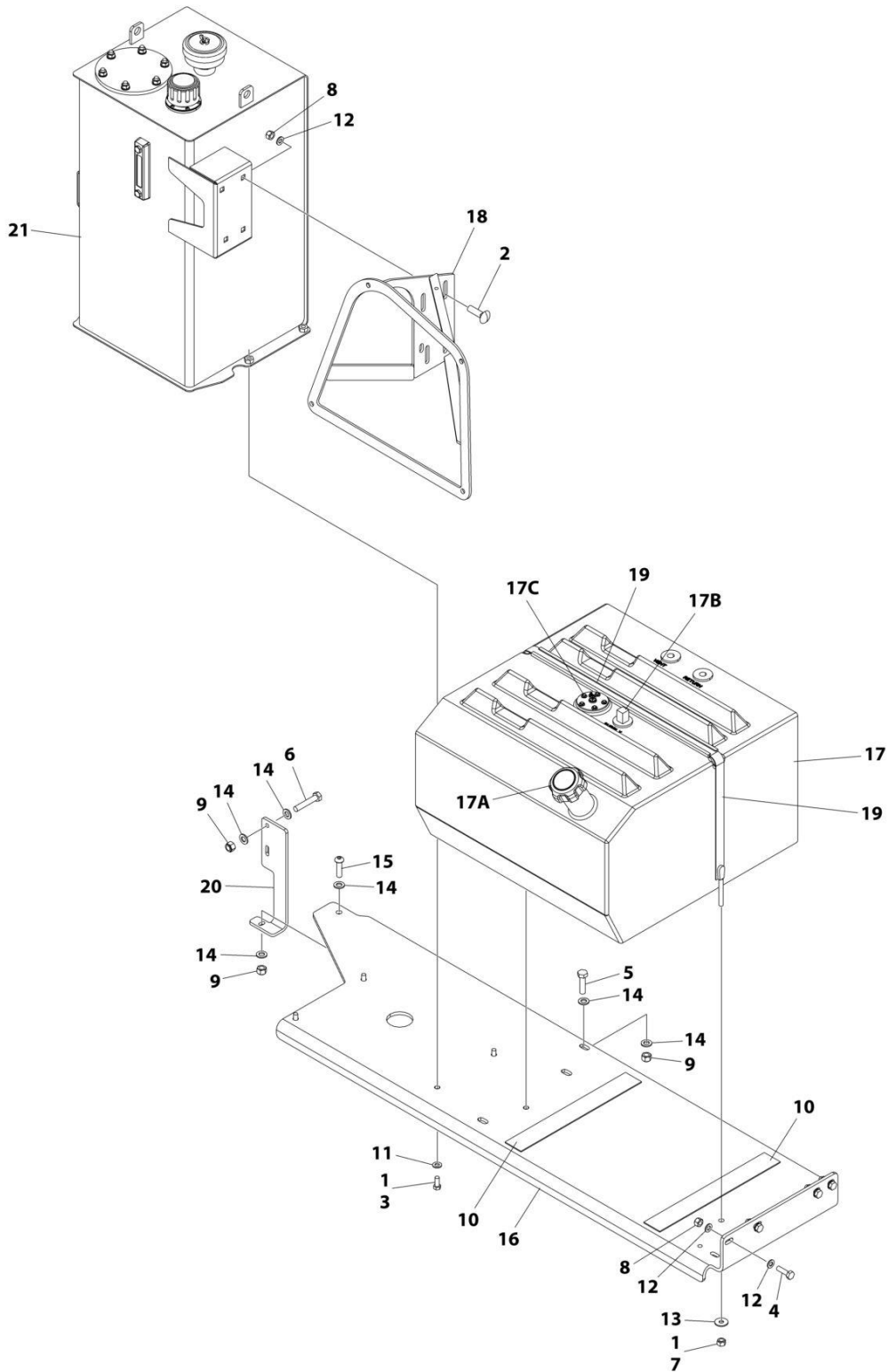
## SECTION 2 - TURNTABLE

**FIGURE 2-21. TANKS INSTALLATION - GAS MACHINES (HYDRAULIC TANK WITH 6 INCH BREATHER) (660SJ HC3)**

ITEM	PART NUMBER	QTY	DESCRIPTION	REV
	1001258173	Ref	TANKS INSTALLATION	A
1	0100011	AR	Compound, Locking	
2	0630613	4	Bolt M10 x 30	
3	0641608	4	Bolt 3/8 x 1	
4	0701015	4	Bolt M10 x 35	
5	0701217	1	Bolt M12 x 45	
6	0701221	2	Bolt M12 x 65	
7	3291001	2	Nut M10	
8	3291005	8	Nut M10	
9	3291205	4	Nut M12	
10	4711600	4	Washer 3/8	
11	4812000	12	Washer M10	
12	4812002	2	Washer M10	
13	4812100	8	Washer M12	
14	1001102978	1	Screw M12 X 45	
15	1001178057	1	Hydraulic Tank Assembly (See Separate Breakdown in this Section)	
16	1001199933	1	Tray	
17	1001201326	1	Tank, Fuel	
17A	70001103	1	Cap, Fill	
17B	7020043	1	Tube, Pickup	
17C	1001148607	1	Sender, Fuel Level	
17C	0731005	5	Screw #10 x 5/8	
17C	4751000	5	Washer #10	
18	1001213251	1	Support, Ground Control	
19	1001238954	1	Strap Assembly	
19	1001189119	1	Strap, Tank	
19	4280295	48 in/ 122cm	Strip, Protector	
20	1001256667	1	Support	

# SECTION 2 - TURNTABLE

## FIGURE 2-22. TANKS INSTALLATION - GAS MACHINES (HYDRAULIC TANK WITH 4 INCH BREATHER) (660SJ HC3)



ART\_1001284976

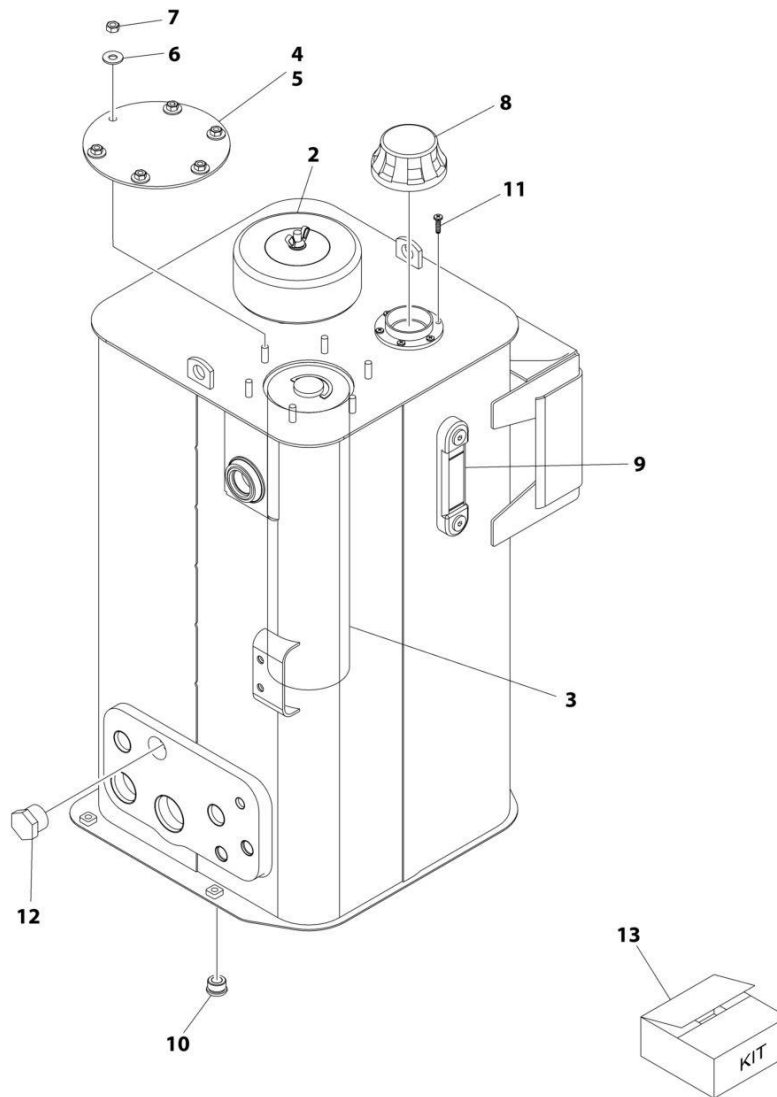
## SECTION 2 - TURNTABLE

**FIGURE 2-22. TANKS INSTALLATION - GAS MACHINES (HYDRAULIC TANK WITH 4 INCH BREATHER) (660SJ HC3)**

ITEM	PART NUMBER	QTY	DESCRIPTION	REV
	1001284976	Ref	TANKS INSTALLATION	A
1	0100011	AR	Compound, Locking	
2	0630613	4	Bolt M10 x 30	
3	0641608	4	Bolt 3/8 x 1	
4	0701015	4	Bolt M10 x 35	
5	0701217	1	Bolt M12 x 45	
6	0701221	2	Bolt M12 x 65	
7	3291001	2	Nut M10	
8	3291005	8	Nut, Lock M10	
9	3291205	4	Nut, Lock M12	
10	4420038	AR	Tape	
11	4711600	4	Washer 3/8	
12	4812000	12	Washer M10	
13	4812002	2	Washer M10	
14	4812100	8	Washer M12	
15	1001102978	1	Bolt M12 x 45 Class 10.9	
16	1001199933	1	Tray	
17	1001201326	1	Tank, Fuel	
17A	70001103	1	Cap, Fill	
17B	7020043	1	Tube, Pickup	
17C	1001148607	1	Sender, Fuel Level	
17C	0731005	5	Screw #10 x 5/8	
17C	4751000	5	Washer #10	
18	1001213251	1	Support, Ground Control	
19	1001238954	1	Strap Assembly	
19	1001189119	1	Strap	
19	4280295	48 in/ 122cm	Strip, Protector	
20	1001256667	1	Support	
21	1001267678	1	Hydraulic Tank Assembly (See Separate Breakdown in this Section)	

## SECTION 2 - TURNTABLE

FIGURE 2-23. HYDRAULIC TANK ASSEMBLY (HYDRAULIC TANK WITH 6 INCH BREATHER)



ART\_1001178057

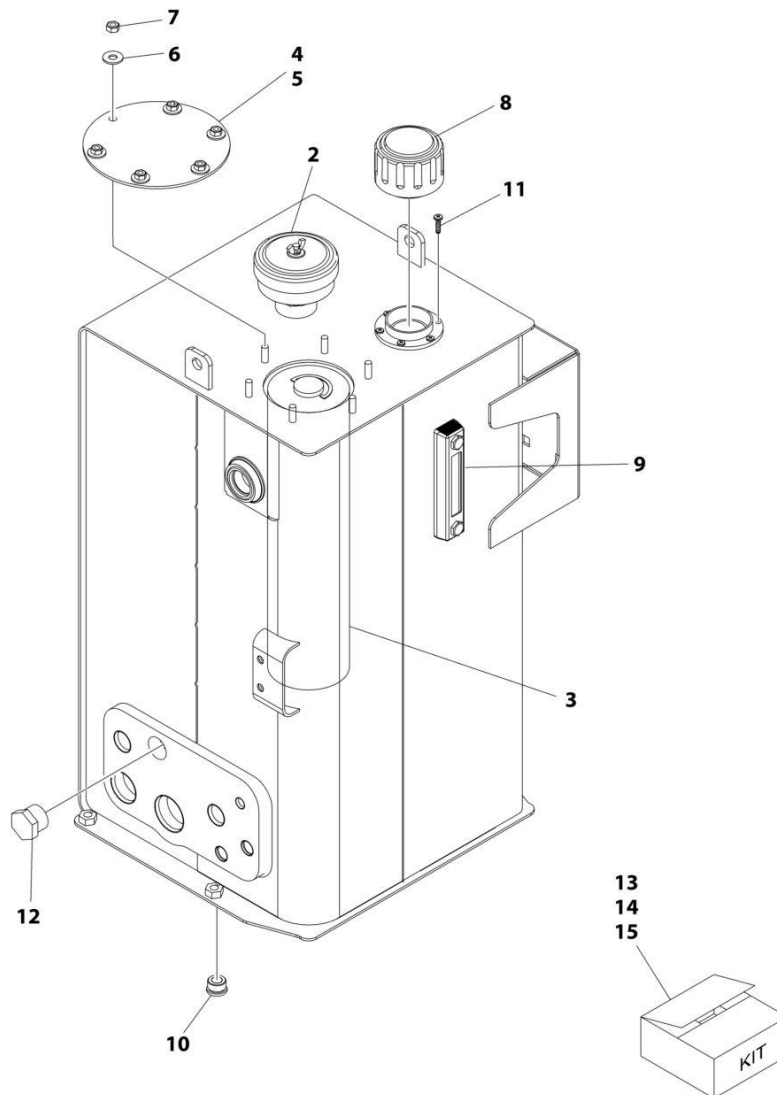
## SECTION 2 - TURNTABLE

**FIGURE 2-23. HYDRAULIC TANK ASSEMBLY (HYDRAULIC TANK WITH 6 INCH BREATHER)**

ITEM	PART NUMBER	QTY	DESCRIPTION	REV
	1001178057	Ref	HYDRAULIC TANK ASSEMBLY	D
2	70005708	1	Breather Assembly (Includes Breather, Element and Wingnut)	
2	See Note	NSS	Element, Breather (Note: Use p/n 70005708 or Item 13)	
3	See Note	NSS	Element, Hydraulic (Note: Use Item 13)	
4	70002839	1	Gasket	
5	See Note	NSS	Cover (Note: Not Available for Purchase)	
6	83304173	6	Washer 5/16	
7	70004199	6	Nut 5/16	
8	70002838	1	Cap, Fill	
9	7024441	1	Gauge, Level	
10	70002112	1	Plug	
11	70004795	6	Screw #10 x 3/4	
12	See Note	NSS	Plug (Note: Not Available - Purchase Locally)	
13	70002814	1	Hydraulic Tank Service Kit (Includes Items 2-4)	

## SECTION 2 - TURNTABLE

FIGURE 2-24. HYDRAULIC TANK ASSEMBLY (HYDRAULIC TANK WITH 4 INCH BREATHER)



ART\_1001267678

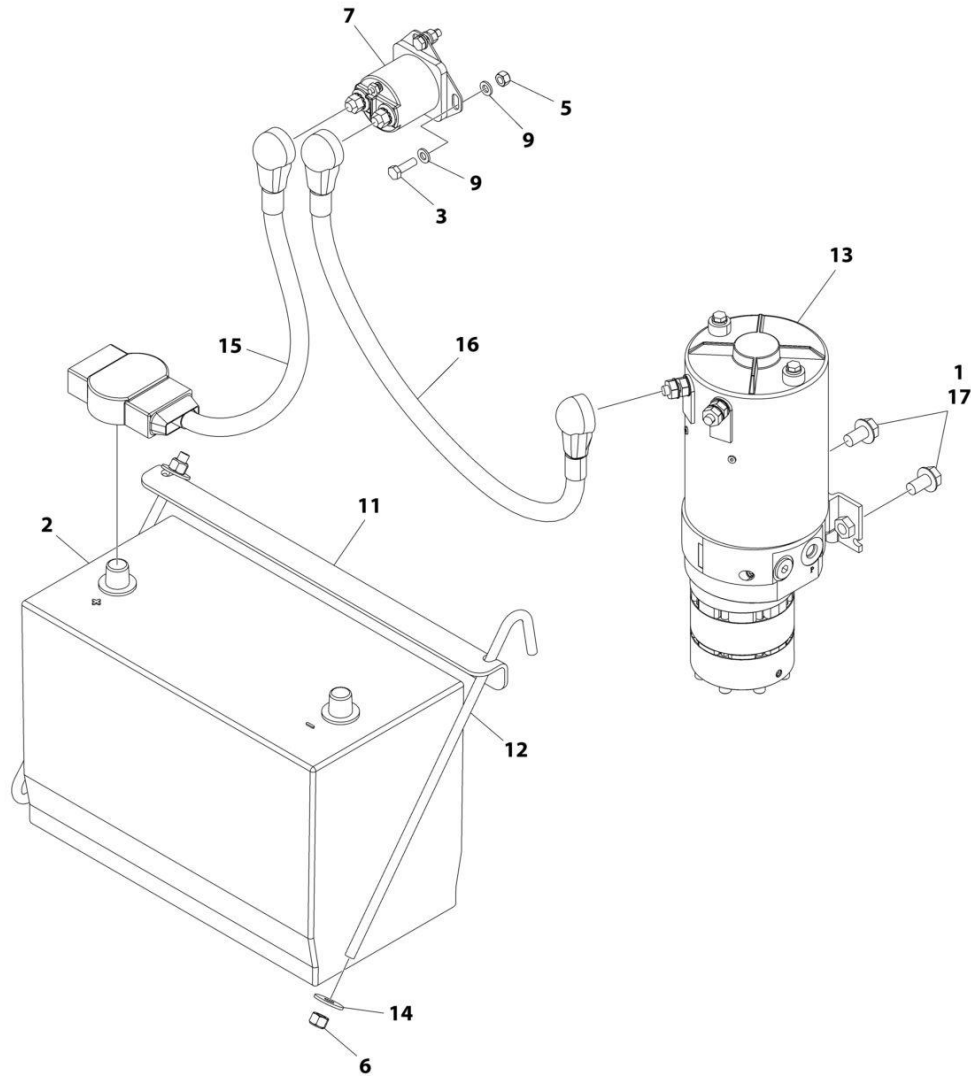
## SECTION 2 - TURNTABLE

**FIGURE 2-24. HYDRAULIC TANK ASSEMBLY (HYDRAULIC TANK WITH 4 INCH BREATHER)**

ITEM	PART NUMBER	QTY	DESCRIPTION	REV
	1001267678	REF	HYDRAULIC TANK ASSEMBLY	A
1	See Note	NSS	Hydraulic Tank Weldment (Not Shown) (Note: Not Available for Purchase)	
2	See Note	NSS	Breather Assembly (Note: Use Item 13)	
3	See Note	NSS	Element, Filter (Note: Use Item Use Item 14)	
4	70002839	1	Gasket	
5	See Note	NSS	Cover (Note: Not Available for Purchase)	
6	83304173	6	Washer 1/4	
7	70004199	6	Nut 5/16	
8	70002838	1	Cap, Fill	
9	70024441	1	Gauge, Level	
10	70002112	1	Plug	
11	70004795	6	Screw 10 x 3/4	
12	See Note	NSS	Plug (Note: Not Available for Purchase)	
13	70007726	1	Breather Kit (Note: Includes Item 2)	
14	70007727	1	Return Filter Kit (Note: Includes Item 3)	
15	70007725	1	Level Gauge Kit	

## SECTION 2 - TURNTABLE

FIGURE 2-25. BATTERY AND AUXILIARY PUMP INSTALLATION (MACHINES WITH SN STARTING WITH 03)



ART\_1001186346



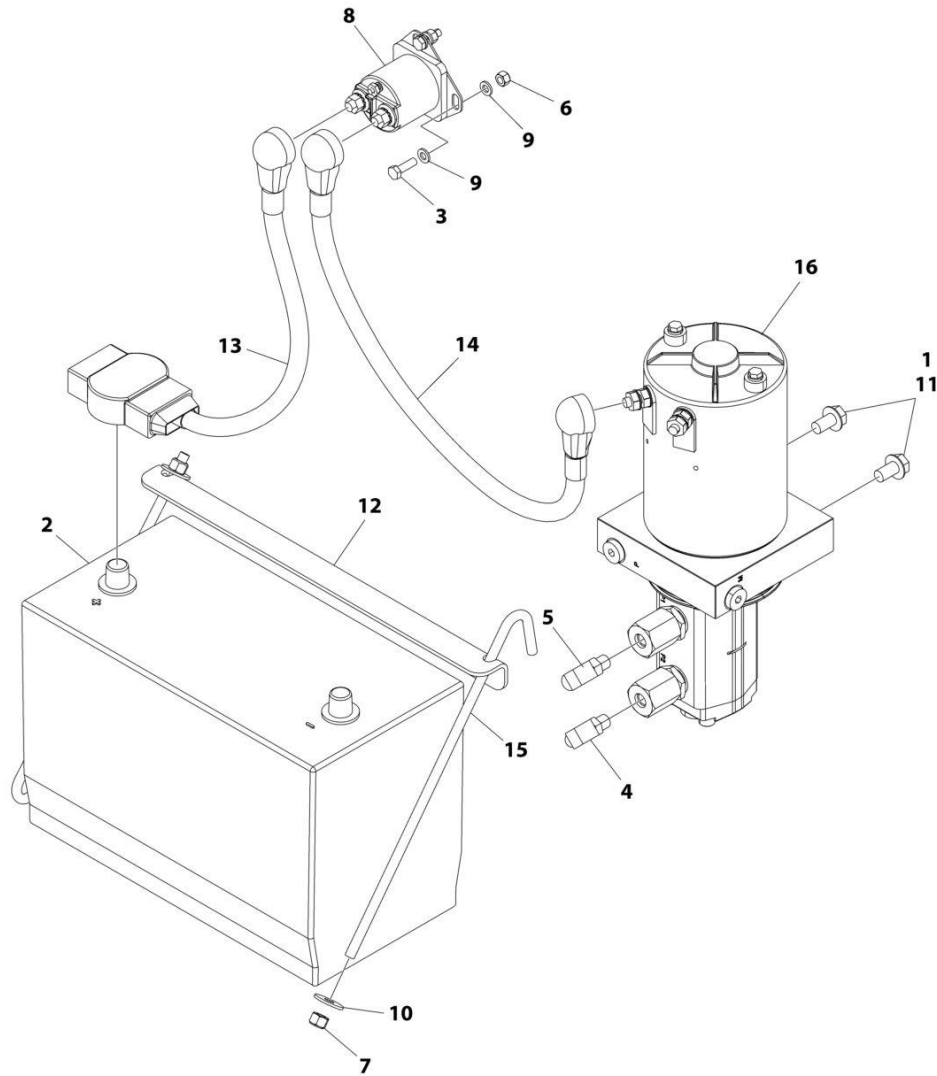
**SECTION 2 - TURNTABLE**

**FIGURE 2-25. BATTERY AND AUXILIARY PUMP INSTALLATION (MACHINES WITH SN STARTING WITH 03)**

ITEM	PART NUMBER	QTY	DESCRIPTION	REV
	1001186346	Ref	BATTERY AND AUXILIARY PUMP INSTALLATION	G
1	0100011	AR	Compound, Locking	
2	0400075	1	Battery	
3	0700610	2	Bolt M6 x 20	
5	3290605	2	Nut M6	
6	3290805	2	Nut M8	
7	3740067	1	Relay	
9	4811700	4	Washer M6	
11	91401281	1	Bracket, Hold Down	
12	1001192012	2	J-Bolt	
13	1001187808	1	Auxiliary Pump/Motor Assembly (Note: Replacement Motor is only Service Component Available. For Other Components, Replace Complete Assembly.)	
13	70003998	1	Motor, Replacement	
14	4811902	2	Washer M8	
15	1001188664	1	Cable, Battery (+)	
16	1001188666	1	Cable, Aux Relay to Aux Pump	
17	5251009	2	Bolt M10 x 18	

## SECTION 2 - TURNTABLE

FIGURE 2-26. BATTERY AND AUXILIARY PUMP INSTALLATION (MACHINES WITH SN STARTING WITH B3)



ART\_1001256239

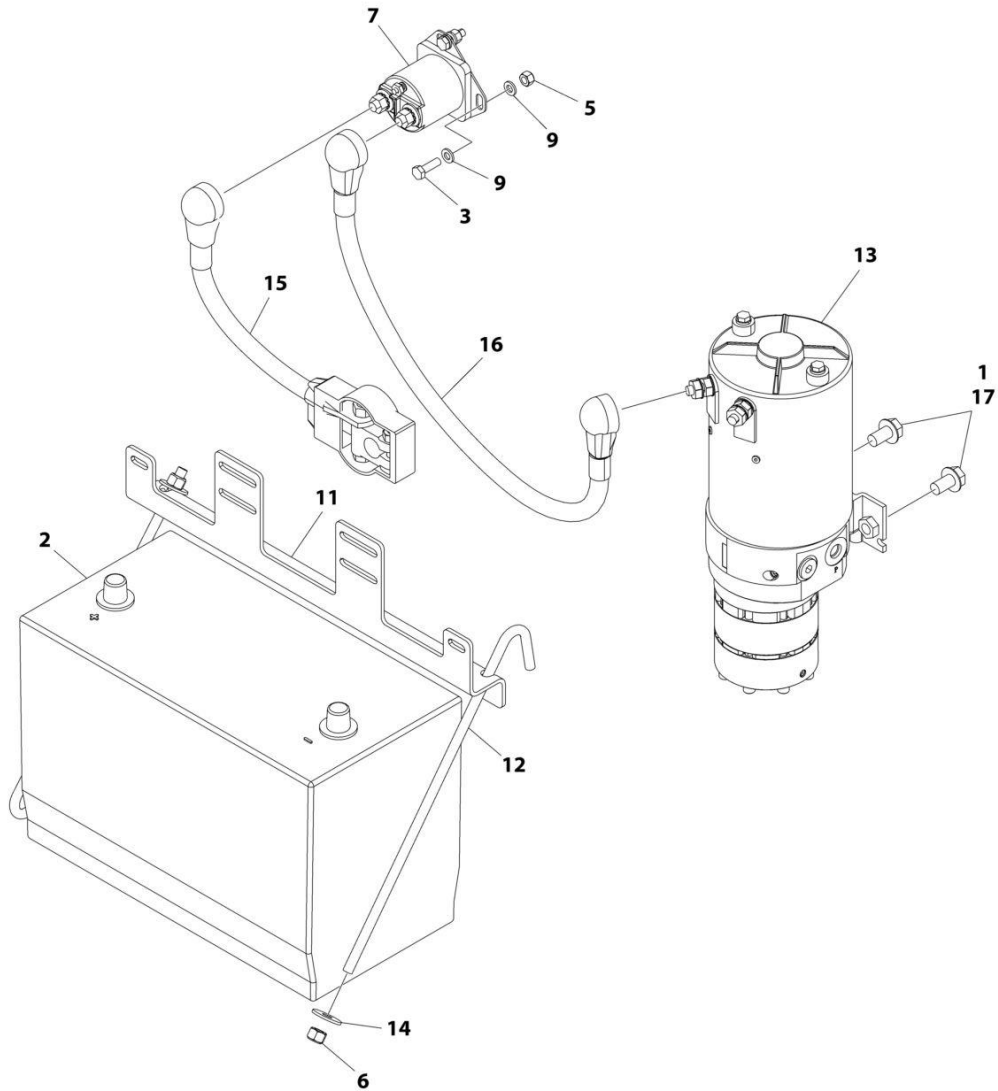
## SECTION 2 - TURNTABLE

**FIGURE 2-26. BATTERY AND AUXILIARY PUMP INSTALLATION (MACHINES WITH SN STARTING WITH B3)**

ITEM	PART NUMBER	QTY	DESCRIPTION	REV
	1001256239	Ref	BATTERY AND AUXILIARY PUMP INSTALLATION	A
1	0100011	AR	Compound, Locking	
2	0400075	1	Battery	
3	0700610	2	Bolt M6 x 20	
4	2220466	1	Fitting, 90 JIC/ORB	
5	2220775	1	Fitting, 90 JIC/ORB	
6	3290605	2	Nut M6	
7	3290805	2	Nut M8	
8	3740067	1	Relay	
9	4811700	4	Washer M6	
10	4811902	2	Washer M8	
11	5251009	2	Bolt M10 x 18	
12	91401281	1	Bracket, Hold Down	
13	1001188664	1	Cable, Battery (+)	
14	1001188666	1	Cable, Aux Relay to Aux Pump	
15	1001192012	2	J-Bolt	
16	1001256238	1	Auxiliary Motor/Pump Assembly (See Separate Breakdown in this Section)	

## SECTION 2 - TURNTABLE

FIGURE 2-27. BATTERY AND AUXILIARY PUMP WITH DISCONNECT SWITCH INSTALLATION  
(MACHINES WITH SN STARTING WITH 03)



ART\_1001238663

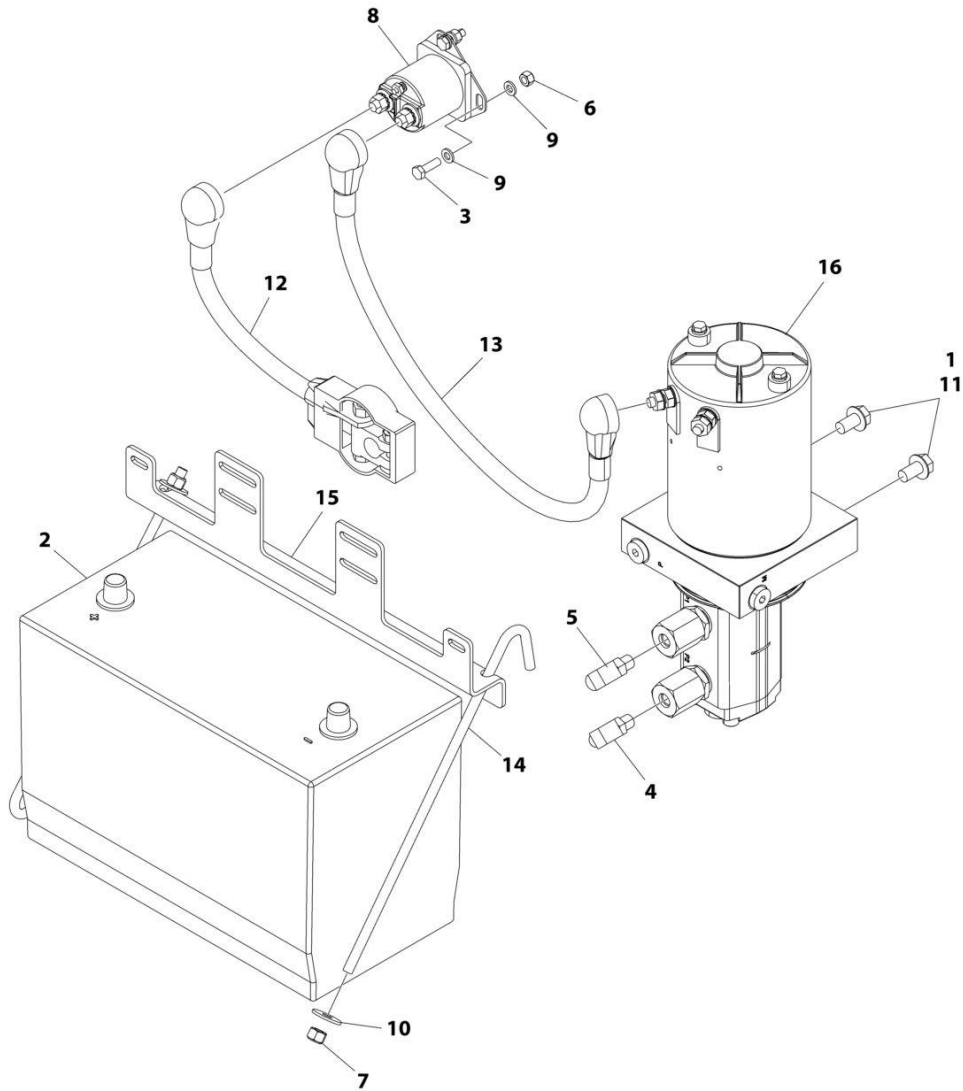
**SECTION 2 - TURNTABLE**

**FIGURE 2-27. BATTERY AND AUXILIARY PUMP WITH DISCONNECT SWITCH INSTALLATION  
(MACHINES WITH SN STARTING WITH 03)**

ITEM	PART NUMBER	QTY	DESCRIPTION	REV
	1001238663	Ref	BATTERY AND AUXILIARY PUMP W/DISCONNECT SWITCH INSTALLATION	B
1	0100011	AR	Compound, Locking	
2	0400075	1	Battery	
3	0700610	2	Bolt M6 x 20	
5	3290605	2	Nut M6	
6	3290805	2	Nut M8	
7	3740067	1	Relay	
9	4811700	4	Washer M6	
11	1001236303	1	Bracket, Hold Down	
12	1001192012	2	J-Bolt	
13	1001187808	1	Auxiliary Pump/Motor Assembly (Note: Replacement Motor is only Service Component Available. For Other Components, Replace Complete Assembly.)	
13	70003998	1	Motor, Replacement	
14	4811902	2	Washer M8	
15	1001188664	1	Cable, Battery (+)	
16	1001188666	1	Cable, Aux Relay to Aux Pump	
17	5251009	2	Bolt M10 x 18	

## SECTION 2 - TURNTABLE

FIGURE 2-28. BATTERY AND AUXILIARY PUMP INSTALLATION WITH DISCONNECT SWITCH  
(MACHINES WITH SN STARTING WITH B3)



ART\_1001263810

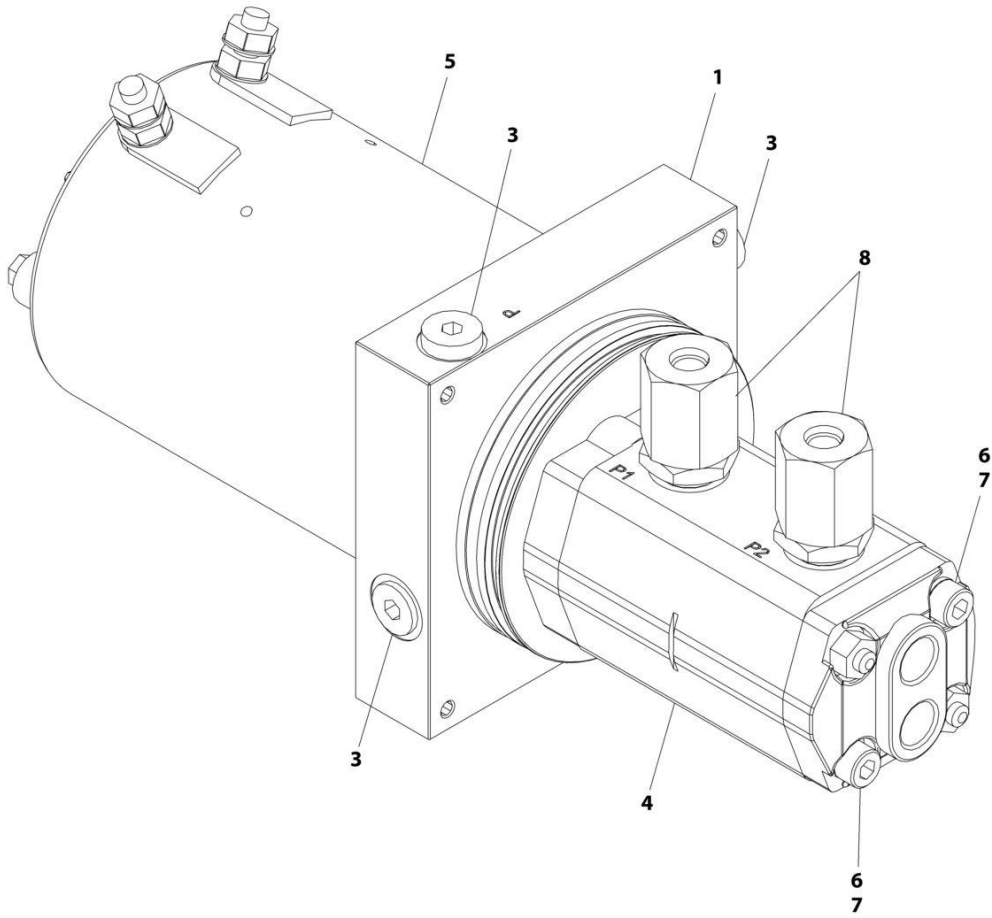
## SECTION 2 - TURNTABLE

**FIGURE 2-28. BATTERY AND AUXILIARY PUMP INSTALLATION WITH DISCONNECT SWITCH  
(MACHINES WITH SN STARTING WITH B3)**

ITEM	PART NUMBER	QTY	DESCRIPTION	REV
	1001263810	Ref	BATTERY AND AUXILIARY PUMP INSTALLATION	A
1	0100011	AR	Compound, Locking	
2	0400075	1	Battery	
3	0700610	2	Bolt M6 x 20	
4	2220466	1	Fitting, 90 JIC/ORB	
5	2220775	1	Fitting, 90 JIC/ORB	
6	3290605	2	Nut M6	
7	3290805	2	Nut M8	
8	3740067	1	Relay	
9	4811700	4	Washer M6	
10	4811902	2	Washer M8	
11	5251009	2	Bolt M10 x 18	
12	1001188664	1	Cable, Battery (+)	
13	1001188666	1	Cable, Aux Relay to Aux Pump	
14	1001192012	2	J-Bolt	
15	1001236303	1	Bracket, Hold Down	
16	1001256238	1	Auxiliary Motor/Pump Assembly (See Separate Breakdown in this Section)	

## SECTION 2 - TURNTABLE

FIGURE 2-29. AUXILIARY MOTOR/PUMP ASSEMBLY (MACHINES WITH SN STARTING WITH B3)



ART\_1001256238



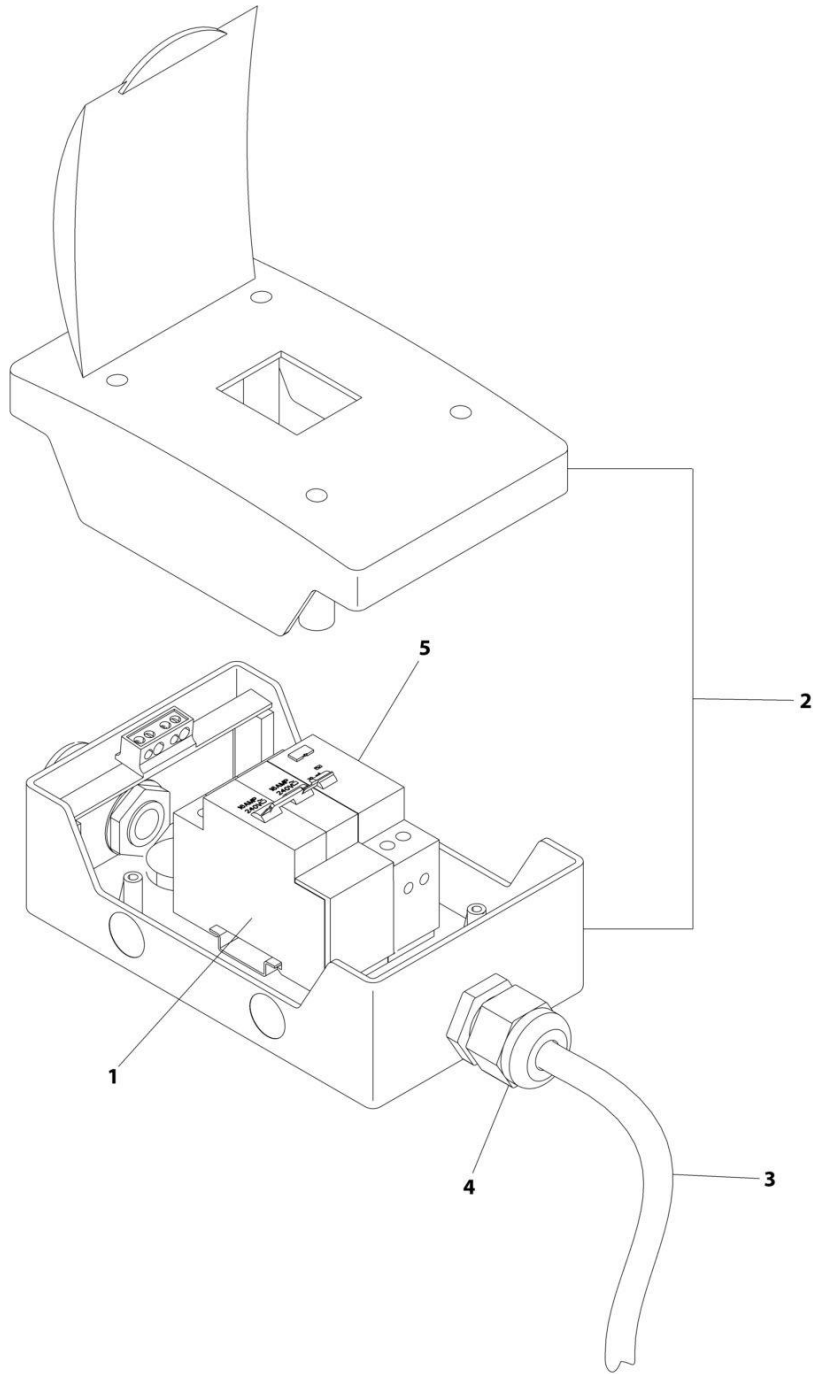
**SECTION 2 - TURNTABLE**

**FIGURE 2-29. AUXILIARY MOTOR/PUMP ASSEMBLY (MACHINES WITH SN STARTING WITH B3)**

ITEM	PART NUMBER	QTY	DESCRIPTION	REV
	1001256238	Ref	AUXILIARY MOTOR/PUMP ASSEMBLY	A
1	70008396	1	Block, Valve	
2	70008397	1	Shaft, Connecting (Not Shown)	
3	See Note	NSS	Plug (Note: Not Sold Separately)	
4	70008398	1	Pump	
5	70008399	1	Motor	
6	70008400	2	Washer M8	
7	70008401	2	Capscrew M8 x 140	
8	70008402	2	Valve, One-Way	

# SECTION 2 - TURNTABLE

## FIGURE 2-30. BREAKER BOX KIT



ART\_1001152486\_C

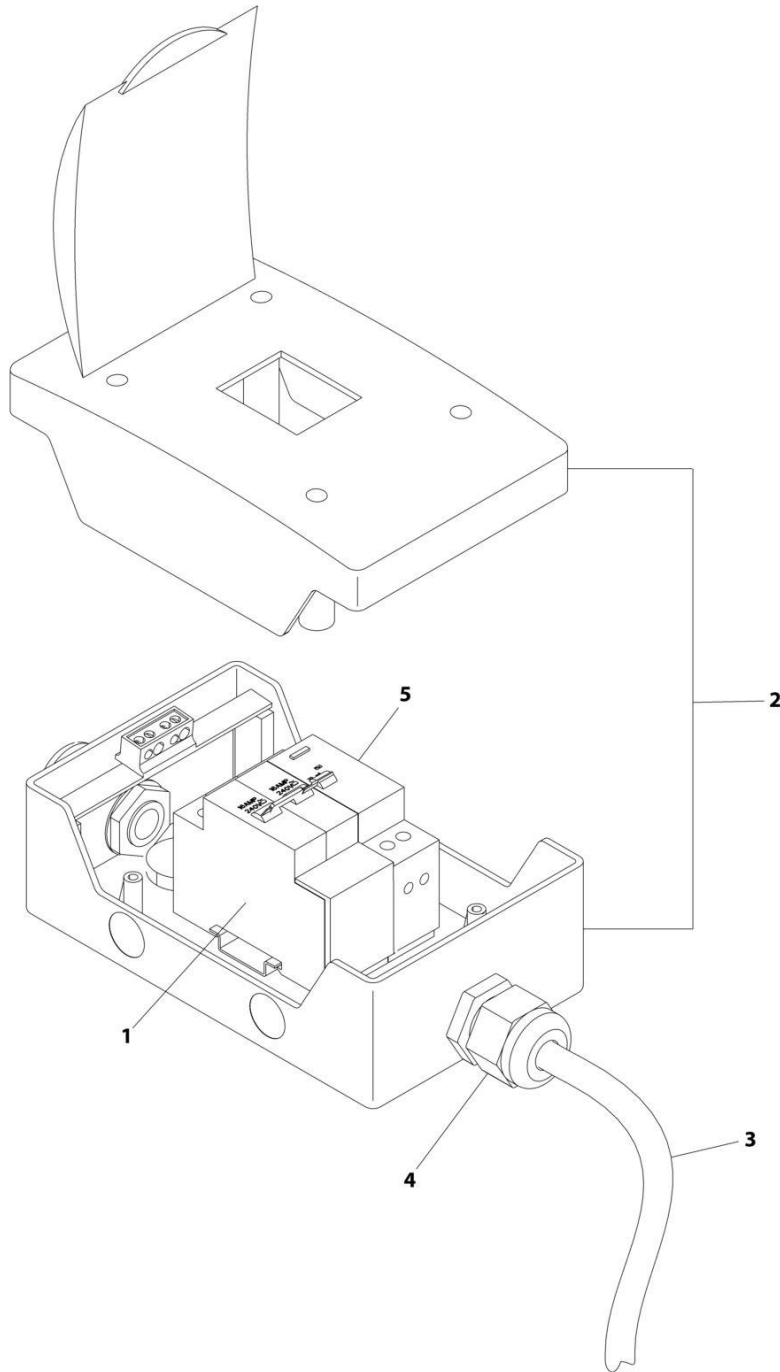
**SECTION 2 - TURNTABLE**

**FIGURE 2-30. BREAKER BOX KIT**

<b>ITEM</b>	<b>PART NUMBER</b>	<b>QTY</b>	<b>DESCRIPTION</b>	<b>REV</b>
	1001152486	Ref	BREAKER BOX KIT	C
1	1001189172	1	Breaker, 16 Amp (Double)	
2	1001152483	1	Box	
3	1060908	12 ft/ 3.66m	Cable, 12/3	
4	1001097150	1	Connector, Strain Relief	
5	1001189171	1	Breaker, 30mA	

## SECTION 2 - TURNTABLE

FIGURE 2-31. BREAKER BOX KIT WITH THREE BREAKERS



ART\_1001152485\_F

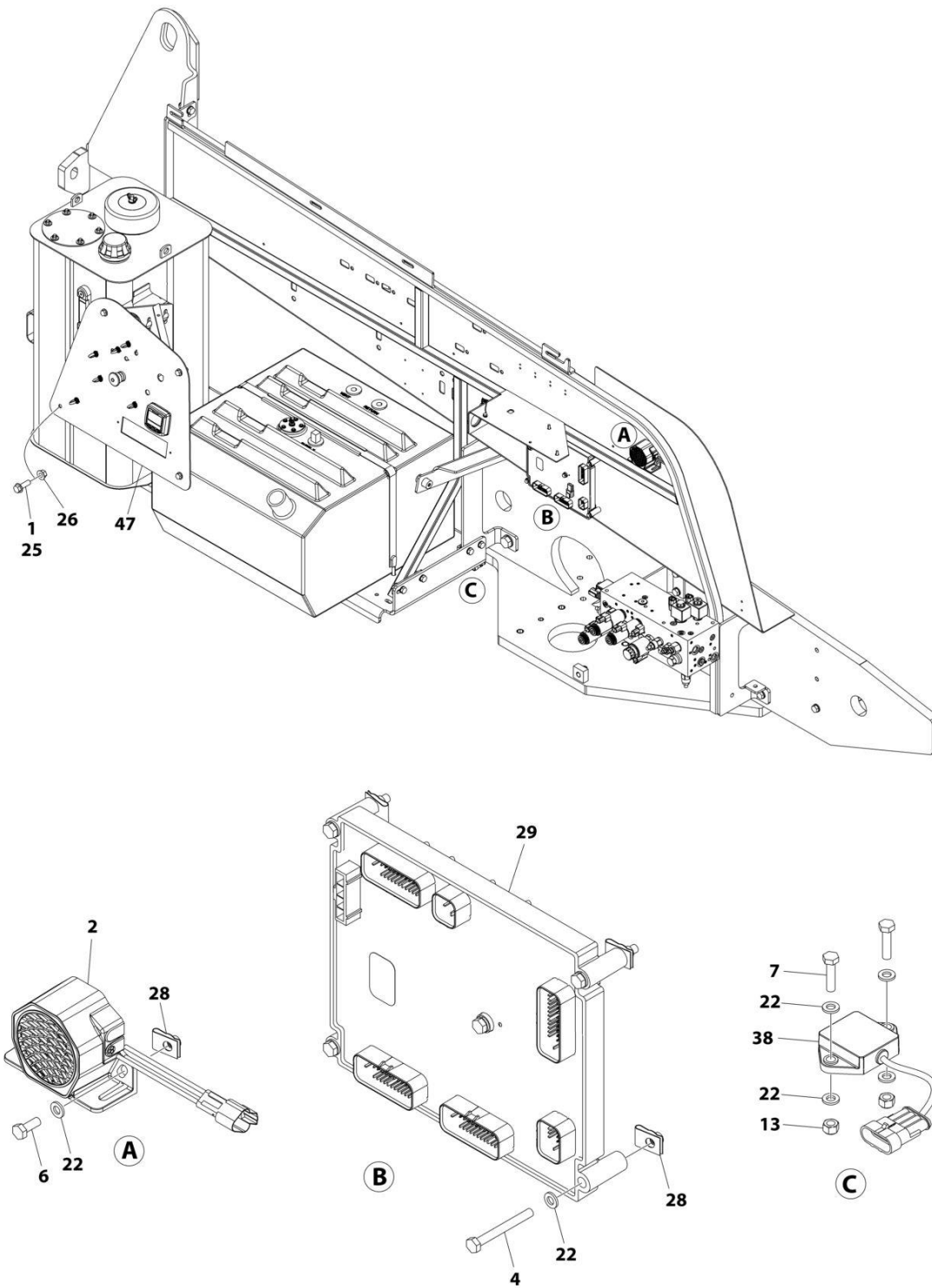
**SECTION 2 - TURNTABLE**

**FIGURE 2-31. BREAKER BOX KIT WITH THREE BREAKERS**

<b>ITEM</b>	<b>PART NUMBER</b>	<b>QTY</b>	<b>DESCRIPTION</b>	<b>REV</b>
	1001152485	Ref	BREAKER BOX KIT WITH TWO BREAKERS	F
1	1001189172	1	Breaker 16Amp Double	
2	1001152483	1	Box	
3	1060908	6 ft/1.8m	Cable, 12/3	
4	1001097150	2	Connector, Strain Relief	
5	1001189171	1	Breaker, 30mA	

## SECTION 2 - TURNTABLE

FIGURE 2-32. ELECTRICAL COMPONENTS INSTALLATION (WITH GROUND CONTROL MODULE 1001187200) (ALL SPECS EXCEPT AUSTRALIAN, CE & UK CA (ULS) SPECS) (600S HC3)



ART\_1001235143\_D\_10F2

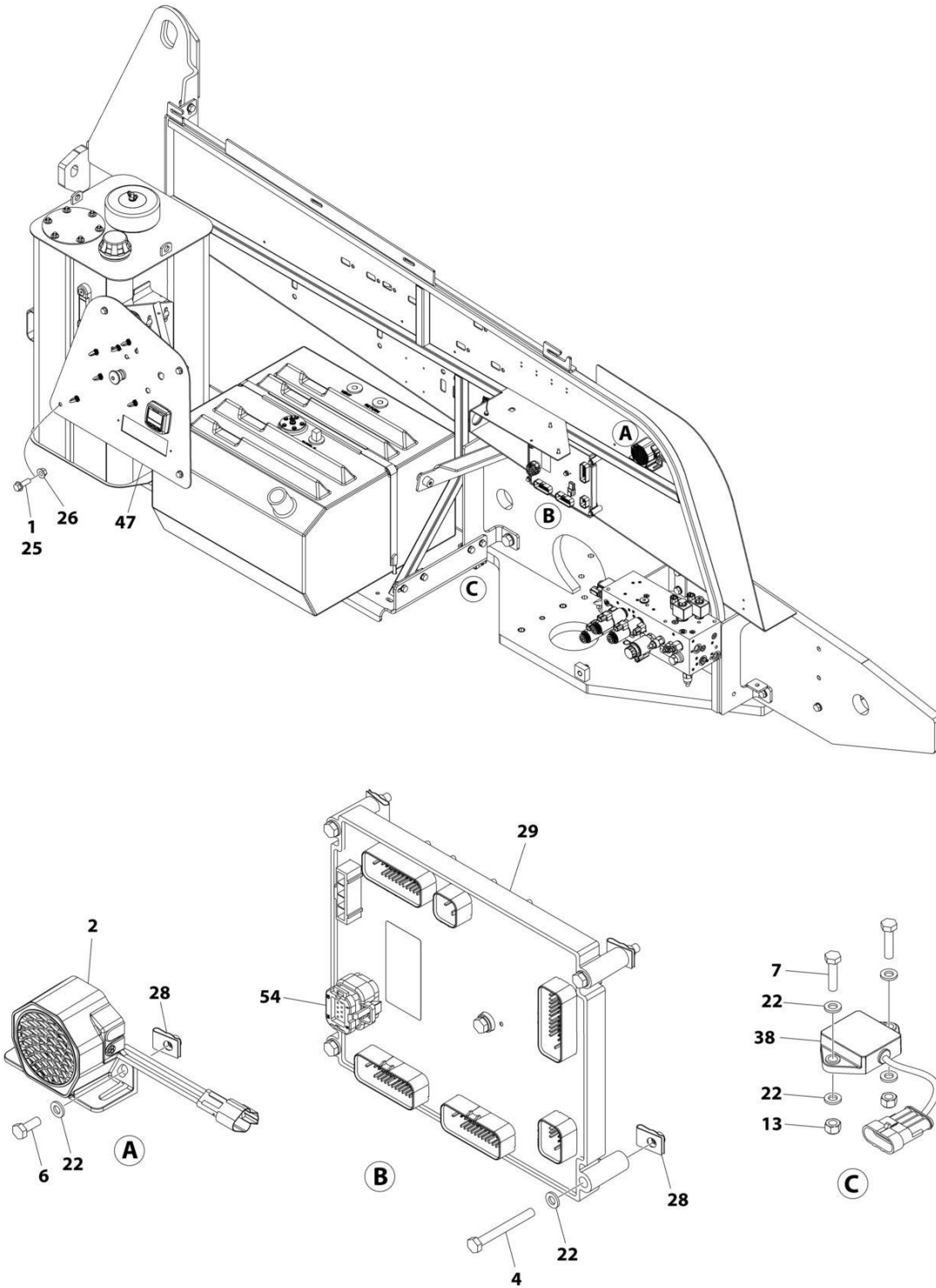
## SECTION 2 - TURNTABLE

**FIGURE 2-32. ELECTRICAL COMPONENTS INSTALLATION (WITH GROUND CONTROL MODULE 1001187200) (ALL SPECS EXCEPT AUSTRALIAN, CE & UK CA (ULS) SPECS) (600S HC3)**

ITEM	PART NUMBER	QTY	DESCRIPTION	REV
	1001235143	Ref	ELECTRICAL COMPONENTS INSTALLATION	D
1	0100011	AR	Compound, Locking	
2	0140043	1	Alarm	
4	0700619	5	Bolt M6 x 55	
6	0700608	5	Bolt M6 x 16	
7	0760612	2	Bolt M6 x 25	
13	3290605	5	Nut, Lock M6	
22	4811700	17	Washer M6	
25	5251014	4	Bolt M10 x 30	
26	5261000	4	Nut M10 Class 10	
28	1001130220	7	Nut, Tinnerman M6	
29	1001187200	1	Module, Ground Control (Note: Re-calibration Required when Replaced)	
38	1001219601	1	Sensor	
47	1001241588	1	Ground Control Panel Assembly (See Separate Breakdown in this Section)	

## SECTION 2 - TURNTABLE

FIGURE 2-33. ELECTRICAL COMPONENTS INSTALLATION (WITH GROUND CONTROL MODULE 1001280340) (ALL SPECS EXCEPT AUSTRALIAN, CE & UK CA (ULS) SPECS) (600S HC3)



ART\_1001235143\_E\_10F2



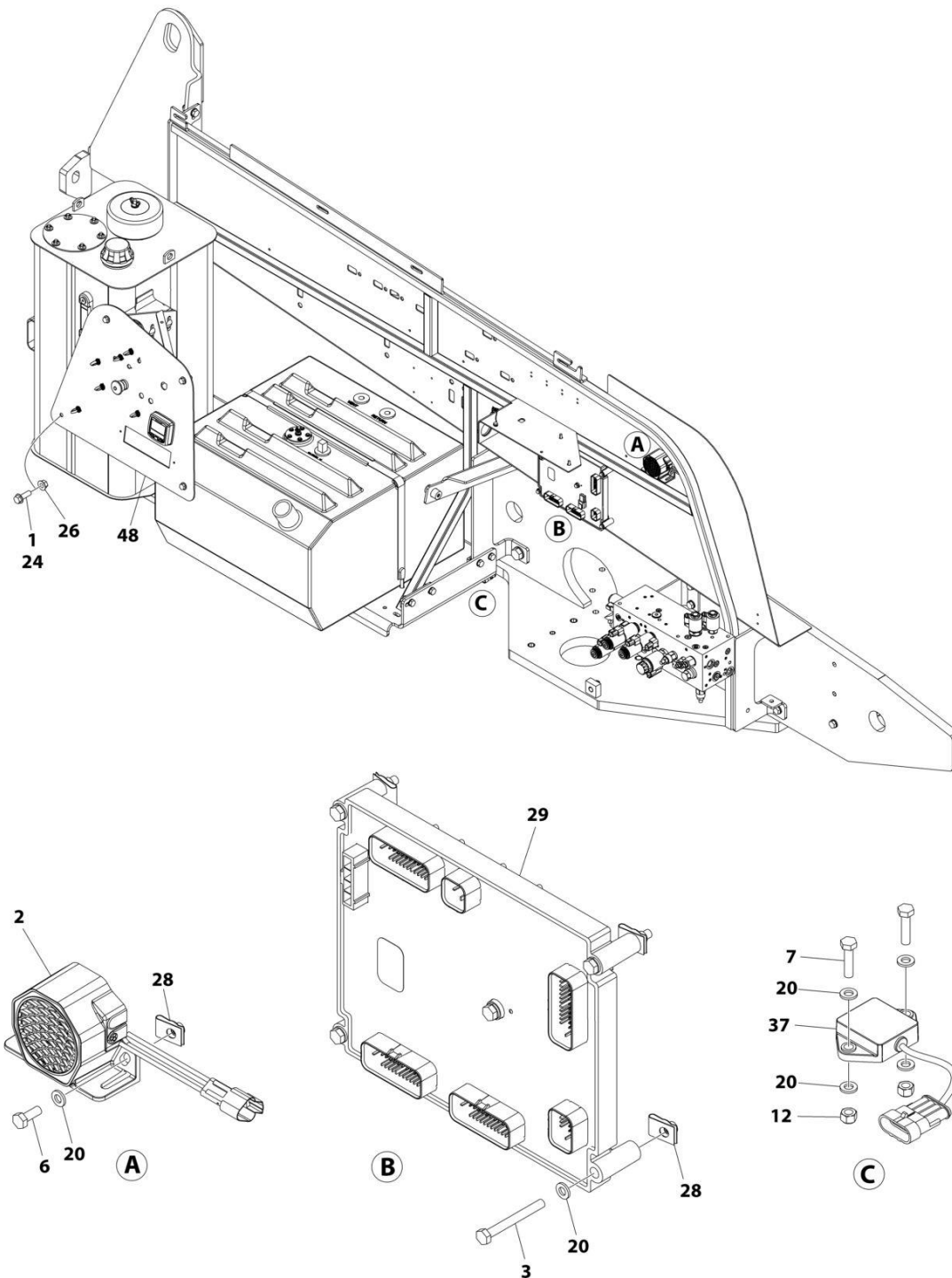
## SECTION 2 - TURNTABLE

**FIGURE 2-33. ELECTRICAL COMPONENTS INSTALLATION (WITH GROUND CONTROL MODULE 1001280340) (ALL SPECS EXCEPT AUSTRALIAN, CE & UK CA (ULS) SPECS) (600S HC3)**

ITEM	PART NUMBER	QTY	DESCRIPTION	REV
	1001235143	Ref	ELECTRICAL COMPONENTS INSTALLATION	E
1	0100011	AR	Compound, Locking	
2	0140043	1	Alarm	
4	0700619	5	Bolt M6 x 55	
6	0700608	5	Bolt M6 x 16	
7	0760612	2	Bolt M6 x 25	
13	3290605	5	Nut, Lock M6	
22	4811700	17	Washer M6	
25	5251014	4	Bolt M10 x 30	
26	5261000	4	Nut M10 Class 10	
28	1001130220	7	Nut, Tinnerman M6	
29	1001280340	1	Module, Ground Control (Note: Re-calibration Required when Replaced)	
38	1001219601	1	Sensor	
47	1001241588	1	Ground Control Panel Assembly (See Separate Breakdown in this Section)	
54	1001246859	1	Connector	

## SECTION 2 - TURNTABLE

FIGURE 2-34. ELECTRICAL COMPONENTS INSTALLATION (WITH GROUND CONTROL MODULE 1001187200) (CE & UK CA (ULS) SPECS) (600S HC3)



ART\_1001262633\_10F2

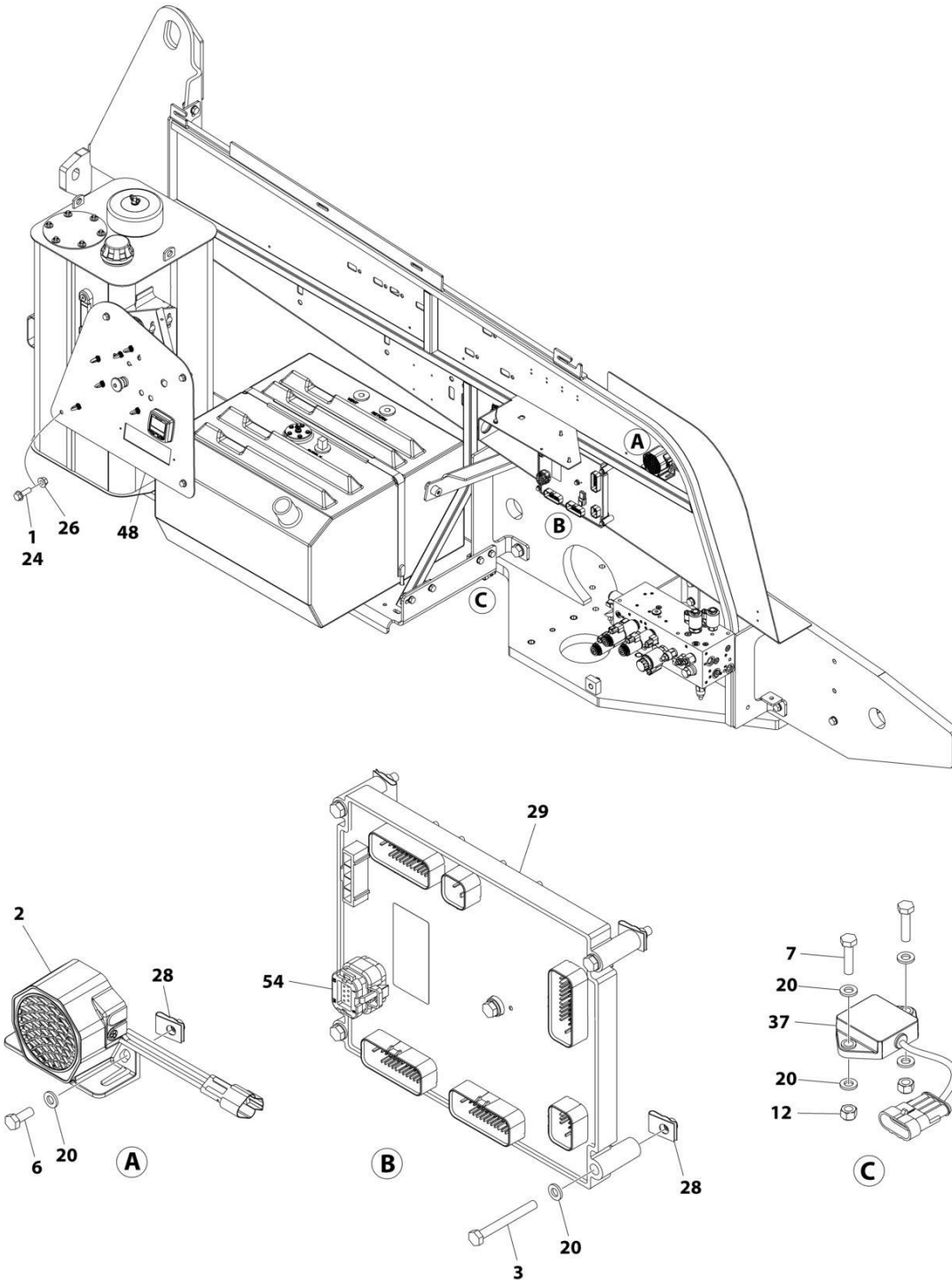
## SECTION 2 - TURNTABLE

**FIGURE 2-34. ELECTRICAL COMPONENTS INSTALLATION (WITH GROUND CONTROL MODULE 1001187200) (CE & UK CA (ULS) SPECS) (600S HC3)**

ITEM	PART NUMBER	QTY	DESCRIPTION	REV
	1001262633	Ref	ELECTRICAL COMPONENTS INSTALLATION	B
1	0100011	AR	Compound, Locking	
2	0140043	1	Alarm	
3	0700619	5	Bolt M6 x 55	
6	0760608	3	Bolt M6 x 16	
7	0760612	2	Bolt M6 x 25	
12	3290605	3	Nut, Lock M6	
20	4811700	13	Washer M6	
24	5251014	4	Bolt M10 x 30	
26	5261000	5	Nut M10 Class 10	
28	1001130220	7	Nut, Tinnerman M6	
29	1001187200	1	Module, Ground Control (Note: Re-calibration Required when Replaced)	
37	1001219601	1	Sensor	
48	1001245774	1	Ground Control Panel Assembly (See Separate Breakdown in this Section)	

## SECTION 2 - TURNTABLE

FIGURE 2-35. ELECTRICAL COMPONENTS INSTALLATION (WITH GROUND CONTROL MODULE 1001280340) (CE & UK CA (ULS) SPECS) (600S HC3)



ART\_1001262633\_C\_10F2

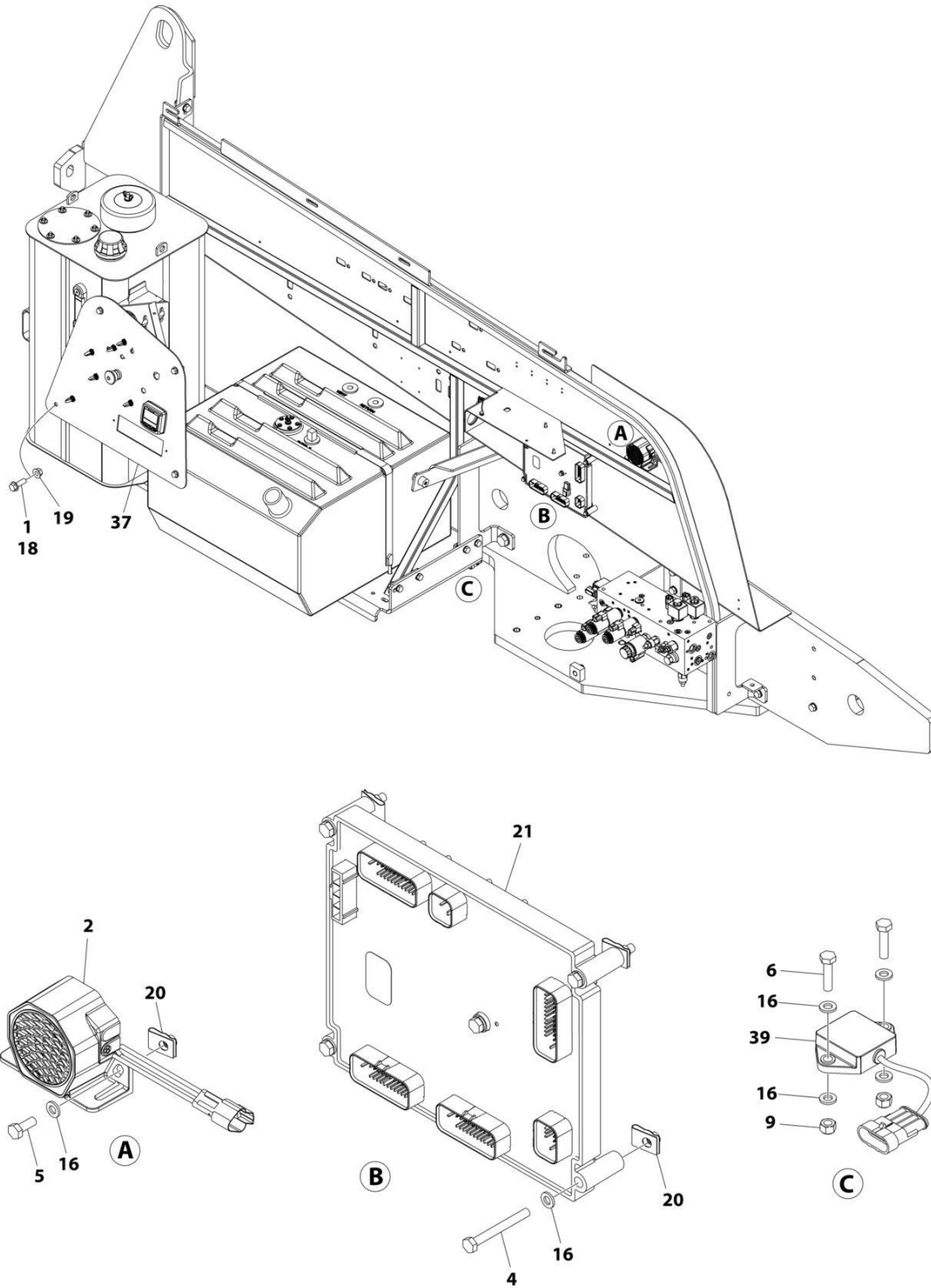
## SECTION 2 - TURNTABLE

**FIGURE 2-35. ELECTRICAL COMPONENTS INSTALLATION (WITH GROUND CONTROL MODULE 1001280340) (CE & UK CA (ULS) SPECS) (600S HC3)**

ITEM	PART NUMBER	QTY	DESCRIPTION	REV
	1001262633	Ref	ELECTRICAL COMPONENTS INSTALLATION	C
1	0100011	AR	Compound, Locking	
2	0140043	1	Alarm	
3	0700619	5	Bolt M6 x 55	
6	0760608	3	Bolt M6 x 16	
7	0760612	2	Bolt M6 x 25	
12	3290605	3	Nut, Lock M6	
20	4811700	13	Washer M6	
24	5251014	4	Bolt M10 x 30	
26	5261000	5	Nut M10 Class 10	
28	1001130220	7	Nut, Tinnerman M6	
29	1001280340	1	Module, Ground Control (Note: Re-calibration Required when Replaced)	
37	1001219601	1	Sensor	
48	1001245774	1	Ground Control Panel Assembly (See Separate Breakdown in this Section)	
54	1001246859	1	Connector	

## SECTION 2 - TURNTABLE

FIGURE 2-36. ELECTRICAL COMPONENTS INSTALLATION (WITH GROUND CONTROL MODULE 1001187200) (ALL SPECS EXCEPT CE & UK CA (ULS) SPECS) (660SJ HC3)



ART\_1001250012\_10F2

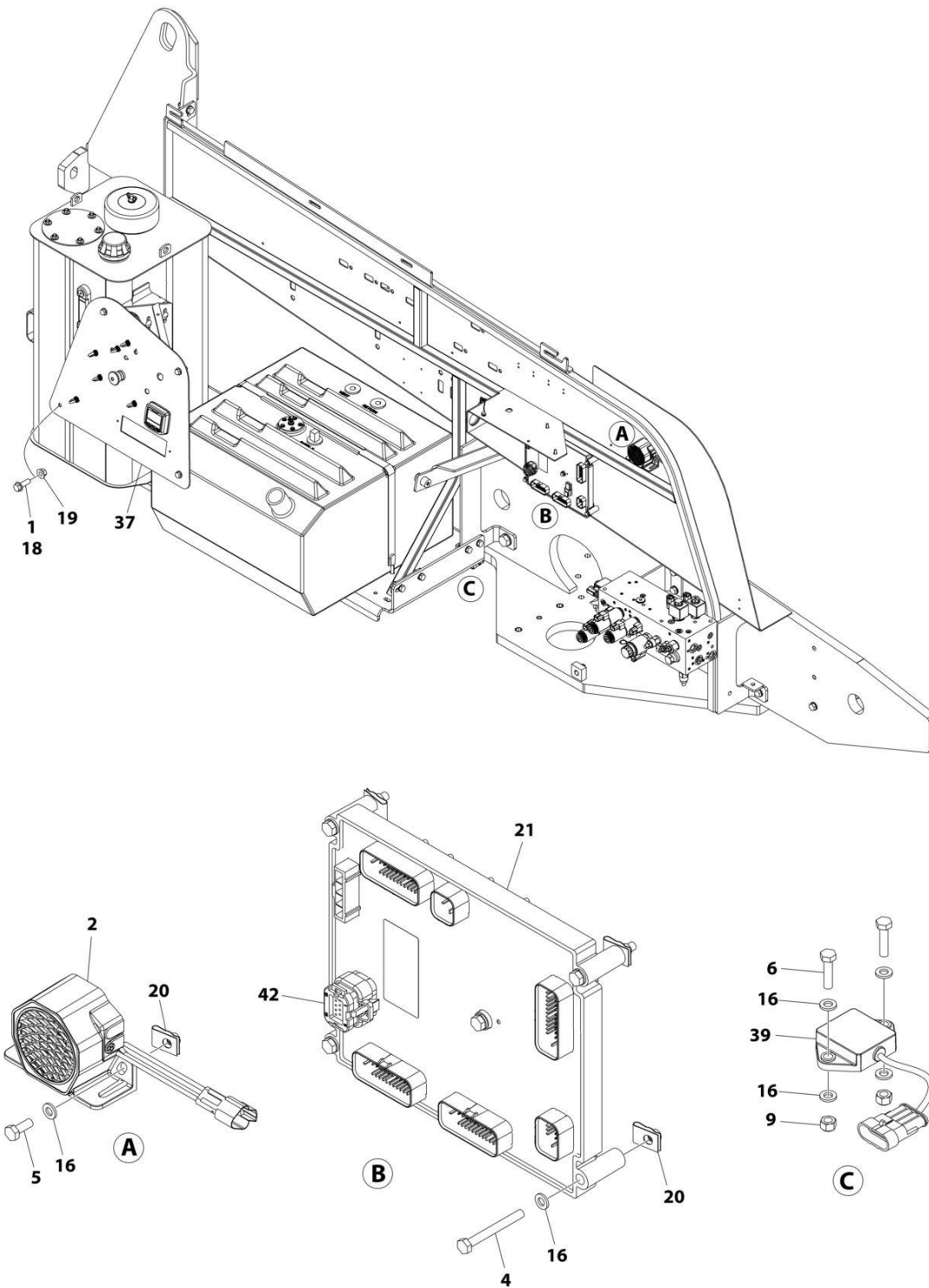
## SECTION 2 - TURNTABLE

**FIGURE 2-36. ELECTRICAL COMPONENTS INSTALLATION (WITH GROUND CONTROL MODULE 1001187200) (ALL SPECS EXCEPT CE & UK CA (ULS) SPECS) (660SJ HC3)**

ITEM	PART NUMBER	QTY	DESCRIPTION	REV
	1001250012	Ref	ELECTRICAL COMPONENTS INSTALLATION	D
1	0100011	AR	Compound, Locking	
2	0140043	1	Alarm	
4	0700619	5	Bolt M6 x 55	
5	0700608	5	Bolt M6 x 16	
6	0760612	2	Bolt M6 x 25	
9	3290605	5	Nut,Lock M6	
16	4811700	17	Washer M6	
18	5251014	4	Bolt M10 x 30	
19	5261000	4	Nut M10 Class 10	
20	1001130220	7	Nut, Tinnerman M6	
21	1001187200	1	Module, Ground Control (Note: Re-calibration Required when Replaced)	
37	1001250273	1	Ground Control Panel Assembly (See Separate Breakdown in this Section)	
39	1001219601	1	Sensor	

## SECTION 2 - TURNTABLE

FIGURE 2-37. ELECTRICAL COMPONENTS INSTALLATION (WITH GROUND CONTROL MODULE 1001280340) (ALL SPECS EXCEPT CE & UK CA (ULS) SPECS) (660SJ HC3)



ART\_1001250012\_E\_1OF2



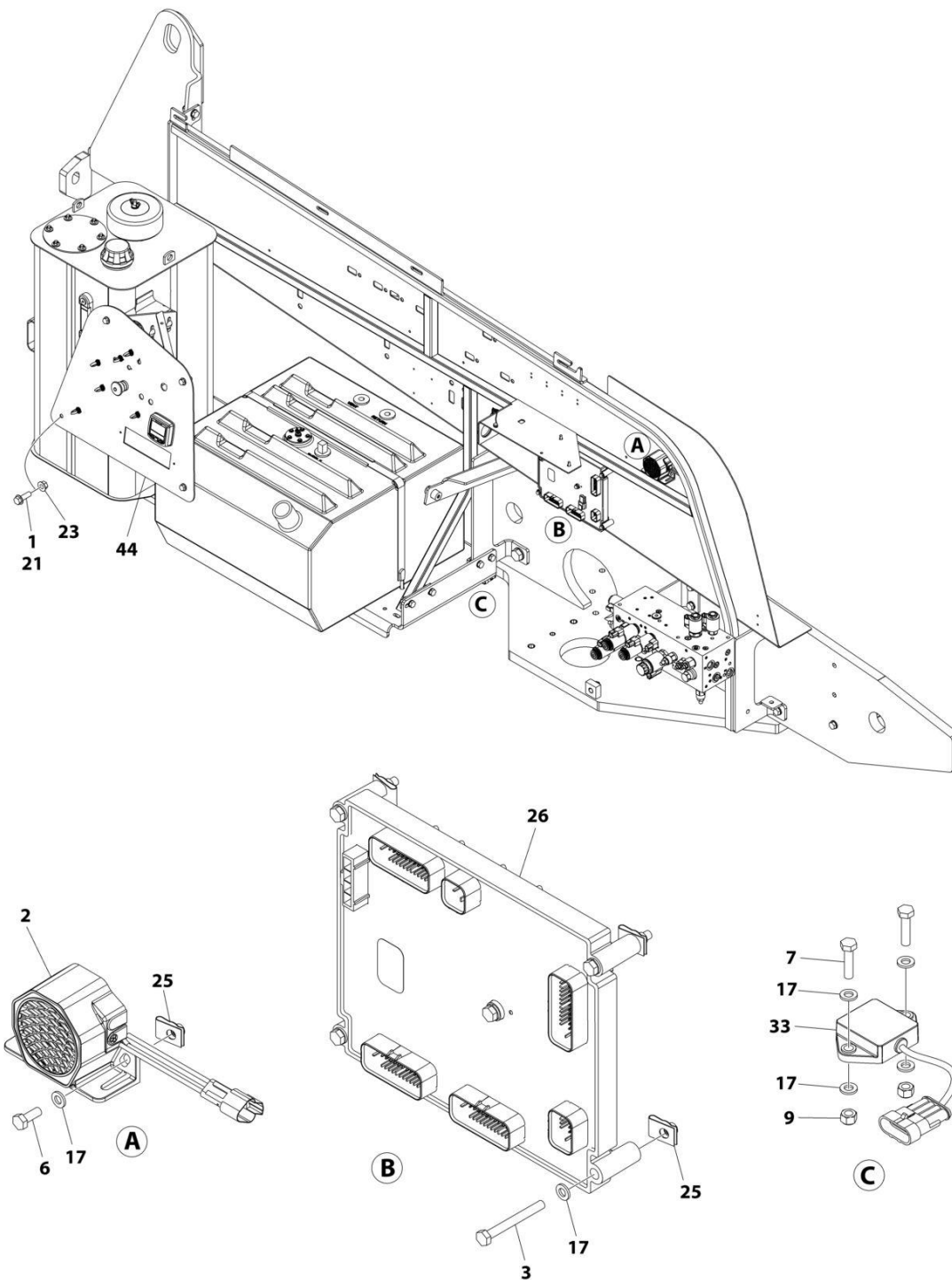
## SECTION 2 - TURNTABLE

**FIGURE 2-37. ELECTRICAL COMPONENTS INSTALLATION (WITH GROUND CONTROL MODULE 1001280340) (ALL SPECS EXCEPT CE & UK CA (ULS) SPECS) (660SJ HC3)**

ITEM	PART NUMBER	QTY	DESCRIPTION	REV
	1001250012	Ref	ELECTRICAL COMPONENTS INSTALLATION	E
1	0100011	AR	Compound, Locking	
2	0140043	1	Alarm	
4	0700619	5	Bolt M6 x 55	
5	0700608	5	Bolt M6 x 16	
6	0760612	2	Bolt M6 x 25	
9	3290605	5	Nut,Lock M6	
16	4811700	17	Washer M6	
18	5251014	4	Bolt M10 x 30	
19	5261000	4	Nut M10 Class 10	
20	1001130220	7	Nut, Tinnerman M6	
21	1001280340	1	Module, Ground Control (Note: Re-calibration Required when Replaced)	
37	1001250273	1	Ground Control Panel Assembly (See Separate Breakdown in this Section)	
39	1001219601	1	Sensor	
42	1001246859	1	Connector	

## SECTION 2 - TURNTABLE

FIGURE 2-38. ELECTRICAL COMPONENTS INSTALLATION (WITH GROUND CONTROL MODULE 1001187200) (CE & UK CA (ULS) SPECS) (660SJ HC3)



ART\_1001262634\_10F2

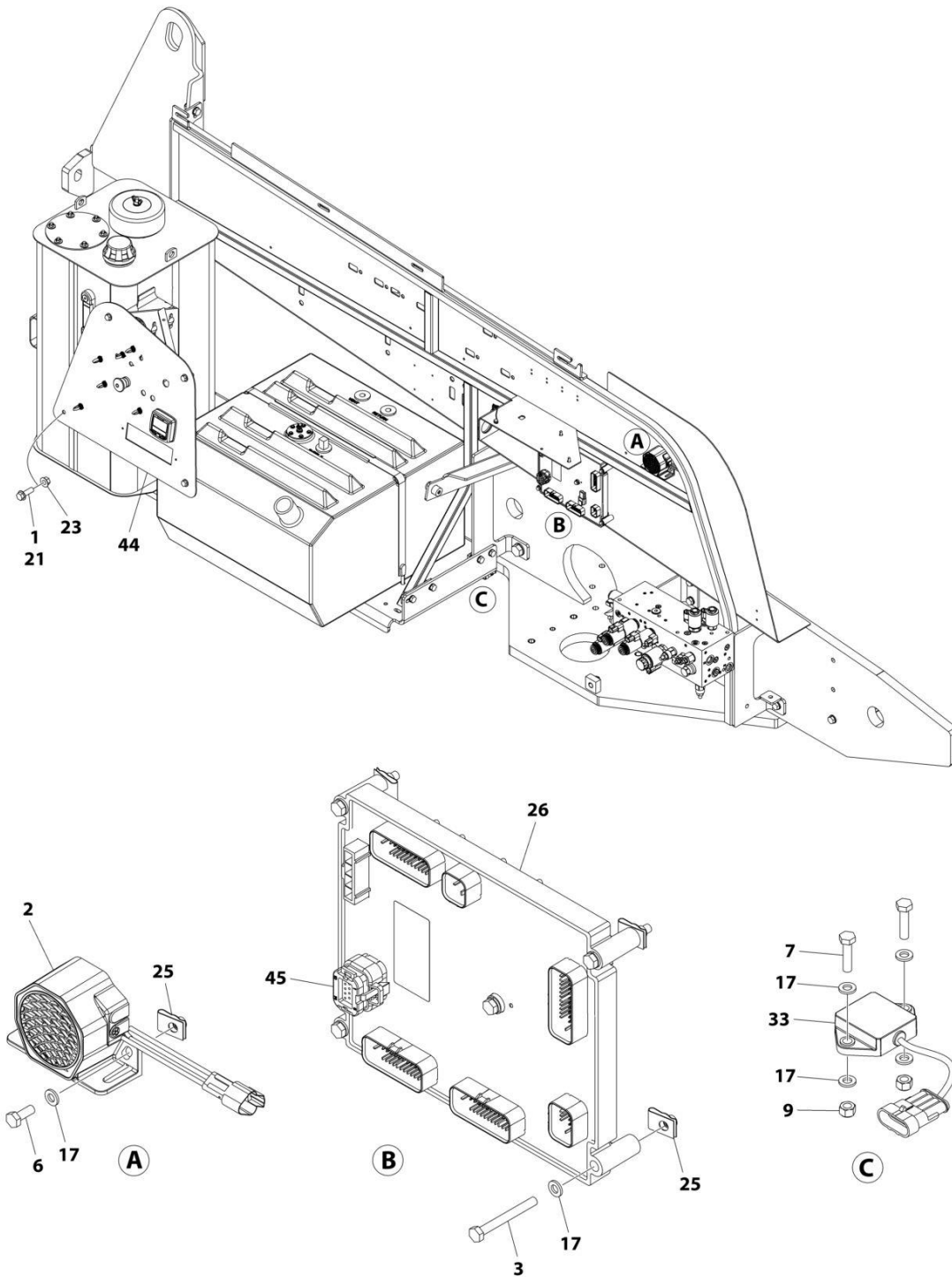
**SECTION 2 - TURNTABLE**

**FIGURE 2-38. ELECTRICAL COMPONENTS INSTALLATION (WITH GROUND CONTROL MODULE 1001187200) (CE & UK CA (ULS) SPECS) (660SJ HC3)**

ITEM	PART NUMBER	QTY	DESCRIPTION	REV
	1001262634	Ref	ELECTRICAL COMPONENTS INSTALLATION	B
1	0100011	AR	Compound, Locking	
2	0140043	1	Alarm	
3	0700619	5	Bolt M6 x 55	
6	0700608	3	Bolt M6 x 16	
7	0760612	2	Bolt M6 x 25	
9	3290605	3	Nut, Lock M6	
17	4811700	13	Washer M6	
21	5251014	4	Bolt M10 x 30	
23	5261000	5	Nut M10 Class 10	
25	1001130220	7	Nut, Tinnerman M6	
26	1001187200	1	Module, Ground Control (Note: Re-calibration Required when Replaced)	
33	1001219601	1	Sensor	
44	1001245775	1	Ground Control Panel Assembly (See Separate Breakdown in this Section)	

## SECTION 2 - TURNTABLE

FIGURE 2-39. ELECTRICAL COMPONENTS INSTALLATION (WITH GROUND CONTROL MODULE 1001280340) (CE & UK CA (ULS) SPECS) (660SJ HC3)



ART\_1001262634\_C\_10F2

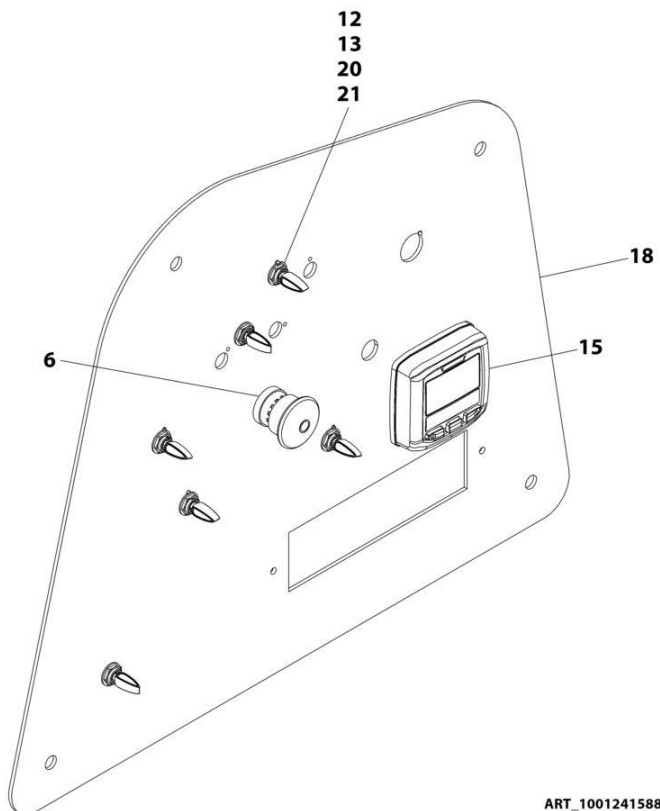
## SECTION 2 - TURNTABLE

**FIGURE 2-39. ELECTRICAL COMPONENTS INSTALLATION (WITH GROUND CONTROL MODULE 1001280340) (CE & UK CA (ULS) SPECS) (660SJ HC3)**

ITEM	PART NUMBER	QTY	DESCRIPTION	REV
	1001262634	Ref	ELECTRICAL COMPONENTS INSTALLATION	C
1	0100011	AR	Compound, Locking	
2	0140043	1	Alarm	
3	0700619	5	Bolt M6 x 55	
6	0700608	3	Bolt M6 x 16	
7	0760612	2	Bolt M6 x 25	
9	3290605	3	Nut, Lock M6	
17	4811700	13	Washer M6	
21	5251014	4	Bolt M10 x 30	
23	5261000	5	Nut M10 Class 10	
25	1001130220	7	Nut, Tinnerman M6	
26	1001280340	1	Module, Ground Control (Note: Re-calibration Required when Replaced)	
33	1001219601	1	Sensor	
44	1001245775	1	Ground Control Panel Assembly (See Separate Breakdown in this Section)	
45	1001246859	1	Connector	

## SECTION 2 - TURNTABLE

FIGURE 2-40. GROUND CONTROL ASSEMBLY (MACHINES WITH SN STARTING WITH 03 SPECS EXCEPT AUSTRALIAN, CE & UK CA (ULS) SPECS) (600S HC3)



ART\_1001241588

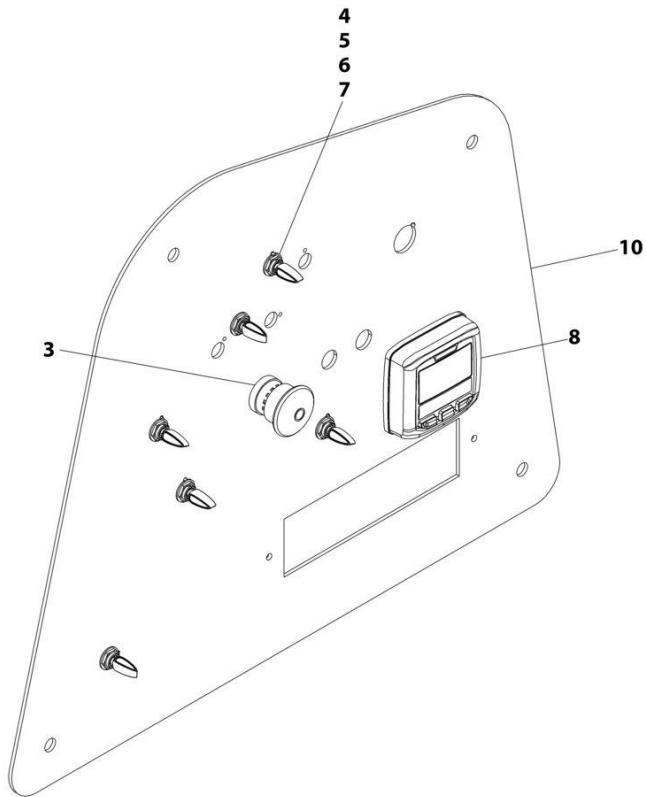
**SECTION 2 - TURNTABLE**

**FIGURE 2-40. GROUND CONTROL ASSEMBLY (MACHINES WITH SN STARTING WITH 03 SPECS EXCEPT AUSTRALIAN, CE & UK CA (ULS) SPECS) (600S HC3)**

ITEM	PART NUMBER	QTY	DESCRIPTION	REV
	1001241588	Ref	GROUND CONTROL PANEL ASSEMBLY	B
6	4360475	1	Switch, Emergency Stop	
6	7020175	1	Cap	
6	7020176	1	Block, Contact	
12	1001155043	6	Washer	
13	1001155044	6	Nut 15/32	
15	1001171482	1	Gauge	
18	1001191126	1	Plate	
20	4740397	6	Washer	
21	1001155045	6	Switch, Toggle	

## SECTION 2 - TURNTABLE

FIGURE 2-41. GROUND CONTROL ASSEMBLY (MACHINES WITH SN STARTING WITH 03 CE & UK CA (ULS) SPECS) (600S HC3)



ART\_1001245774



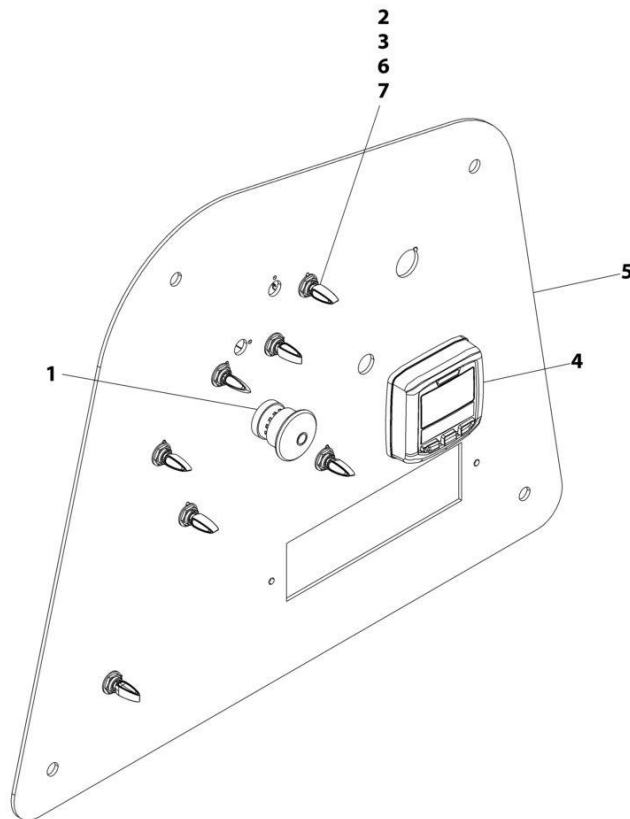
**SECTION 2 - TURNTABLE**

**FIGURE 2-41. GROUND CONTROL ASSEMBLY (MACHINES WITH SN STARTING WITH 03 CE & UK CA (ULS) SPECS) (600S HC3)**

ITEM	PART NUMBER	QTY	DESCRIPTION	REV
	1001245774	Ref	GROUND CONTROL PANEL ASSEMBLY	B
3	4360475	1	Switch, Emergency Stop	
3	7020175	1	Cap	
3	7020176	1	Block, Contact	
4	4740397	6	Washer	
5	1001155043	6	Washer	
6	1001155044	6	Nut 15/32	
7	1001155045	6	Switch, Toggle	
8	1001171482	1	Gauge	
10	1001245773	1	Plate	

## SECTION 2 - TURNTABLE

FIGURE 2-42. GROUND CONTROL ASSEMBLY (ALL SPECS EXCEPT CE & UK CA (ULS) SPECS)  
(660SJ HC3)



**NOTE: FOR LIGHT PANEL COMPONENTS, SEE SEPARATE BREAKDOWN  
IN ELECTRICAL INSTALLATION OR LIGHT PANEL INSTALLATION.**

ART\_1001250273

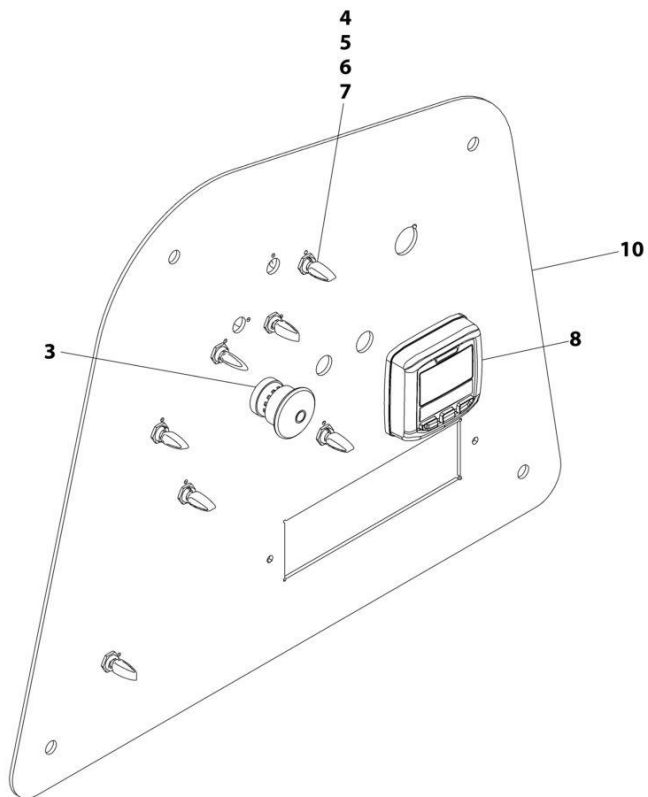
**SECTION 2 - TURNTABLE**

**FIGURE 2-42. GROUND CONTROL ASSEMBLY (ALL SPECS EXCEPT CE & UK CA (ULS) SPECS)  
(660SJ HC3)**

ITEM	PART NUMBER	QTY	DESCRIPTION	REV
	1001250273	Ref	GROUND CONTROL PANEL ASSEMBLY	B
1	4360475	1	Switch, Emergency Stop	
1	7020175	1	Cap	
1	7020176	1	Block, Contact	
2	1001155043	7	Washer	
3	1001155044	7	Nut 15/32	
4	1001171482	1	Gauge	
5	1001191126	1	Plate	
6	4740397	7	Washer	
7	1001155045	7	Switch, Toggle	
8	4460234	AR	Mount, Tie Strap (Not Shown)	

## SECTION 2 - TURNTABLE

FIGURE 2-43. GROUND CONTROL ASSEMBLY (CE & UK CA (ULS) SPECS) (660SJ HC3)



ART\_1001245775

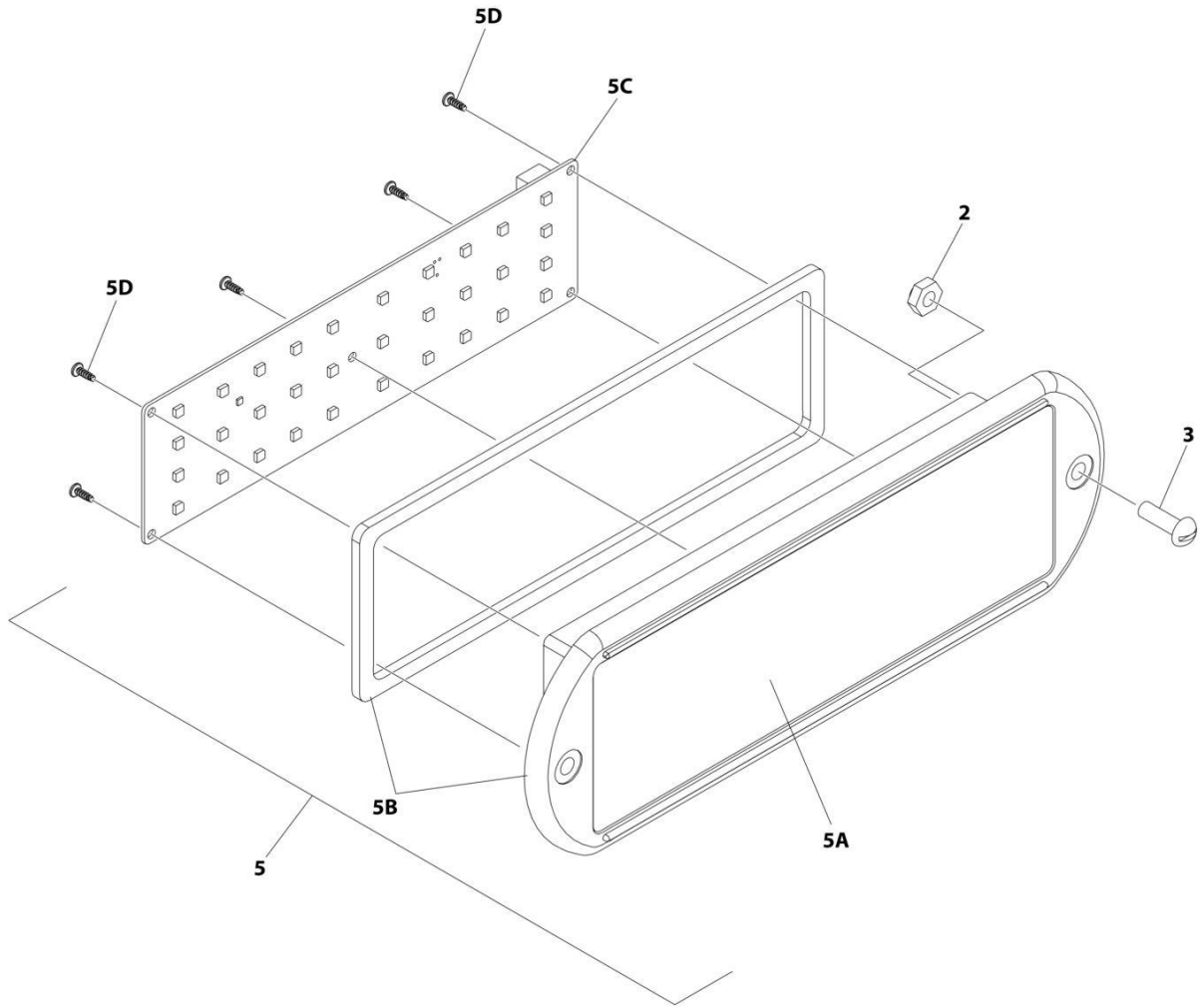
**SECTION 2 - TURNTABLE**

**FIGURE 2-43. GROUND CONTROL ASSEMBLY (CE & UK CA (ULS) SPECS) (660SJ HC3)**

<b>ITEM</b>	<b>PART NUMBER</b>	<b>QTY</b>	<b>DESCRIPTION</b>	<b>REV</b>
	1001245775	Ref	GROUND CONTROL PANEL ASSEMBLY	B
3	4360475	1	Switch, Emergency Stop	
3	7020175	1	Cap	
3	7020176	1	Block, Contact	
4	4740397	7	Washer	
5	1001155043	7	Washer	
6	1001155044	7	Nut 15/32	
7	1001155045	7	Switch, Toggle	
8	1001171482	1	Gauge	
10	1001245773	1	Plate	

# SECTION 2 - TURNTABLE

## FIGURE 2-44. LIGHT PANEL INSTALLATION



ART\_1001233959\_10F2

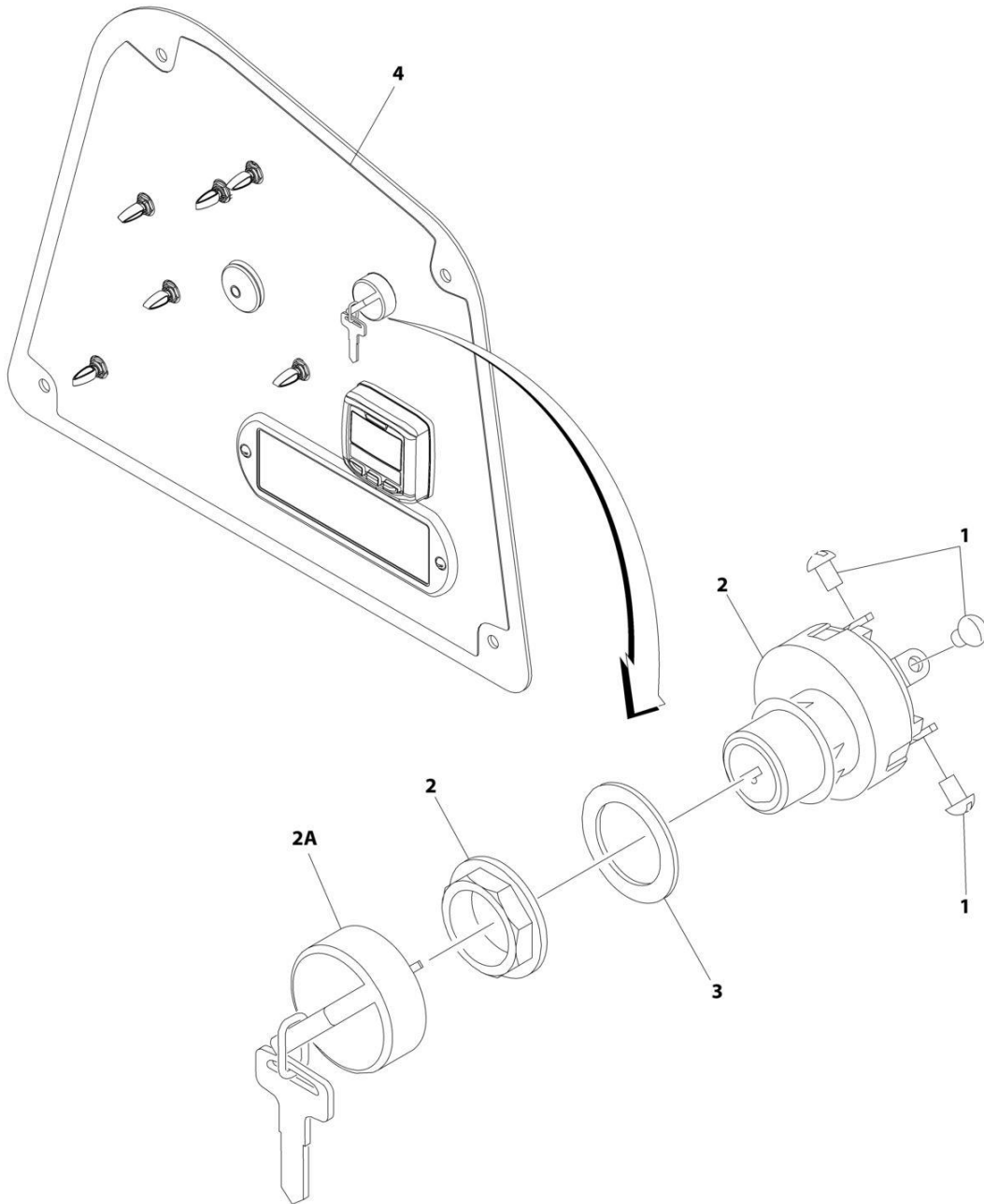
**SECTION 2 - TURNTABLE**

**FIGURE 2-44. LIGHT PANEL INSTALLATION**

<b>ITEM</b>	<b>PART NUMBER</b>	<b>QTY</b>	<b>DESCRIPTION</b>	<b>REV</b>
	1001233959	Ref	LIGHT PANEL INSTALLATION	C
2	3300408	2	Nut, Nylon Insert	
3	0630518	2	Screw #10 x 3/4	
5	1001237546	1	Light Panel Assembly	
5A	1001236091	1	Lens, I-Con/Bezel	
5C	1001187807	1	Panel, LED Light	
5D		Ref	Screw	

## SECTION 2 - TURNTABLE

FIGURE 2-45. KEYSWITCH INSTALLATION (ANSI, ANSI EXPORT, CHINA, CSA AND JAPANESE SPECS) (600S HC3)



ART\_1001239448



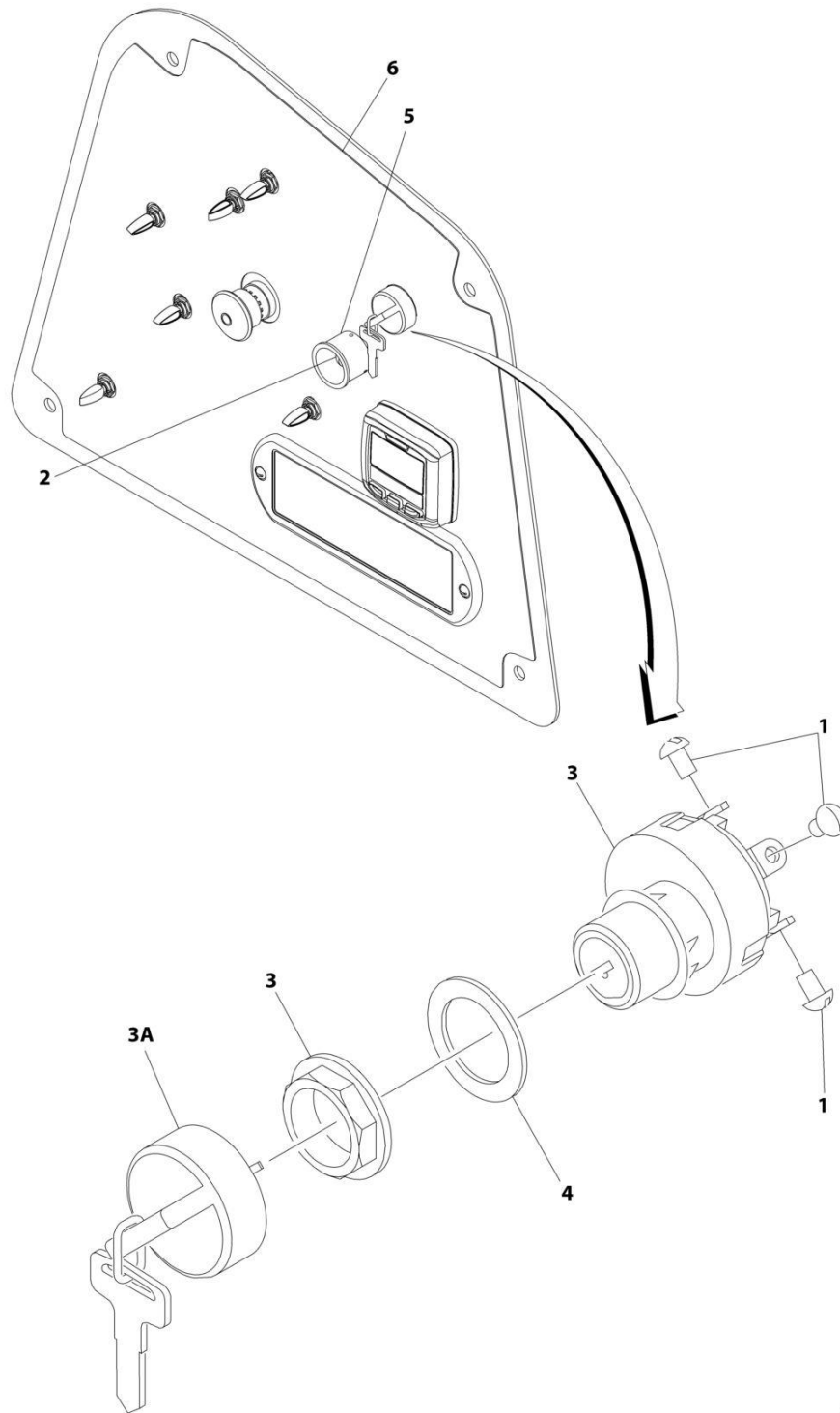
**SECTION 2 - TURNTABLE**

**FIGURE 2-45. KEYSWITCH INSTALLATION (ANSI, ANSI EXPORT, CHINA, CSA AND JAPANESE SPECS) (600S HC3)**

ITEM	PART NUMBER	QTY	DESCRIPTION	REV
	1001239448	Ref	KEYSWITCH INSTALLATION	B
1	3910804	6	Screw #8 x 1/4	
2	4360469	1	Switch, Key	
2A	2860030	1 Set	Key, Replacement	
3	1001151393	1	Shim	
4	1001239450	1	Decal - Ground Control Panel	

## SECTION 2 - TURNTABLE

FIGURE 2-46. KEYSWITCH INSTALLATION (RUSSIA, CE & UK CA SPECS) (600S HC3)



ART\_1001239449

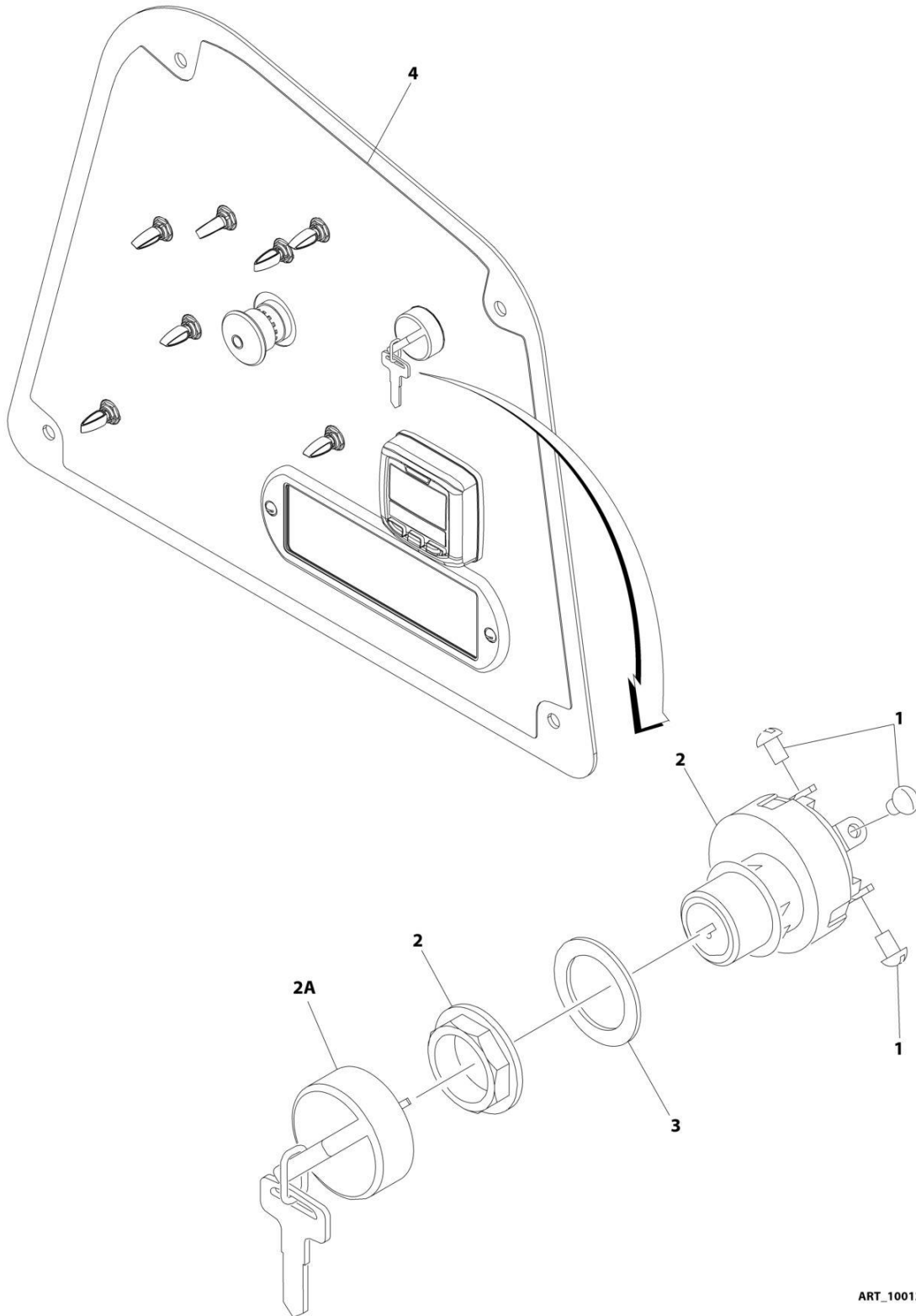
**SECTION 2 - TURNTABLE**

**FIGURE 2-46. KEYSWITCH INSTALLATION (RUSSIA, CE & UK CA SPECS) (600S HC3)**

ITEM	PART NUMBER	QTY	DESCRIPTION	REV
	1001239449	Ref	KEYSWITCH INSTALLATION	B
1	3910804	6	Screw #8-32 x 1/4	
2	4360387	1	Switch, Push Button	
3	4360469	1	Switch, Key	
3A	2860030	1 Set	Key, Replacement	
4	1001151393	1	Shim	
5	1001176469	1	Shroud, Switch	
6	1001239451	1	Decal - Ground Control Panel	

## SECTION 2 - TURNTABLE

FIGURE 2-47. KEYSWITCH INSTALLATION (ANSI, ANSI EXPORT, AUSTRALIAN, CHINA, CSA AND JAPANESE SPECS) (660SJ HC3)



ART\_1001230196

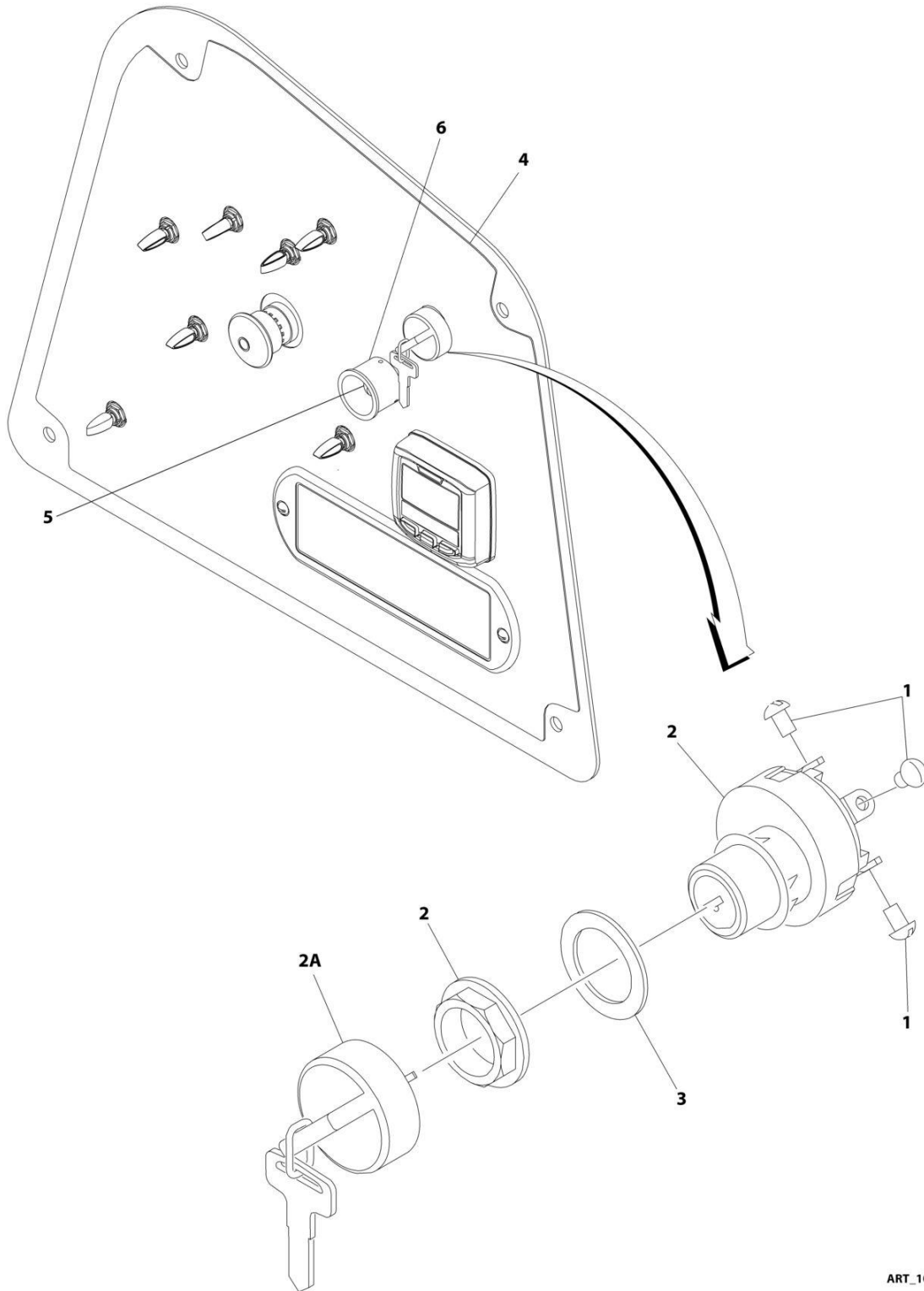
**SECTION 2 - TURNTABLE**

**FIGURE 2-47. KEYSWITCH INSTALLATION (ANSI, ANSI EXPORT, AUSTRALIAN, CHINA, CSA AND JAPANESE SPECS) (660SJ HC3)**

<b>ITEM</b>	<b>PART NUMBER</b>	<b>QTY</b>	<b>DESCRIPTION</b>	<b>REV</b>
	1001250196	Ref	KEYSWITCH INSTALLATION	A
1	3910804	6	Screw #8 x 1/4	
2	4360469	1	Switch, Key	
2A	2860030	1 Set	Key, Replacement	
3	1001151393	1	Shim	
4	1001250193	1	Decal - Ground Control Panel	

## SECTION 2 - TURNTABLE

FIGURE 2-48. KEYSWITCH INSTALLATION (RUSSIA, CE & UK CA SPECS) (660SJ HC3)



ART\_1001250197

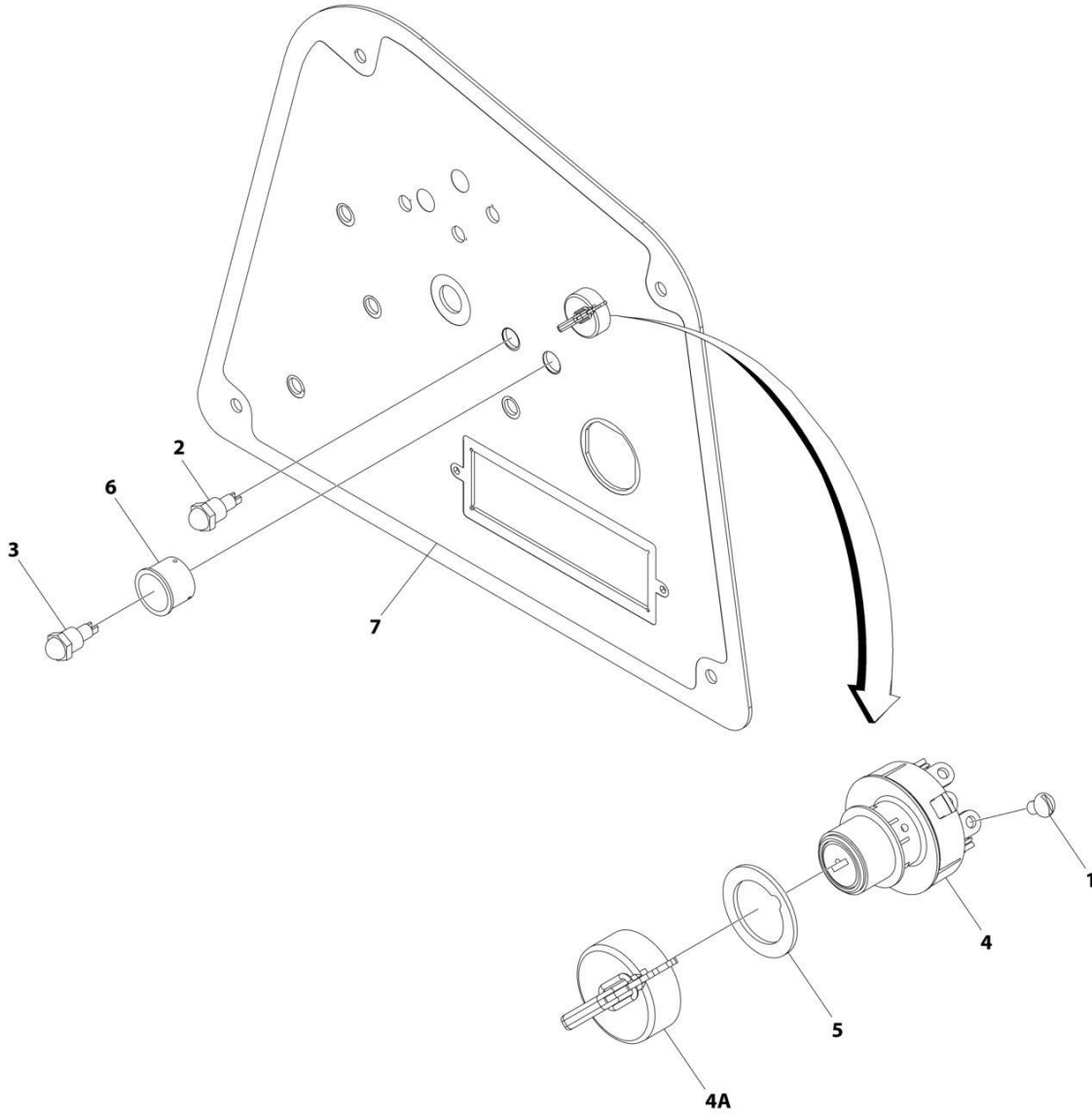
**SECTION 2 - TURNTABLE**

**FIGURE 2-48. KEYSWITCH INSTALLATION (RUSSIA, CE & UK CA SPECS) (660SJ HC3)**

ITEM	PART NUMBER	QTY	DESCRIPTION	REV
	1001250197	Ref	KEYSWITCH INSTALLATION	A
1	3910804	6	Screw #8 x 1/4	
2	4360469	1	Switch, Key	
2A	2860030	1 Set	Key, Replacement	
3	1001151393	1	Shim	
4	1001250194	1	Decal - Ground Control Panel	
5	4360387	1	Switch, Push Button	
6	1001176469	1	Shroud, Switch	

## SECTION 2 - TURNTABLE

FIGURE 2-49. KEYSWITCH INSTALLATION (WITHOUT JIB) (WITH MSSO) (CE & UK CA SPECS) (600S HC3)



ART\_1001245782



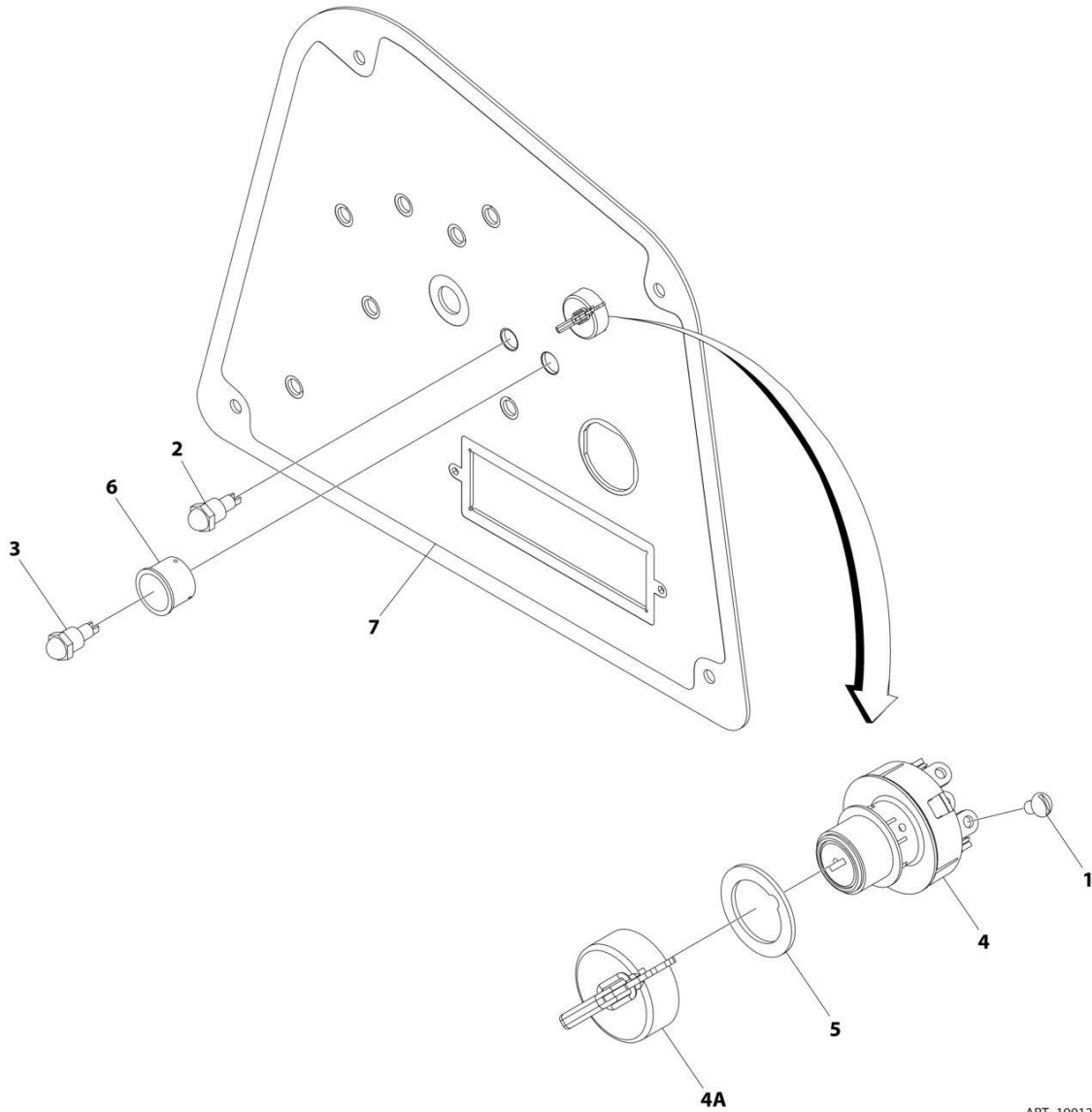
**SECTION 2 - TURNTABLE**

**FIGURE 2-49. KEYSWITCH INSTALLATION (WITHOUT JIB) (WITH MSSO) (CE & UK CA SPECS) (600S HC3)**

ITEM	PART NUMBER	QTY	DESCRIPTION	REV
	1001245782	Ref	KEYSWITCH INSTALLATION	B
1	3910804	6	Screw #8 x 1/4	
2	4360274	1	Switch, Push Button	
3	4360387	1	Switch, Push Button	
4	4360469	1	Switch, Key	
4A	2860030	Set	Key, Replacement	
5	1001151393	1	Shim	
6	1001176469	1	Shroud, Switch	
7	1001245769	1	Decal - Ground Control Panel	

## SECTION 2 - TURNTABLE

FIGURE 2-50. KEYSWITCH INSTALLATION (WITH JIB) (WITH MSSO) (CE & UK CA SPECS) (660SJ HC3)



ART\_1001245783

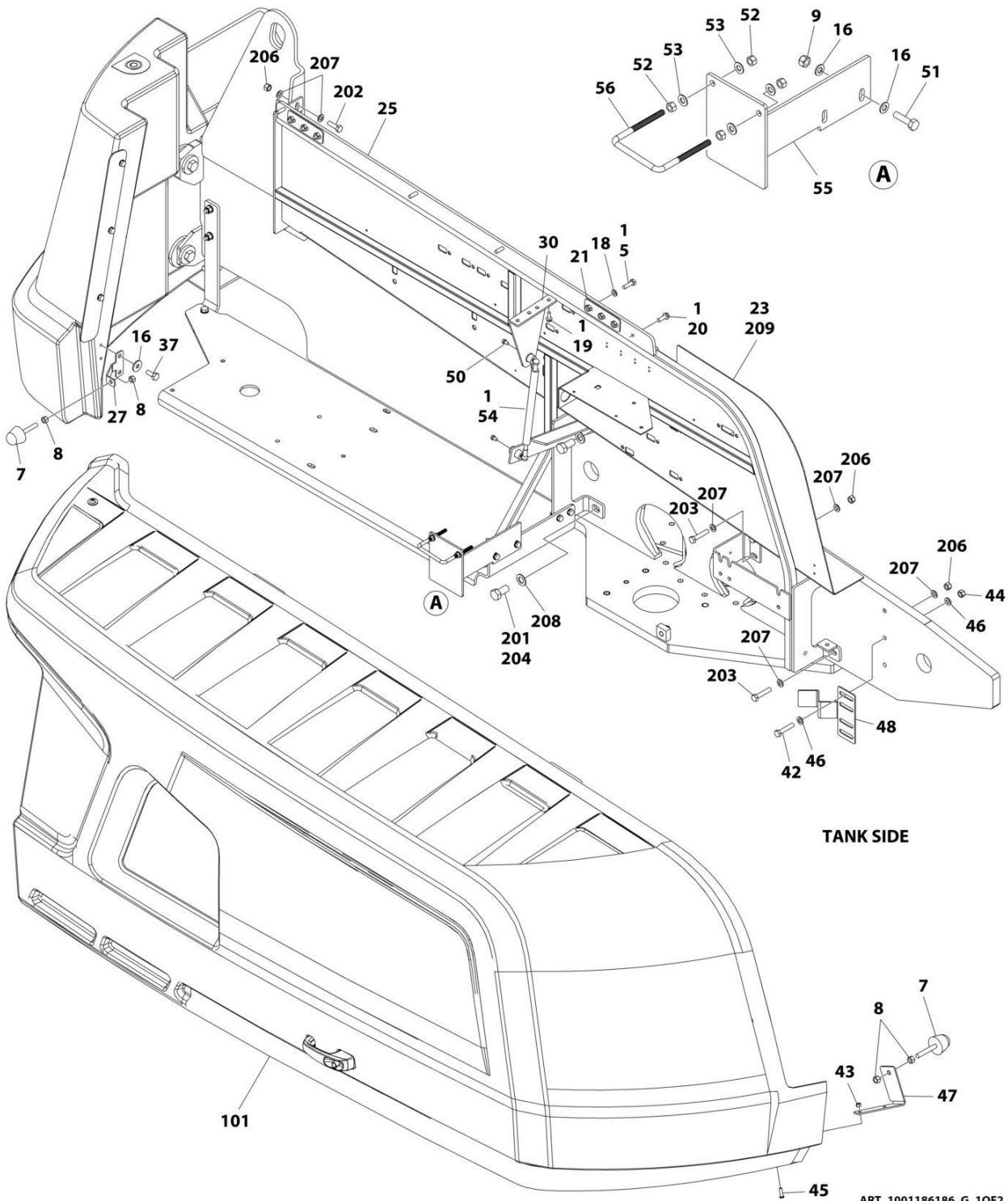
**SECTION 2 - TURNTABLE**

**FIGURE 2-50. KEYSWITCH INSTALLATION (WITH JIB) (WITH MSSO) (CE & UK CA SPECS) (660SJ HC3)**

ITEM	PART NUMBER	QTY	DESCRIPTION	REV
	1001245783	Ref	KEYSWITCH INSTALLATION	B
1	3910804	6	Screw #8 x 1/4	
2	4360274	1	Switch, Push Button	
3	4360387	1	Switch, Push Button	
4	4360469	1	Switch, Key	
4A	2860030	1 Set	Key, Replacement	
5	1001151393	1	Shim	
6	1001176469	1	Shroud, Switch	
7	1001245770	1	Decal - Ground Control Panel	

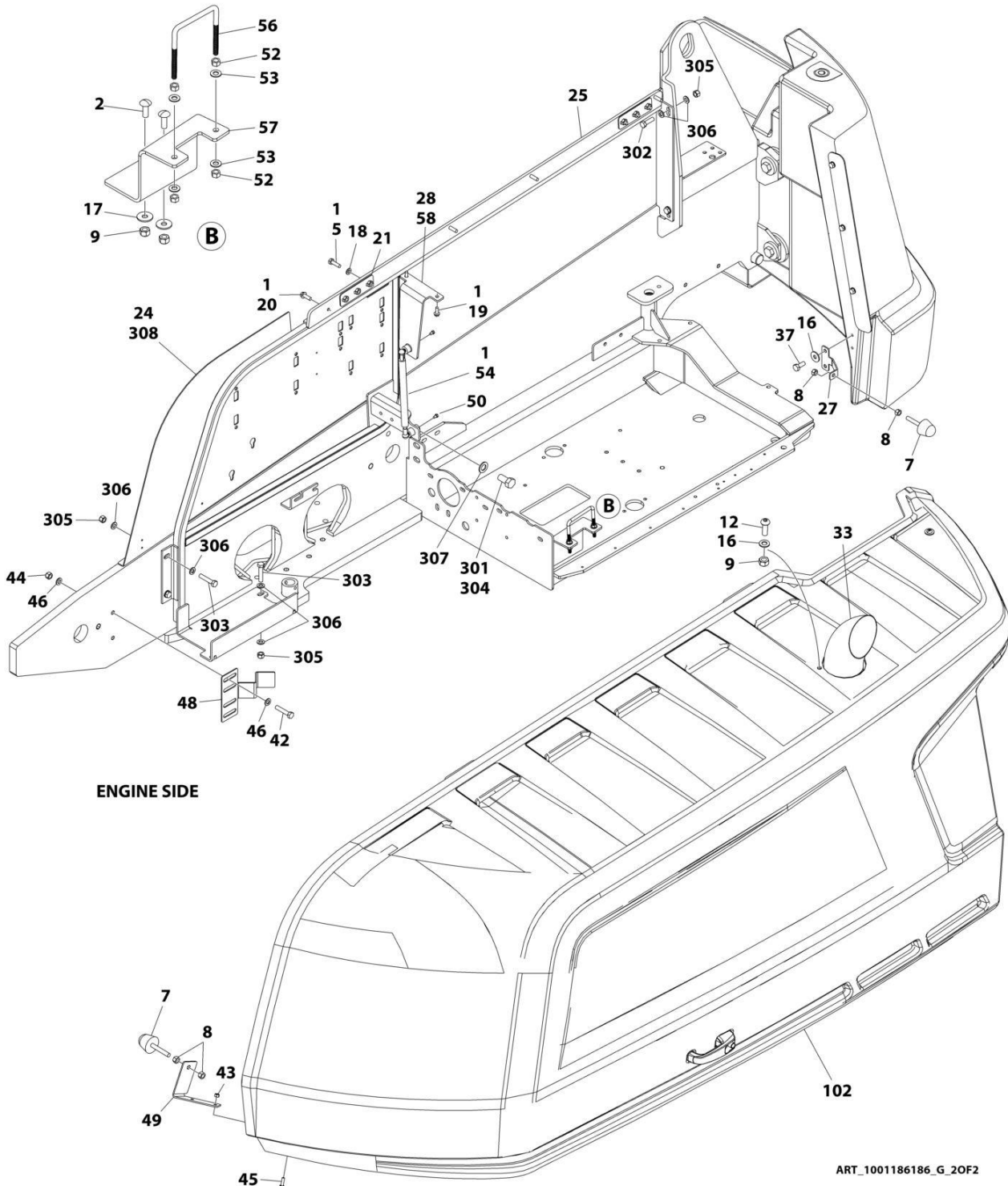
# SECTION 2 - TURNTABLE

FIGURE 2-51. HOODS INSTALLATIONS - ABS - DEUTZ D2011, DEUTZ TD 2.9L4 67HP AND FORD ENGINES



ART\_1001186186\_G\_10F2

# SECTION 2 - TURNTABLE



ENGINE SIDE

ART\_1001186186\_G\_20F2

## SECTION 2 - TURNTABLE

**FIGURE 2-51. HOODS INSTALLATIONS - ABS - DEUTZ D2011, DEUTZ TD 2.9L4 67HP AND FORD ENGINES**

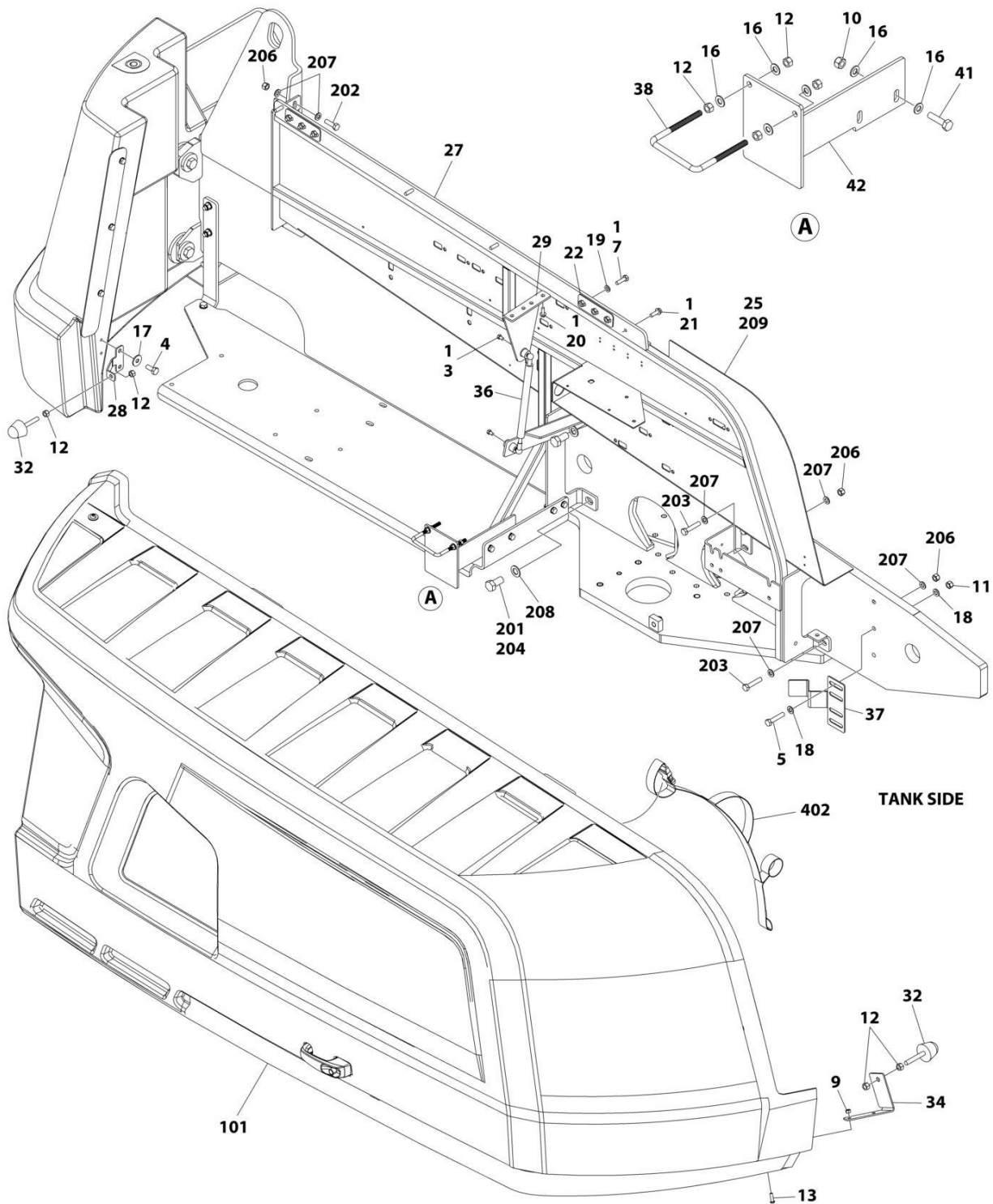
ITEM	PART NUMBER	QTY	DESCRIPTION	REV
	1001186186	Ref	HOODS INSTALLATIONS	G
1	0100011	AR	Compound, Locking	
2	0630613	2	Bolt M10 x 30	
4	0760810	8	Bolt M8 x 20	
5	0761015	12	Bolt M10 x 35	
7	1001206314	4	Bumper	
8	3311601	8	Nut 3/8	
9	3291005	6	Nut M10	
12	1001174673	2	Screw M10 x 30	
16	4812000	6	Washer M10	
17	4812002	4	Washer M10	
18	5241000	12	Washer M10	
19	5250812	4	Bolt M8 x 25	
20	5251014	8	Bolt M10 x 30	
21	1001169046	4	Nut, Hinge	
23	1001187950	1	Side-Sheet Assembly - Tank Side (See Items 201-209 for Breakdown)	
24	1001187951	1	Side-Sheet Assembly - Engine Side (See Items 301-308 for Breakdown)	
25	1001189067	2	Mount	
27	1001190338	2	Bracket	
30	1001192841	1	Bracket	
33	1001193760	1	Pipe, Exhaust	
37	0701012	2	Bolt M10 x 25	
42	0701220	2	Bolt M12 x 60	
43	3290605	4	Nut M6	
44	3291205	2	Nut M12	
45	3900364	4	Screw M6 x 20	
46	4812100	4	Washer M12	
47	1001213543	1	Bracket	
48	1001231310	2	Bracket	
49	1001213744	1	Bracket	
50	0641504	4	Bolt 5/16 x 1/2	
51	0701016	2	Bolt M10 x 40	
52	3271601	8	Nut 3/8	
53	4711600	8	Washer 3/8	
54	1001213794	2	Spring, Gas	
55	1001243171	1	Support	
56	1001243414	2	U-Bolt 3/8	
57	1001243522	1	Bracket	
58	1001243654	1	Bracket	
100	1001227887	1	Hood Kit (Not Shown)	
101	1001195454	1	Hood Assembly - Tank Side (See Separate Breakdown in this Section)	
102	1001195455	1	Hood Assembly - Engine Side (See Separate Breakdown in this Section)	
	1001187950	Ref	SIDE-SHEET ASSEMBLY - TANK SIDE	C
201	0100011	AR	Compound, Locking	
202	0701216	2	Bolt M12 x 40	
203	0701220	4	Bolt M12 x 60	

**SECTION 2 - TURNTABLE**

ITEM	PART NUMBER	QTY	DESCRIPTION	REV
204	0762016	2	Bolt M20 x 40	
206	3291205	6	Nut M12	
207	4812100	12	Washer M12	
208	4812500	2	Washer M20	
209	1001188194	1	Side-Sheet, Tank Side	
	1001187951	Ref	SIDE-SHEET ASSEMBLY - ENGINE SIDE	B
301	0100011	AR	Compound, Locking	
302	0701216	2	Bolt M12 x 40	
303	0701220	3	Bolt M12 x 60	
304	0762016	1	Bolt M20 x 40	
305	3291205	5	Nut M12	
306	4812100	10	Washer M12	
307	4812500	1	Washer M20	
308	1001188187	1	Side-Sheet, Engine Side	

# SECTION 2 - TURNTABLE

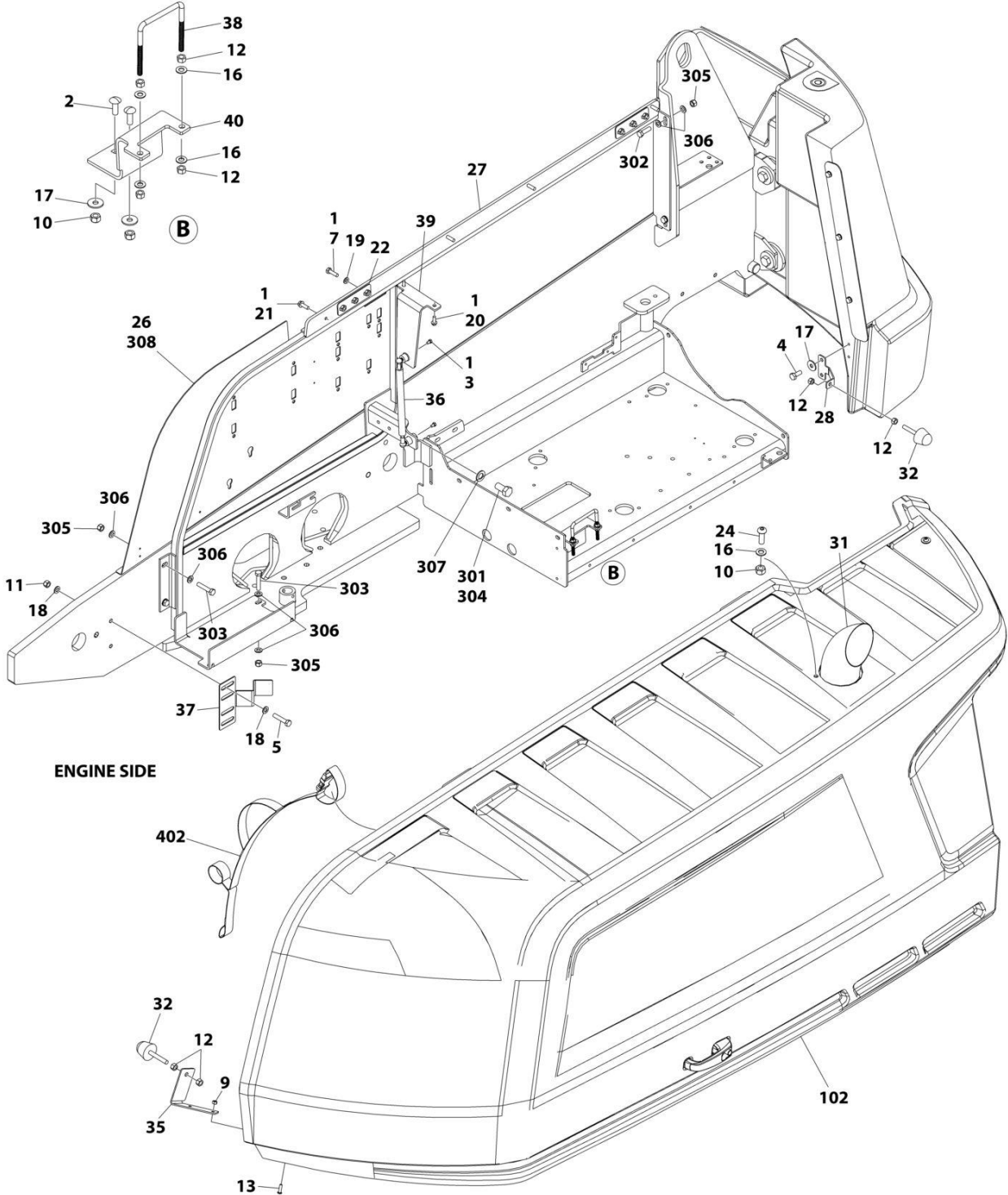
## FIGURE 2-52. HOODS INSTALLATIONS - ABS - DEUTZ TD 2.2L3 AND DEUTZ TD 2.9L4 49HP ENGINES



ART\_1001244902\_C\_10F2



# SECTION 2 - TURNTABLE



ART\_1001244902\_C\_20F2

## SECTION 2 - TURNTABLE

**FIGURE 2-52. HOODS INSTALLATIONS - ABS - DEUTZ TD 2.2L3 AND DEUTZ TD 2.9L4 49HP ENGINES**

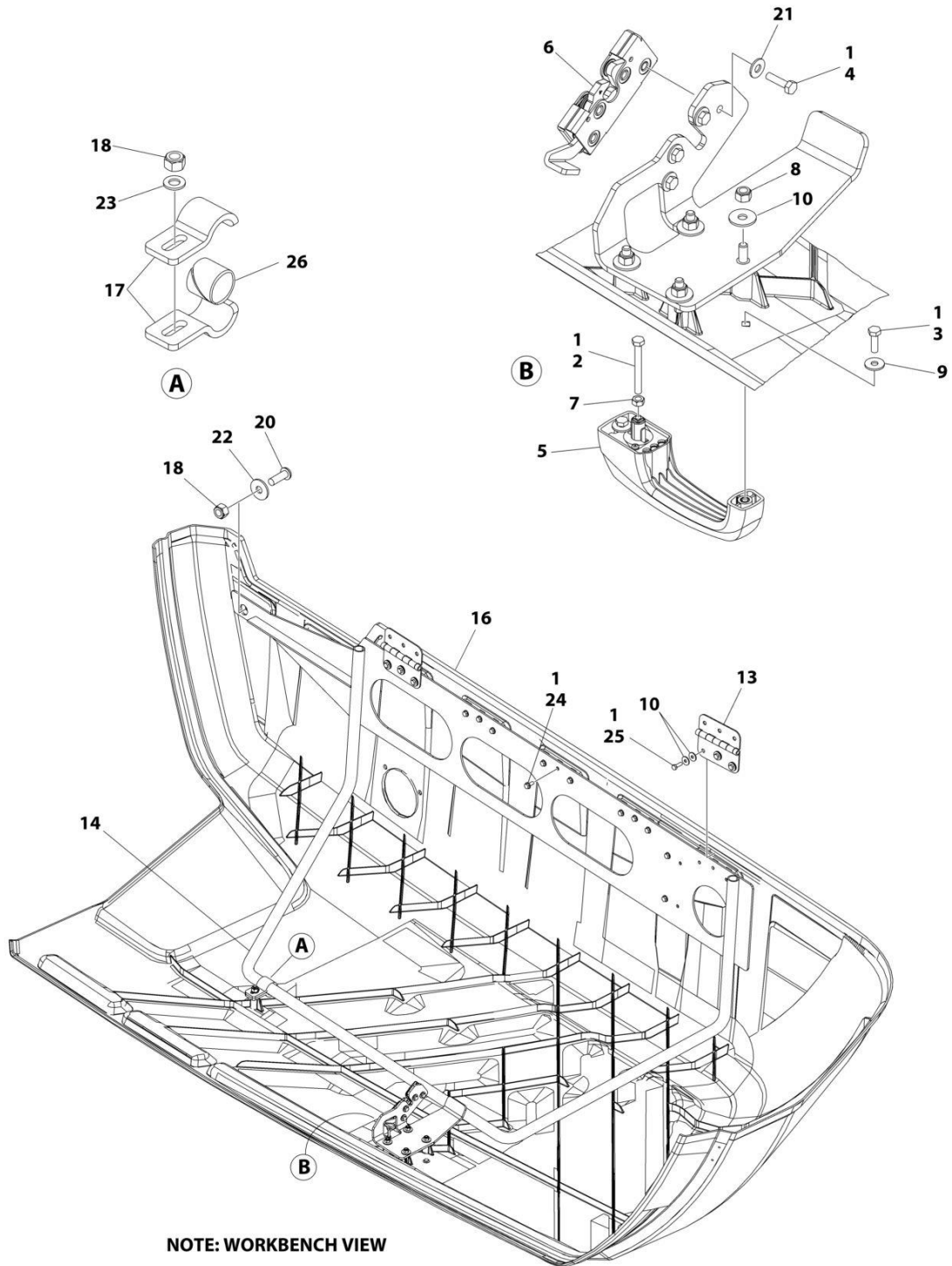
ITEM	PART NUMBER	QTY	DESCRIPTION	REV
	1001244902	Ref	HOODS INSTALLATIONS	C
1	0100011	AR	Compound, Locking	
2	0630613	2	Bolt M10 x 30	
3	0641504	4	Bolt 5/16 x 1/2	
4	0701012	2	Bolt M10 x 25	
5	0701220	2	Bolt M12 x 60	
7	0761015	12	Bolt M10 x 35	
9	3290605	4	Nut M6	
10	3291005	6	Nut M10	
11	3291205	2	Nut M12	
12	3311601	16	Nut 3/8	
13	3900364	4	Screw M6 x 20	
16	4812000	14	Washer M10	
17	4812002	4	Washer M10	
18	4812100	4	Washer M12	
19	5241000	12	Washer M10	
20	5250812	4	Bolt M8 x 25	
21	5251014	8	Bolt M10 x 30	
22	1001169046	4	Nut, Hinge	
24	1001174673	2	Screw M10 x 30	
25	1001187950	1	Side-Sheet Assembly - Tank Side (See Items 201-209 for Breakdown)	
26	1001187951	1	Side-Sheet Assembly - Engine Side (See Items 301-308 for Breakdown)	
27	1001189067	2	Mount	
28	1001190338	2	Bracket	
29	1001192841	1	Bracket	
31	1001193760	1	Pipe, Exhaust	
32	1001206314	4	Bumper	
34	1001213543	1	Bracket	
35	1001213744	1	Bracket	
36	1001213794	4	Spring, Gas	
37	1001231310	2	Bracket	
38	1001243414	2	Bolt, U-Bolt	
39	1001243654	1	Bracket	
40	1001244878	1	Bracket	
41	0701016	2	Bolt M10 x 40	
42	1001243171	1	Support	
100	1001227887	1	Hood Kit (Not Shown)	
101	1001195454	1	Hood Assembly - Tank Side (See Separate Breakdown in this Section)	
102	1001195455	1	Hood Assembly - Engine Side (See Separate Breakdown in this Section)	
	1001187950	Ref	SIDE-SHEET ASSEMBLY - TANK SIDE	C
201	0100011	AR	Compound, Locking	
202	0701216	2	Bolt M12 x 40	
203	0701220	4	Bolt M12 x 60	
204	0762016	2	Bolt M20 x 40	
206	3291205	6	Nut M12	
207	4812100	12	Washer M12	

**SECTION 2 - TURNTABLE**

ITEM	PART NUMBER	QTY	DESCRIPTION	REV
208	4812500	2	Washer M20	
209	1001188194	1	Side-Sheet, Tank Side	
	1001187951	Ref	SIDE-SHEET ASSEMBLY - ENGINE SIDE	B
301	0100011	AR	Compound, Locking	
302	0701216	2	Bolt M12 x 40	
303	0701220	3	Bolt M12 x 60	
304	0762016	1	Bolt M20 x 40	
305	3291205	5	Nut M12	
306	4812100	10	Washer M12	
307	4812500	1	Washer M20	
308	1001188187	1	Side-Sheet, Engine Side	
	1001270242	Ref	STRAP INSTALLATION	A
402	1001160505	2	Strap, Hand	

# SECTION 2 - TURNTABLE

## FIGURE 2-53. HOOD ASSEMBLY - ENGINE SIDE (ABS)



ART\_1001195455

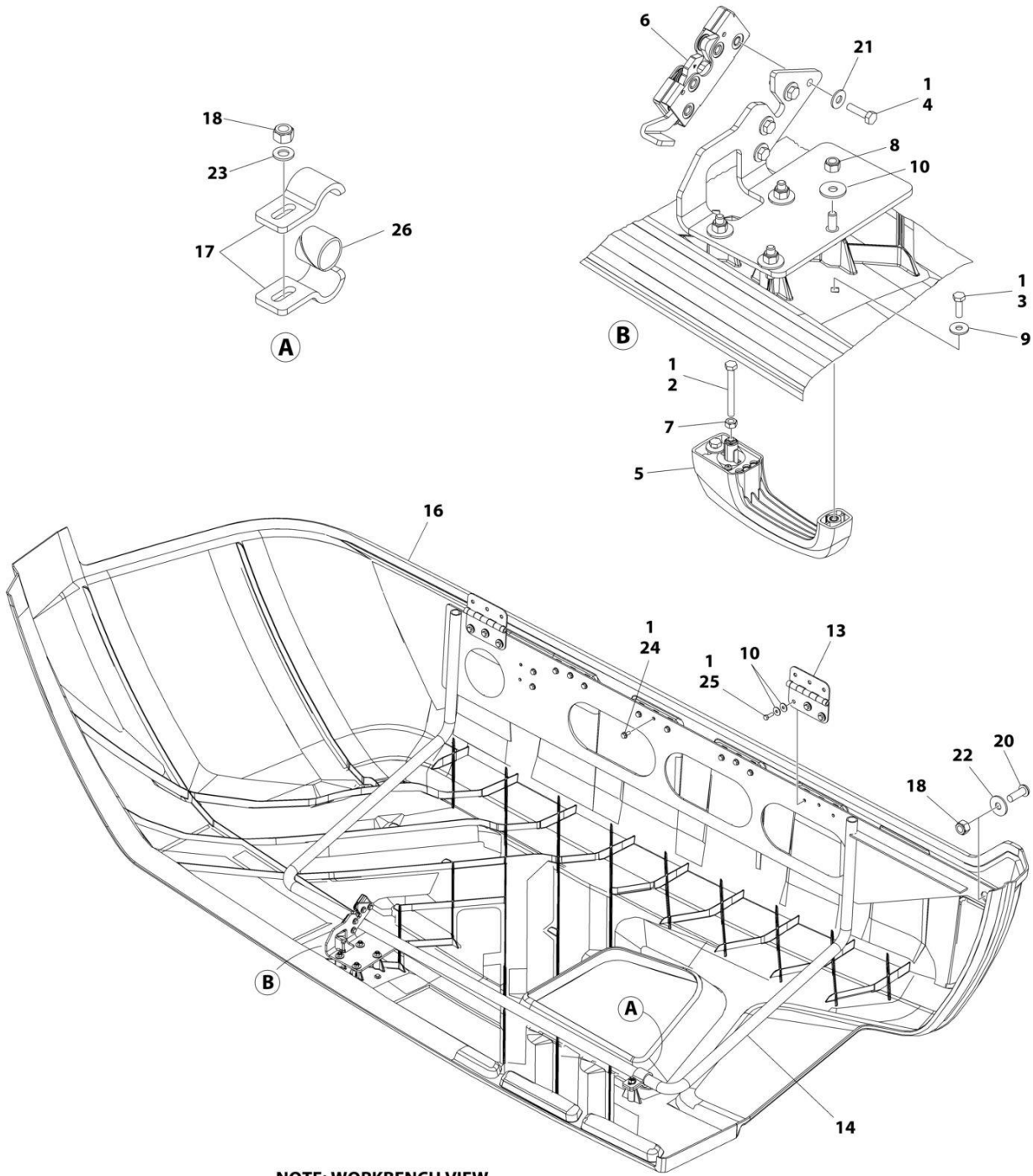
**SECTION 2 - TURNTABLE**

**FIGURE 2-53. HOOD ASSEMBLY - ENGINE SIDE (ABS)**

ITEM	PART NUMBER	QTY	DESCRIPTION	REV
	1001195455	Ref	HOOD ASSEMBLY	H
1	0100011	AR	Compound, Locking	
2	0700619	1	Bolt M6 x 55	
3	0760610	2	Bolt M6 x 20	
4	0641408	4	Bolt 1/4 x 1	
5	2560187	1	Handle, Push Button	
6	2940173	1	Latch, Rotary	
7	3290601	1	Nut M6	
8	3290805	4	Nut M8	
9	4811702	2	Washer M6	
10	4811902	16	Washer M8	
13	1001139384	2	Hinge	
14	1001204251	1	Support	
16	1001193169	1	Hood	
17	1321384	2	Clamp	
18	3291005	2	Nut M10	
20	1001174673	1	Screw M10 x 30	
21	4751400	4	Washer 1/4	
22	4812002	1	Washer M10	
23	4812000	1	Washer M10	
24	5250810	11	Bolt M8 x 20	
25	0760812	6	Bolt M8 x 25	
26	1001227367	1	Bearing	

# SECTION 2 - TURNTABLE

## FIGURE 2-54. HOOD ASSEMBLY - TANK SIDE (ABS)



NOTE: WORKBENCH VIEW

ART\_1001195454

**SECTION 2 - TURNTABLE**

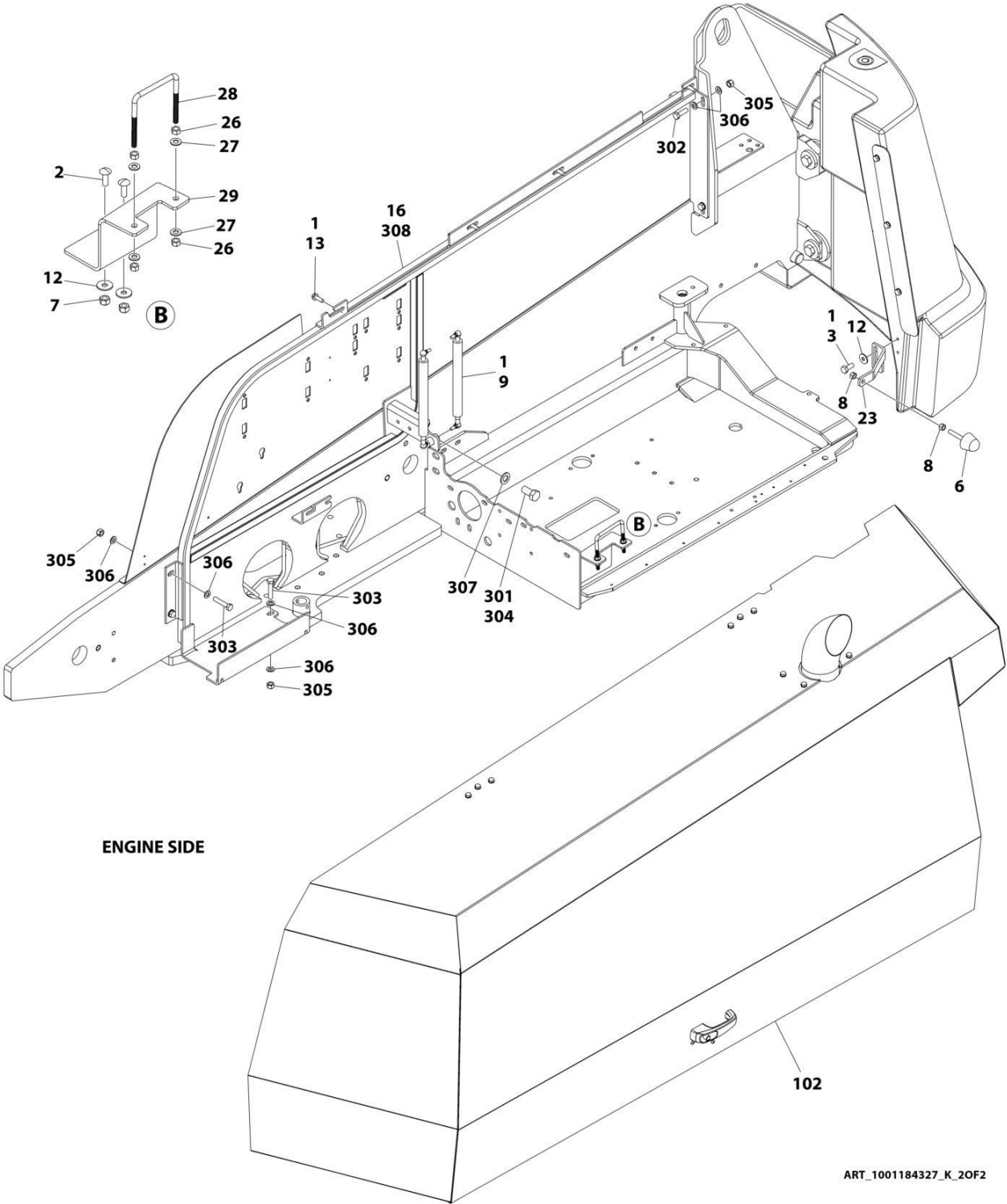
**FIGURE 2-54. HOOD ASSEMBLY - TANK SIDE (ABS)**

ITEM	PART NUMBER	QTY	DESCRIPTION	REV
	1001195454	Ref	HOOD ASSEMBLY	G
1	0100011	AR	Compound, Locking	
2	0700619	1	Bolt M6 x 55	
3	0760610	2	Bolt M6 x 20	
4	0641408	4	Bolt 1/4 x 1	
5	2560187	1	Handle, Push Button	
6	2940173	1	Latch, Rotary	
7	3290601	1	Nut M6	
8	3290805	4	Nut M8	
9	4811702	2	Washer M6	
10	4811902	16	Washer M8	
13	1001139384	2	Hinge	
14	1001204303	1	Support	
16	1001193168	1	Hood	
17	1321384	2	Clamp	
18	3291005	2	Nut M10	
20	1001174673	1	Screw M10 x 30	
21	4751400	4	Washer 1/4	
22	4812002	1	Washer M10	
23	4812000	1	Washer M10	
24	5250810	11	Bolt M8 x 20	
25	0760812	6	Bolt M8 x 25	
26	1001227367	1	Bearing	





**SECTION 2 - TURNTABLE**



## SECTION 2 - TURNTABLE

**FIGURE 2-55. HOODS INSTALLATIONS - STEEL - DEUTZ D2011, DEUTZ TD 2.9L4 67HP AND FORD ENGINES**

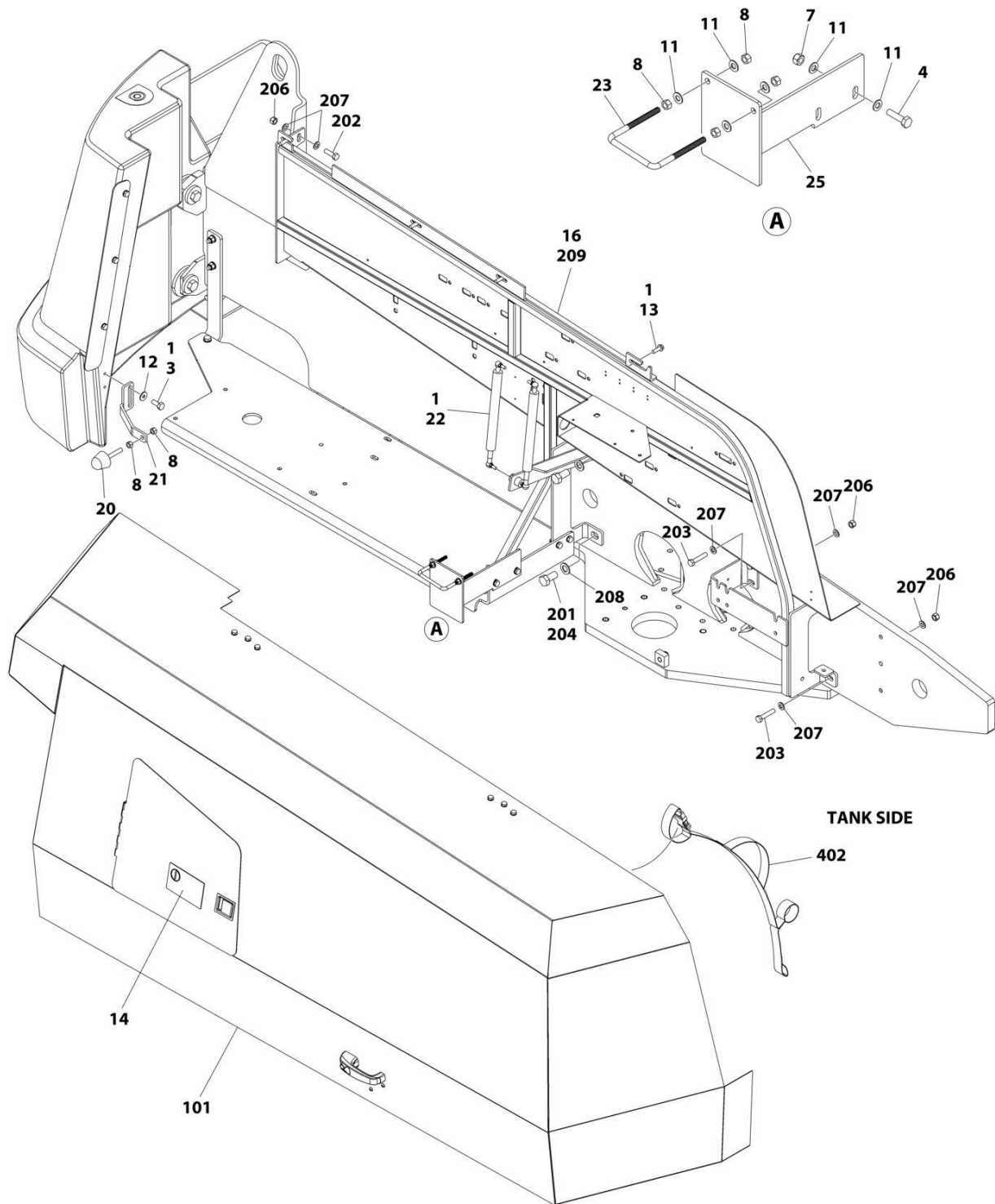
ITEM	PART NUMBER	QTY	DESCRIPTION	REV
	1001184327	Ref	HOODS INSTALLATIONS	K
1	0100011	AR	Compound, Locking	
2	0630613	AR	Bolt M10 x 30	
3	0701012	4	Bolt M10 x 25	
4	0701016	2	Bolt M10 x 40	
5	0760810	8	Bolt M8 x 20	
6	1001206314	2	Bumper	
7	3291005	AR	Nut M10	
8	3311601	4	Nut 3/8	
9	1001219138	4	Spring, Gas	
10	4811902	8	Washer M8	
11	4812000	4	Washer M10	
12	4812002	AR	Washer M10	
13	5251014	8	Bolt M10 x 30	
14	1001172615	1	Mount	
15	1001187950	1	Side-Sheet Assembly - Tank Side (See Items 201-209 for Breakdown)	
16	1001187951	1	Side-Sheet Assembly - Engine Side (See Items 301-308 for Breakdown)	
17	1001190756	1	Support	
18	1001192842	1	Mount	
19	1001192843	1	Support	
20	1001195535	1	Mount	
23	1001212333	2	Bracket	
25	1001117307	1	Decal - Emergency Stop	
26	3271601	8	Nut 3/8	
27	4711600	8	Washer 3/8	
28	1001243414	2	U-Bolt 3/8	
29	1001243522	1	Bracket	
30	1001243171	1	Support	
100	1001227888	1	Hood Kit (Not Shown)	
101	1001211762	1	Hood Assembly - Tank Side (See Separate Breakdown in this Section)	
102	1001211774	1	Hood Assembly - Engine Side (See Separate Breakdown in this Section)	
	1001187950	Ref	SIDE-SHEET ASSEMBLY - TANK SIDE	C
201	0100011	AR	Compound, Locking	
202	0701216	2	Bolt M12 x 40	
203	0701220	4	Bolt M12 x 60	
204	0762016	2	Bolt M20 x 40	
206	3291205	6	Nut M12	
207	4812100	12	Washer M12	
208	4812500	2	Washer M20	
209	1001188194	1	Side-Sheet, Tank Side	
	1001187951	Ref	SIDE-SHEET ASSEMBLY - ENGINE SIDE	B
301	0100011	AR	Compound, Locking	
302	0701216	2	Bolt M12 x 40	
303	0701220	3	Bolt M12 x 60	
304	0762016	1	Bolt M20 x 40	
305	3291205	5	Nut M12	

**SECTION 2 - TURNTABLE**

<b>ITEM</b>	<b>PART NUMBER</b>	<b>QTY</b>	<b>DESCRIPTION</b>	<b>REV</b>
306	4812100	10	Washer M12	
307	4812500	1	Washer M20	
308	1001188187	1	Side-Sheet, Engine Side	

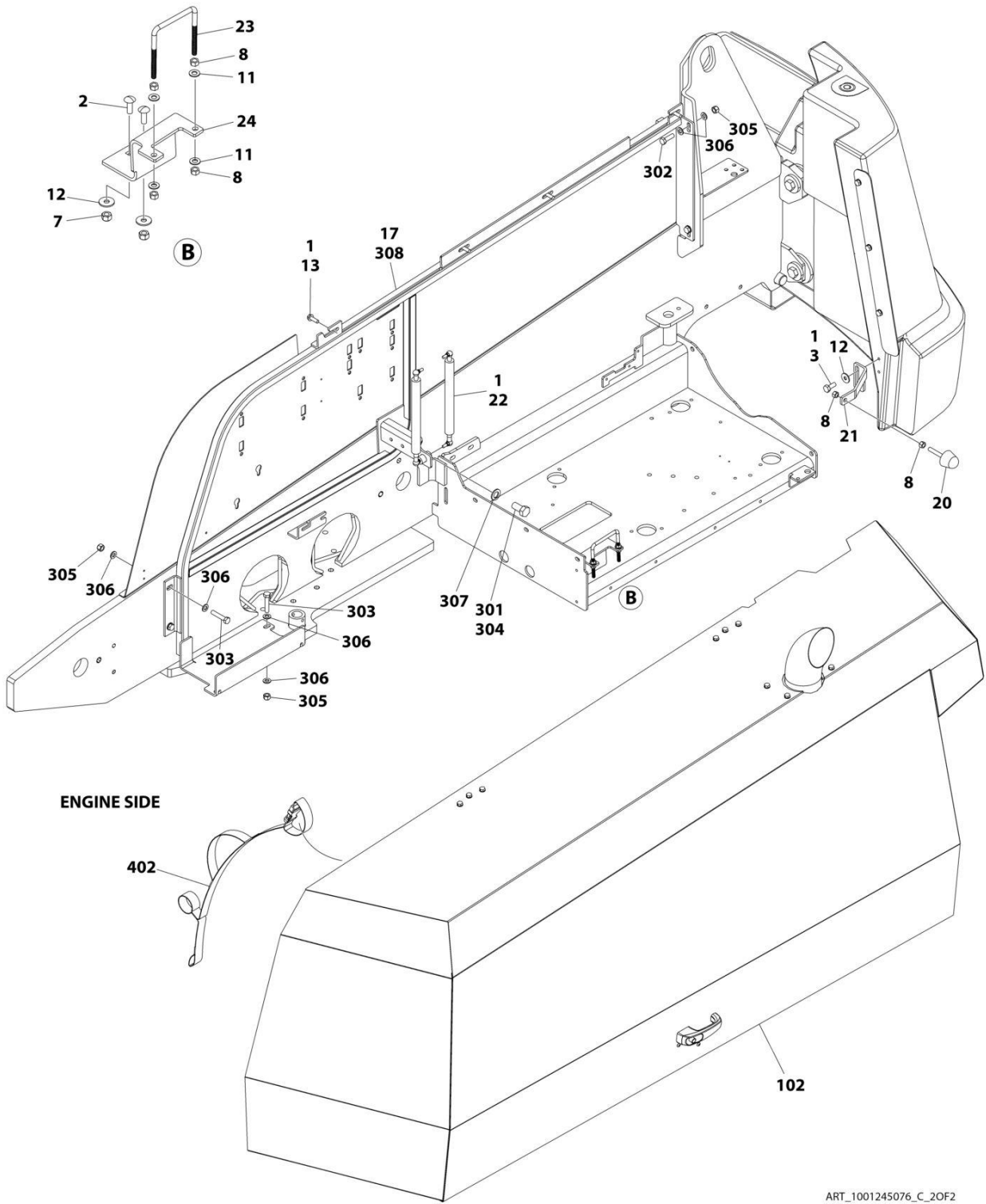
# SECTION 2 - TURNTABLE

## FIGURE 2-56. HOODS INSTALLATIONS - STEEL - DEUTZ TD 2.2L3 AND DEUTZ TD 2.9L4 49HP ENGINES



ART\_1001245076\_C\_10F2

# SECTION 2 - TURNTABLE



ART\_1001245076\_C\_20F2

## SECTION 2 - TURNTABLE

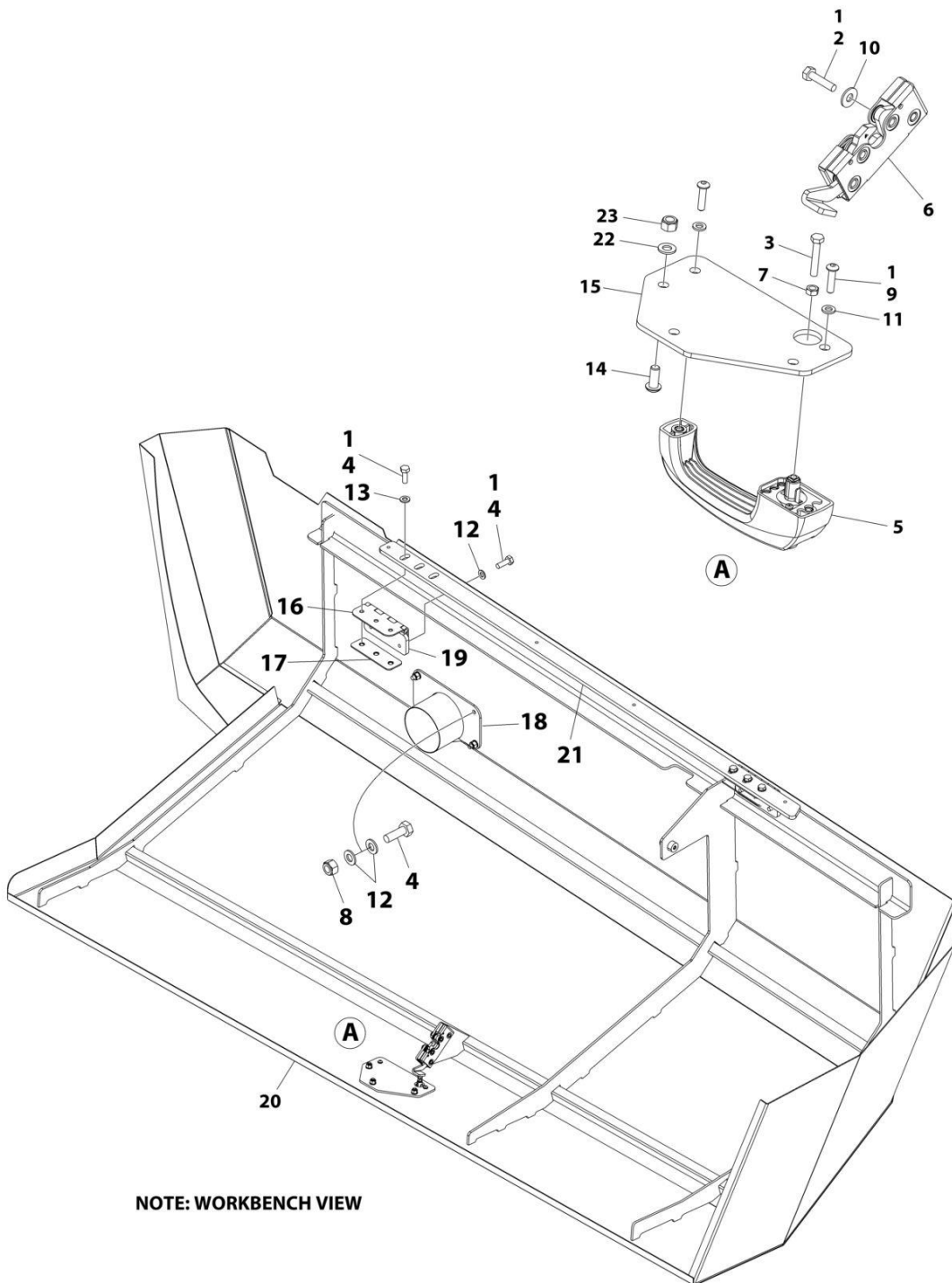
**FIGURE 2-56. HOODS INSTALLATIONS - STEEL - DEUTZ TD 2.2L3 AND DEUTZ TD 2.9L4 49HP ENGINES**

ITEM	PART NUMBER	QTY	DESCRIPTION	REV
	1001245076	Ref	HOODS INSTALLATIONS	C
1	0100011	AR	Compound, Locking	
2	0630613	2	Bolt M10 x 30	
3	0701012	4	Bolt M10 x 25	
4	0701016	2	Bolt M10 x 40	
7	3291005	4	Nut M10	
8	3311601	12	Nut 3/8	
11	4812000	12	Washer M10	
12	4812002	4	Washer M10	
13	5251014	8	Bolt M10 x 30	
14	1001117307	1	Decal - Emergency Stop	
16	1001187950	1	Side Sheet Assembly - Tank Side (See Items 201-209 for Breakdown)	
17	1001187951	1	Side Sheet Assembly - Engine Side (See Items 301-308 for Breakdown)	
20	1001206314	2	Bumper	
21	1001212333	2	Bracket	
22	1001219138	4	Spring, Gas	
23	1001243414	2	Bolt, U-Bolt	
24	1001244878	1	Bracket	
25	1001243171	1	Support	
100	1001227888	1	Hood Kit (Not Shown)	
101	1001211762	1	Hood Assembly - Tank Side (See Separate Breakdown in this Section)	
102	1001211774	1	Hood Assembly - Engine Side (See Separate Breakdown in this Section)	
	1001187950	Ref	SIDE-SHEET ASSEMBLY - TANK SIDE	C
201	0100011	AR	Compound, Locking	
202	0701216	2	Bolt M12 x 40	
203	0701220	4	Bolt M12 x 60	
204	0762016	2	Bolt M20 x 40	
206	3291205	6	Nut M12	
207	4812100	12	Washer M12	
208	4812500	2	Washer M20	
209	1001188194	1	Side-Sheet, Tank Side	
	1001187951	Ref	SIDE-SHEET ASSEMBLY - ENGINE SIDE	B
301	0100011	AR	Compound, Locking	
302	0701216	2	Bolt M12 x 40	
303	0701220	3	Bolt M12 x 60	
304	0762016	1	Bolt M20 x 40	
305	3291205	5	Nut M12	
306	4812100	10	Washer M12	
307	4812500	1	Washer M20	
308	1001188187	1	Side-Sheet, Engine Side	
	1001270243	Ref	STRAP INSTALLATION	B
402	1001160505	2	Strap, Hand	



## SECTION 2 - TURNTABLE

FIGURE 2-57. HOOD ASSEMBLY - ENGINE SIDE (STEEL) - DEUTZ D2011, DEUTZ TD2.3L3 DEUTZ TD 2.9L4 49HP & 67HP AND FORD ENGINES



NOTE: WORKBENCH VIEW

ART\_1001211774



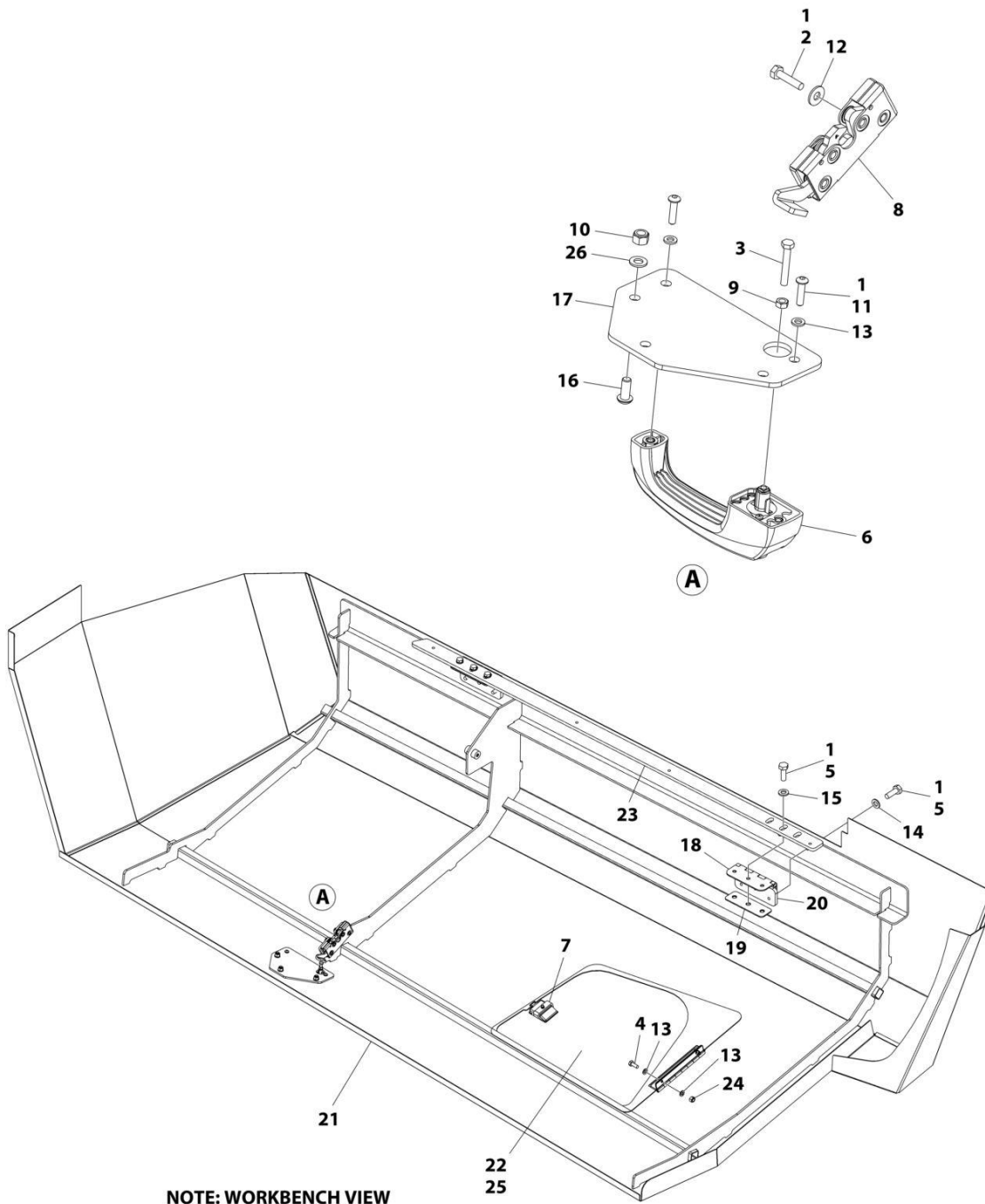
## SECTION 2 - TURNTABLE

**FIGURE 2-57. HOOD ASSEMBLY - ENGINE SIDE (STEEL) - DEUTZ D2011, DEUTZ TD2.3L3 DEUTZ TD 2.9L4 49HP & 67HP AND FORD ENGINES**

ITEM	PART NUMBER	QTY	DESCRIPTION	REV
	1001211774	Ref	HOOD ASSEMBLY	J
1	0100011	AR	Compound, Locking	
2	0641409	4	Bolt 1/4 x 1-1/8	
3	0700615	1	Bolt M6 x 35	
4	0761014	16	Bolt M10 x 30	
5	2560187	1	Handle , Push Button	
6	2940173	1	Latch, Rotary	
7	3290601	1	Nut M6	
8	3291005	4	Nut M10	
9	3900363	2	Screw M6 x 25	
10	4751400	4	Washer 1/4	
11	4811700	2	Washer M6	
12	4812000	14	Washer M10	
13	5241000	6	Washer M10	
14	1001164726	3	Screw M8 x 20	
15	1001116290	1	Plate	
16	1001139384	2	Hinge	
17	1001169046	2	Nut, Hinge	
18	1001194888	1	Pipe, Exhaust	
19	1001202333	2	Plate, Nut	
20	1001211767	1	Hood	
21	1001211773	1	Plate	
22	4811900	3	Washer M8	
23	3290805	3	Nut M8	

## SECTION 2 - TURNTABLE

FIGURE 2-58. HOOD ASSEMBLY - TANK SIDE (STEEL) - DEUTZ D2011, DEUTZ TD2.3L3 DEUTZ TD 2.9L4 49HP & 67HP AND FORD ENGINES



ART\_1001211762

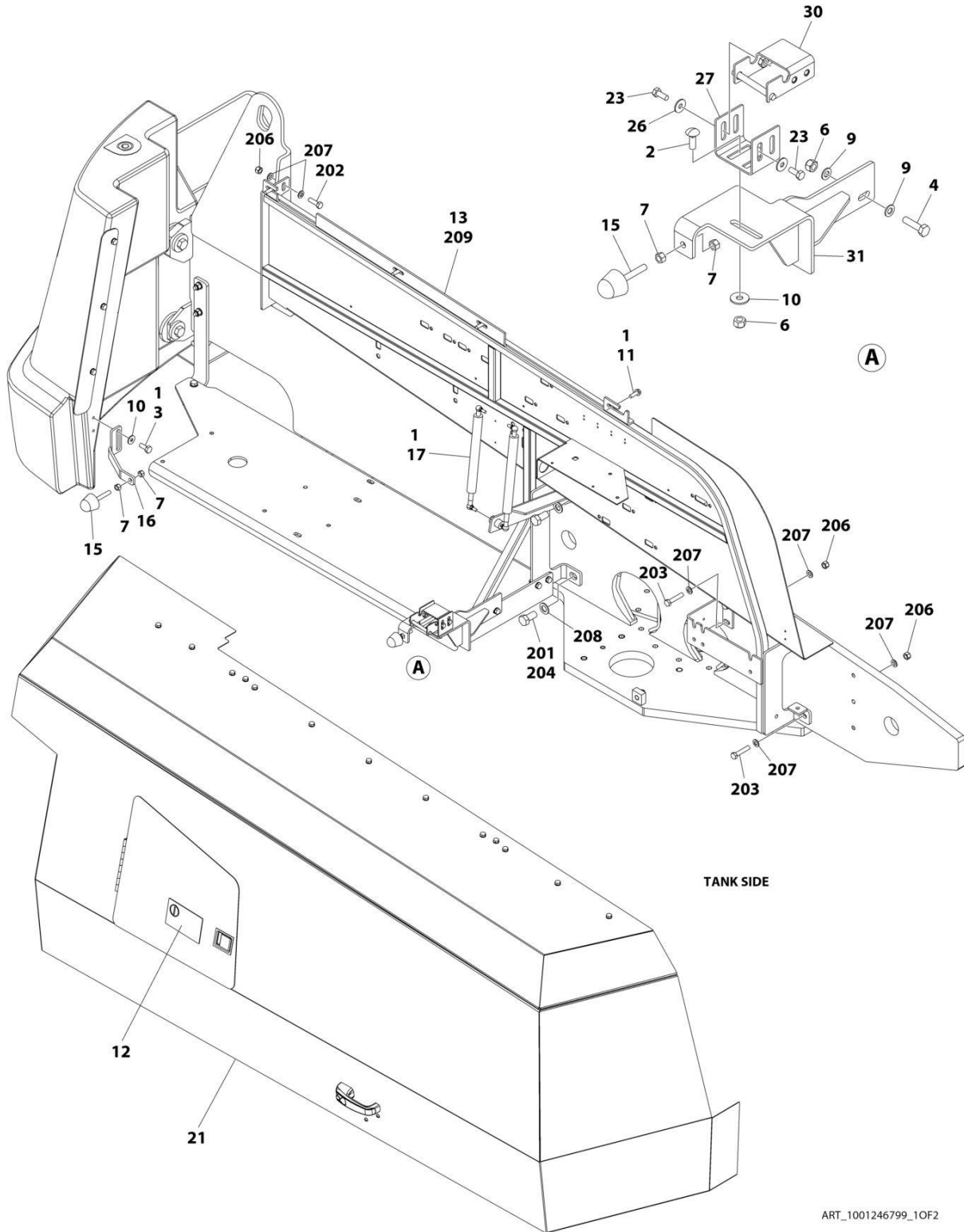
## SECTION 2 - TURNTABLE

**FIGURE 2-58. HOOD ASSEMBLY - TANK SIDE (STEEL) - DEUTZ D2011, DEUTZ TD2.3L3 DEUTZ TD 2.9L4 49HP & 67HP AND FORD ENGINES**

ITEM	PART NUMBER	QTY	DESCRIPTION	REV
	1001211762	Ref	HOOD ASSEMBLY	J
1	0100011	AR	Compound, Locking	
2	0641409	4	Bolt 1/4 x 1-1/8	
3	0700616	1	Bolt M6 x 40	
4	0760608	2	Bolt M6 x 16	
5	0761014	12	Bolt M10 x 30	
6	2560187	1	Handle, Push Button	
7	2940045	1	Latch, Paddle	
8	2940173	1	Latch, Rotary	
9	3290601	1	Nut M6	
10	3290805	3	Nut M8	
11	3900363	2	Screw M6 x 25	
12	4751400	4	Washer 1/4	
13	4811700	6	Washer M6	
14	4812000	6	Washer M10	
15	5241000	6	Washer M10	
16	1001164726	3	Screw M8 x 20	
17	1001116290	1	Plate	
18	1001139384	2	Hinge	
19	1001169046	2	Nut, Hinge	
20	1001202333	2	Plate, Nut	
21	1001211752	1	Hood	
22	1001211760	1	Door	
23	1001211761	1	Plate	
24	3290605	2	Nut M6	
25	1001113047	78 in/ 2m	Seal	
26	4811900	3	Washer M8	

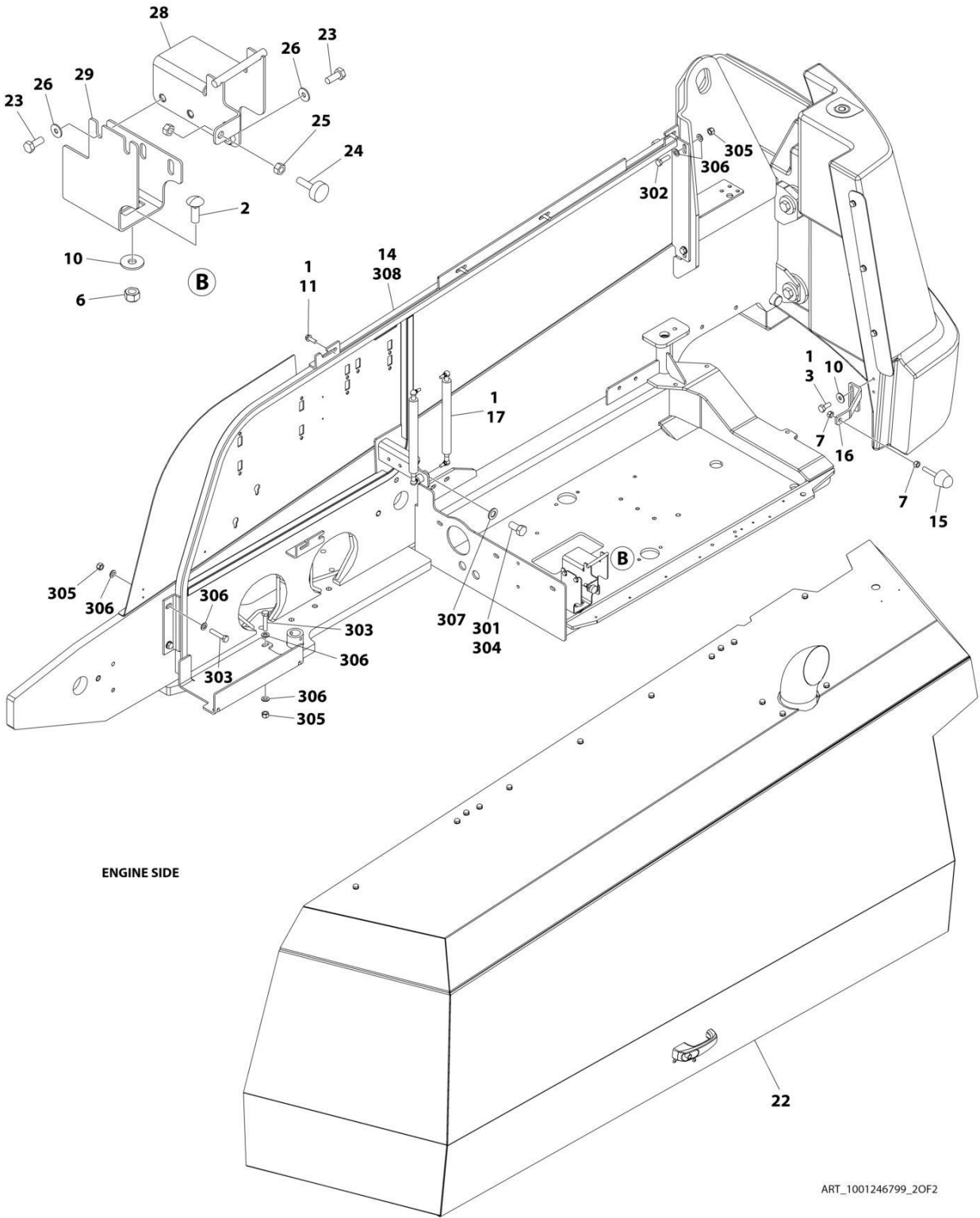
# SECTION 2 - TURNTABLE

## FIGURE 2-59. HOODS INSTALLATIONS - STEEL - DEUTZ D2011 WITH ARCTIC AND DEUTZ TD2.2L3 ENGINES (660SJ HC3)



ART\_1001246799\_1OF2

SECTION 2 - TURNTABLE



ENGINE SIDE

ART\_1001246799\_2OF2

## SECTION 2 - TURNTABLE

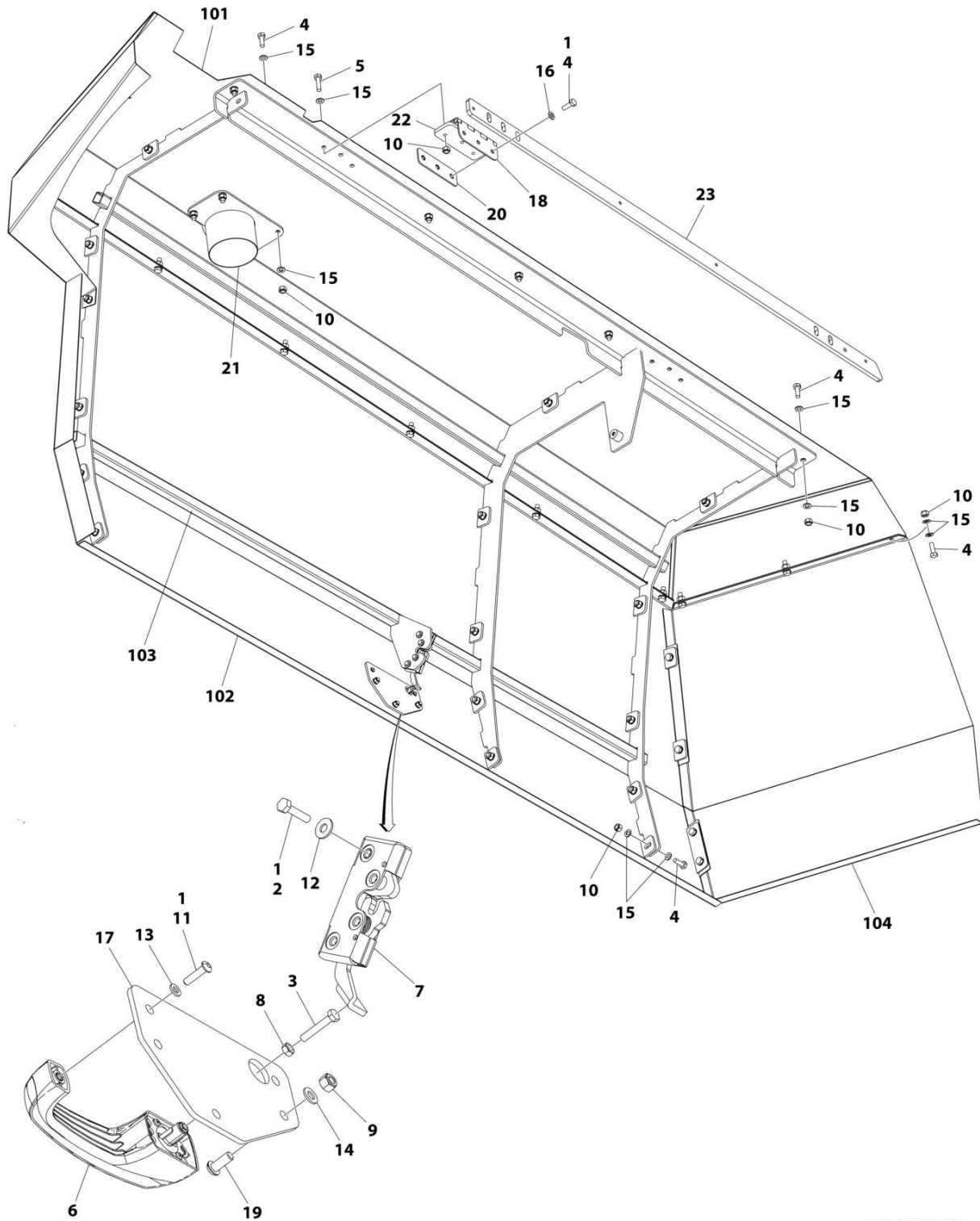
**FIGURE 2-59. HOODS INSTALLATIONS - STEEL - DEUTZ D2011 WITH ARCTIC AND DEUTZ TD2.2L3 ENGINES (660SJ HC3)**

ITEM	PART NUMBER	QTY	DESCRIPTION	REV
	1001246799	Ref	HOODS INSTALLATIONS	C
1	0100011	AR	Compound, Locking	
2	0630613	AR	Bolt M10 x 30	
3	0701012	2	Bolt M10 x 25	
4	0701016	2	Bolt M10 x 40	
6	3291005	AR	Nut M10	
7	3311601	AR	Nut 3/8	
9	4812000	AR	Washer M10	
10	4812002	AR	Washer M10	
11	5251014	8	Bolt M10 x 30	
12	1001117307	1	Decal - Emergency Stop	
13	1001187950	1	Side-Sheet Assembly - Tank Side (See Items 201-209 for Breakdown)	
14	1001187951	1	Side-Sheet Assembly - Engine Side (See Items 301-308 for Breakdown)	
15	1001206314	3	Bumper	
16	1001212333	2	Bracket	
17	1001219138	4	Spring, Gas	
21	1001246756	1	Hood Assembly - Tank Side (See Separate Breakdown in this Section)	
22	1001246798	1	Hood Assembly - Engine Side (See Separate Breakdown in this Section)	
23	0760810	8	Bolt M8 x 20	
24	0940049	1	Stopper, Hood	
25	3311501	2	Nut M8	
26	4811902	AR	Washer M8	
27	1001172615	1	Mount, Hood Latch	
28	1001190756	1	Support, Striker	
29	1001192842	1	Mount, Hood Latch	
30	1001192843	1	Support, Striker	
31	1001270668	1	Support, Striker Mount	
	1001187950	Ref	SIDE-SHEET ASSEMBLY - TANK SIDE	C
201	0100011	AR	Compound, Locking	
202	0701216	2	Bolt M12 x 40	
203	0701220	4	Bolt M12 x 60	
204	0762016	2	Bolt M20 x 40	
206	3291205	6	Nut M12	
207	4812100	12	Washer M12	
208	4812500	2	Washer M20	
209	1001188194	1	Side-Sheet, Tank Side	
	1001187951	Ref	SIDE-SHEET ASSEMBLY - ENGINE SIDE	B
301	0100011	AR	Compound, Locking	
302	0701216	2	Bolt M12 x 40	
303	0701220	3	Bolt M12 x 60	
304	0762016	1	Bolt M20 x 40	
305	3291205	5	Nut M12	
306	4812100	10	Washer M12	
307	4812500	1	Washer M20	
308	1001188187	1	Side-Sheet, Engine Side	



# SECTION 2 - TURNTABLE

FIGURE 2-60. HOOD ASSEMBLY - ENGINE SIDE (STEEL) - DEUTZ D2011 WITH ARCTIC AND DEUTZ TD2.2L3 ENGINES (660SJ HC3)



ART\_1001246798



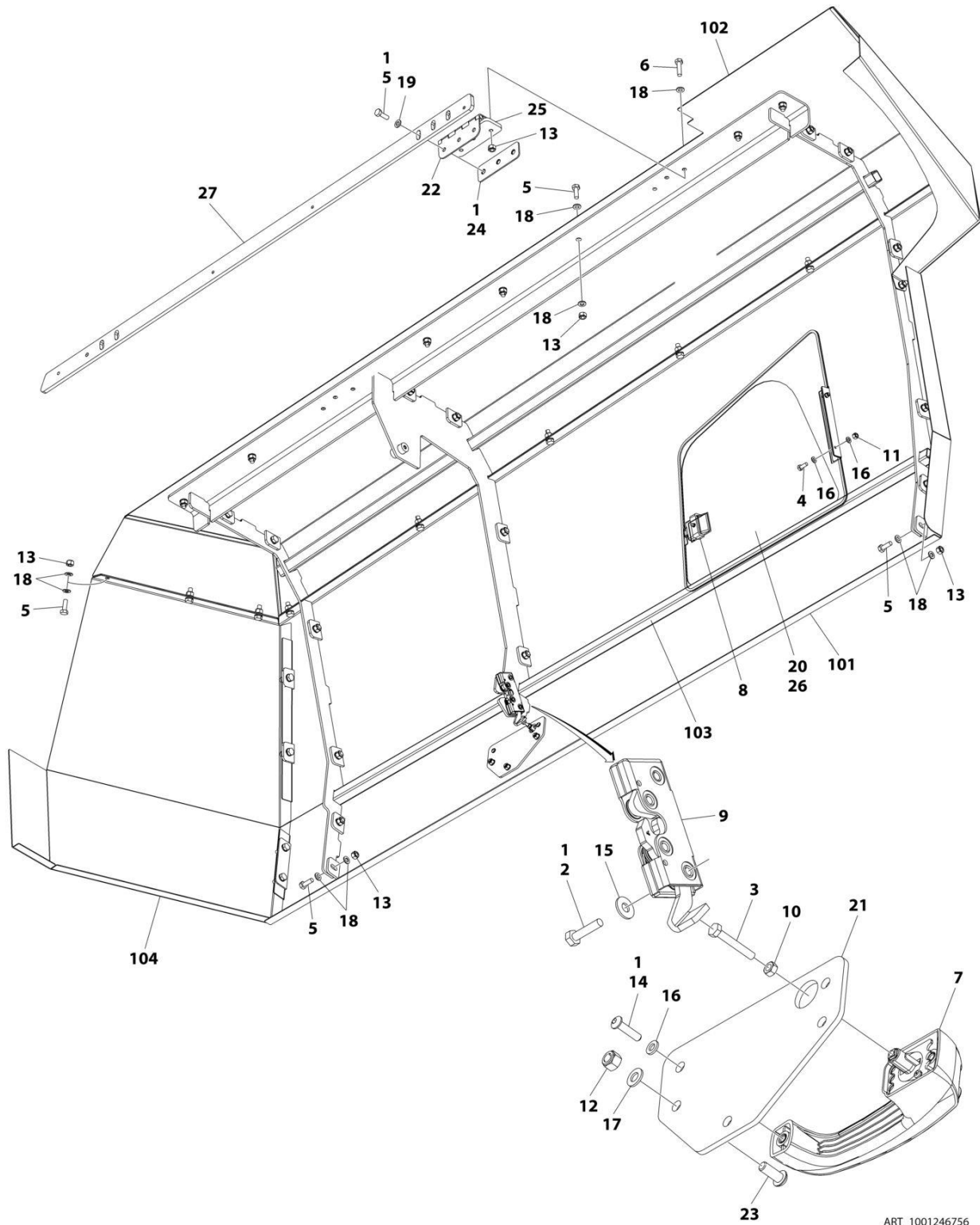
## SECTION 2 - TURNTABLE

**FIGURE 2-60. HOOD ASSEMBLY - ENGINE SIDE (STEEL) - DEUTZ D2011 WITH ARCTIC AND DEUTZ TD2.2L3 ENGINES (660SJ HC3)**

ITEM	PART NUMBER	QTY	DESCRIPTION	REV
	1001246798	Ref	HOOD ASSEMBLY - ENGINE SIDE (STEEL)	A
1	0100011	AR	Compound, Locking	
2	0641409	4	Bolt 1/4 x 1/8	
3	0700615	1	Bolt M6 x 35	
4	0761014	44	Bolt M10 x 30	
5	0761016	6	Bolt M10 x 40	
6	2560187	1	Handle, Push Button	
7	2940173	1	Handle, Rotary	
8	3290601	1	Nut M6	
9	3290805	3	Nut M8	
10	3291005	44	Nut M10	
11	3900363	2	Screw M6 x 25	
12	4751400	4	Washer 1/4	
13	4811700	2	Washer M6	
14	4811900	3	Washer M8	
15	4812000	82	Washer M10	
16	5241000	6	Washer M10	
17	1001116290	1	Plate	
18	1001139384	2	Hinge	
19	1001164726	3	Screw M8 x 20	
20	1001169046	2	Nut	
21	1001194888	1	Pipe, Exhaust	
22	1001202333	2	Plate, Nut	
23	1001211773	1	Plate	
100	1001249313	1	Hood Kit (Engine Side) (Not Shown)	
101	1001246796	1	Panel (Top)	
102	1001246795	1	Panel (Side)	
103	1001246794	1	Bracket	
104	1001246789	1	Panel (End)	

# SECTION 2 - TURNTABLE

FIGURE 2-61. HOOD ASSEMBLY - TANK SIDE (STEEL) - DEUTZ D2011 WITH ARCTIC AND DEUTZ TD2.2L3 ENGINES (660SJ HC3)



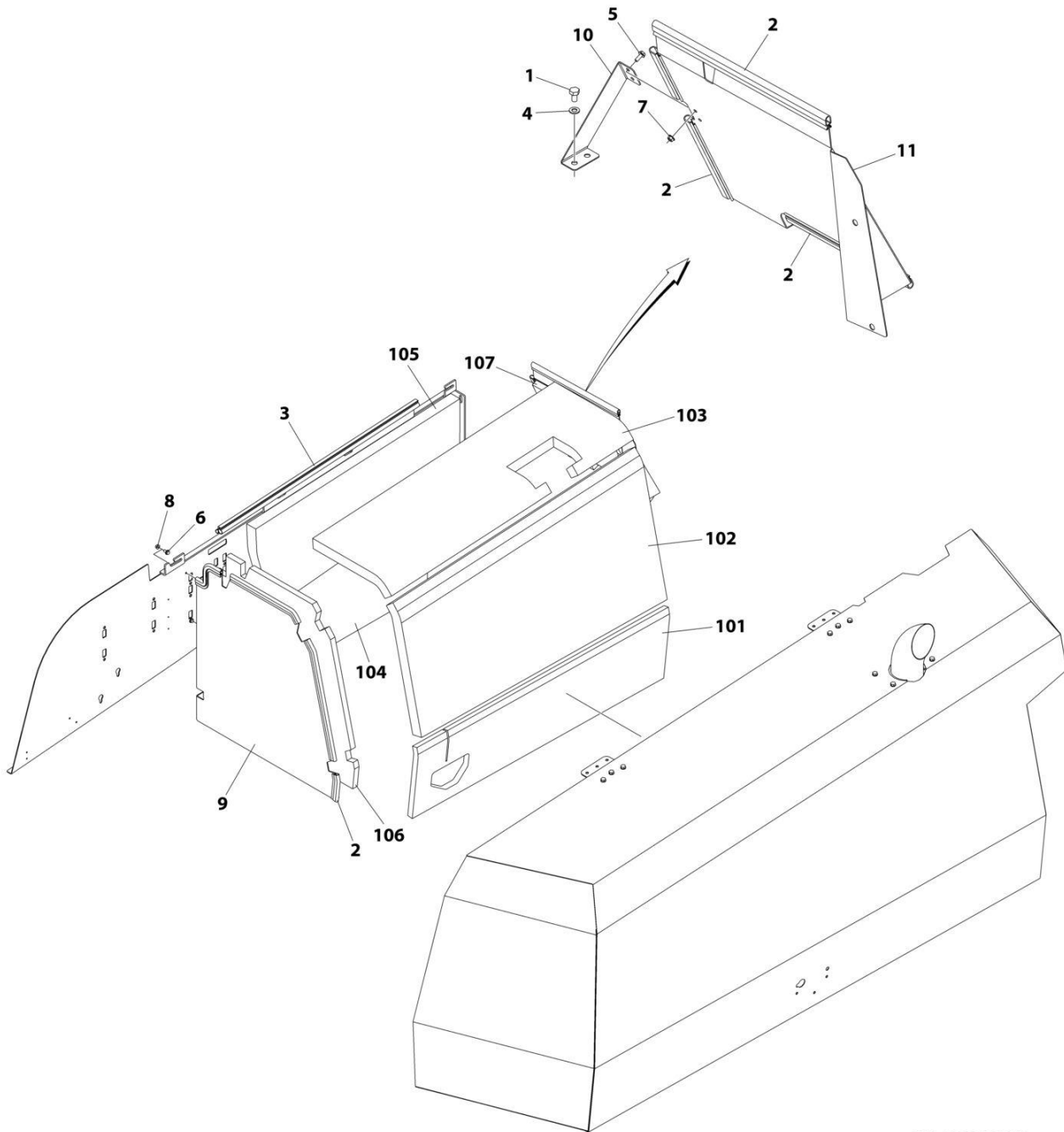
## SECTION 2 - TURNTABLE

**FIGURE 2-61. HOOD ASSEMBLY - TANK SIDE (STEEL) - DEUTZ D2011 WITH ARCTIC AND DEUTZ TD2.2L3 ENGINES (660SJ HC3)**

ITEM	PART NUMBER	QTY	DESCRIPTION	REV
	1001246756	Ref	HOOD ASSEMBLY - TANK SIDE (STEEL)	A
1	0100011	AR	Compound, Locking	
2	0641409	4	Bolt 1/4 x 1/8	
3	0700616	1	Bolt M6 x 40	
4	0760608	2	Bolt M6 x 16	
5	0761014	44	Bolt M10 x 30	
6	0761016	6	Bolt M10 x 40	
7	2560187	1	Handle, Push Button	
8	2940045	1	Latch, Paddle	
9	2940173	1	Latch, Rotary	
10	3290601	1	Nut, M6	
11	3290605	2	Nut M6	
12	3290805	3	Nut M8	
13	3291005	44	Nut M10	
14	3900363	2	Screw M6 x 25	
15	4751400	4	Washer 1/4	
16	4811700	6	Washer M6	
17	4811900	3	Washer M8	
18	4812000	82	Washer M10	
19	5241000	6	Washer M10	
20	1001113047	7 ft /2m	Seal	
21	1001116290	1	Plate	
22	1001139384	2	Hinge	
23	1001164726	3	Capscrew M8 x 20	
24	1001169046	2	Nut	
25	1001202333	2	Plate, Nut	
26	1001211760	1	Door	
27	1001211761	1	Plate	
100	1001249312	1	Hood Kit (Tank Side) (Not Shown)	
101	1001246563	1	Panel (Side)	
102	1001246564	1	Panel (Top)	
103	1001246565	1	Bracket	
104	1001246574	1	Panel (End)	

# SECTION 2 - TURNTABLE

## FIGURE 2-62. NOISE REDUCTION PACKAGE (600S HC3)



ART\_1001234080\_B

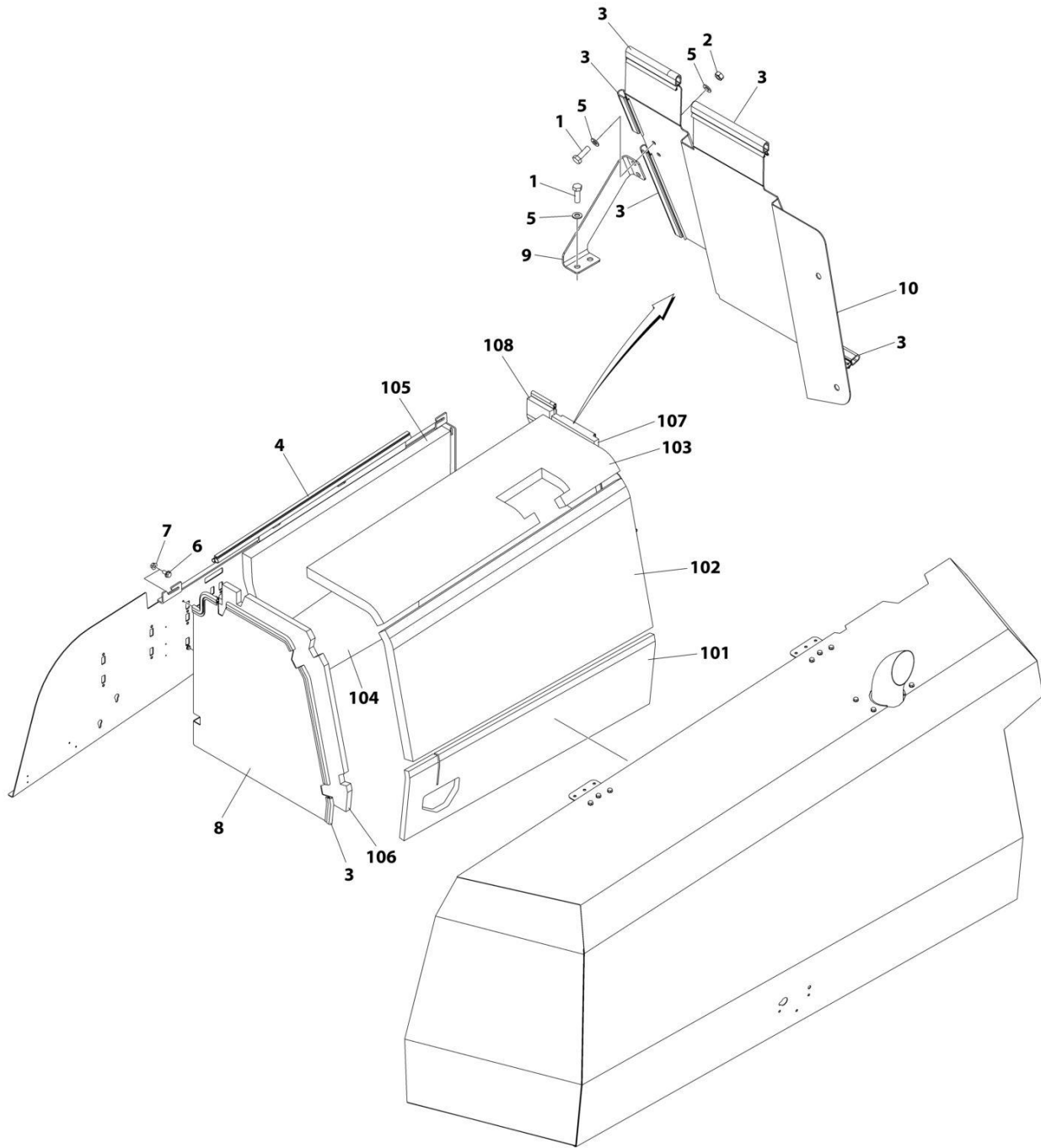
**SECTION 2 - TURNTABLE**

**FIGURE 2-62. NOISE REDUCTION PACKAGE (600S HC3)**

ITEM	PART NUMBER	QTY	DESCRIPTION	REV
	1001234080	Ref	SOUND REDUCTION PACKAGE	B
1	0761009	2	Bolt M10 x 18	
2	3960389	8.2 ft/ 2.49m	Seal	
3	3960464	3.6 ft/ 1.10m	Seal	
4	4812000	2	Washer M10	
5	5250608	2	Bolt M6 x 16	
6	5250808	2	Bolt M8 x 16	
7	5260600	2	Nut M6	
8	5260800	2	Nut M8	
9	1001241729	1	Plate	
10	1001233948	1	Bracket	
11	1001233949	1	Plate	
100	1001237550	1	Sound Foam Insulate Kit (Includes Items 101-107)	B
101	1001233953	1	Insulate	
102	1001233954	1	Insulate	
103	1001233955	1	Insulate	
104	1001233966	1	Insulate	
105	1001233967	1	Insulate	
106	1001234269	1	Insulate	
107	1001234270	1	Insulate	

# SECTION 2 - TURNTABLE

## FIGURE 2-63. NOISE REDUCTION PACKAGE (660SJ HC3)



ART\_1001252519

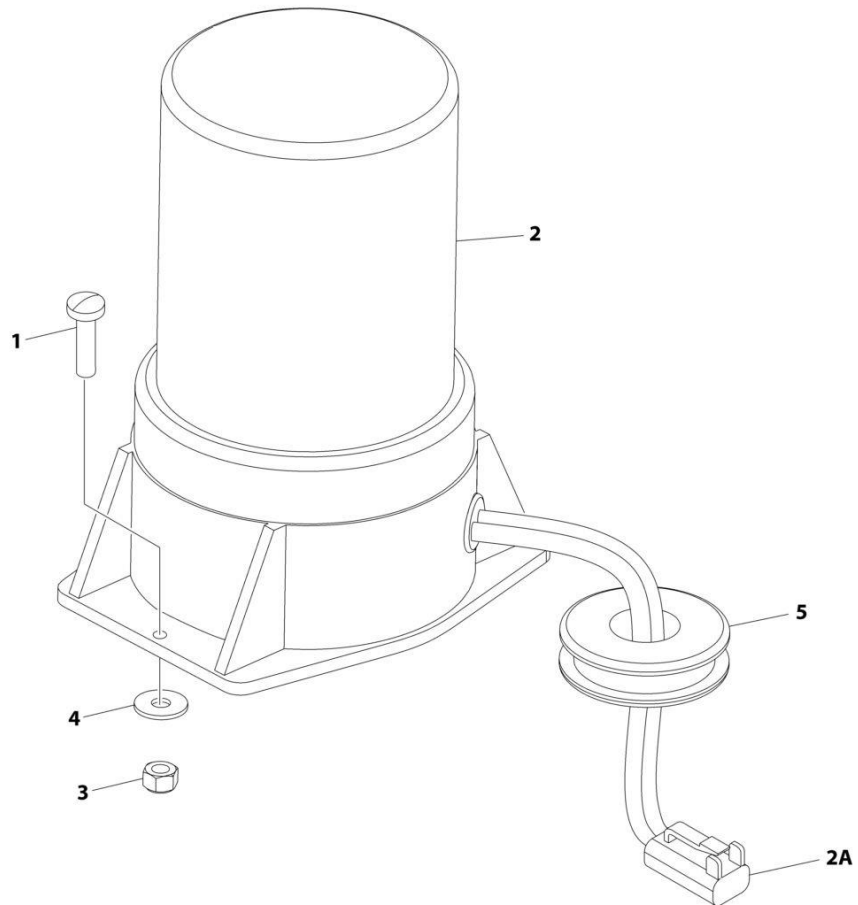
**SECTION 2 - TURNTABLE**

**FIGURE 2-63. NOISE REDUCTION PACKAGE (660SJ HC3)**

ITEM	PART NUMBER	QTY	DESCRIPTION	REV
	1001252519	Ref	SOUND REDUCTION PACKAGE	A
1	0760812	4	Bolt M8 x 25	
2	3290801	2	Nut M8	
3	3960389	8 ft /2.44m	Seal	
4	3960464	3.6 ft /1.10m	Seal	
5	4811900	6	Washer M8	
6	5250808	2	Bolt M8 x 16	
7	5260800	2	Nut M8	
8	1001241729	1	Plate	
9	1001253115	1	Bracket	
10	1001253117	1	Plate	
100	1001255619	1	Sound Foam Insulate Kit (Includes Items 101-108)	A
101	1001233953	1	Insulate	
102	1001233954	1	Insulate	
103	1001233955	1	Insulate	
104	1001233966	1	Insulate	
105	1001233967	1	Insulate	
106	1001234269	1	Insulate	
107	1001253116	1	Insulate	
108	1001253459	1	Insulate	

## SECTION 2 - TURNTABLE

FIGURE 2-64. STROBE LIGHT INSTALLATION - AMBER (OPTIONAL)



ART\_1001191557



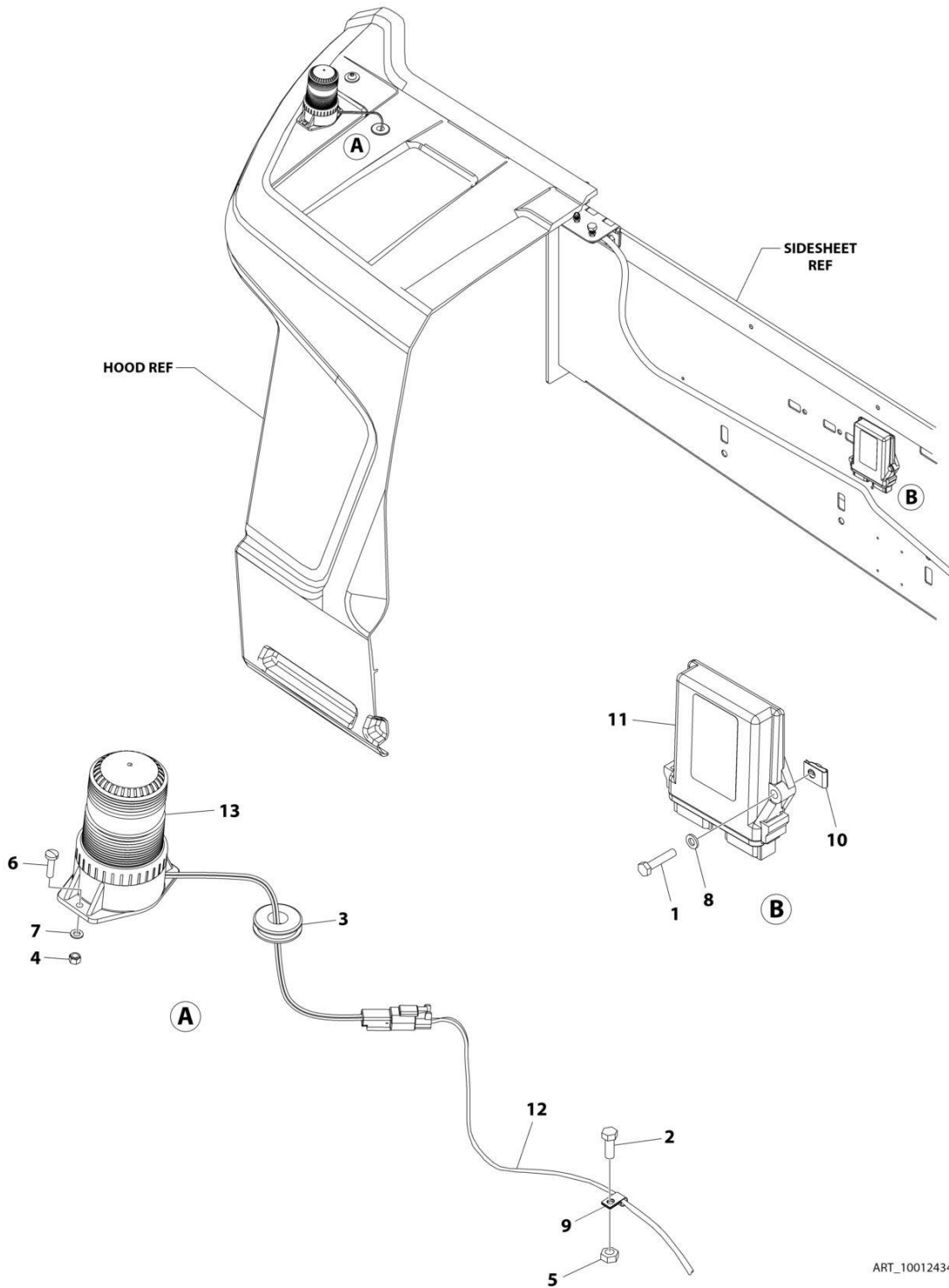
**SECTION 2 - TURNTABLE**

**FIGURE 2-64. STROBE LIGHT INSTALLATION - AMBER (OPTIONAL)**

ITEM	PART NUMBER	QTY	DESCRIPTION	REV
	1001191557	Ref	STROBE LIGHT INSTALLATION	D
1	4010510	2	Screw M5 x 20	
2	2920161	1	Light Strobe (Amber)	
2	7016319	1	Bulb	
2	7016372	1	Lens	
2A	4460891	1	Plug, Male - 2 Position	
2A	4460465	2	Socket, Female	
3	3290505	2	Nut M5	
4	4811600	2	Washer M5	
5	2540020	1	Grommet	
7	4240099	1	Tie-Strap (Not Shown)	

# SECTION 2 - TURNTABLE

## FIGURE 2-65. STROBE LIGHT INSTALLATION - BLUE (OPTIONAL)



ART\_1001243464

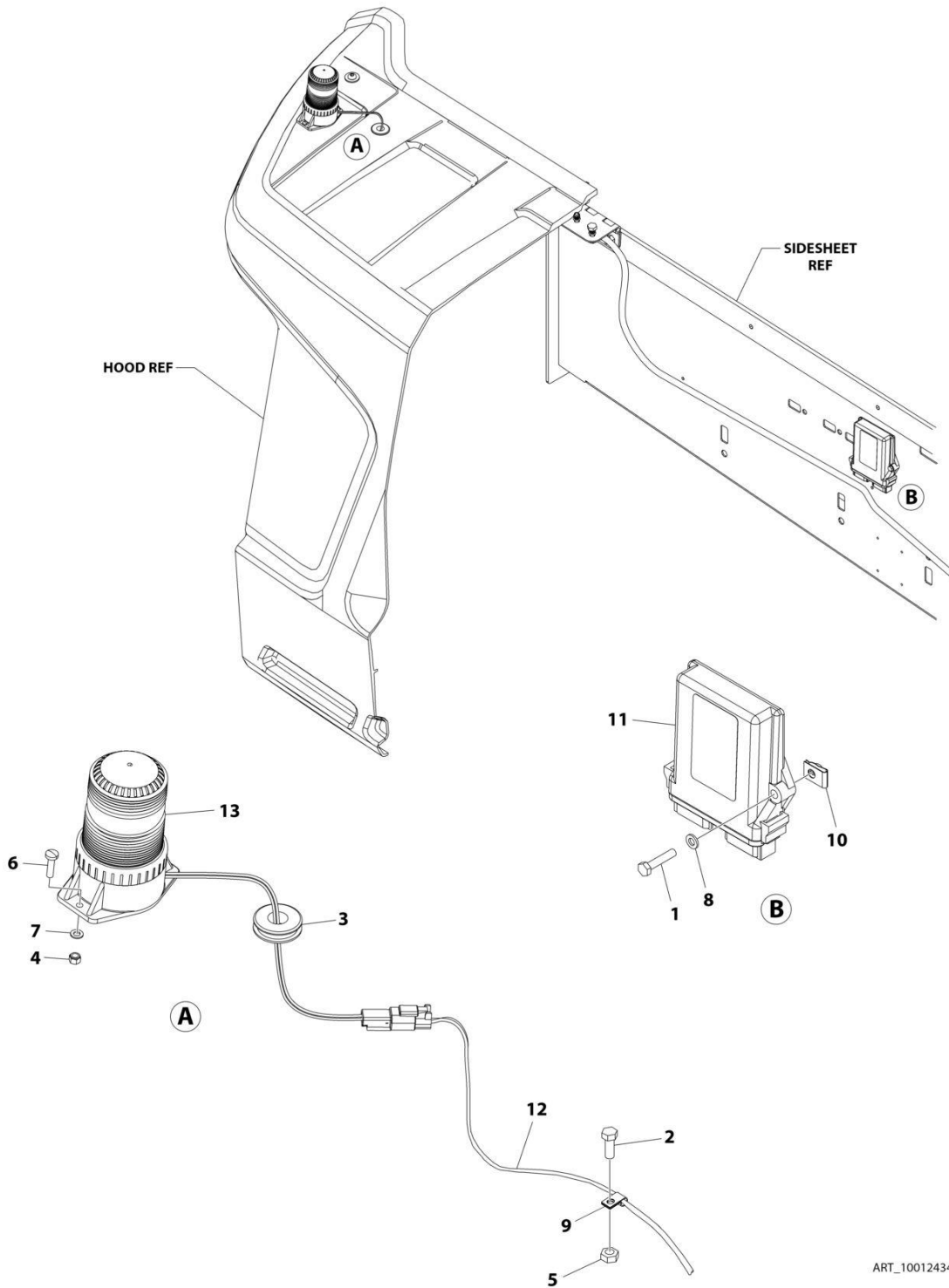
**SECTION 2 - TURNTABLE**

**FIGURE 2-65. STROBE LIGHT INSTALLATION - BLUE (OPTIONAL)**

ITEM	PART NUMBER	QTY	DESCRIPTION	REV
	1001243464	Ref	STROBE LIGHT INSTALLATION	A
1	0760614	2	Bolt M6 x 30	
2	0761016	1	Bolt M10 x 40	
3	2540020	1	Grommet	
4	3290505	2	Nut M5	
5	3291005	1	Nut M10	
6	4010510	2	Screw M5 x 20	
7	4811600	2	Washer M5	
8	4811700	2	Washer M6	
9	8406110	1	Clip	
10	1001130220	2	Nut, Tinnerman M6	
11	1001142683	1	Module, Beacon Control	
12	1001142736	1	Strobe Light Control Harness (See Separate Breakdown in ELECTRICAL SECTION)	
13	1001200910	1	Light, Strobe (Blue)	
13	4460897	2	Receptacle, Female - 2 Position	
13	4460464	4	Pin, Male	

# SECTION 2 - TURNTABLE

## FIGURE 2-66. STROBE LIGHT INSTALLATION - RED (OPTIONAL)



ART\_1001243465

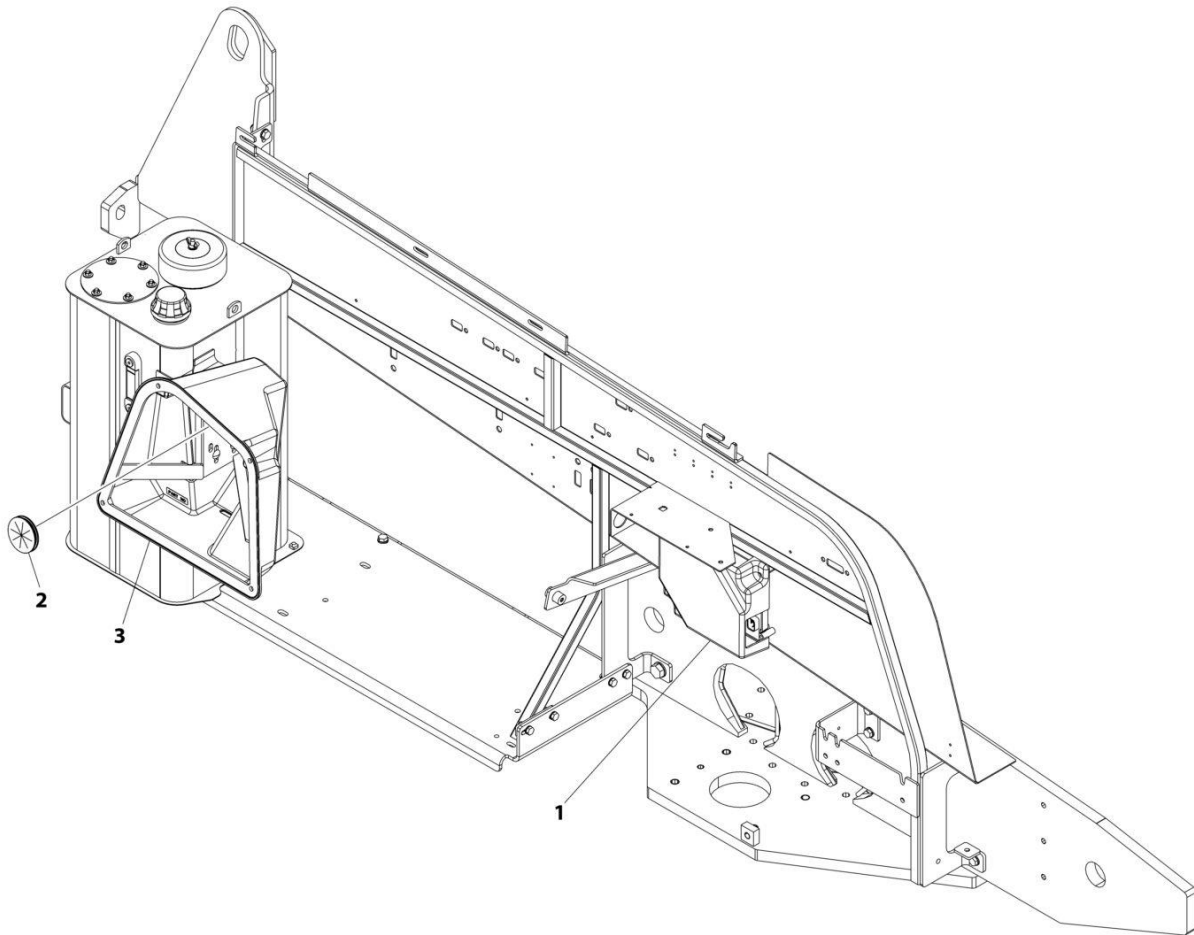
**SECTION 2 - TURNTABLE**

**FIGURE 2-66. STROBE LIGHT INSTALLATION - RED (OPTIONAL)**

ITEM	PART NUMBER	QTY	DESCRIPTION	REV
	1001243465	Ref	STROBE LIGHT INSTALLATION	A
1	0760614	2	Bolt M6 x 30	
2	0761016	1	Bolt M10 x 40	
3	2540020	1	Grommet	
4	3290505	2	Nut M5	
5	3291005	1	Nut M10	
6	4010510	2	Screw M5 x 20	
7	4811600	2	Washer M5	
8	4811700	2	Washer M6	
9	8406110	1	Clip	
10	1001130220	2	Nut, Tinnerman M6	
11	1001142683	1	Module, Beacon Control	
12	1001142736	1	Strobe Light Control Harness (See Separate Breakdown in ELECTRICAL SECTION)	
13	1001207004	1	Light, Strobe (Red)	
13	4460897	2	Receptacle, Female - 2 Position	
13	4460464	4	Pin, Male	

## SECTION 2 - TURNTABLE

FIGURE 2-67. TURNTABLE COVERS INSTALLATION



ART\_1001219128

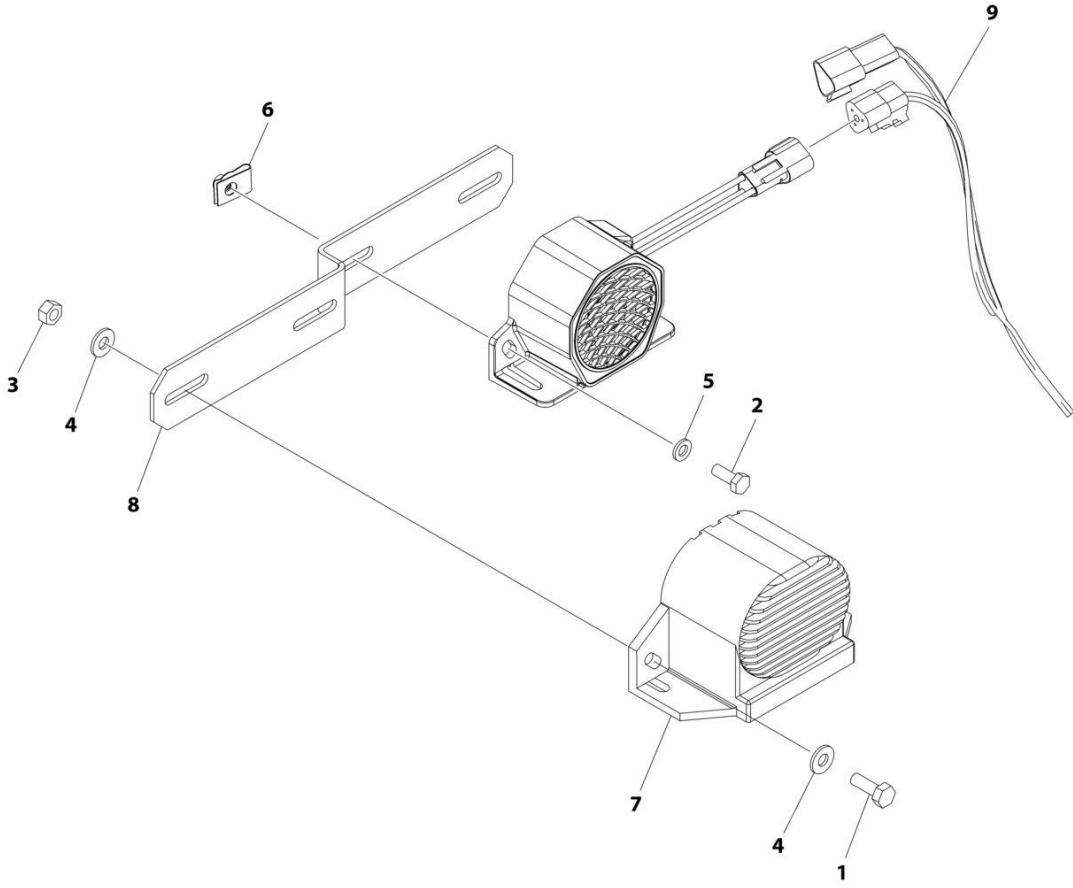
**SECTION 2 - TURNTABLE**

**FIGURE 2-67. TURNTABLE COVERS INSTALLATION**

<b>ITEM</b>	<b>PART NUMBER</b>	<b>QTY</b>	<b>DESCRIPTION</b>	<b>REV</b>
	1001219128	Ref	COVERS INSTALLATION	A
1	1001218539	1	Cover, Controller	
2	1001218676	1	Grommet	
3	1001220638	1	Cover, Ground Control	

**SECTION 2 - TURNTABLE**

**FIGURE 2-68. WHITE NOISE ALARM INSTALLATION (AMBIENT)**



ART\_1001247386



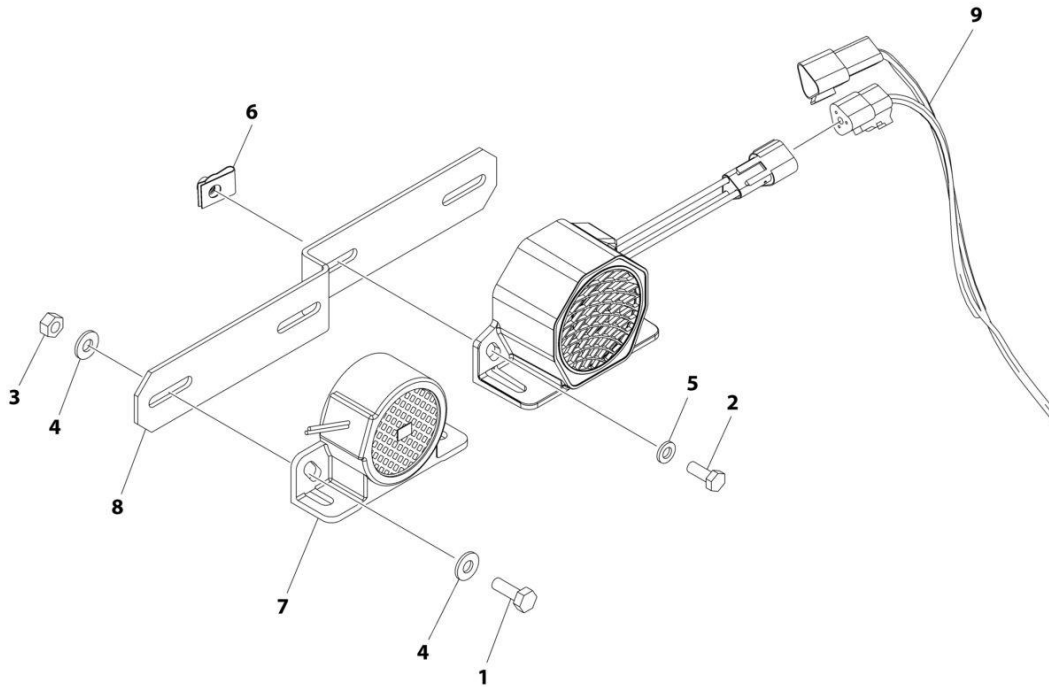
**SECTION 2 - TURNTABLE**

**FIGURE 2-68. WHITE NOISE ALARM INSTALLATION (AMBIENT)**

<b>ITEM</b>	<b>PART NUMBER</b>	<b>QTY</b>	<b>DESCRIPTION</b>	<b>REV</b>
	1001247386	Ref	WHITE NOISE ALARM INSTALLATION	A
1	0641406	2	Bolt 1/4 x 3/4	
2	0760608	2	Bolt M6 x 16	
3	3311405	2	Nut 1/4	
4	4711400	4	Washer 1/4	
5	4811700	2	Washer M6	
6	1001130220	2	Nut, Tinnerman M6	
7	1001182806	1	Alarm	
8	1001231711	1	Bracket	
9	1001243682	1	White Noise Alarm Harness (See Separate Breakdown in ELECTRICAL SECTION)	

## SECTION 2 - TURNTABLE

FIGURE 2-69. WHITE NOISE ALARM INSTALLATION (CONSTANT)



ART\_1001263173

**SECTION 2 - TURNTABLE**

**FIGURE 2-69. WHITE NOISE ALARM INSTALLATION (CONSTANT)**

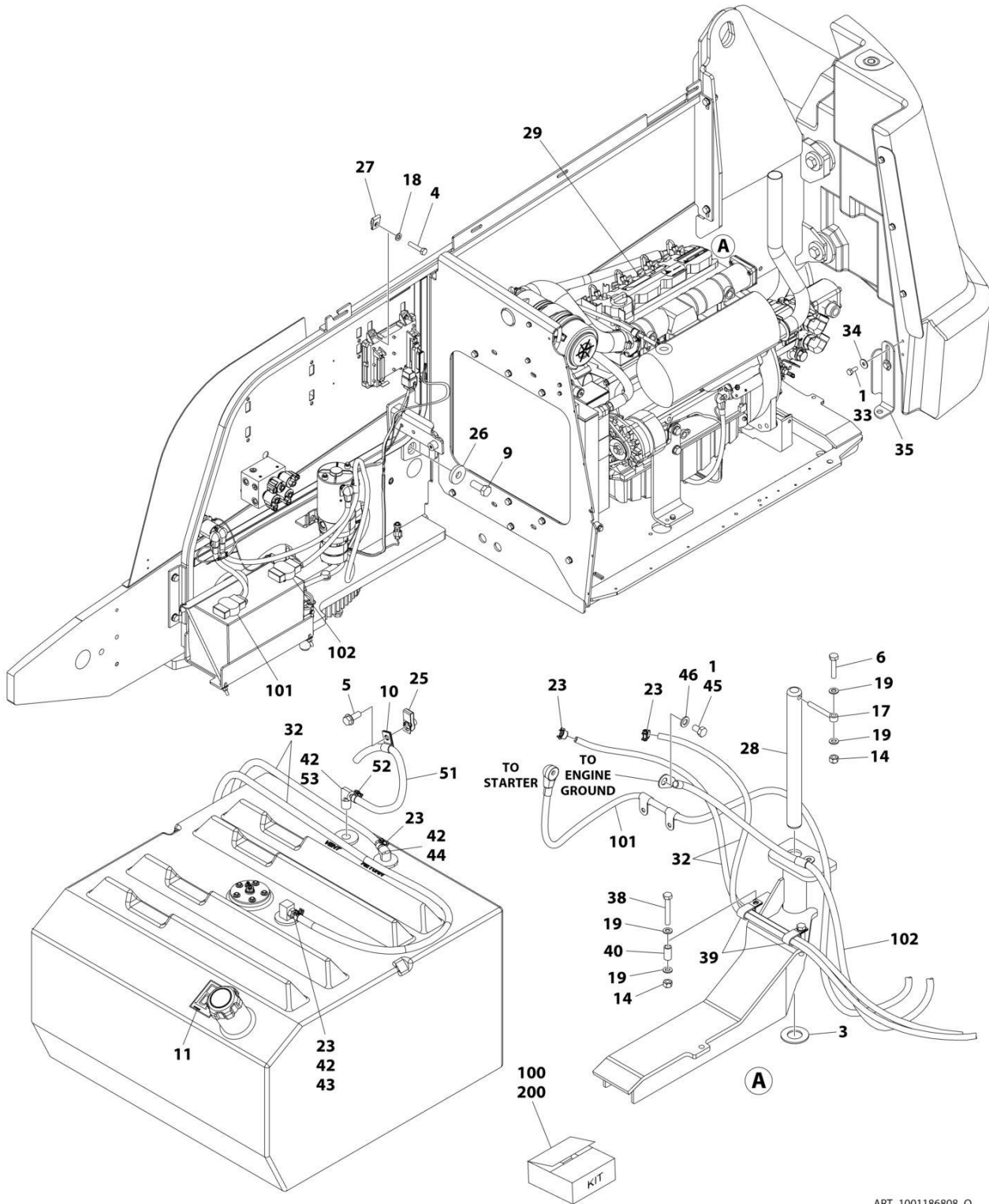
<b>ITEM</b>	<b>PART NUMBER</b>	<b>QTY</b>	<b>DESCRIPTION</b>	<b>REV</b>
	1001263173	Ref	WHITE NOISE ALARM (CONSTANT) INSTALLATION	A
1	0641406	2	Bolt 1/4 x 3/4	
2	0760608	2	Bolt M6 x 16	
3	3311405	2	Nut 1/4	
4	4711400	4	Washer 1/4	
5	4811700	2	Washer M6	
6	1001130220	2	Nut, Tinnerman M6	
7	1001184682	1	Alarm	
8	1001231711	1	Bracket	
9	1001243682	1	White Noise Alarm Harness (See Separate Breakdown in ELECTRICAL SECTION)	



**SECTION 3 - ENGINE**

# SECTION 3 - ENGINE

FIGURE 3-1. DEUTZ D2011 ENGINE INSTALLATION - DANFOSS PISTON PUMP (WITHOUT ARCTIC PACKAGE) (600S HC3)



ART\_1001186808\_O

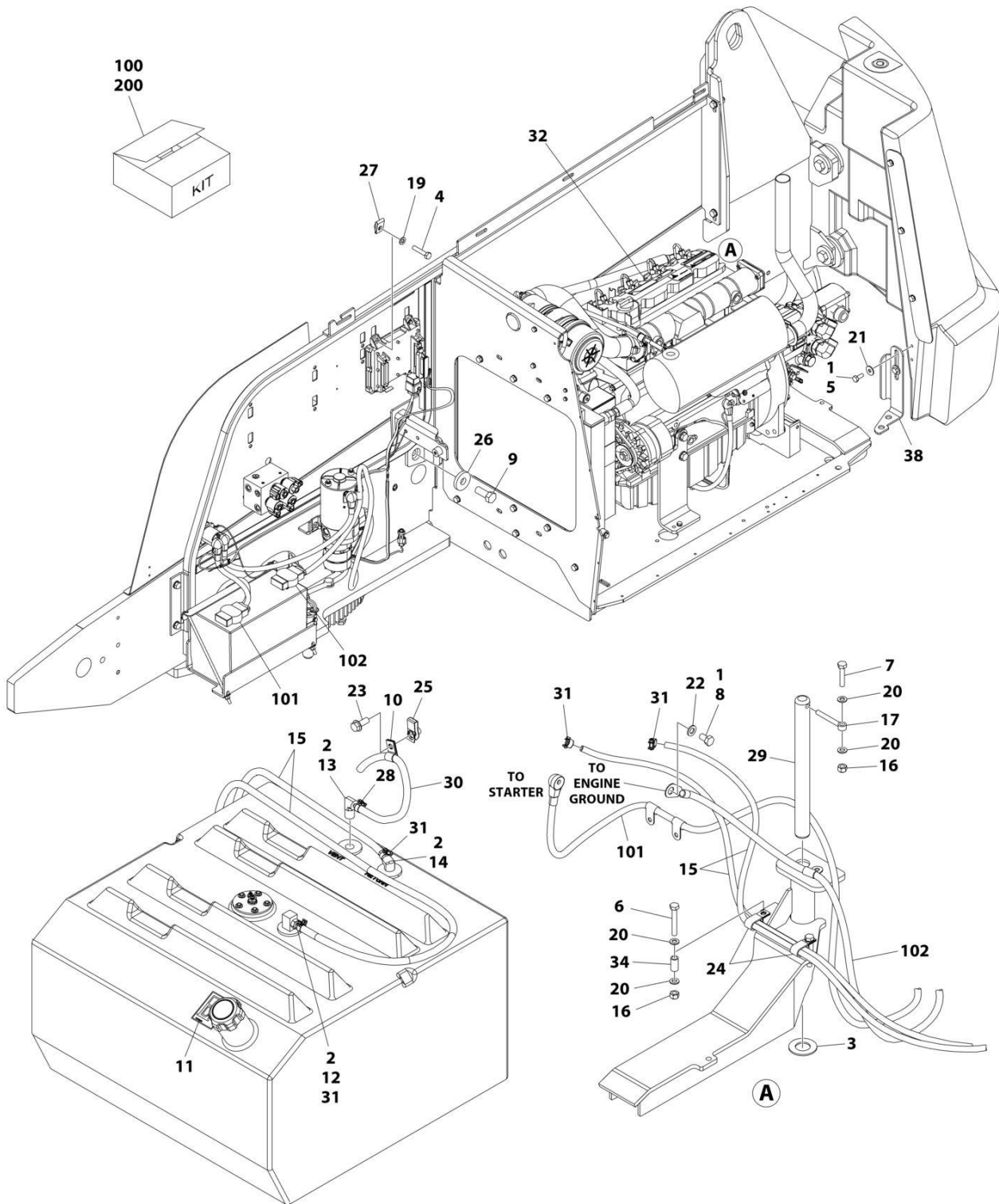
## SECTION 3 - ENGINE

**FIGURE 3-1. DEUTZ D2011 ENGINE INSTALLATION - DANFOSS PISTON PUMP (WITHOUT ARCTIC PACKAGE) (600S HC3)**

ITEM	PART NUMBER	QTY	DESCRIPTION	REV
	1001186808	Ref	DEUTZ D2011 ENGINE INSTALLATION	O
1	0100011	AR	Compound, Locking	
3	0440162	1	Bearing	
4	0700614	4	Bolt M6 x 30	
5	5251012	1	Bolt M10 x 25	
6	0711018	1	Bolt M10 x 50	
9	0772018	1	Bolt M20 x 50	
10	1320061	1	Clamp	
11	1701505	1	Decal - Diesel Fuel	
14	3291005	3	Nut M10	
17	3841143	1	Keeper, Pin	
18	4811700	4	Washer M6	
19	4812000	6	Washer M10	
23	1001174486	4	Clamp	
25	1001118972	1	Nut, Tinnerman M10	
26	1001119051	1	Washer	
27	1001130220	4	Nut, Tinnerman M6	
28	1001155094	1	Pin	
29	1001186815	1	Deutz D2011 Engine and Pumps Sub-Assembly (See Separate Breakdown in this Section)	
32	2720058	288 in/ 7.3m	Hose, Fuel	
33	0701012	2	Bolt M10 x 70	
34	4812002	2	Washer M10	
35	1001196398	1	Bracket	
38	0701022	2	Bolt M10 x 70	
39	1001026127	2	Clamp	
40	1001200731	2	Tube	
41	4240099	5	Tie-Strap (Not Shown)	
42	0100020	AR	Sealant	
43	2180348	1	Fitting, Straight NPT x Barb	
44	2221176	1	Fitting, 90 Barbed	
45	0761210	1	Bolt M12 x 20	
46	4812100	1	Washer M12	
51	1001165035	20 in/ 0.5m	Hose	
52	1001136975	1	Clamp	
53	2220313	1	Fitting, 90 NPTF/Barb	
100	1001235699	1	Battery Cable Kit	
101	1001188667	1	Cable, Battery (+) to Aux Relay to Starter	
102	1001188670	1	Cable, Battery (-) to Aux Pump and Ground	
200	1001269919	1	Hose Assembly Kit	
201	1001192690	1	Hose (Case Drain) (Drive Pump Case Gauge Port to Tank) (Not Shown)	
202	1001203431	1	Hose (Case Drain) (Drive Pump Case Outlet Port to Tank) (Not Shown)	
203	1001203432	1	Hose (Function Suction) (Not Shown)	
204	1001203433	1	Hose (Drive Suction) (Not Shown)	

# SECTION 3 - ENGINE

FIGURE 3-2. DEUTZ D2011 ENGINE INSTALLATION - DANFOSS PISTON PUMP (WITHOUT ARCTIC PACKAGE) (660SJ HC3)



ART\_1001258167



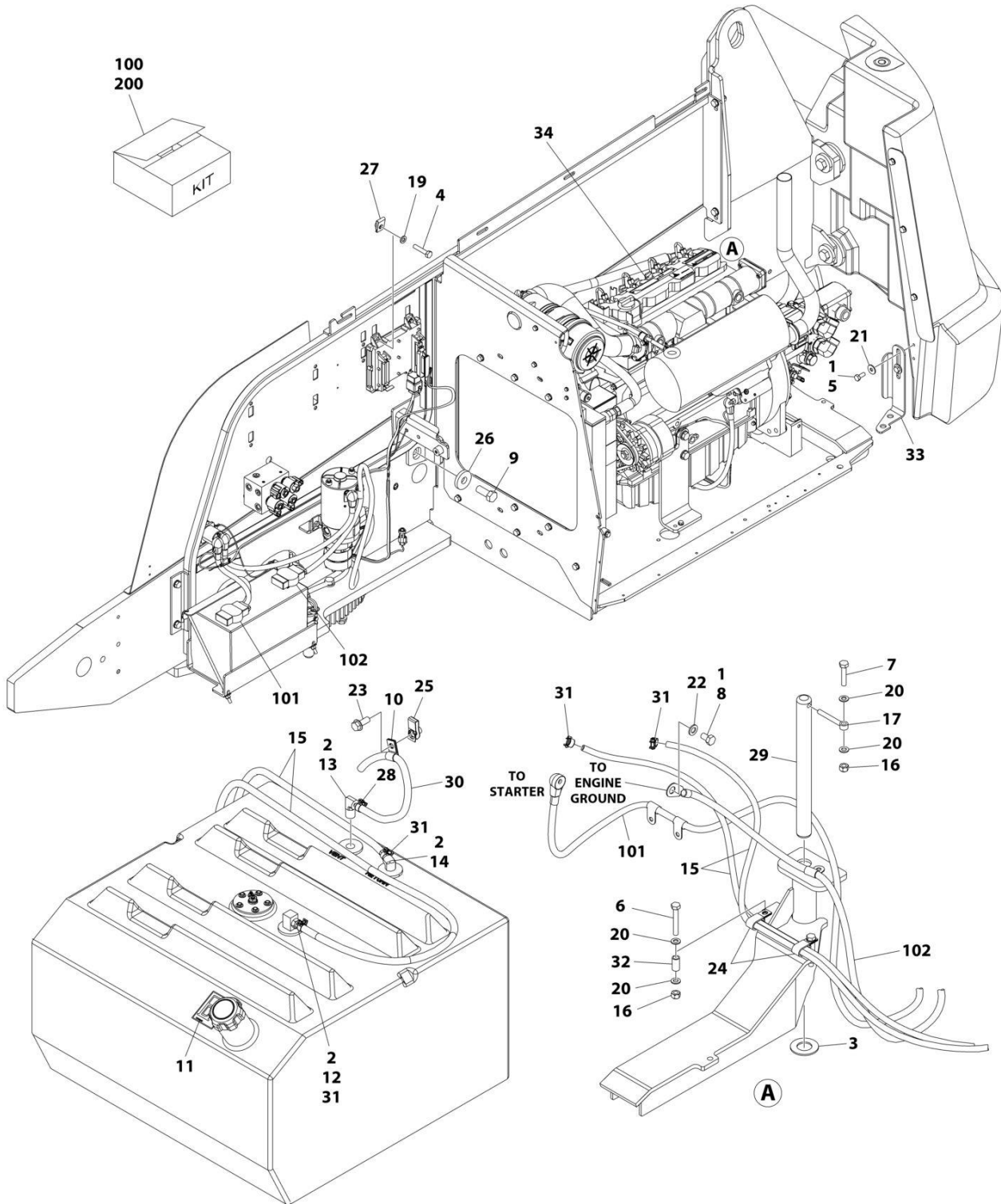
## SECTION 3 - ENGINE

**FIGURE 3-2. DEUTZ D2011 ENGINE INSTALLATION - DANFOSS PISTON PUMP (WITHOUT ARCTIC PACKAGE) (660SJ HC3)**

ITEM	PART NUMBER	QTY	DESCRIPTION	REV
	1001258167	Ref	DEUTZ D2011 ENGINE INSTALLATION	B
1	0100011	AR	Compound, Locking	
2	0100020	AR	Sealant	
3	0440162	1	Bearing	
4	0700614	4	Bolt M6 x 30	
5	0701012	2	Bolt M10 x 70	
6	0701022	2	Bolt M10 x 70	
7	0711018	1	Bolt M10 x 50 Class 10.9	
8	0761210	1	Bolt M12 x 20	
9	0772018	1	Bolt M20 x 50	
10	1320061	1	Clamp	
11	1701505	1	Decal - Diesel Fuel	
12	2180348	1	Fitting, Straight NPT x Barb	
13	2220313	1	Fitting, 90 NPTF/Barb	
14	2221176	1	Fitting, 90 Barbed	
15	2720058	288 in/ 7.3m	Hose, Fuel	
16	3291005	3	Nut, Lock M10	
17	3841143	1	Keeper, Pin	
18	4240099	AR	Tie-Strap (Not Shown)	
19	4811700	4	Washer M6	
20	4812000	6	Washer M10	
21	4812002	2	Washer M10	
22	4812100	1	Washer M12	
23	5251012	1	Bolt M10 x 25	
24	1001026127	2	Clamp	
25	1001118972	1	Nut, Tinnerman M10	
26	1001119051	1	Washer	
27	1001130220	4	Nut, Tinnerman M6	
28	1001136975	1	Clamp	
29	1001155094	1	Pin	
30	1001165035	20 in/0.5m	Hose	
31	1001174486	4	Clamp	
32	1001186815	1	Deutz D2011 Engine and Pumps Sub-Assembly (See Separate Breakdown in this Section)	
34	1001200731	2	Tube	
38	1001258175	1	Bracket	
100	1001235699	1	Battery Cable Kit	
101	1001188667	1	Cable, Battery (+) to Aux Relay to Starter	
102	1001188670	1	Cable, Battery (-) to Aux Pump and Ground	
200	1001269920	1	Engine Hose Kit	
201	1001192690	1	Hose (Case Drain) (Drive Pump Case Gauge Port to Tank) (Not Shown)	
202	1001203431	1	Hose (Case Drain) (Drive Pump Case Outlet Port to Tank) (Not Shown)	
203	1001258156	1	Hose (Function Suction) (Not Shown)	
204	1001258157	1	Hose (Drive Suction) (Not Shown)	

# SECTION 3 - ENGINE

FIGURE 3-3. DEUTZ D2011 ENGINE INSTALLATION - HENGLI PISTON PUMP (WITHOUT ARCTIC PACKAGE) (660SJ HC3)



ART\_1001285082

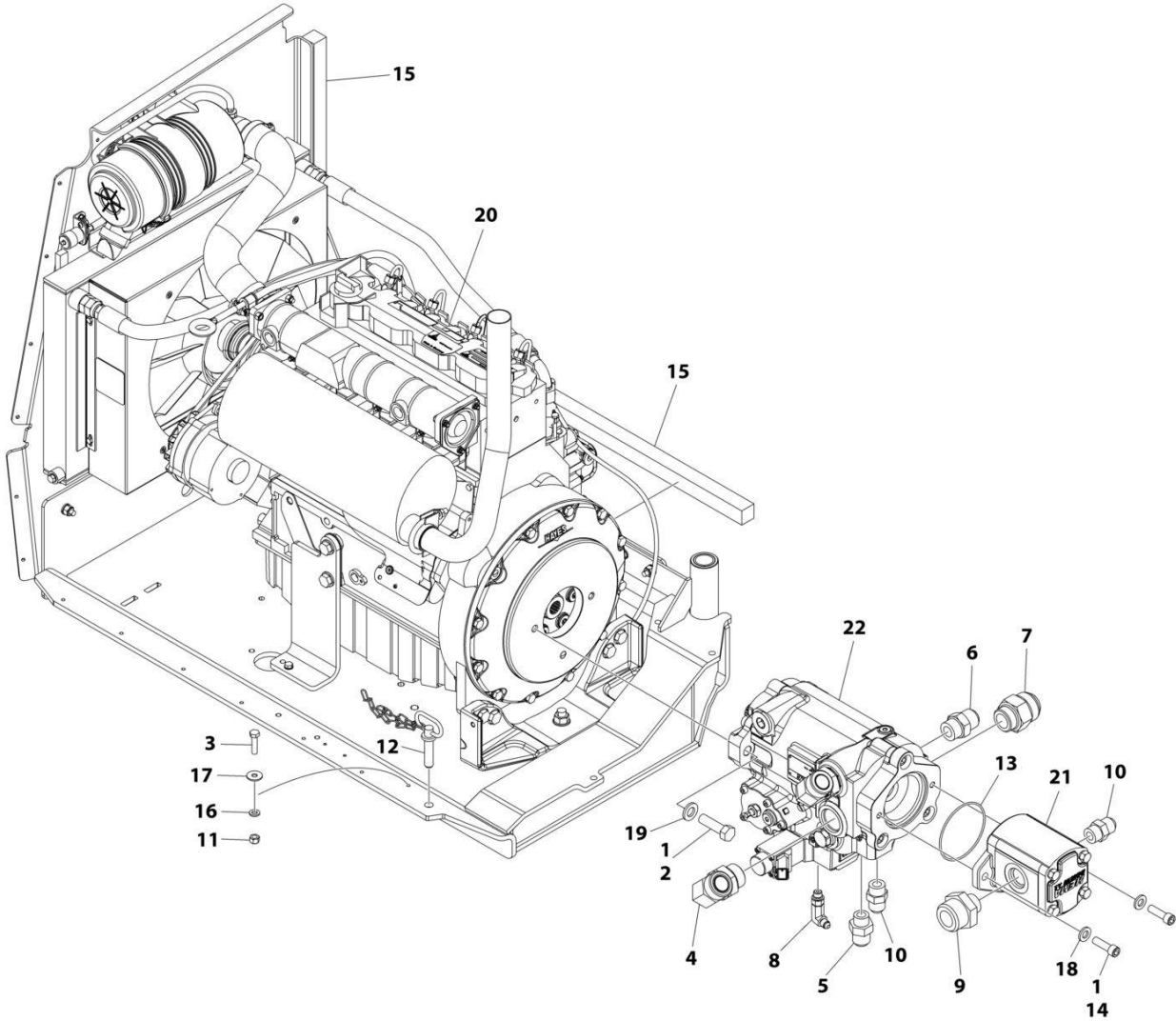
## SECTION 3 - ENGINE

**FIGURE 3-3. DEUTZ D2011 ENGINE INSTALLATION - HENGLI PISTON PUMP (WITHOUT ARCTIC PACKAGE) (660SJ HC3)**

ITEM	PART NUMBER	QTY	DESCRIPTION	REV
	1001285082	Ref	DEUTZ D2011 ENGINE INSTALLATION	A
1	0100011	AR	Compound, Locking	
2	0100020	AR	Sealant	
3	0440162	1	Bearing	
4	0700614	4	Bolt M6 x 30	
5	0701012	2	Bolt M10 x 70	
6	0701022	2	Bolt M10 x 70	
7	0711018	1	Bolt M10 x 50 Class 10.9	
8	0761210	1	Bolt M12 x 20	
9	0772018	1	Bolt M20 x 50	
10	1320061	1	Clamp	
11	1701505	1	Decal - Diesel Fuel	
12	2180348	1	Fitting, Straight NPT x Barb	
13	2220313	1	Fitting, 90 NPTF/Barb	
14	2221176	1	Fitting, 90 Barbed	
15	2720058	288 in/ 7.3m	Hose, Fuel	
16	3291005	3	Nut, Lock M10	
17	3841143	1	Keeper, Pin	
18	4240099	AR	Tie-Strap (Not Shown)	
19	4811700	4	Washer M6	
20	4812000	6	Washer M10	
21	4812002	2	Washer M10	
22	4812100	1	Washer M12	
23	5251012	1	Bolt M10 x 25	
24	1001026127	2	Clamp	
25	1001118972	1	Nut, Tinnerman M10	
26	1001119051	1	Washer	
27	1001130220	4	Nut, Tinnerman M6	
28	1001136975	1	Clamp	
29	1001155094	1	Pin	
30	1001165035	20 in/0.5m	Hose	
31	1001174486	4	Clamp	
32	1001200731	2	Tube	
33	1001258175	1	Bracket	
34	1001285072	1	Deutz D2011 Engine and Pumps Sub-Assembly (See Separate Breakdown in this Section)	
100	1001235699	1	Battery Cable Kit	
101	1001188667	1	Cable, Battery (+) to Aux Relay to Starter	
102	1001188670	1	Cable, Battery (-) to Aux Pump and Ground	
200	1001269920	1	Engine Hose Kit	
201	1001192690	1	Hose (Case Drain) (Drive Pump Case Gauge Port to Tank) (Not Shown)	
202	1001203431	1	Hose (Case Drain) (Drive Pump Case Outlet Port to Tank) (Not Shown)	
203	1001258156	1	Hose (Function Suction) (Not Shown)	
204	1001258157	1	Hose (Drive Suction) (Not Shown)	

# SECTION 3 - ENGINE

FIGURE 3-4. DEUTZ D2011 ENGINE AND PUMPS SUB-ASSEMBLY HENGLI PISTON PUMP (WITHOUT ARCTIC PACKAGE) (660SJ HC3)



ART\_1001285072

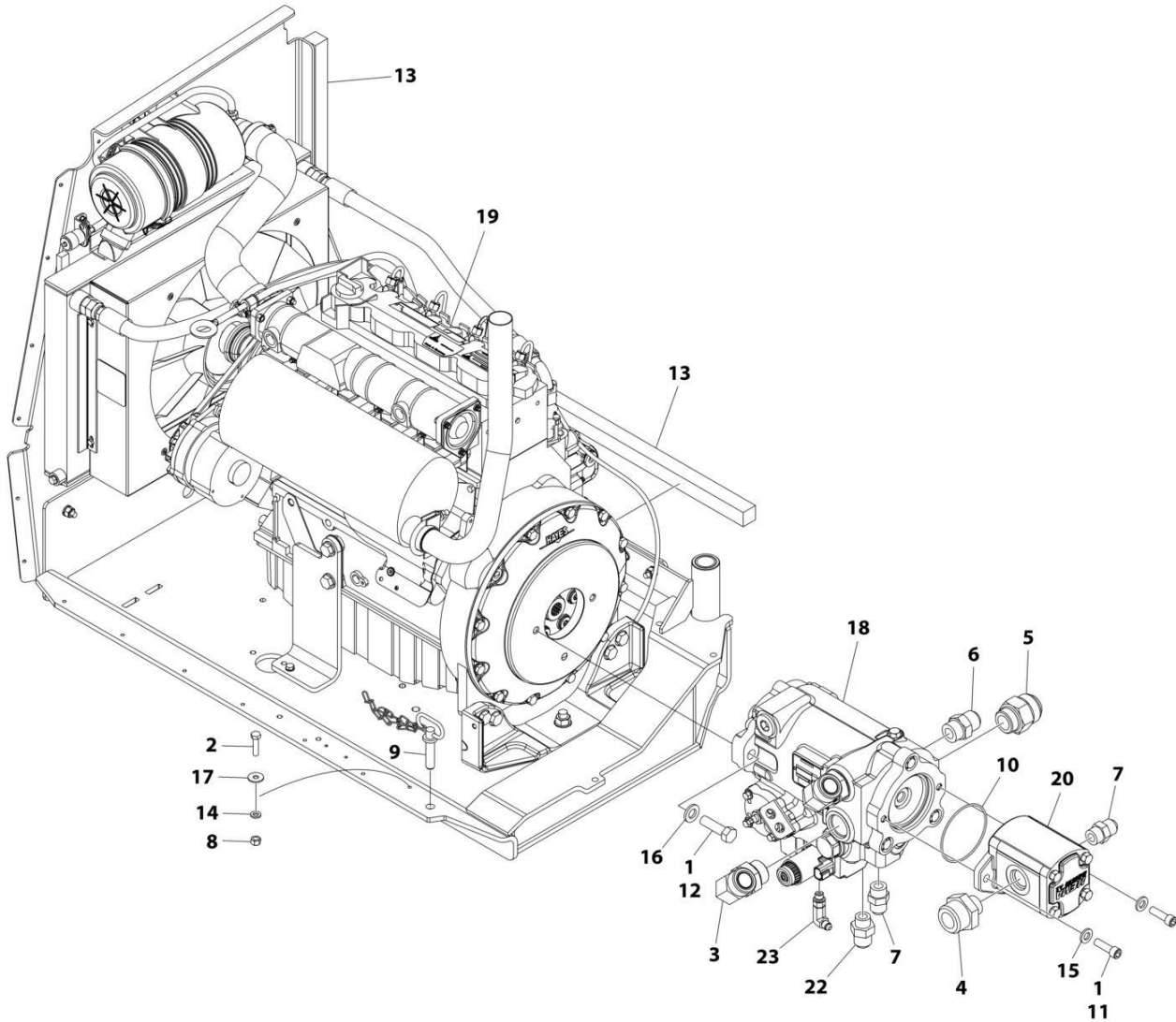
## SECTION 3 - ENGINE

**FIGURE 3-4. DEUTZ D2011 ENGINE AND PUMPS SUB-ASSEMBLY HENGLI PISTON PUMP  
(WITHOUT ARCTIC PACKAGE) (660SJ HC3)**

ITEM	PART NUMBER	QTY	DESCRIPTION	REV
	1001285072	Ref	DEUTZ D2011 ENGINE AND PUMPS SUB-ASSEMBLY	B
1	0100011	AR	Compound, Locking	
2	0641814	2	Bolt 1/2 x 1-3/4	
3	0760612	1	Bolt M6 x 25	
4	2131616	2	Fitting, 90 ORFS/ORB	
5	2220408	1	Fitting, Straight JIC/ORB	
6	2220451	1	Fitting, Straight JIC/ORB	
7	2220479	1	Fitting, Straight JIC/ORB	
8	2220940	1	Fitting, 90 JIC/ORB	
9	2220946	1	Fitting, Straight JIC/ORB	
10	2220947	2	Fitting, Straight JIC/ORB	
11	3290605	1	Nut M6	
12	3422532	1	Pin	
13	70007827	1	O-Ring (Part of Item 22)	
14	3931618	2	Capscrew 3/8 x 1-1/8	
15	3960469	2	Seal	
16	4811700	1	Washer M6	
17	4811702	1	Washer M6	
18	5241000	2	Washer M10	
19	5241200	2	Washer M12	
20	1001186816	1	Deutz D2011 Engine Assembly (See Separate Breakdown in this Section)	
21	1001190143	1	Gear Pump Assembly	
21	70006356	1	Seal Kit - 1001190143 Pump	
22	1001284471	1	Piston Pump Assembly (See Separate Breakdown in this Section)	

# SECTION 3 - ENGINE

## FIGURE 3-5. DEUTZ D2011 ENGINE AND PUMPS SUB-ASSEMBLY - DANFOSS PISTON PUMP (WITHOUT ARCTIC PACKAGE)



ART\_1001186815\_G

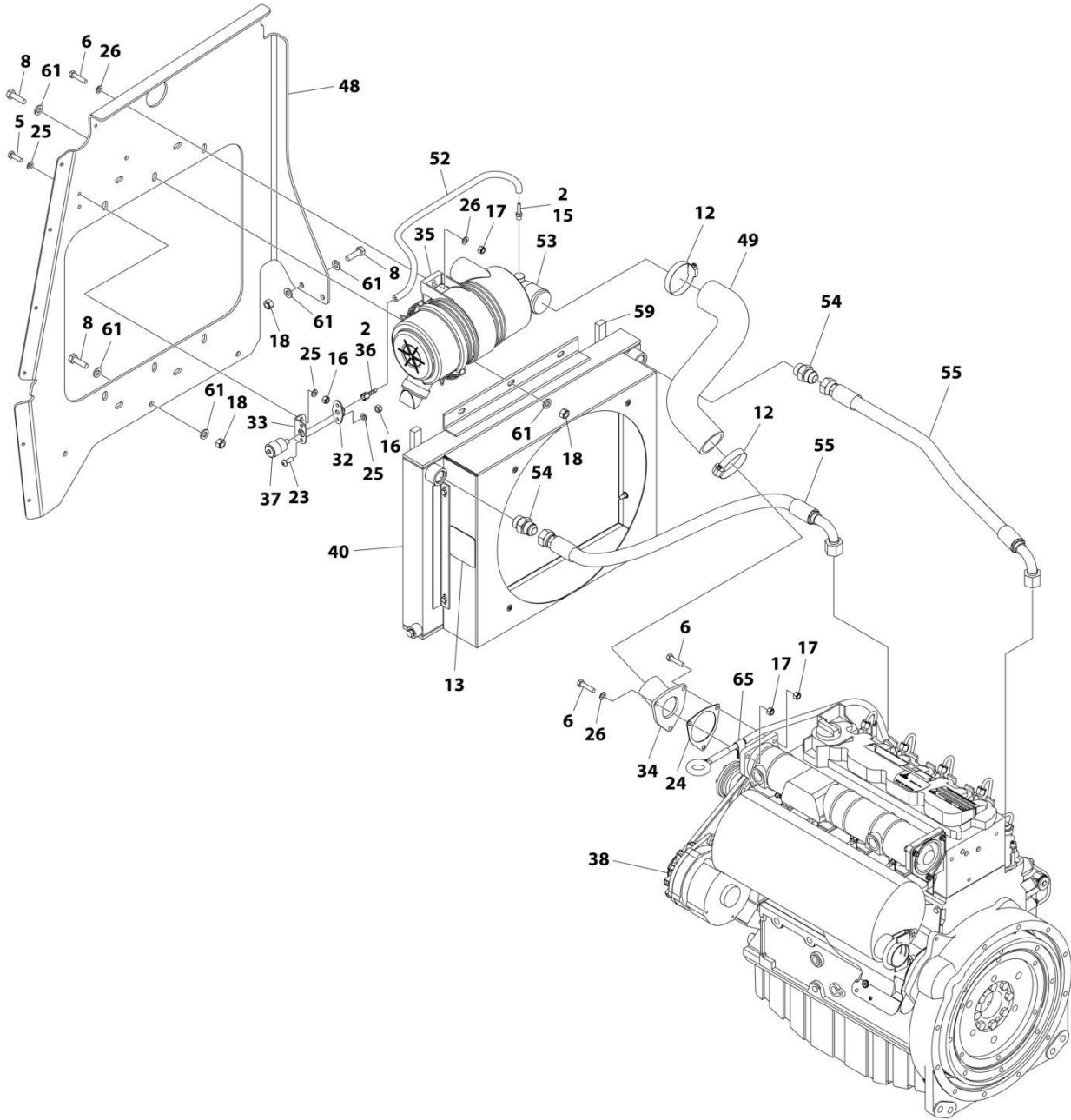
## SECTION 3 - ENGINE

**FIGURE 3-5. DEUTZ D2011 ENGINE AND PUMPS SUB-ASSEMBLY - DANFOSS PISTON PUMP  
(WITHOUT ARCTIC PACKAGE)**

ITEM	PART NUMBER	QTY	DESCRIPTION	REV
	1001186815	Ref	DEUTZ D2011 ENGINE AND PUMPS SUB-ASSEMBLY	G
1	0100011	AR	Compound, Locking	
2	0760612	1	Bolt M6 x 25	
3	2131616	2	Fitting, 90 ORFS/ORB	
4	2220946	1	Fitting, Straight JIC/ORB	
5	2220479	1	Fitting, Straight JIC/ORB	
6	2220451	1	Fitting, Straight JIC/ORB	
7	2220947	2	Fitting, Straight JIC/ORB	
8	3290605	1	Nut M6	
9	3422532	1	Pin	
10	3790152	1	O-Ring	
11	3931620	2	Capscrew 3/8 x 1-1/4	
11	3931618	2	Capscrew 3/8 x 1-1/8	
12	0641814	2	Bolt 1/2 x 1-3/4	
13	3960469	2	Seal	
14	4811700	1	Washer M6	
15	5241000	2	Washer M10	
16	5241200	2	Washer M12	
17	4811702	1	Washer M6	
18	1001184930	1	Piston Pump Assembly (See Separate Breakdown in this Section)	
19	1001186816	1	Deutz D2011 Engine Assembly (See Separate Breakdown in this Section)	
20	1001190143	1	Gear Pump Assembly	
20	70006356	1	Seal Kit - 1001190143 Pump	
22	2220408	1	Fitting, Straight JIC/ORB	
23	2220940	1	Fitting, 90 JIC/ORB	

# SECTION 3 - ENGINE

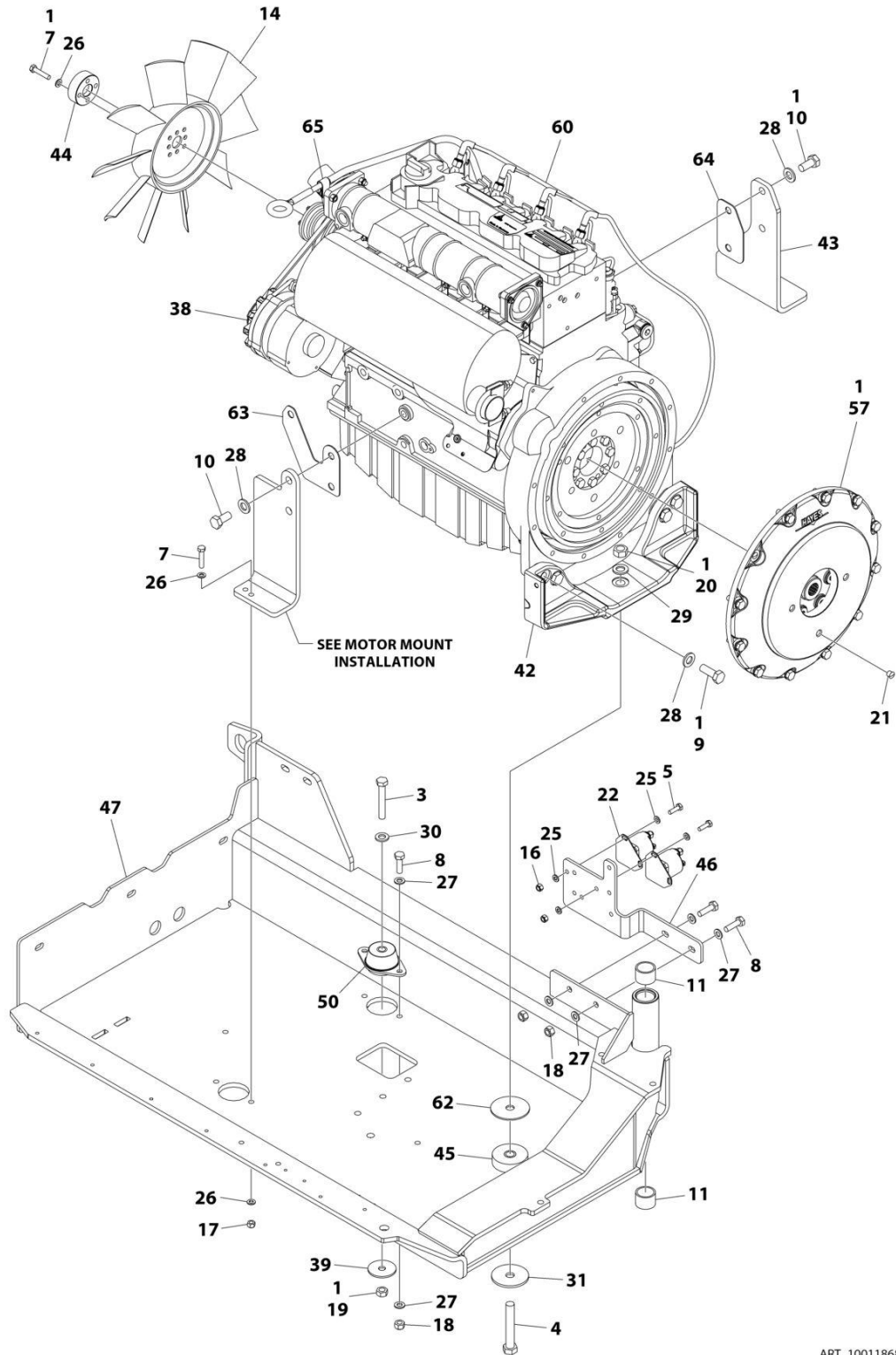
## FIGURE 3-6. DEUTZ D2011 ENGINE ASSEMBLY - WITHOUT ARCTIC PACKAGE



ART\_1001186816\_T\_10F2



# SECTION 3 - ENGINE



ART\_1001186816\_T\_2OF2

## SECTION 3 - ENGINE

FIGURE 3-6. DEUTZ D2011 ENGINE ASSEMBLY - WITHOUT ARCTIC PACKAGE

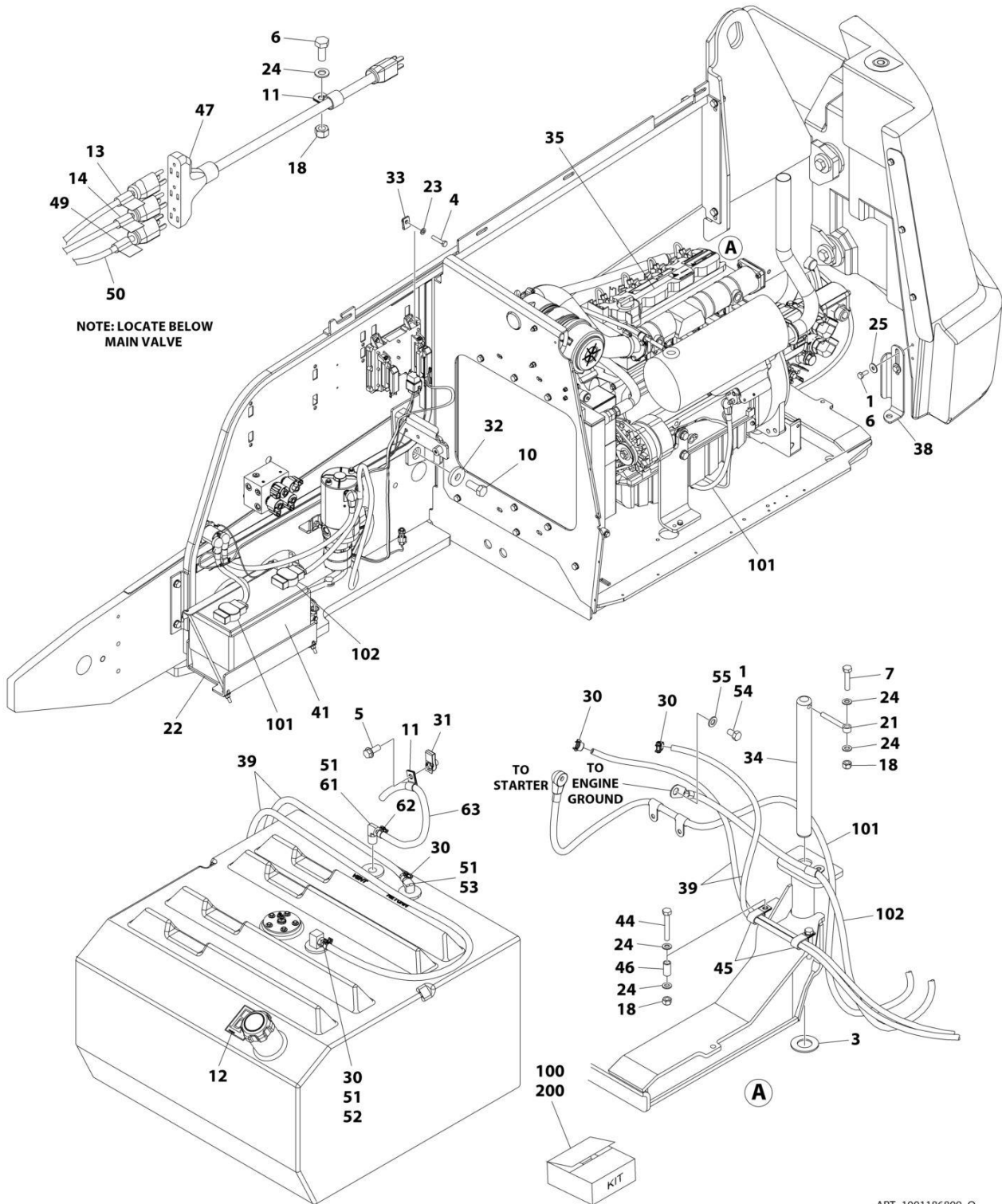
ITEM	PART NUMBER	QTY	DESCRIPTION	REV
	1001186816	Ref	DEUTZ D2011 ENGINE ASSEMBLY	T
1	0100011	AR	Compound, Locking	
2	0100020	AR	Sealant	
3	0711224	1	Bolt M12 x 80	
4	0711627	1	Bolt M16 x 100	
5	0760610	6	Bolt M6 x 20	
6	0760815	5	Bolt M8 x 35	
7	0760816	5	Bolt M8 x 40	
8	0761015	15	Bolt M10 x 35	
9	0771416	4	Bolt M14 x 40	
10	0771414	4	Bolt M14 x 30	
11	0961951	2	Bushing	
12	8405202	2	Clamp	
13	1703162	2	Decal - Fan Blade	
14	2060025	1	Fan	
15	2220315	1	Fitting, Straight Barbed	
16	3290605	8	Nut M6	
17	3290805	6	Nut M8	
18	3291005	15	Nut M10	
19	3331211	1	Nut M12	
20	3331611	1	Nut M16	
21	3520054	2	Plug	
22	3740067	2	Relay	
23	3900357	2	Screw M6 x 16	
24	3960407	1	Gasket, Air Intake Adapter	
25	4811700	14	Washer M6	
26	4811900	11	Washer M8	
27	4812000	8	Washer M10	
28	5241400	8	Washer M14	
29	4812300	1	Washer M16	
30	5241200	1	Washer M12	
31	7300435	1	Washer	
32	1001138173	1	Support	
33	1001138175	1	Bracket	
34	1001139819	1	Adapter	
35	1001141694	1	Clamp, Air Cleaner	
36	1001141995	1	Fitting, Straight NPT/Barbed	
37	1001143390	1	Indicator, Air Filter Service	
38	1001146368	1	Deutz D2011 Engine (See Separate Breakdown in this Section)	
39	1001168018	1	Washer	
40	1001187082	1	Radiator	
41	1001188236	1	Engine Harness - Deutz D2011 Engines (Not Shown) (See Separate Breakdown in ELECTRICAL SECTION)	
42	1001188535	1	Bracket, Engine - Rear	
43	1001189026	1	Bracket, Engine - Right	
44	1001189161	1	Adapter, Fan	
45	1001190164	1	Mount, Motor	
46	1001203885	1	Plate	
47	1001200435	1	Tray	
48	1001236499	1	Support, Radiator	

## SECTION 3 - ENGINE

ITEM	PART NUMBER	QTY	DESCRIPTION	REV
49	1001191271	1	Hose	
50	1001191610	1	Mount, Motor	
52	1001138248	21.7 in/ 0.6m	Tube	
53	1001165388	1	Filter, Air	
53	70003783	1	Element, Filter	
54	2220451	2	Fitting, Straight ORB/JIC	
55	2720398	2	Hose	
57	2902065	1	Pump Coupling Kit (See Separate Breakdown in this Section)	
59	1001168166	2	Seal	
60	1001234396	1	Glow Plug Harness	
61	5241000	22	Washer M10	
62	1001197725	1	Spacer	
63	1001201843	1	Shim .079	
64	1001201844	1	Shim .079	
65	1320070	1	Clamp	

# SECTION 3 - ENGINE

**FIGURE 3-7. DEUTZ D2011 ENGINE INSTALLATION - DANFOSS PISTON PUMP (WITH ARCTIC PACKAGE) (600S HC3)**



## SECTION 3 - ENGINE

**FIGURE 3-7. DEUTZ D2011 ENGINE INSTALLATION - DANFOSS PISTON PUMP (WITH ARCTIC PACKAGE) (600S HC3)**

ITEM	PART NUMBER	QTY	DESCRIPTION	REV
	1001186809	Ref	DEUTZ D2011 ENGINE INSTALLATION	O
1	0100011	AR	Compound, Locking	
3	0440162	1	Bearing	
4	0700614	4	Bolt M6 x 30	
5	5251012	1	Bolt M10 x 25	
6	0701012	3	Bolt M10 x 25	
7	0711018	1	Bolt M10 x 50	
10	0772018	1	Bolt M20 x 50	
11	1320061	2	Clamp	
12	1701505	1	Decal - Diesel Fuel	
13	1702941	1	Decal - Battery Heater	
14	1702943	1	Decal - Hydraulic Tank Heater	
17	1001188972	1	Heater, Immersion (Not Shown - Located on Hydraulic Tank)	
18	3291005	4	Nut M10	
21	3841143	1	Keeper, Pin	
22	3980007	1	Seal, Battery	
23	4811700	4	Washer M6	
24	4812000	7	Washer M10	
25	4812002	2	Washer M10	
30	1001174486	4	Clamp	
31	1001118972	1	Nut, Tinnerman M10	
32	1001119051	1	Washer	
33	1001130220	4	Nut, Tinnerman M6	
34	1001155094	1	Pin	
35	1001186817	1	Deutz D2011 Engine and Pumps Sub-Assembly (See Separate Breakdown in this Section)	
38	1001196398	1	Bracket	
39	2720058	208 in/ 7.3m	Hose, Fuel	
41	2580024	1	Heater, Battery	
44	0701022	2	Bolt M10 x 70	
45	1001026127	2	Clamp	
46	1001200731	2	Tube	
47	1060626	1	Plug, 3 Way	
48	4240099	5	Tie-Strap (Not Shown)	
49	1702942	1	Decal - Engine Block Heater	
50	1001150918	1	Cable, Extension	
51	0100020	AR	Sealant	
52	2180348	1	Fitting, Straight NPT/Barbed	
53	2221176	1	Fitting, 90 Barbed	
54	0761210	1	Bolt M12 x 20	
55	4812100	1	Washer M12	
61	2220313	1	Fitting, 90 NPTF/Barb	
62	1001136975	1	Clamp	
63	1001165035	20 in/ 0.5m	Hose	
100	1001235699	1	Battery Cable Kit	
101	1001188667	1	Cable, Battery (+) to Aux Relay to Starter	
102	1001188670	1	Cable, Battery (-) to Aux Pump and Ground	

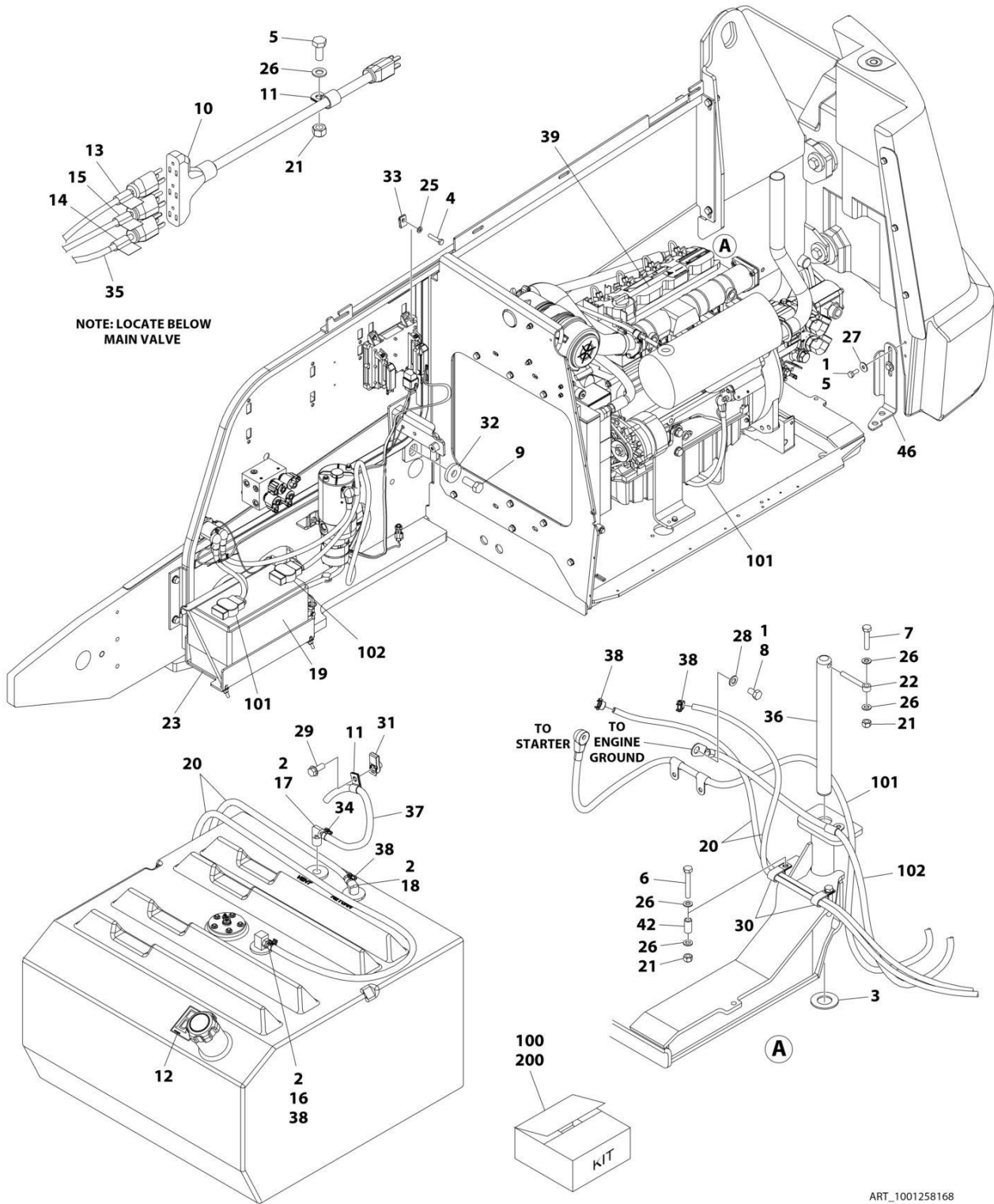
## SECTION 3 - ENGINE

ITEM	PART NUMBER	QTY	DESCRIPTION	REV
200	1001269919	1	Hose Assembly Kit	
201	1001192690	1	Hose (Case Drain) (Drive Pump Case Gauge Port to Tank) (Not Shown)	
202	1001203431	1	Hose (Case Drain) (Drive Pump Case Outlet Port to Tank) (Not Shown)	
203	1001203432	1	Hose (Function Suction) (Not Shown)	
204	1001203433	1	Hose (Drive Suction) (Not Shown)	



# SECTION 3 - ENGINE

FIGURE 3-8. DEUTZ D2011 ENGINE INSTALLATION - DANFOSS PISTON PUMP (WITH ARCTIC PACKAGE) (660SJ HC3)





## SECTION 3 - ENGINE

**FIGURE 3-8. DEUTZ D2011 ENGINE INSTALLATION - DANFOSS PISTON PUMP (WITH ARCTIC PACKAGE) (660SJ HC3)**

ITEM	PART NUMBER	QTY	DESCRIPTION	REV
	1001258168	Ref	DEUTZ D2011 ENGINE INSTALLATION	B
1	0100011	AR	Compound, Locking	
2	0100020	AR	Sealant	
3	0440162	1	Bearing	
4	0700614	4	Bolt M6 x 30	
5	0701012	3	Bolt M10 x 25	
6	0701022	2	Bolt M10 x 70	
7	0711018	1	Bolt M10 x 50 Class 10.9	
8	0761210	1	Bolt M12 x 20	
9	0772018	1	Bolt M20 x 50	
10	1060626	1	Plug, 3 Way	
11	1320061	2	Clamp	
12	1701505	1	Decal - Diesel Fuel	
13	1702941	1	Decal - Battery Heater	
14	1702942	1	Decal - Engine Block Heater	
15	1702943	1	Decal - Hydraulic Tank Heater	
16	2180348	1	Fitting, Straight NPT/Barbed	
17	2220313	1	Fitting, 90 NPTF/Barb	
18	2221176	1	Fitting, 90 Barbed	
19	2580024	1	Heater, Battery	
20	2720058	208 in/ 7.3m	Hose, Fuel	
21	3291005	4	Nut, Lock M10	
22	3841143	1	Keeper, Pin	
23	3980007	1	Seal, Battery	
24	4240099	AR	Tie-Strap (Not Shown)	
25	4811700	4	Washer M6	
26	4812000	7	Washer M10	
27	4812002	2	Washer M10	
28	4812100	1	Washer M12	
29	5251012	1	Bolt M10 x 25	
30	1001026127	2	Clamp	
31	1001118972	1	Nut, Tinnerman M10	
32	1001119051	1	Washer	
33	1001130220	4	Nut, Tinnerman M6	
34	1001136975	1	Clamp	
35	1001150918	1	Cable, Extension	
36	1001155094	1	Pin	
37	1001165035	20 in/ 0.5m	Hose	
38	1001174486	4	Clamp	
39	1001186817	1	Deutz D2011 Engine and Pumps Sub-Assembly (See Separate Breakdown in this Section)	
40	1001188972	1	Heater, Immersion (Not Shown - Located on Hydraulic Tank)	
42	1001200731	2	Tube	
46	1001258175	1	Bracket	
100	1001235699	1	Battery Cable Kit	
101	1001188667	1	Cable, Battery (+) to Aux Relay to Starter	
102	1001188670	1	Cable, Battery (-) to Aux Pump and Ground	

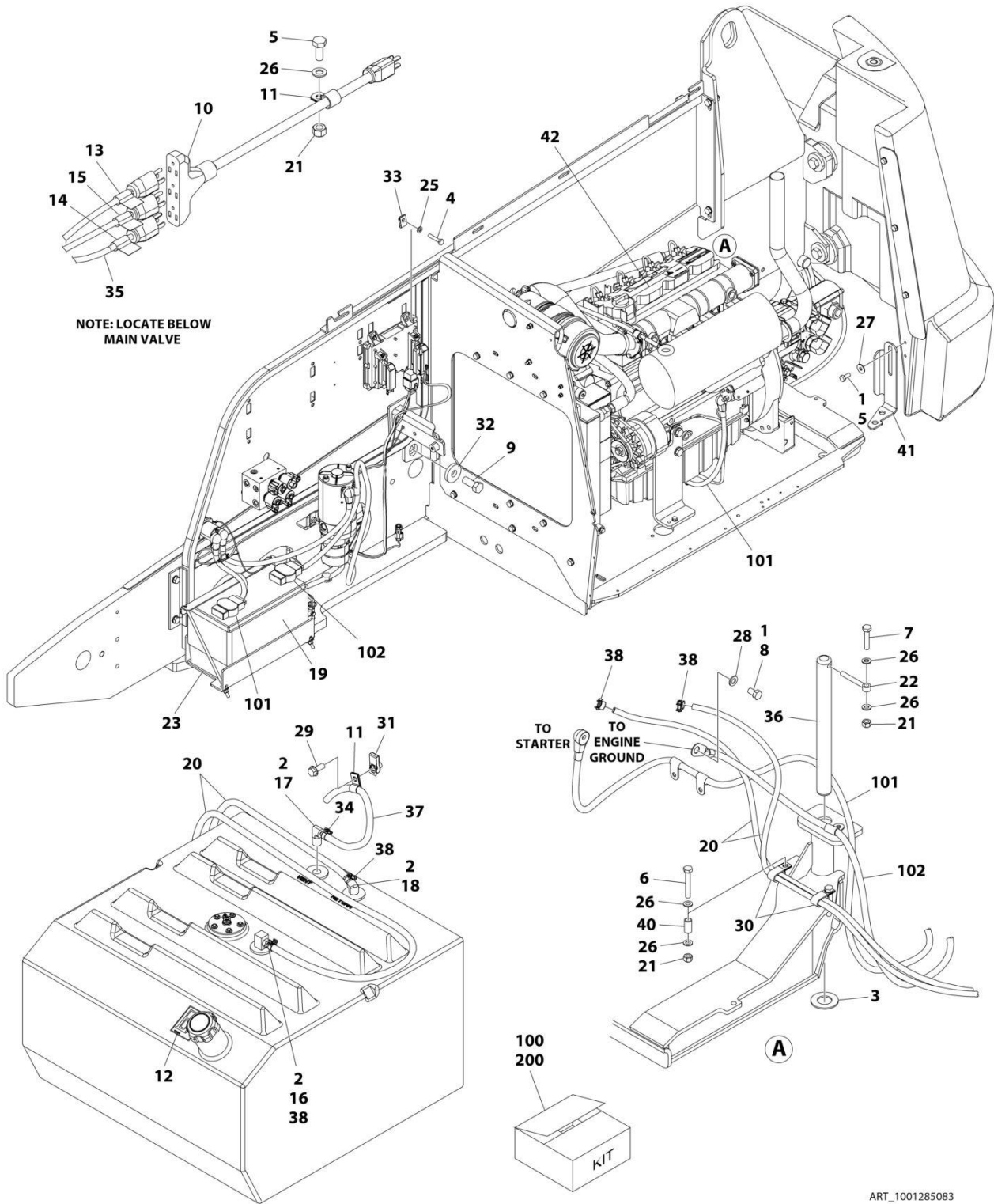
### SECTION 3 - ENGINE

ITEM	PART NUMBER	QTY	DESCRIPTION	REV
200	1001269920	1	Engine Hose Kit	
201	1001192690	1	Hose (Case Drain) (Drive Pump Case Gauge Port to Tank) (Not Shown)	
202	1001203431	1	Hose (Case Drain) (Drive Pump Case Outlet Port to Tank) (Not Shown)	
203	1001258156	1	Hose (Function Suction) (Not Shown)	
204	1001258157	1	Hose (Drive Suction) (Not Shown)	



# SECTION 3 - ENGINE

**FIGURE 3-9. DEUTZ D2011 ENGINE INSTALLATION - HENGLI PISTON PUMP (WITH ARCTIC PACKAGE) (660SJ HC3)**



ART\_1001285083

## SECTION 3 - ENGINE

**FIGURE 3-9. DEUTZ D2011 ENGINE INSTALLATION - HENGLI PISTON PUMP (WITH ARCTIC PACKAGE) (660SJ HC3)**

ITEM	PART NUMBER	QTY	DESCRIPTION	REV
	1001285083	Ref	DEUTZ D2011 ENGINE INSTALLATION	A
1	0100011	AR	Compound, Locking	
2	0100020	AR	Sealant	
3	0440162	1	Bearing	
4	0700614	4	Bolt M6 x 30	
5	0701012	3	Bolt M10 x 25	
6	0701022	2	Bolt M10 x 70	
7	0711018	1	Bolt M10 x 50 Class 10.9	
8	0761210	1	Bolt M12 x 20	
9	0772018	1	Bolt M20 x 50	
10	1060626	1	Plug, 3 Way	
11	1320061	2	Clamp	
12	1701505	1	Decal - Diesel Fuel	
13	1702941	1	Decal - Battery Heater	
14	1702942	1	Decal - Engine Block Heater	
15	1702943	1	Decal - Hydraulic Tank Heater	
16	2180348	1	Fitting, Straight NPT/Barbed	
17	2220313	1	Fitting, 90 NPTF/Barb	
18	2221176	1	Fitting, 90 Barbed	
19	2580024	1	Heater, Battery	
20	2720058	208 in/ 7.3m	Hose, Fuel	
21	3291005	4	Nut, Lock M10	
22	3841143	1	Keeper, Pin	
23	3980007	1	Seal, Battery	
24	4240099	AR	Tie-Strap (Not Shown)	
25	4811700	4	Washer M6	
26	4812000	7	Washer M10	
27	4812002	2	Washer M10	
28	4812100	1	Washer M12	
29	5251012	1	Bolt M10 x 25	
30	1001026127	2	Clamp	
31	1001118972	1	Nut, Tinnerman M10	
32	1001119051	1	Washer	
33	1001130220	4	Nut, Tinnerman M6	
34	1001136975	1	Clamp	
35	1001150918	1	Cable, Extension	
36	1001155094	1	Pin	
37	1001165035	20 in/ 0.5m	Hose	
38	1001174486	4	Clamp	
39	1001188972	1	Heater, Immersion (Not Shown - Located on Hydraulic Tank)	
40	1001200731	2	Tube	
41	1001258175	1	Bracket	
42	1001285074	1	Deutz D2011 Engine and Pumps Sub-Assembly (See Separate Breakdown in this Section)	
100	1001235699	1	Battery Cable Kit	
101	1001188667	1	Cable, Battery (+) to Aux Relay to Starter	
102	1001188670	1	Cable, Battery (-) to Aux Pump and Ground	

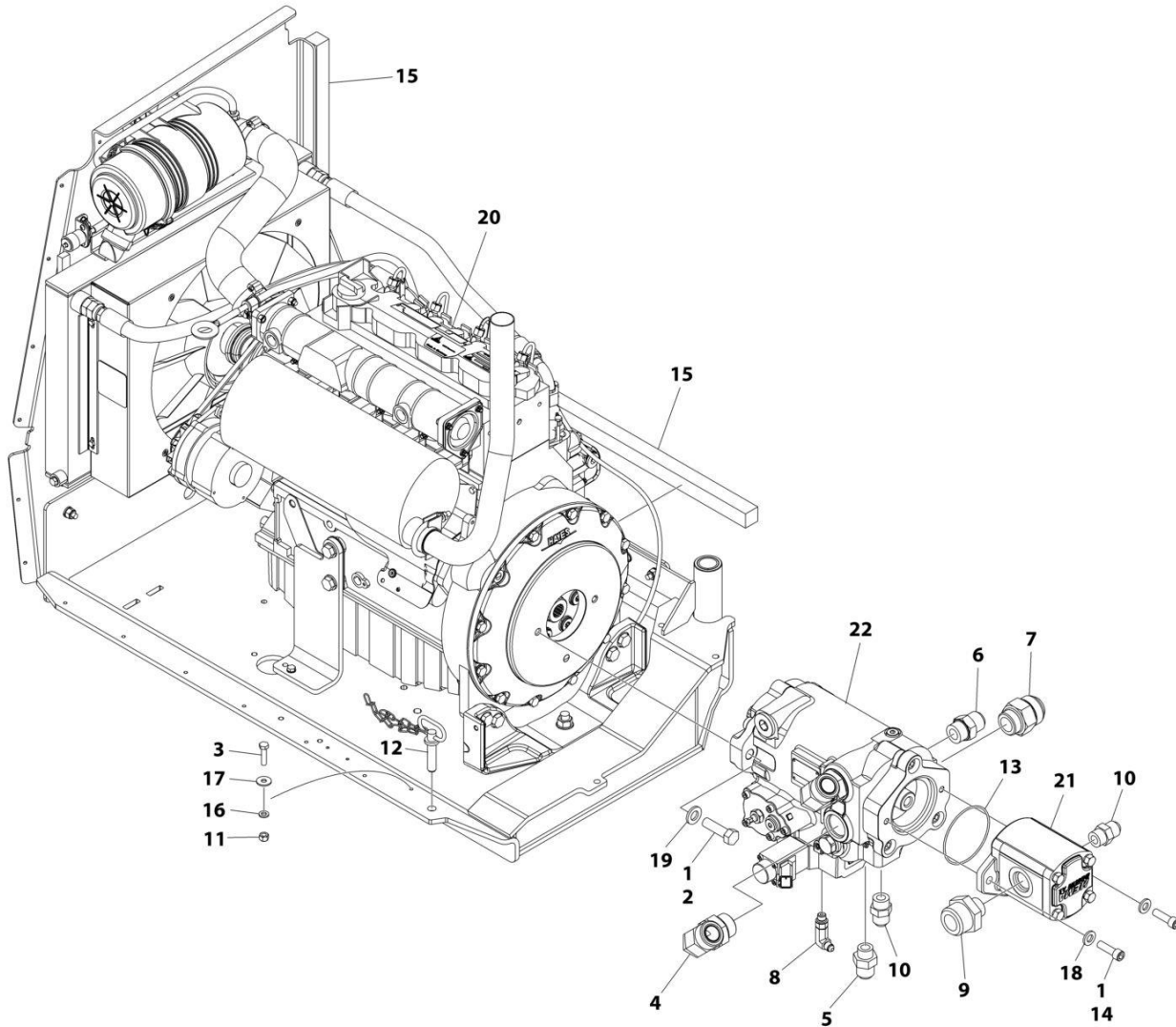
## SECTION 3 - ENGINE

ITEM	PART NUMBER	QTY	DESCRIPTION	REV
200	1001269920	1	Engine Hose Kit	
201	1001192690	1	Hose (Case Drain) (Drive Pump Case Gauge Port to Tank) (Not Shown)	
202	1001203431	1	Hose (Case Drain) (Drive Pump Case Outlet Port to Tank) (Not Shown)	
203	1001258156	1	Hose (Function Suction) (Not Shown)	
204	1001258157	1	Hose (Drive Suction) (Not Shown)	



# SECTION 3 - ENGINE

FIGURE 3-10. DEUTZ D2011 ENGINE AND PUMPS SUB-ASSEMBLY - HENGLI PISTON PUMP (WITH ARCTIC PACKAGE) (660SJ HC3)



ART\_1001285074



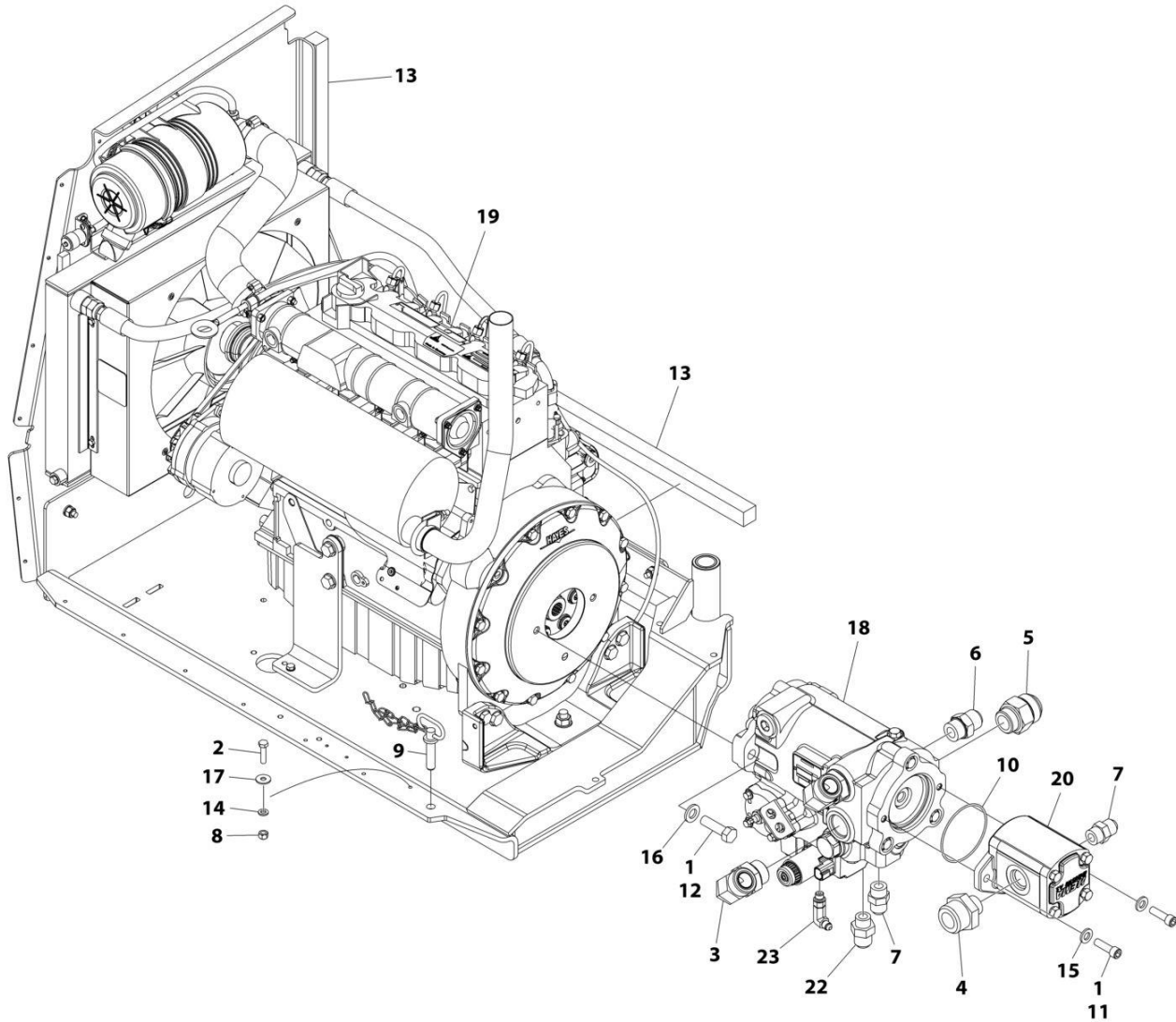
## SECTION 3 - ENGINE

**FIGURE 3-10. DEUTZ D2011 ENGINE AND PUMPS SUB-ASSEMBLY - HENGLI PISTON PUMP (WITH ARCTIC PACKAGE) (660SJ HC3)**

ITEM	PART NUMBER	QTY	DESCRIPTION	REV
	1001285074	Ref	DEUTZ D2011 ENGINE AND PUMPS SUB-ASSEMBLY	B
1	0100011	AR	Compound, Locking	
2	0641814	2	Bolt 1/2 x 1-3/4	
3	0760612	1	Bolt M6 x 25	
4	2131616	2	Fitting, 90 ORFS/ORB	
5	2220408	1	Fitting, Straight JIC/ORB	
6	2220451	1	Fitting, Straight JIC/ORB	
7	2220479	1	Fitting, Straight JIC/ORB	
8	2220940	1	Fitting, 90 JIC/ORB	
9	2220946	1	Fitting, Straight JIC/ORB	
10	2220947	2	Fitting, Straight JIC/ORB	
11	3290605	1	Nut M6	
12	3422532	1	Pin	
14	70007827	1	O-Ring (Part of Item 22)	
14	3931618	2	Capscrew 3/8 x 1-1/8	
15	3960469	2	Seal	
16	4811700	1	Washer M6	
17	4811702	1	Washer M6	
18	5241000	2	Washer M10	
19	5241200	2	Washer M12	
20	1001186818	1	Deutz D2011 Engine Assembly (See Separate Breakdown in this Section)	
21	1001190143	1	Gear Pump Assembly	
21	70006356	1	Seal Kit - 1001190143 Pump	
22	1001284471	1	Piston Pump Assembly (See Separate Breakdown in this Section)	

# SECTION 3 - ENGINE

## FIGURE 3-11. DEUTZ D2011 ENGINE AND PUMPS SUB-ASSEMBLY - DANFOSS PISTON PUMP (WITH ARCTIC PACKAGE)



ART\_1001186817\_G

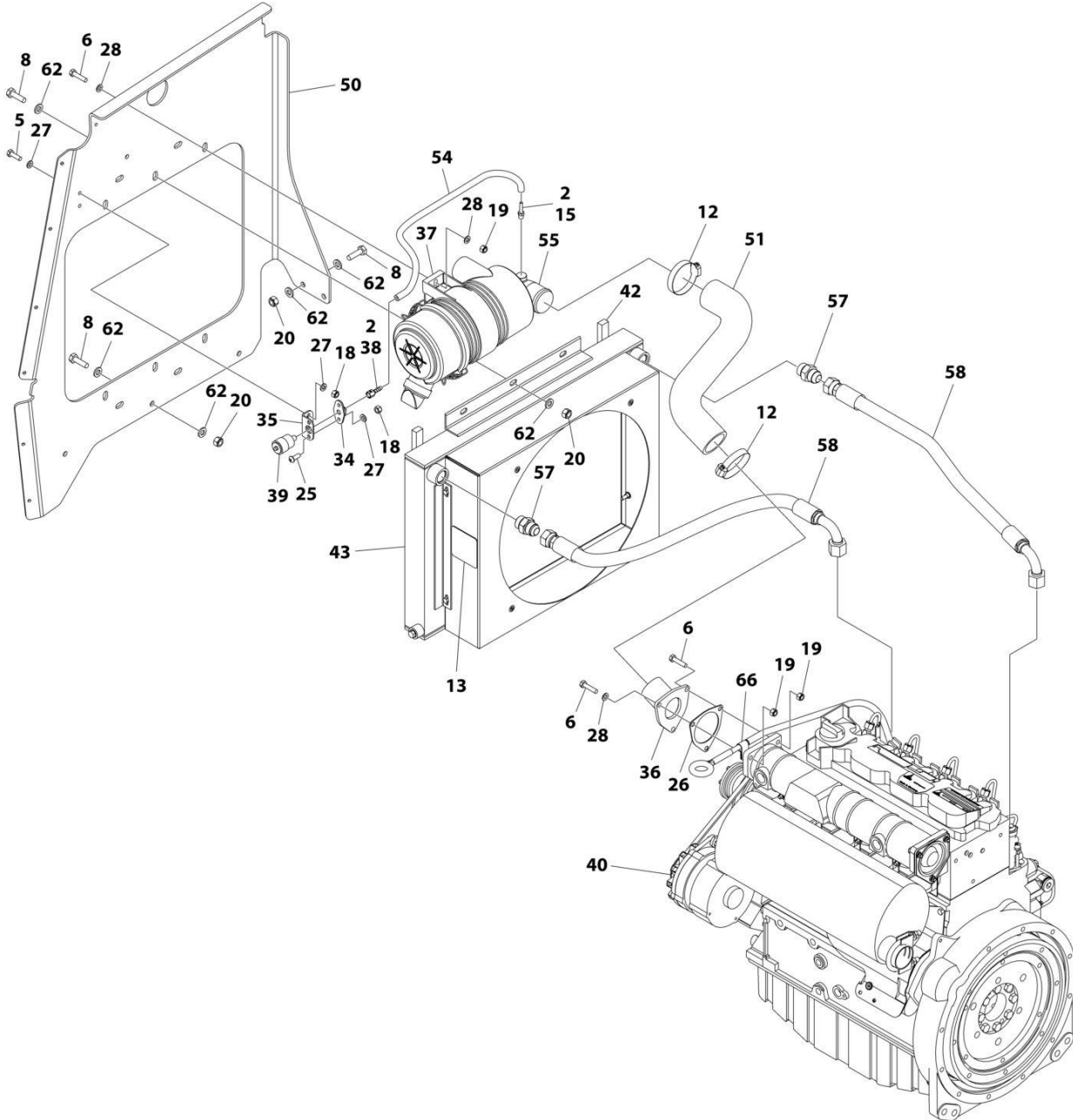
## SECTION 3 - ENGINE

**FIGURE 3-11. DEUTZ D2011 ENGINE AND PUMPS SUB-ASSEMBLY - DANFOSS PISTON PUMP  
(WITH ARCTIC PACKAGE)**

ITEM	PART NUMBER	QTY	DESCRIPTION	REV
	1001186817	Ref	DEUTZ D2011 ENGINE AND PUMPS SUB-ASSEMBLY	G
1	0100011	AR	Compound, Locking	
2	0760612	1	Bolt M6 x 25	
3	2131616	2	Fitting, 90 ORFS/ORB	
4	2220946	1	Fitting, Straight JIC/ORB	
5	2220479	1	Fitting, Straight JIC/ORB	
6	2220451	1	Fitting, Straight JIC/ORB	
7	2220947	2	Fitting, Straight JIC/ORB	
8	3290605	1	Nut M6	
9	3422532	1	Pin	
10	3790152	1	O-Ring	
11	3931620	2	Capscrew 3/8 x 1-1/4	
11	3931618	2	Capscrew 3/8 x 1-1/8	
12	0641814	2	Bolt 1/2 x 1-3/4	
13	3960469	2	Seal	
14	4811700	1	Washer M6	
15	5241000	2	Washer M10	
16	5241200	2	Washer M12	
17	4811702	1	Washer M6	
18	1001184930	1	Piston Pump Assembly (See Separate Breakdown in this Section)	
19	1001186818	1	Deutz D2011 Engine Assembly (See Separate Breakdown in this Section)	
20	1001190143	1	Gear Pump Assembly	
20	70006356	1	Seal Kit - 1001190143 Pump	
22	2220408	1	Fitting, Straight JIC/ORB	
23	2220940	1	Fitting, 90 JIC/ORB	

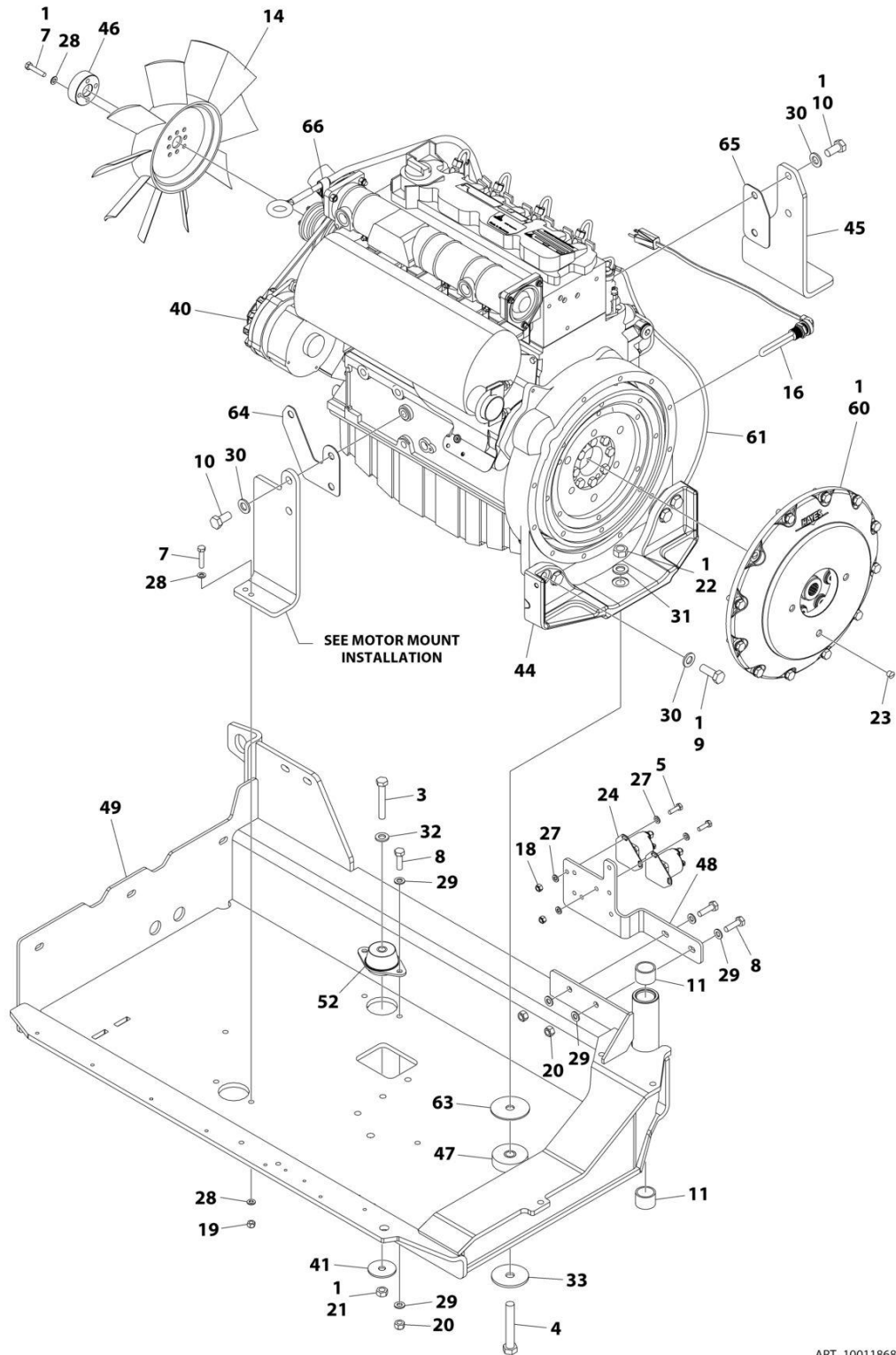
# SECTION 3 - ENGINE

## FIGURE 3-12. DEUTZ D2011 ENGINE ASSEMBLY - WITH ARCTIC PACKAGE



ART\_1001186818\_W\_10F2

# SECTION 3 - ENGINE



ART\_1001186818\_W\_2OF2

## SECTION 3 - ENGINE

FIGURE 3-12. DEUTZ D2011 ENGINE ASSEMBLY - WITH ARCTIC PACKAGE

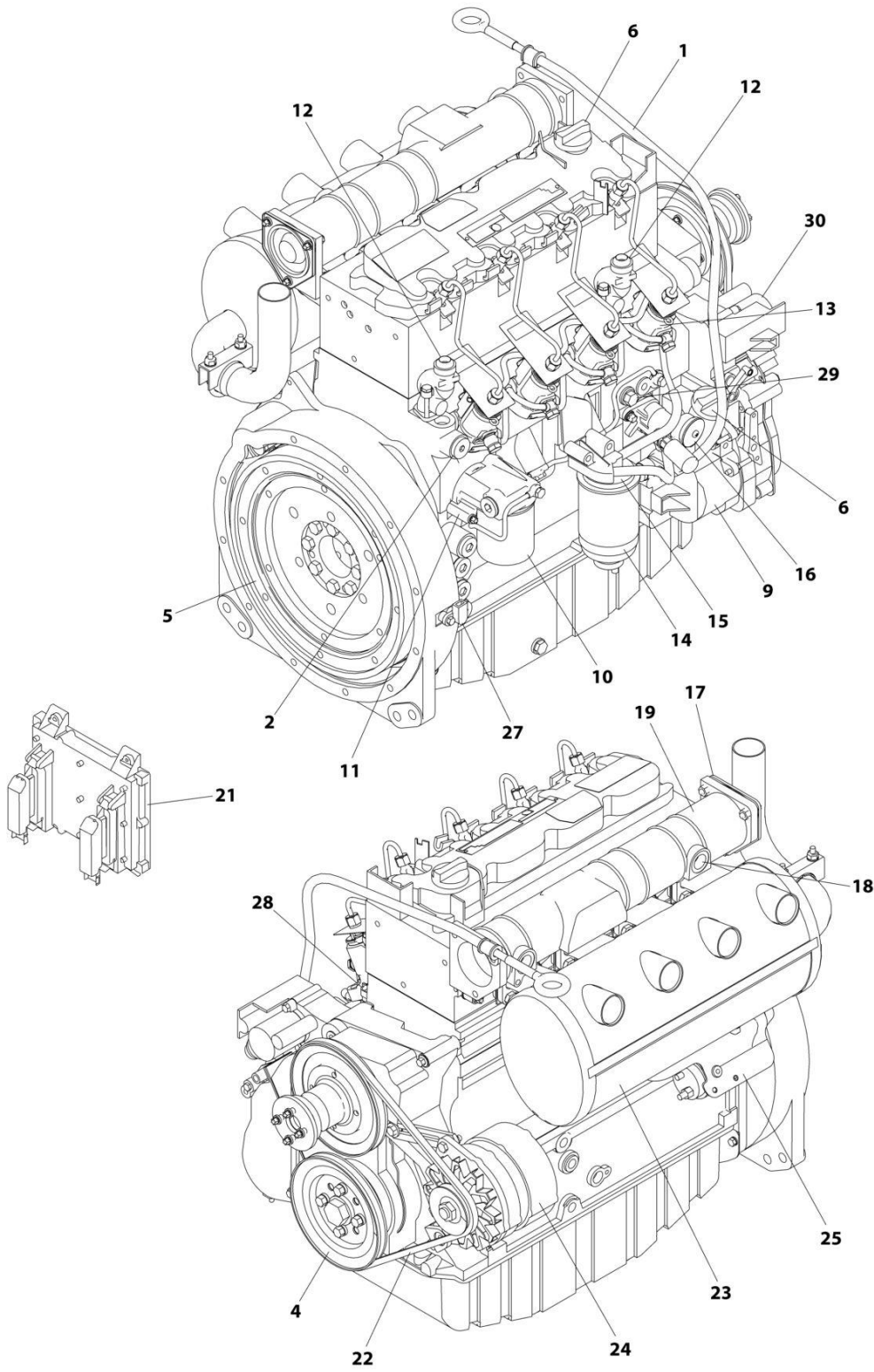
ITEM	PART NUMBER	QTY	DESCRIPTION	REV
	1001186818	Ref	DEUTZ D2011 ENGINE ASSEMBLY	W
1	0100011	AR	Compound, Locking	
2	0100020	AR	Sealant	
3	0711224	1	Bolt M12 x 80	
4	0711627	1	Bolt M16 x 100	
5	0760610	6	Bolt M6 x 20	
6	0760815	5	Bolt M8 x 35	
7	0760816	5	Bolt M8 x 40	
8	0761015	15	Bolt M10 x 35	
9	0771416	4	Bolt M14 x 40	
10	0771414	4	Bolt M14 x 30	
11	0961951	2	Bushing	
12	8405202	2	Clamp	
13	1703162	2	Decal - Fan Blade	
14	2060025	1	Fan	
15	2220315	1	Fitting, Straight Barbed	
16	2580062	1	Heater, Engine Block	
18	3290605	8	Nut M6	
19	3290805	6	Nut M8	
20	3291005	15	Nut M10	
21	3331211	1	Nut M12	
22	3331611	1	Nut M16	
23	3520054	2	Plug	
24	3740067	2	Relay	
25	3900357	2	Screw M6 x 16	
26	3960407	1	Gasket, Air Intake Adapter	
27	4811700	14	Washer M6	
28	4811900	11	Washer M8	
29	4812000	8	Washer M10	
30	5241400	8	Washer M14	
31	4812300	1	Washer M16	
32	5241200	1	Washer M12	
33	7300435	1	Washer	
34	1001138173	1	Support	
35	1001138175	1	Bracket	
36	1001139819	1	Adapter	
37	1001141694	1	Clamp, Air Cleaner	
38	1001141995	1	Fitting, Straight NPT/Barbed	
39	1001143390	1	Indicator, Air Filter Service	
40	1001146368	1	Deutz D2011 Engine (See Separate Breakdown in this Section)	
41	1001168018	1	Washer	
42	1001168166	2	Seal	
43	1001187082	1	Radiator	
44	1001188535	1	Bracket, Engine - Rear	
45	1001189026	1	Bracket, Engine - Right	
46	1001189161	1	Adapter, Fan	
47	1001190164	1	Mount, Motor	
48	1001203885	1	Plate	
49	1001200435	1	Tray	
50	1001236499	1	Support, Radiator	

## SECTION 3 - ENGINE

ITEM	PART NUMBER	QTY	DESCRIPTION	REV
51	1001191271	1	Hose	
52	1001191610	1	Mount, Motor	
54	1001138248	2 ft/1 m	Tube	
55	1001165388	1	Filter, Air Cleaner	
55	70003783	1	Element, Filter	
56	1001188236	1	Engine Harness - Deutz D2011 Engines (Not Shown) (See Separate Breakdown in ELECTRICAL Section)	
57	2220451	2	Fitting, Straight ORB/JIC	
58	2720398	2	Hose	
60	2902065	1	Pump Coupling Kit (See Separate Breakdown in this Section)	
61	1001234396	1	Glow Plug Harness	
62	5241000	22	Washer M10	
63	1001197725	1	Spacer	
64	1001201843	1	Shim .079	
65	1001201844	1	Shim .079	
66	1320070	1	Clamp	

# SECTION 3 - ENGINE

## FIGURE 3-13. DEUTZ D2011 ENGINE COMPONENTS



ART\_1001146368



## SECTION 3 - ENGINE

**FIGURE 3-13. DEUTZ D2011 ENGINE COMPONENTS**

ITEM	PART NUMBER	QTY	DESCRIPTION	REV
	1001146368	Ref	DEUTZ D2011 ENGINE COMPONENTS	E
1	7026631	1	Dipstick	
1	7020487	1	O-Ring, Dipstick	
1	70001002	1	Tube, Dipstick	
1	7020403	1	Seal, Dipstick Tube	
2	70003475	1	Thermostat	
2	7020460	1	Spring, Compression	
3	70002718	1	Seal, Rear Main (Not Shown)	
4	70005479	1	Pulley	
5	70001870	1	Flywheel	
5	7024579	1	Ring Gear	
6	7020465	2	Cap, Filler	
7	70003456	1	Gasket, Head (Not Shown)	
7	70003457	1	Gasket, Head (Not Shown)	
7	70003003	1	Gasket, Head (Not Shown)	
8	7020431	1	Gasket, Valve Cover (Not Shown)	
9	70001850	1	Pump, Oil Lube	
9	7020468	1	Seal Between Oil Pump and Engine Block (Not Shown)	
10	7016331	1	Filter, Oil	
11	70003472	1	Bracket, Oil Filter (Includes Spring, Control Valve, Temperature Sensor, Seal and Plug)	
11	7027236	1	Sensor, Temperature	
11	70003473	1	Gasket, Oil Filter Bracket to Engine Block	
12	70004268	2	Fitting, Radiator Connector (Located Between Item 220 and Engine Block)	
12	70004269	2	Seal for Radiator Connector Fitting	
13	70003478	4	Injector, Fuel	
13	70003136	4	Seal	
13		Ref	Pump, Injector Options:	
13	70000912	1	Series A Injector	
13	70000913	4	Series B Injector	
13	70000914	1	Series C Injector	
13	70000915	1	Series D Injector	
14	7016328	1	Filter, Fuel	
15	70001423	1	Bracket, Fuel Filter	
16	70000916	1	Pump Fuel Supply	
16	70001435	1	Repair Kit for Pump	
16	70000919	1	Hand Pump	
16	70000918	1	Seal, Hand Pump	
16	70000917	1	O-Seal Between Fuel Pump and Engine Block (Not Shown)	
17	70003469	1	Flange	
17	70003468	1	O-Seal	
18	70025084	1	Plug	
19	70003470	1	Manifold, Intake	
19	70001871	4	Gasket, Intake Manifold to Engine Block (Not Shown)	
20	70001847	1	Breather Valve (Not Shown - Located on Front Cover)	
20	70001126	1	Seal, Breather Valve	
21	7027795	1	Module, Control	
22	7020408	1	V-Belt	
23	7000695	1	Muffler (Includes Saddle Clamp)	

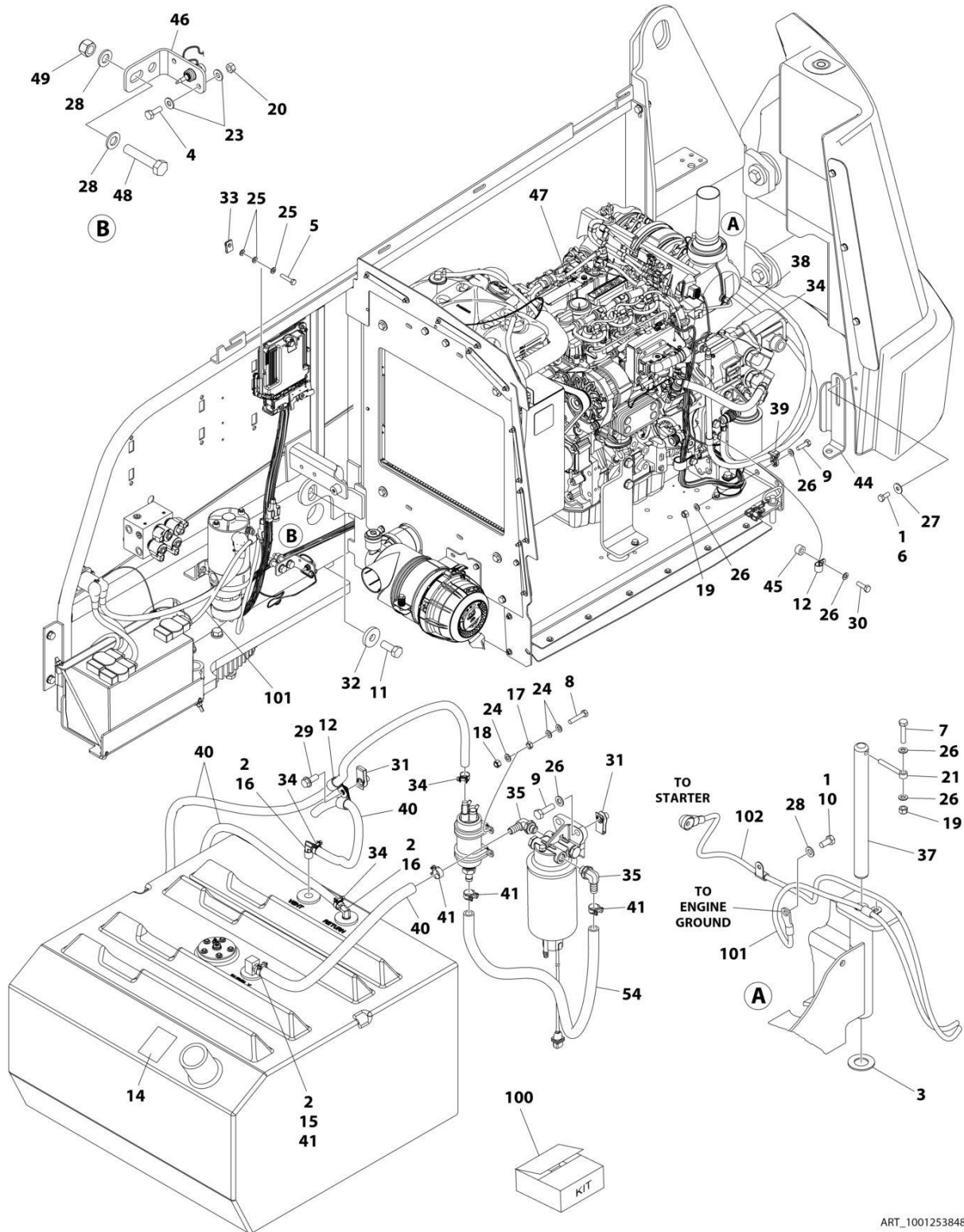
## SECTION 3 - ENGINE

ITEM	PART NUMBER	QTY	DESCRIPTION	REV
23	7020471	4	Gasket, Exhaust Manifold (Not Shown)	
23	70004270	8	Stud, Exhaust Manifold (Not Shown)	
24	70004056	1	Alternator	
24	70001868	1	Regulator, Voltage Options (Not Shown)	
24	70001866	1	Gasket for Voltage Regulator (Not Shown)	
24	70002234	1	Bracket, Adjusting (Not Shown)	
24	70000851	1	Bracket, Mounting (Not Shown)	
25	7020479	1	Starter	
25	70004058	1	Relay	
25	70001498	1	Shield, Starter Heat	
26	70004059	1	Plug- In Connector for Analyzer (Not Shown)	
26	7027796	1	Harness, Module to Engine Harness (Not Shown)	
26	70004060	1	Plug- In Connector on p/n 7027796 Harness (Not Shown)	
26	70001872	1	Harness, Engine (Not Shown)	
26	70004103	1	Harness, Alternator (Not Shown)	
26	70004271	1	Harness, Starter (Not Shown)	
27	70004272	1	Sensor, Speed	
27	70003932	1	Spacer	
28	7027791	1	Transmitter, Temperature	
29	7027790	1	Sensor, Oil Pressure	
30	7027792	1	Actuator, Throttle	
30	7027276	1	Spring, Actuator	
31	70000345	4	Plug, Glow (Not Shown)	
32	70004273	1	Set, Engine Gasket (Not Shown)	



# SECTION 3 - ENGINE

FIGURE 3-14. DEUTZ TD 2.2L3 (STAGE V) ENGINE INSTALLATION - DANFOSS PISTON PUMP (600S HC3)



ART\_1001253848

## SECTION 3 - ENGINE

**FIGURE 3-14. DEUTZ TD 2.2L3 (STAGE V) ENGINE INSTALLATION - DANFOSS PISTON PUMP (600S HC3)**

ITEM	PART NUMBER	QTY	DESCRIPTION	REV
	1001253848	Ref	DEUTZ TD2.2L3 (STAGE V) ENGINE INSTALLATION	G
1	0100011	AR	Compound, Locking	
2	0100020	AR	Sealant	
3	0440162	1	Bearing	
4	0641406	1	Bolt 1/4 x 3/4	
5	0700614	4	Bolt M6 x 30	
6	0701012	2	Bolt M10 x 25	
7	0711018	1	Bolt M10 x 50	
8	0760512	4	Bolt M5 x 25	
9	0761015	3	Bolt M10 x 35	
10	0771212	1	Bolt M12 x 25	
11	0772018	1	Bolt M20 x 50	
12	1320061	3	Clamp	
14	1701505	1	Decal - Diesel Fuel	
15	2180832	1	Fitting, Straight Barbed	
16	2220313	2	Fitting, 90 NPTF/Barb	
17	3290501	4	Nut M5	
18	3290505	4	Nut M5	
19	3291005	2	Nut M10	
20	3311405	1	Nut 1/4	
21	3841143	1	Keeper, Pin	
22	4240099	AR	Tie-Strap (Not Shown)	
23	4711400	2	Washer 1/4	
24	4811600	12	Washer M5	
25	4811700	12	Washer M6	
26	4812000	7	Washer M10	
27	4812002	2	Washer M10	
28	4812100	5	Washer M12	
29	5251012	1	Bolt M10 x 25	
30	0761014	1	Bolt M10 x 30	
31	1001118972	3	Nut, Tinnerman M10	
32	1001119051	1	Washer	
33	1001130220	4	Nut, Tinnerman M6	
34	1001136975	5	Clamp	
35	1001142501	2	Fitting, 90 Barbed	
36	1001146588	1	Tie-Strap (Not Shown)	
37	1001155094	1	Pin	
38	1001155823	1	Fitting, 90 Quick Connect	
39	1001156107	1	Holder, Cable	
40	1001165035	27 ft/ 8.3m	Hose	
41	8405006	4	Clip	
43	1001190444	1	Fuel Pump Harness - Deutz TD2.2L3 (Stage V) Engine (Not Shown) (See Separate Breakdown in ELECTRICAL Section)	
44	1001196398	1	Bracket	
45	1001220266	1	Spacer	
46	1001253879	1	Bracket	
47	1001253847	1	Deutz TD2.2L3 (Stage V) Engine and Pump Sub-Assembly (See Separate Breakdown in this Section)	

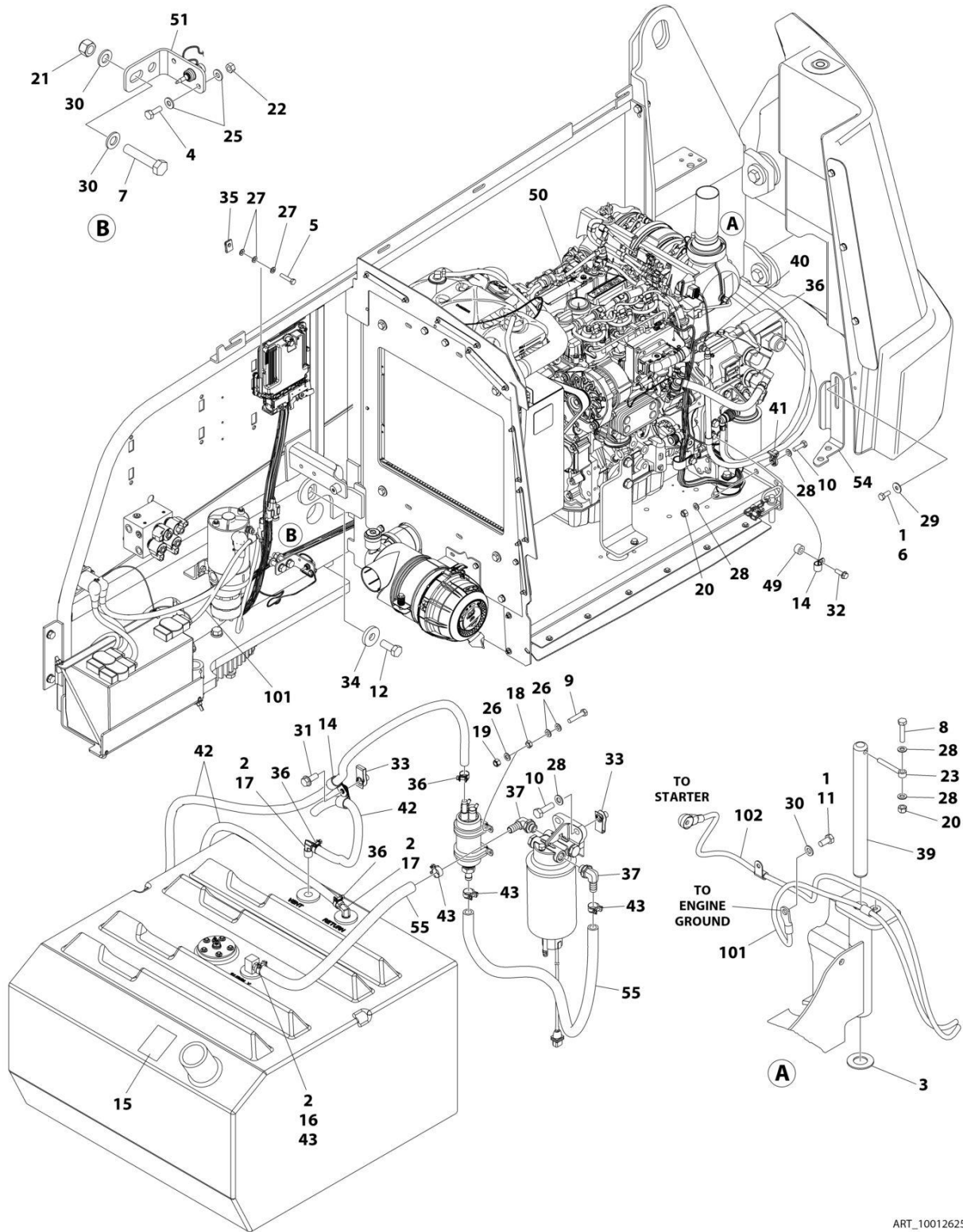
## SECTION 3 - ENGINE

ITEM	PART NUMBER	QTY	DESCRIPTION	REV
48	0701220	2	Bolt M12 x 60	
49	3291205	2	Nut M12	
54	1001154405	2.8 ft/ 0.8m	Hose	
100	1001235532	1	Battery Cable Kit (Includes Items 101 & 102)	
101	1001188668	1	Cable, Battery (-) to Aux Pump and Ground	
102	1001188669	1	Cable, Battery (+) to Aux Relay to Starter	
200	1001269919	1	Hose Kit (Not Shown)	
201	1001192690	1	Hose (Case Drain) (Drive Pump Case Gauge Port to Tank) (Not Shown)	
202	1001203431	1	Hose (Case Drain) (Drive Pump Case Outlet Port to Tank) (Not Shown)	
203	1001203432	1	Hose (Function Suction) (Not Shown)	
204	1001203433	1	Hose (Drive Suction) (Not Shown)	



# SECTION 3 - ENGINE

## FIGURE 3-15. DEUTZ TD 2.2L3 (STAGE V) ENGINE INSTALLATION - DANFOSS PISTON PUMP (660SJ HC3)



ART\_1001262589



## SECTION 3 - ENGINE

**FIGURE 3-15. DEUTZ TD 2.2L3 (STAGE V) ENGINE INSTALLATION - DANFOSS PISTON PUMP  
(660SJ HC3)**

ITEM	PART NUMBER	QTY	DESCRIPTION	REV
	1001262589	Ref	DEUTZ TD2.2L3 (STAGE V) ENGINE INSTALLATION	C
1	0100011	AR	Compound, Locking	
2	0100020	AR	Sealant	
3	0440162	1	Bearing	
4	0641406	1	Bolt 1/4 x 3/4	
5	0700614	4	Bolt M6 x 30	
6	0701012	2	Bolt M10 x 25	
7	0701220	2	Bolt M12 x 60	
8	0711018	1	Bolt M10 x 50	
9	0760512	4	Bolt M5 x 25	
10	0761015	3	Bolt M10 x 35	
11	0771212	1	Bolt M12 x 25	
12	0772018	1	Bolt M20 x 50	
14	1320061	3	Clamp	
15	1701505	1	Decal - Diesel Fuel	
16	2180832	1	Fitting, Straight Barbed	
17	2220313	2	Fitting, 90 NPTF/Barb	
18	3290501	4	Nut M5	
19	3290505	4	Nut M5	
20	3291005	2	Nut M10	
21	3291205	2	Nut M12	
22	3311405	1	Nut 1/4	
23	3841143	1	Keeper, Pin	
24	4240099	AR	Tie-Strap (Not Shown)	
25	4711400	2	Washer 1/4	
26	4811600	12	Washer M5	
27	4811700	12	Washer M6	
28	4812000	7	Washer M10	
29	4812002	2	Washer M10	
30	4812100	5	Washer M12	
31	5251012	1	Bolt M10 x 25	
32	0761014	1	Bolt M10 x 30	
33	1001118972	3	Nut, Tinnerman M10	
34	1001119051	1	Washer	
35	1001130220	4	Nut, Tinnerman M6	
36	1001136975	5	Clamp	
37	1001142501	2	Fitting, 90 Barbed	
38	1001146588	1	Tie-Strap (Not Shown)	
39	1001155094	1	Pin	
40	1001155823	1	Fitting, 90 Quick Connect	
41	1001156107	1	Holder, Cable	
42	1001165035	27 ft/ 8.3m	Hose	
43	8405006	4	Clamp	
46	1001190444	1	Fuel Pump Harness - Deutz TD2.2L3 (Stage V) Engine (Not Shown) (See Separate Breakdown in ELECTRICAL Section)	
49	1001220266	1	Spacer	
50	1001253847	1	Deutz TD2.2L3 (Stage V) Engine and Pump Sub-Assembly (See Separate Breakdown in this Section)	

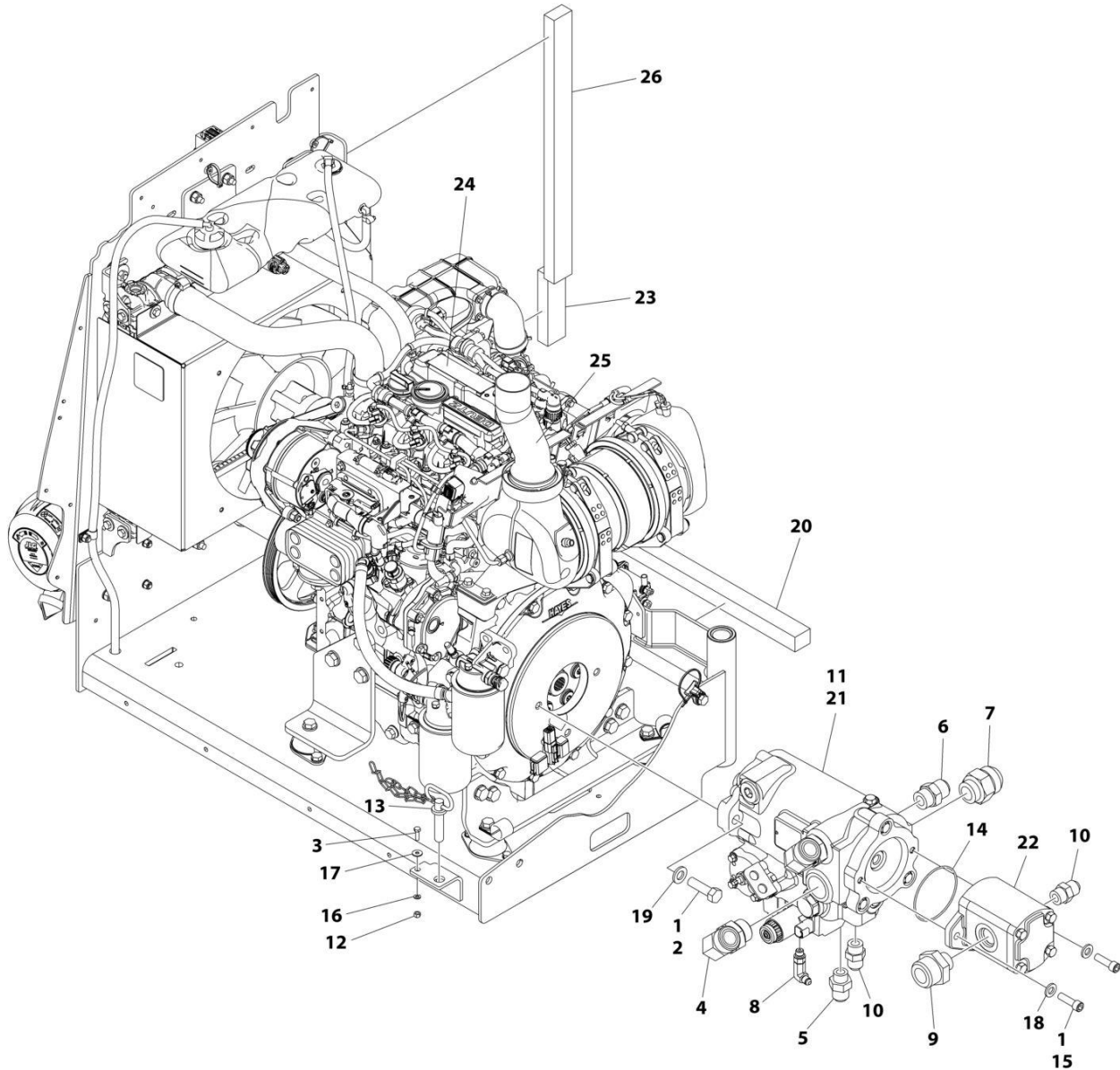
## SECTION 3 - ENGINE

ITEM	PART NUMBER	QTY	DESCRIPTION	REV
51	1001256879	1	Bracket	
54	1001258175	2.77 ft/ 0.8m	Bracket	
55	1001154405	1	Hose	
100	1001235532	1	Battery Cable Kit (Includes Items 101 & 102) (Not Shown)	
101	1001188668	1	Cable, Battery (-) to Aux Pump and Ground	
102	1001188669	1	Cable, Battery (+) to Aux Relay to Starter	
200	1001269920	1	Hose Kit (Not Shown)	
201	1001192690	1	Hose (Case Drain) (Drive Pump Case Gauge Port to Tank) (Not Shown)	
202	1001203431	1	Hose (Case Drain) (Drive Pump Case Outlet Port to Tank) (Not Shown)	
203	1001258156	1	Hose (Function Suction) (Not Shown)	
204	1001258157	1	Hose (Drive Suction) (Not Shown)	



# SECTION 3 - ENGINE

## FIGURE 3-16. DEUTZ TD2.2L3 (STAGE V) ENGINE AND PUMPS SUB-ASSEMBLY - DANFOSS PISTON PUMP



ART\_1001253847

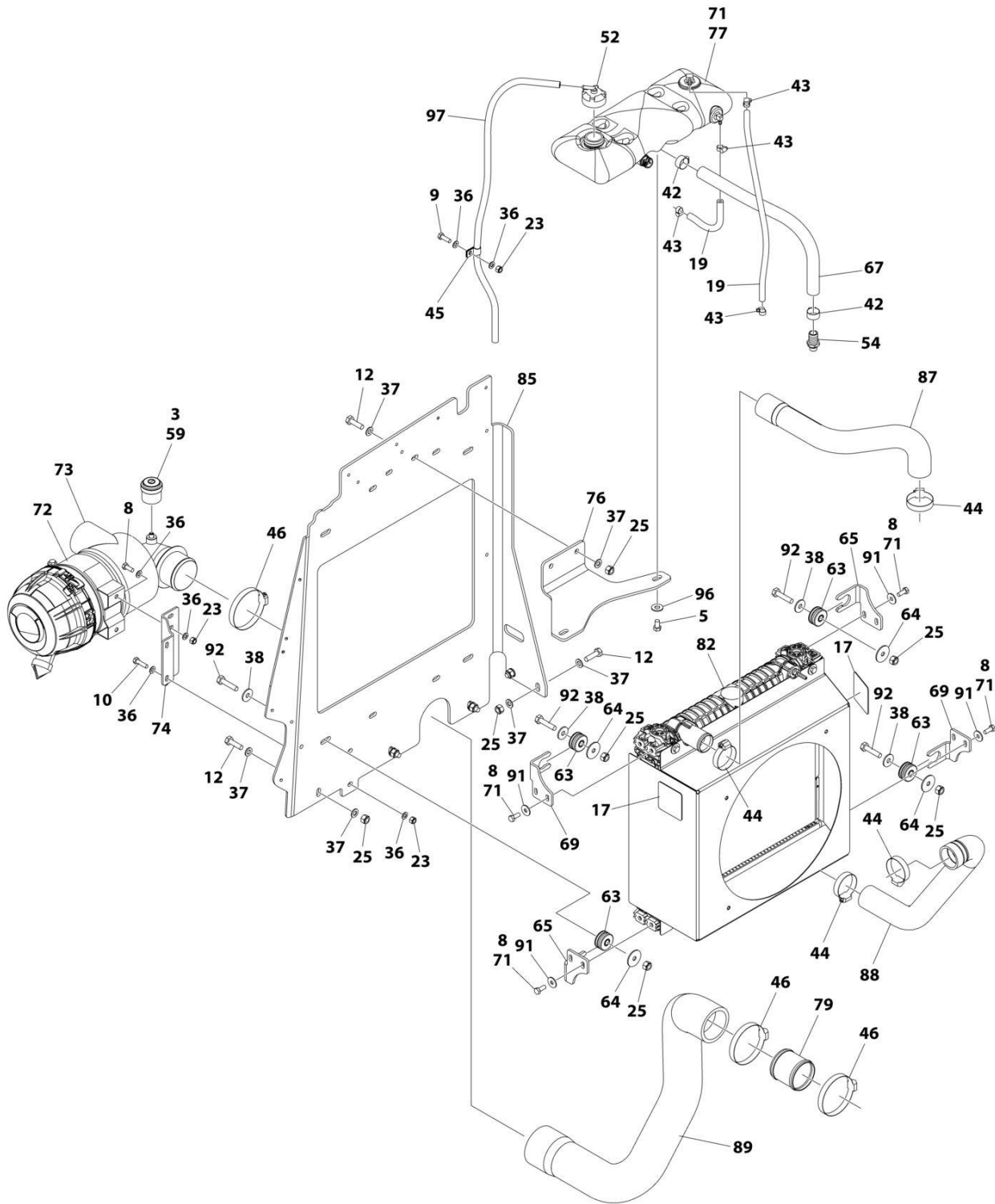
## SECTION 3 - ENGINE

**FIGURE 3-16. DEUTZ TD2.2L3 (STAGE V) ENGINE AND PUMPS SUB-ASSEMBLY - DANFOSS PISTON PUMP**

ITEM	PART NUMBER	QTY	DESCRIPTION	REV
	1001253847	Ref	DEUTZ TD2.2L3 ENGINE AND PUMPS SUB-ASSEMBLY	A
1	0100011	AR	Compound, Locking	
2	0641814	2	Bolt 1/2 x 1-3/4	
3	0760610	1	Bolt M6 x 20	
4	2131616	2	Fitting, 90 ORFS/ORB	
5	2220408	1	Fitting, Straight JIC/ORB	
6	2220451	1	Fitting, Straight JIC/ORB	
7	2220479	1	Fitting, Straight JIC/ORB	
8	2220940	1	Fitting, 90 JIC/ORB	
9	2220946	1	Fitting, Straight JIC/ORB	
10	2220947	2	Fitting, Straight JIC/ORB	
11	3020037	AR	Lube, Coupling Grease	
12	3290605	1	Nut M6	
13	3422532	1	Pin	
14	3790152	1	O-Ring	
15	3931618	2	Capscrew 3/8 x 1-1/8	
16	4811700	1	Washer M6	
17	4811702	1	Washer M6	
18	5241000	2	Washer M10	
19	5241200	2	Washer M12	
20	1001171953	1	Seal	
21	1001184930	1	Piston Pump Assembly (See Separate Breakdown in this Section)	
22	1001190143	1	Gear Pump Assembly	
22	70006356	1	Seal Kit - 1001190143 Pump	
23	1001244508	1	Seal	
24	1001253846	1	Deutz TD2.2L3 Engine Assembly (See Separate Breakdown in this Section)	
25	1001253906	1	Pipe, Exhaust	
26	1001254279	1	Seal	

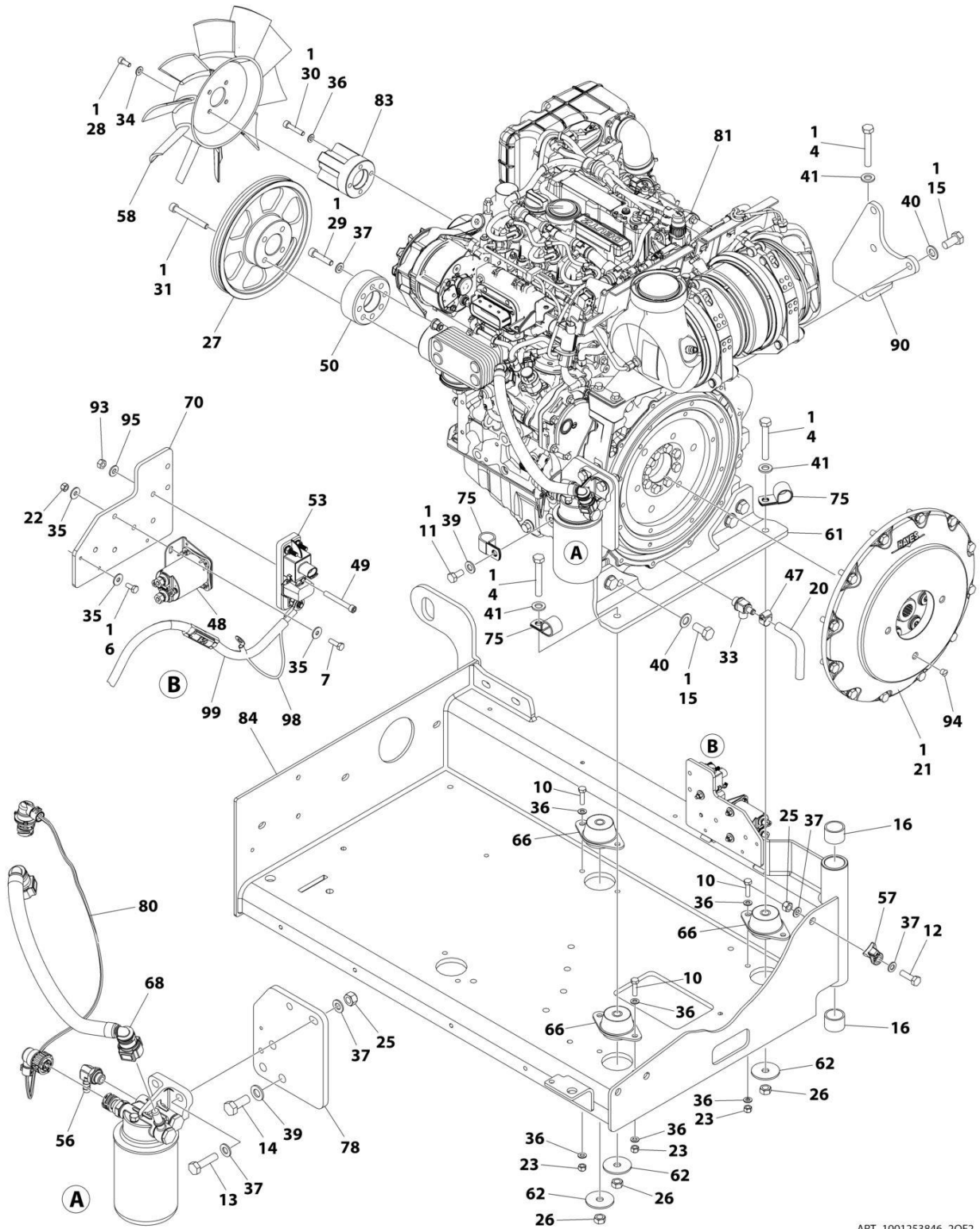
# SECTION 3 - ENGINE

## FIGURE 3-17. DEUTZ TD2.2L3 (STAGE V) ENGINE ASSEMBLY



ART\_1001253846\_10F2

# SECTION 3 - ENGINE



ART\_1001253846\_20F2

## SECTION 3 - ENGINE

FIGURE 3-17. DEUTZ TD2.2L3 (STAGE V) ENGINE ASSEMBLY

ITEM	PART NUMBER	QTY	DESCRIPTION	REV
	1001253846	Ref	DEUTZ TD2.2L3 (STAGE V) ENGINE ASSEMBLY	J
1	0100011	AR	Compound, Locking	
3	0100020	AR	Sealant	
4	0711224	3	Bolt M12 x 80	
5	0681605	2	Bolt 3/8 x 5/8	
6	0760607	3	Bolt M6 x 14	
7	0760610	2	Bolt M6 x 20	
8	0760810	10	Bolt M8 x 20	
9	0760812	1	Bolt M8 x 25	
10	0760814	8	Bolt M8 x 30	
11	0761212	1	Bolt M12 x 25	
12	0761015	8	Bolt M10 x 35	
13	0761016	2	Bolt M10 x 40	
14	0761214	3	Bolt M12 x 30	
15	0771414	7	Bolt M14 x 30	
16	0961951	2	Bushing	
17	1703162	2	Decal - Fan Blade	
19	2720015	6 ft/1.83m	Hose	
20	2720340	6 in/ 1.52cm	Hose	
21	2902065	1	Pump Coupling Kit (See Separate Breakdown in this Section)	
22	3290605	2	Nut M6	
23	3290805	11	Nut M8	
25	3291005	14	Nut M10	
26	3331211	3	Nut M12	
27	1001260432	1	Pulley	
28	4031908	4	Bolt M8 x 20	
29	1001261045	4	Capscrew M10 x 45	
30	4031912	4	Bolt M8 x 40	
31	1001261085	4	Capscrew M10 x 85	
32	4240099	AR	Tie-Strap (Not Shown)	
33	4640751	1	Valve, Oil Drain	
34	4711500	4	Washer 5/16	
35	4811702	7	Washer M6	
36	4811900	26	Washer M8	
37	4812000	24	Washer M10	
38	4812002	4	Washer M10	
39	4812100	4	Washer M12	
40	4812200	7	Washer M14	
41	5241200	3	Washer M12	
42	8405007	2	Clamp	
43	8405009	4	Clamp	
44	8405104	4	Clamp	
45	8406109	1	Clip	
46	8410011	3	Clamp	
47	8410013	1	Clamp	
48	1001117308	1	Contactactor	
49	3931432	1	Bolt 1/4 x 20	
50	1001258800	1	Adapter	
52	1001136834	1	Cap, Tank	



## SECTION 3 - ENGINE

ITEM	PART NUMBER	QTY	DESCRIPTION	REV
53	1001138228	1	Relay	
54	1001143797	1	Fitting, Straight Barbed	
55	1001146588	5	Tie-Strap (Not Shown)	
56	1001152489	1	Fitting, 90 Barbed	
57	1001156107	1	Holder, Cable	
58	1001165849	1	Fan	
59	1001166716	1	Restriction, Indicator	
61	1001166924	1	Bracket, Engine - Rear	
62	1001168018	3	Washer	
63	1001169054	4	Isolator	
64	1001169138	4	Pad, Snubbing	
65	1001204325	2	Bracket	
66	1001166718	3	Isolator	
67	1001176511	1	Hose	
68	1001177359	1	Hose	
69	1001178223	2	Bracket	
70	1001179903	1	Bracket	
71	1001180620	AR	Adhesive	
72	1001186426	1	Clamp	
73	1001189979	1	Filter, Air Cleaner	
73	70005008	1	Element, Filter	
74	1001190942	1	Support	
75	1001191620	3	Clamp	
76	1001192400	1	Bracket	
77	1001230635	1	Tank, Surge	
77	1001134488	1	Fitting, 90 Barbed	
77	1001138827	1	Sensor, Coolant Level	
77	1001140564	1	Fitting, 90 Barbed	
78	1001258804	1	Mount, Fuel Filter	
79	1001238911	1	Pipe	
80	1001245913	1	Harness, Fuel Filter (Deutz TD2.2L3 (Stage V) Engine) (See Separate Breakdown in ELECTRICAL Section)	
81	1001246012	1	Deutz TD2.2L3 (Stage V) Engine (See Separate Breakdown in this Section)	
82	1001256930	1	Radiator	
83	1001248608	1	Adapter	
84	1001248817	1	Support, Engine Tray	
85	1001248819	1	Plate	
86	1001253798	1	Engine Harness - Deutz TD2.2L3 (Stage V) Engine (Not Shown) (See Separate Breakdown in ELECTRICAL Section)	
87	1001253849	1	Hose, Radiator (Top)	
88	1001253863	1	Hose, Radiator (Bottom)	
89	1001253870	1	Hose	
90	1001254878	1	Bracket, Engine - Right	
91	4811902	8	Washer	
92	0701017	4	Bolt M10 x 25	
93	3311405	1	Nut 1/4	
94	3520054	1	Plug	
95	4711400	1	Washer 1/4	
96	4751600	2	Washer 3/8	
97	1001138248	3.6	Tube Nylon	

ft/1.1m

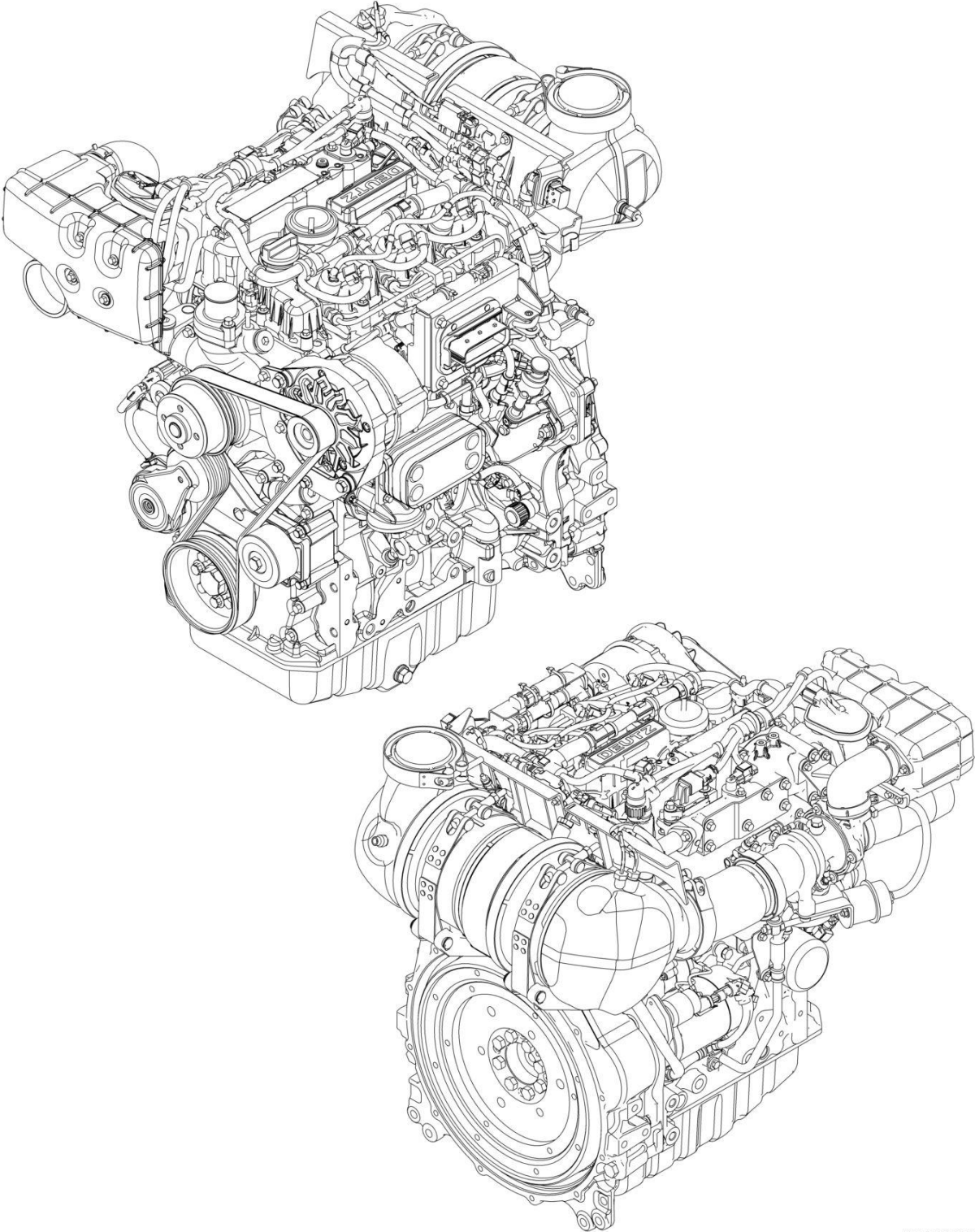
## SECTION 3 - ENGINE

ITEM	PART NUMBER	QTY	DESCRIPTION	REV
98	1001141304	1	Wire, Glow Plug Fuse	
99	1001143907	1	Cable	



**SECTION 3 - ENGINE**

**FIGURE 3-18. DEUTZ TD2.2L3 (STAGE V) ENGINE COMPONENTS**



ART\_1001246012

## SECTION 3 - ENGINE

**FIGURE 3-18. DEUTZ TD2.2L3 (STAGE V) ENGINE COMPONENTS**

ITEM	PART NUMBER	QTY	DESCRIPTION	REV
	1001246012	Ref	DEUTZ ENGINE COMPONENTS	C
		Ref	Note: For complete list of parts, contact JLG Parts Department	
		Ref	Air Intake System Components	
		Ref	Turbocharger	
		Ref	Cooling System Components	
		Ref	Pump, Coolant (Includes Gasket & Seals)	
	70007603	1	Thermostat	
	70005184	1	O-Ring	
	70005931	1	Gasket	
	70025142	1	Cover	
		Ref	Electrical System Components	
	70029512	1	Module, ECU/ECM	
	70006652	1	Generator (Includes Controller, Fan & Hardware)	
	70124507	1	Starter (Includes Solenoid & Relay)	
	70005648	1	Relay, Starter	
	70026210	1	Sender, Tacho-Generator (Speed) (On Rear of Block & Cover) (Includes Seal)	
	70024922	1	Sender, Temperature (Includes Seal) (On Air Intake Manifold)	
	70024507	1	Sensor, Pressure (Includes Seal) (On Air Intake Manifold)	
	70024504	1	Sensor, Pressure (Includes Seal) (On Fuel Filter & Side of Block)	
		Ref	Sensor, Pressure (Includes Seal) (On Exhaust Manifold)	
		Ref	Sensor, Temperature (Includes Seal) (On Exhaust Manifold)	
		Ref	Plug, Glow	
		Ref	Exhaust System Components	
		Ref	Valve, EGR	
	70025130	8	Bolt, Exhaust Manifold	
		Ref	Gasket, Exhaust Manifold	
		Ref	Outlet, Muffler	
		Ref	Muffler	
		Ref	Bracket, Muffler Mounting	
		Ref	Compensator, Exhaust	
		Ref	Fuel System Components	
	70024924	1	Pump, High Pressure	
	70025181	4	Injector (Includes Sealing washer, Clamp & O-Ring)	
	70006144	1	Pump, Fuel Supply (Includes Clamps)	
	70024961	1	Filter, Fuel (Pre-Filter Assembly) (Includes Head, Spin on filter, Sensor Cable & Seal)	
	70025153	1	Filter, Fuel Spin On	
	70024513	1	Sensor Cable (Includes Seal)	
	70025160	1	Filter, Fuel (Assembly) (Includes Head & Spin on Filter)	
	70025161	1	Filter, Fuel Spin On	
	70004508	1	Vol. Control Valve (Includes O-Ring & Gasket)	
		Ref	Lubricating System Components	
	7020465	2	Cap, Oil Fill	
	70005941	2	Plug, Oil Drain	
	70005942	2	Seal, Oil Drain Plug	
		Ref	Pump, Oil (Includes Seal & Gasket)	
	7016331	1	Filter, Oil	
	70123584	1	Cooler, Oil	
		Ref	Dipstick (Includes Seal)	

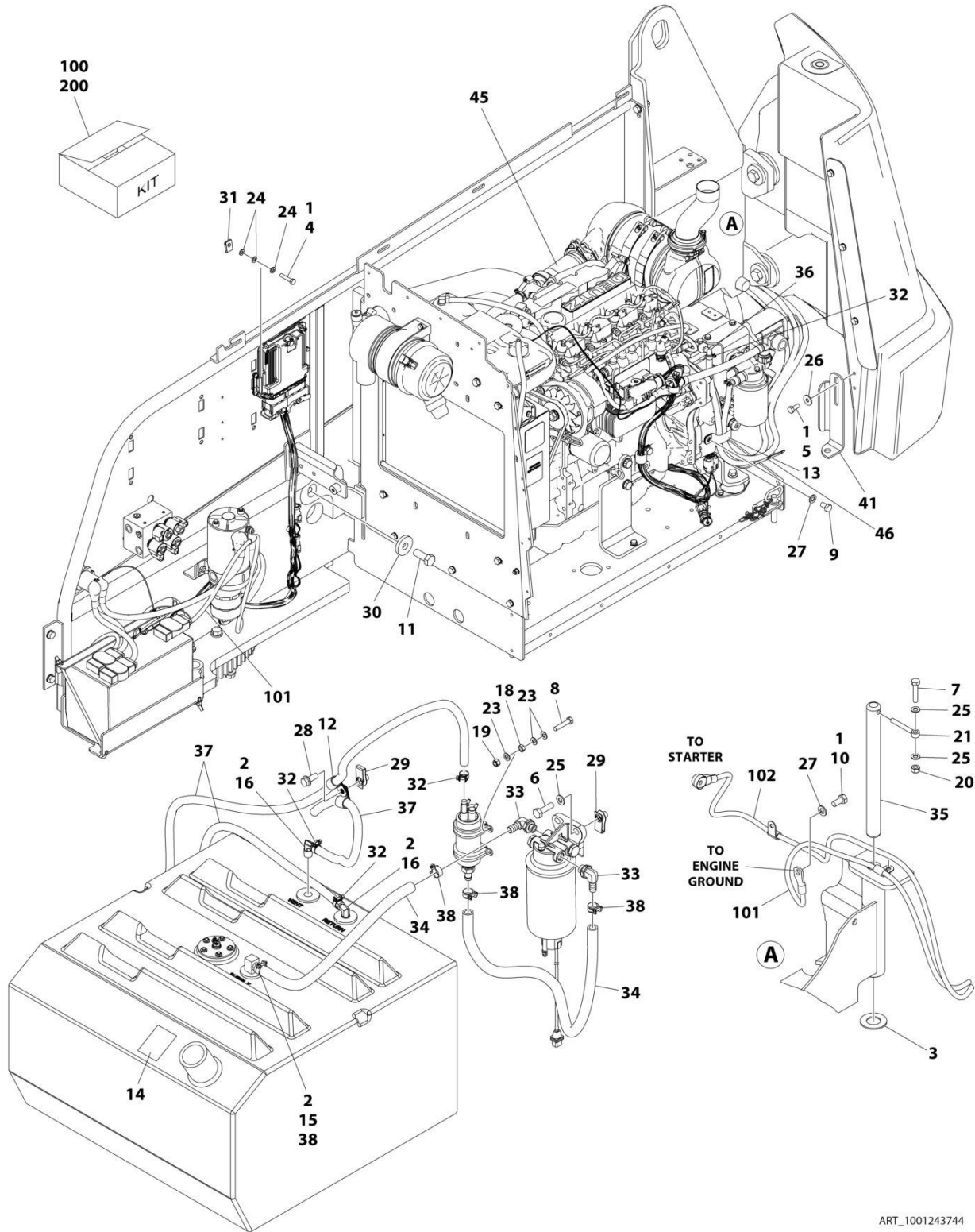
## SECTION 3 - ENGINE

ITEM	PART NUMBER	QTY	DESCRIPTION	REV
		Ref	Mechanical Components	
		Ref	Flywheel (includes Gear)	
	70004277	1	V-Belt	
	70025477	1	Belt Tensioner	



# SECTION 3 - ENGINE

FIGURE 3-19. DEUTZ D 2.9L4 - 49HP ENGINE INSTALLATION - DANFOSS PISTON PUMP (WITHOUT ACTIC PACKAGE) (600S HC3)



ART\_1001243744



## SECTION 3 - ENGINE

**FIGURE 3-19. DEUTZ D 2.9L4 - 49HP ENGINE INSTALLATION - DANFOSS PISTON PUMP (WITHOUT ACTIC PACKAGE) (600S HC3)**

ITEM	PART NUMBER	QTY	DESCRIPTION	REV
	1001243744	Ref	DEUTZ D2.9L4 - 49HP ENGINE INSTALLATION	C
1	0100011	AR	Compound, Locking	
2	0100020	AR	Sealant	
3	0440162	1	Bearing	
4	0700614	4	Bolt M6 x 30	
5	0701012	2	Bolt M10 x 25	
6	0701015	2	Bolt M10 x 35	
7	0711018	1	Bolt M10 x 50	
8	0760512	4	Bolt M5 x 25	
9	0761210	1	Bolt M12 x 20	
10	0771212	1	Bolt M12 x 25	
11	0772018	1	Bolt M20 x 50	
12	1320061	2	Clamp	
13	1001195039	1	Clamp	
14	1701505	1	Decal - Diesel Fuel	
15	2180832	1	Fitting, Straight Barbed	
16	2220313	2	Fitting, 90 NPTF/Barb	
18	3290501	4	Nut M5	
19	3290505	4	Nut M5	
20	3291005	1	Nut M10	
21	3841143	1	Keeper, Pin	
22	4240099	7	Tie-Strap (Not Shown)	
23	4811600	12	Washer M5	
24	4811700	12	Washer M6	
25	4812000	4	Washer M10	
26	4812002	2	Washer M10	
27	4812100	2	Washer M12	
28	5251012	1	Bolt M10 x 25	
29	1001118972	3	Nut, Tinnerman M10	
30	1001119051	1	Washer	
31	1001130220	4	Nut, Tinnerman M6	
32	1001136975	5	Clamp	
33	1001142501	2	Fitting, 90 Barbed	
34	1001154405	34 in/ 86.4cm	Hose	
35	1001155094	1	Pin	
36	1001155823	1	Fitting, 90 Quick Connect	
37	1001165035	27 ft/ 8.3m	Hose	
38	1001175568	4	Clip	
39	1001190444	1	Fuel Pump Harness - Deutz D2.9L4 - 49HP and Deutz TD2.9L4 - 67HP Engines (Not Shown) (See Separate Breakdown in ELECTRICAL Section)	
41	1001196398	1	Bracket	
45	1001243743	1	Deutz D2.9L4 - 49HP Engine and Pump Sub-Assembly (See Separate Breakdown in this Section)	
46	4061032	1	Shield	
100	1001235532	1	Battery Cable Kit	
101	1001188668	1	Cable, Battery (-) to Aux Pump and Ground	
102	1001188669	1	Cable, Battery (+) to Aux Relay to Starter	

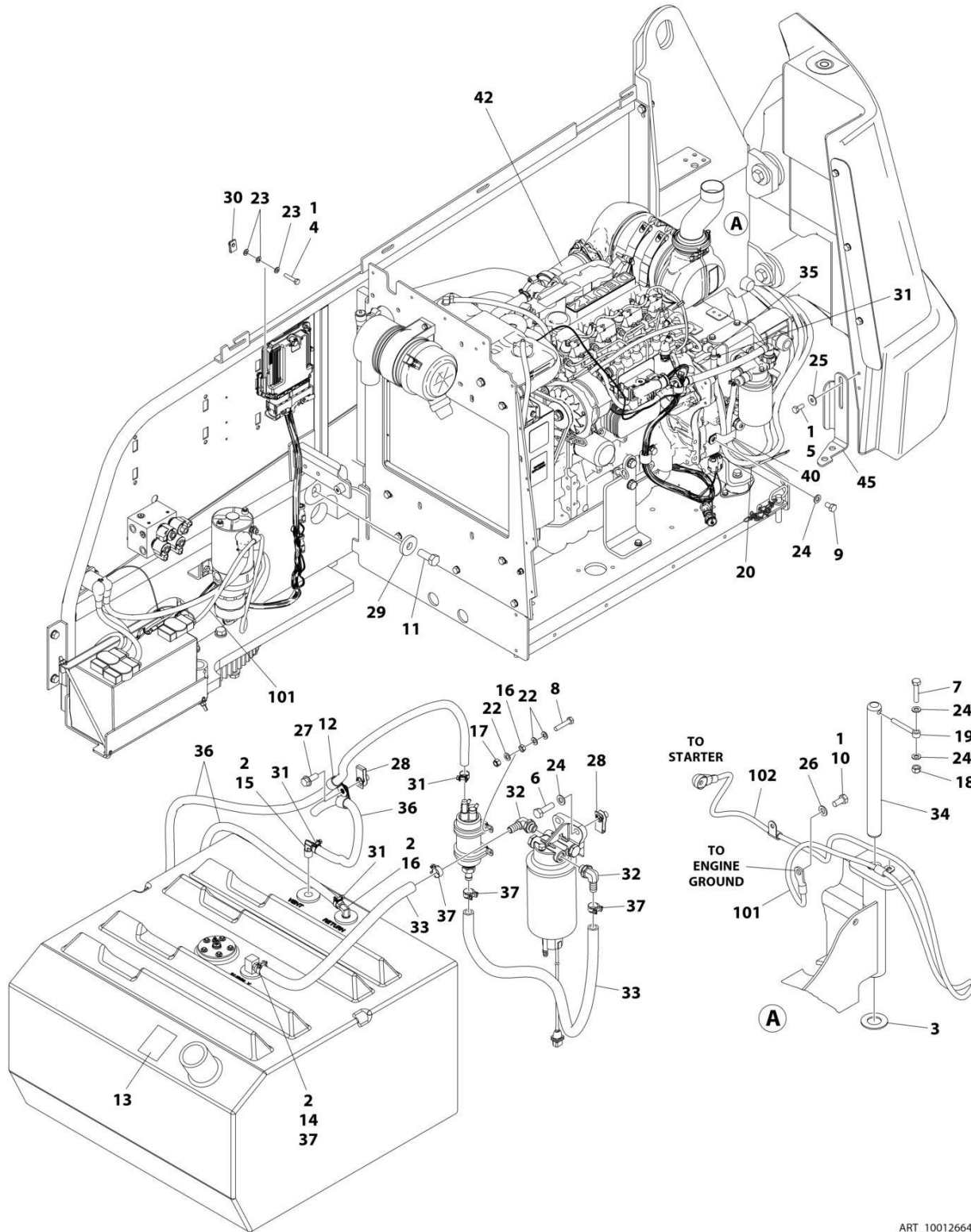
## SECTION 3 - ENGINE

ITEM	PART NUMBER	QTY	DESCRIPTION	REV
200	1001269919	1	Hose Assembly Kit	
201	1001192690	1	Hose (Case Drain) (Drive Pump Case Gauge Port to Tank) (Not Shown)	
202	1001203431	1	Hose (Case Drain) (Drive Pump Case Outlet Port to Tank) (Not Shown)	
203	1001203432	1	Hose (Function Suction) (Not Shown)	
204	1001203433	1	Hose (Drive Suction) (Not Shown)	



# SECTION 3 - ENGINE

## FIGURE 3-20. DEUTZ D 2.9L4 - 49HP ENGINE INSTALLATION - DANFOSS PISTON PUMP (WITHOUT ACTIC PACKAGE) (660SJ HC3)



ART\_1001266441

## SECTION 3 - ENGINE

**FIGURE 3-20. DEUTZ D 2.9L4 - 49HP ENGINE INSTALLATION - DANFOSS PISTON PUMP (WITHOUT ACTIC PACKAGE) (660SJ HC3)**

ITEM	PART NUMBER	QTY	DESCRIPTION	REV
	1001266441	Ref	DEUTZ D2.9L4 - 49HP ENGINE INSTALLATION	B
1	0100011	AR	Compound, Locking	
2	0100020	AR	Sealant	
3	0440162	1	Bearing	
4	0700614	4	Bolt M6 x 30	
5	0701012	2	Bolt M10 x 25	
6	0701015	2	Bolt M10 x 35	
7	0711018	1	Bolt M10 x 50	
8	0760512	4	Bolt M5 x 25	
9	0761210	1	Bolt M12 x 20	
10	0771212	1	Bolt M12 x 25	
11	0772018	1	Bolt M20 x 50	
12	1320061	2	Clamp	
13	1701505	1	Decal - Diesel Fuel	
14	2180832	1	Fitting, Straight Barbed	
15	2220313	2	Fitting, 90 NPTF/Barb	
16	3290501	4	Nut M5	
17	3290505	4	Nut M5	
18	3291005	1	Nut M10	
19	3841143	1	Keeper, Pin	
20	4061032	1	Shield	
21	4240099	7	Tie-Strap (Not Shown)	
22	4811600	12	Washer M5	
23	4811700	12	Washer M6	
24	4812000	4	Washer M10	
25	4812002	2	Washer M10	
26	4812100	2	Washer M12	
27	5251012	1	Bolt M10 x 25	
28	1001118972	3	Nut, Tinnerman M10	
29	1001119051	1	Washer	
30	1001130220	4	Nut, Tinnerman M6	
31	1001136975	5	Clamp	
32	1001142501	2	Fitting, 90 Barbed	
33	1001154405	34 in/ 86.4cm	Hose	
34	1001155094	1	Pin	
35	1001155823	1	Fitting, 90 Quick Connect	
36	1001165035	27 ft/ 8.3m	Hose	
37	1001175568	4	Clip	
38	1001190444	1	Fuel Pump Harness - Deutz D2.9L4 - 49HP and Deutz TD2.9L4 - 67HP Engines (Not Shown) (See Separate Breakdown in ELECTRICAL Section)	
40	1001195039	1	Clamp	
42	1001243743	1	Deutz D2.9L4 - 49HP Engine and Pump Sub-Assembly (See Separate Breakdown in this Section)	
45	1001258175	1	Bracket	
100	1001235532	1	Battery Cable Kit (Includes Items 101 & 102) (Not Shown)	
101	1001188668	1	Cable, Battery (-) to Aux Pump and Ground	
102	1001188669	1	Cable, Battery (+) to Aux Relay to Starter	

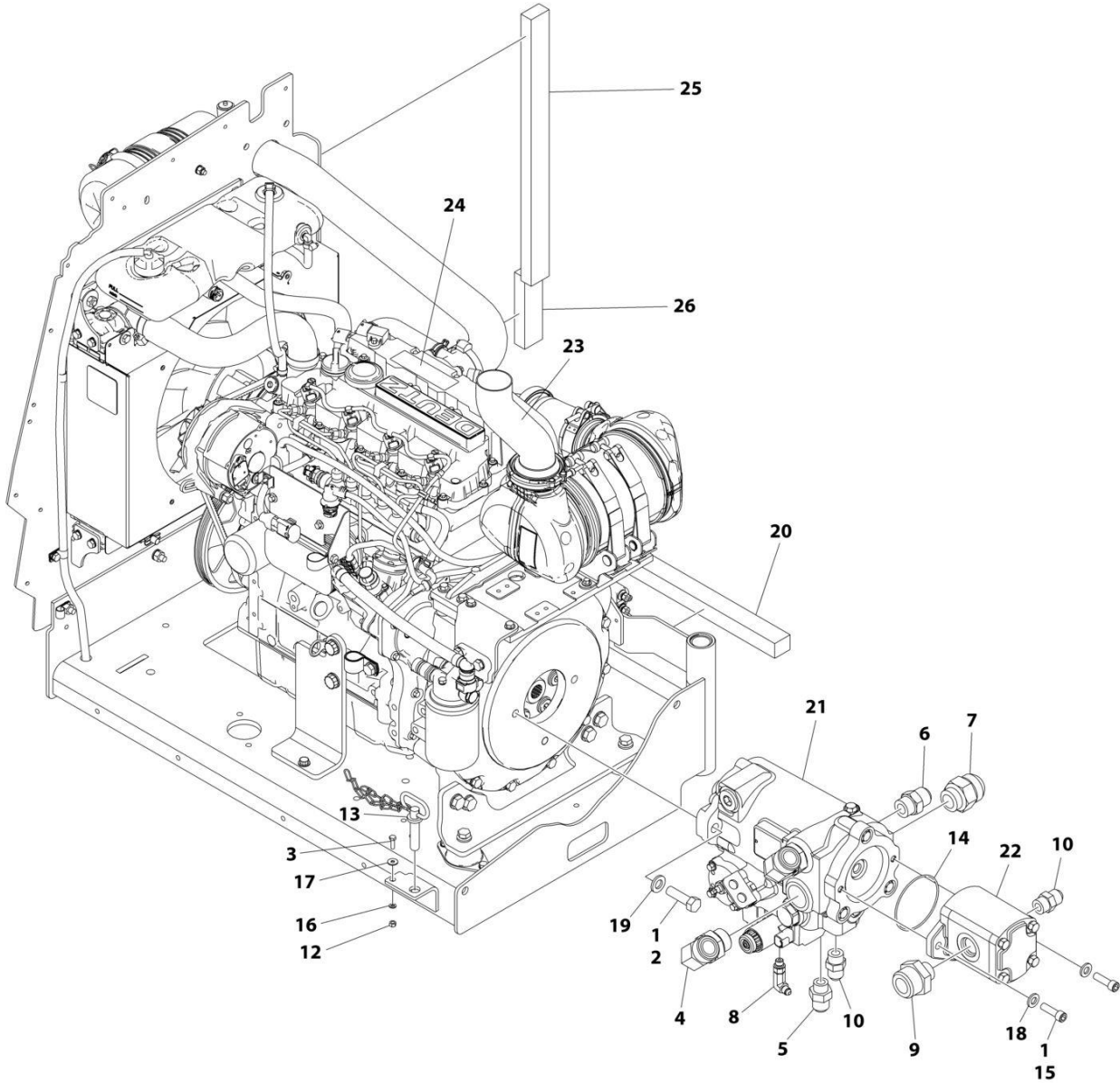
## SECTION 3 - ENGINE

ITEM	PART NUMBER	QTY	DESCRIPTION	REV
200	1001269920	1	Hose Kit (Not Shown)	
201	1001192690	1	Hose (Case Drain) (Drive Pump Case Gauge Port to Tank) (Not Shown)	
202	1001203431	1	Hose (Case Drain) (Drive Pump Case Outlet Port to Tank) (Not Shown)	
203	1001258156	1	Hose (Function Suction) (Not Shown)	
204	1001258157	1	Hose (Drive Suction) (Not Shown)	



# SECTION 3 - ENGINE

## FIGURE 3-21. DEUTZ TD2.9L4 - 49HP ENGINE AND PUMPS SUB-ASSEMBLY - DANFOSS PISTON PUMP (WITHOUT ARCTIC PACKAGE)



ART\_1001243743\_D



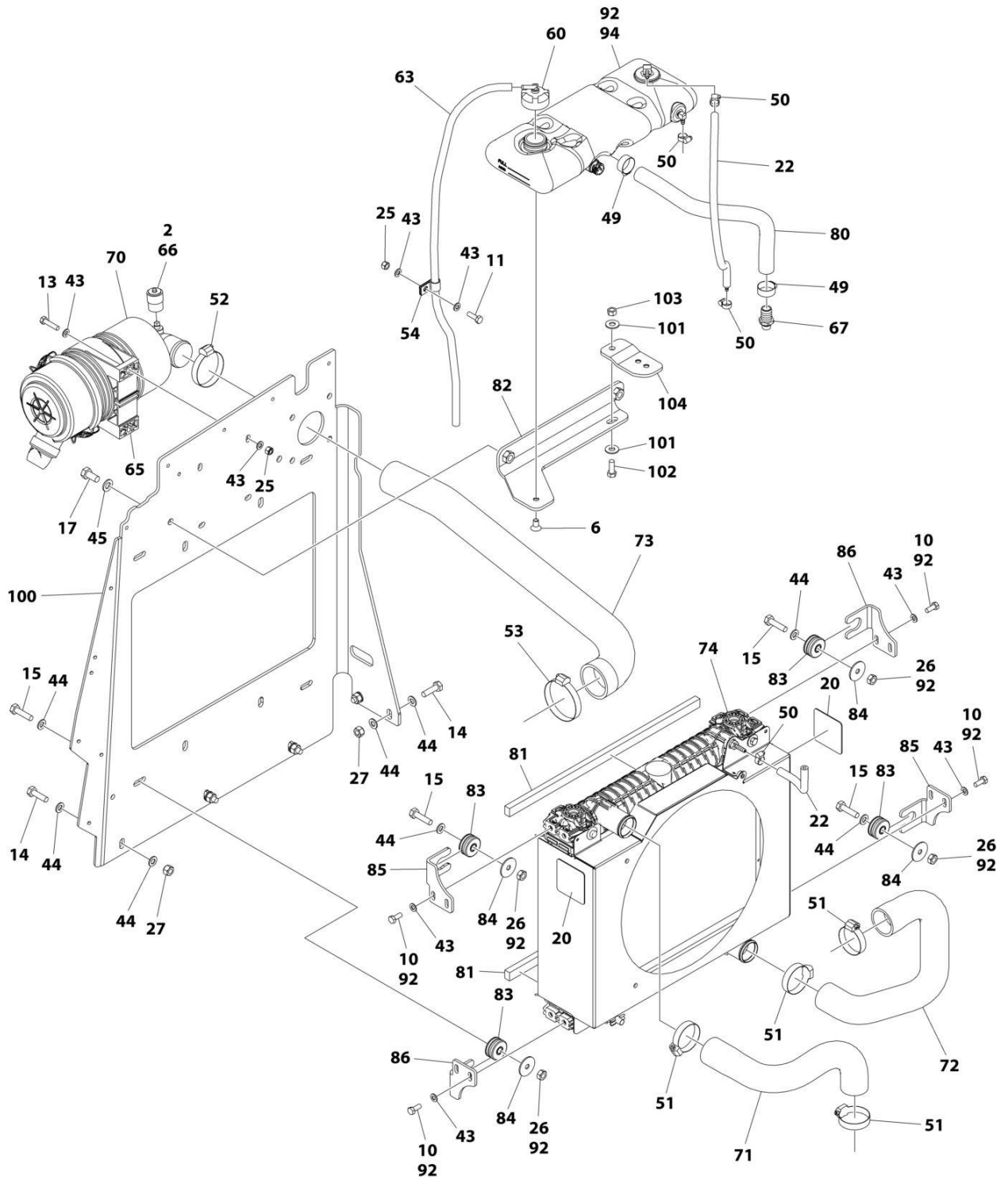
## SECTION 3 - ENGINE

**FIGURE 3-21. DEUTZ TD2.9L4 - 49HP ENGINE AND PUMPS SUB-ASSEMBLY - DANFOSS PISTON PUMP (WITHOUT ARCTIC PACKAGE)**

ITEM	PART NUMBER	QTY	DESCRIPTION	REV
	1001243743	Ref	DEUTZ D2.9L4 – 49HP ENGINE AND PUMPS SUB-ASSEMBLY	D
1	0100011	AR	Compound, Locking	
2	0641814	2	Bolt 1/2 x 1-3/4	
3	0760610	1	Bolt M6 x 20	
4	2131616	2	Fitting, 90 ORFS/ORB	
5	2220408	1	Fitting, Straight JIC/ORB	
6	2220451	1	Fitting, Straight JIC/ORB	
7	2220479	1	Fitting, Straight JIC/ORB	
8	2220940	1	Fitting, 90 JIC/ORB	
9	2220946	1	Fitting, Straight JIC/ORB	
10	2220947	2	Fitting, Straight JIC/ORB	
12	3290605	1	Nut M6	
13	3422532	1	Pin	
14	3790152	1	O-Ring	
15	3931618	2	Capscrew 3/8 x 1-1/8	
16	4811700	1	Washer M6	
17	4811702	1	Washer M6	
18	5241000	2	Washer M10	
19	5241200	2	Washer M12	
20	1001171953	1	Seal	
21	1001184930	1	Piston Pump Assembly (See Separate Breakdown in this Section)	
22	1001190143	1	Gear Pump Assembly	
22	70006356	1	Seal Kit - 1001190143 Pump	
23	1001241366	1	Pipe, Exhaust	
24	1001243742	1	Deutz D2.9L4 – 49HP Engine Assembly (See Separate Breakdown in this Section)	
25	1001254279	1	Seal	
26	1001244508	1	Seal	

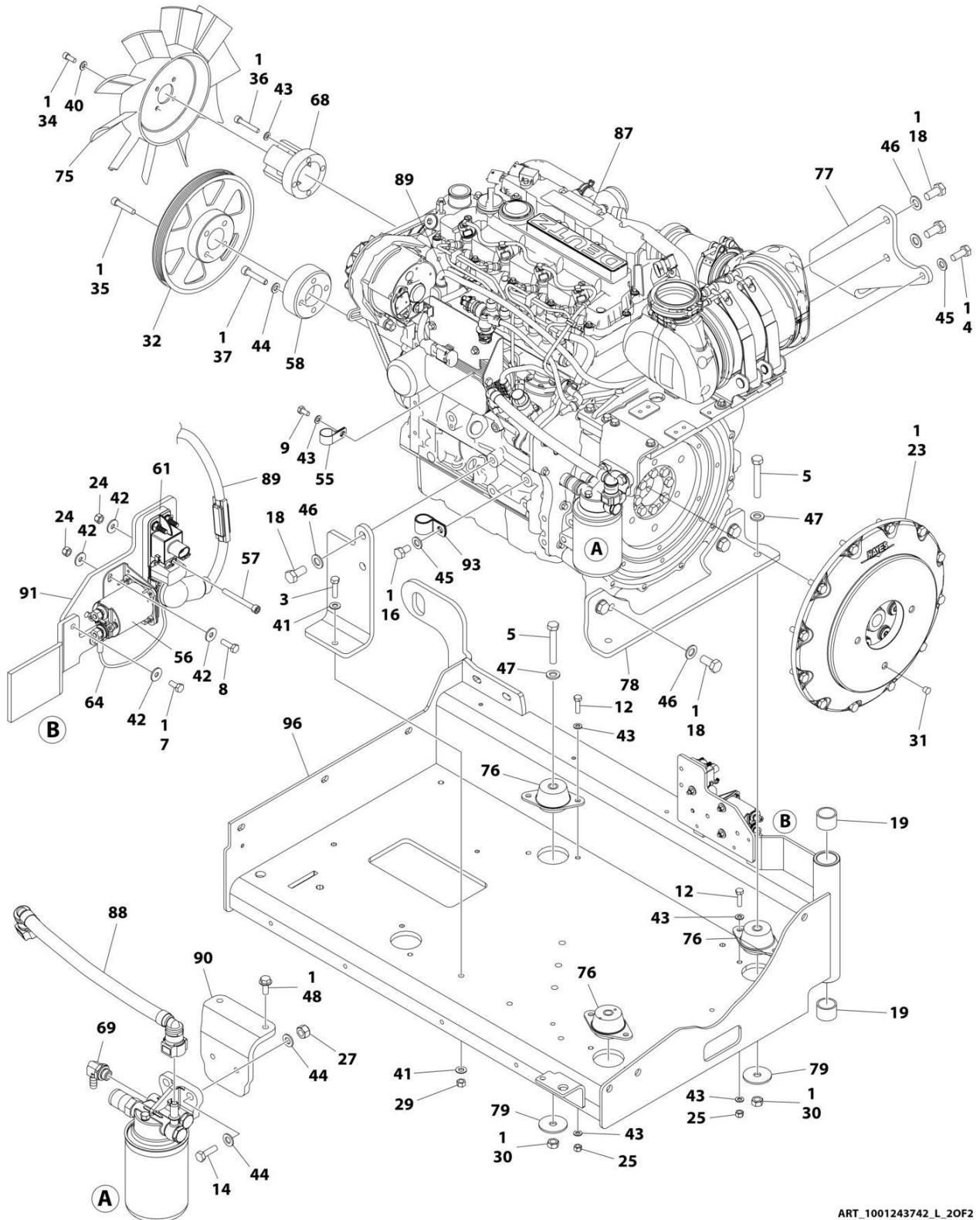
# SECTION 3 - ENGINE

## FIGURE 3-22. DEUTZ TD2.9L4 - 49HP ENGINE ASSEMBLY - WITHOUT ARCTIC PACKAGE



ART\_1001243742\_L\_10F2

# SECTION 3 - ENGINE



ART\_1001243742\_L\_20F2

## SECTION 3 - ENGINE

FIGURE 3-22. DEUTZ TD2.9L4 - 49HP ENGINE ASSEMBLY - WITHOUT ARCTIC PACKAGE

ITEM	PART NUMBER	QTY	DESCRIPTION	REV
	1001243742	Ref	DEUTZ D2.9L4 - 49HP ENGINE ASSEMBLY	L
1	0100011	AR	Compound, Locking	
2	0100020	AR	Sealant	
3	0641611	1	Bolt 3/8 x 1-3/8	
4	0711214	1	Bolt M12 x 30	
5	0711224	3	Bolt M12 x 80	
6	0741606	2	Screw 3/8 x 7/8	
7	0760607	3	Bolt M6 x 14	
8	0760610	2	Bolt M6 x 20	
9	0760808	1	Bolt M8 x 16	
10	0760810	8	Bolt M8 x 20	
11	0760812	1	Bolt M8 x 25	
12	0760814	AR	Bolt M8 x 30	
13	0760815	2	Bolt M8 x 35	
14	0761015	7	Bolt M10 x 35	
15	0761016	4	Bolt M10 x 40	
16	0761210	1	Bolt M12 x 20	
17	0761212	2	Bolt M12 x 25	
18	0771414	8	Bolt M14 x 30	
19	0961951	2	Bushing	
20	1703162	2	Decal - Fan Blade	
22	2720015	AR	Hose	
23	2902065	1	Pump Coupling Kit (See Separate Breakdown in this Section)	
24	3290605	3	Nut M6	
25	3290805	9	Nut M8	
26	3291001	4	Nut M10	
27	3291005	7	Nut M10	
29	3311601	1	Nut 3/8	
30	3331211	1	Nut M12	
31	3520054	1	Plug	
32	3580320	1	Pulley	
34	3931512	4	Capscrew 5/16 x 3/4	
35	3931628	4	Capscrew 3/8 x 1-3/4	
36	4031914	4	Capscrew M8 x 50	
37	4032014	4	Capscrew M10 x 50	
38	4240099	AR	Tie-Strap (Not Shown)	
40	4711500	4	Washer 5/16	
41	4711600	2	Washer 3/8	
42	4811702	8	Washer M6	
43	4811900	31	Washer M8	
44	4812000	22	Washer M10	
45	4812100	4	Washer M12	
46	4812200	8	Washer M14	
47	5241200	3	Washer M12	
48	5250810	2	Bolt M8 x 20	
49	8405007	2	Clamp	
50	8405009	4	Clamp	
51	8405104	4	Clamp	
52	8405202	1	Clamp	
53	8405204	1	Clamp	

## SECTION 3 - ENGINE

ITEM	PART NUMBER	QTY	DESCRIPTION	REV
54	8406109	1	Clip	
55	8406201	1	Clip	
56	1001117308	1	Contactora	
57	1001118878	1	Bolt M6 x 55	
58	1001135679	1	Adapter	
60	1001136834	1	Cap, Tank	
61	1001138228	1	Relay	
63	1001138248	3.5 ft/ 1.067m	Tube	
64	1001141304	1	Harness, Glow Fuse	
65	1001141694	1	Clamp	
66	1001143390	1	Indicator, Air Filter Service	
67	1001143797	1	Fitting, Straight Barbed	
68	1001144116	1	Adapter	
69	1001152489	1	Fitting, 90 Barbed	
70	1001165388	1	Filter, Air Cleaner	
70	70003783	1	Element, Filter	
71	1001165405	1	Hose, Radiator (Top)	
72	1001165406	1	Hose, Radiator (Bottom)	
73	1001165721	1	Hose	
74	1001165722	1	Radiator	
75	1001165849	1	Fan	
76	1001166718	3	Isolator	
77	1001166921	1	Bracket, Engine - Right	
78	1001166924	1	Bracket, Engine - Rear	
79	1001168018	3	Washer	
80	1001168099	1	Hose	
81	1001168166	2	Seal	
82	1001260420	1	Bracket	
83	1001169054	4	Isolator	
84	1001169138	4	Pad, Snubbing	
85	1001169967	2	Bracket	
86	1001170035	2	Bracket	
87	1001249965	1	Deutz D2.9L4-49HP Engine (See Separate Breakdown in this Section)	
88	1001177359	1	Hose	
89	1001178788	1	Cable, Alternator Power	
90	1001178876	1	Mount, Fuel Filter	
91	1001179903	1	Bracket	
92	1001180620	AR	Adhesive	
93	1001191620	1	Clamp	
94	1001230635	1	Tank, Surge	
94	1001134488	1	Fitting, 90 Barbed	
94	1001138827	1	Sensor, Coolant Level	
94	1001140564	1	Fitting, 90 Barbed	
95	1001233895	1	Engine Harness - Deutz D2.9L4 - 49HP and Deutz TD2.9L4 - 67HP Engines (Not Shown) (See Separate Breakdown in ELECTRICAL Section)	
96	1001243656	1	Support, Engine Tray	
100	1001243850	1	Support, Radiator	
101	4751600	2	Washer 3/8	
102	0681608	1	Bolt 3/8 x 1	

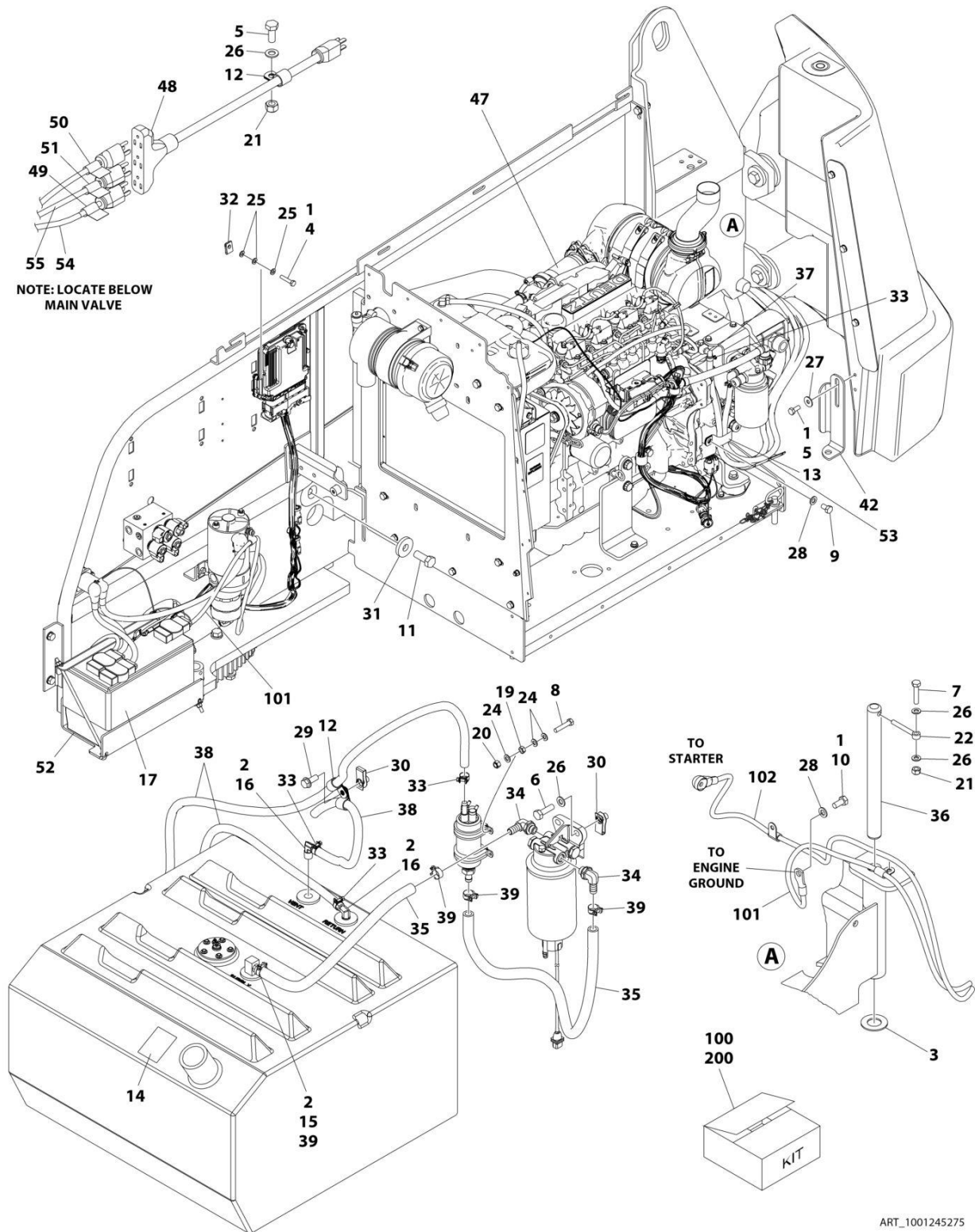
## SECTION 3 - ENGINE

ITEM	PART NUMBER	QTY	DESCRIPTION	REV
103	3311605	1	Nut 3/8	
104	1001260412	1	Bracket	



# SECTION 3 - ENGINE

**FIGURE 3-23. DEUTZ D 2.9L4 - 49HP ENGINE INSTALLATION - DANFOSS PISTON PUMP (WITH ARCTIC PACKAGE) (600S HC3)**



ART\_1001245275



## SECTION 3 - ENGINE

**FIGURE 3-23. DEUTZ D 2.9L4 - 49HP ENGINE INSTALLATION - DANFOSS PISTON PUMP (WITH ARCTIC PACKAGE) (600S HC3)**

ITEM	PART NUMBER	QTY	DESCRIPTION	REV
	1001245275	Ref	DEUTZ D2.9L4 - 49HP ENGINE INSTALLATION	C
1	0100011	AR	Compound, Locking	
2	0100020	AR	Sealant	
3	0440162	1	Bearing	
4	0700614	4	Bolt M6 x 30	
5	0701012	3	Bolt M10 x 25	
6	0701015	2	Bolt M10 x 35	
7	0711018	1	Bolt M10 x 50	
8	0760512	4	Bolt M5 x 25	
9	0761210	1	Bolt M12 x 20	
10	0771212	1	Bolt M12 x 25	
11	0772018	1	Bolt M20 x 50	
12	1320061	3	Clamp	
13	1001195039	1	Clamp	
14	1701505	1	Decal - Diesel Fuel	
15	2180832	1	Fitting, Straight Barbed	
16	2220313	2	Fitting, 90 NPTF/Barb	
17	2580024	1	Heater, Battery	
19	3290501	4	Nut M5	
20	3290505	4	Nut M5	
21	3291005	2	Nut M10	
22	3841143	1	Keeper, Pin	
23	4240099	7	Tie-Strap (Not Shown)	
24	4811600	12	Washer M5	
25	4811700	12	Washer M6	
26	4812000	5	Washer M10	
27	4812002	2	Washer M10	
28	4812100	2	Washer M12	
29	5251012	1	Bolt M10 x 25	
30	1001118972	3	Nut, Tinnerman M10	
31	1001119051	1	Washer	
32	1001130220	4	Nut, Tinnerman M6	
33	1001136975	5	Clamp	
34	1001142501	2	Fitting, 90 Barbed	
35	1001154405	34 in/ 86.36cm	Hose	
36	1001155094	1	Pin	
37	1001155823	1	Fitting, 90 Quick Connect	
38	1001165035	27 ft/ 8.23m	Hose	
39	1001175568	4	Clip	
40	1001190444	1	Fuel Pump Harness - Deutz D2.9L4 – 49HP and Deutz TD2.9L4 – 67HP Engines (Not Shown) (See Separate Breakdown in ELECTRICAL Section)	
42	1001196398	1	Bracket	
46	1001233763	1	Deutz Breather Heater Installation (Not Shown) (See Separate Breakdown in this Section)	
46	4240099	AR	Tie-Strap	
46	1001196634	1	Fuse 2amp	
46	1001232842	1	Heater, Deutz Breather Kit	

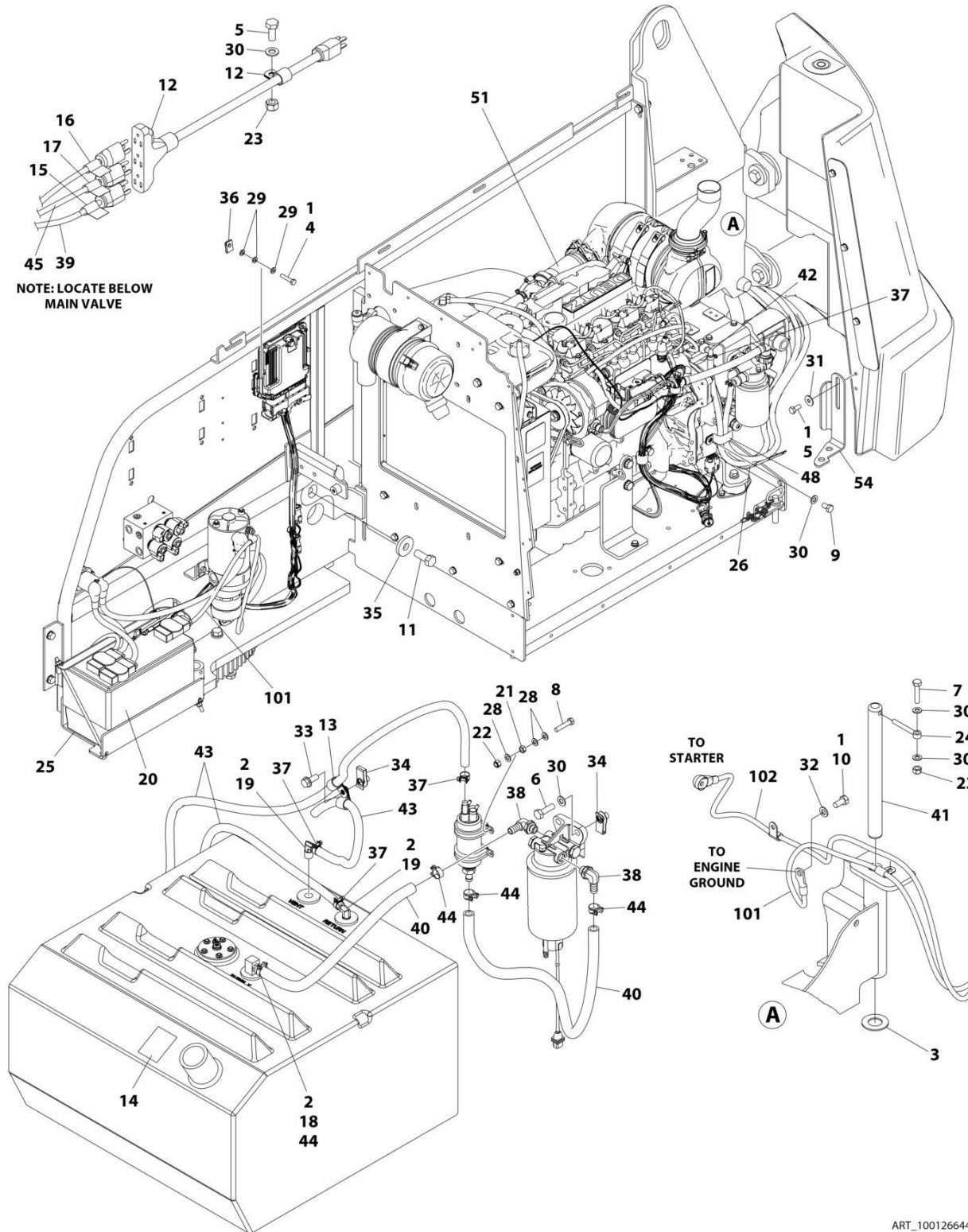
## SECTION 3 - ENGINE

ITEM	PART NUMBER	QTY	DESCRIPTION	REV
46	2400060	1	Fuse, Holder	
47	1001245274	1	Deutz D2.9L4 – 49HP Engine and Pump Sub-Assembly (See Separate Breakdown in this Section)	
48	1060626	1	Plug, 3 Way	
49	1702941	1	Decal - Battery Heater	
50	1702942	1	Decal - Engine Block Heater	
51	1702943	1	Decal - Hydraulic Tank Heater	
52	3980007	1	Seat, Battery	
53	4061032	1	Shield	
54	1001150918	1	Cable, Extension	
55	1001188972	1	Heater, Immersion	
100	1001235532	1	Battery Cable Kit	
101	1001188668	1	Cable, Battery (-) to Aux Pump and Ground	
102	1001188669	1	Cable, Battery (+) to Aux Relay to Starter	
200	1001269919	1	Hose Assembly Kit	
201	1001192690	1	Hose (Case Drain) (Drive Pump Case Gauge Port to Tank) (Not Shown)	
202	1001203431	1	Hose (Case Drain) (Drive Pump Case Outlet Port to Tank) (Not Shown)	
203	1001203432	1	Hose (Function Suction) (Not Shown)	
204	1001203433	1	Hose (Drive Suction) (Not Shown)	



# SECTION 3 - ENGINE

**FIGURE 3-24. DEUTZ D 2.9L4 - 49HP ENGINE INSTALLATION - DANFOSS PISTON PUMP (WITH ARCTIC PACKAGE) (660SJ HC3)**



ART\_1001266442

## SECTION 3 - ENGINE

**FIGURE 3-24. DEUTZ D 2.9L4 - 49HP ENGINE INSTALLATION - DANFOSS PISTON PUMP (WITH ARCTIC PACKAGE) (660SJ HC3)**

ITEM	PART NUMBER	QTY	DESCRIPTION	REV
	1001266442	Ref	DEUTZ D2.9L4 – 49HP ENGINE INSTALLATION	A
1	0100011	AR	Compound, Locking	
2	0100020	AR	Sealant	
3	0440162	1	Bearing	
4	0700614	4	Bolt M6 x 30	
5	0701012	3	Bolt M10 x 25	
6	0701015	2	Bolt M10 x 35	
7	0711018	1	Bolt M10 x 50	
8	0760512	4	Bolt M5 x 25	
9	0761210	1	Bolt M12 x 20	
10	0771212	1	Bolt M12 x 25	
11	0772018	1	Bolt M20 x 50	
12	1060626	1	Plug, 3 Way	
13	1320061	3	Clamp	
14	1701505	1	Decal - Diesel Fuel	
15	1702941	1	Decal - Battery Heater	
16	1702942	1	Decal - Engine Block Heater	
17	1702943	1	Decal - Hydraulic Tank Heater	
18	2180832	1	Fitting, Straight Barbed	
19	2220313	2	Fitting, 90 NPTF/Barb	
20	2580024	1	Heater, Battery	
21	3290501	4	Nut M5	
22	3290505	4	Nut M5	
23	3291005	2	Nut M10	
24	3841143	1	Keeper, Pin	
25	3980007	1	Seat, Battery	
26	4061032	1	Shield	
27	4240099	6	Tie-Strap (Not Shown)	
28	4811600	12	Washer M5	
29	4811700	12	Washer M6	
30	4812000	5	Washer M10	
31	4812002	2	Washer M10	
32	4812100	2	Washer M12	
33	5251012	1	Bolt M10 x 25	
34	1001118972	3	Nut, Tinnerman M10	
35	1001119051	1	Washer	
36	1001130220	4	Nut, Tinnerman M6	
37	1001136975	5	Clamp	
38	1001142501	2	Fitting, 90 Barbed	
39	1001150918	1	Cable, Extension	
40	1001154405	34 in/ 86.36cm	Hose	
41	1001155094	1	Pin	
42	1001155823	1	Fitting, 90 Quick Connect	
43	1001165035	27 ft/ 8.23m	Hose	
44	1001175568	4	Clip	
45	1001188972	1	Heater, Immersion	

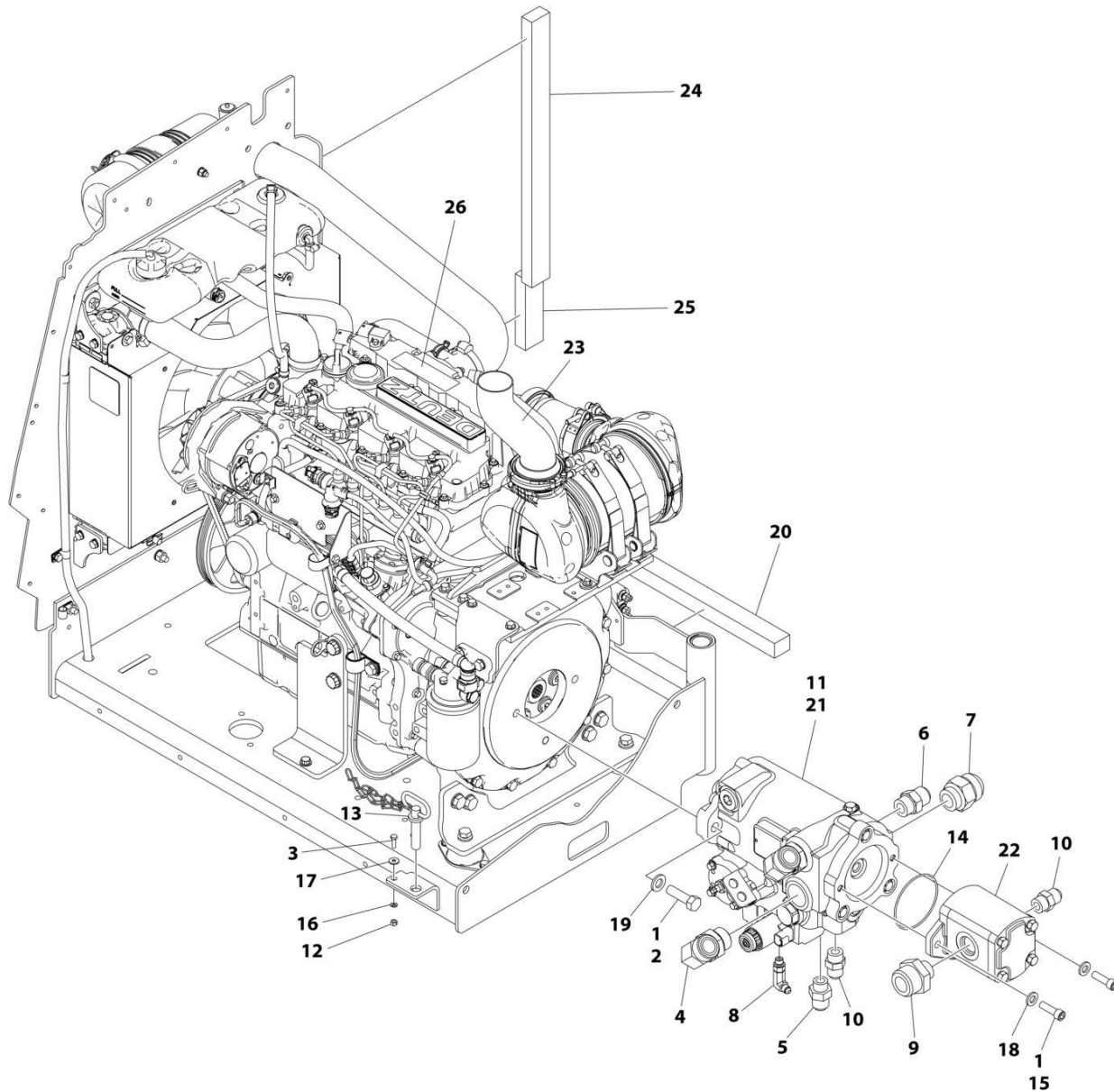
## SECTION 3 - ENGINE

ITEM	PART NUMBER	QTY	DESCRIPTION	REV
46	1001190444	1	Fuel Pump Harness - Deutz D2.9L4 – 49HP and Deutz TD2.9L4 – 67HP Engines (Not Shown) (See Separate Breakdown in ELECTRICAL Section)	
47	1001192690	1	Hose (Case Drain) (Drive Pump Case Gauge Port to Tank) (Not Shown)	
48	1001195039	1	Clamp	
49	1001203431	1	Hose (Case Drain) (Drive Pump Case Outlet Port to Tank) (Not Shown)	
50	1001233763	1	Deutz Breather Heater Installation (Not Shown) (See Separate Breakdown in this Section)	
51	1001245274	1	Deutz D2.9L4 - 49HP Engine and Pump Sub-Assembly (See Separate Breakdown in this Section)	
52	1001258156	1	Hose (Function Suction) (Not Shown)	
53	1001258157	1	Hose (Drive Suction) (Not Shown)	
54	1001258175	1	Bracket	
100	1001235532	1	Battery Cable Kit (Includes Items 101 & 102) (Not Shown)	
101	1001188668	1	Cable, Battery (-) to Aux Pump and Ground	
102	1001188669	1	Cable, Battery (+) to Aux Relay to Starter	



# SECTION 3 - ENGINE

## FIGURE 3-25. DEUTZ TD2.9L4 - 49HP ENGINE AND PUMPS SUB-ASSEMBLY - DANFOSS PISTON PUMP (WITH ARCTIC PACKAGE)



ART\_1001245274\_C



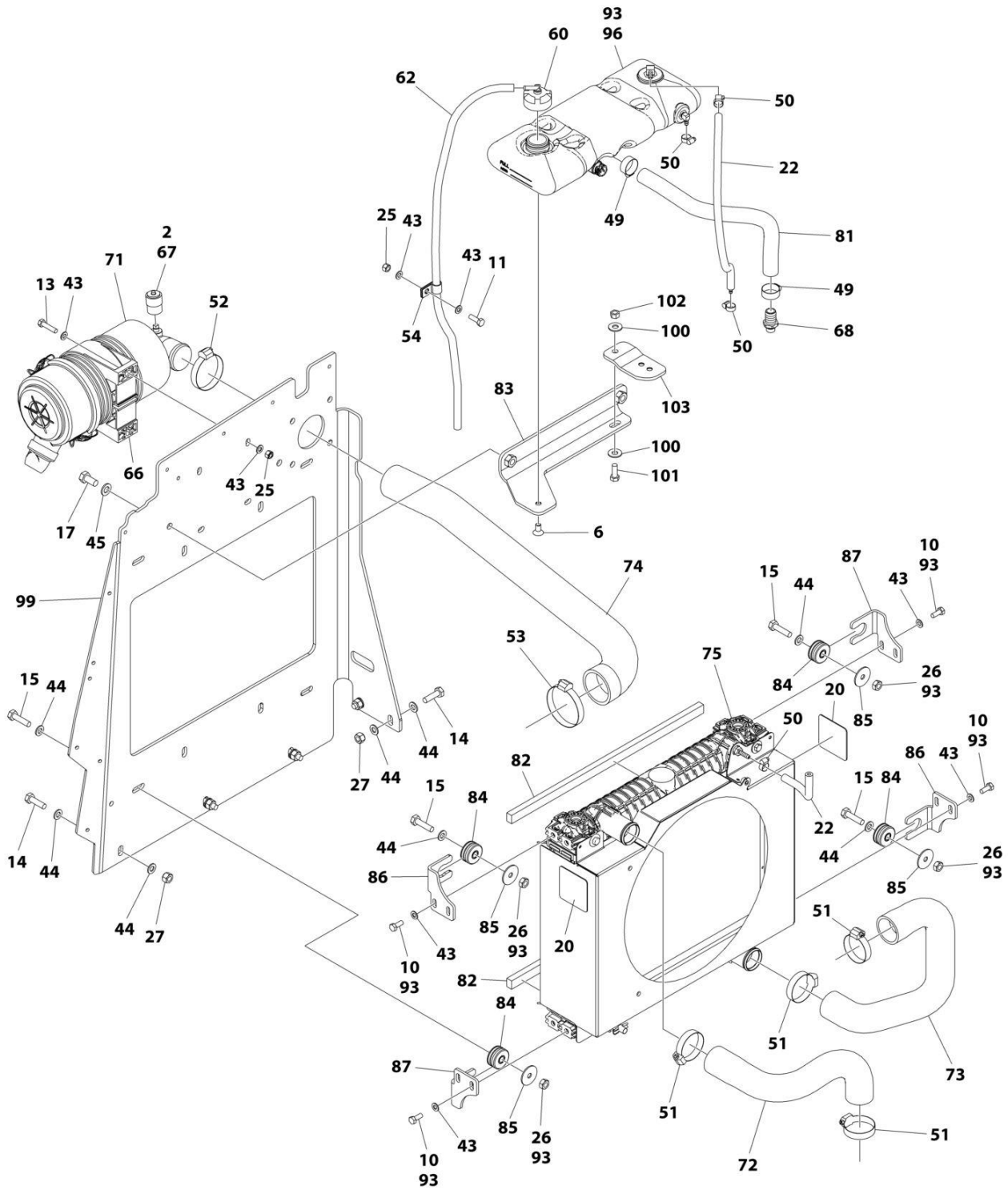
## SECTION 3 - ENGINE

**FIGURE 3-25. DEUTZ TD2.9L4 - 49HP ENGINE AND PUMPS SUB-ASSEMBLY - DANFOSS PISTON PUMP (WITH ARCTIC PACKAGE)**

ITEM	PART NUMBER	QTY	DESCRIPTION	REV
	1001245274	Ref	DEUTZ D2.9L4 – 49HP ENGINE AND PUMPS SUB-ASSEMBLY	C
1	0100011	AR	Compound, Locking	
2	0641814	2	Bolt 1/2 x 1-3/4	
3	0760610	1	Bolt M6 x 20	
4	2131616	2	Fitting, 90 ORFS/ORB	
5	2220408	1	Fitting, Straight JIC/ORB	
6	2220451	1	Fitting, Straight JIC/ORB	
7	2220479	1	Fitting, Straight JIC/ORB	
8	2220940	1	Fitting, 90 JIC/ORB	
9	2220946	1	Fitting, Straight JIC/ORB	
10	2220947	2	Fitting, Straight JIC/ORB	
11	3020037	AR	Lube, Coupling Grease	
12	3290605	1	Nut M6	
13	3422532	1	Pin	
14	3790152	1	O-Ring	
15	3931618	2	Capscrew 3/8 x 1-1/8	
16	4811700	1	Washer M6	
17	4811702	1	Washer M6	
18	5241000	2	Washer M10	
19	5241200	2	Washer M12	
20	1001171953	1	Seal	
21	1001184930	1	Piston Pump Assembly (See Separate Breakdown in this Section)	
22	1001190143	1	Gear Pump Assembly	
22	70006356	1	Seal Kit - 1001190143 Pump	
23	1001241366	1	Pipe, Exhaust	
24	1001254279	1	Seal	
25	1001244508	1	Seal	
26	1001245257	1	Deutz D2.9L4 – 49HP Engine Assembly (See Separate Breakdown in this Section)	

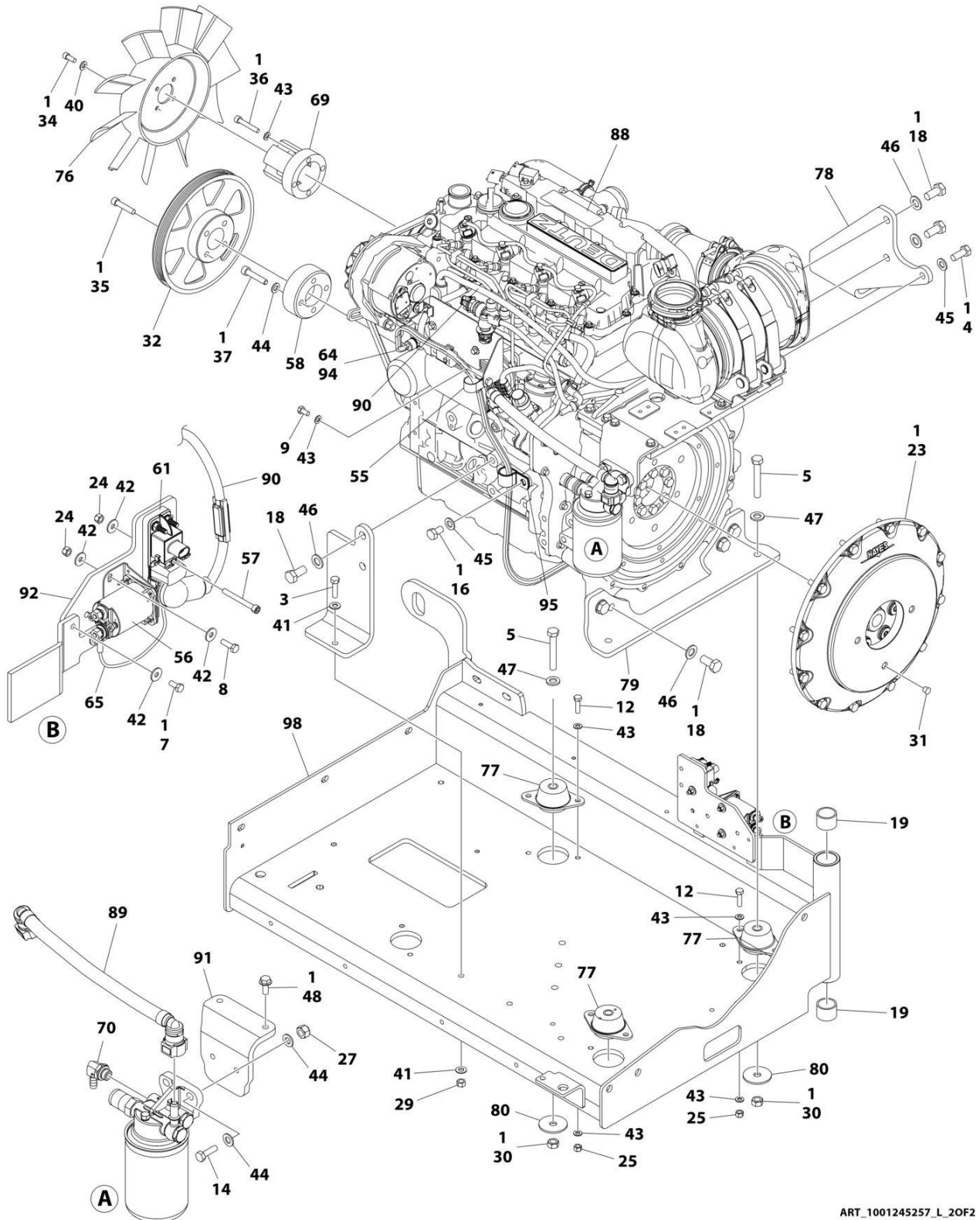
# SECTION 3 - ENGINE

## FIGURE 3-26. DEUTZ TD2.9L4 - 49HP ENGINE ASSEMBLY - WITH ARCTIC PACKAGE



ART\_1001245257\_L\_10F2

# SECTION 3 - ENGINE



ART\_1001245257\_L\_20F2

## SECTION 3 - ENGINE

FIGURE 3-26. DEUTZ TD2.9L4 - 49HP ENGINE ASSEMBLY - WITH ARCTIC PACKAGE

ITEM	PART NUMBER	QTY	DESCRIPTION	REV
	1001245257	Ref	DEUTZ D2.9L4 - 49HP ENGINE ASSEMBLY	L
1	0100011	AR	Compound, Locking	
2	0100020	AR	Sealant	
3	0641611	1	Bolt 3/8 x 1-3/8	
4	0711214	1	Bolt M12 x 30	
5	0711224	3	Bolt M12 x 80	
6	0741606	2	Screw 3/8 x 7/8	
7	0760607	3	Bolt M6 x 14	
8	0760610	2	Bolt M6 x 20	
9	0760808	1	Bolt M8 x 16	
10	0760810	8	Bolt M8 x 20	
11	0760812	1	Bolt M8 x 25	
12	0760814	AR	Bolt M8 x 30	
13	0760815	2	Bolt M8 x 35	
14	0761015	7	Bolt M10 x 35	
15	0761016	4	Bolt M10 x 40	
16	0761210	1	Bolt M12 x 20	
17	0761212	2	Bolt M12 x 25	
18	0771414	8	Bolt M14 x 30	
19	0961951	2	Bushing	
20	1703162	2	Decal - Fan Blade	
22	2720015	AR	Hose	
23	2902065	1	Pump Coupling Kit (See Separate Breakdown in this Section)	
24	3290605	3	Nut M6	
25	3290805	9	Nut M8	
26	3291001	4	Nut M10	
27	3291005	7	Nut M10	
29	3311601	1	Nut 3/8	
30	3331211	1	Nut M12	
31	3520054	1	Plug	
32	3580320	1	Pulley	
34	3931512	4	Capscrew 5/16 x 3/4	
35	3931628	4	Capscrew 3/8 x 1-3/4	
36	4031914	4	Capscrew M8 x 50	
37	4032014	4	Capscrew M10 x 50	
38	4240099	AR	Tie-Strap (Not Shown)	
40	4711500	4	Washer 5/16	
41	4711600	2	Washer 3/8	
42	4811702	8	Washer M6	
43	4811900	31	Washer M8	
44	4812000	22	Washer M10	
45	4812100	4	Washer M12	
46	4812200	8	Washer M14	
47	5241200	3	Washer M12	
48	5250810	2	Bolt M8 x 20	
49	8405007	2	Clamp	
50	8405009	4	Clamp	
51	8405104	4	Clamp	
52	8405202	1	Clamp	
53	8405204	1	Clamp	

## SECTION 3 - ENGINE

ITEM	PART NUMBER	QTY	DESCRIPTION	REV
54	8406109	1	Clip	
55	8406201	1	Clip	
56	1001117308	1	Contactora	
57	1001118878	1	Bolt M6 x 55	
58	1001135679	1	Adapter	
60	1001136834	1	Cap, Tank	
61	1001138228	1	Relay	
62	1001138248	3.5 ft/ 1.067m	Tube	
64	1001140312	1	Heater, Engine Block	
65	1001141304	1	Harness, Glow Fuse	
66	1001141694	1	Clamp	
67	1001143390	1	Indicator, Air Filter Service	
68	1001143797	1	Fitting, Straight Barbed	
69	1001144116	1	Adapter	
70	1001152489	1	Fitting, 90 Barbed	
71	1001165388	1	Filter, Air Cleaner	
71	70003783	1	Element, Filter	
72	1001165405	1	Hose, Radiator (Top)	
73	1001165406	1	Hose, Radiator (Bottom)	
74	1001165721	1	Hose	
75	1001165722	1	Radiator	
76	1001165849	1	Fan	
77	1001166718	3	Isolator	
78	1001166921	1	Bracket, Engine - Right	
79	1001166924	1	Bracket, Engine - Rear	
80	1001168018	3	Washer	
81	1001168099	1	Hose	
82	1001168166	2	Seal	
83	1001260420	1	Bracket	
84	1001169054	4	Isolator	
85	1001169138	4	Pad, Snubbing	
86	1001169967	2	Bracket	
87	1001170035	2	Bracket	
88	1001249965	1	Deutz D2.9L4 - 49HP Engine (See Separate Breakdown in this Section)	
89	1001177359	1	Hose	
90	1001178788	1	Cable, Alternator Power	
91	1001178876	1	Mount, Fuel Filter	
92	1001179903	1	Bracket	
93	1001180620	AR	Adhesive	
94	1001181895	AR	Adhesive	
95	1001191620	1	Clamp	
96	1001230635	1	Tank, Surge	
96	1001134488	1	Fitting, 90 Barbed (Part of Item 58)	
96	1001138827	1	Sensor, Coolant Level (Part of Item 58)	
96	1001140564	1	Fitting, 90 Barbed	
97	1001233895	1	Engine Harness - Deutz D2.9L4 - 49HP and Deutz TD2.9L4 - 67HP Engines (Not Shown) (See Separate Breakdown in ELECTRICAL Section)	
98	1001243656	1	Support, Engine Tray	
99	1001243850	1	Support, Radiator	

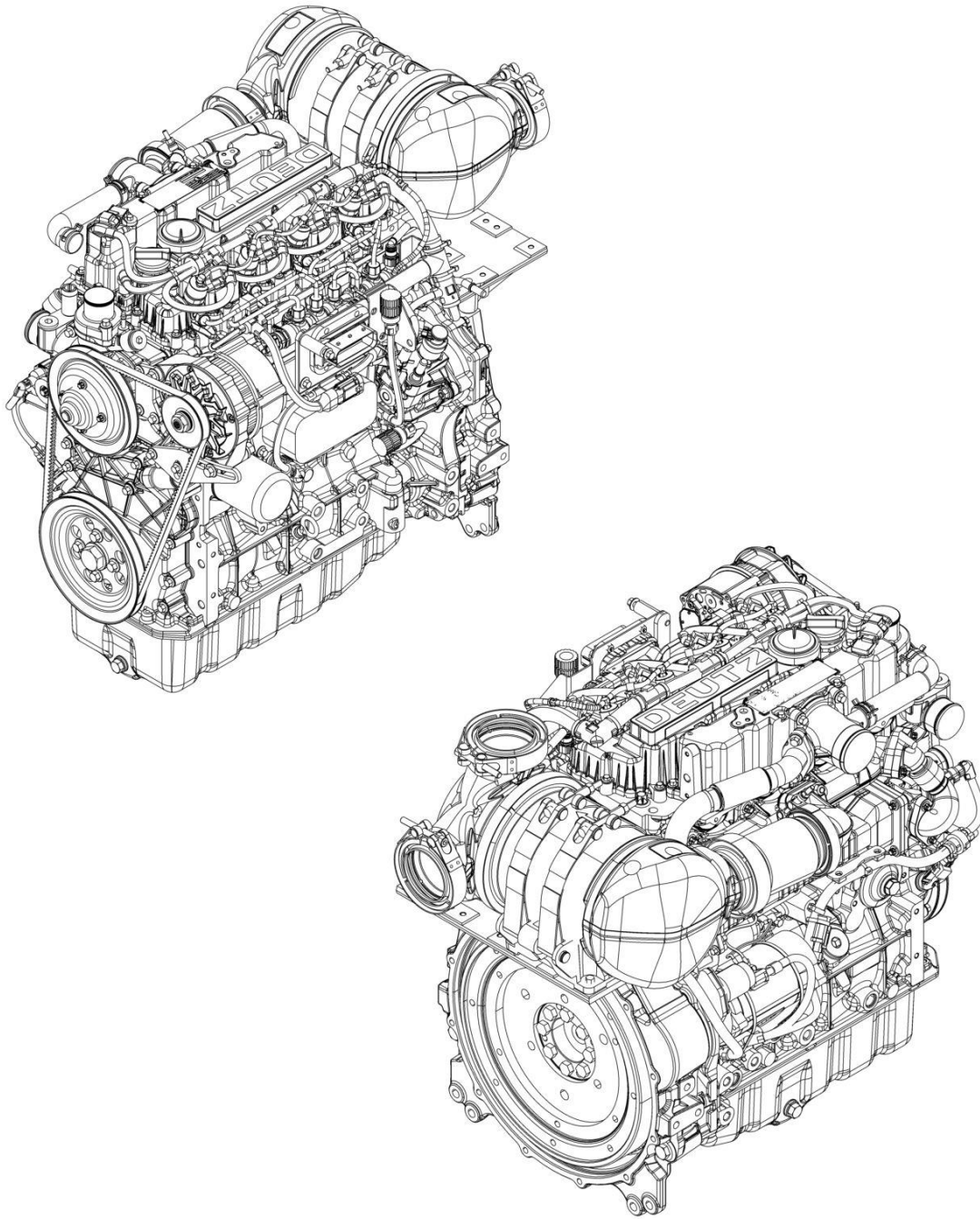
## SECTION 3 - ENGINE

ITEM	PART NUMBER	QTY	DESCRIPTION	REV
100	4751600	2	Washer 3/8	
101	0681608	1	Bolt 3/8 x 1	
102	3311605	1	Nut 3/8	
103	1001260412	1	Bracket	



## SECTION 3 - ENGINE

FIGURE 3-27. DEUTZ TD2.9L4 - 49HP ENGINE COMPONENTS



ART\_1001249965



## SECTION 3 - ENGINE

**FIGURE 3-27. DEUTZ TD2.9L4 - 49HP ENGINE COMPONENTS**

ITEM	PART NUMBER	QTY	DESCRIPTION	REV
	1001249965	Ref	DEUTZ D2.9L4 - EMR4 (49HP) ENGINE COMPONENTS	B
	See Note	Ref	Note: Contact JLG Customer Service for Availability of Additional Components.	
		Ref	Air Intake System	
	70005182	1	Charge Air Elbow	
	70005183	1	Breather Line	
		Ref	Cooling System Components	
	70030360	1	Pump, Coolant	
	70007603	1	Thermostat	
		Ref	Electrical Components	
	70025210	1	Module, Engine Control (ECM/ECU)	
	70024513	1	Harness, Fuel Filter Sensor	
	70024504	1	Sensor, Fuel Pressure	
	70006652	1	Generator	
	70024915	1	Starter	
	70025231	1	Harness, Glow Plug	
	70028540	1	Sensor, Temperature	
	70026210	1	Sensor, Speed	
	70024507	1	Sensor, Pressure (Air Intake)	
	70031145	4	Plug, Glow	
		Ref	Exhaust Components	
	70031136	1	Pipe, Exhaust	
	70004282	1	Exhaust Manifold	
		Ref	Fuel System Components	
	70030381	1	Pump, High Pressure	
	700004508	1	Valve, Volume Control	
	70004281	1	Injector, Fuel	
	70006144	1	Pump, Fuel Supply (Includes Qty 2 Mounting Clamps)	
	1001225430	1	Filter, Fuel (Pre-Filter) Assembly	
	70024961	1	Filter, Fuel	
	70025239	1	Seal	
	70024513	1	Cable, Sensor	
	70029451	1	Filter, Fuel	
		Ref	Gasket & Seal Components	
	70024905	1	Seal, Dipstick	
	70005942	2	Seal, Oil Plug	
	70024906	1	Gasket, Head	
	70005171	1	Gasket, Valve Cover	
	70002718	1	Seal, Rear Main	
	70025135	1	O-Ring, Oil Lube Pump	
	70005173	1	Gasket, Oil Lube Pump	
	70024925	1	Seal, Oil Cooler	
	70005177	1	Gasket, Charge Air Housing	
	70025200	1	O-Ring, Coolant Pump	
	70007325	1	Seal, Coolant Pump	
	70005184	1	O-Ring, Thermostat	
	70005931	1	Seal, Thermostat	
	70025164	1	Gasket, Exhaust Manifold to Head	
	70007354	1	Gasket, Short Exhaust Pipe to JLG supplied Exhaust	
	70007326	1	Gasket EGR Valve	

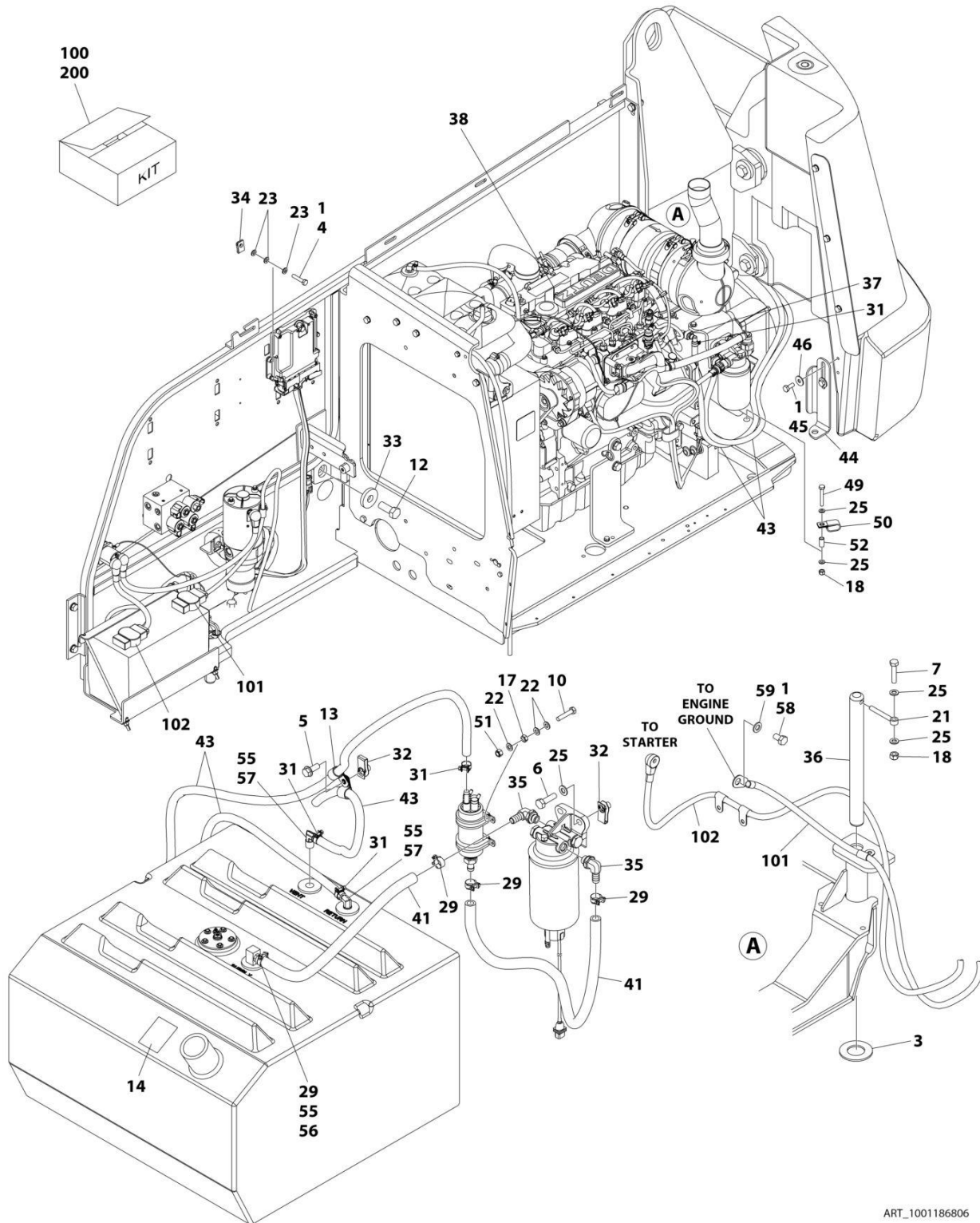
## SECTION 3 - ENGINE

ITEM	PART NUMBER	QTY	DESCRIPTION	REV
	70031095	1	Gasket, Exhaust Return Pipe (to Air Intake Housing)	
		Ref	Other Components	
	70001870	1	Flywheel	
	7024579	1	Gear, Ring	
		Ref	Oil Lube System	
	7020465	1	Cap, Oil Fill	
	70024904	1	Dipstick	
	70005941	2	Plug, Oil (Includes Seal)	
	70005172	1	Pump, Oil Lube (Includes O-Ring & Gasket)	
	70024494	1	Oil Cooler	
	7016331	1	Filter, Oil	



# SECTION 3 - ENGINE

FIGURE 3-28. DEUTZ TD2.9L4 - 67HP ENGINE INSTALLATION - DANFOSS PISTON PUMP (WITHOUT ARCTIC PACKAGE) (600S HC3)



ART\_1001186806

## SECTION 3 - ENGINE

**FIGURE 3-28. DEUTZ TD2.9L4 - 67HP ENGINE INSTALLATION - DANFOSS PISTON PUMP (WITHOUT ARCTIC PACKAGE) (600S HC3)**

ITEM	PART NUMBER	QTY	DESCRIPTION	REV
	1001186806	Ref	DEUTZ TD2.9L4 - 67HP ENGINE INSTALLATION	O
1	0100011	AR	Compound, Locking	
3	0440162	1	Bearing	
4	0700614	4	Bolt M6 x 30	
5	5251012	1	Bolt M10 x 25	
6	0701015	2	Bolt M10 x 35	
7	0711018	1	Bolt M10 x 50	
10	0760512	4	Bolt M5 x 25	
12	0772018	1	Bolt M20 x 50	
13	1320061	2	Clamp	
14	1701505	1	Decal - Diesel Fuel	
17	3290501	4	Nut M5	
18	3291005	2	Nut M10	
21	3841143	1	Keeper, Pin	
22	4811600	12	Washer M5	
23	4811700	12	Washer M6	
25	4812000	6	Washer M10	
29	1001175568	4	Clip	
31	1001136975	5	Clamp	
32	1001118972	3	Nut, Tinnerman M10	
33	1001119051	1	Washer	
34	1001130220	4	Nut, Tinnerman M6	
35	1001142501	2	Fitting, 90 Barbed	
36	1001155094	1	Pin	
37	1001155823	1	Fitting, 90 Quick Connect	
38	1001186811	1	Deutz TD2.9L4 - 67HP Engine and Pump Sub-Assembly (See Separate Breakdown in this Section)	
41	1001154405	33 in/ 0.8cm	Hose	
43	1001165035	27 ft/ 8.2m	Hose	
44	1001196398	1	Bracket	
45	0701012	2	Bolt M10 x 25	
46	4812002	2	Washer M10	
49	0701022	1	Bolt M10 x 70	
50	1001026127	1	Clamp	
51	3290505	4	Nut M5	
52	1001200731	1	Tube	
53	4240099	7	Tie-Strap (Not Shown)	
54	1001190444	1	Fuel Pump Harness - Deutz TD2.9L4 - 67HP Engine (Not Shown) (See Separate Breakdown in ELECTRICAL SECTION)	
55	0100020	AR	Sealant	
56	2180832	1	Fitting, Straight Barbed	
57	2220313	2	Fitting, 90 NPTF/Barb	
58	0761210	1	Bolt M12 x 20	
59	4812100	1	Washer M12	
100	1001235532	1	Battery Cable Kit	
101	1001188668	1	Cable, Battery (-) to Aux Pump and Ground	
102	1001188669	1	Cable, Battery (+) to Aux Relay to Starter	
200	1001269919	1	Hose Assembly Kit	

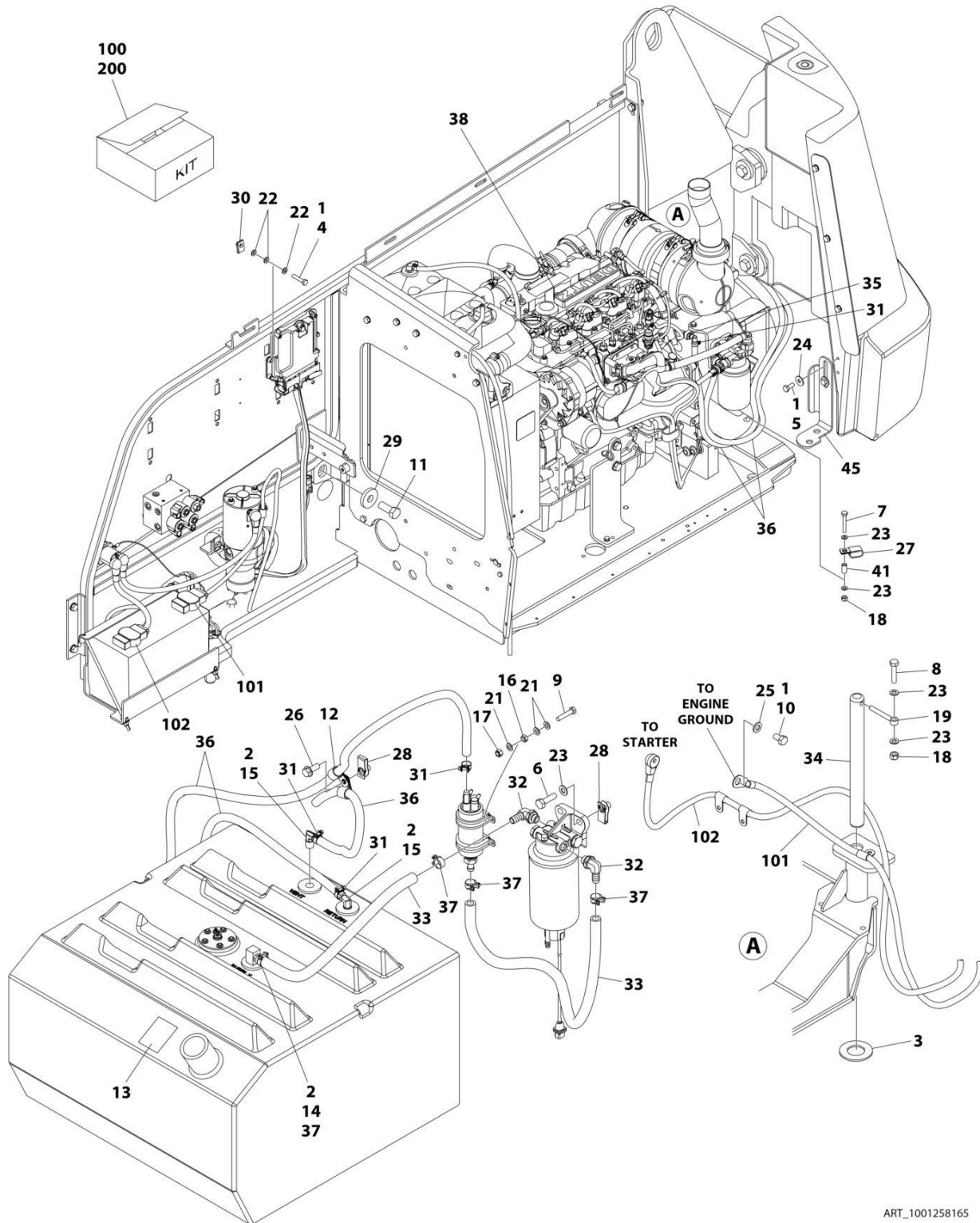
## SECTION 3 - ENGINE

ITEM	PART NUMBER	QTY	DESCRIPTION	REV
201	1001192690	1	Hose (Case Drain) (Drive Pump Case Gauge Port to Tank) (Not Shown)	
202	1001203431	1	Hose (Case Drain) (Drive Pump Case Outlet Port to Tank) (Not Shown)	
203	1001203432	1	Hose (Function Suction) (Not Shown)	
204	1001203433	1	Hose (Drive Suction) (Not Shown)	



# SECTION 3 - ENGINE

FIGURE 3-29. DEUTZ TD2.9L4 - 67HP ENGINE INSTALLATION - DANFOSS PISTON PUMP (WITHOUT ARCTIC PACKAGE) (660SJ HC3)



ART\_1001258165



## SECTION 3 - ENGINE

**FIGURE 3-29. DEUTZ TD2.9L4 - 67HP ENGINE INSTALLATION - DANFOSS PISTON PUMP (WITHOUT ARCTIC PACKAGE) (660SJ HC3)**

ITEM	PART NUMBER	QTY	DESCRIPTION	REV
	1001258165	Ref	DEUTZ TD2.9L4 - 67HP ENGINE INSTALLATION	B
1	0100011	AR	Compound, Locking	
2	0100020	AR	Sealant	
3	0440162	1	Bearing	
4	0700614	4	Bolt M6 x 30	
5	0701012	2	Bolt M10 x 25	
6	0701015	2	Bolt M10 x 35	
7	0701022	1	Bolt M10 x 70	
8	0711018	1	Bolt M10 x 50	
9	0760512	4	Bolt M5 x 25	
10	0761210	1	Bolt M12 x 20	
11	0772018	1	Bolt M20 x 50	
12	1320061	2	Clamp	
13	1701505	1	Decal - Diesel Fuel	
14	2180832	1	Fitting, Straight Barbed	
15	2220313	2	Fitting, 90 NPTF/Barb	
16	3290501	4	Nut M5	
17	3290505	4	Nut M5	
18	3291005	2	Nut M10	
19	3841143	1	Keeper, Pin	
20	4240099	7	Tie-Strap (Not Shown)	
21	4811600	12	Washer M5	
22	4811700	12	Washer M6	
23	4812000	6	Washer M10	
24	4812002	2	Washer M10	
25	4812100	1	Washer M12	
26	5251012	1	Bolt M10 x 25	
27	1001026127	1	Clamp	
28	1001118972	3	Nut, Tinnerman M10	
29	1001119051	1	Washer	
30	1001130220	4	Nut, Tinnerman M6	
31	1001136975	5	Clamp	
32	1001142501	2	Fitting, 90 Barbed	
33	1001154405	33 in/ 0.8cm	Hose	
34	1001155094	1	Pin	
35	1001155823	1	Fitting, 90 Quick Connect	
36	1001165035	27 ft/ 8.2m	Hose	
37	1001175568	4	Clip	
38	1001186811	1	Deutz TD2.9L4 - 67HP Engine and Pump Sub-Assembly (See Separate Breakdown in this Section)	
39	1001190444	1	Fuel Pump Harness - Deutz TD2.9L4 - 67HP Engine (Not Shown) (See Separate Breakdown in ELECTRICAL SECTION)	
41	1001200731	1	Tube	
45	1001258175	1	Bracket	
100	1001235532	1	Battery Cable Kit	
101	1001188668	1	Cable, Battery (-) to Aux Pump and Ground	
102	1001188669	1	Cable, Battery (+) to Aux Relay to Starter	
200	1001269920	1	Engine Hose Kit	

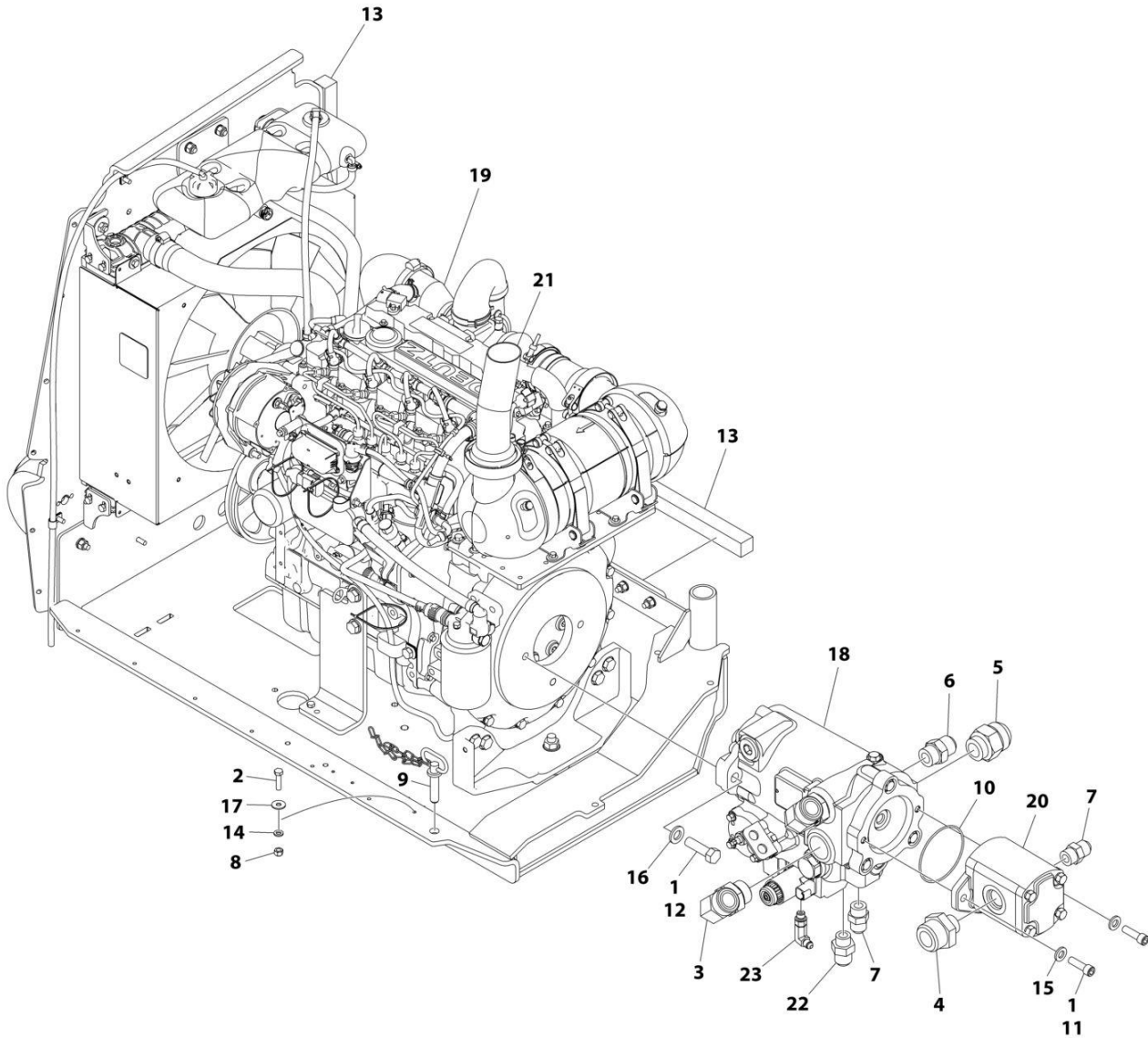
## SECTION 3 - ENGINE

ITEM	PART NUMBER	QTY	DESCRIPTION	REV
201	1001192690	1	Hose (Case Drain) (Drive Pump Case Gauge Port to Tank) (Not Shown)	
202	1001203431	1	Hose (Case Drain) (Drive Pump Case Outlet Port to Tank) (Not Shown)	
203	1001258156	1	Hose (Function Suction) (Not Shown)	
204	1001258157	1	Hose (Drive Suction) (Not Shown)	



# SECTION 3 - ENGINE

## FIGURE 3-30. DEUTZ TD2.9L4 - 67HP ENGINE AND PUMPS SUB-ASSEMBLY - DANFOSS PISTON PUMP (WITHOUT ARCTIC PACKAGE)



ART\_1001186811\_I

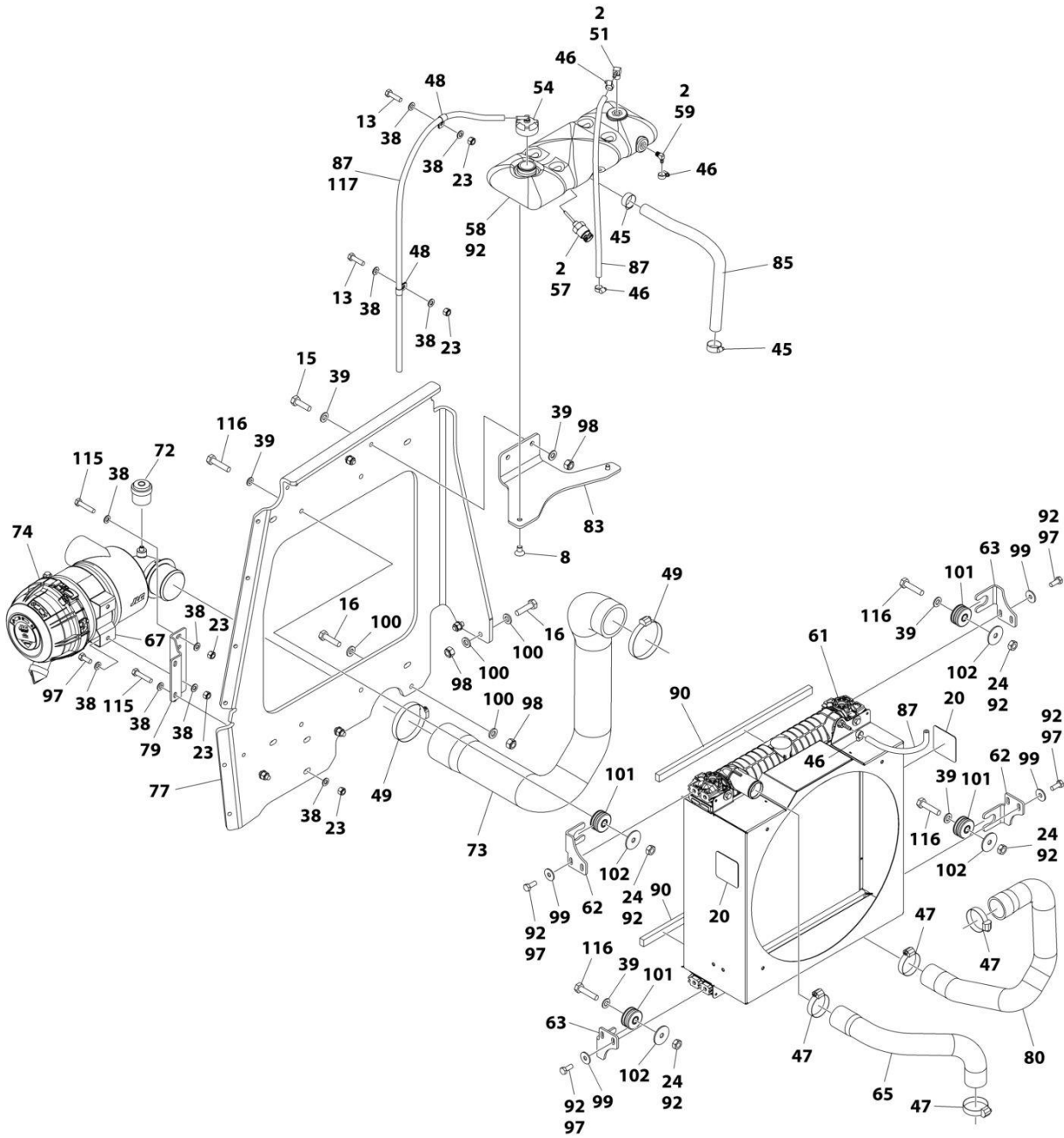
## SECTION 3 - ENGINE

**FIGURE 3-30. DEUTZ TD2.9L4 - 67HP ENGINE AND PUMPS SUB-ASSEMBLY - DANFOSS PISTON PUMP (WITHOUT ARCTIC PACKAGE)**

ITEM	PART NUMBER	QTY	DESCRIPTION	REV
	1001186811	Ref	DEUTZ TD2.9L4 - 67HP ENGINE AND PUMPS SUB-ASSEMBLY	I
1	0100011	AR	Compound, Locking	
2	0760612	1	Bolt M6 x 25	
3	2131616	2	Fitting, 90 ORFS/ORB	
4	2220946	1	Fitting, Straight JIC/ORB	
5	2220479	1	Fitting, Straight JIC/ORB	
6	2220451	1	Fitting, Straight JIC/ORB	
7	2220947	2	Fitting, Straight JIC/ORB	
8	3290605	1	Nut M6	
9	3422532	1	Pin	
10	3790152	1	O-Ring	
11	3931620	2	Capscrew 3/8 x 1-1/4	
11	3931618	2	Capscrew 3/8 x 1-1/8	
12	0641814	2	Bolt 1/2 x 1-3/4	
13	3960469	1	Seal	
14	4811700	1	Washer M6	
15	5241000	2	Washer M10	
16	5241200	2	Washer M12	
17	4811702	1	Washer M6	
18	1001184930	1	Piston Pump Assembly (See Separate Breakdown in this Section)	
19	1001186812	1	Deutz TD2.9L4 - 67HP Engine Assembly (See Separate Breakdown in this Section)	
20	1001190143	1	Gear Pump Assembly	
20	70006356	1	Seal Kit - 1001190143 Pump	
21	1001239207	1	Pipe, Exhaust	
22	2220408	1	Fitting, Straight JIC/ORB	
23	2220940	1	Fitting, 90 JIC/ORB	

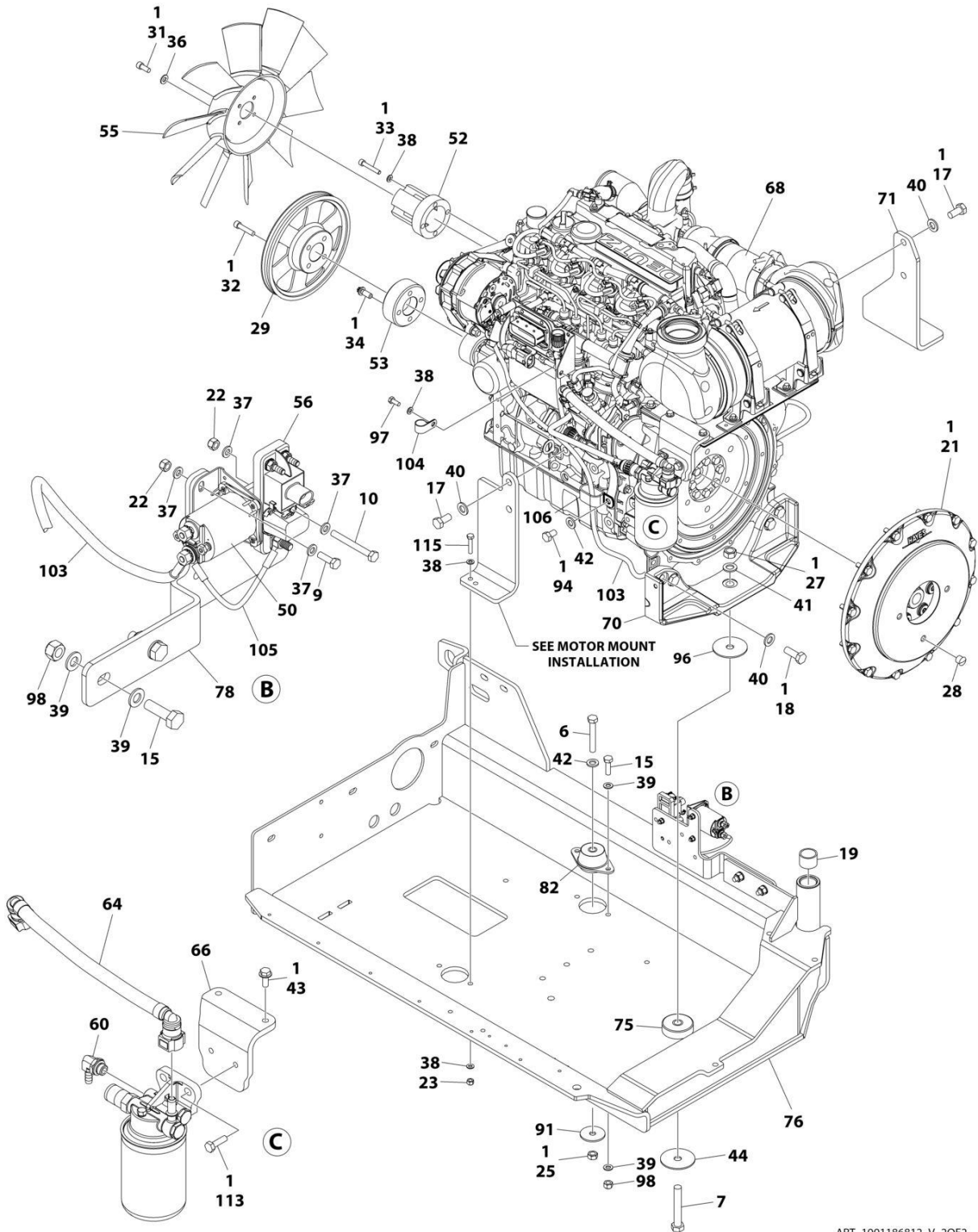
# SECTION 3 - ENGINE

## FIGURE 3-31. DEUTZ TD2.9L4 - 67HP ENGINE ASSEMBLY - WITHOUT ARCTIC PACKAGE



ART\_1001186812\_V\_10F2

# SECTION 3 - ENGINE



ART\_1001186812\_V\_20F2

## SECTION 3 - ENGINE

FIGURE 3-31. DEUTZ TD2.9L4 - 67HP ENGINE ASSEMBLY - WITHOUT ARCTIC PACKAGE

ITEM	PART NUMBER	QTY	DESCRIPTION	REV
	1001186812	Ref	DEUTZ TD2.9L4 - 67HP ENGINE ASSEMBLY	V
1	0100011	AR	Compound, Locking	
2	0100020	AR	Sealant	
6	0711224	1	Bolt M12 x 80	
7	0711627	1	Bolt M16 x 100	
8	0741605	2	Screw 3/8 x 5/8	
9	0760610	2	Bolt M6 x 20	
10	0760619	1	Bolt M6 x 55	
13	0760814	AR	Bolt M8 x 30	
15	0761015	6	Bolt M10 x 35	
16	0761016	5	Bolt M10 x 40	
17	0771414	4	Bolt M14 x 30	
18	0771416	4	Bolt M14 x 40	
19	0961951	2	Bushing	
20	1703162	2	Decal - Fan Blade	
21	2902065	1	Pump Coupling Kit (See Separate Breakdown in this Section)	
22	3290605	AR	Nut M6	
23	3290805	AR	Nut M8	
24	3291001	4	Nut M10	
25	3331211	1	Nut M12	
27	3331611	1	Nut M16	
28	3520054	1	Plug	
29	3580320	1	Pulley	
31	3931512	4	Capscrew 5/16 x 3/4	
32	3931628	4	Capscrew 3/8 x 1-3/4	
33	4031914	4	Capscrew M8 x 50	
34	4032014	4	Capscrew M10 x 50	
36	4711500	4	Washer 5/16	
37	4811700	AR	Washer M6	
38	4811900	AR	Washer M8	
39	4812000	20	Washer M10	
40	5241400	8	Washer M14	
41	4812300	1	Washer M16	
42	5241200	2	Washer M12	
43	5250810	2	Bolt M8 x 20	
44	7300435	1	Washer	
45	8405007	2	Clamp	
46	8405009	4	Clamp	
47	8405104	4	Clamp	
48	8406109	AR	Clip	
49	8410011	2	Clamp	
50	1001117308	1	Contactora	
51	1001134488	1	Fitting, 90 Barbed (Part of Item 58)	
52	1001135138	1	Adapter, Fan	
53	1001135679	1	Adapter	
54	1001136834	1	Cap, Tank	
55	1001137276	1	Fan	
56	1001138228	1	Relay	
57	1001138827	1	Sensor, Coolant Level (Part of Item 58)	
58	1001230635	1	Tank, Surge (Include Items 51, 57 & 59)	

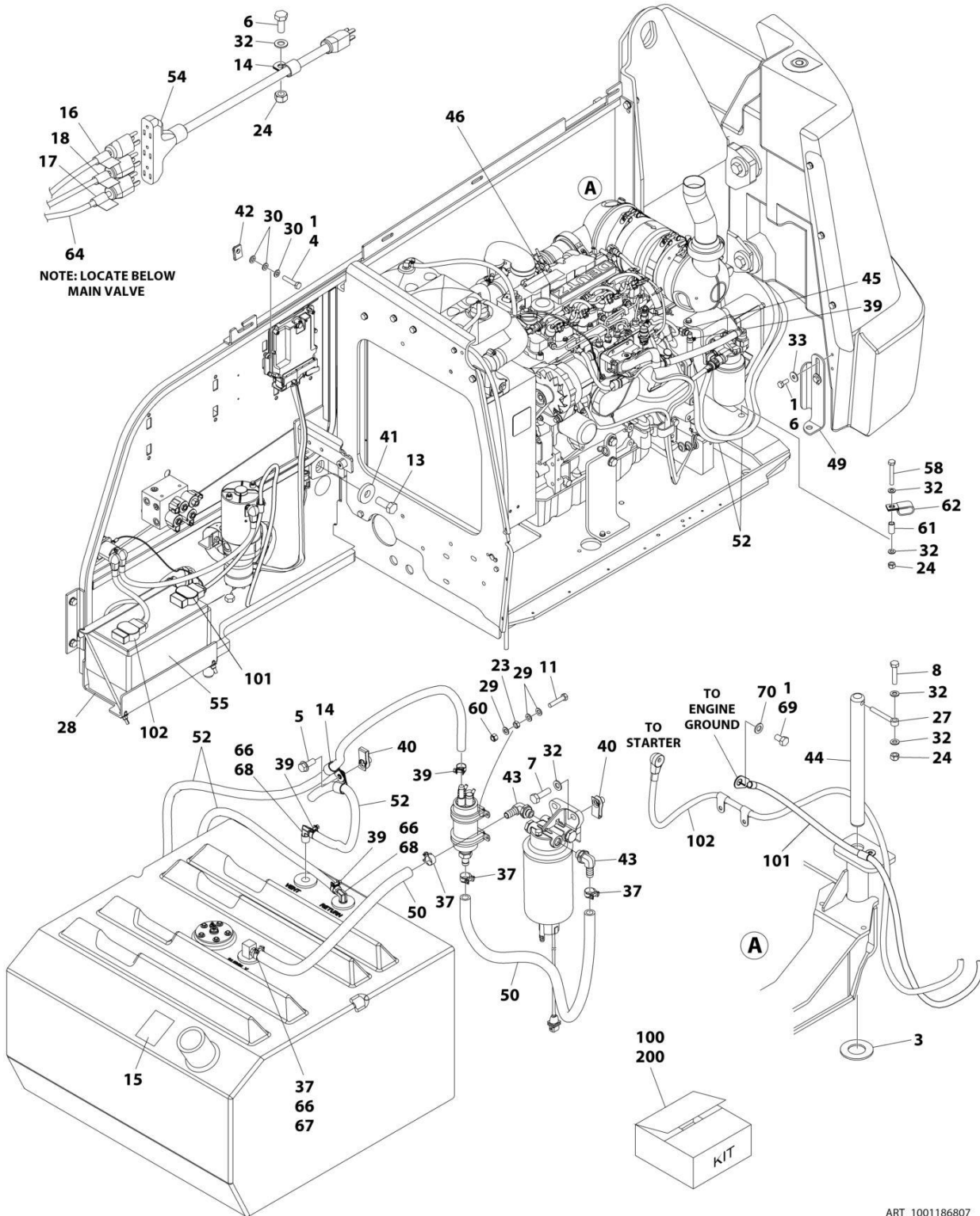


## SECTION 3 - ENGINE

ITEM	PART NUMBER	QTY	DESCRIPTION	REV
59	1001140564	1	Fitting, 90 Barbed (Part of Item 58)	
60	1001152489	1	Fitting, 90 Barbed	
61	1001167042	1	Radiator	
62	1001169967	2	Bracket	
63	1001170035	2	Bracket	
64	1001177359	1	Hose	
65	1001177844	1	Hose, Radiator (Top)	
66	1001231805	1	Mount	
67	1001186426	1	Clamp, Air Cleaner	
68	1001249943	1	Deutz TD2.9L4 - 67HP Engine (See Separate Breakdown in this Section)	
69	1001233895	1	Engine Harness - Deutz TD2.9L4 - 67HP Engines (Not Shown) (See Separate Breakdown in ELECTRICAL Section)	
70	1001188535	1	Bracket, Engine - Rear	
71	1001189026	1	Bracket, Engine - Right	
72	1001166716	1	Restriction, Indicator	
73	1001189913	1	Hose	
74	1001189979	1	Filter, Air	
74	70005008	1	Element, Filter	
75	1001190164	1	Mount, Motor	
76	1001200745	1	Tray	
77	1001229091	1	Support, Radiator	
78	1001203885	1	Plate	
79	1001190942	1	Support	
80	1001191025	1	Hose, Radiator (Bottom)	
82	1001191610	1	Mount, Motor	
83	1001192400	1	Bracket	
85	1001193049	1	Hose	
87	2720015	AR	Hose	
90	1001168166	2	Seal	
91	1001168018	1	Washer	
92	1001180620	AR	Adhesive	
94	0761210	1	Bolt M12 x 20	
96	1001197725	1	Spacer	
97	0760810	11	Bolt M8 x 20	
98	3291005	11	Nut M10	
99	4811902	8	Washer M8	
100	5241000	10	Washer M10	
101	1001169054	4	Isolator	
102	1001169138	4	Pad, Snubbing	
103	1001190442	1	Harness, Alternator Power	
103	1001098764	1	Boot - Red	
104	1320202	1	Clamp	
105	1001141304	1	Harness, Glow Fuse	
106	1001181899	1	Clamp	
108	4240099	1	Tie-Strap (Not Shown)	
113	5251012	2	Bolt M10 x 25	
115	0760816	3	Bolt M8 x 40	
116	0761017	4	Bolt M10 x 45	
117	1001138248	4 ft/1.25m	Tube	

# SECTION 3 - ENGINE

FIGURE 3-32. DEUTZ TD2.9L4 - 67HP ENGINE INSTALLATION - DANFOSS PISTON PUMP (WITH ARCTIC PACKAGE) (600S HC3)



ART\_1001186807

## SECTION 3 - ENGINE

**FIGURE 3-32. DEUTZ TD2.9L4 - 67HP ENGINE INSTALLATION - DANFOSS PISTON PUMP (WITH ARCTIC PACKAGE) (600S HC3)**

ITEM	PART NUMBER	QTY	DESCRIPTION	REV
	1001186807	Ref	DEUTZ TD2.9L4 - 67HP ENGINE INSTALLATION	O
1	0100011	AR	Compound, Locking	
3	0440162	1	Bearing	
4	0700614	4	Bolt M6 x 30	
5	5251012	1	Bolt M10 x 25	
6	0701012	3	Bolt M10 x 25	
7	0701015	2	Bolt M10 x 35	
8	0711018	1	Bolt M10 x 50	
11	0760512	4	Bolt M5 x 25	
13	0772018	1	Bolt M20 x 50	
14	1320061	3	Clamp	
15	1701505	1	Decal - Diesel Fuel	
16	1702941	1	Decal - Battery Heater	
17	1702942	1	Decal - Engine Block Heater	
18	1702943	1	Decal - Hydraulic Tank Heater	
22	1001188972	1	Heater, Immersion (Not Shown - Located on Hydraulic Tank)	
23	3290501	4	Nut M5	
24	3291005	3	Nut M10	
27	3841143	1	Keeper, Pin	
28	3980007	1	Seat, Battery	
29	4811600	12	Washer M5	
30	4811700	12	Washer M6	
32	4812000	7	Washer M10	
33	4812002	2	Washer M10	
37	1001175568	4	Clip	
39	1001136975	5	Clamp	
40	1001118972	3	Nut, Tinnerman M10	
41	1001119051	1	Washer	
42	1001130220	4	Nut, Tinnerman M6	
43	1001142501	2	Fitting, 90 Barbed	
44	1001155094	1	Pin	
45	1001155823	1	Fitting, 90 Quick Connect	
46	1001186813	1	Deutz TD2.9L4 - 67HP Engine and Pumps Sub-Assembly (See Separate Breakdown in this Section)	
49	1001196398	1	Bracket	
50	1001154405	33 in/ 0.8cm	Hose	
52	1001165035	27 ft/ 8.2m	Hose	
54	1060626	1	Plug, 3 Way	
55	2580024	1	Heater, Battery	
58	0701022	1	Bolt M10 x 70	
60	3290505	4	Nut M5	
61	1001200731	1	Tube	
62	1001026127	1	Clamp	
63	4240099	7	Tie-Strap (Not Shown)	
64	1001150918	1	Cable, Extension	
65	1001190444	1	Engine Harness - Deutz TD2.9L4 - 67HP Engines (Not Shown) (See Separate Breakdown in ELECTRICAL Section)	
66	0100020	AR	Sealant	

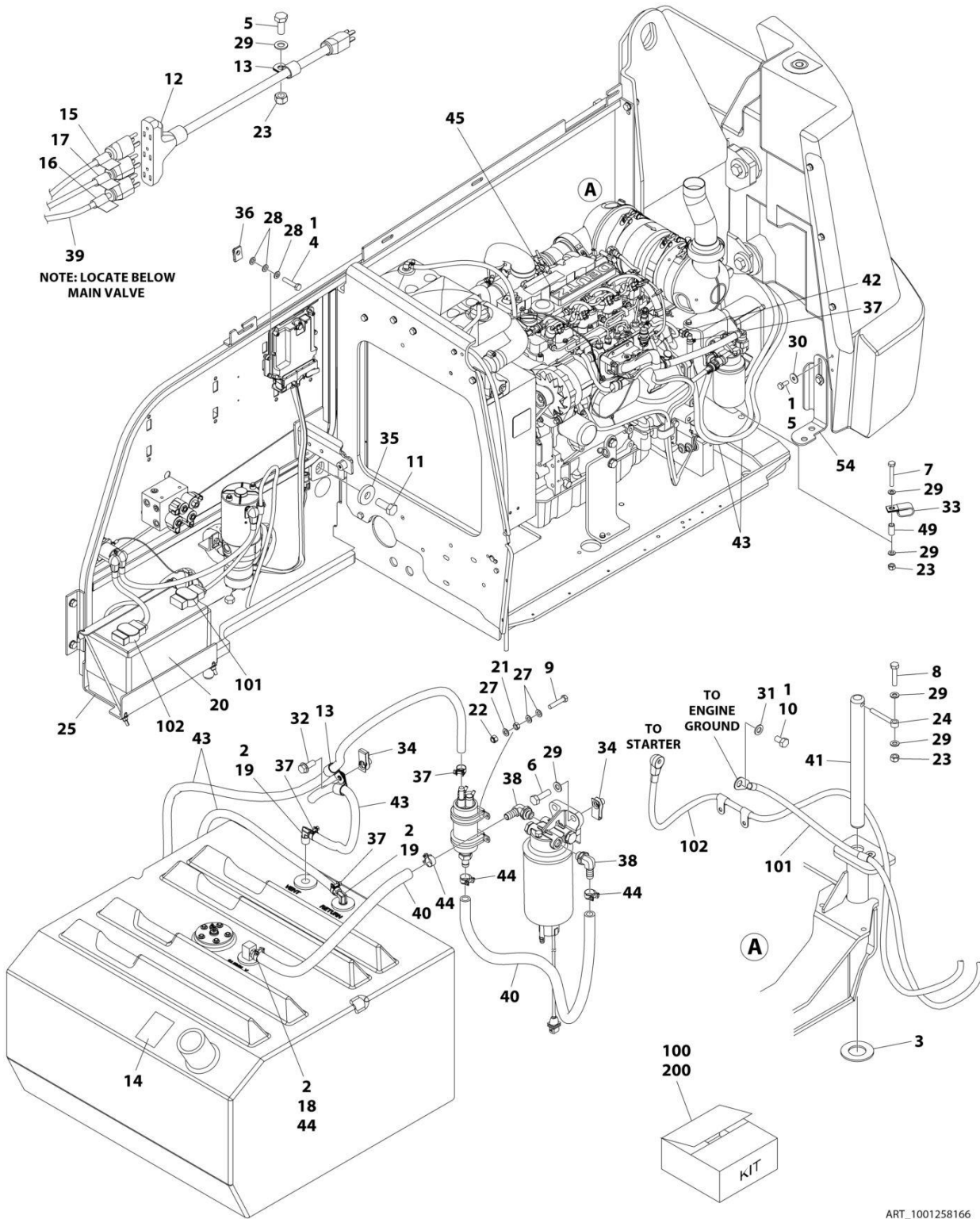
## SECTION 3 - ENGINE

ITEM	PART NUMBER	QTY	DESCRIPTION	REV
67	2180832	1	Fitting, Straight Barbed	
68	2220313	2	Fitting, 90 NPTF/Barb	
69	0761210	1	Bolt M12 x 20	
70	4812100	1	Washer M12	
75	1001233763	1	Deutz Breather Heater Installation (Not Shown) (See Separate Breakdown in this Section)	
75	4240099	AR	Tie-Strap	
75	1001196634	1	Fuse 2amp	
75	1001232842	1	Heater, Deutz Breather Kit	
75	2400060	1	Fuse, Holder	
100	1001235532	1	Battery Cable Kit	
101	1001188668	1	Cable, Battery (-) to Aux Pump and Ground	
102	1001188669	1	Cable, Battery (+) to Aux Relay to Starter	
200	1001269919	1	Hose Assembly Kit	
201	1001192690	1	Hose (Case Drain) (Drive Pump Case Gauge Port to Tank) (Not Shown)	
202	1001203431	1	Hose (Case Drain) (Drive Pump Case Outlet Port to Tank) (Not Shown)	
203	1001203432	1	Hose (Function Suction) (Not Shown)	
204	1001203433	1	Hose (Drive Suction) (Not Shown)	



# SECTION 3 - ENGINE

FIGURE 3-33. DEUTZ TD2.9L4 - 67HP ENGINE INSTALLATION - DANFOSS PISTON PUMP (WITH ARCTIC PACKAGE) (660SJ HC3)



## SECTION 3 - ENGINE

**FIGURE 3-33. DEUTZ TD2.9L4 - 67HP ENGINE INSTALLATION - DANFOSS PISTON PUMP (WITH ARCTIC PACKAGE) (660SJ HC3)**

ITEM	PART NUMBER	QTY	DESCRIPTION	REV
	1001258166	Ref	DEUTZ TD2.9L4 - 67HP ENGINE INSTALLATION	B
1	0100011	AR	Compound, Locking	
2	0100020	AR	Sealant	
3	0440162	1	Bearing	
4	0700614	4	Bolt M6 x 30	
5	0701012	3	Bolt M10 x 25	
6	0701015	2	Bolt M10 x 35	
7	0701022	1	Bolt M10 x 70	
8	0711018	1	Bolt M10 x 50	
9	0760512	4	Bolt M5 x 25	
10	0761210	1	Bolt M12 x 20	
11	0772018	1	Bolt M20 x 50	
12	1060626	1	Plug, 3 Way	
13	1320061	3	Clamp	
14	1701505	1	Decal - Diesel Fuel	
15	1702941	1	Decal - Battery Heater	
16	1702942	1	Decal - Engine Block Heater	
17	1702943	1	Decal - Hydraulic Tank Heater	
18	2180832	1	Fitting, Straight Barbed	
19	2220313	2	Fitting, 90 NPTF/Barb	
20	2580024	1	Heater, Battery	
21	3290501	4	Nut M5	
22	3290505	4	Nut M5	
23	3291005	3	Nut M10	
24	3841143	1	Keeper, Pin	
25	3980007	1	Seat, Battery	
26	4240099	1	Tie-Strap (Not Shown)	
27	4811600	12	Washer M5	
28	4811700	12	Washer M6	
29	4812000	7	Washer M10	
30	4812002	2	Washer M10	
31	4812100	1	Washer M12	
32	5251012	1	Bolt M10 x 25	
33	1001026127	1	Clamp	
34	1001118972	3	Nut, Tinnerman M10	
35	1001119051	1	Washer	
36	1001130220	4	Nut, Tinnerman M6	
37	1001136975	5	Clamp	
38	1001142501	2	Fitting, 90 Barbed	
39	1001150918	1	Cable, Extension	
40	1001154405	33 in/ 0.8cm	Hose	
41	1001155094	1	Pin	
42	1001155823	1	Fitting, 90 Quick Connect	
43	1001165035	27 ft/ 8.2m	Hose	
44	1001175568	4	Clip	
45	1001186813	1	Deutz TD2.9L4 - 67HP Engine and Pumps Sub-Assembly (See Separate Breakdown in this Section)	

## SECTION 3 - ENGINE

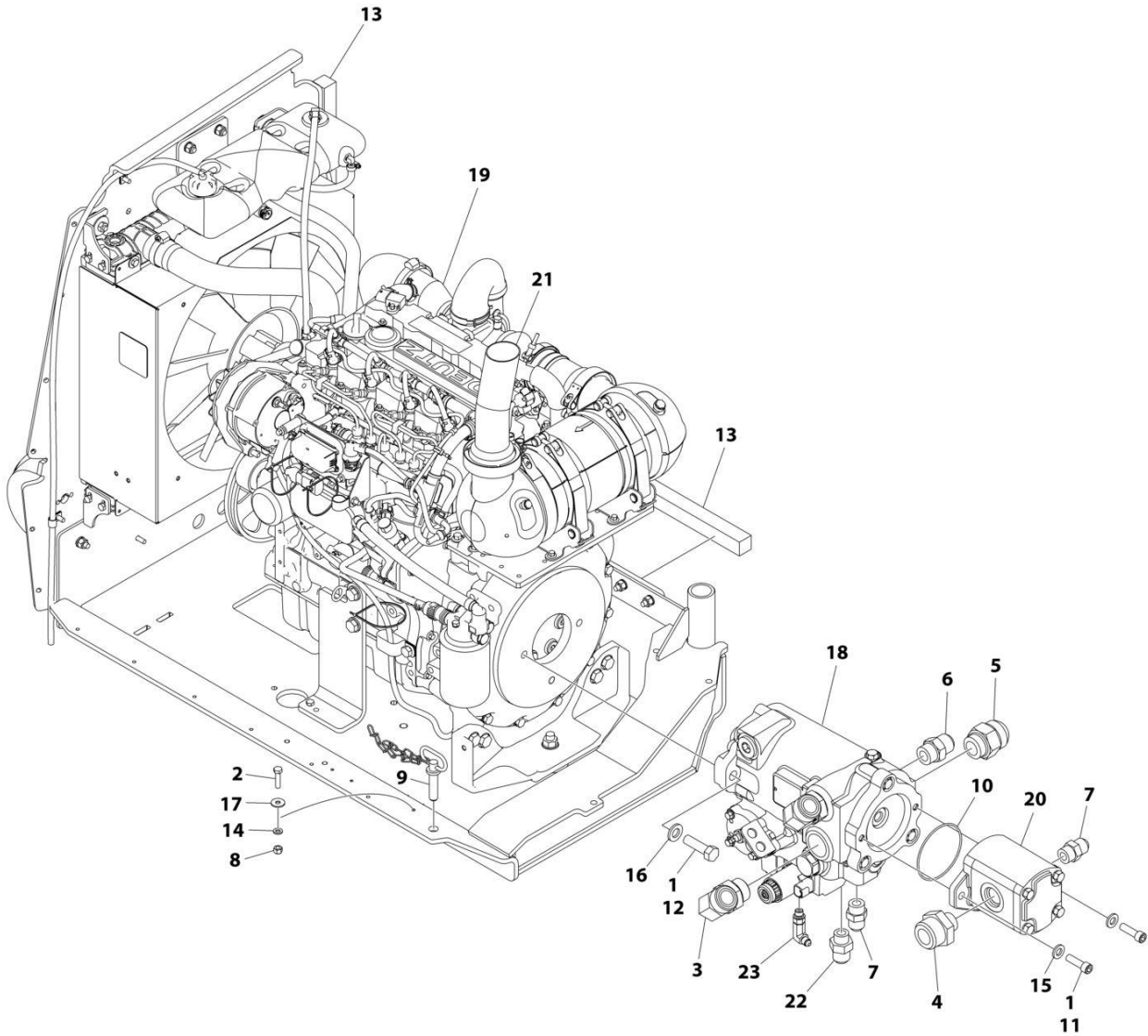
ITEM	PART NUMBER	QTY	DESCRIPTION	REV
46	1001188972	1	Heater, Immersion (Not Shown - Located on Hydraulic Tank)	
47	1001190444	1	Engine Harness - Deutz TD2.9L4 - 67HP Engines (Not Shown) (See Separate Breakdown in ELECTRICAL SECTION)	
49	1001200731	1	Tube	
51	1001233763	1	Deutz Breather Heater Installation (Not Shown) (See Separate Breakdown in this Section)	
54	1001258175	1	Bracket	
100	1001235532	1	Battery Cable Kit	
101	1001188668	1	Cable, Battery (-) to Aux Pump and Ground	
102	1001188669	1	Cable, Battery (+) to Aux Relay to Starter	
200	1001269920	1	Hose Assembly Kit	
201	1001192690	1	Hose (Case Drain) (Drive Pump Case Gauge Port to Tank) (Not Shown)	
202	1001203431	1	Hose (Case Drain) (Drive Pump Case Outlet Port to Tank) (Not Shown)	
203	1001258156	1	Hose (Function Suction) (Not Shown)	
204	1001258157	1	Hose (Drive Suction) (Not Shown)	





# SECTION 3 - ENGINE

FIGURE 3-34. DEUTZ TD2.9L4 - 67HP ENGINE AND PUMPS SUB-ASSEMBLY - DANFOSS PISTON PUMP (WITH ARCTIC PACKAGE)



ART\_1001186813\_I

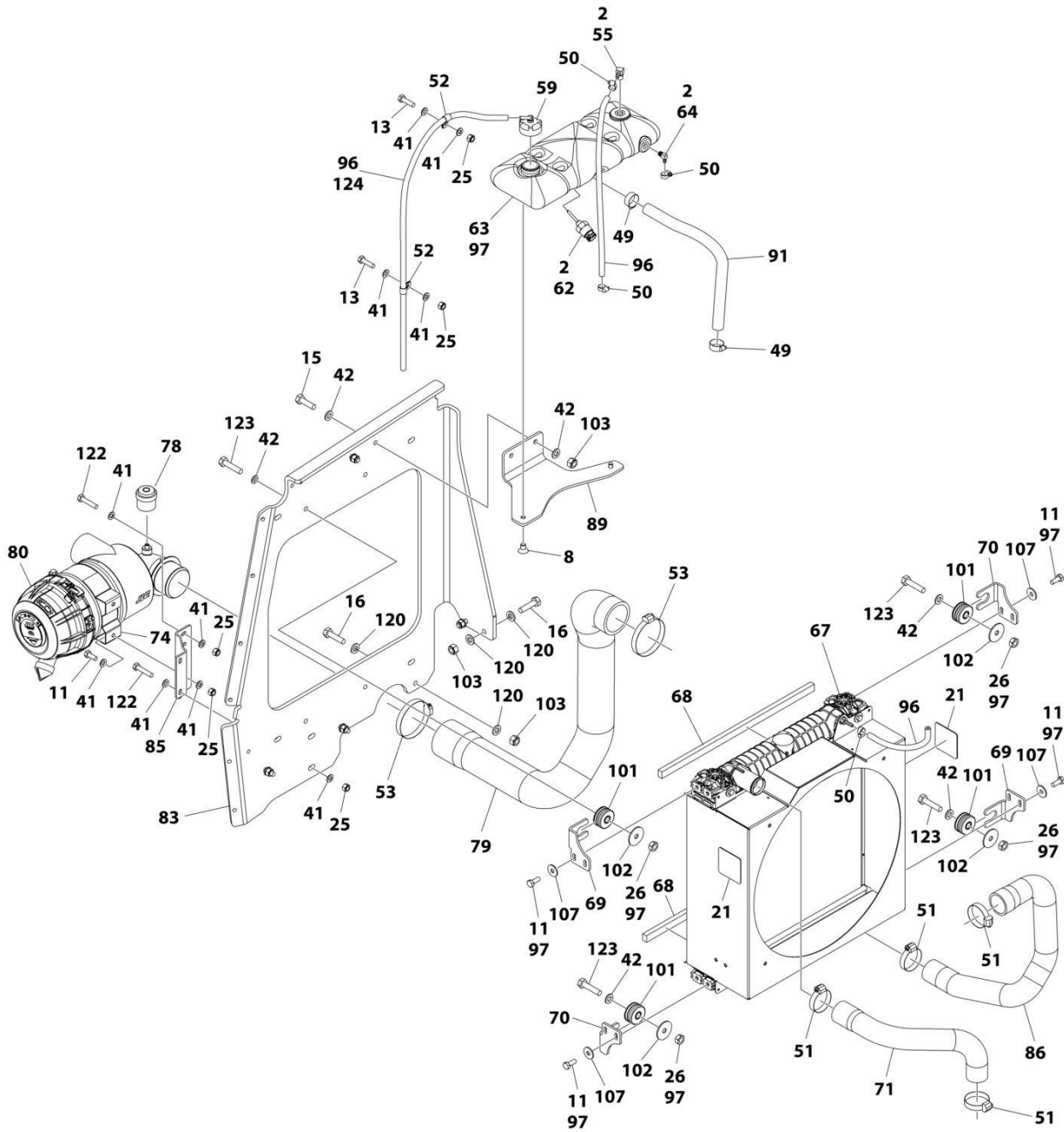
## SECTION 3 - ENGINE

**FIGURE 3-34. DEUTZ TD2.9L4 - 67HP ENGINE AND PUMPS SUB-ASSEMBLY - DANFOSS PISTON PUMP (WITH ARCTIC PACKAGE)**

ITEM	PART NUMBER	QTY	DESCRIPTION	REV
	1001186813	Ref	DEUTZ TD2.9L4 - 67HP ENGINE AND PUMPS SUB-ASSEMBLY	I
1	0100011	AR	Compound, Locking	
2	0760612	1	Bolt M6 x 25	
3	2131616	2	Fitting, 90 ORFS/ORB	
4	2220946	1	Fitting, Straight JIC/ORB	
5	2220479	1	Fitting, Straight JIC/ORB	
6	2220451	1	Fitting, Straight JIC/ORB	
7	2220947	2	Fitting, Straight JIC/ORB	
8	3290605	1	Nut M6	
9	3422532	1	Pin	
10	3790152	1	O-Ring	
11	3931620	2	Capscrew 3/8 x 1-1/4	
11	3931618	2	Capscrew 3/8 x 1-1/8	
12	0641814	2	Bolt 1/2 x 1-3/4	
13	3960469	2	Seal	
14	4811700	1	Washer M6	
15	5241000	2	Washer M10	
16	5241200	2	Washer M12	
17	4811702	1	Washer M6	
18	1001184930	1	Piston Pump Assembly (See Separate Breakdown in this Section)	
19	1001186814	1	Deutz TD2.9L4 - 67HP Engine Assembly (See Separate Breakdown in this Section)	
20	1001190143	1	Gear Pump Assembly	
20	70006356	1	Seal Kit - 1001190143 Pump	
21	1001239207	1	Pipe, Exhaust	
22	2220408	1	Fitting, Straight JIC/ORB	
23	2220940	1	Fitting, 90 JIC/ORB	

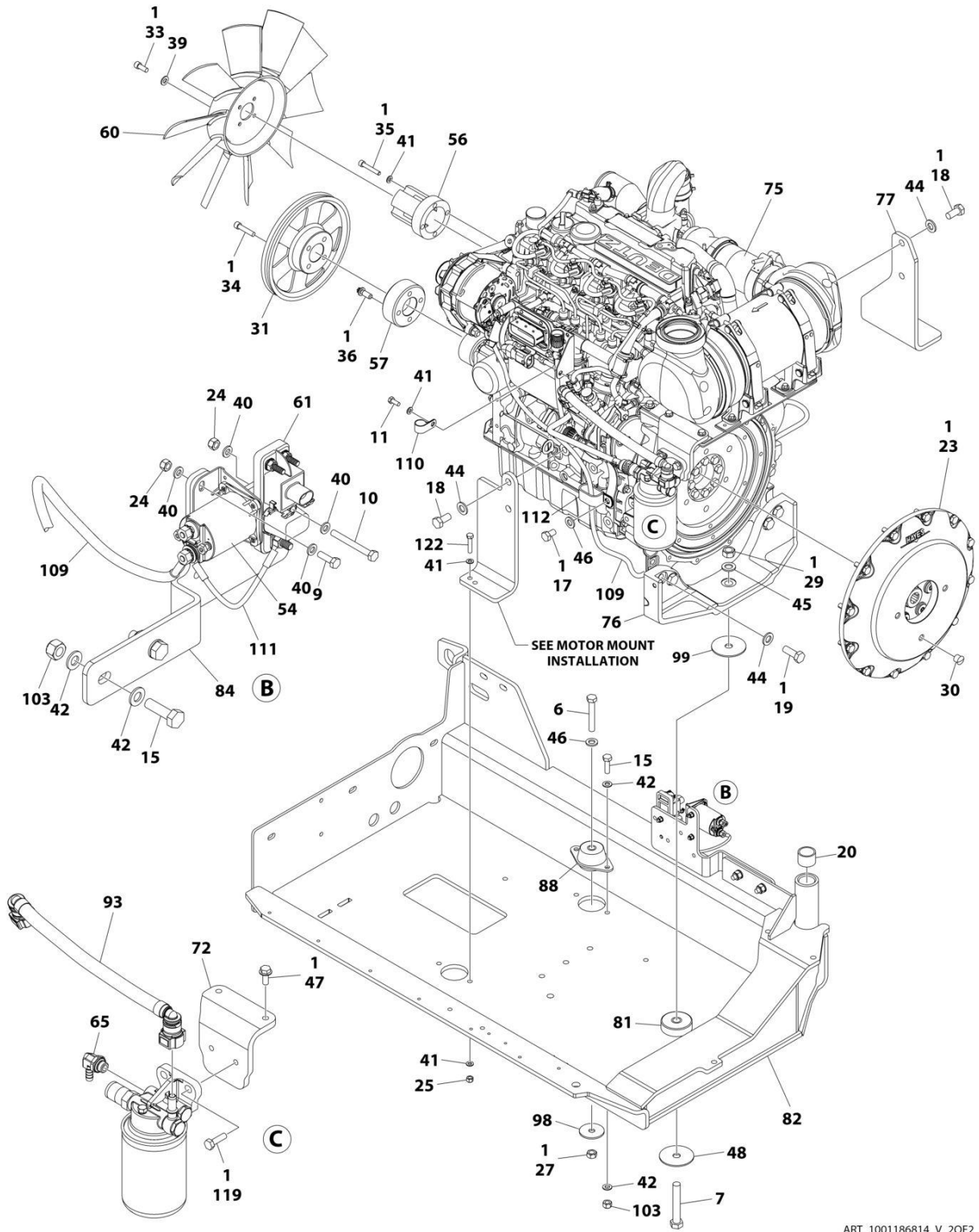
# SECTION 3 - ENGINE

## FIGURE 3-35. DEUTZ TD2.9L4 - 67HP ENGINE ASSEMBLY - WITH ARCTIC PACKAGE



ART\_1001186814\_V\_10F2

# SECTION 3 - ENGINE



ART\_1001186814\_V\_20F2

## SECTION 3 - ENGINE

FIGURE 3-35. DEUTZ TD2.9L4 - 67HP ENGINE ASSEMBLY - WITH ARCTIC PACKAGE

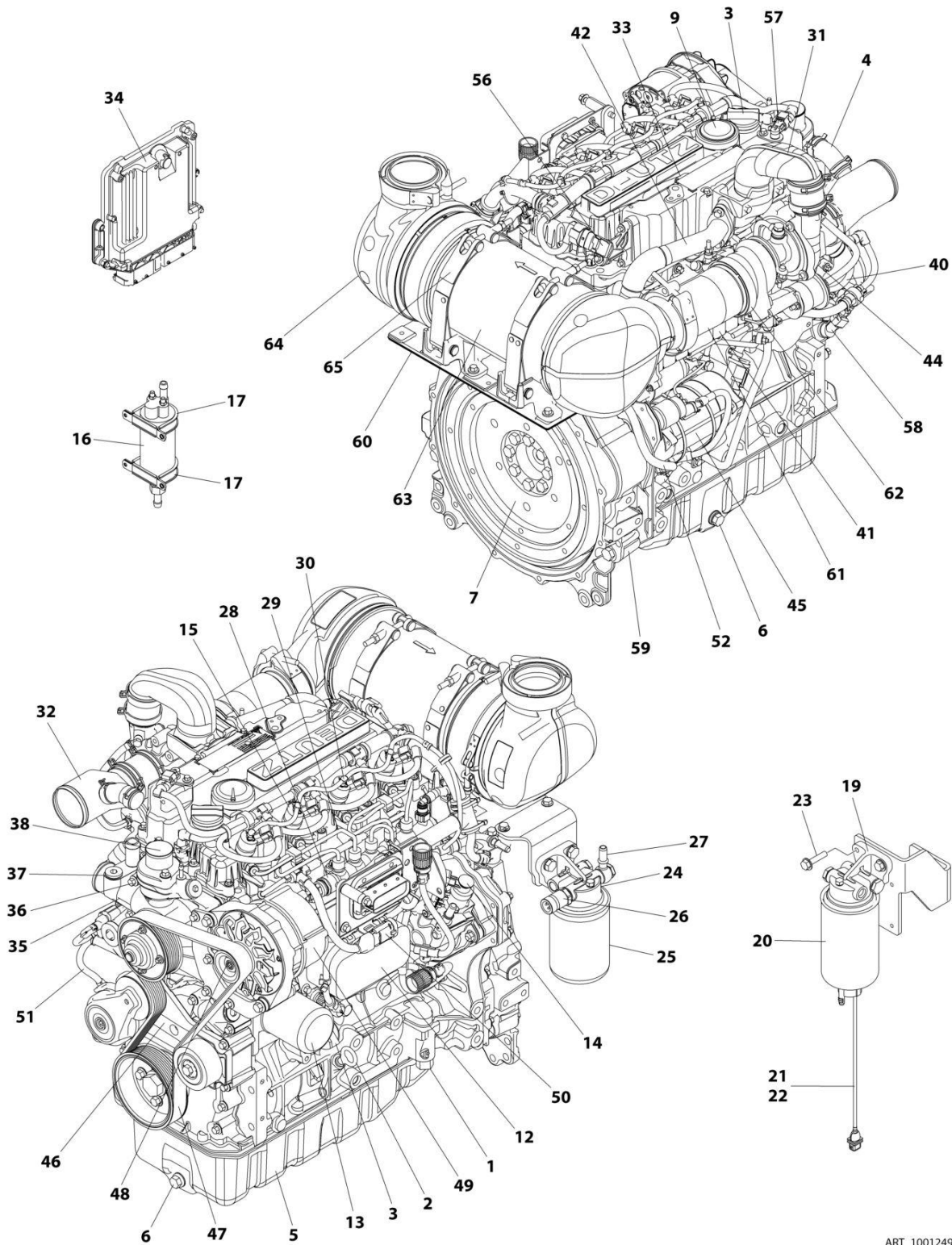
ITEM	PART NUMBER	QTY	DESCRIPTION	REV
	1001186814	Ref	DEUTZ TD2.9L4 - 67HP ENGINE ASSEMBLY	V
1	0100011	AR	Compound, Locking	
2	0100020	AR	Sealant	
6	0711224	1	Bolt M12 x 80	
7	0711627	1	Bolt M16 x 100	
8	0741605	2	Screw 3/8 x 5/8	
9	0760610	2	Bolt M6 x 20	
10	0760619	1	Bolt M6 x 55	
11	0760810	11	Bolt M8 x 20	
13	0760814	AR	Bolt M8 x 30	
15	0761015	6	Bolt M10 x 35	
16	0761016	5	Bolt M10 x 40	
17	0761210	1	Bolt M12 x 20	
18	0771414	4	Bolt M14 x 30	
19	0771416	4	Bolt M14 x 40	
20	0961951	2	Bushing	
21	1703162	2	Decal - Fan Blade	
23	2902065	1	Pump Coupling Kit (See Separate Breakdown in this Section)	
24	3290605	AR	Nut M6	
25	3290805	AR	Nut M8	
26	3291001	4	Nut M10	
27	3331211	1	Nut M12	
29	3331611	1	Nut M16	
30	3520054	1	Plug	
31	3580320	1	Pulley	
33	3931512	4	Capscrew 5/16 x 3/4	
34	3931628	4	Capscrew 3/8 x 1-3/4	
35	4031914	4	Capscrew M8 x 50	
36	4032014	4	Capscrew M10 x 50	
39	4711500	4	Washer 5/16	
40	4811700	AR	Washer M6	
41	4811900	AR	Washer M8	
42	4812000	20	Washer M10	
44	5241400	8	Washer M14	
45	4812300	1	Washer M16	
46	5241200	2	Washer M12	
47	5250810	2	Bolt M8 x 20	
48	7300435	1	Washer	
49	8405007	2	Clamp	
50	8405009	4	Clamp	
51	8405104	4	Clamp	
52	8406109	AR	Clip	
53	8410011	2	Clamp	
54	1001117308	1	Contactactor	
55	1001134488	1	Fitting, 90 Barbed (Part of Item 63)	
56	1001135138	1	Adapter	
57	1001135679	1	Adapter	
59	1001136834	1	Cap, Tank	
60	1001137276	1	Fan	
61	1001138228	1	Relay	

## SECTION 3 - ENGINE

ITEM	PART NUMBER	QTY	DESCRIPTION	REV
62	1001138827	1	Sensor, Coolant Level (Part of Item 63)	
63	1001230635	1	Tank, Surge (Includes Items 55, 62 & 64)	
64	1001140564	1	Fitting, 90 Barbed (Part of Item 63)	
65	1001152489	1	Fitting, 90 Pipe/Barbed	
67	1001167042	1	Radiator	
68	1001168166	2	Seal	
69	1001169967	2	Bracket	
70	1001170035	2	Bracket	
71	1001177844	1	Hose, Radiator (Top)	
72	1001231805	1	Mount	
74	1001186426	1	Clamp, Air Cleaner	
75	1001249943	1	Deutz TD2.9L4 - 67HP Engine (See Separate Breakdown in this Section)	
76	1001188535	1	Bracket, Engine - Rear	
77	1001189026	1	Bracket, Engine - Right	
78	1001166716	1	Restriction, Indicator	
79	1001189913	1	Hose	
80	1001189979	1	Filter, Air	
80	70005008	1	Element, Filter	
81	1001190164	1	Mount, Motor	
82	1001200745	1	Tray	
83	1001229091	1	Support, Radiator	
84	1001203885	1	Plate	
85	1001190942	1	Support	
86	1001191025	1	Hose, Radiator (Bottom)	
88	1001191610	1	Mount, Motor	
89	1001192400	1	Bracket	
91	1001193049	1	Hose	
92	1001140312	1	Heater, Engine Block	
93	1001177359	1	Hose	
96	2720015	AR	Hose	
97	1001180620	AR	Adhesive	
98	1001168018	1	Washer	
99	1001197725	1	Spacer	
101	1001169054	4	Isolator	
102	1001169138	4	Pad, Snubbing	
103	3291005	11	Nut M10	
107	4811902	8	Washer M8	
108	1001181895	AR	Adhesive	
109	1001190442	1	Harness, Alternator Power	
109	1001098764	1	Boot - Red	
110	1320202	1	Clamp	
111	1001141304	1	Harness, Glow Fuse	
112	1001181899	1	Clamp	
114	4240099	1	Tie-Strap (Not Shown)	
119	5251012	2	Bolt M10 x 25	
120	5241000	10	Washer M10	
122	0760816	3	Bolt M8 x 40	
123	0761017	4	Bolt M10 x 45	
124	1001138248	4 ft/1.25m	Tube	

# SECTION 3 - ENGINE

## FIGURE 3-36. DEUTZ TD2.9L4 - 67HP ENGINE COMPONENTS



ART\_1001249943



## SECTION 3 - ENGINE

**FIGURE 3-36. DEUTZ TD2.9L4 - 67HP ENGINE COMPONENTS**

ITEM	PART NUMBER	QTY	DESCRIPTION	REV
	1001249943	Ref	ENGINE ASSEMBLY	A
1	70006265	1	Spring	
1	70006266	1	Seal	
1	70025660	1	Plug	
1	70006264	1	Valve, Plunger	
2	70024904	1	Dipstick	
2	70024905	2	Seal	
3	7020465	1	Cap, Fill	
4	70005920	1	Line, Breather	
4	70025111	2	Clamp	
5	70025162	1	Oil Pan	
6	70005942	1	Seal	
6	70005941	1	Plug	
7	70001870	1	Flywheel	
7	7024579	1	Ring Gear	
7	70025139	8	Bolt	
8	70024906	1	Gasket, Cylinder Head (Not Shown)	
9	70005921	1	Valve Cover	
9	70025205	1	Gasket	
10		Ref	Gasket & Seal Options (Not Shown)	
10	70005938	1	Gasket Kit	
10	70005171	1	Gasket	
10	70002718	1	Seal, Rear Main	
10	70028185	1	Gasket, Front Cover	
10	70004280	1	Seal, Front Main	
11	70005172	1	Pump, Lube (Not Shown - Located RH Rear)	
11	70025125	4	Bolt	
11	70025135	1	O-Seal	
11	70005173	1	Gasket	
12	70024494	1	Cooler, Oil	
12	70024925	1	Gasket, Oil Filter	
12	70025125	6	Bolt	
13	70025137	1	Bushing, Oil Filter	
13	7016331	1	Filter, Oil	
14	70024924	1	Pump, High Pressure	
14	70024517	1	Gasket (Spacer to Block)	
14	70025104	3	Nut	
14	70025152	1	Gasket (Spacer to Pump)	
14	70004505	1	Valve, Overflow	
14	70004506	1	Gasket, Overflow	
14	70004507	1	Gasket, Overflow	
14	70004508	1	Valve, Volume Control	
14	70004509	1	Seal, Ring	
14	70004510	1	Gasket	
14	70027415	2	Bolt	
15	70025181	4	Injector	
15	70025140	4	Washer, Sealing	
15	70025146	4	Clamp	
15	70025145	4	O-Seal	
15	70025154	4	Shoe/Pad, Clamping	

## SECTION 3 - ENGINE

ITEM	PART NUMBER	QTY	DESCRIPTION	REV
15	70025147	4	Bolt	
16	70006144	1	Pump, Fuel Supply	
17	70025144	2	Clip, Clamp	
18	70029393	2	Receptacle Plug (Not Shown)	
19	70024961	1	Fuel Filter Assembly	
20	1001225430	1	Element, Filter	
21	70024513	1	Cable, Sensor	
22	70025239	1	Seal, Ring	
23	70025121	4	Bolt	
24	70029451	1	Fuel Filter Assembly	
25	1001225431	1	Element, Filter	
26	70028538	1	Cable, Sensor	
26	70024920	1	O-Seal	
27	70004513	2	Seal (at Hollow Bolt)	
28	70025151	1	Rail, Fuel	
28	70028186	2	Bolt	
28	70025235	1	Repair Kit - Fuel Rail	
28	70025240	1	O-Ring	
29	70025182	1	Tube, Fuel - Cylinders 1 & 2	
29	70025183	1	Tube, Fuel - Cylinders 3 & 4	
29	70025184	1	Tube, Fuel	
30	70024502	1	Pipe, Fuel Leakage	
30	70025185	1	Hose, Fuel	
30	70025158	1	Manifold	
30	70025109	2	Clamp, Spring	
30	70025115	1	Clamp	
30	70001655	1	Bolt	
30	70025101	2	Clamp	
30	70025148	1	Connector, Plug-in	
31	70005928	1	Elbow, Air Charge	
31	70025122	2	Bolt	
32	70004501	1	Sleeve, Rubber	
32	70025112	2	Clamp	
32	70005926	1	Elbow	
33	70005176	1	O-Ring	
33	70005177	1	Gasket, Charger Air Manifold	
33	70005178	2	Bolt	
33	70005179	9	Bolt	
34	70025210	1	Module, ECU	
35	70029797	1	Pump, Coolant	
35	70025200	1	Ring, Sealing (Pump to Block)	
35	70007325	1	Gasket, Coolant Pump	
36	70025129	4	Bolt	
37	7020492	2	Ring, Sealing	
38	70005929	1	Thermostat	
38	70005184	1	O-Seal (Thermostat to Housing)	
38	70025142	1	Cover, Thermostat	
38	70025124	2	Bolt	
38	70005931	1	O-Seal (Thermostat to Pump)	
39	70004282	1	Manifold, Exhaust (Not Shown)	
39	70025130	8	Bolt, Manifold (Not Shown)	

## SECTION 3 - ENGINE

ITEM	PART NUMBER	QTY	DESCRIPTION	REV
39	70025164	1	Gasket, Manifold to Head (Not Shown)	
40	70025179	1	Gasket, Manifold to Elbow	
40	70007354	1	Gasket, Elbow End	
41	70007326	1	Gasket, EGR	
41	70007327	1	Valve, EGR Control	
41	70027428	4	Bolt	
41	70025106	4	Bolt, EGR Module	
41	70025155	2	Plug, EGR	
41	70025696	2	Bolt, EGR Valve Housing	
42	70029557	2	Gasket, Exhaust Pipe	
42	70025098	4	Bolt, Exhaust Pipe	
43	70024912	1	Gasket, Exhaust Manifold (Not Shown)	
43	70025676	4	Bolt, Exhaust Manifold (Not Shown)	
44	70004276	1	Turbocharger	
44	70024509	1	Gasket (Turbocharger to Oil Return Tube Housing)	
44	70025095	2	Bolt, Turbocharger	
44	70006294	1	O-Seal	
45	70024915	1	Starter	
45	70005647	1	Switch, Solenoid	
45	70005648	1	Relay	
45	70025099	2	Starter Bolt	
46	70028699	1	Belt Tensioner	
47	70004277	1	Belt	
48	70025733	1	Pulley, Alternator	
49	70006652	1	Generator	
49	70006653	1	Voltage, Regulator	
49	70029015	1	Fan	
49	70029402	1	Nut, Pulley	
49	70029403	1	Nut	
49	70029404	1	Washer	
50	70025231	1	Harness, Glow Plug	
50	70025233	1	Connector, Plug-in	
50	70000345	4	Glow Plug (Not Shown)	
51	70025226	1	Plug-In Connector	
51	70007086	4	Plug-In Connector	
51	70007087	5	Plug-In Connector	
51	70007088	1	Plug-In Connector	
51	70007089	1	Plug-In Connector	
51	70027440	1	Plug-In Connector	
51	70025221	2	Plug-In Connector	
51	70025327	1	Plug-In Connector	
51	70025216	1	Adapter	
51	70025215	1	Fixing, Bracket	
51	70025134	4	Screw	
51	70025165	1	Retaining Plate	
51	70025228	2	Bracket	
51	70025229	1	Wire Fastener	
51	70025217	4	Clamping Band	
51	70025224	3	Clamping Band	
51	70025225	2	Support, Cable	
51	70027446	1	Clamp, Support	

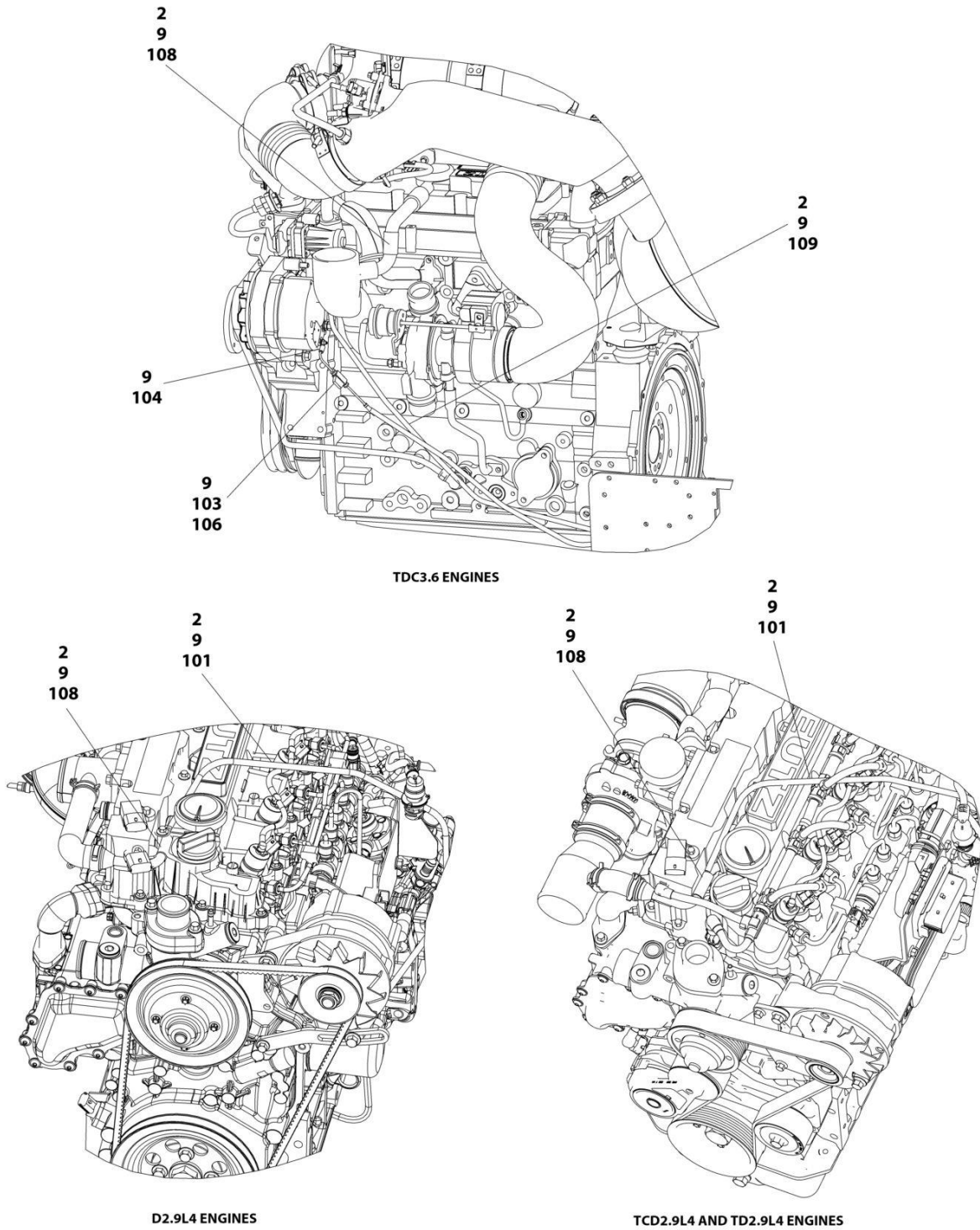
## SECTION 3 - ENGINE

ITEM	PART NUMBER	QTY	DESCRIPTION	REV
51	70025214	1	Cover, Cap	
52	70025166	1	Angle, Support	
52	70001655	1	Bolt	
52	70025126	6	Bolt	
53	70028540	1	Sender, Temperature (Not Shown)	
54	70028538	1	Sensor, Pressure (Not Shown)	
54	70024920	1	O-Seal	
55	70026210	1	Tacho-Generator (Not Shown)	
55	70005191	1	Ring, Seal	
56	70005179	2	Bolt	
56	70005933	1	Adapter	
56	70005934	1	O-Seal	
56	70024507	1	Sensor, Pressure	
56	70025120	1	O-Seal	
56	70001655	2	Bolt	
57	70024922	1	Sender, Temperature	
57	70025212	1	O-Seal	
58	70025128	1	Bolt	
58	70026210	1	Sensor, Speed	
58	70024917	1	O-Seal	
59	70025192	1	Housing	
59	70025113	2	Straight, Pin	
59	70025108	4	Bolt	
60	70005935	1	Bracket	
60	70005936	4	Bolt	
61	70004504	1	Compensator	
61	70025242	1	Gasket	
62	70005527	1	Clip	
62	70029433	1	Clip	
62	70025788	1	Nut, Clip	
63	70007355	1	Inlet, Muffler	
63	70029517	1	Clip	
63	70029250	1	Gasket, Inlet	
64	70007331	1	Outlet, Muffler	
64	70029517	1	Clip	
64	70029250	1	Gasket, Outlet	
65	70029415	2	Bracket, Muffler	
65	70025098	8	Bolt	



# SECTION 3 - ENGINE

FIGURE 3-37. BREATHER HEATER INSTALLATION - DEUTZ D2.9L4 - 49HP AND DEUTZ TD2.9L4 - 67HP ENGINES WITH ARCTIC PACKAGE



ART\_1001233763

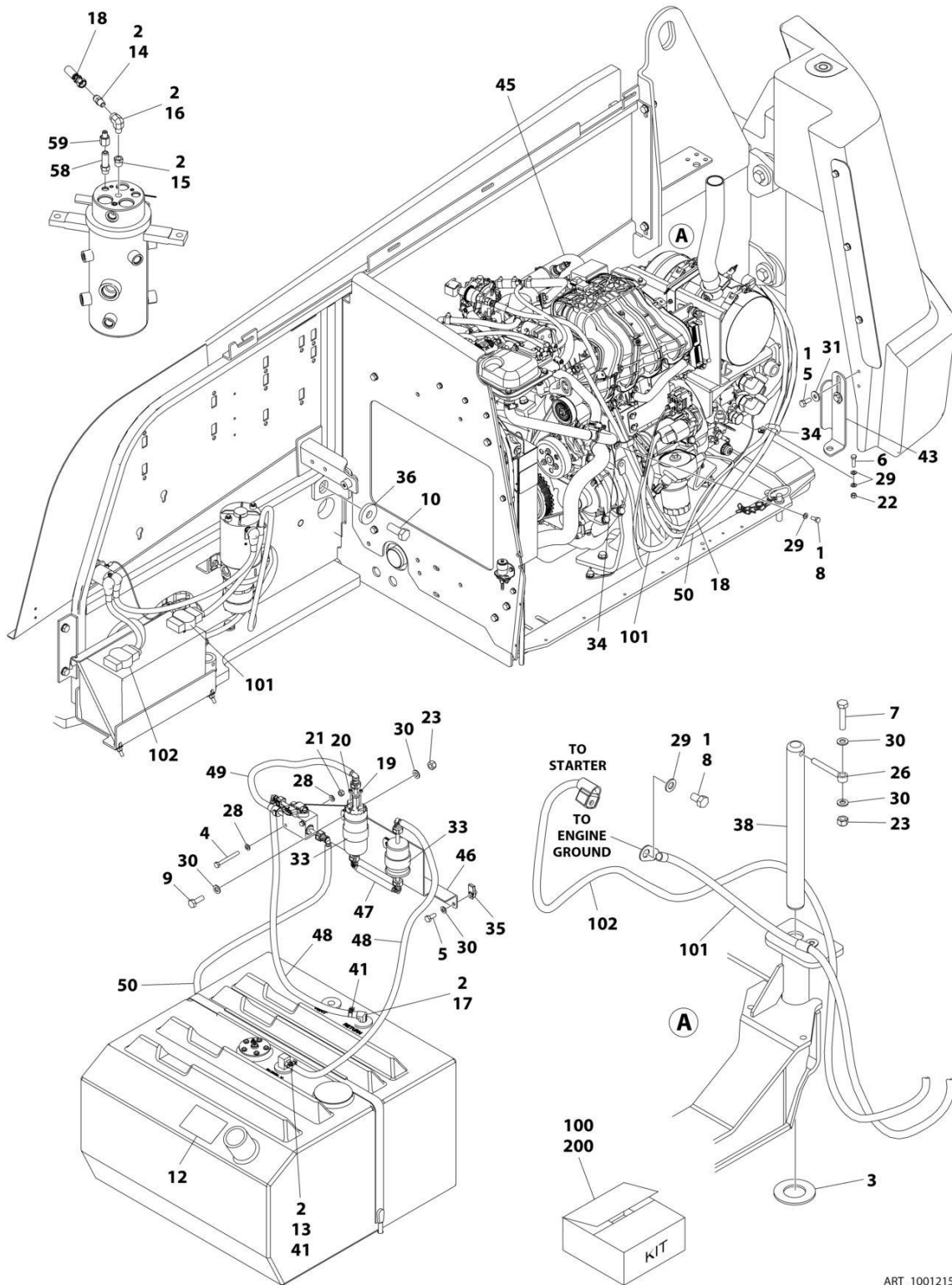
## SECTION 3 - ENGINE

**FIGURE 3-37. BREATHER HEATER INSTALLATION - DEUTZ D2.9L4 - 49HP AND DEUTZ TD2.9L4 - 67HP ENGINES WITH ARCTIC PACKAGE**

ITEM	PART NUMBER	QTY	DESCRIPTION	REV
	1001233763	Ref	BREATHER HEATER INSTALLATION - DEUTZ ENGINES	D
2	4240099	AR	Tie-Strap	
9	1001243895	1	Breather Heater Harness	C
101	2820035	AR	Insulation	
103	2400060	1	Fuseholder with Cover	
104	4460043	1	Terminal, Ring	
105	4460722	1	Terminal, Ring (Not Shown)	
106	1001196634	1	Fuse - 2 Amp	
108	1001232842	1	Breather Heater Kit	

# SECTION 3 - ENGINE

FIGURE 3-38. FORD ENGINE INSTALLATION - DANFOSS PISTON PUMP (WITHOUT ARCTIC PACKAGE) (600S HC3)



ART\_1001215608\_J



## SECTION 3 - ENGINE

**FIGURE 3-38. FORD ENGINE INSTALLATION - DANFOSS PISTON PUMP (WITHOUT ARCTIC PACKAGE) (600S HC3)**

ITEM	PART NUMBER	QTY	DESCRIPTION	REV
	1001215608	Ref	FORD ENGINE INSTALLATION	J
1	0100011	AR	Compound, Locking	
2	0100020	AR	Sealant	
3	0440162	1	Bearing	
4	0700619	2	Bolt M6 x 55	
5	0701012	4	Bolt M10 x 25	
6	0760814	1	Bolt M8 x 30	
7	0711018	1	Bolt M10 x 50	
8	0760810	2	Bolt M8 x 20	
9	0761014	2	Bolt M10 x 30	
10	0772018	1	Bolt M20 x 50	
12	1701542	1	Decal - Gas	
13	2180348	1	Fitting, Straight NPT/BARB	
14	2180418	1	Fitting, Straight	
15	2221197	1	Fitting, Straight NPT	
16	1001247359	1	Fitting, 90	
17	2221176	1	Fitting, 90	
18	1001222133	1	Hose	
19	3290405	1	Nut M4	
20	3290505	1	Nut M5	
21	3290605	2	Nut M6	
22	3290805	1	Nut M8	
23	3291005	3	Nut M10	
25	3790012	1	O-Ring (Not Shown - Located on Platform Console)	
26	3841143	1	Keeper, Pin	
27	4740397	1	Spacer (Not Shown - Located on Platform Console)	
28	4811700	4	Washer M6	
29	4811900	4	Washer M8	
30	4812000	8	Washer M10	
31	4812002	2	Washer M10	
33	85941018	2	Clamp	
34	1321283	2	Clamp	
35	1001118972	2	Nut, Tinnerman	
36	1001119051	1	Washer	
37	1001115044	1	Nut 15/32 (Not Shown - Located on Platform Console)	
38	1001155094	1	Pin	
39	1001161710	1	Switch, Toggle (Not Shown - Located on Platform Console)	
41	1001174486	2	Clamp	
43	1001196398	1	Bracket	
45	1001215610	1	Ford Engine and Pumps Sub-Assembly (See Separate Breakdown in this Section)	
46	1001219005	1	Bracket	
47	1001219015	1	Hose	
48	1001219021	2	Hose	
49	1001219022	1	Hose	
50	1001219024	1	Hose	
56	1701543	2	Decal - LPG (Not Shown - See DECALS INSTALLATION - OPTIONS for Locations)	
57	4240099	1	Tie-Strap (Not Shown)	

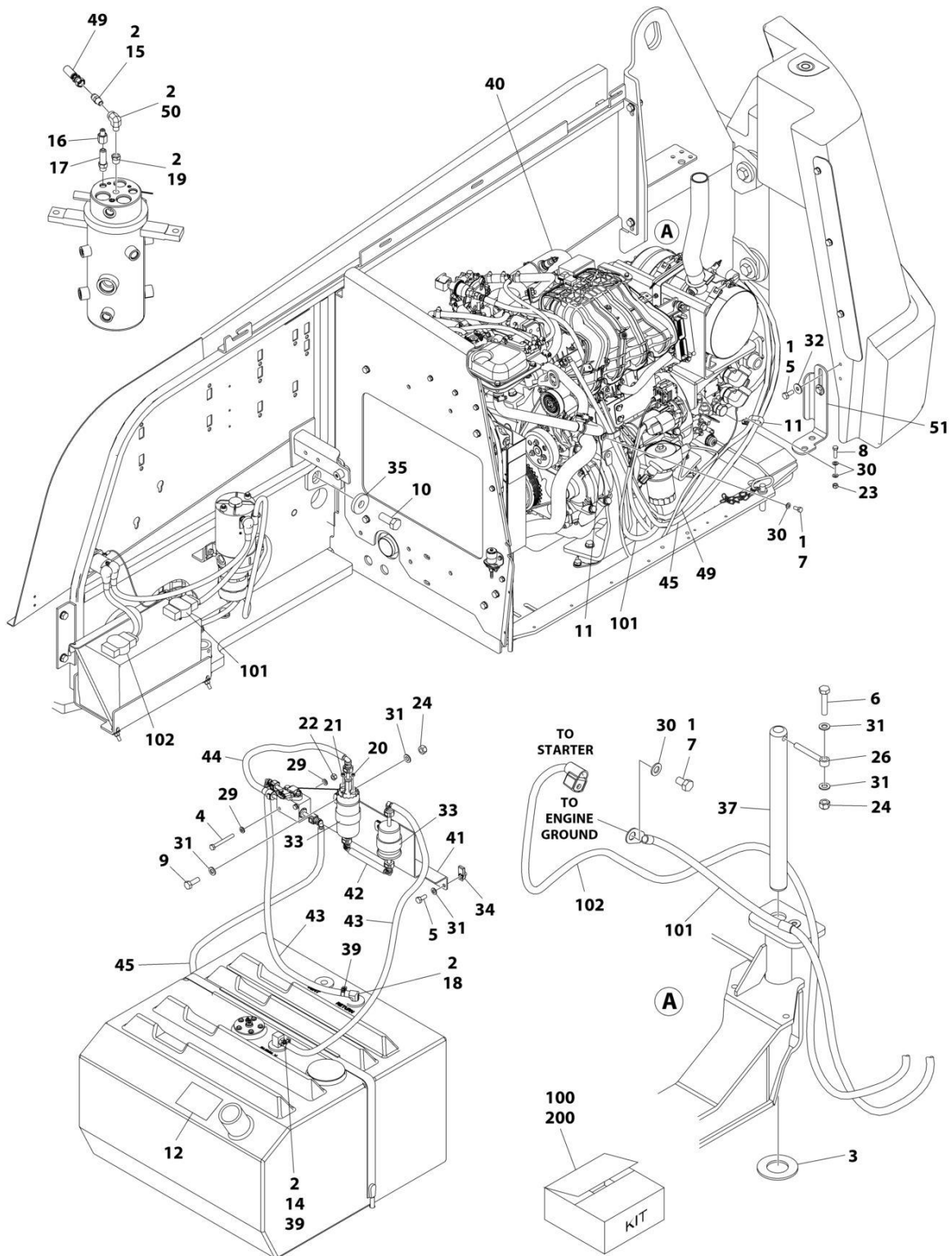
## SECTION 3 - ENGINE

ITEM	PART NUMBER	QTY	DESCRIPTION	REV
58	2220998	1	Fitting, Straight JIC/ORB	
59	2220609	1	Fitting, Straight JIC/FSJIC	
100	1001236136	1	Battery Cable Kit	
101	1001215220	1	Cable, Battery (-) to Aux Pump to Ground	
102	1001215219	1	Cable, Battery (+) to Aux Ready to Starter	
200	1001269921	1	Engine Hose Kit	
201	1001203432	1	Hose (Drive Suction) (Not Shown)	
202	1001221942	1	Hose (Function Suction) (Not Shown)	
203	1001221943	1	Hose (Case Drain) (Drive Pump Case Outlet Port to Tank) (Not Shown)	
204	1001221944	1	Hose (Case Drain) (Drive Pump Case Gauge Port to Tank) (Not Shown)	



# SECTION 3 - ENGINE

**FIGURE 3-39. FORD ENGINE INSTALLATION - DANFOSS PISTON PUMP (WITHOUT ARCTIC PACKAGE) (660SJ HC3)**



ART\_1001258169

## SECTION 3 - ENGINE

**FIGURE 3-39. FORD ENGINE INSTALLATION - DANFOSS PISTON PUMP (WITHOUT ARCTIC PACKAGE) (660SJ HC3)**

ITEM	PART NUMBER	QTY	DESCRIPTION	REV
	1001258169	Ref	FORD ENGINE INSTALLATION	B
1	0100011	AR	Compound, Locking	
2	0100020	AR	Sealant	
3	0440162	1	Bearing	
4	0700619	2	Bolt M6 x 55	
5	0701012	4	Bolt M10 x 25	
6	0711018	1	Bolt M10 x 50	
7	0760810	2	Bolt M8 x 20	
8	0760814	1	Bolt M8 x 30	
9	0761014	2	Bolt M10 x 30	
10	0772018	1	Bolt M20 x 50	
11	1321283	2	Clamp	
12	1701542	1	Decal - Gas	
13	1701543	2	Decal - LPG (Not Shown - See DECALS INSTALLATION - OPTIONS for Locations)	
14	2180348	1	Fitting, Straight NPT/BARB	
15	2180418	1	Fitting, Straight	
16	2220609	1	Fitting, Straight JIC/FSJIC	
17	2220998	1	Fitting, Straight JIC/ORB	
18	2221176	1	Fitting, 90	
19	2221197	1	Fitting, Straight NPT	
20	3290405	1	Nut M4	
21	3290505	1	Nut M5	
22	3290605	2	Nut M6	
23	3290805	1	Nut M8	
24	3291005	3	Nut M10	
25	3790012	1	O-Ring (Not Shown - Located on Platform Console)	
26	3841143	1	Keeper, Pin	
27	4240099	1	Tie-Strap (Not Shown)	
28	4740397	1	Spacer (Not Shown - Located on Platform Console)	
29	4811700	4	Washer M6	
30	4811900	4	Washer M8	
31	4812000	8	Washer M10	
32	4812002	2	Washer M10	
33	85941018	2	Clamp	
34	1001118972	2	Nut, Tinnerman	
35	1001119051	1	Washer	
36	1001115044	1	Nut 15/32 (Not Shown - Located on Platform Console)	
37	1001155094	1	Pin	
38	1001161710	1	Switch, Toggle (Not Shown - Located on Platform Console)	
39	1001174486	2	Clamp	
40	1001215610	1	Ford Engine and Pumps Sub-Assembly (See Separate Breakdown in this Section)	
41	1001219005	1	Bracket	
42	1001219015	1	Hose	
43	1001219021	2	Hose	
44	1001219022	1	Hose	
45	1001219024	1	Hose	
49	1001222133	1	Hose	

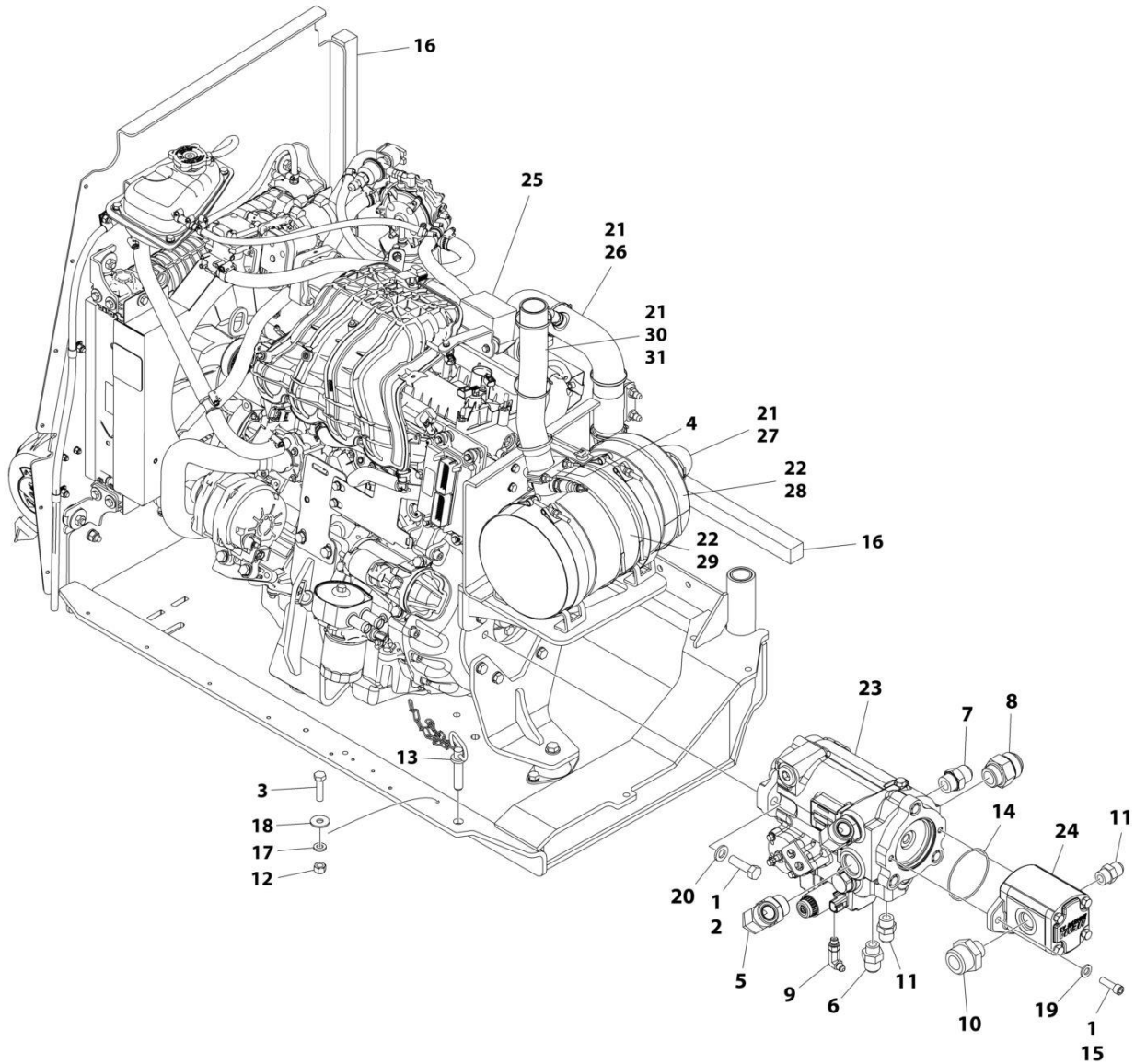
## SECTION 3 - ENGINE

ITEM	PART NUMBER	QTY	DESCRIPTION	REV
50	1001247359	1	Fitting, 90	
51	1001258175	1	Bracket	
100	1001236136	1	Battery Cable Kit	
101	1001215220	1	Cable, Battery (-) to Aux Pump to Ground	
102	1001215219	1	Cable, Battery (+) to Aux Ready to Starter	
200	1001269922	1	Engine Hose Kit	
201	1001221942	1	Hose (Function Suction) (Not Shown)	
202	1001221943	1	Hose (Case Drain) (Drive Pump Case Outlet Port to Tank) (Not Shown)	
203	1001221944	1	Hose (Case Drain) (Drive Pump Case Gauge Port to Tank) (Not Shown)	
204	1001258263	1	Hose (Function Suction) (Not Shown)	



# SECTION 3 - ENGINE

## FIGURE 3-40. FORD ENGINE AND PUMPS SUB-ASSEMBLY - DANFOSS PISTON PUMP (WITHOUT ARCTIC PACKAGE)



ART\_1001215610



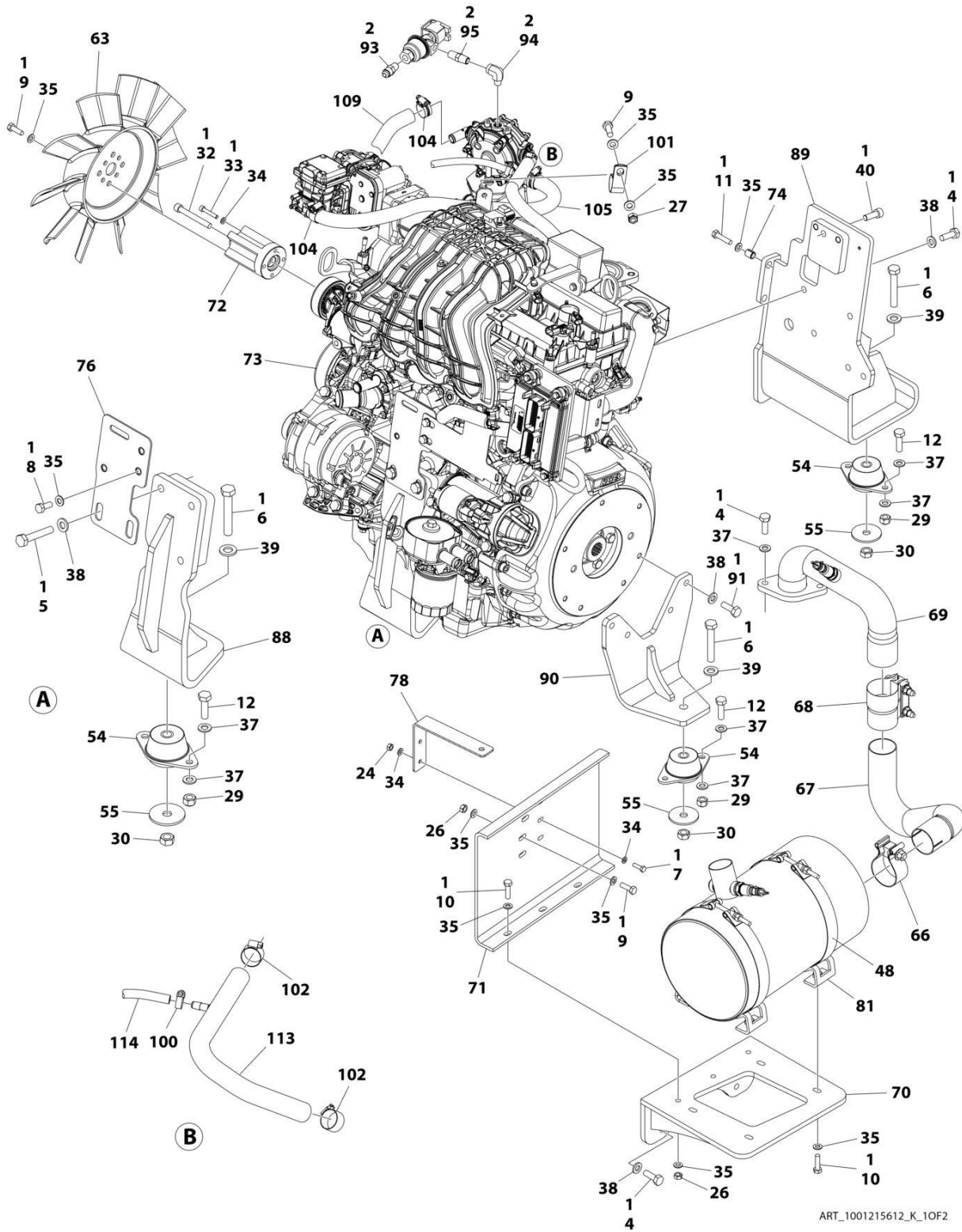
## SECTION 3 - ENGINE

**FIGURE 3-40. FORD ENGINE AND PUMPS SUB-ASSEMBLY - DANFOSS PISTON PUMP (WITHOUT ARCTIC PACKAGE)**

ITEM	PART NUMBER	QTY	DESCRIPTION	REV
	1001215610	Ref	FORD ENGINE AND PUMPS SUB-ASSEMBLY	F
1	0100011	AR	Compound, Locking	
2	0641814	2	Bolt 1/2 x 1-3/4	
3	0760612	1	Bolt M6 x 25	
4	1001221397	1	Clamp	
5	2131616	2	Fitting, 90 ORFS/ORB	
6	2220408	1	Fitting, Straight JIC/ORB	
7	2220451	1	Fitting, Straight ORB/JIC	
8	2220479	1	Fitting, Straight JIC/ORB	
9	2220940	1	Fitting, 90 JIC/ORB	
10	2220946	1	Fitting, Straight JIC/ORB	
11	2220947	2	Fitting, Straight JIC/ORB	
12	3290605	1	Nut M6	
13	3422532	1	Pin	
14	3790152	1	O-Ring	
15	3931620	2	Capscrew 3/8 x 1-1/4	
15	3931618	2	Capscrew 3/8 x 1-1/8	
16	3960469	2	Seal	
17	4811700	1	Washer M6	
18	4811702	1	Washer M6	
19	5241000	2	Washer M10	
20	5241200	2	Washer M12	
21	1001100825	9	Strap	
22	1001221464	3	Strap	
23	1001184930	1	Piston Pump Assembly (See Separate Breakdown in this Section)	
24	1001190143	1	Gear Pump Assembly	
24	70006356	1	Seal Kit - 1001190143 Pump	
25	1001215612	1	Ford Engine Assembly (See Separate Breakdown in this Section)	
26	1001216532	1	Insulate, Exhaust	
27	1001216533	1	Insulate, Exhaust	
28	1001216534	1	Insulate, Muffler	
29	1001216535	1	Insulate, Muffler	
30	1001216947	1	Pipe, Exhaust	
31	1001217563	1	Insulate, Exhaust	

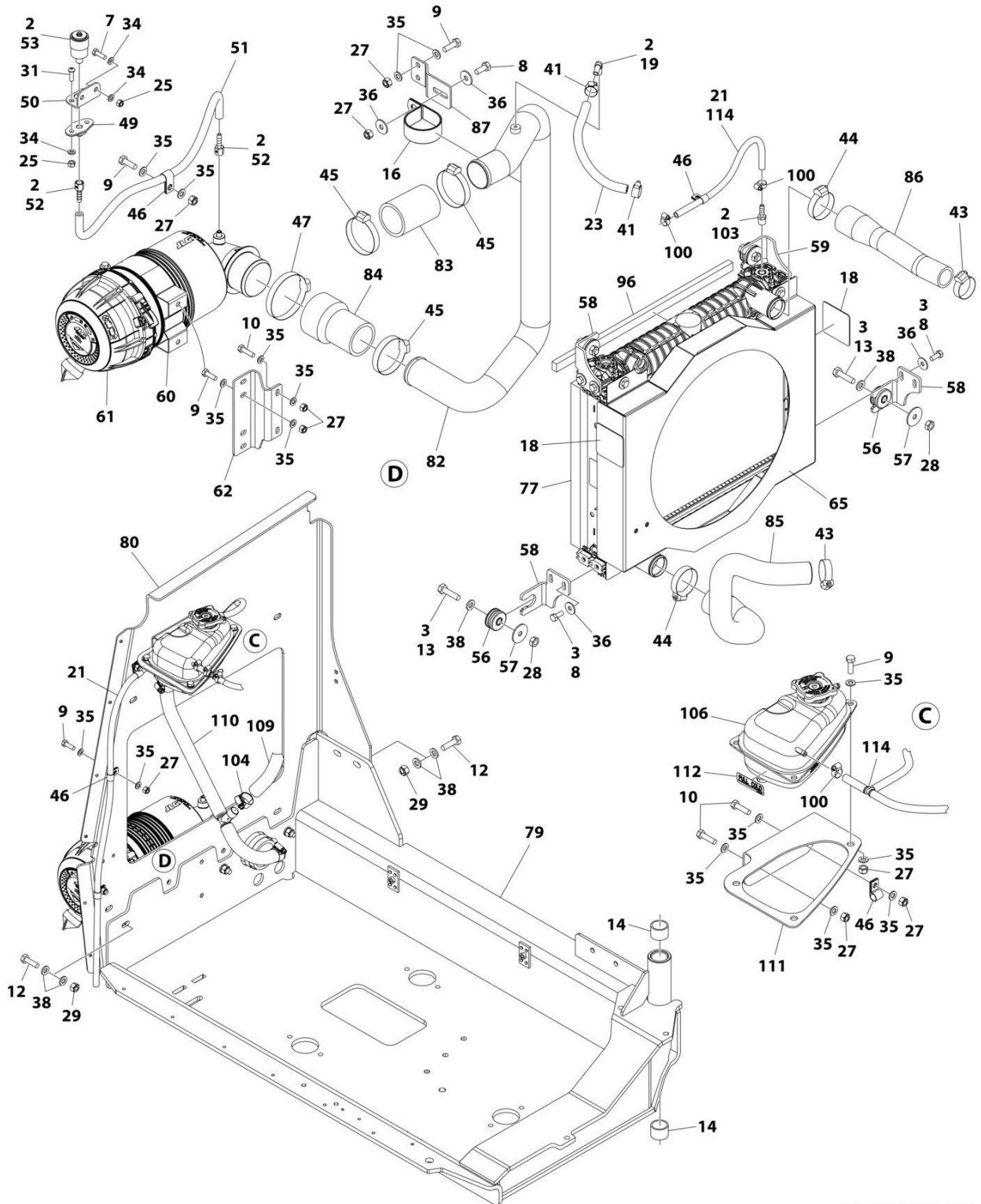
# SECTION 3 - ENGINE

## FIGURE 3-41. FORD ENGINE ASSEMBLY - WITHOUT ARCTIC PACKAGE



ART\_1001215612\_K\_10F2

# SECTION 3 - ENGINE



ART\_1001215612\_K\_20F2

## SECTION 3 - ENGINE

FIGURE 3-41. FORD ENGINE ASSEMBLY - WITHOUT ARCTIC PACKAGE

ITEM	PART NUMBER	QTY	DESCRIPTION	REV
	1001215612	Ref	FORD ENGINE ASSEMBLY	K
1	0100011	AR	Compound, Locking	
2	0100020	AR	Sealant	
3	1001180620	AR	Adhesive	
4	0711014	10	Bolt M10 x 30	
5	0711020	3	Bolt M10 x 60	
6	0711223	3	Bolt M12 x 75	
7	0760610	4	Bolt M6 x 20	
8	0760810	11	Bolt M8 x 20	
9	0760812	18	Bolt M8 x 25	
10	0760814	11	Bolt M8 x 30	
11	0760815	2	Bolt M8 x 35	
12	0761015	11	Bolt M10 x 35	
13	0761016	4	Bolt M10 x 40	
14	0961951	2	Bushing	
16	1320110	1	Clamp	
18	1703162	2	Decal - Fan Blade	
19	2180467	1	Fitting, Straight NPT/Barb	
21	2720058	AR	Hose, Fuel	
23	1001165035	11 in/ 28cm	Hose	
24	3290601	2	Nut M6	
25	3290605	4	Nut M6	
26	3290801	5	Nut M8	
27	3290805	17	Nut M8	
28	3291001	4	Nut M10	
29	3291005	11	Nut M10	
30	3331211	3	Nut M12	
31	3900364	2	Capscrew M6 x 20	
32	3931648	1	Capscrew 3/8 x 3	
33	4031711	1	Capscrew M6 x 35	
34	4811700	14	Washer M6	
35	4811900	54	Washer M8	
36	4811902	10	Washer M8	
37	4812000	14	Washer M10	
38	5241000	30	Washer M10	
39	5241200	3	Washer M12	
40	5272010	1	Capscrew M10 x 30	
41	8405006	2	Clamp	
43	8405102	2	Clamp	
44	8405104	2	Clamp	
45	8405203	3	Clamp	
46	8406109	AR	Clip	
47	8410011	1	Clamp	
48	1001128901	2	Strap	
49	1001138173	1	Support	
50	1001138175	1	Bracket	
51	1001138248	23 in/.6m	Hose	
52	1001141995	2	Fitting, Straight NPT/Barbed	
53	1001149639	1	Indicator, Restriction	

## SECTION 3 - ENGINE

ITEM	PART NUMBER	QTY	DESCRIPTION	REV
54	1001191610	3	Mount, Motor	
55	1001168018	3	Washer	
56	1001169054	4	Isolator	
57	1001169138	4	Pad, Snubbing	
58	1001169967	3	Bracket	
59	1001170035	1	Bracket	
60	1001186426	1	Clamp	
61	1001189979	1	Filter, Air	
61	70005008	1	Element, Filter	
62	1001190942	1	Support	
63	1001223042	1	Fan	
64	1001215218	1	Engine Harness - Ford Engines (Not Shown) (See Separate Breakdown in ELECTRICAL SECTION)	
65	1001223923	1	Radiator	
66	1001215681	1	Clamp	
67	1001215899	1	Pipe, Exhaust	
68	1001215974	1	Clamp	
69	1001216075	1	Pipe, Exhaust	
70	1001216086	1	Bracket	
71	1001216092	1	Shield, Heat	
72	1001216201	1	Adapter	
73	1001216910	1	Ford Engine Prep Assembly (See Separate Breakdown in this Section)	
74	1001216919	2	Sleeve	
76	1001222033	1	Plate	
77	1001217185	2	Seal	
78	1001217186	1	Support	
79	1001217450	1	Tray	
80	1001217453	1	Support, Radiator	
81	1001217543	2	Mount	
82	1001217593	1	Pipe, Air Intake	
83	1001217594	1	Pipe, Air Intake	
84	1001217595	1	Pipe, Air Intake	
85	1001217647	1	Hose, Radiator (Lower)	
86	1001217648	1	Hose, Radiator (Upper)	
87	1001218471	1	Bracket	
88	1001218559	1	Mount, Engine (RH Front)	
89	1001218565	1	Mount, Engine (LH Front)	
90	1001218575	1	Mount, Engine (Rear)	
91	0761014	4	Bolt M10 x 30	
92	1001187781	1	Tie-Strap (Not Shown)	
93	2180418	1	Fitting	
94	1001247359	1	Fitting, 90	
95	2220261	1	Fitting	
96	1001217183	2	Seal	
100	8405009	AR	Gear	
101	8406201	1	Clip	
102	8410009	AR	Clamp	
103	8420231	1	Fitting, Barb	
104	1001173535	6	Clamp	
105	1001216531	25 in/ 63cm	Hose	

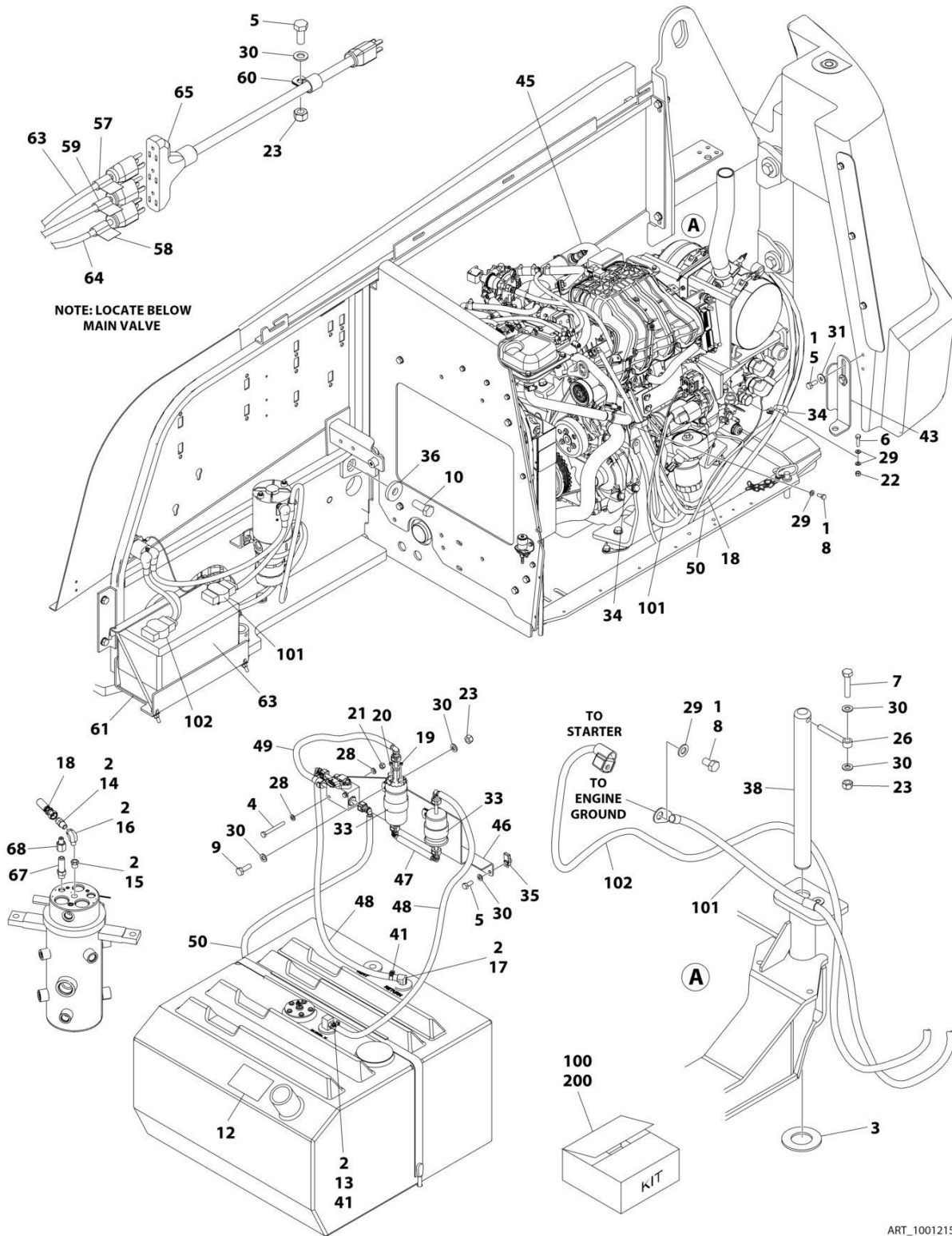
## SECTION 3 - ENGINE

ITEM	PART NUMBER	QTY	DESCRIPTION	REV
106	1001223584	1	Tank, Surge	
109	1001224486	1	Hose	
110	1001224489	1	Hose	
111	1001225442	1	Bracket	
112	1001225510	1	Decal - Full Cold, Surge Tank	
113	1001227666	1	Hose	
114	1001227667	1	Hose	



# SECTION 3 - ENGINE

**FIGURE 3-42. FORD ENGINE INSTALLATION - DANFOSS PISTON PUMP (WITH ARCTIC PACKAGE)  
(600S HC3)**





## SECTION 3 - ENGINE

**FIGURE 3-42. FORD ENGINE INSTALLATION - DANFOSS PISTON PUMP (WITH ARCTIC PACKAGE)  
(600S HC3)**

ITEM	PART NUMBER	QTY	DESCRIPTION	REV
	1001215609	Ref	FORD ENGINE INSTALLATION	H
1	0100011	AR	Compound, Locking	
2	0100020	AR	Sealant	
3	0440162	1	Bearing	
4	0700619	2	Bolt M6 x 55	
5	0701012	5	Bolt M10 x 25	
6	0760814	1	Bolt M8 x 30	
7	0711018	1	Bolt M10 x 50	
8	0760810	2	Bolt M8 x 20	
9	0761014	2	Bolt M10 x 30	
10	0772018	1	Bolt M20 x 50	
12	1701542	1	Decal - Gas	
13	2180348	1	Fitting, Straight NPT/BARB	
14	2180418	1	Fitting, Straight	
15	2221197	1	Fitting, Straight NPT	
16	1001247359	1	Fitting, 90	
17	2221176	1	Fitting, 90	
18	1001222133	1	Hose	
19	3290405	1	Nut M4	
20	3290505	1	Nut M5	
21	3290605	2	Nut M6	
22	3290805	1	Nut M8	
23	3291005	4	Nut M10	
25	3790012	1	O-Ring (Not Shown - Located on Platform Console)	
26	3841143	1	Keeper, Pin	
27	4740397	1	Spacer (Not Shown - Located on Platform Console)	
28	4811700	4	Washer M6	
29	4811900	4	Washer M8	
30	4812000	9	Washer M10	
31	4812002	2	Washer M10	
33	85941018	2	Clamp	
34	1321283	2	Clamp	
35	1001118972	2	Nut, Tinnerman	
36	1001119051	1	Washer	
37	1001115044	1	Nut 15/32 (Not Shown - Located on Platform Console)	
38	1001155094	1	Pin	
39	1001161710	1	Switch, Toggle (Not Shown - Located on Platform Console)	
41	1001174486	2	Clamp	
43	1001196398	1	Bracket	
45	1001215611	1	Ford Engine and Pumps Sub-Assembly (See Separate Breakdown in this Section)	
46	1001219005	1	Bracket	
47	1001219015	1	Hose	
48	1001219021	2	Hose	
49	1001219022	1	Hose	
50	1001219024	1	Hose	
56	1701543	2	Decal - LPG (Not Shown - See DECALS INSTALLATION - OPTIONS for Locations)	
57	1702941	1	Decal - Battery Heater	

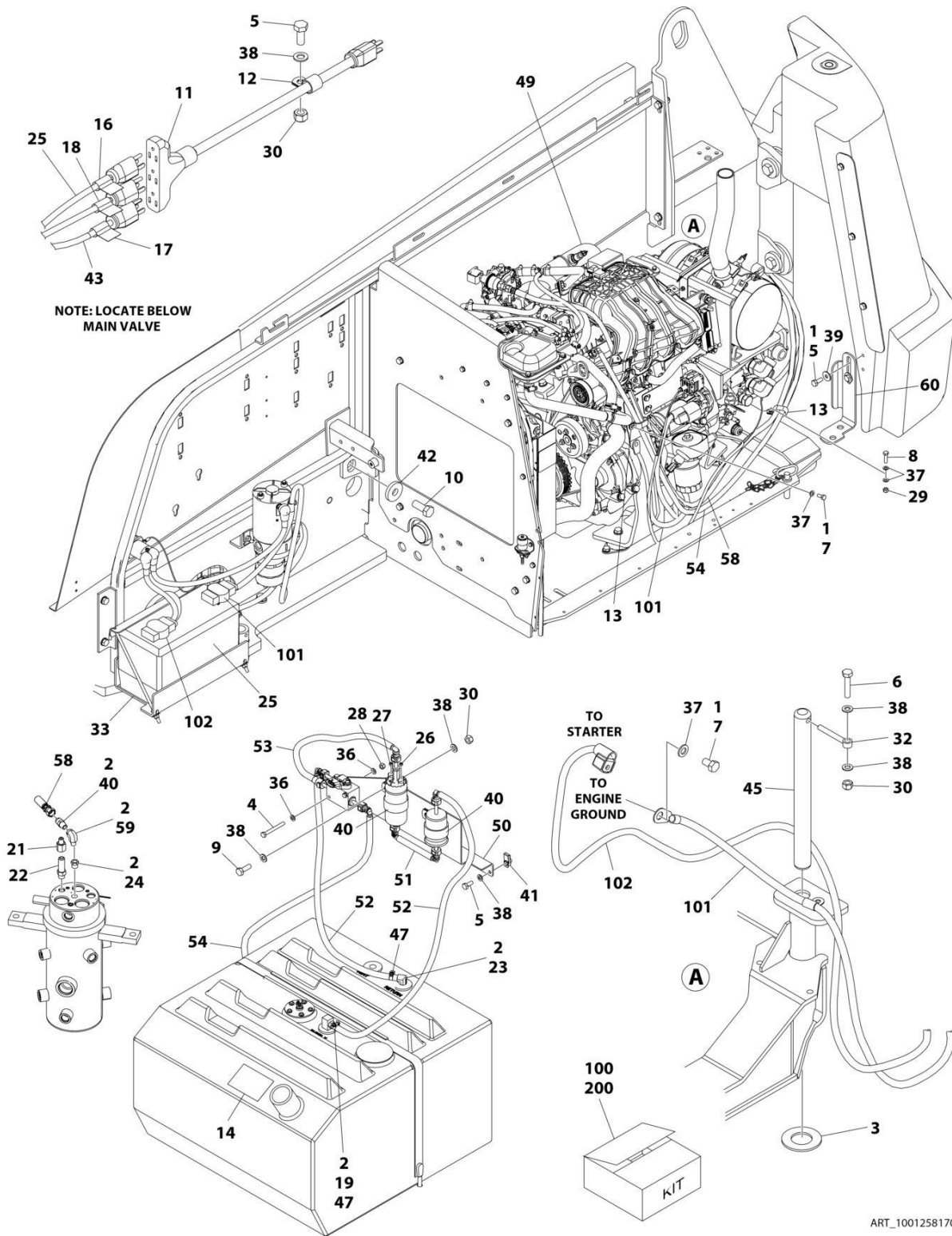
## SECTION 3 - ENGINE

ITEM	PART NUMBER	QTY	DESCRIPTION	REV
58	1702942	1	Decal - Engine Block Heater	
59	1702943	1	Decal - Hydraulic Tank Heater	
60	1320061	1	Clamp	
61	3980007	1	Seat, Battery	
62	1001188972	1	Heater, Immersion (Not Shown - Located on Hydraulic Tank)	
63	2580024	1	Heater, Battery	
64	1001150918	1	Cable, Extension Cord	
65	1060626	1	Plug, 3 Way	
66	4240099	2	Tie-Strap (Not Shown)	
67	2220998	1	Fitting, Straight JIC/ORB	
68	2220609	1	Fitting, Straight JIC/FSJIC	
100	1001236136	1	Battery Cable Kit	
101	1001215220	1	Cable, Battery (-) to Aux Pump to Ground	
102	1001215219	1	Cable, Battery (+) to Aux Ready to Starter	
200	1001269921	1	Engine Hose Kit	
201	1001203432	1	Hose (Drive Suction) (Not Shown)	
202	1001221942	1	Hose (Function Suction) (Not Shown)	
203	1001221943	1	Hose (Case Drain) (Drive Pump Case Outlet Port to Tank) (Not Shown)	
204	1001221944	1	Hose (Case Drain) (Drive Pump Case Gauge Port to Tank) (Not Shown)	



# SECTION 3 - ENGINE

**FIGURE 3-43. FORD ENGINE INSTALLATION - DANFOSS PISTON PUMP (WITH ARCTIC PACKAGE) (660SJ HC3)**



## SECTION 3 - ENGINE

**FIGURE 3-43. FORD ENGINE INSTALLATION - DANFOSS PISTON PUMP (WITH ARCTIC PACKAGE)  
(660SJ HC3)**

ITEM	PART NUMBER	QTY	DESCRIPTION	REV
	1001258170	Ref	FORD ENGINE INSTALLATION	B
1	0100011	AR	Compound, Locking	
2	0100020	AR	Sealant	
3	0440162	1	Bearing	
4	0700619	2	Bolt M6 x 55	
5	0701012	5	Bolt M10 x 25	
7	0711018	1	Bolt M10 x 50	
8	0760810	2	Bolt M8 x 20	
6	0760814	1	Bolt M8 x 30	
9	0761014	2	Bolt M10 x 30	
10	0772018	1	Bolt M20 x 50	
11	1060626	1	Plug, 3 Way	
12	1320061	1	Clamp	
13	1321283	2	Clamp	
14	1701542	1	Decal - Gas	
15	1701543	2	Decal - LPG (Not Shown - See DECALS INSTALLATION - OPTIONS for Locations)	
16	1702941	1	Decal - Battery Heater	
17	1702942	1	Decal - Engine Block Heater	
18	1702943	1	Decal - Hydraulic Tank Heater	
19	2180348	1	Fitting, Straight NPT/BARB	
20	2180418	1	Fitting, Straight	
21	2220609	1	Fitting, Straight JIC/FSJIC	
22	2220998	1	Fitting, Straight JIC/ORB	
23	2221176	1	Fitting, 90	
24	2221197	1	Fitting, Straight NPT	
25	2580024	1	Heater, Battery	
26	3290405	1	Nut M4	
27	3290505	1	Nut M5	
28	3290605	2	Nut M6	
29	3290805	1	Nut M8	
30	3291005	4	Nut M10	
31	3790012	1	O-Ring (Not Shown - Located on Platform Console)	
32	3841143	1	Keeper, Pin	
33	3980007	1	Seat, Battery	
34	4240099	2	Tie-Strap (Not Shown)	
35	4740397	1	Spacer (Not Shown - Located on Platform Console)	
36	4811700	4	Washer M6	
37	4811900	4	Washer M8	
38	4812000	9	Washer M10	
39	4812002	2	Washer M10	
40	85941018	2	Clamp	
41	1001118972	2	Nut, Tinnerman	
42	1001119051	1	Washer	
43	1001150918	1	Cable, Extension Cord	
44	1001115044	1	Nut 15/32 (Not Shown - Located on Platform Console)	
45	1001155094	1	Pin	
46	1001161710	1	Switch, Toggle (Not Shown - Located on Platform Console)	
47	1001174486	2	Clamp	

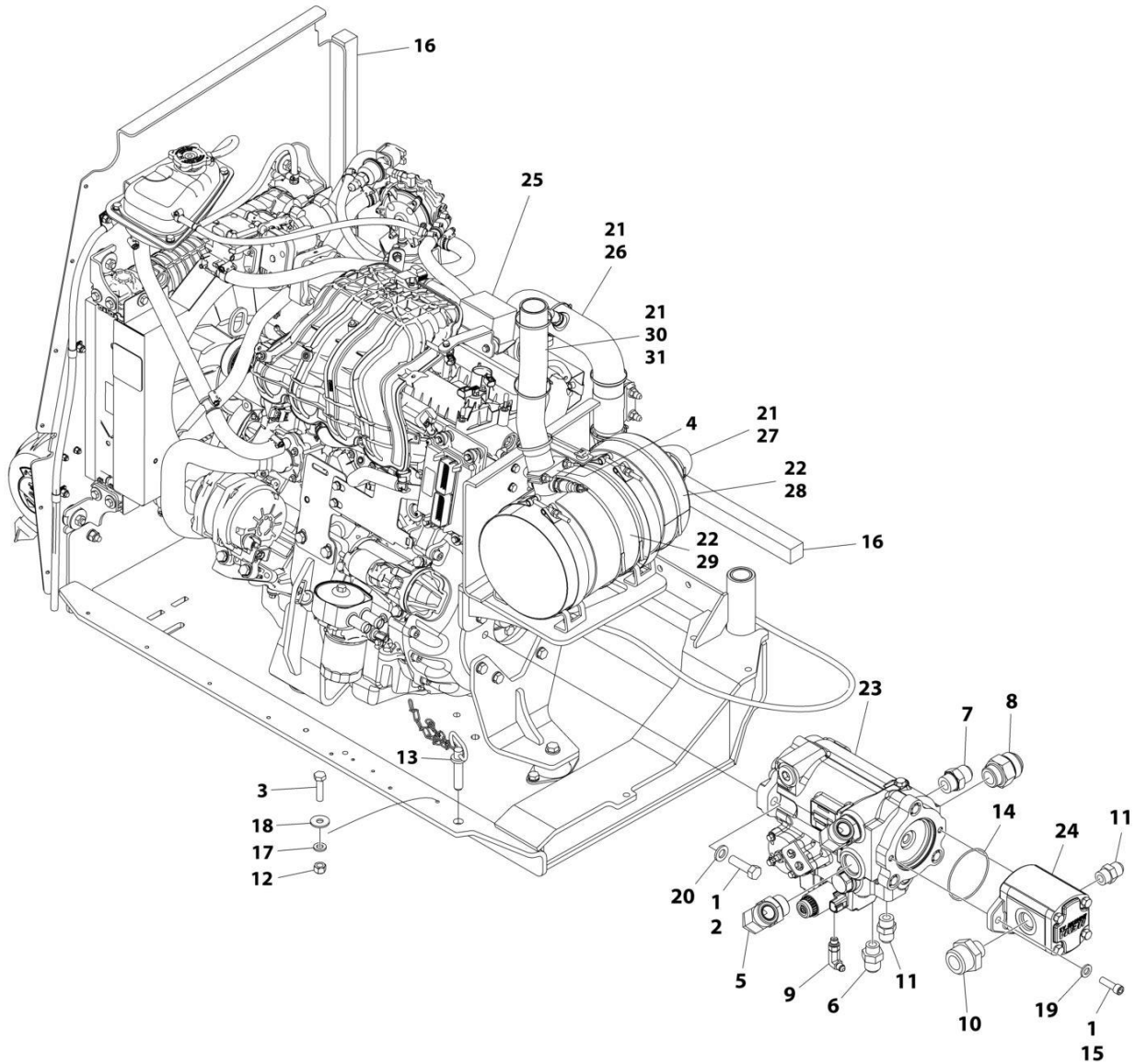
## SECTION 3 - ENGINE

ITEM	PART NUMBER	QTY	DESCRIPTION	REV
48	1001188972	1	Heater, Immersion (Not Shown - Located on Hydraulic Tank)	
49	1001215611	1	Ford Engine and Pumps Sub-Assembly (See Separate Breakdown in this Section)	
50	1001219005	1	Bracket	
51	1001219015	1	Hose	
52	1001219021	2	Hose	
53	1001219022	1	Hose	
54	1001219024	1	Hose	
58	1001222133	1	Hose	
59	1001247359	1	Fitting, 90	
60	1001258175	1	Bracket	
100	1001236136	1	Battery Cable Kit	
101	1001215220	1	Cable, Battery (-) to Aux Pump to Ground	
102	1001215219	1	Cable, Battery (+) to Aux Ready to Starter	
200	1001269922	1	Engine Hose Kit	
201	1001221942	1	Hose (Function Suction) (Not Shown)	
202	1001221943	1	Hose (Case Drain) (Drive Pump Case Outlet Port to Tank) (Not Shown)	
203	1001221944	1	Hose (Case Drain) (Drive Pump Case Gauge Port to Tank) (Not Shown)	
204	1001258263	1	Hose (Function Suction) (Not Shown)	



# SECTION 3 - ENGINE

## FIGURE 3-44. FORD ENGINE AND PUMPS SUB-ASSEMBLY - DANFOSS PISTON PUMP (WITH ARCTIC PACKAGE)



ART\_1001215611



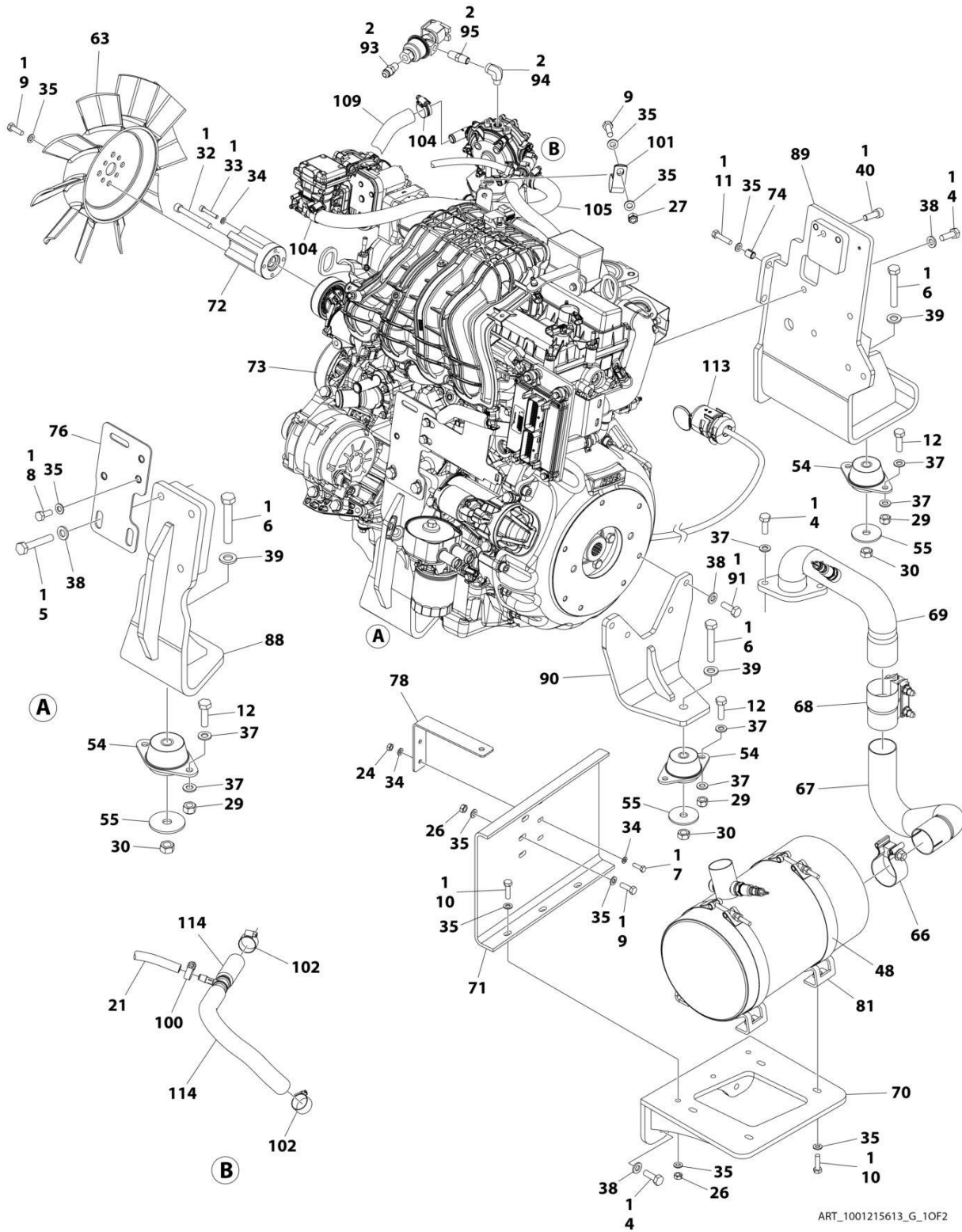
## SECTION 3 - ENGINE

**FIGURE 3-44. FORD ENGINE AND PUMPS SUB-ASSEMBLY - DANFOSS PISTON PUMP (WITH ARCTIC PACKAGE)**

ITEM	PART NUMBER	QTY	DESCRIPTION	REV
	1001215611	Ref	FORD ENGINE AND PUMPS SUB-ASSEMBLY	C
1	0100011	AR	Compound, Locking	
2	0641814	2	Bolt 1/2 x 1-3/4	
3	0760612	1	Bolt M6 x 25	
4	1001221397	1	Clamp	
5	2131616	2	Fitting, 90 ORFS/ORB	
6	2220408	1	Fitting, Straight JIC/ORB	
7	2220451	1	Fitting, Straight ORB/JIC	
8	2220479	1	Fitting, Straight JIC/ORB	
9	2220940	1	Fitting, 90 JIC/ORB	
10	2220946	1	Fitting, Straight JIC/ORB	
11	2220947	2	Fitting, Straight JIC/ORB	
12	3290605	1	Nut M6	
13	3422532	1	Pin	
14	3790152	1	O-Ring	
15	3931620	2	Capscrew 3/8 x 1-1/4	
15	3931618	2	Capscrew 3/8 x 1-1/8	
16	3960469	2	Seal	
17	4811700	1	Washer M6	
18	4811702	1	Washer M6	
19	5241000	2	Washer M10	
20	5241200	2	Washer M12	
21	1001100825	9	Strap	
22	1001221464	3	Strap	
23	1001184930	1	Piston Pump Assembly (See Separate Breakdown in this Section)	
24	1001190143	1	Gear Pump Assembly	
24	70006356	1	Seal Kit - 1001190143 Pump	
25	1001215613	1	Ford Engine Assembly (See Separate Breakdown in this Section)	
26	1001216532	1	Insulate, Exhaust	
27	1001216533	1	Insulate, Exhaust	
28	1001216534	1	Insulate, Muffler	
29	1001216535	1	Insulate, Muffler	
30	1001216947	1	Pipe, Exhaust	
31	1001217563	1	Insulate, Exhaust	

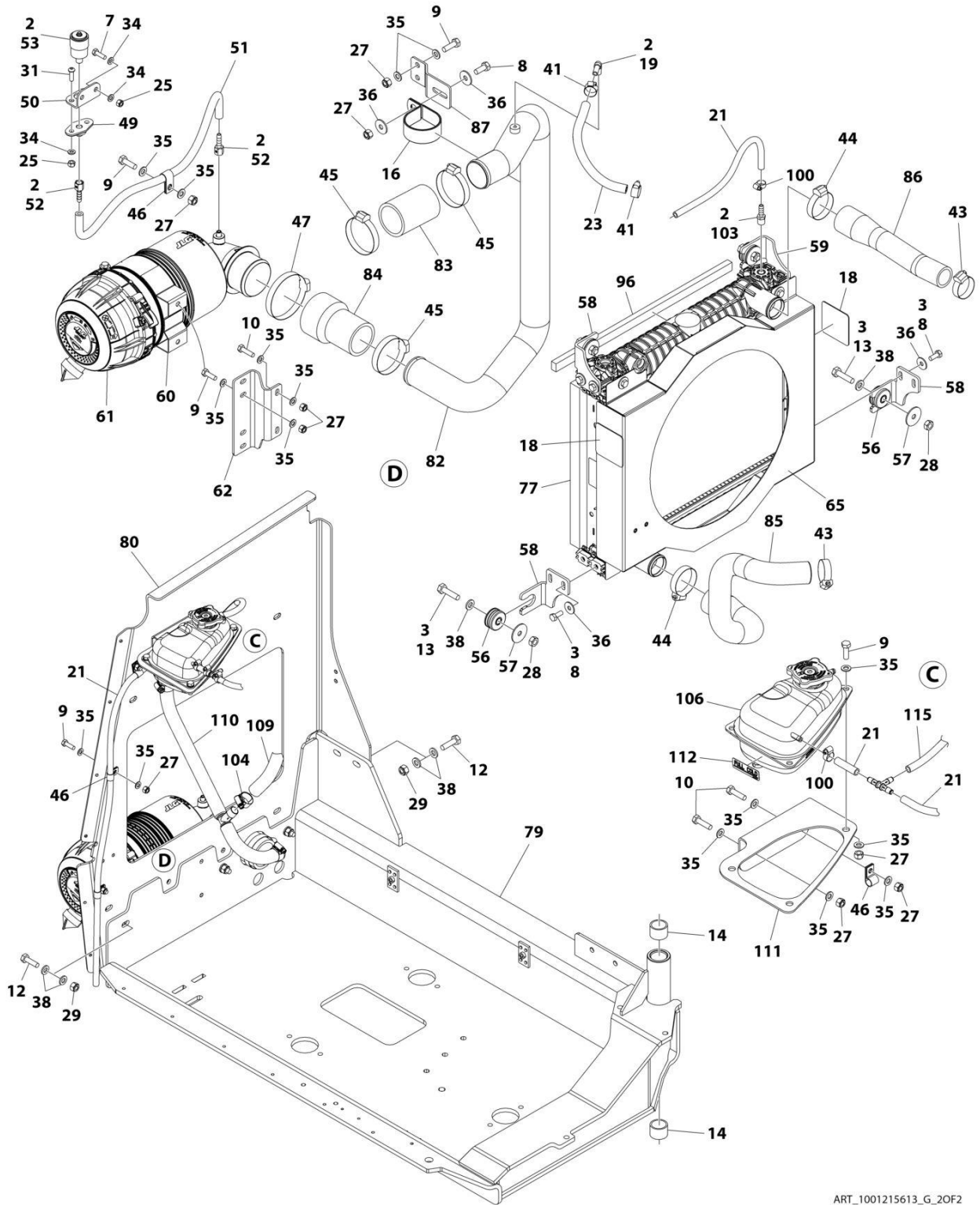
# SECTION 3 - ENGINE

## FIGURE 3-45. FORD ENGINE ASSEMBLY - WITH ARCTIC PACKAGE



ART\_1001215613\_G\_10F2

# SECTION 3 - ENGINE



ART\_1001215613\_G\_20F2

## SECTION 3 - ENGINE

FIGURE 3-45. FORD ENGINE ASSEMBLY - WITH ARCTIC PACKAGE

ITEM	PART NUMBER	QTY	DESCRIPTION	REV
	1001215613	Ref	FORD ENGINE ASSEMBLY	G
1	0100011	AR	Compound, Locking	
2	0100020	AR	Sealant	
3	1001180620	AR	Adhesive	
4	0711014	10	Bolt M10 x 30	
5	0711020	3	Bolt M10 x 60	
6	0711223	3	Bolt M12 x 75	
7	0760610	4	Bolt M6 x 20	
8	0760810	11	Bolt M8 x 20	
9	0760812	18	Bolt M8 x 25	
10	0760814	11	Bolt M8 x 30	
11	0760815	2	Bolt M8 x 35	
12	0761015	11	Bolt M10 x 35	
13	0761016	4	Bolt M10 x 40	
14	0961951	2	Bushing	
16	1320110	1	Clamp	
18	1703162	2	Decal - Fan Blade	
19	2180467	1	Fitting, Straight NPT/Barb	
21	2720058	95 in/2.5m	Hose, Fuel	
23	1001165035	1	Hose	
24	3290601	2	Nut M6	
25	3290605	4	Nut M6	
26	3290801	5	Nut M8	
27	3290805	17	Nut M8	
28	3291001	4	Nut M10	
29	3291005	11	Nut M10	
30	3331211	3	Nut M12	
31	3900364	2	Capscrew M6 x 20	
32	3931648	1	Capscrew 3/8 x 3	
33	4031711	4	Capscrew M6 x 35	
34	4811700	14	Washer M6	
35	4811900	54	Washer M8	
36	4811902	10	Washer M8	
37	4812000	14	Washer M10	
38	5241000	30	Washer M10	
39	5241200	3	Washer M12	
40	5272010	1	Capscrew M10 x 30	
41	8405006	2	Clamp	
43	8405102	2	Clamp	
44	8405104	2	Clamp	
45	8405203	3	8405203	
46	8406109	6	Clip	
47	8410011	1	Clamp	
48	1001128901	2	Strap	
49	1001138173	1	Support	
50	1001138175	1	Bracket	
51	1001138248	23 in/.6m	Hose	
52	1001141995	2	Fitting, Straight NPT/Barbed	
53	1001149639	1	Indicator, Restriction	
54	1001191610	3	Mount, Motor	

## SECTION 3 - ENGINE

ITEM	PART NUMBER	QTY	DESCRIPTION	REV
55	1001168018	3	Washer	
56	1001169054	4	Isolator	
57	1001169138	4	Pad, Snubbing	
58	1001169967	3	Bracket	
59	1001170035	1	Bracket	
60	1001186426	1	Clamp	
61	1001189979	1	Filter, Air	
61	70005008	1	Element, Filter	
62	1001190942	1	Support	
63	1001223042	1	Fan	
64	1001215218	1	Engine Harness - Ford Engines (Not Shown) (See Separate Breakdown in ELECTRICAL SECTION)	
65	1001223923	1	Radiator	
66	1001215681	1	Clamp	
67	1001215899	1	Pipe, Exhaust	
68	1001215974	1	Clamp	
69	1001216075	1	Pipe, Exhaust	
70	1001216086	1	Bracket	
71	1001216092	1	Shield, Heat	
72	1001216201	1	Adapter	
73	1001216910	1	Ford Engine Prep Assembly (See Separate Breakdown in this Section)	
74	1001216919	2	Sleeve	
76	1001222033	1	Plate	
77	1001217185	2	Seal	
78	1001217186	1	Support	
79	1001217450	1	Tray	
80	1001217453	1	Support, Radiator	
81	1001217543	2	Mount	
82	1001217593	1	Pipe, Air Intake	
83	1001217594	1	Pipe, Air Intake	
84	1001217595	1	Pipe, Air Intake	
85	1001217647	1	Hose, Radiator (Lower)	
86	1001217648	1	Hose, Radiator (Upper)	
87	1001218471	1	Bracket	
88	1001218559	1	Mount, Engine (RH Front)	
89	1001218565	1	Mount, Engine (LH Front)	
90	1001218575	1	Mount, Engine (Rear)	
91	0761014	4	Bolt M10 x 30	
92	1001187781	1	Tie-Strap (Not Shown)	
93	2180418	1	Fitting	
94	1001247359	1	Fitting, 90	
95	2220261	1	Fitting	
96	1001217183	2	Seal	
100	8405009	3	Gear	
101	8406201	1	Clip	
102	8410009	2	Clamp	
103	8420231	1	Fitting, Barb	
104	1001173535	6	Clamp	
105	1001216531	25 in/ 63cm	Hose	
106	1001223584	1	Tank, Surge	

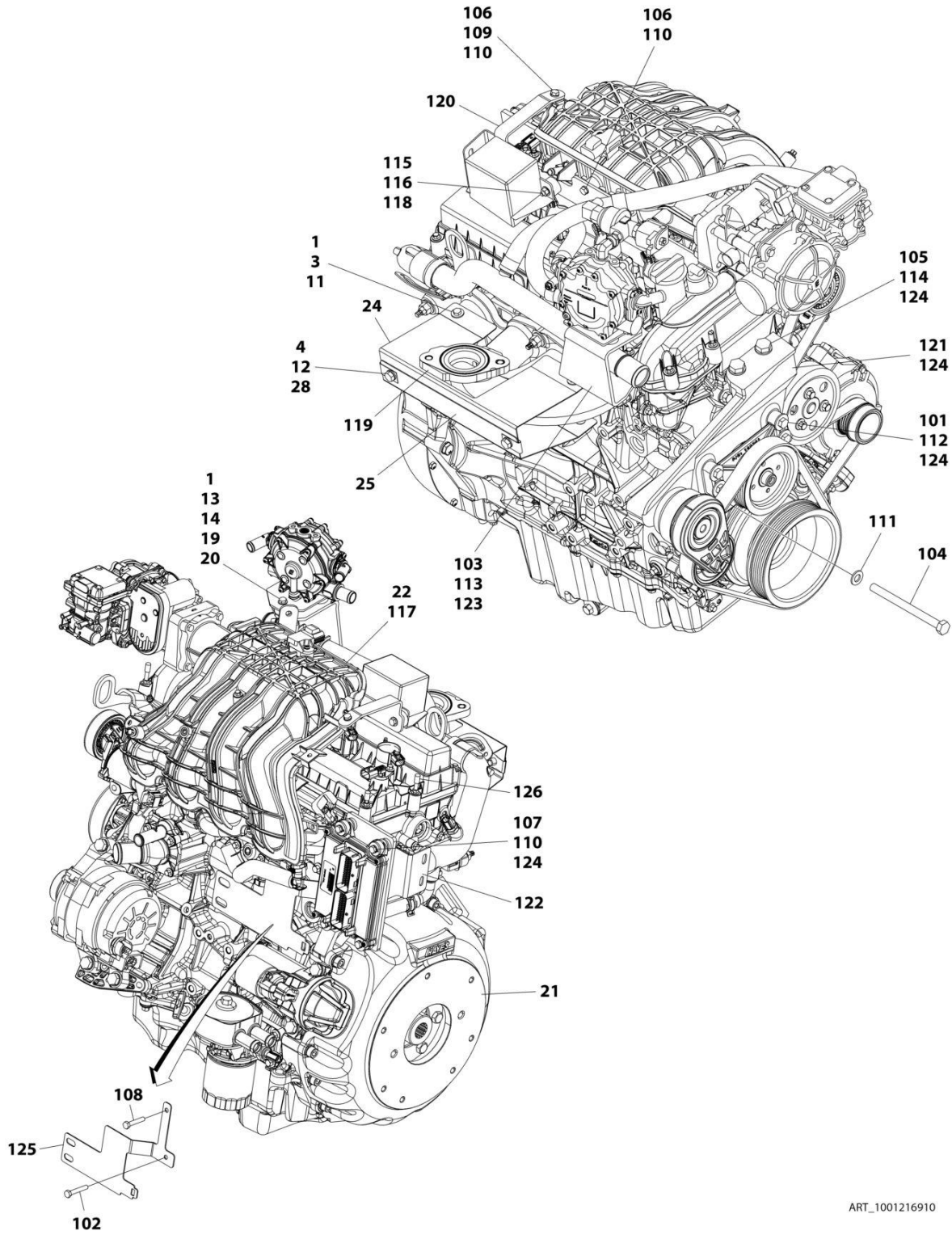
## SECTION 3 - ENGINE

ITEM	PART NUMBER	QTY	DESCRIPTION	REV
109	1001224486	1	Hose	
110	1001224489	1	Hose	
111	1001225442	1	Bracket	
112	1001225510	1	Decal - Full Cold, Surge Tank	
113	1001216393	1	Heater, Block	
114	1001227666	1	Hose	
115	1001227667	1	Hose	



# SECTION 3 - ENGINE

## FIGURE 3-46. FORD ENGINE PREP ASSEMBLY



ART\_1001216910



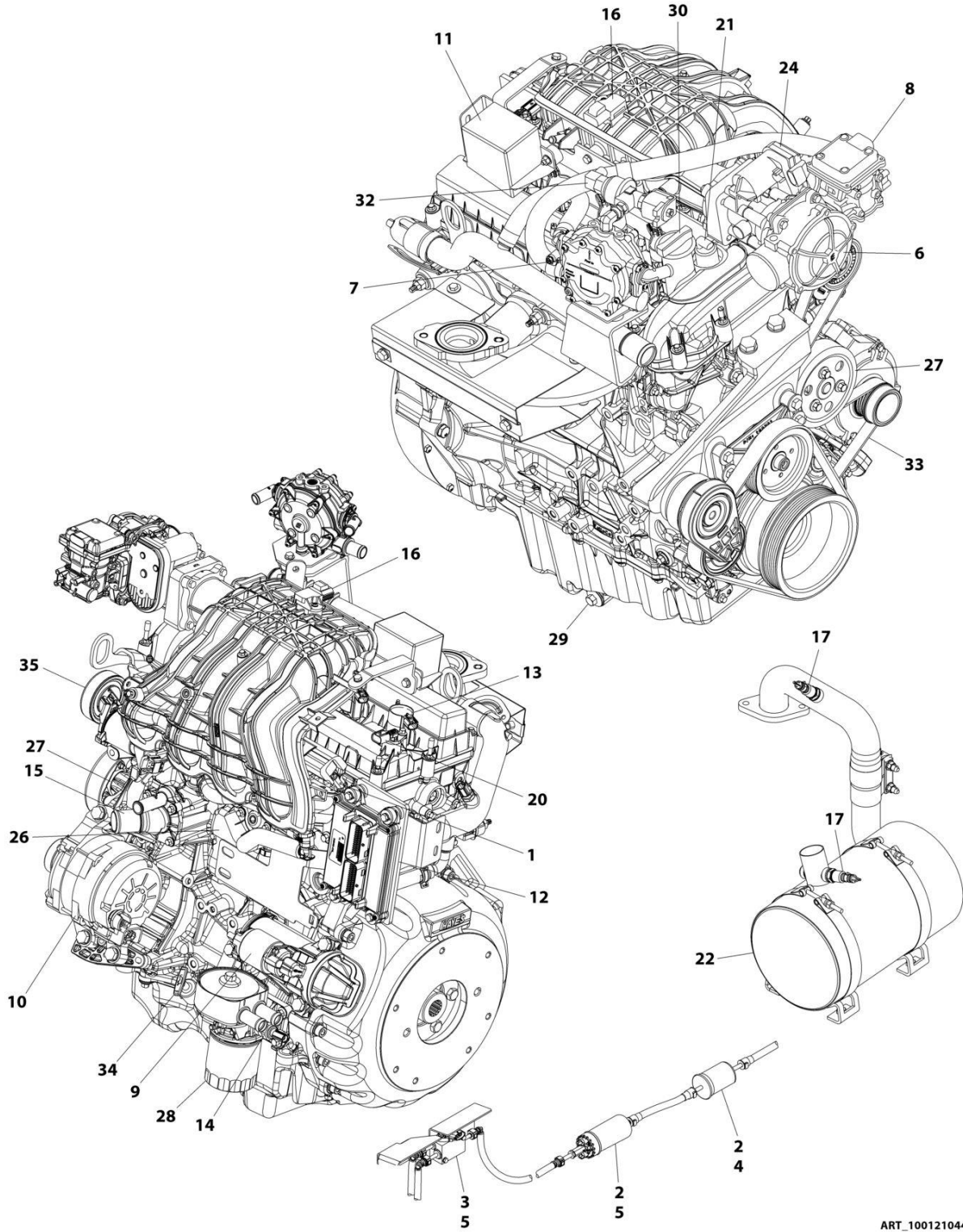
## SECTION 3 - ENGINE

**FIGURE 3-46. FORD ENGINE PREP ASSEMBLY**

ITEM	PART NUMBER	QTY	DESCRIPTION	REV
	1001216910	Ref	FORD ENGINE PREP ASSEMBLY	F
1	0100011	AR	Compound, Locking	
3	0760605	4	Bolt M6 x 10	
4	0760807	2	Bolt M8 x 14	
11	4811702	4	Washer M6	
12	4811900	2	Washer M8	
13	5250605	3	Bolt M6 x 10	
14	5260600	1	Nut M6 Class 10	
19	1001211794	3	Mount, Isolator	
20	1001227769	1	Plate	
21	1001213810	1	Pump Coupling Kit	
21	70006134	1	Coupling	
21	70006135	1	Housing	
21	70006136	1	Hardware Kit	
22	1001216065	1	Ford Engine Assembly (See Items 101-126 for Breakdown)	
24	1001216768	1	Bracket	
25	1001216769	1	Bracket	
28	1001149160	2	Nut, Tinnerman M8	
	1001216065	Ref	FORD ENGINE PREP ASSEMBLY - BRACKETS/EXHAUST MANIFOLD	M
101	0700816	4	Bolt M8 x 40	
102	0700818	1	Bolt M8 x 50	
103	0701014	2	Bolt M10 x 30	
104	0710827	1	Bolt M8 x 100 Grade 10.9	
105	0711216	2	Bolt M12 x 40	
106	0760610	3	Bolt M6 x 20	
107	0760615	4	Bolt M6 x 35	
108	0760817	1	Bolt M8 x 45	
109	3290601	1	Nut M6	
110	4811700	8	Washer M6	
111	4811900	1	Washer M8	
112	4811902	4	Washer M8	
113	4812000	1	Washer M10	
114	4812100	2	Washer M12	
115	5250605	2	Bolt M6 x 10	
116	5260600	2	Nut M6 Class 10	
117	1001210448	1	Engine, Ford 2.5L (See Separate Breakdown in this Section)	
118	1001211794	2	Mount	
119	1001214827	1	Manifold, Exhaust	
120	1001215384	1	Bracket	
121	1001216071	1	Bracket	
122	1001216144	1	Support, Muffler	
123	1001227772	1	Mount, Vaporizer	
124	0100011	AR	Compound, Locking	
125	1001221545	1	Plate	
126	1001222641	6	Cap	

# SECTION 3 - ENGINE

## FIGURE 3-47. FORD ENGINE COMPONENTS



ART\_1001210448

## SECTION 3 - ENGINE

### FIGURE 3-47. FORD ENGINE COMPONENTS

ITEM	PART NUMBER	QTY	DESCRIPTION	REV
	1001210448	Ref	FORD ENGINE COMPONENTS	H
1	70006145	4	Injector, Fuel	
1	70006147	1	Rail, Fuel	
2	70006150	1	Pump, Fuel	
2	70006154	1	Fitting M10	
3	70006151	1	Block, Fuel	
3	70006152	2	Fitting SAE6	
3	70006153	1	Fitting SAE3	
3	70006189	1	Harness, Fuel Block	
4	70006155	1	Filter, Fuel	
5	7022162	8	Clamp	
5	70006157	8	Clip, Fuel Quick Disconnect	
6	70006158	1	Mixer, LP	
6	70006168	1	Mixer Diaphragm Replacement Kit	
6	70006159	1	Adapter, Mixer to Governor	
6	70006160	1	O-Ring, Mixer to Adapter	
6	70006161	1	Seal, Mixer to Adapter	
7	70006162	1	Regulator, LP Vapor	
7	70006166	2	Fitting	
7	70006167	1	Fitting, Straight	
7	70006165	2	Isolator, Rubber	
8	70006163	1	Regulator, Direct Electronic Pressure	
8	70006164	1	Adapter, Fitting 90	
9	70006169	1	Starter	
9	70006233	1	Harness, Alternator/Starter	
10	70006170	1	Alternator	
11	70006173	1	Cover, Relay Box	
11	70006171	2	Relay (Fuel Pump & Power)	
11	70006172	1	Relay (Starter)	
11	70006175	1	Fuse - 20Amp (Starter)	
11	70006174	1	Decal - Relay Box Cover	
11	70006188	1	Harness, Engine	
11	70006165	2	Isolator, Rubber	
12	70006176	1	Module - Engine Control Unit (ECU/GCP)	
12	70006191	1	Software & Diagnostic Cable	
13	70006177	4	Coil and Boot Assembly	
13	70006178	4	Plug, Spark	
14	70006179	1	Switch, Oil Pressure	
15	70006180	1	Sensor, Knock	
16	70006181	1	Sensor, TMAP	
17	70006182	2	Sensor, O2	
18	70006183	1	Sensor, Coolant Temperature (Not Shown - Located Rear of Engine Block)	
19	70006184	1	Sensor, Crank Position (Not Shown - Located at Front RH Side of Block)	
20	70006185	1	Sensor, Cam Position	
21	70006186	1	Solenoid, Timing	
21	70006187	1	Grommet, Rubber	
22	70006194	1	Muffler	
22	70006195	1	Plug (Located at Muffler Outlet)	

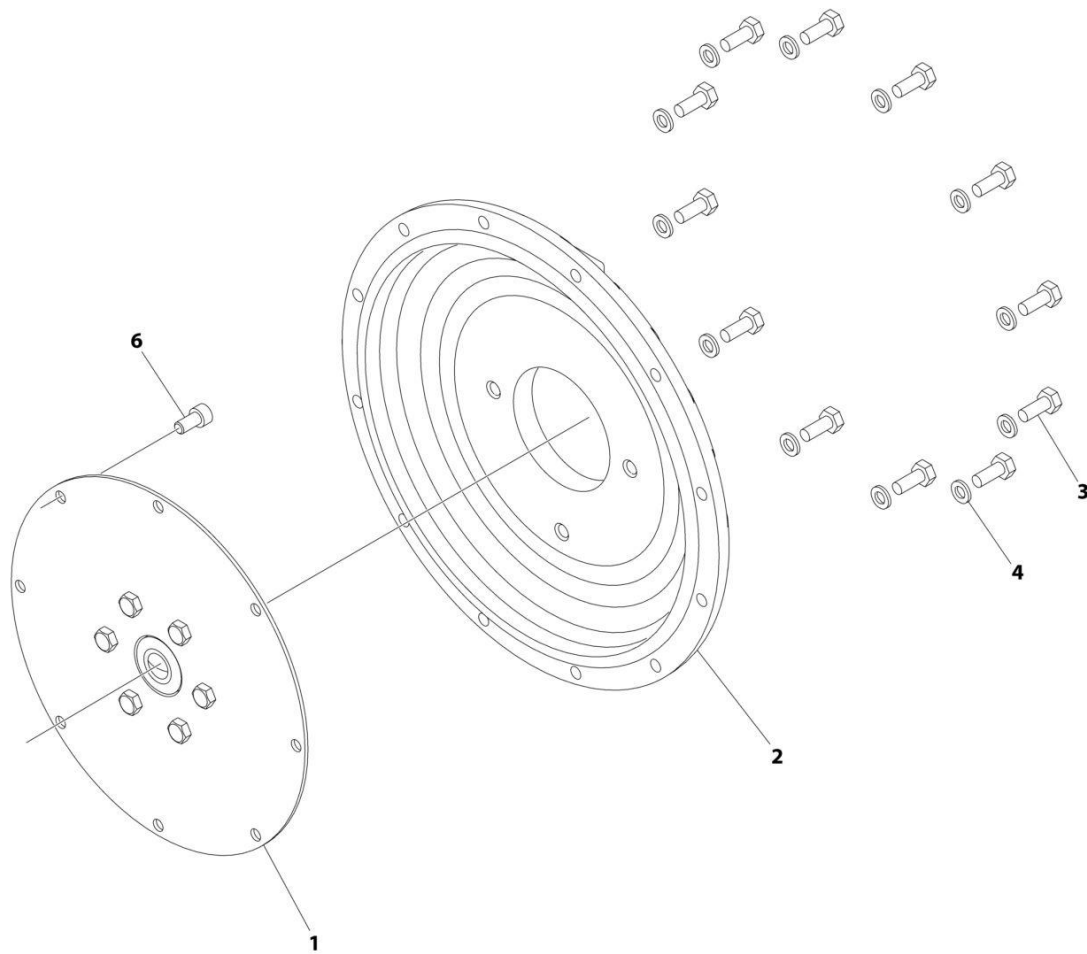
## SECTION 3 - ENGINE

ITEM	PART NUMBER	QTY	DESCRIPTION	REV
23		Ref	Gasket Options (Not Shown)	
23	70006196	1	Gasket, Exhaust Manifold to Head	
23	70006197	1	Gasket, Exhaust Manifold Outlet	
23	70006200	1	Gasket, Intake Manifold to Head	
23	70006219	1	Gasket Set - Camshaft Cover	
23	70006225	1	Gasket, Cylinder Head	
24	70006198	1	Governor	
24	7027404	1	Gasket, Governor Actuator	
24	70006199	1	Gasket, Governor to Intake Manifold Adapter	
25	70006203	1	Flywheel (Not Shown)	
26	70006205	1	Thermostat (Includes Housing)	
26	70006206	1	Gasket, Water Inlet	
27	70006207	1	Pump, Water	
27	70006208	1	O-Ring, Water Pump	
27	See Note	NSS	Pulley, Water Pump (Note: Not Available for Purchase at This Time)	
28	70006213	1	Filter, Oil	
29	70006215	1	Plug, Oil Drain	
29	70006217	1	Gasket, Oil Drain Plug	
30	70006221	1	Cap, Oil Fill	
31	70006232	1	Sensor, Crank (Not Shown)	
32	70006235	1	Valve, Lock-Off (Includes Filter)	
33	70006202	1	Belt	
34	70006236	1	Dipstick	
35	70007108	1	Belt Tensioner	



# SECTION 3 - ENGINE

## FIGURE 3-48. PUMP COUPLING KIT (DEUTZ ENGINES)



ART\_2902065

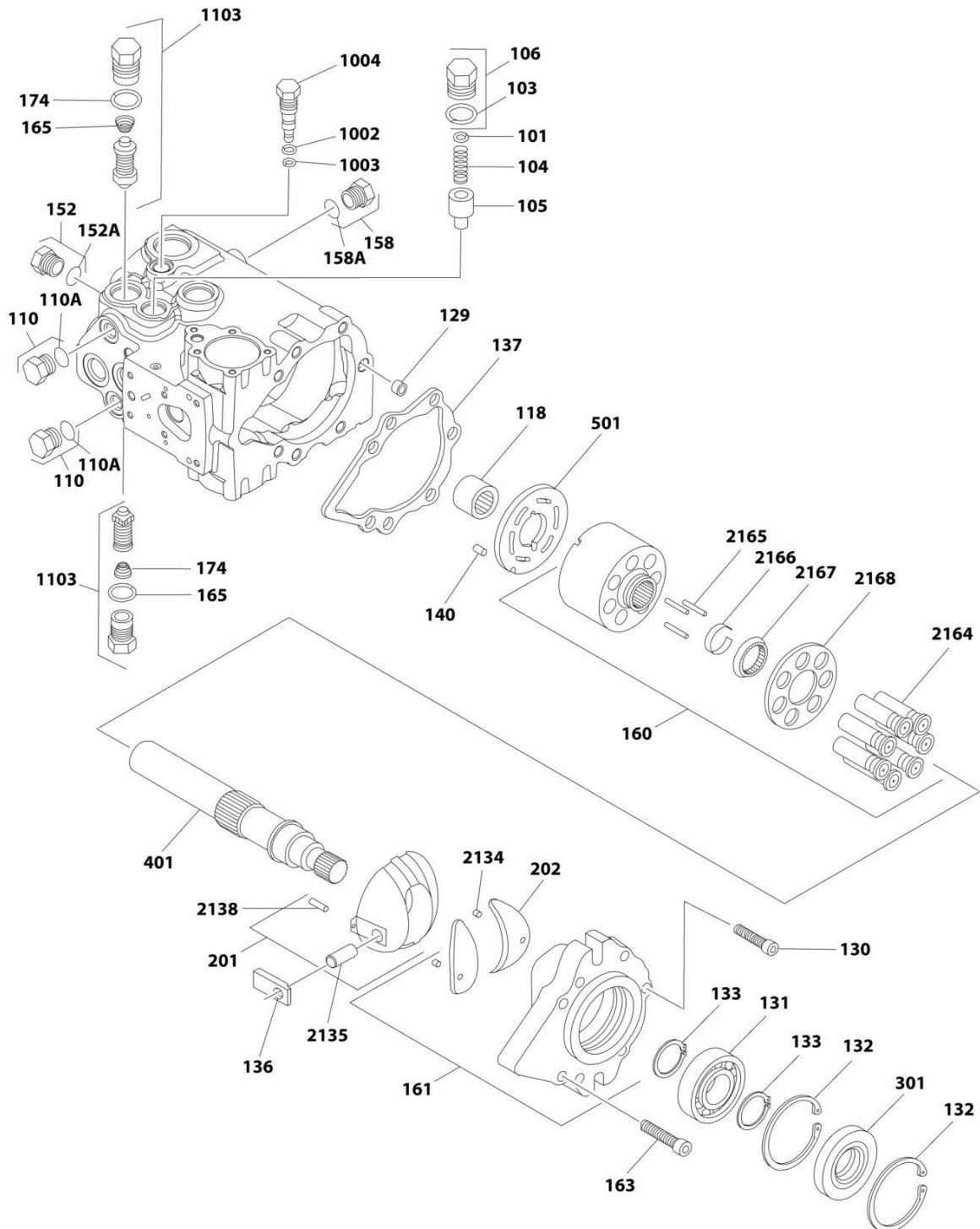
## SECTION 3 - ENGINE

### FIGURE 3-48. PUMP COUPLING KIT (DEUTZ ENGINES)

ITEM	PART NUMBER	QTY	DESCRIPTION	REV
	2902065	Ref	PUMP COUPLING KIT	L
1	70000793	1	Coupling, Hayes	
2	See Note	NSS	Plate, Pump Adapter (Note: Use p/n 2902065)	
3	See Note	NSS	Bolt M10 x 30 Grade 10.9 (Note: Use p/n 2902065)	
4	See Note	NSS	Washer M10 (Note: Use p/n 2902065)	
6	See Note	NSS	Bolt M10 x 20 Grade 10.9 (Note: Use p/n 2902065)	

# SECTION 3 - ENGINE

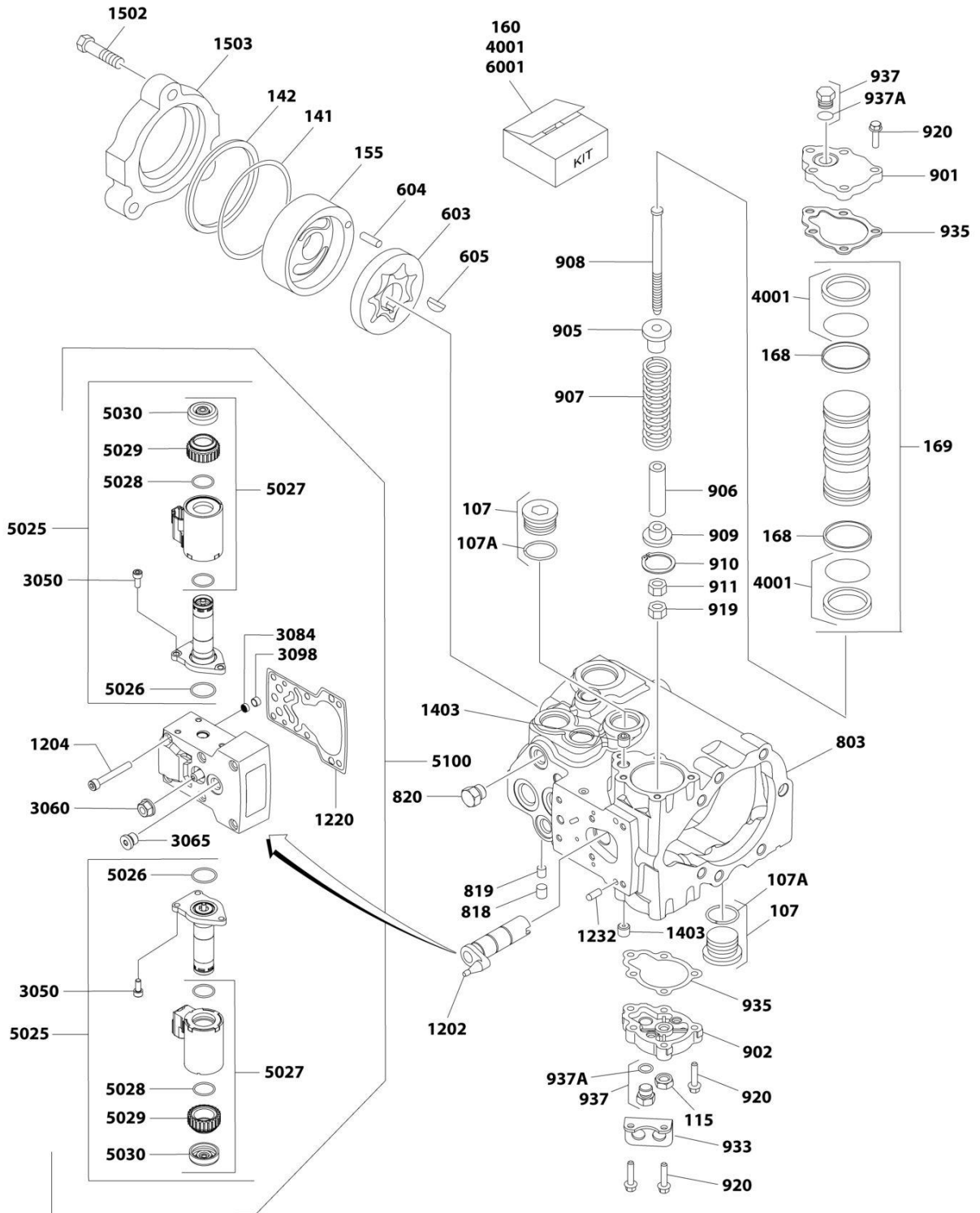
## FIGURE 3-49. PISTON PUMP ASSEMBLY - DANFOSS



ART\_1001184930\_10F2



# SECTION 3 - ENGINE



ART\_1001184930\_20F2

## SECTION 3 - ENGINE

FIGURE 3-49. PISTON PUMP ASSEMBLY - DANFOSS

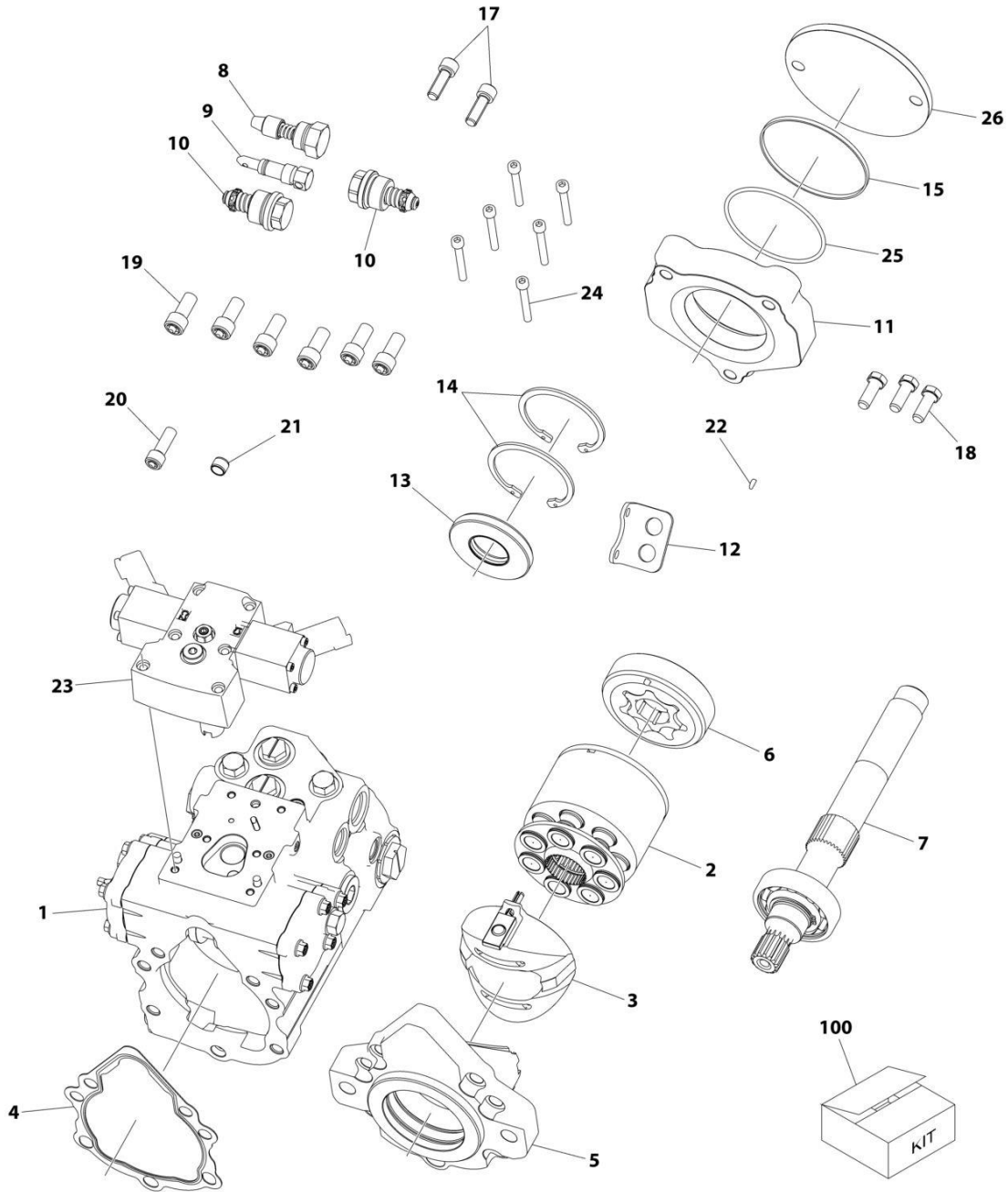
ITEM	PART NUMBER	QTY	DESCRIPTION	REV
	1001184930	Ref	PISTON PUMP ASSEMBLY	C
101	7007413	1	Shim Kit	
103	7007415	1	O-Ring (Part of Item 106)	
104	7021200	1	Spring, Relief Valve	
105	7007417	1	Valve, Relief	
106	7024874	2	Plug (Includes Item 103)	
107	7007419	2	Plug	
107A	7007418	2	O-Ring	
110	7007420	2	Plug	
110A	7021256	2	O-Ring	
115	7007423	1	Nut, Special	
118	7007425	1	Bearing, Needle	
129	7007435	1	Pin, Spring	
130	7021202	1	Screw	
131	70002176	1	Bearing, Ball	
132	7007438	2	Ring, Retainer	
133	7007439	2	Ring	
136	7007442	1	Sleeve, Bearing	
137	7007443	1	Gasket, Front Cover	
140	7007446	1	Pin	
141	7021233	1	O-Ring	
142	7007448	1	Ring, Load Temper	
152	7007420	1	Plug, Assembly	
152A	7021256	1	O-Ring	
155	70005466	1	Cover, Gerotor	
158	7007208	1	Plug	
158A	7007207	1	O-Ring	
160	7010116	1	Cylinder Block Kit (Includes Items 2164-2168)	
161	7024875	1	Cover Assembly - Front (Includes Items 202 & 2134)	
163	7021207	6	Screw	
165	70005467	2	Spring	
168	7021210	2	Bearing	
169	70005468	1	Servo Piston Assembly (Includes Items 168 & QB)	
174	7007418	2	O-Ring	
201	7007457	1	Swash Plate Assembly (Includes Items 2135 & 2138)	
202	7021212	1	Journal, Bearing	
301	7007459	1	Seal, Lip	
401	7010121	1	Shaft, Main Pump	
501	7021214	1	Plate, Valve	
603	7007463	1	Gerotor Assembly	
604	7007464	1	Pin	
605	7007465	1	Key, Woodruff	
803	See Note	NSS	Housing, Pump (Note: Use p/n 1001184930)	
818	70005469	1	Plug	
819	70005470	1	Plug	
820	70005469	1	Plug	
901	7021219	1	Cover, Servo (With Adjuster)	
902	7021220	1	Cover, Servo (Without Adjuster)	
905	7023979	1	Guide, Spring	
906	7007484	1	Stop, Servo	

## SECTION 3 - ENGINE

ITEM	PART NUMBER	QTY	DESCRIPTION	REV
907	7007485	1	Spring	
908	7021221	1	Screw	
909	7007487	1	Guide, Spring	
910	7007488	1	Ring, Retaining	
911	7021222	1	Locknut	
919	7021206	1	Nut	
920	7021223	10	Screw	
933	7021201	1	Bracket, Lifting	
935	7007422	2	Gasket, Servo Cover	
937	7007420	2	Plug	
937A	7021256	2	O-Ring	
1002	7007450	1	Ring, Back-up	
1003	70005471	1	O-Ring	
1004	7024877	1	Valve, Bypass	
1103	7024851	2	Valve, Pressure Relief (Includes Items 165 & 174)	
1202	70005472	1	Sleeve	
1204	70002156	6	Screw	
1220	70002154	1	Gasket	
1232	70002157	2	Pin	
1403	7007477	2	Plug, Orifice	
1502	7007453	3	Bolt, Hex	
1503	7007476	1	Adapter, Auxiliary Pump	
2134	7021203	2	Pin, Spring	
2135	7007441	1	Handle, Pin	
2138	7007444	1	Pin	
2164	7010117	7	Piston Assembly	
2165	7007431	3	Pin, Slipper Holddown	
2166	7007430	1	Retainer	
2167	7007434	1	Guide, Retainer	
2168	7010119	1	Retainer, Slipper	
3050	70002150	6	Screw	
3060	7022301	1	Nut, Seal	
3065	70002151	1	Plug	
3084	70002134	1	Screen	
3098	70002153	1	Ring	
4001	7007412	1	Seal Kit - Servo Piston	
5025	70002147	2	Solenoid Assembly (Includes Items 5026-5030)	
5026	70002148	2	O-Ring	
5027	70002149	2	Coil Assembly (Includes Items 5028-5030)	
5028	70005474	2	O-Ring	
5029	70005475	2	Screw	
5030	70005476	2	Cap	
5100	70002146	1	EDC Assembly (Includes Items 1204, 1220, 3050-3098 & 5025-5030)	
6001	7021232	1	Seal Kit - Complete (Includes Items 103, 137, 141, 142, 168, 174, 301, 935, 1002, 1003, 4001 and Plug O-Ring)	

# SECTION 3 - ENGINE

## FIGURE 3-50. PISTON PUMP ASSEMBLY - HENGLI



ART\_1001284471

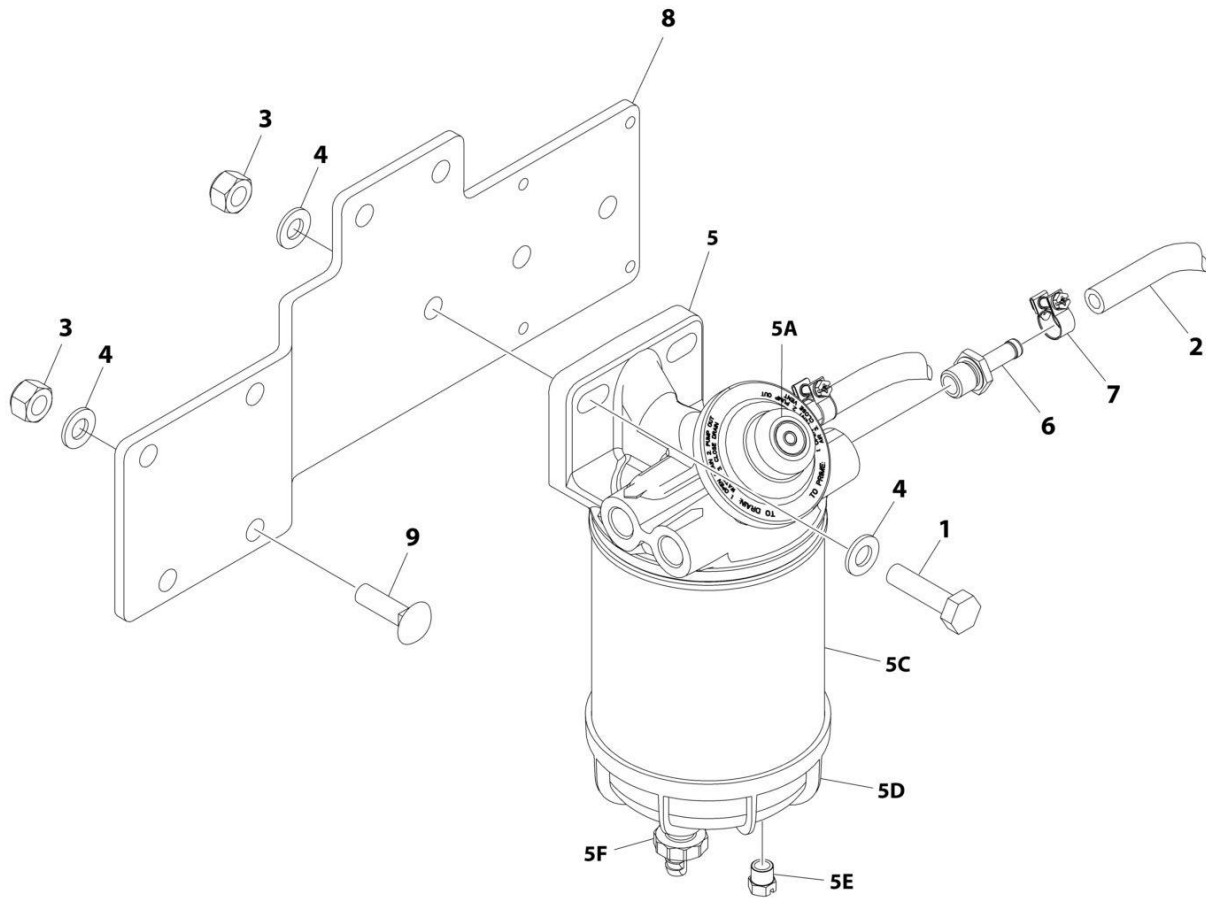
## SECTION 3 - ENGINE

**FIGURE 3-50. PISTON PUMP ASSEMBLY - HENGLI**

ITEM	PART NUMBER	QTY	DESCRIPTION	REV
	1001284471	Ref	PISTON PUMP ASSEMBLY	A
1	70007804	1	Housing, Pump	
2	70007805	1	Block, Cylinder	
3	70007806	1	Swash Plate	
4	70007807	1	Gasket	
5	70007808	1	Cover, Front	
6	70007809	1	Pump, Charge	
7	70007810	1	Shaft	
8	70007811	1	Valve, Relief	
9	70007812	1	Valve, Bypass	
10	70007813	2	Valve, Relief	
11	70007814	1	Plate, Adapter	
12	70007815	1	Bracket, Lifting	
13	70007816	1	Seal	
14	70007817	2	Seal, Ring	
15	70007818	1	Ring	
17	70007819	2	Bolt 3/8 x 1-1/4	
18	70007820	3	Bolt M10 x 25	
19	70007821	6	Bolt M12 x 25	
20	70007822	3	Bolt M10 x 30	
21	70007823	1	Pin	
22	70007824	1	Key	
23	70007825	1	Valve, Control	
24	70007826	6	Bolt M6 x 45	
25	70007827	1	O-Ring	
26	70007828	1	Plate, Cover	
100	70007829	1	Seal Kit	

# SECTION 3 - ENGINE

## FIGURE 3-51. FUEL FILTER INSTALLATION (POLY FUEL TANK)



ART\_1001224200

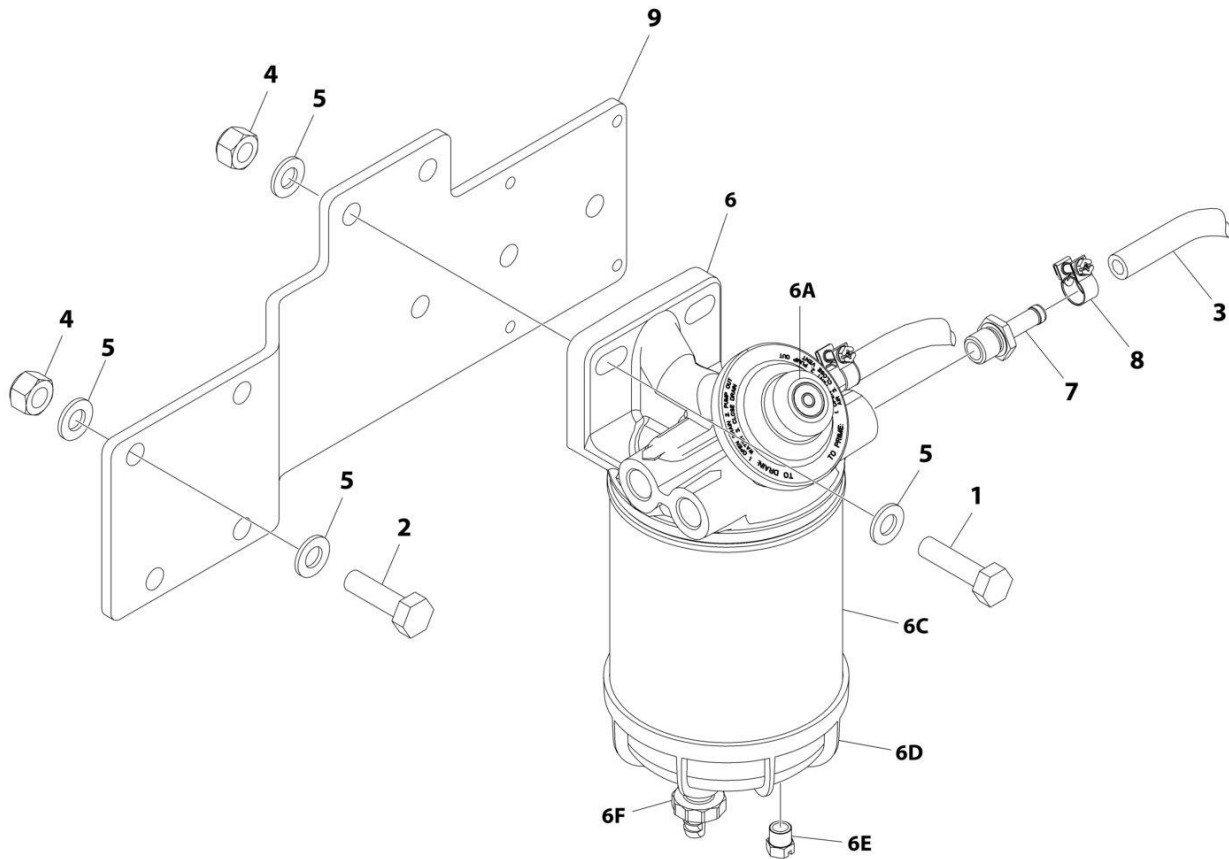
## SECTION 3 - ENGINE

**FIGURE 3-51. FUEL FILTER INSTALLATION (POLY FUEL TANK)**

ITEM	PART NUMBER	QTY	DESCRIPTION	REV
	1001224200	Ref	FUEL FILTER INSTALLATION	B
1	0761016	2	Bolt M10 x 40	
2	2720058	46 in/1.2m	Hose, Fuel Line	
3	3291005	4	Nut M10	
4	4812000	6	Washer M10	
5	1001149452	1	Fuel Filter/Water Separator Assembly	
5A	See Note	NSS	Indicator, Restriction (Note: Use p/n 1001149452)	
5B	70004064	1	Bypass Valve Kit (Not Shown)	
5C	70004065	1	Gasket, Head to Element	
5C	70004066	1	Element, Filter	
5D	70004067	1	Gasket Element to Bowl	
5D	70004068	1	Bowl Kit (Includes Bowl, Element and Plug)	
5E	70004069	1	Plug	
5F	70004070	1	Drain	
6	1001149469	2	Fitting, Straight Barbed	
7	1001174486	2	Clamp	
8	1001224967	1	Bracket	
9	1001228406	2	Bolt M10 x 35	

# SECTION 3 - ENGINE

## FIGURE 3-52. FUEL FILTER INSTALLATION (STEEL FUEL TANK) (DEUTZ D2011 ENGINES)



ART\_1001225054



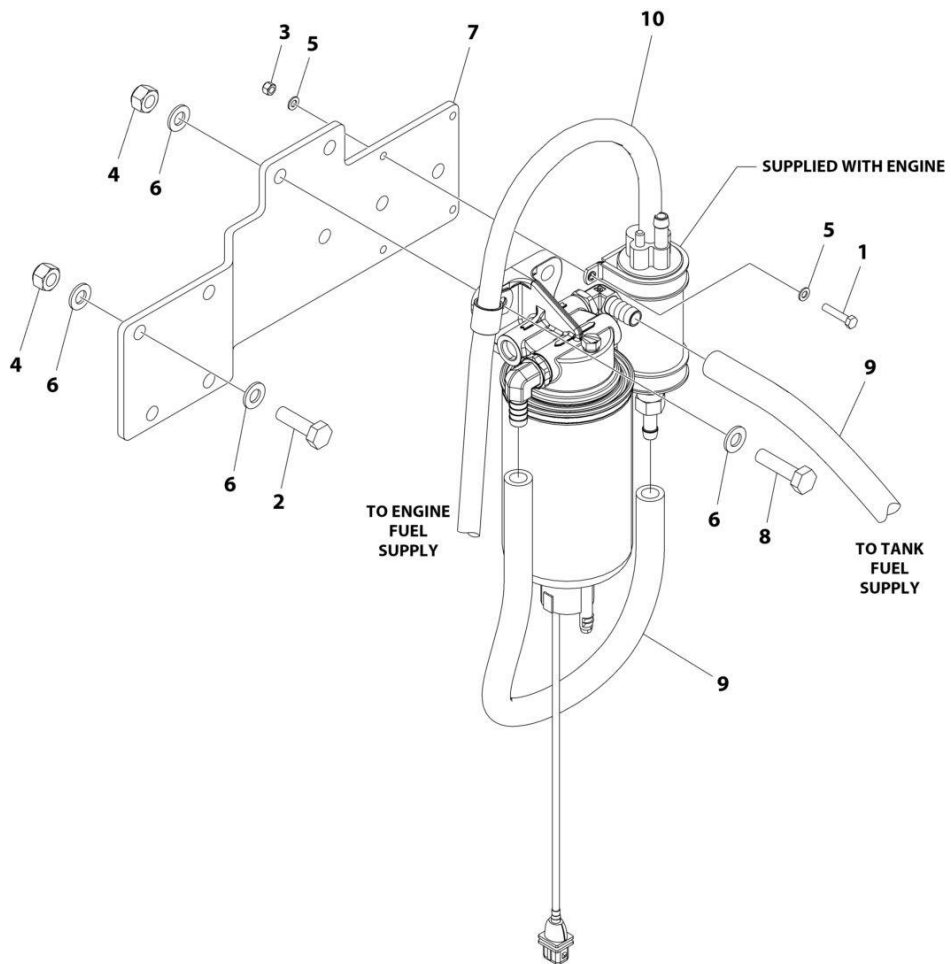
## SECTION 3 - ENGINE

**FIGURE 3-52. FUEL FILTER INSTALLATION (STEEL FUEL TANK) (DEUTZ D2011 ENGINES)**

ITEM	PART NUMBER	QTY	DESCRIPTION	REV
	1001225054	Ref	FUEL FILTER INSTALLATION	B
1	0761016	2	Bolt M10 x 40	
2	0761015	2	Bolt M10 x 35	
2	1001228406	2	Bolt M10 x 35	
3	2720058	32 in/ 80cm	Hose, Fuel Line	
4	3291005	4	Nut M10	
5	4812000	AR	Washer M10	
6	1001149452	1	Fuel Filter/Water Separator Assembly	
6A	See Note	NSS	Indicator, Restriction (Note: Use p/n 1001149452)	
6B	70004064	1	Bypass Valve Kit (Not Shown)	
6C	70004065	1	Gasket, Head to Element	
6C	70004066	1	Element, Filter	
6D	70004067	1	Gasket, Element to Bowl	
6D	70004068	1	Bowl Kit (Includes Bowl, Element and Plug)	
6E	70004069	1	Plug	
6F	70004070	1	Drain	
7	1001149469	2	Fitting, Straight Barbed	
8	1001174486	2	Clamp	
9	1001224967	1	Bracket	

# SECTION 3 - ENGINE

## FIGURE 3-53. FUEL FILTER INSTALLATION (STEEL FUEL TANK) (DEUTZ DT2.9L4 ENGINES)



ART\_1001204902

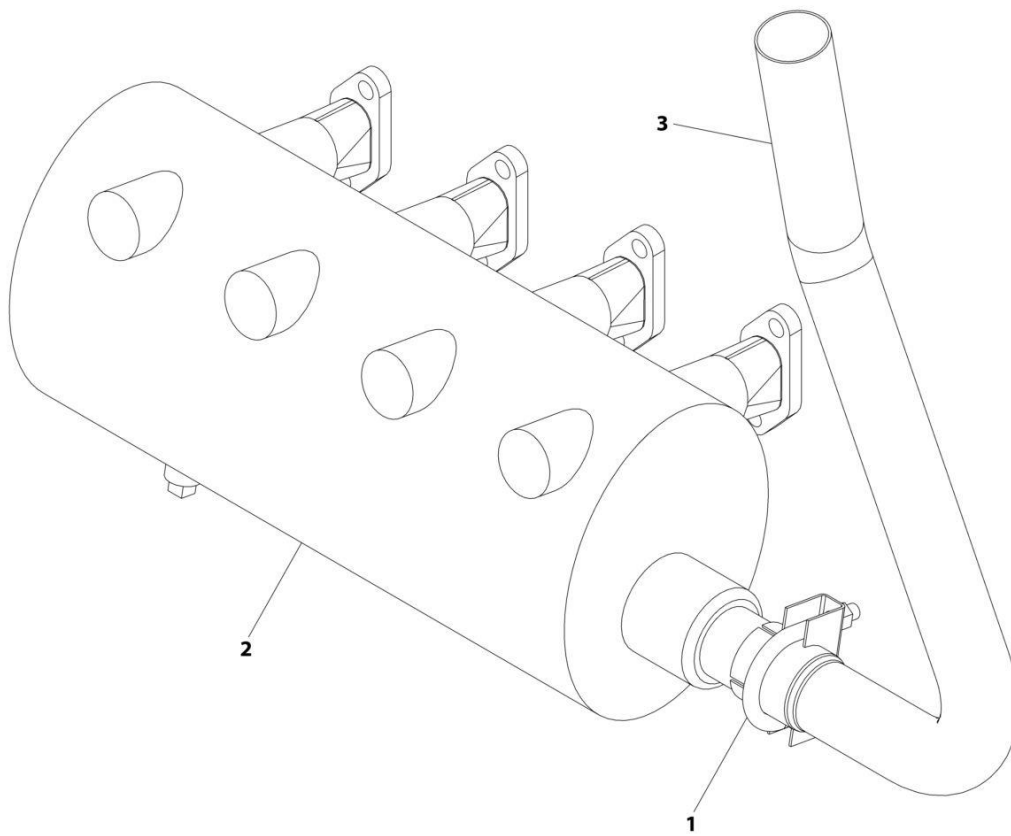
## SECTION 3 - ENGINE

**FIGURE 3-53. FUEL FILTER INSTALLATION (STEEL FUEL TANK) (DEUTZ DT2.9L4 ENGINES)**

ITEM	PART NUMBER	QTY	DESCRIPTION	REV
	1001204902	Ref	FUEL PUMP AND FILTER INSTALLATION	D
1	0760512	4	Bolt M5 x 25	
2	0761015	2	Bolt M10 x 35	
2	1001228406	2	Bolt M10 x 35	
3	3290505	4	Nut M5	
4	3291005	4	Nut M10	
5	4811600	8	Washer M5	
6	4812000	AR	Washer M10	
7	1001224967	1	Bracket	
8	0701016	2	Bolt M10 x 40	
9	1001154405	2.3 ft/ 70cm	Hose	
10	1001165035	2.5 ft/ 75cm	Hose	

## SECTION 3 - ENGINE

FIGURE 3-54. MUFFLER INSTALLATION - SPARK ARRESTING (DEUTZ D2011 ENGINES)



ART\_1001192284

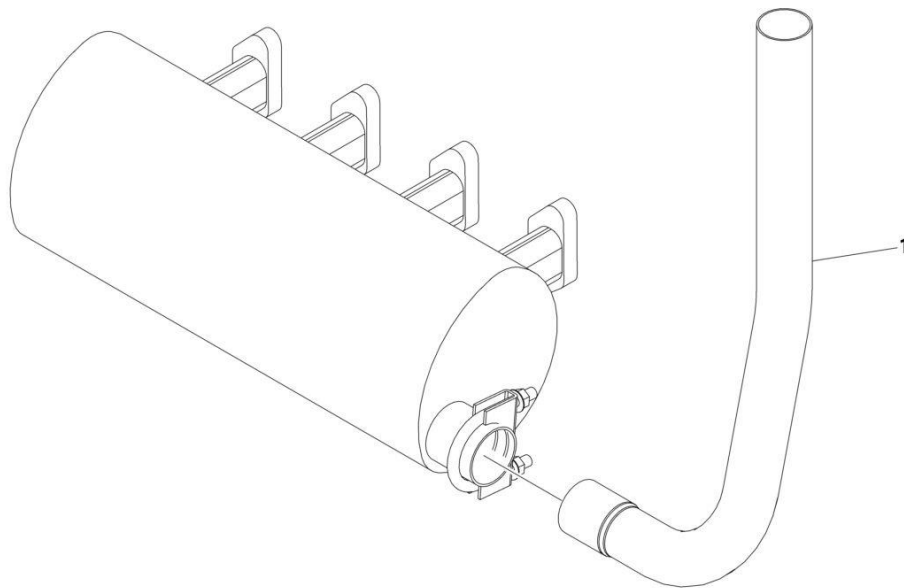
## SECTION 3 - ENGINE

**FIGURE 3-54. MUFFLER INSTALLATION - SPARK ARRESTING (DEUTZ D2011 ENGINES)**

ITEM	PART NUMBER	QTY	DESCRIPTION	REV
	1001192284	Ref	MUFFLER INSTALLATION	B
1	1320176	1	Clamp	
2	1001191156	1	Muffler, Spark Arresting	
3	1001195763	1	Pipe, Exhaust	

## SECTION 3 - ENGINE

FIGURE 3-55. EXHAUST PIPE INSTALLATION - (DEUTZ D2011 ENGINES)



ART\_1001239563

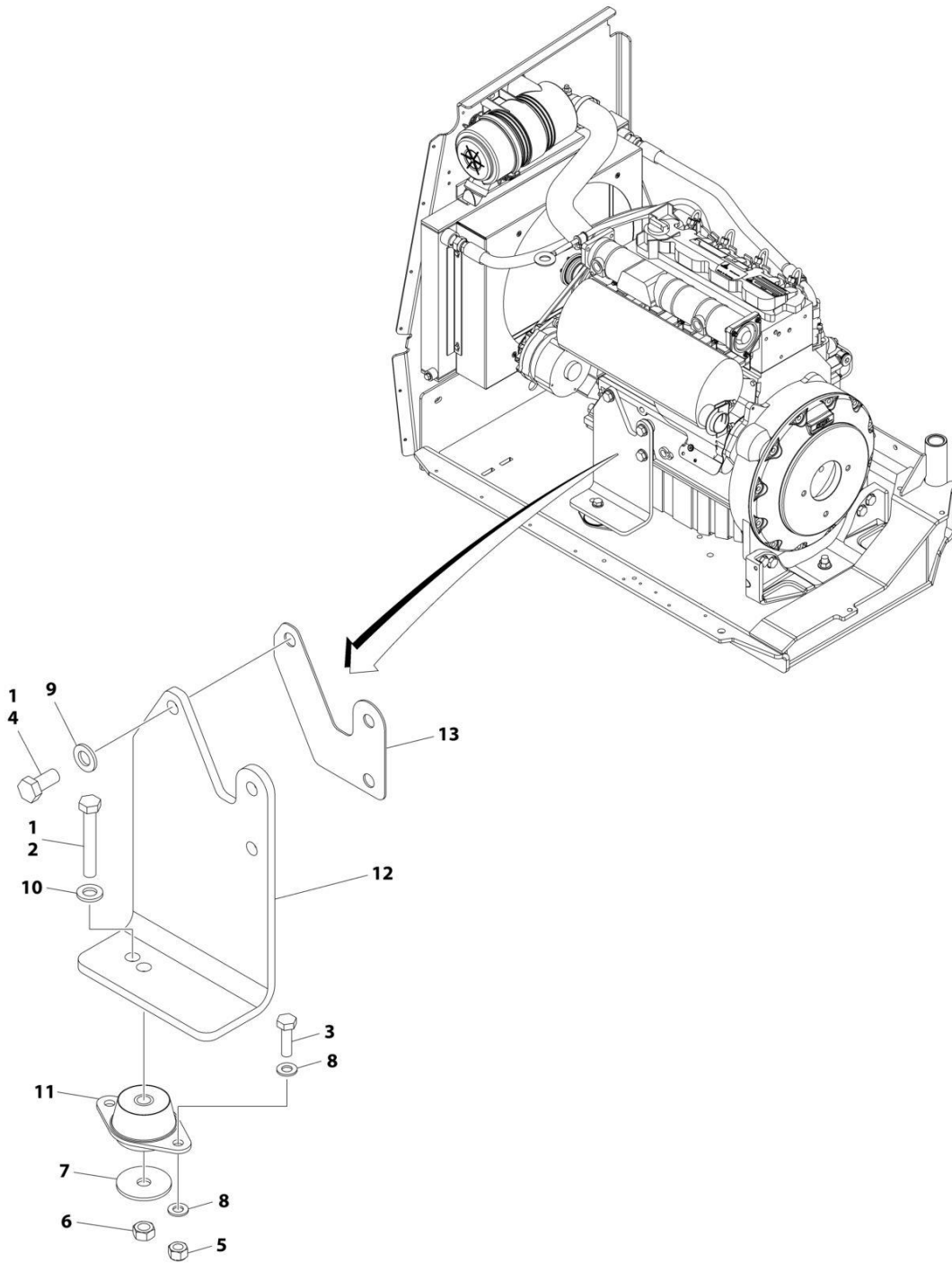
## SECTION 3 - ENGINE

**FIGURE 3-55. EXHAUST PIPE INSTALLATION - (DEUTZ D2011 ENGINES)**

ITEM	PART NUMBER	QTY	DESCRIPTION	REV
1	1001239563 1001191273	Ref 1	MUFFLER INSTALLATION Pipe, Exhaust	A

# SECTION 3 - ENGINE

FIGURE 3-56. MOTOR MOUNT INSTALLATION - WITHOUT GENERATOR (DEUTZ D2011 ENGINES)



ART\_1001192443



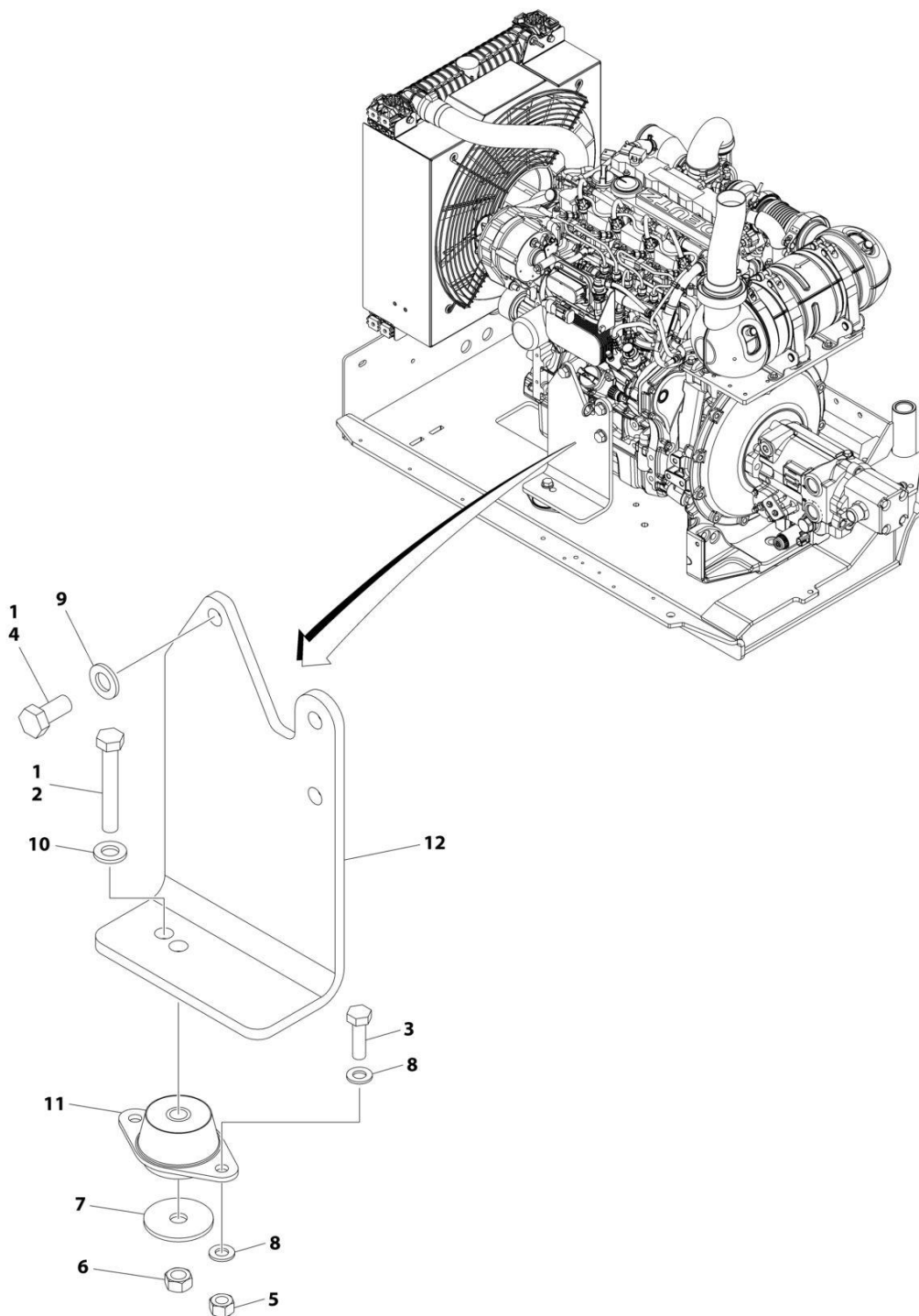
## SECTION 3 - ENGINE

**FIGURE 3-56. MOTOR MOUNT INSTALLATION - WITHOUT GENERATOR (DEUTZ D2011 ENGINES)**

ITEM	PART NUMBER	QTY	DESCRIPTION	REV
	1001192443	Ref	MOTOR MOUNT INSTALLATION	D
1	0100011	AR	Compound, Locking	
2	0711224	1	Bolt M12 x 80	
3	0761015	2	Bolt M10 x 35	
4	0771414	3	Bolt M14 x 30	
5	3291005	2	Nut M10	
6	3331211	1	Nut M12	
7	1001168018	1	Washer	
8	4812000	4	Washer M10	
9	5241400	3	Washer M14	
10	5241200	1	Washer M12	
11	1001191610	1	Mount, Motor	
12	1001189227	1	Mount	
13	1001201843	1	Shim	

# SECTION 3 - ENGINE

## FIGURE 3-57. MOTOR MOUNT INSTALLATION - WITHOUT GENERATOR (DEUTZ TD 2.9L4 ENGINES)



ART\_1001192442

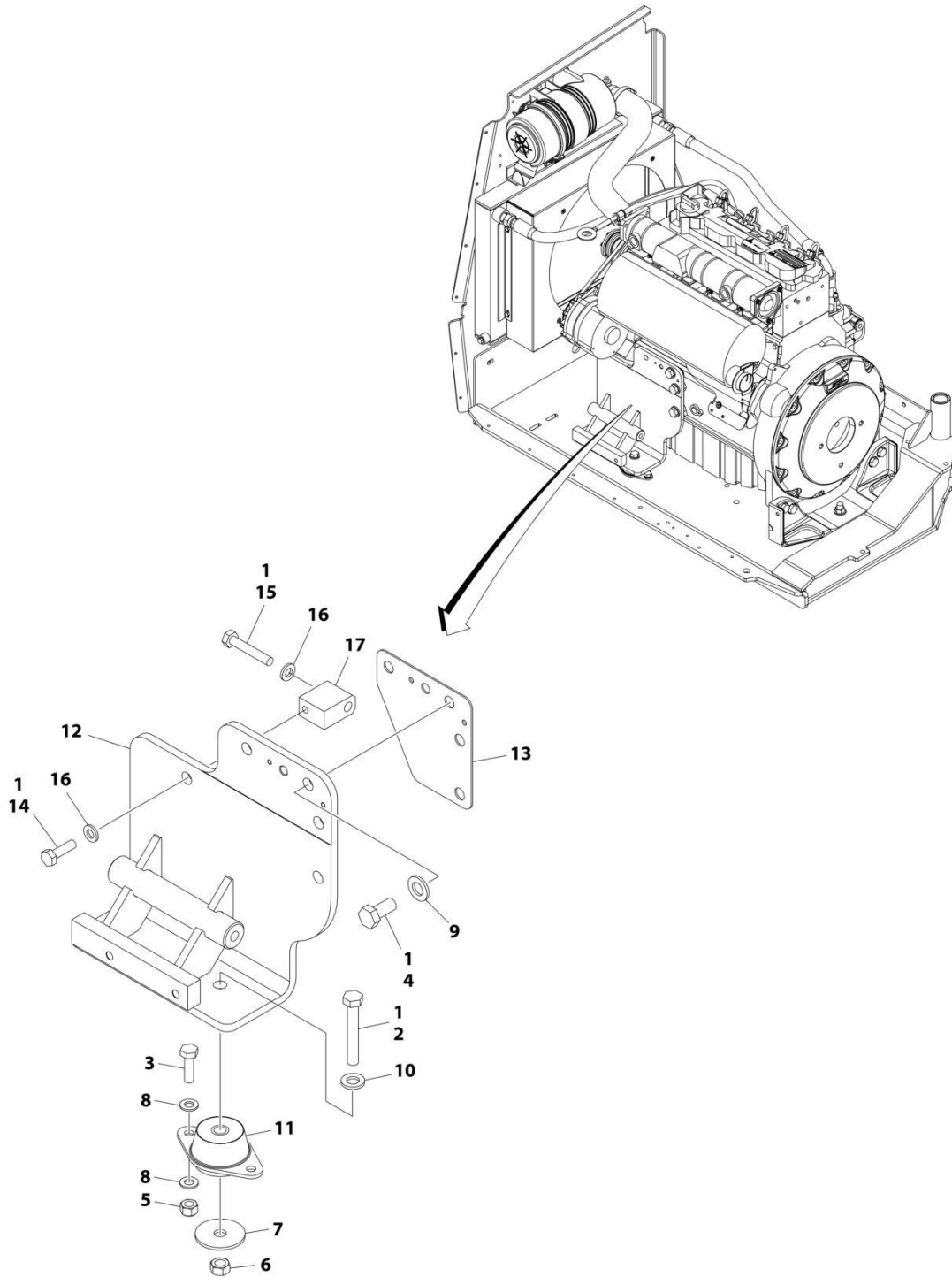
## SECTION 3 - ENGINE

**FIGURE 3-57. MOTOR MOUNT INSTALLATION - WITHOUT GENERATOR (DEUTZ TD 2.9L4 ENGINES)**

ITEM	PART NUMBER	QTY	DESCRIPTION	REV
	1001192442	Ref	MOTOR MOUNT INSTALLATION	D
1	0100011	AR	Compound, Locking	
2	0711224	1	Bolt M12 x 80	
3	0761015	2	Bolt M10 x 35	
4	0771414	3	Bolt M14 x 30	
5	3291005	2	Nut M10	
6	3331211	1	Nut M12	
7	1001168018	1	Washer	
8	4812000	4	Washer M10	
9	5241400	3	Washer M14	
10	5241200	1	Washer M12	
11	1001191610	1	Mount, Motor	
12	1001189227	1	Mount	

# SECTION 3 - ENGINE

FIGURE 3-58. MOTOR MOUNT INSTALLATION - WITH GENERATOR (DEUTZ D2011 ENGINES)



ART\_1001191856

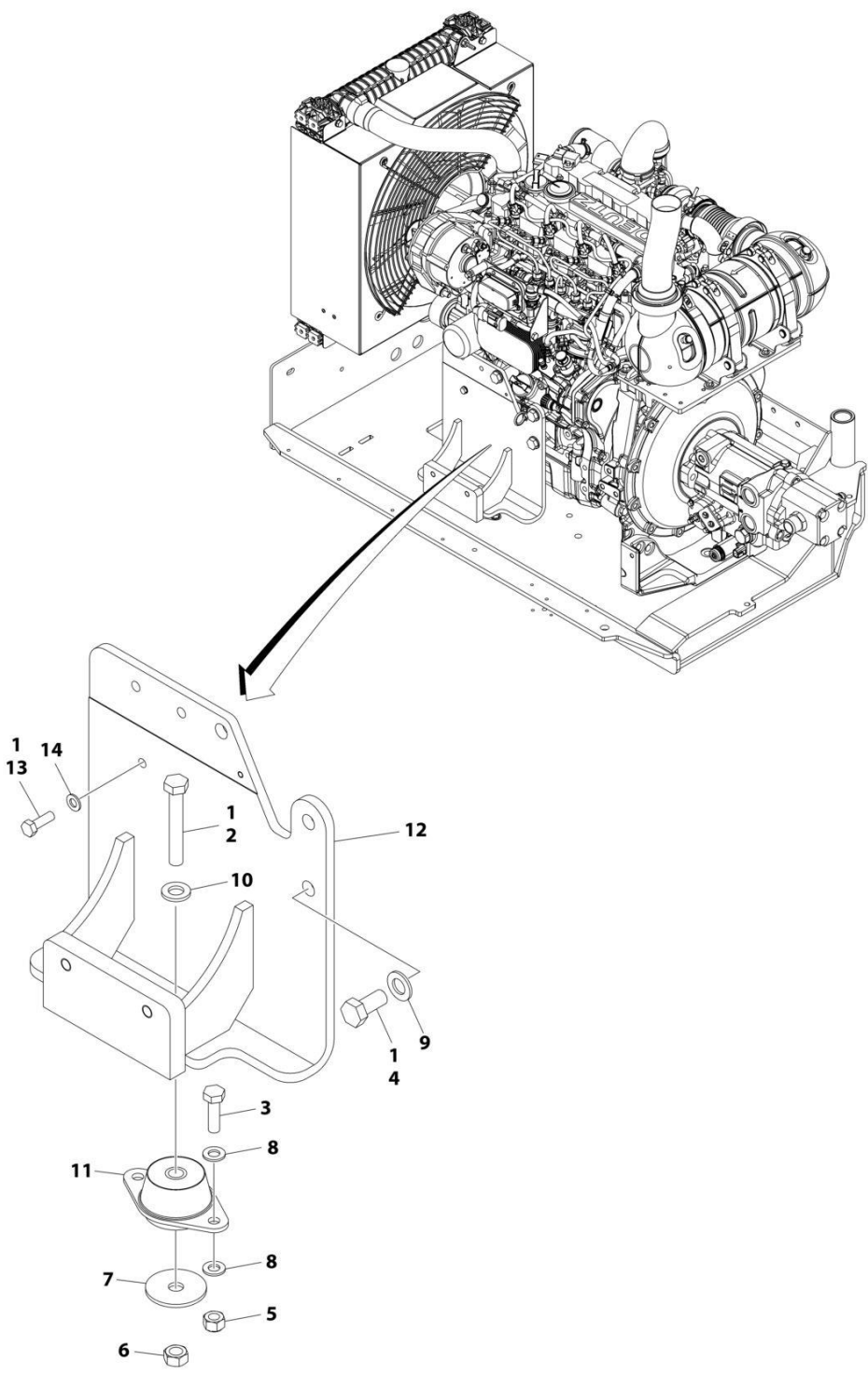
## SECTION 3 - ENGINE

**FIGURE 3-58. MOTOR MOUNT INSTALLATION - WITH GENERATOR (DEUTZ D2011 ENGINES)**

ITEM	PART NUMBER	QTY	DESCRIPTION	REV
	1001191856	Ref	MOTOR MOUNT INSTALLATION	F
1	0100011	AR	Compound, Locking	
2	0711224	1	Bolt M12 x 80	
3	0761015	2	Bolt M10 x 35	
4	0771415	3	Bolt M14 x 35	
5	3291005	2	Nut M10	
6	3331211	1	Nut M12	
7	1001168018	1	Washer	
8	4812000	4	Washer M10	
9	5241400	3	Washer M14	
10	5241200	1	Washer M12	
11	1001191610	1	Mount, Engine	
12	1001239710	1	Bracket	
13	1001205957	1	Shim	
14	0711015	1	Bolt M10 x 35	
15	0711020	1	Bolt M10 x 60	
16	5241000	2	Washer M10	
17	1001239715	1	Block	

# SECTION 3 - ENGINE

FIGURE 3-59. MOTOR MOUNT INSTALLATION - WITH GENERATOR (DEUTZ TD 2.9L4 ENGINES)



ART\_1001192008

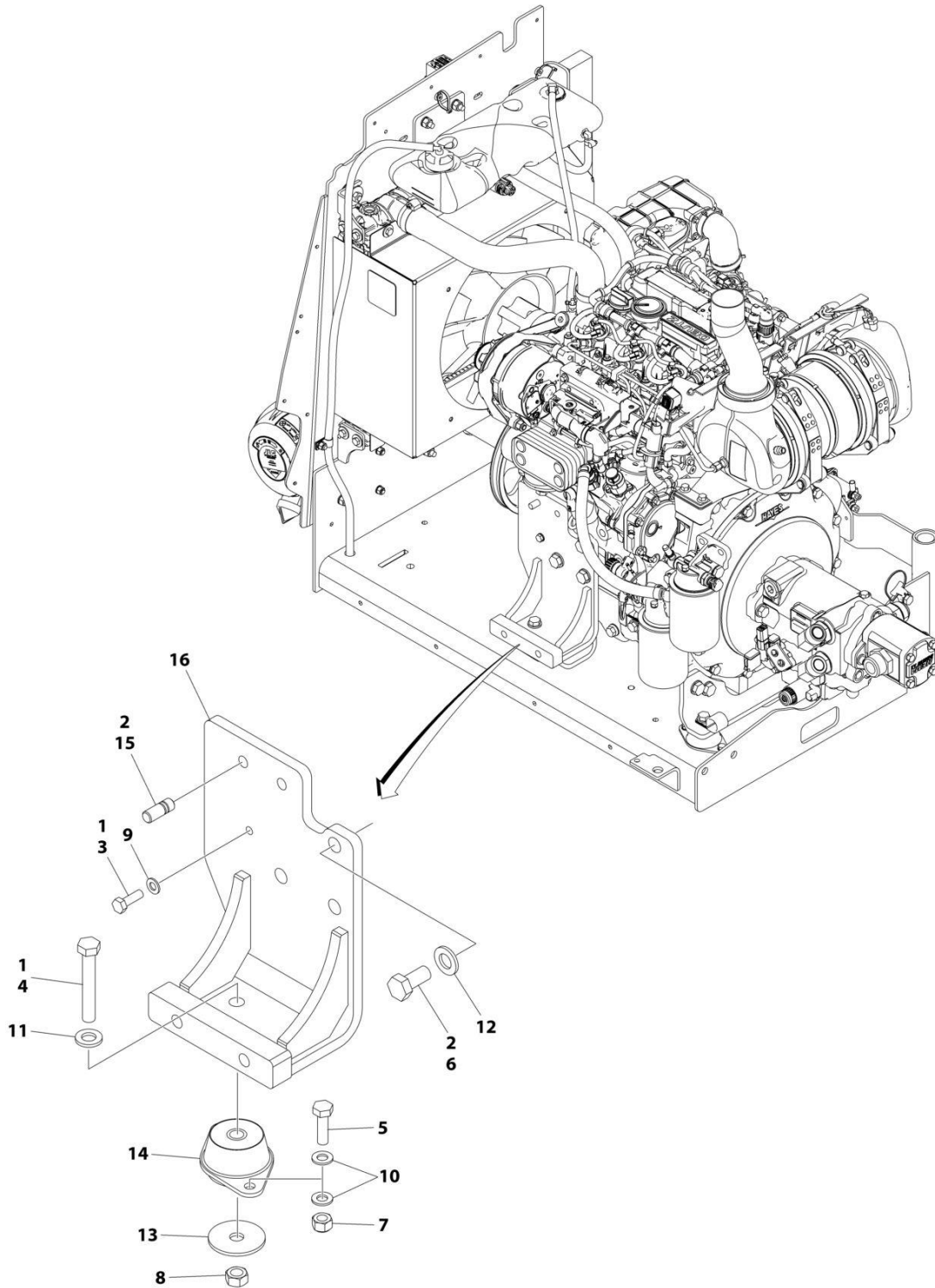
## SECTION 3 - ENGINE

**FIGURE 3-59. MOTOR MOUNT INSTALLATION - WITH GENERATOR (DEUTZ TD 2.9L4 ENGINES)**

ITEM	PART NUMBER	QTY	DESCRIPTION	REV
	1001192008	Ref	MOTOR MOUNT INSTALLATION	F
1	0100011	AR	Compound, Locking	
2	0711224	1	Bolt M12 x 80	
3	0761015	2	Bolt M10 x 35	
4	0771415	3	Bolt M14 x 35	
5	3291005	2	Nut M10	
6	3331211	1	Nut M12	
7	1001168018	1	Washer	
8	4812000	4	Washer M10	
9	5241400	3	Washer M14	
10	5241200	1	Washer M12	
11	1001191610	1	Mount, Motor	
12	1001209016	1	Mount	
13	0770814	1	Bolt M8 x 30	
14	5240800	1	Washer M8	

# SECTION 3 - ENGINE

FIGURE 3-60. MOTOR MOUNT INSTALLATION - WITH GENERATOR (STAGE V) (DEUTZ TD 2.2L3 ENGINES)



ART\_1001255280



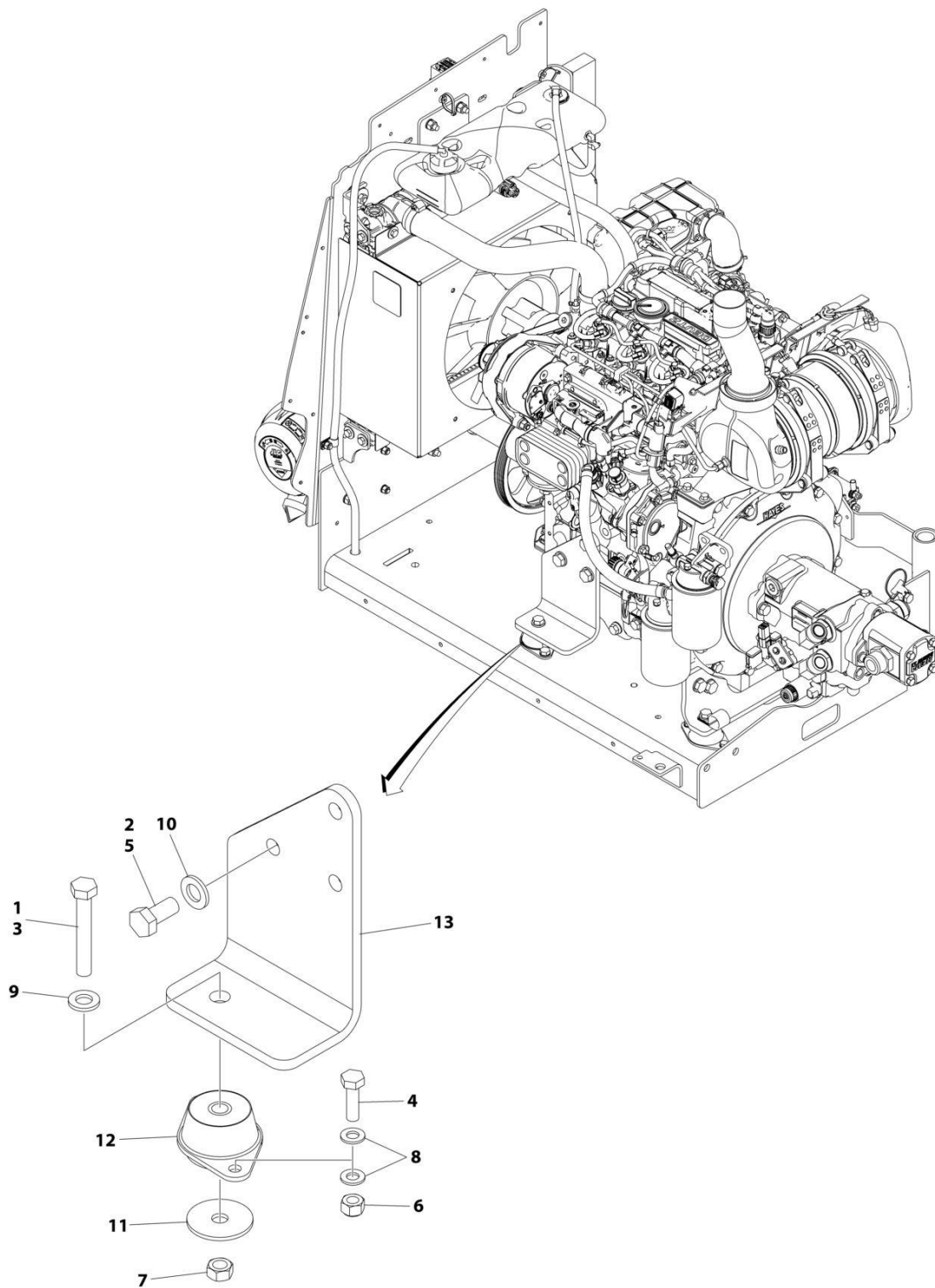
## SECTION 3 - ENGINE

**FIGURE 3-60. MOTOR MOUNT INSTALLATION - WITH GENERATOR (STAGE V) (DEUTZ TD 2.2L3 ENGINES)**

ITEM	PART NUMBER	QTY	DESCRIPTION	REV
	1001255280	Ref	MOTOR MOUNT INSTALLATION	C
1	0100011	AR	Compound, Locking	
2	0100019	AR	Compound, Locking	
3	0700812	1	Bolt M8 x 25	
4	0711224	1	Bolt M12 x 80	
5	0761015	2	Bolt M10 x 35	
6	0771414	3	Bolt M14 x 30	
7	3291005	2	Nut M10	
8	3331211	1	Nut M12	
9	4811900	1	Washer M8	
10	4812000	4	Washer M10	
11	5241200	1	Washer M12	
12	5241400	1	Washer M14	
13	1001168018	1	Washer	
14	1001166718	1	Mount, Motor	
15	1001196382	1	Stud	
16	1001254899	1	Mount	

# SECTION 3 - ENGINE

## FIGURE 3-61. MOTOR MOUNT INSTALLATION - WITHOUT GENERATOR (STAGE V) (DEUTZ TD 2.2L3 ENGINES)



ART\_1001255281

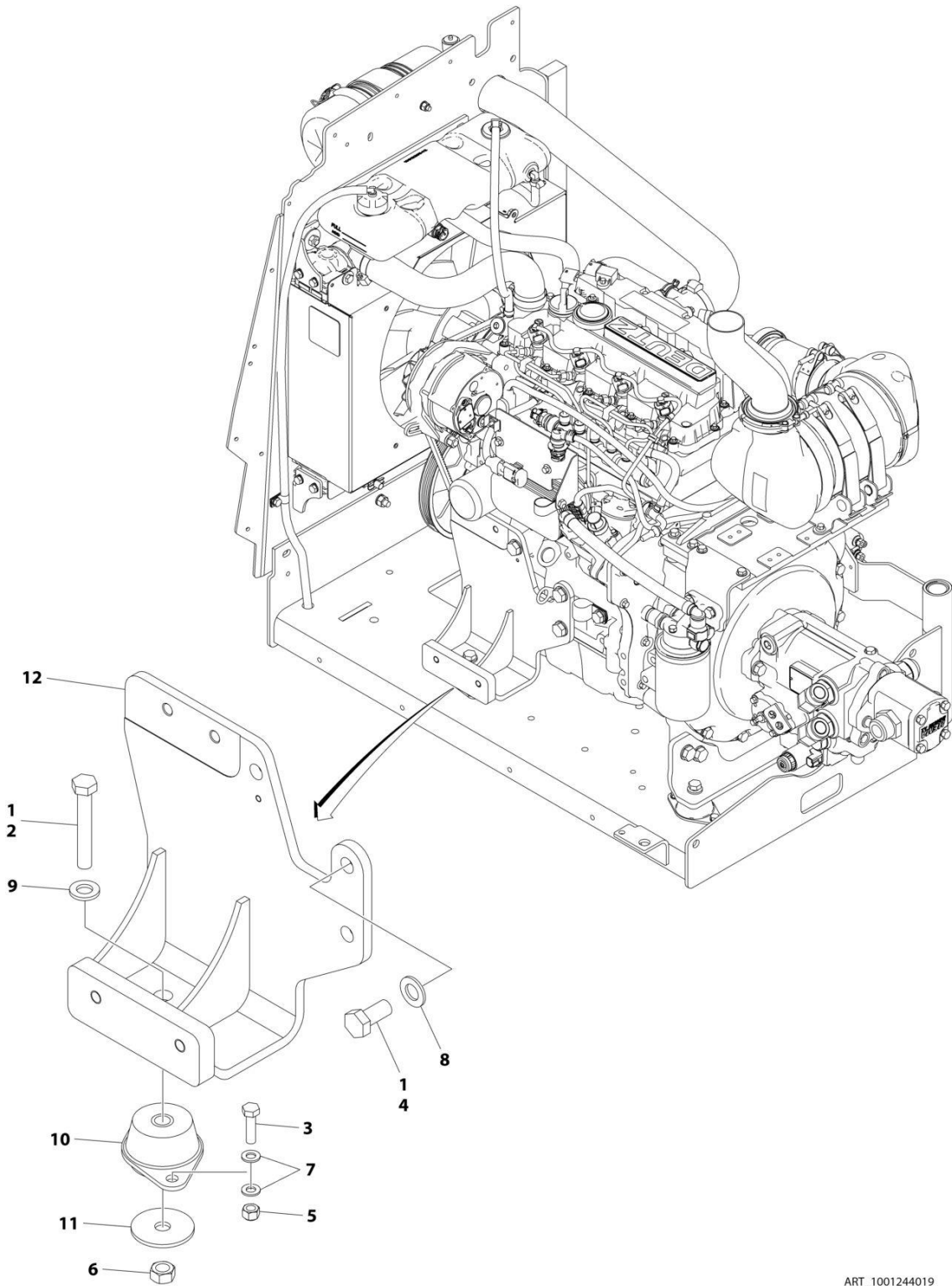
## SECTION 3 - ENGINE

**FIGURE 3-61. MOTOR MOUNT INSTALLATION - WITHOUT GENERATOR (STAGE V) (DEUTZ TD 2.2L3 ENGINES)**

ITEM	PART NUMBER	QTY	DESCRIPTION	REV
	1001255281	Ref	MOTOR MOUNT INSTALLATION	C
1	0100011	AR	Compound, Locking	
2	0100019	AR	Compound, Locking	
3	0711224	1	Bolt M12 x 80	
4	0761015	2	Bolt M10 x 35	
5	0771414	3	Bolt M14 x 30	
6	3291005	2	Nut M10	
7	3331211	1	Nut M12	
8	4812000	4	Washer M10	
9	5241200	1	Washer M12	
10	5241400	3	Washer M14	
11	1001168018	1	Washer	
12	1001166718	1	Mount, Motor	
13	1001254423	1	Mount	

# SECTION 3 - ENGINE

## FIGURE 3-62. MOTOR MOUNT INSTALLATION - WITH GENERATOR (DEUTZ TD 2.9L4 49HP ENGINES)



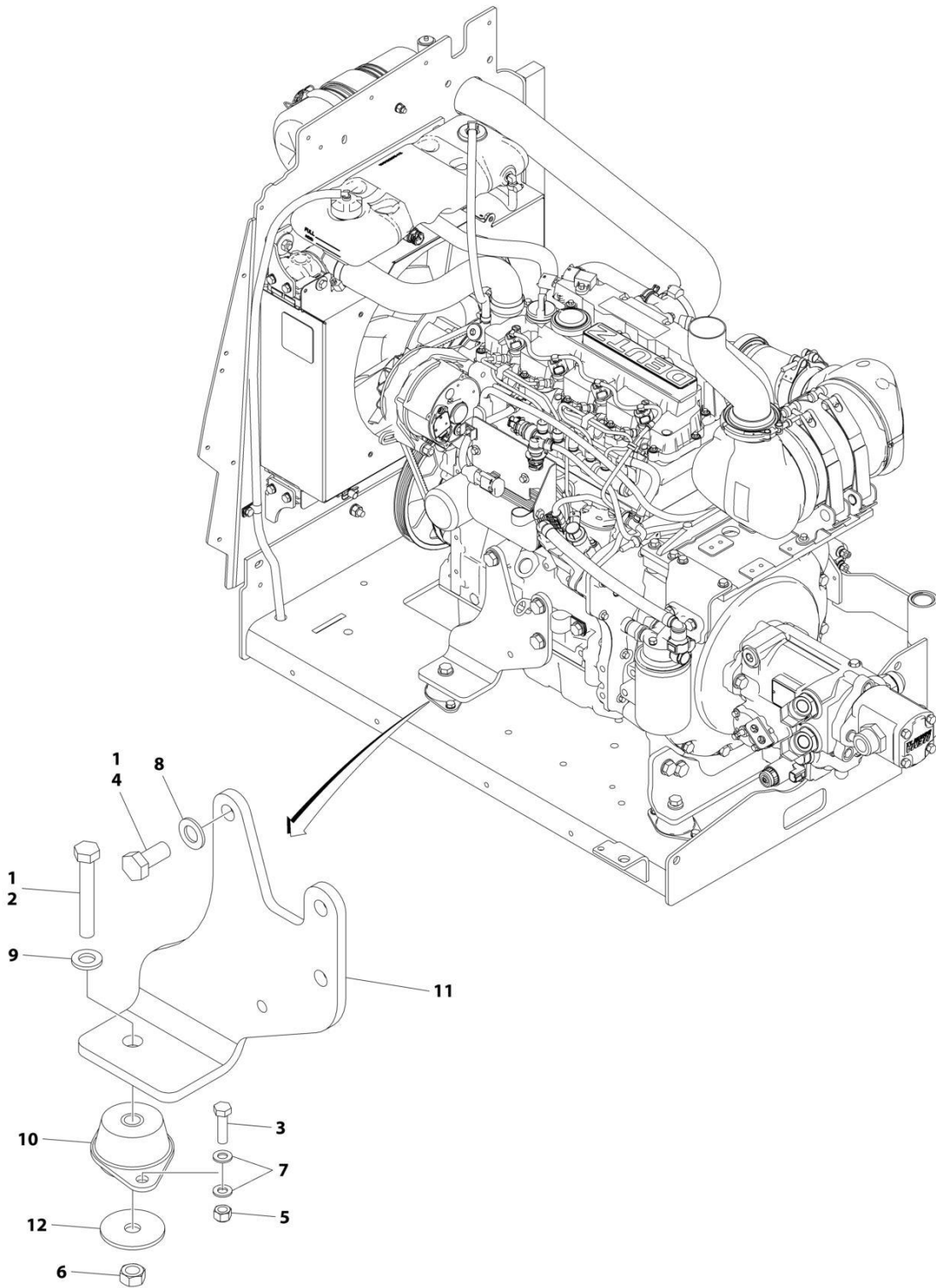
## SECTION 3 - ENGINE

**FIGURE 3-62. MOTOR MOUNT INSTALLATION - WITH GENERATOR (DEUTZ TD 2.9L4 49HP ENGINES)**

ITEM	PART NUMBER	QTY	DESCRIPTION	REV
	1001244019	Ref	MOTOR MOUNT INSTALLATION	A
1	0100011	AR	Compound, Locking	
2	0711224	1	Bolt M12 x 80	
3	0760814	2	Bolt M8 x 30	
4	0771414	3	Bolt M14 x 30	
5	3290805	2	Nut M8	
6	3331211	1	Nut M12	
7	4811900	4	Washer M8	
8	4812200	3	Washer M14	
9	5241200	1	Washer M12	
10	1001166718	1	Mount, Motor	
11	1001168018	1	Washer	
12	1001168207	1	Mount	

# SECTION 3 - ENGINE

## FIGURE 3-63. MOTOR MOUNT INSTALLATION - WITHOUT GENERATOR (DEUTZ TD 2.9L4 49HP ENGINES)



ART\_1001244024

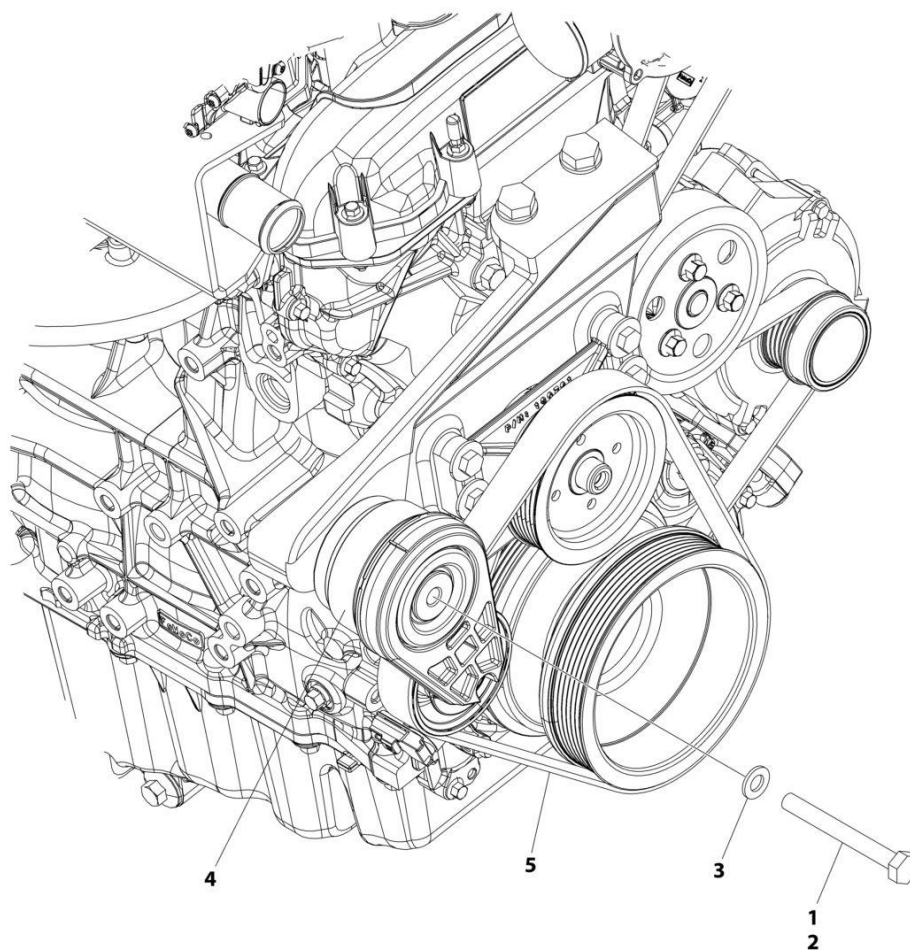
## SECTION 3 - ENGINE

**FIGURE 3-63. MOTOR MOUNT INSTALLATION - WITHOUT GENERATOR (DEUTZ TD 2.9L4 49HP ENGINES)**

ITEM	PART NUMBER	QTY	DESCRIPTION	REV
	1001244024	Ref	MOTOR MOUNT INSTALLATION	A
1	0100011	AR	Compound, Locking	
2	0711224	1	Bolt M12 x 80	
3	0760814	2	Bolt M8 x 30	
4	0771414	3	Bolt M14 x 30	
5	3290805	2	Nut M8	
6	3331211	1	Nut M12	
7	4811900	4	Washer M8	
8	4812200	3	Washer M14	
9	5241200	1	Washer M12	
10	1001166718	1	Mount, Motor	
11	1001166922	1	Mount	
12	1001168018	1	Washer	

## SECTION 3 - ENGINE

FIGURE 3-64. BELT WITHOUT GENERATOR INSTALLATION (FORD ENGINES)



ART\_1001220404



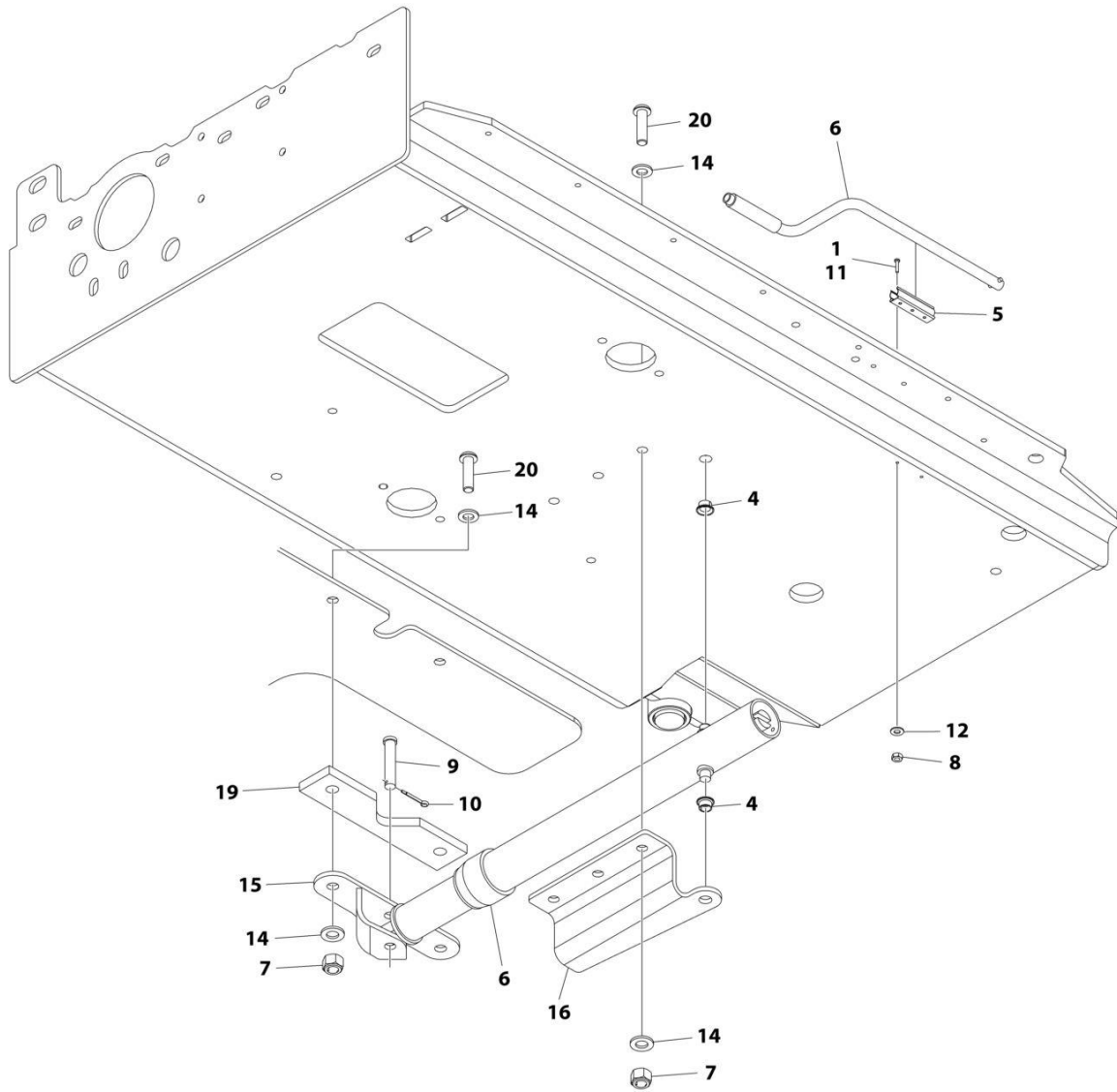
## SECTION 3 - ENGINE

**FIGURE 3-64. BELT WITHOUT GENERATOR INSTALLATION (FORD ENGINES)**

ITEM	PART NUMBER	QTY	DESCRIPTION	REV
	1001220404	Ref	DRIVE BELT INSTALLATION	C
1	0100011	AR	Compound, Locking	
2	0701026	1	Bolt M10 x 90	
3	4812002	1	Washer M10	
4	1001216300	1	Pulley	
5	1001216619	1	V-Belt	

# SECTION 3 - ENGINE

## FIGURE 3-65. TRAY JACK INSTALLATION



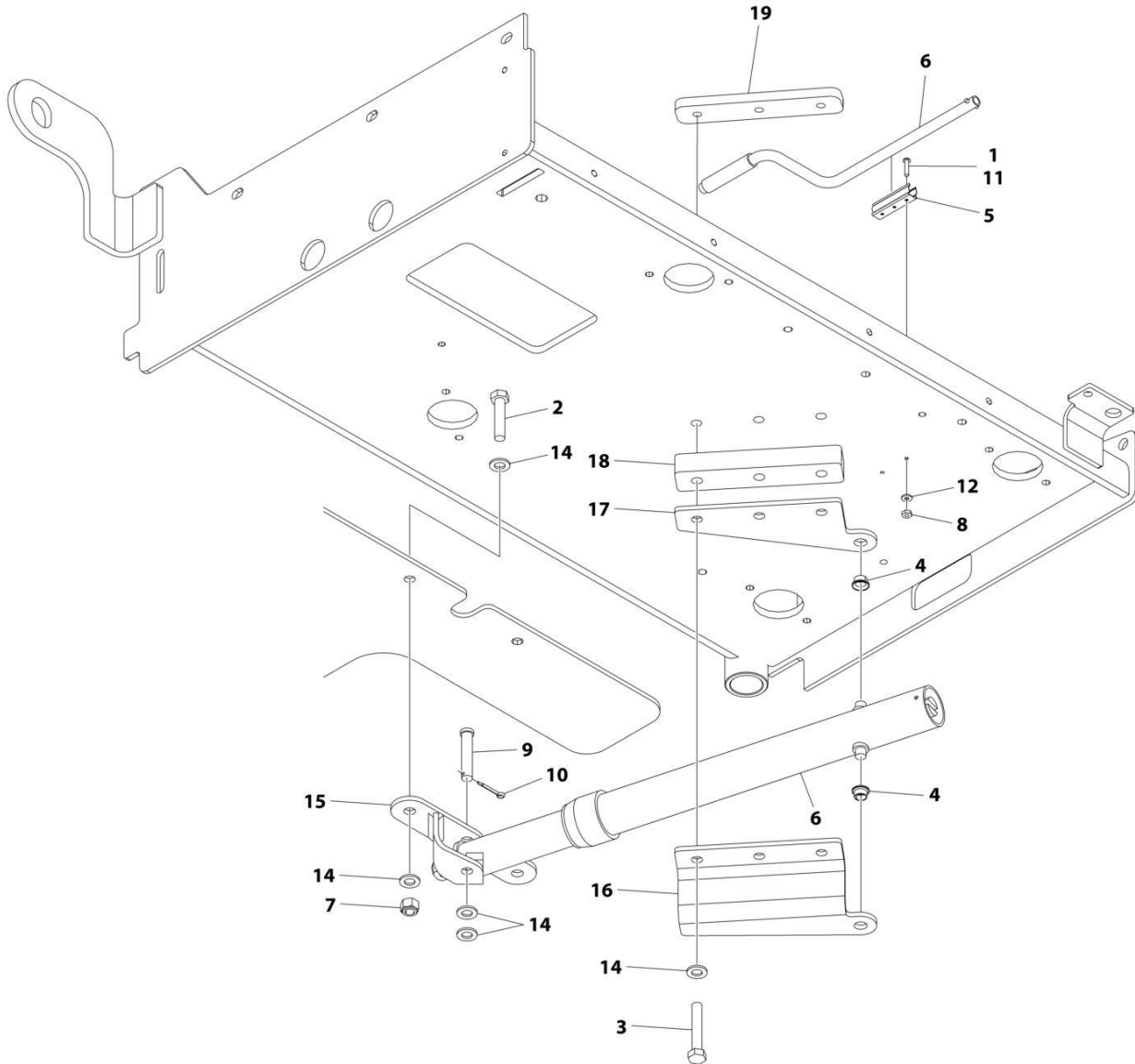
ART\_1001186980\_E

FIGURE 3-65. TRAY JACK INSTALLATION

ITEM	PART NUMBER	QTY	DESCRIPTION	REV
	1001186980	Ref	TRAY JACK INSTALLATION	E
1	0100011	AR	Compound, Locking	
4	0962051	2	Bearing	
5	1380147	1	Clip	
6	2840016	1	Jack and Handle Assembly	
6	7024598	1	Handle	
7	3291205	5	Nut M12	
8	3290301	2	Nut M3	
9	3430820	1	Pin	
10	1001236121	1	Pin	
11	4010308	2	Screw M3 x 16	
12	4811400	2	Washer M4	
14	4812100	10	Washer M12	
15	1001166894	1	Support	
16	1001175073	1	Support	
19	1001186981	1	Plate	
20	1001102978	5	Screw M12 x 45 Grade 10.9	

# SECTION 3 - ENGINE

## FIGURE 3-66. TRAY JACK INSTALLATION (STAGE V)



ART\_1001244023\_C

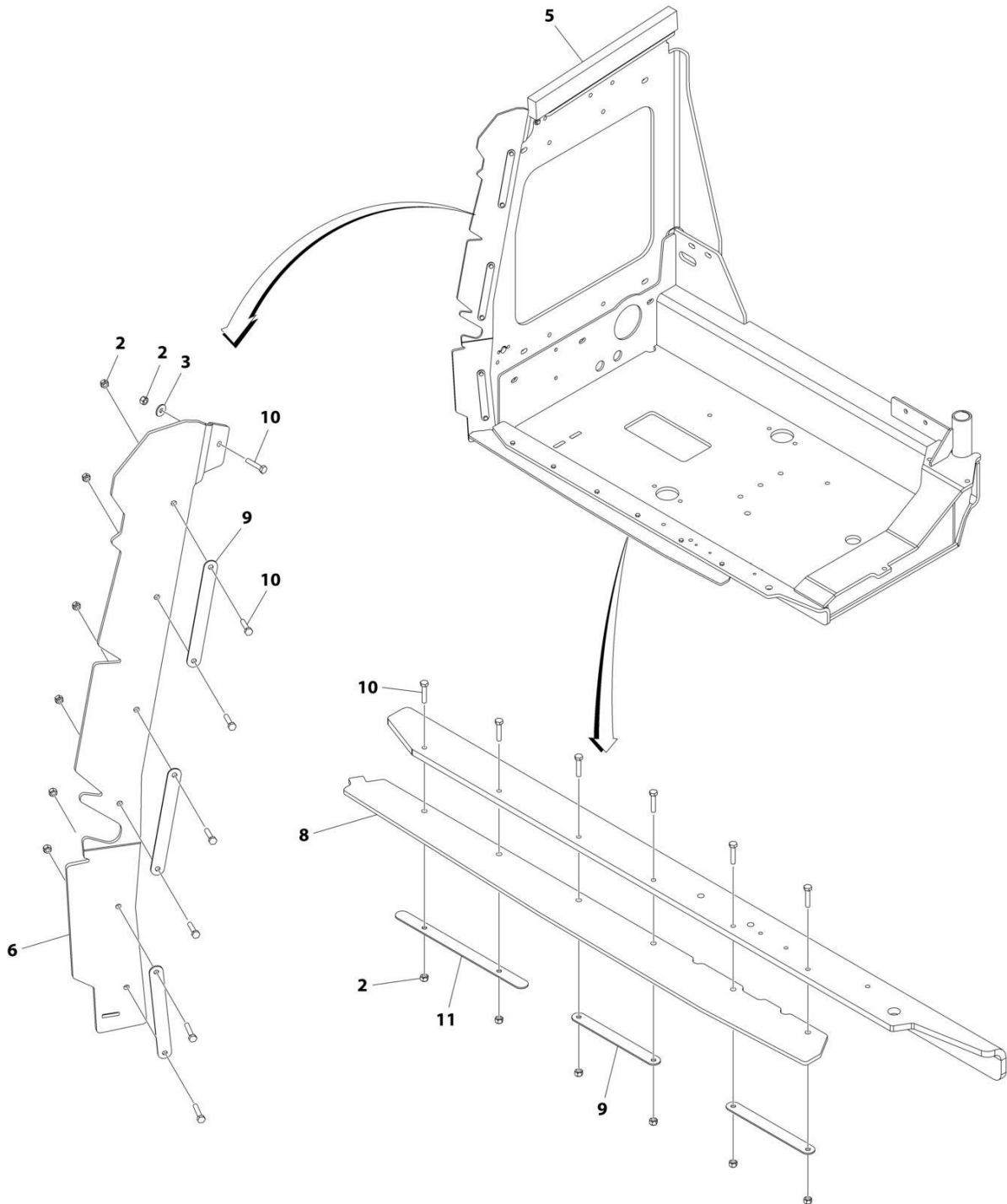
## SECTION 3 - ENGINE

**FIGURE 3-66. TRAY JACK INSTALLATION (STAGE V)**

ITEM	PART NUMBER	QTY	DESCRIPTION	REV
	1001244023	Ref	TRAY JACK INSTALLATION	C
1	0100011	AR	Compound, Locking	
2	1001102978	2	Bolt M12 x 45	
3	0701222	3	Bolt M12 x 70	
4	0962051	2	Bearing	
5	1380147	1	Clip	
6	2840016	1	Jack and Handle Assembly	
6	7024598	1	Handle	
7	3291205	2	Nut M12	
8	3290301	2	Nut M3	
9	3430820	1	Pin	
10	1001236121	1	Pin	
11	4010308	2	Screw M3 x 16	
12	4811400	1	Washer M4	
14	4812100	9	Washer M12	
15	1001166894	1	Support	
16	1001175073	1	Support	
17	1001175074	1	Support	
18	1001244025	1	Shim	
19	1001254719	1	Plate, Nut	

# SECTION 3 - ENGINE

## FIGURE 3-67. ENGINE HOOD Baffles INSTALLATION - ABS HOODS



ART\_1001197268\_G

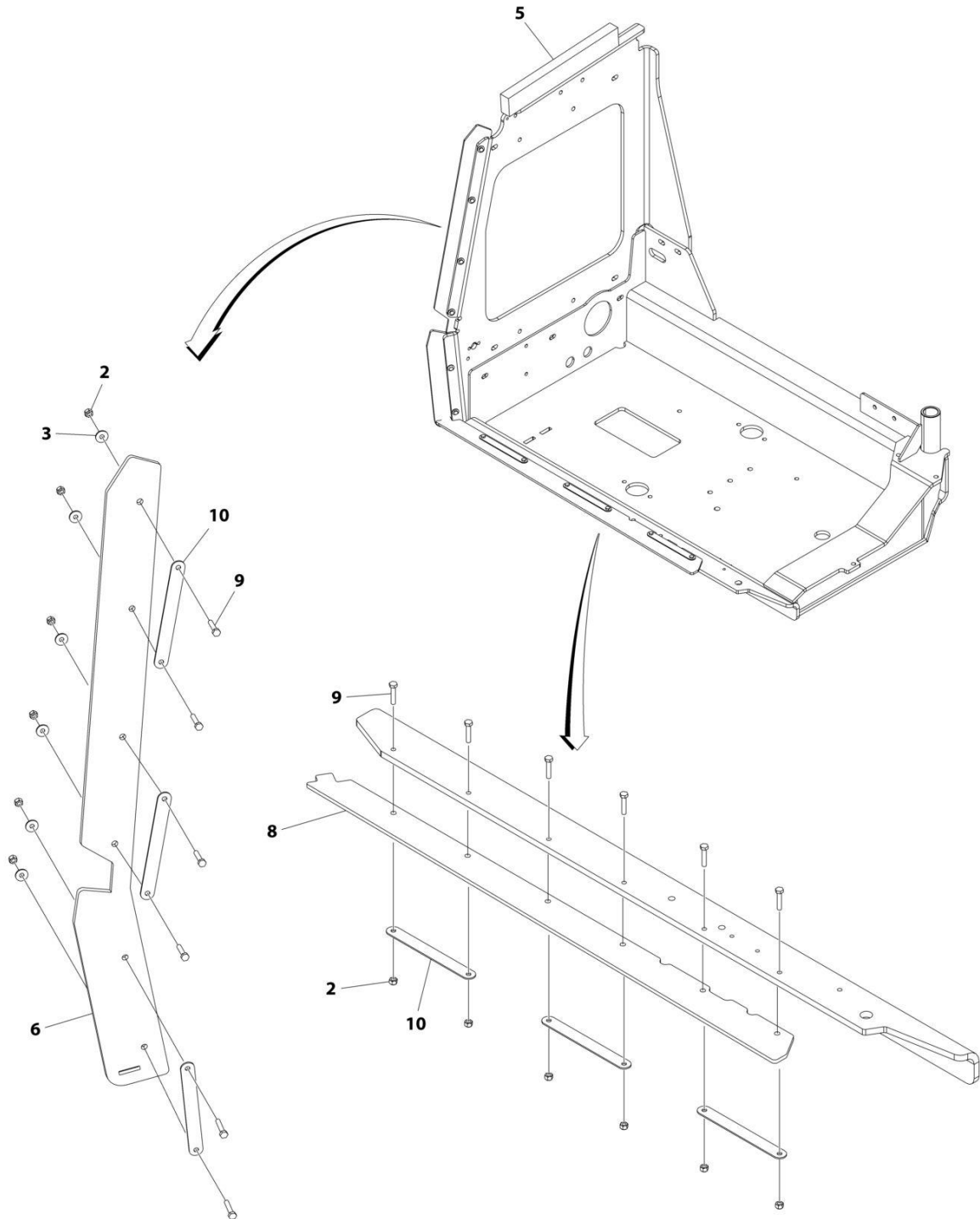
## SECTION 3 - ENGINE

### FIGURE 3-67. ENGINE HOOD BAFFLES INSTALLATION - ABS HOODS

ITEM	PART NUMBER	QTY	DESCRIPTION	REV
	1001197268	Ref	ENGINE HOOD BAFFLES INSTALLATION	G
2	3290605	13	Nut M6	
3	4811702	8	Washer M6	
5	1001197389	1	Seal	
6	1001234370	1	Seal	
8	1001234371	1	Seal	
9	1001167164	5	Support	
10	0760614	13	Bolt M6 x 30	
11	1001233429	1	Support	

# SECTION 3 - ENGINE

## FIGURE 3-68. ENGINE HOOD Baffles INSTALLATION - STEEL HOODS



ART\_1001197269\_F



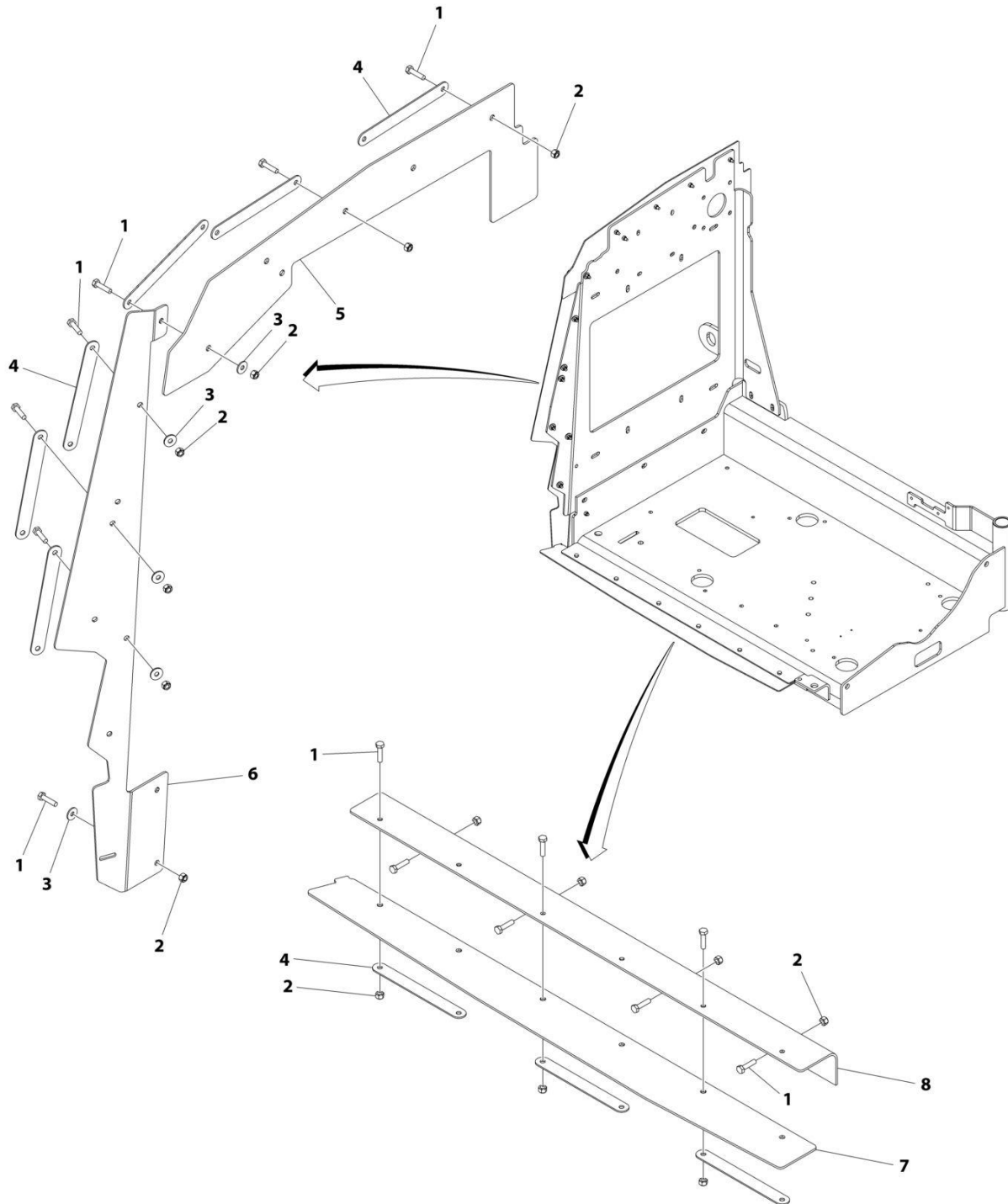
## SECTION 3 - ENGINE

### FIGURE 3-68. ENGINE HOOD BAFFLES INSTALLATION - STEEL HOODS

ITEM	PART NUMBER	QTY	DESCRIPTION	REV
	1001197269	Ref	ENGINE HOOD BAFFLES INSTALLATION	F
2	3290605	AR	Nut M6	
3	4811702	AR	Washer M6	
5	1001234281	1	Seal	
6	1001234299	1	Seal	
8	1001234283	1	Seal	
9	0760614	AR	Bolt M6 x 30	
10	1001167164	6	Support	

# SECTION 3 - ENGINE

FIGURE 3-69. ENGINE HOOD Baffles INSTALLATION - ABS HOODS (DEUTZ TD 2.2L3 ENGINES AND TD 2.9L4 49HP ENGINES)



ART\_1001244119

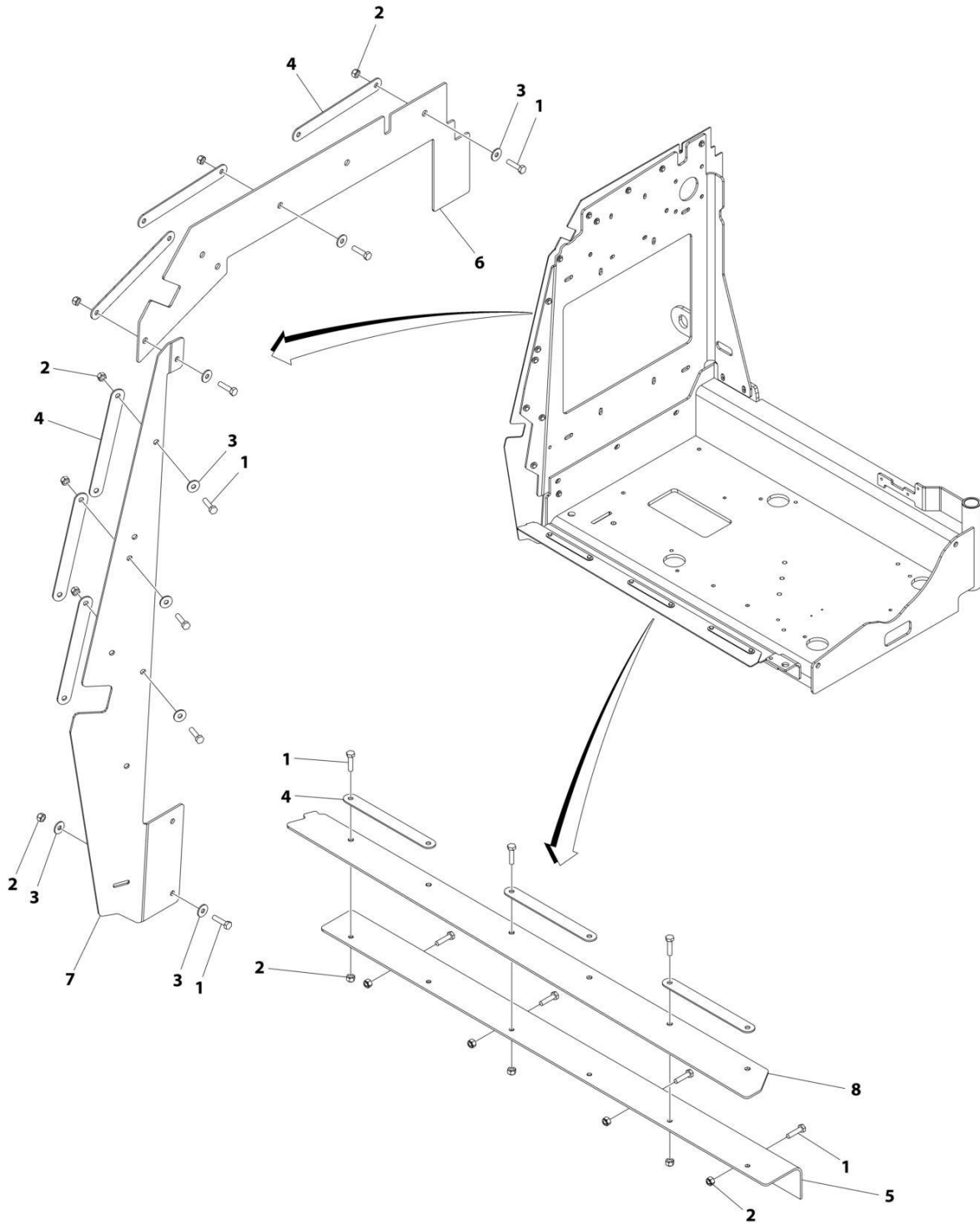
## SECTION 3 - ENGINE

**FIGURE 3-69. ENGINE HOOD BAFFLES INSTALLATION - ABS HOODS (DEUTZ TD 2.2L3 ENGINES AND TD 2.9L4 49HP ENGINES)**

ITEM	PART NUMBER	QTY	DESCRIPTION	REV
	1001244119	Ref	ENGINE HOOD BAFFLES INSTALLATION	B
1	0760612	24	Bolt M6 x 25	
2	3290605	24	Nut M6	
3	4811702	30	Washer M6	
4	1001167164	9	Support	
5	1001244120	1	Seal	
6	1001244121	1	Seal	
7	1001244122	1	Seal	
8	1001244123	1	Plate	

# SECTION 3 - ENGINE

FIGURE 3-70. ENGINE HOOD Baffles Installation - Steel Hoods (Deutz TD 2.2L3 Engines and TD 2.9L4 49HP Engines)



ART\_1001244464

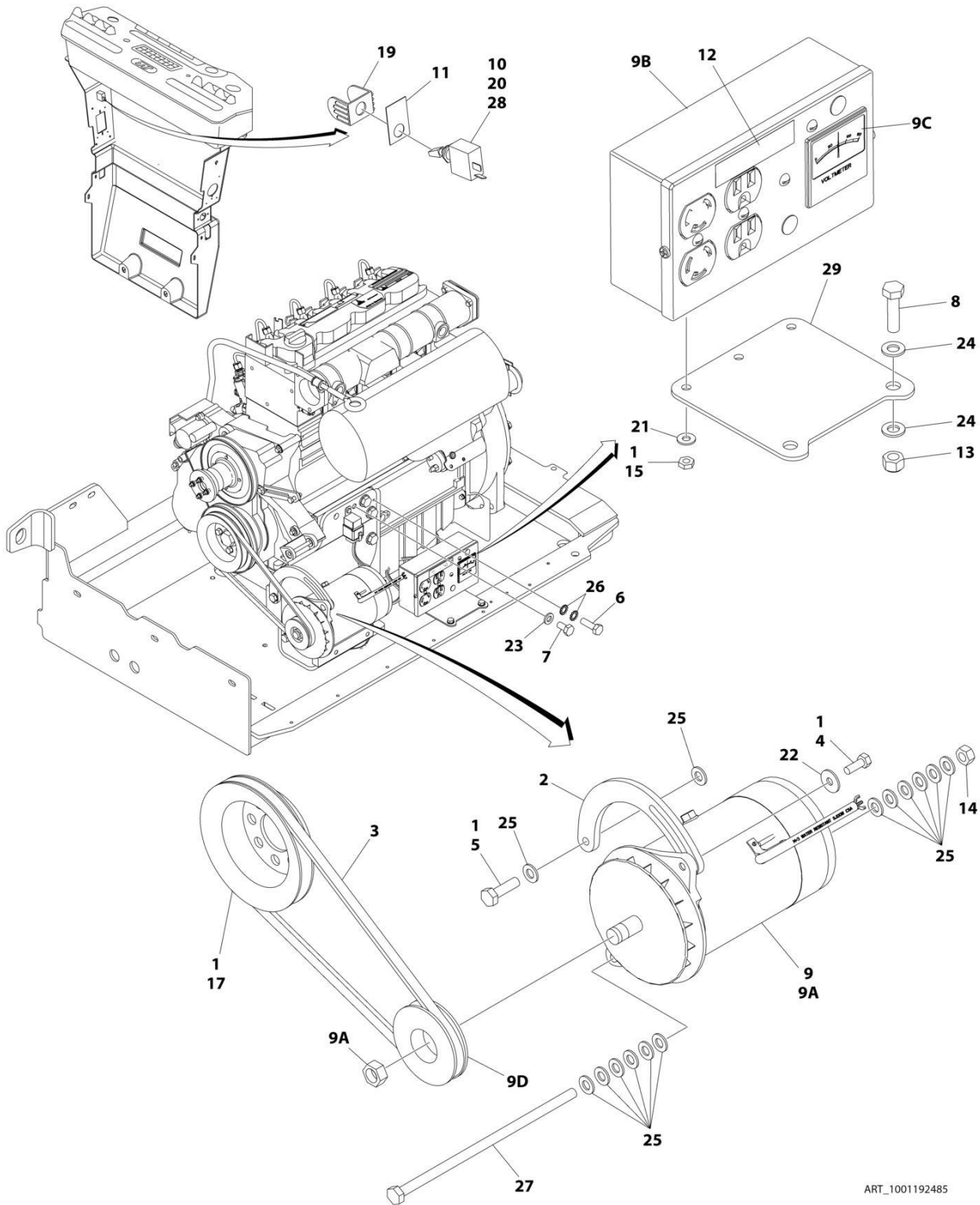
## SECTION 3 - ENGINE

**FIGURE 3-70. ENGINE HOOD BAFFLES INSTALLATION - STEEL HOODS (DEUTZ TD 2.2L3 ENGINES AND TD 2.9L4 49HP ENGINES)**

ITEM	PART NUMBER	QTY	DESCRIPTION	REV
	1001244464	Ref	ENGINE HOOD BAFFLES INSTALLATION	B
1	0760612	24	Bolt M6 x 25	
2	3290605	24	Nut M6	
3	4811702	30	Washer M6	
4	1001167164	9	Support	
5	1001244123	1	Plate	
6	1001244468	1	Seal	
7	1001244469	1	Seal	
8	1001244470	1	Seal	

# SECTION 3 - ENGINE

## FIGURE 3-71. 2500W GENERATOR INSTALLATION - 110V/60HZ (DEUTZ D2011 ENGINES) (OPTIONAL)



ART\_1001192485

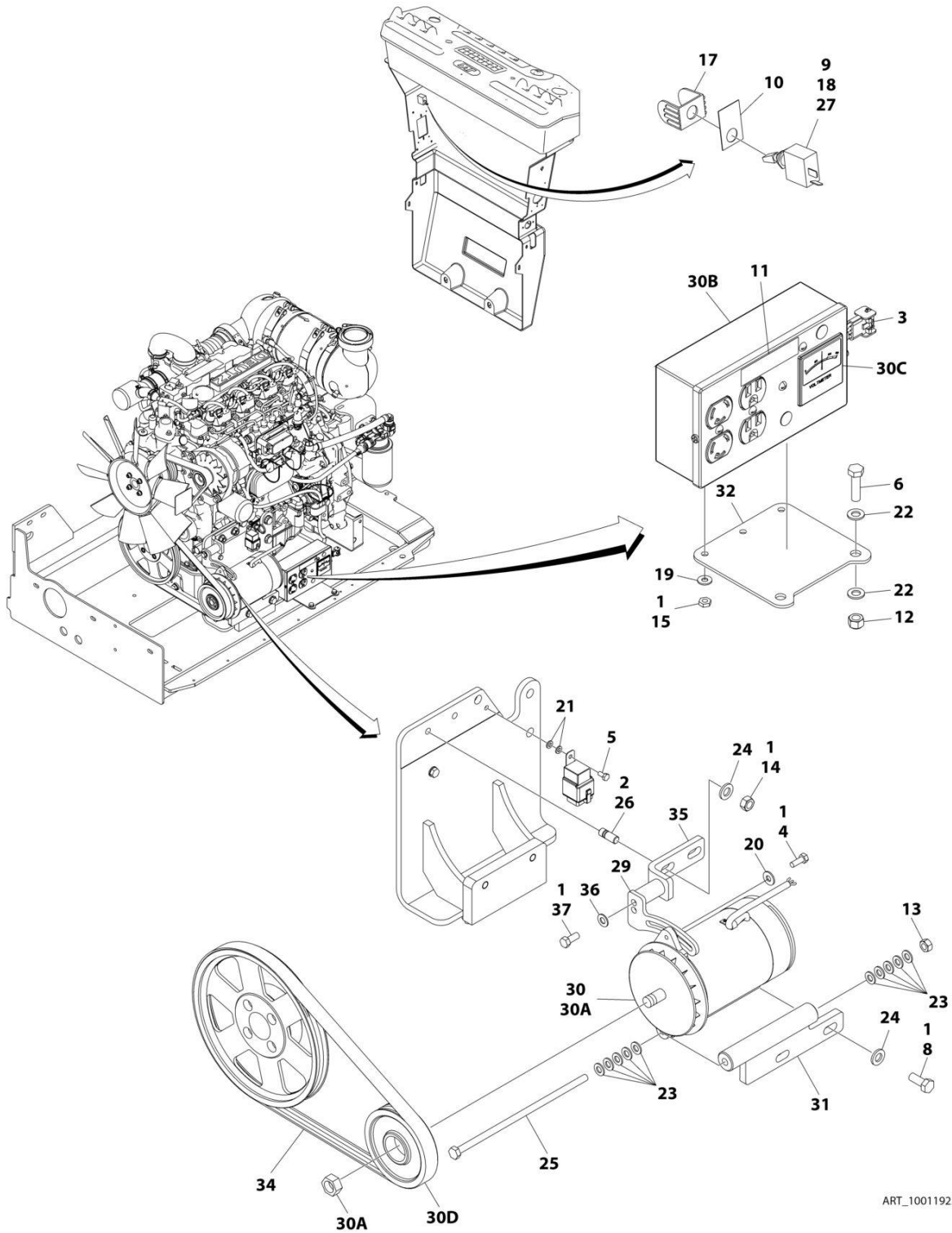
## SECTION 3 - ENGINE

**FIGURE 3-71. 2500W GENERATOR INSTALLATION - 110V/60HZ (DEUTZ D2011 ENGINES)  
(OPTIONAL)**

ITEM	PART NUMBER	QTY	DESCRIPTION	REV
	1001192485	Ref	2500W GENERATOR INSTALLATION	F
1	0100011	AR	Compound, Locking	
2	1001239716	1	Arm, Adjusting	
3	0480124	1	Belt	
4	0641508	1	Bolt 5/16 x 1	
5	0761012	1	Bolt M10 x 25	
6	0700610	1	Bolt M6 x 20	
7	0760606	1	Bolt M6 x 12	
8	0760814	2	Bolt M8 x 30	
9	2460055	1	Generator and Control Box Assembly	
9A	7012558	1	Generator, Replacement	
9A		Ref	Note: Replacement Generators come standard with p/n 3580134 pulley. This pulley may not be correct for all applications. Refer to pulley options below.	
9A	7012513	4	Cap, Brush Holder	
9A	7020108	4	Brush	
9A	7020109	4	Holder, Brush	
9A	7012514	1	Fan	
9A	7020190	2	Bearing	
9A	7020110	1	Bell, Front	
9A	7020111	1	Bell, Rear	
9B	7019680	1	Box, Control	
9B	4360542	1	Breaker, Circuit	
9B	4460190	AR	Receptacle, Standard	
9B	4460027	AR	Receptacle, Twistlock	
9C	2420203	1	Voltmeter	
9D	3580276	1	Pulley	
9D	7027887	1	Key, Woodruff	
10	2820031	AR	Heat Shrink	
11	3251102	1	Nameplate - Generator On/Off	
12	3251243	1	Decal - 120V-60Hz	
13	3290805	2	Nut M8	
14	3291007	1	Nut M10	
15	3311001	2	Nut #10	
17	3580158	1	Pulley	
19	4060802	1	Guard, Switch	
20	4360336	1	Switch, Toggle	
21	4751000	1	Washer #10	
22	4811902	1	Washer M8	
23	4811700	1	Washer M6	
24	4811900	4	Washer M8	
25	4812000	14	Washer M10	
26	4871700	2	Washer M6	
27	1001119280	1	Bolt M10 x 260	
28	4922641	1	Generator Switch Harness	
29	1001193167	1	Plate, Mounting	
30	1001194114	1	Generator Harness - 2500W (Not Shown) (See Separate Breakdown in ELECTRICAL SECTION)	

# SECTION 3 - ENGINE

## FIGURE 3-72. 2500W GENERATOR INSTALLATION - 110V/60HZ (DEUTZ TD2.9L4 ENGINES) (OPTIONAL)





## SECTION 3 - ENGINE

**FIGURE 3-72. 2500W GENERATOR INSTALLATION - 110V/60HZ (DEUTZ TD2.9L4 ENGINES)  
(OPTIONAL)**

ITEM	PART NUMBER	QTY	DESCRIPTION	REV
	1001192280	Ref	2500W GENERATOR INSTALLATION	F
1	0100011	AR	Compound, Locking	
2	0100019	AR	Compound, Locking	
3	0100048	AR	Silicone	
4	0641507	1	Bolt 5/16 x 7/8	
5	0760606	1	Bolt M6 x 12	
6	0760814	2	Bolt M8 x 30	
8	0761214	2	Bolt M12 x 30	
9	2820031	AR	Heat Shrink	
10	3251102	1	Nameplate - Generator On/Off	
11	3251243	1	Decal - 120V-60Hz	
12	3290805	2	Nut M8	
13	3291007	1	Nut M10	
14	3291201	2	Nut M12	
15	3311001	2	Nut #10	
17	4060802	1	Guard, Switch	
18	4360336	1	Switch, Toggle	
19	4751000	2	Washer #10	
20	4751500	1	Washer 5/16	
21	4811700	2	Washer M6	
22	4811900	4	Washer M8	
23	4812000	10	Washer M10	
24	5241200	4	Washer M12	
25	1001119280	1	Bolt M10 x 260	
26	1001196382	2	Stud	
27	4922641	1	Generator Switch Harness	
29	1001179837	1	Arm, Adjusting	
30	1001180001	1	Generator and Control Box Assembly	
30A	7012558	1	Generator, Replacement	
30A		Ref	Note: Replacement Generators come standard with p/n 3580134 pulley. This Pulley may not be correct for all applications. Refer to Pulley options below.	
30A	7026199	1	Armature with Slip Rings	
30A	7012513	4	Cap, Brush Holder	
30A	7020108	4	Brush	
30A	7020109	4	Holder, Brush	
30A	7012514	1	Fan	
30A	7020110	1	Bell, Front	
30A	7020111	1	Bell, Rear	
30A	7020190	2	Bearing	
30B	7019680	1	Box, Control	
30B		Ref	Receptacle Options:	
30B	4460190	1	Receptacle, Standard	
30B	4460027	1	Receptacle, Twistlock	
30B	4360542	1	Breaker, Circuit	
30B	3520028	1	Plug, Hole	
30C	2420203	1	Voltmeter	
30D	3580276	1	Pulley	
30D	7027887	1	Key, Woodruff	

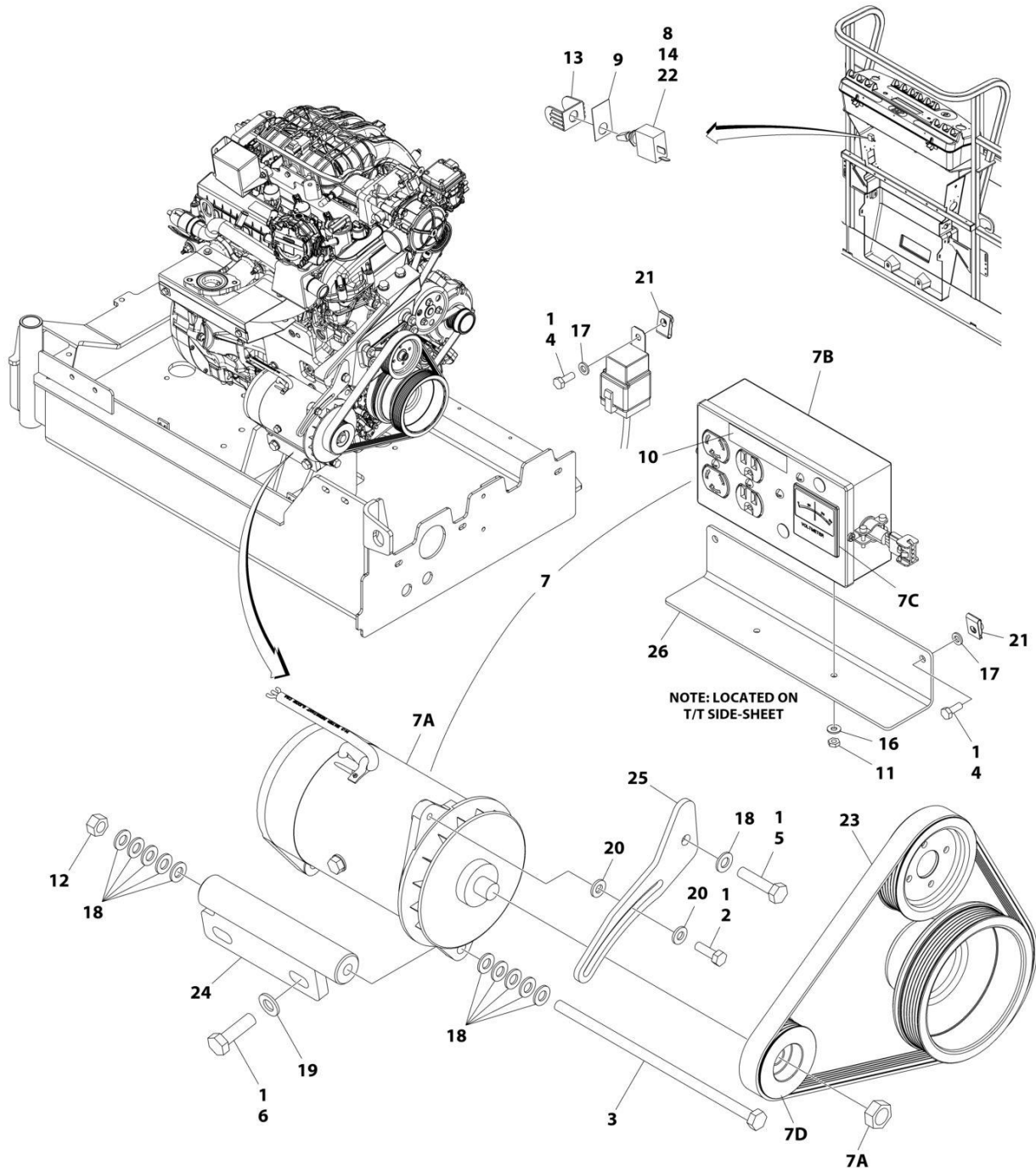
## SECTION 3 - ENGINE

ITEM	PART NUMBER	QTY	DESCRIPTION	REV
31	1001181243	1	Mount (Lower)	
32	1001193167	1	Plate	
33	1001194114	1	Generator Harness - 2500W (Not Shown) (See Separate Breakdown in ELECTRICAL SECTION)	
34	1001148138	1	Belt	
35	1001216015	1	Mount (Upper)	
36	4711600	1	Washer 3/8	
37	0641607	1	Bolt 3/8 x 7/8	



# SECTION 3 - ENGINE

## FIGURE 3-73. 2500W GENERATOR INSTALLATION - 110V/60HZ (FORD ENGINES) (OPTIONAL)



ART\_1001219853

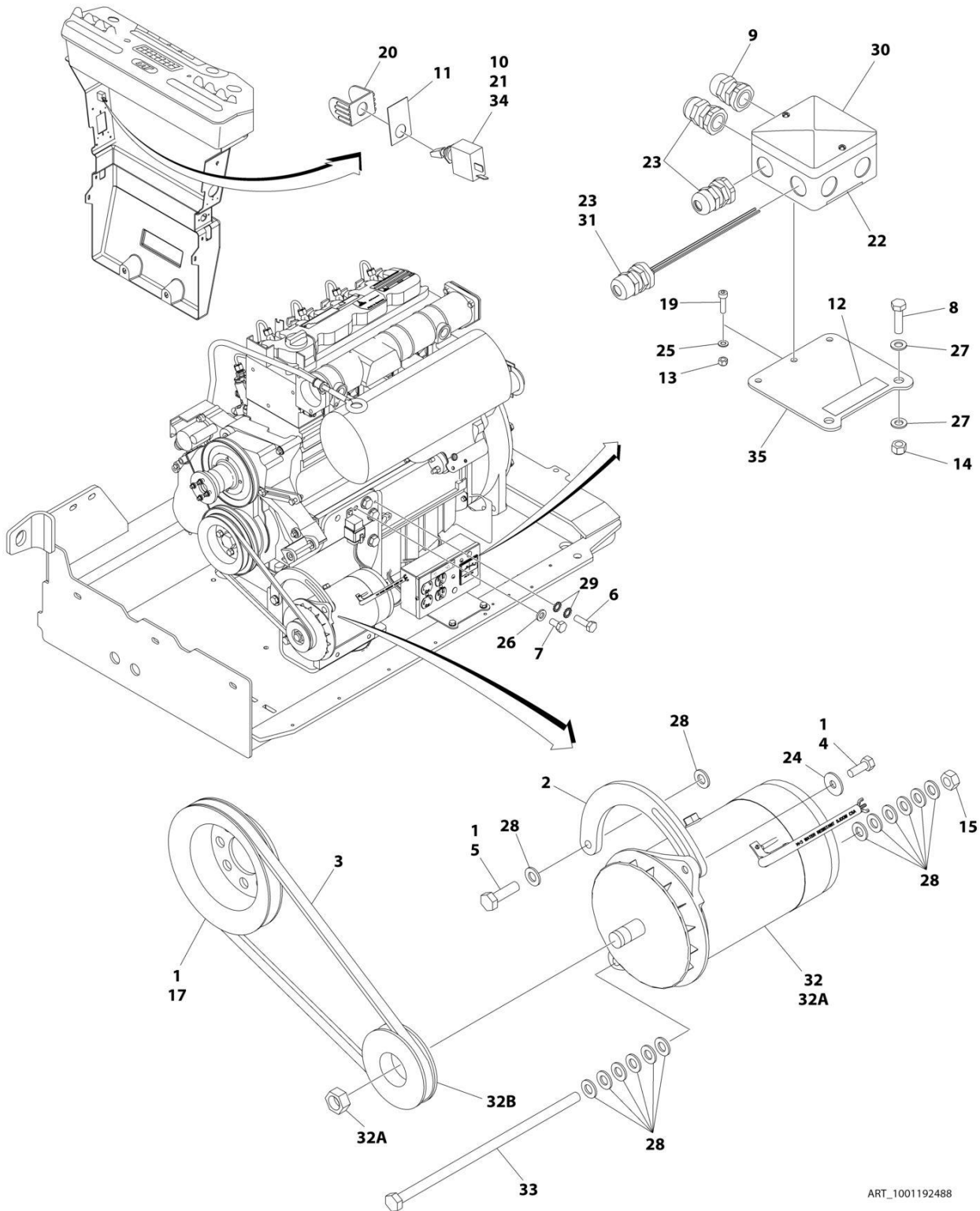
## SECTION 3 - ENGINE

**FIGURE 3-73. 2500W GENERATOR INSTALLATION - 110V/60HZ (FORD ENGINES) (OPTIONAL)**

ITEM	PART NUMBER	QTY	DESCRIPTION	REV
	1001219853	Ref	2500W GENERATOR INSTALLATION	D
1	0100011	AR	Compound, Locking	
2	0641508	1	Bolt 5/16 x 1	
3	1001119280	1	Bolt M10 x 260	
4	0760608	3	Bolt M6 x 16	
5	0761016	1	Bolt M10 x 40	
6	0761216	2	Bolt M12 x 40	
7	2460051	1	Generator and Control Box Assembly	
7A	7012558	1	Generator, Replacement	
		Ref	Note: Replacement Generators come standard with p/n 3580134 pulley. This pulley may not be correct for all applications. Refer to pulley options below.	
7A	7026199	1	Armature with Slip Rings	
7A	7012513	4	Cap, Brush Holder	
7A	7020108	4	Brush	
7A	7020109	4	Holder, Brush	
7A	7012514	1	Fan	
7A	7020110	1	Bell, Front	
7A	7020111	1	Bell, Rear	
7A	7020190	2	Bearing	
7B	7019680	1	Box, Control	
7B		Ref	Receptacle Options:	
7B	4460190	1	Receptacle, Standard	
7B	4460027	1	Receptacle, Twistlock	
7B	4360542	1	Breaker, Circuit	
7B	3520028	1	Plug, Hole	
7C	2420203	1	Voltmeter	
7D	3580324	1	Pulley	
7D	7027887	1	Key, Woodruff	
8	2820031	AR	Heat Shrink	
9	3251102	1	Nameplate - Generator On/Off	
10	3251243	1	Decal - 120V-60Hz	
11	3311005	2	Nut #10	
12	3291007	1	Nut M10	
13	4060802	1	Guard, Switch	
14	4360336	1	Switch, Toggle	
16	4751000	2	Washer #10	
17	4811700	3	Washer M6	
18	4812000	11	Washer M10	
19	4812100	2	Washer M12	
20	4891500	2	Washer 5/16	
21	1001130220	3	Nut, Tinnerman M6	
22	4922641	1	Generator Switch Harness	
23	1001216391	1	Belt	
24	1001219630	1	Mount (Lower)	
25	1001219632	1	Arm, Adjusting	
26	1001220728	1	Bracket	
27	1001194114	1	Generator Harness - 2500W (Not Shown) (See Separate Breakdown in ELECTRICAL SECTION)	

# SECTION 3 - ENGINE

## FIGURE 3-74. 2500W GENERATOR INSTALLATION - 220V/50HZ (DEUTZ D2011 ENGINES) (OPTIONAL)



ART\_1001192488

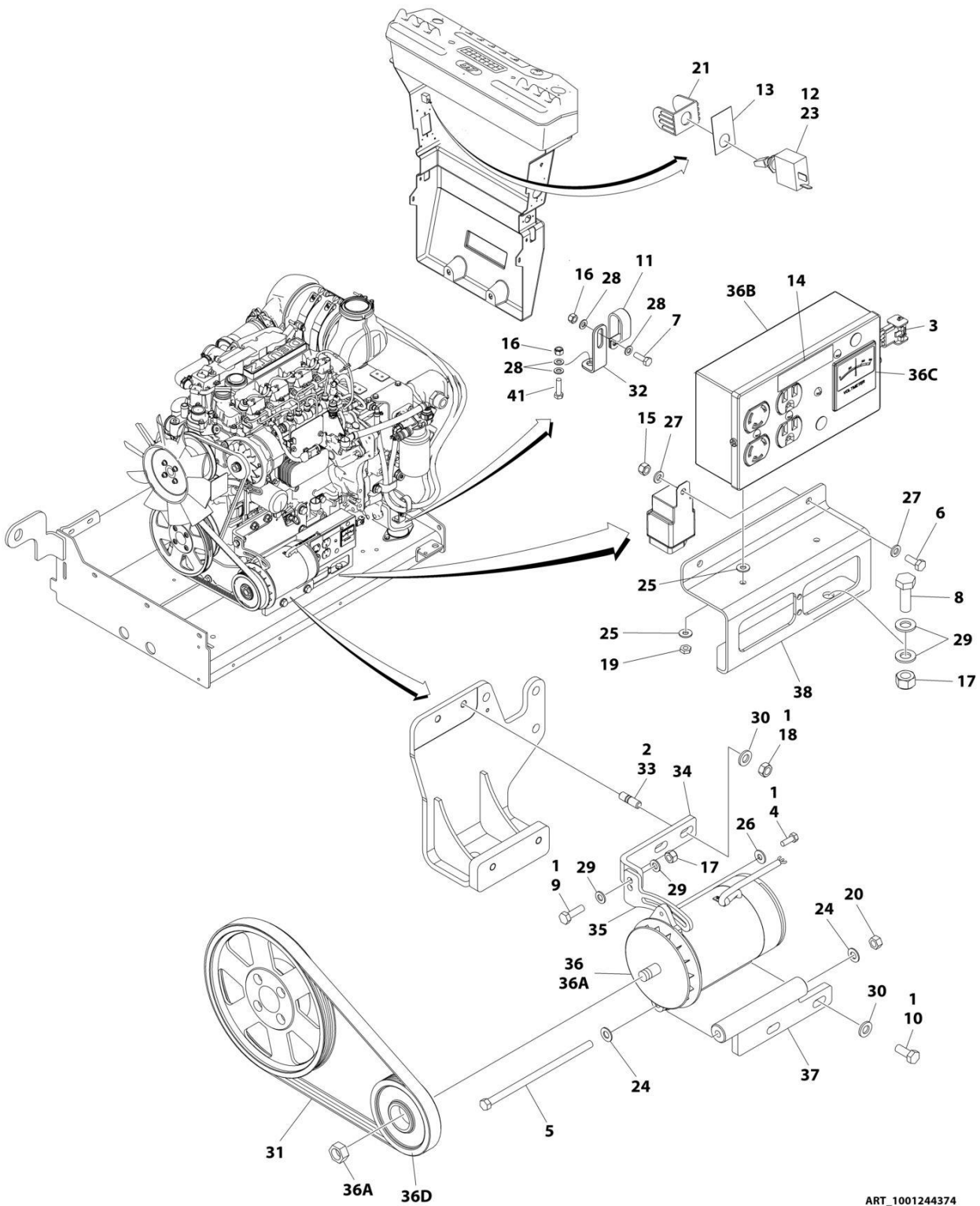
## SECTION 3 - ENGINE

**FIGURE 3-74. 2500W GENERATOR INSTALLATION - 220V/50HZ (DEUTZ D2011 ENGINES)  
(OPTIONAL)**

ITEM	PART NUMBER	QTY	DESCRIPTION	REV
	1001192488	Ref	2500W GENERATOR INSTALLATION	F
1	0100011	AR	Compound, Locking	
2	1001239716	1	Arm, Adjusting	
3	0480124	1	Belt, Generator	
4	0641508	1	Bolt 5/16 x 1	
5	0761012	1	Bolt M10 x 25	
6	0700610	1	Bolt M6 x 20	
7	0760606	1	Bolt M6 x 12	
8	0760814	2	Bolt M8 x 30	
9	0962449	1	Bushing	
10	2820031	AR	Heat Shrink	
11	3251102	1	Nameplate - Generator On/Off	
12	3252507	1	Decal - 220 Volt	
13	3290505	1	Nut M5	
14	3290805	2	Nut M8	
15	3291007	1	Nut M10	
17	3580158	1	Pulley	
19	4031608	1	Capscrew M5 x 20	
20	4060802	1	Guard, Switch	
21	4360336	1	Switch, Toggle	
22	4420060	1	Tape	
23	4460968	3	Connector, Strain Relief	
24	4811902	1	Washer M8	
25	4811600	1	Washer M5	
26	4811700	1	Washer M6	
27	4811900	4	Washer M8	
28	4812000	14	Washer M10	
29	4871700	2	Washer M6	
30	1001099869	1	Box, Junction	
31	1001100234	1	Lamp, Red	
32	1001100321	1	Generator Assembly	
32A		Ref	Note: Replacement Generators come standard with p/n 3580134 pulley. This pulley may not be correct for all applications. Refer to pulley options below.	
32A	70000123	1	Armature with Slip Rings	
32A	7012513	4	Cap, Brush Holder	
32A	7020108	4	Brush	
32A	7020109	4	Holder, Brush	
32A	7012514	1	Fan	
32A	7020110	1	Bell, Front	
32A	7020111	1	Bell, Rear	
32A	7020190	2	Bearing	
32B	3580134	1	Pulley	
32B	7027887	1	Key, Woodruff	
33	1001119280	1	Bolt M10 x 260	
34	4922641	1	Generator Switch Harness	
35	1001193167	1	Plate	
36	1001194114	1	Generator Harness - 2500W (Not Shown) (See Separate Breakdown in ELECTRICAL SECTION)	

# SECTION 3 - ENGINE

## FIGURE 3-75. 2500W GENERATOR INSTALLATION - 120V/60HZ (DEUTZ TD2.9L4 ENGINES) (OPTIONAL)



ART\_1001244374



## SECTION 3 - ENGINE

**FIGURE 3-75. 2500W GENERATOR INSTALLATION - 120V/60HZ (DEUTZ TD2.9L4 ENGINES)  
(OPTIONAL)**

ITEM	PART NUMBER	QTY	DESCRIPTION	REV
	1001244374	Ref	2500W GENERATOR INSTALLATION	B
1	0100011	AR	Compound, Locking	
2	0100019	AR	Compound, Locking	
3	0100048	AR	Silicone	
4	0641507	1	Bolt 5/16 x 7/8	
5	0641772	1	Bolt 7/16 x 9	
6	0760608	1	Bolt M6 x 16	
7	0760812	1	Bolt M8 x 25	
8	0761014	2	Bolt M10 x 30	
9	0761015	1	Bolt M10 x 35	
10	0761214	2	Bolt M12 x 30	
11	1321716	1	Clamp	
12	2820031	AR	Heat Shrink	
13	3251102	1	Nameplate - Generator On/Off	
14	3251243	1	Decal - 120V-60Hz	
15	3290605	1	Nut M6	
16	3290805	2	Nut M8	
17	3291005	3	Nut M10	
18	3291201	2	Nut M12	
19	3311001	2	Nut #10	
20	3311705	1	Nut 7/16	
21	4060802	1	Guard, Switch	
22	4240099	AR	Tie-Strap (Not Shown)	
23	4360336	1	Switch, Toggle	
24	4711700	2	Washer 7/16	
25	4751000	4	Washer #10	
26	4751500	1	Washer 5/16	
27	4811700	2	Washer M6	
28	4811900	4	Washer M8	
29	4812000	6	Washer M10	
30	5241200	4	Washer M12	
31	1001148138	1	Belt	
32	1001223122	1	Bracket	
33	1001155041	2	Stud	
34	1001179836	1	Mount (Upper)	
35	1001179837	1	Arm, Adjusting	
36	1001180001	1	Generator and Control Box Assembly	
36A	7012558	1	Generator, Replacement	
36A		Ref	Note: Replacement Generators come standard with p/n 3580134 pulley. This Pulley may not be correct for all applications. Refer to Pulley options below.	
36A	7026199	1	Armature with Slip Rings	
36A	7012513	4	Cap, Brush Holder	
36A	7020108	4	Brush	
36A	7020109	4	Holder, Brush	
36A	7012514	1	Fan	
36A	7020110	1	Bell, Front	
36A	7020111	1	Bell, Rear	
36A	7020190	2	Bearing	

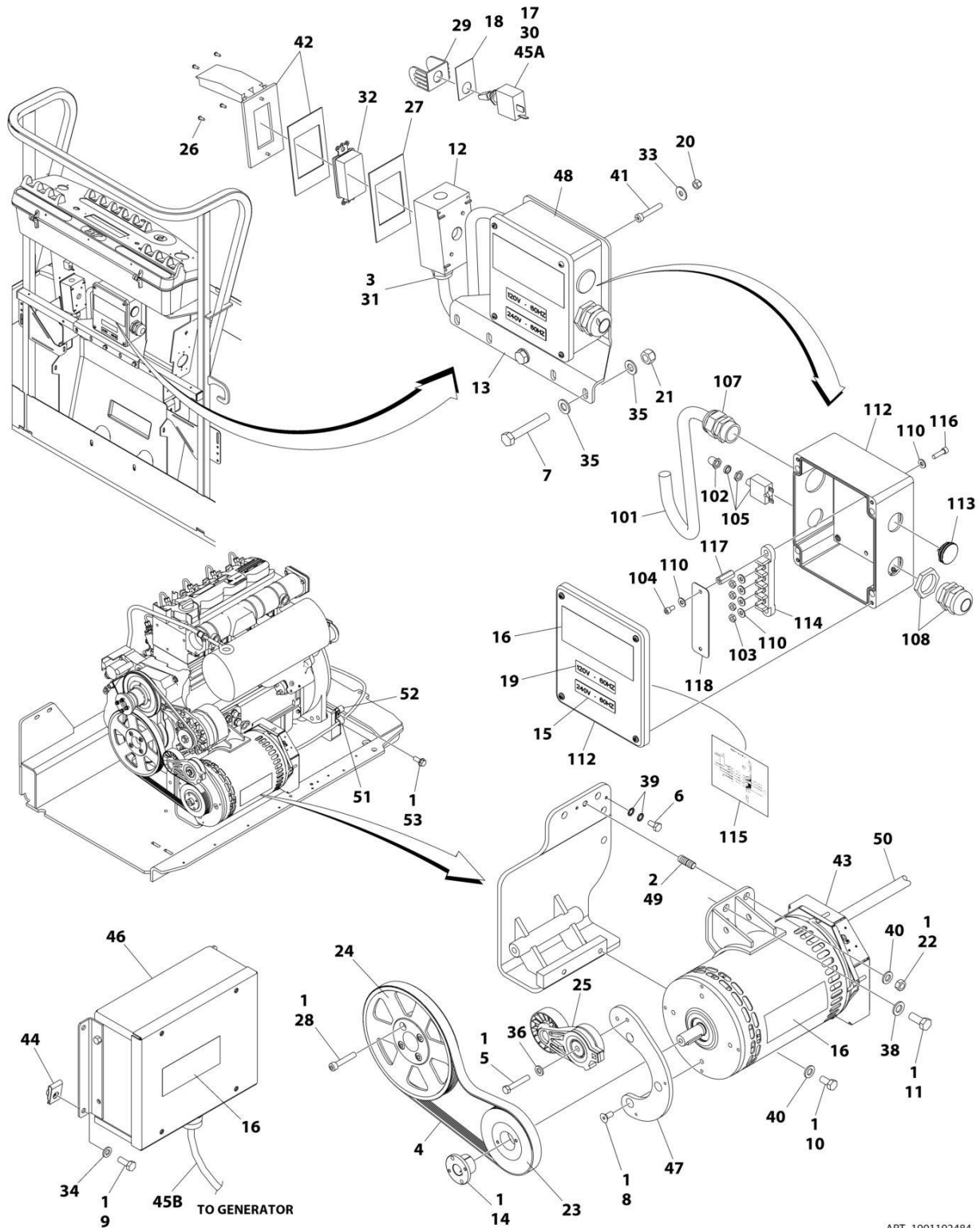
## SECTION 3 - ENGINE

ITEM	PART NUMBER	QTY	DESCRIPTION	REV
36B	7019680	1	Box, Control	
36B		Ref	Receptacle Options:	
36B	4460190	1	Receptacle, Standard	
36B	4460027	1	Receptacle, Twistlock	
36B	4360542	1	Breaker, Circuit	
36B	3520028	1	Plug, Hole	
36C	2420203	1	Voltmeter	
36D	3580276	1	Pulley	
36D	7027887	1	Key, Woodruff	
37	1001181243	1	Mount (Lower)	
38	1001183477	1	Support	
40	1001194114	1	Generator Harness - 2500W (Not Shown) (See Separate Breakdown in ELECTRICAL SECTION)	
41	0760814	1	Bolt M8 x 30	



# SECTION 3 - ENGINE

## FIGURE 3-76. 4000W GENERATOR INSTALLATION - 110V/60HZ (DEUTZ D2011 ENGINES) (OPTIONAL)



ART\_1001192484

## SECTION 3 - ENGINE

**FIGURE 3-76. 4000W GENERATOR INSTALLATION - 110V/60HZ (DEUTZ D2011 ENGINES)  
(OPTIONAL)**

ITEM	PART NUMBER	QTY	DESCRIPTION	REV
	1001192484	Ref	4000W GENERATOR INSTALLATION	H
1	0100011	AR	Compound, Locking	
2	0100019	AR	Compound, Locking	
3	0100079	AR	Sealant	
4	1001136356	1	Belt	
5	0641618	1	Bolt 3/8 x 2-1/4	
6	0760606	1	Bolt M6 x 12	
7	0700819	1	Bolt M8 x 55	
8	0741607	3	Screw 3/8 x 7/8	
9	0760608	4	Bolt M6 x 16	
10	0761212	2	Bolt M12 x 25	
11	0771415	1	Bolt M14 x 35	
12	0860038	1	Box, Receptacle	
13	0902888	1	Bracket	
14	0962520	1	Bushing, Split	
15	1705374	1	Decal - 240V-60Hz	
16	1705387	3	Decal - Hazardous Voltage	
17	2820031	AR	Heat Shrink	
18	3251102	1	Nameplate - Generator On/Off	
19	3251243	1	Decal - 120V-60Hz	
20	3290505	4	Nut M5	
21	3290805	2	Nut M8	
22	3291201	1	Nut M12	
23	3580318	1	Pulley	
24	3580320	1	Pulley	
25	3580317	1	Tensioner, Belt	
26	3910606	4	Screw #6 x 3/8	
27	3960422	1	Gasket	
28	4032015	4	Capscrew M10 x 55	
29	4060802	1	Guard, Switch	
30	4360336	1	Switch, Toggle	
31	4460071	1	Connector, Strain Relief	
32	4460346	1	Receptacle	
33	4811602	4	Washer M5	
34	4811700	4	Washer M6	
35	4811900	4	Washer M8	
36	5241000	1	Washer M10	
38	5241400	1	Washer M14	
39	4871700	2	Washer M6	
40	5241200	3	Washer M12	
41	1001104029	4	Capscrew M5 x 30 Grade 12.9	
42	1001110873	1	Cover, Receptacle	
43	1001129858	1	Generator Assembly (60Hz)	
43	70003709	1	Ring, Retaining (External)	
43	70003708	1	Ring, Retaining (Internal)	
43	70001966	1	Bearing	
43	70004092	1	Endbell (Shaft End)	
43	70004171	1	Key	
43	70004676	1	Rotor	

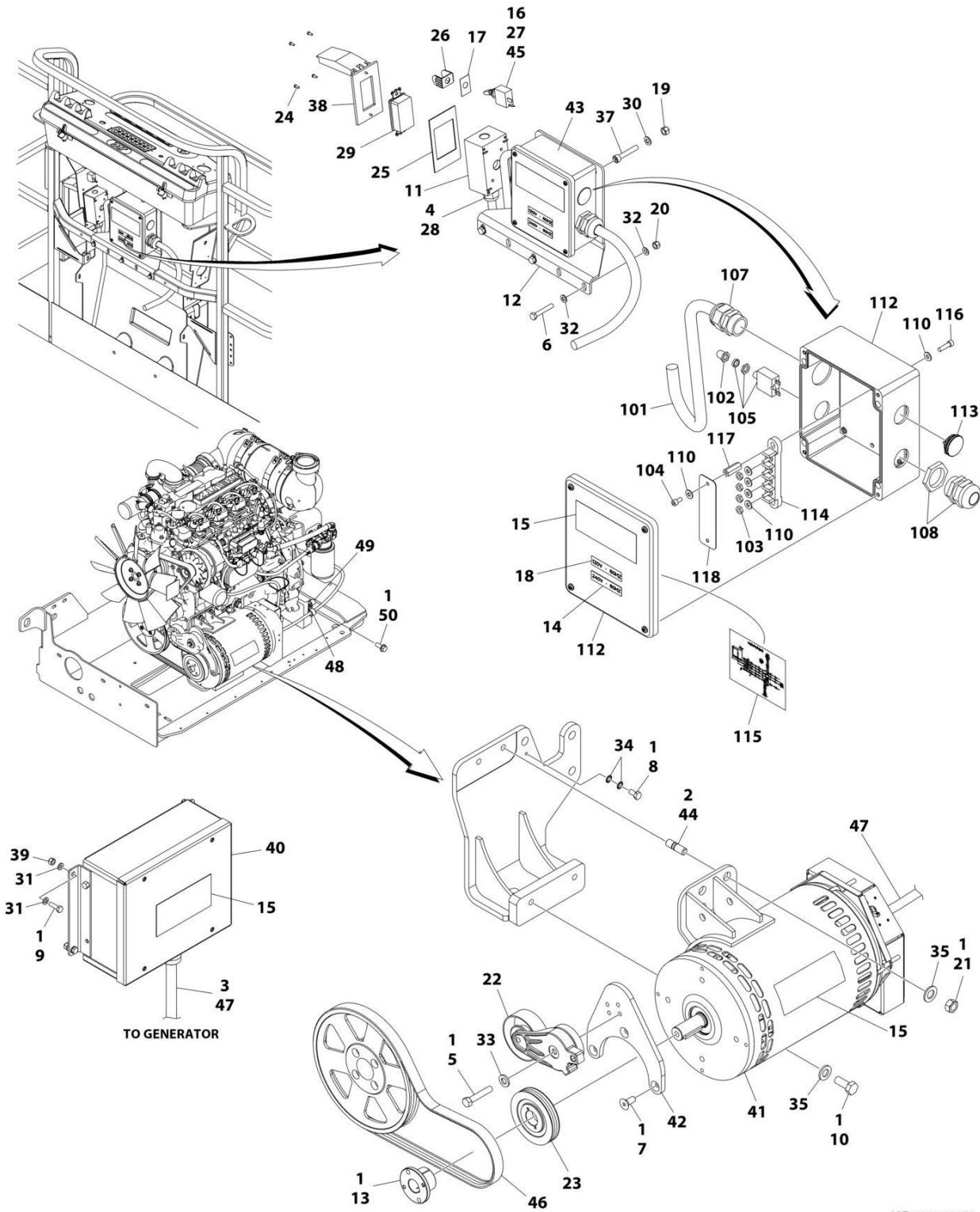
## SECTION 3 - ENGINE

ITEM	PART NUMBER	QTY	DESCRIPTION	REV
43	70004684	1	Stator	
43	70004678	1	Endbell (Rear)	
43	70004679	1	Cover, Endbell (Rear)	
43	70004680	1	Enclosure, Wiring	
43	70004685	1	Cover, Enclosure	
43	70004682	1	Switch, Reset (Located on Enclosure Cover)	
43	70004098	1	Connector, Strain Relief (Located on Enclosure Cover)	
44	1001130220	4	Nut, Tinnerman M6	
45A	4922641	1	Generator Switch Harness	
45B	1001153197	1	Generator to Engine Harness	
45B	4460967	1	Connector - 3 Position	
45B	4460465	2	Socket, Female	
46	1001138566	1	Box, Control	
46	70006552	1	Capacitor	
46	70006553	1	Relay	
47	1001139357	1	Mount	
48	1001152457	1	Junction Box Assembly (See Items 101-118 for Breakdown)	
49	1001196382	1	Stud	
50	1001152532	1	Generator Harness (See Separate Breakdown in ELECTRICAL SECTION)	
51	7274000040	1	Clamp	
52	1320061	1	Clamp	
53	5251012	1	Bolt M10 x 25	
	1001152457	Ref	JUNCTION BOX ASSEMBLY	
101	1001179154	2.5 ft/ 0.8m	Cable, Electrical - 12/3	
102	3300396	1	Cover, Breaker	
103	3311001	4	Nut #10	
104	3900300	2	Screw	
105	4360070	1	Breaker, Circuit - 15Amp	
107	4460425	1	Connector, Strain Relief (LH Side)	
108	4460426	1	Connector, Strain Relief (RH Side)	
110	4711000	8	Washer #10	
112	1001152456	1	Box, Junction	
113	1001152525	1	Plug	
114	1001152530	1	Terminal, Block	
115	1001153260	1	Decal - Wiring Diagram	
116	3900267	2	Screw	
117	1001158008	2	Stand-Off	
118	1001158363	1	Cover, Terminal Block	



# SECTION 3 - ENGINE

## FIGURE 3-77. 4000W GENERATOR INSTALLATION - 110V/60HZ (DEUTZ TD2.9L4 ENGINES) (OPTIONAL)



ART\_1001192279



## SECTION 3 - ENGINE

**FIGURE 3-77. 4000W GENERATOR INSTALLATION - 110V/60HZ (DEUTZ TD2.9L4 ENGINES)  
(OPTIONAL)**

ITEM	PART NUMBER	QTY	DESCRIPTION	REV
	1001192279	Ref	4000W GENERATOR INSTALLATION	F
1	0100011	AR	Compound, Locking	
2	0100019	AR	Compound, Locking	
3	0100048	AR	Compound, Locking	
4	0100079	AR	Sealant	
5	0641616	1	Bolt 3/8 x 2	
6	0700819	2	Bolt M8 x 55	
7	0741607	3	Screw 3/8 x 7/8	
8	0760606	1	Bolt M6 x 12	
9	0760608	4	Bolt M6 x 16	
10	0761212	2	Bolt M12 x 25	
11	0860038	1	Box, Receptacle	
12	0902888	1	Bracket	
13	0962520	1	Bushing, Split	
14	1705374	1	Decal - 240V-60Hz	
15	1705387	3	Decal - Hazardous Voltage	
16	2820031	AR	Heat Shrink	
17	3251102	1	Nameplate - Generator On/Off	
18	3251243	1	Decal - 120V-60Hz	
19	3290505	4	Nut M5	
20	3290805	2	Nut M8	
21	3291201	2	Nut M12	
22	3580317	1	Tensioner, Belt	
23	3580318	1	Pulley	
24	3910606	4	Screw #6 x 3/8	
25	3960422	1	Gasket	
26	4060802	1	Guard, Switch	
27	4360336	1	Switch, Toggle	
28	4460071	1	Connector, Strain Relief	
29	4460346	1	Receptacle	
30	4811602	4	Washer M5	
31	4811700	4	Washer M6	
32	4811900	4	Washer M8	
33	5241000	1	Washer M10	
34	4871700	2	Washer M6	
35	5241200	4	Washer M12	
37	1001104029	4	Capscrew M5 x 30 Grade 12.9	
38	1001110873	1	Cover	
39	1001130220	4	Nut, Tinnerman M6	
40	1001138566	1	Box, Control	
40	70006552	1	Capacitor	
40	70006553	1	Relay	
41	1001140346	1	Generator Assembly (60Hz)	
41	70003709	1	Ring, Retaining (External)	
41	70003708	1	Ring, Retaining (Internal)	
41	70001966	1	Bearing	
41	70004092	1	Endbell (Shaft End)	
41	70004099	1	Key	
41	70004676	1	Rotor	

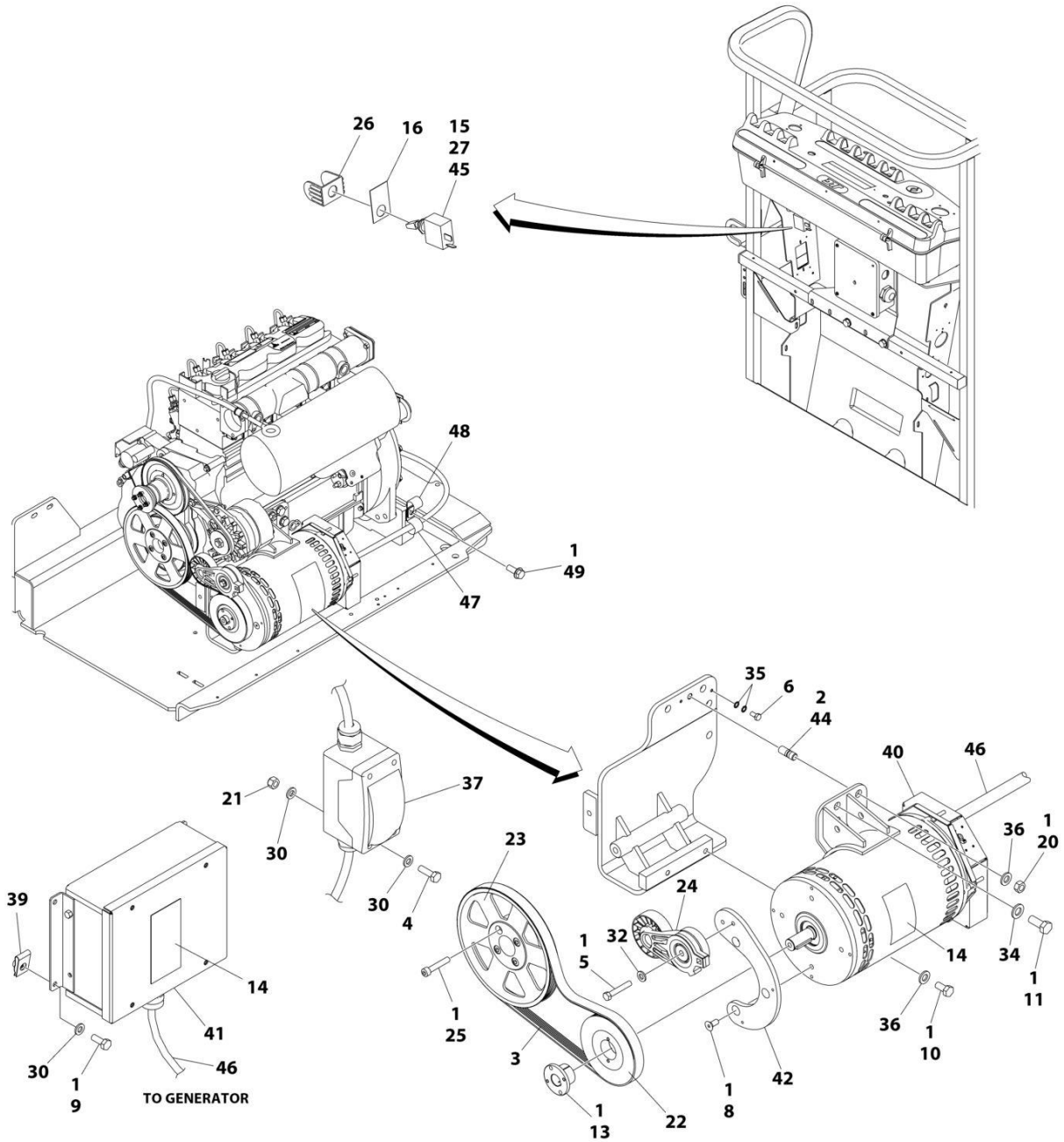
## SECTION 3 - ENGINE

ITEM	PART NUMBER	QTY	DESCRIPTION	REV
41	70004687	1	Stator	
41	70004678	1	Endbell (Rear)	
41	70004679	1	Cover, Endbell (Rear)	
41	70004680	1	Enclosure, Wiring	
41	70004685	1	Cover, Enclosure	
41	70004682	1	Switch, Reset (Located on Enclosure Cover)	
41	70004098	1	Connector, Strain Relief (Located on Enclosure Cover)	
42	1001142643	1	Support	
43	1001152457	1	Junction Box Assembly (See Items 101-118 for Breakdown)	
44	1001196382	2	Stud	
45	4922641	1	Generator Switch Harness	
46	1001142646	1	Belt	
47	1001152532	1	Generator Harness (See Separate Breakdown in ELECTRICAL SECTION)	
48	7274000040	1	Clamp	
49	1320061	1	Clamp	
50	5251012	1	Bolt M10 x 25	
	1001152457	Ref	JUNCTION BOX ASSEMBLY	
101	1001179154	2.5 ft/ 0.8m	Cable, Electrical - 12/3	
102	3300396	1	Cover, Breaker	
103	3311001	4	Nut #10	
104	3900300	2	Screw	
105	4360070	1	Breaker, Circuit - 15Amp	
107	4460425	1	Connector, Strain Relief (LH Side)	
108	4460426	1	Connector, Strain Relief (RH Side)	
110	4711000	8	Washer #10	
112	1001152456	1	Box, Junction	
113	1001152525	1	Plug	
114	1001152530	1	Terminal, Block	
115	1001153260	1	Decal - Wiring Diagram	
116	3900267	2	Screw	
117	1001158008	2	Stand-Off	
118	1001158363	1	Cover, Terminal Block	



# SECTION 3 - ENGINE

## FIGURE 3-78. 4000W GENERATOR INSTALLATION - 220V/50HZ (DEUTZ D2011 ENGINES) (OPTIONAL)



ART\_1001192487

## SECTION 3 - ENGINE

**FIGURE 3-78. 4000W GENERATOR INSTALLATION - 220V/50HZ (DEUTZ D2011 ENGINES)  
(OPTIONAL)**

ITEM	PART NUMBER	QTY	DESCRIPTION	REV
	1001192487	Ref	4000W GENERATOR INSTALLATION	H
1	0100011	AR	Compound, Locking	
2	0100019	AR	Compound, Locking	
3	1001141814	1	Belt	
4	0760610	2	Bolt M6 x 20	
5	0641618	1	Bolt 3/8 x 2-1/4	
6	0760606	1	Bolt M6 x 12	
8	0741607	3	Screw 3/8 x 7/8	
9	0760608	4	Bolt M6 x 16	
10	0761212	2	Bolt M12 x 25	
11	0771415	1	Bolt 14 x 35	
13	0962520	1	Bushing, Split	
14	1705489	2	Decal - Hazardous Voltage	
15	2820031	AR	Heat Shrink	
16	3251102	1	Nameplate - Generator On/Off	
20	3291201	1	Nut M12	
21	3290605	2	Nut M6	
22	3580319	1	Pulley	
23	3580320	1	Pulley	
24	3580317	1	Tensioner, Belt	
25	4032015	4	Capscrew M10 x 55	
26	4060802	1	Guard, Switch	
27	4360336	1	Switch, Toggle	
30	4811700	8	Washer M6	
32	5241000	1	Washer M10	
34	5241400	1	Washer M14	
35	4871700	2	Washer M6	
36	5241200	3	Washer M12	
37	1001096070	1	Breaker Box Kit (See Separate Breakdown in ELECTRICAL SECTION)	
39	1001130220	4	Nut, Tinnerman M6	
40	1001138565	1	Generator Assembly (50Hz)	
40	70003709	1	Ring, Retaining (External)	
40	70003708	1	Ring, Retaining (Internal)	
40	70001966	1	Bearing	
40	70004092	1	Endbell (Shaft End)	
40	70004171	1	Key	
40	70004676	1	Rotor	
40	70004677	1	Stator	
40	70004678	1	Endbell (Rear)	
40	70004679	1	Cover, Endbell (Rear)	
40	70004680	1	Enclosure, Wiring	
40	70004681	1	Cover, Enclosure	
40	70004682	1	Switch, Reset (Located on Enclosure Cover)	
40	70004683	1	Connector, Strain Relief (Located on Enclosure Cover)	
41	1001138566	1	Box, Control	
41	70006552	1	Capacitor	
41	70006553	1	Relay	
42	1001139357	1	Mount	

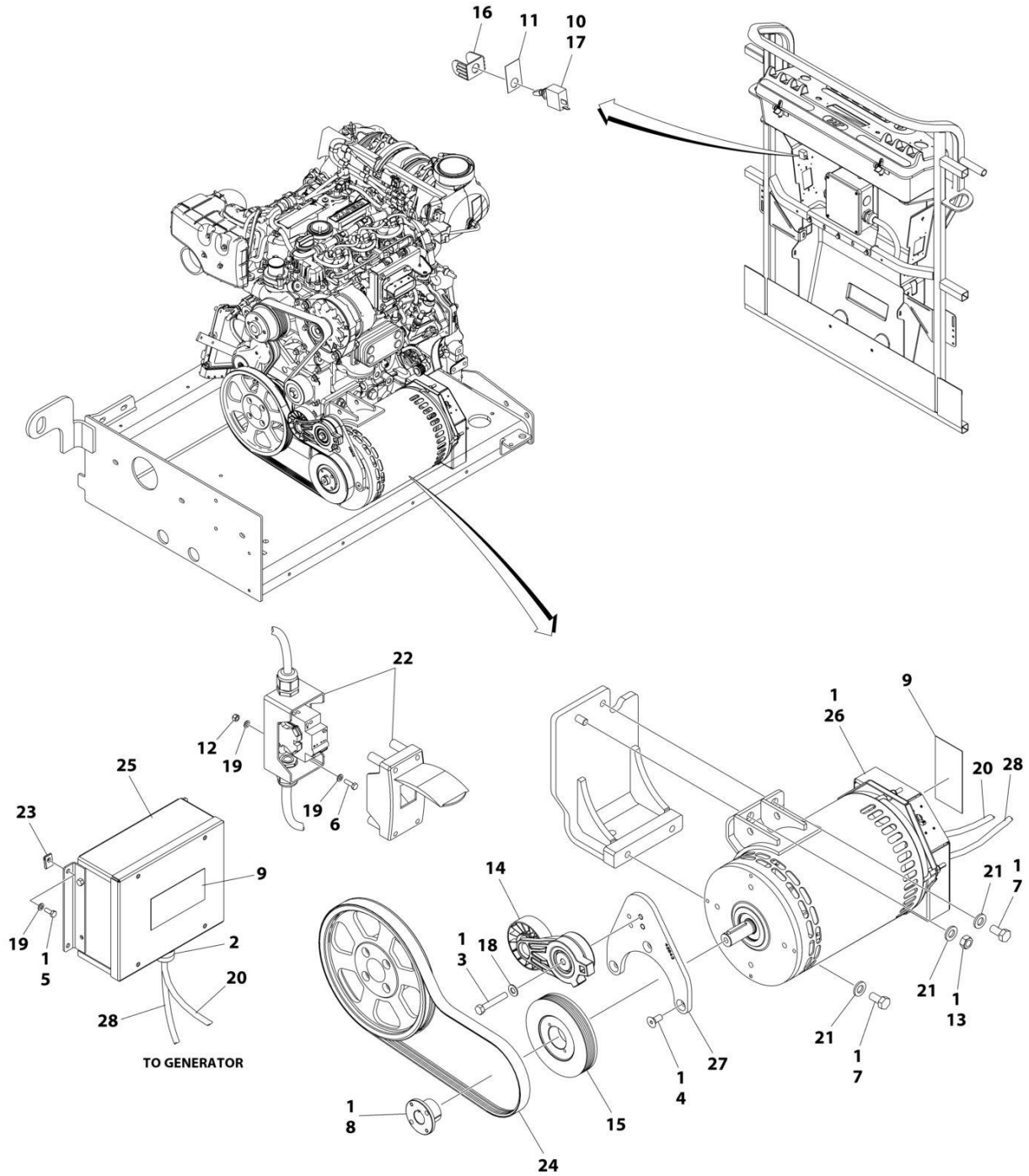
## SECTION 3 - ENGINE

ITEM	PART NUMBER	QTY	DESCRIPTION	REV
44	1001196382	1	Stud	
45	4922641	1	Generator Switch Harness	
46	1001152532	1	Generator Harness (See Separate Breakdown in ELECTRICAL SECTION)	
47	7274000040	1	Clamp	
48	1320061	1	Clamp	
49	5251012	1	Bolt M10 x 25	



# SECTION 3 - ENGINE

## FIGURE 3-79. 4000W GENERATOR INSTALLATION - 220V/50HZ (DEUTZ TD2.2L3 ENGINES) (SKYPOWER)(OPTIONAL)



ART\_1001255871



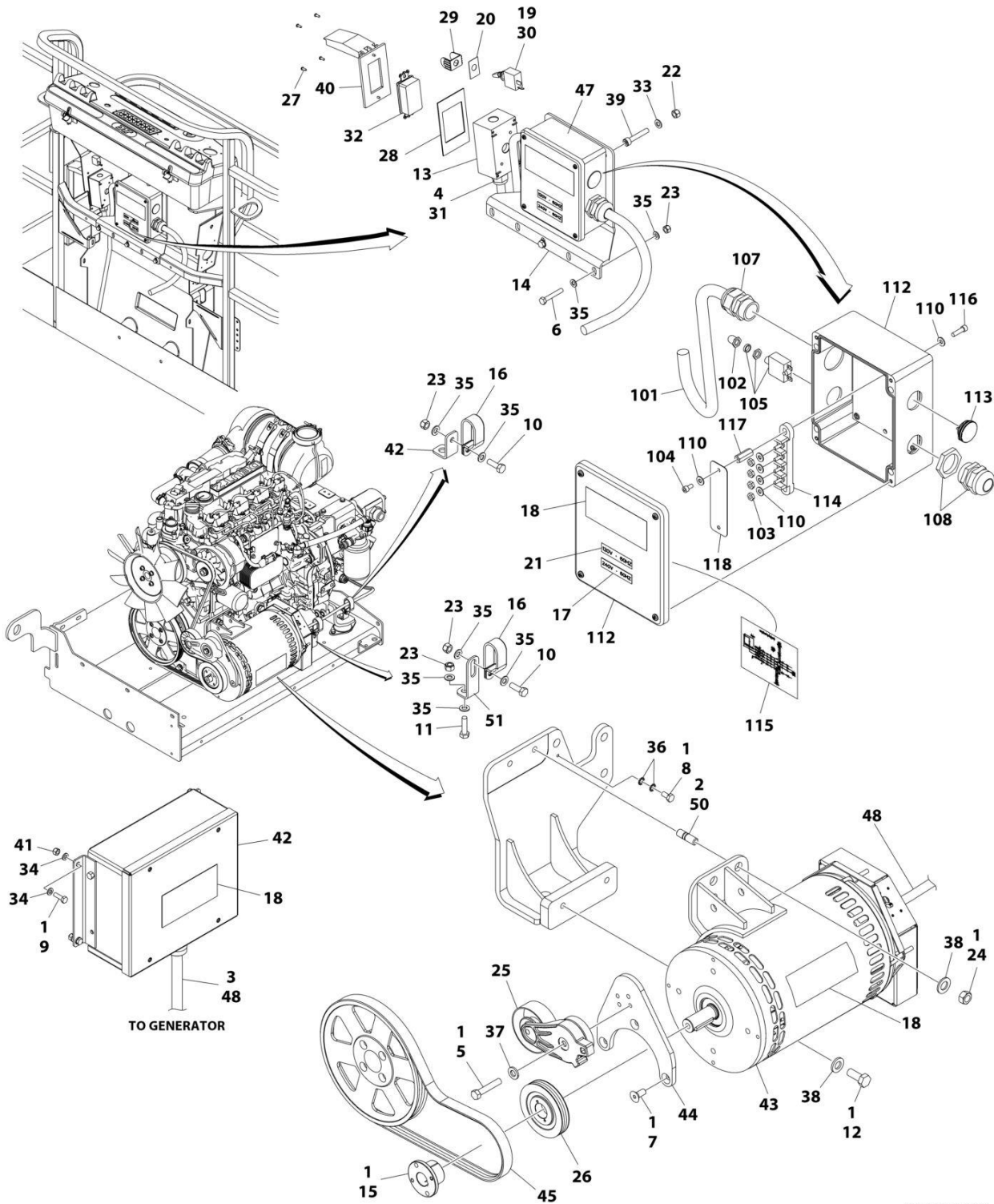
## SECTION 3 - ENGINE

**FIGURE 3-79. 4000W GENERATOR INSTALLATION - 220V/50HZ (DEUTZ TD2.2L3 ENGINES)  
(SKYPOWER)(OPTIONAL)**

ITEM	PART NUMBER	QTY	DESCRIPTION	REV
	1001255871	Ref	4000W GENERATOR INSTALLATION	B
1	0100011	AR	Compound, Locking	
2	0100048	AR	Grease, Terminal	
3	0641618	1	Bolt 3/8 x 2-1/4	
4	0741607	3	Screw 3/8 x 7/8	
5	0760608	4	Bolt M6 x 16	
6	0760610	2	Bolt M6 x 20	
7	0761212	3	Bolt M12 x 25	
8	0962520	1	Bushing, Split	
9	1705489	2	Decal - Hazardous Voltage	
10	2820031	AR	Heatshrink	
11	3252764	1	Nameplate - AC & Weld	
12	3290605	2	Nut M6	
13	3291201	1	Nut M12	
14	3580317	1	Tensioner, Belt	
15	3580319	1	Pulley	
16	4060802	1	Guard, Switch	
17	4360336	1	Switch, Toggle	
18	4711600	1	Washer 3/8	
19	4811700	8	Washer M6	
20	4922925	1	Generator Harness (See Separate Breakdown in ELECTRICAL SECTION)	
21	5241200	4	Washer M12	
22	1001096070	1	Box & Breaker Kit (See Separate Breakdown in ELECTRICAL SECTION)	
23	1001130220	4	Nut, Tinnerman M6	
24	1001136356	1	Belt	
25	1001138566	1	Box, Control	
25	70006552	1	Capacitor	
25	70006553	1	Relay	
26	1001140347	1	Generator Assembly - 50Hz	
26	70003709	1	Ring, Retaining (External)	
26	70003708	1	Ring, Retaining (Internal)	
26	70001966	1	Bearing	
26	70004092	1	Endbell (Shaft End)	
26	70004099	1	Key	
26	70004676	1	Rotor	
26	70004686	1	Stator	
26	70004678	1	Endbell (Rear)	
26	70004679	1	Cover, Endbell (Rear)	
26	70004680	1	Enclosure, Wiring	
26	70004681	1	Cover, Enclosure	
26	70004682	1	Switch, Reset (Located on Enclosure Cover)	
26	70004683	1	Connector, Strain Relief (Located on Enclosure Cover)	
26	4460224	1	Connector - 6 Position (Located on Enclosure Cover)	
26	4460294	1	Pin, Male (Located on Enclosure Cover)	
27	1001142643	1	Support	
28	1001152532	1	Generator Harness (See Separate Breakdown in ELECTRICAL SECTION)	

# SECTION 3 - ENGINE

**FIGURE 3-80. 4000W GENERATOR INSTALLATION - 220V/60HZ (DEUTZ TD2.9L4 ENGINES)  
(SKYPOWER)(OPTIONAL)**



ART\_1001244410

## SECTION 3 - ENGINE

**FIGURE 3-80. 4000W GENERATOR INSTALLATION - 220V/60HZ (DEUTZ TD2.9L4 ENGINES)  
(SKYPOWER)(OPTIONAL)**

ITEM	PART NUMBER	QTY	DESCRIPTION	REV
	1001244410	Ref	4000W GENERATOR INSTALLATION	B
1	0100011	AR	Compound, Locking	
2	0100019	AR	Compound, Locking	
3	0100048	AR	Compound, Locking	
4	0100079	AR	Sealant	
5	0641616	1	Bolt 3/8 x 2	
6	0700819	2	Bolt M8 x 55	
7	0741607	3	Screw 3/8 x 7/8	
8	0760606	1	Bolt M6 x 12	
9	0760608	4	Bolt M6 x 16	
10	0760812	1	Bolt M8 x 25	
11	0760814	1	Bolt M8 x 30	
12	0761212	2	Bolt M12 x 25	
13	0860038	1	Box, Receptacle	
14	0902888	1	Bracket	
15	0962520	1	Bushing, Split	
16	1321716	1	Clamp	
17	1705374	1	Decal - 240V-60Hz	
18	1705387	3	Decal - Hazardous Voltage	
19	2820031	AR	Heat Shrink	
20	3251102	1	Nameplate - Generator On/Off	
21	3251243	1	Decal - 120V-60Hz	
22	3290505	4	Nut M5	
23	3290805	4	Nut M8	
24	3291201	2	Nut M12	
25	3580317	1	Tensioner, Belt	
26	3580318	1	Pulley	
27	3910606	4	Screw #6 x 3/8	
28	3960422	1	Gasket	
29	4060802	1	Guard, Switch	
30	4360336	1	Switch, Toggle	
31	4460071	1	Connector, Strain Relief	
32	4460346	1	Receptacle	
33	4811602	4	Washer M5	
34	4811700	4	Washer M6	
35	4811900	8	Washer M8	
36	4871700	2	Washer M6	
37	5241000	1	Washer M10	
38	5241200	4	Washer M12	
39	1001104029	4	Capscrew M5 x 30 Grade 12.9	
40	1001110873	1	Cover	
41	1001130220	4	Nut, Tinnerman M6	
42	1001138566	1	Box, Control	
42	70006552	1	Capacitor	
42	70006553	1	Relay	
43	1001140346	1	Generator Assembly (60Hz)	
43	70003709	1	Ring, Retaining (External)	
43	70003708	1	Ring, Retaining (Internal)	
43	70001966	1	Bearing	

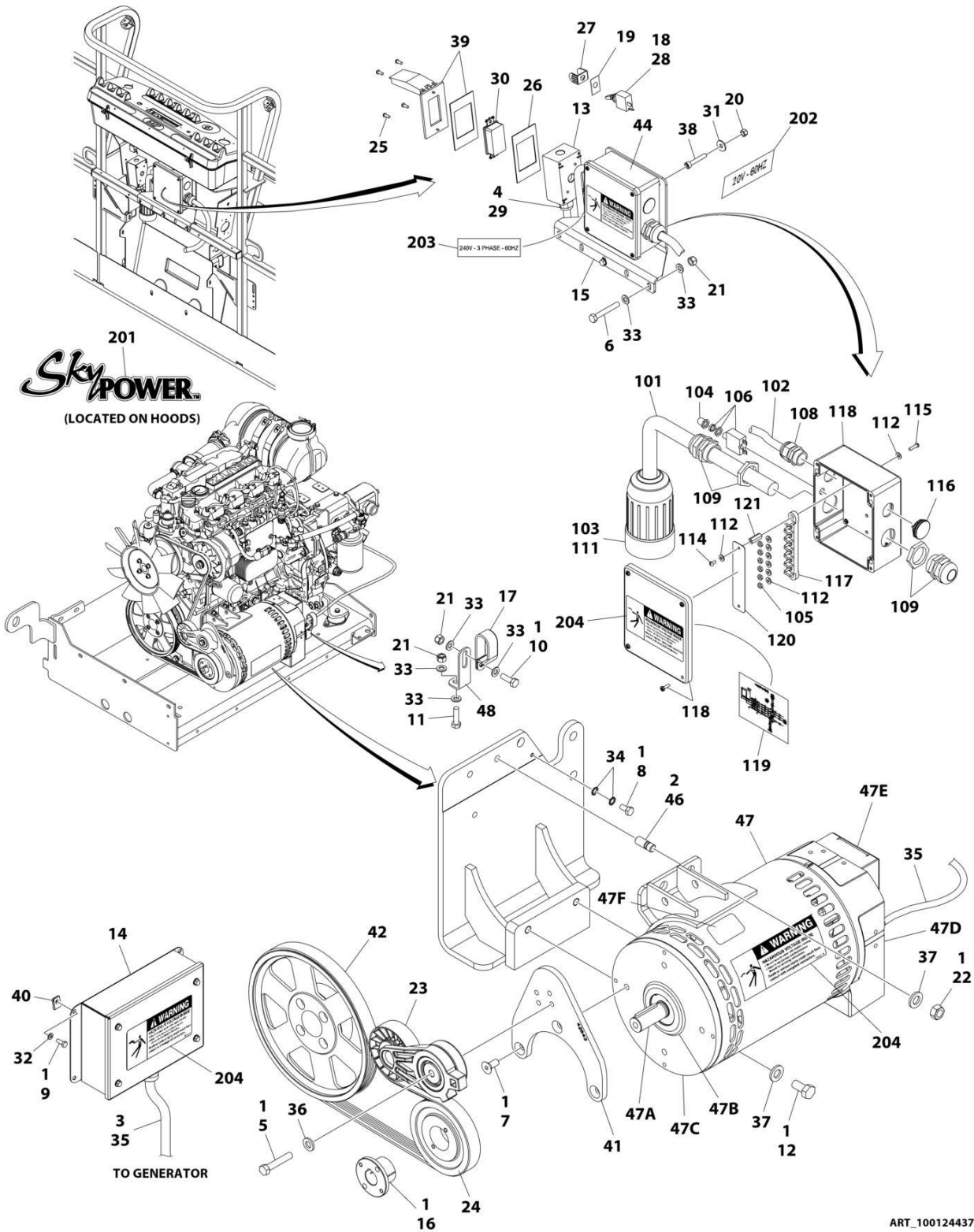
## SECTION 3 - ENGINE

ITEM	PART NUMBER	QTY	DESCRIPTION	REV
43	70004092	1	Endbell (Shaft End)	
43	70004099	1	Key	
43	70004676	1	Rotor	
43	70004687	1	Stator	
43	70004678	1	Endbell (Rear)	
43	70004679	1	Cover, Endbell (Rear)	
43	70004680	1	Enclosure, Wiring	
43	70004685	1	Cover, Enclosure	
43	70004682	1	Switch, Reset (Located on Enclosure Cover)	
43	70004098	1	Connector, Strain Relief (Located on Enclosure Cover)	
44	1001142643	1	Support	
45	1001142646	1	Belt	
47	1001152457	1	Junction Box Assembly (See Items 101-118 for Breakdown)	
48	1001152532	1	Generator Harness (See Separate Breakdown in ELECTRICAL SECTION)	
50	1001196382	2	Stud	
51	1001223122	1	Support	
	1001152457	Ref	JUNCTION BOX ASSEMBLY	
101	1001179154	2.5 ft/ 0.8m	Cable, Electrical - 12/3	
102	3300396	1	Cover, Breaker	
103	3311001	4	Nut #10	
104	3900300	2	Screw	
105	4360070	1	Breaker, Circuit - 15Amp	
107	4460425	1	Connector, Strain Relief (LH Side)	
108	4460426	1	Connector, Strain Relief (RH Side)	
110	4711000	8	Washer #10	
112	1001152456	1	Box, Junction	
113	1001152525	1	Plug	
114	1001152530	1	Terminal, Block	
115	1001153260	1	Decal - Wiring Diagram	
116	3900267	2	Screw	
117	1001158008	2	Stand-Off	
118	1001158363	1	Cover, Terminal Block	



# SECTION 3 - ENGINE

FIGURE 3-81. 7500W GENERATOR INSTALLATION - 220V/60HZ (DEUTZ TD2.9L4 ENGINES)  
(SKYPOWER)(OPTIONAL)



## SECTION 3 - ENGINE

**FIGURE 3-81. 7500W GENERATOR INSTALLATION - 220V/60HZ (DEUTZ TD2.9L4 ENGINES)  
(SKYPOWER)(OPTIONAL)**

ITEM	PART NUMBER	QTY	DESCRIPTION	REV
	1001244375	Ref	7500W SKYPOWER GENERATOR INSTALLATION	B
1	0100011	AR	Compound, Locking	
2	0100019	AR	Compound, Locking	
3	0100048	AR	Compound Terminal	
4	0100079	AR	Sealant	
5	0641616	1	Bolt 3/8 x 2	
6	0700819	2	Bolt M8 x 55	
7	0741607	3	Screw 3/8 x 7/8	
8	0760606	1	Bolt M6 x 12	
9	0760608	4	Bolt M6 x 16	
10	0760812	1	Bolt M8 x 25	
11	0760814	1	Bolt M8 x 30	
12	0761212	2	Bolt M12 x 25	
13	0860038	1	Box, Receptacle	
14	0861538	1	Control Box Assembly	
14	7024488	1	Card, Circuit - Generator Power	
14	See Note	NSS	Fuse (Note: Not Available - Purchase Locally)	
14	7024489	1	Card, Circuit - Control	
14	70000619	1	Harness, Control Box (Internal)	
		Ref	Note: Same Circuit Card (P/N 7024489) is used for both 60Hz and 50Hz. When replacing card, rocker switch on card must be set for required application.	
15	0902888	1	Bracket	
16	0962520	1	Bushing, Split	
17	1321716	1	Clamp	
18	2820031	AR	Heat Shrink	
19	3252764	1	Nameplate - AC & Weld	
20	3290505	4	Nut M5	
21	3290805	4	Nut M8	
22	3291201	2	Nut M12	
23	3580317	1	Tensioner, Belt	
24	3580318	1	Pulley	
25	3910606	4	Screw #6 x 3/8	
26	3960422	1	Gasket	
27	4060802	1	Guard, Switch	
28	4360336	1	Switch, Toggle	
29	4460071	1	Connector, Strain Relief	
30	4460346	1	Receptacle	
31	4811602	4	Washer M5	
32	4811700	4	Washer M6	
33	4811900	8	Washer M8	
34	4871700	2	Washer M6	
35	4922925	1	Generator Harness (See Separate Breakdown in ELECTRICAL SECTION)	
36	5241000	1	Washer M10	
37	5241200	4	Washer M12	
38	1001104029	4	Capscrew M5 x 30 Grade 12.9	
39	1001110873	1	Cover	
40	1001130220	4	Nut, Tinnerman M6	

## SECTION 3 - ENGINE

ITEM	PART NUMBER	QTY	DESCRIPTION	REV
41	1001142643	1	Support	
42	1001142646	1	Belt	
44	1001157592	1	Junction Box Assembly (See Items 101-121 for Breakdown)	
46	1001196382	2	Stud	
47	1001212223	1	Generator Assembly	
47	70001100	1	Rotor (Includes p/n 70001384 & 70000863) (Not Shown)	
47	70001384	1	Bearing, Ball Radial (Not Shown)	
47	70000863	1	Fan (Not Shown)	
47	70006093	1	Stator (Not Shown)	
47	70002297	1	Stud	
47	70003631	1	Brushholder Assembly (Not Shown) (was p/n 7024484)	
47A	70004099	1	Key	
47B	70001966	1	Bearing, Ball Radial (Located in Belt Tensioner Endbell)	
47B	70003708	1	Ring, Internal Retaining (Located in Belt Tensioner Endbell)	
47B	70003709	1	Ring, External Retaining (Located in Belt Tensioner Endbell)	
47C	70004092	1	Endbell, Belt Tensioner	
47D	70004094	1	Endbell, Brush Block	
47E	70006094	1	Shroud	
47E	70002291	1	Insulator, Endbell	
47E	7027799	1	Block, Connector - 6 Position (Not Shown)	
47E	70002460	1	Nut, Brass (Attaches p/n 7027799 to Cover) (Not Shown)	
47E	70006095	1	Breaker, Circuit 30Amp (Not Shown)	
47E	70006096	1	Boot, Breaker (Not Shown)	
47E	7026626	1	Connector, 6 Position (Includes Seal) (Not Shown - Plugs into Item 45)	
47E	7026597	1	Connector with Leads (Not Shown)	
47E	70004098	1	Clamp, Cable (Not Shown)	
47E	70006097	1	Plate, End Panel	
47E	70001974	1	Decal - Terminal Connections	
47F	70001973	1	Decal - Warning Moving Parts	
48	1001223122	1	Support	
	1001157592	Ref	JUNCTION BOX ASSEMBLY	C
101	1060343	1.5 ft/ 0.5m	Cable, Electrical 10/4	
102	1001179154	2.5 ft/ 76cm	Cable, Electrical 12/3	
103	1671092	1	Cover, Connector	
104	3300396	1	Cover, Fuse	
105	3311001	6	Nut #10	
106	4360070	1	Circuit Breaker - 15Amp	
108	4460425	1	Connector, Strain Relief	
109	4460426	2	Connector, Strain Relief	
111	4460963	1	Connector	
112	4711000	4	Washer #10	
114	10702077	2	Screw #10 x 3/8	
115	10702082	2	Screw #10 x 3/4	
116	1001152525	1	Plug	
117	1001157520	1	Block, Terminal	
118	1001157521	1	Box, Junction	
119	1001157528	1	Decal - Wiring Schematic	
120	1001158007	1	Cover, PVC	
121	1001158008	1	Stand-Off	

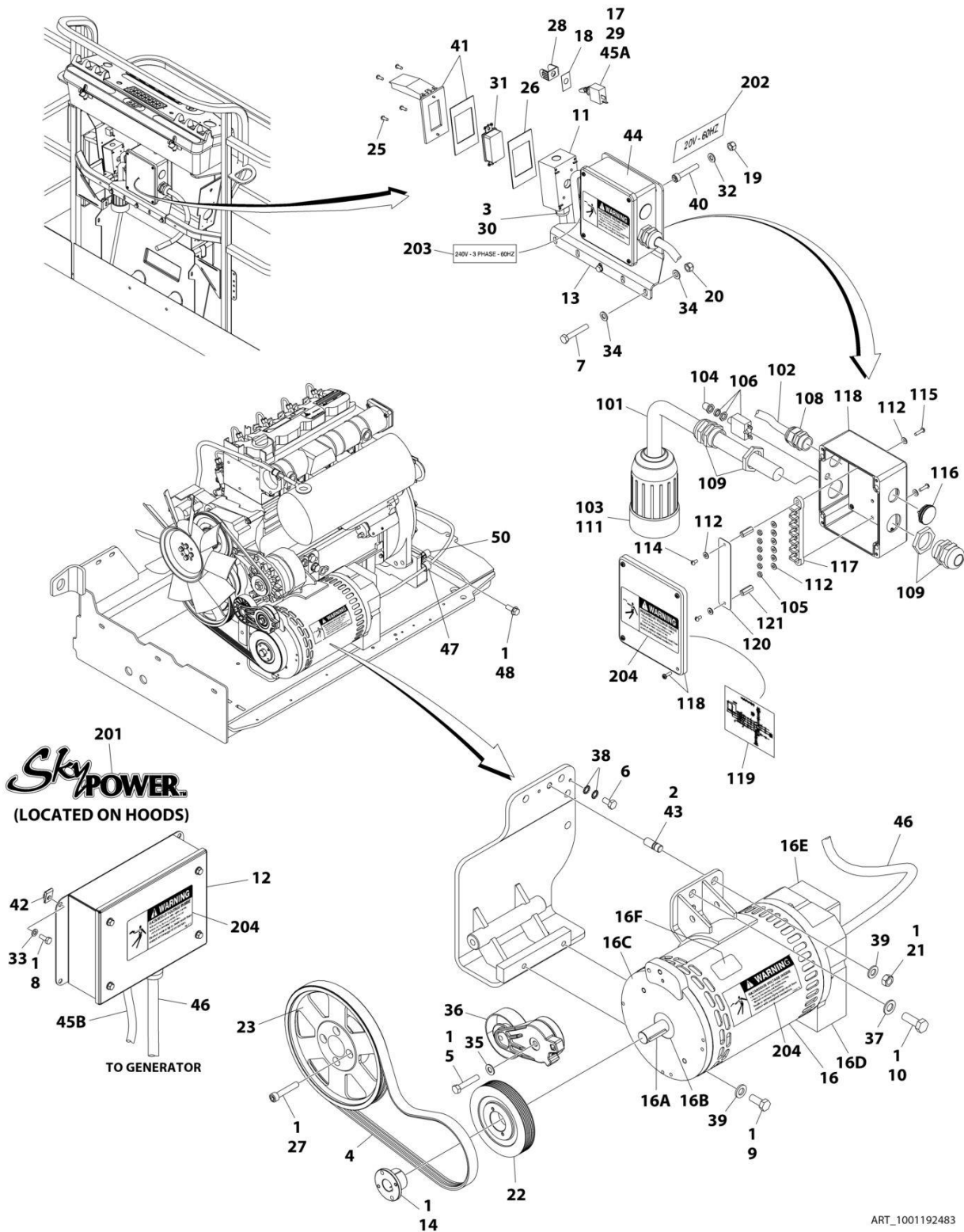


## SECTION 3 - ENGINE

ITEM	PART NUMBER	QTY	DESCRIPTION	REV
	0272435	Ref	DECAL INSTALLATION	D
201	1705460	2	Decal - SkyPower	
202	3251243	1	Decal - 120V-60Hz	
203	1705375	1	Decal - 240V - 3 Phase - 60Hz	
204	1705387	3	Decal - Hazardous Voltage	

# SECTION 3 - ENGINE

## FIGURE 3-82. 7500W SKYPOWER GENERATOR INSTALLATION - 110/60HZ (DEUTZ D2011 ENGINES) (OPTIONAL)



ART\_1001192483

## SECTION 3 - ENGINE

**FIGURE 3-82. 7500W SKYPOWER GENERATOR INSTALLATION - 110/60HZ (DEUTZ D2011 ENGINES)  
(OPTIONAL)**

ITEM	PART NUMBER	QTY	DESCRIPTION	REV
	1001192483	Ref	7500W SKYPOWER GENERATOR INSTALLATION	I
1	0100011	AR	Compound, Locking	
2	0100019	AR	Compound, Locking	
3	0100079	AR	Sealant	
4	1001136356	1	Belt	
5	0641618	1	Bolt 3/8 x 2-1/4	
6	0760606	1	Bolt M6 x 12	
7	0700819	2	Bolt M8 x 55	
8	0760608	4	Bolt M6 x 16	
9	0761212	2	Bolt M12 x 25	
10	0771415	1	Bolt M14 x 35	
11	0860038	1	Box, Receptacle	
12	0861538	1	Control Box Assembly	
12	7024488	1	Card, Circuit - Generator Power	
12	See Note	NSS	Fuse (Note: Not Available - Purchase Locally)	
12	7024489	1	Card, Circuit - Control	
12	70000619	1	Harness, Control Box (Internal)	
13	0902888	1	Bracket	
14	0962520	1	Bushing, Split	
16	2460048	1	Generator Assembly	
16	70001100	1	Rotor (Includes p/n 70001384 & 70000863) (Not Shown)	
16	70001384	1	Bearing, Ball Radial (Not Shown)	
16	70000863	1	Fan (Not Shown)	
16	70002088	1	Stator (Not Shown)	
16	70002297	1	Stud	
16	70003631	1	Brushholder Assembly (Not Shown)	
16A	70004171	1	Key	
16B	70001966	1	Bearing, Ball Radial (Located in Belt Tensioner Endbell)	
16B	70003708	1	Ring, Internal Retaining (Located in Belt Tensioner Endbell)	
16B	70003709	1	Ring, External Retaining (Located in Belt Tensioner Endbell)	
16C	70001953	1	Endbell, Belt Tensioner	
16D	70004169	1	Endbell, Brush Block	
16E	70004169	1	Shroud	
16E	See Note	NSS	Insulator, Endbell (Note: Not Available for Purchase)	
16E	7027799	1	Block, Connector - 6 Position (Not Shown)	
16E	70002460	1	Nut, Brass (Attaches p/n 7027799 to Cover) (Not Shown)	
16E	7024485	1	Breaker, Circuit 30Amp (Not Shown)	
16E	70001696	1	Boot, Breaker (Not Shown)	
16E	7026626	1	Connector, 6 Position (Includes Seal) (Not Shown - Plugs into Item 39)	
16E	7026597	1	Connector, with Leads (Not Shown)	
16E	7026188	1	Clamp, Cable Options (Not Shown)	
16E	70004169	1	Plate, End Panel	
16E	70001974	1	Decal - Terminal Connections	
16F	70001973	1	Decal - Warning Moving Parts	
17	2820031	AR	Heat Shrink	
18	3252764	1	Nameplate - AC & Weld	
19	3290505	4	Nut M5	
20	3290805	2	Nut M8	

## SECTION 3 - ENGINE

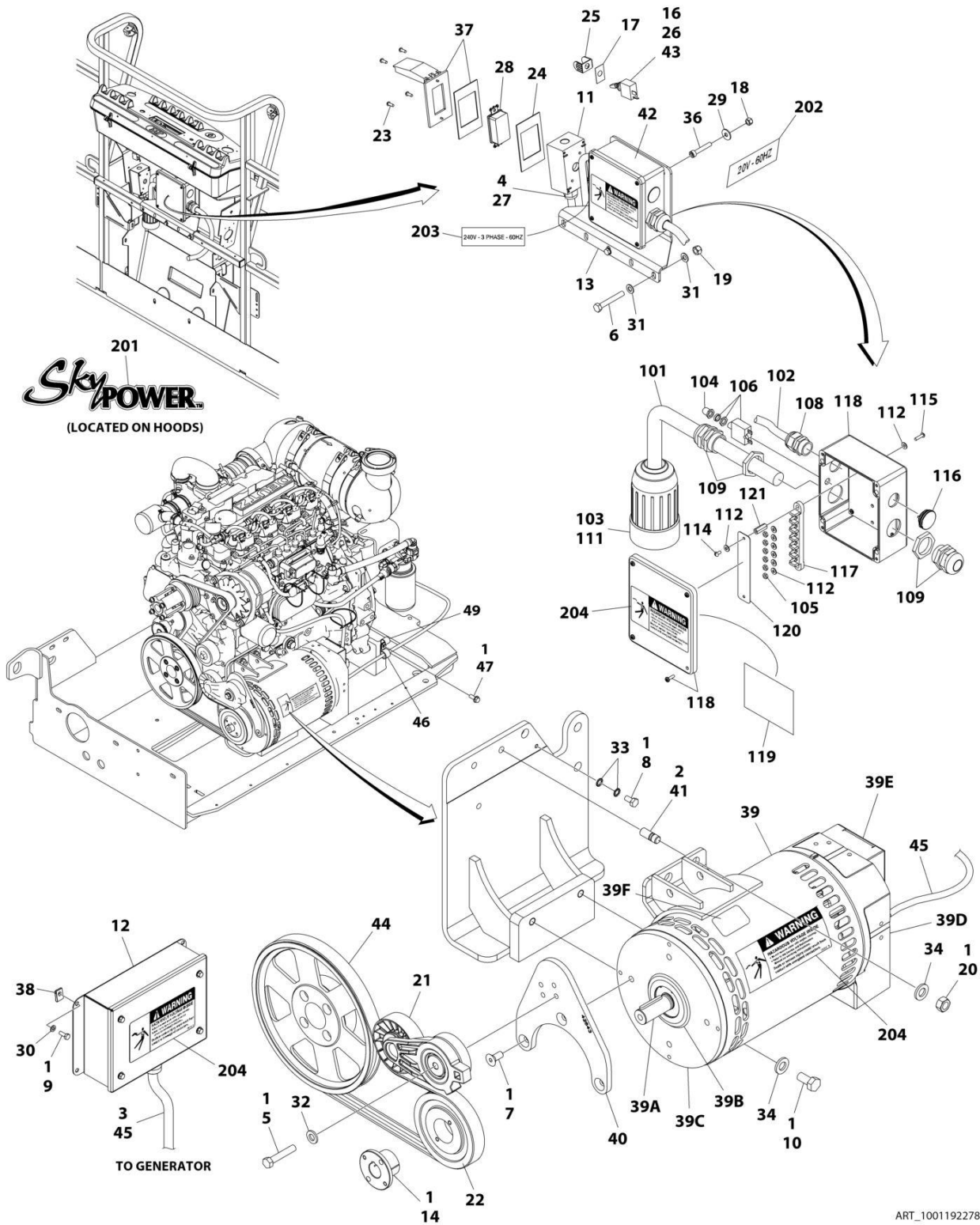
ITEM	PART NUMBER	QTY	DESCRIPTION	REV
21	3291201	1	Nut M12	
22	3580318	1	Pulley	
23	3580320	1	Pulley	
25	3910606	4	Screw #6 x 3/8	
26	3960422	1	Gasket	
27	4032015	4	Capscrew M10 x 55	
28	4060802	1	Guard, Switch	
29	4360336	1	Switch, Toggle	
30	4460071	1	Connector, Strain Relief	
31	4460346	1	Receptacle	
32	4811602	4	Washer M5	
33	4811700	4	Washer M6	
34	4811900	4	Washer M8	
35	5241000	1	Washer M10	
36	3580317	1	Tensioner, Belt	
37	5241400	1	Washer M14	
38	4871700	2	Washer M6	
39	5241200	3	Washer M12	
40	1001104029	4	Capscrew M5 x 30 Grade 12.9	
41	1001110873	1	Cover	
42	1001130220	4	Nut, Tinnerman M6	
43	1001196382	1	Stud	
44	1001157592	1	Junction Box Assembly (See Items 101-121 for Breakdown)	
45A	4922641	1	Generator Switch Harness	
45B	1001152429	1	Generator to Engine Harness (See Separate Breakdown in ELECTRICAL SECTION)	
46	4922925	1	Generator Harness (See Separate Breakdown in ELECTRICAL SECTION)	
47	7274000040	1	Clamp	
48	5251012	1	Bolt M10 x 25	
50	1320061	1	Clamp	
	1001157592	Ref	JUNCTION BOX ASSEMBLY	C
101	1060343	1.5 ft/ 0.5m	Cable, Electrical 10/4	
102	1001179154	2.5 ft/ 0.8m	Cable, Electrical 12/3	
103	1671092	1	Cover	
104	3300396	1	Cover, Fuse	
105	3311001	6	Nut #10	
106	4360070	1	Circuit Breaker - 15Amp	
108	4460425	1	Connector, Strain Relief	
109	4460426	2	Connector, Strain Relief	
111	4460963	1	Connector	
112	4711000	10	Washer #10	
114	10702077	2	Screw #10 x 3/8	
115	10702082	2	Screw #10 x 3/4	
116	1001152525	1	Plug	
117	1001157520	1	Block, Terminal	
118	1001157521	1	Box, Junction	
119	1001157528	1	Decal - Wiring Schematic	
120	1001158007	1	Cover, PVC	
121	1001158008	2	Stand-Off	

## SECTION 3 - ENGINE

ITEM	PART NUMBER	QTY	DESCRIPTION	REV
	0272435	Ref	DECAL INSTALLATION	D
201	1705460	2	Decal - SkyPower	
202	3251243	1	Decal - 120V-60Hz	
203	1705375	1	Decal - 240V - 3 Phase - 60Hz	
204	1705387	3	Decal - Hazardous Voltage	

# SECTION 3 - ENGINE

FIGURE 3-83. 7500W SKYPOWER GENERATOR INSTALLATION - 110V/60HZ (DEUTZ TD2.9L4 ENGINES) (OPTIONAL)



## SECTION 3 - ENGINE

**FIGURE 3-83. 7500W SKYPOWER GENERATOR INSTALLATION - 110V/60HZ (DEUTZ TD2.9L4 ENGINES) (OPTIONAL)**

ITEM	PART NUMBER	QTY	DESCRIPTION	REV
	1001192278	Ref	7500W SKYPOWER GENERATOR INSTALLATION	G
1	0100011	AR	Compound, Locking	
2	0100019	AR	Compound, Locking	
3	0100048	AR	Compound Terminal	
4	0100079	AR	Sealant	
5	0641616	1	Bolt 3/8 x 2	
6	0700819	2	Bolt M8 x 55	
7	0741607	3	Screw 3/8 x 7/8	
8	0760606	1	Bolt M6 x 12	
9	0760608	4	Bolt M6 x 16	
10	0761212	2	Bolt M12 x 25	
11	0860038	1	Box, Receptacle	
12	0861538	1	Control Box Assembly	
12	7024488	1	Card, Circuit - Generator Power	
12	See Note	NSS	Fuse (Note: Not Available - Purchase Locally)	
12	7024489	1	Card, Circuit - Control	
12	70000619	1	Harness, Control Box (Internal)	
		Ref	Note: Same Circuit Card (P/N 7024489) is used for both 60Hz and 50Hz. When replacing card, rocker switch on card must be set for required application.	
13	0902888	1	Bracket	
14	0962520	1	Bushing, Split	
16	2820031	AR	Heat Shrink	
17	3252764	1	Nameplate - AC & Weld	
18	3290505	4	Nut M5	
19	3290805	2	Nut M8	
20	3291201	2	Nut M12	
21	3580317	1	Tensioner, Belt	
22	3580318	1	Pulley	
23	3910606	4	Screw #6 x 3/8	
24	3960422	1	Gasket	
25	4060802	1	Guard, Switch	
26	4360336	1	Switch, Toggle	
27	4460071	1	Connector, Strain Relief	
28	4460346	1	Receptacle	
29	4811602	4	Washer M5	
30	4811700	4	Washer M6	
31	4811900	4	Washer M8	
32	5241000	1	Washer M10	
33	4871700	2	Washer M6	
34	5241200	4	Washer M12	
36	1001104029	1	Capscrew M5 x 30 Grade 12.9	
37	1001110873	1	Cover	
38	1001130220	4	Nut, Tinnerman M6	
39	1001212223	1	Generator Assembly	
39	70001100	1	Rotor (Includes p/n 70001384 & 70000863) (Not Shown)	
39	70001384	1	Bearing, Ball Radial (Not Shown)	
39	70000863	1	Fan (Not Shown)	

## SECTION 3 - ENGINE

ITEM	PART NUMBER	QTY	DESCRIPTION	REV
39	70006093	1	Stator (Not Shown)	
39	70002297	1	Stud	
39	70003631	1	Brushholder Assembly (Not Shown) (was p/n 7024484)	
39A	70004099	1	Key	
39B	70001966	1	Bearing, Ball Radial (Located in Belt Tensioner Endbell)	
39B	70003708	1	Ring, Internal Retaining (Located in Belt Tensioner Endbell)	
39B	70003709	1	Ring, External Retaining (Located in Belt Tensioner Endbell)	
39C	70004092	1	Endbell, Belt Tensioner	
39D	70004094	1	Endbell, Brush Block	
39E	70006094	1	Shroud	
39E	70002291	1	Insulator, Endbell	
39E	7027799	1	Block, Connector - 6 Position (Not Shown)	
39E	70002460	1	Nut, Brass (Attaches p/n 7027799 to Cover) (Not Shown)	
39E	70006095	1	Breaker, Circuit 30Amp (Not Shown)	
39E	70006096	1	Boot, Breaker (Not Shown)	
39E	7026626	1	Connector, 6 Position (Includes Seal) (Not Shown - Plugs into Item 45)	
39E	7026597	1	Connector with Leads (Not Shown)	
39E	70004098	1	Clamp, Cable (Not Shown)	
39E	70006097	1	Plate, End Panel	
39E	70001974	1	Decal - Terminal Connections	
39F	70001973	1	Decal - Warning Moving Parts	
40	1001142643	1	Support	
41	1001196382	2	Stud	
42	1001157592	1	Junction Box Assembly (See Items 101-121 for Breakdown)	
43	4922641	1	Generator Switch Harness	
44	1001142646	1	Belt	
45	4922925	1	Generator Harness (See Separate Breakdown in ELECTRICAL SECTION)	
46	7274000040	1	Clamp	
47	5251012	1	Bolt M10 x 25	
49	1320061	1	Clamp	
	1001157592	Ref	JUNCTION BOX ASSEMBLY	C
101	1060343	1.5 ft/ 0.5m	Cable, Electrical 10/4	
102	1001179154	2.5 ft/ 76cm	Cable, Electrical 12/3	
103	1671092	1	Cover, Connector	
104	3300396	1	Cover, Fuse	
105	3311001	6	Nut #10	
106	4360070	1	Circuit Breaker - 15Amp	
108	4460425	1	Connector, Strain Relief	
109	4460426	2	Connector, Strain Relief	
111	4460963	1	Connector	
112	4711000	4	Washer #10	
114	10702077	2	Screw #10 x 3/8	
115	10702082	2	Screw #10 x 3/4	
116	1001152525	1	Plug	
117	1001157520	1	Block, Terminal	
118	1001157521	1	Box, Junction	
119	1001157528	1	Decal - Wiring Schematic	
120	1001158007	1	Cover, PVC	

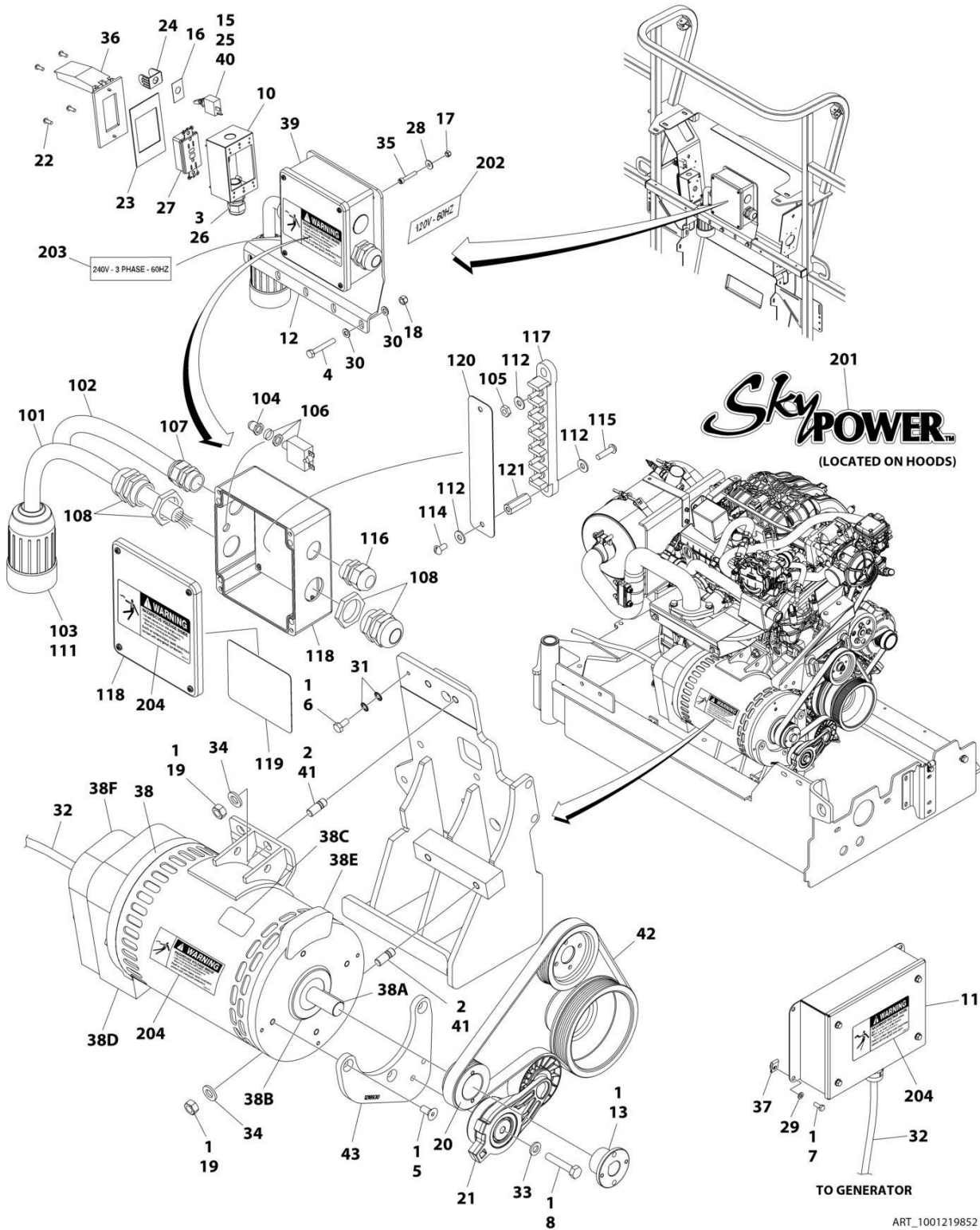


## SECTION 3 - ENGINE

ITEM	PART NUMBER	QTY	DESCRIPTION	REV
121	1001158008	1	Stand-Off	D
	0272435	Ref	DECAL INSTALLATION	
201	1705460	2	Decal - SkyPower	
202	3251243	1	Decal - 120V-60Hz	
203	1705375	1	Decal - 240V - 3 Phase - 60Hz	
204	1705387	3	Decal - Hazardous Voltage	

# SECTION 3 - ENGINE

FIGURE 3-84. 7500W SKYPOWER GENERATOR INSTALLATION - 110V/60HZ (FORD ENGINES) (OPTIONAL)



## SECTION 3 - ENGINE

**FIGURE 3-84. 7500W SKYPOWER GENERATOR INSTALLATION - 110V/60HZ (FORD ENGINES)  
(OPTIONAL)**

ITEM	PART NUMBER	QTY	DESCRIPTION	REV
	1001219852	Ref	7500W SKYPOWER GENERATOR INSTALLATION	C
1	0100011	AR	Compound, Locking	
2	0100019	AR	Compound, Locking	
3	0100079	AR	Sealant	
4	0700819	2	Bolt M8 x 55	
5	0741607	3	Screw 3/8 x 7/8	
6	0760606	1	Bolt M6 x 12	
7	0760608	4	Bolt M6 x 16	
8	0761019	1	Bolt M10 x 55	
10	0860038	1	Box, Receptacle	
11	0861538	1	Control Box Assembly	
11	7024488	1	Card, Circuit - Generator Power	
11	See Note	NSS	Fuse (Note: Not Available - Purchase Locally)	
11	7024489	1	Card, Circuit - Control	
11	70000619	1	Harness, Control Box (Internal)	
12	0902888	1	Bracket	
13	0962520	1	Bushing, Split	
15	2820031	AR	Heat Shrink	
16	3252764	1	Nameplate - AC & Weld	
17	3290505	4	Nut M5	
18	3290805	2	Nut M8	
19	3291201	4	Nut M12	
20	3580314	1	Pulley	
21	3580317	1	Tensioner, Belt	
22	3910606	4	Screw #6 x 3/8	
23	3960422	1	Gasket	
24	4060802	1	Guard, Switch	
25	4360336	1	Switch, Toggle	
26	4460071	1	Connector, Strain Relief	
27	4460346	1	Receptacle	
28	4811602	4	Washer M5	
29	4811700	4	Washer M6	
30	4811900	4	Washer M8	
31	4871700	2	Washer M6	
32	4922925	1	Generator Harness (See Separate Breakdown in ELECTRICAL SECTION)	
33	5241000	1	Washer M10	
34	5241200	4	Washer M12	
35	1001104029	4	Capscrew M5 x 30 Grade 12.9	
36	1001110873	1	Cover	
37	1001130220	4	Nut, Tinnerman M6	
38	1001136104	1	Generator Assembly	
38	70003631	1	Brushholder Assembly (Not Shown) (was p/n 7024484)	
38	7024485	1	Breaker, Circuit 30Amp (Not Shown)	
38	70001696	1	Boot, Breaker (was p/n 7024486 - Not Shown)	
38	70001966	1	Bearing, Ball Radial (Located in Belt Tensioner Endbell - Not Shown)	
38	7027799	1	Block, Connector - 6 Position (Not Shown)	
38	70002460	6	Nut, Brass (Attaches p/n 7027799 to Cover) (Not Shown)	

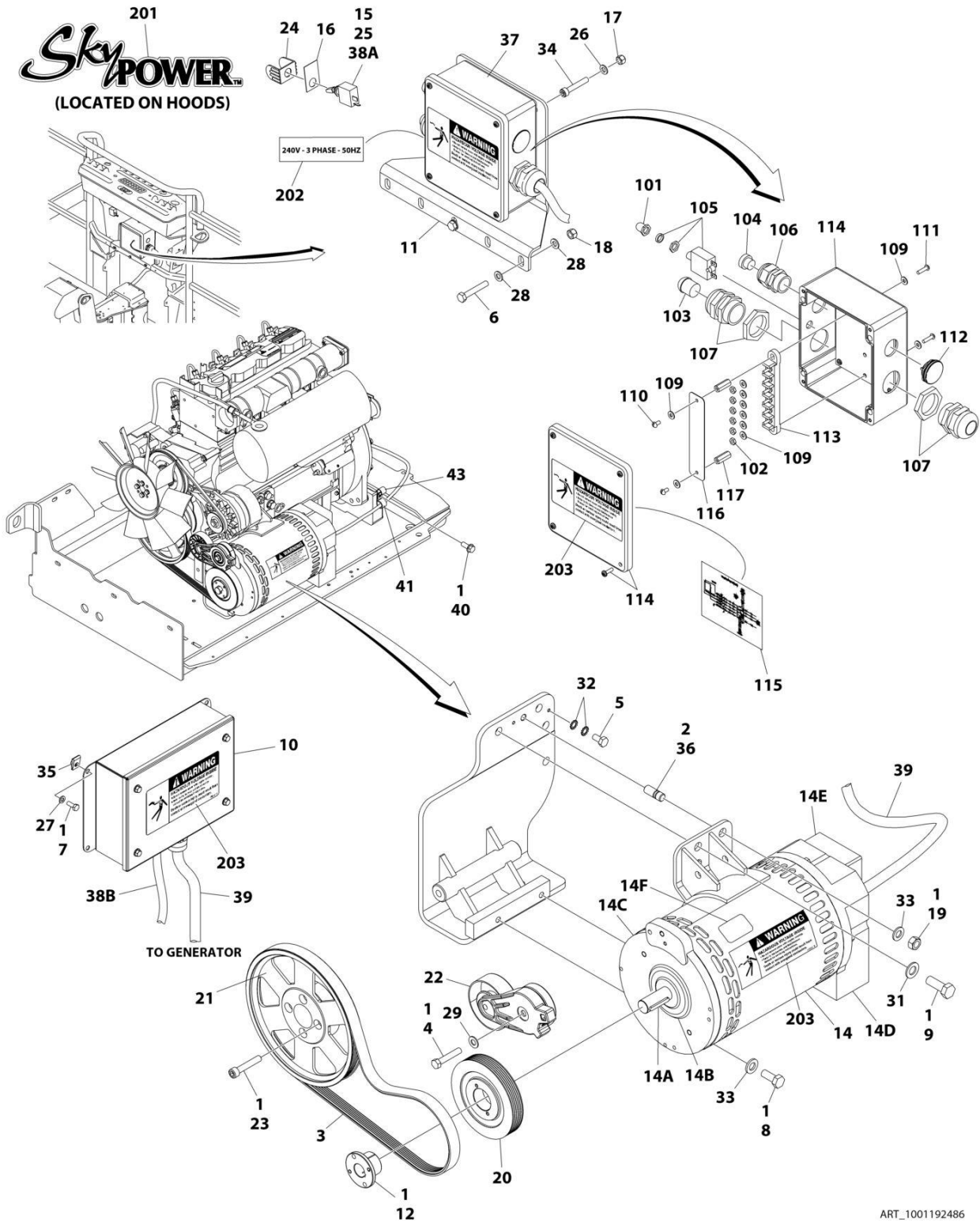
## SECTION 3 - ENGINE

ITEM	PART NUMBER	QTY	DESCRIPTION	REV
38	7026188	1	Clamp, Cable (Not Shown)	
38	7026597	1	Connector, with Leads (Not Shown)	
38	7026626	1	Connector - 6 Position with Seal (Not Shown)	
38	70002088	1	Stator (Not Shown)	
38	70004169	1	Panel, End (Not Shown) (was p/n 70002255)	
38	70001974	1	Decal - Terminal Connections (Not Shown)	
38	70000863	1	Fan (Not Shown)	
38	70002297	4	Stud (Not Shown)	
38A	70004171	1	Key (was p/n 7024561)	
38A	70001100	1	Armature, Generator (Includes Radial Ball Bearing on End with Brushes and Fan)	
38A	70001384	1	Bearing, Ball Radial	
38B	70001966	1	Bearing, Radial Ball	
38B	70003708	1	Ring, Internal Retaining (Located in Belt Tensioner Endbell)	
38B	70003709	1	Ring, External Retaining (Located in Belt Tensioner Endbell)	
38C	70001973	1	Decal - Warning Moving Parts	
38D	70004169	1	Endbell, Brush Block (was p/n 70001385)	
38E	70001953	1	Endbell, Belt Tensioner	
38F	70004169	1	Endbell, Shroud Assembly (was p/n 70002290)	
39	1001157592	1	Junction Box Assembly (See Items 101-121 for Breakdown)	
40	4922641	1	Generator Switch Harness	
41	1001196382	4	Stud	
42	1001216390	1	Belt	
43	1001218930	1	Mount	
	1001157592	Ref	JUNCTION BOX ASSEMBLY	C
101	1060343	1.5 ft/ 0.5m	Cable, Electrical - 10/4	
102	1001179154	2.5 ft/ 0.8m	Cable, Electrical - 12/3	
103	1671092	1	Cover, Connector	
104	3300396	1	Cover, Fuse	
105	3311001	6	Nut #10	
106	4360070	1	Breaker, Circuit 15Amp	
107	4460425	1	Connector, Strain Relief	
108	4460426	2	Connector, Strain Relief	
111	4460963	1	Receptacle	
112	4711000	10	Washer #10	
114	10702077	2	Screw #10 x 3/8	
115	10702082	2	Screw #10 x 3/4	
116	1001152525	1	Plug, Hole	
117	1001157520	1	Block, Terminal Pole	
118	1001157521	1	Box, Junction	
119	1001157528	1	Decal - Box Junction	
120	1001158007	1	Cover	
121	1001158008	2	Stand-Off	
	0272435	Ref	DECAL INSTALLATION	D
201	1705460	2	Decal - SkyPower	
202	3251243	1	Decal - 120V/60Hz (Located on Opposite Side)	
203	1705375	1	Decal - 240V - 3 Phase	
204	1705387	3	Decal - Hazardous Voltage	



# SECTION 3 - ENGINE

## FIGURE 3-85. 7500W SKYPOWER GENERATOR INSTALLATION - 220V/50HZ (DEUTZ D2011 ENGINES) (OPTIONAL)



## SECTION 3 - ENGINE

**FIGURE 3-85. 7500W SKYPOWER GENERATOR INSTALLATION - 220V/50HZ (DEUTZ D2011 ENGINES) (OPTIONAL)**

ITEM	PART NUMBER	QTY	DESCRIPTION	REV
	1001192486	Ref	7500W SKYPOWER GENERATOR INSTALLATION	I
1	0100011	AR	Compound, Locking	
2	0100019	AR	Compound, Locking	
3	1001141814	1	Belt	
4	0641618	1	Bolt 3/8 x 2-1/4	
5	0760606	1	Bolt M6 x 12	
6	0700819	2	Bolt M8 x 55	
7	0760608	4	Bolt M6 x 16	
8	0761212	2	Bolt M12 x 25	
9	0771415	1	Bolt M14 x 35	
10	0861572	1	Control Box Assembly	
10	7024488	1	Card, Circuit - Generator Power	
10	See Note	NSS	Fuse (Note: Not Available - Purchase Locally)	
10	7024489	1	Card, Circuit - Control	
10	70000619	1	Harness, Control Box (Internal)	
11	0902888	1	Bracket	
12	0962520	1	Bushing, Split	
14	2460048	1	Generator Assembly	
14	70001100	1	Rotor (Includes p/n 70001384 & 70000863) (Not Shown)	
14	70001384	1	Bearing, Ball Radial (Not Shown)	
14	70000863	1	Fan (Not Shown)	
14	70002088	1	Stator (Not Shown)	
14	70002297	1	Stud	
14	70003631	1	Brushholder Assembly (Not Shown)	
14A	70004171	1	Key	
14B	70001966	1	Bearing, Ball Radial (Located in Belt Tensioner Endbell)	
14B	70003708	1	Ring, Internal Retaining (Located in Belt Tensioner Endbell)	
14B	70003709	1	Ring, External Retaining (Located in Belt Tensioner Endbell)	
14C	70001953	1	Endbell, Belt Tensioner	
14D	70004169	1	Endbell, Brush Block	
14E	70004169	1	Shroud	
14E	See Note	NSS	Insulator, Endbell (Note: Not Available for Purchase)	
14E	7027799	1	Block, Connector 6 Position (Not Shown)	
14E	70002460	1	Nut, Brass (Attaches p/n 7027799 to Cover) (Not Shown)	
14E	7024485	1	Breaker, Circuit 30Amp (Not Shown)	
14E	70001696	1	Boot, Breaker (Not Shown)	
14E	7026626	1	Connector, 6 Position (Includes Seal) (Not Shown - Plugs into Item 39)	
14E	7026597	1	Connector, with Leads (Not Shown)	
14E	7026188	1	Clamp, Cable Options (Not Shown)	
14E	70004169	1	Plate, End Panel	
14E	70001974	1	Decal - Terminal Connections	
14F	70001973	1	Decal - Warning Moving Parts	
15	2820031	AR	Heat Shrink	
16	3252764	1	Nameplate - AC & Weld	
17	3290505	4	Nut M5	
18	3290805	2	Nut M8	
19	3291201	1	Nut M12	
20	3580319	1	Pulley	

## SECTION 3 - ENGINE

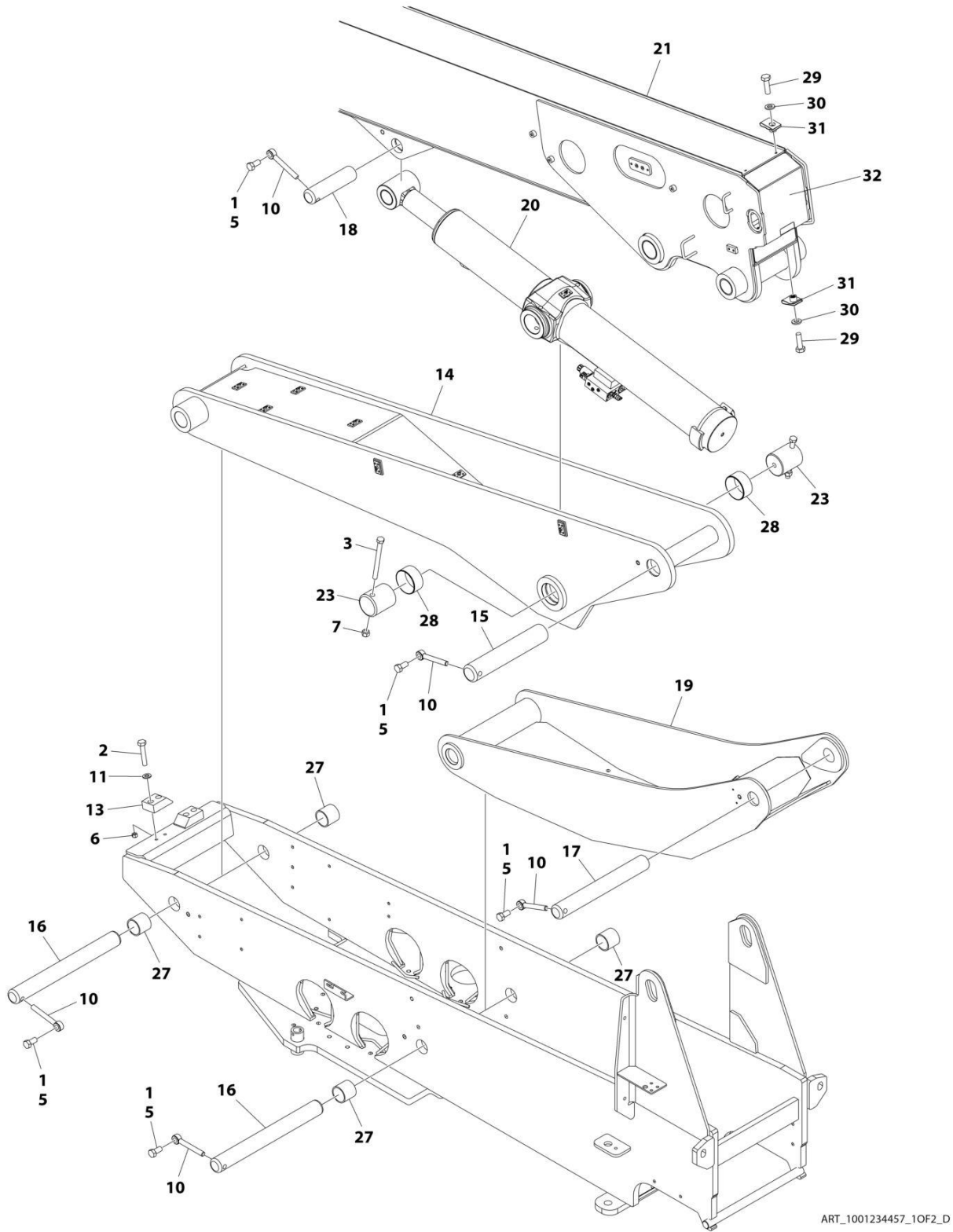
ITEM	PART NUMBER	QTY	DESCRIPTION	REV
21	3580320	1	Pulley	
22	3580317	1	Tensioner, Belt	
23	4032015	4	Capscrew M10 x 55	
24	4060802	1	Guard, Switch	
25	4360336	1	Switch, Toggle	
26	4811602	4	Washer M5	
27	4811700	4	Washer M6	
28	4811900	4	Washer M8	
29	5241000	1	Washer M10	
31	5241400	1	Washer M14	
32	4871700	2	Washer M6	
33	5241200	3	Washer M12	
34	1001104029	4	Capscrew M5 x 30 Grade 12.9	
35	1001130220	4	Nut, Tinnerman M6	
36	1001196382	1	Stud	
37	1001157525	1	Junction Box Assembly (See Items 101-117 for Breakdown)	
38A	4922641	1	Generator Switch Harness	
38B	1001152429	1	Generator to Engine Harness (See Separate Breakdown in ELECTRICAL SECTION)	
39	4922925	1	Generator Harness (See Separate Breakdown in ELECTRICAL SECTION)	
40	5251012	1	Bolt M10 x 25	
41	7274000040	1	Clamp	
43	1320061	1	Clamp	
	1001157525	Ref	JUNCTION BOX ASSEMBLY	B
101	3300396	1	Cover, Fuse	
102	3311001	6	Nut #10	
103	3520189	1	Plug	
104	3520192	1	Plug	
105	4360070	1	Circuit Breaker - 15Amp	
106	4460425	1	Connector, Strain Relief	
107	4460426	2	Connector, Strain Relief	
109	4711000	10	Washer #10	
110	10702077	2	Screw #10 x 3/8	
111	10702082	2	Screw #10 x 3/4	
112	1001152525	1	Plug	
113	1001152520	1	Block, Terminal	
114	1001157521	1	Box, Junction	
115	1001157528	1	Decal - Wiring Schematic	
116	1001158007	1	Cover, PVC	
117	1001158008	2	Stand-Off	
	0272589	Ref	DECAL INSTALLATION	A
201	1705460	2	Decal - SkyPower	
202	1705461	1	Decal - 240V - 3 Phase - 50Hz	
203	1705489	3	Decal - Hazardous Voltage	



**SECTION 4 - BOOM**

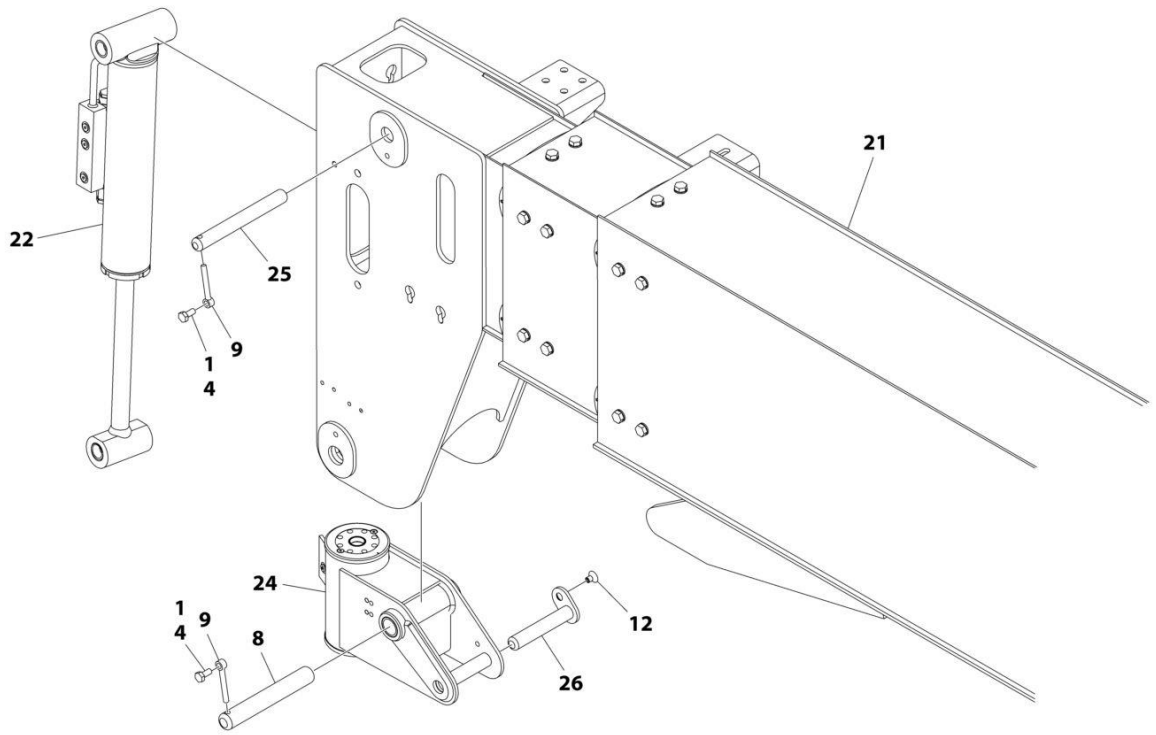
# SECTION 4 - BOOM

## FIGURE 4-1. BOOM INSTALLATION (600S HC3)



ART\_1001234457\_10F2\_D

# SECTION 4 - BOOM



ART\_1001234457\_20F2\_D

## SECTION 4 - BOOM

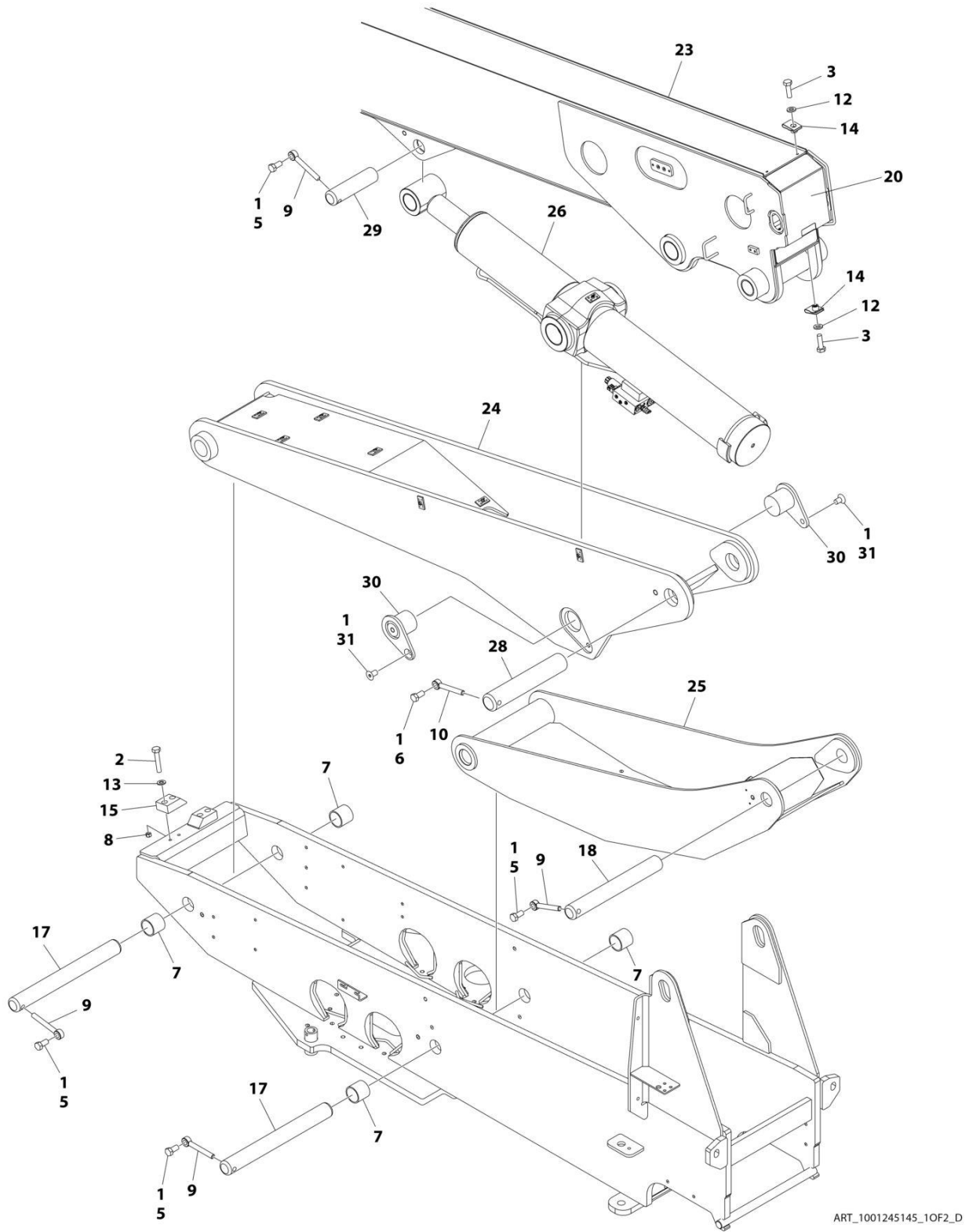
FIGURE 4-1. BOOM INSTALLATION (600S HC3)

ITEM	PART NUMBER	QTY	DESCRIPTION	REV
	1001234457	Ref	BOOM INSTALLATION	D
1	0100011	AR	Compound, Locking	
2	0701019	4	Bolt M10 x 55	
3	0711635	2	Bolt M16 x 180	
4	0761011	2	Bolt M10 x 22	
5	0762016	5	Bolt M20 x 40	
6	3291005	4	Nut M10	
7	3291605	2	Nut M16	
8	3422582	1	Pin	
9	3841143	2	Keeper, Pin	
10	3841287	5	Keeper, Pin	
11	4812000	4	Washer M10	
12	1001137032	1	Screw M10 x 16	
13	1001138459	2	Pad	
14	1001174231	1	Link	
15	1001174250	1	Pin	
16	1001174252	2	Pin	
17	1001174253	1	Pin	
18	1001174254	1	Pin	
19	1001174256	1	Link	
20	1001272076	1	Lift Cylinder Assembly (See Separate Breakdown in CYLINDER Section)	
21	1001234458	1	Boom Assembly (See Separate Breakdown in this Section)	
22	1001184954	1	Level Cylinder Assembly - Platform Slave (See Separate Breakdown in CYLINDER Section)	
23	1001183926	2	Pin	
24	1001187348	1	Platform Rotator Assembly (See Separate Breakdown in this Section)	
25	1001192910	1	Pin	
26	1001192991	1	Pin	
27	0962423	4	Bearing	
28	1001174251	2	Bearing	
29	0760610	4	Bolt M6 x 20	
30	4811700	4	Washer M6	
31	1001130220	4	Nut, Tinnerman M6	
32	1001228177	1	Cover	

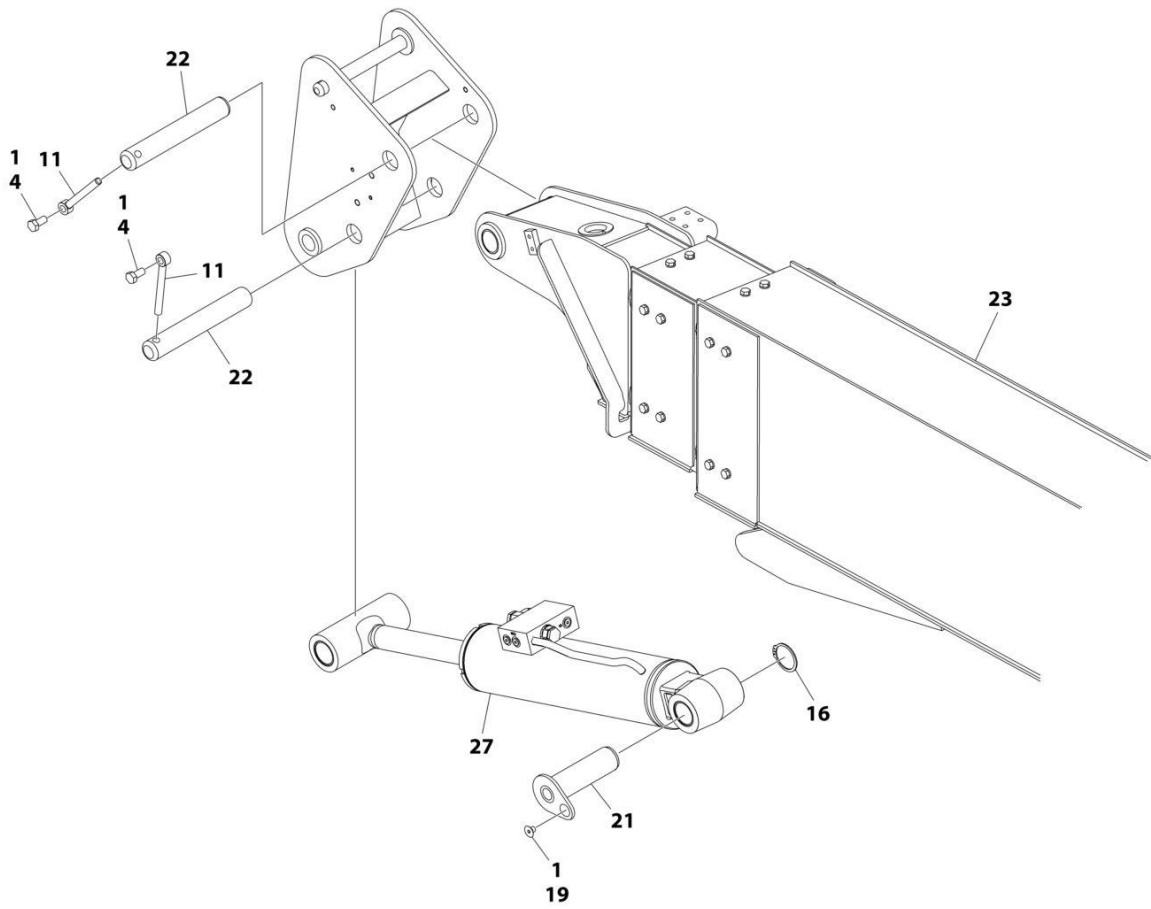


# SECTION 4 - BOOM

## FIGURE 4-2. BOOM INSTALLATION (660SJ HC3)



# SECTION 4 - BOOM



ART\_1001245145\_20F2\_D

## SECTION 4 - BOOM

FIGURE 4-2. BOOM INSTALLATION (660SJ HC3)

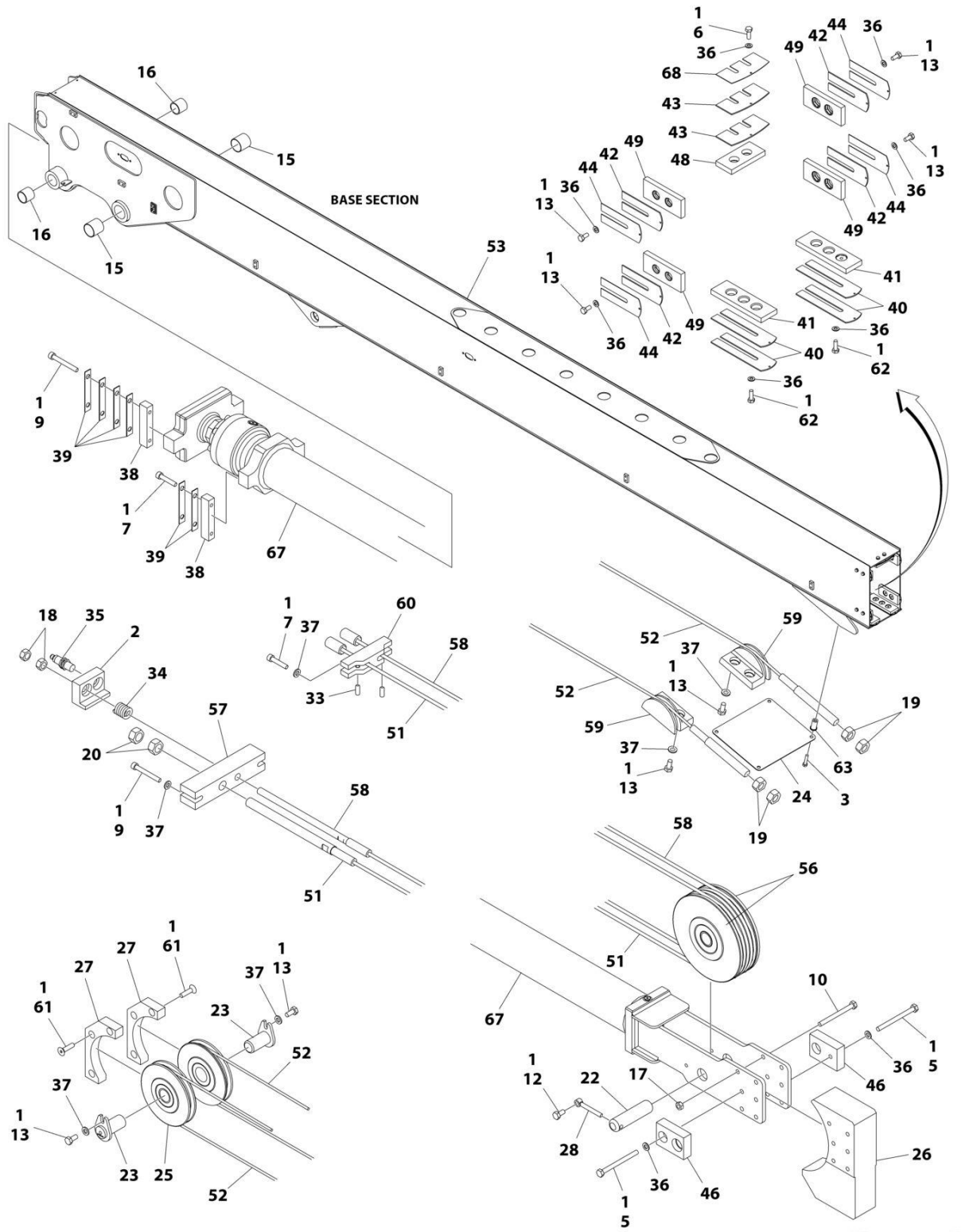
ITEM	PART NUMBER	QTY	DESCRIPTION	REV
	1001245145	Ref	BOOM INSTALLATION	D
1	0100011	AR	Compound, Locking	
2	0701019	4	Bolt M10 x 55	
3	0760610	4	Bolt M6 x 20	
4	0761212	2	Bolt M12 x 25	
5	0762016	4	Bolt M20 x 40	
6	0762418	1	Bolt M24 x 50	
7	0962423	4	Bearing	
8	3291005	4	Nut M10	
9	3841287	4	Keeper, Pin	
10	3841356	1	Keeper, Pin	
11	3841203	2	Keeper, Pin	
12	4811700	4	Washer M6	
13	4812000	4	Washer M10	
14	1001130220	4	Nut - Tinnerman M6	
15	1001138459	2	Pad	
16	1001138671	1	Ring, Retaining	
17	1001174252	2	Pin	
18	1001174253	1	Pin	
19	1001192027	1	Screw M10 x 12	
20	1001228177	1	Cover	
21	1001237142	1	Pin	
22	1001237949	2	Pin	
23	1001244771	1	Boom assembly (See separate Breakdown in this Section)	
24	1001246502	1	Link	
25	1001247260	1	Link	
26	1001272100	1	Lift Cylinder Assembly (See Separate Breakdown in CYLINDER Section)	
27	1001247466	1	Level Cylinder Assembly Platform Slave (See Separate Breakdown in CYLINDER Section)	
28	1001249454	1	Pin	
29	1001249455	1	Pin	
30	1001249458	2	Pin	
31	1001249774	2	Bolt M20 x 35	





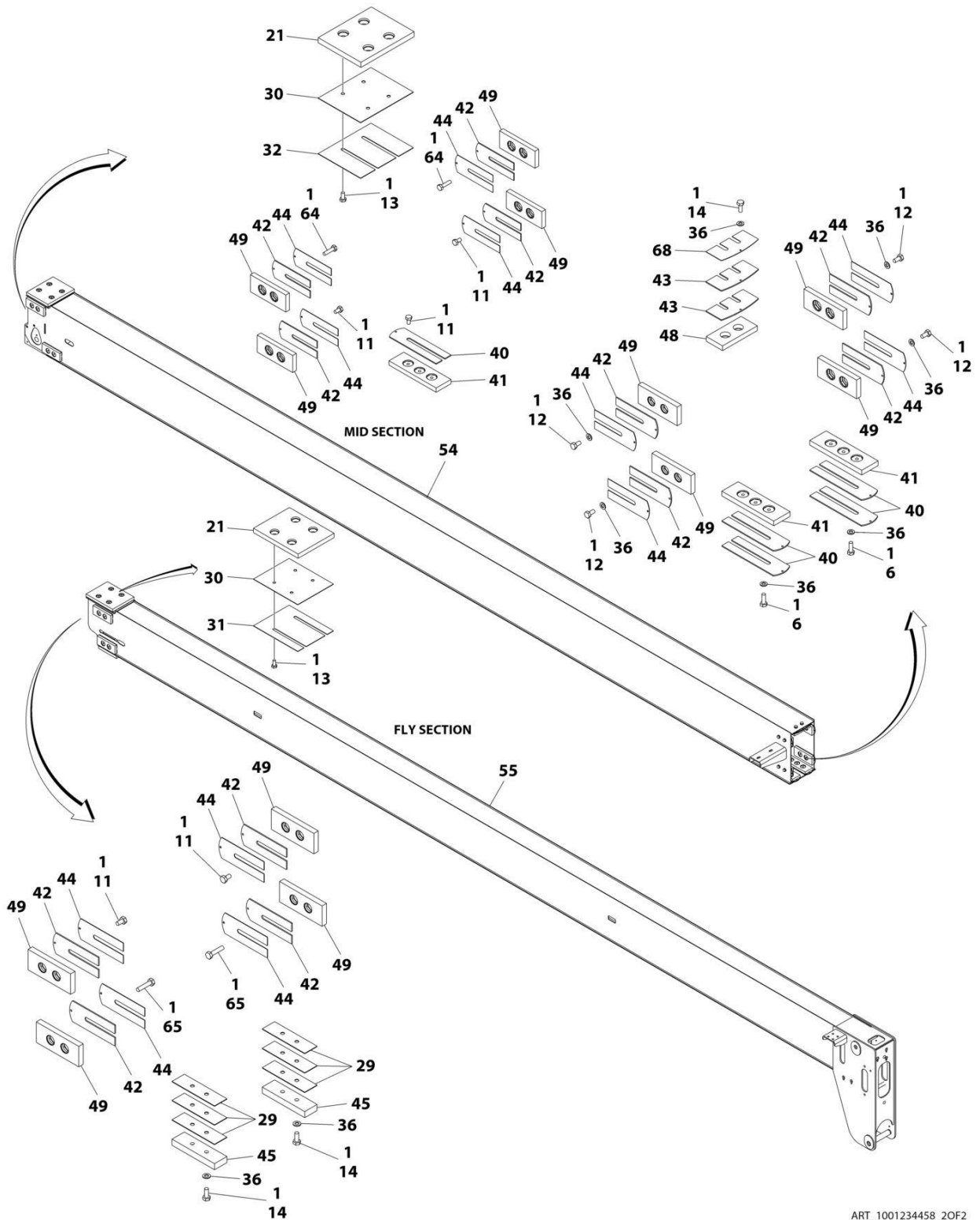
# SECTION 4 - BOOM

## FIGURE 4-3. BOOM ASSEMBLY (600S HC3)



ART\_1001234458\_10F2

# SECTION 4 - BOOM



ART\_1001234458\_20F2

## SECTION 4 - BOOM

FIGURE 4-3. BOOM ASSEMBLY (600S HC3)

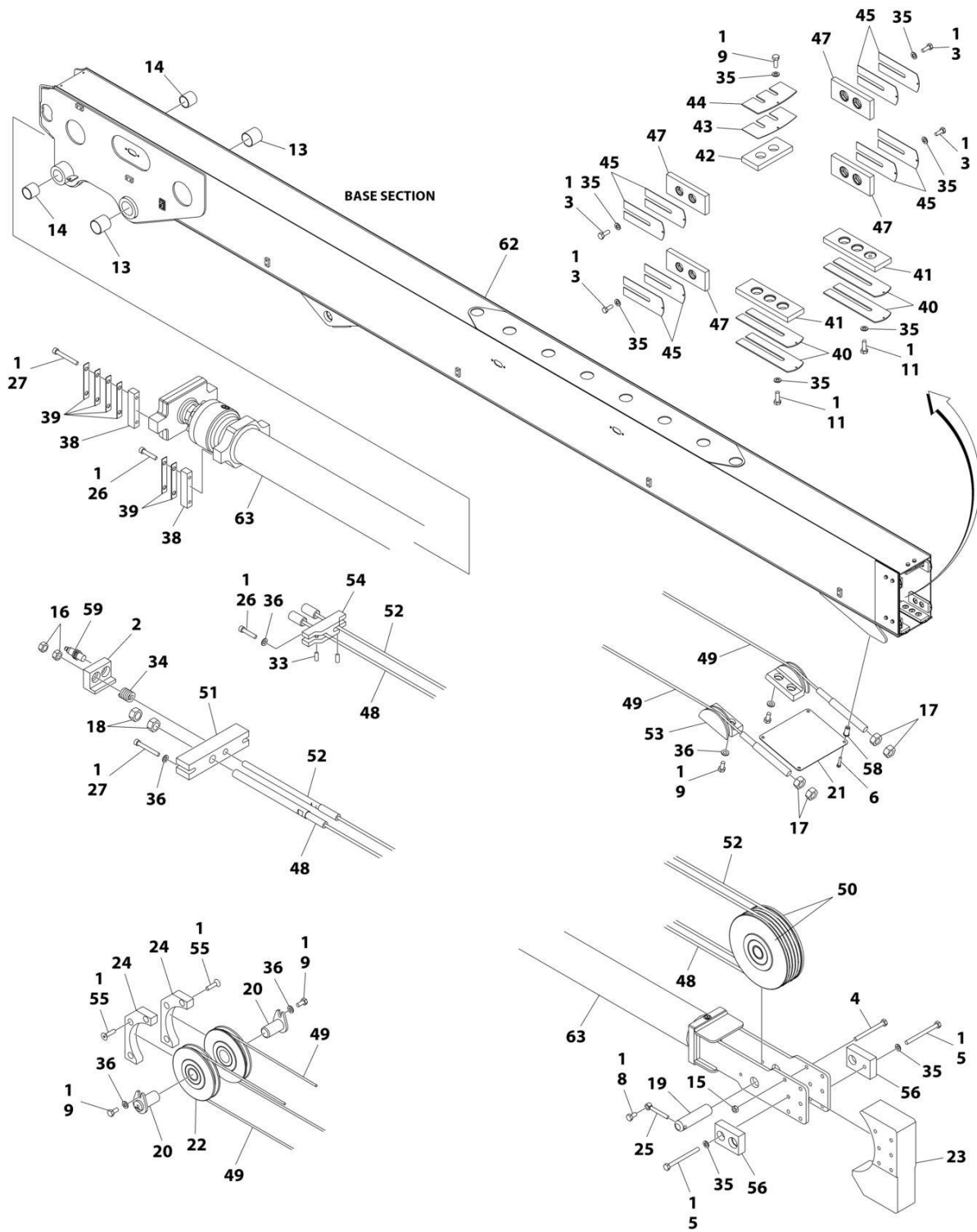
ITEM	PART NUMBER	QTY	DESCRIPTION	REV
	1001234458	Ref	BOOM ASSEMBLY	F
1	0100011	AR	Compound, Locking	
2	0561508	1	Block	
3	0760614	4	Bolt M6 x 30	
5	0701029	2	Bolt M10 x 120	
6	0701013	8	Bolt M10 x 28	
7	4032014	6	Capscrew M10 x 50	
9	4032020	6	Capscrew M10 x 80	
10	0701028	4	Bolt M10 x 110	
11	0761009	10	Bolt M10 x 18	
12	0761010	9	Bolt M10 x 20	
13	0761011	22	Bolt M10 x 22	
14	0761012	6	Bolt M10 x 25	
15	0962033	2	Bushing	
16	0962423	2	Bearing	
17	3291001	4	Nut M10	
18	3291601	2	Nut M16	
19	3292001	4	Nut M20	
20	3292201	2	Nut M22	
21	1001191385	2	Pad, Wear	
22	3422417	1	Pin	
23	3422424	2	Pin	
24	3539622	1	Cover	
25	3580243	2	Sheave, Retract	
25	0961951	2	Bushing (1 Per Sheave)	
26	3580248	1	Guard, Sheave (Extend)	
27	3580249	2	Guard, Sheave (Retract)	
28	3841143	1	Keeper, Pin	
29	4070895	6	Shim 16Ga	
30	4070896	2	Shim .06	
31	4070939	1	Shim 16Ga	
32	4070940	1	Shim 16Ga	
33	4092009	2	Setscrew M10 x 25	
34	4160149	1	Spring	
35	1001285877	1	Switch, Proximity	
36	4812000	38	Washer M10	
37	5241000	10	Washer M10	
38	1001135488	4	Block	
39	1001136571	12	Shim 16Ga	
40	1001136575	9	Shim 11Ga	
41	1001136583	5	Pad, Wear	
42	4070898	16	Shim 11Ga	
43	1001138436	4	Shim 11Ga	
44	4070897	16	Shim 18Ga	
45	1001148650	2	Pad, Wear	
46	1001191384	2	Pad, Wear	
48	1001136587	2	Pad, Wear	
49	1001153398	16	Pad, Wear	
51	1001175998	1	Rope, Wire (Extend)	
52	1001175999	2	Rope, Wire (Retract)	

## SECTION 4 - BOOM

ITEM	PART NUMBER	QTY	DESCRIPTION	REV
53	1001234459	1	Base Boom	
54	1001176212	1	Mid, Boom	
55	1001180882	1	Fly, Boom	
56	1001184913	2	Sheave, Extend	
56	1001184918	2	Bushing (1 Per Sheave)	
56	1001184917	2	Sleeve, Bronze (1 Per Sheave)	
56	1001184915	2	Ring, Retaining (1 Per Sheave)	
57	1001186541	1	Block	
58	1001189859	1	Rope, Wire (Extend)	
59	1001191048	2	Sheave, Block	
60	1001191202	1	Block	
61	1001191205	6	Screw M10 x 40	
62	0761014	6	Bolt M10 x 30	
63	1001203719	4	Wellnut M6	
64	0761016	4	Bolt M10 x 40	
65	0761017	4	Bolt M10 x 45	
67	1001251079	1	Telescope Cylinder Assembly (See Separate Breakdown in CYLINDER SECTION)	
68	1001136590	2	Shim	

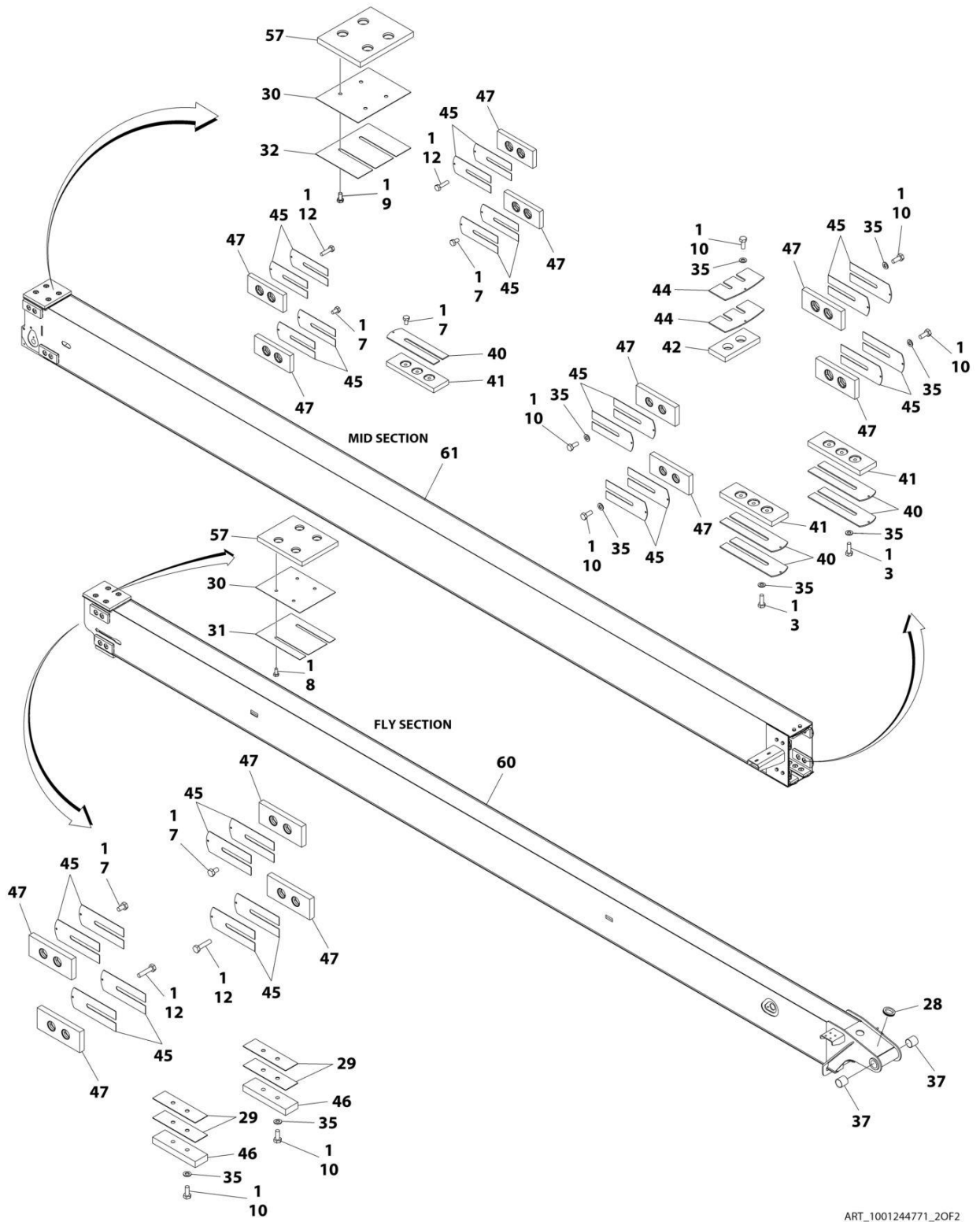
# SECTION 4 - BOOM

FIGURE 4-4. BOOM ASSEMBLY (660SJ HC3)



ART\_1001244771\_10F2

# SECTION 4 - BOOM



ART\_1001244771\_20F2

# SECTION 4 - BOOM

FIGURE 4-4. BOOM ASSEMBLY (660SJ HC3)

ITEM	PART NUMBER	QTY	DESCRIPTION	REV
	1001244771	Ref	BOOM ASSEMBLY	D
1	0100011	AR	Compound, Locking	
2	0561508	1	Block	
3	0701013	14	Bolt M10 x 28	
4	0701028	4	Bolt M10 x 110	
5	0701029	2	Bolt M10 x 120	
6	0760614	4	Bolt M6 x 30	
7	0761009	10	Bolt M10 x 18	
8	0761010	5	Bolt M10 x 20	
9	0761011	12	Bolt M10 x 22	
10	0761012	14	Bolt M10 x 25	
11	0761014	6	Bolt M10 x 30	
12	0761016	8	Bolt M10 x 40	
13	0962033	2	Bushing	
14	0962423	2	Bearing	
15	3291001	4	Nut M10	
16	3291601	2	Nut M16	
17	3292001	4	Nut M20	
18	3292201	2	Nut M22	
19	3422417	1	Pin	
20	3422424	2	Pin	
21	3539622	1	Cover	
22	3580243	2	Sheave, Retract	
22	0961951	2	Bushing (1 Per Sheave)	
23	3580248	1	Guard, Sheave (Extend)	
24	3580249	2	Guard, Sheave (Retract)	
25	3841143	1	Keeper, Pin	
26	4032014	6	Capscrew M10 x 50	
27	4032020	6	Capscrew M10 x 80	
28	4060805	6 in/ 16cm	Flex - Trim	
29	4070895	4	Shim 16Ga	
30	4070896	2	Shim .06	
31	4070939	1	Shim 16Ga	
32	4070940	1	Shim 16Ga	
33	4092009	2	Setscrew M10 x 25	
34	4160149	1	Spring	
35	4812000	38	Washer M10	
36	5241000	10	Washer M10	
37	1001118666	2	Bushing	
38	1001135488	4	Block	
39	1001136571	12	Shim 16Ga	
40	1001136575	9	Shim 11Ga	
41	1001136583	5	Pad, Wear	
42	1001136587	2	Pad, Wear	
43	1001136590	1	Shim	
44	1001138436	3	Shim 11Ga	
45	4070897	32	Shim 18Ga	
46	1001148650	2	Pad, Wear	
47	1001153398	16	Pad, Wear	
48	1001175998	1	Rope, Wire (Extend)	

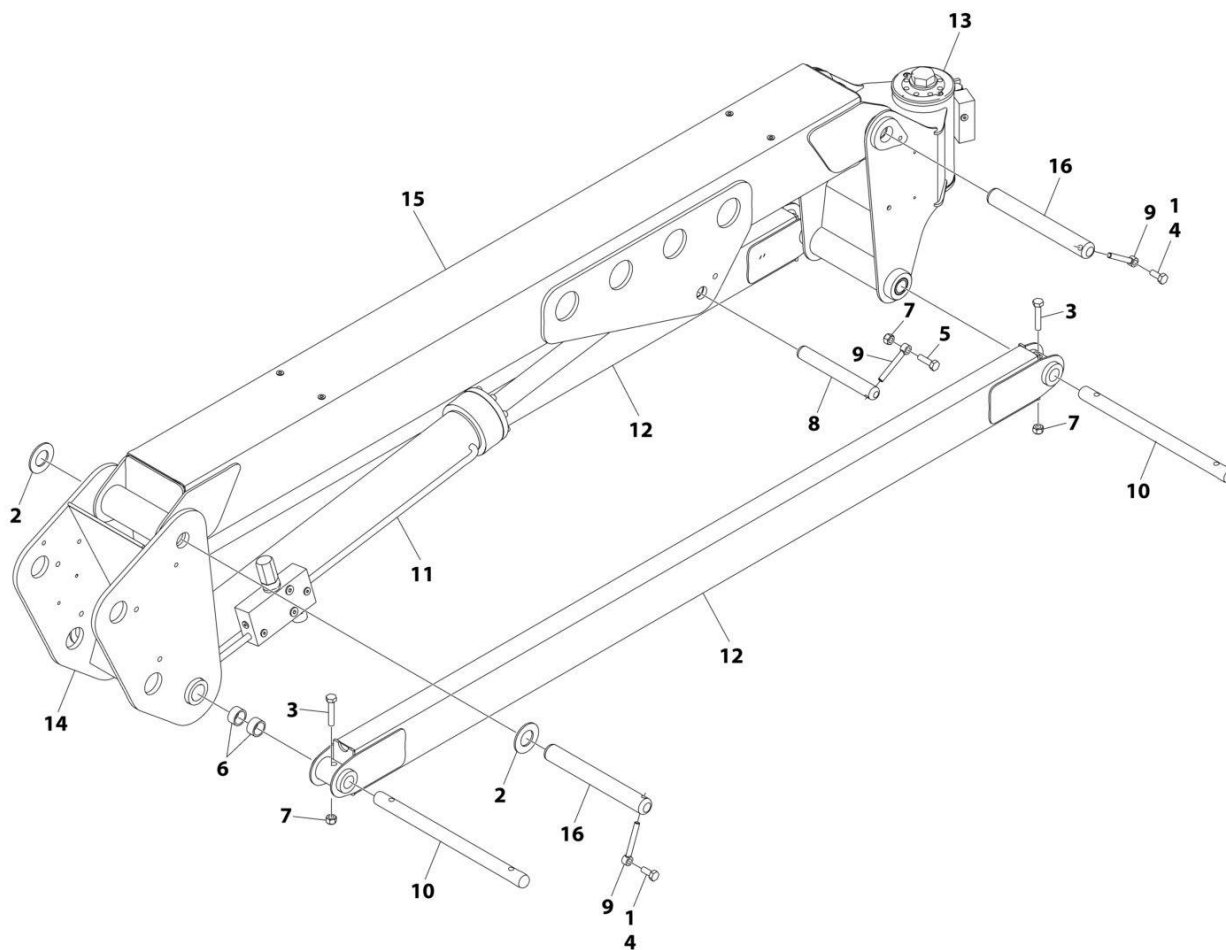


## SECTION 4 - BOOM

ITEM	PART NUMBER	QTY	DESCRIPTION	REV
49	1001175999	2	Rope, Wire (Retract)	
50	1001184913	2	Sheave, Extend	
50	1001184918	2	Bushing (1 per Sheave)	
50	1001184915	2	Ring, Retaining (1 per Sheave)	
50	1001184917	2	Sleeve, Bronze (1 per Sheave)	
51	1001186541	1	Block	
52	1001189859	1	Rope, Wire (Extend)	
53	1001191048	2	Sheave, Block	
54	1001191202	1	Block	
55	1001191205	6	Screw M10 x 40	
56	1001191384	2	Pad, Wear	
57	1001191385	2	Pad, Wear	
58	1001203719	4	Wellnut M6	
59	1001285877	1	Switch, Proximity	
60	1001244747	1	Fly, Boom	
61	1001244762	1	Mid, Boom	
62	1001244770	1	Base, Boom	
63	1001251079	1	Telescope Cylinder Assembly (See Separate Breakdown in CYLINDER SECTION)	

# SECTION 4 - BOOM

## FIGURE 4-5. JIB ASSEMBLY (660SJ HC3)



ART\_1001238328\_F

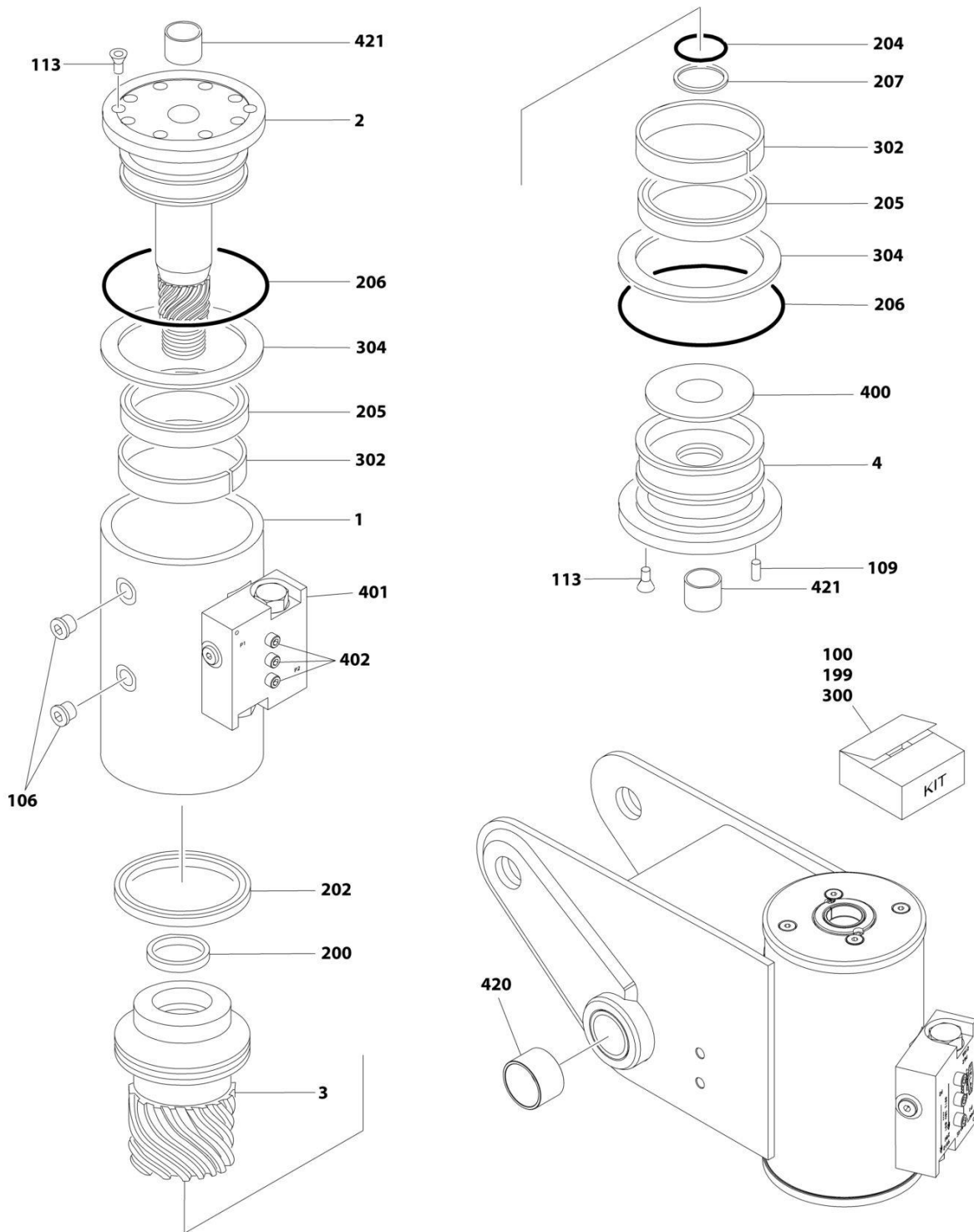
## SECTION 4 - BOOM

**FIGURE 4-5. JIB ASSEMBLY (660SJ HC3)**

ITEM	PART NUMBER	QTY	DESCRIPTION	REV
	1001238328	Ref	JIB BOOM ASSEMBLY	F
1	0100011	AR	Compound, Locking	
2	0440162	2	Thrustwasher 0.188IN Thick	
2	0440237	1	Thrustwasher 0.125IN Thick	
3	0701020	1	Bolt M10 x 60	
4	0761012	2	Bolt M10 x 25	
5	0761015	1	Bolt M10 x 35	
6	0961947	4	Bearing 1IN ID x 1.25IN OD x 5/8IN L	
6	1001134289	4	Bearing 1IN ID x 1.5IN OD x 1IN L	
7	3291005	5	Nut M10	
8	3422867	1	Pin	
9	3841143	3	Keeper, Pin	
10	3422861	1	Pin	
11	1001264991	1	Lift Cylinder Assembly - Jib (See Separate Breakdown in CYLINDER SECTION)	
12	4844817	1	Link	
13	1001234811	1	Rotator Assembly (See Separate Breakdown in this Section)	
14	1001238168	1	Pivot	
15	1001238333	1	Tube (Upper)	
15	0962155	1	Bushing	
16	1001238398	2	Pin	

# SECTION 4 - BOOM

## FIGURE 4-6. PLATFORM ROTATOR ASSEMBLY (600S HC3)



ART\_1001187348

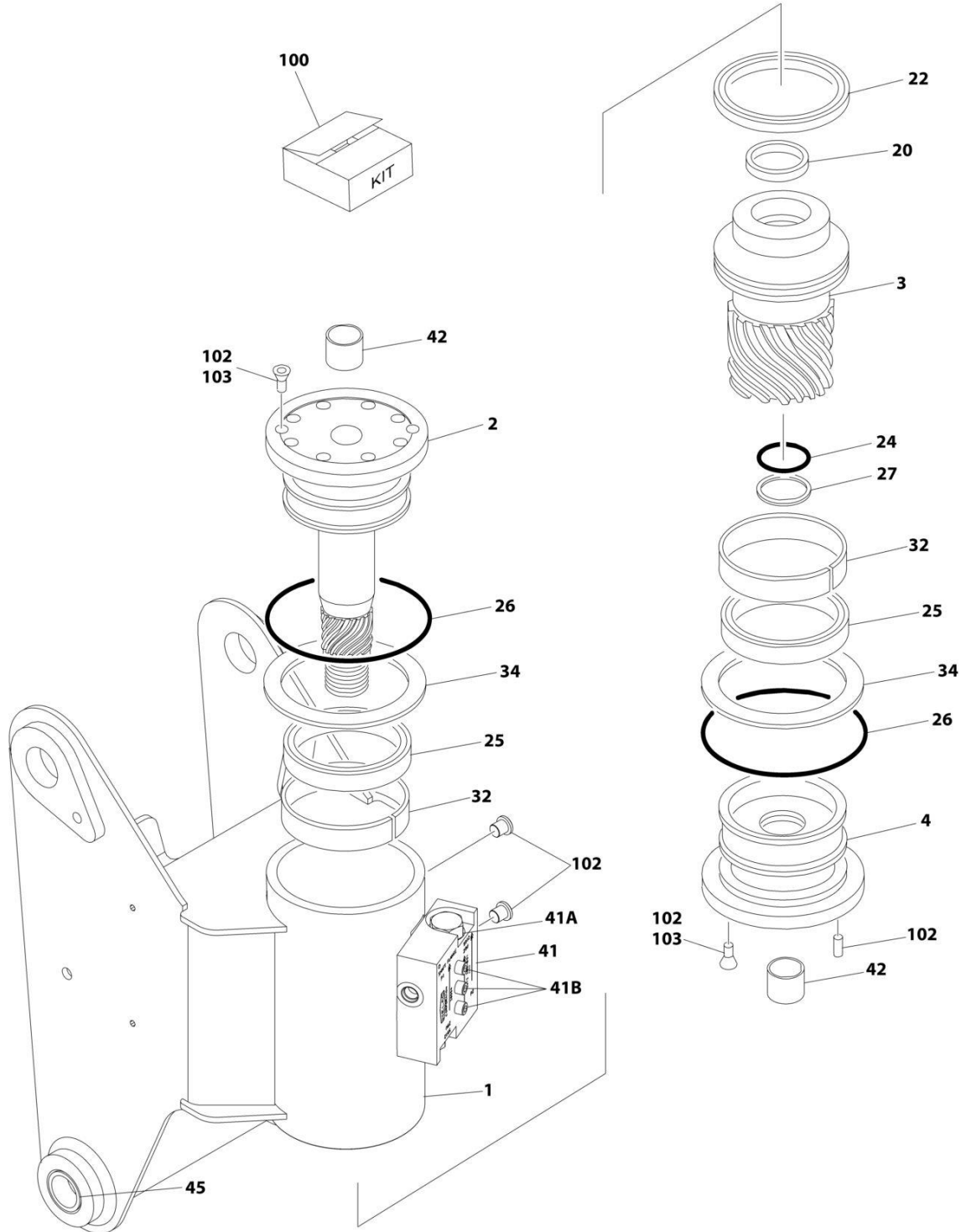
## SECTION 4 - BOOM

**FIGURE 4-6. PLATFORM ROTATOR ASSEMBLY (600S HC3)**

ITEM	PART NUMBER	QTY	DESCRIPTION	REV
	1001187348	Ref	PLATFORM ROTATOR ASSEMBLY	E
1	See Note	NSS	Housing/Ring Gear (Note: Purchase Complete Assembly)	
2	7017162	1	Shaft	
3	7017163	1	Piston	
4	7017164	1	Cap	
100	7017142	1	Hardware Kit (Includes Items 106-109)	
106	See Note	NSS	Plug (Note: Use Item 100)	
109	See Note	NSS	Pin, Dowel (Note: Use Item 100)	
113	70001697	6	Screw 1/4 x 3/8	
199	70000342	1	Seal Kit - Low Temperature (Includes Items 200-207)	
200	See Note	NSS	T-Seal (Note: Use Item 199)	
202	See Note	NSS	T-Seal (Note: Use Item 199)	
204	See Note	NSS	O-Ring (Note: Use Item 199)	
205	See Note	NSS	Seal (Note: Use Item 199)	
206	See Note	NSS	O-Ring (Note: Use Item 199)	
207	See Note	NSS	Ring, Back-up (Note: Use Item 199)	
300	7017159	1	Bearing Kit (Includes Items 302-304)	
302	See Note	NSS	Bearing (Note: Use Item 300)	
304	See Note	NSS	Washer, Thrust (Note: Use Item 300)	
400	70005671	1	Stop	
401	7017172	1	Valve, Control (Note: Sold as Assembly Only)	
401	7017192	2	Cartridge, Valve - Counterbalance (Seal Kit Not Available)	
401	See Note	1	Cartridge, Valve - Check (Seal Kit Not Available) (Note: Use p/n 7017172)	
402	See Note	1	Bolt 1/4 x 1-1/2 Grade 8 (Note: Purchase Locally)	
420	0961951	2	Bushing	
421	7017195	2	Bushing	

# SECTION 4 - BOOM

## FIGURE 4-7. PLATFORM ROTATOR ASSEMBLY (660SJ HC3)



ART\_1001234811

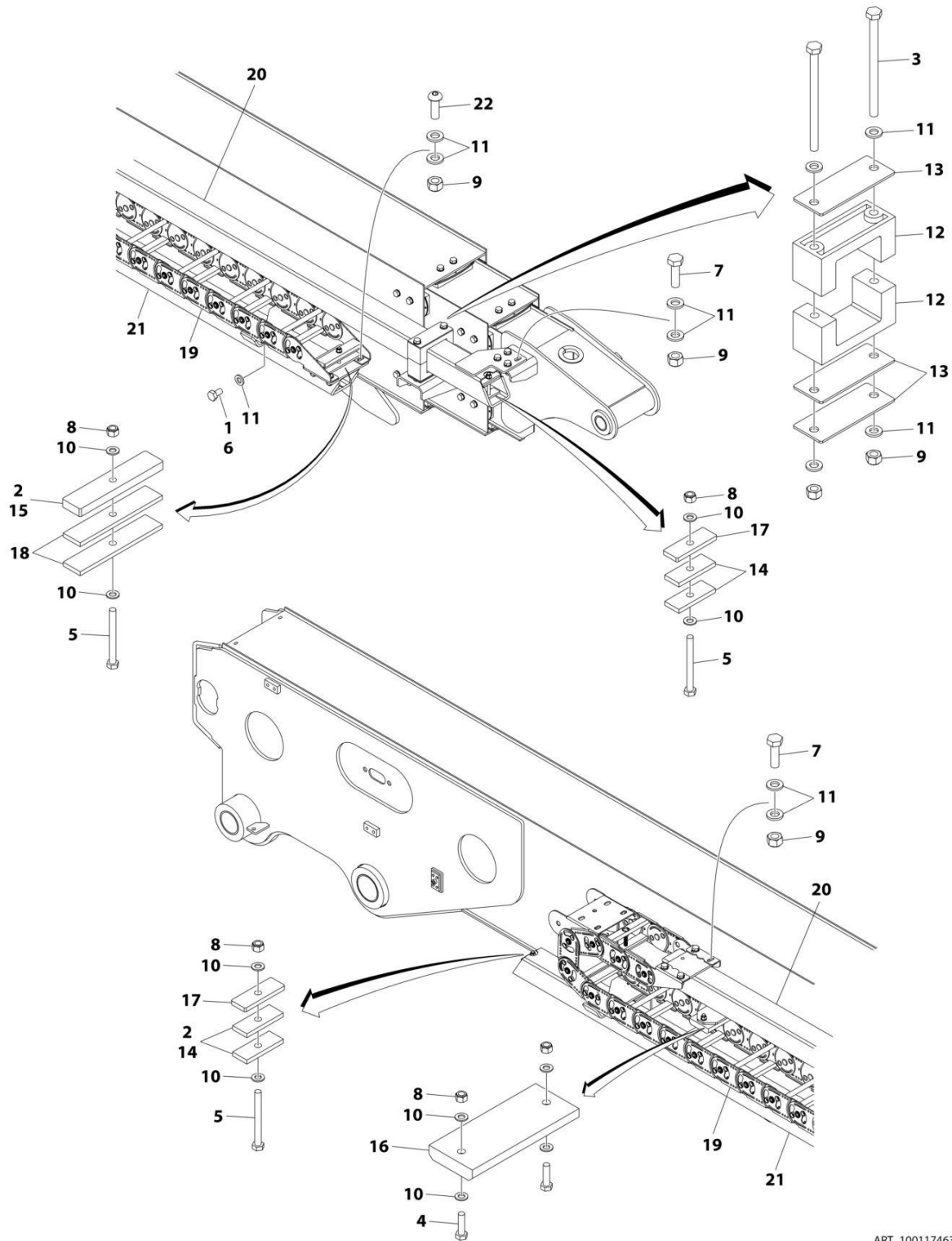
## SECTION 4 - BOOM

**FIGURE 4-7. PLATFORM ROTATOR ASSEMBLY (660SJ HC3)**

ITEM	PART NUMBER	QTY	DESCRIPTION	REV
	1001234811	Ref	ROTATOR ASSEMBLY	B
1	See Note	NSS	Housing/Ring Gear Assembly (Note: Not Available - Purchase Complete Rotator Assembly)	
2	7017162	1	Shaft Weldment	
3	7017163	1	Piston/Sleeve Assembly	
4	7017164	1	Cap, End	
20	See Note	NSS	T-Seal (Note: Use Item 100)	
22	See Note	NSS	T-Seal (Note: Use Item 100)	
24	See Note	NSS	O-Ring (Note: Use Item 100)	
25	See Note	NSS	Seal (Note: Use Item 100)	
26	See Note	NSS	O-Ring (Note: Use Item 100)	
27	See Note	NSS	Ring, Back-up (Note: Use Item 100)	
32	See Note	NSS	Ring, Wear (Note: Use Item 101)	
34	See Note	NSS	Washer, Thrust (Note: Use Item 101)	
41	7017172	AR	Valve Assembly	
41A	7017192	2	Cartridge, Valve	
41A	See Note	NSS	Seal Kit - 7017192 Valve (Note: Not Available for Purchase)	
41B	See Note	3	Bolt 1/4-20NC x 1-1/2 Grade 8 (Note: Not Available - Purchase Locally)	
42	7017195	2	Bushing	
45	0961947	2	Bushing 1IN ID x 1.25IN OD x 5/8IN L	
45	1001134289	2	Bushing 1IN ID x 1.5IN OD x 1IN L	
100	70000342	1	Seal Kit (Includes Items 20, 22, 24, 25, 27 & 33)	
101	7017159	1	Bearing Kit (Includes Items 32 & 34)	
102	7017142	1	Hardware Kit	
103	70001697	4	Screw, Countersunk 1/4 x 3/8 Grade 8	

# SECTION 4 - BOOM

## FIGURE 4-8. POWER TRACK INSTALLATION (600S HC3)



ART\_1001174630\_H



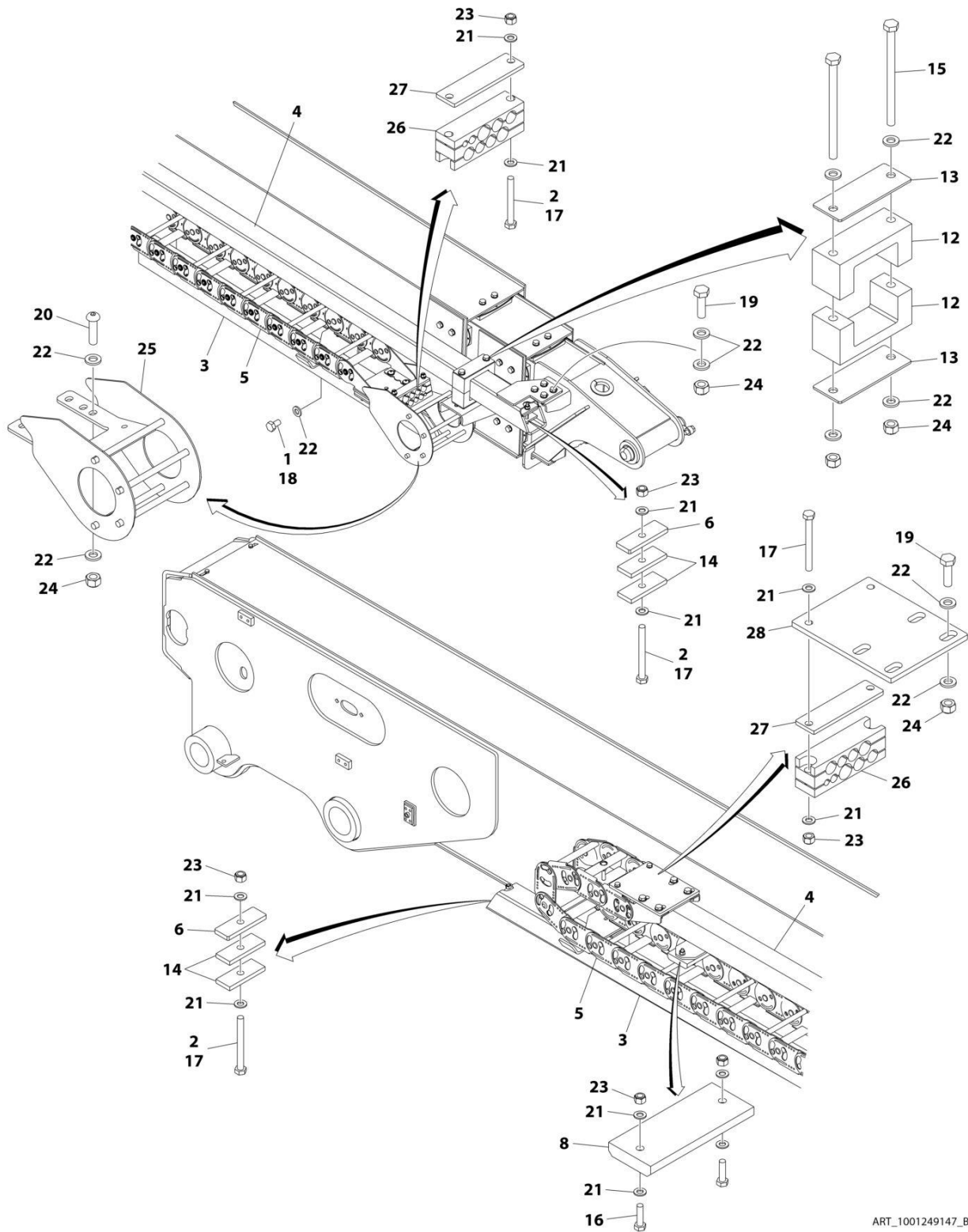
## SECTION 4 - BOOM

**FIGURE 4-8. POWER TRACK INSTALLATION (600S HC3)**

ITEM	PART NUMBER	QTY	DESCRIPTION	REV
	1001174630	Ref	POWER TRACK INSTALLATION	H
1	0100011	AR	Compound, Locking	
2	0100081	AR	Adhesive	
3	0701032	2	Bolt M10 x 150	
4	0760814	2	Bolt M8 x 30	
5	0700823	3	Bolt M8 x 75	
6	0761009	8	Bolt M10 x 18	
7	0761015	8	Bolt M10 x 35	
8	3290805	5	Nut M8	
9	3291005	14	Nut M10	
10	4811900	10	Washer M8	
11	5241000	36	Washer M10	
12	3340764	2	Pad	
13	1001136400	AR	Plate	
14	1001136402	4	Pad	
15	1001136461	1	Plate	
16	3340787	1	Pad, Wear	
17	1001139078	2	Plate	
18	1001151192	2	Pad	
19	1001174631	1	Powertrack Assembly	
19	70005683	AR	Repair Section - Power Track	
19	70005684	1	Mounting Kit - Power Track (Includes Mounting Feet and Hardware)	
20	1001174632	1	Tube, Push	
21	1001174636	1	Support	
22	1001174673	4	Screw M10 x 30	

# SECTION 4 - BOOM

## FIGURE 4-9. POWER TRACK ASSEMBLY (660SJ HC3)



ART\_1001249147\_B

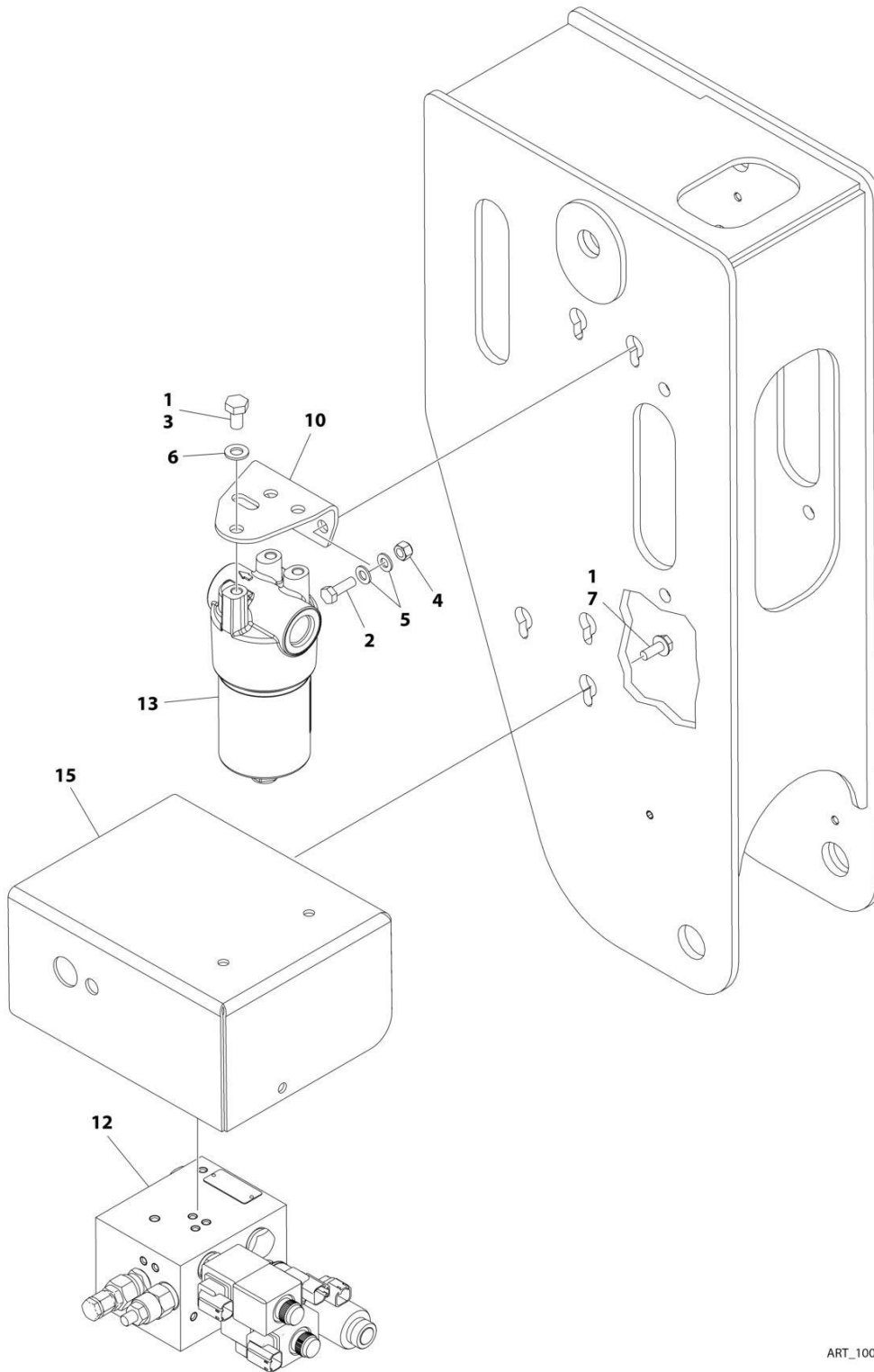
## SECTION 4 - BOOM

**FIGURE 4-9. POWER TRACK ASSEMBLY (660SJ HC3)**

ITEM	PART NUMBER	QTY	DESCRIPTION	REV
	1001249147	Ref	POWER TRACK INSTALLATION	B
1	0100011	AR	Compound, Locking	
2	0100081	AR	Adhesive	
3	1001174636	1	Support	
4	1001174632	1	Tube, Push	
5	1001174631	1	Powertrack Assembly	
5	70005683	AR	Repair Section - Power Track	
5	70005684	1	Mounting Kit - Power Track (Includes Mounting Feet and Hardware)	
6	1001139078	2	Plate	
8	3340787	1	Pad, Wear	
12	1001136398	2	Pad	
13	1001136400	2	Plate	
14	1001136402	4	Pad	
15	0701032	2	Bolt M10 x 150	
16	0760814	2	Bolt M8 x 30	
17	0760824	6	Bolt M8 x 80	
18	0761009	8	Bolt M10 x 18	
19	0761015	8	Bolt M10 x 35	
20	3900394	4	Bolt M10 x 40	
21	4811900	18	Washer M8	
22	5241000	36	Washer M10	
23	3290805	10	Nut M8	
24	3291005	14	Nut M10	
25	1001243755	1	Mount	
26	1001249823	2	Clamp	
27	1001249824	2	Plate, Clamp Block	
28	1001249825	1	Plate	

# SECTION 4 - BOOM

## FIGURE 4-10. VALVE INSTALLATION (600S HC3)



ART\_1001265701\_20F2

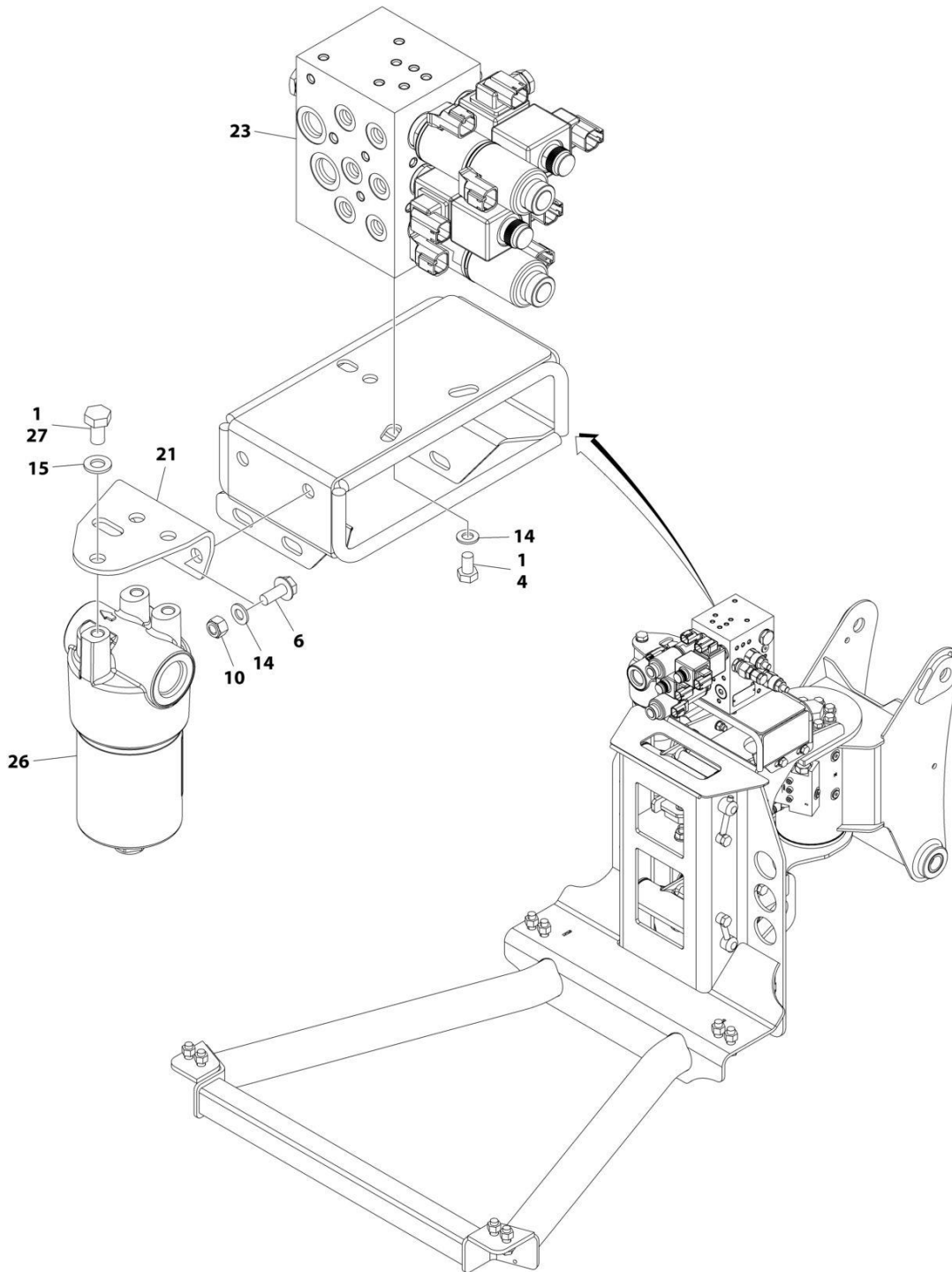
## SECTION 4 - BOOM

**FIGURE 4-10. VALVE INSTALLATION (600S HC3)**

ITEM	PART NUMBER	QTY	DESCRIPTION	REV
	1001265701	Ref	BOOM VALVES INSTALLATION	A
1	0100011	AR	Compound, Locking	
2	0760814	2	Bolt M8 x 30	
3	0761009	6	Bolt M10 x 18	
4	3290805	2	Nut M8	
5	4811900	4	Washer M8	
6	4812000	6	Washer M10	
7	5250810	3	Bolt M8 x 20	
10	1001188302	1	Plate	
12	1001190287	1	Platform Valve Assembly (See Separate Breakdown in this Section)	
13	1001201511	1	Filter, High Pressure	
13	70005335	1	Element, Filter	
13	70005682	1	Repair Kit (Includes Element O-Ring, Bowl O-Ring & Back-up Ring)	
15	1001260460	1	Cover, Valve Weldment	

# SECTION 4 - BOOM

## FIGURE 4-11. BOOM VALVES INSTALLATION (660SJ HC3)



ART\_1001188168\_2OF2

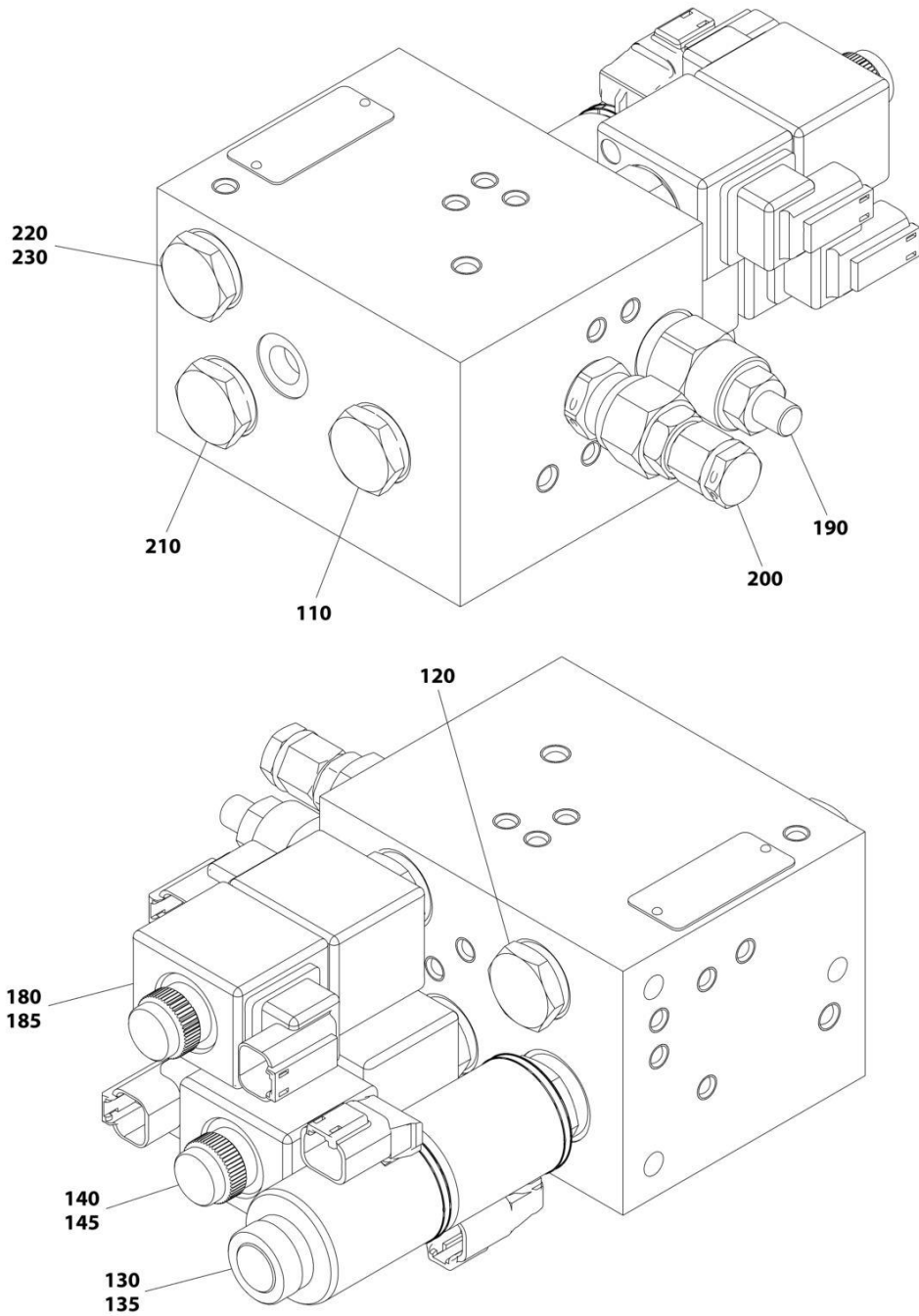
## SECTION 4 - BOOM

**FIGURE 4-11. BOOM VALVES INSTALLATION (660SJ HC3)**

ITEM	PART NUMBER	QTY	DESCRIPTION	REV
	1001188168	Ref	BOOM VALVES INSTALLATION	G
1	0100011	AR	Compound, Locking	
4	0760807	3	Bolt M8 x 14	
6	5250810	2	Bolt M8 x 20	
10	3290805	2	Nut M8	
14	4811900	5	Washer M8	
15	4812000	3	Washer M10	
21	1001188302	1	Plate	
23	1001190286	1	Platform Valve Assembly (See Separate Breakdown in this Section)	
26	1001201511	1	Filter, High Pressure	
26	70005335	1	Element, Filter	
26	70005682	1	Repair Kit (Includes Element O-Ring, Bowl O-Ring & Back-up Ring)	
27	0761009	3	Bolt M10 x 18	

# SECTION 4 - BOOM

## FIGURE 4-12. PLATFORM VALVE ASSEMBLY (600S HC3)



ART\_1001190287



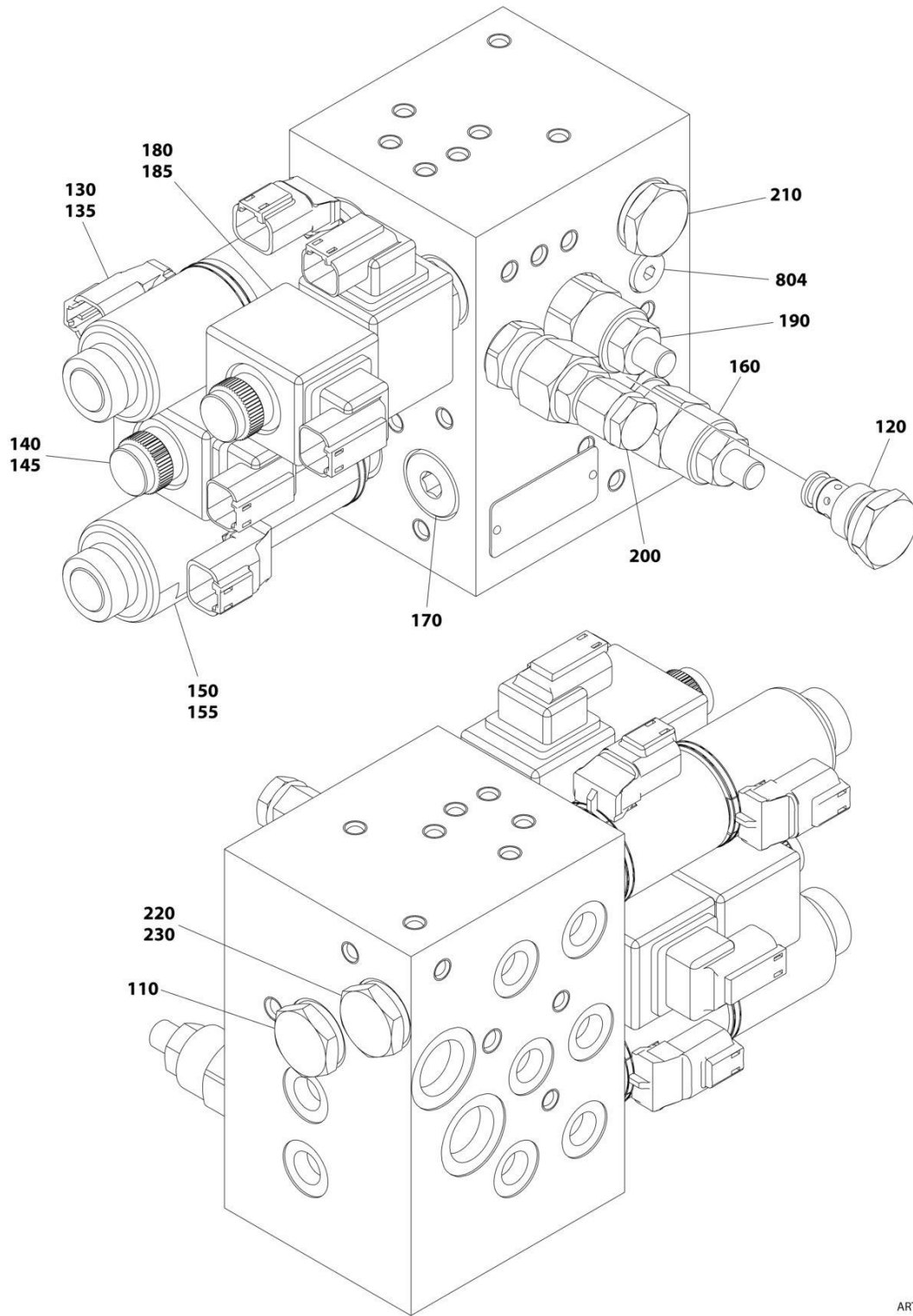
**SECTION 4 - BOOM**

**FIGURE 4-12. PLATFORM VALVE ASSEMBLY (600S HC3)**

ITEM	PART NUMBER	QTY	DESCRIPTION	REV
	1001190287	Ref	PLATFORM VALVE ASSEMBLY	E
110	70005951	1	Valve, Check	
110	70004052	1	Seal Kit - 70005951 Valve	
120	70003027	1	Valve, Flow/Pressure Control	
120	70004052	1	Seal Kit - 70003027 Valve	
130	70006121	1	Valve, Solenoid (Platform Level)	
130	70006116	1	Seal Kit - 70006121 Valve	
135	70006122	2	Coil	
140	70005627	1	Valve, Solenoid (Platform Swing)	
140	70004053	1	Seal Kit - 70005627 Valve	
140	70006123	1	Coil Nut & Pole Tube O-Ring Kit	
145	70004653	2	Coil	
180	70006124	1	Valve, Solenoid	
180	70023862	1	Seal Kit - 70006124 Valve	
180	70006123	1	Coil Nut & Pole Tube O-Ring Kit	
185	70004653	2	Coil	
190	70003019	1	Valve, Relief	
190	70004052	1	Seal Kit - 70003019 Valve	
200	70006125	1	Valve, Relief	
200	70006126	1	Seal Kit - 70006125 Valve	
210	70005952	1	Valve, Check	
210	70004052	1	Seal Kit - 70005952 Valve	
220	7022524	1	Orifice 0.5mm	
230	70005952	1	Valve, Check	
230	70004052	1	Seal Kit - 70005952 Valve	

# SECTION 4 - BOOM

## FIGURE 4-13. PLATFORM VALVE ASSEMBLY (660SJ HC3)



ART\_1001190286

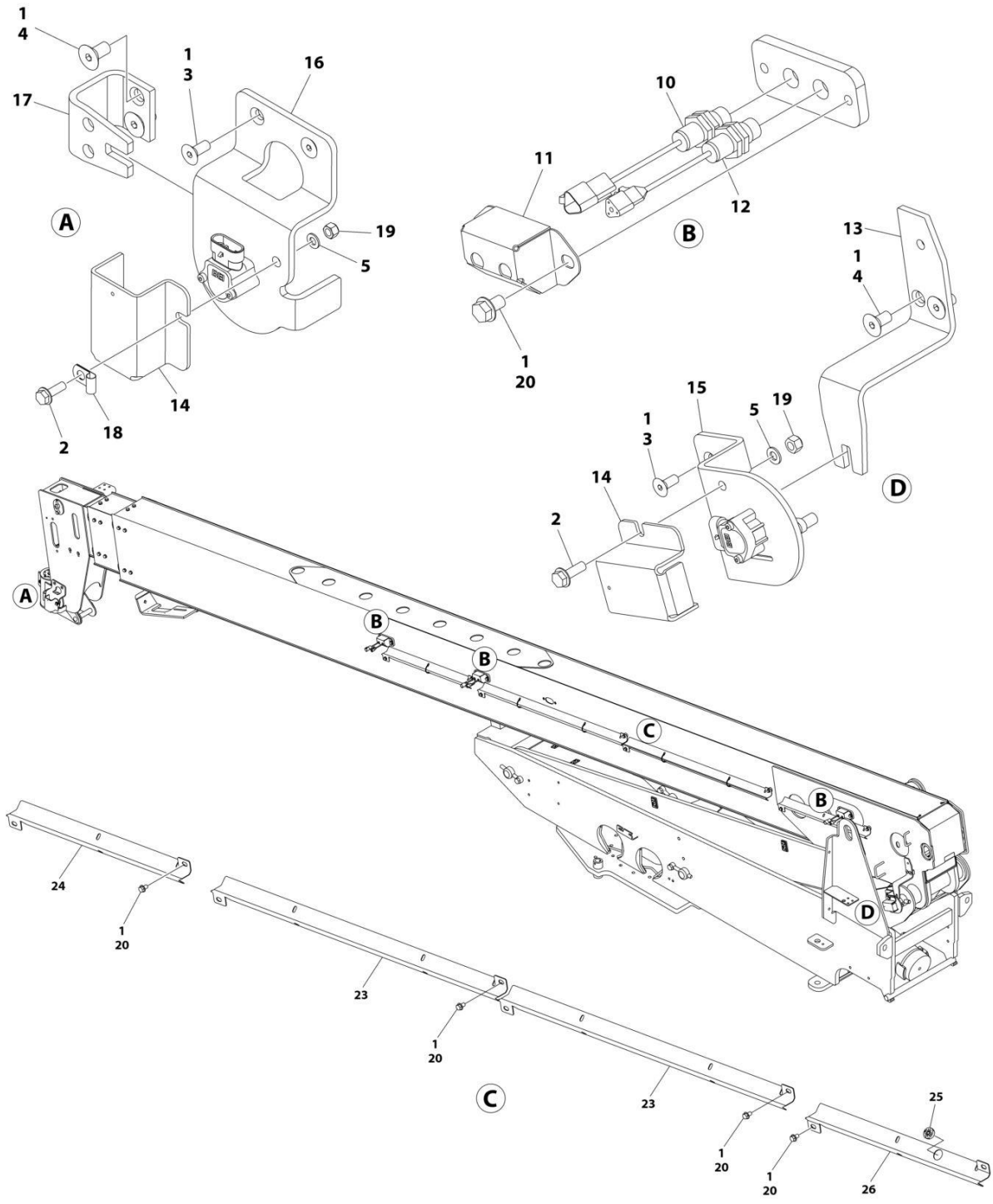
**SECTION 4 - BOOM**

**FIGURE 4-13. PLATFORM VALVE ASSEMBLY (660SJ HC3)**

ITEM	PART NUMBER	QTY	DESCRIPTION	REV
	1001190286	Ref	PLATFORM VALVE ASSEMBLY	D
110	70005951	1	Valve, Check	
110	70004052	1	Seal Kit - 70005951 Valve	
120	70003027	1	Valve, Flow/Pressure Control	
120	70004052	1	Seal Kit - 70003027 Valve	
130	70006121	1	Valve, Solenoid (Platform Level)	
130	70006116	1	Seal Kit - 70006121 Valve	
135	70006122	2	Coil	
140	70005627	1	Valve, Solenoid (Platform Swing)	
140	70004053	1	Seal Kit - 70005627 Valve	
140	70006123	1	Coil Nut & Pole Tube O-Ring Kit	
145	70004653	2	Coil	
150	70006121	1	Valve, Solenoid (JIB Up/Down)	
150	70006116	1	Seal Kit - 70006121 Valve	
155	70006122	2	Coil	
160	70003019	1	Valve, Relief	
160	70004052	1	Seal Kit - 70003019 Valve	
170	70004613	1	Valve, Relief	
170	70023860	1	Seal Kit - 70004613 Valve	
180	70006124	1	Valve, Solenoid	
180	70023862	1	Seal Kit - 70006124 Valve	
180	70006123	1	Coil Nut & Pole Tube O-Ring Kit	
185	70004653	2	Coil	
190	70003019	1	Valve, Relief	
190	70004052	1	Seal Kit - 70003019 Valve	
200	70006125	1	Valve, Relief	
200	70006126	1	Seal Kit - 70006125 Valve	
210	70005952	1	Valve, Check	
210	70004052	1	Seal Kit - 70003019 Valve	
220	7022524	1	Orifice 0.5mm	
230	70005952	1	Valve, Check	
230	70004052	1	Seal Kit - 70005952 Valve	
804	70005200	1	Plug	

# SECTION 4 - BOOM

## FIGURE 4-14. BOOM SENSORS INSTALLATION (600S HC3)



ART\_1001234585\_E

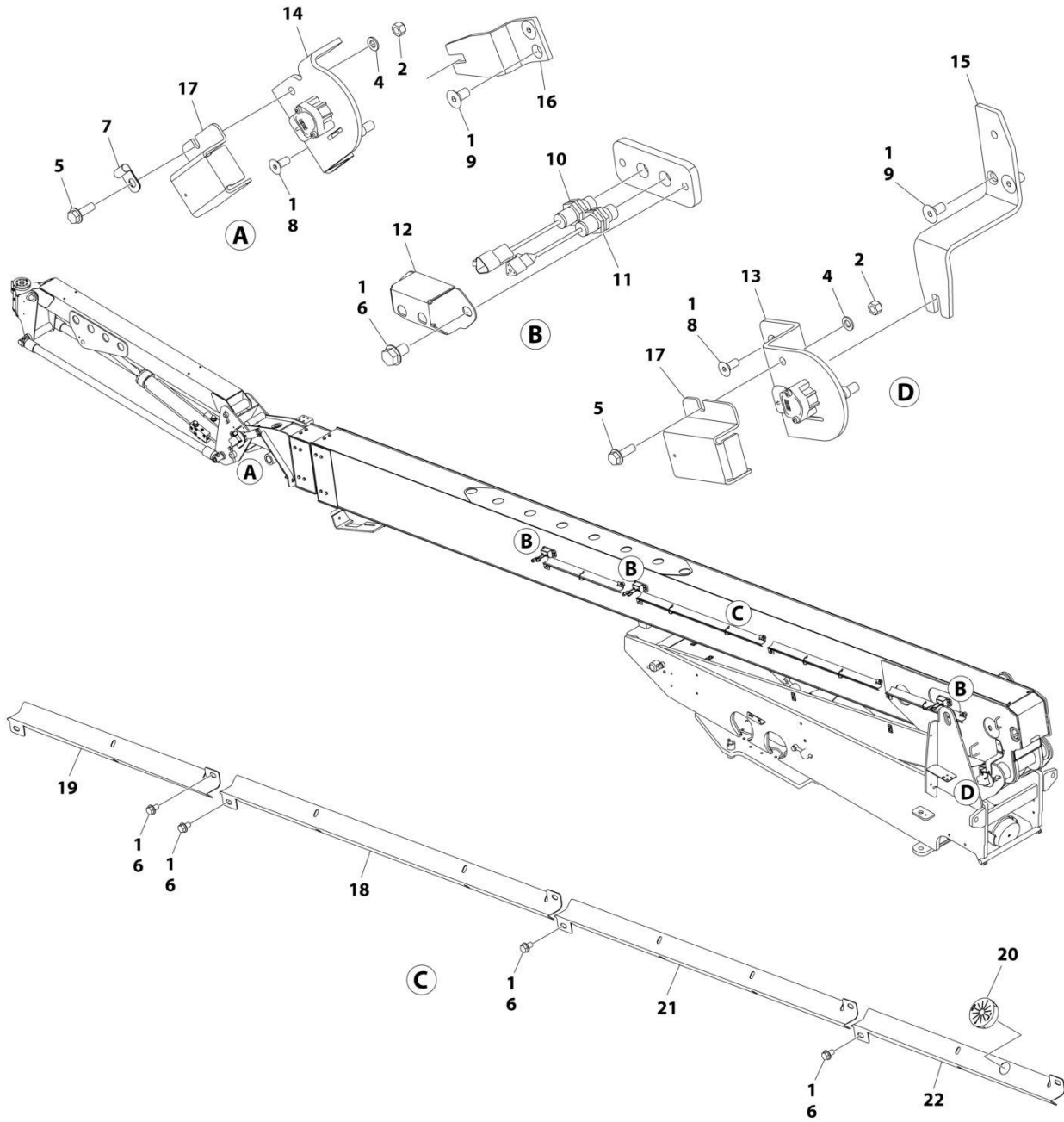
## SECTION 4 - BOOM

**FIGURE 4-14. BOOM SENSORS INSTALLATION (600S HC3)**

ITEM	PART NUMBER	QTY	DESCRIPTION	REV
	1001234585	Ref	BOOM SENSORS INSTALLATION	E
1	0100011	AR	Compound, Locking	
2	5250812	2	Bolt M8 x 25	
3	1001137125	4	Screw M8 x 20	
4	1001155441	4	Screw M10 x 20 Grade 10.9	
5	4811900	2	Washer M8	
10	1001170847	3	Sensor, Proximity	
11	1001204715	3	Bracket	
12	1001182570	3	Sensor, Proximity	
13	1001211585	1	Plate	
14	1001211588	2	Shield	
15	1001211577	1	Sensor (Lower)	
15	4010303	1	Screw Posi-drive M3 x 6	
15	1001204939	1	Sensor, Angle	
15	1001211580	1	Bracket	
15	1001211582	1	Link, Angle Sensor Arm	
16	1001211578	1	Sensor (Upper)	
16	4010303	1	Screw Posi-drive M3 x 6	
16	1001191020	1	Sensor, Angle	
16	1001211581	1	Bracket	
16	1001211583	1	Link, Angle Sensor Arm	
17	1001211586	1	Plate	
18	8406003	1	Clip	
19	3290805	2	Nut M8	
20	5251008	14	Bolt M10 x 16	
21	4240033	7	Tie-Strap (Not Shown)	
23	1001238138	2	Angle	
24	1001238327	1	Angle	
25	1001169085	1	Grommet	
26	1001257436	1	Shield, Sensor Cable	

# SECTION 4 - BOOM

## FIGURE 4-15. BOOM SENSORS INSTALLATION (660SJ HC3)



ART\_1001245308

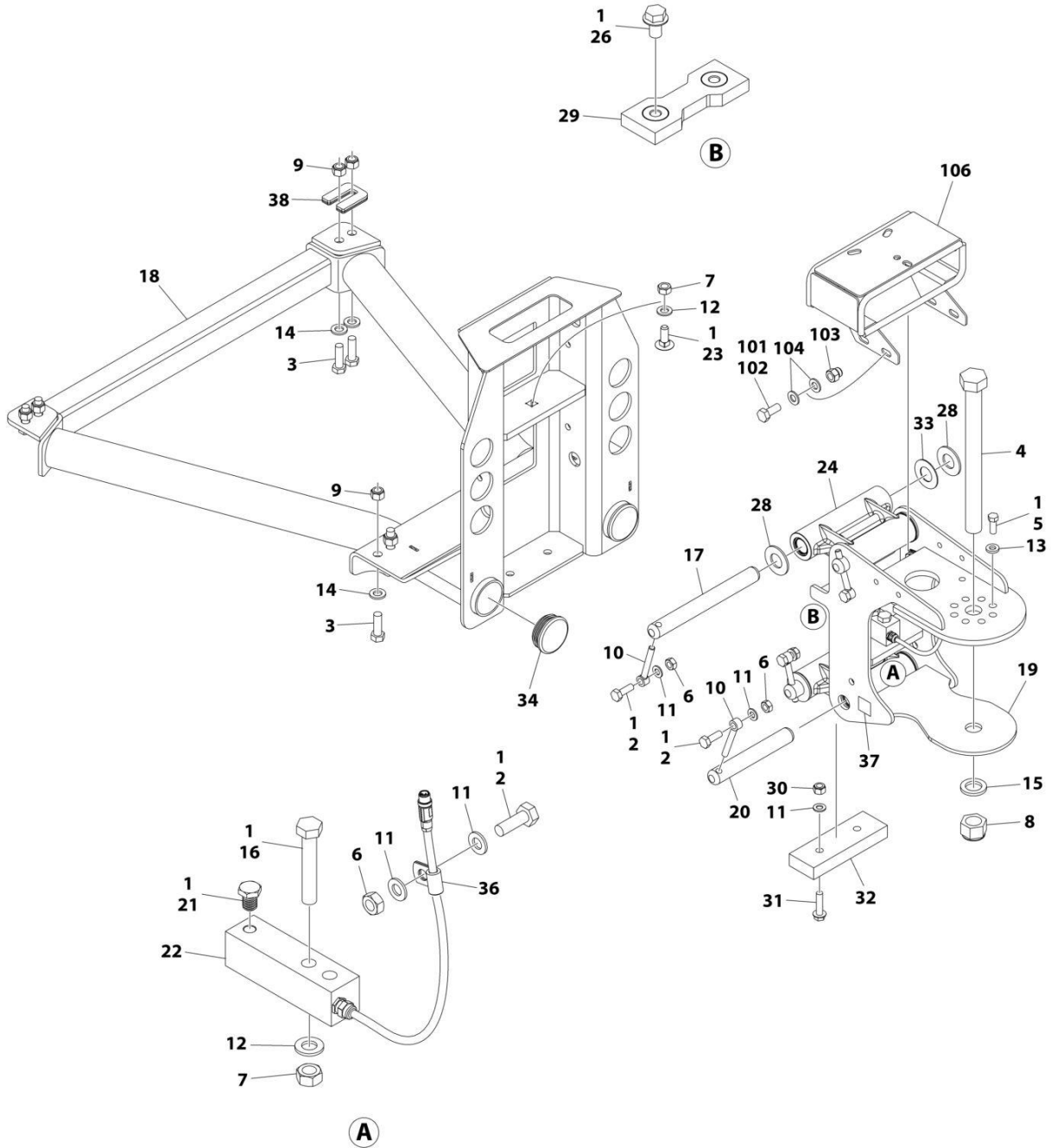
## SECTION 4 - BOOM

**FIGURE 4-15. BOOM SENSORS INSTALLATION (660SJ HC3)**

ITEM	PART NUMBER	QTY	DESCRIPTION	REV
	1001245308	Ref	BOOM SENSORS INSTALLATION	C
1	0100011	AR	Compound, Locking	
2	3290805	2	Nut M8	
3	4240033	7	Tie-Strap (Not Shown)	
4	4811900	2	Washer M8	
5	5250812	2	Bolt M8 x 25	
6	5251008	14	Bolt M10 x 16	
8	1001137125	4	Screw M8 x 20	
7	8406003	1	Clip	
9	1001155441	4	Screw M10 x 20 Grade 10.9	
10	1001170847	3	Sensor, Proximity	
11	1001182570	3	Sensor, Proximity	
12	1001204715	3	Bracket	
13	1001211577	1	Sensor (Lower)	
13	4010303	1	Screw Posi-drive M3 x 6	
13	1001204939	1	Sensor angle	
13	1001211580	1	Bracket	
13	1001211582	1	Link, Angle Sensor Arm	
14	1001211579	1	Sensor (Upper)	
14	4010303	1	Screw Posi-drive M3 x 6	
14	1001191020	1	Sensor angle	
14	1001211581	1	Bracket	
14	1001211584	1	Link, Angle Sensor Arm	
15	1001211585	1	Plate	
16	1001211587	1	Plate	
17	1001211588	2	Shield	
18	1001238138	1	Angle	
19	1001238327	1	Angle	
20	1001169085	1	Grommet	
21	1001247453	1	Angle	
22	1001257436	1	Shield	

# SECTION 4 - BOOM

## FIGURE 4-16. PLATFORM SUPPORT INSTALLATION



ART\_1001167596\_N



## SECTION 4 - BOOM

**FIGURE 4-16. PLATFORM SUPPORT INSTALLATION**

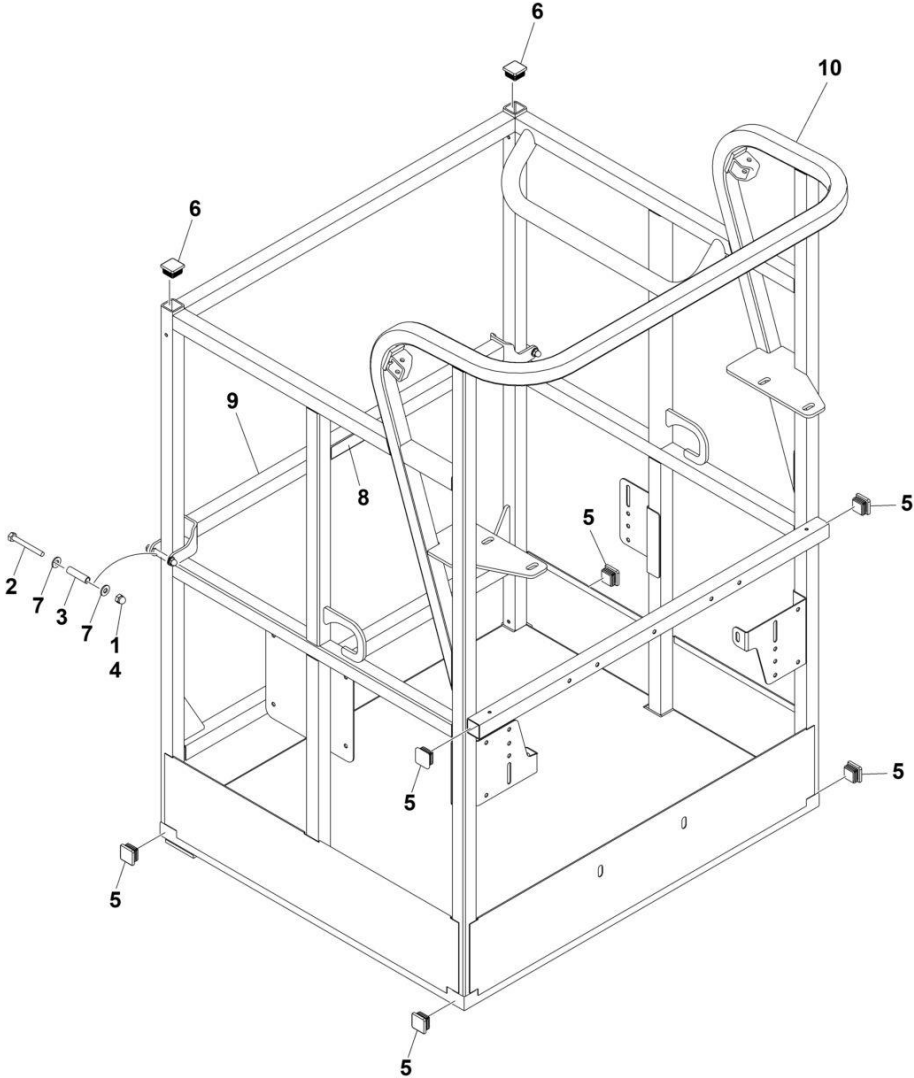
ITEM	PART NUMBER	QTY	DESCRIPTION	REV
	1001167596	Ref	PLATFORM SUPPORT INSTALLATION	N
1	0100011	AR	Compound, Locking	
2	0761014	5	Bolt M10 x 30	
3	0761216	8	Bolt M12 x 40	
4	1001255133	1	Bolt 1 x 11 GRD8	
5	0681608	8	Bolt 3/8 x 1 GRD8	
6	3291001	5	Nut M10	
7	3291201	3	Nut M12	
8	1001174040	1	Nut 1	
9	3291205	8	Nut M12	
10	3841143	4	Keeper, Pin	
11	4812000	8	Washer M10	
12	4812100	3	Washer M12	
13	4891600	8	Washer 3/8	
14	5241200	8	Washer M12	
15	4892600001	1	Washer 1	
16	1001098828	2	Bolt M12 x 70 CL10.9	
17	1001167565	2	Pin	
18	1001200494	1	Support, Platform	
19	1001167567	1	Support, Rotator	
20	1001168402	2	Pin	
21	1001188622	1	Screw	
22	1001247468	1	Loadcell	
23	1001188844	1	Bolt M12 x 35	
24	1001201351	2	Link	
24	1001187382	4	Bearing	
24	1001187383	4	Seal	
26	5251008	2	Bolt M10 x 16 CL10.9	
28	1001189002	8	Bearing	
29	1001190985	1	Pad, Wear	
30	3291005	2	Nut M10	
31	5251016	2	Bolt M10 x 40 CL10.9	
32	1001200491	1	Pad, Wear	
33	1001189001	4	Bearing	
34	1001204725	2	Plug	
36	91203039	1	Clamp	
37	1001216630	2	Decal - Tie Down/No Lift	
38	1001238421	Ref	Kit, Platform Leveling (Not Shown)	
	1001202687	Ref	VALVE MOUNT INSTALLATION	B
101	0100011	AR	Compound, Locking	
102	0760810	4	Bolt M8 x 20	
103	3290806	4	Nut M8	
104	4811900	8	Washer M8	
106	1001208994	1	Mount, Valve	



**SECTION 5 - PLATFORM**

**SECTION 5 - PLATFORM**

**FIGURE 5-1. PLATFORM ASSEMBLY - 30IN X 3FT (76CM X .91M) - DROP BAR ENTRY**



ART\_1001228215

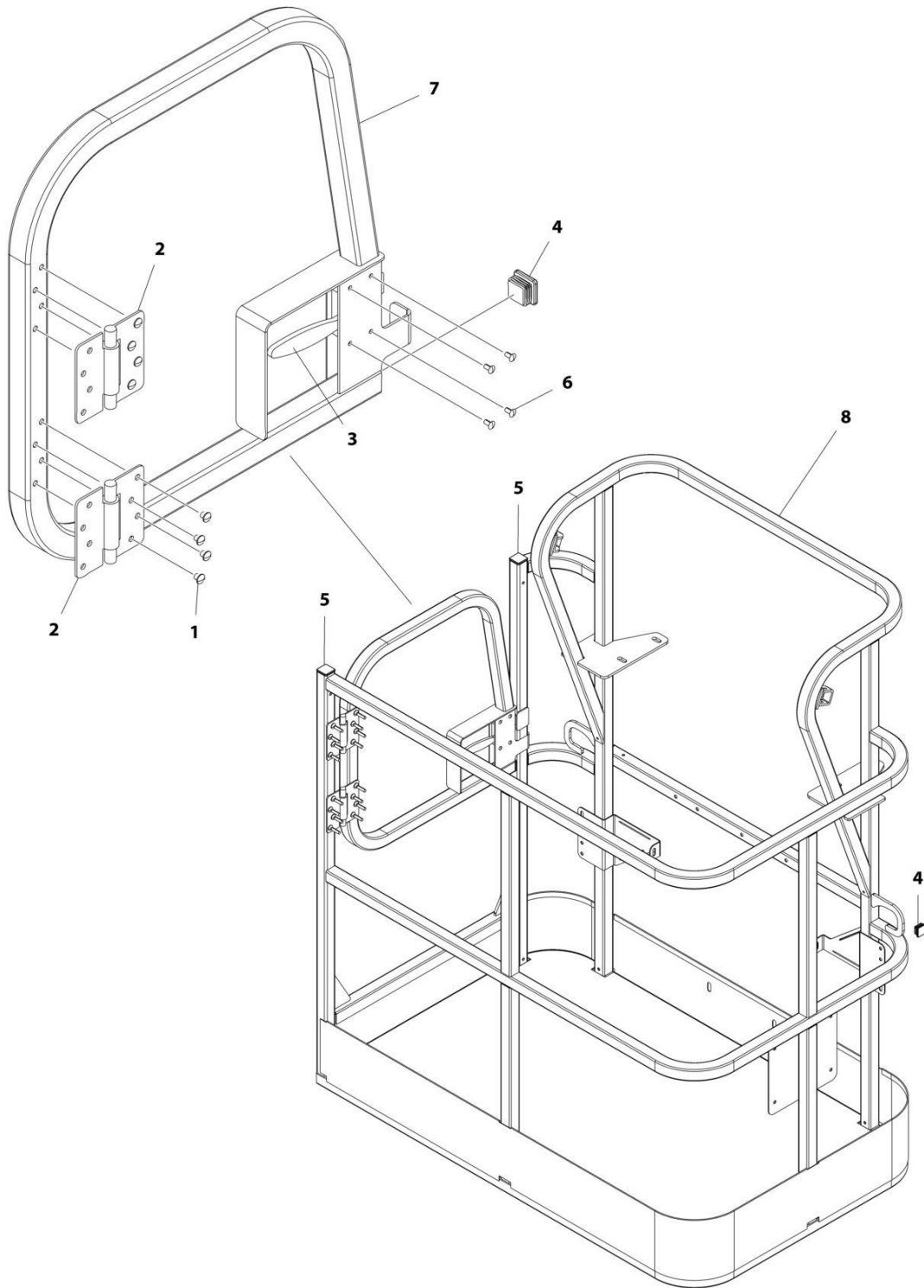
## SECTION 5 - PLATFORM

**FIGURE 5-1. PLATFORM ASSEMBLY - 30IN X 3FT (76CM X .91M) - DROP BAR ENTRY**

ITEM	PART NUMBER	QTY	DESCRIPTION	REV
	1001228215	Ref	PLATFORM ASSEMBLY	A
	See Note	Ref	Note: Platform and Mesh must be ordered separately for Platforms with Mesh. See SPECIAL OPTIONS SECTION for Mesh Installations.	
	See Note	Ref	Note: Replacement Decals Must be Ordered Separately - See DECAL SECTION.	
1	0100011	AR	Compound, Locking	
2	0641418	2	Bolt 1/4 x 2-1/4	
3	0961845	2	Bushing	
4	3300151	2	Nut 1/4	
5	3520072	6	Cap, Plug	
6	3520198	2	Cap, Plug	
7	4711400	4	Washer 1/4	
8	1001140429	1	Decal - Drop Bar	
9	1001226872	1	Bar, Drop	
10	See Note	NSS	Platform (Note: Not Available - Purchase Platform Assembly)	

# SECTION 5 - PLATFORM

FIGURE 5-2. PLATFORM ASSEMBLY - 30IN X 4FT (76CM X 1.22M) WITH SWING GATE



ART\_1001186387

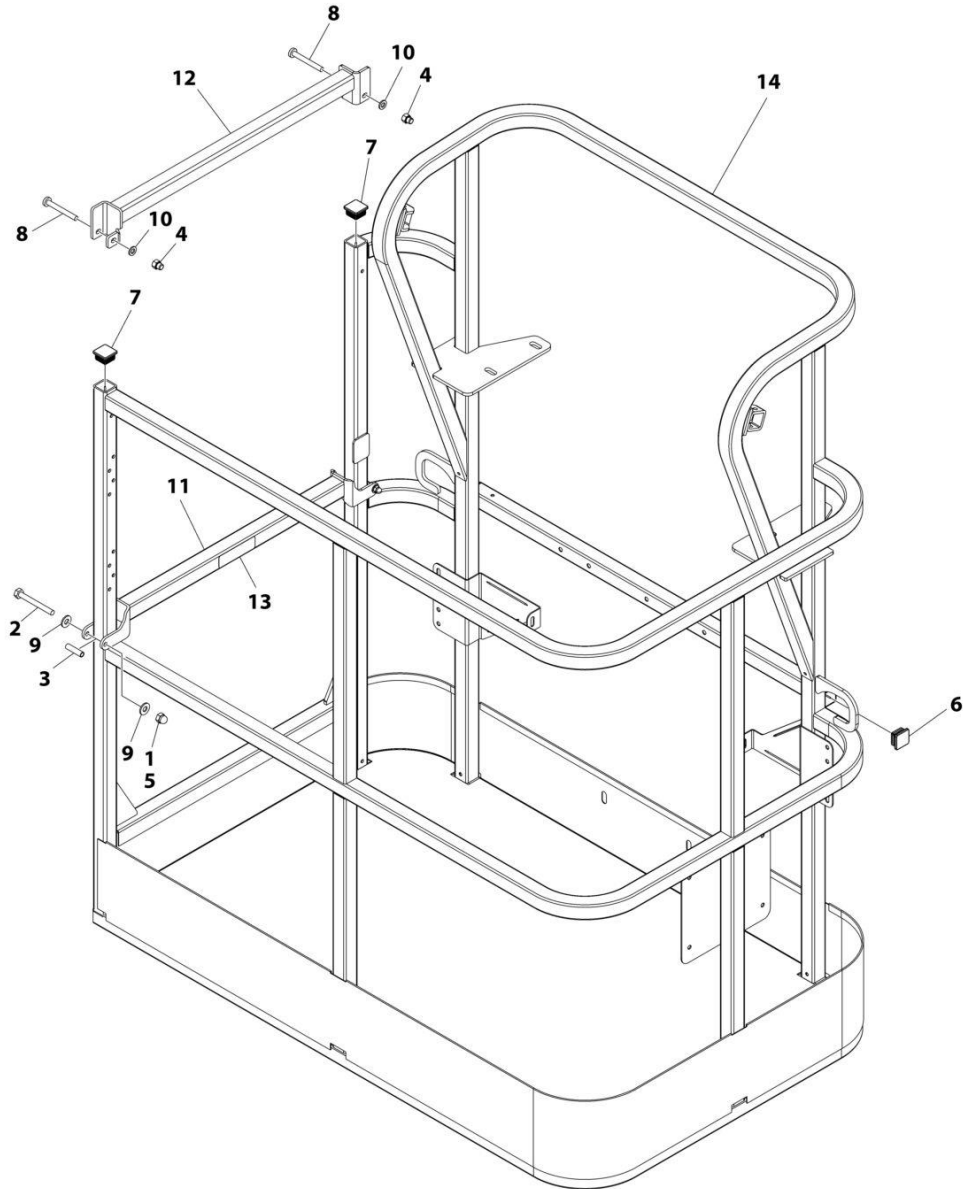
## SECTION 5 - PLATFORM

**FIGURE 5-2. PLATFORM ASSEMBLY - 30IN X 4FT (76CM X 1.22M) WITH SWING GATE**

ITEM	PART NUMBER	QTY	DESCRIPTION	REV
	1001186387	Ref	PLATFORM ASSEMBLY	C
		Ref	Note: Platform and Mesh must be ordered separately for Platforms with Mesh. See SPECIAL OPTIONS SECTION for Mesh Installations.	
		Ref	Note: Replacement Decals Must be Ordered Separately - See DECALS SECTION.	
1	2080040	16	Fastener, Huck	
2	2600281	2	Hinge, Self-Closing	
3	2940074	1	Latch	
4	3520072	3	Plug	
5	3520198	2	Plug	
6	3820020	4	Rivet	
7	1001144629	1	Gate	
8	See Note	1	Platform (Note: Not Available - Purchase Platform Assembly)	

# SECTION 5 - PLATFORM

FIGURE 5-3. PLATFORM ASSEMBLY - 30IN X 4FT (76CM X 1.22M) WITH DROP BAR



ART\_1001186375



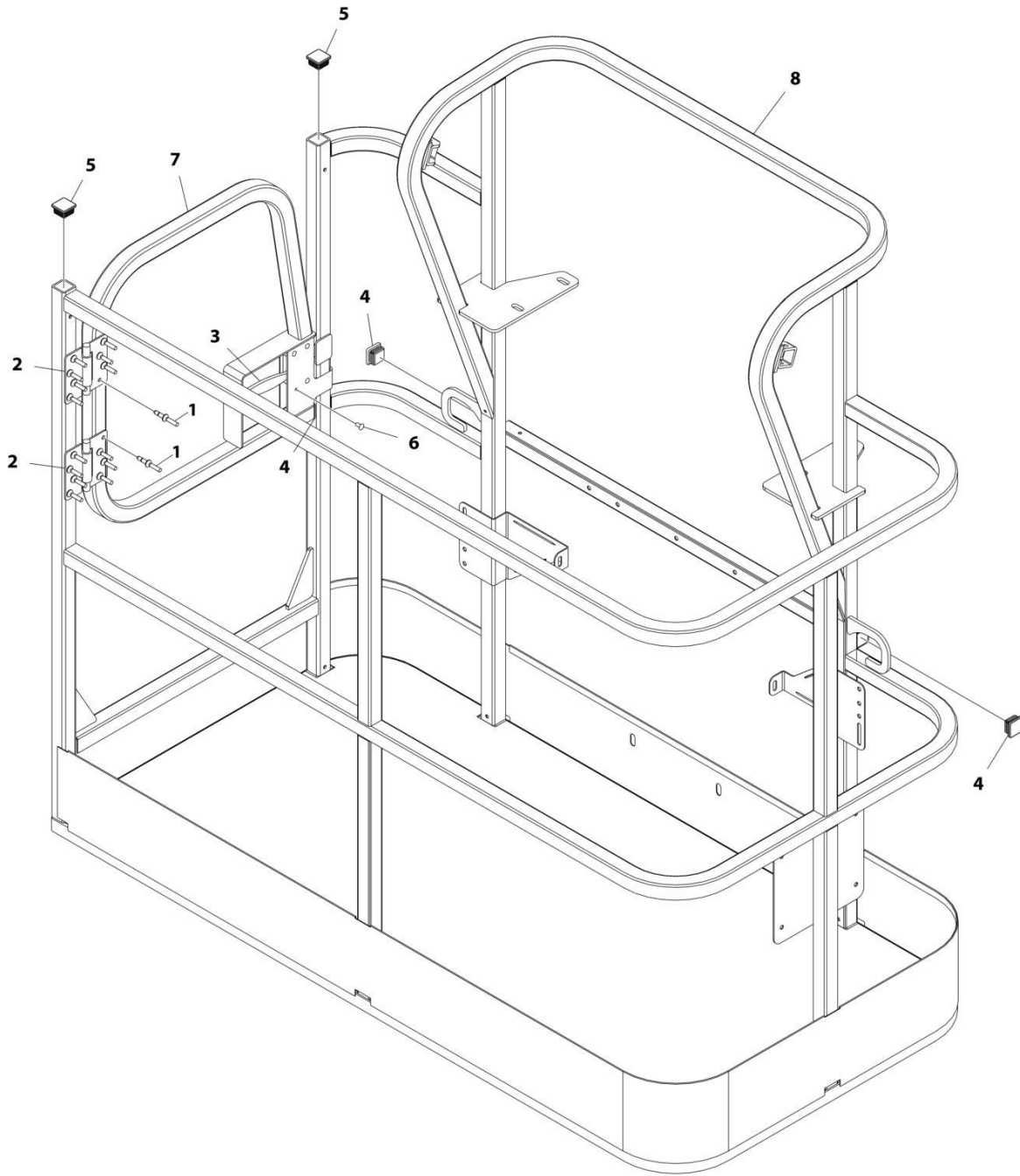
## SECTION 5 - PLATFORM

**FIGURE 5-3. PLATFORM ASSEMBLY - 30IN X 4FT (76CM X 1.22M) WITH DROP BAR**

ITEM	PART NUMBER	QTY	DESCRIPTION	REV
	1001186375	Ref	PLATFORM ASSEMBLY	B
		Ref	Note: Platform and Mesh must be ordered separately for Platforms with Mesh. See SPECIAL OPTIONS SECTION for Mesh Installations.	
		Ref	Note: Replacement Decals Must be Ordered Separately - See DECALS SECTION.	
1	0100011	AR	Compound, Locking	
2	0641418	2	Bolt 1/4 x 2-1/4	
3	0961845	2	Bushing	
4	3290606	2	Nut M6	
5	3300151	2	Nut 1/4	
6	3520072	2	Plug	
7	3520198	2	Plug	
8	4010618	2	Screw M6 x 50	
9	4711400	4	Washer 1/4	
10	4811700	2	Washer M6	
11	1001138494	1	Bar, Drop	
12	1001138514	1	Rail - Top	
13	1001140429	1	Decal - Drop Bar	
14	See Note	1	Platform (Note: Not Available - Purchase Platform Assembly)	

# SECTION 5 - PLATFORM

FIGURE 5-4. PLATFORM ASSEMBLY - 30IN X 5FT (76CM X 1.52M) WITH SWING GATE



ART\_1001186386

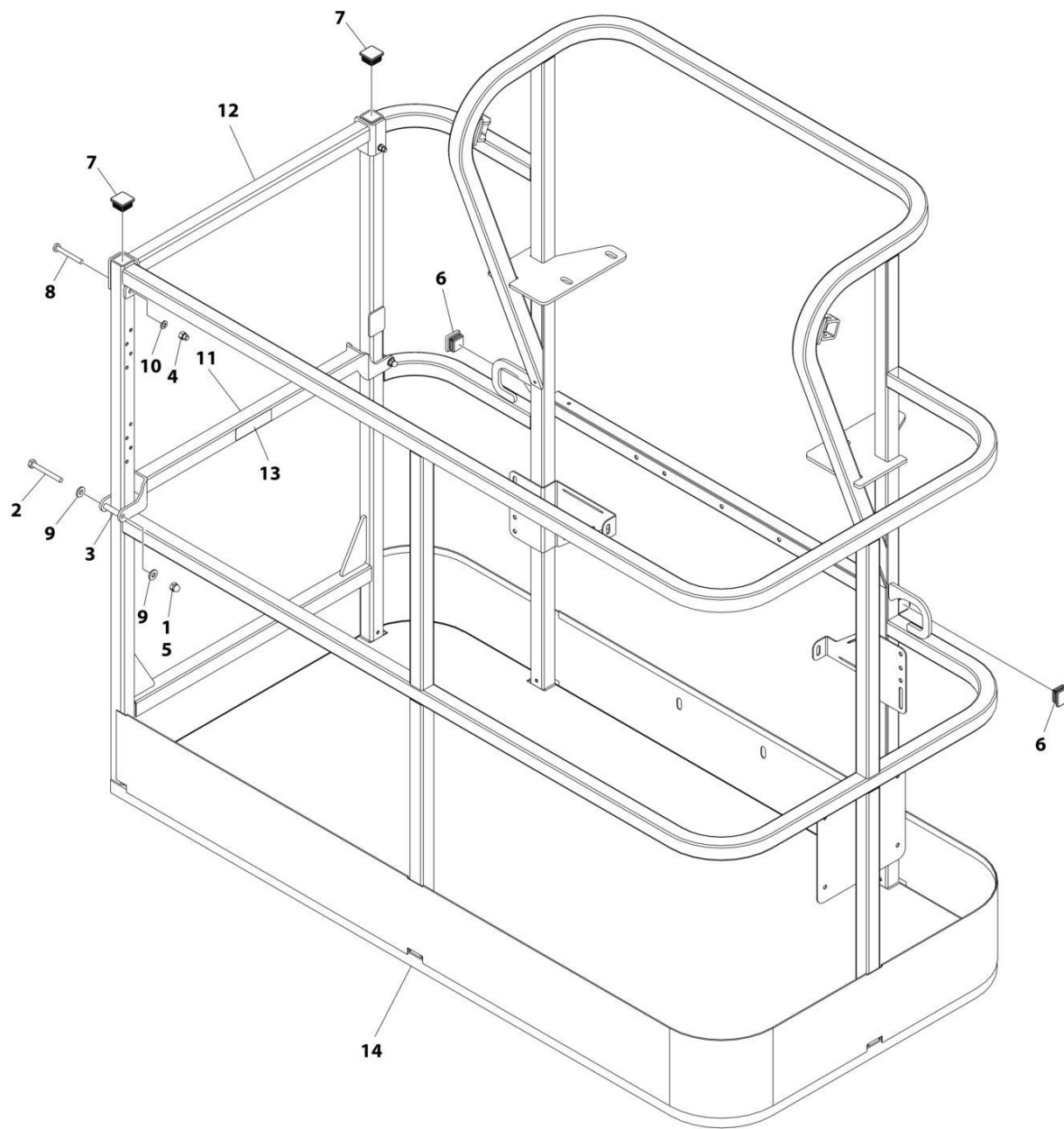
## SECTION 5 - PLATFORM

**FIGURE 5-4. PLATFORM ASSEMBLY - 30IN X 5FT (76CM X 1.52M) WITH SWING GATE**

ITEM	PART NUMBER	QTY	DESCRIPTION	REV
	1001186386	Ref	PLATFORM ASSEMBLY	C
		Ref	Note: Platform and Mesh must be ordered separately for Platforms with Mesh. See SPECIAL OPTIONS SECTION for Mesh Installations.	
		Ref	Note: Replacement Decals Must be Ordered Separately - See DECALS SECTION.	
1	2080040	16	Fastener, Huck	
2	2600281	2	Hinge, Self-Closing	
3	2940074	1	Latch	
4	3520072	3	Plug	
5	3520198	2	Plug	
6	3820020	4	Rivet	
7	1001144629	1	Gate	
8	See Note	NSS	Platform (Note: Not Available - Purchase Platform Assembly)	

# SECTION 5 - PLATFORM

FIGURE 5-5. PLATFORM ASSEMBLY - 30IN X 5FT (76CM X 1.52M) WITH DROP BAR



ART\_1001186377

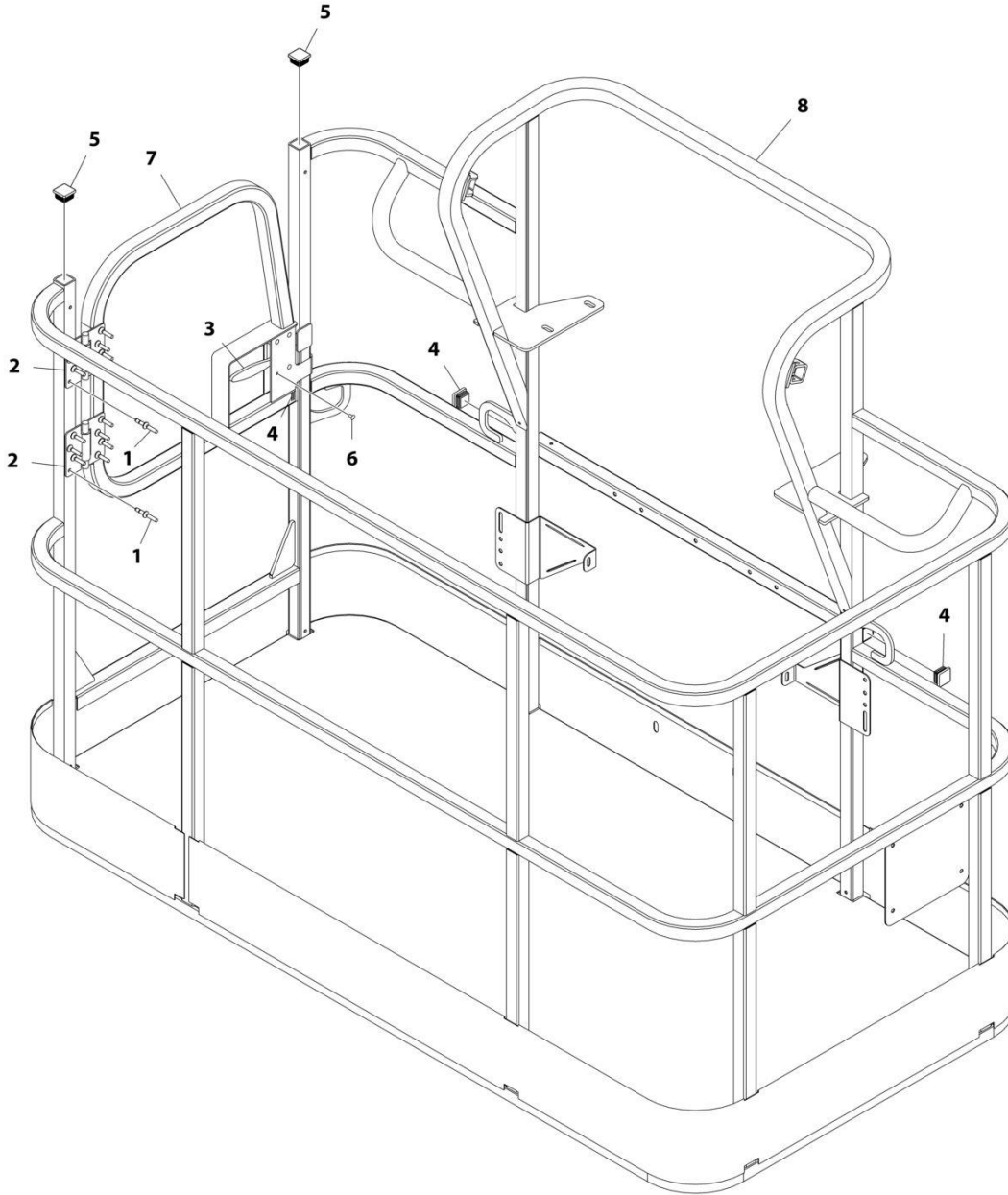
## SECTION 5 - PLATFORM

**FIGURE 5-5. PLATFORM ASSEMBLY - 30IN X 5FT (76CM X 1.52M) WITH DROP BAR**

ITEM	PART NUMBER	QTY	DESCRIPTION	REV
	1001186377	Ref	PLATFORM ASSEMBLY	C
		Ref	Note: Platform and Mesh must be ordered separately for Platforms with Mesh. See SPECIAL OPTIONS SECTION for Mesh Installations.	
		Ref	Note: Replacement Decals Must be Ordered Separately - See DECALS SECTION.	
1	0100011	AR	Compound, Locking	
2	0641420	2	Bolt 1/4 x 2-1/2	
3	0961845	2	Bushing	
4	3290606	2	Nut M6	
5	3300151	2	Nut 1/4	
6	3520072	2	Plug	
7	3520198	2	Plug	
8	4010618	2	Screw M6 x 50	
9	4711400	4	Washer 1/4	
10	4811700	2	Washer M6	
11	1001138494	1	Bar, Drop	
12	1001138514	1	Rail (Top)	
13	1001140429	1	Decal - Drop Bar	
14	See Note	NSS	Platform (Note: Not Available - Purchase Platform Assembly)	

# SECTION 5 - PLATFORM

FIGURE 5-6. PLATFORM ASSEMBLY - 36IN X 6FT (91.5CM X 1.83M) WITH SWING GATE



ART\_1001186384

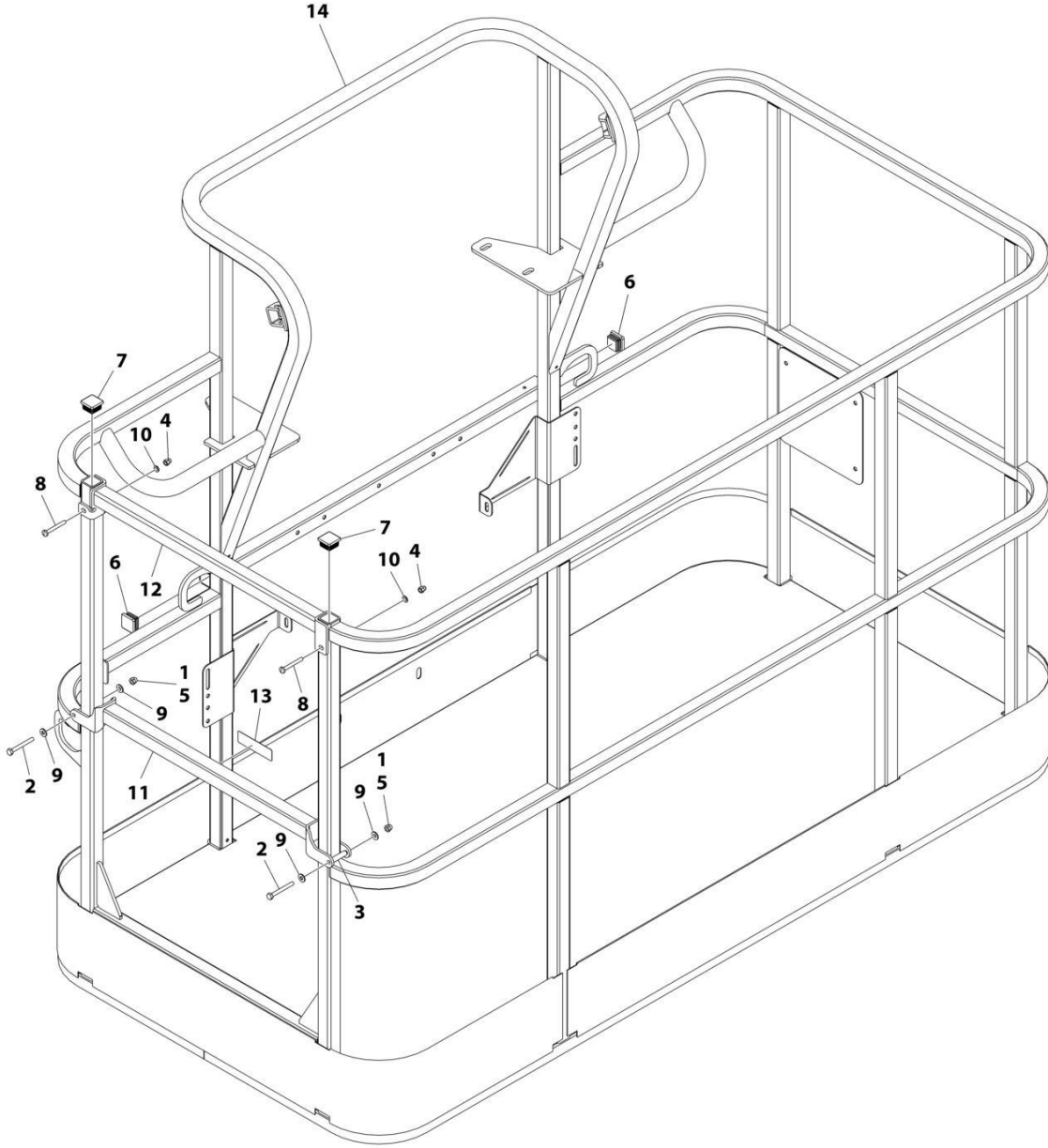
## SECTION 5 - PLATFORM

**FIGURE 5-6. PLATFORM ASSEMBLY - 36IN X 6FT (91.5CM X 1.83M) WITH SWING GATE**

ITEM	PART NUMBER	QTY	DESCRIPTION	REV
	1001186384	Ref	PLATFORM ASSEMBLY - 36IN X 6FT (91.5CM X 1.83M) WITH SWING GATE	C
	See Note	Ref	Note: Platform and Mesh must be ordered separately for Platforms with Mesh. See SPECIAL OPTIONS SECTION for Mesh Installations.	
	See Note	Ref	Note: Replacement Decals Must be Ordered Separately - See DECALS SECTION.	
1	2080040	16	Fastener, Huck	
2	2600281	2	Hinge	
3	2940074	1	Latch	
4	3520072	3	Plug	
5	3520198	2	Plug	
6	3820020	4	Rivet	
7	1001144629	1	Gate	
8	See Note	NSS	Platform (Note: Not Available - Purchase Platform Assembly)	

# SECTION 5 - PLATFORM

FIGURE 5-7. PLATFORM ASSEMBLY - 36IN X 6FT (91.5CM X 1.83M) WITH DROP BAR



ART\_1001186379



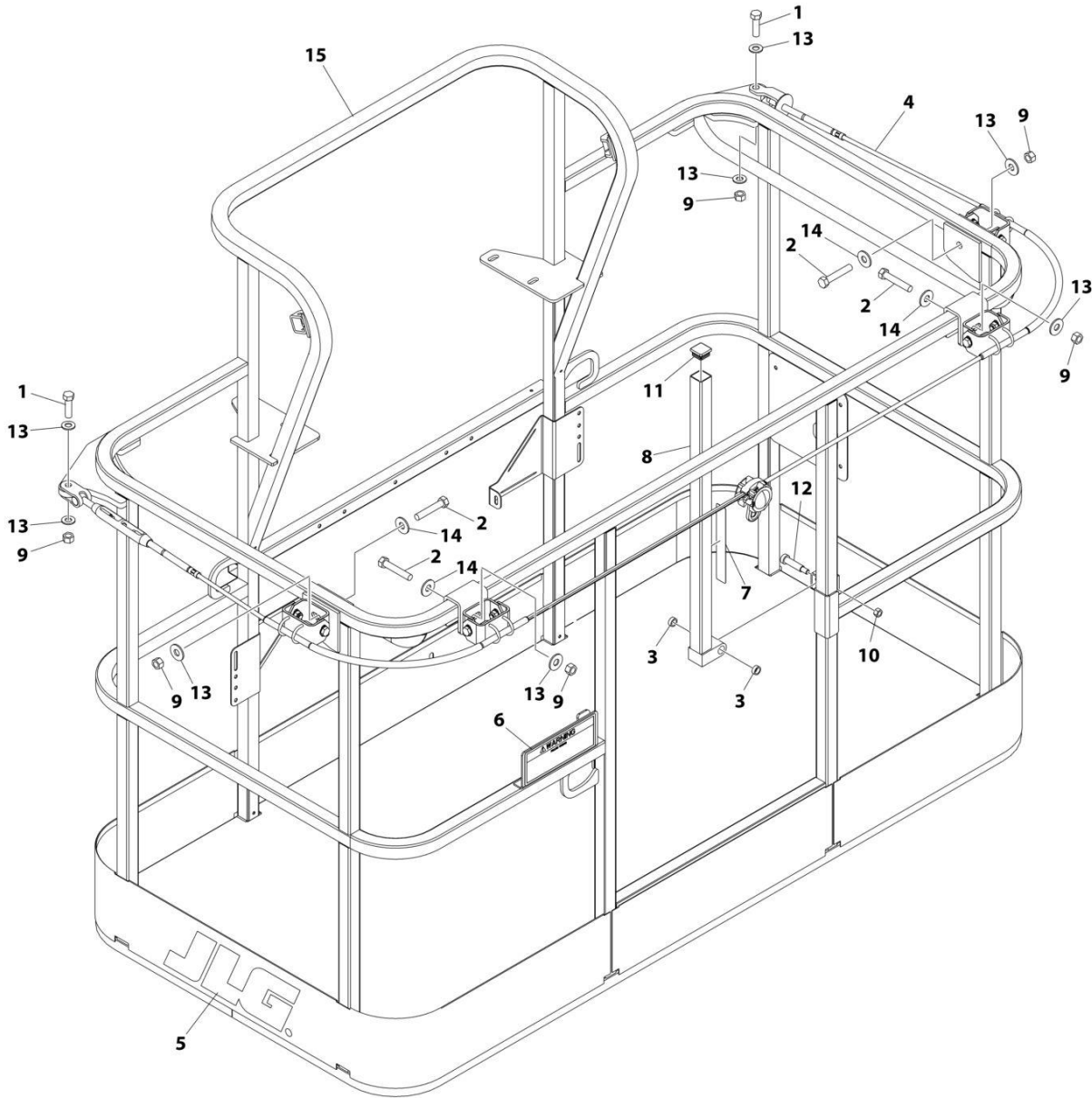
## SECTION 5 - PLATFORM

**FIGURE 5-7. PLATFORM ASSEMBLY - 36IN X 6FT (91.5CM X 1.83M) WITH DROP BAR**

ITEM	PART NUMBER	QTY	DESCRIPTION	REV
	1001186379	Ref	PLATFORM ASSEMBLY - 36IN X 6FT (91.5CM X 1.83M) WITH DROP BAR	B
		Ref	Note: Platform and Mesh must be ordered separately for Platforms with Mesh. See SPECIAL OPTIONS SECTION for Mesh Installations.	
		Ref	Note: Replacement Decals Must be Ordered Separately - See DECALS SECTION.	
1	0100011	AR	Compound, Locking	
2	0641418	2	Bolt 1/4 x 2-1/4	
3	0961845	2	Bushing	
4	3290606	2	Nut M6	
5	3300151	2	Nut 1/4	
6	3520072	2	Plug	
7	3520198	2	Plug	
8	4010618	2	Screw M6 x 50	
9	4711400	4	Washer 1/4	
10	4811700	2	Washer M6	
11	1001138494	1	Bar, Drop	
12	1001138514	1	Rail (Top)	
13	1001140429	1	Decal - Drop Bar	
14	See Note	NSS	Platform (Note: Not Available - Purchase Platform Assembly)	

# SECTION 5 - PLATFORM

FIGURE 5-8. PLATFORM ASSEMBLY - 36IN X 6FT (91.5CM X 1.83M) WITH FALL ARREST (ANSI, ANSI EXPORT, CHINA AND CSA SPECS)



ART\_1001186333

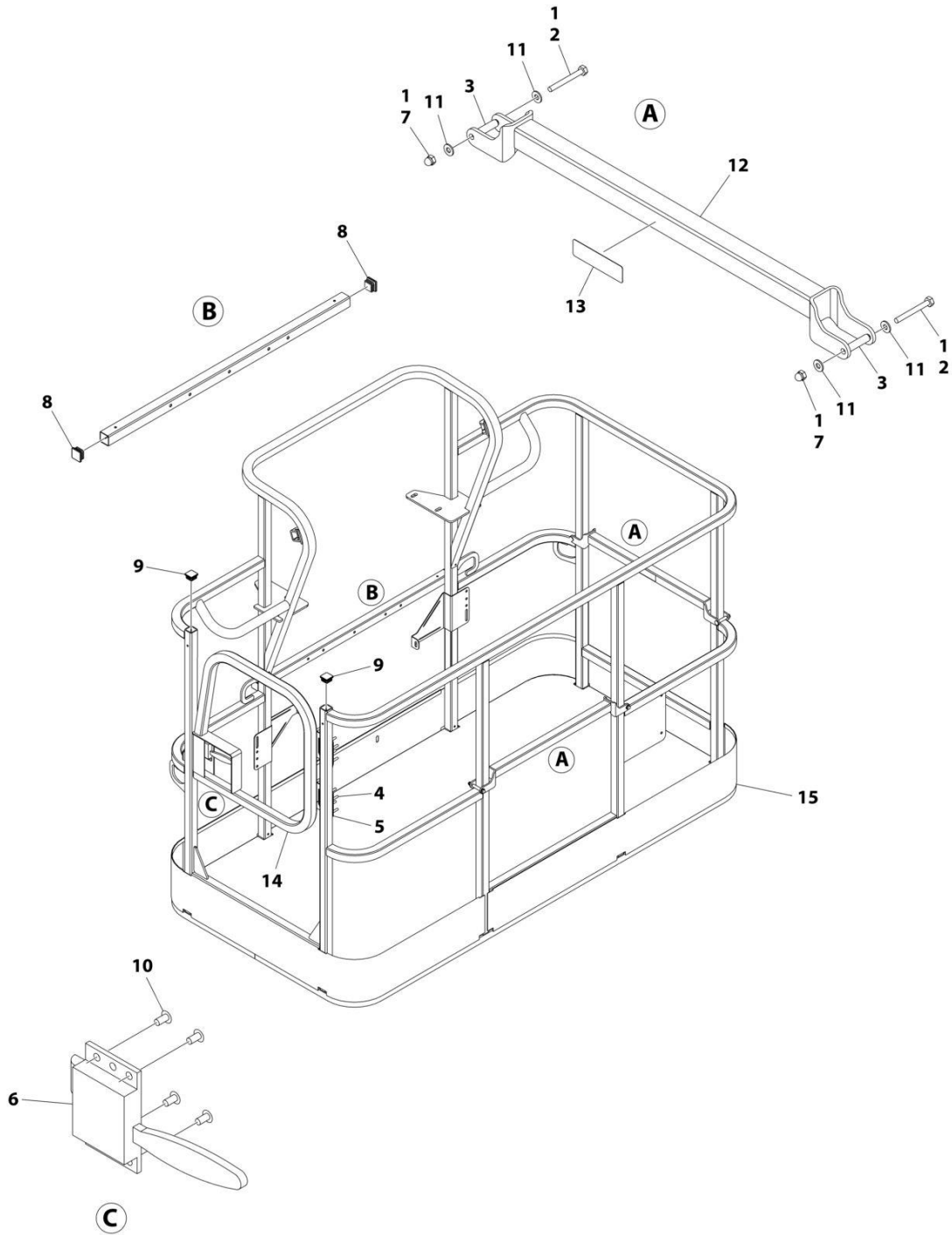
## SECTION 5 - PLATFORM

**FIGURE 5-8. PLATFORM ASSEMBLY - 36IN X 6FT (91.5CM X 1.83M) WITH FALL ARREST (ANSI, ANSI EXPORT, CHINA AND CSA SPECS)**

ITEM	PART NUMBER	QTY	DESCRIPTION	REV
	1001186333	Ref	PLATFORM ASSEMBLY	C
		Ref	Note: Replacement Decals Must be Ordered Separately - See DECALS SECTION.	
1	0681814	2	Bolt 1/2 x 1-3/4 Grade 8	
2	0681822	4	Bolt 1/2 x 2-3/4 Grade 8	
3	0962270	2	Bearing	
4	1001203655	1	Cable	
5	1702773	1	Decal - JLG	
6	1705014	1	Decal - Safety	
7	1706385	1	Decal - Drop Bar	
8	2410014	1	Bar, Drop	
9	3271805	6	Nut 1/2 Grade 8	
10	3311605	1	Nut 3/8	
11	3520072	1	Plug	
12	3900054	1	Bolt 1/2 x 1-3/4	
13	4711800	8	Washer 1/2	
14	4751800	4	Washer 1/2	
15	See Note	NSS	Platform (Note: Not Available - Purchase Platform Assembly)	

# SECTION 5 - PLATFORM

FIGURE 5-9. PLATFORM ASSEMBLY - 36IN X 6FT (91.5CM X 1.83M) TRI-ENTRY WITH SWING GATE



ART\_1001228376

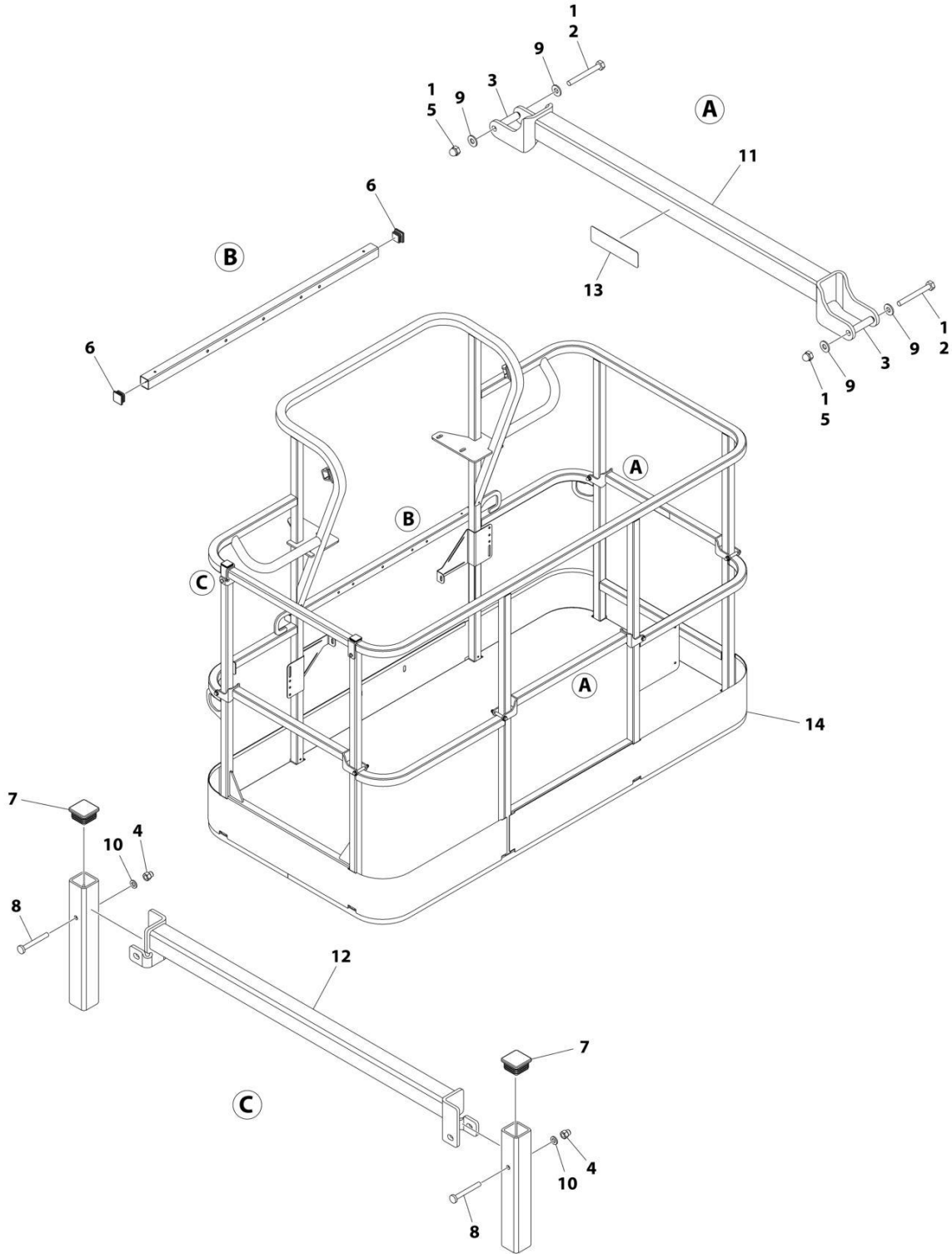
## SECTION 5 - PLATFORM

**FIGURE 5-9. PLATFORM ASSEMBLY - 36IN X 6FT (91.5CM X 1.83M) TRI-ENTRY WITH SWING GATE**

ITEM	PART NUMBER	QTY	DESCRIPTION	REV
	1001228376	Ref	PLATFORM ASSEMBLY - 36IN x 6FT (91.5CM x 1.83M)	B
		Ref	Note: Platform and Mesh must be ordered separately for Platforms with Mesh. See SPECIAL OPTIONS SECTION for Mesh Installations.	
		Ref	Note: Replacement Decals Must be Ordered Separately - See DECAL SECTION.	
1	0100011	AR	Compound, Locking	
2	0641418	4	Bolt 1/4 x 2-1/4	
3	0961845	4	Bushing	
4	2080040	16	Fastener	
5	2600281	2	Hinge	
6	2940074	1	Latch	
7	3300151	4	Nut 1/4	
8	3520072	3	Plug	
9	3520198	2	Plug	
10	3820020	4	Rivet	
11	4711400	8	Washer 1/4	
12	1001138494	2	Bar, Drop	
13	1001140429	2	Decal - Drop Bar	
14	1001144629	1	Gate	
15	See Note	NSS	Platform (Note: Not Available - Purchase Platform Assembly)	

# SECTION 5 - PLATFORM

FIGURE 5-10. PLATFORM ASSEMBLY - 36IN X 6FT (91.5CM X 1.83M) TRI-ENTRY WITH DROP BAR



ART\_1001228377

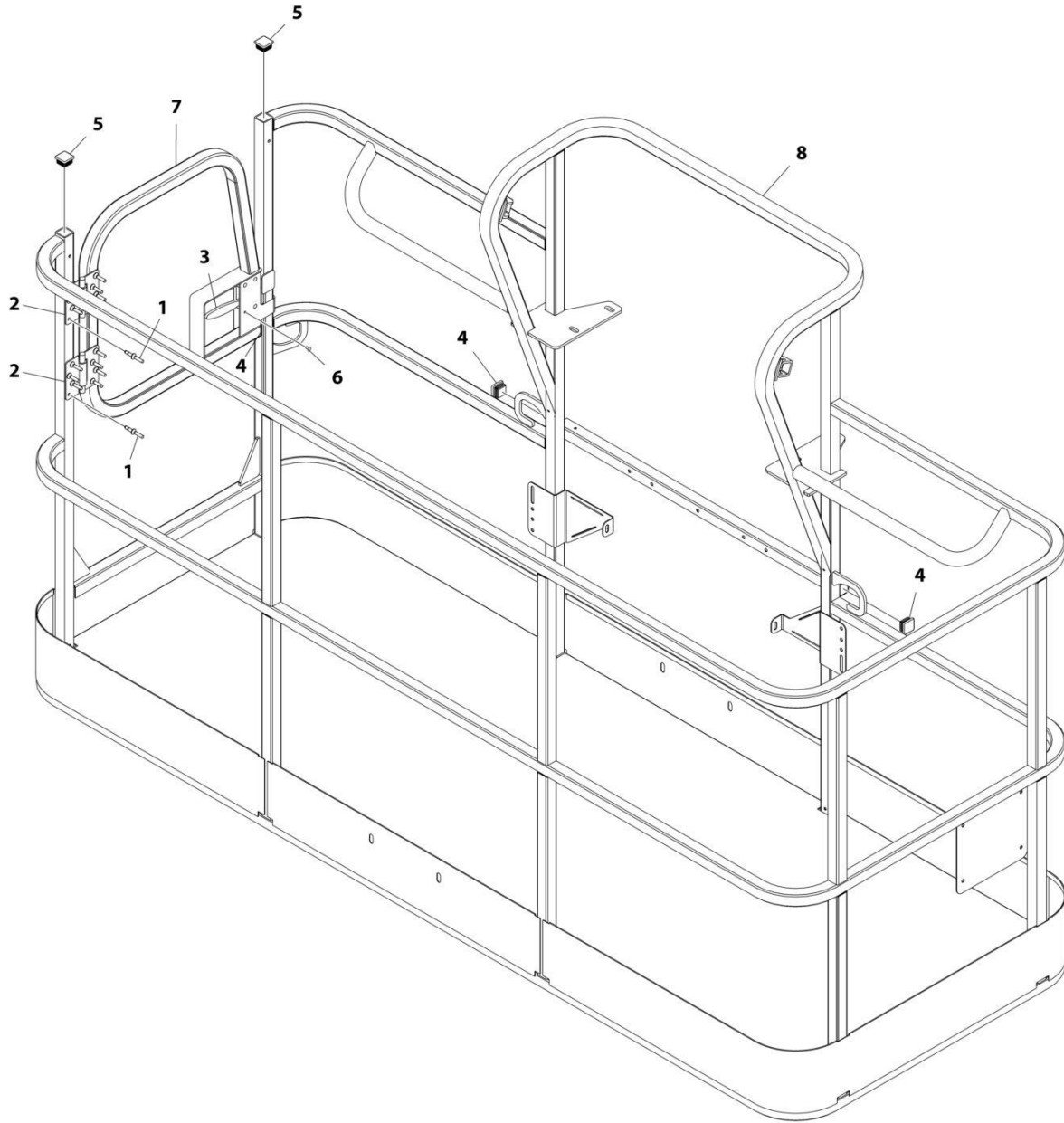
## SECTION 5 - PLATFORM

**FIGURE 5-10. PLATFORM ASSEMBLY - 36IN X 6FT (91.5CM X 1.83M) TRI-ENTRY WITH DROP BAR**

ITEM	PART NUMBER	QTY	DESCRIPTION	REV
	1001228377	Ref	PLATFORM ASSEMBLY - 36IN x 6FT (91.5CM x 1.83M)	B
		Ref	Note: Platform and Mesh must be ordered separately for Platforms with Mesh. See SPECIAL OPTIONS SECTION for Mesh Installations.	
		Ref	Note: Replacement Decals Must be Ordered Separately - See DECAL SECTION.	
1	0100011	1	Compound, Locking	
2	0641418	6	Bolt 1/4 x 2-1/4	
3	0961845	6	Bushing	
4	3290606	2	Nut M6	
5	3300151	6	Nut 1/4	
6	3520072	2	Plug	
7	3520198	2	Plug	
8	4010618	2	Screw M6 x 50	
9	4711400	12	Washer 1/4	
10	4811700	2	Washer M6	
11	1001138494	3	Bar, Drop	
12	1001138514	1	Rail (Top)	
13	1001140429	3	Decal - Drop Bar	
14	See Note	NSS	Platform, Weldment (Note: Not Available - Purchase Platform Assembly)	

# SECTION 5 - PLATFORM

FIGURE 5-11. PLATFORM ASSEMBLY - 36IN X 8FT (91.5CM X 2.44M) WITH SWING GATE



ART\_1001186383



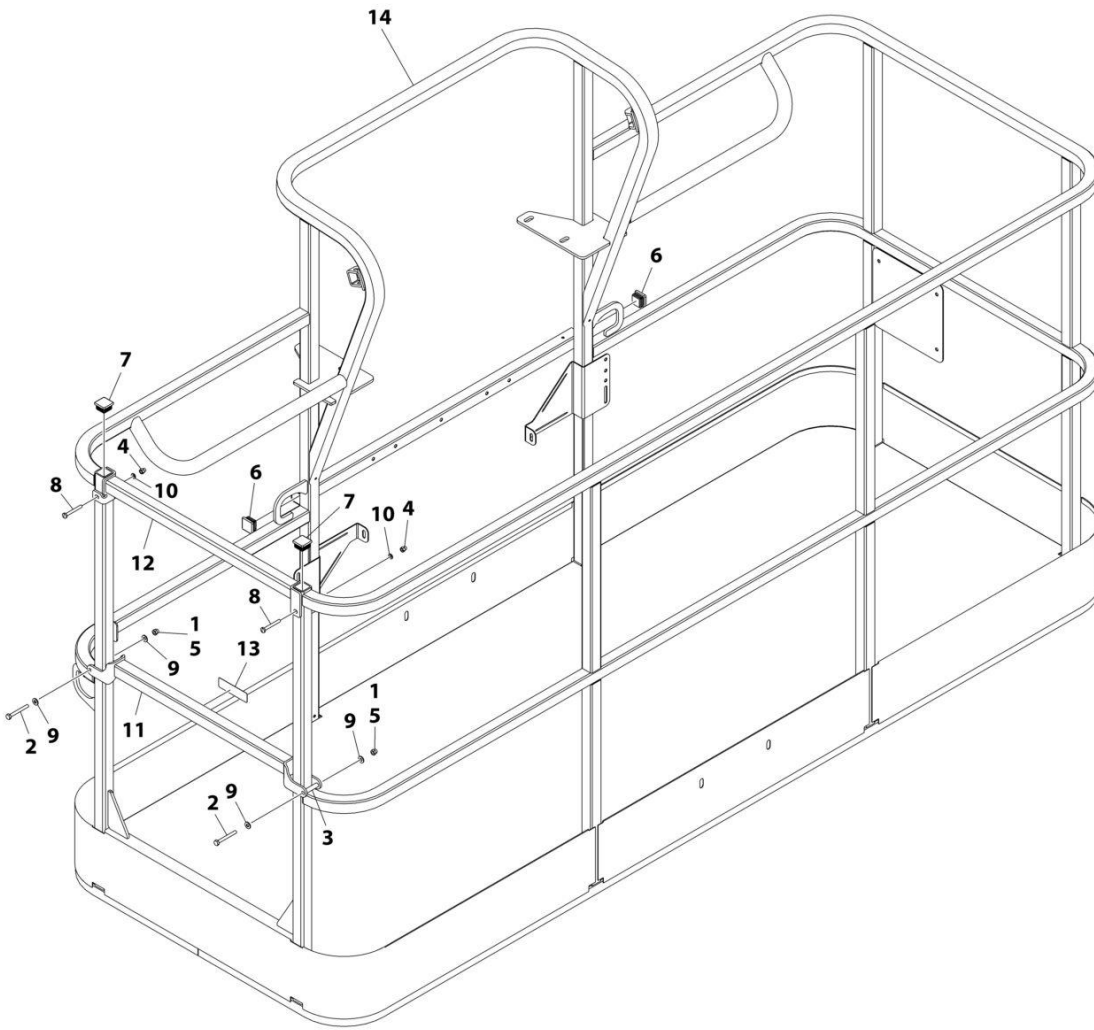
## SECTION 5 - PLATFORM

**FIGURE 5-11. PLATFORM ASSEMBLY - 36IN X 8FT (91.5CM X 2.44M) WITH SWING GATE**

ITEM	PART NUMBER	QTY	DESCRIPTION	REV
	1001186383	Ref	PLATFORM ASSEMBLY - 36IN X 8FT (91.5CM X 2.44M) WITH SWING GATE	D
		Ref	Note: Platform and Mesh must be ordered separately for Platforms with Mesh. See SPECIAL OPTIONS SECTION for Mesh Installations.	
		Ref	Note: Replacement Decals Must be Ordered Separately - See DECALS SECTION.	
1	2080040	16	Fastener, Huck	
2	2600281	2	Hinge	
3	2940074	1	Latch	
4	3520072	3	Plug	
5	3520198	2	Plug	
6	3820020	4	Rivet	
7	1001144629	1	Gate	
8	See Note	NSS	Platform (Note: Not Available - Purchase Platform Assembly)	

# SECTION 5 - PLATFORM

FIGURE 5-12. PLATFORM ASSEMBLY - 36IN X 8FT (91.5CM X 2.44M) WITH DROP BAR



ART\_1001186382

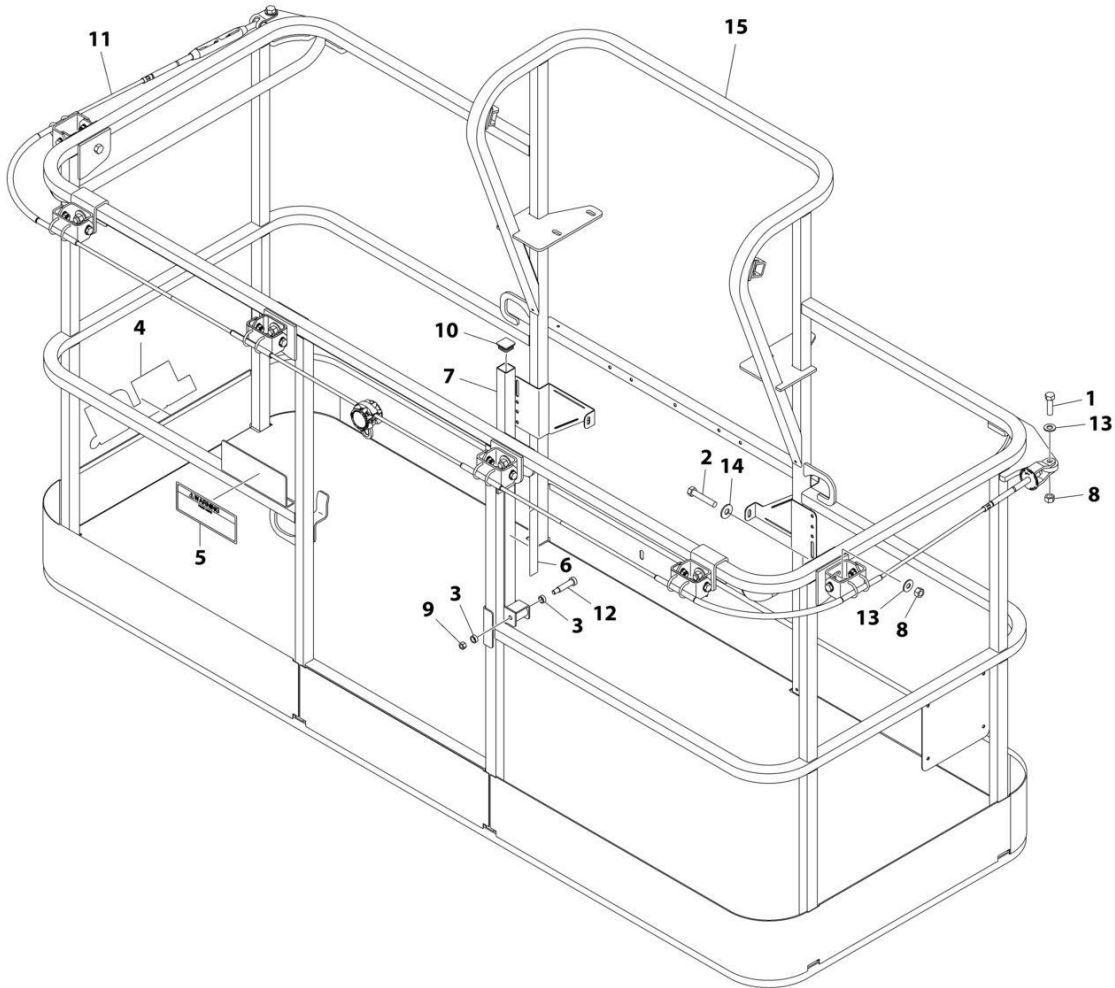
## SECTION 5 - PLATFORM

**FIGURE 5-12. PLATFORM ASSEMBLY - 36IN X 8FT (91.5CM X 2.44M) WITH DROP BAR**

ITEM	PART NUMBER	QTY	DESCRIPTION	REV
	1001186382	Ref	PLATFORM ASSEMBLY - 36IN X 8FT (91.5CM X 2.44M) WITH DROP BAR	C
		Ref	Note: Platform and Mesh must be ordered separately for Platforms with Mesh. See SPECIAL OPTIONS SECTION for Mesh Installations.	
		Ref	Note: Replacement Decals Must be Ordered Separately - See DECALS SECTION.	
1	0100011	AR	Compound, Locking	
2	0641418	2	Bolt 1/4 x 2-1/4	
3	0961845	2	Bushing	
4	3290606	2	Nut M6	
5	3300151	2	Nut 1/4	
6	3520072	2	Plug	
7	3520198	2	Plug	
8	4010618	2	Screw M6 x 50	
9	4711400	4	Washer 1/4	
10	4811700	2	Washer M6	
11	1001138494	1	Bar, Drop	
12	1001138514	1	Rail (Top)	
13	1001140429	1	Decal - Drop Bar	
14	See Note	NSS	Platform (Note: Not Available - Purchase Platform Assembly)	

# SECTION 5 - PLATFORM

FIGURE 5-13. PLATFORM ASSEMBLY - 36IN X 8FT (91.5CM X 2.44M) WITH FALL ARREST (ANSI, ANSI EXPORT, CHINA AND CSA SPECS)



ART\_1001186334

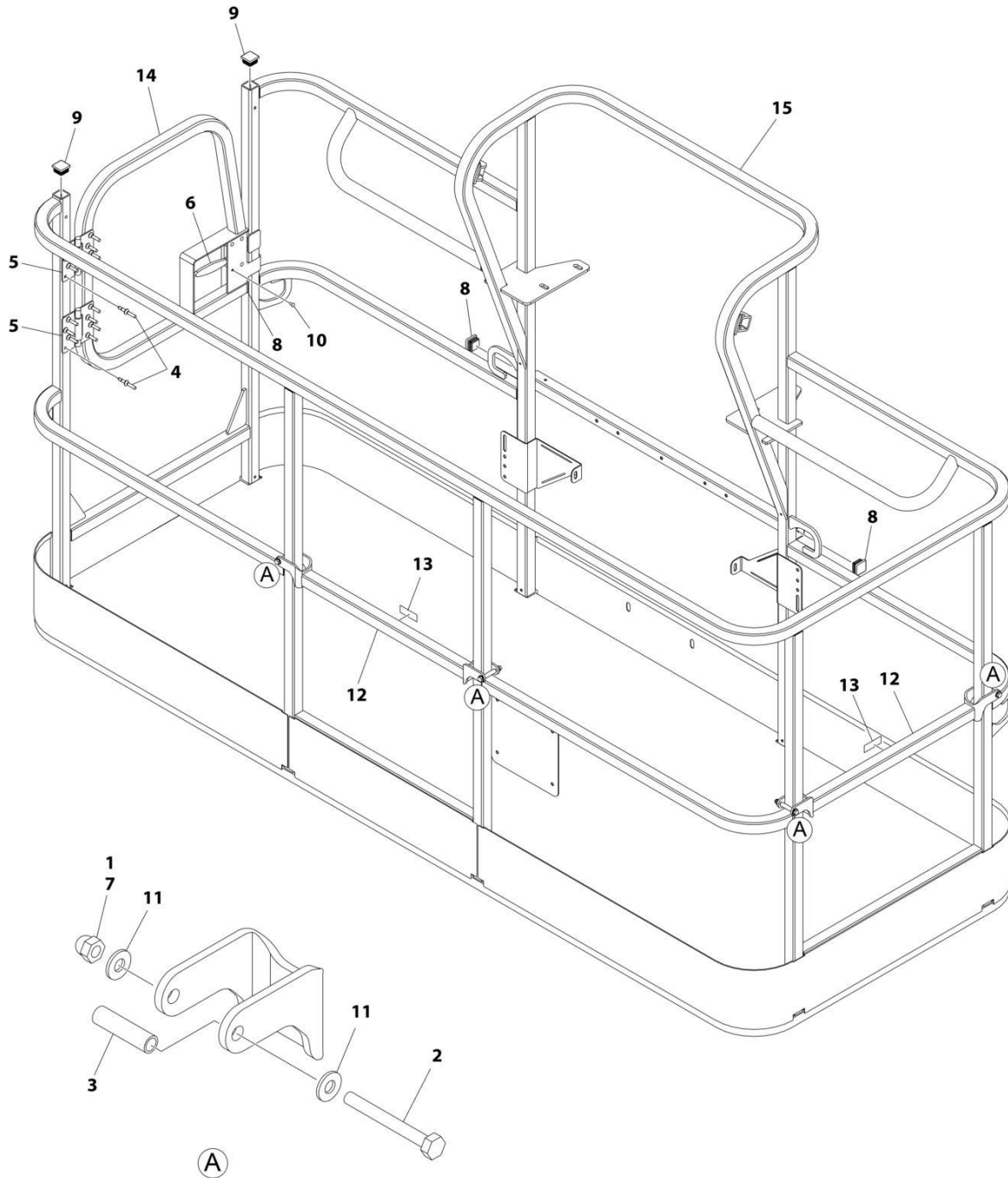
## SECTION 5 - PLATFORM

**FIGURE 5-13. PLATFORM ASSEMBLY - 36IN X 8FT (91.5CM X 2.44M) WITH FALL ARREST (ANSI, ANSI EXPORT, CHINA AND CSA SPECS)**

ITEM	PART NUMBER	QTY	DESCRIPTION	REV
	1001186334	Ref	PLATFORM ASSEMBLY	D
		Ref	Note: Replacement Decals Must be Ordered Separately - See DECALS SECTION.	
1	0681814	2	Bolt 1/2 x 1-3/4 Grade 8	
2	0681822	6	Bolt 1/2 x 2-3/4 Grade 8	
3	0962270	2	Bearing	
4	1702773	1	Decal - JLG	
5	1705014	1	Decal - Safety	
6	1706385	1	Decal - Drop Bar	
7	2410014	1	Bar, Drop	
8	3271805	8	Nut 1/2 Grade 8	
9	3311605	1	Nut 3/8	
10	3520072	1	Plug	
11	1001203656	1	Cable	
12	3900054	1	Bolt 1/2 x 1-3/4	
13	4711800	2	Washer 1/2	
14	4751800	6	Washer 1/2	
15	See Note	NSS	Platform (Note: Purchase Platform Assembly)	

# SECTION 5 - PLATFORM

FIGURE 5-14. PLATFORM ASSEMBLY - 36IN X 8FT (91.5CM X 2.44M) TRI-ENTRY WITH SWING GATE



ART\_1001228243

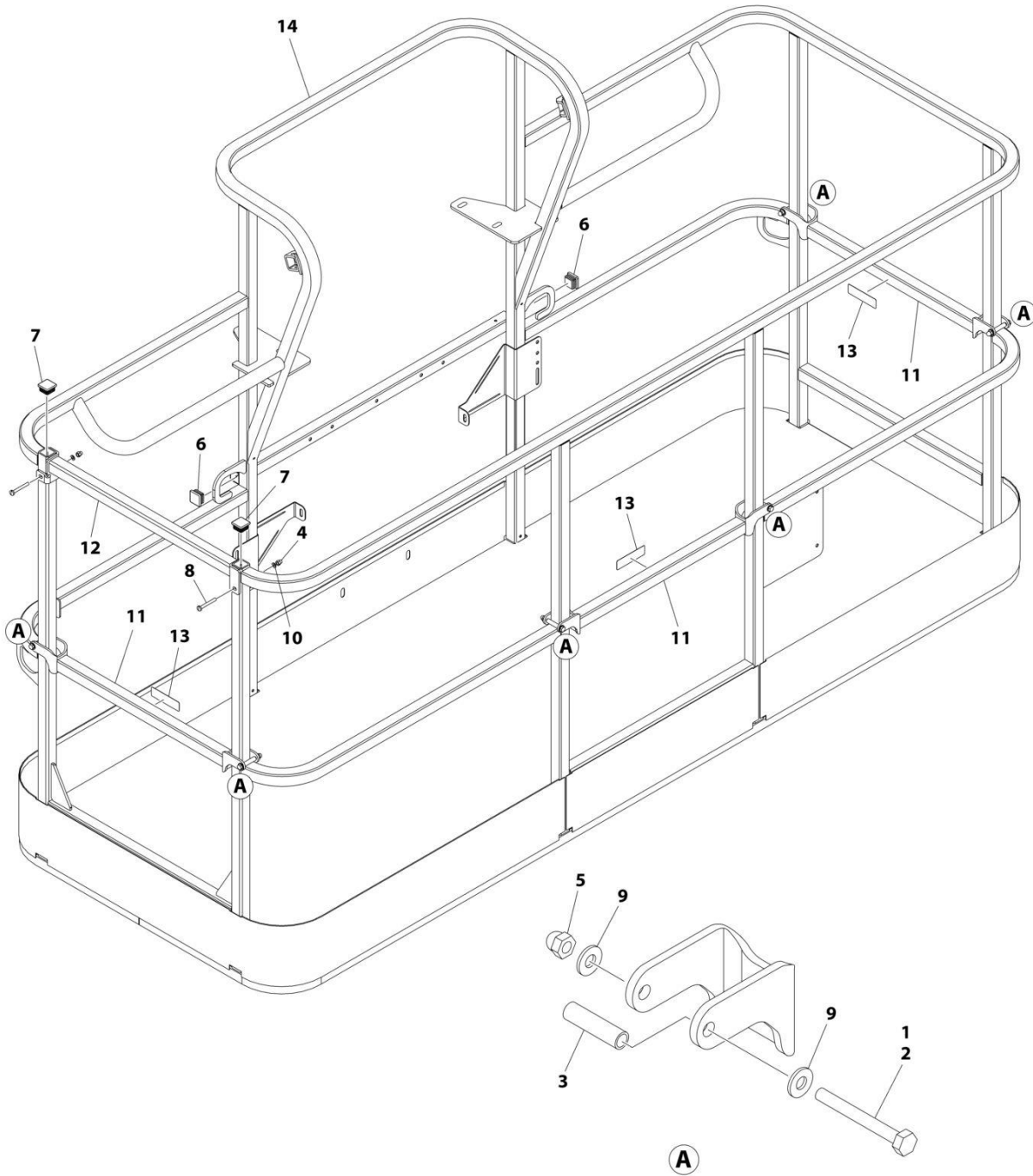
## SECTION 5 - PLATFORM

**FIGURE 5-14. PLATFORM ASSEMBLY - 36IN X 8FT (91.5CM X 2.44M) TRI-ENTRY WITH SWING GATE**

ITEM	PART NUMBER	QTY	DESCRIPTION	REV
	1001228243	Ref	PLATFORM ASSEMBLY - 36IN X 8FT (91.5CM X 2.44M) WITH TRI-ENTRY	A
		Ref	Note: Platform and Mesh must be ordered separately for Platforms with Mesh. See SPECIAL OPTIONS SECTION for Mesh Installations.	
1	0100011	AR	Compound, Locking	
2	0641418	4	Bolt 1/4 x 2-1/4	
3	0961845	4	Bushing	
4	2080040	16	Fastener, Huck	
5	2600281	2	Hinge, Self-Closing	
6	2940074	1	Latch	
7	3300151	4	Nut 1/4	
8	3520072	3	Cap, Plug	
9	3520198	2	Cap, Plug	
10	3820020	4	Rivet	
11	4711400	8	Washer 1/4	
12	1001138494	2	Bar, Drop	
13	1001140429	2	Decal - Drop Bar	
14	1001144629	1	Gate, Weldment	
15	See Note	1	Platform (Note: Not Available - Purchase Platform Assembly)	

# SECTION 5 - PLATFORM

FIGURE 5-15. PLATFORM ASSEMBLY - 36IN X 8FT (91.5CM X 2.44M) TRI-ENTRY WITH DROP BAR



ART\_1001228375



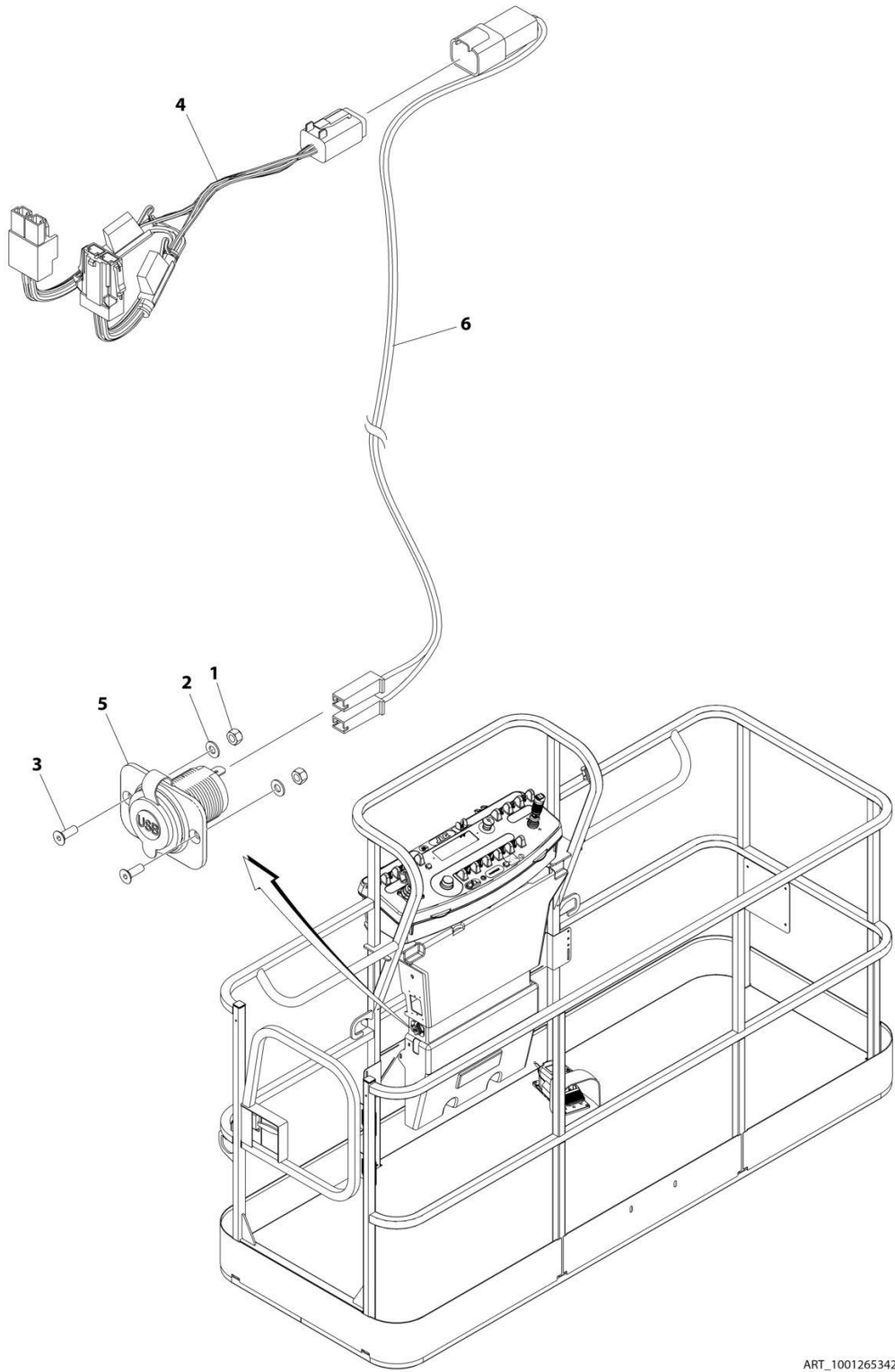
## SECTION 5 - PLATFORM

**FIGURE 5-15. PLATFORM ASSEMBLY - 36IN X 8FT (91.5CM X 2.44M) TRI-ENTRY WITH DROP BAR**

ITEM	PART NUMBER	QTY	DESCRIPTION	REV
	1001228375	Ref	PLATFORM ASSEMBLY - 36IN X 8FT (91.5CM X 2.44M) WITH TRI-ENTRY	A
		Ref	Note: Platform and Mesh must be ordered separately for Platforms with Mesh. See SPECIAL OPTIONS SECTION for Mesh Installations.	
		Ref	Note: Replacement Decals Must be Ordered Separately - See DECAL SECTION.	
1	0100011	AR	Compound, Locking	
2	0641418	6	Bolt 1/4 x 2-1/4	
3	0961845	6	Bushing	
4	3290606	2	Nut M6 x 1	
5	3300151	6	Nut 1/4	
6	3520072	2	Cap, Plug	
7	3520198	2	Cap, Plug	
8	4010618	2	Screw M6 x 50	
9	4711400	12	Washer 1/4	
10	4811700	2	Washer M6	
11	1001138494	3	Bar, Drop	
12	1001138514	1	Rail (Top)	
13	1001140429	3	Decal - Drop Bar	
14	See Note	1	Platform (Note: Not Available - Purchase Platform Assembly)	

**SECTION 5 - PLATFORM**

**FIGURE 5-16. PLATFORM POWER USB**



ART\_1001265342

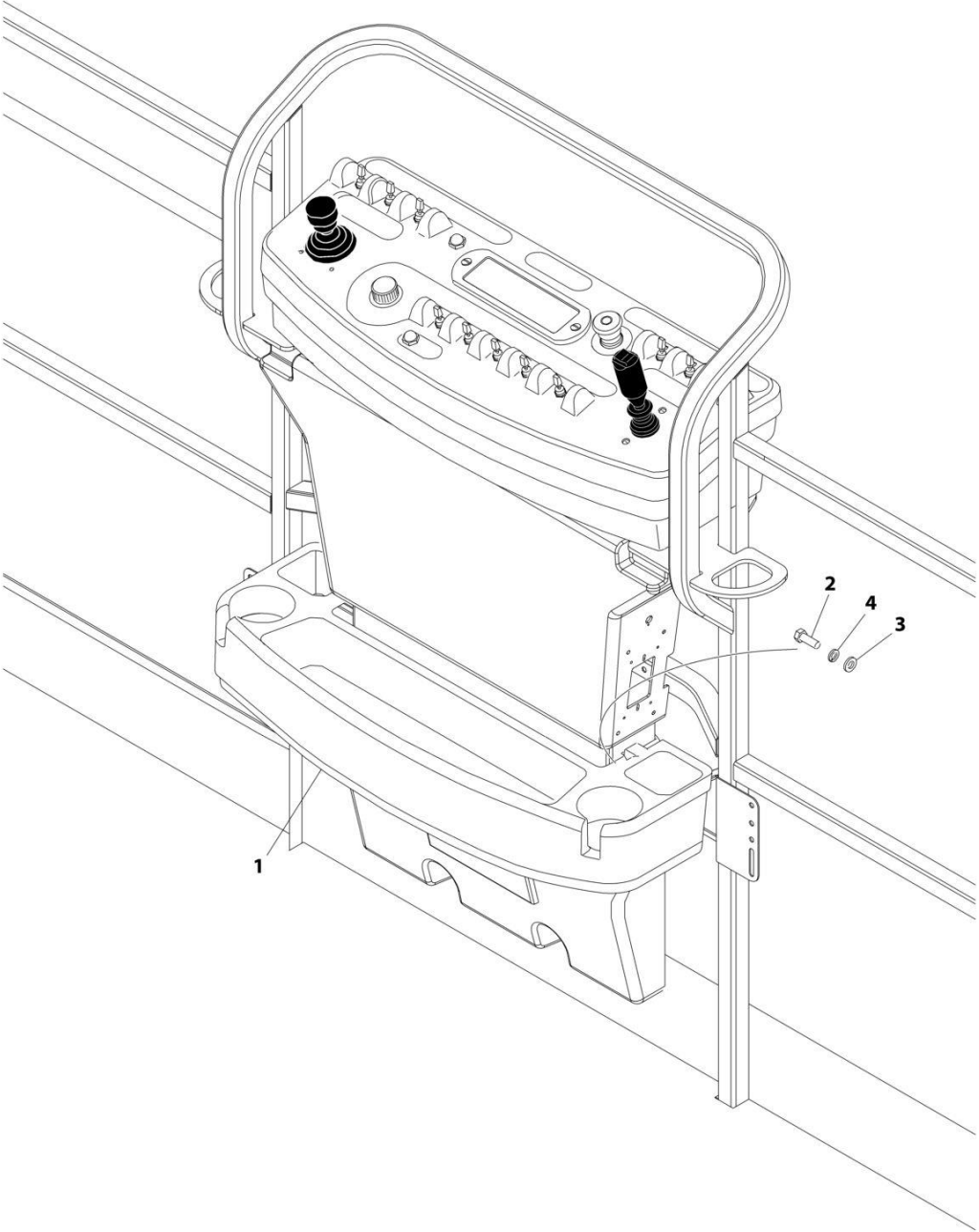
## SECTION 5 - PLATFORM

**FIGURE 5-16. PLATFORM POWER USB**

ITEM	PART NUMBER	QTY	DESCRIPTION	REV
	1001265342	Ref	USB CHARGER INSTALLATION	A
1	3290405	2	Nut M4	
2	4811400	2	Washer M4	
3	1001097244	2	Screw M4 x 12	
4	1001120484	1	Harness, Work Lights	
4	4460879	1	Plug, Male - 2 Position	
4	4460887	2	Terminal	
4	2400060	2	Fuseholder Includes Cover	
4	8229249	2	Fuse, 3 Amp	
4	4460884	1	Connector - 4 Position	
4	4460465	4	Socket, Female	
4	1001120471	1	Connector - 2 Position	
4	1001120477	2	Terminal	
5	1001210636	1	Receptacle, USB	
6	1001265163	1	Harness, USB	A
6	4460260	2	Cover, Terminal	
6	4460259	2	Terminal	
6	4460932	1	Receptacle, Bussbar - 4 Position	
6	4460464	2	Pin, Male	
6	4460466	2	Plug, Terminal	

**SECTION 5 - PLATFORM**

**FIGURE 5-17. TRAY ASSEMBLY**



ART\_1580012

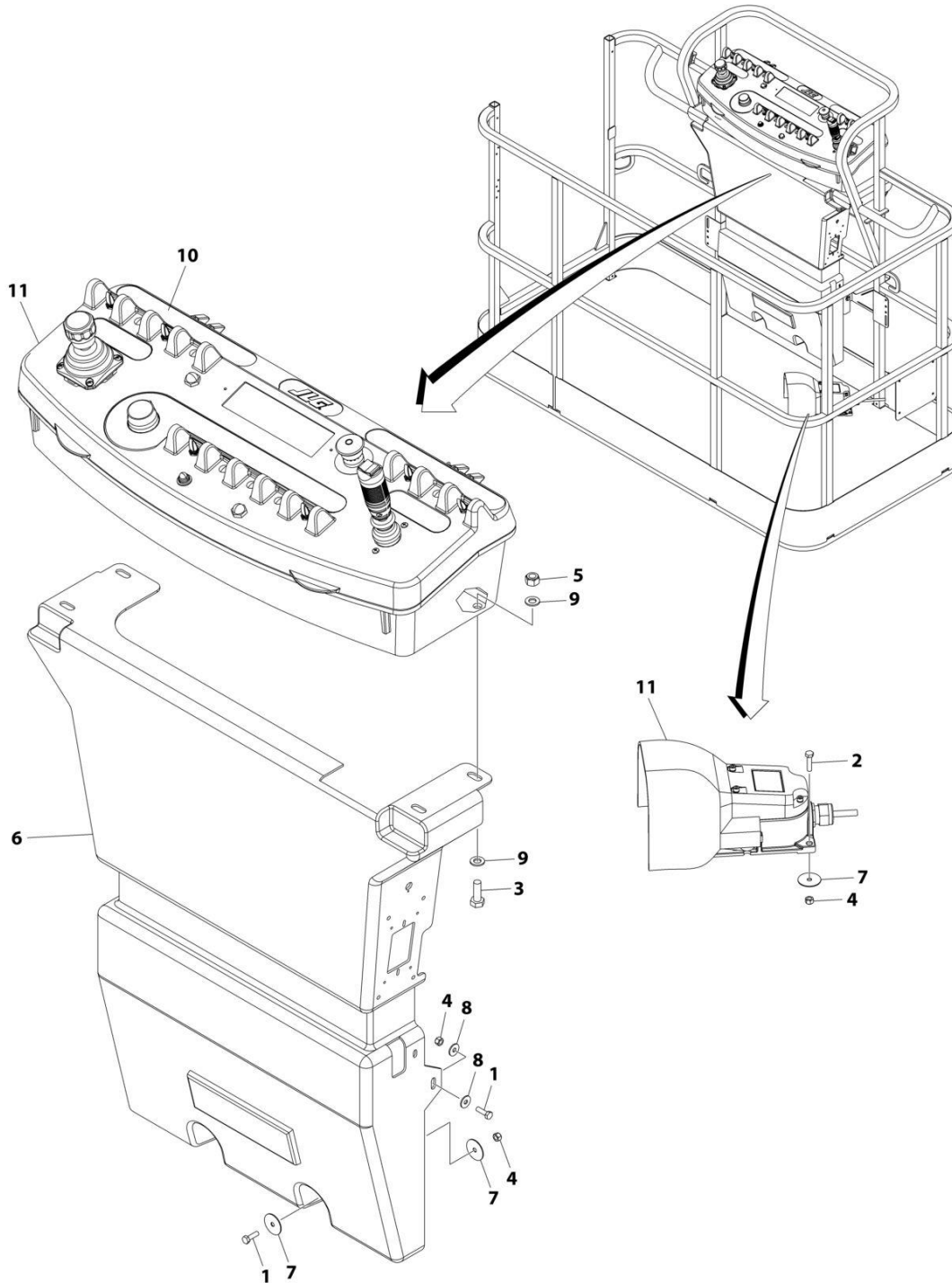
## SECTION 5 - PLATFORM

### FIGURE 5-17. TRAY ASSEMBLY

ITEM	PART NUMBER	QTY	DESCRIPTION	REV
	1580012	Ref	TRAY ASSEMBLY	C
1	See Note	NSS	Tray, Storage (Center) (Note: Purchase p/n 1580012)	
2	0641406	2	Bolt 1/4 x 3/4	
3	4751400	2	Washer 1/4	
4	4761400	2	Washer 1/4	

# SECTION 5 - PLATFORM

## FIGURE 5-18. PLATFORM CONSOLE AND FOOTSWITCH INSTALLATION (600S HC3)



ART\_1001250953

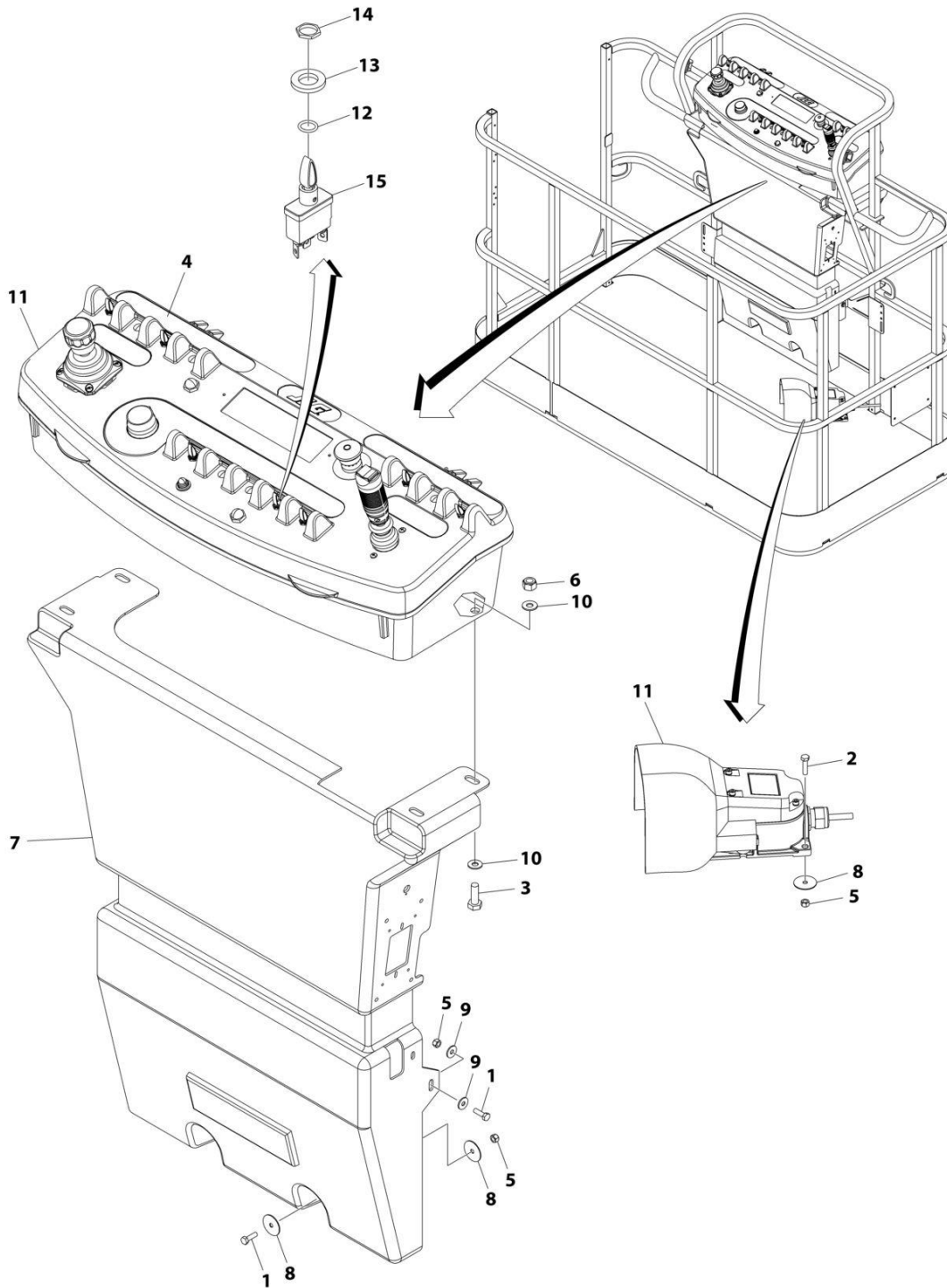
## SECTION 5 - PLATFORM

**FIGURE 5-18. PLATFORM CONSOLE AND FOOTSWITCH INSTALLATION (600S HC3)**

ITEM	PART NUMBER	QTY	DESCRIPTION	REV
	1001250953	Ref	PLATFORM CONSOLE AND FOOTSWITCH INSTALLATION	B
1	0700610	4	Bolt M6 x 20	
2	0700612	3	Bolt M6 x 25	
3	0701015	4	Bolt M10 x 35	
4	3290605	7	Nut M6	
5	3291005	4	Nut M10	
6	3380434	1	Panel	
7	4740362	7	Washer	
8	4811702	4	Washer M6	
9	4751600	8	Washer 3/8	
10	1001184626	1	Decal - Horn	
11	1001250952	1	Platform Console Assembly (See Separate Breakdown in this Section)	

# SECTION 5 - PLATFORM

## FIGURE 5-19. PLATFORM CONSOLE AND FOOTSWITCH INSTALLATION (660SJ HC3)



ART\_1001250011



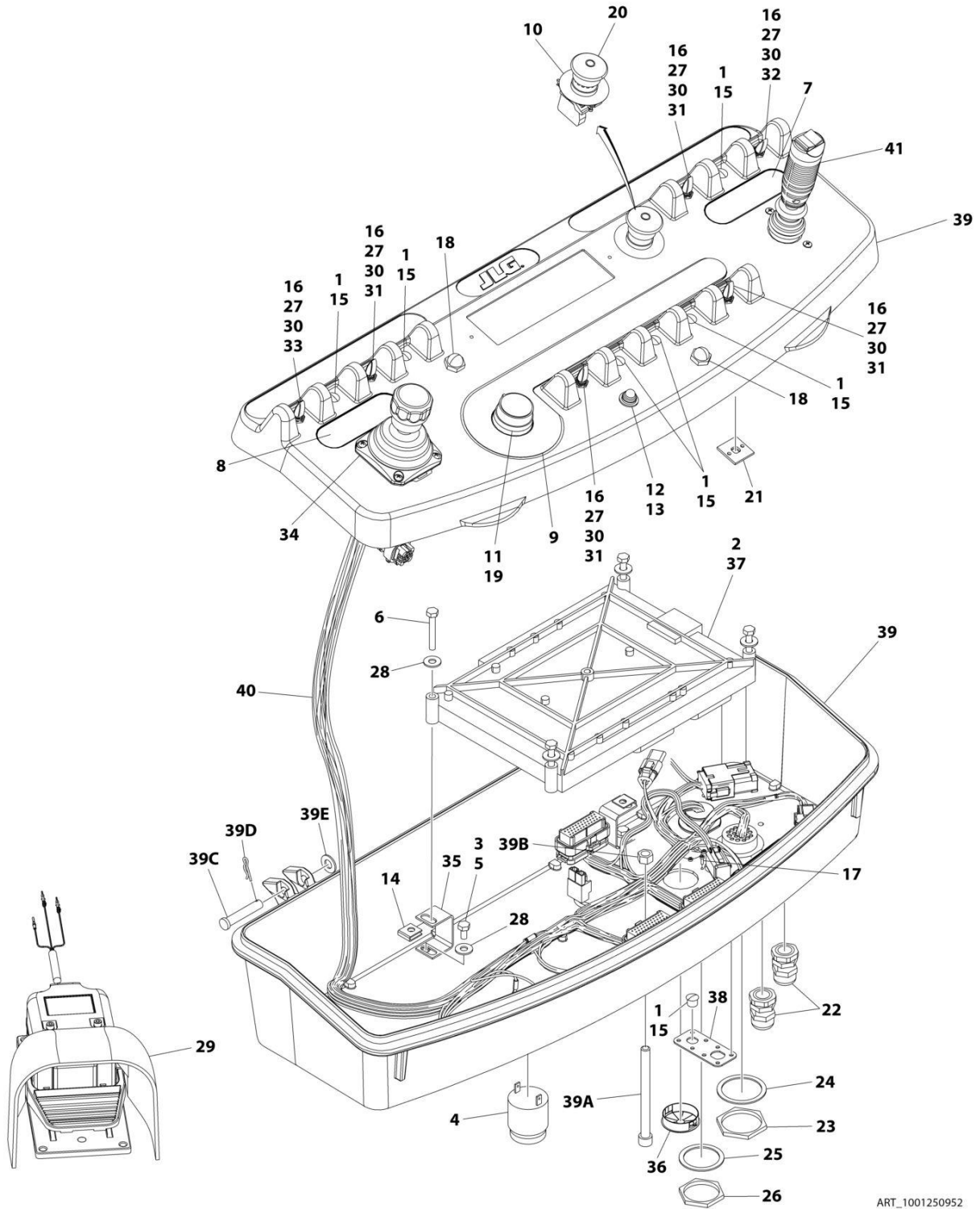
## SECTION 5 - PLATFORM

**FIGURE 5-19. PLATFORM CONSOLE AND FOOTSWITCH INSTALLATION (660SJ HC3)**

ITEM	PART NUMBER	QTY	DESCRIPTION	REV
	1001250011	Ref	PLATFORM CONSOLE AND FOOTSWITCH INSTALLATION	C
1	0700610	4	Bolt M6 x 20	
2	0700612	3	Bolt M6 x 25	
3	0701014	4	Bolt M10 x 30	
4	1001184626	1	Decal - Horn	
5	3290605	7	Nut M6	
6	3291005	4	Nut M10	
7	3380434	1	Panel	
8	4740362	7	Washer	
9	4811702	4	Washer M6	
10	4751600	8	Washer 3/8	
11	1001250952	1	Platform Console Assembly (See Separate Breakdown in this Section)	
12	3790012	1	O-Ring	
13	4740397	1	Washer	
14	1001155044	1	Nut	
15	1001155045	1	Switch, Toggle	

# SECTION 5 - PLATFORM

## FIGURE 5-20. CONSOLE BOX ASSEMBLY



ART\_1001250952

## SECTION 5 - PLATFORM

### FIGURE 5-20. CONSOLE BOX ASSEMBLY

ITEM	PART NUMBER	QTY	DESCRIPTION	REV
	1001250952	Ref	CONSOLE BOX ASSEMBLY	C
1	0100009	AR	Sealant	
2	0100048	AR	Grease, Dielectric	
3	0100035	AR	Compound, Locking	
4	0140011	1	Alarm	
5	0641404	4	Bolt 1/4 x 1/2	
6	0641414	4	Bolt 1/4 x 1-3/4	
7	1702565	1	Decal - Drive and Steer	
8	1702566	1	Decal - Lift and Swing	
9	1702567	1	Decal - Function Speed	
10	1704260	1	Decal - Emergency Stop	
11	2560136	1	Handle, Knob	
12	2920028	1	Light, Indicator	
13	2920029	1	Bulb, Light	
14	3300353	4	Nut, Tinnerman	
15	3520054	7	Plug	
16	3790012	6	O-Ring	
17	3900349	8	Capscrew M2.5 x 8	
18	4360387	2	Switch, Push Button	
19	4360407	1	Controller, Speed	
19	4460224	1	Receptacle, Female - 6 Position	
19	4460226	6	Socket, Female	
19	See Note	1	Gasket "Top Hat" (Included with Switch) (Note: Not Available - Purchase Complete Controller)	
19	70003784	1	Seal	
20	4360475	1	Switch, Emergency Stop	
20	7020175	1	Cap, Red	
20	7020176	1	Block, Contact	
21	4460234	3	Mount, Tie-Strap	
22	4460428	2	Connector, Strain Relief	
23	4460470	1	Nut, Terminal	
24	4460471	1	Washer, Terminal	
25	4460496	1	Washer, Terminal	
26	4460497	1	Nut, Terminal	
27	4740397	6	Washer	
28	4751400	8	Washer 1/4	
29	1001117174	1	Footswitch Assembly (See Separate Breakdown in this Section)	
30	1001155044	6	Nut 15/32	
31	1001155045	4	Switch, Toggle	
32	1001159256	1	Switch, Toggle	
33	1001161709	1	Switch, Toggle	
34	1001166539	NLA	Controller Assembly (Lift and Swing) (Use p/n 1001129555) (See Separate Breakdown in this Section)	
35	1001172760	4	Bracket	
36	1001185281	1	Plug	
37	1001261325	1	Module, Platform (Note: Re-calibration Required when Replaced)	
38	1001213882	1	Mount, Connector	
39	1001215228	1	Console Box Assembly	
39A	0630568	1	Capscrew 3/8 x 4-1/2	
39B	3311601	1	Nut 3/8	

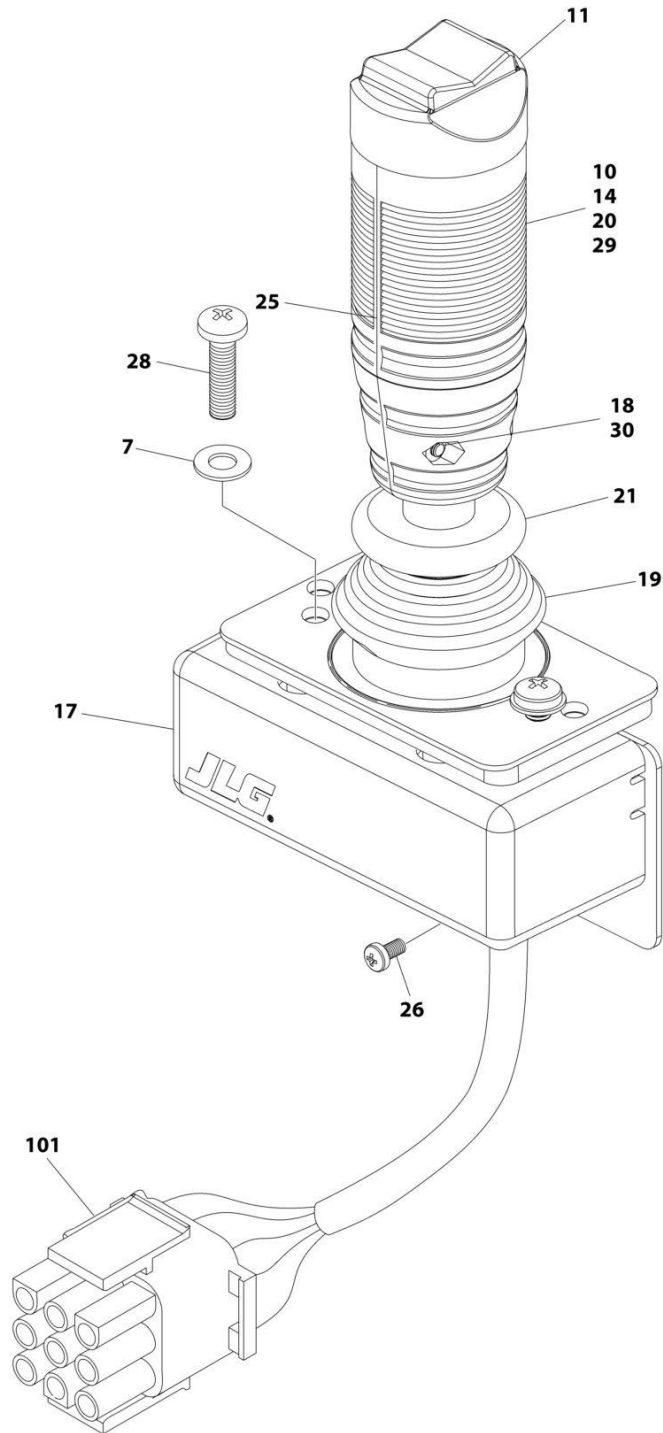
## SECTION 5 - PLATFORM

ITEM	PART NUMBER	QTY	DESCRIPTION	REV
39C	3430616	2	Pin	
39D	3470003	2	Hairpin	
39E	4711600	2	Washer 3/8	
40	1001238409	1	Platform Console Harness (See Separate Breakdown in ELECTRICAL SECTION)	
41	1001166538	NLA	Controller Assembly (Drive and Steer) (Use p/n 1001212415) (See Separate Breakdown in this Section)	



# SECTION 5 - PLATFORM

## FIGURE 5-21. CONTROLLER ASSEMBLY (DRIVE AND STEER)



ART\_1001166538

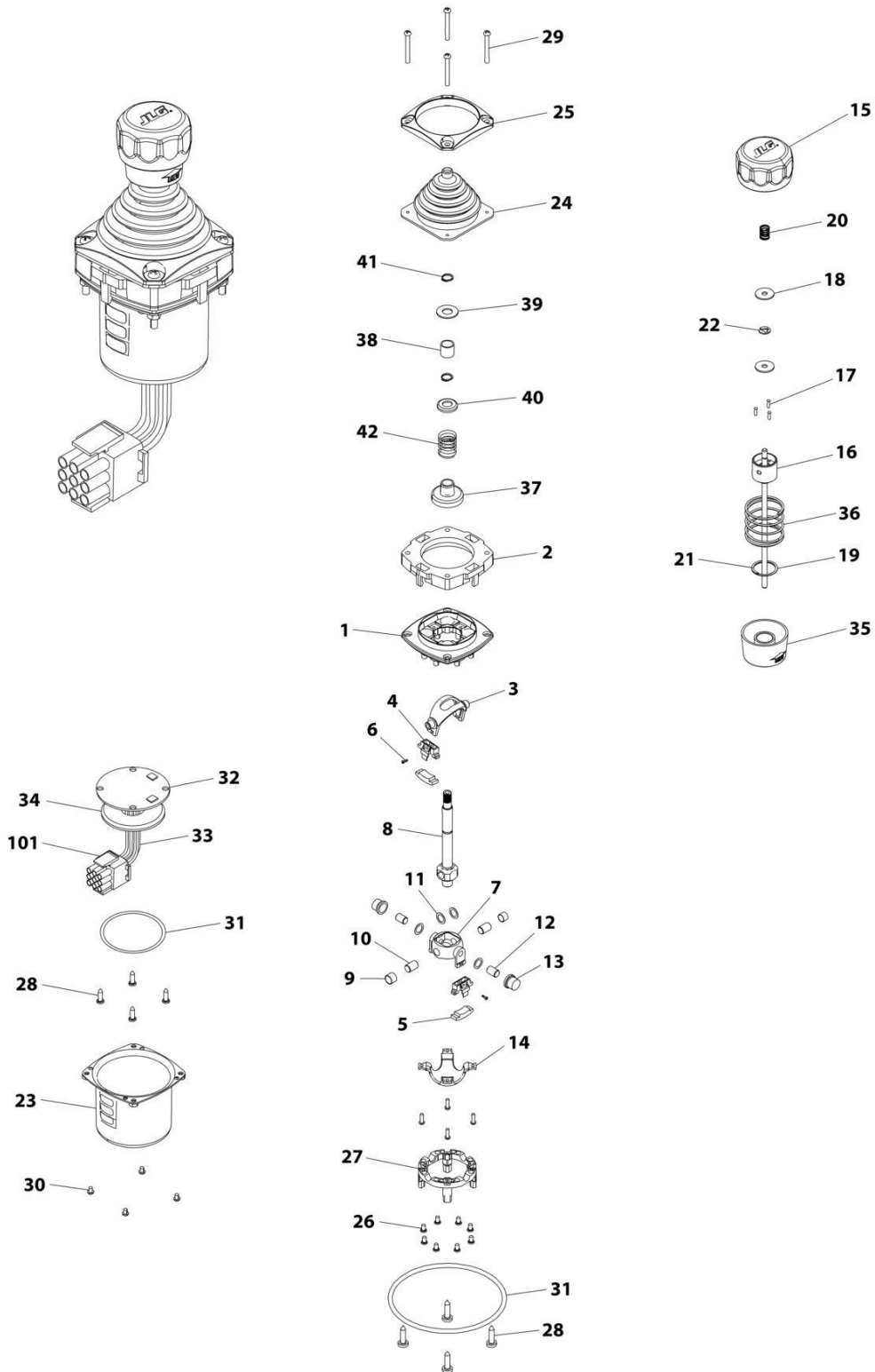
## SECTION 5 - PLATFORM

**FIGURE 5-21. CONTROLLER ASSEMBLY (DRIVE AND STEER)**

ITEM	PART NUMBER	QTY	DESCRIPTION	REV
	1001166538	Ref	CONTROLLER ASSEMBLY - DRIVE AND STEER	G
		Ref	Note: For Replacement, Use p/n 1001212415.	
7	70004738	2	Washer	
10	70004739	1	Roller	
11	70004740	1	Boot, Switch	
14	70004741	2	Half, Handle	
17	70004742	1	Enclosure	
18	70004743	4	Nut	
19	70004744	NLA	Boot, Controller (Use p/n 70005230 Boot/Base Assembly)	
20	70004745	NLA	Tube, Locking (Use p/n 70005230 Boot/Base Assembly)	
21	70004746	NLA	Disc, Locking (Use p/n 70005230 Boot/Base Assembly)	
25	70004747	2	Seal, Rope	
26	70004748	1	Screw M3 x 6	
28	70004749	2	Screw M5 x 20	
29	70004750	1	Pin, Dowel	
30	70004751	4	Screw M3 x 16	
101	4460265	1	Connector - 9 Position	
101	4460226	7	Socket, Female	

# SECTION 5 - PLATFORM

## FIGURE 5-22. CONTROLLER ASSEMBLY (LIFT AND SWING)



ART\_1001166539



## SECTION 5 - PLATFORM

**FIGURE 5-22. CONTROLLER ASSEMBLY (LIFT AND SWING)**

ITEM	PART NUMBER	QTY	DESCRIPTION	REV
	1001166539	Ref	CONTROLLER ASSEMBLY	E
		Ref	Note: Original Equipment Controller May Have Been Replaced with Service Replacement Controller. Visually Identify Controller Before Ordering Parts.	
		Ref	Note: For Replacement, Use p/n 1001129555	
1	See Note	NSS	Main Cast Body (Note: Not Available - Purchase Complete Assembly)	
2	70004752	1	Adapter	
3	See Note	NSS	Pivot Arm, Plastic (Note: Not Available - Purchase Complete Assembly)	
4	See Note	NSS	Holder, Magnet (Note: Not Available - Purchase Complete Assembly)	
5	See Note	NSS	Arc, Magnet (Note: Not Available - Purchase Complete Assembly)	
6	See Note	NSS	Screw (Note: Not Available for Purchase)	
7	See Note	NSS	Pivot Arm, Cast (Note: Not Available - Purchase Complete Assembly)	
8	See Note	NSS	Shaft, Main (Note: Not Available - Purchase Complete Assembly)	
9	See Note	NSS	Bearing (Note: Not Available - Purchase Complete Assembly)	
10	See Note	NSS	Pin (Note: Not Available - Purchase Complete Assembly)	
11	See Note	NSS	Shim (Note: Not Available - Purchase Complete Assembly)	
12	See Note	NSS	Pin (Note: Not Available - Purchase Complete Assembly)	
13	See Note	NSS	Bearing (Note: Not Available - Purchase Complete Assembly)	
14	See Note	NSS	Dome, Centering (Note: Not Available - Purchase Complete Assembly)	
15	70004753	1	Cap	
16	70004754	1	Insert, Cap	
17	70004755	3	Pin	
18	70004756	2	Washer	
19	70004757	1	Pin, Centering	
20	70004758	1	Spring	
21	70004759	1	Ring, Retaining	
22	70004760	1	E-Ring	
23	70004761	1	Can, Enclosure	
24	70004762	1	Boot	
25	70004763	1	Bezel	
26	See Note	NSS	Screw (Note: Not Available for Purchase)	
27	See Note	NSS	Base Mounting (Note: Not Available - Purchase Complete Assembly)	
28	See Note	NSS	Screw (Note: Not Available for Purchase)	
29	70004764	4	Screw	
30	70004765	4	Screw	
31	70004766	1	O-Ring	
32	See Note	NSS	Plate (Note: Not Available - Purchase Complete Assembly)	
33	See Note	NSS	Harness (Note: Not Available - Purchase Complete Assembly)	
34	70004767	1	Grommet, Rubber	
35	70004768	1	Housing	
36	70004769	1	Spring	
37	70004770	1	Stopper	
38	70004771	1	Spacer	
39	70004772	1	Washer	
40	70004773	1	Disc	

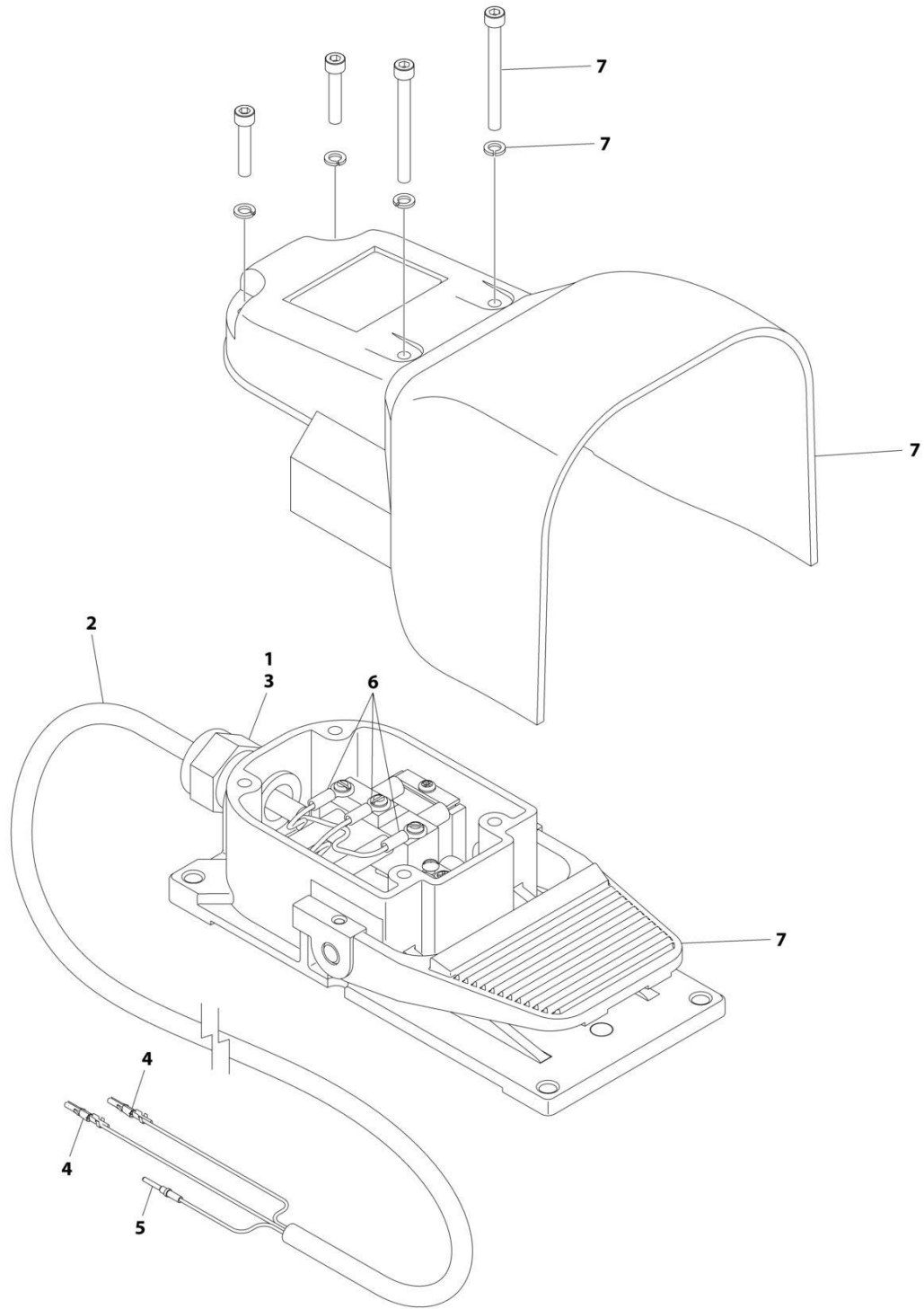
## SECTION 5 - PLATFORM

ITEM	PART NUMBER	QTY	DESCRIPTION	REV
41	70004774	2	Ring, Retaining	
42	70004775	1	Spring	
101	4460265	1	Connector - 9 Position	
101	4460226	6	Socket, Female	



# SECTION 5 - PLATFORM

## FIGURE 5-23. FOOTSWITCH ASSEMBLY



ART\_100117174

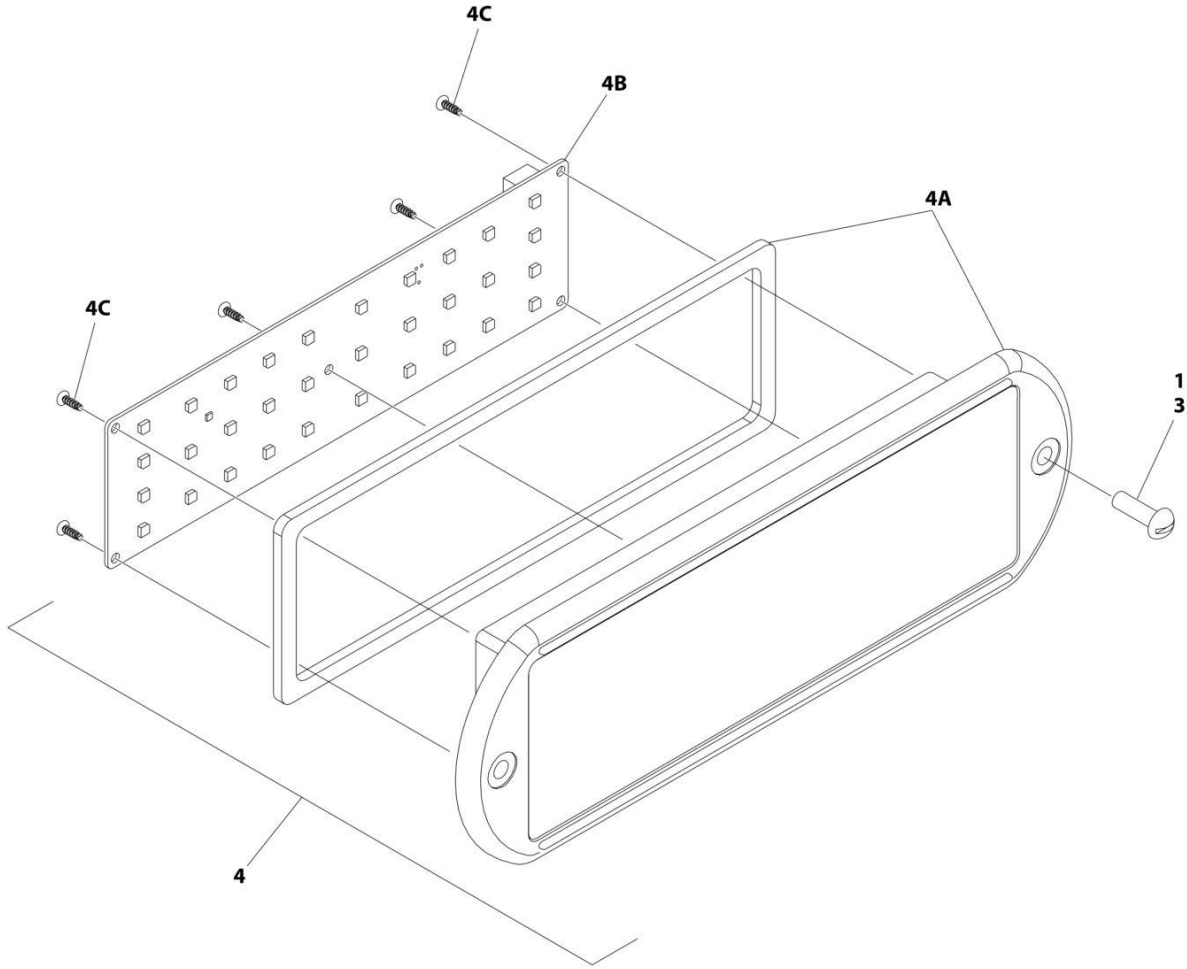
## SECTION 5 - PLATFORM

**FIGURE 5-23. FOOTSWITCH ASSEMBLY**

ITEM	PART NUMBER	QTY	DESCRIPTION	REV
	1001117174	Ref	FOOTSWITCH ASSEMBLY	C
1	0100020	AR	Sealant	
2	1060918	7.5 ft/ 2.3m	Cable, Electrical - 18/3	
3	4460071	1	Connector, Strain Relief	
4	4460226	2	Socket, Female	
5	4460464	1	Pin, Male	
6	1001098122	3	Terminal	
7	1001117172	1	Footswitch	
7	70002902	1	Switch, 20Amp	
7	70002903	1	Gasket	
7	70002905	1	Cover	
7	70002904	1	Kit, Replacement Bolt	

# SECTION 5 - PLATFORM

## FIGURE 5-24. LIGHT PANEL INSTALLATION



ART\_1001233959\_20F2

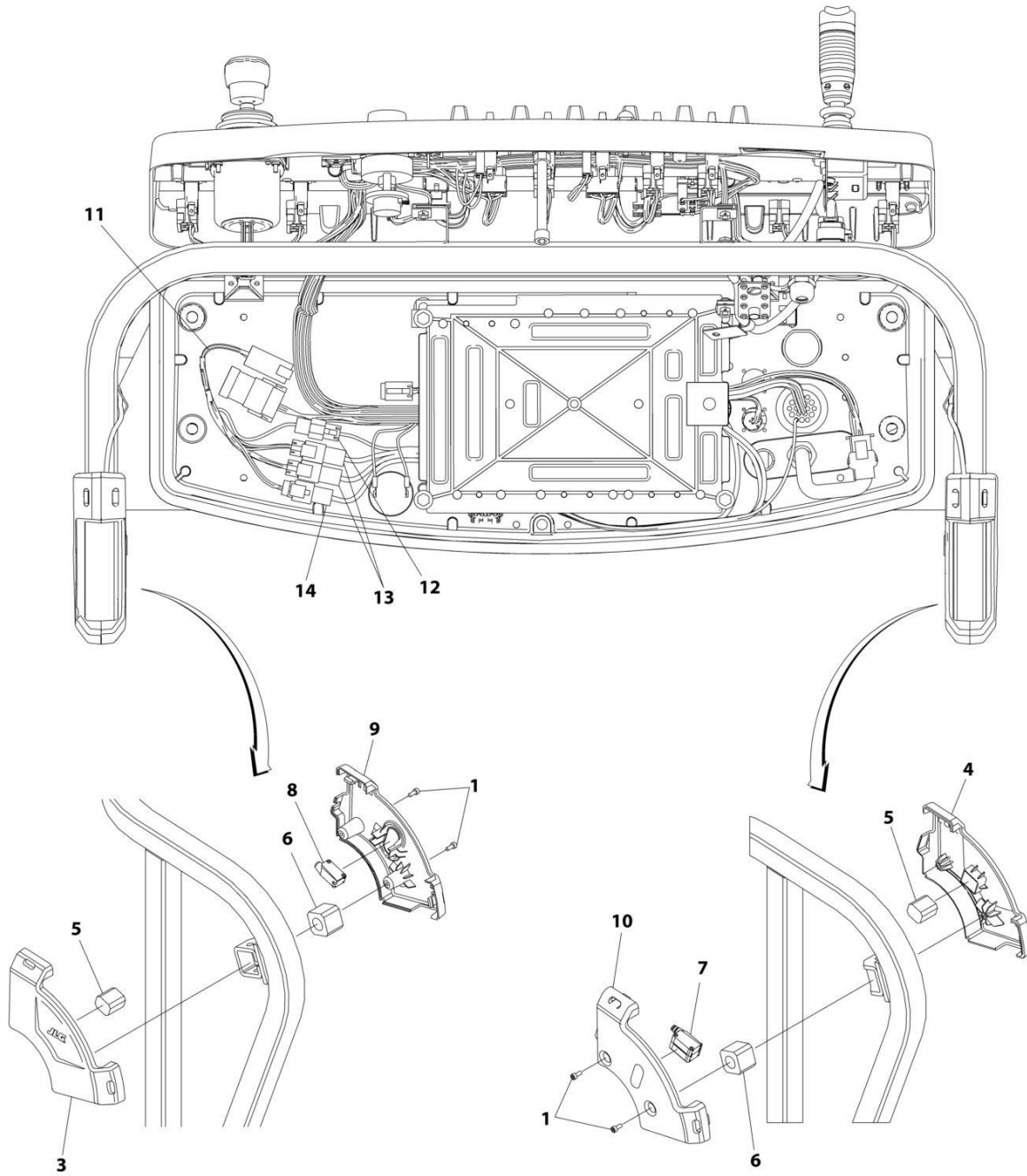
## SECTION 5 - PLATFORM

### FIGURE 5-24. LIGHT PANEL INSTALLATION

ITEM	PART NUMBER	QTY	DESCRIPTION	REV
	1001233959	Ref	LIGHT PANEL INSTALLATION - PLATFORM CONSOLE	C
1	0100035	AR	Compound, Locking	
3	0630518	2	Screw #10 x 3/4	
4	1001237544	1	Light Panel Assembly	
4A	1001236087	1	Lens, I-Con (Includes Gasket)	
4B	1001187807	1	Panel, LED Light	
4C		Ref	Screw	

# SECTION 5 - PLATFORM

## FIGURE 5-25. SKYEYE INSTALLATION



ART\_1001229341



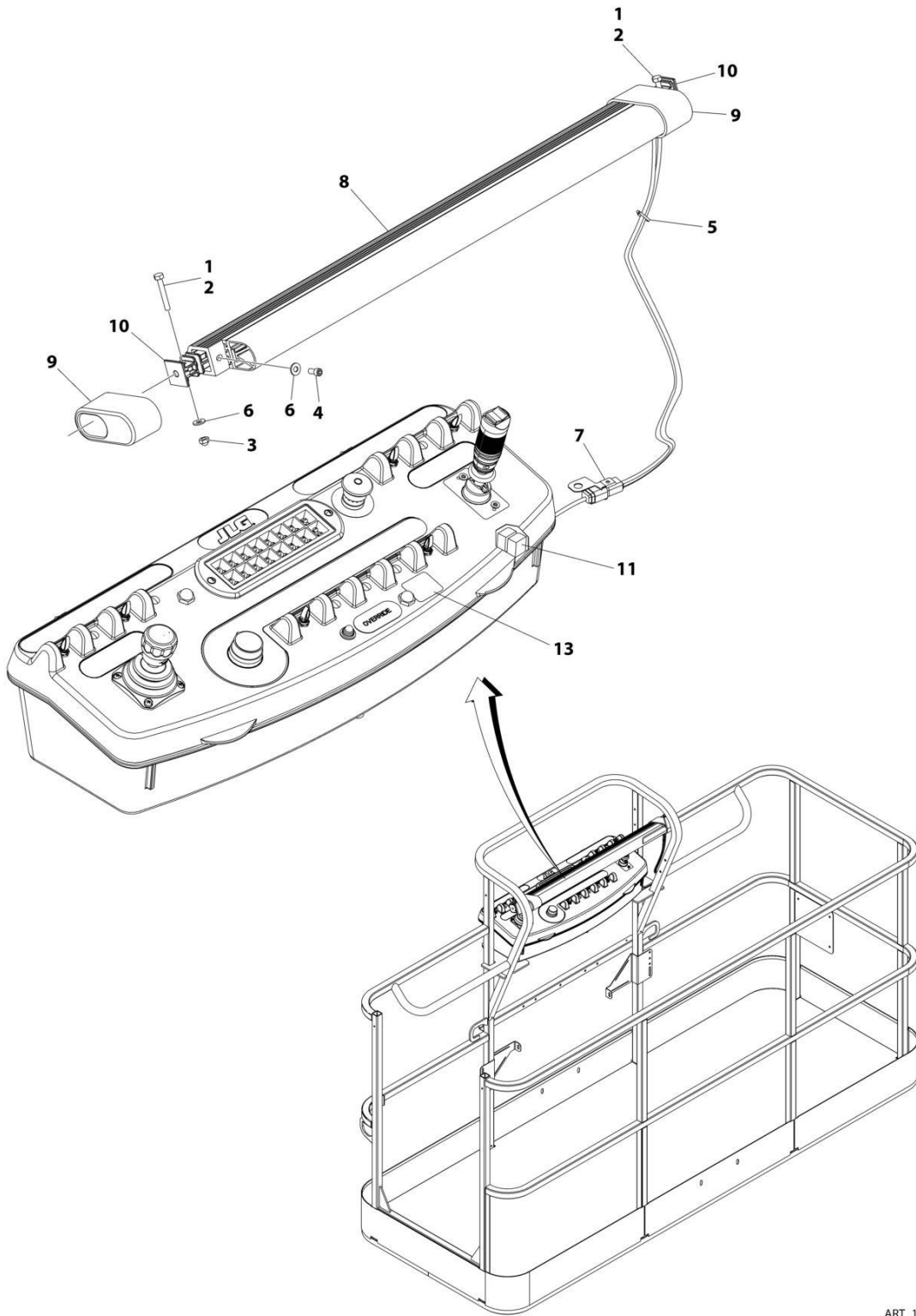
## SECTION 5 - PLATFORM

### FIGURE 5-25. SKYEYE INSTALLATION

ITEM	PART NUMBER	QTY	DESCRIPTION	REV
	1001229341	Ref	SKYEYE INSTALLATION	B
1	4031505	4	Bolt M4 x 10	
2	4240033	AR	Tie-Strap (Not Shown)	
3	1001227633	1	Housing, LH Outer	
4	1001227634	1	Housing, RH Outer	
5	1001227985	2	Shim	
6	1001227987	2	Shim	
7	1001228224	2	Sensor, Receiver	
8	1001228225	1	Sensor, Emitter	
9	1001232164	1	Housing, LH Inner	
10	1001232165	1	Housing, RH Inner	
11	1001237865	1	Harness, Skyeeye Intermediate (See Separate Breakdown in ELECTRICAL Section)	
12	1001238319	NLA	Harness, Skyeeye Drain Jumper	
12	1001187674	1	Plug, Male - 2 Position	
12	4460942	1	Terminal	
12	4460466	1	Plug, Terminal	
12	4460508	1	Pin, Male	
13	1001237863	2	Harness, Skyeeye Receiver (See Separate Breakdown in ELECTRICAL Section)	
14	1001237864	1	Harness, Skyeeye Emitter (See Separate Breakdown in ELECTRICAL Section)	

# SECTION 5 - PLATFORM

## FIGURE 5-26. SKYGUARD BAR INSTALLATION



ART\_1001238495

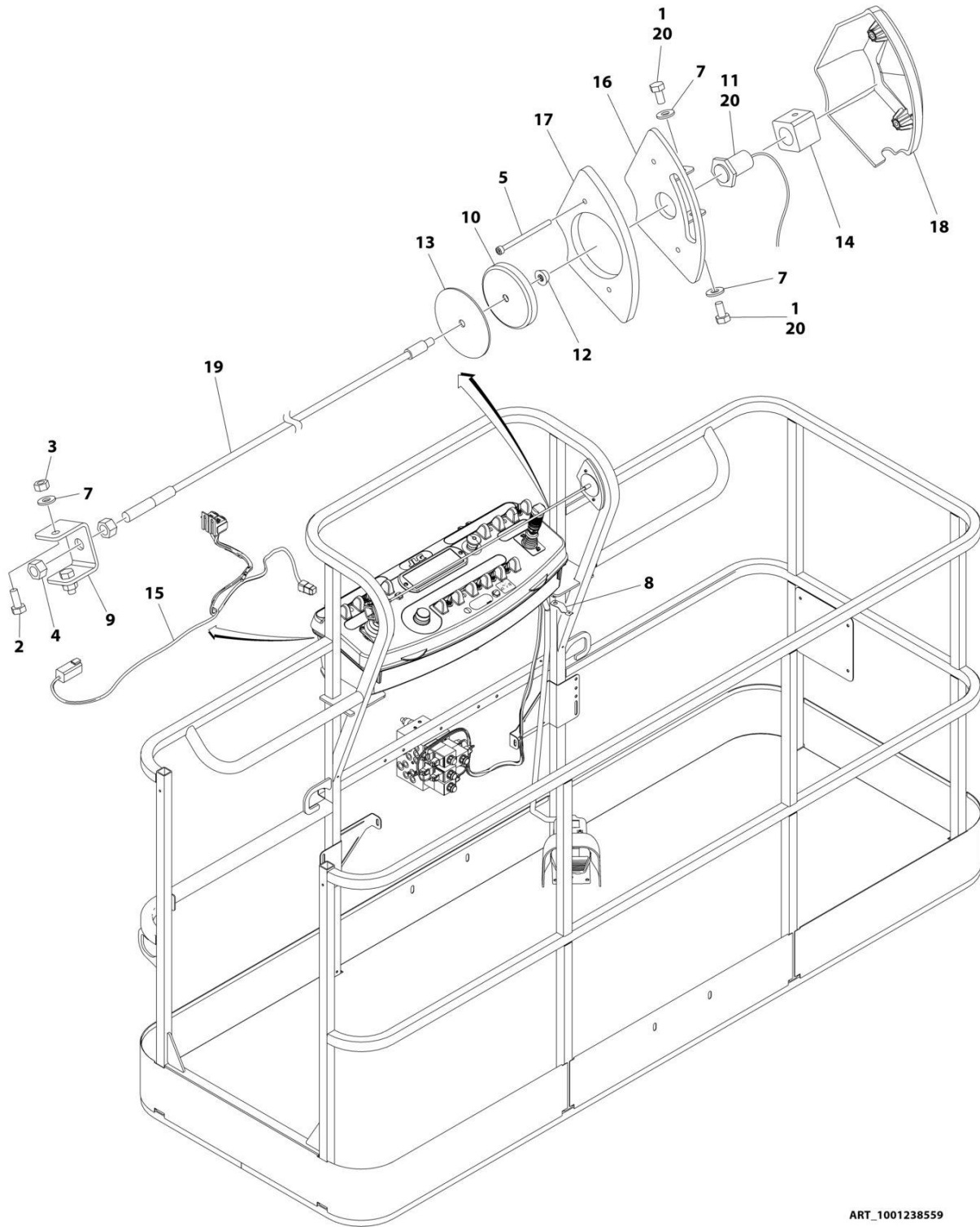
## SECTION 5 - PLATFORM

**FIGURE 5-26. SKYGUARD BAR INSTALLATION**

ITEM	PART NUMBER	QTY	DESCRIPTION	REV
	1001238495	Ref	SKYGUARD BAR INSTALLATION	A
1	0100011	AR	Compound, Locking	
2	0641414	2	Bolt 1/4 x 1-3/4	
3	3300430	2	Nut 1/4	
4	3931408	2	Capscrew 1/4 x 1/2	
5	4240033	8	Tie-Strap	
6	4711400	6	Washer 1/4	
7	1001120328	1	Mount	
8	1001137673	1	SkyGuard Switch Assembly	
9	1001186517	2	Cover, Platform Sensor	
10	1001209664	2	Support, Block	
11	1001186431	2	Relay	
12	1001225580	1	Interface Harness Assembly (Not Shown - Located Inside Console Box) (See Separate Breakdown in ELECTRICAL Section)	
13	1001144433	1	Decal - No Weight SkyGuard	

# SECTION 5 - PLATFORM

## FIGURE 5-27. SKYLINE INSTALLATION



ART\_1001238559

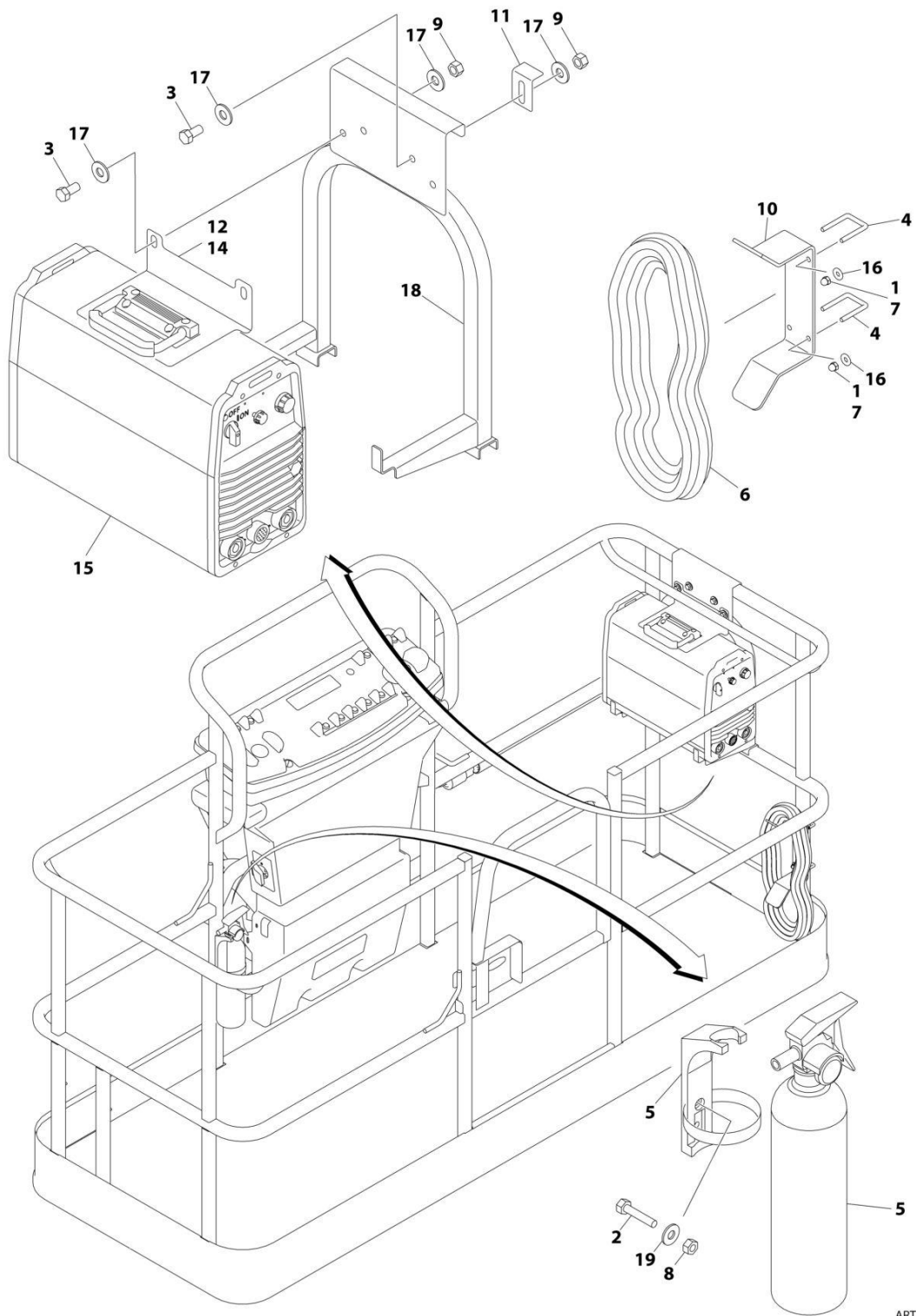
## SECTION 5 - PLATFORM

### FIGURE 5-27. SKYLINE INSTALLATION

ITEM	PART NUMBER	QTY	DESCRIPTION	REV
	1001238559	Ref	SKYLINE INSTALLATION	B
1	0641404	2	Bolt 1/4 x 1/2	
2	0641405	2	Bolt 1/4 x 5/8	
3	3311405	2	Nut 1/4	
4	3311601	2	Nut 3/8	
5	4031516	2	Capscrew M4 x 60	
6	4240033	AR	Tie-Strap (Not Shown)	
7	4711400	4	Washer 1/4	
8	1001120328	1	Mount	
9	1001232642	1	Bracket	
10	1001232650	1	Magnet	
11	1001232667	1	Sensor, Proximity	
12	1001235011	1	Nut	
13	1001235013	1	Washer	
14	1001236552	1	Block	
15	1001238418	1	Harness, Skyline (See Separate Breakdown in ELECTRICAL Section)	
16	1001238472	1	Mount	
17	1001238477	1	Housing, LH	
18	1001241965	1	Housing, RH	
19	1001238824	1	Rope	
20	0100011	AR	Compound, Locking	

# SECTION 5 - PLATFORM

## FIGURE 5-28. SKYWELDER INSTALLATION (50HZ)



ART\_0272521\_F

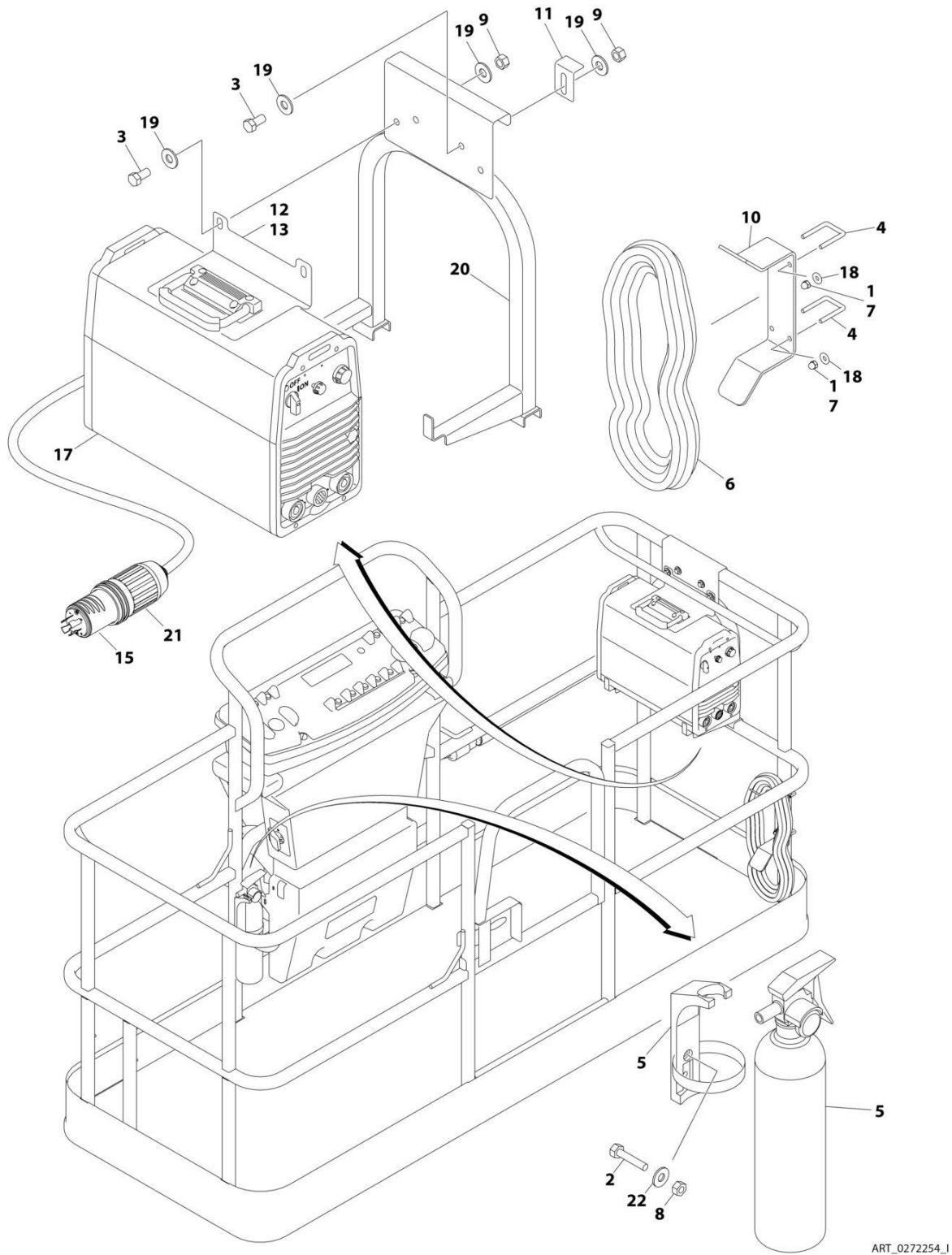
## SECTION 5 - PLATFORM

**FIGURE 5-28. SKYWELDER INSTALLATION (50HZ)**

ITEM	PART NUMBER	QTY	DESCRIPTION	REV
	0272521	Ref	SKYWELDER INSTALLATION	F
1	0100011	AR	Compound, Locking	
2	0630518	2	Screw #10 x 3/4	
3	0641606	4	Bolt 3/8 x 3/4	
4	1320302	2	U-Clamp	
5	2030010	1	Extinguisher, Fire	
6	2902217	1	Weld Leads Kit	
7	3300151	4	Nut 1/4	
8	3311005	2	Nut #10	
9	3311605	4	Nut 3/8	
10	3573400	1	Bracket	
11	3577121	2	Angle	
12	3573642	1	Plate	
13	4240099	AR	Tie-Strap (Not Shown)	
14	4420037	AR	Tape	
15	4530028	1	Welder Assembly (See Separate Breakdown in this Section)	
16	4751400	4	Washer 1/4	
17	4751600	8	Washer 3/8	
18	4846627	1	Support	
19	4751000	2	Washer #10	

# SECTION 5 - PLATFORM

## FIGURE 5-29. SKYWELDER INSTALLATION (60HZ)



ART\_0272254\_I



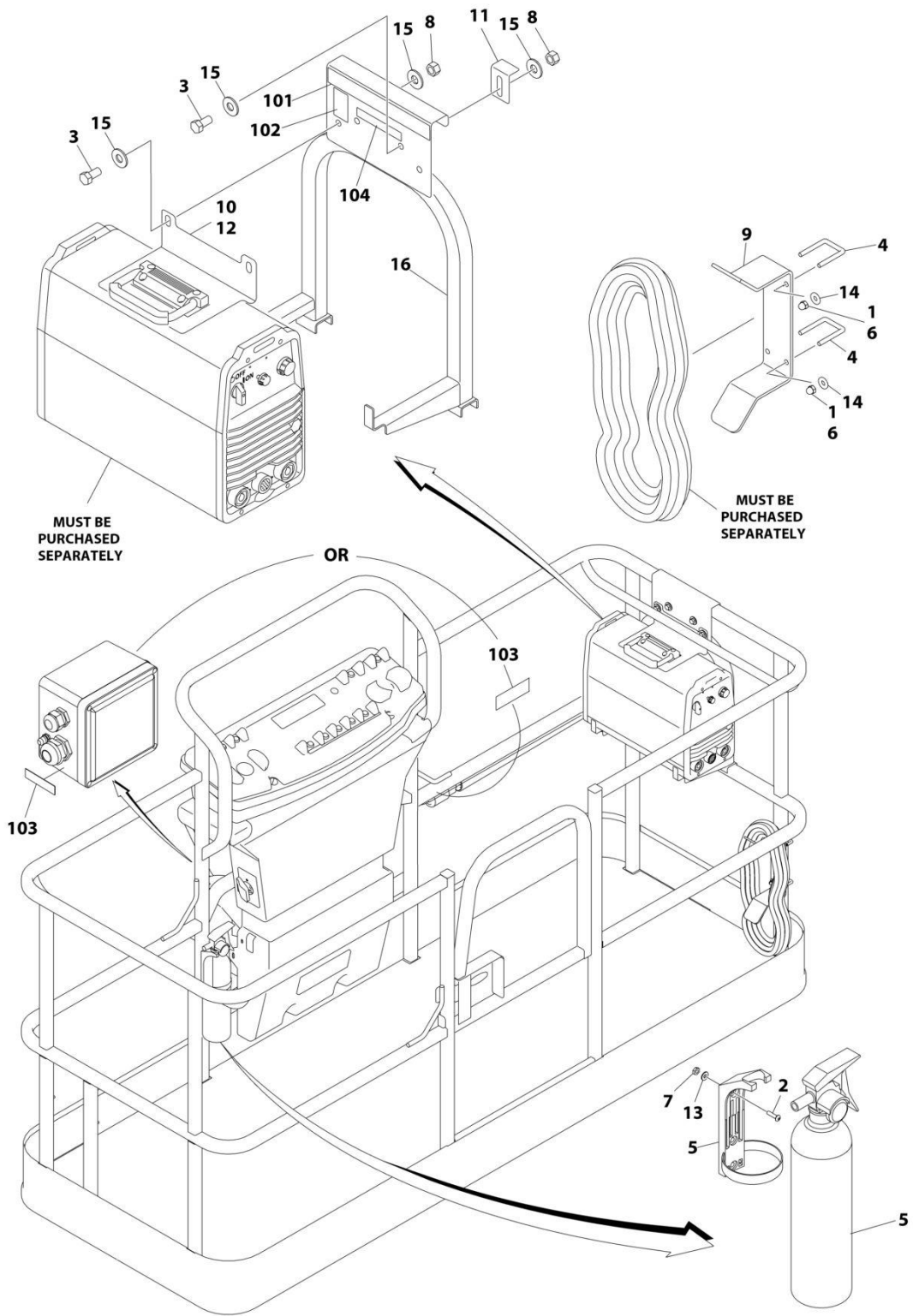
## SECTION 5 - PLATFORM

**FIGURE 5-29. SKYWELDER INSTALLATION (60HZ)**

ITEM	PART NUMBER	QTY	DESCRIPTION	REV
	0272254	Ref	SKYWELDER INSTALLATION	1
1	0100011	AR	Compound, Locking	
2	0630518	2	Screw #10 x 3/4	
3	0641606	4	Bolt 3/8 x 3/4	
4	1320302	2	U-Clamp	
5	2030010	1	Extinguisher, Fire	
6	2902217	1	Weld Leads Kit	
7	3300151	4	Nut 1/4	
8	3311005	2	Nut #10	
9	3311605	4	Nut 3/8	
10	3573400	1	Bracket	
11	3577121	2	Angle	
12	3573642	1	Plate	
13	4420037	AR	Tape	
14	4240099	AR	Tie-Strap (Not Shown)	
15	4460962	1	Plug, Male Twistlock	
17	4530028	1	Welder Assembly (See Separate Breakdown in this Section)	
18	4751400	4	Washer 1/4	
19	4751600	8	Washer 3/8	
20	4846627	1	Support	
21	1671093	1	Cover, Plug	
22	4751000	2	Washer #10	

# SECTION 5 - PLATFORM

## FIGURE 5-30. SKYWELDER PREP PACKAGE (60HZ)



ART\_1001128527\_B

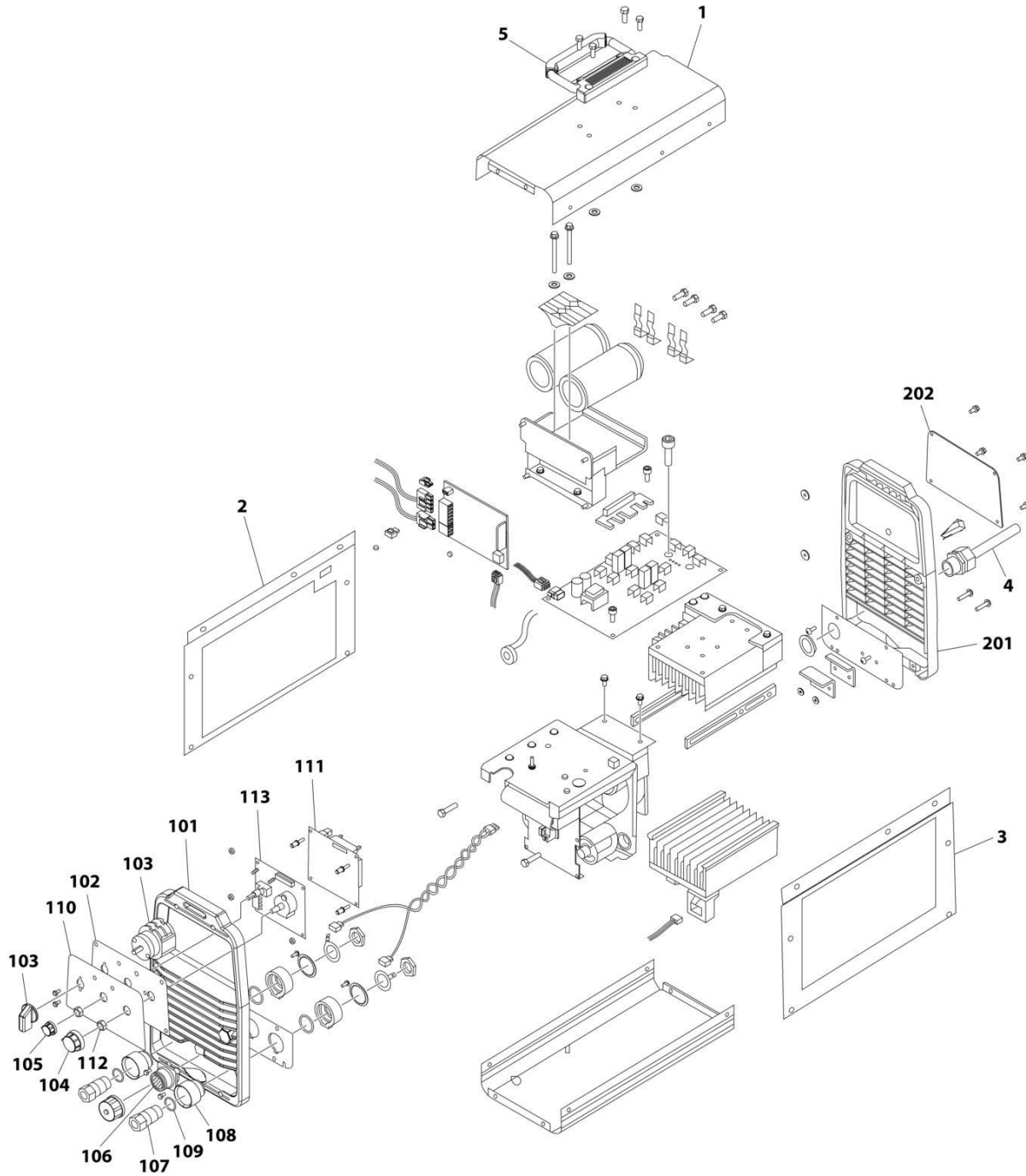
## SECTION 5 - PLATFORM

**FIGURE 5-30. SKYWELDER PREP PACKAGE (60HZ)**

ITEM	PART NUMBER	QTY	DESCRIPTION	REV
	1001128527	Ref	SKYWELDER PREP PACKAGE	B
1	0100011	AR	Compound, Locking	
2	0630518	2	Screw #10 x 3/4	
3	0641606	4	Bolt 3/8 x 3/4	
4	1320302	2	U-Clamp	
5	2030010	1	Extinguisher, Fire	
6	3300151	4	Nut 1/4	
7	3311005	2	Nut #10	
8	3311605	4	Nut 3/8	
9	3573400	1	Bracket	
10	3573642	1	Plate	
11	3577121	2	Angle	
12	4420037	AR	Tape	
13	4751000	2	Washer #10	
14	4751400	4	Washer 1/4	
15	4751600	8	Washer 3/8	
16	4846627	1	Support	
	1001128556	Ref	SKYWELDER DECAL INSTALLATION	C
101	1702868	1	Decal - No Hands	
102	1705305	1	Decal - Weld Lead	
103	1705375	1	Decal - 240V - 3 Phase - 60Hz	
104	1001228988	1	Decal - Weight	

# SECTION 5 - PLATFORM

## FIGURE 5-31. WELDER ASSEMBLY



ART\_4530028

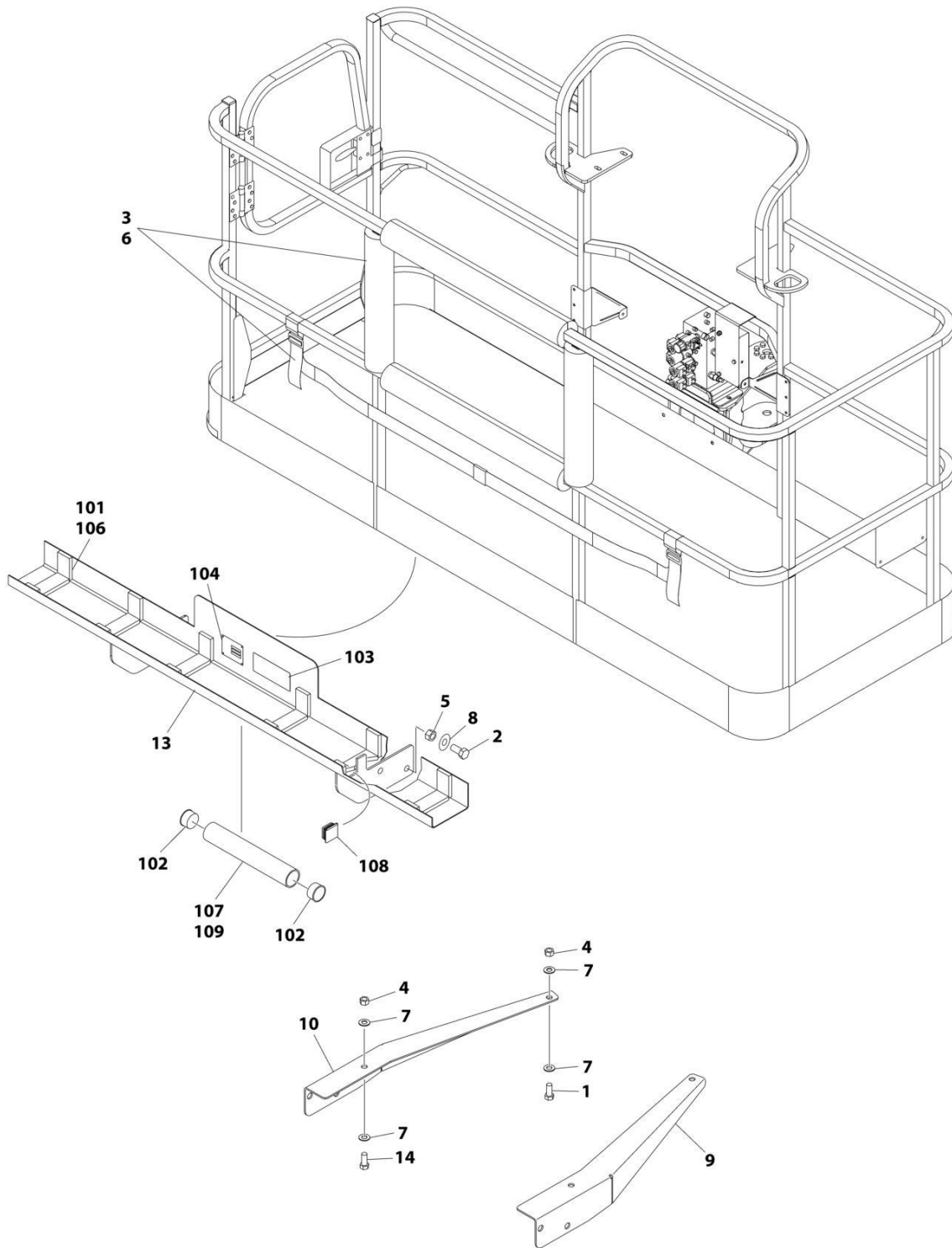
## SECTION 5 - PLATFORM

### FIGURE 5-31. WELDER ASSEMBLY

ITEM	PART NUMBER	QTY	DESCRIPTION	REV
	4530028	Ref	WELDER ASSEMBLY	B
		Ref	Note: For Other Components, contact your Miller Welder Dealer.	
1	7027773	1	Cover, Top	
1	7027774	1	Decal - Static Precautionary Warning	
2	See Note	NSS	Panel, LH Side (Note: Part of Item 1. Purchase Item 1)	
3	See Note	NSS	Panel, RH Side (Note: Part of Item 1. Purchase Item 1)	
4	7024467	1	Cable, Power	
4	7027775	1	Decal - Electrical Shock Warning (Not Shown)	
5	7027776	1	Handle, Carrying	
101	7024462	1	Panel, Front	
102	7024463	1	Panel, Console	
103	7024469	1	Switch with Lead	
104	7024470	1	Knob	
105	7024471	1	Knob	
106	7024472	1	Receptacle with Leads and Plugs	
107	7024473	2	Receptacle, Twistlock Female	
108	7024474	2	Insulator	
109	7024475	2	O-Ring	
110	7027777	1	Nameplate	
111	7027779	1	Circuit Card Assembly (Process Control)	
112	7024478	2	Nut	
113	7027778	1	Circuit Card Assembly (Operator Interface)	
201	7024462	1	Panel, Rear	
202	7027780	1	Panel, Cover	

# SECTION 5 - PLATFORM

## FIGURE 5-32. SKYGLAZIER INSTALLATION (OPTIONAL) (NOT AVAILABLE ON ALL SPECS)



ART\_1001172578

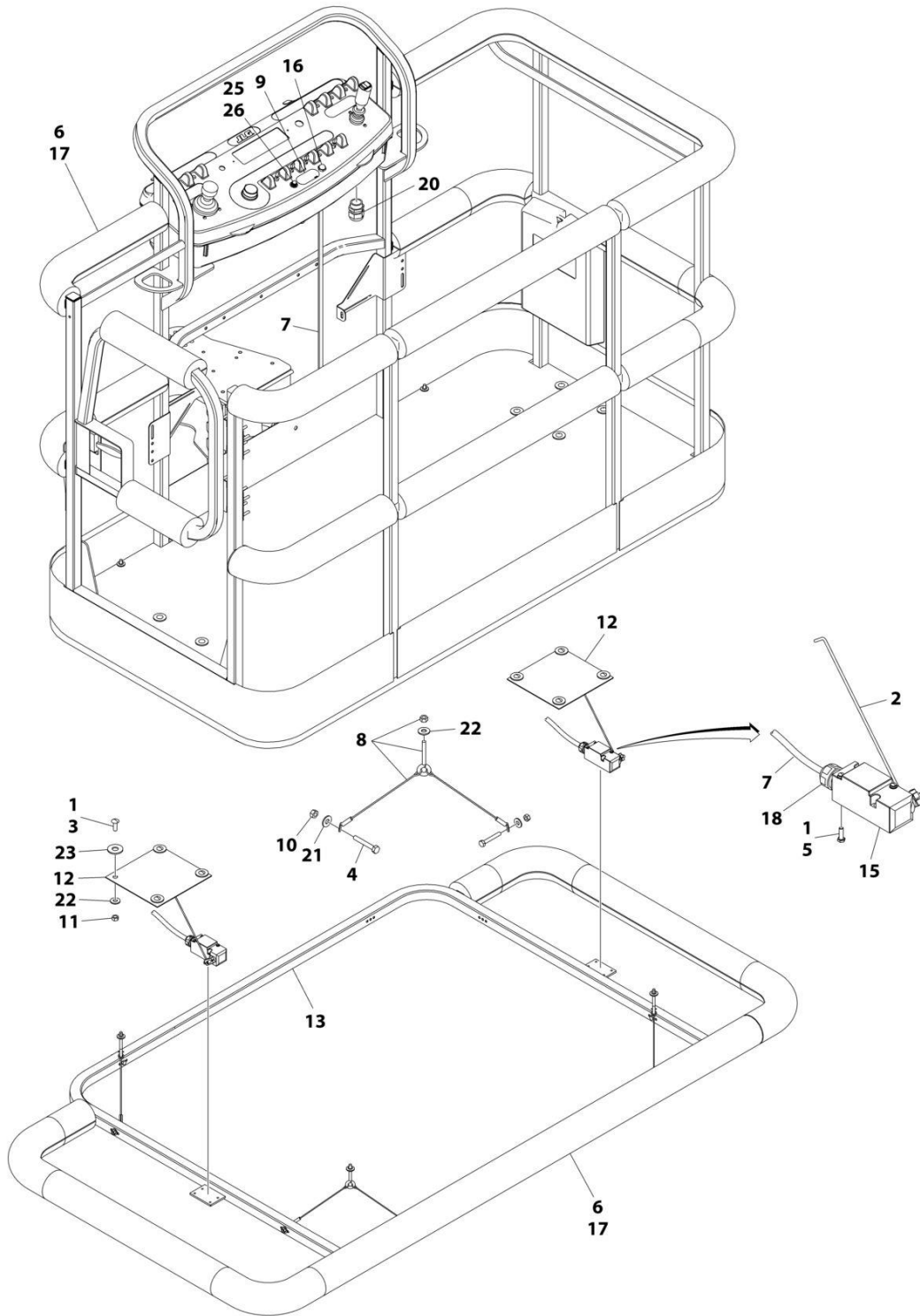
## SECTION 5 - PLATFORM

**FIGURE 5-32. SKYGLAZIER INSTALLATION (OPTIONAL) (NOT AVAILABLE ON ALL SPECS)**

ITEM	PART NUMBER	QTY	DESCRIPTION	REV
	1001172578	Ref	SKYGLAZIER INSTALLATION	C
1	0642012	2	Bolt 5/8 x 1-1/2	
2	0642212	4	Bolt 3/4 x 1-1/2	
3	2902212	1	Bumpers and Strap Kit	
3	0940102	1	Bumper Only	
3	4240149	1	Strap Only	
4	3312005	1	Nut 5/8	
5	3312205	4	Nut 3/4	
6	4420014	AR	Tape	
7	4712000	6	Washer 5/8	
8	4712200	8	Washer 3/4	
9	1001099366	1	Support	
10	1001099367	1	Support	
13	1001172577	1	Tray Assembly (See Items 101-111 for Breakdown)	
14	8310129	2	Bolt 3/4 x 2-1/2	
	1001172577	Ref	TRAY ASSEMBLY	C
101	0100081	AR	Adhesive	
102	1120555	2	Cap, Tube	
103	1701509	1	Decal - Manual	
104	See Note	NSS	Nameplate - Serial Number (Note: Not Available for Purchase)	
106	3340956	1	Pad Kit	
107	3460334	1	Tube	
108	3520071	2	Plug	
109	4420066	AR	Tape, Double Sided	

# SECTION 5 - PLATFORM

## FIGURE 5-33. SOFT TOUCH INSTALLATION - 6FT (1.83M) PLATFORM (OPTIONAL)



ART\_0273824



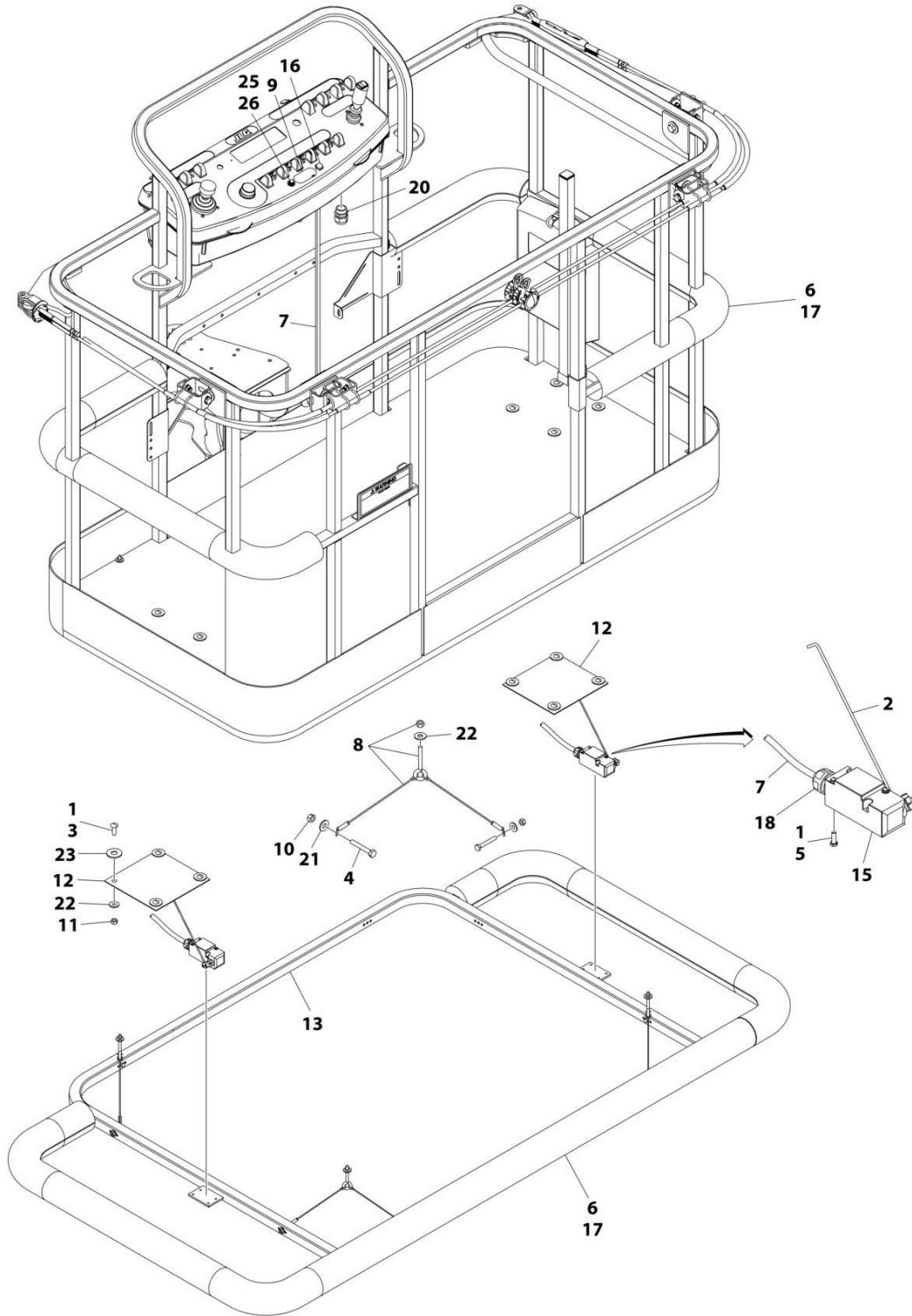
## SECTION 5 - PLATFORM

**FIGURE 5-33. SOFT TOUCH INSTALLATION - 6FT (1.83M) PLATFORM (OPTIONAL)**

ITEM	PART NUMBER	QTY	DESCRIPTION	REV
	0273824	Ref	SOFT TOUCH SYSTEM INSTALLATION	D
1	0100011	AR	Compound, Locking	
2	0200048	2	Arm, Switch	
3	0630462	8	Bolt	
4	0641414	8	Bolt 1/4 x 1-3/4	
5	0731005	4	Bolt #10 x 5/8	
6	0940134	1	Bumper Kit (Includes Corners and Enough Straight Material for One Platform)	
6	0940092	AR	Bumper (Corner)	
6	0940094	AR	Bumper (12ft Length)	
7	1060341	23 ft/7m	Cable, Soft Touch - 16/2	
8	1060903	4	Wire Rope and Eyebolt Assembly	
9	1702938	1	Decal - Soft Touch Override	
10	3311401	8	Nut 1/4	
11	3311501	8	Nut 5/16	
12	3575359	2	Plate, Switch Strike	
13	3641569	1	Rail, Soft Touch	
14	4240099	7	Tie-Strap (Not Shown)	
15	4360057	2	Switch, Limit	
16	4360387	1	Switch, Push Button	
17	4420068	AR	Tape, Adhesive	
17	1001197017	AR	Tie-Strap	
18	4460049	2	Connector, Strain Relief	
19	4460234	7	Tie-Strap (Not Shown)	
20	4460425	1	Connector, Strain Relief	
21	4751400	8	Washer 1/4	
22	4751500	12	Washer 5/16	
23	4751800	8	Washer 1/2	
24	4933218	1	Wiring Diagram (Not Shown - Reference Only)	
25	2920028	1	Light, Indicator	
26	2920029	1	Bulb, Light	

# SECTION 5 - PLATFORM

FIGURE 5-34. SOFT TOUCH INSTALLATION - 6FT (1.83M) FALL ARREST PLATFORM (600S HC3)



ART\_1001108256

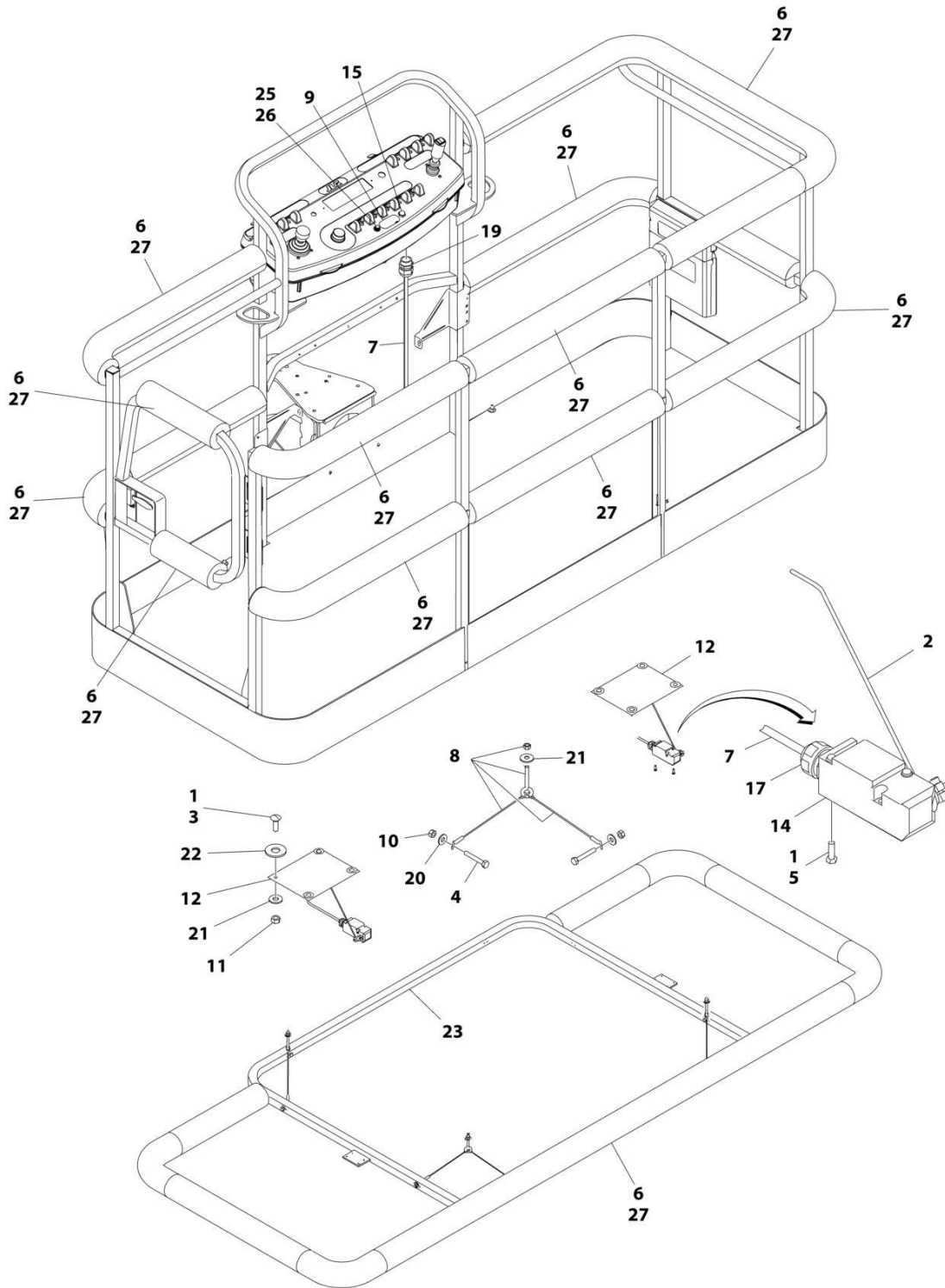
## SECTION 5 - PLATFORM

**FIGURE 5-34. SOFT TOUCH INSTALLATION - 6FT (1.83M) FALL ARREST PLATFORM (600S HC3)**

ITEM	PART NUMBER	QTY	DESCRIPTION	REV
	1001108256	Ref	SOFT TOUCH INSTALLATION	C
1	0100011	AR	Compound, Locking	
2	0200048	2	Arm, Switch	
3	0630462	8	Bolt	
4	0641414	8	Bolt 1/4 x 1-3/4	
5	0731005	4	Bolt #10 x 5/8	
6	0940177	1	Bumper Kit (Includes Corners and Enough Straight Material for One Platform)	
6	0940092	8	Bumper (Corner)	
6	0940094	AR	Bumper (12ft Length)	
7	1060341	23 ft/7m	Cable, Soft Touch - 16/2	
8	1060903	4	Wire Rope and Eyebolt Assembly	
9	1702938	1	Decal - Soft Touch Override	
10	3311401	8	Nut 1/4	
11	3311501	8	Nut 5/16	
12	3575359	2	Plate, Switch Strike	
13	3641569	1	Rail, Soft Touch	
14	4240099	7	Tie-Strap (Not Shown)	
15	4360057	2	Switch, Limit	
16	4360387	1	Switch, Push Button	
17	4420068	AR	Tape, Adhesive	
17	1001197017	AR	Tie-Strap	
18	4460049	2	Connector, Strain Relief	
19	4460234	7	Tie-Strap (Not Shown)	
20	4460425	1	Connector, Strain Relief	
21	4751400	8	Washer 1/4	
22	4751500	9	Washer 5/16	
23	4751800	8	Washer 1/2	
25	2920028	1	Light, Indicator	
26	2920029	1	Bulb, Light	

# SECTION 5 - PLATFORM

## FIGURE 5-35. SOFT TOUCH INSTALLATION - 8FT (2.4M) PLATFORM (OPTIONAL)



ART\_0272427\_G

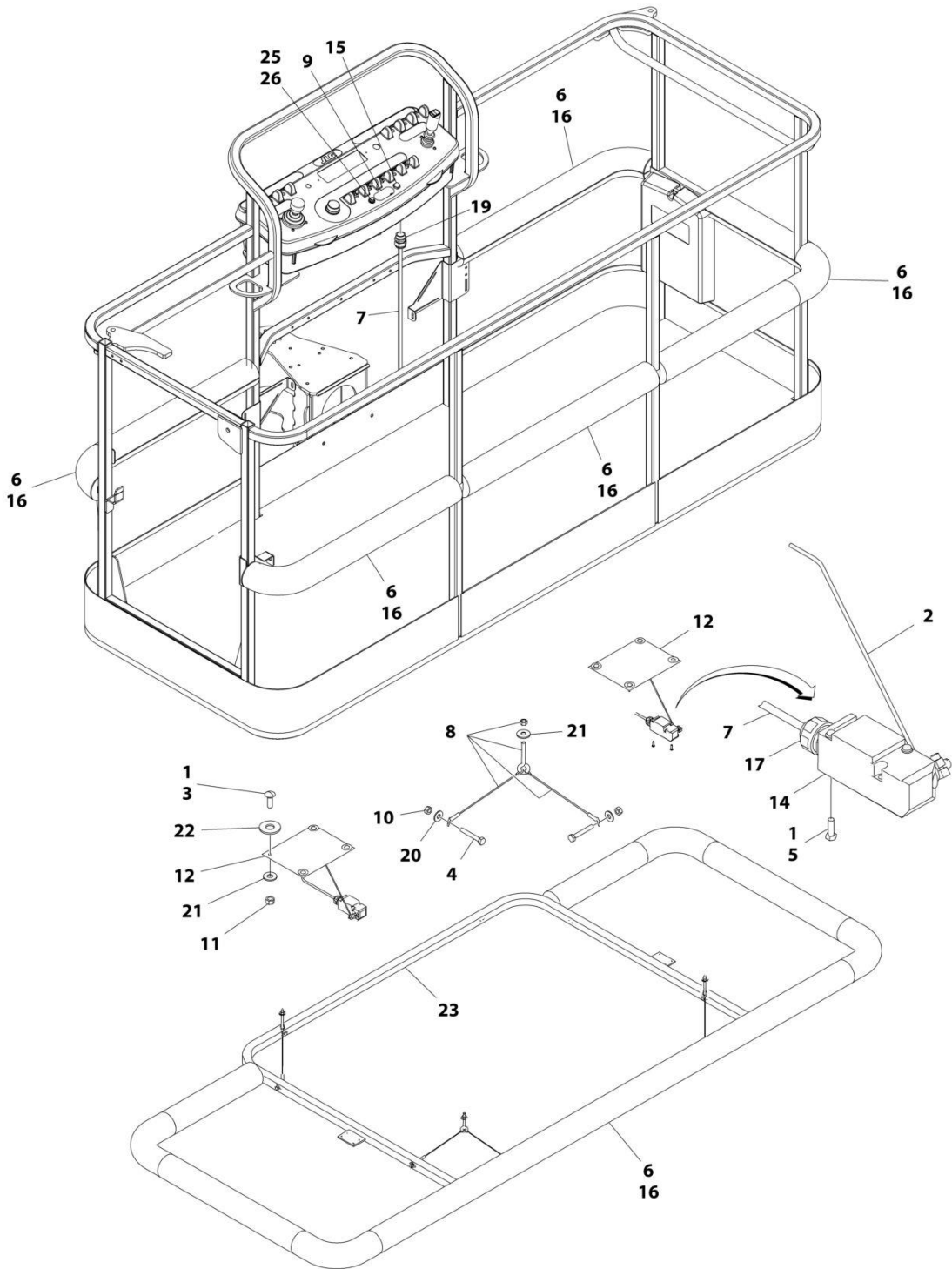
## SECTION 5 - PLATFORM

**FIGURE 5-35. SOFT TOUCH INSTALLATION - 8FT (2.4M) PLATFORM (OPTIONAL)**

ITEM	PART NUMBER	QTY	DESCRIPTION	REV
	0272427	Ref	SOFT TOUCH INSTALLATION - 36IN X 8FT (91.5CM X 2.44M) PLATFORM (OPTIONAL)	G
1	0100011	AR	Compound, Locking	
2	0200048	2	Arm, Switch	
3	0630462	8	Bolt	
4	0641414	8	Bolt 1/4 x 1-3/4	
5	0721005	4	Bolt #10 x 5/8	
6	0940103	1	Bumper Kit (Includes Corners and Enough Straight Material for One Platform)	
6	0940092	12	Bumper (Corner)	
6	0940094	AR	Bumper (12ft Length)	
7	1060341	23 ft/7m	Cable, Soft Touch - 16/2	
8	1060903	4	Wire Rope and Eyebolt Assembly	
9	1702938	1	Decal - Soft Touch Override	
10	3311401	8	Nut 1/4	
11	3311501	8	Nut 5/16	
12	3574091	2	Plate, Switch Strike	
13	4240099	7	Tie-Strap (Not Shown)	
14	4360057	2	Switch, Limit	
15	4360387	1	Switch, Push Button	
16	4420068	AR	Tape, Adhesive	
16	1001197017	AR	Tie-Strap	
17	4460049	2	Connector, Strain Relief	
18	4460234	7	Tie-Strap (Not Shown)	
19	4460425	1	Connector, Strain Relief	
20	4751400	8	Washer 1/4	
21	4751500	12	Washer 5/16	
22	4751800	8	Washer 1/2	
23	4846673	1	Rail, Soft Touch	
24	4933218	1	Soft Touch Wiring Diagram (Not Shown - Reference Only)	
25	2920028	1	Light, Indicator	
26	2920029	1	Bulb, Light	

# SECTION 5 - PLATFORM

FIGURE 5-36. SOFT TOUCH INSTALLATION - 8FT (2.4M) FALL ARREST PLATFORM (600S HC3)



ART\_0273706

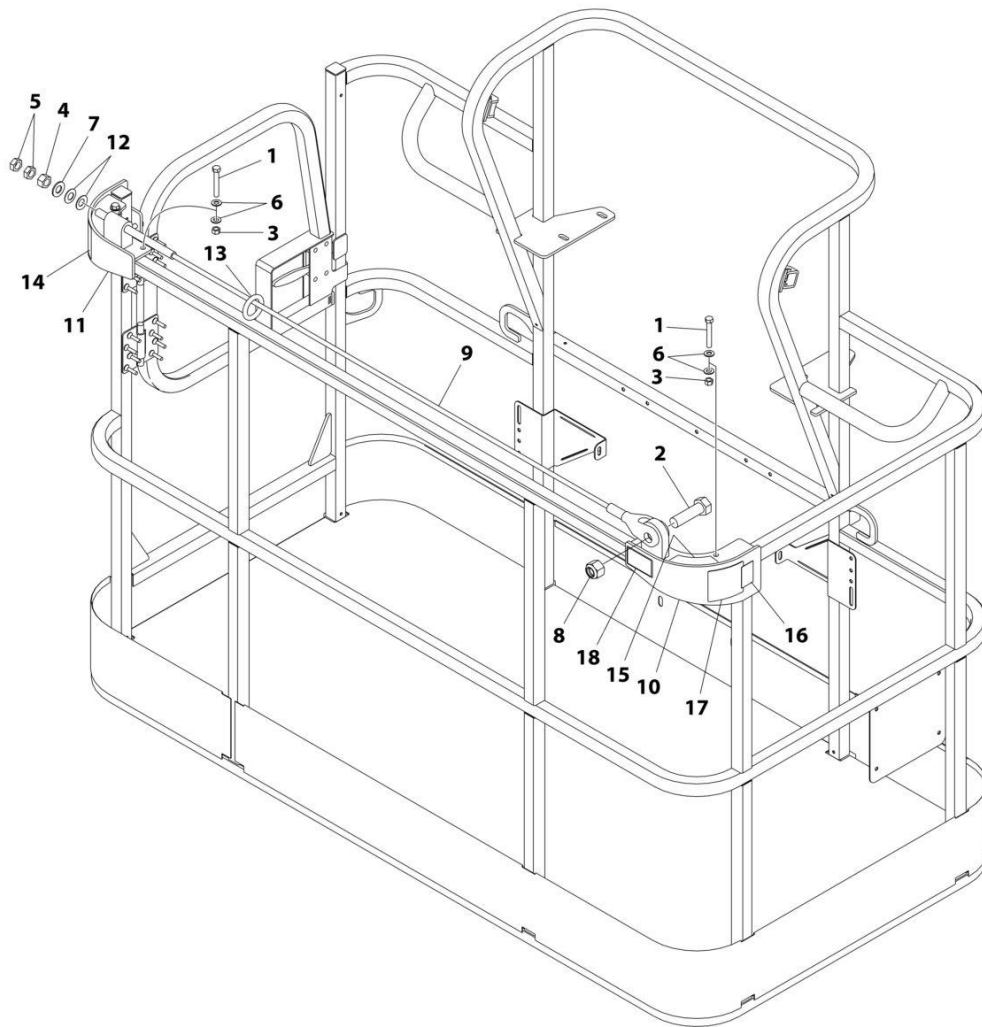
## SECTION 5 - PLATFORM

**FIGURE 5-36. SOFT TOUCH INSTALLATION - 8FT (2.4M) FALL ARREST PLATFORM (600S HC3)**

ITEM	PART NUMBER	QTY	DESCRIPTION	REV
	0273706	Ref	SOFT TOUCH INSTALLATION	D
1	0100011	AR	Compound, Locking	
2	0200048	2	Arm, Switch	
3	0630462	8	Bolt	
4	0641414	8	Bolt 1/4 x 1-3/4	
5	0721005	4	Bolt #10 x 5/8	
6	0940133	1	Bumper Kit (Includes Corners and Enough Straight Material for One Platform)	
6	0940092	8	Bumper (Corner)	
6	0940094	AR	Bumper (12ft Length)	
7	1060341	23 ft/7m	Cable, Soft Touch - 16/2	
8	1060903	4	Wire Rope and Eyebolt Assembly	
9	1702938	1	Decal - Soft Touch Override	
10	3311401	8	Nut 1/4	
11	3311501	8	Nut 5/16	
12	3574091	2	Plate, Switch Strike	
13	4240099	7	Tie-Strap (Not Shown)	
14	4360057	2	Switch, Limit	
15	4360387	1	Switch, Push Button	
16	4420068	AR	Tape, Adhesive	
16	1001197017	AR	Tie-Strap	
17	4460049	2	Connector, Strain Relief	
18	4460234	7	Tie-Strap (Not Shown)	
19	4460425	1	Connector, Strain Relief	
20	4751400	8	Washer 1/4	
21	4751500	12	Washer 5/16	
22	4751800	8	Washer 1/2	
23	4846673	1	Rail, Soft Touch	
25	2920028	1	Light, Indicator	
26	2920029	1	Bulb, Light	

# SECTION 5 - PLATFORM

FIGURE 5-37. FALL ARREST INSTALLATION (BOLT-ON EXTERNAL) (6FT/1.82M PLATFORM)



ART\_1001236747



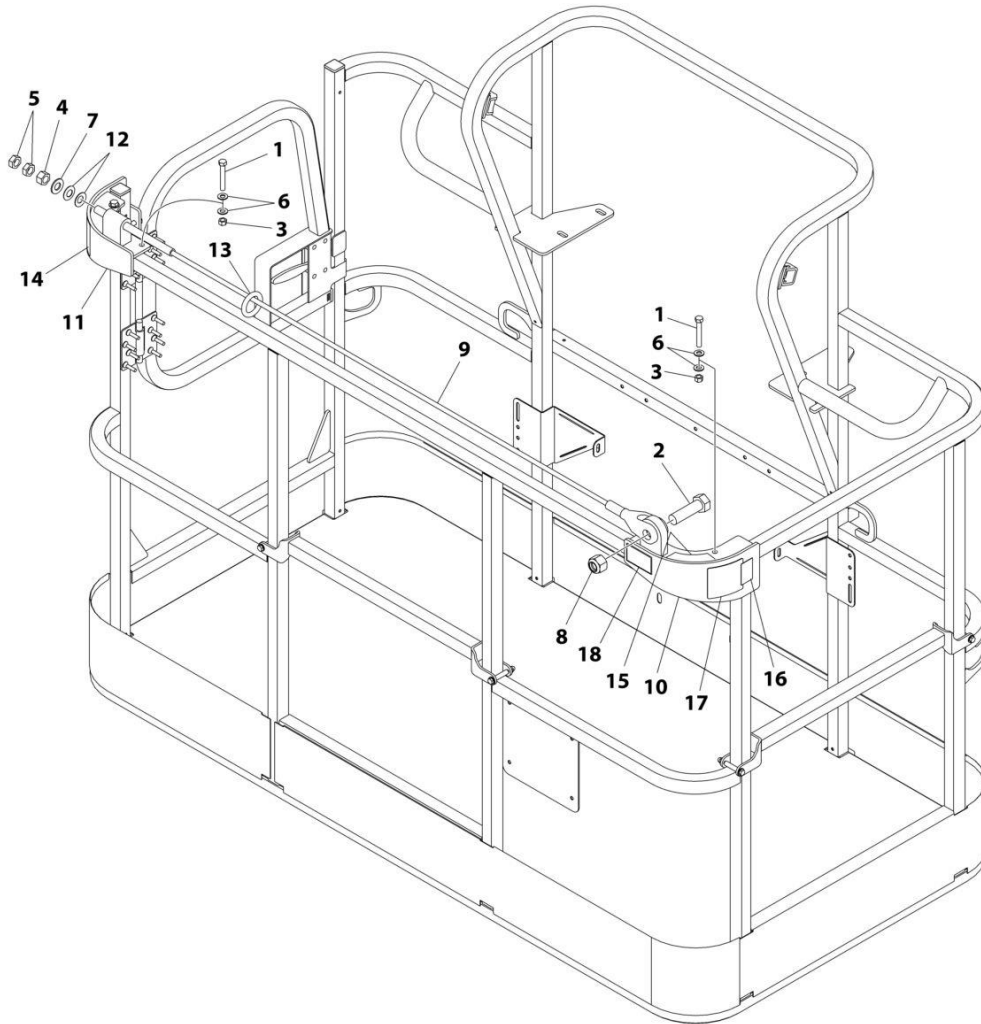
## SECTION 5 - PLATFORM

**FIGURE 5-37. FALL ARREST INSTALLATION (BOLT-ON EXTERNAL) (6FT/1.82M PLATFORM)**

ITEM	PART NUMBER	QTY	DESCRIPTION	REV
	1001236747	Ref	FALL ARREST INSTALLATION (BOLT - ON) 6FT/1.82M PLATFORM	C
1	0681620	6	Bolt 3/8 x 2-1/2	
2	0682424	1	Bolt 7/8 x 3	
3	3271605	6	Nut 3/8	
4	3272001	1	Nut 5/8	
5	3312002	2	Nut 5/8	
6	4711600	12	Washer 3/8	
7	4712000	1	Washer 5/8	
8	88521214	1	Nut 7/8	
9	1001231950	1	Rope	
10	1001232010	1	Bracket (RH)	
11	1001232011	1	Bracket (LH)	
12	1001236891	2	Washer	
13	1001236895	1	Ring	
14	1001238263	1	Decal - Warning Falling Hazard	
15	1001252629	1	Decal - Weight	
16	1001248140	1	Decal - Bolt Fall Arrest Re-Cert	
17	1001248141	1	Decal - Inscription	

# SECTION 5 - PLATFORM

## FIGURE 5-38. FALL ARREST INSTALLATION (BOLT-ON EXTERNAL) (6FT/1.82M TRI-ENTRY PLATFORM)



ART\_1001238463

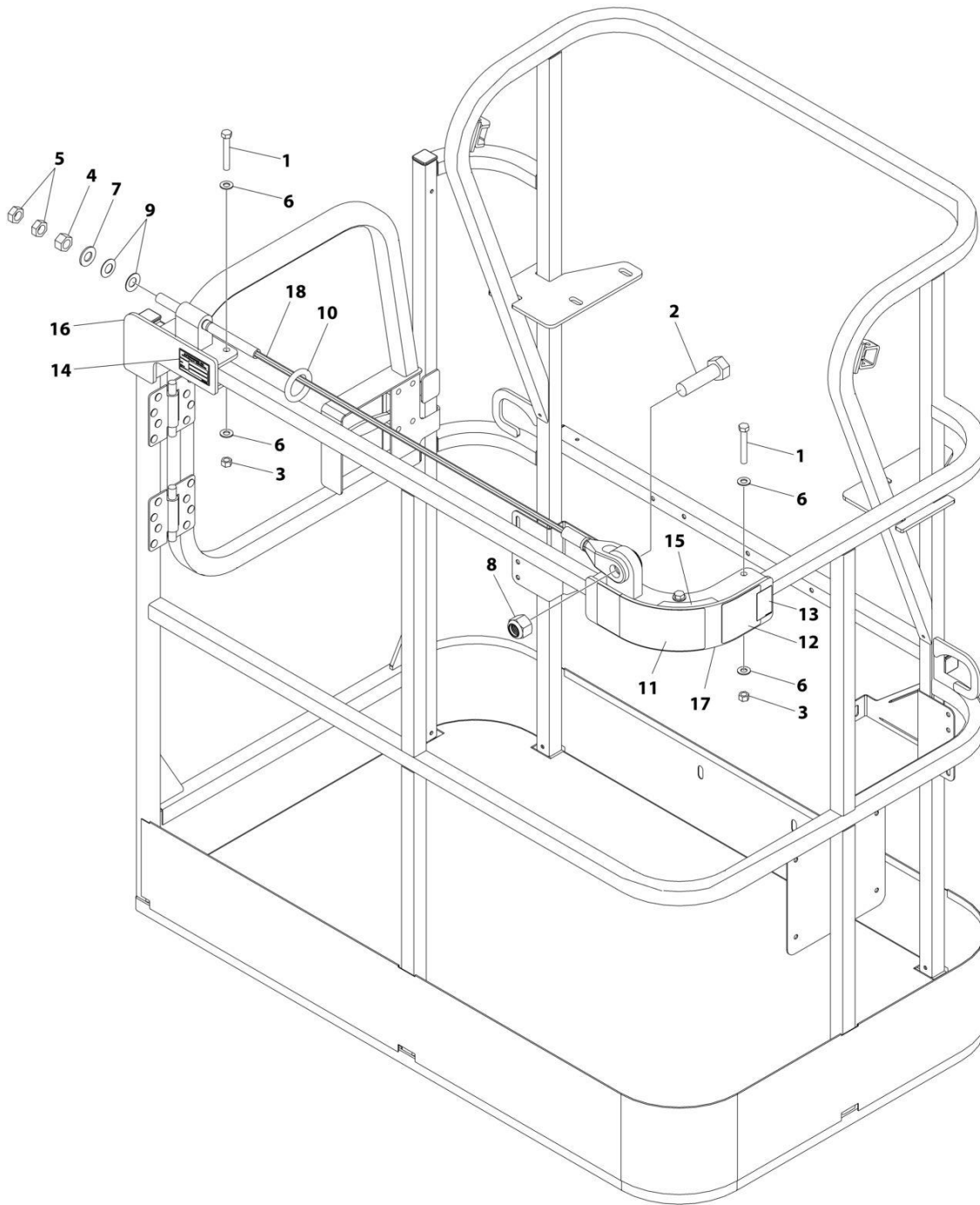
## SECTION 5 - PLATFORM

**FIGURE 5-38. FALL ARREST INSTALLATION (BOLT-ON EXTERNAL) (6FT/1.82M TRI-ENTRY PLATFORM)**

ITEM	PART NUMBER	QTY	DESCRIPTION	REV
	1001238463	Ref	FALL ARREST INSTALLATION (BOLT - ON) 6FT/1.82M PLATFORM	C
1	0681620	6	Bolt 3/8 x 2-1/2	
2	0682424	1	Bolt 7/8 x 3	
3	3271605	6	Nut 3/8	
4	3272001	1	Nut 5/8	
5	3312002	2	Nut 5/8	
6	4711600	12	Washer 3/8	
7	4712000	1	Washer 5/8	
8	88521214	1	Nut 7/8	
9	1001231950	1	Rope	
10	1001232010	1	Bracket (RH)	
11	1001232011	1	Bracket (LH)	
12	1001236891	2	Washer	
13	1001236895	1	Ring	
14	1001238263	1	Decal - Warning Falling Hazard	
15	1001252629	1	Decal - Weight	
16	1001248140	1	Decal - Bolt Fall Arrest Re-Cert	
17	1001248141	1	Decal - Inscription	

# SECTION 5 - PLATFORM

## FIGURE 5-39. FALL ARREST INSTALLATION (BOLT-ON EXTERNAL) (2.5FT/1.22M PLATFORM)



ART\_1001261338

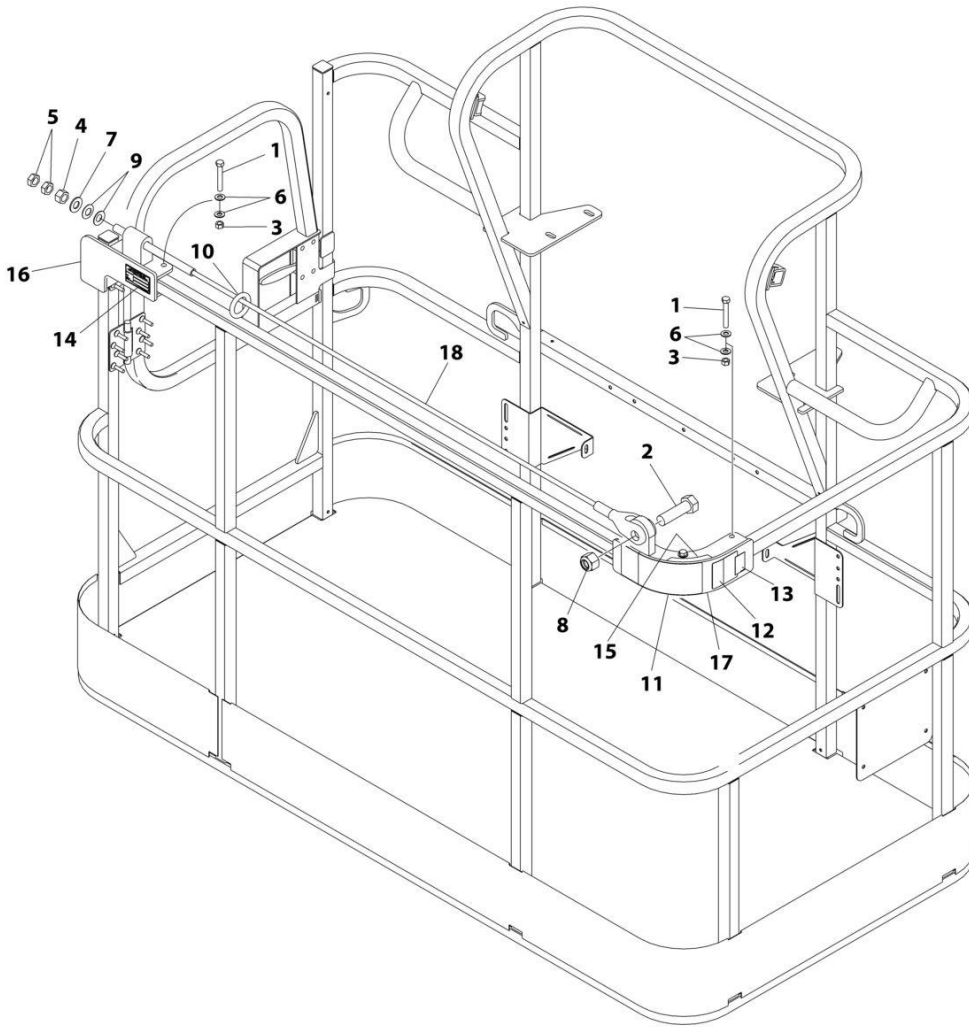
## SECTION 5 - PLATFORM

**FIGURE 5-39. FALL ARREST INSTALLATION (BOLT-ON EXTERNAL) (2.5FT/1.22M PLATFORM)**

ITEM	PART NUMBER	QTY	DESCRIPTION	REV
	1001261338	Ref	FALL ARREST INSTALLATION	A
1	0681620	6	Bolt 3/8 x 2-1/2	
2	0682424	1	Bolt 7/8 x 3	
3	3271605	6	Nut 3/8	
4	3272001	1	Nut 5/8	
5	3312002	2	Nut 5/8	
6	4711600	12	Washer 3/8	
7	4712000	1	Washer 5/8	
8	88521214	1	Nut 7/8	
9	1001236891	2	Washer	
10	1001236895	1	Ring	
11	1001238263	1	Decal - Warning Falling Hazard	
12	1001248140	1	Decal - Bolt Fall Arrest Re-Cert	
13	1001248141	1	Decal - Incription	
14	See Note	NSS	Nameplate - Manufacturers Serial Number (Note: Not Available for Purchase)	
15	1001252629	1	Decal - Weight	
16	1001257271	1	Bracket (RH)	
17	1001257274	1	Bracket (LH)	
18	1001261335	1	Rope	

# SECTION 5 - PLATFORM

FIGURE 5-40. FALL ARREST INSTALLATION (BOLT-ON EXTERNAL) (2.5FT/1.52M PLATFORM)



ART\_1001257275

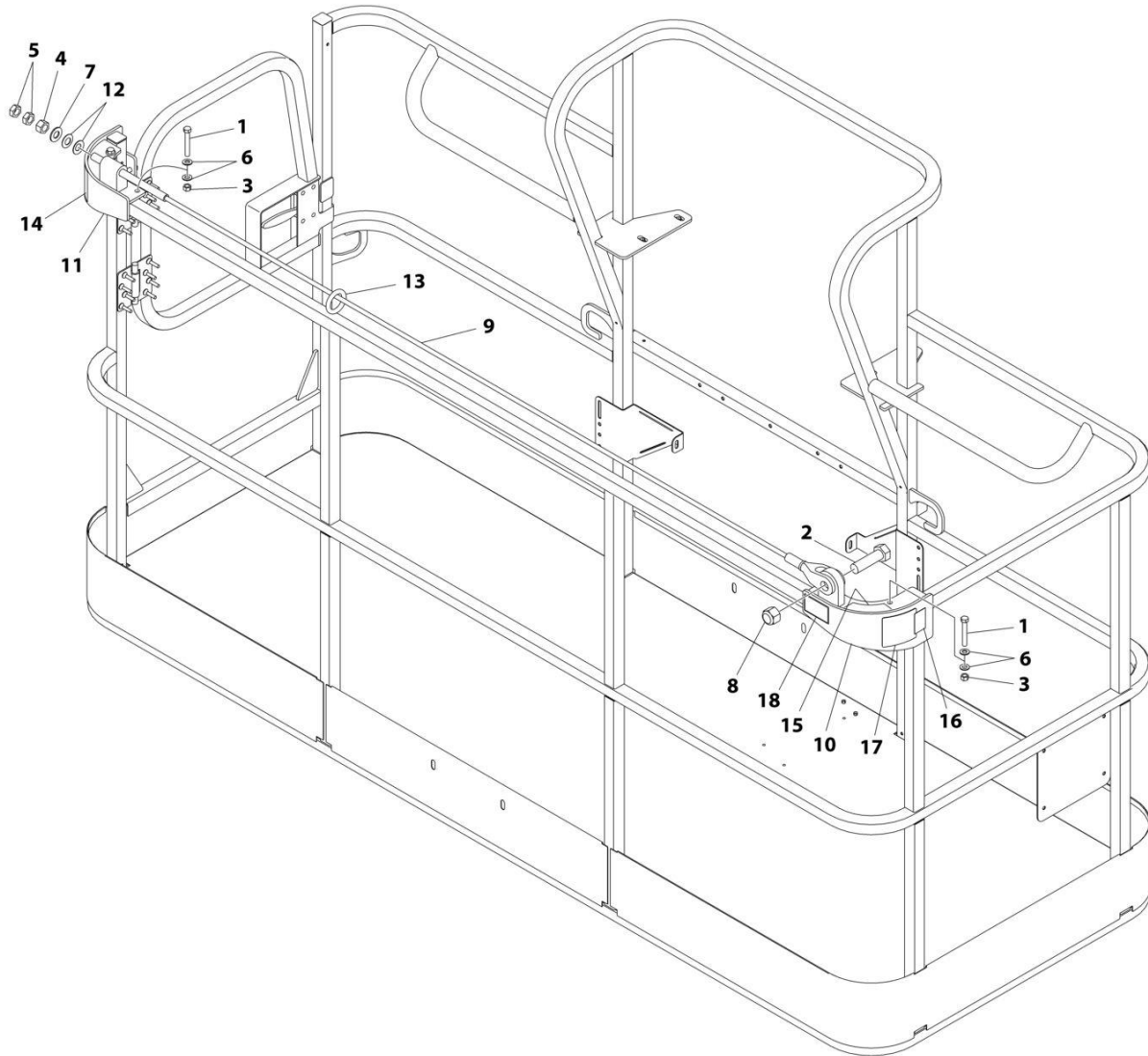
## SECTION 5 - PLATFORM

**FIGURE 5-40. FALL ARREST INSTALLATION (BOLT-ON EXTERNAL) (2.5FT/1.52M PLATFORM)**

ITEM	PART NUMBER	QTY	DESCRIPTION	REV
	1001257275	Ref	FALL ARREST INSTALLATION (BOLT - ON) 6FT/1.82M PLATFORM	A
1	0681620	6	Bolt 3/8 x 2-1/2	
2	0682424	1	Bolt 7/8 x 3	
3	3271605	6	Nut 3/8	
4	3272001	1	Nut 5/8	
5	3312002	2	Nut 5/8	
6	4711600	12	Washer 3/8	
7	4712000	1	Washer 5/8	
8	88521214	1	Nut 7/8	
9	1001236891	2	Washer	
10	1001236895	1	Ring	
11	1001238263	1	Decal - Warning Falling Hazard	
12	1001248140	1	Decal - Bolt Fall Arrest Re-Cert	
13	1001248141	1	Decal - Incription	
14	See Note	NSS	Nameplate - Manufacturers Serial Number (Note: Not Available for Purchase)	
15	1001252629	1	Decal - Weight	
16	1001257271	1	Bracket (RH)	
17	1001257274	1	Bracket (LH)	
18	1001258005	1	Rope	

# SECTION 5 - PLATFORM

## FIGURE 5-41. FALL ARREST INSTALLATION (BOLT-ON EXTERNAL) (8FT/2.4M PLATFORM)



ART\_1001236746



## SECTION 5 - PLATFORM

**FIGURE 5-41. FALL ARREST INSTALLATION (BOLT-ON EXTERNAL) (8FT/2.4M PLATFORM)**

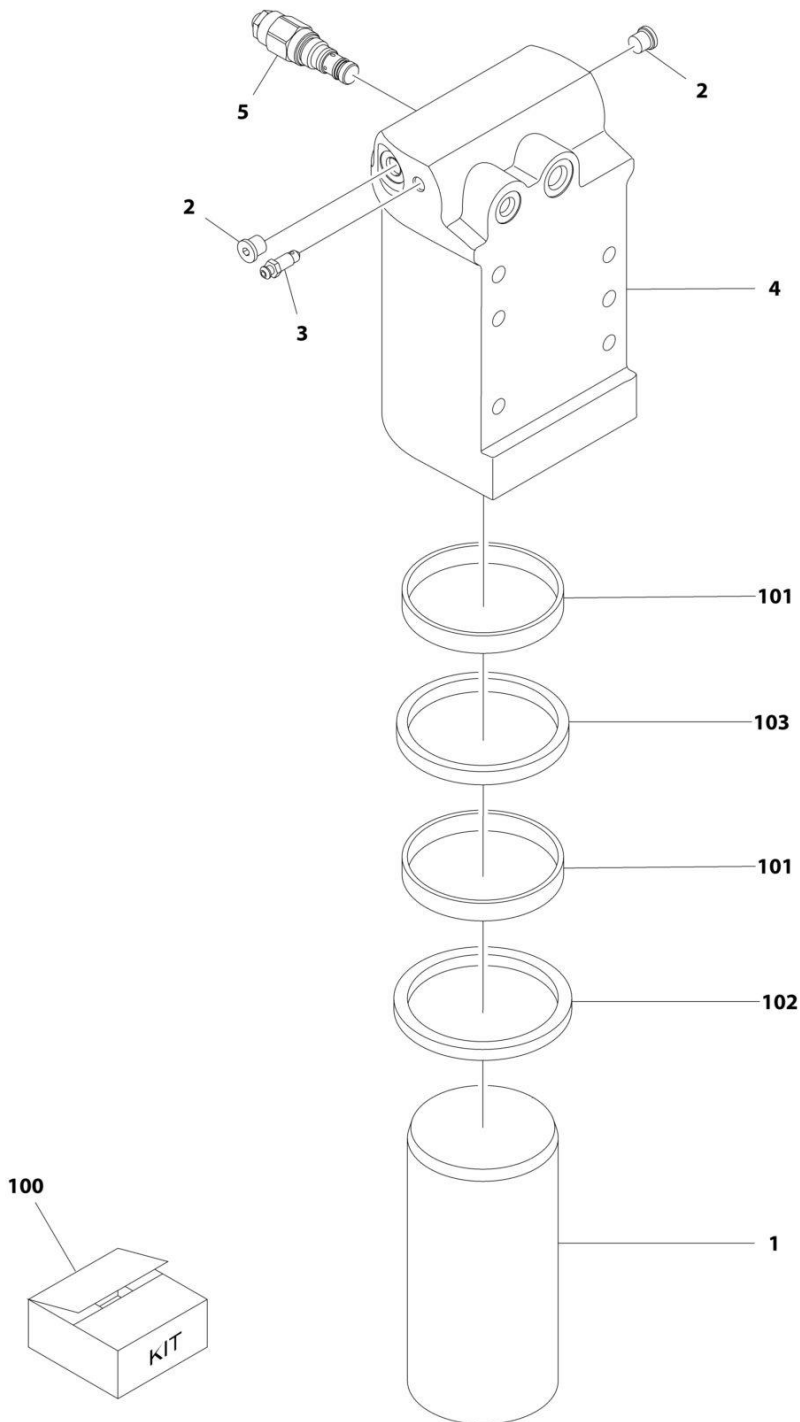
ITEM	PART NUMBER	QTY	DESCRIPTION	REV
	1001236746	Ref	FALL ARREST INSTALLATION (BOLT - ON) 8FT/2.4M PLATFORM	C
1	0681620	6	Bolt 3/8 x 2-1/2	
2	0682424	1	Bolt 7/8 x 3	
3	3271605	6	Nut 3/8	
4	3272001	1	Nut 5/8	
5	3312002	2	Nut 5/8	
6	4711600	12	Washer 3/8	
7	4712000	1	Washer 5/8	
8	88521214	1	Nut 7/8	
9	1001231949	1	Rope	
10	1001232010	1	Bracket (RH)	
11	1001232011	1	Bracket (LH)	
12	1001236891	2	Washer	
13	1001236895	1	Ring	
14	1001238263	1	Decal - Warning Falling Hazard	
15	1001252629	1	Decal - Weight 23LBS/10.4KG	
16	1001248140	1	Decal - Bolt Fall Arrest Re-Cert	
17	1001248141	1	Decal - Inscription	



**SECTION 6 - CYLINDER**

# SECTION 6 - CYLINDER

FIGURE 6-1. AXLE LOCKOUT CYLINDER ASSEMBLY (MACHINES WITH SN STARTING WITH 03)



ART\_1001219040

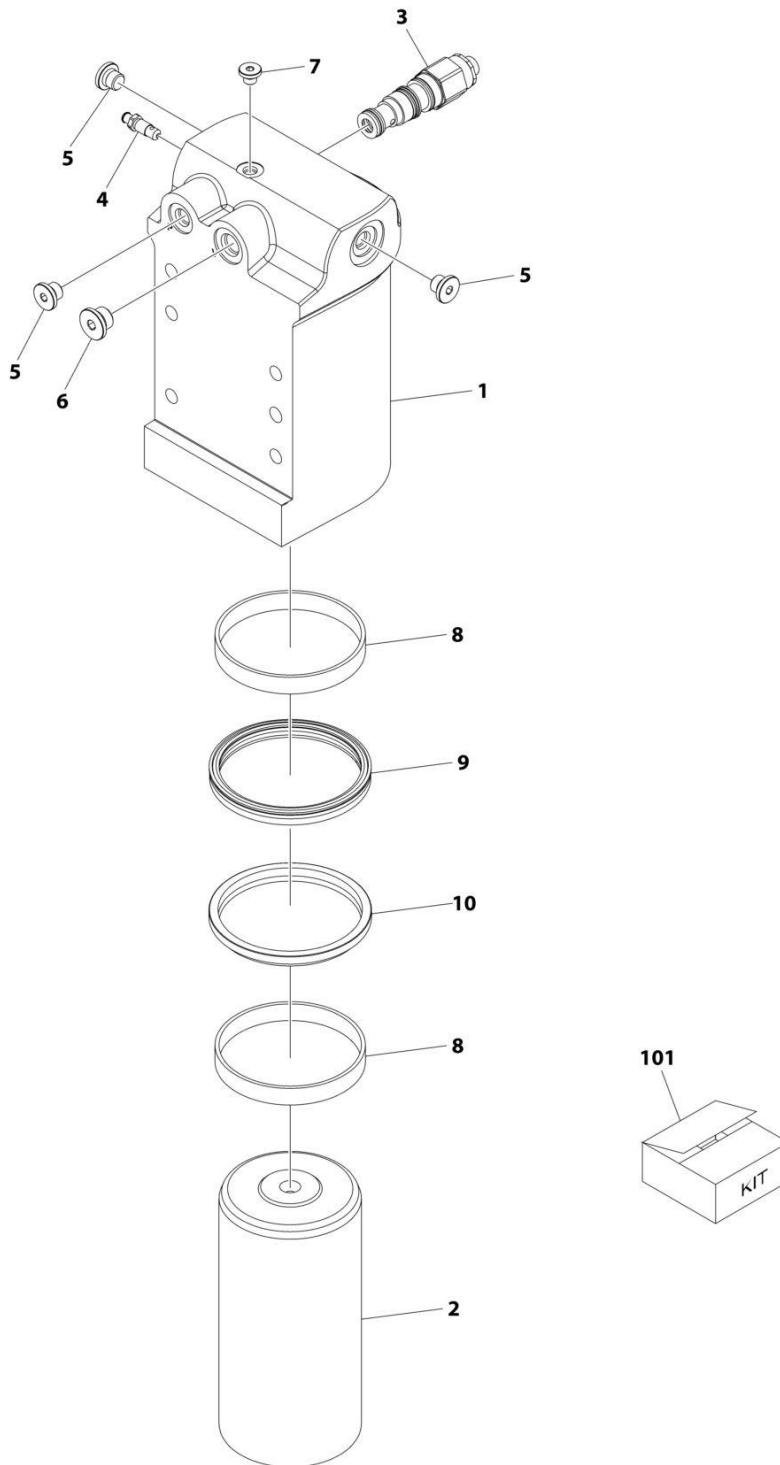
## SECTION 6 - CYLINDER

**FIGURE 6-1. AXLE LOCKOUT CYLINDER ASSEMBLY (MACHINES WITH SN STARTING WITH 03)**

ITEM	PART NUMBER	QTY	DESCRIPTION	REV
	1001219040	Ref	AXLE LOCKOUT CYLINDER ASSEMBLY	A
1	1684290	1	Rod	
2	2220883	2	Plug #4	
3	4640858	1	Valve, Bleeder	
4	1001164817	1	Barrel	
5	1001218594	1	Cartridge, Valve	
5	70002842	1	Seal Kit - 1001218594 Valve	
100	2902266	1	Seal Kit - 1001219040 Cylinder (Includes Items 101-103)	
101	See Note	NSS	Ring, Wear	
102	See Note	NSS	Seal	
103	See Note	NSS	Wiper	

# SECTION 6 - CYLINDER

FIGURE 6-2. AXLE LOCKOUT CYLINDER ASSEMBLY (MACHINES WITH SN STARTING WITH B3)



ART\_1001256180

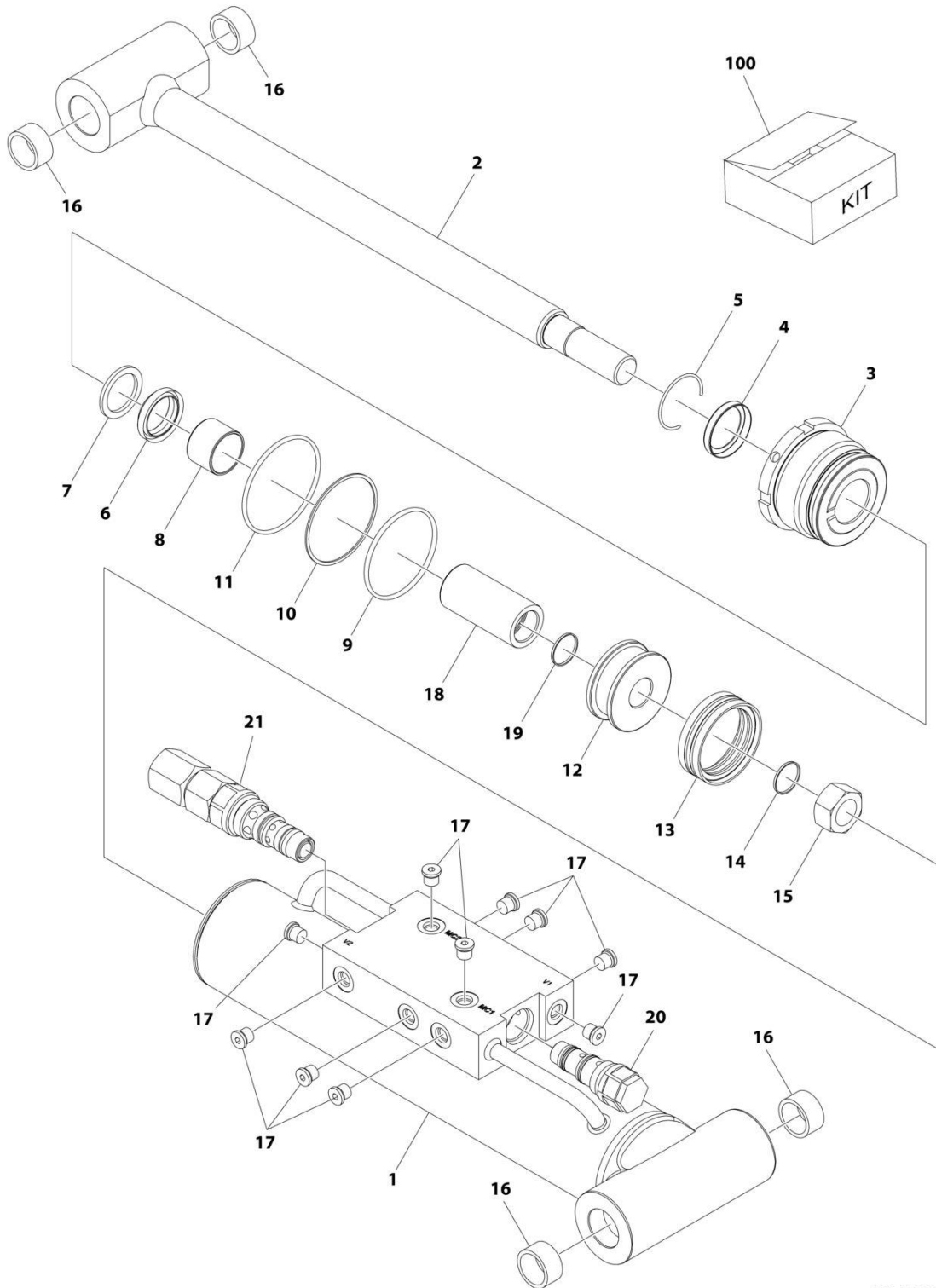
## SECTION 6 - CYLINDER

**FIGURE 6-2. AXLE LOCKOUT CYLINDER ASSEMBLY (MACHINES WITH SN STARTING WITH B3)**

ITEM	PART NUMBER	QTY	DESCRIPTION	REV
	1001256180	Ref	AXLE LOCKOUT CYLINDER ASSEMBLY	A
		Ref	Note: Original Cylinder May Have Been Replaced with Service Replacement. Identify PN Stamped on Cylinder Before Ordering Parts.	
1	See Note	NSS	Tube (Note: Not Available for Purchase)	
2	70008244	1	Rod	
3	1001218594	1	Valve	
4	70008246	1	Plug, Bleeder	
5	2220883	3	Plug 7/16	
6	2220885	1	Plug 9/16	
7	2220881	1	Plug 5/16	
8	See Note	NSS	Ring, Wear (Note: Use Item 101)	
9	See Note	NSS	Seal, Rod (Note: Use Item 101)	
10	See Note	NSS	Wiper, Rod (Note: Use Item 101)	
101	70008274	1	Seal Kit (Includes Items 8-10)	

# SECTION 6 - CYLINDER

## FIGURE 6-3. LEVEL CYLINDER ASSEMBLY - PLATFORM SLAVE (600S HC3)



ART\_1001184954



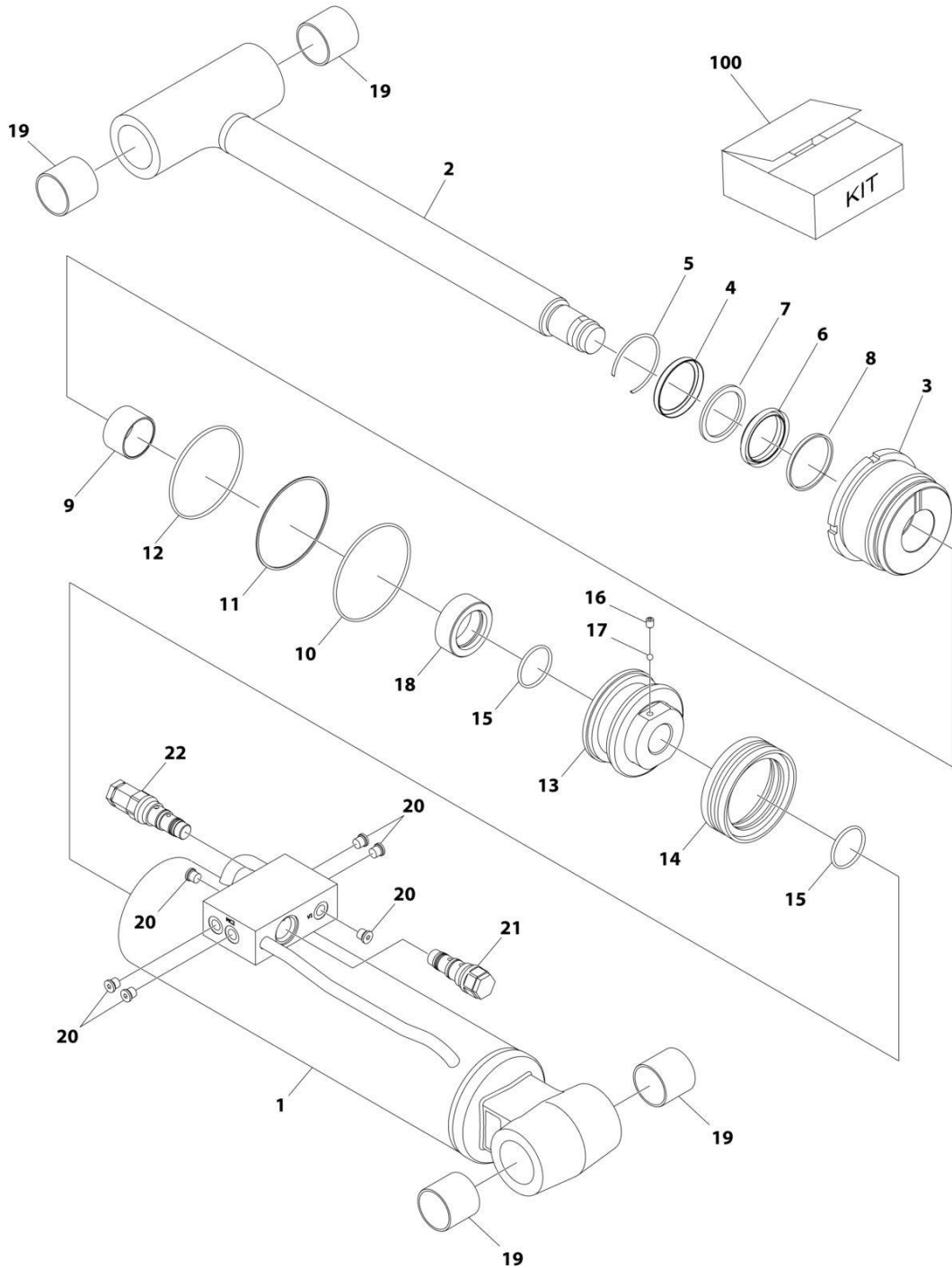
## SECTION 6 - CYLINDER

**FIGURE 6-3. LEVEL CYLINDER ASSEMBLY - PLATFORM SLAVE (600S HC3)**

ITEM	PART NUMBER	QTY	DESCRIPTION	REV
	1001184954	Ref	LEVEL CYLINDER ASSEMBLY	E
		Ref	Note: Original Cylinder may have been replaced with Service Replacement. Identify PN Stamped on Cylinder Before Ordering Parts.	
1	70005693	1	Barrel	
2	70005694	1	Rod	
3	70003085	1	Head	
4	See Note	NSS	Wiper (Note: Use Item 100)	
5	70002366	1	Ring, Retaining	
6	See Note	NSS	Seal, Rod (Note: Use Item 100)	
7	See Note	NSS	Ring, Back-up (Note: Use Item 100)	
8	70005695	1	Bearing	
9	See Note	NSS	O-Ring (Note: Use Item 100)	
10	See Note	NSS	Ring, Back-up (Note: Use Item 100)	
11	See Note	NSS	O-Ring (Note: Use Item 100)	
12	70002381	1	Piston	
13	See Note	NSS	Seal, Piston (Note: Use Item 100)	
14	See Note	NSS	O-Ring (Note: Use Item 100)	
15	70002335	1	Nut	
16	0961947	4	Bearing	
17	2220883	10	Plug	
18	70005696	1	Spacer	
19	See Note	NSS	O-Ring (Note: Use Item 100)	
20	4640999	1	Valve, Counterbalance	
20	2900792	1	Seal Kit - 4640999 Valve	
21	1001232117	1	Valve, Counterbalance	
21	7011112	1	Seal Kit - 1001232117 Valve	
100	70005697	1	Seal Kit - 1001184954 Cylinder (Includes Items 4, 6, 7, 9, 10, 11, 13, 14 & 19)	

# SECTION 6 - CYLINDER

## FIGURE 6-4. LEVEL CYLINDER ASSEMBLY - PLATFORM SLAVE (660SJ HC3)



ART\_1001247466

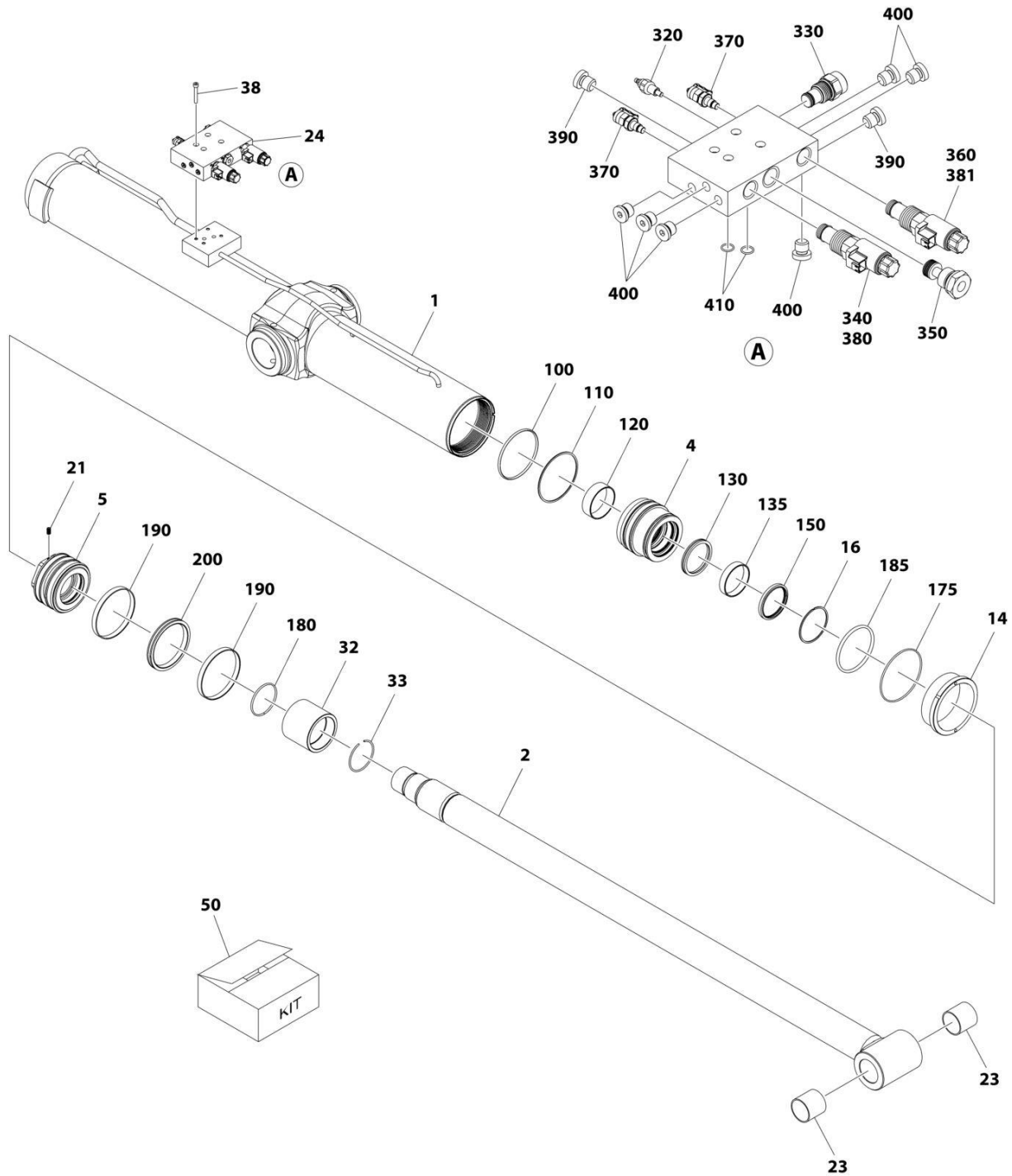
## SECTION 6 - CYLINDER

**FIGURE 6-4. LEVEL CYLINDER ASSEMBLY - PLATFORM SLAVE (660SJ HC3)**

ITEM	PART NUMBER	QTY	DESCRIPTION	REV
	1001247466	Ref	LEVEL CYLINDER ASSEMBLY	C
		Ref	Note: Original Cylinder May Have Been Replaced with Service Replacement. Identify PN Stamped on Cylinder Before Ordering Parts.	
1	See Note	NSS	Barrel (Note: Use P/N 1001247466)	
2	70007168	1	Rod	
3	70007157	1	Head	
4	See Note	NSS	Wiper (Use Item:100)	
5	70002410	1	Ring, Retaining	
6	See Note	NSS	Seal, Rod (Use Item:100)	
7	See Note	NSS	Ring, Back Up (Use Item:100)	
8	See Note	NSS	Ring, Buffer (Use Item:100)	
9	70004237	1	Ring, Wear (Use Item:100)	
10	See Note	NSS	O-Ring (Use Item:100)	
11	See Note	NSS	Ring, Back up (Use Item:100)	
12	See Note	NSS	O-Ring (Use Item:100)	
13	70007161	1	Piston	
14	See Note	NSS	Seal, Piston (Use Item:100)	
15	See Note	NSS	O-Ring (Use Item:100)	
16	70006596	1	Setscrew	
17	70022564	1	Ball	
18	70007169	1	Spacer	
19	70007159	4	Bearing	
20	2220883	6	Plug	
21	4640999	1	Valve, Counterbalance	
21	2900792	1	Seal Kit - 4640999 Valve	
22	4640932	1	Valve, Counterbalance	
22	7011112	1	Seal Kit - 4640932 Valve	
100	70007251	1	Seal Kit, Cylinder (Include items : 4,6,7,8,10,11,12,14 & 15)	

# SECTION 6 - CYLINDER

## FIGURE 6-5. LIFT CYLINDER ASSEMBLY BOOM (600S HC3)



ART\_1001272076

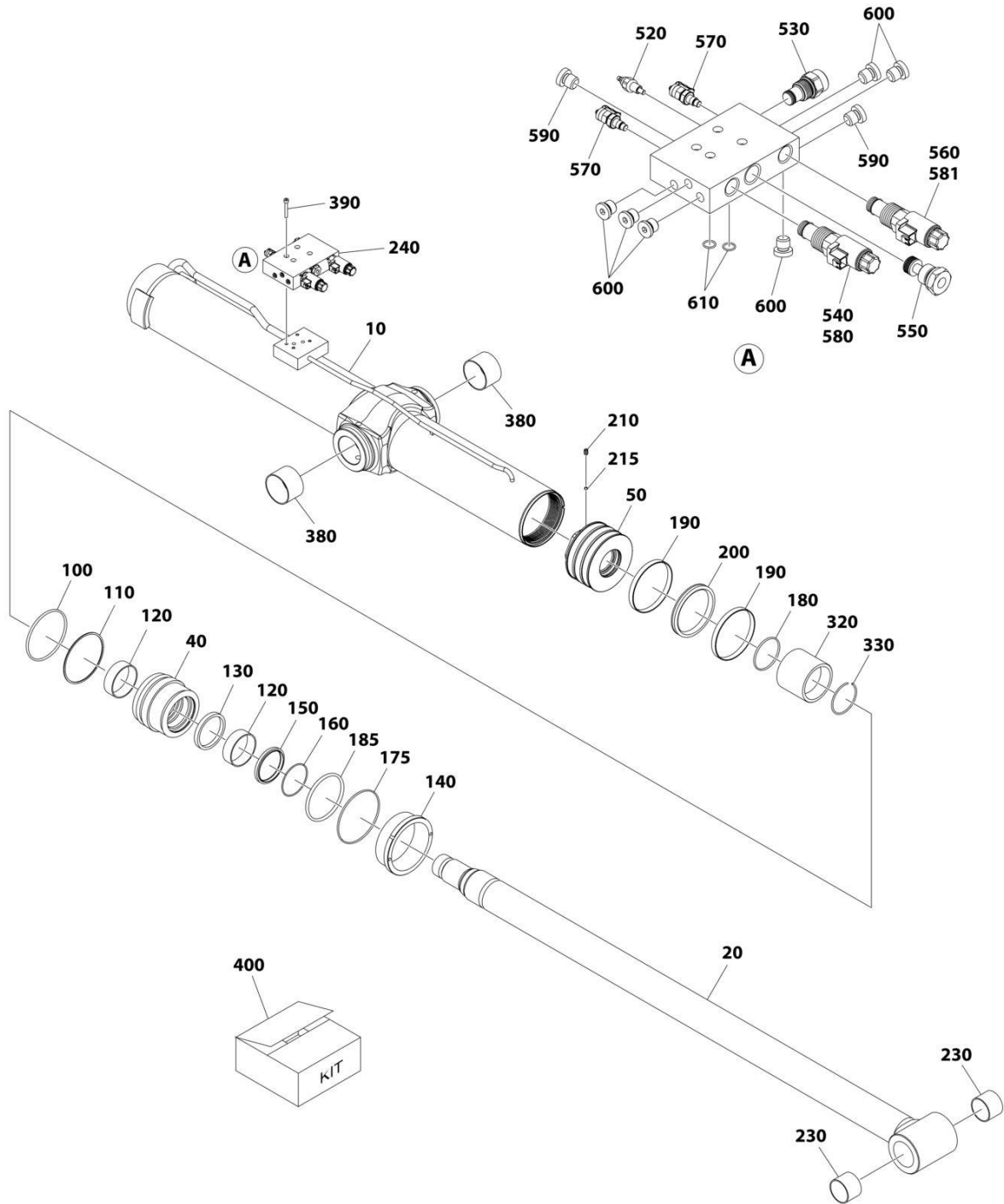
## SECTION 6 - CYLINDER

**FIGURE 6-5. LIFT CYLINDER ASSEMBLY BOOM (600S HC3)**

ITEM	PART NUMBER	QTY	DESCRIPTION	REV
	1001272076	Ref	LIFT CYLINDER ASSEMBLY	B
		Ref	Note: Original Cylinder May Have Been Replaced with Service Replacement. Identify PN Stamped on Cylinder Before Ordering Parts.	
1	See Note	NSS	Barrel (Note: Use PN 1001272076)	
2	See Note	NSS	Rod (Note: Use PN 1001272076)	
4	70005572	1	Head	
5	70025580	1	Piston	
14	70026164	1	Lock	
16	70000699	1	Ring, Retaining	
21	70025582	1	Set Screw M10 x 20	
23	70007838	2	Bushing	
24	See Note	NSS	Valve Assembly (Note: Complete Assembly Not Available - Purchase Individual Components) (See Items 320-410)	
32	70006260	1	Spacer	
33	70005575	1	Ring, Retaining	
38	70007334	4	Capscrew M8 x 55	
50	70005563	1	Seal Kit - 1001272076 Cylinder (Includes Items 100-200)	
100	See Note	NSS	O-Ring (Note: Use Item 50)	
110	See Note	NSS	Ring, Back-Up (Note: Use Item 50)	
120	See Note	NSS	Ring, Wear (Note: Use Item 50)	
130	See Note	NSS	Seal (Note: Use Item 50)	
135	See Note	NSS	Ring, Wear (Note: Use Item 50)	
150	See Note	NSS	Wiper (Note: Use Item 50)	
175	See Note	NSS	O-Ring (Note: Use Item 50)	
180	See Note	NSS	O-Ring (Note: Use Item 50)	
185	See Note	NSS	O-Ring (Note: Use Item 50)	
190	See Note	NSS	Ring (Note: Use Item 50)	
200	See Note	NSS	Seal (Note: Use Item 50)	
320	70007341	1	Cartridge	
320	70004867	1	Seal Kit - 70007341 Valve	
330	70007342	1	Cartridge, Relief	
330	7024502	1	Seal Kit - 70007342 Valve	
340	70007343	1	Cartridge, Solenoid	
350	1001271454	1	Plug	
360	70007345	1	Cartridge, Solenoid	
360	7024503	1	Seal Kit - 70007345 Valve	
370	2221086	2	Fitting, Test	
380	70007323	1	Coil	
381	70006004	1	Coil	
390	70007346	2	Orifice	
400	70026973	6	Plug 1/8	
410	70007347	2	O-Ring	

# SECTION 6 - CYLINDER

## FIGURE 6-6. LIFT CYLINDER ASSEMBLY BOOM (660SJ HC3)



ART\_1021072100

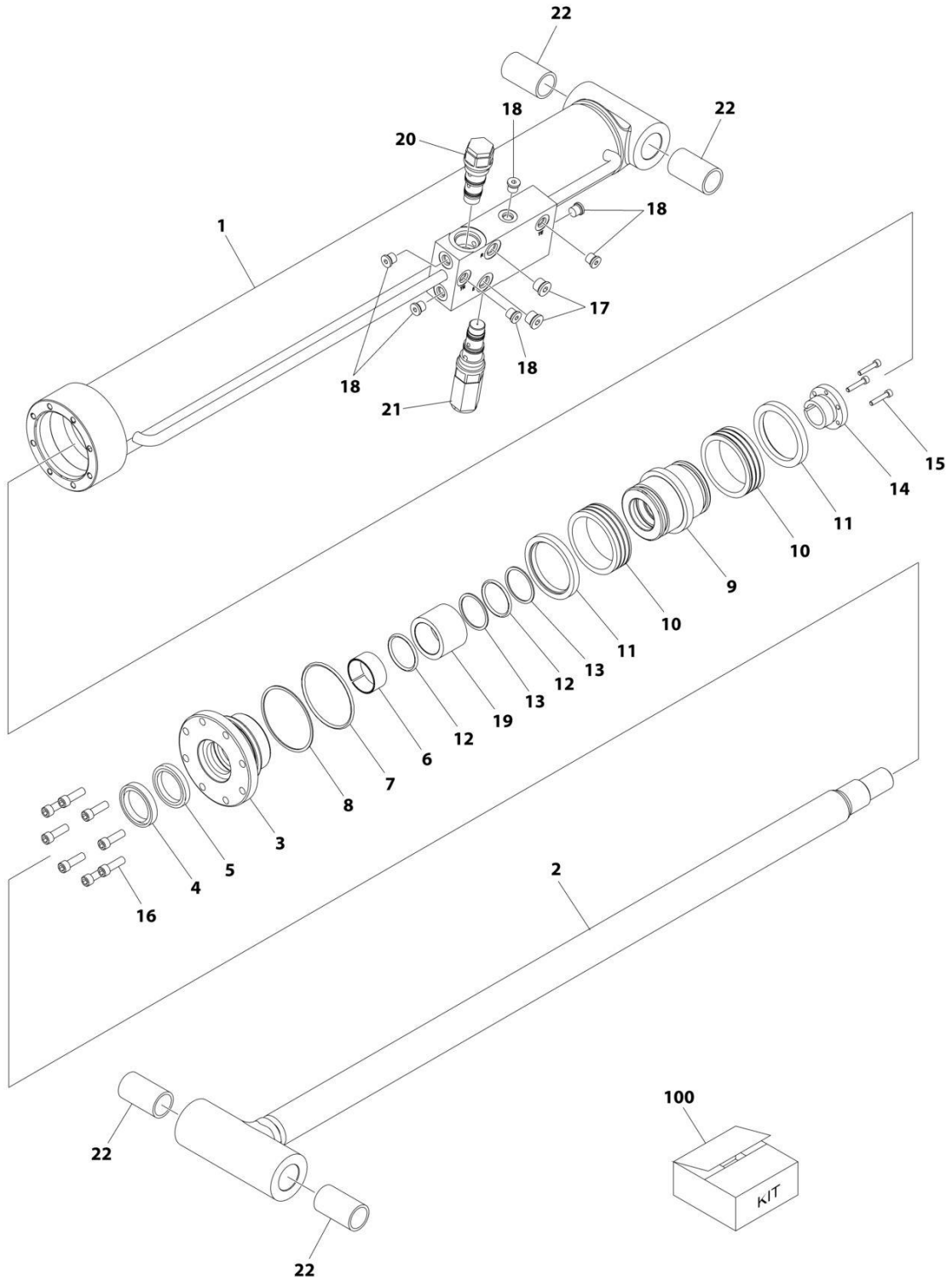
## SECTION 6 - CYLINDER

**FIGURE 6-6. LIFT CYLINDER ASSEMBLY BOOM (660SJ HC3)**

ITEM	PART NUMBER	QTY	DESCRIPTION	REV
	1001272100	Ref	CYLINDER ASSEMBLY	B
		Ref	Note: Original Cylinder May Have Been Replaced with Service Replacement. Identify PN Stamped on Cylinder Before Ordering Parts.	
10	See Note	NSS	Barrel (Note: Use PN 1001272100)	
20	See Note	NSS	Rod (Note: Use PN 1001272100)	
40	70007336	1	Head	
50	70007337	1	Piston	
100	See Note	NSS	O-Ring	
110	See Note	NSS	Ring, Back-up (Note: Use Item 400)	
120	See Note	NSS	Ring, Wear (Note: Use Item 400)	
130	See Note	NSS	Seal, Head (Note: Use Item 400)	
140	70026179	1	Lock	
150	See Note	NSS	Wiper (Note: Use Item 400)	
160	70000699	1	Ring, Retaining	
175	See Note	NSS	O-Ring (Note: Use Item 400)	
180	See Note	NSS	O-Ring (Note: Use Item 400)	
185	See Note	NSS	O-Ring (Note: Use Item 400)	
190	See Note	NSS	Ring, Bearing (Note: Use Item 400)	
200	See Note	NSS	Seal, Piston (Note: Use Item 400)	
210	70025613	1	Screw M10 x 16	
215	70025614	1	Ball	
230	70007338	2	Bushing	
240	NPN	Ref	Valve Assembly (See Items 520-610)	
320	70006260	1	Spacer	
330	70005575	1	Ring	
380	70007339	2	Bushing	
390	70007334	4	Screw M8 x 55	
400	70008132	1	Seal Kit (Includes Items 100-130, 150 & 175-200)	
520	70007341	1	Cartridge	
520	70004867	1	Seal Kit - 70007341 Valve	
530	70007342	1	Cartridge, Relief	
530	7024502	1	Seal Kit - 70007342 Valve	
540	70007343	1	Cartridge, Solenoid	
550	1001271454	1	Plug	
560	70007345	1	Cartridge, Solenoid	
560	7024503	1	Seal Kit - 70007345 Valve	
570	2221086	2	Fitting, Test	
580	70007323	1	Coil	
581	70006004	1	Coil	
590	70007346	2	Orifice	
600	70008133	7	Plug	
610	70008134	2	O-Ring	

# SECTION 6 - CYLINDER

## FIGURE 6-7. LIFT CYLINDER ASSEMBLY - JIB (660SJ HC3)



ART\_1001259137



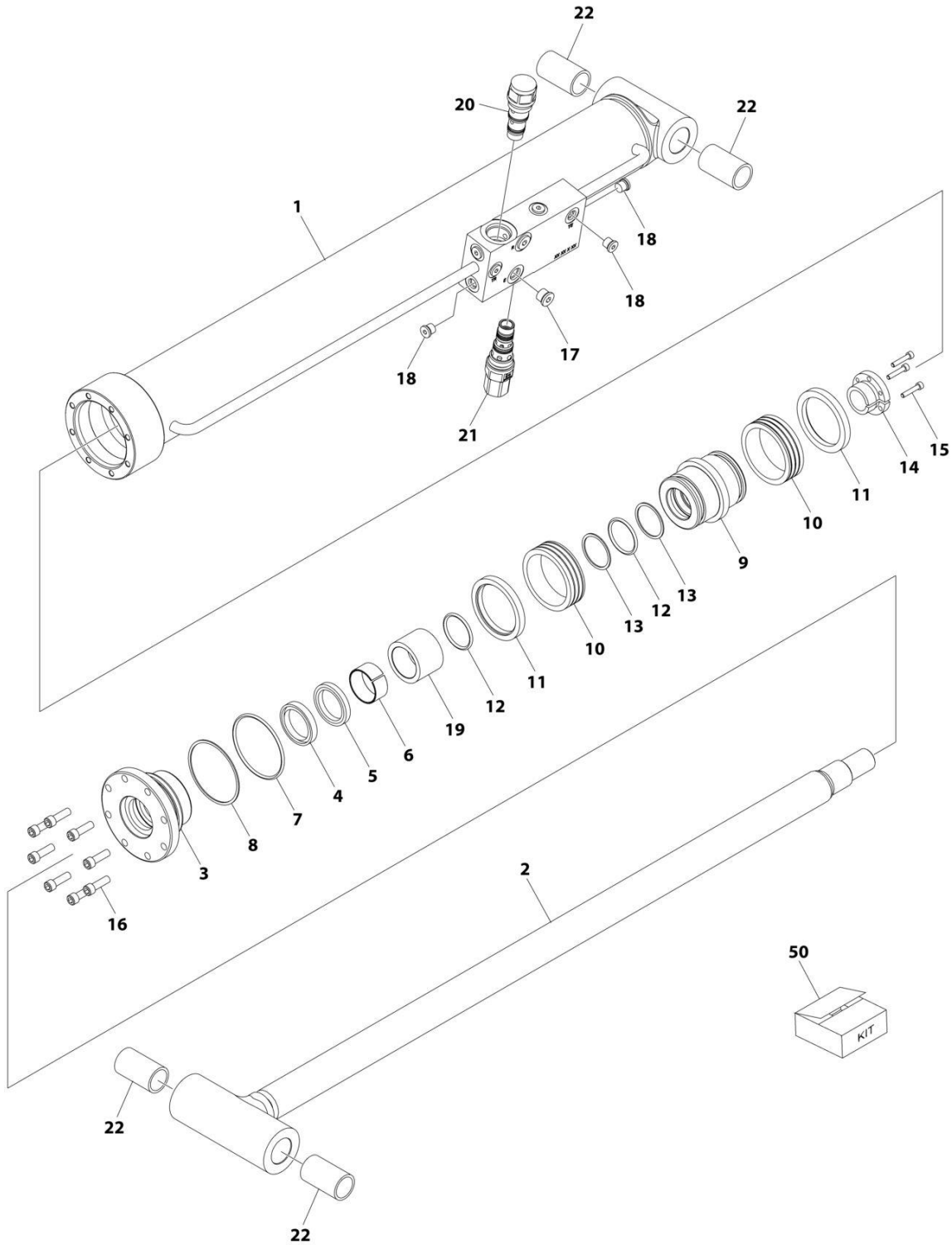
## SECTION 6 - CYLINDER

**FIGURE 6-7. LIFT CYLINDER ASSEMBLY - JIB (660SJ HC3)**

ITEM	PART NUMBER	QTY	DESCRIPTION	REV
	1001259137	Ref	LIFT CYLINDER ASSEMBLY - JIB	B
		Ref	Note: Original Cylinder May Have Been Replaced with Service Replacement. Identify PN Stamped on Cylinder Before Ordering Parts.	
1	See Note	NSS	Barrel (Note: Not Available for Purchase)	
2	70006734	1	Rod	
3	70006649	1	Head	
4	See Note	NSS	Wiper (Note: Use Item 100)	
5	See Note	NSS	Seal, Rod (Note: Use Item 100)	
6	See Note	NSS	Ring, Wear (Note: Use Item 100)	
7	See Note	NSS	O-Ring (Note: Use Item 100)	
8	See Note	NSS	Ring, Back-up (Note: Use Item 100)	
9	70006650	1	Piston	
10	See Note	NSS	Seal (Note: Use Item 100)	
11	See Note	NSS	Ring, Lock (Note: Use Item 100)	
12	See Note	NSS	O-Ring (Note: Use Item 100)	
13	See Note	NSS	Ring, Back-up (Note: Use Item 100)	
14	0961893	1	Bushing, Tapered	
15	0630534	3	Capscrew, Socket Head #10 x 1	
16	70006735	8	Capscrew 5/16	
17	2220885	2	Plug, O-Ring	
18	2220883	6	Plug, O-Ring	
19	70006736	1	Spacer	
20	4640509	1	Cartridge, Valve	
20	2900792	1	Seal Kit - 4640509 Valve	
21	1001259138	1	Cartridge, Valve	
21	70004186	1	Seal Kit - 1001259138 Valve	
22	0962336	4	Bushing	
100	1001138795	1	Seal Kit (Includes Items 4-8 & 10-13)	

# SECTION 6 - CYLINDER

## FIGURE 6-8. LIFT CYLINDER ASSEMBLY - JIB (660SJ HC3)



ART\_1001264302

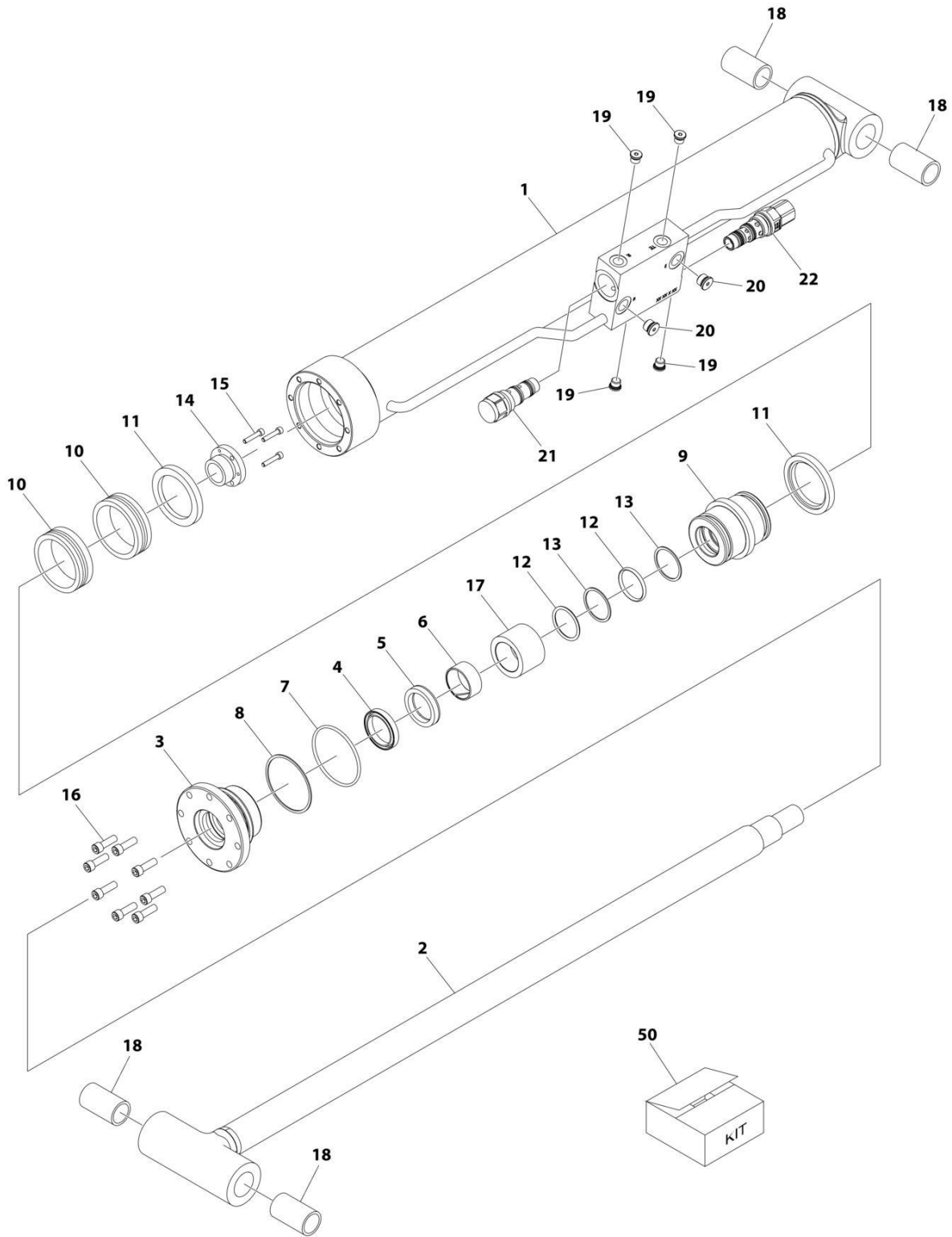
## SECTION 6 - CYLINDER

**FIGURE 6-8. LIFT CYLINDER ASSEMBLY - JIB (660SJ HC3)**

ITEM	PART NUMBER	QTY	DESCRIPTION	REV
	1001264302	Ref	LIFT CYLINDER ASSEMBLY - JIB	B
		Ref	Note: Original Cylinder May Have Been Replaced with Service Replacement. Identify PN Stamped on Cylinder Before Ordering Parts.	
1	See Note	NSS	Barrel	
2	70006734	1	Rod	
3	70006649	1	Head	
4	See Note	NSS	Wiper (Note: Use Item 50)	
5	See Note	NSS	Seal, Rod (Note: Use Item 50)	
6	See Note	NSS	Ring, Wear (Note: Use Item 50)	
7	See Note	NSS	O-Ring (Note: Use Item 50)	
8	See Note	NSS	Ring, Back-up (Note: Use Item 50)	
9	70006650	1	Piston	
10	See Note	NSS	Seal (Note: Use Item 50)	
11	See Note	NSS	Ring, Lock (Note: Use Item 50)	
12	See Note	NSS	O-Ring (Note: Use Item 50)	
13	See Note	NSS	Ring, Back-up (Note: Use Item 50)	
14	0961893	1	Bushing, Tapered	
15	0630534	3	Capscrew	
16	70006735	8	Capscrew	
17	2220885	2	Plug	
18	2220883	6	Plug	
19	70006736	1	Spacer	
20	4640509	1	Cartridge, Counterbalance Valve	
20	2900792	1	Seal Kit - 4640509 Valve	
21	1001263800	1	Cartridge, Counterbalance Valve	
21	70004186	1	Seal Kit - 1001263800 Valve	
22	0962336	4	Bushing	
50	1001138795	1	Seal Kit (Includes Items 4-8 & 10-13)	

# SECTION 6 - CYLINDER

## FIGURE 6-9. LIFT CYLINDER ASSEMBLY - JIB (660SJ HC3)



ART\_1001264991

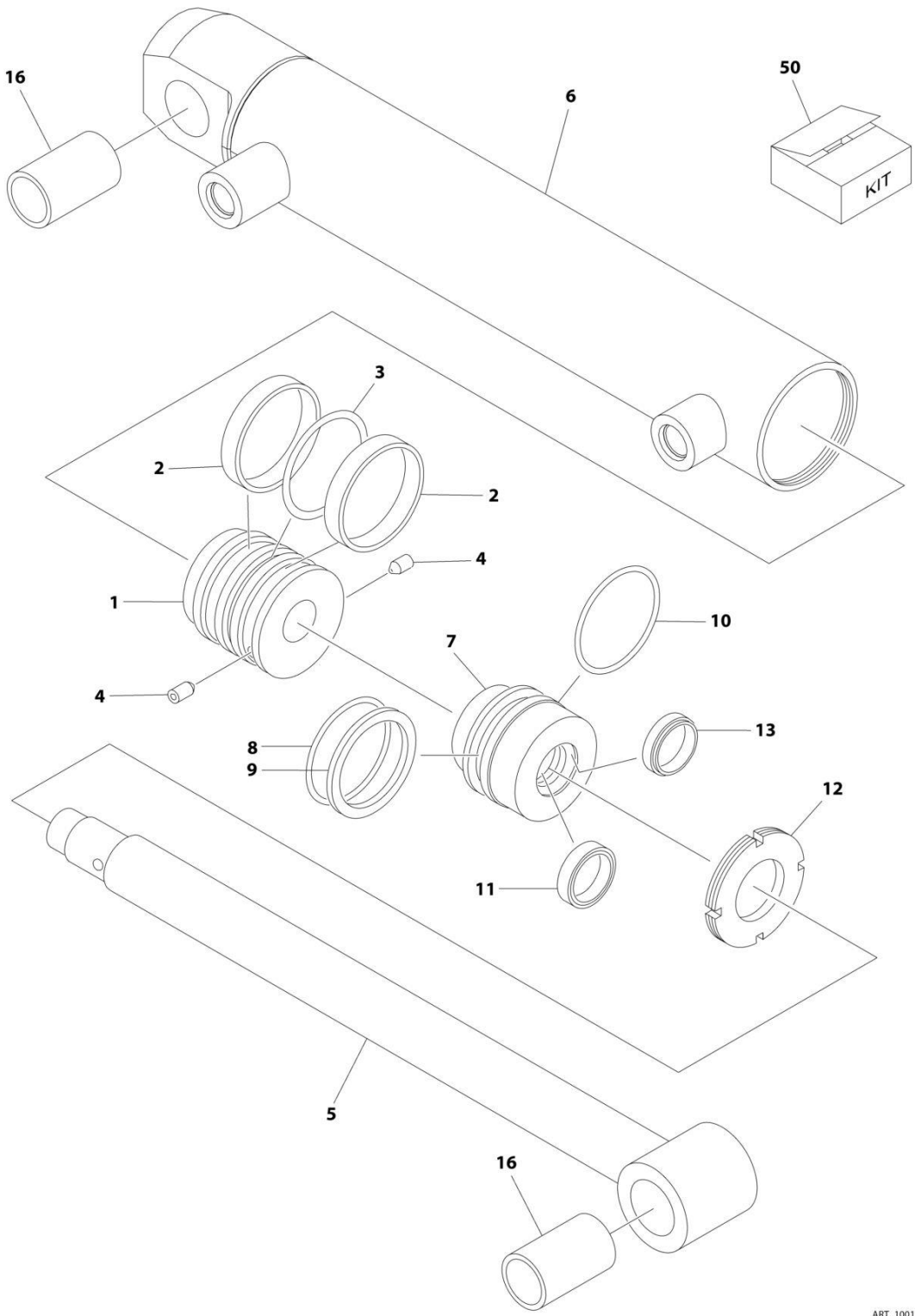
## SECTION 6 - CYLINDER

**FIGURE 6-9. LIFT CYLINDER ASSEMBLY - JIB (660SJ HC3)**

ITEM	PART NUMBER	QTY	DESCRIPTION	REV
	1001264991	Ref	LIFT CYLINDER ASSEMBLY - JIB	B
		Ref	Note: Original Cylinder May Have Been Replaced with Service Replacement. Identify PN Stamped on Cylinder Before Ordering Parts.	
1	See Note	NSS	Barrel (Note: Use PN 1001264991)	
2	70006734	1	Rod	
3	70006649	1	Head	
4	See Note	NSS	Wiper (Note: Use Item 50)	
5	See Note	NSS	Seal, Rod (Note: Use Item 50)	
6	See Note	NSS	Ring, Wear (Note: Use Item 50)	
7	See Note	NSS	O-Ring (Note: Use Item 50)	
8	See Note	NSS	Ring, Back-up (Note: Use Item 50)	
9	70006650	1	Piston	
10	See Note	NSS	Ring, Hydro Lock (Note: Use Item 50)	
11	See Note	NSS	Ring, Guide Lock (Note: Use Item 50)	
12	See Note	NSS	O-Ring (Note: Use Item 50)	
13	See Note	NSS	Ring, Back-up (Note: Use Item 50)	
14	0961893	1	Bushing, Tapered	
15	0630534	3	Capscrew	
16	70006735	8	Capscrew	
17	70006736	1	Spacer	
18	0962336	4	Bearing	
19	70023370	4	Plug	
20	70023371	2	Plug	
21	4640509	1	Cartridge, Counterbalance Valve	
21	2900792	1	Seal Kit - 4640509 Valve	
22	1001263800	1	Cartridge, Counterbalance Valve	
22	70004186	1	Seal Kit - 1001263800 Valve	
50	1001138795	1	Seal Kit - 1001264991 Cylinder (Includes Items 4-8 & 10-13)	

# SECTION 6 - CYLINDER

## FIGURE 6-10. STEER CYLINDER ASSEMBLY



ART\_1001181792

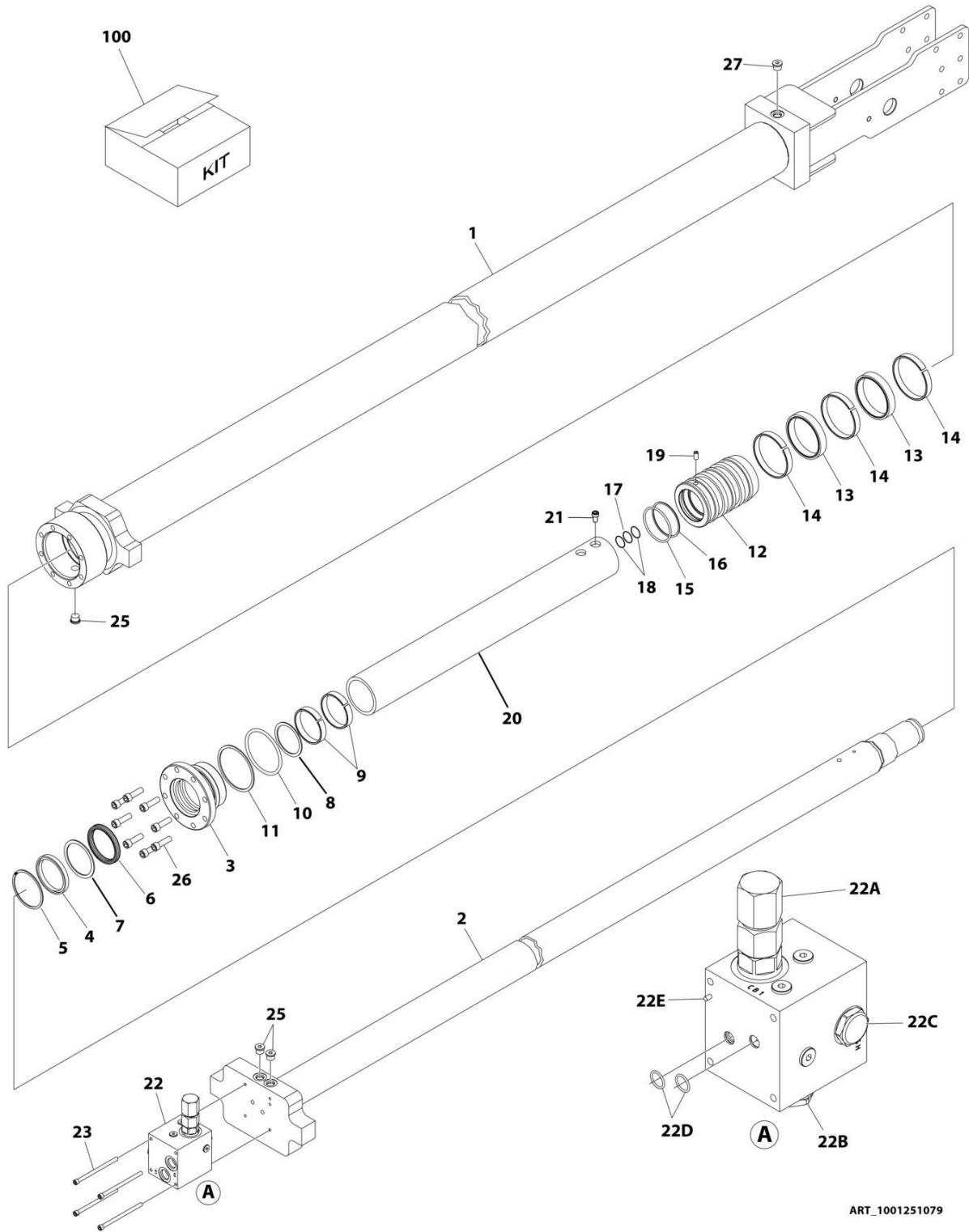
## SECTION 6 - CYLINDER

**FIGURE 6-10. STEER CYLINDER ASSEMBLY**

ITEM	PART NUMBER	QTY	DESCRIPTION	REV
	1001181792	Ref	STEER CYLINDER ASSEMBLY	F
		Ref	Note: Original Cylinder may have been replaced with Service Replacement. Identify PN Stamped on Cylinder Before Ordering Parts.	
1	70006106	1	Piston	
2	See Note	NSS	Ring, Wear (Note: Use Item 50)	
3	See Note	NSS	Seal, Piston (Note: Use Item 50)	
4	70002745	2	Setscrew	
5	70006107	1	Rod	
6	See Note	NSS	Barrel	
7	70002755	1	Head	
8	See Note	1	O-Ring (Note: Use Item 50)	
9	See Note	NSS	Ring, Back-up (Note: Use Item 50)	
10	See Note	NSS	Ring (Note: Use Item 50)	
11	See Note	NSS	Seal, Rod (Note: Use Item 50)	
12	70002756	1	Nut, Spanner (Note: Use Item 50)	
13	See Note	NSS	Wiper (Note: Use Item 50)	
16	1001182695	2	Bearing	
50	70006108	1	Seal Kit - 1001181792 (Includes Items 2, 3, 8-11 & 13)	

# SECTION 6 - CYLINDER

## FIGURE 6-11. TELESCOPE CYLINDER ASSEMBLY



ART\_1001251079



## SECTION 6 - CYLINDER

### FIGURE 6-11. TELESCOPE CYLINDER ASSEMBLY

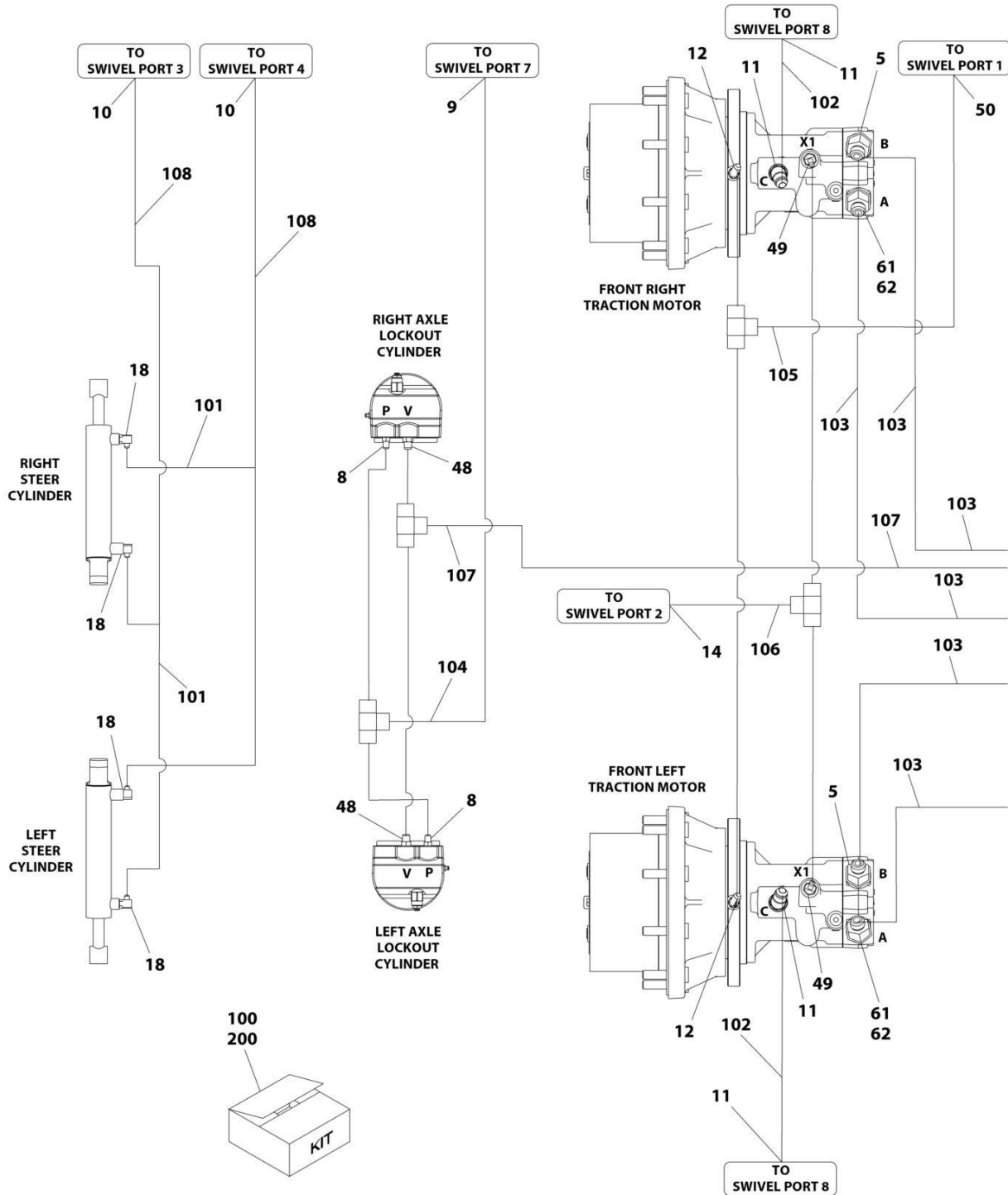
ITEM	PART NUMBER	QTY	DESCRIPTION	REV
	1001251079	Ref	TELESCOPE CYLINDER ASSEMBLY	B
	See Note	Ref	Note: Original Cylinder may have been replaced with Service Replacement. Identify PN Stamped on Cylinder Before Ordering Parts.	
1	See Note	NSS	Barrel (Note: Use PN 1001251079)	
2	70006978	1	Rod	
3	70006979	1	Head	
4	See Note	NSS	Wiper (Note: Use Item 100)	
5	70050795	1	Ring, Retaining	
6	See Note	NSS	Seal, Rod (Note: Use Item 100)	
7	See Note	NSS	Ring, Back-up (Note: Use Item 100)	
8	See Note	NSS	Ring, Buffer (Note: Use Item 100)	
9	See Note	NSS	Ring, Wear (Note: Use Item 100)	
10	See Note	NSS	O-Ring (Note: Use Item 100)	
11	See Note	NSS	Ring, Back-up (Note: Use Item 100)	
12	70006980	1	Piston	
13	See Note	NSS	Seal, Piston (Note: Use Item 100)	
14	See Note	NSS	Ring, Wear (Note: Use Item 100)	
15	See Note	NSS	O-Ring (Note: Use Item 100)	
16	See Note	NSS	Ring, Back-up (Note: Use Item 100)	
17	See Note	NSS	O-Ring (Note: Use Item 100)	
18	See Note	NSS	Ring, Back-up (Note: Use Item 100)	
19	70005839	1	Setscrew M8 x 12	
20	70006981	1	Spacer	
21	70006731	1	Bolt M8 x 12	
22	1001133245	1	Valve Assembly	
22A	70003926	1	Cartridge, Valve	
22A	70004186	1	Seal Kit - 70003926 Valve	
22B	70004155	1	Cartridge, Valve	
22B	70004186	1	Seal Kit - 70004155 Valve	
22C	70003928	1	Cartridge, Valve	
22C	70003929	1	Seal Kit - 70003928 Valve	
22D	70003982	2	Seal	
22E	70003930	1	Roll Pin	
23	70005595	4	Bolt M6 x 100	
25	2220885	3	Plug 9/16	
26	70006982	8	Bolt M10 x 45	
27	2220883	1	Plug 7/16	
100	70006983	1	Seal Kit - 1001251079 Cylinder (Includes Items 4, 6-11 & 13-18)	



**SECTION 7 - HYDRAULIC**

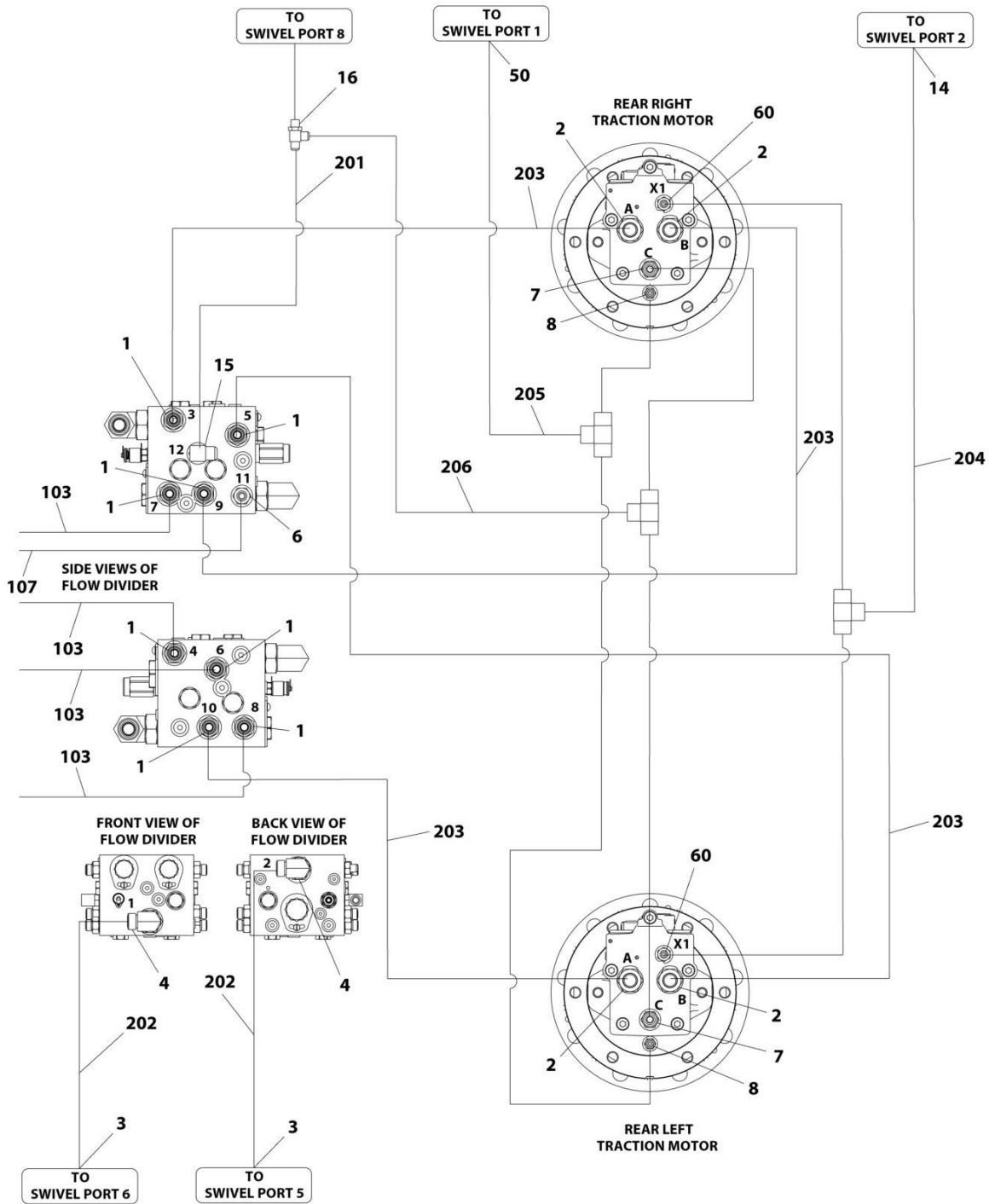
# SECTION 7 - HYDRAULIC

FIGURE 7-1. DRIVE HYDRAULIC DIAGRAM (2WS WITHOUT ARCTIC PACKAGE) (600S HC3)



ART\_1001188342\_G\_10F2

# SECTION 7 - HYDRAULIC



ART\_1001188342\_G\_2OF2

## SECTION 7 - HYDRAULIC

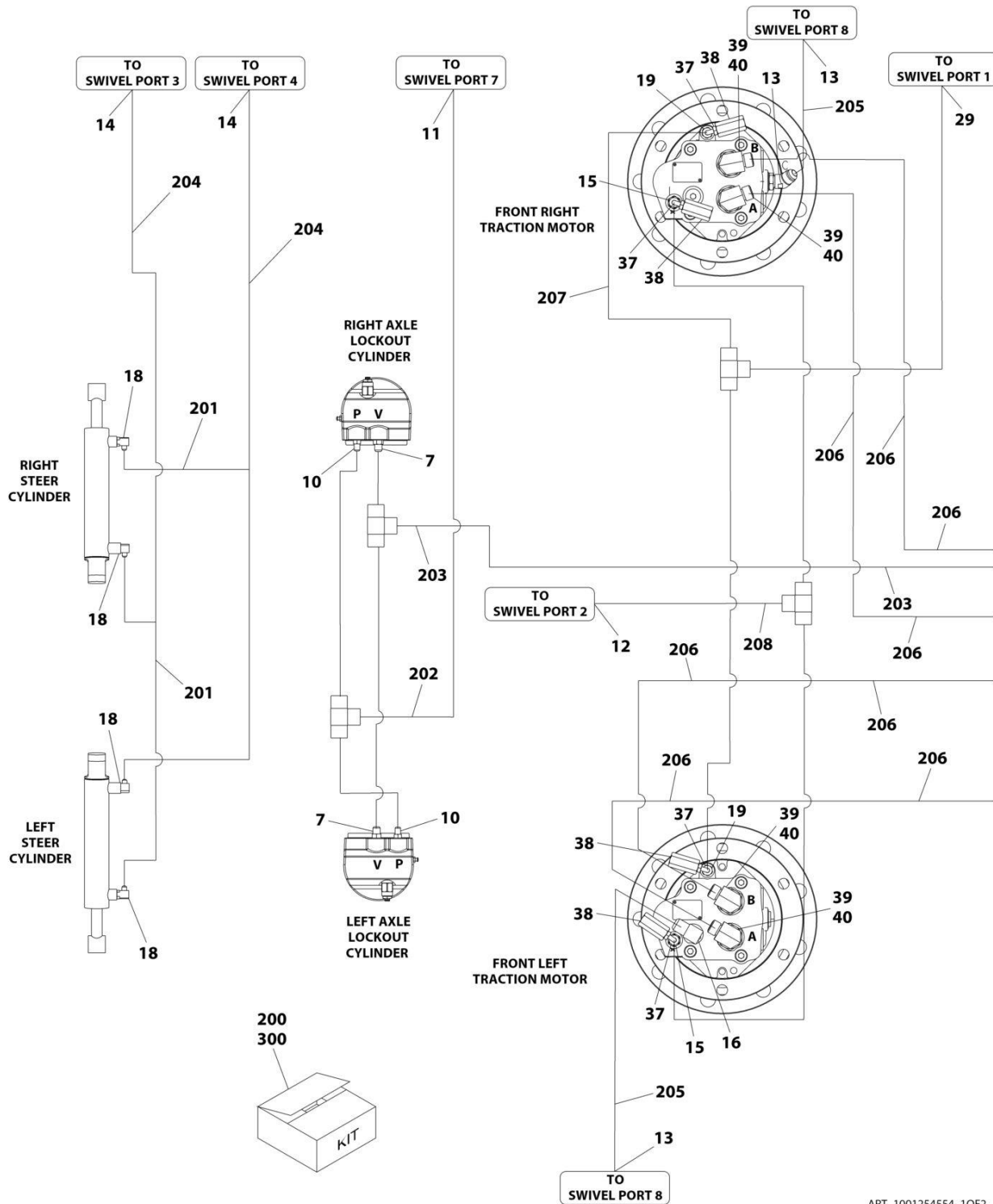
**FIGURE 7-1. DRIVE HYDRAULIC DIAGRAM (2WS WITHOUT ARCTIC PACKAGE) (600S HC3)**

ITEM	PART NUMBER	QTY	DESCRIPTION	REV
	1001188342	Ref	DRIVE HYDRAULIC DIAGRAM	G
1	2110810	8	Fitting, Straight ORFS/ORB	
2	2110812	4	Fitting, Straight ORFS/ORB	
3	2111216	2	Fitting, Straight ORFS/ORB	
4	2131216	2	Fitting, 90 ORFS/ORB	
5	2150812	2	Fitting, 45 ORFS/ORB	
6	2220372	1	Fitting, Straight JIC ORB	
7	2220373	2	Fitting, Straight JIC/ORB	
8	2220415	4	Fitting, Straight JIC/ORB	
9	2220468	1	Fitting, Straight JIC/ORB	
10	2220501	2	Fitting, 45 JIC/ORB	
11	2220500	4	Fitting, 45 JIC/ORB	
12	2220502	2	Fitting, 45 JIC/ORB	
14	2220472	2	Fitting, 90 JIC/ORB	
15	2220596	1	Fitting, 90 JIC/ORB	
16	2220602	1	Fitting, Tee JIC/ORB/JIC	
18	2220628	4	Fitting, 90 JIC/ORB	
23	4240018	21	Tie-Strap (Not Shown)	
48	2220371	2	Fitting, Straight JIC/ORB	
49	2221040	2	Fitting, 45 JIC/ORB	
50	1001197045	2	Fitting, 90 JIC/ORB	
59	4240033	2	Tie-Strap (Not Shown)	
60	2220582	2	Fitting, Straight JIC/ORB	
61	2150808	2	Fitting, 45 ORFS/ORB	
62	2220811	2	Fitting, Straight FORB/ORB	
100	1001269909	1	Front Hose Kit	
101	1001187308	2	Hose	
102	1001187311	2	Hose	
103	1001187317	4	Hose	
104	1001199654	1	Hose	
105	1001199655	1	Hose	
106	1001199656	1	Hose	
107	1001199661	1	Hose	
108	1001200432	2	Hose	
200	1001269908	1	Rear Hose Kit	
201	1001187312	1	Hose	
202	1001187318	2	Hose	
203	1001188763	4	Hose	
204	1001199657	1	Hose	
205	1001199658	1	Hose	
206	1001199662	1	Hose	



# SECTION 7 - HYDRAULIC

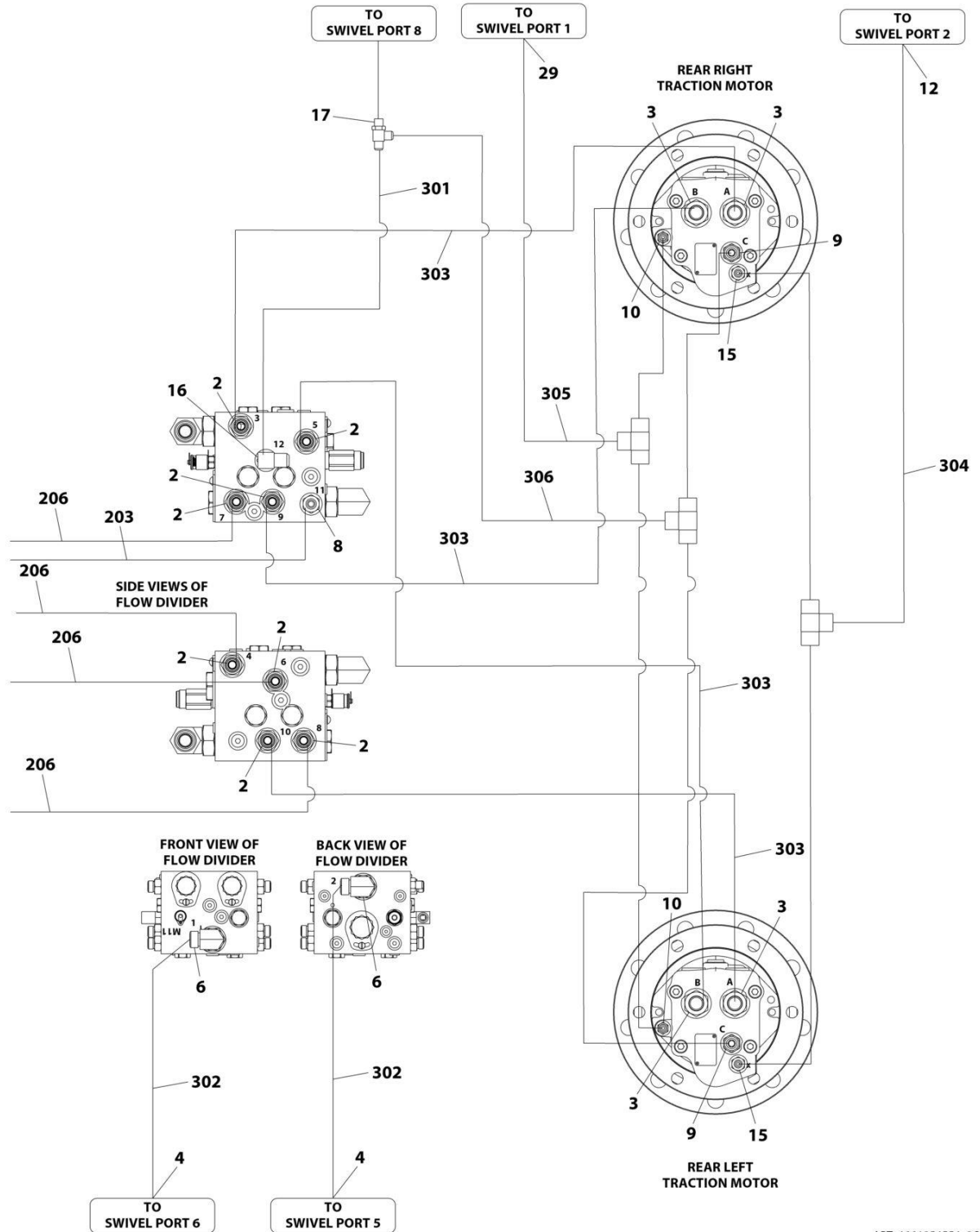
FIGURE 7-2. DRIVE HYDRAULIC DIAGRAM (2WS WITHOUT ARCTIC PACKAGE) (660SJ HC3)



ART\_1001254554\_10F2



# SECTION 7 - HYDRAULIC



ART\_1001254554\_2OF2

## SECTION 7 - HYDRAULIC

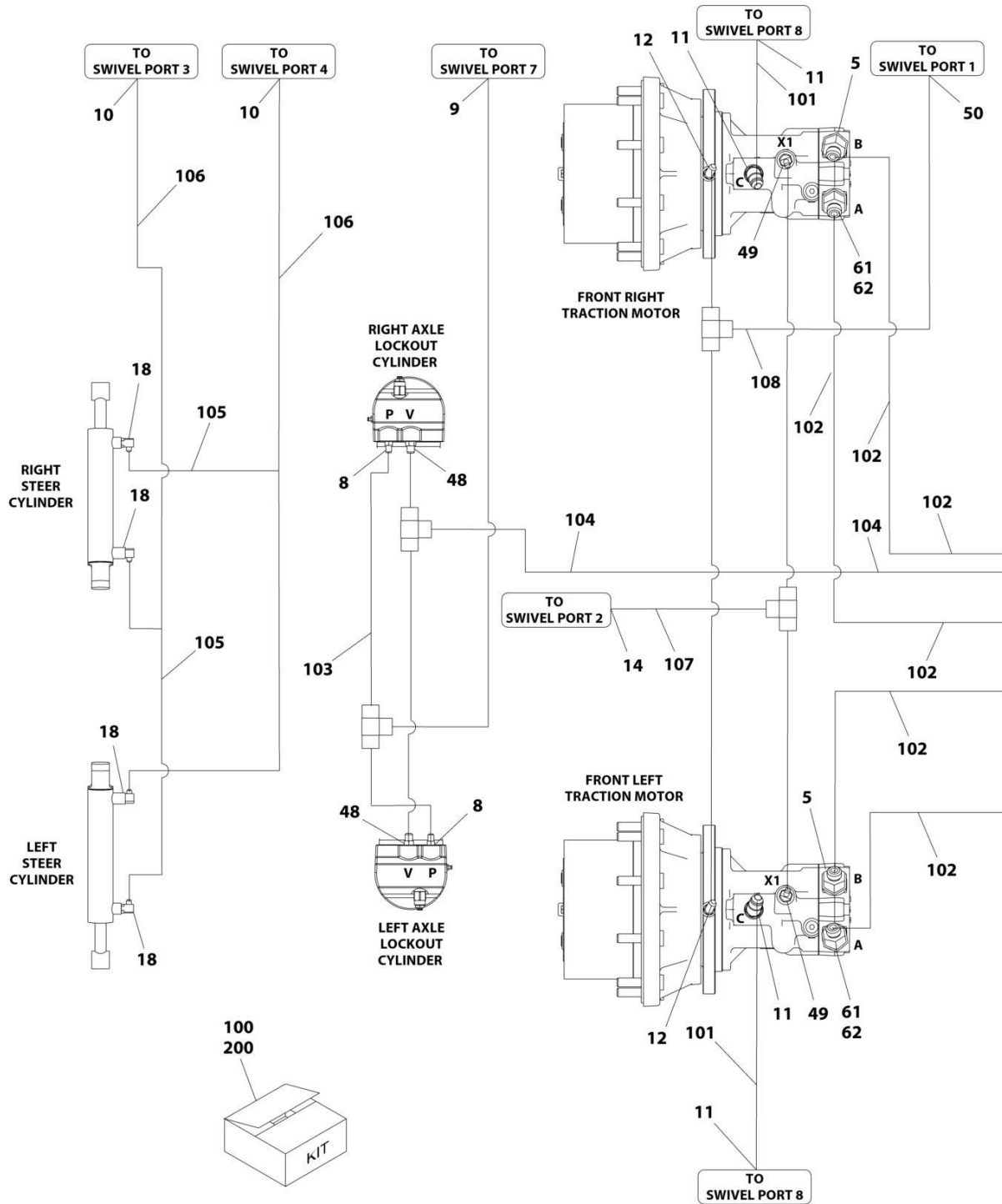
**FIGURE 7-2. DRIVE HYDRAULIC DIAGRAM (2WS WITHOUT ARCTIC PACKAGE) (660SJ HC3)**

ITEM	PART NUMBER	QTY	DESCRIPTION	REV
	1001254554	Ref	DRIVE HYDRAULIC DIAGRAM	F
2	2110810	8	Fitting, Straight ORFS/ORB	
3	2110812	4	Fitting, Straight ORFS/ORB	
4	2111216	2	Fitting, Straight ORFS/ORB	
6	2131216	2	Fitting, 90 ORFS/ORB	
7	2220371	2	Fitting, Straight JIC/ORB	
8	2220372	1	Fitting, Straight JIC ORB	
9	2220373	2	Fitting, Straight JIC/ORB	
10	2220415	4	Fitting, Straight JIC/ORB	
11	2220468	1	Fitting, Straight JIC/ORB	
12	2220472	2	Fitting, 90 JIC/ORB	
13	2220500	3	Fitting, 45 JIC/ORB	
14	2220501	2	Fitting, 45 JIC/ORB	
15	2220582	4	Fitting, Straight JIC/ORB	
16	2220596	2	Fitting, 90 JIC/ORB	
17	2220602	1	Fitting, Tee JIC/ORB/JIC	
18	2220628	4	Fitting, 90 JIC/ORB	
19	2220923	2	Fitting, Straight JIC/ORB	
21	4240018	21	Tie-Strap (Not Shown)	
22	4240033	2	Tie-Strap (Not Shown)	
29	1001197045	2	Fitting, 90 JIC/ORB	
37	1001260286	4	Fitting, 90 JIC/FSJIC	
38	1001260644	4	Fitting, FQL/FJIC	
39	2220811	4	Fitting, Straight FORB/ORB	
40	2130808	4	Fitting, 90 ORFS/ORB	
200	1001269907	1	Front Hose Kit	
201	1001187308	2	Hose	
202	1001199654	1	Hose	
203	1001199661	1	Hose	
204	1001200432	2	Hose	
205	1001256429	2	Hose	
206	1001256430	4	Hose	
207	1001260077	1	Hose	
208	1001260078	1	Hose	
300	1001269908	1	Rear Hose Kit	
301	1001187312	1	Hose	
302	1001187318	2	Hose	
303	1001188763	4	Hose	
304	1001199657	1	Hose	
305	1001199658	1	Hose	
306	1001199662	1	Hose	



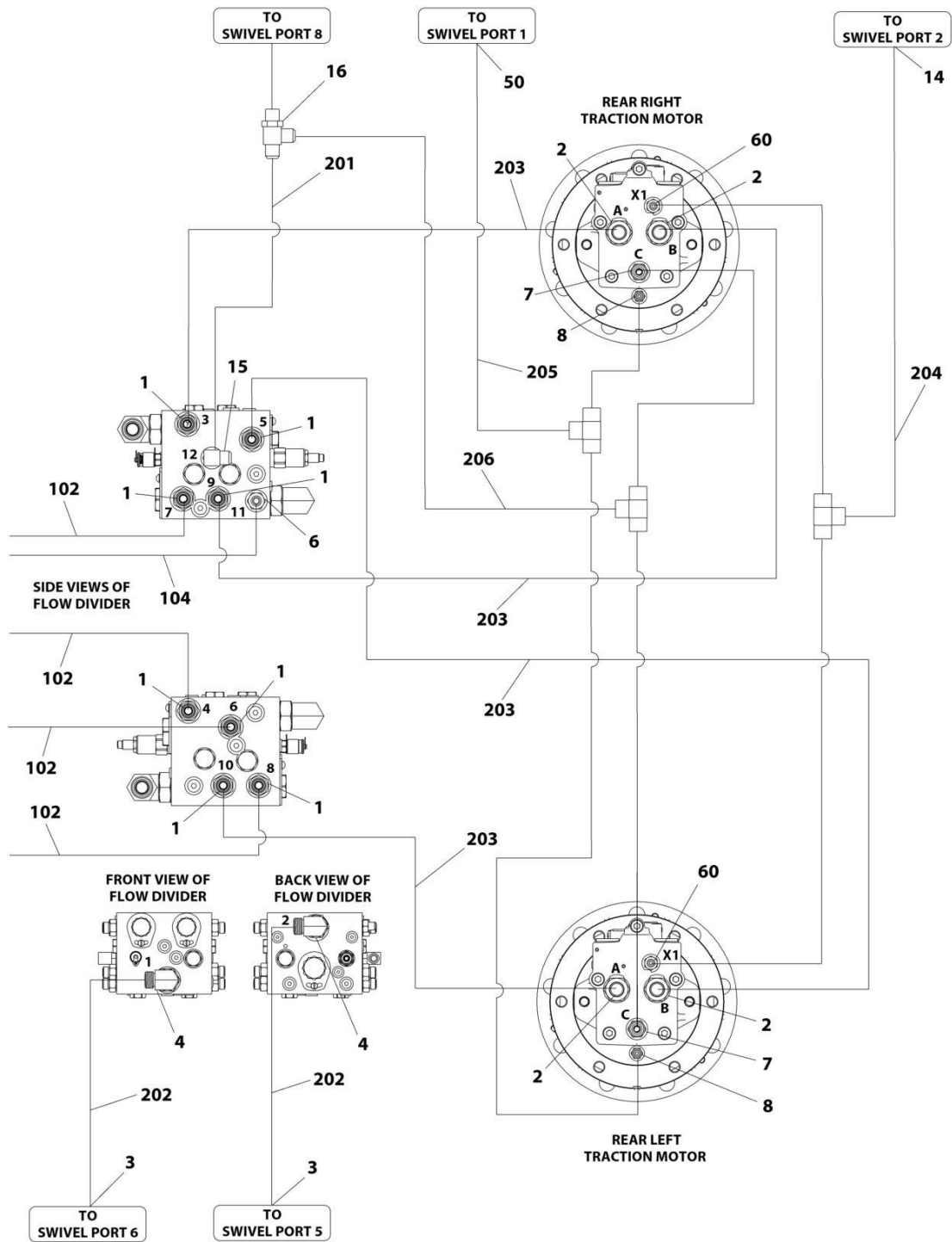
# SECTION 7 - HYDRAULIC

## FIGURE 7-3. DRIVE HYDRAULIC DIAGRAM (2WS WITH ARCTIC PACKAGE) (600S HC3)



ART\_1001192265\_F\_10F2

# SECTION 7 - HYDRAULIC



ART\_1001192265\_F\_2OF2

## SECTION 7 - HYDRAULIC

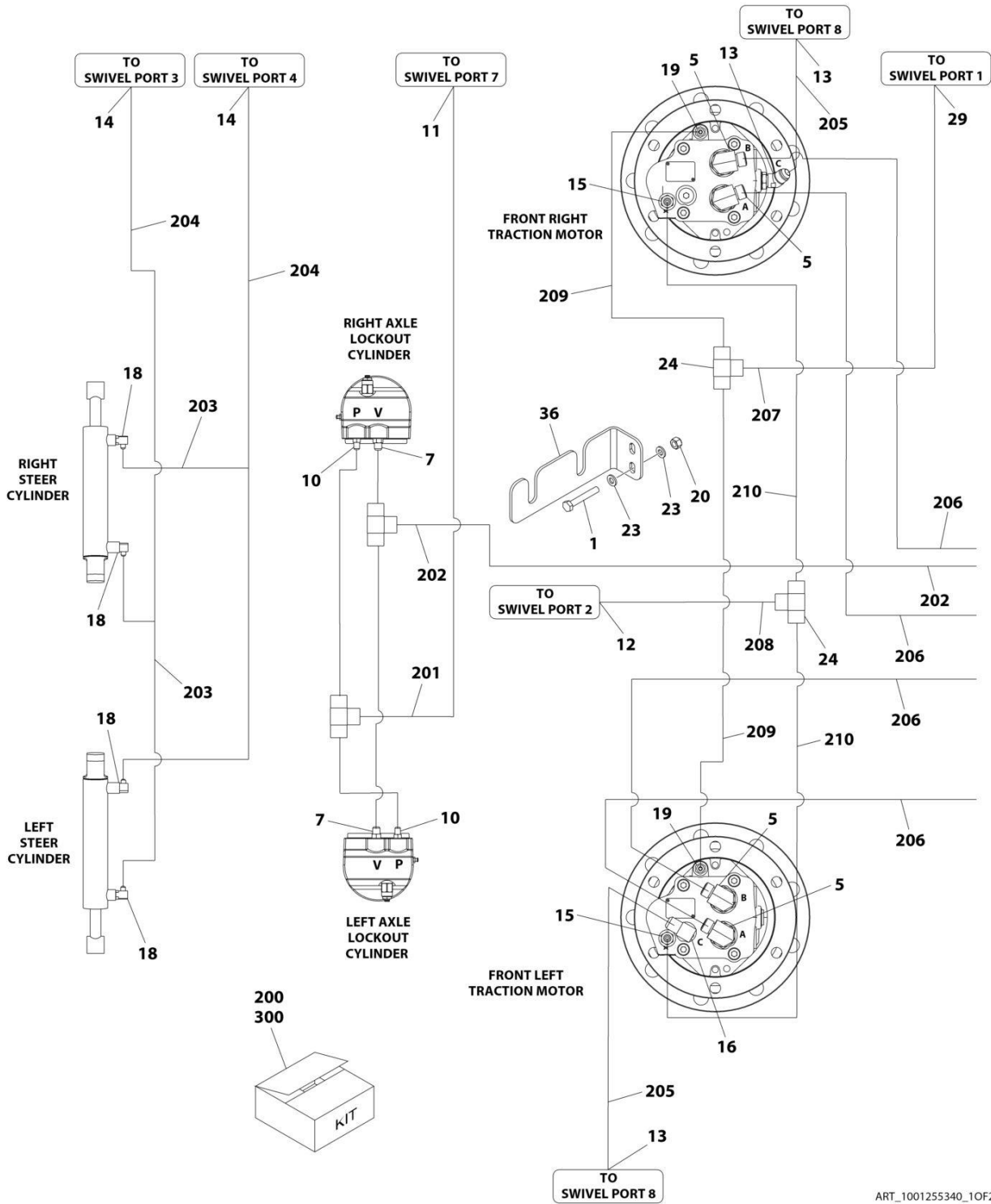
**FIGURE 7-3. DRIVE HYDRAULIC DIAGRAM (2WS WITH ARCTIC PACKAGE) (600S HC3)**

ITEM	PART NUMBER	QTY	DESCRIPTION	REV
	1001192265	Ref	DRIVE HYDRAULIC DIAGRAM	F
1	2110810	8	Fitting, Straight ORFS/ORB	
2	2110812	4	Fitting, Straight ORFS/ORB	
3	2111216	2	Fitting, Straight ORFS/ORB	
4	2131216	2	Fitting, 90 ORFS/ORB	
5	2150812	2	Fitting, 45 ORFS/ORB	
6	2220372	1	Fitting, Straight JIC/ORB	
7	2220373	2	Fitting, Straight JIC/ORB	
8	2220415	4	Fitting, Straight JIC/ORB	
9	2220468	1	Fitting, Straight JIC/ORB	
10	2220501	2	Fitting, 45 JIC/ORB	
11	2220500	4	Fitting, 45 JIC/ORB	
12	2220502	2	Fitting, 45 JIC/ORB	
14	2220472	2	Fitting, 90 JIC/ORB	
15	2220596	1	Fitting, 90 JIC/ORB	
16	2220602	1	Fitting, Tee JIC/ORB/JIC	
18	2220628	4	Fitting, 90 JIC/ORB	
23	4240018	21	Tie-Strap (Not Shown)	
48	2220371	2	Fitting, Straight JIC/ORB	
49	2221040	2	Fitting, 45 JIC/ORB	
50	1001197045	2	Fitting, 90 JIC/ORB	
59	4240033	2	Tie-Strap (Not Shown)	
60	2220582	2	Fitting, Straight JIC/ORB	
61	2150808	2	Fitting, 45 ORFS/ORB	
62	2220811	2	Fitting, Straight FORB/ORB	
100	1001269910	1	Arctic Front Hose Kit	
101	1001193610	2	Hose	
102	1001193611	4	Hose	
103	1001199654	1	Hose	
104	1001169661	1	Hose	
105	1001203853	2	Hose	
106	1001203854	2	Hose	
107	1001203859	1	Hose	
108	1001203860	1	Hose	
200	1001269908	1	Rear Hose Kit	
201	1001187312	1	Hose	
202	1001187318	2	Hose	
203	1001188763	4	Hose	
204	1001199657	1	Hose	
205	1001199658	1	Hose	
206	1001199662	1	Hose	



# SECTION 7 - HYDRAULIC

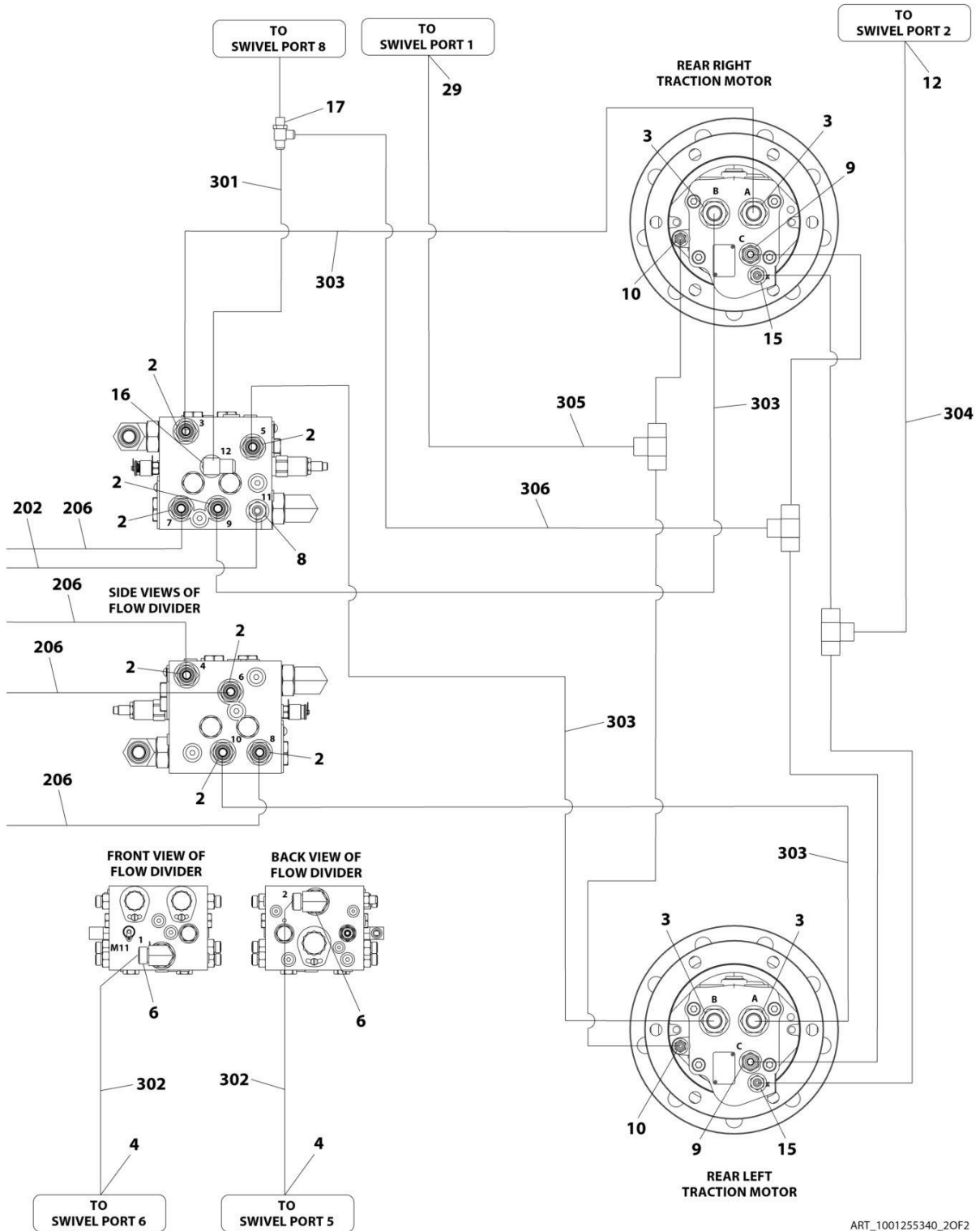
FIGURE 7-4. DRIVE HYDRAULIC DIAGRAM (2WS WITH ARCTIC PACKAGE) (660SJ HC3)



ART\_1001255340\_1OF2



# SECTION 7 - HYDRAULIC



ART\_1001255340\_20F2

## SECTION 7 - HYDRAULIC

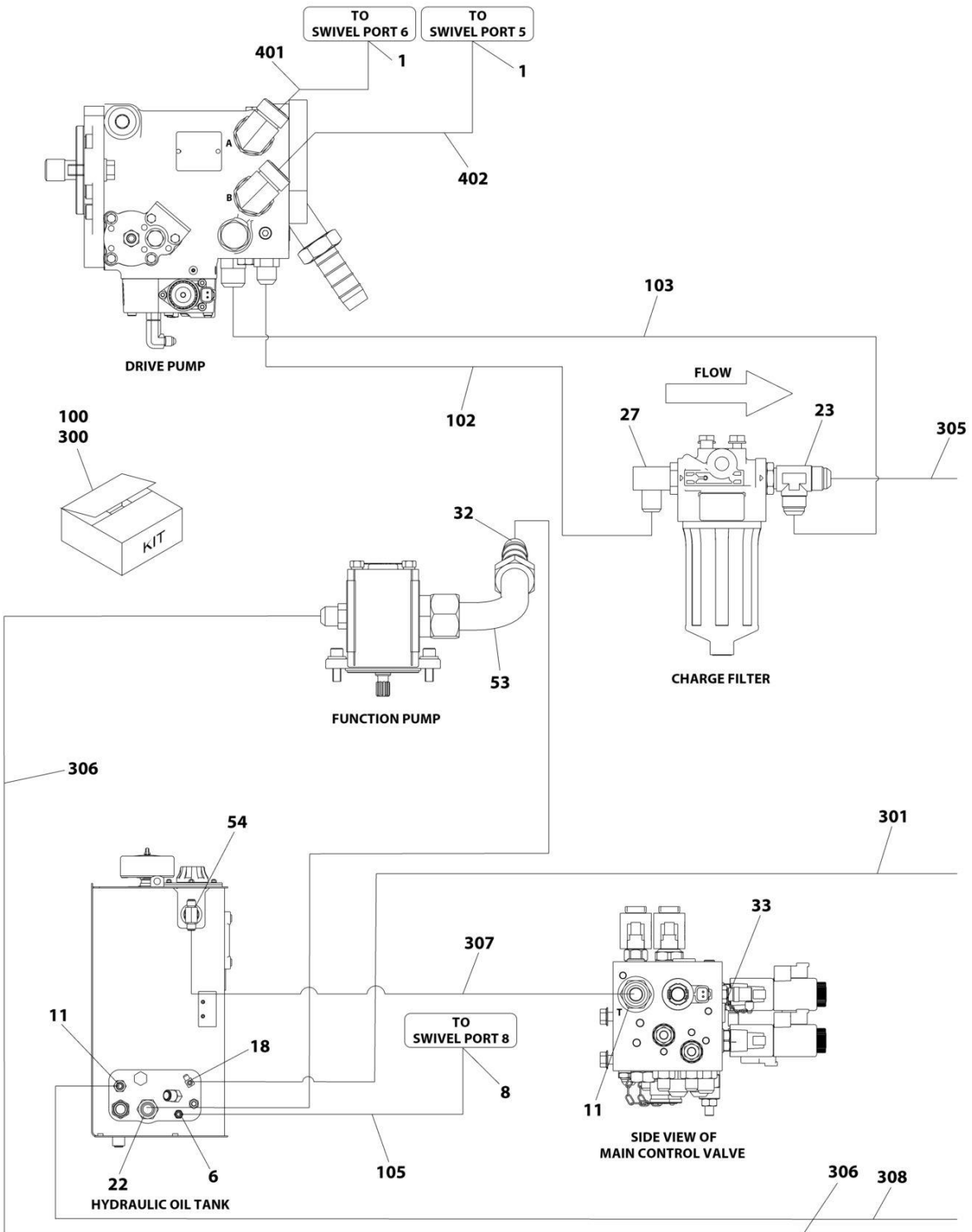
**FIGURE 7-4. DRIVE HYDRAULIC DIAGRAM (2WS WITH ARCTIC PACKAGE) (660SJ HC3)**

ITEM	PART NUMBER	QTY	DESCRIPTION	REV
	1001255340	Ref	DRIVE HYDRAULIC DIAGRAM	D
1	0700616	2	Bolt M6 x 40	
2	2110810	8	Fitting, Straight ORFS/ORB	
3	2110812	4	Fitting, Straight ORFS/ORB	
4	2111216	2	Fitting, Straight ORFS/ORB	
5	2130812	4	Fitting, 90 ORFS/ORB	
6	2131216	2	Fitting, 90 ORFS/ORB	
7	2220371	2	Fitting, Straight JIC/ORB	
8	2220372	1	Fitting, Straight JIC/ORB	
9	2220373	2	Fitting, Straight JIC/ORB	
10	2220415	4	Fitting, Straight JIC/ORB	
11	2220468	1	Fitting, Straight JIC/ORB	
12	2220472	2	Fitting, 90 JIC/ORB	
13	2220500	3	Fitting, 45 JIC/ORB	
14	2220501	2	Fitting, 45 JIC/ORB	
15	2220582	4	Fitting, Straight JIC/ORB	
16	2220596	2	Fitting, 90 JIC/ORB	
17	2220602	1	Fitting, Tee JIC/ORB/JIC	
18	2220628	4	Fitting, 90 JIC/ORB	
19	2220923	2	Fitting, Straight JIC/ORB	
20	3290605	2	Nut M6	
21	4240018	21	Tie-Strap (Not Shown)	
22	4240033	2	Tie-Strap (Not Shown)	
23	4811700	4	Washer M6	
24	10728823	2	Fitting, Tee JIC/JIC/JIC	
29	1001197045	2	Fitting, 90 JIC/ORB	
36	1001256311	1	Bracket	
200	1001269912	1	Arctic Front Hose Kit	
201	1001199654	1	Hose	
202	1001169661	1	Hose	
203	1001203853	2	Hose	
204	1001203854	2	Hose	
205	1001257048	2	Hose	
206	1001257049	4	Hose	
207	1001257050	1	Hose	
208	1001257051	1	Hose	
209	1001257052	2	Hose	
210	1001257053	2	Hose	
300	1001269908	1	Rear Hose Kit	
301	1001187312	1	Hose	
302	1001187318	2	Hose	
303	1001188763	4	Hose	
304	1001199657	1	Hose	
305	1001199658	1	Hose	
306	1001199662	1	Hose	



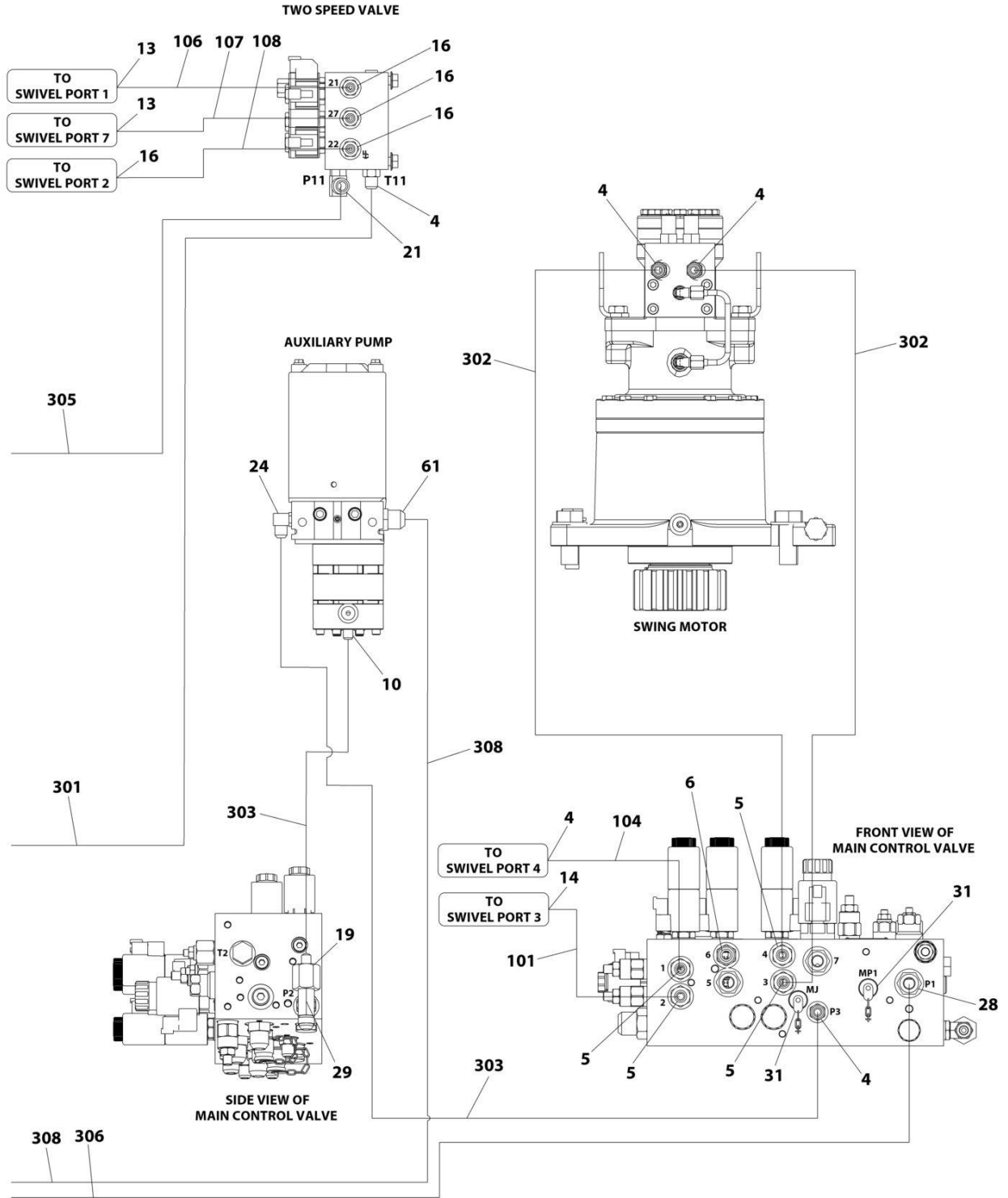
# SECTION 7 - HYDRAULIC

## FIGURE 7-5. STANDARD HYDRAULIC DIAGRAM (600S HC3)



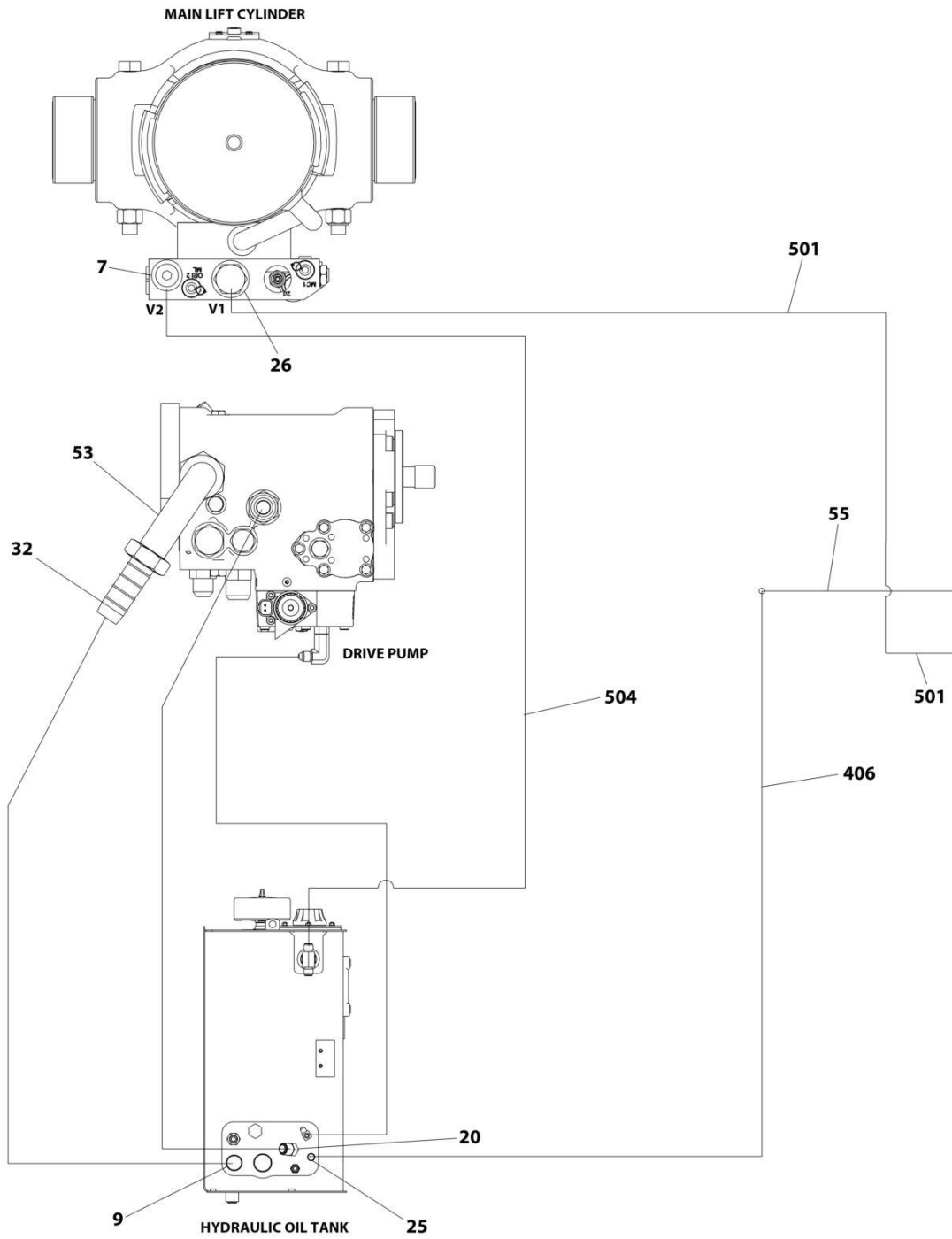
ART\_1001265771\_1OF4

# SECTION 7 - HYDRAULIC



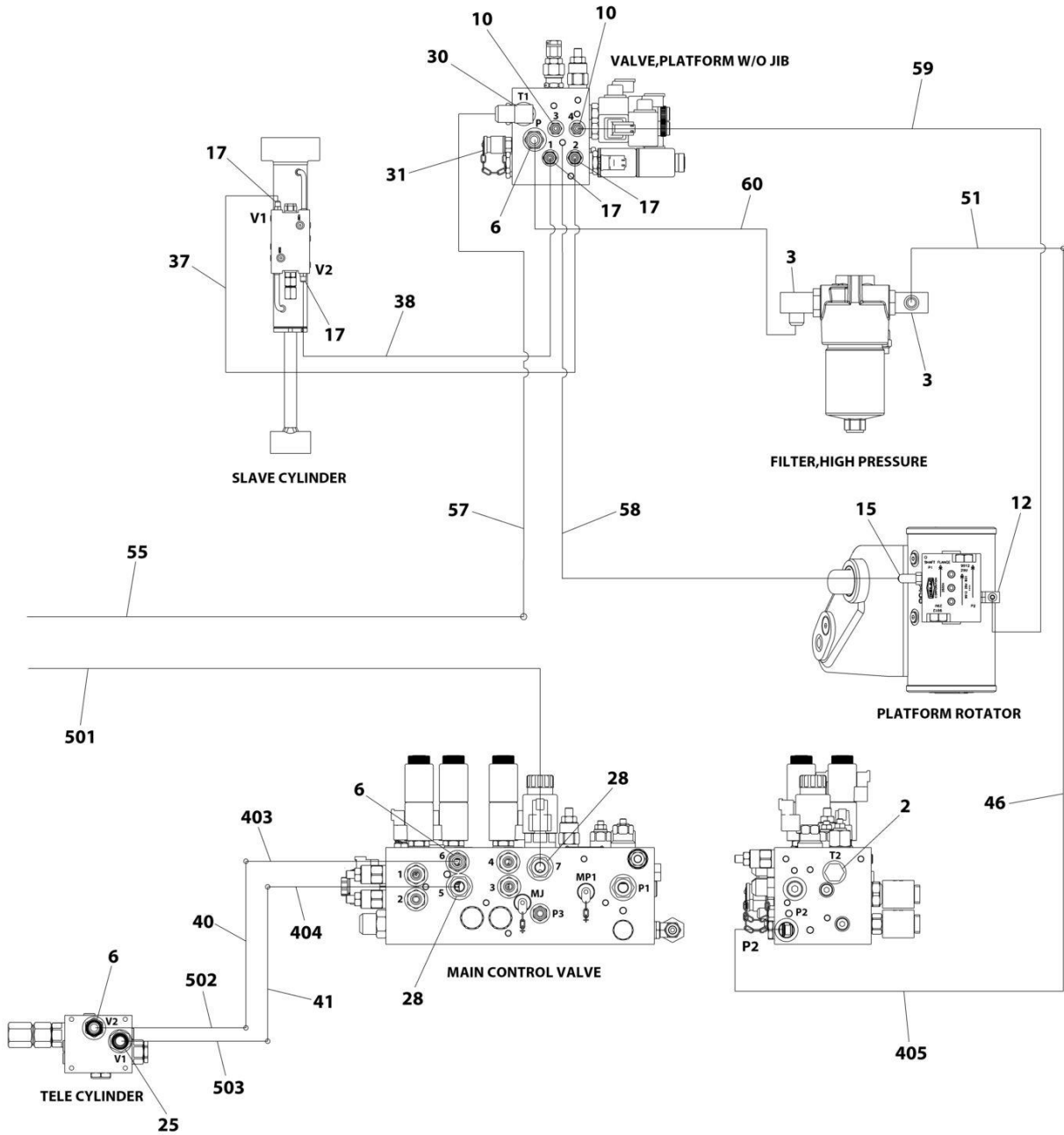
ART\_1001265771\_20F4

# SECTION 7 - HYDRAULIC



ART\_1001265771\_30F4

# SECTION 7 - HYDRAULIC



ART\_1001265771\_40F4

# SECTION 7 - HYDRAULIC

## FIGURE 7-5. STANDARD HYDRAULIC DIAGRAM (600S HC3)

ITEM	PART NUMBER	QTY	DESCRIPTION	REV
	1001265771	Ref	STANDARD HYDRAULIC DIAGRAM	C
1	2111616	2	Fitting, Straight ORFS/ORB	
2	2220238	1	Plug	
3	2220366	2	Fitting, 90 JIC/ORB	
4	2220371	5	Fitting, Straight JIC/ORB	
5	2220372	4	Fitting, Straight JIC/ORB	
6	2220373	4	Fitting, Straight JIC/ORB	
7	2220374	1	Fitting, Straight JIC/ORB	
8	2220375	1	Fitting, Straight JIC/ORB	
9	2220380	1	Fitting, Straight JIC/ORB	
10	2220415	3	Fitting, Straight JIC/ORB	
11	2220451	2	Fitting, Straight JIC/ORB	
12	2220466	1	Fitting, 90 JIC/ORB	
13	2220468	2	Fitting, Straight JIC/ORB	
14	2220473	1	Fitting, 90 JIC/ORB	
15	2220502	1	Fitting, 45 JIC/ORB	
16	2220582	4	Fitting, Straight JIC/ORB	
17	2220603	4	Fitting, Straight JIC/ORB	
18	2220606	1	Fitting, Tee JIC/ORB/JIC	
19	2220618	1	Fitting, Straight JIC/FSJIC	
20	2220637	1	Fitting, 45 JIC/ORB	
21	2220726	1	Fitting, 90 JIC/ORB	
22	2220733	1	Fitting, Straight JIC/ORB	
23	2220738	1	Fitting, Tee JIC/ORB/JIC	
24	2220775	1	Fitting, 90 JIC/ORB	
25	2220852	2	Fitting, Straight JIC/ORB	
26	2220865	1	Fitting, Straight JIC/ORB	
27	2220906	1	Fitting, 90 JIC/ORB	
28	2220947	3	Fitting, Straight JIC/ORB	
29	2220999	1	Fitting, Tee JIC/ORB/JIC	
30	2221042	1	Fitting, 90 JIC/ORB	
31	2221086	3	Fitting, Test	
32	80633030	2	Clamp	
33	1001119455	1	Valve, Oil Sampling	
37	1001192684	1	Hose	
38	1001192685	1	Hose	
40	1001192693	1	Pipe	
41	1001192694	1	Pipe	
46	1001201255	1	Pipe	
51	1001204389	1	Hose	
53	1001205824	2	Fitting, 90 Barb	
54	1001214408	1	Fitting, Tee JIC/ORB/JIC	
55	1001220903	1	Pipe	
57	1001220941	1	Hose	
58	1001259019	1	Hose	
59	1001259020	1	Hose	
60	1001260486	1	Hose	
61	2220408	1	Fitting, Straight JIC/ORB	
100	1001250981	1	Engine Side Hose Kit	
101	1001247876	1	Hose	

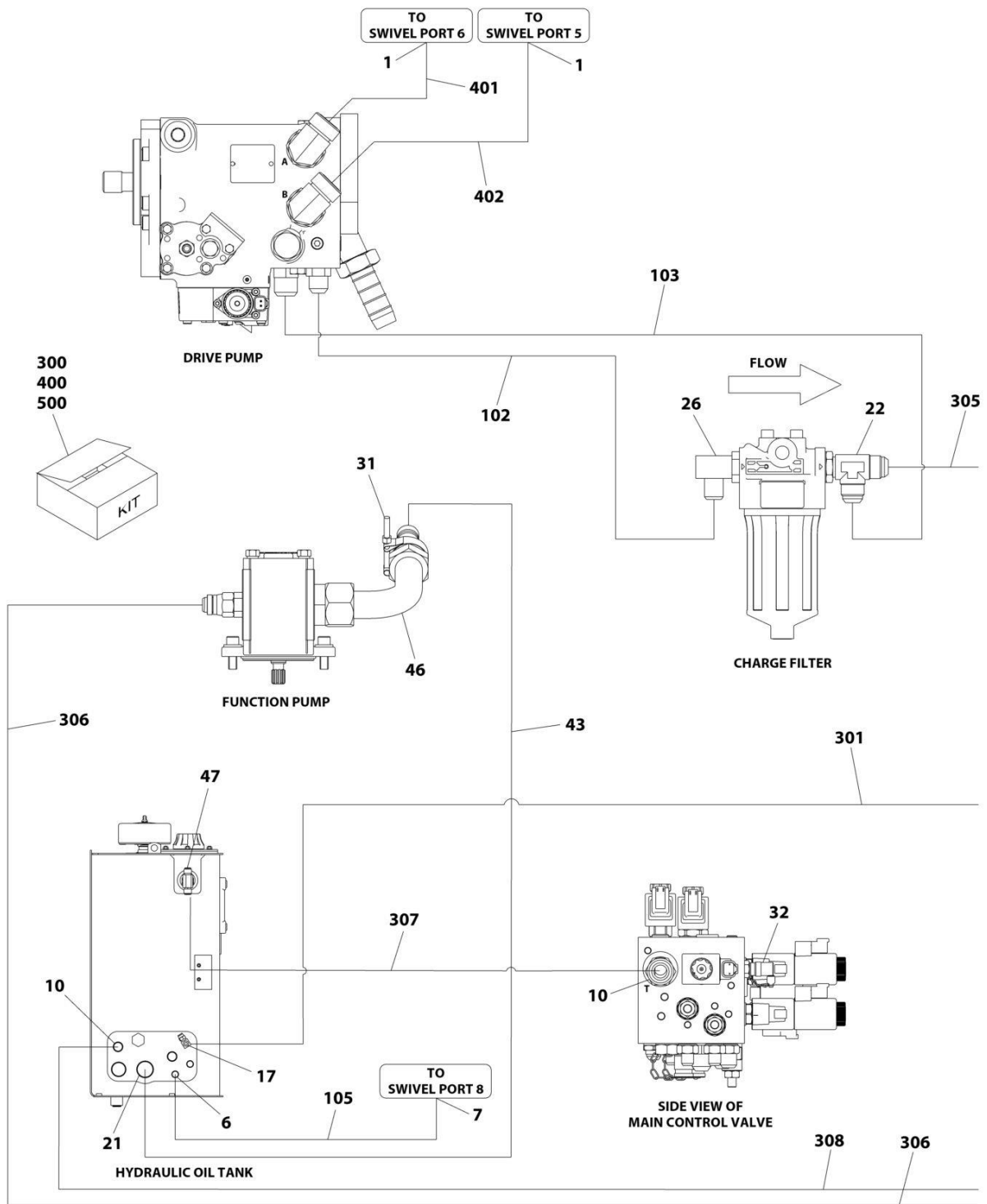


## SECTION 7 - HYDRAULIC

ITEM	PART NUMBER	QTY	DESCRIPTION	REV
102	1001247871	1	Hose	
103	1001247872	1	Hose	
104	1001247877	1	Hose	
105	1001247881	1	Hose	
106	1001247878	1	Hose	
107	1001247879	1	Hose	
108	1001247994	1	Hose	
300	1001274127	1	Tank Side Hose Kit	
301	1001247865	1	Hose	
302	1001247866	2	Hose	
303	1001247868	1	Hose	
304	1001247869	1	Hose	
305	1001247873	1	Hose	
306	1001247875	1	Hose	
307	1001247882	1	Hose	
308	1001274114	1	Hose	
400	1001269913	1	Hose Kit - Turntable (Not Shown)	
401	1001192661	1	Hose	
402	1001192663	1	Hose	
403	1001192695	1	Hose	
404	1001192698	1	Hose	
405	1001203424	1	Hose	
406	1001220912	1	Hose	
500	1001269914	1	Hose Kit - Boom (Not Shown)	
501	1001192641	1	Hose	
502	1001192696	1	Hose	
503	1001192699	1	Hose	
504	1001204645	1	Hose	

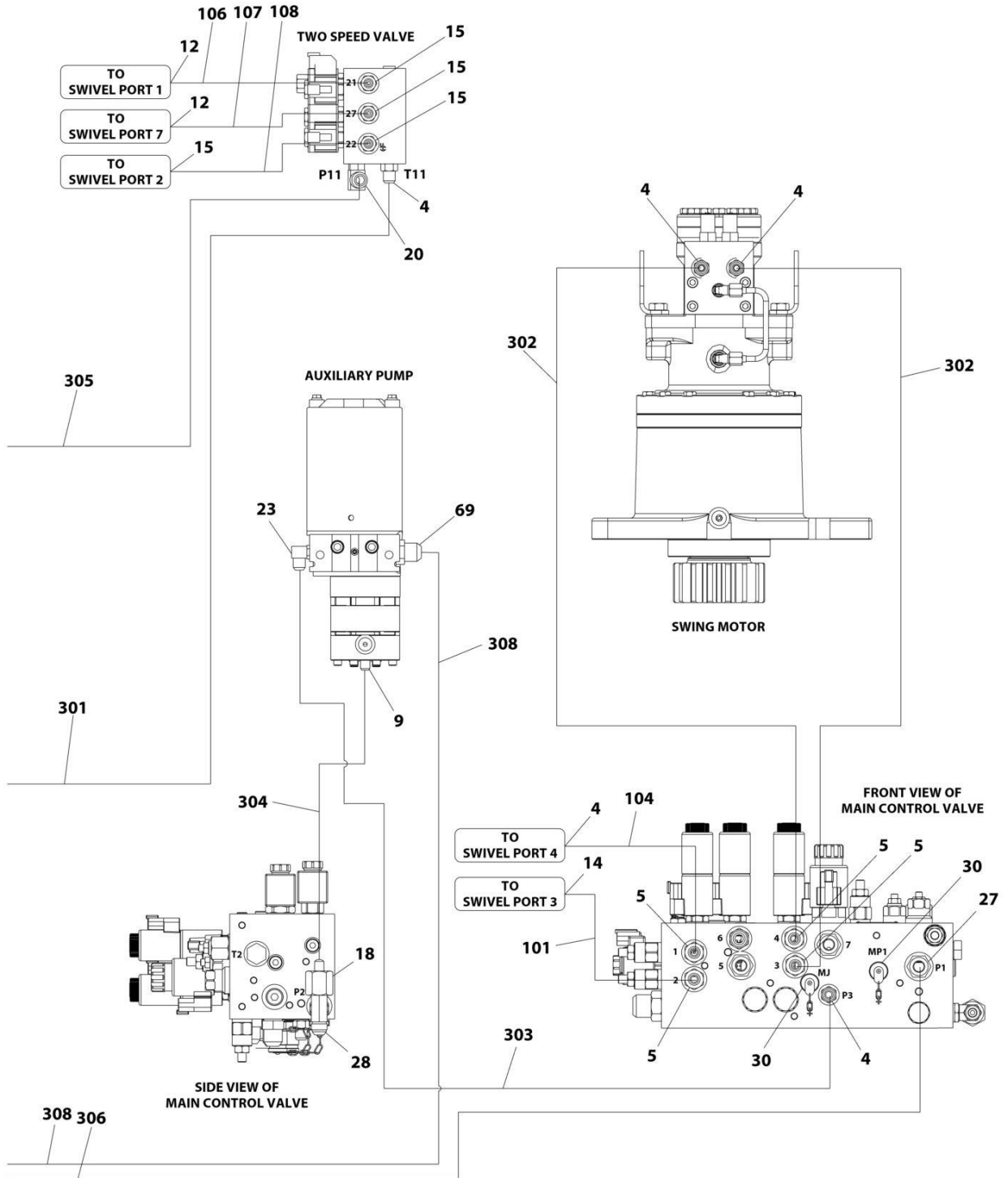
# SECTION 7 - HYDRAULIC

FIGURE 7-6. STANDARD HYDRAULIC DIAGRAM (MACHINES WITH SN STARTING WITH 03) (660SJ HC3)



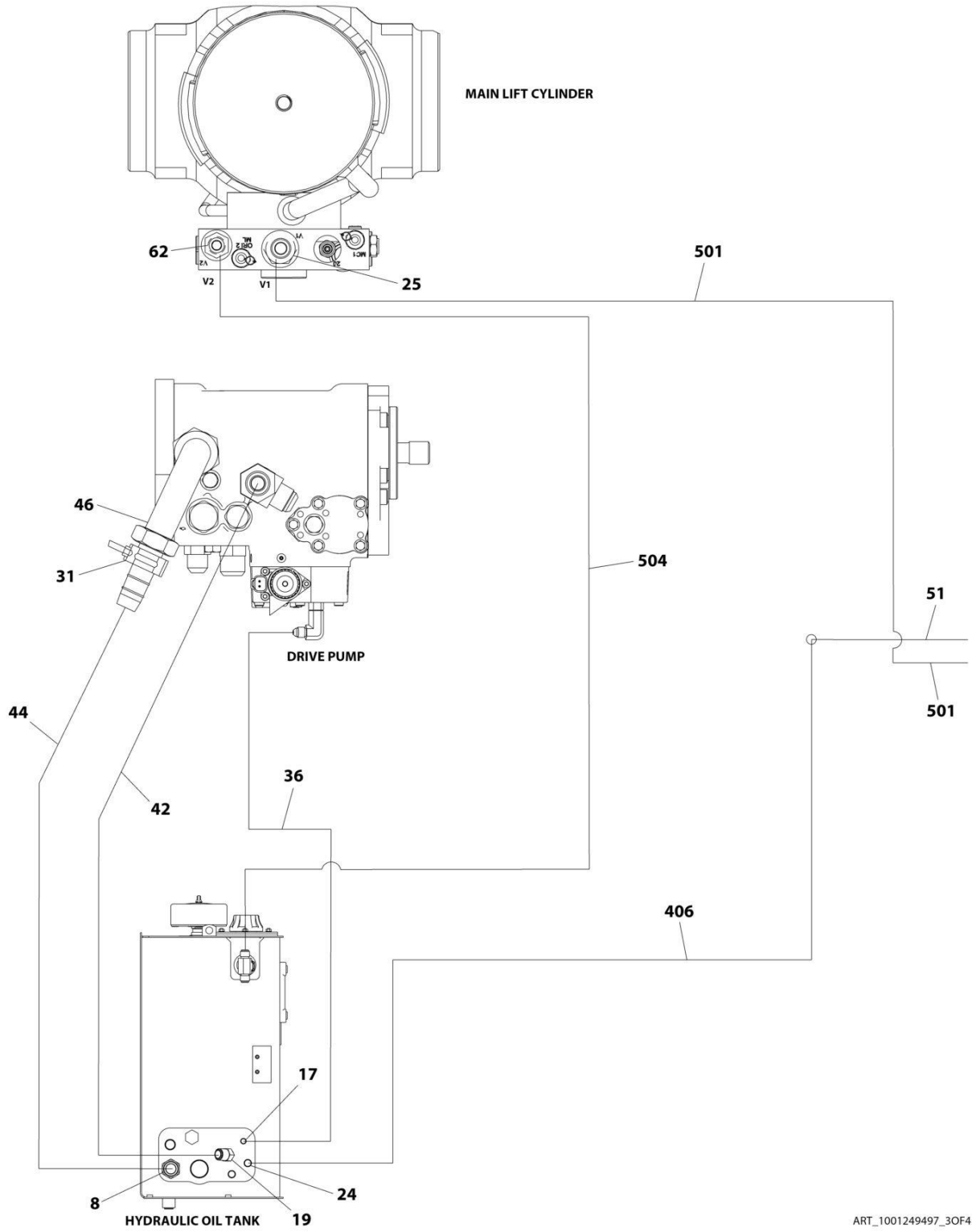
ART\_1001249497\_10F4

# SECTION 7 - HYDRAULIC



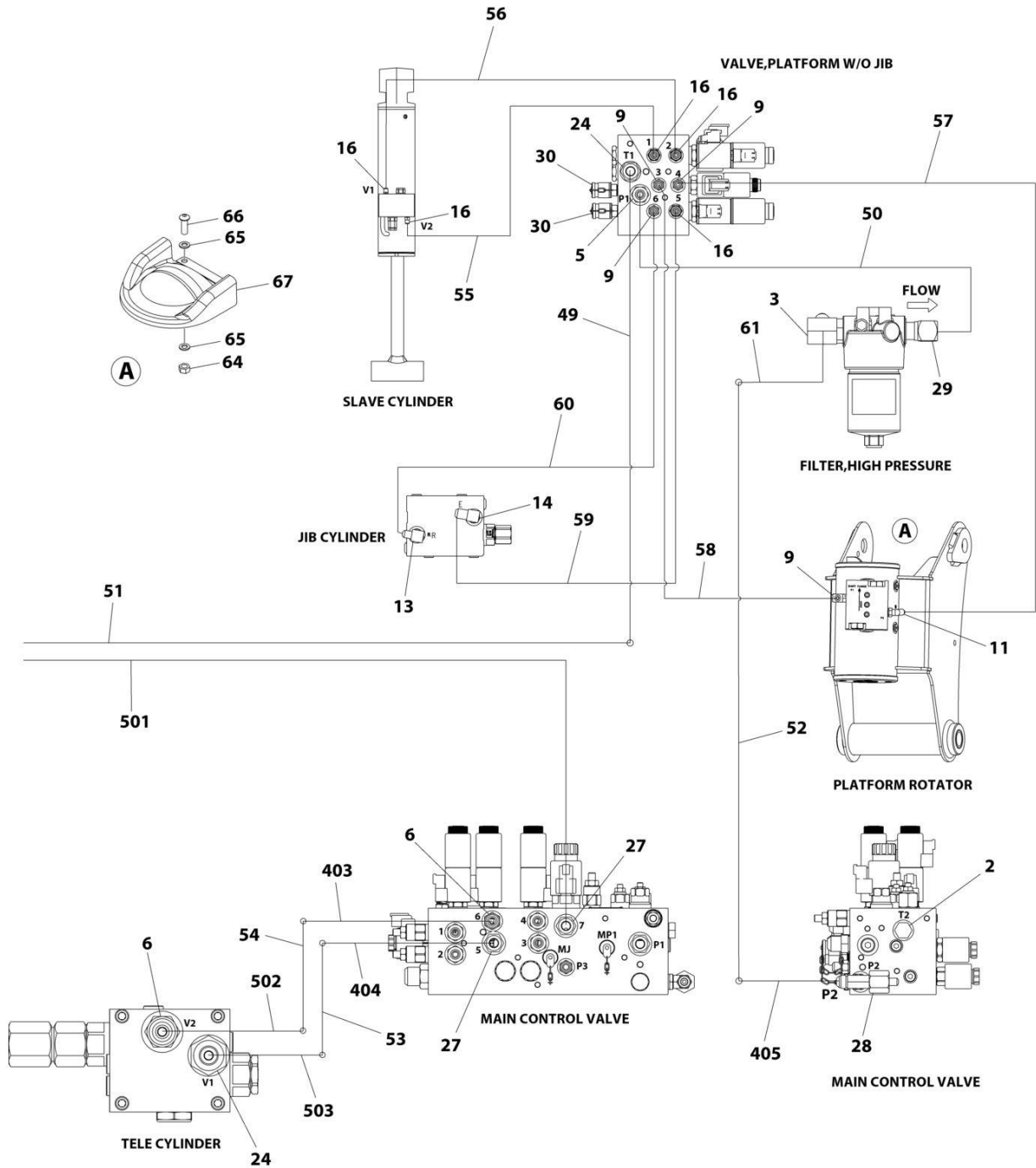
ART\_1001249497\_20F4

# SECTION 7 - HYDRAULIC



ART\_1001249497\_30F4

# SECTION 7 - HYDRAULIC



ART\_1001249497\_4OF4

## SECTION 7 - HYDRAULIC

**FIGURE 7-6. STANDARD HYDRAULIC DIAGRAM (MACHINES WITH SN STARTING WITH 03) (660SJ HC3)**

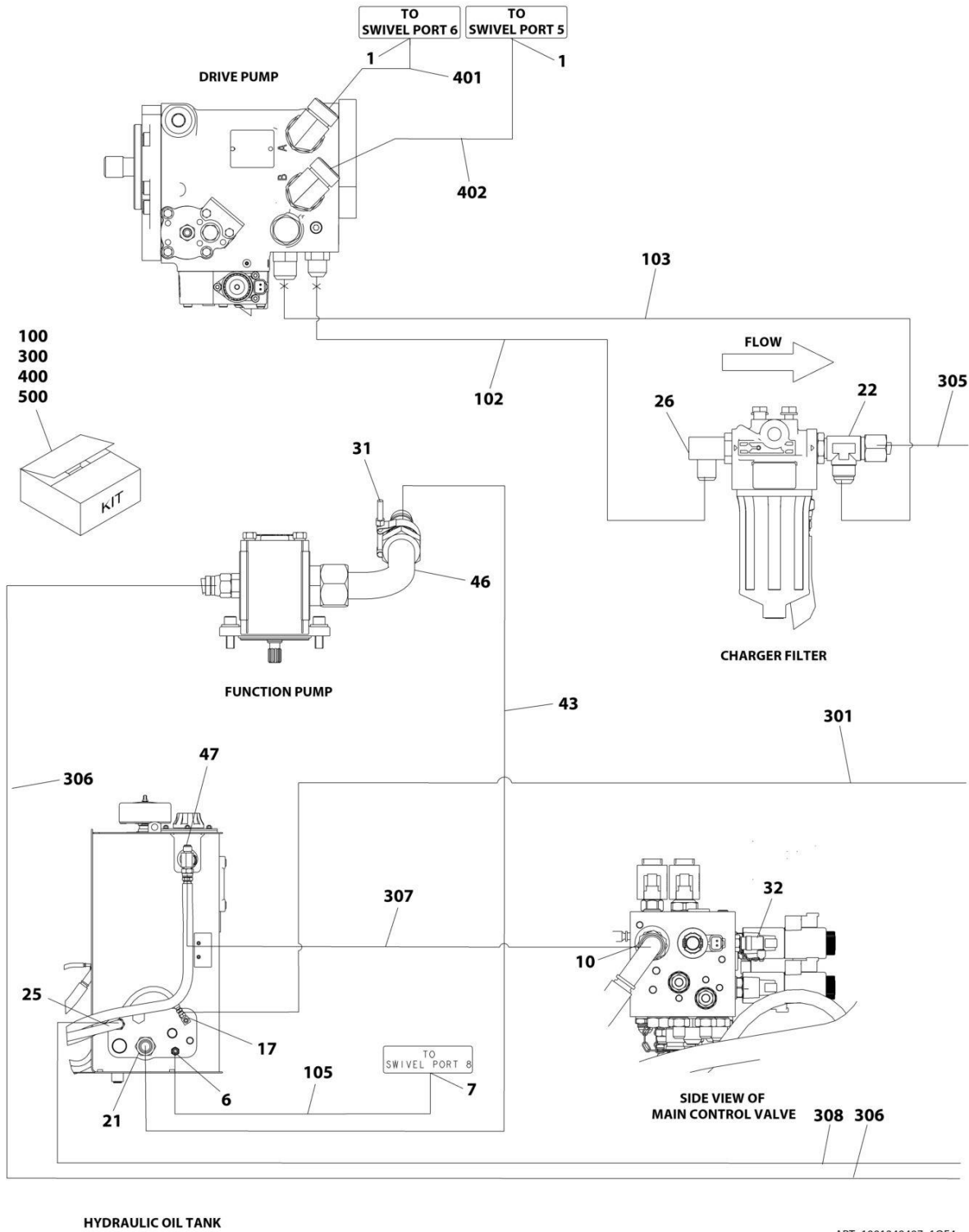
ITEM	PART NUMBER	QTY	DESCRIPTION	REV
	1001249497	Ref	STANDARD HYDRAULIC DIAGRAM	G
1	2111616	2	Fitting, Straight ORFS/ORB	
2	2220238	1	Plug	
3	2220366	1	Fitting, 90 JIC/ORB	
4	2220371	5	Fitting, Straight JIC/ORB	
5	2220372	5	Fitting, Straight JIC/ORB	
6	2220373	3	Fitting, Straight JIC/ORB	
7	2220375	1	Fitting, Straight JIC/ORB	
8	2220380	1	Fitting, Straight JIC/ORB	
9	2220415	5	Fitting, Straight JIC/ORB	
10	2220451	2	Fitting, Straight JIC/ORB	
11	2220466	1	Fitting, 90 JIC/ORB	
12	2220468	2	Fitting, Straight JIC/ORB	
13	2220472	1	Fitting, 90 JIC/ORB	
14	2220473	2	Fitting, 90 JIC/ORB	
15	2220582	4	Fitting, Straight JIC/ORB	
16	2220603	5	Fitting, Straight JIC/ORB	
17	2220606	1	Fitting, Tee JIC/ORB/JIC	
18	2220618	1	Fitting, Straight JIC/FSJIC	
19	2220637	1	Fitting, 45 JIC/ORB	
20	2220726	1	Fitting, 90 JIC/ORB	
21	2220733	1	Fitting, Straight JIC/ORB	
22	2220738	1	Fitting, Tee JIC/ORB/JIC	
23	2220775	1	Fitting, 90 JIC/ORB	
24	2220852	3	Fitting, Straight JIC/ORB	
25	2220865	1	Fitting, Straight JIC/ORB	
26	2220906	1	Fitting, 90 JIC/ORB	
27	2220947	3	Fitting, Straight JIC/ORB	
28	2220999	1	Fitting, Tee JIC/ORB/JIC	
29	2221048	1	Fitting, 90 JIC/ORB	
30	2221086	4	Fitting, Test	
31	80633030	2	Clamp	
32	1001119455	1	Valve, Oil Sampling	
36	1001192690	1	Hose	
42	1001203431	1	Hose	
43	1001258157	1	Hose	
44	1001258156	1	Hose	
46	1001205824	2	Fitting, 90 Barb	
47	1001214408	1	Fitting, Tee JIC/ORB/JIC	
49	1001221016	1	Hose	
50	1001222522	1	Hose	
51	1001249492	1	Pipe	
52	1001249493	1	Pipe	
53	1001249494	1	Pipe	
54	1001249495	1	Pipe	
55	1001193927	1	Hose	
56	1001193928	1	Hose	
57	1001193929	1	Hose	
58	1001193930	1	Hose	

## SECTION 7 - HYDRAULIC

ITEM	PART NUMBER	QTY	DESCRIPTION	REV
59	1001269096	1	Hose	
60	1001269097	1	Hose	
61	1001203426	1	Hose	
62	2220374	1	Fitting, Straight JIC/ORB	
63	4240156	2	Strap (Not Shown)	
64	3311505	2	Nut 5/16	
65	4711500	4	Washer 5/16	
66	88261024	2	Bolt 5/16 x 1	
67	1001207969	1	Cover	
68	1001136358	1	Sleeve (Not Shown)	
69	2220408	1	Fitting, Straight JIC/ORB	
100	1001250981	1	Engine Side Hose Kit	
101	1001247876	1	Hose	
102	1001247871	1	Hose	
103	1001247872	1	Hose	
104	1001247877	1	Hose	
105	1001247881	1	Hose	
106	1001247878	1	Hose	
107	1001247879	1	Hose	
108	1001247994	1	Hose	
300	1001274127	1	Tank Side Hose Kit	
301	1001247865	1	Hose	
302	1001247866	2	Hose	
303	1001247868	1	Hose	
304	1001247869	1	Hose	
305	1001247873	1	Hose	
306	1001247875	1	Hose	
307	1001247882	1	Hose	
308	1001274114	1	Hose	
400	1001269913	1	Turntable Hose Kit	
401	1001192661	1	Hose	
402	1001192663	1	Hose	
403	1001192695	1	Hose	
404	1001192698	1	Hose	
405	1001203424	1	Hose	
406	1001220912	1	Hose	
500	1001269914	1	Boom Hose Kit	
501	1001192641	1	Hose	
502	1001192696	1	Hose	
503	1001192699	1	Hose	
504	1001204645	1	Hose	

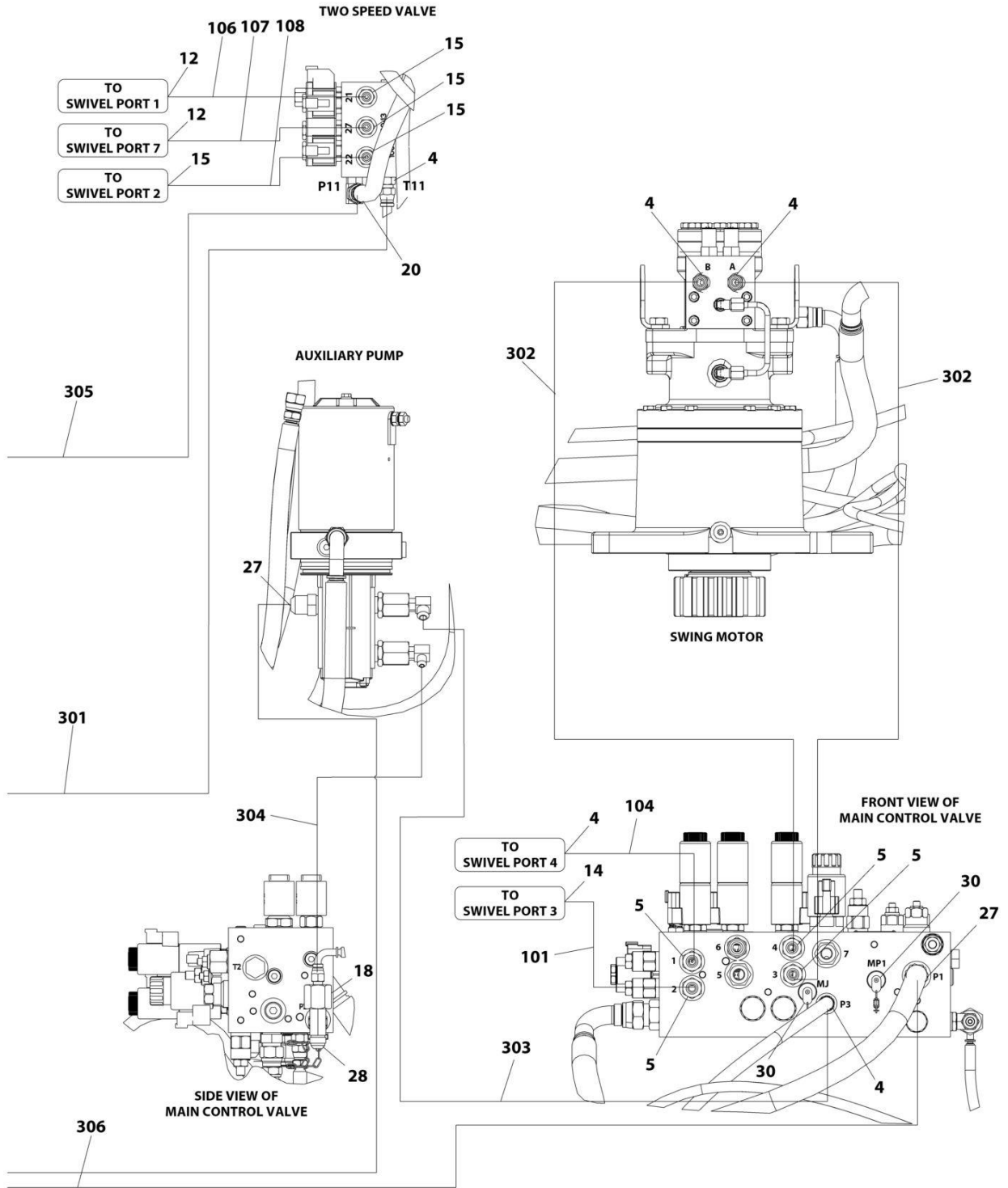
# SECTION 7 - HYDRAULIC

FIGURE 7-7. STANDARD HYDRAULIC DIAGRAM (MACHINES WITH SN STARTING WITH B3) (660SJ HC3)



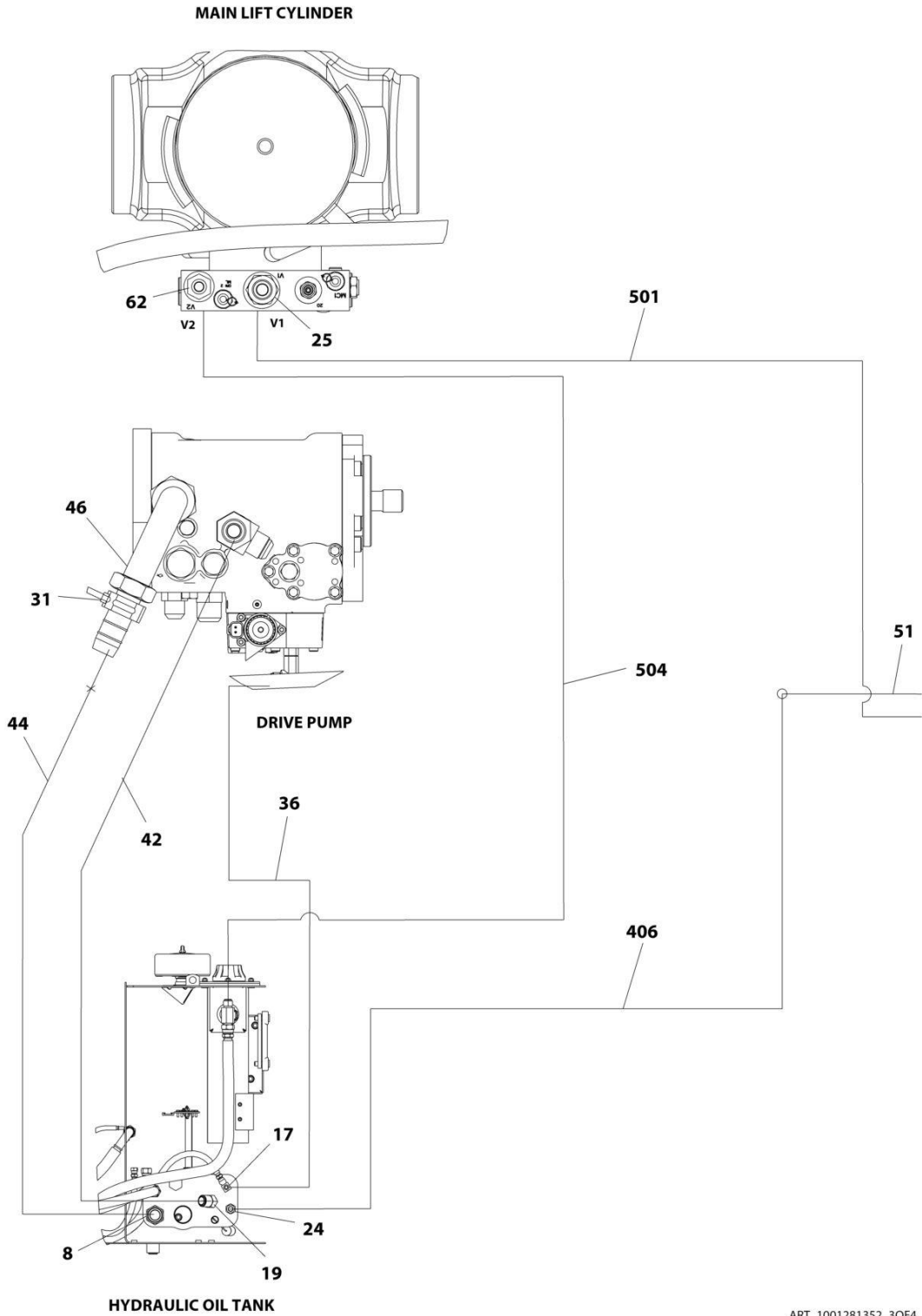


# SECTION 7 - HYDRAULIC



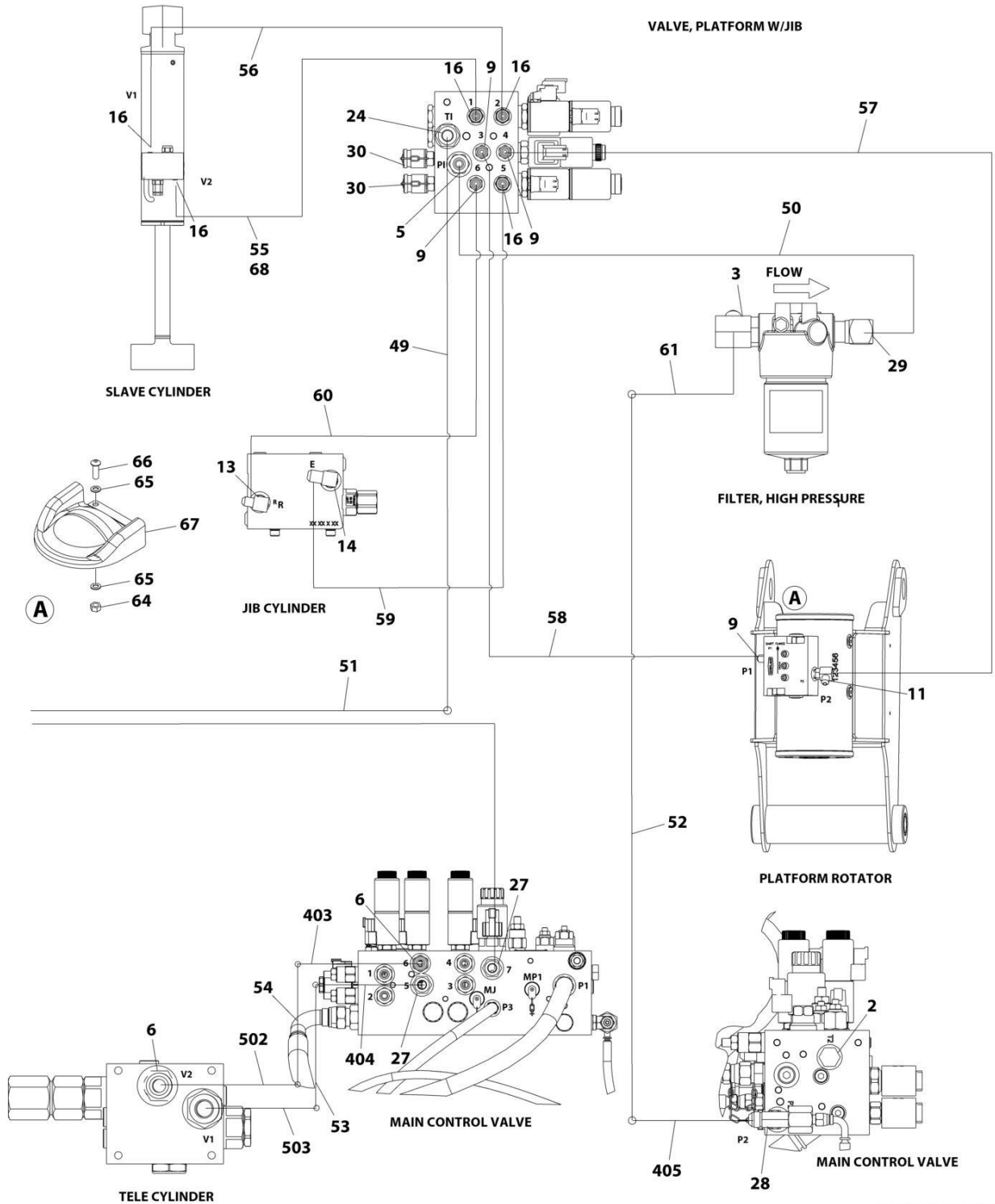
ART\_1001281352\_20F4

# SECTION 7 - HYDRAULIC



ART\_1001281352\_30F4

# SECTION 7 - HYDRAULIC



ART\_1001281352\_4OF4

## SECTION 7 - HYDRAULIC

**FIGURE 7-7. STANDARD HYDRAULIC DIAGRAM (MACHINES WITH SN STARTING WITH B3) (660SJ HC3)**

ITEM	PART NUMBER	QTY	DESCRIPTION	REV
	1001281352	Ref	STANDARD HYDRAULIC DIAGRAM	B
1	2111616	2	Fitting, Straight ORFS/ORB	
2	2220238	1	Plug	
3	2220366	1	Fitting, 90 JIC/ORB	
4	2220371	5	Fitting, Straight JIC/ORB	
5	2220372	5	Fitting, Straight JIC/ORB	
6	2220373	3	Fitting, Straight JIC/ORB	
7	2220375	1	Fitting, Straight JIC/ORB	
8	2220380	1	Fitting, Straight JIC/ORB	
9	2220415	4	Fitting, Straight JIC/ORB	
10	2220451	1	Fitting, Straight JIC/ORB	
11	2220466	1	Fitting, 90 JIC/ORB	
12	2220468	2	Fitting, Straight JIC/ORB	
13	2220472	1	Fitting, 90 JIC/ORB	
14	2220473	2	Fitting, 90 JIC/ORB	
15	2220582	4	Fitting, Straight JIC/ORB	
16	2220603	5	Fitting, Straight JIC/ORB	
17	2220606	1	Fitting, Tee JIC/ORB/JIC	
18	2220618	1	Fitting, Straight JIC/FSJIC	
19	2220637	1	Fitting, 45 JIC/ORB	
20	2220726	1	Fitting, 90 JIC/ORB	
21	2220733	1	Fitting, Straight JIC/ORB	
22	2220738	1	Fitting, Tee JIC/ORB/JIC	
24	2220852	3	Fitting, Straight JIC/ORB	
25	2220865	2	Fitting, Straight JIC/ORB	
26	2220906	1	Fitting, 90 JIC/ORB	
27	2220947	4	Fitting, Straight JIC/ORB	
28	2220999	1	Fitting, Tee JIC/ORB/JIC	
29	2221048	1	Fitting, 90 JIC/ORB	
30	2221086	4	Fitting, Test	
31	80633030	2	Clamp	
32	1001119455	1	Valve, Oil Sampling	
36	1001192690	1	Hose	
42	1001203431	1	Hose	
43	1001258157	1	Hose	
44	1001258156	1	Hose	
46	1001205824	2	Fitting, 90 Barb	
47	1001214408	1	Fitting, Tee JIC/ORB/JIC	
49	1001221016	1	Hose	
50	1001222522	1	Hose	
51	1001249492	1	Pipe	
52	1001249493	1	Pipe	
53	1001249494	1	Pipe	
54	1001249495	1	Pipe	
55	1001193927	1	Hose	
56	1001193928	1	Hose	
57	1001193929	1	Hose	
58	1001193930	1	Hose	
59	1001269096	1	Hose	

## SECTION 7 - HYDRAULIC

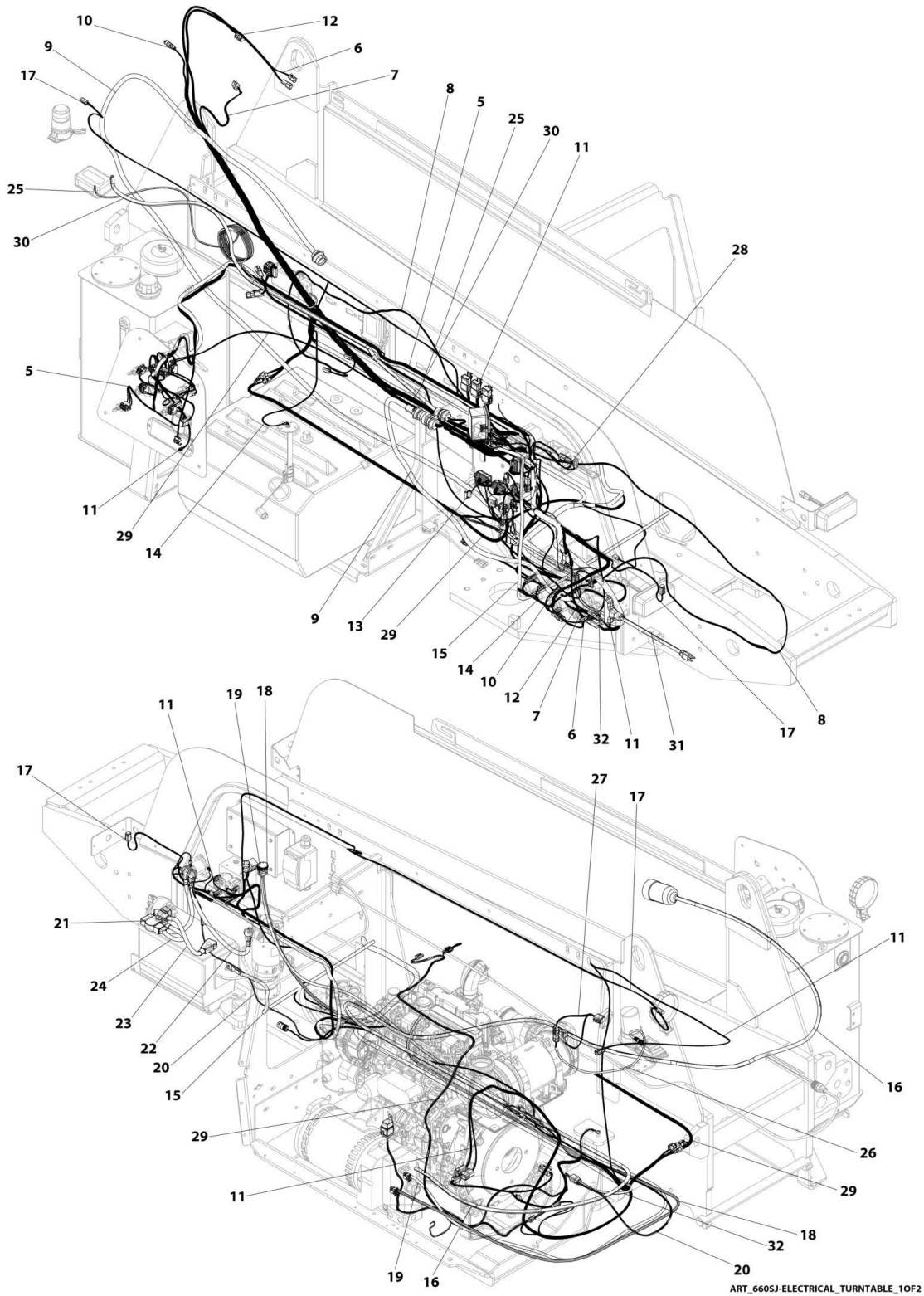
ITEM	PART NUMBER	QTY	DESCRIPTION	REV
60	1001269097	1	Hose	
61	1001203426	1	Hose	
62	2220374	1	Fitting, Straight JIC/ORB	
63	4240156	2	Strap (Not Shown)	
64	3311505	2	Nut 5/16	
65	4711500	4	Washer 5/16	
66	88261024	2	Bolt 5/16 x 1	
67	1001207969	1	Cover	
68	1001136358	1	Sleeve (Not Shown)	
100	1001250981	1	Engine Side Hose Kit	
101	1001247876	1	Hose	
102	1001247871	1	Hose	
103	1001247872	1	Hose	
104	1001247877	1	Hose	
105	1001247881	1	Hose	
106	1001247878	1	Hose	
107	1001247879	1	Hose	
108	1001247994	1	Hose	
300	1001250982	1	Tank Side Hose Kit	
301	1001247865	1	Hose	
302	1001247866	2	Hose	
303	1001247868	1	Hose	
304	1001247869	1	Hose	
305	1001247873	1	Hose	
306	1001247875	1	Hose	
307	1001247882	1	Hose	
308	1001247867	1	Hose	
400	1001269913	1	Turntable Hose Kit	
401	1001192661	1	Hose	
402	1001192663	1	Hose	
403	1001192695	1	Hose	
404	1001192698	1	Hose	
405	1001203424	1	Hose	
406	1001220912	1	Hose	
500	1001269914	1	Boom Hose Kit	
501	1001192641	1	Hose	
502	1001192696	1	Hose	
503	1001192699	1	Hose	
504	1001204645	1	Hose	



**SECTION 8 - ELECTRICAL**

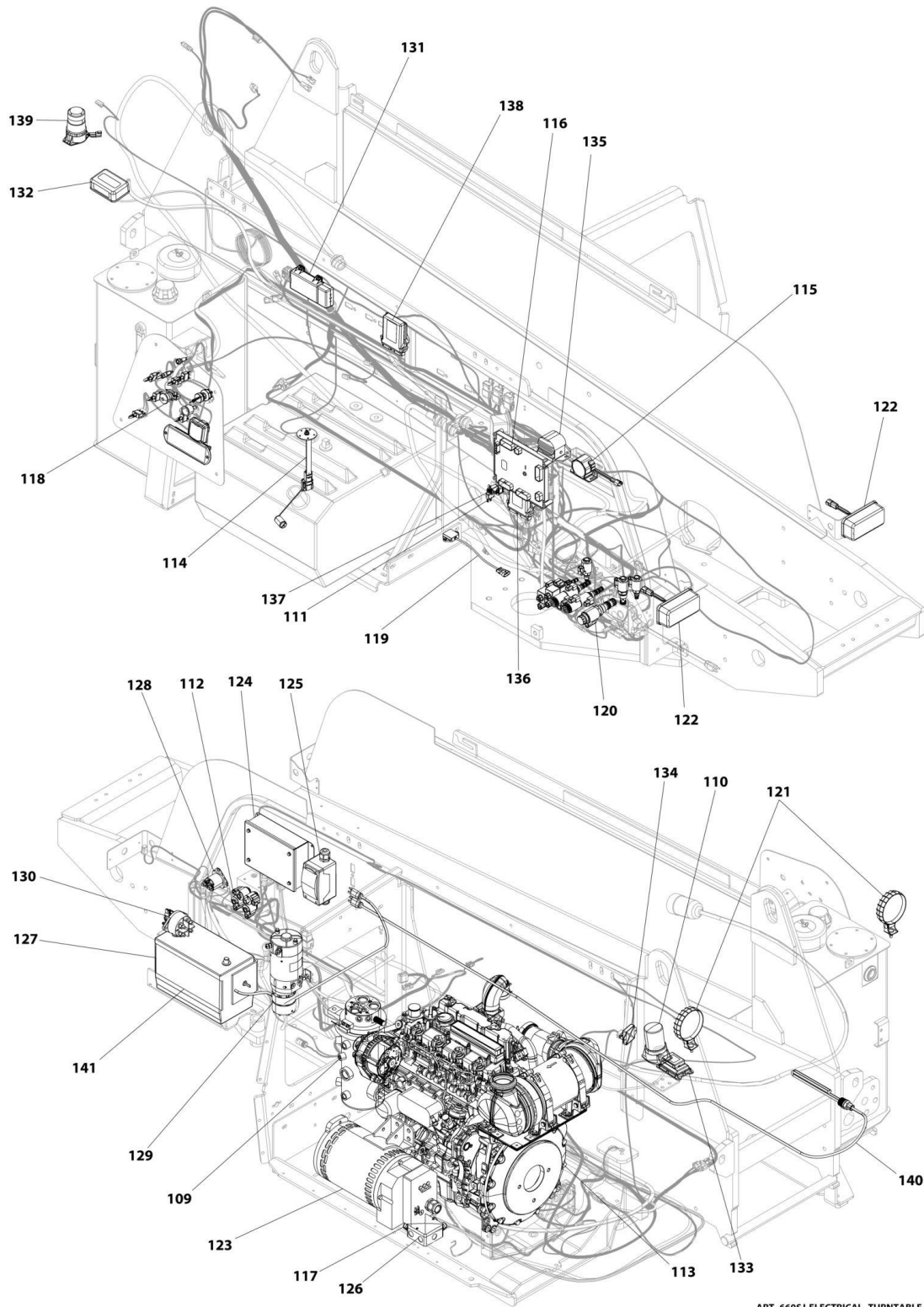
# SECTION 8 - ELECTRICAL

## FIGURE 8-1. ELECTRICAL LAYOUT



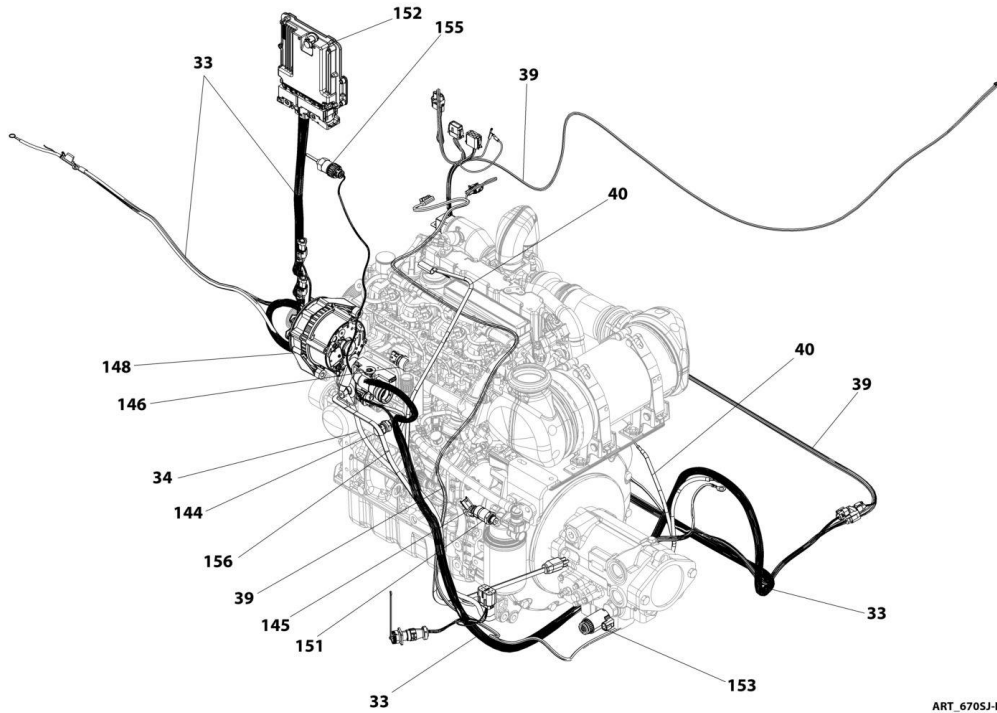
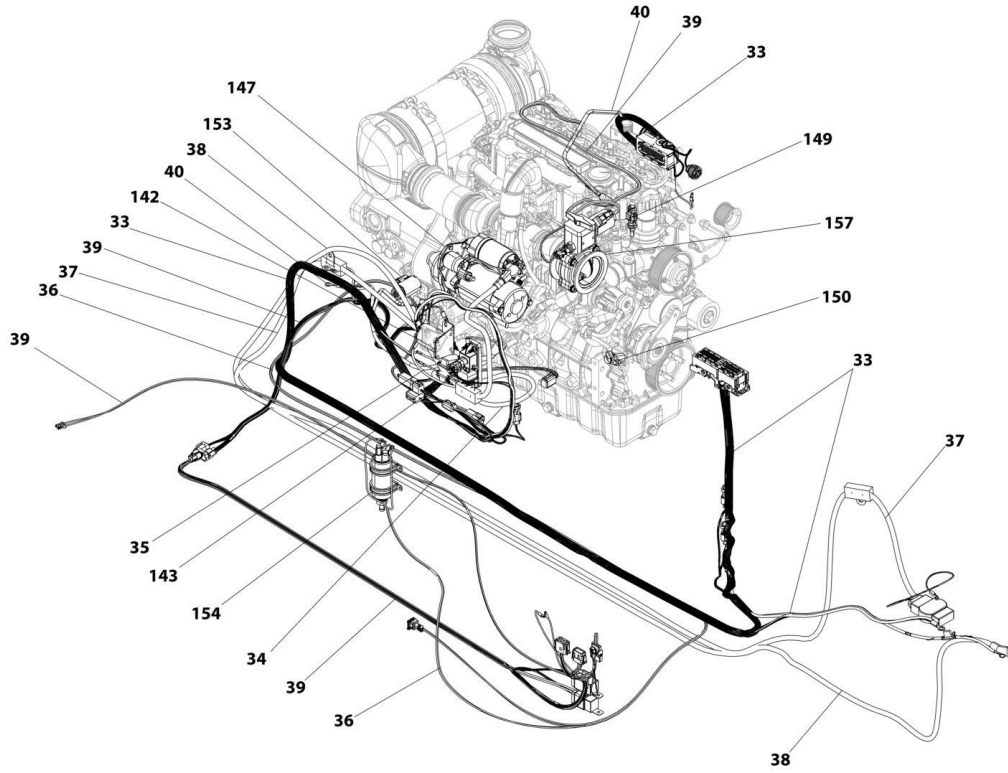


# SECTION 8 - ELECTRICAL



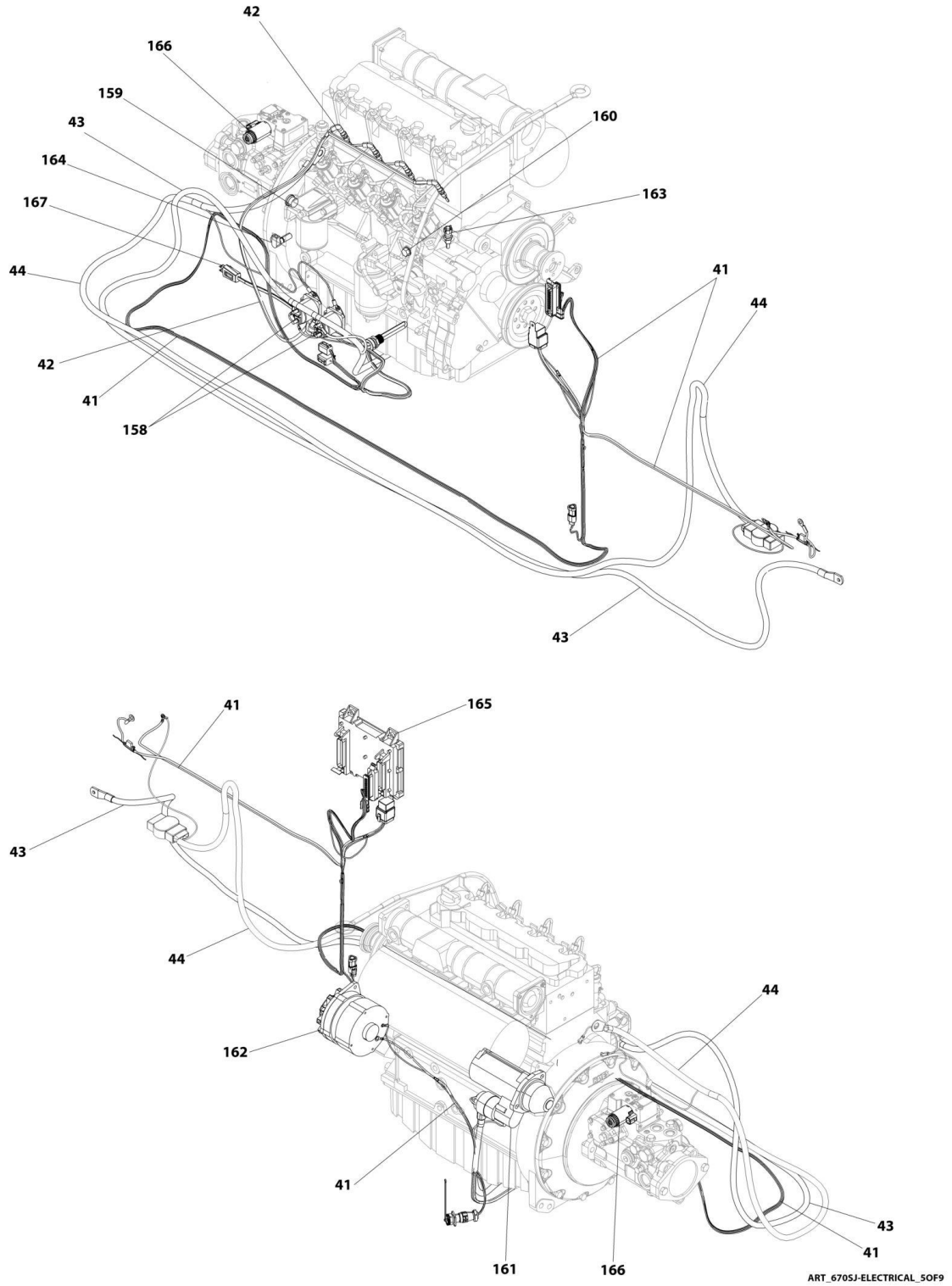
ART\_660SJ-ELECTRICAL\_TURNTABLE\_20F2

# SECTION 8 - ELECTRICAL

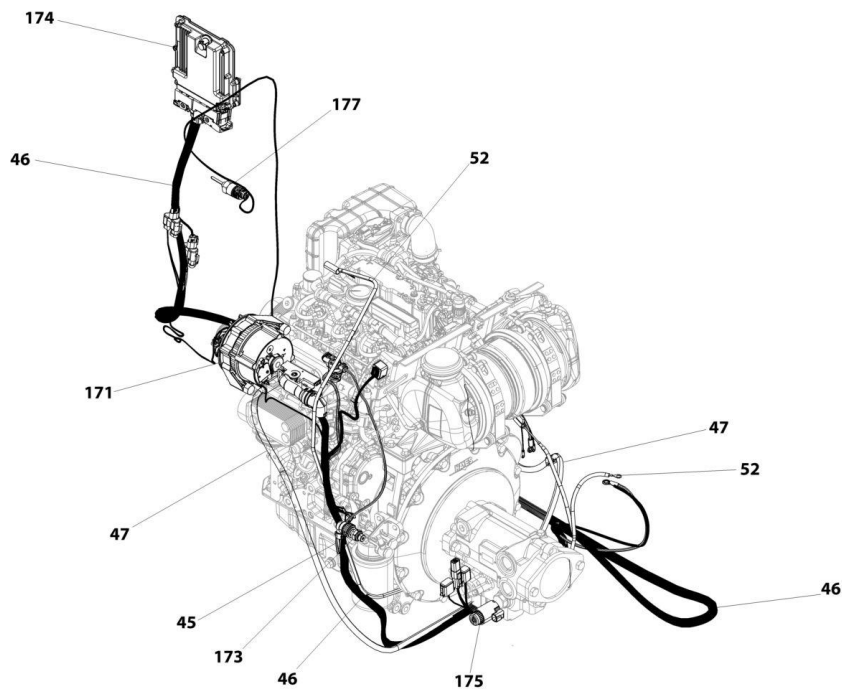
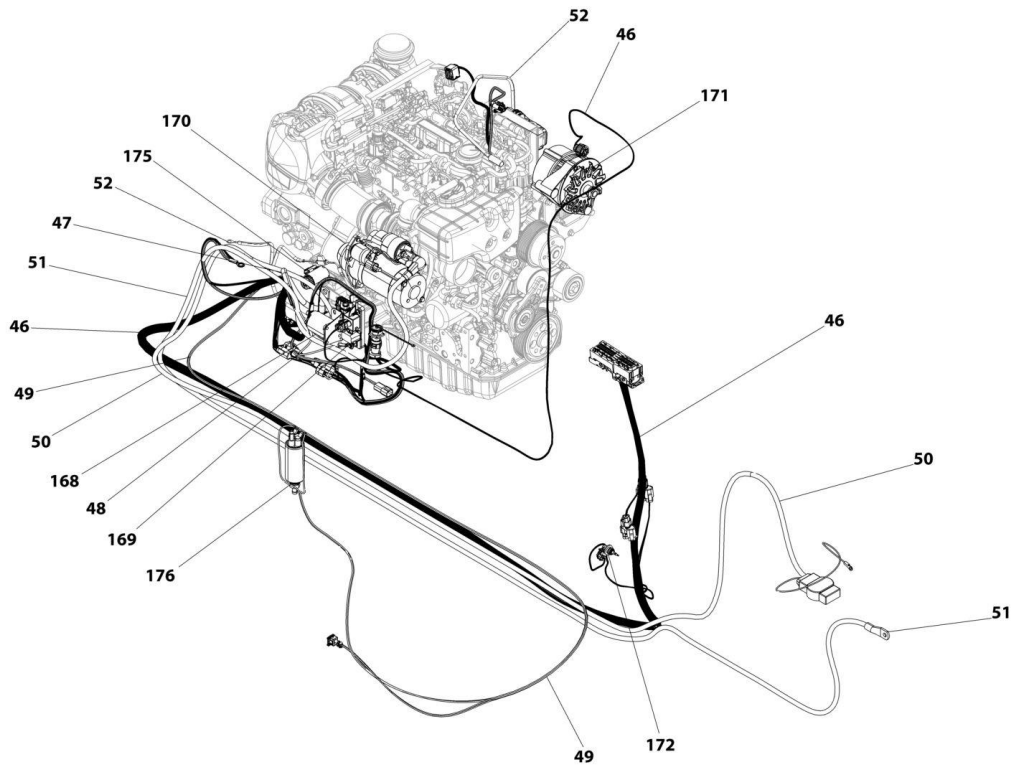


ART\_6705J-ELECTRICAL\_40F9

# SECTION 8 - ELECTRICAL

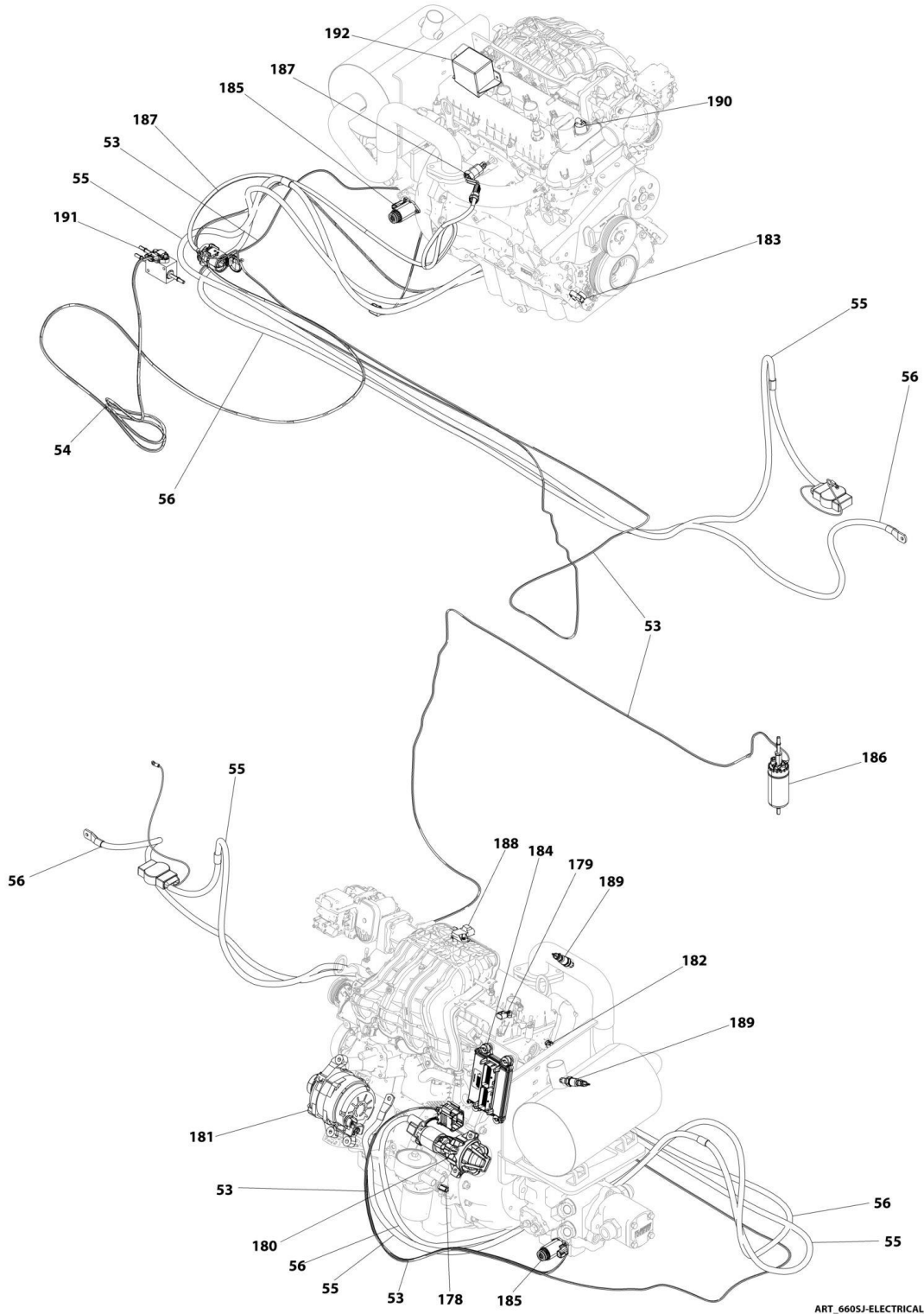


# SECTION 8 - ELECTRICAL



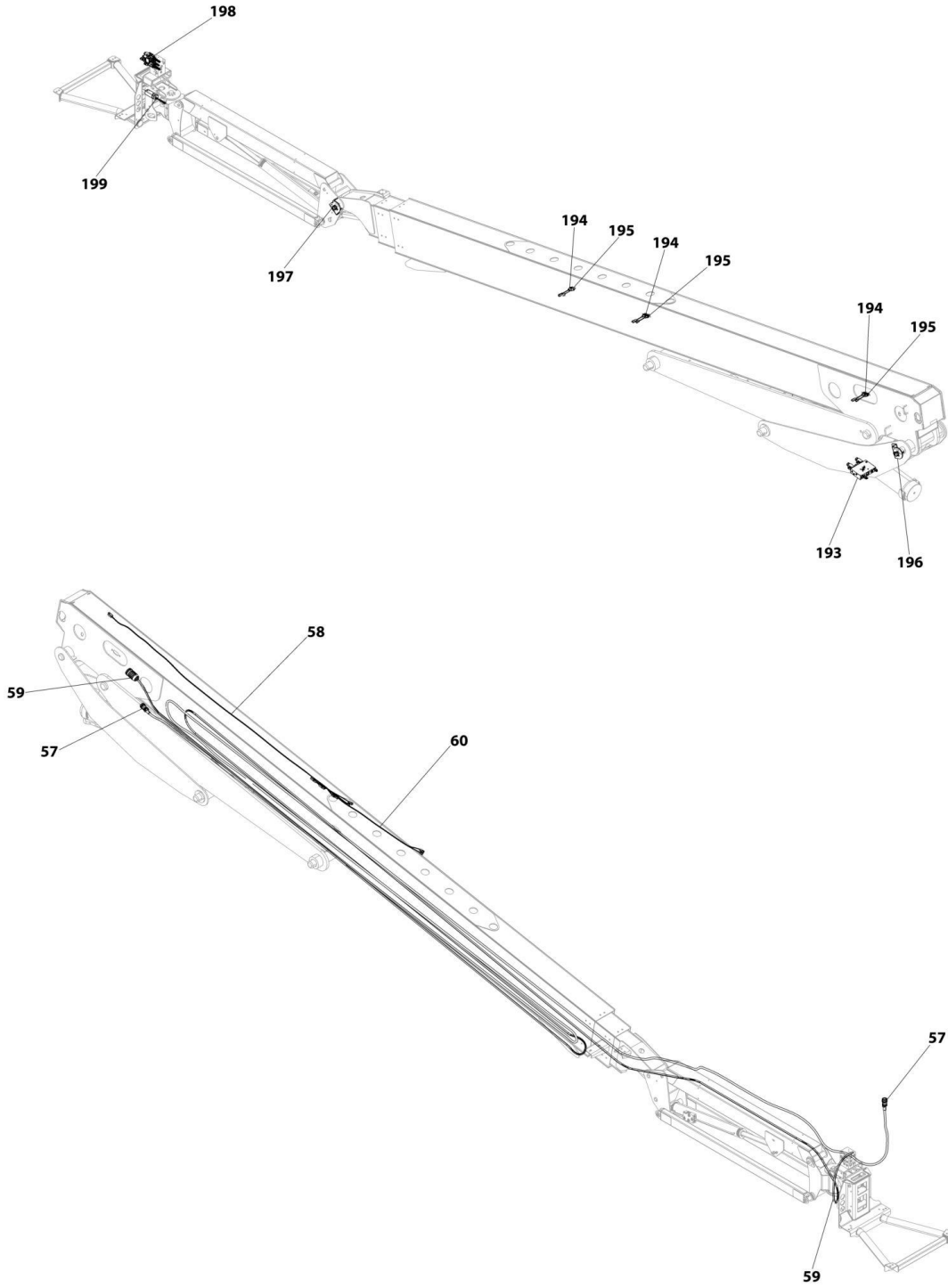
ART\_6705J-ELECTRICAL\_60F9

# SECTION 8 - ELECTRICAL



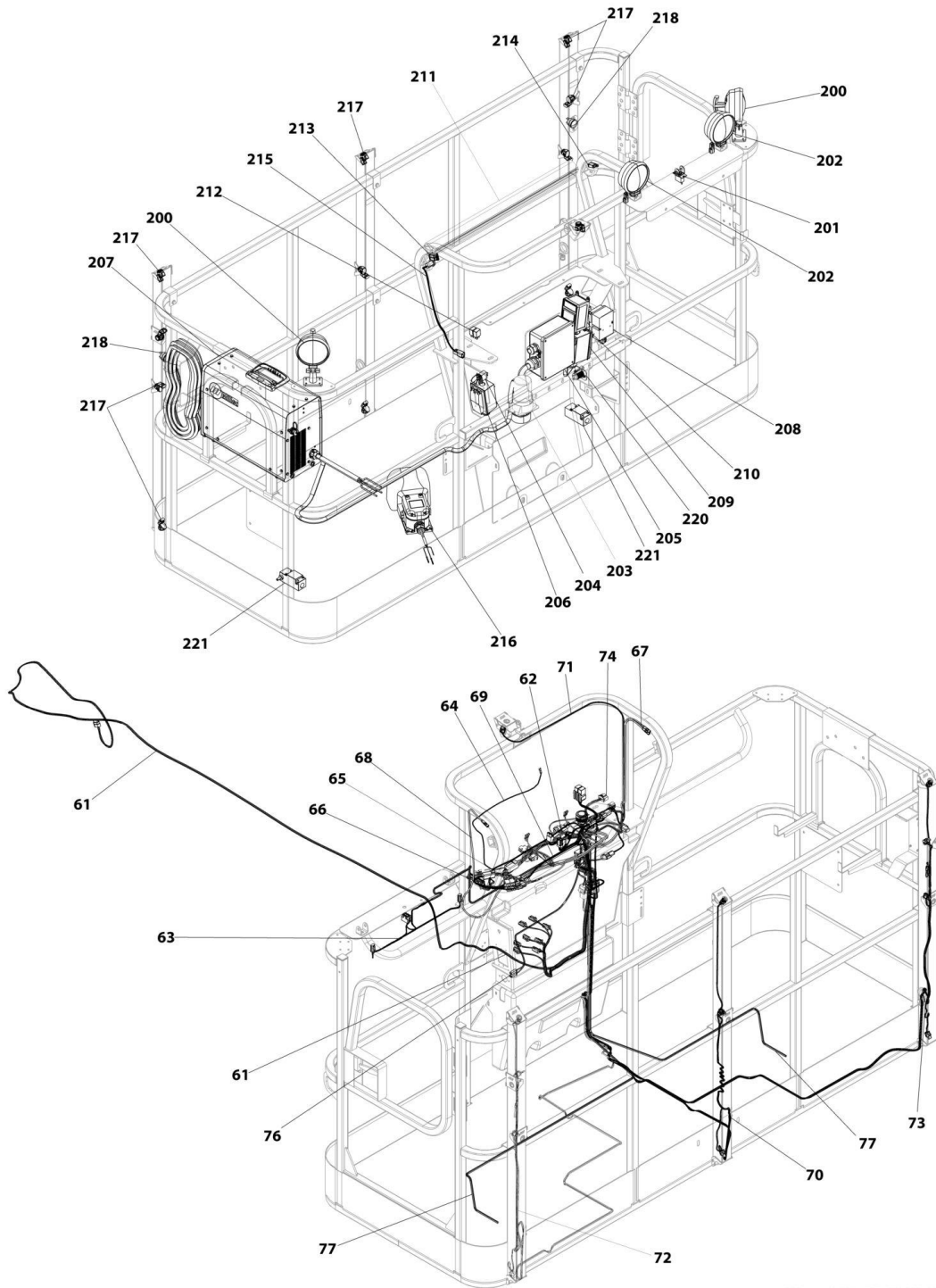
ART\_660SJ-ELECTRICAL\_FORD\_DF

# SECTION 8 - ELECTRICAL



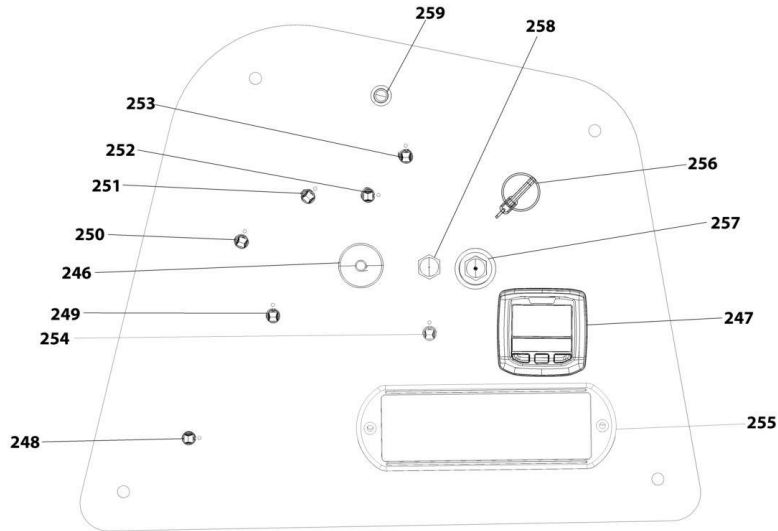
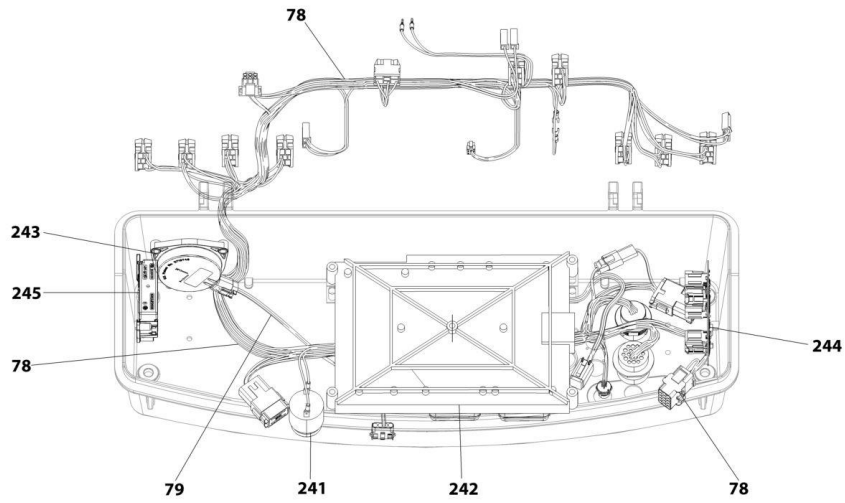
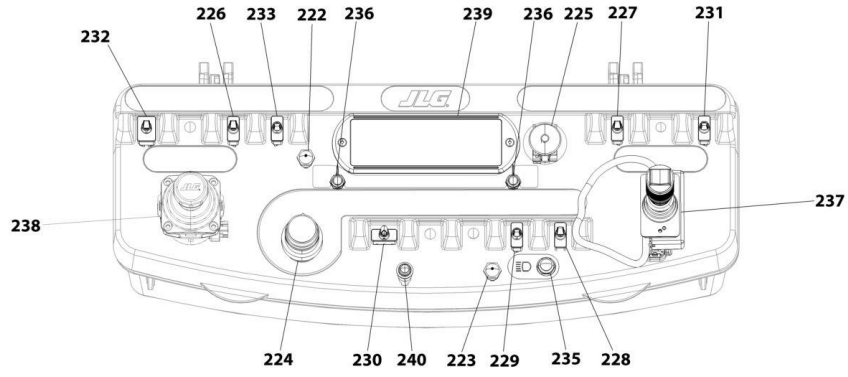
ART\_660SJ\_HC3-ELECTRICAL\_BOOM

# SECTION 8 - ELECTRICAL



ART\_660SJ\_HC3-ELECTRICAL\_PLATFORM

# SECTION 8 - ELECTRICAL



ART\_660SJ\_HC3-ELECTRICAL\_CONTROLS



## SECTION 8 - ELECTRICAL

### FIGURE 8-1. ELECTRICAL LAYOUT

ITEM	PART NUMBER	QTY	DESCRIPTION	REV
		Ref	HARNESS LIST	
		Ref	Note: This figure is for part identification only.	
5		Ref	Harness, Ground Control	
6		Ref	Harness, Tele Retract	
7		Ref	Harness, Boom Angle Sensor	
8		Ref	Harness, Lift Cylinder	
9		Ref	Cable, Boom (Lower)	
10		Ref	Harness, Boom Cable Service	
11		Ref	Harness, Turntable	
12		Ref	Harness, Capacity (Lower)	
13		Ref	Harness, Cribbing	
14		Ref	Harness, Main Valve	
15		Ref	Harness, Ground Module	
16		Ref	Cable, AC Ground to Platform	
17		Ref	Harness, Head and Tail Light	
18		Ref	Harness, 7500W Generator	
19		Ref	Harness, 4000W Generator	
20		Ref	Harness, 2500W Generator	
21		Ref	Cable, Battery (+) to Aux Relay	
22		Ref	Cable, Aux Relay to Aux Pump	
23		Ref	Cable, Battery (+) to Disconnect	
24		Ref	Cable, Battery (-) to Disconnect	
25		Ref	Harness, Clearsky	
26		Ref	Harness, Telematics	
27		Ref	Harness, Xirgo Jumper	
28		Ref	Harness, White Noise Alarm	
29		Ref	Harness, ASOV	
30		Ref	Harness, Strobe Light Control	
31		Ref	3-Way Plug	
32		Ref	Cable, Extension	
33		Ref	Harness, Engine	
34		Ref	Harness, Alternator Power	
35		Ref	Harness, Glow Plug Fuse	
36		Ref	Harness, Fuel Pump	
37		Ref	Cable, Battery (-) to Aux Pump to Ground	
38		Ref	Cable, Battery (+) to Relay to Starter	
39		Ref	Harness, ASOV	
40		Ref	Breather Tube Heater	
41		Ref	Harness, Engine	
42		Ref	Harness, Glow Plug Fuse	
43		Ref	Cable, Battery (+) to Relay to Starter	
44		Ref	Cable, Battery (-) to Aux Pump to Ground	
45		Ref	Harness, Fuel Filter	
46		Ref	Harness, Engine	
47		Ref	Harness, Alternator Power	
48		Ref	Harness, Glow Plug Fuse	
49		Ref	Harness, Fuel Pump	
50		Ref	Cable, Battery (-) to Aux Pump to Ground	
51		Ref	Cable, Battery (+) to Relay to Starter	
52		Ref	Breather Tube Heater	

## SECTION 8 - ELECTRICAL

ITEM	PART NUMBER	QTY	DESCRIPTION	REV
53		Ref	Harness, Engine	
54		Ref	Harness, Fuel Pump	
55		Ref	Cable, Battery (-) to Aux Pump to Ground	
56		Ref	Cable, Battery (+) to Relay to Starter	
57		Ref	Cable, Boom (Upper)	
58		Ref	Harness, Capacity (Upper)	
59		Ref	Cable, AC Ground to Platform	
60	1001238192	Ref	Harness, Capacity Proximity (Upper)	
61		Ref	Harness, Platform Valve	
62		Ref	Harness, Platform Work Light	
63		Ref	Harness, Platform Flood Light	
64		Ref	Harness, Platform Strobe Light	
65		Ref	Harness, SkyGuard	
66		Ref	Harness, SkyEye Intermediate	
67		Ref	Harness, SkyEye Receiver	
68		Ref	Harness, SkyEye Emitter	
69		Ref	Harness, SkyLine	
70		Ref	Harness, SkySense Mid Tube	
71		Ref	Harness SkySense Overhead Sensor	
72		Ref	Harness, SkySense Left Tube	
73		Ref	Harness, SkySense Right Tube	
74		Ref	Harness, SkySense Main	
76		Ref	Harness, USB	
77		Ref	Cable, Soft Touch	
78		Ref	Harness, Platform Console	
79		Ref	Harness, Tilt Sensor	
		Ref	COMPONENT LIST	
109		Ref	Rotary Coupling	
110		Ref	Light, Strobe (Amber)	
111		Ref	Switch, Cribbing	
112		Ref	Solenoids, Axle Valve	
113		Ref	Engine	
114		Ref	Sensor, Fuel Level	
115		Ref	Alarm	
116		Ref	Module, Ground Control	
117		Ref	Light, Generator	
118		Ref	Ground Control Panel	
119		Ref	Sensor, Tilt	
120		Ref	Solenoids, Main Control Valve	
121		Ref	Headlight	
122		Ref	Taillight	
123		Ref	Generator	
124		Ref	Box, Generator Control	
125		Ref	AC Breaker Box	
126		Ref	Generator Junction Box	
127		Ref	Battery	
128		Ref	Relay	
129		Ref	Auxiliary Pump/Motor	
130		Ref	Switch, Battery Disconnect	
131		Ref	Module, ClearSky Telematics CANBUS	
132		Ref	Antenna, ClearSky Telematics	

## SECTION 8 - ELECTRICAL

ITEM	PART NUMBER	QTY	DESCRIPTION	REV
133		Ref	Module, ClearSky Telematics 3-Wire	
134		Ref	Voltage Regulator, ClearSky Telematics	
135		Ref	Alarm, White Noise	
136		Ref	Module, ASOV Control	
137		Ref	Switch, ASOV	
138		Ref	Module, Strobe Control	
139		Ref	Light, Strobe	
140		Ref	Heater, Immersion	
141		Ref	Heater, Battery	
142		Ref	Contactactor	
143		Ref	Relay	
144		Ref	Sensor, Oil Pressure	
145		Ref	Sensor, Speed	
146		Ref	Sensor, Fuel Rail Pressure	
147		Ref	Starter	
148		Ref	Alternator	
149		Ref	Engine Coolant Temperature Sensor	
150		Ref	Sensor, Speed	
151		Ref	Sensor, Fuel Pressure	
152		Ref	Module, Engine Control	
153		Ref	Solenoids, Piston Pump	
154		Ref	Fuel Pump	
155		Ref	Sensor, Coolant Level	
156		Ref	Heater, Engine Block	
157		Ref	Air Shut Off Valve (ASOV)	
158		Ref	Relay	
159		Ref	Sensor, Temperature	
160		Ref	Sensor, Oil Pressure	
161		Ref	Starter	
162		Ref	Alternator	
163		Ref	Engine Coolant Temperature Sensor	
164		Ref	Sensor, Speed	
165		Ref	Module, Engine Control	
166		Ref	Solenoids, Gear Pump	
167		Ref	Heater, Engine Block	
168		Ref	Contactactor	
169		Ref	Relay	
170		Ref	Starter	
171		Ref	Alternator	
172		Ref	Sensor, Ambient Air Temperature	
173		Ref	Sensor, Fuel Pressure	
174		Ref	Module, Engine Control	
175		Ref	Solenoids, Variable Pump	
176		Ref	Fuel Pump	
177		Ref	Sensor, Coolant Level	
178		Ref	Sensor, Oil Pressure	
179		Ref	Sensor, Speed	
180		Ref	Starter	
181		Ref	Alternator	
182		Ref	Engine Coolant Temperature Sensor	
183		Ref	Sensor, Speed	

## SECTION 8 - ELECTRICAL

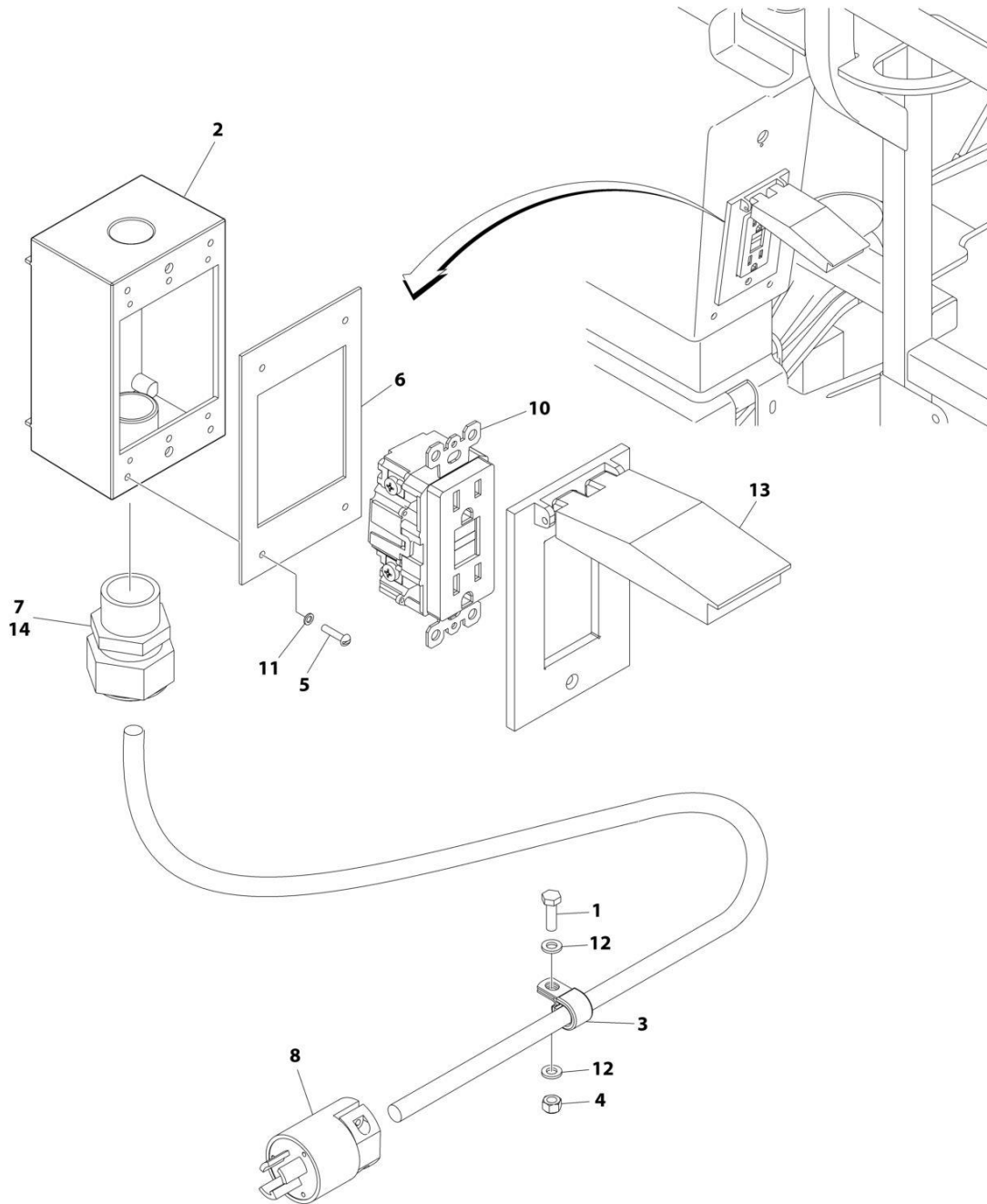
ITEM	PART NUMBER	QTY	DESCRIPTION	REV
184		Ref	Module, Engine Control	
185		Ref	Solenoids, Piston Pump	
186		Ref	Fuel Pump	
187		Ref	Heater, Engine Block	
188		Ref	Sensor, TMAP	
189		Ref	Sensor, O2	
190		Ref	Solenoid, Timing	
191		Ref	Fuel Block	
192		Ref	Fuse Box	
193		Ref	Solenoid, Lift Cylinder	
194		Ref	Sensor, Proximity	
195		Ref	Sensor, Proximity	
196		Ref	Sensor, Lower Angle	
197		Ref	Sensor, Upper Angle	
198		Ref	Solenoids, Platform Valve	
199		Ref	Cell, Load Sensing	
200		Ref	Platform Work Light	
201		Ref	Switch, Platform Flood Light	
202		Ref	Platform Flood Light	
203		Ref	Light, Platform Strobe	
204		Ref	Switch, Generator	
205		Ref	Junction Box	
206		Ref	AC Receptacle	
207		Ref	Welding Machine	
208		Ref	AC Receptacle	
209		Ref	AC Receptacle	
210		Ref	AC Receptacle/Breaker Box	
211		Ref	Switch, SkyGuard	
212		Ref	Relay	
213		Ref	Sensor, SkyEye Receiver	
214		Ref	Sensor, SkyEye Emitter	
215		Ref	Sensor, SkyLine Proximity	
216		Ref	Footswitch	
217		Ref	Sensor, SkySense	
218		Ref	Alarm	
220		Ref	USB Receptacle	
221		Ref	Switch, Soft Touch Limit	
222		Ref	Switch, Horn	
223		Ref	Switch, Soft Touch/SkyGuard/SkySense Override	
224		Ref	Switch, Function Speed Control	
225		Ref	Switch, Power/Emergency Stop	
226		Ref	Switch, Platform Leveling Override	
227		Ref	Switch, Start/Auxilliary Power	
228		Ref	Switch, Boom Telescope	
229		Ref	Switch, Jib Up/Down	
230		Ref	Switch, Platform Rotate	
231		Ref	Switch, Drive Orientation Override	
232		Ref	Switch, Drive Speed/ Torque Select	
233		Ref	Switch, Fuel Select	
235		Ref	Switch, Lights	
236		Ref	Light, SkySense Indicator	

## SECTION 8 - ELECTRICAL

ITEM	PART NUMBER	QTY	DESCRIPTION	REV
237		Ref	Controller, Drive/Steer	
238		Ref	Controller, Main Lift/Swing	
239		Ref	Display, Platform	
240		Ref	Light, Soft Touch/SkyGuard/SkySense Indicator	
241		Ref	Alarm	
242		Ref	Module, Platform	
243		Ref	Sensor, Tilt	
244		Ref	Module, SkySense Control	
245		Ref	Module, SkySense Sensor	
246		Ref	Switch, Emergency Stop	
247		Ref	Display, Ground	
248		Ref	Switch, Turntable Swing	
249		Ref	Switch, Boom Lift	
250		Ref	Switch, Boom Telescope	
251		Ref	Switch, Jib Up/Down	
252		Ref	Switch, Platform Rotate	
253		Ref	Switch, Platform Leveling Override	
254		Ref	Switch, Engine Start/ Auxiliary Power	
255		Ref	Indicator Panel	
256		Ref	Switch, Key	
257		Ref	Switch, Machine Safety System Override (MSSO)	
258		Ref	Switch, Diesel Particulate Filter (DPF)	
259		Ref	Light, ASOV	

# SECTION 8 - ELECTRICAL

FIGURE 8-2. AC BOX AT PLATFORM INSTALLATION - 110V (ALL SPECS EXCEPT AUSTRALIAN, RUSSIA, CE & UK CA SPECS)



ART\_1001190773

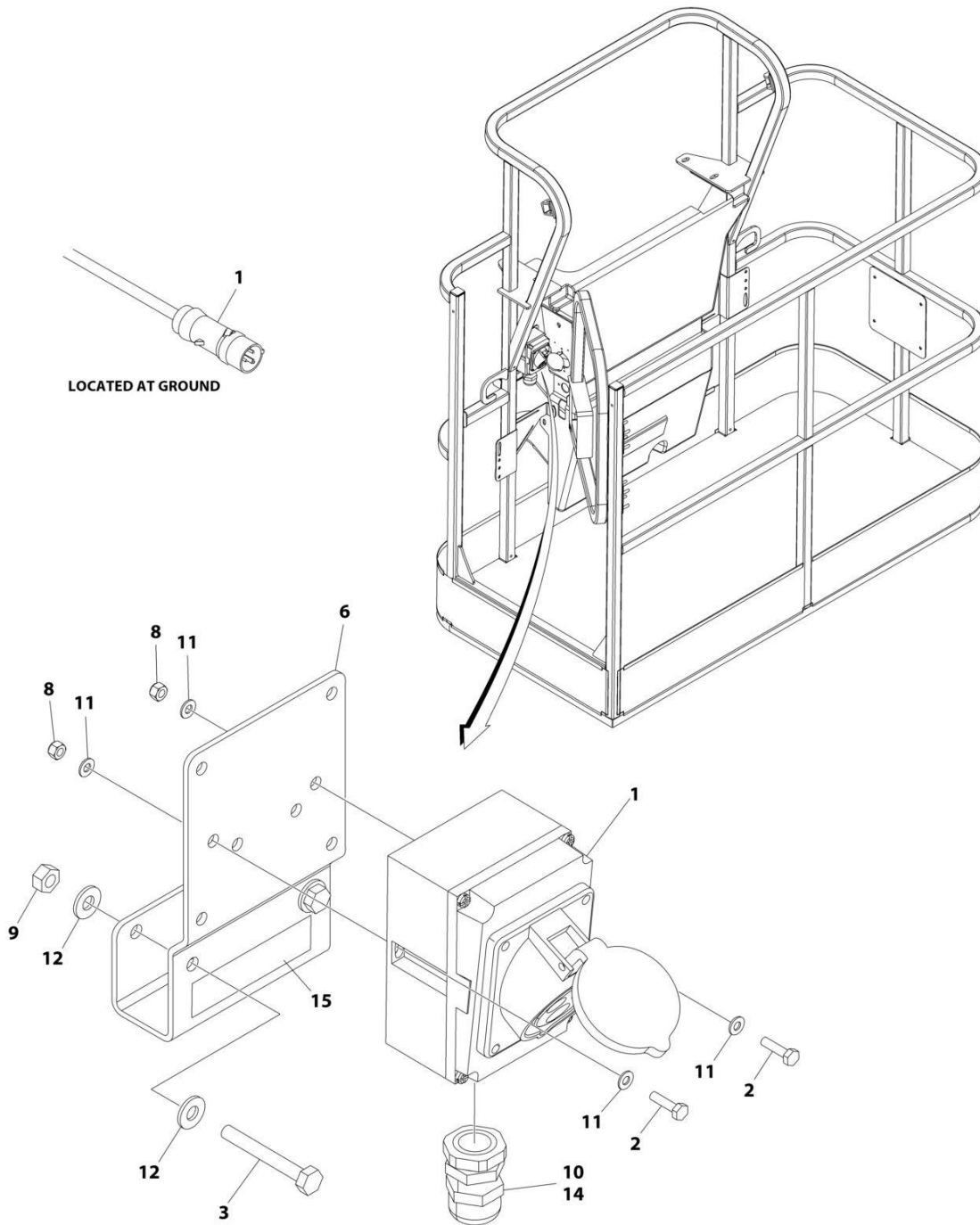
## SECTION 8 - ELECTRICAL

**FIGURE 8-2. AC BOX AT PLATFORM INSTALLATION - 110V (ALL SPECS EXCEPT AUSTRALIAN, RUSSIA, CE & UK CA SPECS)**

ITEM	PART NUMBER	QTY	DESCRIPTION	REV
	1001190773	Ref	AC BOX AT PLATFORM INSTALLATION	C
1	0760610	1	Bolt M6 x 20	
2	0860038	1	Box, Switch	
3	1320041	1	Clamp	
4	3290605	1	Nut M6	
5	3910610	4	Screw #6 x 5/8	
6	3960422	1	Gasket	
7	4460071	1	Connector, Strain Relief	
8	4460205	1	Plug, Male	
9	4460315	1	Terminal, Spade (Not Shown)	
10	4460346	1	Receptacle	
11	4760600	4	Washer #6	
12	4811700	2	Washer M6	
13	1001110873	1	Shield, Cover	
14	0100079	AR	Sealant	

# SECTION 8 - ELECTRICAL

FIGURE 8-3. AC BOX AT PLATFORM INSTALLATION - 110V IEC YELLOW (RUSSIA, CE & UK CA SPECS WITHOUT 4000W/50HZ GENERATOR)



ART\_1001190493



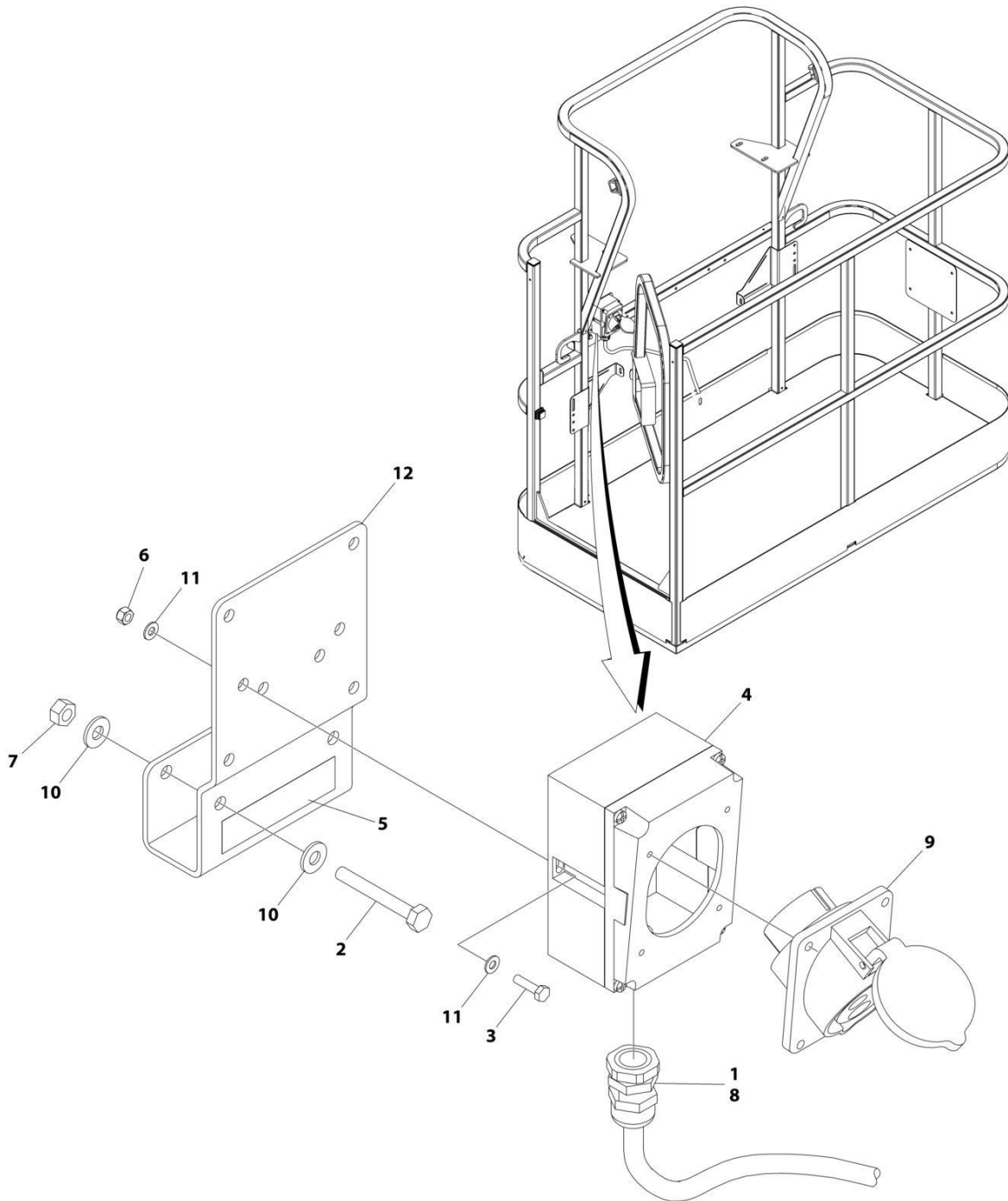
## SECTION 8 - ELECTRICAL

**FIGURE 8-3. AC BOX AT PLATFORM INSTALLATION - 110V IEC YELLOW (RUSSIA, CE & UK CA SPECS WITHOUT 4000W/50HZ GENERATOR)**

ITEM	PART NUMBER	QTY	DESCRIPTION	REV
	1001190493	Ref	AC BOX AT PLATFORM INSTALLATION	C
1	0275216	1	Receptacle Box Kit - 110V IEC Yellow (See Separate Breakdown in this Section)	
2	0700408	2	Bolt M4 x 16	
3	0700618	2	Bolt M6 x 50	
6	1001193018	1	Bracket	
8	3290405	2	Nut M4	
9	3290605	2	Nut M6	
10	4460968	1	Connector, Strain Relief	
11	4811400	4	Washer M4	
12	4811700	4	Washer M6	
14	0100079	AR	Sealant	
15	1705325	1	Decal - 110V	

# SECTION 8 - ELECTRICAL

FIGURE 8-4. AC BOX AT PLATFORM INSTALLATION - 110V IEC YELLOW (RUSSIA, CE & UK CA SPECS WITH 4000W/50HZ GENERATOR)



ART\_1001194203

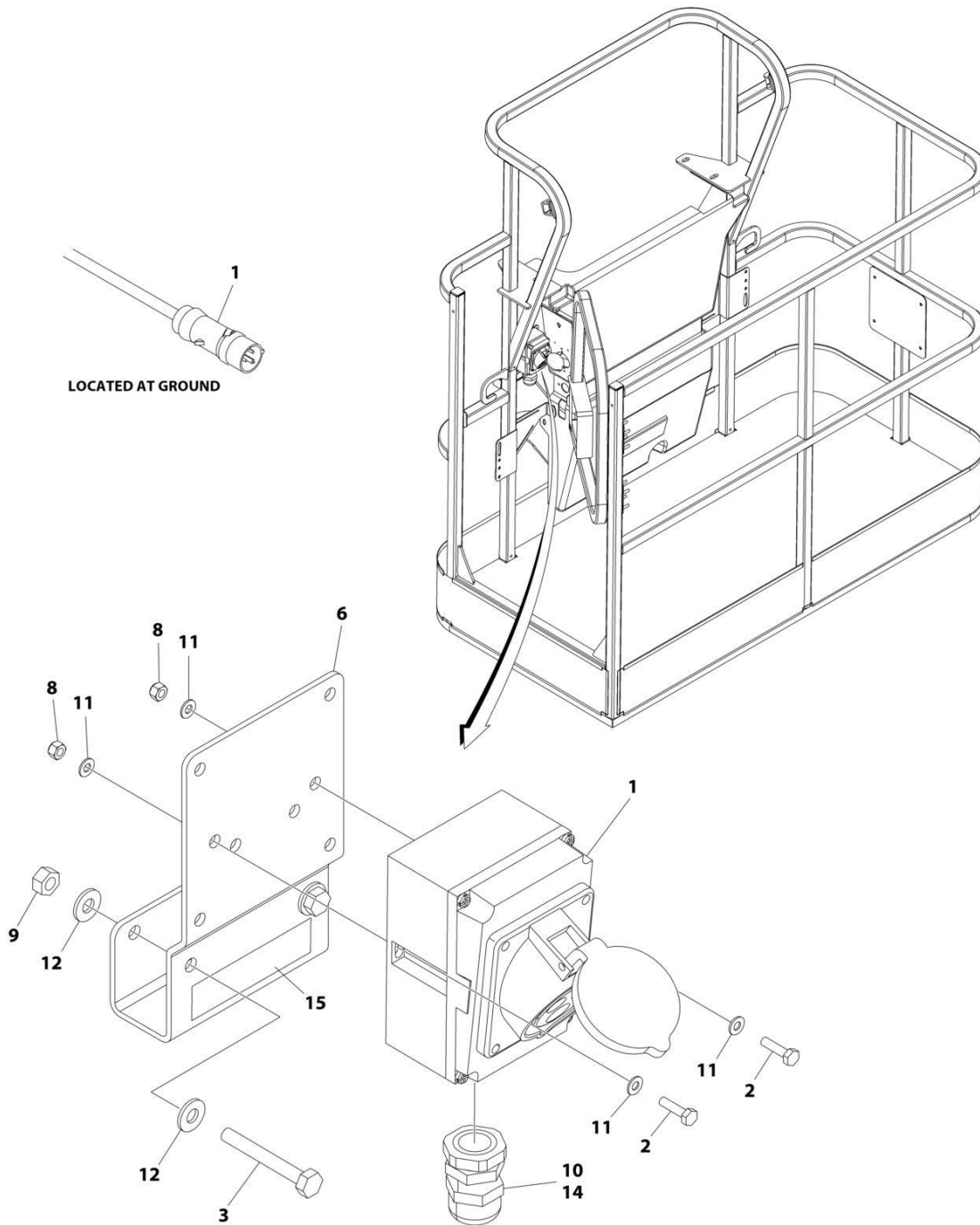
## SECTION 8 - ELECTRICAL

**FIGURE 8-4. AC BOX AT PLATFORM INSTALLATION - 110V IEC YELLOW (RUSSIA, CE & UK CA SPECS WITH 4000W/50HZ GENERATOR)**

ITEM	PART NUMBER	QTY	DESCRIPTION	REV
	1001194203	Ref	AC BOX AT PLATFORM INSTALLATION	B
1	0100020	AR	Sealant, Pipe	
2	0641416	2	Bolt 1/4 x 2	
3	0700408	2	Bolt M4 x 16	
4	0861781	1	Box, Switch	
5	1705325	1	Decal - 110V	
6	3290405	2	Nut M4	
7	3311405	2	Nut 1/4	
8	4460968	1	Connector, Strain Relief	
9	4461198	1	Receptacle	
10	4711400	4	Washer 1/4	
11	4811400	4	Washer M4	
12	1001193018	1	Bracket, AC Receptacle	

# SECTION 8 - ELECTRICAL

## FIGURE 8-5. AC BOX AT PLATFORM INSTALLATION - 220V IEC BLUE (RUSSIA, CE & UK CA SPECS WITHOUT 4000W/50HZ GENERATOR)



ART\_1001190495

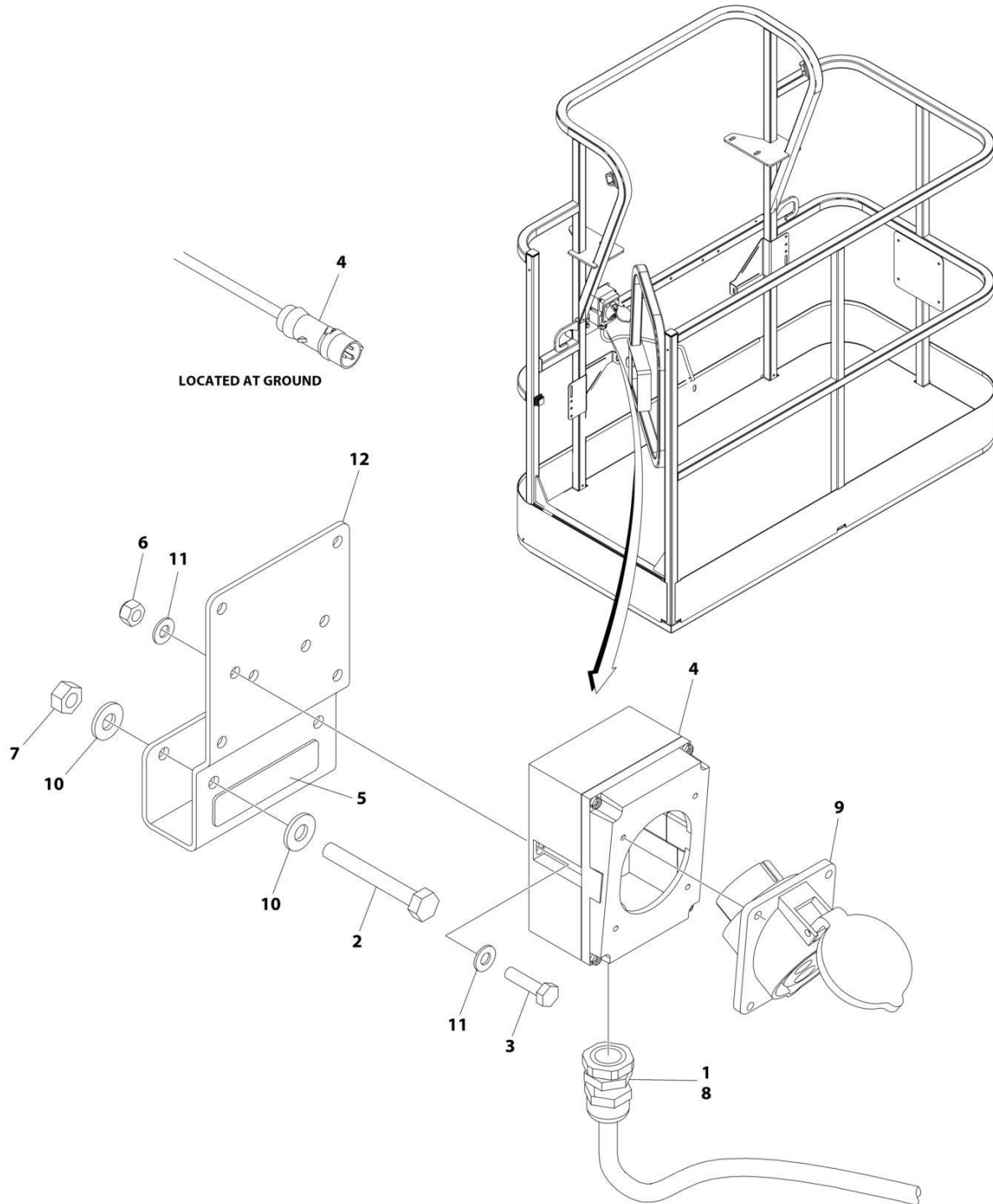
## SECTION 8 - ELECTRICAL

**FIGURE 8-5. AC BOX AT PLATFORM INSTALLATION - 220V IEC BLUE (RUSSIA, CE & UK CA SPECS WITHOUT 4000W/50HZ GENERATOR)**

ITEM	PART NUMBER	QTY	DESCRIPTION	REV
	1001190495	Ref	AC BOX AT PLATFORM INSTALLATION	C
1	0275217	1	Receptacle Box Kit - 220V IEC Blue (See Separate Breakdown in this Section)	
2	0700408	2	Bolt M4 x 16	
3	0700618	2	Bolt M6 x 50	
6	1001193018	1	Bracket	
8	3290405	2	Nut M4	
9	3290605	2	Nut M6	
10	4460968	1	Connector, Strain Relief	
11	4811400	4	Washer M4	
12	4811700	4	Washer M6	
14	0100079	AR	Sealant	
15	3252507	1	Decal - 220 Volt	

# SECTION 8 - ELECTRICAL

FIGURE 8-6. AC BOX AT PLATFORM INSTALLATION - 220V IEC BLUE (RUSSIA, CE & UK CA SPECS WITH 4000W/50HZ GENERATOR)



ART\_1001194204

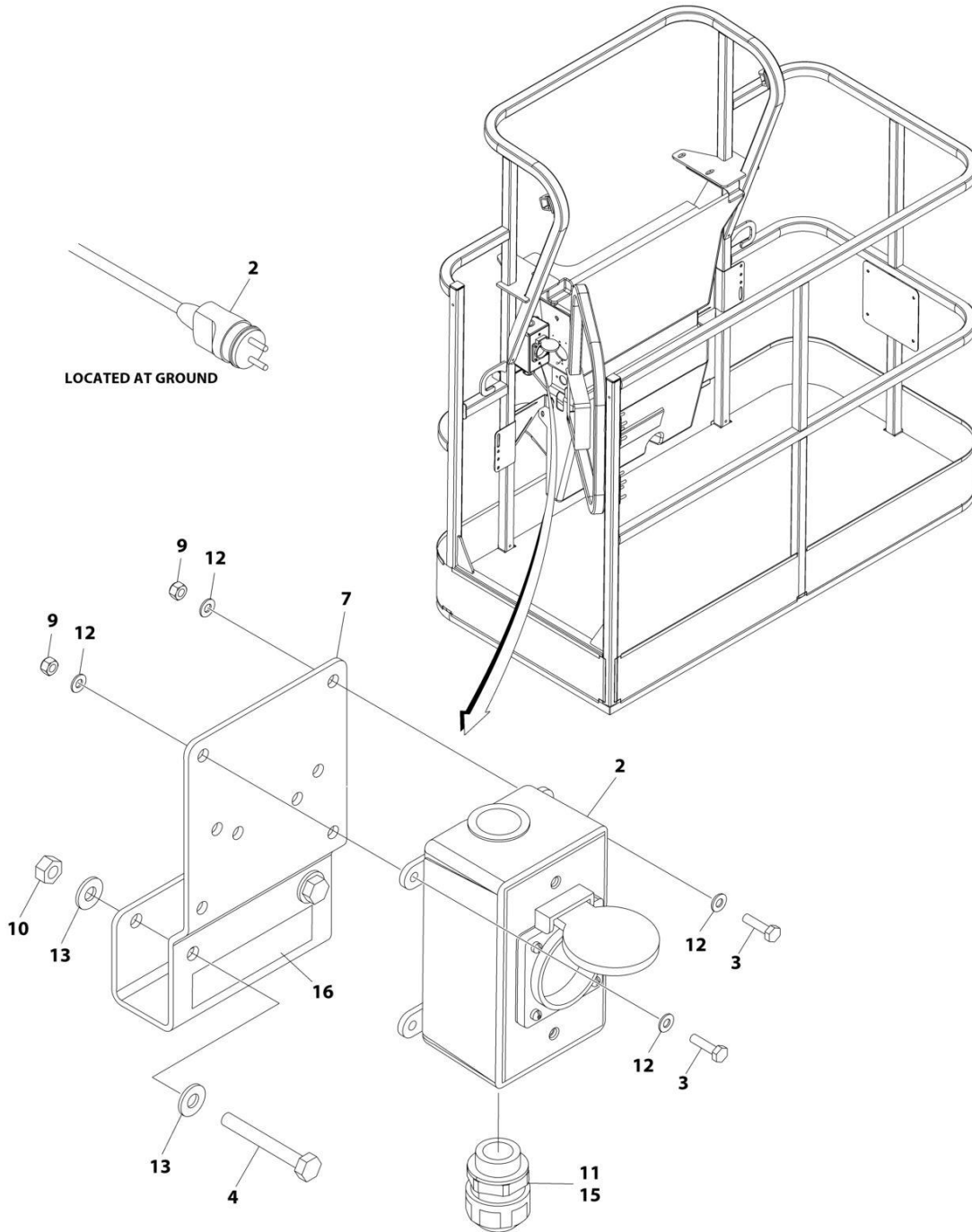
## SECTION 8 - ELECTRICAL

**FIGURE 8-6. AC BOX AT PLATFORM INSTALLATION - 220V IEC BLUE (RUSSIA, CE & UK CA SPECS WITH 4000W/50HZ GENERATOR)**

ITEM	PART NUMBER	QTY	DESCRIPTION	REV
	1001194204	Ref	AC BOX AT PLATFORM INSTALLATION	B
1	0100020	AR	Sealant, Pipe	
2	0641416	2	Bolt 1/4 x 2	
3	0700408	2	Bolt M4 x 16	
4	0861781	1	Box, Switch	
5	3251242	1	Decal - 240V/50Hz	
6	3290405	2	Nut M4	
7	3311405	2	Nut 1/4	
8	4460968	1	Connector, Strain Relief	
9	4461201	1	Receptacle	
10	4711400	4	Washer 1/4	
11	4811400	4	Washer M4	
12	1001193018	1	Bracket, AC Receptacle	

# SECTION 8 - ELECTRICAL

FIGURE 8-7. AC BOX AT PLATFORM INSTALLATION - 220V CEE7 2IN X 4IN POST GROUND  
(RUSSIA, CE & UK CA SPECS WITHOUT 4000W/50HZ GENERATOR)



ART\_1001190441



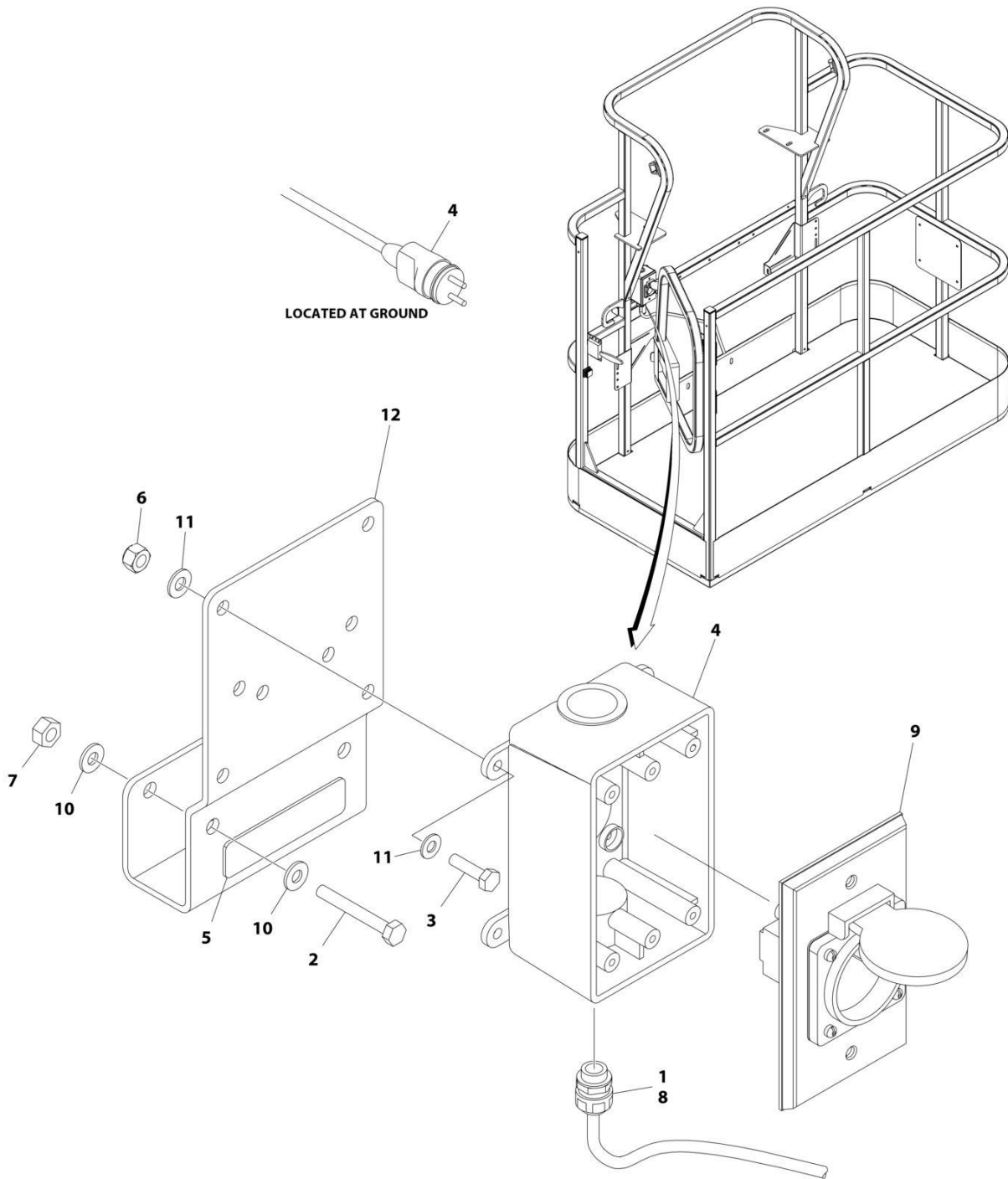
## SECTION 8 - ELECTRICAL

**FIGURE 8-7. AC BOX AT PLATFORM INSTALLATION - 220V CEE7 2IN X 4IN POST GROUND  
(RUSSIA, CE & UK CA SPECS WITHOUT 4000W/50HZ GENERATOR)**

ITEM	PART NUMBER	QTY	DESCRIPTION	REV
	1001190441	Ref	AC BOX AT PLATFORM INSTALLATION	D
2	0275452	1	Receptacle Box Kit - 220V CEE7 Post Ground 2in x 4in (See Separate Breakdown in this Section)	
3	0700408	4	Bolt M4 x 16	
4	0700618	2	Bolt M6 x 50	
7	1001193018	1	Bracket	
9	3290405	4	Nut M4	
10	3290605	2	Nut M6	
11	4460662	1	Connector, Strain Relief	
12	4811400	8	Washer M4	
13	4811700	4	Washer M6	
15	0100079	AR	Sealant	
16	3252507	1	Decal - 220 Volt	

# SECTION 8 - ELECTRICAL

**FIGURE 8-8. AC BOX AT PLATFORM INSTALLATION - 220V CEE7 2IN X 4IN POST GROUND (RUSSIA, CE & UK CA SPECS WITH 4000W/50HZ GENERATOR)**



ART\_1001194197

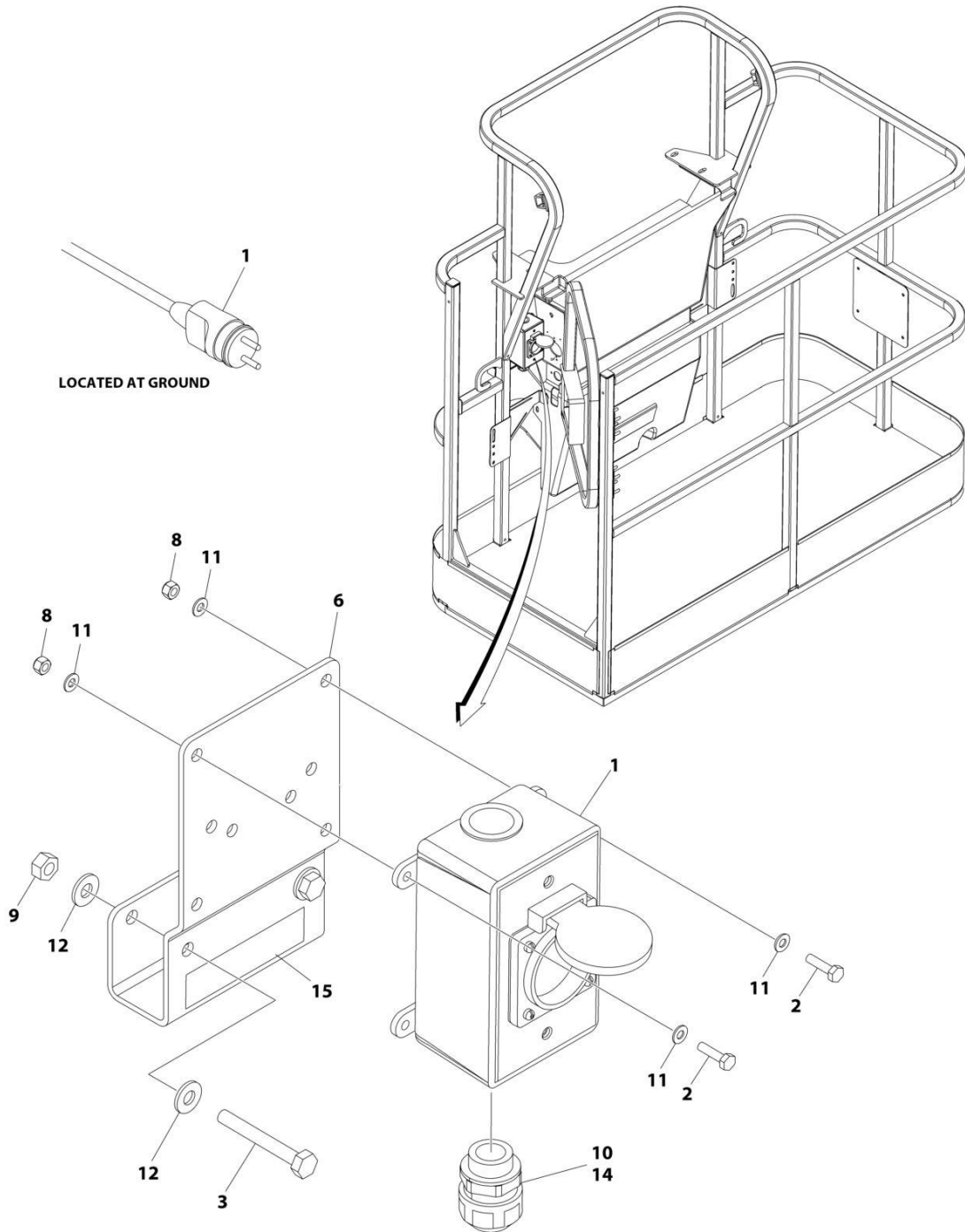
## SECTION 8 - ELECTRICAL

**FIGURE 8-8. AC BOX AT PLATFORM INSTALLATION - 220V CEE7 2IN X 4IN POST GROUND  
(RUSSIA, CE & UK CA SPECS WITH 4000W/50HZ GENERATOR)**

ITEM	PART NUMBER	QTY	DESCRIPTION	REV
	1001194197	Ref	AC BOX AT PLATFORM INSTALLATION	B
1	0100020	AR	Sealant, Pipe	
2	0641416	2	Bolt 1/4 x 2	
3	0700408	4	Bolt M4 x 16	
4	0861731	1	Box, Switch	
5	3251242	1	Decal - 240V/50Hz	
6	3290405	4	Nut M4	
7	3311405	2	Nut 1/4	
8	4460662	1	Connector, Strain Relief	
9	4461244	1	Receptacle	
10	4711400	4	Washer 1/4	
11	4811400	8	Washer M4	
12	1001193018	1	Bracket, AC Receptacle	
13	4460806	2	Terminal, Fork (Not Shown)	
14	1001205958	1	Terminal (Not Shown)	

# SECTION 8 - ELECTRICAL

FIGURE 8-9. AC BOX AT PLATFORM INSTALLATION - 220V CEE7 2IN X 4IN SIDE GROUND (RUSSIA, CE & UK CA SPECS WITHOUT 4000W/50HZ GENERATOR)



ART\_1001190484

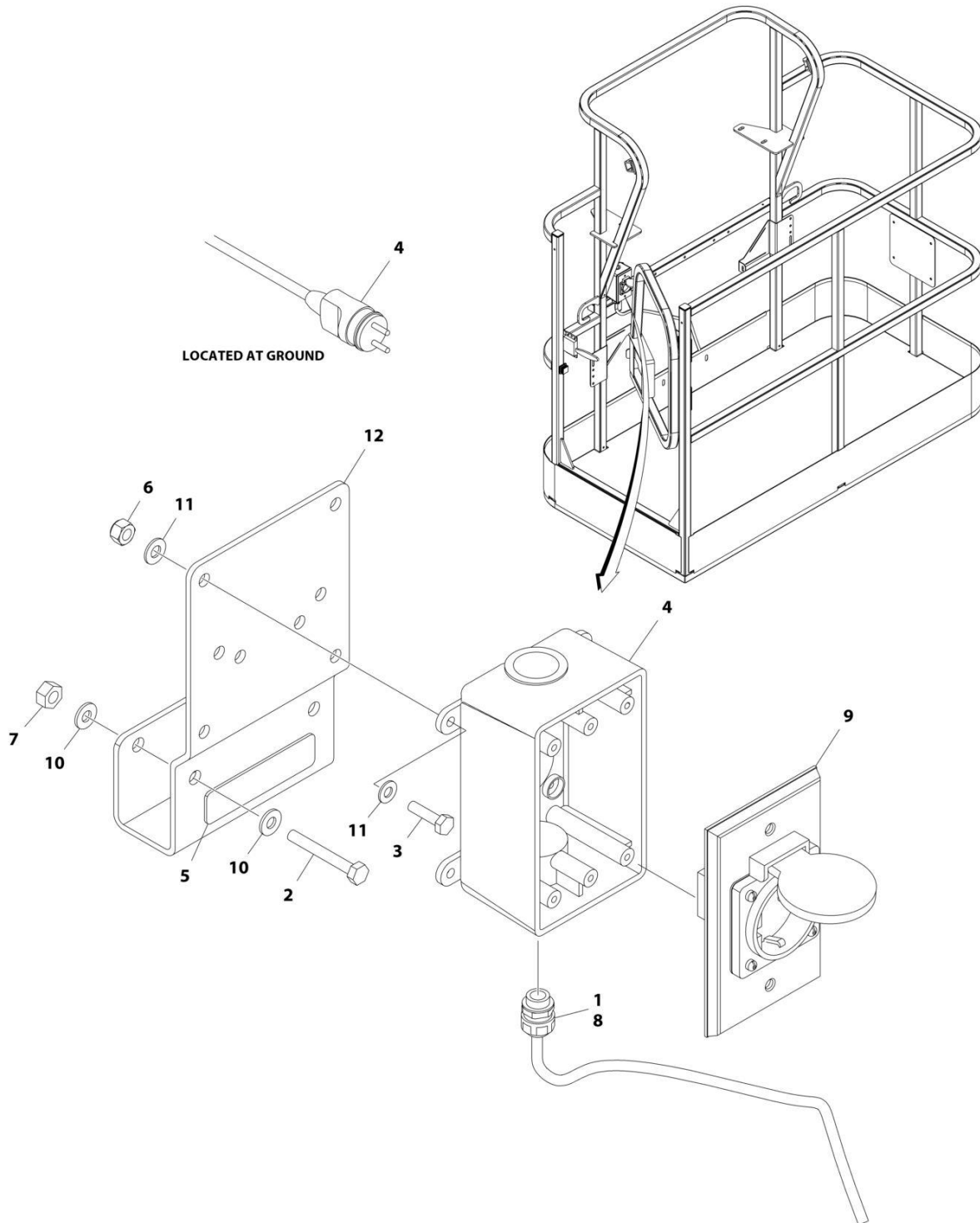
## SECTION 8 - ELECTRICAL

**FIGURE 8-9. AC BOX AT PLATFORM INSTALLATION - 220V CEE7 2IN X 4IN SIDE GROUND (RUSSIA, CE & UK CA SPECS WITHOUT 4000W/50HZ GENERATOR)**

ITEM	PART NUMBER	QTY	DESCRIPTION	REV
	1001190484	Ref	AC BOX AT PLATFORM INSTALLATION	D
1	0275453	1	Receptacle Box Kit - 220V CEE7 Side Ground 2in x 4in (See Separate Breakdown in this Section)	
2	0700408	4	Bolt M4 x 16	
3	0700618	2	Bolt M6 x 50	
6	1001193018	1	Bracket	
8	3290405	4	Nut M4	
9	3290605	2	Nut M6	
10	4460662	1	Connector, Strain Relief	
11	4811400	8	Washer M4	
12	4811700	4	Washer M6	
14	0100079	AR	Sealant	
15	3252507	1	Decal - 220 Volt	

# SECTION 8 - ELECTRICAL

**FIGURE 8-10. AC BOX AT PLATFORM INSTALLATION - 220V CEE7 2IN X 4IN SIDE GROUND  
(RUSSIA, CE & UK CA SPECS WITH 4000W/50HZ GENERATOR)**



ART\_1001194198

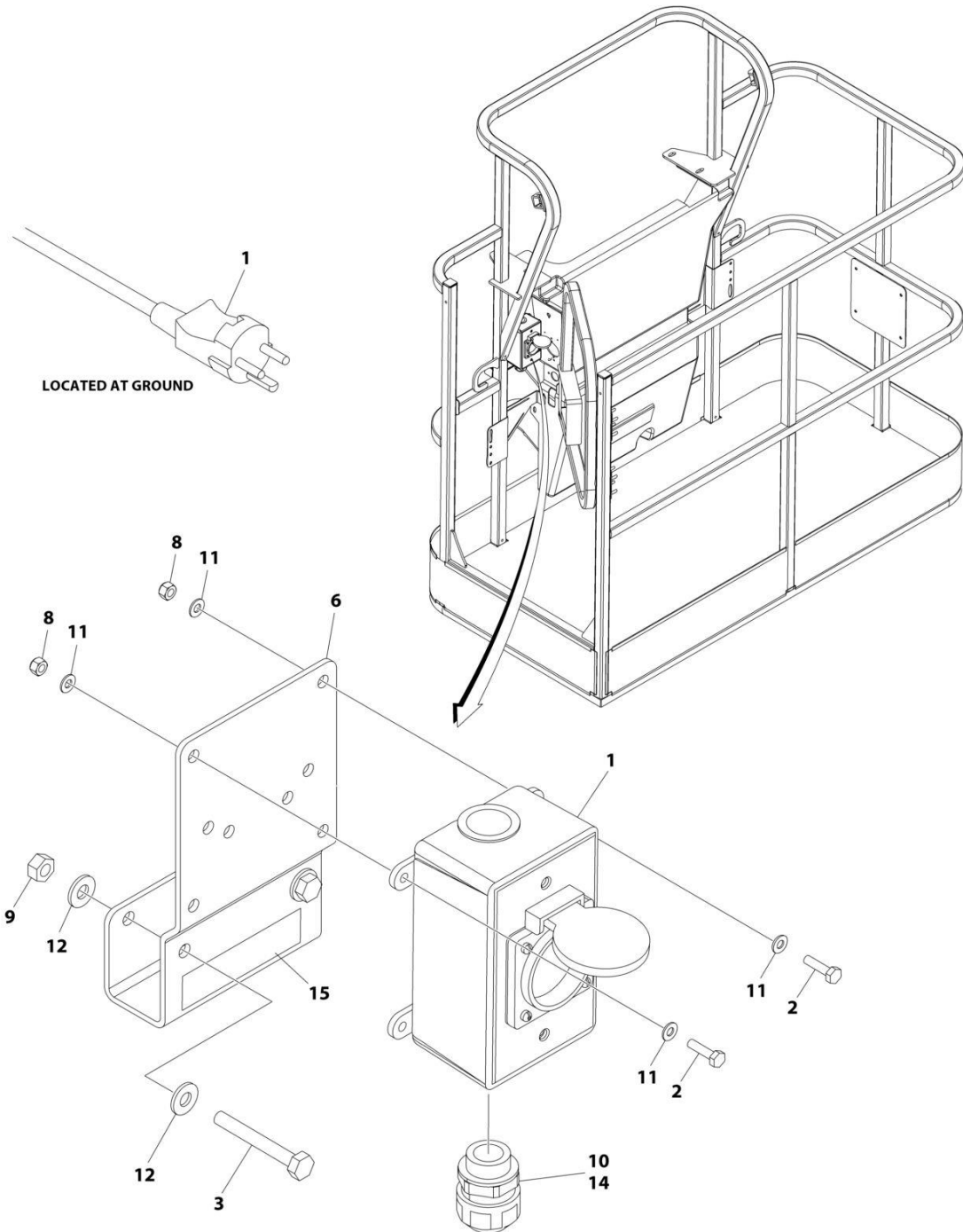
## SECTION 8 - ELECTRICAL

**FIGURE 8-10. AC BOX AT PLATFORM INSTALLATION - 220V CEE7 2IN X 4IN SIDE GROUND  
(RUSSIA, CE & UK CA SPECS WITH 4000W/50HZ GENERATOR)**

ITEM	PART NUMBER	QTY	DESCRIPTION	REV
	1001194198	Ref	AC BOX AT PLATFORM INSTALLATION	B
1	0100020	AR	Sealant, Pipe	
2	0641416	2	Bolt 1/4 x 2	
3	0700408	4	Bolt M4 x 16	
4	0861731	1	Box, Switch	
5	3251242	1	Decal - 240V/50Hz	
6	3290405	4	Nut M4	
7	3311405	2	Nut 1/4	
8	4460662	1	Connector, Strain Relief	
9	4461245	1	Receptacle	
10	4711400	4	Washer 1/4	
11	4811400	8	Washer M4	
12	1001193018	1	Bracket, AC Receptacle	
13	4460806	2	Terminal, Fork (Not Shown)	
14	1001205958	1	Terminal (Not Shown)	

# SECTION 8 - ELECTRICAL

FIGURE 8-11. AC BOX AT PLATFORM INSTALLATION - 220V AFSINT107 (RUSSIA, CE & UK CA SPECS WITHOUT 4000W/50HZ GENERATOR)



ART\_1001190485



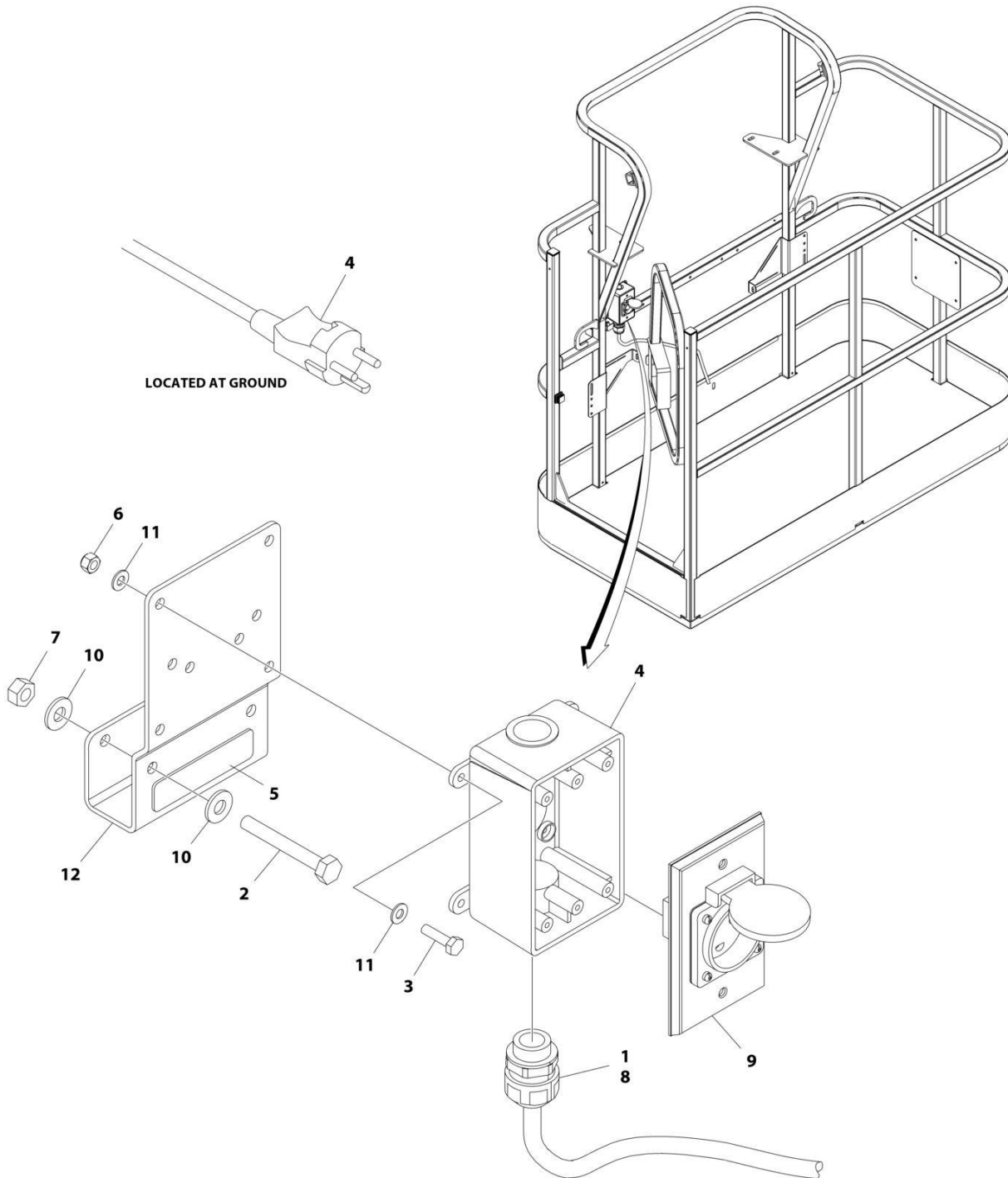
## SECTION 8 - ELECTRICAL

**FIGURE 8-11. AC BOX AT PLATFORM INSTALLATION - 220V AFSINT107 (RUSSIA, CE & UK CA SPECS WITHOUT 4000W/50HZ GENERATOR)**

ITEM	PART NUMBER	QTY	DESCRIPTION	REV
	1001190485	Ref	AC BOX AT PLATFORM INSTALLATION	C
1	0275454	1	Receptacle Box Kit - 220V AFSINT107 (See Separate Breakdown in this Section)	
2	0700408	4	Bolt M4 x 16	
3	0700618	2	Bolt M6 x 50	
6	1001193018	1	Bracket	
8	3290405	4	Nut M4	
9	3290605	2	Nut M6	
10	4460662	1	Connector, Strain Relief	
11	4811400	8	Washer M4	
12	4811700	4	Washer M6	
14	0100079	AR	Sealant	
15	3252507	1	Decal - 220 Volt	

# SECTION 8 - ELECTRICAL

FIGURE 8-12. AC BOX AT PLATFORM INSTALLATION - 220V AFSINT107 (RUSSIA, CE & UK CA SPECS WITH 4000W/50HZ GENERATOR)



ART\_1001194200

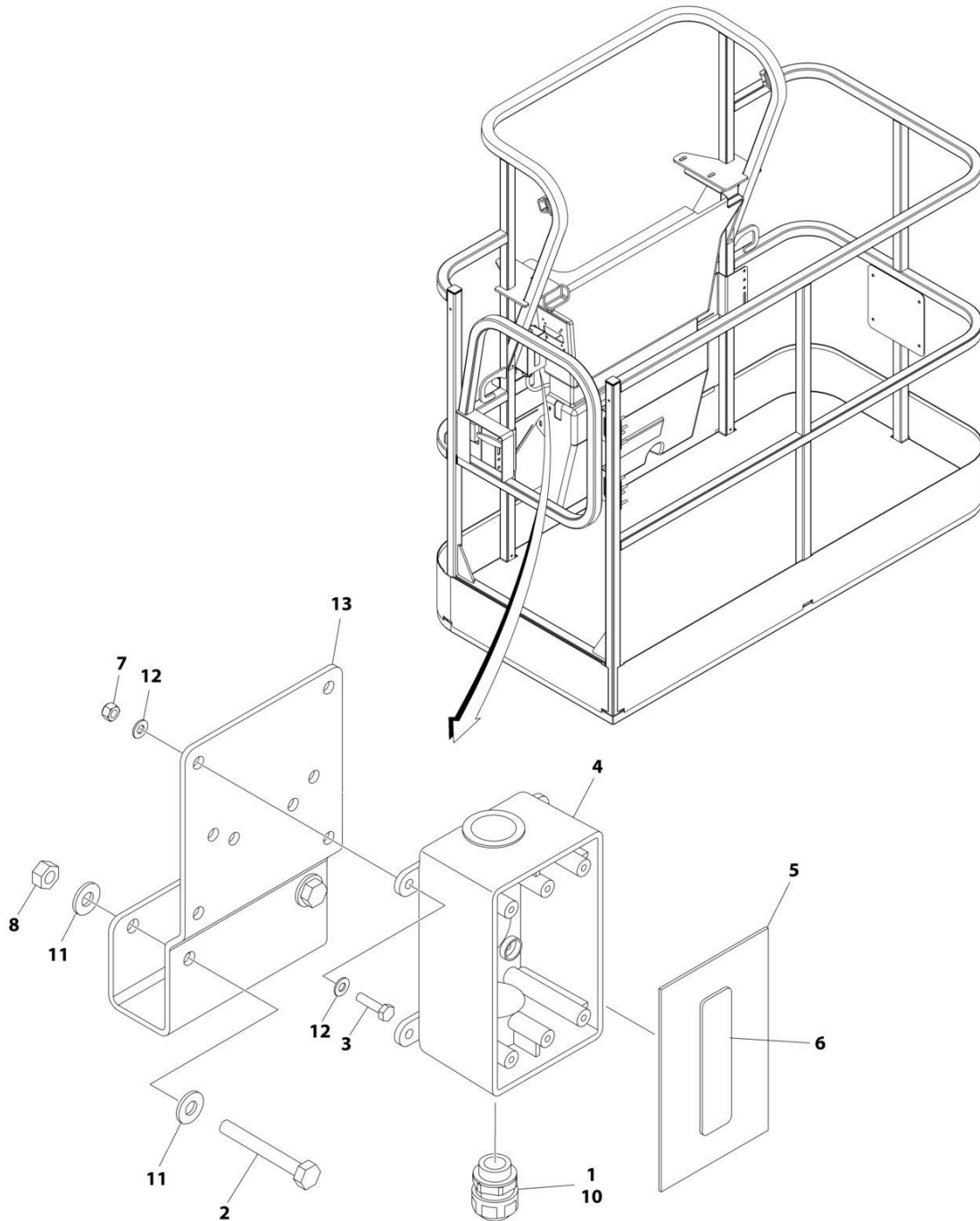
## SECTION 8 - ELECTRICAL

**FIGURE 8-12. AC BOX AT PLATFORM INSTALLATION - 220V AFSINT107 (RUSSIA, CE & UK CA SPECS WITH 4000W/50HZ GENERATOR)**

ITEM	PART NUMBER	QTY	DESCRIPTION	REV
	1001194200	Ref	AC BOX AT PLATFORM INSTALLATION	B
1	0100020	AR	Sealant, Pipe	
2	0641416	2	Bolt 1/4 x 2	
3	0700408	4	Bolt M4 x 16	
4	0861731	1	Box, Switch	
5	3251242	1	Decal - 240V/50Hz	
6	3290405	4	Nut M4	
7	3311405	2	Nut 1/4	
8	4460662	1	Connector, Strain Relief	
9	4461246	1	Receptacle	
10	4711400	4	Washer 1/4	
11	4811400	8	Washer M4	
12	1001193018	1	Bracket, AC Receptacle	
13	1001205958	1	Terminal (Not Shown)	

## SECTION 8 - ELECTRICAL

FIGURE 8-13. AC BOX AT PLATFORM INSTALLATION - 220V CUSTOMER SUPPLIED COMPONENTS  
(ANSI EXPORT, AUSTRALIAN, RUSSIA, CHINA, CE & UK CA SPECS)



ART\_1001194365

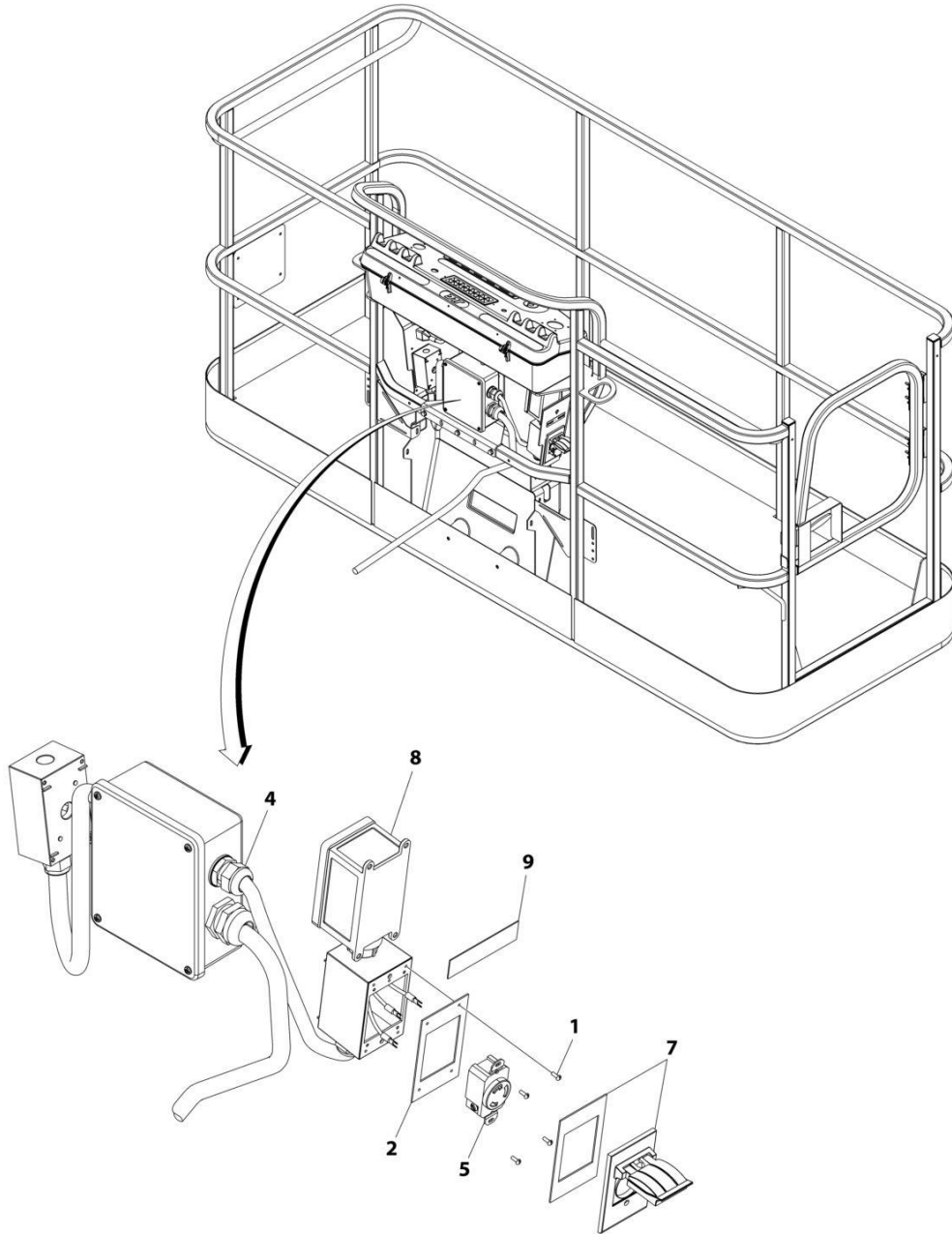
## SECTION 8 - ELECTRICAL

**FIGURE 8-13. AC BOX AT PLATFORM INSTALLATION - 220V CUSTOMER SUPPLIED COMPONENTS  
(ANSI EXPORT, AUSTRALIAN, RUSSIA, CHINA, CE & UK CA SPECS)**

ITEM	PART NUMBER	QTY	DESCRIPTION	REV
	1001194365	Ref	AC BOX AT PLATFORM INSTALLATION - BOX WITH COVER (2X4 BOX)	A
1	0100020	AR	Sealant	
2	0641416	2	Bolt 1/4 x 2	
3	0700408	4	Bolt M4 x 16	
4	0861731	1	Box, Switch	
5	1670603	1	Cover	
6	3251242	1	Decal - 240V/50Hz	
7	3290405	4	Nut M4	
8	3311405	2	Nut 1/4	
9	4460384	3	Terminal (Not Shown)	
10	4460662	1	Connector, Strain Relief	
11	4711400	4	Washer 1/4	
12	4811400	8	Washer M4	
13	1001193018	1	Bracket, AC Receptacle	

# SECTION 8 - ELECTRICAL

FIGURE 8-14. AC BOX AT PLATFORM INSTALLATION - 240V (WITH 4000W GENERATOR)



ART\_1001171131

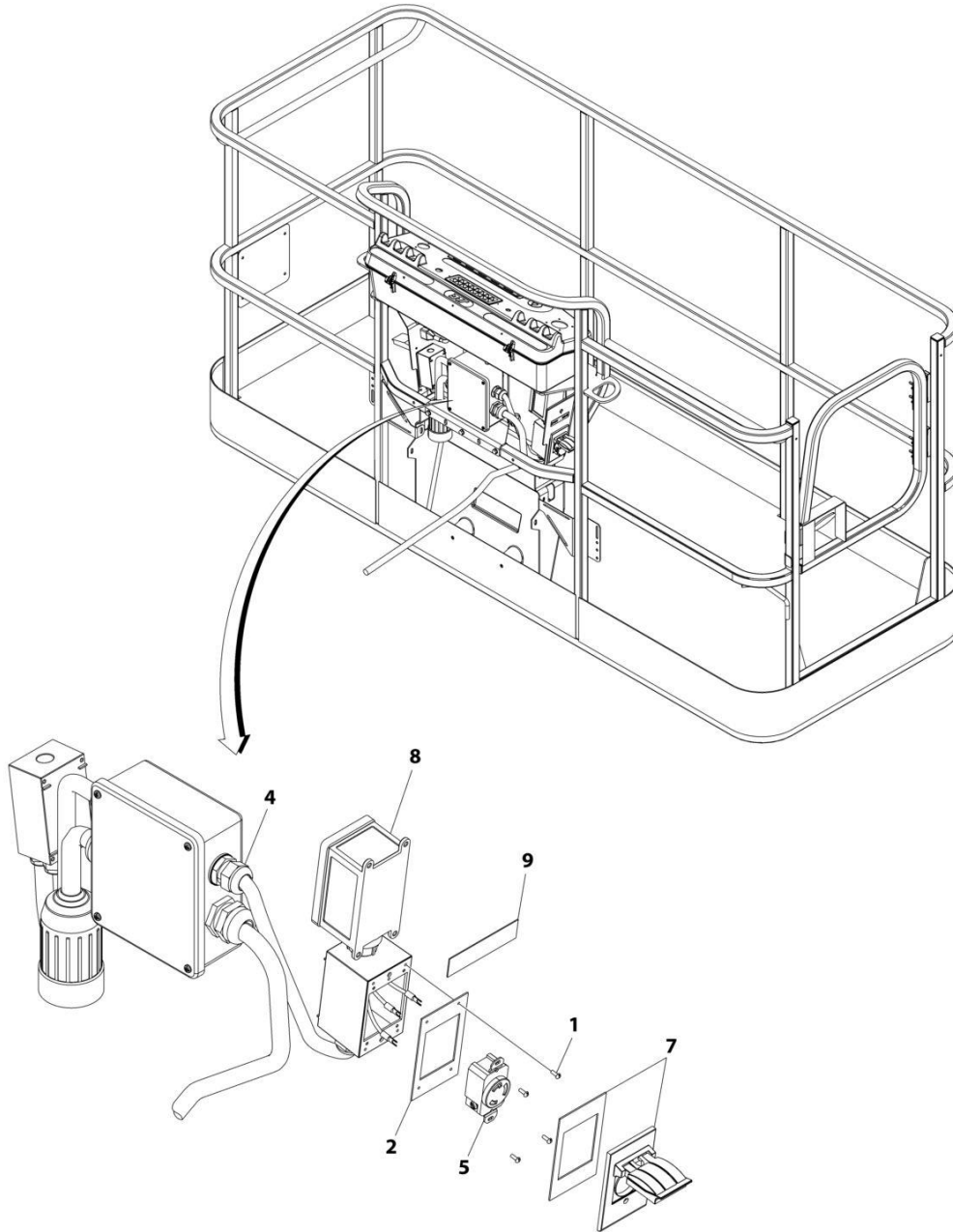
## SECTION 8 - ELECTRICAL

**FIGURE 8-14. AC BOX AT PLATFORM INSTALLATION - 240V (WITH 4000W GENERATOR)**

ITEM	PART NUMBER	QTY	DESCRIPTION	REV
	1001171131	Ref	AC BOX AT PLATFORM INSTALLATION - 240V RECEPTACLE	B
1	3910606	4	Screw 6 x 3/8	
2	3960422	1	Gasket	
3	4240018	AR	Tie-Strap (Not Shown)	
4	4460425	1	Connector, Strain Relief	
5	1001176862	1	Receptacle	
7	1001110872	1	Cover, Receptacle	
8	1001159120	1	Receptacle/Breaker Box Assembly	
8	1001148675	1	Box, Receptacle	
8	1001159118	1	Breaker GFCI 30Amp 240VAC	
8	4460612	1	Connector, Strain Relief	
8	1001159119	1	Connector (Between Boxes)	
9	1705374	1	Decal - 240V/60Hz	

# SECTION 8 - ELECTRICAL

## FIGURE 8-15. AC BOX AT PLATFORM INSTALLATION - 240V (WITH 7500W SKYPOWER GENERATOR)



ART\_1001159121



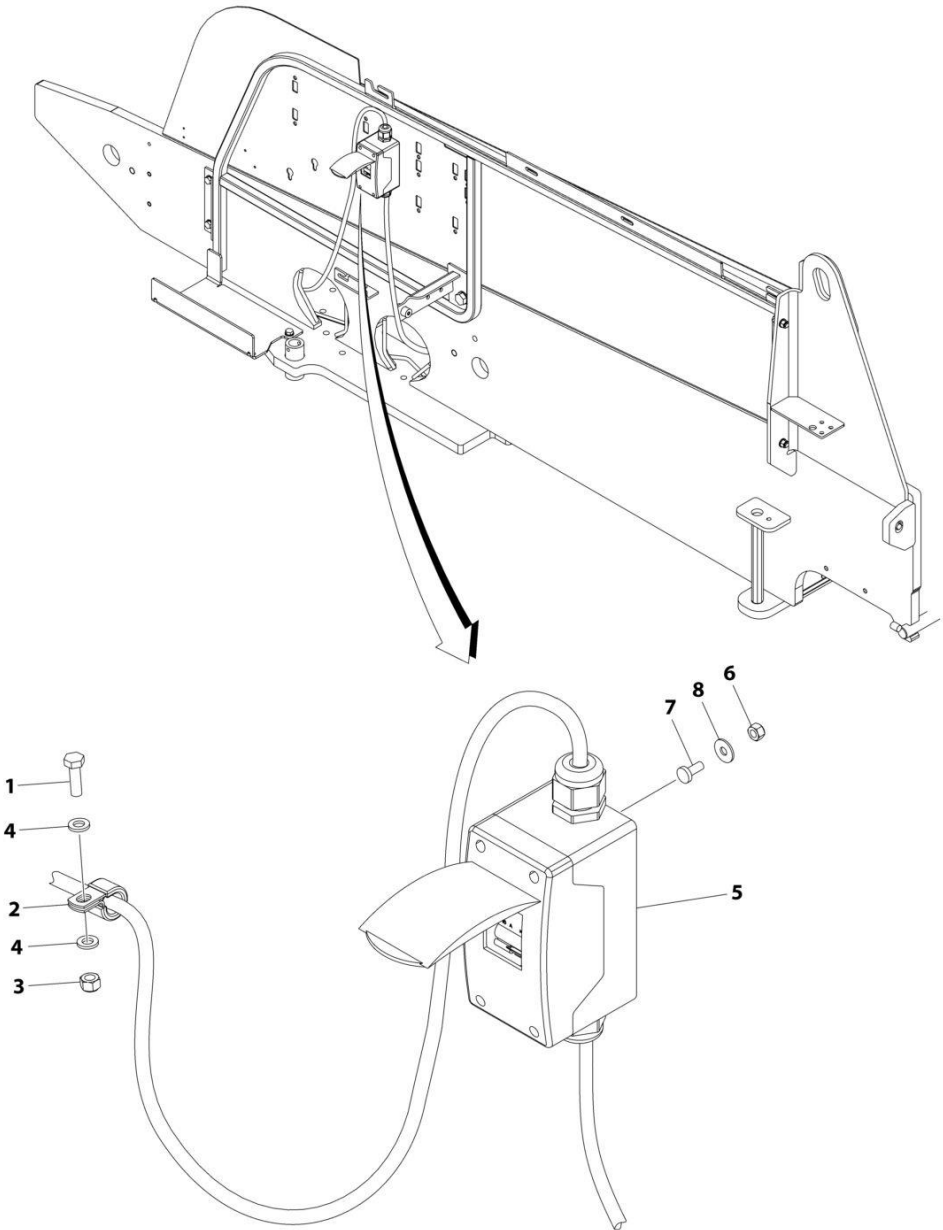
## SECTION 8 - ELECTRICAL

**FIGURE 8-15. AC BOX AT PLATFORM INSTALLATION - 240V (WITH 7500W SKYPOWER GENERATOR)**

ITEM	PART NUMBER	QTY	DESCRIPTION	REV
	1001159121	Ref	AC BOX AT PLATFORM INSTALLATION - 240V RECEPTACLE	B
1	3910606	4	Screw 6 x 3/8	
2	3960422	1	Gasket	
3	4240018	AR	Tie-Strap (Not Shown)	
4	4460425	1	Connector, Strain Relief	
5	4460958	1	Receptacle	
7	1001110872	1	Cover, Receptacle	
8	1001159120	1	Receptacle/Breaker Box Assembly	
8	1001148675	1	Box, Receptacle	
8	1001159118	1	Breaker Box Assembly	
8	4460612	1	Connector, Strain Relief	
8	1001159119	1	Connector (Between Boxes)	
9	1705374	1	Decal - 240V/60Hz	

**SECTION 8 - ELECTRICAL**

**FIGURE 8-16. AC BREAKER BOX INSTALLATION - SINGLE DOUBLE POLE BREAKER**



ART\_1001190774

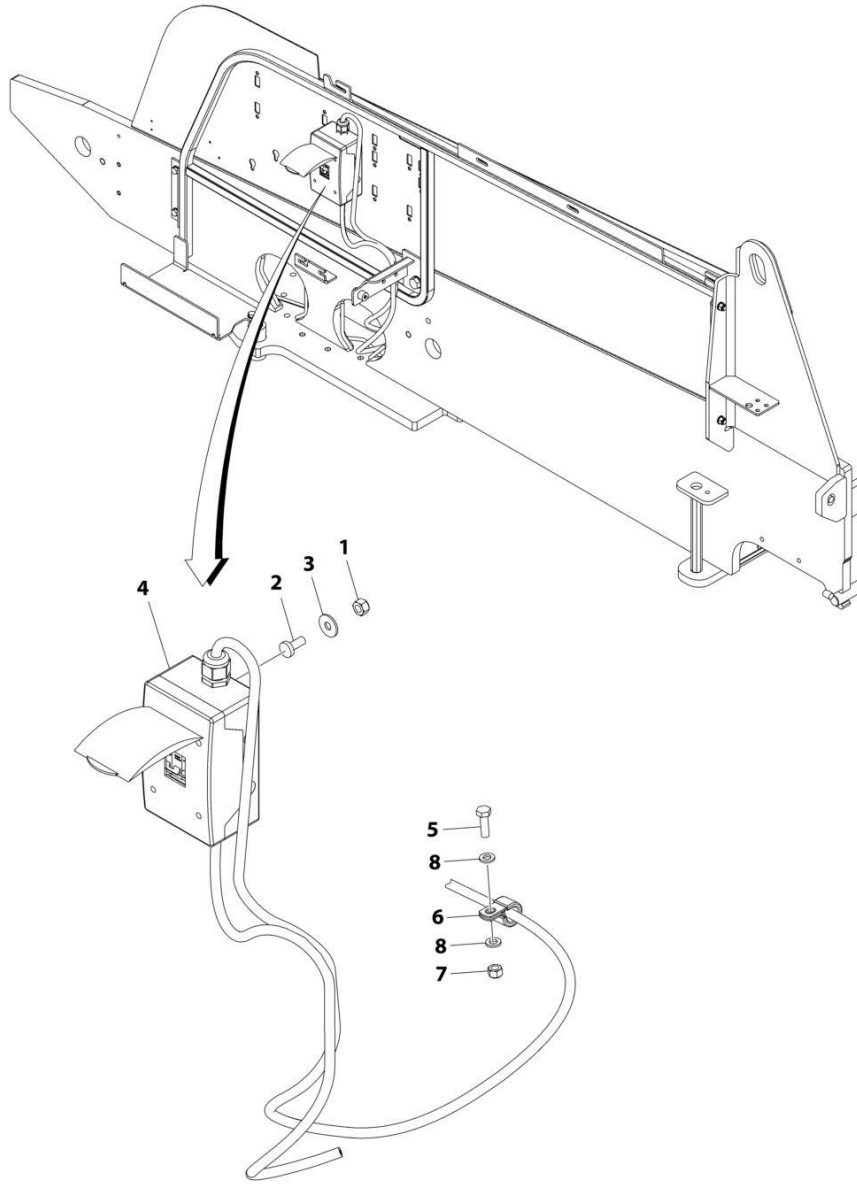
## SECTION 8 - ELECTRICAL

**FIGURE 8-16. AC BREAKER BOX INSTALLATION - SINGLE DOUBLE POLE BREAKER**

ITEM	PART NUMBER	QTY	DESCRIPTION	REV
	1001190774	Ref	AC BREAKER BOX INSTALLATION	C
1	0760610	1	Bolt M6 x 20	
2	1320041	1	Clamp	
3	3290605	1	Nut M6	
4	4811700	2	Washer M6	
5	2902549	1	Breaker Box Kit - Single Double Pole Breaker (See Separate Breakdown in this Section)	
6	3290405	2	Nut M4	
7	4010405	2	Screw M4 x 10	
8	1001091102	2	Washer M4	

# SECTION 8 - ELECTRICAL

## FIGURE 8-17. AC BREAKER BOX INSTALLATION - 3 BREAKERS



ART\_1001211049\_C

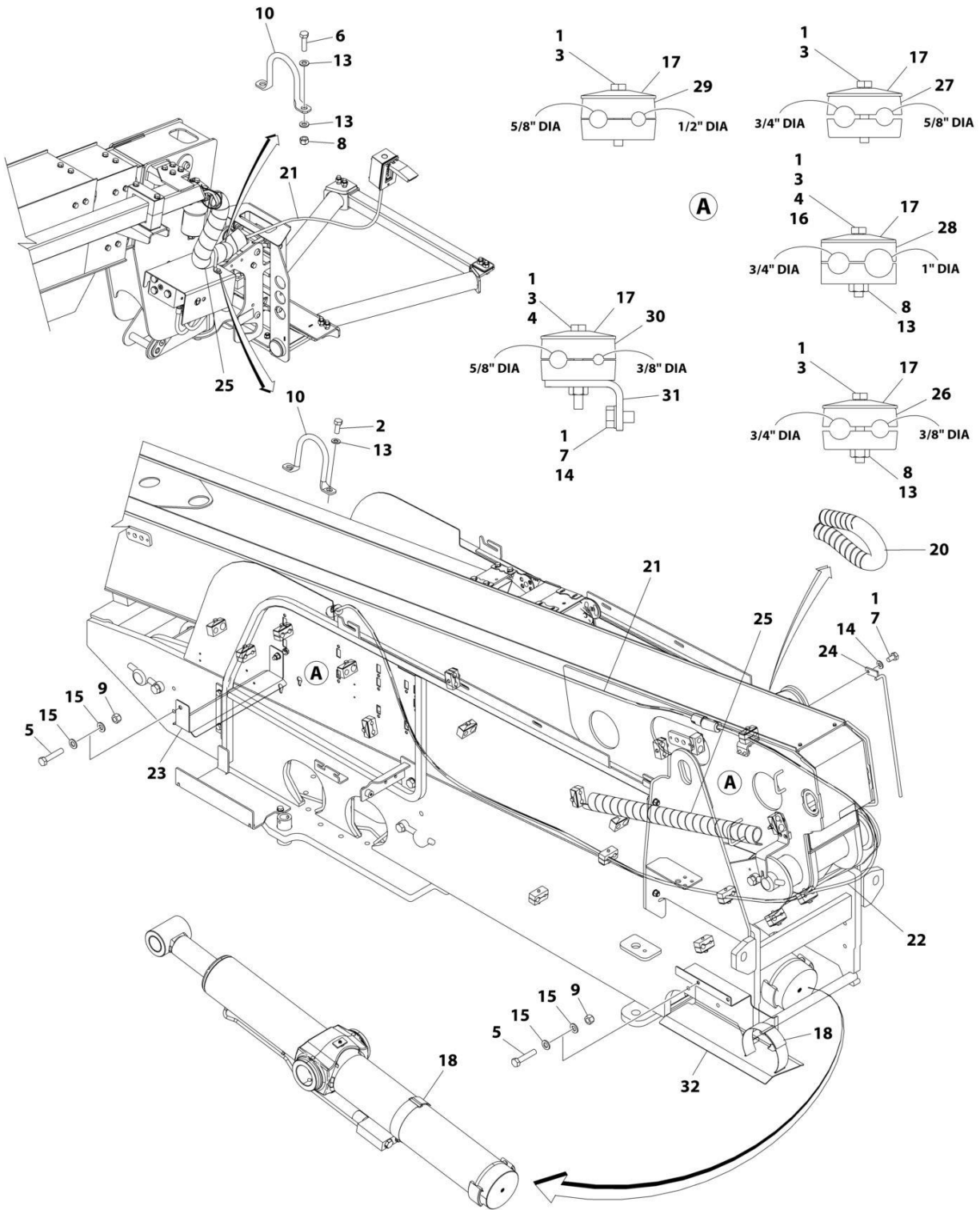
## SECTION 8 - ELECTRICAL

### FIGURE 8-17. AC BREAKER BOX INSTALLATION - 3 BREAKERS

ITEM	PART NUMBER	QTY	DESCRIPTION	REV
	1001211049	Ref	AC BREAKER BOX INSTALLATION	C
1	3290405	2	Nut M4	
2	4010405	2	Screw M4 x 10	
3	1001091102	2	Washer M4	
4	1001152486	1	Breaker Box Kit - 3 Breakers (See Separate Breakdown in this Section)	
5	0760610	1	Bolt M6 x 20	
6	1320041	1	Clamp	
7	3290605	1	Nut M6	
8	4811700	2	Washer M6	

# SECTION 8 - ELECTRICAL

## FIGURE 8-18. AC CABLES AND CLAMPS INSTALLATION - WITHOUT GENERATOR (ANSI, CSA & JAPANESE SPECS) (600S HC3)



ART\_1001265756

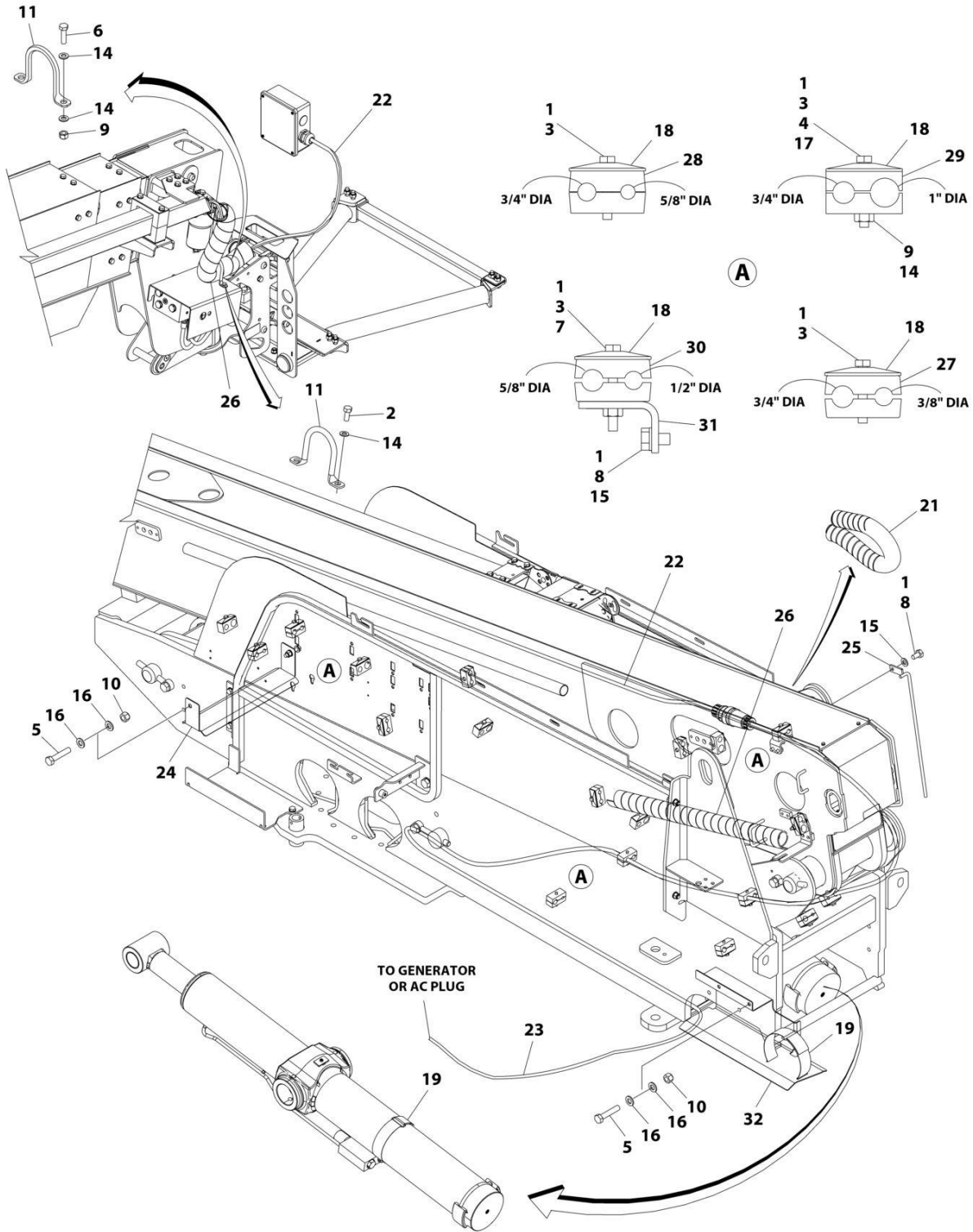
## SECTION 8 - ELECTRICAL

**FIGURE 8-18. AC CABLES AND CLAMPS INSTALLATION - WITHOUT GENERATOR (ANSI, CSA & JAPANESE SPECS) (600S HC3)**

ITEM	PART NUMBER	QTY	DESCRIPTION	REV
	1001265756	Ref	AC CABLES AND CLAMPS INSTALLATION	A
1	0100011	AR	Compound, Locking	
2	0641506	2	Bolt 5/16 x 3/4	
3	0700818	16	Bolt M8 x 50	
4	0700822	2	Bolt M8 x 70	
5	0701220	4	Bolt M12 x 60	
6	0760814	2	Bolt M8 x 30	
7	0761009	3	Bolt M10 x 18	
8	3290805	4	Nut M8	
9	3291205	4	Nut M12	
10	3841340	2	Loop, Hose	
11	4240018	3	Tie-Strap (Not Shown)	
12	4240099	3	Tie-Strap (Not Shown)	
13	4811900	7	Washer M8	
14	4812000	3	Washer M10	
15	4812100	8	Washer M12	
16	5281918	1	Capscrew M8 x 70	
17	77133137	19	Cover, Clamp	
18	1001143645	2	Strap, Cinch	
19	1001146588	4	Tie-Strap (Not Shown)	
20	1001181923	1	Shield, Tube	
21	1001195227	1	AC Ground to Platform Cable (Upper)	
21	1001120204	1	Plug, Male	
22	1001195525	1	AC Ground to Platform Cable (Lower)	
22	1001120205	1	Receptacle, Female	
23	1001201342	1	Support	
24	1001202936	1	Guide	
25	1001204690	2	Shield, Tube	
26	1001209948	3	Clamp	
27	1001209949	3	Clamp	
28	1001209951	6	Clamp	
29	1001209953	3	Clamp	
30	1001228809	4	Clamp	
31	1001229637	1	Bracket	
32	1001252945	1	Support	

# SECTION 8 - ELECTRICAL

**FIGURE 8-19. AC CABLES AND CLAMPS INSTALLATION - WITHOUT GENERATOR (ANSI EXPORT,CE, RUSSIA CIS, CHINA & UK CA SPECS) (600S HC3)**



ART\_1001265758



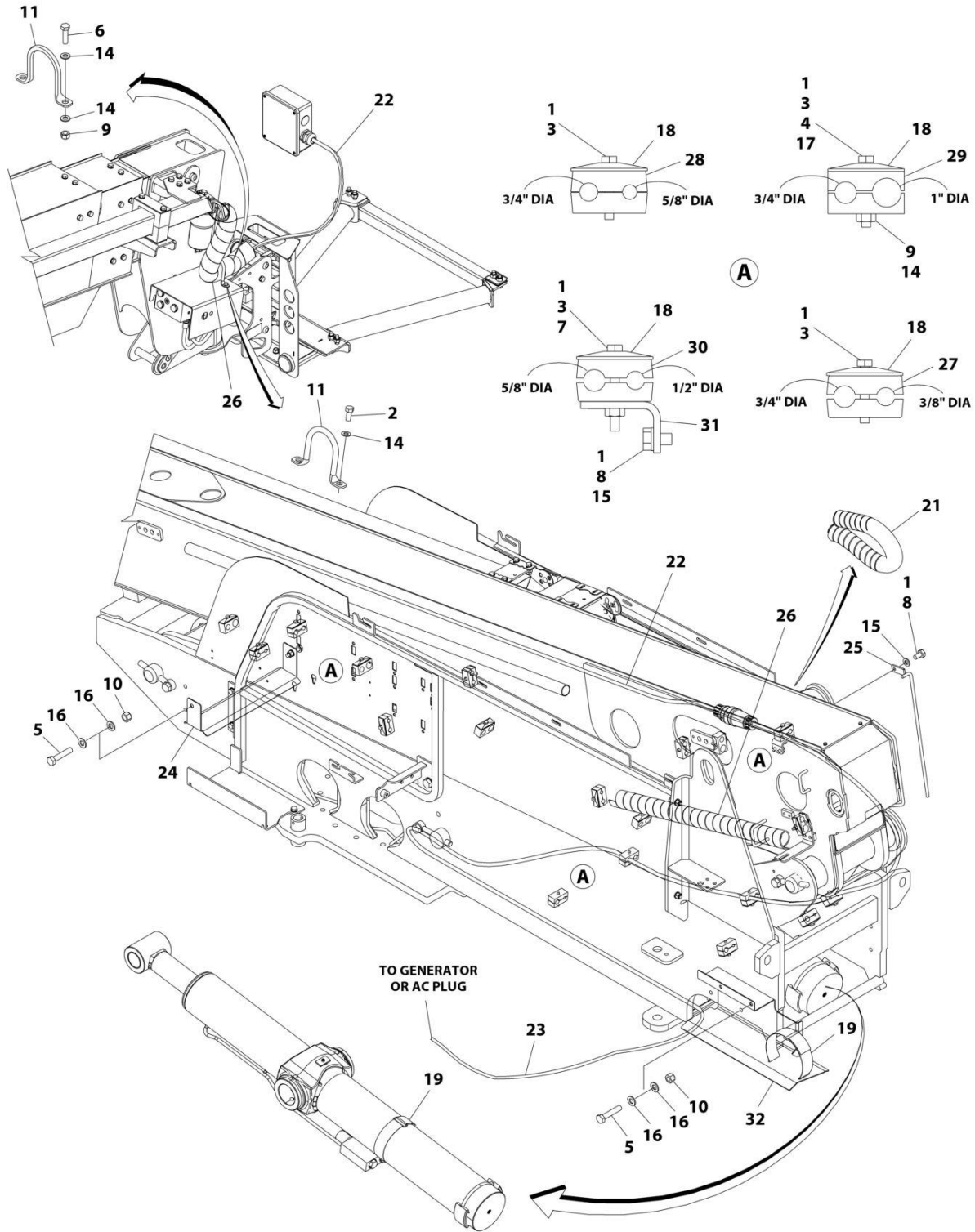
## SECTION 8 - ELECTRICAL

**FIGURE 8-19. AC CABLES AND CLAMPS INSTALLATION - WITHOUT GENERATOR (ANSI EXPORT,CE, RUSSIA CIS, CHINA & UK CA SPECS) (600S HC3)**

ITEM	PART NUMBER	QTY	DESCRIPTION	REV
	1001265758	Ref	AC CABLES AND CLAMPS INSTALLATION	A
1	0100011	AR	Compound, Locking	
2	0641506	2	Bolt 5/16 x 3/4	
3	0700818	16	Bolt M8 x 50	
4	0700822	1	Bolt M8 x 70	
5	0701220	4	Bolt M12 x 60	
6	0760814	2	Bolt M8 x 30	
7	0760822	1	Bolt M8 x 70	
8	0761009	3	Bolt M10 x 18	
9	3290805	4	Nut M8	
10	3291205	4	Nut M12	
11	3841340	2	Loop, Hose	
12	4240018	3	Tie-Strap (Not Shown)	
13	4240099	3	Tie-Strap (Not Shown)	
14	4811900	7	Washer M8	
15	4812000	3	Washer M10	
16	4812100	8	Washer M12	
17	5281918	1	Capscrew M8 x 70	
18	77133137	19	Cover, Clamp	
19	1001143645	2	Strap, Cinch	
20	1001146588	4	Tie-Strap (Not Shown)	
21	1001181923	1	Shield, Tube	
22	1001195225	1	AC Ground to Platform Cable (Upper)	
22	1001214095	1	Plug, Male	
23	1001196368	1	AC Ground to Platform Cable (Lower)	
23	1001214096	1	Receptacle, Female	
24	1001201342	1	Support	
25	1001202936	1	Guide	
26	1001204690	2	Shield, Tube	
27	1001209948	3	Clamp	
28	1001209949	3	Clamp	
29	1001209951	6	Clamp	
30	1001209953	7	Clamp	
31	1001229637	1	Bracket	
32	1001252945	1	Support	

# SECTION 8 - ELECTRICAL

## FIGURE 8-20. AC CABLES AND CLAMPS INSTALLATION - WITH 2500W GENERATOR (ANSI, ANSI EXPORT, CHINA, CSA AND JAPANESE SPECS) (600S HC3)



ART\_1001265758

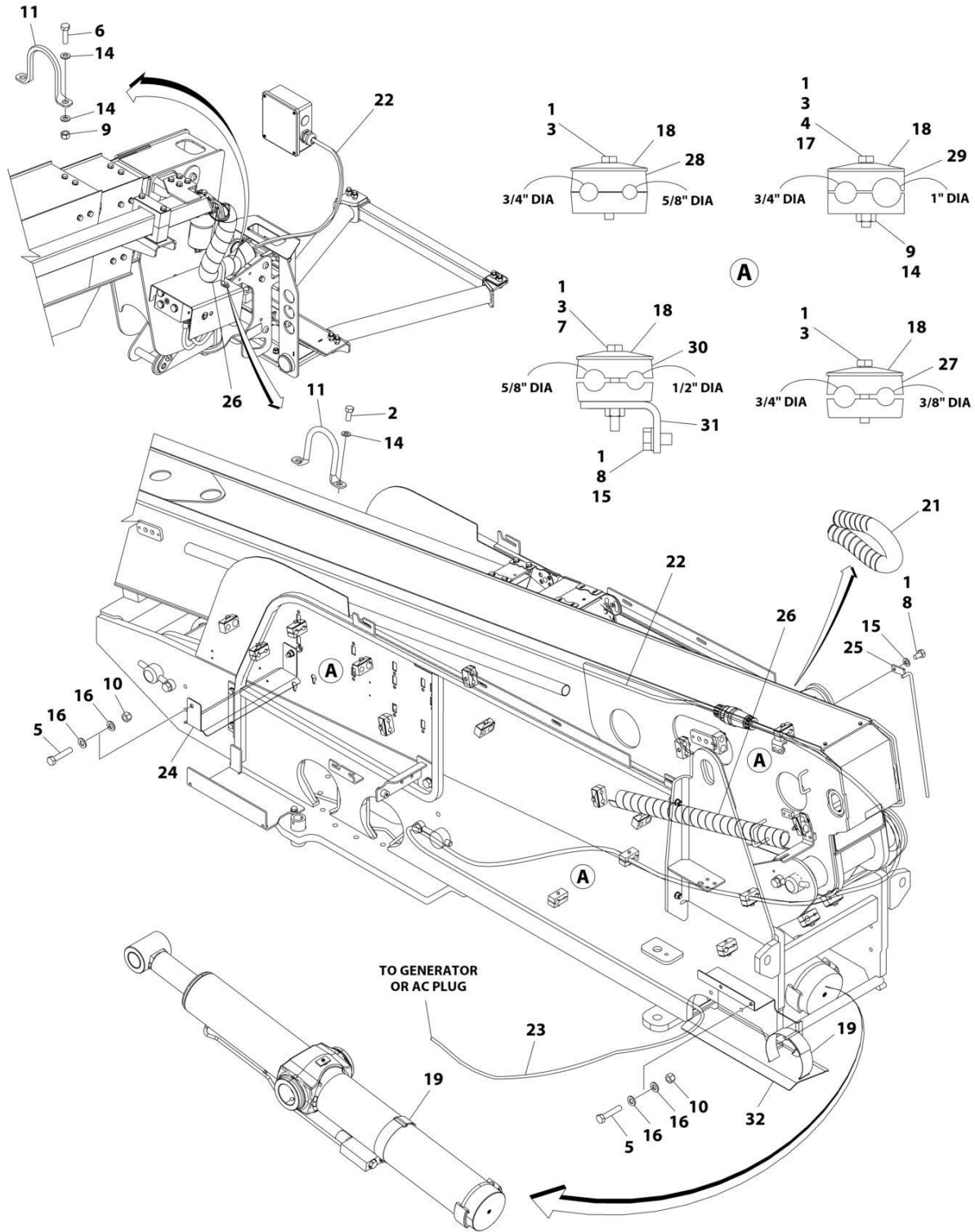
## SECTION 8 - ELECTRICAL

**FIGURE 8-20. AC CABLES AND CLAMPS INSTALLATION - WITH 2500W GENERATOR (ANSI, ANSI EXPORT, CHINA, CSA AND JAPANESE SPECS) (600S HC3)**

ITEM	PART NUMBER	QTY	DESCRIPTION	REV
	1001265758	Ref	AC CABLES AND CLAMPS INSTALLATION	A
1	0100011	AR	Compound, Locking	
2	0641506	2	Bolt 5/16 x 3/4	
3	0700818	16	Bolt M8 x 50	
4	0700822	1	Bolt M8 x 70	
5	0701220	4	Bolt M12 x 60	
6	0760814	2	Bolt M8 x 30	
7	0760822	1	Bolt M8 x 70	
8	0761009	3	Bolt M10 x 18	
9	3290805	4	Nut M8	
10	3291205	4	Nut M12	
11	3841340	2	Loop, Hose	
12	4240018	3	Tie-Strap (Not Shown)	
13	4240099	3	Tie-Strap (Not Shown)	
14	4811900	7	Washer M8	
15	4812000	3	Washer M10	
16	4812100	8	Washer M12	
17	5281918	1	Capscrew M8 x 70	
18	77133137	19	Cover, Clamp	
19	1001143645	2	Strap, Cinch	
20	1001146588	4	Tie-Strap (Not Shown)	
21	1001181923	1	Shield, Tube	
22	1001195225	1	AC Ground to Platform Cable (Upper)	
22	1001214095	1	Plug, Male	
23	1001196368	1	AC Ground to Platform Cable (Lower)	
23	1001214096	1	Receptacle, Female	
24	1001201342	1	Support	
25	1001202936	1	Guide	
26	1001204690	2	Shield, Tube	
27	1001209948	3	Clamp	
28	1001209949	3	Clamp	
29	1001209951	6	Clamp	
30	1001209953	7	Clamp	
31	1001229637	1	Bracket	
32	1001252945	1	Support	

# SECTION 8 - ELECTRICAL

**FIGURE 8-21. AC CABLES AND CLAMPS INSTALLATION - WITH 4000W/50HZ GENERATOR (ANSI EXPORT, CE, CHINA, RUSSIAN CIS & UK CA SPECS) (600S HC3)**



ART\_1001265758

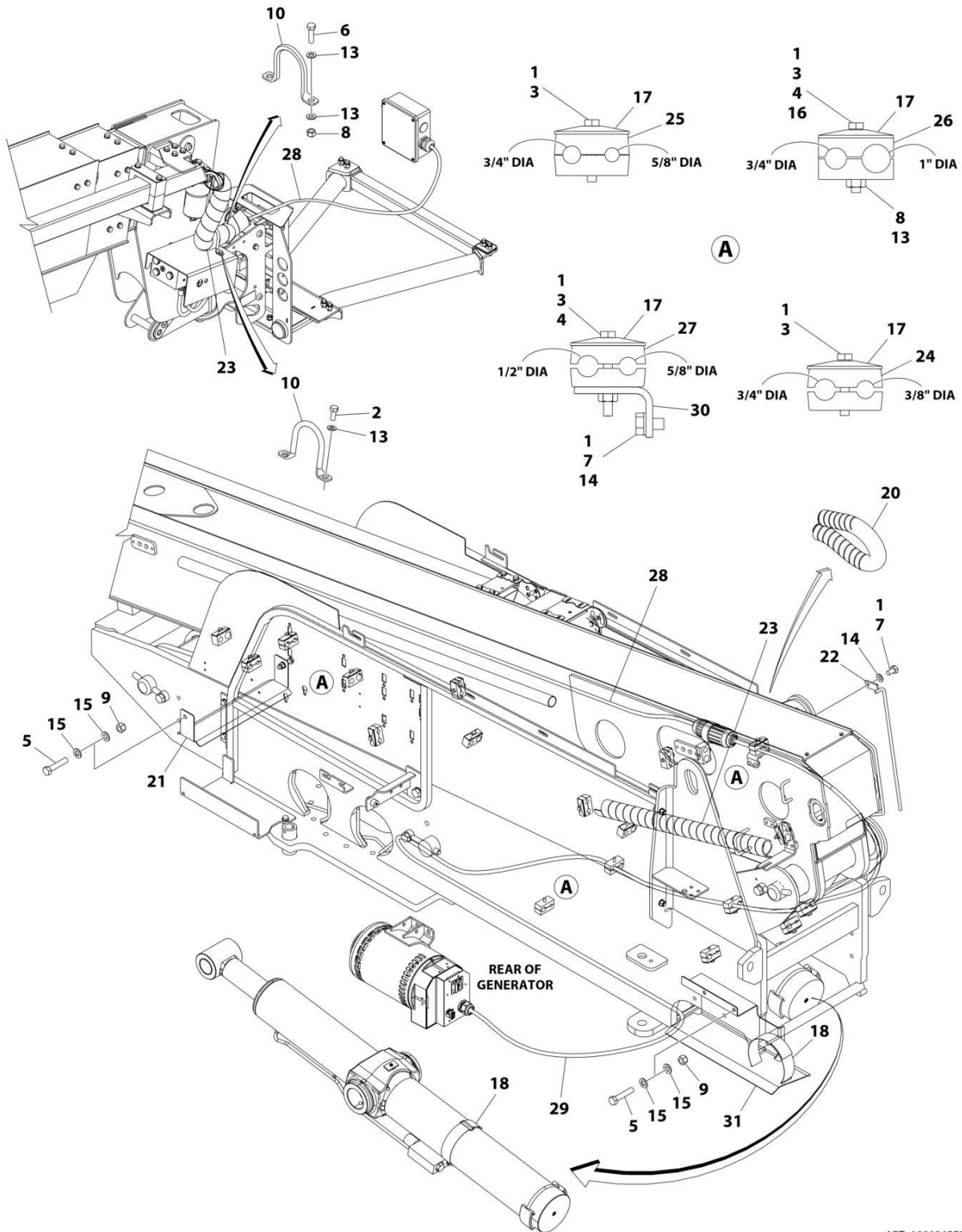
## SECTION 8 - ELECTRICAL

**FIGURE 8-21. AC CABLES AND CLAMPS INSTALLATION - WITH 4000W/50HZ GENERATOR (ANSI EXPORT, CE, CHINA, RUSSIAN CIS & UK CA SPECS) (600S HC3)**

ITEM	PART NUMBER	QTY	DESCRIPTION	REV
	1001265758	Ref	AC CABLES AND CLAMPS INSTALLATION	A
1	0100011	AR	Compound, Locking	
2	0641506	2	Bolt 5/16 x 3/4	
3	0700818	16	Bolt M8 x 50	
4	0700822	1	Bolt M8 x 70	
5	0701220	4	Bolt M12 x 60	
6	0760814	2	Bolt M8 x 30	
7	0760822	1	Bolt M8 x 70	
8	0761009	3	Bolt M10 x 18	
9	3290805	4	Nut M8	
10	3291205	4	Nut M12	
11	3841340	2	Loop, Hose	
12	4240018	3	Tie-Strap (Not Shown)	
13	4240099	3	Tie-Strap (Not Shown)	
14	4811900	7	Washer M8	
15	4812000	3	Washer M10	
16	4812100	8	Washer M12	
17	5281918	1	Capscrew M8 x 70	
18	77133137	19	Cover, Clamp	
19	1001143645	2	Strap, Cinch	
20	1001146588	4	Tie-Strap (Not Shown)	
21	1001181923	1	Shield, Tube	
22	1001195225	1	AC Ground to Platform Cable (Upper)	
22	1001214095	1	Plug, Male	
23	1001196368	1	AC Ground to Platform Cable (Lower)	
23	1001214096	1	Receptacle, Female	
24	1001201342	1	Support	
25	1001202936	1	Guide	
26	1001204690	2	Shield, Tube	
27	1001209948	3	Clamp	
28	1001209949	3	Clamp	
29	1001209951	6	Clamp	
30	1001209953	7	Clamp	
31	1001229637	1	Bracket	
32	1001252945	1	Support	

# SECTION 8 - ELECTRICAL

FIGURE 8-22. AC CABLES AND CLAMPS INSTALLATION - WITH 4000W/60HZ GENERATOR (ANSI, ANSI EXPORT, CSA AND JAPANESE SPECS) (600S HC3)



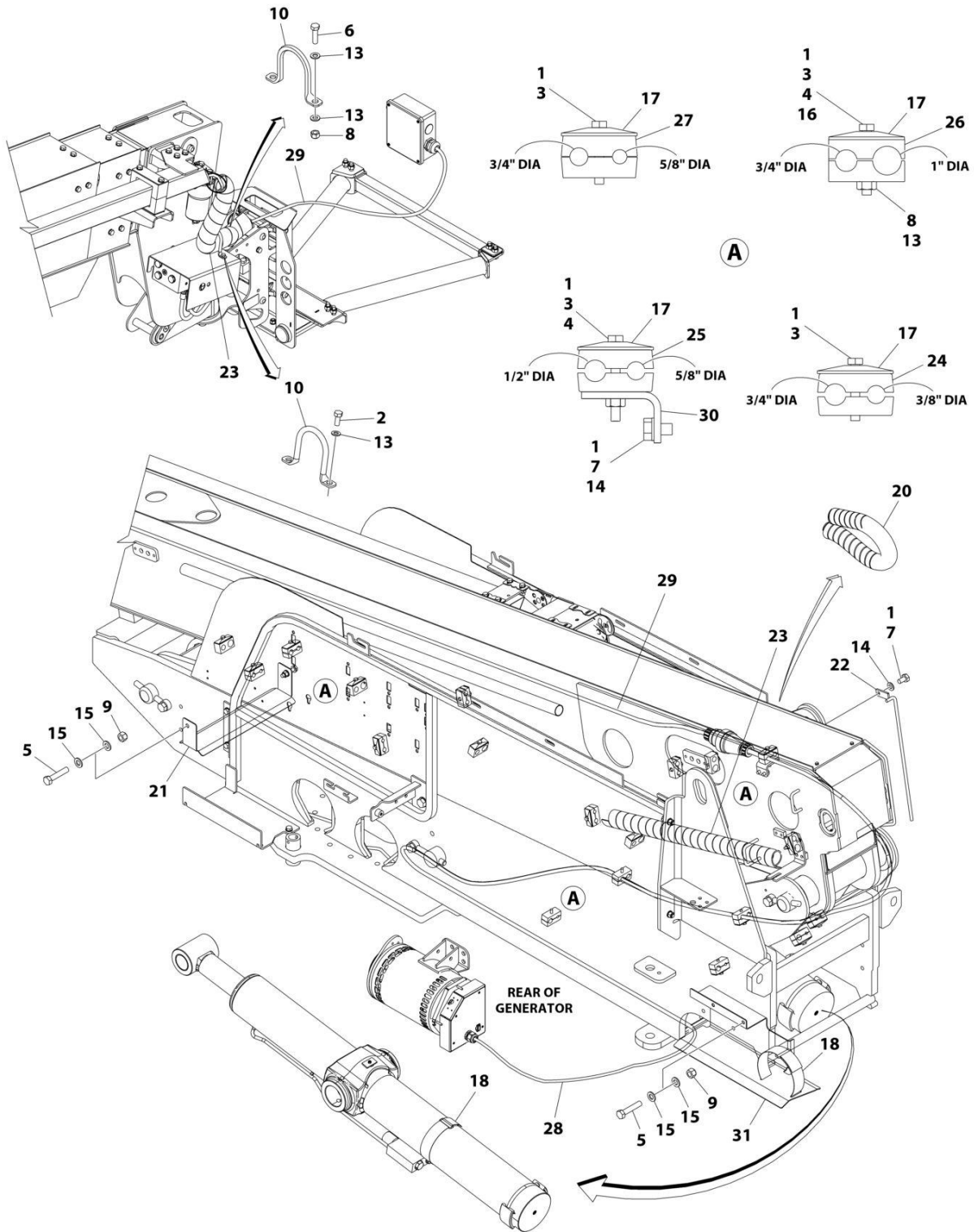
## SECTION 8 - ELECTRICAL

**FIGURE 8-22. AC CABLES AND CLAMPS INSTALLATION - WITH 4000W/60HZ GENERATOR (ANSI, ANSI EXPORT, CSA AND JAPANESE SPECS) (600S HC3)**

ITEM	PART NUMBER	QTY	DESCRIPTION	REV
	1001265757	Ref	AC CABLES AND CLAMPS INSTALLATION	A
1	0100011	AR	Compound, Locking	
2	0641506	2	Bolt 5/16 x 3/4	
3	0700818	16	Bolt M8 x 50	
4	0700822	2	Bolt M8 x 70	
5	0701220	4	Bolt M12 x 60	
6	0760814	2	Bolt M8 x 30	
7	0761009	3	Bolt M10 x 18	
8	3290805	4	Nut M8	
9	3291205	4	Nut M12	
10	3841340	2	Loop, Hose	
11	4240018	3	Tie-Strap (Not Shown)	
12	4240099	3	Tie-Strap (Not Shown)	
13	4811900	7	Washer M8	
14	4812000	3	Washer M10	
15	4812100	8	Washer M12	
16	5281918	1	Capscrew M8 x 70	
17	77133137	19	Cover, Clamp	
18	1001143645	2	Strap, Cinch	
19	1001146588	4	Tie-Strap (Not Shown)	
20	1001181923	1	Shield, Tube	
21	1001201342	1	Support	
22	1001202936	1	Guide	
23	1001204690	2	Shield, Tube	
24	1001209948	3	Clamp	
25	1001209949	3	Clamp	
26	1001209951	6	Clamp	
27	1001209953	7	Clamp	
28	1001228186	1	AC Ground to Platform Cable (Upper)	
28	4460959	1	Plug, Male	
28	1671093	1	Cover, Plug	
29	1001228188	1	AC Ground to Platform Cable (Lower)	
29	4460960	1	Receptacle, Female	
29	1671092	1	Cover, Receptacle	
30	1001229637	1	Bracket	
31	1001252945	1	Support	

# SECTION 8 - ELECTRICAL

FIGURE 8-23. AC CABLES AND CLAMPS INSTALLATION - WITH 7500W GENERATOR (ANSI, ANSI EXPORT, CHINA, CSA, RUSSIAN CIS AND JAPANESE SPECS) (600S HC3)



ART\_1001265759



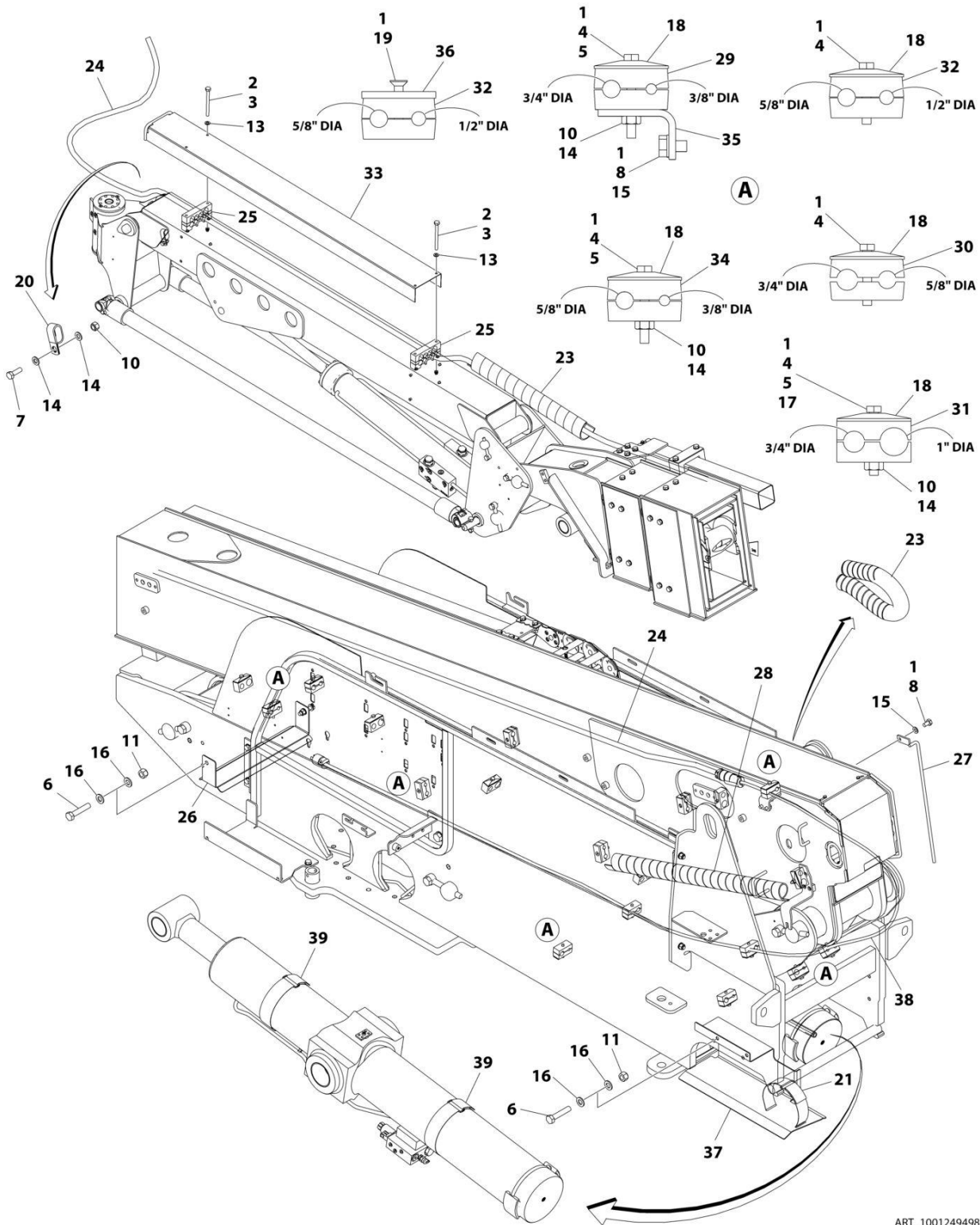
## SECTION 8 - ELECTRICAL

**FIGURE 8-23. AC CABLES AND CLAMPS INSTALLATION - WITH 7500W GENERATOR (ANSI, ANSI EXPORT, CHINA, CSA, RUSSIAN CIS AND JAPANESE SPECS) (600S HC3)**

ITEM	PART NUMBER	QTY	DESCRIPTION	REV
	1001265759	Ref	AC CABLES AND CLAMPS INSTALLATION	A
1	0100011	AR	Compound, Locking	
2	0641506	2	Bolt 5/16 x 3/4	
3	0700818	16	Bolt M8 x 50	
4	0700822	2	Bolt M8 x 70	
5	0701220	4	Bolt M12 x 60	
6	0760814	2	Bolt M8 x 30	
7	0761009	3	Bolt M10 x 18	
8	3290805	4	Nut M8	
9	3291205	4	Nut M12	
10	3841340	2	Loop, Hose	
11	4240018	3	Tie-Strap (Not Shown)	
12	4240099	3	Tie-Strap (Not Shown)	
13	4811900	7	Washer M8	
14	4812000	3	Washer M10	
15	4812100	8	Washer M12	
16	5281918	1	Capscrew M8 x 70	
17	77133137	19	Cover, Clamp	
18	1001143645	2	Strap, Cinch	
19	1001146588	4	Tie-Strap (Not Shown)	
20	1001181923	1	Shield, Tube	
21	1001201342	1	Support	
22	1001202936	1	Guide	
23	1001204690	2	Shield, Tube	
24	1001209948	3	Clamp	
25	1001209949	7	Clamp	
26	1001209951	6	Clamp	
27	1001209953	3	Clamp	
28	1001226304	1	AC Ground to Platform Cable (Lower)	
28	4460960	1	Receptacle, Female	
28	1671092	1	Cover, Receptacle	
29	1001226305	1	AC Ground to Platform Cable (Upper)	
29	1060945	1	Cable	
29	1001218622	1	Plug	
30	1001229637	1	Bracket	
31	1001252945	1	Support	

# SECTION 8 - ELECTRICAL

## FIGURE 8-24. AC CABLES AND CLAMPS INSTALLATION - WITHOUT GENERATOR (ANSI, CSA AND JAPANESE SPECS) (660SJ HC3)



ART\_1001249498

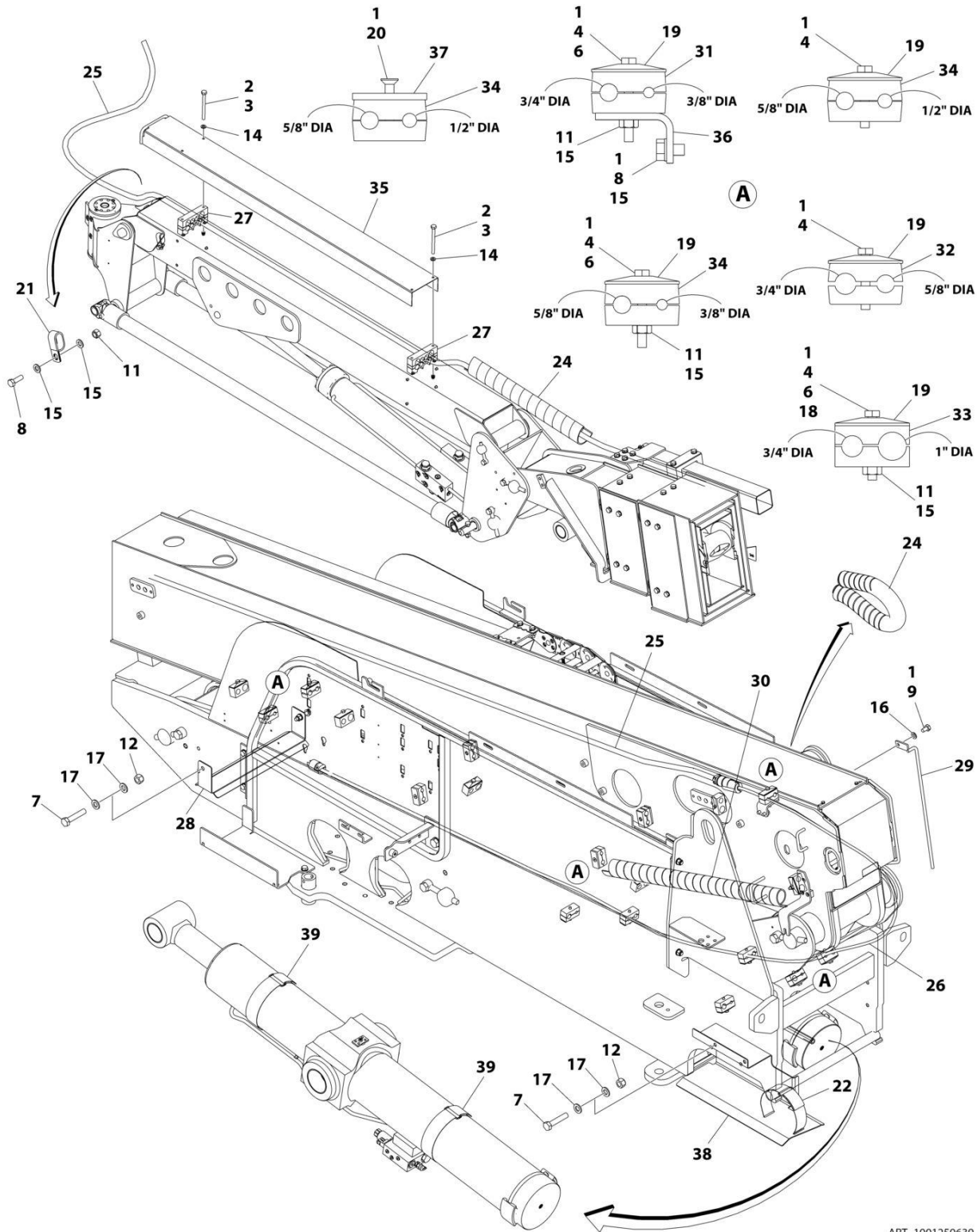
## SECTION 8 - ELECTRICAL

**FIGURE 8-24. AC CABLES AND CLAMPS INSTALLATION - WITHOUT GENERATOR (ANSI, CSA AND JAPANESE SPECS) (660SJ HC3)**

ITEM	PART NUMBER	QTY	DESCRIPTION	REV
	1001249498	Ref	AC CABLES & CLAMPS INSTALLATION	E
1	0100011	AR	Compound, Locking	
2	0100035	AR	Compound, Locking	
3	0700624	4	Bolt M6 x 80	
4	0700818	12	Bolt M8 x 50	
5	0700822	2	Bolt M8 x 70	
6	0701220	4	Bolt M12 x 60	
7	0760812	1	Bolt M8 x 25	
8	0761009	3	Bolt M10 x 18	
10	3290805	3	Nut M8	
11	3291205	4	Nut M12	
12	4240018	4	Tie-Strap (Not Shown)	
13	4811700	4	Washer M6	
14	4811900	3	Washer M8	
15	4812000	3	Washer M10	
16	4812100	8	Washer M12	
17	5281918	1	Capscrew M8 x 70	
18	77133137	15	Cover, Clamp	
19	1001102830	4	Screw M8 x 45	
20	1001116792	1	Clamp	
21	1001143645	1	Strap, Cinch	
22	1001146588	4	Tie-Strap (Not Shown)	
23	1001181923	2	Shield, Tube	
24	1001195228	1	AC Ground to Platform Cable (Upper)	
24	1001120204	1	Plug, Male	
25	1001201090	2	Block, Clamp	
26	1001201342	1	Support	
27	1001202936	1	Guide	
28	1001204690	1	Shield, Tube	
29	1001209948	3	Clamp	
30	1001209949	3	Clamp	
31	1001209951	6	Clamp	
32	1001209953	3	Clamp	
33	1001209957	1	Cover	
34	1001228809	4	Clamp	
35	1001229637	1	Bracket	
36	1001249496	4	Plate, Clamp	
37	1001252945	1	Support	
38	1001195525	1	AC Ground to Platform Cable (Lower)	
38	1001120205	1	Receptacle, Female	
39	1001265308	2	Strap, Cinch	

# SECTION 8 - ELECTRICAL

**FIGURE 8-25. AC CABLES AND CLAMPS INSTALLATION - WITHOUT GENERATOR (ANSI EXPORT, AUSTRALIAN, RUSSIA CIS, CHINA, CE & UK CA SPECS) (660SJ HC3)**



ART\_1001250639\_E

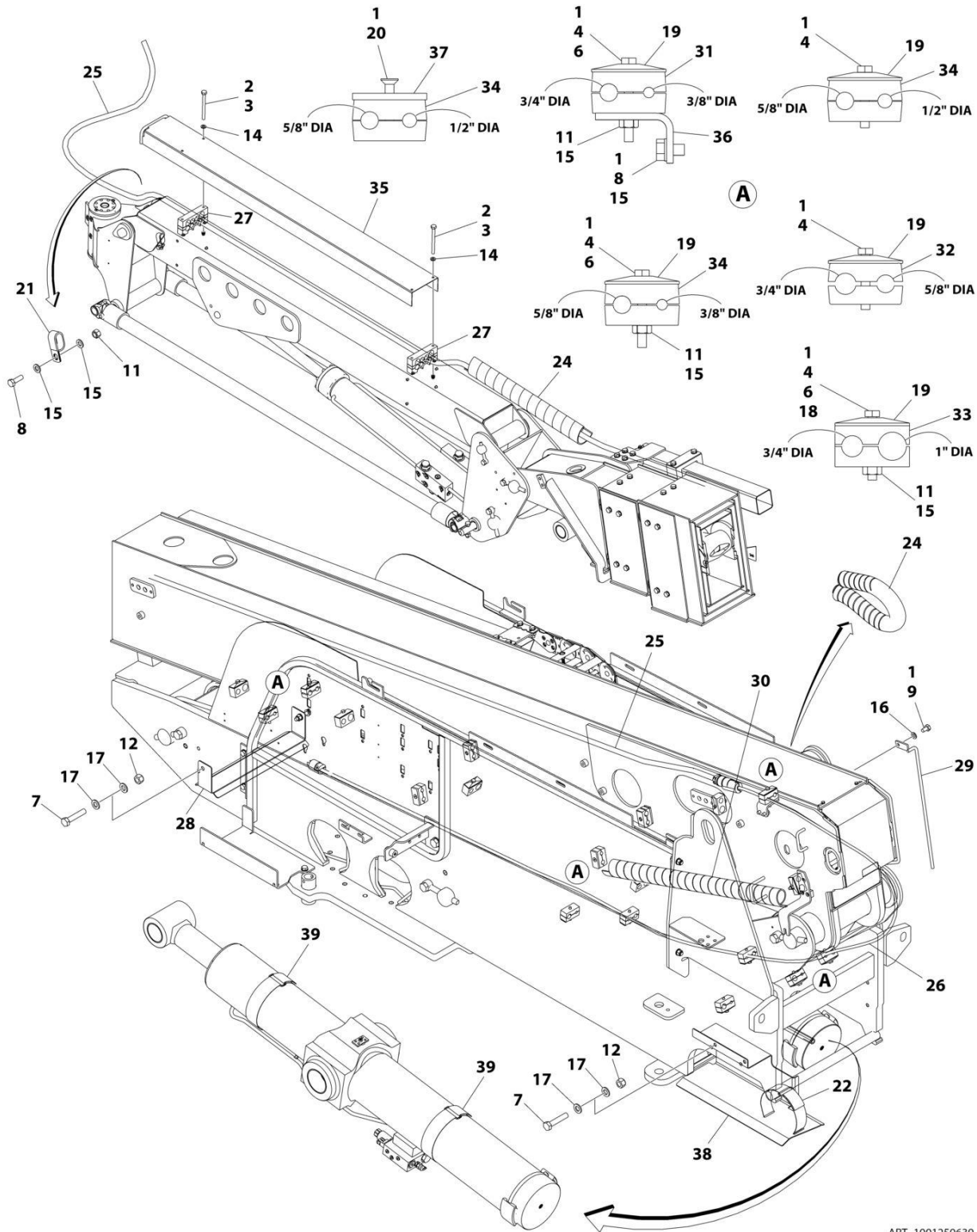
## SECTION 8 - ELECTRICAL

**FIGURE 8-25. AC CABLES AND CLAMPS INSTALLATION - WITHOUT GENERATOR (ANSI EXPORT, AUSTRALIAN, RUSSIA CIS, CHINA, CE & UK CA SPECS) (660SJ HC3)**

ITEM	PART NUMBER	QTY	DESCRIPTION	REV
	1001250639	Ref	AC CABLES AND CLAMPS INSTALLATION	E
1	0100011	AR	Compound, Locking	
2	0100035	AR	Compound, Locking	
3	0700624	4	Bolt M6 x 80	
4	0700818	12	Bolt M8 x 50	
5	0700819	3	Bolt M8 x 55 (Not Shown)	
6	0700822	2	Bolt M8 x 70	
7	0701220	4	Bolt M12 x 60	
8	0760812	1	Bolt M8 x 25	
9	0761009	3	Bolt M10 x 18	
11	3290805	6	Nut M8	
12	3291205	4	Nut M12	
13	4240018	4	Tie-Strap (Not Shown)	
14	4811700	4	Washer M6	
15	4811900	9	Washer M8	
16	4812000	3	Washer M10	
17	4812100	8	Washer M12	
18	5281918	1	Capscrew M8 x 70	
19	77133137	15	Cover, Clamp	
20	1001102830	4	Screw M8 x 45	
21	1001116792	1	Clamp	
22	1001143645	3	Strap, Cinch	
23	1001146588	4	Tie-Strap (Not Shown)	
24	1001181923	2	Shield, Tube	
25	1001195226	1	AC Ground to Platform Cable (Upper)	
25	1001214095	1	Plug, Male	
26	1001196368	1	AC Ground to Platform Cable (Lower)	
26	1001214096	1	Receptacle, Female	
27	1001201090	2	Block, Clamp	
28	1001201342	1	Support	
29	1001202936	1	Guide	
30	1001204690	1	Shield, Tube	
31	1001209948	3	Clamp	
32	1001209949	3	Clamp	
33	1001209951	6	Clamp	
34	1001209953	7	Clamp	
35	1001209957	1	Cover	
36	1001229637	1	Bracket	
37	1001249496	4	Plate, Clamp	
38	1001252945	1	Support	
39	1001265308	2	Strap, Cinch	

# SECTION 8 - ELECTRICAL

**FIGURE 8-26. AC CABLES AND CLAMPS INSTALLATION - WITH 2500W GENERATOR (ANSI, ANSI EXPORT, CHINA, CSA AND JAPANESE SPECS) (660SJ HC3)**



ART\_1001250639\_E

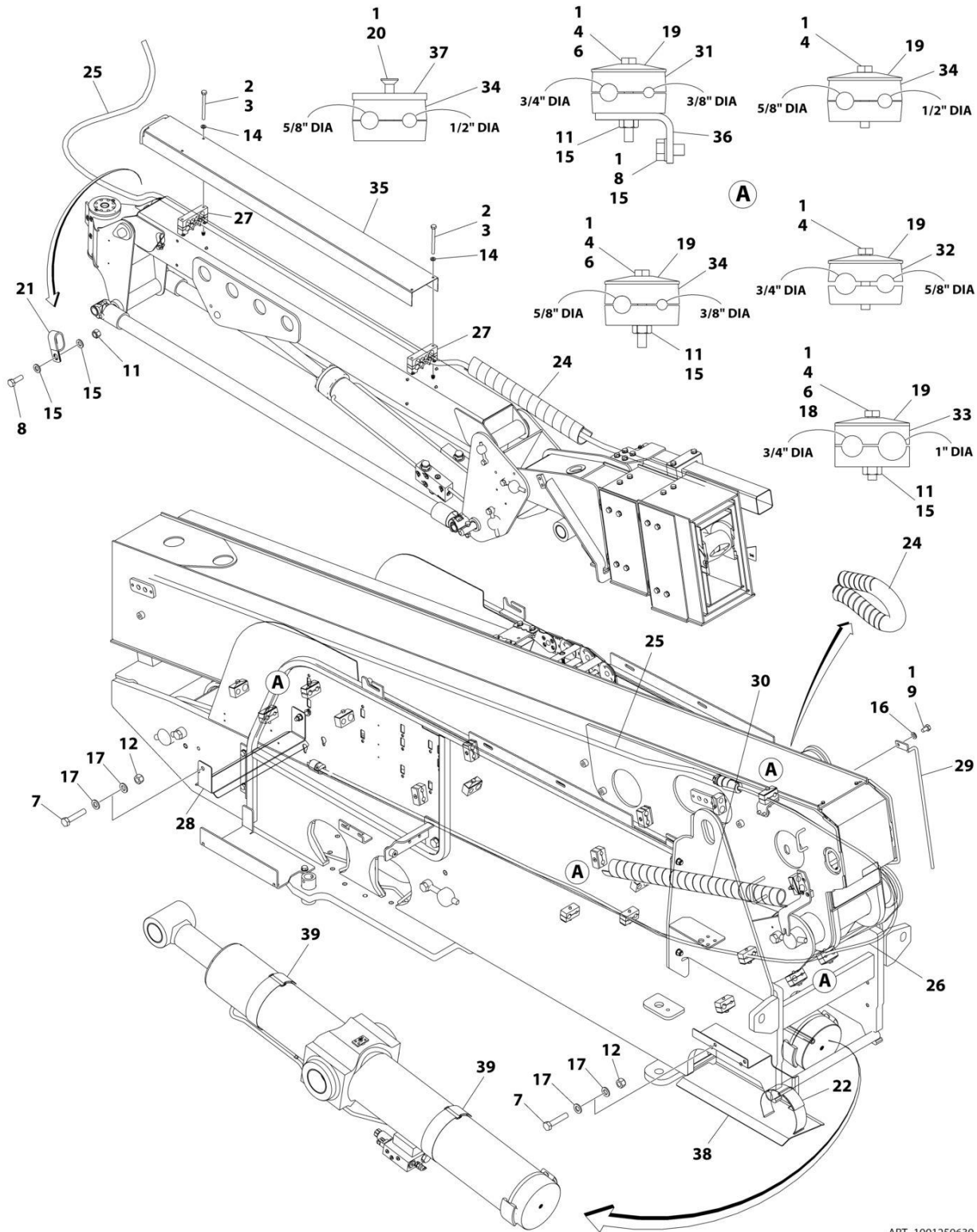
## SECTION 8 - ELECTRICAL

**FIGURE 8-26. AC CABLES AND CLAMPS INSTALLATION - WITH 2500W GENERATOR (ANSI, ANSI EXPORT, CHINA, CSA AND JAPANESE SPECS) (660SJ HC3)**

ITEM	PART NUMBER	QTY	DESCRIPTION	REV
	1001250639	Ref	AC CABLES AND CLAMPS INSTALLATION	E
1	0100011	AR	Compound, Locking	
2	0100035	AR	Compound, Locking	
3	0700624	4	Bolt M6 x 80	
4	0700818	12	Bolt M8 x 50	
5	0700819	3	Bolt M8 x 55 (Not Shown)	
6	0700822	2	Bolt M8 x 70	
7	0701220	4	Bolt M12 x 60	
8	0760812	1	Bolt M8 x 25	
9	0761009	3	Bolt M10 x 18	
11	3290805	6	Nut M8	
12	3291205	4	Nut M12	
13	4240018	4	Tie-Strap (Not Shown)	
14	4811700	4	Washer M6	
15	4811900	9	Washer M8	
16	4812000	3	Washer M10	
17	4812100	8	Washer M12	
18	5281918	1	Capscrew M8 x 70	
19	77133137	15	Cover, Clamp	
20	1001102830	4	Screw M8 x 45	
21	1001116792	1	Clamp	
22	1001143645	3	Strap, Cinch	
23	1001146588	4	Tie-Strap (Not Shown)	
24	1001181923	2	Shield, Tube	
25	1001195226	1	AC Ground to Platform Cable (Upper)	
25	1001214095	1	Plug, Male	
26	1001196368	1	AC Ground to Platform Cable (Lower)	
26	1001214096	1	Receptacle, Female	
27	1001201090	2	Block, Clamp	
28	1001201342	1	Support	
29	1001202936	1	Guide	
30	1001204690	1	Shield, Tube	
31	1001209948	3	Clamp	
32	1001209949	3	Clamp	
33	1001209951	6	Clamp	
34	1001209953	7	Clamp	
35	1001209957	1	Cover	
36	1001229637	1	Bracket	
37	1001249496	4	Plate, Clamp	
38	1001252945	1	Support	
39	1001265308	2	Strap, Cinch	

# SECTION 8 - ELECTRICAL

**FIGURE 8-27. AC CABLES AND CLAMPS INSTALLATION - WITH 4000W/50HZ GENERATOR (ANSI EXPORT, AUSTRALIAN, RUSSIA CIS, CHINA, CE & UK CA SPECS) (660SJ HC3)**



ART\_1001250639\_E



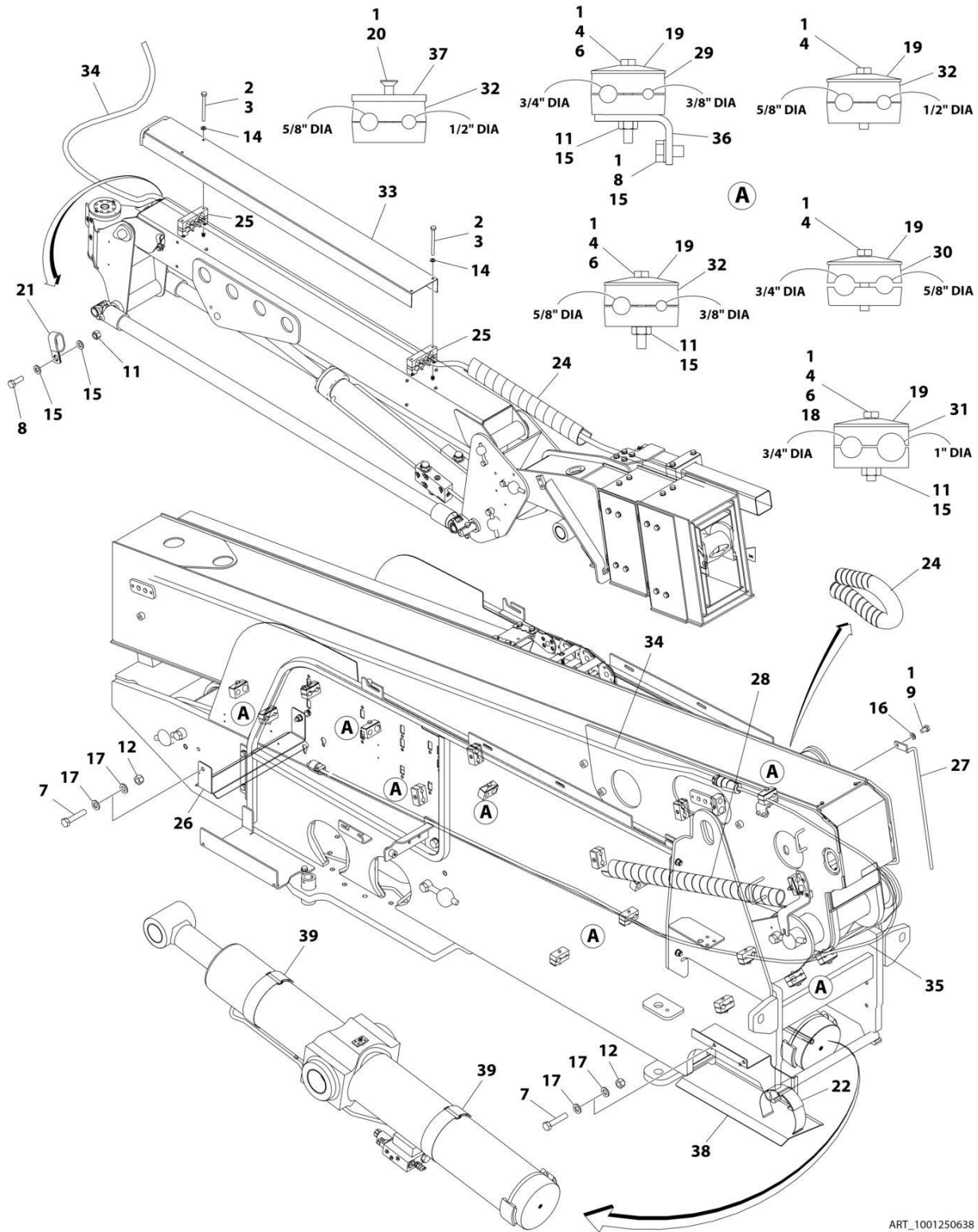
## SECTION 8 - ELECTRICAL

**FIGURE 8-27. AC CABLES AND CLAMPS INSTALLATION - WITH 4000W/50HZ GENERATOR (ANSI EXPORT, AUSTRALIAN, RUSSIA CIS, CHINA, CE & UK CA SPECS) (660SJ HC3)**

ITEM	PART NUMBER	QTY	DESCRIPTION	REV
	1001250639	Ref	AC CABLES AND CLAMPS INSTALLATION	E
1	0100011	AR	Compound, Locking	
2	0100035	AR	Compound, Locking	
3	0700624	4	Bolt M6 x 80	
4	0700818	12	Bolt M8 x 50	
5	0700819	3	Bolt M8 x 55 (Not Shown)	
6	0700822	2	Bolt M8 x 70	
7	0701220	4	Bolt M12 x 60	
8	0760812	1	Bolt M8 x 25	
9	0761009	3	Bolt M10 x 18	
11	3290805	6	Nut M8	
12	3291205	4	Nut M12	
13	4240018	4	Tie-Strap (Not Shown)	
14	4811700	4	Washer M6	
15	4811900	9	Washer M8	
16	4812000	3	Washer M10	
17	4812100	8	Washer M12	
18	5281918	1	Capscrew M8 x 70	
19	77133137	15	Cover, Clamp	
20	1001102830	4	Screw M8 x 45	
21	1001116792	1	Clamp	
22	1001143645	3	Strap, Cinch	
23	1001146588	4	Tie-Strap (Not Shown)	
24	1001181923	2	Shield, Tube	
25	1001195226	1	AC Ground to Platform Cable (Upper)	
25	1001214095	1	Plug, Male	
26	1001196368	1	AC Ground to Platform Cable (Lower)	
26	1001214096	1	Receptacle, Female	
27	1001201090	2	Block, Clamp	
28	1001201342	1	Support	
29	1001202936	1	Guide	
30	1001204690	1	Shield, Tube	
31	1001209948	3	Clamp	
32	1001209949	3	Clamp	
33	1001209951	6	Clamp	
34	1001209953	7	Clamp	
35	1001209957	1	Cover	
36	1001229637	1	Bracket	
37	1001249496	4	Plate, Clamp	
38	1001252945	1	Support	
39	1001265308	2	Strap, Cinch	

# SECTION 8 - ELECTRICAL

FIGURE 8-28. AC CABLES AND CLAMPS INSTALLATION - WITH 4000W/60HZ GENERATOR (ANSI, ANSI EXPORT, CSA AND JAPANESE SPECS) (660SJ HC3)



ART\_1001250638

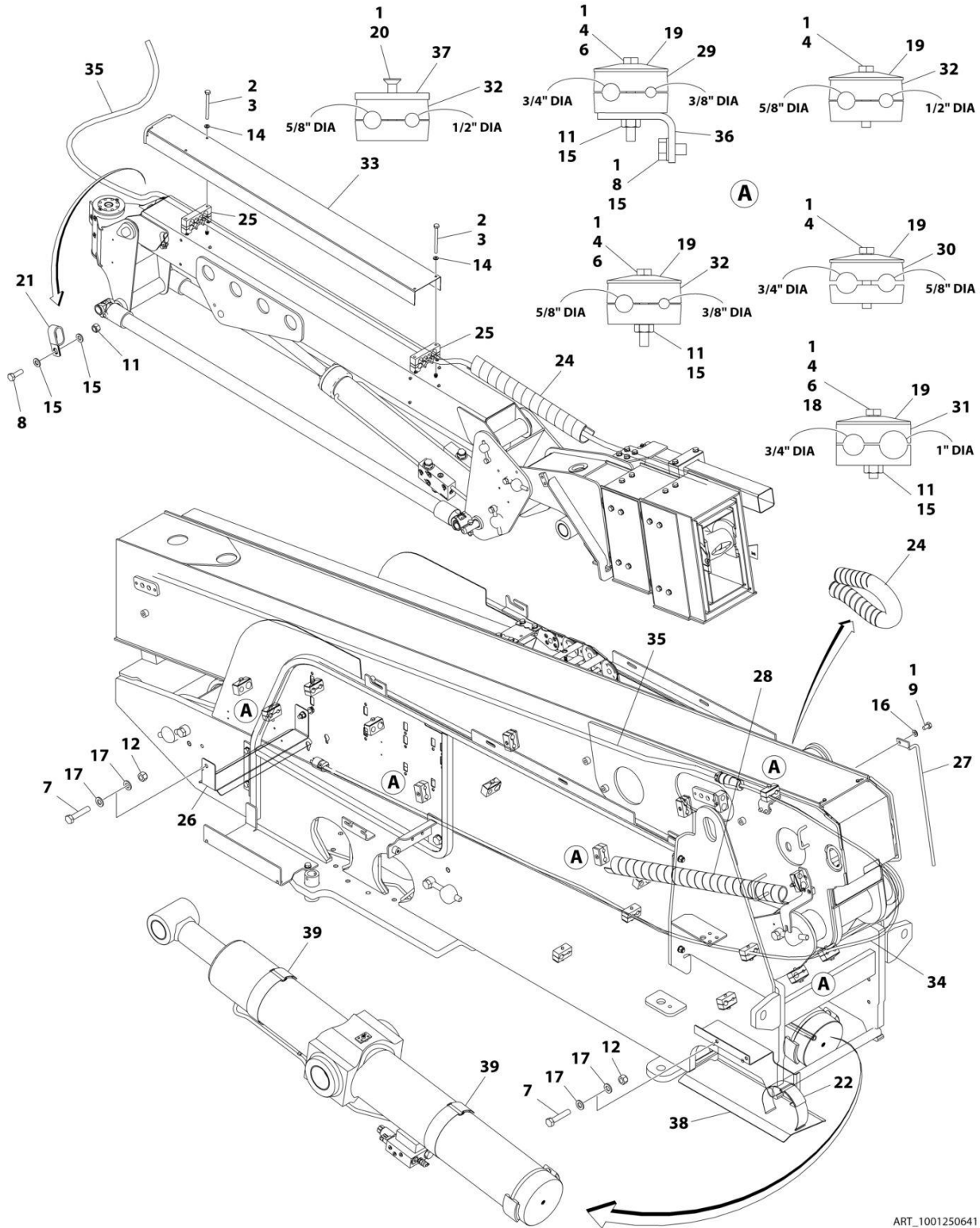
## SECTION 8 - ELECTRICAL

**FIGURE 8-28. AC CABLES AND CLAMPS INSTALLATION - WITH 4000W/60HZ GENERATOR (ANSI, ANSI EXPORT, CSA AND JAPANESE SPECS) (660SJ HC3)**

ITEM	PART NUMBER	QTY	DESCRIPTION	REV
	1001250638	Ref	AC CABLES AND CLAMPS INSTALLATION	E
1	0100011	AR	Compound, Locking	
2	0100035	AR	Compound, Locking	
3	0700624	4	Bolt M6 x 80	
4	0700818	12	Bolt M8 x 50	
5	0700819	3	Bolt M8 x 55 (Not Shown)	
6	0700822	2	Bolt M8 x 70	
7	0701220	4	Bolt M12 x 60	
8	0760812	1	Bolt M8 x 25	
9	0761009	3	Bolt M10 x 18	
11	3290805	6	Nut M8	
12	3291205	4	Nut M12	
13	4240018	4	Tie-Strap (Not Shown)	
14	4811700	4	Washer M6	
15	4811900	9	Washer M8	
16	4812000	3	Washer M10	
17	4812100	8	Washer M12	
18	5281918	1	Capscrew M8 x 70	
19	77133137	15	Cover, Clamp	
20	1001102830	4	Screw M8 x 45	
21	1001116792	1	Clamp	
22	1001143645	1	Strap, Cinch	
23	1001146588	4	Tie-Strap (Not Shown)	
24	1001181923	2	Shield, Tube	
25	1001201090	2	Block, Clamp	
26	1001201342	1	Support	
27	1001202936	1	Guide	
28	1001204690	1	Shield, Tube	
29	1001209948	3	Clamp	
30	1001209949	3	Clamp	
31	1001209951	6	Clamp	
32	1001209953	7	Clamp	
33	1001209957	1	Cover	
34	1001228187	1	AC Ground to Platform Cable (Upper)	
34	4460959	1	Plug, Male	
34	1671093	1	Cover, Plug	
35	1001228188	1	AC Ground to Platform Cable (Lower)	
35	4460960	1	Receptacle, Female	
35	1671092	1	Cover, Receptacle	
36	1001229637	1	Bracket	
37	1001249496	4	Plate, Clamp	
38	1001252945	1	Support	
39	1001265308	2	Strap, Cinch	

# SECTION 8 - ELECTRICAL

**FIGURE 8-29. AC CABLES AND CLAMPS INSTALLATION - WITH 7500W GENERATOR (ANSI, ANSI EXPORT, AUSTRALIAN, CHINA, CSA, RUSSIAN CIS, AND JAPANESE SPECS) (660SJ HC3)**



ART\_1001250641

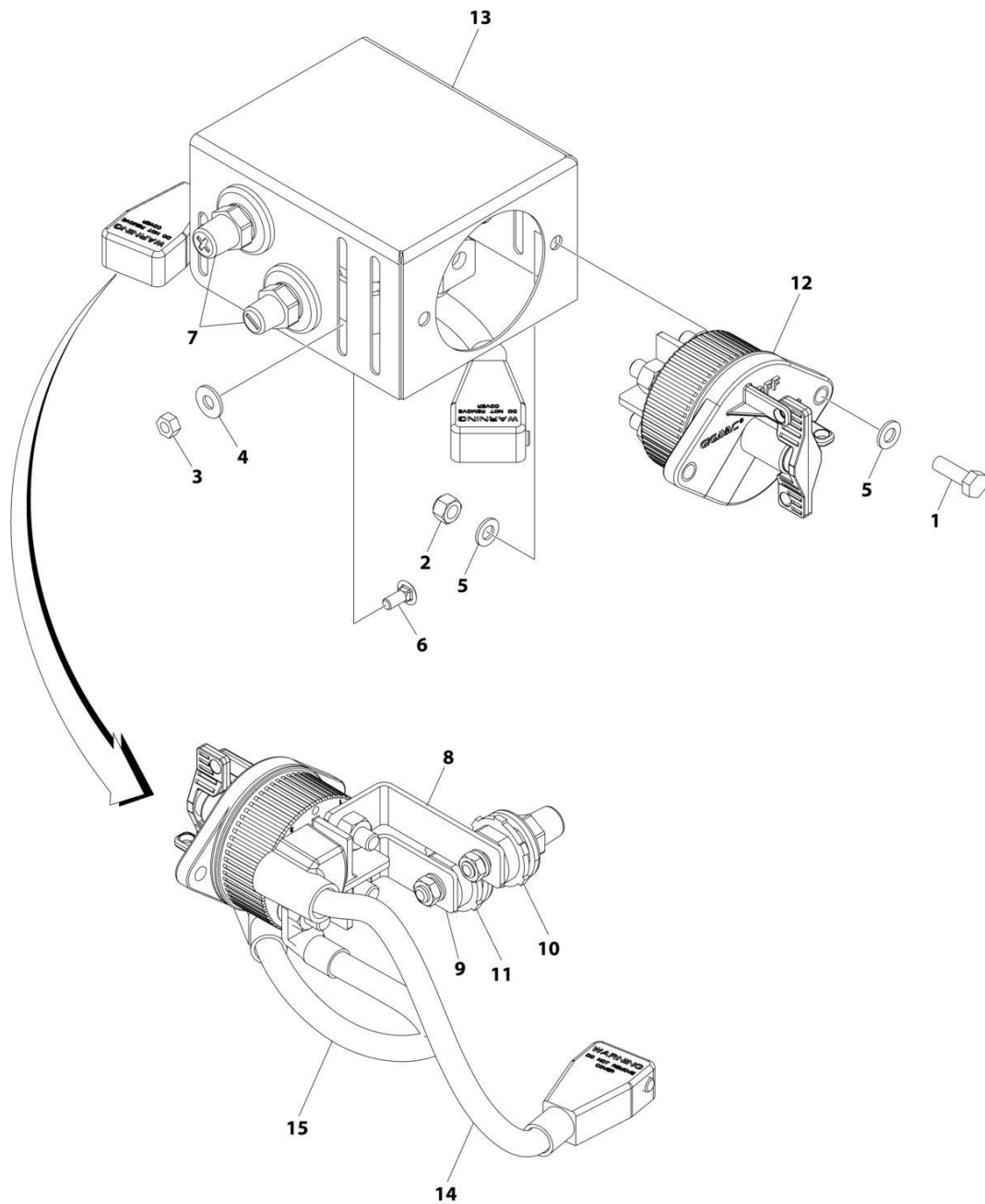
## SECTION 8 - ELECTRICAL

**FIGURE 8-29. AC CABLES AND CLAMPS INSTALLATION - WITH 7500W GENERATOR (ANSI, ANSI EXPORT, AUSTRALIAN, CHINA, CSA, RUSSIAN CIS, AND JAPANESE SPECS) (660SJ HC3)**

ITEM	PART NUMBER	QTY	DESCRIPTION	REV
	1001250641	Ref	AC CABLES & CLAMPS INSTALLATION	E
1	0100011	AR	Compound, Locking	
2	0100035	AR	Compound, Locking	
3	0700624	4	Bolt M6 x 80	
4	0700818	12	Bolt M8 x 50	
5	0700819	3	Bolt M8 x 55 (Not Shown)	
6	0700822	2	Bolt M8 x 70	
7	0701220	4	Bolt M12 x 60	
8	0760812	1	Bolt M8 x 25	
9	0761009	3	Bolt M10 x 18	
11	3290805	6	Nut M8	
12	3291205	4	Nut M12	
13	4240018	4	Tie-Strap (Not Shown)	
14	4811700	4	Washer M6	
15	4811900	9	Washer M8	
16	4812000	3	Washer M10	
17	4812100	8	Washer M12	
18	5281918	1	Capscrew M8 x 70	
19	77133137	15	Cover, Clamp	
20	1001102830	4	Screw M8 x 45	
21	1001116792	1	Clamp	
22	1001143645	3	Strap, Cinch	
23	1001146588	4	Tie-Strap (Not Shown)	
24	1001181923	2	Shield, Tube	
25	1001201090	2	Block, Clamp	
26	1001201342	1	Support	
27	1001202936	1	Guide	
28	1001204690	1	Shield, Tube	
29	1001209948	3	Clamp	
30	1001209949	3	Clamp	
31	1001209951	3	Clamp	
32	1001209953	7	Clamp	
33	1001209957	1	Cover	
34	1001226304	1	AC Ground to Platform Cable (Upper)	
34	1001218623	1	Receptacle, Female	
35	1001227075	1	AC Ground to Platform Cable (Lower)	
35	1001218622	1	Plug, Male	
36	1001229637	1	Bracket	
37	1001249496	4	Plate, Clamp	
38	1001252945	1	Support	
39	1001265308	2	Strap, Cinch	

# SECTION 8 - ELECTRICAL

## FIGURE 8-30. BATTERY DISCONNECT SWITCH INSTALLATION



ART\_1001236304

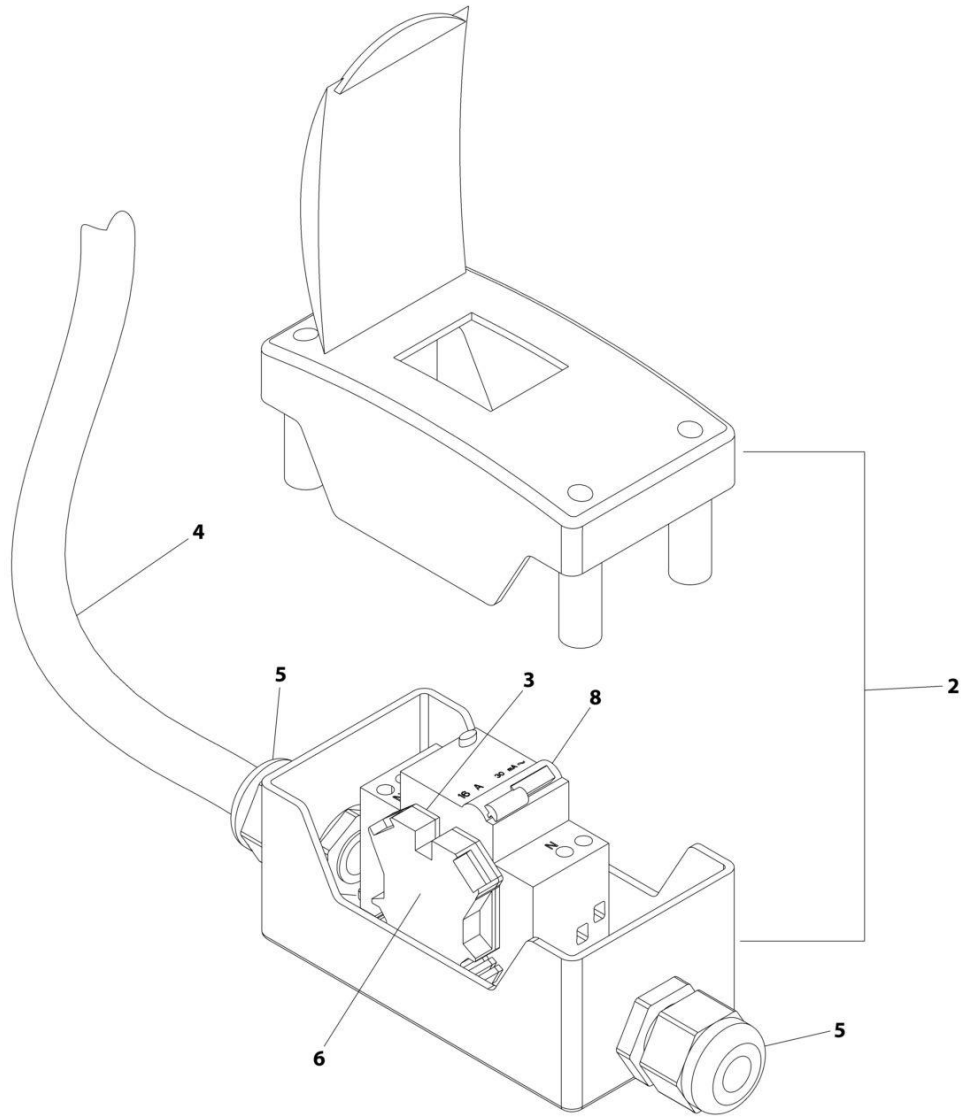
## SECTION 8 - ELECTRICAL

**FIGURE 8-30. BATTERY DISCONNECT SWITCH INSTALLATION**

ITEM	PART NUMBER	QTY	DESCRIPTION	REV
	1001236304	Ref	BATTERY DISCONNECT SWITCH INSTALLATION	A
1	0760812	2	Bolt M8 x 25	
2	3290805	2	Nut M8	
3	3311405	3	Nut 1/4	
4	4751400	3	Washer 1/4	
5	4811900	4	Washer M8	
6	88411013	3	Bolt 1/4 x 3/4	
7	1001206476	1	Connectors, Post	
8	1001209432	1	Bussbar	
9	1001209474	1	Bussbar	
10	1001214570	1	Connector (Red)	
11	1001214571	1	Connector (Black)	
12	1001225346	1	Switch, Battery	
13	1001226531	1	Mount	
14	1001236504	1	Cable, Battery (+)	
15	1001236505	1	Cable, Battery (-)	

# SECTION 8 - ELECTRICAL

FIGURE 8-31. BREAKER BOX KIT - SINGLE DOUBLE POLE BREAKER (WITHOUT 4000W/50HZ GENERATOR)



ART\_2902549\_F



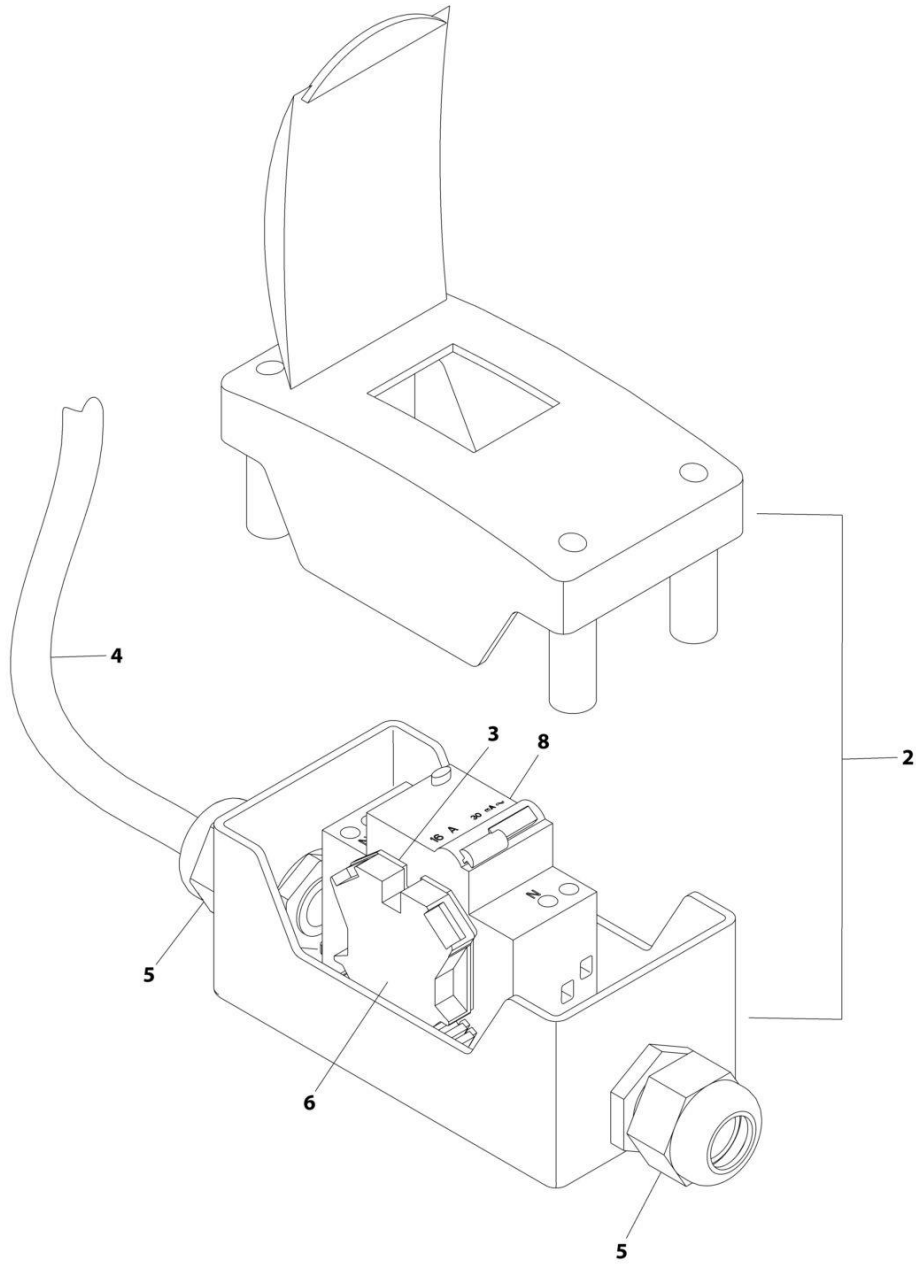
## SECTION 8 - ELECTRICAL

**FIGURE 8-31. BREAKER BOX KIT - SINGLE DOUBLE POLE BREAKER (WITHOUT 4000W/50HZ GENERATOR)**

ITEM	PART NUMBER	QTY	DESCRIPTION	REV
	2902549	Ref	BREAKER BOX KIT	F
2	0861880	1	Box	
3	4460956	1	Barrier, Terminal	
4	1060908	6 ft/1.8m	Cable, 12/3	
5	1001097150	2	Connector, Strain Relief	
6	4460957	1	Block, Terminal	
8	1001181045	1	Breaker, 16Amp	

# SECTION 8 - ELECTRICAL

FIGURE 8-32. BREAKER BOX KIT - SINGLE DOUBLE POLE BREAKER (WITH 4000W/50HZ GENERATOR)



ART\_1001096070

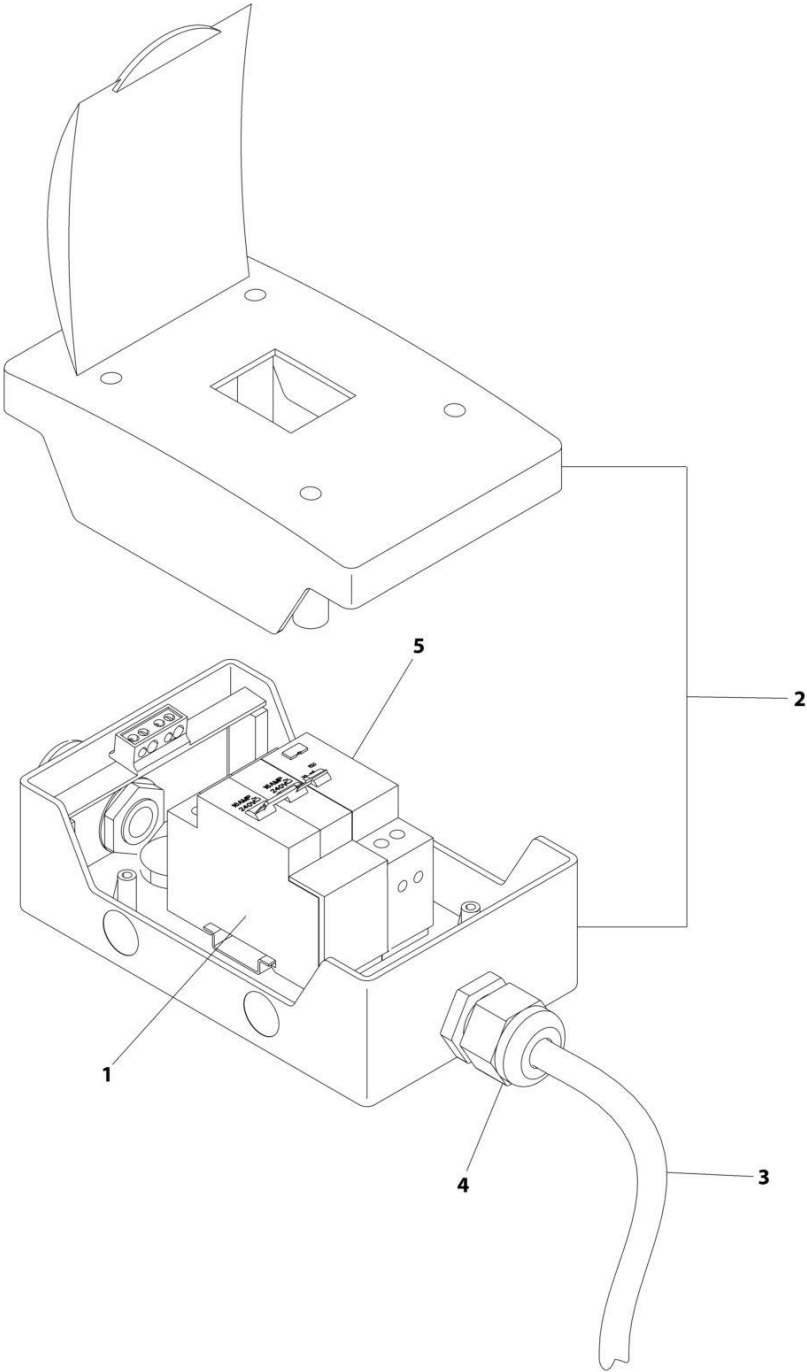
## SECTION 8 - ELECTRICAL

**FIGURE 8-32. BREAKER BOX KIT - SINGLE DOUBLE POLE BREAKER (WITH 4000W/50HZ GENERATOR)**

ITEM	PART NUMBER	QTY	DESCRIPTION	REV
	1001096070	Ref	BREAKER BOX KIT	E
2	0861880	1	Box	
3	4460956	1	Barrier, Terminal Block End	
4	1060908	12 ft/ 3.6m	Cable, 12/3	
5	1001097150	2	Connector, Strain Relief	
6	4460957	1	Block, Terminal	
8	1001181045	1	Breaker, 16Amp	

**SECTION 8 - ELECTRICAL**

**FIGURE 8-33. BREAKER BOX KIT - 3 BREAKERS**



ART\_1001152486

## SECTION 8 - ELECTRICAL

### FIGURE 8-33. BREAKER BOX KIT - 3 BREAKERS

ITEM	PART NUMBER	QTY	DESCRIPTION	REV
	1001152486	Ref	BREAKER BOX KIT	A
1	1001152479	1	Breaker, 16 Amp (Double)	
2	1001152483	1	Box	
3	1060908	12 ft/ 3.66m	Cable, 12/3	
4	1001097150	1	Connector, Strain Relief	
5	1001152482	1	Breaker, 30mA	

# SECTION 8 - ELECTRICAL

## FIGURE 8-34. BOOM ANGLE SENSOR HARNESS



ART\_1001189005

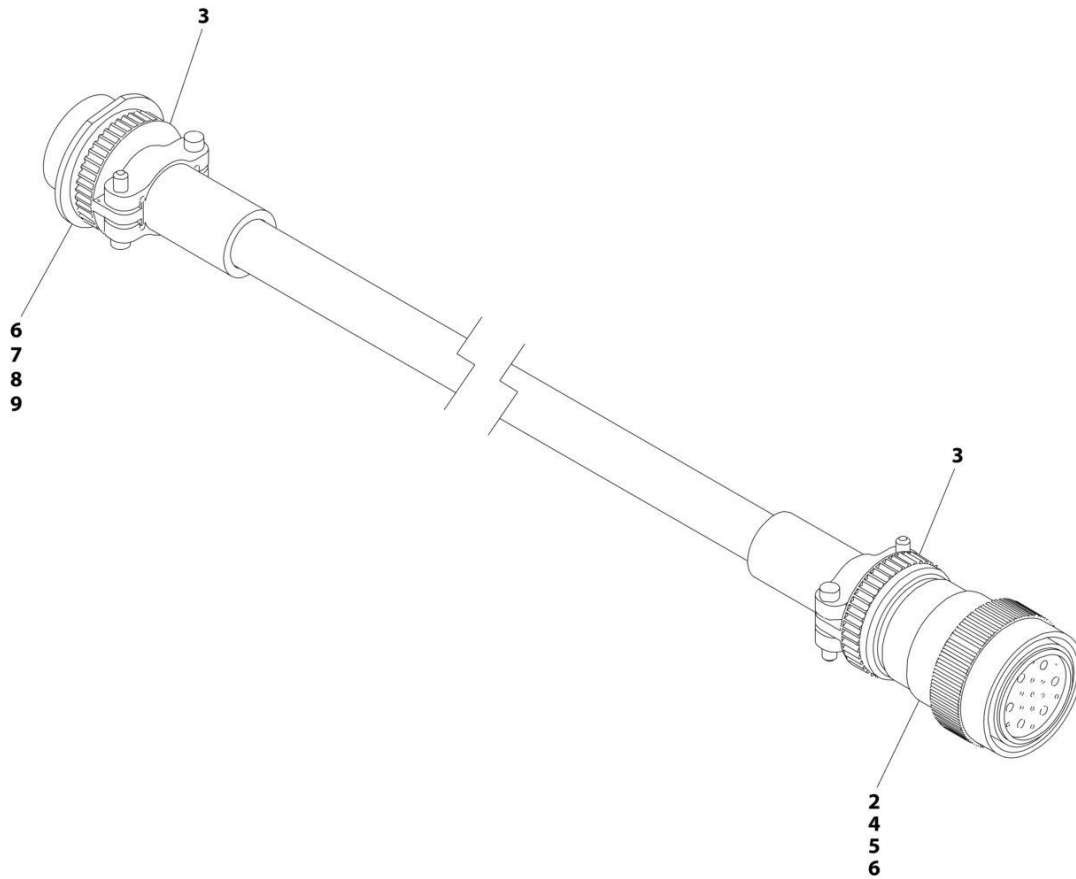
## SECTION 8 - ELECTRICAL

### FIGURE 8-34. BOOM ANGLE SENSOR HARNESS

ITEM	PART NUMBER	QTY	DESCRIPTION	REV
	1001189005	Ref	BOOM ANGLE SENSOR HARNESS	D
1	1001230931	1	Plug, Male - 6 Position	
1	1001116748	6	Terminal	
2	4460932	1	Receptacle, Female - 4 Position	
2	4460464	4	Pin, Male	

# SECTION 8 - ELECTRICAL

## FIGURE 8-35. BOOM CABLE - LOWER



ART\_1001206082



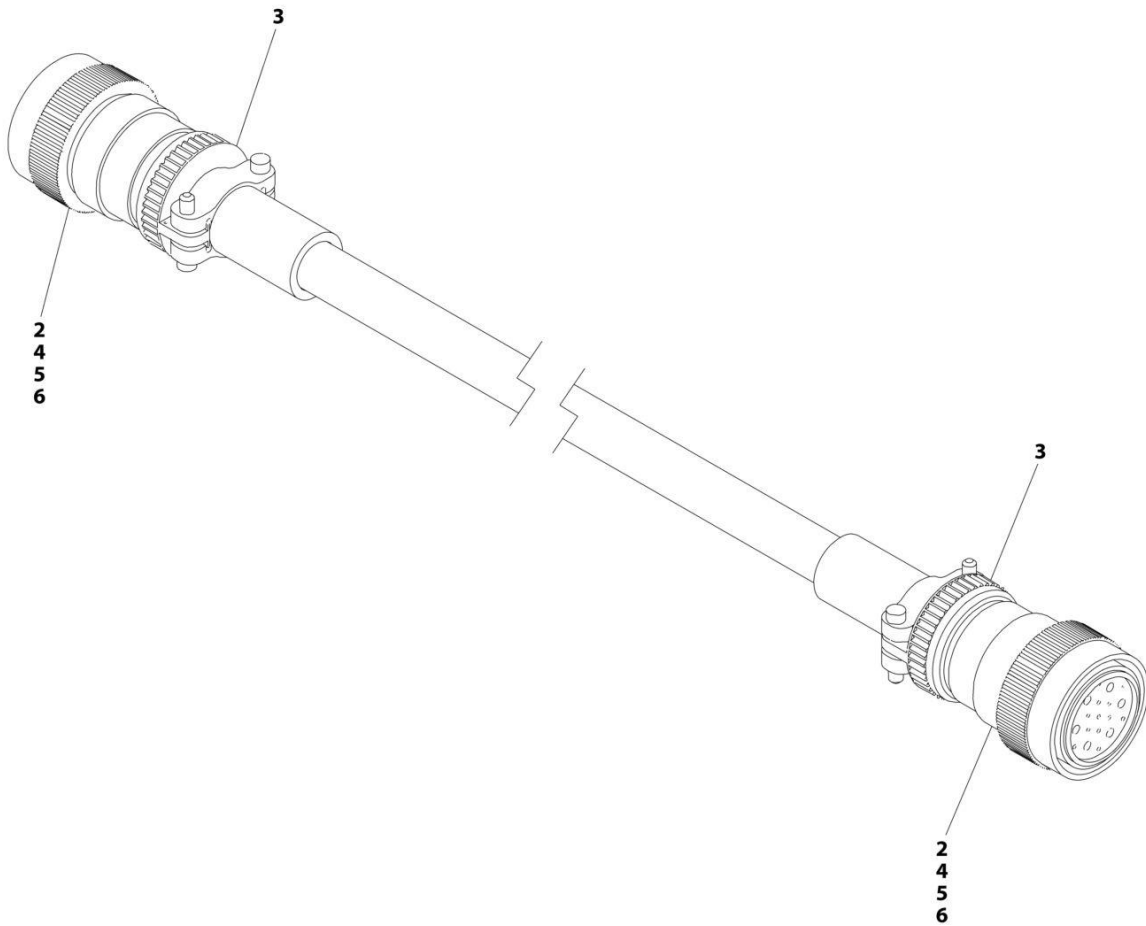
## SECTION 8 - ELECTRICAL

### FIGURE 8-35. BOOM CABLE - LOWER

ITEM	PART NUMBER	QTY	DESCRIPTION	REV
	1001206082	Ref	BOOM CABLE	C
2	4460865	1	Connector - 19 Position	
3	4460473	2	Clamp	
4	4460465	10	Socket, Female	
5	4460509	4	Socket, Female	
6	4460466	10	Plug, Socket	
7	4460866	1	Connector - 19 Position	
8	4460508	4	Pin, Male	
9	4460464	10	Pin, Male	

# SECTION 8 - ELECTRICAL

## FIGURE 8-36. BOOM CABLE - UPPER (600S HC3)



ART\_1001188533

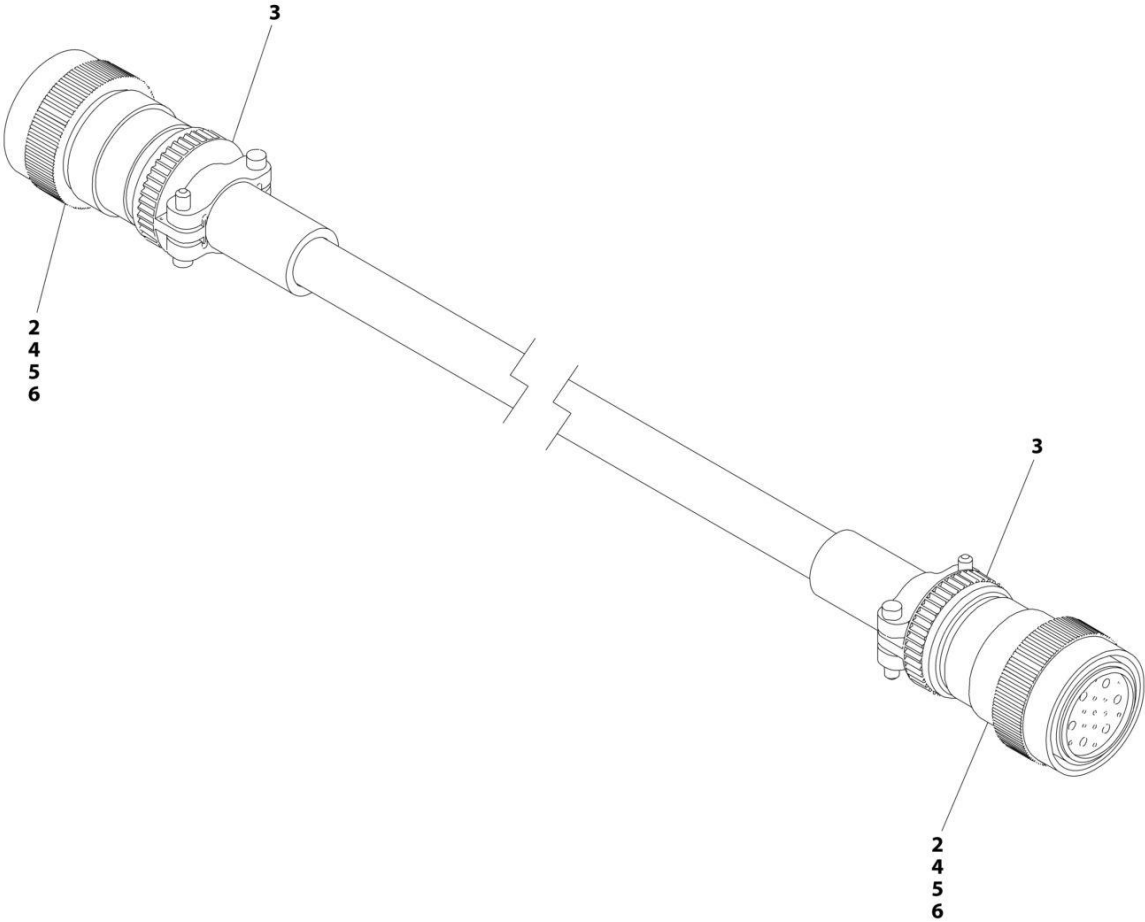
## SECTION 8 - ELECTRICAL

**FIGURE 8-36. BOOM CABLE - UPPER (600S HC3)**

ITEM	PART NUMBER	QTY	DESCRIPTION	REV
	1001188533	Ref	BOOM CABLE	C
2	4460865	2	Connector - 19 Position	
3	4460473	2	Clamp	
4	4460465	20	Socket, Female	
5	4460509	8	Socket, Female	
6	4460466	10	Plug, Socket	
7	1001226400	2	Heat Shrink (Not Shown)	

**SECTION 8 - ELECTRICAL**

**FIGURE 8-37. BOOM CABLE - UPPER (660SJ HC3)**



ART\_1001188534

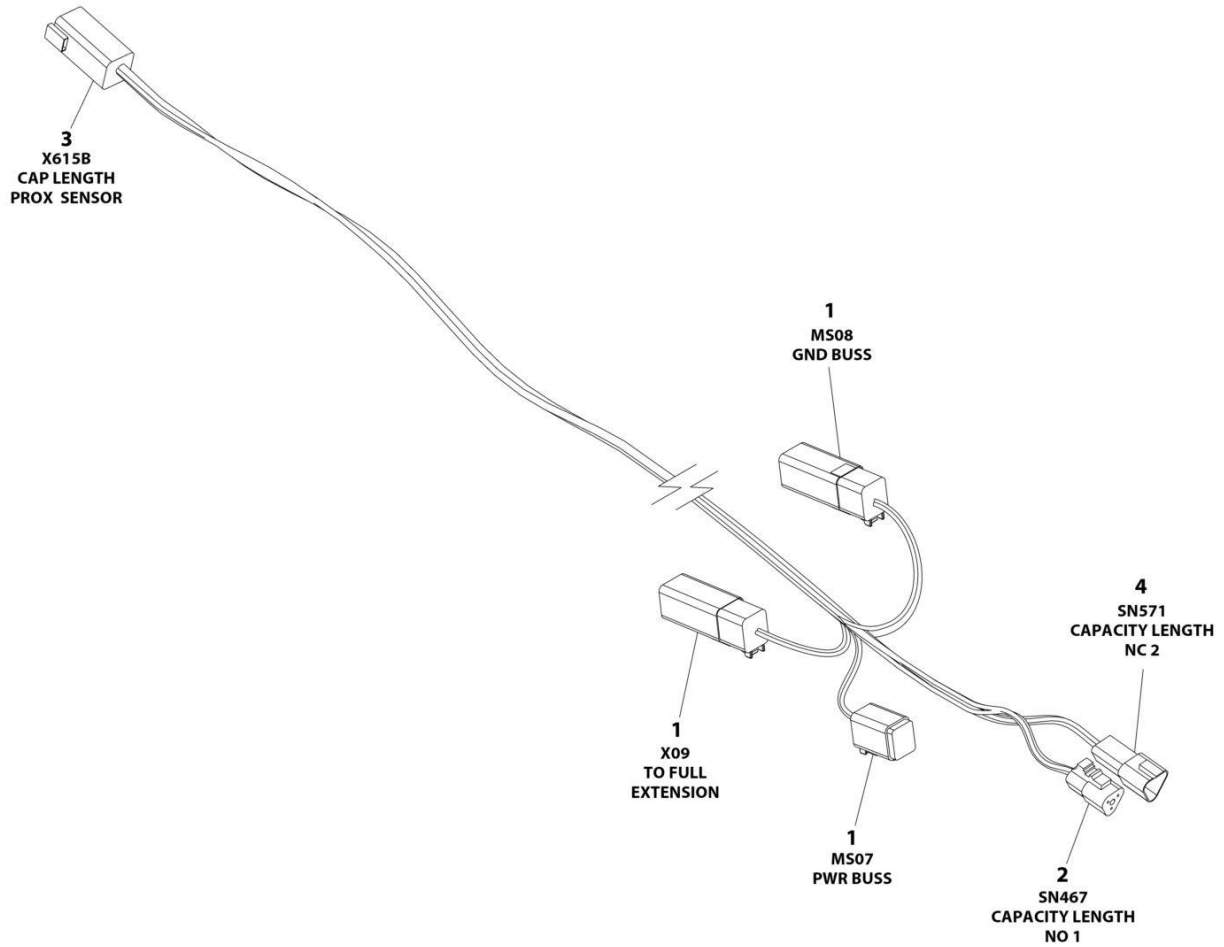
## SECTION 8 - ELECTRICAL

### FIGURE 8-37. BOOM CABLE - UPPER (660SJ HC3)

ITEM	PART NUMBER	QTY	DESCRIPTION	REV
	1001188534	Ref	BOOM CABLE	C
2	4460865	2	Connector - 19 Position	
3	4460473	2	Clamp	
4	4460465	20	Socket, Female	
5	4460509	8	Socket, Female	
6	4460466	10	Plug, Socket	
7	1001226400	2	Heat Shrink (Not Shown)	

# SECTION 8 - ELECTRICAL

## FIGURE 8-38. CAPACITY PROXIMITY HARNESS (1000LBS)



ART\_1001238191

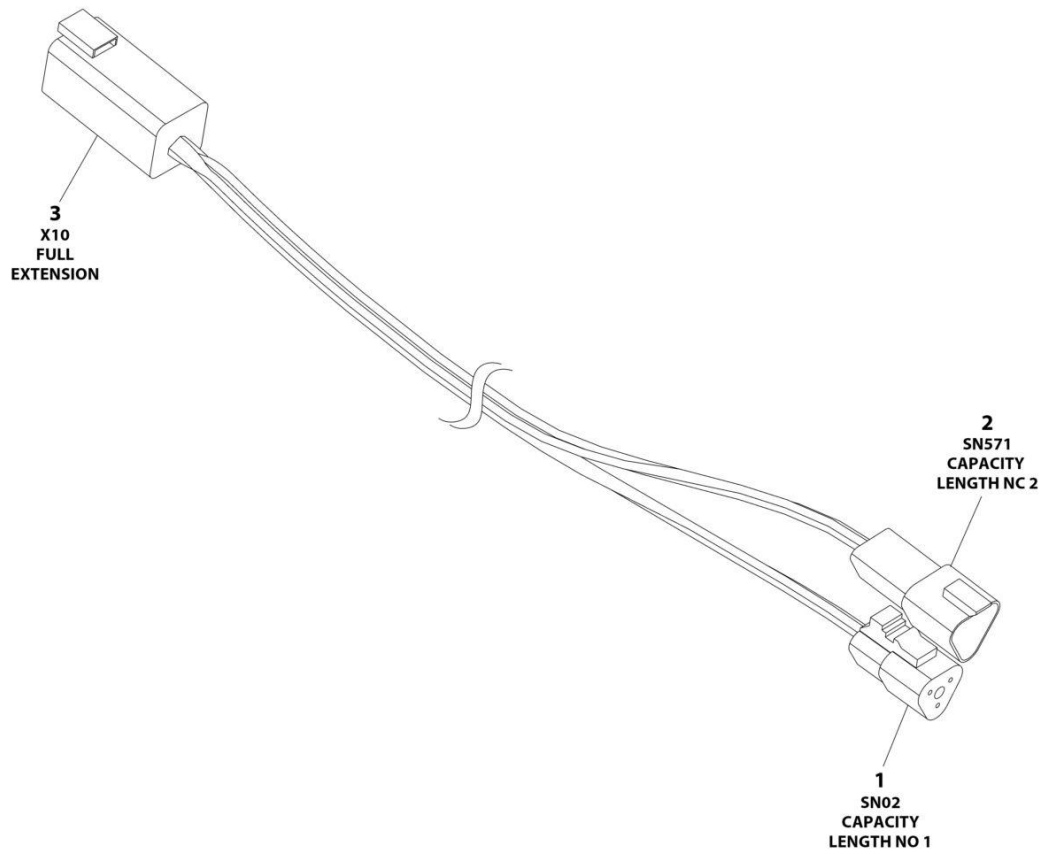
## SECTION 8 - ELECTRICAL

### FIGURE 8-38. CAPACITY PROXIMITY HARNESS (1000LBS)

ITEM	PART NUMBER	QTY	DESCRIPTION	REV
	1001238191	Ref	CAPACITY PROXIMITY HARNESS	D
1	4460894	3	Plug, Male - 6 Position	
1	4460465	16	Socket, Female	
1	4460466	2	Plug, Terminal	
1	4460892	2	Bussbar - 6 Position	
2	4460539	1	Plug, Male - 3 Position	
2	4460465	3	Socket, Female	
3	4460899	1	Receptacle, Female - 6 Position	
3	4460464	6	Pin, Male	
4	4460536	1	Receptacle, Female - 3 Position	
4	4640464	3	Pin, Male	

# SECTION 8 - ELECTRICAL

## FIGURE 8-39. CAPACITY PROXIMITY HARNESS (750 LBS)



ART\_1001238192



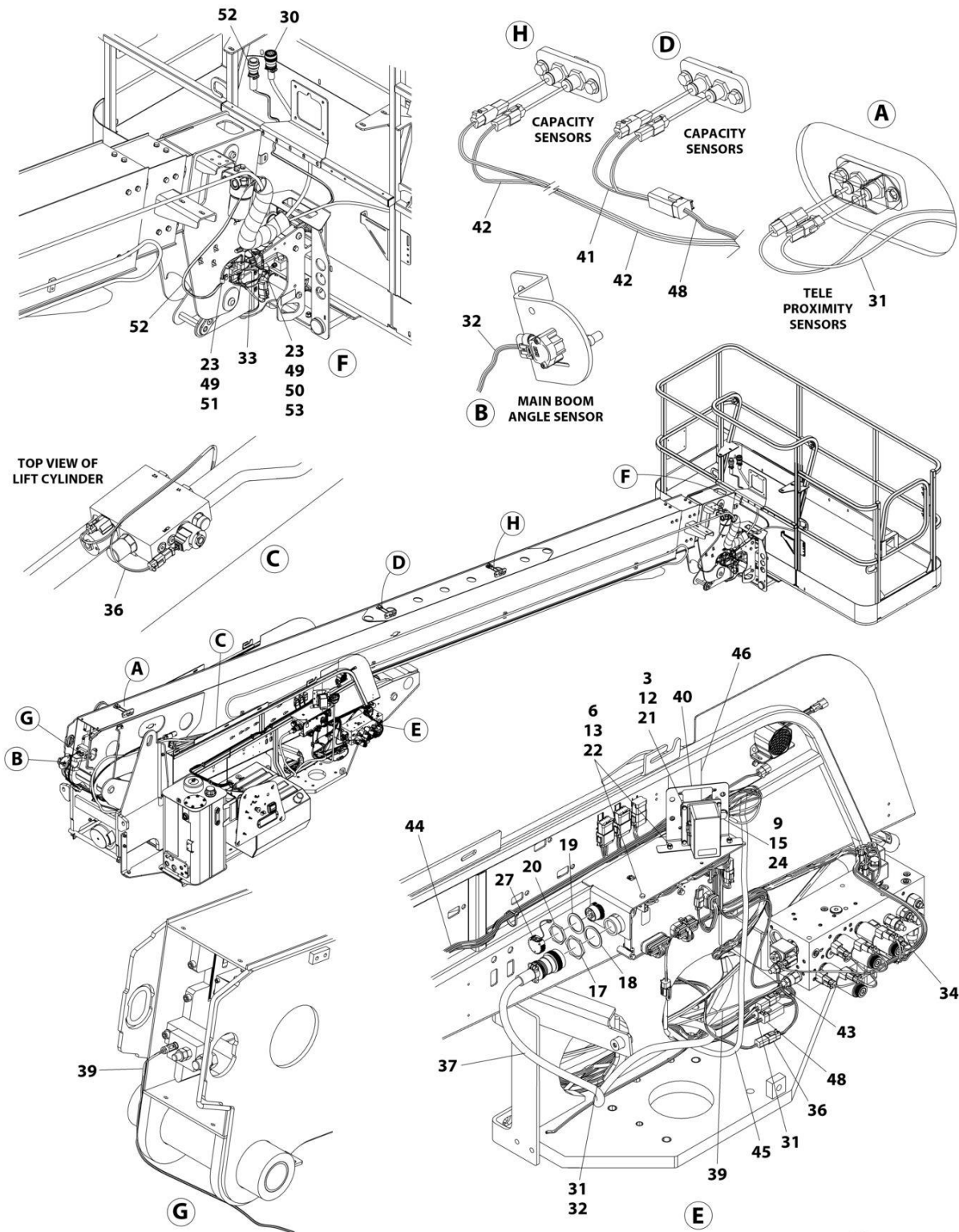
## SECTION 8 - ELECTRICAL

### FIGURE 8-39. CAPACITY PROXIMITY HARNESS (750 LBS)

ITEM	PART NUMBER	QTY	DESCRIPTION	REV
	1001238192	Ref	BOOM SENSOR / CAPACITY PROXIMITY HARNESS	B
1	4460539	1	Plug, Male - 3 Position	
1	4460465	3	Socket, Female	
2	4460536	1	Receptacle, Female - 3 Position	
2	4640464	3	Pin, Male	
3	4460899	1	Receptacle, Female - 6 Position	
3	4460464	6	Pin, Male	

# SECTION 8 - ELECTRICAL

**FIGURE 8-40. ELECTRICAL COMPONENTS INSTALLATION (WITH GROUND CONTROL MODULE 1001187200) (ALL SPECS EXCEPT AUSTRALIAN, CE & UK CA (ULS) SPECS) (600S HC3)**



ART\_1001235143\_D\_20F2

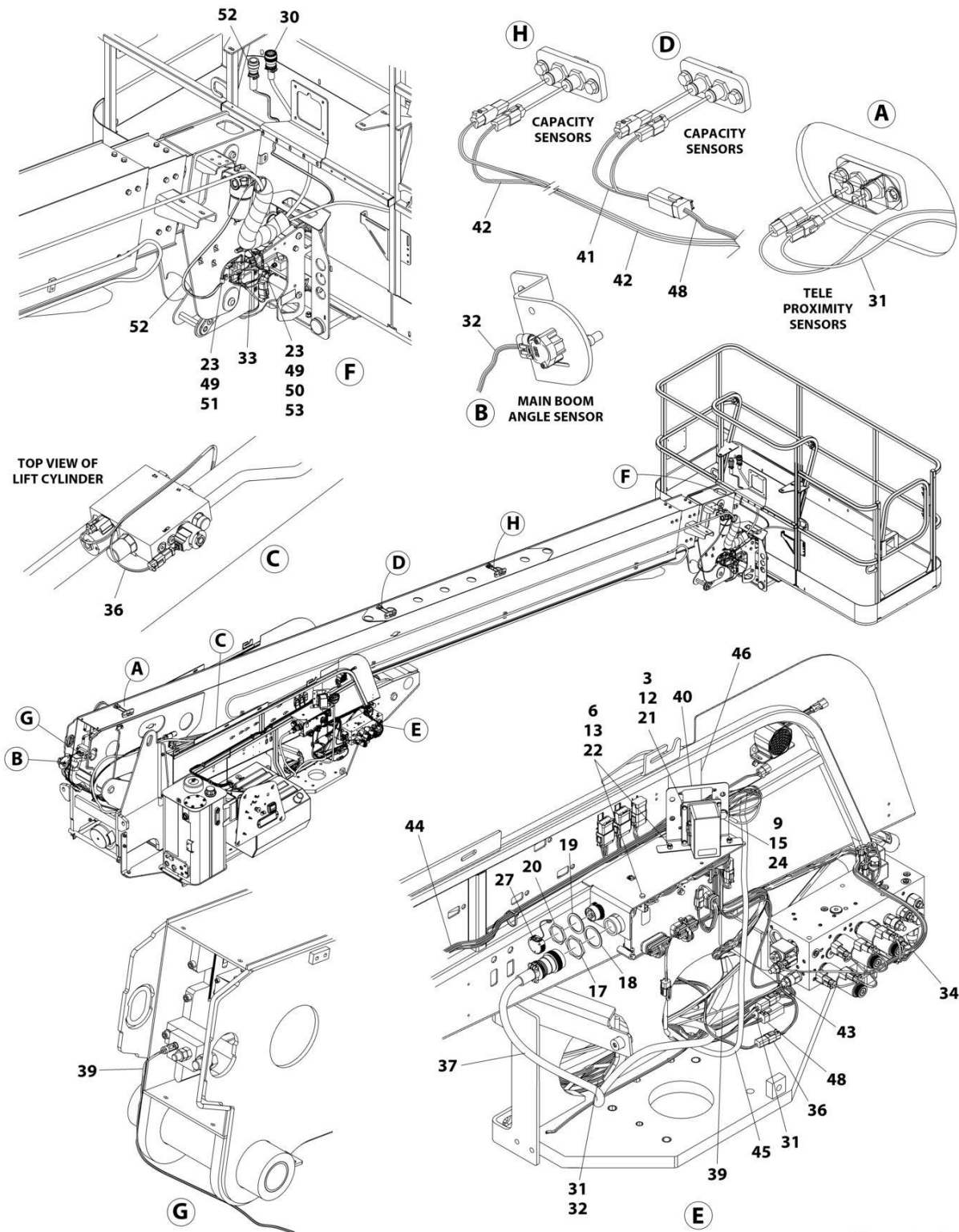
## SECTION 8 - ELECTRICAL

**FIGURE 8-40. ELECTRICAL COMPONENTS INSTALLATION (WITH GROUND CONTROL MODULE 1001187200) (ALL SPECS EXCEPT AUSTRALIAN, CE & UK CA (ULS) SPECS) (600S HC3)**

ITEM	PART NUMBER	QTY	DESCRIPTION	REV
	1001235143	Ref	ELECTRICAL COMPONENTS INSTALLATION	D
3	0700412	4	Bolt M4 x 25	
6	0760608	5	Bolt M6 x 16	
9	0761014	1	Bolt M10 x 30	
12	3290405	4	Nut, Lock M4	
13	3290605	5	Nut, Lock M6	
15	3291001	1	Nut M10	
16	4240099	AR	Tie-Strap (Not Shown)	
17	4460470	1	Nut, Terminal	
18	4460471	1	Washer, Terminal	
19	4460496	1	Washer, Terminal	
20	4460497	1	Nut, Terminal	
21	4811400	8	Washer M4	
22	4811700	17	Washer M6	
23	4811900	2	Washer M8	
24	4812000	2	Washer M10	
27	1001106736	1	Cap, Dust	
30	1001188533	1	Boom Cable - Upper (See Separate Breakdown in this Section)	
31	1001189003	1	Tele Proximity Harness (See Separate Breakdown in this Section)	
32	1001189005	1	Boom Angle Sensor Harness (See Separate Breakdown in this Section)	
33	1001266276	1	Valve Harness - Platform Valve (See Separate Breakdown in this Section)	
34	1001238407	1	Valve Harness - Main Valve (See Separate Breakdown in this Section)	
36	1001205923	1	Lift Cylinder Harness (See Separate Breakdown in this Section)	
37	1001206082	1	Boom Cable - Lower (See Separate Breakdown in this Section)	
39	1001227527	1	Service Cable	
40	1001237822	1	Plate, Fuse Box	
41	1001238191	1	Capacity Proximity Harness (1000LBS) (See Separate Breakdown in this Section)	
42	1001238192	1	Capacity Proximity Harness (750LBS) (See Separate Breakdown in this Section)	
43	1001238405	1	Turntable Harness (See Separate Breakdown in this Section)	
44	1001238408	1	Ground Control Harness (See Separate Breakdown in this Section)	
45	1001239290	1	UGM Ground Cable	
46	1001239512	1	Decal - Fuse Box	
48	1001242908	1	Cable, Capacity	
48	4460894	2	Plug, Male - 6 Position	
48	4460465	12	Socket, Female	
49	8406110	2	Clamp	
50	1001149160	1	Nut, Tinnerman M8	
51	0760808	1	Bolt M8 x 16	
52	1001266277	1	Platform Valve Cable (See Separate Breakdown in this Section)	
53	0760810	1	Bolt M8 x 20	

# SECTION 8 - ELECTRICAL

**FIGURE 8-41. ELECTRICAL COMPONENTS INSTALLATION (WITH GROUND CONTROL MODULE 1001280340) (ALL SPECS EXCEPT AUSTRALIAN, CE & UK CA (ULS) SPECS) (600S HC3)**



ART\_1001235143\_E\_20F2

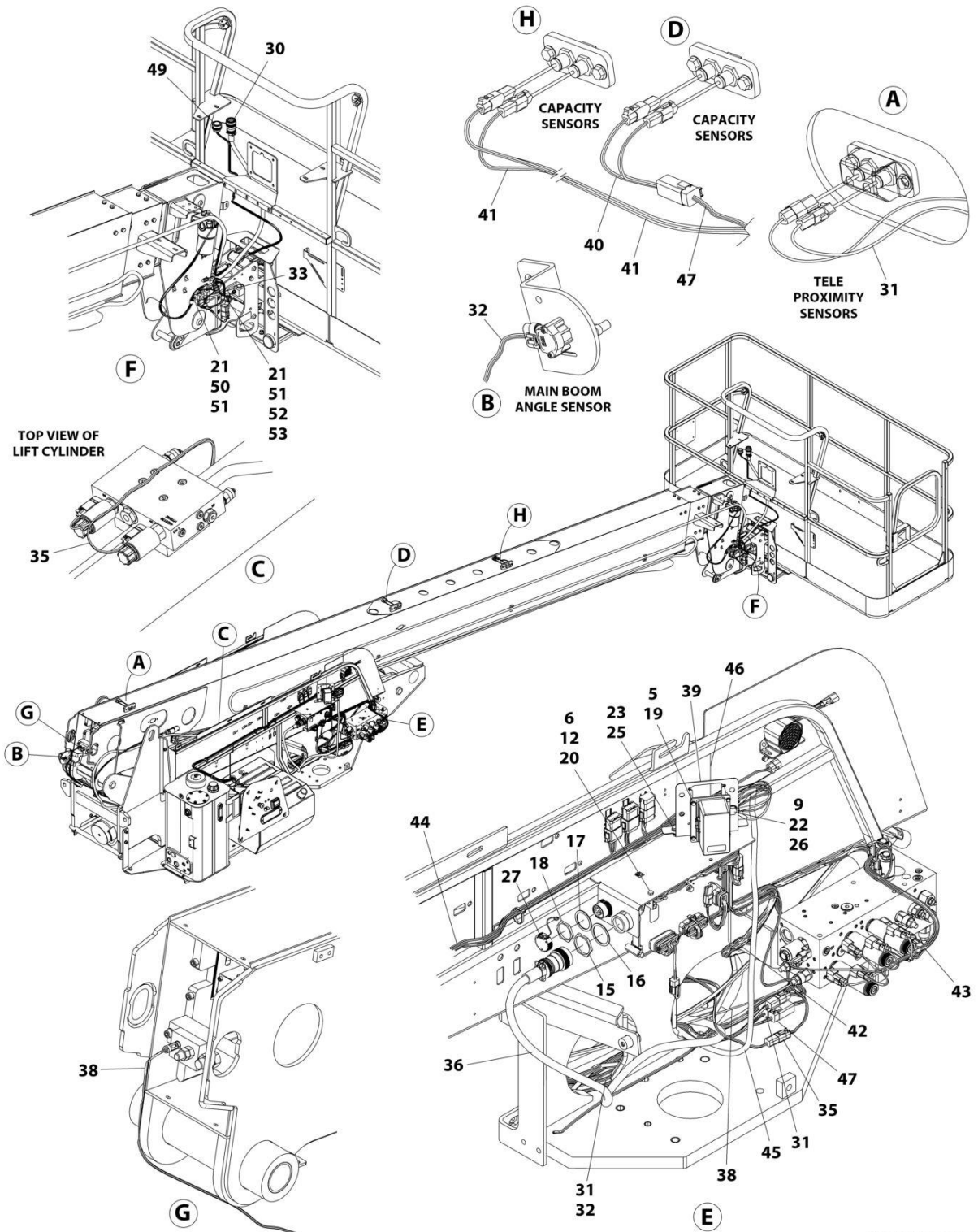
## SECTION 8 - ELECTRICAL

**FIGURE 8-41. ELECTRICAL COMPONENTS INSTALLATION (WITH GROUND CONTROL MODULE 1001280340) (ALL SPECS EXCEPT AUSTRALIAN, CE & UK CA (ULS) SPECS) (600S HC3)**

ITEM	PART NUMBER	QTY	DESCRIPTION	REV
	1001235143	Ref	ELECTRICAL COMPONENTS INSTALLATION	E
3	0700412	4	Bolt M4 x 25	
6	0760608	5	Bolt M6 x 16	
9	0761014	1	Bolt M10 x 30	
12	3290405	4	Nut, Lock M4	
13	3290605	5	Nut, Lock M6	
15	3291001	1	Nut M10	
16	4240099	AR	Tie-Strap (Not Shown)	
17	4460470	1	Nut, Terminal	
18	4460471	1	Washer, Terminal	
19	4460496	1	Washer, Terminal	
20	4460497	1	Nut, Terminal	
21	4811400	8	Washer M4	
22	4811700	17	Washer M6	
23	4811900	2	Washer M8	
24	4812000	2	Washer M10	
27	1001106736	1	Cap, Dust	
30	1001188533	1	Boom Cable - Upper (See Separate Breakdown in this Section)	
31	1001189003	1	Tele Proximity Harness (See Separate Breakdown in this Section)	
32	1001189005	1	Boom Angle Sensor Harness (See Separate Breakdown in this Section)	
33	1001266276	1	Valve Harness - Platform Valve (See Separate Breakdown in this Section)	
34	1001238407	1	Valve Harness - Main Valve (See Separate Breakdown in this Section)	
36	1001205923	1	Lift Cylinder Harness (See Separate Breakdown in this Section)	
37	1001206082	1	Boom Cable - Lower (See Separate Breakdown in this Section)	
39	1001227527	1	Service Cable	
40	1001237822	1	Plate, Fuse Box	
41	1001238191	1	Capacity Proximity Harness (1000LBS) (See Separate Breakdown in this Section)	
42	1001238192	1	Capacity Proximity Harness (750LBS) (See Separate Breakdown in this Section)	
43	1001238405	1	Turntable Harness (See Separate Breakdown in this Section)	
44	1001238408	1	Ground Control Harness (See Separate Breakdown in this Section)	
45	1001239290	1	UGM Ground Cable	
46	1001239512	1	Decal - Fuse Box	
48	1001242908	1	Cable, Capacity	
48	4460894	2	Plug, Male - 6 Position	
48	4460465	12	Socket, Female	
49	8406110	2	Clamp	
50	1001149160	1	Nut, Tinnerman M8	
51	0760808	1	Bolt M8 x 16	
52	1001266277	1	Platform Valve Cable (See Separate Breakdown in this Section)	
53	0760810	1	Bolt M8 x 20	

# SECTION 8 - ELECTRICAL

**FIGURE 8-42. ELECTRICAL COMPONENTS INSTALLATION (WITH GROUND CONTROL MODULE 1001187200) (CE & UK CA (ULS) SPECS) (600S HC3)**



ART\_1001262633\_20F2

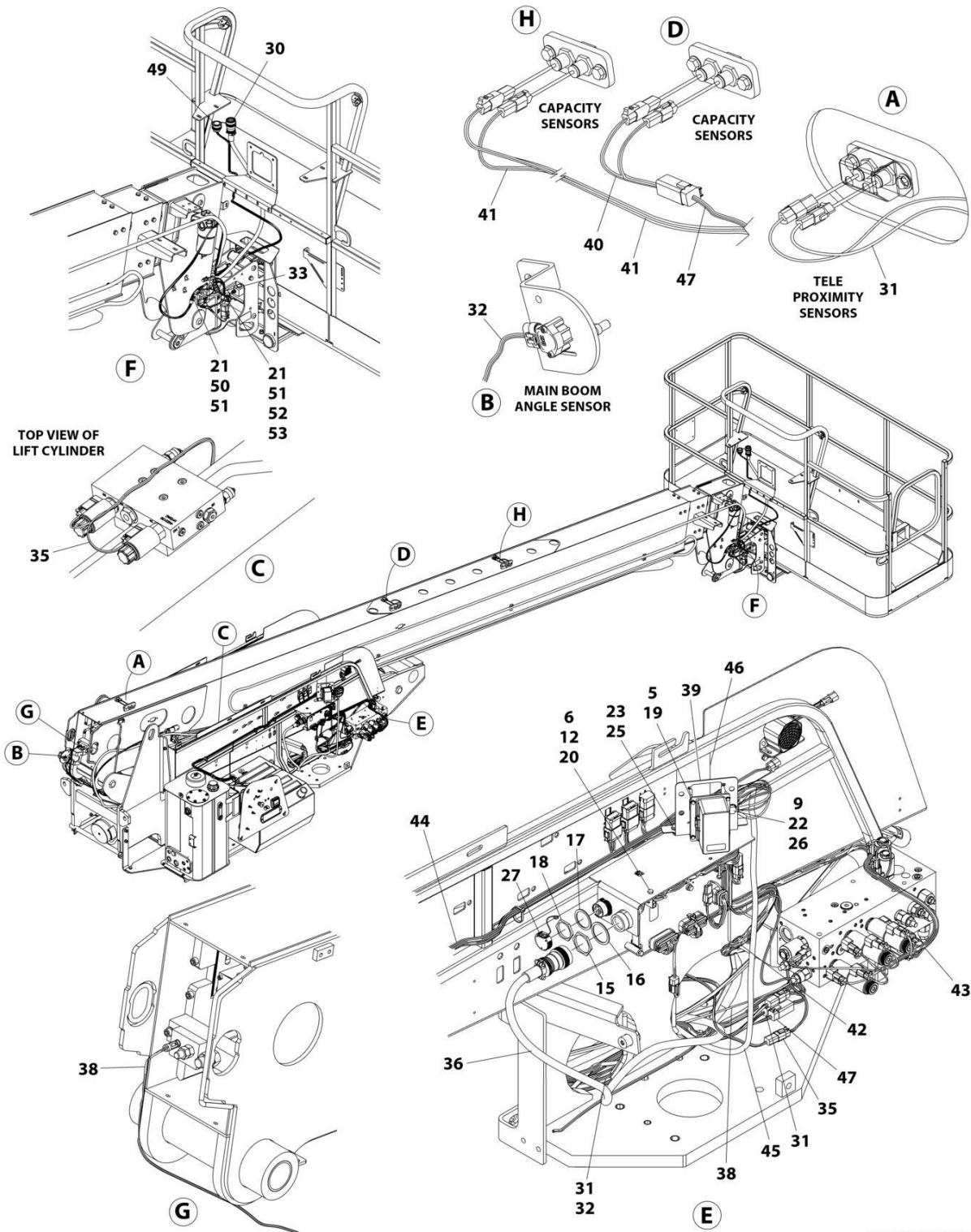
## SECTION 8 - ELECTRICAL

**FIGURE 8-42. ELECTRICAL COMPONENTS INSTALLATION (WITH GROUND CONTROL MODULE 1001187200) (CE & UK CA (ULS) SPECS) (600S HC3)**

ITEM	PART NUMBER	QTY	DESCRIPTION	REV
	1001262633	Ref	ELECTRICAL COMPONENTS INSTALLATION	B
5	0731005	4	Bolt 10 x 0.625	
6	0760608	3	Bolt M6 x 16	
9	0761012	1	Bolt M10 x 25	
12	3290605	3	Nut M6	
14	4240099	AR	Tie-Strap (Not Shown)	
15	4460470	1	Nut, Terminal	
16	4460471	1	Washer, Terminal	
17	4460496	1	Washer, Terminal	
18	4460497	1	Nut, Terminal	
19	4711000	4	Washer	
20	4811700	13	Washer M6	
21	4811900	2	Washer M8	
22	4812000	1	Washer M10	
23	5250608	2	Bolt M6 x 16	
25	5260600	3	Nut M6	
26	5261000	5	Nut M10	
27	1001106736	1	Cap, Dust	
30	1001188533	1	Boom Cable - Upper (See Separate Breakdown in this Section)	
31	1001189003	1	Tele Proximity Harness (See Separate Breakdown in this Section)	
32	1001189005	1	Boom Angle Sensor Harness (See Separate Breakdown in this Section)	
33	1001266276	1	Harness, Platform Valve (See Separate Breakdown in this Section)	
35	1001205923	1	Lift Cylinder Harness (See Separate Breakdown in this Section)	
36	1001206082	1	Boom Cable - Lower (See Separate Breakdown in this Section)	
38	1001227527	1	Service Cable	
39	1001237822	1	Plate, Fuse Box	
40	1001238191	1	Capacity Proximity Harness (1000LBS) (See Separate Breakdown in this Section)	
41	1001238192	1	Capacity Proximity Harness (750LBS) (See Separate Breakdown in this Section)	
42	1001238405	1	Turntable Harness (See Separate Breakdown in this Section)	
43	1001238407	1	Valve Harness - Main Valve (See Separate Breakdown in this Section)	
44	1001238408	1	Ground Control Harness (See Separate Breakdown in this Section)	
45	1001239290	1	UGM Ground Cable	
46	1001239512	1	Decal - Fuse Box	
47	1001242908	1	Transport Switch Harness (See Separate Breakdown in this Section)	
49	1001266277	1	Platform Valve Cable (See Separate Breakdown in this Section)	
50	0760808	1	Bolt M8 x 16	
51	8406110	2	Clip	
52	1001149160	1	Nut, Tinnerman M8	
53	0760810	1	Bolt M8 x 20	

# SECTION 8 - ELECTRICAL

**FIGURE 8-43. ELECTRICAL COMPONENTS INSTALLATION (WITH GROUND CONTROL MODULE 1001280340) (CE & UK CA (ULS) SPECS) (600S HC3)**



ART\_1001262633\_C\_20F2



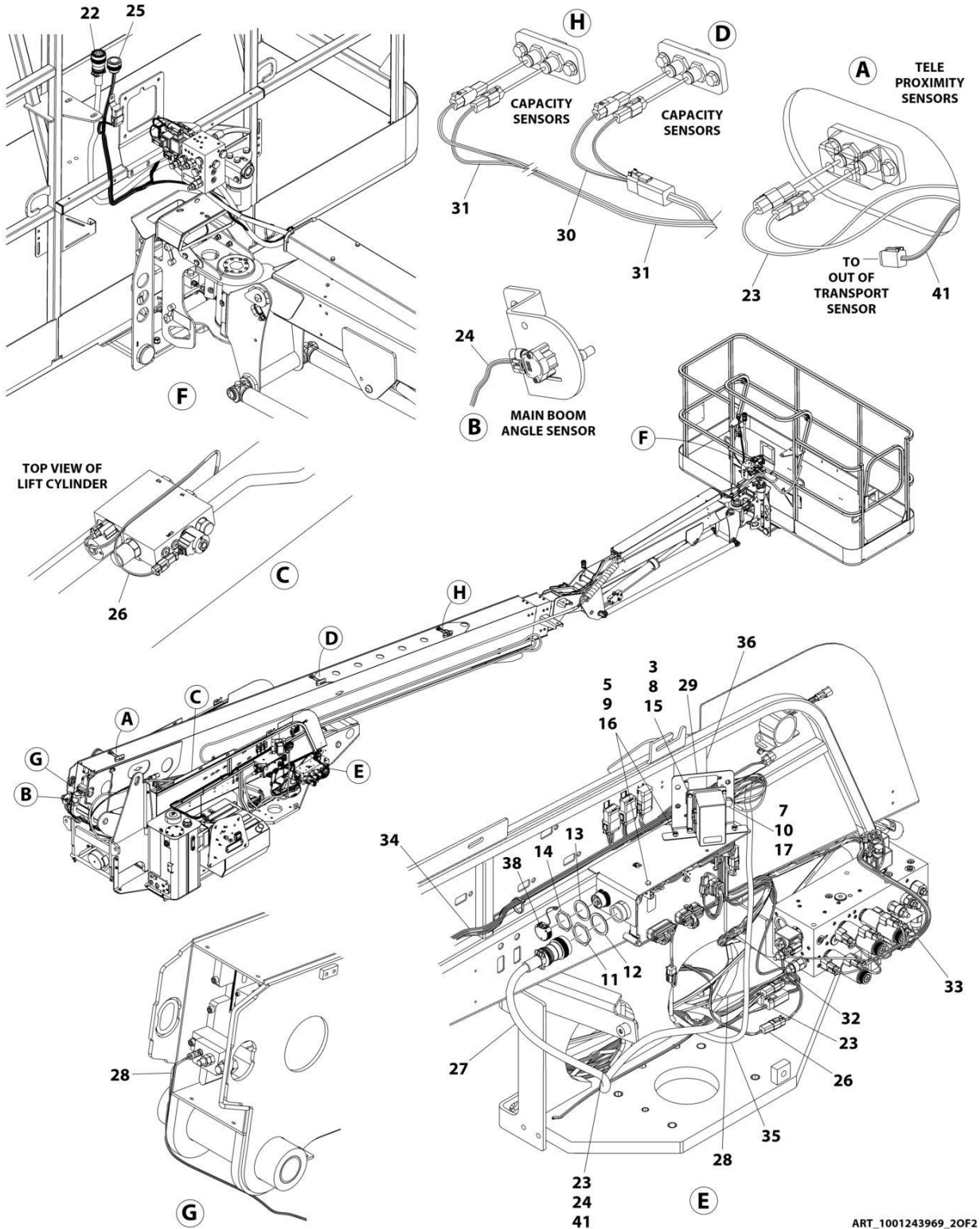
## SECTION 8 - ELECTRICAL

**FIGURE 8-43. ELECTRICAL COMPONENTS INSTALLATION (WITH GROUND CONTROL MODULE 1001280340) (CE & UK CA (ULS) SPECS) (600S HC3)**

ITEM	PART NUMBER	QTY	DESCRIPTION	REV
	1001262633	Ref	ELECTRICAL COMPONENTS INSTALLATION	C
5	0731005	4	Bolt 10 x 0.625	
6	0760608	3	Bolt M6 x 16	
9	0761012	1	Bolt M10 x 25	
12	3290605	3	Nut M6	
14	4240099	AR	Tie-Strap (Not Shown)	
15	4460470	1	Nut, Terminal	
16	4460471	1	Washer, Terminal	
17	4460496	1	Washer, Terminal	
18	4460497	1	Nut, Terminal	
19	4711000	4	Washer	
20	4811700	13	Washer M6	
21	4811900	2	Washer M8	
22	4812000	1	Washer M10	
23	5250608	2	Bolt M6 x 16	
25	5260600	3	Nut M6	
26	5261000	5	Nut M10	
27	1001106736	1	Cap, Dust	
30	1001188533	1	Boom Cable - Upper (See Separate Breakdown in this Section)	
31	1001189003	1	Tele Proximity Harness (See Separate Breakdown in this Section)	
32	1001189005	1	Boom Angle Sensor Harness (See Separate Breakdown in this Section)	
33	1001266276	1	Harness, Platform Valve (See Separate Breakdown in this Section)	
35	1001205923	1	Lift Cylinder Harness (See Separate Breakdown in this Section)	
36	1001206082	1	Boom Cable - Lower (See Separate Breakdown in this Section)	
38	1001227527	1	Service Cable	
39	1001237822	1	Plate, Fuse Box	
40	1001238191	1	Capacity Proximity Harness (1000LBS) (See Separate Breakdown in this Section)	
41	1001238192	1	Capacity Proximity Harness (750LBS) (See Separate Breakdown in this Section)	
42	1001238405	1	Turntable Harness (See Separate Breakdown in this Section)	
43	1001238407	1	Valve Harness - Main Valve (See Separate Breakdown in this Section)	
44	1001238408	1	Ground Control Harness (See Separate Breakdown in this Section)	
45	1001239290	1	UGM Ground Cable	
46	1001239512	1	Decal - Fuse Box	
47	1001242908	1	Transport Switch Harness (See Separate Breakdown in this Section)	
49	1001266277	1	Platform Valve Cable (See Separate Breakdown in this Section)	
50	0760808	1	Bolt M8 x 16	
51	8406110	2	Clip	
52	1001149160	1	Nut, Tinnerman M8	
53	0760810	1	Bolt M8 x 20	

# SECTION 8 - ELECTRICAL

**FIGURE 8-44. ELECTRICAL COMPONENTS INSTALLATION (WITH GROUND CONTROL MODULE 1001187200) (ALL SPECS EXCEPT CE & UK CA (ULS) SPECS) (660SJ HC3)**



ART\_1001243969\_20F2

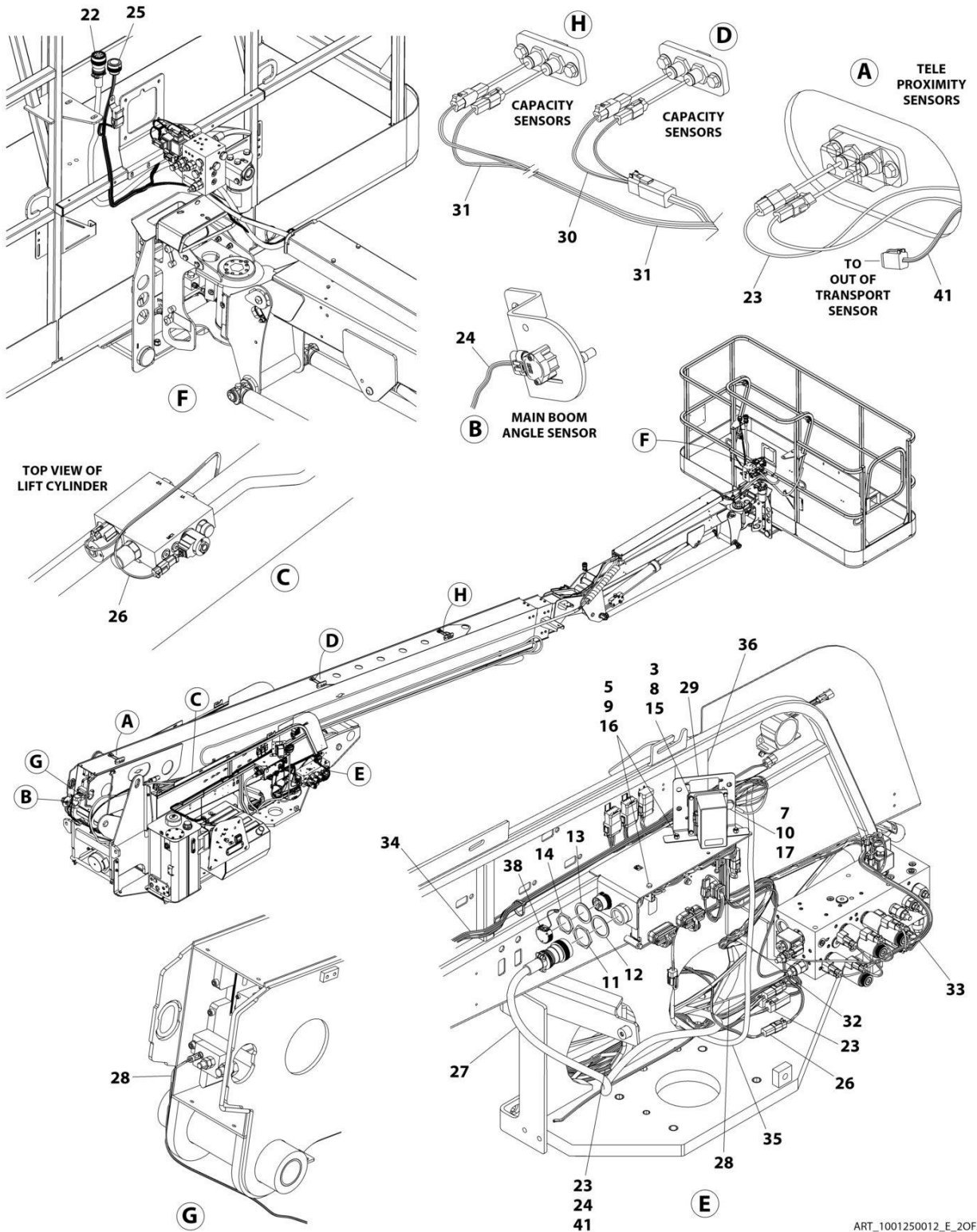
## SECTION 8 - ELECTRICAL

**FIGURE 8-44. ELECTRICAL COMPONENTS INSTALLATION (WITH GROUND CONTROL MODULE 1001187200) (ALL SPECS EXCEPT CE & UK CA (ULS) SPECS) (660SJ HC3)**

ITEM	PART NUMBER	QTY	DESCRIPTION	REV
	1001250012	Ref	ELECTRICAL COMPONENTS INSTALLATION	D
3	0700412	4	Bolt M4 x 25	
5	0760608	5	Bolt M6 x 16	
7	0761014	1	Bolt M10 x 30	
8	3290405	4	Nut M4	
9	3290605	5	Nut M6	
10	3291001	1	Nut M10	
11	4460470	1	Nut, Terminal	
12	4460471	1	Washer, Terminal	
13	4460496	1	Washer, Terminal	
14	4460497	1	Nut, Terminal	
15	4811400	8	Washer M4	
16	4811700	17	Washer M6	
17	4812000	2	Washer M10	
22	1001188534	1	Boom Cable - Upper (See Separate Breakdown in this Section)	
23	1001189003	1	Tele Proximity Harness (See Separate Breakdown in this Section)	
24	1001189005	1	Boom Angle Sensor Harness (See Separate Breakdown in this Section)	
25	1001264338	1	Valve Harness - Platform Valve (See Separate Breakdown in this Section)	
26	1001205923	1	Lift Cylinder Harness (See Separate Breakdown in this Section)	
27	1001206082	1	Boom Cable - Lower (See Separate Breakdown in this Section)	
28	1001227527	1	Service Cable	
29	1001237822	1	Plate	
30	1001238191	1	Capacity Proximity Harness (1000LBS) (See Separate Breakdown in this Section))	
31	1001238192	1	Capacity Proximity Harness (750LBS) (See Separate Breakdown in this Section))	
32	1001238405	1	Turntable Harness (See Separate Breakdown in this Section)	
33	1001238407	1	Valve Harness - Main Valve (See Separate Breakdown in this Section)	
34	1001238408	1	Ground Control Harness (See Separate Breakdown in this Section)	
35	1001239290	1	UGM Ground Cable	
36	1001239512	1	Decal - Fuse Box	
38	1001106736	1	Cap, Dust	
40	4240099	AR	Tie-Strap (Not Shown)	
41	1001242908	1	Transport Switch Harness (See Separate Breakdown in this Section)	

# SECTION 8 - ELECTRICAL

**FIGURE 8-45. ELECTRICAL COMPONENTS INSTALLATION (WITH GROUND CONTROL MODULE 1001280340) (ALL SPECS EXCEPT CE & UK CA (ULS) SPECS) (660SJ HC3)**



ART\_1001250012\_E\_20F2

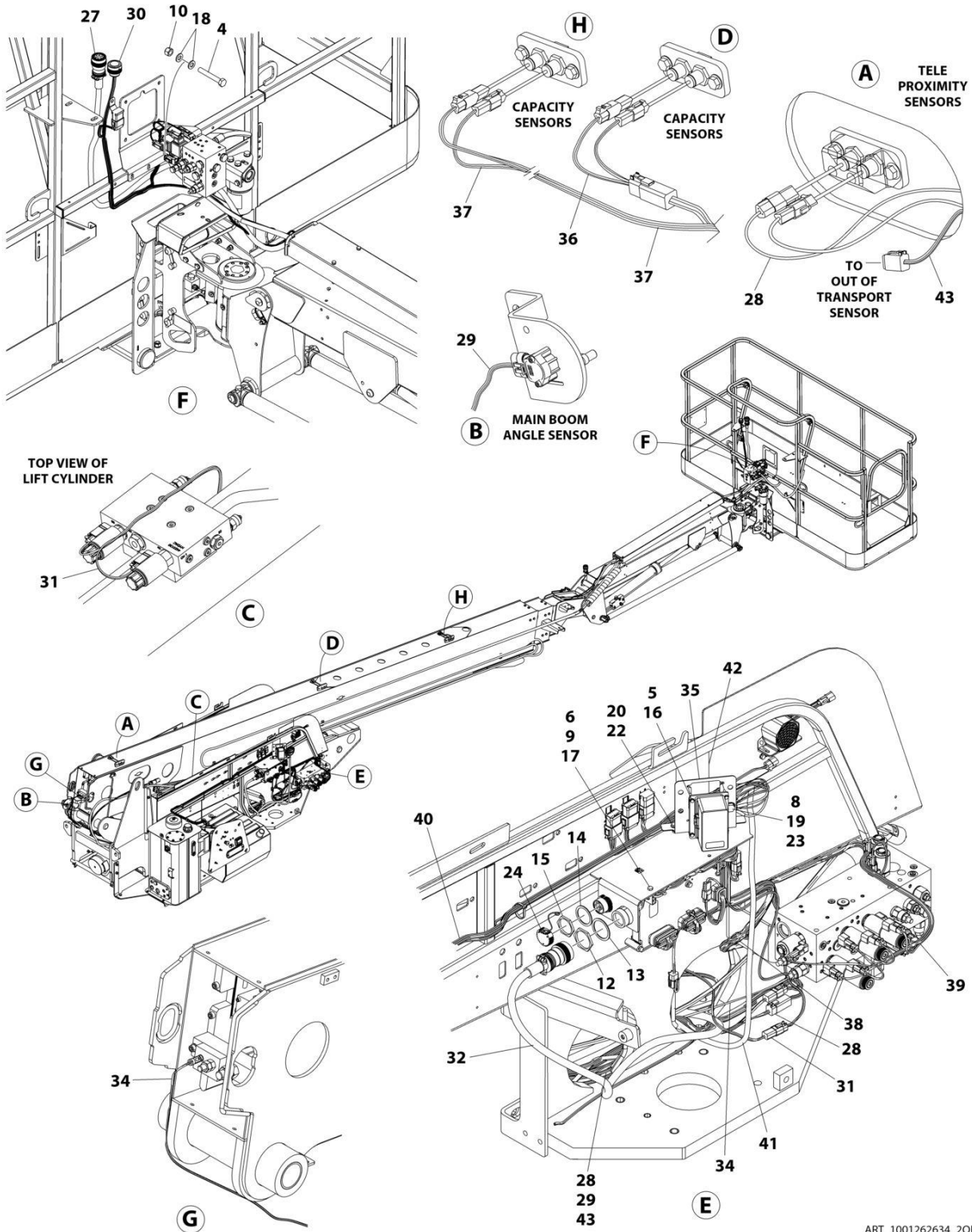
## SECTION 8 - ELECTRICAL

**FIGURE 8-45. ELECTRICAL COMPONENTS INSTALLATION (WITH GROUND CONTROL MODULE 1001280340) (ALL SPECS EXCEPT CE & UK CA (ULS) SPECS) (660SJ HC3)**

ITEM	PART NUMBER	QTY	DESCRIPTION	REV
	1001250012	Ref	ELECTRICAL COMPONENTS INSTALLATION	E
3	0700412	4	Bolt M4 x 25	
5	0760608	5	Bolt M6 x 16	
7	0761014	1	Bolt M10 x 30	
8	3290405	4	Nut M4	
9	3290605	5	Nut M6	
10	3291001	1	Nut M10	
11	4460470	1	Nut, Terminal	
12	4460471	1	Washer, Terminal	
13	4460496	1	Washer, Terminal	
14	4460497	1	Nut, Terminal	
15	4811400	8	Washer M4	
16	4811700	17	Washer M6	
17	4812000	2	Washer M10	
22	1001188534	1	Boom Cable - Upper (See Separate Breakdown in this Section)	
23	1001189003	1	Tele Proximity Harness (See Separate Breakdown in this Section)	
24	1001189005	1	Boom Angle Sensor Harness (See Separate Breakdown in this Section)	
25	1001264338	1	Valve Harness - Platform Valve (See Separate Breakdown in this Section)	
26	1001205923	1	Lift Cylinder Harness (See Separate Breakdown in this Section)	
27	1001206082	1	Boom Cable - Lower (See Separate Breakdown in this Section)	
28	1001227527	1	Service Cable	
29	1001237822	1	Plate	
30	1001238191	1	Capacity Proximity Harness (1000LBS) (See Separate Breakdown in this Section))	
31	1001238192	1	Capacity Proximity Harness (750LBS) (See Separate Breakdown in this Section))	
32	1001238405	1	Turntable Harness (See Separate Breakdown in this Section)	
33	1001238407	1	Valve Harness - Main Valve (See Separate Breakdown in this Section)	
34	1001238408	1	Ground Control Harness (See Separate Breakdown in this Section)	
35	1001239290	1	UGM Ground Cable	
36	1001239512	1	Decal - Fuse Box	
38	1001106736	1	Cap, Dust	
40	4240099	AR	Tie-Strap (Not Shown)	
41	1001242908	1	Transport Switch Harness (See Separate Breakdown in this Section)	

# SECTION 8 - ELECTRICAL

**FIGURE 8-46. ELECTRICAL COMPONENTS INSTALLATION (WITH GROUND CONTROL MODULE 1001187200) (CE & UK CA (ULS) SPECS) (660SJ HC3)**



ART\_1001262634\_20F2

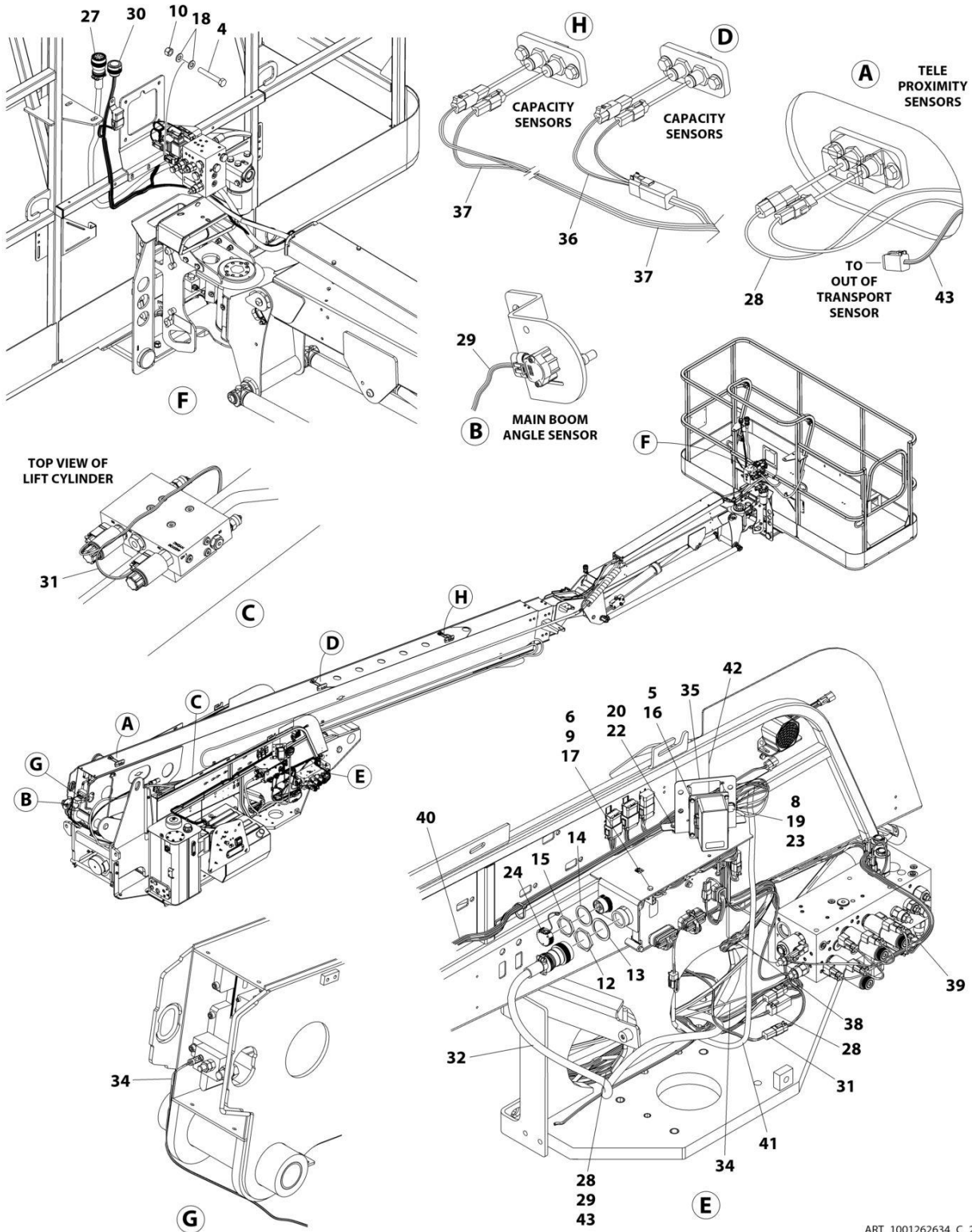
## SECTION 8 - ELECTRICAL

**FIGURE 8-46. ELECTRICAL COMPONENTS INSTALLATION (WITH GROUND CONTROL MODULE 1001187200) (CE & UK CA (ULS) SPECS) (660SJ HC3)**

ITEM	PART NUMBER	QTY	DESCRIPTION	REV
	1001262634	Ref	ELECTRICAL COMPONENTS INSTALLATION	B
4	0700819	1	Bolt M8 x 55	
5	0731005	4	Bolt M10	
6	0760608	3	Bolt M6 x 16	
8	0761012	1	Bolt M10 x 25	
9	3290605	3	Nut M6	
10	3290805	1	Nut M8	
11	4240099	AR	Tie-Strap (Not Shown)	
12	4460470	1	Nut, Terminal	
13	4460471	1	Washer, Terminal	
14	4460496	1	Washer, Terminal	
15	4460497	1	Nut, Terminal	
16	4711000	4	Washer	
17	4811700	13	Washer M6	
18	4811900	2	Washer M8	
19	4812000	1	Washer M10	
20	5250608	2	Bolt M6 x 16	
22	5260600	3	Nut M6	
23	5261000	5	Nut M10	
24	1001106736	1	Cap, Dust	
27	1001188534	1	Boom Cable - Upper (See Separate Breakdown in this Section)	
28	1001189003	1	Tele Proximity Harness (See Separate Breakdown in this Section)	
29	1001189005	1	Boom Angle Sensor Harness (See Separate Breakdown in this Section)	
30	1001264338	1	Harness, Platform Valve (See Separate Breakdown in this Section)	
31	1001205923	1	Lift Cylinder Harness (See Separate Breakdown in this Section)	
32	1001206082	1	Boom Cable - Lower (See Separate Breakdown in this Section)	
34	1001227527	1	Service Cable	
35	1001237822	1	Plate	
36	1001238191	1	Capacity Proximity Harness (1000lbs) (See Separate Breakdown in this Section))	
37	1001238192	1	Capacity Proximity Harness (750lbs) (See Separate Breakdown in this Section))	
38	1001238405	1	Turntable Harness (See Separate Breakdown in this Section)	
39	1001238407	1	Valve Harness - Main Valve (See Separate Breakdown in this Section)	
40	1001238408	1	Ground Control Harness (See Separate Breakdown in this Section)	
41	1001239290	1	UGM Ground Cable	
42	1001239512	1	Decal - Fuse Box	
43	1001242908	1	Transport Switch Harness (See Separate Breakdown in this Section)	

# SECTION 8 - ELECTRICAL

**FIGURE 8-47. ELECTRICAL COMPONENTS INSTALLATION (WITH GROUND CONTROL MODULE 1001280340) (CE & UK CA (ULS) SPECS) (660SJ HC3)**



ART\_1001262634\_C\_20F2



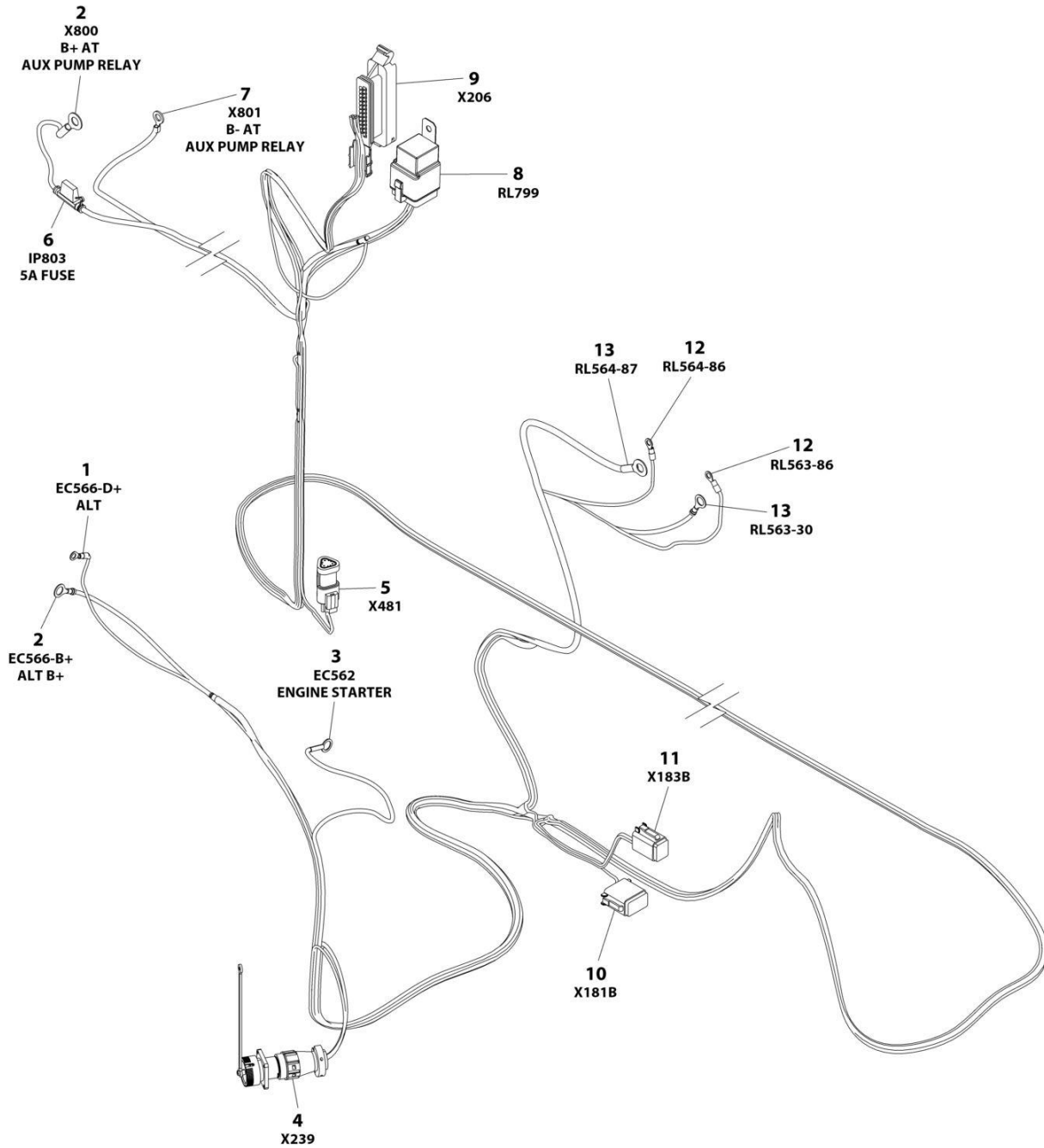
## SECTION 8 - ELECTRICAL

**FIGURE 8-47. ELECTRICAL COMPONENTS INSTALLATION (WITH GROUND CONTROL MODULE 1001280340) (CE & UK CA (ULS) SPECS) (660SJ HC3)**

ITEM	PART NUMBER	QTY	DESCRIPTION	REV
	1001262634	Ref	ELECTRICAL COMPONENTS INSTALLATION	C
4	0700819	1	Bolt M8 x 55	
5	0731005	4	Bolt M10	
6	0760608	3	Bolt M6 x 16	
8	0761012	1	Bolt M10 x 25	
9	3290605	3	Nut M6	
10	3290805	1	Nut M8	
11	4240099	AR	Tie-Strap (Not Shown)	
12	4460470	1	Nut, Terminal	
13	4460471	1	Washer, Terminal	
14	4460496	1	Washer, Terminal	
15	4460497	1	Nut, Terminal	
16	4711000	4	Washer	
17	4811700	13	Washer M6	
18	4811900	2	Washer M8	
19	4812000	1	Washer M10	
20	5250608	2	Bolt M6 x 16	
22	5260600	3	Nut M6	
23	5261000	5	Nut M10	
24	1001106736	1	Cap, Dust	
27	1001188534	1	Boom Cable - Upper (See Separate Breakdown in this Section)	
28	1001189003	1	Tele Proximity Harness (See Separate Breakdown in this Section)	
29	1001189005	1	Boom Angle Sensor Harness (See Separate Breakdown in this Section)	
30	1001264338	1	Harness, Platform Valve (See Separate Breakdown in this Section)	
31	1001205923	1	Lift Cylinder Harness (See Separate Breakdown in this Section)	
32	1001206082	1	Boom Cable - Lower (See Separate Breakdown in this Section)	
34	1001227527	1	Service Cable	
35	1001237822	1	Plate	
36	1001238191	1	Capacity Proximity Harness (1000lbs) (See Separate Breakdown in this Section))	
37	1001238192	1	Capacity Proximity Harness (750lbs) (See Separate Breakdown in this Section))	
38	1001238405	1	Turntable Harness (See Separate Breakdown in this Section)	
39	1001238407	1	Valve Harness - Main Valve (See Separate Breakdown in this Section)	
40	1001238408	1	Ground Control Harness (See Separate Breakdown in this Section)	
41	1001239290	1	UGM Ground Cable	
42	1001239512	1	Decal - Fuse Box	
43	1001242908	1	Transport Switch Harness (See Separate Breakdown in this Section)	

# SECTION 8 - ELECTRICAL

## FIGURE 8-48. ENGINE HARNESS - DEUTZ D2011 ENGINES



ART\_1001188236\_F

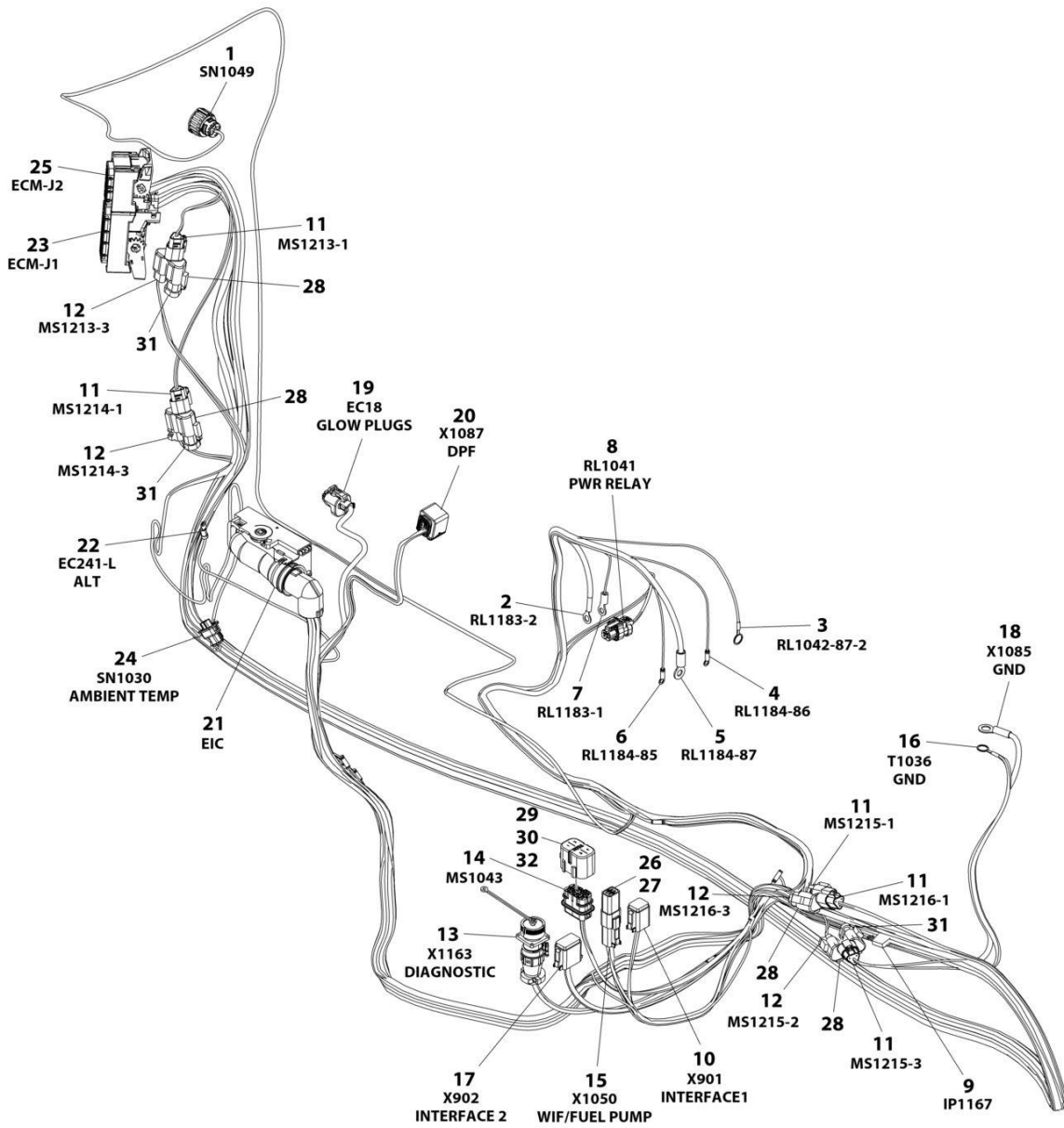
## SECTION 8 - ELECTRICAL

### FIGURE 8-48. ENGINE HARNESS - DEUTZ D2011 ENGINES

ITEM	PART NUMBER	QTY	DESCRIPTION	REV
	1001188236	Ref	ENGINE HARNESS	F
1	4460042	1	Terminal, Ring	
2	8220045	2	Terminal, Ring	
3	4460142	1	Terminal, Ring	
4	2902443	1	Receptacle Kit	
4	4461073	1	Cap, Dust	
5	4461095	1	Plug, Male - 3 Position	
5	4460944	2	Socket, Female	
5	4460466	1	Plug, Terminal	
5	4461070	1	Receptacle, Female - 3 Position	
5	4460943	3	Pin, Male	
6	2600066	2	Fuseholder with 5Amp Fuse	
6	See Note	NSS	Fuse - 5Amp (Note: Purchase Locally)	
7	4460312	1	Terminal, Ring	
8	1001117025	1	Plug, Relay	
8	1001116734	1	Terminal	
8	1001116732	3	Terminal	
8	1001128128	1	Plug, Terminal	
9	4461052	1	Connector - 25 Position	
9	4461060	1	Terminal	
9	4461005	6	Terminal	
9	4461008	18	Plug, Terminal	
9	4461054	1	Seal	
9	4461006	6	Seal	
9	4461053	1	Cover	
10	4460930	1	Plug, Male - 8 Position	
10	4460465	8	Socket, Female	
10	4460466	7	Plug, Terminal	
11	4460894	1	Plug, Male - 6 Position	
11	4460465	3	Socket, Female	
11	4460944	2	Socket, Female	
11	4460466	1	Plug, Terminal	
12	4460313	2	Terminal, Ring	
13	8220164	2	Terminal, Ring	

# SECTION 8 - ELECTRICAL

## FIGURE 8-49. ENGINE HARNESS - DEUTZ TD2.2L3 ENGINES



ART\_1001253798

## SECTION 8 - ELECTRICAL

**FIGURE 8-49. ENGINE HARNESS - DEUTZ TD2.2L3 ENGINES**

ITEM	PART NUMBER	QTY	DESCRIPTION	REV
	1001253798	Ref	ENGINE HARNESS	D
1	1001133714	1	Connector - 4 Position	
1	1001133715	3	Terminal	
1	1001135651	1	Plug, Terminal	
1	1001135650	3	Seal	
2	1001117106	1	Terminal, Ring	
3	4460703	1	Terminal, Ring	
4	4460247	1	Terminal, Ring	
5	1001117107	1	Terminal, Ring	
6	4460247	1	Terminal, Ring	
7	4460043	1	Terminal, Ring	
8	1001116952	1	Plug, Male - 2 Position	
8	4460465	2	Socket, Female	
9	1001170764	1	Holder, Fuse	
9	1001197719	1	Resistor 0.5 Watt	
10	4460894	1	Plug, Male - 6 Position	
10	4460465	2	Socket, Female	
10	4460944	2	Socket, Female	
10	4460466	2	Plug, Terminal	
11	1001116812	5	Connector, 3 Position	
11	4460944	10	Socket, Female	
11	4460466	5	Plug, Terminal	
12	4460539	4	Plug, Male - 3 Position	
12	4460944	8	Socket, Female	
12	4460466	4	Plug, Terminal	
13	2902443	1	Receptacle Kit	
13	4461071	6	Terminal	
14	80484084	1	Plug, Male - 8 Position	
14	1001116728	4	Terminal	
14	1001116727	4	Plug, Terminal	
14	4460458	4	Plug, Terminal	
15	4460884	1	Plug, Male - 4 Position	
15	4460465	3	Socket, Female	
15	4460942	1	Socket, Female	
16	4460019	1	Terminal, Ring	
17	4460930	1	Plug, Male - 8 Position	
17	4460465	1	Socket, Female	
17	4460466	7	Plug, Terminal	
18	8220164	1	Terminal, Ring	
19	1001253873	1	Connector, 1 Position	
19	1001142940	1	Terminal	
19	1001142941	1	Seal	
20	1001239202	1	Connector - 8 Position	
20	1001126363	7	Terminal	
20	1001126391	1	Seal, Terminal	
20	1001126364	7	Seal, Terminal	
21	1001126362	1	Connector - 62 Position	
21	1001126363	37	Terminal	
21	1001126365	2	Terminal	
21	1001126391	9	Plug, Terminal	

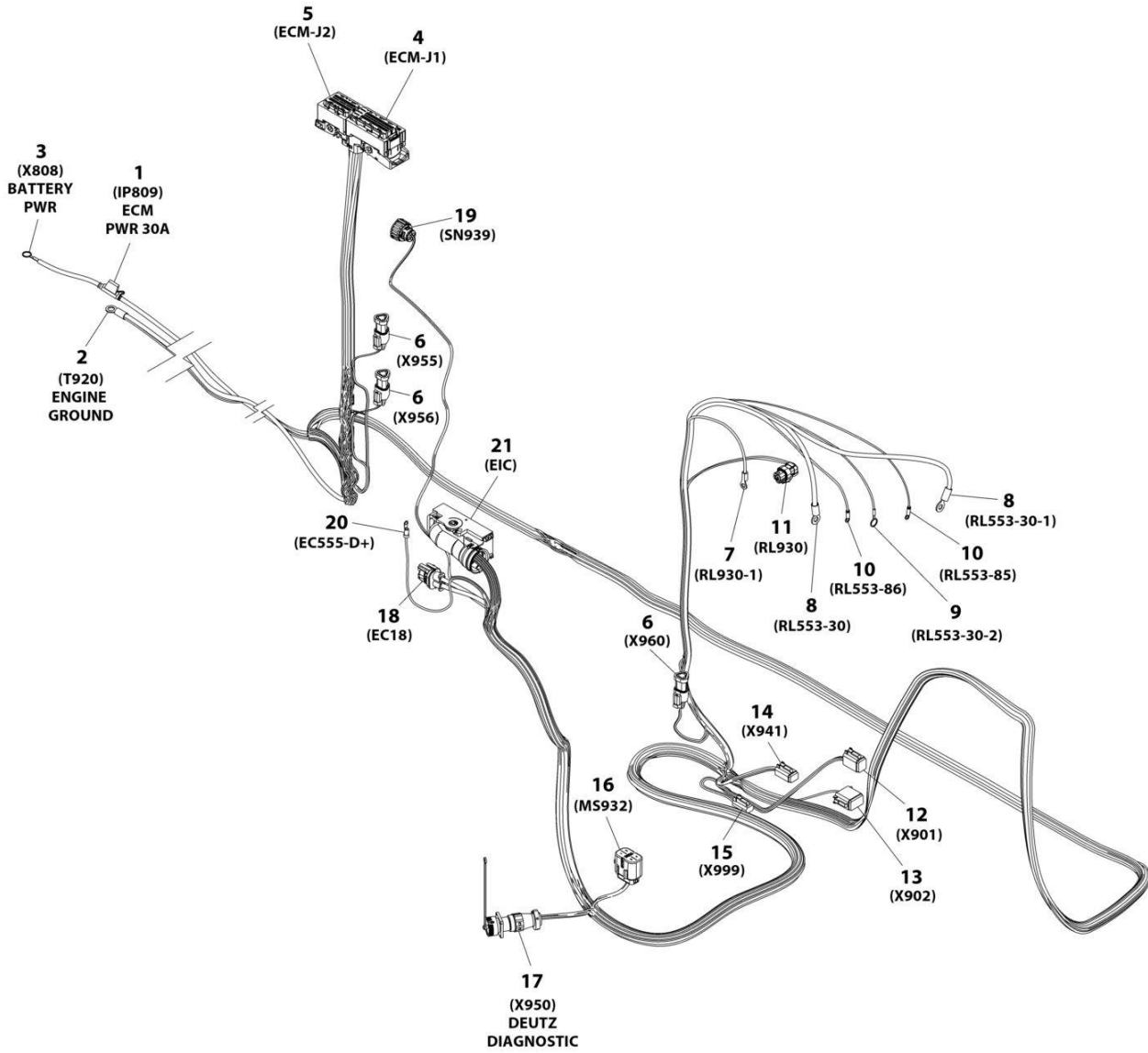
## SECTION 8 - ELECTRICAL

ITEM	PART NUMBER	QTY	DESCRIPTION	REV
21	4461008	4	Plug, Terminal	
21	1001126392	10	Terminal	
21	1001126364	37	Seal, Terminal	
21	1001223459	10	Seal, Terminal	
21	4461054	2	Seal	
22	4460042	1	Terminal, Ring	
23	1001133956	1	Connector - 94 Position	
23	1001126351	3	Terminal	
23	1001182361	6	Terminal	
23	1001252527	4	Terminal	
23	1001230934	25	Terminal	
23	1001230935	55	Plug, Terminal	
23	1001230936	1	Plug, Terminal	
23	1001182365	6	Seal, Terminal	
24	1001126487	1	Connector - 2 Position	
24	1001167635	2	Terminal	
24	1001126485	2	Seal	
25	1001133957	1	Connector - 60 Position	
25	1001126351	11	Terminal	
25	1001230934	26	Terminal	
25	1001230935	10	Plug, Terminal	
25	1001230936	13	Plug, Terminal	
26	4460466	4	Plug, Terminal	
27	4460932	1	Receptacle, Bussbar - 4 Position	
28	4460945	4	Connector, 3-Way Tee	
29	8229242	1	Fuse 5Amp	
30	80983191	1	Fuse, 10Amp	
31	1001116815	3	Plug, Male - 3 Position	
32	1001147264	1	Cap	



# SECTION 8 - ELECTRICAL

## FIGURE 8-50. ENGINE HARNESS - DEUTZ D2.9L4 - 49HP AND DEUTZ TD2.9L4 - 67HP ENGINES



ART\_1001233895 D



## SECTION 8 - ELECTRICAL

**FIGURE 8-50. ENGINE HARNESS - DEUTZ D2.9L4 - 49HP AND DEUTZ TD2.9L4 - 67HP ENGINES**

ITEM	PART NUMBER	QTY	DESCRIPTION	REV
	1001233895	Ref	ENGINE HARNESS	F
1	1001172064	1	Fuseholder with 30Amp Fuse	
1	1001172065	1	Fuse - 30A	
2	8220115	1	Terminal, Ring	
3	4460019	1	Terminal, Ring	
4	1001133956	1	Connector - 94 Position	
4	1001126351	2	Terminal	
4	1001126352	6	Terminal	
4	1001126384	21	Terminal	
4	1001126357	2	Plug, Terminal	
4	1001126356	63	Plug, Terminal	
5	1001133957	1	Connector - 60 Position	
5	1001126351	13	Terminal	
5	1001126384	17	Terminal	
5	1001126357	11	Plug, Terminal	
5	1001126356	19	Plug, Terminal	
6	4461095	3	Plug, Male - 3 Position	
6	4460944	6	Socket, Female	
6	4460466	3	Plug, Terminal	
6	4461070	3	Receptacle, Female - 3 Position	
6	4460943	9	Pin, Male	
7	4460043	1	Terminal, Ring	
8	1001117107	2	Terminal, Ring	
9	4460703	1	Terminal, Ring	
10	4460313	2	Terminal, Ring	
11	1001116952	1	Plug, Male - 2 Position	
11	4460465	2	Socket, Female	
12	4460894	1	Plug, Male - 6 Position	
12	4460465	3	Socket, Female	
12	4460944	2	Socket, Female	
12	4460466	1	Plug, Terminal	
13	4460930	1	Plug, Male - 8 Position	
13	4460465	1	Socket, Female	
13	4460466	7	Plug, Terminal	
14	1001220379	1	Plug, Male - 4 Position	
14	4460465	2	Socket, Female	
14	4460942	2	Socket, Female	
15	4460891	1	Plug, Male - 4 Position	
15	4460465	2	Socket, Female	
16	80484084	1	Plug, Male - 8 Position	
16	8229242	1	Fuse - 5Amp	
16	80983191	1	Fuse - 10Amp	
16	1001116728	4	Socket, Female	
16	1001116727	4	Plug, Terminal	
16	1001147264	1	Cap	
17	2902443	1	Receptacle Kit	
17	4461073	1	Cap, Dust	
17	4461071	6	Terminal	
18	1001142938	1	Plug, Male - 2 Position	
18	1001142940	2	Terminal	

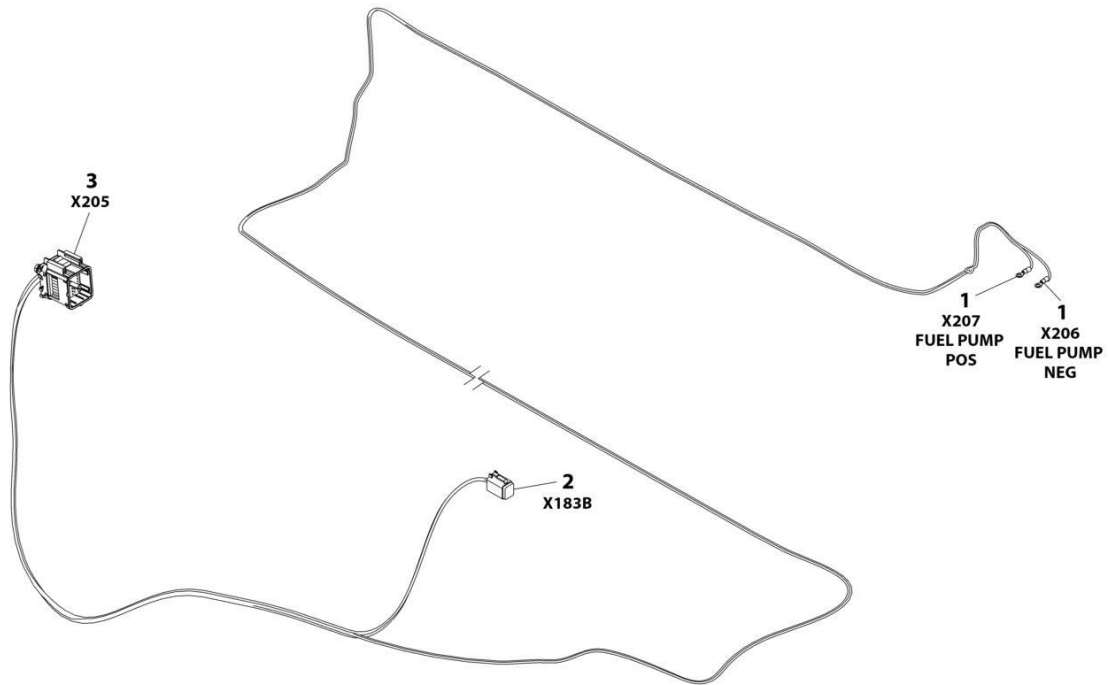
## SECTION 8 - ELECTRICAL

ITEM	PART NUMBER	QTY	DESCRIPTION	REV
18	1001142941	2	Seal	
19	1001133714	1	Connector - 4 Position	
19	1001133715	13	Terminal	
19	1001135651	11	Plug, Terminal	
20	4460042	1	Terminal, Ring	
21	1001126362	1	Connector - 62 Position	
21	1001126363	35	Terminal	
21	1001126365	2	Terminal	
21	1001126391	20	Plug, Terminal	
21	4461008	4	Plug, Terminal	
21	1001151856	1	Elbow	



# SECTION 8 - ELECTRICAL

## FIGURE 8-51. ENGINE HARNESS - FORD ENGINES



ART\_1001215218

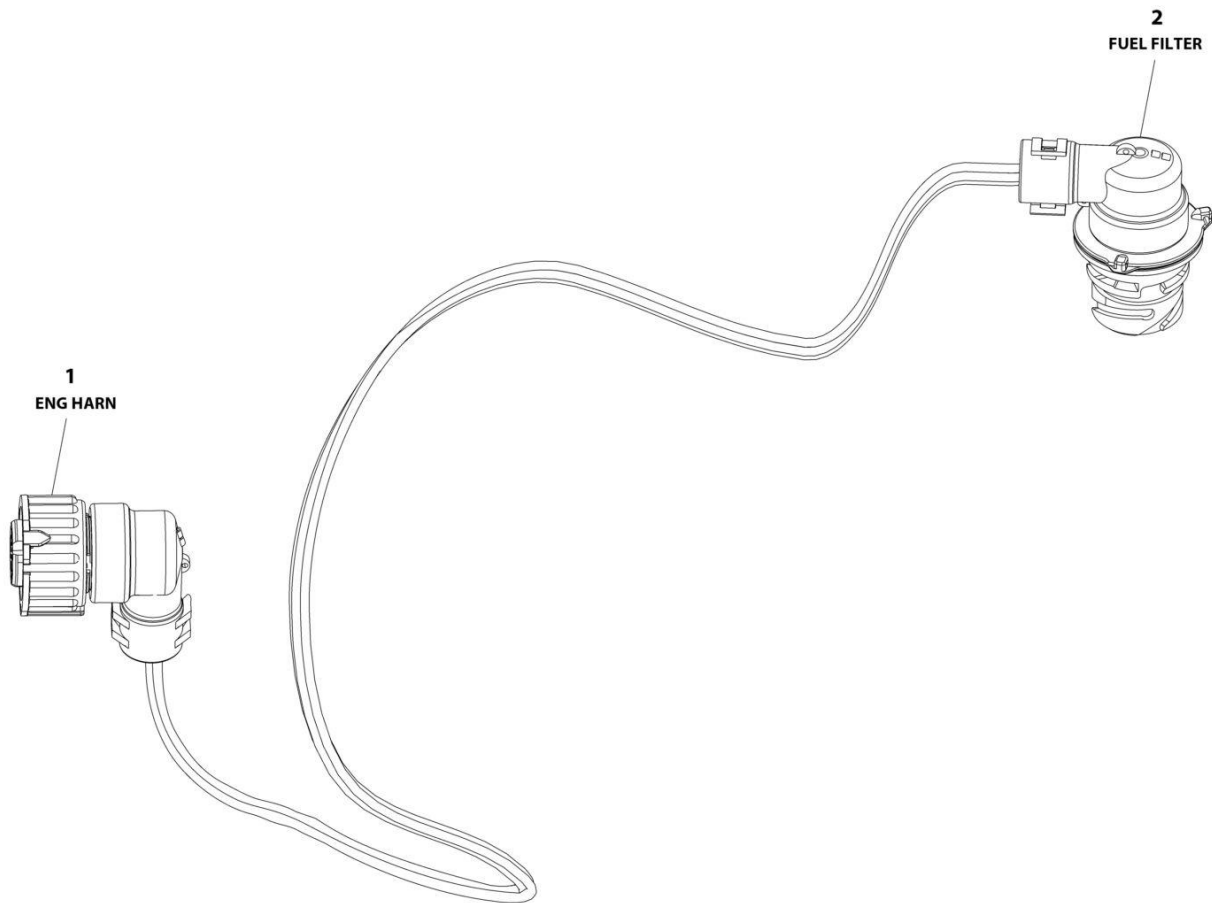
## SECTION 8 - ELECTRICAL

**FIGURE 8-51. ENGINE HARNESS - FORD ENGINES**

ITEM	PART NUMBER	QTY	DESCRIPTION	REV
	1001215218	Ref	ENGINE HARNESS	C
1	4460042	2	Terminal, Ring	
2	4460894	1	Plug, Male - 6 Position	
2	4460465	4	Socket, Female	
2	4460466	2	Plug, Terminal	
3	1001215016	1	Connector - 42 Position	
3	1001216212	1	Terminal	
3	1001221210	2	Terminal	
3	1001215091	3	Terminal	
3	1001216213	2	Plug, Terminal	
3	1001215534	34	Plug, Terminal	

## SECTION 8 - ELECTRICAL

FIGURE 8-52. FUEL FILTER HARNESS - DEUTZ TD2.2L3 (STAGE V) ENGINES



ART\_1001245913

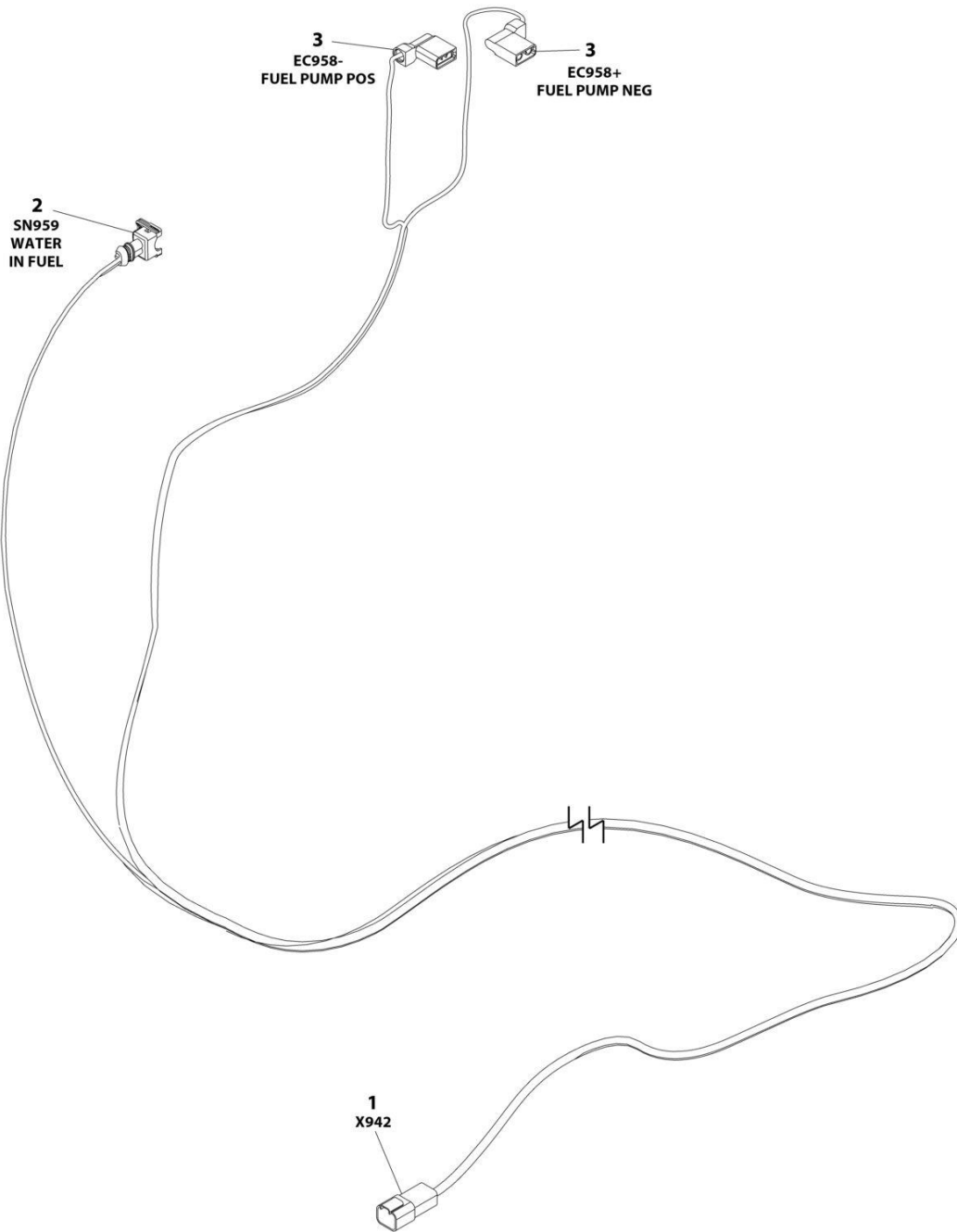
## SECTION 8 - ELECTRICAL

**FIGURE 8-52. FUEL FILTER HARNESS - DEUTZ TD2.2L3 (STAGE V) ENGINES**

ITEM	PART NUMBER	QTY	DESCRIPTION	REV
	1001245913	Ref	FUEL HARNESS - DEUTZ (STAGE V) ENGINE	D
1	1001148842	1	Connector - 4 Position	
1	1001148841	4	Pin, Male	
1	1001135650	4	Seal	
2	1001133714	1	Plug, Male - 4 Position	
2	1001133715	4	Socket, Female	
2	1001135650	4	Seal	

# SECTION 8 - ELECTRICAL

FIGURE 8-53. FUEL PUMP HARNESS - DEUTZ D2.9L4 - 49HP AND DEUTZ TD2.9L4 - 67HP ENGINES



ART\_1001190444



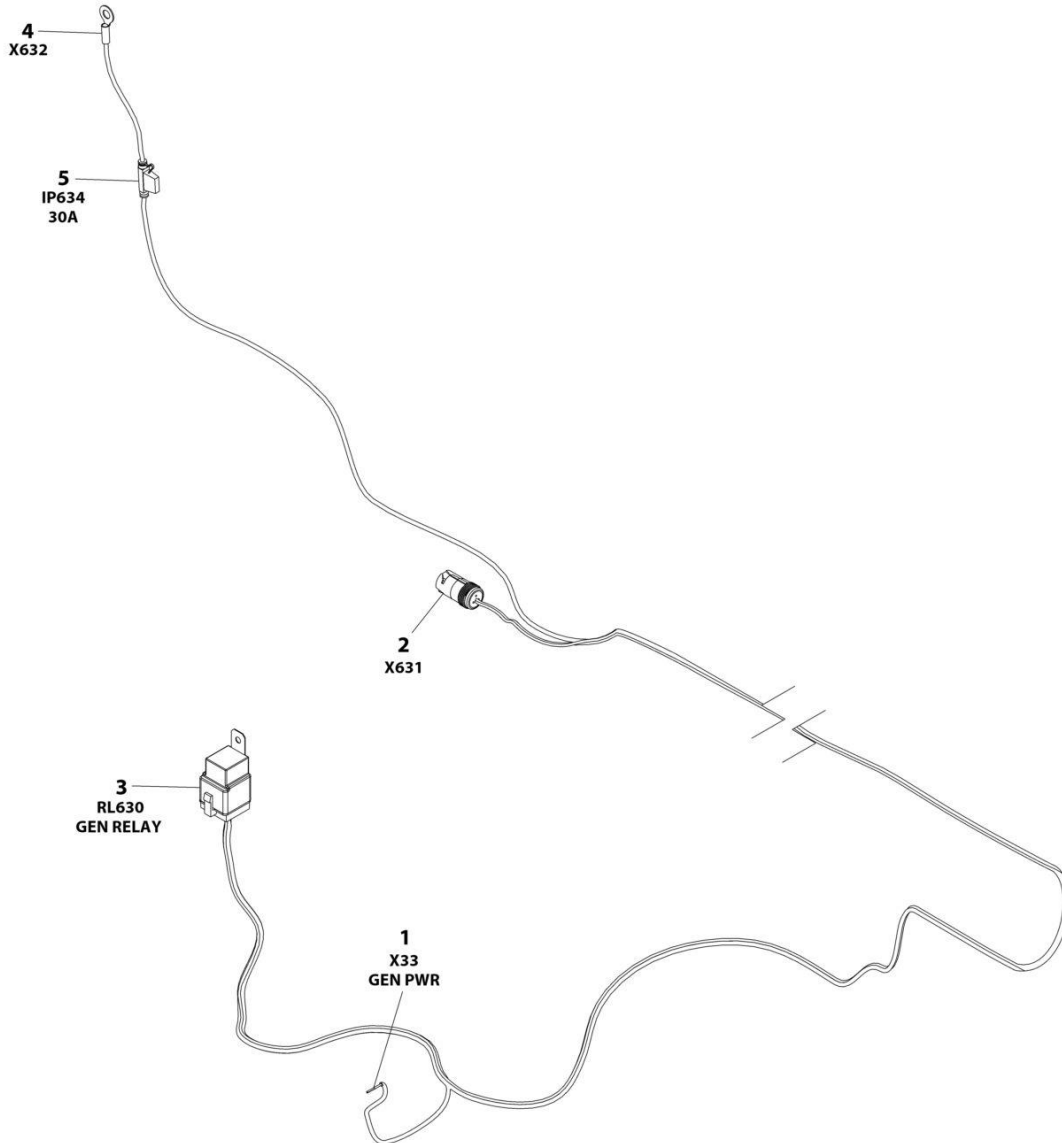
## SECTION 8 - ELECTRICAL

**FIGURE 8-53. FUEL PUMP HARNESS - DEUTZ D2.9L4 - 49HP AND DEUTZ TD2.9L4 - 67HP ENGINES**

ITEM	PART NUMBER	QTY	DESCRIPTION	REV
	1001190444	Ref	FUEL PUMP HARNESS	D
1	4460932	1	Receptacle, Female - 4 Position	
1	4460941	4	Pin, Male	
2	1001116983	1	Plug, Male - 2 Posiiton	
2	1001227507	2	Socket, Female	
2	4461054	2	Seal	
3	1001223045	2	Connector	

# SECTION 8 - ELECTRICAL

## FIGURE 8-54. GENERATOR HARNESS - 2500W



ART\_1001194114\_B

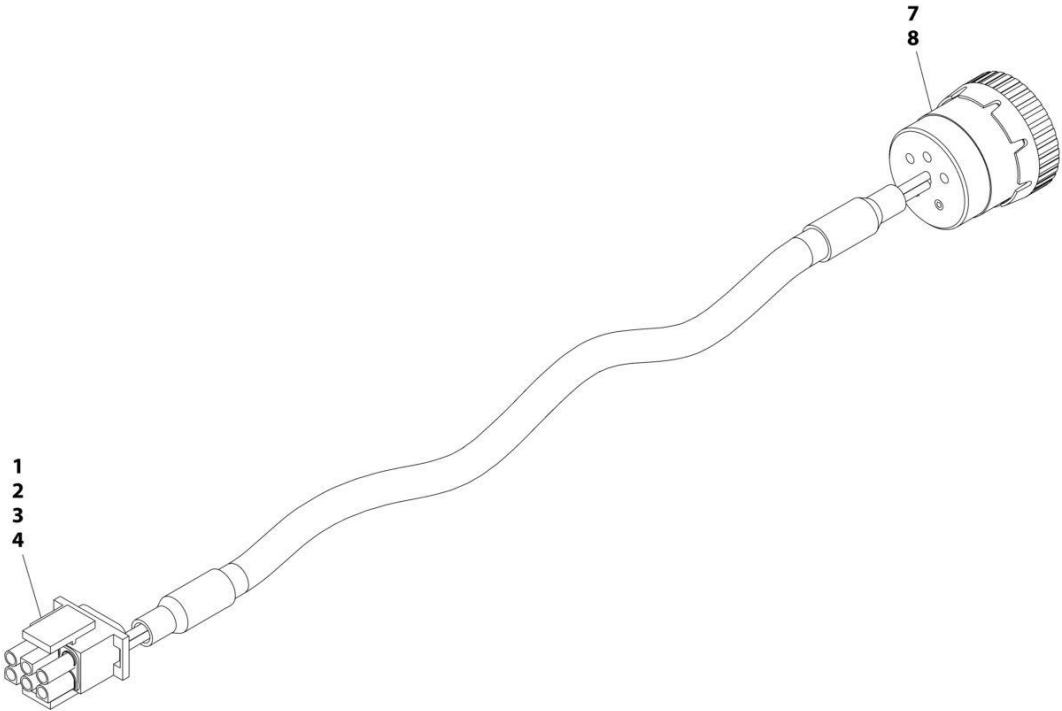
## SECTION 8 - ELECTRICAL

### FIGURE 8-54. GENERATOR HARNESS - 2500W

ITEM	PART NUMBER	QTY	DESCRIPTION	REV
	1001194114	Ref	GENERATOR HARNESS	B
1	4460906	1	Socket, Female	
2	1001154726	1	Receptacle, Female - 3 Position	
2	4460464	2	Pin, Male	
2	4460466	1	Plug, Terminal	
3	1001120851	1	Connector, Relay	
3	1001116734	2	Terminal	
3	1001116732	2	Terminal	
3	3740080	1	Relay	
4	8220045	1	Terminal, Ring	
5	2400060	1	Fuseholder - 30Amp (Includes Cover)	
5	8229245	1	Fuse - 30Amp	

**SECTION 8 - ELECTRICAL**

**FIGURE 8-55. GENERATOR HARNESS - 4000W**



ART\_1001152532

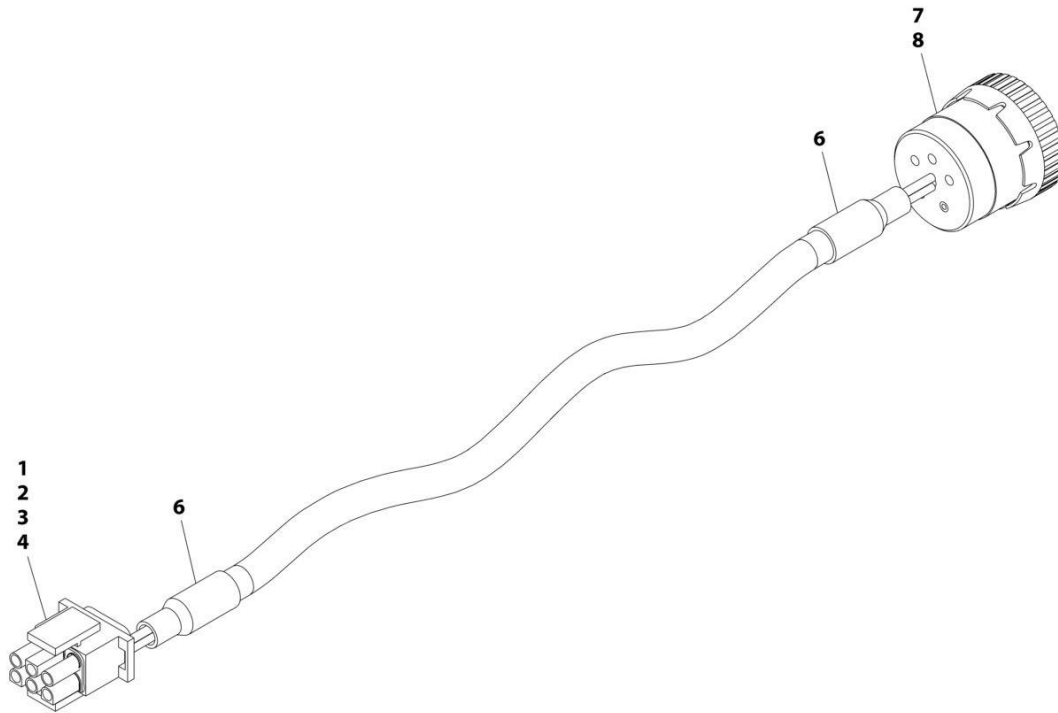
## SECTION 8 - ELECTRICAL

### FIGURE 8-55. GENERATOR HARNESS - 4000W

ITEM	PART NUMBER	QTY	DESCRIPTION	REV
	1001152532	Ref	GENERATOR HARNESS	A
1	4460225	1	Connector - 6 Position	
2	4460268	2	Socket, Female	
3	4460807	1	Seal	
4	4460808	1	Seal	
7	4460465	2	Socket, Female	
8	77363233	1	Connector - 6 Position	

# SECTION 8 - ELECTRICAL

## FIGURE 8-56. GENERATOR HARNESS - 7500W SKYPOWER



ART\_4922925

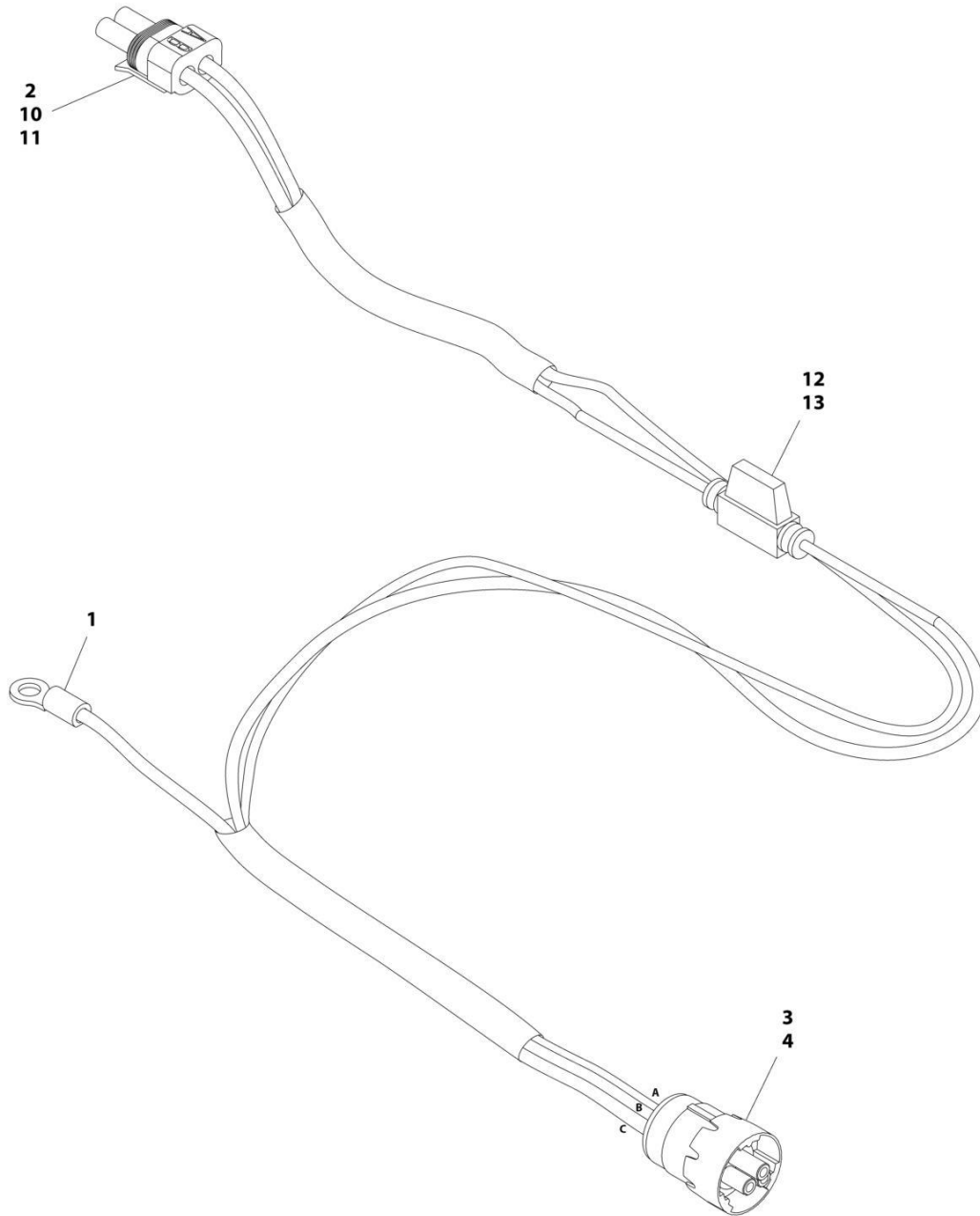
## SECTION 8 - ELECTRICAL

### FIGURE 8-56. GENERATOR HARNESS - 7500W SKYPOWER

ITEM	PART NUMBER	QTY	DESCRIPTION	REV
	4922925	Ref	GENERATOR TO CONTROL BOX HARNESS (7500W GENERATOR)	C
1	4460225	1	Plug, Male - 2 Position	
2	4460268	6	Socket, Female	
3	4460807	1	Seal	
4	4460808	1	Seal	
6	2820019	AR	Heat Shrink	
7	4460465	6	Socket, Female	
8	77363233	1	Connector - 6 Position	

# SECTION 8 - ELECTRICAL

FIGURE 8-57. GENERATOR TO ENGINE HARNESS - 7500W SKYPOWER GENERATOR (DEUTZ D2011 ONLY)



ART\_1001152429



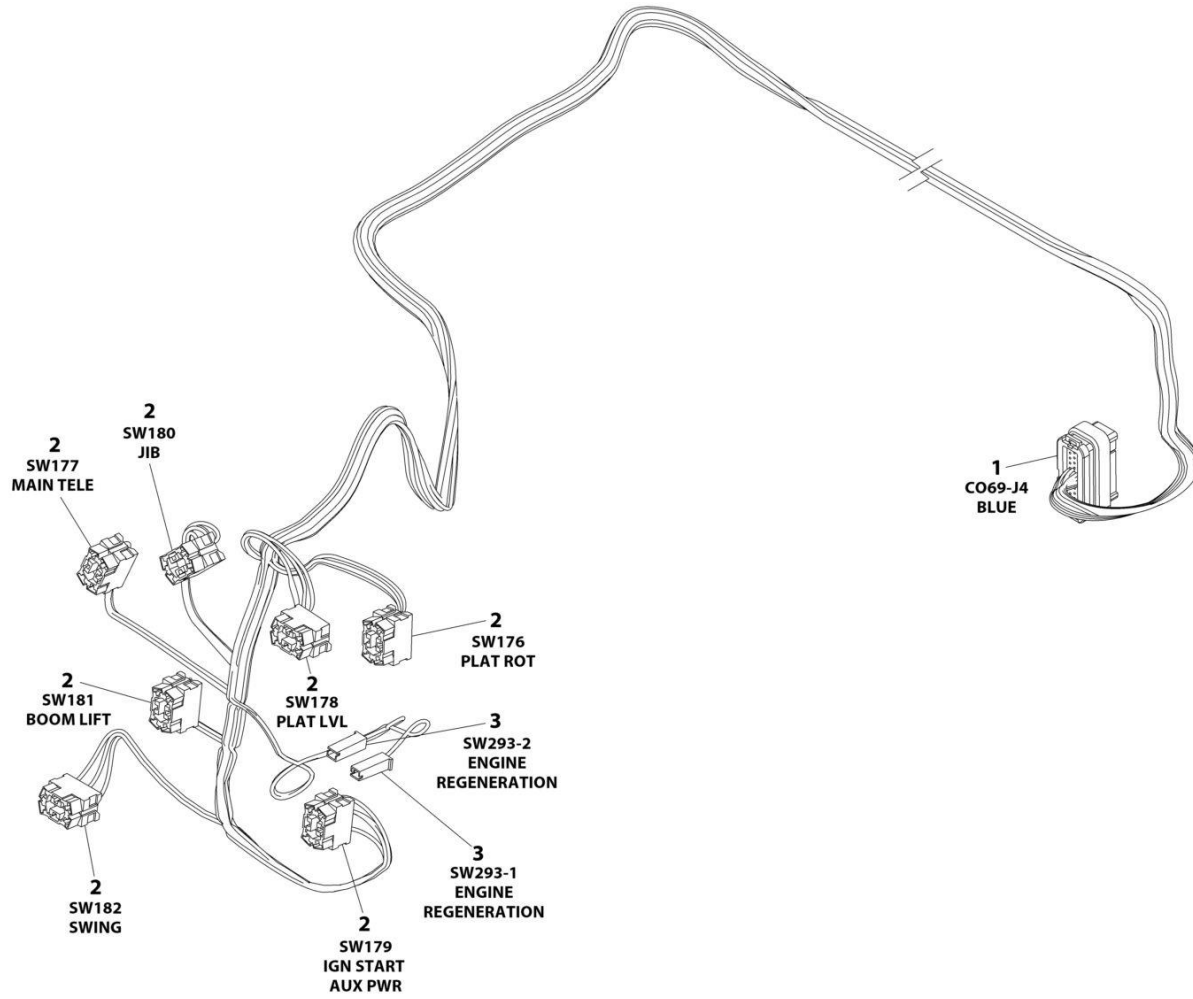
## SECTION 8 - ELECTRICAL

**FIGURE 8-57. GENERATOR TO ENGINE HARNESS - 7500W SKYPOWER GENERATOR (DEUTZ D2011 ONLY)**

ITEM	PART NUMBER	QTY	DESCRIPTION	REV
	1001152429	Ref	GENERATOR TO ENGINE HARNESS	C
1	4460043	1	Terminal, Ring	
2	4460742	1	Plug, Male - 2 Position	
3	4460967	1	Connector - 3 Position	
4	4460465	3	Socket, Female	
10	4460743	2	Terminal, Female	
11	4460458	2	Seal	
12	2400060	1	Fuseholder (Includes Cover)	
13	2400064	1	Fuse - 5Amp	

# SECTION 8 - ELECTRICAL

## FIGURE 8-58. GROUND CONTROL HARNESS



ART\_1001238408

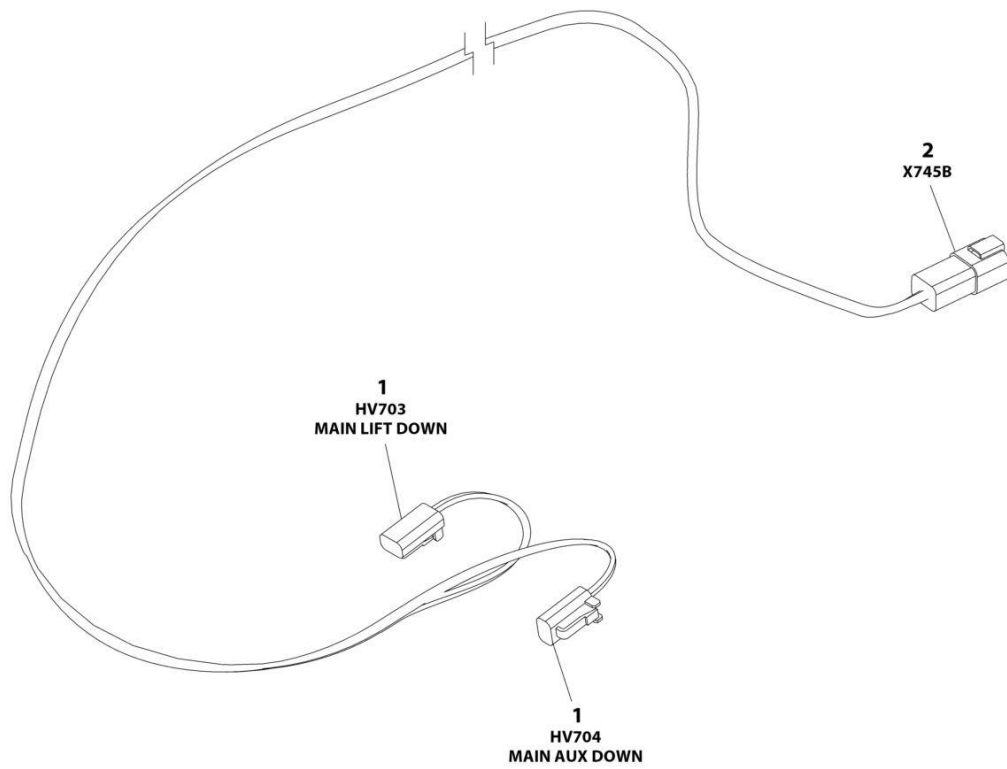
## SECTION 8 - ELECTRICAL

### FIGURE 8-58. GROUND CONTROL HARNESS

ITEM	PART NUMBER	QTY	DESCRIPTION	REV
	1001238408	Ref	GROUND CONTROL HARNESS	B
1	4460876	1	Connector - 35 Position	
1	4460871	16	Socket, Female	
1	4460905	19	Plug, Terminal	
2	4460418	7	Connector, Switch	
2	4460419	14	Terminal	
2	1001159186	14	Terminal	
3	4460260	2	Terminal	
3	4460259	2	Terminal	

# SECTION 8 - ELECTRICAL

## FIGURE 8-59. LIFT CYLINDER HARNESS



ART\_1001205923

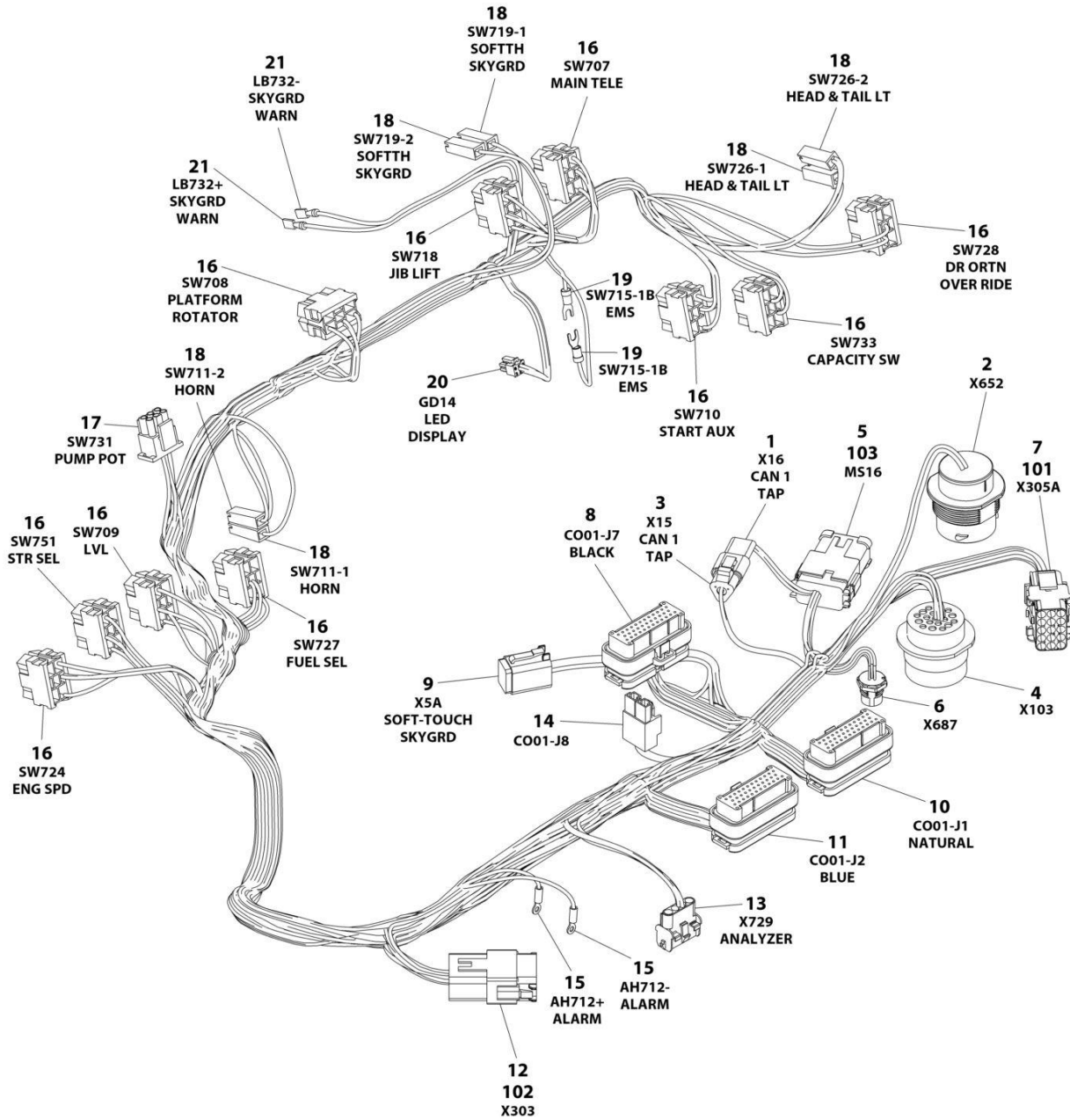
## SECTION 8 - ELECTRICAL

### FIGURE 8-59. LIFT CYLINDER HARNESS

ITEM	PART NUMBER	QTY	DESCRIPTION	REV
	1001205923	Ref	LIFT CYLINDER HARNESS	C
1	4460891	2	Plug, Male - 2 Position	
1	4460465	4	Socket, Female	
2	4460932	1	Receptacle, Female - 4 Position	
2	4460464	4	Pin, Male	

# SECTION 8 - ELECTRICAL

## FIGURE 8-60. PLATFORM BOX HARNESS



ART\_1001238409

## SECTION 8 - ELECTRICAL

### FIGURE 8-60. PLATFORM BOX HARNESS

ITEM	PART NUMBER	QTY	DESCRIPTION	REV
	1001238409	Ref	PLATFORM CONSOLE HARNESS	J
1	4460536	1	Receptacle, Female - 3 Position	
1	4460943	2	Pin, Male	
1	4460466	1	Plug, Terminal	
2	4460925	1	Connector - 21 Position	
2	1001116695	15	Pin, Male	
2	4460518	6	Plug, Terminal	
3	4460539	1	Plug, Male - 3 Position	
3	4460944	2	Socket, Female	
3	4460466	1	Plug, Terminal	
4	4460866	1	Connector - 19 Position	
4	4460464	7	Pin, Male	
4	4460943	2	Pin, Male	
4	4460508	1	Pin, Male	
4	4460466	8	Plug, Terminal	
5	4460933	1	Plug, Male - 12 Position	
5	4460465	10	Socket, Female	
5	4460466	2	Plug, Terminal	
6	1001213447	1	Connector - 4 Position	
6	See Note	NSS	Terminal (Note: Purchase p/n 1001213447)	
7	4460434	1	Connector - 15 Position	
7	4460267	8	Pin, Male	
8	4460873	1	Connector - 35 Position	
8	4460871	24	Socket, Female	
8	4460905	11	Plug, Terminal	
9	4460894	1	Plug, Male - 6 Position	
9	4460465	6	Socket, Female	
10	4460874	1	Connector - 35 Position	
10	4460871	29	Socket, Female	
10	4460905	6	Plug, Terminal	
11	4460876	1	Connector - 35 Position	
11	4460871	12	Socket, Female	
11	4460905	23	Plug, Terminal	
12	4460970	1	Receptacle, Female - 12 Position	
12	1001116693	6	Pin, Male	
12	4460466	6	Plug, Terminal	
13	4460761	1	Receptacle, Female - 4 Position	
13	1001118378	4	Pin, Male	
14	4460879	1	Plug, Male - 2 Position	
14	4460887	2	Terminal	
15	1001098122	2	Terminal, Ring	
16	4460418	10	Connector - 6 Position	
16	4460419	20	Terminal	
16	1001159186	18	Terminal	
17	4460225	1	Plug, Male - 6 Position	
17	4460227	6	Pin, Male (Note: Used on Pump Potentiometer Connection Only)	
17	4460267	2	Terminal	
18	4460260	6	Housing, Terminal	
18	4460259	6	Terminal	
19	4460183	2	Terminal, Fork	

## SECTION 8 - ELECTRICAL

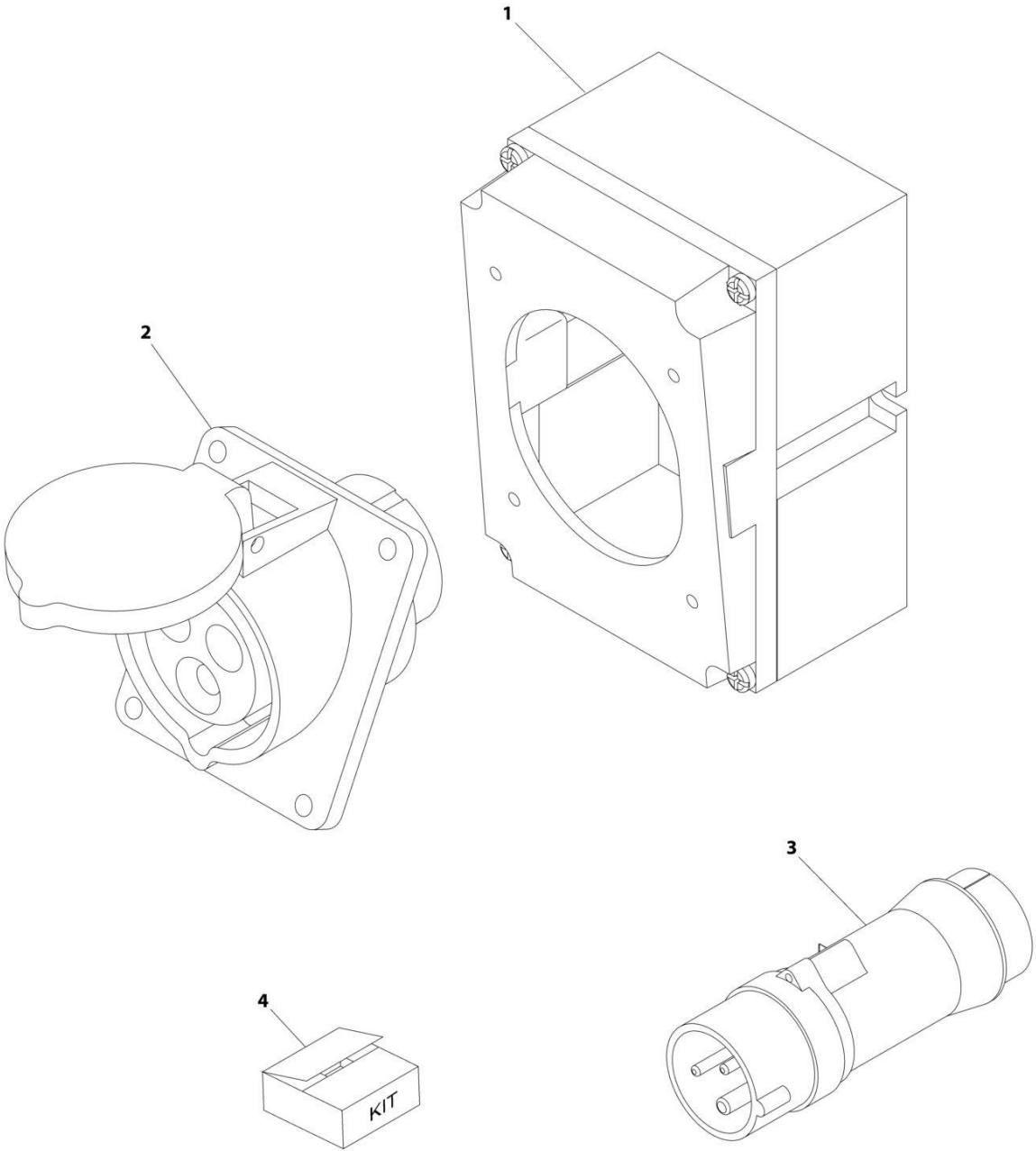
ITEM	PART NUMBER	QTY	DESCRIPTION	REV
20	1001237667	1	Connector - 6 Position	
20	1001237668	4	Terminal	
21	1001271497	1	Terminal	
101	4460708	1	Connector - 12 Position	
102	4460933	1	Plug, Male - 12 Position	
103	1001125677	1	Connector, Bussbar	





**SECTION 8 - ELECTRICAL**

**FIGURE 8-61. RECEPTACLE BOX KIT - 110V IEC YELLOW (RUSSIA, CE & UK CA SPECS)**



ART\_0275216

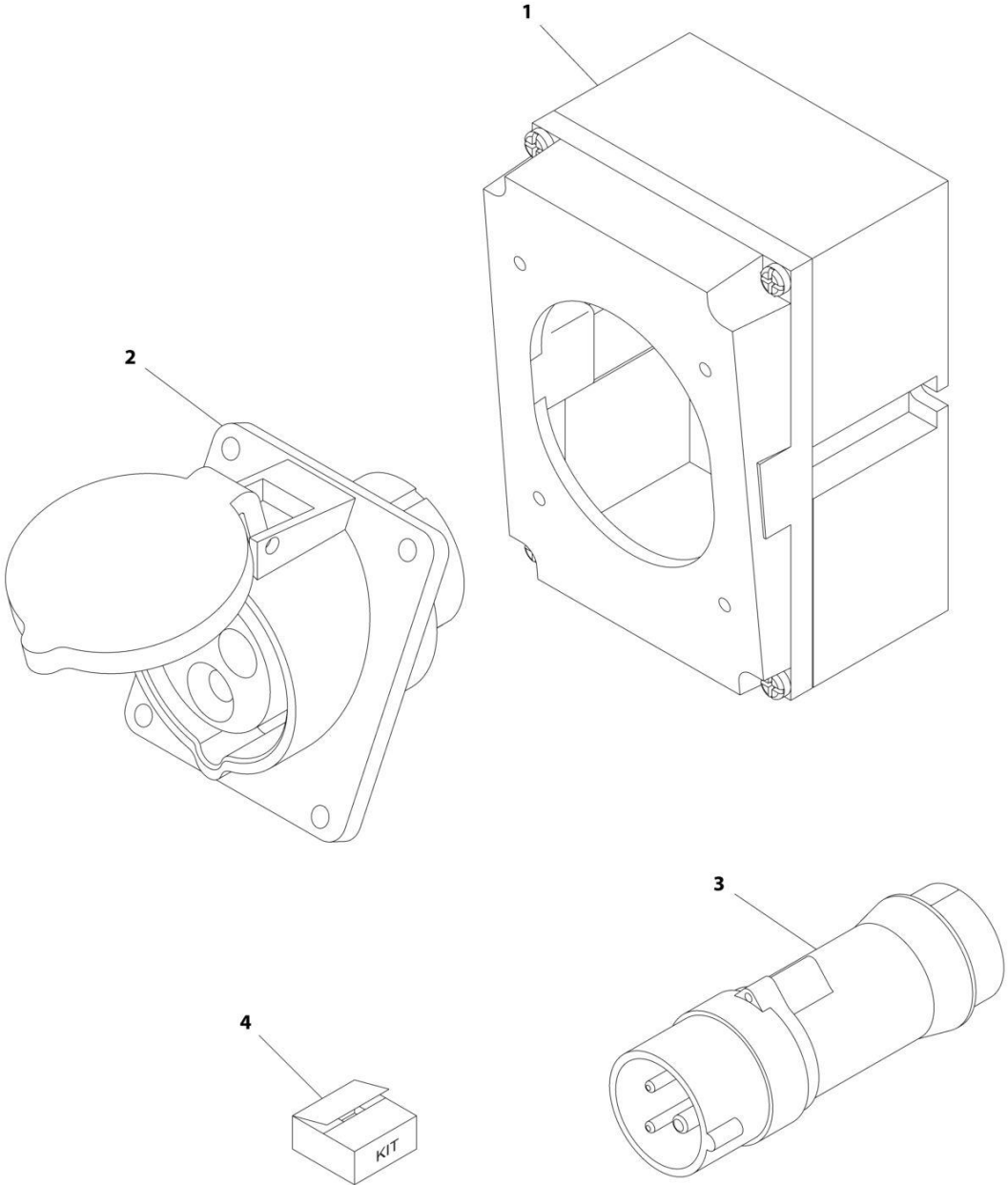
## SECTION 8 - ELECTRICAL

**FIGURE 8-61. RECEPTACLE BOX KIT - 110V IEC YELLOW (RUSSIA, CE & UK CA SPECS)**

ITEM	PART NUMBER	QTY	DESCRIPTION	REV
	0275216	Ref	RECEPTACLE BOX KIT - 110V IEC YELLOW	B
1	0861781	1	Box, Switch	
2	4461198	1	Receptacle	
3	4461196	1	Plug, Male	
4	1001100341	1	Plug and Socket Kit (Includes Items 1-3 and Female Plug p/n 4461197)	

**SECTION 8 - ELECTRICAL**

**FIGURE 8-62. RECEPTACLE BOX KIT - 220V IEC BLUE (RUSSIA, CE & UK CA SPECS)**



ART\_0275217

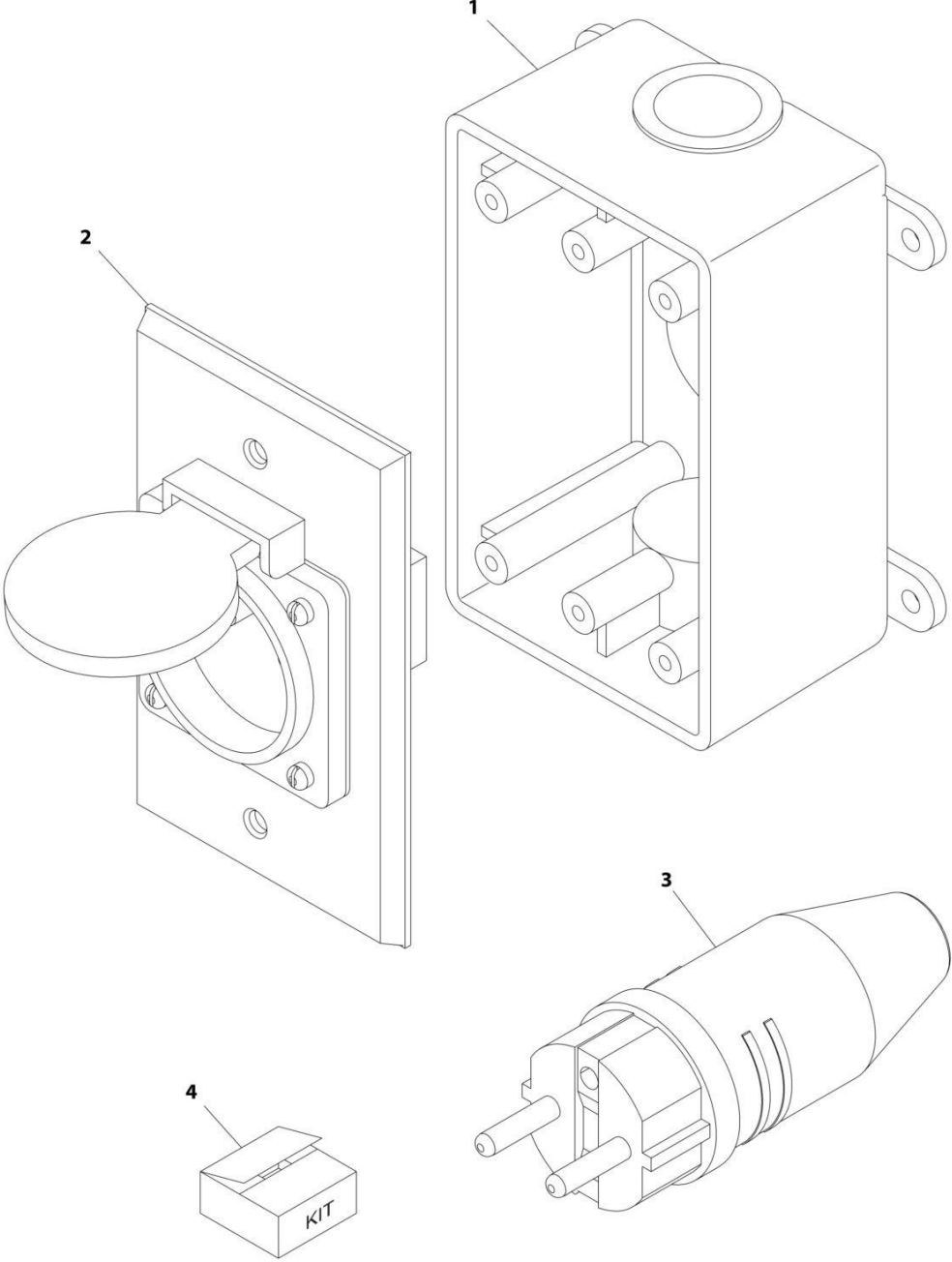
## SECTION 8 - ELECTRICAL

**FIGURE 8-62. RECEPTACLE BOX KIT - 220V IEC BLUE (RUSSIA, CE & UK CA SPECS)**

ITEM	PART NUMBER	QTY	DESCRIPTION	REV
	0275217	Ref	RECEPTACLE BOX KIT - 220V IEC BLUE	B
1	0861781	1	Box, Switch	
2	4461201	1	Receptacle	
3	4461199	1	Plug, Male	
4	1001100342	1	Plug and Socket Kit (Includes Items 1-3 and Female Plug p/n 4461200)	

**SECTION 8 - ELECTRICAL**

**FIGURE 8-63. RECEPTACLE BOX KIT - 220V CEE7 POST GROUND 2X4 BOX (RUSSIA, CE & UK CA SPECS)**



ART\_0275452-C

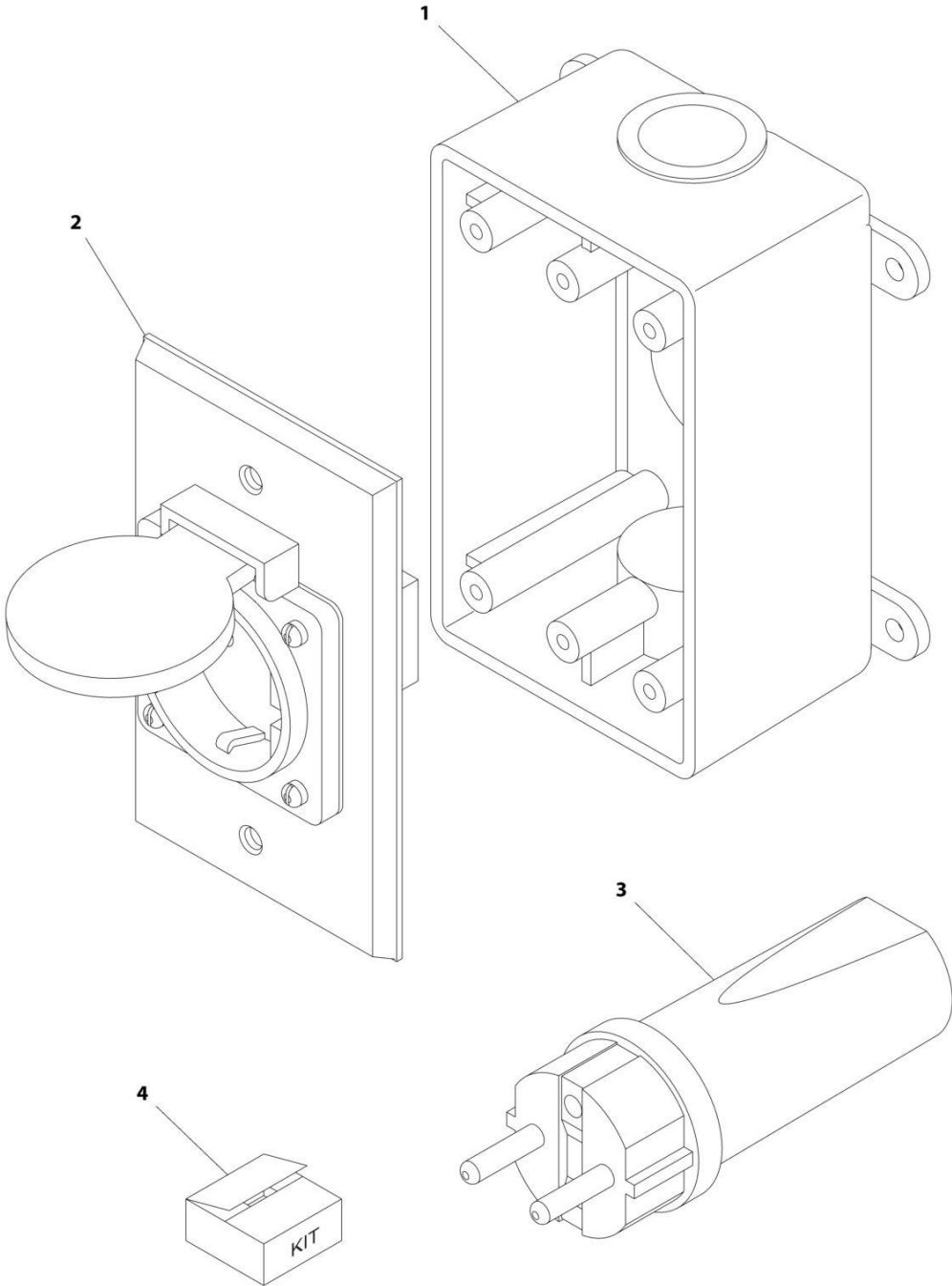
## SECTION 8 - ELECTRICAL

**FIGURE 8-63. RECEPTACLE BOX KIT - 220V CEE7 POST GROUND 2X4 BOX (RUSSIA, CE & UK CA SPECS)**

ITEM	PART NUMBER	QTY	DESCRIPTION	REV
	0275452	Ref	RECEPTACLE BOX KIT - 220V CEE7 POST GROUND 2IN X 4IN BOX	C
1	0861731	1	Box, Switch	
2	4461244	1	Receptacle	
3	4461205	1	Plug, Male	
4	1001100345	1	Plug and Socket Kit (Includes Items 1-3 and Female Plug p/n 4461203)	

**SECTION 8 - ELECTRICAL**

**FIGURE 8-64. RECEPTACLE BOX KIT - 220V CEE7 SIDE GROUND (RUSSIA, CE & UK CA SPECS)**



ART\_0275453



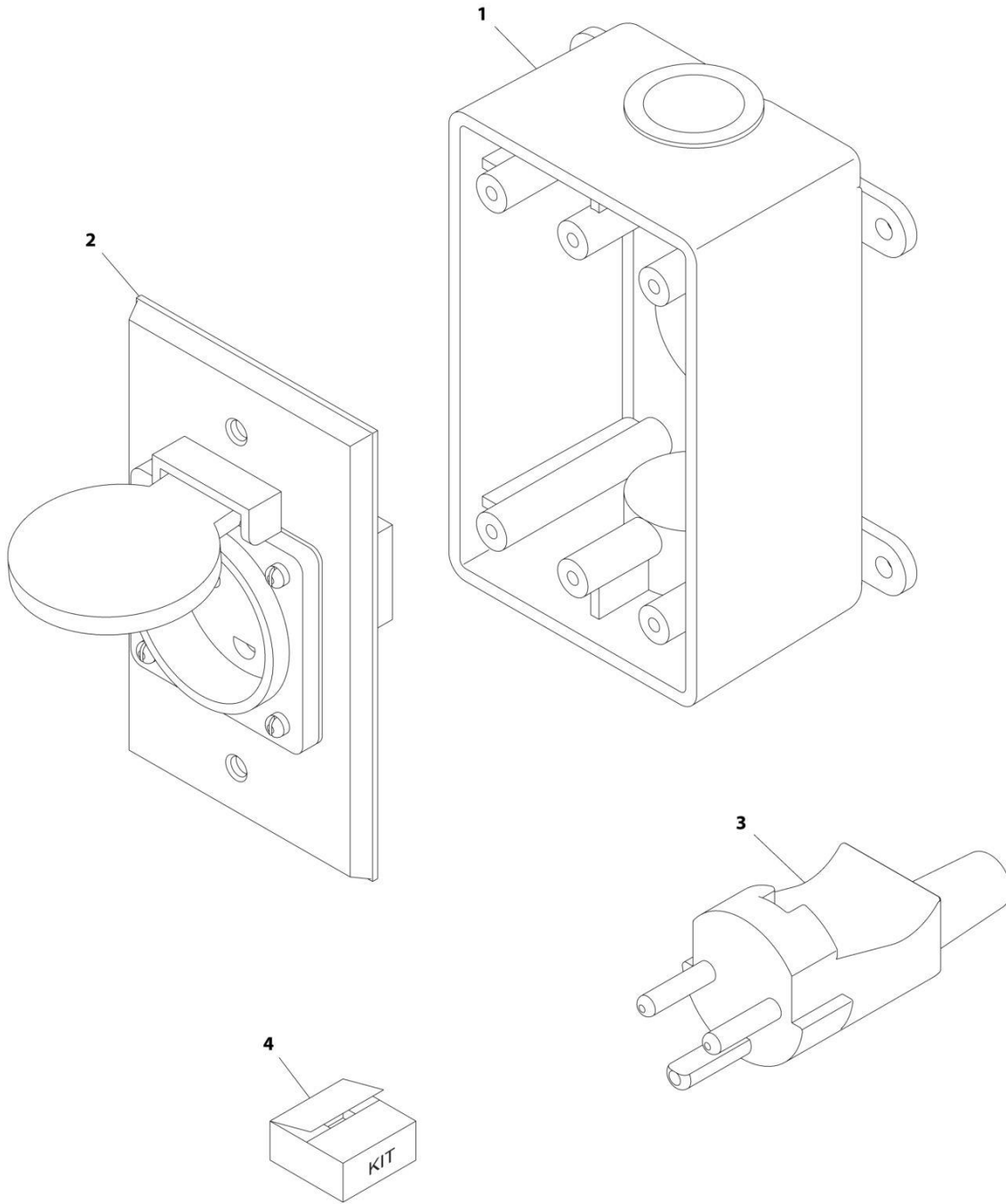
## SECTION 8 - ELECTRICAL

**FIGURE 8-64. RECEPTACLE BOX KIT - 220V CEE7 SIDE GROUND (RUSSIA, CE & UK CA SPECS)**

ITEM	PART NUMBER	QTY	DESCRIPTION	REV
	0275453	Ref	RECEPTACLE BOX KIT - 220V CEE7 SIDE GROUND	B
1	0861731	1	Box, Switch	
2	4461245	1	Receptacle	
3	4461205	1	Plug, Male	
4	1001100347	1	Plug and Socket Kit (Includes Items 1-3 and Female Plug p/n 4461206)	

# SECTION 8 - ELECTRICAL

FIGURE 8-65. RECEPTACLE BOX KIT - 220V AFSINT 107 (RUSSIA, CE & UK CA SPECS)



ART\_0275454

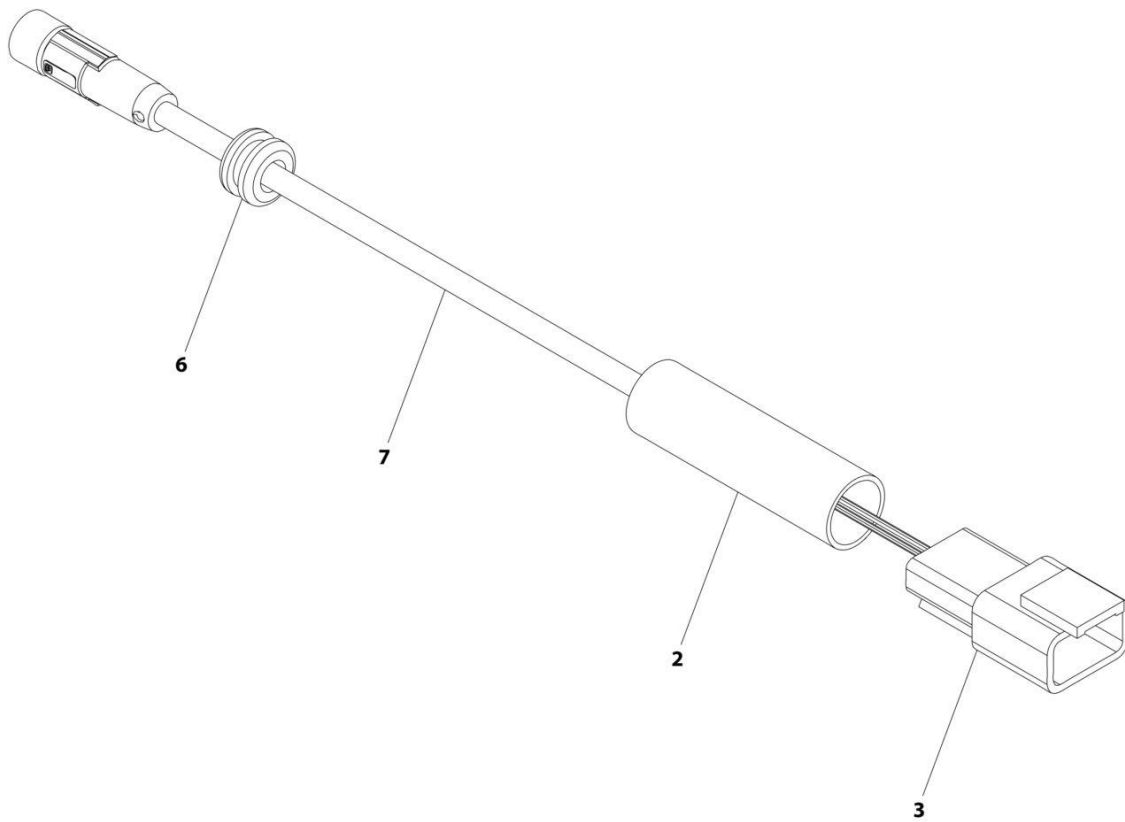
## SECTION 8 - ELECTRICAL

**FIGURE 8-65. RECEPTACLE BOX KIT - 220V AFSINT 107 (RUSSIA, CE & UK CA SPECS)**

ITEM	PART NUMBER	QTY	DESCRIPTION	REV
	0275454	Ref	RECEPTACLE BOX KIT - 220V AFSINT 107	B
1	0861731	1	Box, Switch	
2	4461246	1	Receptacle	
3	4461249	1	Plug, Male	
4	1001100346	1	Plug and Socket Kit (Includes Items 1-3 and Female Plug p/n 4461250)	

# SECTION 8 - ELECTRICAL

## FIGURE 8-66. SKYEYE EMITTER HARNESS



ART\_1001237864

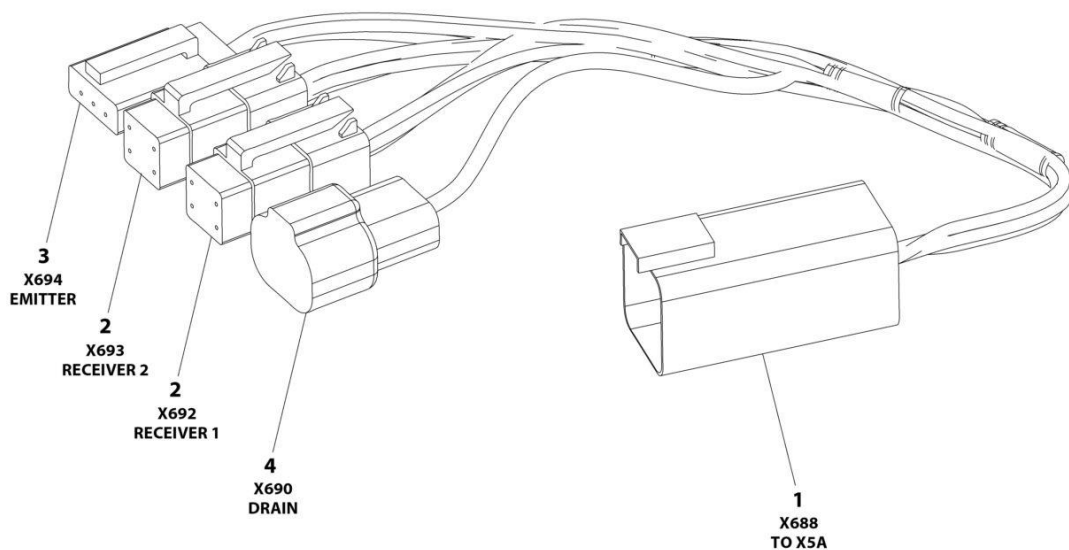
## SECTION 8 - ELECTRICAL

### FIGURE 8-66. SKYEYE EMITTER HARNESS

ITEM	PART NUMBER	QTY	DESCRIPTION	REV
	1001237864	Ref	SKYEYE EMITTER HARNESS	A
2	2820247	AR	Tubing, Heat Shrink	
3	4460910	1	Connector - 3 Position	
3	1001119620	3	Pin, Male	
6	1001227996	1	Grommet	
7	1001237862	1	Cable, M8 Female Cordset	

# SECTION 8 - ELECTRICAL

## FIGURE 8-67. SKYEYE INTERMEDIATE HARNESS



ART\_1001237865

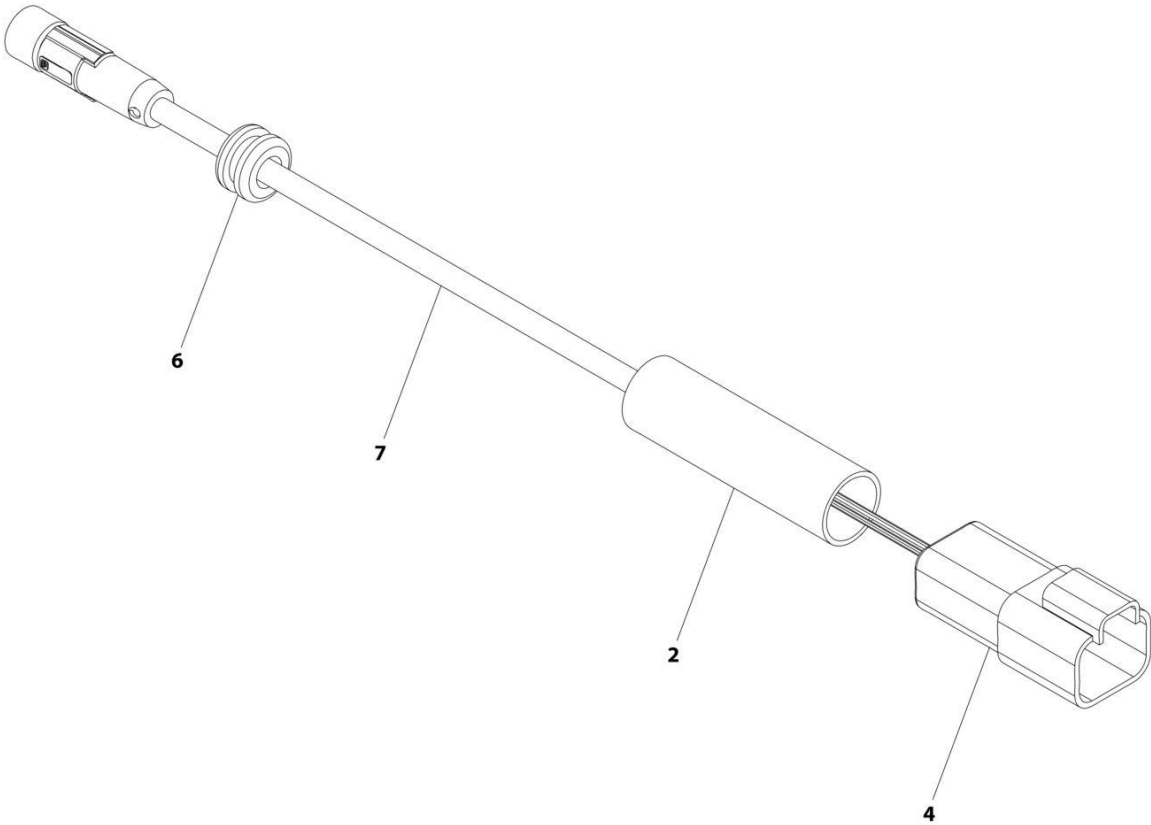
## SECTION 8 - ELECTRICAL

### FIGURE 8-67. SKYEYE INTERMEDIATE HARNESS

ITEM	PART NUMBER	QTY	DESCRIPTION	REV
	1001237865	Ref	SKYEYE INTERMEDIATE HARNESS	A
1	4460899	1	Connector - 6 Position	
1	4460943	4	Pin, Male	
1	4460466	2	Plug, Terminal	
2	4461077	2	Connector - 4 Position	
2	1001119619	8	Socket, Female	
3	4460911	1	Connector - 3 Position	
3	1001119619	3	Socket, Female	
4	1001187681	1	Connector - 2 Position	
4	4460941	1	Pin, Male	
4	4460466	1	Plug, Terminal	

**SECTION 8 - ELECTRICAL**

**FIGURE 8-68. SKYEYE RECEIVER HARNESS**



ART\_1001237863



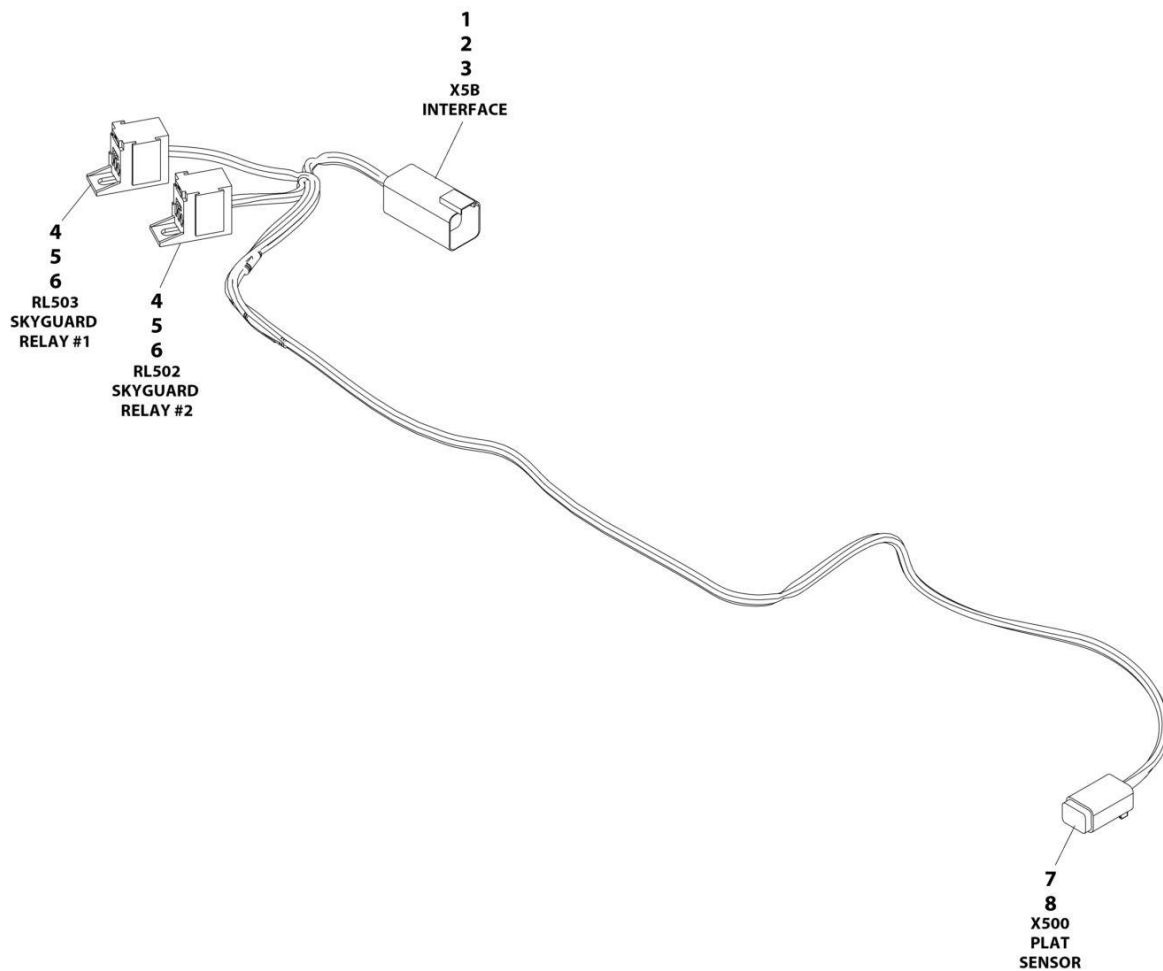
## SECTION 8 - ELECTRICAL

### FIGURE 8-68. SKYEYE RECEIVER HARNESS

ITEM	PART NUMBER	QTY	DESCRIPTION	REV
	1001237863	Ref	SKYEYE RECEIVER HARNESS	A
2	2820247	AR	Tubing, Heat Shrink	
4	1001097051	1	Connector - 4 Position	
4	1001119620	4	Pin, Male	
6	1001227996	1	Grommet	
7	1001237862	1	Cable, M8 Female Cordset	

# SECTION 8 - ELECTRICAL

## FIGURE 8-69. SKYGUARD INTERFACE HARNESS



ART\_1001225580

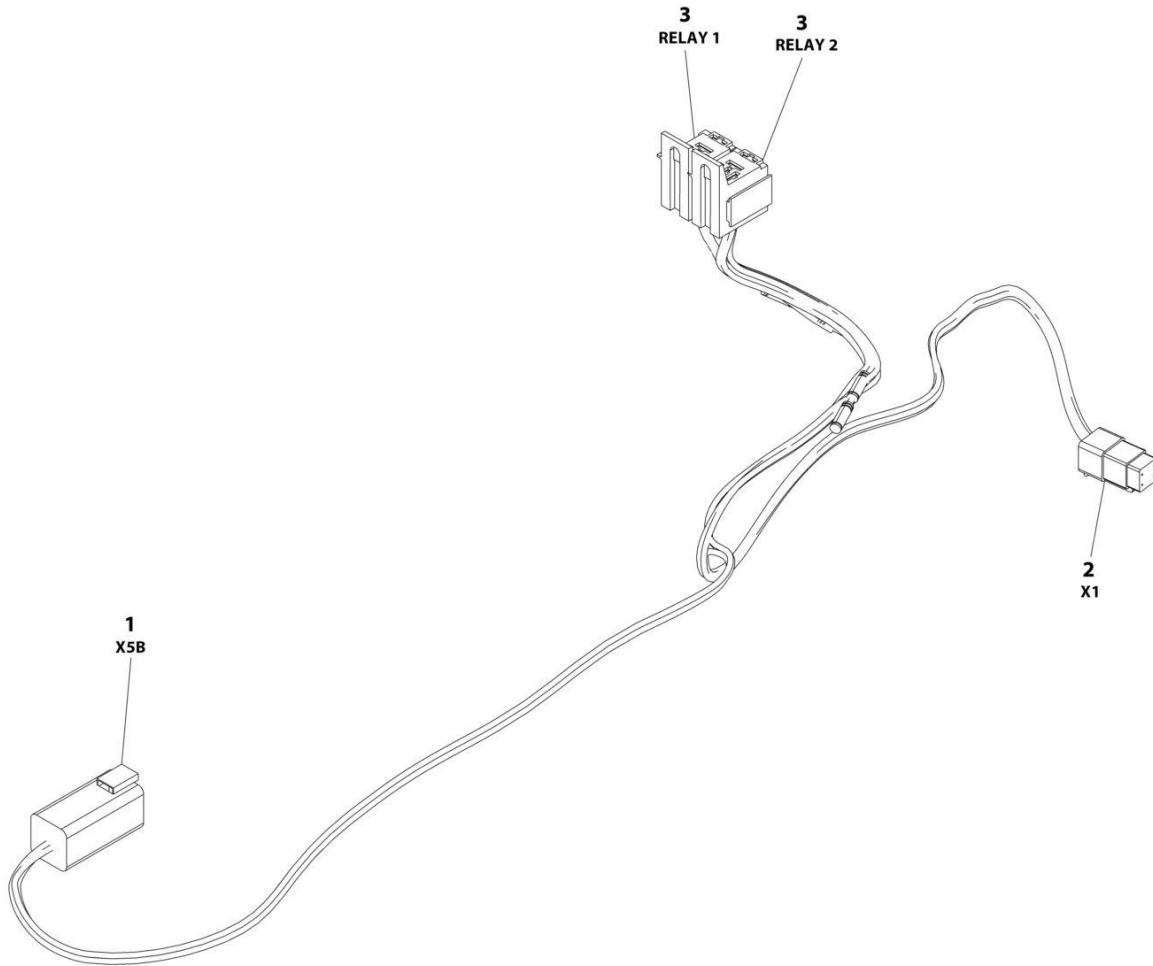
## SECTION 8 - ELECTRICAL

### FIGURE 8-69. SKYGUARD INTERFACE HARNESS

ITEM	PART NUMBER	QTY	DESCRIPTION	REV
	1001225580	Ref	INTERFACE HARNESS - WITH 1 CELL LSS	D
1	4460899	1	Connector	
2	4460464	4	Terminal	
3	4460466	2	Plug	
4	1001186432	2	Connector	
5	1001116720	4	Terminal	
6	1001118388	4	Terminal	
7	4460884	1	Connector	
8	4460465	4	Terminal	

# SECTION 8 - ELECTRICAL

## FIGURE 8-70. SKYLINE HARNESS



ART\_1001238418

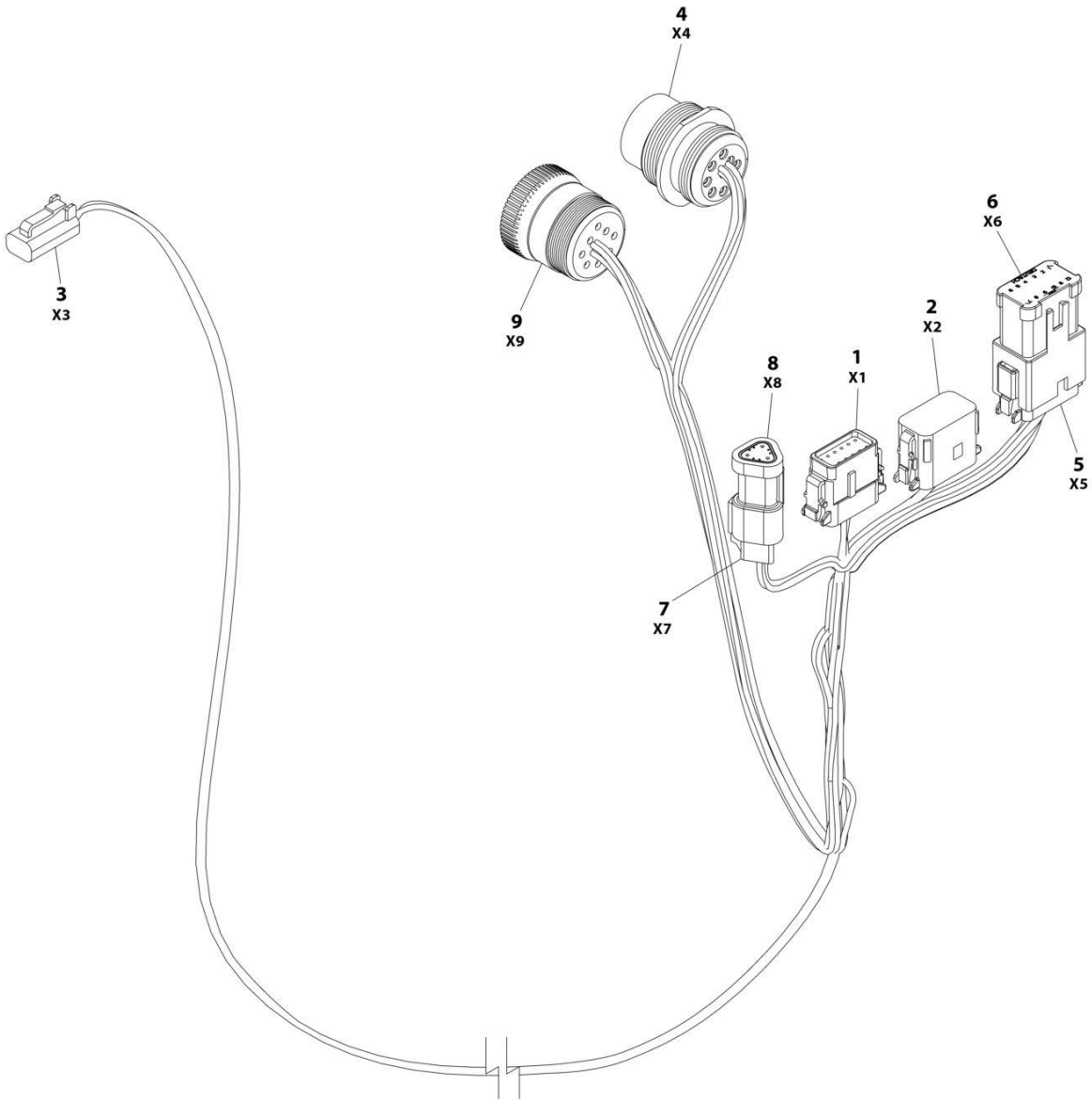
## SECTION 8 - ELECTRICAL

### FIGURE 8-70. SKYLINE HARNESS

ITEM	PART NUMBER	QTY	DESCRIPTION	REV
	1001238418	Ref	SKYLINE HARNESS	B
1	4460899	1	Connector - 6 Position	
1	4460464	4	Pin, Male	
1	4460466	2	Plug, Terminal	
2	4461077	1	Connector - 4 Position	
2	1001126009	4	Socket, Female	
3	1001186432	2	Plug, Relay	
3	1001118388	5	Terminal	
3	1001118384	3	Terminal	
3	3740086	2	Relay	

# SECTION 8 - ELECTRICAL

## FIGURE 8-71. STROBE LIGHT HARNESS (RED AND BLUE BEACON LIGHTS)



ART\_1001142736

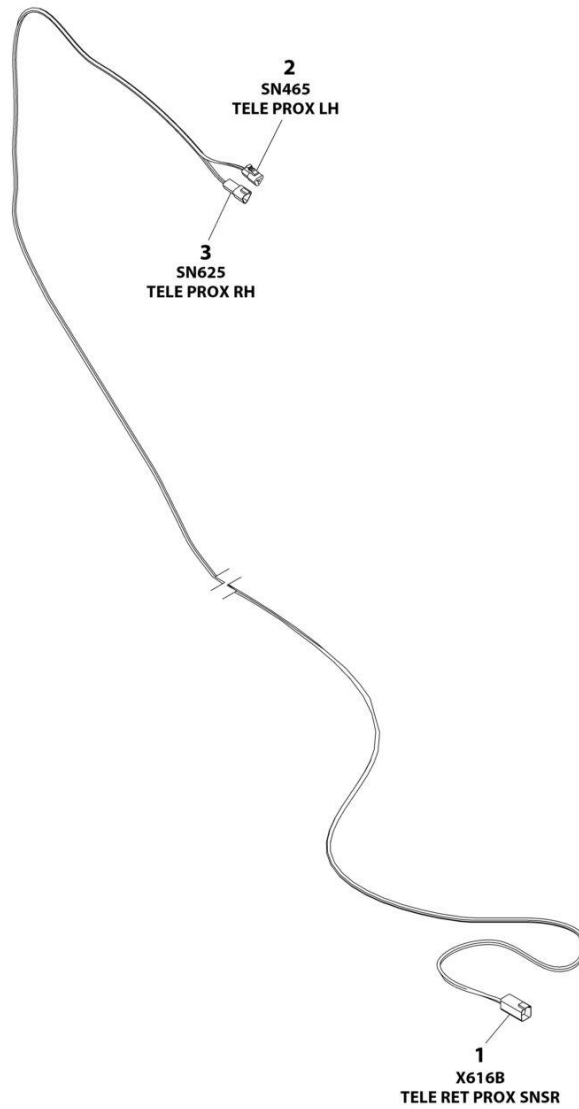
## SECTION 8 - ELECTRICAL

**FIGURE 8-71. STROBE LIGHT HARNESS (RED AND BLUE BEACON LIGHTS)**

ITEM	PART NUMBER	QTY	DESCRIPTION	REV
	1001142736	Ref	STROBE LIGHT HARNESS	F
1	1001116808	1	Plug, Male - 12 Position	
1	4460928	3	Socket, Female	
1	4460518	9	Plug, Terminal	
2	1001116774	1	Plug, Male - 12 Position	
2	4460928	3	Socket, Female	
2	4460518	9	Plug, Terminal	
3	4460891	1	Plug, Male - 2 Position	
3	4460465	2	Socket, Female	
4	1001112612	1	Connector - 9 Position	
4	4460464	6	Pin, Male	
4	4460466	3	Plug, Terminal	
5	4460933	1	Plug, Male - 12 Position	
5	4460465	12	Socket, Female	
6	1001119020	1	Bussbar - 12 Position	
7	4461095	1	Plug, Male - 3 Position	
7	4460465	3	Socket, Female	
8	4461070	1	Bussbar - 3 Position	
9	1001112796	1	Connector - 9 Position	
9	4460465	6	Socket, Female	
9	4460466	3	Plug, Terminal	

# SECTION 8 - ELECTRICAL

## FIGURE 8-72. TELE PROXIMITY HARNESS



ART\_1001189003



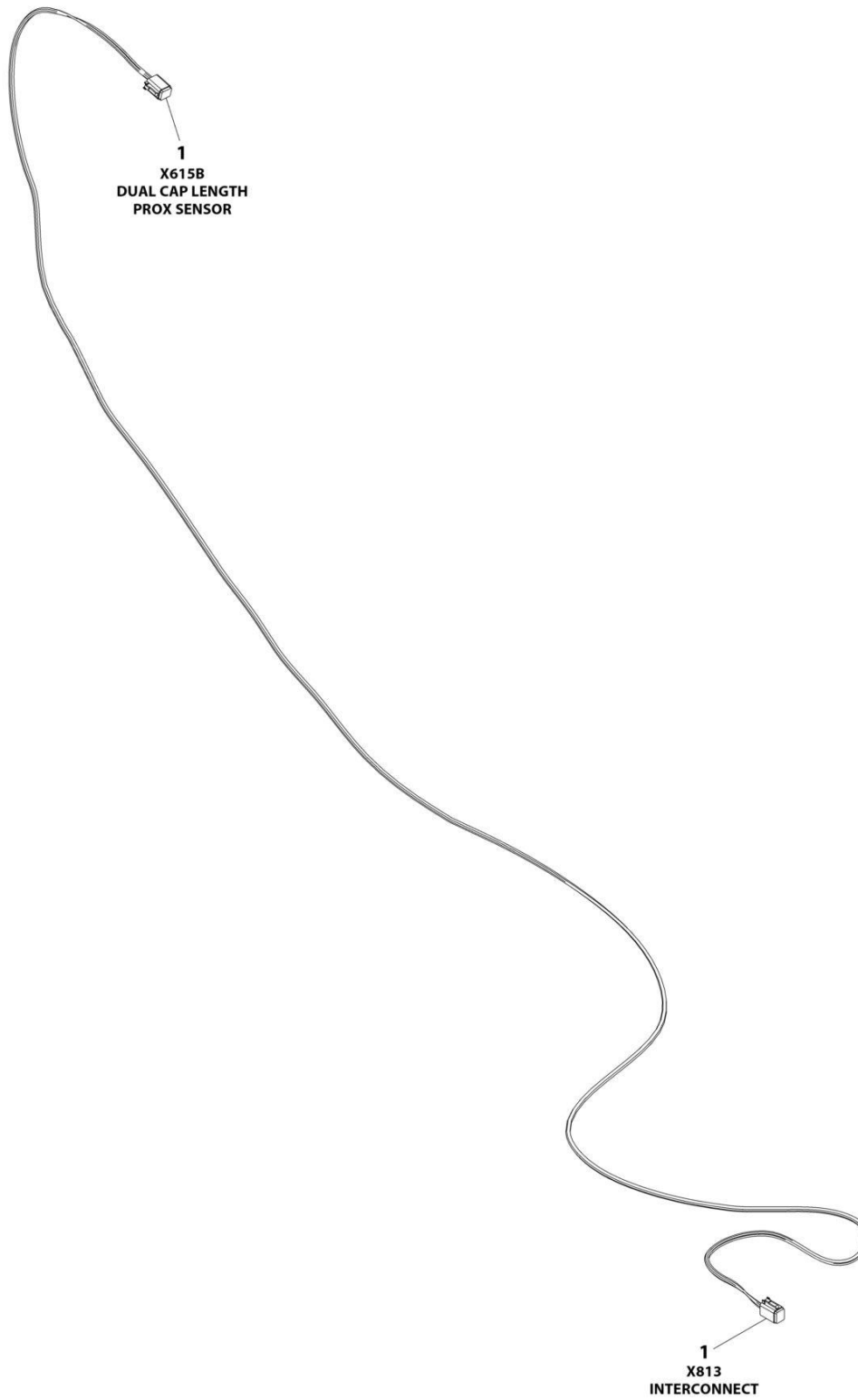
## SECTION 8 - ELECTRICAL

### FIGURE 8-72. TELE PROXIMITY HARNESS

ITEM	PART NUMBER	QTY	DESCRIPTION	REV
	1001189003	Ref	TELE PROXIMITY HARNESS	E
1	4460899	1	Receptacle, Female - 6 Position	
1	4460464	6	Pin, Male	
2	4460539	1	Plug, Male - 3 Position	
2	4460465	3	Socket, Female	
3	4460536	1	Receptacle, Female - 3 Position	
3	4460464	3	Pin, Male	

# SECTION 8 - ELECTRICAL

## FIGURE 8-73. TRANSPORT SWITCH HARNESS (660SJ HC3)



ART\_1001242908

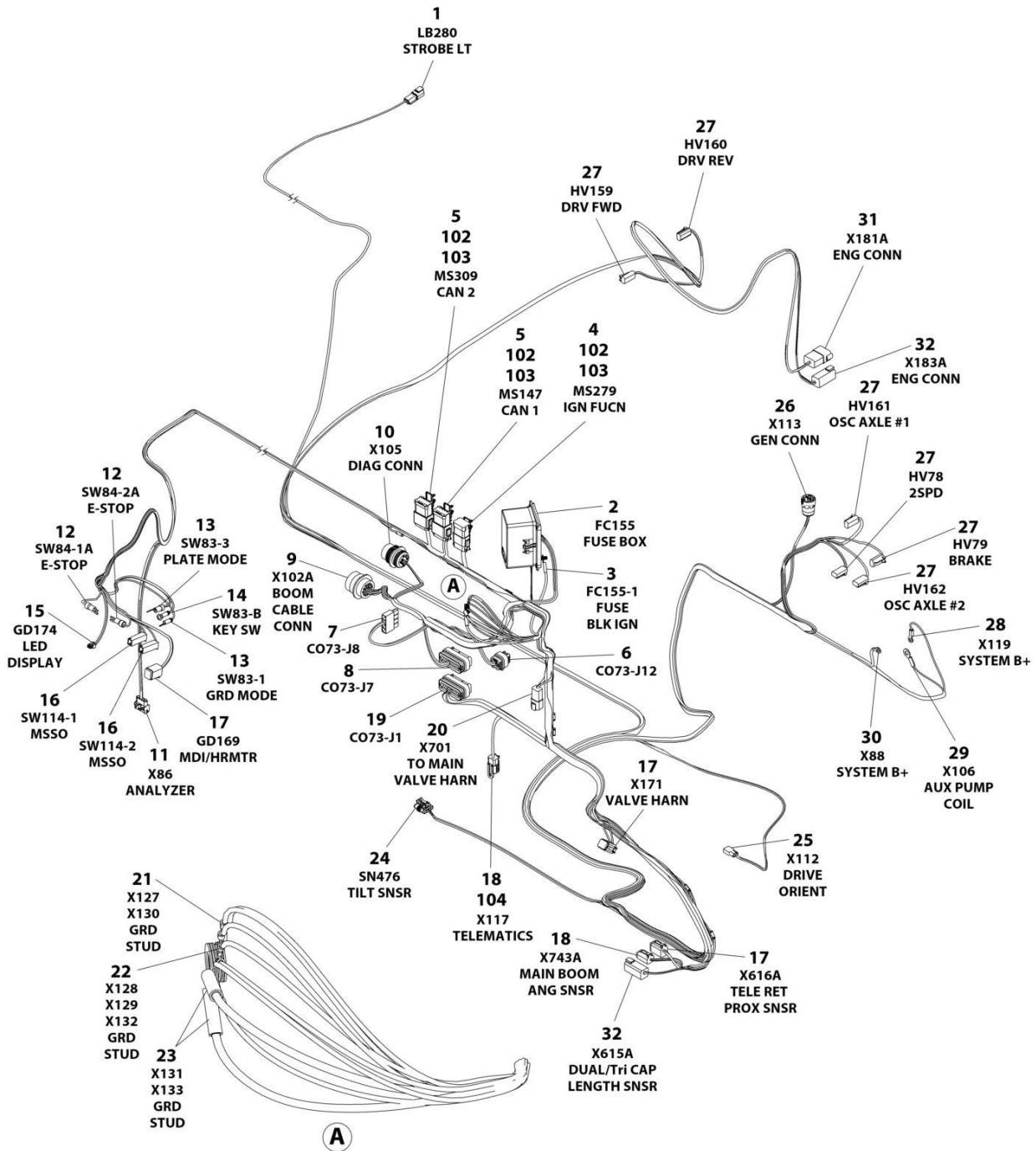
## SECTION 8 - ELECTRICAL

**FIGURE 8-73. TRANSPORT SWITCH HARNESS (660SJ HC3)**

ITEM	PART NUMBER	QTY	DESCRIPTION	REV
	1001242908	Ref	CAPACITY PROXIMITY HARNESS	B
1	4460894	2	Plug, Male - 6 Position	
1	4460465	12	Socket, Female	

# SECTION 8 - ELECTRICAL

## FIGURE 8-74. TURNTABLE HARNESS



ART\_1001238405

## SECTION 8 - ELECTRICAL

### FIGURE 8-74. TURNTABLE HARNESS

ITEM	PART NUMBER	QTY	DESCRIPTION	REV
	1001238405	Ref	TURNTABLE HARNESS	H
1	4460897	1	Receptacle, Female - 2 Position	
1	4460464	9	Pin, Male	
2	1001196602	1	Box, Fuse Less Fuses	
2	1001196604	1	Cover, Box	
2	1001190921	1	Spacer, Foam	
2	1001196634	2	Fuse 2 Amp	
2	8229242	7	Fuse 5 Amp	
2	8229244	2	Fuse 15Amp	
2	1001095704	2	Relay	
2	1001196636	2	Diode 1 Amp	
2	8220098	6	Terminal	
2	8220089	6	Seal, Terminal	
2	8220097	19	Terminal	
2	4460458	19	Seal, Terminal	
2	4460748	10	Plug, Terminal	
3	1001117106	1	Terminal, Ring	
4	4460933	1	Plug, Male - 12 Position	
4	4460465	8	Socket, Female	
4	4460466	4	Seal, Terminal	
5	4460933	2	Plug, Male - 12 Position	
5	4460465	16	Socket, Female	
5	4460466	8	Plug, Terminal	
6	1001113961	1	Connector - 8 Position	
6	4460871	5	Socket, Female	
6	4460905	3	Plug, Terminal	
7	4460878	1	Plug, Male - 4 Position	
7	4460887	2	Socket, Female	
8	4460873	1	Connector - 35 Position	
8	4460871	26	Socket, Female	
8	4460905	9	Plug, Terminal	
9	4460866	1	Connector - 19 Position	
9	4460464	10	Pin, Male	
9	4460508	2	Pin, Male	
9	4460466	7	Plug, Terminal	
10	1001112612	1	Connector - 9 Position	
10	4460464	5	Pin, Male	
10	4460466	4	Plug, Terminal	
11	1001119032	1	Receptacle, Female - 4 Position	
11	1001118378	4	Pin, Male	
12	4460183	2	Terminal, Ring	
13	4460042	2	Terminal, Ring	
14	4460247	1	Terminal, Ring	
15	1001237667	1	Plug, Male - 6 Position	
15	1001237668	5	Terminal	
16	4460260	2	Cover, Terminal	
16	4460259	2	Terminal	
17	4460894	3	Plug, Male - 6 Position	
17	4460465	13	Socket, Female	
17	4460466	5	Plug, Terminal	

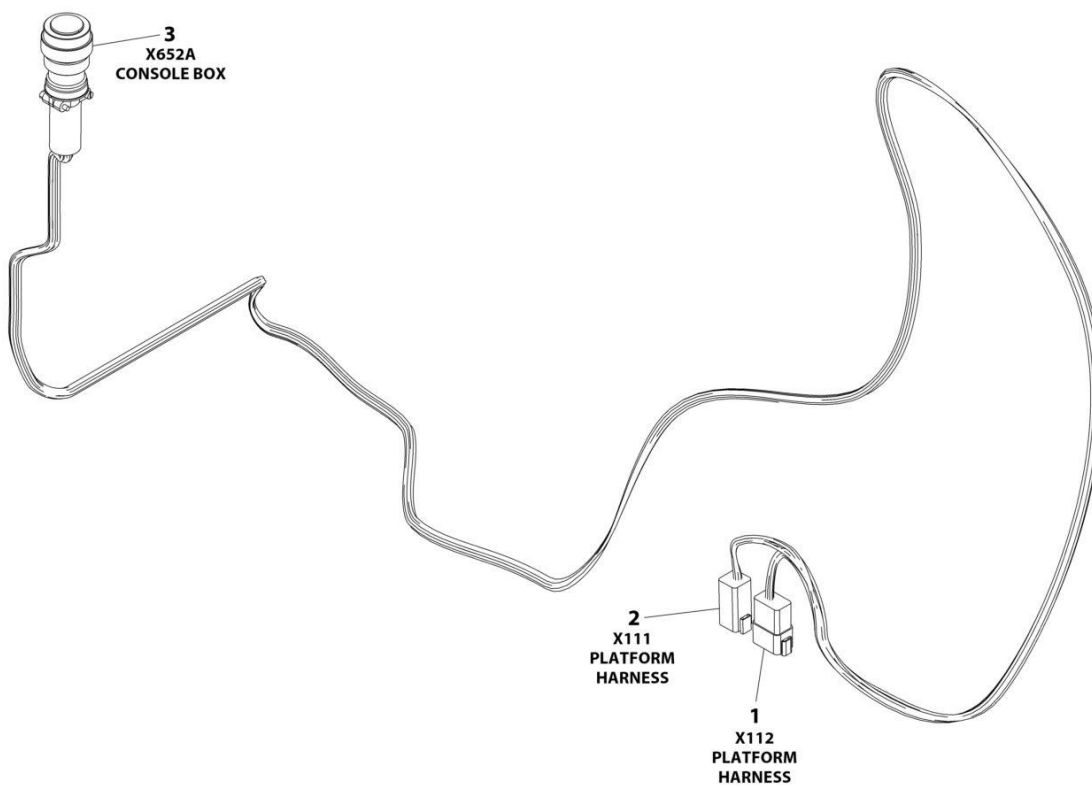
## SECTION 8 - ELECTRICAL

ITEM	PART NUMBER	QTY	DESCRIPTION	REV
18	4460884	2	Plug, Male - 4 Position	
18	4460465	8	Socket, Female	
19	4460874	1	Connector - 35 Position	
19	4460871	21	Socket, Female	
19	4460905	14	Plug, Terminal	
20	4460932	1	Receptacle, Female - 4 Position	
20	4460464	4	Pin, Male	
21	1001187078	2	Terminal, Ring	
22	1001187077	3	Terminal, Ring	
23	1001117110	2	Terminal, Ring	
24	1001103012	1	Plug, Male - 4 Position	
24	1001107854	4	Terminal	
25	4460424	1	Receptacle, Female - 2 Position	
25	4460226	2	Socket, Female	
26	4460967	1	Plug, Male - 3 Position	
26	4460465	3	Socket, Female	
27	4460891	6	Plug, Male - 2 Position	
27	4460465	12	Socket, Female	
28	4460703	1	Terminal, Ring	
29	4460702	1	Terminal, Ring	
30	8220045	1	Terminal, Ring	
31	4460931	1	Receptacle, Female - 8 Position	
31	4460464	5	Pin, Male	
31	4460466	3	Socket, Female	
32	4460899	2	Receptacle, Female - 6 Position	
32	4460464	11	Pin, Male	
32	4460466	1	Seal, Terminal	
102	1001125677	3	Connector, Bussbar	
103	1001121172	3	Mount, Connector	
104	1001192401	1	Cap, Dust	



# SECTION 8 - ELECTRICAL

## FIGURE 8-75. VALVE CABLE - PLATFORM VALVE



ART\_1001266277



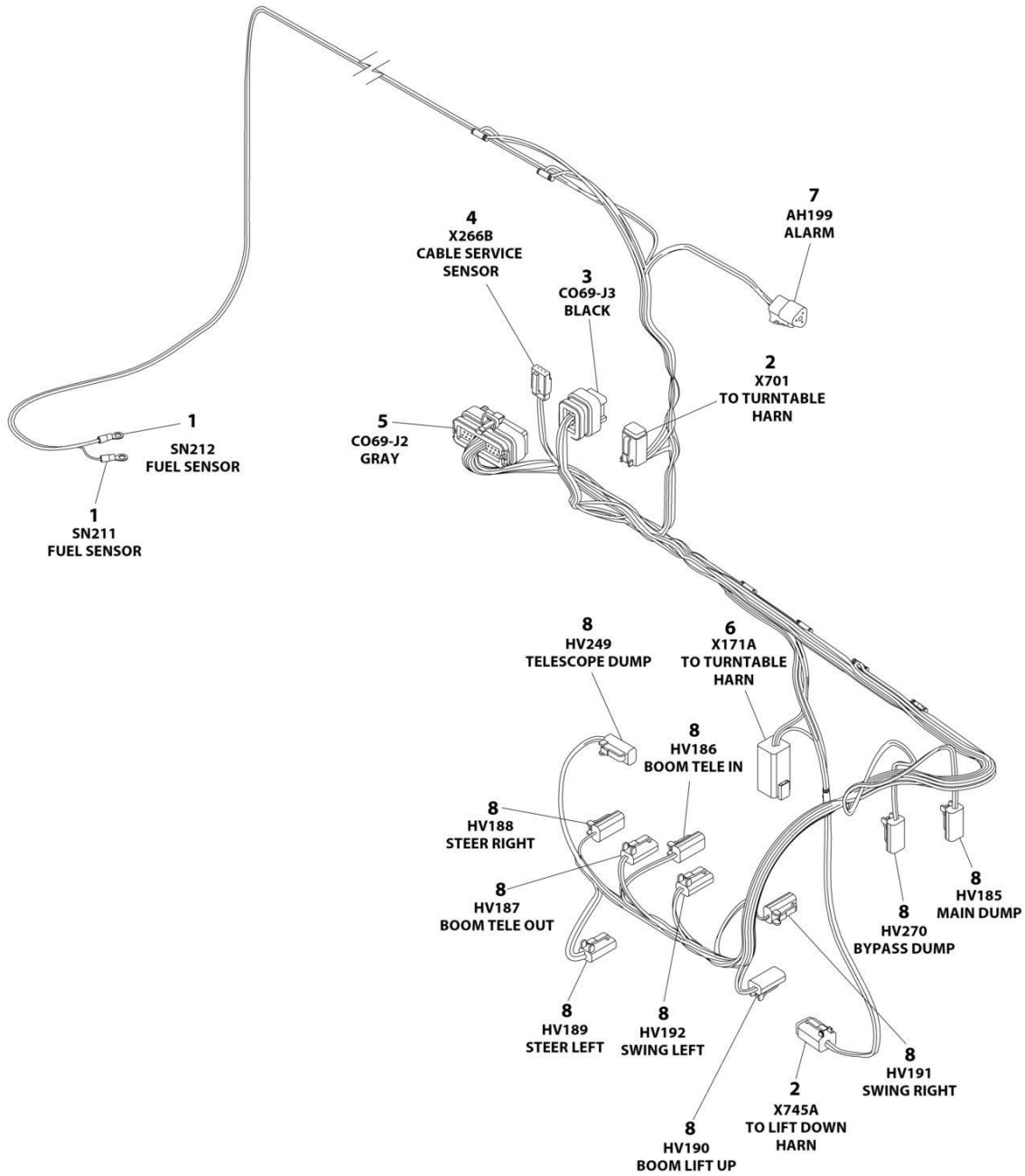
## SECTION 8 - ELECTRICAL

### FIGURE 8-75. VALVE CABLE - PLATFORM VALVE

ITEM	PART NUMBER	QTY	DESCRIPTION	REV
	1001266277	Ref	PLATFORM VALVE CABLE	A
1	4460931	1	Connector	
1	4460464	7	Pin	
1	4460466	1	Plug	
2	4460899	1	Connector	
2	4460464	6	Pin	
3	4460926	1	Connector	
3	4460928	13	Socket	
3	4460518	8	Plug	

# SECTION 8 - ELECTRICAL

## FIGURE 8-76. VALVE HARNESS - MAIN VALVE



ART\_1001238407

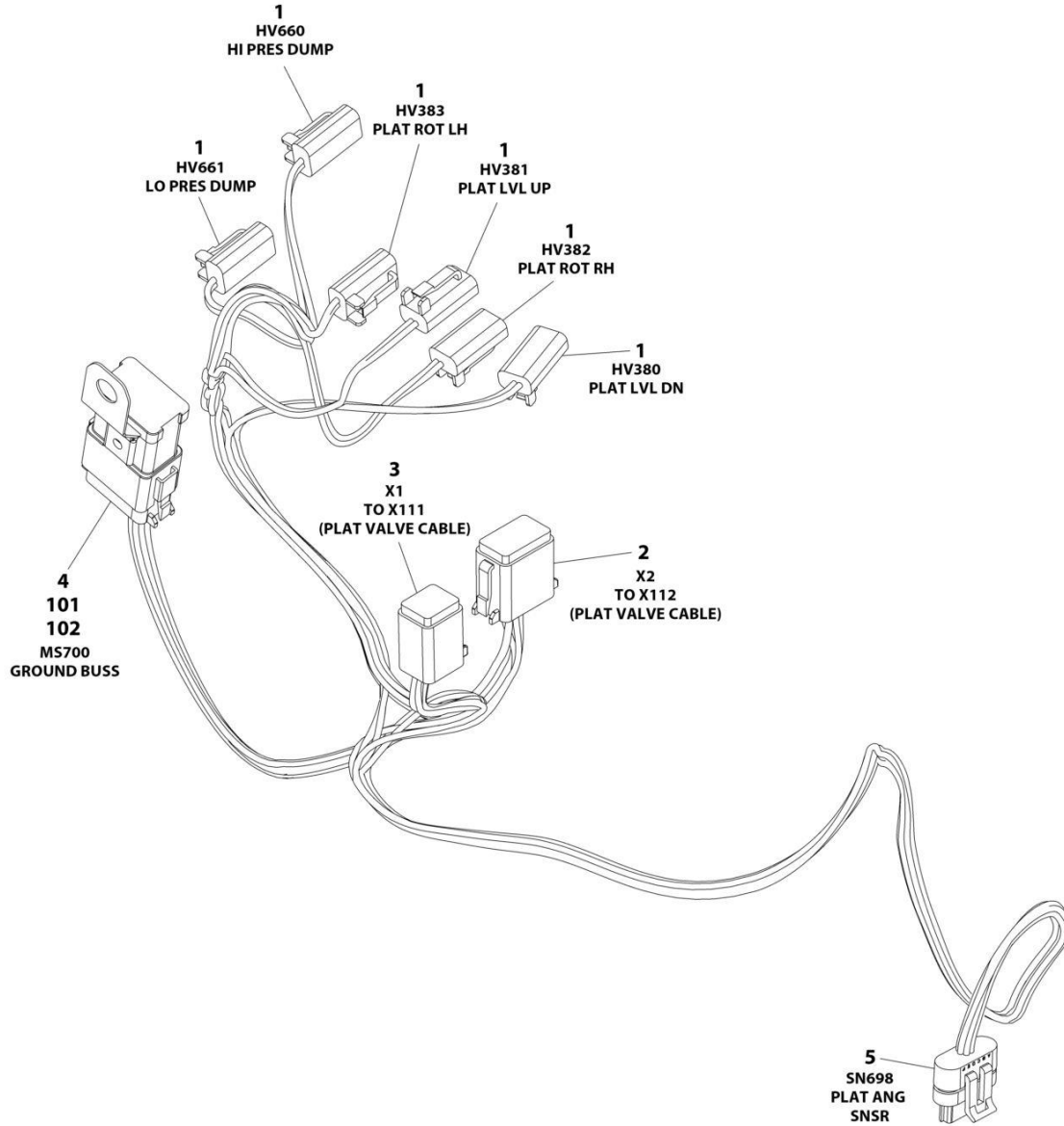
## SECTION 8 - ELECTRICAL

### FIGURE 8-76. VALVE HARNESS - MAIN VALVE

ITEM	PART NUMBER	QTY	DESCRIPTION	REV
	1001238407	Ref	MAIN VALVE HARNESS	B
1	4460313	2	Terminal, Ring	
2	4460884	2	Plug, Male - 4 Position	
2	4460465	8	Socket, Female	
3	4460872	1	Connector - 14 Position	
3	4460871	10	Socket, Female	
3	4460905	4	Plug, Terminal	
4	4460911	1	Plug, Male - 3 Position	
4	1001116694	3	Socket, Female	
5	4460875	1	Connector - 35 Position	
5	4460871	24	Socket, Female	
5	4460905	11	Plug, Terminal	
6	4460899	1	Receptacle, Female - 6 Position	
6	4460464	6	Pin, Male	
7	4460539	1	Plug, Male - 3 Position	
7	4460465	3	Socket, Female	
8	4460891	10	Plug, Male - 2 Position	
8	4460465	20	Socket, Female	

# SECTION 8 - ELECTRICAL

## FIGURE 8-77. VALVE HARNESS - PLATFORM VALVE (600S HC3)



ART\_1001266276

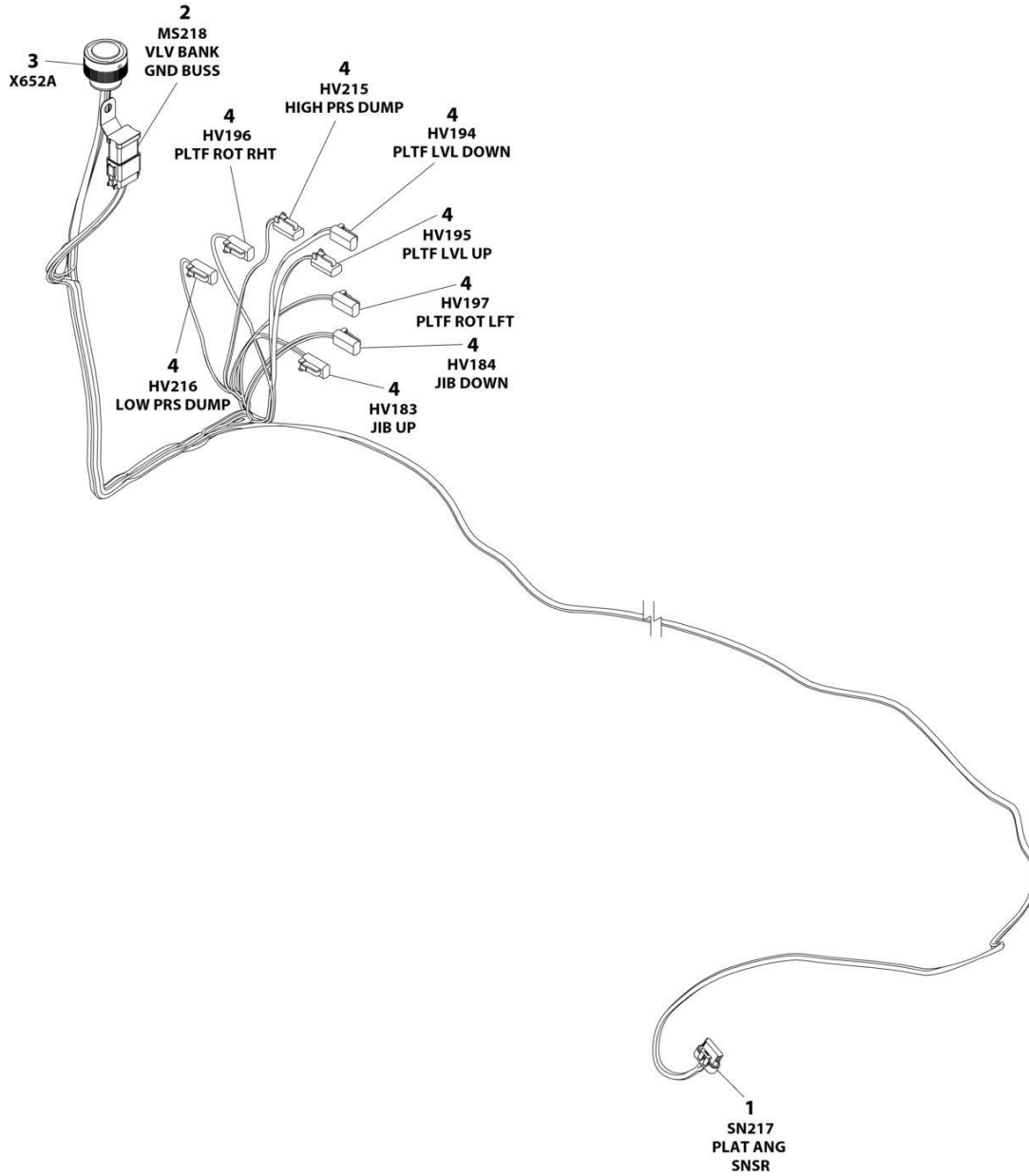
## SECTION 8 - ELECTRICAL

**FIGURE 8-77. VALVE HARNESS - PLATFORM VALVE (600S HC3)**

ITEM	PART NUMBER	QTY	DESCRIPTION	REV
	1001266276	Ref	PLATFORM VALVE HARNESS	A
1	4460891	1	Connector	
2	4460465	2	Terminal	
3	4460891	1	Connector	
4	4460465	2	Terminal	
5	4460891	1	Connector	
6	4460465	2	Terminal	
7	4460891	1	Connector	
8	4460465	2	Terminal	
9	4460891	1	Connector	
10	4460465	2	Terminal	
11	4460891	1	Connector	
12	4460465	2	Terminal	
13	4460930	1	Connector	
14	4460465	7	Terminal	
15	4460466	1	Plug	
16	4460894	1	Connector	
17	4460465	6	Terminal	
18	4460836	1	Connector	
19	4460465	7	Terminal	
20	4460466	5	Plug	
21	1001230931	1	Connector	
22	1001116748	6	Terminal	
23	4460837	1	Connector	
24	1001120328	1	Mount	

# SECTION 8 - ELECTRICAL

## FIGURE 8-78. VALVE HARNESS - PLATFORM VALVE (660SJ HC3)



ART\_1001264338

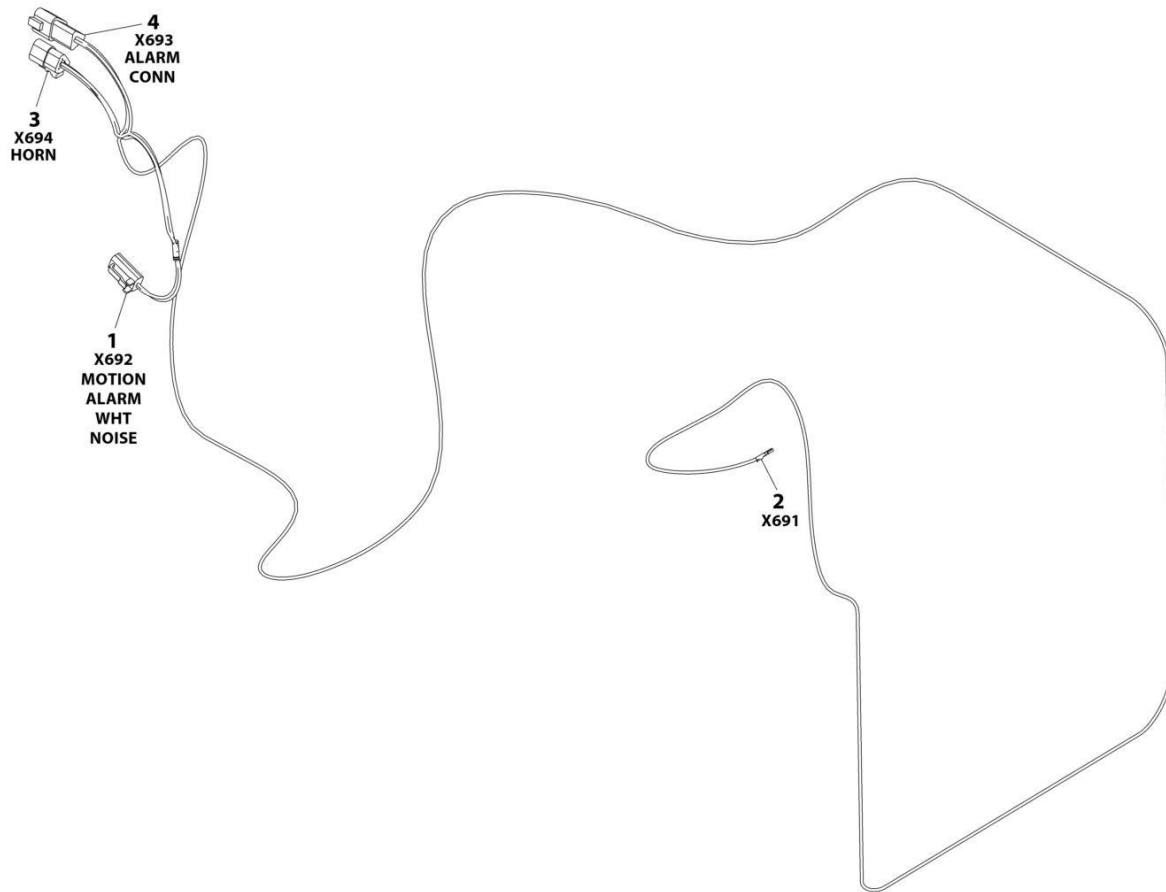
## SECTION 8 - ELECTRICAL

**FIGURE 8-78. VALVE HARNESS - PLATFORM VALVE (660SJ HC3)**

ITEM	PART NUMBER	QTY	DESCRIPTION	REV
	1001264338	Ref	PLATFORM VALVE HARNESS	A
1	1001230931	1	Plug, Male - 6 Position	
1	1001116748	6	Terminal	
2	4460836	1	Plug, Male - 12 Position	
2	4460465	9	Socket, Female	
2	4460466	3	Plug, Terminal	
2	4460837	1	Connector, Bussbar	
2	1001120328	1	Clip, Mounting	
3	4460926	1	Connector - 21 Position	
3	4460928	15	Socket, Female	
3	4460518	6	Plug, Terminal	
4	4460891	8	Plug, Male - 2 Position	
4	4460465	16	Socket, Female	

# SECTION 8 - ELECTRICAL

## FIGURE 8-79. WHITE NOISE ALARM HARNESS



ART\_1001243682



## SECTION 8 - ELECTRICAL

### FIGURE 8-79. WHITE NOISE ALARM HARNESS

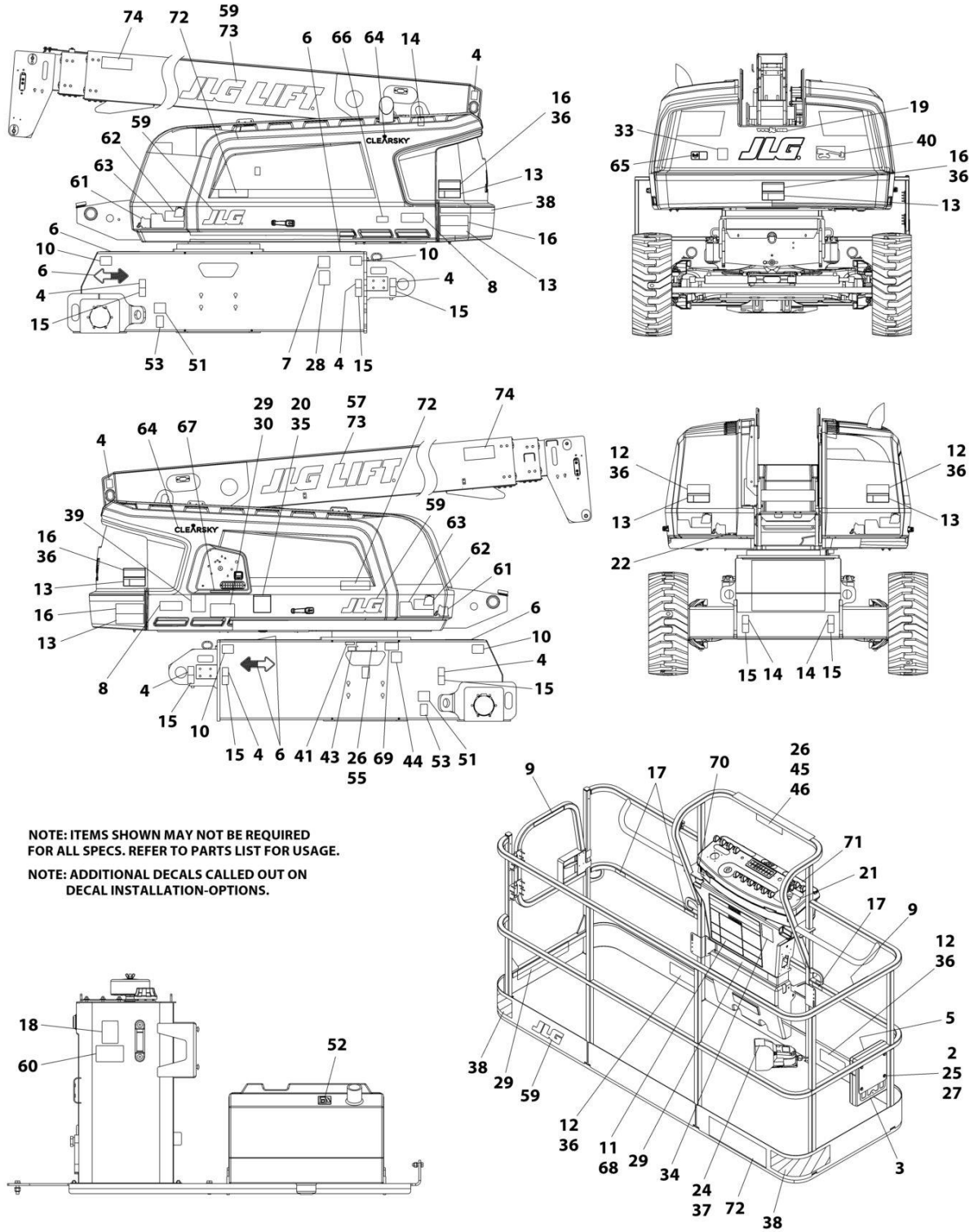
ITEM	PART NUMBER	QTY	DESCRIPTION	REV
	1001243682	Ref	WHITE NOISE ALARM HARNESS	A
1	4460891	1	Plug, Male - 2 Position	
1	4460465	2	Socket, Female	
2	4460871	1	Terminal	
3	4460539	1	Plug, Male- 3 Position	
3	4460465	3	Socket, Female	
4	4460536	1	Receptacle, Female- 3 Position	
4	4460464	3	Pin, Male	



**SECTION 9 - DECALS**

# SECTION 9 - DECALS

## FIGURE 9-1. DECAL INSTALLATION (ANSI SPECS - ENGLISH LANGUAGE)



NOTE: ITEMS SHOWN MAY NOT BE REQUIRED FOR ALL SPECS. REFER TO PARTS LIST FOR USAGE.

NOTE: ADDITIONAL DECALS CALLED OUT ON DECAL INSTALLATION-OPTIONS.

ART\_1001235387

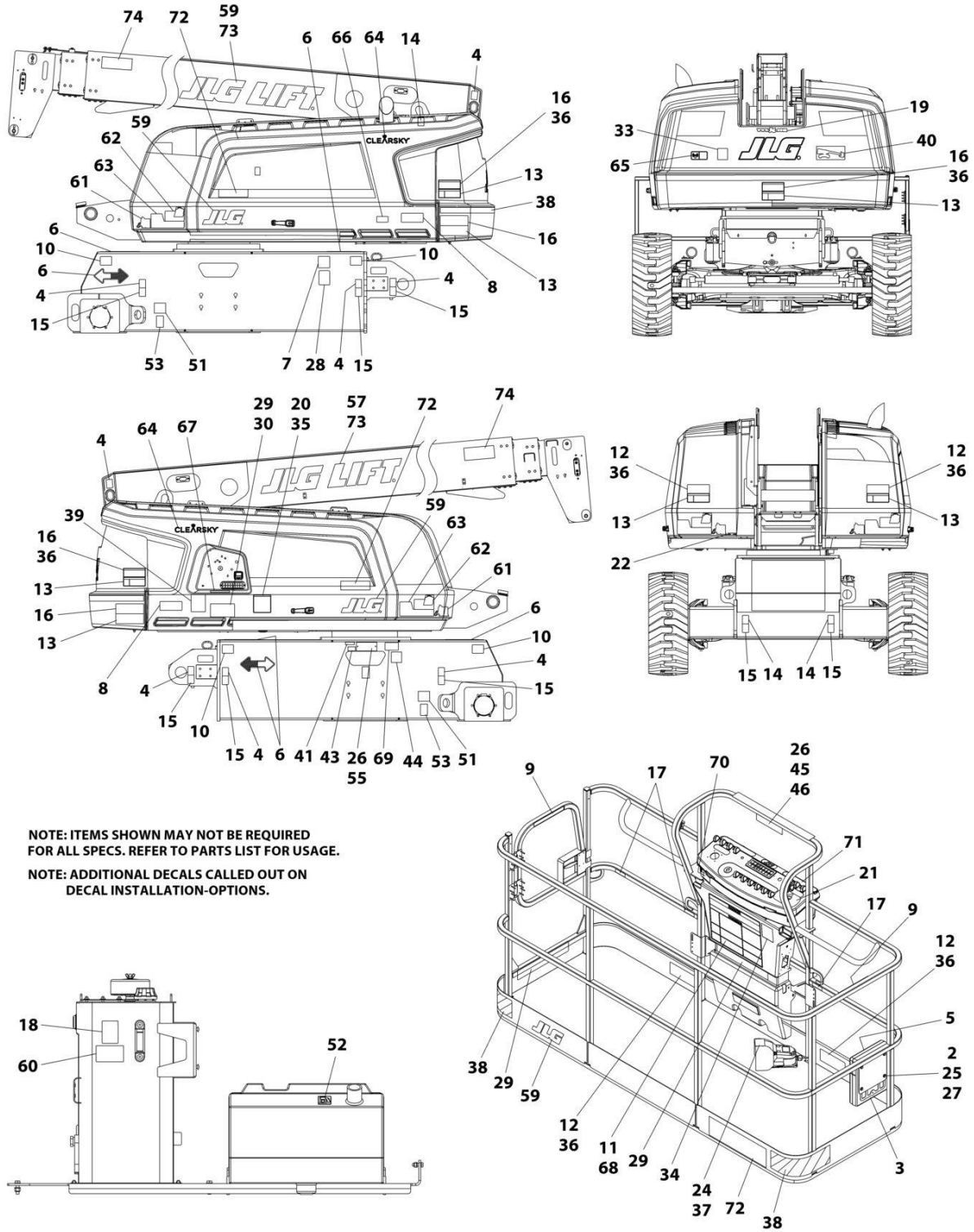
## SECTION 9 - DECALS

**FIGURE 9-1. DECAL INSTALLATION (ANSI SPECS - ENGLISH LANGUAGE)**

ITEM	PART NUMBER	QTY	DESCRIPTION	REV
	1001235387	Ref	DECAL INSTALLATION	B
2	0700610	4	Bolt M6 x 20	
3	91403230	1	Box, Manual Storage	
4	1701499	8	Decal - No Tie Down/Lift	
5	1701509	1	Decal - Manual	
6	1701529	4	Decal - Arrow	
7	See Note	NSS	Decal - Bar Code (Note: Not Available for Purchase)	
9	1702868	2	Decal - No Hands	
11	1703797	1	Decal - Danger/Warning	
12	1703804	4	Decal - Warning/Crushing	
13	1703805	5	Decal - Electrocution	
14	1703811	4	Decal - Lifting Lug	
15	1703814	8	Decal - Tie Down	
16	1703953	3	Decal - Warning/Crushing	
17	1704277	3	Decal - Lanyard Attach	
18	1704412	1	Decal - Hydraulic Oil	
20	1705336	1	Decal - Danger/Warning	
21	1705351	1	Decal - Drive/Steer Instruction	
22	3251243	1	Decal - 120V/60Hz	
24	3252347	1	Nameplate - Footswitch	
25	3290605	4	Nut M6	
26	3820001	2	Rivet	
27	4811700	8	Washer M6	
28	1001131269	1	Decal - Patent	
29	1001234425	1	Decal - Warning/Tri-Capacity	
30	1001234426	1	Decal - Warning/Tri-Capacity	
38	4420051	208 in /5.3m	Tape, Safety	
43	1001223453	1	Decal - ICES (Canada)	
44	1001223055	1	Decal - Yearly Inspection	
71	1001184618	1	Decal - Stop Auxiliary/Power	

# SECTION 9 - DECALS

## FIGURE 9-2. DECAL INSTALLATION (AUSTRALIAN SPECS - ENGLISH LANGUAGE)



ART\_1001250609

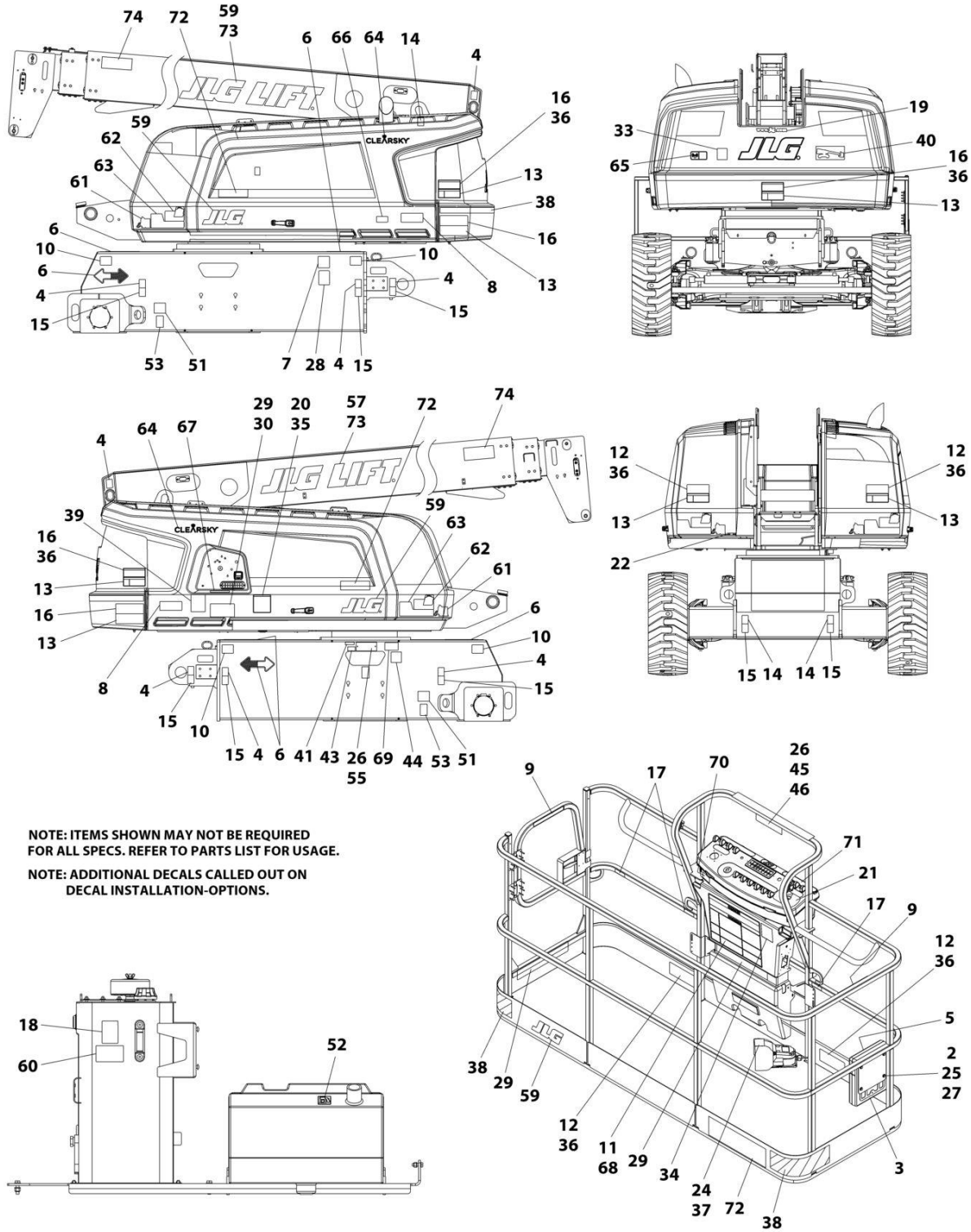
## SECTION 9 - DECALS

**FIGURE 9-2. DECAL INSTALLATION (AUSTRALIAN SPECS - ENGLISH LANGUAGE)**

ITEM	PART NUMBER	QTY	DESCRIPTION	REV
	1001250609	Ref	DECAL INSTALLATION	C
2	0700610	4	Bolt M6 x 20	
3	91403230	1	Box, Manual Storage	
4	1701499	8	Decal - No Tie Down/Lift	
5	1701509	1	Decal - Manual	
6	1701529	4	Decal - Arrow	
7	See Note	NSS	Decal - Bar Code (Note: Not Available For Purchase)	
13	1705961	5	Decal - Electrocutation	
14	1703811	4	Decal - Lifting Lug	
15	1703814	8	Decal - Tie Down	
17	1704277	3	Decal - Lanyard Attach	
18	1704412	1	Decal - Hydraulic Oil	
25	3290605	4	Nut M6	
26	3820001	2	Rivet	
27	4811700	8	Washer M6	
29	1001234439	1	Decal - Warning/Tri - Capacity	
30	1001234439	1	Decal - Warning/Tri - Capacity	
34	1705921	1	Decal - Tipping/Electrocutation	
35	1705822	1	Decal - Electrocutation/Safety Manual	
36	1701518	7	Decal - Crushing	
37	1705828	1	Nameplate - Footswitch	
38	4420051	208 in/ 5.3m	Tape, Safety	
39	1001112551	1	Decal - Emergency Controls	
69	1001231422	1	Decal - Wheel Assembly Mass	
71	1001184618	1	Decal - Stop/Auxiliary Power	

# SECTION 9 - DECALS

FIGURE 9-3. DECAL INSTALLATION (BRAZIL SPECS - PORTUGUESE/SPANISH LANGUAGES)



NOTE: ITEMS SHOWN MAY NOT BE REQUIRED FOR ALL SPECS. REFER TO PARTS LIST FOR USAGE.

NOTE: ADDITIONAL DECALS CALLED OUT ON DECAL INSTALLATION-OPTIONS.

ART\_1001235446



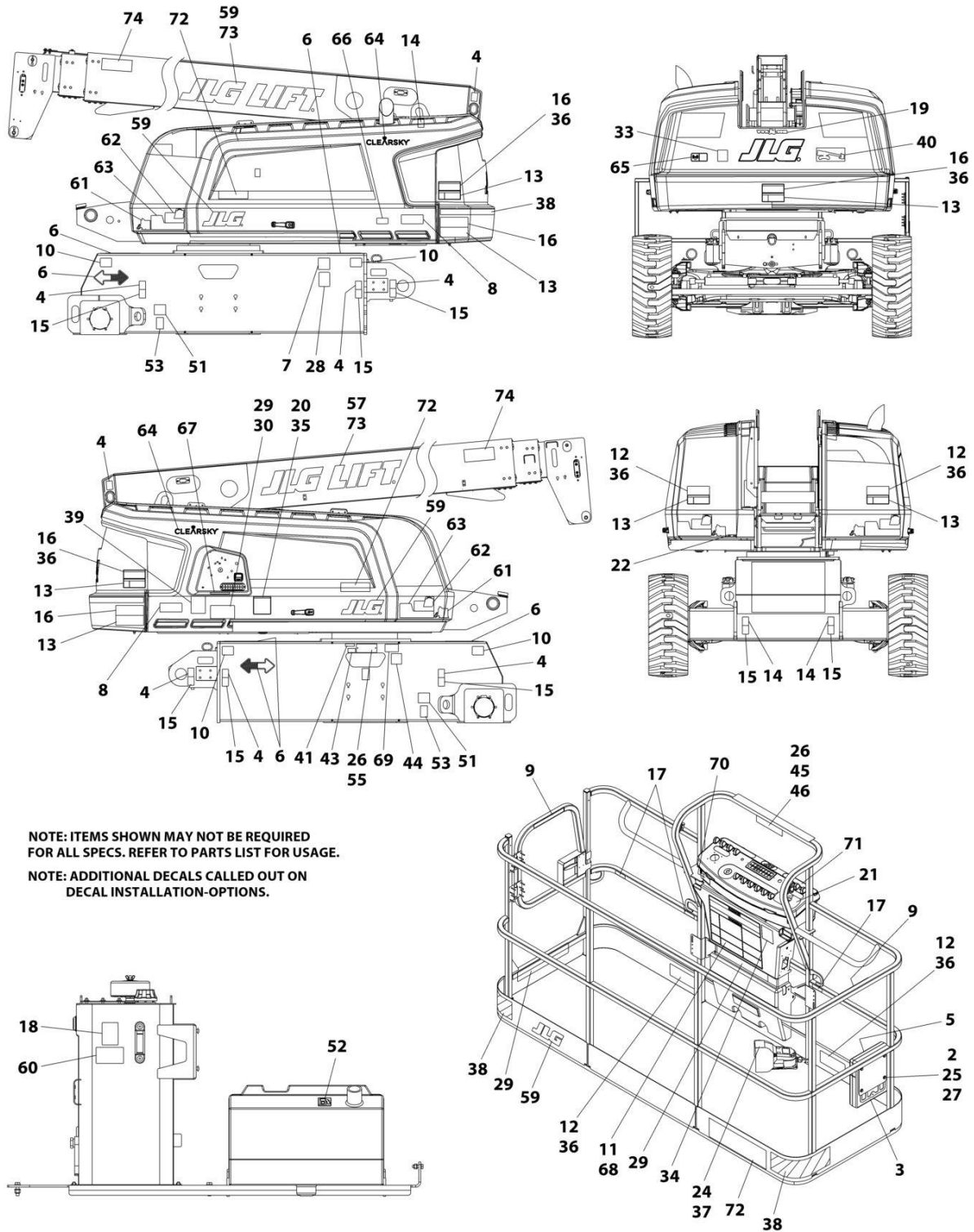
## SECTION 9 - DECALS

**FIGURE 9-3. DECAL INSTALLATION (BRAZIL SPECS - PORTUGUESE/SPANISH LANGUAGES)**

ITEM	PART NUMBER	QTY	DESCRIPTION	REV
	1001235446	Ref	DECAL INSTALLATION	B
2	0700610	4	Bot M6 x 20	
3	91403230	1	Box, Manual Storage	
4	1701499	8	Decal - No Tie Down/Lift	
5	1701509	1	Decal - Manual	
6	1701529	4	Decal - Arrow	
7	See Note	NSS	Decal - Bar Code (Note: Not Available For Purchase)	
9	1704002	2	Decal - No Hands	
11	1703928	1	Decal - Danger/Warning	
12	1703952	4	Decal - Warning/Crushing	
13	1703940	5	Decal - Electrocution	
14	1703811	4	Decal - Lifting Lug	
15	1703814	8	Decal - Tie Down	
16	1703946	3	Decal - Warning/Crushing	
17	1704277	3	Decal - Lanyard Attach	
18	1704412	1	Decal - Hydraulic Oil	
20	1705349	1	Decal - Warning/Inspection	
21	1001113680	1	Decal - Drive/Steer Instruction	
22	3251243	1	Decal - 120V/60Hz	
24	1703985	1	Nameplate - Footswitch	
25	3290605	4	Nut M6	
26	3820001	2	Rivet	
27	4811700	8	Washer M6	
29	1001234437	2	Decal - Warning/Tri-Capacity	
30	1001234438	1	Decal - Warning/Tri-Capacity	
38	4420051	208 in /5.3m	Tape, Safety	
44	1001224052	1	Decal - Yearly Inspection	
71	1001184618	1	Decal - Stop/Auxiliary Power	

# SECTION 9 - DECALS

## FIGURE 9-4. DECAL INSTALLATION (CE & UK CA SPECS - ENGLISH LANGUAGE)



NOTE: ITEMS SHOWN MAY NOT BE REQUIRED FOR ALL SPECS. REFER TO PARTS LIST FOR USAGE.

NOTE: ADDITIONAL DECALS CALLED OUT ON DECAL INSTALLATION-OPTIONS.

ART\_1001235449

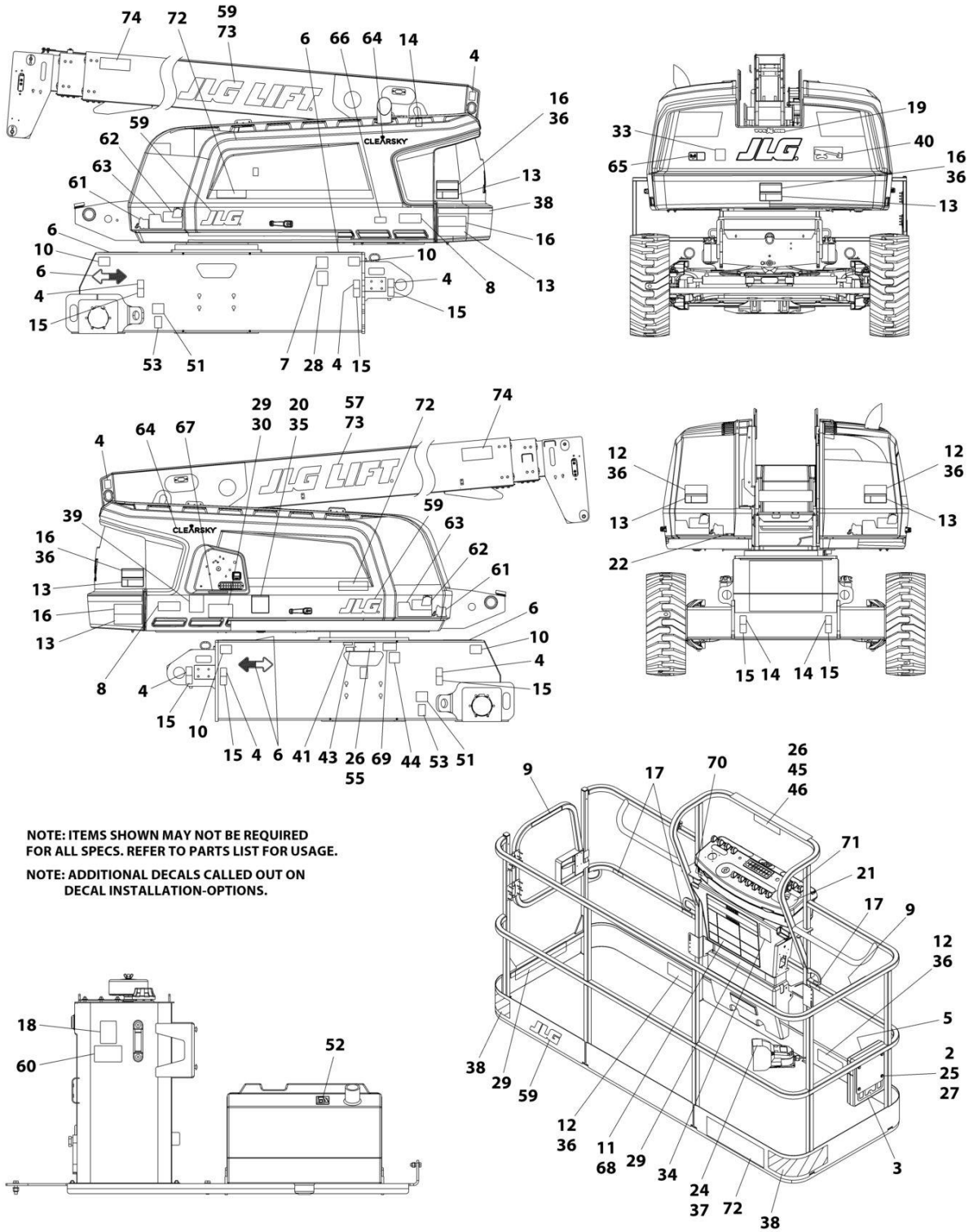
## SECTION 9 - DECALS

**FIGURE 9-4. DECAL INSTALLATION (CE & UK CA SPECS - ENGLISH LANGUAGE)**

ITEM	PART NUMBER	QTY	DESCRIPTION	REV
	1001235449	Ref	DECAL INSTALLATION	B
2	0700610	4	Bolt M6 x 20	
3	91403230	1	Box, Manual Storage	
4	1701499	8	Decal - No Tie Down/Lift	
5	1701509	1	Decal - Manual	
6	1701529	4	Decal - Arrow	
7	See Note	NSS	Decal - Bar Code (Note: Not Available For Purchase)	
13	1705961	5	Decal - Electrocutation	
14	1703811	4	Decal - Lifting Lug	
15	1703814	8	Decal - Tie Down	
17	1704277	3	Decal - Lanyard Attach	
18	1704412	1	Decal - Hydraulic Oil	
25	3290605	4	Nut M6	
26	3820001	2	Rivet	
27	4811700	8	Washer M6	
29	1001234439	1	Decal - Warning/Tri-Capacity	
30	1001234439	1	Decal - Warning/Tri-Capacity	
34	1705921	1	Decal - Tipping/Electrocutation	
35	1705822	1	Decal - Electrocutation/Safety Manual	
36	1701518	7	Decal - Crushing	
37	1705828	1	Nameplate - Footswitch	
38	4420051	208 in/ 5.3m	Tape, Safety	
71	1001184618	1	Decal - Stop/Auxiliary Power	

# SECTION 9 - DECALS

FIGURE 9-5. DECAL INSTALLATION (CHINESE SPECS - ENGLISH/SIMPLIFIED CHINESE LANGUAGES)



NOTE: ITEMS SHOWN MAY NOT BE REQUIRED FOR ALL SPECS. REFER TO PARTS LIST FOR USAGE.

NOTE: ADDITIONAL DECALS CALLED OUT ON DECAL INSTALLATION-OPTIONS.

ART\_1001235445

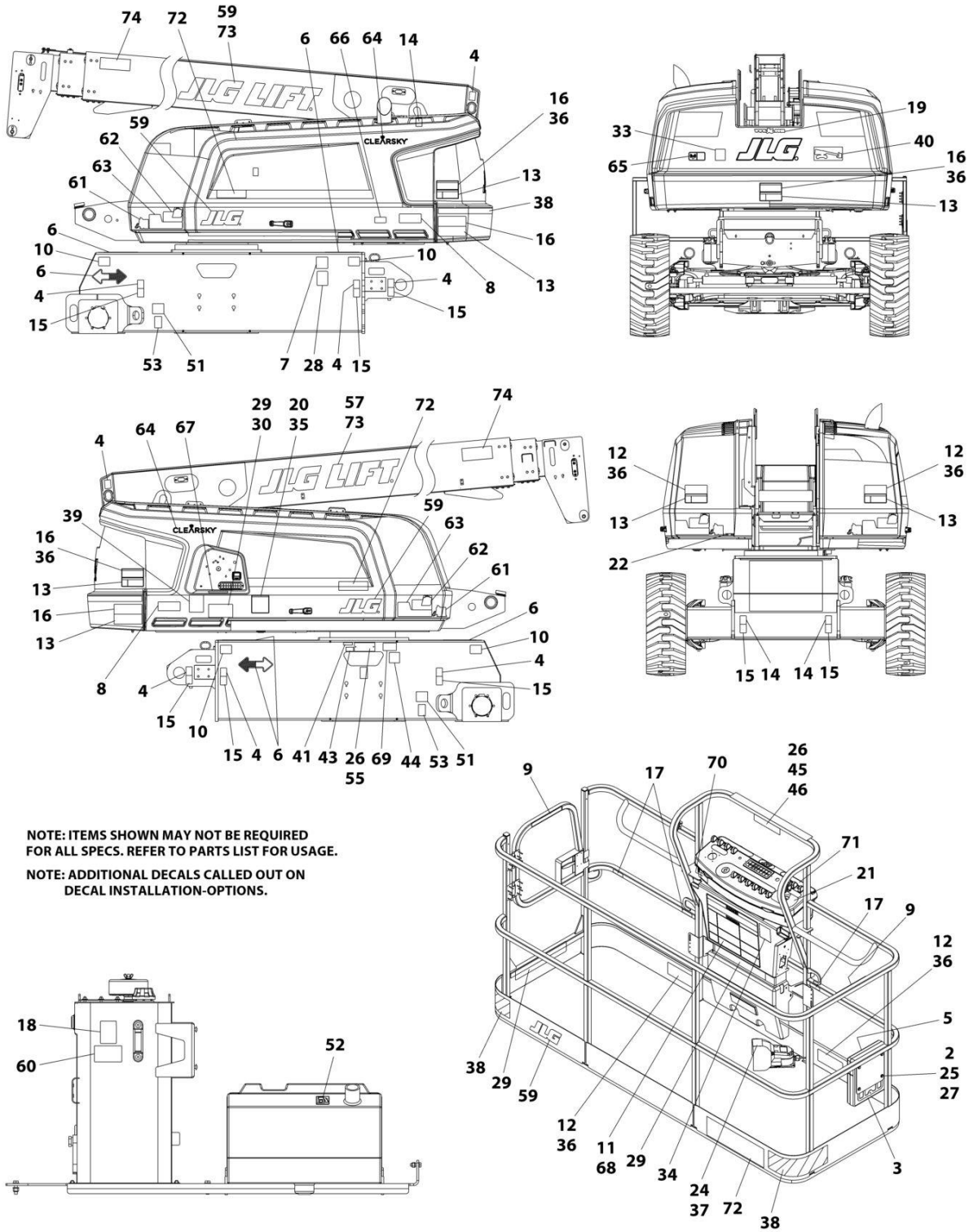
## SECTION 9 - DECALS

**FIGURE 9-5. DECAL INSTALLATION (CHINESE SPECS - ENGLISH/SIMPLIFIED CHINESE LANGUAGES)**

ITEM	PART NUMBER	QTY	DESCRIPTION	REV
	1001235445	Ref	DECAL INSTALLATION	B
2	0700610	4	Bolt M6 x 20	
3	91403230	1	Box, Manual Storage	
4	1701499	8	Decal - No Tie Down/Lift	
5	1701509	1	Decal - Manual	
6	1701529	4	Decal - Arrow	
7	See Note	1	Decal - Bar Code (Note: Not Available for Purchase)	
9	1705968	2	Decal - No Hands	
11	1001116847	1	Decal - Warning	
12	1001116850	4	Decal - Warning/Crushing	
13	1703937	5	Decal - Electrocution	
14	1703811	4	Decal - Lifting Lug	
15	1703814	8	Decal - Tie Down	
16	1001116845	3	Decal - Warning/Crushing	
17	1704277	3	Decal - Lanyard Attach	
18	1704412	1	Decal - Hydraulic Oil	
20	1001116848	1	Decal - Warning/Inspection	
21	1705430	1	Decal - Drive Steer	
22	3251243	1	Decal - 120V/60Hz	
24	1001116852	1	Decal - Footswitch	
25	3290605	4	Nut M6	
26	3820001	2	Rivet	
27	4811700	8	Washer M6	
29	1001235401	1	Decal - Warning/Tri-Capacity	
30	1001235402	1	Decal - Warning/Tri-Capacity	
38	4420051	208 ft/ 5.3m	Tape, Safety	
44	1001224051	1	Decal - Yearly Inspection	
71	1001184618	1	Decal - Stop/Auxiliary Power	

# SECTION 9 - DECALS

FIGURE 9-6. DECAL INSTALLATION (CHINESE SPECS - ENGLISH/TRADITIONAL CHINESE LANGUAGES)



NOTE: ITEMS SHOWN MAY NOT BE REQUIRED FOR ALL SPECS. REFER TO PARTS LIST FOR USAGE.

NOTE: ADDITIONAL DECALS CALLED OUT ON DECAL INSTALLATION-OPTIONS.

ART\_1001235444

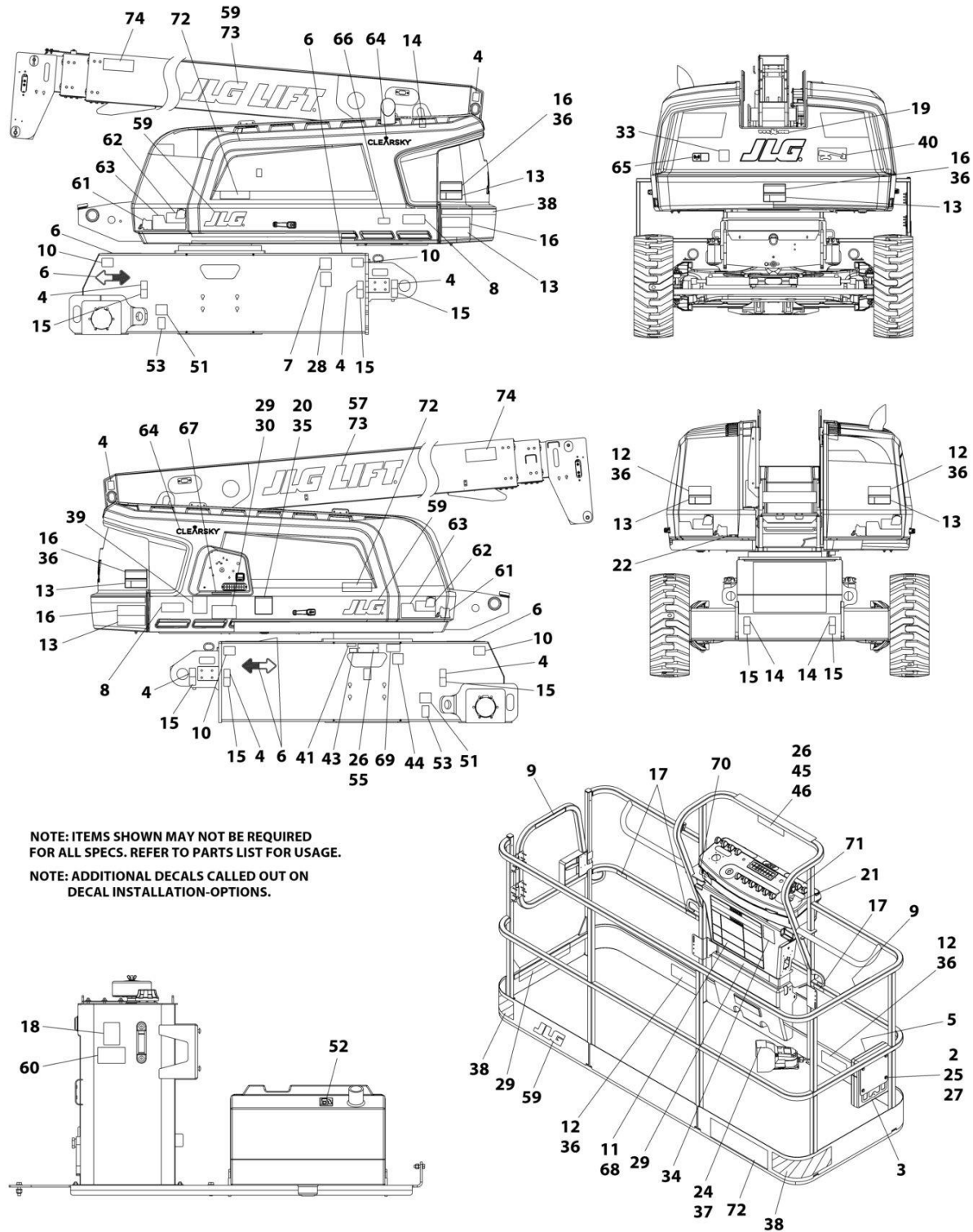
## SECTION 9 - DECALS

**FIGURE 9-6. DECAL INSTALLATION (CHINESE SPECS - ENGLISH/TRADITIONAL CHINESE LANGUAGES)**

ITEM	PART NUMBER	QTY	DESCRIPTION	REV
	1001235444	Ref	DECAL INSTALLATION	B
2	0700610	4	Bolt M6 x 20	
3	91403230	1	Box, Manual Storage	
4	1701499	8	Decal - No Tie Down/Lift	
5	1701509	1	Decal - Manual	
6	1701529	4	Decal - Arrow	
7	See Note	1	Decal - Bar Code (Note: Not Available For Purchase)	
9	1001116846	2	Decal - No Hands	
11	1703925	1	Decal - Danger/Warning	
12	1703949	4	Decal - Crushing	
13	1001116851	5	Decal - Electrocution	
14	1703811	4	Decal - Lifting Lug	
15	1703814	8	Decal - Tie Down	
16	1703943	3	Decal - Warning/Crushing	
17	1704277	3	Decal - Lanyard Attach	
18	1704412	1	Decal - Hydraulic Oil	
20	1001116849	1	Decal - Warning/Inspection	
21	1001116863	1	Decal - Drive/Steer Instruction	
22	3251243	1	Decal - 120V/60Hz	
24	1703982	1	Nameplate - Footswitch	
25	3290605	4	Nut M6	
26	3820001	2	Rivet	
27	4811700	8	Washer M6	
29	1001234435	2	Decal - Warning/Tri-Capacity	
30	1001234436	1	Decal - Warning/Tri-Capacity	
38	4420051	208 in/ 5.3m	Tape, Safety	
44	1001224050	1	Decal - Yearly Inspection	
71	1001184618	1	Decal - Stop/Auxiliary Power	

# SECTION 9 - DECALS

FIGURE 9-7. DECAL INSTALLATION (CSA SPECS - ENGLISH/FRENCH LANGUAGES)



NOTE: ITEMS SHOWN MAY NOT BE REQUIRED FOR ALL SPECS. REFER TO PARTS LIST FOR USAGE.

NOTE: ADDITIONAL DECALS CALLED OUT ON DECAL INSTALLATION-OPTIONS.

ART\_1001235448



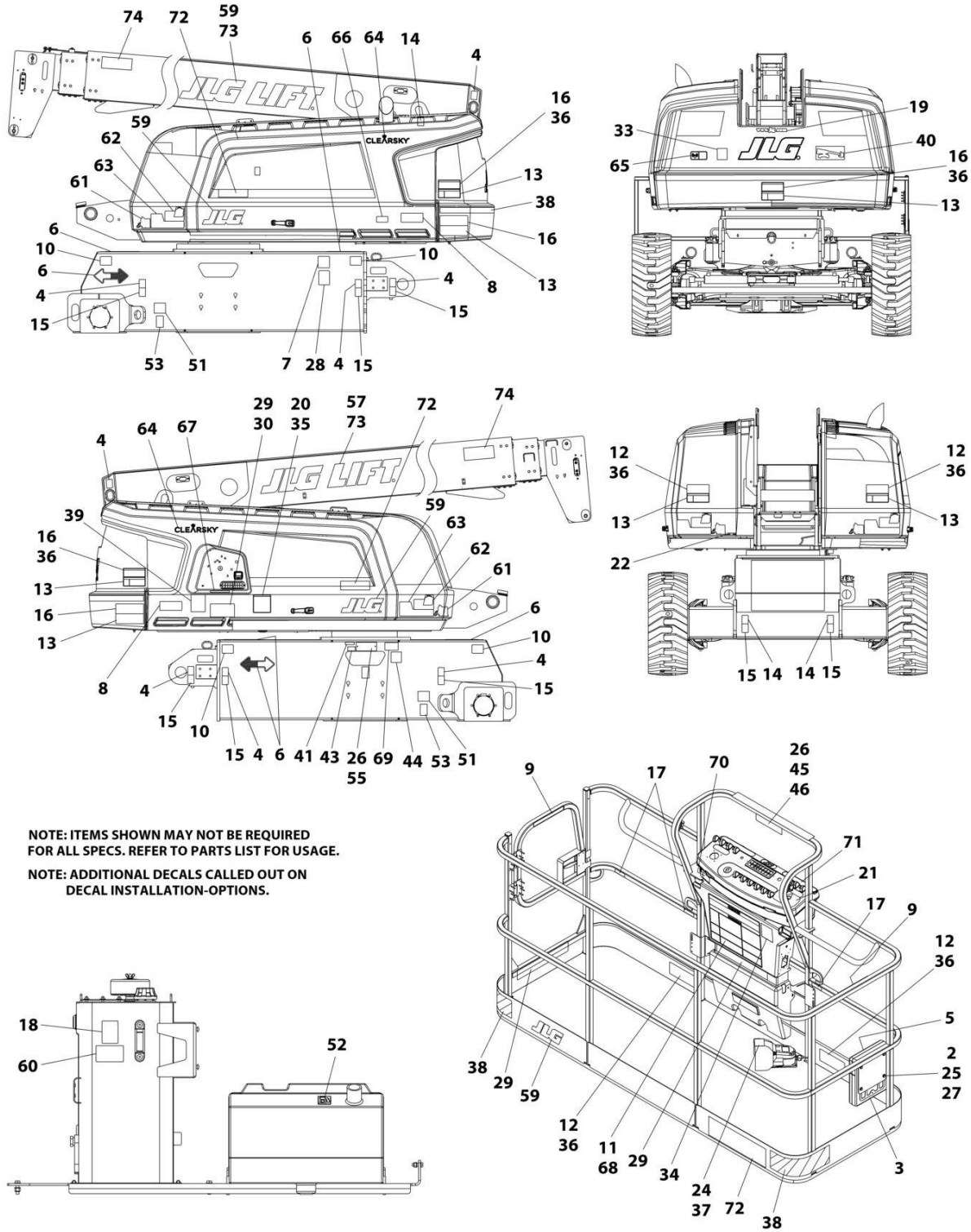
## SECTION 9 - DECALS

**FIGURE 9-7. DECAL INSTALLATION (CSA SPECS - ENGLISH/FRENCH LANGUAGES)**

ITEM	PART NUMBER	QTY	DESCRIPTION	REV
	1001235448	Ref	DECAL INSTALLATION	B
2	0700610	4	Bolt M6 x 20	
3	91403230	1	Box, Manual Storage	
4	1701499	8	Decal - No Tie Down/Lift	
5	1701509	1	Decal - Manual	
6	1701529	4	Decal - Arrow	
7	See Note	NSS	Decal - Bar Code (Note: Not Available For Purchase)	
9	1704000	2	Decal - No Hands	
11	1703924	1	Decal - Danger/Warning	
12	1703948	4	Decal - Warning/Crushing	
13	1703936	5	Decal - Electrocuting	
14	1703811	4	Decal - Lifting Lug	
15	1703814	8	Decal - Tie Down	
16	1703942	3	Decal - Crushing	
17	1704277	3	Decal - Lanyard Attach	
18	1704412	1	Decal - Hydraulic Oil	
20	1705347	1	Decal - Warning/Inspection	
21	1705429	1	Decal - Drive/Steer Instruction	
22	3251243	1	Decal - 120V/60Hz	
24	1703984	1	Nameplate - Footswitch	
25	3290605	4	Nut M6	
26	3820001	2	Rivet	
27	4811700	8	Washer M6	
28	1001131269	1	Decal - Patent	
29	1001234433	1	Decal - Warning/Tri-Capacity	
30	1001234434	1	Decal - Warning/Tri-Capacity	
38	4420051	208 in /5.3m	Tape, Safety	
43	1001223453	1	Decal - ICES (Canada)	
44	1001223971	1	Decal - Yearly Inspection	
71	1001184618	1	Decal - Stop/Auxiliary Power	

# SECTION 9 - DECALS

FIGURE 9-8. DECAL INSTALLATION (JAPANESE SPECS - ENGLISH/JAPANESE LANGUAGES)



NOTE: ITEMS SHOWN MAY NOT BE REQUIRED FOR ALL SPECS. REFER TO PARTS LIST FOR USAGE.

NOTE: ADDITIONAL DECALS CALLED OUT ON DECAL INSTALLATION-OPTIONS.

ART\_1001235450

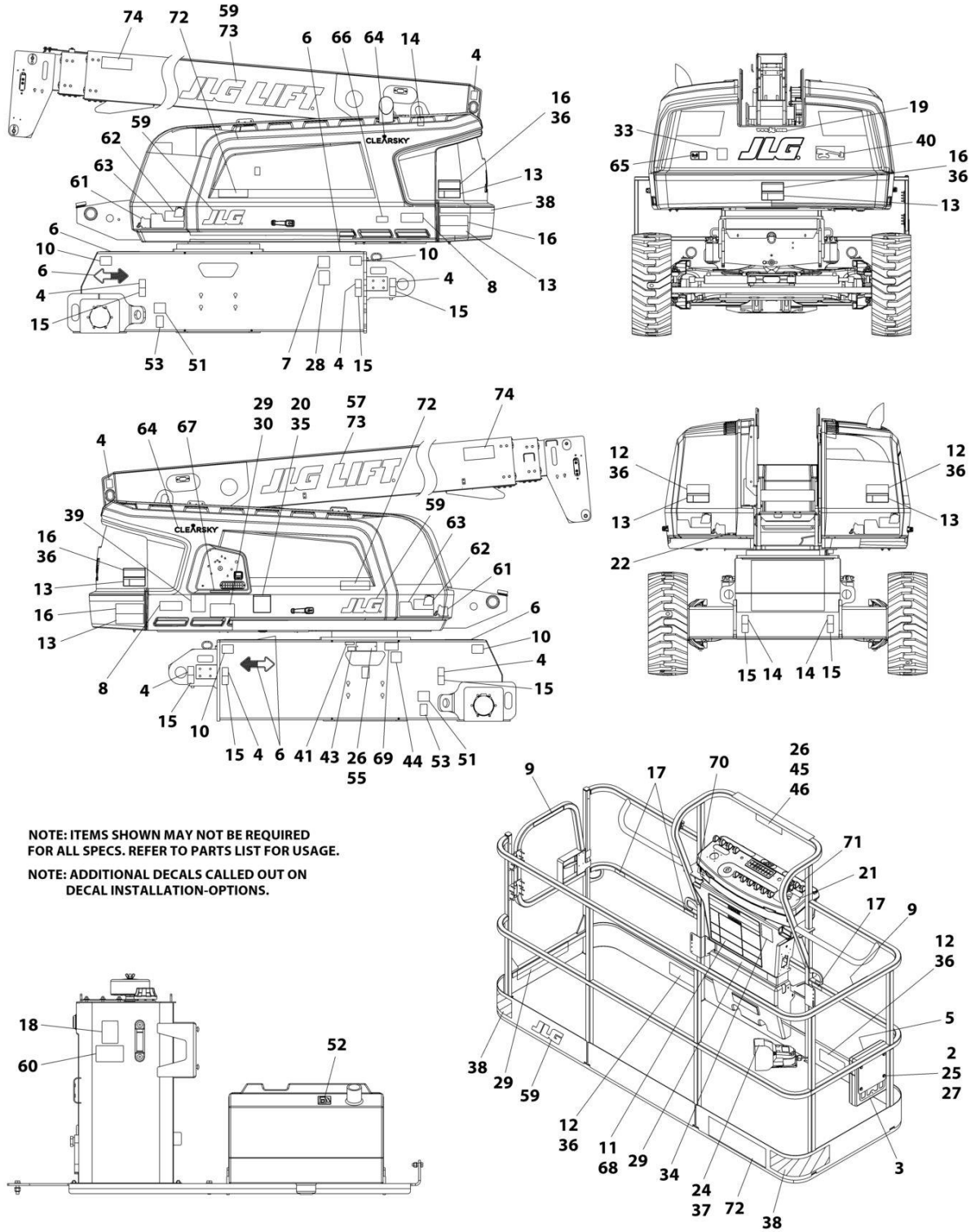
## SECTION 9 - DECALS

**FIGURE 9-8. DECAL INSTALLATION (JAPANESE SPECS - ENGLISH/JAPANESE LANGUAGES)**

ITEM	PART NUMBER	QTY	DESCRIPTION	REV
	1001235450	Ref	DECAL INSTALLATION	B
2	0700610	4	Bolt M6 x 20	
3	91403230	1	Box, Manual Storage	
4	1701499	8	Decal - No Tie Down/Lift	
5	1701509	1	Decal - Manual	
6	1701529	4	Decal - Arrow	
7	See Note	NSS	Decal - Bar Code (Note: Not Available For Purchase)	
11	1703926	1	Decal - Danger/Warning	
12	1703950	4	Decal - Crushing	
13	1703938	5	Decal - Electrocution	
14	1703811	4	Decal - Lifting Lug	
15	1703814	8	Decal - Tie Down	
16	1703944	3	Decal - Warning/Crushing	
17	1704277	3	Decal - Lanyard Attach	
18	1704412	1	Decal - Hydraulic Oil	
20	1705344	1	Decal - Warning/Inspection	
21	1705426	1	Decal - Drive/Steer Instruction	
22	3251243	1	Decal - 120V/60Hz	
24	1703980	1	Nameplate - Footswitch	
25	3290605	4	Nut M6	
26	3820001	2	Rivet	
27	4811700	8	Washer M6	
29	1001234428	1	Decal - Warning/Tri-Capacity	
30	1001234429	1	Decal - Warning/Tri-Capacity	
38	4420051	208 in /5.3m	Tape, Safety	
44	1001224053	1	Decal - Yearly Inspection	
71	1001184618	1	Decal - Stop/Auxiliary Power	

# SECTION 9 - DECALS

FIGURE 9-9. DECAL INSTALLATION (KOREAN SPECS - ENGLISH/KOREAN LANGUAGES)



NOTE: ITEMS SHOWN MAY NOT BE REQUIRED FOR ALL SPECS. REFER TO PARTS LIST FOR USAGE.

NOTE: ADDITIONAL DECALS CALLED OUT ON DECAL INSTALLATION-OPTIONS.

ART\_1001235388

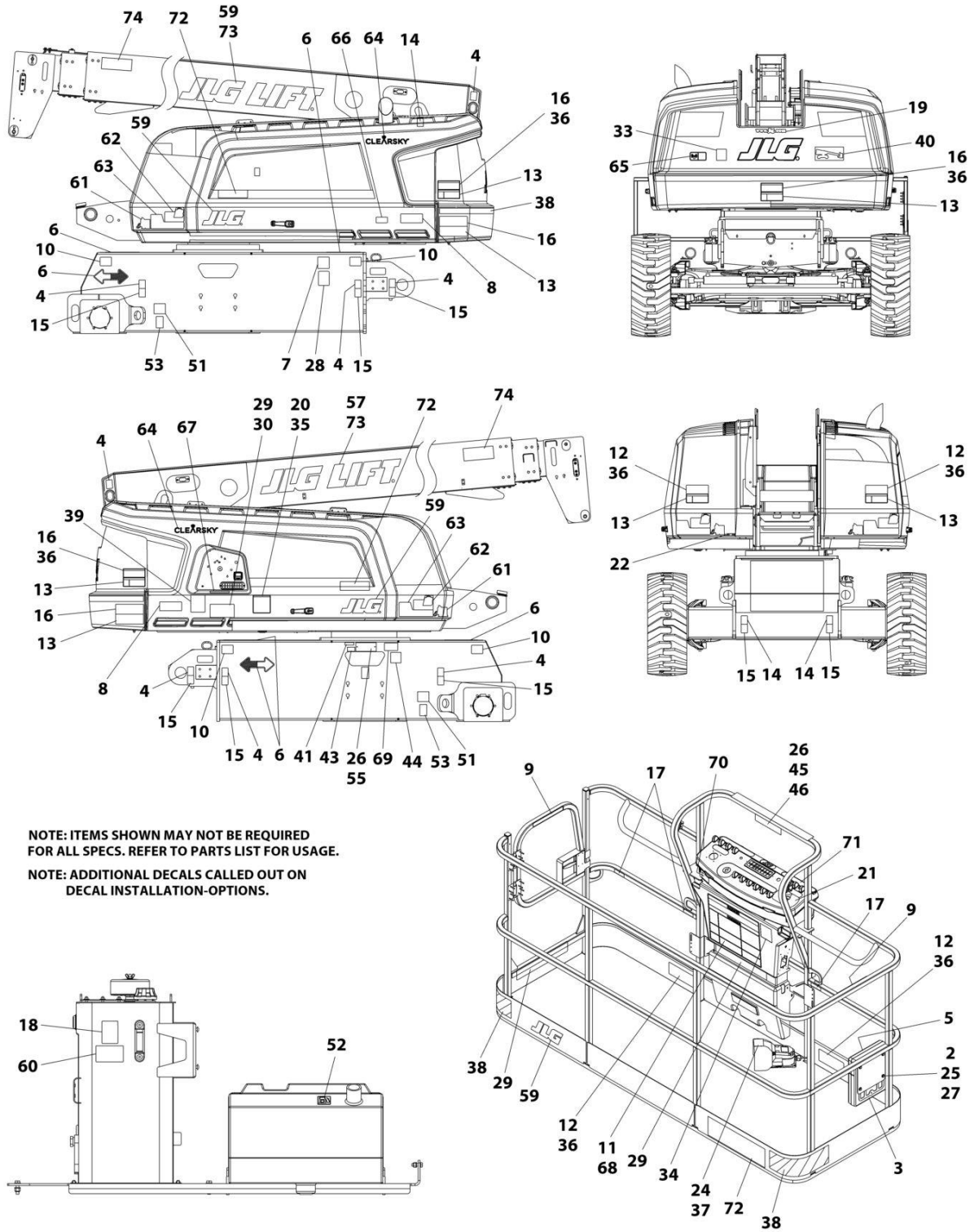
## SECTION 9 - DECALS

**FIGURE 9-9. DECAL INSTALLATION (KOREAN SPECS - ENGLISH/KOREAN LANGUAGES)**

ITEM	PART NUMBER	QTY	DESCRIPTION	REV
	1001235388	Ref	DECAL INSTALLATION	B
2	0700610	4	Bolt M6 x 20	
3	91403230	1	Box, Manual Storage	
4	1701499	8	Decal - No Tie Down/Lift	
5	1701509	1	Decal - Manual	
6	1701529	4	Decal - Arrow	
7	See Note	NSS	Decal - Bar Code (Note: Not Available for Purchase)	
9	1705969	2	Decal - No Hands	
11	1703927	1	Decal - Warning/Danger	
12	1703951	4	Decal - Warning/Crushing	
13	1703939	5	Decal - Danger Electricution	
14	1703811	4	Decal - Lifting Lug	
15	1703814	8	Decal - Tie Down	
16	1703945	3	Decal - Warning Crushing	
17	1704277	3	Decal - Lanyard Attach Graphic	
18	1704412	1	Decal - Hydraulic Oil	
20	1705345	1	Decal - Warning/Inspection	
21	1705427	1	Decal - Drive/Steer Instruction	
24	1703981	1	Nameplate - Footswitch	
25	3290605	4	Nut M6	
26	3820001	2	Rivet	
27	4811700	8	Washer M6	
29	1001234430	1	Decal - Warning/Tri-Capacity	
30	1001235585	1	Decal - Warning/Tri-Capacity	
38	4420051	208 in /5.3m	Tape, Safety	
44	1001224048	1	Decal - Yearly Inspection	
71	1001184618	1	Decal - Stop/Auxiliary Power	

# SECTION 9 - DECALS

FIGURE 9-10. DECAL INSTALLATION - LATIN AMERICAN SPECS - ENGLISH/SPANISH LANGUAGES)



ART\_1001235447

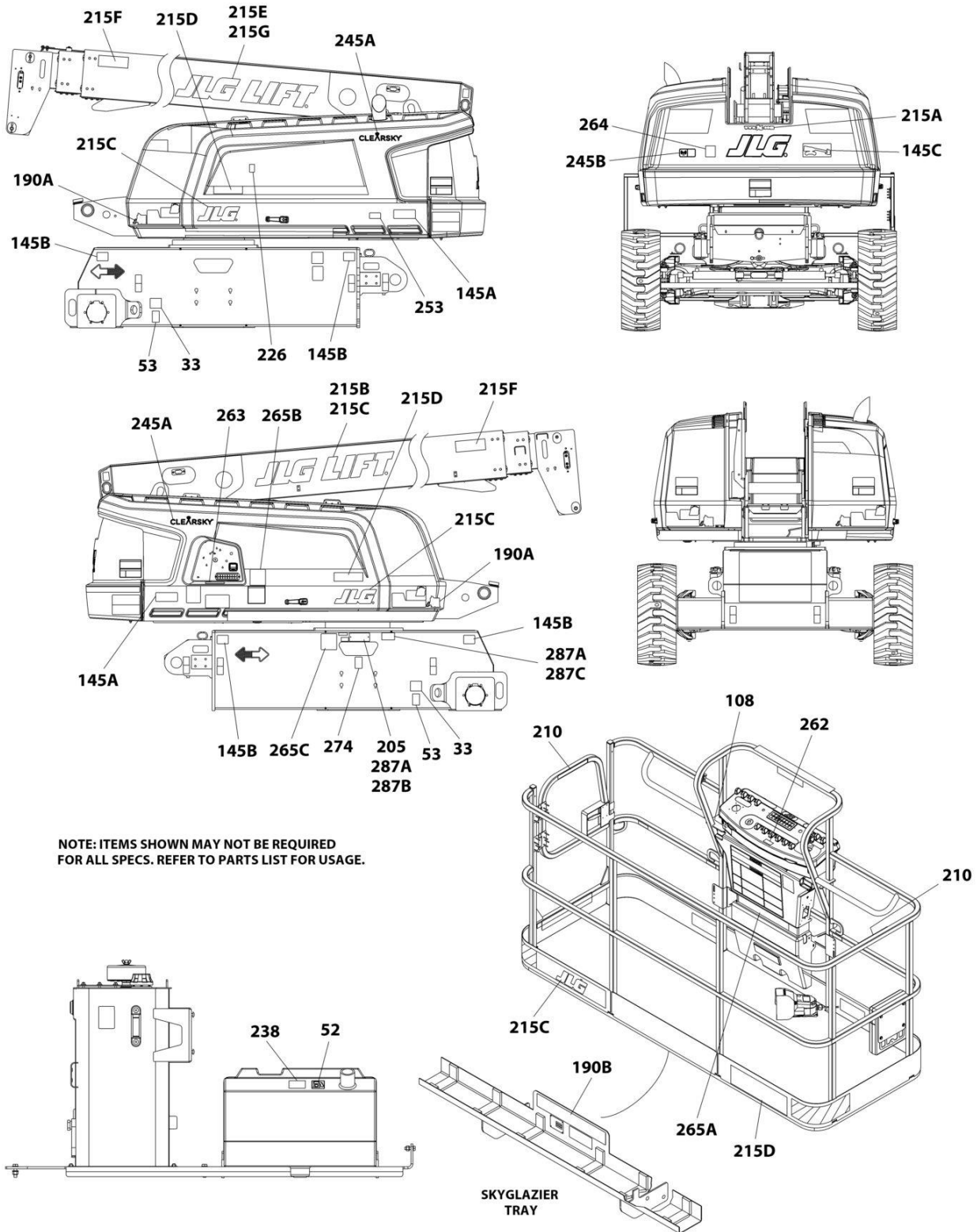
## SECTION 9 - DECALS

**FIGURE 9-10. DECAL INSTALLATION - LATIN AMERICAN SPECS - ENGLISH/SPANISH LANGUAGES)**

ITEM	PART NUMBER	QTY	DESCRIPTION	REV
	1001235447	Ref	DECAL INSTALLATION	B
2	0700610	4	Bolt M6 x 20	
3	91403230	1	Box, Manual Storage	
4	1701499	8	Decal - No Tie Down/Lift	
5	1701509	1	Decal - Manual	
6	1701529	4	Decal - Arrow	
7	See Note	NSS	Decal - Bar Code (Note: Not Available for Purchase)	
9	1704001	2	Decal - No Hands	
11	1703923	1	Decal - Warning/Danger	
12	1703947	4	Decal - Warning/Crushing	
13	1703935	5	Decal - Electrocuton	
14	1703811	4	Decal - Lifting Lug	
15	1703814	8	Decal - Tie Down	
16	1703941	3	Decal - Warning/Crushing	
17	1704277	3	Decal - Lanyard Attach	
18	1704412	1	Decal - Hydraulic Oil	
20	1705917	1	Decal - Warning/Inspection	
21	1705910	1	Decal - Drive/Steer Instruction	
22	3251243	1	Decal - 120V/60Hz	
24	1703983	1	Nameplate - Footswitch	
25	3290605	4	Nut M6	
26	3820001	2	Rivet	
27	4811700	8	Washer M6	
29	1001234431	1	Decal - Warning/Tri-Capacity	
30	1001234432	1	Decal - Warning/Tri-Capacity	
38	4420051	208 in /5.3m	Tape, Safety	
44	1001224049	1	Decal - Yearly Inspection	
71	1001184618	1	Decal - Stop/Auxiliary Power	

# SECTION 9 - DECALS

## FIGURE 9-11. DECALS INSTALLATION - OPTIONS



ART\_DECAL\_OPTIONS



## SECTION 9 - DECALS

**FIGURE 9-11. DECALS INSTALLATION - OPTIONS**

ITEM	PART NUMBER	QTY	DESCRIPTION	REV
	1001245998	Ref	DECAL INSTALLATION - REFERENCE CHART	D
	1001246000	Ref	DECAL INSTALLATION - OPTIONS	A
33	1700818	2	Decal - LP Gas Liquid Withdrawal System (ANSI & ANSI Export Specs)	
33	1704271	2	Decal - LP Gas Liquid Withdrawal System (CSA Spec)	
33	1702720	2	Decal - LP Gas Liquid Withdrawal System (ANSI Export Specs)	
52	1701542	1	Decal - Gas	
52	1701505	1	Decal - Diesel Fuel	
53	1701543	1	Decal - LPG (Gas Machines Only)	
108	1001231801	1	Decal - Proposition 65 Warning (Diesel Engines)	
145	1001250606	Ref	Model Designation Decals (600S HC3)	
145	1001250608	Ref	Model Designation Decals (660SJ HC3)	
145A	1702815	2	Decal - Model (600S HC3)	
145A	1702817	2	Decal - Model (660SJ HC3)	
145B	1703470	4	Decal - Maximum Tire Load (600S HC3)	
145B	1001250604	4	Decal - Maximum Tire Load (660SJ HC3)	
145C	1001215615	1	Decal - Lift Diagram	
190	1001262102	Ref	Decal - SkyGlazier (ANSI and CSA Specs) (English Decals)	
190	1001262104	Ref	Decal - SkyGlazier (Brazil Specs) (Portuguese Decals)	
190	1001262103	Ref	Decal - SkyGlazier (Latin American Specs) (Spanish Decals)	
190	1001262105	Ref	Decal - SkyGlazier (Australian Specs)	
190A	1705358	2	Decal - SkyGlazier	
190B	1001259018	2	Decal - SkyGlazier Capacity (ANSI and CSA Specs)	
190B	1001262116	2	Decal - SkyGlazier Capacity (Brazil Specs)	
190B	1001262115	2	Decal - SkyGlazier Capacity (Latin American Specs)	
205	See Note	NSS	Nameplate - Manufacturers Serial Number (Note: Not Available for Purchase)	
210		Ref	Decal - No Hands Options (Machines with Platform Mesh/Soft-Touch Options):	
210	1702868	2	Decal - No Hands (ANSI, ANSI Export, Australian, CE & UK CA Specs) (English Language)	
210	1704002	2	Decal - No Hands (Brazil Specs) (Portuguese & Spanish Languages)	
210	1705968	2	Decal - No Hands (China Specs) (English & Simplified Chinese Languages)	
210	1001116846	2	Decal - No Hands (China Specs) (English & Traditional Chinese Languages)	
210	1704000	2	Decal - No Hands (CSA Specs) (English & French Languages)	
210	1705969	2	Decal - No Hands (Korean Specs) (English & Korean Languages)	
210	1704001	2	Decal - No Hands (Latin American Specs) (English & Spanish Languages)	
	1001254460	Ref	Decal Installation - JLG Logo (All Specs except CE & UK CA Specs)	B
	1001254461	Ref	Decal Installation - JLG Logo (CE & UK CA Specs)	B
215A	1704865	1	Decal Website - JLG Logo (All Specs except CE & UK CA Specs)	
215B	1702861	1	Decal - JLG Lift (All Specs except CE & UK CA Specs)	
215C	1702773	AR	Decal - JLG	
215D	1001244212	3	Decal - HC3	
215E	1702860	1	Decal - JLG Lift	
215F	1001250906	2	Decal - HC3	

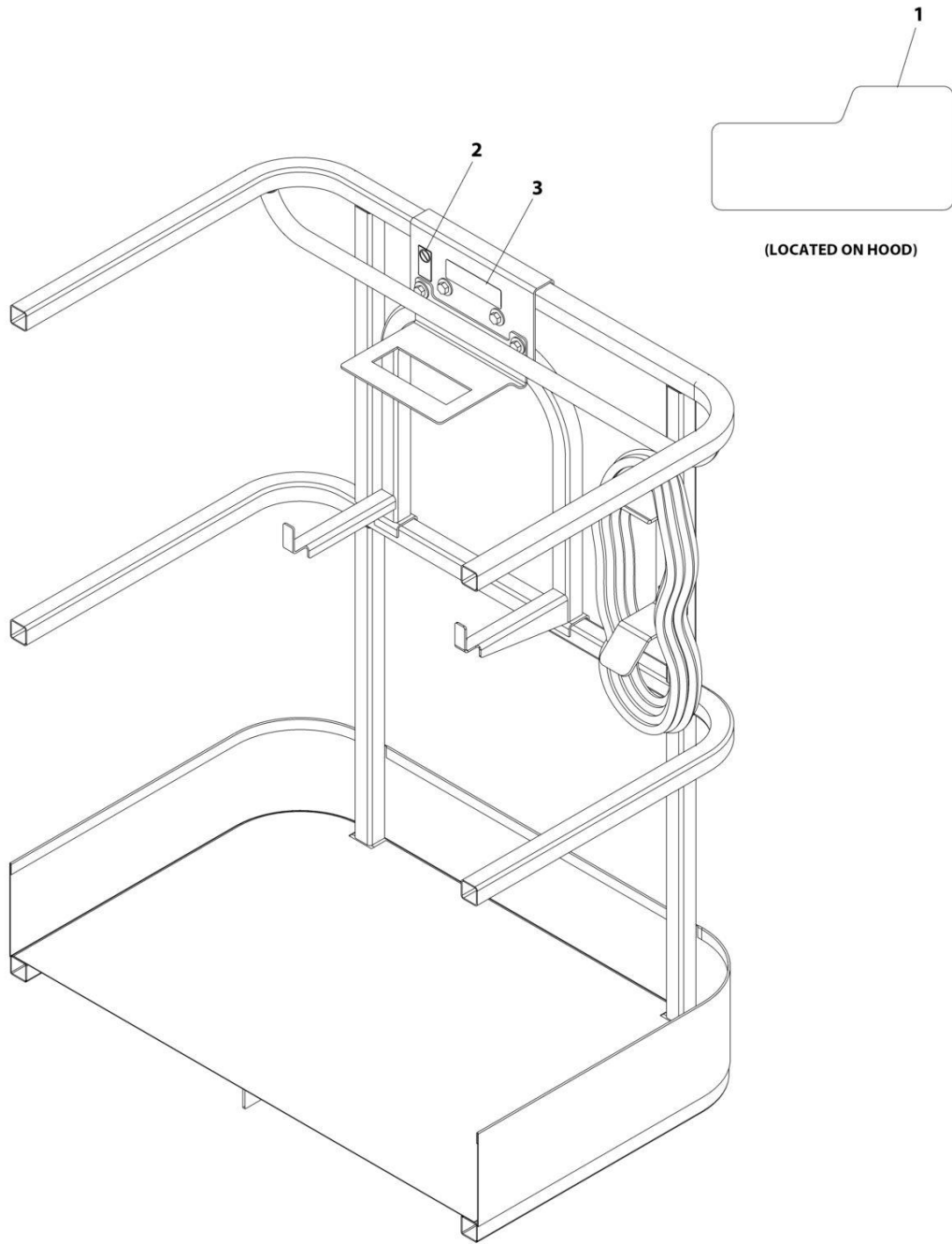
## SECTION 9 - DECALS

ITEM	PART NUMBER	QTY	DESCRIPTION	REV
215G	1001159323	1	Decal - JLG (CE & UK CA Specs)	
226		Ref	Decal - Warning Explosion/Fire Options (Diesel Engine Machines Only):	
226	1704972	1	Decal - Warning Explosion/Fire (ANSI/ANSI Export Spec)	
226	1706098	1	Decal - Warning Explosion/Fire (Australian, CE & UK CA Specs)	
226	1706059	1	Decal - Warning Explosion/Fire (Brazil Spec - Dual Language English/Portuguese)	
226	1706060	1	Decal - Warning Explosion/Fire (Chinese Spec - Dual Language English/Chinese)	
226	1706064	1	Decal - Warning Explosion/Fire (CSA Spec - Dual Language English/French)	
226	1706062	1	Decal - Warning Explosion/Fire (Japanese Spec - Dual Language English/Japanese)	
226	1706061	1	Decal - Warning Explosion/Fire (Korean Spec - Dual Language English/Korean)	
226	1706063	1	Decal - Warning Explosion/Fire (Latin American - Dual Language English/Spanish)	
238	1001125387	1	Decal - Ultra Low Sulfur Fuel (ANSI & CSA Specs)	
238	1001139654	1	Decal - Ultra Low Sulfur Fuel (ANSI Export HRC, Japanese, CE & UK CA Specs)	
245	1001120992	Ref	Decal Installation - ClearSky	
245A	1001116208	2	Decal - ClearSky	
245B	1001120989	1	Decal - Radio Frequency	
253	1001143852	1	Decal - Emission Compliance (Machines with Diesel Engines) (ANSI Export, Australian, China, CE & UK CA Specs)	
262	1001141300	1	Decal - SkyGuard Override (Without Soft-Touch)	
262	1001141302	1	Decal - SkyGuard Override (With Soft-Touch)	
263	1001197408	1	Decal - MSSO (CE & UK CA Specs)	
264	1001130492	1	Decal - Sound Power (Deutz D2011 Engines) (Australian, CE & UK CA Specs)	
264	1705515	1	Decal - Sound Power (Deutz TD2.9L4 Engines) (Australian, CE & UK CA Specs)	
265	1001261342	Ref	Decal - Soft Touch (ANSI Specs) (600S HC3)	A
265	1001261343	Ref	Decal - Soft Touch (CE & UK CA Specs) (600S HC3)	A
265	1001261344	Ref	Decal - Soft Touch (ANSI Specs) (660SJ HC3)	A
265	1001261345	Ref	Decal - Soft Touch (CE & UK CA Specs) (660SJ HC3)	A
265A	1001261347	1	Decal - Warning (ANSI Specs) (600S HC3)	
265A	1001261586	1	Decal - Warning (CE & UK CA Specs) (600S HC3)	
265B	1001261348	1	Decal - Warning (ANSI Specs) (600S HC3)	
265C	1001195491	1	Decal - ANSI (600S HC3)	
265C	1001195490	1	Decal - CE & UK CA (600S HC3)	
265A	1001261349	1	Decal - Warning (ANSI Specs) (660SJ HC3)	
265A	1001261587	1	Decal - Warning (CE & UK CA Specs) (660SJ HC3)	
265B	1001261350	1	Decal - Warning (ANSI Specs) (660SJ HC3)	
265C	1001195491	1	Decal - ANSI (660SJ HC3)	
265C	1001195490	1	Decal - CE & UK CA (660SJ HC3)	
274	1001214030	Ref	Decal - EAC Installation (CIS and Russia Specs)	
274	1001173703	1	Decal - EAC	
	1001239371	1	ECO Label Installation	A
287A	3820001	8	Rivet	
287B	See Note	NSS	Decal - ECO Label (Note: Not Available for Purchase)	
287C	See Note	NSS	Decal - Plate Main Code (Note: Not Available for Purchase)	



# SECTION 9 - DECALS

## FIGURE 9-12. DECAL INSTALLATION - SKYWELDER (50HZ)



ART\_0272588

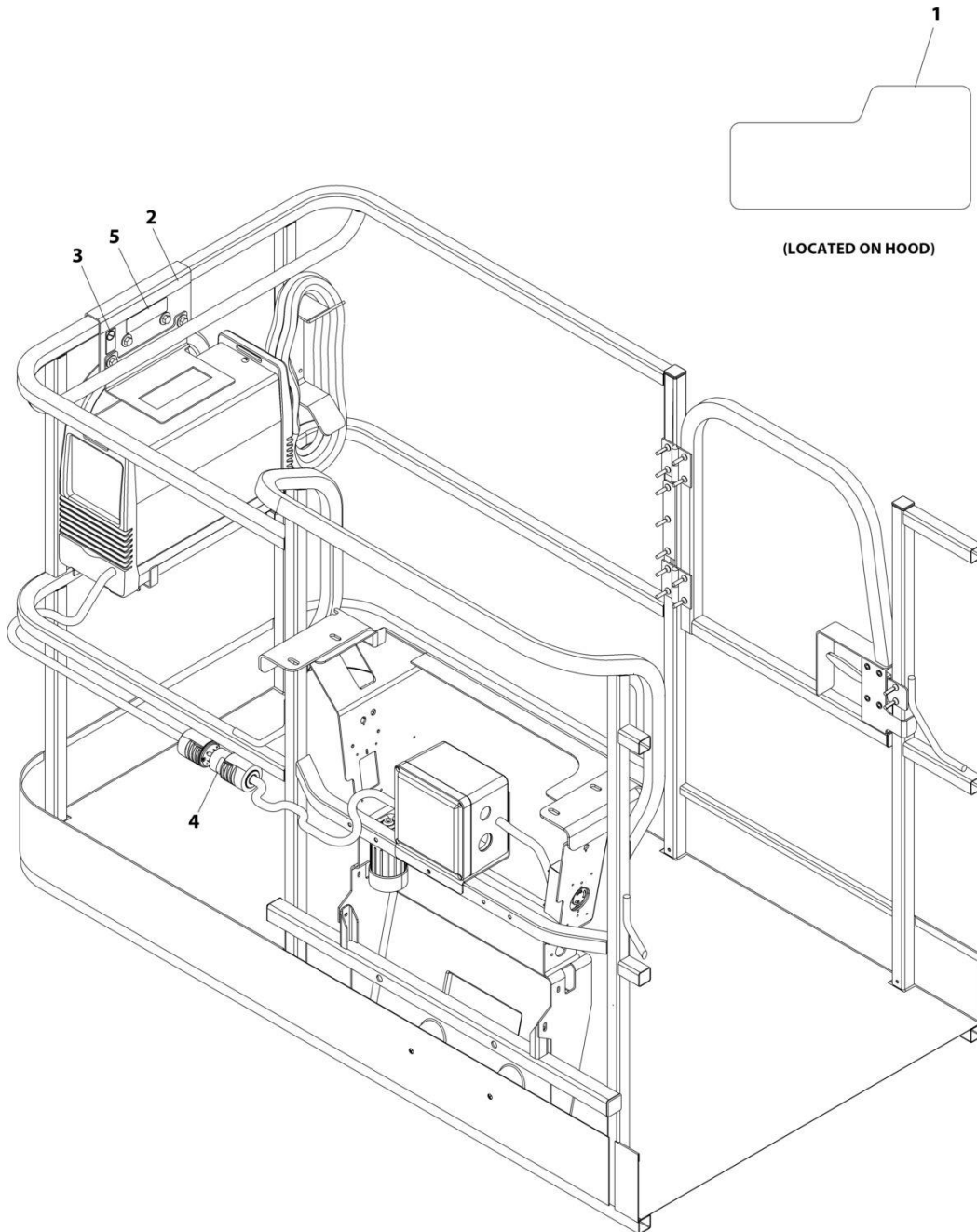
## SECTION 9 - DECALS

**FIGURE 9-12. DECAL INSTALLATION - SKYWELDER (50HZ)**

ITEM	PART NUMBER	QTY	DESCRIPTION	REV
	0272588	Ref	SKYWELDER DECAL INSTALLATION - 50Hz	B
1	1705355	2	Decal - SkyWelder	
2	1705305	1	Decal - Weld Lead	
3	1001228988	1	Decal - Weight	

# SECTION 9 - DECALS

## FIGURE 9-13. DECAL INSTALLATION - SKYWELDER (60HZ)



ART\_0272448

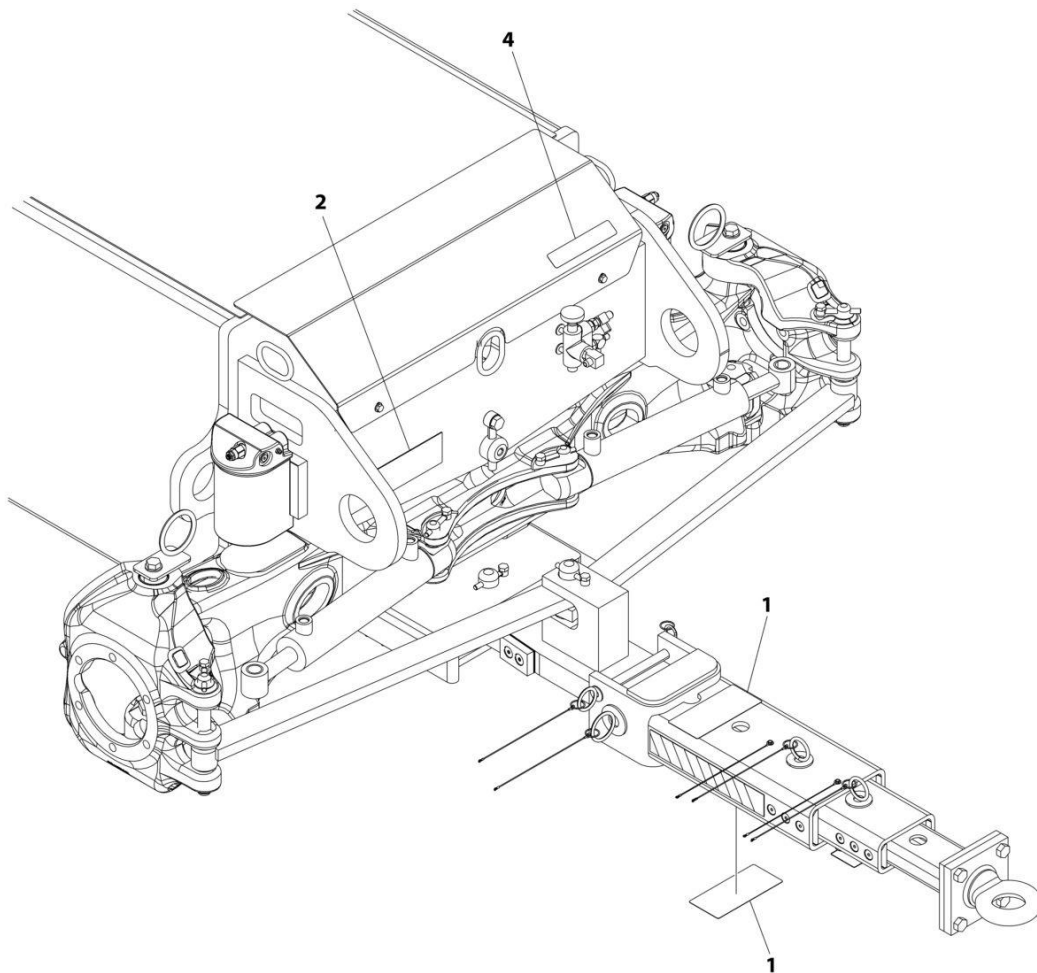
## SECTION 9 - DECALS

**FIGURE 9-13. DECAL INSTALLATION - SKYWELDER (60HZ)**

ITEM	PART NUMBER	QTY	DESCRIPTION	REV
	0272448	Ref	SKYWELDER DECAL INSTALLATION - 60Hz	B
1	1705355	2	Decal - SkyWelder	
2	1702868	1	Decal - No Hands	
3	1705305	1	Decal - Weld Lead	
4	1705375	1	Decal - 240V - 3 Phase - 60Hz	
5	1001228988	1	Decal - Weight	

# SECTION 9 - DECALS

## FIGURE 9-14. DECAL INSTALLATION - TOW (ANSI SPECS)



ART\_1001188894



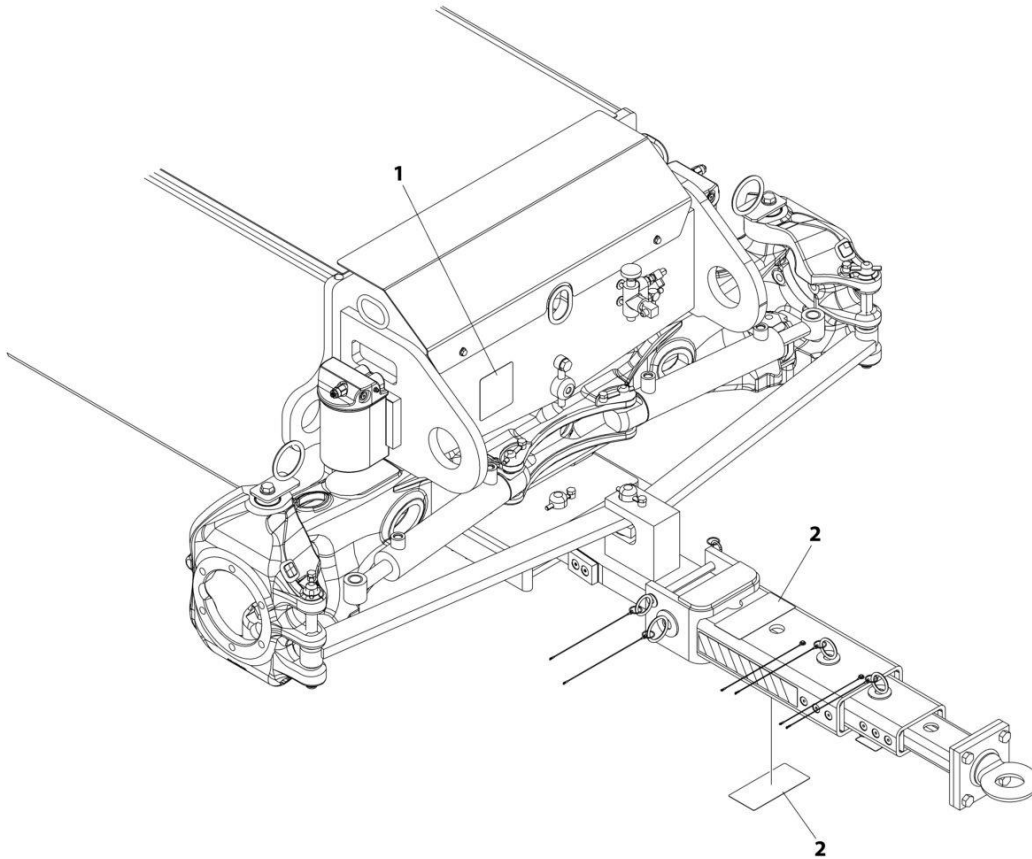
## SECTION 9 - DECALS

**FIGURE 9-14. DECAL INSTALLATION - TOW (ANSI SPECS)**

ITEM	PART NUMBER	QTY	DESCRIPTION	REV
	1001188894	Ref	DECAL INSTALLATION	B
1	1704578	2	Decal - Crushing	
2	1705090	1	Decal - Towing Instructions	
4	1001190159	1	Decal - Steer/Tow Select Valve	

## SECTION 9 - DECALS

FIGURE 9-15. DECAL INSTALLATION - TOW (ANSI EXPORT, RUSSIA, CHINA, CE & UK CA SPECS)



ART\_100118896

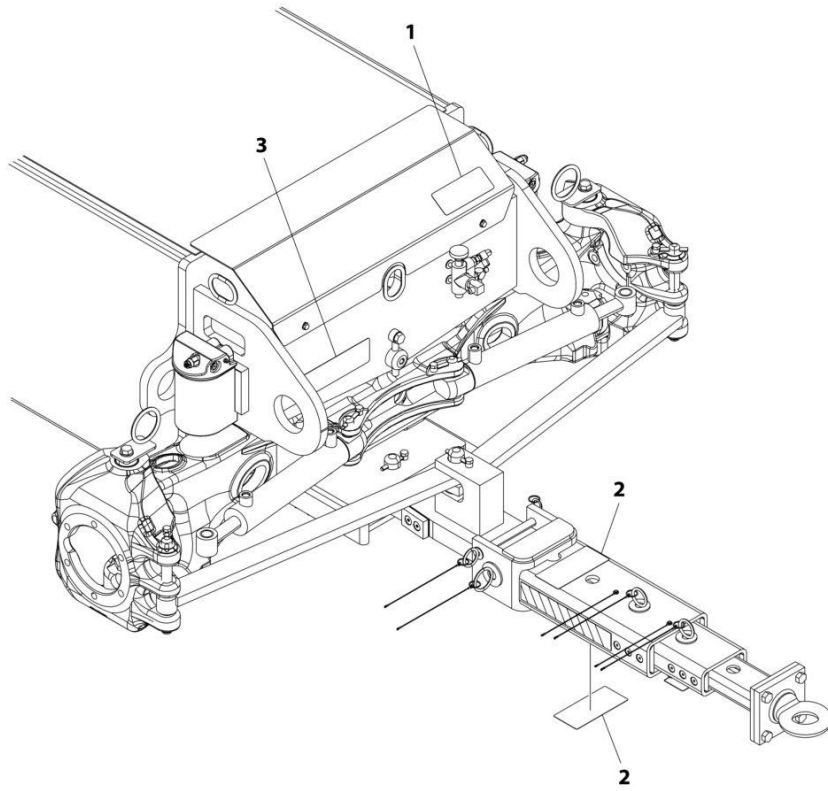
## SECTION 9 - DECALS

**FIGURE 9-15. DECAL INSTALLATION - TOW (ANSI EXPORT, RUSSIA, CHINA, CE & UK CA SPECS)**

ITEM	PART NUMBER	QTY	DESCRIPTION	REV
	1001188896	Ref	DECAL INSTALLATION	C
1	1706957	1	Decal - Tow Bar and Steer Select	
2	1706960	2	Decal - Tow Bar Crushing	

# SECTION 9 - DECALS

## FIGURE 9-16. DECAL INSTALLATION - TOW (CSA SPECS)



ART\_1001188895

## SECTION 9 - DECALS

**FIGURE 9-16. DECAL INSTALLATION - TOW (CSA SPECS)**

ITEM	PART NUMBER	QTY	DESCRIPTION	REV
	1001188895	Ref	DECAL INSTALLATION	B
1	1704272	1	Decal - Steer/Tow Select Valve	
2	1704578	2	Decal - Crushing	
3	1705820	1	Decal - Towing Instructions	



## **SECTION 10 - RECOMMENDED SERVICE PARTS STOCK**

## **SECTION 10 - RECOMMENDED SERVICE PARTS STOCK**

# SECTION 10 - RECOMMENDED SERVICE PARTS STOCK

## FIGURE 10-1. RECOMMENDED SERVICE PARTS STOCK

ITEM	PART NUMBER	QTY	DESCRIPTION	REV
		Ref	Note: The following list will service one machine (built to current production per date on the front cover) with emergency repair parts which can be installed in the field. Parts from the list should be replaced when inventory is depleted to keep service parts stock supplied. For further information, contact your JLG dealer or the JLG Industries Parts Department.	
	1001152479	1	Breaker, 16 Amp	
	1001181045	1	Breaker, 30mA/16 Amp	
	1001152482	1	Breaker, 30mA	
	70004653	1	Coil	
	80434249	1	Coil	
	70004595	1	Coil	
	70002386	1	Coil	
	70006122	1	Coil	
	70007323	1	Coil	
	70006004	1	Coil	
	1001212415	1	Controller Assembly (Drive and Steer)	
	70010383	1	Element, Filter Charge Pump (Includes O-Ring)	
	70005335	1	Element, Filter High Pressure	
	70005708	1	Filter Kit (Includes Hydraulic Element, Breather Element and Gasket)	
		Ref	<b>ENGINE COMPONENTS - DEUTZ D2011</b>	
	7016331	12	Element, Oil Filter (Deutz D2011 Engine)	
	7016328	12	Element, Fuel Filter (Deutz D2011 Engine)	
	70003783	12	Element, Air Filter (Deutz D2011 Engine)	
		Ref	<b>ENGINE COMPONENTS - DEUTZ D2011 (STAGE V)</b>	
	7016331	12	Element, Oil Filter (Deutz D2011 (Stage V) Engine)	
	7016328	12	Element, Fuel Filter (Deutz D2011 (Stage V) Engine)	
	70003783	12	Element, Air Filter (Deutz D2011 (Stage V) Engine)	
		Ref	<b>ENGINE COMPONENTS - DEUTZ D2.9L4</b>	
	7016331	12	Element, Oil Filter (Deutz 2.9L4 Engines)	
	1001225430	12	Filter, Fuel (Deutz 2.9L4 Engines)	
	1001225431	12	Filter, Fuel (Deutz 2.9L4 Engines)	
	70005008	12	Element, Air Filter (Deutz 2.9L4 Engines)	
		Ref	<b>ENGINE COMPONENTS - FORD COMPONENTS</b>	
	70006155	12	Element, Fuel Filter (Ford Engine)	
	70006213	12	Element, Oil Filter (Ford Engine)	
	70005008	12	Element, Air Filter (Ford Engine)	
	70004066	12	Filter, Fuel	
	1001196634	1	Fuse - 2Amp	
	2400064	1	Fuse - 5Amp	
	8229242	1	Fuse - 5Amp	
	80983191	1	Fuse - 10Amp	
	8229244	1	Fuse - 15Amp	
	70006175	1	Fuse - 20Amp	
	8229245	1	Fuse - 30 Amp	
	1001172065	1	Fuse - 30 Amp	
	2860030	1	Key, Replacement	
	2940074	1	Latch (Machines with Gate)	
	1001187200	1	Module, Ground Control	



## SECTION 10 - RECOMMENDED SERVICE PARTS STOCK

ITEM	PART NUMBER	QTY	DESCRIPTION	REV
	1001138228	1	Module, Power Relay	
	7027795	1	Module, ECU (Deutz D2011 and Deutz D2011 (Stage V) Engines)	
	70025210	1	Module, ECU (Deutz 2.9L4 Engines)	
	70006176	1	Module, ECU (Ford Engines)	
	1001142683	1	Module, Beacon Light Control	
	3740080	1	Relay (Machines with 2500W Generator)	
	3740086	1	Relay (Machines with SkyLine)	
	3740067	1	Relay	
	1001186431	1	Relay	
	1001095704	1	Relay	
	1001161710	1	Switch, Toggle (Dual Fuel Machines - Ford Engines)	
	4360336	1	Switch, Toggle (Generator Option)	
	4360057	1	Switch, Limit (Soft Touch Option)	
	4360387	1	Switch, Toggle (Soft Touch Option)	
	1001137673	1	Switch, SkyGuard Assembly	
	4360387	1	Switch, Push Button	
	4360475	1	Switch, Emergency Stop	
	4360407	1	Switch, Potentiometer	
	1001155045	1	Switch, Toggle	
	1001159256	1	Switch, Toggle	
	1001161709	1	Switch, Toggle	



## **SECTION 11 - SPECIAL OPTIONS/ACCESSORIES/KITS**

## **SECTION 11 - SPECIAL OPTIONS/ACCESSORIES/KITS**

# SECTION 11 - SPECIAL OPTIONS/ACCESSORIES/KITS

FIGURE 11-1. SPECIAL OPTIONS/ACCESSORIES/KITS

ITEM	PART NUMBER	QTY	DESCRIPTION	REV
		Ref	Note: This list is to accommodate machines ordered with special equipment. Options may not be applicable to all models. For more specific parts information contact JLG Parts Department.	
		Ref	SPECIAL OPTIONS/ACCESSORIES/KITS	
		Ref	Airline to Platform Installation Options:	
	1001192931	Ref	Airline Installation (600S HC3)	
	1001194110	Ref	Airline Installation (with Arctic Package) (600S HC3)	
	1001193215	Ref	Airline Installation (660SJ HC3)	
	1001194045	Ref	Airline Installation (with Arctic Package) (660SJ HC3)	
	1001194205	Ref	Airline Installation - Dual Lines (600S HC3)	
	1001235884	Ref	Air Intake Shutoff Valve (Deutz TD2.9L4 Engines)	
	1001245144	Ref	Air Intake Shutoff Valve (Deutz TD2.9L4 49HP Engines)	
	1001205017	Ref	Arctic Package Installation Kit - With Deutz TD2.9L4 Engines and Without SkyPower (600S HC3)	
	1001205016	Ref	Arctic Package Installation Kit - With Deutz TD2.9L4 Engines and With SkyPower (600S HC3)	
	1001205021	Ref	Arctic Package Installation Kit - With Deutz TD2.9L4 Engines and Without SkyPower (660SJ HC3)	
	1001205020	Ref	Arctic Package Installation Kit - With Deutz TD2.9L4 Engines and With SkyPower (660SJ HC3)	
	1001189169	Ref	Bellows Installation - Boom (600S HC3)	
	1001251410	Ref	Bellows Installation - Boom (660SJ HC3)	
	1001181778	Ref	Bellows Installation - Chassis (2WS)	
	1001195235	Ref	Boom Wipers Installation (All Specs Except Australian Specs) (600S HC3)	
	1001254362	Ref	Boom Wipers Installation (All Specs) (660SJ HC3)	
	1001233047	Ref	Breather Heater Kit (Deutz Engines)	
	1001198884	Ref	Cable & Hose Protection Installation (Platform) (All Specs Except Australian and Russia Specs) (600S HC3)	
	1001199095	Ref	Cable & Hose Protection Installation (Platform) (All Specs) (660SJ HC3)	
	1001272836	Ref	Cable & Hose Protection Installation (Platform & Jib) (China Spec Only) (660SJ HC3)	
		Ref	ClearSky (Telematics) Add-on Kit (Dealer Installed)	
	1001265378	Ref	ClearSky (Telematics) Add-on Kit (ANSI, ANSI Export, CSA, CE & UK CA Specs)	
	1001246142	Ref	ClearSky (Telematics) Add-on Kit (Australian Specs)	
	1001243184	Ref	ClearSky (Telematics) Add-on Kit (CE & UK CA Specs)	
	1001276923	Ref	ClearSky (Telematics) GT1030 3 Wire Add-on Kit	
	1001242639	Ref	ClearSky (Telematics) Access Control Add-on Kit (ANSI, ANSI Export, CSA, CE & UK CA Specs)	
		Ref	ClearSky Telematics (Factory Installed)	
	1001227404	Ref	ClearSky Telematics Installation - Canbus Connection (All Specs Except Australian and China Specs)	
	1001246524	Ref	ClearSky Telematics Installation - Canbus Connection (Australian and Russia Specs)	
	1001228947	Ref	ClearSky Telematics Installation - Canbus Connection (ANSI Export, Russia, CE & UK CA Specs)	
	1001246525	Ref	ClearSky Telematics Installation - Canbus Connection (China Specs)	
	1001276610	Ref	ClearSky Telematics Installation - 3 Wire Connection	
		Ref	Cold Weather Package Installation Options:	

## SECTION 11 - SPECIAL OPTIONS/ACCESSORIES/KITS

ITEM	PART NUMBER	QTY	DESCRIPTION	REV
	1001192489	Ref	Cold Weather Package Installation (Deutz TD2011L04 Engine Machines)	
	1001256385	Ref	Cold Weather Package Installation (Deutz Deutz TD2.2L3 Engine Machines)	
	1001192475	Ref	Cold Weather Package Installation (Deutz Deutz TD2.9L4 Engines Machines)	
	1001219855	Ref	Cold Weather Package Installation (Ford Engine Machines)	
	1001239526	Ref	Container Transport Installation	
	1001276007	Ref	Controller Service Kit - Drive/Steer	
	1001276008	Ref	Controller Service Kit - Lift/Swing	
	1001195224	Ref	Counterweight Installation - Chassis (Required for Turf Tires)	
	1001191019	Ref	Cribbing Switch installation	
		Ref	Decal Installations Options:	
	0257195	Ref	Decal - Government Warranty	
		Ref	Decal Kits	
	1001271785	Ref	Machine Decal Kit	
	1001271786	Ref	Platform Decal Kit	
	1001271787	Ref	Platform Control Box Decal Kit	
	1001109259	Ref	Drive Orientation Kit (ANSI Specs) (660SJ HC3)	
		Ref	Electrical Connector Kits	
	1001148902	Ref	Amp/Tyco Electrical Connector Kit	
	1001148903	Ref	Deutsch DT Electrical Connector Kit	
	1001148904	Ref	Deutsch HD Electrical Connector Kit	
	1001148905	Ref	Packard Electrical Connector Kit	
	1001148906	Ref	Various Electrical Connectors Kit	
	1001220390	Ref	Engine Block Heater Installation (Ford Engine Machines)	
	1001269630	Ref	Fall Arrest (Bolt-on) Add-on Kit (4ft/1.22m Platform) (All Specs)	
	1001269629	Ref	Fall Arrest (Bolt-on) Add-on Kit (5ft/1.52m Platform) (All Specs)	
	1001269631	Ref	Fall Arrest (Bolt-on) Add-on Kit (6ft/1.82m Platform) (All Specs)	
	1001237883	Ref	Fall Arrest (Bolt-on) Add-on Kit (6ft/1.82m Platform) (ANSI, ANSI Export, China, CSA & Japanese Specs Only) (Fits Platform p/ns 1001186384 & 1001228376)	
	1001237882	Ref	Fall Arrest (Bolt-on) Add-on Kit (8ft/2.44m Platform) (ANSI, ANSI Export, China, CSA & Japanese Specs Only) (Fits Platform p/ns 1001186383)	
	1001256272	Ref	Fan & Belts Shield (Australian Spec)	
	1001192482	Ref	Fan Grille Installation (Deutz D2011 Engines)	
	1001258140	Ref	Fan Grille Installation (Deutz TD2.2L3 Engines)	
	1001192610	Ref	Fan Grille Installation (Deutz TD2.9L4 Engines)	
	1001172751	Ref	Fan Grille Installation (Deutz TD2.9L4 49HP Engines)	
		Ref	Filter Kits:	
		Ref	Combined Filter Kit (Hydraulic/Air and Fuel/Engine Oil)	
	1001238957	1	Deutz D2011 Engines	
	1001238961	1	Deutz TD2.9L4 Engines	
	1001238960	1	Ford Engines	
	1001109692	1	Hydraulic/Air Filter	
	1001110133	1	Fuel/Engine Oil Filter (Deutz Engines Only)	
	1001139099	Ref	Fire Extinguisher installation (Platform Mounted)	
	1001117294	Ref	Footswitch Shield (Note: Move Decal to Shield)	
	1001265676	Ref	Ford 42 Way Connector Kit	
	1001202749	Ref	Fuel Cap Cover Installation (Black) (Note: Lock p/n 1001102157 must be Purchased Separately)	

## SECTION 11 - SPECIAL OPTIONS/ACCESSORIES/KITS

ITEM	PART NUMBER	QTY	DESCRIPTION	REV
	1001191395	Ref	Fuel Cap Cover Installation (Green) (Diesel Machines) (Note: Lock p/n 1001102157 must be Purchased Separately)	
	1001191394	Ref	Fuel Cap Cover Installation (Red) (Gas Machines) (Note: Lock p/n 1001102157 must be Purchased Separately)	
	1001126286	Ref	Hood (Steel) Replacement Kit - Deutz Engine Machines	
	1001281467	Ref	Hood (Steel) Latch Kit (660SJ HC3)	
		Ref	Hose Kit Options:	
	1001266027	Ref	Hose Kit - Platform Valve (ANSI Spec) (600S HC3)	
	1001238906	Ref	Hose Kit - Platform Valve (ANSI Spec) (660SJ HC3)	
	1001270504	Ref	Hose Kit - Platform Valve (All Specs) (660SJ HC3)	
	1001238902	Ref	Hose Kit - Upper Power Track (ANSI Spec) (600S HC3)	
	1001238904	Ref	Hose Kit - Upper Power Track (ANSI Spec) (660SJ HC3)	
		Ref	Hostile Environment Installation Options:	
	1001238927	Ref	Hostile Environment Installation (600S HC3)	
	1001238929	Ref	Hostile Environment Installation (660SJ HC3)	
	1001195237	Ref	Hostile Package (Extreme) Installation	
	1001268752	Ref	Jib Cylinder Kit (660SJ HC3)	
	1001268737	Ref	Jib Link Service Kit (660SJ HC3)	
	1001189615	Ref	Kingpin Removal Kit	
	1001148971	Ref	Lanyard (Bolt-On) Kit Installation	
	1001253783	Ref	Lift Cylinder Kit	
		Ref	Light Options:	
	1001190761	Ref	Chassis Illumination Lights Installation	
	1001190717	Ref	Headlights & Taillights Installation	
	1001120467	Ref	Platform Floodlights Installation	
	1001178951	Ref	Platform Mounted Strobe Light Installation	
	1001193521	Ref	Platform/Ground Dual Located Mounted Strobe Light Installation	
	1001120466	Ref	Platform Worklights Installation	
	1001183407	Ref	Low Temperature Cutout Installation (Required for Russian Specs)	
		Ref	Oil Cooler Options:	
	1001195355	Ref	Oil Cooler Installation (Deutz TD2011 Engine) (600S HC3)	
	1001257491	Ref	Oil Cooler Installation (Deutz TD2011 Engine) (660SJ HC3)	
	1001254943	Ref	Oil Cooler Installation (Deutz TD2.2L3 Engine)	
	1001195354	Ref	Oil Cooler Installation (Deutz TD2.9L4 Engine) (600S HC3)	
	1001257490	Ref	Oil Cooler Installation (Deutz TD2.9L4 Engine) (660SJ HC3)	
	1001242998	Ref	Oil Cooler Installation (Deutz TD2.9L4 49HP Engine)	
	1001219854	Ref	Oil Cooler Installation (Ford Engine) (600S HC3)	
	1001257492	Ref	Oil Cooler Installation (Ford Engine) (660SJ HC3)	
	1001233035	Ref	Pinion Shield Installation	
		Ref	Platform Console Cover Installations	
	1001195304	Ref	Platform Console Cover Installation (Clear Polycarbonate) (Factory Installed)	
	1001266290	Ref	Platform Console Cover Installation (Steel) (Factory Installed)	
	1001270482	Ref	Platform Console Cover Kit (Dealer Installed)	
		Ref	Platform Entry Kit	
	1001142504	Ref	Replace Swing Gate with Drop Bar	
	1001142505	Ref	Replace Drop Bar with Swing Gate	
		Ref	Platform Extension (Top Rail)	
	0272733	Ref	36in x 72in Platforms	
	0272725	Ref	36in x 96in Platforms	
	1001274833	Ref	Platform Floormat Add-on Kit (30x48 Platform) (Dealer Installed)	
	1001274832	Ref	Platform Floormat Add-on Kit (30x60 Platform) (Dealer Installed)	

## SECTION 11 - SPECIAL OPTIONS/ACCESSORIES/KITS

ITEM	PART NUMBER	QTY	DESCRIPTION	REV
	1001274830	Ref	Platform Floormat Add-on Kit (36x72 Platform) (Dealer Installed)	
	1001274829	Ref	Platform Floormat Add-on Kit (36x96 Platform) (Dealer Installed)	
		Ref	Platform Mesh to Top Rail Add-on Kits:	
	1001214552	Ref	30in x 4ft (76cm x 1.22m) with Gate	
	1001214559	Ref	30in x 5ft (76cm x 1.52m) with Gate	
	1001214560	Ref	30in x 6ft (91.5cm x 1.83m) with Gate	
	1001214561	Ref	36in x 6ft (91.5cm x 1.83m) with Gate	
	1001214562	Ref	36in x 8ft (91.5cm x 2.44m) with Gate	
		Ref	Platform Mesh to Top Rail Installations	
	1001272182	Ref	30in x 4ft (76cm x 1.22m)	
	1001271888	Ref	30in x 5ft (76cm x 1.52m)	
	1001271642	Ref	36in x 6ft (91.5cm x 1.83m)	
	1001269187	Ref	36in x 8ft (91.5cm x 2.44m)	
		Ref	Platform Plastic Mesh to Top Rail Installations	
	1001266807	Ref	30in x 4ft (76cm x 1.22m)	
	1001266801	Ref	30in x 5ft (76cm x 1.52m)	
	1001266489	Ref	36in x 6ft (91.5cm x 1.83m)	
	1001266056	Ref	36in x 8ft (91.5cm x 2.44m)	
		Ref	Platform Mesh to Mid Rail Add-on Kits:	
	1001214478	Ref	30in x 4ft (76cm x 1.22m) with Gate	
	1001214515	Ref	30in x 5ft (76cm x 1.52m) with Gate	
	1001214540	Ref	36in x 6ft (91.5cm x 1.83m) with Gate	
	1001214548	Ref	36in x 8ft (91.5cm x 2.44m) with Gate	
		Ref	Platform Mesh to Mid Rail Installation	
	1001272274	Ref	30in x 4ft (76cm x 1.22m)	
	1001272178	Ref	30in x 5ft (76cm x 1.52m)	
	1001271760	Ref	36in x 6ft (91.5cm x 1.83m)	
	1001269389	Ref	36in x 8ft (91.5cm x 2.44m)	
		Ref	Platform Plastic Mesh to Mid Rail Installation	
	1001266969	Ref	30in x 4ft (76cm x 1.22m)	
	1001266799	Ref	30in x 5ft (76cm x 1.52m)	
	1001266284	Ref	36in x 6ft (91.5cm x 1.83m)	
	1001266098	Ref	36in x 8ft (91.5cm x 2.44m)	
	1580013	Ref	Platform Storage Tray (Corner Mounted)	
	1001247800	Ref	Quad Tracks Replacement Kit	
	1001211366	Ref	Service Kits	V
	1001247073	Ref	SkyEye Add-on Kit (Dealer Installed)	
	1001241547	Ref	SkyEye Repair Kit (LH Side)	
	1001241548	Ref	SkyEye Repair Kit (RH Side)	
	2902232	Ref	SkyGlazier Kit (Includes 36in x 8ft (91.5cm x 2.44m) Platform)	
	1001101422	Ref	SkyGlazier Kit (Platform not Included)	
	1001249052	Ref	SkyGuard Add-on Kit (Dealer Installed)	
	1001197016	Ref	SkyGuard Installation Kit (New Style Platform)	
	1001206311	Ref	SkyGuard Blue Beacon Installation Kit	
	1001262016	Ref	SkyLine Add-on Kit (Dealer Installed)	
	1001217055	Ref	SkyPower Kit (Deutz TD2.9L4 Engine)	
	1001252033	Ref	SkySense (EDS) Level 1 Add-on Kit (Dealer Installed)	
	1001252034	Ref	SkySense (EDS) Level 2 Add-on Kit (Dealer Installed)	
	1001250465	Ref	SkySense (EDS) Level 1 Installation (Factory Installed)	
	1001250466	Ref	SkySense (EDS) Level 2 Installation (Factory Installed)	
	1001253618	Ref	SkySense (EDS) Level 1 Module (Service Kit for P/N 1001246867)	

## SECTION 11 - SPECIAL OPTIONS/ACCESSORIES/KITS

ITEM	PART NUMBER	QTY	DESCRIPTION	REV
	1001253619	Ref	SkySense (EDS) Level 2 Module (Service Kit for P/N 1001246860)	
	1001231235	Ref	SkyWelder Locking Bracket Installation	
		Ref	Tools for Service	
	1001249695	1	Analyzer and Cable Kit	
	1001249941	1	Analyzer and Cable Kit (Battery Powered)	
	7002840	1	Anti-Rotation Pin Removal Tool	
	4460467	1	Extractor - 16-18 Gauge (For Removal of Pin/Sockets from Deutsch Connectors)	
	4460510	1	Extractor - 12-14 Gauge (For Removal of Pin/Sockets from Deutsch Connectors)	
	7016652	1	Huck Bolt Faster (For Small Huck Bolts Only)	
	7002823	1	Pin/Socket Extractor - Universal (To Remove Pins/Sockets from Connectors)	
	7016654	1	Screwdriver, Magnetic	
	7002822	1	Screwdriver, Potentiometer (To Adjust Drive Controllers)	
	7004275	1	Seal Installation Tool - 1in	
	7004276	1	Seal Installation Tool - 1-1/2in	
	7002826	1	Seal Installation Tool - 2in	
	1001137005	1	Software Cable Kit	
	7002821	1	Wire Crimper (To install wire ends to wires)	
	7016655	1	Wire Rope Sheave Gauge	
	8896941	1	Wire Stripper	
	2915096	Ref	Turntable Bearing Kit	
	1001238898	Ref	Wear Pad Kit	
	1001238907	Ref	Wire Rope Kit	
	1001270718	Ref	White Noise Alarm (Ambient) Add-on Kit (Factory Installed)	
	1001270717	Ref	White Noise Alarm (Constant) Add-on Kit (Factory Installed)	



# SECTION 11 - SPECIAL OPTIONS/ACCESSORIES/KITS

## PART NUMBER INDEX

# SECTION 11 - SPECIAL OPTIONS/ACCESSORIES/KITS

0100009.....573	0200048 ... 603, 605, 607, 609	0641608 . 95, 97, 99, 101, 103, 105, 107, 109, 111, 113, 115, 117	0700822....729, 731, 733, 735, 737, 739, 741, 743, 745, 747, 749, 751
0100011....19, 21, 23, 25, 27, 29, 57, 63, 65, 67, 71, 73, 91, 95, 97, 99, 101, 103, 105, 107, 109, 111, 113, 115, 117, 123, 125, 127, 129, 137, 139, 141, 143, 145, 147, 149, 151, 176, 177, 180, 181, 183, 185, 188, 192, 195, 197, 200, 203, 205, 225, 227, 229, 231, 233, 236, 239, 243, 247, 251, 253, 256, 263, 267, 271, 274, 283, 287, 291, 294, 299, 303, 307, 310, 319, 323, 327, 330, 333, 337, 341, 344, 355, 359, 363, 366, 371, 375, 379, 382, 387, 411, 413, 415, 417, 419, 421, 423, 425, 427, 429, 431, 441, 443, 447, 449, 451, 455, 459, 463, 467, 469, 473, 477, 481, 485, 489, 494, 498, 502, 506, 509, 515, 517, 519, 521, 527, 529, 531, 535, 539, 543, 547, 551, 553, 557, 561, 563, 589, 591, 593, 595, 597, 603, 605, 607, 609, 729, 731, 733, 735, 737, 739, 741, 743, 745, 747, 749, 751	0257195 ..... 903 0270528 ..... 67 0272254 ..... 595 0272427 ..... 607 0272435 ... 475, 479, 483, 486 0272448 ..... 889 0272521 ..... 593 0272588 ..... 887 0272589 ..... 490 0272725 ..... 904 0272733 ..... 904 0273706 ..... 609 0273824 ..... 603 0275216 ..... 699, 821 0275217 ..... 703, 823 0275452 ..... 707, 825 0275453 ..... 711, 827 0275454 ..... 715, 829 0362910 ..... 67 0400075 ... 123, 125, 127, 129 0440162 ... 225, 227, 229, 239, 243, 247, 263, 267, 283, 287, 299, 303, 319, 323, 333, 337, 355, 359, 371, 375, 509 0440233 ..... 87 0440237 ..... 509 0480124 ..... 441, 449 0561508 ..... 502, 506 0630462 ... 603, 605, 607, 609 0630518 ... 161, 585, 593, 595, 597 0630534 .... 635, 637, 639 0630568 ..... 573 0630613 . 95, 97, 99, 101, 103, 105, 107, 109, 111, 113, 115, 117, 176, 180, 188, 192, 200 0641404 ..... 573, 591 0641405 ..... 591 0641406 ... 219, 221, 263, 267, 567 0641408 ..... 183, 185 0641409 ... 195, 197, 203, 205 0641414 ... 573, 589, 603, 605, 607, 609 0641416 ... 701, 705, 709, 713, 717, 719 0641418 ... 535, 539, 547, 551, 553, 557, 561, 563 0641420 ..... 543 0641504 ..... 176, 180 0641506 ... 729, 731, 733, 735, 737, 739 0641507 ..... 443, 451 0641508 ... 441, 447, 449 0641511 ..... 67 0641606 .... 593, 595, 597 0641607 ... 103, 111, 444	0641611 ..... 294, 310 0641616 ... 459, 469, 473, 481 0641618 ... 455, 463, 467, 477, 489 0641772 ..... 451 0641814 ... 231, 233, 251, 253, 271, 291, 307, 327, 341, 363, 379 0642010 ..... 67 0642012 ..... 601 0642212 ..... 601 0681605 ..... 274 0681608 .... 295, 312, 531 0681620 ... 611, 613, 615, 617, 619 0681710 ..... 29 0681810 ..... 27 0681814 ..... 549, 559 0681822 ..... 549, 559 0682016 ..... 27 0682019 ..... 57 0682023 ..... 87 0682036 ..... 27 0682040 ..... 27 0682424 ... 611, 613, 615, 617, 619 0700408 ... 699, 701, 703, 705, 707, 709, 711, 713, 715, 717, 719 0700412 ... 773, 775, 781, 783 0700608 ... 137, 139, 145, 147, 149, 151 0700610 ... 123, 125, 127, 129, 441, 449, 569, 571, 863, 865, 867, 869, 871, 873, 875, 877, 879, 881 0700612 ..... 569, 571 0700614 ... 225, 227, 229, 239, 243, 247, 263, 267, 283, 287, 299, 303, 319, 323, 333, 337 0700615 ..... 195, 203 0700616 ... 197, 205, 660 0700618 ... 699, 703, 707, 711, 715 0700619 ... 137, 139, 141, 143, 145, 147, 149, 151, 183, 185, 355, 359, 371, 375 0700624 ... 741, 743, 745, 747, 749, 751 0700812 ..... 419 0700816 ..... 387 0700818 ... 387, 729, 731, 733, 735, 737, 739, 741, 743, 745, 747, 749, 751 0700819 ... 455, 459, 469, 473, 477, 481, 485, 489, 743, 745, 747, 749, 751, 785, 787	0700823.....515 0701012 23, 25, 176, 180, 188, 192, 200, 225, 227, 229, 239, 243, 247, 263, 267, 283, 287, 299, 303, 319, 323, 333, 337, 355, 359, 371, 375 0701013.....502, 506 0701014.....387, 571 0701015 . 95, 97, 99, 101, 103, 105, 107, 109, 111, 113, 115, 117, 283, 287, 299, 303, 319, 323, 333, 337, 569 0701016....176, 180, 188, 192, 200, 405 0701017.....275 0701019.....494, 498 0701020.....509 0701022....225, 227, 229, 239, 243, 247, 319, 323, 333, 337 0701026.....427 0701028.....502, 506 0701029.....502, 506 0701032.....515, 517 0701216....176, 177, 180, 181, 188, 192, 200 0701217....19, 21, 91, 95, 97, 99, 101, 103, 105, 107, 109, 111, 113, 115, 117 0701220....176, 177, 180, 181, 188, 192, 200, 264, 267, 729, 731, 733, 735, 737, 739, 741, 743, 745, 747, 749, 751 0701221 . 95, 97, 99, 101, 103, 105, 107, 109, 111, 113, 115, 117 0701222.....431 0701617.....25 0701619.....27 0701620.....29 0701639.....57 0710827.....387 0711014.....366, 382 0711015.....415 0711018....225, 227, 229, 239, 243, 247, 263, 267, 283, 287, 299, 303, 319, 323, 333, 337, 355, 359, 371, 375 0711020....366, 382, 415 0711214.....294, 310 0711216.....387 0711223.....366, 382 0711224....236, 256, 274, 294, 310, 330, 344, 411, 413, 415, 417, 419, 421, 423, 425

## SECTION 11 - SPECIAL OPTIONS/ACCESSORIES/KITS

0711627 ... 236, 256, 330, 344	729, 731, 733, 735, 737, 739	0772018.....81, 225, 227, 229, 239, 243, 247, 263, 267, 283, 287, 299, 303, 319, 323, 333, 337, 355, 359, 371, 375	1001099366 ..... 601
0711629 ..... 25	0760815 ... 236, 256, 294, 310, 366, 382	0860038....455, 459, 469, 473, 477, 481, 485, 697	1001099367 ..... 601
0711635 ..... 494	0760816 ..... 63, 236, 256, 331, 345	0861538....473, 477, 481, 485	1001099869 ..... 449
0721004 ..... 67	0760817 ..... 387	0861572.....489	1001100234 ..... 449
0721005 ..... 607, 609	0760822 .... 731, 733, 735	0861731....709, 713, 717, 719, 825, 827, 829	1001100321 ..... 449
0731005. 95, 97, 99, 101, 103, 105, 107, 109, 111, 113, 115, 117, 603, 605, 777, 779, 785, 787	0760824 ..... 517	0861781....701, 705, 821, 823	1001100341 ..... 821
0741605 ..... 330, 344	076100971, 73, 207, 502, 506, 515, 517, 519, 521, 729, 731, 733, 735, 737, 739, 741, 743, 745, 747, 749, 751	0861880.....755, 757	1001100342 ..... 823
0741606 ..... 294, 310	0761010 ..... 502, 506	0902888....455, 459, 469, 473, 477, 481, 485, 489	1001100345 ..... 825
0741607 ..... 67, 455, 459, 463, 467, 469, 473, 481, 485	0761011 ... 494, 502, 506	0940049.....200	1001100346 ..... 829
0760408 ..... 63	0761012 ... 441, 449, 502, 506, 509, 777, 779, 785, 787	0940092....603, 605, 607, 609	1001100347 ..... 827
0760512 ... 263, 267, 283, 287, 299, 303, 319, 323, 333, 337, 405	0761014 ... 103, 105, 107, 109, 195, 197, 203, 205, 263, 267, 355, 359, 367, 371, 375, 383, 451, 503, 506, 531, 773, 775, 781, 783	0940094....603, 605, 607, 609	1001100825 ..... 363, 379
0760605 ..... 387	0761015 ... 176, 180, 236, 256, 263, 267, 274, 294, 310, 330, 344, 366, 382, 403, 405, 411, 413, 415, 417, 419, 421, 451, 509, 515, 517	0940102.....601	1001101422 ..... 905
0760606 ... 441, 443, 449, 455, 459, 463, 469, 473, 477, 481, 485, 489	0761016 ... 203, 205, 213, 215, 274, 294, 310, 330, 344, 366, 382, 401, 403, 447, 503, 506	0940103.....607	1001102830 ..... 741, 743, 745, 747, 749, 751
0760607 ... 274, 294, 310	0761017 .... 331, 345, 503	0940104.....609	100110297899, 101, 107, 109, 115, 117, 429, 431
0760608 ... 141, 143, 197, 205, 219, 221, 447, 451, 455, 459, 463, 467, 469, 473, 477, 481, 485, 489, 773, 775, 777, 779, 781, 783, 785, 787	0761018 ..... 485	0940105.....601	1001103012 ..... 848
0760610 ... 183, 185, 236, 256, 271, 274, 291, 294, 307, 310, 330, 344, 366, 382, 387, 463, 467, 494, 498, 697, 725, 727	0761210 ... 225, 227, 229, 239, 243, 247, 283, 287, 294, 299, 303, 310, 319, 323, 331, 334, 337, 344	0940106.....603	1001104029 ..... 455, 459, 469, 473, 478, 481, 485, 490
0760612 ... 137, 139, 141, 143, 145, 147, 149, 151, 231, 233, 251, 253, 327, 341, 363, 379, 437, 439	0761211 ... 274, 294, 310, 455, 459, 463, 467, 469, 473, 477, 481, 489, 498	0940107.....607	1001106736 ..... 773, 775, 777, 779, 781, 783, 785, 787
0760614 ... 213, 215, 433, 435, 502, 506	0761212 .... 274, 443, 451	0940108.....609	1001107854 ..... 848
0760615 ..... 387	0761213 ..... 91	0940109.....607	1001108256 ..... 605
0760619 ..... 330, 344	0761214 ..... 447, 531	0940110.....609	1001109259 ..... 903
0760807 ..... 387, 521	0761215 ..... 19, 21	0940111.....603	1001109692 ..... 903
0760808 ... 294, 310, 773, 775, 777, 779	0762016 ... 177, 180, 181, 188, 192, 200, 494, 498	0940112.....605	1001110133 ..... 903
0760810 ... 176, 188, 200, 274, 294, 310, 331, 344, 355, 359, 366, 371, 375, 382, 531, 773, 775, 777, 779	0762418 ..... 498	0961845....535, 539, 543, 547, 551, 553, 557, 561, 563	1001110872 ..... 721, 723
0760812 ... 183, 185, 209, 274, 294, 310, 366, 382, 451, 469, 473, 741, 743, 745, 747, 749, 751, 753	0770814 ..... 417	0961893.....635, 637, 639	1001110873 ..... 455, 459, 469, 473, 478, 481, 485, 697
0760814 ..... 63, 274, 294, 310, 330, 344, 355, 359, 366, 371, 375, 382, 423, 425, 441, 443, 449, 452, 469, 473, 515, 517, 519,	0771212 ... 263, 267, 283, 287, 299, 303	0961947....509, 513, 627	1001112551 ..... 865
	0771414 ... 236, 256, 274, 294, 310, 330, 344, 411, 413, 419, 421, 423, 425	0961950.....19, 21	1001112612 ..... 841, 847
	0771415 ... 415, 417, 455, 463, 477, 489	0961951....236, 256, 274, 294, 310, 330, 344, 366, 382, 502, 506, 511	1001112796 ..... 841
	0771416 ... 236, 256, 330, 344	0962033.....502, 506	1001113047 ..... 197, 205
	0771620 ..... 81	0962051.....429, 431	1001113680 ..... 867
		0962155.....509	1001113961 ..... 847
		0962181.....25	1001113984 ..... 29, 39
		0962270.....549, 559	1001115044 ..... 355, 359, 371, 375
		0962336.....635, 637, 639	1001116208 ..... 884
		0962348.....25	1001116290 ..... 195, 197, 203, 205
		0962423....494, 498, 502, 506	1001116693 ..... 817
		0962449.....449	1001116694 ..... 853
		0962520....455, 459, 463, 467, 469, 473, 477, 481, 485, 489	1001116695 ..... 817
		1001026127.....225, 227, 229, 239, 243, 247, 319, 323, 333, 337	1001116720 ..... 837
		1001080707.....103, 105, 107, 109	1001116727 ..... 791, 795
		1001091102.63, 725, 727	1001116728 ..... 791, 795
		1001095704.....847, 899	1001116732 ..... 789, 805
		1001096070.....463, 467, 757	1001116734 ..... 789, 805
		1001096456.....23, 25	1001116748 ..... 761, 855, 857
		1001097051.....835	1001116774 ..... 841
		1001097150.....133, 135, 755, 757, 759	1001116792 ..... 741, 743, 745, 747, 749, 751
		1001097244.....565	1001116808 ..... 841
		1001098122.....583, 817	1001116812 ..... 791
		1001098764.....331, 345	1001116815 ..... 792
		1001098828.....531	1001116845 ..... 871
			1001116846 ..... 873, 883
			1001116847 ..... 871
			1001116848 ..... 871
			1001116849 ..... 873
			1001116850 ..... 871
			1001116851 ..... 873

## SECTION 11 - SPECIAL OPTIONS/ACCESSORIES/KITS

1001116852.....871	1001126384.....795	1001138173.....236, 256, 366, 382	1001143645.....729, 731, 733, 735, 737, 739, 741, 743, 745, 747, 749, 751
1001116863.....873	1001126391.....791, 796	1001138175.....236, 256, 366, 382	1001143797.....275, 295, 311
1001116952.....791, 795	1001126392.....792	1001138228.....275, 295, 311, 330, 344, 899	1001143852.....884
1001116983.....803	1001126485.....792	1001138248.....237, 257, 275, 295, 311, 331, 345, 366, 382	1001143907.....276
1001117025.....789	1001126487.....792	1001138436.....502, 506	1001144116.....295, 311
1001117106.....791, 847	1001128128.....789	1001138459.....494, 498	1001144433.....589
1001117107.....791, 795	1001128527.....597	1001138494.....539, 543, 547, 551, 553, 557, 561, 563	1001144629.....537, 541, 545, 551, 555, 561
1001117110.....848	1001128556.....597	1001138514.....539, 543, 547, 553, 557, 563	1001146368.....236, 256, 259
1001117172.....583	1001128901.....366, 382	1001138565.....463	1001146588.....263, 267, 275, 729, 731, 733, 735, 737, 739, 741, 743, 745, 747, 749, 751
1001117174.....573, 583	1001129858.....455	1001138566.....456, 459, 463, 467, 469	1001147264.....792, 795
1001117294.....903	1001130220.....137, 139, 141, 143, 145, 147, 149, 151, 213, 215, 219, 221, 225, 227, 229, 239, 243, 247, 263, 267, 283, 287, 299, 303, 319, 323, 333, 337, 447, 456, 459, 463, 467, 469, 473, 478, 481, 485, 490, 494, 498	1001138671.....498	1001148138.....444, 451
1001117307.....188, 192, 200	1001130492.....884	1001138795.....635, 637, 639	1001148607.....95, 97, 99, 101, 111, 113, 115, 117
1001117308.....274, 295, 311, 330, 344	1001131269.....863, 875	1001138827.....275, 295, 311, 330, 345	1001148650.....502, 506
1001118378.....817, 847	1001133245.....643	1001139078.....515, 517	1001148675.....721, 723
1001118384.....839	1001133714.....791, 796, 801	1001139099.....903	1001148841.....801
1001118388.....837, 839	1001133715.....791, 796, 801	1001139357.....456, 463	1001148842.....801
1001118666.....506	1001133956.....792, 795	1001139384.....183, 185, 195, 197, 203, 205	1001148902.....903
1001118878.....295, 311	1001133957.....792, 795	1001139654.....884	1001148903.....903
1001118972.....103, 105, 107, 109, 225, 227, 229, 239, 243, 247, 263, 267, 283, 287, 299, 303, 319, 323, 333, 337, 355, 359, 371, 375	1001134289.....509, 513	1001139819.....236, 256	1001148905.....903
1001119020.....841	1001134488.....275, 295, 311, 330, 344	1001140312.....311, 345	1001148906.....903
1001119032.....847	1001134543.....81	1001140346.....459, 469	1001148971.....904
1001119051.....225, 227, 229, 239, 243, 247, 263, 267, 283, 287, 299, 303, 319, 323, 333, 337, 355, 359, 371, 375	1001135138.....330, 344	1001140347.....467	1001149160.....387, 773, 775, 777, 779
1001119280.....441, 443, 447, 449	1001135488.....502, 506	1001140429.....535, 539, 543, 547, 551, 553, 557, 561, 563	1001149452.....401, 403
1001119455.....666, 672, 678	1001135600.....29, 33	1001140564.....275, 295, 311, 331, 345	1001149469.....401, 403
1001119619.....833	1001135650.....791, 801	1001141300.....884	1001149639.....366, 382
1001119620.....831, 835	1001135651.....791, 796	1001141302.....884	1001150324.....19, 21
1001120204.....729, 741	1001135679.....295, 311, 330, 344	1001141304.....276, 295, 311, 331, 345	1001150326.....19, 21
1001120205.....729, 741	1001136104.....485	1001141694.....236, 256, 295, 311	1001150569.....67
1001120328.....589, 591, 855, 857	1001136356.....455, 467, 477	1001141814.....463, 489	1001150570.....67
1001120466.....904	1001136358.....673, 679	1001141995.....236, 256, 366, 382	1001150571.....67
1001120467.....904	1001136398.....517	1001142501.....263, 267, 283, 287, 299, 303, 319, 323, 333, 337	1001150918.....239, 243, 247, 300, 303, 333, 337, 372, 375
1001120471.....565	1001136400.....515, 517	1001142504.....904	1001151192.....515
1001120477.....565	1001136402.....515, 517	1001142505.....904	1001151393.....163, 165, 167, 169, 171, 173
1001120484.....565	1001136461.....515	1001142643.....460, 467, 470, 474, 482	1001151856.....796
1001120851.....805	1001136571.....502, 506	1001142646.....460, 470, 474, 482	1001152429.....478, 490, 811
1001120859.....884	1001136575.....502, 506	1001142683.....213, 215, 899	1001152456.....456, 460, 470
1001120989.....884	1001136583.....502, 506	1001142736.....213, 215, 841	1001152457.....456, 460, 470
1001121172.....848	1001136587.....502, 506	1001142938.....795	1001152479.....759, 898
1001125387.....884	1001136590.....503, 506	1001142940.....791, 795	1001152482.....759, 898
1001125492.....81	1001136834.....274, 295, 311, 330, 344	1001142941.....791, 796	1001152483.....133, 135, 759
1001125677.....818, 848	1001136975.....225, 227, 229, 239, 243, 247, 263, 267, 283, 287, 299, 303, 319, 323, 333, 337	1001143390.....236, 256, 295, 311	1001152485.....135
1001126009.....839	1001137005.....906		1001152486.....133, 727, 759
1001126286.....904	1001137032.....494		1001152489.....275, 295, 311, 331, 345
1001126351.....792, 795	1001137125.....527, 529		1001152520.....490
1001126352.....795	1001137276.....330, 344		
1001126356.....795	1001137673.....589, 899		
1001126357.....795			
1001126362.....791, 796			
1001126363.....791, 796			
1001126364.....791, 792			
1001126365.....791, 796			

## SECTION 11 - SPECIAL OPTIONS/ACCESSORIES/KITS

1001152525 ..... 456, 460, 470, 474, 478, 482, 486, 490	1001165035.....225, 227, 229, 239, 243, 247, 263, 267, 283, 287, 299, 303, 319, 323, 333, 337, 366, 382, 405	1001172751.....903	1001181899 ..... 331, 345
1001152530 ..... 456, 460, 470	1001165388.....237, 257, 295, 311	1001172760.....573	1001181923 ..... 729, 731, 733, 735, 737, 739, 741, 743, 745, 747, 749, 751
1001152532 ..... 456, 460, 464, 467, 470, 807	1001165405.....295, 311	1001173535.....367, 383	1001182361 ..... 792
1001153197 ..... 456	1001165406.....295, 311	1001173703.....884	1001182365 ..... 792
1001153260 ..... 456, 460, 470	1001165721.....295, 311	1001174040.....531	1001182570 ..... 527, 529
1001153398 ..... 502, 506	1001165722.....295, 311	1001174231.....494	1001182694 ..... 23, 25
1001154405 ..... 264, 268, 283, 287, 299, 303, 319, 323, 333, 337, 405	1001165849.....275, 295, 311	1001174250.....494	1001182695 .. 23, 25, 641
1001154726 ..... 805	1001166538.....574, 577	1001174251.....494	1001182697 ..... 23, 25
1001155041 ..... 451	1001166539.....573, 579	1001174252.....494, 498	1001182806 ..... 219
1001155043 ..... 153, 155, 157, 159	1001166563.....19, 21	1001174253.....494, 498	1001183407 ..... 904
1001155044 ..... 153, 155, 157, 159, 571, 573	1001166716.....275, 331, 345	1001174254.....494	1001183477 ..... 452
1001155045 ..... 153, 155, 157, 159, 571, 573, 899	1001166718.....275, 295, 311, 419, 421, 423, 425	1001174256.....494	1001183926 ..... 494
1001155094 ..... 225, 227, 229, 239, 243, 247, 263, 267, 283, 287, 299, 303, 319, 323, 333, 337, 355, 359, 371, 375	1001166894.....429, 431	1001174486.....225, 227, 229, 239, 243, 247, 355, 359, 371, 375, 401, 403	1001184209 ..... 19, 21
1001155441 ..... 527, 529	1001166921.....295, 311	1001174630.....515	1001184213 ..... 25
1001155823 ..... 263, 267, 283, 287, 299, 303, 319, 323, 333, 337	1001166922.....425	1001174631.....515, 517	1001184327 ..... 188
1001156107 ..... 263, 267, 275	1001166924.....275, 295, 311	1001174632.....515, 517	1001184618 ..... 863, 865, 867, 869, 871, 873, 875, 877, 879, 881
1001157520 ..... 474, 478, 482, 486	1001167042.....331, 345	1001174636.....515, 517	1001184626 ..... 569, 571
1001157521 ..... 474, 478, 482, 486, 490	1001167164.....433, 435, 437, 439	1001174673.....176, 180, 183, 185, 515	1001184682 ..... 221
1001157525 ..... 490	1001167565.....531	1001175073.....429, 431	1001184725 ..... 63
1001157528 ..... 474, 478, 482, 486, 490	1001167567.....531	1001175074.....431	1001184727 ..... 47
1001157592 ..... 474, 478, 482, 486	1001167596.....531	1001175568.....283, 287, 299, 303, 319, 323, 333, 337	1001184728 ..... 47
1001158007 ..... 474, 478, 482, 486, 490	1001167635.....792	1001175998.....502, 506	1001184881 ..... 47
1001158008 ..... 456, 460, 470, 474, 478, 483, 486, 490	1001168018.....236, 256, 275, 295, 311, 331, 345, 367, 383, 411, 413, 415, 417, 419, 421, 423, 425	1001175999.....502, 507	1001184913 ..... 503, 507
1001158363 ..... 456, 460, 470	1001168099.....295, 311	1001176212.....503	1001184915 ..... 503, 507
1001159118 ..... 721, 723	1001168166.....237, 256, 295, 311, 331, 345	1001176469.....165, 169, 171, 173	1001184918 ..... 503, 507
1001159119 ..... 721, 723	1001168207.....423	1001176511.....275	1001184930 ..... 233, 253, 271, 291, 307, 327, 341, 363, 379, 396
1001159120 ..... 721, 723	1001168402.....531	1001176848.....23, 25	1001184954 ..... 494, 627
1001159121 ..... 723	1001169046.....176, 180, 195, 197, 203, 205	1001176862.....721	1001185030 ..... 19, 21
1001159186 ..... 813, 817	1001169054.....275, 295, 311, 331, 345, 367, 383	1001177359.....275, 295, 311, 331, 345	1001185281 ..... 573
1001159256 ..... 573, 899	1001169085.....527, 529	1001177844.....331, 345	1001185596 ..... 45
1001159323 ..... 884	1001169138.....275, 295, 311, 331, 345, 367, 383	1001178057..95, 99, 103, 107, 111, 115, 119	1001185597 ..... 47
1001160505 ..... 181, 192	1001169582.....89	1001178223.....275	1001185598 ..... 63
1001161709 ..... 573, 899	1001169661.....656, 660	1001178788.....295, 311	1001185709 ..... 87
1001161710 ..... 355, 359, 371, 375, 899	1001169967.....295, 311, 331, 345, 367, 383	1001178876.....295, 311	1001185842 ..... 81
1001162538 ..... 71, 73, 75	1001170035.....295, 311, 331, 345, 367, 383	1001178951.....904	1001185906 ..... 25
1001163717 ..... 25	1001170764.....791	1001179154.....456, 460, 470, 474, 478, 482, 486	1001185907 ..... 25
1001164726 ..... 195, 197, 203, 205	1001170847.....527, 529	1001179836.....451	1001186186 ..... 176
1001164817 ..... 623	1001171131.....721	1001179837.....443, 451	1001186333 ..... 549
	1001171482.....153, 155, 157, 159	1001179903.....275, 295, 311	1001186334 ..... 559
	1001171953.....271, 291, 307	1001180001.....443, 451	1001186346 ..... 123
	1001172064.....795	1001180620.....275, 295, 311, 331, 345, 366, 382	1001186375 ..... 539
	1001172065.....795, 898	1001180882.....503	1001186377 ..... 543
	1001172577.....601	1001181045.....755, 757, 898	1001186379 ..... 547
	1001172578.....601	1001181243.....444, 452	1001186382 ..... 557
	1001172615.....188, 200	1001181774.....19	1001186383 ..... 555
		1001181778.....902	1001186384 ..... 545
		1001181790.....23, 25	1001186386 ..... 541
		1001181791.....23, 25	1001186387 ..... 537
		1001181792...23, 25, 641	1001186426 ..... 275, 331, 345, 367, 383
		1001181793.....23	1001186431 ..... 589, 899
		1001181795.....45	1001186432 ..... 837, 839
		1001181796.....45	1001186443 ..... 27
		1001181797.....45, 47	1001186517 ..... 589
		1001181895.....311, 345	1001186541 ..... 503, 507
			1001186806 ..... 319
			1001186807 ..... 333
			1001186808 ..... 225
			1001186809 ..... 239

# SECTION 11 - SPECIAL OPTIONS/ACCESSORIES/KITS

1001186811.....319, 323, 327	1001188664..... 123, 125, 127, 129	1001190444..... 263, 267, 283, 287, 299, 304, 319, 323, 333, 338, 803	1001192684..... 666
1001186812.....327, 330	1001188666..... 123, 125, 127, 129	1001190484..... 711	1001192685..... 666
1001186813.....333, 337, 341	1001188667..... 225, 227, 229, 239, 243, 247	1001190485..... 715	1001192690..... 225, 227, 229, 240, 244, 248, 264, 268, 284, 288, 300, 304, 320, 324, 334, 338, 672, 678
1001186814.....341, 344	1001188668..... 264, 268, 283, 287, 300, 304, 319, 323, 334, 338	1001190493..... 699	1001192693..... 666
1001186815.....225, 227, 233	1001188669..... 264, 268, 283, 287, 300, 304, 319, 323, 334, 338	1001190495..... 703	1001192694..... 666
1001186816.....231, 233, 236	1001188670..... 225, 227, 229, 239, 243, 247	1001190717..... 904	1001192695..... 667, 673, 679
1001186817.....239, 243, 253	1001188763..... 648, 652, 656, 660	1001190756..... 188, 200	1001192696..... 667, 673, 679
1001186818.....251, 253, 256	1001188844..... 531	1001190761..... 904	1001192698..... 667, 673, 679
1001186980..... 429	1001188893..... 67	1001190773..... 697	1001192699..... 667, 673, 679
1001186981..... 429	1001188894..... 891	1001190774..... 725	1001192841..... 176, 180
1001187022..... 89	1001188895..... 895	1001190921..... 847	1001192842..... 188, 200
1001187077..... 848	1001188896..... 893	1001190942..... 275, 331, 345, 367, 383	1001192843..... 188, 200
1001187078..... 848	1001188972..... 239, 243, 247, 300, 303, 333, 338, 372, 376	1001190985..... 531	1001192910..... 494
1001187082..... 236, 256	1001189001..... 531	1001191019..... 903	1001192931..... 902
1001187200..... 137, 141, 145, 149, 898	1001189002..... 531	1001191020..... 527, 529	1001192991..... 494
1001187308..... 648, 652	1001189003..... 773, 775, 777, 779, 781, 783, 785, 787, 843	1001191025..... 331, 345	1001193018..... 699, 701, 703, 705, 707, 709, 711, 713, 715, 717, 719
1001187311..... 648	1001189005..... 761, 773, 775, 777, 779, 781, 783, 785, 787	1001191048..... 503, 507	1001193049..... 331, 345
1001187312..... 648, 652, 656, 660	1001189026..... 236, 256, 331, 345	1001191126..... 153, 157	1001193167..... 441, 444, 449
1001187317..... 648	1001189067..... 176, 180	1001191156..... 407	1001193168..... 185
1001187318..... 648, 652, 656, 660	1001189119... 95, 97, 99, 101, 111, 113, 115, 117	1001191202..... 503, 507	1001193169..... 183
1001187348..... 494, 511	1001189161..... 236, 256	1001191205..... 503, 507	1001193215..... 902
1001187382..... 531	1001189169..... 902	1001191271..... 237, 257	1001193521..... 904
1001187383..... 531	1001189171..... 133, 135	1001191273..... 409	1001193610..... 656
1001187521..... 27, 29, 43	1001189172..... 133, 135	1001191384..... 502, 507	1001193611..... 656
1001187674..... 587	1001189227..... 411, 413	1001191385..... 502, 507	1001193760..... 176, 180
1001187681..... 833	1001189228..... 111	1001191394..... 904	1001193927..... 672, 678
1001187781..... 367, 383	1001189615..... 904	1001191395..... 904	1001193928..... 672, 678
1001187807..... 161, 585	1001189764..... 103, 105, 107, 109	1001191557..... 211	1001193929..... 672, 678
1001187808..... 123, 127	1001189800..... 103, 105, 107, 109	1001191610..... 237, 257, 331, 345, 367, 382, 411, 413, 415, 417	1001193930..... 672, 678
1001187855..... 81, 84	1001189859..... 503, 507	1001191620..... 275, 295, 311	1001194045..... 902
1001187864..... 65	1001189913..... 331, 345	1001191856..... 415	1001194110..... 902
1001187870..... 65	1001189979..... 275, 331, 345, 367, 383	1001192008..... 417	1001194114..... 441, 444, 447, 449, 452, 805
1001187950..... 176, 180, 188, 192, 200	1001190143..... 231, 233, 251, 253, 271, 291, 307, 327, 341, 363, 379	1001192012..... 123, 125, 127, 129	1001194197..... 709
1001187951..... 176, 177, 180, 181, 188, 192, 200	1001190159..... 891	1001192027..... 498	1001194198..... 713
1001187955..... 91	1001190164..... 236, 256, 331, 345	1001192265..... 656	1001194200..... 717
1001188125..... 87	1001190194..... 23, 25	1001192278..... 481	1001194203..... 701
1001188168..... 73, 521	1001190286..... 521, 525	1001192279..... 459	1001194204..... 705
1001188187..... 177, 181, 189, 192, 200	1001190287..... 519, 523	1001192280..... 443	1001194205..... 902
1001188194..... 177, 181, 188, 192, 200	1001190335..... 103	1001192284..... 407	1001194365..... 719
1001188236..... 236, 257, 789	1001190338..... 176, 180	1001192400..... 275, 331, 345	1001194888..... 195, 203
1001188257..... 95	1001190441..... 707	1001192401..... 848	1001195039..... 283, 287, 299, 304
1001188302..... 519, 521	1001190442..... 331, 345	1001192442..... 413	1001195224..... 903
1001188334..... 91, 93		1001192443..... 411	1001195225..... 731, 733, 735
1001188337..... 91		1001192475..... 903	1001195226..... 743, 745, 747
1001188342..... 648		1001192482..... 903	1001195227..... 729
1001188503..... 25		1001192483..... 477	1001195228..... 741
1001188533..... 765, 773, 775, 777, 779		1001192484..... 455	1001195235..... 902
1001188534..... 767, 781, 783, 785, 787		1001192485..... 441	1001195237..... 904
1001188535..... 236, 256, 331, 345		1001192486..... 489	1001195304..... 904
1001188622..... 531		1001192487..... 463	1001195354..... 904
		1001192488..... 449	1001195355..... 904
		1001192489..... 903	
		1001192610..... 903	
		1001192641..... 667, 673, 679	
		1001192661..... 667, 673, 679	
		1001192663..... 667, 673, 679	

## SECTION 11 - SPECIAL OPTIONS/ACCESSORIES/KITS

1001195454 ..... 176, 180, 185	1001201325..... 95, 97, 99, 101	1001205958.....709, 713, 717	1001213251 ... 95, 97, 99, 101, 111, 113, 115, 117
1001195455 ..... 176, 180, 183	1001201326..... 111, 113, 115, 117	1001206082.....763, 773, 775, 777, 779, 781, 783, 785, 787	1001213447 ..... 817
1001195490 ..... 884	1001201342..... 729, 731, 733, 735, 737, 739, 741, 743, 745, 747, 749, 751	1001206311.....905	1001213543 ..... 176, 180
1001195491 ..... 884	1001201351.....531	1001206314.....176, 180, 188, 192, 200	1001213744 ..... 176, 180
1001195525 ..... 729, 741	1001201511.....519, 521	1001206476.....753	1001213794 ..... 176, 180
1001195535 ..... 188	1001201843.....237, 257, 411	1001207004.....215	1001213810 ..... 387
1001195763 ..... 407	1001201844.....237, 257	1001207969.....673, 679	1001213882 ..... 573
1001196368 ..... 731, 733, 735, 743, 745, 747	1001202333..... 195, 197, 203, 205	1001208017.....49	1001214030 ..... 884
1001196382 ..... 419, 443, 456, 460, 464, 470, 474, 478, 482, 486, 490	1001202687.....531	1001208874.....71, 73	1001214095 ..... 731, 733, 735, 743, 745, 747
1001196390 ..... 23, 25	1001202749.....903	1001208994.....531	1001214096 ..... 731, 733, 735, 743, 745, 747
1001196398 ..... 225, 239, 263, 283, 299, 319, 333, 355, 371	1001202936.....729, 731, 733, 735, 737, 739, 741, 743, 745, 747, 749, 751	1001209016.....417	1001214408 ..... 666, 672, 678
1001196602 ..... 847	1001203424.....667, 673, 679	1001209432.....753	1001214478 ..... 905
1001196604 ..... 847	1001203426.....673, 679	1001209474.....753	1001214515 ..... 905
1001196634 ..... 299, 334, 353, 847, 898	1001203431.....225, 227, 229, 240, 244, 248, 264, 268, 284, 288, 300, 304, 320, 324, 334, 338, 672, 678	1001209664.....589	1001214540 ..... 905
1001196636 ..... 847	1001203432.....225, 240, 264, 284, 300, 320, 334, 356, 372	1001209948.....729, 731, 733, 735, 737, 739, 741, 743, 745, 747, 749, 751	1001214548 ..... 905
1001197016 ..... 905	1001203433.....225, 240, 264, 284, 300, 320, 334	1001209949.....729, 731, 733, 735, 737, 739, 741, 743, 745, 747, 749, 751	1001214552 ..... 905
1001197017 ..... 603, 605, 607, 609	1001203655.....549	1001209951.....729, 731, 733, 735, 737, 739, 741, 743, 745, 747, 749, 751	1001214559 ..... 905
1001197045 ..... 648, 652, 656, 660	1001203656.....559	1001209953.....729, 731, 733, 735, 737, 739, 741, 743, 745, 747, 749, 751	1001214561 ..... 905
1001197268 ..... 433	1001203719.....503, 507	1001209957.....741, 743, 745, 747, 749, 751	1001214562 ..... 905
1001197269 ..... 435	1001203853.....656, 660	1001210448.....387, 389	1001214570 ..... 753
1001197389 ..... 433	1001203854.....656, 660	1001210636.....565	1001214571 ..... 753
1001197408 ..... 884	1001203859.....656	1001211049.....727	1001214827 ..... 387
1001197719 ..... 791	1001203860.....656	1001211366.....905	1001215016 ..... 799
1001197725 ..... 237, 257, 331, 345	1001203885.....236, 256, 331, 345	1001211577.....527, 529	1001215091 ..... 799
1001198631 ..... 27, 29	1001204251.....183	1001211578.....527	1001215218 ..... 367, 383, 799
1001198884 ..... 902	1001204303.....185	1001211579.....529	1001215219 ..... 356, 360, 372, 376
1001199095 ..... 902	1001204325.....275	1001211580.....527, 529	1001215220 ..... 356, 360, 372, 376
1001199654 ..... 648, 652, 656, 660	1001204389.....666	1001211581.....527, 529	1001215228 ..... 573
1001199655 ..... 648	1001204645.....667, 673, 679	1001211582.....527, 529	1001215384 ..... 387
1001199656 ..... 648	1001204690.....729, 731, 733, 735, 737, 739, 741, 743, 745, 747, 749, 751	1001211583.....527	1001215534 ..... 799
1001199657 ..... 648, 652, 656, 660	1001204715.....527, 529	1001211584.....529	1001215608 ..... 355
1001199658 ..... 648, 652, 656, 660	1001204725.....531	1001211585.....527, 529	1001215609 ..... 371
1001199661 ..... 648, 652	1001204902.....405	1001211586.....527	1001215610 ..... 355, 359, 363
1001199662 ..... 648, 652, 656, 660	1001204939.....527, 529	1001211587.....529	1001215611 ..... 371, 376, 379
1001199883 ..... 95, 97, 103, 105, 111, 113	1001205016.....902	1001211588.....527, 529	1001215612 ..... 363, 366
1001199933 ... 95, 97, 99, 101, 103, 105, 107, 109, 111, 113, 115, 117	1001205017.....902	1001211589.....197	1001215613 ..... 379, 382
1001200432 ..... 648, 652	1001205020.....902	1001211752.....197	1001215615 ..... 883
1001200435 ..... 236, 256	1001205021.....902	1001211760.....197, 205	1001215681 ..... 367, 383
1001200491 ..... 531	1001205824.....666, 672, 678	1001211761.....197, 205	1001215899 ..... 367, 383
1001200494 ..... 531	1001205923.....773, 775, 777, 779, 781, 783, 785, 787, 815	1001211762.....188, 192, 197	1001215974 ..... 367, 383
1001200731 ..... 225, 227, 229, 239, 243, 247, 319, 323, 333, 338	1001205957.....415	1001211767.....195	1001216015 ..... 444
1001200745 ..... 331, 345		1001211773.....195, 203	1001216065 ..... 387
1001200910 ..... 213		1001211774.....188, 192, 195	1001216071 ..... 387
1001201090 ..... 741, 743, 745, 747, 749, 751		1001211794.....387	1001216075 ..... 367, 383
1001201255 ..... 666		1001212223.....474, 481	1001216086 ..... 367, 383
		1001212333.....188, 192, 200	1001216092 ..... 367, 383
		1001212415.....898	1001216144 ..... 387
			1001216195 ..... 49
			1001216196 ..... 49
			1001216201 ..... 367, 383
			1001216212 ..... 799
			1001216213 ..... 799
			1001216300 ..... 427
			1001216390 ..... 486
			1001216391 ..... 447
			1001216393 ..... 384
			1001216531 ..... 367, 383

## SECTION 11 - SPECIAL OPTIONS/ACCESSORIES/KITS

1001216532.....363, 379	1001220912 ..... 667, 673, 679	1001227888 ..... 188, 192	1001233953.....207, 209
1001216533.....363, 379	1001220941 ..... 666	1001227985 ..... 587	1001233954.....207, 209
1001216534.....363, 379	1001221016 ..... 672, 678	1001227987 ..... 587	1001233955.....207, 209
1001216535.....363, 379	1001221210 ..... 799	1001227996 ..... 831, 835	1001233959.....161, 585
1001216619.....427	1001221397 ..... 363, 379	1001228177 ..... 494, 498	1001233966.....207, 209
1001216630.....531	1001221464 ..... 363, 379	1001228186 ..... 737	1001233967.....207, 209
1001216768.....387	1001221545 ..... 387	1001228187 ..... 749	1001234080.....207
1001216769.....387	1001221942 ..... 356, 360, 372, 376	1001228188 ..... 737, 749	1001234269.....207, 209
1001216910.....367, 383, 387	1001221943 ..... 356, 360, 372, 376	1001228215 ..... 535	1001234270.....207
1001216919.....367, 383	1001221944 ..... 356, 360, 372, 376	1001228224 ..... 587	1001234281.....435
1001216947.....363, 379	1001222033 ..... 367, 383	1001228225 ..... 587	1001234283.....435
1001217055.....905	1001222133 ..... 355, 359, 371, 376	1001228243 ..... 561	1001234299.....435
1001217183.....367, 383	1001222522 ..... 672, 678	1001228375 ..... 563	1001234370.....433
1001217185.....367, 383	1001222641 ..... 387	1001228376 ..... 551	1001234371.....433
1001217186.....367, 383	1001223042 ..... 367, 383	1001228377 ..... 553	1001234396.....237, 257
1001217450.....367, 383	1001223045 ..... 803	1001228406 ..... 103, 111, 401, 403, 405	1001234425.....863
1001217453.....367, 383	1001223055 ..... 863	1001228809 ..... 729, 741	1001234426.....863
1001217543.....367, 383	1001223122 ..... 451, 470, 474	1001228947 ..... 902	1001234428.....877
1001217563.....363, 379	1001223453 ..... 863, 875	1001228988 ..... 597, 887, 889	1001234429.....877
1001217593.....367, 383	1001223459 ..... 792	1001229091 ..... 331, 345	1001234430.....879
1001217594.....367, 383	1001223584 ..... 368, 383	1001229341 ..... 587	1001234431.....881
1001217595.....367, 383	1001223923 ..... 367, 383	1001229572 ..... 103, 105, 107, 109	1001234432.....881
1001217647.....367, 383	1001223971 ..... 875	1001229637 ..... 729, 731, 733, 735, 737, 739, 741, 743, 745, 747, 749, 751	1001234433.....875
1001217648.....367, 383	1001224048 ..... 879	1001230635 ..... 275, 295, 311, 330, 345	1001234434.....875
1001218471.....367, 383	1001224049 ..... 881	1001230931 ..... 761, 855, 857	1001234435.....873
1001218539.....103, 105, 107, 109, 217	1001224050 ..... 873	1001230934 ..... 792	1001234436.....873
1001218559.....367, 383	1001224051 ..... 871	1001230935 ..... 792	1001234437.....867
1001218565.....367, 383	1001224052 ..... 867	1001230936 ..... 792	1001234438.....867
1001218575.....367, 383	1001224053 ..... 877	1001231235 ..... 906	1001234439.....865, 869
1001218594.....623, 625	1001224200 ..... 401	1001231310 ..... 176, 180	1001234457.....494
1001218622.....739, 751	1001224486 ..... 368, 384	1001231422 ..... 865	1001234458.....494, 502
1001218623.....751	1001224489 ..... 368, 384	1001231711 ..... 219, 221	1001234459.....503
1001218676.....103, 105, 107, 109, 217	1001224967 ..... 401, 403, 405	1001231801 ..... 883	1001234585.....527
1001218930.....486	1001225054 ..... 403	1001231805 ..... 331, 345	1001234811.....509, 513
1001219005.....355, 359, 371, 376	1001225346 ..... 753	1001231949 ..... 619	1001235011.....591
1001219015.....355, 359, 371, 376	1001225430 ..... 315, 348, 898	1001231950 ..... 611, 613	1001235013.....591
1001219021.....355, 359, 371, 376	1001225431 ..... 348, 898	1001231957 ..... 57	1001235143.....137, 139, 773, 775
1001219022.....355, 359, 371, 376	1001225442 ..... 368, 384	1001232010 ..... 611, 613, 619	1001235387.....863
1001219024.....355, 359, 371, 376	1001225510 ..... 368, 384	1001232011 ..... 611, 613, 619	1001235388.....879
1001219040.....19, 623	1001225580 ..... 589, 837	1001232117 ..... 627	1001235401.....871
1001219128.....217	1001226304 ..... 739, 751	1001232164 ..... 587	1001235402.....871
1001219138.....188, 192, 200	1001226305 ..... 739	1001232165 ..... 587	1001235404.....873
1001219601.....137, 139, 141, 143, 145, 147, 149, 151	1001226400 ..... 765, 767	1001232292 ..... 27, 29	1001235444.....873
1001219630.....447	1001226531 ..... 753	1001232642 ..... 591	1001235445.....871
1001219632.....447	1001226672 ..... 535	1001232650 ..... 591	1001235446.....867
1001219852.....485	1001227075 ..... 751	1001232667 ..... 591	1001235447.....881
1001219853.....447	1001227367 ..... 183, 185	1001232842 ..... 299, 334, 353	1001235448.....875
1001219854.....904	1001227404 ..... 902	1001233035 ..... 904	1001235449.....869
1001219855.....903	1001227507 ..... 803	1001233047 ..... 902	1001235450.....877
1001220266.....263, 267	1001227527 ..... 773, 775, 777, 779, 781, 783, 785, 787	1001233429 ..... 433	1001235532.....264, 268, 283, 287, 300, 304, 319, 323, 334, 338
1001220379.....795	1001227633 ..... 587	1001233763 ..... 299, 304, 334, 338, 353	1001235585.....879
1001220390.....903	1001227634 ..... 587	1001233895 ..... 295, 311, 331, 795	1001235699.....225, 227, 229, 239, 243, 247
1001220404.....427	1001227666 ..... 368, 384	1001233948 ..... 207	1001235884.....902
1001220638.....217	1001227667 ..... 368, 384	1001233949 ..... 207	1001236087.....585
1001220728.....447	1001227769 ..... 387		1001236091.....161
1001220903.....666	1001227772 ..... 387		1001236121.....429, 431
	1001227887 ..... 176, 180		1001236136.....356, 360, 372, 376
			1001236303.....127, 129
			1001236304.....753
			1001236499.....236, 256
			1001236504.....753
			1001236505.....753
			1001236552.....591



## SECTION 11 - SPECIAL OPTIONS/ACCESSORIES/KITS

1001236746..... 619	1001238954..... 95, 97, 99, 101, 111, 113, 115, 117	1001244212..... 883	1001247866..... 667, 673, 679
1001236747..... 611	1001238957..... 903	1001244374..... 451	1001247867..... 679
1001236891..... 611, 613, 615, 617, 619	1001238960..... 903	1001244375..... 473	1001247868..... 667, 673, 679
1001236895..... 611, 613, 615, 617, 619	1001238961..... 903	1001244410..... 469	1001247869..... 667, 673, 679
1001237142..... 498	1001239202..... 791	1001244464..... 439	1001247871..... 667, 673, 679
1001237544..... 585	1001239207..... 327, 341	1001244468..... 439	1001247872..... 667, 673, 679
1001237546..... 161	1001239290..... 773, 775, 777, 779, 781, 783, 785, 787	1001244469..... 439	1001247873..... 667, 673, 679
1001237550..... 207	1001239295..... 57	1001244470..... 439	1001247875..... 667, 673, 679
1001237667..... 818, 847	1001239296..... 57	1001244508..... 271, 291, 307	1001247876..... 666, 673, 679
1001237668..... 818, 847	1001239371..... 884	1001244747..... 507	1001247877..... 667, 673, 679
1001237822..... 773, 775, 777, 779, 781, 783, 785, 787	1001239448..... 163	1001244762..... 507	1001247878..... 667, 673, 679
1001237862..... 831, 835	1001239449..... 165	1001244770..... 507	1001247879..... 667, 673, 679
1001237863..... 587, 835	1001239450..... 163	1001244771..... 498, 506	1001247881..... 667, 673, 679
1001237864..... 587, 831	1001239451..... 165	1001244878..... 180, 192	1001247882..... 667, 673, 679
1001237865..... 587, 833	1001239512..... 773, 775, 777, 779, 781, 783, 785, 787	1001244902..... 180	1001247887..... 667, 673, 679
1001237882..... 903	1001239526..... 903	1001245076..... 192	1001247878..... 667, 673, 679
1001237883..... 903	1001239563..... 409	1001245144..... 902	1001247879..... 667, 673, 679
1001237949..... 498	1001239710..... 415	1001245145..... 498	1001248140..... 611, 613, 615, 617, 619
1001238138..... 527, 529	1001239715..... 415	1001245257..... 307, 310	1001248141..... 611, 613, 615, 617, 619
1001238168..... 509	1001239716..... 441, 449	1001245274..... 300, 304, 307	1001248608..... 275
1001238191..... 769, 773, 775, 777, 779, 781, 783, 785, 787	1001241366..... 291, 307	1001245275..... 299	1001248720..... 57
1001238192..... 692, 771, 773, 775, 777, 779, 781, 783, 785, 787	1001241547..... 905	1001245308..... 529	1001248817..... 275
1001238263..... 611, 613, 615, 617, 619	1001241548..... 905	1001245769..... 171	1001248819..... 275
1001238319..... 587	1001241588..... 137, 139, 153	1001245770..... 173	1001249052..... 905
1001238327..... 527, 529	1001241729..... 207, 209	1001245773..... 155, 159	1001249147..... 517
1001238328..... 509	1001241965..... 591	1001245774..... 141, 143, 155	1001249312..... 205
1001238333..... 509	1001242639..... 902	1001245775..... 149, 151, 159	1001249313..... 203
1001238398..... 509	1001242908..... 773, 775, 777, 779, 781, 783, 785, 787, 845	1001245782..... 171	1001249454..... 498
1001238405..... 773, 775, 777, 779, 781, 783, 785, 787, 847	1001242991..... 57	1001245783..... 173	1001249455..... 498
1001238407..... 773, 775, 777, 779, 781, 783, 785, 787, 853	1001242998..... 904	1001245913..... 275, 801	1001249458..... 498
1001238408..... 773, 775, 777, 779, 781, 783, 785, 787, 813	1001243171..... 176, 180, 188, 192	1001245998..... 883	1001249492..... 672, 678
1001238409..... 574, 817	1001243184..... 902	1001246000..... 883	1001249493..... 672, 678
1001238418..... 591, 839	1001243414..... 176, 180, 188, 192	1001246012..... 275, 279	1001249494..... 672, 678
1001238421..... 531	1001243431..... 57	1001246142..... 902	1001249495..... 672, 678
1001238463..... 613	1001243464..... 213	1001246502..... 498	1001249496..... 741, 743, 745, 747, 749, 751
1001238472..... 591	1001243465..... 215	1001246524..... 902	1001249497..... 672
1001238477..... 591	1001243522..... 176, 188	1001246525..... 902	1001249498..... 741
1001238495..... 589	1001243654..... 176, 180	1001246563..... 205	1001249695..... 906
1001238559..... 591	1001243656..... 295, 311	1001246564..... 205	1001249774..... 498
1001238663..... 127	1001243682..... 219, 221, 859	1001246565..... 205	1001249823..... 517
1001238824..... 591	1001243742..... 291, 294	1001246566..... 205	1001249824..... 517
1001238851..... 57	1001243743..... 283, 287, 291	1001246574..... 205	1001249825..... 517
1001238858..... 57	1001243744..... 283	1001246756..... 200, 205	1001249941..... 906
1001238898..... 906	1001243755..... 517	1001246789..... 203	1001249943..... 331, 345, 347
1001238902..... 904	1001243850..... 295, 311	1001246794..... 203	1001249965..... 295, 311, 315
1001238904..... 904	1001243895..... 353	1001246795..... 203	1001249985..... 29
1001238906..... 904	1001244019..... 423	1001246796..... 203	1001250011..... 571
1001238907..... 906	1001244023..... 431	1001246798..... 200, 203	1001250012..... 145, 147, 781, 783
1001238911..... 275	1001244024..... 425	1001246799..... 200	1001250106..... 23
1001238927..... 904	1001244025..... 431	1001246859..... 139, 143, 147, 151	
1001238929..... 904	1001244119..... 437	1001247073..... 905	
	1001244120..... 437	1001247260..... 498	
	1001244121..... 437	1001247358..... 63	
	1001244122..... 437	1001247359..... 355, 360, 367, 371, 376, 383	
	1001244123..... 437, 439	1001247386..... 219	
		1001247453..... 529	
		1001247466..... 498, 629	
		1001247468..... 531	
		1001247800..... 905	
		1001247865..... 667, 673, 679	

## SECTION 11 - SPECIAL OPTIONS/ACCESSORIES/KITS

1001250193.....167	1001254899.....419	1001260432.....274	1001266807.....905
1001250194.....169	1001254943.....904	1001260460.....519	1001266969.....905
1001250196.....167	1001255133.....531	1001260486.....666	1001267284.....97
1001250197.....169	1001255280.....419	1001260644.....652	1001267285.....105
1001250273.....145, 147, 157	1001255281.....421	1001261045.....274	1001267678 97, 101, 105, 109, 113, 117, 121
1001250362.....25	1001255340.....660	1001261085.....274	1001268737.....904
1001250465.....905	1001255619.....209	1001261325.....573	1001268752.....904
1001250466.....905	1001255871.....467	1001261335.....615	1001269096.....673, 678
1001250604.....883	1001256180.....21, 625	1001261338.....615	1001269097.....673, 679
1001250606.....883	1001256238.....125, 129, 131	1001261342.....884	1001269187.....905
1001250608.....883	1001256239.....125	1001261343.....884	1001269389.....905
1001250609.....865	1001256272.....903	1001261344.....884	1001269629.....903
1001250638.....749	1001256311.....660	1001261345.....884	1001269630.....903
1001250639.....743, 745, 747	1001256311.....660	1001261347.....884	1001269631.....903
1001250641.....751	1001256385.....903	1001261348.....884	1001269907.....652
1001250906.....883	1001256429.....652	1001261349.....884	1001269908.....648, 652, 656, 660
1001250952.....569, 571, 573	1001256430.....652	1001261350.....884	1001269909.....648
1001250953.....569	1001256667 99, 101, 107, 109, 115, 117	1001261586.....884	1001269910.....656
1001250981.....666, 673, 679	1001256879.....268	1001261587.....884	1001269912.....660
1001250982.....679	1001256930.....275	1001262016.....905	1001269913.....667, 673, 679
1001251079.....503, 507, 643	1001257048.....660	1001262102.....883	1001269914.....667, 673, 679
1001251410.....902	1001257049.....660	1001262103.....883	1001269919.....225, 240, 264, 284, 300, 319, 334
1001252033.....905	1001257050.....660	1001262104.....883	1001269920.....227, 229, 244, 248, 268, 288, 323, 338
1001252034.....905	1001257051.....660	1001262105.....883	1001269921.....356, 372
1001252519.....209	1001257052.....660	1001262115.....883	1001269922.....360, 376
1001252527.....792	1001257053.....660	1001262116.....883	1001270242.....181
1001252629.....611, 613, 615, 617, 619	1001257053.....660	1001262116.....883	1001270243.....192
1001252945.....729, 731, 733, 735, 737, 739, 741, 743, 745, 747, 749, 751	1001257271.....615, 617	1001262589.....267	1001270482.....904
1001253115.....209	1001257274.....615, 617	1001262633.....141, 143, 777, 779	1001270504.....904
1001253116.....209	1001257275.....617	1001262634.....149, 151, 785, 787	1001270668.....200
1001253117.....209	1001257436.....527, 529	1001263173.....221	1001270717.....906
1001253459.....209	1001257490.....904	1001263271.....23, 25	1001270718.....906
1001253468.....57	1001257491.....904	1001263800.....637, 639	1001271454.....631, 633
1001253469.....57	1001257492.....904	1001263810.....129	1001271497.....818
1001253470.....57	1001257492.....904	1001264302.....637	1001271642.....905
1001253618.....905	1001258005.....617	1001264302.....637	1001271760.....905
1001253619.....906	1001258140.....903	1001264338.....781, 783, 785, 787, 857	1001271785.....903
1001253783.....904	1001258156.....227, 229, 244, 248, 268, 288, 304, 324, 338, 672, 678	1001264991.....509, 639	1001271786.....903
1001253798.....275, 791	1001258157.....227, 229, 244, 248, 268, 288, 304, 324, 338, 672, 678	1001265163.....565	1001271787.....903
1001253846.....271, 274	1001258165.....323	1001265308.....741, 743, 745, 747, 749, 751	1001271888.....905
1001253847.....263, 267, 271	1001258166.....337	1001265342.....565	1001272076.....494, 631
1001253848.....263	1001258166.....337	1001265378.....902	1001272100.....498, 633
1001253849.....275	1001258167.....227	1001265535.....21	1001272178.....905
1001253863.....275	1001258168.....243	1001265676.....903	1001272182.....905
1001253870.....275	1001258169.....359	1001265701.....71, 519	1001272274.....905
1001253873.....791	1001258170.....375	1001265756.....729	1001272836.....902
1001253879.....263	1001258172.....99	1001265757.....737	1001274114.....667, 673
1001253906.....271	1001258173.....115	1001265758.....731, 733, 735	1001274127.....667, 673
1001254279.....271, 291, 307	1001258174.....107	1001265759.....739	1001274829.....905
1001254362.....902	1001258175.....227, 229, 243, 247, 268, 287, 304, 323, 338, 360, 376	1001265771.....666	1001274830.....905
1001254423.....421	1001258263.....360, 376	1001266027.....904	1001274832.....904
1001254460.....883	1001258800.....274	1001266056.....905	1001274833.....904
1001254461.....883	1001258804.....275	1001266098.....905	1001276007.....903
1001254554.....652	1001259018.....883	1001266276.....773, 775, 777, 779, 855	1001276008.....903
1001254719.....431	1001259019.....666	1001266277.....773, 775, 777, 779, 851	1001276610.....902
1001254878.....275	1001259020.....666	1001266284.....905	1001276923.....902
	1001259137.....635	1001266290.....904	1001277880.....57
	1001259138.....635	1001266441.....287	1001280340.....139, 143, 147, 151
	1001260077.....652	1001266442.....303	1001281352.....678
	1001260078.....652	1001266489.....905	
	1001260286.....652	1001266799.....905	
	1001260412.....296, 312	1001266801.....905	
	1001260420.....295, 311		

## SECTION 11 - SPECIAL OPTIONS/ACCESSORIES/KITS

1001281467 ..... 904	1701505 ... 225, 227, 229, 239, 243, 247, 263, 267, 283, 287, 299, 303, 319, 323, 333, 337, 883	1703945.....879	1706060 ..... 884
1001284471 ..... 231, 251, 399	1701509 ... 601, 863, 865, 867, 869, 871, 873, 875, 877, 879, 881	1703946.....867	1706061 ..... 884
1001284974 ..... 113	1701518 ..... 865, 869	1703947.....881	1706062 ..... 884
1001284975 ..... 101	1701529 ... 863, 865, 867, 869, 871, 873, 875, 877, 879, 881	1703948.....875	1706063 ..... 884
1001284976 ..... 117	1701542 ... 355, 359, 371, 375, 883	1703949.....873	1706064 ..... 884
1001284977 ..... 109	1701543 ... 355, 359, 371, 375, 883	1703950.....877	1706098 ..... 884
1001285072 ..... 229, 231	1702565 ..... 573	1703951.....879	1706385 ..... 549, 559
1001285074 ..... 247, 251	1702566 ..... 573	1703952.....867	1706957 ..... 893
1001285082 ..... 229	1702567 ..... 573	1703953.....863	1706960 ..... 893
1001285083 ..... 247	1702720 ..... 883	1703980.....877	2030010 .... 593, 595, 597
1001285877 ..... 502, 507	1702773 .... 549, 559, 883	1703981.....879	2060025 ..... 236, 256
1001292406 ..... 57	1702815 ..... 883	1703982.....873	2080040 ... 537, 541, 545, 551, 555, 561
1001293465 ..... 57	1702817 ..... 883	1703983.....881	2110810 ... 648, 652, 656, 660
1001293730 ..... 57	1702860 ..... 883	1703984.....875	2110812 ... 648, 652, 656, 660
1060341 ... 603, 605, 607, 609	1702861 ..... 883	1703985.....867	2111216 ... 648, 652, 656, 660
1060343 ... 474, 478, 482, 486	1702868 ... 597, 863, 883, 889	1704000.....875, 883	2111616 .... 666, 672, 678
1060584 ..... 67	1702938 ... 603, 605, 607, 609	1704001.....881, 883	2130808 ..... 652
1060626 ... 239, 243, 247, 300, 303, 333, 337, 372, 375	1702941 ... 239, 243, 247, 300, 303, 333, 337, 371, 375	1704002.....867, 883	2130812 ..... 660
1060903 ... 603, 605, 607, 609	1702942 ... 239, 243, 247, 300, 303, 333, 337, 372, 375	1704260.....573	2131216 ... 648, 652, 656, 660
1060908 ... 133, 135, 755, 757, 759	1702943 ... 239, 243, 247, 300, 303, 333, 337, 372, 375	1704271 ..... 883	2131616 ... 231, 233, 251, 253, 271, 291, 307, 327, 341, 363, 379
1060918 ..... 583	1703162 ... 236, 256, 274, 294, 310, 330, 344, 366, 382	1704272 ..... 895	2150808 ..... 648, 656
1060945 ..... 739	1703470 ..... 883	1704277 .... 863, 865, 867, 869, 871, 873, 875, 877, 879, 881	2150812 ..... 648, 656
10702077 . 474, 478, 482, 486, 490	1703797 ..... 863	1704412 .... 863, 865, 867, 869, 871, 873, 875, 877, 879, 881	2180348 ... 225, 227, 229, 239, 243, 247, 355, 359, 371, 375
10702082 . 474, 478, 482, 486, 490	1703804 ..... 863	1704578 ..... 891, 895	2180387 ..... 63
10728823 ..... 660	1703805 ..... 863	1704865 ..... 883	2180388 ..... 63
1120555 ..... 601	1703811 ... 863, 865, 867, 869, 871, 873, 875, 877, 879, 881	1704972 ..... 884	2180389 ..... 63
1260017 ..... 89	1703814 ... 863, 865, 867, 869, 871, 873, 875, 877, 879, 881	1705014 ..... 549, 559	2180418 .... 63, 355, 359, 367, 371, 375, 383
1320041 .... 697, 725, 727	1703923 ..... 881	1705090 ..... 891	2180467 ..... 366, 382
1320061 ... 225, 227, 229, 239, 243, 247, 263, 267, 283, 287, 299, 303, 319, 323, 333, 337, 372, 375, 456, 460, 464, 478, 482, 490	1703924 ..... 875	1705305 .... 597, 887, 889	2180832 ... 263, 267, 283, 287, 299, 303, 319, 323, 334, 337
1320070 ..... 237, 257	1703925 ..... 873	1705325 ..... 699, 701	2220124 ..... 87
1320110 ..... 366, 382	1703926 ..... 877	1705336 ..... 863	2220238 .... 666, 672, 678
1320127 ..... 63	1703927 ..... 879	1705344 ..... 877	2220261 ..... 63, 367, 383
1320176 ..... 407	1703928 ..... 867	1705345 ..... 879	2220313 ... 225, 227, 229, 239, 243, 247, 263, 267, 283, 287, 299, 303, 319, 323, 334, 337
1320202 ..... 331, 345	1703935 ..... 881	1705347 ..... 875	2220315 ..... 236, 256
1320218 ..... 63	1703936 ..... 875	1705349 ..... 867	2220366 .... 666, 672, 678
1320302 .... 593, 595, 597	1703937 ..... 871	1705351 ..... 863	2220371 ... 648, 652, 656, 660, 666, 672, 678
1321283 ... 355, 359, 371, 375	1703938 ..... 877	1705355 ..... 887, 889	2220372 ... 648, 652, 656, 660, 666, 672, 678
1321384 ..... 183, 185	1703939 ..... 879	1705358 ..... 883	2220373 ... 648, 652, 656, 660, 666, 672, 678
1321716 .... 451, 469, 473	1703940 ..... 867	1705374 .... 455, 459, 469, 721, 723	2220374 .... 666, 673, 679
1380147 ..... 429, 431	1703941 ..... 881	1705375 .... 475, 479, 483, 486, 597, 889	2220375 .... 666, 672, 678
1580012 ..... 567	1703942 ..... 875	1705387 .... 455, 459, 469, 475, 479, 483, 486	2220380 .... 666, 672, 678
1580013 ..... 905	1703943 ..... 873	1705426 ..... 877	2220408 ... 231, 233, 251, 253, 271, 291, 307, 327, 341, 363, 379, 666, 673
1670603 ..... 719	1703944 ..... 877	1705427 ..... 879	2220415 ... 648, 652, 656, 660, 666, 672, 678
1671092 ... 474, 478, 482, 486, 737, 739, 749		1705429 ..... 875	2220418 ..... 63
1671093 .... 595, 737, 749		1705430 ..... 871	
1684290 ..... 623		1705460 .... 475, 479, 483, 486, 490	
1700818 ..... 883		1705461 ..... 490	
1701499 ... 863, 865, 867, 869, 871, 873, 875, 877, 879, 881		1705489 .... 463, 467, 490	
		1705515 ..... 884	
		1705820 ..... 895	
		1705822 ..... 865, 869	
		1705828 ..... 865, 869	
		1705910 ..... 881	
		1705917 ..... 881	
		1705921 ..... 865, 869	
		1705961 ..... 865, 869	
		1705968 ..... 871, 883	
		1705969 ..... 879, 883	
		1706059 ..... 884	

## SECTION 11 - SPECIAL OPTIONS/ACCESSORIES/KITS

2220451 .... 231, 233, 237, 251, 253, 257, 271, 291, 307, 327, 341, 363, 379, 666, 672, 678	2221086 ..... 43, 631, 633, 666, 672, 678	3020037 ..... 271, 307	195, 197, 203, 205, 236, 256, 274, 294, 310, 330, 344, 355, 359, 366, 371, 375, 382, 423, 425, 441, 443, 449, 451, 455, 459, 469, 473, 477, 481, 485, 489, 515, 517, 519, 521, 527, 529, 729, 731, 733, 735, 737, 739, 741, 743, 745, 747, 749, 751, 753, 785, 787						
2220466 .... 125, 129, 666, 672, 678	2221176 ... 225, 227, 229, 239, 243, 247, 355, 359, 371, 375	3160350 ..... 27, 31	3290806 ..... 531						
2220468 .... 648, 652, 656, 660, 666, 672, 678	2221197 ..... 63, 355, 359, 371, 375	3251102 ... 441, 443, 447, 449, 451, 455, 459, 463, 469	3291001 .. 95, 97, 99, 101, 111, 113, 115, 117, 117, 119, 121, 123, 125, 127, 129, 131, 133, 135, 137, 139, 141, 143, 145, 147, 149, 151, 153, 155, 157, 159, 161, 163, 165, 167, 169, 171, 173, 175, 177, 179, 181, 183, 185, 187, 189, 191, 193, 195, 197, 199, 201, 203, 205, 207, 209, 211, 213, 215, 217, 219, 221, 223, 225, 227, 229, 231, 233, 235, 237, 239, 241, 243, 245, 247, 249, 251, 253, 255, 257, 259, 261, 263, 265, 267, 269, 271, 273, 275, 277, 279, 281, 283, 285, 287, 289, 291, 293, 295, 297, 299, 301, 303, 305, 307, 309, 311, 313, 315, 317, 319, 321, 323, 325, 327, 329, 331, 333, 335, 337, 339, 341, 343, 345, 347, 349, 351, 353, 355, 357, 359, 361, 363, 365, 367, 369, 371, 373, 375, 377, 379, 381, 383, 385, 387, 389, 391, 393, 395, 397, 399, 401, 403, 405, 407, 409, 411, 413, 415, 417, 419, 421, 423, 425, 427, 429, 431, 433, 435, 437, 439, 441, 443, 445, 447, 449, 451, 453, 455, 457, 459, 461, 463, 465, 467, 469, 471, 473, 475, 477, 479, 481, 483, 485, 487, 489, 491, 493, 495, 497, 499, 501, 503, 505, 507, 509, 511, 513, 515, 517, 519, 521, 523, 525, 527, 529, 531, 533, 535, 537, 539, 541, 543, 545, 547, 549, 551, 553, 555, 557, 559, 561, 563, 565, 567, 569, 571, 573, 575, 577, 579, 581, 583, 585, 587, 589, 591, 593, 595, 597, 599, 601, 603, 605, 607, 609, 611, 613, 615, 617, 619, 621, 623, 625, 627, 629, 631, 633, 635, 637, 639, 641, 643, 645, 647, 649, 651, 653, 655, 657, 659, 661, 663, 665, 667, 669, 671, 673, 675, 677, 679, 681, 683, 685, 687, 689, 691, 693, 695, 697, 699, 701, 703, 705, 707, 709, 711, 713, 715, 717, 719, 721, 723, 725, 727, 729, 731, 733, 735, 737, 739, 741, 743, 745, 747, 749, 751, 753, 755, 757, 759, 761, 763, 765, 767, 769, 771, 773, 775, 777, 779, 781, 783, 785, 787, 789, 791, 793, 795, 797, 799, 801, 803, 805, 807, 809, 811, 813, 815, 817, 819, 821, 823, 825, 827, 829, 831, 833, 835, 837, 839, 841, 843, 845, 847, 849, 851, 853, 855, 857, 859, 861, 863, 865, 867, 869, 871, 873, 875, 877, 879, 881, 883, 885, 887, 889, 891, 893, 895, 897, 899, 901, 903, 905, 907, 909, 911, 913, 915, 917, 919, 921, 923, 925, 927, 929, 931, 933, 935, 937, 939, 941, 943, 945, 947, 949, 951, 953, 955, 957, 959, 961, 963, 965, 967, 969, 971, 973, 975, 977, 979, 981, 983, 985, 987, 989, 991, 993, 995, 997, 999	2400060 ... 300, 334, 353, 565, 805, 811	3251242 ... 705, 709, 713, 717, 719	3291005 .. 95, 97, 99, 101, 103, 105, 107, 109, 111, 113, 115, 117, 117, 119, 121, 123, 125, 127, 129, 131, 133, 135, 137, 139, 141, 143, 145, 147, 149, 151, 153, 155, 157, 159, 161, 163, 165, 167, 169, 171, 173, 175, 177, 179, 181, 183, 185, 187, 189, 191, 193, 195, 197, 199, 201, 203, 205, 207, 209, 211, 213, 215, 217, 219, 221, 223, 225, 227, 229, 231, 233, 235, 237, 239, 241, 243, 245, 247, 249, 251, 253, 255, 257, 259, 261, 263, 265, 267, 269, 271, 273, 275, 277, 279, 281, 283, 285, 287, 289, 291, 293, 295, 297, 299, 301, 303, 305, 307, 309, 311, 313, 315, 317, 319, 321, 323, 325, 327, 329, 331, 333, 335, 337, 339, 341, 343, 345, 347, 349, 351, 353, 355, 357, 359, 361, 363, 365, 367, 369, 371, 373, 375, 377, 379, 381, 383, 385, 387, 389, 391, 393, 395, 397, 399, 401, 403, 405, 407, 409, 411, 413, 415, 417, 419, 421, 423, 425, 427, 429, 431, 433, 435, 437, 439, 441, 443, 445, 447, 449, 451, 453, 455, 457, 459, 461, 463, 465, 467, 469, 471, 473, 475, 477, 479, 481, 483, 485, 487, 489, 491, 493, 495, 497, 499, 501, 503, 505, 507, 509, 511, 513, 515, 517, 519, 521, 523, 525, 527, 529, 531, 533, 535, 537, 539, 541, 543, 545, 547, 549, 551, 553, 555, 557, 559, 561, 563, 565, 567, 569, 571, 573, 575, 577, 579, 581, 583, 585, 587, 589, 591, 593, 595, 597, 599, 601, 603, 605, 607, 609, 611, 613, 615, 617, 619, 621, 623, 625, 627, 629, 631, 633, 635, 637, 639, 641, 643, 645, 647, 649, 651, 653, 655, 657, 659, 661, 663, 665, 667, 669, 671, 673, 675, 677, 679, 681, 683, 685, 687, 689, 691, 693, 695, 697, 699, 701, 703, 705, 707, 709, 711, 713, 715, 717, 719, 721, 723, 725, 727, 729, 731, 733, 735, 737, 739, 741, 743, 745, 747, 749, 751, 753, 755, 757, 759, 761, 763, 765, 767, 769, 771, 773, 775, 777, 779, 781, 783, 785, 787, 789, 791, 793, 795, 797, 799, 801, 803, 805, 807, 809, 811, 813, 815, 817, 819, 821, 823, 825, 827, 829, 831, 833, 835, 837, 839, 841, 843, 845, 847, 849, 851, 853, 855, 857, 859, 861, 863, 865, 867, 869, 871, 873, 875, 877, 879, 881, 883, 885, 887, 889, 891, 893, 895, 897, 899, 901, 903, 905, 907, 909, 911, 913, 915, 917, 919, 921, 923, 925, 927, 929, 931, 933, 935, 937, 939, 941, 943, 945, 947, 949, 951, 953, 955, 957, 959, 961, 963, 965, 967, 969, 971, 973, 975, 977, 979, 981, 983, 985, 987, 989, 991, 993, 995, 997, 999	2400064 ..... 811, 898	3251243 ... 441, 443, 447, 451, 455, 459, 469, 475, 479, 483, 486, 863, 867, 871, 873, 875, 877, 881	3291007 ..... 441, 443, 447, 449
2220472 .... 648, 652, 656, 660, 672, 678	2410014 ..... 549, 559	3252347 ..... 863	3291201 .... 443, 451, 455, 459, 463, 467, 469, 473, 478, 481, 485, 489, 531						
2220473 ..... 666, 672, 678	2420203 ... 441, 443, 447, 452	3252507 ... 449, 703, 707, 711, 715	3291205 .... 91, 95, 97, 99, 101, 103, 105, 107, 109, 111, 113, 115, 117, 119, 121, 123, 125, 127, 129, 131, 133, 135, 137, 139, 141, 143, 145, 147, 149, 151, 153, 155, 157, 159, 161, 163, 165, 167, 169, 171, 173, 175, 177, 179, 181, 183, 185, 187, 189, 191, 193, 195, 197, 199, 201, 203, 205, 207, 209, 211, 213, 215, 217, 219, 221, 223, 225, 227, 229, 231, 233, 235, 237, 239, 241, 243, 245, 247, 249, 251, 253, 255, 257, 259, 261, 263, 265, 267, 269, 271, 273, 275, 277, 279, 281, 283, 285, 287, 289, 291, 293, 295, 297, 299, 301, 303, 305, 307, 309, 311, 313, 315, 317, 319, 321, 323, 325, 327, 329, 331, 333, 335, 337, 339, 341, 343, 345, 347, 349, 351, 353, 355, 357, 359, 361, 363, 365, 367, 369, 371, 373, 375, 377, 379, 381, 383, 385, 387, 389, 391, 393, 395, 397, 399, 401, 403, 405, 407, 409, 411, 413, 415, 417, 419, 421, 423, 425, 427, 429, 431, 433, 435, 437, 439, 441, 443, 445, 447, 449, 451, 453, 455, 457, 459, 461, 463, 465, 467, 469, 471, 473, 475, 477, 479, 481, 483, 485, 487, 489, 491, 493, 495, 497, 499, 501, 503, 505, 507, 509, 511, 513, 515, 517, 519, 521, 523, 525, 527, 529, 531, 533, 535, 537, 539, 541, 543, 545, 547, 549, 551, 553, 555, 557, 559, 561, 563, 565, 567, 569, 571, 573, 575, 577, 579, 581, 583, 585, 587, 589, 591, 593, 595, 597, 599, 601, 603, 605, 607, 609, 611, 613, 615, 617, 619, 621, 623, 625, 627, 629, 631, 633, 635, 637, 639, 641, 643, 645, 647, 649, 651, 653, 655, 657, 659, 661, 663, 665, 667, 669, 671, 673, 675, 677, 679, 681, 683, 685, 687, 689, 691, 693, 695, 697, 699, 701, 703, 705, 707, 709, 711, 713, 715, 717, 719, 721, 723, 725, 727, 729, 731, 733, 735, 737, 739, 741, 743, 745, 747, 749, 751, 753, 755, 757, 759, 761, 763, 765, 767, 769, 771, 773, 775, 777, 779, 781, 783, 785, 787, 789, 791, 793, 795, 797, 799, 801, 803, 805, 807, 809, 811, 813, 815, 817, 819, 821, 823, 825, 827, 829, 831, 833, 835, 837, 839, 841, 843, 845, 847, 849, 851, 853, 855, 857, 859, 861, 863, 865, 867, 869, 871, 873, 875, 877, 879, 881, 883, 885, 887, 889, 891, 893, 895, 897, 899, 901, 903, 905, 907, 909, 911, 913, 915, 917, 919, 921, 923, 925, 927, 929, 931, 933, 935, 937, 939, 941, 943, 945, 947, 949, 951, 953, 955, 957, 959, 961, 963, 965, 967, 969, 971, 973, 975, 977, 979, 981, 983, 985, 987, 989, 991, 993, 995, 997, 999	2460004 ..... 477, 489	3252764 ... 467, 473, 477, 481, 485, 489	3291601 ..... 81, 502, 506			
2220479 .... 231, 233, 251, 253, 271, 291, 307, 327, 341, 363, 379	2460051 ..... 447	3271601 ..... 176, 188	3291605 ..... 494						
2220500 .... 648, 652, 656, 660	2460055 ..... 441	3271605 ... 611, 613, 615, 617, 619	3292001 ..... 91, 502, 506						
2220501 .... 648, 652, 656, 660	2540020 .... 211, 213, 215	3271805 ..... 549, 559	3292201 ..... 502, 506						
2220502 .... 648, 656, 666	2560136 ..... 573	3272001 ... 611, 613, 615, 617, 619	3300106 ..... 27, 29						
2220582 .... 648, 652, 656, 660, 666, 672, 678	2560187 ... 183, 185, 195, 197, 203, 205	3290301 ..... 429, 431	3300151 .... 535, 539, 543, 547, 551, 553, 557, 561, 563, 593, 595, 597						
2220596 .... 648, 652, 656, 660	2580024 ... 239, 243, 247, 299, 303, 333, 337, 372, 375	3290405 .... 63, 355, 359, 371, 375, 565, 699, 701, 703, 705, 707, 709, 711, 713, 715, 717, 719, 725, 727, 773, 775, 781, 783	3300353 ..... 573						
2220602 .... 648, 652, 656, 660	2580062 ..... 256	3290501 ... 263, 267, 283, 287, 299, 303, 319, 323, 333, 337	3300396 .... 456, 460, 470, 474, 478, 482, 486, 490						
2220603 ..... 666, 672, 678	2600066 ..... 789	3290505 ... 211, 213, 215, 263, 267, 283, 287, 299, 303, 319, 323, 333, 337, 355, 359, 371, 375, 405, 449, 455, 459, 469, 473, 477, 481, 485, 489	3300408 ..... 161						
2220606 ..... 666, 672, 678	2600281 ... 537, 541, 545, 551, 555, 561	3290601 ... 183, 185, 195, 197, 203, 205, 366, 382, 387	3300430 ..... 589						
2220609 .... 356, 359, 372, 375	2720015 ... 274, 294, 310, 331, 345	3290605 ... 123, 125, 127, 129, 137, 139, 141, 143, 145, 147, 149, 151, 176, 180, 197, 205, 231, 233, 236, 251, 253, 256, 271, 274, 291, 294, 307, 310, 327, 330, 341, 344, 355, 359, 363, 366, 371, 375, 379, 382, 433, 435, 437, 439, 451, 463, 467, 569, 571, 660, 697, 699, 703, 707, 711, 715, 725, 727, 773, 775, 777, 779, 781, 783, 785, 787, 863, 865, 867, 869, 871, 873, 875, 877, 879, 881							
2220618 ..... 666, 672, 678	2720058 ... 225, 227, 229, 239, 243, 247, 366, 382, 401, 403	3290701 ... 209, 366, 382							
2220628 .... 648, 652, 656, 660	2720144 ..... 63	3290805 ..... 63, 123, 125, 127, 129, 183, 185,							
2220637 ..... 666, 672, 678	2720340 ..... 274								
2220726 ..... 666, 672, 678	2720398 ..... 237, 257								
2220733 ..... 666, 672, 678	2780269 ..... 27, 35								
2220738 ..... 666, 672, 678	2820019 ..... 809								
2220775 .... 125, 129, 666, 672	2820031 ... 441, 443, 447, 449, 451, 455, 459, 463, 467, 469, 473, 477, 481, 485, 489								
2220811 .... 648, 652, 656	2820035 ..... 353								
2220852 ..... 666, 672, 678	2820247 ..... 831, 835								
2220865 ..... 666, 672, 678	2840016 ..... 429, 431								
2220881 ..... 625	2860030 ... 163, 165, 167, 169, 171, 173, 898								
2220883 .. 31, 43, 75, 623, 625, 627, 629, 635, 637, 643	2900792 ... 627, 629, 635, 637, 639								
2220885 ..... 43, 625, 635, 637, 643	2902065 ... 237, 257, 274, 294, 310, 330, 344, 393								
2220886 ..... 31, 43	2902212 ..... 601								
2220906 ..... 666, 672, 678	2902217 ..... 593, 595								
2220923 ..... 652, 660	2902232 ..... 905								
2220940 .... 231, 233, 251, 253, 271, 291, 307, 327, 341, 363, 379	2902266 ..... 623								
2220946 .... 231, 233, 251, 253, 271, 291, 307, 327, 341, 363, 379	2902443 ... 789, 791, 795								
2220947 .... 231, 233, 251, 253, 271, 291, 307, 327, 341, 363, 379, 666, 672, 678	2902549 ..... 725, 755								
2220998 .... 356, 359, 372, 375	2915096 ..... 906								
2220999 ..... 666, 672, 678	2920028 ... 573, 603, 605, 607, 609								
2221024 ..... 63	2920029 ... 573, 603, 605, 607, 609								
2221040 ..... 648, 656	2920161 ..... 211								
2221042 ..... 666	2940045 ..... 197, 205								
2221048 ..... 672, 678	2940074 ... 537, 541, 545, 551, 555, 561, 898								
	2940173 ... 183, 185,								

## SECTION 11 - SPECIAL OPTIONS/ACCESSORIES/KITS

3311001 ... 441, 443, 451, 456, 460, 470, 474, 478, 482, 486, 490	551, 553, 555, 557, 561, 563	3900394.....517	4160149..... 502, 506
3311005 ... 447, 593, 595, 597	3539622 ..... 502, 506	3910606....455, 459, 469, 473, 478, 481, 485, 721, 723	4240018 ..... 63, 648, 652, 656, 660, 721, 723, 729, 731, 733, 735, 737, 739, 741, 743, 745, 747, 749, 751
3311401 ... 603, 605, 607, 609	3572009 ..... 67	3910610.....697	4240033... 527, 529, 587, 589, 591, 648, 652, 656, 660
3311405 ... 219, 221, 263, 267, 275, 591, 701, 705, 709, 713, 717, 719, 753	3572010 ..... 67	3910804....163, 165, 167, 169, 171, 173	4240099 ... 211, 225, 227, 229, 239, 243, 247, 263, 267, 274, 283, 287, 294, 299, 303, 310, 319, 323, 331, 333, 334, 337, 345, 353, 355, 359, 372, 375, 451, 593, 595, 603, 605, 607, 609, 729, 731, 733, 735, 737, 739, 773, 775, 777, 779, 781, 783, 785, 787
3311501 ... 200, 603, 605, 607, 609	3572012 ..... 67	3931408.....589	
3311505 ..... 673, 679	3573400 .... 593, 595, 597	3931432.....274	
3311601 ... 176, 180, 188, 192, 200, 294, 310, 573, 591	3574091 ..... 607, 609	3931512....294, 310, 330, 344	
3311605 ... 296, 312, 549, 559, 593, 595, 597	3575359 ..... 603, 605	3931618....231, 233, 251, 253, 271, 291, 307, 327, 341, 363, 379	
3311705 ..... 451	3577121 ... 593, 595, 597	3931620....233, 253, 327, 341, 363, 379	
3312002 ... 611, 613, 615, 617, 619	3580134 ..... 449	3931628....294, 310, 330, 344	
3312005 ..... 601	3580158 ..... 441, 449	3931648.....366, 382	
3312205 ..... 601	3580243 ..... 502, 506	3932030.....29	
3331211 ... 236, 256, 274, 294, 310, 330, 344, 366, 382, 411, 413, 415, 417, 419, 421, 423, 425	3580248 ..... 502, 506	3932032.....29	
3331611 ... 236, 256, 330, 344	3580249 ..... 502, 506	3932072.....29	
3340764 ..... 515	3580276 ... 441, 443, 452	3960389.....207, 209	4240149 ..... 601
3340787 ..... 515, 517	3580314 ..... 485	3960407.....236, 256	4240156 ..... 673, 679
3340956 ..... 601	3580317 ... 455, 459, 463, 467, 469, 473, 478, 481, 485, 490	3960422....455, 459, 469, 473, 478, 481, 485, 697, 721, 723	4280295 .95, 97, 99, 101, 111, 113, 115, 117
3380434 ..... 569, 571	3580318 ... 455, 459, 469, 473, 478, 481	3960464.....207, 209	4280296 ..... 65
3420372 ..... 67	3580319 .... 463, 467, 489	3960469....231, 233, 251, 253, 327, 341, 363, 379	4360057 ... 603, 605, 607, 609, 899
3420447 ..... 67	3580320 ... 294, 310, 330, 344, 455, 463, 478, 490	3960526.....27	4360070 ... 456, 460, 470, 474, 478, 482, 486, 490
3421565 ..... 67, 89	3580324 ..... 447	3980007 ... 239, 243, 247, 300, 303, 333, 337, 372, 375	4360274 ..... 171, 173
3422351 ..... 23, 25	3641569 ..... 603, 605	4010303.....527, 529	4360336 ... 441, 443, 447, 449, 451, 455, 459, 463, 467, 469, 473, 478, 481, 485, 490, 899
3422417 ..... 502, 506	3740067 ... 123, 125, 127, 129, 236, 256, 899	4010308.....429, 431	4360387 ... 165, 169, 171, 173, 573, 603, 605, 607, 609, 899
3422424 ..... 502, 506	3740080 ..... 805, 899	4010405.....725, 727	4360407 ..... 573, 899
3422532 ... 231, 233, 251, 253, 271, 291, 307, 327, 341, 363, 379	3740086 ..... 839, 899	4010510....211, 213, 215	4360469 ... 163, 165, 167, 169, 171, 173
3422582 ..... 494	3760170 ..... 67, 89	4010618....539, 543, 547, 553, 557, 563	4360475 ... 153, 155, 157, 159, 573, 899
3422841 ..... 67	3790012 ... 355, 359, 371, 375, 571, 573	4031505.....587	4360517 ..... 93
3422847 ..... 67	3790152 ... 233, 253, 271, 291, 307, 327, 341, 363, 379	4031516.....591	4360542 ... 441, 443, 447, 452
3422848 ..... 25	3790158 ..... 29	4031608.....449	4400275 ..... 63
3422861 ..... 509	3820001 ... 863, 865, 867, 869, 871, 873, 875, 877, 879, 881, 884	4031711.....366, 382	4420014 ..... 601
3422867 ..... 509	3820020 ... 537, 541, 545, 551, 555, 561	4031908.....274	4420037 .... 593, 595, 597
3430616 ..... 574	3841143 23, 25, 225, 227, 229, 239, 243, 247, 263, 267, 283, 287, 299, 303, 319, 323, 333, 337, 355, 359, 371, 375, 494, 502, 506, 509, 531	4031912.....274	4420038 95, 97, 101, 111, 113, 117
3430820 ..... 429, 431	3841203 ..... 498	4031914....294, 310, 330, 344	4420051 ..... 67, 863, 865, 867, 869, 871, 873, 875, 877, 879, 881
3460334 ..... 601	3841258 ..... 19, 21	4032014....294, 310, 330, 344, 502, 506	4420060 ..... 449
3470003 ..... 574	3841287 ..... 494, 498	4032015....455, 463, 478, 490	4420066 ..... 601
3520028 .... 443, 447, 452	3841340 ... 729, 731, 733, 735, 737, 739	4032020.....502, 506	4420068 ... 603, 605, 607, 609
3520054 ... 236, 256, 275, 294, 310, 330, 344, 573	3841356 ..... 498	4060802....441, 443, 447, 449, 451, 455, 459, 463, 467, 469, 473, 478, 481, 485, 490	4460019 ..... 791, 795
3520071 ..... 601	3900054 ..... 549, 559	4060805.....506	4460027 ... 441, 443, 447, 452
3520072 ... 535, 537, 539, 541, 543, 545, 547, 549, 551, 553, 555, 557, 559, 561, 563	3900267 .... 456, 460, 470	4061032....283, 287, 300, 303	4460042 ... 789, 792, 796, 799, 847
3520189 ..... 490	3900300 .... 456, 460, 470	4070895.....502, 506	4460043 ... 353, 791, 795, 811
3520192 ..... 490	3900349 ..... 573	4070896.....502, 506	
3520198 ... 535, 537, 539, 541, 543, 545, 547,	3900357 ..... 236, 256	4070897.....502, 506	
	3900363 ... 195, 197, 203, 205	4070898.....502	
	3900364 ... 176, 180, 366, 382	4070939.....502, 506	
		4070940.....502, 506	
		4092009.....502, 506	

## SECTION 11 - SPECIAL OPTIONS/ACCESSORIES/KITS

4460049....603, 605, 607, 609	4460470... 573, 773, 775, 777, 779, 781, 783, 785, 787	4460910 ..... 831	4711400....219, 221, 263, 267, 275, 535, 539, 543, 547, 551, 553, 557, 561, 563, 589, 591, 701, 705, 709, 713, 717, 719
4460071....455, 459, 469, 473, 478, 481, 485, 583, 697	4460471 ... 573, 773, 775, 777, 779, 781, 783, 785, 787	4460911 ..... 833, 853	4711500....274, 294, 310, 330, 344, 673, 679
4460142.....789	4460473 .... 763, 765, 767	4460925 ..... 817	4711600...95, 97, 99, 101, 103, 105, 107, 109, 111, 113, 115, 117, 176, 188, 294, 310, 444, 467, 574, 611, 613, 615, 617, 619
4460183.....817, 847	4460496 ... 573, 773, 775, 777, 779, 781, 783, 785, 787	4460926 ..... 851, 857	4711700.....451
4460190....441, 443, 447, 452	4460497 ... 573, 773, 775, 777, 779, 781, 783, 785, 787	4460928 .... 841, 851, 857	4711800.....549, 559
4460205.....697	4460508 ... 587, 763, 817, 847	4460930 ... 789, 791, 795, 855	4712000....601, 611, 613, 615, 617, 619
4460224.....467, 573	4460509 .... 763, 765, 767	4460931 ..... 848, 851	4712200.....601
4460225.....807, 809, 817	4460510.....906	4460932 ... 565, 761, 792, 803, 815, 848	4740036.....67
4460226....573, 577, 580, 583, 848	4460518 ... 817, 841, 851, 857	4460933 ... 817, 818, 841, 847	4740155.....25
4460227.....93, 817	4460536 ... 769, 771, 817, 843, 859	4460941 ..... 803, 833	4740158.....19, 21
4460234....157, 573, 603, 605, 607, 609	4460539 ... 769, 771, 791, 817, 843, 853, 859	4460942 .... 587, 791, 795	4740362.....569, 571
4460247.....791, 847	4460612.....721, 723	4460943 ... 789, 795, 817, 833	4740393.....27, 29, 57
4460259....565, 813, 817, 847	4460662 ... 707, 709, 711, 713, 715, 717, 719	4460944 ... 789, 791, 795, 817	4740397....153, 155, 157, 159, 355, 359, 371, 375, 571, 573
4460260....565, 813, 817, 847	4460702 ..... 848	4460945 ..... 792	4751000....67, 95, 97, 99, 101, 103, 105, 107, 109, 111, 113, 115, 117, 441, 443, 447, 451, 593, 595, 597
4460265.....577, 580	4460703 .... 791, 795, 848	4460956 ..... 755, 757	4751400....183, 185, 195, 197, 203, 205, 567, 573, 593, 595, 597, 603, 605, 607, 609, 753
4460267 .....817	4460708 ..... 818	4460957 ..... 755, 757	4751500.....67, 443, 451, 603, 605, 607
4460268.....807, 809	4460722 ..... 353	4460958 ..... 723	4751600....275, 295, 312, 569, 571, 593, 595, 597
4460294.....467	4460742 ..... 811	4460959 ..... 737, 749	4751800....549, 559, 603, 605, 607, 609
4460312.....789	4460743 ..... 811	4460960 ... 737, 739, 749	4760600.....697
4460313....789, 795, 853	4460748 ..... 847	4460962 ..... 595	4761400.....567
4460315.....697	4460761 ..... 817	4460963 ... 474, 478, 482, 486	4811400....429, 431, 565, 699, 701, 703, 705, 707, 709, 711, 713, 715, 717, 719, 773, 775, 781, 783
4460320.....93	4460806 ..... 709, 713	4460967 .... 456, 811, 848	4811600....211, 213, 215, 263, 267, 283, 287, 299, 303, 319, 323, 333, 337, 405, 449
4460346....455, 459, 469, 473, 478, 481, 485, 697	4460807 ..... 807, 809	4460968 ... 449, 699, 701, 703, 705	4811602....455, 459, 469, 473, 478, 481, 485, 490
4460384.....719	4460808 ..... 807, 809	4460970 ..... 817	4811700....123, 125, 127, 129, 137, 139, 141, 143, 145, 147, 149, 151, 195, 197, 203, 205, 213, 215, 219, 221, 225, 227, 229, 231, 233, 236, 239, 243, 247, 251, 253, 256, 263, 267, 271, 283, 287, 291, 299, 303, 307, 319, 323, 327, 330, 333, 337,
4460418.....813, 817	4460836 ..... 855, 857	4461005 ..... 789	
4460419.....813, 817	4460837 ..... 855, 857	4461006 ..... 789	
4460424.....848	4460865 .... 763, 765, 767	4461008 .... 789, 792, 796	
4460425....456, 460, 470, 474, 478, 482, 486, 490, 603, 605, 607, 609, 721, 723	4460866 .... 763, 817, 847	4461052 ..... 789	
4460426....456, 460, 470, 474, 478, 482, 486, 490	4460871 ... 813, 817, 847, 848, 853, 859	4461053 ..... 789	
4460428.....573	4460872 ..... 853	4461054 .... 789, 792, 803	
4460434.....817	4460873 ..... 817, 847	4461060 ..... 789	
4460458.....791, 811, 847	4460874 ..... 817, 848	4461070 ... 789, 795, 841	
4460464....213, 215, 565, 583, 761, 763, 769, 771, 805, 815, 817, 837, 839, 841, 843, 847, 848, 851, 853, 859	4460875 ..... 853	4461071 ..... 791, 795	
4460465....211, 456, 565, 763, 765, 767, 769, 771, 773, 775, 789, 791, 795, 799, 807, 809, 811, 815, 817, 837, 841, 843, 845, 847, 848, 853, 855, 857, 859	4460876 ..... 813, 817	4461073 ..... 789, 795	
4460466....565, 587, 763, 765, 767, 769, 789, 791, 792, 795, 799, 805, 817, 833, 837, 839, 841, 847, 848, 851, 855, 857	4460878 ..... 847	4461077 ..... 833, 839	
4460467.....906	4460879 ..... 565, 817	4461095 .... 789, 795, 841	
	4460884 ... 565, 791, 837, 848, 853	4461196 ..... 821	
	4460887 ... 565, 817, 847	4461198 ..... 701, 821	
	4460891 ... 211, 795, 815, 841, 848, 853, 855, 857, 859	4461199 ..... 823	
	4460892 ..... 769	4461201 ..... 705, 823	
	4460894 ... 769, 773, 775, 789, 791, 795, 799, 817, 845, 847, 855	4461205 ..... 825, 827	
	4460897 ... 213, 215, 847	4461244 ..... 709, 825	
	4460899 ... 769, 771, 833, 837, 839, 843, 848, 851, 853	4461245 ..... 713, 827	
	4460905 ... 813, 817, 847, 848, 853	4461246 ..... 717, 829	
	4460906.....805	4461249 ..... 829	
		4520256 ..... 49	
		4520288 ..... 45	
		4530028 .... 593, 595, 599	
		4568133 ..... 67	
		4640261 ..... 67	
		4640464 ..... 769, 771	
		4640509 .... 635, 637, 639	
		4640751 ..... 274	
		4640858 ..... 623	
		4640932 ..... 629	
		4640999 ..... 627, 629	
		4641122 ..... 45, 47, 49	
		4711000 ... 456, 460, 470, 474, 478, 482, 486, 490, 777, 779, 785, 787	

## SECTION 11 - SPECIAL OPTIONS/ACCESSORIES/KITS

341, 344, 355, 359, 363, 366, 371, 375, 379, 382, 387, 441, 443, 447, 449, 451, 455, 459, 463, 467, 469, 473, 478, 481, 485, 490, 494, 498, 539, 543, 547, 553, 557, 563, 660, 697, 699, 703, 707, 711, 715, 725, 727, 741, 743, 745, 747, 749, 751, 773, 775, 777, 779, 781, 783, 785, 787, 863, 865, 867, 869, 871, 873, 875, 877, 879, 881	4812002 .95, 97, 99, 101, 103, 105, 107, 109, 111, 113, 115, 117, 176, 180, 183, 185, 188, 192, 200, 225, 227, 229, 239, 243, 247, 263, 267, 274, 283, 287, 299, 303, 319, 323, 333, 337, 355, 359, 371, 375, 427	421, 423, 425, 443, 451, 455, 459, 463, 467, 469, 473, 478, 481, 485, 490, 531 5241400....236, 256, 330, 344, 411, 413, 415, 417, 419, 421, 455, 463, 478, 490 5241600.....23, 25, 81 5242000.....81 5250605.....387 5250608....207, 777, 779, 785, 787 5250808.....207, 209 5250810.....65, 183, 185, 294, 310, 330, 344, 519, 521 5250812....176, 180, 527, 529 5251008.....527, 529, 531 525100971, 73, 123, 125, 127, 129 525101227, 29, 103, 105, 107, 109, 225, 227, 229, 239, 243, 247, 263, 267, 283, 287, 299, 303, 319, 323, 331, 333, 337, 345, 456, 460, 464, 478, 482, 490 5251014....137, 139, 141, 143, 145, 147, 149, 151, 176, 180, 188, 192, 200 5251016.....19, 21, 531 5260600....207, 387, 777, 779, 785, 787 5260800.....207, 209 5261000....137, 139, 141, 143, 145, 147, 149, 151, 777, 779, 785, 787 5272010.....366, 382 5281918....729, 731, 733, 735, 737, 739, 741, 743, 745, 747, 749, 751 70000123.....449 70000342.....511, 513 70000345.....260, 349 700004508.....315 70000619..473, 477, 481, 485, 489 70000699.....631, 633 70000781.....43 70000782.....35 70000793.....393 70000794.....31 70000795.....31 70000851.....260 70000852.....33 70000853.....33 70000854.....33 70000857.....33 70000858.....33 70000861.....33 70000862.....33 70000863..474, 477, 481, 486, 489	70000912.....259 70000913.....259 70000914.....259 70000915.....259 70000916.....259 70000917.....259 70000918.....259 70000919.....259 70001002.....259 70001100. 474, 477, 481, 486, 489 70001103. 111, 113, 115, 117 70001119.....35 70001126.....259 70001384. 474, 477, 481, 486, 489 70001423.....259 70001435.....259 70001498.....260 70001655.....348, 350 70001696.. 477, 485, 489 70001697.....511, 513 70001847.....259 70001850.....259 70001866.....260 70001868.....260 70001870.. 259, 316, 347 70001871.....259 70001872.....260 70001953.. 477, 486, 489 70001966. 455, 459, 463, 467, 469, 474, 477, 482, 485, 486, 489 70001973. 474, 477, 482, 486, 489 70001974. 474, 477, 482, 486, 489 70002020.....39 70002026.....39 70002027.....39 70002054.....39 70002057.....39 70002059.....39 70002063.....75 70002066.....84 70002088.. 477, 486, 489 70002112.....119, 121 70002133.....33 70002134.....397 70002146.....397 70002147.....397 70002148.....397 70002149.....397 70002150.....397 70002151.....397 70002153.....397 70002154.....397 70002156.....397 70002157.....397 7000216.....35 7000217.....84 70002176.....33, 396 70002201.....39 70002209.....43 70002234.....260 7000228.....84
4811702... 183, 185, 231, 233, 251, 253, 271, 274, 291, 294, 307, 310, 327, 341, 363, 379, 387, 433, 435, 437, 439, 569, 571	4812100 ... 91, 95, 97, 99, 101, 103, 105, 107, 109, 111, 113, 115, 117, 176, 177, 180, 181, 188, 189, 192, 200, 225, 227, 229, 239, 243, 247, 263, 267, 274, 283, 287, 294, 299, 303, 310, 319, 323, 334, 337, 387, 429, 431, 447, 531, 729, 731, 733, 735, 737, 739, 741,743, 745, 747, 749, 751		
4811900 ... 195, 197, 203, 205, 209, 236, 256, 274, 294, 310, 330, 344, 355, 359, 366, 371, 375, 382, 387, 419, 423, 425, 441, 443, 449, 451, 455, 459, 469, 473, 478, 481, 485, 490, 515, 517, 519, 521, 527, 529, 531, 729, 731, 733, 735, 737, 739, 741, 743, 745, 747, 749, 751, 753, 773, 775, 777, 779, 785, 787	4812200 ... 274, 294, 310, 423, 425 481230027, 29, 236, 256, 330, 344 4812500 ... 177, 181, 188, 189, 192, 200 4844817 .....509 4846295 .....67 4846296 .....67 4846627 ....593, 595, 597 4846673 .....607, 609 4871700 ... 441, 449, 455, 459, 463, 469, 473, 478, 481, 485, 490		
4811902 ... 123, 125, 127, 129, 183, 185, 188, 200, 275, 331, 345, 366, 382, 387, 441, 449	4891500 .....447 4891600 .....531 4892000 .....87 4892600001.....531 4922641 ... 441, 443, 447, 449, 456, 460, 464, 478, 482, 486, 490 4922925 ... 467, 473, 478, 482, 485, 490, 809 4933218 .....603, 607 5201012 .....57 5240800 .....63, 417 5241000 ....29, 176, 180, 195, 197, 203, 205, 231, 233, 237, 251, 253, 257, 271, 291, 307, 327, 331, 341, 345, 363, 366, 379, 382, 415, 455, 459, 463, 469, 473, 478, 481, 485, 490, 502, 506, 515, 517		
4812000 ... 71, 73, 95, 97, 99, 101, 103, 105, 107, 109, 111, 113, 115, 117, 176, 180, 183, 185, 188, 192, 195, 197, 200, 203, 205, 207, 225, 227, 229, 236, 239, 243, 247, 256, 263, 267, 274, 283, 287, 294, 299, 303, 310, 319, 323, 330, 333, 337, 344, 355, 359, 366, 371, 375, 382, 387, 401, 403, 405, 411, 413, 415, 417, 419, 421, 441, 443, 447, 449, 451, 494, 498, 502, 506, 519, 521, 531, 729, 731, 733, 735, 737, 739, 741, 743, 745, 747, 749, 751, 773, 775, 777, 779, 781, 783, 785, 787	5241200 . 19, 21, 27, 231, 233, 236, 251, 253, 256, 271, 274, 291, 294, 307, 310, 327, 330, 341, 344, 363, 366, 379, 382, 411, 413, 415, 417, 419,		

## SECTION 11 - SPECIAL OPTIONS/ACCESSORIES/KITS

7000229.....84	70003975..... 43	70004369..... 39	70004754..... 579
70002291.....474, 482	70003982..... 643	70004370..... 39	70004755..... 579
70002297..474, 477, 482, 486, 489	70003998..... 123, 127	70004371..... 39	70004756..... 579
7000230.....84	70004037..... 84	70004414 95, 97, 99, 101	70004757..... 579
70002335.....627	70004039..... 84	70004447..... 39	70004758..... 579
70002366.....627	70004040..... 84	70004501..... 348	70004759..... 579
70002381.....627	70004041..... 84	70004504..... 350	70004760..... 579
70002386.....75, 898	70004042..... 84	70004505..... 347	70004761..... 579
70002390.....43	70004043..... 84	70004506..... 347	70004762..... 579
70002410.....629	70004044..... 84	70004507..... 347	70004763..... 579
7000246.....84	70004045..... 84	70004508..... 279, 347	70004764..... 579
70002460..474, 477, 482, 485, 489	70004047..... 85	70004509..... 347	70004765..... 579
7000247.....84	70004051..... 77, 78	70004510..... 347	70004766..... 579
7000248.....84	70004052..... 77, 78, 523, 525	70004513..... 348	70004767..... 579
7000253.....84	70004053..... 523, 525	70004577..... 43	70004768..... 579
7000255.....84	70004055..... 78	70004584..... 77	70004769..... 579
7000257.....84	70004056..... 260	70004594..... 77	70004770..... 579
7000263.....84	70004058..... 260	70004595..... 78, 898	70004771..... 579
70002718...259, 315, 347	70004059..... 260	70004596..... 78	70004772..... 579
70002745.....641	70004060..... 260	70004597..... 78	70004773..... 579
70002755.....641	70004066..... 401, 403	70004598..... 78	70004774..... 580
70002756.....641	70004065..... 401, 403	70004602..... 77	70004775..... 580
70002758.....78	70004066.. 401, 403, 898	70004607..... 77	70004795..... 119, 121
70002759.....78	70004067..... 401, 403	70004613..... 525	70004867..... 631, 633
7000281.....36	70004068..... 401, 403	70004617..... 78	70004883..... 75
70002814.....119	70004069..... 401, 403	70004653..... 77, 78, 523, 525, 898	70004884..... 75
70002838.....119, 121	70004070..... 401, 403	70004656..... 77	70004888..... 43
70002839.....119, 121	70004092. 455, 459, 463, 467, 470, 474, 482	70004657..... 77	70005008..275, 331, 345, 367, 383, 898
70002842.....623	70004094..... 474, 482	70004659..... 77	70005171..... 315, 347
70002902.....583	70004098. 456, 460, 470, 474, 482	70004660..... 77	70005172..... 316, 347
70002903.....583	70004099. 459, 467, 470, 474, 482	70004661..... 77	70005173..... 315, 347
70002904.....583	70004103..... 260	70004662..... 77	70005176..... 348
70002905.....583	70004155..... 643	70004668..... 77	70005177..... 315, 348
70002962.....43	70004169.. 477, 486, 489	70004676 . 455, 459, 463, 467, 470	70005178..... 348
70003003.....259	70004171. 455, 463, 477, 486, 489	70004677..... 463	70005179..... 348, 350
70003019.....77, 523, 525	70004186. 635, 637, 639, 643	70004678 . 456, 460, 463, 467, 470	70005182..... 315
70003027.....77, 523, 525	70004199..... 119, 121	70004679 . 456, 460, 463, 467, 470	70005183..... 315
70003085.....627	70004201..... 33	70004680 . 456, 460, 463, 467, 470	70005184...279, 315, 348
70003136.....259	70004202..... 33	70004681..... 463, 467	70005191..... 350
70003456.....259	70004203..... 33	70004682 . 456, 460, 463, 467, 470	70005200..... 525
70003457.....259	70004204..... 33	70004683..... 463, 467	70005203..... 84
70003468.....259	70004205..... 33	70004684..... 456	70005298..... 39
70003469.....259	70004237..... 629	70004685 .. 456, 460, 470	70005299..... 39
70003470.....259	70004268..... 259	70004686..... 467	70005300..... 39
70003472.....259	70004269..... 259	70004687..... 460, 470	70005301..... 39
70003473.....259	70004270..... 260	70004738..... 577	70005302..... 39
70003475.....259	70004271..... 260	70004739..... 577	70005303..... 39
70003478.....259	70004272..... 260	70004740..... 577	70005304..... 39
70003628.....33	70004273..... 260	70004741..... 577	70005305..... 39
70003631..474, 477, 482, 485, 489	70004276..... 349	70004742..... 577	70005306..... 39
70003708..455, 459, 463, 467, 469, 474, 477, 482, 486, 489	70004277..... 280, 349	70004743..... 577	70005307..... 39
70003709..455, 459, 463, 467, 469, 474, 477, 482, 486, 489	70004280..... 347	70004744..... 577	70005308..... 39
70003783..237, 257, 295, 311, 898	70004281..... 315	70004745..... 577	70005309..... 39
70003784.....573	70004282..... 315, 348	70004746..... 577	70005311..... 39
70003926.....643	70004353..... 39	70004747..... 577	70005312..... 39
70003928.....643	70004355..... 39	70004748..... 577	70005313..... 39
70003929.....643	70004356..... 39	70004749..... 577	70005314..... 39
70003930.....643	70004361..... 39	70004750..... 577	70005315..... 39
70003932.....260	70004363..... 39	70004751..... 577	70005316..... 39
	70004365..... 39	70004752..... 579	70005317..... 39
	70004367..... 39	70004753..... 579	70005318..... 39
			70005319..... 39
			70005320..... 40
			70005321..... 40
			70005335... 519, 521, 898
			70005466..... 396



## SECTION 11 - SPECIAL OPTIONS/ACCESSORIES/KITS

70005467 .....	396	70006116 ....	77, 523, 525	70006206.....	390	70007325.....	315, 348
70005468 .....	396	70006117 .....	77	70006207.....	390	70007326.....	315, 349
70005469 .....	396	70006118 .....	78	70006208.....	390	70007327.....	349
70005470 .....	396	70006119 .....	78	70006213.....	390, 898	70007331.....	350
70005471 .....	397	70006120 .....	78	70006215.....	390	70007334.....	631, 633
70005472 .....	397	70006121 .....	523, 525	70006217.....	390	70007336.....	633
70005474 .....	397	70006122 .....	523, 525, 898	70006219.....	390	70007337.....	633
70005475 .....	397	70006123 .....	523, 525	70006221.....	390	70007338.....	633
70005476 .....	397	70006124 .....	523, 525	70006225.....	390	70007339.....	633
70005479 .....	259	70006125 .....	523, 525	70006232.....	390	70007341.....	631, 633
70005527 .....	350	70006126 .....	523, 525	70006233.....	389	70007342.....	631, 633
70005563 .....	631	70006134 .....	387	70006235.....	390	70007343.....	631, 633
70005572 .....	631	70006135 .....	387	70006236.....	390	70007345.....	631, 633
70005575 .....	631, 633	70006136 .....	387	70006260.....	631, 633	70007346.....	631, 633
70005595 .....	643	70006144 .....	279, 315, 348	70006264.....	347	70007347.....	631
70005627 .....	523, 525	70006145 .....	389	70006265.....	347	70007354.....	315, 349
70005647 .....	349	70006147 .....	389	70006266.....	347	70007355.....	350
70005648 .....	279, 349	70006150 .....	389	70006294.....	349	70007438.....	33
70005668 .....	43	70006151 .....	389	70006304.....	84, 85	70007507.....	43
70005669 .....	43	70006152 .....	389	70006305.....	85	70007603.....	279, 315
70005671 .....	511	70006153 .....	389	70006306.....	85	70007680.....	57
70005682 .....	519, 521	70006154 .....	389	70006307.....	85	70007681.....	57
70005683 .....	515, 517	70006155 .....	389, 898	70006308.....	85	70007682.....	57
70005684 .....	515, 517	70006157 .....	389	70006309.....	85	70007683.....	57
70005693 .....	627	70006158 .....	389	70006310.....	85	70007684.....	57, 58
70005694 .....	627	70006159 .....	389	70006313.....	85	70007685.....	57, 58
70005695 .....	627	70006160 .....	389	70006314.....	103, 105, 107, 109	70007686.....	57, 58, 59
70005696 .....	627	70006161 .....	389	70006356.....	231, 233, 251, 253, 271, 291, 307, 327, 341, 363, 379	70007687.....	57, 58, 59
70005697 .....	627	70006162 .....	389	70006357.....	78	70007688.....	57, 58, 59
70005708 .....	119, 898	70006163 .....	389	70006537.....	93	70007689.....	57
70005710 .....	93	70006164 .....	389	70006538.....	93	70007690.....	57
70005711 .....	93	70006165 .....	389	70006552.....	456, 459, 463, 467, 469	70007691.....	57
70005712 .....	93	70006166 .....	389	70006553.....	456, 459, 463, 467, 469	70007692.....	57
70005713 .....	93	70006167 .....	389	70006596.....	629	70007693.....	57
70005716 .....	93	70006168 .....	389	70006649.....	635, 637, 639	70007694.....	57
70005839 .....	643	70006169 .....	389	70006650.....	635, 637, 639	70007695.....	57
70005920 .....	347	70006170 .....	389	70006652.....	279, 315, 349	70007696.....	57, 59
70005921 .....	347	70006171 .....	389	70006653.....	349	70007697.....	57
70005926 .....	348	70006172 .....	389	70006731.....	643	70007698.....	57, 59
70005928 .....	348	70006173 .....	389	70006734.....	635, 637, 639	70007699.....	57
70005929 .....	348	70006174 .....	389	70006735.....	635, 637, 639	70007700.....	57
70005931 .....	279, 315, 348	70006175 .....	389, 898	70006736.....	635, 637, 639	70007701.....	57
70005933 .....	350	70006176 .....	389, 899	7000695.....	259	70007702.....	57
70005934 .....	350	70006177 .....	389	70006978.....	643	70007725.....	121
70005935 .....	350	70006178 .....	389	70006979.....	643	70007726.....	121
70005936 .....	350	70006179 .....	389	70006980.....	643	70007727.....	121
70005938 .....	347	70006180 .....	389	70006981.....	643	70007804.....	399
70005941 .....	279, 316, 347	70006181 .....	389	70006982.....	643	70007805.....	399
70005942 .....	279, 315, 347	70006182 .....	389	70006983.....	643	70007806.....	399
70005947 .....	78	70006183 .....	389	70007086.....	349	70007807.....	399
70005951 .....	523, 525	70006184 .....	389	70007087.....	349	70007808.....	399
70005952 .....	77, 523, 525	70006185 .....	389	70007088.....	349	70007809.....	399
70006004 .....	631, 633, 898	70006186 .....	389	70007089.....	349	70007810.....	399
70006093 .....	474, 482	70006187 .....	389	70007108.....	390	70007811.....	399
70006094 .....	474, 482	70006188 .....	389	70007157.....	629	70007812.....	399
70006095 .....	474, 482	70006189 .....	389	70007159.....	629	70007813.....	399
70006096 .....	474, 482	70006191 .....	389	70007161.....	629	70007814.....	399
70006097 .....	474, 482	70006194 .....	389	70007168.....	629	70007815.....	399
70006106 .....	641	70006195 .....	389	70007169.....	629	70007816.....	399
70006107 .....	641	70006196 .....	390	70007251.....	629	70007817.....	399
70006108 .....	641	70006197 .....	390	70007276.....	59	70007818.....	399
70006109 .....	77	70006198 .....	390	70007323.....	631, 633, 898	70007819.....	399
70006111 .....	77	70006199 .....	390			70007820.....	399
70006112 .....	77	70006200 .....	390			70007821.....	399
70006113 .....	77	70006202 .....	390			70007822.....	399
70006114 .....	77	70006203 .....	390			70007823.....	399
70006115 .....	77	70006205 .....	390			70007824.....	399

## SECTION 11 - SPECIAL OPTIONS/ACCESSORIES/KITS

70007825.....	399	70008396.....	131	70025142.....	279, 348	7002821.....	906
70007826.....	399	70008397.....	131	70025144.....	348	7002822.....	906
70007827... 231, 251,	399	70008398.....	131	70025145.....	347	7002823.....	906
70007828.....	399	70008399.....	131	70025146.....	347	7002826.....	906
70007829.....	399	70008400.....	131	70025147.....	348	7002840.....	906
70007838.....	631	70008401.....	131	70025148.....	348	70028538.....	348, 350
70007964.....	57	70008402.....	131	70025151.....	348	70028540.....	315, 350
70008132.....	633	70010383.....	71, 73, 898	70025152.....	347	70028699.....	349
70008133.....	633	7001909.....	84	70025153.....	279	70029015.....	349
70008134.....	633	7001911.....	84	70025154.....	347	70029250.....	350
70008159.....	59	7001912.....	84	70025155.....	349	70029393.....	348
70008244.....	625	7001913.....	35	70025158.....	348	70029402.....	349
70008246.....	625	7001931.....	84	70025160.....	279	70029403.....	349
70008274.....	625	7001985.....	84	70025161.....	279	70029404.....	349
70008276.....	59	70022564.....	629	70025162.....	347	70029415.....	350
70008277.....	58, 59	70023370.....	639	70025164.....	315, 349	70029433.....	350
70008278.....	58, 60	70023371.....	639	70025165.....	349	70029451.....	315, 348
70008279.....	57	70023859.....	77	70025166.....	350	70029512.....	279
70008282.....	58, 59	70023860.....	77, 525	70025179.....	349	70029517.....	350
70008283.....	59	70023862.....	523, 525	70025181.....	279, 347	70029557.....	349
70008284.....	59	70024441.....	121	70025182.....	348	70029797.....	348
70008285.....	59	70024457.....	77	70025183.....	348	70030360.....	315
70008286.....	59	70024494.....	316, 347	70025184.....	348	70030381.....	315
70008287.....	59	70024502.....	348	70025185.....	348	70031095.....	316
70008288.....	59	70024504.....	279, 315	70025192.....	350	70031136.....	315
70008297.....	58	70024507 ..	279, 315, 350	70025200.....	315, 348	70031145.....	315
70008298.....	58	70024509.....	349	70025205.....	347	7004275.....	906
70008299.....	58	70024513 ..	279, 315, 348	70025210 ..	315, 348, 899	7004276.....	906
70008300.....	58	70024517.....	347	70025212.....	350	70050795.....	643
70008301.....	58, 59	70024904.....	316, 347	70025214.....	350	7005889.....	85
70008302.....	58	70024905.....	315, 347	70025215.....	349	7005891.....	85
70008303.....	58	70024906.....	315, 347	70025216.....	349	7007207.....	396
70008304.....	58	70024912.....	349	70025217.....	349	7007208.....	396
70008305.....	58	70024915.....	315, 349	70025221.....	349	7007412.....	397
70008306.....	58	70024917.....	350	70025224.....	349	7007413.....	396
70008307.....	58, 60	70024920.....	348, 350	70025225.....	349	7007415.....	396
70008308.....	58	70024922.....	279, 350	70025226.....	349	7007417.....	396
70008309.....	58	70024924.....	279, 347	70025228.....	349	7007418.....	396
70008310.....	58	70024925.....	315, 347	70025229.....	349	7007419.....	33, 396
70008311.....	58	70024961 ..	279, 315, 348	70025231.....	315, 349	7007420.....	33, 396, 397
70008312.....	58	70025084.....	259	70025233.....	349	7007422.....	397
70008313.....	58	70025095.....	349	70025235.....	348	7007423.....	396
70008314.....	58	70025098.....	349, 350	70025239.....	315, 348	7007425.....	396
70008315.....	58	70025099.....	349	70025240.....	348	7007430.....	397
70008316.....	58	70025101.....	348	70025242.....	350	7007431.....	397
70008317.....	58	70025104.....	347	70025327.....	349	7007434.....	397
70008318.....	58	70025106.....	349	70025477.....	280	7007435.....	396
70008319.....	58	70025108.....	350	70025580.....	631	7007437.....	31
70008320.....	58	70025109.....	348	70025582.....	631	7007438.....	31, 396
70008321.....	58	70025111.....	347	70025613.....	633	7007439.....	31, 33, 396
70008322.....	58	70025112.....	348	70025614.....	633	7007441.....	397
70008324.....	59	70025113.....	350	70025660.....	347	7007442.....	396
70008326.....	58	70025115.....	348	70025676.....	349	7007443.....	396
70008327.....	58	70025120.....	350	70025696.....	349	7007444.....	397
70008328.....	58	70025121.....	348	70025733.....	349	7007446.....	31, 33, 396
70008329.....	58	70025122.....	348	70025788.....	350	7007448.....	396
70008330.....	59	70025124.....	348	70026164.....	631	7007450.....	397
70008331.....	59	70025125.....	347	70026179.....	633	7007453.....	397
70008332.....	59	70025126.....	350	70026210 ..	279, 315, 350	7007457.....	396
70008333.....	59	70025128.....	350	70026444.....	43	7007459.....	396
70008334.....	59	70025129.....	348	70026973.....	631	7007463.....	396
70008335.....	59	70025130.....	279, 348	70027415.....	347	7007464.....	396
70008336.....	59	70025134.....	349	70027428.....	349	7007465.....	396
70008337.....	59	70025135.....	315, 347	70027440.....	349	7007476.....	397
70008338.....	59, 60	70025137.....	347	70027446.....	349	7007477.....	397
70008339.....	59	70025139.....	347	70028185.....	347	7007484.....	396
70008341.....	58	70025140.....	347	70028186.....	348	7007485.....	397

## SECTION 11 - SPECIAL OPTIONS/ACCESSORIES/KITS

7007487 .....	397	7020403 .....	259	7024485.....	477, 485, 489	7027779 .....	599
7007488 .....	397	7020408 .....	259	7024488....	473, 477, 481,	7027780 .....	599
7007633 .....	84	7020431 .....	259	485, 489		7027790 .....	260
7010116 .....	396	7020460 .....	259	7024489....	473, 477, 481,	7027791 .....	260
7010117 .....	397	7020465 ...	259, 279, 316,	485, 489		7027792 .....	260
7010119 .....	397	347		7024502.....	631, 633	7027795 .....	259, 899
7010121 .....	396	7020468 .....	259	7024503.....	631, 633	7027796 .....	260
7010474 .....	84	7020471 .....	260	7024579....	259, 316, 347	7027799 ...	474, 477, 482,
7010492 .....	84	7020479 .....	260	7024598.....	429, 431	485, 489	
7010543 .....	75	7020487 .....	259	7024704.....	84	7027887 ...	441, 443, 447,
7011112 .....	627, 629	7020492 .....	348	7024721.....	36	449, 452	
70123584 .....	279	7021200 .....	396	7024722.....	35	7274000040 .....	456, 460,
70124507 .....	279	7021201 .....	397	7024723.....	36	464, 478, 482, 490	
7012513 ...	441, 443, 447,	7021202 .....	396	7024724.....	35	7300435 ...	236, 256, 330,
449, 451		7021203 .....	397	7024725.....	35	344	
7012514 ...	441, 443, 447,	7021206 .....	397	7024726.....	35	77133137 .	729, 731, 733,
449, 451		7021207 .....	396	7024727.....	35	735, 737, 739, 741,	
7012558 ...	441, 443, 447,	7021210 .....	396	7024728.....	35	743, 745, 747, 749, 751	
451		7021212 .....	396	7024729.....	35	77363233 .....	807, 809
7012941 .....	75	7021214 .....	396	7024730.....	35	80434249 .....	77, 898
7012967 .....	75	7021219 .....	396	7024731.....	35	80484084 .....	791, 795
7012998 .....	43	7021220 .....	396	7024732.....	35	80633030 ..	666, 672, 678
7016319 .....	211	7021221 .....	397	7024733.....	35	80983191 ..	792, 795, 898
7016328 .....	259, 898	7021222 .....	397	7024734.....	35	8220045 ....	789, 805, 848
7016331 ...	259, 279, 316,	7021223 .....	397	7024735.....	35	8220089 .....	847
347, 898		7021232 .....	397	7024736.....	35	8220097 .....	847
7016372 .....	211	7021233 .....	396	7024737.....	36	8220098 .....	847
7016652 .....	906	7021249 .....	31, 33	7024738.....	35	8220115 .....	795
7016654 .....	906	7021256 .....	396, 397	7024739.....	35	8220164 .....	789, 791
7016655 .....	906	7021275 .....	31, 33	7024740.....	35	8229242 ...	792, 795, 847,
7017022 .....	36	7021625 .....	43	7024741.....	35	898	
7017023 .....	84	7022162 .....	389	7024742.....	35	8229244 .....	847, 898
7017027 .....	35	7022301 .....	397	7024743.....	35, 84	8229245 .....	805, 898
7017070 .....	84	7022302 .....	31	7024744.....	35, 36	8229249 .....	565
7017072 .....	35, 84	7022311 .....	31, 33	7024763.....	84	8310129 .....	601
7017080 .....	84	7022313 .....	31	7024764.....	36	8310614 .....	25
7017082 .....	85	7022314 .....	31, 33	7024765.....	36	83304173 .....	119, 121
7017085 .....	84	7022321 .....	33	7024766.....	36	8405006 ...	263, 267, 366,
7017093 .....	35	7022326 .....	31	7024784.....	85	382	
7017095 .....	35	7022328 .....	31	7024851.....	397	8405007 ...	274, 294, 310,
7017142 .....	511, 513	7022368 .....	31, 33	7024862.....	31	330, 344	
7017159 .....	511, 513	7022371 .....	31, 33	7024865.....	31	8405009 ...	274, 294, 310,
7017162 .....	511, 513	7022372 .....	31	7024867.....	31, 33	330, 344, 367, 383	
7017163 .....	511, 513	7022399 .....	43	7024868.....	33	8405102 .....	366, 382
7017164 .....	511, 513	7022524 .....	523, 525	7024871.....	31	8405104 ...	274, 294, 310,
7017172 .....	511, 513	7022527 .....	77	7024874.....	396	330, 344, 366, 382	
7017192 .....	511, 513	7023821 .....	78	7024875.....	396	8405202 ...	236, 256, 294,
7017195 .....	511, 513	7023910 .....	31	7024877.....	397	310	
7017410 .....	75	7023979 .....	396	7024881.....	43	8405203 .....	366, 382
7019680 ...	441, 443, 447,	7024100 .....	85	7026188....	477, 486, 489	8405204 .....	294, 310
452		7024124 .....	35	7026199....	443, 447, 451	8406003 .....	527, 529
7020043 .	95, 97, 99, 101,	7024125 .....	35	7026597....	474, 477, 482,	8406109 ...	274, 295, 311,
111, 113, 115, 117		7024127 .....	35	486, 489		330, 344, 366, 382	
7020108 ...	441, 443, 447,	7024129 .....	35	7026626....	474, 477, 482,	8406110 ...	213, 215, 773,
449, 451		7024134 .....	36	486, 489		775, 777, 779	
7020109 ...	441, 443, 447,	7024441 .....	119	7026631.....	259	8406201 ...	295, 311, 367,
449, 451		7024462 .....	599	7027236.....	259	383	
7020110 ...	441, 443, 447,	7024463 .....	599	7027276.....	260	8410009 .....	367, 383
449, 451		7024467 .....	599	7027404.....	390	8410011 ...	274, 330, 344,
7020111 ...	441, 443, 447,	7024469 .....	599	7027419.....	31	366, 382	
449, 451		7024470 .....	599	7027740.....	31, 33	8410013 .....	274
7020175 ...	153, 155, 157,	7024471 .....	599	7027773.....	599	8420231 .....	367, 383
159, 573		7024472 .....	599	7027774.....	599	85941018 .	355, 359, 371,
7020176 ...	153, 155, 157,	7024473 .....	599	7027775.....	599	375	
159, 573		7024474 .....	599	7027776.....	599	88261024 .....	673, 679
7020190 ...	441, 443, 447,	7024475 .....	599	7027777.....	599	88411013 .....	753
449, 451		7024478 .....	599	7027778.....	599		

## SECTION 11 - SPECIAL OPTIONS/ACCESSORIES/KITS

88521214..611, 613, 615,  
617, 619  
8896941.....906

91203039..... 531  
91401281 ..... 123, 125

91403230 . 863, 865, 867,  
869, 871, 873, 875,  
877, 879, 881





**Corporate Office  
JLG Industries, Inc.  
1 JLG Drive  
McConnellsburg, PA 17233-9533 USA  
☎ (717) 485-5161 (Corporate)  
☎ (877) 554-5438 (Customer Support)  
📠 (717) 485-6417**

**Visit our website for JLG Worldwide Locations.  
[www.jlg.com](http://www.jlg.com)**



**OSHKOSH™**