

SKYTRAK[®]

Illustrated Parts Manual

Models
5028
5028HT
5028HF

8990183-003

May 1998

ANSI



JLG[®]

TABLE OF CONTENTS

SECTION 1 - MAIN FRAME AND GUARDS	7
FIGURE 1-1. MAIN FRAME	8
FIGURE 1-2. HOODS AND GUARDS	10
SECTION 2 - OPERATOR'S CAB AND CONTROLS	13
FIGURE 2-1. OPERATOR'S CAB - OPEN	14
FIGURE 2-2. OPERATOR'S CAB - CLOSED (OPTIONAL)	18
FIGURE 2-3. SOFT CAB ENCLOSURE (OPTIONAL)	22
FIGURE 2-4. CAB DOOR (EARLY PRODUCTION).....	24
FIGURE 2-5. CAB DOOR (CURRENT PRODUCTION).....	26
FIGURE 2-6. OPERATOR'S SEAT	28
FIGURE 2-7. CONTROL CONSOLE	30
FIGURE 2-8. TRANSMISSION SHIFT CONTROL (5028 STANDARD ONLY)	32
FIGURE 2-9. TRANSMISSION SHIFT CONTROL (5028HT/5028HF)	34
FIGURE 2-10. BOOM RAISE/LOWER AND EXTEND/RETRACT CONTROL.....	36
FIGURE 2-11. FRAME LEVER AND ATTACHMENT TILT CONTROL.....	38
FIGURE 2-12. THROTTLE PEDAL CONTROL AND MODULATOR (PRE-EPA) (Prior to SN 6152).....	40
FIGURE 2-13. THROTTLE PEDAL CONTROL AND MODULATOR (EPA) (SN 6152 to Present)	42
FIGURE 2-14. SERVICE BRAKE PEDAL CONTROL.....	44
FIGURE 2-15. PARKING BRAKE PEDAL CONTROL (5028 STANDARD ONLY).....	46
FIGURE 2-16. PARKING BRAKE CONTROL (5028HT/5028HF)	48
FIGURE 2-17. FRONT WINDSHIELD WIPER (OPTIONAL)	50
FIGURE 2-18. CAB HEATER (OPTIONAL).....	52
FIGURE 2-19. AUXILIARY HYDRAULIC CONTROL (OPTIONAL).....	54
FIGURE 2-20. MIRRORS.....	56
FIGURE 2-21. SKYLIGHT WINDSHIELD WIPER (OPTIONAL).....	58
SECTION 3 - DRIVE TRAIN	61
FIGURE 3-1. TRANSMISSION MOUNTING	62
FIGURE 3-2. DRIVE SHAFT - TRANSMISSION TO DROP BOX	64
FIGURE 3-3. DROP BOX (5028 STANDARD ONLY)	66
FIGURE 3-4. 2 SPEED DROP BOX (5028HT/5028HF)	68
FIGURE 3-5. DRIVE SHAFT - DROP BOX TO BOTH AXLES (5028 STD)	72
FIGURE 3-6. DRIVE SHAFT - DROP BOX TO FRONT AXLE (5028HT/5028HF)	74
FIGURE 3-7. AXLE HOUSING - FRONT OR REAR	76
FIGURE 3-8. AXLE STEERING JOINTS AND STEERING CYLINDER (AXLE SN ALL TR/TK PRIOR TO 000938 FRONT/000945 REAR).....	78
FIGURE 3-9. AXLE STEERING JOINTS AND STEERING CYLINDER (AXLE SN 000939 FRONT/000946 REAR TO PRESENT)	82
FIGURE 3-10. AXLE BEVEL AND PINION GEAR SET	84
FIGURE 3-11. DIFFERENTIAL	86
FIGURE 3-12. AXLE DRIVE SHAFTS.....	88
FIGURE 3-13. WHEEL END - FRONT AND REAR WITH SERVICE BRAKES (AXLE SN ALL TR/TK PRIOR TO 000938 FRONT/000945 REAR)	90
FIGURE 3-14. WHEEL END - FRONT AND REAR WITH SERVICE BRAKES (AXLE S/N 000939 FRONT/000946 REAR TO PRESENT)	94

TABLE OF CONTENTS

FIGURE 3-15. 2 SPEED DROP BOX MOUNTING (5028HT/5028HF)	98
FIGURE 3-16. WHEELS AND TIRES	100
SECTION 4 - POWER PLANT.....	103
FIGURE 4-1. ENGINE, RADIATOR AND COOLER MOUNTING (PRE-EPA) (Prior to SN 6152)	104
FIGURE 4-2. ENGINE, RADIATOR AND COOLER MOUNTING (EPA) (SN 6152 to Present)	108
FIGURE 4-3. EXHAUST SYSTEM.....	112
FIGURE 4-4. AIR CLEANER.....	114
FIGURE 4-5. FUEL SYSTEM/PRE-EPA ENGINES - (TOP 1/4IN RETURN AND BOTTOM 5/16IN SUPPLY)	116
FIGURE 4-6. FUEL SYSTEM/PRE-EPA ENGINES - (TOP 1/4IN RETURN AND TOP 5/16IN SUPPLY)	118
FIGURE 4-7. FUEL SYSTEM/PRE-EPA ENGINES - (TOP 5/16IN RETURN AND BOTTOM 3/8IN SUPPLY)	120
FIGURE 4-8. FUEL SYSTEM/EPA ENGINES (SN 6152 to Present).....	122
SECTION 5 - HYDRAULIC CIRCUITS	125
FIGURE 5-1. POWER STEERING CIRCUIT	126
FIGURE 5-2. MAIN CONTROL VALVE CIRCUIT	128
FIGURE 5-3. BOOM RAISE/LOWER AND EXTEND/RETRACT HYDRAULIC CIRCUITS	130
FIGURE 5-4. ATTACHMENT TILT, SLAVE AND FRAME TILT CIRCUITS	132
FIGURE 5-5. SERVICE BRAKE CIRCUIT - (5028 STANDARD ONLY)	134
FIGURE 5-6. SERVICE BRAKE CIRCUIT - (5028HT/5028HF)	136
FIGURE 5-7. VALVE PLATE ASSEMBLY (WITHOUT HI-FLOW OPTION).....	138
FIGURE 5-8. VALVE PLATE ASSEMBLY (WITH HI-FLOW OPTION)	140
FIGURE 5-9. TRANSMISSION AND HYDRAULIC OIL COOLING CIRCUIT (Prior to SN 0149).....	144
FIGURE 5-10. TRANSMISSION AND HYDRAULIC OIL COOLING CIRCUIT (SN 0149 to Present)	146
FIGURE 5-11. AUXILIARY HYDRAULIC CIRCUIT (OPTIONAL)	148
FIGURE 5-12. HI-FLOW AUXILIARY HYDRAULIC CIRCUIT (OPTIONAL)	150
FIGURE 5-13. SHIFT VALVE HYDRAULIC CIRCUIT AND SHIFT LINKAGE (5028HT/5028HF)	152
SECTION 6 - HYDRAULIC COMPONENTS	155
FIGURE 6-1. HYDRAULIC RESERVOIR (Prior to SN 0169)	156
FIGURE 6-2. HYDRAULIC RESERVOIR (SN 0169 to Present)	158
FIGURE 6-3. MAIN PUMP	160
FIGURE 6-4. BOOM HOIST CYLINDER.....	162
FIGURE 6-5. BOOM EXTEND CYLINDER	164
FIGURE 6-6. FRAME TILT CYLINDER.....	166
FIGURE 6-7. SLAVE CYLINDER	168
FIGURE 6-8. ATTACHMENT TILT CYLINDER.....	170
FIGURE 6-9. MAIN CONTROL VALVE.....	172
FIGURE 6-10. DIRECTIONAL CONTROL VALVES (5028 STANDARD)	174
FIGURE 6-11. DIRECTIONAL CONTROL VALVES (5028 HI-TORQ).....	176
FIGURE 6-12. DIRECTIONAL CONTROL VALVES (5028 HI-FLOW).....	178
FIGURE 6-13. SWING CARRIAGE CYLINDER.....	180
FIGURE 6-14. SIDE TILT CARRIAGE CYLINDER	182
SECTION 7 - ELECTRICAL.....	185
FIGURE 7-1. ELECTRICAL SYSTEM - CAB HARNESS (Prior to SN 0199)	186
FIGURE 7-2. ELECTRICAL SYSTEM - CAB HARNESS (SN 0199 through 0422).....	188

TABLE OF CONTENTS

FIGURE 7-3. ELECTRICAL SYSTEM - CAB HARNESS (SN 0423 to Present).....	190
FIGURE 7-4. ELECTRICAL SYSTEM - ENGINE HARNESS (Prior to SN 0071)	192
FIGURE 7-5. ELECTRICAL SYSTEM - ENGINE HARNESS (SN 0071 through 5255).....	194
FIGURE 7-6. ELECTRICAL SYSTEM - ENGINE HARNESS (SN 5256 to Present)	196
FIGURE 7-7. LIGHTING SYSTEM (EARLY PRODUCTION)	198
FIGURE 7-8. LIGHTING SYSTEM (CURRENT PRODUCTION).....	200
FIGURE 7-9. ELECTRICAL SYSTEM - HI-LOW SHIFT (5028HT/5028HF)	202
FIGURE 7-10. ELECTRICAL SYSTEM - HI-FLOW AUX.....	204
SECTION 8 - DECALS AND PAINT.....	207
FIGURE 8-1. DECALS AND PAINT.....	208
SECTION 9 - BOOM AND ATTACHMENTS.....	211
FIGURE 9-1. OUTER BOOM	212
FIGURE 9-2. INNER BOOM.....	214
FIGURE 9-3. QUICK ATTACH	216
FIGURE 9-4. CARRIAGE 48IN.....	218
FIGURE 9-5. CARRIAGE 60IN (OPTIONAL)	220
FIGURE 9-6. CARRIAGE 72IN (OPTIONAL)	222
FIGURE 9-7. SIDE TILT CARRIAGE - EARLY PRODUCTION (OPTIONAL)	224
FIGURE 9-8. SIDE TILT CARRIAGE - CURRENT PRODUCTION (OPTIONAL)	226
FIGURE 9-9. SWING CARRIAGE (OPTIONAL).....	228
FIGURE 9-10. SHEET MATERIAL HANDLER (OPTIONAL).....	230
FIGURE 9-11. UTILITY BUCKET (OPTIONAL).....	232
FIGURE 9-12. TRUSS BOOM 12 FT (OPTIONAL)	234
FIGURE 9-13. AUGER DRIVE AND MOUNT (5028 HI-FLOW ONLY).....	236
SECTION 10 - BACK COVER.....	239
FIGURE 10-1. BACK COVER	240
PART NUMBER INDEX	241

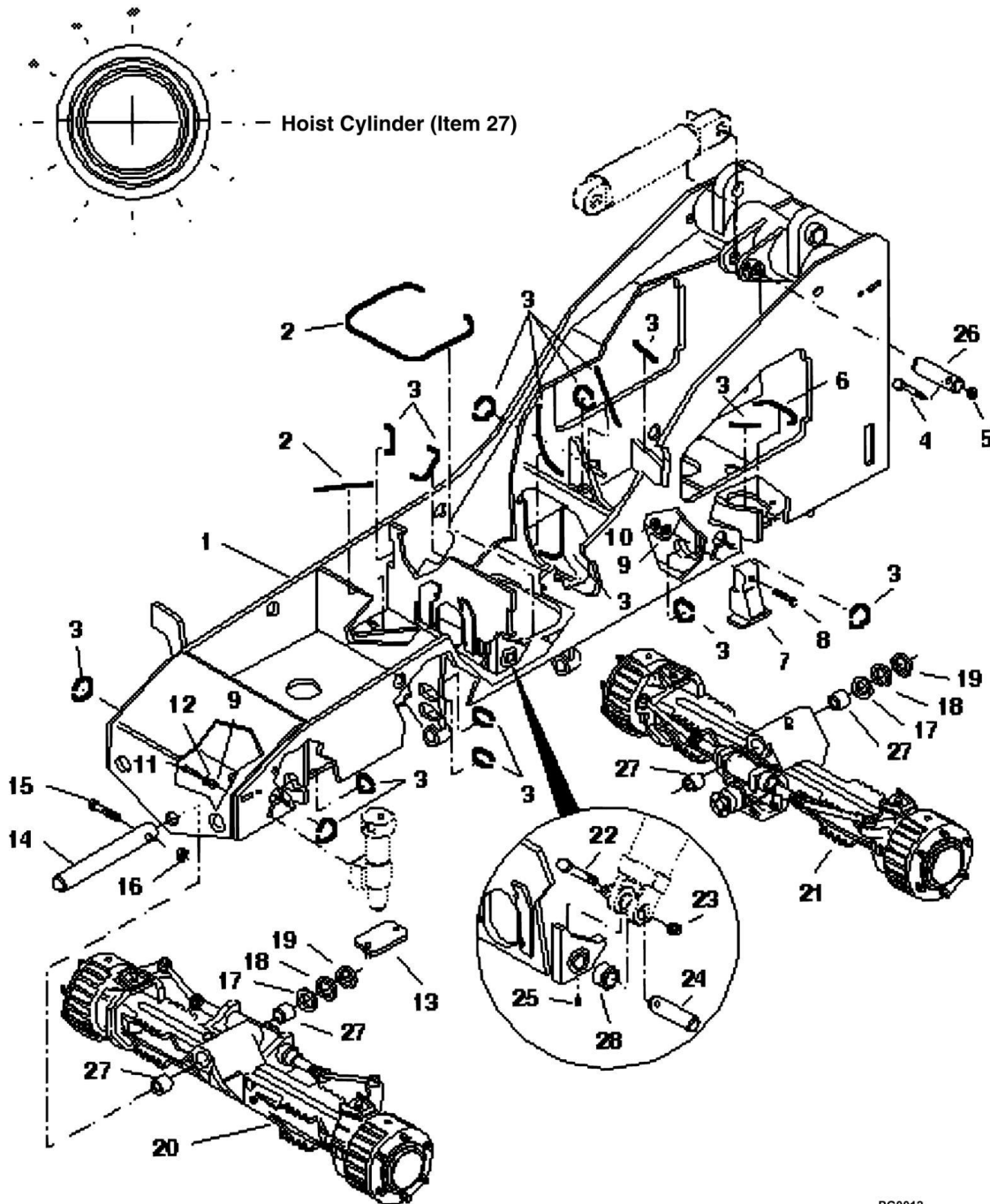
SECTION 1 - MAIN FRAME AND GUARDS

SECTION 1 - MAIN FRAME AND GUARDS

SECTION 1 - MAIN FRAME AND GUARDS

FIGURE 1-1. MAIN FRAME

Locate the fracture in bearing outer race at the clock position shown



PG0012

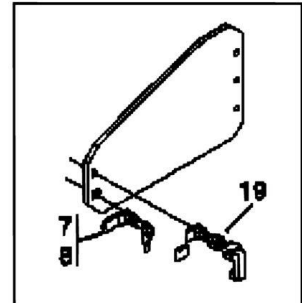
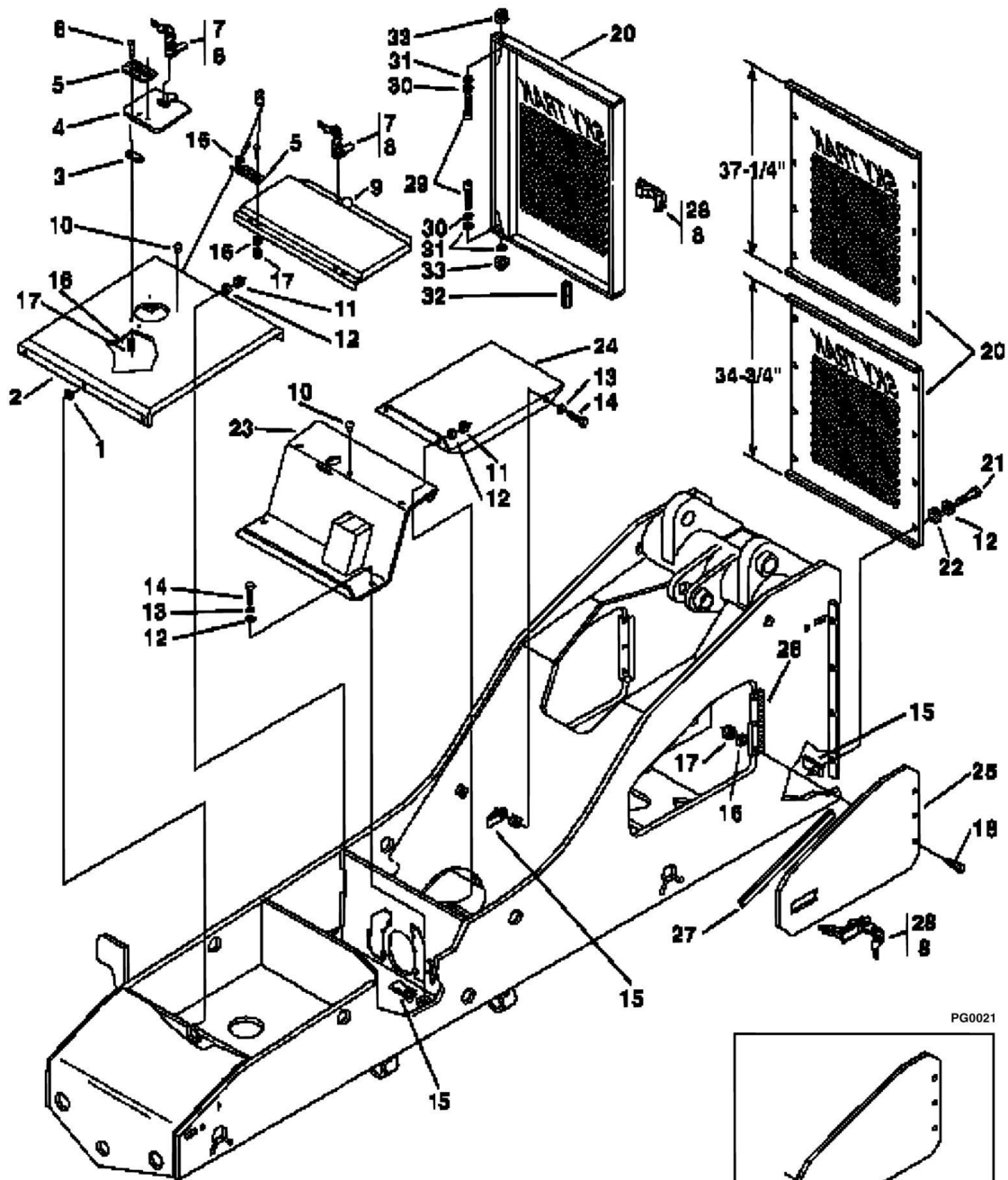
SECTION 1 - MAIN FRAME AND GUARDS

FIGURE 1-1. MAIN FRAME

ITEM	PART NUMBER	QTY	DESCRIPTION	REV
1	CONSULT FACTORY	1	Weldment, Frame	
2	7124331	AR	Conduit, 1/2in DIA x 5ft (Cut to Fit)	
3	6620531	AR	Conduit, 1in DIA x 5ft (Cut to Fit)	
4	8303628	1	HHCS, 1/2-13 x 3-3/4in	
5	8305644	1	Nut, Hex Lock Elastic 1/2-13	
6	7125861	AR	Conduit, 3/4in DIA x 5ft (Cut to Fit)	
7	7097952	2	Stop, Frame	
8	8303640	2	HHCS, 3/4-10 x 3-1/4in	
9	8310111	8	Washer, Flat Hardened .81 x 2 x .12in	
10	8310067	2	Nut, Hex Lock Elastic 3/4-10	
11	8303637	6	HHCS, 3/4-10 x 2-1/4in	
12	8307010	6	Washer, Lock 3/4in	
13	7097972	2	Pad, Axle	
14	7092282	2	Pin, Axle Pivot	
15	8303655	2	HHCS, 5/8-11 x 4-1/2in	
16	8305643	2	Nut, Hex Lock Elastic 5/8-11	
17	8307918	AR	Shim, 10 GA	
18	8310093	AR	Shim, 14 GA	
19	8307904	AR	Shim, 18 GA	
20	8040238	1	Axle, Front	
21	8040236	1	Axle, Rear	
22	8303628	2	HHCS, 1/2-13 x 3-3/4in	
23	8305644	2	Nut, Hex Lock Elastic 1/2-13	
24	7092292	2	Pin, Hoist Pivot	
25	8520013	2	Fitting, Grease 1/8in NPT Straight	
26	7092292	1	Pin, Slave Cylinder (Rod End)	
27	7091332	4	Bushing, Axle Pivot	
28	8065640	2	Bearing, 2in I.D.	

SECTION 1 - MAIN FRAME AND GUARDS

FIGURE 1-2. HOODS AND GUARDS



Cover No Longer Available.
Order Items 25 & 28 Above.

SECTION 1 - MAIN FRAME AND GUARDS

FIGURE 1-2. HOODS AND GUARDS

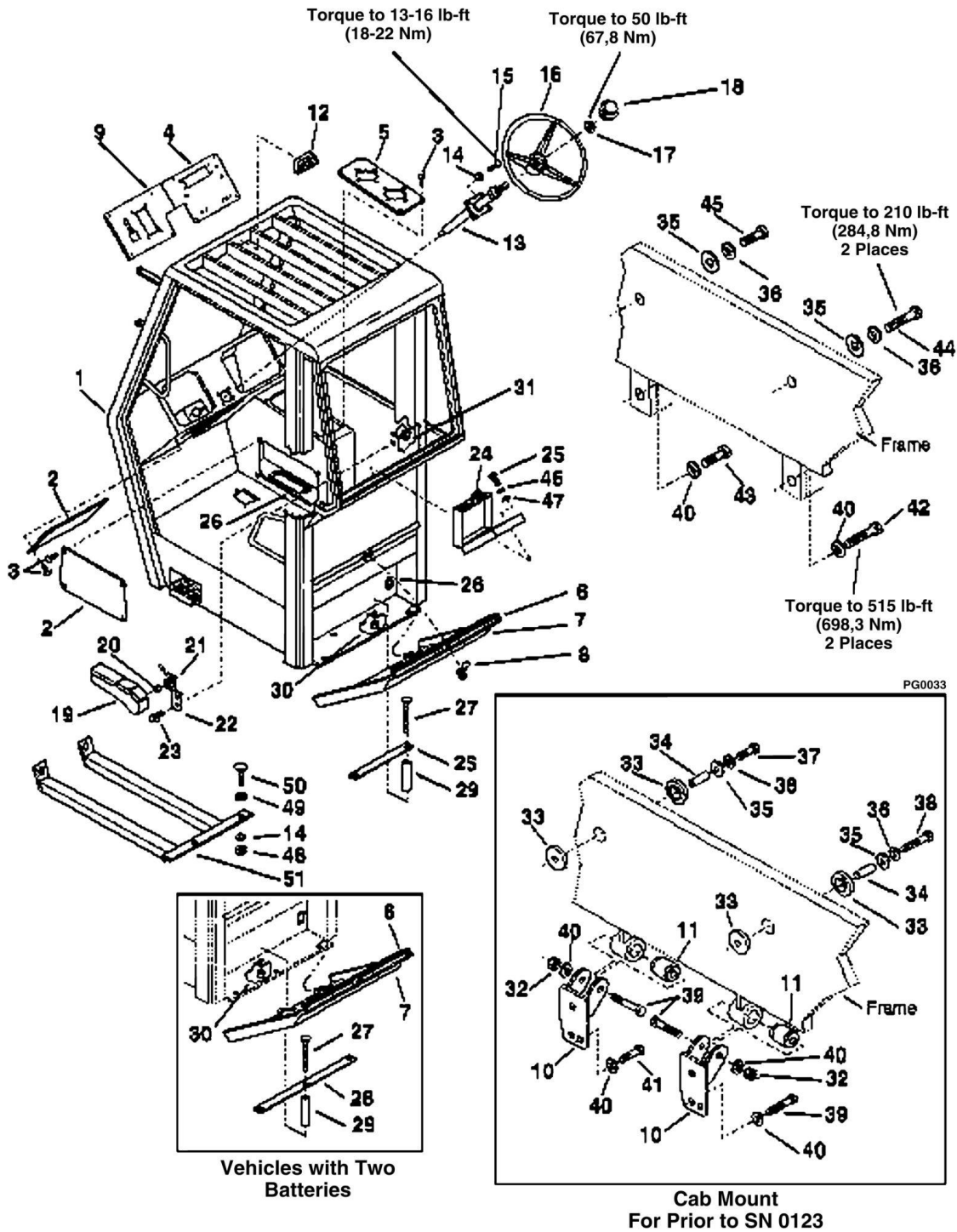
ITEM	PART NUMBER	QTY	DESCRIPTION	REV
1	8580213	3	Grommet	
2	7094963	1	Cover, Fuel Tank	
3	7084821	1	Shim	
4	7084792	1	Door	
5	8344010	3	Hinge	
6	8303034	12	TRHCS, TORX 1/4-20 x 3/4IN	
7	8342807	2	Lock, w/ Keys	
8	8342808	AR	Key Set	
9	7097044	1	Cover, Tool Box	
10	8582413	5	Bumper, Plug	
11	8305626	5	Nut, Hex Lock Elastic 5/16-18	
12	8307203	15	Washer, Flat 5/16in	
13	8307004	4	Washer, Lock 5/16in	
14	8303656	4	HHCS, 5/16-18 x 7/8in	
15	8305906	12	Nut, Retaining 5/16-18	
16	8307002	18	Washer, Lock 1/4in	
17	8305004	14	Nut, Hex 1/4-20	
18	8303729	6	HHCS, 1/4-20 x 5/8in	
19	8342404	2	Latch, Lift-Turn	
20	7094894	1	Cover, Radiator - 34-3/4in (Prior to SN 0062)	
20	7098304	1	Cover, Radiator - 37-1/4in (SN 0062 through 0119)	
20	7112614	1	Cover, Radiator - Hinged (SN 0120 to Present)	
21	8303739	8	HHCS, 5/16-18 x 1-1/4in (Prior to SN 0120)	
22	8580203	8	Grommet (Prior to SN 0120)	
23	7117973	1	Sheet, Tool Box	
24	7097073	1	Cover, Transmission	
25	7094673	2	Cover, Side Access	
26	7094682	2	Hinge, Side Access Cover	
27	8581007	1	Tape, Foam - 80in (Cut to Fit – Four Pieces)	
28	8342416	3	Latch w/Lock and Key	
29	8304660	2	SHCS, 3/8-16 x 3/4IN (SN 0120 to Present)	
30	8307005	2	Washer, Lock 3/8in (SN 0120 to Present)	
31	8307110	AR	Washer, Flat SAE 3/8in (SN 0120 to Present)	
32	5724742	2	Gasket (SN 0120 to Present)	
33	7082311	2	Insert (SN 0120 to Present)	

SECTION 2 - OPERATOR'S CAB AND CONTROLS

SECTION 2 - OPERATOR'S CAB AND CONTROLS

SECTION 2 - OPERATOR'S CAB AND CONTROLS

FIGURE 2-1. OPERATOR'S CAB - OPEN



SECTION 2 - OPERATOR'S CAB AND CONTROLS

FIGURE 2-1. OPERATOR'S CAB - OPEN

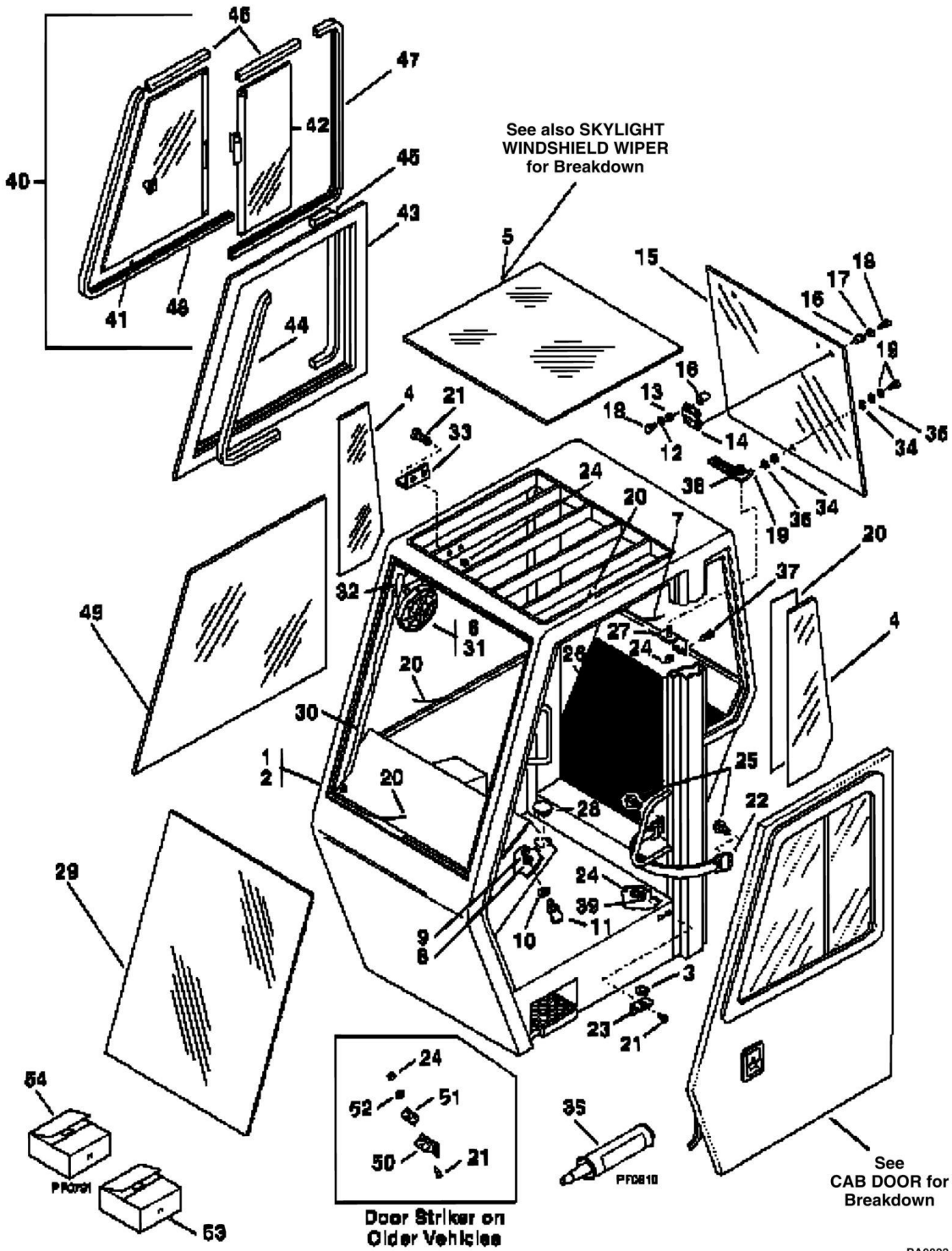
ITEM	PART NUMBER	QTY	DESCRIPTION	REV
1	CONSULT FACTORY	NLA	Cab Assembly, FOPS - (No Longer Available was 7095825) (Prior to SN 0123)	
1	7112102	1	Cab Assembly, FOPS Orange - (Includes Items 2 thru 8) (SN 0123 to Present)	
2	8033050	2	Panel, Lower	
3	8303034	16	THMS, Torx, 1/4-20 x 3/4in	
4	8033052	1	Panel, Right Front Console	
5	8033053	1	Panel, Side Console	
6	8033031	1	Gasketing, Sponge Rubber, 25-1/4in	
7	8033022	1	Cover, Battery	
8	8342807	1	Lock, Cam	
9	7093762	1	Panel, Left Front Console	
10	7093133	2	Bracket, Mounting (Prior to SN 0123)	
11	8580410	2	Mount, Lower (Prior to SN 0123)	
12	8466307	1	Gauge, Tilt Angle	
13	8721023	1	Column, Steering	
14	8307005	8	Washer, Lock 3/8in	
15	8303534	4	FHCS, 3/8-16 x 1-1/4in	
16	8720014	1	Wheel, Steering	
17	8305916	1	Nut, Steering Column	
18	8720015	1	Cap, Steering Wheel	
19	8864038	1	Arm Rest	
20	8065639	1	Bushing, Sleeve	
21	8302147	1	Pin, Roll	
22	7098342	1	Bracket, Arm Rest	
23	8303034	2	THMS, Torx, 1/4-20 x 3/4in	
24	8990147	1	Holder, Manual	
25	8303729	3	HHCS, 1/4-20 x 5/8in	
26	7124331	1	Conduit, 1/2 I.D. x 5ft (Cut to Fit)	
27	8304014	3	Bolt, Carriage 3/8-16 x 9in (Two Battery)	
27	8310344	2	Bolt, Carriage 3/8-16 x 10in (One Battery)	
28	7082971	1	Bar, Battery Hold-Down (Two Battery)	
28	7129261	1	Bar, Battery Hold-Down (One Battery)	
29	7125541	3	Hose	
30	8305645	3	Nut, Lock 3/8-16	
31	8305624	2	Nut, Lock 1/4-20	
32	8305021	2	Nut, 1-8 (Prior to SN 0123)	
33	8580416	4	Mount, Upper (Prior to SN 0123)	
34	7093701	2	Spacer (Prior to SN 0123)	
35	8310111	2	Washer	
36	8307010	2	Washer, Lock 3/4in	
37	8303685	1	HHCS, 3/4-10 x 4in	
38	8303516	1	HHCS, 3/4-10 x 7in (Prior to SN 0123)	
39	8310130	4	HHCS, 1-8 x 5-1/2in (Prior to SN 0123)	
40	8307012	AR	Washer, Lock 1in (Prior to SN 0123)	
41	8310097	2	HHCS, 1-8 x 2in (Prior to SN 0123)	
42	8310050	1	HHCS, 1-8 x 6in (SN 0123 to Present)	
43	8310049	1	HHCS, 1-8 x 2-3/4in (SN 0123 to Present)	
44	8310112	1	HHCS, 3/4-10 x 6in (SN 0123 to Present)	
45	8303638	1	HHCS, 3/4-10 x 2-3/4in (SN 0123 to Present)	

SECTION 2 - OPERATOR'S CAB AND CONTROLS

ITEM	PART NUMBER	QTY	DESCRIPTION	REV
46	8307002	3	Washer, Lock 1/4in	
47	8307109	3	Washer, Flat 1/4in	
48	8305008	4	Nut, Hex 3/8-16	
49	8310070	4	Retainer, 3/8in	
50	8310036	4	Bolt, Carriage 3/8-16 x 1-1/4in	
51	7097233	1	Guard, Bottom (Optional)	

SECTION 2 - OPERATOR'S CAB AND CONTROLS

FIGURE 2-2. OPERATOR'S CAB - CLOSED (OPTIONAL)



SECTION 2 - OPERATOR'S CAB AND CONTROLS

FIGURE 2-2. OPERATOR'S CAB - CLOSED (OPTIONAL)

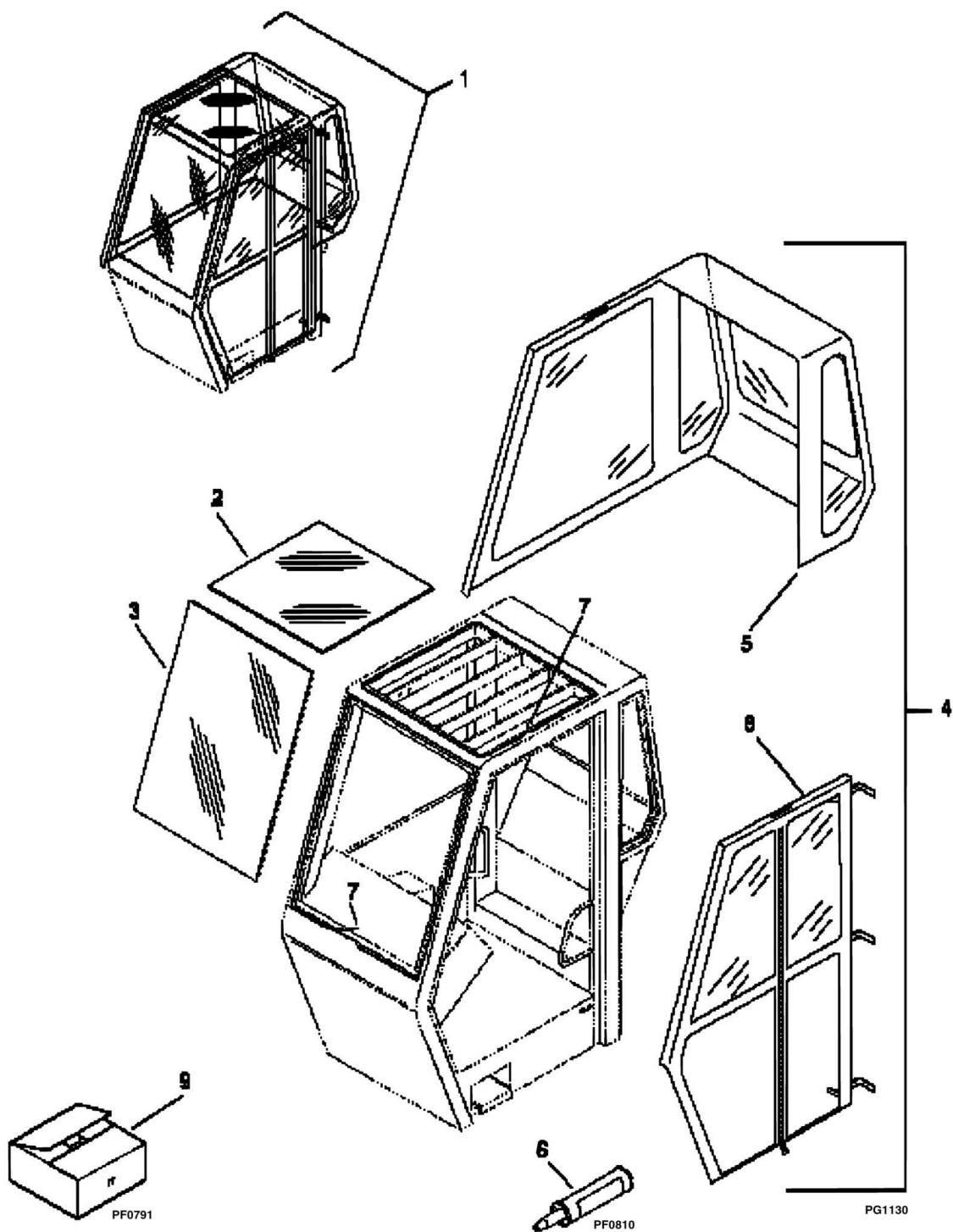
ITEM	PART NUMBER	QTY	DESCRIPTION	REV
1		Ref	Cab Assembly – Open (See OPERATOR'S CAB - OPEN for Breakdown)	
2	7099324	1	Cab, Enclosed (Includes Items 3 thru 48 on This Page and All Parts Listed on OPERATOR'S CAB - OPEN)	
3	8307207	1	Washer, Flat 5/8in	
4	8033079	2	Window, Skylight	
5	8033081	1	Window, Skylight	
6	8033092	4	Screw, Socket Hd #10-24 x 3/4in	
7	8033072	1	Seal, Rubber 120in	
8	8307113	1	Washer, Flat 7/16in	
9	8305647	1	Nut, Hex Lock 7/16-14	
10	8307206	AR	Washer, Flat 1/2in	
11	8346010	1	Bolt, Striker	
12	8307003	4	Washer, Lock #10	
13	8307201	4	Washer, Flat 3/16in	
14	8033085	2	Hinge, Spring	
15	8033084	1	Window, Rear	
16	8033086	8	Nut, Well	
17	8033087	4	Washer, Nylon	
18	8033088	8	Screw, Phillips Hd #10-32 x 3/4in	
19	8033044	1	Window Hold Slide Assembly, w/Hardware	
20	8585135	3	Tape, Butyl, 1/4in Square x 15ft Roll (See Kits)	
21	8303540	4	HHCS, 1/4-20 x 1in	
22	8342413	1	Strap	
23	8033090	1	Bracket, Door Mounting	
24	8305601	6	Nut, Hex Lock 1/4-20	
25	8303982	4	Screw, Self Tapping 1/4-20 x 3/4in	
26	8346011	1	Panel, Rear Foam	
27	8585138	1	Weldment, Latch Bracket	
28	8580315	1	Plug, Hole	
29	8033479	1	Window, Front	
30	8033076	1	Wire Assembly, Fan	
31	8033078	1	Fan, Defroster	
32	8033077	2	Connector, Wire	
33	8033094	1	Bracket, Fan	
34	8585139	2	Washer, Flat Plastic 3/8in	
35	8307204	2	Washer, Flat 3/8in	
36	8580115	1	Knob	
37	8303776	2	HHCS, 1/4-20 x 1/2in	
38	8585134	AR	Sealant, Urethane, 10 oz. Cartridge (See Kits)	
39	8307002	2	Washer, Lock 1/4in	
40	8346009	1	Window, Right Side Sliding (Includes Items 41 thru 48)	
41	8033833	1	Glass Assembly, Front	
42	8033834	1	Glass Assembly, Rear	
43	8033835	1	Frame Assembly	
44	8033836	1	Trim Stop, Front	
45	8033837	1	Trim Stop, Rear	
46	8033839	2	Rubber, Flkd	
47	8033839	1	Rubber, Flkd	
48	8033840	1	Rubber, Flkd	

SECTION 2 - OPERATOR'S CAB AND CONTROLS

ITEM	PART NUMBER	QTY	DESCRIPTION	REV
49	8033082	1	Window, Right Side (Optional)	
50	8585141	1	Striker, Door (Older Vehicles Only)	
51	8585142	1	Shim, Door Striker (Older Vehicles Only)	
52	8307109	3	Washer, Flat 1/4in (Older Vehicles Only)	
		Ref	KITS	
53	8585133	1	Window Glue Kit (Includes Items 20, 38, Four Setting Blocks and One Set of Installation Instructions)	
54	7111332	1	Door Strap Kit (For Gas Spring Replacement on Older Vehicles); (Includes Items 22 & 25)	

SECTION 2 - OPERATOR'S CAB AND CONTROLS

FIGURE 2-3. SOFT CAB ENCLOSURE (OPTIONAL)



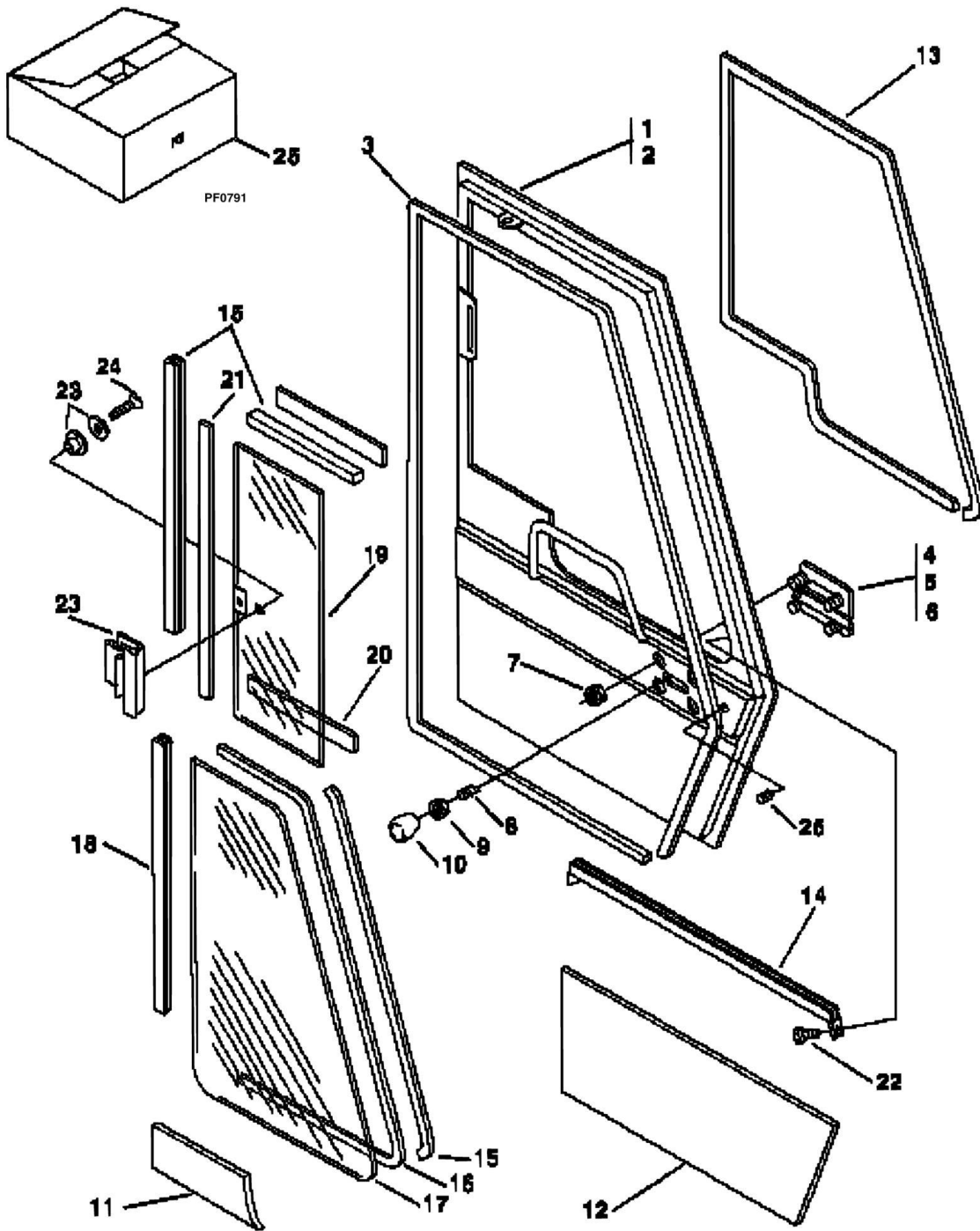
SECTION 2 - OPERATOR'S CAB AND CONTROLS

FIGURE 2-3. SOFT CAB ENCLOSURE (OPTIONAL)

ITEM	PART NUMBER	QTY	DESCRIPTION	REV
1	7131903	1	Soft Cab Enclosure Kit (Includes Items 2 thru 8 Plus Installation Instructions)	
2	8033081	1	Glass - Skylight	
3	8033479	1	Glass - Front	
4	8866525	1	Soft Side Enclosure (Includes Items 5 & 6 Plus Two 20ft Rolls of Hook Strip Material)	
5	8866526	1	Rear Window Section	
6	8866527	1	Door Section	
7	8585135	3	Tape, Butyl, 1/4in Square x 15ft Roll (For Service, Order Window Glue Kit, Item 9)	
8	8585134	AR	Sealant, Urethane, 10 oz Cartridge (For Service, Order Window Glue Kit, Item 9)	
		Ref	KITS	
9	8585133	1	Window Glue Kit (Includes Items 7 & 8, Four Setting Blocks and One Set of Installation Instructions)	

SECTION 2 - OPERATOR'S CAB AND CONTROLS

FIGURE 2-4. CAB DOOR (EARLY PRODUCTION)



PA0052

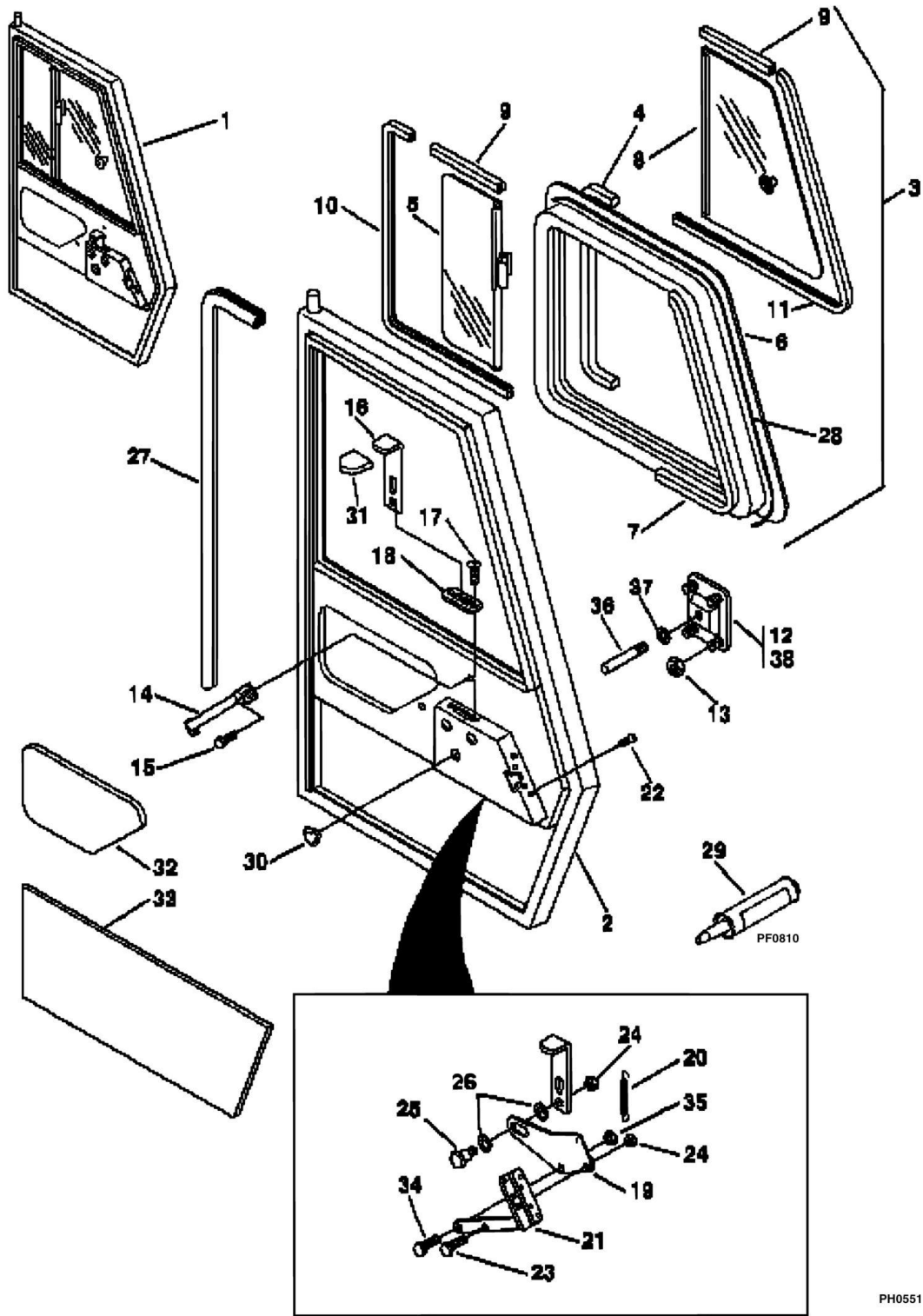
SECTION 2 - OPERATOR'S CAB AND CONTROLS

FIGURE 2-4. CAB DOOR (EARLY PRODUCTION)

ITEM	PART NUMBER	QTY	DESCRIPTION	REV
	See Kits	1	Door Assembly (Includes Items 2 thru 25)	
2	8033011	1	Door	
3	8033023	1	Seal, Rubber, Door 200in	
4	8342405	1	Latch, Paddle	
5	NLA	NLA	Tumbler, Paddle Latch, (no longer available, order 8342405 paddle latch)	
6	8342808	1	Key (Not Shown)	
7	8305004	4	Nut, Hex 1/4-20	
8	8033026	1	Rod, Threaded 3/8-16 x 1.88	
9	8305008	1	Nut, Hex 3/8-16	
10	8033019	1	Knob, Latch	
11	8033029	1	Soundproofing, Upper Door	
12	8033030	1	Soundproofing, Lower Door	
13	8033020	1	Trim, Rubber 144in	
14	8033013	1	Track, Side Window	
15	8033024	1	Channel, Window 120in (Cut to Length)	
16	8033032	1	Sponge Rubber, Adhesive Backed 80in	
17	8033014	1	Window, Door	
18	8033016	1	Channel, Wiper 31in	
19	8033015	1	Window, Sliding	
20	8033033	2	Spacer, Plastic	
21	8033028	1	Spacer, Plastic 29in	
22	8303835	1	Screw, #10-24 x 1/2in	
23	8033018	1	Latch Assembly (Includes Grommet and Washer)	
24	8033035	1	Screw, Self Tapping #8-32 x 1/2in	
25	8033047	1	Bumper, Rubber	
		Ref	KITS	
26	7111932	1	Kit, Door Replacement - for Item 1 (Includes Door Assembly, Strap Assembly, Striker Bolt and hardware)	

SECTION 2 - OPERATOR'S CAB AND CONTROLS

FIGURE 2-5. CAB DOOR (CURRENT PRODUCTION)



PH0551

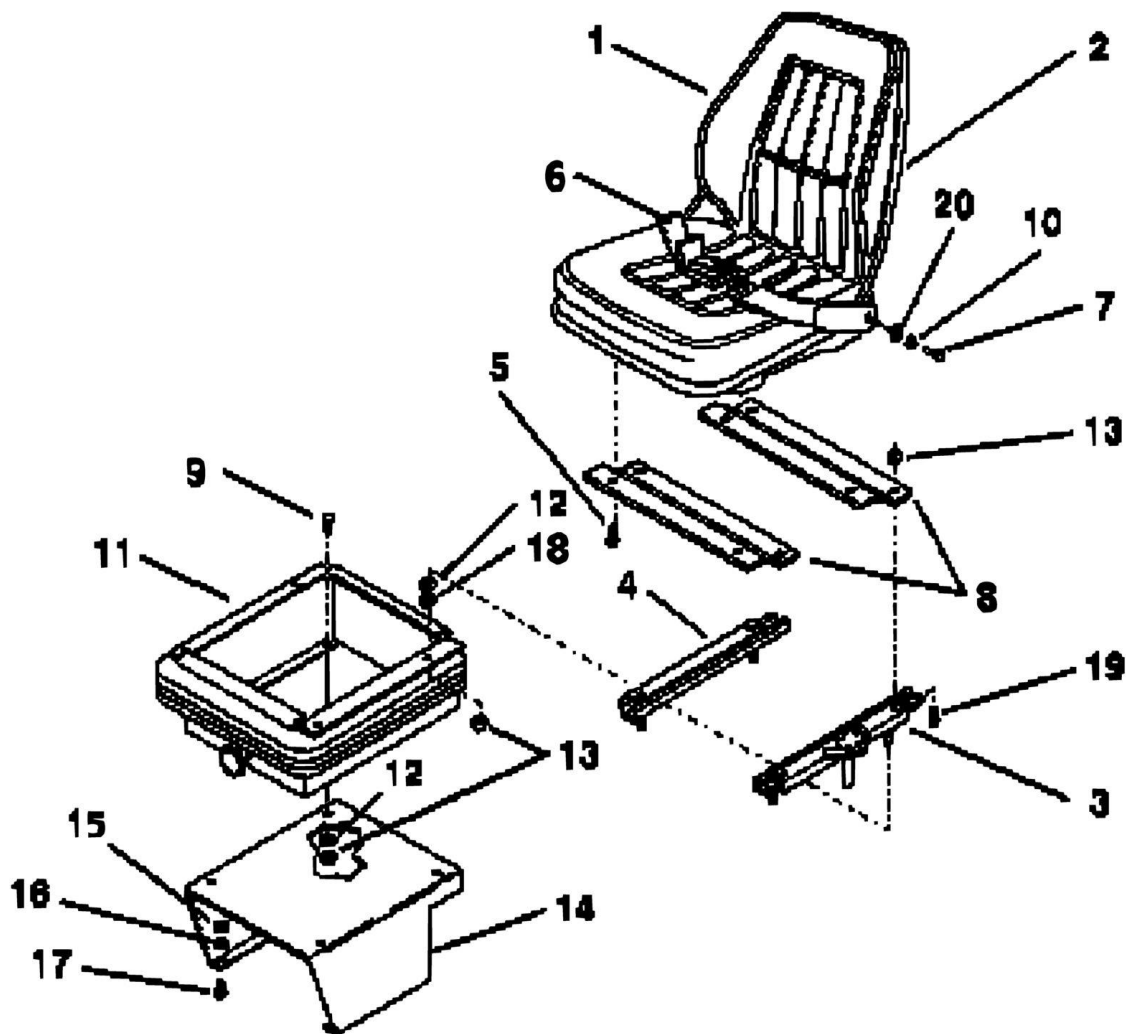
SECTION 2 - OPERATOR'S CAB AND CONTROLS

FIGURE 2-5. CAB DOOR (CURRENT PRODUCTION)

ITEM	PART NUMBER	QTY	DESCRIPTION	REV
1	8346008	1	Door Assembly, Orange (Includes Items 2 thru 38)	
2	8033844	1	Door Weldment	
3	8033845	1	Sliding Window Assembly (Includes Items 4 thru 11)	
4	8033843	1	Glass Assembly, Front	
5	8033842	1	Glass Assembly, Rear	
6	8033841	1	Frame Assembly	
7	8034544	1	Trim Stop, Front	
8	8034545	1	Trim Stop, Rear	
9	8034546	2	Rubber, Flkd	
10	8034547	1	Rubber, Flkd	
11	8034548	1	Rubber, Flkd	
12	8033846	1	Latch, Paddle	
13	8033847	4	Nut, Hex Lock 1/4-20	
14	8033848	1	Grab Handle	
15	8033849	1	Screw, Self Tapping 1/4 x 3/4in	
16	8033850	1	Door Release	
17	8033851	1	Screw, Self Tapping 1/4 x 1/2in	
18	8033852	1	Bezel	
19	8033853	1	Latch Trip	
20	8033854	1	Spring	
21	8033855	1	Cam Latch, R.H.	
22	8033856	4	Bolt, 1/4-20 x 3/4in	
23	8033857	1	Bolt, Hex Hd 5/16-18 x 3/4in	
24	8033858	2	Nut, Hex Lock 5/16-18	
25	8033859	1	Shoulder Bolt	
26	8033860	2	Washer, Nylon	
27	8033861	1	Seal, Rubber 17ft	
28	8585135	1	Tape, Butyl, 1/4in Square x 15ft Roll	
29	8585134	1	Sealant, Urethane, 10 oz Cartridge	
30	8033862	3	Plug, Hole	
31	8033863	1	Rubber Grip	
32	8033864	1	Vinyl, Upper Door	
33	8033865	1	Vinyl, Lower Door	
34	8033866	1	Bolt, Hex Hd 3/8-16 x 3/4in	
35	8033867	1	Nut, Hex Lock 3/8-16	
36	8033868	1	Bolt, Striker	
37	8033869	1	Washer, Lock 3/8in	
38	8342808	1	Key Set (Not Shown)	

SECTION 2 - OPERATOR'S CAB AND CONTROLS

FIGURE 2-6. OPERATOR'S SEAT



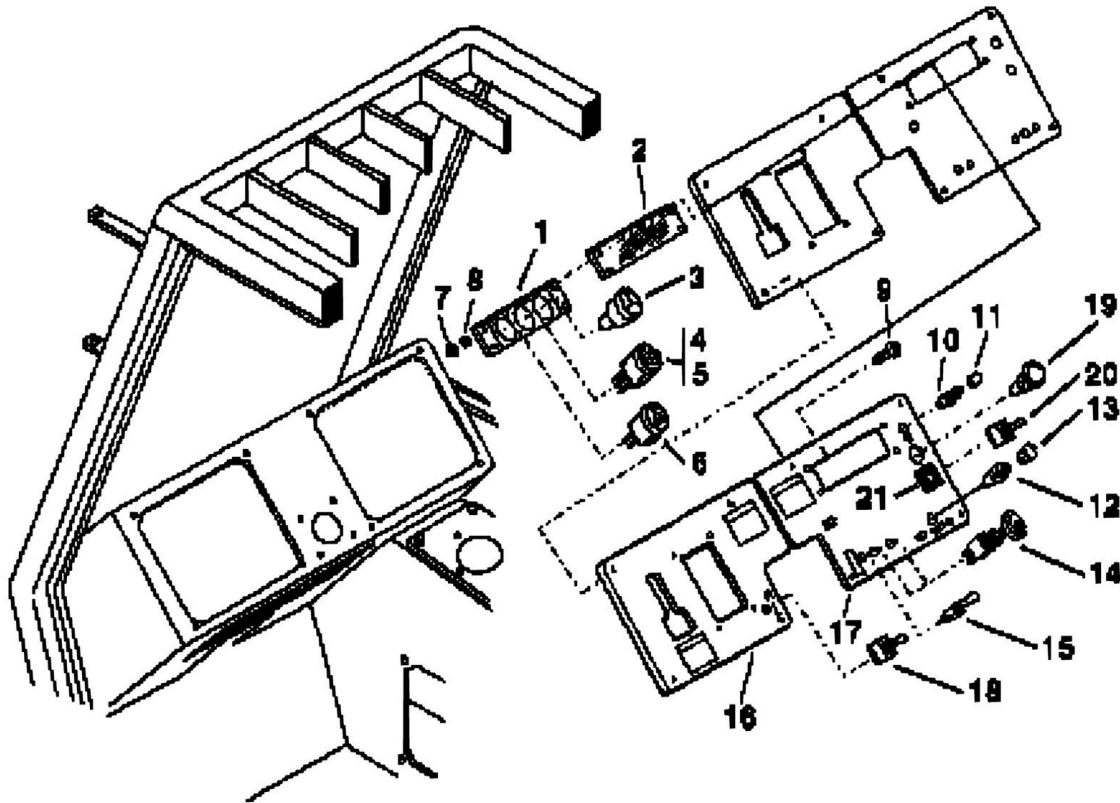
SECTION 2 - OPERATOR'S CAB AND CONTROLS

FIGURE 2-6. OPERATOR'S SEAT

ITEM	PART NUMBER	QTY	DESCRIPTION	REV
1	8864037	1	Seat Assembly - Vinyl (Includes Items 2 thru 5)	
1	8864044	1	Seat Assembly - Cloth 2 Piece (Includes Items 2 thru 5)	
2	8864041	1	Cushion, Seat - Vinyl 1 Piece	
2	8864045	1	Cushion, Seat - Cloth	
2	8864046	1	Seat Back - Cloth	
3	8864039	1	Slide, w/Handle	
4	8864040	1	Slide, w/o Handle	
5	N.S.S.	4	Screw	
6	8864043	1	Belt, Seat	
7	8303604	2	HHCS, 7/16-20 x 1-1/4in	
8	7090751	2	Mount, Seat	
9	8303697	4	HHCS, 5/16-18 x 3/4in	
10	8307006	2	Washer, Lock 7/16in	
11	8864036	1	Suspension	
12	8307106	8	Washer, Flat 5/16in	
13	8305626	12	Nut, Hex Lock Elastic 5/16-18	
14	7083963	1	Support, Suspension	
15	8305008	4	Nut, Hex 3/8-16	
16	8307005	4	Washer, Lock 3/8in	
17	8303534	4	FLHDCS 3/8-16 x 1-1/4in	
18	8305006	4	Nut, Hex 5/16-18	
19	8303745	4	HHCS 5/16-18 x 5/8	
20	8307113	2	Washer, Flat 7/16	

SECTION 2 - OPERATOR'S CAB AND CONTROLS

FIGURE 2-7. CONTROL CONSOLE



PG0691

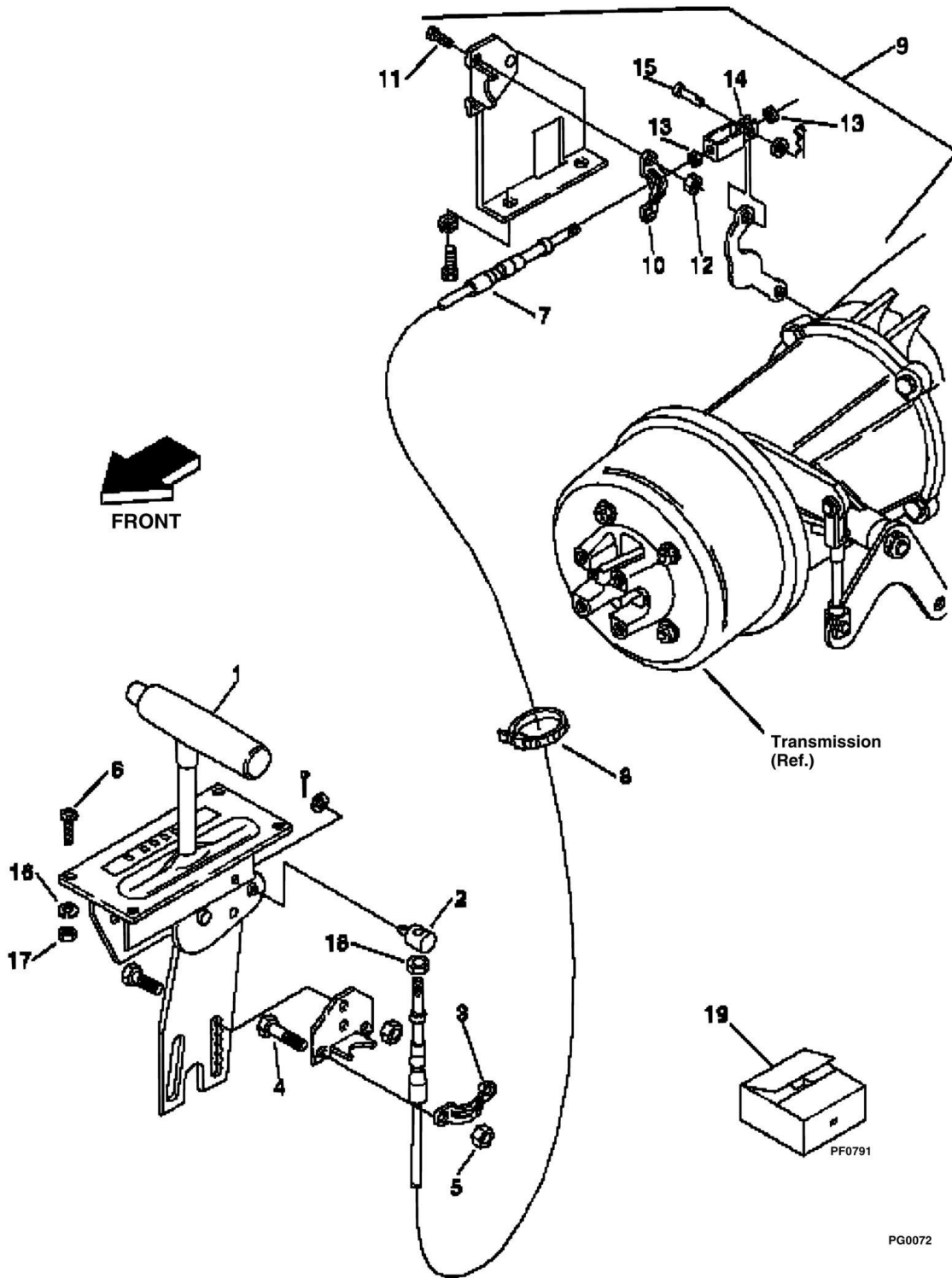
SECTION 2 - OPERATOR'S CAB AND CONTROLS

FIGURE 2-7. CONTROL CONSOLE

ITEM	PART NUMBER	QTY	DESCRIPTION	REV
1	7084902	1	Plate, Gauge Mounting	
2	7082292	1	Cover	
3	8464212	1	Gauge, Fuel	
4	8466305	1	Gauge, Warning Lights (Includes Item 5)	
5	8469030	4	Bulb (Not Shown)	
6	8467014	1	Hourmeter	
7	8305004	4	Nut, Hex 1/4-20	
8	8307002	4	Washer, Lock 1/4in	
9	8303034	4	TRHCS, Torx 1/4-20 x 3/4in	
10	8223442	1	Switch Test	
11	8580312	1	Cap, Seal	
12	8223405	1	Button, Horn	
13	8580311	1	Cap, Seal	
14	8033201	2	Switch, Washer/Wiper (Optional Front Wiper, Skylight Wiper)	
15	8223220	1	Switch, Steer Select	
16	7117942	1	Overlay, Left Console - Domestic	
17	7099332	1	Overlay, Right Console - Domestic	
18	8223444	1	Switch, Hi-Low Selector (5028HT Only)	
19	8469037	1	Light, HI-FLOW Indicator - Green (HI-FLOW Option Only)	
20	8223010	1	Switch, HI-FLOW On-Off (HI-FLOW Option Only)	
21	4109351	1	Decal, HI-FLOW (HI-FLOW Option Only)	

SECTION 2 - OPERATOR'S CAB AND CONTROLS

FIGURE 2-8. TRANSMISSION SHIFT CONTROL (5028 STANDARD ONLY)



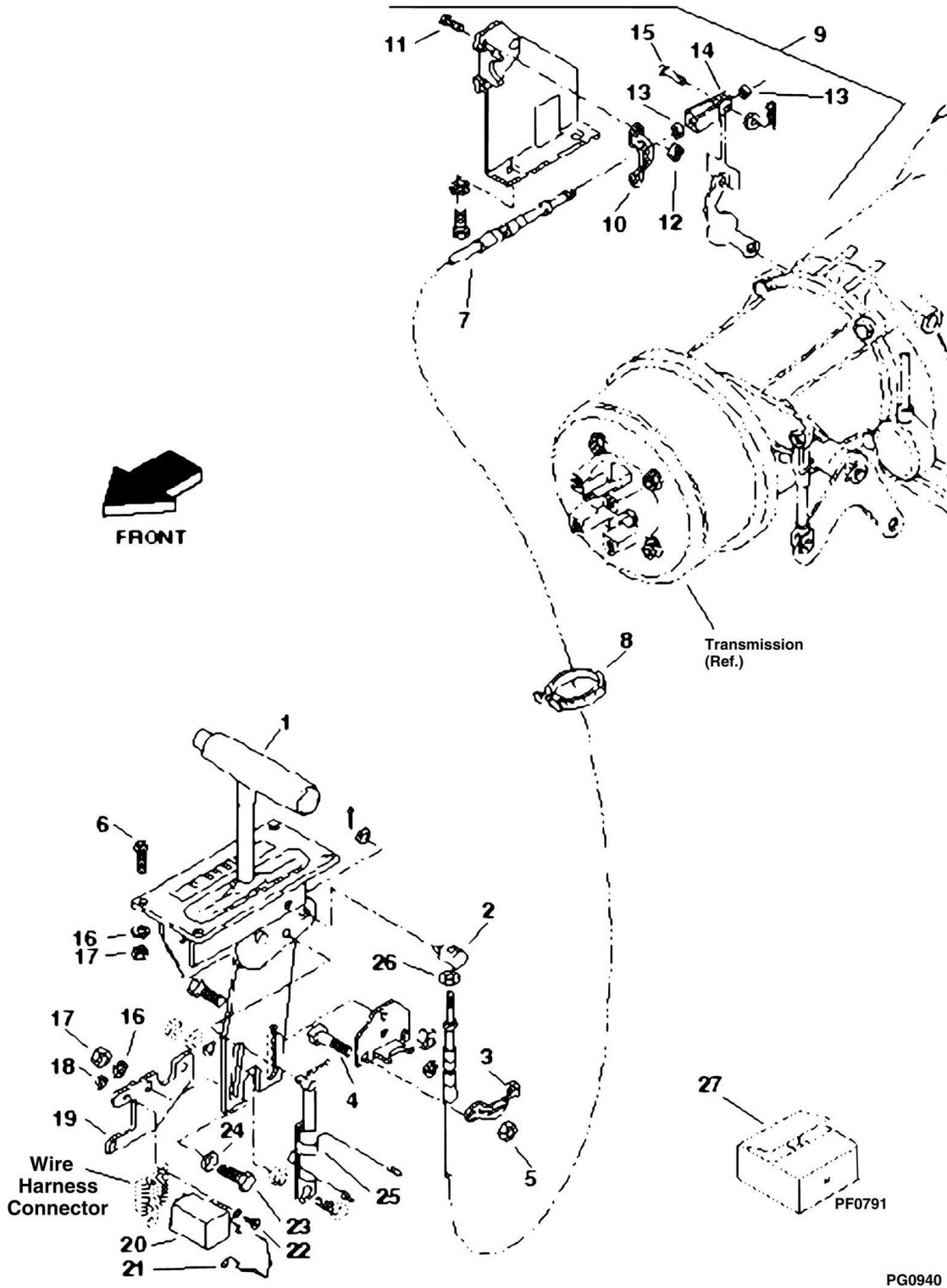
SECTION 2 - OPERATOR'S CAB AND CONTROLS

FIGURE 2-8. TRANSMISSION SHIFT CONTROL (5028 STANDARD ONLY)

ITEM	PART NUMBER	QTY	DESCRIPTION	REV
1	8162210	1	Control, Transmission Shift (Includes Items 2 thru 6, Plus All Other Parts Not Identified with an Item Number)	
2	8033242	1	Swivel	
3	8033241	1	Clamp	
4	8303540	1	HHCS, 1/4-20 x 1in	
5	8305601	1	Nut, Lock 1/4-20	
6	8303034	4	THMS, Torx, 1/4-20 x 3/4in	
7	8160065	1	Cable, Control	
8	8584001	1	Tie, Cable	
9	8162209	1	Kit, Transmission Connector (Includes Items 10 thru 15, Plus All Other Parts Not Identified with an Item Number)	
10	8033241	1	Clamp	
11	8303540	1	HHCS, 1/4-20 x 1in	
12	8305601	1	Nut, Lock 1/4-20	
13	8305402	2	Nut, Jam 1/4-28 NF	
14	8033497	1	Clevis	
15	8033496	1	Pin, Clevis	
16	8307002	4	Washer, Lock 1/4in	
17	8305004	4	Nut, Hex 1/4-20	
18	8305402	1	Nut, Hex Jam 1/4-28	
		Ref	KITS	
19	8035301	1	Shift Indicator Replacement Kit	

SECTION 2 - OPERATOR'S CAB AND CONTROLS

FIGURE 2-9. TRANSMISSION SHIFT CONTROL (5028HT/5028HF)



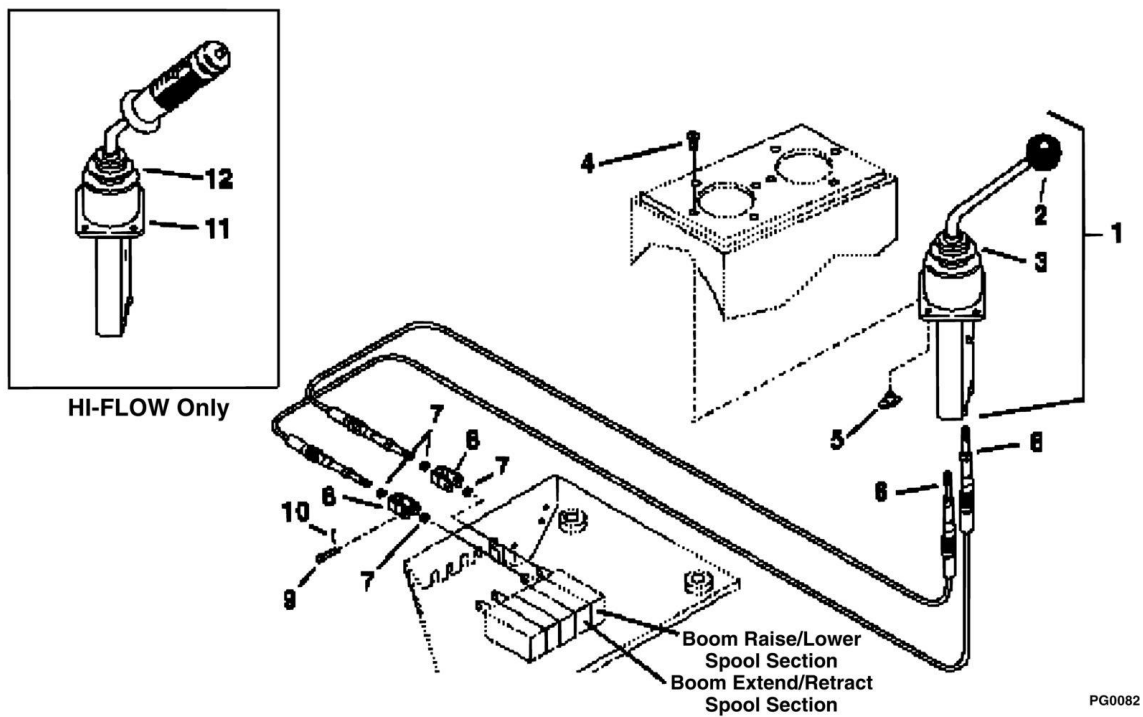
SECTION 2 - OPERATOR'S CAB AND CONTROLS

FIGURE 2-9. TRANSMISSION SHIFT CONTROL (5028HT/5028HF)

ITEM	PART NUMBER	QTY	DESCRIPTION	REV
1	8162210	1	Control, Transmission Shift (Includes Items 2 thru 6, Plus All Other Parts Not Identified with an Item Number)	
2	8033242	1	Swivel	
3	8033241	1	Clamp	
4	8303540	1	HHCS, 1/4-20 x 1in	
5	8305601	1	Nut, Lock 1/4-20	
6	8303034	4	THMS, Torx, 1/4-20 x 3/4in	
7	8160065	1	Cable, Control	
8	8584001	1	Tie, Cable	
9	8162209	1	Kit, Transmission Connector (Includes Items 10 thru 15, Plus All Other Parts Not Identified with an Item Number)	
10	8033241	1	Clamp	
11	8303540	1	HHCS, 1/4-20 x 1in	
12	8305601	1	Nut, Lock 1/4-20	
13	8305402	2	Nut, Jam 1/4-28 NF	
14	8033497	1	Clevis	
15	8033496	1	Pin, Clevis	
16	8307002	6	Washer, Lock 1/4in	
17	8305004	6	Nut, Hex 1/4-20	
18	8305632	2	Nut, Hex Lock Elastic #6-32	
19	7118062	1	Mount, Relay	
20	8225115	1	Relay, Latching	
21	7118072	1	Hold Down, Relay	
22	8303983	2	Screw, Slotted Pan Hd #6-32 x 1/2in	
23	8310026	2	HHCS, 1/4-20 x 3/4in	
24	8307109	2	Washer, Flat SAE 1/4in	
25	8160622	1	Switch, Park w/Mounting Hardware	
26	8305402	1	Nut, Hex Jam 1/4-28	
		Ref	KITS	
27	8035301	1	Shift Indicator Replacement Kit	

SECTION 2 - OPERATOR'S CAB AND CONTROLS

FIGURE 2-10. BOOM RAISE/LOWER AND EXTEND/RETRACT CONTROL



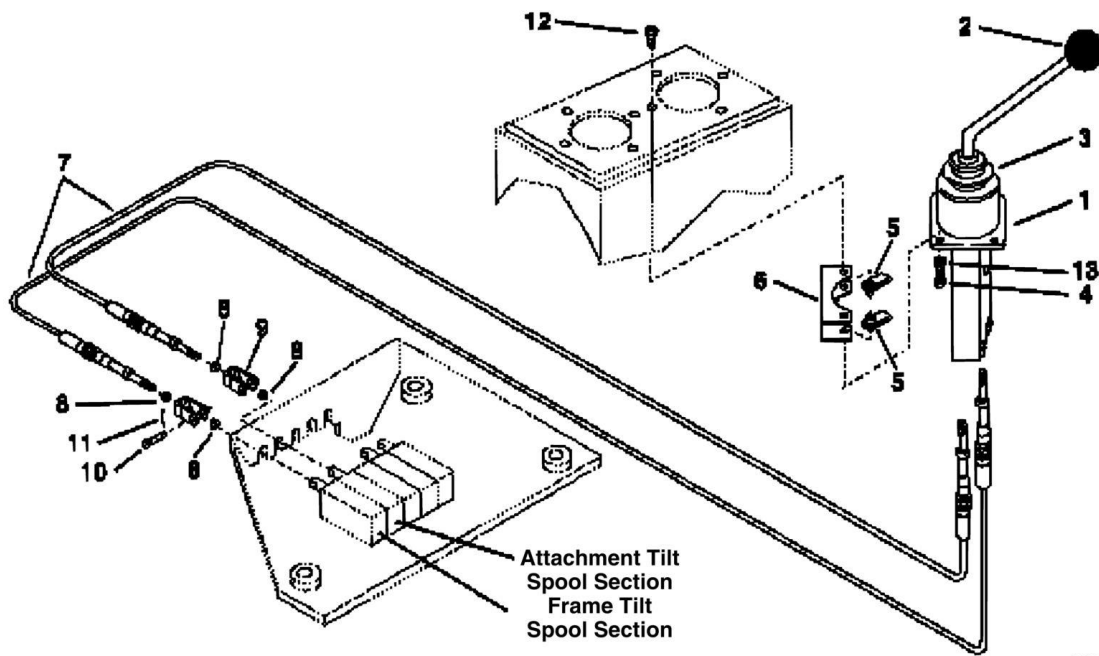
SECTION 2 - OPERATOR'S CAB AND CONTROLS

FIGURE 2-10. BOOM RAISE/LOWER AND EXTEND/RETRACT CONTROL

ITEM	PART NUMBER	QTY	DESCRIPTION	REV
1	8224025	1	Joystick (Includes Items 2 & 3)	
2	8580110	1	Knob	
3	8160419	1	Boot	
4	8310143	4	TRHS, Torx #10-24 x 3/4in	
5	8310144	4	Nut, Prop Tee #10-24	
6	8160066	2	Cable, Control	
7	8305005	4	Nut, Hex 1/4-28	
8	8160617	2	Clevis, Cable	
9	8301443	2	Pin, Clevis 3/16 x 1in	
10	8302470	2	Pin, Hair 1/16in	
11	8224033	1	Joystick (HI-FLOW Option Only) - (Includes Item 12)	
12	8160419	1	Boot	

SECTION 2 - OPERATOR'S CAB AND CONTROLS

FIGURE 2-11. FRAME LEVER AND ATTACHMENT TILT CONTROL



PG0092

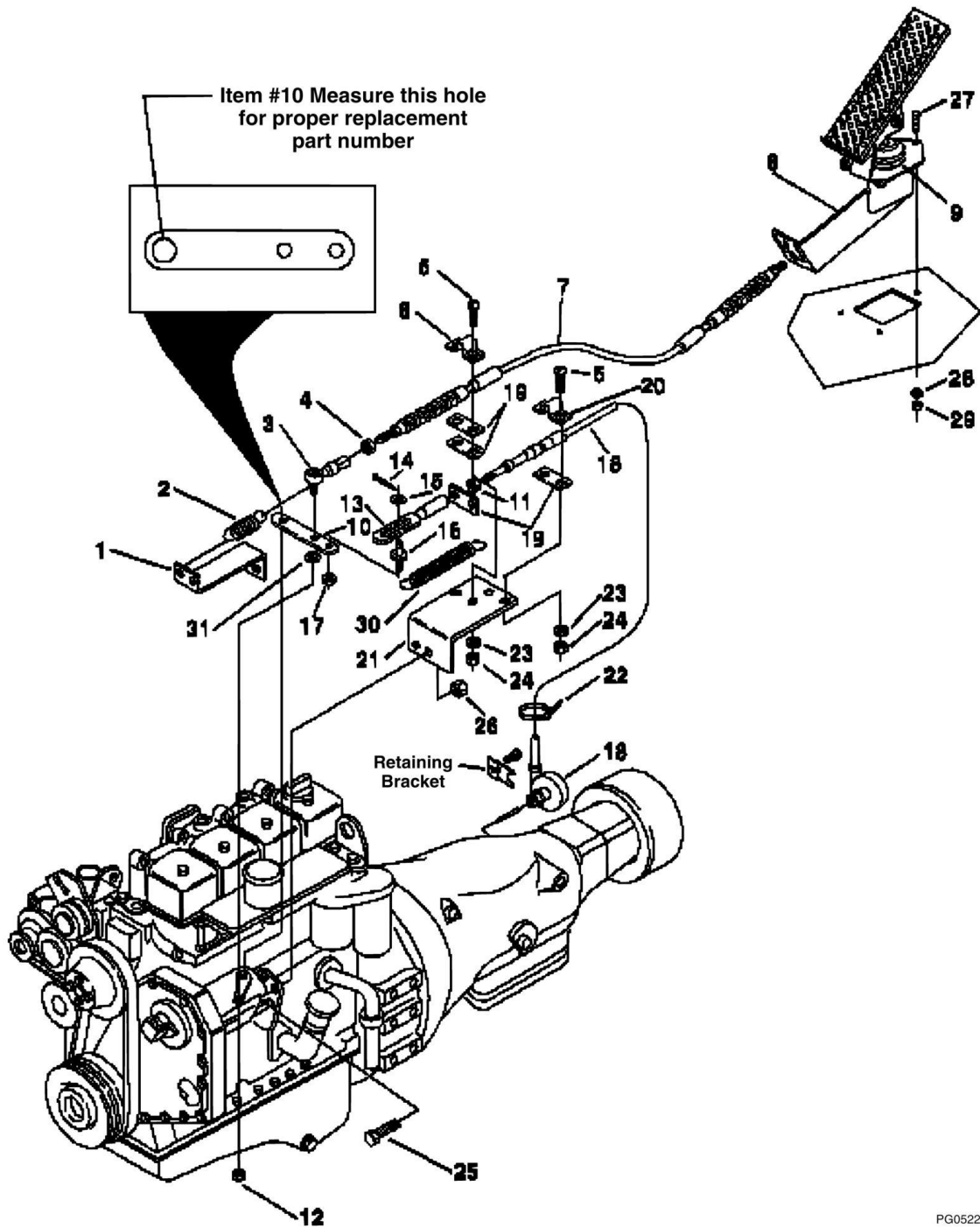
SECTION 2 - OPERATOR'S CAB AND CONTROLS

FIGURE 2-11. FRAME LEVER AND ATTACHMENT TILT CONTROL

ITEM	PART NUMBER	QTY	DESCRIPTION	REV
1	8224026	1	Joystick, w/Gate (Includes Items 2 & 3)	
2	8580110	1	Knob	
3	8160419	1	Boot	
4	8303540	4	HHCS, 1/4-20 x 1in	
5	8310001	8	Nut, Retainer 1/4-20	
6	7098142	2	Spacer	
7	8160060	2	Cable, Control	
8	8305005	4	Nut, Hex 1/4-28	
9	8160617	2	Clevis, Cable	
10	8301443	2	Pin, Clevis 3/16 x 1in	
11	8302470	2	Pin, Hair 1/16in	
12	8303034	4	TRHCS, Torx 1/4-20 x 3/4in	
13	8307109	4	Washer, Flat 1/4in	

SECTION 2 - OPERATOR'S CAB AND CONTROLS

FIGURE 2-12. THROTTLE PEDAL CONTROL AND MODULATOR (PRE-EPA) (Prior to SN 6152)



PG0522

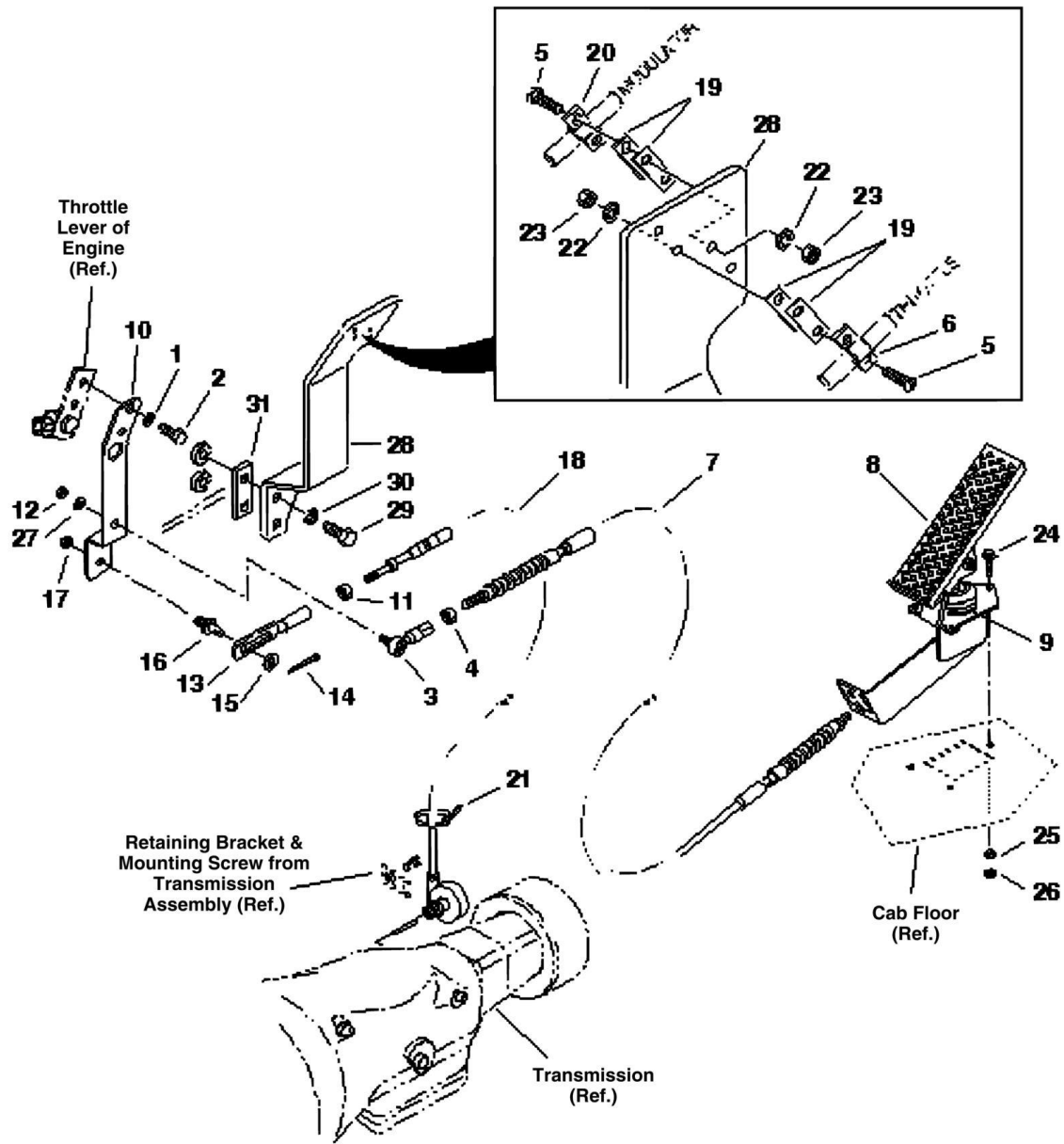
SECTION 2 - OPERATOR'S CAB AND CONTROLS

FIGURE 2-12. THROTTLE PEDAL CONTROL AND MODULATOR (PRE-EPA) (Prior to SN 6152)

ITEM	PART NUMBER	QTY	DESCRIPTION	REV
1	7097882	1	Bracket, Return Spring	
2	8702146	1	Spring, Extension	
3	8340034	1	Joint, Ball	
4	8305402	1	Nut, Jam 1/4-28	
5	8303837	4	Screw, Rd Hd Machine #10-24 x 3/4in	
6	8160610	1	Clamp, Cable	
7	8160068	1	Cable, Throttle	
8	8162211	1	Pedal, Throttle (Includes Item 9)	
9	8033178	1	Bellows, Throttle Pedal	
10	7098031	1	Link, Throttle - .36 DIA Hole	
10	7116761	1	Link, Throttle - .44 DIA Hole	
11	8305003	1	Nut, Hex #10-32	
12	8305650	1	Nut, Hex Lock Elastic 1/4-28	
13	8160619	1	Yoke (Includes Items 14 thru 17)	
14	N.S.S.	1	Cotter Pin	
15	N.S.S.	1	Washer, Flat 1/4in	
16	N.S.S.	1	Stud	
17	N.S.S.	1	Locknut, Hex 1/4-28	
18	8162214	1	Modulator and Cable	
19	8162213	4	Shim	
20	8162004	1	Clamp, Cable	
21	7098022	1	Bracket, Throttle and Modulator Cables	
22	8584001	1	Tie, Cable	
23	8307003	4	Washer, Lock #10	
24	8305002	4	Nut, Hex #10-24	
25	8310026	2	HHCS, 1/4-20 x 3/4in	
26	8305624	2	Nut, Hex Lock Elastic 1/4-20	
27	8303615	3	HHCS, 1/4-20 x 1-1/4in	
28	8307002	3	Washer, Lock 1/4in	
29	8305004	3	Nut, Hex 1/4-20	
30	8702150	1	Spring, Extension	
31	8307202	1	Washer, Flat 1/4in	

SECTION 2 - OPERATOR'S CAB AND CONTROLS

FIGURE 2-13. THROTTLE PEDAL CONTROL AND MODULATOR (EPA) (SN 6152 to Present)



PG0523

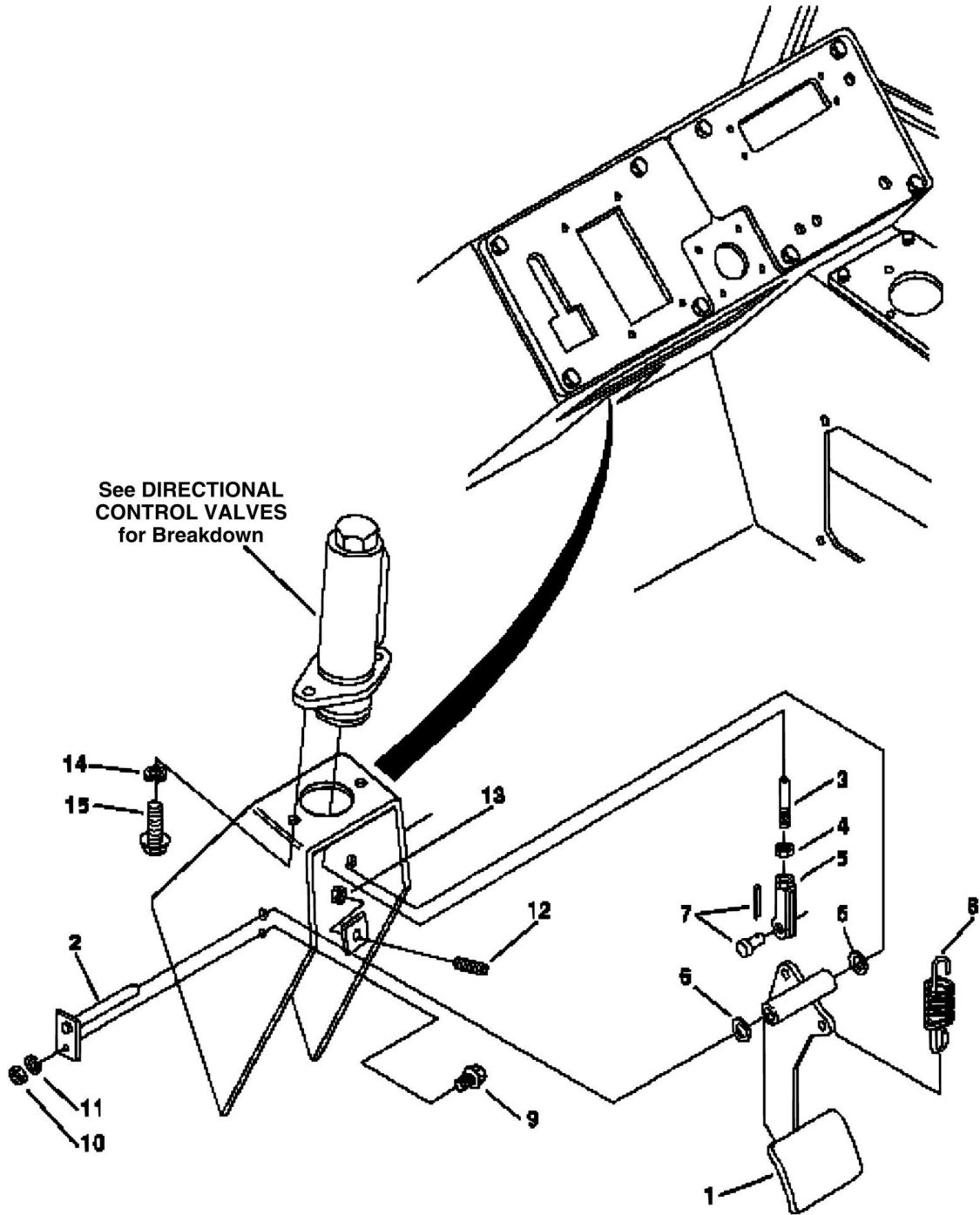
SECTION 2 - OPERATOR'S CAB AND CONTROLS

FIGURE 2-13. THROTTLE PEDAL CONTROL AND MODULATOR (EPA) (SN 6152 to Present)

ITEM	PART NUMBER	QTY	DESCRIPTION	REV
1	8303799	2	HHCS, M6	
2	8307024	2	Washer, Lock M6	
3	8340034	1	Joint, Ball	
4	8305402	1	Nut, Jam 1/4-28	
5	8303837	4	Screw, Rd Hd Machine #10-24 x 3/4in	
6	8160610	1	Clamp, Cable	
7	8160068	1	Cable, Throttle	
8	8162211	1	Pedal, Throttle Control (Includes Item 9)	
9	8033178	1	Bellows, Throttle Pedal	
10	7131022	1	Extension, Throttle	
11	8305003	1	Nut, Hex #10-32	
12	8305650	1	Nut, Hex Lock Elastic 1/4-28	
13	8160619	1	Yoke (Includes Items 14 thru 17)	
14	N.S.S.	1	Pin, Cotter	
15	N.S.S.	1	Washer, Flat 1/4in	
16	N.S.S.	1	Stud	
17	N.S.S.	1	Nut, Hex 1/4-28	
18	8162214	1	Modulator and Cable	
19	8162213	4	Shim	
20	8162004	1	Clamp, Cable	
21	8584001	1	Tie, Cable	
22	8307003	4	Washer, Lock #10	
23	8305002	4	Nut, Hex #10-24	
24	8303742	3	FLHDCS, 1/4-20 x 1-1/4in	
25	8307002	3	Washer, Lock 1/4in	
26	8305004	3	Nut, Hex 1/4-20	
27	8307202	1	Washer, Flat 1/4in	
28	7131013	1	Bracket, Throttle	
29	8303519	2	HHCS, M12 x 35mm	
30	8307025	2	Washer, Lock M12	
31	7132172	1	Spacer	

SECTION 2 - OPERATOR'S CAB AND CONTROLS

FIGURE 2-14. SERVICE BRAKE PEDAL CONTROL



PG0530

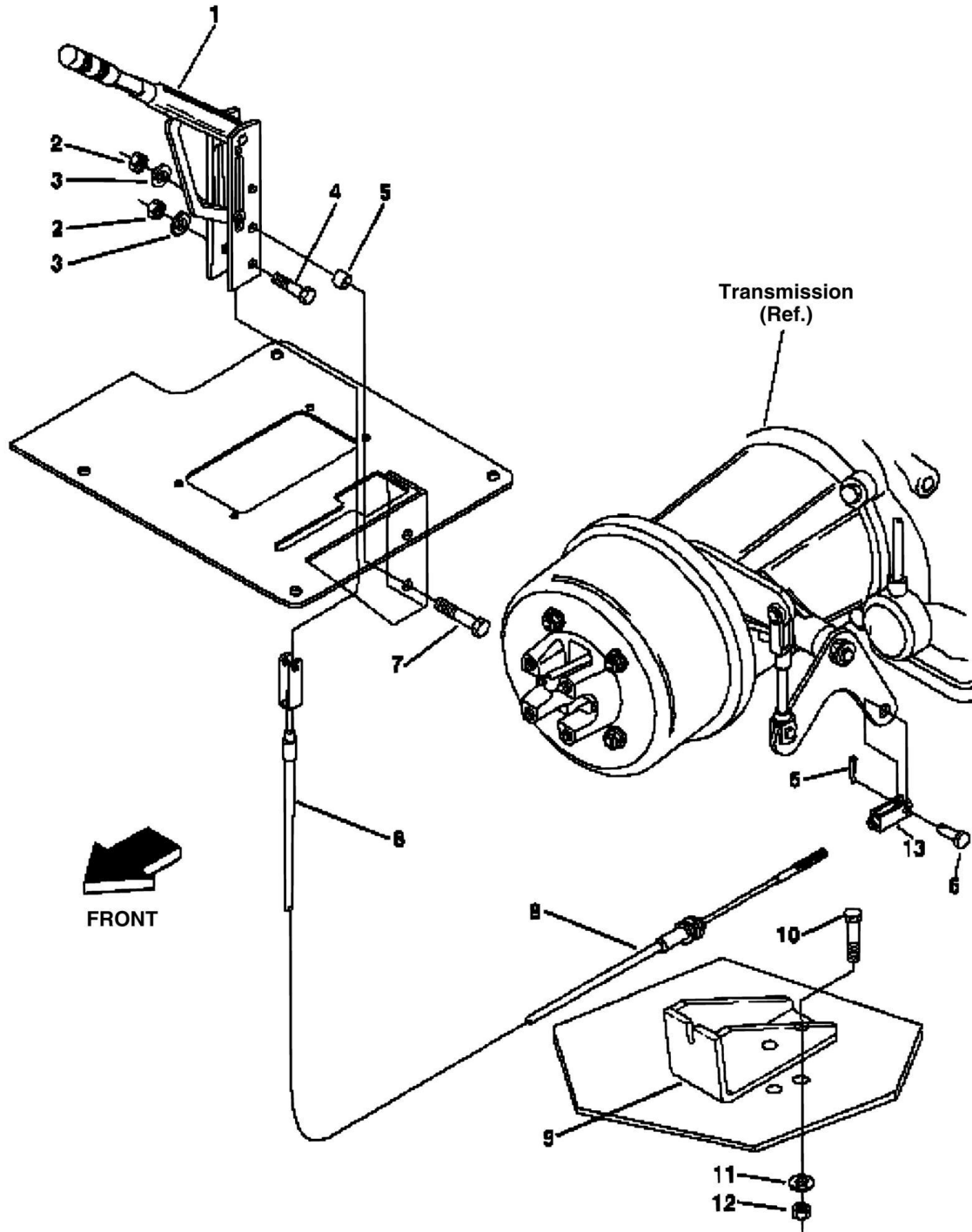
SECTION 2 - OPERATOR'S CAB AND CONTROLS

FIGURE 2-14. SERVICE BRAKE PEDAL CONTROL

ITEM	PART NUMBER	QTY	DESCRIPTION	REV
1	7111203	1	Pedal, Brake	
2	7081031	1	Shaft	
3	7080891	1	Rod, Push	
4	8305410	1	Nut, Hex Jam 1/2-20	
5	8301210	1	Yoke	
6	8307104	2	Washer, Flat 3/4in	
7	8301410	1	Pin, Clevis w/Cotter Pin	
8	8700120	1	Spring	
9	8303742	1	FLGHDCS, 1/4-20 x 1-1/4in	
10	8305004	1	Nut, Hex 1/4-20	
11	8307002	1	Washer, Lock 1/4in	
12	8310170	1	Setscrew, 3/8-16 x 1-3/4in	
13	8305405	1	Nut, Hex Jam 3/8-16	
14	8307005	2	Washer, Lock 3/8in	
15	8303534	2	FLGHDCS, 3/8-16 x 1-1/4in	

SECTION 2 - OPERATOR'S CAB AND CONTROLS

FIGURE 2-15. PARKING BRAKE PEDAL CONTROL (5028 STANDARD ONLY)



PG0570

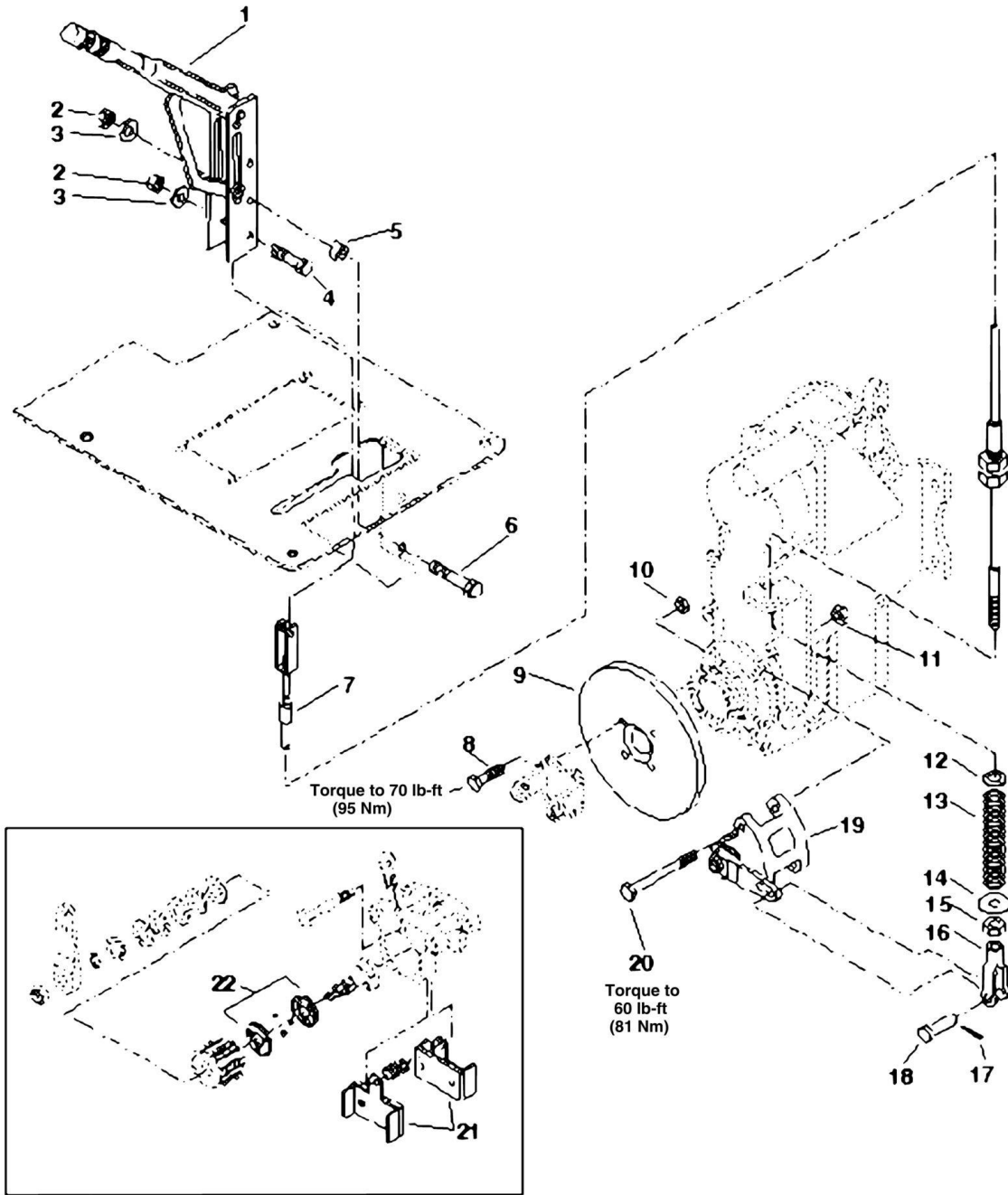
SECTION 2 - OPERATOR'S CAB AND CONTROLS

FIGURE 2-15. PARKING BRAKE PEDAL CONTROL (5028 STANDARD ONLY)

ITEM	PART NUMBER	QTY	DESCRIPTION	REV
1	8162206	1	Lever, Brake	
2	8305006	3	Nut, Hex 5/16-18	
3	8307004	3	Washer, Lock 5/16in	
4	8303715	1	HHCS, 5/16-18 x 1-1/2in	
5	7094701	2	Spacer	
6	8301409	1	Pin, Yoke w/Cotter Pin	
7	8303786	2	HHCS, 5/16-18 x 2-1/4in	
8	7094322	1	Cable, Brake	
9	7094192	1	Bracket, Brake	
10	8303675	2	HHCS, 3/8-16 x 1-1/4in	
11	8307005	2	Washer, Lock 3/8in	
12	8305008	2	Nut, Hex 3/8-16	
13	8301004	1	Yoke	

SECTION 2 - OPERATOR'S CAB AND CONTROLS

FIGURE 2-16. PARKING BRAKE CONTROL (5028HT/5028HF)



PG0661

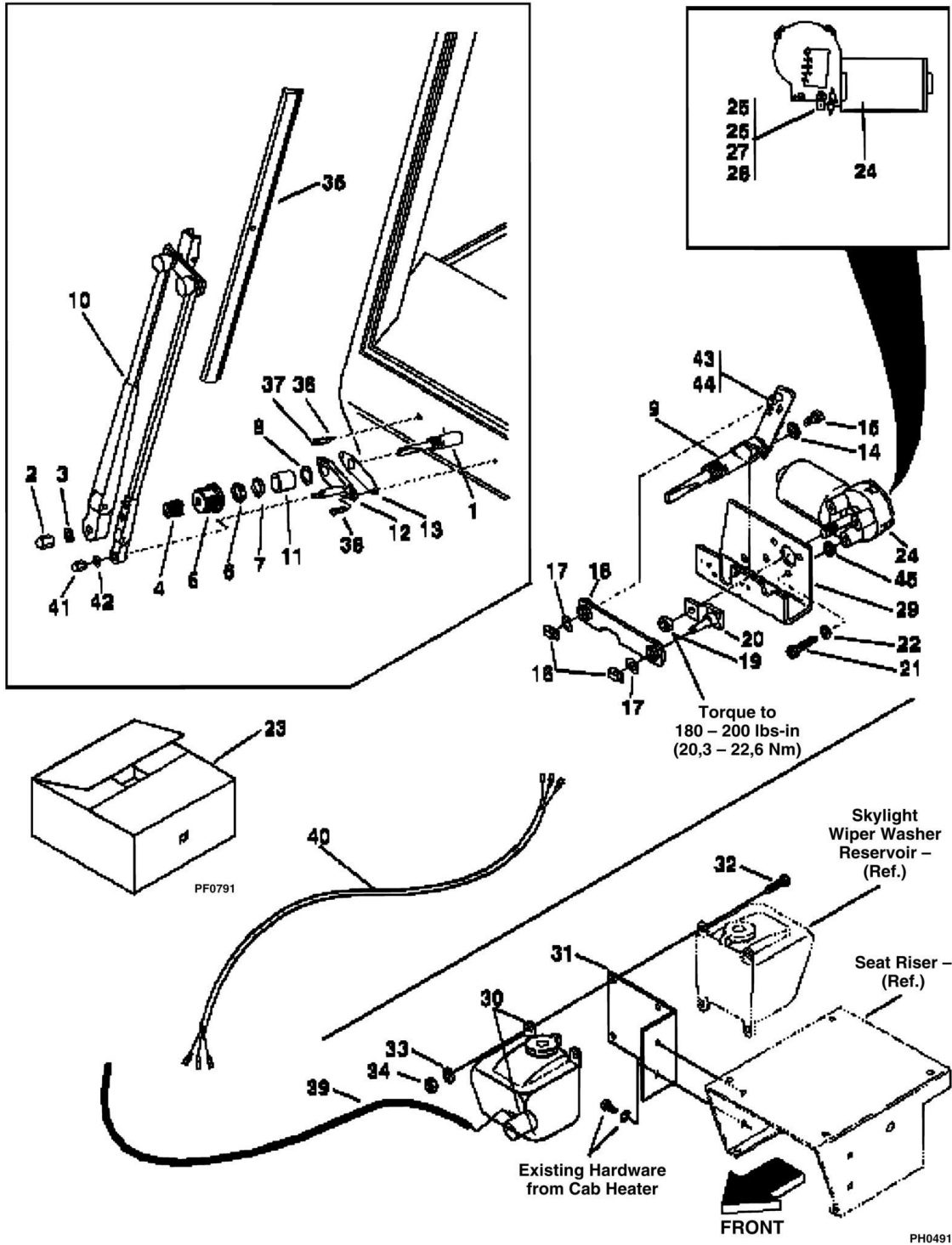
SECTION 2 - OPERATOR'S CAB AND CONTROLS

FIGURE 2-16. PARKING BRAKE CONTROL (5028HT/5028HF)

ITEM	PART NUMBER	QTY	DESCRIPTION	REV
1	8162206	1	Lever, Brake	
2	8305006	3	Nut, Hex 5/16-18	
3	8307004	3	Washer, Lock 5/16in	
4	8303715	1	HHCS, 5/16-18 x 1-1/2in	
5	7094701	2	Spacer	
6	8303786	2	HHCS, 5/16-18 x 2-1/4in	
7	7094322	1	Cable, Brake	
8	8310251	4	HHCS, 7/16-14 x 2in Grade 8	
9	7117852	1	Disc, Brake	
10	8310109	4	Nut, Hex Lock Elastic 7/16-14	
11	8305013	2	Nut, Hex 1/2-20	
12	8307107	1	Washer, Flat Light 5/8in	
13	8702140	1	Spring, Compression	
14	7057141	1	Washer, Rebound	
15	8305009	1	Nut, Hex 3/8-24	
16	8301004	1	Clevis	
17	8302403	1	Pin, Cotter	
18	8301409	1	Pin, Clevis	
19	8102208	1	Caliper, Disc Brake (See Kits)	
20	8310252	2	HHCS, 1/2-20 x 4in	
		Ref	KITS	
21	8034563	1	Brake Lining Kit	
22	8034568	1	Brake Repair Kit	

SECTION 2 - OPERATOR'S CAB AND CONTROLS

FIGURE 2-17. FRONT WINDSHIELD WIPER (OPTIONAL)



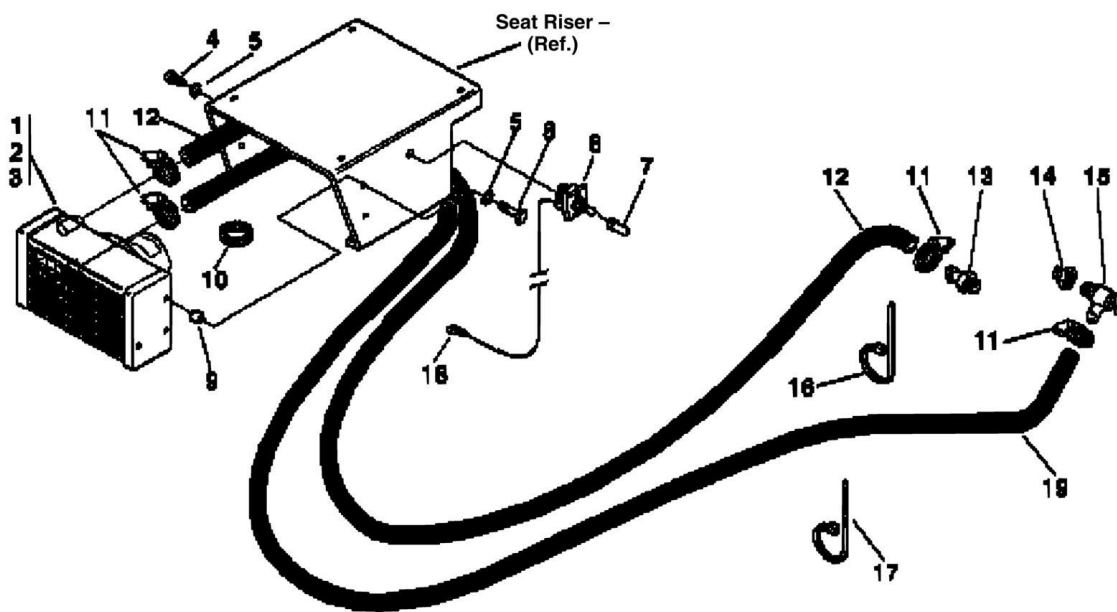
SECTION 2 - OPERATOR'S CAB AND CONTROLS

FIGURE 2-17. FRONT WINDSHIELD WIPER (OPTIONAL)

ITEM	PART NUMBER	QTY	DESCRIPTION	REV
1	8866492	1	Pivot Arm and Shaft Assembly (Includes Items 2 thru 9)	
2	N.S.S.	1	Nut, Acorn 3/8-24	
3	N.S.S.	1	Washer, Internal Tooth Lock 3/8in	
4	N.S.S.	1	Driver, Knurled	
5	N.S.S.	1	Cap, Rubber	
6	N.S.S.	1	Nut, Hex Jam 11/16-24	
7	N.S.S.	1	Washer, Metal	
8	N.S.S.	1	Washer, Cardboard	
9	N.S.S.	1	Shaft Assembly	
10	8866382	1	Wiper Arm, 22in	
11	8033105	1	Spacer	
12	8034815	1	Panto Adapter Kit (Includes Items 13, 38, 41 & 42)	
13	N.S.S.	1	Gasket, Panto (Order P/N 8034815)	
14	8307052	2	Washer, External Tooth Lock #10	
15	8303839	2	Screw, Slotted Pan Head #10-32 x 1/2in	
16	N.S.S.	2	Clip, Spring (Order P/N 8033102)	
17	N.S.S.	2	Washer, Special Flat – .5600 x .2510 x .015 (Order Item 24)	
18	8033104	1	Link, Connecting	
19	8305006	1	Nut, Hex Flanged 5/16-18	
20	8866437	1	Drive Arm	
21	N.S.S.	3	Screw, Slotted Hex Head Cap 1/4-28 x 3/4in (Order Item 24)	
22	8310002	3	Washer, External Tooth Lock 1/4in	
23	7112511	1	Wiper Motor Kit (Includes Items 20, 24 thru 29)	
24	8033102	1	Wiper Motor Assembly (Includes mounting bracket, motor, link and hardware)	
25	8220073	1	Adapter, 1/4in Male Blade	
26	8303835	1	Screw, Pan Head #10-24 x 1/2in	
27	8305002	1	Nut, Hex #10-24	
28	8307046	1	Washer, Internal Tooth Lock #10	
29	N.S.S.	1	Bracket, Wiper Motor (Order Item 24)	
30	8033065	1	Washer Reservoir Assembly w/washer pump	
31	7118941	1	Bracket, Washer Bottle Mounting	
32	8303540	3	HHCS, 1/4-20 x 1in	
33	8307109	3	Washer, Flat 1/4in	
34	8305624	3	Nut, Lock 1/4-20	
35	8866381	1	Wiper Blade, 22in	
36	8034801	1	Spray Nozzle	
37	8034802	1	Nozzle Tip	
38	8033110	2	HHCS, 1/4-28 x 3/4in	
39	8033075	1	Hose, Washer 120in	
40	8033103	1	Cable, Wiper	
41	N.S.S.	1	Nut, Acorn 1/4-28 (Order Item 12)	
42	8310029	1	Washer, Internal Tooth Lock 1/4in	
43	N.S.S.	1	Pin, Shoulder (Order Item 1)	
44	8305005	1	Nut, Hex 1/4-28	
45	8307203	3	Washer, Flat 5/16	

SECTION 2 - OPERATOR'S CAB AND CONTROLS

FIGURE 2-18. CAB HEATER (OPTIONAL)



PG0561

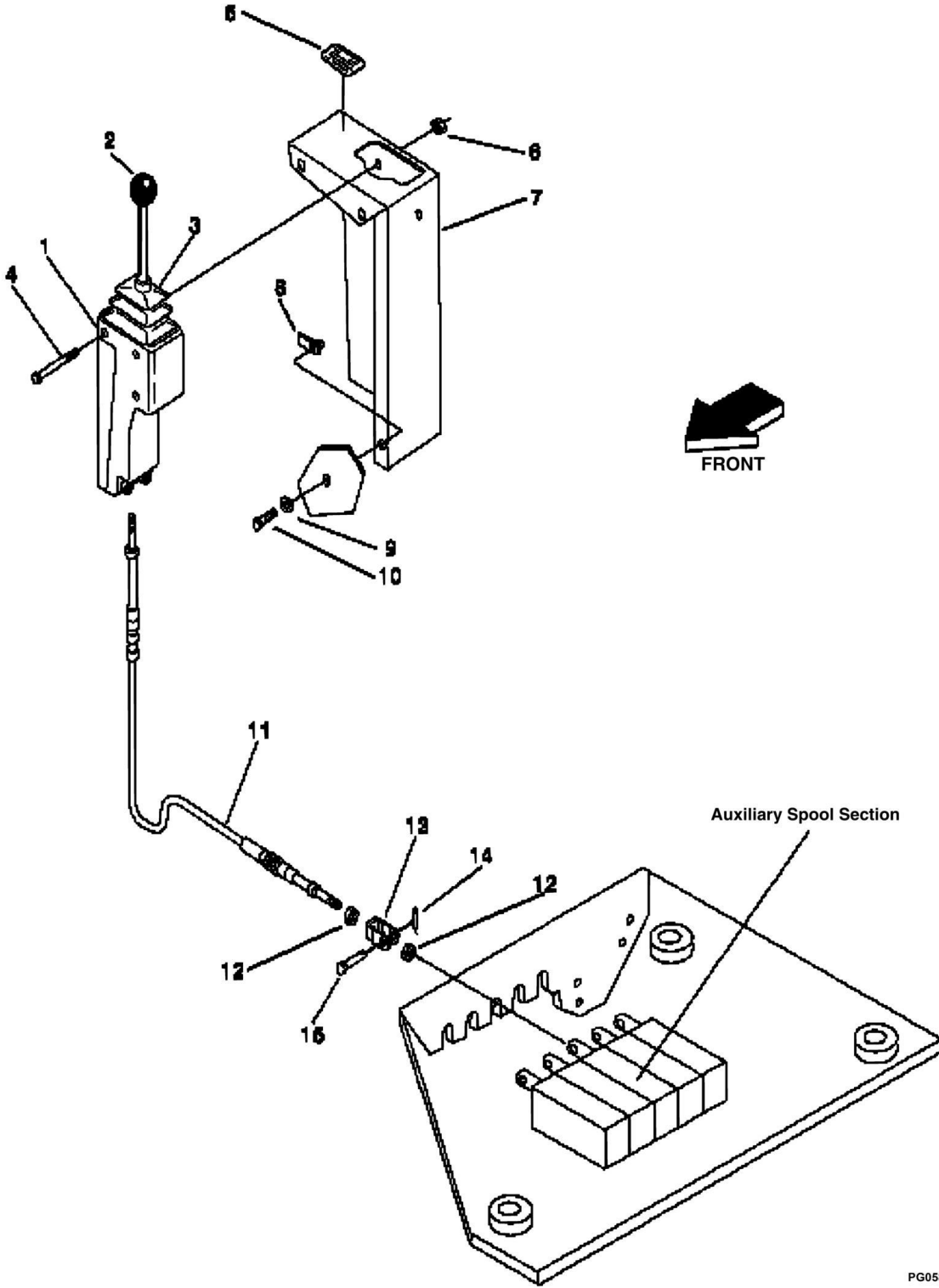
SECTION 2 - OPERATOR'S CAB AND CONTROLS

FIGURE 2-18. CAB HEATER (OPTIONAL)

ITEM	PART NUMBER	QTY	DESCRIPTION	REV
1	8360008	1	Heater (Includes Items 2 & 3)	
2	8032793	1	Motor, Heater - 12 VDC	
3	8032794	1	Fan, Heater	
4	8303776	2	HHCS, 1/4-20 x 1/2in	
5	8307002	4	Washer, Lock 1/4in	
6	8223024	1	Switch Kit	
7	8580309	1	Cap	
8	8303995	2	HHCS, #10-24 x 1-1/4in	
9	7075191	2	Spacer, 3/4in	
10	7124531	2	Conduit, 1/4in I.D. x 5in	
11	8405007	4	Clamp	
12	7125251	2	Hose, 5/8in I.D. x 120in	
13	8420201	1	Connector, Hose, 5/8in Hose x 1/2in NPT	
14	8540023	1	Reducer, 3/8in NPT x 1/2in NPT	
15	8360005	1	Valve, Shut-off	
16	8584001	1	Tie Wrap, .2 wide x 6.7in	
17	8584003	6	Tie Wrap, .3 wide x 14.8in	
18	8220008	1	Terminal, #10	
19	7125271	1	Hose, 5/8in I.D. x 156in	

SECTION 2 - OPERATOR'S CAB AND CONTROLS

FIGURE 2-19. AUXILIARY HYDRAULIC CONTROL (OPTIONAL)



PG0581

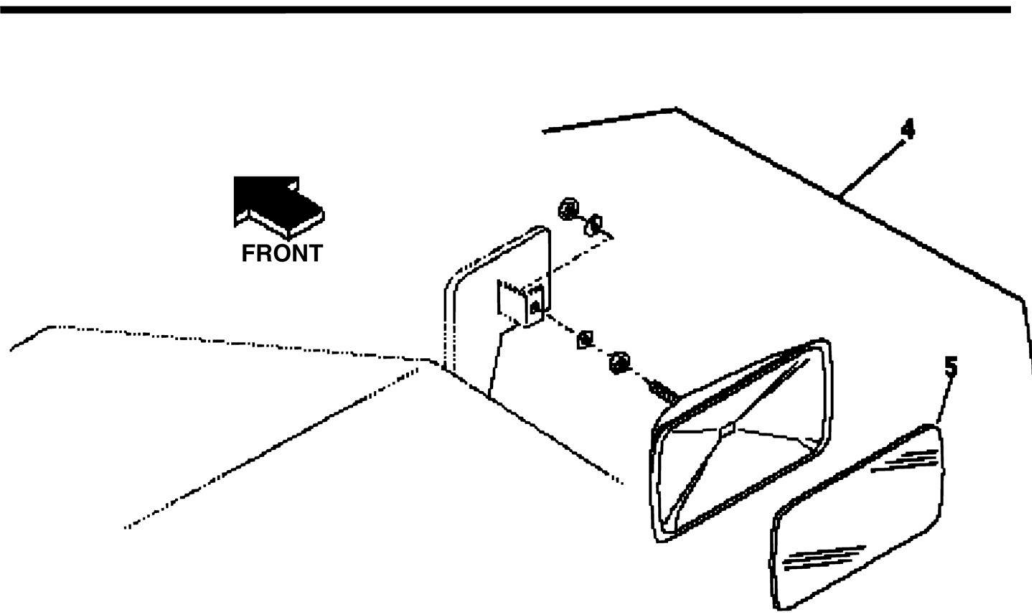
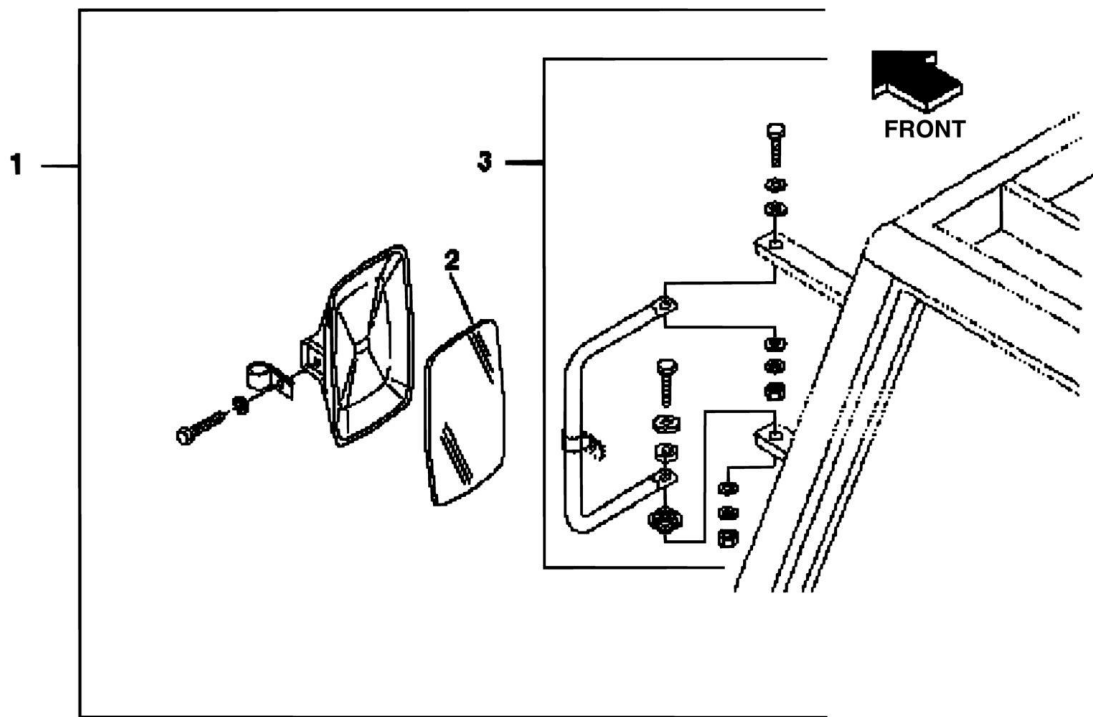
SECTION 2 - OPERATOR'S CAB AND CONTROLS

FIGURE 2-19. AUXILIARY HYDRAULIC CONTROL (OPTIONAL)

ITEM	PART NUMBER	QTY	DESCRIPTION	REV
1	8160406	1	Controller (Includes Items 2 & 3)	
2	8580110	1	Knob	
3	8160418	1	Boot	
4	8303758	2	HHCS, 1/4-20 x 2in	
5	4105621	1	Decal, Auxiliary Control	
6	8305004	2	Nut, Hex 1/4-20	
7	7091323	1	Support, Controller	
8	8305906	3	Nut, Retaining 5/16-18	
9	8307004	3	Washer, Lock 5/16in	
10	8303697	3	HHCS, 5/16-18 x 3/4in	
11	8160059	1	Cable, Control	
12	8305402	2	Nut, Hex Jam 1/4-28	
13	8160617	1	Clevis	
14	8302470	1	Pin, Cotter	
15	8301443	1	Pin, Clevis	

SECTION 2 - OPERATOR'S CAB AND CONTROLS

FIGURE 2-20. MIRRORS



PG0591

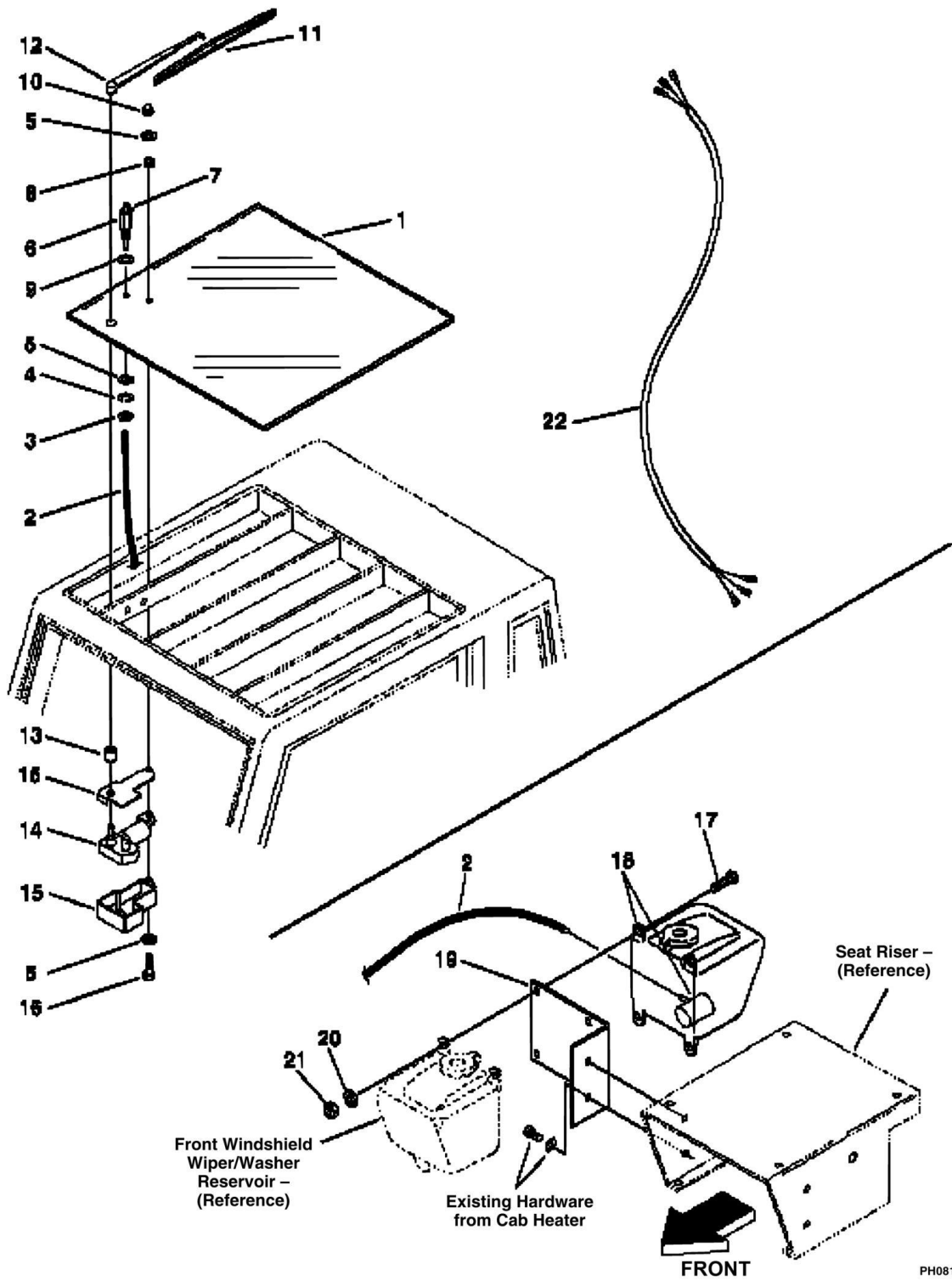
SECTION 2 - OPERATOR'S CAB AND CONTROLS

FIGURE 2-20. MIRRORS

ITEM	PART NUMBER	QTY	DESCRIPTION	REV
1	8866347	1	Mirror Assembly, 6.5in x 10in, Left Side - Flat Glass (Includes Items 2 & 3)	
2	8866350	1	Lens, 6.5in x 10in Flat Glass Replacement	
3	8866364	1	Loop Assembly	
4	8866348	1	Mirror Assembly, 6.5in x 10in Right Side - Convex Glass (Includes Item 5 and Mounting Hardware)	
5	8866351	1	Lens, 6.5in x 10in Convex Glass Replacement	

SECTION 2 - OPERATOR'S CAB AND CONTROLS

FIGURE 2-21. SKYLIGHT WINDSHIELD WIPER (OPTIONAL)



SECTION 2 - OPERATOR'S CAB AND CONTROLS

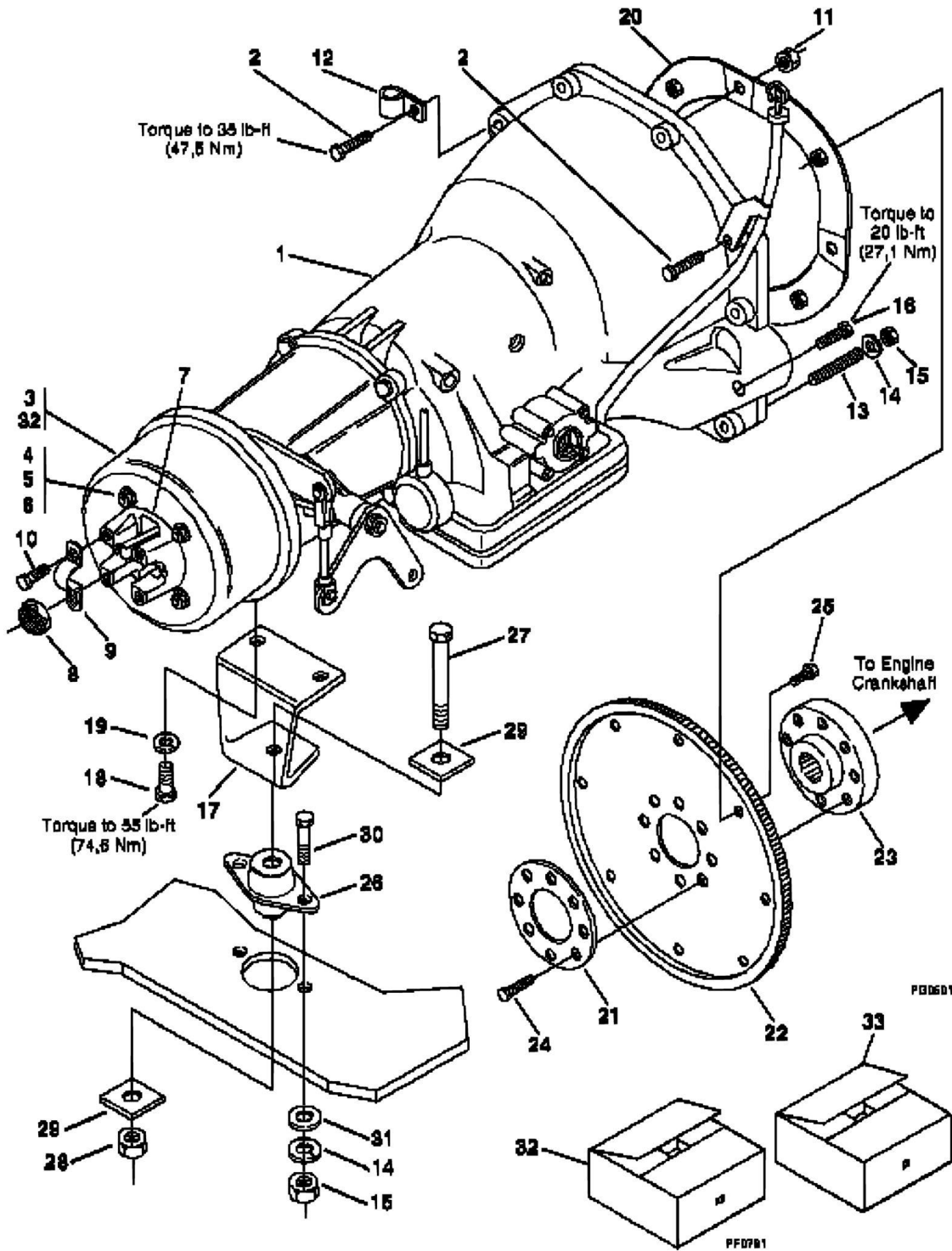
FIGURE 2-21. SKYLIGHT WINDSHIELD WIPER (OPTIONAL)

ITEM	PART NUMBER	QTY	DESCRIPTION	REV
1	8034797	1	Window, Skylight	
2	8033075	1	Hose, Washer - 120in (Cut to Length)	
3	8034798	2	Nut, Hex 5/16-18	
4	8034799	2	Washer, Lock 5/16	
5	8034800	3	Washer, Black Nylon 5/16in	
6	8034801	1	Spray Nozzle	
7	8034802	1	Nozzle Tip	
8	8034803	1	Grommet, T-Style	
9	8034804	1	Washer, Weather Tight	
10	8034805	1	Nut, Acorn #10-24	
11	8034806	1	Wiper Blade - 20in	
12	8034807	1	Wiper Arm, 15-19in Adjustable	
13	8034808	1	Spacer, Nylon	
14	8034810	1	Skylight Wiper Motor, WWF Auto-SP	
15	8034809	1	Wiper Cover Assembly (Includes Item 14)	
16	8034811	1	Screw, #10-24 x 7/8in	
17	8303540	3	HHCS, 1/4-20 x 1in	
18	8033065	1	Washer Reservoir Assembly (Includes washer pump)	
19	7118941	1	Bracket, Washer Bottle Mounting	
20	8307109	3	Washer, Flat 1/4in	
21	8305624	3	Nut, Lock 1/4-20	
22	8034817	1	Wire Harness, Skylight Wiper	

SECTION 3 - DRIVE TRAIN

SECTION 3 - DRIVE TRAIN

FIGURE 3-1. TRANSMISSION MOUNTING



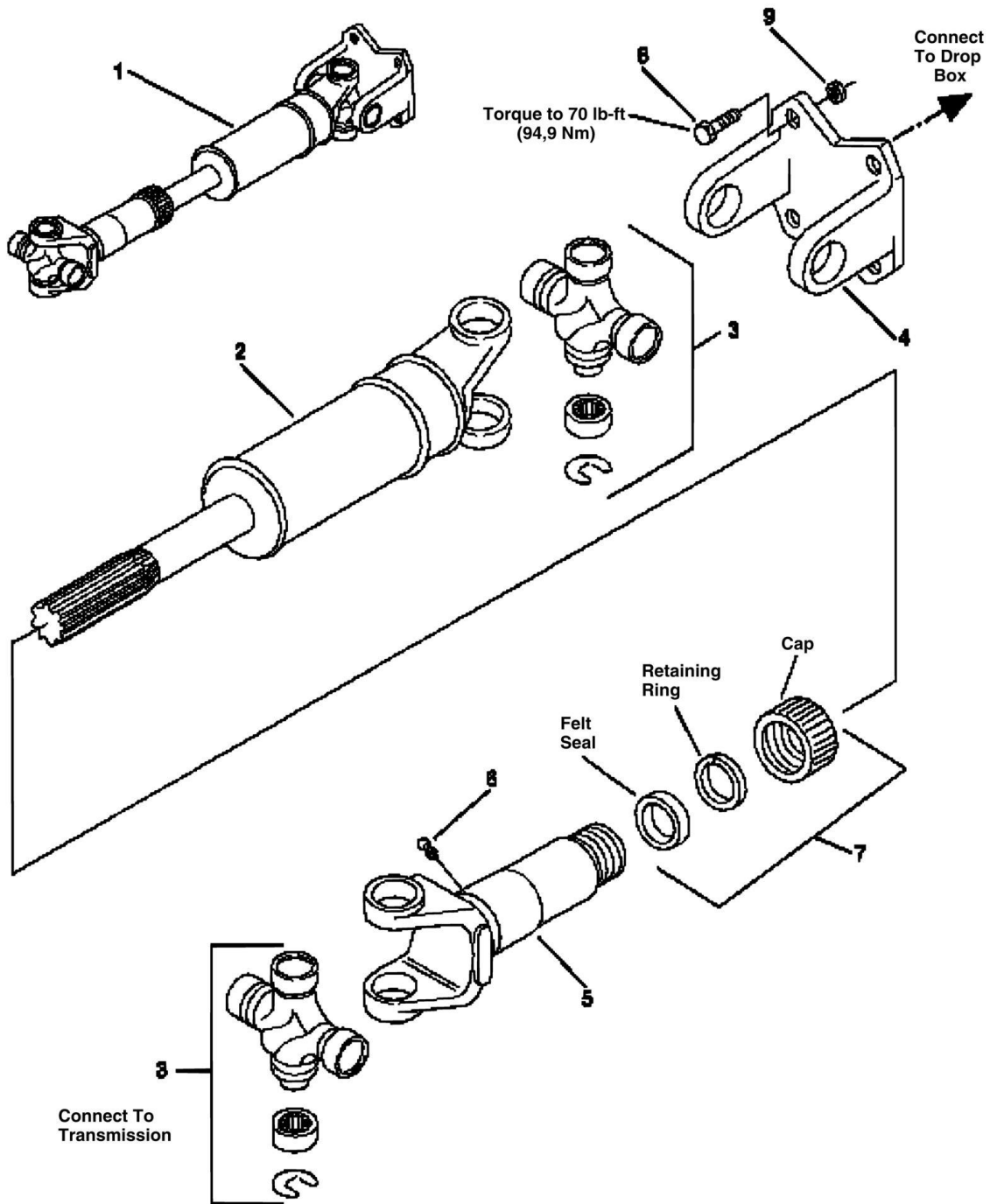
SECTION 3 - DRIVE TRAIN

FIGURE 3-1. TRANSMISSION MOUNTING

ITEM	PART NUMBER	QTY	DESCRIPTION	REV
1	8847114	1	Transmission, Ford Automatic C-6 w/Parking Brake (Includes Items 2 thru 12)	
2	8033669	6	HHCS, 7/16 x 2-1/8	
3	8033664	1	Drum, Parking Brake	
4	8033665	4	Bolt, Swag 1/2-13 x 1-1/2in Grade 8	
5	8033666	4	Washer, Flat 1/2in Hardened	
6	8033667	4	Nut, Hex Lock 1/2-13 Hardened	
7	8033660	1	Flange/Yoke (Output)	
8	8033661	1	Nut, Hex Lock 1in-20	
9	8033662	2	Cap, U-Joint	
10	8033663	4	Bolt, U-Joint Cap	
11	8033670	4	Nut, Hex Lock	
12	8033668	1	Clip	
13	8306407	3	Stud, 5/16-18 x 2-3/4in	
14	8307004	5	Washer, Lock 5/16in	
15	8305006	5	Nut, Hex 5/16-18	
16	8303704	1	HHCS, 3/8 x 3in	
17	7093863	1	Mount, Transmission	
18	8303624	2	HHCS, 1/2-13 x 1in	
19	8307007	2	Washer, Lock 1/2in	
20	8033671	1	Adaptor, Torque Converter	
21	8033672	1	Ring, Clamping	
22	8033673	1	Flexplate	
23	8033674	1	Adaptor, Crankshaft	
24	8033649	8	Hex Head Capscrew	
25	8033650	4	Flange Head Capscrew	
26	8660004	1	Isolator	
27	8303771	1	HHCS, 3/8-16 x 2-1/4in	
28	8305645	1	Nut, Hex Lock Elastic 3/8-16	
29	7057141	2	Washer, Rebound	
30	8303670	2	HHCS, 5/16-18 x 1in	
31	8307203	2	Washer, Flat 5/16in	
		Ref	KITS	
32	8033494	1	Brake Shoe and Lining Kit for Parking Brake	
33	8033500	1	Transmission Screen and Gasket Kit	

SECTION 3 - DRIVE TRAIN

FIGURE 3-2. DRIVE SHAFT - TRANSMISSION TO DROP BOX



PG0511

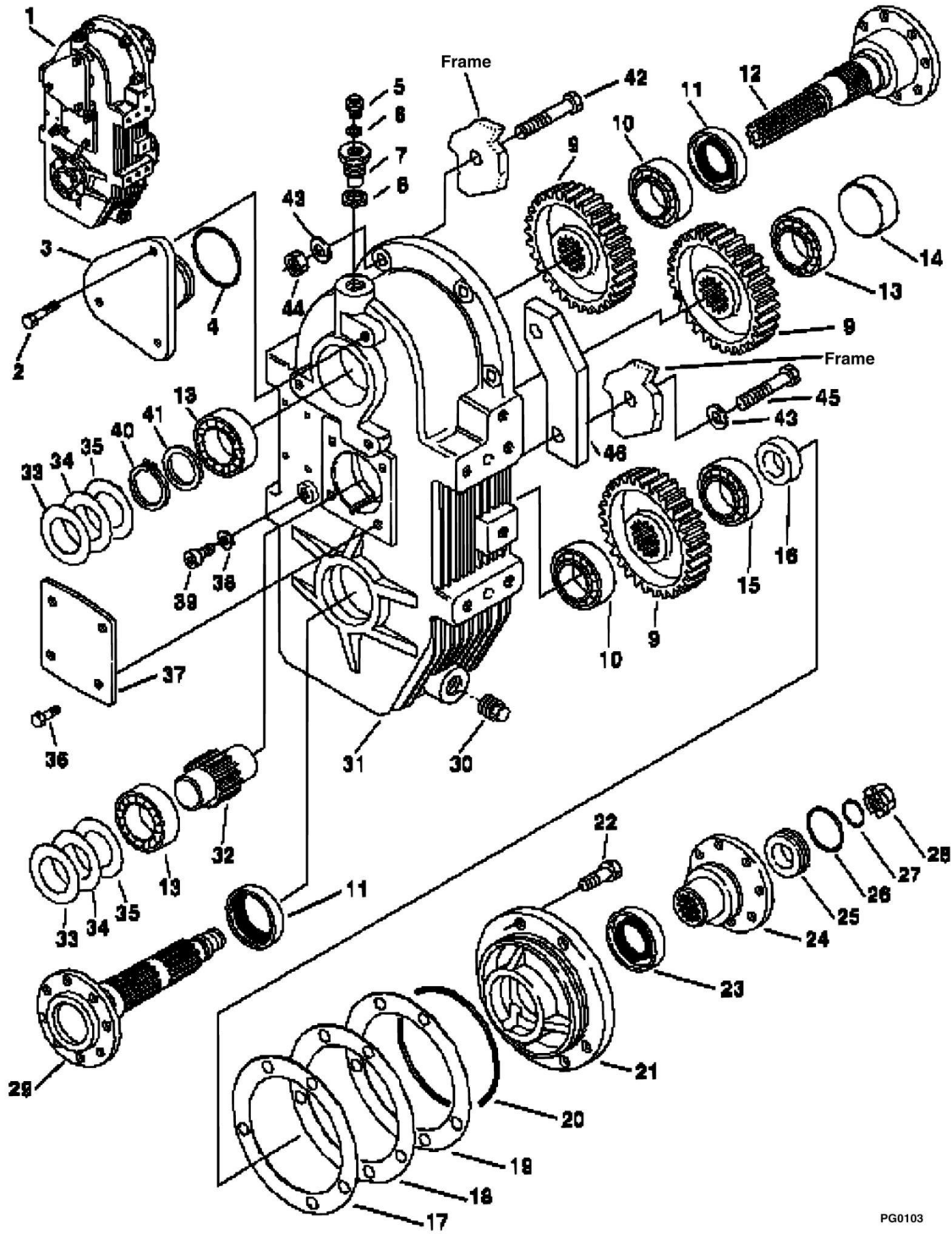
SECTION 3 - DRIVE TRAIN

FIGURE 3-2. DRIVE SHAFT - TRANSMISSION TO DROP BOX

ITEM	PART NUMBER	QTY	DESCRIPTION	REV
1	7091102	1	Drive Shaft Assembly, Transmission to Drop Box (Includes Items 2 thru 7)	
2	8033653	1	Shaft Assembly	
3	8033000	2	Cross and Bearing Kit (Includes 1 Cross, 4 Bearings & 4 Retaining Rings)	
4	8033652	1	Flange Yoke	
5	8033003	1	Sleeve Assembly	
6	8033004	1	Fitting, Grease	
7	8033651	1	Seal Package	
8	8310096	4	HHCS, 7/16-14 x 1-1/4in Grade 8	
9	8310109	4	Nut, Hex Lock Elastic 7/16-14	

SECTION 3 - DRIVE TRAIN

FIGURE 3-3. DROP BOX (5028 STANDARD ONLY)



PG0103

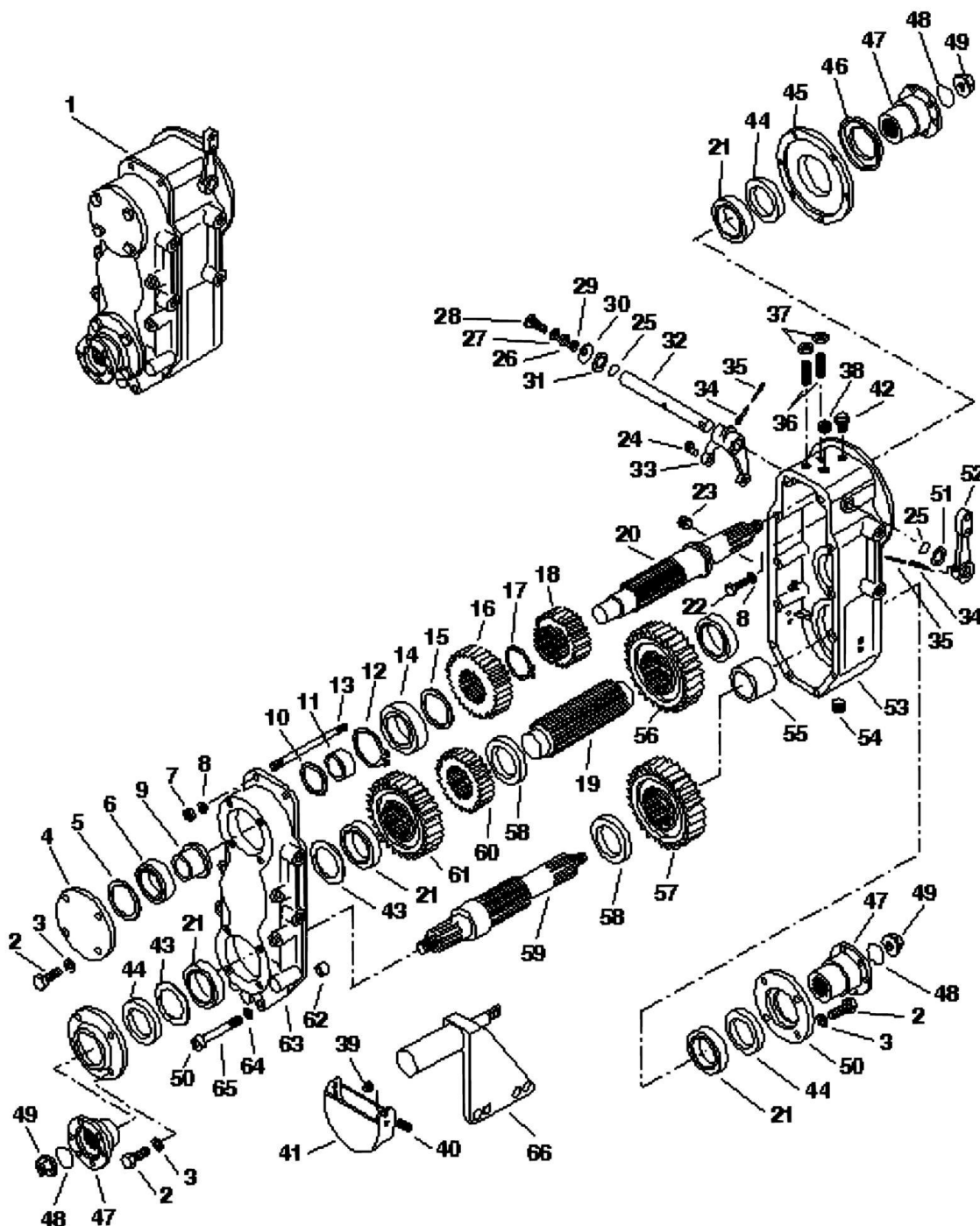
SECTION 3 - DRIVE TRAIN

FIGURE 3-3. DROP BOX (5028 STANDARD ONLY)

ITEM	PART NUMBER	QTY	DESCRIPTION	REV
1	8847113	1	Gear Box, Drop (Includes Items 2 thru 45)	
2	8033604	3	Screw, M12 x 30	
3	8033622	1	Cover	
4	8033627	1	O-ring	
5	8033612	1	Plug, Breather M10 x 1	
6	8033609	1	Washer, 10 x 14 x 1,5	
7	8033619	1	Support	
8	8033610	1	Washer, 22 x 26 x 1,5	
9	8033633	3	Gear, Z.37	
10	8033625	2	Bearing, 32010	
11	8033624	2	Seal, Oil 55 x 72 x 10	
12	8033634	1	Shaft	
13	8033626	3	Bearing, 32208	
14	8033614	1	Cover	
15	8033594	1	Bearing, 30209	
16	8033599	1	Spacer	
17	8033615	AR	Shim, 0,10mm	
18	8033616	AR	Shim, 0,19mm	
19	8033617	AR	Shim, 0,35mm	
20	8033611	1	O-ring, 4650	
21	8033620	1	Cover	
22	8033603	5	Screw, M10 x 30	
23	8033591	1	Seal, Oil 58 x 80 x 10	
24	8033600	1	Flange	
25	8033597	1	Ring	
26	8033596	1	O-ring, 3163	
27	8033595	1	O-ring, 130	
28	8033590	1	Nut, Ring M25 x 1,5	
29	8033601	1	Shaft, Output	
30	8030431	1	Plug, Drain	
31	8033621	1	Housing	
32	8033632	1	Shaft	
33	8033628	AR	Spacer, 0,3mm	
34	8033629	AR	Spacer, 0,1mm	
35	8033630	AR	Spacer, 0,05mm	
36	8035241	4	Bolt, M8 x 22	
37	8033618	1	Cover	
38	8033608	1	Washer, 8 x 12 x 1.5	
39	8033613	1	Screw	
40	8033623	1	Ring, Snap D.40 DIN 471	
41	8033631	1	Washer, Thrust	
42	8310110	2	HHCS, M14-2 x 90mm	
43	8310089	4	Washer, Lock M14	
44	8310088	2	Nut, Hex M14-2	
45	8310086	2	HHCS, M14-2 x 65mm	
46	7118102	2	Spacer - Gear Box	

SECTION 3 - DRIVE TRAIN

FIGURE 3-4. 2 SPEED DROP BOX (5028HT/5028HF)



PG0651

SECTION 3 - DRIVE TRAIN

FIGURE 3-4. 2 SPEED DROP BOX (5028HT/5028HF)

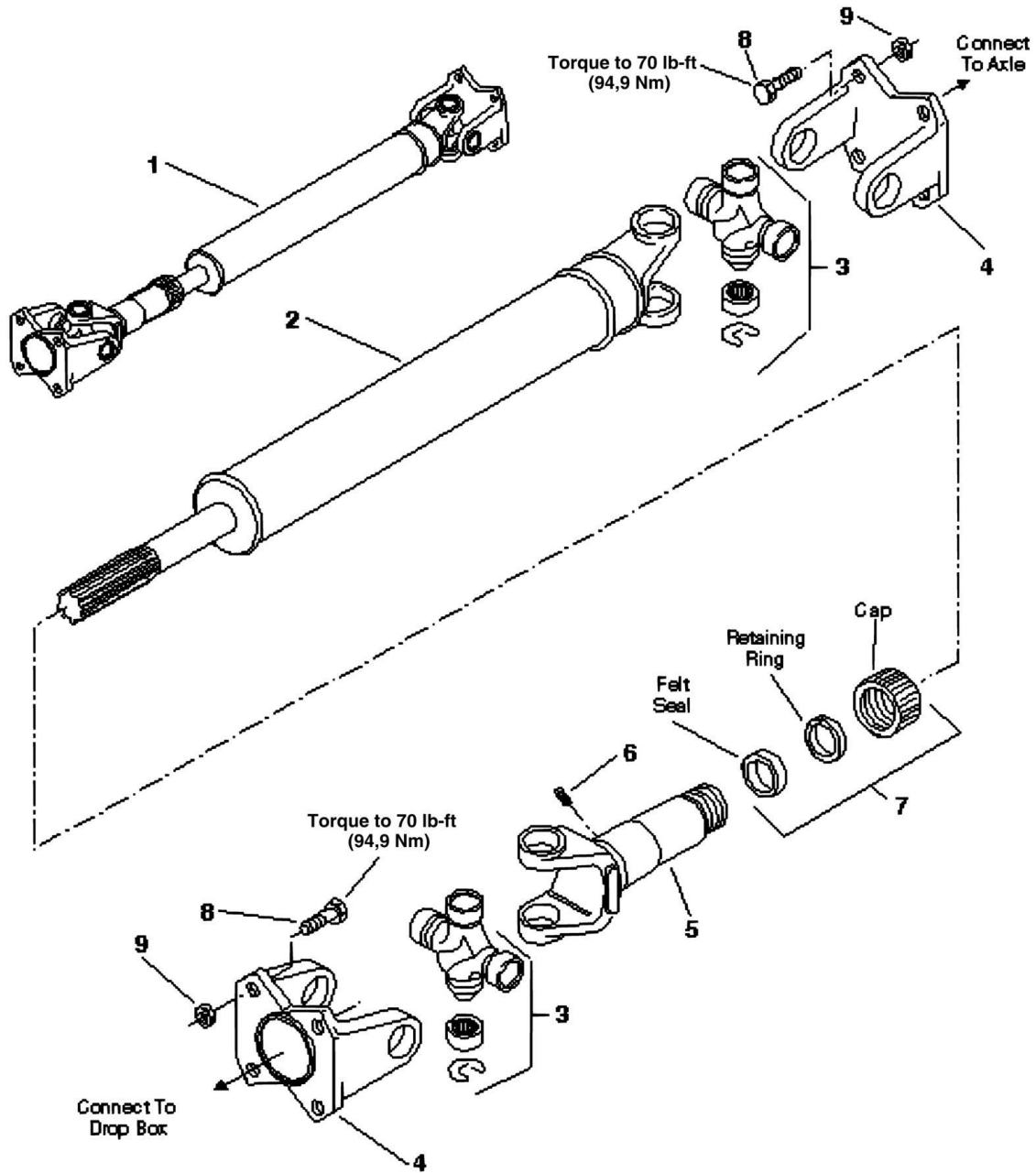
ITEM	PART NUMBER	QTY	DESCRIPTION	REV
1	8841029	1	2 Speed Drop Box (Includes Items 2 thru 66)	
2	8034595	12	Bolt	
3	8034596	12	Washer	
4	8034597	1	Cover	
5	8034598	AR	Shim - 0,10mm	
5	8034599	AR	Shim - 0,20mm	
5	8034600	AR	Shim - 0,50mm	
6	8034601	1	Ball Bearing	
7	8034602	2	Nut	
8	8034603	6	Washer	
9	8034604	1	Reduction Bushing	
10	8034605	1	Shim	
11	8034606	1	Inner Race	
12	8034607	1	Retaining Ring	
13	8034608	2	Stud	
14	8034609	1	Ball Bearing	
15	8034610	1	Shim	
16	8034611	1	Gear	
17	8034612	1	Ring	
18	8034613	1	Gear	
19	8034614	1	Shaft	
20	8034615	1	Input Shaft	
21	8034616	5	Bearing	
22	8034617	4	Bolt	
23	8034618	1	Plug	
24	8034619	2	Sliding Pin	
25	8034620	2	O-ring	
26	8034621	1	Spacer	
27	8034622	1	Washer	
28	8034623	1	Bolt	
29	8034624	AR	Shim - 0,10mm	
29	8034625	AR	Shim - 0,20mm	
29	8034626	AR	Shim - 1mm	
30	8034627	1	Spring	
31	8034628	1	Spacer	
32	8034629	1	Pin	
33	8034630	1	Selector Fork	
34	8034631	2	Roll Pin	
35	8034632	2	Roll Pin	
36	8034633	2	Grub Bolt	
37	8034634	2	Nut	
38	8034635	1	Plug	
39	8034636	4	Nut	
40	8034637	4	Bolt	
41	8034638	1	Cover Plate	
42	8034639	1	Vent	
43	8034640	AR	Shim - 0,10mm	
43	8034641	AR	Shim - 0,25mm	
43	8034642	AR	Shim - 0,30mm	
44	8034643	3	Seal	

SECTION 3 - DRIVE TRAIN

ITEM	PART NUMBER	QTY	DESCRIPTION	REV
45	8034644	1	Cover	
46	8034645	1	Cover Plate	
47	8034646	3	Flange	
48	8034647	3	O-ring	
49	8034648	3	Nut	
50	8034649	2	Cover	
51	8034650	1	Shim	
52	8034651	1	Lever	
53	8034652	1	Cover	
54	8034653	1	Magnetic Plug	
55	8034654	1	Spacer	
56	8034655	1	Gear	
57	8034656	1	Gear	
58	8034657	2	Spacer	
59	8034658	1	Output Shaft	
60	8034659	1	Gear	
61	8034660	1	Gear	
62	8034661	2	Reduction Bushing	
63	8034662	1	Housing	
64	8034663	10	Washer	
65	8034664	10	Bolt	
66	8034665	1	Cylinder	

SECTION 3 - DRIVE TRAIN

FIGURE 3-5. DRIVE SHAFT - DROP BOX TO BOTH AXLES (5028 STD)



PG0111

SECTION 3 - DRIVE TRAIN

FIGURE 3-5. DRIVE SHAFT - DROP BOX TO BOTH AXLES (5028 STD)

ITEM	PART NUMBER	QTY	DESCRIPTION	REV
1	7091112	2	Drive Shaft Assembly (Includes Items 2 thru 7)	
		Ref	NOTE: Quantities listed below are for one drive shaft assembly.	
2	8033654	1	Shaft Assembly	
3	8033000	2	Cross and Bearing Kit (Includes 1 Cross, 4 Bearings & 4 Retaining Rings)	
4	8033652	2	Flange Yoke	
5	8033003	1	Sleeve Assembly	
6	8033004	1	Fitting, Grease	
7	8033651	1	Seal Package	
8	8310096	8	HHCS, 7/16-14 x 1-1/4in Grade 8	
9	8310109	8	Nut, Hex Lock Elastic 7/16-14	

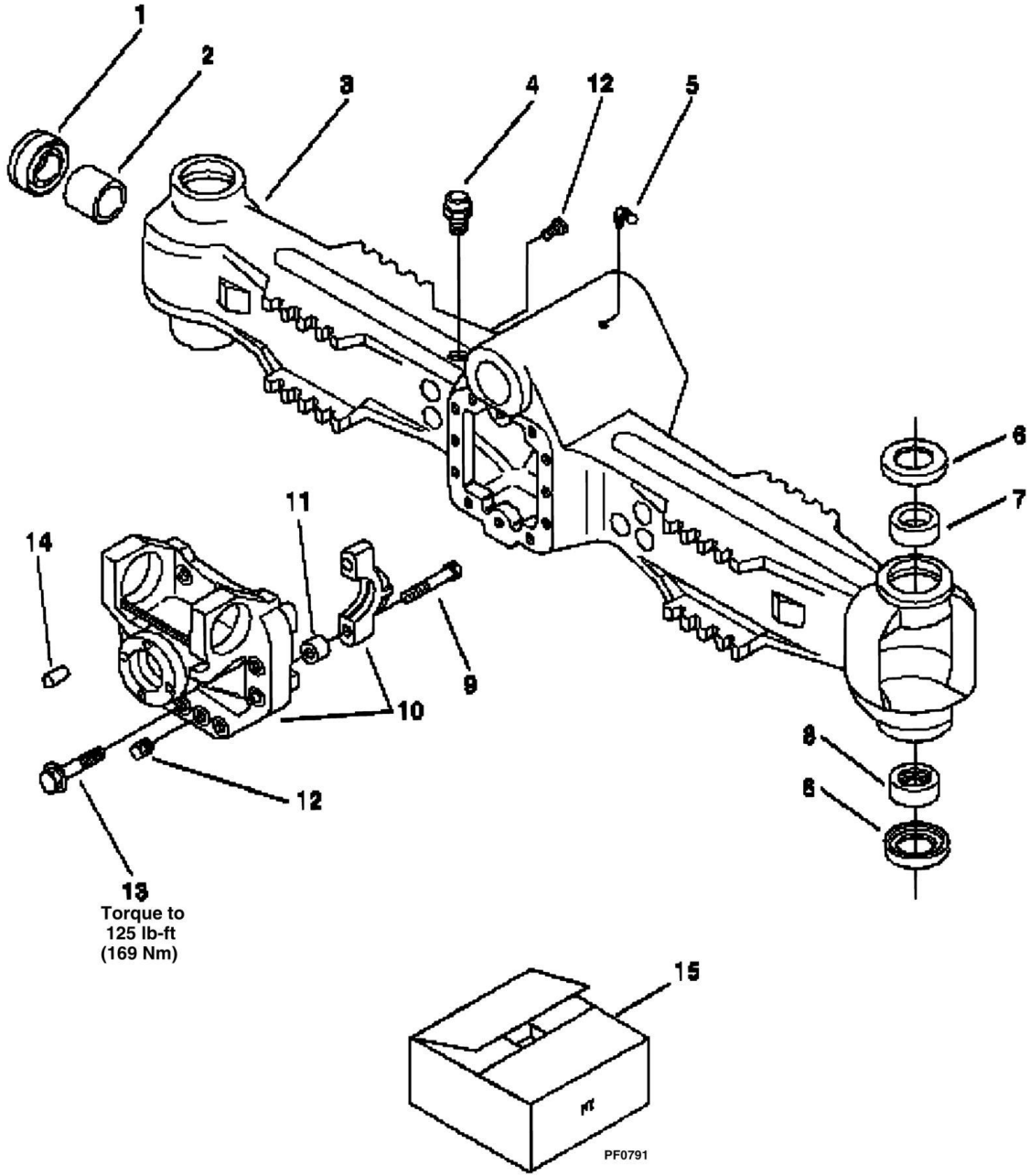
SECTION 3 - DRIVE TRAIN

FIGURE 3-6. DRIVE SHAFT - DROP BOX TO FRONT AXLE (5028HT/5028HF)

ITEM	PART NUMBER	QTY	DESCRIPTION	REV
1	7117602	1	Drive Shaft Complete (Includes Items 2 thru 7)	
2	8034593	1	Shaft Assembly	
3	8034594	2	Cross and Bearing Kit (Includes 1 Cross, 4 Bearings & 4 Retaining Rings)	
4	8033652	2	Flange, Yoke	
5	8033651	1	Seal Package	
6	8033003	1	Sleeve Assembly	
7	8033004	1	Fitting, Grease	
8	8310096	4	HHCS, 7/16-14 x 1-1/4in Grade 8	
9	8310109	8	Nut, Hex Lock Elastic 7/16-14	
10	8310251	4	HHCS, 7/16-14 x 2in Grade 8	

SECTION 3 - DRIVE TRAIN

FIGURE 3-7. AXLE HOUSING - FRONT OR REAR



PG0121

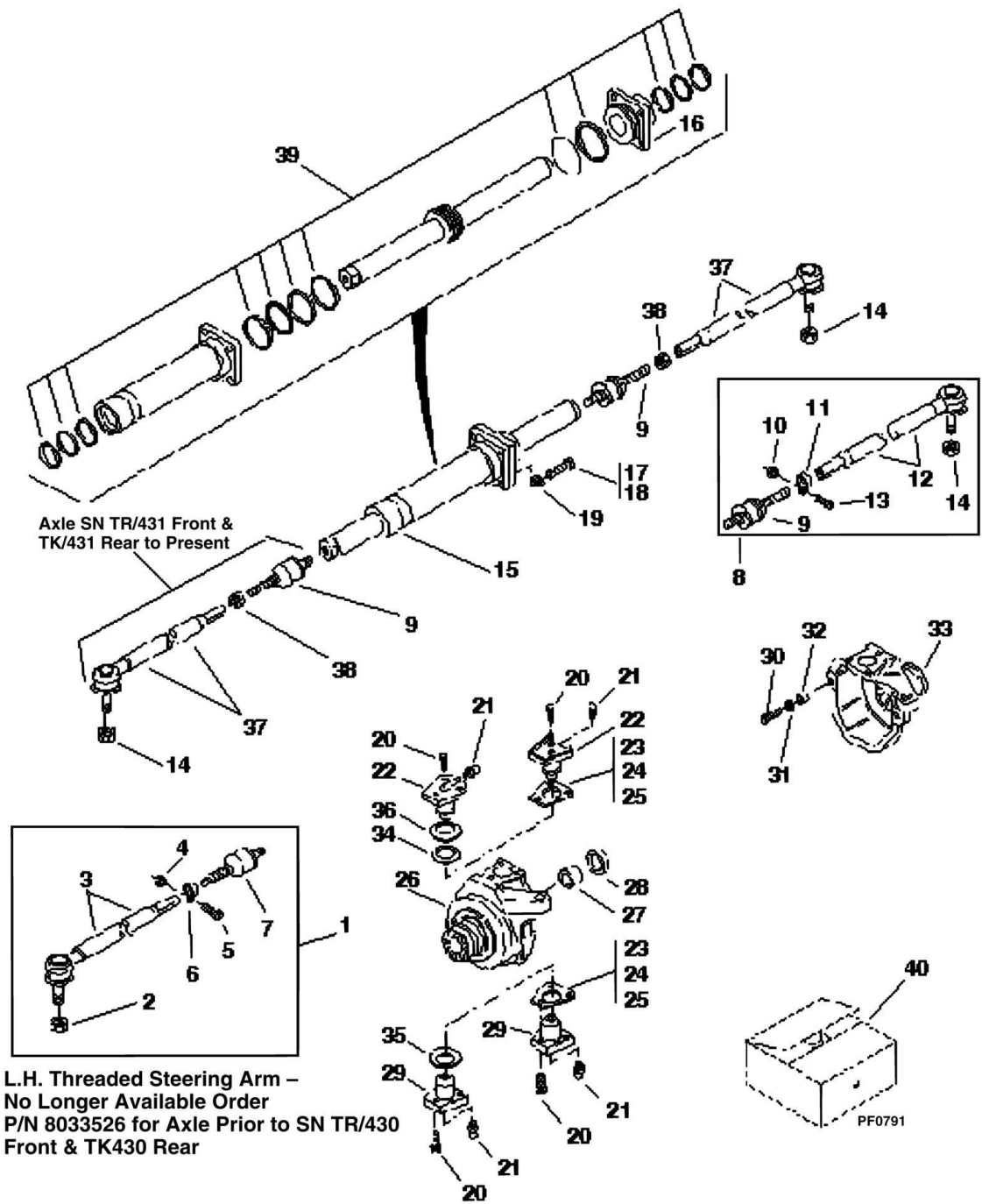
SECTION 3 - DRIVE TRAIN

FIGURE 3-7. AXLE HOUSING - FRONT OR REAR

ITEM	PART NUMBER	QTY	DESCRIPTION	REV
		Ref	NOTE: Quantities listed are for one axle assembly.	
1	8033502	2	Seal	
2	8030468	2	Bushing	
3	N.S.S.	1	Housing Kit, Axle (Axle SN TK/272 Rear Prior to TR/273 Front)	
3	8034675	1	Housing, Axle (Axle SN TK/272 Rear and TR/273 Front To Present)	
4	8030376	1	Breather, M10 - 1, 0	
5	8520021	1	Nipple, Grease - 90	
6	8030445	4	Seal	
7	8033504	2	Bushing	
8	8033505	2	Bearing, Spherical	
9	8033507	4	Screw	
10	8033503	1	Differential Support Assembly	
11	8030429	4	Bushing, Centering	
12	8030431	2	Plug	
13	8033506	10	Screw, Flange Hd.	
14	8030430	2	Pin	
		Ref	KITS	
15	8032751	1	Housing Kit, Axle (Includes Housing and Items 1, 2, 4, 5, 7 & 8 on This Page.) Note: For Additional Parts, See Also "AXLE STEERING JOINTS AND STEERING CYLINDER."	

SECTION 3 - DRIVE TRAIN

FIGURE 3-8. AXLE STEERING JOINTS AND STEERING CYLINDER (AXLE SN ALL TR/TK PRIOR TO 000938 FRONT/000945 REAR)



PG0131

SECTION 3 - DRIVE TRAIN

FIGURE 3-8. AXLE STEERING JOINTS AND STEERING CYLINDER (AXLE SN ALL TR/TK PRIOR TO 000938 FRONT/000945 REAR)

ITEM	PART NUMBER	QTY	DESCRIPTION	REV
		Ref	NOTE: Quantities listed are for one axle assembly.	
1	8033527	1	Arm, Steering - L.H. Thread (Includes Items 2 thru 7) - (For Service, Order P/N 8033526)	
2	8033598	1	Nut, Lock	
3	8033521	1	Joint, Ball - L.H. Thread (For Service, Order P/N 8033526)	
4	8033515	1	Nut (For Service, Order P/N 8033526)	
5	8033517	1	Bolt (For Service, Order P/N 8033526)	
6	8033518	1	Clamp (For Service, Order P/N 8033526)	
7	8033516	1	Joint, Ball - L.H. Thread (For Service, Order P/N 8033526)	
8	8033526	2	Arm, Steering - R.H. Thread (Includes Items 9 thru 14)	
9	8033519	2	Joint, Ball - R.H. Thread	
10	8033515	2	Nut (For Service, Order P/N 8033891 & 8033894)	
11	8033518	2	Clamp (For Service, Order P/N 8033891 & 8033894)	
12	8033520	2	Joint, Ball - R.H. Thread (For Service, Order P/N 8033891 & 8033894)	
13	8033517	2	Bolt (For Service, Order P/N 8033891 & 8033894)	
14	8033598	2	Nut, Lock	
15	8033524	1	Steering Cylinder (Includes Item 16)	
16	8033522	1	Head, Cylinder	
17	8033509	4	Screw, M12 x 50mm (Early Axles)	
18	8034669	4	Screw, Lock (Later Axles)	
19	8033512	4	Washer, Lock M12 (Early Axles)	
20	8033513	12	Screw, M14 x 50mm	
21	8030382	4	Grease Fitting	
22	8034670	2	Pin, King - Upper (Axle SN TR/273 Front and TK/272 Rear to Present)	
22	8033528	2	Pin, King - Upper (Axle SN TR/273 Front and Prior to TK/272 Rear) - (For Service, Order Axle Housing Kit, Item 40)	
23	8030447	AR	Shim, 0,10mm (Axle SN TR/273 Front and Prior to TK/272 Rear)	
24	8030448	AR	Shim, 0,19mm (Axle SN TR/273 Front and Prior to TK/272 Rear)	
25	8030449	AR	Shim, 0,35mm (Axle SN TR/273 Front and Prior to TK/272 Rear)	
26	8033530	1	Housing, Swivel (Left)	
27	8030437	2	Bushing	
28	8030462	2	Seal, Oil 35 x 52 x 16	
29	8030467	2	Pin, King - Lower (Axle SN TR/273 Front and Prior to TK/272 Rear) - (For Service, Order Axle Housing Kit, Item 40)	
29	8034671	2	Pin, King - Lower (Axle SN TR/273 Front and TK/272 Rear to Present)	
30	8033525	4	Screw, M14 x 75mm	
31	8033510	4	Nut, M14	
32	8033531	4	Bushing	
33	8033529	1	Housing, Swivel (Right)	
34	8034672	2	Washer, Belleville - Upper (Axle SN TR/273 Front and TK/272 Rear to Present)	
35	8034673	2	Washer, Belleville - Lower (Axle SN TR/273 Front and TK/272 Rear to Present)	
36	8034674	2	Washer (Axle SN TR/280 Front and TK/279 Rear to Present)	
37	8033891	2	Ball Joint - R.H. Thread	
38	8033894	2	Nut - R.H. Thread	
		Ref	KITS	

SECTION 3 - DRIVE TRAIN

ITEM	PART NUMBER	QTY	DESCRIPTION	REV
39	8033523	1	Steering Cylinder Seal Kit	
40	8032751	1	Housing Kit, Axle (Includes Housing and Items 20, 22, 29, 34, 35 & 36 on This Page.) For Additonal Parts, See Also "AXLE HOUSING - FRONT OR REAR"	

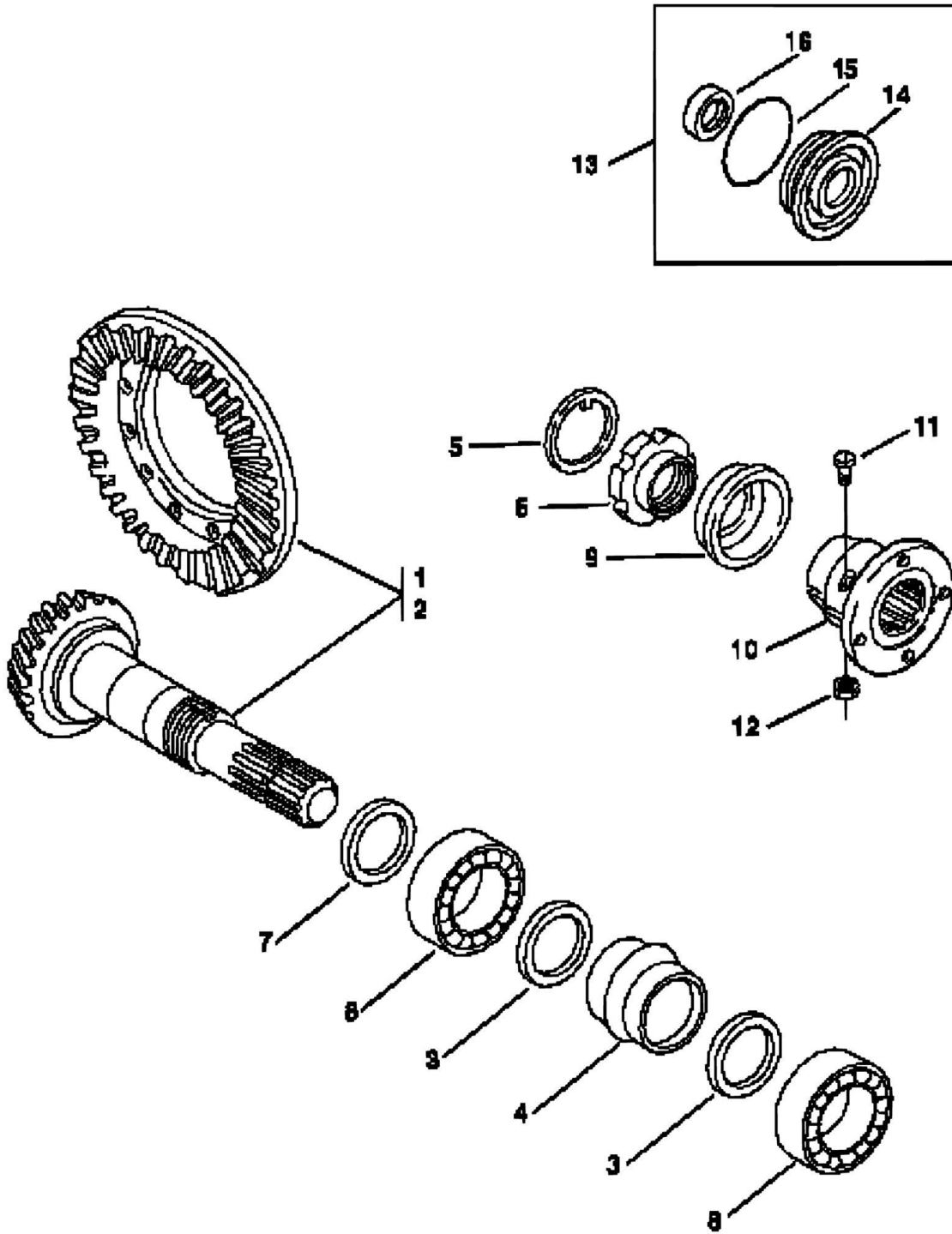
SECTION 3 - DRIVE TRAIN

FIGURE 3-9. AXLE STEERING JOINTS AND STEERING CYLINDER (AXLE SN 000939 FRONT/000946 REAR TO PRESENT)

ITEM	PART NUMBER	QTY	DESCRIPTION	REV
1	8033526	2	Arm, Steering - R.H. Thread (Includes items 2 thru 5)	
2	8033519	1	Joint, Ball - R.H. Thread	
3	8033598	1	Nut, Lock	
4	8033891	1	Ball Joint - R.H. Thread	
5	8033894	1	Nut - R.H. Thread	
6	8033524	1	Steering Cylinder (Includes item 7)	
7	8033522	1	Head Cylinder	
8	8034669	4	Screw, Lock	
9	8033513	12	Screw, M14 x 50 mm	
10	8030382	4	Grease Fitting	
11	8034670	2	Pin, King - Upper	
12	8035726	1	Housing, Swivel (Left)	
13	8030437	2	Bushing	
14	8030462	2	Seal, Oil 35 x 52 x 16	
15	8034671	2	Pin, King - Lower	
16	8033525	4	Screw, M14 x 75 mm	
17	8033510	4	Nut, M14	
18	8033531	4	Bushing	
19	8035725	1	Housing, Swivel (Right)	
20	8034672	2	Washer, Belleville - Upper	
21	8034673	2	Washer, Belleville - Lower	
22	8034674	2	Washer	
23	8033523	1	Steering Cylinder Seal Kit	
24	8032751	1	Housing Kit, Axle (Includes Housing and Items 9, 11, 15, 20, 21 & 22 On This Page). (NOTE:For Additional Parts, See Also "AXLE HOUSING - FRONT OR REAR")	

SECTION 3 - DRIVE TRAIN

FIGURE 3-10. AXLE BEVEL AND PINION GEAR SET



PG0142

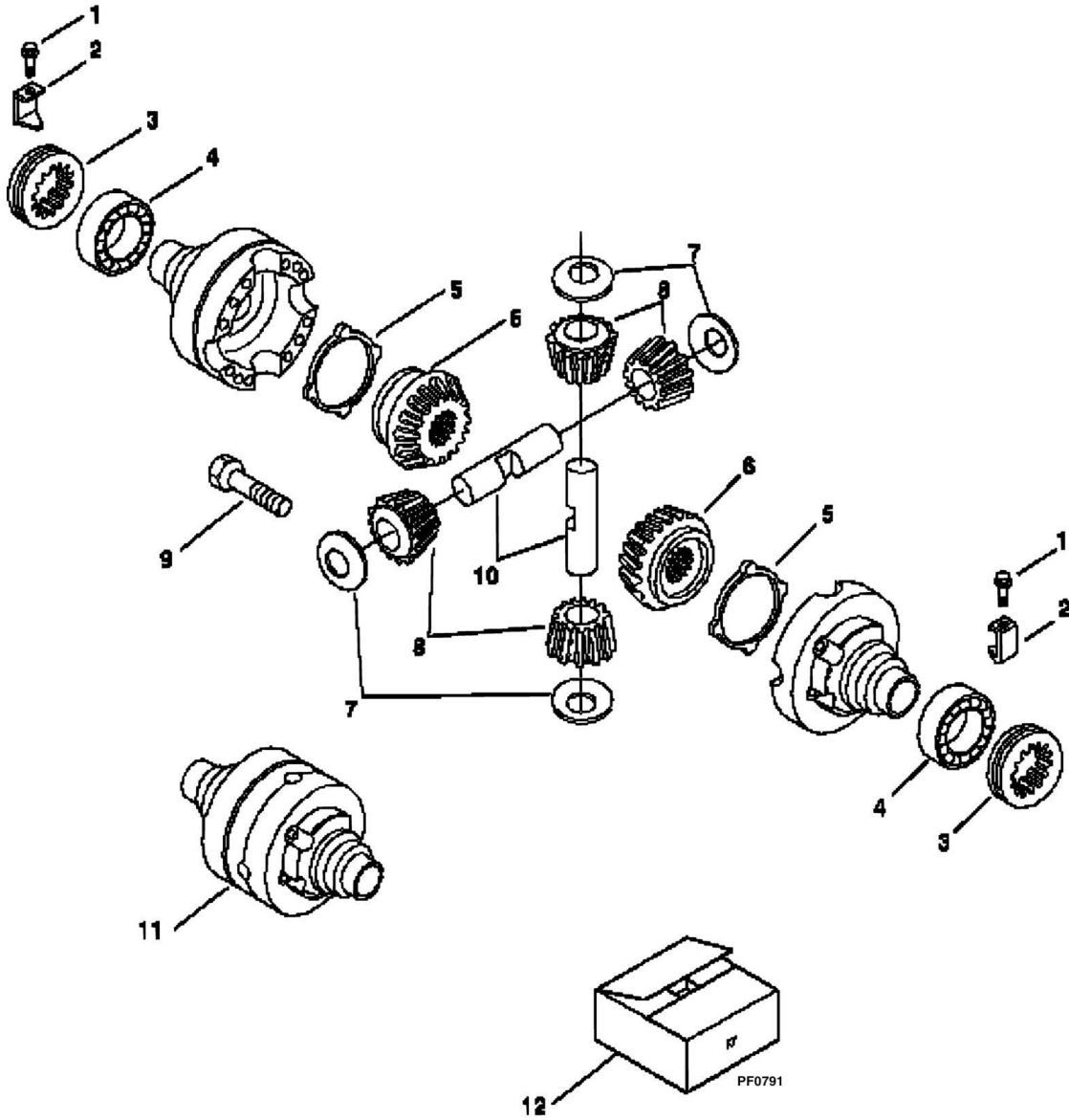
SECTION 3 - DRIVE TRAIN

FIGURE 3-10. AXLE BEVEL AND PINION GEAR SET

ITEM	PART NUMBER	QTY	DESCRIPTION	REV
		Ref	NOTE: Quantities listed are for one axle assembly.	
1	8033534	1	Bevel Gear/Pinion Set, Z = 9/37 - Rear Axle (Includes Items 3 thru 6)	
2	8033535	1	Bevel Gear/Pinion Set, Z = 9/37 - Front Axle (Includes Items 3 thru 6)	
3	8033541	2	Washer, Thrust	
4	8033540	1	Spacer, Deformable	
5	8033536	1	Washer, Keyed Thrust	
6	8033537	1	Plug	
7	8035160	AR	Shim, 2,50mm	
7	8035161	AR	Shim, 2,60mm	
7	8035162	AR	Shim, 2,70mm	
7	8035163	AR	Shim, 2,80mm	
7	8035164	AR	Shim, 2,90mm	
7	8035165	AR	Shim, 3,00mm	
7	8035166	AR	Shim, 3,10mm	
7	8035167	AR	Shim, 3,20mm	
7	8035168	AR	Shim, 3,30mm	
7	8035169	AR	Shim, 3,40mm	
8	8030937	2	Bearing	
9		Ref	Seal, 1 Piece (Axle SN TR/356 Front and Prior to TK/355 Rear) - (For Service, Order Item 13)	
10	8033538	1	Flange	
11	8033532	2	Screw, M10 x 60	
12	8033533	2	Nut, M10 x 1,25	
13	8033592	1	Kit, Seal (Axle SN TR/357 Front and TK/356 Rear to Present); (Includes Items 14 thru 16)	
14	8034676	1	Cover	
15	8034677	1	O-ring	
16	8034678	1	Oil Seal	

SECTION 3 - DRIVE TRAIN

FIGURE 3-11. DIFFERENTIAL



PG0151

SECTION 3 - DRIVE TRAIN

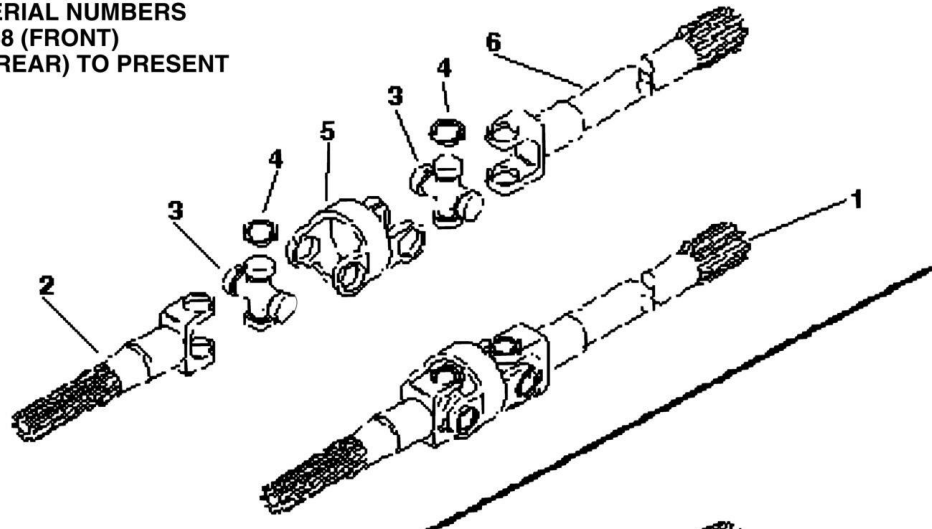
FIGURE 3-11. DIFFERENTIAL

ITEM	PART NUMBER	QTY	DESCRIPTION	REV
		Ref	NOTE: Quantities listed are for one axle assembly.	
1	8035180	2	Bolt, M6 Self-locking	
2	8030435	2	Plate, Ring Gear Locking	
3	8030432	2	Nut, Ring	
4	8030889	2	Bearing	
5	8030478	2	Plate, Thrust	
6	N.S.S.	2	Pinion, Slide (See Kits)	
7	N.S.S.	4	Washer, Thrust (See Kits)	
8	N.S.S.	4	Gear (See Kits)	
9	8033544	12	Bolt	
10	N.S.S.	2	Shaft (See Kits)	
11	8033545	1	Housing (Includes both halves. Halves not sold separately.)	
		Ref	KITS	
12	8034679	1	Kit, Differential (Includes Items 6, 7, 8 & 10)	

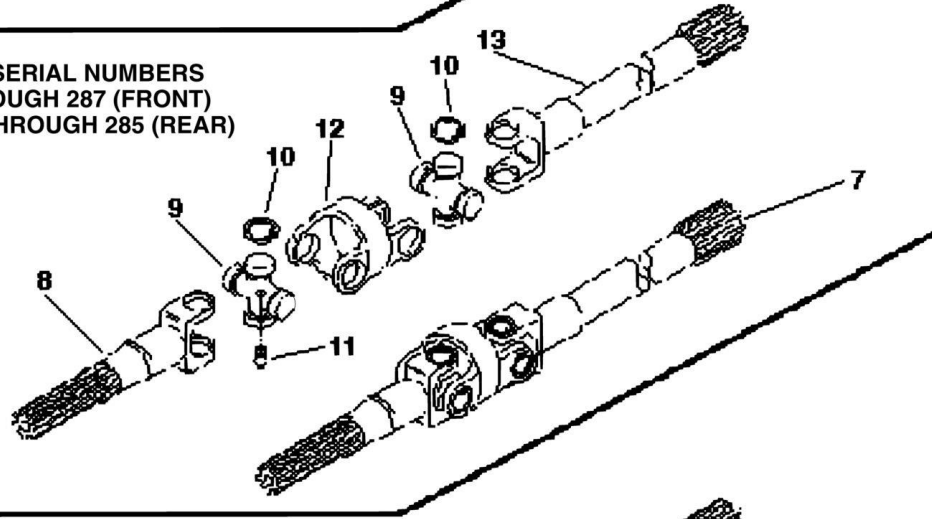
SECTION 3 - DRIVE TRAIN

FIGURE 3-12. AXLE DRIVE SHAFTS

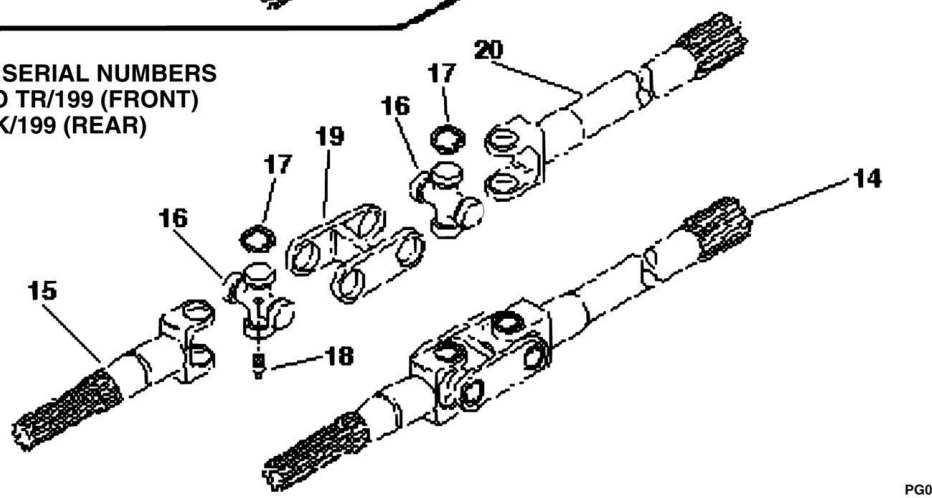
CARRARO SERIAL NUMBERS
TR/288 (FRONT)
AND TK/286 (REAR) TO PRESENT



CARRARO SERIAL NUMBERS
TR/199 THROUGH 287 (FRONT)
AND TK/199 THROUGH 285 (REAR)



CARRARO SERIAL NUMBERS
PRIOR TO TR/199 (FRONT)
AND TK/199 (REAR)



PG0162

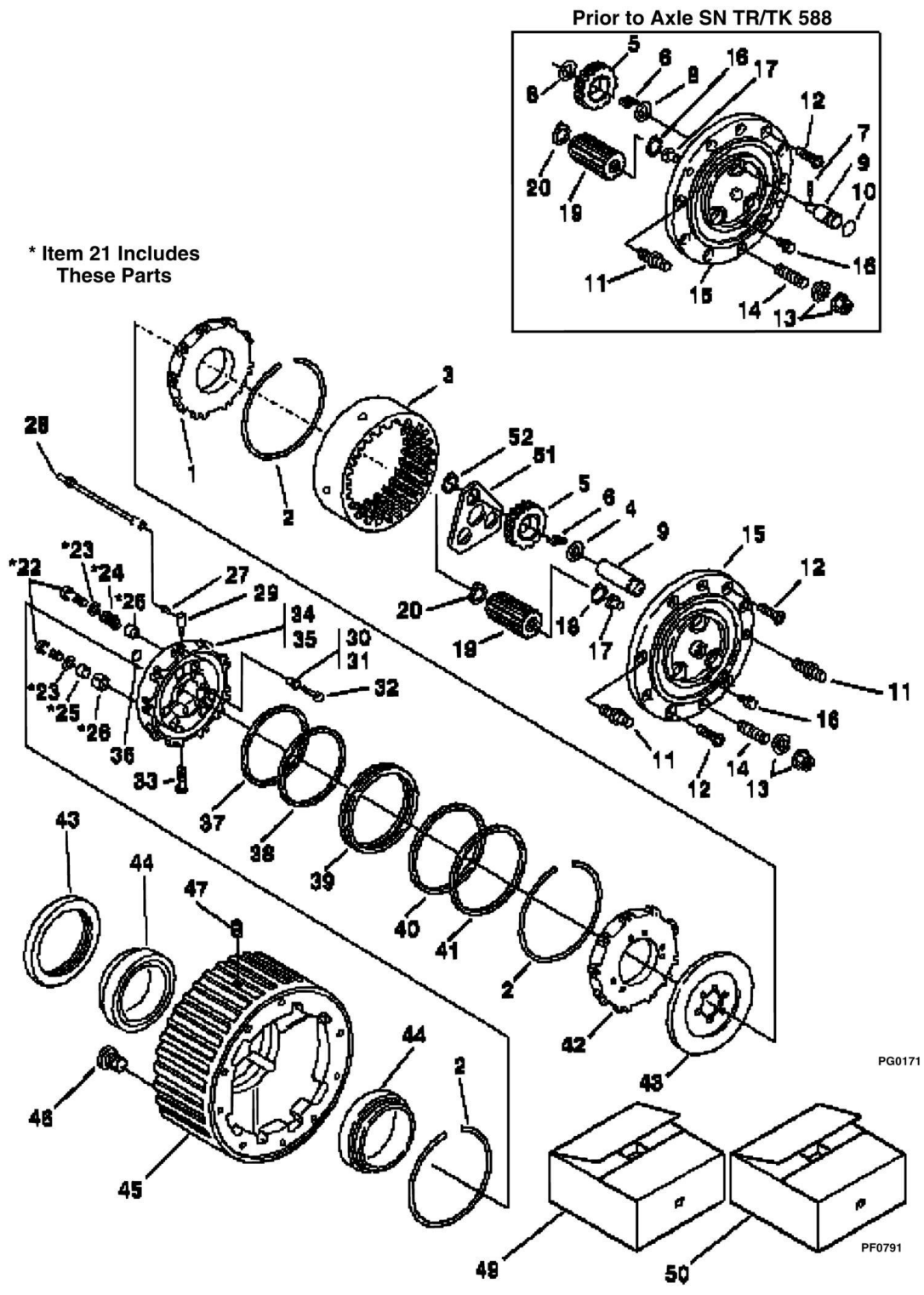
SECTION 3 - DRIVE TRAIN

FIGURE 3-12. AXLE DRIVE SHAFTS

ITEM	PART NUMBER	QTY	DESCRIPTION	REV
		Ref	NOTE: Quantities listed are for one axle assembly.	
		Ref	Carraro Serial Numbers TR/288 (Front) and TK/286 (Rear) to Present	
1	8034667	2	Shaft Assembly, Complete (Includes Items 2 thru 6)	
2	8033639	2	Shaft, Half (Wheel Side)	
3	8034668	4	Spider (Includes Item 4)	
4	8033635	16	Ring, Lock	
5	8033636	2	Body, Central	
6	8033638	2	Shaft, Half (Differential Side)	
		Ref	Carraro Serial Numbers TR/199 – 287 (Front) and TK/199 – 285 (Rear)	
7	8033589	2	Shaft Assembly, Complete (Includes Items 8 thru 13) - N.L.A. (Order #8034667)	
8	8033639	2	Shaft, Half (Wheel Side)	
9	8033637	4	Spider (Includes Items 10 & 11) - N.L.A. (Order #8034668)	
10	8033635	16	Ring, Lock	
11	8030382	4	Grease Fitting - N.L.A.	
12	8033636	2	Body, Central	
13	8033638	2	Shaft, Half (Differential Side)	
		Ref	Carraro Serial Numbers TR/198 (Front) and Prior to TK/198 (Rear)	
14	8033551	2	Shaft Assembly, Complete (Includes Items 15 thru 20)	
15	8033550	2	Shaft, Half (Wheel Side)	
16	8033548	4	Spider (Includes Items 17 & 18)	
17	8033546	16	Ring, Lock	
18	8030382	4	Grease Fitting	
19	8033547	2	Body, Central	
20	8033549	2	Shaft, Half (Differential Side)	

SECTION 3 - DRIVE TRAIN

FIGURE 3-13. WHEEL END - FRONT AND REAR WITH SERVICE BRAKES (AXLE SN ALL TR/TK PRIOR TO 000938 FRONT/000945 REAR)



SECTION 3 - DRIVE TRAIN

FIGURE 3-13. WHEEL END - FRONT AND REAR WITH SERVICE BRAKES (AXLE SN ALL TR/TK PRIOR TO 000938 FRONT/000945 REAR)

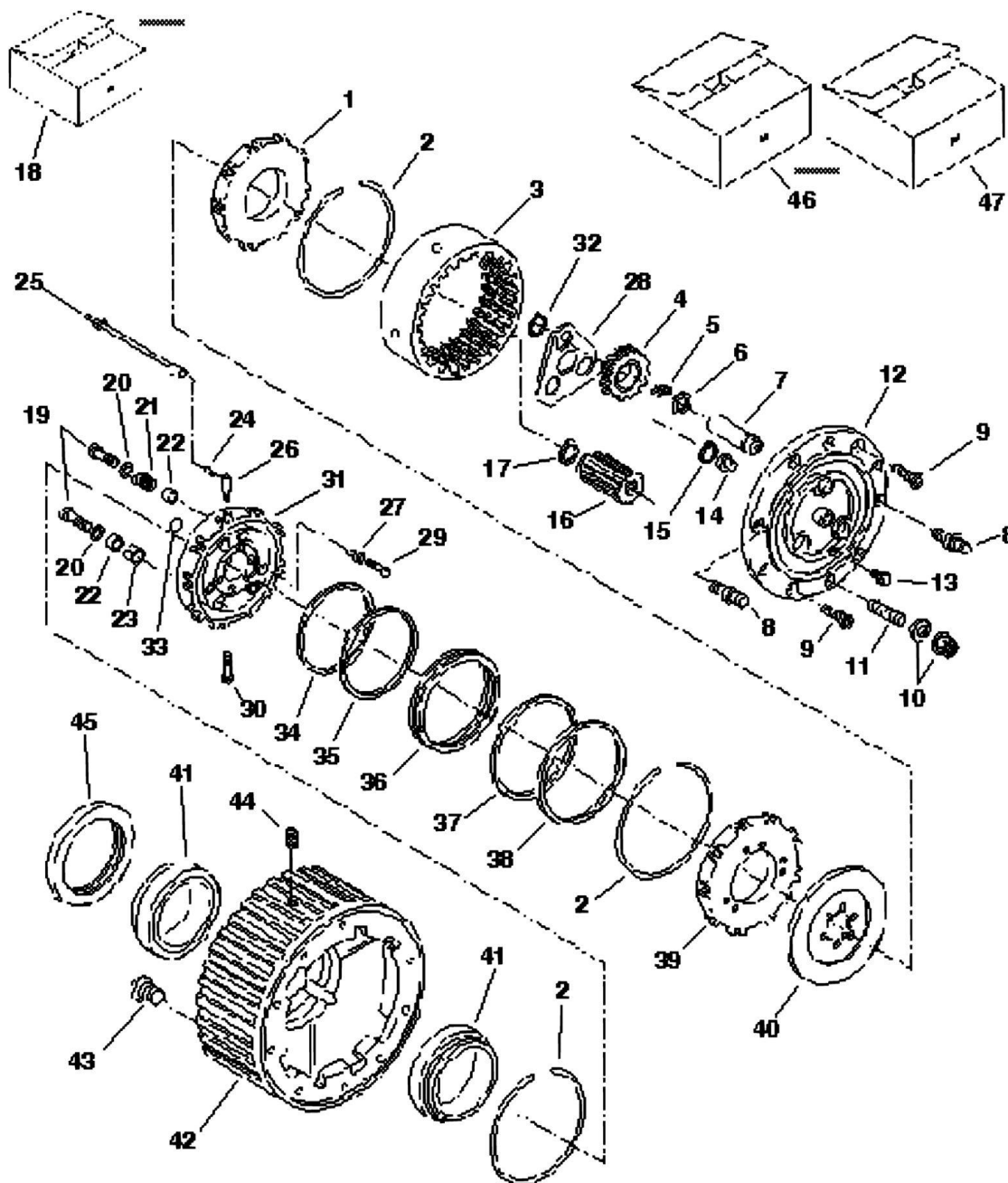
ITEM	PART NUMBER	QTY	DESCRIPTION	REV
		Ref	NOTE: Quantities listed are for one axle assembly.	
1	8033573	2	Plate, Reaction	
2	8033583	6	Ring	
3	8033572	2	Gear, Crown	
4	8033566	3	Washer, Thrust	
5	8033564	6	Gear, Planetary	
6	8033565	180	Bearing, Needle	
7	8033553	6	Pin, Split	
8	8033559	6	Washer	
9	8033563	6	Shaft (Axle SN TR/TK – Prior to 588) if not available order Item 49	
	N.S.S.	6	Shaft (Axle SN TR/TK – 588 to Present) order Item 49	
10	8033555	6	O-ring, 2-216	
11	8033567	4	Stud	
12	8030412	4	Screw, M12 x 30	
13	8040478	16	Nut and Conical Washer Kit	
14	8033558	12	Stud	
15	8033562	2	Planetary Carrier (Axle SN TR/TK - Prior to 588) if not available order Item 50	
	N.S.S.	2	Planetary Carrier (Axle SN TR/TK – 588 to Present) order Item 50	
16	8030431	2	Plug, Magnetic Drain	
17	8030947	2	Pin, Thrust	
18	8033554	2	Ring, Retaining	
19	8033569	2	Gear, Sun	
20	8030476	2	Washer, Thrust	
21	8032723	1	Kit, Self-Adjust Bushing (Includes Items 22 thru 26)	
22	N.S.S.	12	Screw, M6 x 30	
23	N.S.S.	12	Washer	
24	N.S.S.	6	Spring	
25	N.S.S.	12	Bushing	
26	N.S.S.	6	Pin, Split	
27	8033561	2	Screw, Bleed	
28	N.S.S.	1	Bleed Screw Wrench, Service Tool	
29	8033585	2	Adapter	
30	8030470	14	Bushing, D.20	
31	8030471	2	Bushing, D.24	
32	8030472	16	Screw, M14 x 1,5	
33	8033584	2	Screw	
34	8033580	1	Carrier, Wheel-Left Front/Right Rear	
35	8033581	1	Carrier, Wheel-Right Front/Left Rear	
36	8033556	2	O-ring, 2031	
37	8033575	2	Quadring, D.168,6	
38	8033577	2	Ring, Anti extrusion D.170,1	
39	8033576	2	Piston, Brake	
40	8033568	2	Quadring, D.178,6	
41	8033578	2	Ring, Anti extrusion D.184,1	
42	8033579	2	Plate, Reaction	
43	8033570	2	Disc, Brake	
44	8030464	4	Bearing	
45	8033571	2	Hub, Wheel	

SECTION 3 - DRIVE TRAIN

ITEM	PART NUMBER	QTY	DESCRIPTION	REV
46	8033582	2	Plug	
47	8030416	2	Plug, M22 x 1,5	
48	8033557	2	Seal, Cassette	
49	8035273	2	Wheel End Cover w/shafts (Axle SN TR/TK - 588 to Present) - (Includes Cover, Shafts, Pin, Thrust Plate and Snap Ring)	
50	8035274	2	Wheel End Cover Sub-Assembly w/shafts and gears (Includes Cover, Drain Plug, Shafts, Washers, Needle Bearings, Gears, Thrust Plate and Snap Rings)	
51	8035275	1	Thrust Plate	
52	8035175	3	Snap Ring	

SECTION 3 - DRIVE TRAIN

FIGURE 3-14. WHEEL END - FRONT AND REAR WITH SERVICE BRAKES (AXLE S/N 000939 FRONT/000946 REAR TO PRESENT)



SECTION 3 - DRIVE TRAIN

**FIGURE 3-14. WHEEL END - FRONT AND REAR WITH SERVICE BRAKES (AXLE S/N 000939
FRONT/000946 REAR TO PRESENT)**

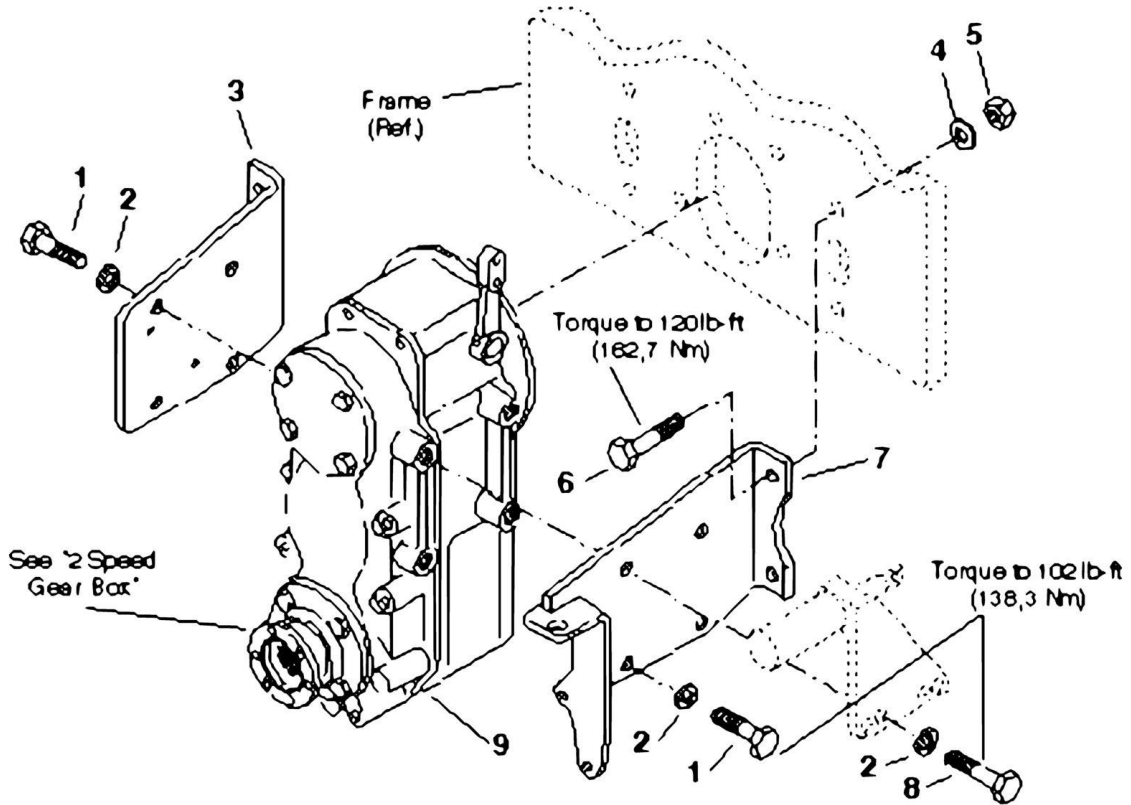
ITEM	PART NUMBER	QTY	DESCRIPTION	REV
1	8033573	2	Plate, Reaction	
2	8033583	6	Ring	
3	8033572	2	Gear, Crown	
4	8033564	6	Gear, Planetary	
5	8033565	180	Bearing, Needle	
6	8033559	6	Washer	
7	N.S.S.	6	Shaft (for service order Item 46)	
8	8033567	4	Stud	
9	8030412	4	Screw, M12 x 30	
10	8040478	16	Nut and Conical Washer Kit	
11	8033558	12	Stud	
12	N.S.S.	2	Planetary Carrier (for service order Item 47)	
13	8030431	2	Plug, Magnetic Drain	
14	8030947	2	Pin, Thrust	
15	8033554	2	Ring, Retaining	
16	8033569	2	Gear, Sun	
17	8030476	2	Washer, Thrust	
18	8032723	1	Kit, Self-Adjust Bushing (Includes Items 19 thru 23)	
19	N.S.S.	12	Screw, M6 x 30	
20	N.S.S.	12	Washer	
21	N.S.S.	6	Spring	
22	N.S.S.	12	Bushing	
23	N.S.S.	6	Pin, Split	
24	8033561	2	Screw, Bleed	
25	N.S.S.	1	Bleed Screw Wrench, Service Tool	
26	8033585	2	Adapter	
27	8030470	16	Bushing, D.20	
28	8035275	1	Thrust Plate	
29	8030472	16	Screw, M14 x 1,5	
30	8033584	2	Screw	
31	8035724	2	Carrier, Wheel	
32	8035175	3	Snap Ring	
33	8033556	2	O-ring, 2031	
34	8033575	2	Quadring, D.168,6	
35	8033577	2	Ring, Antiextrusion D.170,1	
36	8033576	2	Piston, Brake	
37	8033568	2	Quadring, D.178,6	
38	8033578	2	Ring, Antiextrusion D.184,1	
39	8033579	2	Plate, Reaction	
40	8033570	2	Disc, Brake	
41	8030464	4	Bearing	
42	8033571	2	Hub, Wheel	
43	8033582	2	Plug	
44	8030416	2	Plug, M22 x 1,5	
45	8033557	2	Seal, Cassette	
46	8035273	2	Wheel End Cover w/shafts - (Includes Cover, Shafts, Pin, Thrust Plate and Snap Ring)	

SECTION 3 - DRIVE TRAIN

ITEM	PART NUMBER	QTY	DESCRIPTION	REV
47	8035274	2	Wheel End Cover Sub-Assembly w/shafts and gears (Includes Cover, Drain Plug, Shafts, Washers, Needle Bearings, Gears, Thrust Plate and Snap Rings)	

SECTION 3 - DRIVE TRAIN

FIGURE 3-15. 2 SPEED DROP BOX MOUNTING (5028HT/5028HF)



PG0670

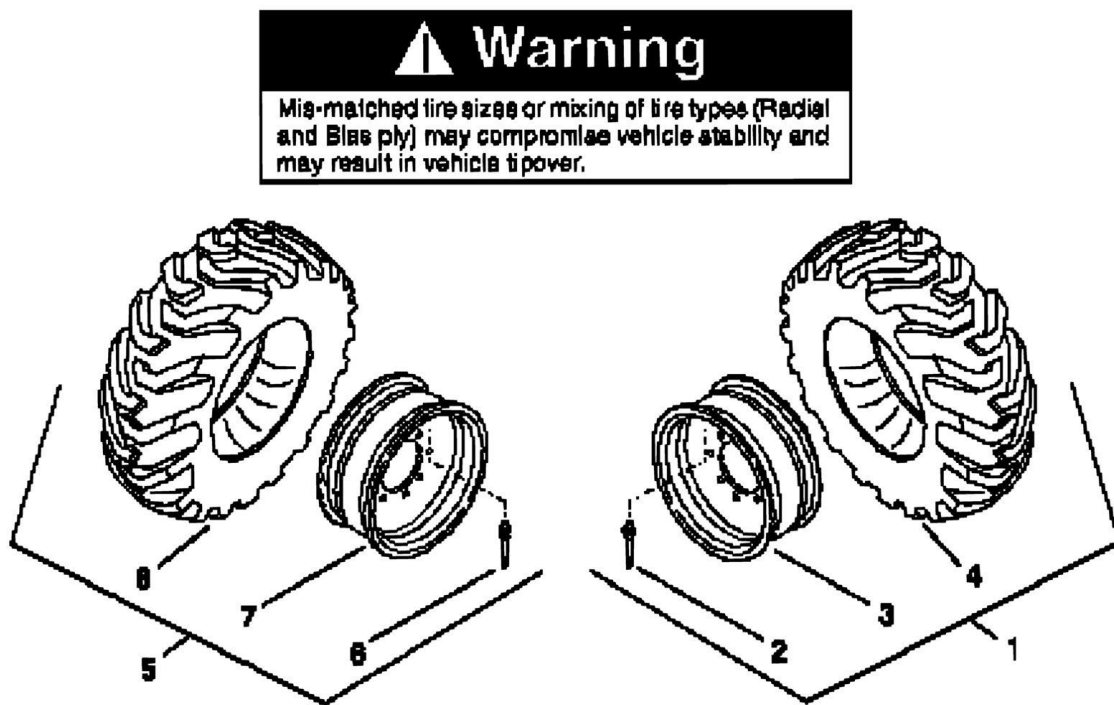
SECTION 3 - DRIVE TRAIN

FIGURE 3-15. 2 SPEED DROP BOX MOUNTING (5028HT/5028HF)

ITEM	PART NUMBER	QTY	DESCRIPTION	REV
1	8310248	6	HHCS, M14-2 x 30	
2	8310089	8	Washer, Lock M14	
3	7117622	1	Mount - R.H. Drop Box	
4	8307107	4	Washer, Flat Light 5/8in	
5	8305643	4	Nut, Hex Lock Elastic 5/8-11	
6	8310255	4	HHCS, 5/8-11 x 2-1/4in	
7	7117842	1	Mount - L.H. Drop Box	
8	8310254	2	HHCS, M14-2 x 45	
9	8841029	1	2 Speed Drop Box Complete	

SECTION 3 - DRIVE TRAIN

FIGURE 3-16. WHEELS AND TIRES



PG0601

SECTION 3 - DRIVE TRAIN

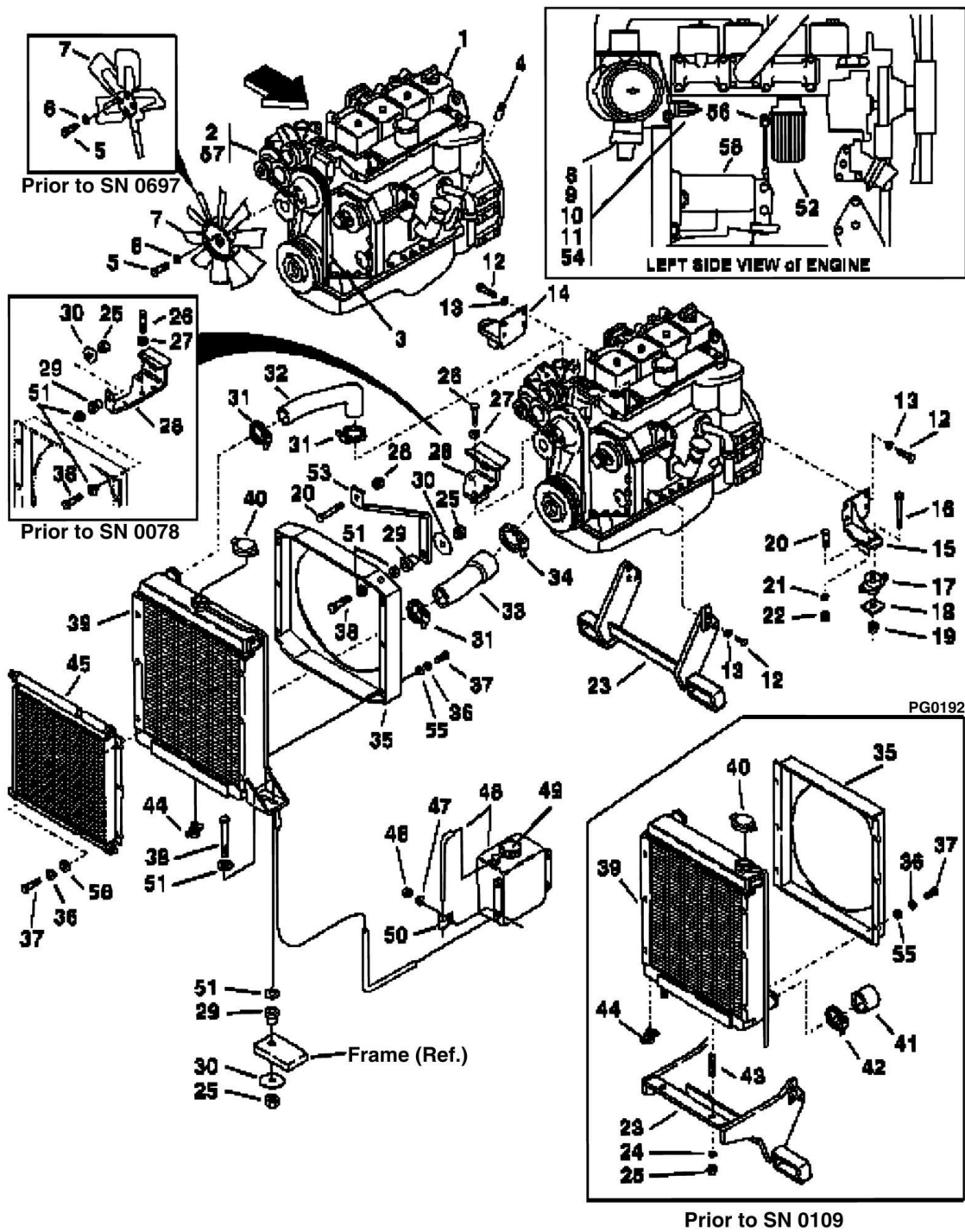
FIGURE 3-16. WHEELS AND TIRES

ITEM	PART NUMBER	QTY	DESCRIPTION	REV
1	7094942	2	Tire and Wheel Assembly, Right Side (Includes Items 2 thru 4)	
2	8786514	1	Valve Stem	
3	7077063	1	Wheel, 19.5 x 12.5	
4	8780262	1	Tire, 15.00 - 19.5, 12 Ply	
5	7094952	2	Tire and Wheel Assembly, Left Side (Includes Items 6 thru 8)	
6	8786514	1	Valve Stem	
7	7077063	1	Wheel, 19.5 x 12.5	
8	8780262	1	Tire, 15.00 - 19.5, 12 Ply	

SECTION 4 - POWER PLANT

SECTION 4 - POWER PLANT

FIGURE 4-1. ENGINE, RADIATOR AND COOLER MOUNTING (PRE-EPA) (Prior to SN 6152)



SECTION 4 - POWER PLANT

FIGURE 4-1. ENGINE, RADIATOR AND COOLER MOUNTING (PRE-EPA) (Prior to SN 6152)

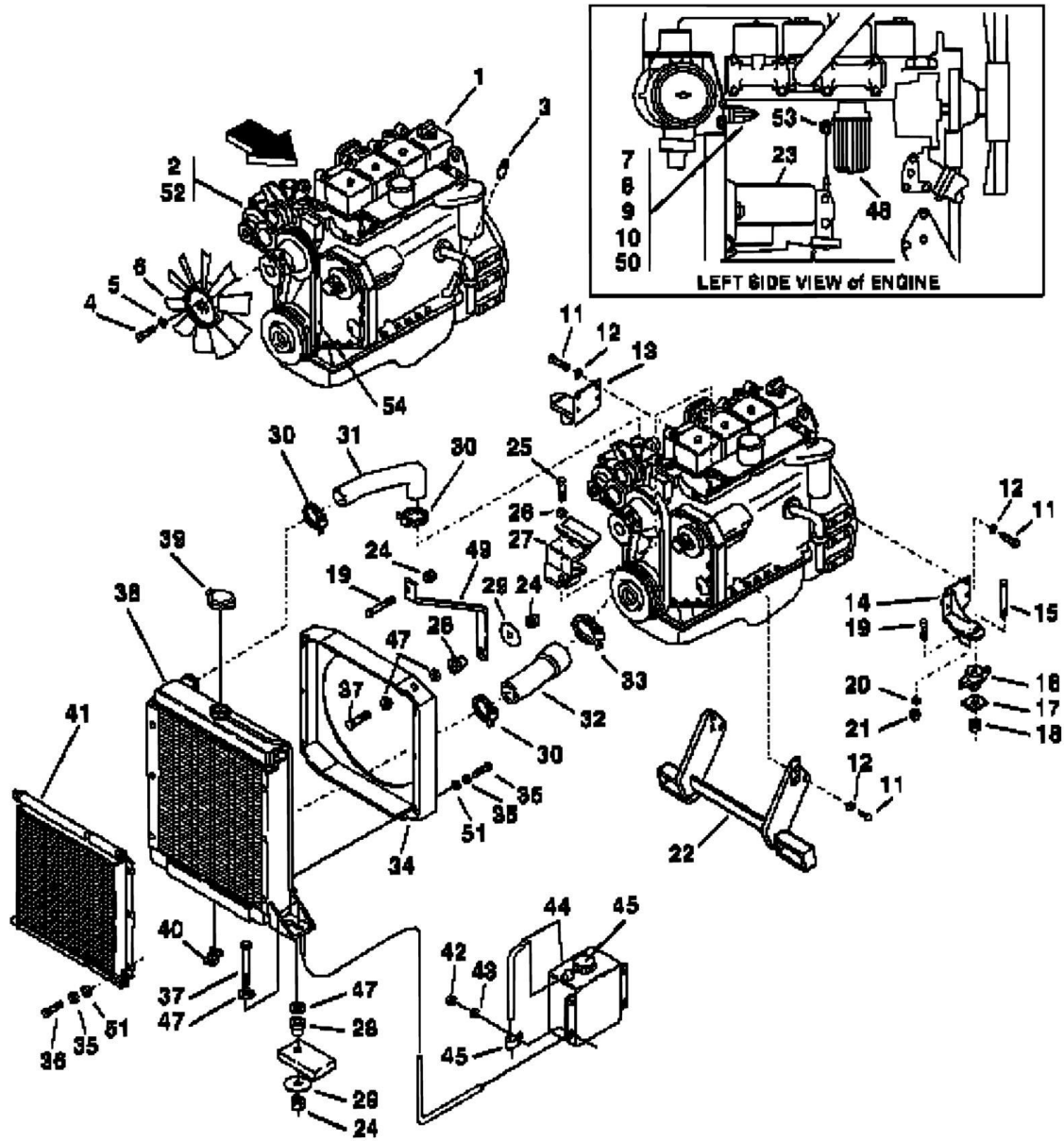
ITEM	PART NUMBER	QTY	DESCRIPTION	REV
1	8262312	1	Engine, Cummins 4B3.9 Natural (Prior to SN 0672)	
1	8262145	1	Engine, Cummins 4B3.9 Natural (SN 0672 through 6151)	
2	7098932	1	Alternator Kit (Prior to SN 0071)	
2	8270221	1	Alternator Kit (SN 0071 through 6151)	
3	8080613	1	Belt, Engine Fan	
4	7096911	1	Extension, Tube	
5	8310028	4	HHCS, M8 x 70mm (Prior to SN 0697)	
5	8303550	4	HHCS, M8 x 60mm (SN 0697 through 6151)	
6	8307222	4	Washer, Flat M8	
7	8272009	1	Fan, 17in DIA - Suction (Prior to SN 0697)	
7	8272017	1	Fan, 18in DIA - Suction (SN 0697 through 6151)	
8	8277162	1	Solenoid Relay, Starter	
9	8310026	2	HHCS, 1/4-20 x 3/4in	
10	8307002	2	Washer, Lock 1/4in	
11	8305004	2	Nut, Hex 1/4-20	
12	8303790	12	HHCS, M12 x 30mm	
13	8307025	12	Washer, Lock M12	
14	7098203	1	Mount, Engine L.H.	
15	7098193	1	Mount, Engine R.H.	
16	8303655	2	HHCS, 5/8-11 x 4-1/2in	
17	8660005	2	Isolator	
18	7088511	2	Washer, Rebound	
19	8305643	2	Nut, Hex Lock Elastic 5/8-11	
20	8303621	5	HHCS, 3/8-16 x 1-1/2in	
21	8307005	4	Washer, Lock 3/8in	
22	8305008	4	Nut, Hex 3/8-16	
23	7094043	1	Mount, Engine and Radiator (Prior to SN 0109)	
23	7111703	1	Mount, Engine Lift (SN 0109 through 6151)	
24	8307024	2	Washer, Flat 3/8in (Prior to SN 0109)	
25	8305645	4	Nut, Hex Lock Elastic 3/8-16	
26	8310125	3	HHCS, M10 x 55mm	
27	8307023	3	Washer, Lock M10	
28	7097442	1	Support, Muffler and Radiator (Prior to SN 0078)	
28	7111722	1	Support, Muffler (SN 0078 through 6151)	
29	8278008	3	Isolator	
30	7057141	3	Washer, Rebound	
31	8405104	3	Clamp, Hose 2-1/4in I.D.	
32	7093783	1	Hose, Upper Radiator	
33	7093772	1	Hose, Lower Radiator	
34	8405203	1	Clamp, Hose 3in I.D.	
35	7099943	1	Shroud, Fan (Prior to SN 0109)	
35	7127043	1	Shroud, Fan (SN 0109 through 6151)	
36	8307004	12	Washer, Lock 5/16in	
37	8303697	12	HHCS, 5/16-18 x 3/4in	
38	8303622	3	HHCS, 3/8-16 x 2in	
39	5724284	1	Radiator (Includes Items 40 thru 44) (Prior to SN 0109)	
39	7112434	1	Radiator (Includes Items 40 thru 44) (SN 0109 through 0589)	
39	7127034	1	Radiator (Includes Items 40 thru 44) (SN 0590 through 6151)	
40	8180307	1	Cap, Radiator	
41	8403224	1	Cap, Connection	

SECTION 4 - POWER PLANT

ITEM	PART NUMBER	QTY	DESCRIPTION	REV
42	8405104	1	Clamp, Hose 2-1/4in	
43	8180308	2	Stud, Radiator Mount (Prior to SN 0109)	
44	8904001	1	Draincock, 1/4in NPT	
45	2713054	1	Cooler, Oil	
46	8305624	4	Nut, Hex Lock Elastic 1/4-20	
47	8307202	4	Washer, Flat 1/4in	
48	7085422	1	Bottle, Overflow (Includes Item 53)	
49	8866341	1	Cap, w/ Tether	
50	8406103	1	Clamp, Hose 5/8in I.D.	
51	8307204	6	Washer, Flat 3/8in Heavy	
52	8320262	1	Element, Oil Filter	
53	7111732	1	Support, Upper Radiator (SN 0078 through 6151)	
54	8307109	2	Washer, Flat SAE 1/4in	
55	8307203	12	Washer, Flat 5/16in	
56	8277161	1	Heater, Coolant	
57	8270220	1	Alternator Fan	
58	8270420	1	Starter, 12V (Includes Solenoid)	

SECTION 4 - POWER PLANT

FIGURE 4-2. ENGINE, RADIATOR AND COOLER MOUNTING (EPA) (SN 6152 to Present)



PG0193

SECTION 4 - POWER PLANT

FIGURE 4-2. ENGINE, RADIATOR AND COOLER MOUNTING (EPA) (SN 6152 to Present)

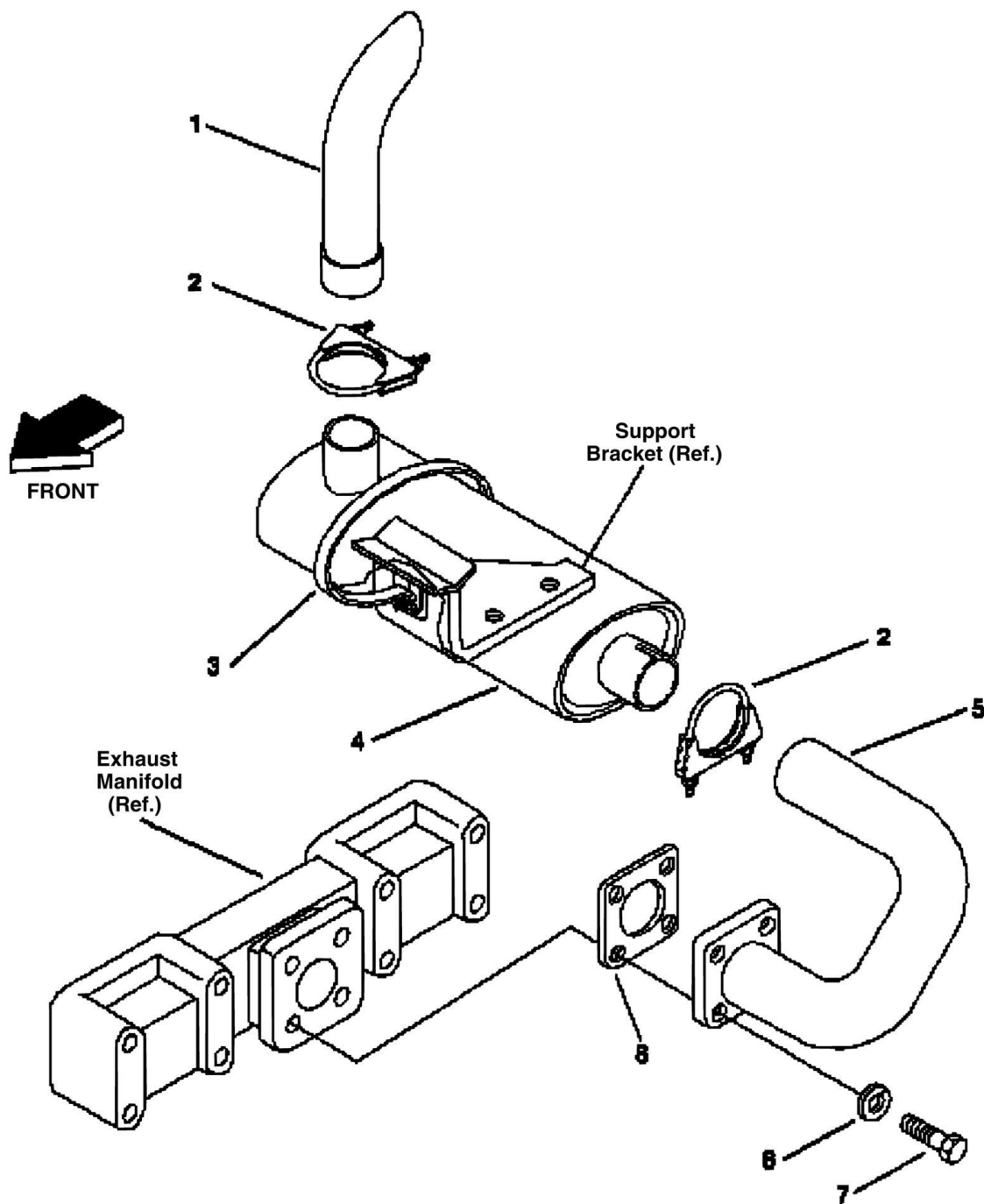
ITEM	PART NUMBER	QTY	DESCRIPTION	REV
1	8262149	1	Engine, Cummins 4B3.9 Natural (EPA)	
2	8270221	1	Alternator	
3	7096911	1	Extension, Tube	
4	8303550	4	HHCS, M8 x 60mm	
5	8307222	4	Washer, Flat M8	
6	8272017	1	Fan, 18in DIA - Suction	
7	8277143	1	Solenoid Relay, Starter	
8	8310026	2	HHCS, 1/4-20 x 3/4in	
9	8307002	2	Washer, Lock 1/4in	
10	8305004	2	Nut, Hex 1/4-20	
11	8303790	12	HHCS, M12 x 30mm	
12	8307025	12	Washer, Lock M12	
13	7098203	1	Mount, Engine L.H.	
14	7098193	1	Mount, Engine R.H.	
15	8303655	2	HHCS, 5/8-11 x 4-1/2in	
16	8660005	2	Isolator	
17	7088511	2	Washer, Rebound	
18	8305643	2	Nut, Hex Lock Elastic 5/8-11	
19	8303621	5	HHCS, 3/8-16 x 1-1/2in	
20	8307005	4	Washer, Lock 3/8in	
21	8305008	4	Nut, Hex 3/8-16	
22	7111703	1	Mount, Engine Lift	
23	8270420	1	Starter, 12V (Includes Solenoid)	
24	8305645	4	Nut, Hex Lock Elastic 3/8-16	
25	8310125	3	HHCS, M10 x 55mm	
26	8307023	3	Washer, Lock M10	
27	7300967	1	Support, Muffler	
28	8278008	3	Isolator	
29	7057141	3	Washer, Rebound	
30	8405104	3	Clamp, Hose 2-1/4in I.D.	
31	7093783	1	Hose, Upper Radiator	
32	7093772	1	Hose, Lower Radiator	
33	8405203	1	Clamp, Hose 3in I.D.	
34	7127043	1	Shroud, Fan	
35	8307004	12	Washer, Lock 5/16in	
36	8303697	12	HHCS, 5/16-18 x 3/4in	
37	8303622	3	HHCS, 3/8-16 x 2in	
38	7127034	1	Radiator (Includes Items 39 thru 40)	
39	8180307	1	Cap, Radiator	
40	8904001	1	Draincock, 1/4in NPT	
41	2713054	1	Cooler, Oil	
42	8305624	4	Nut, Hex Lock Elastic 1/4-20	
43	8307202	4	Washer, Flat 1/4in	
44	7085422	1	Bottle, Overflow (Includes Item 45)	
45	8866341	1	Cap, w/ Tether	
46	8406103	1	Clamp, Hose 5/8 I.D.	
47	8307204	6	Washer, Flat 3/8in Heavy	
48	8320262	1	Element, Oil Filter	
49	7111732	1	Support, Upper Radiator	
50	8307109	2	Washer, Flat SAE 1/4in	

SECTION 4 - POWER PLANT

ITEM	PART NUMBER	QTY	DESCRIPTION	REV
51	8307203	12	Washer, Flat 5/16in	
52	8270220	1	Alternator, Fan	
53	8277161	1	Heater, Coolant	
54	8035100	1	Belt, Engine Fan	

SECTION 4 - POWER PLANT

FIGURE 4-3. EXHAUST SYSTEM



PG0201

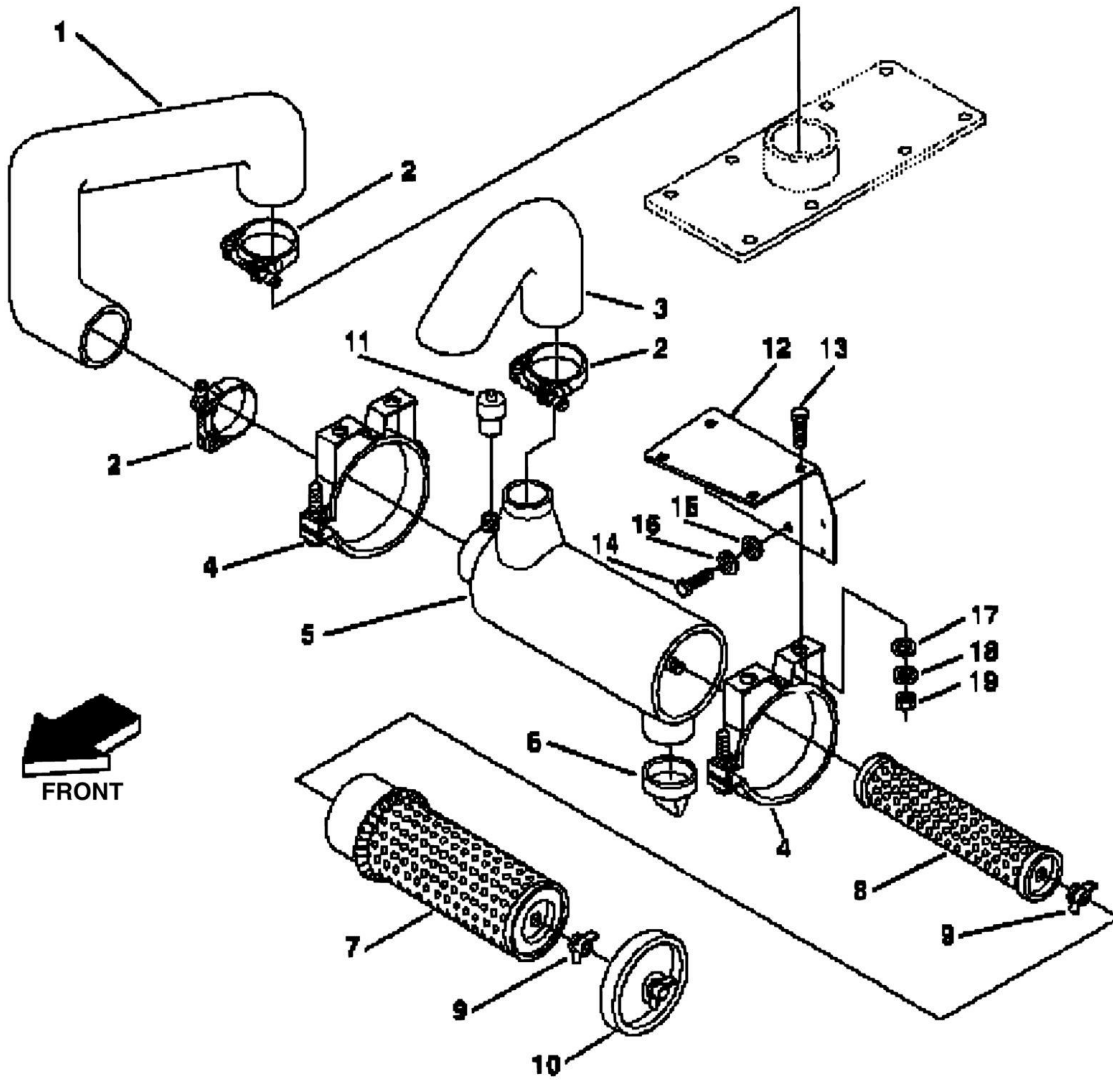
SECTION 4 - POWER PLANT

FIGURE 4-3. EXHAUST SYSTEM

ITEM	PART NUMBER	QTY	DESCRIPTION	REV
1	7091242	1	Pipe, Tail	
2	8275212	2	Clamp, Muffler 2-1/2in I.D.	
3	7097452	1	Clamp, Band 5 x 8in	
4	7092642	1	Muffler	
5	7093833	1	Pipe, Exhaust	
6	8307023	4	Washer, Lock M10	
7	8303755	4	HHCS, M10 x 30mm	
8	8033493	1	Gasket, Exhaust Manifold	

SECTION 4 - POWER PLANT

FIGURE 4-4. AIR CLEANER



PG0210

SECTION 4 - POWER PLANT

FIGURE 4-4. AIR CLEANER

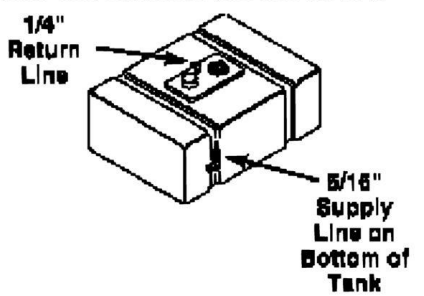
ITEM	PART NUMBER	QTY	DESCRIPTION	REV
1	7097652	1	Hose, Air Cleaner	
2	8405305	3	Clamp, T Bolt 3.38in I.D.	
3	7095223	1	Hose, Air Intake	
4	8273266	2	Clamp, Band 6.5in DIA	
5	8273017	1	Air Cleaner Assembly (Includes Items 6 thru 10)	
6	8032764	1	Valve, Vacuator	
7	8273267	1	Element, Primary	
8	8273271	1	Element, Safety	
9	8273272	2	Nut Assembly	
10	8032763	1	Cover, End	
11	8273241	1	Indicator, Service 25in	
12	7094273	1	Mount, Air Cleaner	
13	8303656	4	HHCS, 5/16-18 x 7/8in	
14	8303618	2	HHCS, M12 x 25mm	
15	8307220	2	Washer, Flat M12	
16	8307025	2	Washer, Lock M12	
17	8307203	4	Washer, Flat 5/16in	
18	8307004	4	Washer, Lock 5/16in	
19	8305006	4	Nut, Hex 5/16-18	

SECTION 4 - POWER PLANT

FIGURE 4-5. FUEL SYSTEM/PRE-EPA ENGINES - (TOP 1/4IN RETURN AND BOTTOM 5/16IN SUPPLY)

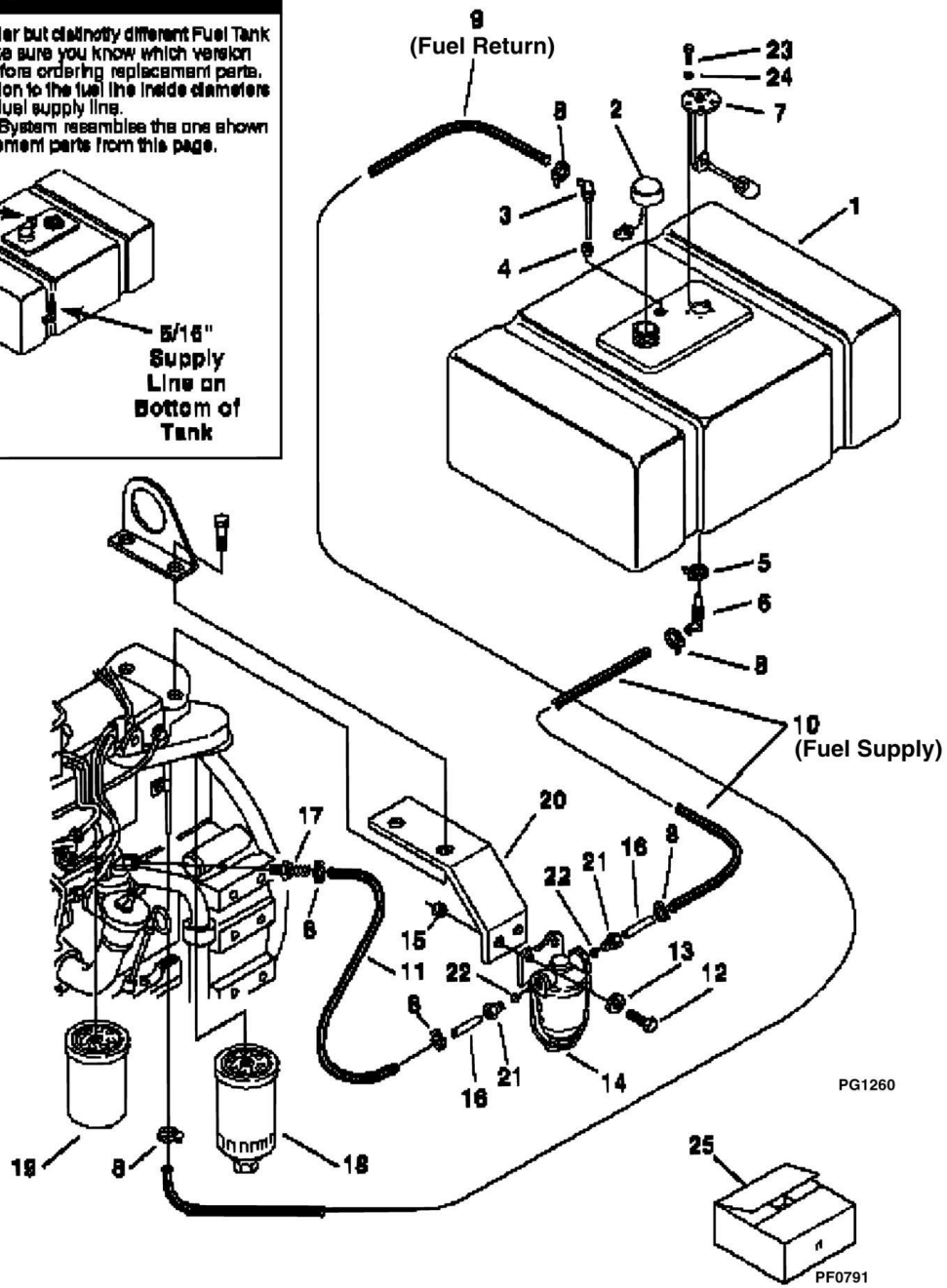
IMPORTANT:

There are three similar but distinctly different Fuel Tank configurations. Make sure you know which version your vehicle has before ordering replacement parts. Pay particular attention to the fuel line inside diameters and location of the fuel supply line. If your vehicle Fuel System resembles the one shown below-order replacement parts from this page.



1/4" Return Line

5/16" Supply Line on Bottom of Tank



SECTION 4 - POWER PLANT

FIGURE 4-5. FUEL SYSTEM/PRE-EPA ENGINES - (TOP 1/4IN RETURN AND BOTTOM 5/16IN SUPPLY)

ITEM	PART NUMBER	QTY	DESCRIPTION	REV
1	7078583	NLA	Tank, Fuel (No Longer Available - Order Fuel Tank Kit Item 25)	
2	8033111	1	Cap, Filler w/Tether	
3	8033109	1	Elbow, 90, w/Standpipe 1/4in	
4	8033175	1	Bushing, Rubber	
5	8405101	1	Clamp, Hose	
6	8033176	1	Elbow, 90, w/Standpipe 5/16in	
7	7070992	1	Sender, Fuel	
8	8405009	6	Clamp, Hose 5/8in I.D.	
9	7125441	1	Hose, Fuel Return 1/4in	
10	7125651	1	Hose, Fuel Supply 5/16in I.D. x 126in Long	
11	7125601	1	Hose, Fuel Supply 5/16in I.D. x 10in Long	
12	8310026	2	HHCS, 1/4-20 x 3/4in	
13	8307002	2	Washer, Lock 1/4in	
14	8274021	1	Fuel Prefilter	
15	8305004	2	Nut, Hex 1/4-20	
16	7091291	2	Tube, Fuel 5/16in O.D.	
17	8420231	1	Fitting, Barbed 1/4in NPT	
18	8320253	1	Element, Fuel Filter - Primary	
19	8320250	1	Element, Fuel Filter - Secondary	
20	7096272	1	Bracket, Prefilter	
21	8274209	2	Bushing, Hex, 1/2-20 UNF x 5/16in Tube	
22	8274210	2	Sleeve 5/16in	
23	8310180	5	Screw, #10-24 x 3/8in	
24	8307003	5	Washer, Lock #10	
25	8541404	1	Plug, Pipe	
		Ref	KITS	
26	7127321	1	Kit, Fuel Tank (Includes Fuel Tank and Hardware to Adapt New Replacement Fuel Tank with 5/16in Fuel Return to Existing 1/4in Fuel Return)	

SECTION 4 - POWER PLANT

FIGURE 4-6. FUEL SYSTEM/PRE-EPA ENGINES - (TOP 1/4IN RETURN AND TOP 5/16IN SUPPLY)

ITEM	PART NUMBER	QTY	DESCRIPTION	REV
1	7078583	NLA	Tank, Fuel (No Longer Available - Order Fuel Tank Kit Item 26)	
2	8033111	1	Cap, Filler w/Tether	
3	8033109	1	Elbow, 90, w/Standpipe 1/4in	
4	8033175	2	Bushing, Rubber	
5	8405101	1	Clamp, Hose	
6	7126162	1	Elbow, 90, w/Standpipe 5/16in	
7	7070992	1	Sender, Fuel	
8	8405009	6	Clamp, Hose 5/8in I.D.	
9	7125441	1	Hose, Fuel Return 1/4in	
10	7125651	1	Hose, Fuel Supply 5/16in I.D. x 126in Long	
11	7125601	1	Hose, Fuel Supply 5/16in I.D. x 10in Long	
12	8310026	2	HHCS, 1/4-20 x 3/4in	
13	8307002	2	Washer, Lock 1/4in	
14	8274021	1	Fuel Prefilter	
15	8305004	2	Nut, Hex 1/4-20	
16	7091291	2	Tube, Fuel 5/16in O.D.	
17	8420231	1	Fitting, Barbed 1/4in NPT	
18	8320253	1	Element, Fuel Filter - Primary	
19	8320250	1	Element, Fuel Filter - Secondary	
20	7096272	1	Bracket, Prefilter	
21	8274209	2	Bushing, Hex, 1/2-20 UNF x 5/16in Tube	
22	8274210	2	Sleeve 5/16in	
23	8310180	5	Screw, #10-24 x 3/8in	
24	8307003	5	Washer, Lock #10	
25	8541404	1	Plug, Pipe	
		Ref	KITS	
26	7127321	1	Kit, Fuel Tank (Includes Fuel Tank and Hardware to Adapt New Replacement Fuel Tank with 5/16in Fuel Return to Existing 1/4in Fuel Return)	

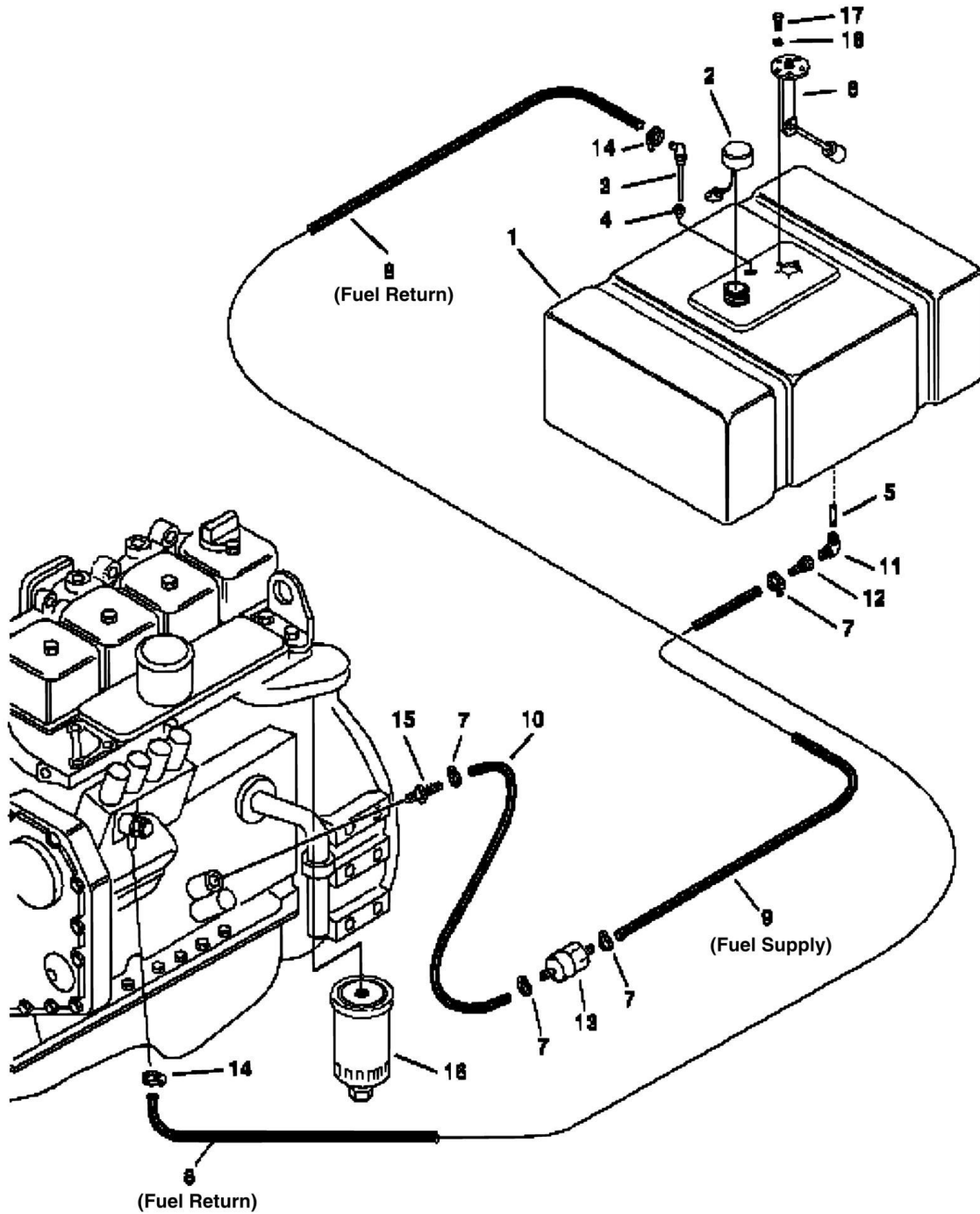
SECTION 4 - POWER PLANT

FIGURE 4-7. FUEL SYSTEM/PRE-EPA ENGINES - (TOP 5/16IN RETURN AND BOTTOM 3/8IN SUPPLY)

ITEM	PART NUMBER	QTY	DESCRIPTION	REV
1	7126153	1	Tank, Fuel (Includes Items 2 thru 4)	
2	8033111	1	Cap, Filler w/Tether	
3	7126162	1	Elbow, 90, w/Standpipe 5/16in	
4	8033175	1	Bushing, Rubber	
5	8405101	1	Clamp, Hose	
6	8033176	1	Elbow, 90, w/Standpipe 5/16in	
7	8420202	1	CPLG, 6-6 JIC Swivel	
8	7070992	1	Sender, Fuel	
9	8405009	6	Clamp, Hose 5/8in I.D.	
10	7125441	1	Hose, Fuel Return 1/4in	
11	7125651	1	Hose, Fuel Supply 5/16in I.D. x 126in Long	
12	7125601	1	Hose, Fuel Supply 5/16in I.D. x 10in Long	
13	8310026	2	HHCS, 1/4-20 x 3/4in	
14	8307002	2	Washer, Lock 1/4in	
15	8274021	1	Fuel Prefilter	
16	8305004	2	Nut, Hex 1/4-20	
17	7091291	2	Tube, Fuel 5/16in O.D.	
18	8420231	1	Fitting, Barbed 1/4in NPT	
19	8320253	1	Element, Fuel Filter - Primary	
20	8320250	1	Element, Fuel Filter - Secondary	
21	7096272	1	Bracket, Prefilter	
22	8274209	2	Bushing, Hex, 1/2-20 UNF x 5/16in Tube	
23	8274210	2	Sleeve 5/16in	
24	8310180	5	Screw, #10-24 x 3/8in	
25	8307003	5	Washer, Lock #10	

SECTION 4 - POWER PLANT

FIGURE 4-8. FUEL SYSTEM/EPA ENGINES (SN 6152 to Present)



PG1290

SECTION 4 - POWER PLANT

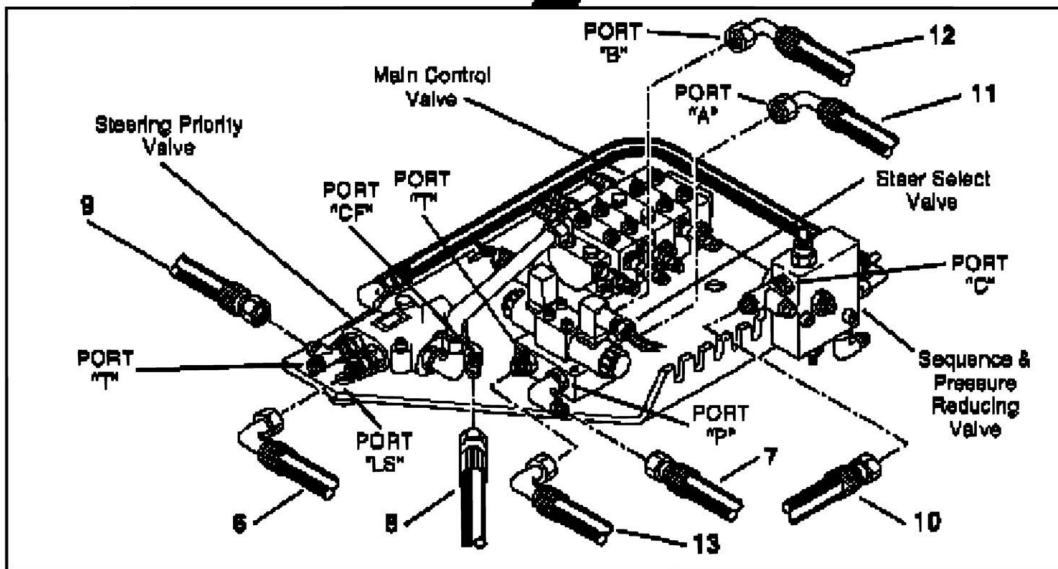
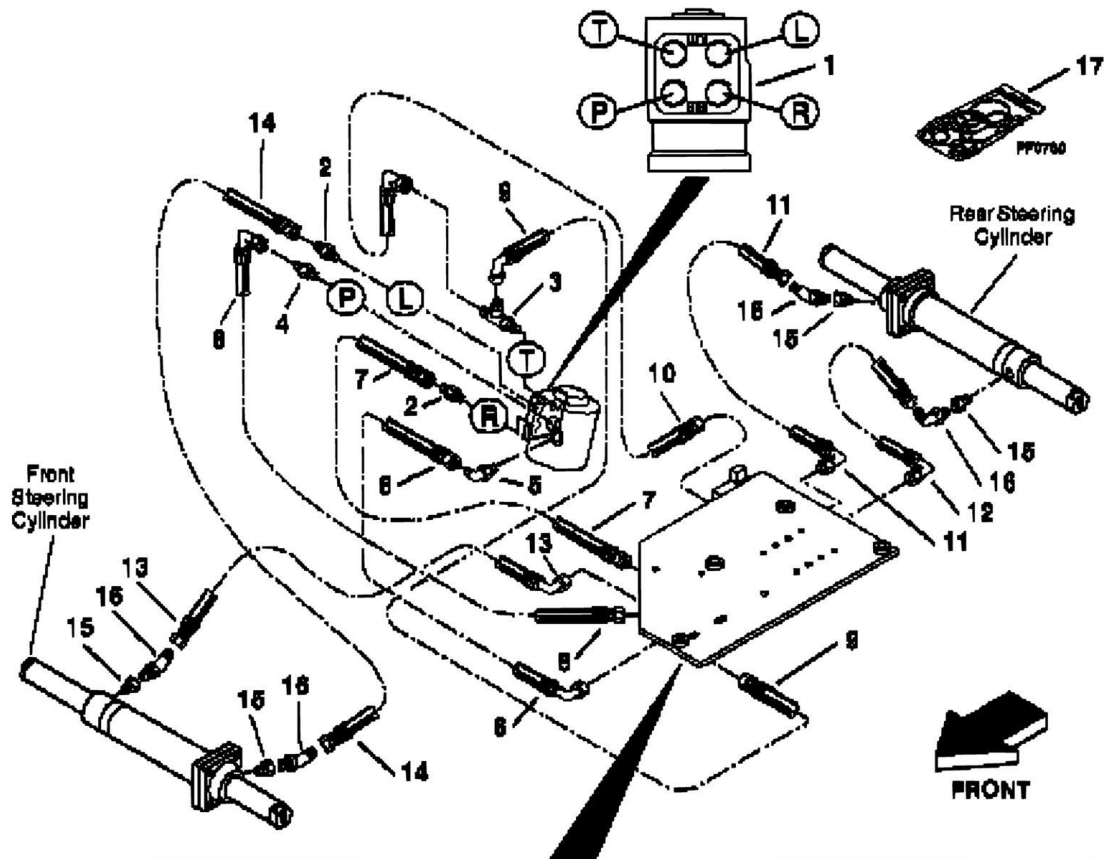
FIGURE 4-8. FUEL SYSTEM/EPA ENGINES (SN 6152 to Present)

ITEM	PART NUMBER	QTY	DESCRIPTION	REV
1	7126153	1	Tank, Fuel (Includes Items 2 thru 4)	
2	8033111	1	Cap, Filler w/Tether	
3	7126162	1	Elbow, 90, w/Standpipe	
4	8033175	1	Bushing, Rubber	
5	7126201	1	Standpipe 1/4in NPT x 1.50in Lg	
6	7070992	1	Sender, Fuel	
7	8410009	4	Clamp, Hose 1.06 I.D.	
8	7127071	1	Hose, Fuel Return - 5/16in I.D. x 147in Long	
9	7127891	1	Hose, Fuel Supply - 3/8in I.D. x 140in Long	
10	7127881	1	Hose, Fuel Supply - 3/8in I.D. x 4in Long	
11	7126191	1	Elbow, 90, for Standpipe	
12	8420202	1	CPLG, 6-6 JIC Swivel	
13	8274022	1	Fuel Strainer	
14	8405009	2	Clamp, Hose 5/8in I.D.	
15	8430007	1	Fitting, Barbed 1/4in NPT x 3/8in	
16	8320270	1	Element, Fuel Filter	
17	8310180	5	Screw, #10-24 x 3/8in	
18	8307003	5	Washer, Lock #10	

SECTION 5 - HYDRAULIC CIRCUITS

SECTION 5 - HYDRAULIC CIRCUITS

FIGURE 5-1. POWER STEERING CIRCUIT



Underneath View of Valve Plate

PG0252

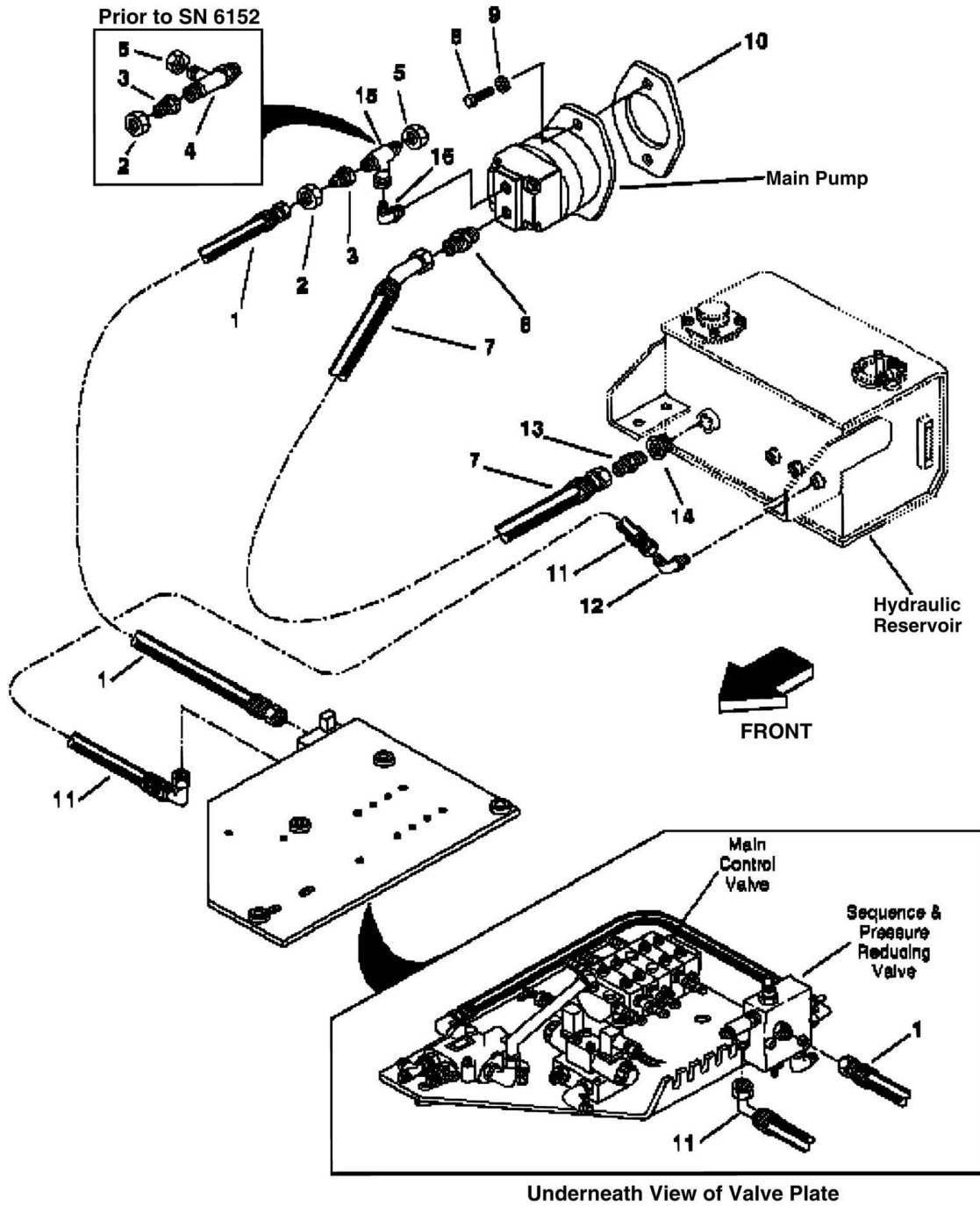
SECTION 5 - HYDRAULIC CIRCUITS

FIGURE 5-1. POWER STEERING CIRCUIT

ITEM	PART NUMBER	QTY	DESCRIPTION	REV
1	8721027	1	Power Steering Unit	
2	8760110	2	Connector, Straight, SAE 6-8 - male JIC 37 x male str. thd. o-ring	
3	8760510	1	Tee, Male Run, SAE 8-8 - male JIC 37 x male str. thd. o-ring	
4	8760140	1	Connector, Male Tube End w/Outlet Check, SAE 8-8 - free flow male tube end w/inlet to str. thd. port w/o-ring	
5	8760322	1	Elbow, 90, SAE 4-4 - male JIC 37 x male str. thd. o-ring	
6	2712592	1	Hose Assembly, Steering Unit to Priority Valve	
7	2711972	1	Hose Assembly, Steering Unit to Steer Select Valve	
8	2712122	1	Hose Assembly, Steering Unit to Priority Valve	
9	6604742	1	Hose Assembly, Steering Unit to Priority Valve	
10	2712122	1	Hose Assembly, Steering Unit to Sequence Valve	
11	6604962	1	Hose Assembly, Steer Select Valve to Right Rear Cylinder	
12	2712142	1	Hose Assembly, Steer Select Valve to Left Rear Cylinder	
13	6605772	1	Hose Assembly, Steer Select Valve to Right Front Cylinder	
14	2711482	1	Hose Assembly, Steering Unit to Left Front Cylinder	
15	8760460	4	Reducer, SAE 8-6 - male str. thd. o-ring x female internal o-ring boss	
16	8760312	4	Elbow, 45, SAE 6-6 - male JIC 37 x male str. thd. o-ring	
		Ref	KITS	
17	8034565	1	Seal Kit for Item 1 Power Steering Unit	

SECTION 5 - HYDRAULIC CIRCUITS

FIGURE 5-2. MAIN CONTROL VALVE CIRCUIT



PG0262

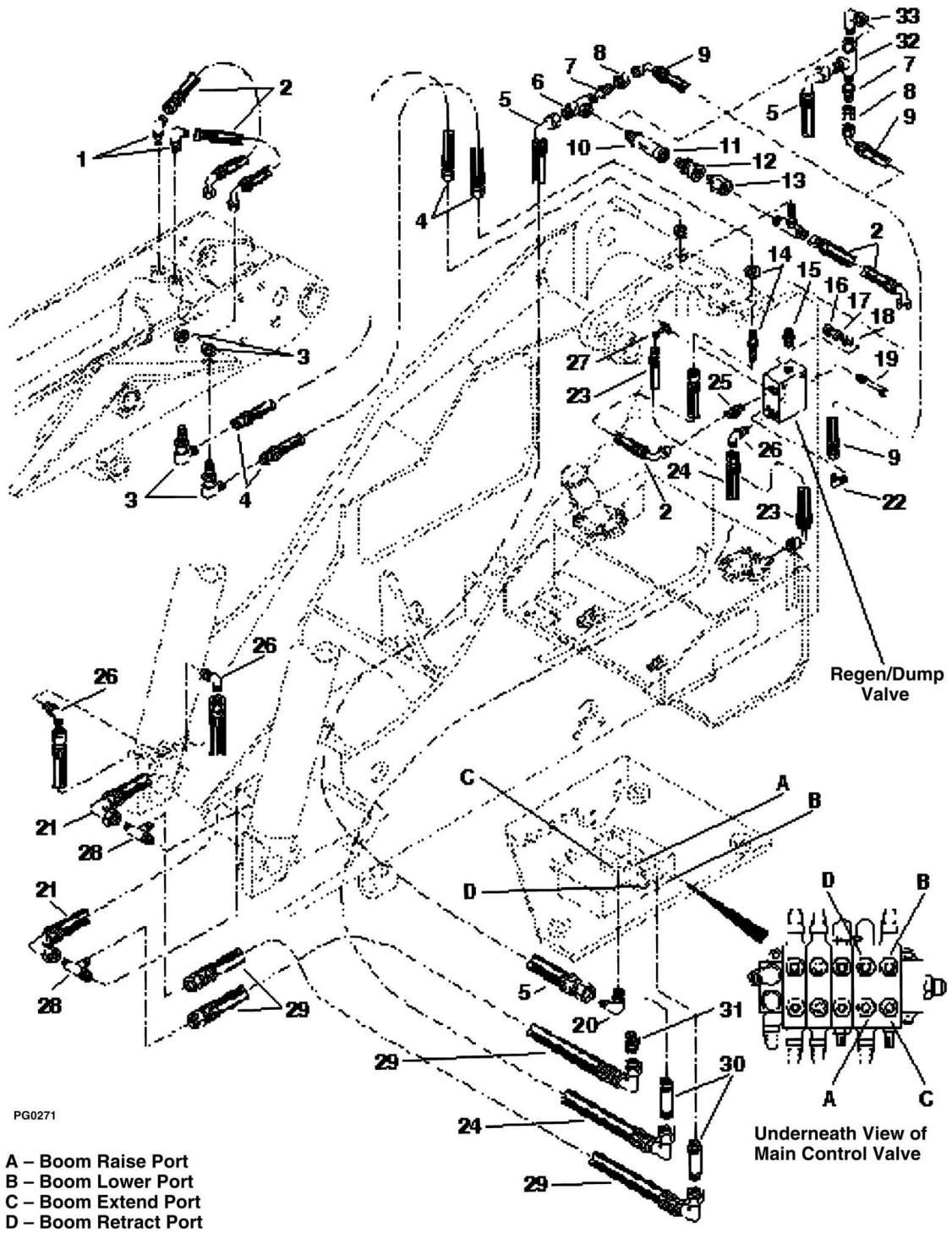
SECTION 5 - HYDRAULIC CIRCUITS

FIGURE 5-2. MAIN CONTROL VALVE CIRCUIT

ITEM	PART NUMBER	QTY	DESCRIPTION	REV
1	2712842	1	Hose Assembly, Pump to Sequence/Pressure Reducing Valve	
2	8760415	1	Nut, SAE 16 - JIC 37	
3	8762012	1	Reducer, Tube End, SAE 16-12 - JIC 37	
4	8760515	1	Tee, Male Run, SAE 16-16 - male JIC 37 x male str. thd. o-ring	
5	8760491	1	Cap, SAE JIC #16	
6	8770010	1	Connector, Straight, SAE 16-20 - male JIC 37 x male str. thd. o-ring	
7	2713122	1	Hose Assembly, Hydraulic Reservoir to Pump	
8	8310119	2	HHCS, M12 x 75mm	
9	8307025	2	Washer, Lock M12	
10	7054902	1	Gasket, Pump	
11	2712322	1	Hose Assembly, Sequence/Pressure Reducing Valve	
12	8760307	1	Elbow, 45, SAE 8-8 - male JIC 37 x male str. thd. o-ring	
13	8760102	1	Connector, Straight, SAE 16-16 - male JIC 37 x male str. thd. o-ring	
14	8760539	1	Reducer, SAE 24-16 - male str. thd. o-ring x female internal o-ring boss (SN 0169 to Present)	
15	8770135	1	Tee, Swivel Branch #16	
16	8760309	1	Elbow, 90, SAE 16 - JIC #16	

SECTION 5 - HYDRAULIC CIRCUITS

FIGURE 5-3. BOOM RAISE/LOWER AND EXTEND/RETRACT HYDRAULIC CIRCUITS



PG0271

- A - Boom Raise Port
- B - Boom Lower Port
- C - Boom Extend Port
- D - Boom Retract Port

Underneath View of Main Control Valve

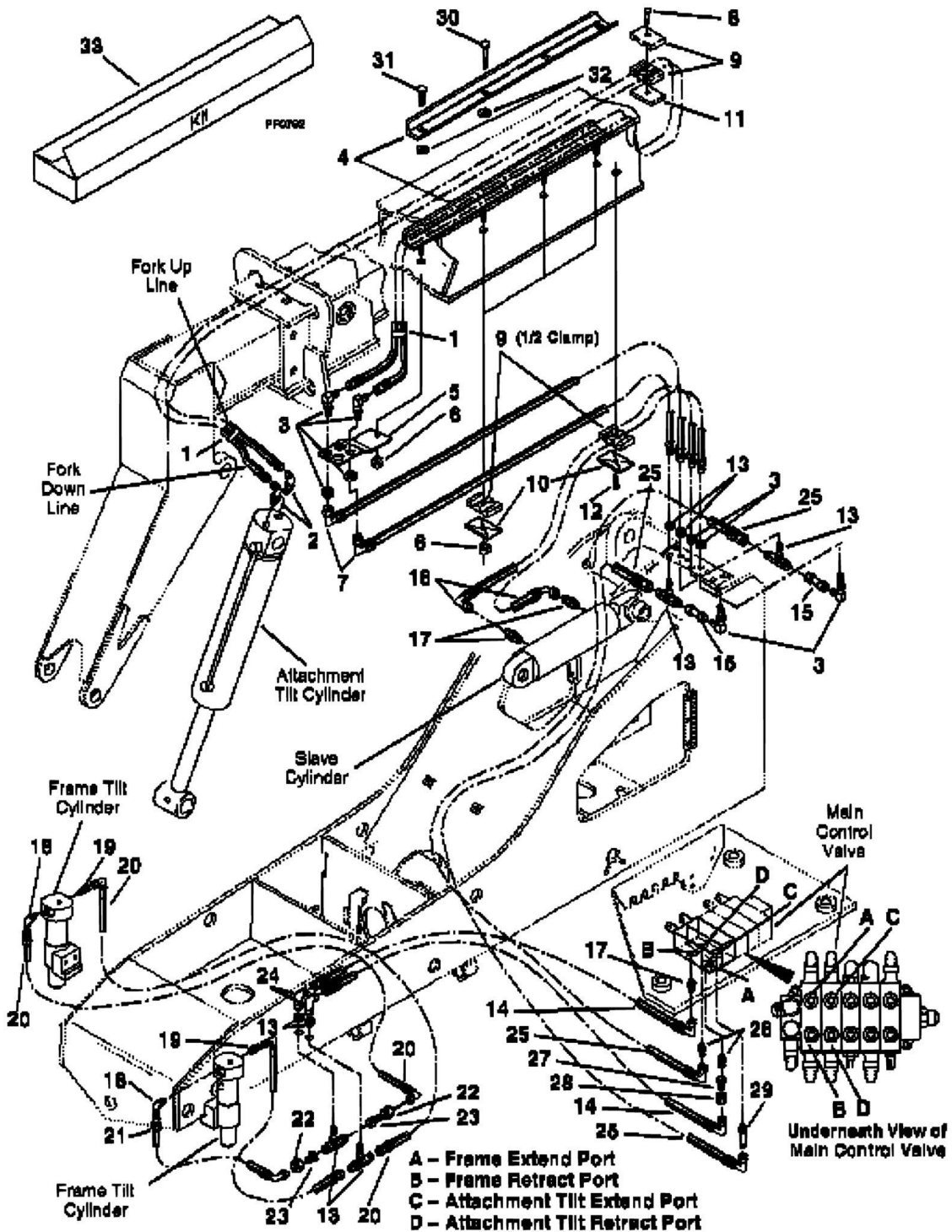
SECTION 5 - HYDRAULIC CIRCUITS

FIGURE 5-3. BOOM RAISE/LOWER AND EXTEND/RETRACT HYDRAULIC CIRCUITS

ITEM	PART NUMBER	QTY	DESCRIPTION	REV
1	8760304	2	Elbow, 90, SAE 10-10 - male JIC 37 x male str. thd. o-ring	
2	2713112	4	Hose, 5/8in I.D. x 18in Long	
3	8760256	2	Elbow, 90, Bulkhead, SAE 10 - male JIC 37	
4	2713102	2	Hose, 5/8in I.D. x 29in Long	
5	2712852	1	Hose, 1/2in I.D. x 186in Long	
6	8760495	1	Tee, Female Branch, SAE 8-8 - male JIC 37 x female JIC 37, swivel (Prior to SN 0169)	
7	8760494	1	Reducer, Tube End, SAE 8-4 - JIC 37	
8	8760407	1	Nut, SAE 8 - JIC 37	
9	6604712	1	Hose, 1/4in I.D. x 28in Long	
10	8770014	1	Connector, Male Tube End w/Outlet Check, SAE 8-8 - free flow male tube end w/inlet to str. thd. port w/o-ring	
11	8760142	1	Connector, Straight, SAE 8-8 - male str. thd. o-ring x female JIC 37, swivel	
12	8760486	1	Reducer, Tube End, SAE 10-8 - JIC 37	
13	8770011	1	Tee, Bulkhead, Male Branch, SAE 10 - male JIC 37	
14	8760037	1	Union, Bulkhead, Straight, SAE 10 - male JIC 37	
15	8760115	1	Connector, Straight, SAE 10-10 - male JIC 37 x male str. thd. o-ring	
16	8305006	2	Nut, Hex 5/16-18	
17	8307004	2	Washer, Lock 5/16in	
18	8307203	2	Washer, Flat 5/16in	
19	8310126	2	Carriage Bolt, 5/16-18 x 3-3/4in	
20	8760341	1	Elbow, 90, SAE 10-8 - male JIC 37 x male str. thd. o-ring	
21	6604982	2	Hose, 1/2in I.D. x 22in Long	
22	8760322	1	Elbow, 90, SAE 4-4 - male JIC 37 x male str. thd. o-ring	
23	2713132	1	Hose, 3/4in I.D. x 25in Long	
24	2712582	1	Hose, 1/2in I.D. x 136in Long	
25	8760116	1	Connector, Straight, SAE 10-8 - male JIC 37 x male str. thd. o-ring	
26	8760303	3	Elbow, 90, SAE 8-8 - male JIC 37 x male str. thd. o-ring	
27	8760305	1	Elbow, 90, SAE 12-12 - male JIC 37 x male str. thd. o-ring	
28	8760510	2	Tee, Male Run, SAE 8 - male JIC 37 x male str. thd. o-ring	
29	6605202	2	Hose, 1/2in I.D. x 44.5in Long	
30	8760143	2	Connector, Long, SAE 8-8 - male JIC 37 x male str. thd. o-ring	
31	8760107	1	Connector, Straight, SAE 8-8 - male JIC 37 x male str. thd. o-ring	
32	8760493	1	Tee, Female Run, SAE 8-8 - male JIC 37 x female JIC 37 swivel (SN 0169 to Present)	
33	8765204	1	Elbow, 90, SAE 8-8 - male JIC 37 x female JIC 37 swivel (SN 0169 to Present)	

SECTION 5 - HYDRAULIC CIRCUITS

FIGURE 5-4. ATTACHMENT TILT, SLAVE AND FRAME TILT CIRCUITS



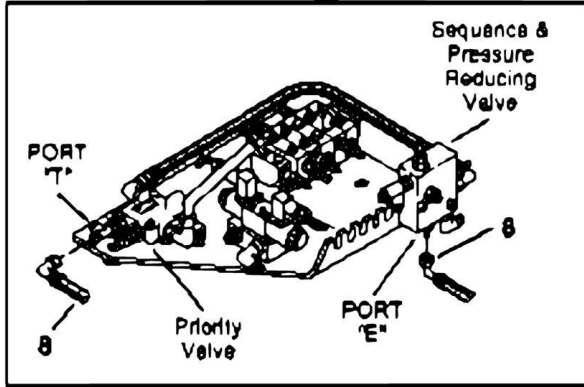
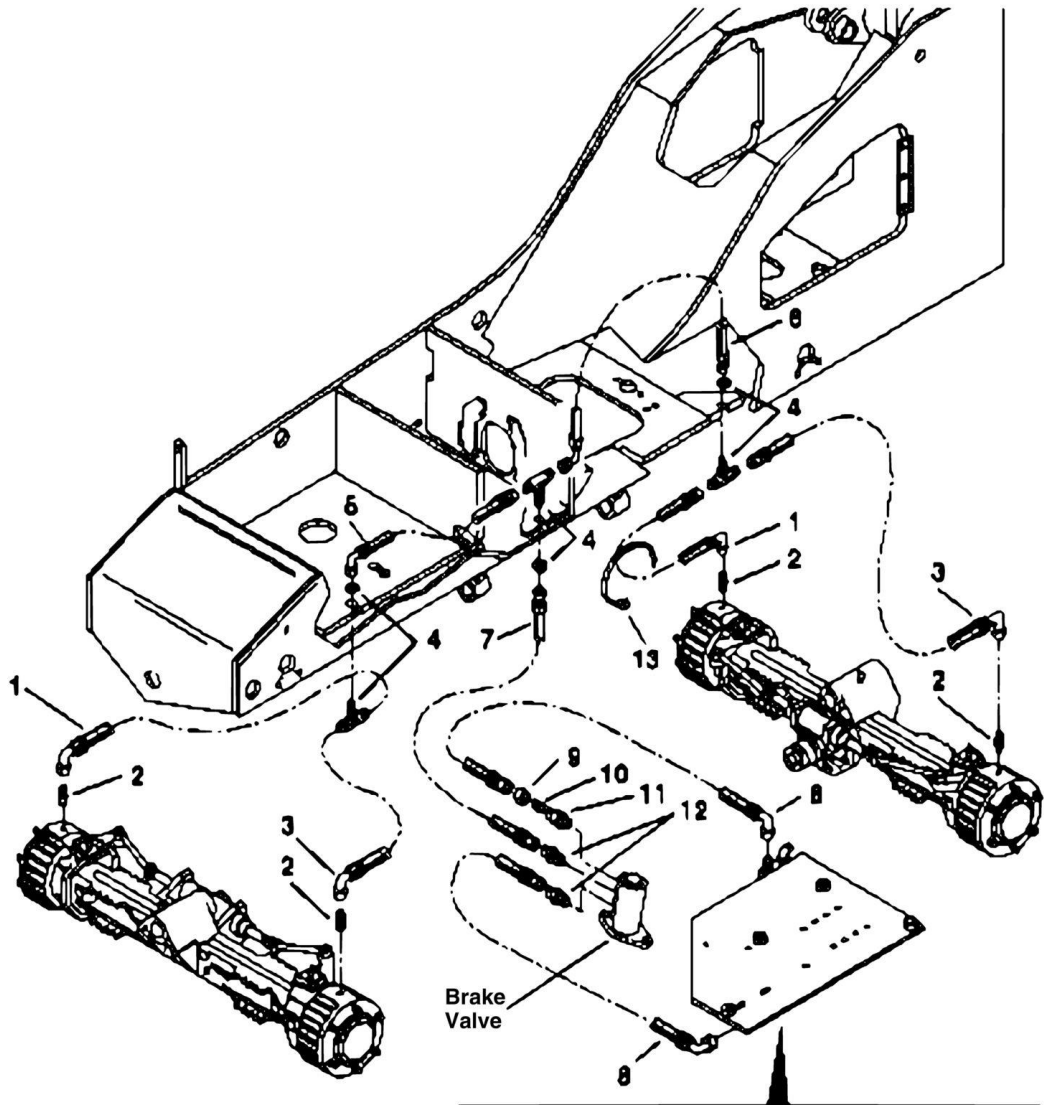
SECTION 5 - HYDRAULIC CIRCUITS

FIGURE 5-4. ATTACHMENT TILT, SLAVE AND FRAME TILT CIRCUITS

ITEM	PART NUMBER	QTY	DESCRIPTION	REV
1	2713022	1	Hose Assembly	
2	8760307	2	Elbow, 45, SAE 8-8 - male JIC 37 x male str. thd. o-ring	
3	8760252	4	Elbow, 90, Bulkhead, SAE 6 - male JIC 37	
4	7097503	NLA	Guide, Hose, No Longer Available - (For Service, Order Hose Guide Kit, Item 33) (Prior to SN 0097)	
4	7099242	1	Guide, Hose (SN 0097 to Present)	
5	7093292	1	Support, Bulkhead	
6	8305626	4	Nut, Hex Lock Elastic	
7	2712952	2	Hose, 3/8in I.D. x 90in Long	
8	8303739	1	HHCS, 5/16-18 x 1-1/4in	
9	8769140	3	Clamp, Twin 3/4 I.D. (2 Halves)	
10	8769123	4	Cover, Clamp	
11	8769136	1	Plate, Clamp Base	
12	8303746	1	HHCS, 5/16-18 x 1-3/4in	
13	8760455	4	Tee, Bulkhead, Male Branch, SAE 6 - male JIC 37	
14	2713302	2	Hose, 3/8in I.D. x 56in Long	
15	7094612	2	Tube Assembly	
16	2712942	2	Hose, 3/8in I.D. x 50in Long	
17	8760110	3	Connector, Straight, SAE 6-8 - male JIC 37 x male str. thd. o-ring	
18	8770012	2	Elbow, 90, SAE 6-4 - male JIC 37 x male str. thd. o-ring	
19	8760113	2	Connector, Straight, SAE 4-4 - male JIC 37 x male str. thd. o-ring	
20	2712022	2	Hose, 1/4in I.D. x 72in Long	
21	6604662	2	Hose, 1/4in I.D. x 40-1/2in Long	
22	8760409	2	Nut, SAE 6 - JIC 37	
23	8760475	2	Reducer, Tube End, SAE 6-4 - JIC 37	
24	8760268	2	Elbow, 90, SAE 6-6 - male JIC 37 x female JIC 37, swivel	
25	2712882	2	Hose, 1/2in I.D. x 188in Long	
26	8760107	2	Connector, Straight, SAE 8-8 - male JIC 37 x male str. thd. o-ring	
27	8760458	1	Reducer, Tube End, SAE 8-6 - JIC 37	
28	8760407	1	Nut, SAE 8 - JIC 37	
29	8760143	1	Connector, Long, SAE 8-8 - male JIC 37 x male str. thd. o-ring	
30	8310145	3	Bolt, Carriage 5/16-18 x 2-1/2in (SN 0097 to Present)	
31	8310065	1	Bolt, Carriage 5/16-18 x 1-1/4in (SN 0097 to Present)	
32	8310146	4	Retainer, 5/16in (SN 0097 to Present)	
		Ref	KITS	
33	7099271	1	Kit, Hose Guide - Replaces Item 4 (Includes Mounting Hardware) (Prior to SN 0097)	

SECTION 5 - HYDRAULIC CIRCUITS

FIGURE 5-5. SERVICE BRAKE CIRCUIT - (5028 STANDARD ONLY)



Underneath View of Valve Plate

PG0262

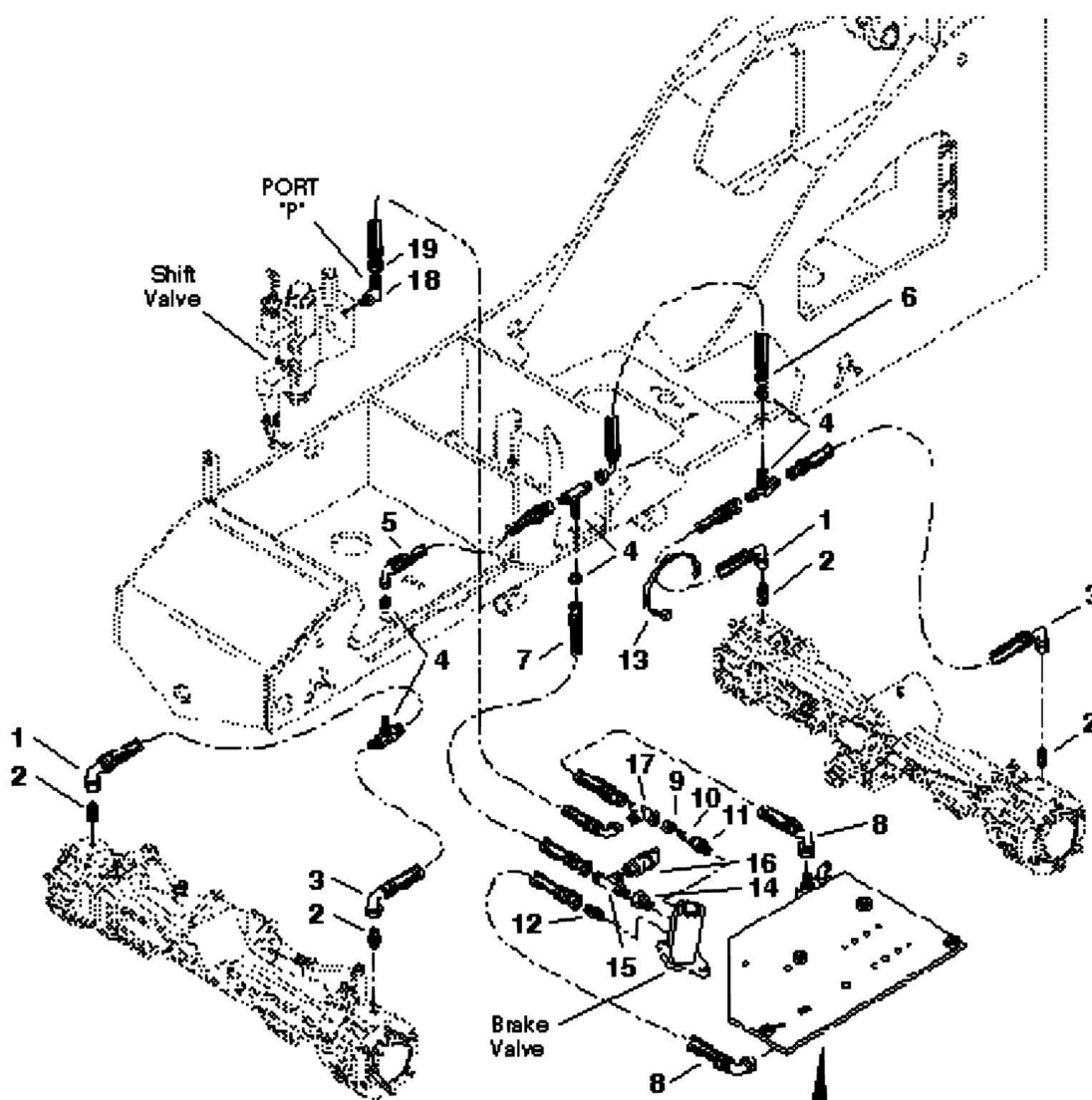
SECTION 5 - HYDRAULIC CIRCUITS

FIGURE 5-5. SERVICE BRAKE CIRCUIT - (5028 STANDARD ONLY)

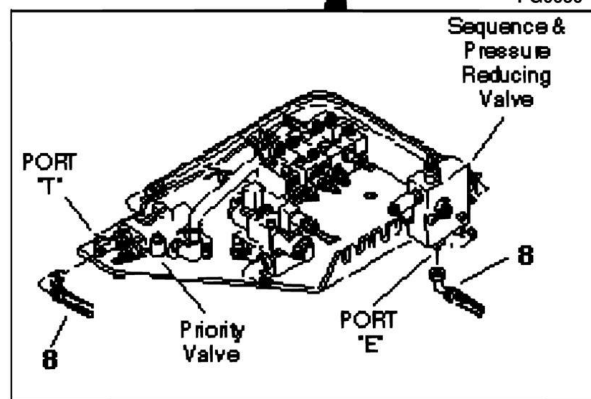
ITEM	PART NUMBER	QTY	DESCRIPTION	REV
1	2712022	2	Hose, 1/4in I.D. x 72in Long	
2	8770006	4	Connector, Metric, 4-M10 x 1.0 - male JIC 37	
3	6604662	2	Hose, 1/4in I.D. x 40-1/2in Long	
4	8760455	3	Tee, Bulkhead, Male Branch SAE 6 - male JIC 37	
5	2712892	1	Hose, 3/8in I.D. x 41in Long	
6	2712942	1	Hose, 3/8in I.D. x 50in Long	
7	2705122	1	Hose, 3/8in I.D. x 50in Long	
8	2712332	2	Hose, 3/8in I.D. x 50in Long	
9	8760407	1	Nut, SAE 8 - JIC 37	
10	8760458	1	Reducer, Tube End, SAE 8-6 - JIC 37	
11	8760140	1	Connector w/Inlet Check SAE 8-8 - male tube end w/inlet check free flow tube end to str. thd. port w/o-ring	
12	8760110	2	Connector, Straight, SAE 6-8 - male JIC 37 x male str. thd. o-ring	
13	8584001	AR	Tie Wrap	

SECTION 5 - HYDRAULIC CIRCUITS

FIGURE 5-6. SERVICE BRAKE CIRCUIT - (5028HT/5028HF)



PG0630



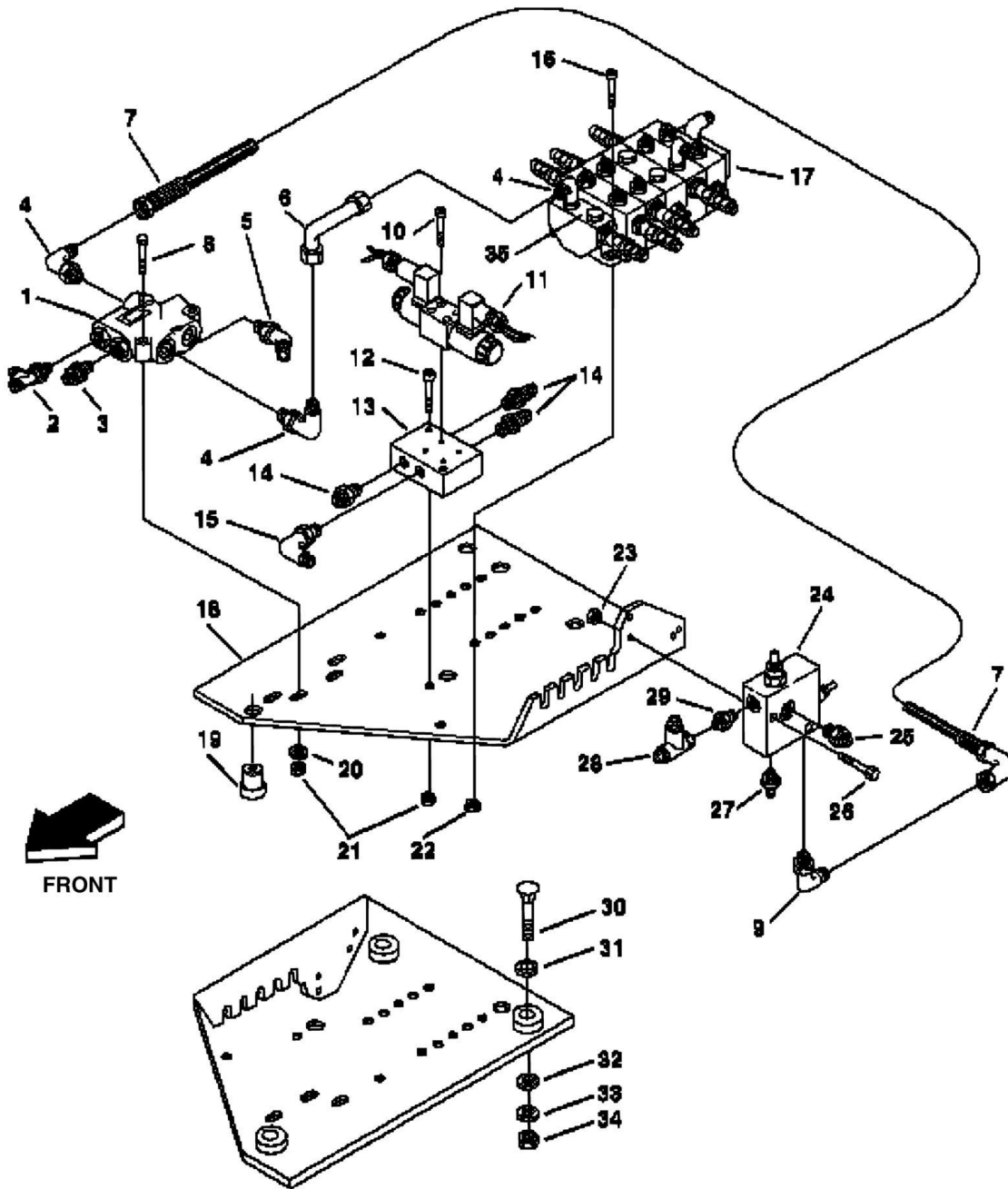
SECTION 5 - HYDRAULIC CIRCUITS

FIGURE 5-6. SERVICE BRAKE CIRCUIT - (5028HT/5028HF)

ITEM	PART NUMBER	QTY	DESCRIPTION	REV
1	2712022	2	Hose, 1/4in I.D. x 72in	
2	8770006	4	Connector, Metric, 4-M10 x 1.0 - male JIC 37	
3	6604662	2	Hose, 1/4in I.D. x 40-1/2in	
4	8760455	3	Tee, Bulkhead, Male Branch SAE 6 - male JIC 37	
5	2712892	1	Hose, 3/8in I.D. x 41in	
6	2712942	1	Hose, 3/8in I.D. x 50in	
7	2705122	1	Hose, 3/8in I.D. x 50in	
8	2712332	2	Hose, 3/8in I.D. x 50in	
9	8760407	1	Nut, SAE 8 - JIC 37	
10	8760458	1	Reducer, Tube End, SAE 8-6 - JIC 37	
11	8760140	1	Connector w/Inlet Check SAE 8-8 - male tube end w/inlet check free flow tube end to str. thd. port w/o-ring	
12	8760110	1	Connector, Straight, SAE 6-8 - male JIC 37 x male str. thd. o-ring	
13	8584001	AR	Tie Wrap	
14	8760460	1	Reducer, SAE 8-6 - male str. thd. o-ring x female internal o-ring boss	
15	8760449	1	Tee, Male Run, SAE 6-6 - male JIC 37 x male str. thd. o-ring	
16	8223522	1	Switch, Pressure	
17	8760501	1	Tee, Female Run, SAE 6-6 - male JIC 37 x female JIC 37, swivel	
18	8760311	1	Elbow, 90, SAE 6-6 - male JIC 37 x male str. thd. o-ring	
19	6604972	1	Hose, 3/8in I.D. x 90in	

SECTION 5 - HYDRAULIC CIRCUITS

FIGURE 5-7. VALVE PLATE ASSEMBLY (WITHOUT HI-FLOW OPTION)



Valve Plate Shown as Mounted for Clarity

PG0301

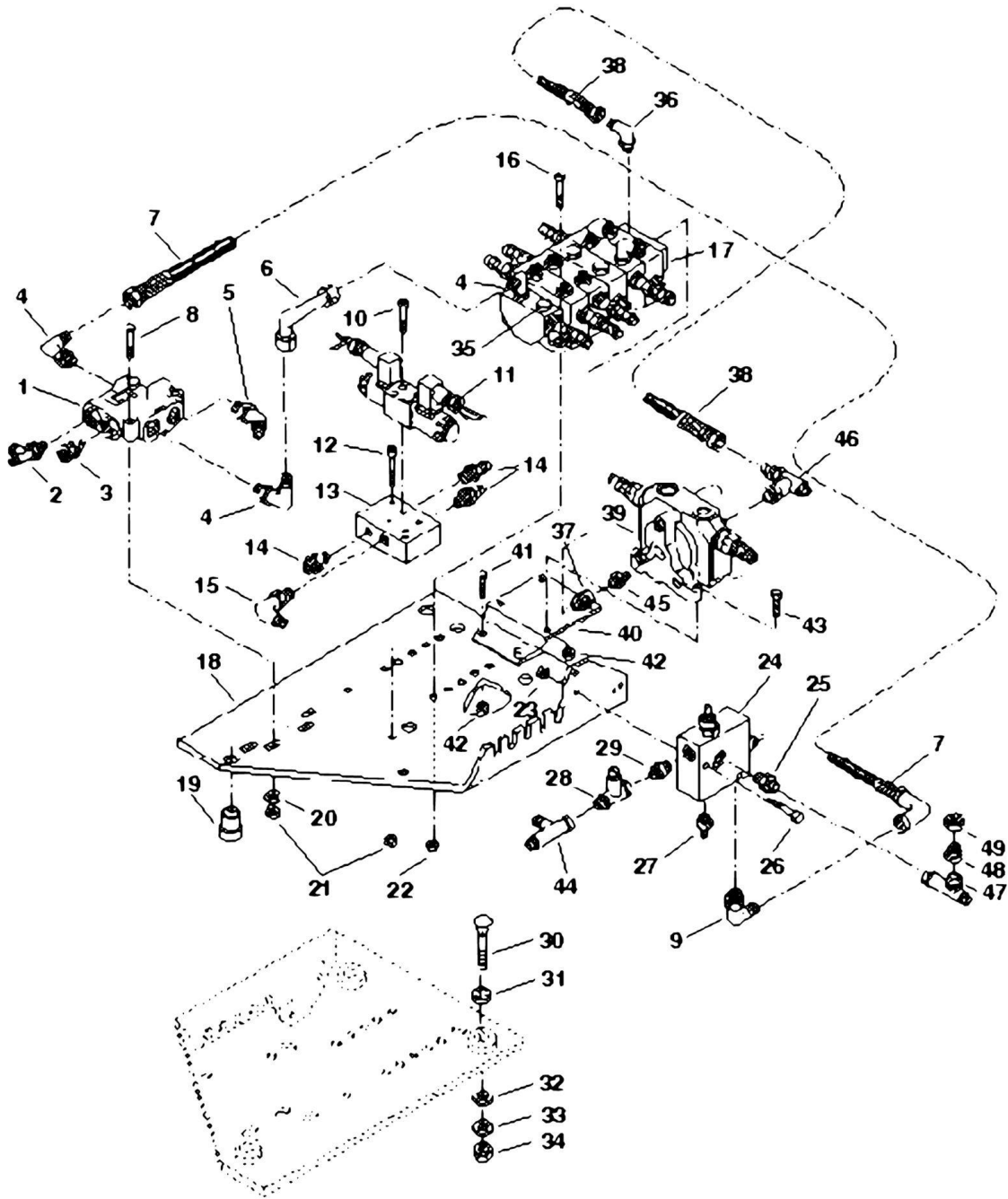
SECTION 5 - HYDRAULIC CIRCUITS

FIGURE 5-7. VALVE PLATE ASSEMBLY (WITHOUT HI-FLOW OPTION)

ITEM	PART NUMBER	QTY	DESCRIPTION	REV
1	8902227	1	Valve, Priority	
2	8760534	1	Tee, Male Run, SAE 4-4 - male JIC 37 x male str. thd. o-ring	
3	8760113	1	Connector, Straight, SAE 4-4 - male JIC 37 x male str. thd. o-ring	
4	8760304	3	Elbow, 90, SAE 10-10 - male JIC 37 x male str. thd. o-ring	
5	8760307	1	Elbow, 45, SAE 8-8 - male JIC 37 x male str. thd. o-ring	
6	7096952	1	Tube Assembly	
7	2713092	1	Hose, 5/8in I.D. x 36in	
8	8303757	2	HHCS, 5/16-18 x 2-1/2in	
9	8760341	1	Elbow, 90, SAE 8-10 - male JIC 37 x male str. thd. o-ring	
10	8304631	4	SHCS, #10-24 x 2in	
11	8902109	NLA	Valve, Steer Select, No Longer Available (Order P/N 8902137) (Prior to SN 0319)	
11	8902137	1	Valve, Steer Select (SN 0319 to Present)	
12	8304608	2	SHCS, 5/16-18 x 1-1/2in	
13	8902111	1	Body, Steer Select Valve	
14	8760110	3	Connector, Straight, SAE 8-6 - male JIC 37 x male str. thd. o-ring	
15	8760313	1	Elbow, 90, SAE 8-6 - male JIC 37 x male str. thd. o-ring	
16	8303675	3	HHCS, 3/8-16 x 1-1/4in	
17	8902179	1	Valve Assembly, Main Control (Does Not Include Fittings)	
18	7098293	1	Plate, Valve Mounting	
19	8278008	4	Isolator	
20	8307106	2	Washer, Flat 5/16in	
21	8305626	4	Nut, Hex Lock 5/16-18	
22	8305645	3	Nut, Hex Lock 3/8-16	
23	8305624	2	Nut, Hex Lock 1/4-20	
24	8902661	NLA	Valve, Sequence/Pressure Reducing, No Longer Available (Order P/N 8902679) (Prior to SN 0323)	
24	8902679	1	Valve, Sequence/Pressure Reducing (SN 0323 to Present)	
25	8760116	1	Connector, Straight, SAE 8-10 - male JIC 37 x male str. thd. o-ring	
26	8303728	2	HHCS, 1/4-20 x 2-3/4in	
27	8760128	1	Connector, Straight, SAE 8-4 - male JIC 37 x male str. thd. o-ring	
28	8760493	1	Tee, Female Run, SAE 8-8 - male JIC 37 x female JIC 37, swivel	
29	8760114	1	Connector, Straight, SAE 6-8 - male JIC 37 x male str. thd. o-ring	
30	8304042	4	Bolt, Carriage 3/8-16 x 2in	
31	8310070	4	Bolt, Retainer 3/8in	
32	7057141	4	Washer, Rebound	
33	8307005	4	Washer, Lock 3/8in	
34	8305008	4	Nut, Hex 3/8-16	
35	8760420	1	Plug, Hex Hd., SAE 10 - male str. thd. o-ring	

SECTION 5 - HYDRAULIC CIRCUITS

FIGURE 5-8. VALVE PLATE ASSEMBLY (WITH HI-FLOW OPTION)



PG1180

SECTION 5 - HYDRAULIC CIRCUITS

FIGURE 5-8. VALVE PLATE ASSEMBLY (WITH HI-FLOW OPTION)

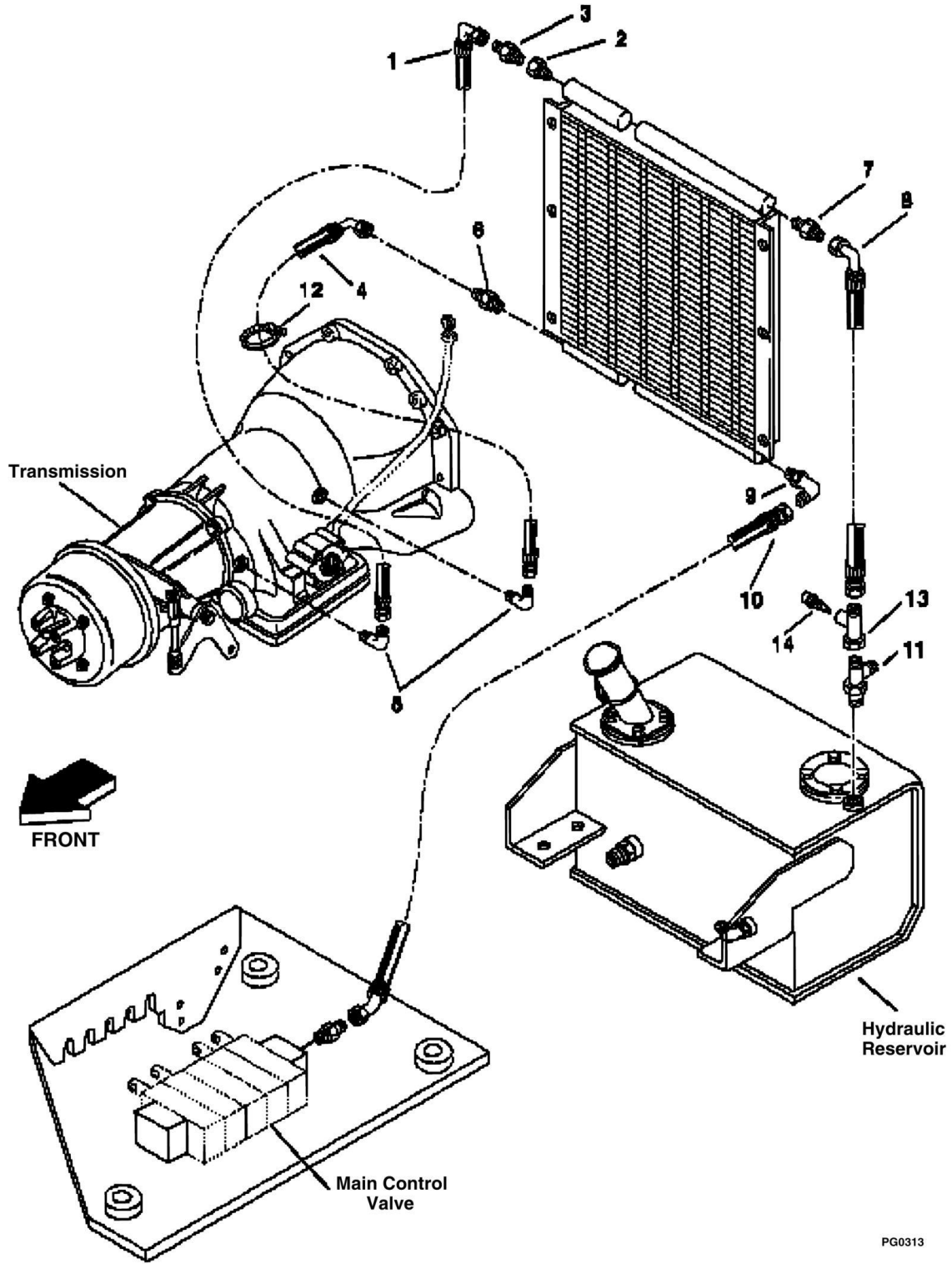
ITEM	PART NUMBER	QTY	DESCRIPTION	REV
1	8902227	1	Valve, Priority	
2	8760534	1	Tee, Male Run, SAE 4-4 - male JIC 37 x male str. thd. o-ring	
3	8760113	1	Connector, Straight, SAE 4-4 - male JIC 37 x male str. thd. o-ring	
4	8760304	3	Elbow, 90, SAE 10-10 - male JIC 37 x male str. thd. o-ring	
5	8760307	1	Elbow, 45, SAE 8-8 - male JIC 37 x male str. thd. o-ring	
6	7096952	1	Tube Assembly	
7	2713092	1	Hose, 5/8in I.D. x 36in	
8	8303757	2	HHCS, 5/16-18 x 2-1/2in	
9	8760341	1	Elbow, 90, SAE 8-10 - male JIC 37 x male str. thd. o-ring	
10	8304631	4	SHCS, #10-24 x 2in	
11	8902109	NLA	Valve, Steer Select, No Longer Available (Order P/N 8902137) (Prior to SN 0319)	
11	8902137	1	Valve, Steer Select (SN 0319 to Present)	
12	8304608	2	SHCS, 5/16-18 x 1-1/2in	
13	8902111	1	Body, Steer Select Valve	
14	8760110	3	Connector, Straight, SAE 8-6 - male JIC 37 x male str. thd. o-ring	
15	8760313	1	Elbow, 90, SAE 8-6 - male JIC 37 x male str. thd. o-ring	
16	8303675	3	HHCS, 3/8-16 x 1-1/4in	
17	8902179	1	Valve Assembly, Main Control (Does Not Include Fittings)	
17	7132642	1	Kit, Service - Main Control Valve (Includes Items 17 and 36)	
18	7098293	1	Plate, Valve Mounting	
19	8278008	4	Isolator	
20	8307106	2	Washer, Flat 5/16in	
21	8305626	4	Nut, Hex Lock 5/16-18	
22	8305645	3	Nut, Hex Lock 3/8-16	
23	8305624	2	Nut, Hex Lock 1/4-20	
24	8902661	NLA	Valve, Sequence/Pressure Reducing, No Longer Available (Order P/N 8902679) (Prior to SN 0323)	
24	8902679	1	Valve, Sequence/Pressure Reducing (SN 0323 to Present)	
25	8760116	1	Connector, Straight, SAE 8-10 - male JIC 37 x male str. thd. o-ring	
26	8303728	2	HHCS, 1/4-20 x 2-3/4in	
27	8760128	1	Connector, Straight, SAE 8-4 - male JIC 37 x male str. thd. o-ring	
28	8760493	1	Tee, Female Run, SAE 8-8 - male JIC 37 x female JIC 37, swivel	
29	8760114	1	Connector, Straight, SAE 6-8 - male JIC 37 x male str. thd. o-ring	
30	8304042	4	Bolt, Carriage 3/8-16 x 2in	
31	8310070	4	Bolt, Retainer 3/8in	
32	7057141	4	Washer, Rebound	
33	8307005	4	Washer, Lock 3/8in	
34	8305008	4	Nut, Hex 3/8-16	
35	8760420	1	Plug, Hex Hd., SAE 10 - male str. thd. o-ring	
36	8760328	1	Elbow, 90, SAE 10, JIC 12	
37	8760138	1	Connector, SAE 12 Swivel Nut	
38	2715832	1	Hose, 3/4in I.D. x 22in	
39	8902177	1	Valve, HI-FLOW Auxiliary	
40	7131602	1	Plate, Valve Mounting	
41	8303620	2	HHCS, 3/8-16 x 1in	
42	8305645	6	Nut, Hex Lock Elastic 3/8-16	
43	8303675	4	HHCS, 3/8-16 x 1-1/4in	
44	8760493	1	Tee, SAE 8 Swivel Run Nut	
45	8760112	1	Connector, SAE 10 - JIC 12	

SECTION 5 - HYDRAULIC CIRCUITS

ITEM	PART NUMBER	QTY	DESCRIPTION	REV
46	8760483	1	Tee, Straight Thread Branch, SAE12	
47	8760485	1	Tee, SAE 10 Swivel Nut Run	
48	8760511	1	Reducer, SAE 10 - 6 Tube End	
49	8760423	1	Nut, Tube SAE 10 JIC	

SECTION 5 - HYDRAULIC CIRCUITS

FIGURE 5-9. TRANSMISSION AND HYDRAULIC OIL COOLING CIRCUIT (Prior to SN 0149)



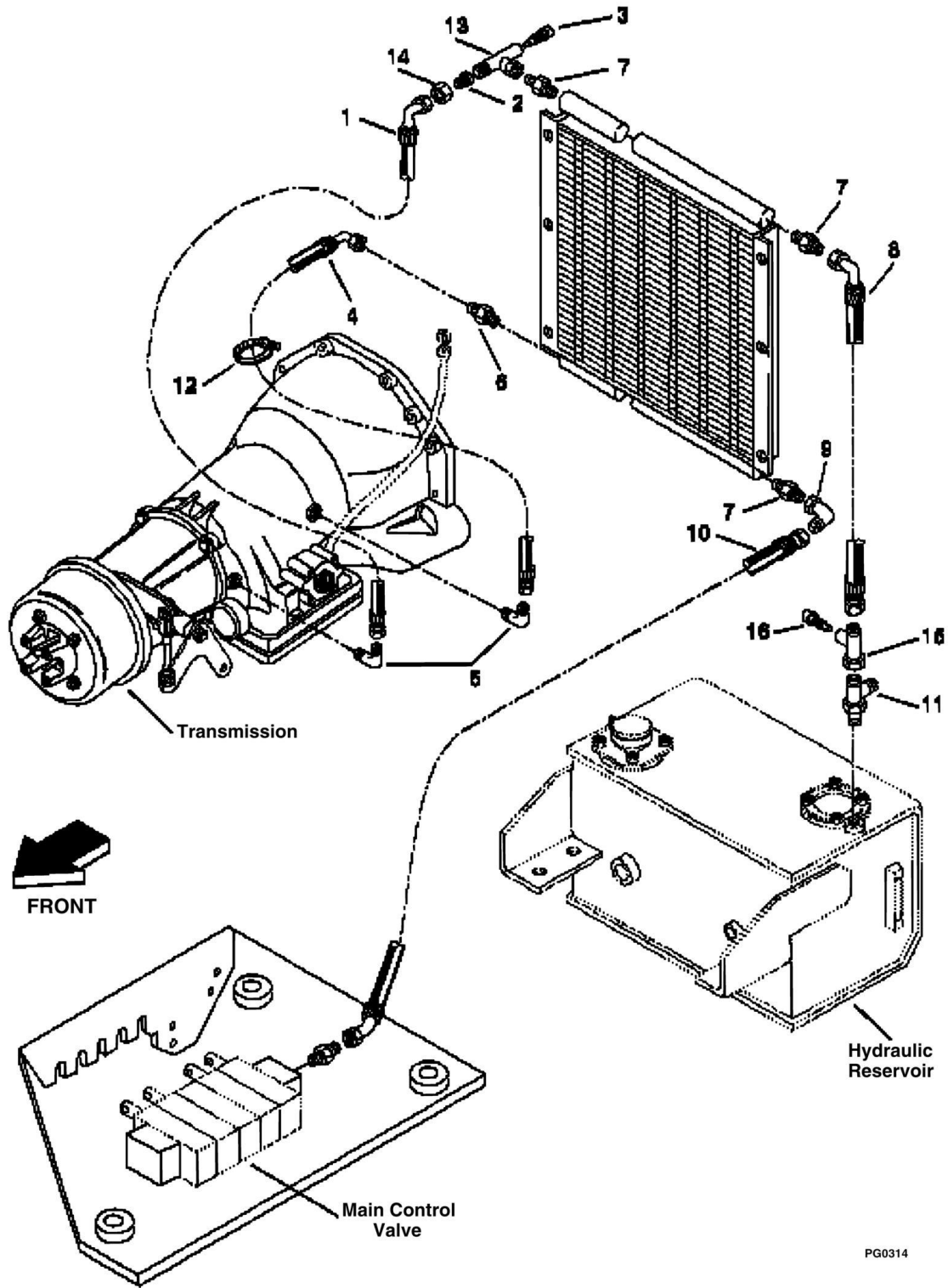
SECTION 5 - HYDRAULIC CIRCUITS

FIGURE 5-9. TRANSMISSION AND HYDRAULIC OIL COOLING CIRCUIT (Prior to SN 0149)

ITEM	PART NUMBER	QTY	DESCRIPTION	REV
1	6604972	1	Hose Assembly, Transmission to Oil Cooler	
2	8760535	1	Reducer, SAE 12-8 - male str. thd. o-ring x female internal o-ring boss	
3	8760110	1	Connector, Straight, SAE 6-8 - male JIC 37 x male str. thd. o-ring	
4	2715612	1	Hose Assembly, Oil Cooler to Transmission	
5	8760220	2	Elbow, 90, SAE 6-4P - male JIC 37 x male NPT	
6	8760111	1	Connector, Straight, SAE 8-12 - male JIC 37 x male str. thd. o-ring	
7	8760109	2	Connector, Straight, SAE 12-12 - male JIC 37 x male str. thd. o-ring	
8	2713132	1	Hose Assembly, Hydraulic Reservoir to Oil Cooler	
9	8760305	1	Elbow, 90, SAE 12-12 - male JIC 37 x male str. thd. o-ring	
10	2712902	1	Hose Assembly, Oil Cooler to Main Control Valve	
11	8760474	1	Tee, Male Run, SAE 12-12 - male JIC 37 x male str. thd. o-ring	
12	8584001	1	Tie, Cable	
		Ref	Items 13 & 14 are Used with the Auxiliary Hydraulics Only	
13	7098271	1	Tee, Special (SN 0055 to Present)	
14	8223217	1	Switch, Temperature Hydraulic Oil (SN 0055 to Present)	

SECTION 5 - HYDRAULIC CIRCUITS

FIGURE 5-10. TRANSMISSION AND HYDRAULIC OIL COOLING CIRCUIT (SN 0149 to Present)



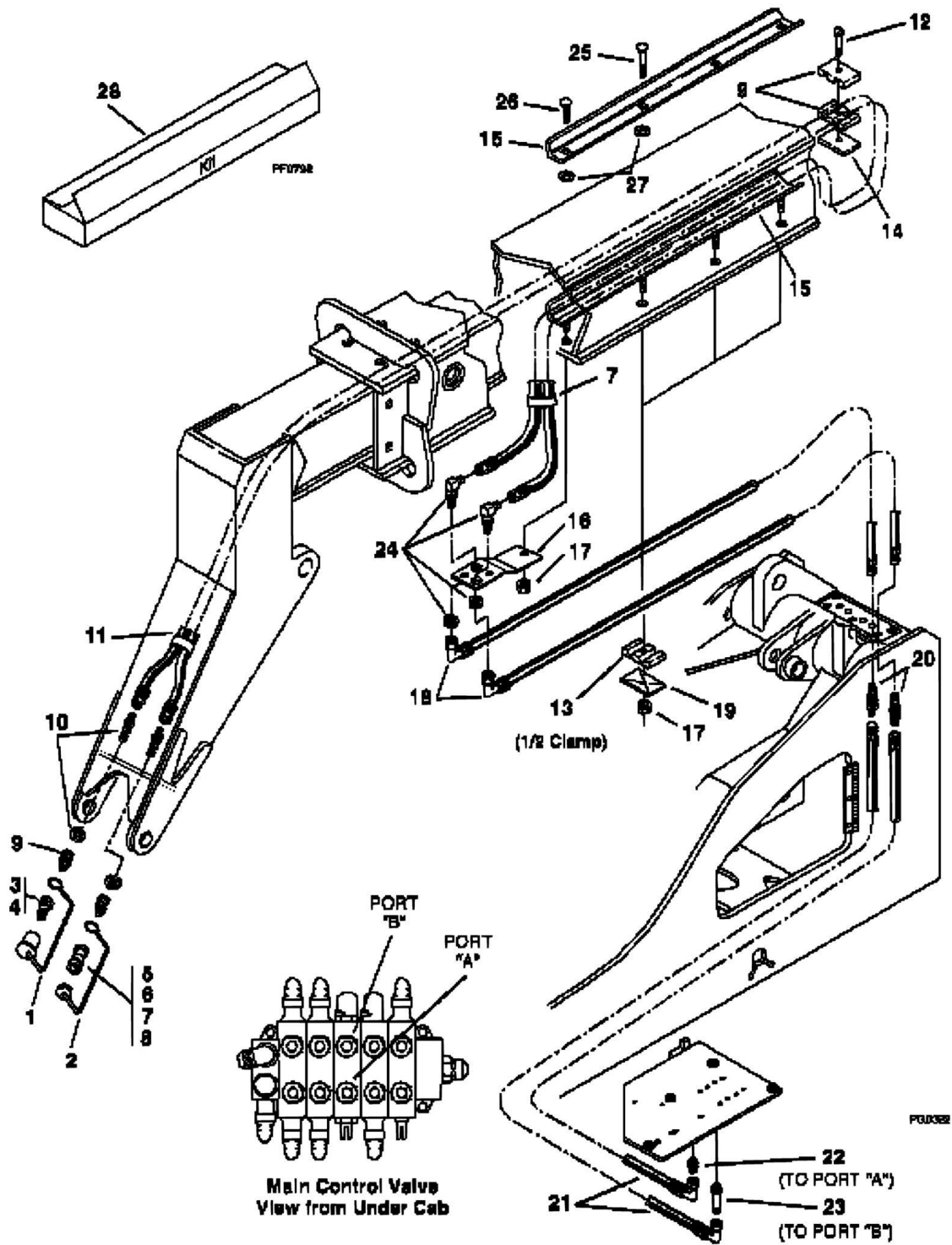
SECTION 5 - HYDRAULIC CIRCUITS

FIGURE 5-10. TRANSMISSION AND HYDRAULIC OIL COOLING CIRCUIT (SN 0149 to Present)

ITEM	PART NUMBER	QTY	DESCRIPTION	REV
1	6604972	1	Hose Assembly, Transmission to Oil Cooler	
2	8760508	1	Reducer, Tube End, SAE 12-6 - JIC 37	
3	8223216	1	Switch, Temperature - 250	
4	2715612	1	Hose Assembly, Oil Cooler to Transmission	
5	8760220	2	Elbow, 90, SAE 6-4P - male JIC 37 x male NPT	
6	8760111	1	Connector, Straight, SAE 8-12 - male JIC 37 x male str. thd. o-ring	
7	8760109	4	Connector, Straight, SAE 12-12 - male JIC 37 x male str. thd. o-ring	
8	2713132	1	Hose Assembly, Hydraulic Reservoir to Oil Cooler	
9	8760254	1	Elbow, 90, SAE 12-12 - male JIC 37 x female JIC 37, swivel	
10	2712902	1	Hose Assembly, Oil Cooler to Main Control Valve	
11	8760474	1	Tee, Male Run, SAE 12-12 - sale JIC 37 x male str. thd. o-ring	
12	8584001	1	Tie, Cable	
13	7113601	1	Tee, Special	
14	8760401	1	Nut, SAE 12 - JIC 37	
		Ref	Items 15 & 16 are Used with the Auxiliary Hydraulics Only	
15	7098271	1	Tee, Special (SN 0055 to Present)	
16	8223217	1	Switch, Temperature Hydraulic Oil (SN 0055 to Present)	

SECTION 5 - HYDRAULIC CIRCUITS

FIGURE 5-11. AUXILIARY HYDRAULIC CIRCUIT (OPTIONAL)



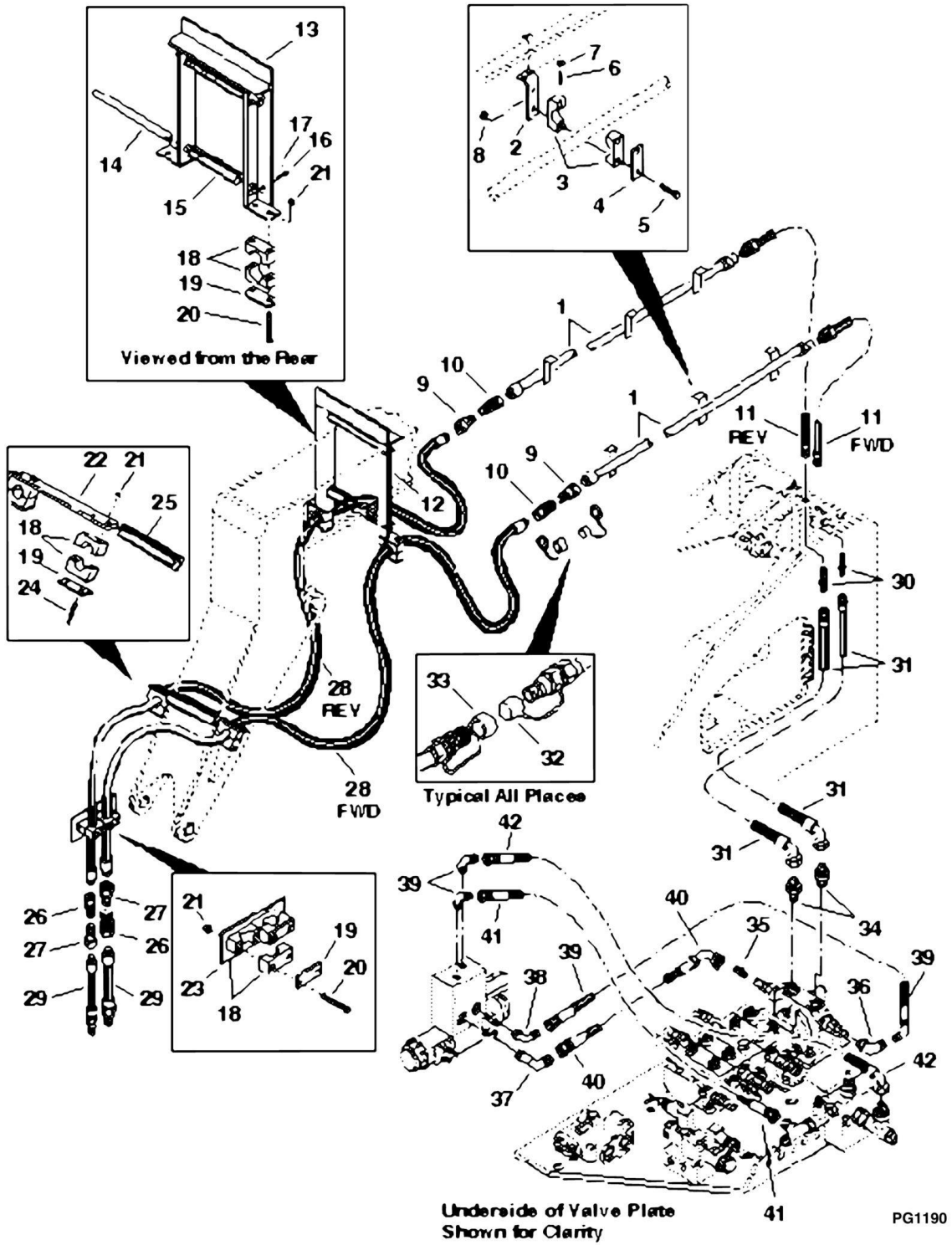
SECTION 5 - HYDRAULIC CIRCUITS

FIGURE 5-11. AUXILIARY HYDRAULIC CIRCUIT (OPTIONAL)

ITEM	PART NUMBER	QTY	DESCRIPTION	REV
1	8420053	1	Cap, Dust	
2	8420055	1	Plug, Dust	
3	8430006	1	Quick Disconnect, Male 3/4-16 ORB (Includes Item 4)	
4	8640029	1	Seal, Nose (Not Shown)	
5	8430005	1	Quick Disconnect, Female 3/4-16 ORB (Includes Items 6 thru 8)	
6	8640029	1	Seal, Nose (Not Shown)	
7	8640028	1	Seal, Large, Coupler Body (Not Shown)	
8	8640032	1	Back-up Ring for Large Seal (Not Shown)	
9	8760142	2	Connector, Straight, SAE 8-8 - male str. thd. o-ring x female JIC 37, swivel	
10	8760045	2	Union, Bulkhead, Straight, SAE 8 - male JIC 37	
11	2713162	1	Hose Assembly	
12	8303739	1	HHCS, 5/16-18 x 1-1/4in	
13	8769140	2.5	Clamp, Twin 3/4in I.D. (2 Halves)	
14	8769136	1	Plate, Clamp Base	
15	7097503	NLA	Guide Assembly, Hose, No Longer Available (For Service, Order Hose Guide Kit, Item 28) (Prior to SN 0097)	
15	7099242	1	Guide, Hose (SN 0097 to Present)	
16	7093292	1	Support, Bulkhead Fitting	
17	8305626	4	Nut, Hex Lock Elastic 5/16-18	
18	2713142	2	Hose, 1/2in I.D. x 90in	
19	8769123	3	Cover, Clamp	
20	8760237	2	Elbow, 45, Bulkhead, SAE - male JIC 37	
21	2712872	2	Hose, 1/2in I.D. x 153in	
22	8760107	1	Connector, Straight, SAE 8-8 - male JIC 37 x male str. thd. o-ring	
23	8760143	1	Connector, Long, SAE 8-8 - male JIC 37 x male str. thd. o-ring	
24	8760264	2	Elbow, 90, Bulkhead, SAE 8 - male JIC 37	
25	8310145	3	Bolt, Carriage 5/16-18 x 2-1/2in (SN 0097 to Present)	
26	8310065	1	Bolt, Carriage 5/16-18 x 1-1/4in (SN 0097 to Present)	
27	8310146	4	Retainer, 5/16in (SN 0097 to Present)	
		Ref	KITS	
28	7099271	1	Kit, Hose Guide - Replaces Item 11 (Includes Mounting Hardware) (Prior to SN 0097)	

SECTION 5 - HYDRAULIC CIRCUITS

FIGURE 5-12. HI-FLOW AUXILIARY HYDRAULIC CIRCUIT (OPTIONAL)



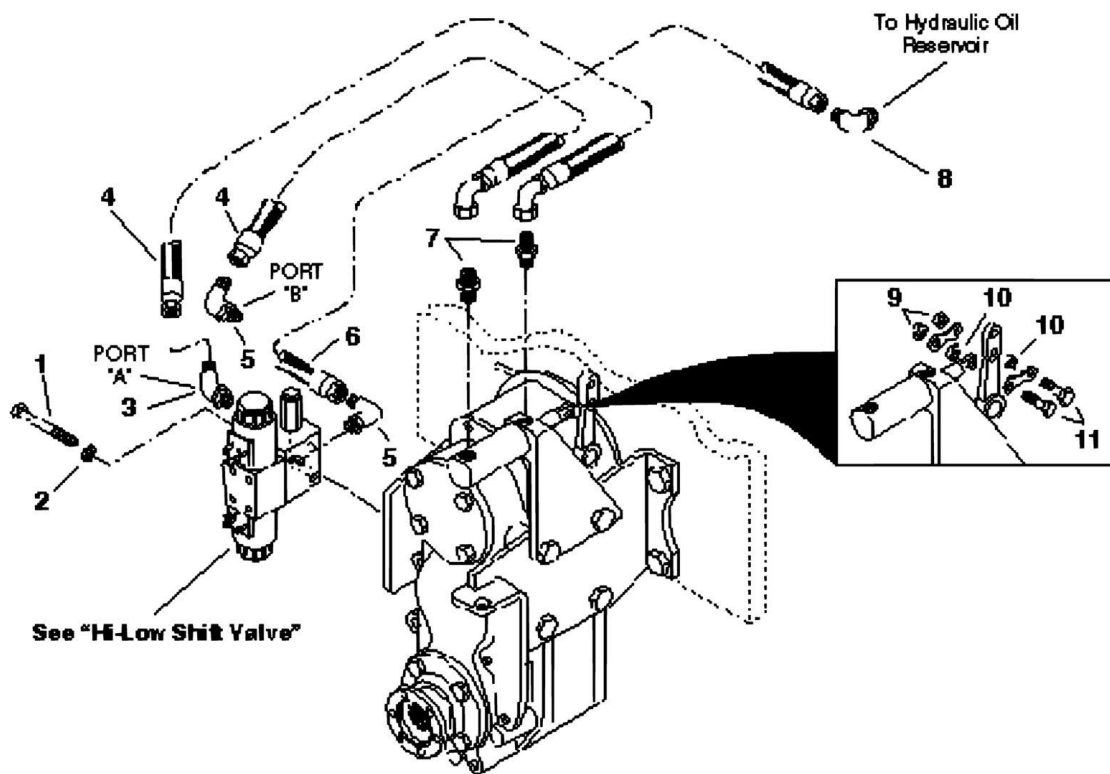
SECTION 5 - HYDRAULIC CIRCUITS

FIGURE 5-12. HI-FLOW AUXILIARY HYDRAULIC CIRCUIT (OPTIONAL)

ITEM	PART NUMBER	QTY	DESCRIPTION	REV
1	7131382	2	Tube Assembly	
2	7131372	6	Support, Tube Clamp	
3	8750002	6	Clamp Set 1in DIA Single	
4	8769153	6	Cover Plate Single	
5	8303758	12	HHCS, 1/4-20 UNC x 2in	
6	8303729	12	HHCS, 1/4-20 UNC x 6-1/4in	
7	8307002	12	Washer, Lock 1/4in	
8	8305624	12	Locknut 1/4-20 Elastic	
9	8430086	2	Nipple, Quick Disconnect	
10	8430085	2	Coupler, Quick Disconnect	
11	2715802	2	Hose 1/4in x 52in 16M-12	
12	7132062	1	Assembly, Hose Support (Includes Items 13 thru 21)	
13	7132072	1	Support, Hose	
14	5717852	2	Pin	
15	7132542	2	Sleeve, Hose Support	
16	8310371	2	Pin, Clevis 7/16in x 2in	
17	8310264	2	Hair Pin, Cotter 1/8in	
18	8750013	6	Clamp Set-Single Hose 1-3/16in	
19	8750001	6	Clamp Plate-Single	
20	8303082	8	HHCS, 1/4-20 UNC x 3-1/4in	
21	8305624	12	Nut, Hex Lock Elastic 1/4-20 UNC	
22	7132482	1	Bar, Hose Support	
23	7132492	1	Bar, Hose Support	
24	8310027	4	HHCS, 1/4-20 UNC x 3in	
25	2715892	1	Hose 1in x 12-1/2in Plain	
26	8430073	2	Coupler, Quick Disconnect	
27	8430074	2	Nipple, Quick Disconnect	
28	2715812	2	Hose 1/4in x 240in 12M0-12M0	
29	2715842	2	Hose 5/8in x 12in B-10M0	
30	8760039	2	Union, Bulkhead #12	
31	2715822	2	Hose, 3/4in I.D. x 154in Long	
32	8430075	4	Dust Cap, Male Flat Face	
33	8430076	4	Dust Cap, Female Flat Face	
34	8760119	2	Connector, SAE 8 - JIC 12	
35	8760117	1	Connector, SAE 6 - JIC 6	
36	8760311	1	Elbow, 90, SAE 6 - JIC 6	
37	8770134	1	Elbow 90, Long SAE 6 - JIC 6	
38	8760311	3	Elbow 90, SAE 6 - JIC 6	
39	2715852	1	Hose, 3/8in I.D. x 26in Long	
40	2715882	1	Hose, 3/8in I.D. x 11in Long	
41	2715862	1	Hose, 3/8in I.D. x 25in Long	
42	2715872	1	Hose, 3/8in I.D. x 21in Long	

SECTION 5 - HYDRAULIC CIRCUITS

FIGURE 5-13. SHIFT VALVE HYDRAULIC CIRCUIT AND SHIFT LINKAGE (5028HT/5028HF)



PG0680

SECTION 5 - HYDRAULIC CIRCUITS

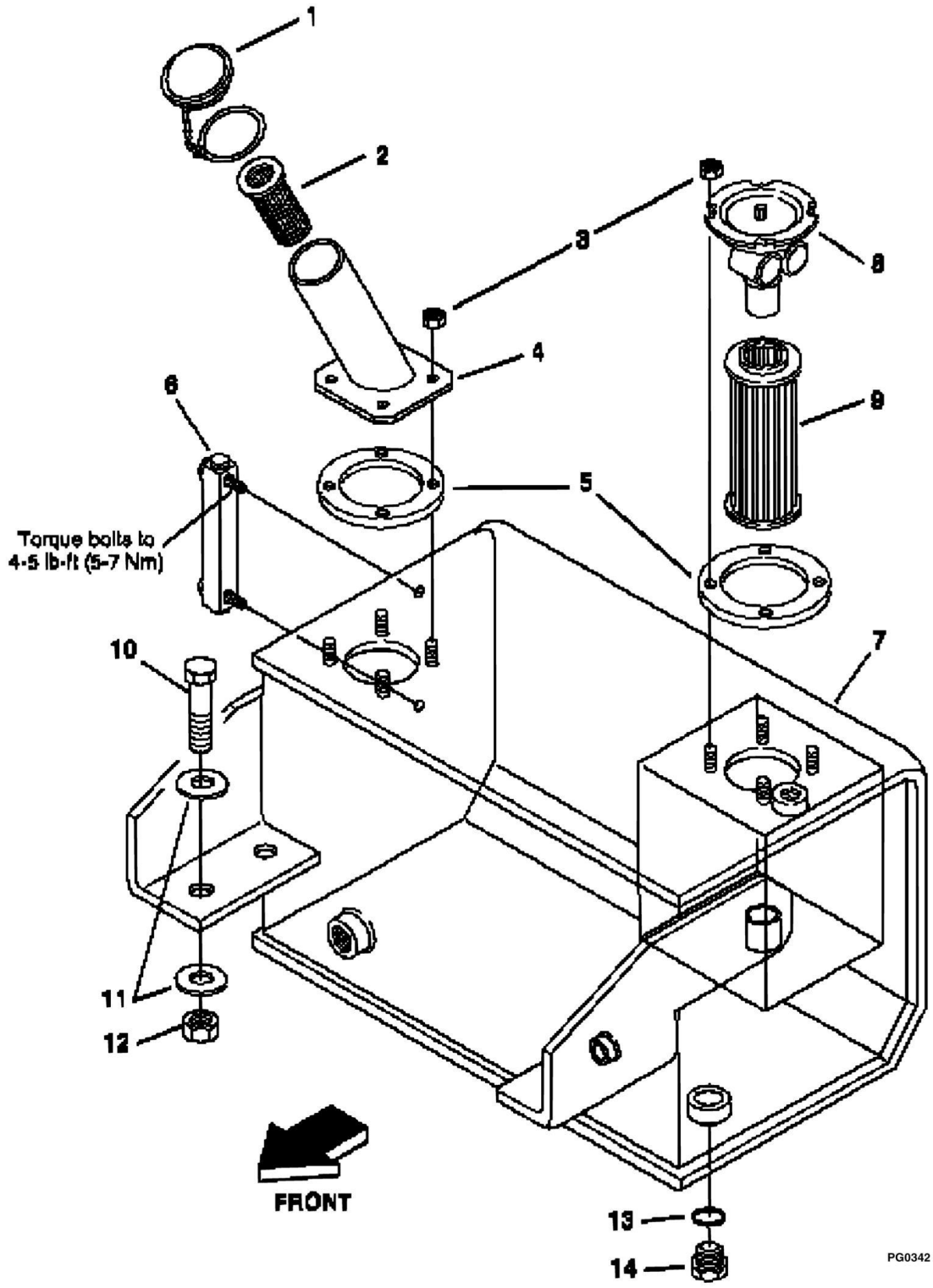
FIGURE 5-13. SHIFT VALVE HYDRAULIC CIRCUIT AND SHIFT LINKAGE (5028HT/5028HF)

ITEM	PART NUMBER	QTY	DESCRIPTION	REV
1	8303703	2	HHCS, 1/4-20 x 2-1/2in	
2	8310002	2	Washer, Lock 1/4in	
3	8760312	1	Elbow, 45, SAE 6-6 - male JIC 37 x male str. thd. o-ring	
4	2712072	2	Hose Assembly 3/8in I.D. x 29in Long	
5	8760311	2	Elbow, 90, SAE 6-6 - male JIC 37 x male str. thd. o-ring	
6	2711982	1	Hose Assembly 3/8in I.D. x 112in Long	
7	8770064	2	Connector, 6M14 - 1.5	
8	8760313	1	Elbow, 90, SAE 6-8 - male JIC 37 x male str. thd. o-ring	
9	8305630	2	Nut, Hex Lock M10 - 1.5	
10	7117962	2	Spacer	
11	8310125	2	HHCS, M10-1.5 x 55	

SECTION 6 - HYDRAULIC COMPONENTS

SECTION 6 - HYDRAULIC COMPONENTS

FIGURE 6-1. HYDRAULIC RESERVOIR (Prior to SN 0169)



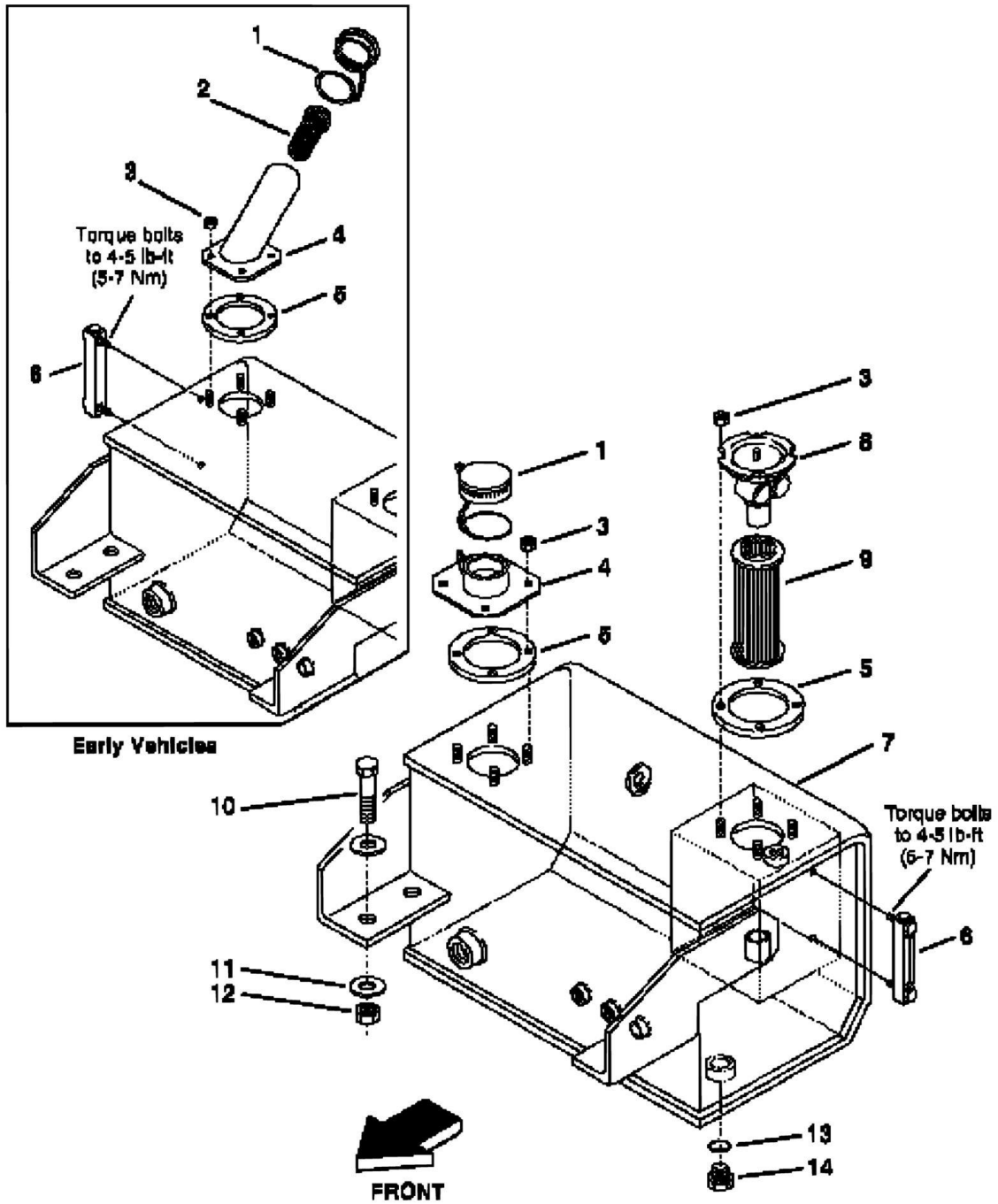
SECTION 6 - HYDRAULIC COMPONENTS

FIGURE 6-1. HYDRAULIC RESERVOIR (Prior to SN 0169)

ITEM	PART NUMBER	QTY	DESCRIPTION	REV
1	8324015	1	Cap, w/Ring	
2	8324016	1	Screen	
3	8305626	8	Nut, Hex Lock Elastic 5/16-18	
4	7096202	1	Fill Neck - Angled	
5	7094552	2	Gasket	
6	8464012	1	Sight Gauge (Includes Mounting Hardware and Seals)	
7	7091914	1	Tank, Hydraulic	
8	7094562	1	Head, Filter w/By-pass	
9	8320265	1	Element, Filter	
10	8303686	4	HHCS, 3/4-10 x 2-1/2in	
11	8310111	8	Washer, Flat, Special Hardened	
12	8310067	4	Nut, Hex Lock Elastic 3/4-10	
13	8640903	1	O-Ring	
14	8541435	1	Plug, SAE 16 - magnetic	

SECTION 6 - HYDRAULIC COMPONENTS

FIGURE 6-2. HYDRAULIC RESERVOIR (SN 0169 to Present)



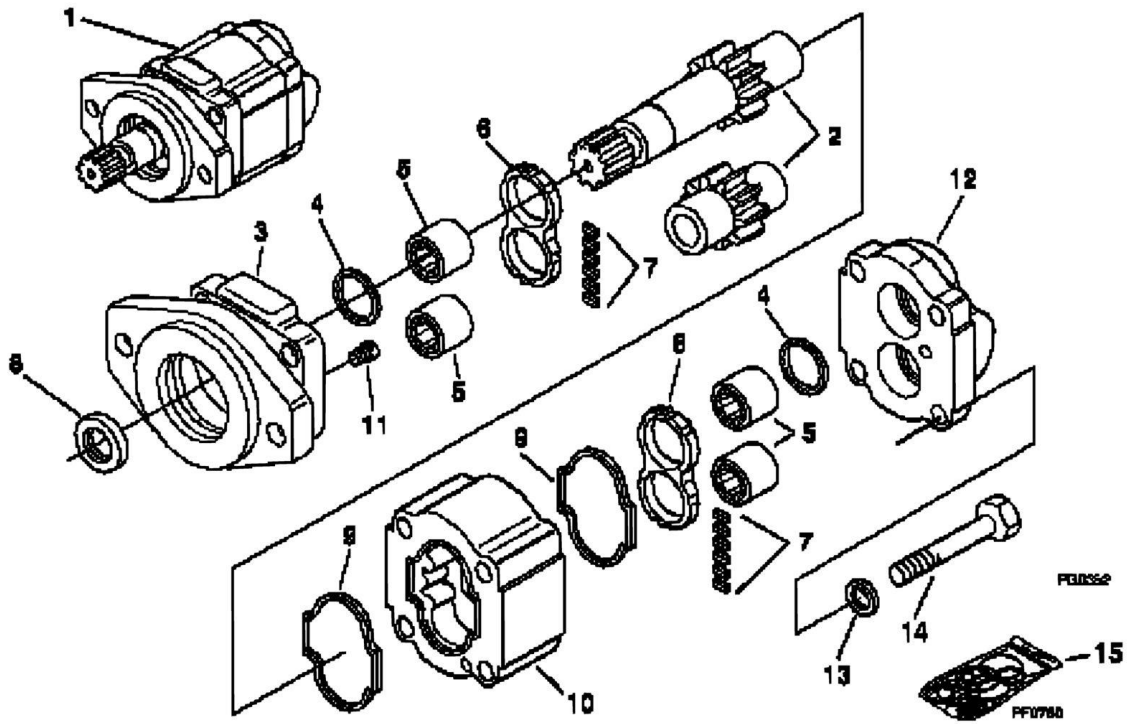
SECTION 6 - HYDRAULIC COMPONENTS

FIGURE 6-2. HYDRAULIC RESERVOIR (SN 0169 to Present)

ITEM	PART NUMBER	QTY	DESCRIPTION	REV
1	8324015	1	Cap, w/Ring (For Angled Fill Neck Only)	
1	8324017	1	Cap, w/Ring (For Straight Fill Neck Only)	
2	8324016	1	Screen	
3	8305626	8	Nut, Hex Lock Elastic 5/16-18	
4	7096202	1	Fill Neck - Angled	
4	7096352	1	Fill Neck - Straight	
5	7094552	2	Gasket	
6	8464012	1	Sight Gauge (Includes Mounting Hardware and Seals)	
7	7112774	1	Tank, Hydraulic	
8	7094562	1	Head, Filter w/By-pass	
9	8320265	1	Element, Filter	
10	8303686	4	HHCS, 3/4-10 x 2-1/2in	
11	8310111	8	Washer, Flat, Special Hardened	
12	8310067	4	Nut, Hex Lock Elastic 3/4-10	
13	8640903	1	O-Ring	
14	8541435	1	Plug, SAE 16 - magnetic	

SECTION 6 - HYDRAULIC COMPONENTS

FIGURE 6-3. MAIN PUMP



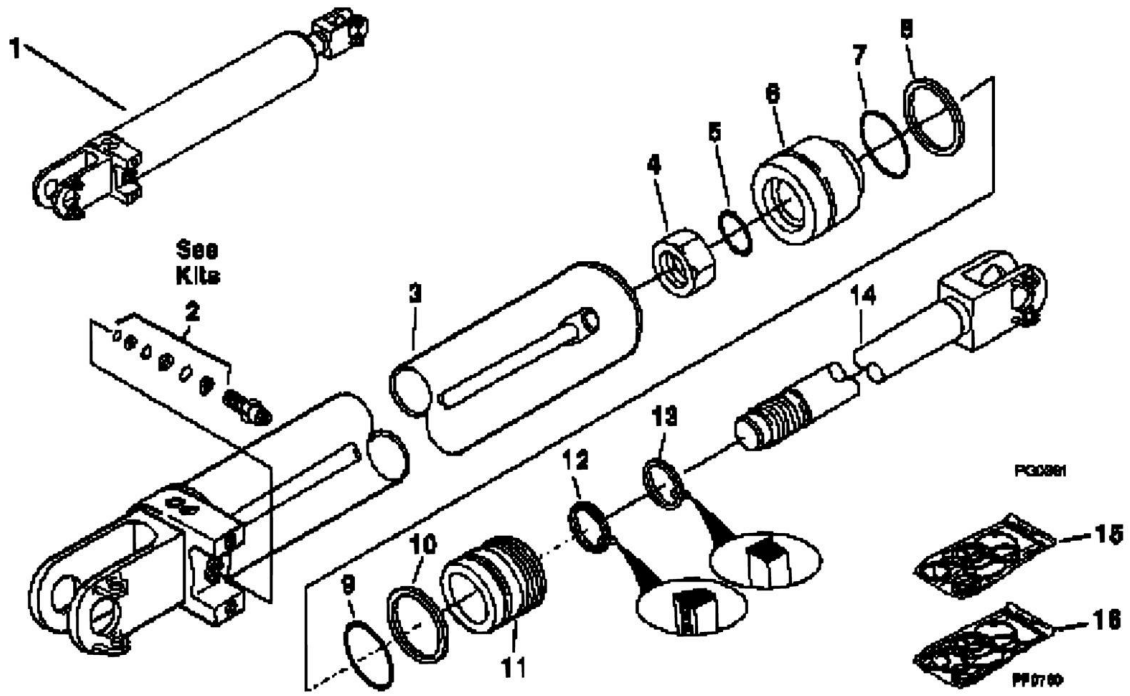
SECTION 6 - HYDRAULIC COMPONENTS

FIGURE 6-3. MAIN PUMP

ITEM	PART NUMBER	QTY	DESCRIPTION	REV
1	8440224	1	Pump Assembly, Hydraulic (Includes Items 2 thru 14)	
2	8033643	1	Set, Gear Shaft	
3	8033640	1	Housing, SEC	
4	8033645	2	Seal, Ring	
5	8033646	4	Bearing, Roller	
6	8033647	2	Plate, Thrust	
7	Kit	12	Seal, Pocket	
8	Kit	1	Seal, Lip	
9	Kit	2	Seal, SQ-R	
10	8033642	1	Housing, Gear	
11	8032806	1	Plug	
12	8033641	1	Housing, PEC	
13	8032802	4	Washer	
14	8033644	4	Capscrew	
		Ref	KITS	
15	8033648	1	Seal Kit (Includes Items 7 thru 9)	

SECTION 6 - HYDRAULIC COMPONENTS

FIGURE 6-4. BOOM HOIST CYLINDER



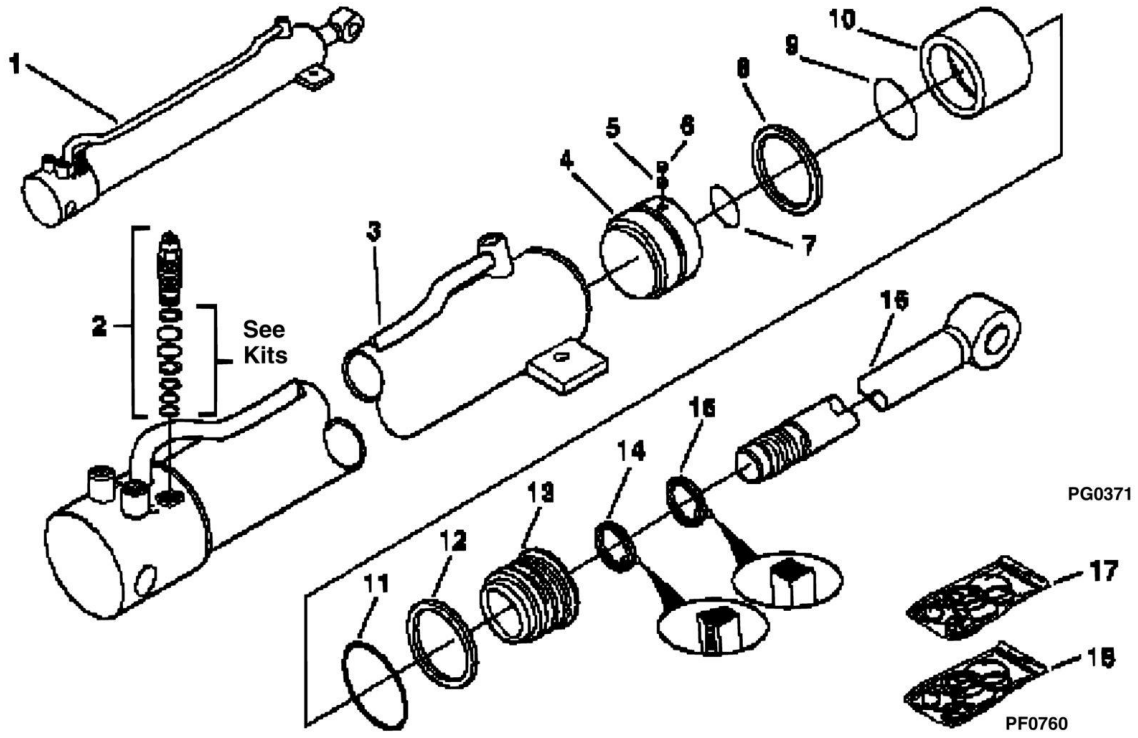
SECTION 6 - HYDRAULIC COMPONENTS

FIGURE 6-4. BOOM HOIST CYLINDER

ITEM	PART NUMBER	QTY	DESCRIPTION	REV
1	2712653	2	Cylinder, Boom Hoist (Includes Items 2 thru 14)	
2	8902247	1	Valve, Counterbalance For Service, Order Counterbalance Valve Seal Kit, Item 16	
3	N.S.S.	1	Tube, Cylinder	
4	8205574	1	Nut	
5	Kit	1	O-ring	
6	8033707	1	Piston	
7	Kit	1	O-ring	
8	Kit	1	Ring, Backup	
9	Kit	1	O-ring	
10	Kit	1	Ring, Backup	
11	8033705	1	Gland	
12	Kit	1	Seal, Rod	
13	Kit	1	Wiper	
14	8033706	1	Rod	
		Ref	KITS	
15	8032743	1	Seal Kit, Boom Hoist Cylinder (Includes Items 5, 7, 8, 9,10, 12 & 13)	
16	8205656	1	Seal Kit, Counterbalance Valve (Includes 3 O-Rings & 3 Backup Rings)	

SECTION 6 - HYDRAULIC COMPONENTS

FIGURE 6-5. BOOM EXTEND CYLINDER



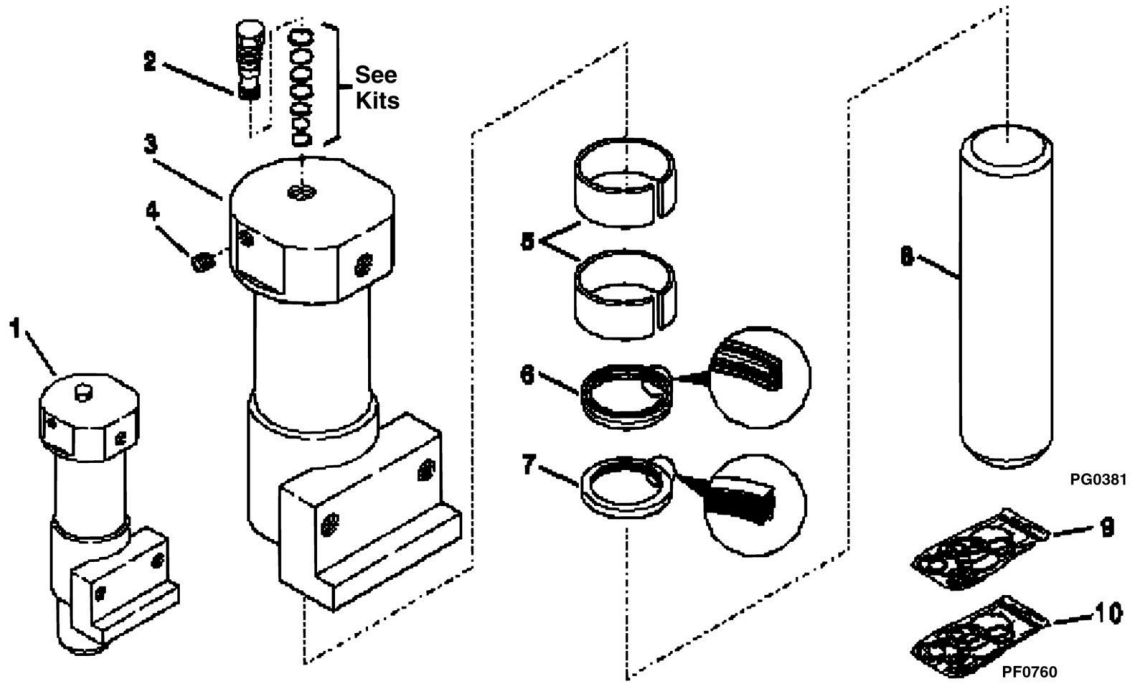
SECTION 6 - HYDRAULIC COMPONENTS

FIGURE 6-5. BOOM EXTEND CYLINDER

ITEM	PART NUMBER	QTY	DESCRIPTION	REV
1	2712753	1	Cylinder, Boom Extend (Includes Items 2 thru 16)	
2	8904037	1	Valve, Counterbalance (See Kits)	
3	N.S.S.	1	Tube, Cylinder	
4	8033712	1	Piston	
5	8033711	1	Setscrew, Nylon (See Kits)	
6	8033710	1	Setscrew (See Kits)	
7	Kit	1	O-ring	
8	Kit	1	Ring, Backup	
9	Kit	1	O-ring	
10	8033709	1	Tube, Stop	
11	Kit	1	O-ring	
12	Kit	1	Ring, Backup	
13	8205485	1	Gland	
14	Kit	1	Seal, Rod	
15	Kit	1	Wiper	
16	8033708	1	Rod	
		Ref	KITS	
17	8032742	1	Seal Kit, Boom Extend Cylinder (Includes Items 5, 6, 7, 8, 9, 11, 12, 14 & 15)	
18	8205657	1	Seal Kit, Counterbalance Valve (Includes 3 O-Rings & 4 Backup Rings)	

SECTION 6 - HYDRAULIC COMPONENTS

FIGURE 6-6. FRAME TILT CYLINDER



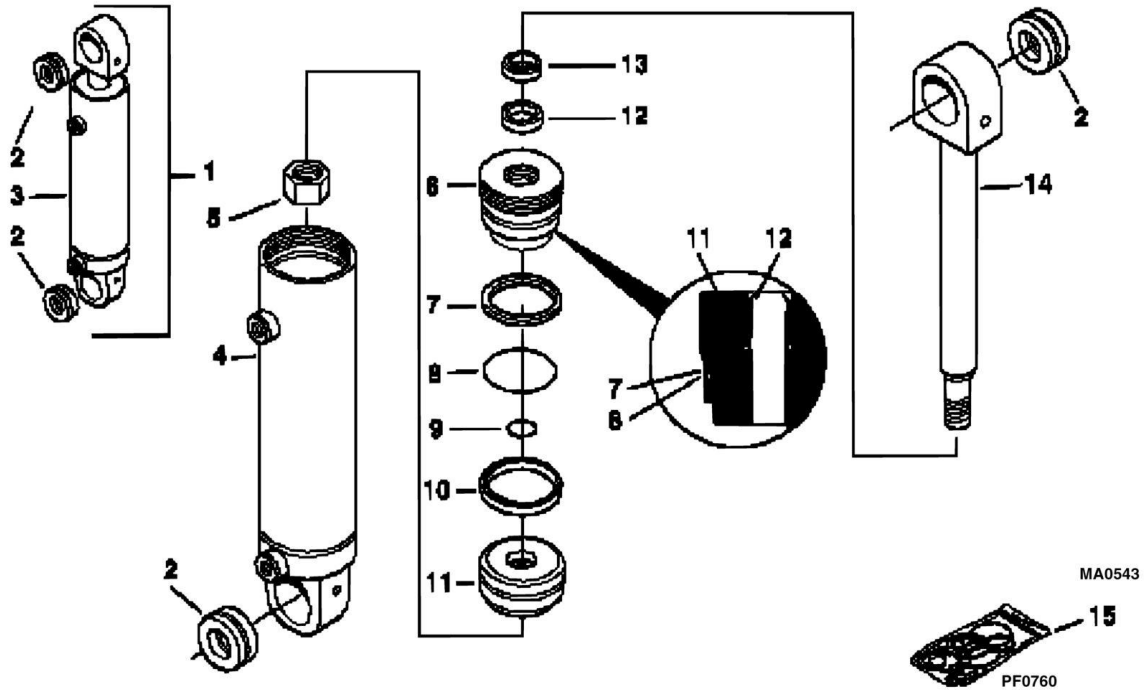
SECTION 6 - HYDRAULIC COMPONENTS

FIGURE 6-6. FRAME TILT CYLINDER

ITEM	PART NUMBER	QTY	DESCRIPTION	REV
1	2712683	2	Cylinder, Frame Tilt (Includes Items 2 thru 8)	
2	8902511	1	Valve, Check (See Kits)	
3	N.S.S.	1	Tube, Cylinder	
4	8033713	1	Orifice	
5	Kit	2	Ring, Wear	
6	Kit	1	Seal, Rod	
8	8033714	1	Rod	
		Ref	KITS	
9	8032744	1	Seal Kit, Frame Tilt Cylinder (Includes Items 5, 6 & 7)	
10	8205655	1	Seal Kit, Check Valve (Includes 3 O-rings & 4 Backup Rings)	

SECTION 6 - HYDRAULIC COMPONENTS

FIGURE 6-7. SLAVE CYLINDER



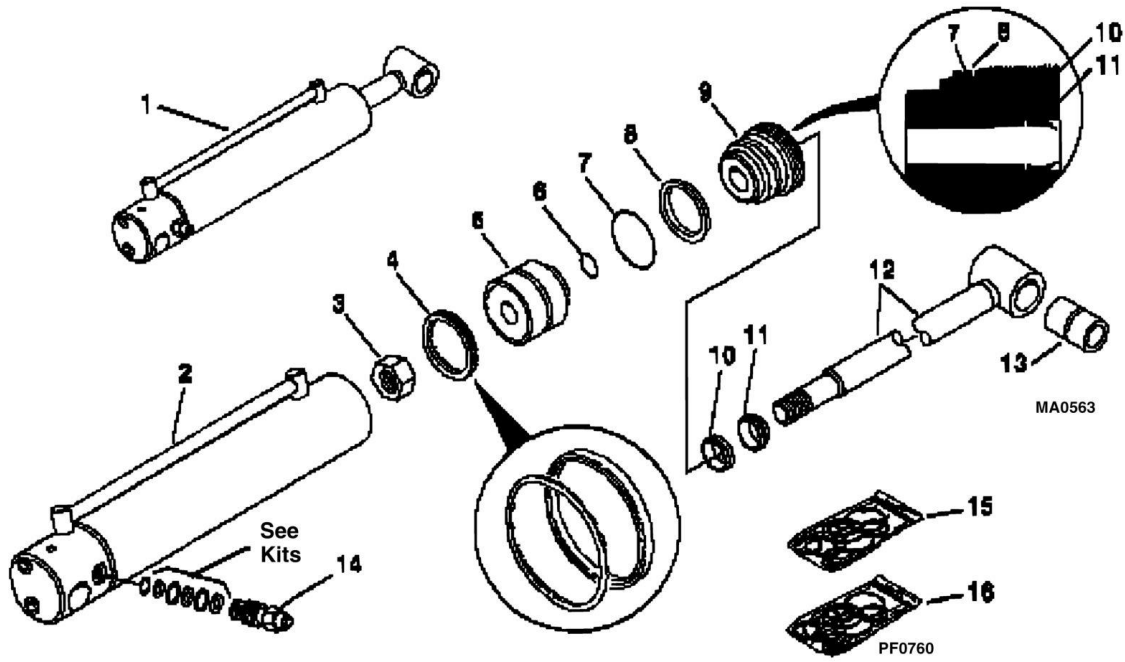
SECTION 6 - HYDRAULIC COMPONENTS

FIGURE 6-7. SLAVE CYLINDER

ITEM	PART NUMBER	QTY	DESCRIPTION	REV
1	2711723	1	Cylinder, Slave w/Bearings (Includes Item 2)	
2	8032700	2	Bushing (Prior to SN 0130)	
2	8065640	2	Bearing (SN 0130 to Present)	
3	2713673	1	Cylinder, Complete - Less Bearings (Includes Items 4 thru 14)	
4	N.S.S.	1	Tube, Cylinder	
5	8032702	1	Locknut	
6	8032704	1	Gland	
7	Kit	1	Ring, Backup	
8	Kit	1	O-ring	
9	Kit	1	O-ring	
10	Kit	1	Seal, Piston	
11	8032705	1	Piston	
12	Kit	1	Seal, Rod	
13	Kit	1	Wiper	
14	8032706	1	Rod	
		Ref	KITS	
15	8032707	1	Seal Kit, Slave Cylinder (Includes Items 7, 8, 9, 10, 12 & 13)	

SECTION 6 - HYDRAULIC COMPONENTS

FIGURE 6-8. ATTACHMENT TILT CYLINDER



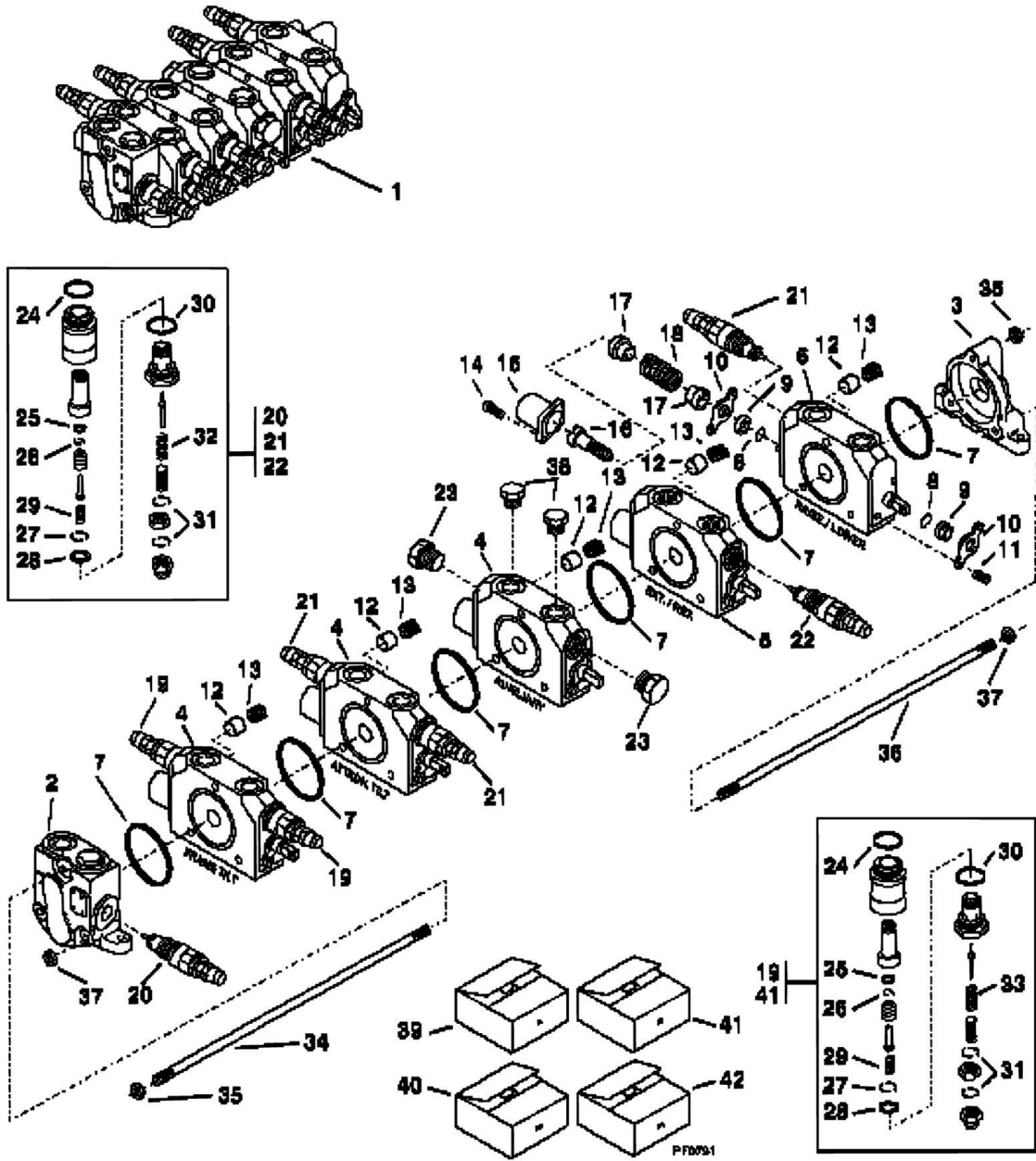
SECTION 6 - HYDRAULIC COMPONENTS

FIGURE 6-8. ATTACHMENT TILT CYLINDER

ITEM	PART NUMBER	QTY	DESCRIPTION	REV
1	2711703	1	Cylinder, Attachment Tilt (Includes Items 2 thru 14)	
2	N.S.S.	1	Tube, Cylinder	
3	8032702	1	Nut	
4	Kit	1	Seal, Piston	
5	8032746	1	Piston	
6	Kit	1	O-ring	
7	Kit	1	O-ring	
8	Kit	1	Ring, Backup	
9	8032704	1	Gland	
10	Kit	1	Seal, Rod	
11	Kit	1	Wiper	
12	8032747	1	Rod	
13	7089722	AR	Bushing (Solid Diameter)	
13	70031092	AR	Bushing (Spring Tooth Design)	
14	8902247	1	Valve, Counterbalance For Service Order, Counterbalance Valve Seal Kit, Item 16	
		Ref	KITS	
15	8032707	Ref	Seal Kit, Attachment Tilt Cylinder (Includes Items 4, 6, 7, 8, 10 & 11)	
16	8205656	1	Seal Kit, Counterbalance Valve (Includes 3 O-Rings & 3 Backup Rings)	

SECTION 6 - HYDRAULIC COMPONENTS

FIGURE 6-9. MAIN CONTROL VALVE



PG0411

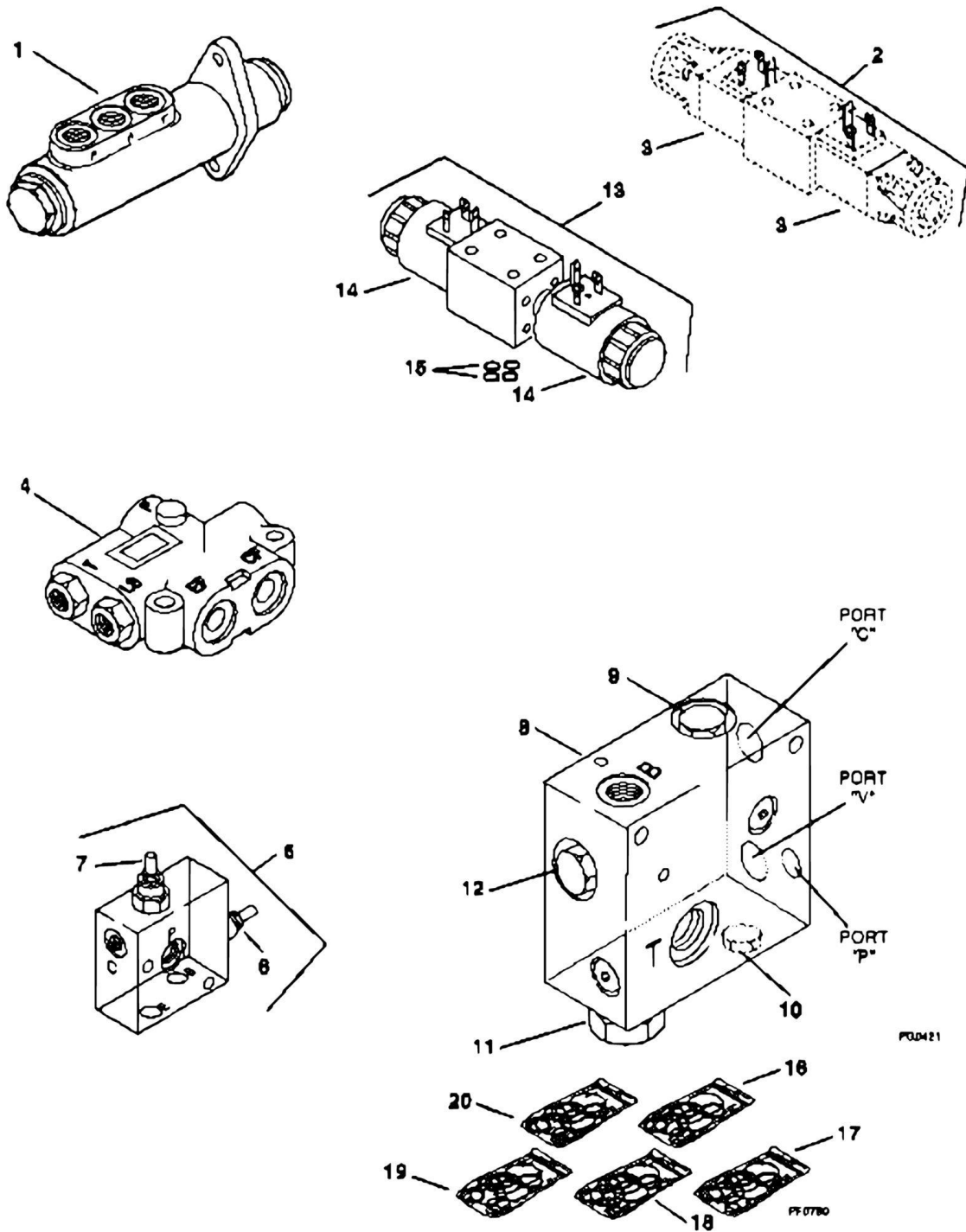
SECTION 6 - HYDRAULIC COMPONENTS

FIGURE 6-9. MAIN CONTROL VALVE

ITEM	PART NUMBER	QTY	DESCRIPTION	REV
1	8902179	1	Main Control Valve (Includes Items 2 thru 38)	
2	8033655	1	Section, Inlet (Includes 1 of Item 7)	
3	8033659	1	Section, Outlet	
4	8033236	3	Section, Frame Tilt, Attachment Tilt, (Optional) Auxiliary Hyd. (Includes Items 7 thru 18)	
5	8033657	1	Section, Boom Extend (Includes Items 7 thru 18)	
6	8033658	1	Section, Boom Hoist (Includes Items 7 thru 18)	
7	Kit	1	O-ring	
8	Kit	2	O-ring	
9	Kit	2	Wiper	
10	Kit	2	Plate, Seal	
11	Kit	2	Screw, Rd Hd Mach	
12	Kit	1	Poppet, C V	
13	Kit	1	Spring	
14	Kit	2	Screw, Soc Hd Cap	
15	Kit	1	Cap, Spool	
16	Kit	1	End, Spool	
17	Kit	2	Seat, Spring	
18	Kit	1	Spring	
19	8033150	2	Relief Valve Assembly - Preset at 1200 +/- 50 psi (Includes Items 24 thru 31 & 33)	
20	8033412	1	Relief Valve Assembly - Preset at 2850 +/- 50 psi (Includes Items 24 thru 32)	
21	8033165	3	Relief Valve Assembly - Preset at 3250 +/- 50 psi (Includes Items 24 thru 32)	
22	8033430	1	Relief Valve Assembly - Preset at 2400 +/- 50 psi (Includes Items 24 thru 32)	
23	8902512	2	Plug, Shut-off	
24	Kit	1	O-ring	
25	Kit	1	Ring, Back-Up	
26	Kit	1	O-ring	
27	Kit	1	O-ring	
28	Kit	1	Ring, Back-Up	
29	Kit	1	Spring	
30	Kit	1	O-ring	
31	Kit	2	O-ring	
32	Kit	1	Spring (Used on Items 20, 21, & 22 Only)	
33	Kit	1	Spring (Used on Items 19 & 41 Only)	
34	Kit	1	Tie Rod	
35	Kit	2	Nut, Special	
36	Kit	2	Tie Rod	
37	Kit	4	Nut, Special	
38	8760419	2	Plug, Hex Hd, SAE 8-male str. thd. o-ring	
		Ref	KITS	
39	8033237	AR	Rebuild Kit For Individual Service of Items 4, 5 or 6 (Includes 6 of Item 7 and Listed Quantities of Items 8 thru 18)	
40	8902495	1	Seal and Spring Kit For Relief Valve - Items 20 thru 22 (Includes Items 24 thru 32)	
41	8033219	1	Seal and Spring Kit - Item 19 (Includes Items 24 thru 31 & 33)	
42	8902131	1	Tie Rod Kit - 5 Section Valve (Includes Items 34 thru 37)	

SECTION 6 - HYDRAULIC COMPONENTS

FIGURE 6-10. DIRECTIONAL CONTROL VALVES (5028 STANDARD)



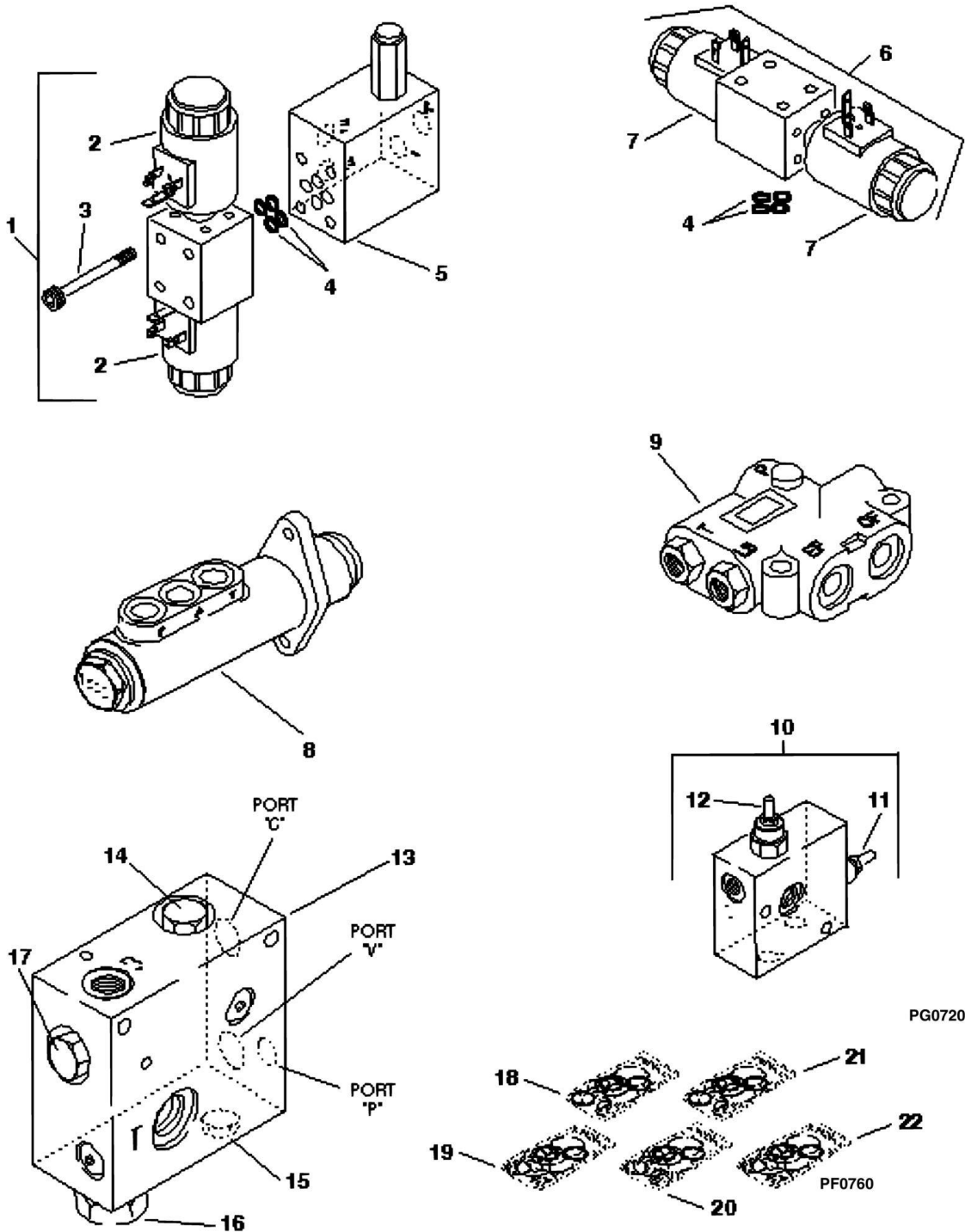
SECTION 6 - HYDRAULIC COMPONENTS

FIGURE 6-10. DIRECTIONAL CONTROL VALVES (5028 STANDARD)

ITEM	PART NUMBER	QTY	DESCRIPTION	REV
1	8902241	1	Brake Valve Assembly (See Kits)	
2	8902109	NLA	Valve, Steer Select (Includes Item 3), No Longer Available (Order P/N 8902137) (Prior to SN 0319)	
3	8032756	NLA	Solenoid, No Longer Available (Order P/N 8902137) (Prior to SN 0319)	
4	8902227	1	Valve, Priority	
5	8902661	NLA	Valve, Pressure Reducing/Sequence (Includes Items 6 & 7) No Longer Available - (Order P/N 8902679) (Prior to SN 0323)	
5	8902679	1	Valve, Pressure Reducing/Sequence (Includes Items 6 & 7) (SN 0323 to Present)	
6	8032760	1	Cartridge, Sequence (See Kits) (Prior to SN 0323)	
6	8034567	1	Cartridge, Sequence (See Kits) (SN 0323 to Present)	
7	8034566	1	Cartridge, Pressure Reducing (See Kits) (SN 0323 to Present)	
7	8032761	1	Cartridge, Pressure Reducing (See Kits) (Prior to SN 0323)	
8	8904042	1	Valve, Regenerative/Dump (Includes Items 9 thru 12)	
9	8904038	1	Valve, One-Way Check (See Kits)	
10	8902511	1	Valve, Pilot-to-Open (See Kits)	
11	8904039	1	Valve, Pilot-to-Open (See Kits)	
12	8032534	1	Valve, Pilot-to-Close (See Kits)	
13	8902137	1	Valve, Steer Select (Includes Item 14) (SN 0319 to Present)	
14	8034591	2	Solenoid (SN 0319 to Present)	
15	8640017	AR	O-Ring	
		Ref	KITS	
16	8032812	1	Repair Kit, Brake Valve (Item 1)	
17	8205656	2	Seal Kit, Sequence Cartridge (Item 6) and Pilot-to-Close Check Valve (Item 12)	
18	8205655	2	Seal Kit, Pressure Reducing Cartridge (Item 7) and Pilot-to-Open Check Valve (Item 10)	
19	8205743	1	Seal Kit, One-Way Check Valve (Item 9)	
20	8205657	1	Seal Kit, Pilot-to-Open Check Valve (Item 11)	

SECTION 6 - HYDRAULIC COMPONENTS

FIGURE 6-11. DIRECTIONAL CONTROL VALVES (5028 HI-TORQ)



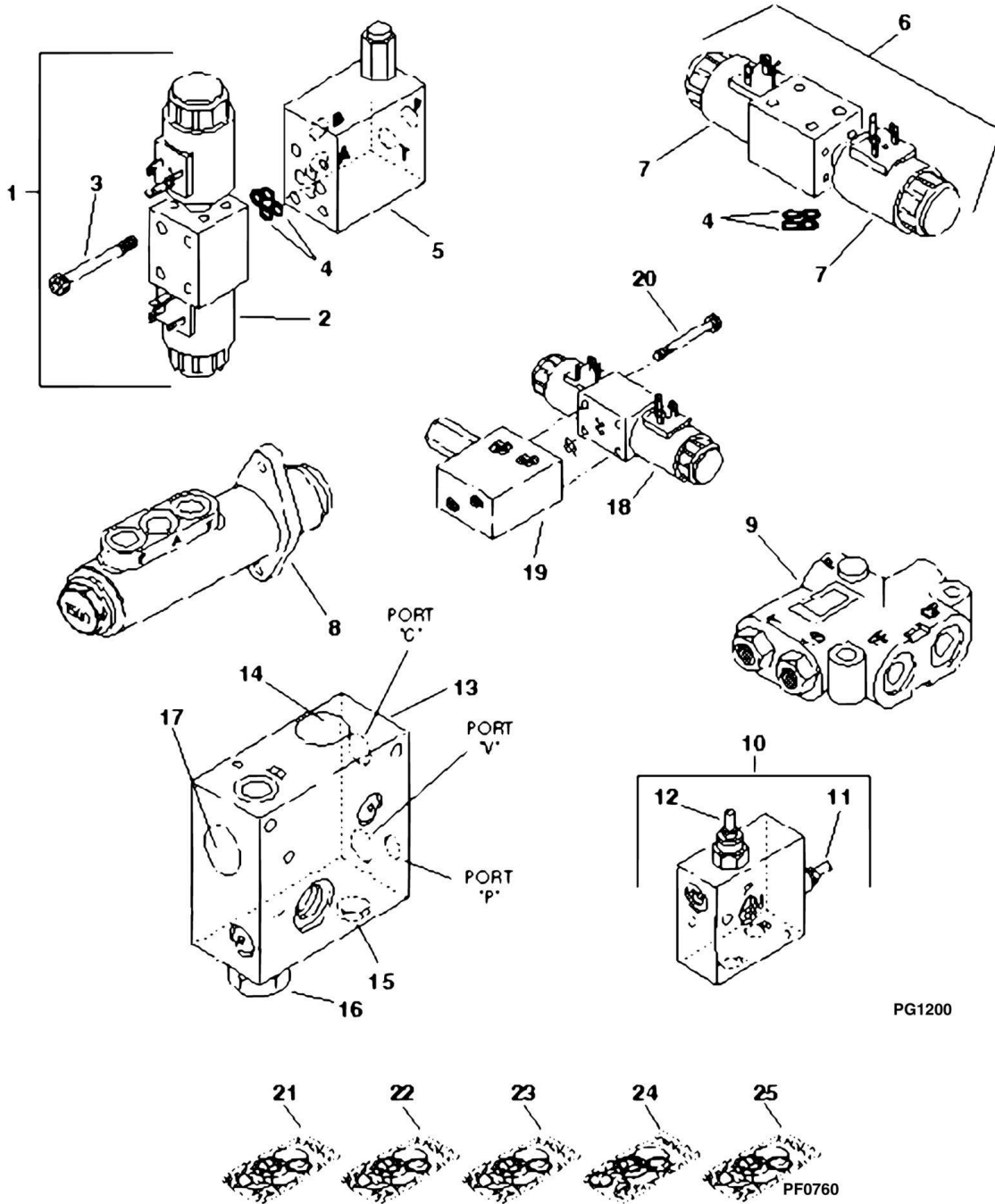
SECTION 6 - HYDRAULIC COMPONENTS

FIGURE 6-11. DIRECTIONAL CONTROL VALVES (5028 HI-TORQ)

ITEM	PART NUMBER	QTY	DESCRIPTION	REV
1	8902140	1	Valve, Solenoid - HI-LOW Shift (Includes Item 2)	
2	8034591	2	Solenoid	
3	8304631	4	SHCS, #10-24 x 2in	
4	8640017	AR	O-Ring	
5	8902155	1	Manifold - Pressure Reducing Valve	
6	8902137	1	Valve, Solenoid - Steer Select Valve (Includes Item 7)	
7	8034591	2	Solenoid	
8	8902257	1	Brake Valve (See Kits)	
9	8902227	1	Valve, Priority	
10	8902679	1	Valve, Pressure Reducing/Sequence (Includes Items 11 & 12)	
11	8034567	1	Cartridge, Sequence (See Kits)	
12	8034566	1	Cartridge, Pressure Reducing (See Kits)	
13	8904042	1	Valve, Regenerative/Dump (Includes Items 14 thru 17)	
14	8904038	1	Valve, One-Way Check (See Kits)	
15	8902511	1	Valve, Pilot-to-Open (See Kits)	
16	8904039	1	Valve, Pilot-to-Open (See Kits)	
17	8032534	1	Valve, Pilot-to-Close (See Kits)	
		Ref	KITS	
18	8034592	1	Repair Kit, Brake Valve (Item 8)	
19	8205656	1	Seal Kit, Sequence Cartridge (Item 11) and Pilot-to-Close Check Valve (Item 17)	
20	8205655	1	Seal Kit, Pressure Reducing Cartridge (Item 12) and Pilot-to-Open Check Valve (Item 15)	
21	8205743	1	Seal Kit, One-Way Check Valve (Item 14)	
22	8205657	1	Seal Kit, Pilot-to-Open Check Valve (Item 16)	

SECTION 6 - HYDRAULIC COMPONENTS

FIGURE 6-12. DIRECTIONAL CONTROL VALVES (5028 HI-FLOW)



PG1200

SECTION 6 - HYDRAULIC COMPONENTS

FIGURE 6-12. DIRECTIONAL CONTROL VALVES (5028 HI-FLOW)

ITEM	PART NUMBER	QTY	DESCRIPTION	REV
1	8902140	1	Valve, Solenoid - HI-LOW Shift (Includes Item 2)	
2	8034591	2	Solenoid	
3	8304631	4	SHCS, #10-24 x 2in	
4	8640017	AR	O-Ring	
5	8902155	1	Manifold - Pressure Reducing Valve	
6	8902137	1	Valve, Solenoid - Steer Select Valve (Includes Item 7)	
7	8034591	2	Solenoid	
8	8902257	1	Brake Valve (See Kits)	
9	8902227	1	Valve, Priority	
10	8902679	1	Valve, Pressure Reducing/Sequence (Includes Items 11 & 12)	
11	8034567	1	Cartridge, Sequence (See Kits)	
12	8034566	1	Cartridge, Pressure Reducing (See Kits)	
13	8904042	1	Valve, Regenerative/Dump (Includes Items 14 thru 17)	
14	8904038	1	Valve, One-Way Check (See Kits)	
15	8902511	1	Valve, Pilot-to-Open (See Kits)	
16	8904039	1	Valve, Pilot-to-Open (See Kits)	
17	8032534	1	Valve, Pilot-to-Close (See Kits)	
18	8902178	1	Valve HI-FLOW Pilot	
19	8902154	1	Valve Manifold with Pressure Reducing Valve	
20	8304631	4	SSHC, #10-24 x 2in	
		Ref	KITS	
21	8034592	1	Repair Kit, Brake Valve (Item 8)	
22	8205656	1	Seal Kit, Sequence Cartridge (Item 11) and Pilot-to-Close Check Valve (Item 17)	
23	8205655	1	Seal Kit, Pressure Reducing Cartridge (Item 12) and Pilot-to-Open Check Valve (Item 15)	
24	8205743	1	Seal Kit, One-Way Check Valve (Item 14)	
25	8205657	1	Seal Kit, Pilot-to-Open Check Valve (Item 16)	

SECTION 6 - HYDRAULIC COMPONENTS

FIGURE 6-13. SWING CARRIAGE CYLINDER

ITEM	PART NUMBER	QTY	DESCRIPTION	REV
1	2713363	1	Swing Carriage Cylinder (Includes Items 2 thru 14)	
2	N.S.S.	1	Tube, Cylinder	
3	Kit	1	Wear Ring	
4	Kit	1	Seal, Piston	
5	8033783	1	Piston	
6	Kit	1	O-ring	
7	Kit	1	Backup Ring	
8	8033784	1	Gland	
9	Kit	1	Seal, Rod	
10	Kit	1	Wiper	
11	8033785	1	Rod	
12	8033786	1	Valve, Counterbalance Cartridge – 3,000 psi (See Kits)	
13	70020428	1	Valve, Direct Acting Relief – 2,000 psi (See Kits)	
14	8033788	1	Orifice, .038 Dia	
		Ref	KITS	
15	8033789	1	Seal Kit, Swing Carriage Cylinder (Includes Items 3, 4, 6, 7, 9 & 10)	
16	8205655	1	Seal Kit, Counterbalance Valve (Includes 3 O-rings & 3 Backup Rings)	
17	7024574	1	Seal Kit, Relief Valve (Includes 3 O-rings & 3 Backup Rings)	

SECTION 6 - HYDRAULIC COMPONENTS

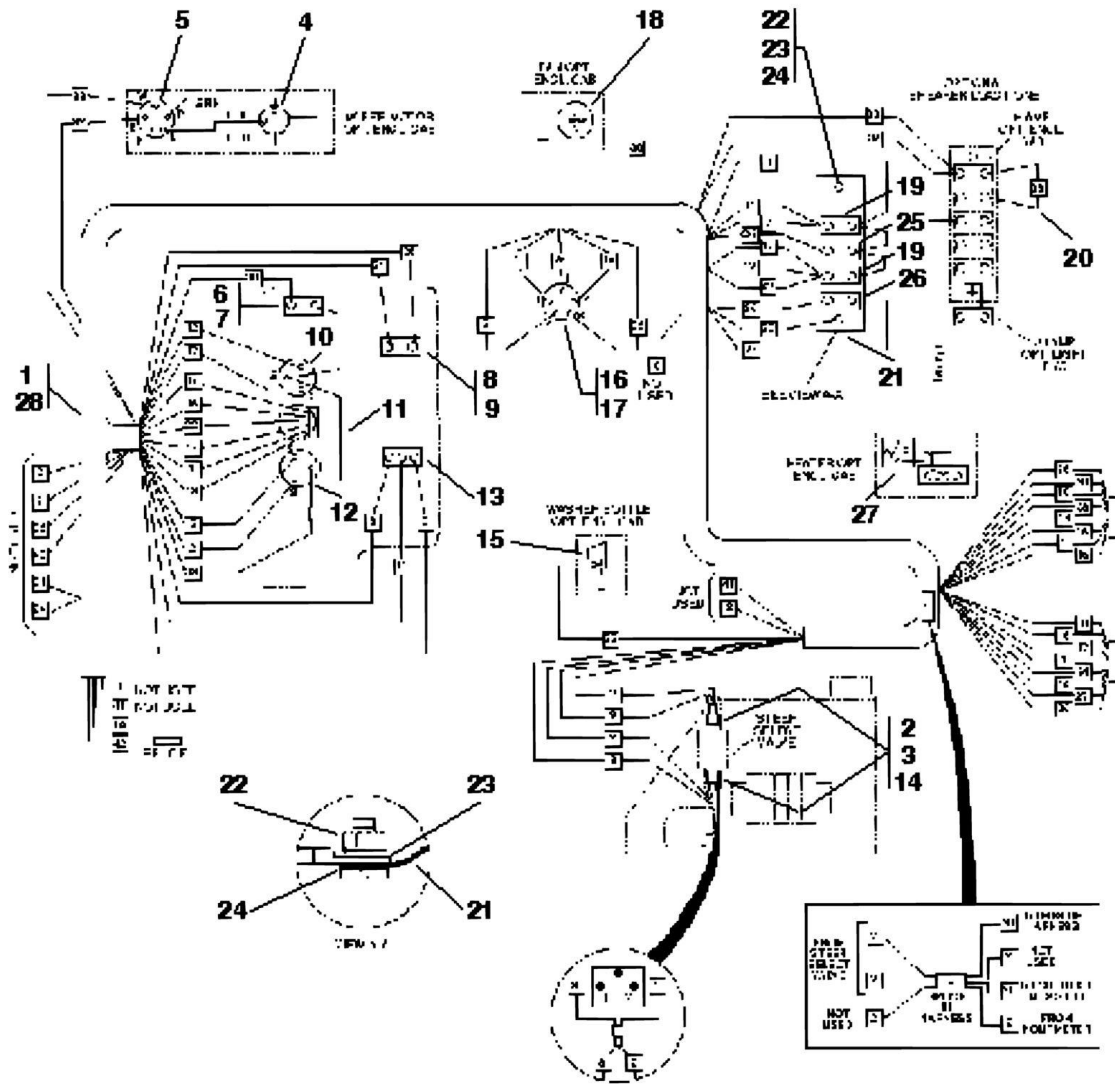
FIGURE 6-14. SIDE TILT CARRIAGE CYLINDER

ITEM	PART NUMBER	QTY	DESCRIPTION	REV
1	2711613	1	Side Tilt Carriage Cylinder (Includes Items 2 thru 14)	
2	N.S.S.	1	Tube, Cylinder	
3	8902511	2	Valve, Pilot Check (See Kits)	
4	8205545	1	Piston	
5	8205546	1	Gland	
6	8205547	1	Rod	
7	8205548	1	Nut, Piston	
8	8205514	1	Bearing, Self-Aligning	
9	Kit	1	Seal, Rod	
10	Kit	1	Wiper	
11	Kit	1	O-ring	
12	Kit	1	Ring, Back-Up	
13	Kit	1	O-ring	
14	Kit	1	Seal, Piston	
15	8520013	2	Fitting, Grease	
		Ref	KITS	
16	8205661	1	Seal Kit, Side Tilt Carriage Cylinder (Includes Items 9 thru 14)	
17	8205655	1	Seal Kit, Pilot Check Valve	

SECTION 7 - ELECTRICAL

SECTION 7 - ELECTRICAL

FIGURE 7-1. ELECTRICAL SYSTEM - CAB HARNESS (Prior to SN 0199)



PG0441

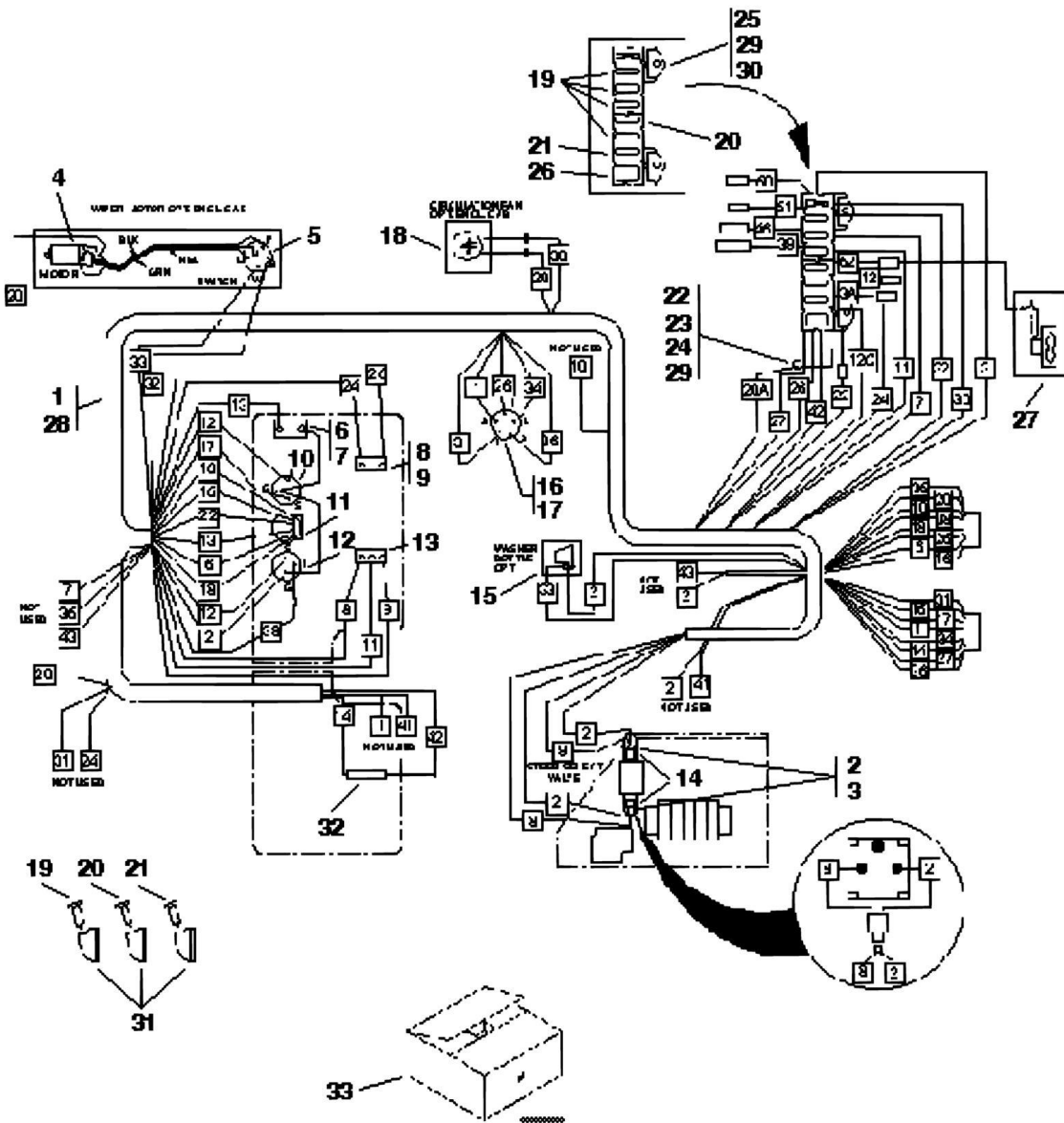
SECTION 7 - ELECTRICAL

FIGURE 7-1. ELECTRICAL SYSTEM - CAB HARNESS (Prior to SN 0199)

ITEM	PART NUMBER	QTY	DESCRIPTION	REV
1	7099444	NLA	Harness, Cab - No Longer Available (Order Cab Harness Kit P/N 7114763)	
2	8220882	2	Connector, Solenoid (Includes Item 3)	
3	8688026	2	Seal, Connector (Not Shown)	
4	7112511	1	Motor, Windshield Wiper	
5	8033201	1	Switch, Windshield Washer/Wiper	
6	8223442	1	Switch, Test	
7	8580312	1	Boot, Test Switch	
8	8223405	1	Button, Horn	
9	8580311	1	Boot, Horn Button	
10	8464212	1	Gauge, Fuel	
11	8466305	1	Gauge, Warning Lights	
12	8467014	1	Hourmeter	
13	8223220	1	Switch, Steer Select	
14	8032756	NLA	Solenoid, Steer Select Valve - No Longer Available (Order Complete Valve P/N 8902137)	
15	8033065	1	Washer Reservoir Assembly	
16	8223436	1	Switch, Ignition (w/Keys)	
17	8223438	1	Key, Ignition (Not Shown)	
18	8033078	1	Fan, Circulation	
19	8229215	2	Circuit Breaker, 6 Amp (3 Required on Enclosed Cab)	
20	7047041	1	Wire Assembly (Enclosed Cab Only)	
21	8229218	1	Bracket, Circuit Breaker	
22	8305004	2	Nut, Hex, 1/4-20	
23	8307109	2	Washer, Flat 1/4in	
24	8307005	2	Lockwasher, 3/8in	
25	8229216	1	Circuit Breaker, 10 amp	
26	8229226	1	Circuit Breaker, 40 amp	
27	8223024	1	Switch Kit, Heater	
28	8584001	AR	Wrap, Tie (Not Shown)	

SECTION 7 - ELECTRICAL

FIGURE 7-2. ELECTRICAL SYSTEM - CAB HARNESS (SN 0199 through 0422)



PG0442

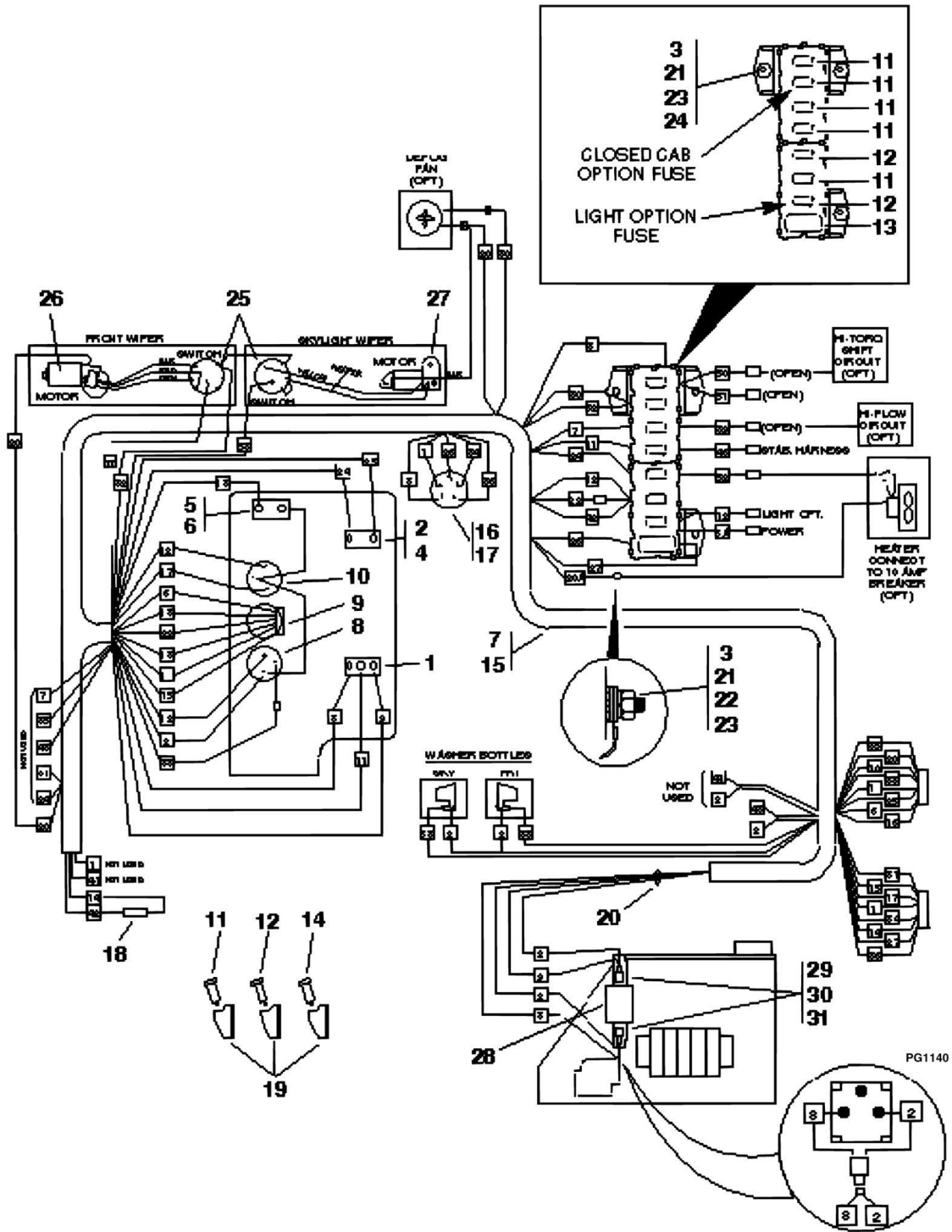
SECTION 7 - ELECTRICAL

FIGURE 7-2. ELECTRICAL SYSTEM - CAB HARNESS (SN 0199 through 0422)

ITEM	PART NUMBER	QTY	DESCRIPTION	REV
1	7114754	1	Harness, Cab (Includes Items 2 & 3)	
2	8220882	2	Connector, Solenoid (Includes Item 3)	
3	8688026	2	Seal, Connector - Not Shown	
4	7112511	1	Motor, Windshield Wiper	
5	8033201	1	Switch, Windshield Washer/Wiper	
6	8223442	1	Switch, Test	
7	8580312	1	Boot, Test Switch	
8	8223405	1	Button, Horn	
9	8580311	1	Boot, Horn Button	
10	8464212	1	Gauge, Fuel	
11	8466305	1	Gauge, Warning Lights	
12	8467014	1	Hourmeter	
13	8223220	1	Switch, Steer Select	
14	8032756	NLA	Solenoid, Steer Select Valve, No Longer Available – (Order Complete Valve P/N 8902137) (Prior to SN 0319)	
14	8034591	2	Solenoid, Steer Select Valve (SN 0319 to Present)	
15	8033065	1	Washer Reservoir Assembly	
16	8223436	1	Switch, Ignition (w/Keys)	
17	8223438	1	Key, Ignition (Not Shown)	
18	8033078	1	Fan, Circulation	
19	8229233	3	Fuse, 7.5 Amp (4 Required on Enclosed Cab)	
20	8229234	2	Fuse, 10 amp	
21	8229235	1	Fuse, 20 Amp (Optional Light Package)	
22	8305004	1	Nut, Hex, 1/4-20	
23	8307109	2	Washer, Flat 1/4in	
24	8307026	2	Washer, Lock Int. Tooth 3/8in	
25	8305002	2	Nut, Hex #10	
26	8229415	1	Circuit Breaker, 40 Amp	
27	8223024	1	Switch Kit, Heater	
28	8584001	AR	Wrap, Tie (Not Shown)	
29	8307002	3	Washer, Lock 1/4in	
30	8307003	2	Washer, Lock #10	
31	8582007	3	Clip, Spare Fuse	
32	8220075	1	Splice	
		Ref	KITS	
33	7119042	1	Kit, Wiring Harness Rework (Used on Early Wire Harness to Accommodate Skylight Wiper/Washer)	

SECTION 7 - ELECTRICAL

FIGURE 7-3. ELECTRICAL SYSTEM - CAB HARNESS (SN 0423 to Present)



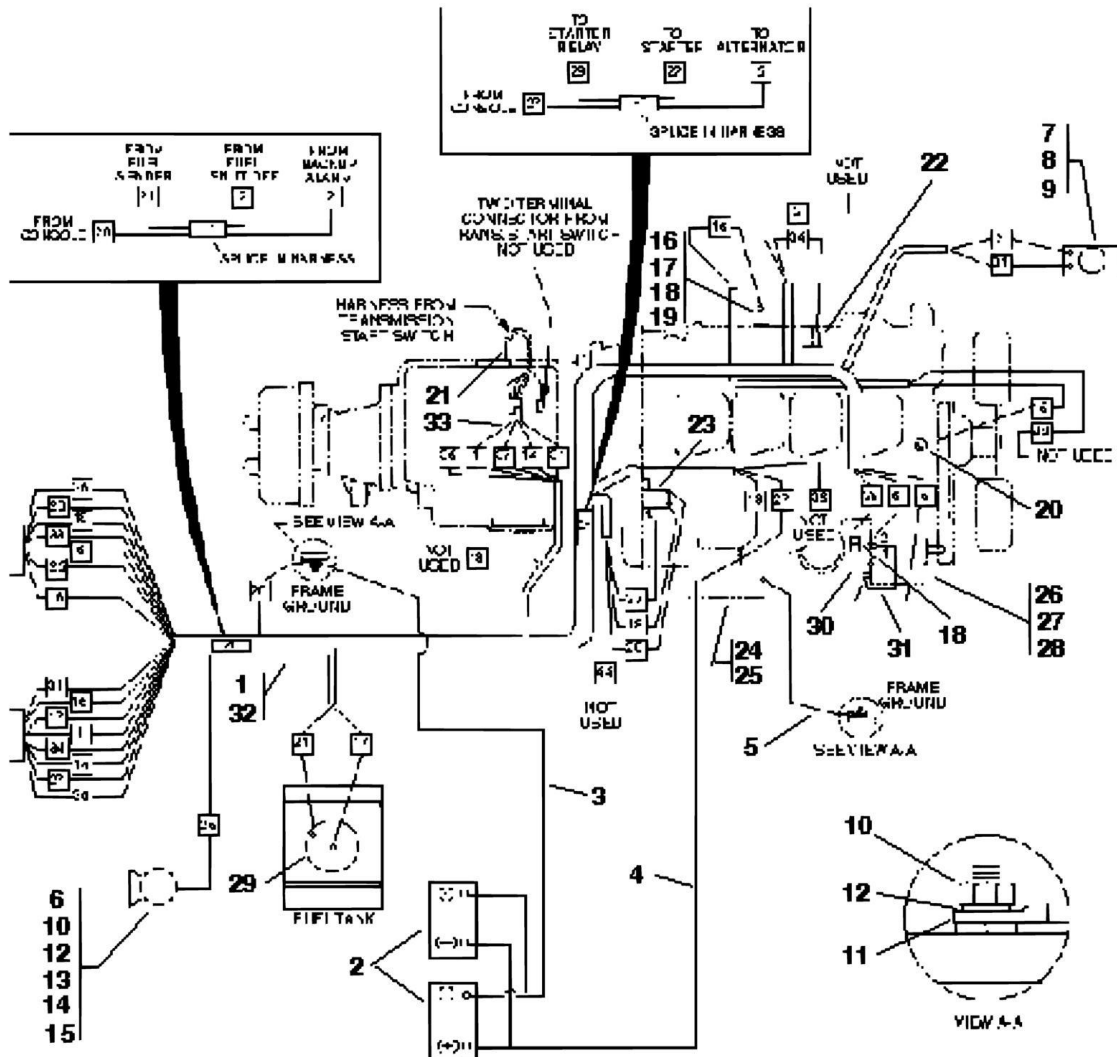
SECTION 7 - ELECTRICAL

FIGURE 7-3. ELECTRICAL SYSTEM - CAB HARNESS (SN 0423 to Present)

ITEM	PART NUMBER	QTY	DESCRIPTION	REV
1	8223220	1	Switch, Steer Select	
2	8223405	1	Button, Horn	
3	8305002	4	Nut, Hex #10	
4	8580311	1	Cap	
5	8223442	1	Switch	
6	8580312	1	Boot, Test Button	
7	7114754	1	Harness, Cab (Includes 30 & 31)	
8	8467014	1	Hourmeter	
9	8466305	1	Gauge, Warning	
10	8464212	1	Gauge, Fuel	
11	8229233	4	Fuse, 7.5 Amp (5 with Closed Cab Option)	
12	8229234	1	Fuse, 10 Amp (2 with Lighting Option)	
13	8229415	1	Breaker, 40 Amp	
14	8229235	1	Fuse, 20 amp	
15	8584001	AR	Plastic Tie 7in	
16	8223436	1	Switch, Ignition	
17	8223438	1	Key, Ignition	
18	8220075	1	Splice	
19	8582007	3	Clip, Spare Fuse	
20	8584003	1	Plastic Tie 14in	
21	8307003	4	Washer, Lock #10	
22	8307027	1	Washer, External Lock 5/16in	
23	8307111	4	Washer, Flat #10	
24	8307106	3	Washer, Flat 5/16in	
25	8033201	2	Switch, Windshield Washer/Wiper	
26	7112511	1	Motor, Front Windshield Wiper	
27	8034810	1	Motor, Skylight Windshield Wiper	
28	8902137	2	Valve, Solenoid - Steer Select Valve (Includes Item 29)	
29	8034591	2	Solenoid	
30	8220882	2	Connector, Solenoid (Includes Item 31)	
31	8688026	1	Seal, Connector (Not Shown)	

SECTION 7 - ELECTRICAL

FIGURE 7-4. ELECTRICAL SYSTEM - ENGINE HARNESS (Prior to SN 0071)



PG0450

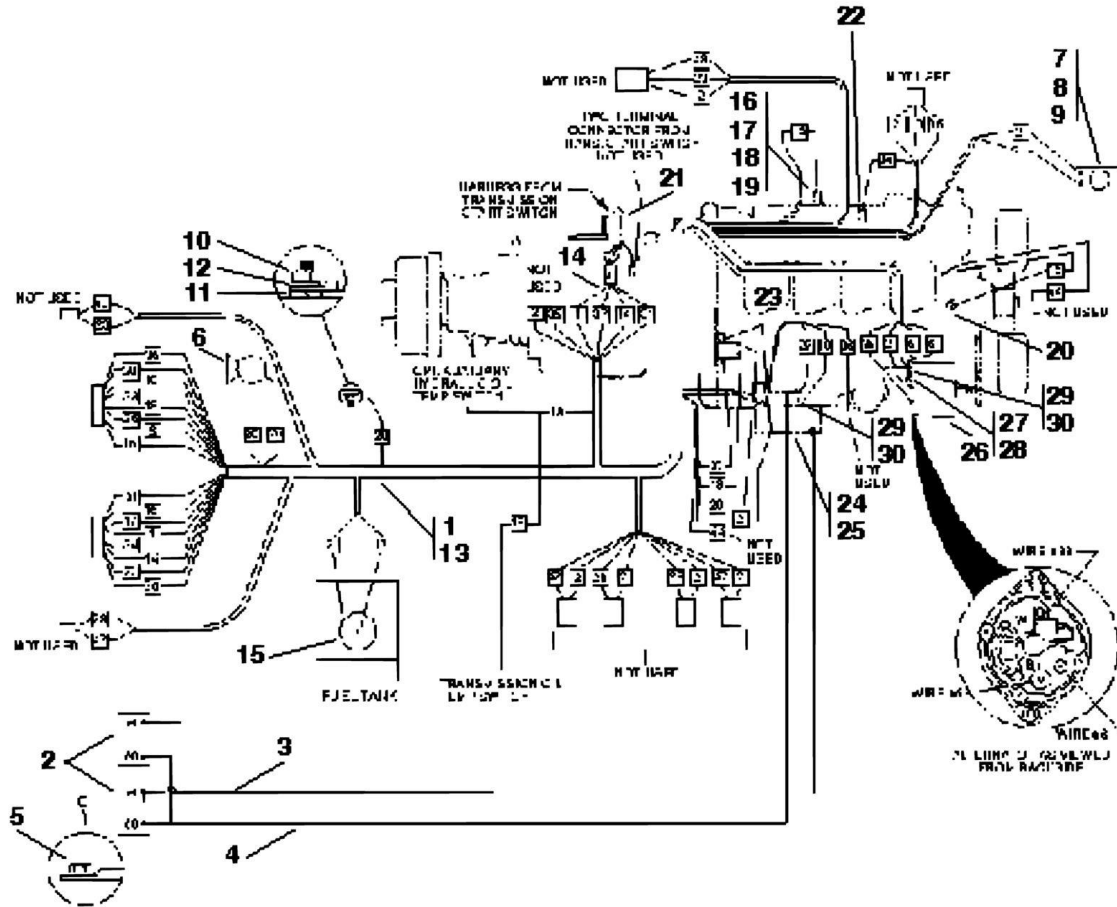
SECTION 7 - ELECTRICAL

FIGURE 7-4. ELECTRICAL SYSTEM - ENGINE HARNESS (Prior to SN 0071)

ITEM	PART NUMBER	QTY	DESCRIPTION	REV
1	7098911	1	Kit, Engine Harness	
2	8270014	2	Battery, 12 Volt	
3	7114612	1	Kit, Battery Cable - Negative (Prior to SN 0157)	
3	7114542	1	Cable, Battery - Negative (SN 0157 to Present)	
4	7080192	1	Cable, Battery - Positive	
5	7068651	1	Cable, Starter Ground (Prior to SN 0157)	
6	8270602	1	Horn	
7	8270617	1	Alarm, Backup	
8	8305004	2	Nut, Hex, 1/4-20	
9	8307002	2	Washer, Lock 1/4in	
10	8305006	3	Nut, Hex, 5/16-18	
11	8307006	2	Washer, Lock 7/16in	
12	8307106	3	Washer, Flat 5/16in	
13	8307004	1	Washer, Lock 5/16in	
14	8307027	1	Washer, Lock 5/16in Ext Tooth	
15	8303697	1	HHCS, 5/16-18 x 3/4in	
16	8310041	1	Washer, Lock Ext. Tooth #8	
17	8305201	1	Nut, Hex, Brass #8-32	
18	8220073	2	Terminal, Slip-On Male #10 SCR	
19	8223510	1	Sender, Low Oil Pressure	
20	8223217	1	Sender, Water Temperature	
21	8033499	1	Switch, Neutral Start	
22	8033406	1	Solenoid, Fuel Run (with CAV Injector Pump)	
22	8034813	1	Solenoid, Fuel Run (with Bosch Injector Pump)	
23	8277143	1	Relay, Starter	
24	8270417	1	Starter (Includes Starter Solenoid)	
25	8270418	1	Solenoid, Starter (Not Shown)	
26	8270219	1	Alternator	
27	8270220	1	Fan, Alternator	
28	8082113	1	Pulley, Alternator	
29	7070992	1	Sender, Fuel Level	
30	7082261	1	Wire Assembly	
31	7098871	1	Wire Assembly	
32	8584001	AR	Tie Wrap (Not Shown)	
33	7098902	1	Adapter, Transmission Connector	

SECTION 7 - ELECTRICAL

FIGURE 7-5. ELECTRICAL SYSTEM - ENGINE HARNESS (SN 0071 through 5255)



PG0451

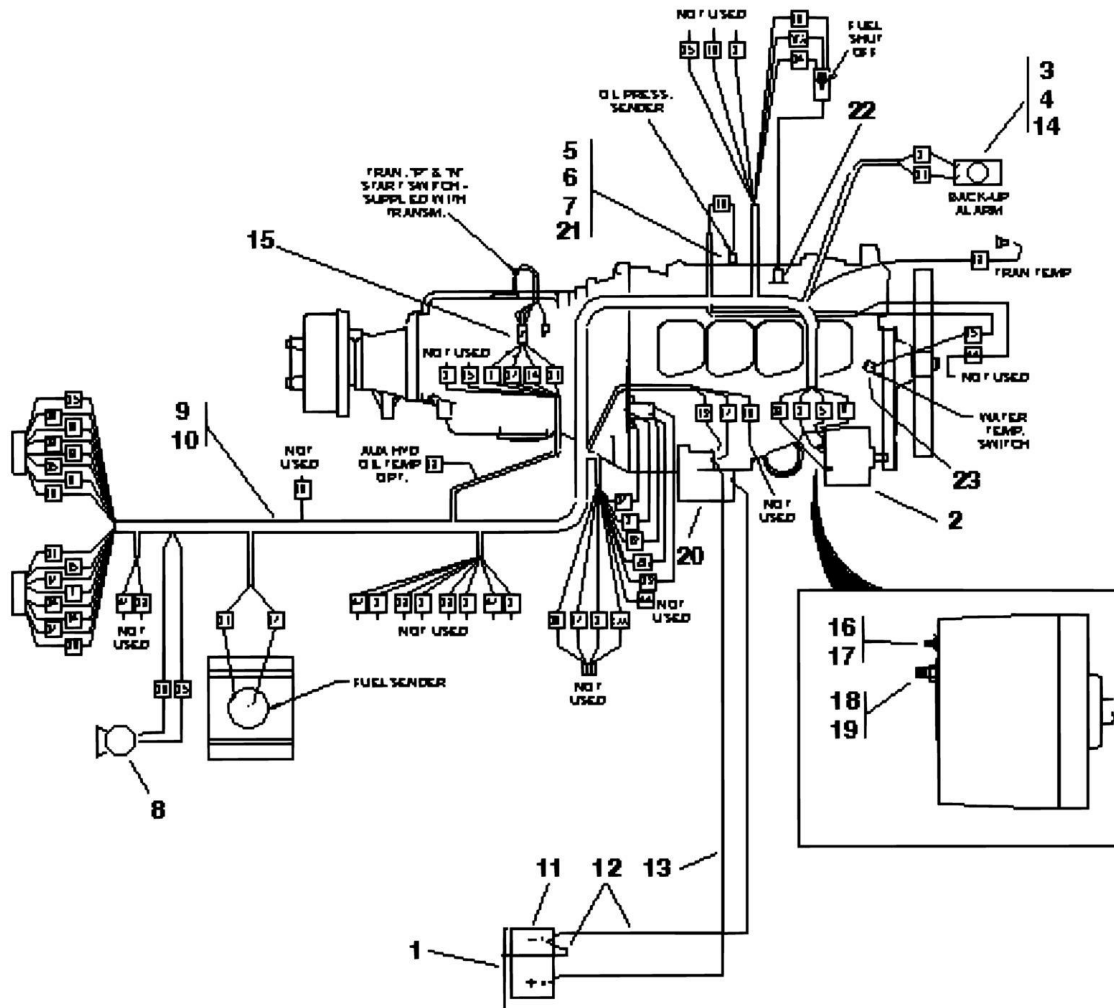
SECTION 7 - ELECTRICAL

FIGURE 7-5. ELECTRICAL SYSTEM - ENGINE HARNESS (SN 0071 through 5255)

ITEM	PART NUMBER	QTY	DESCRIPTION	REV
1	7098864	1	Harness, Engine	
2	8270014	2	Battery, 12 Volt	
3	7114612	1	Kit, Battery Cable - Negative (Prior to SN 0157)	
3	7114542	1	Cable, Battery - Negative (SN 0157 to Present)	
4	7080192	1	Cable, Battery - Positive	
5	8310202	1	Screw, Hex Washer Hd. 3/8 x 3/4in (SN 0157 to Present)	
6	8270602	1	Horn (Includes Mounting Hardware)	
7	8270617	1	Alarm, Backup	
8	8305004	2	Nut, Hex, 1/4-20	
9	8307002	2	Washer, Lock 1/4	
10	8305006	1	Nut, Hex, 5/16-18	
11	8307006	1	Washer, Lock 7/16	
12	8307106	1	Washer, Flat 5/16	
13	8584001	AR	Tie Wrap (Not Shown)	
14	7098902	1	Adapter, Transmission Connector	
15	7070992	1	Sender, Fuel Level	
16	8310041	1	Washer, Lock Ext. Tooth #8	
17	8305201	1	Nut, Hex, Brass #8-32	
18	8220073	2	Terminal, Slip-On Male #10 SCR	
19	8223510	1	Sender, Low Oil Pressure	
20	8223217	1	Sender, Water Temperature	
21	8033499	1	Switch, Neutral Start	
22	8033406	1	Solenoid, Fuel Run (with CAV Injector Pump)	
22	8034813	1	Solenoid, Fuel Run (with Bosch Injector Pump)	
23	8277143	1	Relay, Starter	
24	8270417	1	Starter (Includes Starter Solenoid)	
25	8270418	1	Solenoid, Starter	
26	8270221	1	Alternator - Bosch	
27	8307022	1	Washer, Lock M8	
28	8305043	1	Nut, Hex M8 - 1.25	
29	8310077	3	Nut, Hex Jam M5 - 0.8	
30	8310078	3	Washer, Lock M5	

SECTION 7 - ELECTRICAL

FIGURE 7-6. ELECTRICAL SYSTEM - ENGINE HARNESS (SN 5256 to Present)



PG1150

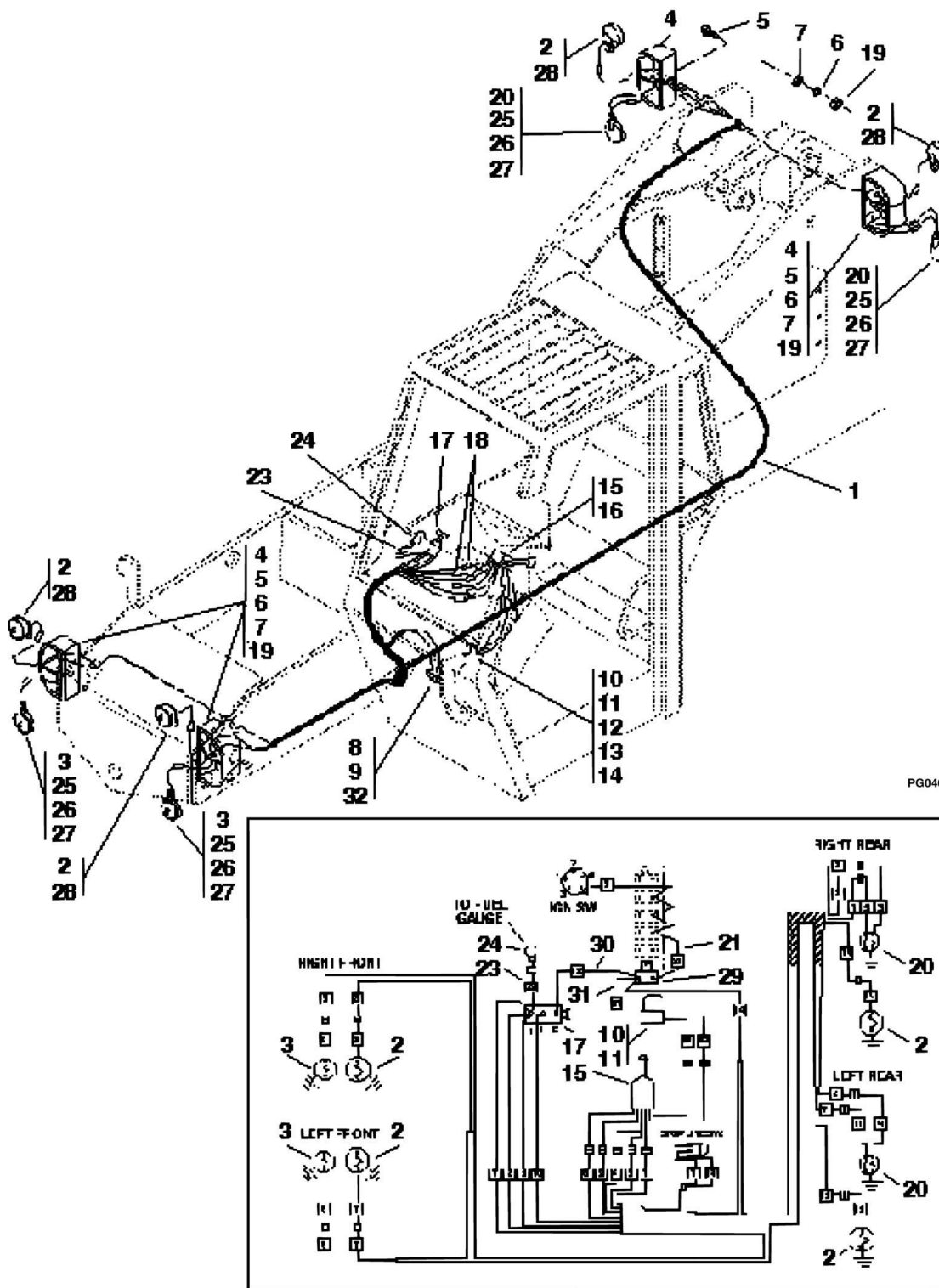
SECTION 7 - ELECTRICAL

FIGURE 7-6. ELECTRICAL SYSTEM - ENGINE HARNESS (SN 5256 to Present)

ITEM	PART NUMBER	QTY	DESCRIPTION	REV
1	8310202	1	Screw, Washer Hd 3/8 x 3/4in	
2	8270221	1	Alternator - Bosch	
3	8307002	6	Washer, Lock 1/4in	
4	8305004	5	Nut, Hex 1/4in	
5	8220073	1	Terminal, Slip-on Male	
6	8310041	1	Washer, External Lock #8	
7	8305201	1	Nut, Hex Brass 8-32NC	
8	8270602	1	Horn	
9	8584001	AR	Tie, Plastic 7in	
10	7126684	1	Harness, Engine	
11	8270134	1	Battery	
12	7129392	1	Cable, Battery Ground	
13	7129372	1	Cable, Battery Power	
14	8270617	1	Alarm, Back-up	
15	7098902	1	Adapter, Transmission Conn.	
16	8310077	2	Nut, Hex Jam M5	
17	8310078	2	Washer, Lock M5	
18	8305043	1	Nut, Hex M8	
19	8307022	1	Washer, Lock M8	
20	8270420	1	Starter (Includes Starter Solenoid)	
21	8223532	1	Switch, Low Oil Pressure	
22	8033406	1	Solenoid, Fuel Run (Pre-EPA with CAV Injector Pump)	
22	8034813	1	Solenoid, Fuel Run (Pre-EPA with Bosch Injector Pump)	
22	8035276	1	Solenoid, Fuel Run (EPA Engines)	
23	8223217	1	Sender Water Temperature	

SECTION 7 - ELECTRICAL

FIGURE 7-7. LIGHTING SYSTEM (EARLY PRODUCTION)



PG0460

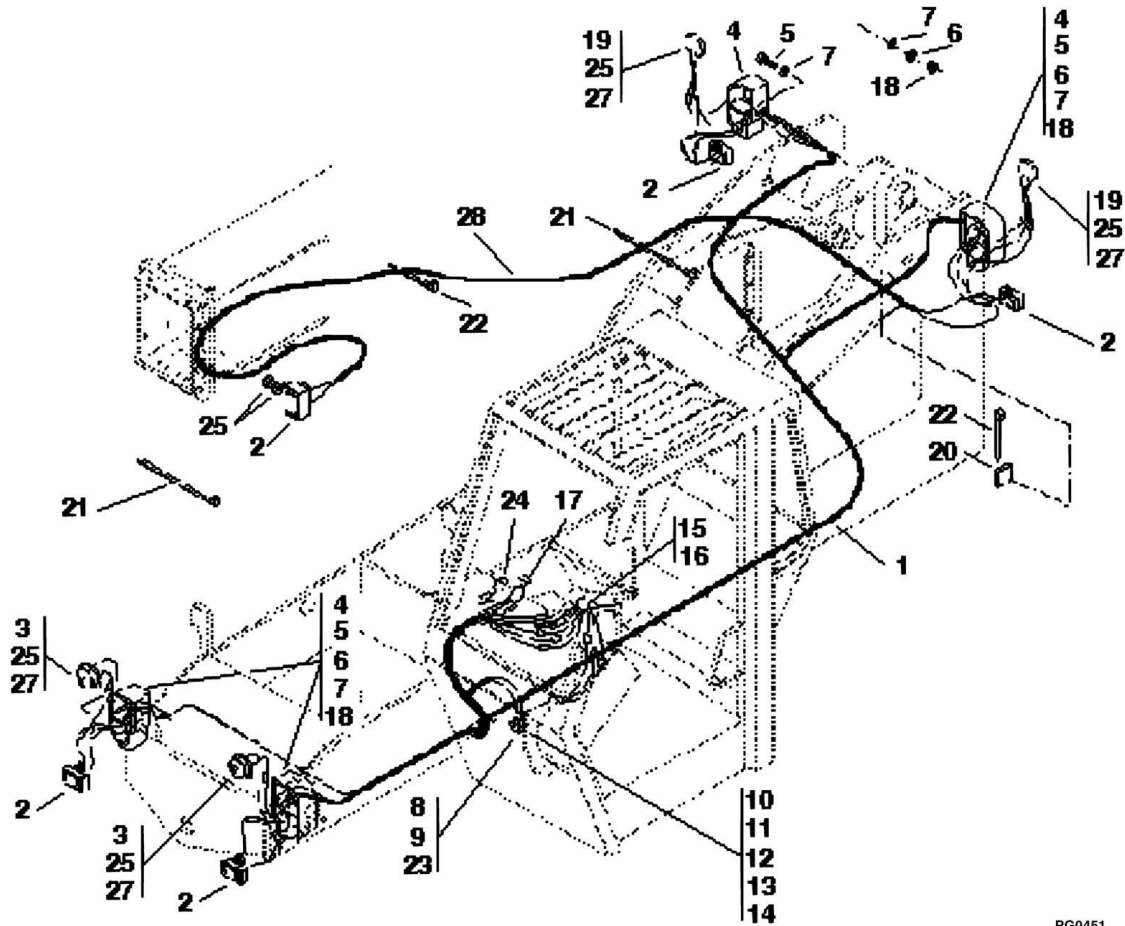
SECTION 7 - ELECTRICAL

FIGURE 7-7. LIGHTING SYSTEM (EARLY PRODUCTION)

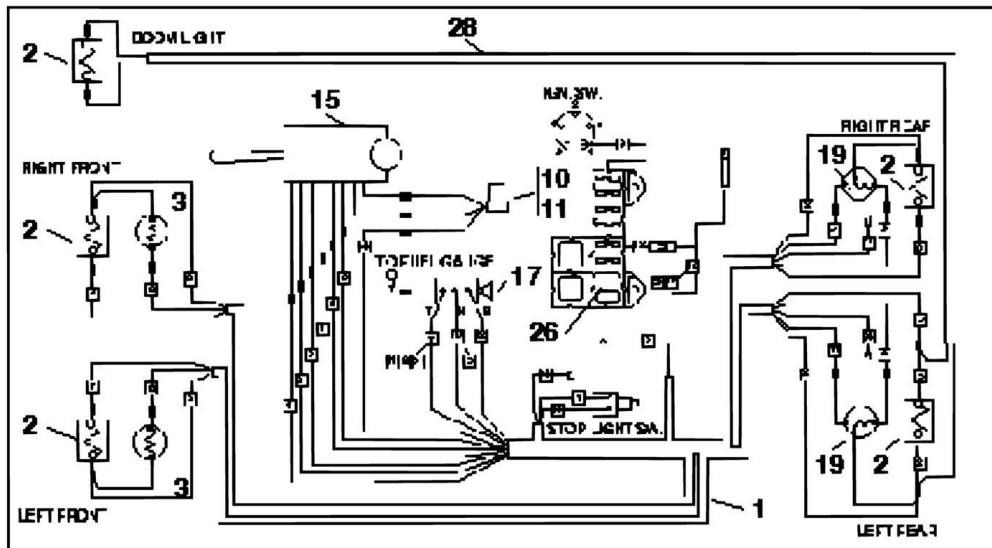
ITEM	PART NUMBER	QTY	DESCRIPTION	REV
1	7098923	1	Harness, Wiring	
2	7047421	4	Light, Head and Work	
3	7069851	2	Light, Turn Signal	
4	7098522	4	Bracket, Mounting	
5	8310129	4	Carriage Bolt, 5/8-11 x 2-1/2in	
6	8307009	4	Washer, Lock 5/8in	
7	8307107	4	Washer, Flat 5/8in	
8	8223025	1	Switch, Momentary Brake Light	
9	7085751	1	Plate, Actuator	
10	7047371	1	Mount, Flasher	
11	8500201	1	Flasher	
12	8303835	2	Screw, Rd Hd Mach, #10-24 x 1/2in	
13	8305627	2	Locknut, #10-24	
14	8307111	2	Washer, Flat #10	
15	8223419	1	Switch, Turn Signal	
16	7124331	1	Conduit, 1/2in I.D. x 5ft (Cut to Fit)	
17	8223016	1	Switch, Head and Tail Lights	
18	8220051	7	Terminal, Female, 1/4in Spade	
19	8305014	4	Nut, Hex 5/8-11	
20	7015531	2	Stop/Turn Signal Light	
21	7047041	1	Wire Assembly	
22	8584003	5	Tie, Plastic 4in DIA. (Not Shown)	
23	7085831	1	Wire Assembly	
24	7058372	1	Light Assembly	
25	8305013	4	Nut, Hex 1/2-20	
26	8307206	4	Washer, Flat 1/2in Heavy	
27	8307007	4	Washer, Lock 1/2in	
28	8307203	16	Washer, Flat 5/16in Heavy	
29	8229227	1	Circuit Breaker	
30	7085791	1	Wire Assembly	
31	7087411	1	Wire Assembly	
32	8305405	1	Nut, Jam 3/8in NC	

SECTION 7 - ELECTRICAL

FIGURE 7-8. LIGHTING SYSTEM (CURRENT PRODUCTION)



PG0451



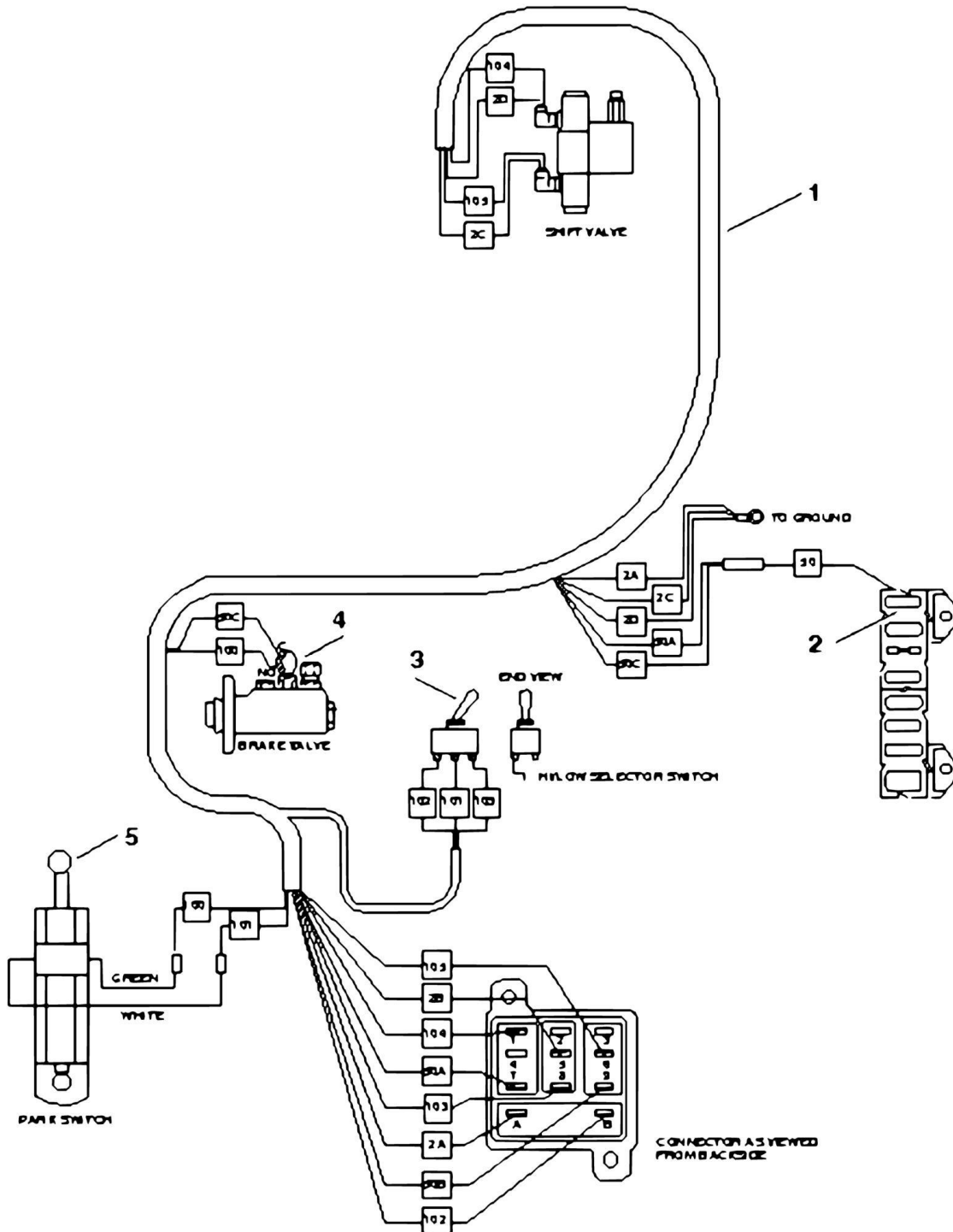
SECTION 7 - ELECTRICAL

FIGURE 7-8. LIGHTING SYSTEM (CURRENT PRODUCTION)

ITEM	PART NUMBER	QTY	DESCRIPTION	REV
1	7098973	1	Harness, Wiring	
2	5721202	5	Light, Head and Work	
3	8500036	2	Light, Turn Signal	
4	7112302	4	Bracket, Mounting	
5	8303632	4	HHCS, 5/8-11 x 2-1/2in	
6	8307009	4	Washer, Lock 5/8in	
7	8307207	8	Washer, Flat 5/8in Heavy	
8	8223025	1	Switch, Momentary Brake Light	
9	7111191	1	Plate, Actuator	
10	8223424	1	Mount, Flasher	
1	7098973	1	Harness, Wiring	
11	8500201	1	Flasher	
12	8303835	2	Screw, Rd Hd Mach, #10-24 x 1/2in	
13	8305627	2	Nut, Hex Lock #10-24	
14	8307111	2	Washer, Flat #10	
15	8223419	1	Switch, Turn Signal	
16	7124331	1	Conduit, 1/2in I.D. x 5ft (Cut to Fit)	
17	8223016	1	Switch, Head and Tail Lights	
18	8305014	4	Nut, Hex 5/8-11	
19	8500009	2	Stop/Turn Signal Light	
20	8584018	2	Mount, Tie	
21	8584003	6	Tie, Plastic 14.8in	
22	8584001	AR	Tie, Plastic 6.7in	
23	8305405	1	Nut, Hex Jam 3/8in	
24	7058372	1	Fuel Gauge Light Assembly	
25	8307206	AR	Washer, Flat 1/2in Heavy	
26	8229235	1	Fuse, 20 amp	
27	8220050	6	Terminal, Blade Male - 1/4in	
28	7110782	1	Cord, Boom Work Light	

SECTION 7 - ELECTRICAL

FIGURE 7-9. ELECTRICAL SYSTEM - HI-LOW SHIFT (5028HT/5028HF)



PG0710

SECTION 7 - ELECTRICAL

FIGURE 7-9. ELECTRICAL SYSTEM - HI-LOW SHIFT (5028HT/5028HF)

ITEM	PART NUMBER	QTY	DESCRIPTION	REV
1	7117993	1	Wire Harness – Hi/Low Shift	
2	8229233	1	Fuse, 7.5 Amp	
3	8223444	1	Switch, Hi/Low Selector	
4	8223522	1	Switch, Pressure	
5	8160622	1	Switch, Park	

SECTION 7 - ELECTRICAL

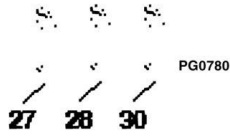
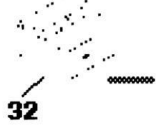
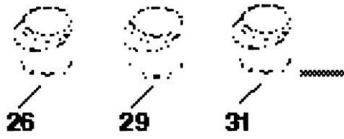
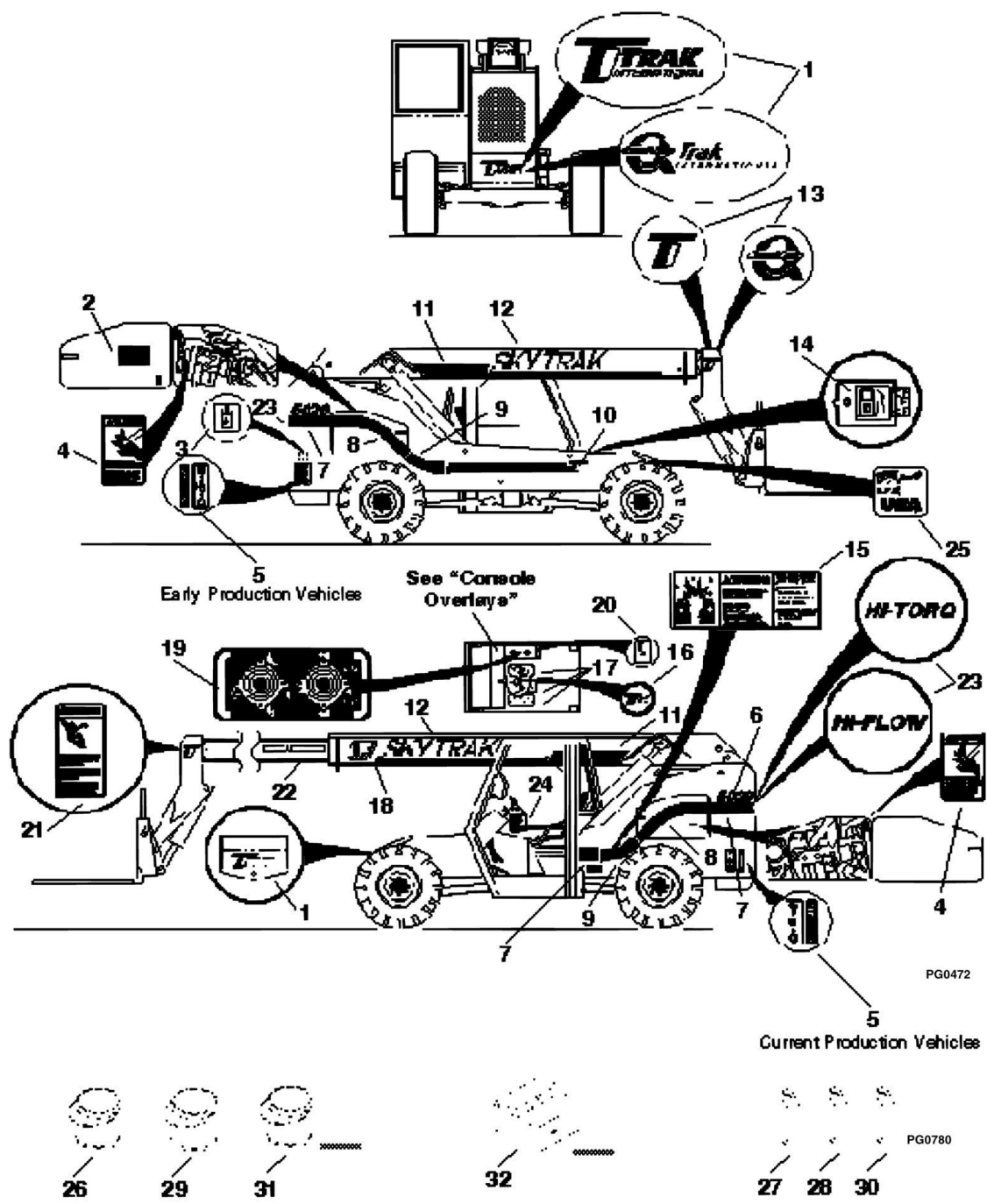
FIGURE 7-10. ELECTRICAL SYSTEM - HI-FLOW AUX.

ITEM	PART NUMBER	QTY	DESCRIPTION	REV
1	7132693	1	Harness, HI-FLOW	
2	8223010	1	Switch	
3	8469037	1	Indicator Light, Green	
4	8220035	1	Terminal Ring, #6 Stud 14-16	
5	8220050	1	Terminal, Male Blade 1/4in	
6	8229233	1	Fuse, 7.5 amp	

SECTION 8 - DECALS AND PAINT

SECTION 8 - DECALS AND PAINT

FIGURE 8-1. DECALS AND PAINT



SECTION 8 - DECALS AND PAINT

FIGURE 8-1. DECALS AND PAINT

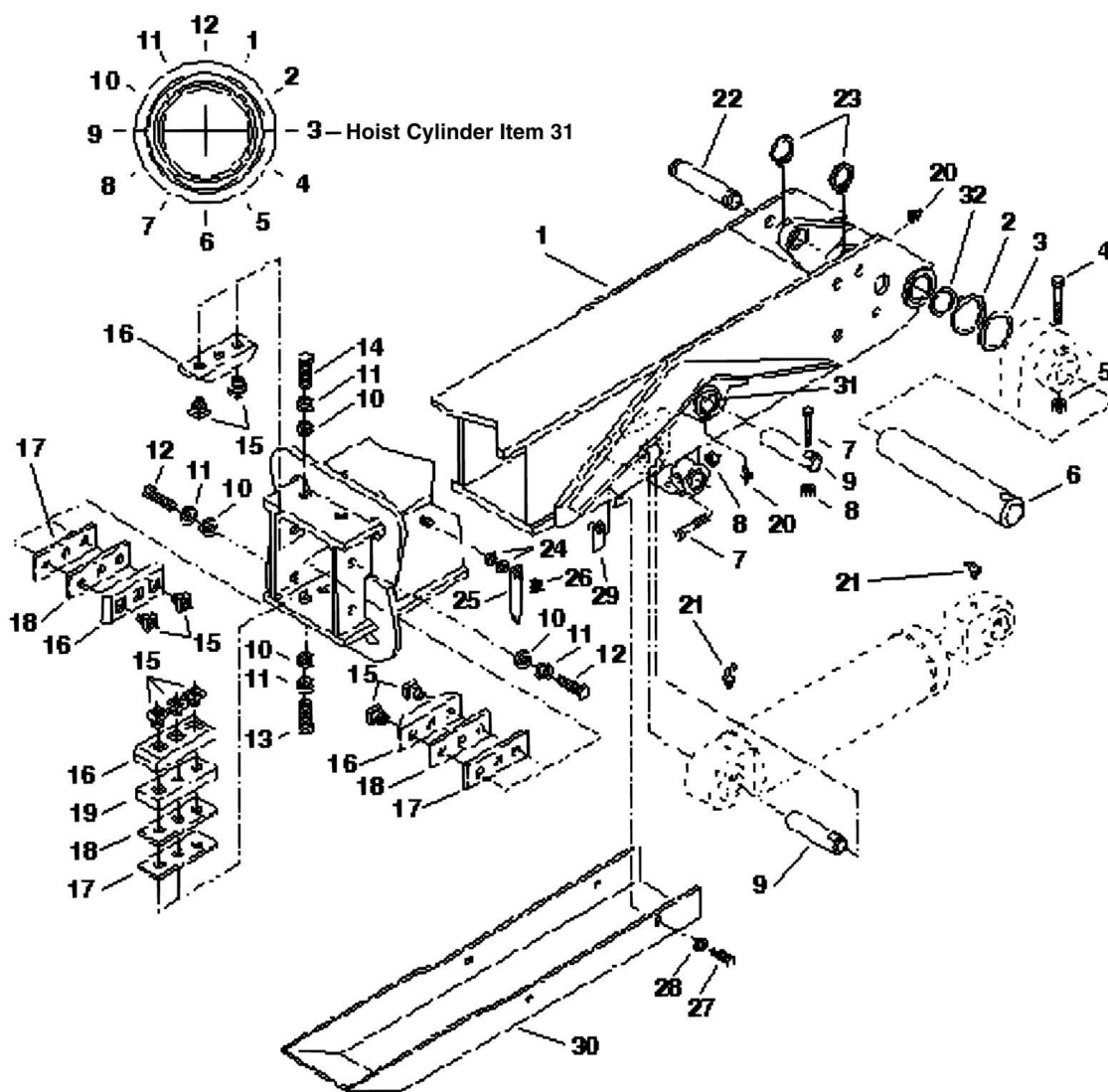
ITEM	PART NUMBER	QTY	DESCRIPTION	REV
1	4106872	2	Decal, TRAK INTERNATIONAL (Early Vehicles)	
1	4109392	2	Decal, OmniQuip TRAK INTERNATIONAL (Later Vehicles)	
2	4107073	1	Decal, Lubrication and Maintenance Chart	
3	4100181	1	Decal, Hydraulic Oil	
4	4107412	2	Decal, Moving Parts Warning	
5	4108302	1	Decal, Hydraulic Oil Level	
6	4110122	2	Decal, 5028	
7	4107232	3	Decal, Rear Stripe	
8	4107243	2	Decal, Upper Curve Stripe	
9	4107252	2	Decal, Lower Curve Stripe	
10	4107223	1	Decal, Stripe w/TI Logo	
11	4107272	2	Decal, Boom Stripe	
12	4107283	2	Decal, SKYTRAK	
13	4106781	2	Decal, TI Logo (Earlier Models)	
13	4108441	2	Decal, "OmniQuip" (Later Models)	
14	4105171	1	Decal, Diesel Fuel	
15	4107402	1	Decal, Explosion Warning	
16	4106681	1	Decal, TRAK INTERNATIONAL (Steering Wheel)	
17	7010491-OM	3	Safety Walk, 6in x 12in	
18	4105262	1	Decal, Boom Angle	
19	4107462	1	Decal, Side Console	
20	4105621	1	Decal, Optional Hydraulics	
21	4107452	1	Decal, Carrying Personnel Warning	
22	4107152	2	Decal, Boom Extend Marker	
23	4108132	2	Decal, Optional HI-TORQ	
23	4109382	2	Decal, Optional HI-FLOW	
24	4107142	1	Decal, Capacity Chart	
25	4108181	1	Decal, Made In The USA	
26	8528074	1 gal	Paint, Orange, Acrylic Enamel (Service Repaint)	
27	8528071	1 can	Paint, Orange, Acrylic Enamel (16 oz. spray - touch-up)	
28	8528101	1 can	Paint, Black, Acrylic Enamel (16 oz. spray - touch-up)	
29	8528100	1 gal	Paint, Black, Acrylic Enamel (Service Repaint)	
30	8528086	1 can	Paint, Off White, Acrylic Enamel (16 oz. spray - touch-up)	
31	8528085	1 gal	Paint, Off White, Acrylic Enamel (Service Repaint)	
		Ref	KITS	
32	7097712	1	Kit, Complete Machine Decal	

SECTION 9 - BOOM AND ATTACHMENTS

SECTION 9 - BOOM AND ATTACHMENTS

FIGURE 9-1. OUTER BOOM

Locate the fracture in bearing outer race at the clock position shown



PG0481

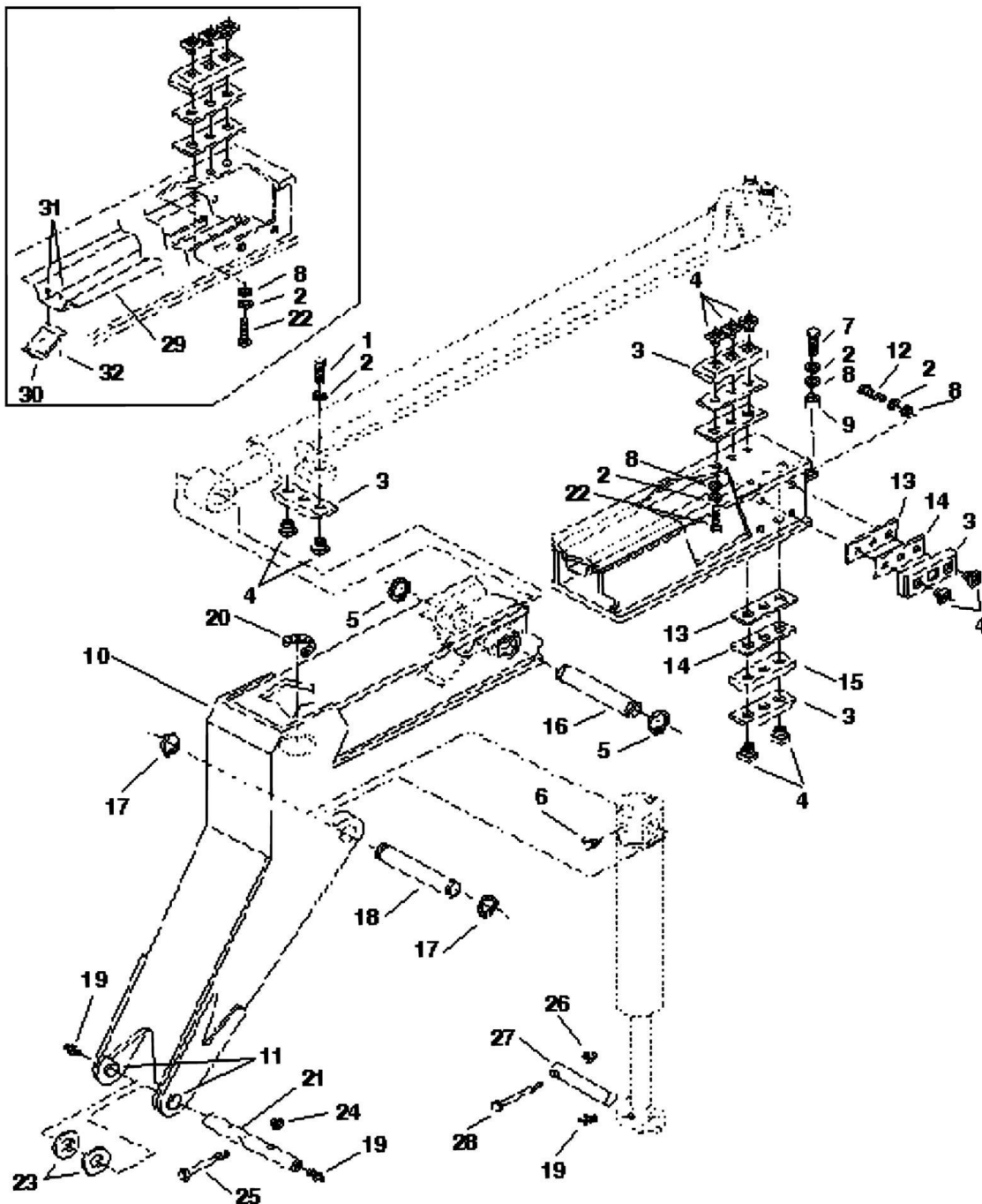
SECTION 9 - BOOM AND ATTACHMENTS

FIGURE 9-1. OUTER BOOM

ITEM	PART NUMBER	QTY	DESCRIPTION	REV
1	7091794	1	Boom, Outer	
2	8307916	4	Shim, 14 GA (2.5in Pin DIA)	
3	8307917	4	Shim, 10 GA (2.5in Pin DIA)	
4	8303655	1	HHCS, 5/8-11 x 4-1/2in	
5	8305643	1	Nut, Hex Lock Elastic 5/8-11	
6	7092302	1	Pin, Boom Pivot	
7	8303628	3	HHCS, 1/2-13 x 3-3/4in	
8	8305644	3	Nut, Hex Lock Elastic 1/2-13	
9	7092292	3	Pin	
10	8307204	18	Washer, Flat 3/8in	
11	8307005	18	Washer, Lock 3/8in	
12	8303681	8	HHCS, 3/8-16 x 3/4in	
13	8303679	6	HHCS, 3/8-16 x 1-3/4in	
14	8303738	4	HHCS, 3/8-16 x 7/8in	
15	7082311	18	Insert, Wear Pad	
16	7111572	8	Pad, Wear	
17	7082342	AR	Shim, Wear Pad (14 GA)	
18	7082362	AR	Shim, Wear Pad (10 GA)	
19	7085442	2	Spacer, Wear Pad	
20	8520013	3	Fitting, Lube 1/8in	
21	8520021	2	Fitting, Lube 90, 1/8in	
22	7081621	1	Pin, Extend Cylinder (Base)	
23	8642234	2	Ring, Retaining (1.75 Pin DIA)	
24	8307113	2	Washer, Flat 7/16in	
25	7075611	1	Pointer	
26	8305647	1	Nut, Hex Lock 7/16-14	
27	8303656	4	HHCS, 5/16-18 x 7/8in	
28	8307004	4	Washer, Lock 5/16in	
29	8305906	4	Nut, Retaining 5/16-18	
30	7094753	1	Hose Cover, Outer Boom	
31	8065640	2	Bearing, Sealed	
32	8680341	2	Seal, Grease	

SECTION 9 - BOOM AND ATTACHMENTS

FIGURE 9-2. INNER BOOM



PG0492

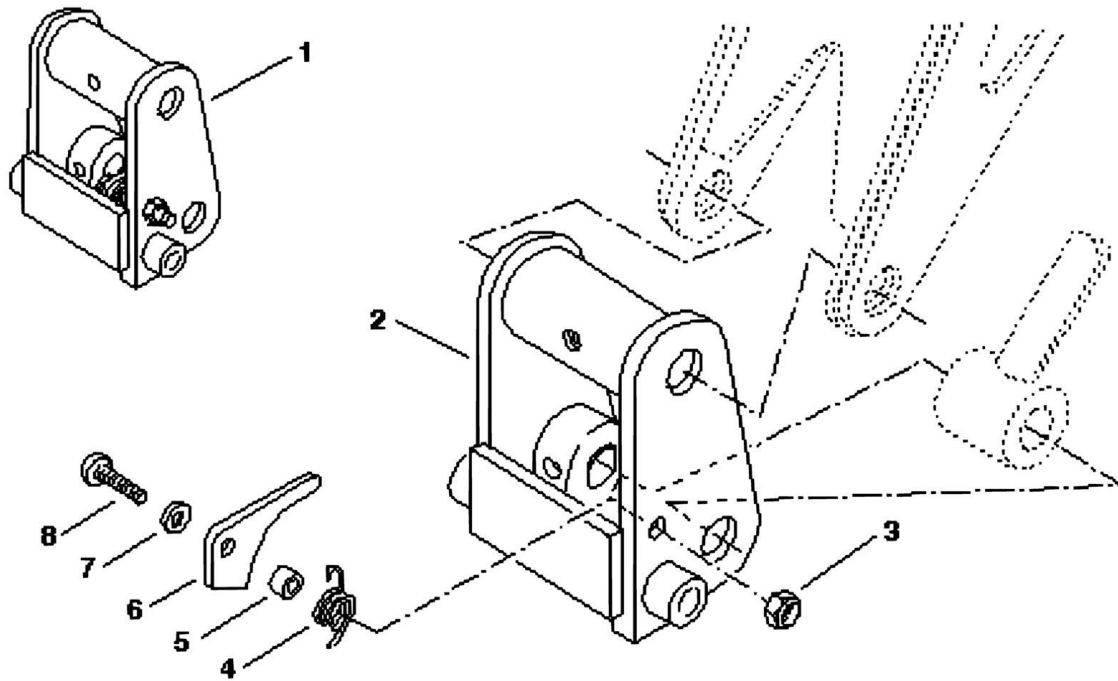
SECTION 9 - BOOM AND ATTACHMENTS

FIGURE 9-2. INNER BOOM

ITEM	PART NUMBER	QTY	DESCRIPTION	REV
1	8303675	2	HHCS, 3/8-16 x 1-1/4in	
2	8307005	18	Washer, Lock 3/8in	
3	7111572	8	Pad, Wear	
4	7082311	18	Insert, Wear Pad	
5	8642234	2	Ring, Retaining (1.75 Pin DIA)	
6	8520021	1	Fitting, Lube 90, 1/8in	
7	8303679	2	HHCS, 3/8-16 x 1-3/4in	
8	8307204	16	Washer, Flat 3/8in	
9	7096491	2	Spacer	
10	7117172	1	Boom, Inner w/Bushings (Includes Item 11)	
11	7085542	2	Bushing, Quick Attach Pivot	
12	8303681	8	HHCS, 3/8-16 x 3/4in	
13	7082342	AR	Shim, Wear Pad (14 GA)	
14	7082362	AR	Shim, Wear Pad (10 GA)	
15	7085442	1	Spacer, Wear Pad	
16	7092272	1	Pin, Extend Cylinder (Rod)	
17	8642224	2	Ring, Retaining (2in Pin DIA)	
18	7081641	1	Pin, Fork Cylinder (Base)	
19	8520013	3	Fitting, Lube 1/8in	
20	7124331	AR	Conduit, 1/2in DIA x 5ft (Cut to Fit)	
21	7083922	1	Pin, Carriage Pivot	
22	8303738	6	HHCS, 3/8-16 x 7/8in	
23	8307918	2	Washer, Spacer, 2.0in I.D. x 3.5in O.D.	
24	8305643	1	Nut, Hex Lock 5/8-11	
25	8303666	1	HHCS, 5/8-11 x 5in	
26	8305644	1	Nut, Hex Lock 1/2-13	
27	7083992	1	Pin, Rod End - Attachment Tilt Cylinder	
28	8303772	1	HHCS, 1/2-13 x 5in	
29	7127832	1	Channel Guide	
30	7127842	1	Guide Support - Front	
31	8303681	2	HHCS, 3/8-16 x 3/4in	
32	8305645	2	Nut, Lock 3/8-16 Elastic	

SECTION 9 - BOOM AND ATTACHMENTS

FIGURE 9-3. QUICK ATTACH



PA0746

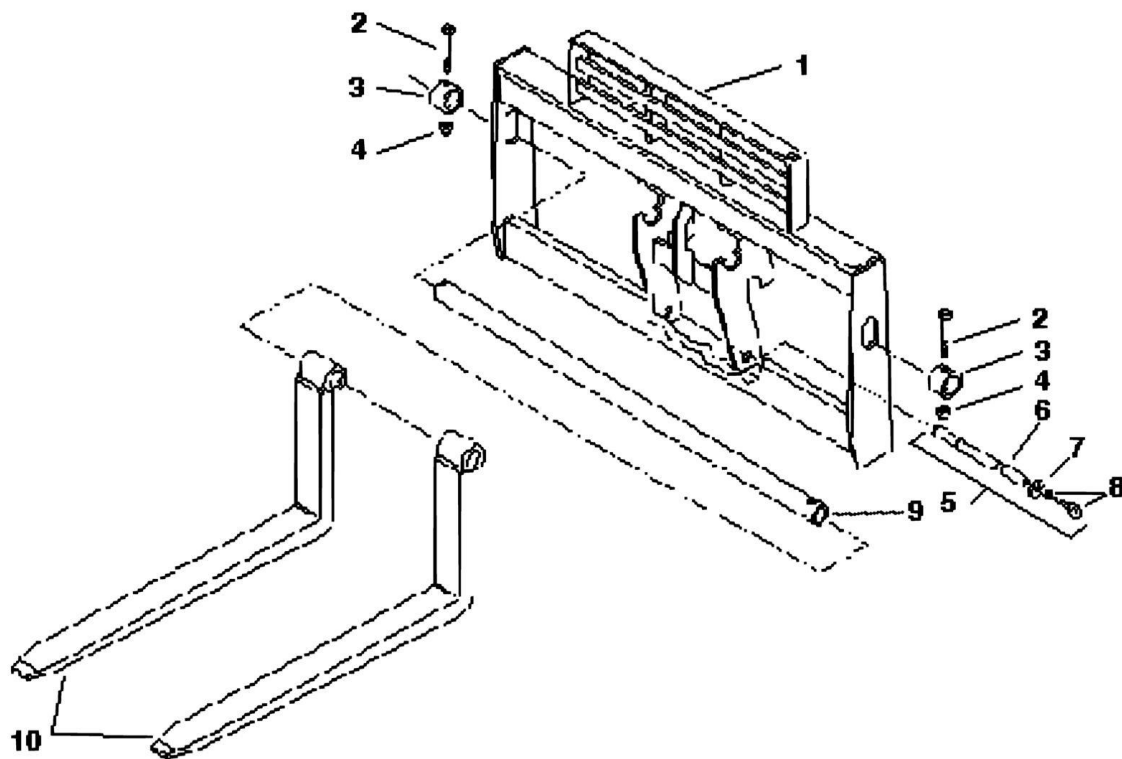
SECTION 9 - BOOM AND ATTACHMENTS

FIGURE 9-3. QUICK ATTACH

ITEM	PART NUMBER	QTY	DESCRIPTION	REV
1	7085102	1	Quick Attach Assembly (Includes Items 2 thru 8)	
2	7120742	1	Quick Attach	
3	8305619	1	Nut, Hex Lock 3/4-10	
4	7085552	1	Spring, Torsion	
5	7085571	1	Spacer	
6	7085562	1	Latch	
7	8307104	1	Washer, Flat 3/4in	
8	8303638	1	HHCS, 3/4-10 x 2-3/4in	

SECTION 9 - BOOM AND ATTACHMENTS

FIGURE 9-4. CARRIAGE 48IN



PA0744

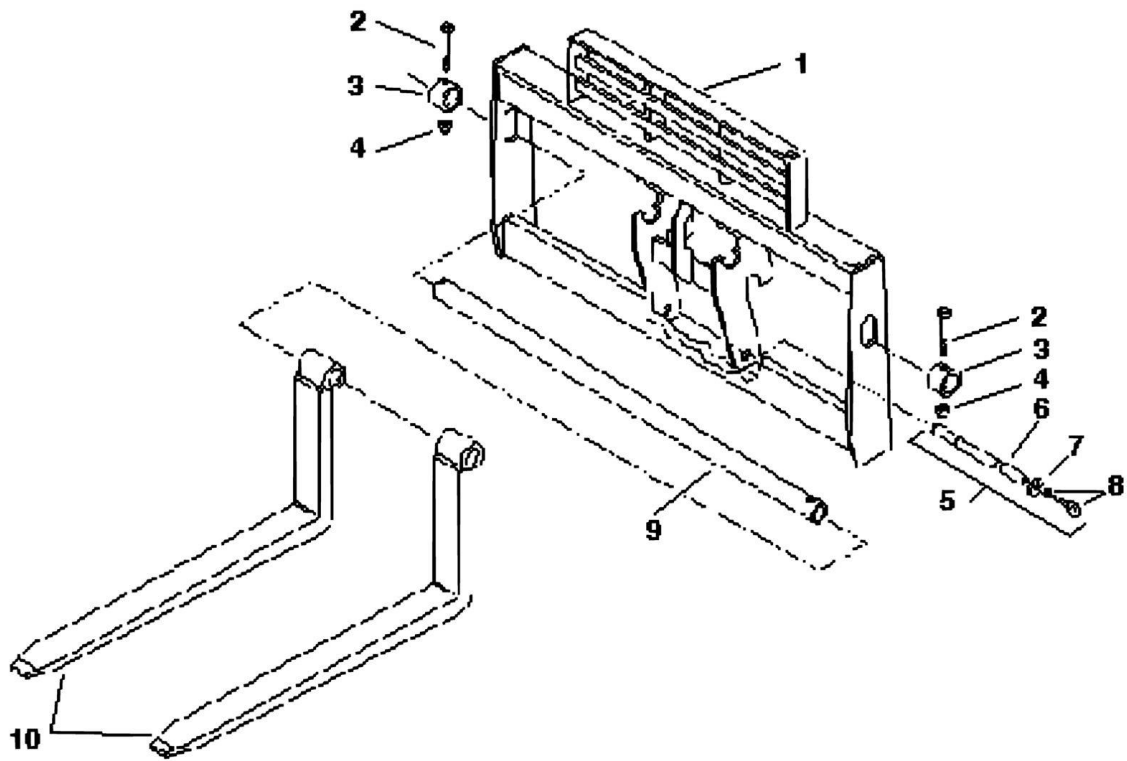
SECTION 9 - BOOM AND ATTACHMENTS

FIGURE 9-4. CARRIAGE 48IN

ITEM	PART NUMBER	QTY	DESCRIPTION	REV
1	7083054	1	Carriage, 48in	
2	8303634	2	HHCS, 5/8-11 x 4in	
3	7086471	2	Collar	
4	8305643	2	Nut, Hex Lock 5/8-11	
5	7118892	1	Pin, Lock (Includes Items 6 thru 8)	
6	7118882	1	Pin	
7	8310276	1	Washer, .51 x 1.88 x 1.25in	
8	8310266	1	Bolt, Eye 1/2 x 13 x 2in Length Shank	
9	7128772	1	Shaft, 48in	
10	7048233	2	Fork, Pallet 48in x 4in	
10	7092793	2	Fork, Lumber (Not Shown)	
10	7085073	6	Fork, Blocking (Not Shown)	

SECTION 9 - BOOM AND ATTACHMENTS

FIGURE 9-5. CARRIAGE 60IN (OPTIONAL)



PA0744

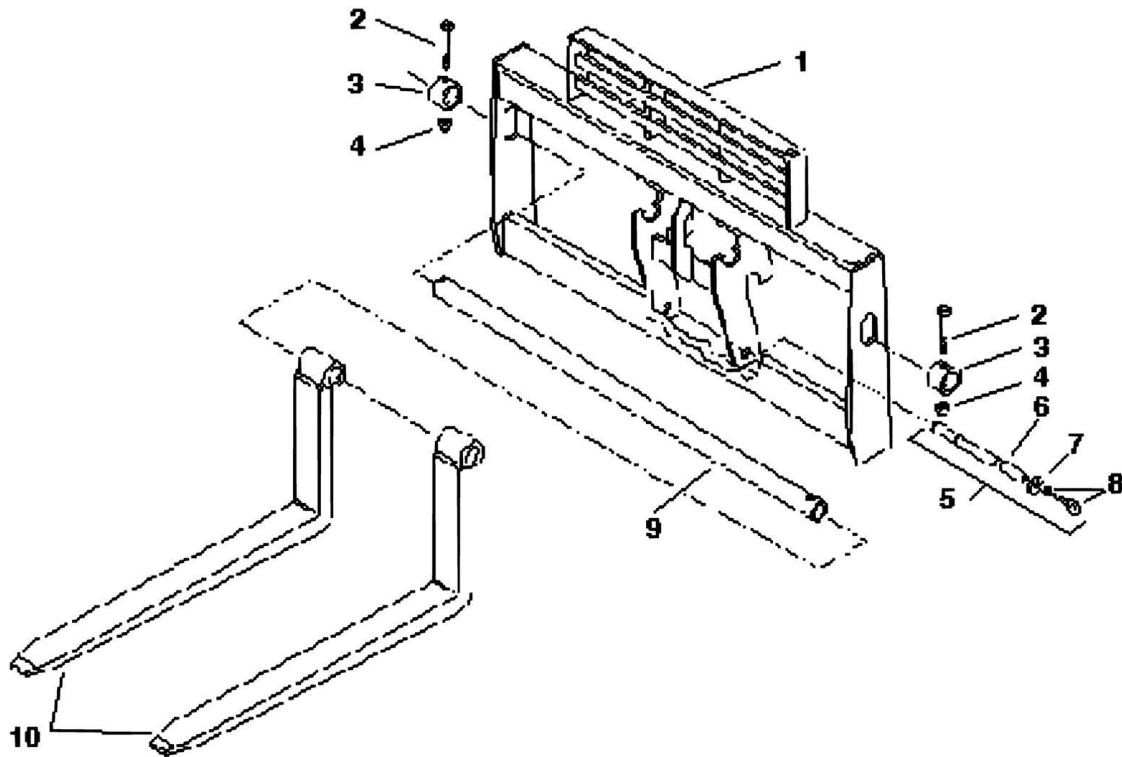
SECTION 9 - BOOM AND ATTACHMENTS

FIGURE 9-5. CARRIAGE 60IN (OPTIONAL)

ITEM	PART NUMBER	QTY	DESCRIPTION	REV
1	7086304	1	Carriage, 60in	
2	8303634	2	HHCS, 5/8-11 x 4in	
3	7086471	2	Collar	
4	8305643	2	Nut, Hex Lock 5/8-11	
5	7118892	1	Pin, Lock (Includes Items 6 thru 8)	
6	7118882	1	Pin	
7	8310276	1	Washer	
8	8310266	1	Bolt, Eye 1/2 x 13 x 2in Length Shank	
9	7128792	1	Shaft, 60in	
10	7048233	2	Fork, Pallet 48in x 4in	
10	7092793	2	Fork, Lumber (Not Shown)	
10	7085073	6	Fork, Blocking (Not Shown)	

SECTION 9 - BOOM AND ATTACHMENTS

FIGURE 9-6. CARRIAGE 72IN (OPTIONAL)



PA0744

SECTION 9 - BOOM AND ATTACHMENTS

FIGURE 9-6. CARRIAGE 72IN (OPTIONAL)


ITEM	PART NUMBER	QTY	DESCRIPTION	REV
1	7090814	1	Carriage, 72in	
2	8303634	2	HHCS, 5/8-11 x 4in	
3	7086471	2	Collar	
4	8305643	2	Nut, Hex Lock 5/8-11	
5	7118892	1	Pin, Lock (Includes Items 6 thru 8)	
6	7118882	1	Pin	
7	8310276	1	Washer, .51 x 1.88 x 1.25in	
8	8310266	1	Bolt, Eye 1/2 x 13 x 2in Length Shank	
9	7128802	1	Shaft, 72in	
10	7048233	2	Fork, Pallet 48in x 4in	
10	7092793	2	Fork, Lumber (Not Shown)	
10	7085073	6	Fork, Blocking (Not Shown)	

SECTION 9 - BOOM AND ATTACHMENTS

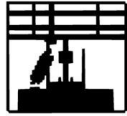
FIGURE 9-7. SIDE TILT CARRIAGE - EARLY PRODUCTION (OPTIONAL)

IMPORTANT:

There are two similar but distinctly different Side Tilt Carriages. Make sure you know which version you have before ordering replacement parts. All reference to the right or left side are given from the operator's seat looking forward. An "Early Production" Carriage has its hydraulic cylinder attached on the operator's left side. The "Current Production" Carriage has its hydraulic cylinder attached on the right side, out of the operator's line of sight.

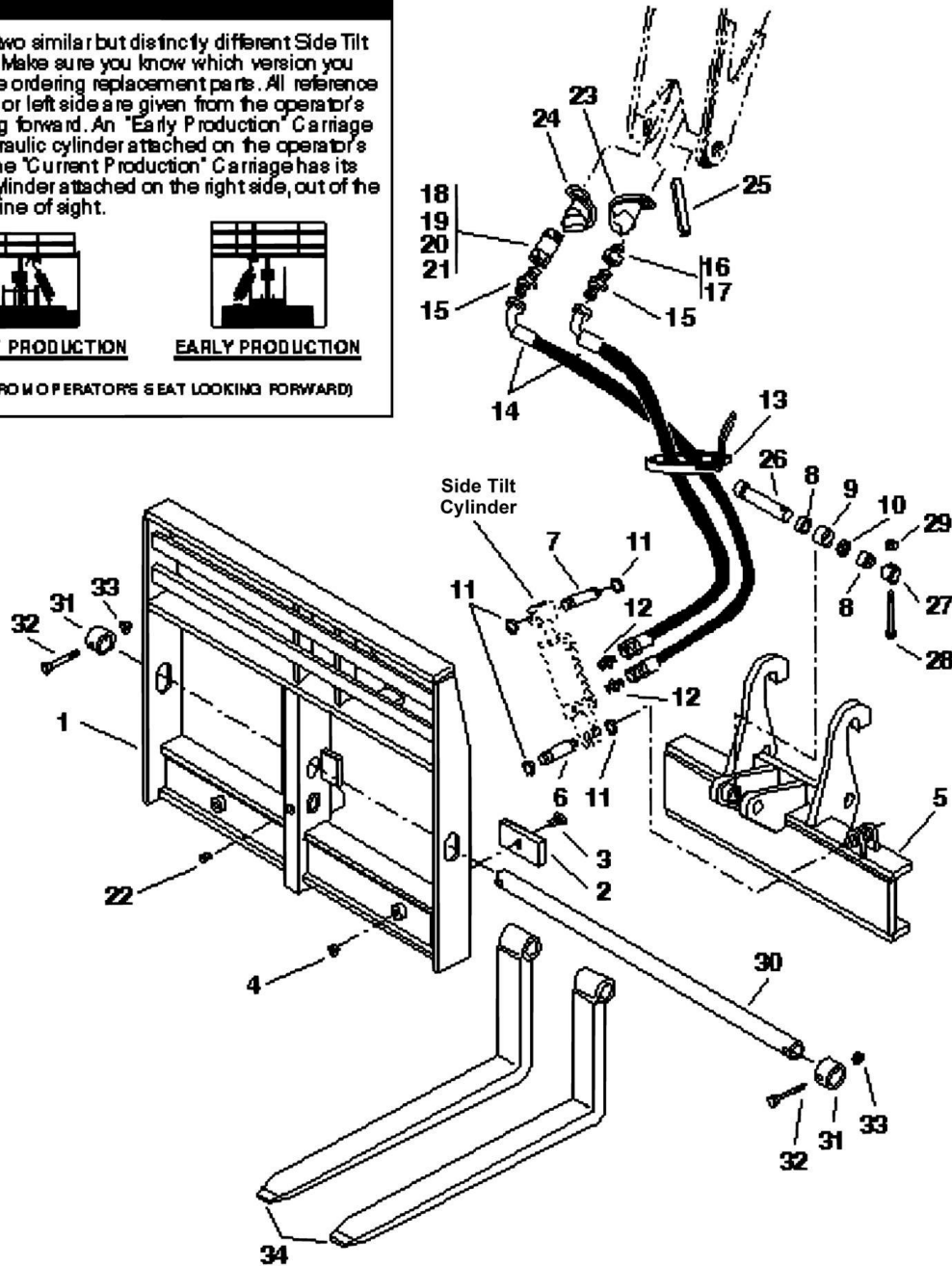


CURRENT PRODUCTION



EARLY PRODUCTION

(VIEWED FROM OPERATOR'S SEAT LOOKING FORWARD)



PA1153

SECTION 9 - BOOM AND ATTACHMENTS

FIGURE 9-7. SIDE TILT CARRIAGE - EARLY PRODUCTION (OPTIONAL)


ITEM	PART NUMBER	QTY	DESCRIPTION	REV
1	7089044	1	Carriage, Side Tilt 48in	
1	7089054	1	Carriage, Side Tilt 60in	
1	7098354	1	Carriage, Side Tilt 72in	
2	7065482	2	Pad, Wear	
3	8303739	2	HHCS, 5/16-18 x 1-1/4in	
4	8305626	2	Locknut, 5/16-18	
5	7085154	1	Base, Pivot	
6	7077501	1	Pin, Cyl. Base	
7	7077511	1	Pin, Cyl. Rod	
8	7077481	2	Spacer	
9	8065634	1	Bushing, Self-aligning	
10	8642001	1	Ring, Snap	
11	8642235	4	Ring, Snap	
12	8760117	2	Connector, Straight SAE 6-6 - Male JIC 37 x Male Str. Thd. O-ring	
13	8584001	1	Tie Wrap	
14	2711992	2	Hose Assembly	
15	8760110	2	Connector, Straight, SAE 6-8 - Male JIC 37 x Male Str. Thd. O-ring	
16	8430006	1	Quick Disconnect, Male 3/4-16 ORB (Includes Item 17)	
17	8640029	1	Seal, Nose (Not Shown)	
18	8430005	1	Quick Disconnect, Female 3/4-16 ORB (Includes Items 19, 20 & 21)	
19	8640029	1	Seal, Nose (Not Shown)	
20	8640028	1	Seal, Large, Coupler Body (Not Shown)	
21	8640032	1	Back-up Ring for Large Seal (Not Shown)	
22	8541433	1	Plug, Pipe Hex Skt 1/8in NPT	
23	8420053	1	Cap, Dust	
24	8420055	1	Plug, Dust	
25	7125741	1	Molding	
26	7085411	1	Pin, Pivot	
27	7085501	1	Collar, Pin Locking	
28	8303770	1	HHCS, 3/8-16 x 2-3/4in	
29	8305645	1	Locknut, 3/8-16 ESNA	
30	7128772	1	Shaft, Fork Pivot 48in	
30	7128792	1	Shaft, Fork Pivot 60in	
30	7128802	1	Shaft, Fork Pivot 72in	
31	7086471	2	Hub, Lock	
32	8303634	2	HHCS, 5/8-11 x 4in	
33	8305643	2	Locknut, 5/8-11	
34	7048233	2	Fork, Pallet 48in x 4in	
34	7092793	2	Fork, Lumber (Not Shown)	
34	7085073	6	Fork, Blocking (Not Shown)	

SECTION 9 - BOOM AND ATTACHMENTS


FIGURE 9-8. SIDE TILT CARRIAGE - CURRENT PRODUCTION (OPTIONAL)

IMPORTANT:

There are two similar but distinctly different Side Tilt Carriages. Make sure you know which version you have before ordering replacement parts. All reference to the right or left side are given from the operator's seat looking forward. An "Early Production" Carriage has its hydraulic cylinder attached on the operator's left side. The "Current Production" Carriage has its hydraulic cylinder attached on the right side, out of the operator's line of sight.

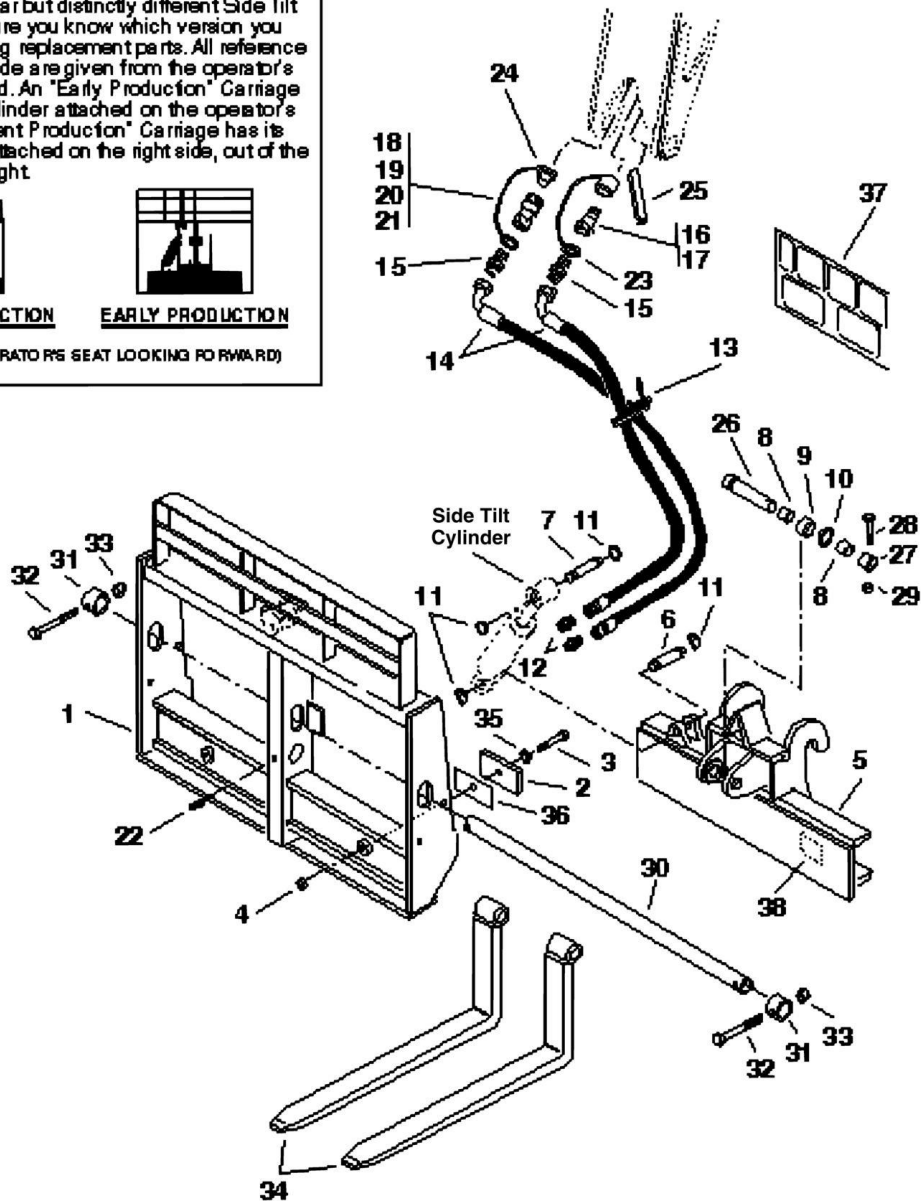


CURRENT PRODUCTION



EARLY PRODUCTION

(VIEWED FROM OPERATOR'S SEAT LOOKING FORWARD)



PA1591

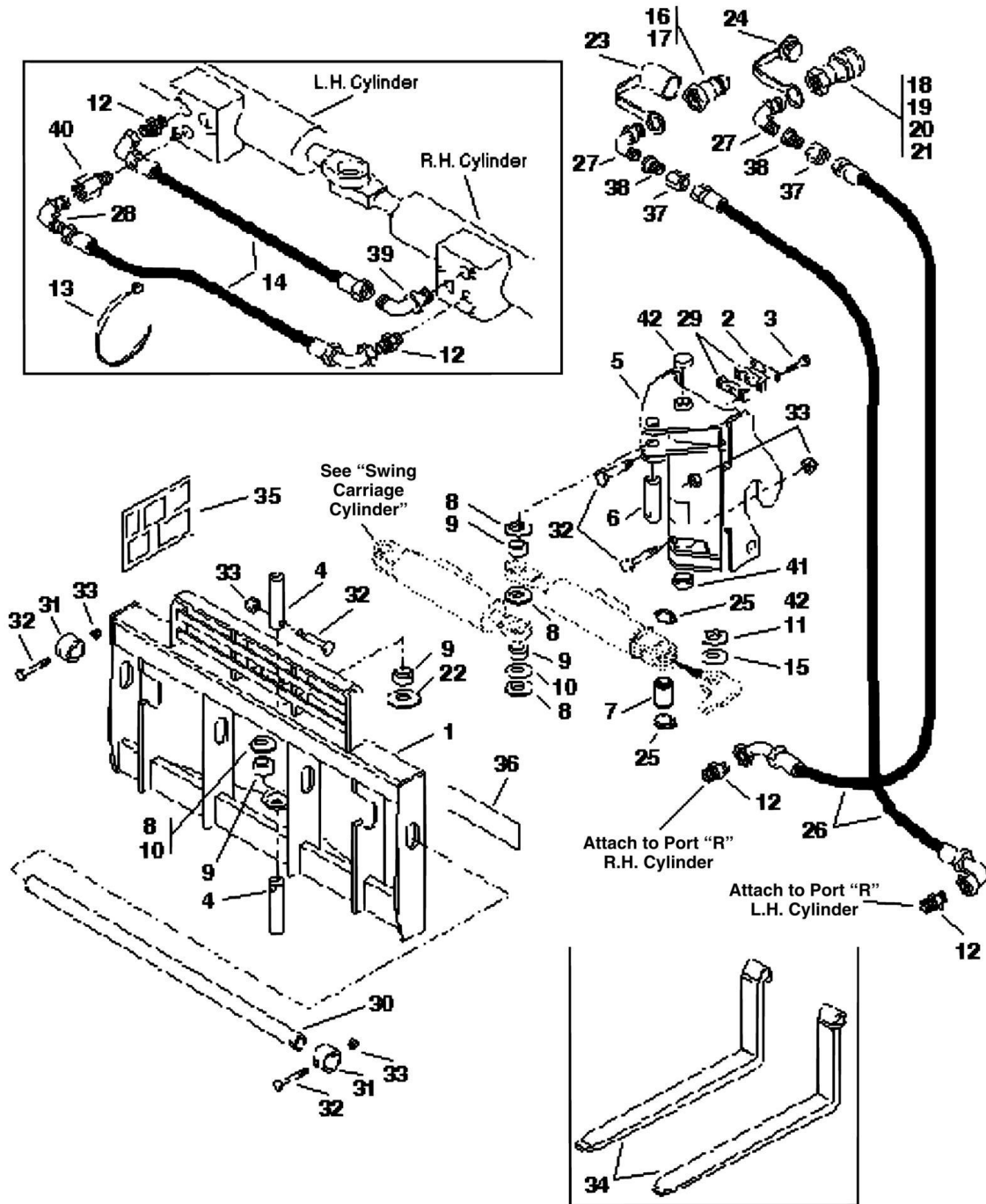
SECTION 9 - BOOM AND ATTACHMENTS

FIGURE 9-8. SIDE TILT CARRIAGE - CURRENT PRODUCTION (OPTIONAL)

ITEM	PART NUMBER	QTY	DESCRIPTION	REV
1	7117244	1	Carriage, Side Tilt 48in	
1	7117254	1	Carriage, Side Tilt 60in	
1	7117264	1	Carriage, Side Tilt 72in	
2	7065482	2	Pad, Wear	
3	8303739	2	HHCS, 5/16-18 x 1-1/4in	
4	8305626	2	Nut, Hex Lock 5/16-18	
5	7117204	1	Base, Pivot	
6	7077501	1	Pin, Cyl. Base	
7	7077511	1	Pin, Cyl. Rod	
8	7077481	2	Spacer	
9	8065634	1	Bushing, Self-aligning	
10	8642001	1	Ring, Snap	
11	8642235	4	Ring, Snap	
12	8760117	2	Connector, Straight SAE 6-6 - Male JIC 37 x Male Str. Thd. O-ring	
13	8584001	1	Tie Wrap	
14	2711992	2	Hose Assembly	
15	8760110	2	Connector, Straight, SAE 6-8 - Male JIC 37 x Male Str. Thd. O-ring	
16	8430006	1	Quick Disconnect, Male 3/4-16 ORB (Includes Item 17)	
17	8640029	1	Seal, Nose (Not Shown)	
18	8430005	1	Quick Disconnect, Female 3/4-16 ORB (Includes Items 19, 20 & 21)	
19	8640029	1	Seal, Nose (Not Shown)	
20	8640028	1	Seal, Large, Coupler Body (Not Shown)	
21	8640032	1	Back-up Ring for Large Seal (Not Shown)	
22	8541433	1	Plug, Pipe Hex Skt 1/8in NPT	
23	8420053	1	Cap, Dust	
24	8420055	1	Plug, Dust	
25	7125741	1	Molding	
26	7085411	1	Pin, Pivot	
27	7085501	1	Collar, Pin Locking	
28	8303770	1	HHCS, 3/8-16 x 2-3/4in	
29	8305645	1	Locknut, 3/8-16 ESNA	
30	7128772	1	Shaft, Fork Pivot 48in	
30	7128792	1	Shaft, Fork Pivot 60in	
30	7128802	1	Shaft, Fork Pivot 72in	
31	7086471	2	Hub, Lock	
32	8303634	2	HHCS, 5/8-11 x 4in	
33	8305643	2	Locknut, 5/8-11	
34	7048233	2	Fork, Pallet 48in x 4in	
34	7092793	2	Fork, Lumber (Not Shown)	
34	7085073	6	Fork, Blocking (Not Shown)	
35	8307203	2	Washer, Flat Heavy	
36	7070191	AR	Shim	
37	4108232	1	Decal, Capacity Chart	
38	7119341	1	Plate, Capacity	

SECTION 9 - BOOM AND ATTACHMENTS

FIGURE 9-9. SWING CARRIAGE (OPTIONAL)



PH0560

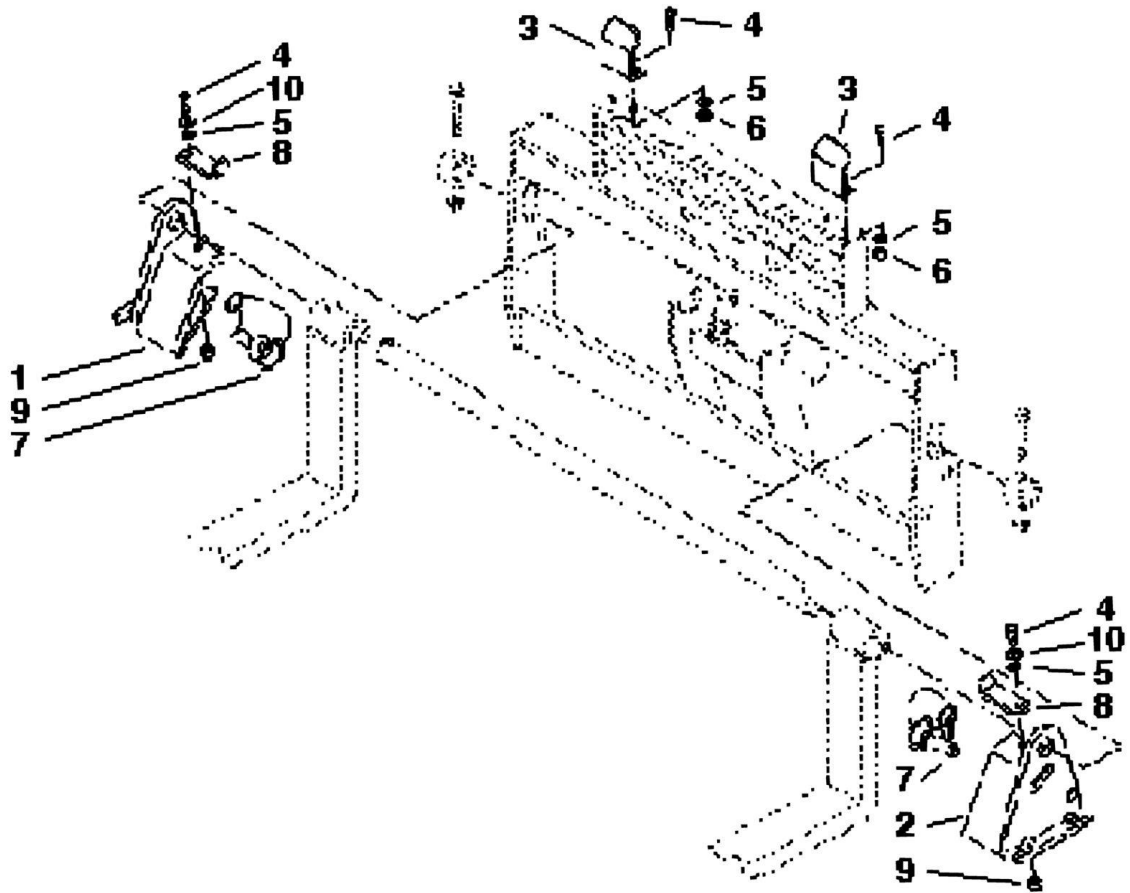
SECTION 9 - BOOM AND ATTACHMENTS

FIGURE 9-9. SWING CARRIAGE (OPTIONAL)

ITEM	PART NUMBER	QTY	DESCRIPTION	REV
1	7111994	1	Carriage, 52in	
1	7110694	1	Carriage, 72in	
2	6608621	1	Cover - Clamp	
3	8303715	3	Screw, HHC 5/16-18 x 1-1/2	
4	7110702	2	Pin, Carriage Pivot	
5	7110494	1	Base, Pivot	
6	7110712	1	Pin, Cylinder Pivot (Rod End)	
7	7110722	2	Pin, Cylinder Pivot (Base End)	
8	8307918	AR	Shim, 2in I.D. x 10 Ga	
9	8065062	4	Bearing, Self Lube	
10	8307904	AR	Shim, 2in I.D. x 18 Ga	
11	8310161	AR	Shim, 1-1/2in I.D. x 10 Ga	
12	8760113	4	Connector, Straight, SAE 4 - Male JIC 37 x Male Str. Thd. O-ring	
13	8584001	4	Tie Wrap	
14	6604662	2	Hose Assembly	
15	8310160	AR	Shim, 1-1/2in I.D. x 18 Ga	
16	8430006	1	Quick Disconnect, Male 3/4-16 ORB (Includes Item 17)	
17	8640029	1	Seal, Nose (Not Shown)	
18	8430005	1	Quick Disconnect, Female 3/4-16 ORB (Includes Items 19, 20 & 21)	
19	8640029	1	Seal, Nose (Not Shown)	
20	8640028	1	Seal, Large, Coupler Body (Not Shown)	
21	8640032	1	Back-up Ring for Large Seal (Not Shown)	
22	7062922	1	Bearing, Thrust	
23	8420053	1	Cap, Dust	
24	8420055	1	Plug, Dust	
25	8642207	4	Ring, Retaining	
26	6611752	2	Hose Assembly	
27	8760313	2	Elbow, 90, SAE 6-8 - Male JIC 37 x Male Str. Thd. O-ring	
28	8760311	1	Elbow, 90, SAE 6 - Male JIC 37 x Male Str. Thd. O-ring	
29	8769132	2	Clamp, Half	
30	7128782	1	Shaft, Fork Pivot 52in	
30	7128802	1	Shaft, Fork Pivot 72in	
31	7086471	2	Hub, Lock	
32	8303634	5	Screw, Hex Hd Cap, 5/8-11 x 4in	
33	8305643	5	Locknut, 5/8-11	
34	7048233	2	Fork, Pallet 48in x 4in	
34	7092793	2	Fork, Lumber (Not Shown)	
34	7085073	6	Fork, Blocking (Not Shown)	
35	4107692	2	Chart, Capacity	
36	4107702	1	Decal, Danger - Tip Over Hazard	
37	8760409	2	Nut, SAE 6 JIC 37	
38	8760475	2	Reducer, Tube End SAE 6-4 JIC 37	
39	8770012	1	Elbow, 90, SAE 6-4 Male JIC 37 x Male Str. Thd. O-ring	
40	8770016	1	Reducer/Expander SAE 4-6	
41	4107712	1	Decal, Danger - No Truss Boom	
42	8580315	2	Plug, Trim 2-1/2in Dia	

SECTION 9 - BOOM AND ATTACHMENTS

FIGURE 9-10. SHEET MATERIAL HANDLER (OPTIONAL)



PK0040

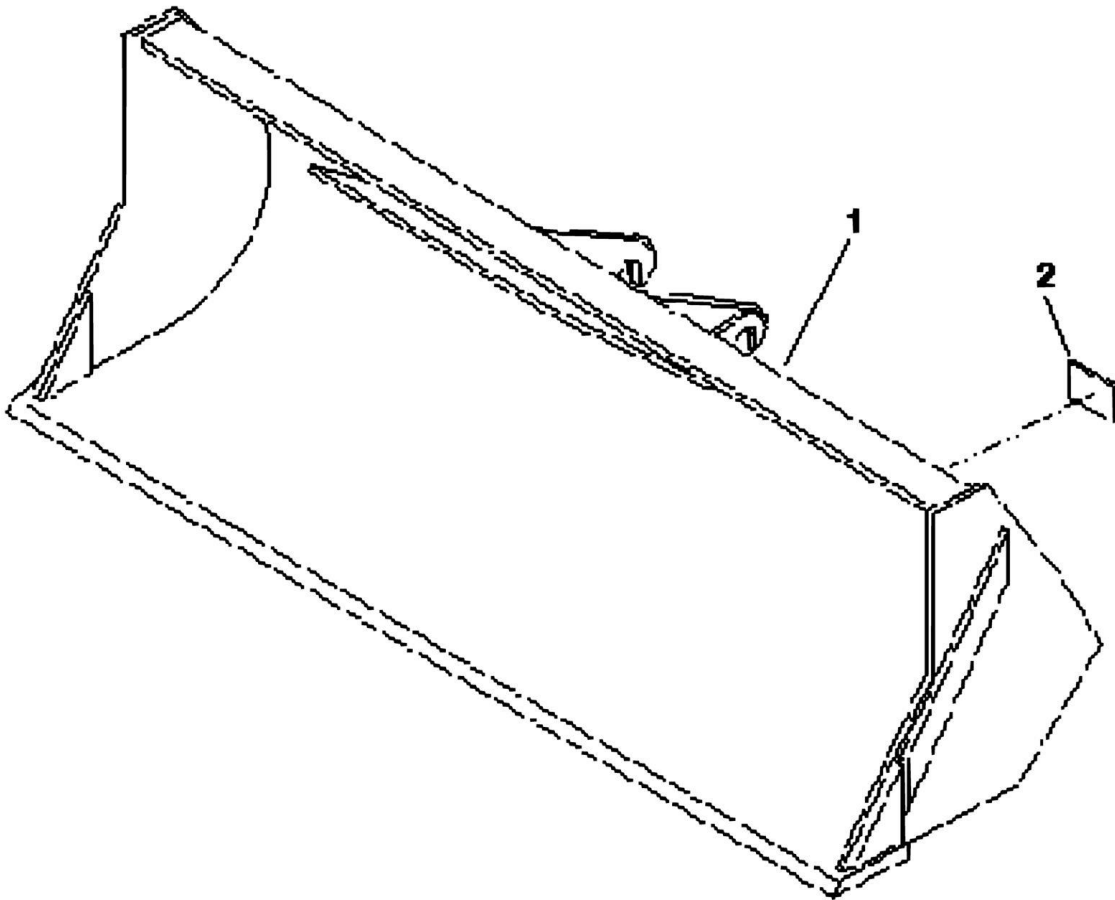
SECTION 9 - BOOM AND ATTACHMENTS

FIGURE 9-10. SHEET MATERIAL HANDLER (OPTIONAL)

ITEM	PART NUMBER	QTY	DESCRIPTION	REV
1	7112533	1	Fork Support, R.H.	
2	7112523	1	Fork Support, L.H.	
3	7112642	2	Backrest Extension, Top	
4	8303626	6	HHCS, 1/2-13 x 1-1/2in	
5	8307007	6	Washer, Lock 1/2in	
6	8305012	4	Nut, Hex 1/2-13	
7	8301456	2	Hitch Pin	
8	7114941	2	Lock Bar	
9	8305644	2	Nut, Hex Lock Elastic 1/2-13	
10	8307112	2	Washer, Flat 1/2in LT	

SECTION 9 - BOOM AND ATTACHMENTS

FIGURE 9-11. UTILITY BUCKET (OPTIONAL)



PA0782

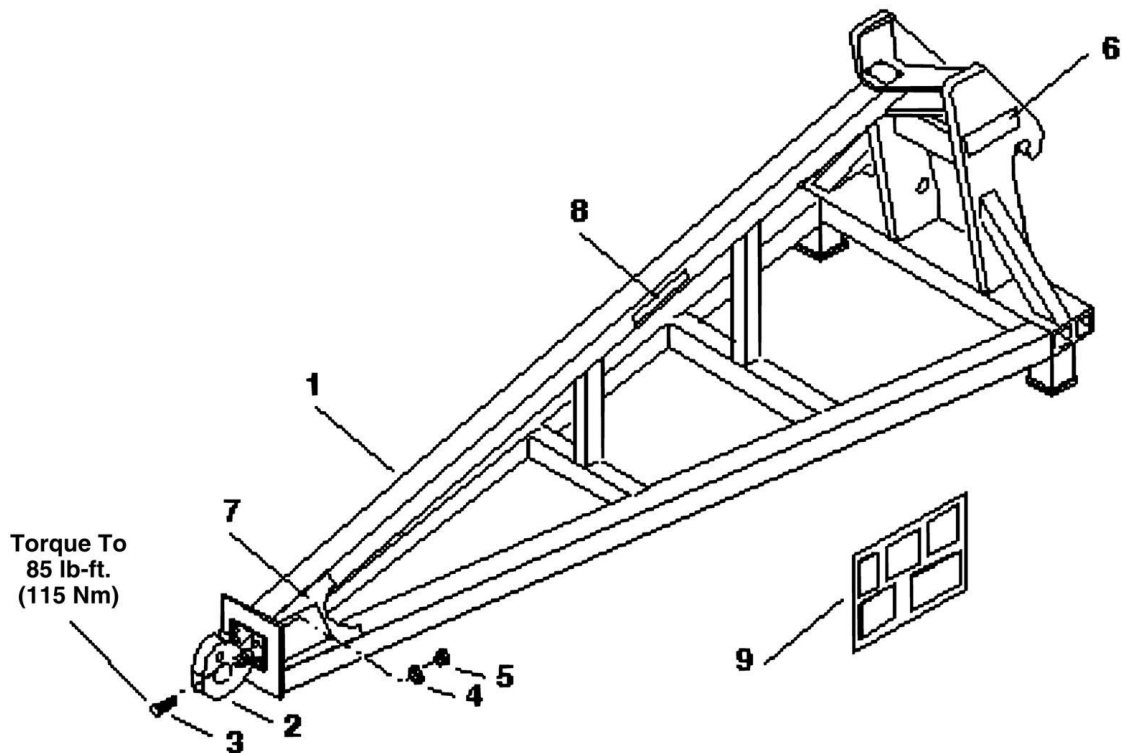
SECTION 9 - BOOM AND ATTACHMENTS

FIGURE 9-11. UTILITY BUCKET (OPTIONAL)

ITEM	PART NUMBER	QTY	DESCRIPTION	REV
1	7110744	1	Bucket, Utility, 1-1/4 cu yd (Includes Item 2)	
2	4106561	1	Plate, Capacity	

SECTION 9 - BOOM AND ATTACHMENTS

FIGURE 9-12. TRUSS BOOM 12 FT (OPTIONAL)



PG0980

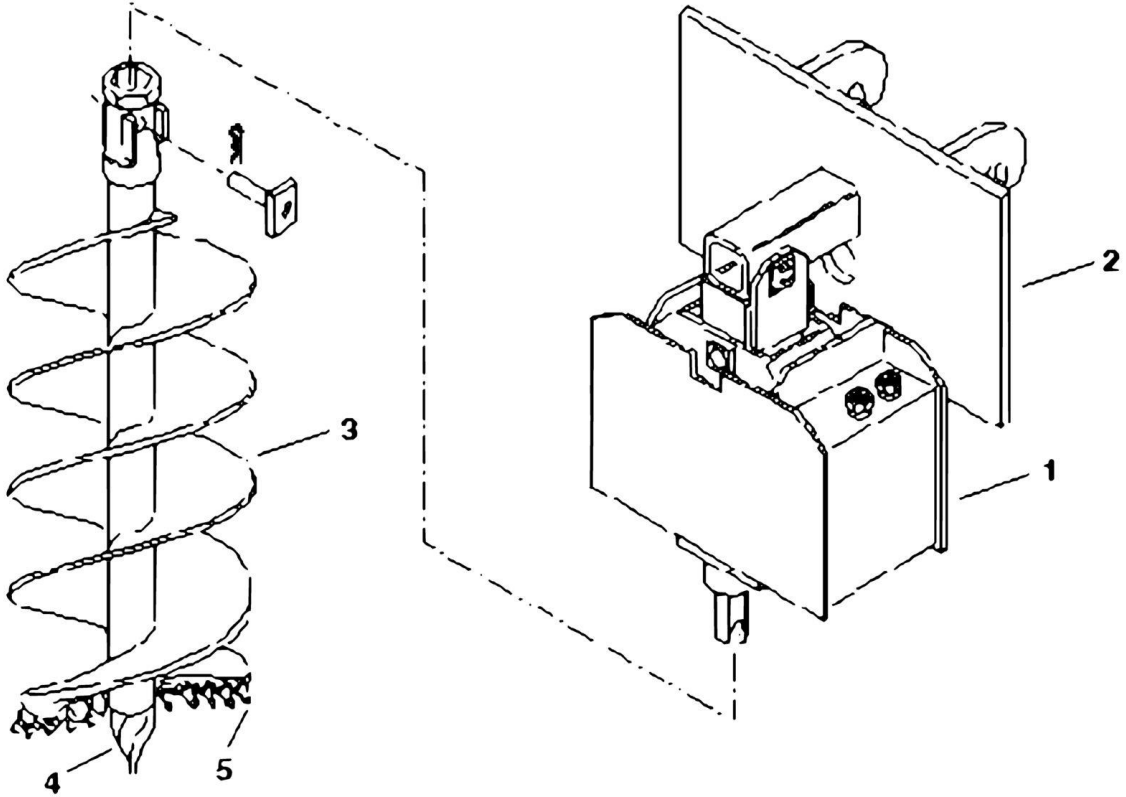
SECTION 9 - BOOM AND ATTACHMENTS

FIGURE 9-12. TRUSS BOOM 12 FT (OPTIONAL)

ITEM	PART NUMBER	QTY	DESCRIPTION	REV
1	7113024	1	12 ft Truss Boom - (Includes Items 2 thru 9)	
2	8382017	1	Pintle Hook	
3	8310195	4	SCR, HHC 1/2-13 x 1.75in	
4	8307112	4	Washer, Plain 1/2 SAE	
5	8305644	4	Nut, Hex Lock Elastic 1/2-13	
6	4107182	2	Decal, Name	
7	4107822	2	Decal, Swinging Load	
8	4107832	2	Decal, Length/Capacity	
9	4107812	2	Chart, Capacity	

SECTION 9 - BOOM AND ATTACHMENTS

FIGURE 9-13. AUGER DRIVE AND MOUNT (5028 HI-FLOW ONLY)



PG1160

SECTION 9 - BOOM AND ATTACHMENTS

FIGURE 9-13. AUGER DRIVE AND MOUNT (5028 HI-FLOW ONLY)

ITEM	PART NUMBER	QTY	DESCRIPTION	REV
1	8866544	1	Auger Drive Unit - 3600E	
2	7117923	1	Auger Mounting Frame	
3	8866421	1	Auger Bit, 36in DIA - 50in Length	
3	8866420	1	Auger Bit, 24in DIA - 50in Length	
3	8866558	1	Auger Bit, 20in DIA - w/carbide bit	
3	8866419	1	Auger Bit, 18in DIA - 50 Length	
3	8866418	1	Auger Bit, 15in DIA - 50in Length	
3	8866417	1	Auger Bit, 12in DIA - 50in Length	
3	8866416	1	Auger Bit, 9in DIA - 50in Length	
3	8866415	1	Auger Bit, 6in DIA - 50in Length	
4	1312069	1	Center Point - Cast ADI	
5	1312068	AR	Tooth, Standard	
5	1312075	AR	Tooth (Includes mounting bolt and nut)	
5	1316686	AR	Tooth, Carbide	

SECTION 10 - BACK COVER

SECTION 10 - BACK COVER

FIGURE 10-1. BACK COVER



An Oshkosh Corporation Company

Corporate Office
 JLG Industries, Inc.
 1 JLG Drive
 McConnellsburg, PA 17233-9533
 USA
 ☎ +1-717-485-5161 (Corporate)
 ☎ +1-877-554-5438 (Customer Support Toll Free)
 📠 +1-717-485-6417

JLG Worldwide Locations

JLG Industries
 358 Park Road
 Regents Park
 NSW 2143
 Sydney 2143
 Australia
 ☎ +6 (12) 87186300
 📠 +6 (12) 65813058
 Email: techservicesaus@jlg.com

JLG Ground Support Oude
 Bunders 1034
 Breitwaterstraat 12A
 3630 Maasmechelen
 Belgium
 ☎ +32 (0)89 84 82 26
 Email: emeaservice@jlg.com

JLG Latino Americana LTDA
 Rua Antonia Martins Luiz, 580
 Distrito Industrial Joao Narezzi
 Indaiatuba-SP 13347-404
 Brasil
 ☎ +55 (19) 3936 7664 (Parts)
 ☎ +55 (19) 3936 9049 (Service)
 Email: comercialpecas@jlg.com
 Email: servicios@jlg.com

Oshkosh-JLG (Tianjin)
 Equipment Technology LTD
 Shanghai Branch
 No 465 Xiao Nan Road
 Feng Xian District
 Shanghai 201204
 China
 ☎ +86 (21) 800 819 0050

JLG Industries Dubai
 Jafza View
 PO Box 262728, LB 19
 20th Floor, Office 05
 Jebel Ali, Dubai
 ☎ +971 (0) 4 884 1131
 📠 +971 (0) 4 884 7683
 Email: emeaservice@jlg.com

JLG France SAS
 Z.I. Guillaume Mon Amy
 30204 Fauillet
 47400 Tonniens
 France
 ☎ +33 (0) 553 84 85 86
 📠 +33 (0) 553 84 85 74
 Email: pieces@jlg.com

JLG Deutschland GmbH
 Max Planck Str. 21
 27721 Ritterhude-Ihlpohl
 Germany
 ☎ +49 (0) 421 69350-0
 📠 +49 (0) 421 69350-45
 Email: german-parts@jlg.com

JLG Equipment Services Ltd.
 Rm 1107 Landmark North
 39 Lung Sum Avenue
 Sheung Shui N. T.
 Hong Kong
 ☎ +(852) 2639 5783
 📠 +(852) 2639 5797

JLG Industries (Italia) S. R. L.
 Via Po, 22
 IT-20010 Pregnana Milanese (MI)
 Italy
 ☎ +39 (0) 2 9359 5210
 📠 +39 (0) 2 9359 5211
 Email: ricambi@jlg.com

JLG EMEA B.V.
 Polaris Avenue 63
 2132 JH Hoofddorp
 The Netherlands
 ☎ +31 (0) 23 565 5665
 Email: emeaservice@jlg.com

JLG NZ Access Equipment & Services
 28 Fisher Crescent
 Mt Wellington 1060
 Auckland, New Zealand
 ☎ +6 (12) 87186300
 📠 +6 (12) 65813058
 Email: techservicesaus@jlg.com

JLG Industries
 Vahutinskoe shosse 24b
 Khimki,
 Moscow Region 141400
 Russia Federation
 ☎ +7 (499) 922 06 99
 📠 +7 (499) 922 06 99

Oshkosh-JLG Singapore
 Technology Equipment P te Ltd.
 35 Tuas Avenue 2
 Jurong Industrial Estate
 Singapore 639454
 ☎ +65 6591 9030
 📠 +65 6591 9045
 Email: SEA@jlg.com

JLG Iberica S. L.
 Trapadella, 2
 Pol. Ind. Castellbisbal Sur
 08755 Castellbisbal
 Barcelona
 Spain
 ☎ +34 (0) 93 772 47 00
 📠 +34 (0) 93 77 117 62
 Email: parts_iberica@jlg.com

JLG Sverige AB
 Enkopingsvagen 150
 17627 Jarfalla
 Sweden
 ☎ +46 (0) 8 506 595 00
 📠 +46 (0) 8 506 595 27
 Email: nordicsupport@jlg.com

JLG Industries (UK) Ltd.
 Bentley House
 Bentley Avenue
 Middleton, Greater Manchester
 M24 2GP
 United Kingdom
 ☎ +44 (0) 161 654 1000
 📠 +44 (0) 161 654 1003
 Email: ukparts@jlg.com

www.jlg.com

PART NUMBER INDEX

PART NUMBER INDEX

1312068.....	237	4107232.....	209	7078583.....	117, 119	7094043.....	105
1312069.....	237	4107243.....	209	7080192.....	193, 195	7094192.....	47
1312075.....	237	4107252.....	209	7080891.....	45	7094273.....	115
1316686.....	237	4107272.....	209	7081031.....	45	7094322.....	47, 49
2705122.....	135, 137	4107283.....	209	7081621.....	213	7094552.....	157, 159
2711482.....	127	4107402.....	209	7081641.....	215	7094562.....	157, 159
2711613.....	183	4107412.....	209	7082261.....	193	7094612.....	133
2711703.....	171	4107452.....	209	7082292.....	31	7094673.....	11
2711723.....	169	4107462.....	209	7082311.....	11, 213, 215	7094682.....	11
2711972.....	127	4107692.....	229	7082342.....	213, 215	7094701.....	47, 49
2711982.....	153	4107702.....	229	7082362.....	213, 215	7094753.....	213
2711992.....	225, 227	4107712.....	229	7082971.....	15	7094894.....	11
2712022.....	133, 135, 137	4107812.....	235	7083054.....	219	7094942.....	101
2712072.....	153	4107822.....	235	7083922.....	215	7094952.....	101
2712122.....	127	4107832.....	235	7083963.....	29	7094963.....	11
2712142.....	127	4108132.....	209	7083992.....	215	7095223.....	115
2712322.....	129	4108181.....	209	7084792.....	11	7096202.....	157, 159
2712332.....	135, 137	4108232.....	227	7084821.....	11	7096272.....	117, 119, 121
2712582.....	131	4108302.....	209	7084902.....	31	7096352.....	159
2712592.....	127	4108441.....	209	7085073 ...	219, 221, 223, 225, 227, 229	7096491.....	215
2712653.....	163	4109351.....	31	7085102.....	217	7096911.....	105, 109
2712683.....	167	4109382.....	209	7085154.....	225	7096952.....	139, 141
2712753.....	165	4109392.....	209	7085411.....	225, 227	7097044.....	11
2712842.....	129	4110122.....	209	7085422.....	106, 109	7097073.....	11
2712852.....	131	5717852.....	151	7085442.....	213, 215	7097233.....	16
2712872.....	149	5721202.....	201	7085442.....	213, 215	7097442.....	105
2712882.....	133	5724284.....	105	7085501.....	225, 227	7097452.....	113
2712892.....	135, 137	5724742.....	11	7085542.....	215	7097503.....	133, 149
2712902.....	145, 147	6604662 ...	133, 135, 137, 229	7085552.....	217	7097652.....	115
2712942.....	133, 135, 137	6604712.....	131	7085562.....	217	7097712.....	209
2712952.....	133	6604742.....	127	7085571.....	217	7097882.....	41
2713022.....	133	6604962.....	127	7085751.....	199	7097952.....	9
2713054.....	106, 109	6604972 ...	137, 145, 147	7085791.....	199	7097972.....	9
2713092.....	139, 141	6604982.....	131	7085831.....	199	7098022.....	41
2713102.....	131	6605202.....	131	7086304.....	221	7098031.....	41
2713112.....	131	6605772.....	127	7086471 ...	219, 221, 223, 225, 227, 229	7098142.....	39
2713122.....	129	6608621.....	229	7087411.....	199	7098193.....	105, 109
2713132.....	131, 145, 147	6611752.....	229	7088511.....	105, 109	7098203.....	105, 109
2713142.....	149	6620531.....	9	7089044.....	225	7098271.....	145, 147
2713162.....	149	70020428.....	181	7089054.....	225	7098293.....	139, 141
2713302.....	133	70031092.....	171	7089722.....	171	7098304.....	11
2713363.....	181	7010491-OM.....	209	7090751.....	29	7098342.....	15
2713673.....	169	7015531.....	199	7090814.....	223	7098354.....	225
2715612.....	145, 147	7024574.....	181	7091102.....	65	7098522.....	199
2715802.....	151	7047041.....	187, 199	7091112.....	73	7098864.....	195
2715812.....	151	7047371.....	199	7091242.....	113	7098871.....	193
2715822.....	151	7047421.....	199	7091291 ...	117, 119, 121	7098902.....	193, 195, 197
2715832.....	141	7048233 ...	219, 221, 223, 225, 227, 229	7091291 ...	117, 119, 121	7098911.....	193
2715842.....	151	7054902.....	129	7091323.....	55	7098923.....	199
2715852.....	151	7057141 49, 63, 105, 109, 139, 141		7091332.....	9	7098932.....	105
2715862.....	151	7058372.....	199, 201	7091794.....	213	7098973.....	201
2715872.....	151	7062922.....	229	7091914.....	157	7099242.....	133, 149
2715882.....	151	7065482.....	225, 227	7092272.....	215	7099271.....	133, 149
2715892.....	151	7068651.....	193	7092282.....	9	7099324.....	19
4100181.....	209	7069851.....	199	7092292.....	9, 213	7099332.....	31
4105171.....	209	7070191.....	227	7092302.....	213	7099444.....	187
4105262.....	209	7070992 ...	117, 119, 121, 123, 193, 195	7092642.....	113	7099943.....	105
4105621.....	55, 209	7075191.....	53	7092793 ...	219, 221, 223, 225, 227, 229	7110494.....	229
4106561.....	233	7075611.....	213	7093133.....	15	7110694.....	229
4106681.....	209	7077063.....	101	7093292.....	133, 149	7110702.....	229
4106781.....	209	7077481.....	225, 227	7093701.....	15	7110712.....	229
4106872.....	209	7077501.....	225, 227	7093762.....	15	7110722.....	229
4107073.....	209	7077511.....	225, 227	7093772.....	105, 109	7110744.....	233
4107142.....	209			7093783.....	105, 109	7110782.....	201
4107152.....	209			7093833.....	113	7111191.....	201
4107182.....	235			7093863.....	63	7111203.....	45
4107223.....	209					7111332.....	20

PART NUMBER INDEX

7111572 213, 215	7127842 215	8032760.....175	8033201 31, 187, 189,
7111703 105, 109	7127881 123	8032761.....175	191
7111722 105	7127891 123	8032763.....115	8033219..... 173
7111732 106, 109	7128772 219, 225, 227	8032764.....115	8033236..... 173
7111932 25	7128782 229	8032793..... 53	8033237..... 173
7111994 229	7128792 221, 225, 227	8032794.....53	8033241 33, 35
7112102 15	7128802 ... 223, 225, 227,	8032802.....161	8033242 33, 35
7112302 201	229	8032806.....161	8033406 193, 195, 197
7112434 105	7129261 15	8032812.....175	8033412 173
7112511 51, 187, 189,	7129372 197	8033000.....65, 73	8033430 173
191	7129392 197	8033003.....65, 73, 75	8033479 19, 23
7112523 231	7131013 43	8033004.....65, 73, 75	8033493 113
7112533 231	7131022 43	8033011.....25	8033494 63
7112614 11	7131372 151	8033013.....25	8033496 33, 35
7112642 231	7131382 151	8033014.....25	8033497 33, 35
7112774 159	7131602 141	8033015.....25	8033499 193, 195
7113024 235	7131903 23	8033016.....25	8033500 63
7113601 147	7132062 151	8033018.....25	8033502 77
7114542 193, 195	7132072 151	8033019.....25	8033503 77
7114612 193, 195	7132172 43	8033020.....25	8033504 77
7114754 189, 191	7132482 151	8033022.....15	8033505 77
7114941 231	7132492 151	8033023.....25	8033506 77
7116761 41	7132542 151	8033024.....25	8033507 77
7117172 215	7132642 141	8033026.....25	8033509 79
7117204 227	7132693 205	8033028.....25	8033510 79, 83
7117244 227	7300967 109	8033029.....25	8033512 79
7117254 227	8030376 77	8033030.....25	8033513 79, 83
7117264 227	8030382 79, 83, 89	8033031.....15	8033515 79
7117602 75	8030412 91, 95	8033032.....25	8033516 79
7117622 99	8030416 92, 95	8033033.....25	8033517 79
7117842 99	8030429 77	8033035.....25	8033518 79
7117852 49	8030430 77	8033044.....19	8033519 79, 83
7117923 237	8030431 67, 77, 91, 95	8033047.....25	8033520 79
7117942 31	8030432 87	8033050.....15	8033521 79
7117962 153	8030435 87	8033052.....15	8033522 79, 83
7117973 11	8030437 79, 83	8033053.....15	8033523 80, 83
7117993 203	8030445 77	8033065.51, 59, 187, 189	8033524 79, 83
7118062 35	8030447 79	8033072.....19	8033525 79, 83
7118072 35	8030448 79	8033075.....51, 59	8033526 79, 83
7118102 67	8030449 79	8033076.....19	8033527 79
7118882 219, 221, 223	8030462 79, 83	8033077.....19	8033528 79
7118892 219, 221, 223	8030464 91, 95	8033078 19, 187, 189	8033529 79
7118941 51, 59	8030467 79	8033079.....19	8033530 79
7119042 189	8030468 77	8033081.....19, 23	8033531 79, 83
7119341 227	8030470 91, 95	8033082.....20	8033532 85
7120742 217	8030471 91	8033084.....19	8033533 85
7124331 . 9, 15, 199, 201,	8030472 91, 95	8033085.....19	8033534 85
215	8030476 91, 95	8033086.....19	8033535 85
7124531 53	8030478 87	8033087.....19	8033536 85
7125251 53	8030889 87	8033088.....19	8033537 85
7125271 53	8030937 85	8033090.....19	8033538 85
7125441 117, 119, 121	8030947 91, 95	8033092.....19	8033540 85
7125541 15	8032534 175, 177, 179	8033094.....19	8033541 85
7125601 117, 119, 121	8032700 169	8033102.....51	8033544 87
7125651 117, 119, 121	8032702 169, 171	8033103.....51	8033545 87
7125741 225, 227	8032704 169, 171	8033104.....51	8033546 89
7125861 9	8032705 169	8033105.....51	8033547 89
7126153 121, 123	8032706 169	8033109.....117, 119	8033548 89
7126162 119, 121, 123	8032707 169, 171	8033110.....51	8033549 89
7126191 123	8032723 91, 95	8033111....117, 119, 121,	8033550 89
7126201 123	8032742 165	123	8033551 89
7126684 197	8032743 163	8033150.....173	8033553 91
7127034 105, 109	8032744 167	8033165.....173	8033554 91, 95
7127043 105, 109	8032746 171	8033175....117, 119, 121,	8033555 91
7127071 123	8032747 171	123	8033556 91, 95
7127321 117, 119	8032751 77, 80, 83	8033176.....117, 121	8033557 92, 95
7127832 215	8032756 175, 187, 189	8033178.....41, 43	8033558 91, 95

PART NUMBER INDEX

8033559.....	91, 95	8033636.....	89	8033847.....	27	8034622.....	69
8033561.....	91, 95	8033637.....	89	8033848.....	27	8034623.....	69
8033562.....	91	8033638.....	89	8033849.....	27	8034624.....	69
8033563.....	91	8033639.....	89	8033850.....	27	8034625.....	69
8033564.....	91, 95	8033640.....	161	8033851.....	27	8034626.....	69
8033565.....	91, 95	8033641.....	161	8033852.....	27	8034627.....	69
8033566.....	91	8033642.....	161	8033853.....	27	8034628.....	69
8033567.....	91, 95	8033643.....	161	8033854.....	27	8034629.....	69
8033568.....	91, 95	8033644.....	161	8033855.....	27	8034630.....	69
8033569.....	91, 95	8033645.....	161	8033856.....	27	8034631.....	69
8033570.....	91, 95	8033646.....	161	8033857.....	27	8034632.....	69
8033571.....	91, 95	8033647.....	161	8033858.....	27	8034633.....	69
8033572.....	91, 95	8033648.....	161	8033859.....	27	8034634.....	69
8033573.....	91, 95	8033649.....	63	8033860.....	27	8034635.....	69
8033575.....	91, 95	8033650.....	63	8033861.....	27	8034636.....	69
8033576.....	91, 95	8033651.....	65, 73, 75	8033862.....	27	8034637.....	69
8033577.....	91, 95	8033652.....	65, 73, 75	8033863.....	27	8034638.....	69
8033578.....	91, 95	8033653.....	65	8033864.....	27	8034639.....	69
8033579.....	91, 95	8033654.....	73	8033865.....	27	8034640.....	69
8033580.....	91	8033655.....	173	8033866.....	27	8034641.....	69
8033581.....	91	8033657.....	173	8033867.....	27	8034642.....	69
8033582.....	92, 95	8033658.....	173	8033868.....	27	8034643.....	69
8033583.....	91, 95	8033659.....	173	8033869.....	27	8034644.....	70
8033584.....	91, 95	8033660.....	63	8033891.....	79, 83	8034645.....	70
8033585.....	91, 95	8033661.....	63	8033894.....	79, 83	8034646.....	70
8033589.....	89	8033662.....	63	8034544.....	27	8034647.....	70
8033590.....	67	8033663.....	63	8034545.....	27	8034648.....	70
8033591.....	67	8033664.....	63	8034546.....	27	8034649.....	70
8033592.....	85	8033665.....	63	8034547.....	27	8034650.....	70
8033594.....	67	8033666.....	63	8034548.....	27	8034651.....	70
8033595.....	67	8033667.....	63	8034563.....	49	8034652.....	70
8033596.....	67	8033668.....	63	8034565.....	127	8034653.....	70
8033597.....	67	8033669.....	63	8034566 ...	175, 177, 179	8034654.....	70
8033598.....	79, 83	8033670.....	63	8034567 ...	175, 177, 179	8034655.....	70
8033599.....	67	8033671.....	63	8034568.....	49	8034656.....	70
8033600.....	67	8033672.....	63	8034591 ...	175, 177, 179,	8034657.....	70
8033601.....	67	8033673.....	63	189, 191		8034658.....	70
8033603.....	67	8033674.....	63	8034592.....	177, 179	8034659.....	70
8033604.....	67	8033705.....	163	8034593.....	75	8034660.....	70
8033608.....	67	8033706.....	163	8034594.....	75	8034661.....	70
8033609.....	67	8033707.....	163	8034595.....	69	8034662.....	70
8033610.....	67	8033708.....	165	8034596.....	69	8034663.....	70
8033611.....	67	8033709.....	165	8034597.....	69	8034664.....	70
8033612.....	67	8033710.....	165	8034598.....	69	8034665.....	70
8033613.....	67	8033711.....	165	8034599.....	69	8034667.....	89
8033614.....	67	8033712.....	165	8034600.....	69	8034668.....	89
8033615.....	67	8033713.....	167	8034601.....	69	8034669.....	79, 83
8033616.....	67	8033714.....	167	8034602.....	69	8034670.....	79, 83
8033617.....	67	8033783.....	181	8034603.....	69	8034671.....	79, 83
8033618.....	67	8033784.....	181	8034604.....	69	8034672.....	79, 83
8033619.....	67	8033785.....	181	8034605.....	69	8034673.....	79, 83
8033620.....	67	8033786.....	181	8034606.....	69	8034674.....	79, 83
8033621.....	67	8033788.....	181	8034607.....	69	8034675.....	77
8033622.....	67	8033789.....	181	8034608.....	69	8034676.....	85
8033623.....	67	8033833.....	19	8034609.....	69	8034677.....	85
8033624.....	67	8033834.....	19	8034610.....	69	8034678.....	85
8033625.....	67	8033835.....	19	8034611.....	69	8034679.....	87
8033626.....	67	8033836.....	19	8034612.....	69	8034797.....	59
8033627.....	67	8033837.....	19	8034613.....	69	8034798.....	59
8033628.....	67	8033839.....	19	8034614.....	69	8034799.....	59
8033629.....	67	8033840.....	19	8034615.....	69	8034800.....	59
8033630.....	67	8033841.....	27	8034616.....	69	8034801.....	51, 59
8033631.....	67	8033842.....	27	8034617.....	69	8034802.....	51, 59
8033632.....	67	8033843.....	27	8034618.....	69	8034803.....	59
8033633.....	67	8033844.....	27	8034619.....	69	8034804.....	59
8033634.....	67	8033845.....	27	8034620.....	69	8034805.....	59
8033635.....	89	8033846.....	27	8034621.....	69	8034806.....	59

PART NUMBER INDEX

8034807 59	8205574 163	8272017 105, 109	8303738 213, 215
8034808 59	8205655 ... 167, 175, 177, 179, 181, 183	8273017 115	8303739 11, 133, 149, 225, 227
8034809 59	8205656 ... 163, 171, 175, 177, 179	8273241 115	8303742 43, 45
8034810 59, 191	8205657 ... 165, 175, 177, 179	8273266 115	8303745 29
8034811 59	8205661 183	8273267 115	8303746 133
8034813 ... 193, 195, 197	8205743 ... 175, 177, 179	8273271 115	8303755 113
8034815 51	8220008 53	8273272 115	8303757 139, 141
8034817 59	8220035 205	8274021 117, 119, 121	8303758 55, 151
8035100 110	8220050 201, 205	8274022 123	8303770 225, 227
8035160 85	8220051 199	8274209 117, 119, 121	8303771 63
8035161 85	8220073 ... 51, 193, 195, 197	8274210 117, 119, 121	8303772 215
8035162 85	8220075 189, 191	8275212 113	8303776 19, 53
8035163 85	8220882 ... 187, 189, 191	8277143 109, 193, 195	8303786 47, 49
8035164 85	8223010 31, 205	8277161 106, 110	8303790 105, 109
8035165 85	8223016 199, 201	8277162 105	8303799 43
8035166 85	8223024 ... 53, 187, 189	8278008 105, 109, 139, 141	8303835 25, 51, 199, 201
8035167 85	8223025 199, 201	8301004 47, 49	8303837 41, 43
8035168 85	8223026 147	8301210 45	8303839 51
8035169 85	8223217 ... 145, 147, 193, 195, 197	8301409 47, 49	8303982 19
8035175 92, 95	8223220 ... 31, 187, 189, 191	8301410 45	8303983 35
8035180 87	8223405 ... 31, 187, 189, 191	8301443 37, 39, 55	8303995 53
8035241 67	8223419 199, 201	8301456 231	8304014 15
8035273 92, 95	8223424 201	8302147 15	8304042 139, 141
8035274 92, 96	8223436 ... 187, 189, 191	8302403 49	8304608 139, 141
8035275 92, 95	8223438 ... 187, 189, 191	8302470 37, 39, 55	8304631 ... 139, 141, 177, 179
8035276 197	8223442 ... 31, 187, 189, 191	8303034 11, 15, 31, 33, 35, 39	8304660 11
8035301 33, 35	8223444 31, 203	8303082 151	8305002 41, 43, 51, 189, 191
8035724 95	8223510 193, 195	8303516 15	8305003 41, 43
8035725 83	8223522 137, 203	8303519 43	8305004 ... 11, 25, 31, 33, 35, 41, 43, 45, 55, 105, 109, 117, 119, 121, 187, 189, 193, 195, 197
8035726 83	8223532 197	8303534 15, 29, 45	8305005 37, 39, 51
8040236 9	8224025 37	8303540 19, 33, 35, 39, 51, 59	8305006 ... 29, 47, 49, 51, 63, 115, 131, 193, 195
8040238 9	8224026 39	8303550 105, 109	8305008 ... 16, 25, 29, 47, 105, 109, 139, 141
8040238 9	8224033 37	8303604 29	8305009 49
8040478 91, 95	8225115 35	8303615 41	8305012 231
8065062 229	8229215 187	8303618 115	8305013 49, 199
8065634 225, 227	8229216 187	8303620 141	8305014 199, 201
8065639 15	8229218 187	8303621 105, 109	8305021 15
8065640 9, 169, 213	8229226 187	8303622 105, 109	8305043 195, 197
8080613 105	8229227 199	8303624 63	8305201 ... 193, 195, 197
8082113 193	8229233 ... 189, 191, 203, 205	8303626 231	8305402 ... 33, 35, 41, 43, 55
8102208 49	8229234 189, 191	8303628 9, 213	8305405 45, 199, 201
8160059 55	8229235 ... 189, 191, 201	8303632 201	8305410 45
8160060 39	82292415 189, 191	8303634 ... 219, 221, 223, 225, 227, 229	8305601 19, 33, 35
8160065 33, 35	8262145 105	8303637 9	8305619 217
8160066 37	8262149 109	8303638 15, 217	8305624 ... 15, 41, 51, 59, 106, 109, 139, 141, 151
8160068 41, 43	8262312 105	8303640 9	8305626 11, 29, 133, 139, 141, 149, 157, 159, 225, 227
8160406 55	8270014 193, 195	8303655 9, 105, 109, 213	8305627 199, 201
8160418 55	8270134 197	8303656 11, 115, 213	8305630 153
8160419 37, 39	8270219 193	8303666 215	8305632 35
8160610 41, 43	8270220 ... 106, 110, 193	8303670 63	8305643 9, 99, 105, 109, 213, 215, 219, 221, 223, 225, 227, 229
8160617 37, 39, 55	8270221 ... 105, 109, 195, 197	8303675 47, 139, 141, 215	8305644 9, 99, 105, 109, 213, 215, 219, 221, 223, 225, 227, 229
8160619 41, 43	8270417 193, 195	8303679 213, 215	8305649 213, 215, 231, 235
8160622 35, 203	8270418 193, 195	8303681 213, 215	
8162004 41, 43	8270420 ... 106, 109, 197	8303685 15	
8162206 47, 49	8270602 ... 193, 195, 197	8303686 157, 159	
8162209 33, 35	8270617 ... 193, 195, 197	8303697 29, 55, 105, 109, 193	
8162210 33, 35	8272009 105	8303703 153	
8162211 41, 43		8303704 63	
8162213 41, 43		8303715 47, 49, 229	
8162214 41, 43		8303728 139, 141	
8180307 105, 109		8303729 11, 15, 151	
8180308 106			
8205485 165			
8205514 183			
8205545 183			
8205546 183			
8205547 183			
8205548 183			

PART NUMBER INDEX

8305645 15, 63, 105, 109, 139, 141, 215, 225, 227	8310041 193, 195, 197	8403224 105	8582007..... 189, 191
8305647..... 19, 213	8310049 15	8405007 53	8582413..... 11
8305650..... 41, 43	8310050 15	8405009 ... 117, 119, 121, 123	8584001.... 33, 35, 41, 43, 53, 135, 137, 145, 147, 187, 189, 191, 193, 195, 197, 201, 225, 227, 229
8305906..... 11, 55, 213	8310065 133, 149	8405101 117, 119, 121	8584003..... 53, 191, 199, 201
8305916..... 15	8310067 9, 157, 159	8405104 105, 106, 109	8584018..... 201
8306407..... 63	8310070 16, 139, 141	8405203 105, 109	8585133..... 20, 23
8307002.... 11, 16, 19, 31, 33, 35, 41, 43, 45, 53, 105, 109, 117, 119, 121, 151, 189, 193, 195, 197	8310077 195, 197	8405305 115	8585134..... 19, 23, 27
8307003.. 19, 41, 43, 117, 119, 121, 123, 189, 191	8310078 195, 197	8406103 106, 109	8585135..... 19, 23, 27
8307004.... 11, 47, 49, 55, 63, 105, 109, 115, 131, 193, 213	8310086 67	8410009 123	8585138..... 19
8307005.... 11, 15, 29, 45, 47, 105, 109, 139, 141, 187, 213, 215	8310088 67	8420053 ... 149, 225, 227, 229	8585139..... 19
8307006..... 29, 193, 195	8310089 67, 99	8420055 ... 149, 225, 227, 229	8585141..... 20
8307007..... 63, 199, 231	8310093 9	8420201 53	8585142..... 20
8307009..... 199, 201	8310096 65, 73, 75	8420202 121, 123	8640017.... 175, 177, 179
8307010..... 9, 15	8310097 15	8420231 117, 119, 121	8640028.... 149, 225, 227, 229
8307012..... 15	8310109 ... 49, 65, 73, 75	8430005 ... 149, 225, 227, 229	8640029.... 149, 225, 227, 229
8307022..... 195, 197	8310110 67	8430006 ... 149, 225, 227, 229	8640032.... 149, 225, 227, 229
8307023..... 105, 109, 113	8310111 ... 9, 15, 157, 159	8430007 123	8640903..... 157, 159
8307024..... 43, 105	8310112 15	8430073 151	8642001..... 225, 227
8307025.... 43, 105, 109, 115, 129	8310119 129	8430074 151	8642207..... 229
8307026..... 189	8310125 ... 105, 109, 153	8430075 151	8642224..... 215
8307027..... 191, 193	8310126 131	8430076 151	8642234..... 213, 215
8307046..... 51	8310129 199	8430085 151	8642235..... 225, 227
8307052..... 51	8310130 15	8430086 151	8660004..... 63
8307104..... 45, 217	8310143 37	8440224 161	8660005..... 105, 109
8307106.... 29, 139, 141, 191, 193, 195	8310144 37	8464012 157, 159	8680341..... 213
8307107..... 49, 99, 199	8310145 133, 149	8464212 31, 187, 189, 191	8688026.... 187, 189, 191
8307109.... 16, 20, 35, 39, 51, 59, 106, 109, 187, 189	8310146 133, 149	8466307 15	8700120..... 45
8307110..... 11	8310160 229	8467014 31, 187, 189, 191	8702140..... 49
8307111.... 191, 199, 201	8310161 229	8469030 31	8702146..... 41
8307112..... 231, 235	8310170 45	8469037 31, 205	8702150..... 41
8307113..... 19, 29, 213	8310180 ... 117, 119, 121, 123	8500009 201	8720014..... 15
8307201..... 19	8310195 235	8500036 201	8720015..... 15
8307202. 41, 43, 106, 109	8310202 195, 197	8500201 199, 201	8721023..... 15
8307203.. 11, 51, 63, 106, 110, 115, 131, 199, 227	8310208 99	8520013 9, 183, 213, 215	8721027..... 127
8307204.... 19, 106, 109, 213, 215	8310248 99	8520021 77, 213, 215	8750001..... 151
8307206..... 19, 199, 201	8310251 49, 75	8528071 209	8750002..... 151
8307207..... 19, 201	8310252 49	8528074 209	8750013..... 151
8307220..... 115	8310254 99	8528085 209	8760037..... 131
8307222..... 105, 109	8310255 99	8528086 209	8760039..... 151
8307904..... 9, 229	8310264 151	8528100 209	8760045..... 149
8307916..... 213	8310266 ... 219, 221, 223	8528101 209	8760102..... 129
8307917..... 213	8310276 ... 219, 221, 223	8540023 53	8760107.... 131, 133, 149
8307918..... 9, 215, 229	8310344 15	8541404 117, 119	8760109..... 145, 147
8310001..... 39	8310371 151	8541433 225, 227	8760110.... 127, 133, 135, 137, 139, 141, 145, 225, 227
8310002..... 51, 153	8320250 ... 117, 119, 121	8541435 157, 159	8760111..... 145, 147
8310026 35, 41, 105, 109, 117, 119, 121	8320253 ... 117, 119, 121	8580110 37, 39, 55	8760112..... 141
8310027 151	8320262 106, 109	8580115 19	8760113.... 133, 139, 141, 229
8310028..... 105	8320265 157, 159	8580203 11	8760114..... 139, 141
8310029..... 51	8320270 123	8580213 11	8760115..... 131
8310036..... 16	8324015 157, 159	8580309 53	8760116.... 131, 139, 141
	8324016 157, 159	8580311 31, 187, 189, 191	8760117.... 151, 225, 227
	8324017 159	8580312 31, 187, 189, 191	8760119..... 151
	8340034 41, 43	8580315 19, 229	8760128..... 139, 141
	8342404 11	8580410 15	8760138..... 141
	8342405 25	8580416 15	8760140.... 127, 135, 137
	8342413 19	8581007 11	8760142..... 131, 149
	8342416 11		
	8342807 11, 15		
	8342808 11, 25, 27		
	8344010 11		
	8346008 27		
	8346009 19		
	8346010 19		
	8346011 19		
	8360005 53		
	8360008 53		
	8382017 235		

PART NUMBER INDEX

8760143 131, 133, 149	8760474 145, 147	8786514 101	8866544 237
8760220 145, 147	8760475 133, 229	8841029 69, 99	8866558 237
8760237 149	8760483 142	8847113 67	8902109 139, 141, 175
8760252 133	8760485 142	8847114 63	8902111 139, 141
8760254 147	8760486 131	8864036 29	8902131 173
8760256 131	8760491 129	8864037 29	8902137 ... 139, 141, 175, 177, 179, 191
8760264 149	8760493 131, 139, 141	8864038 15	8902140 177, 179
8760268 133	8760494 131	8864039 29	8902154 179
8760303 131	8760495 131	8864040 29	8902155 177, 179
8760304 131, 139, 141	8760501 137	8864041 29	8902177 141
8760305 131, 145	8760508 147	8864043 29	8902178 179
8760307 ... 129, 133, 139, 141	8760510 127, 131	8864044 29	8902179 139, 141, 173
8760309 129	8760511 142	8864045 29	8902227 ... 139, 141, 175, 177, 179
8760311 ... 137, 151, 153, 229	8760515 129	8864046 29	8902241 175
8760312 127, 153	8760534 139, 141	8866341 106, 109	8902247 163, 171
8760313 ... 139, 141, 153, 229	8760535 145	8866347 57	8902257 177, 179
8760322 127, 131	8760539 129	8866348 57	8902495 173
8760328 141	8762012 129	8866350 57	8902511 ... 167, 175, 177, 179, 183
8760341 131, 139, 141	8765204 131	8866351 57	8902512 173
8760401 147	8769123 133, 149	8866364 57	8902661 139, 141, 175
8760407 ... 131, 133, 135, 137	8769132 229	8866381 51	8902679 ... 139, 141, 175, 177, 179
8760409 133, 229	8769136 133, 149	8866382 51	8904001 106, 109
8760415 129	8769140 133, 149	8866415 237	8904037 165
8760419 173	8769153 151	8866416 237	8904038 175, 177, 179
8760420 139, 141	8770006 135, 137	8866417 237	8904039 175, 177, 179
8760423 142	8770010 129	8866418 237	8904042 175, 177, 179
8760449 137	8770011 131	8866419 237	8990147 15
8760455 133, 135, 137	8770012 133, 229	8866420 237	CONSULT FACTORY.. 9, 15
8760458 133, 135, 137	8770014 131	8866421 237	N.S.S..... 29, 91, 95
8760460 127, 137	8770016 229	8866437 51	
	8770064 153	8866492 51	
	8770134 151	8866525 23	
	8770135 129	8866526 23	
	8780262 101	8866527 23	