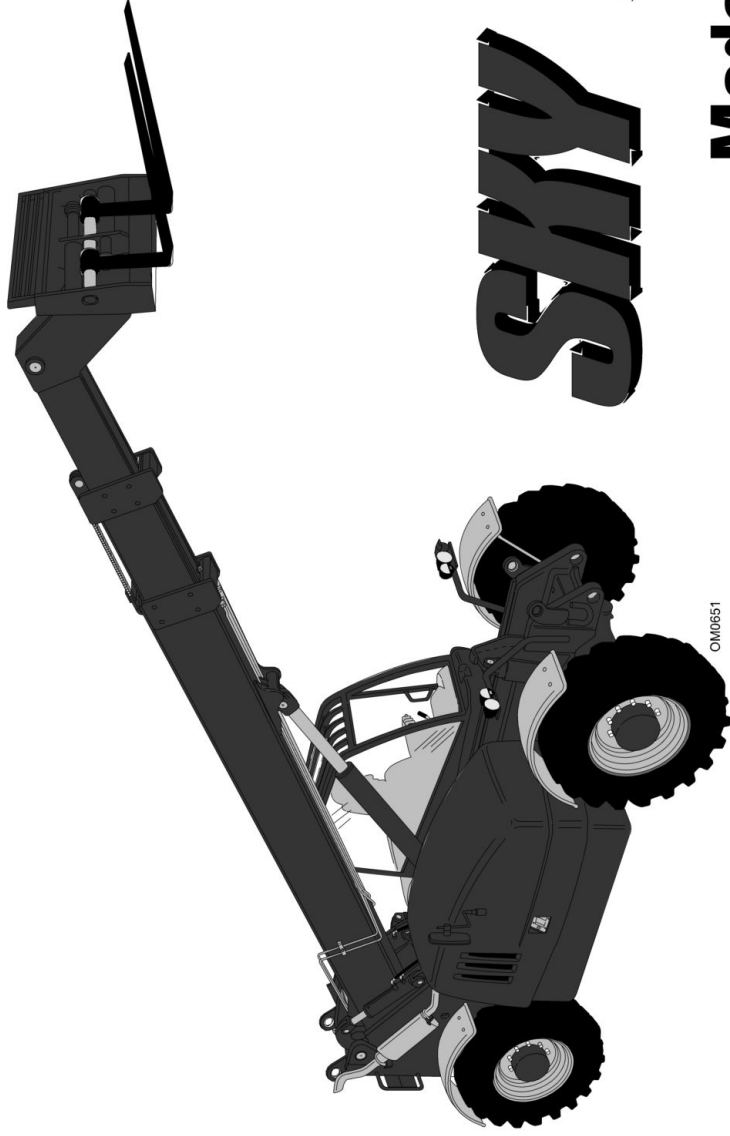


TM 10794A/B-24P/3



OM0651

SKY TRAK

Model MMV

PARTS MANUAL

8990441 G
PCN 500 107942 00
Printed in U.S.A. 04/14

EFFECTIVITY PAGE

December 17, 2004 - D - Replaced all branding with JLG.
April 16, 2007 - E - Revised manual.
September 10, 2010 - F - Revised manual
April 2, 2014 - G - Revised Manual

TABLE OF CONTENTS

SECTION 1 - DRIVE TRAIN	9
FIGURE 1-1. DRIVE TRAIN ASSEMBLY (SN MV006 through MV307, SN 0160003128 through 016005934)	10
FIGURE 1-2. DRIVE TRAIN ASSEMBLY (SN 0160005976 to Present).....	12
FIGURE 1-3. FRONT AXLE - INPUT (SN MV006 to Present).....	14
FIGURE 1-4. FRONT AXLE - LIMITED SLIP DIFFERENTIAL (SN MV006 to Present)	18
FIGURE 1-5. FRONT AXLE - AXLE CASING (SN MV006 to Present).....	20
FIGURE 1-6. FRONT AXLE - M-DISC BRAKE (SN MV006 to Present).....	22
FIGURE 1-7. FRONT AXLE - BRAKE (SN MV006 to Present)	26
FIGURE 1-8. FRONT AXLE - JOINT HOUSING (SN MV006 to Present)	28
FIGURE 1-9. FRONT AXLE - PLANETARY DRIVE (SN MV006 to Present)	30
FIGURE 1-10. STEERING CYLINDER (SN MV006 to Present).....	32
FIGURE 1-11. REAR AXLE - INPUT (SN MV006 to Present)	34
FIGURE 1-12. REAR AXLE - DIFFERENTIAL (SN MV006 to Present)	38
FIGURE 1-13. REAR AXLE - AXLE CASING (SN MV006 to Present).....	40
FIGURE 1-14. REAR AXLE - M-DISC BRAKE (SN MV006 to Present).....	42
FIGURE 1-15. REAR AXLE - BRAKE (SN MV006 to Present).....	46
FIGURE 1-16. REAR AXLE - JOINT HOUSING (SN MV006 to Present).....	48
FIGURE 1-17. REAR AXLE - PLANETARY DRIVE (SN MV006 to Present).....	50
FIGURE 1-18. ENGINE CONNECTION AND INPUT SHAFTS (SN MV006 to Present)	52
FIGURE 1-19. GEARBOX HOUSING (SN MV006 to Present).....	54
FIGURE 1-20. COUPLING GROUP 1 (SN MV006 to Present)	56
FIGURE 1-21. COUPLING GROUP 2 (SN MV006 to Present)	58
FIGURE 1-22. COUPLING GROUP 3 (SN MV006 to Present)	60
FIGURE 1-23. COUPLING GROUP 4 (SN MV006 to Present)	62
FIGURE 1-24. REVERSING GEAR GROUP 1 (SN MV006 to Present).....	64
FIGURE 1-25. REVERSING GEAR GROUP 2 (SN MV006 to Present).....	66
FIGURE 1-26. OUTPUT (SN MV006 to Present)	68
FIGURE 1-27. CONTROL UNIT (SN MV006 to Present)	70
FIGURE 1-28. VALVE HOUSING ASSEMBLY (SN MV006 to Present).....	72
FIGURE 1-29. VALVE BLOCK ASSEMBLY (SN MV006 to Present)	76
FIGURE 1-30. OIL PUMP AND FILTER (SN MV006 to Present)	78
FIGURE 1-31. TRANSMISSION OIL COOLER CIRCUIT (SN MV006 through MV200)	80
FIGURE 1-32. TRANSMISSION OIL COOLER CIRCUIT (SN MV201 to Present)	82
FIGURE 1-33. TRANSFER BOX (SN MV006 through MV307, SN 0160003128 through 0160005934)	84
FIGURE 1-34. TRANSFER BOX (SN 0160005976 to Present).....	86
FIGURE 1-35. DRIVE SHAFT - TRANSMISSION TO TRANSFER BOX (SN MV006 to Present)	88
FIGURE 1-36. DRIVE SHAFT - TRANSFER BOX TO FRONT AXLE (SN MV006 through MV307, SN 0160003128 through 0160005934)	90
FIGURE 1-37. DRIVE SHAFT - TRANSFER BOX TO FRONT AXLE (SN 0160005976 to Present)	92
FIGURE 1-38. DRIVE SHAFT - TRANSFER BOX TO REAR AXLE (SN MV006 through MV307, SN 0160003128 through 0160005934)	94
FIGURE 1-39. DRIVE SHAFT - TRANSFER BOX TO REAR AXLE (SN 0160005976 to Present).....	96
SECTION 2 - ENGINE, RADIATOR AND FUEL SYSTEM.....	99
FIGURE 2-1. ENGINE MOUNTING (S/N MV006 - MV200).....	100
FIGURE 2-2. ENGINE MOUNTING (S/N MV201 -).....	102
FIGURE 2-3. RADIATOR AND OIL COOLER MOUNTING (S/N MV006 - MV200).....	104
FIGURE 2-4. RADIATOR AND OIL COOLER MOUNTING (S/N MV201 -).....	106
FIGURE 2-5. EXHAUST SYSTEM (S/N MV006 - MV200)	108
FIGURE 2-6. EXHAUST SYSTEM (S/N MV201 -).....	110
FIGURE 2-7. AIR CLEANER ASSEMBLY (S/N MV006 - MV200).....	112
FIGURE 2-8. AIR CLEANER ASSEMBLY (S/N MV201 -).....	114
FIGURE 2-9. FUEL SYSTEM (S/N MV006 - MV200)	116
FIGURE 2-10. FUEL SYSTEM (S/N MV201-)	118
FIGURE 2-11. THROTTLE GROUP ASSEMBLY (S/N MV006 - MV200).....	120
FIGURE 2-12. THROTTLE GROUP ASSEMBLY (S/N MV201 -).....	122
FIGURE 2-13. COLD START SYSTEM (S/N MV006 - MV200)	124
FIGURE 2-14. AIR COMPRESSOR TANK AND HOSES (S/N MV006 - MV200)	126
FIGURE 2-15. AIR COMPRESSOR TANK AND HOSES (S/N MV201 -).....	128
FIGURE 2-16. REMOTE OIL FILTER ASSEMBLY (S/N MV006 - MV307 & 0160003128 - 0160005934).....	130
FIGURE 2-17. REMOTE OIL FILTER ASSEMBLY (S/N 0160005976 -).....	132
SECTION 3 - FRAME AND OPERATOR'S COMPARTMENT	135

TABLE OF CONTENTS

FIGURE 3-1. MAIN FRAME ASSEMBLY (SN MV006 through MV200).....	136
FIGURE 3-2. MAIN FRAME ASSEMBLY (SN MV201 through MV215).....	138
FIGURE 3-3. MAIN FRAME ASSEMBLY (SN MV216 to Present).....	140
FIGURE 3-4. ENGINE HOOD AND COVERS (SN MV006 through MV200).....	142
FIGURE 3-5. ENGINE HOOD AND COVERS (SN MV201 to Present).....	146
FIGURE 3-6. FENDER ASSEMBLY (SN MV006 to Present).....	150
FIGURE 3-7. OPERATOR'S PROTECTIVE STRUCTURE - ROPS/FOPS (SN MV006 through MV200).....	152
FIGURE 3-8. OPERATOR'S PROTECTIVE STRUCTURE - ROPS/FOPS (SN MV201 to Present).....	154
FIGURE 3-9. STEERING COLUMN AND SHIFTER ASSEMBLY (SN MV006 through MV200).....	156
FIGURE 3-10. STEERING COLUMN (SN MV201 to Present).....	158
FIGURE 3-11. OPERATOR'S SEAT AND SEAT BELT (SN MV006 through MV200).....	160
FIGURE 3-12. OPERATOR'S SEAT AND SEAT BELT (SN MV201 through MV307, SN 0160003128 through 0160012514).....	162
FIGURE 3-13. OPERATOR'S SEAT AND SEAT BELT (SN 0160012570 to Present).....	164
FIGURE 3-14. MIRRORS (SN MV006 to Present).....	166
FIGURE 3-15. OUTER PANELS (SN MV006 through MV200).....	168
FIGURE 3-16. INNER CONSOLE AND DASH PANEL (SN MV006 through MV200).....	170
FIGURE 3-17. OPERATOR'S COMPARTMENT - INNER PANELS (SN MV201 to Present).....	172
FIGURE 3-18. GLASS (SN MV006 through MV200).....	174
FIGURE 3-19. GLASS.....	176
FIGURE 3-20. DOOR ASSEMBLY (SN MV006 through MV200).....	178
FIGURE 3-21. DOOR ASSEMBLY (SN MV201 to Present).....	180
FIGURE 3-22. FRONT WINDSHIELD WIPER ASSEMBLY (SN MV006 through MV200).....	182
FIGURE 3-23. FRONT WINDSHIELD WIPER ASSEMBLY (SN MV201 to Present).....	184
FIGURE 3-24. SKYLIGHT WIPER ASSEMBLY (SN MV006 through MV200).....	186
FIGURE 3-25. SKYLIGHT WIPER ASSEMBLY (SN MV201 to Present).....	188
FIGURE 3-26. REAR WINDOW AND WIPER ASSEMBLIES (SN MV006 through MV200).....	190
FIGURE 3-27. REAR WINDOW AND WIPER ASSEMBLIES (SN MV201 to Present).....	192
FIGURE 3-28. HEATER SYSTEM (SN MV006 through MV200).....	194
FIGURE 3-29. HEATER SYSTEM (SN MV201 to Present).....	196
FIGURE 3-30. VENTILLATION HOSES AND VENTS (SN MV006 through MV200).....	198
FIGURE 3-31. VENTILLATION HOSES AND VENTS (SN MV201 to Present).....	200
FIGURE 3-32. AIR CONDITIONING SYSTEM (SN MV006 through MV200).....	202
FIGURE 3-33. AIR CONDITIONING SYSTEM (SN MV201 to Present).....	204
FIGURE 3-34. WEAPON MOUNT (SN MV006 to Present).....	206
 SECTION 4 - BOOM ASSEMBLY	 209
FIGURE 4-1. OUTER BOOM ASSEMBLY (S/N MV006 -).....	210
FIGURE 4-2. INTERMEDIATE BOOM ASSEMBLY (S/N MV006 -).....	212
FIGURE 4-3. INNER BOOM ASSEMBLY (S/N MV006 -).....	214
FIGURE 4-4. BOOM EXTEND CHAINS (S/N MV006 -).....	216
FIGURE 4-5. BOOM RETRACT CHAIN (S/N MV006 -).....	218
FIGURE 4-6. QUICK ATTACH ASSEMBLY (S/N MV006 -).....	220
 SECTION 5 - BOOM HYDRAULIC CIRCUITS AND CYLINDERS	 223
FIGURE 5-1. BOOM - EXTEND/RETRACT AND LIFT/LOWER CIRCUITS (S/N MV006 -).....	224
FIGURE 5-2. ATTACHMENT TILT AND SLAVE CIRCUITS (S/N MV006 -).....	226
FIGURE 5-3. EXTEND/RETRACT CYLINDER (S/N MV006 -).....	228
FIGURE 5-4. LIFT/LOWER CYLINDER (S/N MV006 - MV219).....	230
FIGURE 5-5. LIFT/LOWER CYLINDER (S/N MV220 -).....	232
FIGURE 5-6. ATTACHMENT TILT CYLINDER (S/N MV006 -).....	234
FIGURE 5-7. SLAVE CYLINDER (S/N MV006 - S/N MV212).....	236
FIGURE 5-8. SLAVE CYLINDER (S/N MV213 -).....	238
FIGURE 5-9. BOOM FUNCTION MAIN VALVE HYDRAULIC TUBING (S/N MV006 -).....	240
 SECTION 6 - HYDRAULIC SYSTEM COMPONENTS.....	 243
FIGURE 6-1. CONTROL VALVES HYDRAULIC CIRCUIT (SN MV006 through MV200).....	244
FIGURE 6-2. CONTROL VALVES HYDRAULIC CIRCUIT (SN MV201 to Present).....	248
FIGURE 6-3. HYDRAULIC RESERVOIR AND CONTROL VALVES (SN MV006 through MV200).....	252
FIGURE 6-4. HYDRAULIC RESERVOIR AND CONTROL VALVES (SN MV201 to Present).....	256
FIGURE 6-5. MAIN CONTROL VALVE ASSEMBLY (SN MV006 to Present).....	260
FIGURE 6-6. SECONDARY FUNCTION MANIFOLD ASSEMBLY (SN MV006 to Present).....	262
FIGURE 6-7. ACCUMULATOR CHARGE VALVE ASSEMBLY (S/N MV006 - MV200).....	264
FIGURE 6-8. ACCUMULATOR CHARGE VALVE ASSEMBLY (S/N MV201 -).....	266
FIGURE 6-9. GEAR PUMP ASSEMBLY-TWO STAGE (S/N MV006 -).....	268

TABLE OF CONTENTS

FIGURE 6-10. UNLOADER VALVE ASSEMBLY (S/N MV006 -)	270
SECTION 7 - STEERING AND BRAKE HYDRAULIC CIRCUITS	273
FIGURE 7-1. 3 MODE STEERING HYDRAULIC CIRCUIT (SN MV006 through MV200)	274
FIGURE 7-2. 3 MODE STEERING HYDRAULIC CIRCUIT (SN MV201 to Present)	276
FIGURE 7-3. 3 MODE STEERING DIRECTIONAL CONTROL VALVE (SN MV006 through MV200)	280
FIGURE 7-4. SERVICE AND PARKING BRAKE HYDRAULIC CIRCUIT (SN MV006 through MV200)	282
FIGURE 7-5. SERVICE AND PARKING BRAKE HYDRAULIC CIRCUIT (SN MV201 to Present)	284
FIGURE 7-6. SERVICE BRAKE VALVE AND PEDAL ASSEMBLIES (SN MV006 through MV200)	286
FIGURE 7-7. SERVICE BRAKE VALVE AND PEDAL ASSEMBLIES (SN MV201 to Present)	288
SECTION 8 - FRAME CONTROL HYDRAULICS	291
FIGURE 8-1. JOYSTICK HYDRAULIC CIRCUIT (SN MV006 through MV200)	292
FIGURE 8-2. JOYSTICK HYDRAULIC CIRCUIT (SN MV201 to Present)	294
FIGURE 8-3. PILOT SELECT MANIFOLD ASSEMBLY (SN MV006 to Present)	296
FIGURE 8-4. FRAME SWAY AND STABIL-TRAK HYDRAULIC CIRCUIT (SN MV006 to Present)	298
FIGURE 8-5. FRAME SWAY CYLINDER (SN MV006 through MV200)	300
FIGURE 8-6. FRAME SWAY CYLINDER (SN MV201 to Present)	302
FIGURE 8-7. STABIL-TRAK CYLINDER (SN MV006 through MV202)	304
FIGURE 8-8. STABIL-TRAK CYLINDER (SN MV203 to Present)	306
FIGURE 8-9. STABIL-TRAK CYLINDER VALVES (SN MV006 through MV202)	308
FIGURE 8-10. STABIL-TRAK CYLINDER VALVES (SN MV203 to Present)	310
SECTION 9 - FORK POSITIONING HYDRAULICS	313
FIGURE 9-1. EXTERIOR HOSE CARRIER ASSEMBLY WITH HYDRAULICS (SN MV006 to Present)	314
FIGURE 9-2. HYDRAULIC TUBES AND INTERIOR HOSES	316
FIGURE 9-3. FORK SIDESHIFT VALVE MOUNTING WITH HOSES (SN MV006 to Present)	318
FIGURE 9-4. FORK SIDESHIFT VALVE	320
FIGURE 9-5. 7K CARRIAGE - FORK POSITIONING HYDRAULIC CIRCUIT (SN MV006 to Present)	322
FIGURE 9-6. 7K FORK SIDESHIFT CYLINDER (SN MV006 to Present)	324
FIGURE 9-7. 11K CARRIAGE - FORK POSITIONING HYDRAULIC CIRCUIT (SN MV006 to Present)	326
FIGURE 9-8. 11K FORK SIDESHIFT CYLINDER (SN MV006 to Present)	328
SECTION 10 - ELECTRICAL	331
FIGURE 10-1. OPERATORS CAB AND FRAME WIRING HARNESS (S/N MV006 - MV200)	332
FIGURE 10-2. ENGINE WIRING HARNESS - SWITCHES, FUSES AND RELAYS (S/N MV006 - MV200)	334
FIGURE 10-3. SWITCHES AND FUSES (S/N MV006 - MV200)	336
FIGURE 10-4. LIGHT ASSEMBLIES AND BACKUP ALARM (S/N MV006 - MV200)	338
FIGURE 10-5. LIGHTS - SWITCHES, FUSES AND RELAYS (S/N MV006 - MV200)	342
FIGURE 10-6. BATTERIES - EQUALIZER AND SOLARGIZER ASSEMBLY (S/N MV006 - MV200)	344
FIGURE 10-7. LMI ELECTRICAL ASSEMBLY (S/N MV006 - MV200)	346
FIGURE 10-8. FUSES, RELAYS AND FLASHER BOX (S/N MV201 -)	348
FIGURE 10-9. BATTERIES - EQUALIZER AND SOLARGIZER ASSEMBLIES (S/N MV201 - MV1209)	350
FIGURE 10-10. BATTERIES - EQUALIZER AND SOLARGIZER ASSEMBLIES (S/N MV1210 -)	352
FIGURE 10-11. ELECTRICAL COMPONENTS - CAB (S/N MV201 -)	356
FIGURE 10-12. ELECTRICAL COMPONENTS - CAB WIPERS (S/N MV201 -)	358
FIGURE 10-13. ELECTRICAL COMPONENTS - CAB LIGHTING (S/N MV201 -)	360
FIGURE 10-14. ELECTRICAL COMPONENTS - VEHICLE LIGHTING, BACKUP ALARM AND HORN (S/N MV201 -)	362
FIGURE 10-15. ELECTRICAL COMPONENTS - VEHICLE ECM / POWER (S/N MV201 - MV1209)	366
FIGURE 10-16. ELECTRICAL COMPONENTS - VEHICLE ECM / POWER (S/N MV1210 -)	370
FIGURE 10-17. ELECTRICAL COMPONENTS - SENSORS (S/N MV201 -)	374
FIGURE 10-18. ELECTRICAL COMPONENTS - LMI AND STABIL-TRAK SENSORS (S/N MV201 -)	376
FIGURE 10-19. ELECTRICAL COMPONENTS - TRANSMISSION (S/N MV201 -)	378
SECTION 11 - DECALS AND COMMON SUPPLIES	381
FIGURE 11-1. DECALS AND MANUALS (S/N MV006 - MV200)	382
FIGURE 11-2. DECALS AND MANUALS (S/N MV201 -)	384
FIGURE 11-3. FILTERS PAINT AND COMMON SUPPLIES (S/N MV006 -)	386
SECTION 12 - ATTACHMENTS	389
FIGURE 12-1. CARRIAGE AND FORK ASSEMBLIES - 7K (S/N MV006 -)	390

TABLE OF CONTENTS

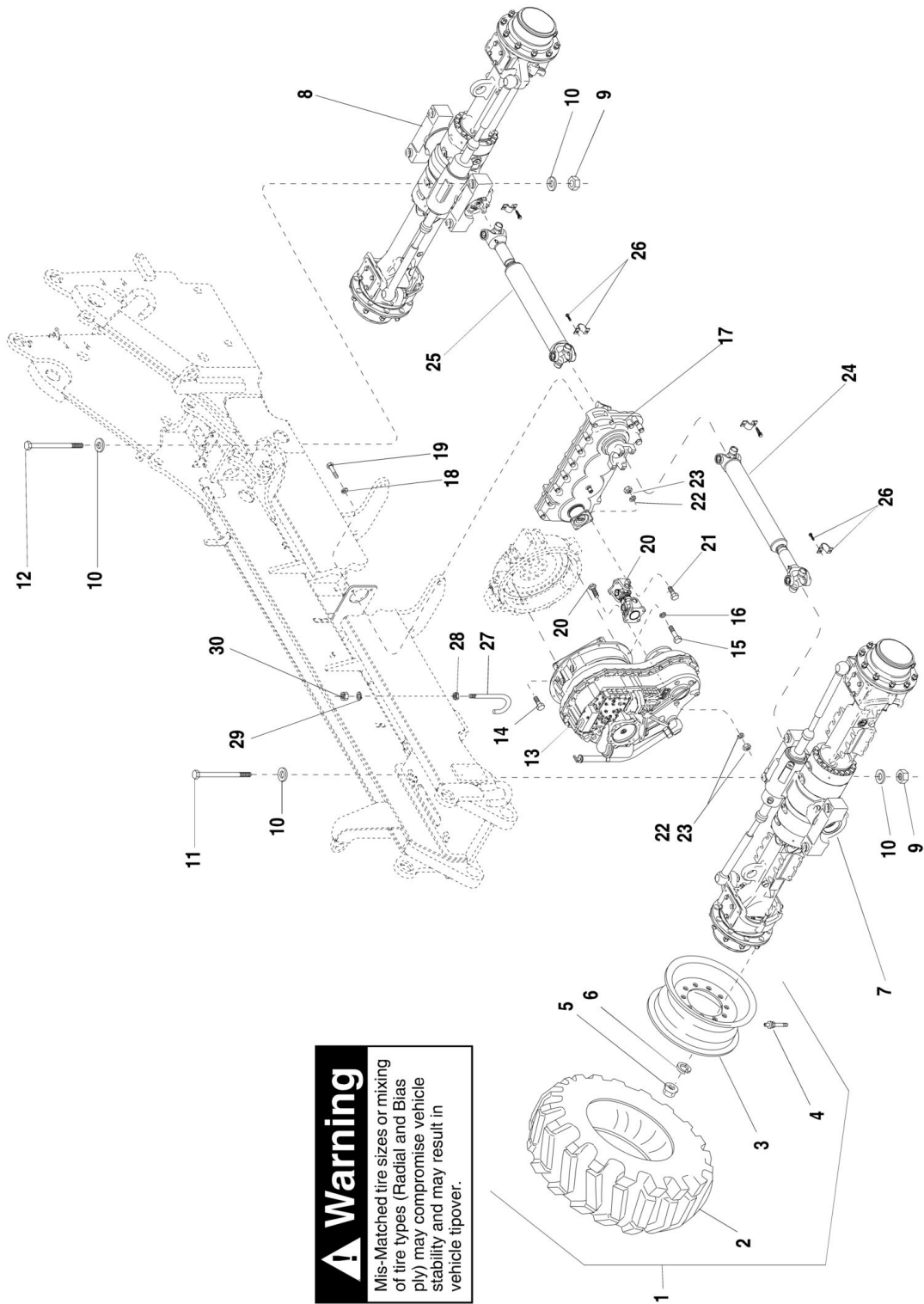
FIGURE 12-2. CARRIAGE AND FORK ASSEMBLIES - 11K (S/N MV006 -)	392
PART NUMBER INDEX.....	395

SECTION 1 - DRIVE TRAIN

SECTION 1 - DRIVE TRAIN

SECTION 1 - DRIVE TRAIN

FIGURE 1-1. DRIVE TRAIN ASSEMBLY (SN MV006 through MV307, SN 0160003128 through 016005934)



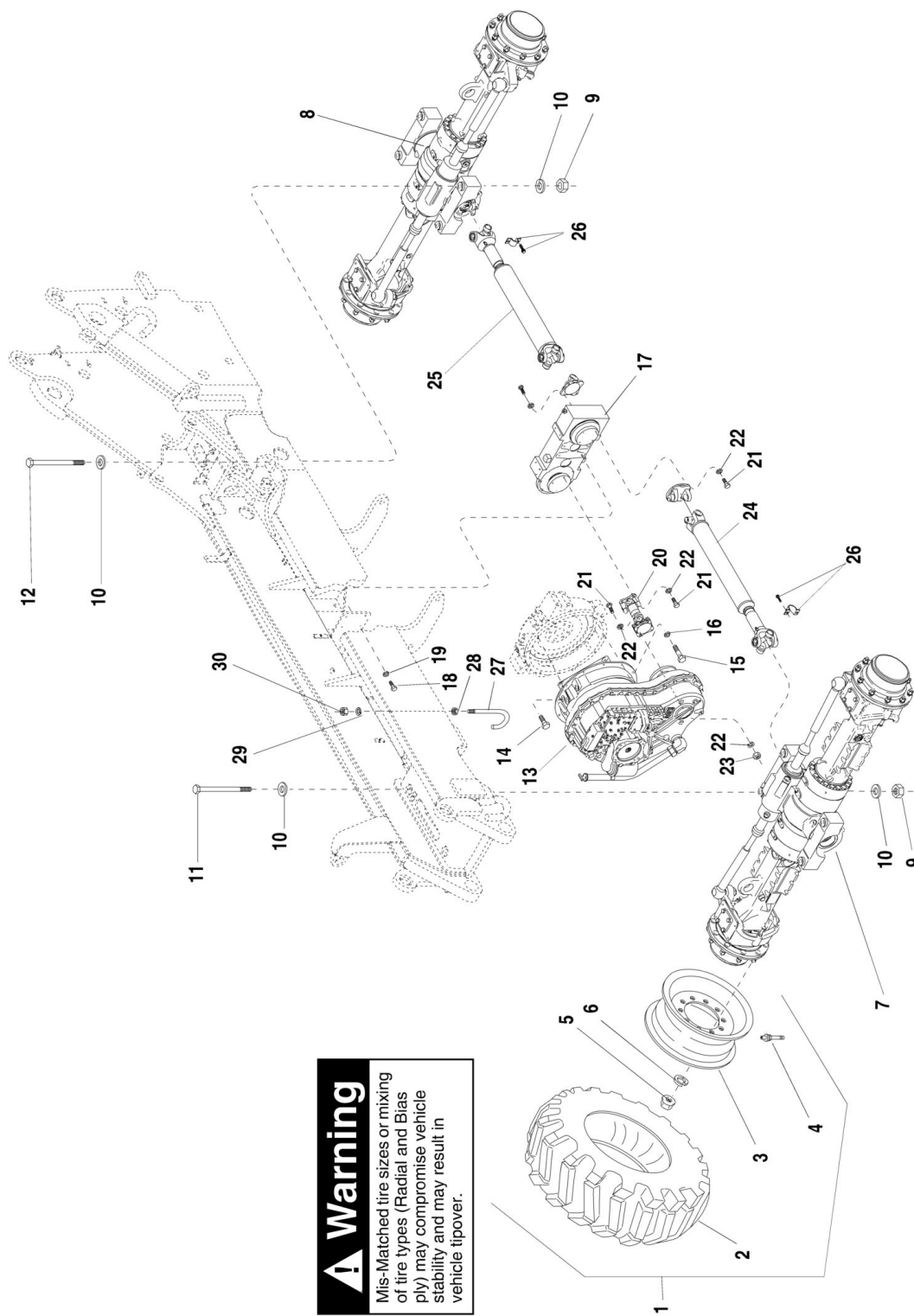
Warning
Mis-Matched tire sizes or mixing of tire types (Radial and Bias ply) may compromise vehicle stability and may result in vehicle tipover.

SECTION 1 - DRIVE TRAIN**FIGURE 1-1. DRIVE TRAIN ASSEMBLY (SN MV006 through MV307, SN 0160003128 through 016005934)**

ITEM	PART NUMBER	QTY	DESCRIPTION	REV
1	6623598	4	Tire and Wheel Assembly, Non-Directional (Includes Items 2 thru 4)	
2	8780052	1	Tire, 15.5R-25, L-2, 2 Star	
3	6623376	1	Rim, 1325 LR	
4	8786514	1	Stem, Valve	
5	8786570	40	Nut, Sph. Collar (Lug Nut)	
6	8786571	40	Washer, Spring Lock	
7	6624053	1	Axle, Front (See FRONT AXLE - INPUT thru STEERING CYLINDER for Breakdown)	
8	6624054	1	Axle, Rear (See STEERING CYLINDER thru REAR AXLE - PLANETARY DRIVE for Breakdown)	
9	8310481	8	Nut, Hex Lock Elastic 1-8	
10	8310061	16	Washer, Flat 1in	
11	8310480	4	HHCS, 1-8 x 14in Gr. 8	
12	8310479	4	HHCS, 1-8 x 11in Gr. 8	
13	8841042	1	Transmission - 4 Speed (See ENGINE CONNECTION AND INPUT SHAFTS - OIL PUMP AND FILTER for Breakdown)	
14	8303798	4	HHCS, M10-1,5 x 25mm	
15	8303769	12	HHCS, M10-1,5 x 45mm	
16	8307023	12	Washer, Lock M10	
17	8841041	1	Transfer Box (See TRANSFER BOX for Breakdown)	
18	8307049	4	Washer, Lock M16	
19	8310496	4	HHSC M16-2 x 35mm	
20	7138760	1	Drive Shaft, Transmission to Transfer Box (See TRANSFER BOX for Breakdown)	
21	8310084	8	HHCS, 1/2-20 NF x 2.00in	
22	8307007	8	Washer, Lock 1/2in	
23	8310464	8	Nut, Hex 1/2-20 NF	
24	7135912	1	Drive Shaft, Transfer Box to Front Axle (See DRIVE SHAFT - TRANSFER BOX TO FRONT AXLE for Breakdown)	
25	7135922	1	Drive Shaft, Transfer Box to Rear Axle (See DRIVE SHAFT - TRANSFER BOX TO REAR AXLE for Breakdown)	
26	8880218	8	Strap Kit	
27	6603712	2	Hook, Drive Shaft Support	
28	8305012	2	Nut, Hex 1/2-13	
29	8310578	2	Washer, Bevel, 1/2	
30	8305644	2	Nut, Hex Lock Elastic 1/2-13	

SECTION 1 - DRIVE TRAIN

FIGURE 1-2. DRIVE TRAIN ASSEMBLY (SN 0160005976 to Present)

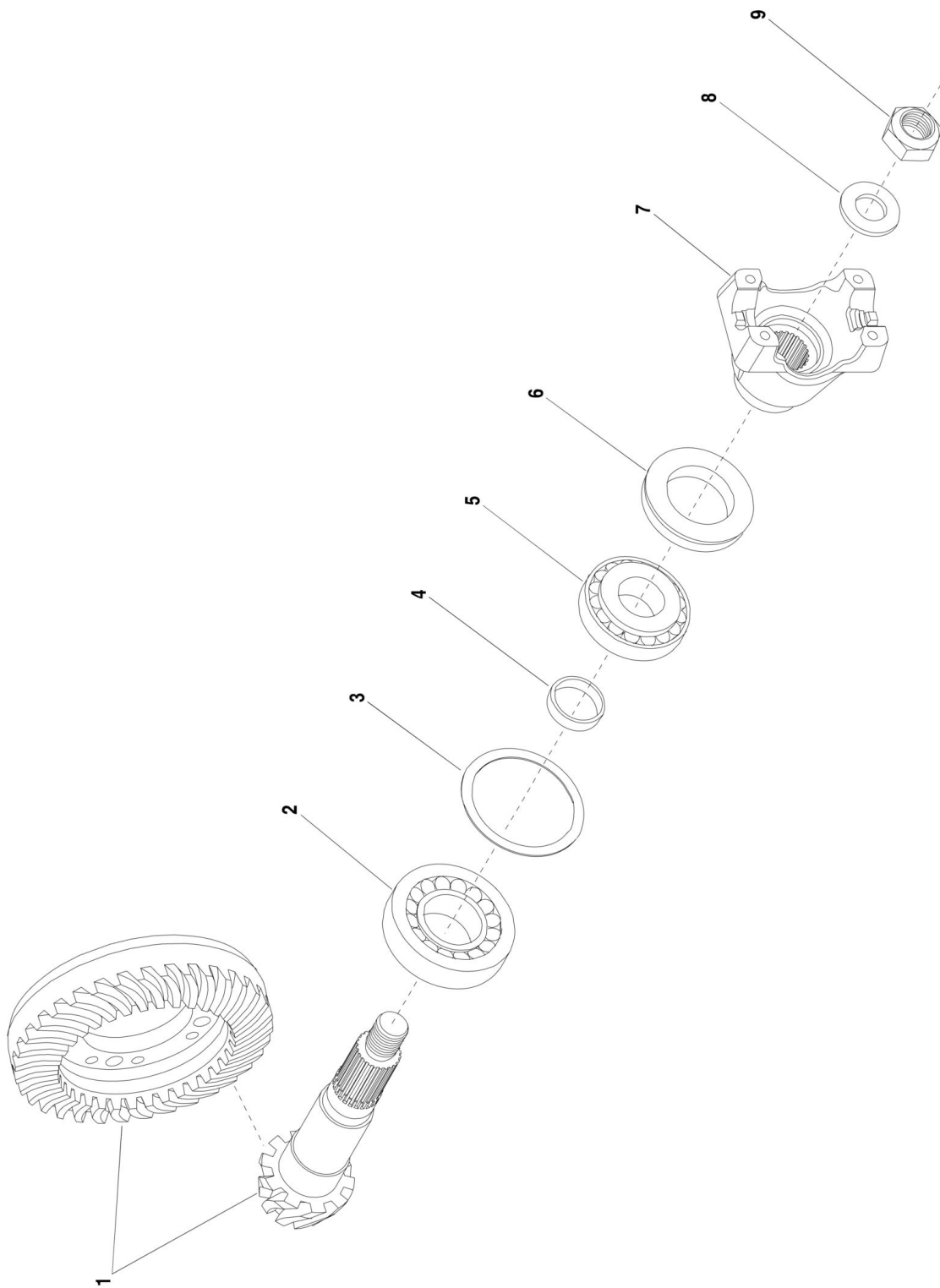


SECTION 1 - DRIVE TRAIN**FIGURE 1-2. DRIVE TRAIN ASSEMBLY (SN 0160005976 to Present)**

ITEM	PART NUMBER	QTY	DESCRIPTION	REV
1	6623598	4	Tire and Wheel Assembly, Non-Directional (Includes Items 2 thru 4)	
2	8780052	1	Tire, 15.5R-25, L-2, 2 Star	
3	6623376	1	Rim, 1325 LR	
4	8786514	1	Stem, Valve	
5	8786570	40	Nut, Sph. Collar (Lug Nut)	
6	8786571	40	Washer, Spring Lock	
7	6624053	1	Axle Front (See FRONT AXLE - INPUT thru STEERING CYLINDER for Breakdown)	
8	6624054	1	Axle, Rear (See STEERING CYLINDER thru REAR AXLE - PLANETARY DRIVE for Breakdown)	
9	8310481	8	Nut, Hex Lock Elastic 1-8	
10	8310061	16	Washer, Flat 1in	
11	8310480	4	HHCS, 1-8 x 14in Gr. 8	
12	8310479	4	HHCS, 1-8 x 11in Gr. 8	
13	8841042	1	Transmission - 4 Speed (See ENGINE CONNECTION AND INPUT SHAFTS - OIL PUMP AND FILTER for Breakdown)	
14	8303798	4	HHCS, M10-1,5 x 25mm	
15	8303769	12	HHCS, M10-1,5 x 45mm	
16	8307023	12	Washer, Lock M10	
17	6623978	1	Transfer Box (See TRANSFER BOX for Breakdown)	
18	8310215	12	HHSC M16-2 x 40mm	
19	8310089	12	Washer, Lock M14	
20	7138760	1	Drive Shaft, Transmission to Transfer Box (See DRIVE SHAFT - TRANSMISSION TO TRANSFER BOX for Breakdown)	
21	0701214	8	HHCS, 12-1.75X30mm	
22	4832100	8	Washer, Lock M12	
23	8310464	8	Nut, Hex 1/2-20 NF	
24	6623979	1	Drive Shaft, Transfer Box to Front Axle (See DRIVE SHAFT - TRANSFER BOX TO FRONT AXLE for Breakdown)	
25	6623980	1	Drive Shaft, Transfer Box to Rear Axle (See DRIVE SHAFT - TRANSFER BOX TO REAR AXLE for Breakdown)	
26	8880218	8	Strap Kit	
27	6603712	2	Hook, Drive Shaft Support	
28	8305012	2	Nut, Hex 1/2-13	
29	8310578	2	Washer, Bevel, 1/2	
30	8305644	2	Nut, Hex Lock Elastic 1/2-13	

SECTION 1 - DRIVE TRAIN

FIGURE 1-3. FRONT AXLE - INPUT (SN MV006 to Present)



SECTION 1 - DRIVE TRAIN**FIGURE 1-3. FRONT AXLE - INPUT (SN MV006 to Present)**

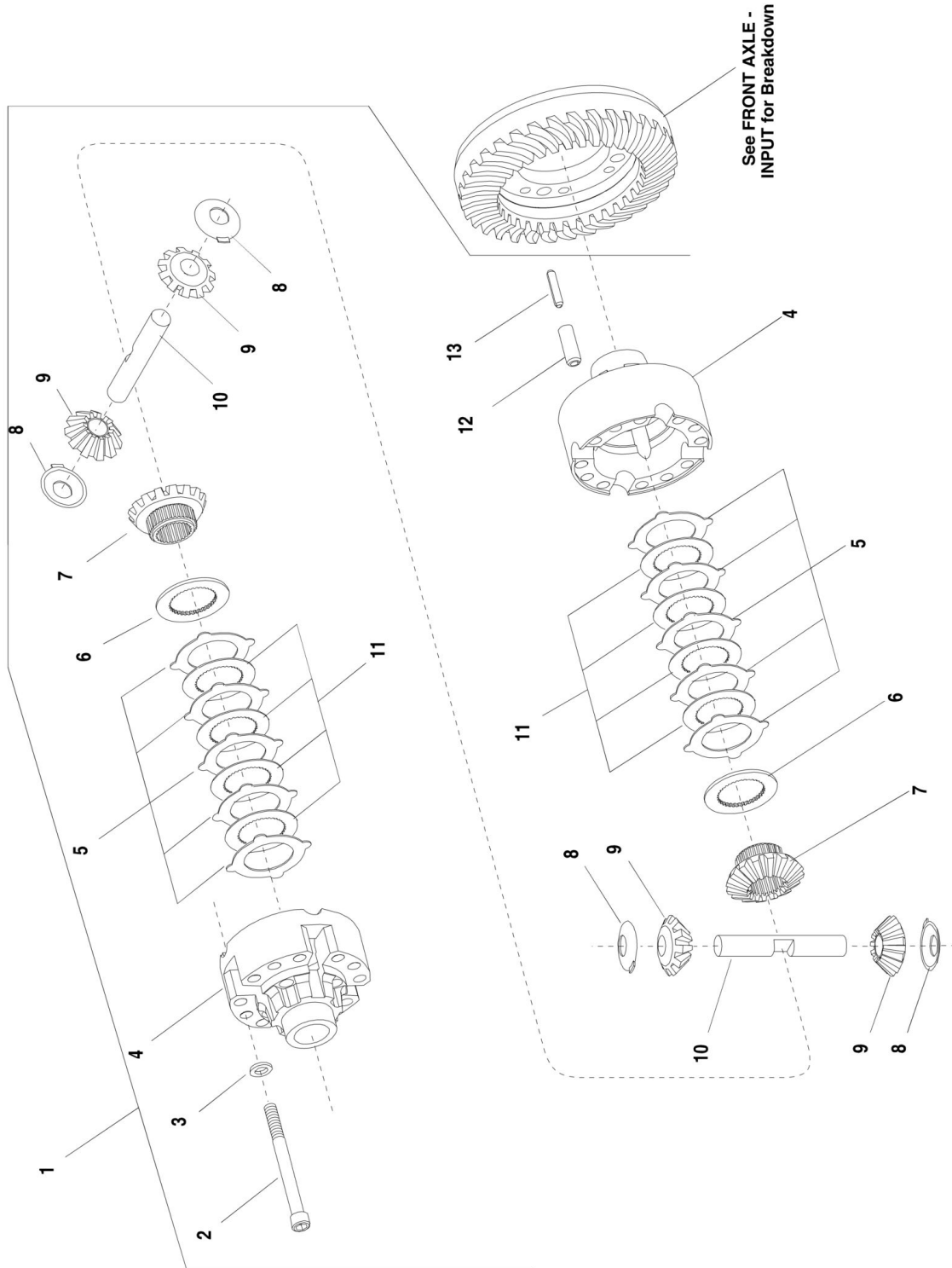
ITEM	PART NUMBER	QTY	DESCRIPTION	REV
1	1321230	1	Gear Set Bevel	
2	1321213	1	Bearing, Roller	
3	1321187	AR	Shim, Optional S=1,5	
3	8035871	AR	Shim, Optional S=0,9	
3	8035872	AR	Shim, Optional S=0,95	
3	8035873	AR	Shim, Optional S=1,0	
3	1321186	AR	Shim, Optional S=1,05	
3	8035874	AR	Shim, Optional S=1,1	
3	8035875	AR	Shim, Optional S=1,15	
3	1321185	AR	Shim, Optional S=1,2	
3	8035876	AR	Shim, Optional S=1,25	
3	8035877	AR	Shim, Optional S=1,3	
3	1321189	AR	Shim, Optional S=0,7	
3	8035878	AR	Shim, Optional S=0,75	
3	8035879	AR	Shim, Optional S=0,8	
3	1321190	AR	Shim, Optional S=0,85	
4	8035881	1	Ring, Optional S=11,30	
4	8035882	1	Ring, Optional S=11,33	
4	8035883	1	Ring, Optional S=11,36	
4	8035884	1	Ring, Optional S=11,39	
4	8035885	1	Ring, Optional S=11,42	
4	8035886	1	Ring, Optional S=11,45	
4	1321196	1	Ring, Optional S=11,48	
4	8035887	1	Ring, Optional S=11,51	
4	8035888	1	Ring, Optional S=11,54	
4	8035889	1	Ring, Optional S=11,57	
4	8035890	1	Ring, Optional S=11,60	
4	8035891	1	Ring, Optional S=11,63	
4	1321197	1	Ring, Optional S=11,66	
4	8035892	1	Ring, Optional S=11,69	
4	8035893	1	Ring, Optional S=11,72	
4	8035894	1	Ring, Optional S=11,75	
4	8035895	1	Ring, Optional S=11,78	
4	8035896	1	Ring, Optional S=11,81	
4	1321198	1	Ring, Optional S=11,84	
4	8035897	1	Ring, Optional S=11,87	
4	8035898	1	Ring, Optional S=11,90	
4	8035899	1	Ring, Optional S=11,93	
4	8035900	1	Ring, Optional S=11,96	
4	8035901	1	Ring, Optional S=11,99	
4	8035902	1	Ring, Optional S=12,02	
4	1321199	1	Ring, Optional S=12,05	
4	8035903	1	Ring, Optional S=12,08	
4	8035904	1	Ring, Optional S=12,11	
4	8035905	1	Ring, Optional S=12,14	
4	8035906	1	Ring, Optional S=12,17	
4	8036841	1	Ring, Optional S=12,20	
4	8035907	1	Ring, Optional S=12,23	
4	8035908	1	Ring, Optional S=12,26	
4	8035909	1	Ring, Optional S=12,29	

SECTION 1 - DRIVE TRAIN

ITEM	PART NUMBER	QTY	DESCRIPTION	REV
4	8035910	1	Ring, Optional S=12,32	
4	8035911	1	Ring, Optional S=12,35	
4	1321201	1	Ring, Optional S=12,38	
4	8035912	1	Ring, Optional S=11,27	
4	1321204	1	Ring, Optional S=11,24	
4	8035913	1	Ring, Optional S=11,21	
4	8035914	1	Ring, Optional S=11,18	
4	8035915	1	Ring, Optional S=11,15	
4	8035916	1	Ring, Optional S=11,12	
4	1321203	1	Ring, Optional S=11,09	
4	8035917	1	Ring, Optional S=11,06	
4	8035918	1	Ring, Optional S=11,03	
4	8035919	1	Ring, Optional S=11,00	
4	8035920	1	Ring, Optional S=10,97	
4	1321202	1	Ring, Optional S=10,94	
5	1321212	1	Bearing, Roller	
6	1321210	1	Ring, Combination	
7	1321248	1	Yoke, End	
8	1321194	1	Washer	
9	8035921	1	Nut, Hex	

SECTION 1 - DRIVE TRAIN

FIGURE 1-4. FRONT AXLE - LIMITED SLIP DIFFERENTIAL (SN MV006 to Present)

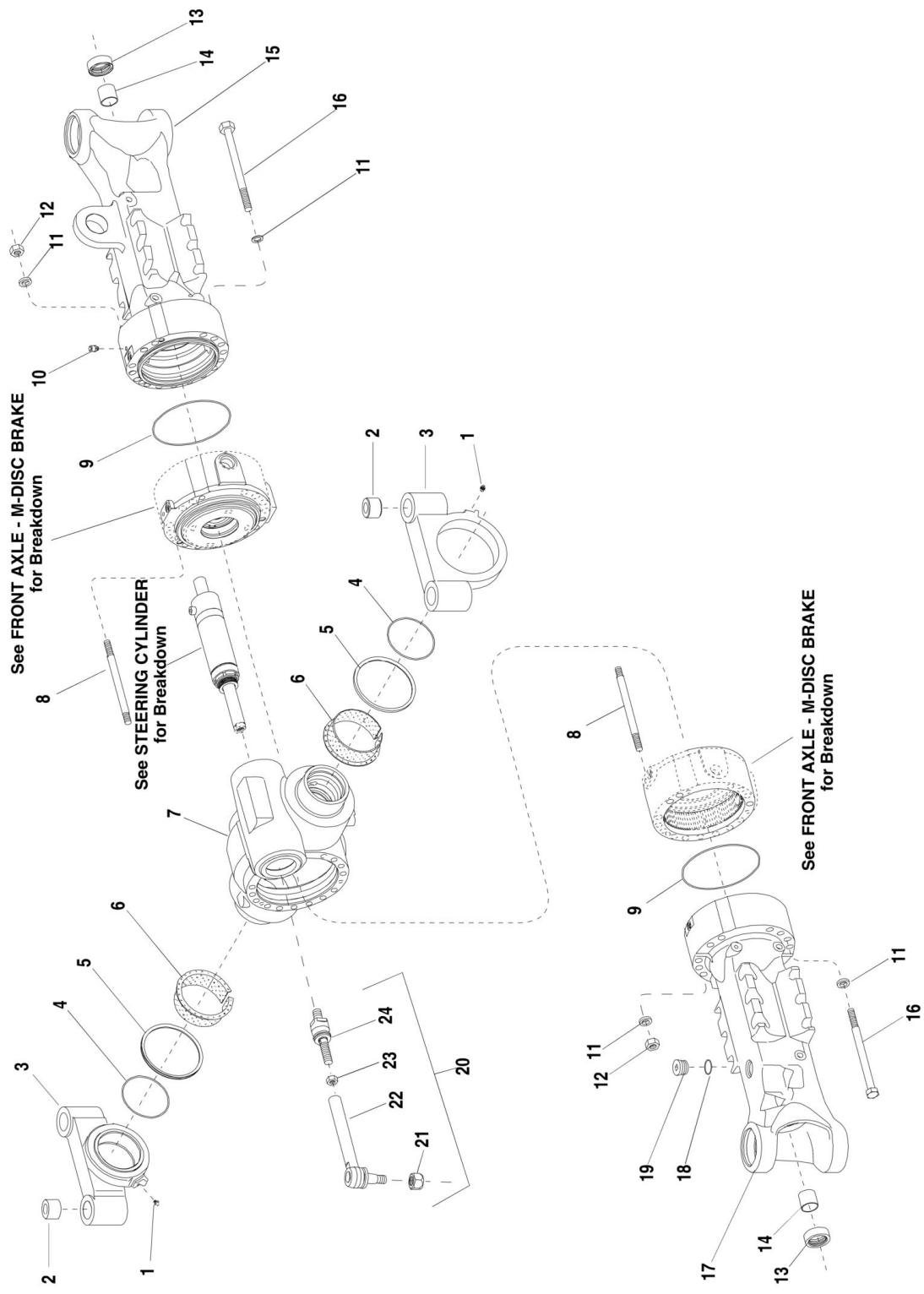


SECTION 1 - DRIVE TRAIN**FIGURE 1-4. FRONT AXLE - LIMITED SLIP DIFFERENTIAL (SN MV006 to Present)**

ITEM	PART NUMBER	QTY	DESCRIPTION	REV
1	8036310	1	Limited Slip Differential Assembly (Includes Items 2 thru 13)	
2	8035923	12	Screw, Cap	
3	1321184	12	Washer	
4	1321215	1	Case, Differential	
5	1321219	10	Disc, O. Clutch - Optional A=1,2	
5	1321220	10	Disc, O. Clutch - Optional A=1,3	
5	1321221	10	Disc, O. Clutch - Optional A=1,4	
6	1321217	2	Disc, Pressure	
7	8036842	2	Gear, Axle Bevel	
8	1319415	4	Washer, Thrust	
9	1319414	4	Gear, Differential Bevel	
10	1321225	2	Axle, Differential	
11	1321218	8	Disc, I. Clutch	
12	1321153	4	Pin, Slotted	
13	1321154	4	Pin, Slotted	

SECTION 1 - DRIVE TRAIN

FIGURE 1-5. FRONT AXLE - AXLE CASING (SN MV006 to Present)

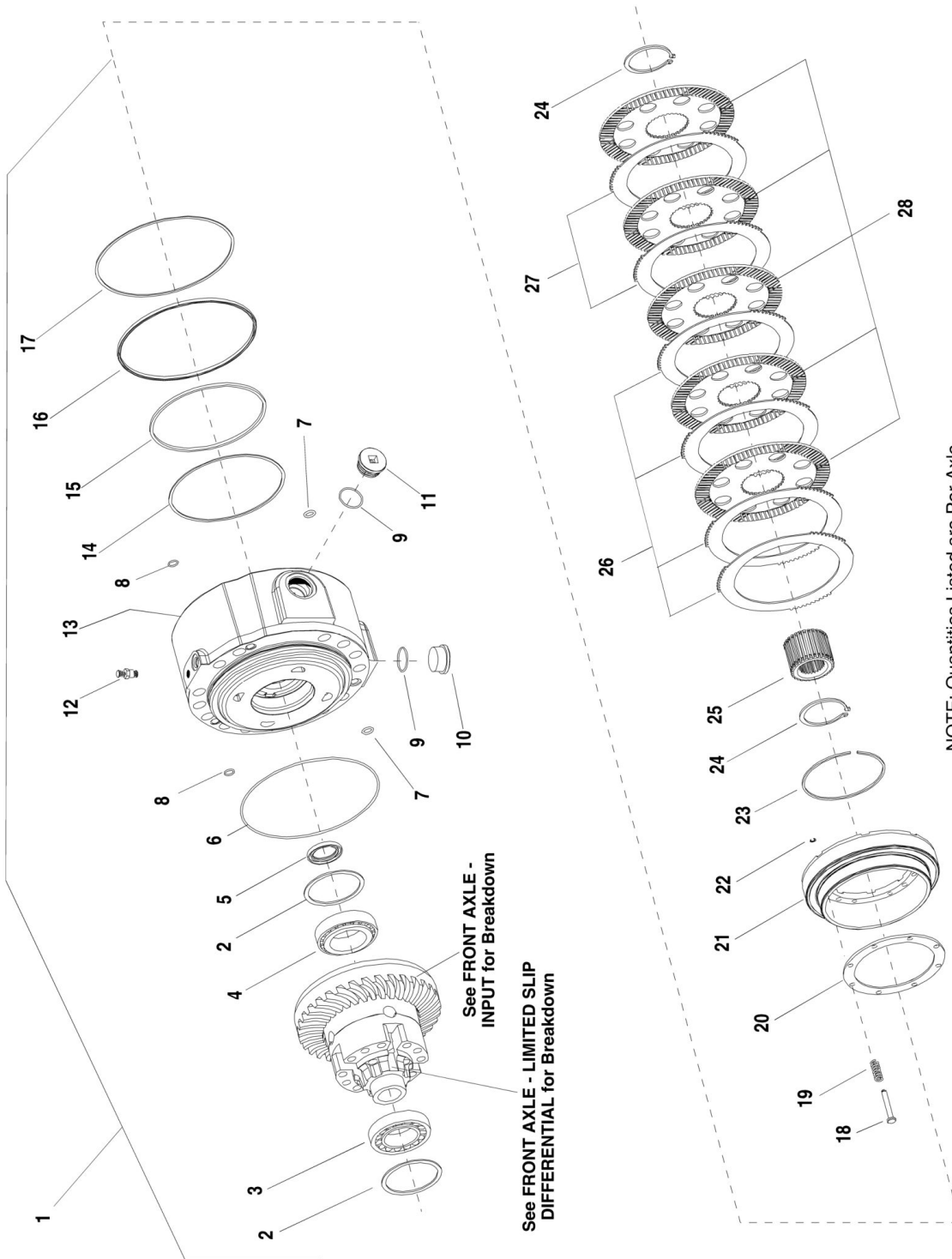


SECTION 1 - DRIVE TRAIN**FIGURE 1-5. FRONT AXLE - AXLE CASING (SN MV006 to Present)**

ITEM	PART NUMBER	QTY	DESCRIPTION	REV
1	1319423	2	Fitting, Grease	
2	1319441	4	Bushing, Centering	
3	8036845	2	Bracket	
4	1319439	2	O-Ring	
5	1319440	2	V-Ring	
6	8036419	2	Bushing, Flange	
7	8036417	1	Housing, Axle Drive	
8	8036313	8	Stud	
9	1319425	2	O-Ring	
10	1319436	1	Valve, Vent	
11	8036312	30	Washer, (not required on later production models)	
12	1319429	8	Nut, Hex	
13	8036754	2	Seal, Shaft	
14	1319433	2	Bushing	
15	8036415	1	Axle Casing, Right Front	
16	8035927	24	Screw, Hex, (only qty of 22 required for later production models)	
17	8036416	1	Axle Casing, Left Front	
18	8036331	1	O-Ring	
19	1319506	1	Plug, Screw	
20	8036843	2	Rod, Track (Includes Items 21 thru 24)	
21	8036758	1	Nut, Locking	
22	8036844	1	Coupling, Ball Joint w/Pipe	
23	8036759	1	Nut, Hex	
24	8036757	1	Coupling, Axial Joint	

SECTION 1 - DRIVE TRAIN

FIGURE 1-6. FRONT AXLE - M-DISC BRAKE (SN MV006 to Present)



SECTION 1 - DRIVE TRAIN**FIGURE 1-6. FRONT AXLE - M-DISC BRAKE (SN MV006 to Present)**

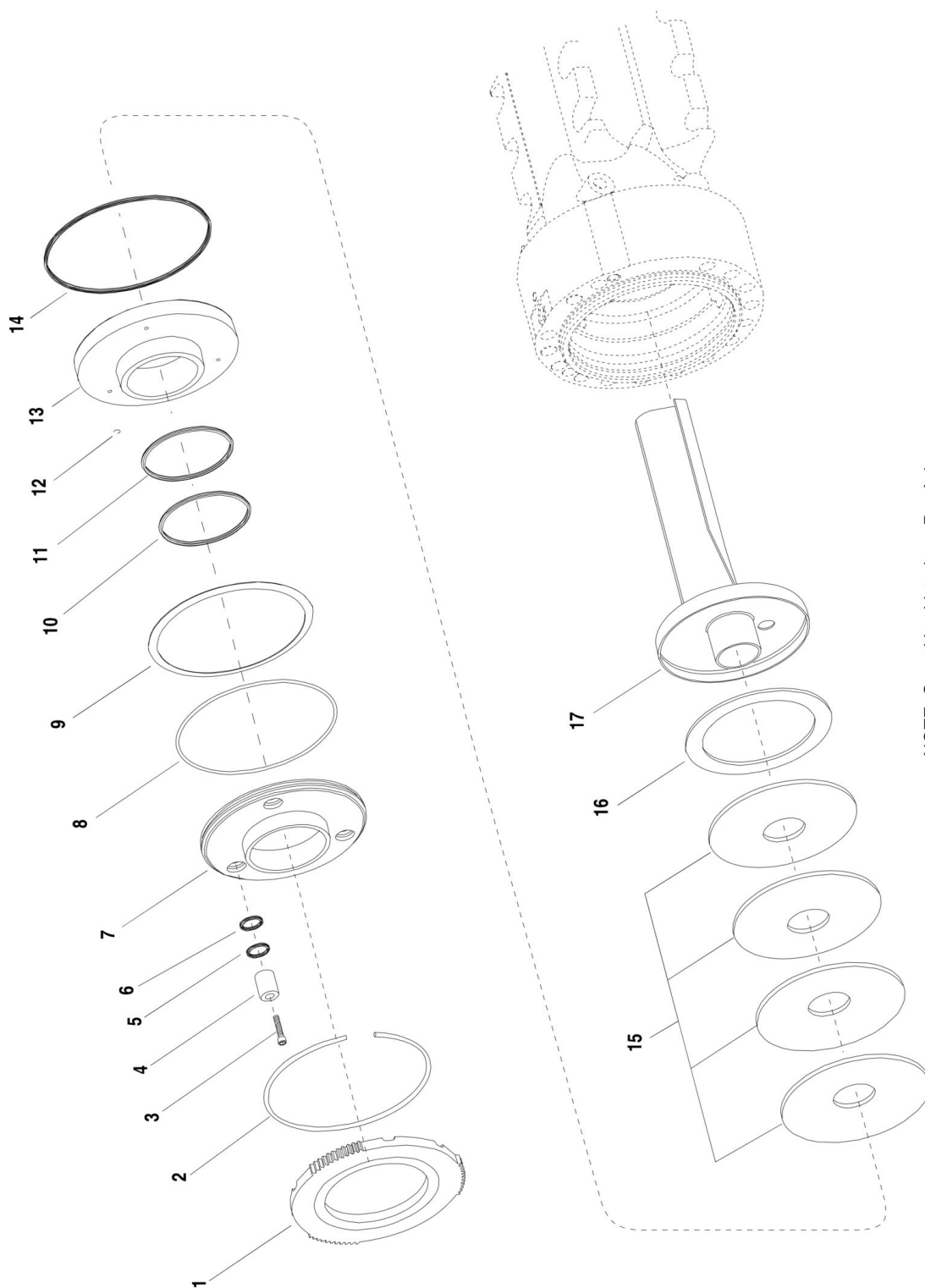
ITEM	PART NUMBER	QTY	DESCRIPTION	REV
1		Ref	M-Disk Assembly (Includes Items 2 thru 28)	
2	1319531	AR	Shim, Optional A=0,1	
2	8035945	AR	Shim, Optional A=0,15	
2	1319530	AR	Shim, Optional A=0,2	
2	8035946	AR	Shim, Optional A=0,25	
2	1319529	AR	Shim, Optional A=0,3	
2	8035947	AR	Shim, Optional A=0,35	
2	8035951	AR	Shim, Optional A=0,4	
2	1319543	AR	Shim, Optional A=0,45	
2	1319527	AR	Shim, Optional A=0,5	
2	1321158	AR	Shim, Optional A=0,55	
2	1319526	AR	Shim, Optional A=0,6	
2	1319532	AR	Shim, Optional A=0,65	
2	1319533	AR	Shim, Optional A=0,7	
2	1319534	AR	Shim, Optional A=0,75	
2	1319525	AR	Shim, Optional A=0,8	
2	1319535	AR	Shim, Optional A=0,85	
2	1319536	AR	Shim, Optional A=0,9	
2	1319537	AR	Shim, Optional A=0,95	
2	1319524	AR	Shim, Optional A=1,0	
2	1319545	AR	Shim, Optional A=1,05	
2	1319538	AR	Shim, Optional A=1,10	
2	1319539	AR	Shim, Optional A=1,15	
2	1319523	AR	Shim, Optional A=1,20	
2	1319540	AR	Shim, Optional A=1,25	
2	1319541	AR	Shim, Optional A=1,30	
2	1319542	AR	Shim, Optional A=1,35	
2	1319522	AR	Shim, Optional A=1,40	
2	1319521	AR	Shim, Optional A=1,45	
2	1319520	AR	Shim, Optional A=1,50	
2	1319519	AR	Shim, Optional A=1,55	
2	1319518	AR	Shim, Optional A=1,60	
2	1319517	AR	Shim, Optional A=1,65	
2	1319510	AR	Shim, Optional A=2,0	
2	1321159	AR	Shim, Optional A=1,47	
2	8035948	AR	Shim, Optional A=1,63	
2	1319516	AR	Shim, Optional A=1,70	
2	1319515	AR	Shim, Optional A=1,75	
2	1319514	AR	Shim, Optional A=1,80	
2	1319513	AR	Shim, Optional A=1,85	
2	1319512	AR	Shim, Optional A=1,90	
2	1319511	AR	Shim, Optional A=1,95	
3	8036445	1	Bearing, Roller	
4	8036447	1	Bearing, Roller	
5	8036444	2	Seal, Shaft	
6	1319425	2	O-Ring	
7	8036847	4	O-Ring	
8	1319491	8	O-Ring	
9	8036331	2	O-Ring	
10	1319431	2	Plug, Screw	

SECTION 1 - DRIVE TRAIN

ITEM	PART NUMBER	QTY	DESCRIPTION	REV
11	1319506	2	Plug, Screw	
12	1319505	2	Valve, Vent	
13	70022838	1	Housing, Brake - Right Side	
13	70022839	1	Housing, Brake - Left Side	
14	1321151	2	Ring, Support	
15	1321162	2	U-Ring	
16	1321163	2	U-Ring	
17	1321152	2	Ring, Support	
18	1319496	16	Pin	
19	1319497	16	Spring, Compression	
20	8036305	2	Washer	
21	8036304	2	Piston	
22	1319499	16	Ring, Crescent	
23	1319504	2	Ring, Snap	
24	10731949	4	Ring, Retaining	
25	1321174	2	Carrier, Disc, (Prior to Axle SN 823786)	
25	70020409	2	Carrier, Disc, (Axle SN 823786 to Present)	
26	1319502	8	Disc, O. Clutch - Optional S=3,0, (Prior to Axle SN 791632)	
26	70020487	8	Disc, O. Clutch - Optional S=3,0, (Axle SN 791632 to Present)	
27	1319500	4	Disc, O. Clutch - Optional S=2,0, (Prior to Axle SN 791632)	
27	70020485	4	Disc, O. Clutch - Optional S=2,0, (Axle SN 791632 to Present)	
27	1319501	4	Disc, O. Clutch - Optional S=2,5, (Prior to Axle SN 791632)	
27	70020486	4	Disc, O. Clutch - Optional S=2,5, (Axle SN 791632 to Present)	
27	1319502	4	Disc, O. Clutch - Optional S=3,0, (Prior to Axle SN 791632)	
27	70020487	4	Disc, O. Clutch - Optional S=3,0, (Axle SN 791632 to Present)	
28	1321150	10	Disc, I. Clutch, (Prior to Axle SN 823786)	
28	70020408	10	Disc, I. Clutch, (Axle SN 823786 to Present)	

SECTION 1 - DRIVE TRAIN

FIGURE 1-7. FRONT AXLE - BRAKE (SN MV006 to Present)



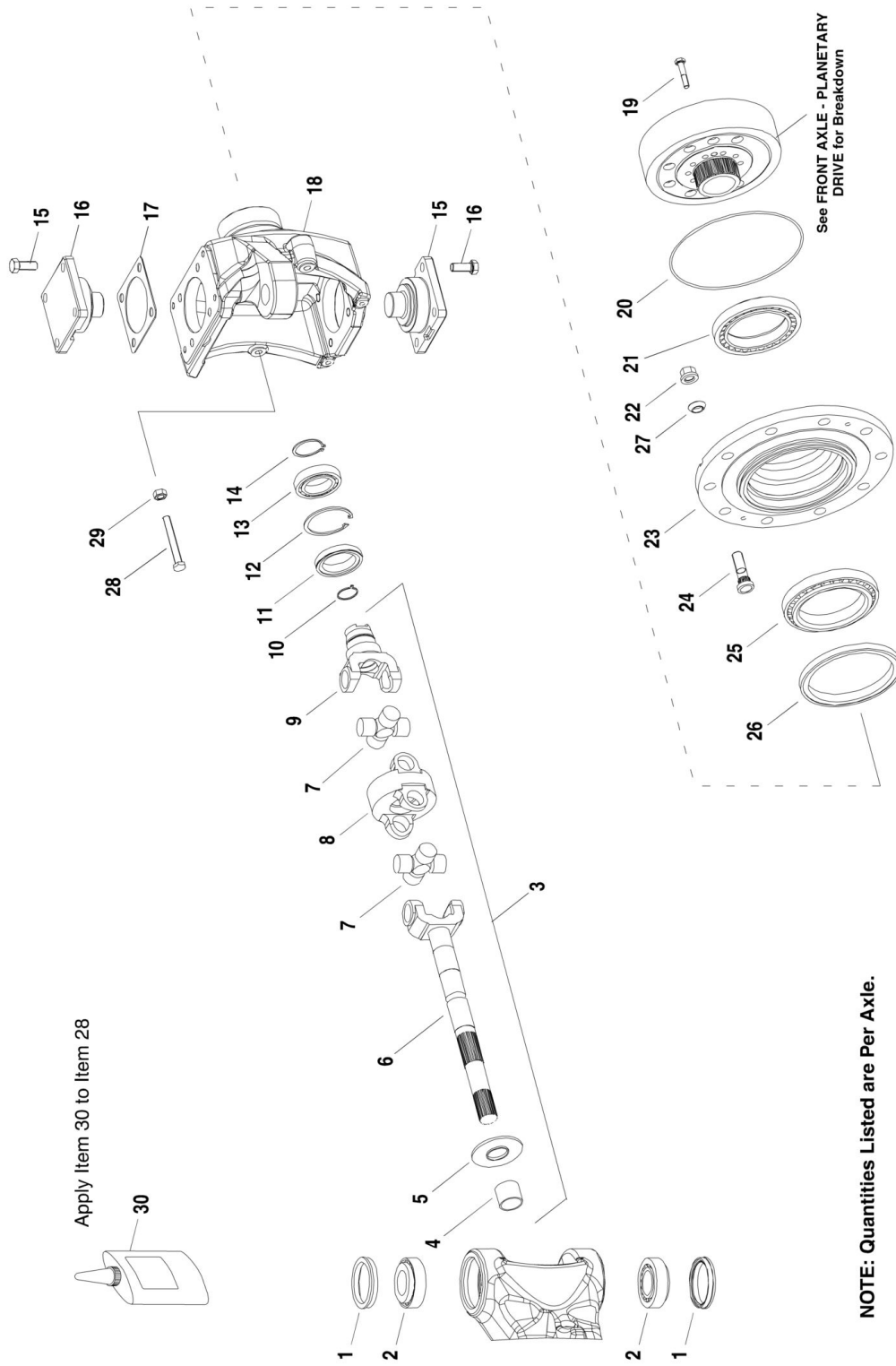
NOTE: Quantities Listed are Per Axle.

SECTION 1 - DRIVE TRAIN**FIGURE 1-7. FRONT AXLE - BRAKE (SN MV006 to Present)**

ITEM	PART NUMBER	QTY	DESCRIPTION	REV
1	8036848	2	Shim, End, (Prior to Axle SN 791632)	
1	70020413	2	Shim, End, (Axle SN 791632 to Present)	
2	1321206	2	Ring, Snap	
3	8036321	6	Screw, Cap	
4	8036858	6	Pin, Pressure	
5	8036862	6	O-Ring	
6	8036861	6	U-Ring	
7	8036849	2	Washer, Sealing	
8	8036320	2	O-Ring	
9	1321208	2	Spring, Cup	
10	8036855	2	Backup Ring	
11	8036854	2	U-Ring	
12	8036859	6	Backup Ring	
13	7027212	2	Piston	
14	8036852	2	U-Ring	
15	1321207	8	Spring, Cup	
16	8035958	2	Washer, Spacing	
17	8036856	2	Piston	

SECTION 1 - DRIVE TRAIN

FIGURE 1-8. FRONT AXLE - JOINT HOUSING (SN MV006 to Present)

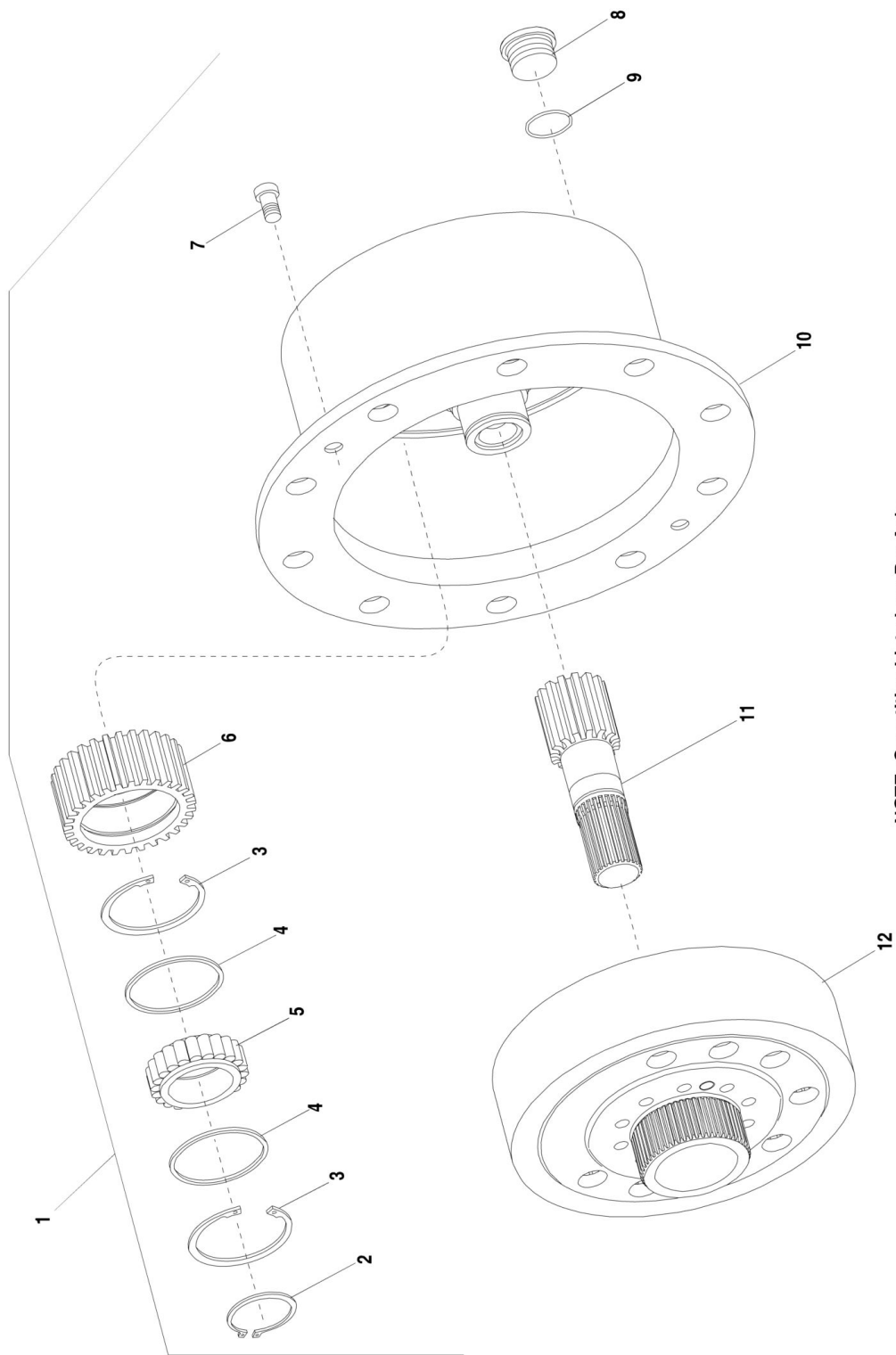


SECTION 1 - DRIVE TRAIN**FIGURE 1-8. FRONT AXLE - JOINT HOUSING (SN MV006 to Present)**

ITEM	PART NUMBER	QTY	DESCRIPTION	REV
1	1319447	4	Seal, Shaft	
2	1319445	4	Bearing, Roller	
3	1321175	2	Shaft, D. Universal Coupling, (Includes Items 4 thru 9)	
4	8035973	1	Bushing	
5	8035974	1	Sheet, Screen	
6	8035972	1	Fork, Joint Coupling	
7	8035970	2	Cross, Joint, (not maintenance free), (Prior to Axle SN 761550)	
7	70021790	2	Cross, Joint, (maintenance free), (Axle SN 761550 to Present)	
8	8035969	1	Central Piece, (not maintenance free), (Prior to Axle SN 761550)	
8	70021789	1	Central Piece, (maintenance free), (Axle SN 761550 to Present)	
9	8035971	1	Fork, Joint	
10	1321228	2	Ring, Retaining	
11	7028977	2	Seal, Shaft	
12	1319210	2	Ring, Retaining	
13	1321157	2	Bearing, Ball	
14	80304405	2	Ring, Retaining	
15	1319464	16	Screw, Hex	
16	1319462	4	Pin, Bearing	
17	1321249	AR	Shim, Optional A=0,2	
17	8035959	AR	Shim, Optional A=0,3	
17	8035960	AR	Shim, Optional A=0,4	
17	8035961	AR	Shim, Optional A=0,5	
17	8035962	AR	Shim, Optional A=0,6	
17	1321250	AR	Shim, Optional A=0,7	
17	8035963	AR	Shim, Optional A=0,8	
17	8035964	AR	Shim, Optional A=1,0	
17	8035965	AR	Shim, Optional A=1,2	
17	8035966	AR	Shim, Optional A=1,4	
17	1321251	AR	Shim, Optional A=1,6	
17	8035967	AR	Shim, Optional A=1,8	
17	8035968	AR	Shim, Optional A=2,0	
18	8036863	1	Housing, Joint - Right Side	
18	8036864	1	Housing, Joint - Left Side	
19	8036866	20	Screw, Hex	
20	1321155	2	O-Ring	
21	1319472	2	Bearing, Roller	
22	8786570	20	Nut, Sph. Collar (Lug Nut)	
23	8036472	2	Hub	
24	1101056	20	Bolt, Wheel (Stud)	
25	8036471	2	Bearing, Roller	
26	80304173	2	Seal, Shaft	
27	8786571	20	Washer, Spring Lock	
28	1319476	2	Screw, Stop	
29	1319477	2	Nut	
30	8526007	1	Thread Locker Loctite #242, 250ml (Bottle)	

SECTION 1 - DRIVE TRAIN

FIGURE 1-9. FRONT AXLE - PLANETARY DRIVE (SN MV006 to Present)



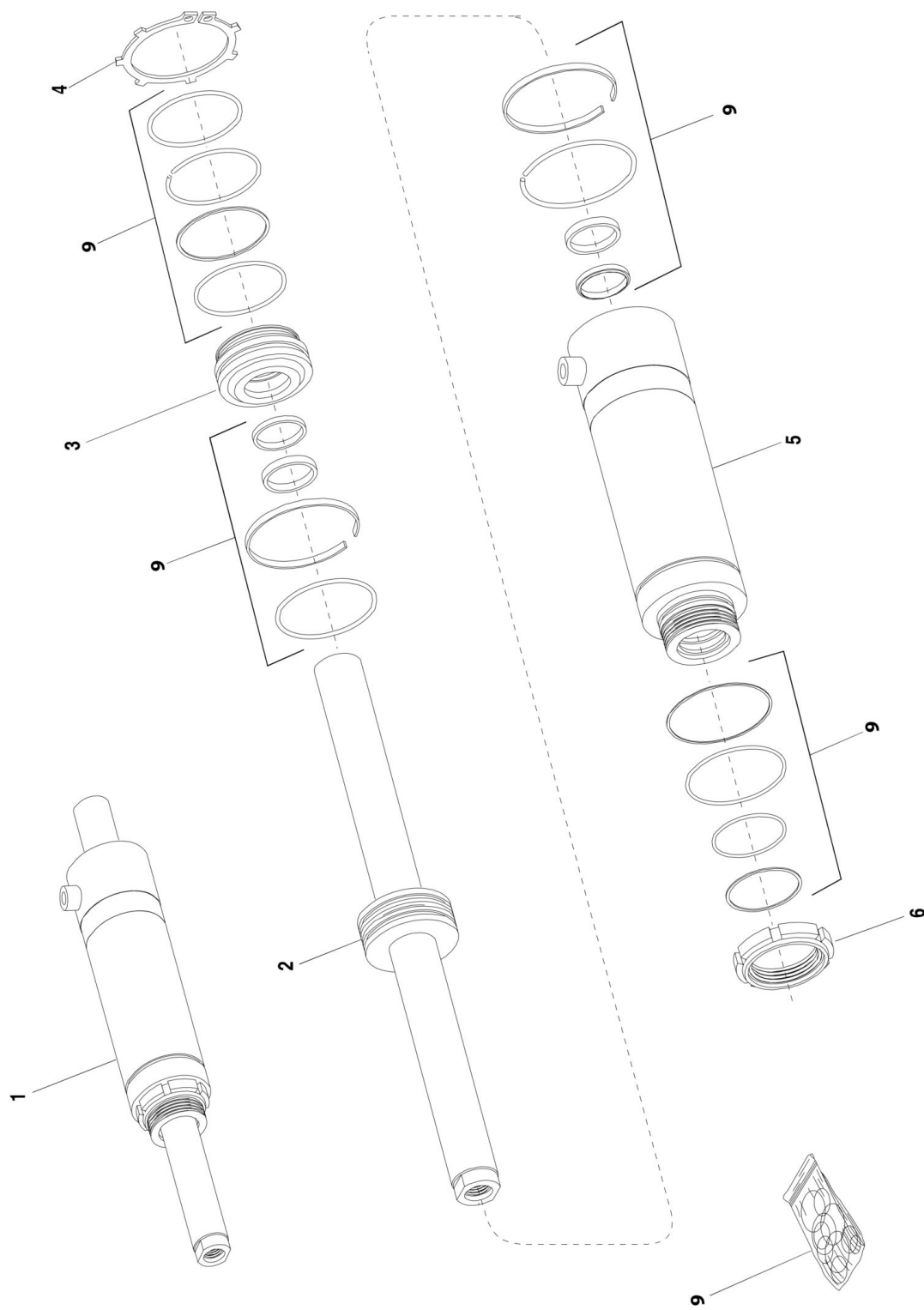
NOTE: Quantities Listed are Per Axle.

SECTION 1 - DRIVE TRAIN**FIGURE 1-9. FRONT AXLE - PLANETARY DRIVE (SN MV006 to Present)**

ITEM	PART NUMBER	QTY	DESCRIPTION	REV
1		Ref	Planetary Drive Assembly (Includes Items 2 thru 12)	
2	80304227	3	Ring, Retaining	
3	1321205	6	Ring, Snap (Prior to SN 1723586)	
4	1321191	6	Washer (Prior to SN 1723586)	
5	1321214	3	Bearing, Tapered Roller, (Prior to Axle SN 1723586)	
5	70023330	3	Bearing, Cylindrical Roller, (Axle SN 1723586 to Present)	
6	1321233	3	Gear, Planet (Prior to SN 1723586)	
6	70022271	3	Gear, Planet, (Axle SN 1723586 to Present)	
7	8035977	2	Screw, Cap	
8	1319506	1	Plug, Screw	
9	8036331	1	O-Ring	
10	1321232	1	Carrier, Planet (Prior to SN 1723586)	
10	70023261	1	Carrier, Planet, (Axle SN 1723586 to Present)	
11	1321255	1	Shaft, Sun Gear	
12	1321258	1	Gear, Ring	

SECTION 1 - DRIVE TRAIN

FIGURE 1-10. STEERING CYLINDER (SN MV006 to Present)

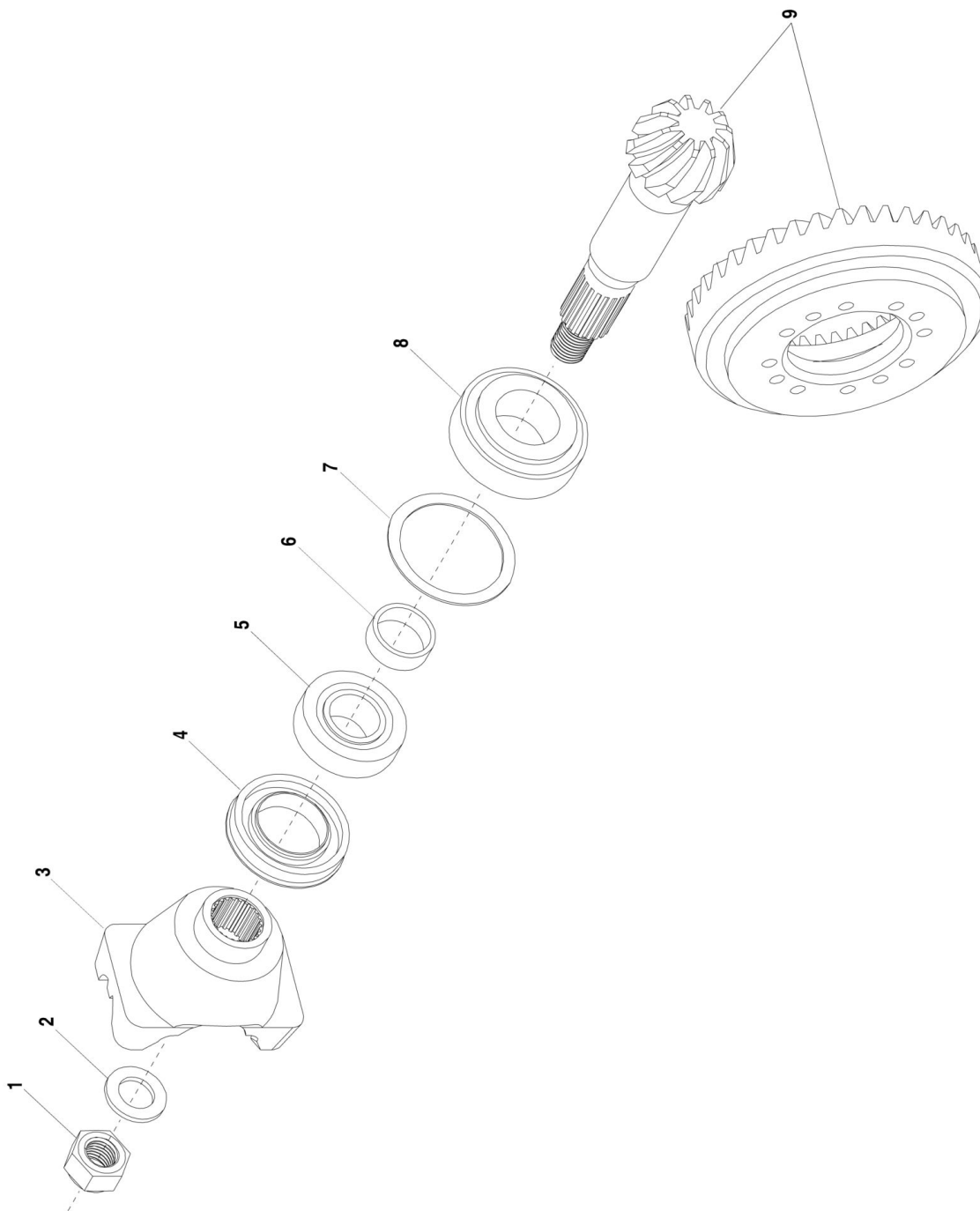


SECTION 1 - DRIVE TRAIN**FIGURE 1-10. STEERING CYLINDER (SN MV006 to Present)**

ITEM	PART NUMBER	QTY	DESCRIPTION	REV
1	1321149	NLA	Steering Cylinder Assembly, (no longer available, order 70021617 for replacement), (Includes Items 2 thru 6), (Prior to Front Axle SN 1303477 and Rear Axle SN 1303491)	
1	70021617	1	Steering Cylinder Assembly, (includes items 2 thru 6), (Front Axle SN 1303477 to Present and Rear Axle SN 1303491 to Present)	
2	N.S.S.	1	Rod, Piston, (Prior to Front Axle SN 1303477 and Prior to Rear Axle SN 1303491), (Order Item 1)	
2	70021568	1	Rod, Piston, (Front Axle SN 1303477 to Present and Rear Axle SN 1303491 to Present)	
3	N.S.S.	1	Guide Piece, (Prior to Front Axle SN 1303477 and Prior to Rear Axle SN 1303491), (Order Item 1)	
3	70021569	1	Guide Piece, (Front Axle SN 1303477 to Present and Rear Axle SN 1303491 to Present)	
4	N.S.S.	1	L-Ring, (Prior to Front Axle SN 1303477 and Prior to Rear Axle SN 1303491), (Order Item 1)	
4	70021571	1	L-Ring, (Front Axle SN 1303477 to Present and Rear Axle SN 1303491 to Present)	
5	N.S.S.	1	Tube, Cylinder, (Order Item 1)	
6	8035998	1	Nut, Slotted, (Prior to Front Axle SN 1303477 and Prior to Rear Axle SN 1303491)	
6	70021570	1	Nut, Slotted, (Front Axle SN 1303477 to Present and Rear Axle SN 1303491 to Present)	
7	70021726	2	Retaining Ring, (Front Axle SN 1303477 to Present and Rear Axle SN 1303491 to Present), (not shown)	
8	70022610	1	Slot Pin, (Front Axle SN 1303477 to Present and Rear Axle SN 1303491 to Present), (not shown)	
		Ref	KITS	
7	8035981	1	Kit, Seal, (Prior to Front Axle SN 1303477 and Prior to Rear Axle SN 1303491)	
7	70021495	1	Kit, Seal, (Front Axle SN 1303477 to Present and Rear Axle SN 1303491 to Present)	

SECTION 1 - DRIVE TRAIN

FIGURE 1-11. REAR AXLE - INPUT (SN MV006 to Present)



SECTION 1 - DRIVE TRAIN**FIGURE 1-11. REAR AXLE - INPUT (SN MV006 to Present)**

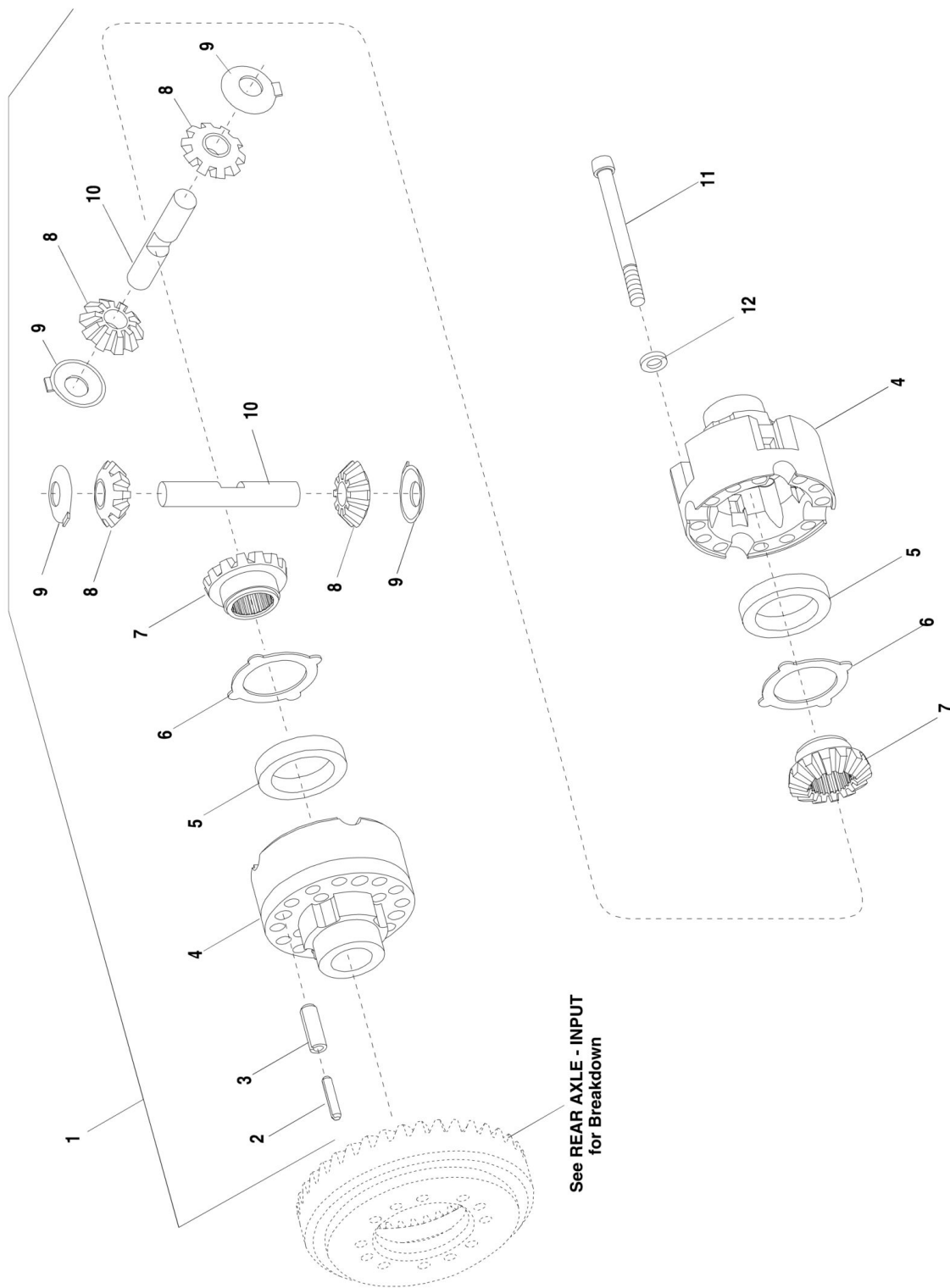
ITEM	PART NUMBER	QTY	DESCRIPTION	REV
1	8035983	1	Nut, Hex	
2	1319406	1	Washer	
3	1321237	1	Yoke, End	
4	1321211	1	Ring, Combination	
5	1319444	1	Bearing, Roller	
6	1319354	1	Ring, Optional S=15,1	
6	1319355	1	Ring, Optional S=15,2	
6	1319356	1	Ring, Optional S=15,3	
6	1319357	1	Ring, Optional S=15,4	
6	1319358	1	Ring, Optional S=15,5	
6	1319359	1	Ring, Optional S=15,6	
6	1319360	1	Ring, Optional S=15,7	
6	1319361	1	Ring, Optional S=15,8	
6	1319362	1	Ring, Optional S=15,9	
6	1319363	1	Ring, Optional S=16,0	
6	1319364	1	Ring, Optional S=16,1	
6	1319365	1	Ring, Optional S=16,2	
6	1319366	1	Ring, Optional S=16,3	
6	1319367	1	Ring, Optional S=16,4	
6	8035982	1	Ring, Optional S=16,26	
6	1319369	1	Ring, Optional S=16,23	
6	1319370	1	Ring, Optional S=16,16	
6	1319371	1	Ring, Optional S=16,13	
6	1319372	1	Ring, Optional S=16,06	
6	1319373	1	Ring, Optional S=16,03	
6	1319374	1	Ring, Optional S=15,96	
6	1319375	1	Ring, Optional S=15,93	
6	1319376	1	Ring, Optional S=15,86	
6	1319377	1	Ring, Optional S=15,83	
6	1319378	1	Ring, Optional S=15,76	
6	1319379	1	Ring, Optional S=15,73	
6	1319380	1	Ring, Optional S=15,66	
6	1319381	1	Ring, Optional S=15,63	
6	1319382	1	Ring, Optional S=15,56	
6	1319383	1	Ring, Optional S=15,53	
6	1319384	1	Ring, Optional S=15,46	
6	1319385	1	Ring, Optional S=15,43	
6	1319386	1	Ring, Optional S=15,36	
6	1319387	1	Ring, Optional S=15,33	
6	1319388	1	Ring, Optional S=15,26	
6	1319389	1	Ring, Optional S=15,38	
6	1319390	1	Ring, Optional S=15,48	
6	1319391	1	Ring, Optional S=15,58	
6	1319392	1	Ring, Optional S=15,68	
6	1319393	1	Ring, Optional S=15,69	
6	1319394	1	Ring, Optional S=15,72	
6	1319395	1	Ring, Optional S=15,78	
6	1319396	1	Ring, Optional S=15,81	
6	1319397	1	Ring, Optional S=15,84	
6	1319398	1	Ring, Optional S=15,88	

SECTION 1 - DRIVE TRAIN

ITEM	PART NUMBER	QTY	DESCRIPTION	REV
6	1319399	1	Ring, Optional S=15,89	
6	1319400	1	Ring, Optional S=15,91	
6	1319401	1	Ring, Optional S=15,94	
6	1319402	1	Ring, Optional S=15,97	
7	1319333	AR	Washer, Optional S=1,0	
7	1319334	AR	Washer, Optional S=1,05	
7	1319335	AR	Washer, Optional S=1,1	
7	1319336	AR	Washer, Optional S=1,15	
7	1319337	AR	Washer, Optional S=1,2	
7	1319338	AR	Washer, Optional S=1,25	
7	1319339	AR	Washer, Optional S=1,3	
7	1319340	AR	Washer, Optional S=1,35	
7	1319341	AR	Washer, Optional S=1,4	
7	1319342	AR	Washer, Optional S=1,45	
7	1319343	AR	Washer, Optional S=1,5	
7	1319344	AR	Washer, Optional S=1,55	
7	1319345	AR	Washer, Optional S=1,6	
7	1319346	AR	Washer, Optional S=0,9	
7	1319347	AR	Washer, Optional S=0,95	
7	1319348	AR	Washer, Optional S=0,65	
7	1319349	AR	Washer, Optional S=0,70	
7	1319350	AR	Washer, Optional S=0,75	
7	1319351	AR	Washer, Optional S=0,85	
7	1319352	AR	Washer, Optional S=0,80	
8	1319353	1	Bearing, Roller	
9	8036751	1	Gear Set, Bevel	

SECTION 1 - DRIVE TRAIN

FIGURE 1-12. REAR AXLE - DIFFERENTIAL (SN MV006 to Present)

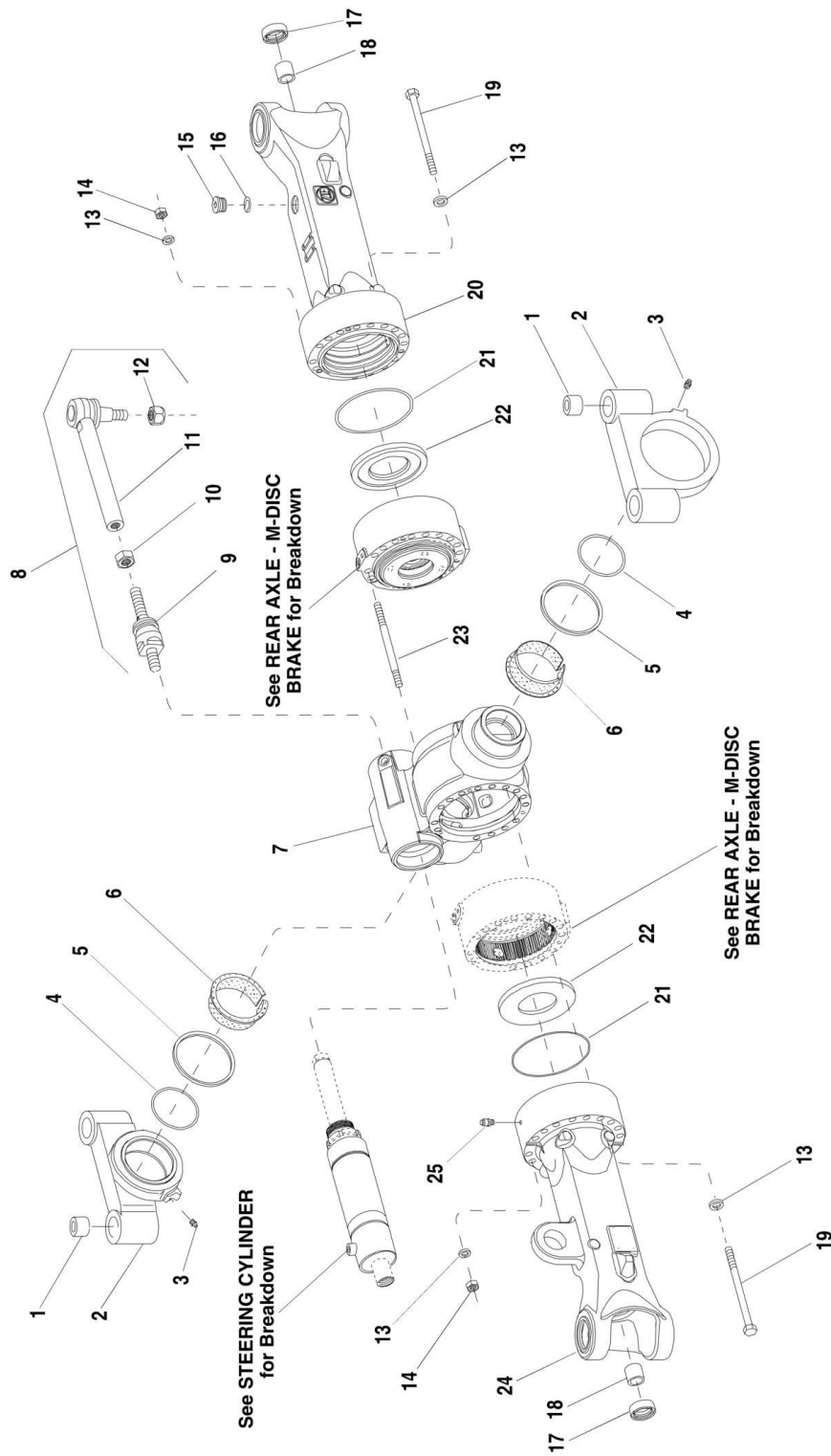


SECTION 1 - DRIVE TRAIN**FIGURE 1-12. REAR AXLE - DIFFERENTIAL (SN MV006 to Present)**

ITEM	PART NUMBER	QTY	DESCRIPTION	REV
1		Ref	Differential Assembly (Includes Items 2 thru 12)	
2	1321154	4	Pin, Slot.	
3	1321153	4	Pin, Slot.	
4	1321215	1	Case, Differential	
5	1321260	2	Ring, Differential A=13,7	
5	8035984	2	Ring, Differential A=13,6	
5	1321259	2	Ring, Differential A=13,5	
6	1319412	2	Washer, Thrust	
7	8036752	2	Gear, Axle Bevel	
8	8036753	4	Gear, Differential Bevel	
9	1319415	4	Washer, Thrust	
10	1321225	2	Axle, Differential	
11	8035923	12	Screw, Cap	
12	1321184	12	Washer	

SECTION 1 - DRIVE TRAIN

FIGURE 1-13. REAR AXLE - AXLE CASING (SN MV006 to Present)

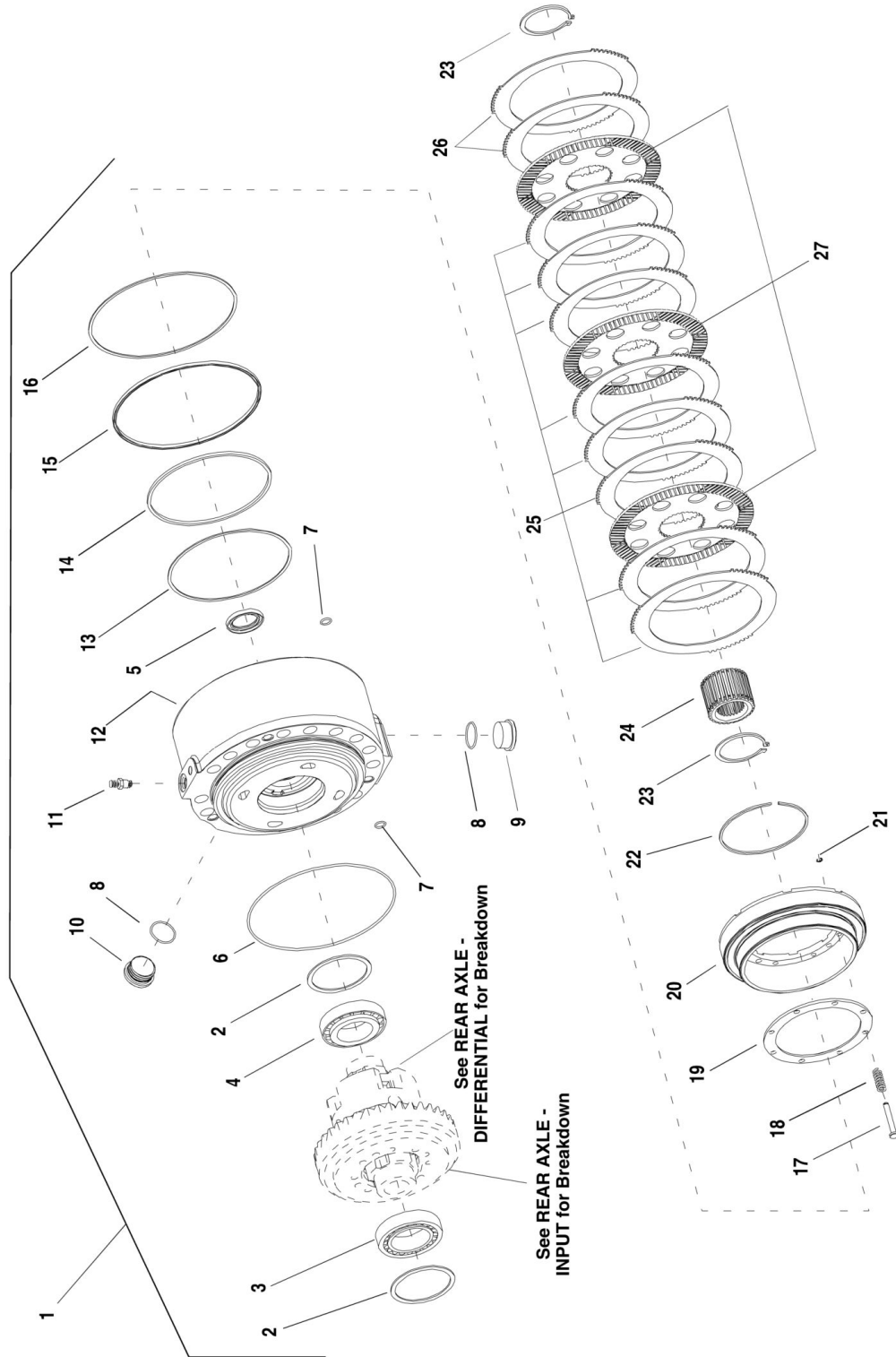


SECTION 1 - DRIVE TRAIN**FIGURE 1-13. REAR AXLE - AXLE CASING (SN MV006 to Present)**

ITEM	PART NUMBER	QTY	DESCRIPTION	REV
1	1319441	4	Bushing, Centering	
2	8036845	2	Bracket	
3	1319423	2	Fitting, Grease	
4	1319439	2	O-Ring	
5	1319440	2	V-Ring	
6	8036419	2	Bushing, Flange	
7	8036865	1	Housing, Axle Drive	
8	8036843	2	Rod, Track (Includes Items 9 thru 12)	
9	8036757	2	Coupling, Axial Joint	
10	8036759	2	Nut, Hex	
11	8036844	2	Coupling, Ball Joint w/Pipe	
12	8036758	2	Nut, Locking	
13	8036312	30	Washer	
14	1319429	8	Nut, Hex	
15	1319506	1	Plug, Screw	
16	8036331	1	O-Ring	
17	8036754	2	Seal, Shaft	
18	1319433	2	Bushing	
19	8035927	22	Screw, Hex	
20	8036335	1	Casing, Axle (Right Rear)	
21	1319425	2	O-Ring	
22	8036606	2	Shim, End	
23	8036313	8	Stud	
24	8035986	1	Casing, Axle (Left Rear)	
25	1319436	1	Valve, Vent	

SECTION 1 - DRIVE TRAIN

FIGURE 1-14. REAR AXLE - M-DISC BRAKE (SN MV006 to Present)



NOTE: Quantities Listed are Per Axle.

SECTION 1 - DRIVE TRAIN**FIGURE 1-14. REAR AXLE - M-DISC BRAKE (SN MV006 to Present)**

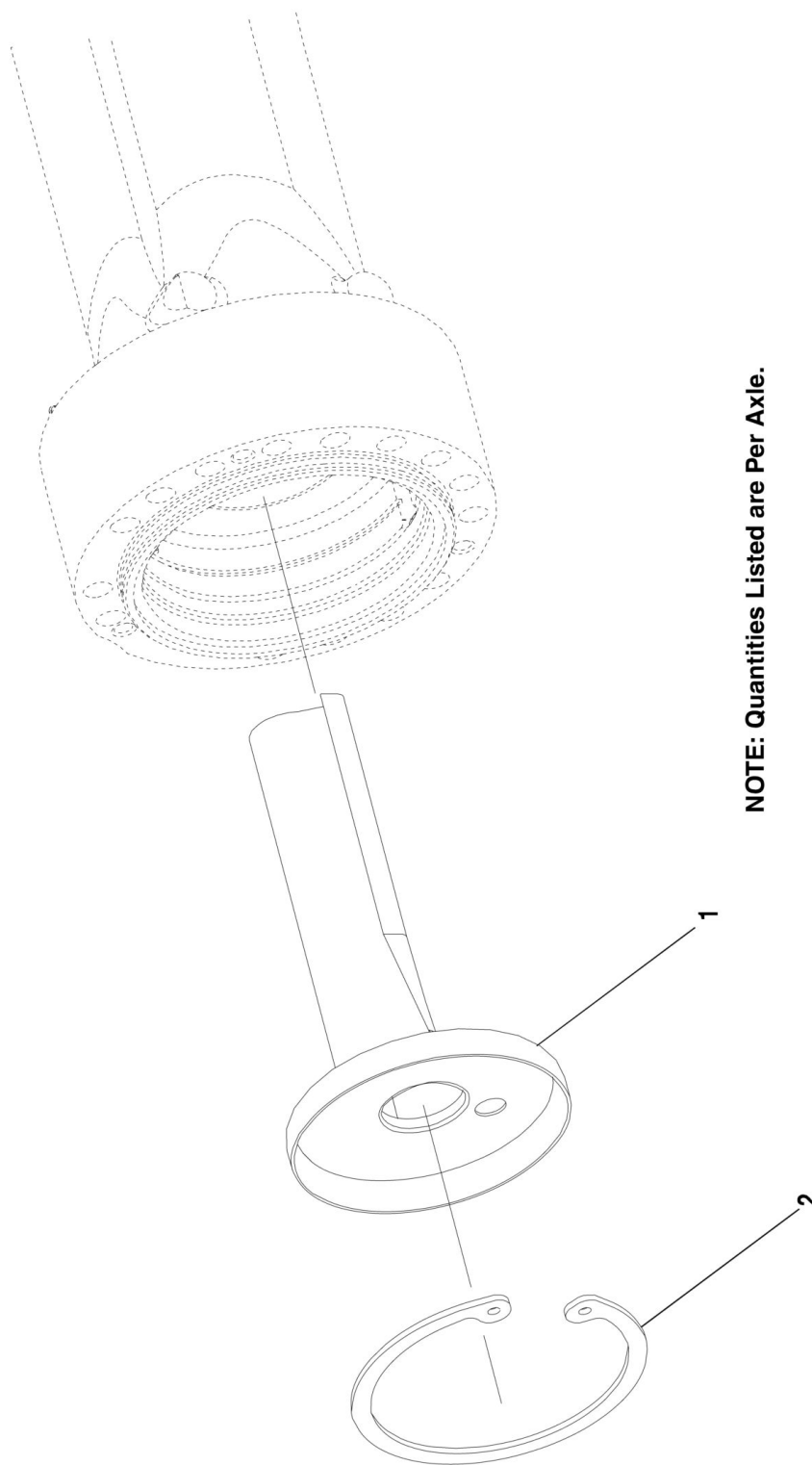
ITEM	PART NUMBER	QTY	DESCRIPTION	REV
1		Ref	M-Disk Brake Assembly (Includes Items 2 thru 27)	
2	1319531	AR	Shim, Optional A=0,1	
2	8035945	AR	Shim, Optional A=0,15	
2	1319530	AR	Shim, Optional A=0,2	
2	8035946	AR	Shim, Optional A=0,25	
2	1319529	AR	Shim, Optional A=0,3	
2	8035947	AR	Shim, Optional A=0,35	
2	8035951	AR	Shim, Optional A=0,4	
2	1319543	AR	Shim, Optional A=0,45	
2	1319527	AR	Shim, Optional A=0,5	
2	1321158	AR	Shim, Optional A=0,55	
2	1319526	AR	Shim, Optional A=0,6	
2	1319532	AR	Shim, Optional A=0,65	
2	1319533	AR	Shim, Optional A=0,7	
2	1319534	AR	Shim, Optional A=0,75	
2	1319525	AR	Shim, Optional A=0,8	
2	1319535	AR	Shim, Optional A=0,85	
2	1319536	AR	Shim, Optional A=0,9	
2	1319537	AR	Shim, Optional A=0,95	
2	1319524	AR	Shim, Optional A=1,0	
2	1319525	AR	Shim, Optional A=1,05	
2	1319538	AR	Shim, Optional A=1,10	
2	1319539	AR	Shim, Optional A=1,15	
2	1319523	AR	Shim, Optional A=1,20	
2	1319540	AR	Shim, Optional A=1,25	
2	1319541	AR	Shim, Optional A=1,30	
2	1319542	AR	Shim, Optional A=1,35	
2	1319522	AR	Shim, Optional A=1,40	
2	1319521	AR	Shim, Optional A=1,45	
2	1319520	AR	Shim, Optional A=1,50	
2	1319519	AR	Shim, Optional A=1,55	
2	1319518	AR	Shim, Optional A=1,60	
2	1319517	AR	Shim, Optional A=1,65	
2	1319510	AR	Shim, Optional A=2,0	
2	1321159	AR	Shim, Optional A=1,47	
2	8035948	AR	Shim, Optional A=1,63	
2	1319516	AR	Shim, Optional A=1,70	
2	1319515	AR	Shim, Optional A=1,75	
2	1319514	AR	Shim, Optional A=1,80	
2	1319513	AR	Shim, Optional A=1,85	
2	1319512	AR	Shim, Optional A=1,90	
2	1319511	AR	Shim, Optional A=1,95	
3	8036447	1	Bearing, Roller	
4	8036445	1	Bearing, Roller	
5	8036444	2	Seal, Shaft	
6	1319425	2	O-Ring	
7	1319491	12	O-Ring	
8	8036331	4	O-Ring	
9	1319431	2	Plug, Screw	
10	1319506	2	Plug, Screw	

SECTION 1 - DRIVE TRAIN

ITEM	PART NUMBER	QTY	DESCRIPTION	REV
11	1319505	2	Valve, Vent	
12		Ref	Housing, Brake, (Prior to Axle SN 791632 housings are no longer available; order housing plus end plate 70020413, outer disc 70020487 and other discs for shimming)	
12	70020483	1	Housing, Brake - Left Side, (Axle SN 791632)	
12	70020484	1	Housing, Brake - Right Side, (Axle SN 791632)	
13	1321151	2	Ring, Support	
14	1321162	2	U-Ring	
15	1321163	2	U-Ring	
16	1321152	2	Ring, Support	
17	1319496	16	Pin	
18	1319497	16	Spring, Compression	
19	8036305	2	Washer	
20	8036304	2	Piston	
21	1319499	16	Ring, Crescent	
22	1319504	2	Ring, Snap	
23	10731949	4	Ring, Retaining	
24	1321174	2	Carrier, Disc, (Prior to Axle SN 824742)	
24	70020409	2	Carrier, Disc, (Axle SN 824742 to Present)	
25	1319502	16	Disc, O. Clutch - Optional S=3,0, (Prior to Axle SN 791632)	
25	70020487	16	Disc, O. Clutch - Optional S=3,0, (Axle SN 791632 to Present)	
26	1319501	4	Disc, O. Clutch - Optional S=2,5, (Prior to Axle SN 791632)	
26	70020486	4	Disc, O. Clutch - Optional S=2,5, (Axle SN 791632 to Present)	
26	1319502	4	Disc, O. Clutch - Optional S=3,0, (Prior to Axle SN 791632)	
26	70020487	4	Disc, O. Clutch - Optional S=3,0, (Axle SN 791632 to Present)	
26	1319500	4	Disc, O. Clutch - Optional S=2,0, (Prior to Axle SN 791632)	
26	70020485	4	Disc, O. Clutch - Optional S=2,0, (Axle SN 791632 to Present)	
27	1321150	6	Disc, I. Clutch, (Prior to Axle SN 824742)	
27	70020408	6	Disc, I. Clutch, (Axle SN 824742 & After)	

SECTION 1 - DRIVE TRAIN

FIGURE 1-15. REAR AXLE - BRAKE (SN MV006 to Present)

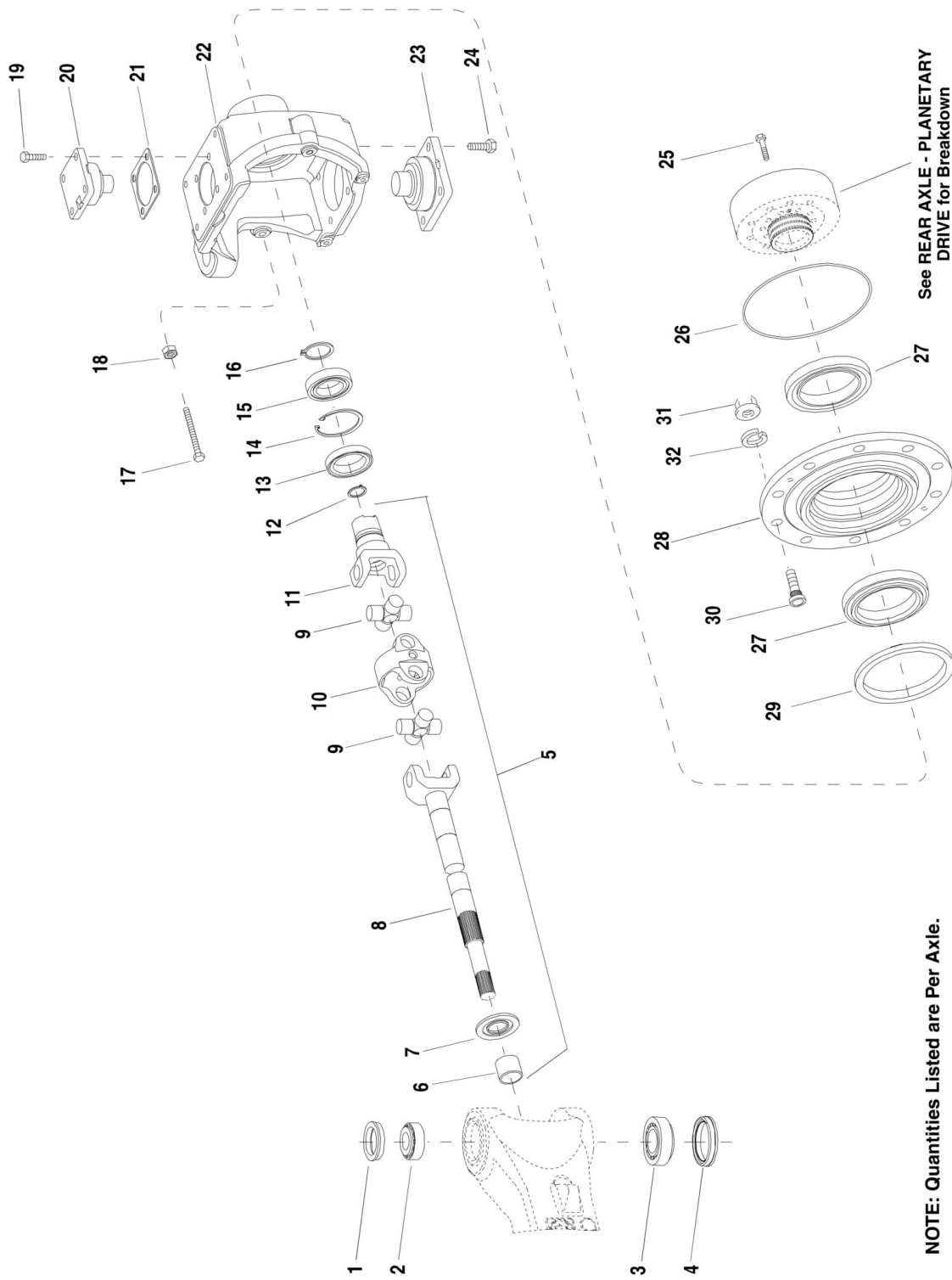


SECTION 1 - DRIVE TRAIN**FIGURE 1-15. REAR AXLE - BRAKE (SN MV006 to Present)**

ITEM	PART NUMBER	QTY	DESCRIPTION	REV
1	1321172	2	Oil Dam	
2	1321178	2	Ring, Retaining	

SECTION 1 - DRIVE TRAIN

FIGURE 1-16. REAR AXLE - JOINT HOUSING (SN MV006 to Present)



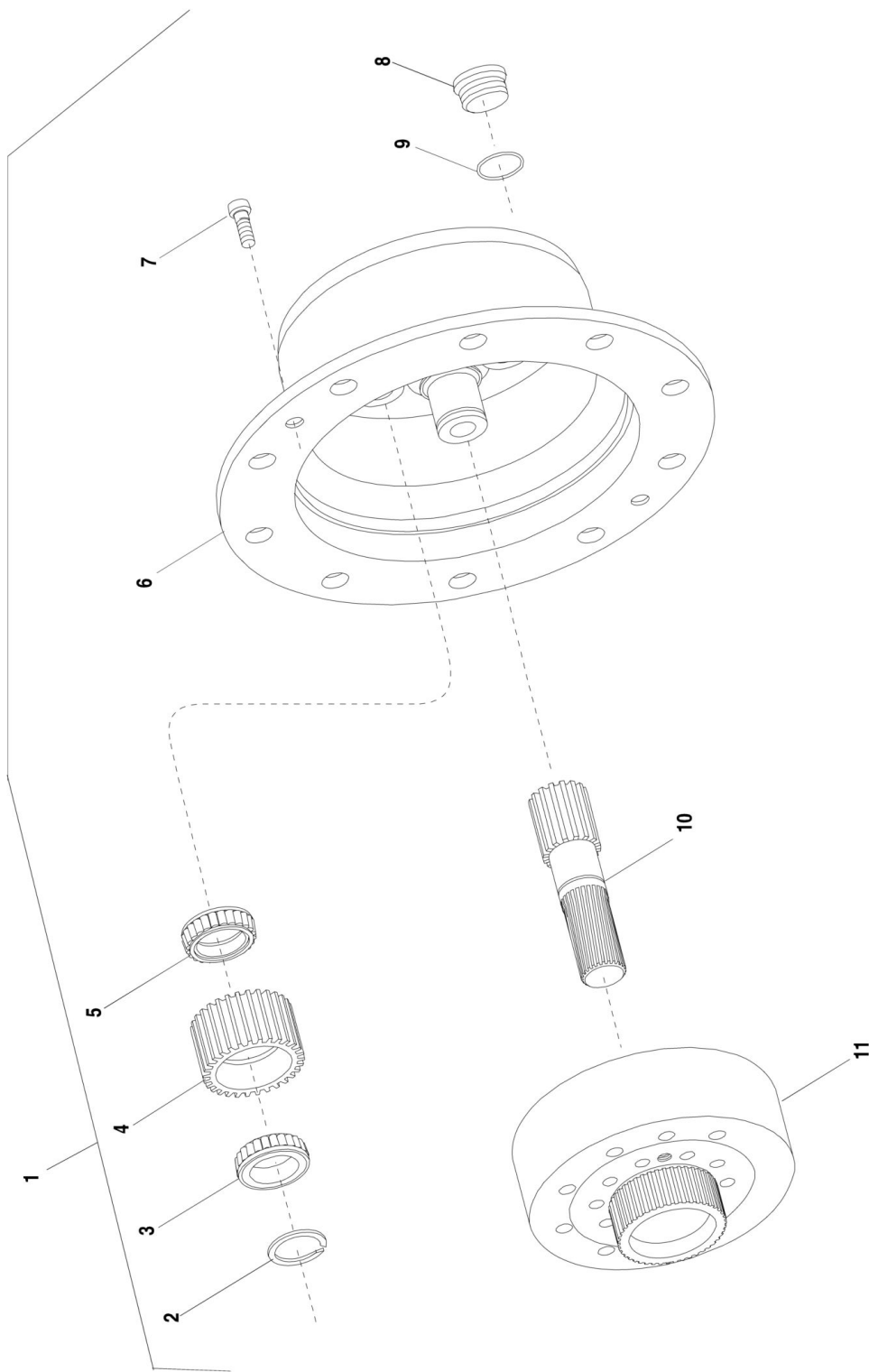
See REAR AXLE - PLANETARY DRIVE for Breakdown

SECTION 1 - DRIVE TRAIN**FIGURE 1-16. REAR AXLE - JOINT HOUSING (SN MV006 to Present)**

ITEM	PART NUMBER	QTY	DESCRIPTION	REV
1	8036338	2	Ring, Multi Seal	
2	1319444	2	Bearing, Roller	
3	1319445	2	Bearing, Roller	
4	1319447	2	Seal, Shaft	
5	7028979	2	Shaft, D. Universal Coupling, (not maintenance free), (Prior to Axle SN 720125), (Includes Items 6 thru 11)	
5	70022052	2	Shaft, D. Universal Coupling, (maintenance free), (Axle SN 720125 to Present),(Includes Items 6 thru 11)	
6	8035973	1	Bushing	
7	8035996	1	Sheet, Screen	
8	8035995	1	Fork, Joint Coupling	
9	8035993	2	Cross, Joint, (Prior to Axle SN 720125)	
9	70021554	2	Cross, Joint, (Axle SN 720125 to Present)	
10	8035992	1	Central Piece, (Prior to Axle SN 720125)	
10	70021553	1	CENTRAL PIECE, (Axle SN 720125 to Present)	
11	8035994	1	Fork, Joint	
12	1321226	2	Ring, Retaining	
13	7028977	2	Seal, Shaft	
14	1319210	2	Ring, Retaining	
15	1321157	2	Bearing, Ball	
16	80304405	2	Ring, Retaining	
17	1319476	2	Screw, Stop	
18	1319477	2	Nut, Hex	
19	1319463	8	Screw, Hex	
20	1319461	2	Pin, Bearing	
21	1319448	AR	Shim, Optional S=0,2	
21	1319449	AR	Shim, Optional S=0,3	
21	1319450	AR	Shim, Optional S=0,4	
21	1319451	AR	Shim, Optional S=0,6	
21	1319452	AR	Shim, Optional S=0,8	
21	1319453	AR	Shim, Optional S=1,0	
21	1319454	AR	Shim, Optional S=1,2	
21	1319455	AR	Shim, Optional S=1,4	
21	1319456	AR	Shim, Optional S=1,6	
21	1319457	AR	Shim, Optional S=1,8	
21	1319458	AR	Shim, Optional S=2,0	
21	1319459	AR	Shim, Optional S=0,7	
21	1319460	AR	Shim, Optional S=0,5	
22	8036743	1	Housing, Joint - Left Side	
22	8036742	1	Housing, Joint - Right Side	
23	1319462	2	Pin, Bearing	
24	1319464	8	Screw, Hex	
25	8035997	16	Screw, Hex	
26	1321155	2	O-Ring	
27	1319472	4	Bearing, Roller	
28	1321239	2	Hub	
29	80304173	2	Seal, Shaft	
30	1101056	20	Bolt, Wheel	
31	8786570	20	Nut, Sph. Collar (Lug Nut)	
32	8786571	20	Washer, Spring	

SECTION 1 - DRIVE TRAIN

FIGURE 1-17. REAR AXLE - PLANETARY DRIVE (SN MV006 to Present)



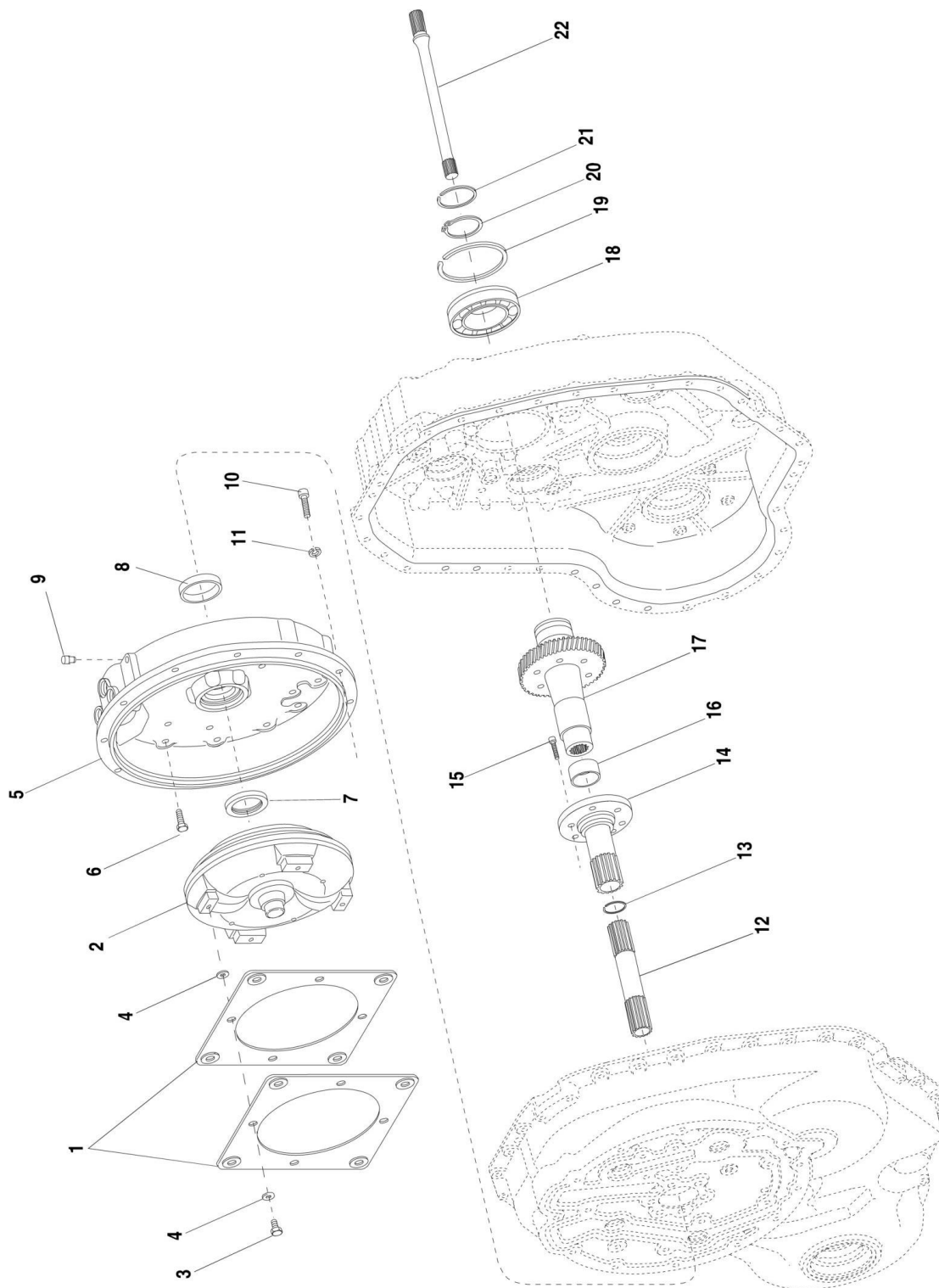
NOTE: Quantities Listed are Per Axle.

SECTION 1 - DRIVE TRAIN**FIGURE 1-17. REAR AXLE - PLANETARY DRIVE (SN MV006 to Present)**

ITEM	PART NUMBER	QTY	DESCRIPTION	REV
1		Ref	Planetary Drive Assembly (Includes Items 2 thru 11)	
2	1319485	4	Ring, Snap, (Prior to Axle SN 1723600)	
2	70022197	4	Ring, Retaining, (Axle SN 1723600 to Present)	
3	1319484	4	Ring, Bearing Inner, (Prior to Axle SN 1723600)	
4	1321231	4	Gear, Planet, (Prior to Axle SN 1723600)	
4	70022243	4	Gear, Planet, (Axle SN 1723600 to Present)	
5	1319483	4	Ring, Tapered Bearing Inner, (Prior to Axle SN 1723600)	
5	70022785	4	Cylindrical Roller Bearing, (Axle SN 1723600 to Present)	
6	8036414	2	Carrier, Planet, (Prior to Axle SN 1723600)	
6	70023262	2	Carrier, Planet, (Axle SN 1723600 to Present)	
7	8035977	4	Screw, Cap	
8	1319506	2	Plug, Screw	
9	8036331	2	O-Ring	
10	1321242	2	Shaft, Sun Gear	
11	1321247	2	Gear, Ring	

SECTION 1 - DRIVE TRAIN

FIGURE 1-18. ENGINE CONNECTION AND INPUT SHAFTS (SN MV006 to Present)

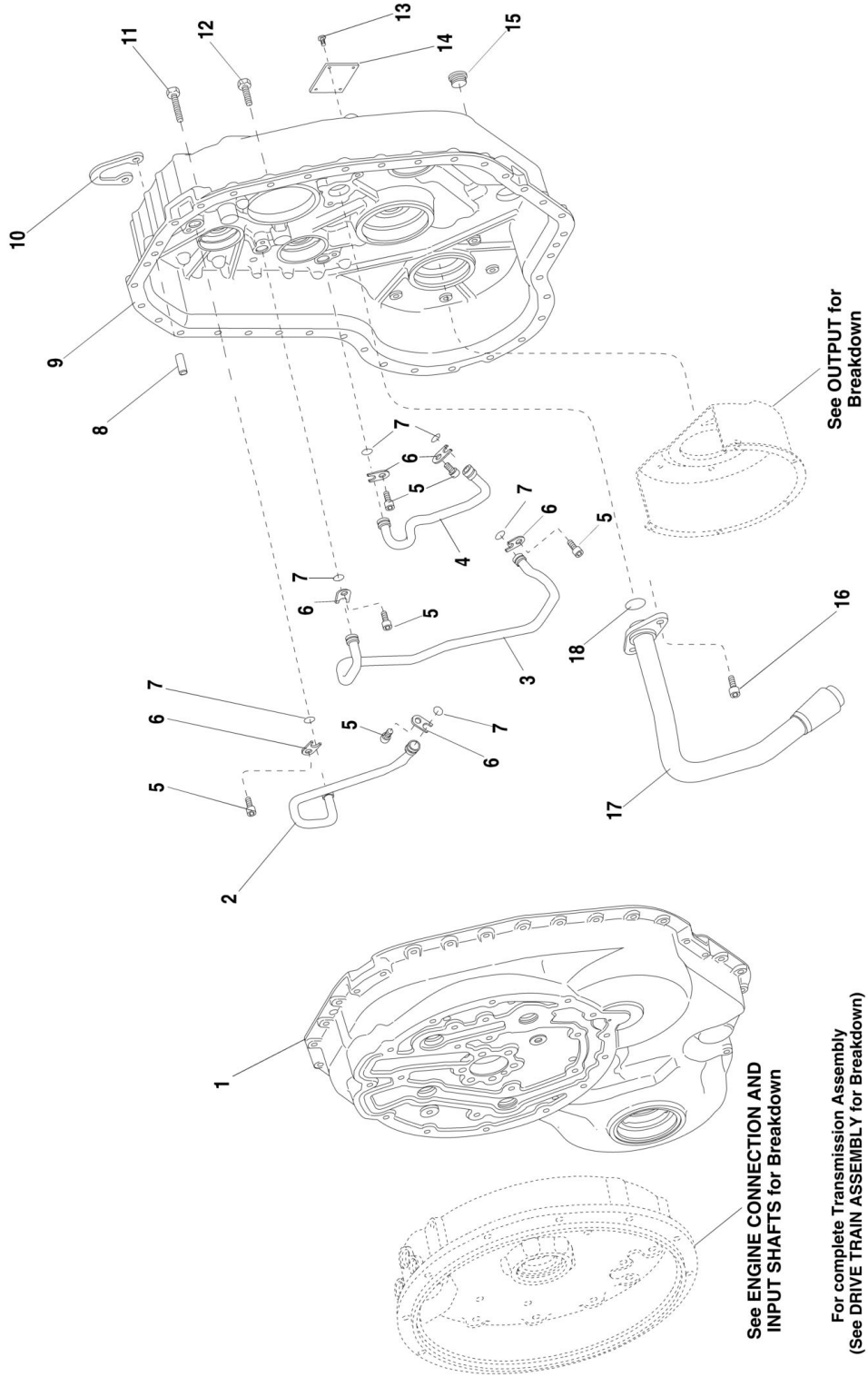


SECTION 1 - DRIVE TRAIN**FIGURE 1-18. ENGINE CONNECTION AND INPUT SHAFTS (SN MV006 to Present)**

ITEM	PART NUMBER	QTY	DESCRIPTION	REV
1	1319229	2	Diaphragm	
2	1319258	1	Converter	
3	7026744	4	HHCS, M10 x 16mm	
4	7026745	8	Washer, Thrust 1,00	
5	1319574	1	Bell, Converter	
6	1319569	23	HHCS, M10 x 30mm	
7	1319576	1	Seal, Shaft	
8	1319575	1	Bushing, Bearing	
9	10731744	1	Breather	
10	8303769	12	HHCS, M10-1,5 x 45mm	
11	8307023	12	Washer, Lock M10	
12	1319236	1	Shaft, Turbine	
13	10731732	1	Ring, Snap 30	
14	1319557	1	Shaft, Stator	
15	1319577	6	SHCS, M10 x 50mm	
16	1319558	1	Bushing, Bearing	
17	1319559	1	Shaft, Input	
18	1319563	1	Bearing, Ball	
19	10731913	1	Ring, Snap 100	
20	80304405	1	Ring, Retaining 55 x 2,00	
21	7026749	1	Ring, Piston 55 x 3,00	
22	1319566	1	Shaft, Central	

SECTION 1 - DRIVE TRAIN

FIGURE 1-19. GEARBOX HOUSING (SN MV006 to Present)

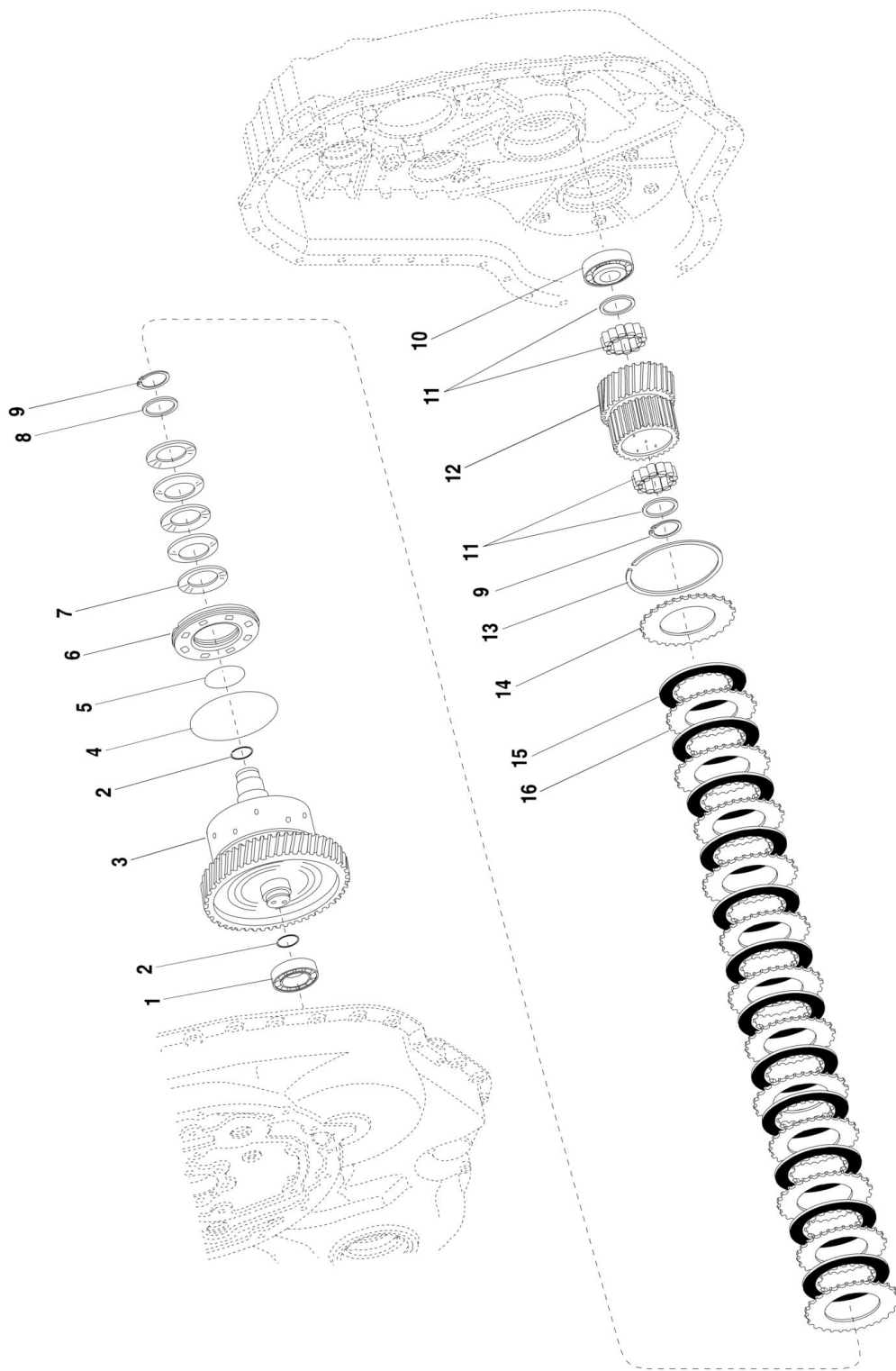


SECTION 1 - DRIVE TRAIN**FIGURE 1-19. GEARBOX HOUSING (SN MV006 to Present)**

ITEM	PART NUMBER	QTY	DESCRIPTION	REV
1	1319567	1	Housing I	
2	1319586	1	Pipe	
3	1319587	1	Pipe	
4	1319588	1	Pipe	
5	1319585	11	SHCS, M8 x 16mm	
6	1319584	6	Plate, Fixing	
7	1319583	6	O-Ring, 14 x 2,00	
8	1319571	2	Pin, Cylindrical M6 x 24	
9	1319568	1	Housing II	
10	1319590	1	Bracket	
11	1319570	6	HHCS, M10 x 50mm	
12	1319569	30	HHCS, M10 x 30mm	
13	1319573	4	Stud, Grooved 3 x 5,00	
14	1319572	1	Plate, Type	
15	1319578	1	Plug, Drain 7/8-14	
16	1319582	2	SHCS, M8 x 20mm	
17	1319580	1	Pipe, Oil Suction	
18	1319581	1	O-Ring, 30 x 3,00	
19	1319576	1	Seal, Shaft	

SECTION 1 - DRIVE TRAIN

FIGURE 1-20. COUPLING GROUP 1 (SN MV006 to Present)

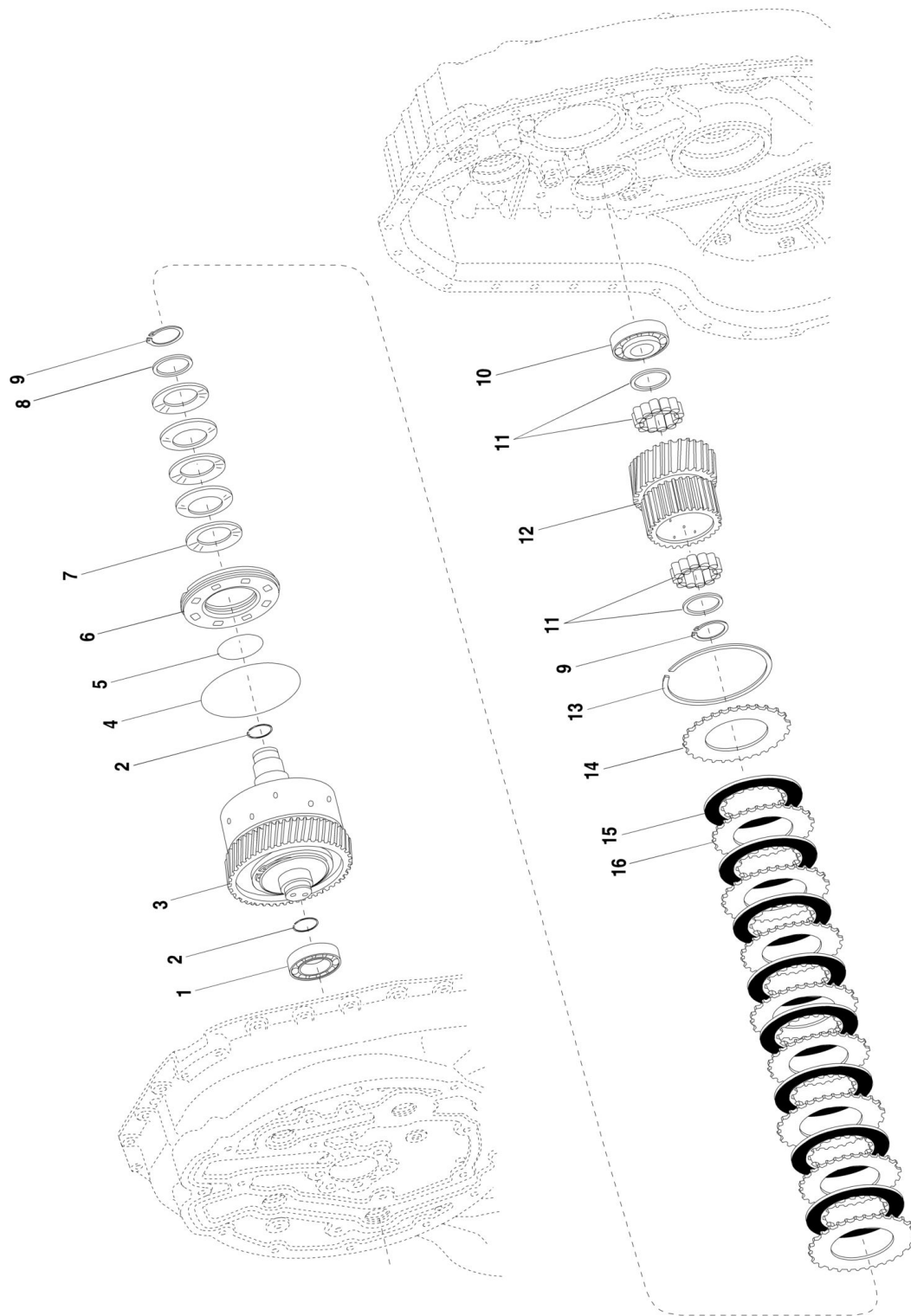


SECTION 1 - DRIVE TRAIN**FIGURE 1-20. COUPLING GROUP 1 (SN MV006 to Present)**

ITEM	PART NUMBER	QTY	DESCRIPTION	REV
1	1319608	1	Bearing, Roller	
2	1319612	1	Ring, Piston 30 x 2,00	
3	1319591	1	Coupling	
4	1319594	1	O-Ring, 115 x 3,00	
5	1319593	1	O-Ring, 52 x 3,00	
6	8036575	1	Piston	
7	1319595	5	Spring, Cup	
8	1319596	1	Shim, 2,00	
9	10731845	2	Ring, Retaining 40 x 1,75	
10	8036190	1	Bearing, Roller	
11	1319605	2	Cage, Roller	
12	1319607	1	Carrier, Disc	
13	1319600	1	Ring, Snap 4,00	
13	1319601	1	Ring, Snap 3,50	
13	1319602	1	Ring, Snap 3,00	
13	1319603	1	Ring, Snap 2,50	
13	1319604	1	Ring, Snap 2,00	
14	1319599	1	Shim, End	
15	1319597	12	Disc, Lin. Clutch	
16	1319598	12	Disc, O. Clutch	

SECTION 1 - DRIVE TRAIN

FIGURE 1-21. COUPLING GROUP 2 (SN MV006 to Present)

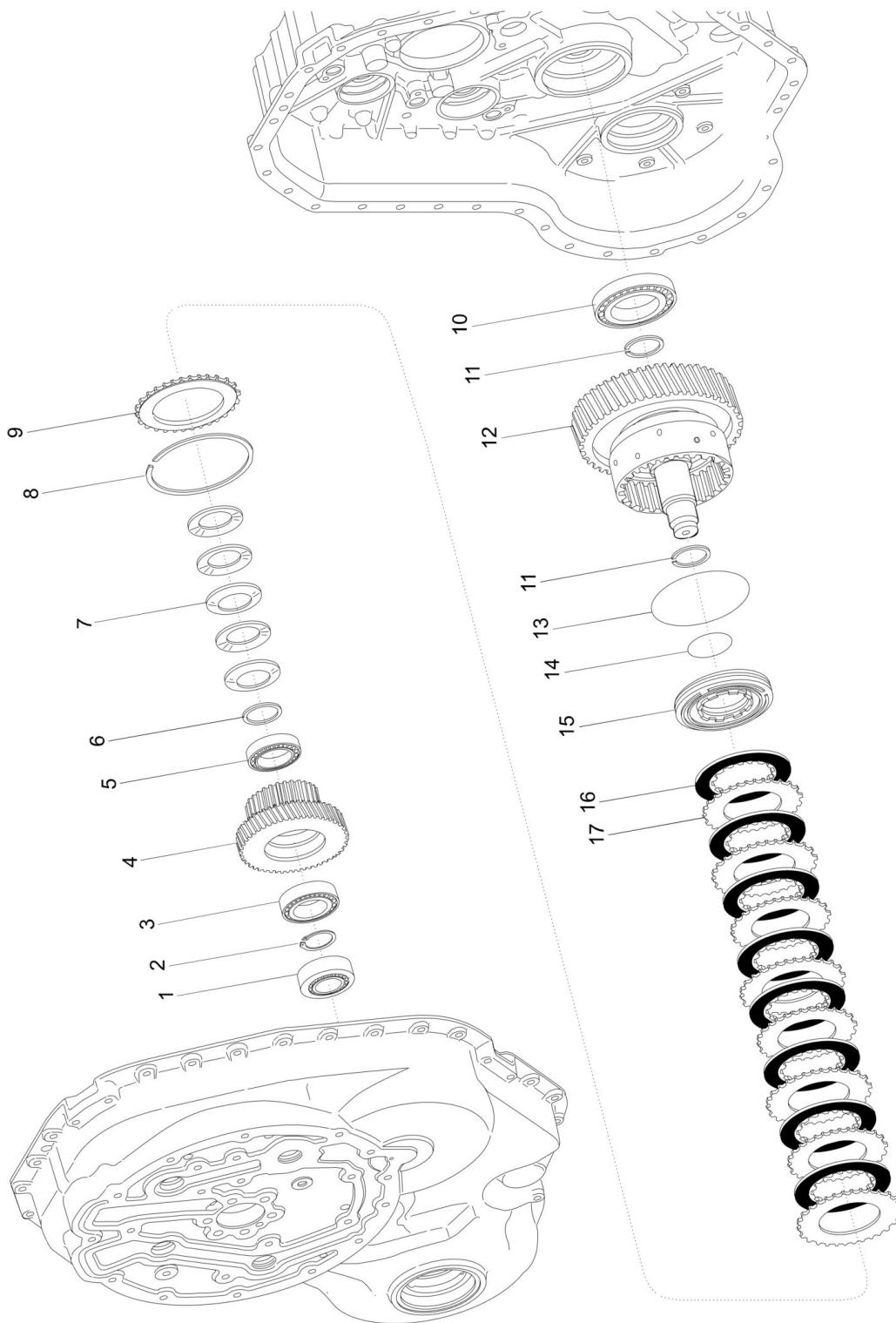


SECTION 1 - DRIVE TRAIN**FIGURE 1-21. COUPLING GROUP 2 (SN MV006 to Present)**

ITEM	PART NUMBER	QTY	DESCRIPTION	REV
1	1319615	1	Bearing, Roller	
2	1319612	2	Ring, Piston 30 x 2,00	
3	1319613	1	Coupling	
4	1319594	1	O-Ring 115 x 3,00	
5	1319593	1	O-Ring 52 x 3,00	
6	8036575	1	Piston	
7	1319595	5	Spring, Cup	
8	1319596	1	Shim, 2,00	
9	10731845	2	Ring, Retaining 40 x 1,75	
10	8036190	1	Bearing, Roller	
11	1319605	2	Cage, Roller	
12	1319614	1	Carrier, Disc	
13	1319600	1	Ring, Snap 4,00	
13	1319601	1	Ring, Snap 3,50	
13	1319602	1	Ring, Snap 3,00	
13	1319603	1	Ring, Snap 2,50	
13	1319604	1	Ring, Snap 2,00	
14	1319599	1	Shim. End	
15	1319597	8	Disc, Lin. Clutch	
16	1319598	8	Disc, O. Clutch	

SECTION 1 - DRIVE TRAIN

FIGURE 1-22. COUPLING GROUP 3 (SN MV006 to Present)

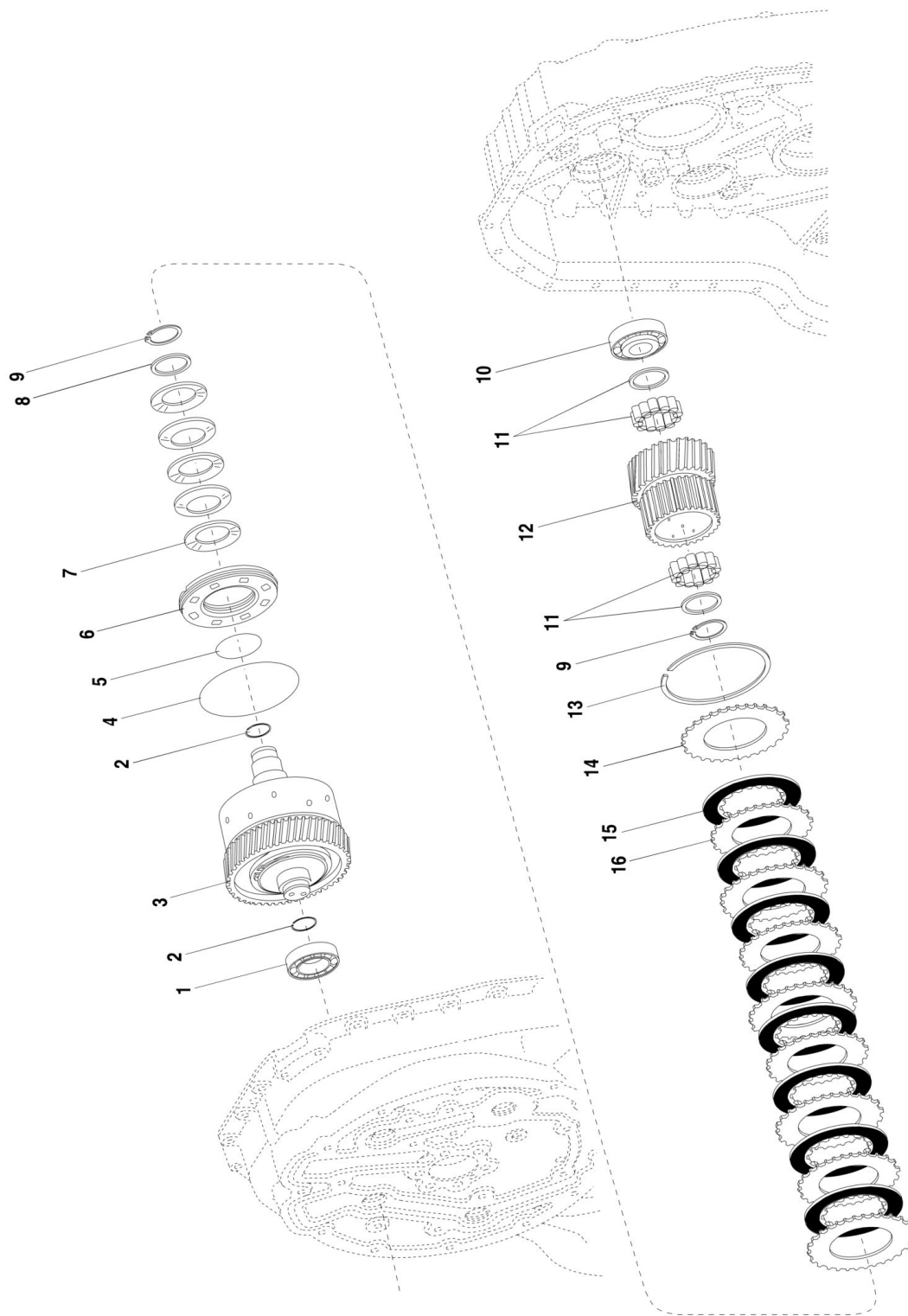


SECTION 1 - DRIVE TRAIN**FIGURE 1-22. COUPLING GROUP 3 (SN MV006 to Present)**

ITEM	PART NUMBER	QTY	DESCRIPTION	REV
1	1319605	1	Bearing, Roller	
2	1319621	1	Ring, Retaining 3,20	
2	1319622	1	Ring, Retaining 3,10	
2	1319623	1	Ring, Retaining 3,00	
2	1319624	1	Ring, Retaining 2,90	
2	1319625	1	Ring, Retaining 2,80	
2	1319626	1	Ring, Retaining 2,70	
2	1319627	1	Ring, Retaining 2,60	
2	1319628	1	Ring, Retaining 38 x 2,50	
2	1319629	1	Ring, Retaining 38 x 2,40	
2	1319630	1	Ring, Retaining 38 x 2,30	
2	1319631	1	Ring, Retaining 38 x 2,20	
2	1319632	1	Ring, Retaining 38 x 2,10	
3	1319620	1	Bearing, Roller	
4	1319619	1	Carrier, Disc	
5	1319618	1	Bearing, Roller	
6	1319617	1	Shim, Support	
7	1319595	5	Spring, Cup	
8	1319600	1	Ring, Snap 4,00	
8	1319601	1	Ring, Snap 3,50	
8	1319602	1	Ring, Snap 3,00	
8	1319603	1	Ring, Snap 2,50	
8	1319604	1	Ring, Snap 2,00	
9	1319599	1	Shim, End	
10	1319633	1	Bearing, Roller	
11	1319612	2	Ring, Piston 30 x 2,00	
12	1319616	1	Coupling	
13	1319594	1	O-Ring, 115 x 3,00	
14	1319593	1	O-Ring, 52 x 3,00	
15	8036575	1	Piston	
16	1319597	8	Disc, Lin. Clutch	
17	1319598	8	Disc, O. Clutch	

SECTION 1 - DRIVE TRAIN

FIGURE 1-23. COUPLING GROUP 4 (SN MV006 to Present)

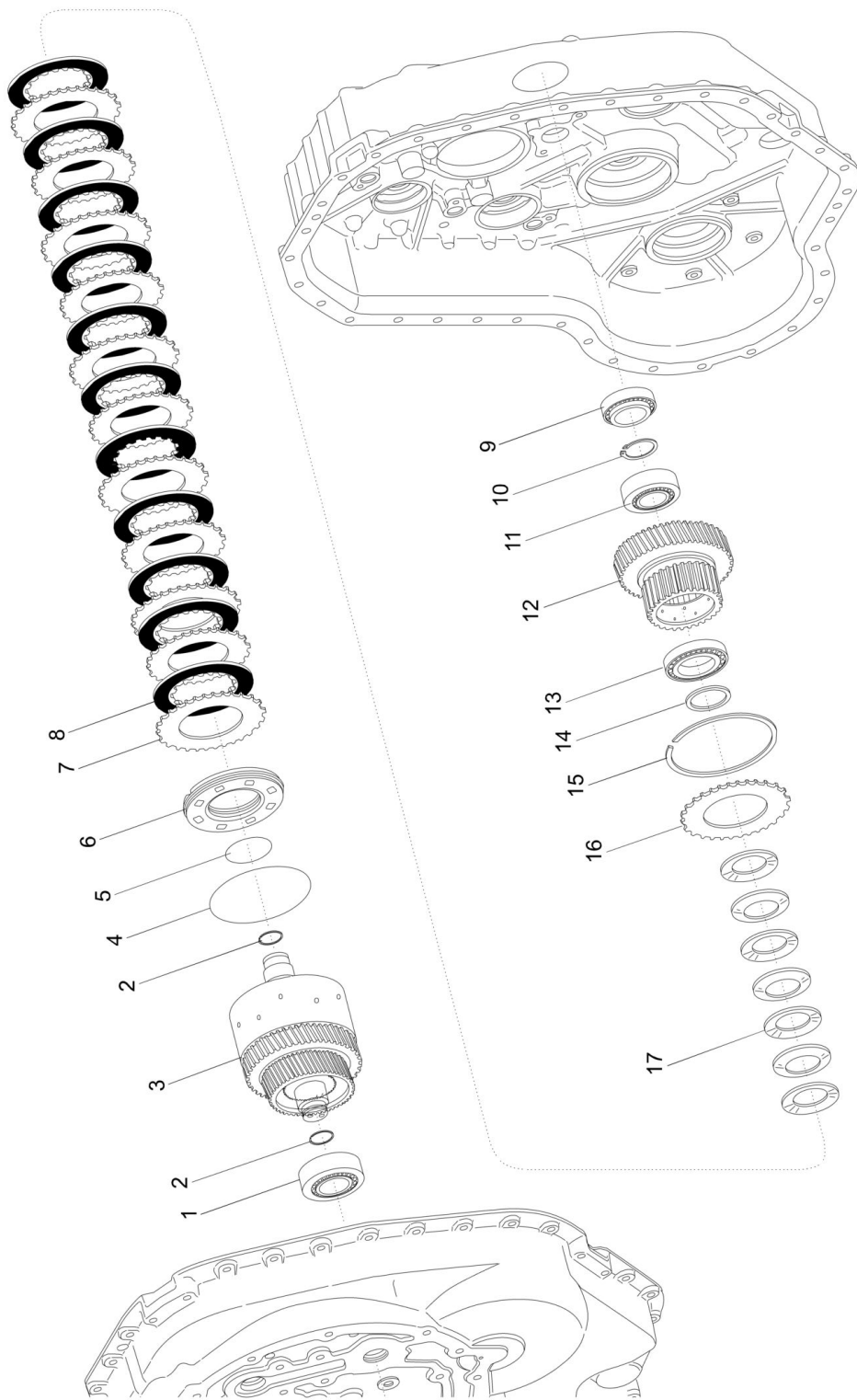


SECTION 1 - DRIVE TRAIN**FIGURE 1-23. COUPLING GROUP 4 (SN MV006 to Present)**

ITEM	PART NUMBER	QTY	DESCRIPTION	REV
1	1319615	1	Bearing, Roller	
2	1319612	2	Ring, Piston 30 x 2,00	
3	1319634	1	Coupling	
4	1319594	1	O-Ring 115 x 3,00	
5	1319593	1	O-Ring 52 x 3,00	
6	8036575	1	Piston	
7	1319595	5	Spring, Cup	
8	1319596	1	Shim, 2,00	
9	10731845	2	Ring, Retaining 40 x 1,75	
10	1319636	1	Bearing, Roller	
11	1319605	1	Cage, Roller	
12	1319635	1	Carrier, Disc	
13	1319600	1	Ring, Snap 4,00	
13	1319601	1	Ring, Snap 3,50	
13	1319602	1	Ring, Snap 3,00	
13	1319603	1	Ring, Snap 2,50	
13	1319604	1	Ring, Snap 2,00	
14	1319599	1	Shim. End	
15	1319597	8	Disc, Lin. Clutch	
16	1319598	8	Disc, O. Clutch	

SECTION 1 - DRIVE TRAIN

FIGURE 1-24. REVERSING GEAR GROUP 1 (SN MV006 to Present)

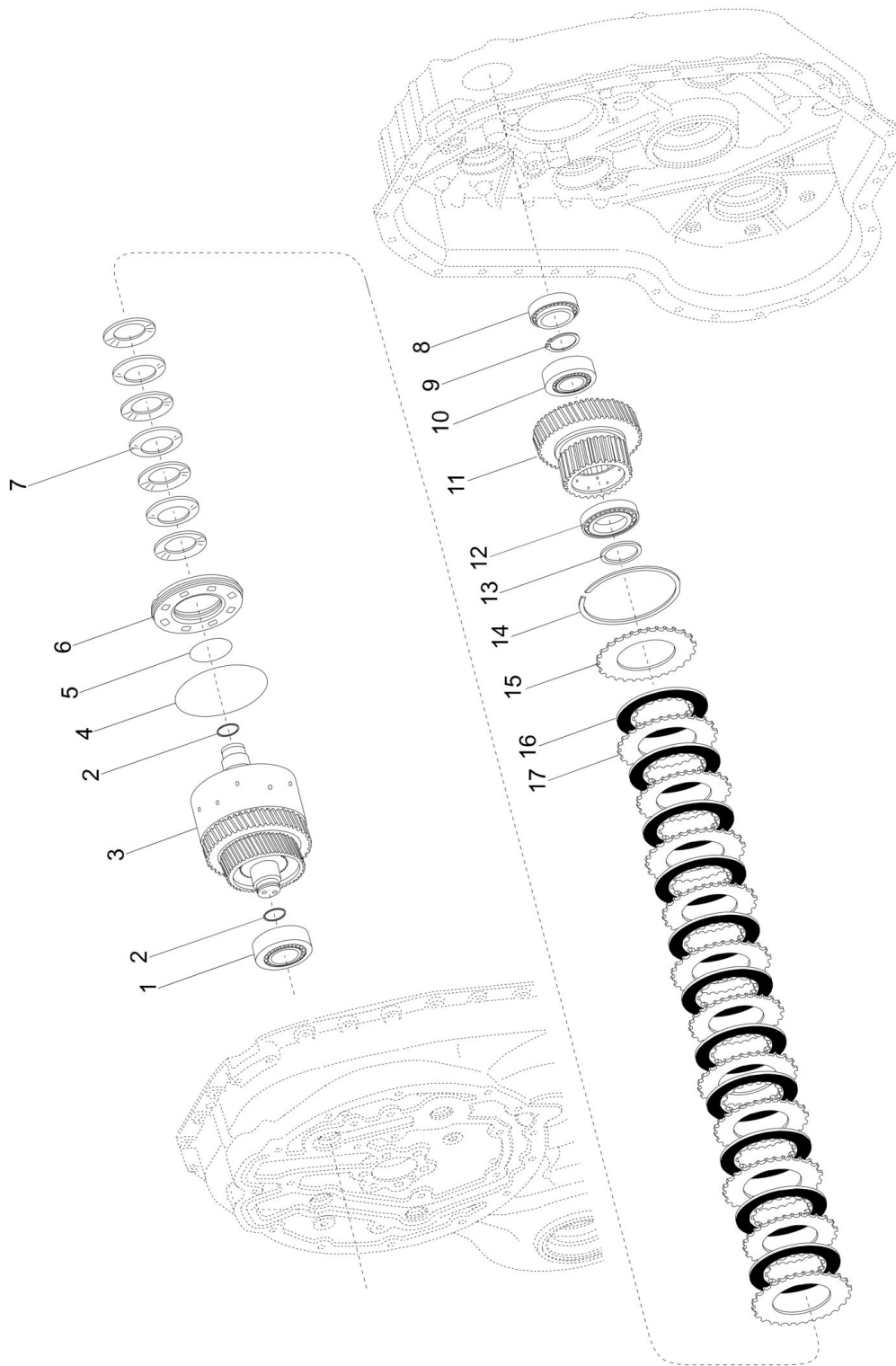


SECTION 1 - DRIVE TRAIN**FIGURE 1-24. REVERSING GEAR GROUP 1 (SN MV006 to Present)**

ITEM	PART NUMBER	QTY	DESCRIPTION	REV
1	1319615	1	Bearing, Roller	
2	1319612	1	Ring, Piston 30 x 2,00	
3	1319637	1	Coupling	
4	1319594	1	O-Ring 115 x 3,00	
5	1319593	1	O-Ring 52 x 3,00	
6	8036575	1	Piston	
7	1319597	11	Disc, Lin. Clutch	
8	1319598	11	Disc, O. Clutch	
9	1319636	1	Bearing, Roller	
10	1319621	1	Ring, Retaining 3,20	
10	1319622	1	Ring, Retaining 3,10	
10	1319623	1	Ring, Retaining 3,00	
10	1319624	1	Ring, Retaining 2,90	
10	1319625	1	Ring, Retaining 2,80	
10	1319626	1	Ring, Retaining 2,70	
10	1319627	1	Ring, Retaining 2,60	
10	1319628	1	Ring, Retaining 2,50	
10	1319629	1	Ring, Retaining 2,40	
10	1319630	1	Ring, Retaining 2,30	
10	1319631	1	Ring, Retaining 2,20	
10	1319632	1	Ring, Retaining 2,10	
11	1319620	1	Bearing, Roller	
12	1319638	1	Carrier, Disc	
13	1319618	1	Bearing, Roller	
14	1319617	1	Shim, Support	
15	1319600	1	Ring, Snap 4,00	
15	1319601	1	Ring, Snap 3,50	
15	1319602	1	Ring, Snap 3,00	
15	1319603	1	Ring, Snap 2,50	
15	1319604	1	Ring, Snap 2,00	
16	1319599	1	Shim, End	
17	1319595	7	Spring, Cup	

SECTION 1 - DRIVE TRAIN

FIGURE 1-25. REVERSING GEAR GROUP 2 (SN MV006 to Present)

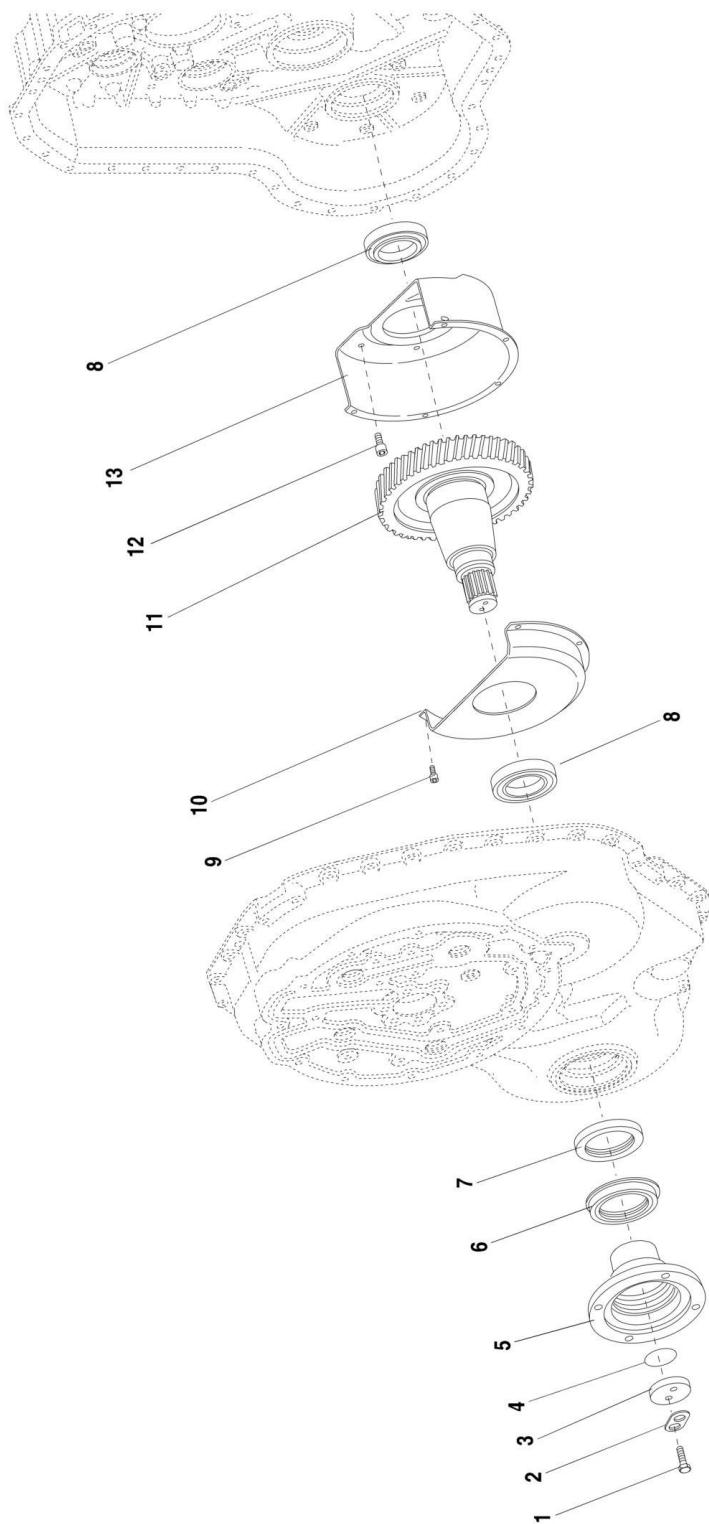


SECTION 1 - DRIVE TRAIN**FIGURE 1-25. REVERSING GEAR GROUP 2 (SN MV006 to Present)**

ITEM	PART NUMBER	QTY	DESCRIPTION	REV
1	1319608	1	Bearing, Roller	
2	1319612	1	Ring, Piston 30 x 2,00	
3	1319639	1	Coupling	
4	1319594	1	O-Ring 115 x 3,00	
5	1319593	1	O-Ring 52 x 3,00	
6	8036575	1	Piston	
7	1319595	7	Spring, Cup	
8	1319636	1	Bearing, Roller	
9	1319621	1	Ring, Retaining 3,20	
9	1319622	1	Ring, Retaining 3,10	
9	1319623	1	Ring, Retaining 3,00	
9	1319624	1	Ring, Retaining 2,90	
9	1319625	1	Ring, Retaining 2,80	
9	1319626	1	Ring, Retaining 2,70	
9	1319627	1	Ring, Retaining 2,60	
9	1319628	1	Ring, Retaining 2,50	
9	1319629	1	Ring, Retaining 2,40	
9	1319630	1	Ring, Retaining 2,30	
9	1319631	1	Ring, Retaining 2,20	
9	1319632	1	Ring, Retaining 2,10	
10	1319620	1	Bearing, Roller	
11	1319638	1	Carrier, Disc	
12	1319618	1	Bearing, Roller	
13	1319617	1	Shim, Support	
14	1319600	1	Ring, Snap 4,00	
14	1319601	1	Ring, Snap 3,50	
14	1319602	1	Ring, Snap 3,00	
14	1319603	1	Ring, Snap 2,50	
14	1319604	1	Ring, Snap 2,00	
15	1319599	1	Shim, End	
16	1319597	11	Disc, Lin. Clutch	
17	1319598	11	Disc, O. Clutch	

SECTION 1 - DRIVE TRAIN

FIGURE 1-26. OUTPUT (SN MV006 to Present)

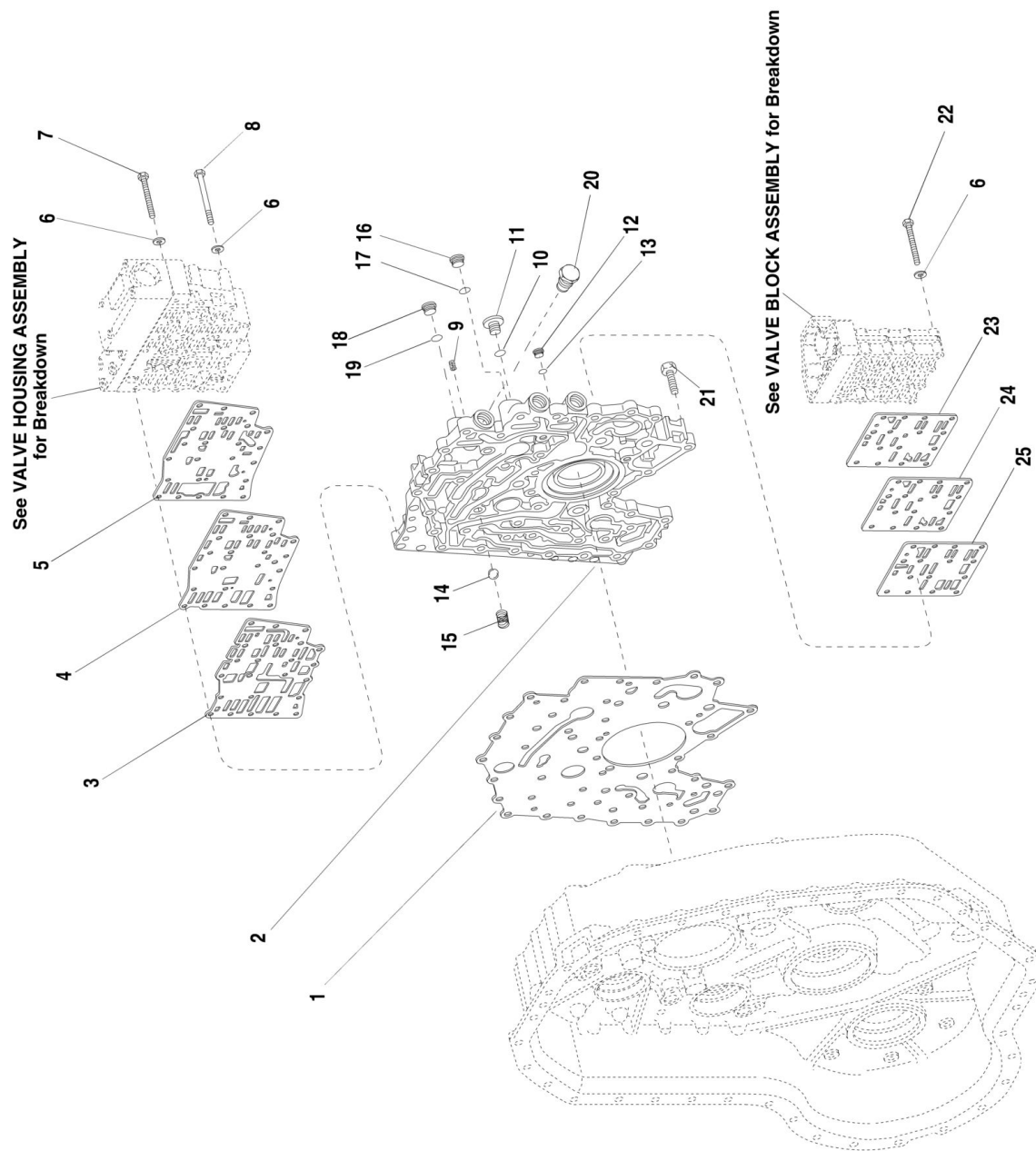


SECTION 1 - DRIVE TRAIN**FIGURE 1-26. OUTPUT (SN MV006 to Present)**

ITEM	PART NUMBER	QTY	DESCRIPTION	REV
1	10731959	2	HHCS, M8 x 25mm	
2	1319649	1	Washer, Tab	
3	1319648	1	Washer, 10,00	
4	10839156	1	O-ring 38 x 4.00	
5	8036441	1	Flange, Flat Face	
6	1319647	1	Screen, Sheet	
7	1319641	1	Seal, Shaft	
8	1319644	2	Bearing, Roller	
9	1319646	5	HHCS, M6 x 10mm	
10	1319645	1	Sheet, Screen	
11	1319640	1	Shaft	
12	1319585	10	SHCS. M6 x 16mm	
13	1319589	1	Sheet, Screen	

SECTION 1 - DRIVE TRAIN

FIGURE 1-27. CONTROL UNIT (SN MV006 to Present)

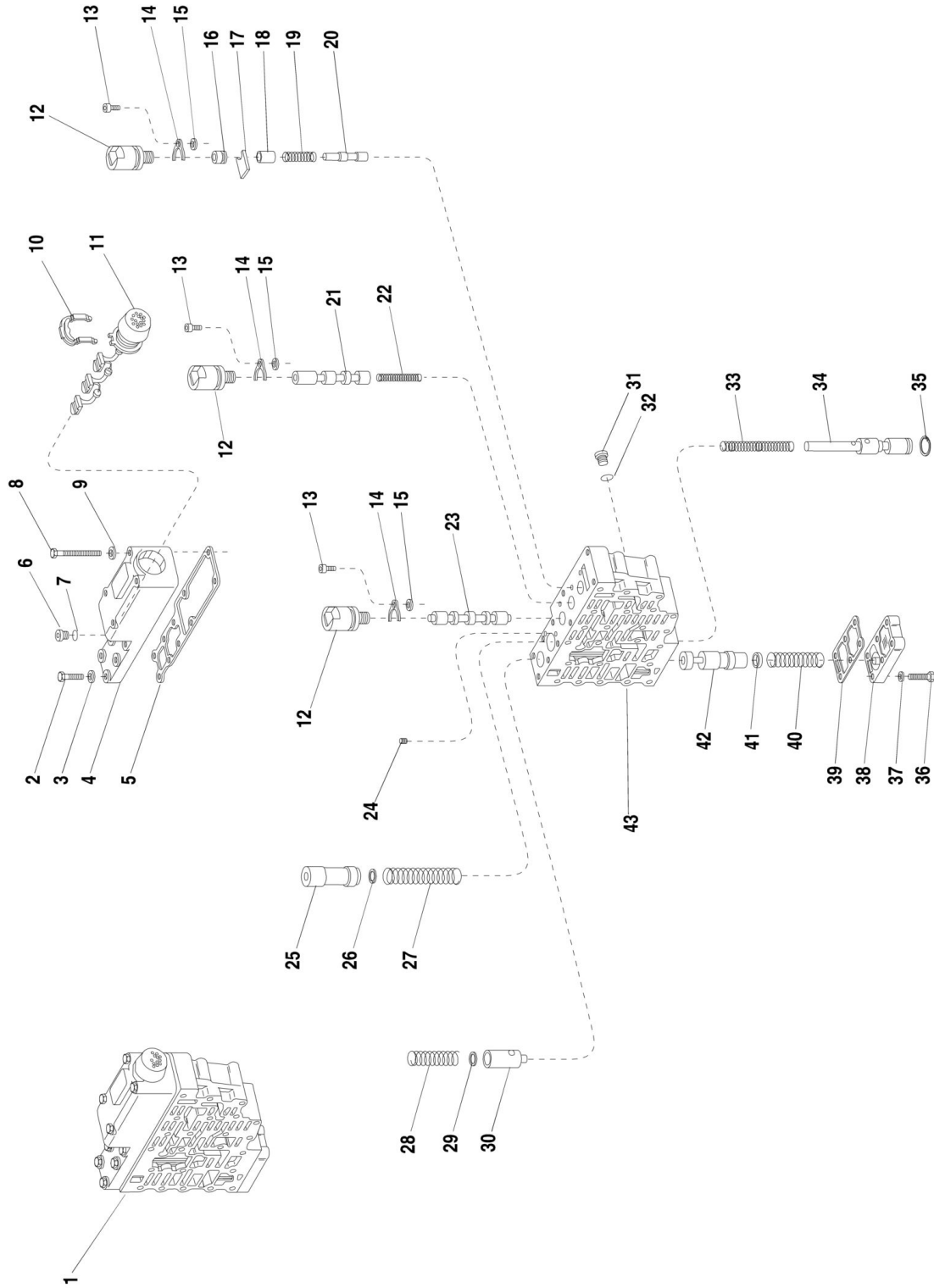


SECTION 1 - DRIVE TRAIN**FIGURE 1-27. CONTROL UNIT (SN MV006 to Present)**

ITEM	PART NUMBER	QTY	DESCRIPTION	REV
1	1319650	1	Gasket	
2	1319651	1	Plate, Duct	
3	1319653	1	Gasket	
4	1319654	1	Interm, Sheet	
5	1319655	1	Gasket	
6	1319661	38	Washer 6,4	
7	1319660	4	HHCS, M6 x 75mm	
8	1319662	19	HHCS, M6 x 65mm	
9	1319652	1	Orifice	
10	1319665	1	O-Ring, 10,52 x 1,83	
11	1319664	1	Plug, Screw 1/2in-20 UNF	
12	1319670	1	Plug, Screw M10 x 1mm	
13	10731709	1	O-Ring, 8 x 1,5	
14	10732071	1	Ball	
15	10732072	1	Spring, Compression	
16	1319668	1	Plug, Screw 3/4in-16 UNF, (includes item 17)	
17		Ref	O-Ring, 16,36 x 2,21	
18	1319666	1	Plug, Screw 9/16in-18 UNF	
19	1319667	1	O-Ring 11,89 x 1,98	
20	1319663	3	Plug	
21	1319659	43	Screw, Torx M8 x 30	
22	1319494	15	HHCS, M6 x 55mm	
23	1319658	1	Gasket	
24	1319657	1	Interm, Sheet	
25	7029721	1	Gasket	

SECTION 1 - DRIVE TRAIN

FIGURE 1-28. VALVE HOUSING ASSEMBLY (SN MV006 to Present)



SECTION 1 - DRIVE TRAIN**FIGURE 1-28. VALVE HOUSING ASSEMBLY (SN MV006 to Present)**

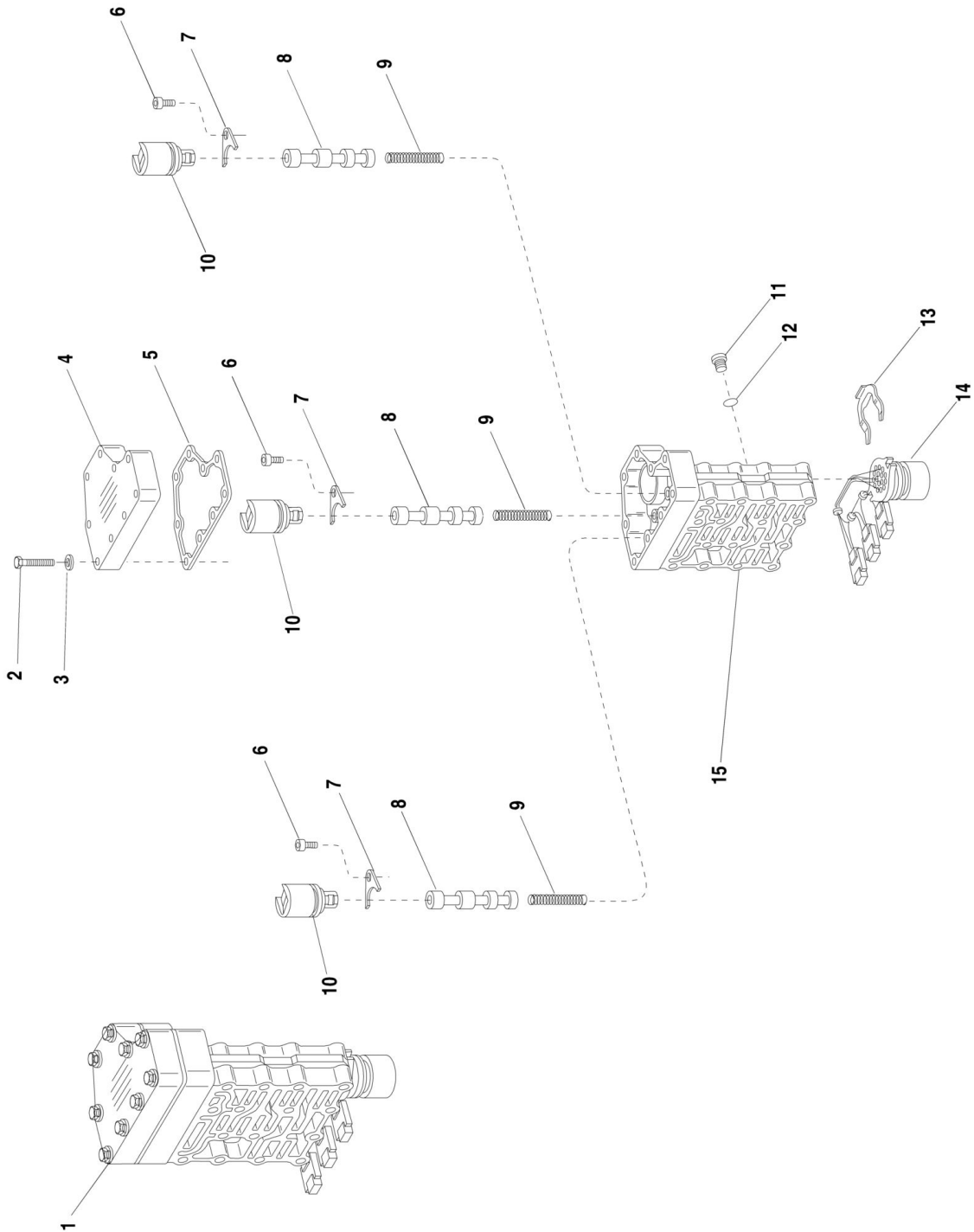
ITEM	PART NUMBER	QTY	DESCRIPTION	REV
1	1319716	1	Valve Housing Assembly - Complete (Includes Items 2 thru 43)	
2	1319693	6	HHCS, M6 x 25mm	
3	1319661	6	Washer, 6,4	
4	1319706	1	Cover	
5	1319705	1	Gasket	
6	1319670	1	Plug, Screw M10 x 1	
7	10731709	1	O-Ring, 8 x 1,5	
8	1319708	4	HHCS, M6 x 60mm	
9	1319661	4	Washer, 6,4	
10	1319707	1	Clamp, Retaining	
11	1319704	1	Harness, Wiring	
12	1319702	3	Valve, Solenoid	
13	1319703	3	HHCS, M5 x 12mm	
14	10732063	3	Plate, Fixing	
15	10732064	3	Washer, 2,00	
16	1319700	1	Plug	
17	1319701	1	Plate, Fixing	
18	1319699	1	Sleeve, Spacer	
19	1319698	1	Spring, Compression	
20	1319697	1	Piston	
21	1319695	1	Piston	
22	1319696	1	Spring, Compression	
23	1319694	1	Valve	
24	1319652	1	Orifice	
25	1319690	1	Piston	
26	1319685	1	Washer, 2,00	
26	1319686	1	Washer, 1,00	
26	1319687	1	Washer, 0,50	
26	1319688	1	Washer, 0,30	
26	1319689	1	Washer, 0,20	
27	1319683	1	Spring, Compression	
28	1319673	1	Spring, Compression	
29	10732029	1	Ring, Shim 10 x 16 x 1	
30	8036037	1	Piston	
31	1319670	1	Plug, Screw M10 x 1	
32	10731709	1	O-Ring, 8 x 1,5	
33	1319684	1	Spring, Compression	
34	1319681	1	Piston, Control	
35	1319682	1	Washer, Lock 12,0	
36	1319693	6	HHCS, M6 x 25mm	
37	1319661	6	Washer, 6,4	
38	1319692	1	Cover	
39	1319691	1	Gasket	
40	1319680	1	Spring, Compression	
41	1319675	1	Ring, Spacer 3,60	
41	1319676	1	Ring, Spacer 3,20	
41	1319677	1	Ring, Spacer 2,80	
41	1319678	1	Ring, Spacer 2,40	
41	1319679	1	Ring, Spacer 2,00	
42	1319674	1	Piston	

SECTION 1 - DRIVE TRAIN

ITEM	PART NUMBER	QTY	DESCRIPTION	REV
43	1319671	1	Housing, Valve	

SECTION 1 - DRIVE TRAIN

FIGURE 1-29. VALVE BLOCK ASSEMBLY (SN MV006 to Present)

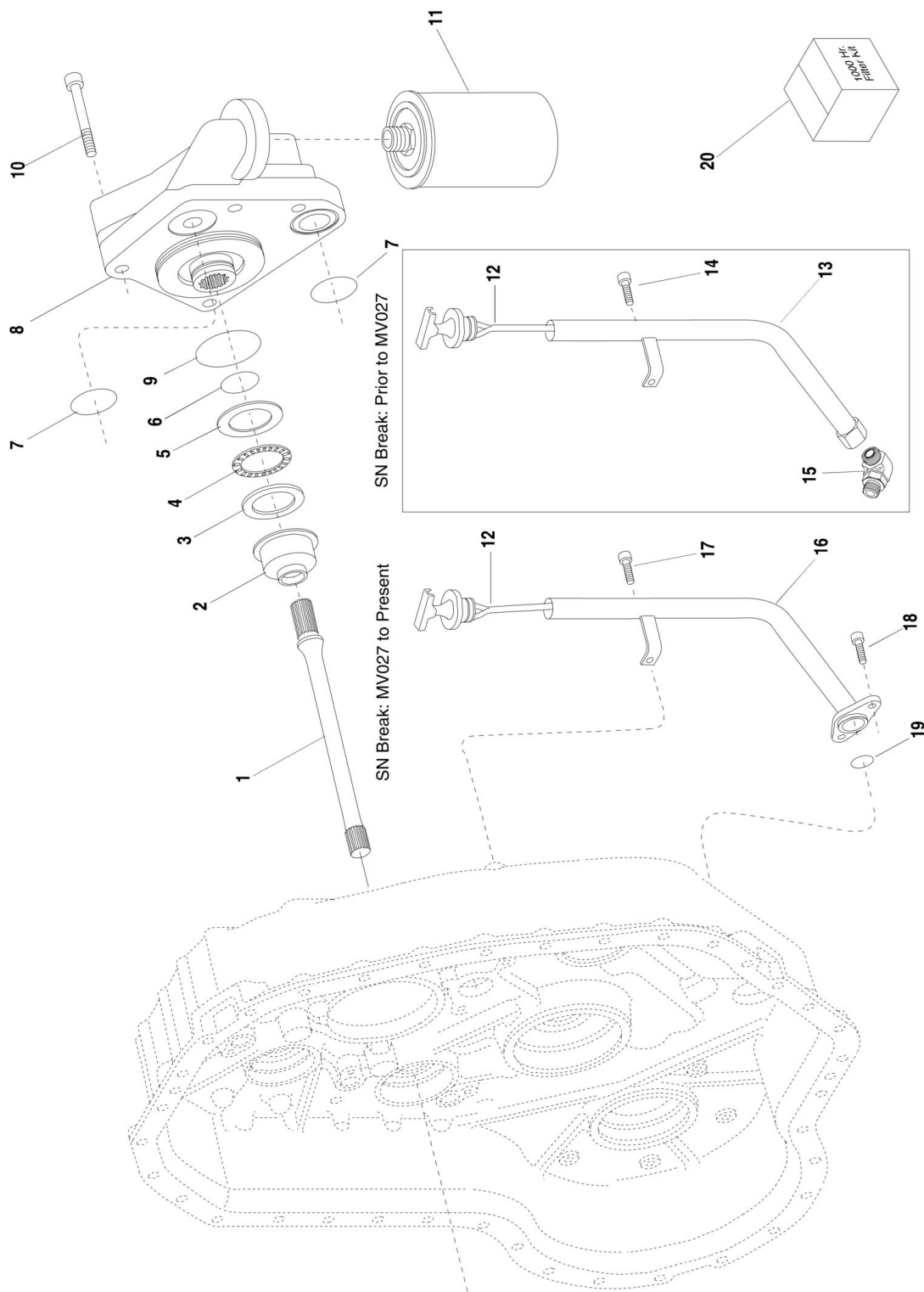


SECTION 1 - DRIVE TRAIN**FIGURE 1-29. VALVE BLOCK ASSEMBLY (SN MV006 to Present)**

ITEM	PART NUMBER	QTY	DESCRIPTION	REV
1	1319717	1	Valve Block Assembly - Complete (Includes Items 2 thru 15)	
2	1319714	9	HHCS, M5 x 32mm	
3	1319715	9	Washer, 5,3	
4	1319713	1	Cover	
5	1319712	1	Gasket	
6	1319703	3	SHCS, M5 x 12mm	
7	10732063	3	Plate, Fixing	
8	1319710	3	Piston	
9	1319696	3	Spring, Compression	
10	1319702	3	Valve, Solenoid	
11	1319670	3	Plug, Screw M10 x 1	
12	10731709	3	O-Ring, 8 x 1,5	
13	1319707	1	Clamp, Retaining	
14	1319711	1	Harness, Wiring	
15	1319709	1	Block, Valve	

SECTION 1 - DRIVE TRAIN

FIGURE 1-30. OIL PUMP AND FILTER (SN MV006 to Present)

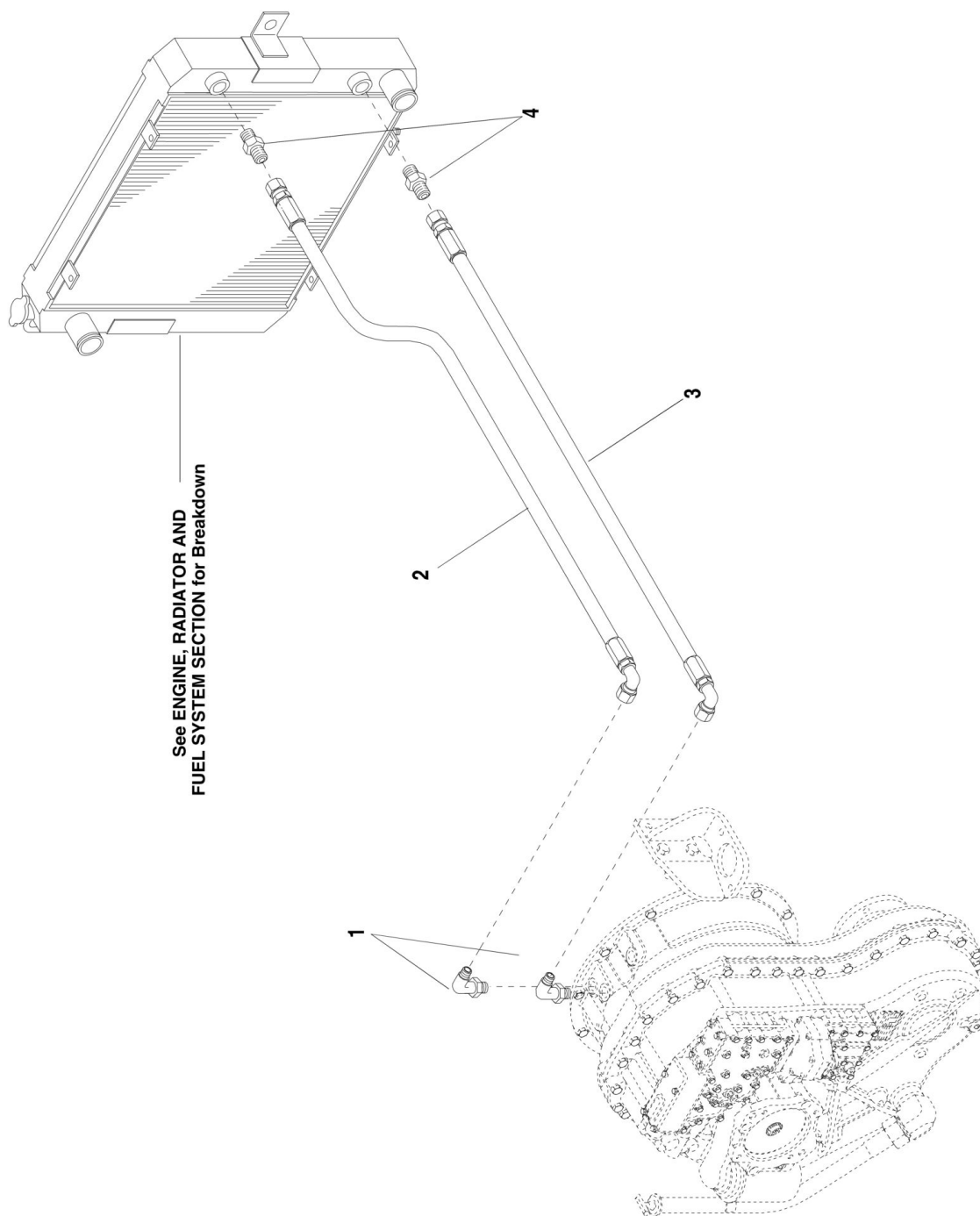


SECTION 1 - DRIVE TRAIN**FIGURE 1-30. OIL PUMP AND FILTER (SN MV006 to Present)**

ITEM	PART NUMBER	QTY	DESCRIPTION	REV
1	1319566	1	Shaft, Central	
2	1319723	1	Bushing, Spacer	
3	1319722	1	Disc, Angle	
4	1319721	1	Cage, Axial Needle	
5	1319720	1	Washer, Axial 40 x 60 x 1	
6	1319724	1	O-Ring, 36 x 2,5	
7	1319719	2	O-Ring, 40,95 x 2,62	
8	1319718	1	Pump (Includes Item 9)	
9	8036250	1	O-Ring	
10	1319725	4	HHCS, M12 x 115mm	
11	1319726	1	Filter, Transmission	
12	8036003	1	Dipstick	
13	8036555	1	Tube, Dipstick (SN Break: Prior to MV026)	
14	8036005	1	Screw, Cylindrical	
15	8036004	1	Fitting	
16	8036002	1	Tube, Dipstick (with flange) (SN Break: MV027 to Present)	
17	1319585	1	SHCS, M8 x 16mm	
18	1319582	1	SHCS, M8 x 20mm	
19	1319581	1	O-Ring	
		Ref	KITS	
20	8024015	1	1000 Hour Filter Kit (Includes 7 Filters: Engine Oil Filter, Primary Fuel Filter, Inline Fuel Filter, Both Air Filters, Transmission Oil Filter and Hydraulic Oil Filter)	

SECTION 1 - DRIVE TRAIN

FIGURE 1-31. TRANSMISSION OIL COOLER CIRCUIT (SN MV006 through MV200)

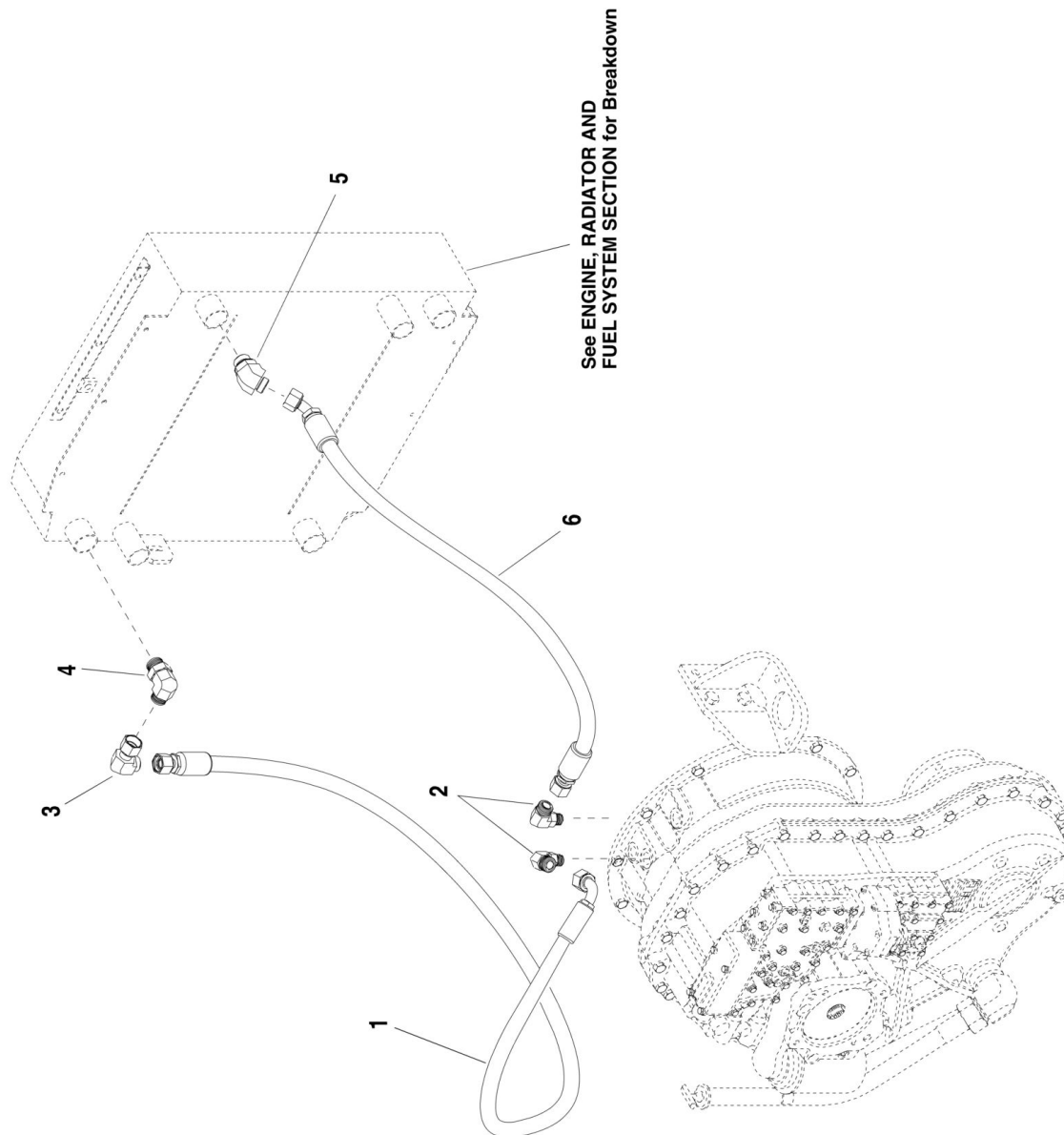


SECTION 1 - DRIVE TRAIN**FIGURE 1-31. TRANSMISSION OIL COOLER CIRCUIT (SN MV006 through MV200)**

ITEM	PART NUMBER	QTY	DESCRIPTION	REV
1	8770160	2	Elbow, 90, SAE 12-10 - str thd ORB x OFS	
2	2716519	12	Hose, 3/4 I.D. x 48in Long	
3	2716518	1	Hose, 3/4 I.D. x 42in Long	
4	8770070	2	Connector, SAE 12 - str thd ORB x OFS	

SECTION 1 - DRIVE TRAIN

FIGURE 1-32. TRANSMISSION OIL COOLER CIRCUIT (SN MV201 to Present)

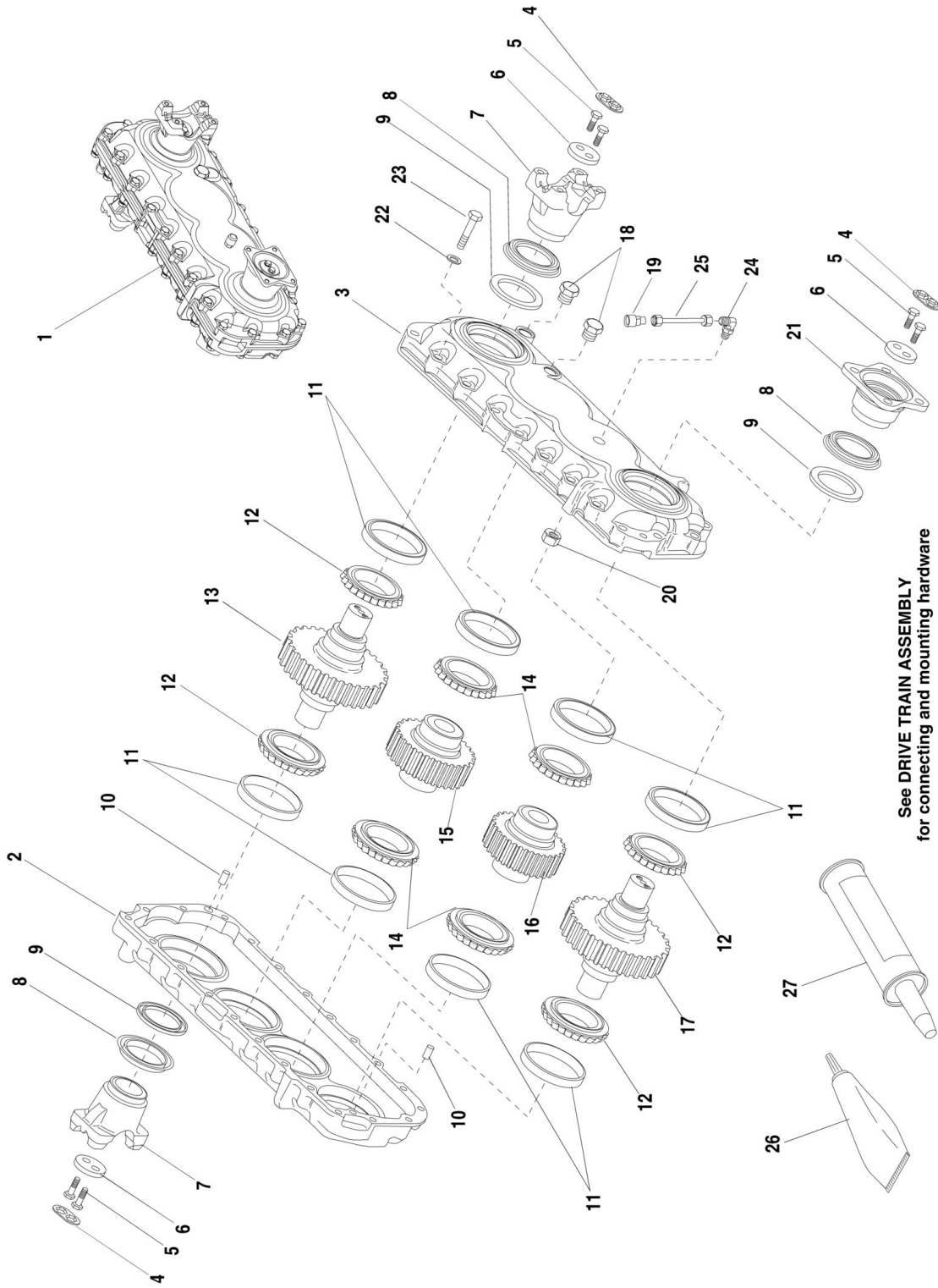


SECTION 1 - DRIVE TRAIN**FIGURE 1-32. TRANSMISSION OIL COOLER CIRCUIT (SN MV201 to Present)**

ITEM	PART NUMBER	QTY	DESCRIPTION	REV
1	2717071	1	Hose, 3/4 I.D. x 62-1/2in Long	
2	2770160	2	Elbow, 90, 10 ORB x 12 FF	
3	8770080	1	Elbow, Swivel 90, 12 FF	
4	8760356	1	Elbow, 90, 16 ORB x 12 FF	
5	8770291	1	Elbow, 45, 16 ORB x 12 FF	
6	2717218	1	Hose, 3/4 I.D. x 37in Long	

SECTION 1 - DRIVE TRAIN

FIGURE 1-33. TRANSFER BOX (SN MV006 through MV307, SN 0160003128 through 0160005934)



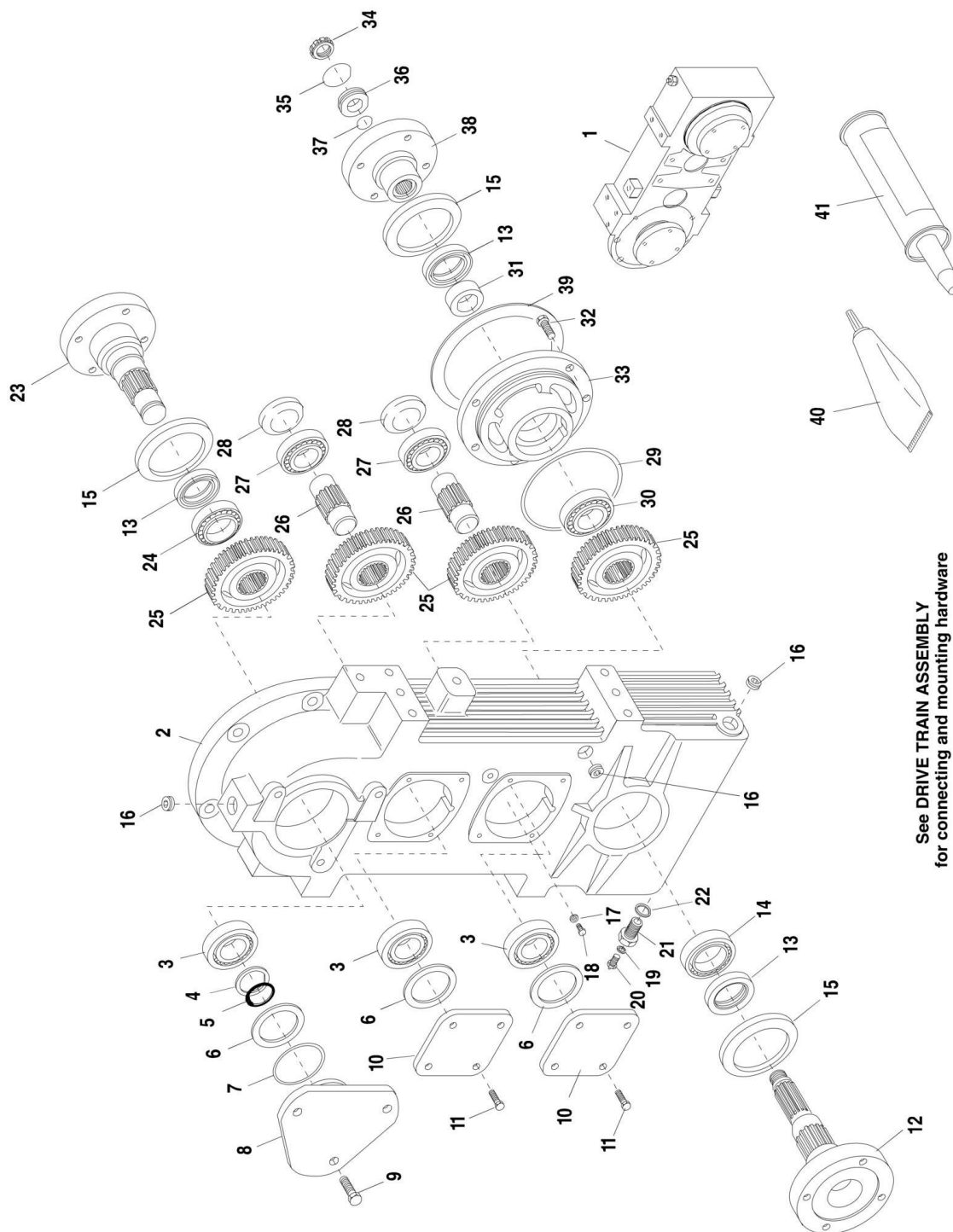
See DRIVE TRAIN ASSEMBLY
for connecting and mounting hardware

SECTION 1 - DRIVE TRAIN**FIGURE 1-33. TRANSFER BOX (SN MV006 through MV307, SN 0160003128 through 0160005934)**

ITEM	PART NUMBER	QTY	DESCRIPTION	REV
1	8841041	1	Transfer Box Assembly (Includes items 2 thru 23)	
2	N.S.S.	1	Housing, Front Half (Order Item 1)	
3	N.S.S.	1	Housing, Rear Half (Order Item 1)	
4	1319649	3	Washer, Tab	
5	10731959	6	HHCS, M8 x 25mm	
6	1319648	3	Washer, Flange	
7	7027273	2	Flange	
8	1319647	3	Shield, Dust	
9	1320755	3	Seal, Shaft	
10	1320761	2	Dowel, M10 x 24mm	
11	1320748	8	Cup, Tapered Roller Bearing	
12	1320753	4	Cone, Tapered Roller Bearing	
13	7027271	1	Gear, Output 39T	
14	1320754	4	Cone, Tapered Roller Bearing	
15	1320751	1	Gear, Idle 31T	
16	1320750	1	Gear, Idle 28T	
17	1320749	1	Gear, Input 36T	
18	1319578	2	Plug, Oil 7/8-14	
19	1320764	1	Breather, M10 x 1mm	
20	1320763	1	Nut, Hex M16	
21	1320765	1	Flange, Companion	
22	1320757	22	Washer, Elastic	
23	1320758	22	HHCS, M10 x 60mm	
24	8770215	1	Elbow, 90	
25	7300436	1	Tube, Breather, Transfer Case	
26	8526052	AR	Thread locker, Loctite #277 (10ml) .34 fl. oz	
27	8526056	AR	Gasket Eliminator, Loctite #518	

SECTION 1 - DRIVE TRAIN

FIGURE 1-34. TRANSFER BOX (SN 0160005976 to Present)



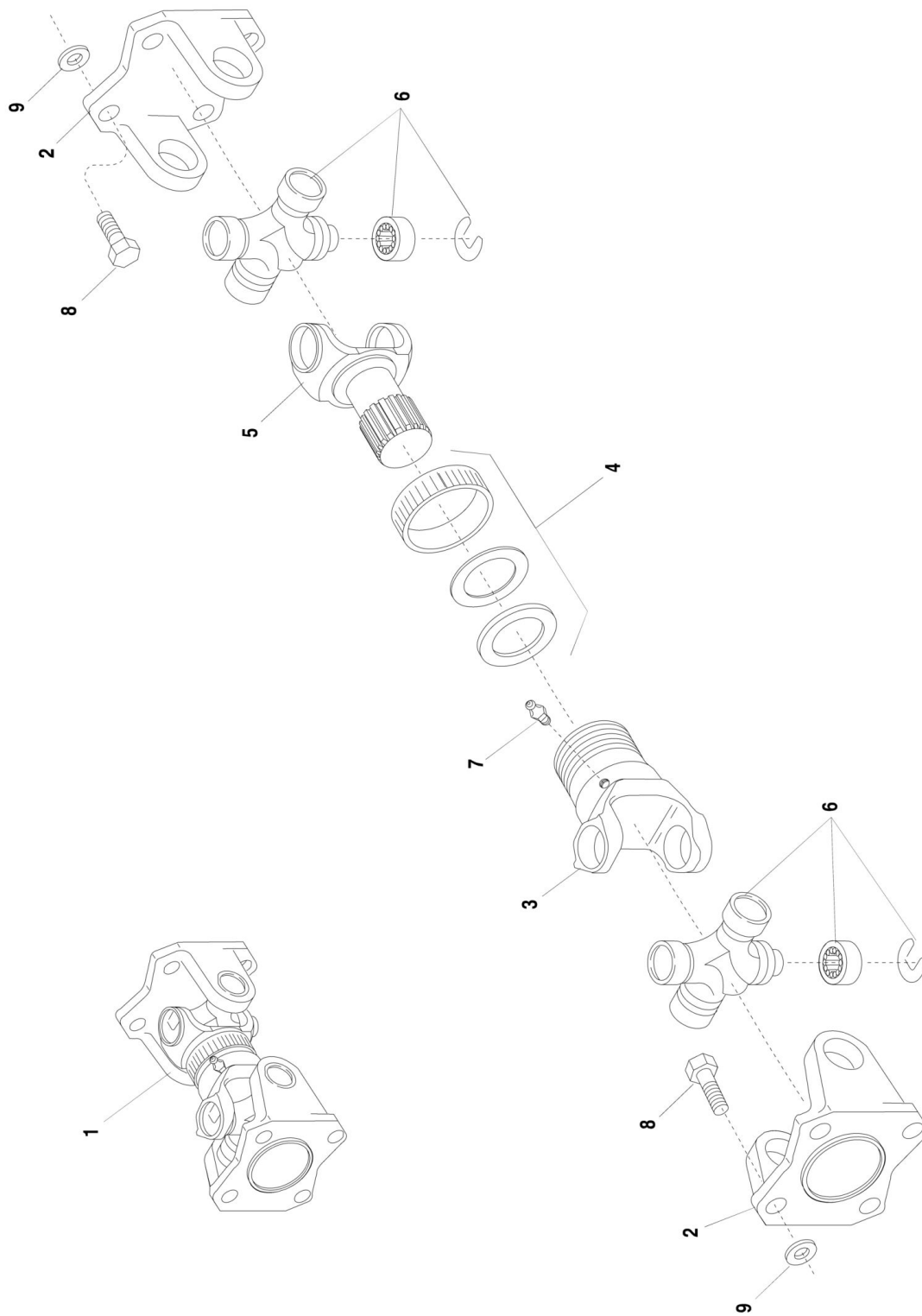
See DRIVE TRAIN ASSEMBLY
for connecting and mounting hardware

SECTION 1 - DRIVE TRAIN**FIGURE 1-34. TRANSFER BOX (SN 0160005976 to Present)**

ITEM	PART NUMBER	QTY	DESCRIPTION	REV
1	6623978	1	Transfer Box Assembly (Includes items 2 thru 39)	
2	70020497	1	Transfer Box	
3	8033626	3	Bearing	
4	8033631	1	Washer	
5	8033623	1	Ring, Snap	
6	8033628	AR	Shim, .30mm	
6	8033629	AR	Shim, .10mm	
6	8033630	AR	Shim, .05mm	
7	8033627	1	O-ring	
8	8033622	1	Cover, Shaft	
9	8033604	3	HHCS, M12X30	
10	8033618	2	Cover	
11	8035241	8	HHCS, M8X22	
12	70020498	1	Shaft	
13	70020499	3	Seal Ring, Oil	
14	8033625	1	Bearing	
15	70020500	3	Cover	
16	8035243	3	Plug, Oil M22X1.5	
17	8033608	1	Washer	
18	8033613	1	HHCS	
19	8033609	1	Washer	
20	8033612	1	Breather, M10X1	
21	8033619	1	Extension, Breather	
22	8033610	1	Washer	
23	70020501	1	Shaft	
24	8033625	1	Bearing	
25	8033633	4	Gear	
26	8033632	4	Pin, Gear	
27	8033626	2	Bearing	
28	8033614	2	Plug	
29	8033611	1	O-Ring	
30	8033594	1	Bearing	
31	8033599	1	Spacer	
32	8033603	5	HHCS, M10X30	
33	70020502	1	Cover	
34	8033590	1	Nut, Ring M25X1.5	
35	8033596	1	O-Ring	
36	8033597	1	Ring, Centering	
37	8033595	1	O-Ring	
38	70020503	1	Flange	
39	8033615	AR	Shim, .10mm	
39	8033616	AR	Shim, .19mm	
39	8033617	AR	Shim, .35mm	
40	8526052	AR	Thread locker, Loctite #277 (10ml) .34 fl. oz	
41	8526056	AR	Gasket Eliminator, Loctite #518	

SECTION 1 - DRIVE TRAIN

FIGURE 1-35. DRIVE SHAFT - TRANSMISSION TO TRANSFER BOX (SN MV006 to Present)

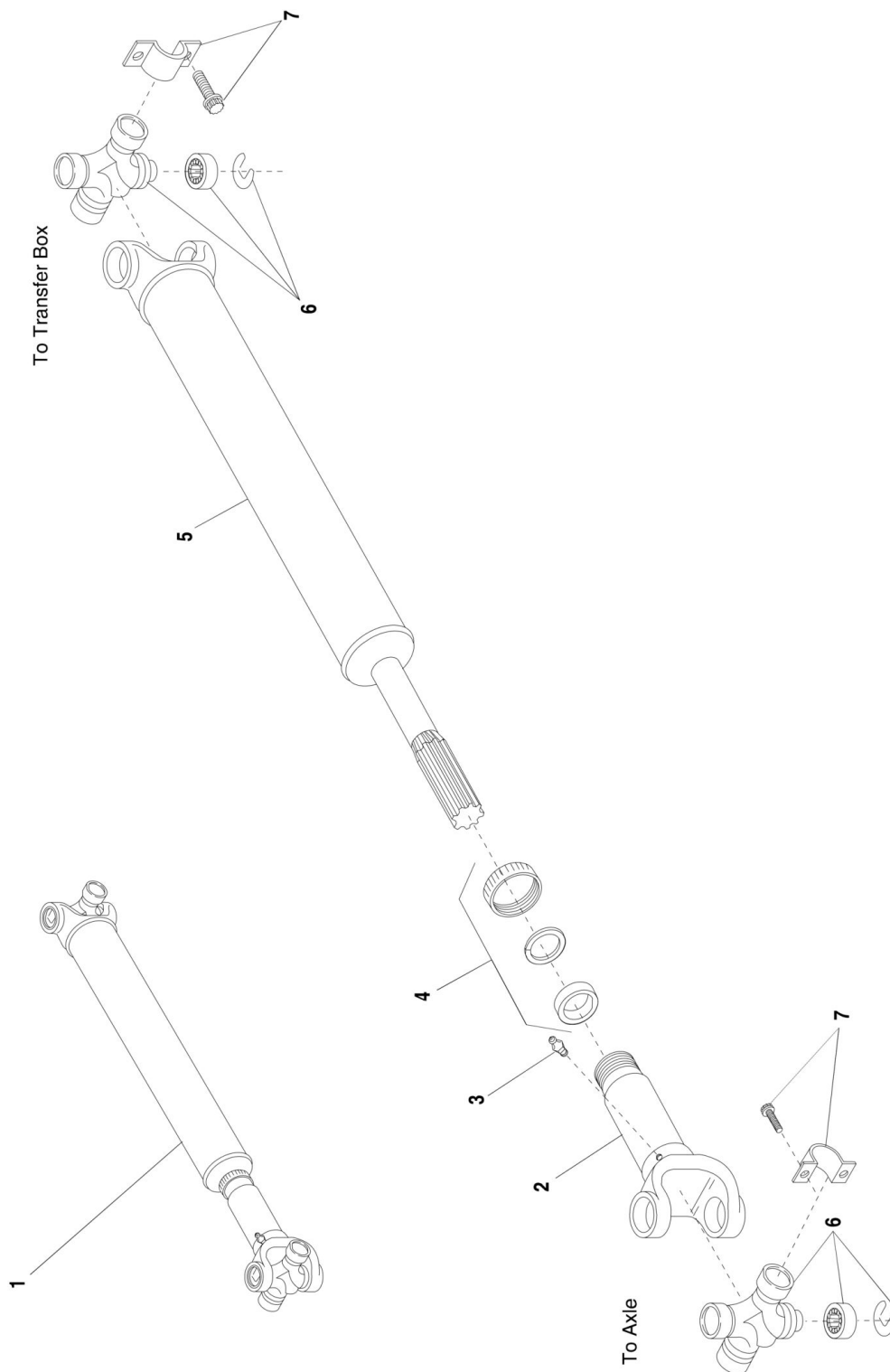


SECTION 1 - DRIVE TRAIN**FIGURE 1-35. DRIVE SHAFT - TRANSMISSION TO TRANSFER BOX (SN MV006 to Present)**

ITEM	PART NUMBER	QTY	DESCRIPTION	REV
1	7138760	1	Drive Shaft Assembly - Transmission to Transfer (Includes Items 2 thru 7)	
2	N.S.S.	2	Flange, Yoke (Order Item 1)	
3	N.S.S.	1	Yoke, Slip (Order Item 1)	
4	8035779	1	Kit, Dust Cap	
5	N.S.S.	1	Shaft, Yoke (Order Item 1)	
6	8035778	2	Kit, Cross and Bearing	
7	8033004	1	Fitting, Grease	
8	0701214	8	HHSC, 12-1.75X30mm	
9	4832100	8	Washer, Lock M12	

SECTION 1 - DRIVE TRAIN

FIGURE 1-36. DRIVE SHAFT - TRANSFER BOX TO FRONT AXLE (SN MV006 through MV307, SN 0160003128 through 0160005934)

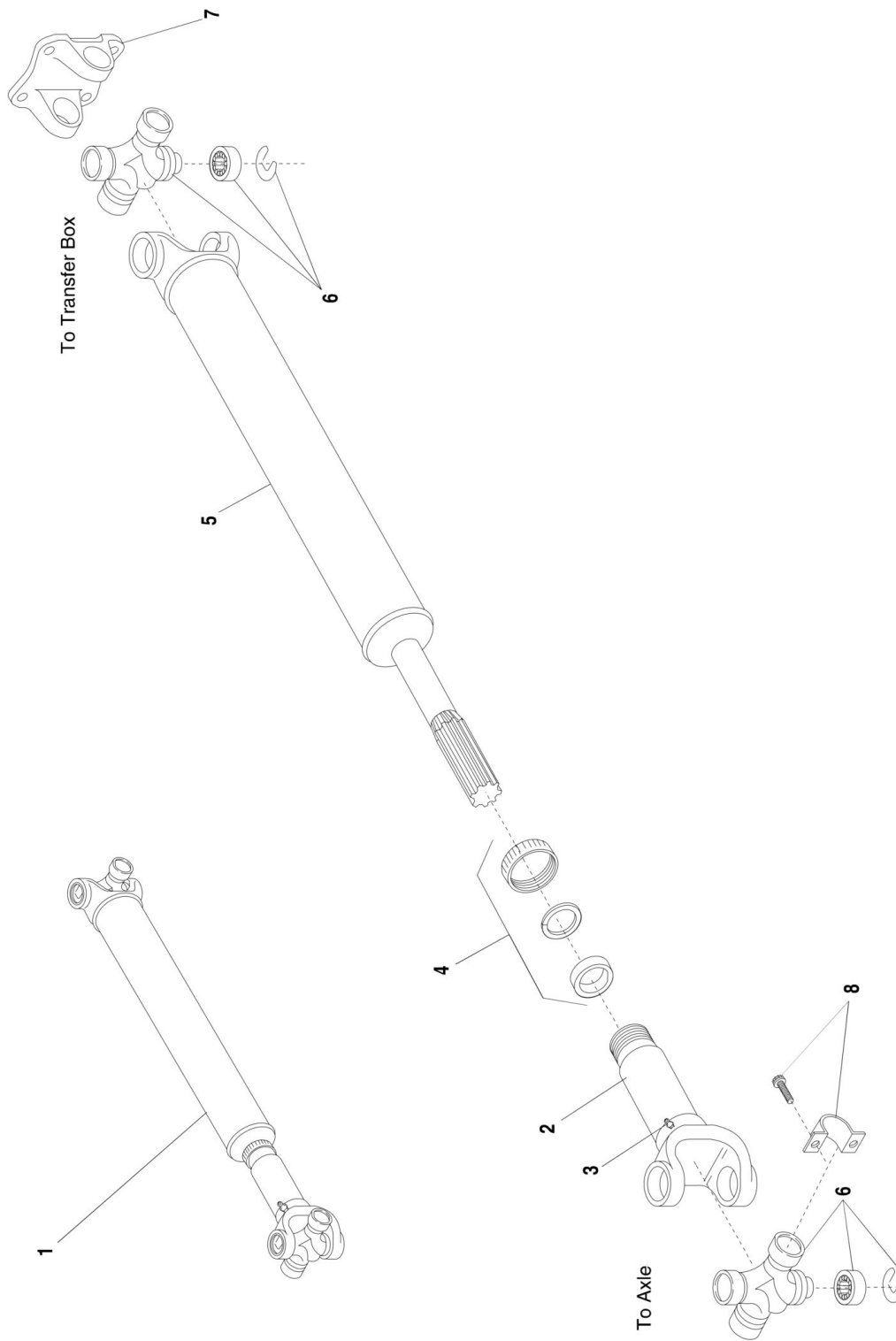


SECTION 1 - DRIVE TRAIN**FIGURE 1-36. DRIVE SHAFT - TRANSFER BOX TO FRONT AXLE (SN MV006 through MV307, SN 0160003128 through 0160005934)**

ITEM	PART NUMBER	QTY	DESCRIPTION	REV
1	7135912	1	Drive Shaft Assembly - Front (Includes Items 2 thru 6)	
2	N.S.S.	1	Yoke, Slip (Order Item 1)	
3	8033004	1	Fitting, Grease	
4	8035109	1	Kit, Dust Cap	
5	N.S.S.	1	Shaft, Yoke (Order Item 1)	
6	8035778	2	Kit, Cross and Bearing	
7	8880218	4	Kit, Strap	

SECTION 1 - DRIVE TRAIN

FIGURE 1-37. DRIVE SHAFT - TRANSFER BOX TO FRONT AXLE (SN 0160005976 to Present)

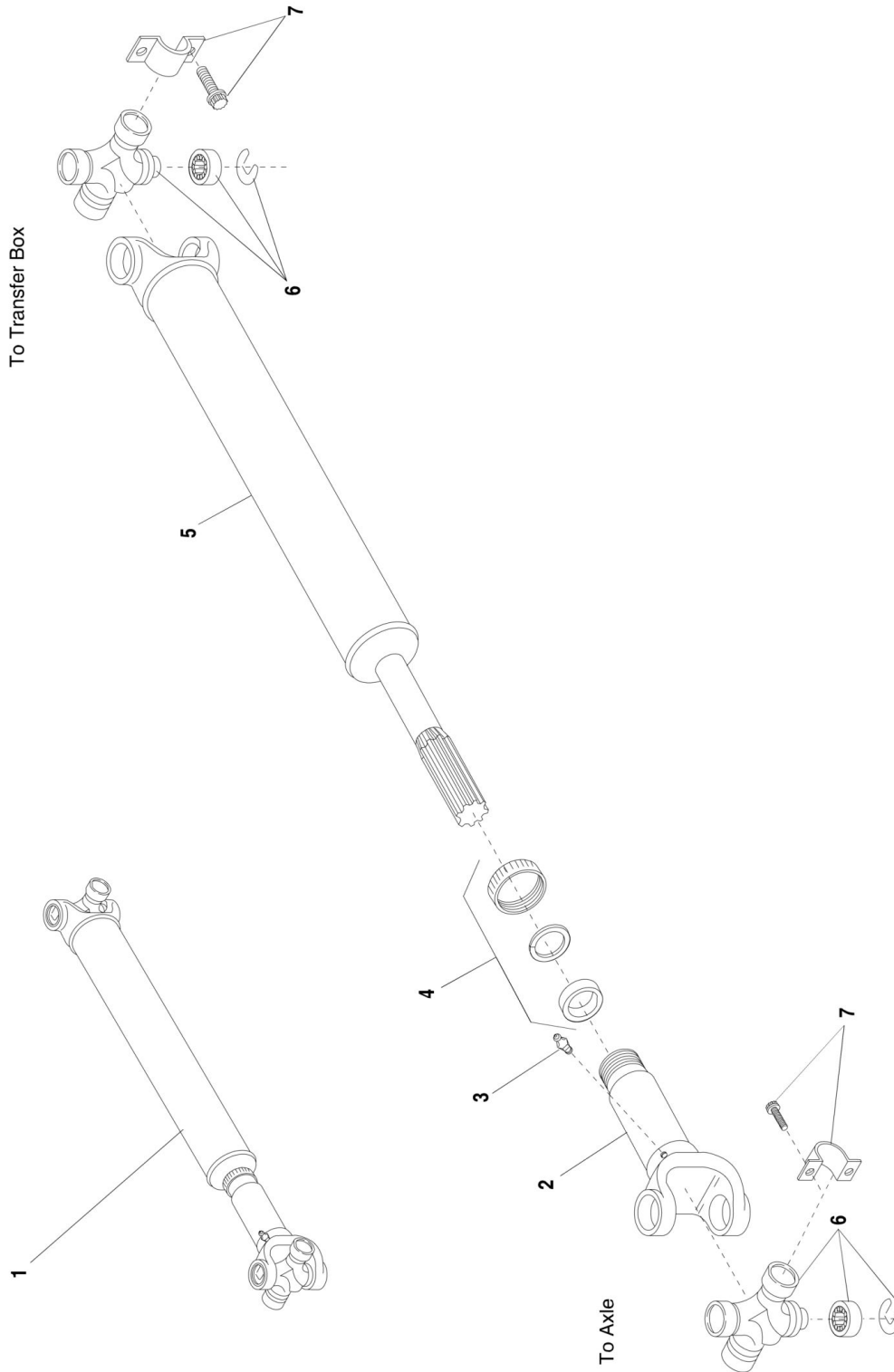


SECTION 1 - DRIVE TRAIN**FIGURE 1-37. DRIVE SHAFT - TRANSFER BOX TO FRONT AXLE (SN 0160005976 to Present)**

ITEM	PART NUMBER	QTY	DESCRIPTION	REV
1	6623979	1	Drive Shaft Assembly - Front (Includes Items 2 thru 67)	
2	N.S.S.	1	Yoke, Slip (Order Item 1)	
3	N.S.S.	1	Fitting, Grease	
4	8035109	1	Kit, Dust Cap	
5	N.S.S.	1	Shaft, Yoke (Order Item 1)	
6	91474035	2	Kit, Cross and Bearing	
7	N.S.S.	1	Yoke, Flange (Order Item 1)	
8	8880218	2	Kit, Strap	

SECTION 1 - DRIVE TRAIN

FIGURE 1-38. DRIVE SHAFT - TRANSFER BOX TO REAR AXLE (SN MV006 through MV307, SN 0160003128 through 0160005934)

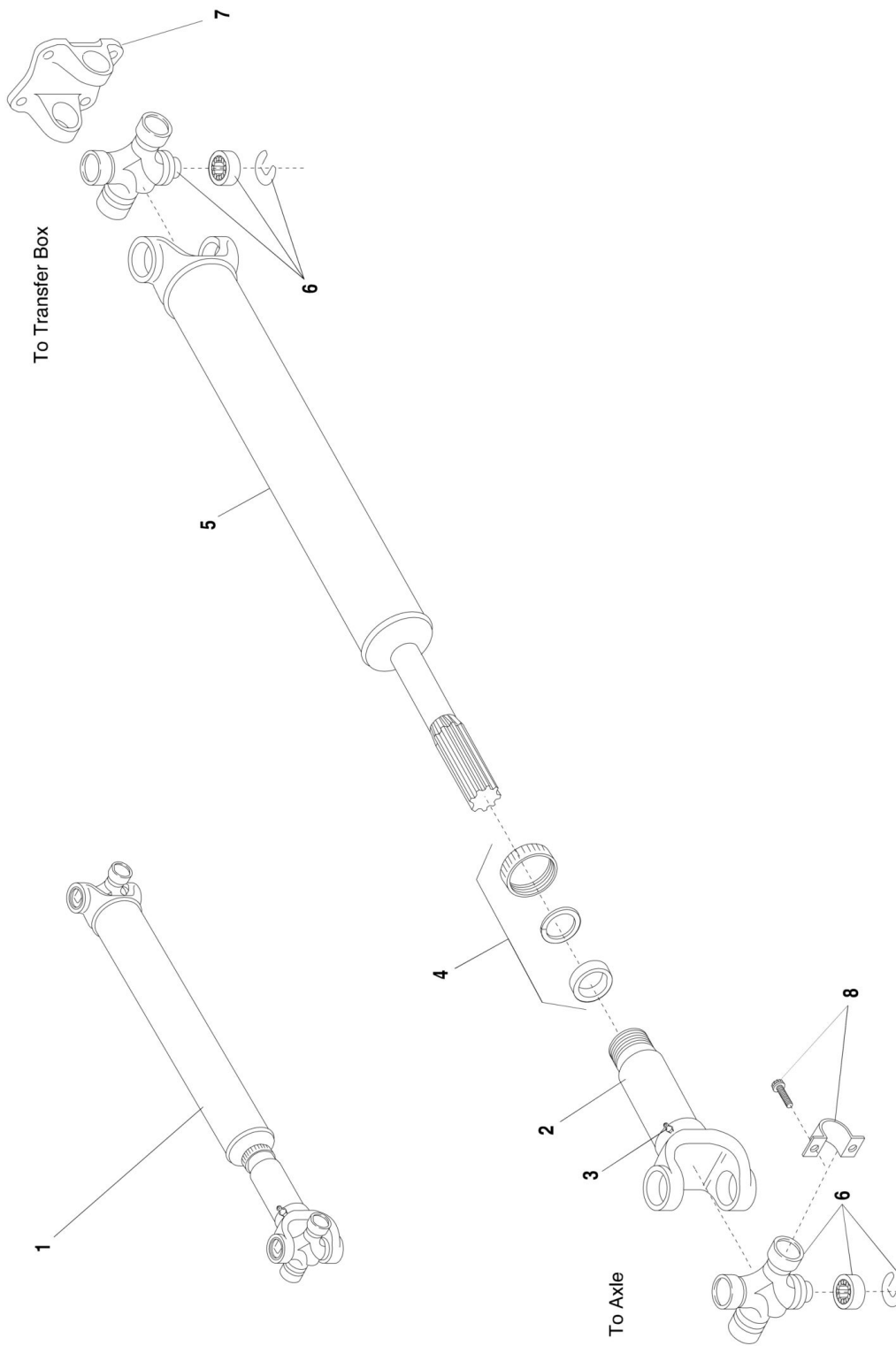


SECTION 1 - DRIVE TRAIN**FIGURE 1-38. DRIVE SHAFT - TRANSFER BOX TO REAR AXLE (SN MV006 through MV307, SN 0160003128 through 0160005934)**

ITEM	PART NUMBER	QTY	DESCRIPTION	REV
1	7135922	1	Drive Shaft Assembly - Rear (Includes Items 2 thru 6)	
2	N.S.S.	1	Yoke, Slip (Order Item 1)	
3	8033004	1	Fitting, Grease	
4	8035109	1	Kit, Dust Cap	
5	N.S.S.	1	Shaft, Yoke (Order Item 1)	
6	8035778	2	Kit, Cross and Bearing	
7	8880218	4	Kit, Strap	

SECTION 1 - DRIVE TRAIN

FIGURE 1-39. DRIVE SHAFT - TRANSFER BOX TO REAR AXLE (SN 0160005976 to Present)



SECTION 1 - DRIVE TRAIN**FIGURE 1-39. DRIVE SHAFT - TRANSFER BOX TO REAR AXLE (SN 0160005976 to Present)**

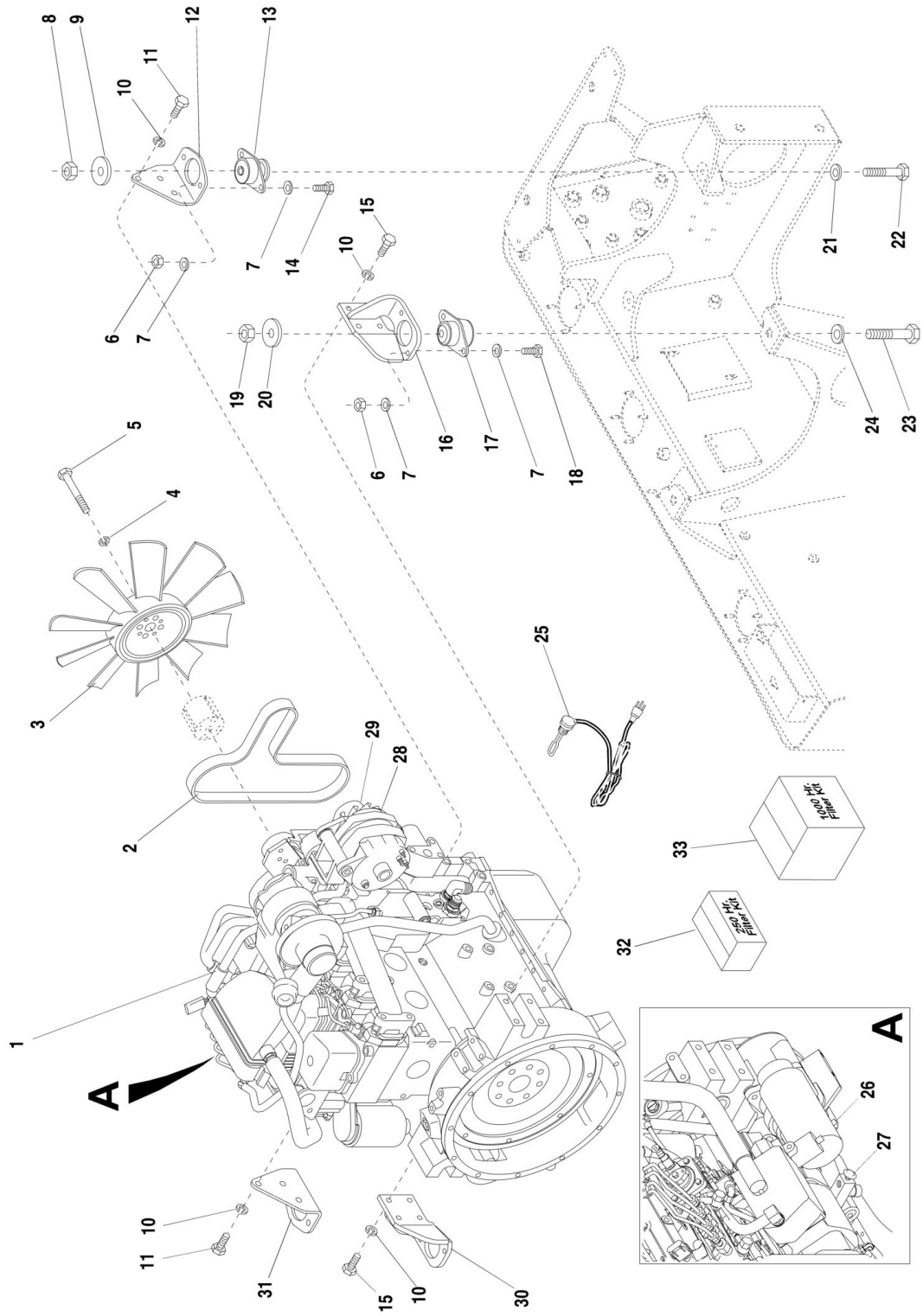
ITEM	PART NUMBER	QTY	DESCRIPTION	REV
1	6623980	1	Drive Shaft Assembly - Rear (Includes Items 2 thru 7)	
2	N.S.S.	1	Yoke, Slip (Order Item 1)	
3	N.S.S.	1	Fitting, Grease	
4	8035109	1	Kit, Dust Cap	
5	N.S.S.	1	Shaft, Yoke (Order Item 1)	
6	91474035	2	Kit, Cross and Bearing	
7	N.S.S.	1	Yoke, Flange (Order Item 1)	
8	8880218	2	Kit, Strap	

SECTION 2 - ENGINE, RADIATOR AND FUEL SYSTEM

SECTION 2 - ENGINE, RADIATOR AND FUEL SYSTEM

SECTION 2 - ENGINE, RADIATOR AND FUEL SYSTEM

FIGURE 2-1. ENGINE MOUNTING (S/N MV006 - MV200)



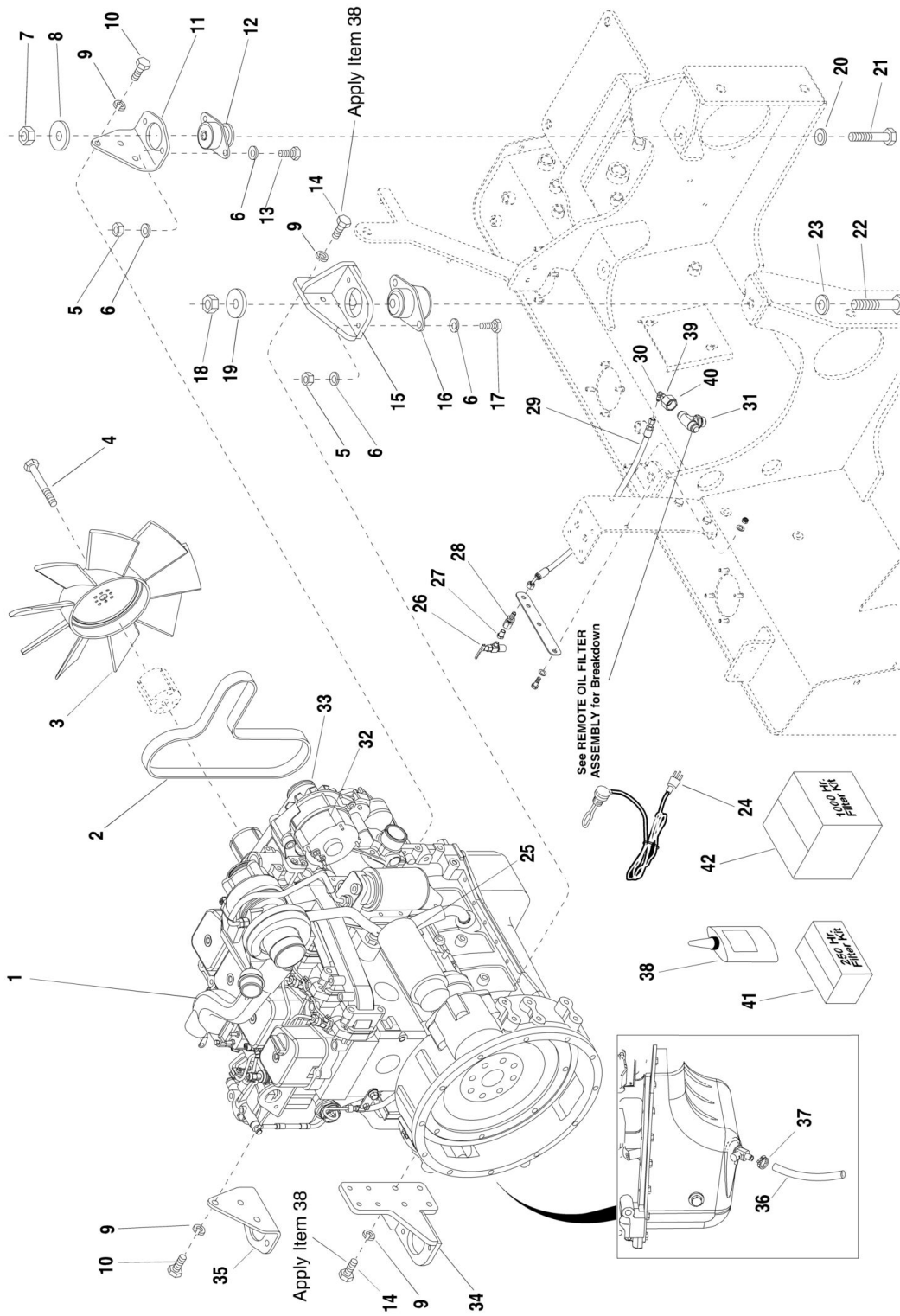
SECTION 2 - ENGINE, RADIATOR AND FUEL SYSTEM

FIGURE 2-1. ENGINE MOUNTING (S/N MV006 - MV200)

ITEM	PART NUMBER	QTY	DESCRIPTION	REV
1	8262159	1	Engine, Cummins 4BTA 3.9 EPA	
2	8036645	1	Belt, Fan	
3	8272017	1	Fan, 18in Suction	
4	8307022	4	Washer, Lock M8	
5	8310424	4	HHCS, M8-1,5 x 90mm	
6	8305645	8	Nut, Hex Lock Elastic 3/8-16	
7	8307110	16	Washer, Flat 3/8in Narrow	
8	8310109	2	Nut, Hex Lock Elastic 7/16-14	
9	7121951	2	Washer, Rebound 7/16in	
10	8307025	14	Washer, Lock M12	
11	8303790	6	HHCS, M12-1,75 x 30mm PC 8,8	
12	7127562	1	Mount, Engine, Rear Left Side	
13	8278039	2	Isolator, Engine	
14	8303675	4	HHCS, 3/8-16 x 1-1/4in Gr. 5	
15	8310164	8	HHCS, M12-1,75 x 40mm PC 8,8	
16	7127492	1	Mount, Engine, Front Left Side	
17	8278038	2	Isolator, Engine	
18	8303621	4	HHCS, 3/8-16 x 1-1/2in Gr. 5	
19	8305643	2	Nut, Hex Lock Elastic 5/8-11	
20	7132141	2	Washer, Rebound 5/8in	
21	8307113	2	Washer, Flat 7/16in Narrow	
22	8310289	2	HHCS, 7/16-14 x 3-1/4in Gr. 8	
23	8310333	2	HHCS, 5/8-11 x 4in Gr. 8	
24	8307107	2	Washer, Flat 5/8in Narrow	
25	8277161	1	Heater, Coolant	
26	8036340	1	Starter	
27	8904060	1	Valve, Oil Sample	
28	8270214	1	Alternator, 24V, 70 Amp	
29	8270220	1	Fan, Alternator	
29	7028963	1	Fan Pulley	
30	7127462	1	Mount, Engine, Front Right Side	
31	7127552	1	Mount, Engine, Rear Right Side	
		Ref	KITS	
32	7138288	1	250 Hour Filter Kit (Includes 2 Filters: Engine Oil Filter and Primary Fuel Filter)	
33	8024015	1	1000 Hour Filter Kit (Includes 7 Filters: Engine Oil Filter, Primary Fuel Filter, Inline Fuel Filter, Both Air Filters, Transmission Oil Filter and Hydraulic Oil Filter)	

SECTION 2 - ENGINE, RADIATOR AND FUEL SYSTEM

FIGURE 2-2. ENGINE MOUNTING (S/N MV201 -)



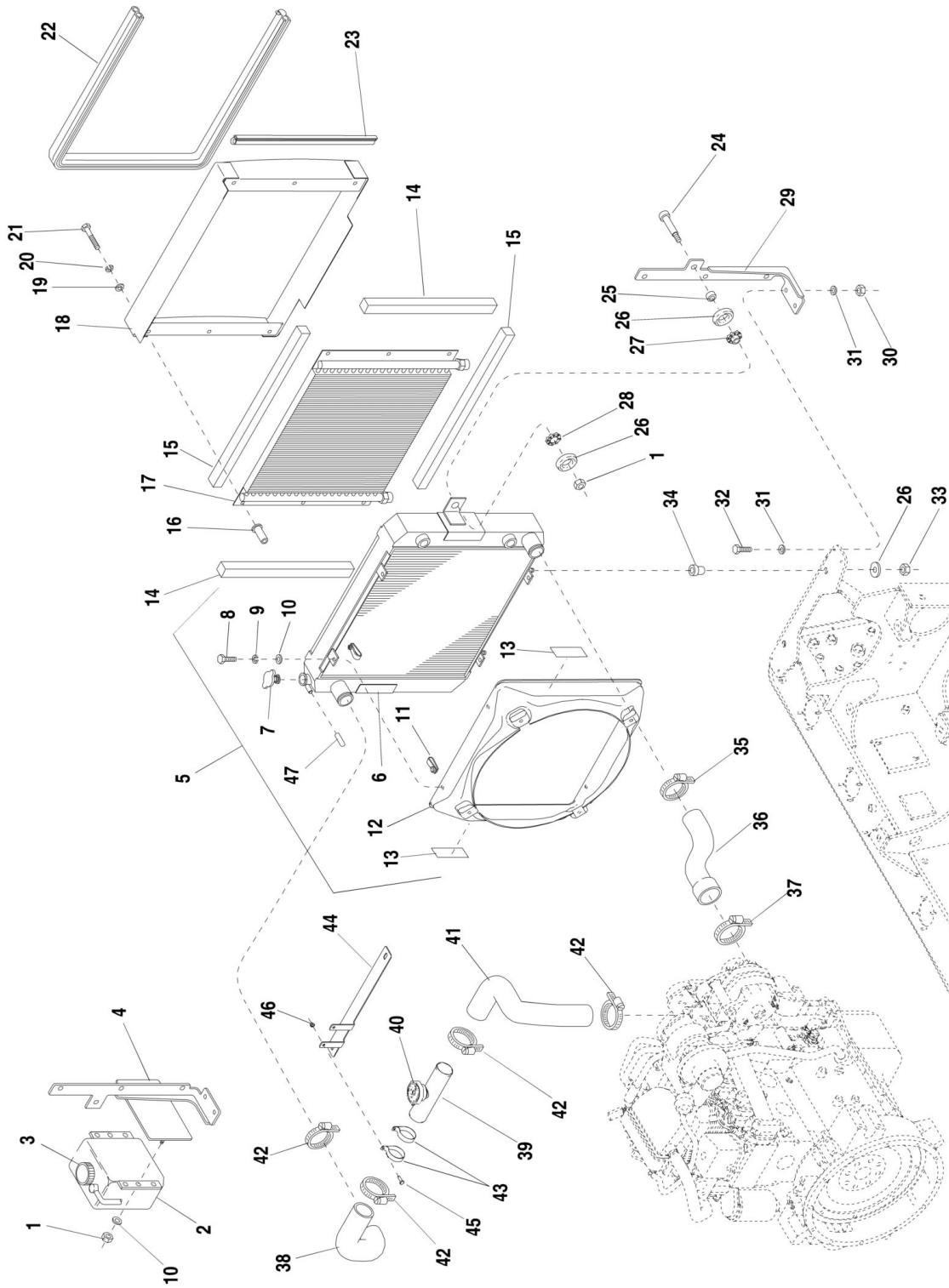
SECTION 2 - ENGINE, RADIATOR AND FUEL SYSTEM

FIGURE 2-2. ENGINE MOUNTING (S/N MV201 -)

ITEM	PART NUMBER	QTY	DESCRIPTION	REV
1	8262170	1	Engine Cummins QSB4.5T, 110 HP	
2	7028837	1	Belt, Fan	
3	8272032	1	Fan, 24in Suction	
4	8310645	4	HHCS, M10-1,5 x 100mm PC8.9	
5	8305645	8	Nut, Hex Lock Elastic 3/8-16	
6	8307110	16	Washer, Flat 3/8in Narrow	
7	8310109	2	Nut, Hex Lock Elastic 7/16-14	
8	7121951	2	Washer, Rebound 7/16in	
9	8307025	14	Washer, Lock M12	
10	8303790	6	HHCS, M12-1,75 x 30mm PC 8,8	
11	7127562	1	Mount, Engine, Rear Left Side	
12	8278039	2	Isolator, Engine	
13	8303675	4	HHCS, 3/8-16 x 1-1/4in Gr. 5	
14	8310164	8	HHCS, M12-1,75 x 40mm PC 8,8	
15	6623662	1	Mount, Engine, Front Left Side	
16	8278038	2	Isolator, Engine	
17	8303621	4	HHCS, 3/8-16 x 1-1/2in Gr. 5	
18	8305643	2	Nut, Hex Lock Elastic 5/8-11	
19	7132141	2	Washer, Rebound 5/8in	
20	8307113	2	Washer, Flat 7/16in Narrow	
21	8310289	2	HHCS, 7/16-14 x 3-1/4in Gr. 8	
22	8310333	2	HHCS, 5/8-11 x 4in Gr. 8	
23	8307107	2	Washer, Flat 5/8in Narrow	
24	8277161	1	Heater, Coolant	
25	7028993	1	Starter	
26	8904026	1	Valve, Engine Oil Sampling	
27	8540071	1	Adapter	
28	8036532	1	Adapter, Bulkhead 4FP-4T 37	
29	2717202	1	Hose, Engine Oil Sampling	
30	8760272	1	Fitting, 90	
31	8760483	1	Fitting, Tee	
32	8270214	1	Alternator, 24V, 70 Amp	
33	8270220	1	Fan, Alternator	
33	7028963	1	Fan Pulley	
34	6623658	1	Mount, Engine, Front Right Side	
35	7127552	1	Mount, Engine, Rear Right Side	
36	7132131	1	Hose, Oil Drain, .375 I.D.	
37	8410009	1	Clamp, Gear, 1.06 Max Dia	
38	8526007	AR	Threadlocker, Loctite #242 Removable Grade 8.45 fl. oz	
39	8760499	1	Reducer, Tube End #12	
40	8760401	1	Nut, #12	
		Ref	KITS	
41	8024051	1	250 Hour Filter Kit (Includes 2 Filters: Engine Oil Filter and Primary Fuel Filter)	
42	8024052	1	1000 Hour Filter Kit (Includes 7 Filters: Engine Oil Filter, Primary Fuel Filter, Inline Fuel Filter, Both Air Filters, Transmission Oil Filter and Hydraulic Oil Filter)	

SECTION 2 - ENGINE, RADIATOR AND FUEL SYSTEM

FIGURE 2-3. RADIATOR AND OIL COOLER MOUNTING (S/N MV006 - MV200)



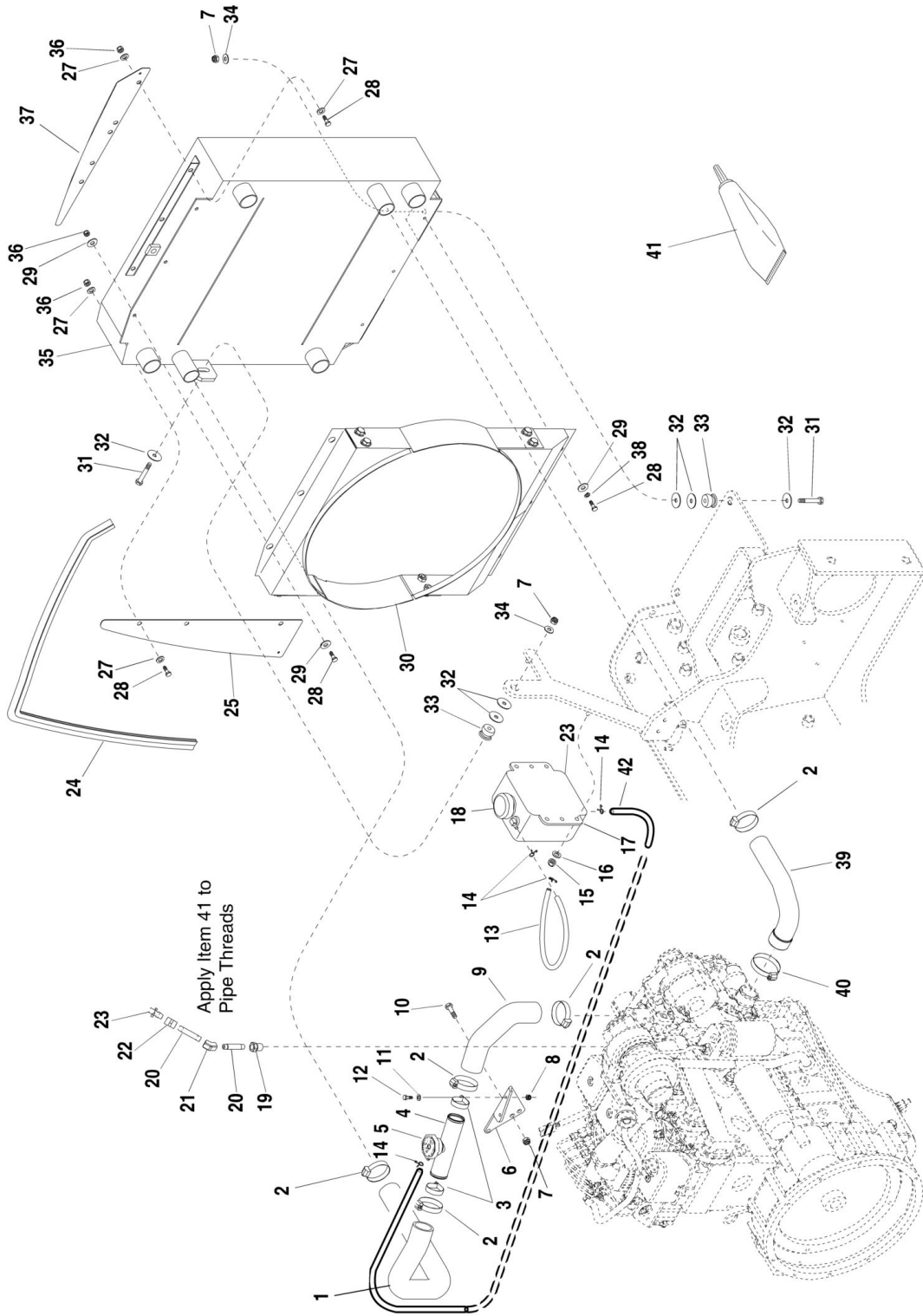
SECTION 2 - ENGINE, RADIATOR AND FUEL SYSTEM

FIGURE 2-3. RADIATOR AND OIL COOLER MOUNTING (S/N MV006 - MV200)

ITEM	PART NUMBER	QTY	DESCRIPTION	REV
1	8305626	4	Nut, Hex Lock Elastic 5/16-18	
2	7085422	1	Tank, Overflow 3 Qt. (Includes Item 3)	
3	8866341	1	Cap w/Tether	
4	7138231	1	Bracket Assembly, Radiator Right Side	
5	8024030	1	Radiator Assembly Kit (Includes Items 6 thru 13, Item 47 is Not Included)	
6	N.S.S.	1	Radiator (Order Item 5)	
7	8180311	1	Cap, Radiator	
8	8303697	4	HHCS, 5/16in-18 x 3/4in Gr. 5	
9	8307004	4	Washer, Lock 5/16in	
10	8307106	6	Washer, Plain 5/16in	
11	8036546	4	Nut, Speed 5/16in-18	
12	8024031	1	Shroud Kit, Radiator (Includes Item 13)	
13	N.S.S.	2	Decal (See Decal Page)	
14	7132012	2	Baffle, Foam	
15	7139938	2	Baffle, Foam	
16	8580420	6	Nut, Well	
17	7129973	1	Cooler, Oil (See HYDRAULIC SYSTEM COMPONENTS SECTION for Hose Connection)	
18	7138242	1	Baffle Assembly, Radiator	
19	8307202	6	Washer, Flat 1/4in Wide	
20	8307002	6	Washer, Lock 1/4in	
21	8303743	6	HHCS, 1/4-20 x 1-1/2in	
22	7131952	1	Seal Bulb	
23	7132002	1	Moulding, Seal Bulb	
24	8310104	2	Bolt, Shoulder, Socket Hd 3/8 x 1-1/2 x 5/16-18	
25	7130131	2	Spacer	
26	7057141	4	Washer, Rebound 3/8in	
27	8278023	2	Bushing, Radiator Mount	
28	8278024	2	Ring, Radiator Mount	
29	7138230	1	Bracket, Radiator Left Side	
30	8305645	4	Nut, Hex Lock Elastic 3/8-16	
31	8307204	8	Washer, Flat 3/8in Wide	
32	8303621	4	HHCS, 3/8-16 x 1-1/2in Gr. 5	
33	8305603	2	Nut, Hex Lock 3/8-16	
34	8278008	2	Mount, Rubber	
35	8405104	1	Clamp, Radiator Hose	
36	7138515	1	Hose, Radiator, Return	
37	8405202	1	Clamp, Radiator Hose	
38	7139514	1	Hose, Radiator, Upper	
39	8180319	1	Neck, Filler (Includes Item 40)	
40	8180318	1	Cap, Radiator, 10PSI	
41	7139515	1	Hose, Radiator	
42	8405201	4	Clamp, Gear	
43	8342016	2	Clamp, P-Style	
44	7139917	1	Bracket, Radiator Hose	
45	8303544	2	HHCS, M6-1.00 x 20mm	
46	8305047	2	Nut, Hex M6 x 1.00	
47	6623586	1	Cap, Rubber	
		Ref	N.S.S. = Not Sold Separately	

SECTION 2 - ENGINE, RADIATOR AND FUEL SYSTEM

FIGURE 2-4. RADIATOR AND OIL COOLER MOUNTING (S/N MV201 -)



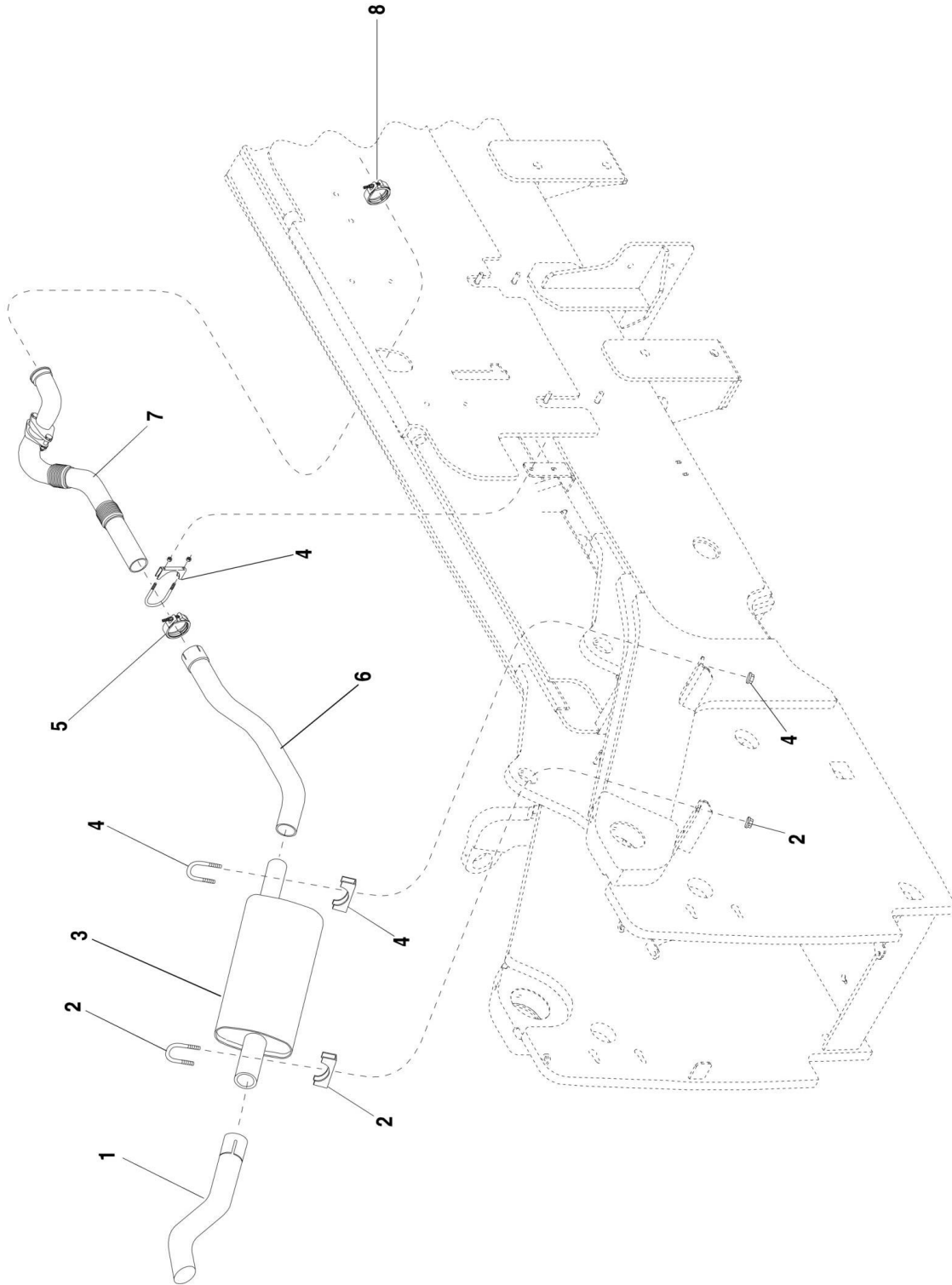
SECTION 2 - ENGINE, RADIATOR AND FUEL SYSTEM

FIGURE 2-4. RADIATOR AND OIL COOLER MOUNTING (S/N MV201 -)

ITEM	PART NUMBER	QTY	DESCRIPTION	REV
1	7301915	1	Hose, Upper Radiator	
2	8405201	5	Clamp, Gear	
3	8342016	2	Clamp, P-Style	
4	7139992	1	Neck, Filler (Includes Item 5)	
5	8180318	1	Cap, Radiator, 10PSI	
6	6623910	1	Bracket, Radiator Hose	
7	8305630	4	Nut, Hex Lock M10-1.50	
8	8305624	2	Nut, Hex Lock Elastic .250 - 20 NC	
9	7301914	1	Hose, Radiator	
10	8310534	1	HHCS, M10-1.50 x 40mm PC10.9	
11	8307109	2	Washer, Plain 1/4in Narrow	
12	8310026	2	HHCS, .250 - 20 NC x .750 GR5	
13	8180330	1	Hose, Overflow 700mm	
14	8410016	4	Clip, Hose	
15	8305626	2	Nut, Hex Elastic 5/16in-18 NC	
16	8307203	2	Washer, Plain 5/16in STD Wide	
17	7085422	1	Tank, Overflow 3 Qt. (Includes Item 18)	
18	8866341	1	Cap, w/Teather	
19	8530012	1	Reducer, Pipe Thread 8P-4P, Brass	
20	2210113	2	Nipple, 8P x 2-1/2in	
21	8530042	1	Elbow, Female 4P, Brass	
22	8530043	1	Coupling, Hex Pipe 4P, Brass	
23	8904001	2	Drain Cock, External, Brass	
24	7300375	1	Seal, Bulb w/Grip 54in	
25	6623856	1	Sheet, Side Baffle	
26	8303656	6	HHCS, 5/16-18 NC x 7/8in	
27	8307203	14	Washer, Plain 5/16in Wide	
28	8303606	6	HHCS, M8-1.25 x 20mm PC8.8	
29	8310621	8	Washer, Fender 10mm x 30mm	
30	6623918	1	Shroud, Fan	
31	8303097	3	HHCS, M10-1.5 x 65mm PC8.8	
32	7057141	9	Washer, Flat Rebound	
33	8278020	3	Mount, Rubber-Isolator	
34	8310200	3	Washer, Plain Hrd 1/4in	
35	8180224	1	Cooling Stack	
36	8305654	9	Nut, Hex Lock Elastic M8-1.25	
37	6623855	1	Sheet, Top Baffle	
38	8307022	3	Washer, Lock M8	
39	7301916	1	Hose, Lower Radiator	
40	8405202	1	Clamp, Gear, 2.75 Max Dia	
41	8526044	AR	Sealant, Pipe Thread	
42	8180336	1	Hose, Overflow 1000mm	

SECTION 2 - ENGINE, RADIATOR AND FUEL SYSTEM

FIGURE 2-5. EXHAUST SYSTEM (S/N MV006 - MV200)



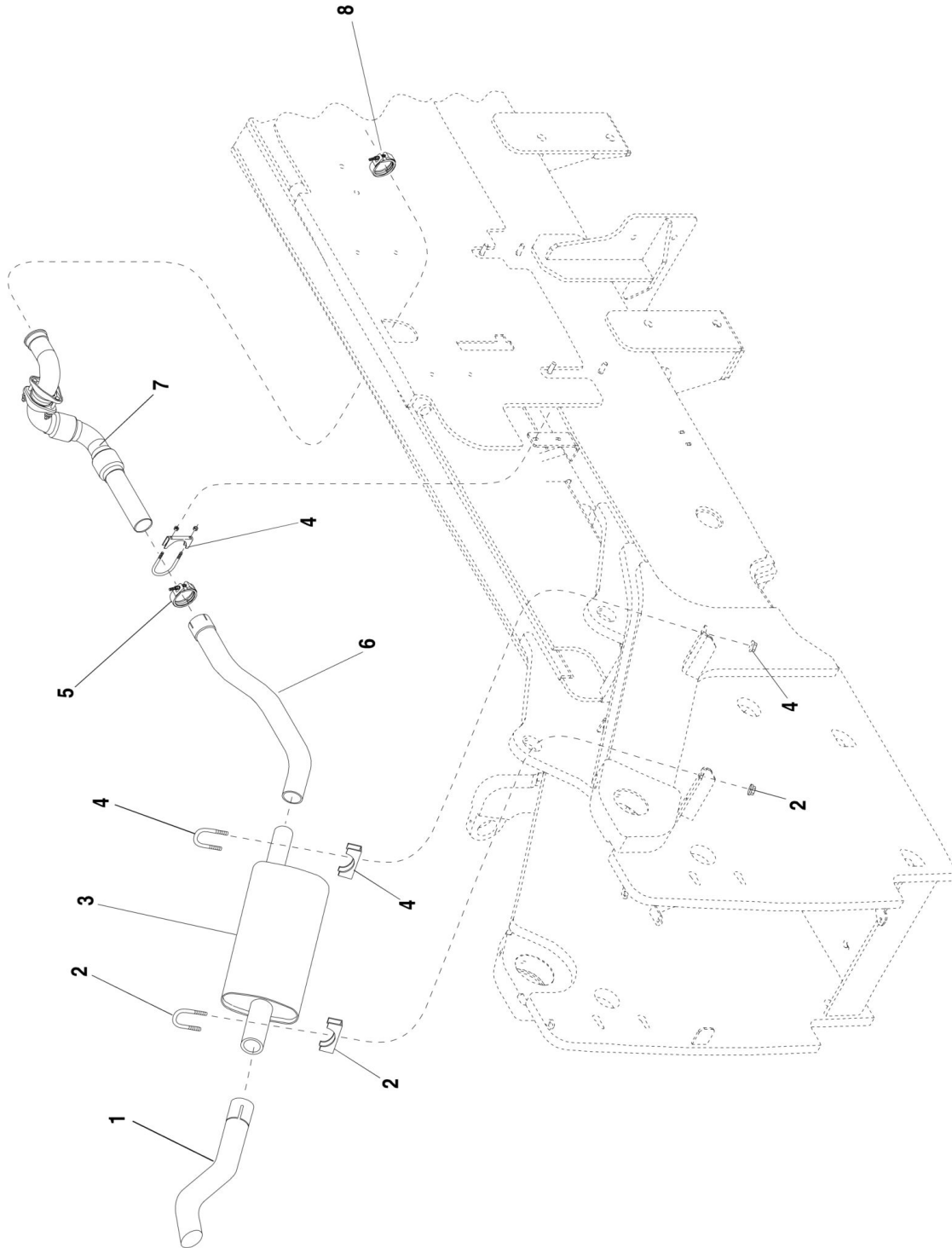
SECTION 2 - ENGINE, RADIATOR AND FUEL SYSTEM

FIGURE 2-5. EXHAUST SYSTEM (S/N MV006 - MV200)

ITEM	PART NUMBER	QTY	DESCRIPTION	REV
1	7138686	1	Tail Pipe	
2	8275247	1	Clamp, Muffler 3in, Heavy Duty	
3	8275041	1	Muffler	
4	8275212	2	Clamp, Muffler 2-1/2in, U-Type	
5	8275249	1	Clamp, Accuseal, 2 1/2in	
6	7139461	1	Pipe, Exhaust	
7	7139460	1	Pipe, Exhaust, Turbo Outlet	
8	8275240	1	Clamp, V-Band	

SECTION 2 - ENGINE, RADIATOR AND FUEL SYSTEM

FIGURE 2-6. EXHAUST SYSTEM (S/N MV201 -)



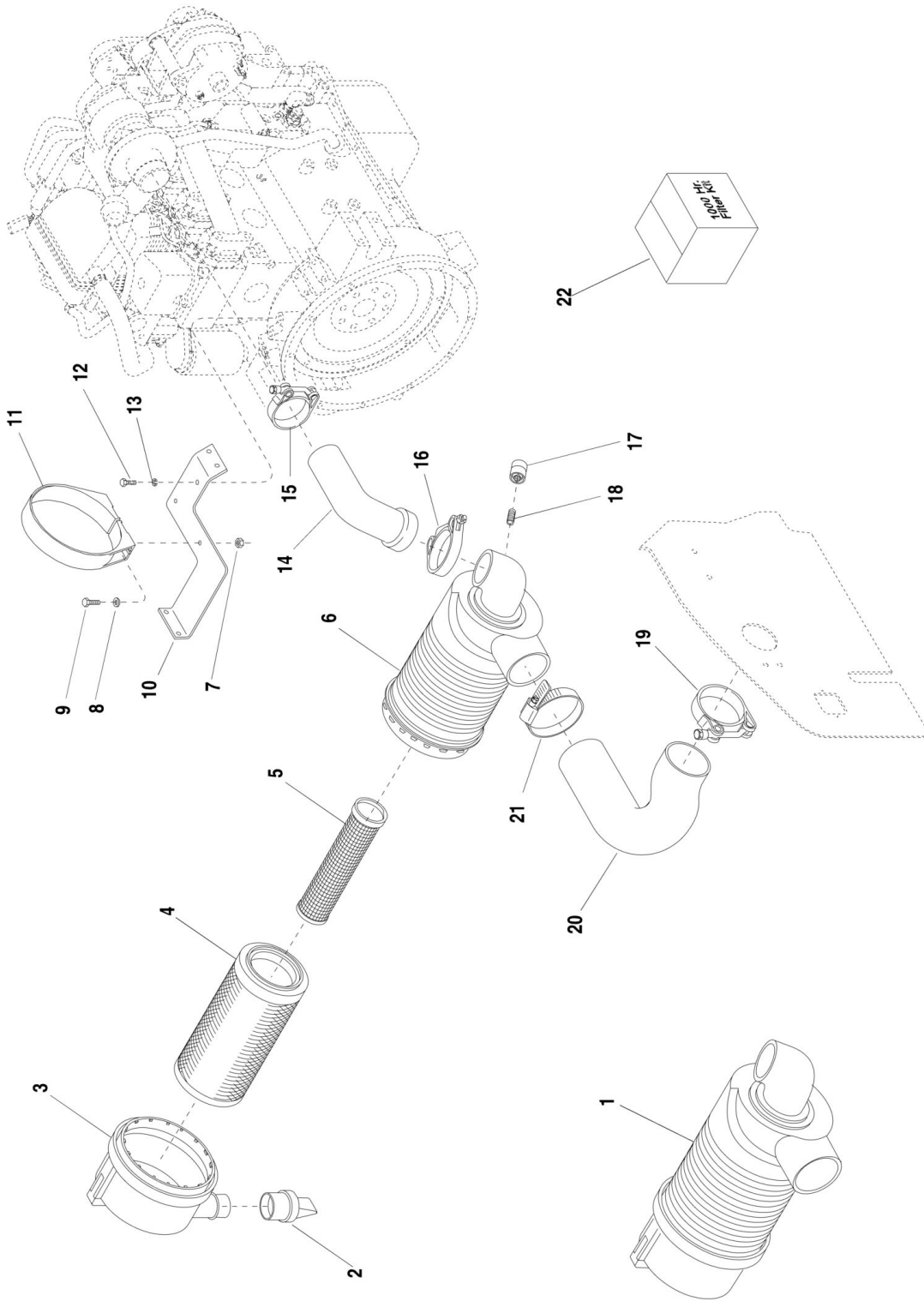
SECTION 2 - ENGINE, RADIATOR AND FUEL SYSTEM

FIGURE 2-6. EXHAUST SYSTEM (S/N MV201 -)

ITEM	PART NUMBER	QTY	DESCRIPTION	REV
1	7138686	1	Tail Pipe	
2	8275247	1	Clamp, Muffler 3in, Heavy Duty	
3	8275041	1	Muffler	
4	8275212	2	Clamp, Muffler 2-1/2in, U-Type	
5	8275249	1	Clamp, Accuseal, 2 1/2in	
6	7139461	1	Pipe, Exhaust	
7	6623724	1	Pipe, Exhaust, Turbo Outlet	
8	8275240	1	Clamp, V-Band	

SECTION 2 - ENGINE, RADIATOR AND FUEL SYSTEM

FIGURE 2-7. AIR CLEANER ASSEMBLY (S/N MV006 - MV200)



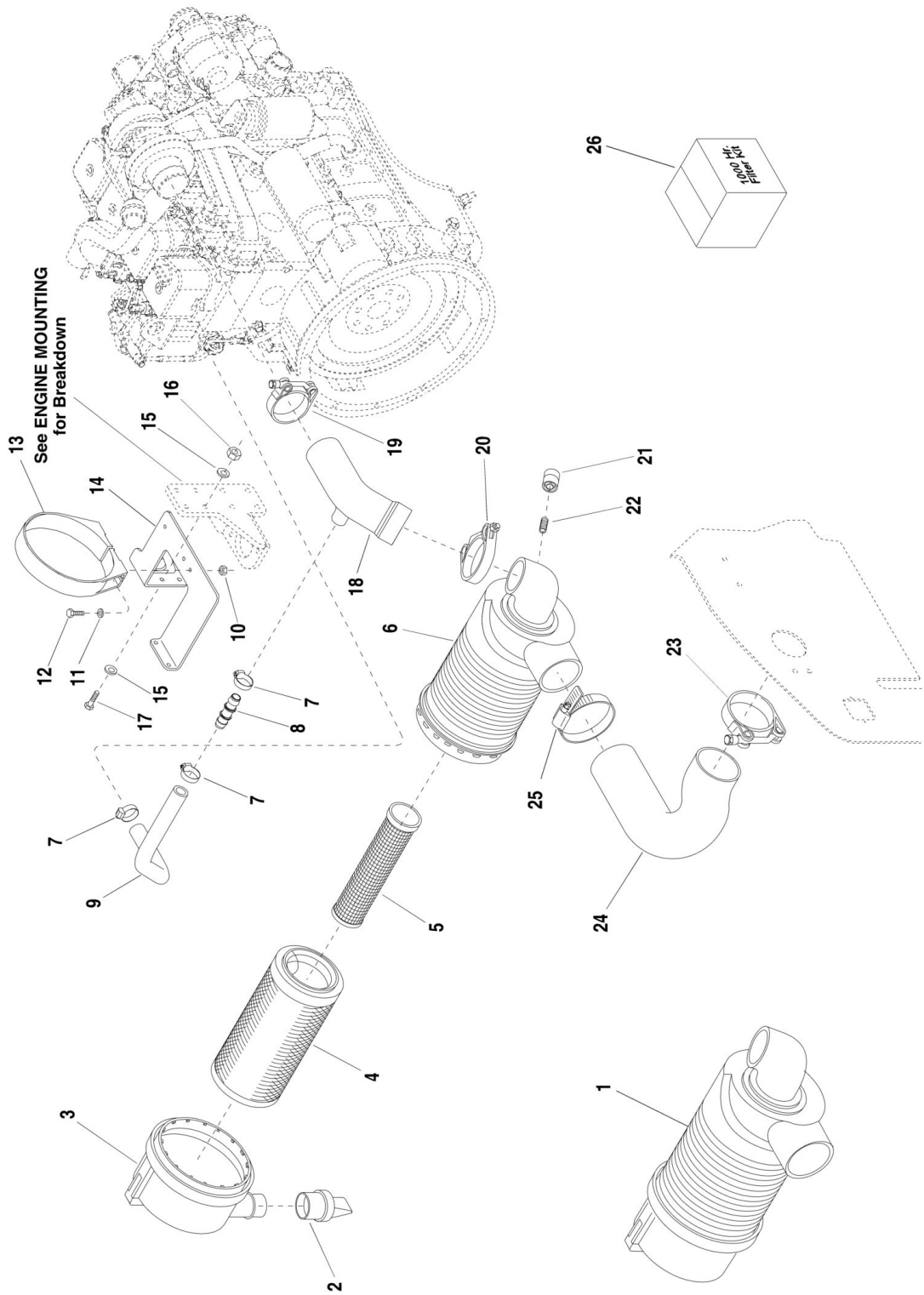
SECTION 2 - ENGINE, RADIATOR AND FUEL SYSTEM

FIGURE 2-7. AIR CLEANER ASSEMBLY (S/N MV006 - MV200)

ITEM	PART NUMBER	QTY	DESCRIPTION	REV
1	10268515	1	Air Cleaner Assembly (Includes Items 2 thru 6)	
2	8036869	1	Valve, Vacuator	
3	8036868	1	Cover Assembly	
4	1101312	1	Filter, Primary (Also Included in Kit, Item 22)	
5	1101313	1	Filter, Safety (Also Included in Kit, Item 22)	
6	N.S.S.	1	Body Assembly	
7	8305626	2	Nut, Hex Lock Elastic 5/16-18	
8	8307106	2	Washer, Flat 5/16in Narrow	
9	8303670	2	HHCS, 5/16-18 x 1in	
10	7139822	1	Plate, Air Cleaner Mount	
11	10268516	1	Band, Air Cleaner Mounting	
12	8303675	3	HHCS, 3/8-16 x 1-1/4in Gr. 5	
13	8307005	3	Washer, Lock 3/8in	
14	7139823	1	Hose, Air Cleaner	
15	8405306	1	Clamp, T-Bolt	
16	8405307	1	Clamp, T-Bolt, Heavy Duty	
17	8223527	1	Switch, Vacuum	
18	8551001	1	Nipple, Close	
19	8405404	1	Clamp, T-Bolt	
20	7139824	1	Hose, Air Intake	
21	8405402	1	Clamp, Hose Hi Torque	
		Ref	KITS	
22	8024015	1	1000 Hour Filter Kit (Includes 7 Filters: Engine Oil Filter, Primary Fuel Filter, Inline Fuel Filter, Both Air Filters, Transmission Oil Filter and Hydraulic Oil Filter)	

SECTION 2 - ENGINE, RADIATOR AND FUEL SYSTEM

FIGURE 2-8. AIR CLEANER ASSEMBLY (S/N MV201 -)



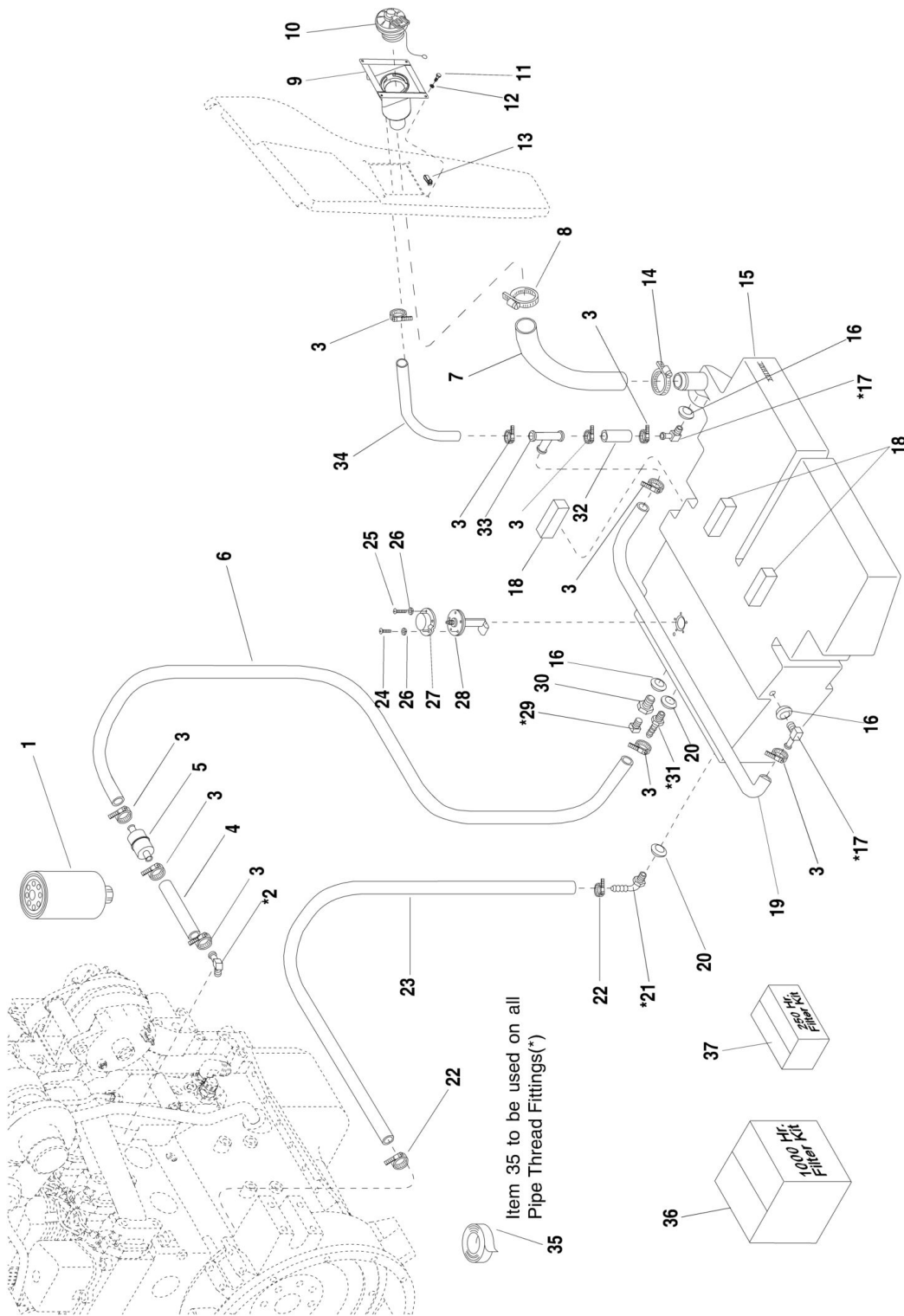
SECTION 2 - ENGINE, RADIATOR AND FUEL SYSTEM

FIGURE 2-8. AIR CLEANER ASSEMBLY (S/N MV201 -)

ITEM	PART NUMBER	QTY	DESCRIPTION	REV
1	10268515	1	Air Cleaner Assembly (Includes Items 2 thru 6)	
2	8036869	1	Valve, Vacuator	
3	8036868	1	Cover Assembly	
4	1101312	1	Filter, Primary (Also Included in Kit, Item 26)	
5	1101313	1	Filter, Safety (Also Included in Kit, Item 26)	
6	N.S.S.	1	Body Assembly (Order Item 1)	
7	8405102	3	Clamp, Hose	
8	6623930	1	Nipple, Hose	
9	6623846	1	Hose, Air Intake, 30in	
10	8305626	2	Nut, Hex Lock Elastic 5/16in-18	
11	8307106	2	Washer, Flat 5/16in Narrow	
12	8303670	2	HHCS, 5/16-18 x 1in	
13	10268516	1	Band, Air Cleaner Mounting	
14	6623655	1	Plate, Air Cleaner Mount	
15	8307110	8	Washer, 3/4in SAE Narrow	
16	8305645	4	Nut, Hex Lock Elastic 3/8 -16 NC	
17	8303621	4	HHCS, 3/8in-16 x 1-1/2in Gr. 5	
18	6623845	1	Hose, Air Intake w/Nipple	
19	8405306	1	Clamp, T-Bolt	
20	8405307	1	Clamp, T-Bolt, Heavy Duty	
21	8223527	1	Switch, Vacuum	
22	8551001	1	Nipple, Close	
23	8405404	1	Clamp, T-Bolt	
24	7139824	1	Hose, Air Intake	
25	8405402	1	Clamp, Hose Hi Torque	
		Ref	KITS	
26	8024052	1	1000 Hour Filter Kit (Includes 7 Filters: Engine Oil Filter, Primary Fuel Filter, Inline Fuel Filter, Both Air Filters, Transmission Oil Filter and Hydraulic Oil Filter)	

SECTION 2 - ENGINE, RADIATOR AND FUEL SYSTEM

FIGURE 2-9. FUEL SYSTEM (S/N MV006 - MV200)



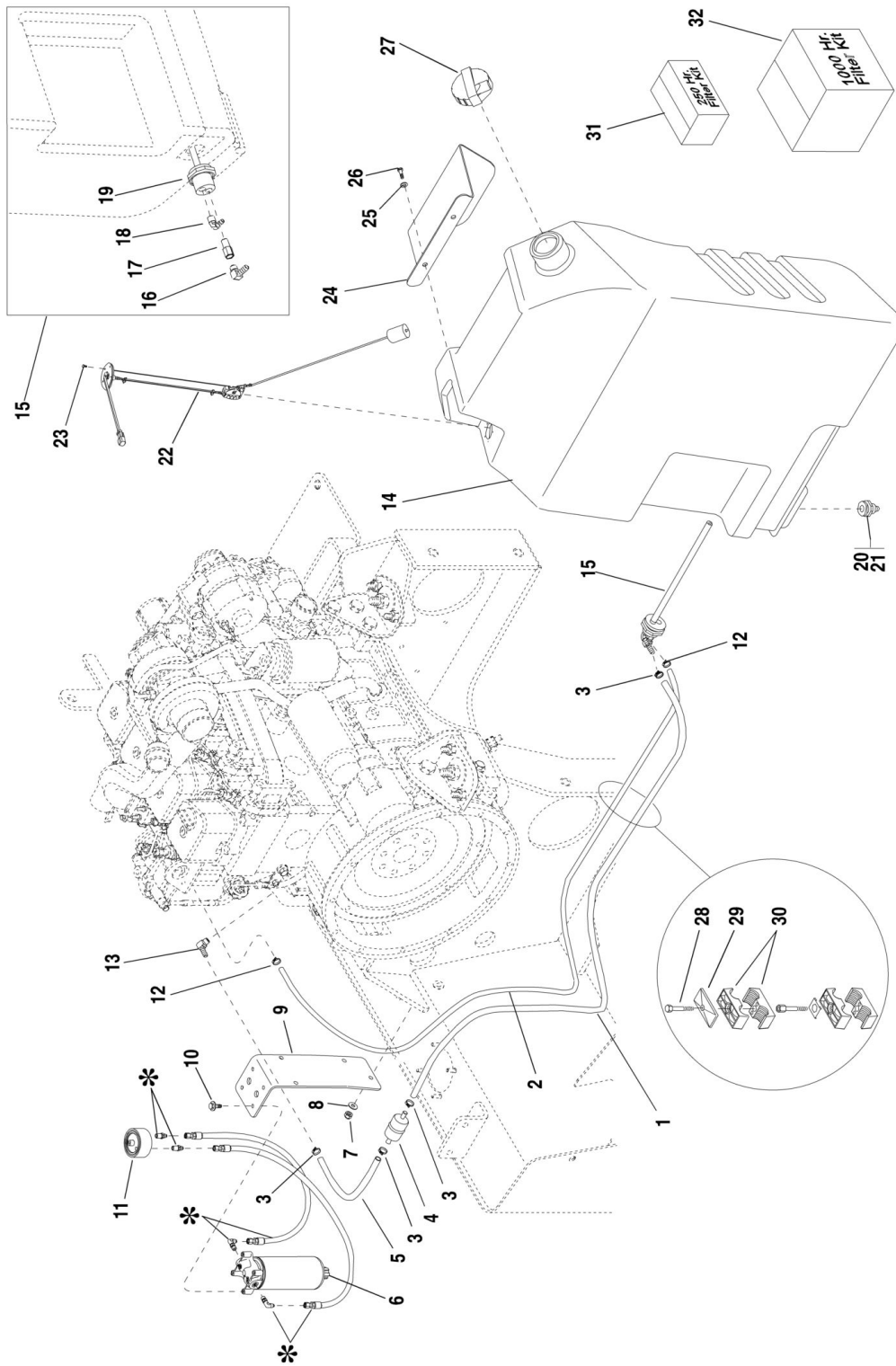
SECTION 2 - ENGINE, RADIATOR AND FUEL SYSTEM

FIGURE 2-9. FUEL SYSTEM (S/N MV006 - MV200)

ITEM	PART NUMBER	QTY	DESCRIPTION	REV
1	8320270	1	Filter, Fuel (Also Included in Filter Kits, Items 36 & 37)	
2	8420229	1	Hose Fitting, Elbow, 90, Barbed, SAE 6-4P	
3	8410013	10	Clamp, Hose	
4	7132131	1	Hose, Fuel 3/8 x 10in	
5	8274022	1	Strainer, Fuel	
6	7138850	1	Hose, Fuel 3/8in I.D. (Fuel Supply From Tank)	
7	6623670	1	Hose, Special	
8	8405202	1	Clamp, Hose	
9	6623635	1	Neck, Fuel Filler	
10	6623650	1	Cap, Fuel w/Tether	
11	8303005	4	HHCS, 1/4-20 NC x 7/8in GR5	
12	8307002	4	Washer, Lock 1/4in	
13	8310702	4	Retainer, Nut 1/4-20 NC	
14	8405202	1	Clamp, Hose, Lower SAE Type F	
15	7138736	1	Tank, Fuel	
16	8660011	3	Grommet, 5/8 Fitting	
17	8430095	2	Elbow, 5/8in Hose	
18	5724742	3	Gasket	
19	7129121	1	Hose, Fuel Breather	
20	8660010	2	Grommet, 3/8 Fitting	
21	8430094	1	Elbow, 5/16in Hose	
22	8405009	2	Clamp, Hose, Miniature 7/32in Dia	
23	7132111	1	Hose, Fuel Return	
24	8303836	1	Screw, Pan Hd #10-24 x 5/8in	
25	8303837	4	Screw, Pan Hd #10-24 x 3/4in	
26	8307003	5	Washer, Lock #10	
27	7131992	1	Cover, Fuel Sender	
28	7120613	1	Sender, Fuel w/Gasket	
29	8541404	1	Plug, Pipe, Sq. Hd - 3/8in NPT	
30	8430092	1	Drain, Hex 3/8-18 NPT	
31	8430093	1	Connector, 3/8in Hose	
32	7129111	1	Hose, Fuel Breather	
33	8430072	1	Hose Fitting, Tee, Beaded, SAE 10	
34	7129101	1	Hose, Fuel Breather	
35	8526053	AR Ref	Sealant, Thread, Teflon Tape 1/2in KITS	
36	7138288	1	250 Hour Filter Kit (Includes 2 Filters: Engine Oil Filter and Fuel Filter)	
37	8024015	1	1000 Hour Filter Kit (Includes 7 Filters: Engine Oil Filter, Primary Fuel Filter, Inline Fuel Filter, Both Air Filters, Transmission Oil Filter and Hydraulic Oil Filter)	

SECTION 2 - ENGINE, RADIATOR AND FUEL SYSTEM

FIGURE 2-10. FUEL SYSTEM (S/N MV201-)



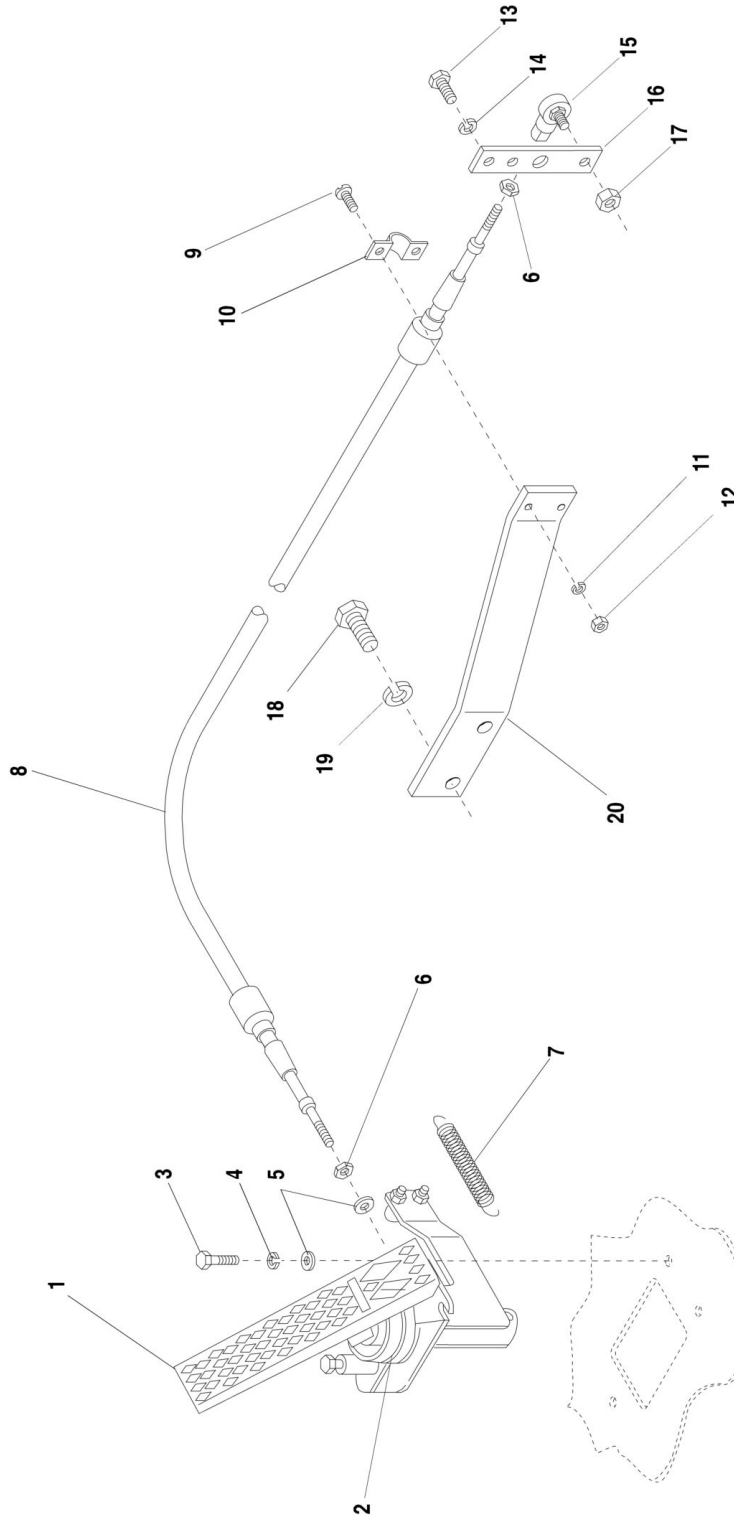
SECTION 2 - ENGINE, RADIATOR AND FUEL SYSTEM

FIGURE 2-10. FUEL SYSTEM (S/N MV201-)

ITEM	PART NUMBER	QTY	DESCRIPTION	REV
1	7300379	1	Hose, Fuel Supply 3/8in x 170in	
2	7300378	1	Hose, Fuel Return 5/16in x 190in	
3	8410013	4	Clamp, Hose SAE #6	
4	8274022	1	Filter, Inline Fuel	
5	7300377	1	Hose, Fuel Supply 3/8in x 15 3/4in	
6	8320277	1	Filter, Primary Fuel Lubricity	
7	8305645	2	Nut,-Hex Lock Elastic, 3/8-16	
8	8307110	2	Washer, Plain Narrow, 3/8in	
9	6623974	1	Bracket, Fuel Lubricity Filter	
10	8310693	4	HHCS, Flange Head, M8-1.25 x 25mm	
11	6623938	1	Adapter, Fuel Lubricity Filter	
12	8405009	2	Clamp, Hose	
13	8420229	1	Elbow, 3/8in Hose	
14	7151246	1	Fuel Tank (Includes Items 15 thru 20)	
15	8036646	1	Assembly, Bulkhead Fitting, Pick-up-Tubes (Includes Items 16 thru 19)	
16	8420229	1	Elbow, 90, Hose Barb #6-4P	
17	8530041	1	Adapter, Pipe, Female to Male .250 to .250in	
18	10728873	1	Adapter, 90, 5/16in Hose to 1/4in NPT	
19	N.S.S.	1	Tube, Pick-Up (Order Item 15)	
20	8036601	1	Plug, Fuel Drain 3/8in NPT	
21	70021599	1	Bulkhead	
22	7301076	1	Sender, Fuel Level w/Gasket	
23	8303515	5	HHCS, M4 x .7 x 10mm PC8.8	
24	7300510	1	Support, Top Fuel Tank	
25	8307113	2	Washer, Plain	
26	8303618	2	HHCS, M2 x 1.75 x 25mm PC8.8	
27	6623749	1	Cap, Fuel	
28	8303550	1	HHCS, M8 x 1.25 x 60mm PC8.8	
29	8750025	1	Cover, Twin Clamp	
30	8750027	1	Clamp	
		Ref	KITS	
31	8024051	1	250Hour Filter Kit (Includes 2 Filters: Engine Oil Filter)	
32	8024052	1	1000 Hour Filter Kit (Includes 7 Filters: Engine Oil Filter, Inline Fuel Filter, Primary Fuel Filter, Both Air Filters, Transmission Oil Filter and Hydraulic Oil Filter)	

SECTION 2 - ENGINE, RADIATOR AND FUEL SYSTEM

FIGURE 2-11. THROTTLE GROUP ASSEMBLY (S/N MV006 - MV200)



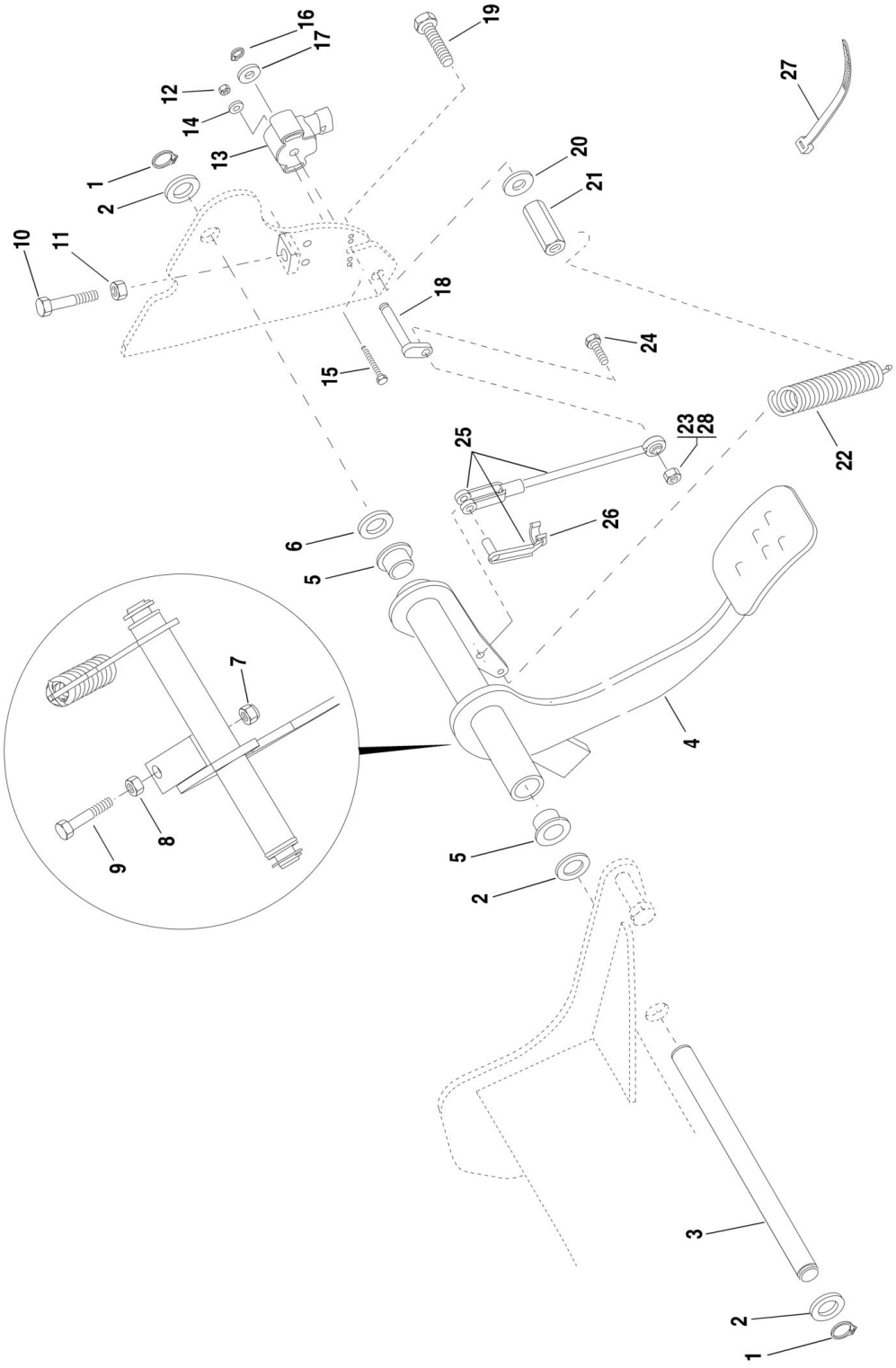
SECTION 2 - ENGINE, RADIATOR AND FUEL SYSTEM

FIGURE 2-11. THROTTLE GROUP ASSEMBLY (S/N MV006 - MV200)

ITEM	PART NUMBER	QTY	DESCRIPTION	REV
1	8162003	1	Pedal, Throttle (Includes Item 2)	
2	8033178	1	Bellows, Throttle Pedal	
3	8303615	3	HHCS, 1/4-20 x 1-1/4in	
4	8307002	2	Washer, Lock 1/4in	
5	8307109	4	Washer, Flat SAE 1/4in	
6	8305402	2	Nut, Hex Jam 1/4-28 NF	
7	8700116	1	Spring, Extension	
8	8160073	1	Cable, Throttle	
9	8303837	2	Screw, Slotted Pan Hd #10-24 x 3/4in	
10	8160610	1	Clamp, Cable	
11	8307003	2	Washer, Lock #10	
12	8305002	2	Nut, Hex #10-24	
13	8303799	2	HHCS, M6-1 x 14mm	
14	8307024	2	Washer, Lock M6	
15	8340034	1	Rod End 1/4-28 Thd	
16	7127091	1	Extension, Throttle Lever	
17	8305650	1	Nut, Hex Lock Elastic 1/4-28 NF	
18	8303790	2	HHCS, M12-1,75 x 30mm PC 8,8	
19	8307025	2	Washer, Lock M12	
20	6623508	1	Bracket, Throttle Cable	

SECTION 2 - ENGINE, RADIATOR AND FUEL SYSTEM

FIGURE 2-12. THROTTLE GROUP ASSEMBLY (S/N MV201 -)



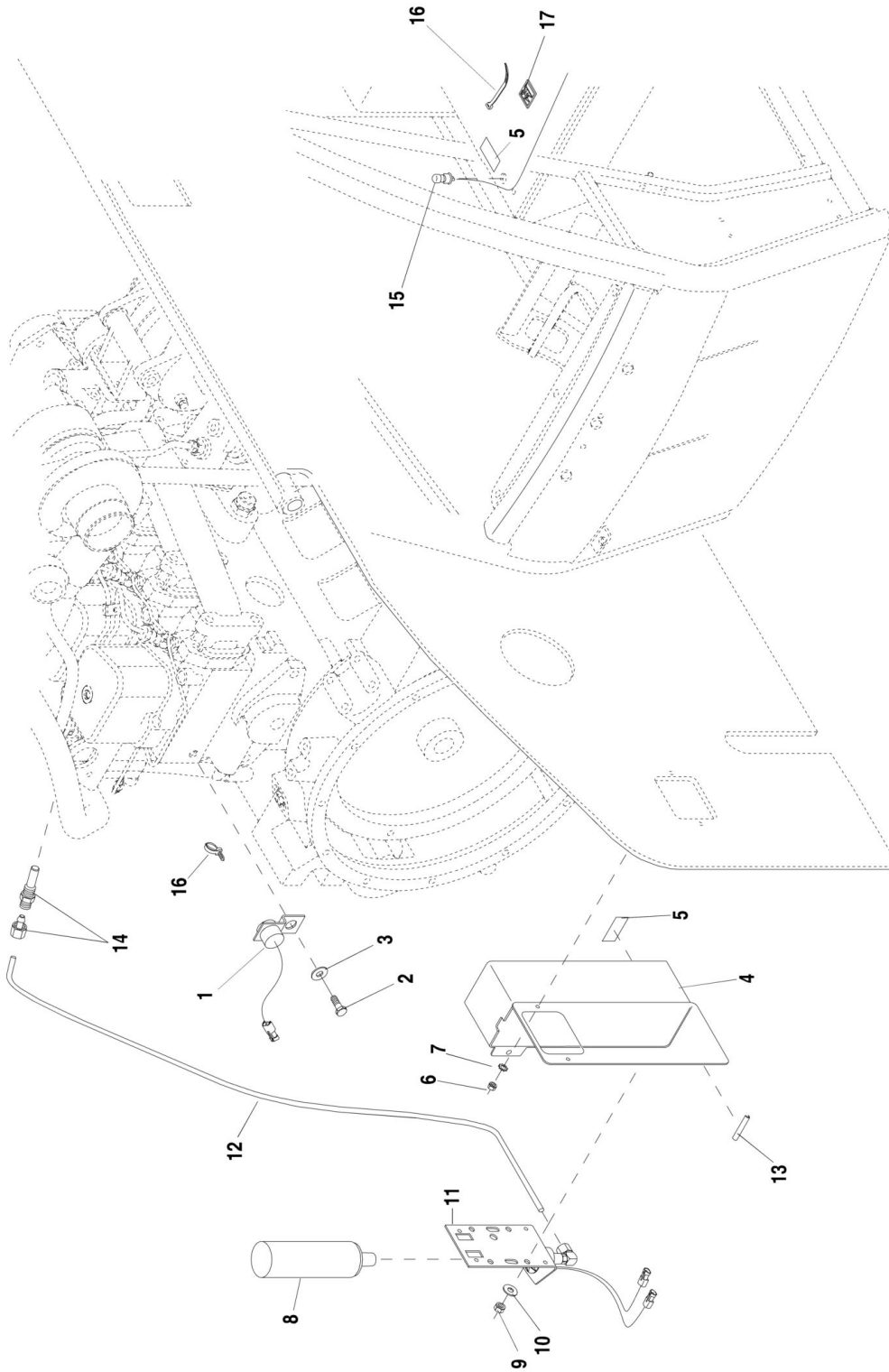
SECTION 2 - ENGINE, RADIATOR AND FUEL SYSTEM

FIGURE 2-12. THROTTLE GROUP ASSEMBLY (S/N MV201 -)

ITEM	PART NUMBER	QTY	DESCRIPTION	REV
1	8630020	2	Snap Ring, .75 Internal Heavy Duty	
2	8310508	3	Washer, Shim .755 x .075 x 1.25in	
3	7139108	1	Shaft, Pivot	
4	7151285	1	Pedal, Accelerator (Includes Item 5)	
5	7300143	2	Bushing, Oilite Flange	
6	8310507	1	Washer, Shim .755 x .048 x 1.25in	
7	8305630	1	Nut, Hex Lock Elastic M10-1.50	
8	8305038	1	Nut, Hex M10-1.50	
9	8310715	1	HHCS, M10-1.5 x 55mm PC8.8	
10	8310716	1	HHCS, M8-1,25 x 55mm PC 8.8	
11	8305043	1	Nut, Hex M8-1.25	
12	8310410	2	Nut, Hex #8-32 NC	
13	7301392	1	Sensor, Throttle, Rotary Postion	
14	8310732	2	Washer, Plain, #8	
15	8310728	2	Screw, HHCS #8-32 NC x 1.50in	
16	8630027	1	Snap Ring, 5/16in External	
17	8307202	1	Washer, Plain, .250in	
18	7301393	1	Lever, Rotary Position Sensor	
19	8303624	1	HHCS, 1/2-13 x 1in	
20	8307112	1	Washer, Plain 1/2in	
21	8310746	1	Nut, Coupling	
22	8700126	1	Spring, Extension 1.00in O.D. x 7.23in LG	
23	8305624	1	Nut, Hex, .250in - 20 NC	
24	8303005	1	HHCS, .25-20 NC .875in GR5	
25	7301394	1	Throttle Linkage Assembly (Includes Item 26)	
26	10138818	1	Yoke End w/Spring Pin	
27	8584003	AR	Tie Wrap	
28	0100011	AR	Loctite #242, (Apply to Item 23)	

SECTION 2 - ENGINE, RADIATOR AND FUEL SYSTEM

FIGURE 2-13. COLD START SYSTEM (S/N MV006 - MV200)



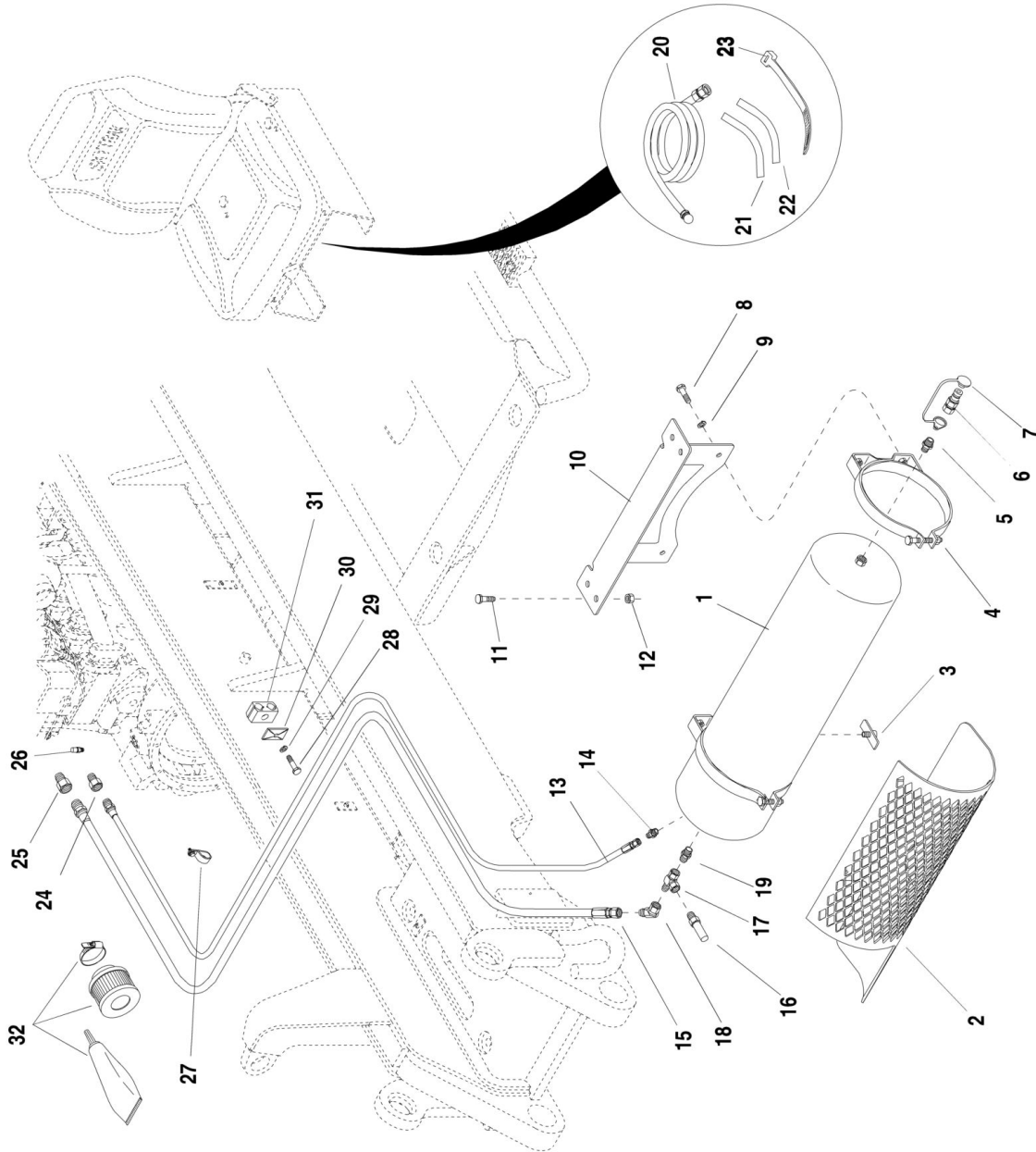
SECTION 2 - ENGINE, RADIATOR AND FUEL SYSTEM

FIGURE 2-13. COLD START SYSTEM (S/N MV006 - MV200)

ITEM	PART NUMBER	QTY	DESCRIPTION	REV
1	7138806	1	Thermostat, Cold Start	
2	8303533	1	HHCS, M12 x 1.75 x 20MM PC 8.8	
3	8307025	1	Washer, Lock M12	
4	7138950	1	Cover, Cold Start	
5	4110253	2	Decal, Cold Start Option	
6	8305004	2	Nut, Hex 0.25-20 NC	
7	8310002	2	Washer, External Tooth 1/4in	
8	8277098	1	Ether Fluid Cylinder 18 oz	
9	8305624	4	Nut, Hex Lock Elastic 1/4in-20	
10	8307109	4	Washer, Flat 1/4in	
11	7138808	1	Ether Start Solenoid and Backing Plate	
12	8403225	1	Tube, Nylon	
13	8582406	1	Moulding, Edge	
14	8277101	1	Atomizer	
15	8223454	1	Switch, Monentary, Push-Button w/cap	
16	8584001	8	Tie Wrap	
17	8584018	3	Mount, Tie	

SECTION 2 - ENGINE, RADIATOR AND FUEL SYSTEM

FIGURE 2-14. AIR COMPRESSOR TANK AND HOSES (S/N MV006 - MV200)



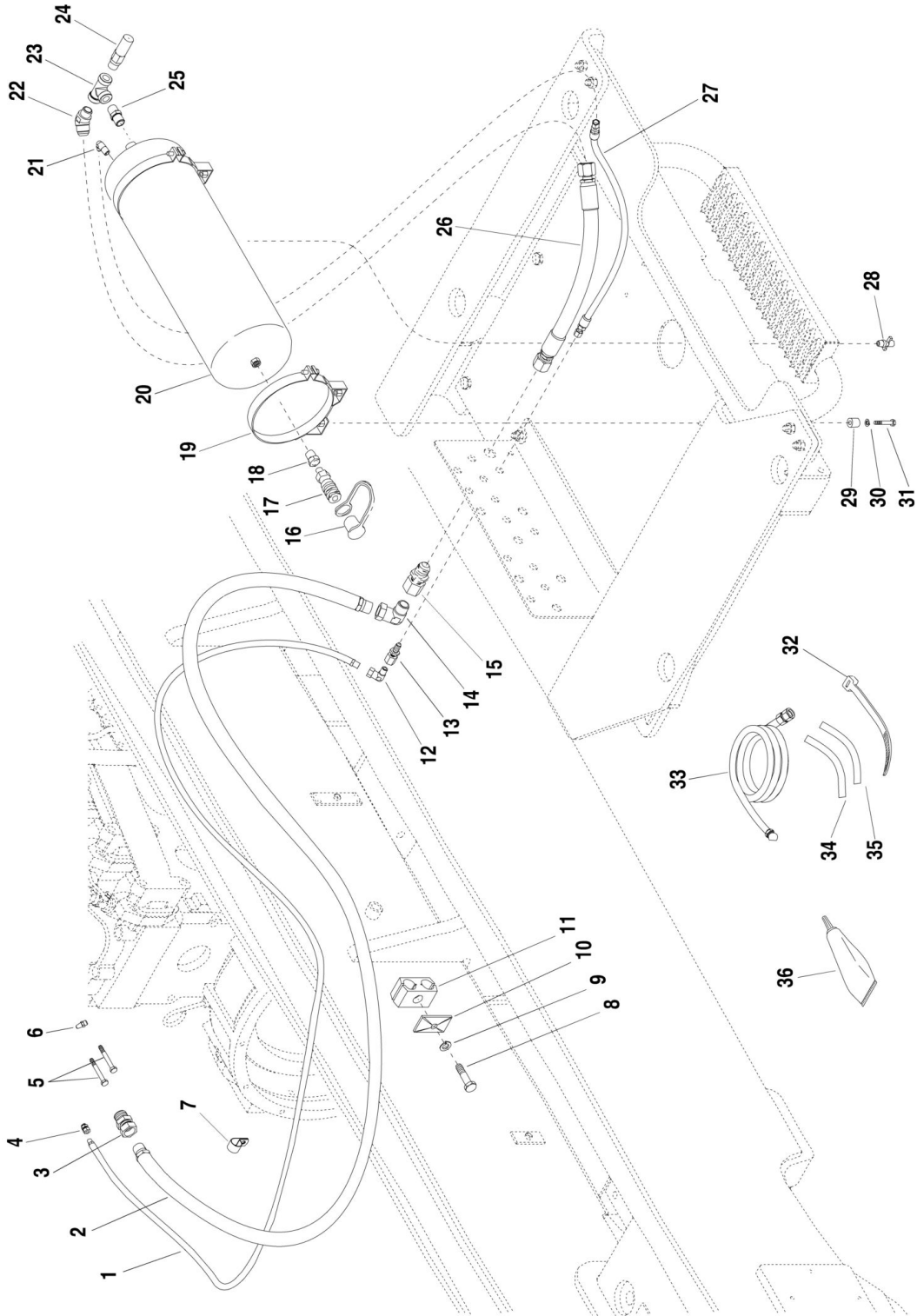
SECTION 2 - ENGINE, RADIATOR AND FUEL SYSTEM

FIGURE 2-14. AIR COMPRESSOR TANK AND HOSES (S/N MV006 - MV200)

ITEM	PART NUMBER	QTY	DESCRIPTION	REV
1	6623412	1	Tank, Compressed Air	
2	6623599	1	Guard, Tank	
3	8904001	1	Drain Cock	
4	6623491	2	Band Clamp	
5	8530012	1	Reducer, Pipe Thread 8P-4P	
6	8036542	1	Quick Coupler, 1/4in FNPT	
7	8036376	1	Dust Plug	
8	8303670	4	HHCS, 5/16in-18 x 1in	
9	8307004	4	Washer, Lock 5/16in	
10	6623489	1	Bracket, Air Tank	
11	8303675	4	HHCS, 3/8in-16 x 1-1/4in	
12	8305645	4	Nut, Hex Lock Elastic 3/8-16	
13	2716840	1	Hose, Pilot 1/4 x 162in	
14	8540011	1	Adapter, Swivel 4P-4P 1/4in NPT	
15	2716839	1	Hose, Discharge 3/4 x 162	
16	8902855	1	Valve, Compressed Air Relief 150PSI	
17	8530040	1	Tee, Run 8P-8P	
18	8540225	1	Elbow, Swivel 45 12P-12P	
19	8540028	1	Adapter, Pipe Reducing 12P-8P	
20	2716838	1	Hose, Air Inflation	
21	6623532	1	Velcro, Tape Strip (Hook)	
22	6623533	1	Velcro, Tape Strip (Loop)	
23	6623531	1	Strap, Cinch	
24	8540030	1	Adapter, Swivel 2P-2P 1/8in NPT	
25	8540015	1	Adapter, Swivel 12P-12P 3/4in NPT	
26	6623492	1	Muffler (Breather)	
27	8406101	1	Tube Clip	
28	8303715	1	HHCS, 5/16-18 NC x 1 1/2in	
29	8307004	1	Washer, Lock	
30	8769128	1	Plate, Cover	
31	8750027	1	Clamp Set	
32	8320111	1	Filter, Air Compressor (Includes Gear Clamp and Charging Oil) (See Item 10 on DECALS AND COMMON SUPPLIES SECTION for Recharger Filter Care Service Kit)	

SECTION 2 - ENGINE, RADIATOR AND FUEL SYSTEM

FIGURE 2-15. AIR COMPRESSOR TANK AND HOSES (S/N MV201 -)



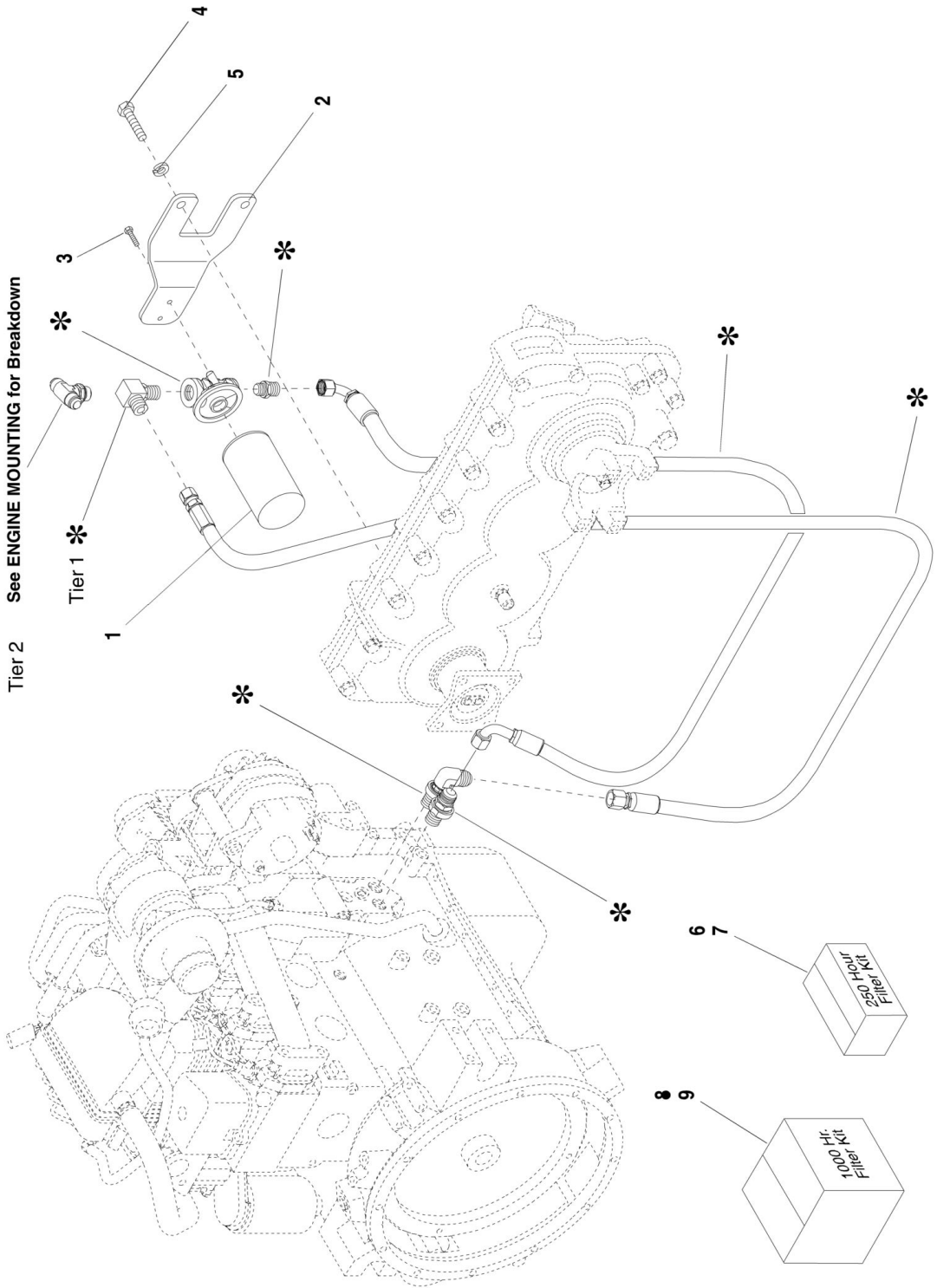
SECTION 2 - ENGINE, RADIATOR AND FUEL SYSTEM

FIGURE 2-15. AIR COMPRESSOR TANK AND HOSES (S/N MV201 -)

ITEM	PART NUMBER	QTY	DESCRIPTION	REV
1	2717166	1	Hose, Air Compressor Pilot	
2	2717165	1	Hose, Air Compressor Discharge	
3	8540015	1	Adapter, Swivel 12P - 12P 3/4in	
4	8540030	1	Adapter, Swivel 2P - 2P 1/8in	
5	8310028	2	HHCS, M8-1.25 x 70mm PC8.8	
6	6623492	1	Muffler (Breather)	
7	8406201	1	Clip, Tube 1-1/2in	
8	8303715	1	HHCS, 5/16-18 NC x 1 1/2in	
9	8307004	1	Washer, Lock	
10	8769128	1	Plate, Cover	
11	8750027	1	Clamp Set	
12	8540203	1	Elbow, Swivel 90, 4NPTF-4NPSM	
13	8036532	1	Adapter, Bulkhead, 4FP-4T 37, JIC	
14	8540208	1	Elbow, Swivel 90, 12NPTF-12NPSM	
15	8036531	1	Adapter, Bulkhead, 12FP-12T 37, JIC	
16	8036376	1	Dust Plug	
17	8036542	1	Quick Coupler, 1/4in FNPT	
18	8530012	1	Reducer, Pipe Thread 8P-4P	
19	6623491	2	Band Clamp	
20	6623412	1	Tank, Compressed Air	
21	8760228	1	Elbow, 90, Male, 4NPTF-4T 37, J514	
22	8036530	1	Elbow, Swivel 45, 8MP-12T 37, JIC	
23	8540411	1	Tee, Female Pipe, 8FP-8FP-8FP	
24	8902855	1	Valve, Compressed Air Relief 150PSI	
25	8540033	1	Nipple, Hex, Male 8MP-8MP	
26	2717163	1	Hose, 3/4 x 24in	
27	2717164	1	Hose, 1/4 x 24in	
28	8904001	1	Drain Cock	
29	8310727	4	Spacer, .325 x .75 O.D. x .75	
30	8307004	4	Washer, Lock 5/16in	
31	8303746	4	HHCS, 5/16-18 NC x 1-3/4in GR5	
32	6623531	1	Strap, Cinch	
33	2716838	1	Hose, Air Inflation	
34	6623532	1	Velcro, Tape Strip (Hook)	
35	6623533	1	Velcro, Tape Strip (Loop)	
36	8526044	AR	Sealant, Pipe Thread	

SECTION 2 - ENGINE, RADIATOR AND FUEL SYSTEM

FIGURE 2-16. REMOTE OIL FILTER ASSEMBLY (S/N MV006 - MV307 & 0160003128 - 0160005934)



NOTE: Items with an * are supplied with the engine and are serviced by Cummins.

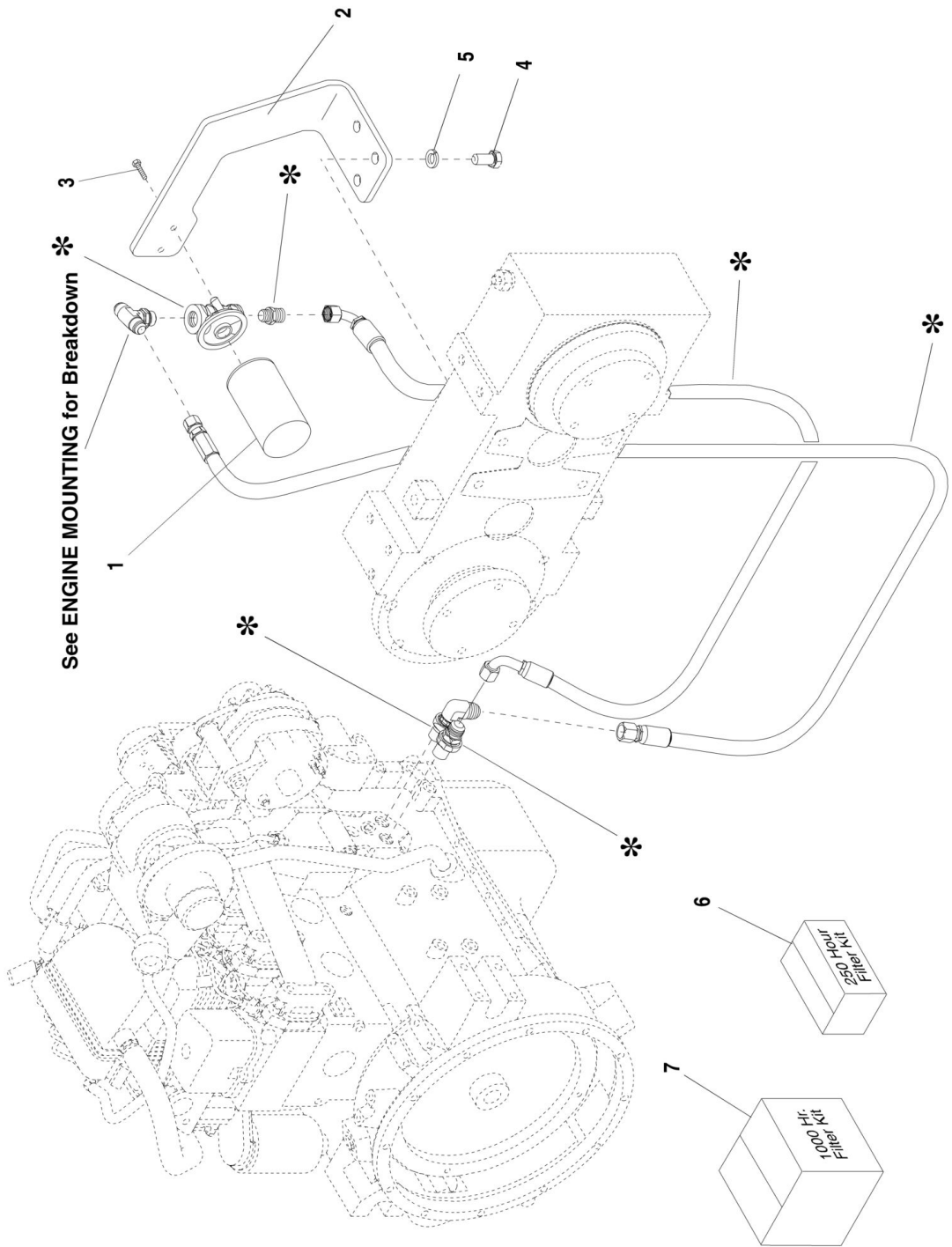
SECTION 2 - ENGINE, RADIATOR AND FUEL SYSTEM

FIGURE 2-16. REMOTE OIL FILTER ASSEMBLY (S/N MV006 - MV307 & 0160003128 - 0160005934)

ITEM	PART NUMBER	QTY	DESCRIPTION	REV
1	8320262	1	Filter, Engine Oil (Also included in Kits, Items 6 & 8) (SN MV006 through MN200)	
1	8320275		Filter, Engine Oil (Also included in Kits, Items 7 & 9) (SN MV201 through MV307, SN 0160003128 through 0160005934)	
2	6623609	1	Bracket, Remote Oil Filter	
3	8303611	2	HHCS, M8-1,25 x 30mm PC8.8	
4	8310633	2	HHCS, M16-2,0 x 45mm PC8.8	
5	1320757	2	Washer, Elastic	
		Ref	KITS	
6	7138288	1	250 Hour Filter Kit (Includes 2 Filters: Engine Oil Filter and Fuel Filter) (SN MV006 through MV200)	
7	8024051	1	250 Hour Filter Kit (Includes 2 Filters: Engine Oil Filter and Fuel Filter) (SN MV201 through MV307, SN 0160003128 through 0160005934)	
8	8024015	1	1000 Hour Filter Kit (Includes 7 Filters: Engine Oil Filter, Primary Fuel Filter, Inline Fuel Filter, Both Air Filters, Transmission Oil Filter and Hydraulic Oil Filter) (SN MV006 through MV200)	
9	8024052	1	1000 Hour Filter Kit (Includes 7 Filters: Engine Oil Filter, Primary Fuel Filter, Inline Fuel Filter, Both Air Filters, Transmission Oil Filter and Hydraulic Oil Filter) (SN MV201 through MV307, SN 0160003128 through 0160005934)	

SECTION 2 - ENGINE, RADIATOR AND FUEL SYSTEM

FIGURE 2-17. REMOTE OIL FILTER ASSEMBLY (S/N 0160005976 -)



SECTION 2 - ENGINE, RADIATOR AND FUEL SYSTEM

FIGURE 2-17. REMOTE OIL FILTER ASSEMBLY (S/N 0160005976 -)

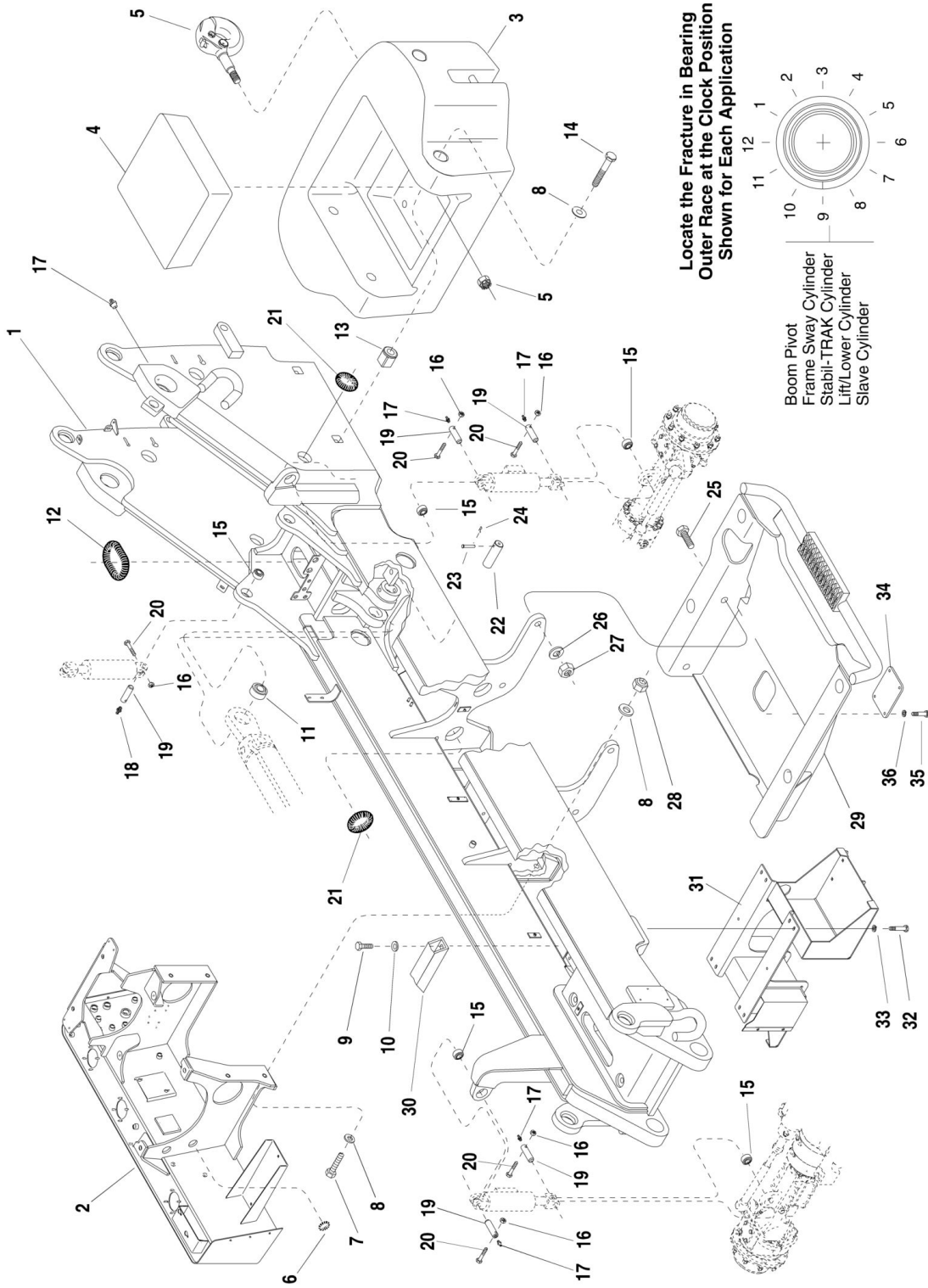
ITEM	PART NUMBER	QTY	DESCRIPTION	REV
1	8320275		Filter, Engine Oil (Also included in Kits, Items 6 & 7)	
2	6623981	1	Bracket, Remote Oil Filter	
3	8303611	2	HHCS, M8-1,25 x 30mm PC8.8	
4	8310248	3	HHCS, M16-2,0 x 45mm PC8.8	
5	8310089	3	Washer, Elastic	
		Ref	KITS	
6	8024051	1	250 Hour Filter Kit (Includes 2 Filters: Engine Oil Filter and Fuel Filter)	
7	8024052	1	1000 Hour Filter Kit (Includes 7 Filters: Engine Oil Filter, Primary Fuel Filter, Inline Fuel Filter, Both Air Filters, Transmission Oil Filter and Hydraulic Oil Filter)	

SECTION 3 - FRAME AND OPERATOR'S COMPARTMENT

SECTION 3 - FRAME AND OPERATOR'S COMPARTMENT

SECTION 3 - FRAME AND OPERATOR'S COMPARTMENT

FIGURE 3-1. MAIN FRAME ASSEMBLY (SN MV006 through MV200)



Locate the Fracture in Bearing
Outer Race at the Clock Position
Shown for Each Application

- Boom Pivot
- Frame Sway Cylinder
- Stabil-TRAK Cylinder
- Lift/Lower Cylinder
- Slave Cylinder

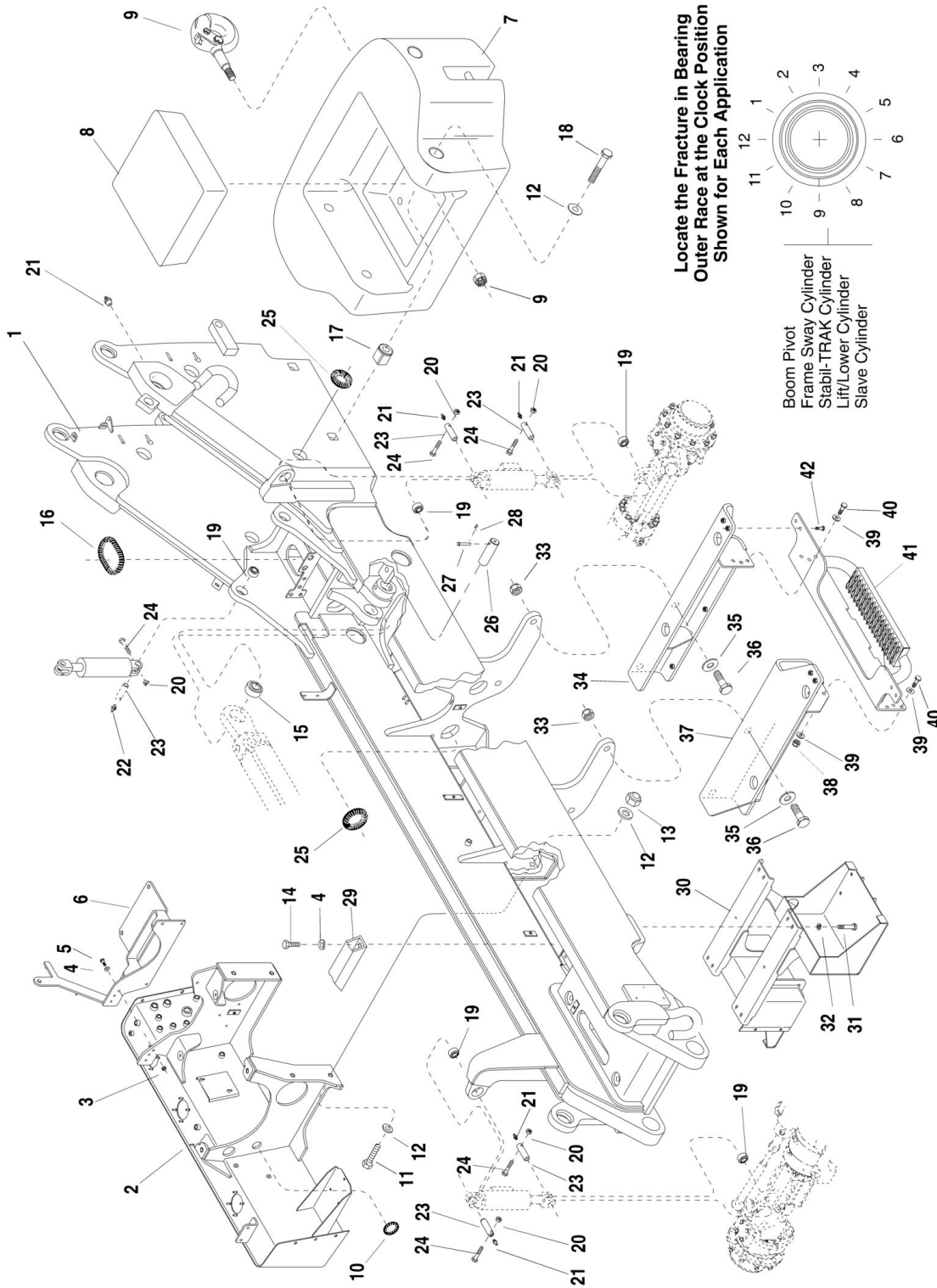
SECTION 3 - FRAME AND OPERATOR'S COMPARTMENT

FIGURE 3-1. MAIN FRAME ASSEMBLY (SN MV006 through MV200)

ITEM	PART NUMBER	QTY	DESCRIPTION	REV
1	Call Factory	1	Frame, Main	
2	6623383	1	Hydraulic Reservoir/Engine Mount	
3	6623405	1	Counterweight (4200 lbs)	
4	7139356	1	Insert, Counterweight (500lbs)	
5	8382016	1	Pintle Hook, Tow (Includes Nut)	
6	7124331	AR	Conduit 1/2in Dia (60in Cut to Fit)	
7	8303538	4	HHCS, 1in-8 x 3in Gr. 8	
8	8310061	12	Washer, 1in Hardened	
9	8303693	2	HHCS, 1/2in-13 x 2-1/2in	
10	8307112	2	Washer, Flat 1/2in	
11	8050007	1	Bearing, Self Align	
12	7139248	AR	Conduit 3/4in Dia (60in Cut to Fit)	
13	7139335	4	Bushing	
14	8310090	4	HHCS, 1in-8 x 7in Gr. 8	
15	8050001	6	Bearing, Self Align 1-1/2in I.D.	
16	8305626	6	Nut, Hex Lock 5/16in-18	
17	8520001	6	Fitting, Lube 1/8in	
18	8520003	2	Fitting, Lube 90	
19	7137142	6	Pin, Frame Sway Cylinder	
20	8303752	6	HHCS, 5/16in-18 x 3-1/2in	
21	7139249	AR	Conduit 1in Dia (60in Cut to Fit)	
22	7139324	1	Pin, Lift/Lower Cylinder	
23	7139502	1	Pin, Keeper	
24	8310211	1	Hair Pin (Cotter) .143	
25	8310285	4	HHCS, 1in-8 x 3in Gr. 8	
26	8307211	4	Washer, Flat 1-1/4in	
27	8310417	4	Nut, Hex Lock 1-1/4in	
28	8310481	4	Nut, Hex Lock 1in	
29	6623368	1	Mount, Cab	
30	5752022	1	Bumper	
31	6623395	1	Support, Battery	
32	8303697	8	HHCS, 3/8in-16 x 3/4in	
33	8307004	8	Washer, Flat 3/8in	
34	7138867	1	Plate, Fuel Tank Cover	
35	8303620	4	HHCS, 3/8-16 x 1in	
36	8307005	4	Washer, Lock 3/8in	

SECTION 3 - FRAME AND OPERATOR'S COMPARTMENT

FIGURE 3-2. MAIN FRAME ASSEMBLY (SN MV201 through MV215)



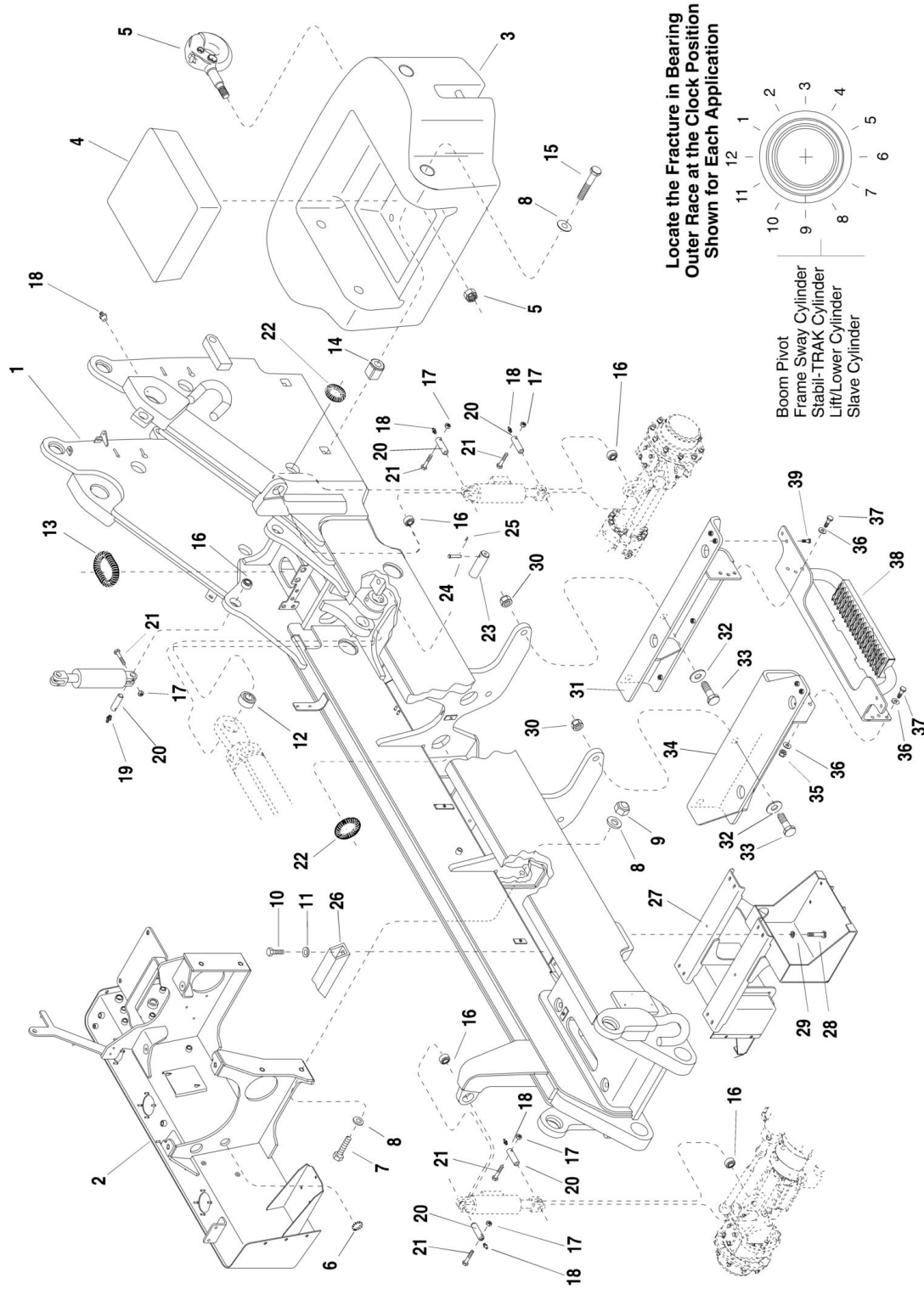
SECTION 3 - FRAME AND OPERATOR'S COMPARTMENT

FIGURE 3-2. MAIN FRAME ASSEMBLY (SN MV201 through MV215)

ITEM	PART NUMBER	QTY	DESCRIPTION	REV
1	Call Factory	1	Frame, Main	
2	6623883	1	Hydraulic Reservoir/Engine Mount	
3	8035644	4	Nut, Hex Elastic, 1/2in UNC	
4	8307112	6	Washer, Flat 1/2in	
5	8303627	4	HHCS, 1/2in-13 x 1-3/4in	
6	6623878	1	Bracket, Radiator Mounting	
7	6623405	1	Counterweight (4200 lbs)	
8	7139356	1	Insert, Counterweight (500lbs)	
9	8382016	1	Pintle Hook, Tow (Includes Nut)	
10	7124331	AR	Conduit 1/2in Dia (60in Cut to Fit)	
11	8303538	4	HHCS, 1in-8 x 3in Gr. 8	
12	8310061	12	Washer, 1" Hardened	
13	8310481	4	Nut, Hex Lock 1in	
14	8303693	2	HHCS, 1/2in-13 x 2-1/2in	
15	8050007	1	Bearing, Self Align	
16	7139248	AR	Conduit 3/4in Dia (60in Cut to Fit)	
17	7139335	4	Bushing	
18	8310090	4	HHCS, 1in-8 x 7in Gr. 8	
19	8050001	6	Bearing, Self Align 1-1/2in I.D.	
20	8305626	6	Nut, Hex Lock 5/16in-18	
21	8520001	6	Fitting, Lube 1/8in	
22	8520003	2	Fitting, Lube 90	
23	7137142	6	Pin, Frame Sway Cylinder	
24	8303752	6	HHCS, 5/16in-18 x 3-1/2in	
25	7139249	AR	Conduit 1in Dia (60in Cut to Fit)	
26	7139324	1	Pin, Lift/Lower Cylinder	
27	7139502	1	Pin, Keeper	
28	8310211	1	Hair Pin (Cotter) .143	
29	5752022	1	Bumper	
30	6623633	1	Support, Battery	
31	8303697	8	HHCS, 3/8in-16 x 3/4in	
32	8307004	8	Washer, Flat 3/8in	
33	8310417	4	Nut, Hex Elastic Lock 1-1/4in-7 NC	
34	6623625	1	Support, Rear Cab	
35	8307211	4	Washer, Plain 1-1/4in Wide	
36	8310285	4	HHCS, 1-1/4in-7 NC x 4in GR8	
37	6623621	1	Support, Front Cab	
38	8310625	6	Nut, Hex Elastic Lock M12-1.75	
39	8310308	12	Washer, Heavy, Hardened 1/2in I.D.	
40	8310730	6	HHCS, M12-1.75 x 45mm PC10.9	
41	6623751	1	Step, Cab Mount	
42	8303519	4	HHCS, M12-1.75 x 35mm PC8.8	

SECTION 3 - FRAME AND OPERATOR'S COMPARTMENT

FIGURE 3-3. MAIN FRAME ASSEMBLY (SN MV216 to Present)



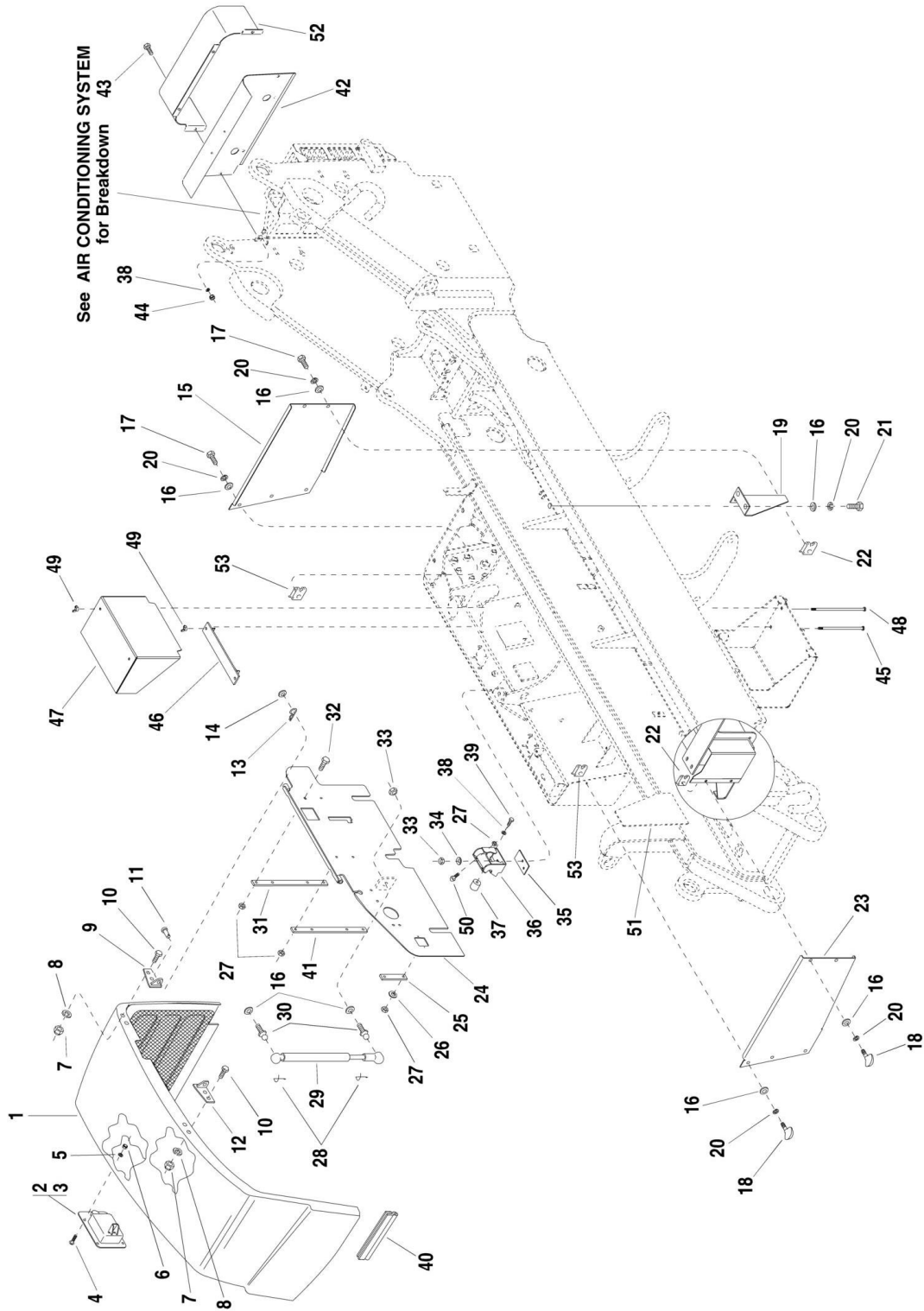
SECTION 3 - FRAME AND OPERATOR'S COMPARTMENT

FIGURE 3-3. MAIN FRAME ASSEMBLY (SN MV216 to Present)

ITEM	PART NUMBER	QTY	DESCRIPTION	REV
1	Call Factory	1	Frame, Main	
2	6623883	1	Hydraulic Reservoir/Engine Mount	
3	6623405	1	Counterweight (4200 lbs)	
4	7139356	1	Insert, Counterweight (500lbs)	
5	8382016	1	Pintle Hook, Tow (Includes Nut)	
6	7124331	AR	Conduit 1/2in Dia (60in Cut to Fit)	
7	8303538	4	HHCS, 1in-8 x 3in Gr. 8	
8	8310061	12	Washer, 1in Hardened	
9	8310481	4	Nut, Hex Lock 1in	
10	8303693	2	HHCS, 1/2in-13 x 2-1/2in	
11	8307112	2	Washer, Flat 1/2in	
12	8050007	1	Bearing, Self Align	
13	7139248	AR	Conduit 3/4in Dia (60in Cut to Fit)	
14	7139335	4	Bushing	
15	8310090	4	HHCS, 1in-8 x 7in Gr. 8	
16	8050001	6	Bearing, Self Align 1-1/2in I.D.	
17	8305626	6	Nut, Hex Lock 5/16in-18	
18	8520001	6	Fitting, Lube 1/8in	
19	8520003	2	Fitting, Lube 90	
20	7137142	6	Pin, Frame Sway Cylinder	
21	8303752	6	HHCS, 5/16in-18 x 3-1/2in	
22	7139249	AR	Conduit 1in Dia (60in Cut to Fit)	
23	7139324	1	Pin, Lift/Lower Cylinder	
24	7139502	1	Pin, Keeper	
25	8310211	1	Hair Pin (Cotter) .143	
26	5752022	1	Bumper	
27	6623633	1	Support, Battery	
28	8303697	8	HHCS, 3/8in-16 x 3/4in	
29	8307004	8	Washer, Flat 3/8in	
30	8310417	4	Nut, Hex Elastic Lock 1-1/4in-7 NC	
31	6623625	1	Support, Rear Cab	
32	8307211	4	Washer, Plain 1-1/4in Wide	
33	8310285	4	HHCS, 1-1/4in-7 NC x 4in GR8	
34	6623621	1	Support, Front Cab	
35	8310625	6	Nut, Hex Elastic Lock M12-1.75	
36	8310308	12	Washer, Heavy, Hardened 1/2in I.D.	
37	8310730	6	HHCS, M12-1.75 x 45mm PC10.9	
38	6623751	1	Step, Cab Mount	
39	8303519	4	HHCS, M12-1.75 x 35mm PC8.8	

SECTION 3 - FRAME AND OPERATOR'S COMPARTMENT

FIGURE 3-4. ENGINE HOOD AND COVERS (SN MV006 through MV200)



SECTION 3 - FRAME AND OPERATOR'S COMPARTMENT

FIGURE 3-4. ENGINE HOOD AND COVERS (SN MV006 through MV200)

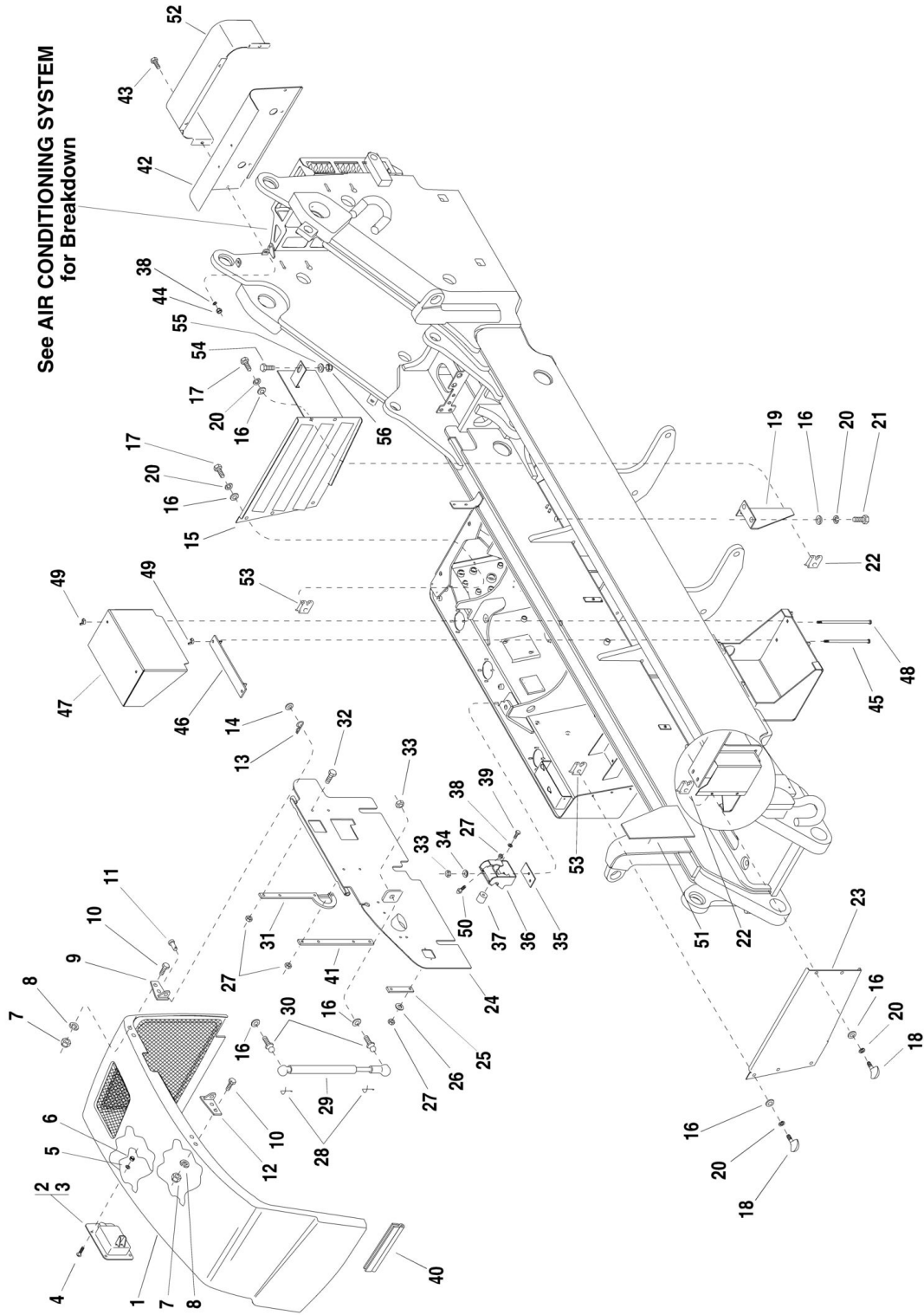
ITEM	PART NUMBER	QTY	DESCRIPTION	REV
1	6623353	1	Hood, Engine (Includes Items 2 thru 6)	
2	8342425	1	Handle, Outside Door (includes 2 ea. of Item 3)	
3	8342808	2	Key, Handle, Outside Door (Not Shown)	
4	8310583	4	BHCS, #10-24 x 7/8in	
5	8307111	4	Washer, Plain, #10 SAE Narrow	
6	8310085	4	Nut, Hex Lock, #10 x 24	
7	8305624	4	Nut, Hex Lock Elastic 1/4in-20	
8	8307109	4	Washer, Flat SAE Light 1/4in	
9	6623592	1	Hinge, Hood - Rear	
10	8303615	4	HHCS, 1/4in-20 x 1-1/4in Gr. 5	
11	8310334	2	Pin, Clevis 3/8in Dia x 1 3/8in LG	
12	6623591	1	Hinge, Hood - Front	
13	8302470	2	Pin, Cotter	
14	8307110	2	Washer, Flat 3/8in Narrow	
15	6623873	1	Cover, Engine - Rear	
16	8307106	16	Washer, Flat 5/16in	
17	8303670	5	HHCS, 5/16in-18 x 1in	
18	8310582	5	Screw, Thumb, 5/16in-18 x 1in	
19	7138829	1	Bracket, Cover - Rear	
20	8307004	12	Washer, Lock 5/16in	
21	8303744	2	HHCS, 5/16in-18 x 1/2in	
22	8305906	4	Nut, Retainer 5/16in-18	
23	6623351	1	Cover, Engine - Front	
24	6623423	1	Panel, Engine	
25	7138843	1	Stiffener, Flat	
26	8307206	2	Washer, Flat 1/2in Wide	
27	8305644	12	Nut, Hex Lock Elastic 1/2in-13	
28	8702157	4	Spring, Clip	
29	8702160	2	Spring, Gas	
30	8340035	4	Ball Stud - 13mm	
31	7138342	1	Stiffener, Flat	
32	8303626	4	HHCS, 1/2in-13 x 1-1/2in Gr. 5	
33	8305626	6	Nut, Hex Lock Elastic 5/16in-18	
34	8307203	2	Washer, Flat 5/16in	
35	6623593	1	Shim, Latch Bracket	
36	7139997	1	Bracket, Striker	
37	8660012	1	Bumper	
38	8307005	5	Washer, Lock 3/8in	
39	8303681	1	HHCS, 3/8in-16 x 3/4in	
40	6620751	1	Moulding, Edge	
41	7138682	1	Stiffener, Flat	
42	6623378	1	Cover	
43	8303620	4	HHCS, 3/8in-16 x 1in	
44	8305008	4	Nut, Hex, 3/8in-16	
45	8310316	4	Bolt-carriage 3/8in-16 x 9 1/2in	
46	6623418	2	Battery Hold Down	
47	6623417	2	Cover, Battery	
48	8310233	4	Bolt-carriage 3/8in-16 x 11in	
49	8310167	8	Wing Nut	
50	7139999	2	Dowel Pin	

SECTION 3 - FRAME AND OPERATOR'S COMPARTMENT

ITEM	PART NUMBER	QTY	DESCRIPTION	REV
51	7139935	1	Bumper Pad, Rubber	
52	6623602	1	Guard, Light, Rear	
53	8310374	6	Nut, Retainer, .312-18	

SECTION 3 - FRAME AND OPERATOR'S COMPARTMENT

FIGURE 3-5. ENGINE HOOD AND COVERS (SN MV201 to Present)



SECTION 3 - FRAME AND OPERATOR'S COMPARTMENT

FIGURE 3-5. ENGINE HOOD AND COVERS (SN MV201 to Present)

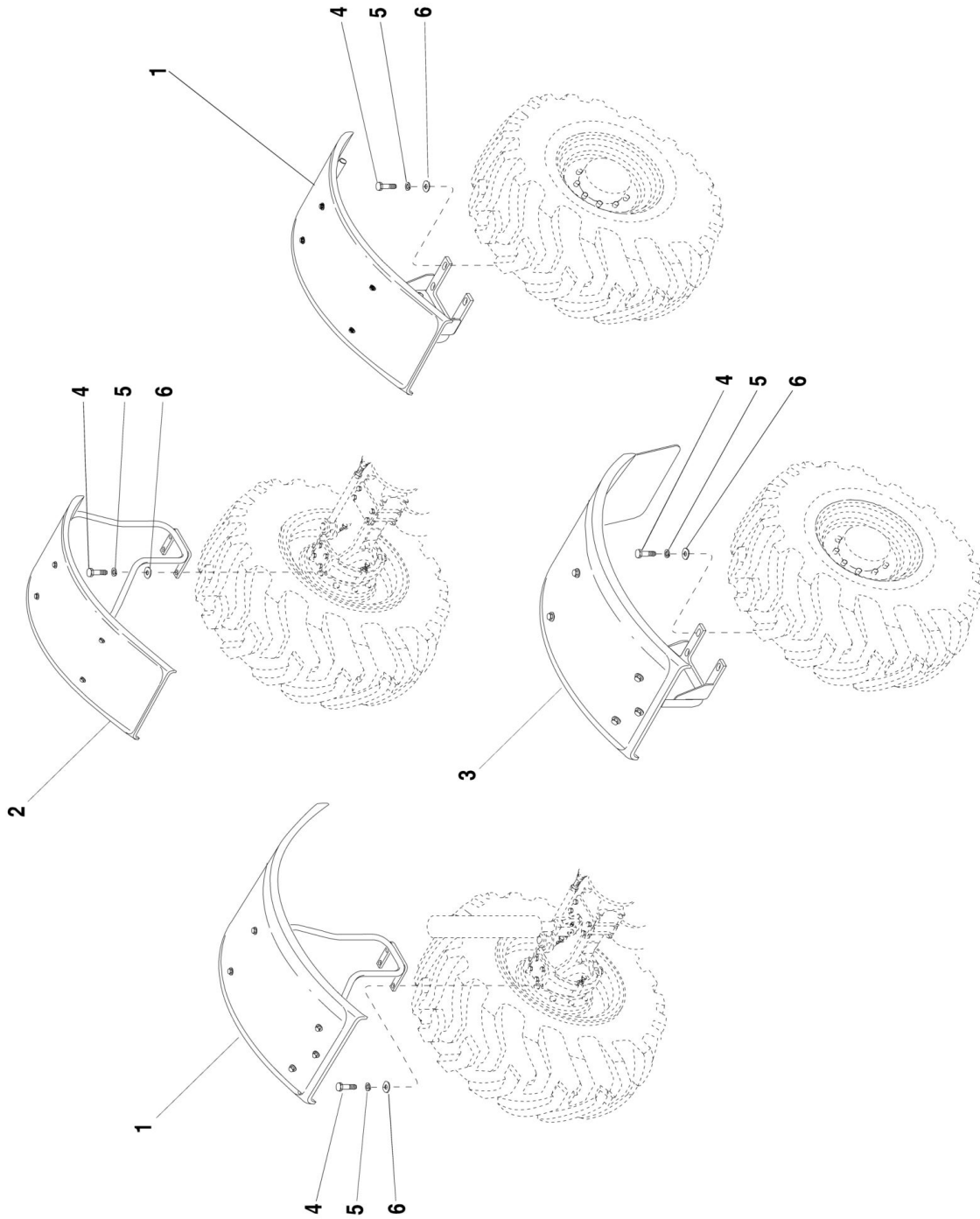
ITEM	PART NUMBER	QTY	DESCRIPTION	REV
1	6623899	1	Hood, Engine (Includes Items 2 thru 6)	
2	8342425	1	Handle, Outside Door (includes 2 ea. of Item 3)	
3	8342808	2	Key, Handle, Outside Door (Not Shown)	
4	8310583	4	BHCS, #10-24 x 7/8in	
5	8307111	4	Washer, Plain, #10 SAE Narrow	
6	8310085	4	Nut, Hex Lock, #10 x 24	
7	8305624	4	Nut, Hex Lock Elastic 1/4in-20	
8	8307109	4	Washer, Flat SAE Light 1/4in	
9	6623592	1	Hinge, Hood - Rear	
10	8303615	4	HHCS, 1/4in-20 x 1-1/4in Gr. 5	
11	8310334	2	Pin, Clevis 3/8in Dia x 1-3/8in LG	
12	6623591	1	Hinge, Hood - Front	
13	8302470	2	Pin, Cotter	
14	8307110	2	Washer, Flat 3/8in Narrow	
15	6623873	1	Cover, Engine - Rear	
16	8307106	12	Washer, Flat 5/16in	
17	8303670	5	HHCS, 5/16in-18 x 1in	
18	8310582	5	Screw, Thumb, 5/16in-18 x 1in	
19	7138829	1	Bracket, Cover - Rear	
20	8307004	12	Washer, Lock 5/16in	
21	8303744	2	HHCS, 5/16in-18 x 1/2in	
22	8305906	4	Nut, Retainer 5/16in-18	
23	6623351	1	Cover, Engine - Front	
24	6623871	1	Panel, Engine	
25	7138843	1	Stiffener, Flat	
26	8307206	2	Washer, Flat 1/2in	
27	8305644	12	Nut, Hex Lock Elastic 1/2in-13	
28	8702157	4	Spring, Clip	
29	8702160	2	Spring, Gas	
30	8340035	4	Ball Stud - 13mm	
31	6623896	1	Stiffener, Flat	
32	8303626	6	HHCS, 1/2in-13 x 1-1/2in Gr. 5	
33	8305626	6	Nut, Hex Lock Elastic 5/16in-18	
34	8307203	2	Washer, Flat 5/16in	
35	6623593	1	Shim, Latch Bracket	
36	6623906	1	Bracket, Striker	
37	8660012	1	Bumper	
38	8307005	5	Washer, Lock 3/8in	
39	8303681	1	HHCS, 3/8in-16 x 3/4in	
40	6620751	1	Moulding, Edge	
41	7138682	1	Stiffener, Flat	
42	6623378	1	Cover	
43	8303620	4	HHCS, 3/8in-16 x 1in	
44	8305008	4	Nut, Hex, 3/8in-16	
45	8310316	4	Bolt-carriage 3/8in-16 x 9-1/2in	
46	6623418	2	Battery Hold Down	
47	6623417	2	Cover, Battery	
48	8310233	4	Bolt-carriage 3/8in-16 x 11in	
49	8310167	8	Wing Nut	
50	7139999	2	Dowel Pin	

SECTION 3 - FRAME AND OPERATOR'S COMPARTMENT

ITEM	PART NUMBER	QTY	DESCRIPTION	REV
51	7139935	1	Bumper Pad, Rubber	
52	6623602	1	Guard, Light, Rear	
53	8310374	6	Nut, Retainer 5/16in-18	
54	8303625	1	HHCS, 1/2in-13 x 1-1/4in Gr. 5	
55	8307112	1	Washer, Plain 1/2in Narrow	
56	8305012	1	Nut, Hex, 1/2in-13	

SECTION 3 - FRAME AND OPERATOR'S COMPARTMENT

FIGURE 3-6. FENDER ASSEMBLY (SN MV006 to Present)



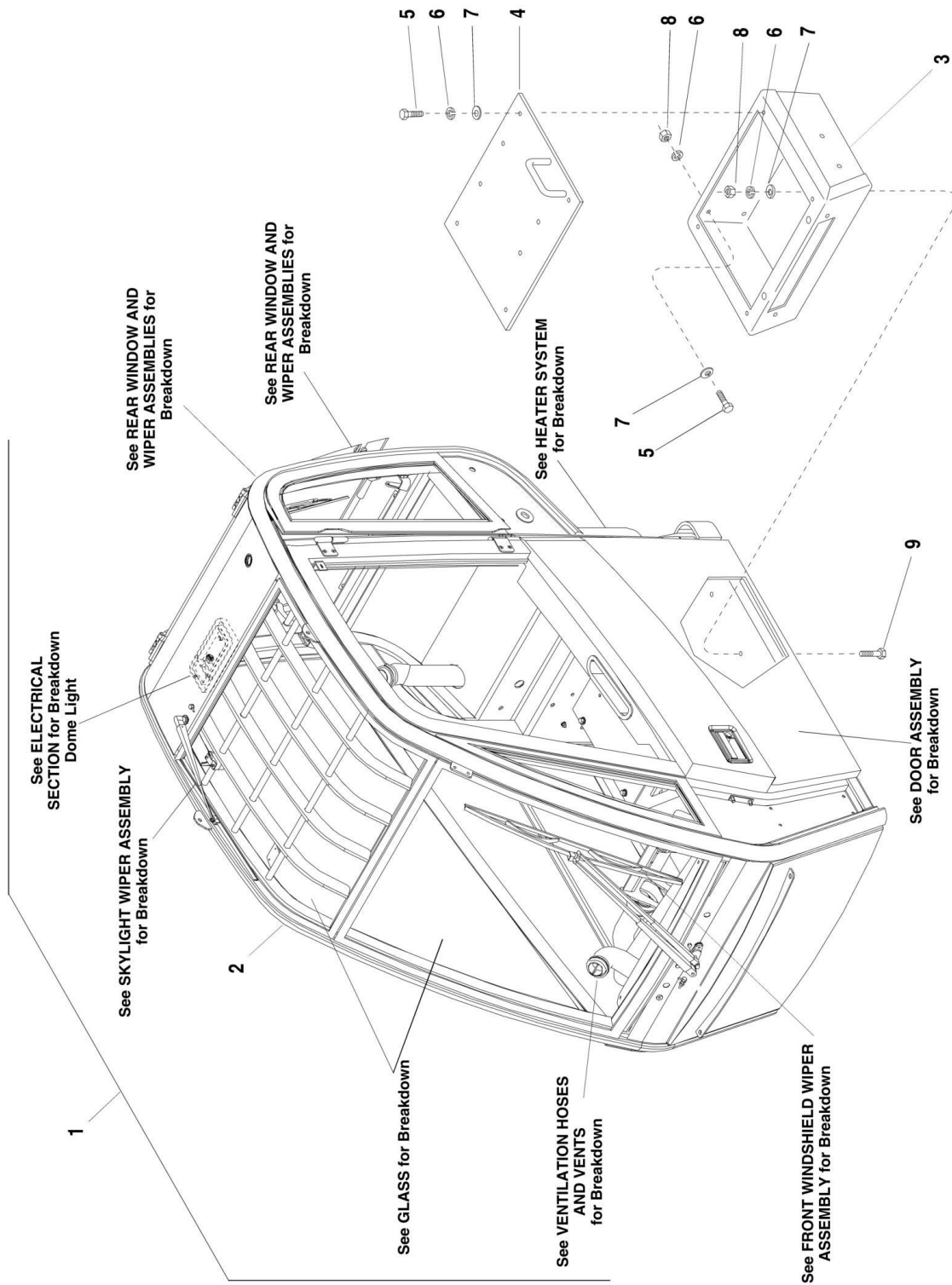
SECTION 3 - FRAME AND OPERATOR'S COMPARTMENT

FIGURE 3-6. FENDER ASSEMBLY (SN MV006 to Present)

ITEM	PART NUMBER	QTY	DESCRIPTION	REV
1	6623665	2	Fender Assembly Left Rear/Right Front	
2	6623666	1	Fender Assembly Right Rear	
3	6623579	1	Fender Assembly Left Front	
4	8310164	16	HHCS, M12-1,75 x 40mm	
5	8307025	16	Washer, Lock M12	
6	8310308	16	Washer, Heavy, Hardened, 1/2in	

SECTION 3 - FRAME AND OPERATOR'S COMPARTMENT

FIGURE 3-7. OPERATOR'S PROTECTIVE STRUCTURE - ROPS/FOPS (SN MV006 through MV200)



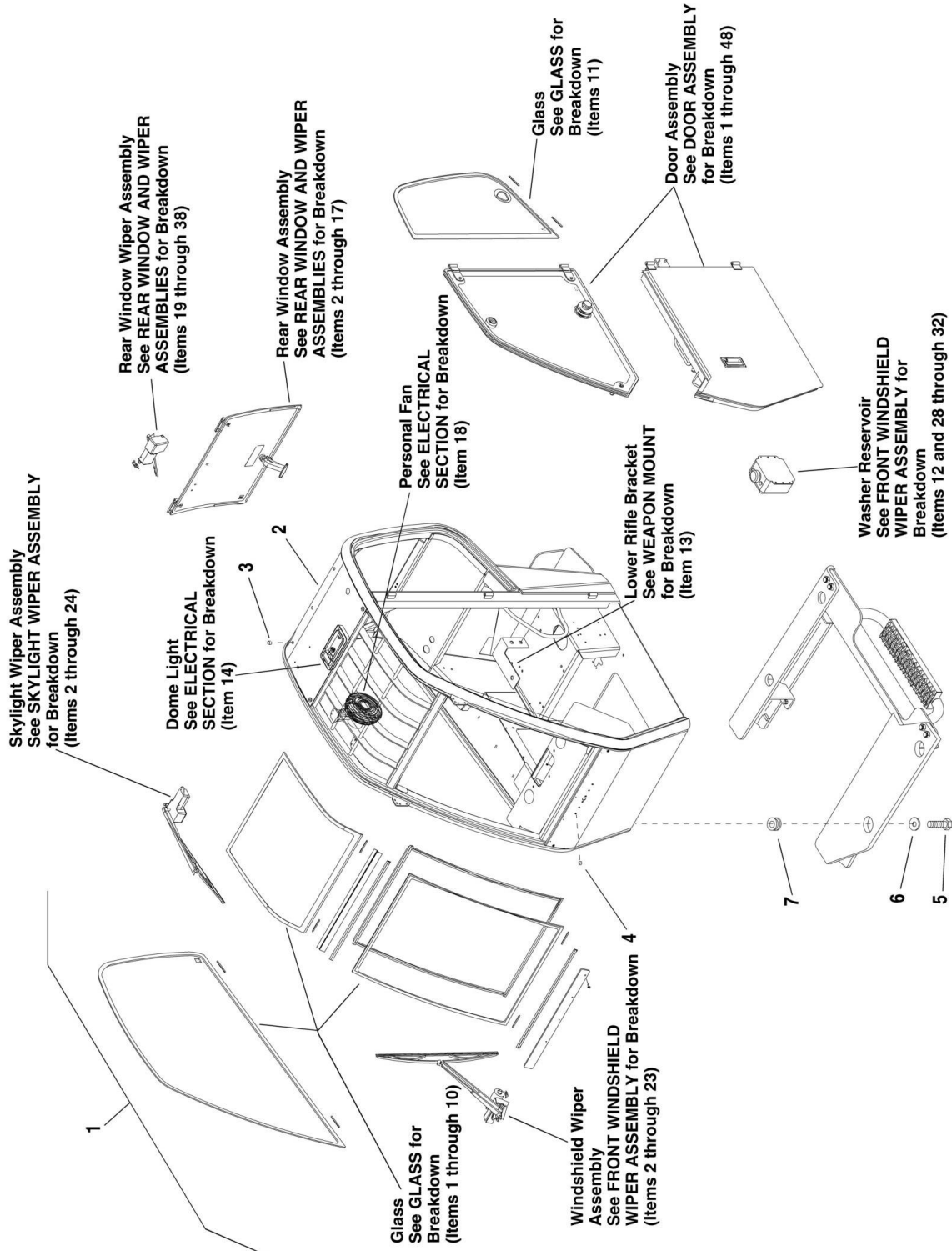
SECTION 3 - FRAME AND OPERATOR'S COMPARTMENT

FIGURE 3-7. OPERATOR'S PROTECTIVE STRUCTURE - ROPS/FOPS (SN MV006 through MV200)

ITEM	PART NUMBER	QTY	DESCRIPTION	REV
1	6623411	1	Enclosed Cab Assembly (Includes Items 2 thru 9 and also Items called out on Art Page.)	
2	6623428	1	Operator's Protective Structure Weldment Carc Green ROPS/FOPS	
3	8036349	1	Seat Support	
4	8036350	1	Cover, Support w/Grab Handle	
5	8310525	6	Screw, HHC 3/8in-16 NC x 1in Gr. 8	
6	8307005	8	Washer, Lock 3/8in	
7	8307110	8	Washer, Plain .375-16 NC x 1in Gr. 2	
8	8305008	4	Nut, Hex .375-16 NC	
9	8304006	2	Bolt, Carriage 3/8in-16 NC x 1in Gr. 2	

SECTION 3 - FRAME AND OPERATOR'S COMPARTMENT

FIGURE 3-8. OPERATOR'S PROTECTIVE STRUCTURE - ROPS/FOPS (SN MV201 to Present)



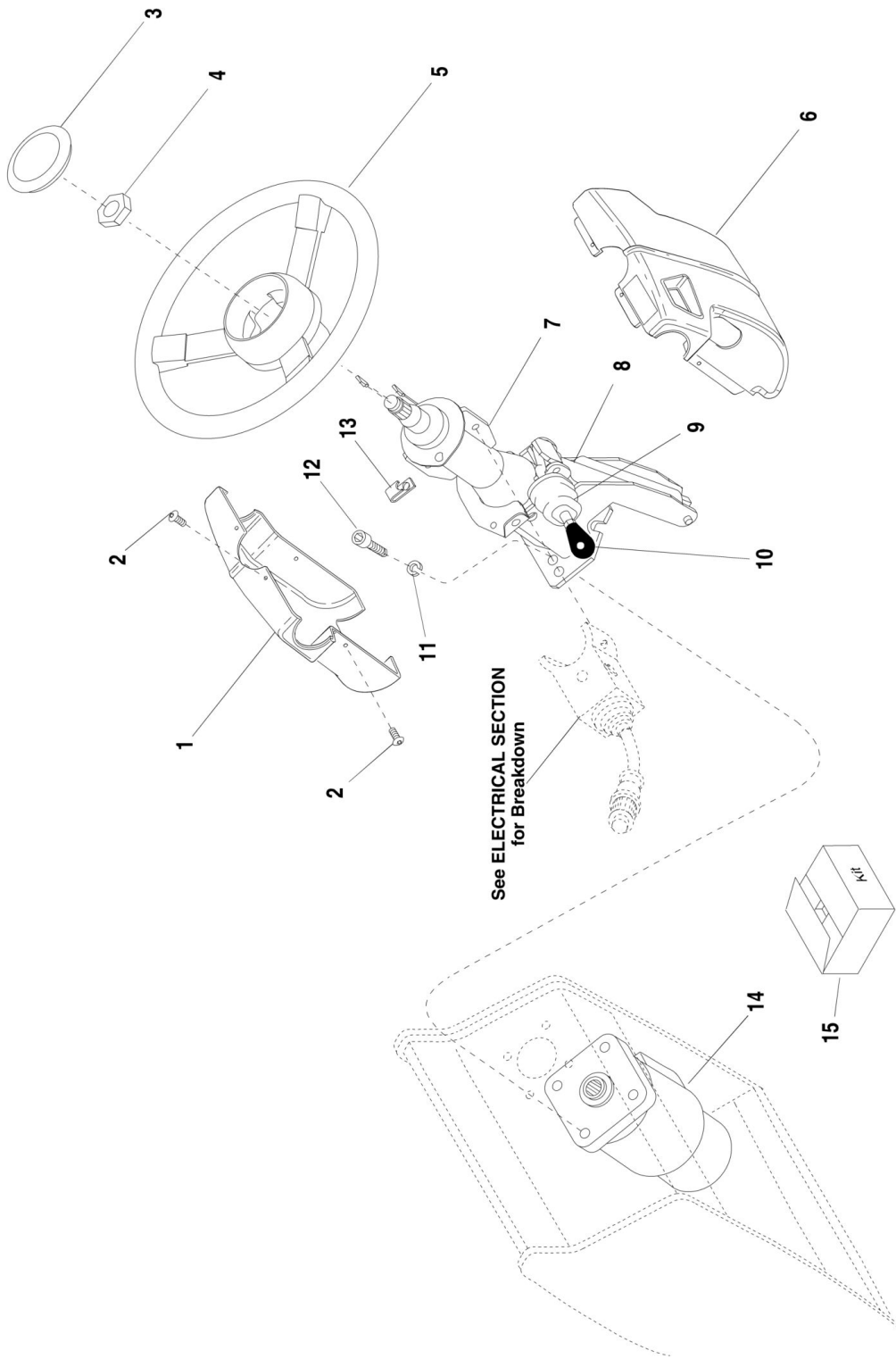
SECTION 3 - FRAME AND OPERATOR'S COMPARTMENT

FIGURE 3-8. OPERATOR'S PROTECTIVE STRUCTURE - ROPS/FOPS (SN MV201 to Present)

ITEM	PART NUMBER	QTY	DESCRIPTION	REV
1	6623773	1	Cab Assembly, Enclosed (Includes Items 2 thru 4 and all items shown on art page)	
2	6623774	1	Weldment, Cab	
3	8035640	3	Plug, Hole, .375in Dia Black	
4	8036654	2	Plug, Round Push-in, .315in Dia	
5	8310375	4	HHCS, 3/4-10 NC x 3-3/4in Gr. 8	
6	7129441	4	Washer, Rebound	
7	8278041	4	Isolator, Cab	

SECTION 3 - FRAME AND OPERATOR'S COMPARTMENT

FIGURE 3-9. STEERING COLUMN AND SHIFTER ASSEMBLY (SN MV006 through MV200)



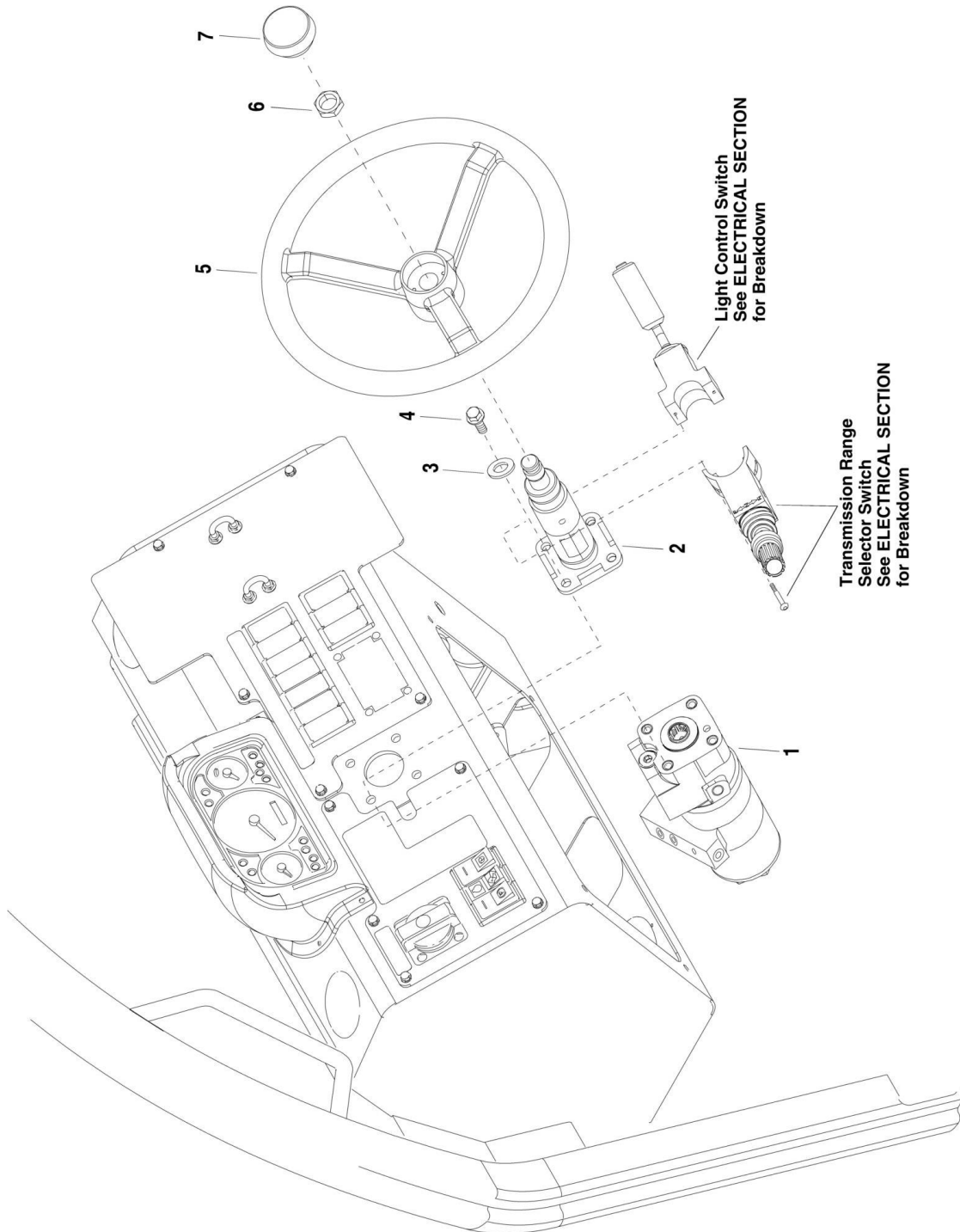
SECTION 3 - FRAME AND OPERATOR'S COMPARTMENT

FIGURE 3-9. STEERING COLUMN AND SHIFTER ASSEMBLY (SN MV006 through MV200)

ITEM	PART NUMBER	QTY	DESCRIPTION	REV
1	7138756	1	Cover, Steering Column, Top (See Kits)	
2	8310372	4	Screw, Button Hd #10-24 x 5/8in	
3	8720017	1	Cover/Switch, Horn Button	
4	8310315	1	Nut, Thin M18-1,5	
5	8720016	1	Wheel, Steering	
6	7138757	1	Cover, Steering Column, Bottom (See Kits)	
7	7137623	1	Steering Column (Includes Items 8 thru 10)	
8	7138820	1	Gas Spring - Steering Column	
9	8035804	1	Boot, Tilt Lever	
10	8580118	1	Knob, Tilt Steering	
11	8307005	1	Washer, Lock 3/8in	
12	8304672	4	Screw, Hex Socket Hd 3/8in-16 x 1in	
13	8310359	4	Nut, "J" #10-24	
14	8721029	1	Steering Orbital	
		Ref	KITS	
15	7138846	1	Kit, Cab Panels - Enclosed Cab (Includes Items 1 & 6 on this page and additional panels 8, 20, 25 & 27 on INNER CONSOLE AND DASH PANEL) (Hardware not Included.)	

SECTION 3 - FRAME AND OPERATOR'S COMPARTMENT

FIGURE 3-10. STEERING COLUMN (SN MV201 to Present)



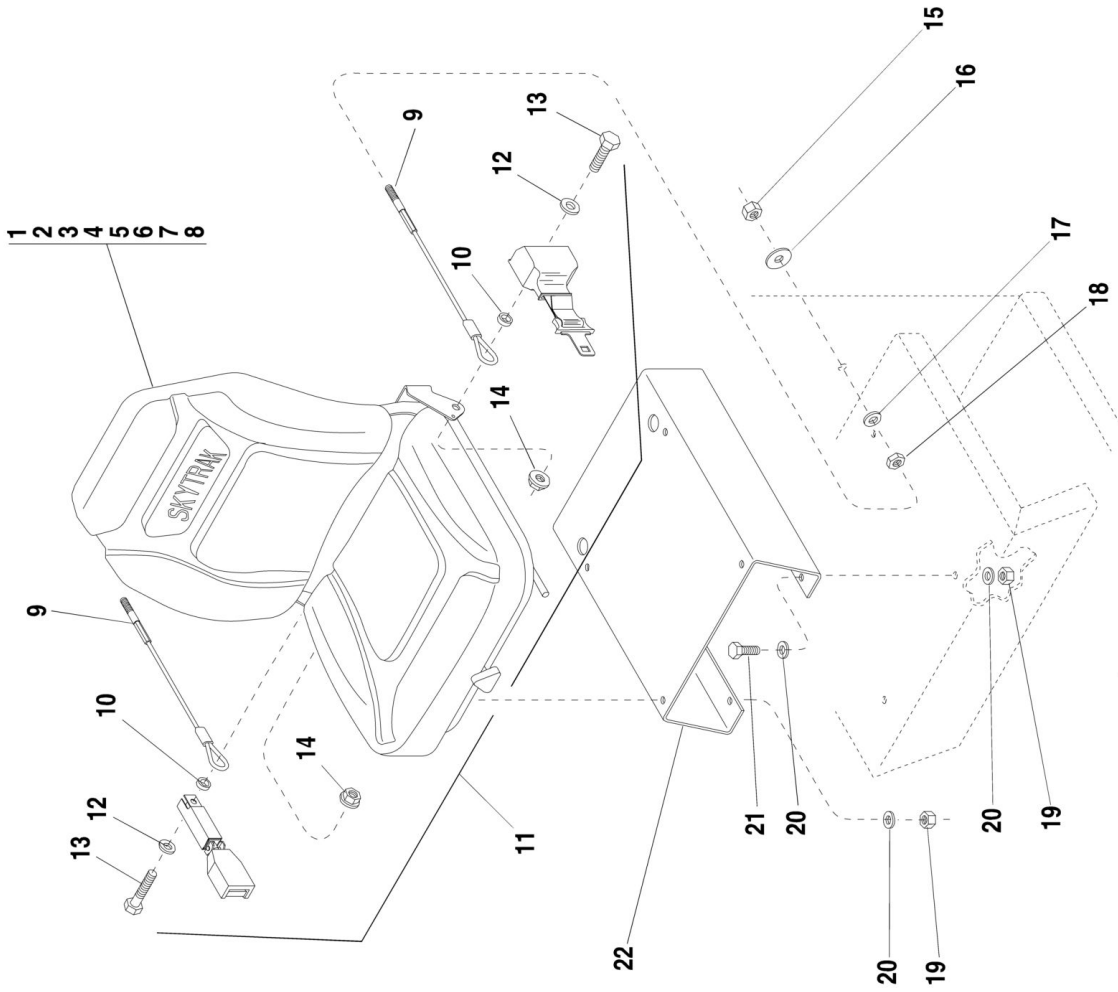
SECTION 3 - FRAME AND OPERATOR'S COMPARTMENT

FIGURE 3-10. STEERING COLUMN (SN MV201 to Present)

ITEM	PART NUMBER	QTY	DESCRIPTION	REV
1	8721031	1	Valve Assembly, Steer, Orbital	
2	7138833	1	Column, Steering	
3	8307221	4	Washer, Plain M10	
4	8303777	4	HHCS, M10 x 1.5 x 35mm PC8.8	
5	7138836	1	Wheel, Steering	
6	8305916	1	Nut, Steering Wheel	
7	7138878	1	Cover/Switch, Horn Button	
		Ref	KITS	
	7029367	1	Kit, Horn Brush	

SECTION 3 - FRAME AND OPERATOR'S COMPARTMENT

FIGURE 3-11. OPERATOR'S SEAT AND SEAT BELT (SN MV006 through MV200)



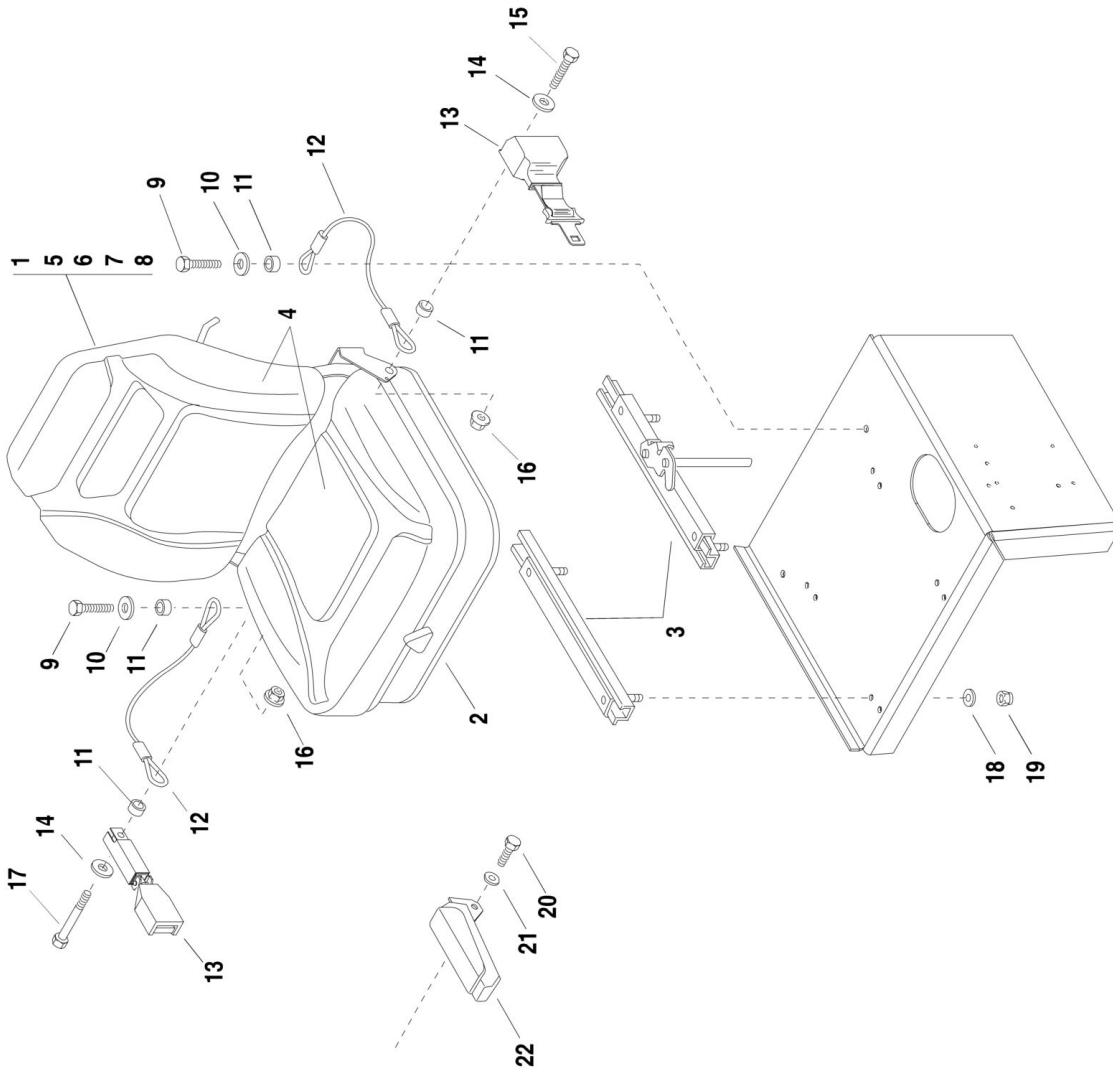
SECTION 3 - FRAME AND OPERATOR'S COMPARTMENT

FIGURE 3-11. OPERATOR'S SEAT AND SEAT BELT (SN MV006 through MV200)

ITEM	PART NUMBER	QTY	DESCRIPTION	REV
1	8864053	1	Seat Assembly (Includes Items 2 thru 8)	
2	8036009	1	Boot, 60/76mm (Not Shown)	
3	8036010	1	Adjuster, 6in (Not Shown)	
4	8036011	1	Damper (Not Shown)	
5	8036013	1	Rollers, 7/16in Dia (Not Shown)	
6	8036014	1	Springs and Cable (Not Shown)	
7	8036015	1	Hanger/Knob/Tension Shaft (Not Shown)	
8	8036017	1	Cushion/Pan Assembly Kit (Not Shown)	
9	7130412	2	Tether	
10	7096491	2	Spacer	
11	8864057	1	Seat Belt Assembly - 2in Retractable (Includes Items 12, 13, & 14)	
12	N.S.S.	2	Washer	
13	N.S.S.	2	HHCS	
14	N.S.S.	2	Nut, Hex	
15	8305645	2	Nut, Hex Lock Elastic 3/8in-16	
16	7057141	2	Washer, Rebound	
17	8307204	2	Washer, Flat 3/8in	
18	8305404	2	Nut, Hex Jam 3/8in-16	
19	8305626	4	Nut, Hex Lock Elastic 5/16in-18	
20	8307106	8	Washer, Flat 5/16in Narrow	
21	8303670	4	HHCS, 5/16in-18 x 1in	
22	7121543	1	Support, Seat	

SECTION 3 - FRAME AND OPERATOR'S COMPARTMENT

FIGURE 3-12. OPERATOR'S SEAT AND SEAT BELT (SN MV201 through MV307, SN 0160003128 through 0160012514)



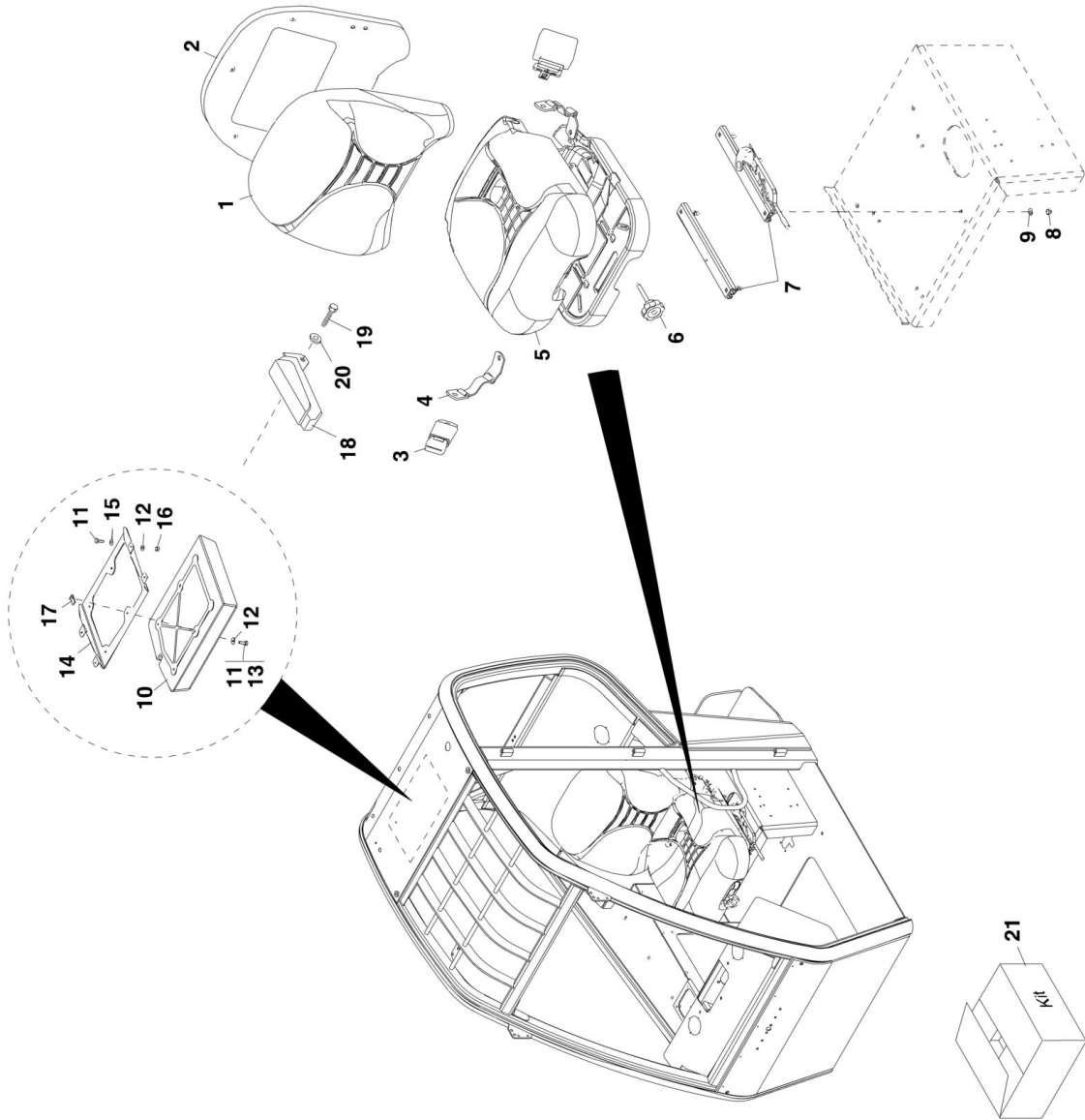
SECTION 3 - FRAME AND OPERATOR'S COMPARTMENT

FIGURE 3-12. OPERATOR'S SEAT AND SEAT BELT (SN MV201 through MV307, SN 0160003128 through 0160012514)

ITEM	PART NUMBER	QTY	DESCRIPTION	REV
1		Ref	Seat Assembly, (no longer available, order seat replacement kit on OPERATOR'S SEAT AND SEAT BELT)	
2	8036009	1	Boot, 60/76mm (Covers Adjuster below Seat)	
3	8036010	1	Adjuster, 6in	
4	8036626	1	Kit, Cushion/Pan Assembly (Includes both seat and back rest - not sold separately)	
5	8036011	1	Damper (Shock Absorber) (Not Shown)	
6	8036013	4	Rollers, Up Stop Bumper/Down Stop Bumper - 7/16in Dia (Not Shown)	
7	8036014	1	Springs and Cable (Not Shown)	
8	8036015	1	Kit, Hanger/Knob/Tension Shaft (Not Shown)	
9	8303674	2	HHCS, 7/16-14 NC 1-1/2in GR5	
10	8307205	2	Washer, Plain, 7/16in	
11	7096491	4	Spacer	
12	7138883	2	Tether, Seat Belt	
13	8864057	1	Seat Belt, 2in Retractable (Includes Items 14 thru 17)	
14	N.S.S.	2	Washer, Plain 7/16in	
15	N.S.S.	1	HHCS, 7/16-20 x 1-1/2in, GR5	
16	N.S.S.	2	Nut, Hex, Flanged 7/16-20	
17	N.S.S.	1	HHCS, 7/16-20 x 2-1/2in, GR5	
18	8307106	4	Washer, Plain, 5/16in	
19	8305626	4	Nut, Hex Lock Elastic 5/16-18	
20	8303783	2	HHCS, M8 x 1.25 x 25mm PC8.8	
21	8307203	2	Washer, Flat 5/16in	
22	7138858	1	Arm Rest	

SECTION 3 - FRAME AND OPERATOR'S COMPARTMENT

FIGURE 3-13. OPERATOR'S SEAT AND SEAT BELT (SN 0160012570 to Present)



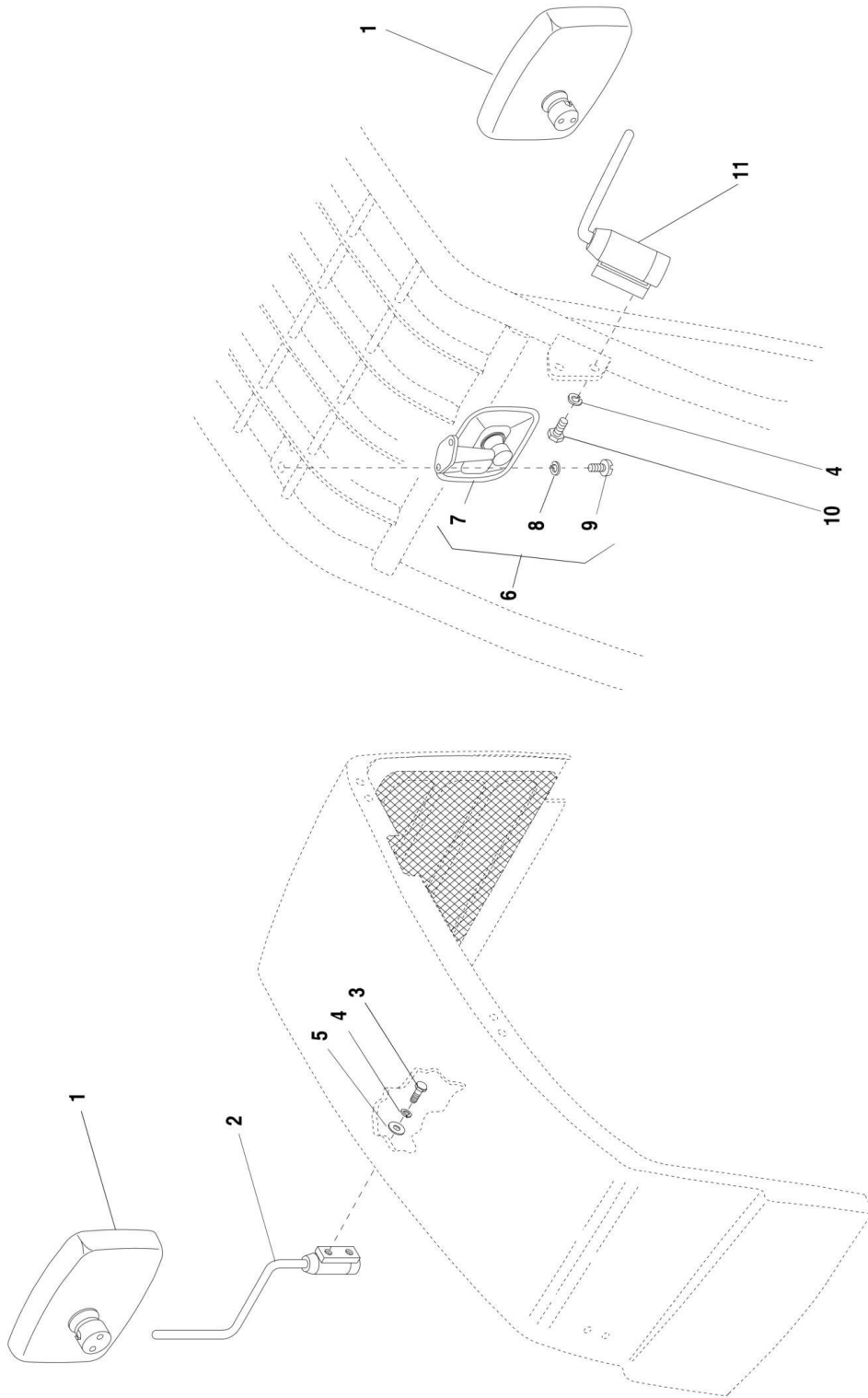
SECTION 3 - FRAME AND OPERATOR'S COMPARTMENT

FIGURE 3-13. OPERATOR'S SEAT AND SEAT BELT (SN 0160012570 to Present)

ITEM	PART NUMBER	QTY	DESCRIPTION	REV
	3980039	1	Suspension Seat, (includes items 1 thru 7)	
1	7026900	1	Back Cushion Kit	
2	7026902	1	Back Panel Kit	
3	7026905	1	Seat Belt Kit	
4	7026906	1	Tether Kit	
5	7026901	1	Seat Cushion Kit	
6	7026799	1	Knob Kit	
7	7026798	1	Slide Kit	
8	8305626	4	Hex Locknut, 5/16-18	
9	8307106	4	Plain Washer, 5/16	
10	0860520	1	Manual Storage Box	
11	0641406	8	Hex Hd Capscrew, 1/4-20x3/4	
12	4751400	8	Flat Washer, 1/4	
13	0100011	AR	Loctite, #242, (apply to item 14)	
14	4341074	1	Manual Box Mount	
15	8866266	4	Weather Tight Washer, 1/4	
16	8305624	4	Hex Locknut, 1/4-20	
17	8310702	4	Nut Retainer, 1/4-20	
18	7138858	1	Arm Rest	
19	8303783	2	Hex Hd Capscrew, M8x1.25x25mm, Pc8.8	
20	8307203	2	Plain Washer, 5/16	
21	2915056	1	Suspension Seat Replacement Kit, (includes seat and items 8 thru 17)	

SECTION 3 - FRAME AND OPERATOR'S COMPARTMENT

FIGURE 3-14. MIRRORS (SN MV006 to Present)



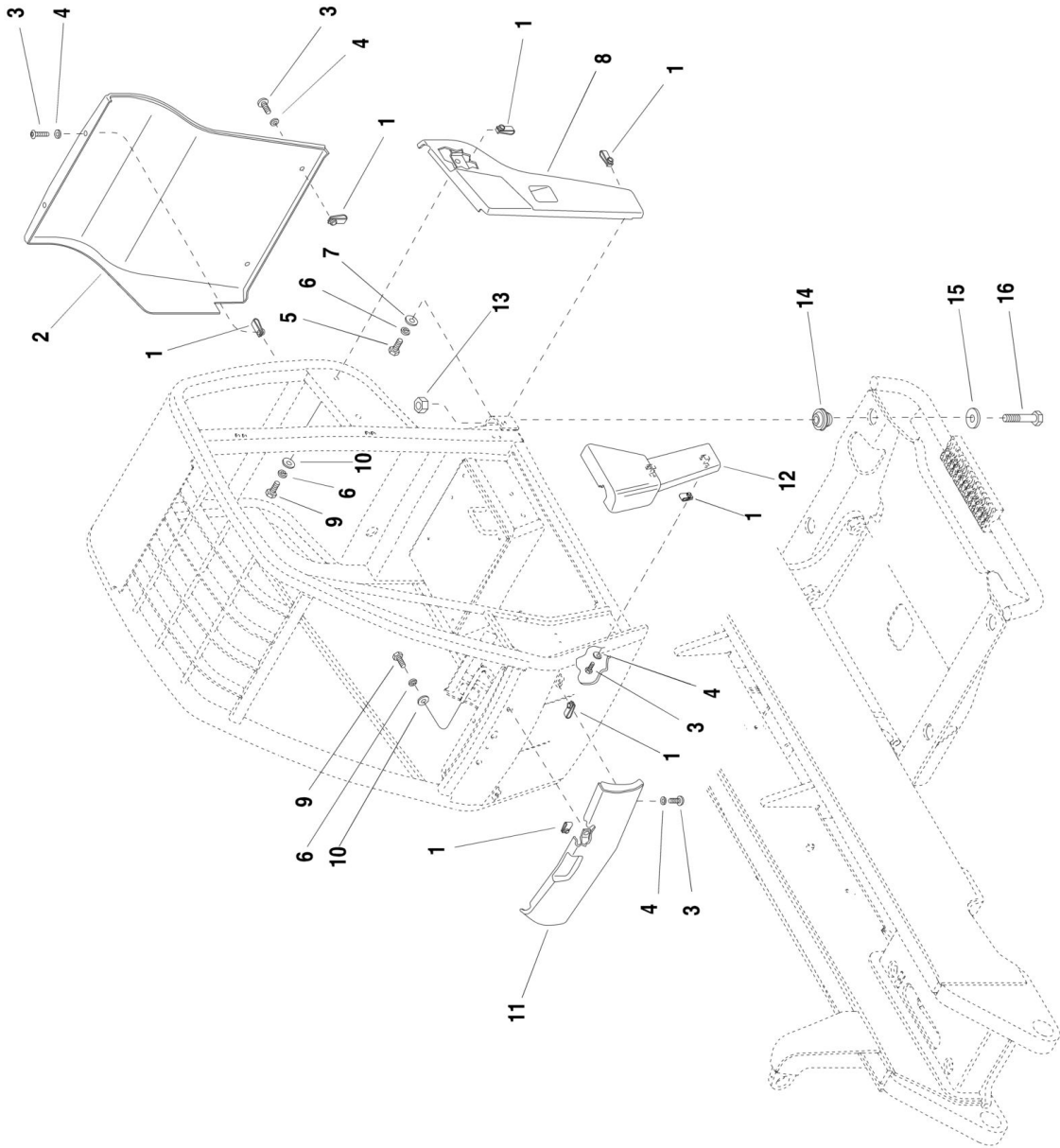
SECTION 3 - FRAME AND OPERATOR'S COMPARTMENT

FIGURE 3-14. MIRRORS (SN MV006 to Present)

ITEM	PART NUMBER	QTY	DESCRIPTION	REV
1	8866514	2	Mirror Head, Convex	
2	8866515	1	Arm Assembly, Mirror	
3	8303544	2	HHCS, M6-1 x 20mm PC 8.8	
4	8307024	4	Washer, Lock M6	
5	8307219	2	Washer, Flat M6	
6	7136742	1	Kit, Right Cab Mirror (Includes Items 7, 8, & 9)	
7	8866516	1	Mirror Assembly, Rear View	
8	8307003	2	Washer, Lock #10	
9	8303836	2	Screw, Pan Hd #10-24 x 5/8in	
10	8303799	2	HHCS, M6-1 x 14mm	
11	8866530	1	Arm Assembly, Mirror	

SECTION 3 - FRAME AND OPERATOR'S COMPARTMENT

FIGURE 3-15. OUTER PANELS (SN MV006 through MV200)



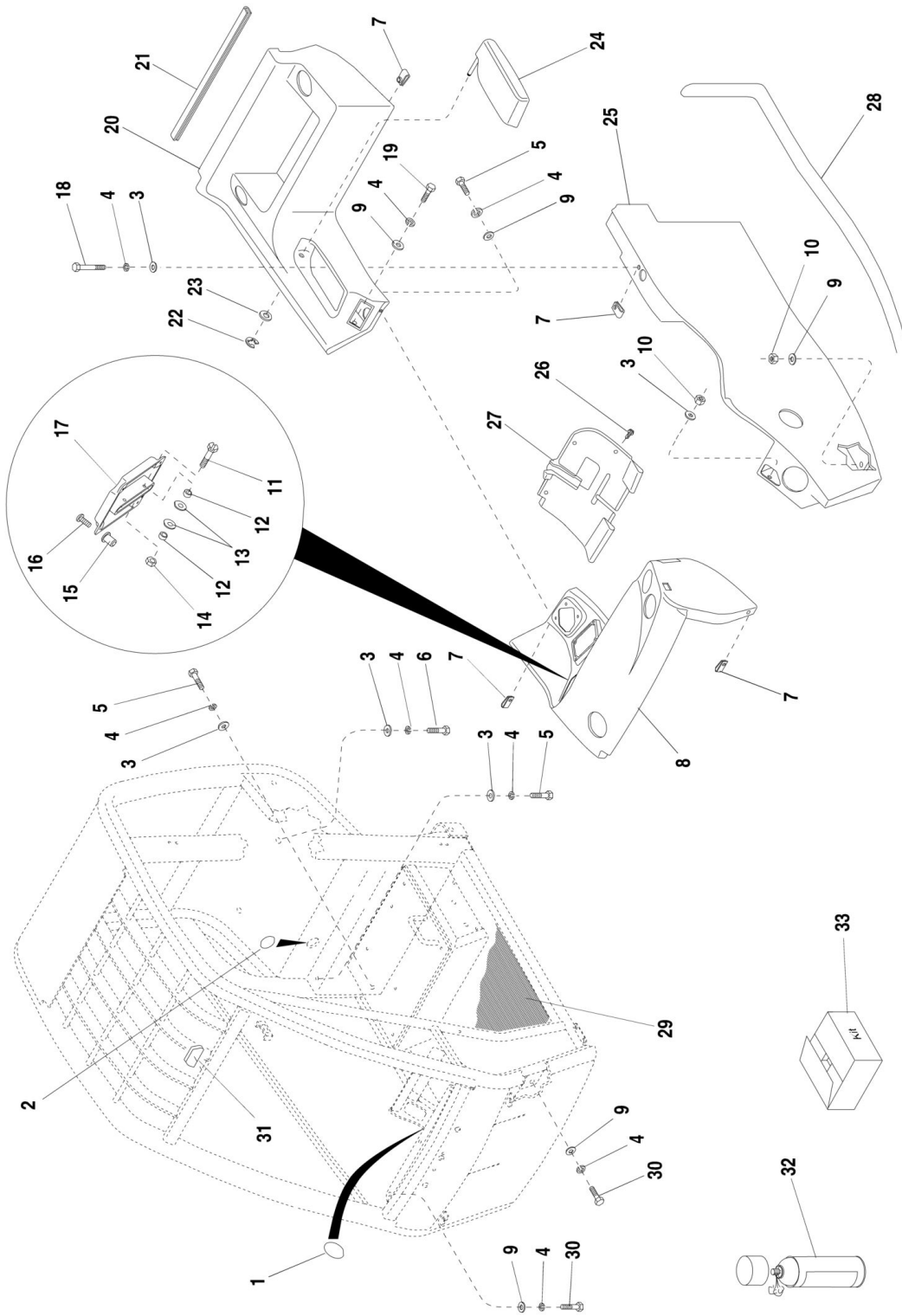
SECTION 3 - FRAME AND OPERATOR'S COMPARTMENT

FIGURE 3-15. OUTER PANELS (SN MV006 through MV200)

ITEM	PART NUMBER	QTY	DESCRIPTION	REV
1	8305906	12	Nut, Retaining 5/16in-18	
2	6623372	1	Panel, Cab Rear	
3	8310301	8	BHCS, 5/16in-18 x 1in	
4	8310124	8	Washer, Flat Plastic 5/16in	
5	8303739	1	HHCS, 5/16in-18 x 1-1/4in	
6	8307004	5	Washer, Lock 5/16in	
7	8307203	1	Washer, Flat 5/16in	
8	6623371	1	Panel, Cab Rear LH	
9	8303670	4	HHCS, 5/16in-18 x 1in	
10	7057141	4	Washer, Rebound	
11	6623369	1	Panel, Cab Front	
12	6623370	1	Panel, Cab Front LH	
13	8310067	4	Nut, Hex Lock Elastic 3/4in-10	
14	8278026	4	Isolator, Cab	
15	7129441	4	Washer, Rebound	
16	8310375	4	HHCS, 3/4in-10 x 3-3/4in Gr.8	

SECTION 3 - FRAME AND OPERATOR'S COMPARTMENT

FIGURE 3-16. INNER CONSOLE AND DASH PANEL (SN MV006 through MV200)



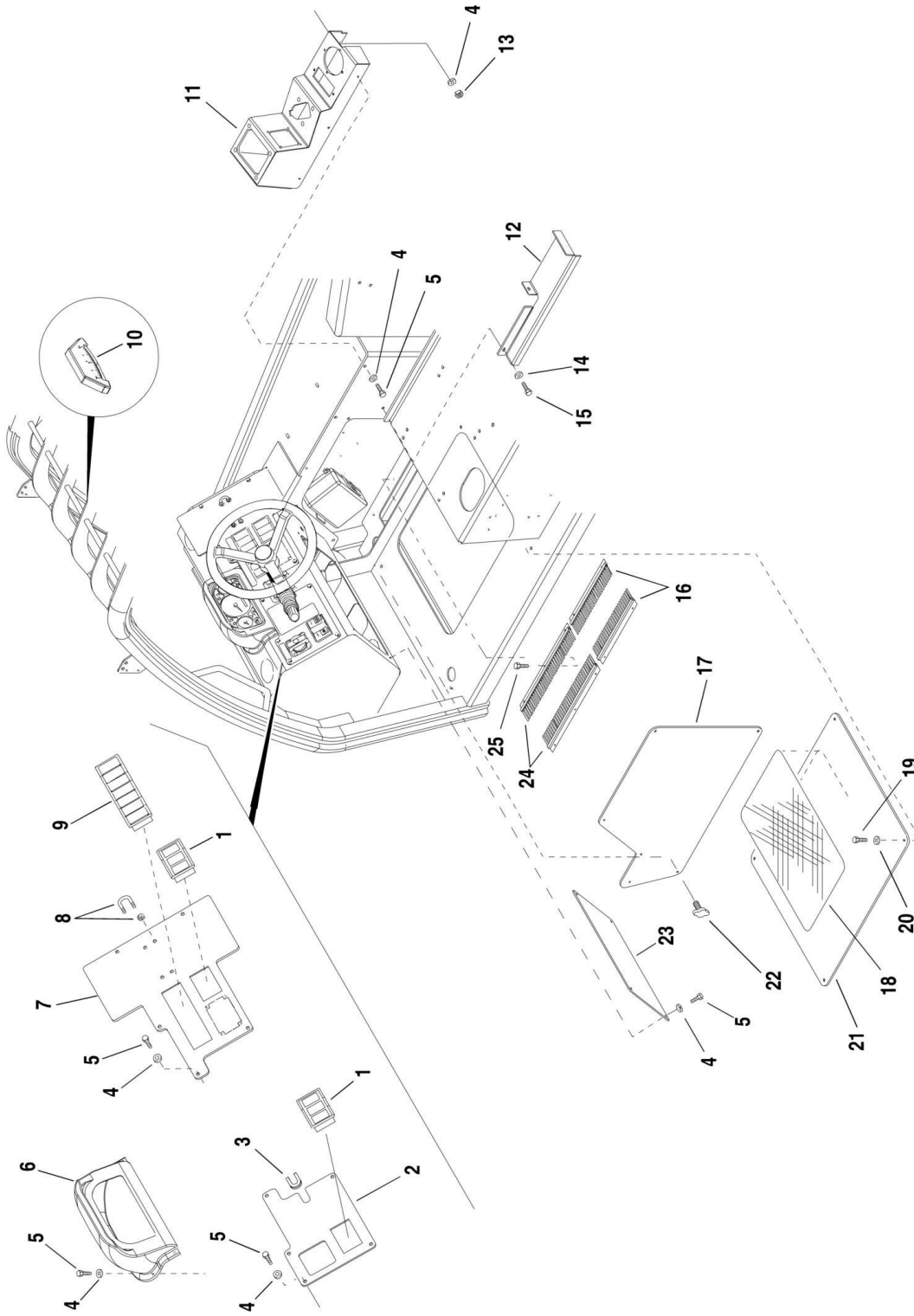
SECTION 3 - FRAME AND OPERATOR'S COMPARTMENT

FIGURE 3-16. INNER CONSOLE AND DASH PANEL (SN MV006 through MV200)

ITEM	PART NUMBER	QTY	DESCRIPTION	REV
1	7132751	1	Conduit, 1/4in x 9-1/2in Long	
2	7124531	1	Conduit, 1/4in x 5in Long	
3	7057141	5	Washer, Rebound	
4	8307004	9	Washer, Lock 5/16in	
5	8303739	4	HHCS, 5/16in-18 x 1-1/4in	
6	8303746	1	HHCS, 5/16in-18 x 1-3/4in	
7	8310374	9	Nut, Retaining 5/16in-18	
8	7138841	1	Dash, Front (See Kits)	
9	8307203	5	Washer, Flat 5/16in	
10	8305626	2	Nut, Hex Lock Elastic 5/16in-18	
11	8310016	2	Screw, Slotted Pan Hd #10-24 x 1in	
12	8310402	4	Spacer	
13	8310360	4	Washer, Fender	
14	8310085	2	Nut, Hex Lock Elastic #10-24	
15	8580421	4	Nut, Well #10-32 x 1/2in Long	
16	8310358	4	BHCS, #10-32 x 3/4in	
17	7131003	1	Holder, Load Chart	
18	8310009	1	HHCS, 5/16in-18 x 2in	
19	8303670	1	HHCS, 5/16in-18 x 1in	
20	7137664	1	Tool Bin, Rear (See Kits)	
21	7138275	1	Neoprene Strip 1/2in x 1in x 28in Long	
22	8630010	1	Ring, Retaining	
23	8307206	1	Washer, Flat 1/2in	
24	7130862	1	Armrest/Compartment Cover	
25	7130744	1	Support, Console (See Kits)	
26	8310353	3	Screw, Self Drilling #12-14 x 1in	
27	7130773	1	Cover, Lower Dash (See Kits)	
28	8035599	1	Foam Strip, PSA 1/4in x 1/2in x 100in Long	
29	7138962	1	Floormat (Use Item 32 for Installation)	
30	8303715	2	HHCS, 5/16-18 NC x 1 1/2in	
31	8466306	1	Gauge, Tilt Angle	
32	8526042	1	Adhesive 3M #90 High Strength Spray	
		Ref	KITS	
33	7138846	1	Kit, Interior Panels (Includes Items 8, 20, 25 & 27 on this page and Panels 1 & 6 on STEERING COLUMN AND SHIFTER ASSEMBLY) (Hardware not Included.)	

SECTION 3 - FRAME AND OPERATOR'S COMPARTMENT

FIGURE 3-17. OPERATOR'S COMPARTMENT - INNER PANELS (SN MV201 to Present)



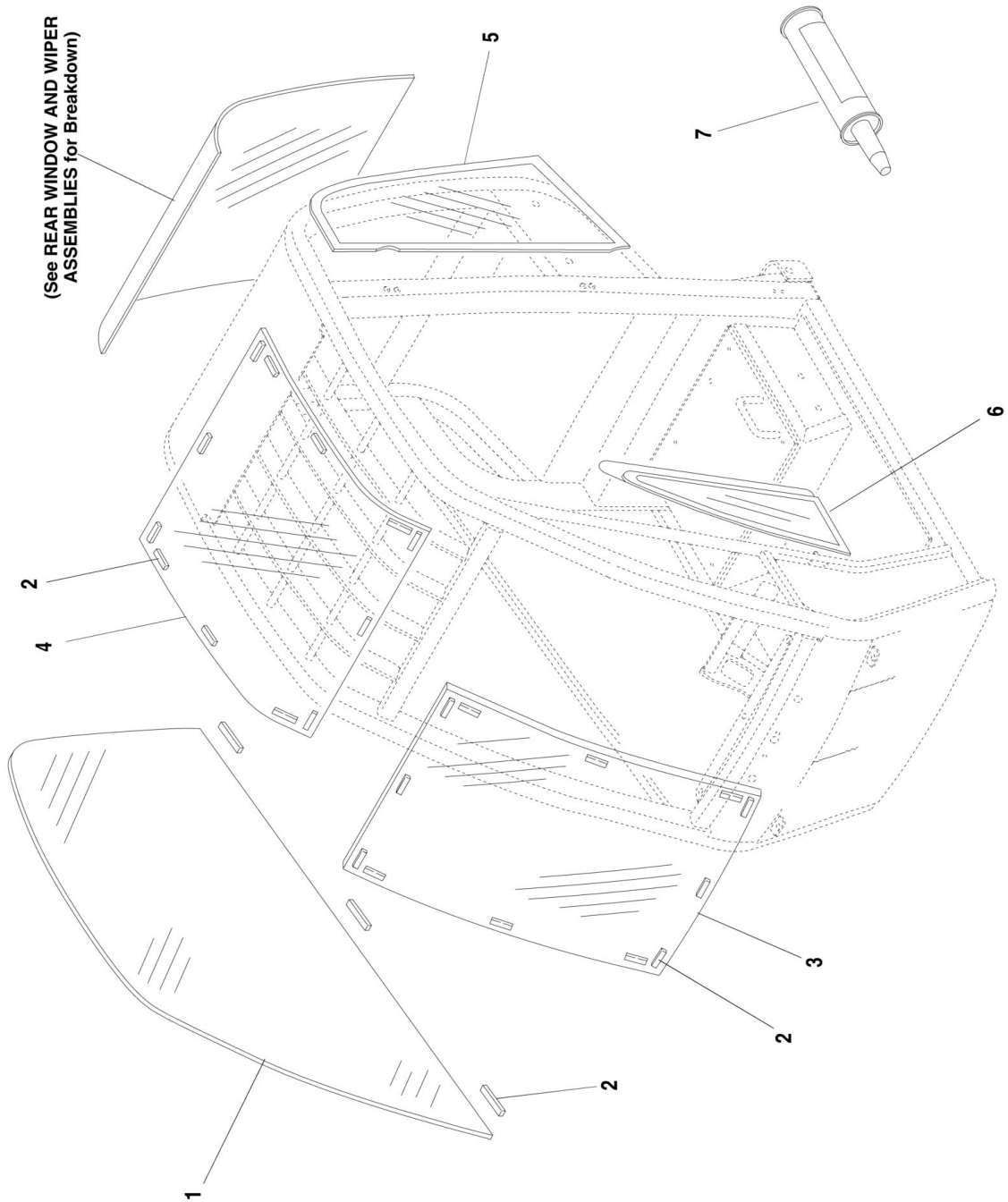
SECTION 3 - FRAME AND OPERATOR'S COMPARTMENT

FIGURE 3-17. OPERATOR'S COMPARTMENT - INNER PANELS (SN MV201 to Present)

ITEM	PART NUMBER	QTY	DESCRIPTION	REV
1	8223074	2	Bezel, 3 Position Switch	
2	6623787	1	Panel, Left Dash	
3	10725268	1	Loom, 1/4in O.D.	
4	8307219	24	Washer, Plain M6	
5	8303544	22	HHCS, M6 x 1.0 x 20mm PC8.8	
6	7151262	1	Moulding, Dash Cover	
7	6623786	1	Panel, Right Dash	
8	8310669	2	U-Bolt and Nuts 1/4-20 x 2-1/4in	
9	8223075	1	Bezel, 7 Position Switch	
10	8466306	1	Gauge, Tilt Angle	
11	6623827	1	Weldment, Joystick Console	
12	6623783	1	Panel, Seat Mounting	
13	8305047	2	Nut, M6 x 1.0	
14	8307221	2	Washer, Plain M10	
15	8303798	2	HHCS M10 x 1.5 x 25mm PC8.8	
16	7301279	2	Strip, Short Brush	
17	6623782	1	Panel, Fuse and Relay Access	
18	10139087	1	Mat, Anti-slip-Adhesive	
19	8303783	4	HHCS M6 x 1.0 x 25mm PC8.8	
20	8307222	4	Washer, Plain M8	
21	7151271	1	Panel, Floor Access	
22	8310745	6	Screw, Tee-Knob Head, M6 x 1.0 x 25mm	
23	6623781	1	Panel, Lower Dash	
24	7138944	2	Strip, Brush	
25	8303607	10	HHCS, M6 x 1.0 x 20mm PC8.8	

SECTION 3 - FRAME AND OPERATOR'S COMPARTMENT

FIGURE 3-18. GLASS (SN MV006 through MV200)



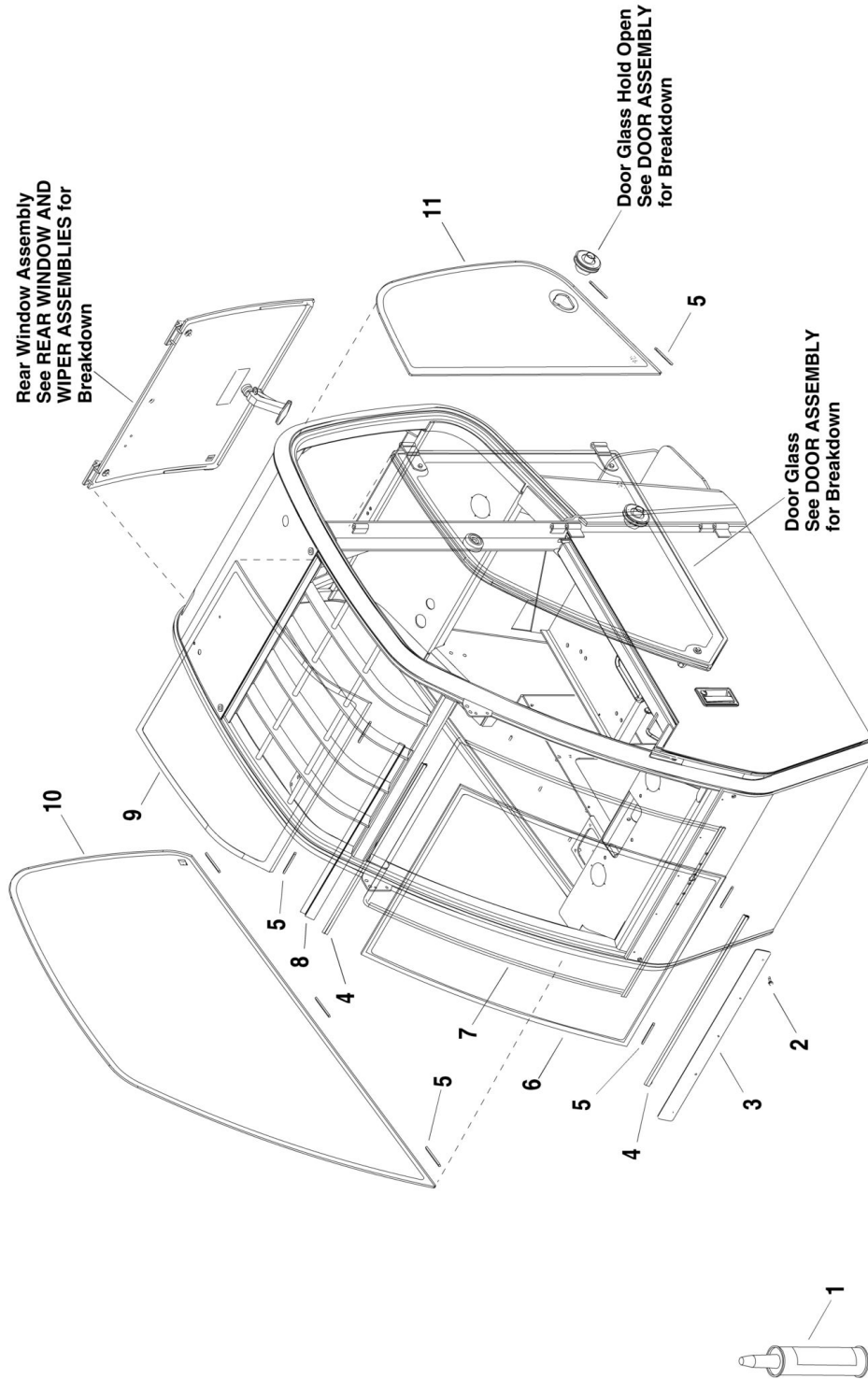
SECTION 3 - FRAME AND OPERATOR'S COMPARTMENT

FIGURE 3-18. GLASS (SN MV006 through MV200)

ITEM	PART NUMBER	QTY	DESCRIPTION	REV
1	8035294	1	Window, Right Side	
2	8035490	27	Block, Setting, 1/8in x 1/4in x 2in	
3	8035522	1	Windshield, Front	
4	8035527	1	Window, Skylight	
5	8036351	1	Window, Rear LH (Includes Glass, Frame and Urethane Seal)	
6		Ref	Window, Front LH (Includes Glass, Frame and Urethane Seal)	
7	8035523	2	Sealant, Urethane, High Viscosity	

SECTION 3 - FRAME AND OPERATOR'S COMPARTMENT

FIGURE 3-19. GLASS



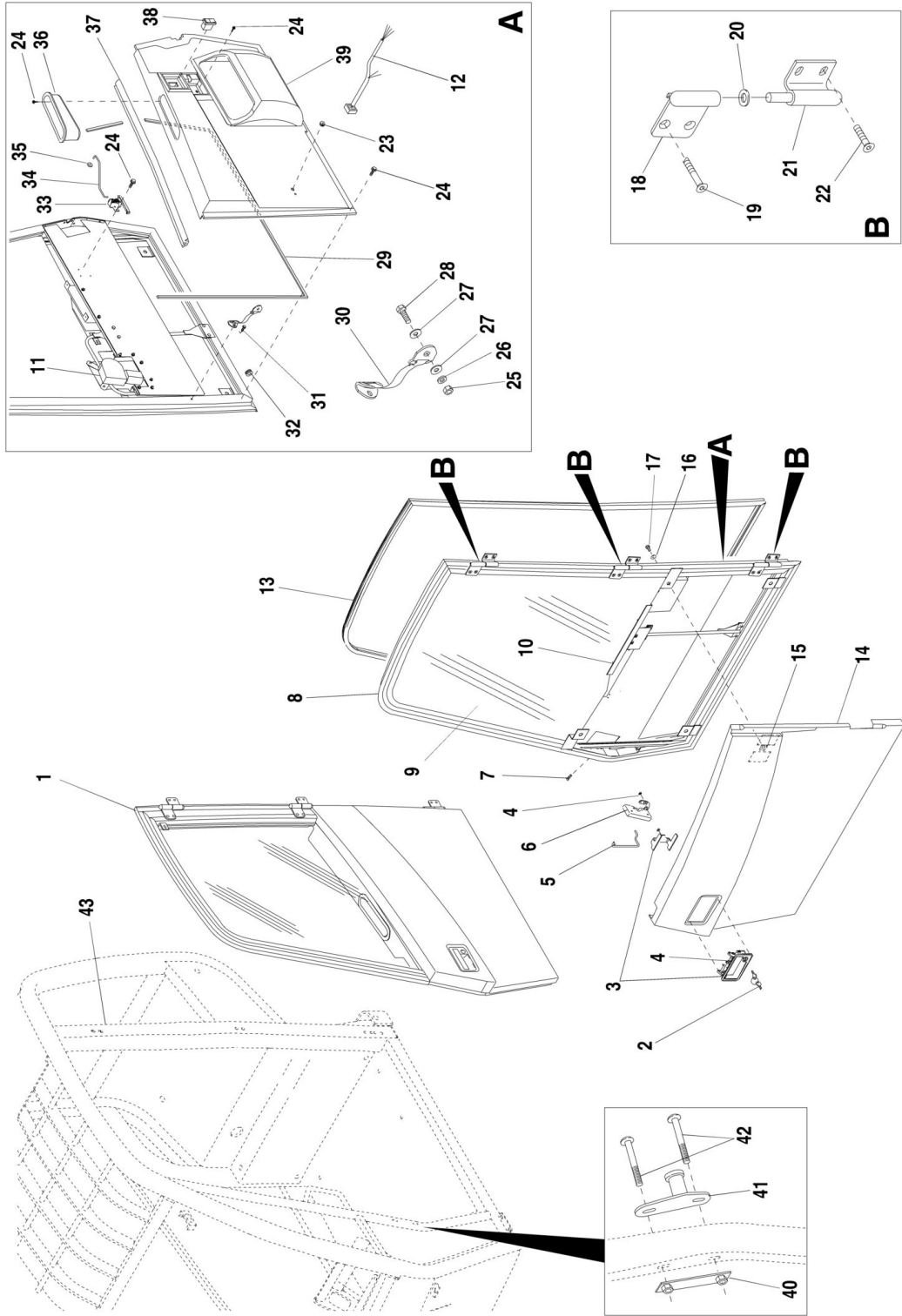
SECTION 3 - FRAME AND OPERATOR'S COMPARTMENT

FIGURE 3-19. GLASS

ITEM	PART NUMBER	QTY	DESCRIPTION	REV
1	8035523	1	Urethane Seal, Black	
2	8037204	5	Screw, #10-16 x 3/4in Self Tapping	
3	8036735	1	Retainer, Lower Windshield	
4	8036660	2	Seal, Windshield Compression D	
5	8035490	9	Setting Block 1/8 x 1/4 x 2in	
6	8036663	1	Glass, Windshield	
7	8036659	1	Seal, Windshield Double D	
8	8036667	1	Retainer, Upper Windshield	
9	8036666	1	Glass, Skylight	
10	8036665	1	Glass, Right Side	
11	8036664	1	Glass, Left Side	

SECTION 3 - FRAME AND OPERATOR'S COMPARTMENT

FIGURE 3-20. DOOR ASSEMBLY (SN MV006 through MV200)



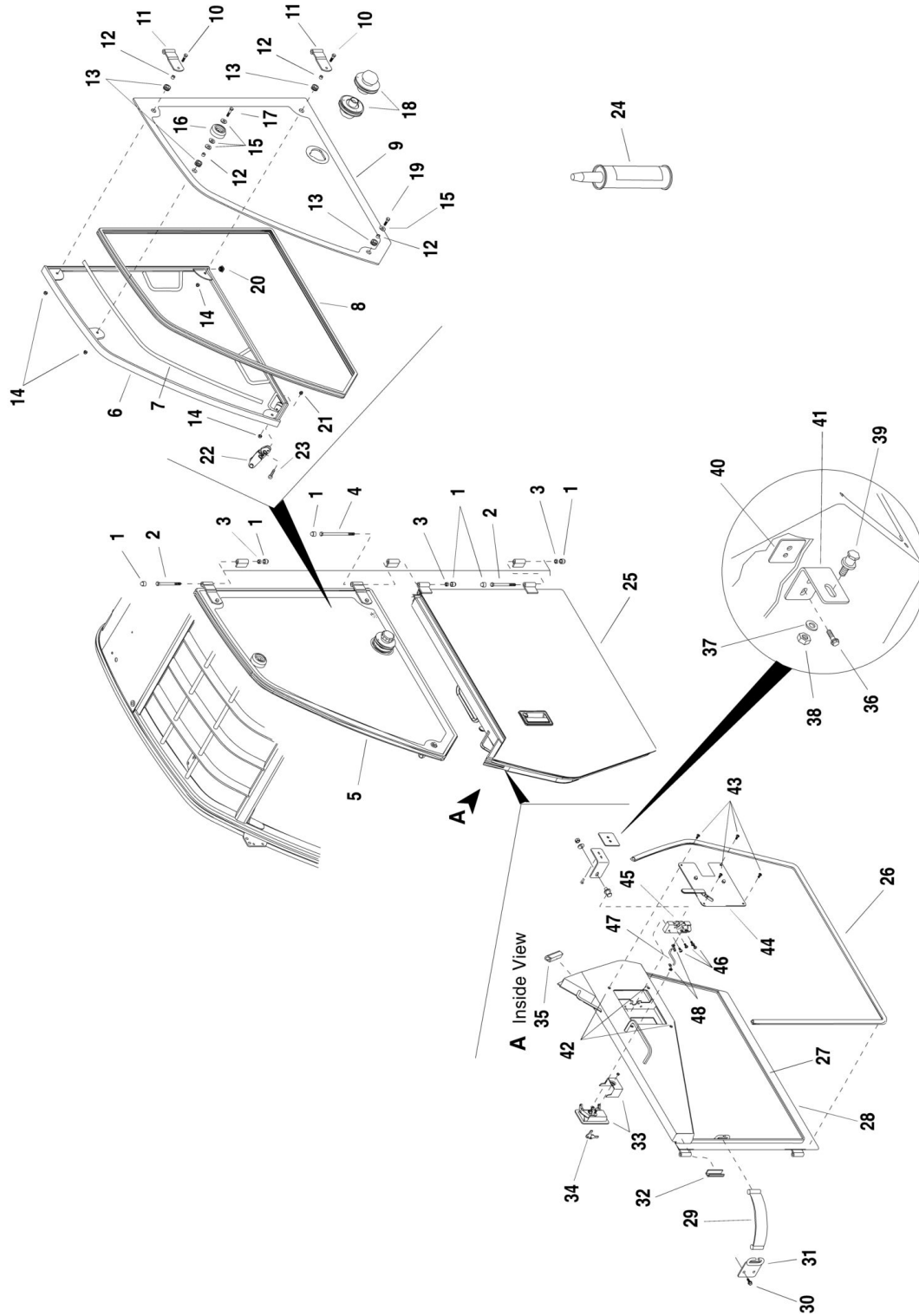
SECTION 3 - FRAME AND OPERATOR'S COMPARTMENT

FIGURE 3-20. DOOR ASSEMBLY (SN MV006 through MV200)

ITEM	PART NUMBER	QTY	DESCRIPTION	REV
1		Ref	Door Assembly - Enclosed Cab (Includes Items 2 thru 39)	
2	8342808	1	Key set, LL22	
3	8035441	1	Latch, Paddle - RH Black	
4	8035444	2	Retainer, Push On - 3/16in Rod	
5	8035452	1	Release Rod, Exterior	
6	8035439	1	Latch, Door	
7	8035466	4	Screw, Flat Head 1/4in-20 x 3/4in	
8	8035449	1	Door Rollup Window Assembly (Includes Items 9, 10 & 11)	
9		Ref	Glass, Door	
10	8036545	1	Channel, Glass	
11	8035473	1	Regulator, Electric Window 12V	
12	8035456	1	Wire Harness, LH Door	
13	8033072	1	Seal, Bulb 90, 192in Long	
14	8036372	1	Door Panel, Exterior	
15	8035464	4	U-Nut, 1/4in-20	
16	80264082	4	Washer, Flat .281 x 1.05 x .065 Thick	
17	8035463	4	Screw, Truss Hex Drive 1/4in-20 x 5/8in	
18	8035446	1	Top Hinge, Upper Half of	
18	8035447	1	Center Hinge, Upper Half of	
18	8035448	1	Bottom Hinge, Upper Half of	
19	8035461	6	Screw, Flat Hd Hex Drive 1/4in-20 x 1-1/4in	
20	8035460	3	Washer, Hinge Brass	
21	8035457	1	Top Hinge, Lower Half of	
21	8035458	1	Center Hinge, Lower Half of	
21	8035459	1	Bottom Hinge, Lower Half of	
22	8033058	6	Screw, 1/4in-20 x 3/4in Whizlock	
23	8035467	1	Grommet, 3/8in I.D. x 5/8in O.D.	
24	80364028	10	Screw	
25	8034798	1	Nut, Hex 5/16in-18 Gr. 8 Yellow	
26	8034799	1	Washer, Lock .315 x .575 x .085 Thick	
27	8035435	2	Washer, Lock .315 x .750 x .060 Thick	
28	8035445	1	Bolt, Hex 5/16in-18 x 1in Gr. 8	
29	8037206	1	Seal, "D" Type Bulb .216 x .354 x 54in	
30	8035442	1	Strap, Door Restraint	
31	8035437	1	Screw, 1/4in-20 x 3/4in	
32	8035436	1	Grommet, 3/4in O.D. x 1/2in I.D.	
33	8035438	1	Handle, Door - Inside	
34	8035453	1	Release Rod, Interior	
35	80384185	1	Rod Retainer, Clip On	
36	8035454	1	Pocket, Interior Door Panel	
37	8035443	1	Door Seal w/Flap - 70in	
38	8035455	1	Switch, Electric Window	
39	8035450	1	Door Panel, Interior	
40	8035529	1	Striker Assembly, Blind Nut Plate	
41	8035528	1	Weldment, Striker Plate	
42	8035526	2	Bolt, .323-18 x 2.0 Truss Black	
43	8035722	1	Tape, Vinyl, Matte Black	

SECTION 3 - FRAME AND OPERATOR'S COMPARTMENT

FIGURE 3-21. DOOR ASSEMBLY (SN MV201 to Present)



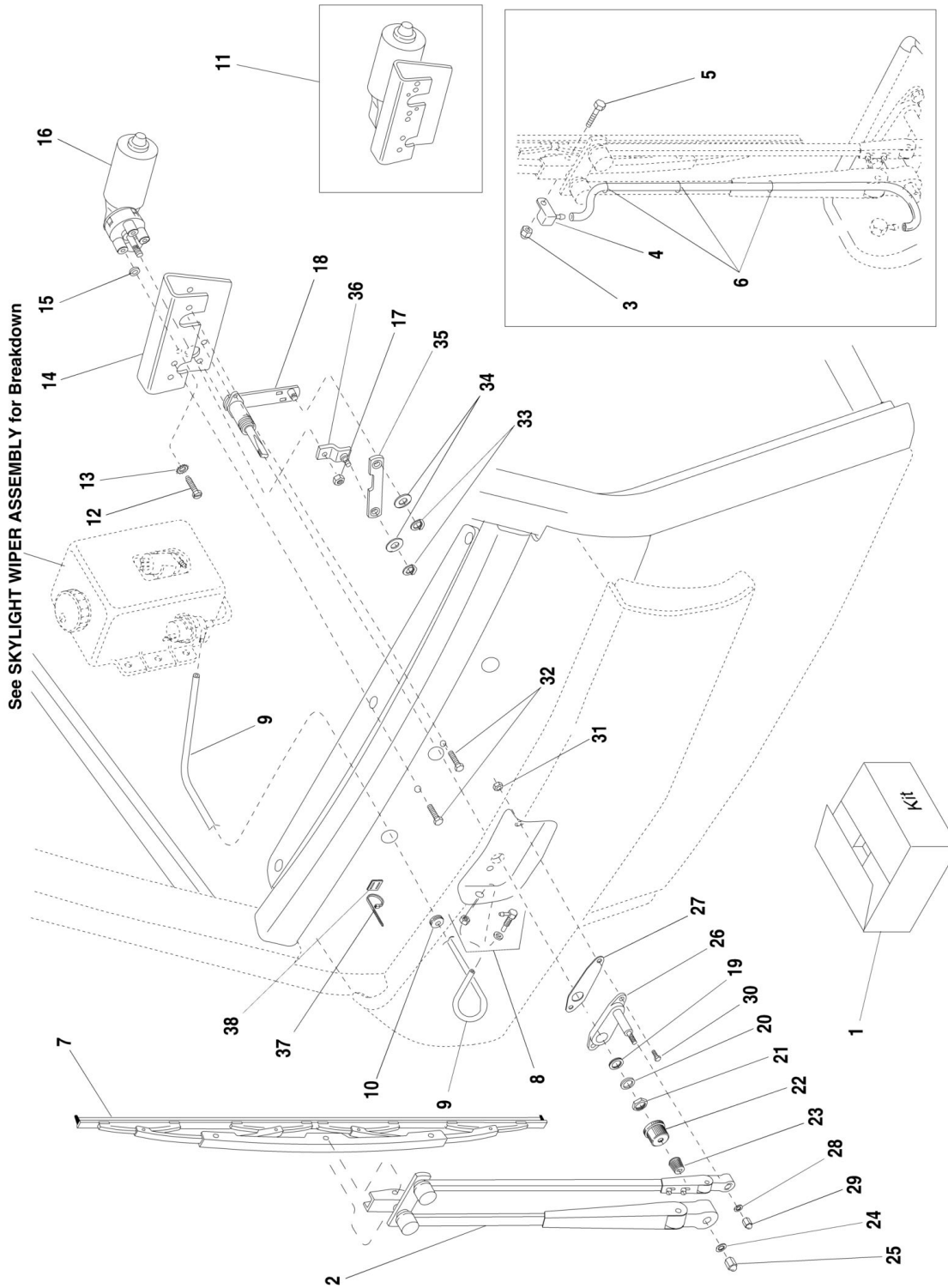
SECTION 3 - FRAME AND OPERATOR'S COMPARTMENT

FIGURE 3-21. DOOR ASSEMBLY (SN MV201 to Present)

ITEM	PART NUMBER	QTY	DESCRIPTION	REV
1	8036065	6	Cap, Hex Dome, 3/8in Black Nylon	
2	8035631	2	HHCS, 3/8-16 x 4-1/2in	
3	8035632	3	Nut, Hex, 3/8-16	
4	8036064	1	HHCS, 3/8-16 x 6-1/2in GR5	
5	6623843	1	Door Assembly, Upper (Includes Items 6 thru 24)	
6	N.S.S.	1	Door Weldment, Upper (Order Item 5)	
7	8036711	1	Seal, Door Glass Bulb	
8	8036707	1	Seal, Upper Door Bulb	
9	8036706	1	Glass, Upper Door	
10	8036700	2	HHCS, 5/16-18 x 1-1/4in GR8	
11	N.S.S.	2	Hinge, 3/8in Pin	
12	8036709	4	Bushing, Spacer	
13	8035477	4	Grommet, Rubber, .50, .812, 1.062, .25	
14	8036701	4	Nut, Hex, 5/16-18 GR8	
15	8036699	AR	Washer, Flat, .375, .875, .075	
16	8036703	1	Bumper, Rubber	
17	8303715	1	HHCS, 5/16-18 NC x 1-1/2in GR5	
18	8036705	1	Hold Open, Door	
19	8035445	1	HHCS, 5/16-18 x 1in GR8	
20	8036704	1	Plug, Square	
21	8036702	1	Nut, Hex, 1/4-20 GR8	
22	8036712	1	Latch Assembly, Upper Door	
23	8310136	1	Screw, Truss, 1/4-20 x 1-1/4in	
24	8035523	1	Urethane Seal, Black (10 oz Cartridge)	
25	6623844	1	Door Assembly, Lower (Includes Items 26 thru 48)	
26	8036692	1	Bulb Seal, Lower Door	
27	8036690	1	Foam, Lower Door	
28	N.S.S.	1	Door Weldment, Lower (Order Item 25)	
29	8036688	1	Restraint Strap, Door	
30	8036684	2	Bolt, Flange, M8 x 1.25 x 20mm	
31	8036689	1	Restraint Weldment, Door	
32	8036693	1	Bulb Seal, Lower Door Rear Filler	
33	8035441	1	Latch, Paddle	
34	8342808	2	Keys LL22	
35	8036691	1	Bulb Seal, Lower Door Front Filler	
36	8036696	2	Bolt, Flange, 1/4-20 x 3/4in	
37	8036061	1	Washer, Flat, .531, 1.063, .094in	
38	8035639	1	Nut, Lock, 7/16-14	
39	8035637	1	Bolt, Striker, 7/16-14 x 1-1/2in	
40	8036059	1	Plate Weldment, Striker Nut	
41	8036687	1	Striker Mount, Door	
42	8036685	4	Nut, Rivet, M6 x 1.0	
43	8036656	4	Bolt, Pan Head, Phillips, M6 x 1 x 16mm	
44	8036736	1	Cover Assembly, Lower Door	
45	8035439	1	Latch, Door	
46	91344043	4	HHCS, 1/4-20 x 5/8in GR5	
47	8036694	1	Linkage, Exterior Latch	
48	80384187	2	Clip, Rod End Retainer	

SECTION 3 - FRAME AND OPERATOR'S COMPARTMENT

FIGURE 3-22. FRONT WINDSHIELD WIPER ASSEMBLY (SN MV006 through MV200)



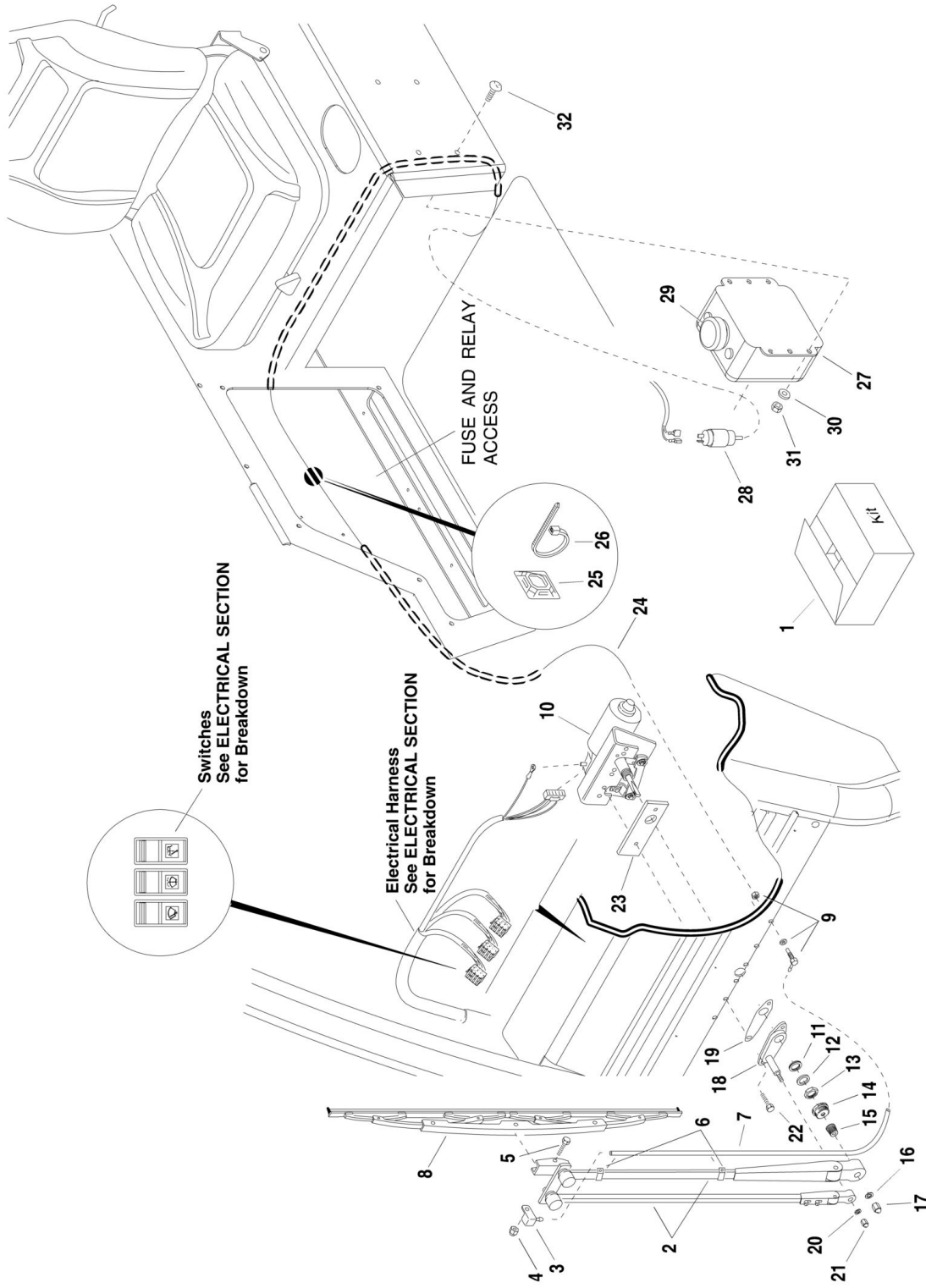
SECTION 3 - FRAME AND OPERATOR'S COMPARTMENT

FIGURE 3-22. FRONT WINDSHIELD WIPER ASSEMBLY (SN MV006 through MV200)

ITEM	PART NUMBER	QTY	DESCRIPTION	REV
1	8036273	1	Front Windshield Wiper Assembly (Kit Includes Items 2 thru 36)	
2	8035393	1	Wiper Arm, 24in Flex (Includes Items 3 thru 6)	
3	N.S.S.	1	Locknut	
4	N.S.S.	1	Sprayer Nozzle	
5	N.S.S.	1	Bolt	
6	N.S.S.	3	Clips, Hose	
7	8035392	1	Blade, Wiper Flex 28in	
8	8035390	1	Wet Kit	
9	8035395	1	Hose, Clear Vinyl x 144in	
10	8035394	1	Grommet, Rubber 1/4in I.D.	
11	8033102	1	Wiper Motor Assembly (Includes Items 12 thru 17)	
12	N.S.S.	3	HHCS, Slotted 1/4in-28 x 3/4in	
13	8310002	3	Washer, External Tooth 1/4in	
14	N.S.S.	1	Bracket, Wiper Motor	
15	8307203	3	Washer, Flat 5/16in	
16	N.S.S.	1	Motor, Wiper	
17	8305006	1	Nut, Hex Flanged 5/16in-18	
18	8866492	1	Wiper Shaft and Pivot Assembly (Includes Items 19 thru 25)	
19	N.S.S.	1	Washer, Cardboard	
20	N.S.S.	1	Washer, Metal	
21	N.S.S.	1	Nut, Hex Jam 11/16in-24	
22	N.S.S.	1	Cap, Rubber	
23	N.S.S.	1	Driver, Knurled	
24	N.S.S.	1	Washer, Internal Tooth Lock 3/8in	
25	N.S.S.	1	Nut, Acorn 1/4in-28	
26	8034815	1	Panto Adapter Kit (Includes Items 27 thru 29)	
27	N.S.S.	1	Gasket, Panto	
28	8310029	1	Washer, Internal Tooth Lock 1/4in	
29	N.S.S.	1	Nut, Acorn 1/4in-28	
30	8033856	2	Screw, Truss Hd 1/4in-20 x 3/4in - Black	
31	8035391	2	Nut, Center Lock - Black	
32	80384207	2	Screw, Hex 1/4in-28 x 3/4in - Black	
33	N.S.S.	2	Clip, Spring	
34	N.S.S.	2	Washer, Special Flat. 560 x .251 x .015	
35	8035409	1	Link, Connecting	
36	8035411	1	Drive Arm .95in Long	
37	8584001	1	Cable Tie, Plastic	
38	8584018	1	Mount, Cable Tie	

SECTION 3 - FRAME AND OPERATOR'S COMPARTMENT

FIGURE 3-23. FRONT WINDSHIELD WIPER ASSEMBLY (SN MV201 to Present)



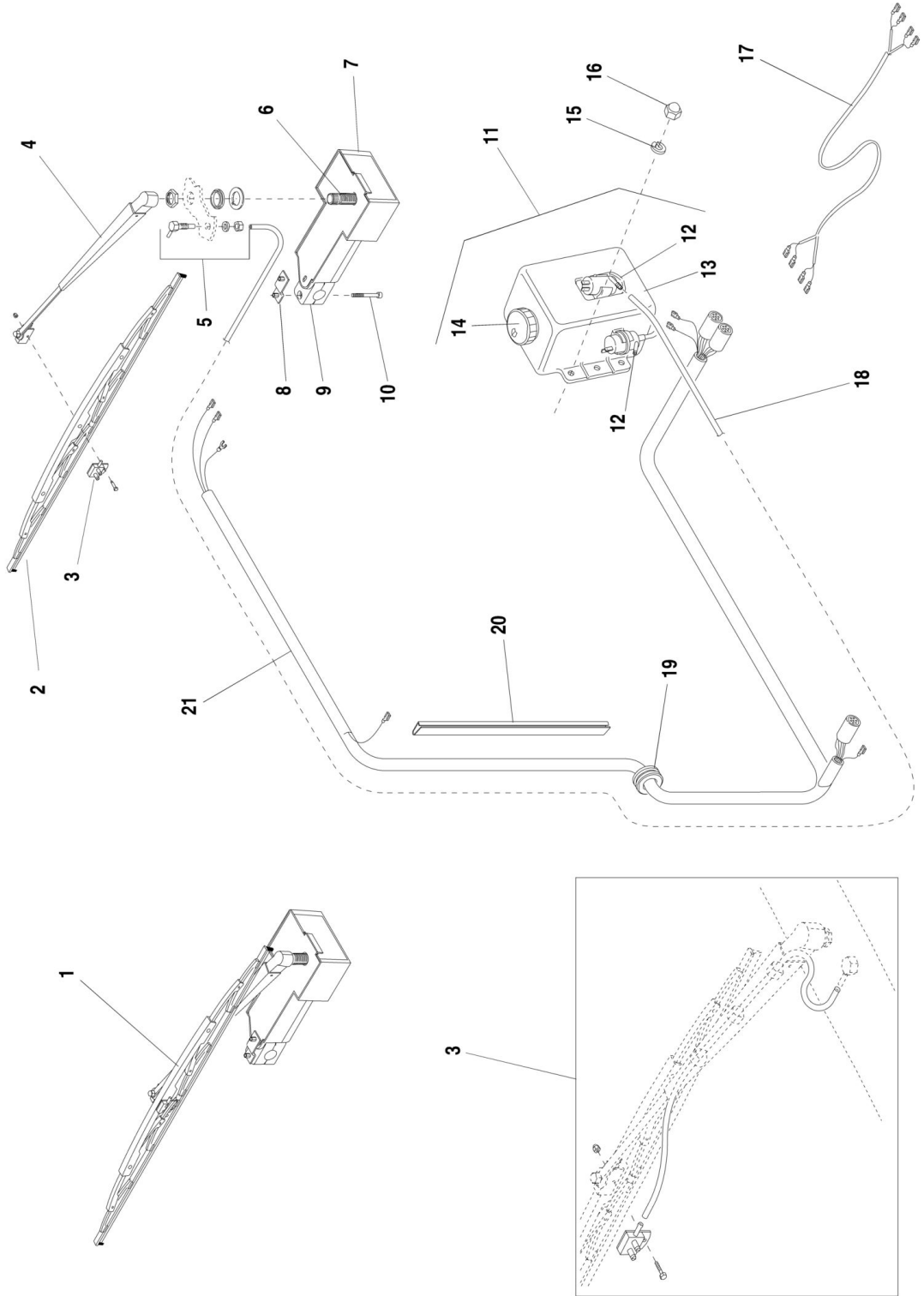
SECTION 3 - FRAME AND OPERATOR'S COMPARTMENT

FIGURE 3-23. FRONT WINDSHIELD WIPER ASSEMBLY (SN MV201 to Present)

ITEM	PART NUMBER	QTY	DESCRIPTION	REV
1	8036668	1	Front Windshield Wiper Assembly (Includes Items 2 thru 23)	
2	8035393	1	Wiper Arm, 24in Wet (Includes Items 3 thru 7)	
3	N.S.S.	1	Sprayer Nozzle	
4	N.S.S.	1	Locknut	
5	N.S.S.	1	Bolt	
6	N.S.S.	2	Clips, Hose	
7	N.S.S.	1	Hose	
8	8035392	1	Blade, Wiper Flex 28in	
9	8035390	1	Adaptor, Wet Arm	
10	8036670	1	Motor Assembly, Front Wiper (Includes Items 11 thru 17)	
11	N.S.S.	1	Washer, Cardboard	
12	N.S.S.	1	Washer, Metal	
13	N.S.S.	1	Nut, Hex Jam, 11/16-24	
14	N.S.S.	1	Cap, Rubber	
15	N.S.S.	1	Driver, Knurled	
16	N.S.S.	1	Washer, Internal Tooth Lock, 3/8in	
17	N.S.S.	1	Nut, Acorn, 1/4-28	
18	8034815	1	Plate, Panto Mount Assembly (Includes Items 19 thru 21)	
19	N.S.S.	1	Gasket, Panto	
20	N.S.S.	1	Washer, Internal Tooth Lock 1/4in	
21	N.S.S.	1	Nut, Acorn 1/4-28	
22	8036669	2	HHCS, 1/4-20 x 1.00in	
23	8036671	1	Spacer, Front Wiper Motor	
24	8033075	1	Hose, 120in Reservoir	
25	8584018	AR	Mount, Cable Tie	
26	8584001	AR	Cable Tie, Plastic	
27	8035410	1	Reservoir Assembly w/Pumps, Washer (Includes Items 28 & 29)	
28	N.S.S.	1	Pump, Reservoir	
29	N.S.S.	1	Cap, Reservoir	
30	8036657	4	Washer, Flat, .250, .562, .049in	
31	8036662	4	Nut, Hex, M6 x 1.00	
32	8036656	4	Bolt, Pan Head, Phillips, M6x1x16	

SECTION 3 - FRAME AND OPERATOR'S COMPARTMENT

FIGURE 3-24. SKYLIGHT WIPER ASSEMBLY (SN MV006 through MV200)



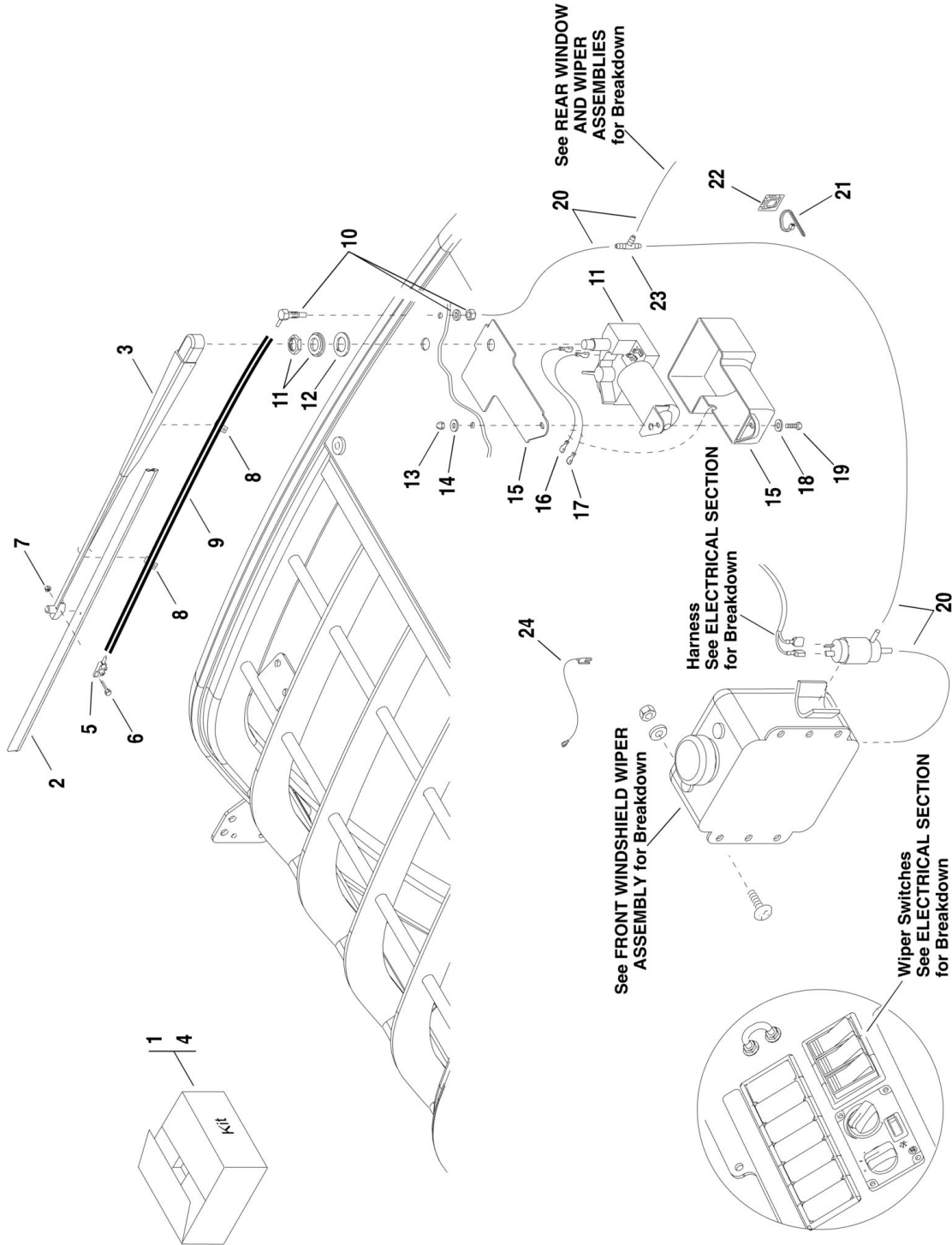
SECTION 3 - FRAME AND OPERATOR'S COMPARTMENT

FIGURE 3-24. SKYLIGHT WIPER ASSEMBLY (SN MV006 through MV200)

ITEM	PART NUMBER	QTY	DESCRIPTION	REV
1	8036354	1	Wiper Assembly, Skylight Window (Includes Items 2 thru 10)	
2	8035498	1	Blade, Wiper 20in Flex - Black	
3	8035499	1	Wet Arm Kit	
4	8035500	1	Arm, Wiper, Black	
5	8035390	1	Wet Arm Adapter	
6	8036360	1	Motor, Skylight Wiper	
7	8035493	1	Cover, Wiper	
8	8036103	1	Mount, Wiper	
9	8035496	1	Clamp, Block 3/4in	
10	8036102	2	HHCS #10-24 x 1-1/2in	
11	8035410	1	Washer Reservoir Assembly (Includes Items 12 thru 14)	
12	N.S.S.	2	Pump Motor	
13	N.S.S.	1	Reservoir	
14	N.S.S.	1	Reservoir, Cap	
15	8035416	3	Lock Washer, 1/4in x .49 O.D. x .07	
16	8035479	3	Nut Acorn, 1/4in-20, Black	
17	7138250	1	Jumper Wire Harness, Washer Bottle	
18	8035501	1	Hose, Clear	
19	8036371	1	Grommet	
20	8035504	1	Conduit, Split 30in	
21	8035503	1	Harness, Wiper	

SECTION 3 - FRAME AND OPERATOR'S COMPARTMENT

FIGURE 3-25. SKYLIGHT WIPER ASSEMBLY (SN MV201 to Present)



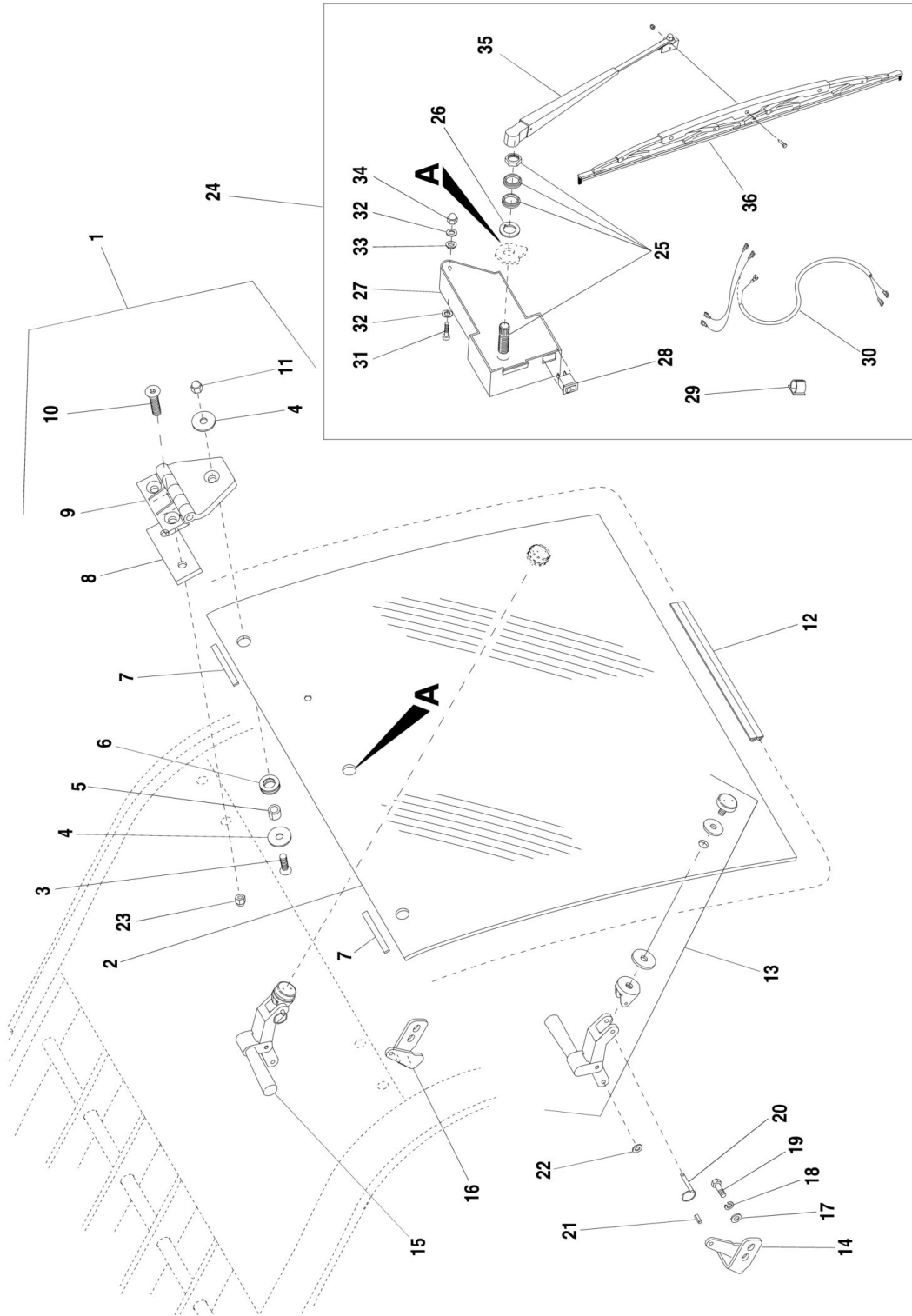
SECTION 3 - FRAME AND OPERATOR'S COMPARTMENT

FIGURE 3-25. SKYLIGHT WIPER ASSEMBLY (SN MV201 to Present)

ITEM	PART NUMBER	QTY	DESCRIPTION	REV
1	6623863	1	Wiper Assembly, Skylight (Includes Items 2 thru 19)	
2	8035498	1	Blade, Wiper, 20in Flex	
3	8034807	1	Arm, Wiper, 15in- 19in Adjustable	
4	8035499	1	Wet Kit (Includes Items 5 thru 9)	
5	N.S.S.	1	Sprayer Nozzle	
6	N.S.S.	1	Bolt	
7	N.S.S.	1	Locknut	
8	N.S.S.	2	Clips, Hose	
9	N.S.S.	1	Hose	
10	8035390	1	Adaptor, Wet Arm	
11	6623865	1	Motor Assembly, Skylight Wiper	
12	8034808	1	Spacer, Nylon	
13	8034805	1	Nut, Acorn, #10-24	
14	8036679	1	Washer	
15	8035493	1	Cover, Motor Assembly	
16	8036681	1	Jumper Wire, Skylight Park	
17	8036682	1	Jumper Wire, Skylight Run	
18	8036678	1	Washer, Flat, Black Nylon	
19	8036088	1	Screw, Pan Head, #10-24 x 3/4in	
20	8033075	1	Hose, Washer, 120in	
21	8584001	AR	Cable Tie, Plastic	
22	8584018	AR	Mount, Cable Tie	
23	8036072	1	Connector, Tee (for Washer Hose)	
24	8036761	1	Jumper Wire, Skylight Ground	

SECTION 3 - FRAME AND OPERATOR'S COMPARTMENT

FIGURE 3-26. REAR WINDOW AND WIPER ASSEMBLIES (SN MV006 through MV200)



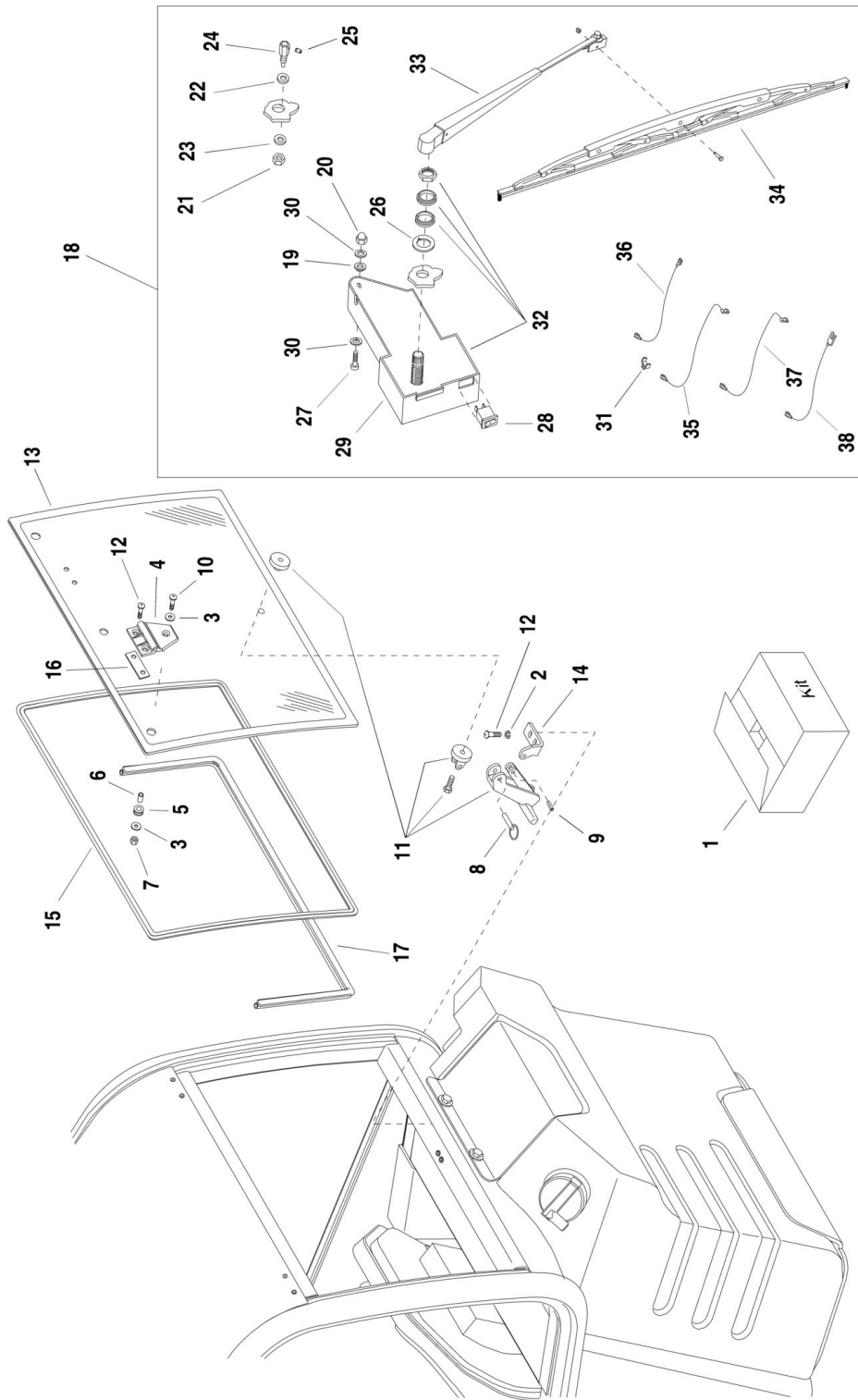
SECTION 3 - FRAME AND OPERATOR'S COMPARTMENT

FIGURE 3-26. REAR WINDOW AND WIPER ASSEMBLIES (SN MV006 through MV200)

ITEM	PART NUMBER	QTY	DESCRIPTION	REV
1	NLA	1	Rear Window Assembly, (assembly no longer available), (Includes Items 2 thru 23)	
2	NLA	1	Glass, (no longer available)	
3	8310136	2	Screw, Truss, Hd 1/4in-20 x 1-1/4in	
4	80264082	4	Washer, Flat	
5	8035478	2	Bushing, Plastic	
6	8035477	2	Grommet	
7	8035490	2	Setting Block, 1/8in x 1/4in x 2in	
8	8035476	2	Spacer, Hinge	
9	8035475	2	Hinge, Plastic	
10	8035414	4	Screw, Truss, 1/4in-20 x 1in	
11	8035479	2	Nut, Acorn 1/4-20	
12	8037206	1	Seal, Bulb "D" x 120in	
13	8035480	1	Hold, Open - LH	
14	8035482	1	Bracket, Hold Open - LH	
15	8035481	1	Hold, Open - RH	
16	8035483	1	Bracket, Hold Open - RH	
17	8035415	4	Washer, Flat 9/32in x 5/8in Black	
18	8035416	4	Washer, Lock 1/4in Black	
19	8035487	4	Screw, Truss Hd 1/4in-20 x 5/8in Black	
20	1001109417	2	Pin, Detent Ring	
21	8035486	2	Pin, Roll	
22	1001108548	2	Washer, Flat 1/4in x .565 O.D.	
23	8036280	4	Rivnut 1/4in-20	
24	8036274	1	Wiper Assembly, Rear Window (Includes Items 25 thru 36)	
25	8035506	1	Motor, Wiper - Rear Window (Includes 2 Washers and 1 Nut)	
26	8034808	1	Spacer, Nylon	
27	8035511	1	Cover, Wiper Motor	
28	8035509	1	Switch, Rocker SPST	
29	8035502	1	Clip, Wiring - Adhesive Back	
30	8035510	1	Harness, Wire - Rear Window	
31	8035507	1	Screw, Rd Hd #10-24 x 7/8in	
32	8033087	2	Washer, Flat - Nylon Black	
33	8034803	1	Grommet, Rubber T-Style	
34	8034805	1	Nut, Acorn #10-24	
35	8035500	1	Arm, Wiper, 10.75 - 15 Black	
36	8035508	1	Blade, Wiper 1/4in Flex Black	

SECTION 3 - FRAME AND OPERATOR'S COMPARTMENT

FIGURE 3-27. REAR WINDOW AND WIPER ASSEMBLIES (SN MV201 to Present)



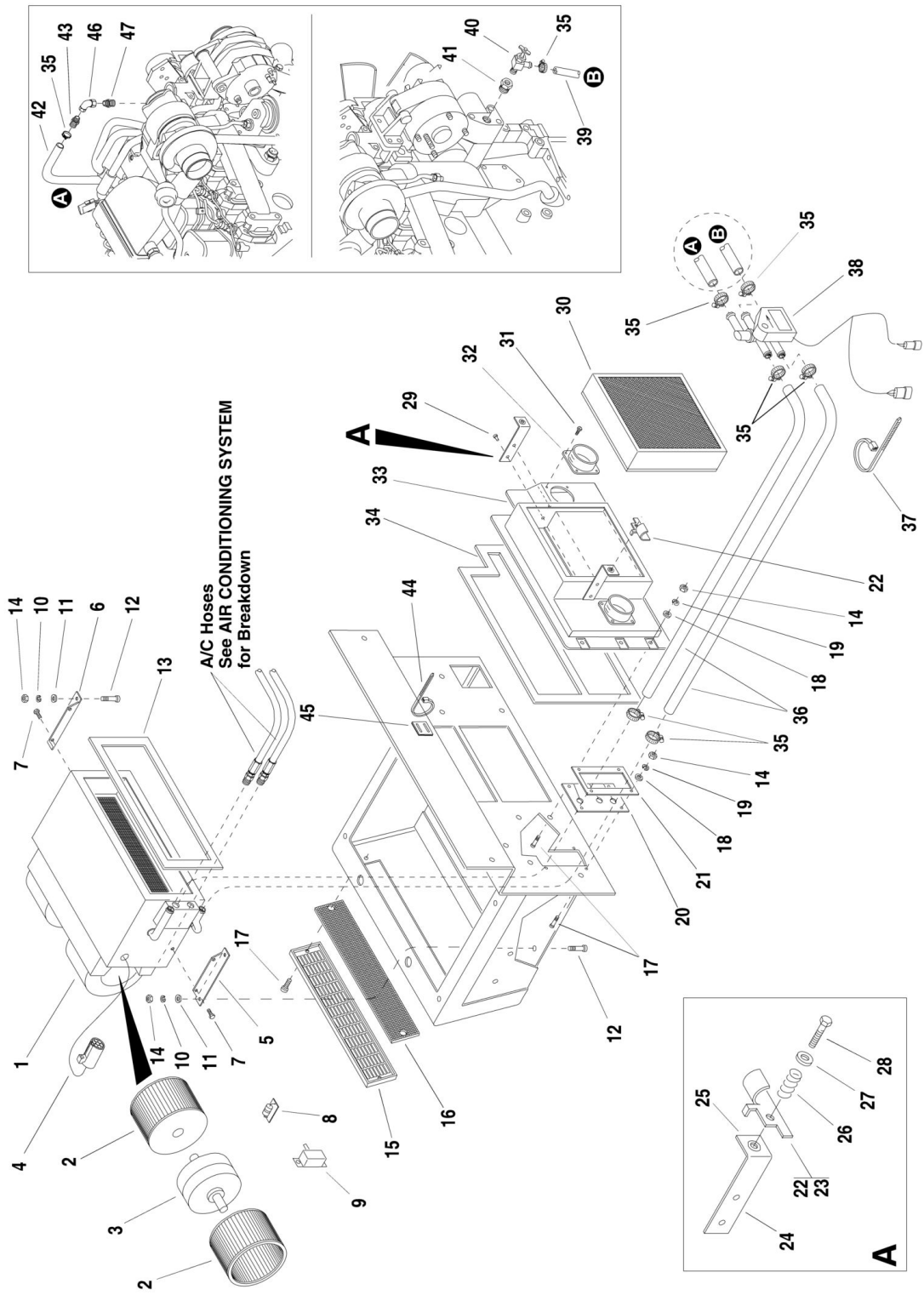
SECTION 3 - FRAME AND OPERATOR'S COMPARTMENT

FIGURE 3-27. REAR WINDOW AND WIPER ASSEMBLIES (SN MV201 to Present)

ITEM	PART NUMBER	QTY	DESCRIPTION	REV
1	7301747	1	Window Assembly, Rear (Includes Items 2 thru 17)	
2	8035416	2	Washer, Lock 1/4in	
3	80264082	4	Washer, Flat 9/32in I.D. x 1.05in O.D.	
4	8035475	2	Hinge, Plastic	
5	8035477	2	Grommet, Rubber	
6	8035478	2	Bushing, Plastic	
7	8035479	2	Nut, Acorn 1/4-20	
8	1001109417	1	Pin, Detent Ring	
9	8035486	1	Pin, Roll 3/16in x 1/2in	
10	8310136	2	Screw, Truss Hd 1/4-20 x 1-1/4in	
11	1001081280	1	Latch, Window	
12	8036673	6	Bolt, Phillips Pan Hd M6-1.00 x 25mm	
13	8036674	1	Glass, Rear Window	
14	8036675	1	Mount, Rear Window Latch	
15	8036676	1	Seal, Bulb, Rear Window	
16	8036672	2	Spacer, Hinge	
17	8036734	1	Seal, Rear Window Single "D"	
18	6623864	1	Wiper Assembly, Rear Window (Includes Items 19 thru 38)	
19	8034803	1	Grommet, Rubber "T" Style	
20	8034805	1	Nut, Acorn #10-24	
21	8034798	1	Nut, Hex 5/16-18	
22	8034804	1	Washer, Weather Tight	
23	8034800	1	Washer, Flat, Black Nylon	
24	8034801	1	Holder, Nozzle	
25	8554008	1	Nozzle, Spray	
26	8034808	1	Spacer, Nylon	
27	8034811	1	Bolt, Phillips Pan Hd #10-24 x 7/8in	
28	8035509	1	Switch, Rocker SPST	
29	8035511	1	Cover, Motor	
30	8036678	2	Washer, Black Nylon	
31	8036714	1	Adapter, Terminal	
32	6623866	1	Motor, Wiper	
33	8036716	1	Arm, Wiper	
34	8036717	1	Blade, Wiper 12in	
35	8036729	1	Wire, Jumper, Rear Wiper Power	
36	8036718	1	Wire, Jumper, Rear Wiper Power	
37	8036719	1	Wire, Jumper, Rear Wiper Switch	
38	8036761	1	Wire, Jumper, Wiper Ground	

SECTION 3 - FRAME AND OPERATOR'S COMPARTMENT

FIGURE 3-28. HEATER SYSTEM (SN MV006 through MV200)



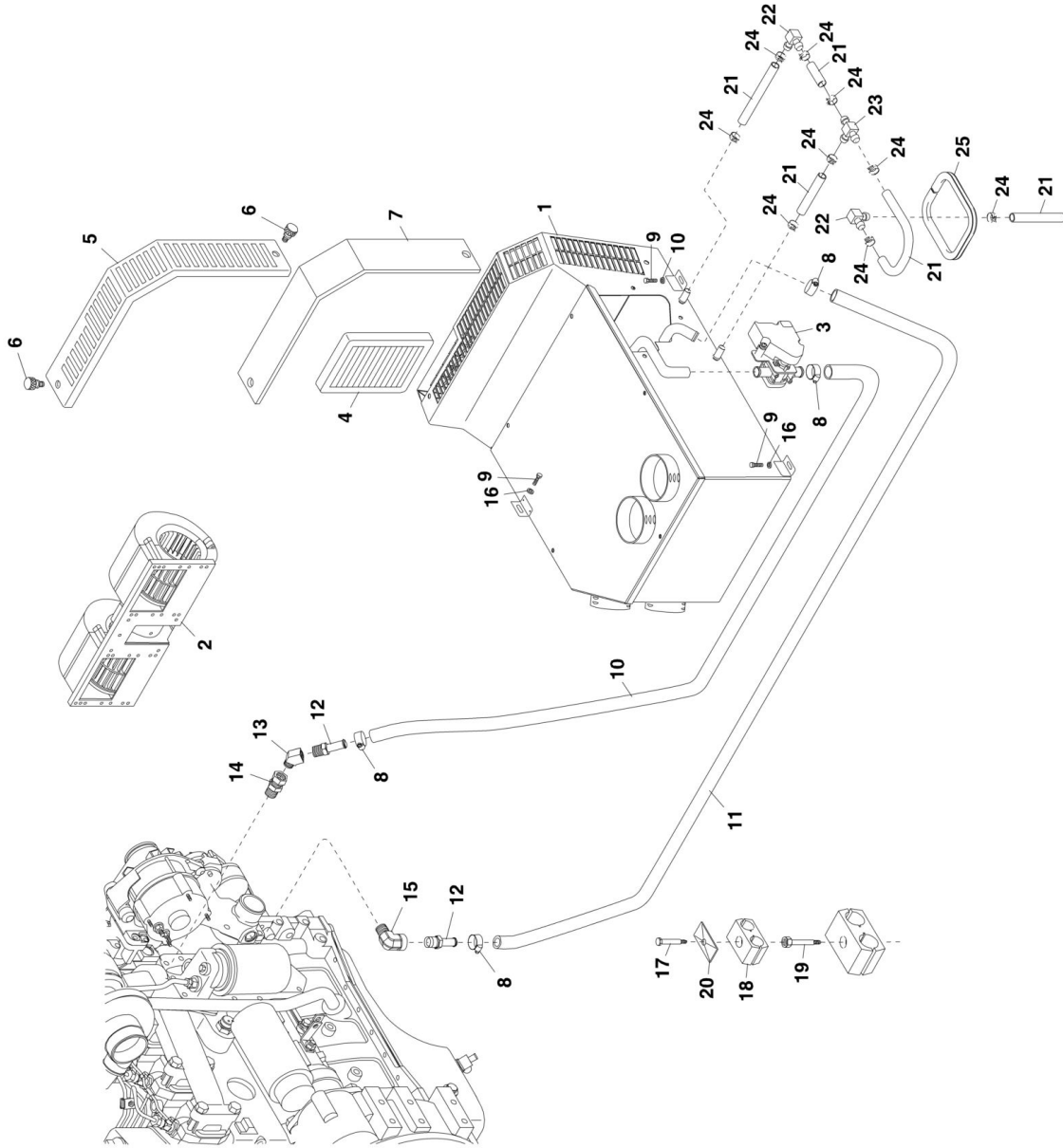
SECTION 3 - FRAME AND OPERATOR'S COMPARTMENT

FIGURE 3-28. HEATER SYSTEM (SN MV006 through MV200)

ITEM	PART NUMBER	QTY	DESCRIPTION	REV
1	7138484	1	Heater-A/C Assembly (Includes Items 2 thru 9)	
2	8036301	2	Blower Wheel	
3	8036300	1	Motor, 12V	
4	8220912	1	Connector, 7 Way 280 Series	
5	7139035	1	Angle, LH Side	
6	7139036	1	Angle, RH Side	
7	8310498	4	Screw, M6 x 12 - Whizlock	
8	8036302	1	Resistor, 12V	
9	8036548	1	Control, Thermostat	
10	8307002	4	Washer, Lock 1/4in	
11	8307109	4	Washer, Plain 1/4in	
12	8303776	4	Screw, HHC 1/4-20 x 1/2in	
13	8033032	1	Sponge Rubber, Adhesive Backed, 80in	
14	8035417	13	Nut, Hex 1/4in-20	
15	8035434	1	Holder, Foam Filter	
16	8035389	1	Foam Filter, Recirculate	
17	8035414	11	Screw, 1/4in-20 x 1in	
18	8035415	9	Washer, Flat .281 x .625	
19	8035416	9	Washer, Lock .254 x .480 - Black	
20	8035427	1	Grommet	
21	8035428	1	Plate, Grommet	
22	8035425	1	Latch, LH - Filter Hold Down	
23	8035426	1	Latch, RH - Filter Hold Down	
24	8035423	2	Angle, Filter Clamp	
25	8035424	2	Rivnut, 5/16in Hex	
26	8035432	2	Spring, Compression 1/2in x 7/8in	
27	8035435	2	Washer, Flat 5/16in	
28	8035433	2	Bolt, Hex 5/16in-18 x 1-1/2in Yellow	
29	8035422	4	Rivet, Pop 3/16in x 1/2in	
30	8035388	1	Air Filter w/Seal	
31	1001081073	8	Screw, Self Tapping #8-32 x 1/2in	
32	8035431	2	Adapter, Hose 2-1/2in Dia	
33	8035412	1	Plenum	
34	8035430	1	Foam, PSA 3/16in x 5/8in x 84in	
35	8410009	8	Clamp, Hose SAE #10	
36	7138317	2	Hose, Heater .625 I.D. x 24in Long	
37	8035406	10	Plastic Tie	
38	8360015	1	Valve, Heater - Motorized w/Harness	
39	7139099	1	Hose, Heater, Engine Inlet 86.5in	
40	8360005	1	Valve, Shut-off	
41	8540023	1	Reducer, Pipe Thread 8-6P	
42	7139101	1	Hose, Heater, Engine Outlet 153in	
43	8430048	1	Reducer, Pipe Thread 10-8P	
44	8584001	2	Plastic Tie	
45	8584018	2	Mount, Tie	
46	8530016	1	Elbow	
47	8540016	1	Adapter, Swivel	

SECTION 3 - FRAME AND OPERATOR'S COMPARTMENT

FIGURE 3-29. HEATER SYSTEM (SN MV201 to Present)



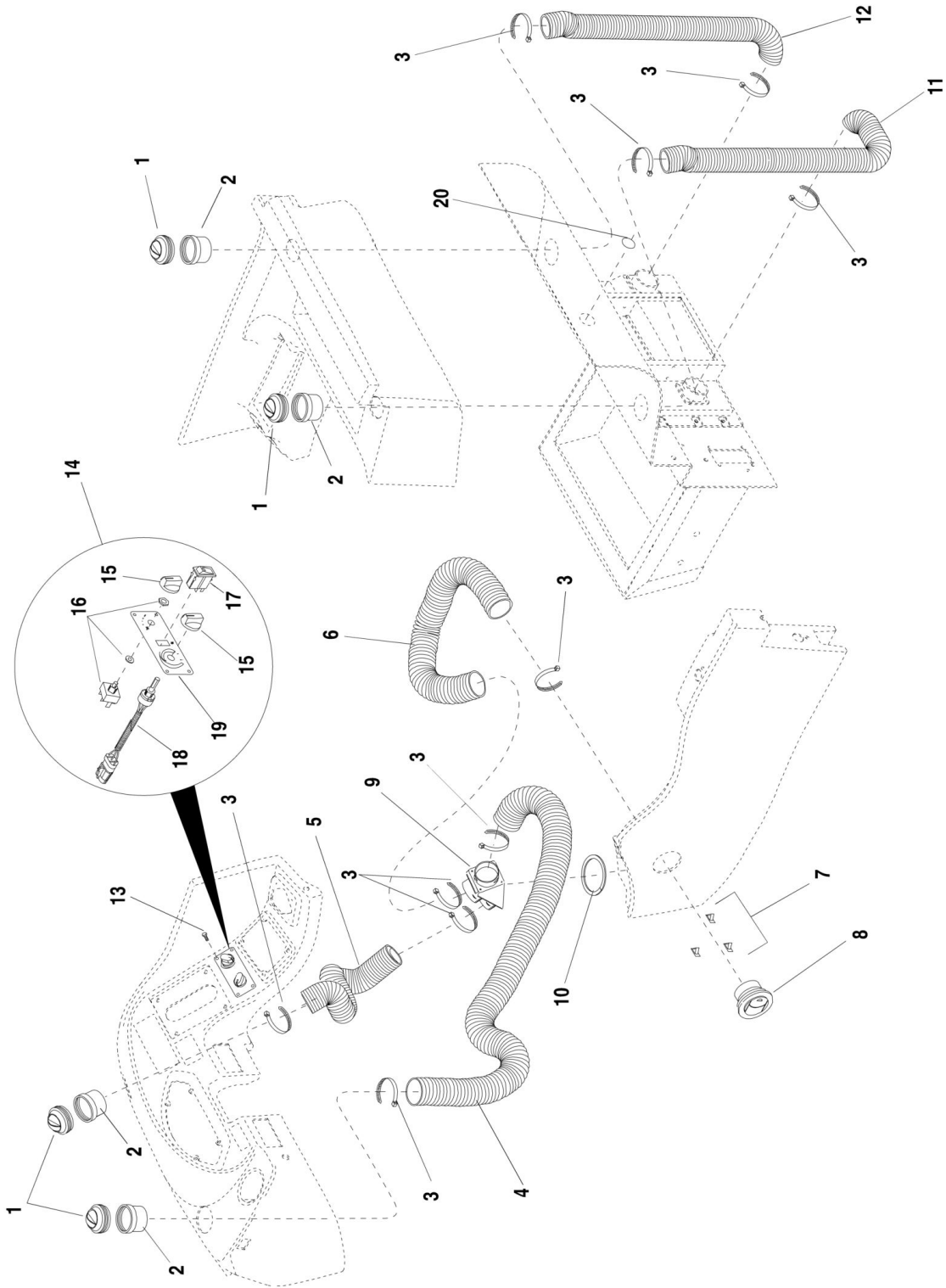
SECTION 3 - FRAME AND OPERATOR'S COMPARTMENT

FIGURE 3-29. HEATER SYSTEM (SN MV201 to Present)

ITEM	PART NUMBER	QTY	DESCRIPTION	REV
1	7301259	1	Heater/Blower Assembly (Includes 2 thru 7)	
2	8036727	1	Blower Motor Assembly	
3	7301261	1	Heat Valve Assembly	
4	8036725	1	Filter, Fresh Air Intake	
5	8036724	1	Cover, Recirculation Filter	
6	8036726	2	Screw, Thumb	
7	8036723	1	Filter, Foam	
8	8410009	4	Clamp, Hose 1.06in Dia	
9	8303606	3	HHCS, M8-1.25 x 20mm PC8.8	
10	7301433	1	Hose, Heater Engine Supply	
11	7301434	1	Hose, Heater Engine Return	
12	8430048	2	Reducer, Hose Barb, Pipe Thread 10-8P	
13	8540231	1	Elbow, Street 45, 8P	
14	8540016	1	Adapter, Swivel 12-12P	
15	8530016	1	Elbow, Street 90	
16	8307222	3	Washer, Plain M8	
17	8310701	1	HHCS, M8-1.25 x 45mm	
18	8750027	1	Clamp Set, .84 Dia	
19	8750035	1	Bolt, Stacking	
20	8769128	1	Cover Plate, Twin	
21	7029412	AR	Hose, Drain	
22	7029413	2	Elbow, Drain 90	
23	7029414	1	Tee, Drain 1/2	
24	7029415	9	Clamp, Drain Hose	
25	4060805	1.4 ft	Flex Trim	
	2915028	1	Drain Kit, (includes 21 thru 24)	

SECTION 3 - FRAME AND OPERATOR'S COMPARTMENT

FIGURE 3-30. VENTILLATION HOSES AND VENTS (SN MV006 through MV200)



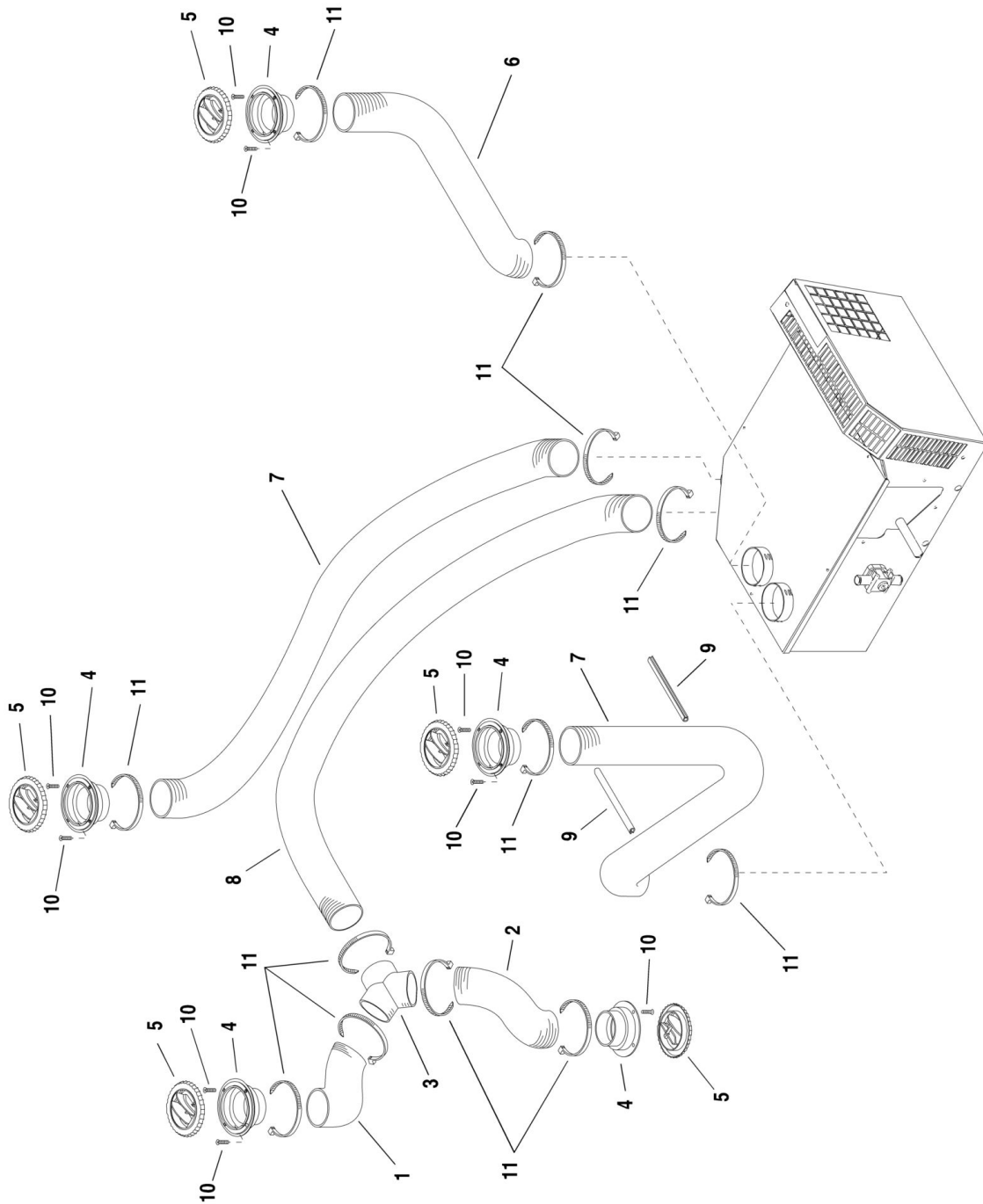
SECTION 3 - FRAME AND OPERATOR'S COMPARTMENT

FIGURE 3-30. VENTILLATION HOSES AND VENTS (SN MV006 through MV200)

ITEM	PART NUMBER	QTY	DESCRIPTION	REV
1	8036277	4	Louver, Ball, 2in w/Ring	
2	8036468	4	Connector, Hose 2.5in	
3	8035406	10	Tie Strap, Nylon 3/16in Wide x 12in Long	
4	8035405	1	Hose, Flex 2-1/2in Dia Front LH Vent - 40in Long	
5	8035404	1	Hose, Flex 2-1/2in Dia Front RH Vent - 30in Long	
6	8035403	1	Hose, Flex 2-1/2in Dia Center Vent - 18in Long	
7	6620971	3	Clips	
8	8035402	1	Louver, Round	
9	8036299	1	Vent Manifold Assembly	
10	8033032	1	Sponge Rubber, Adhesive Backed	
11	8035400	1	Hose, Flex 2-1/2in Dia Rear LH Vent - 37in Long	
12	8035399	1	Hose, Flex 2-1/2in Dia Rear RH Vent - 33in Long	
13	1001081073	4	Screw, Self Tapping #8-32 x 1/2in	
14	7138485	1	Panel, Control, Air Conditioner and Heater (Includes Items 15 thru 19)	
15	8036438	2	Knob, Control (Includes setscrew)	
16	8036463	1	Switch, Blower	
17	7301265	1	Switch, A/C On-Off Rocker (Green)	
18	8036462	1	Switch, Temperature Control	
19	N.S.S.	1	Plate, Control (Order 14)	
20	7124531	1	Conduit, 1/4in x 5in Long	

SECTION 3 - FRAME AND OPERATOR'S COMPARTMENT

FIGURE 3-31. VENTILLATION HOSES AND VENTS (SN MV201 to Present)



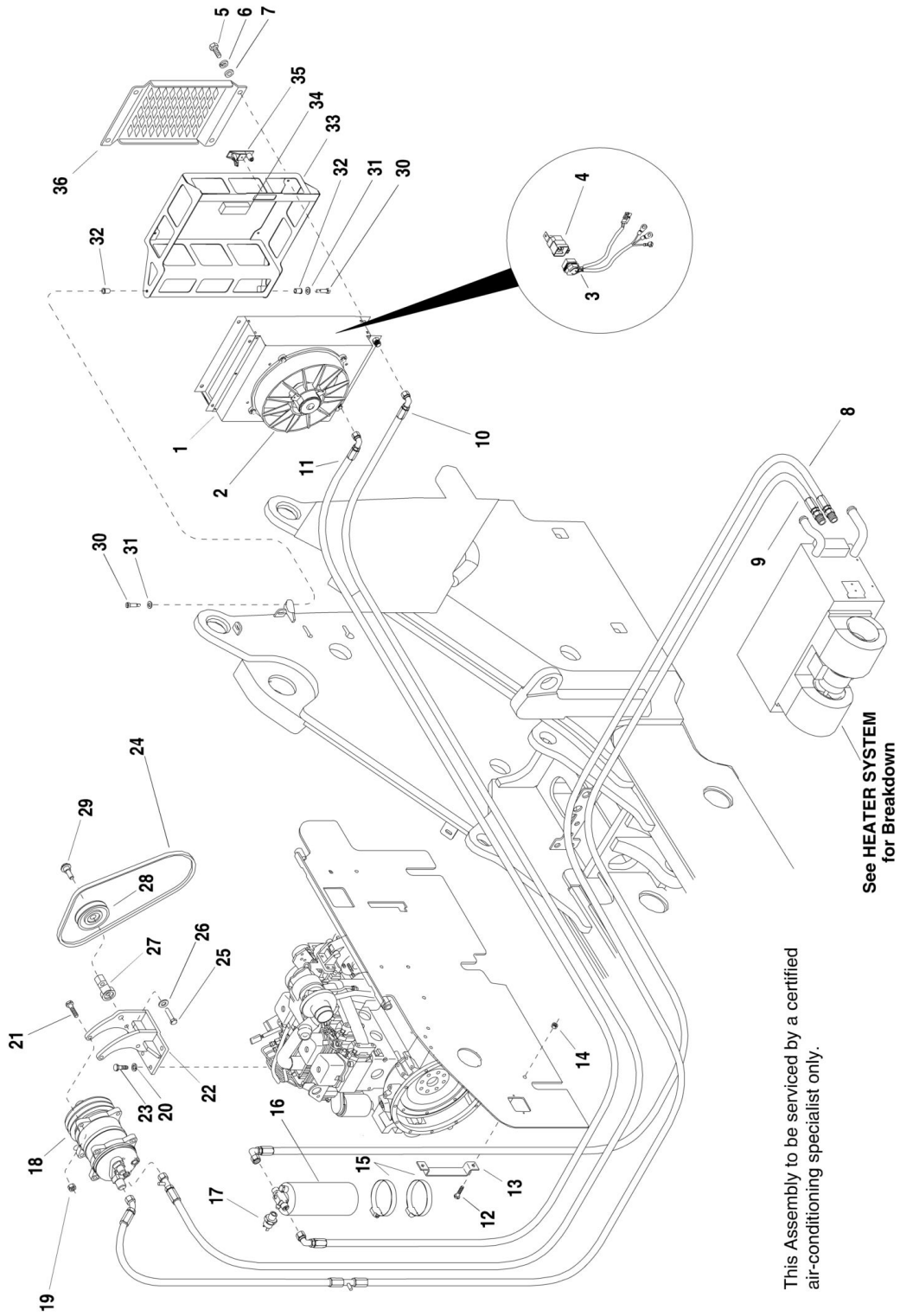
SECTION 3 - FRAME AND OPERATOR'S COMPARTMENT

FIGURE 3-31. VENTILLATION HOSES AND VENTS (SN MV201 to Present)

ITEM	PART NUMBER	QTY	DESCRIPTION	REV
1	7301457	1	Hose, Air Duct 63,5mm x 254mm Lg	
2	7301458	1	Hose, Air Duct 63,5mm x 457mm Lg	
3	7301476	1	Adapter, Y-Splice	
4	7301478	5	Adapter, Hose	
5	7301479	5	Louver, Rotating/Closing	
6	7301657	1	Hose, Air Duct 63,5mm x 1000mm Lg	
7	7301658	2	Hose, Air Duct 63,5mm x 1600mm Lg	
8	7301659	1	Hose, Air Duct 63,5mm x 1900mm Lg	
9	7301660	2	Moulding, Edge	
10	8310726	10	Screw, Self Tapping, Oval Countersunk	
11	8584003	12	Tie Wrap, Plastic	

SECTION 3 - FRAME AND OPERATOR'S COMPARTMENT

FIGURE 3-32. AIR CONDITIONING SYSTEM (SN MV006 through MV200)



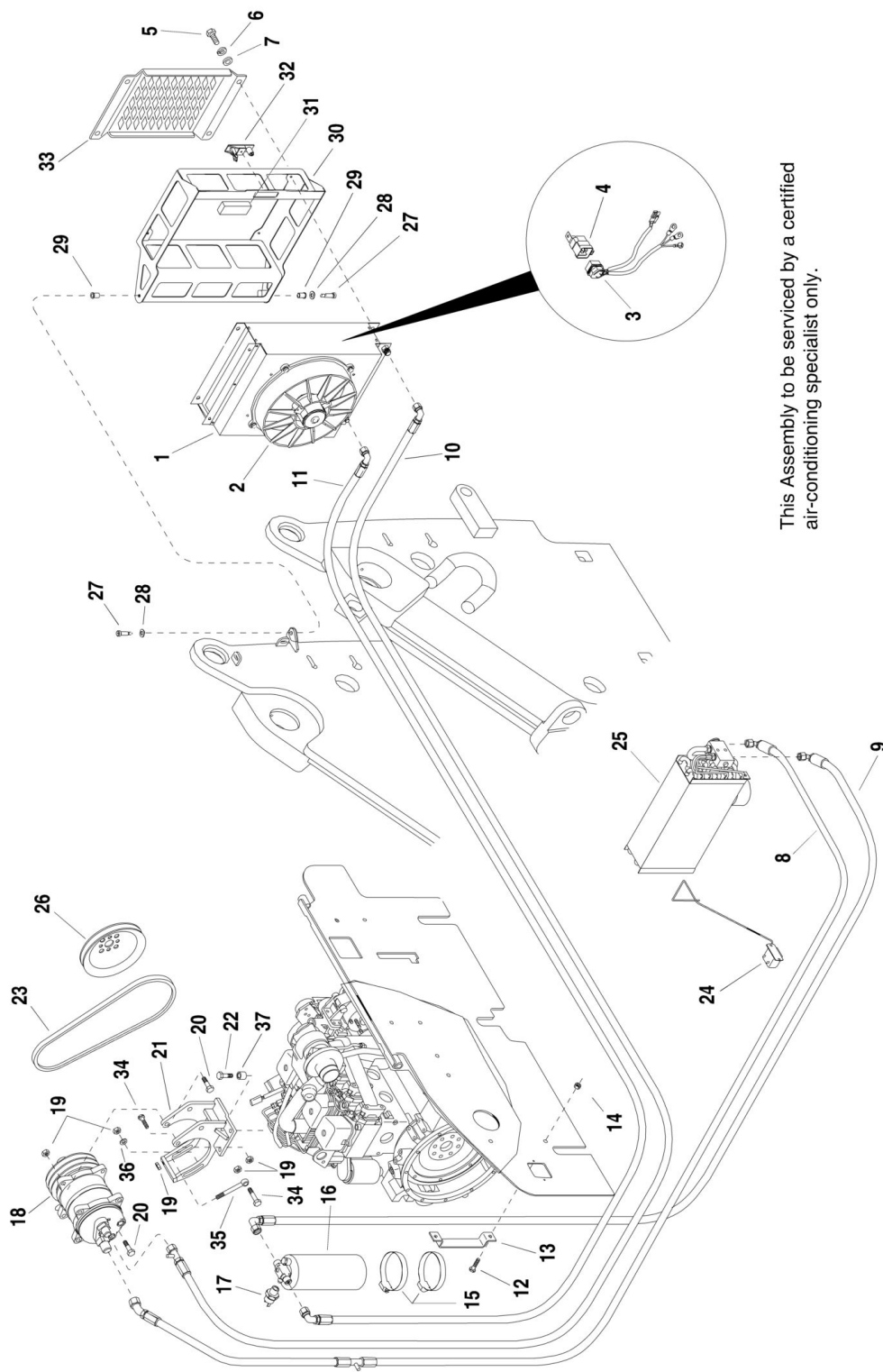
SECTION 3 - FRAME AND OPERATOR'S COMPARTMENT

FIGURE 3-32. AIR CONDITIONING SYSTEM (SN MV006 through MV200)

ITEM	PART NUMBER	QTY	DESCRIPTION	REV
1	6623568	1	Condenser, Remote Mount, Fan, 24 Volt (Includes Item 2 thru 4)	
2	8036466	1	Fan Assembly	
3	8036464	1	Wiring Harness, 24 Volt	
4	8036465	1	Relay, 12 Volt	
5	8303606	4	HHCS, M8 x 1.25 x 20mm	
6	8307022	4	Washer, Lock M8	
7	8307222	4	Washer, Plain M8	
8	2716871	1	Hose, Compressor In	
9	2716872	1	Hose, Drier Out	
10	2716852	1	Hose, Condenser In	
11	2716851	1	Hose, Condenser Out	
12	8303540	2	HHCS, 1/4in-20 x 1in	
13	7138478	1	Bracket, Air Conditioner Drier	
14	8305624	4	Nut, Hex Lock Elastic 1/4in-20	
15	8405204	2	Clamp, Gear	
16	7138483	1	Drier, Air Conditioner, Receiver	
17	8223531	1	Switch, Air Conditioner, Pressure	
18	8276018	1	Compressor, A/C 12 Volt	
19	8305630	2	Nut, Hex Lock Elastic M10 x 1.5	
20	8307023	3	Washer, Lock M10	
21	8310592	4	HHCS, M10 x 1.5 x 35mm	
22	7139982	1	Bracket, A/C Compressor	
23	8310688	3	HHCS, M10 x 1.5 x 30mm	
24	7139517	1	V-Belt, Compressor	
25	8310117	1	HHCS, 1/2-20 x 1-1/2in	
26	8307112	1	Washer, Flat 1/2in	
27	8036448	1	Bar, Belt Tensioner	
28	8036449	1	Pulley, Idler	
29	8036450	1	Bolt, Shoulder	
30	8310580	2	Bolt, Shoulder, Socket Hd, 5/16-18 x 1in	
31	8307110	AR	Washer, Flat 3/8in, Narrow	
32	8070018	2	Bushing, Flanged	
33	6623560	1	Cover, Rear Frame	
34	7300267	1	Pad, Neoprene Foam	
35	8342416	1	Latch, Adjustable Trigger	
36	6623589	1	Guard, Condenser	

SECTION 3 - FRAME AND OPERATOR'S COMPARTMENT

FIGURE 3-33. AIR CONDITIONING SYSTEM (SN MV201 to Present)



This Assembly to be serviced by a certified air-conditioning specialist only.

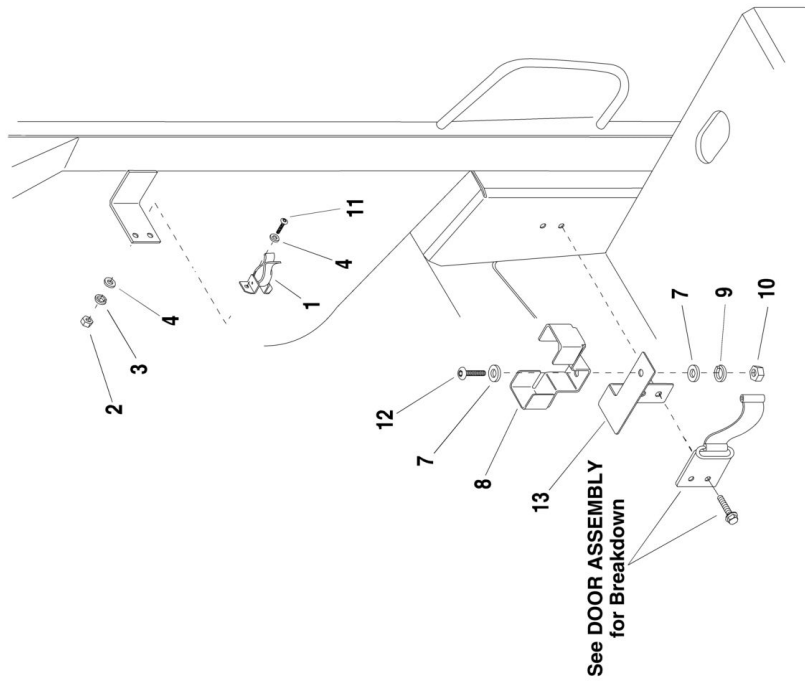
SECTION 3 - FRAME AND OPERATOR'S COMPARTMENT

FIGURE 3-33. AIR CONDITIONING SYSTEM (SN MV201 to Present)

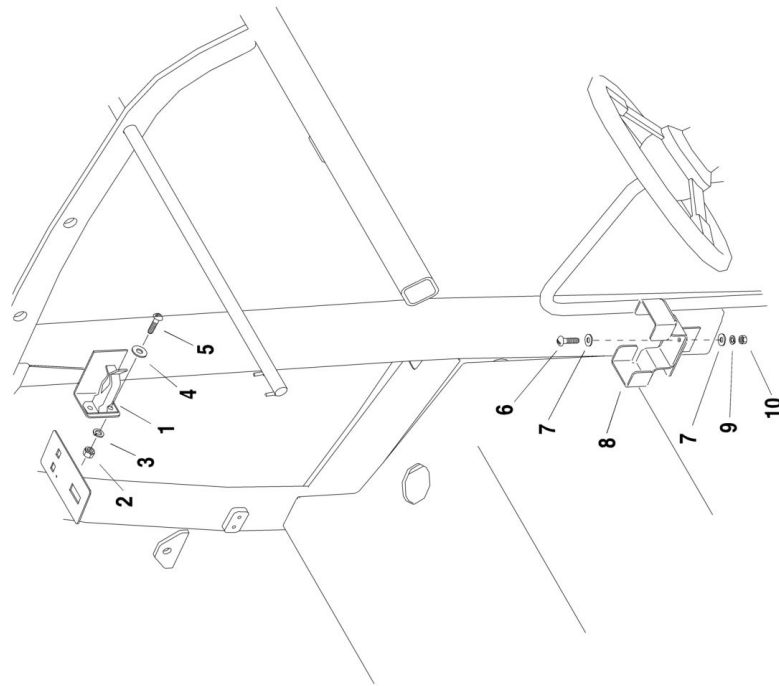
ITEM	PART NUMBER	QTY	DESCRIPTION	REV
1	6623568	1	Condenser, Remote Mount, Fan, 24 Volt (Includes Item 2 thru 4)	
2	8036466	1	Fan Assembly	
3	8036464	1	Wiring Harness, 24 Volt	
4	8036465	1	Relay, 12 Volt	
5	8303606	4	HHCS, M8 x 1.25 x 20mm	
6	8307022	4	Washer, Lock M8	
7	8307222	4	Washer, Plain M8	
8	6623833	1	Hose, Compressor In	
9	6623834	1	Hose, Drier Out	
10	2716852	1	Hose, Condenser In	
11	2716851	1	Hose, Condenser Out	
12	8303540	2	HHCS, 1/4-20 x 1in	
13	7138478	1	Bracket, Air Conditioner Drier	
14	8305624	2	Nut, Hex Lock Elastic 1/4-20	
15	8405204	2	Clamp, Gear, 3.25in Dia	
16	7138483	1	Drier, Air Conditioner, Receiver	
17	8223531	1	Switch, Air Conditioner, Pressure	
18	8276018	1	Compressor, A/C 12 Volt	
19	8305630	5	Nut, Hex Lock Elastic M10 x 1.5	
20	8310534	3	HHCS, M10 x 1.5 x 40mm	
21	7301782	1	Bracket, A/C Compressor	
22	8310592	3	HHCS, M10 x 1.5 x 35mm	
23	7301815	1	V-Belt, Compressor	
24	7301302	1	Thermostat	
25	7301262	1	Coil, Evaporator	
26	7138361	1	Pulley, Idler	
27	8310580	2	Bolt, Shoulder, Socket Hd, 5/16-18 x 1in	
28	8307110	AR	Washer, Flat 3/8in, Narrow	
29	8070018	2	Bushing, Flanged	
30	6623560	1	Cover, Rear Frame	
31	7300267	1	Pad, Neoprene Foam	
32	8342416	1	Latch, Adjustable Trigger	
33	6623589	1	Guard, Condenser	
34	8310736	2	HHCS, M10 x 1.5 x 50mm	
35	8310737	1	Rod End, M10 x 1.5 x 100mm	
36	8307221	1	Washer, Plain M10	
37	7130131	3	Spacer, .490 Lg	

SECTION 3 - FRAME AND OPERATOR'S COMPARTMENT

FIGURE 3-34. WEAPON MOUNT (SN MV006 to Present)



(SN MV201 to Present)



(SN MV006 - MV200)

SECTION 3 - FRAME AND OPERATOR'S COMPARTMENT

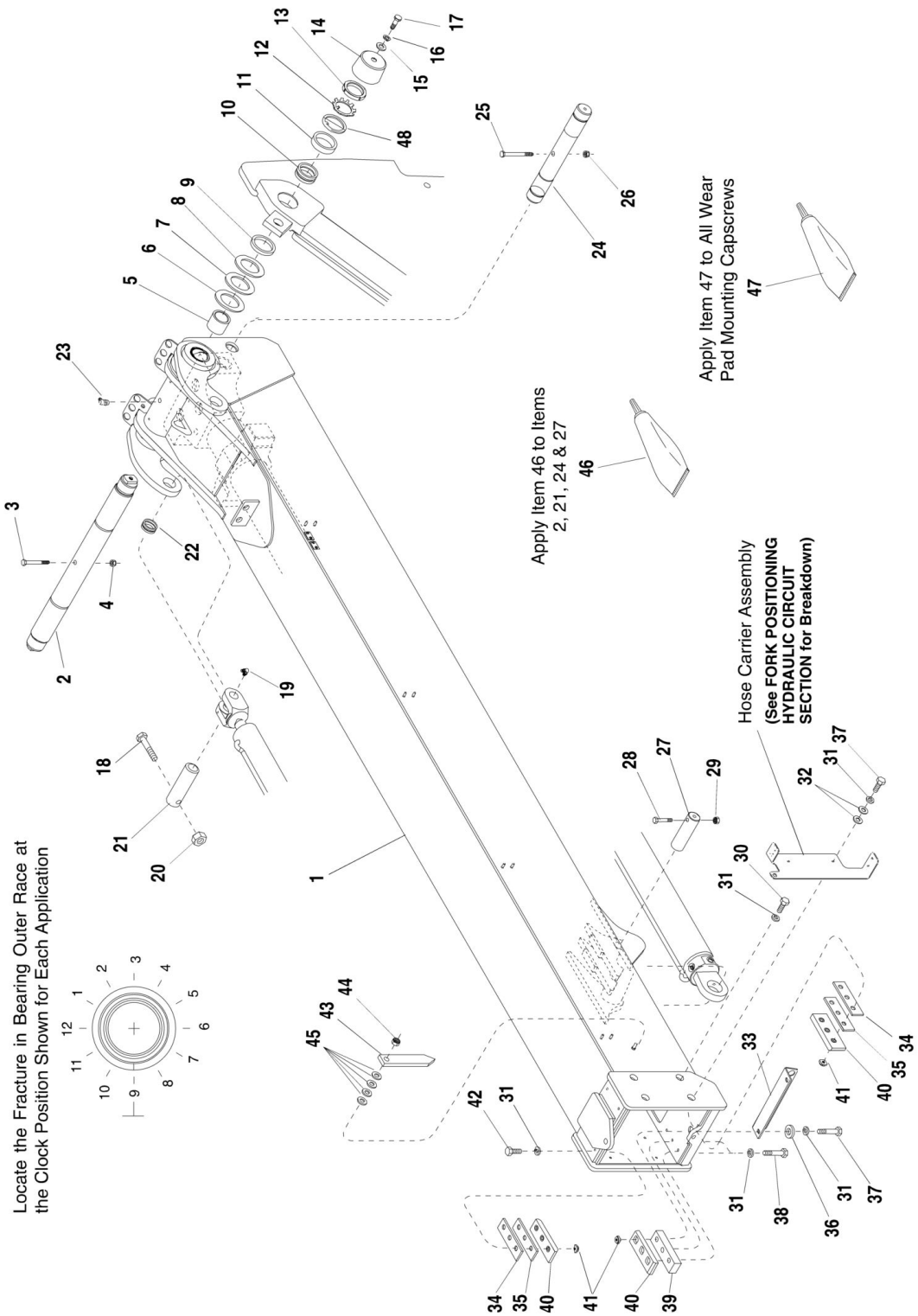
FIGURE 3-34. WEAPON MOUNT (SN MV006 to Present)

ITEM	PART NUMBER	QTY	DESCRIPTION	REV
1	6620962	1	Clamp, Rifle, Locking Mount	
2	8305002	2	Nut, Hex #10-24	
3	8307003	2	Washer, Lock #10	
4	8307111	4	Washer, Flat #10 (SN MV006 - MV200 use Qty 2)	
5	8303835	2	Screw, Slotted, Ph., #10-24 x 1/2in (SN MV006 through MV200)	
6	8303847	1	Screw, Slotted, Ph., 1/4in-20 x 3/4in (SN MV006 through MV200)	
7	8307109	2	Washer, Flat 1/4in	
8	6620973	1	Mount, Rifle Butt	
9	8307002	1	Washer, Lock 1/4in	
10	8305004	1	Nut, Hex 1/4in-20	
11	8310362	2	Screw, Button Head Cap #10-24 x 1/2in (SN MV201 to Present)	
12	8310400	1	Screw, Button Head Cap 1/4in-20 x 3/4in (SN MV201 to Present)	
13	8036728	1	Bracket, Lower Rifle (SN MV201 to Present)	

SECTION 4 - BOOM ASSEMBLY

SECTION 4 - BOOM ASSEMBLY

FIGURE 4-1. OUTER BOOM ASSEMBLY (S/N MV006 -)



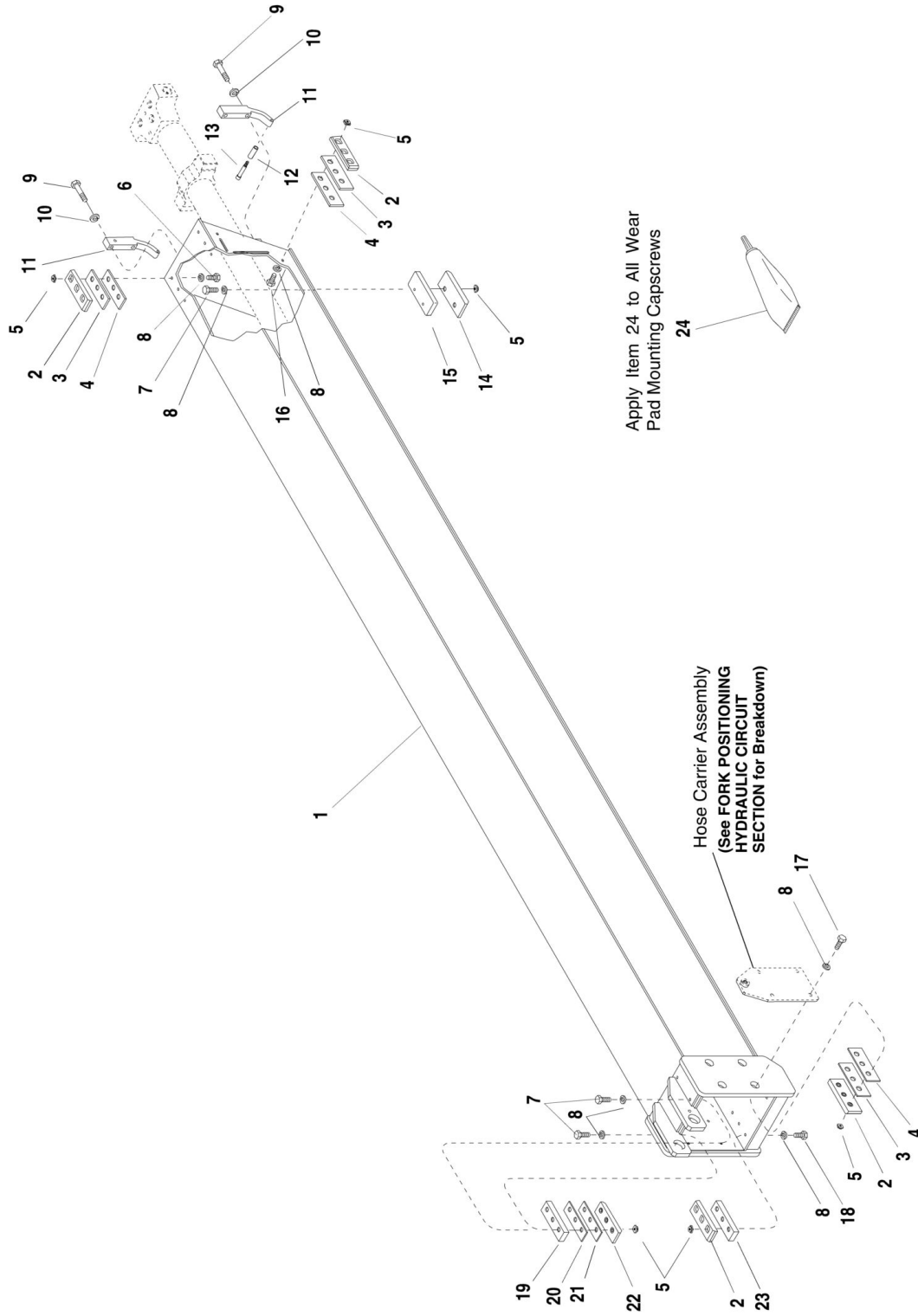
SECTION 4 - BOOM ASSEMBLY

FIGURE 4-1. OUTER BOOM ASSEMBLY (S/N MV006 -)

ITEM	PART NUMBER	QTY	DESCRIPTION	REV
1	6623321	1	Boom, Outer (Includes Item 5)	
2	7139405	1	Pin, Boom Pivot	
3	8310076	1	HHCS, 5/8-11 x 7in Gr. 5	
4	8305643	1	Nut, Hex Lock Elastic 5/8in-11	
5	7137772	2	Bushing, Boom Pivot	
6	8307912	2	Shim, 3.06in x 0.06in x 4.75in	
7	8307913	2	Shim, 3.06in x 0.12in x 4.75in	
8	8310259	2	Shim, 3.06in x 0.09in x 4.75in	
9	7139330	2	Spacer	
10	8050007	2	Bearing, Self Align	
11	7139331	2	Spacer	
12	8310531	2	Washer, Lock, Ext. Tooth	
13	8310532	2	Nut, Lock, Bearing Retention	
14	7139554	2	Cap, Boom Pivot Pin	
15	8307104	2	Washer, Flat 3/4in Narrow	
16	8307010	2	Washer, Lock 3/4in	
17	8310549	2	HHCSF 3/4-10 x 1in GR. 5	
18	8303752	2	HHCS, 5/16-18 x 3-1/2in	
19	8520003	2	Fitting, Lube, 90	
20	8305626	2	Nut, Hex Lock Elastic 5/16-18	
21	7137142	2	Pin, Slave Cylinder	
22	8050001	2	Bearing, Self Align	
23	8520021	2	Fitting, Lubrication 90	
24	7139158	1	Pin, Trunnion	
25	8310209	1	HHCS 1/2-13 x 6in Gr. 5	
26	8305644	1	Nut, Hex Lock Elastic, 1/2in-13	
27	7139325	1	Pin, Hoist Cylinder	
28	8310295	1	HHCSF 3/4-10 x 5-1/2in GR. 5	
29	8310067	1	Nut, Hex Lock Elastic 3/4in-10	
30	8303681	6	HHCS, 3/8-16 X 3/4in Gr. 5	
31	8307005	18	Washer, Lock 3/8in	
32	8307110	4	Washer, Flat 3/8in Narrow	
33	6623499	1	Bracket, Bulkhead, Boom Tube	
34	7126172	AR	Shim, Wear Pad .13in Thk.	
35	7126182	AR	Shim, Wear Pad .07in Thk.	
36	8307204	2	Washer, Flat 3/8in	
37	8303679	4	HHCS, 3/8-16 X 1-3/4in Gr. 5	
38	8303621	4	HHCS, 3/8-16 x 1-1/2in Gr. 5	
39	7135442	2	Spacer, Wear Pad	
40	7111572	8	Wear Pad	
41	7135432	18	Insert, Wear Pad	
42	8303622	4	HHCS, 3/8-16 X 2in Gr. 5	
43	7075611	1	Pointer, Boom Angle Indicator	
44	8305647	1	Nut, Hex Lock 7/16-14	
45	8307113	5	Washer, Flat 7/16in Narrow	
46	8522012	AR	Lube, Anti-Seize	
47	8526007	AR	Thread Locking Compound	
48	8310589	2	Washer, Tougued	

SECTION 4 - BOOM ASSEMBLY

FIGURE 4-2. INTERMEDIATE BOOM ASSEMBLY (S/N MV006 -)



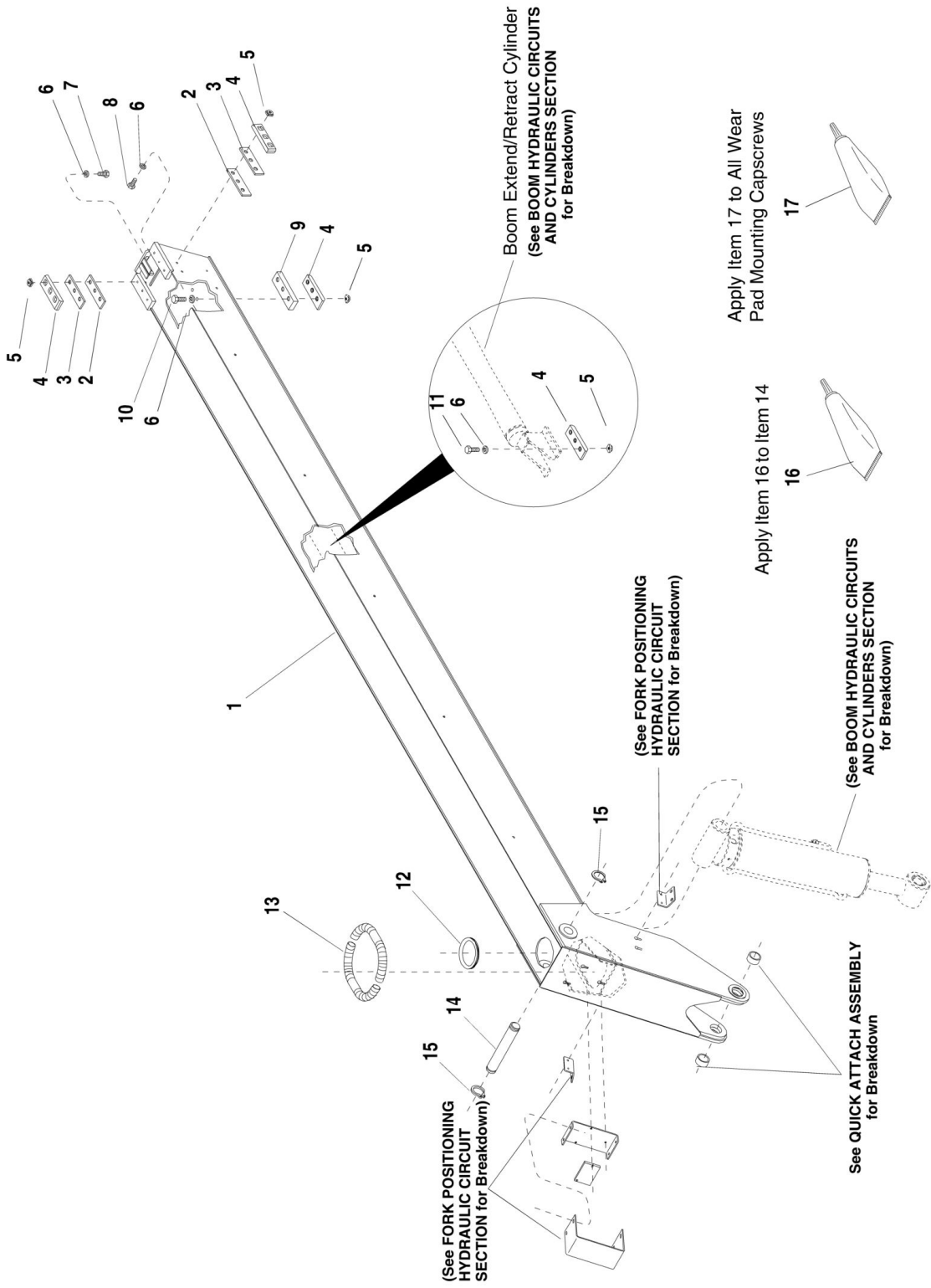
SECTION 4 - BOOM ASSEMBLY

FIGURE 4-2. INTERMEDIATE BOOM ASSEMBLY (S/N MV006 -)

ITEM	PART NUMBER	QTY	DESCRIPTION	REV
1	6623407	1	Boom, Intermediate	
2	7111572	12	Pad, Wear	
3	7126182	AR	Shim, Wear Pad .07in thk	
4	7126172	AR	Shim, Wear Pad .13in thk	
5	7135432	36	Insert, Wear Pad	
6	8303620	6	HHCS, 3/8-16 x 1in Gr. 5	
7	8303771	8	HHCS, 3/8-16 x 2-1/4in Gr. 5	
8	8307005	36	Washer, Lock 3/8in	
9	8303641	4	HHCS, 3/4-10 x 4-1/2in Gr. 5	
10	8307010	4	Washer, Lock 3/4in	
11	7139780	2	Clamp, Extend Cylinder Trunnion	
12	7139781	2	Roller, Long	
13	8310514	2	Bolt, Shoulder, Socket Hd 1/2 x 1-3/4 x 3/8-16	
14	7139019	2	Pad, Wear	
15	7139018	2	Spacer, Wear Pad	
16	8303681	12	HHCS, 3/8-16 x 3/4in Gr. 5	
17	8303622	4	HHCS, 3/8-16 X 2in Gr. 5	
18	8303621	6	HHCS, 3/8-16 x 1-1/2in Gr. 5	
19	7139975	2	Spacer, Wear Pad	
20	7139976	AR	Shim, Wear Pad	
21	7139977	AR	Shim, Wear Pad	
22	7139979	2	Pad, Wear (Special)	
23	7135442	2	Spacer, Wear Pad	
24	8526007	AR	Thread Locking Compound	

SECTION 4 - BOOM ASSEMBLY

FIGURE 4-3. INNER BOOM ASSEMBLY (S/N MV006 -)



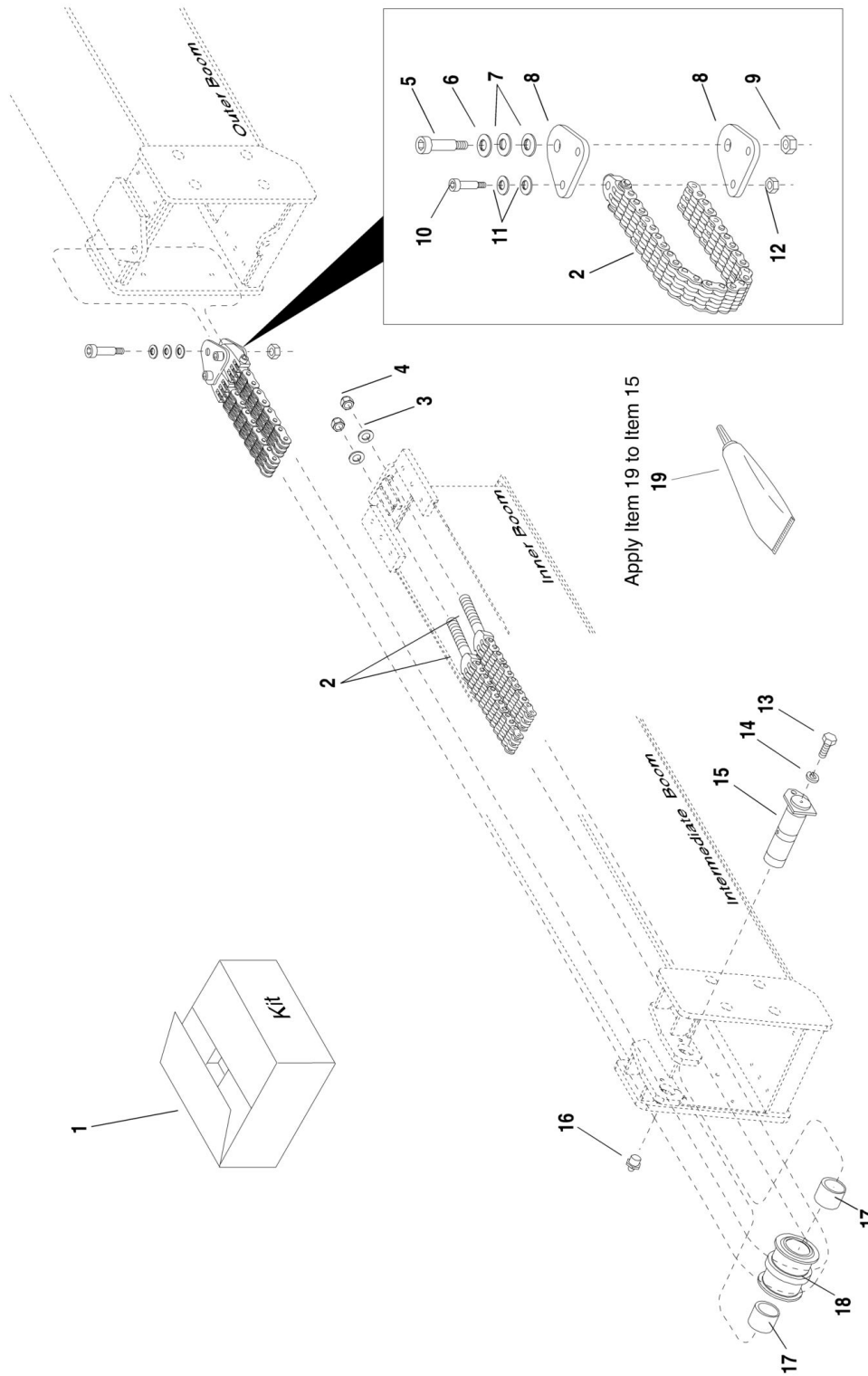
SECTION 4 - BOOM ASSEMBLY

FIGURE 4-3. INNER BOOM ASSEMBLY (S/N MV006 -)

ITEM	PART NUMBER	QTY	DESCRIPTION	REV
1	6623318	1	Boom, Inner	
2	7126172	AR	Shim, Wear Pad .13in Thk.	
3	7126182	AR	Shim, Wear Pad .07in Thk.	
4	7111572	10	Wear Pad	
5	7135432	24	Insert, Wear Pad	
6	8307005	24	Washer, Lock 3/8in	
7	8303771	6	HHCS, 3/8-16 x 2-1/4in Gr. 5	
8	8303681	8	HHCS, 3/8-16 X 3/4in Gr. 5	
9	7135442	2	Spacer, Wear Pad	
10	8303621	4	HHCS, 3/8-16 x 1-1/2in Gr. 5	
11	8303620	6	HHCS, 3/8-16 x 1in Gr. 5	
12	8582427	1	Trim, PVC Vinyl Edge	
13	7124301	1	Conduit, 0.5 x 15.5in	
14	7136322	1	Pin, Attachment Tilt Cylinder Base	
15	8642224	2	Ring, Retaining, External 2in	
16	8522012	AR	Lube, Anti-Seize	
17	8526007	AR	Thread Locking Compound	

SECTION 4 - BOOM ASSEMBLY

FIGURE 4-4. BOOM EXTEND CHAINS (S/N MV006 -)



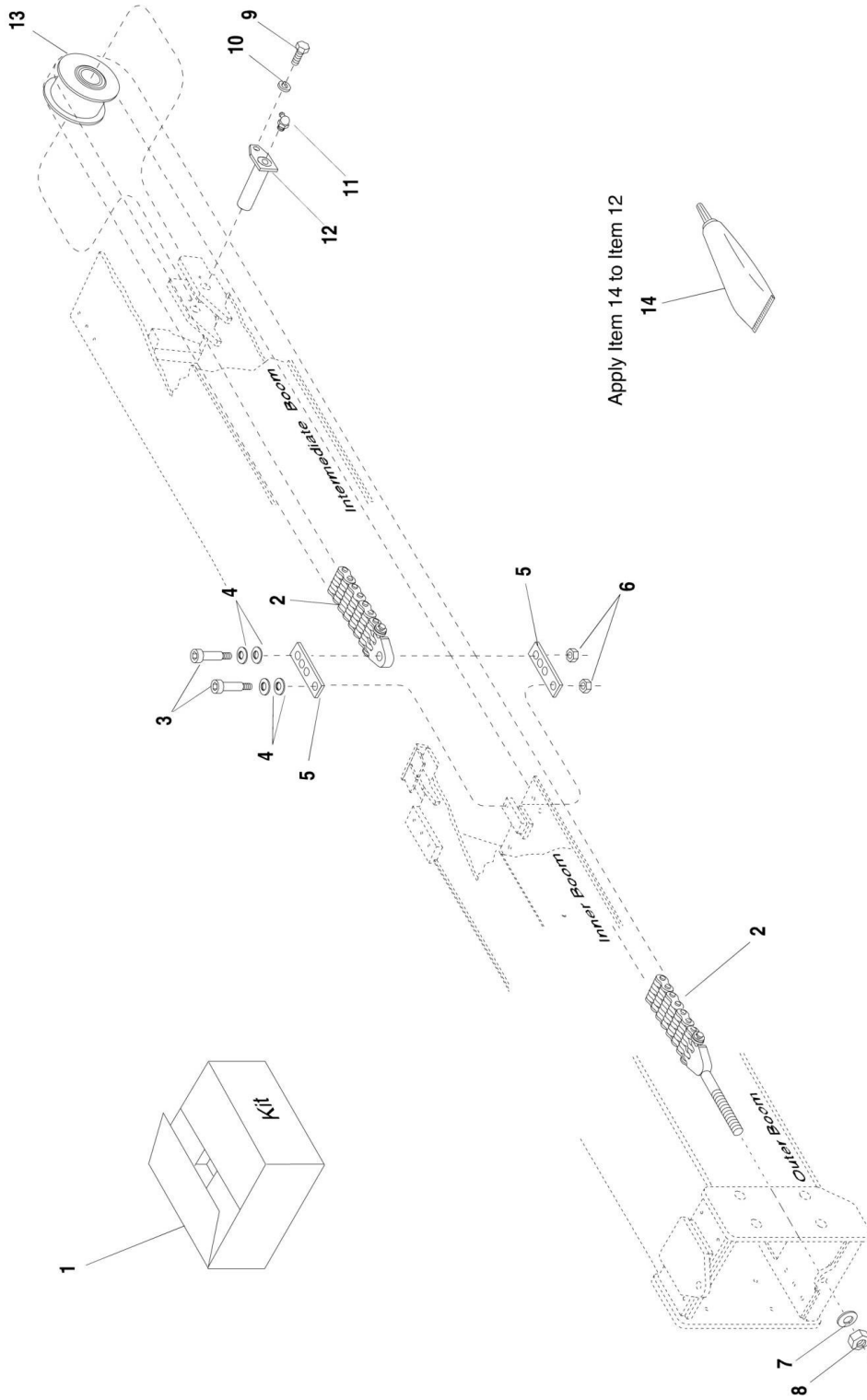
SECTION 4 - BOOM ASSEMBLY

FIGURE 4-4. BOOM EXTEND CHAINS (S/N MV006 -)

ITEM	PART NUMBER	QTY	DESCRIPTION	REV
1	8024027	1	Extend Chain Assy Kit (Includes Items 2 thru 12)	
2	N.S.S.	2	Extend Chain and Clevis Assy (Order Item 1)	
3	8307703	2	Washer, 3/4in Hardened	
4	8305646	2	Nut, Hex Lock Elastic 3/4-16 NF	
5	8310515	1	Bolt, Shoulder, Socket Hd 1 x 1-3/4 x 3/4in-10	
6	8310516	1	Washer, Shim 1 x .045 x 1-1/2	
7	8310517	2	Washer, Shim 1 x .075 x 1-1/2	
8	7138991	2	Yoke, Extend Chain	
9	8310067	1	Nut, Hex Lock Elastic 3/4in-10	
10	8310514	2	Bolt, Shoulder, Socket Hd 1/2 x 1-3/4 x 3/8in-16	
11	8307112	4	Washer, Flat 1/2in Narrow	
12	8305645	2	Nut, Hex Lock Elastic 3/8in-16	
13	8303624	1	HHCS, 1/2-13 x 1in	
14	8307007	1	Washer, Lock 1/2in	
15	7137082	1	Pin, Extend Chain Sheave	
16	8520001	1	Fitting, Lube 1/8in NPT	
17	7126662	2	Bushing, Chain Sheave	
18	7114112	1	Sheave, Extend Chain	
19	8522012	AR	Lube, Anti-Seize (1lb Net Wt Brush-Top)	

SECTION 4 - BOOM ASSEMBLY

FIGURE 4-5. BOOM RETRACT CHAIN (S/N MV006 -)



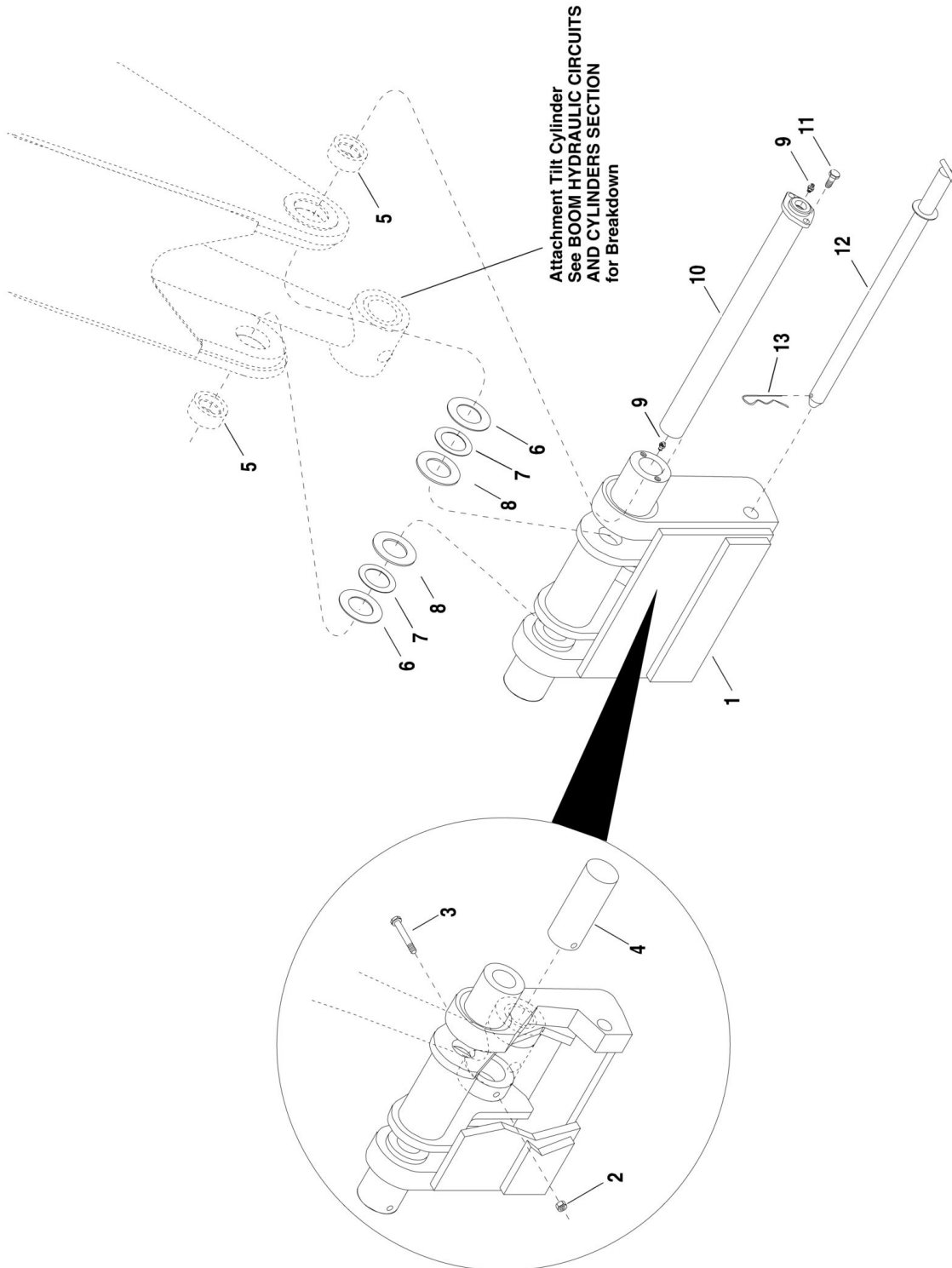
SECTION 4 - BOOM ASSEMBLY

FIGURE 4-5. BOOM RETRACT CHAIN (S/N MV006 -)

ITEM	PART NUMBER	QTY	DESCRIPTION	REV
1	8024028	1	Retract Chain Assy Kit (Includes Items 2 thru 8)	
2	N.S.S.	1	Retract Chain and Clevis Assy (Order Item 1)	
3	8310514	2	Bolt, Shoulder, SCH. 1/2 x 1-3/4 x 3/8in-16	
4	8307112	4	Washer, Flat 1/2in Narrow	
5	7121531	2	Link, Retract Chain Anchor	
6	8305645	2	Nut, Hex Lock Elastic 3/8in-16	
7	8307703	1	Washer, 3/4in Hardened	
8	8305646	1	Nut, Hex Lock Elastic 3/4in-16 NF	
9	8303624	1	HHCS, 1/2-13 x 1in	
10	8307007	1	Washer, Lock 1/2in	
11	8520003	1	Fitting, Lube 90	
12	7138977	1	Pin, Retract Chain Sheave	
13	7138986	1	Sheave, Retract Chain	
14	8522012	AR	Lube, Anti-Seize	

SECTION 4 - BOOM ASSEMBLY

FIGURE 4-6. QUICK ATTACH ASSEMBLY (S/N MV006 -)



SECTION 4 - BOOM ASSEMBLY

FIGURE 4-6. QUICK ATTACH ASSEMBLY (S/N MV006 -)

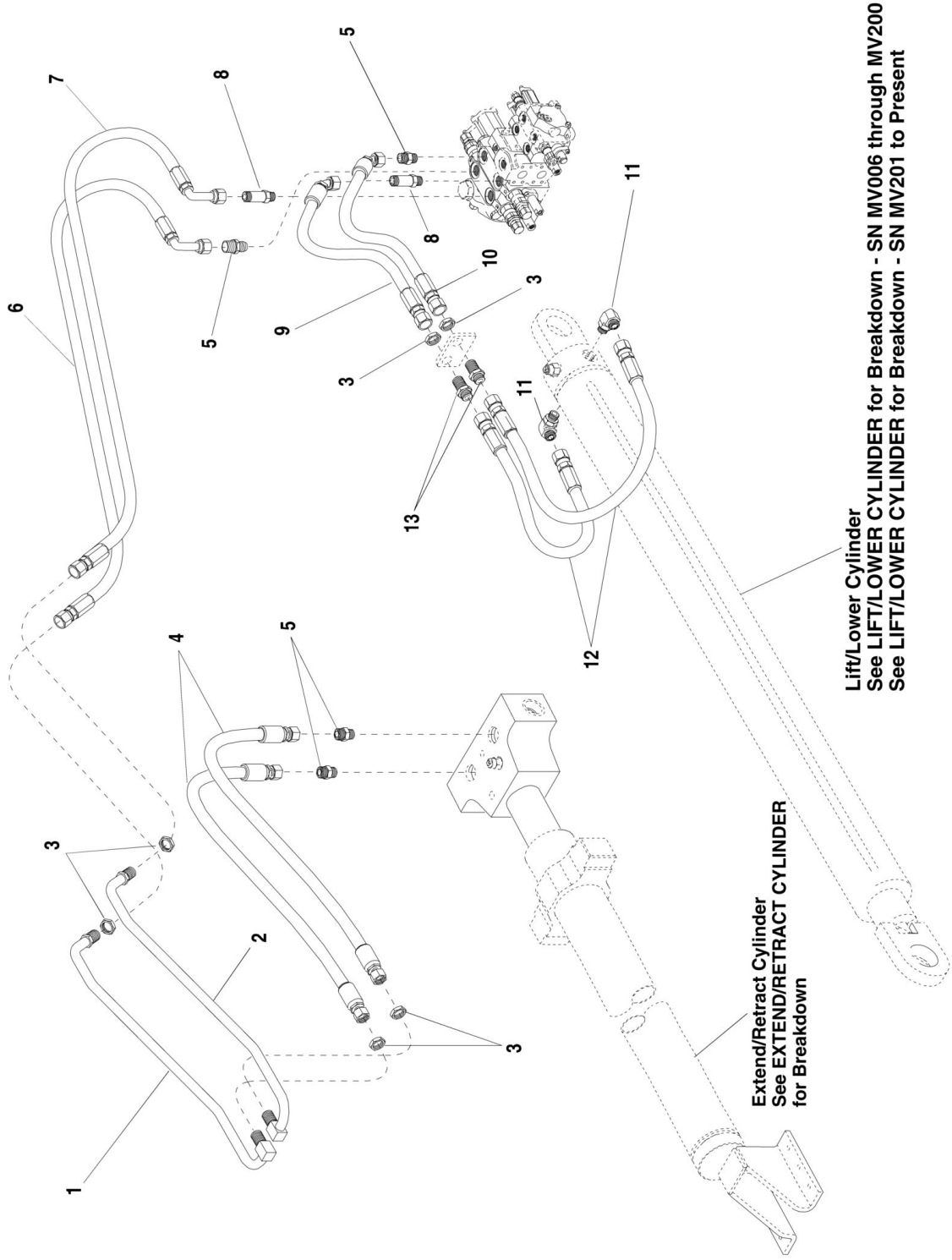
ITEM	PART NUMBER	QTY	DESCRIPTION	REV
1	6623334	1	Weldment, Quick Attach	
2	8305644	1	Nut, Hex Lock Elastic, 1/2in-13	
3	7138222	1	Pin, Rod End, Attachment Tilt Cylinder	
4	8303772	1	HHCS, 1/2-13 x 5in Gr. 5	
5	7085542	2	Bushing, Quick Attach Pivot	
6	8310093	AR	Washer, Shim 2.00in x .075in x 3.50in	
7	8307904	AR	Washer, Shim 2.00in x .048in x 3.00in	
8	8307918	AR	Washer, Shim 2.00in x .134in x 3.50in	
9	8520001	2	Lube Fitting	
10	6623558	1	Pin, Carriage Pivot	
11	8310579	2	HHCS 1/2 - 13 x 1in	
12	6617132	1	Pin, Quick Attach	
13	8310025	1	Pin, Hairpin Cotter	

SECTION 5 - BOOM HYDRAULIC CIRCUITS AND CYLINDERS

SECTION 5 - BOOM HYDRAULIC CIRCUITS AND CYLINDERS

SECTION 5 - BOOM HYDRAULIC CIRCUITS AND CYLINDERS

FIGURE 5-1. BOOM - EXTEND/RETRACT AND LIFT/LOWER CIRCUITS (S/N MV006 -)



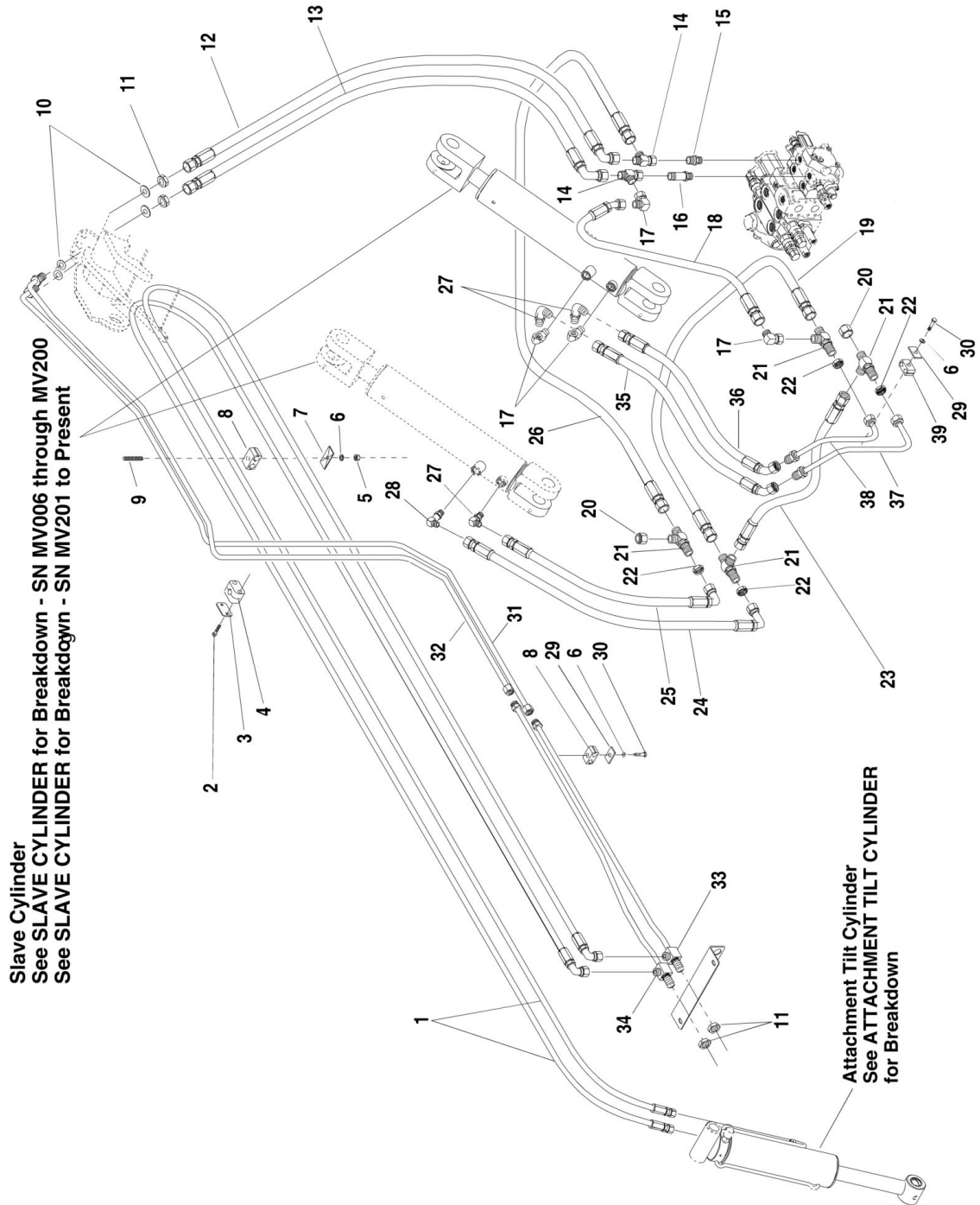
SECTION 5 - BOOM HYDRAULIC CIRCUITS AND CYLINDERS

FIGURE 5-1. BOOM - EXTEND/RETRACT AND LIFT/LOWER CIRCUITS (S/N MV006 -)

ITEM	PART NUMBER	QTY	DESCRIPTION	REV
1	6623517	1	Tube Assembly (Retract)	
2	6623516	1	Tube Assembly (Extend)	
3	8770085	6	Nut, Bulkhead, SAE 12 - OFS	
4	2716492	2	Hose, 0.75 x 46.50in	
5	8770070	4	Connector, SAE 12 - str thd ORB x OFS	
6	2716643	1	Hose, 0.75 x 43.00in (Retract)	
7	2716642	1	Hose, 0.75 x 47.50in (Extend)	
8	8770163	2	Connector, Long, SAE 12 - str thd ORB x OFS	
9	2716533	1	Hose, 0.75 x 25.50in (Lower)	
10	2716532	1	Hose, 0.75 x 29.50in (Raise)	
11	8770079	2	Elbow, 90, SAE 12 - str thd ORB x OFS	
12	2715052	2	Hose, 0.75 x 45.00in	
13	8770086	2	Connector, Bulkhead, SAE 12 - OFS	

SECTION 5 - BOOM HYDRAULIC CIRCUITS AND CYLINDERS

FIGURE 5-2. ATTACHMENT TILT AND SLAVE CIRCUITS (S/N MV006 -)



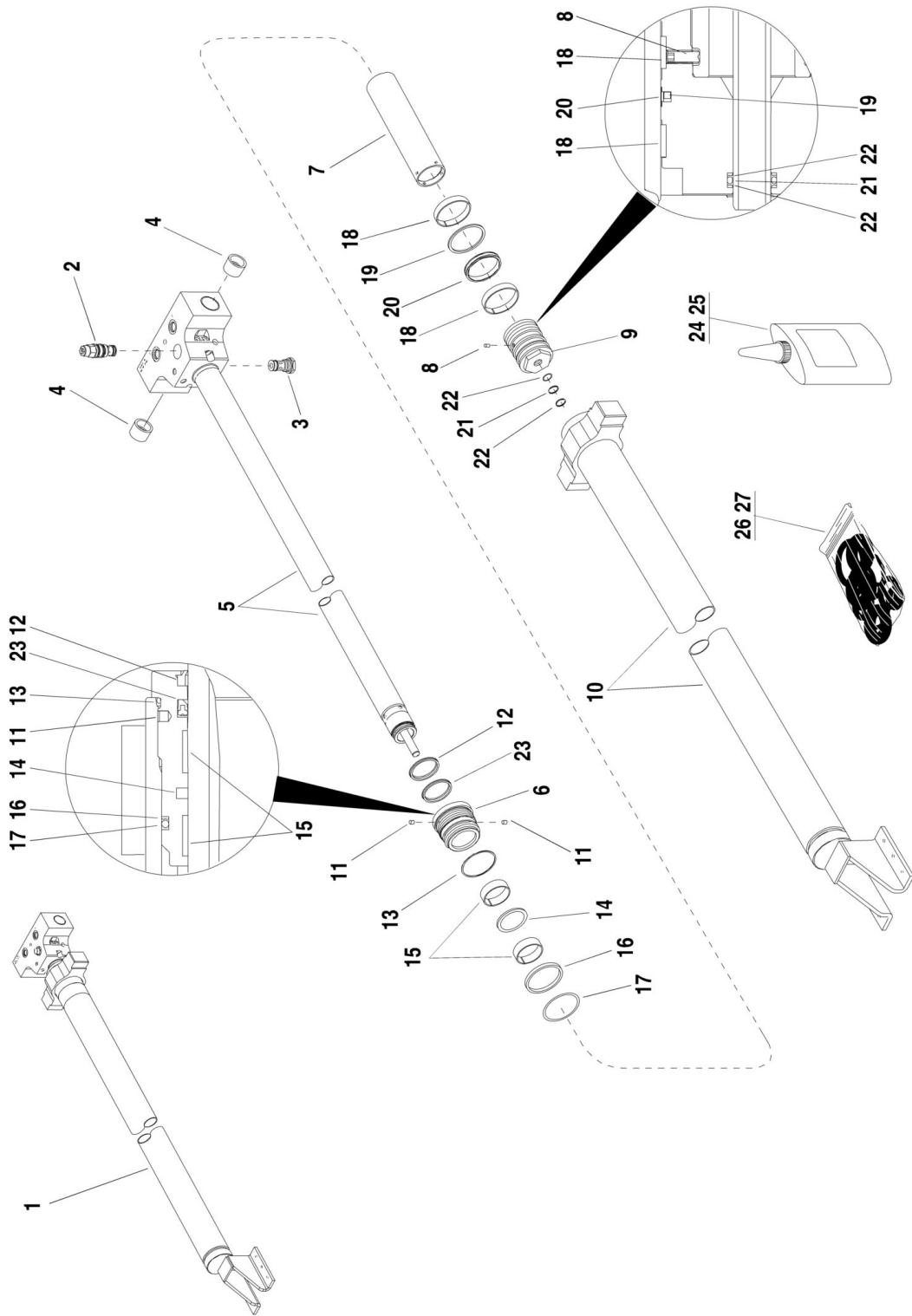
SECTION 5 - BOOM HYDRAULIC CIRCUITS AND CYLINDERS

FIGURE 5-2. ATTACHMENT TILT AND SLAVE CIRCUITS (S/N MV006 -)

ITEM	PART NUMBER	QTY	DESCRIPTION	REV
1	2716620	2	Hose, 0.50 x 410in	
2	8303743	4	HHCS, 1/4in-20 x 1-1/2in	
3	8769153	2	Plate, Cover	
4	8769154	2	Clamp Set, 5/8in	
5	8310453	1	Nut, Hex, 5/16-18NC	
6	8307004	3	Washer, 5/16in Lock	
7	8769128	1	Cover Plate, Twin	
8	8769122	3	Clamp Set, .625 Dia Twin	
9	10168743	1	Screw, Set, 5/16-18 x 2-1/5in	
10	5724302	4	Shim	
11	8770075	4	Nut, Bulkhead, -10FF	
12	2716644	1	Hose, 0.50 x 49.00in	
13	2716645	1	Hose, 0.50 x 52.13in	
14	8770125	2	Tee, Swivel Run, -8FF	
15	8770116	1	Connector, -8ORB x 8FF	
16	8770117	1	Connector, Long, -8ORB x 8FF	
17	8770115	4	Elbow, 90, Swivel, -8FF	
18	2716635	1	Hose, 0.50 x 22.50in	
19	2716629	1	Hose, 0.50 x 29.00in	
20	8770118	2	Cap, SAE 8 - OFS	
21	8770167	4	Tee, Run, Bulkhead, 8FF	
22	8770129	4	Nut, Bulkhead, -8FF	
23	2716628	1	Hose, 0.50 x 15.25in	
24	2716535	1	Hose, 0.50 x 24.88in	
25	2716534	1	Hose, 0.50 x 17.88in	
26	2716634	1	Hose, 0.50 x 44.50in	
27	8770114	3	Elbow, 90, -8ORB x -8FF	
28	8770168	1	Elbow, Long, 90, 8ORB x 8FF	
29	8769123	3	Cover Plate, Twin	
30	8303715	3	HHCS, 5/16in-18 x 1-1/2in	
31	6623525	1	Tube Assembly, Inner	
32	6623526	1	Tube Assembly, Outer	
33	6623520	1	Tube Assembly, Boom Inside Right	
34	6623521	1	Tube Assembly, Boom Outside Right	
35	2716870	1	Hose, 0.50 x 22.00in	
36	2716869	1	Hose, 0.50 x 17.00in	
37	6623570	1	Tube Assembly	
38	6623569	1	Tube Assembly	
39	8769126	1	Clamp Set, .50 Dia Twin	

SECTION 5 - BOOM HYDRAULIC CIRCUITS AND CYLINDERS

FIGURE 5-3. EXTEND/RETRACT CYLINDER (S/N MV006 -)



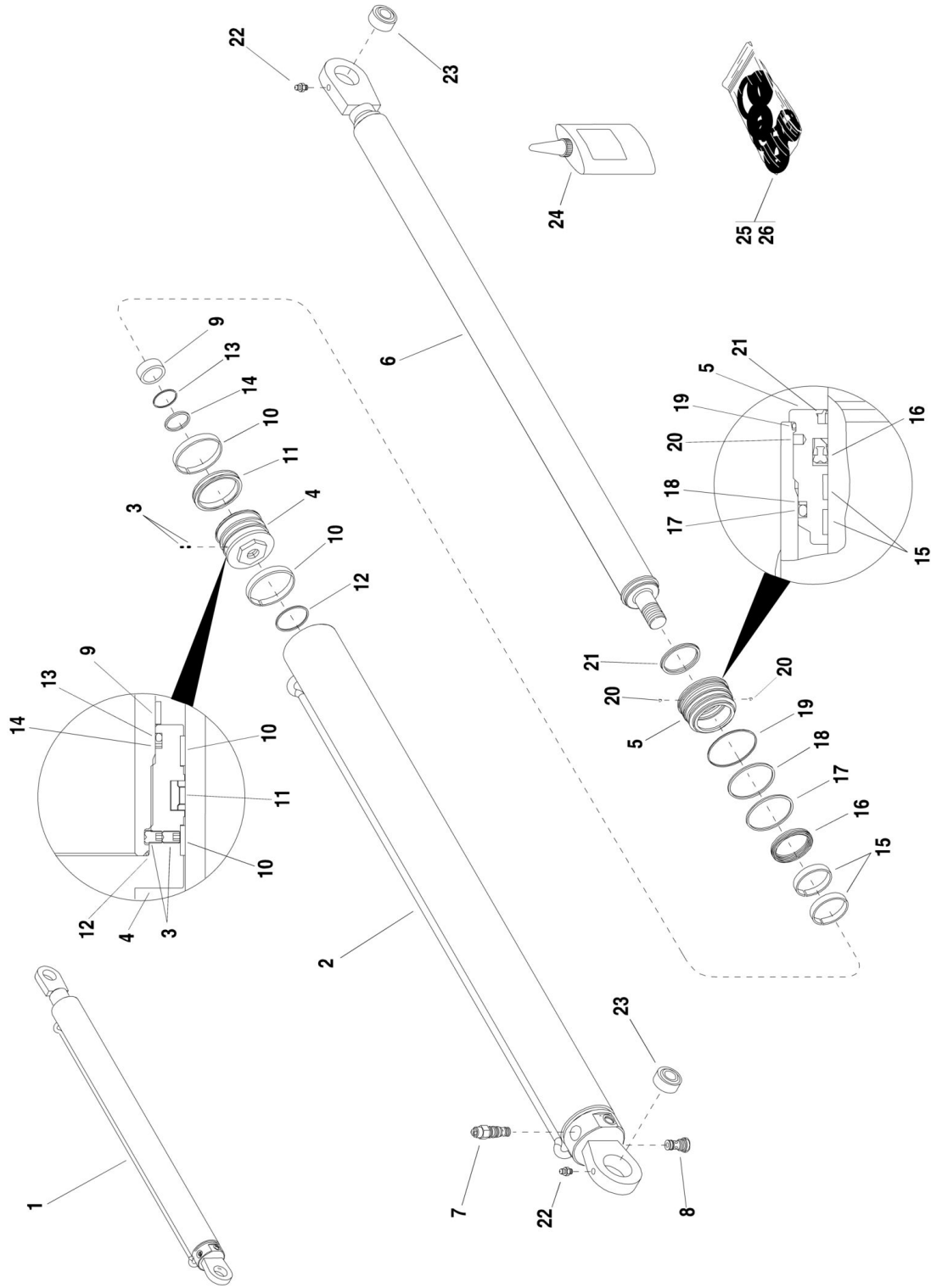
SECTION 5 - BOOM HYDRAULIC CIRCUITS AND CYLINDERS

FIGURE 5-3. EXTEND/RETRACT CYLINDER (S/N MV006 -)

ITEM	PART NUMBER	QTY	DESCRIPTION	REV
1	2716736	1	Cylinder, Extend/Retract (Includes Items 2 thru 23)	
2	8036590	1	Valve, CB, 4000psi (275,8 bar) (For Seal Kit use Item 27)	
3	8032737	1	Valve, PO Check (For Seal Kit use Item 27)	
4	8036230	2	Bushing, DU	
5	8036231	1	Rod, Weldment	
6	8035764	1	Gland, Head	
7	8035765	1	Spacer, Rod	
8	8035769	1	Setscrew, 5/16-18 UNC x .75in Long	
9	8036233	1	Piston	
10	N.S.S.	1	Tube, Weldment (Order Item 1)	
11	See Kits	2	Locking Insert	
12	See Kits	1	Wiper, Hd Rod - Sealed O.D.	
13	See Kits	1	O-Ring	
14	See Kits	1	Seal, TFE Buffer	
15	See Kits	2	Wearband, Precision	
16	See Kits	1	Ring, Back-Up	
17	See Kits	1	O-Ring	
18	See Kits	2	Wearband, Precision	
19	See Kits	1	Square Ring	
20	See Kits	1	Seal, Piston	
21	See Kits	1	O-Ring	
22	See Kits	2	Ring, Back-Up - Dynamic	
23	See Kits	1	U-Cup, BT	
24	8526011	AR	Threadlocker, 271 Loctite, High Strength, 250ml Bottle	
25	8526007	AR	Threadlocker, 242 Loctite, Removable, 250ml Bottle	
		Ref	KITS	
26	8036328	1	Seal Kit, Extend/Retract Cylinder (Includes Items 11 thru 23)	
27	8205656	1	Seal Kit, PO Check or CB Valve (For Item 2 or 3)	

SECTION 5 - BOOM HYDRAULIC CIRCUITS AND CYLINDERS

FIGURE 5-4. LIFT/LOWER CYLINDER (S/N MV006 - MV219)



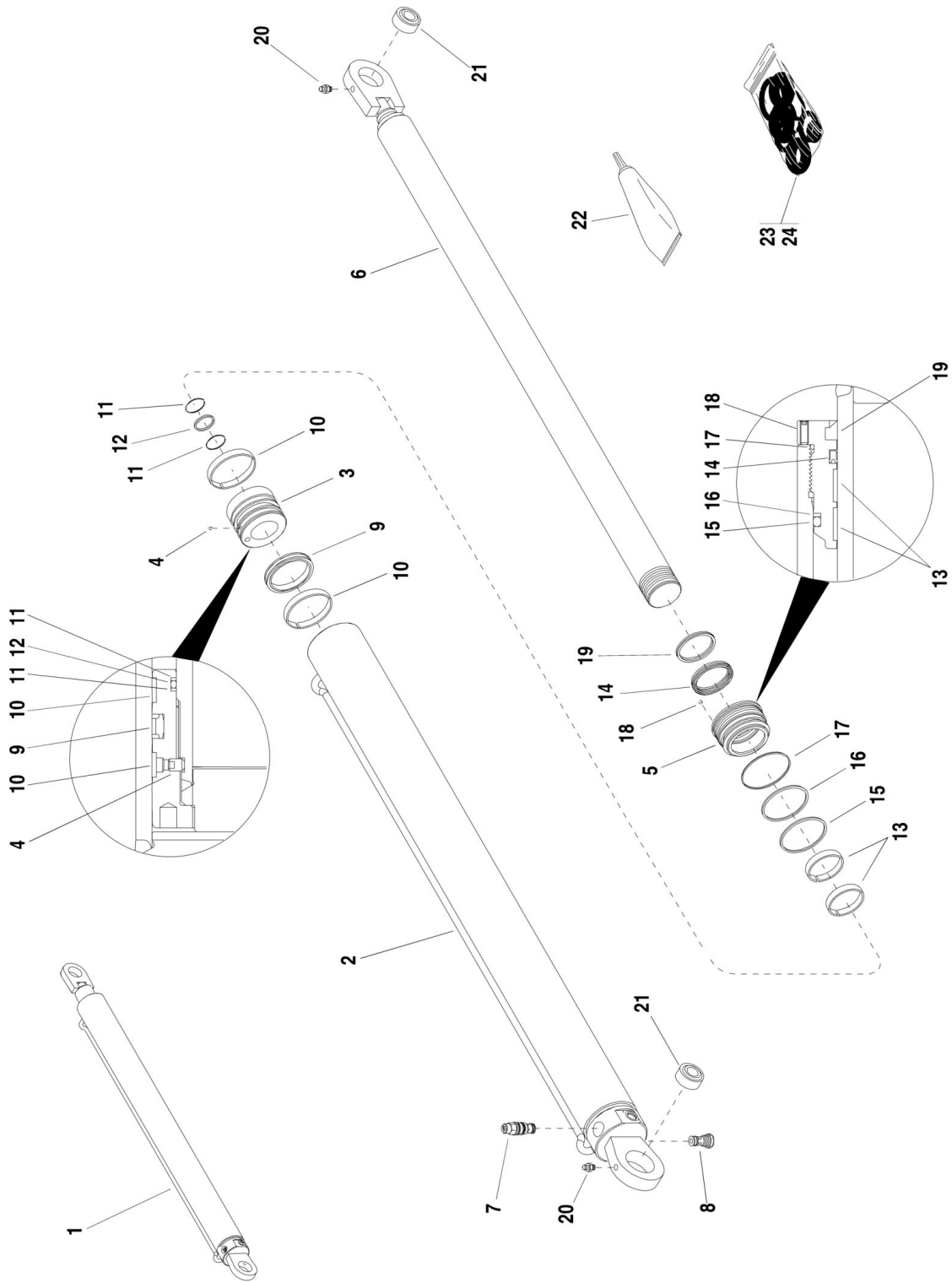
SECTION 5 - BOOM HYDRAULIC CIRCUITS AND CYLINDERS

FIGURE 5-4. LIFT/LOWER CYLINDER (S/N MV006 - MV219)

ITEM	PART NUMBER	QTY	DESCRIPTION	REV
1	6623514	1	Cylinder, Lift/Lower (Includes Items 2 thru 23)	
2	N.S.S.	1	Tube, Weldment (Order Item 1)	
3	8036238	2	Screw, Set, .313-18 UNC x .44in	
4	8036242	1	Piston	
5	8036241	1	Gland, Head	
6	8036239	1	Rod, Weldment	
7	8902271	1	Valve, Counter Balance, M Style (For Seal Kit, Order Item 26)	
8	8036229	1	PO Check Valve (For Seal Kit, Order Item 26)	
9	8036240	1	Spacer, Rod	
10	See Kits	2	Wearband, Precision	
11	See Kits	1	T-Seal, Capped	
12	See Kits	1	O-Ring	
13	See Kits	1	O-Ring	
14	See Kits	1	Ring, Back-Up	
15	See Kits	2	Wearband, Precision	
16	See Kits	1	Z-Seal, Deep - w/Rod Back-Up	
17	See Kits	1	O-Ring	
18	See Kits	1	Ring, Back-Up	
19	See Kits	1	O-Ring	
20	See Kits	2	Locking Insert	
21	See Kits	1	Wiper, Hd Rod - Sealed O.D.	
22	8520013	2	Fitting, Lube	
23	8036236	2	Bearing, Self Align	
24	8526011	AR Ref	Threadlocker, 271 Loctite, High Strength, 250ml Bottle KITS	
25	8036074	1	Seal Kit, Lift/Lower Cylinder (Includes Items 10 thru 21)	
26	8205656	1	Seal Kit, Counter Balance Valve (Item 7) or PO Check Valve (Item 8)	

SECTION 5 - BOOM HYDRAULIC CIRCUITS AND CYLINDERS

FIGURE 5-5. LIFT/LOWER CYLINDER (S/N MV220 -)



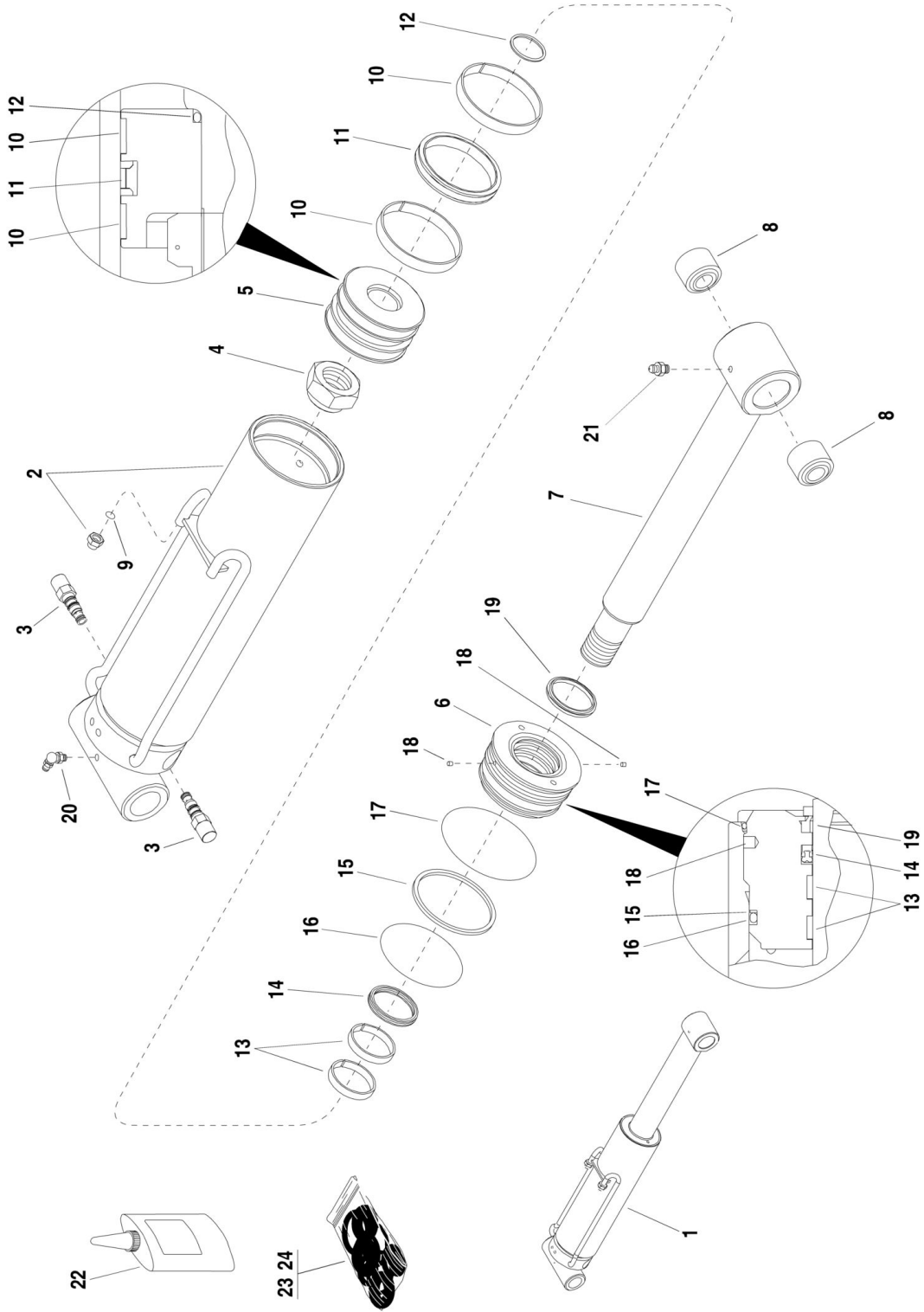
SECTION 5 - BOOM HYDRAULIC CIRCUITS AND CYLINDERS

FIGURE 5-5. LIFT/LOWER CYLINDER (S/N MV220 -)

ITEM	PART NUMBER	QTY	DESCRIPTION	REV
1	6623848	1	Cylinder, Lift/Lower (Includes Items 2 thru 21)	
2	N.S.S.	1	Tube, Weldment (Order Item 1)	
3	8036737	1	Piston	
4	See Kits	1	Setscrew	
5	8036748	1	Gland, Head	
6	8036741	1	Rod	
7	8902271	1	Valve, Counterbalance, M Style (For Seal Kit use Item 24)	
8	8036229	1	PO Check Valve (For Seal Kit use Item 24)	
9	See Kits	1	T-Seal, Capped	
10	See Kits	2	Wearband, Precision	
11	See Kits	2	Ring, Back-Up	
12	See Kits	1	O-Ring	
13	See Kits	2	Wearband, Precision	
14	See Kits	1	Z-Seal, Deep - w/Rod Back-Up	
15	See Kits	1	O-Ring	
16	See Kits	1	Ring, Back-Up	
17	See Kits	1	O-Ring	
18	See Kits	1	Setscrew	
19	See Kits	1	Wiper, Hd Rod - Sealed O.D.	
20	8036749	2	Fitting, Lube	
21	8050072	2	Bearing, Self Align	
22	8526011	AR	Threadlocker, Loctite #271 (250cc)	
		Ref	KITS	
23	8036730	1	Seal Kit, Lift/Lower Cylinder (Includes Items 4, 9 thru 19)	
24	8205656	1	Seal Kit, Counterbalance Valve (For Item 7) or PO Check Valve (For Item 8)	

SECTION 5 - BOOM HYDRAULIC CIRCUITS AND CYLINDERS

FIGURE 5-6. ATTACHMENT TILT CYLINDER (S/N MV006 -)



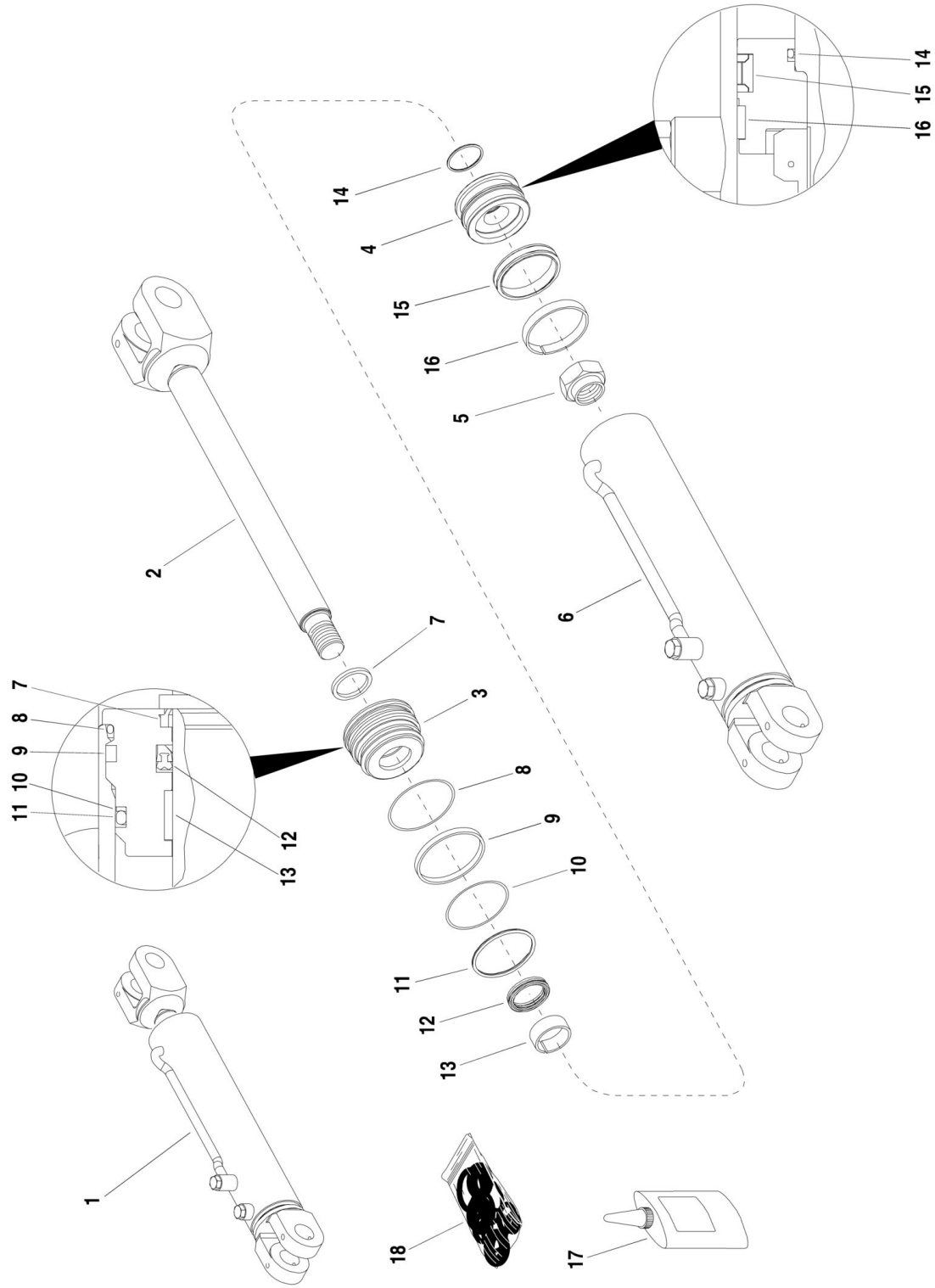
SECTION 5 - BOOM HYDRAULIC CIRCUITS AND CYLINDERS

FIGURE 5-6. ATTACHMENT TILT CYLINDER (S/N MV006 -)

ITEM	PART NUMBER	QTY	DESCRIPTION	REV
1	7138173	1	Cylinder, Attachment Tilt (Includes Items 2 thru 21)	
2	N.S.S.	1	Tube Weldment (Order Item 1)	
3	8035321	2	Valve, CB - CCC Preset at 4000psi (275,8 bar) (For Seal Kit use Item 24)	
4	8035308	1	Nut, Hex Lock 2.00-12 UN	
5	8035309	1	Piston	
6	8035553	1	Gland, Head	
7	8035552	1	Rod, Weldment	
8	7089722	AR	Bushing (Solid Diameter)	
8	70031092	AR	Bushing (Spring Tooth Design)	
9	See Kits	2	O-Ring	
10	See Kits	2	Wearband, Precision	
11	See Kits	1	T-Seal, Capped	
12	See Kits	1	O-Ring	
13	See Kits	2	Wearband, Precision	
14	See Kits	1	Z-Seal, Deep - w/Rod Back-Up	
15	See Kits	1	Ring, Back-Up	
16	See Kits	1	O-Ring	
17	See Kits	1	O-Ring	
18	See Kits	2	Locking Insert	
19	See Kits	1	Wiper, Hd Rod - Sealed O.D.	
20	8520021	1	Fitting, Lube, 90	
21	8520013	1	Fitting, Lube, Straight	
22	8526011	AR	Threadlocker, 271 Loctite, High Strength, 250ml Bottle	
		Ref	KITS	
23	8035551	1	Seal Kit, Attachment Tilt Cylinder (Includes Items 9 thru 19)	
24	8035327	1	Seal Kit, CB Valve (For Item 3)	

SECTION 5 - BOOM HYDRAULIC CIRCUITS AND CYLINDERS

FIGURE 5-7. SLAVE CYLINDER (S/N MV006 - S/N MV212)



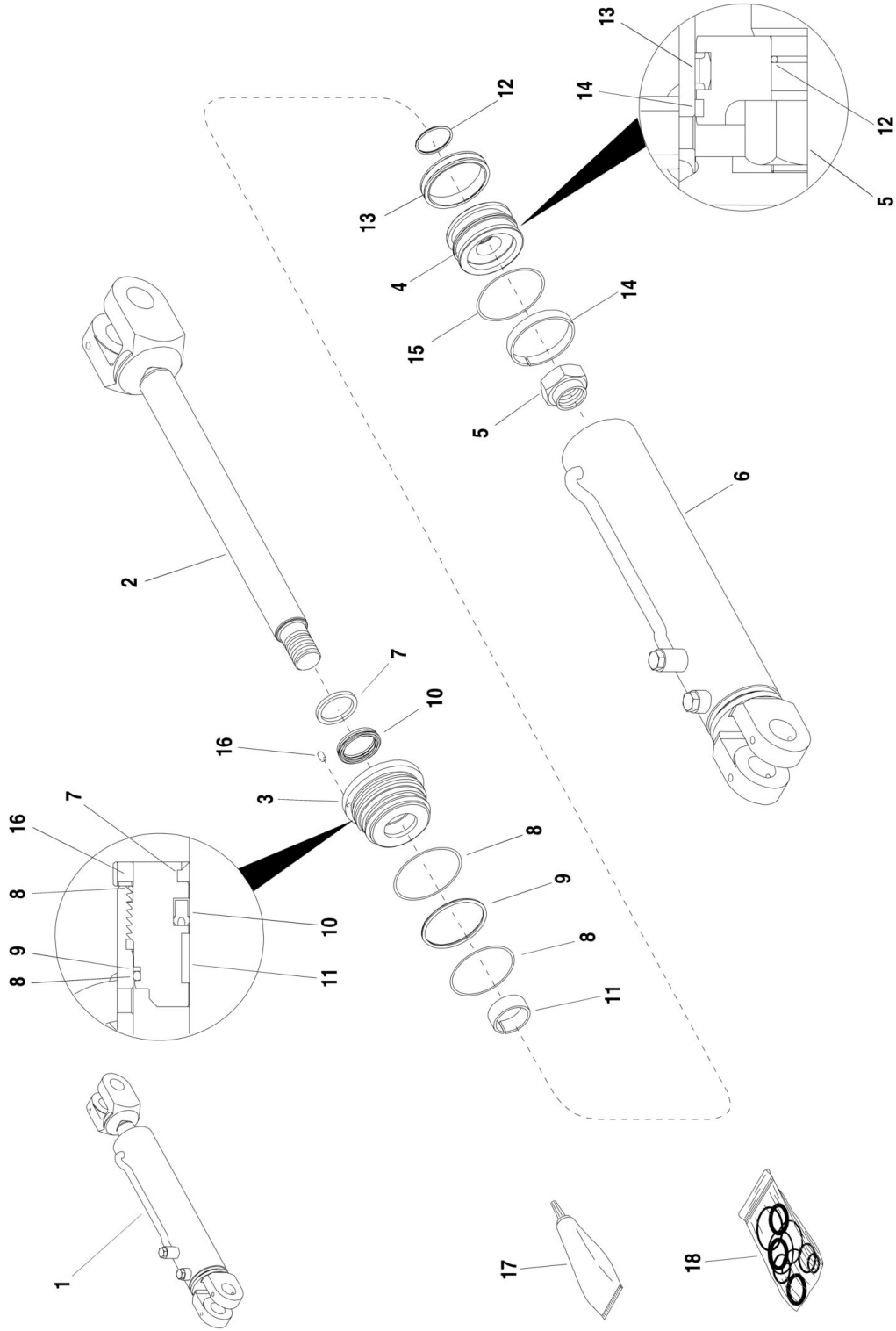
SECTION 5 - BOOM HYDRAULIC CIRCUITS AND CYLINDERS

FIGURE 5-7. SLAVE CYLINDER (S/N MV006 - S/N MV212)

ITEM	PART NUMBER	QTY	DESCRIPTION	REV
1	6623366	1	Cylinder, Slave (Includes Items 2 thru 16)	
2	8035548	1	Rod, Weldment	
3	8035549	1	Gland, Head	
4	8035550	1	Piston	
5	8035547	1	Nut, Hex Lock 1.375-12 UNF	
6	N.S.S.	1	Tube (Order Item 1)	
7	See Kits	1	Wiper, Hd Rod - Sealed O.D.	
8	See Kits	1	O-Ring	
9	See Kits	1	Seal	
10	See Kits	1	Ring, Back-Up	
11	See Kits	1	O-Ring	
12	See Kits	1	Z-Seal, Deep - w/Rod Back-Up	
13	See Kits	1	Wearband, Precision	
14	See Kits	1	O-Ring	
15	See Kits	1	T-Seal, Capped	
16	See Kits	1	Wearband, Precision	
17	8526011	AR Ref	Threadlocker, 271 Loctite, High Strength, 250ml Bottle KITS	
18	8035546	1	Seal Kit, Slave Cylinder (Includes Items 7 thru 16)	

SECTION 5 - BOOM HYDRAULIC CIRCUITS AND CYLINDERS

FIGURE 5-8. SLAVE CYLINDER (S/N MV213 -)



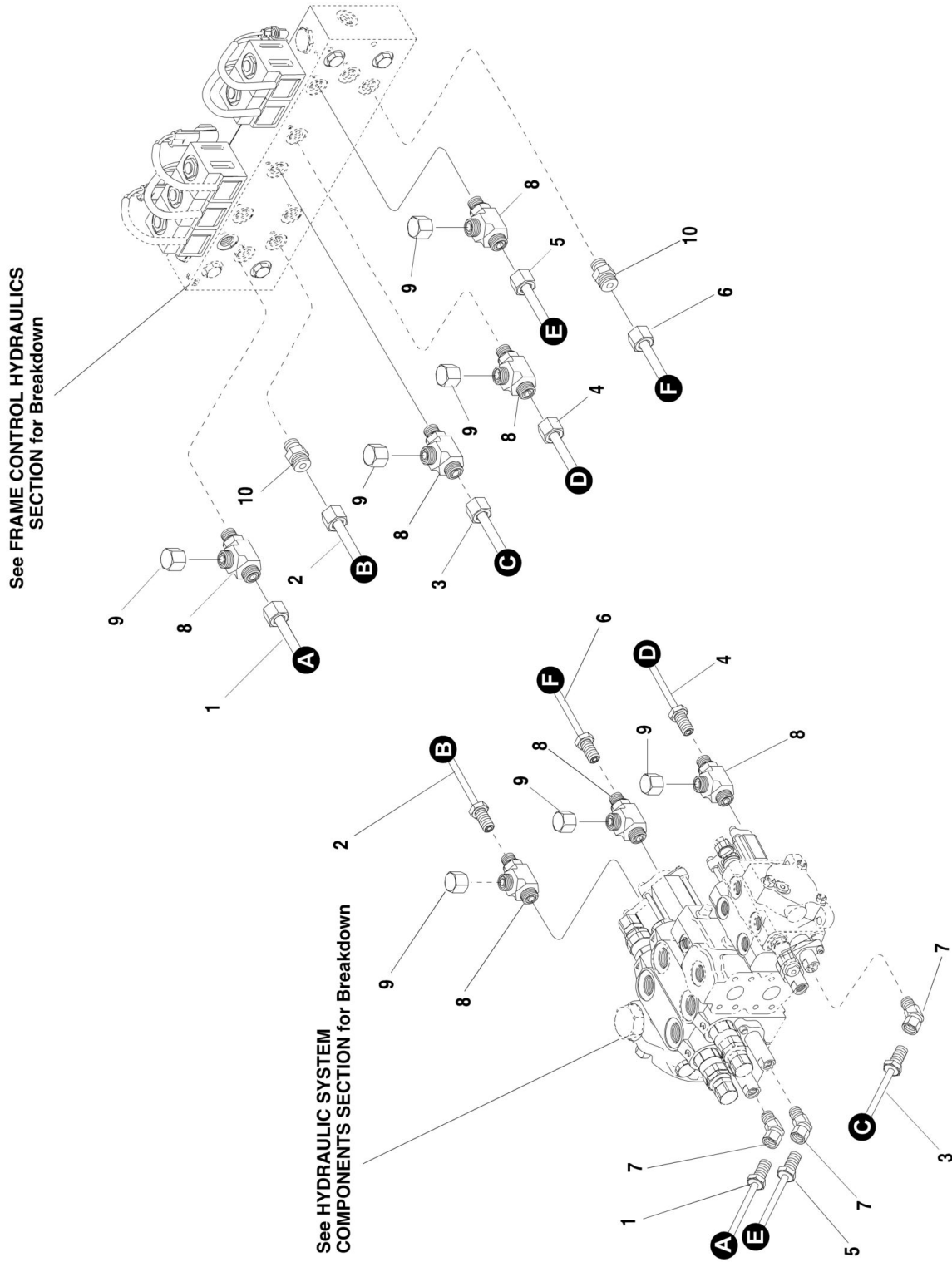
SECTION 5 - BOOM HYDRAULIC CIRCUITS AND CYLINDERS

FIGURE 5-8. SLAVE CYLINDER (S/N MV213 -)

ITEM	PART NUMBER	QTY	DESCRIPTION	REV
1	6623849	1	Cylinder, Slave (Includes Items 2 thru 16)	
2	8036780	1	Rod	
3	8036781	1	Gland, Head	
4	8036779	1	Piston	
5	8036778	1	Nut, Hex Lock 1.375-12 UNF	
6	N.S.S.	1	Tube, Weldment (Order Item 1)	
7	See Kits	1	Wiper, Rod	
8	See Kits	2	O-Ring	
9	See Kits	1	Ring, Back-Up	
10	See Kits	1	Z-Seal, Deep - w/Rod Back-Up	
11	See Kits	1	Wearband, Precision	
12	See Kits	1	O-Ring	
13	See Kits	1	T-Seal, Capped	
14	See Kits	1	Wearband, Precision	
15	See Kits	1	O-Ring	
16	7017283	1	Setscrew	
17	8526011	AR	Threadlocker, Loctite #271 (250cc)	
		Ref	KITS	
18	8036731	1	Seal Kit, Slave Cylinder (Includes Items 7 thru 15)	

SECTION 5 - BOOM HYDRAULIC CIRCUITS AND CYLINDERS

FIGURE 5-9. BOOM FUNCTION MAIN VALVE HYDRAULIC TUBING (S/N MV006 -)



SECTION 5 - BOOM HYDRAULIC CIRCUITS AND CYLINDERS

FIGURE 5-9. BOOM FUNCTION MAIN VALVE HYDRAULIC TUBING (S/N MV006 -)

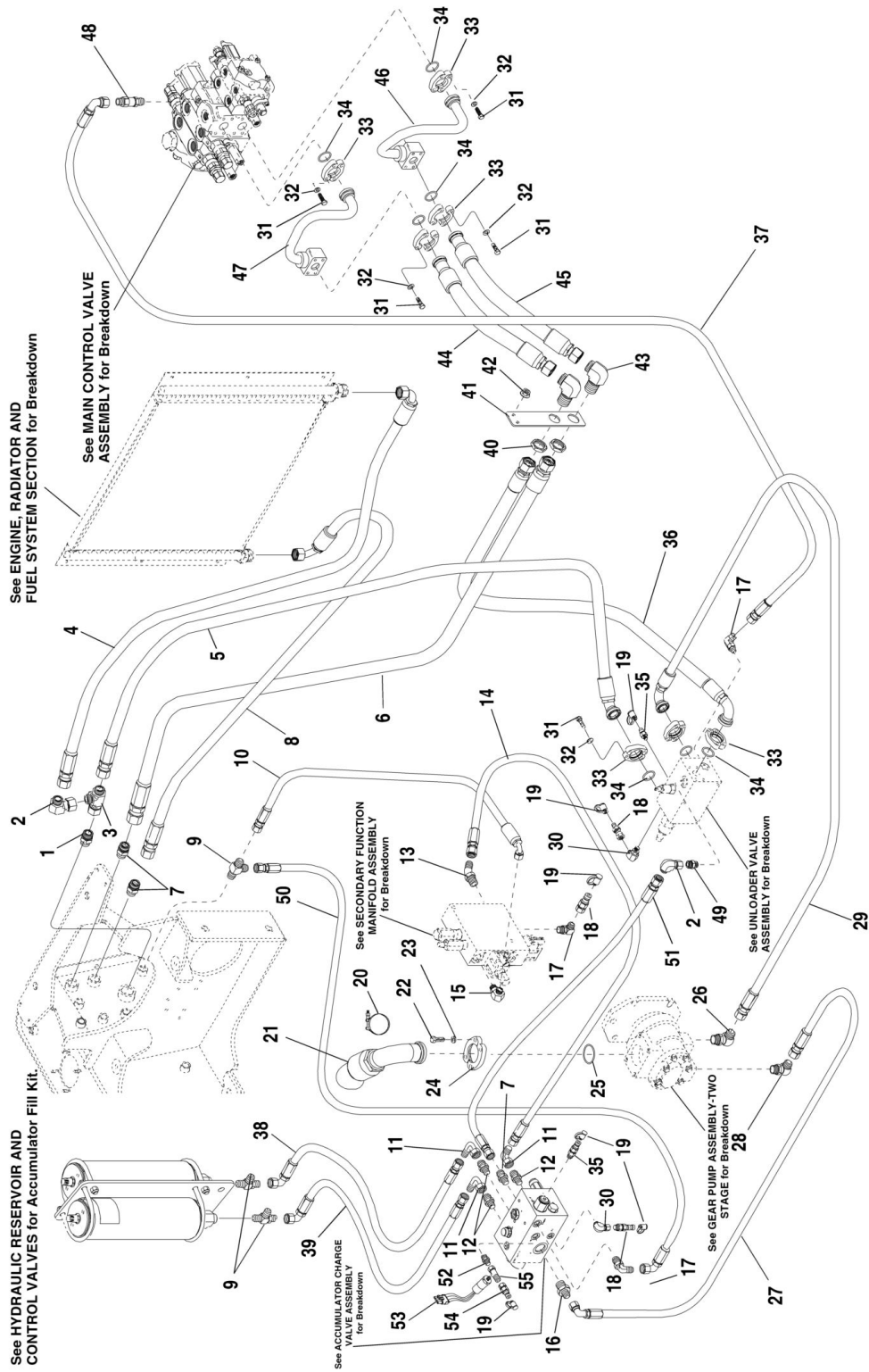
ITEM	PART NUMBER	QTY	DESCRIPTION	REV
1	7138769	1	Tube Assembly (A)	
2	7138764	1	Tube Assembly (B)	
3	7138771	1	Tube Assembly (C)	
4	7138767	1	Tube Assembly (D)	
5	7138768	1	Tube Assembly (E)	
6	7138763	1	Tube Assembly (F)	
7	8770140	3	Elbow, 45, 6ORB x 6FF	
8	8770066	7	Tee, SW RUN -6ORB x -6FF	
9	8770108	7	Cap, SAE 6 - OFS	
10	8770106	2	Connector, SAE 6 - str thd ORB x 6FF	

SECTION 6 - HYDRAULIC SYSTEM COMPONENTS

SECTION 6 - HYDRAULIC SYSTEM COMPONENTS

SECTION 6 - HYDRAULIC SYSTEM COMPONENTS

FIGURE 6-1. CONTROL VALVES HYDRAULIC CIRCUIT (SN MV006 through MV200)



SECTION 6 - HYDRAULIC SYSTEM COMPONENTS

FIGURE 6-1. CONTROL VALVES HYDRAULIC CIRCUIT (SN MV006 through MV200)

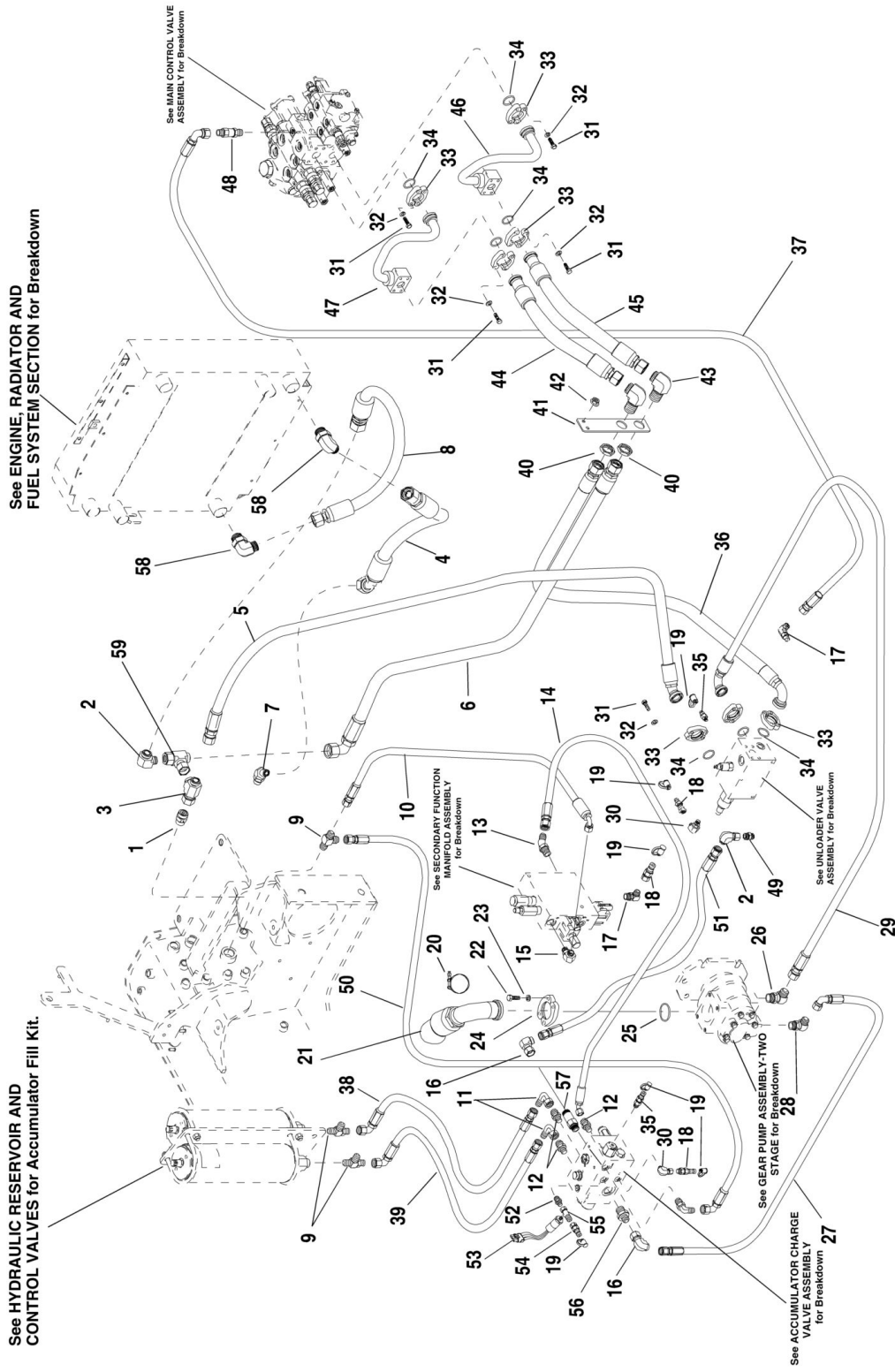
ITEM	PART NUMBER	QTY	DESCRIPTION	REV
1	8902856	1	Valve, Check, -16ORB x -16FF	
2	8770090	2	Elbow, SW 90-16FF	
3	8770214	1	Tee, SW RUN -16FF	
4	2716891	1	Hose, 0.75 x 24.00in	
5	2716892	1	Hose, 1.00 x 36.00in	
6	2716893	1	Hose, 0.75 x 29.00in	
7	8770070	2	Connector, -12ORB x -12FF	
8	2716525	1	Hose, 0.75 x 30.50in	
9	8770124	3	Tee, Male Run, SAE 8 - ORFS tube end x str thd o-ring	
10	2716567	1	Hose, 0.50 x 49.50in	
11	8770105	3	Elbow, 90, Swivel, SAE 6 - o-ring face seal	
12	8770106	3	Connector, SAE 6 - str thd ORB x o-ring face seal	
13	8770127	1	Elbow, 45, SAE 8 - str thd ORB x OFS	
14	2716889	1	Hose, 0.38 x 88.00in	
15	8770114	1	Elbow, 90, SAE 8 - str thd ORB x OFS	
16	8770070	1	Connector, SAE 12 - str thd ORB x OFS	
17	8770068	3	Elbow, 90, SAE 6 - str thd ORB x OFS	
18	8430081	3	Nipple, Diagnostic	
19	8430032	6	Plug, Dust	
20	8405209	1	Clamp, T-bolt	
21	2716520	1	Hose, 2.00 x 21.00in	
22	8303626	4	HHCS, 0.50-13 NC x 1.50in	
23	8307007	4	Washer, Lock 0.50in	
24	8546407	2	Flange, Half #32	
25	8640208	1	O-Ring, 2.234 I.D.	
26	8770153	1	Elbow, 90, SAE 16-12 - str thd ORB x OFS	
27	2716877	1	Hose, Special	
28	8770079	1	Elbow, 90, SAE 12 - str thd ORB x OFS	
29	2716633	1	Hose, 0.75 x 81.00in	
30	8770102	2	Elbow, 90, SAE 6-4 - str thd ORB x OFS	
31	8303675	28	HHCS, 3/8-16 NC x 1.25in	
32	8307005	28	Washer, Lock 3/8in	
33	8530030	14	Flange, Half #16	
34	8640123	7	O-Ring, 1.296 I.D.	
35	8430033	2	Nipple, Diagnostic - 1/8 Body	
36	2716631	1	Hose, 0.75 x 18.25in	
37	2716641	1	Hose, 0.38 x 99.50in	
38	2716882	1	Hose, 0.38 x 27.00in	
39	2716883	1	Hose, 0.38 x 30.00in	
40	8770096	2	Nut, Bulkhead, SAE 16 - OFS	
41	7139179	1	Bracket, High Pressure Lines	
42	8310522	2	Nut, Flange .375 - 6NC	
43	8770095	2	Elbow, 90, Bulkhead, SAE 16 - OFS	
44	2716531	1	Hose, 1.00 x 49.38in	
45	2716530	1	Hose, 1.00 x 51.75in	
46	7138785	1	Tube Assembly	
47	7138784	1	Tube Assembly	
48	8770107	1	Connector, Long, SAE 6 - str thd ORB x OFS	
49	8770078	1	Connector, -12ORB x -16FF	
50	2716880	1	Hose, .38 x 96.00in	

SECTION 6 - HYDRAULIC SYSTEM COMPONENTS

ITEM	PART NUMBER	QTY	DESCRIPTION	REV
51	2717245	1	Hose, .75 x 72.00in	
52	8760136	1	Connector, Straight, SAE 4-6 - male JIC 37 x male str thd o-ring	
53	10166680	1	Switch, Pressure	
54	8430036	1	Nipple, Diagnostic	
55	8760506	1	Tee, Swivel Nut Run #4	

SECTION 6 - HYDRAULIC SYSTEM COMPONENTS

FIGURE 6-2. CONTROL VALVES HYDRAULIC CIRCUIT (SN MV201 to Present)



SECTION 6 - HYDRAULIC SYSTEM COMPONENTS

FIGURE 6-2. CONTROL VALVES HYDRAULIC CIRCUIT (SN MV201 to Present)

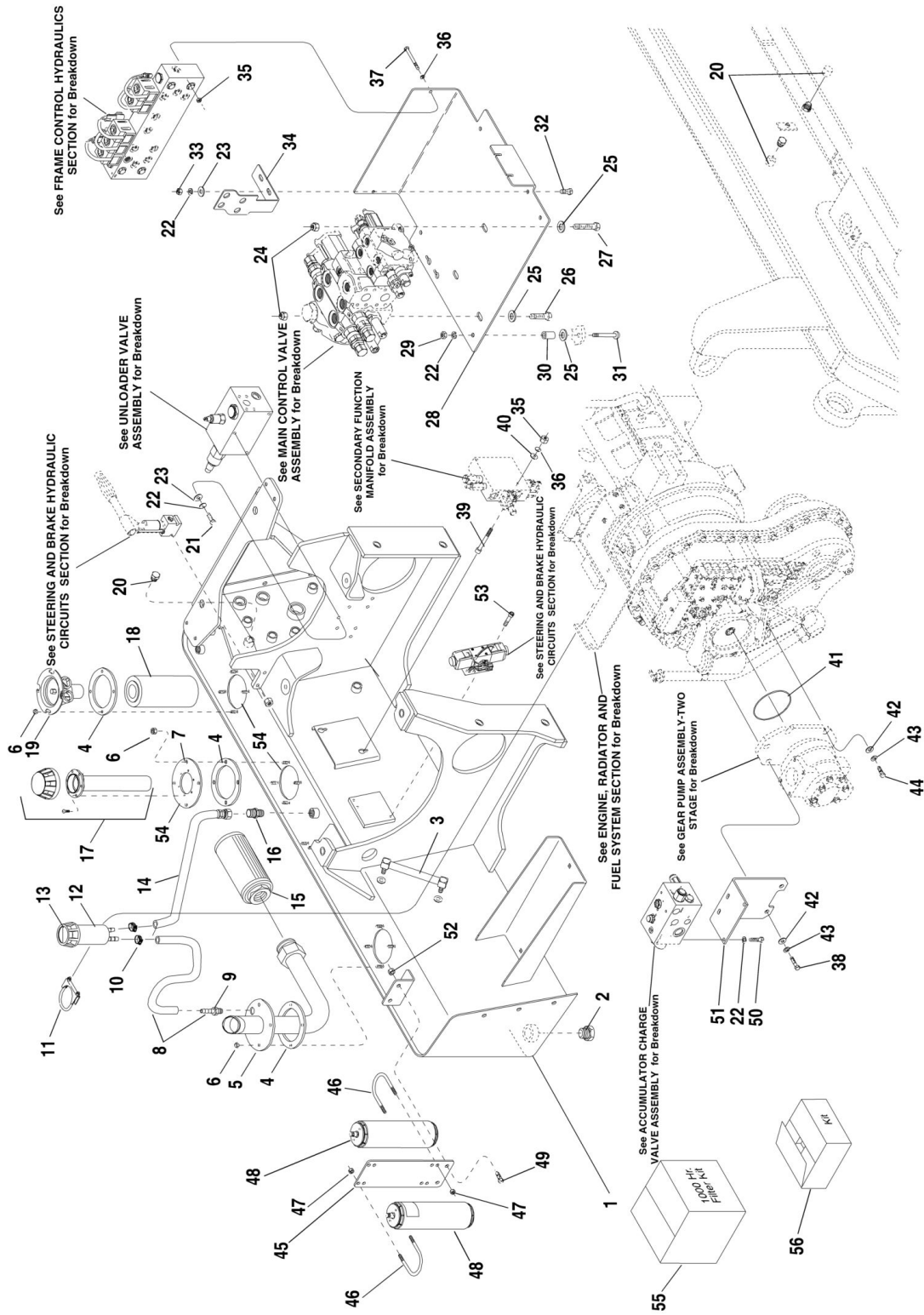
ITEM	PART NUMBER	QTY	DESCRIPTION	REV
1	8902856	1	Valve, Check, -16ORB x -16FF	
2	8770090	2	Elbow, SW 90-16FF	
3	8770214	1	Tee, SW RUN -16FF	
4	2717246	1	Hose, 0.75 x 30.00in	
5	2716892	1	Hose, 1.00 x 36.00in	
6	2717248	1	Hose, 1.00 x 25.00in	
7	8770070	1	Connector, -12ORB x -12FF	
8	2716893	1	Hose, 0.75 x 29.0in	
9	8770124	3	Tee, Male Run, SAE 8 - ORFS tube end x str thd o-ring	
10	2716567	1	Hose, 0.50 x 49.50in	
11	8770105	2	Elbow, 90, Swivel, SAE 6 - o-ring face seal	
12	8770106	3	Connector, SAE 6 - str thd ORB x OFS	
13	8770127	1	Elbow, 45, SAE 8 - str thd ORB x OFS	
14	2717244	1	Hose, 0.38 x 57.00in	
15	8770114	1	Elbow, 90, SAE 8 - str thd ORB x OFS	
16	8770080	2	Elbow, 90 Swivel, SAE 12FF	
17	8770068	2	Elbow, 90, SAE 6 - str thd ORB x OFS	
18	8430081	3	Nipple, Diagnostic	
19	8430032	6	Plug, Dust	
20	8405209	1	Clamp, T-bolt	
21	2716520	1	Hose, 2.00 x 21.00in	
22	8303626	4	HHCS, 1/2-13 NC x 1.50in	
23	8307007	4	Washer, Lock 1/2in	
24	8546407	2	Flange, Half #32	
25	8640208	1	O-Ring, 2.234 I.D.	
26	8770153	1	Elbow, 90, SAE 16-12 - str thd ORB x OFS	
27	2717247	1	Hose, 0.75 x 15.00in	
28	8770079	1	Elbow, 90, SAE 12 - str thd ORB x OFS	
29	2716633	1	Hose, 0.75 x 81.00in	
30	8770102	2	Elbow, 90, SAE 6-4 - str thd ORB x OFS	
31	8303675	28	HHCS, 3/8-16 NC x 1.25in	
32	8307005	28	Washer, Lock 3/8in	
33	8530030	14	Flange, Half #16	
34	8640123	7	O-Ring, 1.296 I.D.	
35	8430033	2	Nipple, Diagnostic - 1/8 Body	
36	2716631	1	Hose, 0.75 x 18.25in	
37	2716641	1	Hose, 0.38 x 99.50in	
38	2716882	1	Hose, 0.38 x 27.00in	
39	2716883	1	Hose, 0.38 x 30.00in	
40	8770096	2	Nut, Bulkhead, SAE 16 - OFS	
41	7139179	1	Bracket, High Pressure Lines	
42	8310522	2	Nut, Flange .375 - 6NC	
43	8770095	2	Elbow, 90, Bulkhead, SAE 16 - OFS	
44	2716531	1	Hose, 1.00 x 49.38in	
45	2716530	1	Hose, 1.00 x 51.75in	
46	7138785	1	Tube Assembly	
47	7138784	1	Tube Assembly	
48	8770107	1	Connector, Long, SAE 6 - str thd ORB x OFS	
49	8770078	1	Connector, -12ORB x -16FF	
50	2716880	1	Hose, .38 x 96.00in	

SECTION 6 - HYDRAULIC SYSTEM COMPONENTS

ITEM	PART NUMBER	QTY	DESCRIPTION	REV
51	2717245	1	Hose, .75 x 72.00in	
52	8760136	1	Connector, Straight, SAE 4-6 - male JIC 37 x male str thd o-ring	
53	10166680	1	Switch, Pressure	
54	8430036	1	Nipple, Diagnostic	
55	8760506	1	Tee, Swivel Nut Run #4	
56	8902861	1	Valve, Check, -12FF x -12ORB	
57	8770163	1	Connector, Long -12ORB x -12FF	
58	8760356	2	Elbow, 90, SAE 16-12 ORB x FF	
59	8770094	1	Tee, Swivel, Branched 16 FF	

SECTION 6 - HYDRAULIC SYSTEM COMPONENTS

FIGURE 6-3. HYDRAULIC RESERVOIR AND CONTROL VALVES (SN MV006 through MV200)



SECTION 6 - HYDRAULIC SYSTEM COMPONENTS

FIGURE 6-3. HYDRAULIC RESERVOIR AND CONTROL VALVES (SN MV006 through MV200)

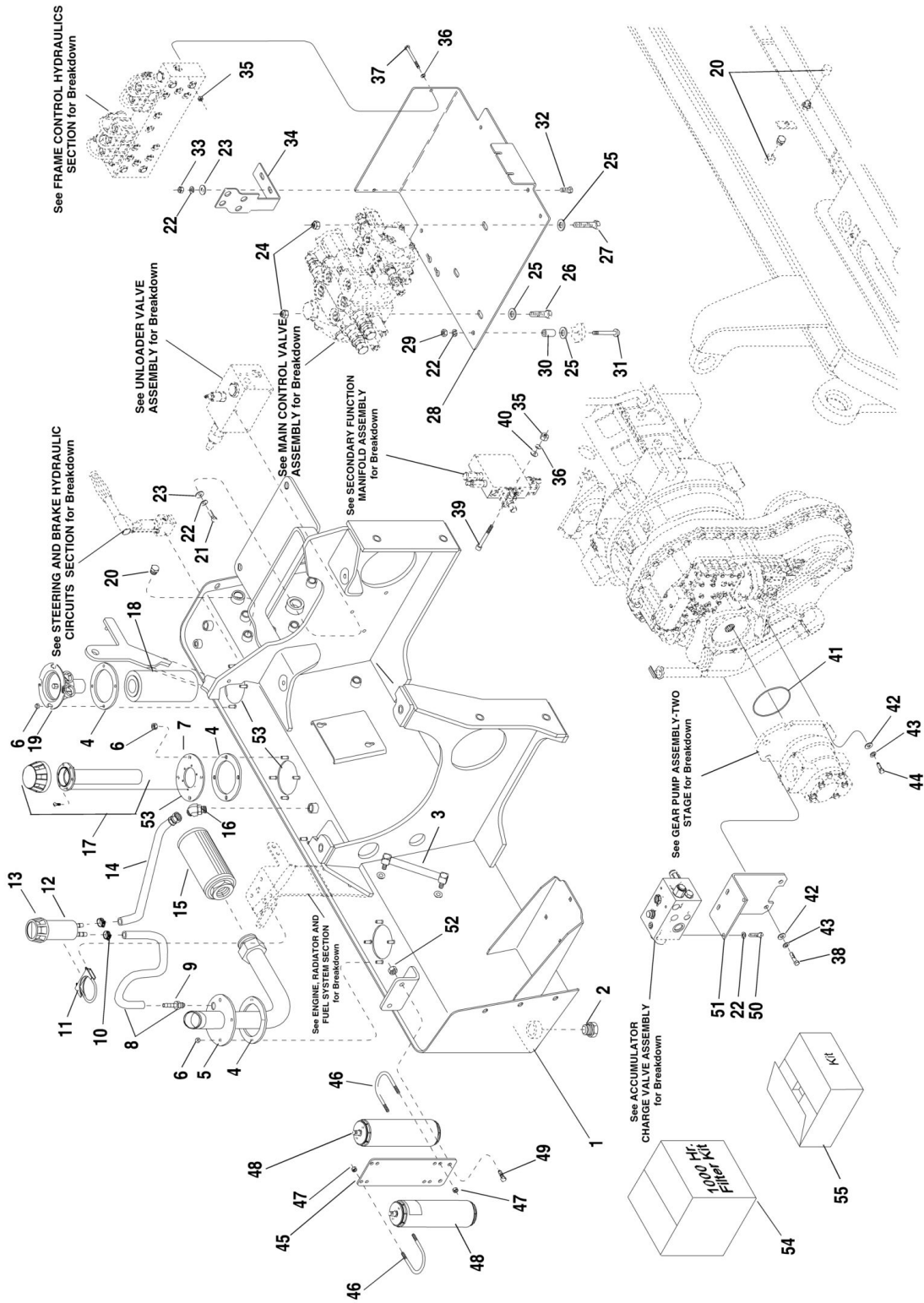
ITEM	PART NUMBER	QTY	DESCRIPTION	REV
1	6623383	1	Hydraulic Reservoir/Engine Mount	
2	8770001	1	Plug, 1.875-12 THD	
3	8464013	1	Sight Gauge	
4	7138209	3	Gasket	
5	7139984	1	Tube Weldment Assembly	
6	8305626	12	Nut, Hex Lock 0.312-18 NC	
7	0080268	1	Plate Adapter, Fill Neck	
8	2716854	1	Hose, Special (Includes Item 9)	
9	8430096	1	Coupling, Hose Barb #6-6P	
10	8410009	2	Clamp, Gear	
11	8275212	1	Clamp, Muffler, 2-1/2in U Type	
12	7139980	1	Breather Assembly (Includes Item 13)	
13	8036387	1	Cap, Breather Assembly	
14	2716853	1	Hose, Special	
15	8324029	1	Strainer	
16	8770116	1	Connector, -8ORB x -8FF	
17	7300479	1	Fill Neck Assembly	
18	8320265	1	Element, Filter, Hydraulic Oil (See Kits)	
19	7094562	1	Head, Filter	
20	8760419	3	Plug, SAE 8, 3/4-16 UNF-2A	
21	8303675	3	HHCS, 3/8-16 NC x 1.25in	
22	8307005	13	Washer, Lock 3/8in	
23	8307204	5	Washer, Plain 3/8in	
24	8305644	3	Nut, Hex Lock Elastic, 1/2in-13	
25	8307206	7	Washer, Plain 1/2in	
26	8303627	2	HHCS, 1/2in-13 NC x 1-3/4in	
27	8303693	1	HHCS, 1/2in-13 NC x 2-1/2in	
28	7135773	1	Bracket, Main Valve	
29	8305603	4	Nut, Hex Lock 3/8in-16	
30	7116691	4	Spacer	
31	8310281	4	Bolt, Carriage 3/8-16 x 2.25in	
32	8303620	2	HHCS, 3/8-16 x 1.00in	
33	8305008	2	Nut, Hex, 3/8in-16 NC	
34	7137022	1	Bracket, Bulkhead, Pilot Valve	
35	8305006	4	Nut, Hex 5/16in-18	
36	8307004	4	Washer, Lock 5/16in	
37	8303766	2	HHCS, 5/16in-18 x 2-3/4in	
38	8310594	2	HHCS, M12-1,75 x 50mm	
39	8310393	2	Bolt, Carriage 5/16in-18 x 2-3/4in	
40	8307203	2	Washer, Plain 5/16in	
41	8630016	1	O-Ring, 130 x 3mm	
42	8307220	4	Washer, Plain, M12	
43	8307025	4	Washer, Lock M12	
44	8310164	2	HHCS, M12-1,75 x 40mm	
45	7300205	1	Mount, Accumulator	
46	8310586	4	U-Bolt, 3/8in-16 x 4-1/8in	
47	8305645	8	Nut, Hex Lock Elastic 3/8-16	
48	8742008	2	Accumulator, 1 Liter Hydraulic	
49	8303626	2	HHCS, 1/2in-13 x 1-1/2in Gr. 5	
50	8303620	4	HHCS, 3/8-16 x 1.00in	

SECTION 6 - HYDRAULIC SYSTEM COMPONENTS

ITEM	PART NUMBER	QTY	DESCRIPTION	REV
51	7300206	1	Bracket, Accumulator Charge	
52	8310456	2	Nut, Hex 1/2in-13 NC Gr.5	
53	8310327	4	SHCS, #10-24 NC x 1 1/8in	
54	0100087	AR	Gasket Sealant Adhesive	
		Ref	KITS	
55	8024015	1	1000 Hour Filter Kit (Includes 7 Filters: Engine Oil Filter, Fuel Filter, Both Air Filters, Transmission Oil Filter and Hydraulic Oil Filter)	
56	10268992	1	Kit, Accumulator Fill	

SECTION 6 - HYDRAULIC SYSTEM COMPONENTS

FIGURE 6-4. HYDRAULIC RESERVOIR AND CONTROL VALVES (SN MV201 to Present)



SECTION 6 - HYDRAULIC SYSTEM COMPONENTS

FIGURE 6-4. HYDRAULIC RESERVOIR AND CONTROL VALVES (SN MV201 to Present)

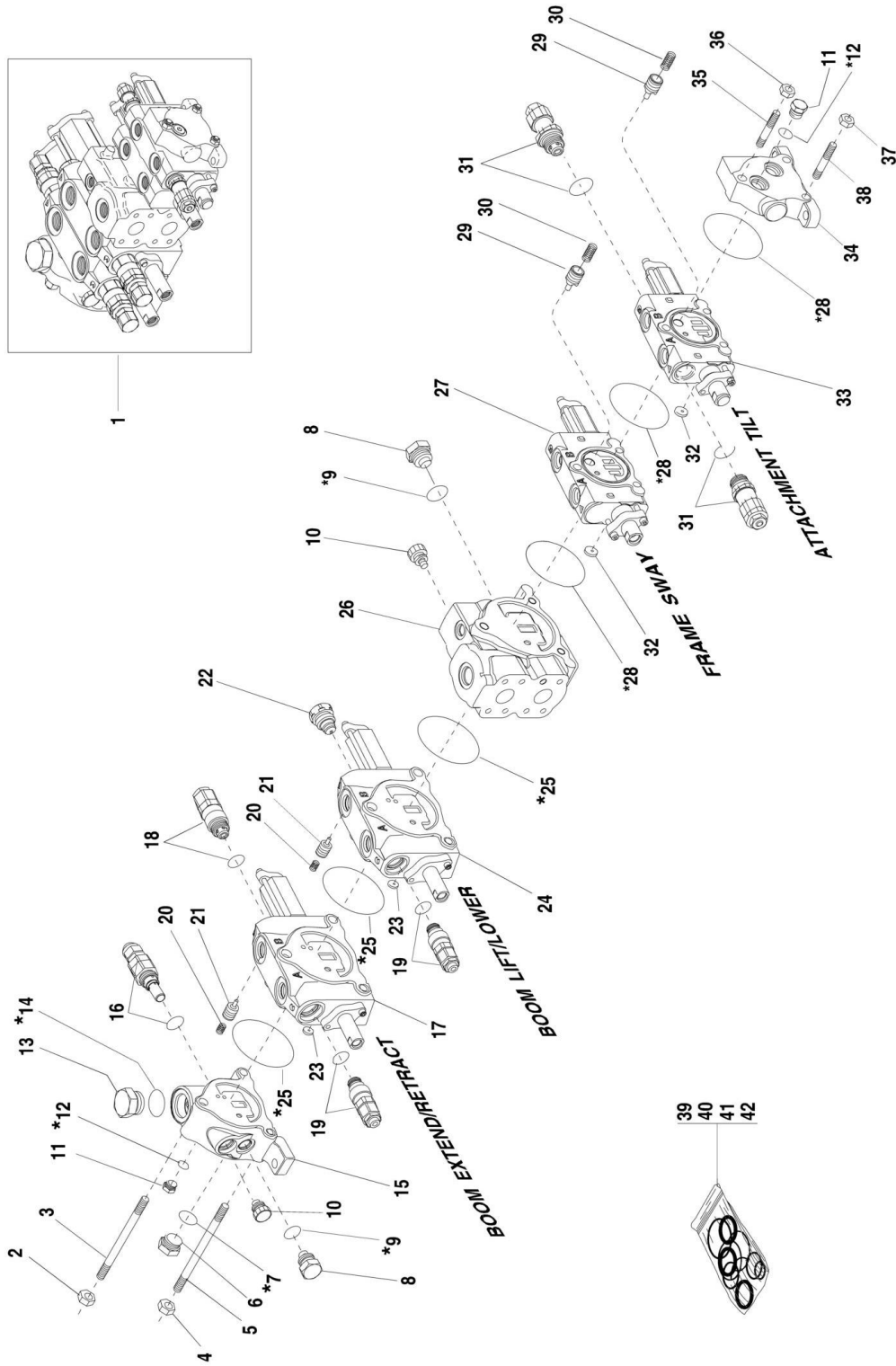
ITEM	PART NUMBER	QTY	DESCRIPTION	REV
1	6623883	1	Hydraulic Reservoir/Engine Mount	
2	8770001	1	Plug, 1.875-12 THD	
3	8464013	1	Sight Gauge	
4	7138209	3	Gasket	
5	7139984	1	Tube Weldment Assembly	
6	8305626	12	Nut, Hex Lock 0.312-18 NC	
7	0080268	1	Plate Adapter, Fill Neck	
8	2716854	1	Hose, Special (Includes Item 9)	
9	8430096	1	Coupling, Hose Barb #6-6P	
10	8410009	2	Clamp, Gear	
11	8275212	1	Clamp, Muffler, 2-1/2in U Type	
12	7139980	1	Breather Assembly (Includes Item 13)	
13	8036387	1	Cap, Breather Assembly	
14	2716853	1	Hose, Special	
15	8324029	1	Strainer	
16	8770127	1	Elbow, 45, SAE 8 - str thd ORB x OFS	
17	7300479	1	Fill Neck Assembly	
18	8320265	1	Element, Filter, Hydraulic Oil (See Kits)	
19	7094562	1	Head, Filter	
20	8760419	3	Plug, SAE 8, 3/4-16 UNF-2A	
21	8303675	3	HHCS, 3/8-16 NC x 1.25in	
22	8307005	13	Washer, Lock 3/8in	
23	8307204	5	Washer, Plain 3/8in	
24	8305644	3	Nut, Hex Lock Elastic, 1/2in-13	
25	8307206	7	Washer, Plain 1/2in	
26	8303627	2	HHCS, 1/2in-13 NC x 1-3/4in	
27	8303693	1	HHCS, 1/2in-13 NC x 2-1/2in	
28	7135773	1	Bracket, Main Valve	
29	8305603	4	Nut, Hex Lock 3/8in-16	
30	7116691	4	Spacer	
31	8310281	4	Bolt, Carriage 3/8-16 x 2.25in	
32	8303620	2	HHCS, 3/8-16 x 1.00in	
33	8305008	2	Nut, Hex, 3/8in-16 NC	
34	7137022	1	Bracket, Bulkhead, Pilot Valve	
35	8305006	4	Nut, Hex 5/16in-18	
36	8307004	4	Washer, Lock 5/16in	
37	8303766	2	HHCS, 5/16in-18 x 2-3/4in	
38	8310594	2	HHCS, M12-1,75 x 50mm	
39	8310393	2	Bolt, Carriage 5/16in-18 x 2-3/4in	
40	8307203	2	Washer, Plain 5/16in	
41	8630016	1	O-Ring, 130 x 3mm	
42	8307220	4	Washer, Plain, M12	
43	8307025	4	Washer, Lock M12	
44	8310164	2	HHCS, M12-1,75 x 40mm	
45	7300205	1	Mount, Accumulator	
46	8310586	4	U-Bolt, 3/8in-16 x 4-1/8in	
47	8305645	8	Nut, Hex Lock Elastic 3/8-16	
48	8742008	2	Accumulator, 1 Liter Hydraulic	
49	8303626	2	HHCS, 1/2in-13 x 1-1/2in Gr. 5	
50	8303620	4	HHCS, 3/8-16 x 1.00in	

SECTION 6 - HYDRAULIC SYSTEM COMPONENTS

ITEM	PART NUMBER	QTY	DESCRIPTION	REV
51	7300206	1	Bracket, Accumulator Charge	
52	8310456	2	Nut, Hex 1/2in-13 NC Gr. 5	
53	0100087	AR	Gasket Sealant Adhesive	
		Ref	KITS	
54	8024052	1	1000 Hour Filter Kit (Includes 7 Filters: Engine Oil Filter, Fuel Filter, Both Air Filters, Transmission Oil Filter and Hydraulic Oil Filter)	
55	10268992	1	Kit, Accumulator Fill	

SECTION 6 - HYDRAULIC SYSTEM COMPONENTS

FIGURE 6-5. MAIN CONTROL VALVE ASSEMBLY (SN MV006 to Present)



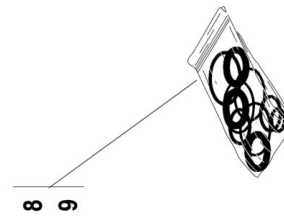
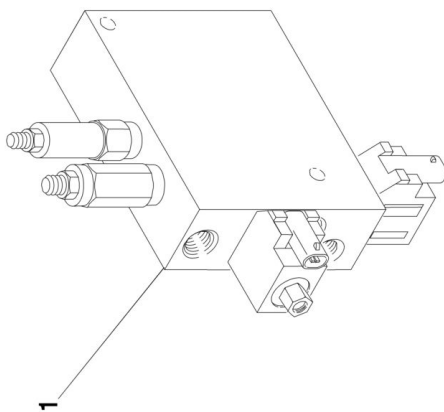
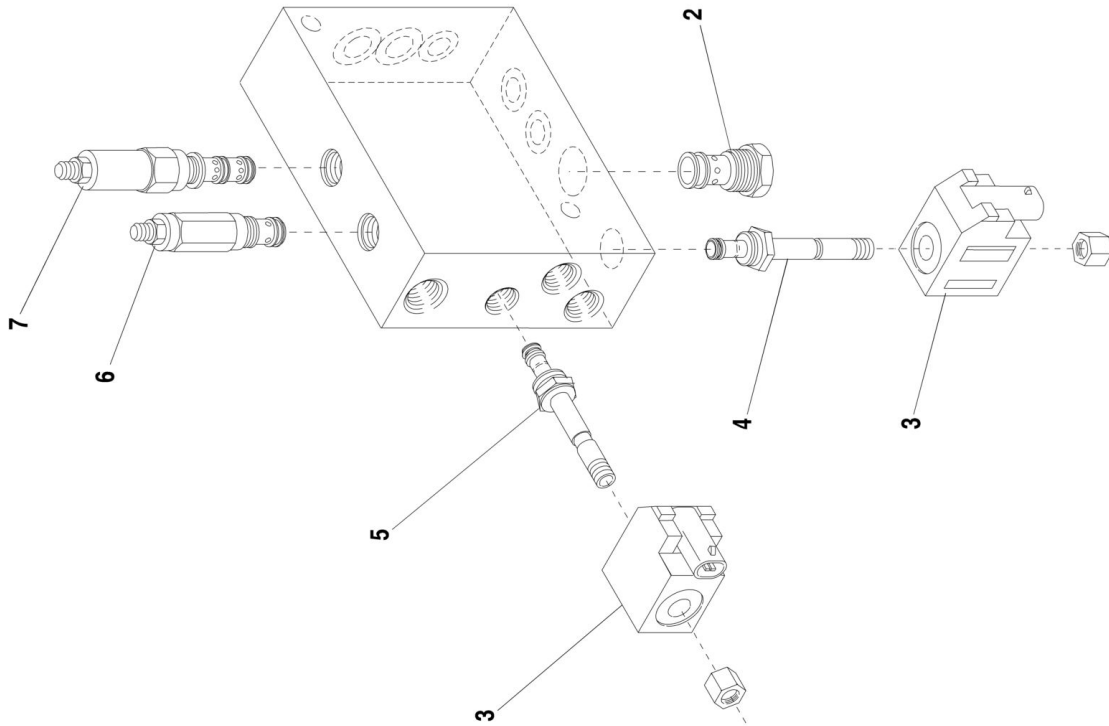
SECTION 6 - HYDRAULIC SYSTEM COMPONENTS

FIGURE 6-5. MAIN CONTROL VALVE ASSEMBLY (SN MV006 to Present)

ITEM	PART NUMBER	QTY	DESCRIPTION	REV
1	8902290	1	Main Control Valve Assembly (complete) (Includes Items 2 thru 38)	
2	8035347	1	Nut	
3	8036282	1	Tie Rod	
4	8035381	2	Nut	
5	8036281	2	Tie Rod	
6	8035836	1	Plug	
7	See Kits	1	O-Ring	
8	8035834	2	Plug	
9	See Kits	2	O-Ring	
10	8035841	2	Shut-Off Plug Assembly (Not used on MV201 to Present)	
11	8035843	2	Plug	
12	See Kits	2	O-Ring	
13	8035835	1	Plug	
14	See Kits	1	O-Ring	
15	8036263	1	Outlet Section Assembly	
16	8035844	1	Main Relief Valve Assembly Preset at 3800 ±50psi (For Seal Kit use Item 41)	
17	8035850	1	Section Assembly Boom Extend/Retract (Includes Items 20, 21 & 25)	
18	8036007	1	Relief Valve Assembly - Preset at 3750 ± 50psi (258 ± 3,4 bar) (Includes O-Ring) (For Seal Kit Use Item 40)	
19	8035839	2	Relief Valve Assembly - Preset at 3000 ± 50psi (207 ± 3,4 bar) (Includes O-Ring) (For Seal Kit Use Item 40)	
20	8035358	2	Spring	
21	8035367	2	Poppet	
22	8035363	1	Anti-Void Assembly	
23	8035845	2	Shuttle	
24	8035850	1	Section Assembly Boom Lift/Lower (Includes Items 20, 21 & 25)	
25	8036284	3	O-Ring	
26	8035849	1	Mid-Inlet Section Assembly	
27	8035846	1	Section Assembly - Frame Sway and Stabil-Trak (Includes Items 28, 29 & 30)	
28	8036260	3	O-Ring	
29	8035366	2	Poppet	
30	8035365	2	Spring	
31	8035840	2	Relief Valve Assembly - Preset at 4000 ± 50psi (For Seal Kit use Item 42)	
32	8035045	2	Shuttle	
33	8035847	1	Section Assembly - Attachment Tilt and Slave (Includes Items 28, 29 & 30)	
34	8035345	1	Outlet Section Assembly	
35	8036291	1	Tie Rod	
36	8035346	1	Nut	
37	8035348	2	Nut	
38	8036292	2	Tie Rod	
		Ref	KITS	
39	8036285	1	Seal Kit Entire Valve (Includes Items 7, 9, 12, 14, 25 & 28)	
40	8035856	1	Seal and Spring Kit (For Items 18 & 19)	
41	8036183	1	Seal and Spring Kit, Relief Valve (For Item 16)	
42	8035855	1	Seal and Spring Kit, Relief Valve (For Item 31)	

SECTION 6 - HYDRAULIC SYSTEM COMPONENTS

FIGURE 6-6. SECONDARY FUNCTION MANIFOLD ASSEMBLY (SN MV006 to Present)



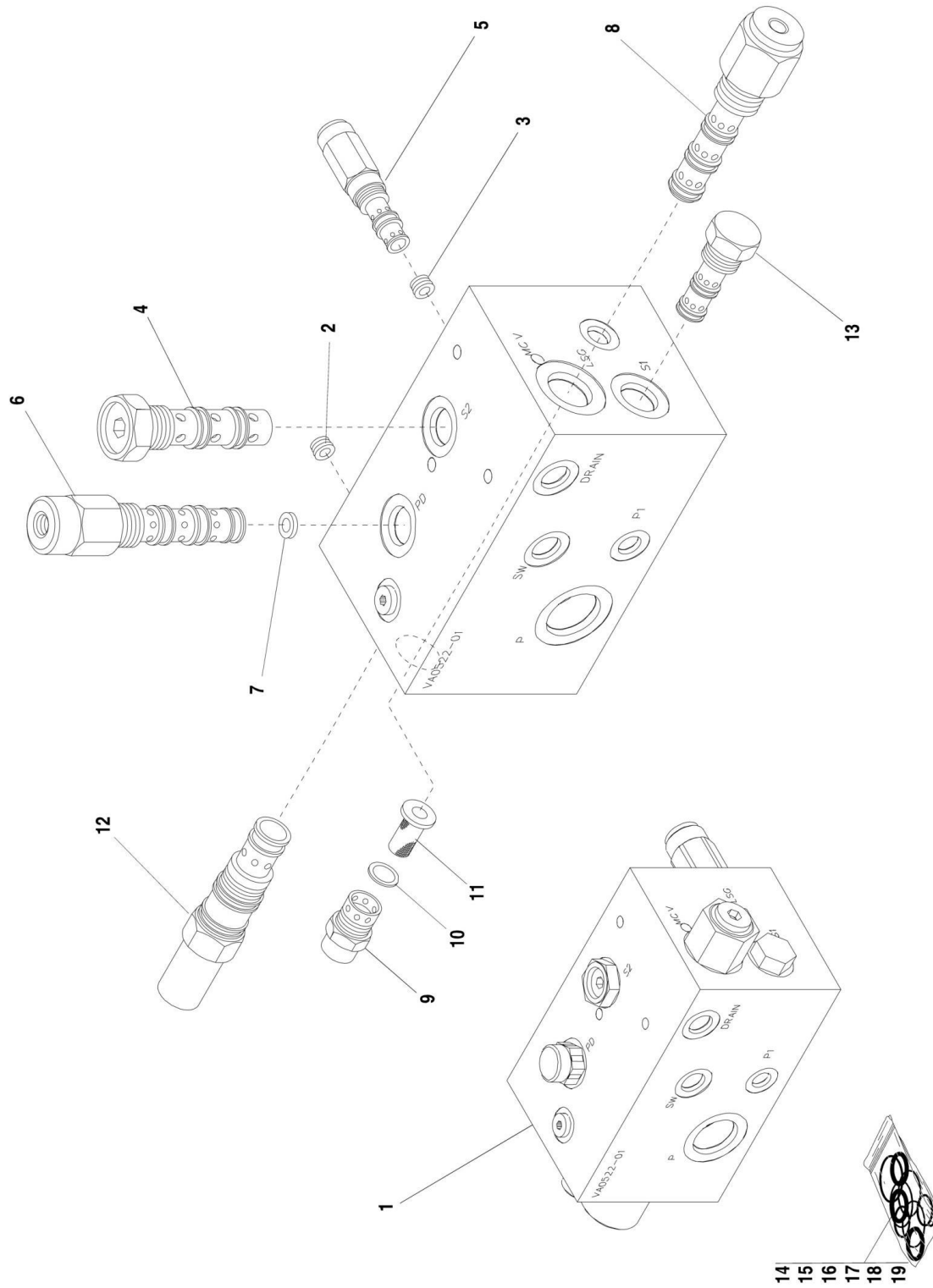
SECTION 6 - HYDRAULIC SYSTEM COMPONENTS

FIGURE 6-6. SECONDARY FUNCTION MANIFOLD ASSEMBLY (SN MV006 to Present)

ITEM	PART NUMBER	QTY	DESCRIPTION	REV
1	8902299	1	Secondary Function Manifold Assembly (Includes Items 2 thru 7)	
2	8032995	1	Valve, Check (Seal Kit Item 9)	
3	8902698	2	Coil, Solenoid w/Integrated Diode	
4	8902696	1	Cartridge, Solenoid Valve (Seal Kit Item 9)	
5	8902697	1	Cartridge, Solenoid Valve (Seal Kit Item 9)	
6	8032991	1	Valve, Relief Preset at 650psi (45 bar) (Seal Kit Item 8)	
7	8032993	1	Valve, Pressure Reducing Preset at 550psi (38 bar) (Seal Kit Item 8)	
		Ref	KITS	
8	8032994	1	Seal Kit (For Servicing Items 6 & 7)	
9	8032992	1	Seal Kit (For Servicing Items 2, 4 & 5)	

SECTION 6 - HYDRAULIC SYSTEM COMPONENTS

FIGURE 6-7. ACCUMULATOR CHARGE VALVE ASSEMBLY (S/N MV006 - MV200)



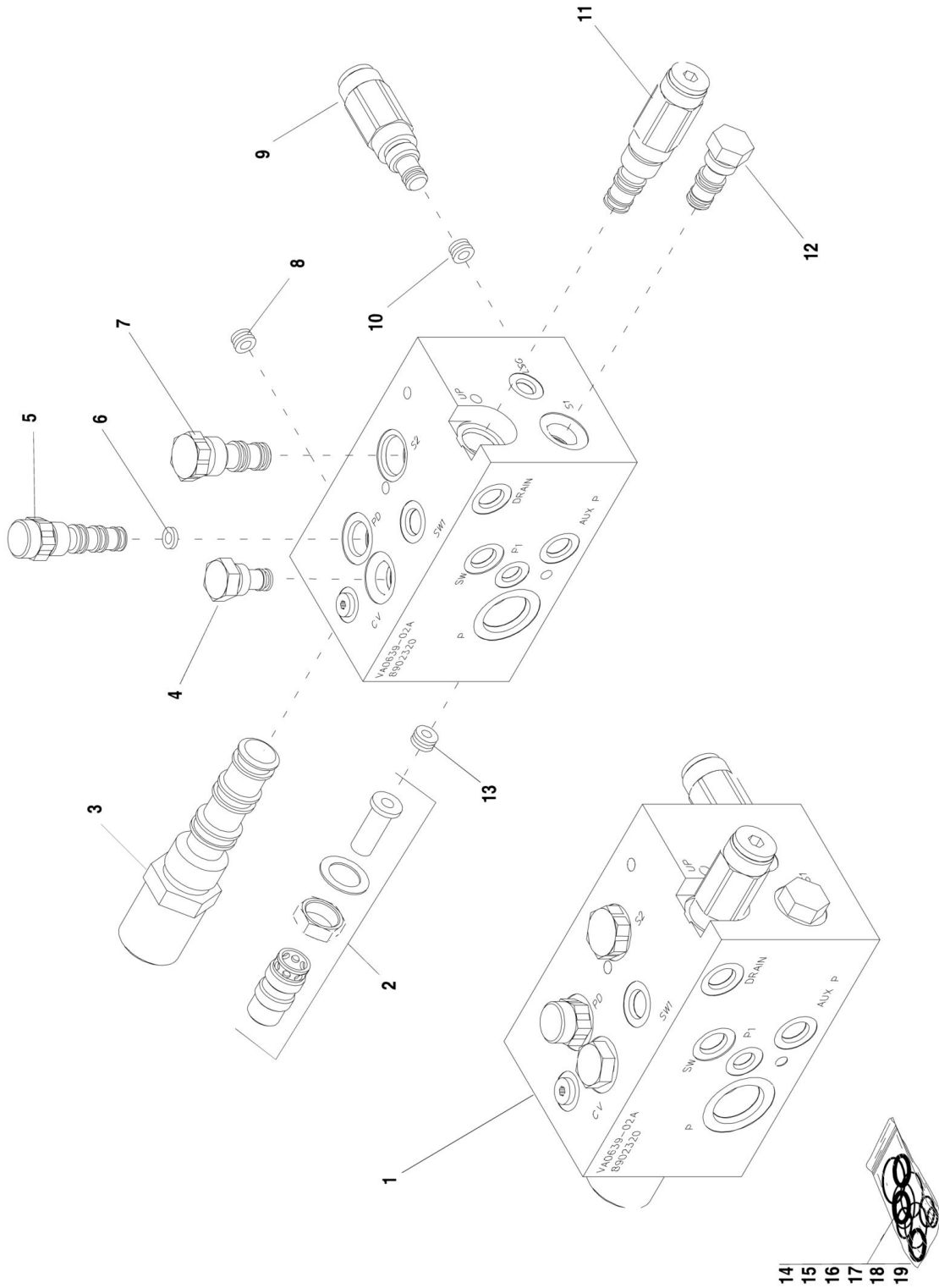
SECTION 6 - HYDRAULIC SYSTEM COMPONENTS

FIGURE 6-7. ACCUMULATOR CHARGE VALVE ASSEMBLY (S/N MV006 - MV200)

ITEM	PART NUMBER	QTY	DESCRIPTION	REV
1	8902297	1	Valve, Accumulator Charge (Includes Items 2 thru 13)	
2	8036452	1	Plug, Orifice 1/16in (.040) (PIL)	
3	8036453	1	Plug, Orifice 1/16in (.032) (RV OR1)	
4	8036454	1	Shuttle, Inverted (S2) (Seal Kit Item 14)	
5	8036455	1	Valve, Relief, 2400PSI (RV) (Seal Kit Item 15)	
6	8036456	1	Directional, Pilot (PD) (Seal Kit Item 16)	
7	8036457	1	Disc, Orifice, .032 Dia (PD)	
8	8036458	1	Cartridge, Accumulator Charge (MCV) (Includes Items 9,10 & 11)	
9	N.S.S.	1	Retainer, Filter (Order Item 8)	
10	N.S.S.	1	Washer (Order Item 8)	
11	N.S.S.	1	Filter, Sintered (Order Item 8 and also Filter is included with Seal Kit Item 17)	
12	8036460	1	Compensator (EC) (Seal Kit Item 18)	
13	10837580	1	Valve, Load Shuttle (S1) (Seal Kit Item 19)	
		Ref	KITS	
14	8036490	1	Seal Kit (For Item 4)	
15	8036492	1	Seal Kit (For Item 5)	
16	7017402	1	Seal Kit (For Item 6)	
17	8036491	1	Seal Kit (For Item 8)	
18	8036493	1	Seal Kit (For Item 12)	
19	8036572	1	Seal Kit (For Item 13)	

SECTION 6 - HYDRAULIC SYSTEM COMPONENTS

FIGURE 6-8. ACCUMULATOR CHARGE VALVE ASSEMBLY (S/N MV201 -)



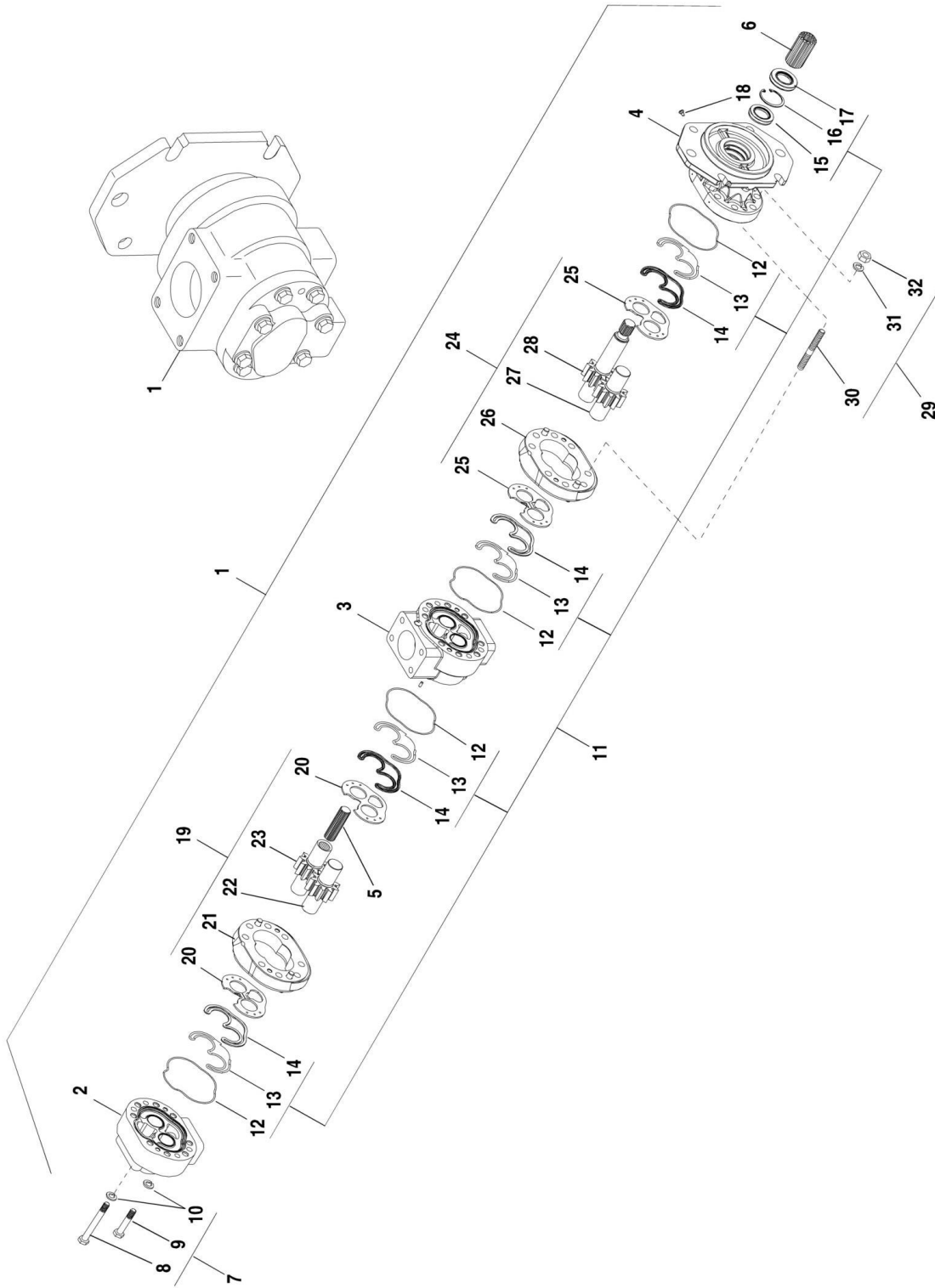
SECTION 6 - HYDRAULIC SYSTEM COMPONENTS

FIGURE 6-8. ACCUMULATOR CHARGE VALVE ASSEMBLY (S/N MV201 -)

ITEM	PART NUMBER	QTY	DESCRIPTION	REV
1	8902320	1	Valve, Accumulator Charge (Includes Items 2 thru 13)	
2	8036564	1	Filter Assembly (Seal Kit Item 14)	
3	8036460	1	Compensator (EC) (Seal Kit Item 15)	
4	8033769	1	Check Valve, 4PSI (CV) (Seal Kit Item 19)	
5	8036456	1	Directional, Pilot (PD) (Seal Kit Item 16)	
6	8036457	1	Disc, Orifice, .032 Dia (PD)	
7	8036568	1	Shuttle Cartridge, Invetred (S2)	
8	8036452	1	Plug, Orifice 1/16in (.040) (PIL)	
9	8036788	1	Cartridge, Relief, Direct Acting 2300PSI (RV) (Seal Kit Item 19)	
10	8036453	1	Plug, Orifice 1/16in (.032) (RV OR1)	
11	8036566	1	Cartridge, Charge Logic 1050-1950PSI (UP) (Seal Kit Item 17)	
12	10837580	1	Valve, Load Shuttle (S1) (Seal Kit Item 18)	
13	8036789	1	Plug, Orifice 1/16in (.052) (Filter OR2)	
		Ref	KITS	
14	8036491	1	Seal Kit (For Item 2)	
15	8036493	1	Seal Kit (For Item 3)	
16	7017402	1	Seal Kit (For Item 5)	
17	8036567	1	Seal Kit (For Item 11)	
18	8036572	1	Seal Kit (For Item 12)	
19	10868086	1	Seal Kit (For Item 4 & 9)	

SECTION 6 - HYDRAULIC SYSTEM COMPONENTS

FIGURE 6-9. GEAR PUMP ASSEMBLY-TWO STAGE (S/N MV006 -)



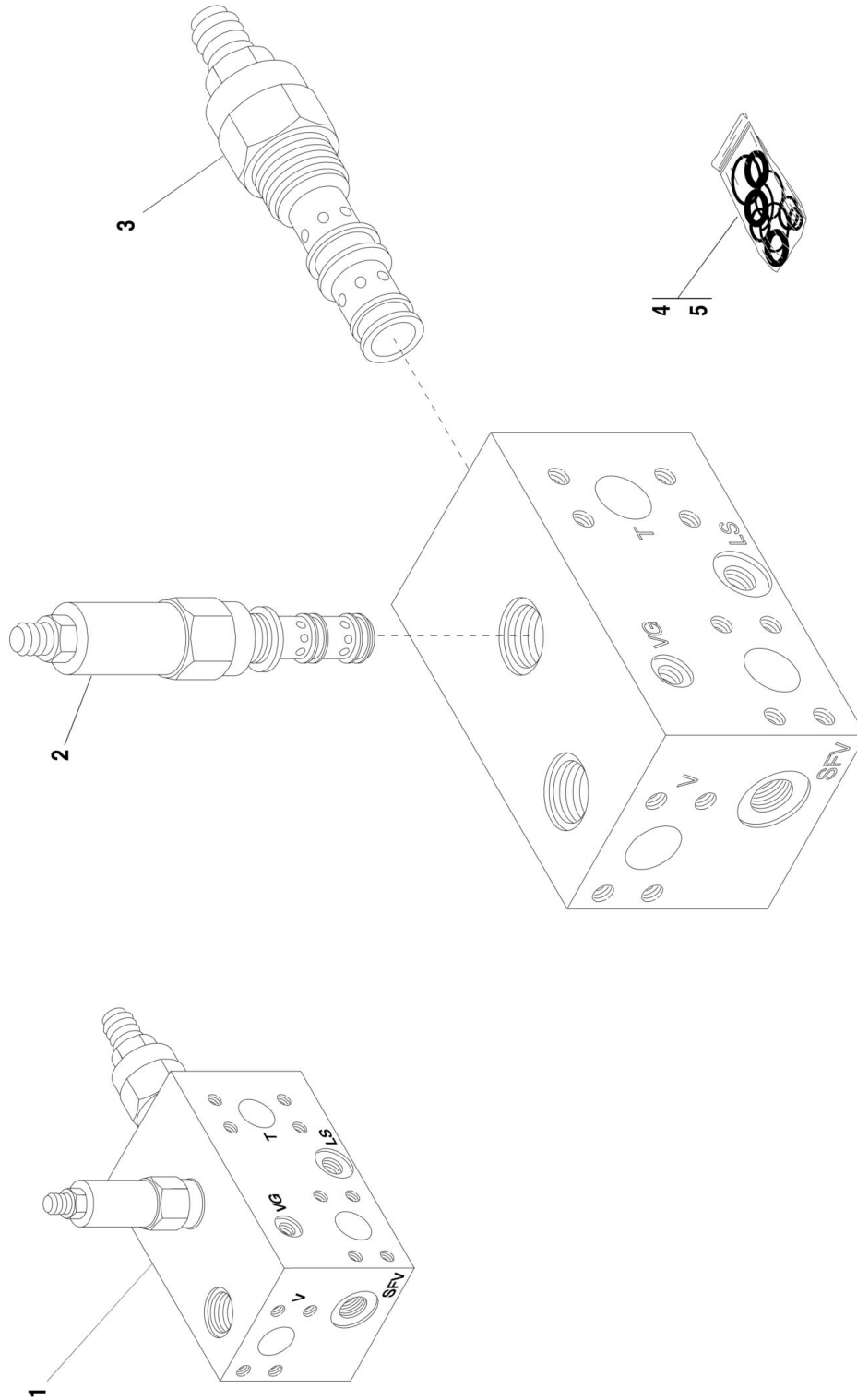
SECTION 6 - HYDRAULIC SYSTEM COMPONENTS

FIGURE 6-9. GEAR PUMP ASSEMBLY-TWO STAGE (S/N MV006 -)

ITEM	PART NUMBER	QTY	DESCRIPTION	REV
1	8440236	1	Gear Pump Assembly-Two Stage (Includes Items 2 thru 32)	
2	N.S.S.	1	Cover, Rear (Order Item 1)	
3	N.S.S.	1	Port Section (Order Item 1)	
4	N.S.S.	1	Cover, "C" Mount Front (Order Item 1)	
5	8036485	1	Coupling	
6	8036486	1	Coupling, "C" Spline	
7	8036480	1	Bolt Kit (Includes Items 8, 9 & 10)	
8	N.S.S.	4	Bolt 7/16-14 x 4.00in (Order Item 7)	
9	N.S.S.	4	Bolt 7/16-14 x 2.75in (Order Item 7)	
10	N.S.S.	8	Washer, Lock 7/16in (Order Item 7)	
11	8036481	1	Seal Kit (Includes Items 12 thru 18)	
12	N.S.S.	4	O-Ring (Order Item 11)	
13	N.S.S.	4	E-Ring (Order Item 11)	
14	N.S.S.	4	Retaining Ring (Order Item 11)	
15	N.S.S.	1	Seal, Inner Shaft (Order Item 11)	
16	N.S.S.	1	Snap Ring (Order Item 11)	
17	N.S.S.	1	Seal, Outer Shaft (Order Item 11)	
18	N.S.S.	1	Plug, Weep Hole (Order Item 11)	
19	8036482	1	Rear Section Kit (Includes Items 20 thru 23)	
20	N.S.S.	2	Wear Plate (Order Item 19)	
21	N.S.S.	1	Center Section (Order Item 19)	
22	N.S.S.	1	Gear, Driven (Order Item 19)	
23	N.S.S.	1	Gear, Rear Drive (Order Item 19)	
24	8036483	1	Front Section Kit (Includes Items 25 thru 28)	
25	N.S.S.	2	Wear Plate (Order Item 24)	
26	N.S.S.	1	Center Section (Order Item 24)	
27	N.S.S.	1	Gear, Driven (Order Item 24)	
28	N.S.S.	1	Gear, Drive, "B" Spline (Order Item 24)	
29	8036484	1	Front Stud Kit (Includes Items 30 thru 32)	
30	N.S.S.	8	Stud, 7/16 x 3.51in (Order Item 29)	
31	N.S.S.	8	Washer, Lock 7/16in (Order Item 29)	
32	N.S.S.	8	Nut, 7/16-20 x 3/8in (Order Item 29)	

SECTION 6 - HYDRAULIC SYSTEM COMPONENTS

FIGURE 6-10. UNLOADER VALVE ASSEMBLY (S/N MV006 -)



SECTION 6 - HYDRAULIC SYSTEM COMPONENTS

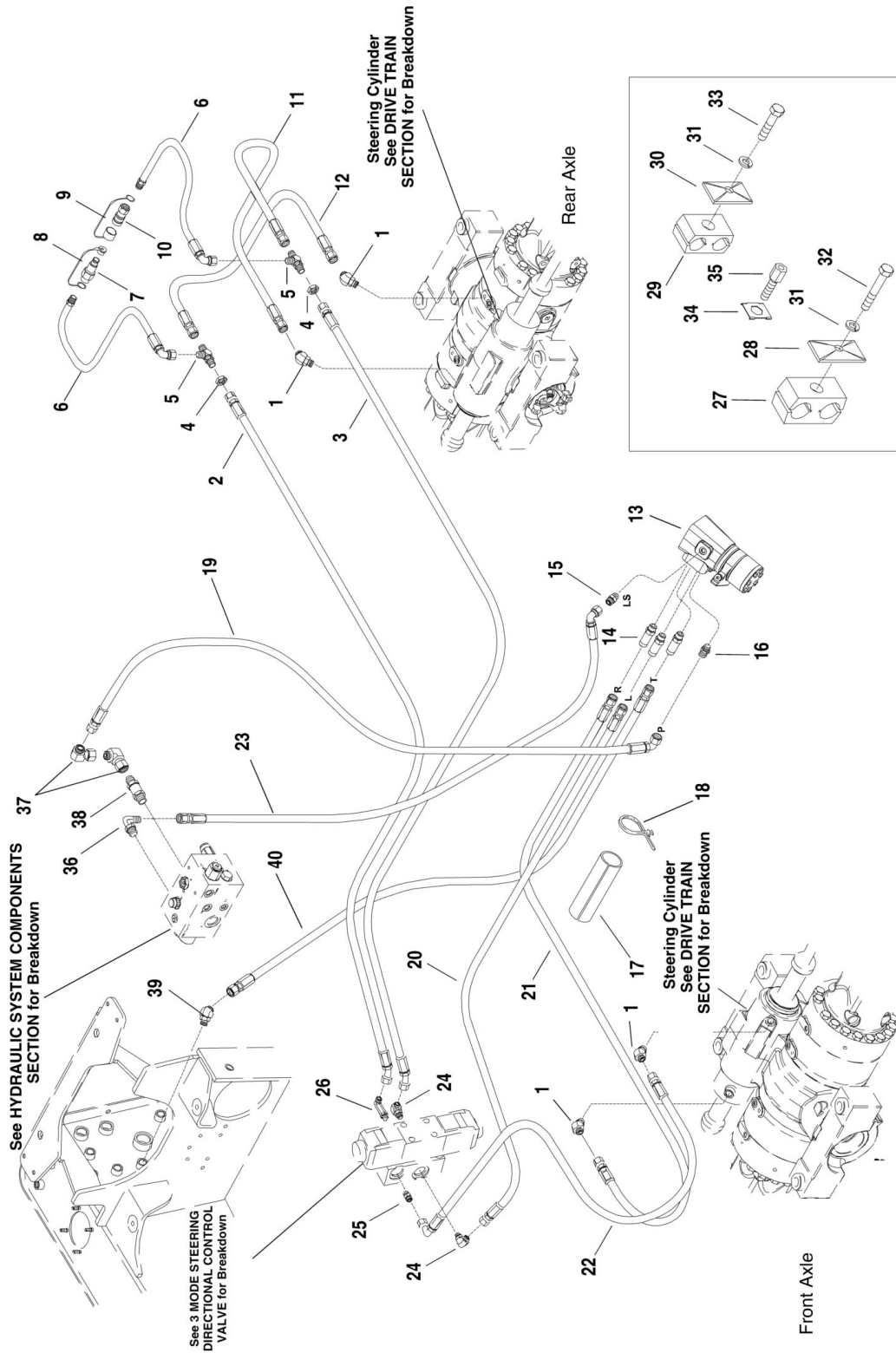
FIGURE 6-10. UNLOADER VALVE ASSEMBLY (S/N MV006 -)

ITEM	PART NUMBER	QTY	DESCRIPTION	REV
1	8902287	1	Unloader Valve Assembly (Includes Items 2 and 3)	
2	8036356	1	Valve, Relief (3400-3500psi) (234-241 bar) (Seal Kit Item 4)	
3	8035775	1	Valve, Differential Pressure Sense (Seal Kit Item 5)	
3	8036187	1	Seal Kit	
		Ref	KITS	
4	8034037	1	Seal Kit (For Item 2)	
5	8036192	1	Seal Kit (For Item 3)	

SECTION 7 - STEERING AND BRAKE HYDRAULIC CIRCUITS

SECTION 7 - STEERING AND BRAKE HYDRAULIC CIRCUITS

FIGURE 7-1. 3 MODE STEERING HYDRAULIC CIRCUIT (SN MV006 through MV200)



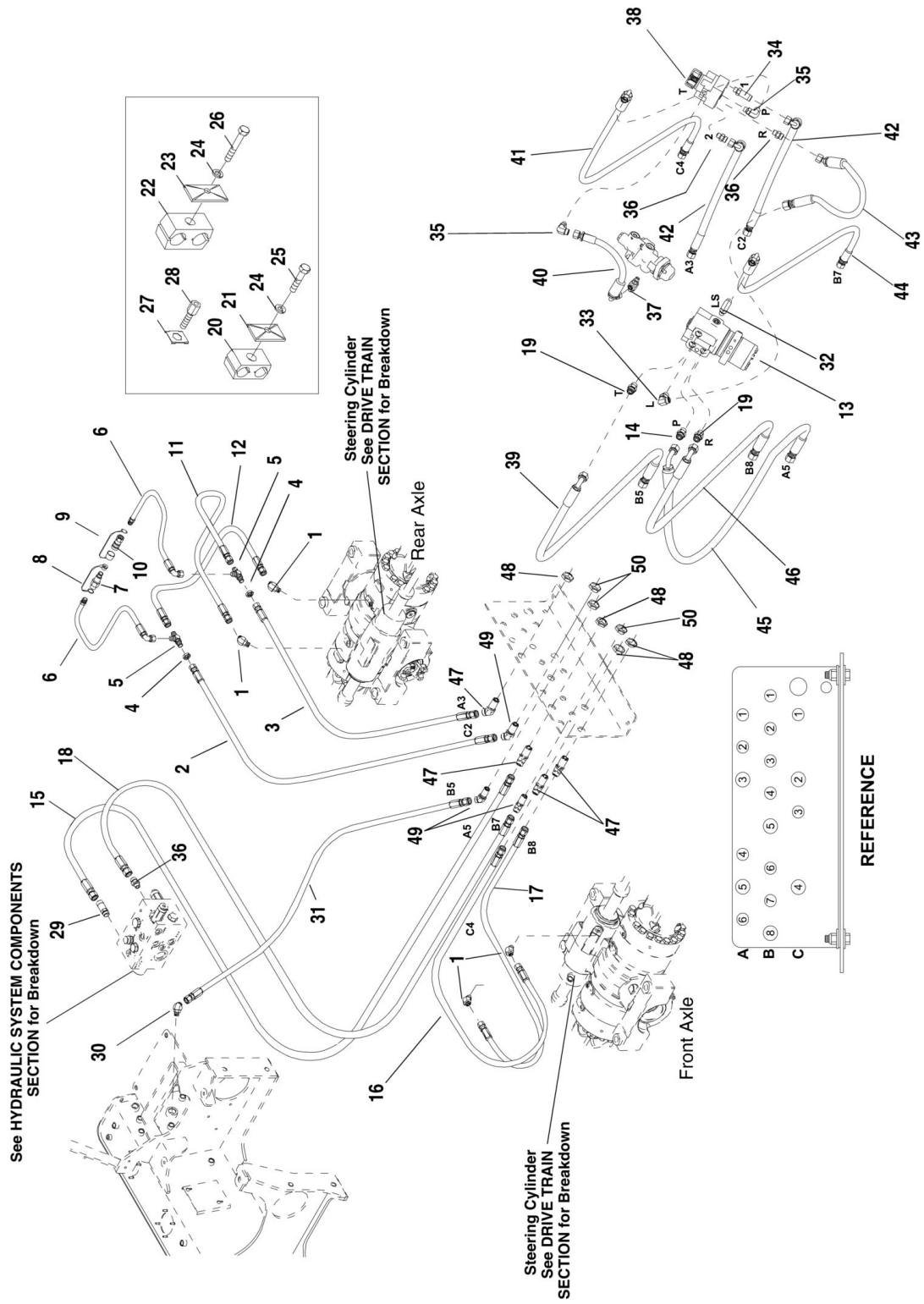
SECTION 7 - STEERING AND BRAKE HYDRAULIC CIRCUITS

FIGURE 7-1. 3 MODE STEERING HYDRAULIC CIRCUIT (SN MV006 through MV200)

ITEM	PART NUMBER	QTY	DESCRIPTION	REV
1	8770127	4	Elbow, 45, SAE 8 - str thd ORB x OFS	
2	2716573	1	Hose, 0.50 x 84.00in	
3	2716574	1	Hose, 0.50 x 98.00in	
4	8770129	2	Nut, Bulkhead, SAE 8 - OFS	
5	8770167	2	Connector, Bulkhead, Tee 8FF	
6	2716841	2	Hose, 0.50 x 45.00in	
7	8430084	1	Nipple, Quick Disconnect - Male	
8	8430054	1	Cap, Dust, #6	
9	8430053	1	Cap, Dust, #6	
10	8430083	1	Coupling, Quick Disconnect - Female	
11	2716538	1	Hose, 0.50 x 33.50in	
12	2716539	1	Hose, 0.50 x 35.25in	
13	8721031	1	Steering Orbital, 2 Section (See FRAME AND OPERATOR'S COMPARTMENT SECTION for mounting hardware)	
14	8770117	3	Connector, Long, SAE 8 - str thd ORB x OFS	
15	8770204	1	Connector, SAE 4 - str thd ORB x 6 OFS	
16	8770131	1	Connector, Male Flat face tube, w/Inlet Check	
17	7139983	AR	Conduit	
18	8584003	AR	Tie, Cable	
19	2716879	1	Hose, 0.50 x 144.00in	
20	2716569	1	Hose, 0.50 x 82.00in	
21	2716570	1	Hose, 0.50 x 115.00in	
22	2716568	1	Hose, 0.50 x 117.00in	
23	2716881	1	Hose, 0.38 x 93.00in	
24	8770114	2	Elbow, 90, SAE 8 - str thd ORB x OFS	
25	8770116	1	Connector, SAE 8 - str thd ORB x OFS	
26	8770168	1	Elbow, Long, 90, SAE 8 - str thd ORB x OFS	
27	8750016	AR	Clamp Set, 0.84 Dia Twin	
28	8769128	AR	Plate, Cover, Clamp Set, 0.84 Dia	
29	8750015	AR	Clamp Set, 0.67 Dia Twin	
30	8769123	AR	Plate, Cover, Clamp Set, 0.67 Dia	
31	8307004	AR	Washer, Lock 0.312	
32	8310009	AR	HHCS, 0.312-18 NC x 2.00in	
33	8303715	AR	HHCS, 0.312-18 NC x 1.50in	
34	8750017	AR	Plate, Locking	
35	8750012	AR	Bolt, Stacking	
36	8770105	1	Elbow, 90, Swivel, SAE 6 - o-ring face seal	
37	8770206	2	Elbow, SW, 90, SAE 10	
38	8770213	1	Connector, Long, 10 ORB x 10 FF	
39	8770127	1	Elbow, 45, SAE 8 - str thd ORB x OFSI	
40	2716624	1	Hose, 0.50 x 102.00in	

SECTION 7 - STEERING AND BRAKE HYDRAULIC CIRCUITS

FIGURE 7-2. 3 MODE STEERING HYDRAULIC CIRCUIT (SN MV201 to Present)



SECTION 7 - STEERING AND BRAKE HYDRAULIC CIRCUITS

FIGURE 7-2. 3 MODE STEERING HYDRAULIC CIRCUIT (SN MV201 to Present)

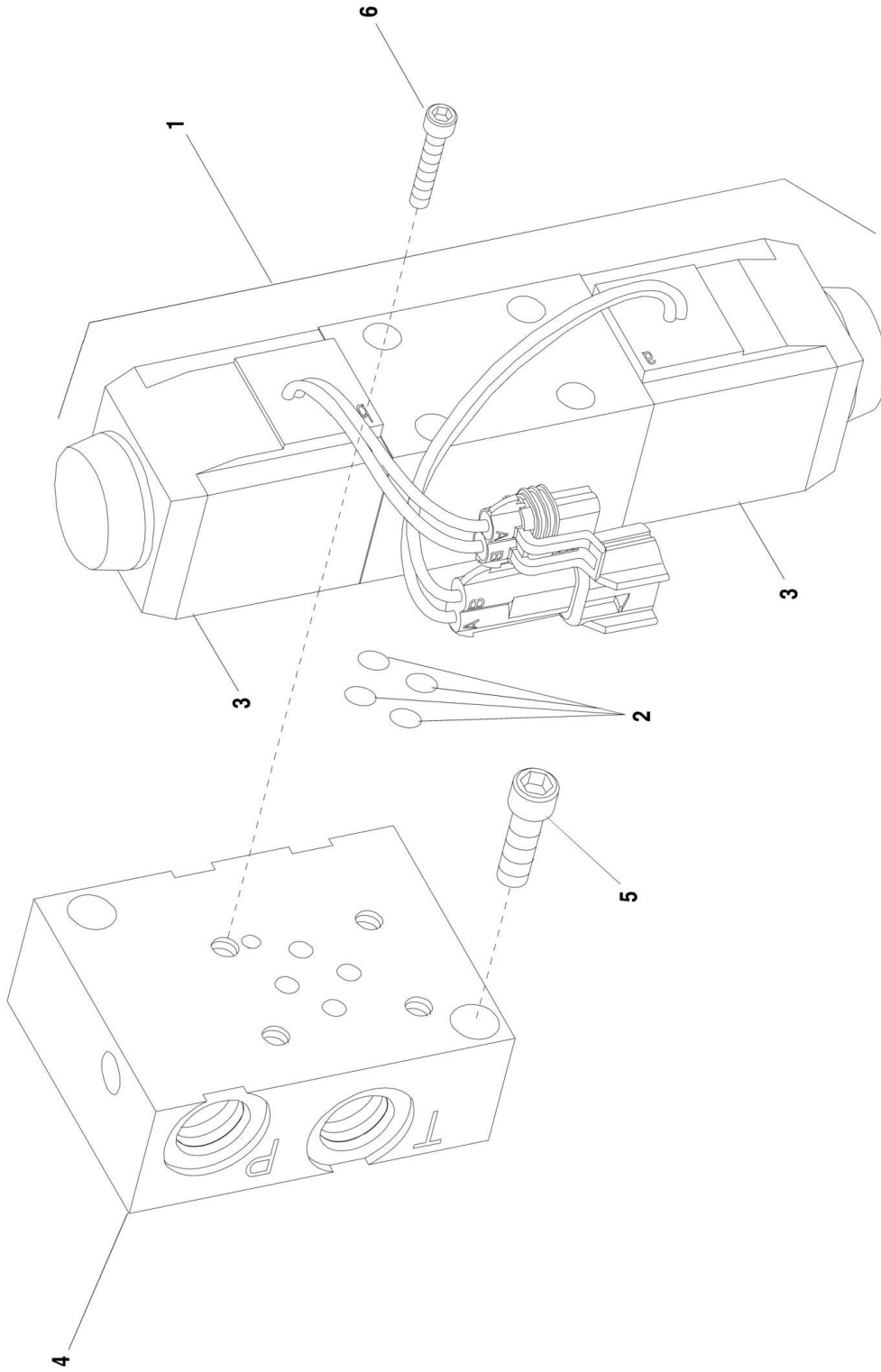
ITEM	PART NUMBER	QTY	DESCRIPTION	REV
1	8770127	4	Elbow, 45, SAE 8 - str thd ORB x OFS	
2	2717230	1	Hose, 0.50 x 72.00in	
3	2717229	1	Hose, 0.50 x 65.00in	
4	8770129	2	Nut, Bulkhead, SAE 8 - OFS	
5	8770167	2	Connector, Bulkhead, Tee 8FF	
6	2716841	2	Hose, 0.50 x 45.00in	
7	8430084	1	Nipple, Quick Disconnect - Male	
8	8430054	1	Cap, Dust, #6	
9	8430053	1	Cap, Dust, #6	
10	8430083	1	Coupling, Quick Disconnect - Female	
11	2716538	1	Hose, 0.50 x 33.50in	
12	2716539	1	Hose, 0.50 x 35.25in	
13	8721031	1	Steering Orbital, 2 Section (See FRAME AND OPERATOR'S COMPARTMENT SECTION for mounting hardware)	
14	8770131	1	Connector, Male Flat face tube, w/Inlet Check	
15	2717220	1	Hose, 0.50 x 61.00in	
16	2717228	1	Hose, 0.50 x 101.00in	
17	2717231	1	Hose, 0.50 x 88.00in	
18	2717226	1	Hose, 0.38 x 55.00in	
19	8770116	2	Connector, SAE 8 - str thd ORB x OFS	
20	8750016	AR	Clamp Set, 0.84 Dia Twin	
21	8769128	AR	Plate, Cover, Clamp Set, 0.84 Dia	
22	8750015	AR	Clamp Set, 0.67 Dia Twin	
23	8769123	AR	Plate, Cover, Clamp Set, 0.67 Dia	
24	8307004	AR	Washer, Lock 0.312	
25	8310009	AR	HHCS, 0.312-18 NC x 2.00in	
26	8303715	AR	HHCS, 0.312-18 NC x 1.50in	
27	8750017	AR	Plate, Locking	
28	8750012	AR	Bolt, Stacking	
29	8770213	1	Connector, Long, 10 ORB x 10 FF	
30	8770127	1	Elbow, 45, SAE 8 - str thd ORB x OFSI	
31	2717233	1	Hose, 0.50 x 70.00in	
32	8770102	1	Elbow, 90, SAE 6-4 - str thd ORB x OFS	
33	8770103	1	Ebow, 90, 8 ORB x 6 FF	
34	8770107	1	Connector, Long, SAE 6 - str thd ORB x OFS	
35	8770068	2	Elbow, 90, SAE 6 - str thd ORB x OFS	
36	8770106	3	Connector, SAE 6 - str thd ORB x OFS	
37	8770066	1	Tee, SW RUN -6ORB x -6FF	
38	8902310	1	Valve, Steer Select	
39	2717213	1	Hose, 0.50 x 60.00in	
40	2716927	1	Hose, 0.50 x 17.00in	
41	2717208	1	Hose, 0.50 x 54.00in	
42	2717212	2	Hose, 0.50 x 69.00in	
43	2717211	1	Hose, 0.38 x 17.50in	
44	2717214	1	Hose, 0.38 x 54.00in	
45	2717207	1	Hose, 0.50 x 54.00in	
46	2717219	1	Hose, 0.50 x 54.00in	
47	8770162	4	Elbow, 45, Bulkhead 8FF	
48	8770129	4	Nut, Bulkhead 8FF	
49	8770290	3	Elbow, 45, Bulkhead 6FF	

SECTION 7 - STEERING AND BRAKE HYDRAULIC CIRCUITS

ITEM	PART NUMBER	QTY	DESCRIPTION	REV
50	8770155	3	Nut, Bulkhead 6FF	

SECTION 7 - STEERING AND BRAKE HYDRAULIC CIRCUITS

FIGURE 7-3. 3 MODE STEERING DIRECTIONAL CONTROL VALVE (SN MV006 through MV200)



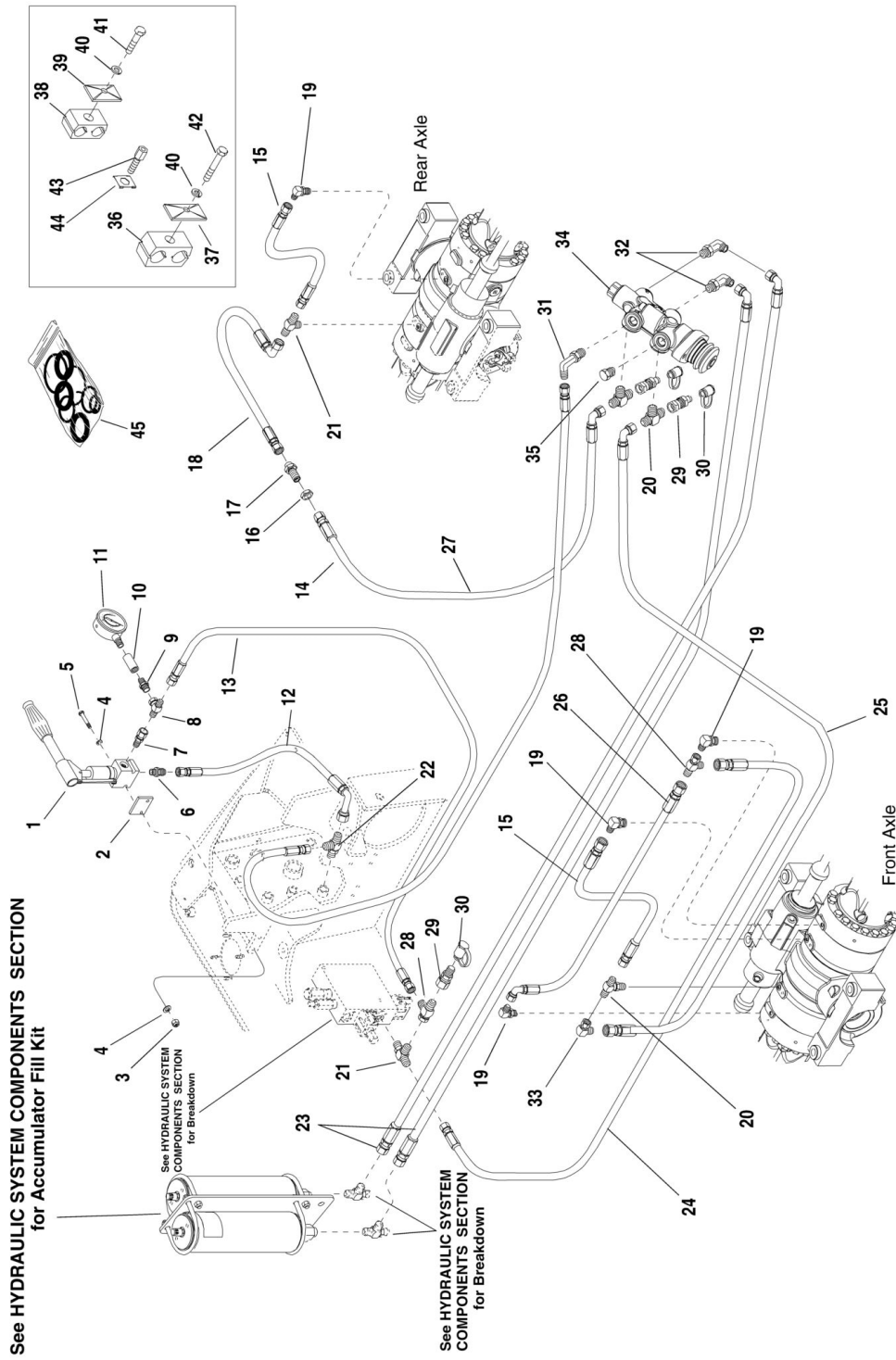
SECTION 7 - STEERING AND BRAKE HYDRAULIC CIRCUITS

FIGURE 7-3. 3 MODE STEERING DIRECTIONAL CONTROL VALVE (SN MV006 through MV200)

ITEM	PART NUMBER	QTY	DESCRIPTION	REV
1	8902197	1	3 Mode Steering Directional Control Valve (Includes Items 2 & 3)	
2	8640017	4	O-Ring	
3	8036554	2	Coil, Solenoid	
4	8902111	1	Subplate, Steer Select Valve	
5	8310327	4	SHCS, #10-24 NC x 1 1/8in	
6	8310326	2	SHCS, 5/16in-18 NC x 1 1/8in	

SECTION 7 - STEERING AND BRAKE HYDRAULIC CIRCUITS

FIGURE 7-4. SERVICE AND PARKING BRAKE HYDRAULIC CIRCUIT (SN MV006 through MV200)



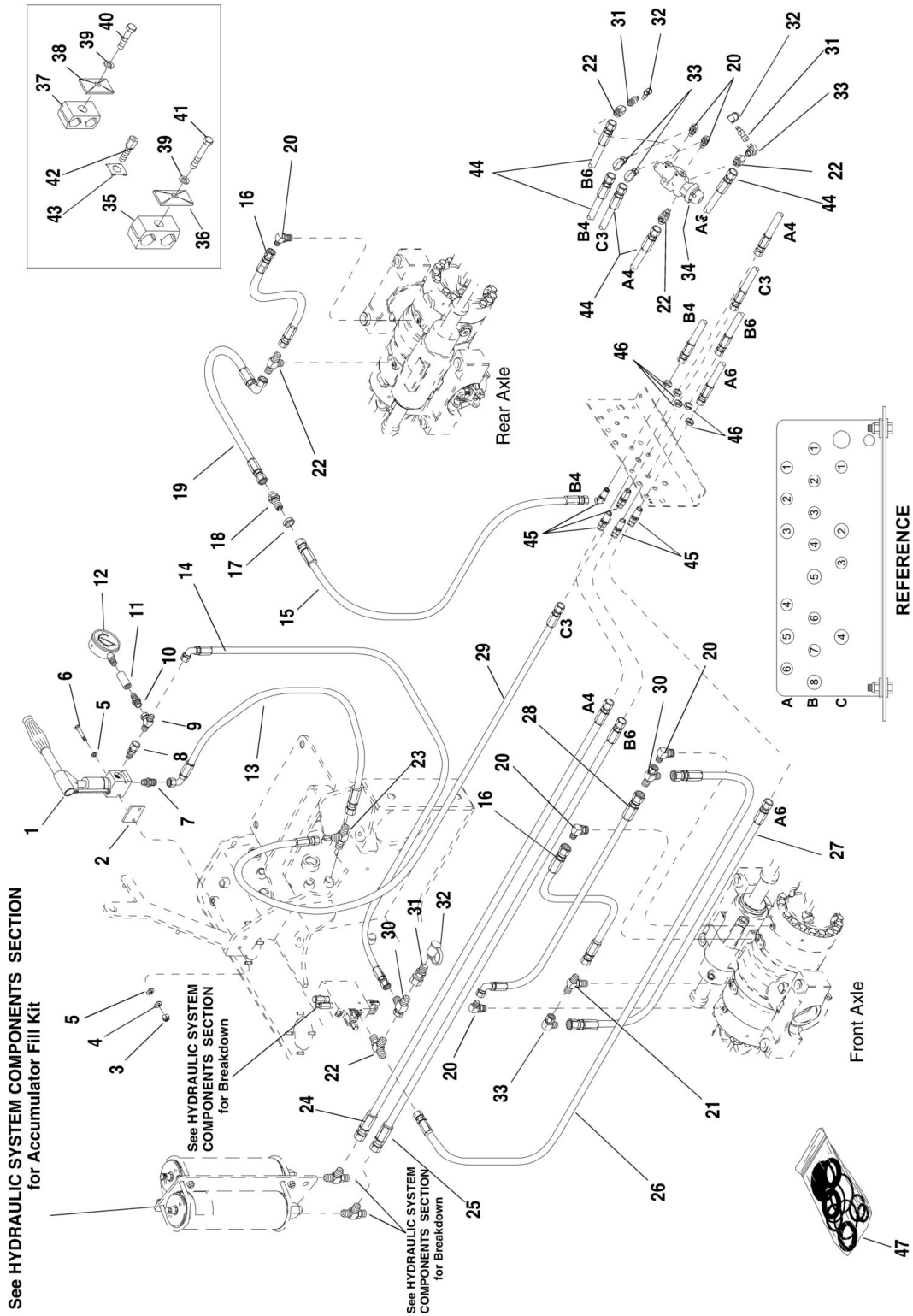
SECTION 7 - STEERING AND BRAKE HYDRAULIC CIRCUITS

FIGURE 7-4. SERVICE AND PARKING BRAKE HYDRAULIC CIRCUIT (SN MV006 through MV200)

ITEM	PART NUMBER	QTY	DESCRIPTION	REV
1	8902282	1	Pump, Hydraulic Hand (Seal Kit Item 45)	
2	7139852	1	Plate, Spacer	
3	8305004	2	Nut, Hex, 0.25in-20	
4	8307002	4	Washer, Lock, 0.25in	
5	8303728	2	HHCS, 0.25 - 20 x 2.75in	
6	8770106	1	Connector, SAE 6 - str thd ORB x 6FF	
7	8770176	1	Connector, Swivel SAE 6 - str thd ORB x 6FF	
8	8770207	1	Tee, SW Branch 6FF	
9	8770208	1	Connector, Male Pipe #6	
10	8541003	1	Coupling, Pipe	
11	6623498	1	Gauge, Pressure 1000 PSI	
12	2716835	1	Hose, 0.38 x 11.5in	
13	2716836	1	Hose, 0.38 x 42.00in	
14	2716888	1	Hose, 0.38 x 113.00in	
15	2716536	2	Hose, 0.38 x 7.25in	
16	8770155	1	Nut, Bulkhead, SAE 6 - OFS	
17	8770169	1	Connector, Bulkhead, SAE 6 - OFS	
18	2716537	1	Hose, 0.38 x 31.75in	
19	8770068	4	Elbow, 90, SAE 6 - str thd ORB x OFS	
20	8770112	3	Tee, Branch, SAE 6 - str thd ORB x OFS	
21	8770066	2	Tee, Male Run, SAE 6 - ORFS tube end x str thd o-ring	
22	8770124	1	Tee, Male Run, SAE 8 - ORFS tube end x str thd o-ring	
23	2716884	2	Hose, 0.38 x 130.00in	
24	2716575	1	Hose, 0.38 x 117.50in	
25	2716887	1	Hose, 0.38 x 124.00in	
26	2716648	1	Hose, 0.38 x 16.50in	
27	2716640	1	Hose, 0.38 x 116.00in	
28	8770111	2	Tee, Swivel Run, SAE 6 - o-ring face seal	
29	8430081	3	Nipple, Diagnostic	
30	8430032	3	Plug, Dust	
31	8770154	1	Elbow, 90, Long, 6 ORB - 6 OFS	
32	8770068	2	Elbow, 90, SAE 6 - str thd ORB x OFS	
33	8770105	1	Elbow, 90, Swivel, SAE 6 - OFS	
34	8902298	1	Valve, Brake Modulating (Includes Items 3, 4 & 5 See SERVICE BRAKE VALVE AND PEDAL ASSEMBLIES for Breakdown)	
35	8760451	1	Plug, Hex Hd, SAE 6 - male str thd o-ring	
36	8750016	AR	Clamp Set, 0.84 Dia Twin	
37	8769128	AR	Plate, Cover, Clamp Set, 0.84 Dia	
38	8750015	AR	Clamp Set, 0.67 Dia Twin	
39	8769123	AR	Plate, Cover, Clamp Set, 0.67 Dia	
40	8307004	AR	Washer, Lock 0.312	
41	8303715	AR	HHCS, 0.312-18 NC x 1.50in	
42	8310009	AR	HHCS, 0.312-18 NC x 2.00in	
43	8750012	AR	Bolt Stacking	
44	8750017	AR	Plate, Locking	
		Ref	KITS	
45	8036377	1	Seal Kit, Hydraulic Hand Pump (For Item 1)	

SECTION 7 - STEERING AND BRAKE HYDRAULIC CIRCUITS

FIGURE 7-5. SERVICE AND PARKING BRAKE HYDRAULIC CIRCUIT (SN MV201 to Present)



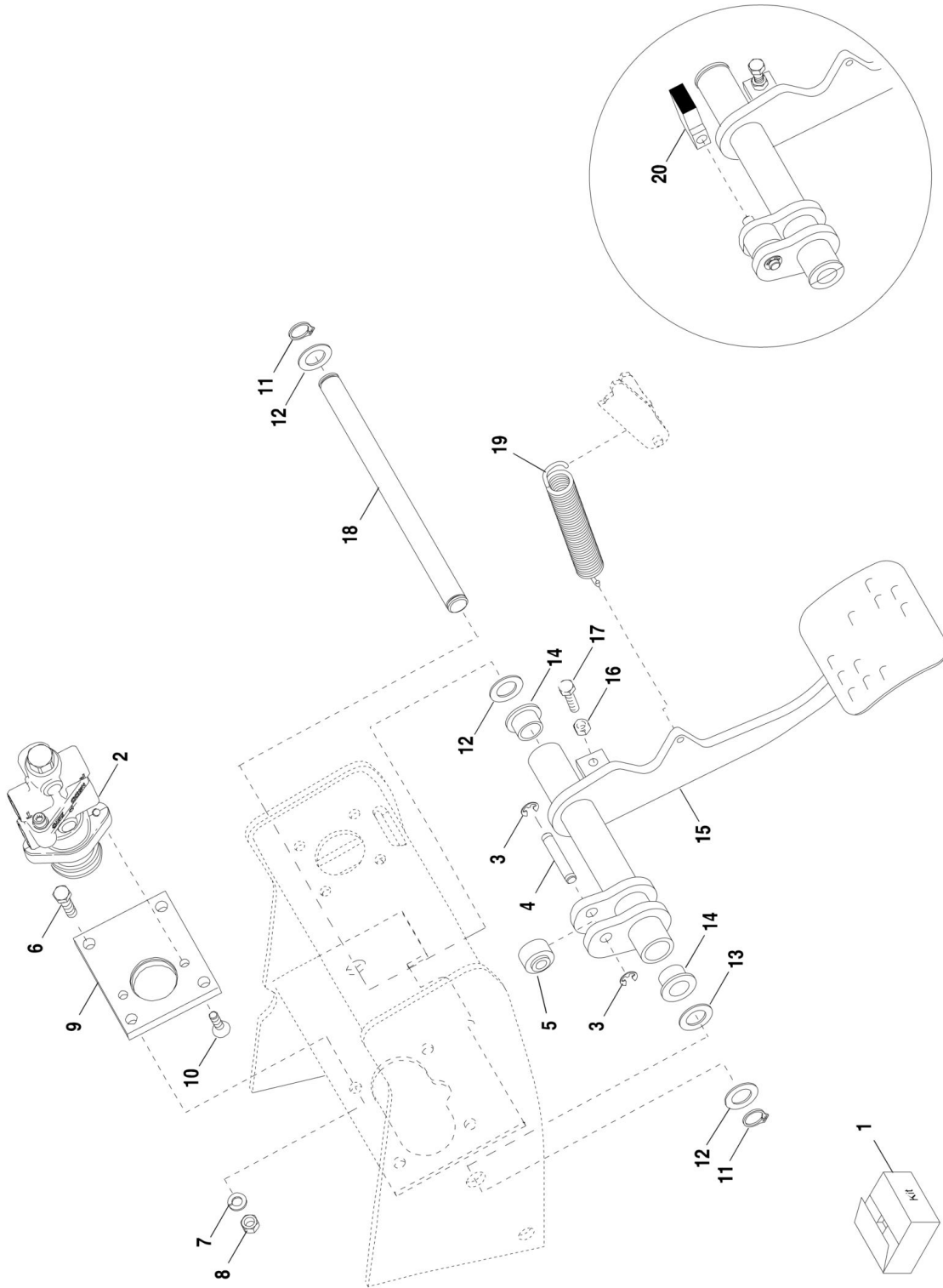
SECTION 7 - STEERING AND BRAKE HYDRAULIC CIRCUITS

FIGURE 7-5. SERVICE AND PARKING BRAKE HYDRAULIC CIRCUIT (SN MV201 to Present)

ITEM	PART NUMBER	QTY	DESCRIPTION	REV
1	8902282	1	Pump, Hydraulic Hand (Seal Kit Item 46)	
2	7139852	1	Plate, Spacer	
3	8305004	2	Nut, Hex, 0.25in-20	
4	8307002	2	Washer, Lock, 0.25in	
5	8307202	4	Washer, Flat, 0.25in	
6	8303728	2	HHCS, 0.25 - 20 x 2.75in	
7	8770106	1	Connector, SAE 6 - str thd ORB x 6FF	
8	8770176	1	Connector, Swivel SAE 6 - str thd ORB x 6FF	
9	8770207	1	Tee, SW Branch 6FF	
10	8770208	1	Connector, Male Pipe #6	
11	8541003	1	Coupling, Pipe	
12	6623498	1	Gauge, Pressure 1000 PSI	
13	2717167	1	Hose, 0.38 x 18.50in	
14	2717168	1	Hose, 0.38 x 21.50in	
15	2717235	1	Hose, 0.38 x 66.00in	
16	2716536	2	Hose, 0.38 x 7.25in	
17	8770155	1	Nut, Bulkhead, SAE 6 - OFS	
18	8770169	1	Connector, Bulkhead, SAE 6 - OFS	
19	2716537	1	Hose, 0.38 x 31.75in	
20	8770068	6	Elbow, 90, SAE 6 - str thd ORB x OFS	
21	8770112	1	Tee, Branch, SAE 6 - str thd ORB x OFS	
22	8770066	5	Tee, Male Run, SAE 6 -OFS tube end x str thd o-ring	
23	8770124	1	Tee, Male Run, SAE 8 -OFS tube end x str thd o-ring	
24	2717222	1	Hose, 0.38 x 73.00in	
25	2717221	1	Hose, 0.38 x 75.00in	
26	2716575	1	Hose, 0.38 x 117.50in	
27	2717234	1	Hose, 0.38 x 82.00in	
28	2716648	1	Hose, 0.38 x 16.50in	
29	2717224	1	Hose, 0.38 x 70.00in	
30	8770111	2	Tee, Swivel Run, SAE 6 - OFS	
31	8430081	3	Nipple, Diagnostic	
32	8430032	3	Plug, Dust	
33	8770105	4	Elbow, 90, Swivel, SAE 6 - OFS	
34	8902316	1	Valve, Brake Modulating	
35	8750016	AR	Clamp Set, 0.84 Dia Twin	
36	8769128	AR	Plate, Cover, Clamp Set, 0.84 Dia	
37	8750015	AR	Clamp Set, 0.67 Dia Twin	
38	8769123	AR	Plate, Cover, Clamp Set, 0.67 Dia	
39	8307004	AR	Washer, Lock 0.312	
40	8303715	AR	HHCS, 0.312-18 NC x 1.50in	
41	8310009	AR	HHCS, 0.312-18 NC x 2.00in	
42	8750012	AR	Bolt Stacking	
43	8750017	AR	Plate, Locking	
44	2717215	5	Hose, 0.38 x 59.00in	
45	8770290	5	Elbow, 45, SAE 6 Bulkhead	
46	8770155	5	Nut, Bulkhead, SAE 6 - OFS	
		Ref	KITS	
47	8036377	1	Seal Kit, Hydraulic Hand Pump (For Item 1)	

SECTION 7 - STEERING AND BRAKE HYDRAULIC CIRCUITS

FIGURE 7-6. SERVICE BRAKE VALVE AND PEDAL ASSEMBLIES (SN MV006 through MV200)



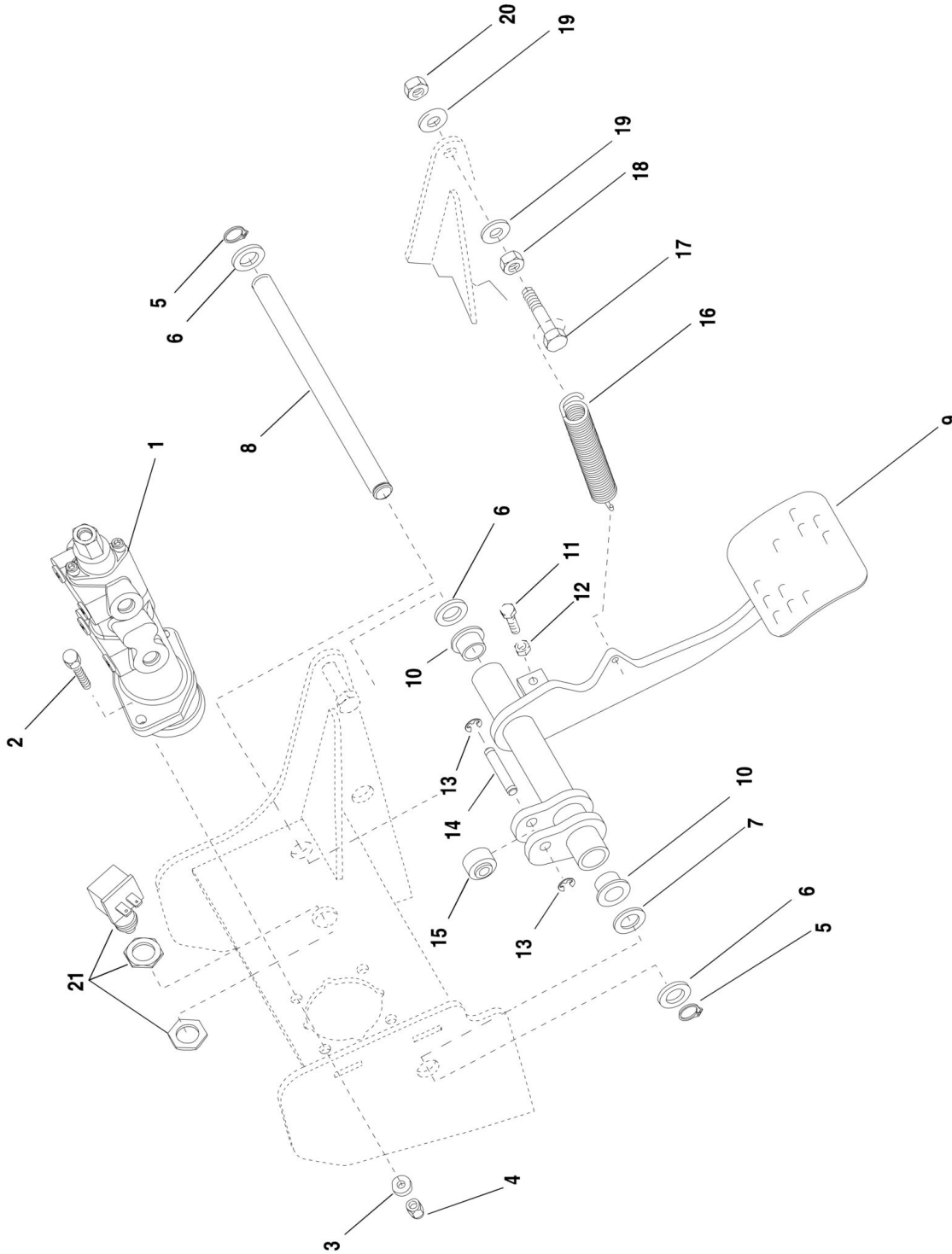
SECTION 7 - STEERING AND BRAKE HYDRAULIC CIRCUITS

FIGURE 7-6. SERVICE BRAKE VALVE AND PEDAL ASSEMBLIES (SN MV006 through MV200)

ITEM	PART NUMBER	QTY	DESCRIPTION	REV
1	8902298	1	Kit, Brake Valve (Includes Items 2 thru 5)	
2	N.S.S.	1	Valve, Brake Modulating (Order Item 1)	
3	7300135	2	Clip, Pin	
4	7300136	1	Pin, Shaft	
5	7300137	1	Bearing, Roller, 1in Dia	
6	8303621	4	HHCS, .375 - 16 NC x 1.5in GR 5	
7	8304005	4	Washer, Lock .375in	
8	8310522	4	Nut, Hex .375in- 16 NC x	
9	7300140	1	Spacer, Brake Valve	
10	8310494	2	Screw, .312 - 18 NC 1.25in SFHC GR 8	
11	8630020	2	Ring, Retaining, .75in O.D. Shaft	
12	8310508	3	Washer, Shim .755 x .075 x 1.25in	
13	8310507	1	Washer, Shim .755 x .048 x 1.25in	
14	7300143	2	Bearing, Oilite Bronze Flange	
15	7300001	1	Pedal, Brake	
16	8310453	1	Nut, Hex .312in- 18 GR 5	
17	8303739	1	HHCS, .312 - 18 NC x 1.25in GR 5	
18	7139108	1	Shaft, Pivot	
19	8700125	1	Spring, Torsion RH 1in O.D. x 6.78in LG	
20	7300213	1	Block, Adjusting	

SECTION 7 - STEERING AND BRAKE HYDRAULIC CIRCUITS

FIGURE 7-7. SERVICE BRAKE VALVE AND PEDAL ASSEMBLIES (SN MV201 to Present)



SECTION 7 - STEERING AND BRAKE HYDRAULIC CIRCUITS

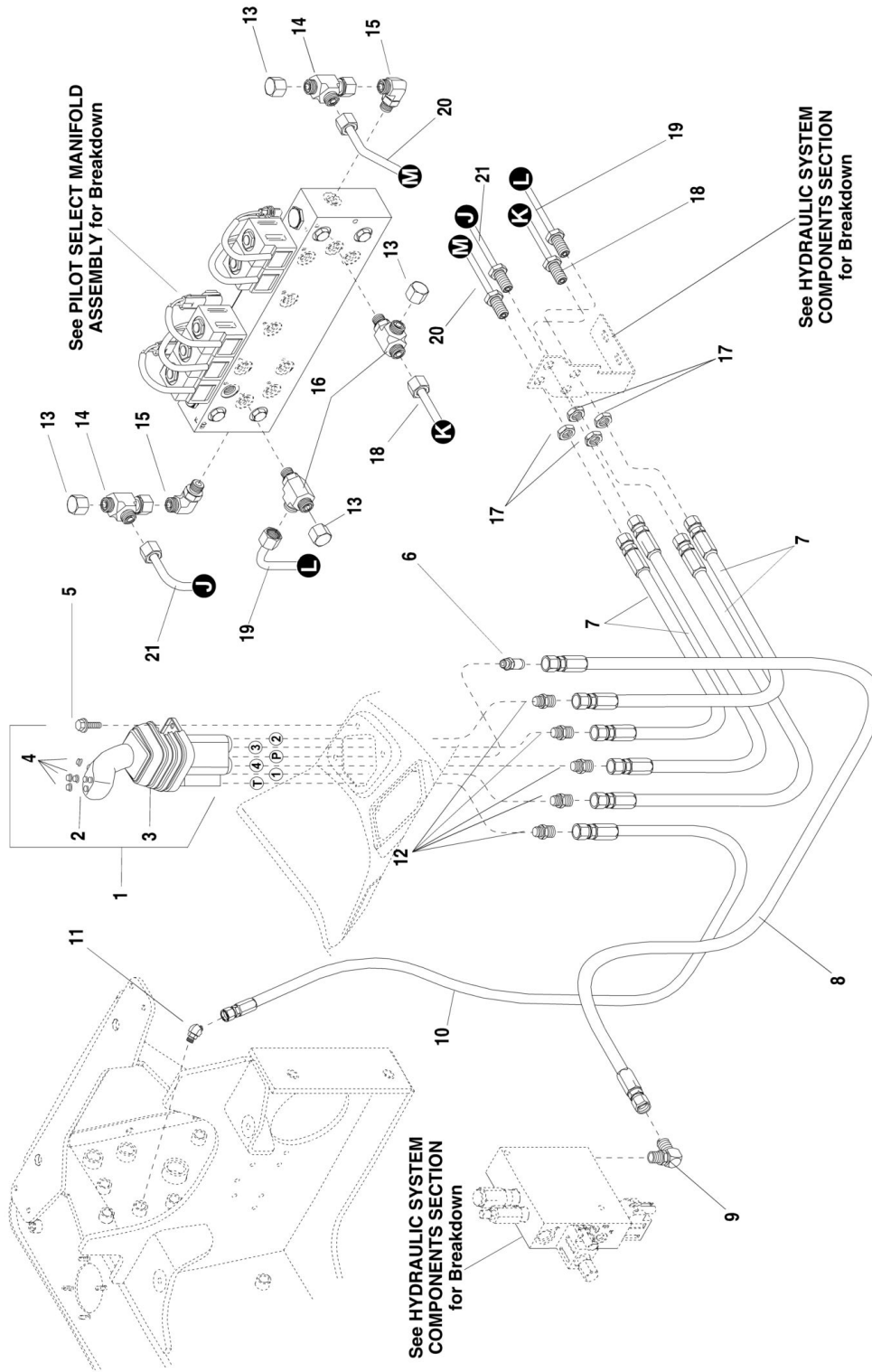
FIGURE 7-7. SERVICE BRAKE VALVE AND PEDAL ASSEMBLIES (SN MV201 to Present)

ITEM	PART NUMBER	QTY	DESCRIPTION	REV
1	8902316	1	Valve, Brake	
2	8310476	2	HHCS, M8-1,25 x 35mm PC 8.8	
3	8307222	2	Washer, Plain M8	
4	8305638	2	Nut, Hex Lock M8 x 1,25	
5	8630020	2	Snap Ring, .75 Internal Heavy Duty	
6	8310508	3	Washer, Shim .755 x .075 x 1.25in	
7	8310507	1	Washer, Shim .755 x .048 x 1.25in	
8	7139108	1	Shaft, Pivot	
9	7301066	1	Assembly, Brake Pedal (Includes Items 10 thru 15)	
10	7300143	2	Bushing, Oilite Flange	
11	8303739	1	HHCS 5/16-18 x 1 1/4in GR 5	
12	8310453	1	Nut, Hex 5/16-18 GR 5	
13	7300135	2	Clip, Pin	
14	7300136	1	Pin, Shaft	
15	7300137	1	Roller, 1in Dia	
16	8700125	1	Spring, Extension 1.00in O.D. x 7.12in LG	
17	8303261	1	HHCS, M12-1.75 x 100mm PC 8.8	
18	8305044	1	Nut, Hex M12	
19	8307220	2	Washer, Plain M12-1.75	
20	8310625	1	Nut, Hex Lock Elastic M12-1.75	
21	8223238	1	Switch, Stabil-TRAK Light	

SECTION 8 - FRAME CONTROL HYDRAULICS

SECTION 8 - FRAME CONTROL HYDRAULICS

FIGURE 8-1. JOYSTICK HYDRAULIC CIRCUIT (SN MV006 through MV200)



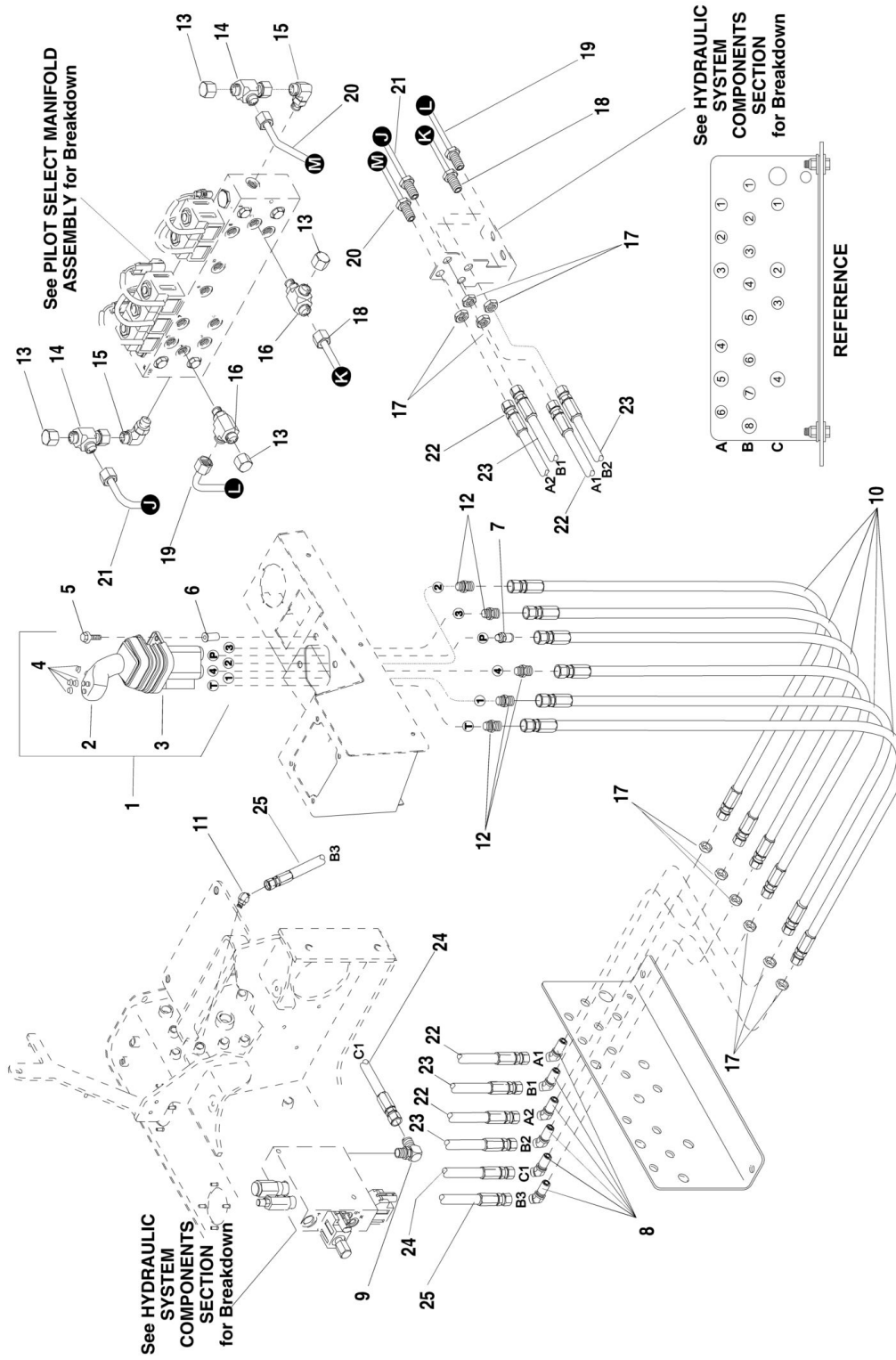
SECTION 8 - FRAME CONTROL HYDRAULICS

FIGURE 8-1. JOYSTICK HYDRAULIC CIRCUIT (SN MV006 through MV200)

ITEM	PART NUMBER	QTY	DESCRIPTION	REV
1	8902292	1	Valve, Joystick (Includes Items 2 thru 4)	
2	8036549	1	Handle Assembly w/ Switch Button Covers	
3	8035777	1	Boot, Rubber	
4	8036552	4	Cover, Switch Button	
5	8303705	3	Screw, Cap Flange Hd 1/4-20 x 3/4in	
6	8770107	1	Connector, Long, SAE 6 - str thd ORB x OFS	
7	2715312	4	Hose, 0.38 x 120.50in	
8	2716572	1	Hose, 0.38 x 98.13in	
9	8770114	1	Elbow, 90, SAE 8 - str thd ORB x OFS	
10	2716630	1	Hose, 0.38 x 98.00in	
11	8770127	1	Elbow, 45, SAE 8 - str thd ORB x OFS	
12	8770106	5	Connector, SAE 6 - str thd ORB x OFS	
13	8770108	4	Cap, SAE 6 - OFS	
14	8770111	2	Tee, Swivel Run, SAE 6 - OFS	
15	8770068	2	Elbow, 90, SAE 6 - str thd ORB x OFS	
16	8770066	2	Tee, Male Run, SAE 6 - OFS	
17	8770155	4	Nut, Bulkhead, SAE 6 - OFS	
18	7138773	1	Tube	
19	7138775	1	Tube	
20	7138774	1	Tube	
21	7138776	1	Tube	

SECTION 8 - FRAME CONTROL HYDRAULICS

FIGURE 8-2. JOYSTICK HYDRAULIC CIRCUIT (SN MV201 to Present)



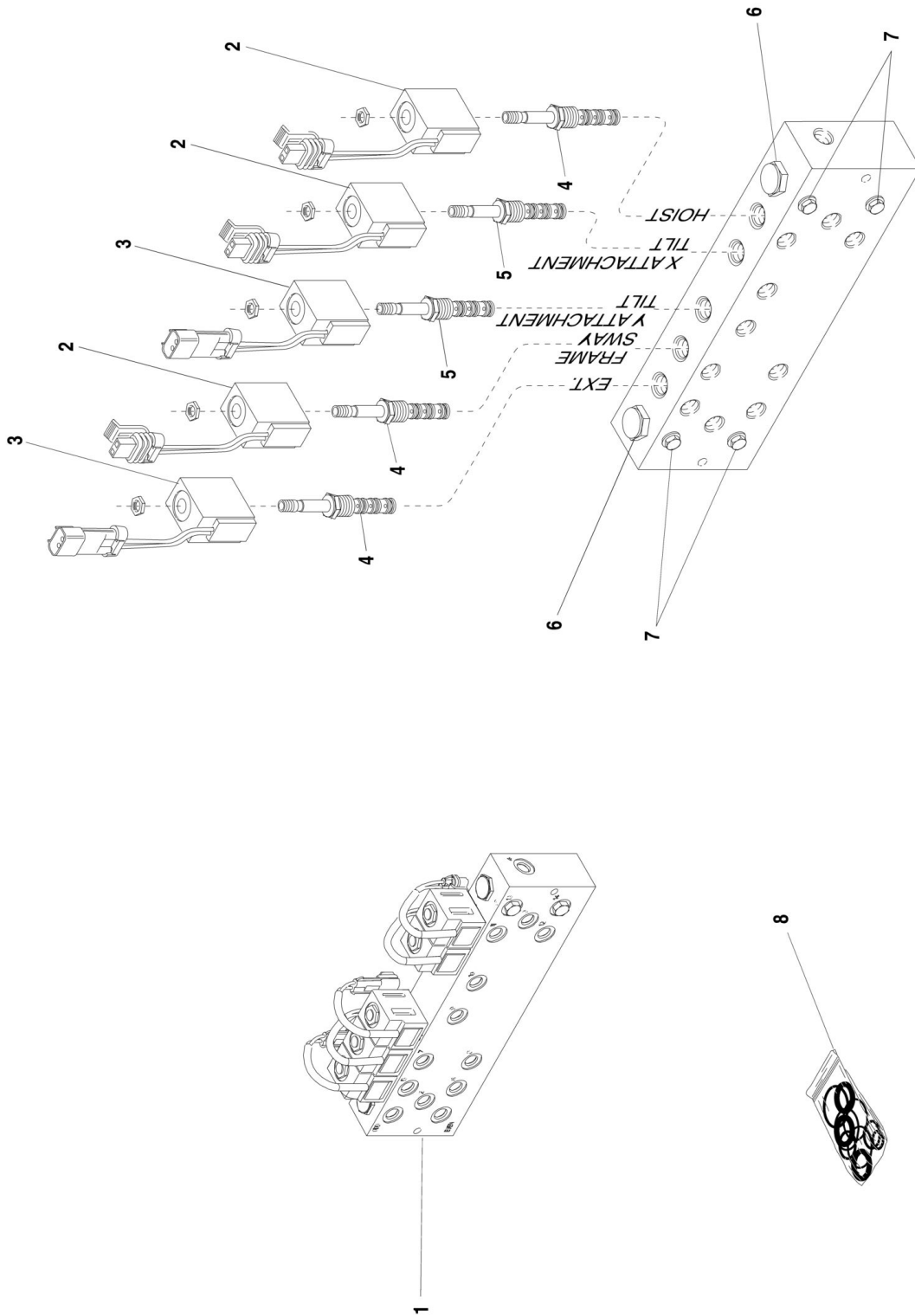
SECTION 8 - FRAME CONTROL HYDRAULICS

FIGURE 8-2. JOYSTICK HYDRAULIC CIRCUIT (SN MV201 to Present)

ITEM	PART NUMBER	QTY	DESCRIPTION	REV
1	8902292	1	Valve, Joystick (Includes Items 2 thru 4)	
2	8036549	1	Handle Assembly w/ Switch Button Covers	
3	8035777	1	Boot, Rubber	
4	8036552	4	Cover, Switch Button	
5	8303118	4	Screw, Cap Flange Hd 1/4-20 x 1 1/2in	
6	8580420	4	Well Nut	
7	8770107	1	Connector, Long, SAE 6 - str thd ORB x OFS	
8	8770290	6	Elbow, 45, Bulkhead	
9	8770114	1	Elbow, 90, SAE 8 - str thd ORB x OFS	
10	2717206	6	Hose, 0.38 x 34.00in	
11	8770127	1	Elbow, 45, SAE 8 - str thd ORB x OFS	
12	8770106	5	Connector, SAE 6 - str thd ORB x OFS	
13	8770108	4	Cap, SAE 6 - OFS	
14	8770111	2	Tee, Swivel Run, SAE 6 - OFS	
15	8770068	2	Elbow, 90, SAE 6 - str thd ORB x OFS	
16	8770066	2	Tee, Male Run, SAE 6 - OFS	
17	8770155	10	Nut, Bulkhead, SAE 6 - OFS	
18	7138773	1	Tube	
19	7138775	1	Tube	
20	7138774	1	Tube	
21	7138776	1	Tube	
22	2717232	2	Hose, 0.38 x 83.00in	
23	2717233	2	Hose, 0.38 x 80.00in	
24	2717225	1	Hose, 0.38 x 70.00in	
25	2717277	1	Hose, 0.38 x 65.00in	

SECTION 8 - FRAME CONTROL HYDRAULICS

FIGURE 8-3. PILOT SELECT MANIFOLD ASSEMBLY (SN MV006 to Present)



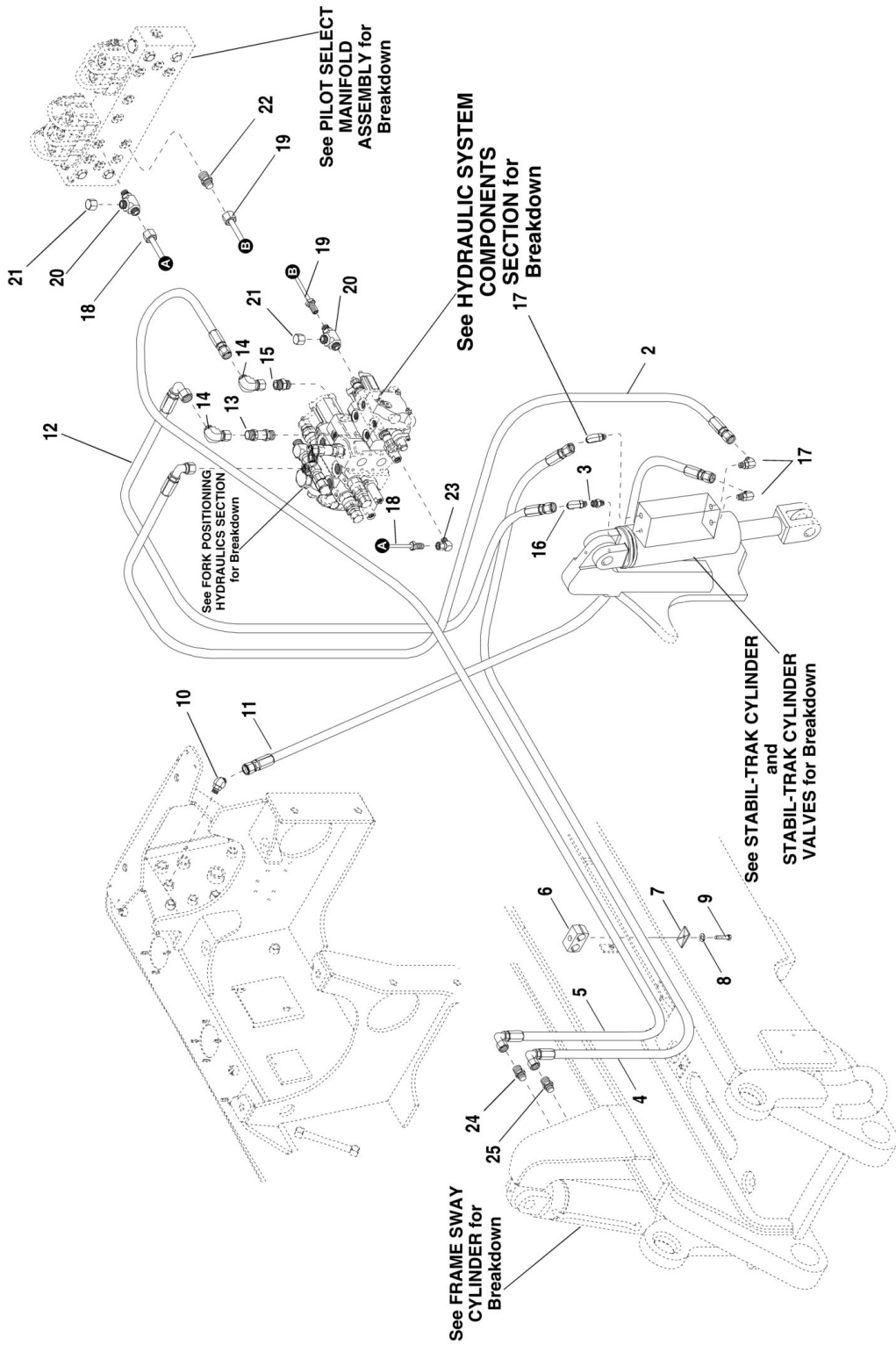
SECTION 8 - FRAME CONTROL HYDRAULICS

FIGURE 8-3. PILOT SELECT MANIFOLD ASSEMBLY (SN MV006 to Present)

ITEM	PART NUMBER	QTY	DESCRIPTION	REV
1	8902195	1	Pilot Select Manifold Assembly (Includes Items 2 thru 7)	
2	8902693	3	Coil, Solenoid w/Female Connector	
3	8902694	2	Coil, Solenoid w/Male Connector	
4	8902695	3	Cartridge, Solenoid Valve (Seal Kit Item 8)	
5	8902700	2	Cartridge, Solenoid Valve (Seal Kit Item 8)	
6	8035799	2	Plug, Cavity	
7	8760451	4	Plug, Hex Hd, SAE 6 - male str thd o-ring	
		Ref	KITS	
8	8036195	5	Seal Kit (For Item 4 & 5)	

SECTION 8 - FRAME CONTROL HYDRAULICS

FIGURE 8-4. FRAME SWAY AND STABIL-TRAK HYDRAULIC CIRCUIT (SN MV006 to Present)



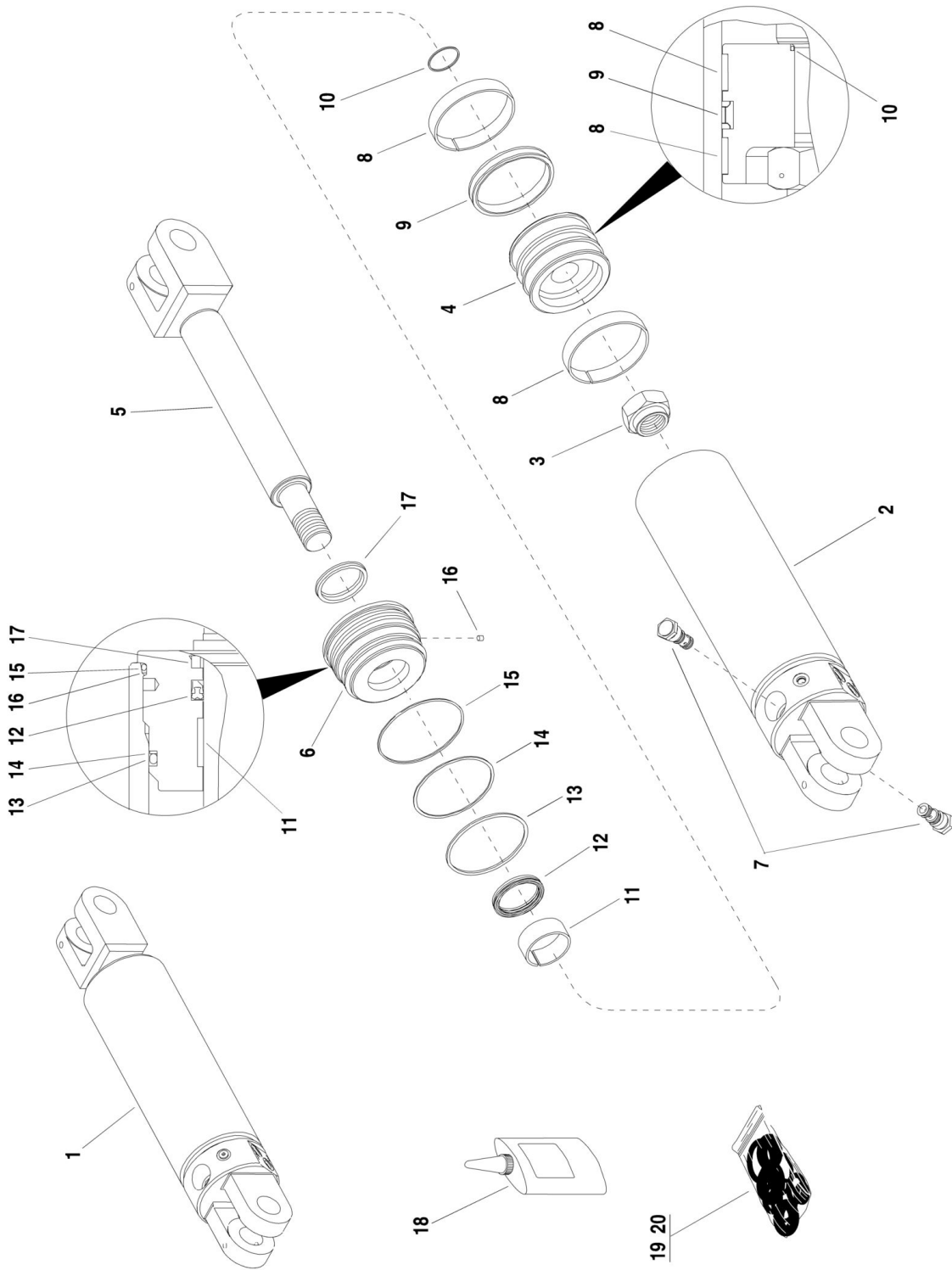
SECTION 8 - FRAME CONTROL HYDRAULICS

FIGURE 8-4. FRAME SWAY AND STABIL-TRAK HYDRAULIC CIRCUIT (SN MV006 to Present)

ITEM	PART NUMBER	QTY	DESCRIPTION	REV
1	8770124	1	Tee, Male Run, 8ORB x 8FF	
2	2716639	1	Hose, 0.38 x 29.88in	
3	8770106	1	Connector, SAE 6 - str thd ORB x OFS	
4	2716636	1	Hose, 0.38 x 202.00in	
5	2716637	1	Hose, 0.38 x 198.00in	
6	8750015	AR	Clamp Set, 0.67in Dia	
7	8769123	AR	Plate, Cover	
8	8307004	AR	Washer, Lock, 3/8in	
9	8303715	AR	HHCS, 5/16in-18 NC x 1-1/2in	
10	8770127	1	Elbow, 45, SAE 8 - str thd ORB x OFS	
11	2716640	1	Hose, 0.38 x 116.00in	
12	2716638	1	Hose, 0.38 x 26.50in	
13	8770117	1	Connector, LG -8ORB x 8FF	
14	8770115	2	Elbow, 90, Swivel, -8FF	
15	8770116	1	Connector, -8ORB x -8FF	
16	8770105	1	Elbow, 90, Swivel, -6FF	
17	8770068	3	Elbow, 90, SAE 6 - str thd ORB x OFS	
18	7138772	1	Tube Assembly (A)	
19	7138765	1	Tube Assembly (B)	
20	8770066	2	Tee, SW RUN -6ORB x -6FF	
21	8770108	2	Cap, SAE 6 - OFS	
22	8770106	1	Connector, SAE 6 - str thd ORB x 6FF	
23	8770140	1	Elbow, 90, 6ORB x 6FF	
24	8902859	1	Connector Special w/Check Valve (Yellow)	
25	8902860	1	Connector Special w/Check Valve (Black)	

SECTION 8 - FRAME CONTROL HYDRAULICS

FIGURE 8-5. FRAME SWAY CYLINDER (SN MV006 through MV200)



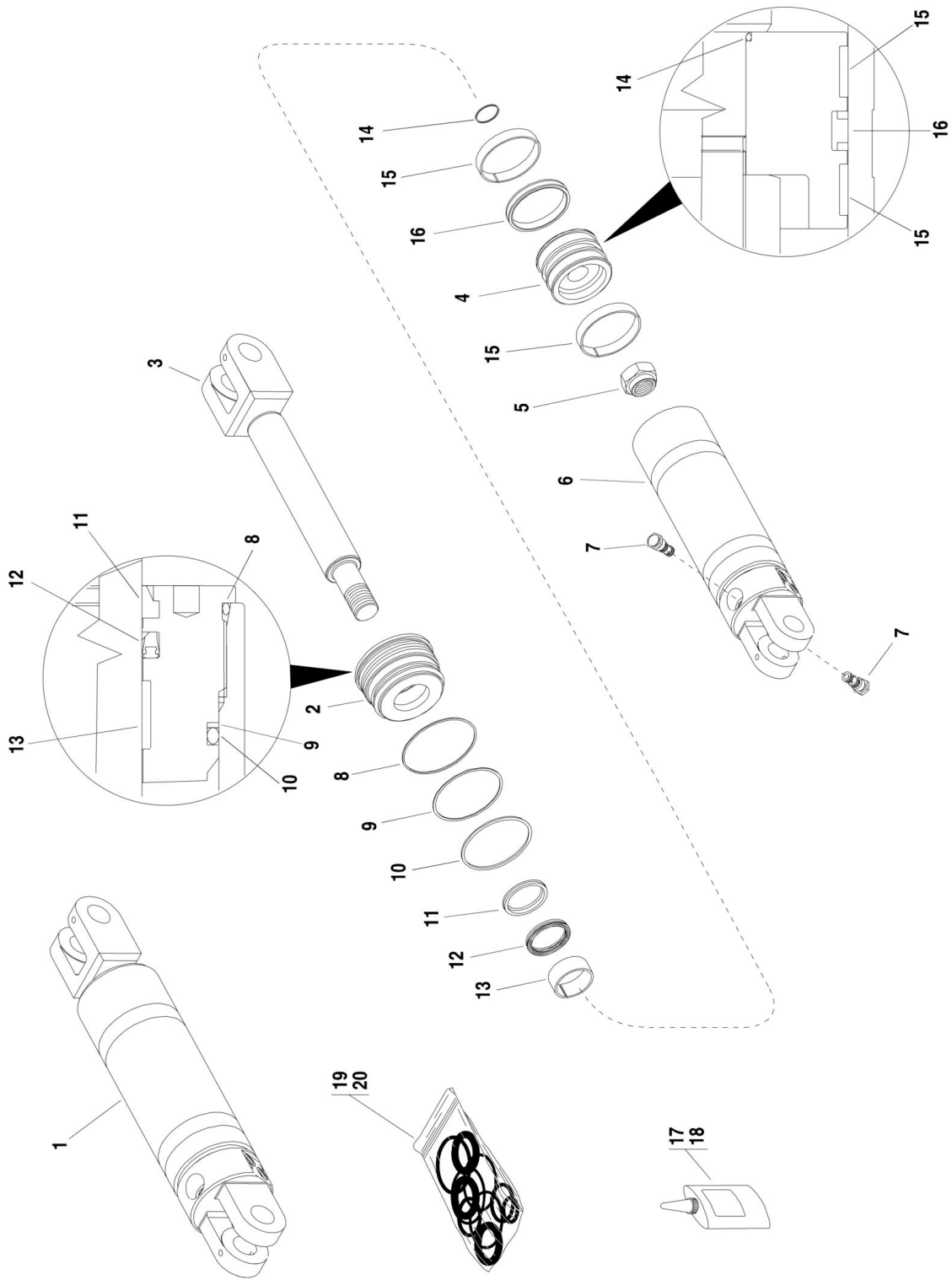
SECTION 8 - FRAME CONTROL HYDRAULICS

FIGURE 8-5. FRAME SWAY CYLINDER (SN MV006 through MV200)

ITEM	PART NUMBER	QTY	DESCRIPTION	REV
1	6623365	1	Cylinder, Frame Sway (Includes Items 2 thru 17)	
2	N.S.S.	1	Tube, Weldment (Order Item 1)	
3	8035322	1	Nut, Hex Lock 1.50-12 UNF	
4	8035323	1	Piston	
5	8035758	1	Rod, Weldment	
6	8035324	1	Gland, Head	
7	8035757	2	Valve, PO Check Valve - Series 10 (For Seal Kit use Item 20)	
8	See Kits	2	Wearband, Precision	
9	See Kits	1	T-Seal, Type 730 Capped	
10	See Kits	1	O-Ring	
11	See Kits	1	Wearband, Precision	
12	See Kits	1	Z-Seal, Deep - w/Rod Back-Up	
13	See Kits	1	O-Ring	
14	See Kits	1	Ring, Back-Up	
15	See Kits	1	O-Ring	
16	See Kits	1	Locking Insert	
17	See Kits	1	Wiper, Hd Rod - Sealed O.D.	
18	8526011	AR Ref	Threadlocker, 271 Loctite, High Strength, 250ml Bottle KITS	
19	8035326	1	Seal Kit (Includes Items 8 thru 17)	
20	8036739	1	Seal Kit (For Item 7)	

SECTION 8 - FRAME CONTROL HYDRAULICS

FIGURE 8-6. FRAME SWAY CYLINDER (SN MV201 to Present)



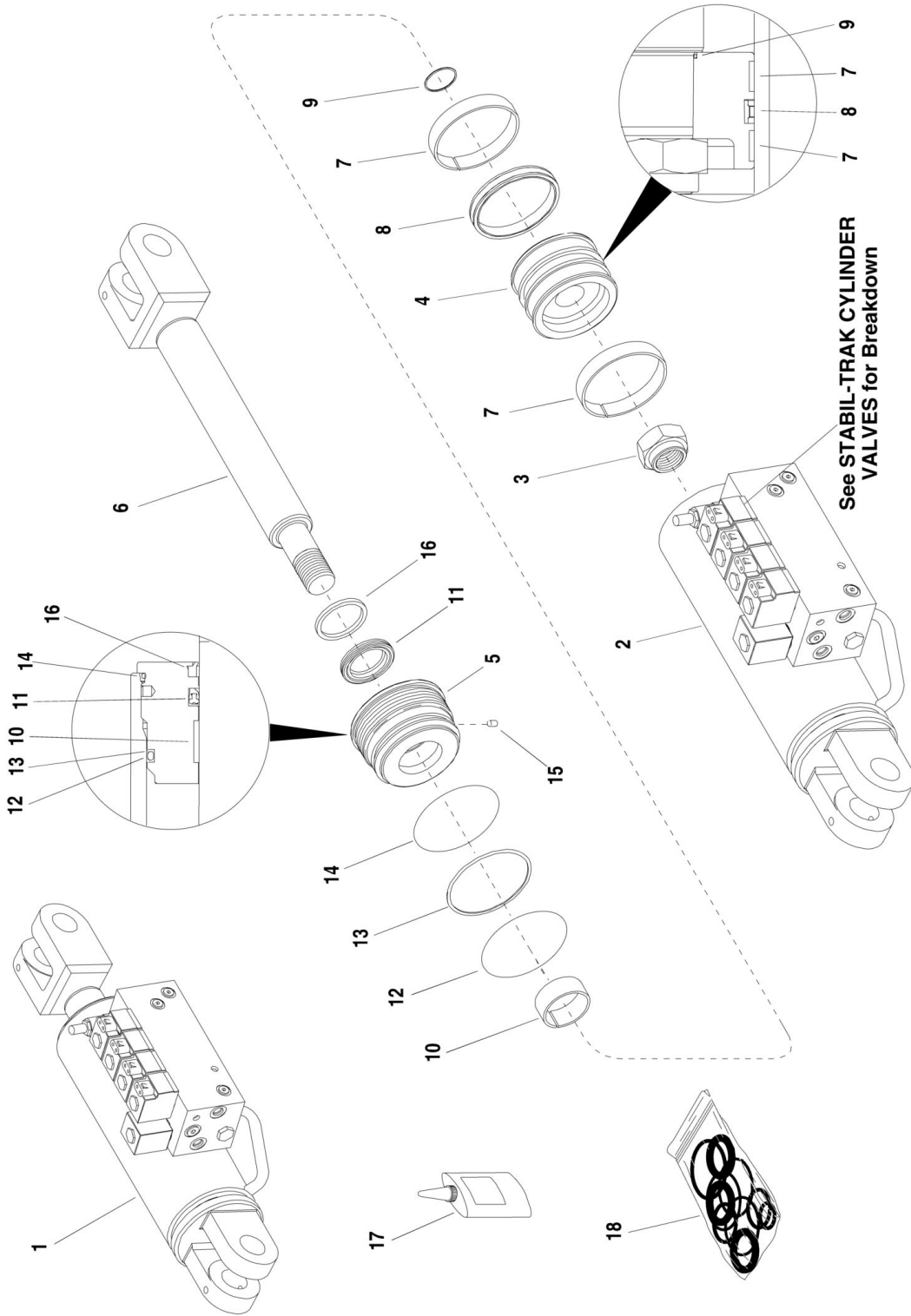
SECTION 8 - FRAME CONTROL HYDRAULICS

FIGURE 8-6. FRAME SWAY CYLINDER (SN MV201 to Present)

ITEM	PART NUMBER	QTY	DESCRIPTION	REV
1	6623867	1	Cylinder, Frame Sway (Includes Items 2 thru 16)	
2	8036771	1	Gland, Head	
3	8036770	1	Rod, Weldment	
4	8036772	1	Piston	
5	8036769	1	Nut	
6	N.S.S.	1	Tube, Weldment (Serviced Only in Item 1)	
7	8035757	2	Valve, PO Check -Series 10 (For Service See Item 20)	
8	See Kits	1	O-Ring	
9	See Kits	1	Ring, Back-Up	
10	See Kits	1	O-Ring	
11	See Kits	1	Wiper, Hd Rod - Sealed O.D.	
12	See Kits	1	Z-Seal, Deep w/Rod Back-Up	
13	See Kits	1	Wearband, Precision	
14	See Kits	1	O-Ring	
15	See Kits	2	Wearband, Precision	
16	See Kits	1	T-Seal, Type 730 Capped	
17	8526007	AR	Threadlock, Loctite #242 Removable Grade - 8.45 fl. oz	
18	8526011	AR	Threadlock, Loctite #271 High Strength - 8.45 fl. oz	
		Ref	KITS	
19	8035326	1	Seal Kit, Frame Sway Cylinder (Includes Items 8 thru 16)	
20	8035327	1	Seal Kit, PO Check Valve (For Item 7)	

SECTION 8 - FRAME CONTROL HYDRAULICS

FIGURE 8-7. STABIL-TRAK CYLINDER (SN MV006 through MV202)



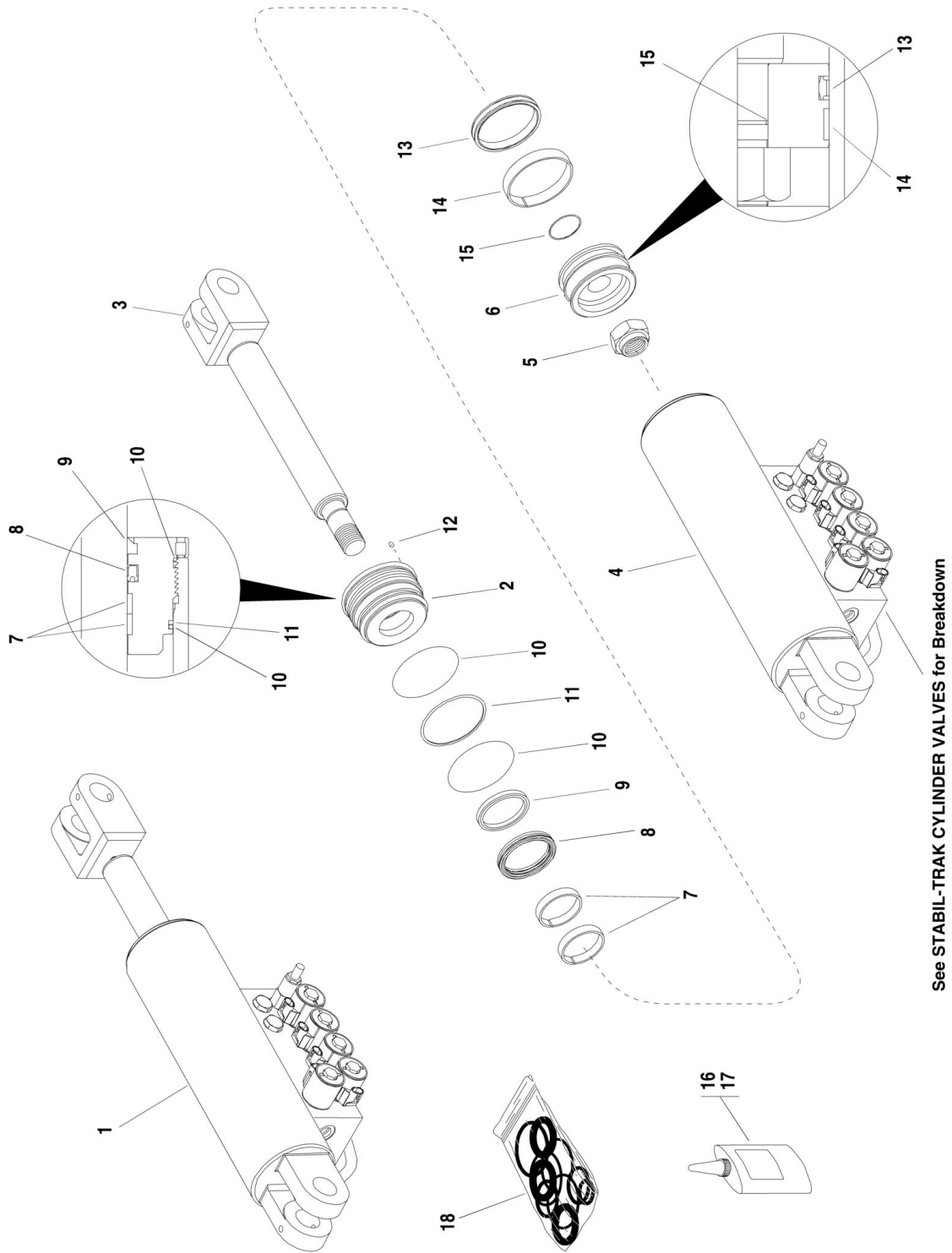
SECTION 8 - FRAME CONTROL HYDRAULICS

FIGURE 8-7. STABIL-TRAK CYLINDER (SN MV006 through MV202)

ITEM	PART NUMBER	QTY	DESCRIPTION	REV
1	6623367	1	Cylinder, Stabil-Trak (Includes Items 2 thru 16 and Items 1 thru 12 on STABIL-TRAK CYLINDER VALVES)	
2	N.S.S.	1	Tube, Weldment (Order Item 1)	
3	8035322	1	Nut, Lock 1.50-12 UNF	
4	8035323	1	Piston	
5	8035324	1	Gland, Head	
6	8035783	1	Rod, Weldment	
7	See Kits	2	Wearband, Precision	
8	See Kits	1	T-Seal, Type 730 Capped	
9	See Kits	1	O-Ring	
10	See Kits	1	Wearband, Precision	
11	See Kits	1	Z-Seal, Deep - w/Rod Back-Up	
12	See Kits	1	O-Ring	
13	See Kits	1	Ring, Back-Up	
14	See Kits	1	O-Ring	
15	See Kits	1	Locking Insert	
16	See Kits	1	Wiper, Hd Rod - Sealed O.D.	
17	8526011	AR Ref	Threadlocker, 271 Loctite, High Strength, 250ml Bottle KITS	
18	8035326	1	Seal Kit, Stabil-Trak Cylinder (Includes Items 7 thru 16)	

SECTION 8 - FRAME CONTROL HYDRAULICS

FIGURE 8-8. STABIL-TRAK CYLINDER (SN MV203 to Present)



See STABIL-TRAK CYLINDER VALVES for Breakdown

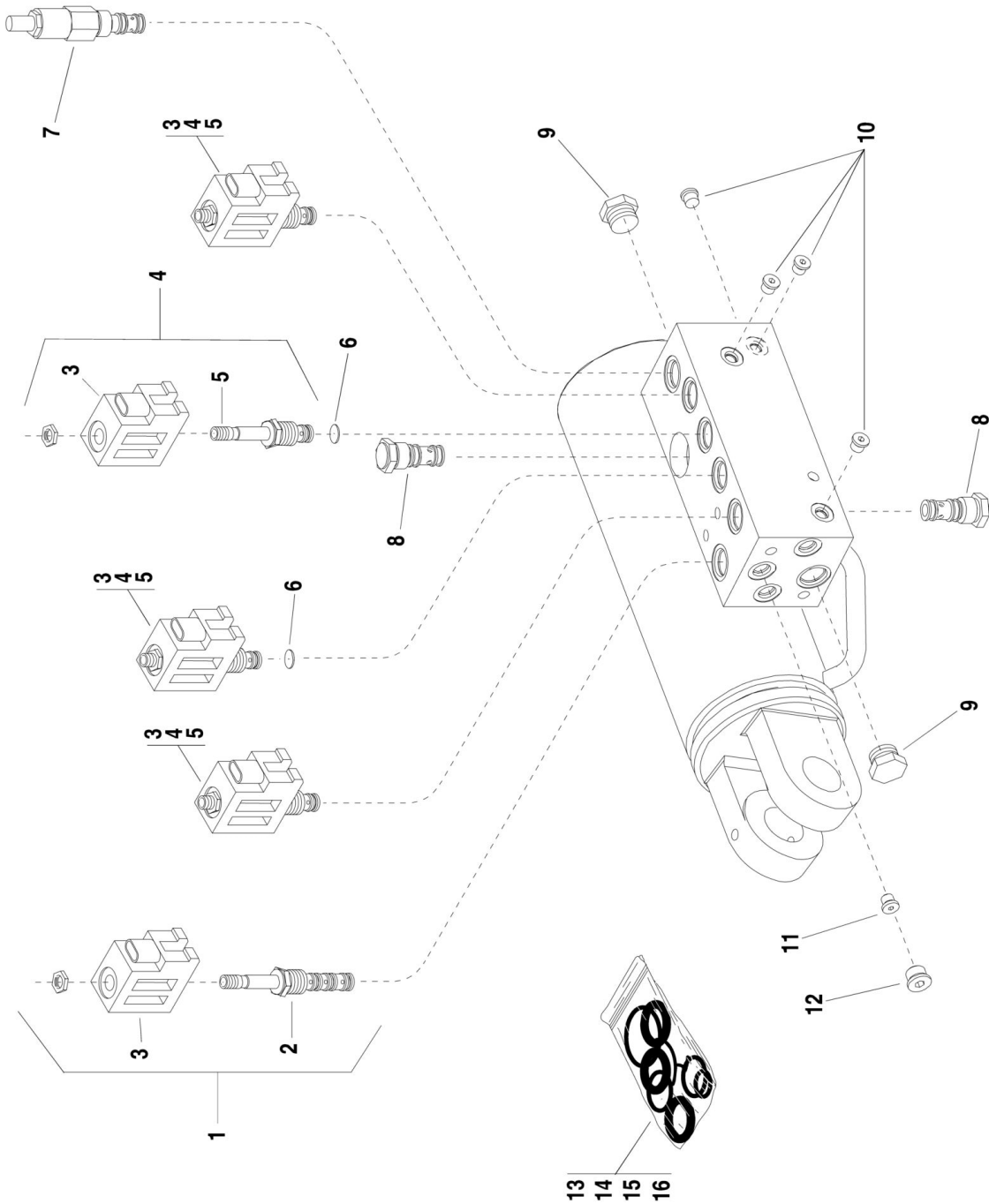
SECTION 8 - FRAME CONTROL HYDRAULICS

FIGURE 8-8. STABIL-TRAK CYLINDER (SN MV203 to Present)

ITEM	PART NUMBER	QTY	DESCRIPTION	REV
1	6623850	1	Cylinder, Stabil-TRAK (Includes Items 2 thru 15)	
2	8036828	1	Gland, Head	
3	8036827	1	Rod, Weldment	
4	N.S.S.	1	Tube, Weldment (Serviced Only in Item 1)	
5	8036825	1	Nut, Lock, 1-1/2-12 GR C	
6	8036826	1	Piston	
7	See Kits	2	Wearband, Precision	
8	See Kits	1	Z-Seal	
9	See Kits	1	Ring, Wiper	
10	See Kits	2	O-Ring	
11	See Kits	1	Ring, Back-Up	
12	8036811	1	Screw, Set, 1/4-20 UNC x 3/8in	
13	See Kits	1	T-Seal, Capped Piston	
14	See Kits	1	Wearband, Precision	
15	See Kits	1	O-Ring	
16	8526011	AR	Threadlock, Loctite #271 High Strength - 8.45 fl. oz	
17	8526007	AR	Threadlock, Loctite #242 Removable Grade - 8.45 fl. oz	
		Ref	KITS	
18	8036747	1	Seal Kit, Stabil-TRAK Cylinder (Includes Items 7 thru 15)	

SECTION 8 - FRAME CONTROL HYDRAULICS

FIGURE 8-9. STABIL-TRAK CYLINDER VALVES (SN MV006 through MV202)



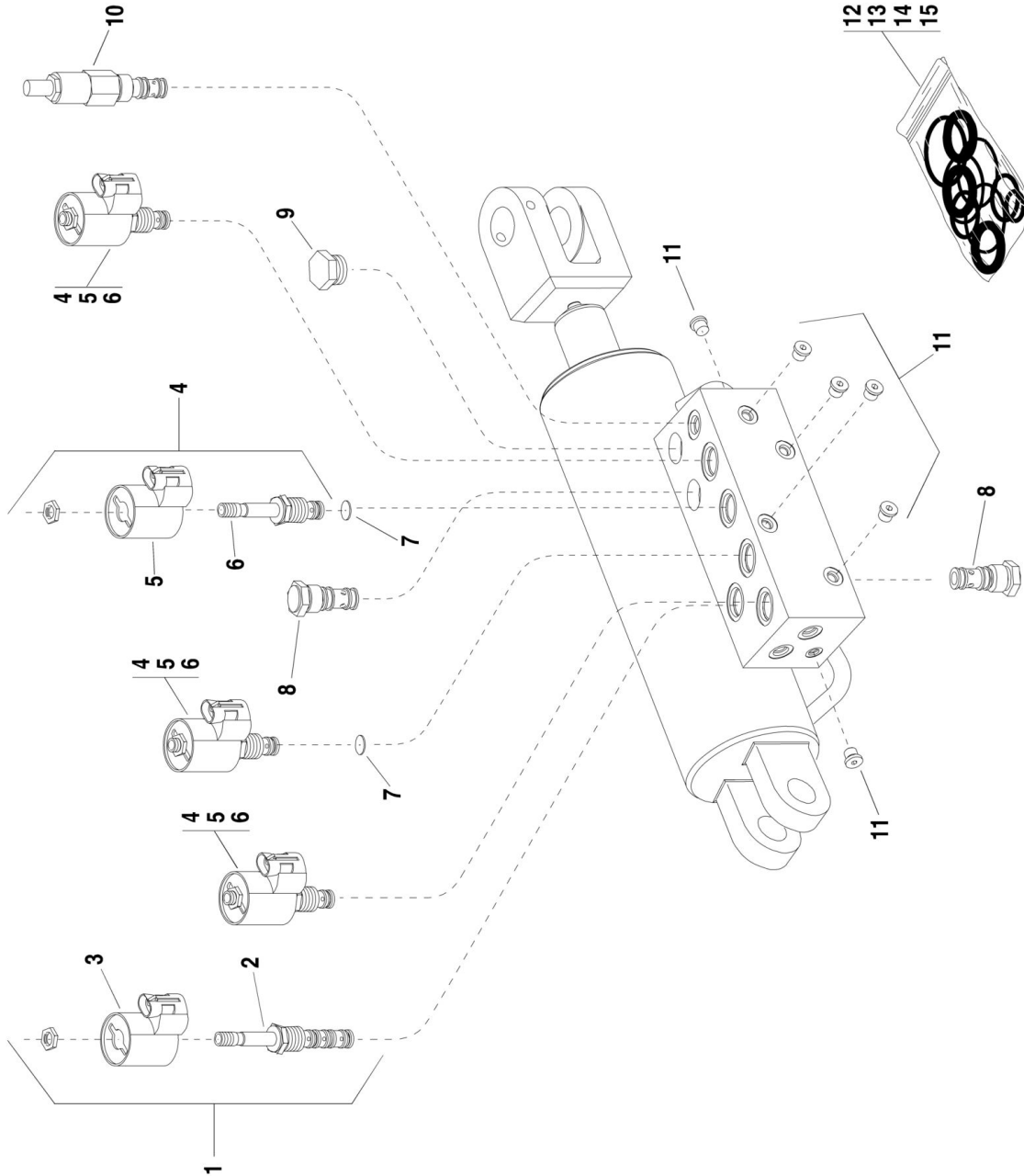
SECTION 8 - FRAME CONTROL HYDRAULICS

FIGURE 8-9. STABIL-TRAK CYLINDER VALVES (SN MV006 through MV202)

ITEM	PART NUMBER	QTY	DESCRIPTION	REV
1	8036020	1	Solenoid Valve Assembly - 4 Way, 12V (Includes Items 2 & 3) (For Seal Kit, Order Item 16)	
2	8036290	1	Cartridge, Solenoid Valve	
3	8036288	5	Coil, Solenoid	
4	8036019	4	Solenoid Valve Assembly - 2 Way, NC, 12V (Includes Items 3 & 5) (For Seal Kit, Order Item 13)	
5	8036289	4	Cartridge, Solenoid Valve	
6	8035781	2	Disk, Conical Orifice .060in Dia	
7	8035282	1	Valve, Pressure Reducing (100) (For Seal Kit, Order Item 14)	
8	8035281	2	Valve, PO Check -Series 10 (For Seal Kit, Order Item 15)	
9	8760420	2	Plug, Hex Hd, SAE 10-male str thd o-ring	
10	8035785	4	Plug, Hex - SAE #4 Steel Hol.	
11	8035782	1	Plug, Orifice .030in Dia	
12	8035784	1	Plug, Hex - SAE #6 Steel Hol.	
		Ref	KITS	
13	8034037	1	Seal Kit, Solenoid Valve Assembly (For Item 4)	
14	8032994	1	Seal Kit, Pressure Reducing Valve (For Item 7)	
15	8036192	1	Seal Kit, PO Check Valve (For Item 8)	
16	8036195	1	Seal Kit, Solenoid Valve Assembly (For Item 1)	

SECTION 8 - FRAME CONTROL HYDRAULICS

FIGURE 8-10. STABIL-TRAK CYLINDER VALVES (SN MV203 to Present)



SECTION 8 - FRAME CONTROL HYDRAULICS

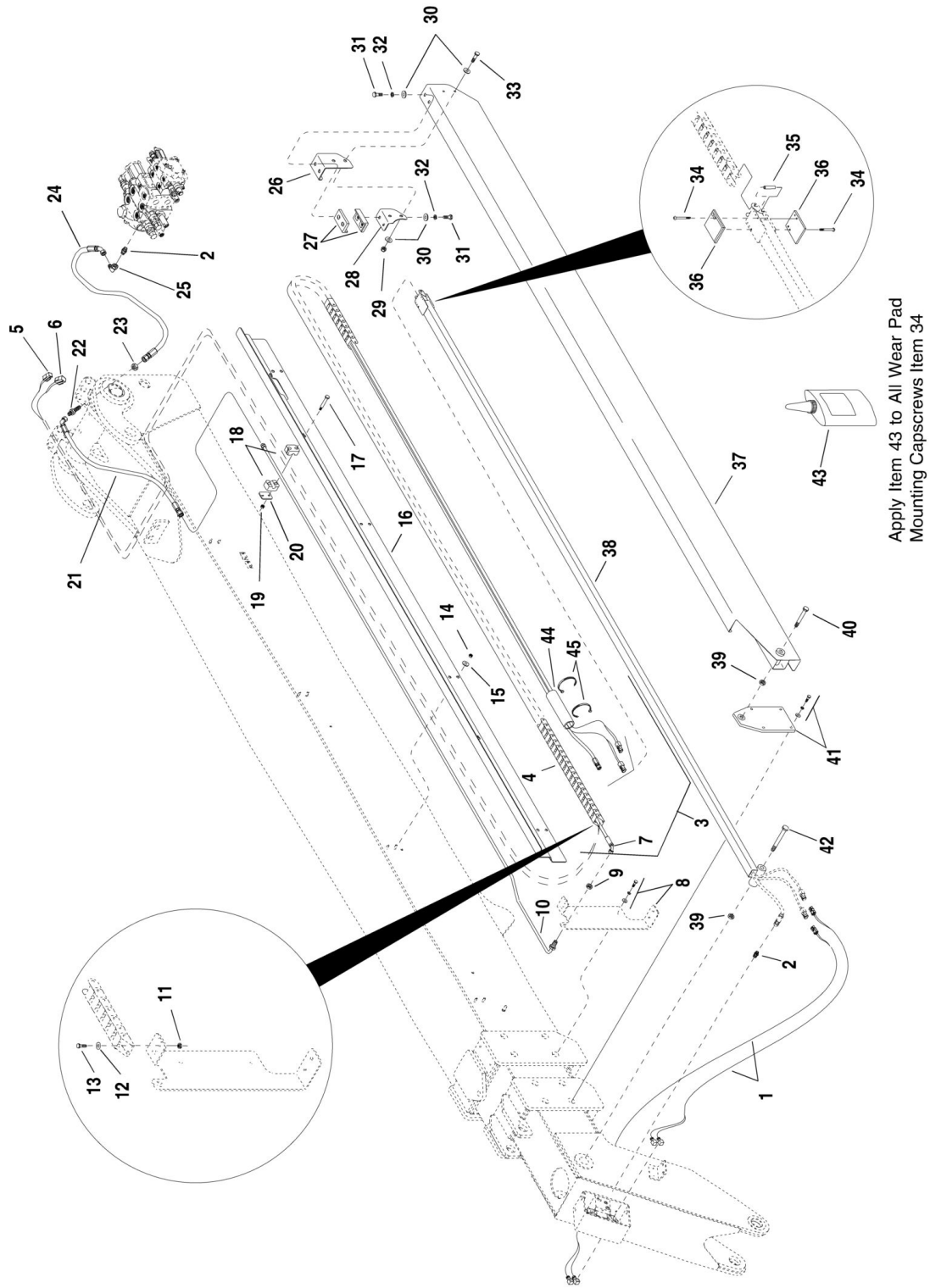
FIGURE 8-10. STABIL-TRAK CYLINDER VALVES (SN MV203 to Present)

ITEM	PART NUMBER	QTY	DESCRIPTION	REV
1	8036831	1	Solenoid, Valve Assembly, 4 Way, 12V (Includes Items 2 & 3) (To Service Seals, Order Item 15)	
2	8036580	1	Cartridge, Solenoid Valve	
3	8036579	1	Coil, Solenoid	
4	8036832	4	Solenoid, Valve Assembly, 2 Way, NC, 12V (Includes Items 5 & 6) (To Service Seals, Order Item 14)	
5	8036581	4	Cartridge, Solenoid Valve	
6	8036579	4	Coil, Solenoid	
7	8035781	2	Disk, Conical Orifice 0.60in Dia	
8	8035757	2	Valve, PO Check - Series 10 (To Service Seals, Order Item 13)	
9	8036582	1	Valve, Check Relief 200PSI (13 bar) (To Service Seals, Order Item 14)	
10	8035282	1	Valve, Pressure Reducing 100PSI (7 bar) (To Service Seals, Order Item 12)	
11	8035785	6	Plug, Hex - SAE #4 Steel Hol.	
		Ref	KITS	
12	8032994	1	Seal Kit, Pressure Reducing Valve (For Item 10)	
13	8036739	1	Seal Kit, PO Check Valve (For Item 8)	
14	7017496	1	Seal Kit, Solenoid - 2 Way (For Item 4 or 9)	
15	8036740	1	Seal Kit, Solenoid - 4 Way (For Item 1)	

SECTION 9 - FORK POSITIONING HYDRAULICS

SECTION 9 - FORK POSITIONING HYDRAULICS

FIGURE 9-1. EXTERIOR HOSE CARRIER ASSEMBLY WITH HYDRAULICS (SN MV006 to Present)



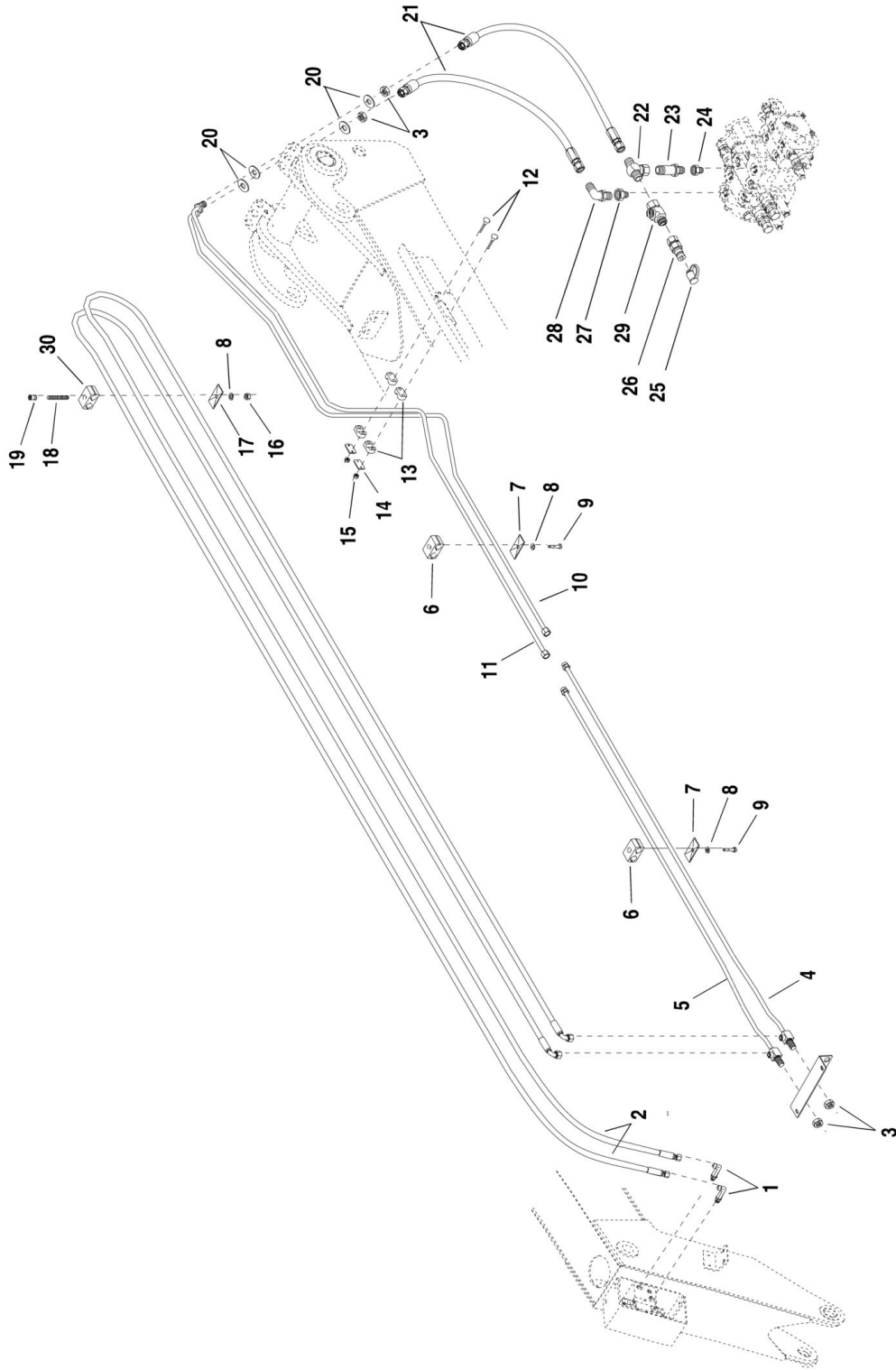
SECTION 9 - FORK POSITIONING HYDRAULICS

FIGURE 9-1. EXTERIOR HOSE CARRIER ASSEMBLY WITH HYDRAULICS (SN MV006 to Present)

ITEM	PART NUMBER	QTY	DESCRIPTION	REV
1	6623556	2	Harness-Front, Boom	
2	8770106	2	Connector, -6ORB x -6FF	
3	6623538	1	Track-Hose-Cable Assembly (Includes Items 4 thru 7)	
4	6623435	1	Track, Hose Carrier Power	
5	6623470	1	Harness, Left Fork Boom	
6	6623469	1	Harness, Right Fork Boom	
7	2716837	1	Hose, Special	
8	6623430	1	Bracket, Hose Track (See BOOM ASSEMBLY SECTION for Mounting Hardware)	
9	8770129	1	Nut, Bulkhead Lock -8FF	
10	6623413	1	Tube Assembly, Fork Shift Valve Sense	
11	8305401	2	Nut, Hex Jam 1/4in-20 NC	
12	8307109	2	Washer, Plain 1/4in	
13	8310548	2	Screw, Button Head Cap 1/4 NC x 1/2in	
14	8305654	8	Nut, Hex Loc, M8 x 1.25	
15	8307204	8	Washer, Plain 3/8in	
16	6623433	1	Guide, Hose Track	
17	8310576	4	Bolt, Carriage, 1/4-20 NC x 2.00in	
18	8750030	2	Clamp Set	
19	8305624	4	Nut, Hex Loc, 1/4in-20 NC	
20	8769146	2	Cover Plate, Single	
21	2716843	1	Hose, 0.38 x 57.0in	
22	8770169	1	Connector, 6FF	
23	8760454	1	Nut, Bulkhead Lock #6	
24	2716844	1	Hose, 0.38 x 55.0in	
25	8770105	1	Elbow, 90,-6FF	
26	6623436	1	Bracket, Housing Support	
27	6623438	2	Pad, Housing Wear	
28	6623437	1	Retainer, Housing	
29	8305645	2	Nut, Hex Lock 3/8in-16 NC	
30	8307110	10	Washer, 3/8in	
31	8303681	4	HHCS, 3/8-16 NC x 3/4in	
32	8307005	4	Washer, 3/8in Lock	
33	8303620	2	Screw, 3/8-16 NC x 1.00in	
34	8310573	4	Screw, Button Head Cap #10-32 x 3/4in	
35	6623482	2	Spacer, Tube	
36	6623434	2	Pad, Tube Wear	
37	6623429	1	Housing, Hose Track	
38	6623432	1	Tube, Hose Support	
39	8305413	2	Nut, Hex Jam 3/4in-10 NC	
40	8303731	1	HHCS, 3/4-10 NC x 5-1/2in	
41	6623431	1	Bracket, Housing Support (See BOOM ASSEMBLY SECTION for Mounting Hardware)	
42	8310322	1	HHCS, 3/4-10 NC x 6-1/2in	
43	8526007	AR	Threadlocker, 242 Loctite, Removable, 250ml Bottle	
44	5746491	1	Sleeve, Nylon	
45	8584003	2	Tie Wrap, Plastic	

SECTION 9 - FORK POSITIONING HYDRAULICS

FIGURE 9-2. HYDRAULIC TUBES AND INTERIOR HOSES



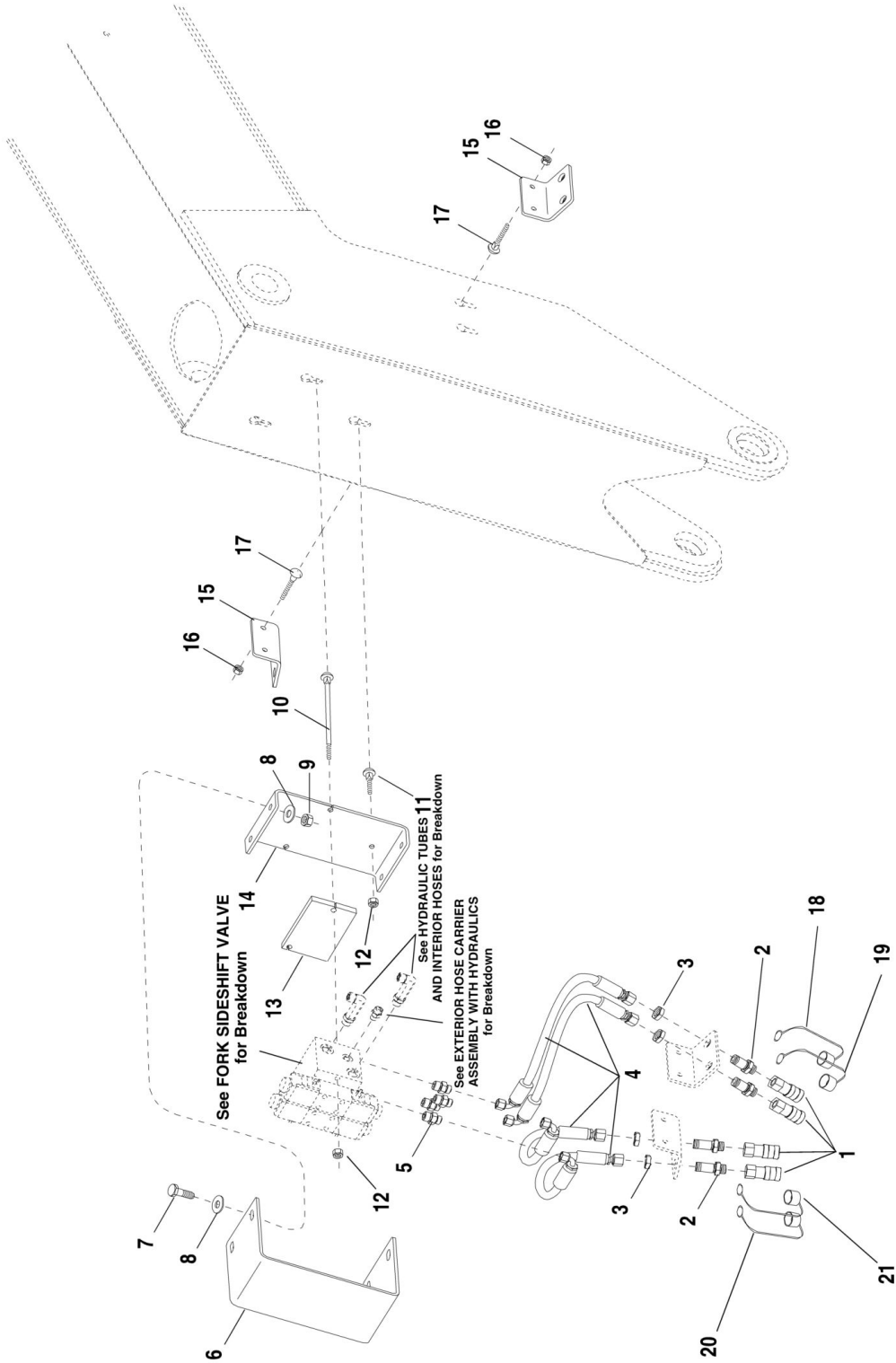
SECTION 9 - FORK POSITIONING HYDRAULICS

FIGURE 9-2. HYDRAULIC TUBES AND INTERIOR HOSES

ITEM	PART NUMBER	QTY	DESCRIPTION	REV
1	8770168	2	Elbow, 90, Long, 8ORB x 8FF	
2	2716825	2	Hose, 0.50 x 410.00in	
3	8770075	4	Nut, Bulkhead -10FF	
4	6623518	1	Tube Assembly, Boom Outside Left	
5	6623519	1	Tube Assembly, Boom Inside Left	
6	8769122	2	Clamp Set, .625 Dia Twin	
7	8769123	2	Cover Plate, Twin	
8	8307004	3	Washer, 5/16in Lock	
9	8303715	2	HHCS, 5/16-18NC x 1-1/2in	
10	6623527	1	Tube Assembly, Outer	
11	6623528	1	Tube Assembly, Inner	
12	8310094	4	Bolt, Carriage 5/16-18NC x 2-1/4in	
13	8750003	2	Clamp Set, .625 Dia Single	
14	8769149	2	Cover Plate, Single	
15	8305626	4	Nut, Hex Lock, 5/16-18NC	
16	8310453	1	Nut, Hex, 5/16-18NC	
17	8769128	1	Cover Plate, Twin	
18	10168743	1	Screw, Set, 5/16-18 x 2-1/2in	
19	8310568	1	Nutsert	
20	5724302	4	Shim	
21	2716842	2	Hose, 0.50 x 49.0in	
22	8770211	1	Tee, 10FF	
23	8770117	1	Connector, Long -8ORB x 8FF	
24	8770186	1	Reducer/Expander, #10-8	
25	8430032	1	Plug, Dust	
26	8430082	1	Pressure Tap -8	
27	8760545	1	Reducer/Expander, #16-8	
28	8770114	1	Elbow, 90, -8ORB x -8FF	
29	8770125	1	Tee, Swivel Run, SAE 8 - o-ring face seal	
30	8750016	1	Clamp Set, .79 Dia Twin	

SECTION 9 - FORK POSITIONING HYDRAULICS

FIGURE 9-3. FORK SIDESHIFT VALVE MOUNTING WITH HOSES (SN MV006 to Present)



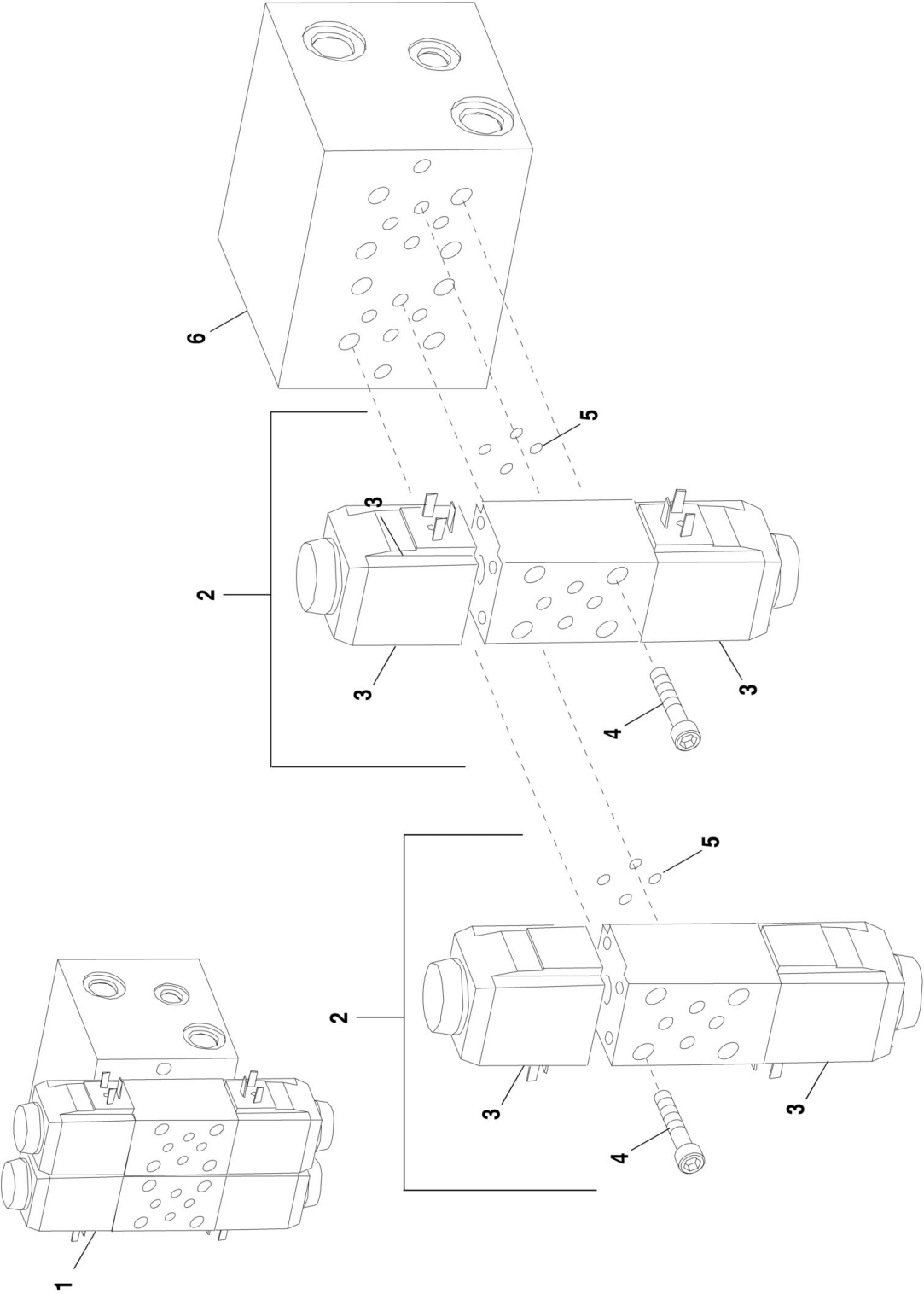
SECTION 9 - FORK POSITIONING HYDRAULICS

FIGURE 9-3. FORK SIDESHIFT VALVE MOUNTING WITH HOSES (SN MV006 to Present)

ITEM	PART NUMBER	QTY	DESCRIPTION	REV
1	8430083	4	Coupler, Quick Disconnect	
2	8770136	4	Connector, Bulkhead, -8 ORB x -8FF	
3	8770129	4	Nut, Bulkhead, -8FF	
4	2716826	4	Hose, 0.38 x 20.00in	
5	8770069	4	Connector, -6 ORB x -8FF	
6	6623385	1	Cover, Fork Shift Valve	
7	8303626	4	HHCS, 1/2in-13 x 1-1/2in	
8	8307112	8	Washer, Plain, 1/2in	
9	8305644	4	Nut, Hex Lock Elastic 1/2in-13	
10	8310566	2	Bolt, Carriage, 3/8in-16 x 10.00in	
11	8304006	1	Bolt, Carriage, 3/8in-16 x 1.00in	
12	8305645	3	Nut, Hex Lock Elastic, 3/8in-16	
13	6623384	1	Spacer, Fork Shift Valve	
14	6623406	1	Bracket, Cover Mount	
15	6623391	2	Bracket, Quick Disconnect Bulkhead	
16	8305008	4	Nut, Hex 3/8in-16	
17	8310335	4	Bolt, Carriage, 3/8in-16 x 1.50in	
18	8430051	1	Cap, Dust, Red #6 for Female	
19	8430053	1	Cap, Dust, Black #6 for Female	
20	8430055	1	Cap, Dust, Green #6 for Female	
21	8430057	1	Cap, Dust, Yellow #6 for Female	

SECTION 9 - FORK POSITIONING HYDRAULICS

FIGURE 9-4. FORK SIDESHIFT VALVE



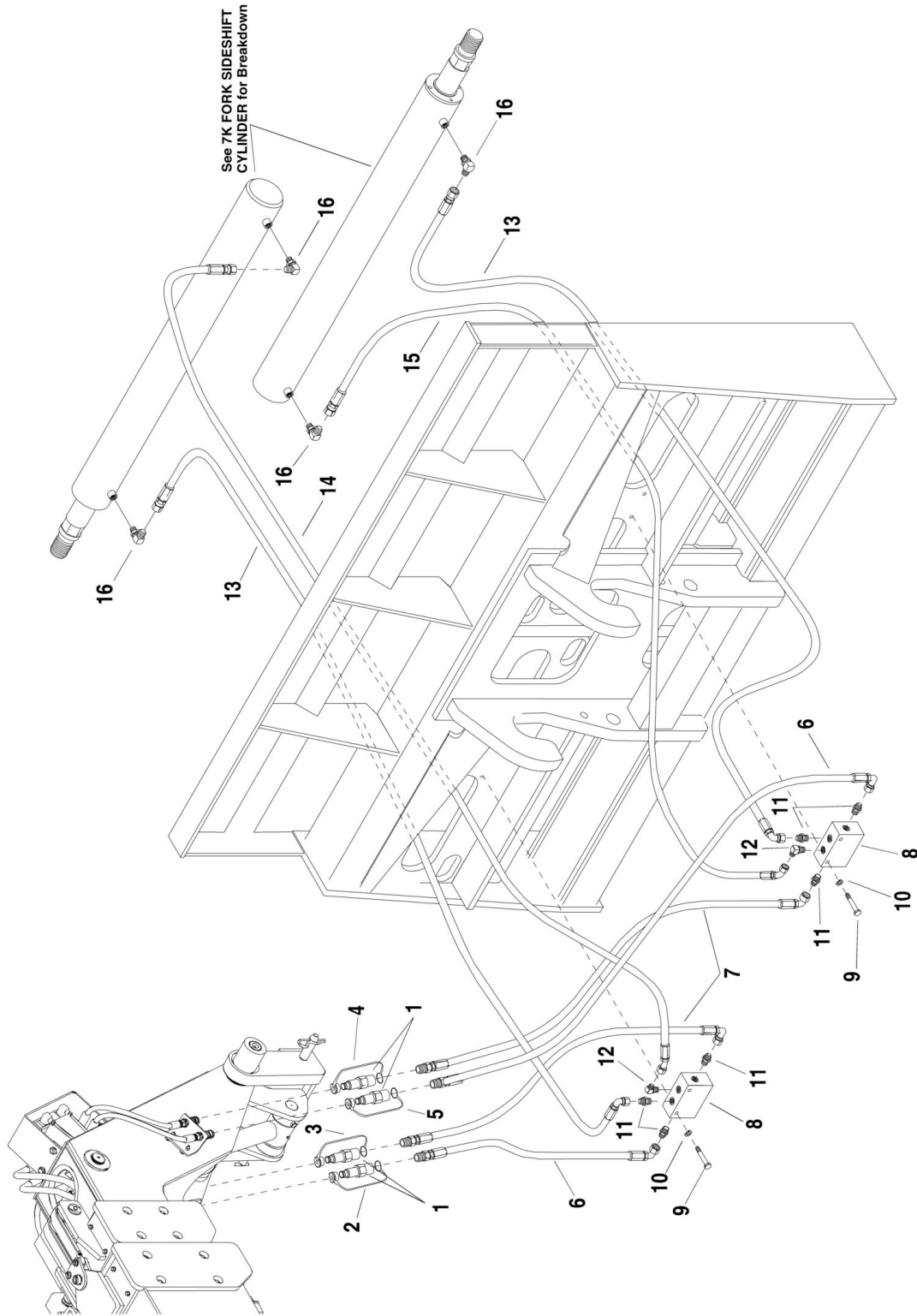
SECTION 9 - FORK POSITIONING HYDRAULICS

FIGURE 9-4. FORK SIDESHIFT VALVE

ITEM	PART NUMBER	QTY	DESCRIPTION	REV
1	8902281	1	Valve, Fork Sideshift (Includes Items 2 thru 6)	
2	8902288	2	Valve, Solenoid (Includes Items 3 thru 5)	
3	8036383	2	Coil, Solenoid	
4	8310488	4	SHCS #10-24 UNC x 1.25in	
5	8640017	4	O-Ring	
6	8036382	1	Manifold	

SECTION 9 - FORK POSITIONING HYDRAULICS

FIGURE 9-5. 7K CARRIAGE - FORK POSITIONING HYDRAULIC CIRCUIT (SN MV006 to Present)



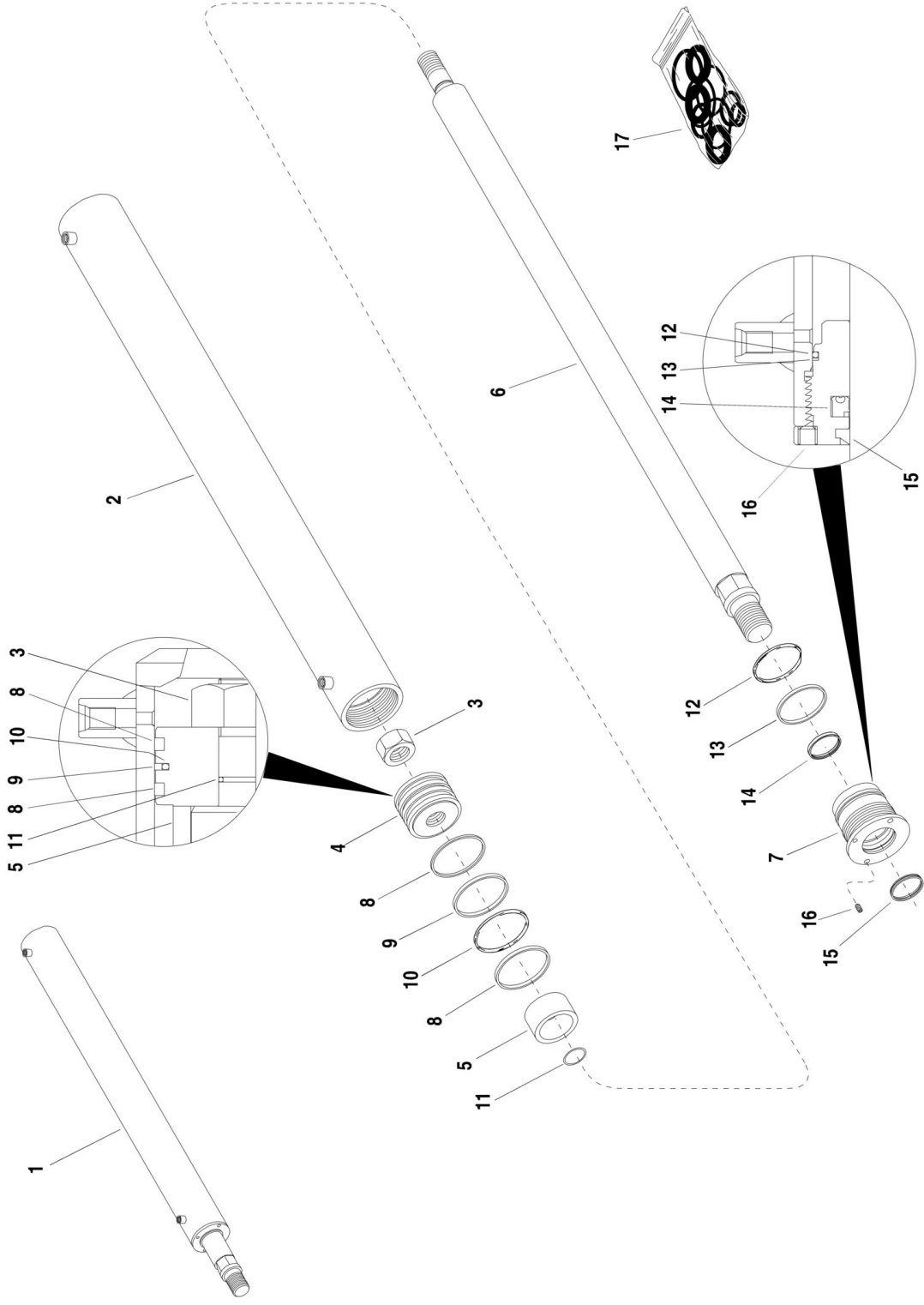
SECTION 9 - FORK POSITIONING HYDRAULICS

FIGURE 9-5. 7K CARRIAGE - FORK POSITIONING HYDRAULIC CIRCUIT (SN MV006 to Present)

ITEM	PART NUMBER	QTY	DESCRIPTION	REV
1	8430084	4	Nipple, Quick Disconnect	
2	8430052	1	Cap, Dust, Red #6 for Male	
3	8430054	1	Cap, Dust, Black #6 for Male	
4	8430056	1	Cap, Dust, Green #6 for Male	
5	8430058	1	Cap, Dust, Yellow #6 for Male	
6	2716809	2	Hose, 0.38 x 28.00in	
7	2716817	2	Hose, 0.38 x 24.00in	
8	8902283	2	Valve, Double PO Check	
9	8303786	4	HHCS, 5/16-18 x 2-1/4in	
10	8307004	4	Washer, Lock 5/16in	
11	8770106	6	Connector, SAE 6 - str thd ORB x OFS	
12	8770068	2	Elbow, 90, SAE 6 - str thd ORB x OFS	
13	2716818	2	Hose, 0.38 x 16.00in	
14	2716819	1	Hose, 0.38 x 25.00in	
15	2716820	1	Hose, 0.38 x 19.00in	
16	8770102	4	Elbow, 90, SAE 6-4 - str thd ORB x OFS	

SECTION 9 - FORK POSITIONING HYDRAULICS

FIGURE 9-6. 7K FORK SIDESHIFT CYLINDER (SN MV006 to Present)



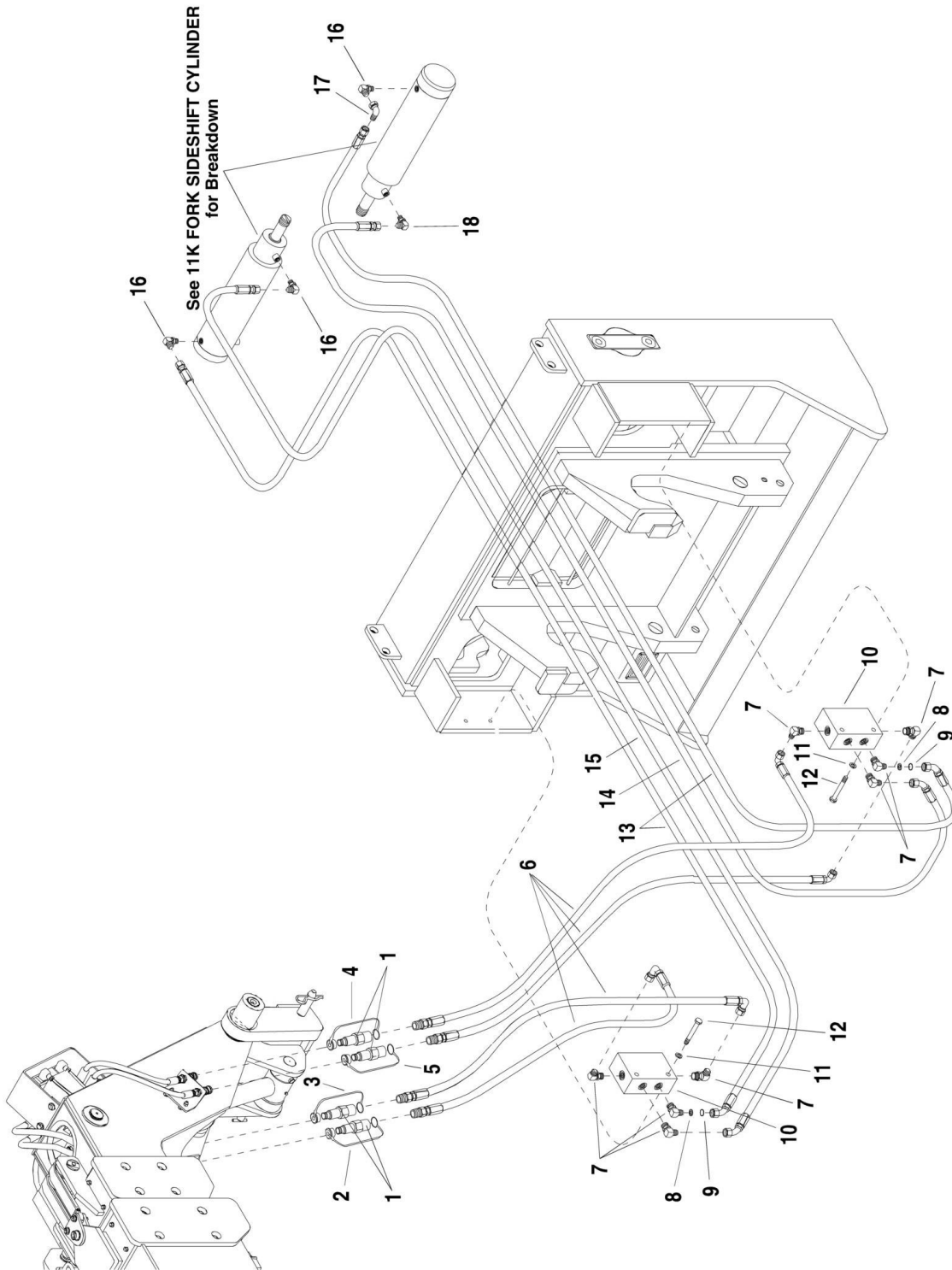
SECTION 9 - FORK POSITIONING HYDRAULICS

FIGURE 9-6. 7K FORK SIDESHIFT CYLINDER (SN MV006 to Present)

ITEM	PART NUMBER	QTY	DESCRIPTION	REV
1	6623295	1	Cylinder, 7K Fork Sideshift (Includes Items 2 thru 16)	
2	N.S.S.	1	Tube, Weldment (Order Item 1)	
3	8036366	1	Nut, Hex Lock 1-14	
4	8036367	1	Piston	
5	8036368	1	Tube, Rod Spacer	
6	8036369	1	Rod, Weldment	
7	8036370	1	Guide	
8	See Kits	2	Wear Ring	
9	See Kits	1	Piston Seal	
10	See Kits	1	O-ring	
11	See Kits	1	O-ring	
12	See Kits	1	O-ring	
13	See Kits	1	Ring, Back-Up	
14	See Kits	1	Seal, U-cup	
15	See Kits	1	Wiper, Hd Rod - Sealed O.D.	
16	See Kits	1	Set Screw 1/4-20 x 3/8in Cup Point	
		Ref	KIT	
17	70022689	1	Seal Kit, 7K Fork Sideshift Cylinder (Includes items 8 Thru 16)	

SECTION 9 - FORK POSITIONING HYDRAULICS

FIGURE 9-7. 11K CARRIAGE - FORK POSITIONING HYDRAULIC CIRCUIT (SN MV006 to Present)



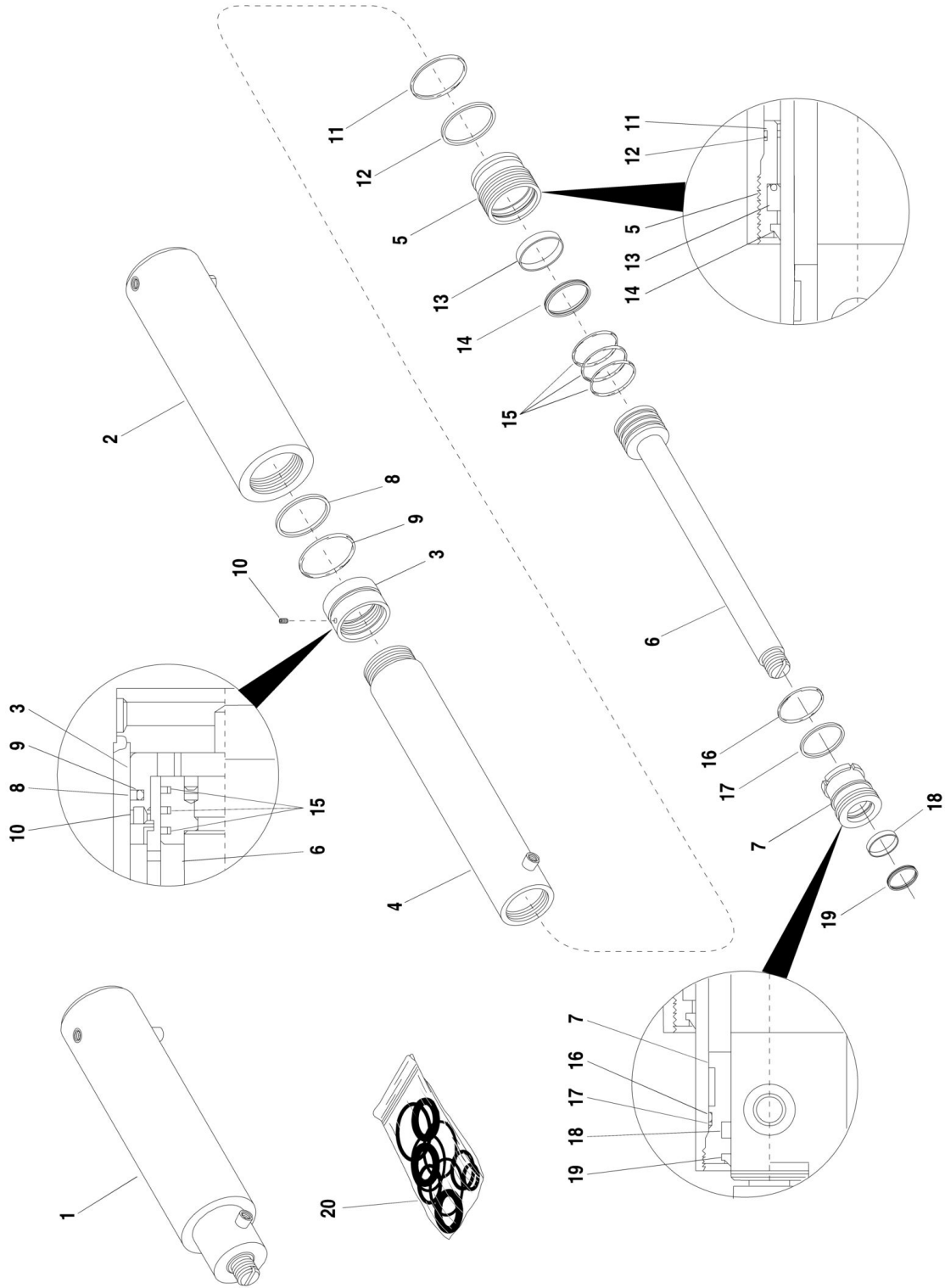
SECTION 9 - FORK POSITIONING HYDRAULICS

FIGURE 9-7. 11K CARRIAGE - FORK POSITIONING HYDRAULIC CIRCUIT (SN MV006 to Present)

ITEM	PART NUMBER	QTY	DESCRIPTION	REV
1	8430084	4	Nipple, Quick Disconnect	
2	8430052	1	Cap, Dust, Red #6 for Male	
3	8430054	1	Cap, Dust, Black #6 for Male	
4	8430056	1	Cap, Dust, Green #6 for Male	
5	8430058	1	Cap, Dust, Yellow #6 for Male	
6	2716809	4	Hose, 0.38 x 28.00in	
7	8770068	8	Elbow, 90, SAE 6 - str thd ORB x OFS	
8	7139960	2	Disk, Orifice	
9	8630003	2	O-Ring	
10	8902283	2	Valve, Double PO Check	
11	8307004	4	Washer, Lock 5/16in	
12	8303786	4	HHCS, 5/16-18 x 2-1/4in	
13	2716810	2	Hose, 0.38 x 11.50in	
14	2716812	1	Hose, 0.38 x 28.00in	
15	2716811	1	Hose, 0.38 x 28.00in	
16	8770102	3	Elbow, 90, SAE 6-4 - str thd ORB x OFS	
17	8770105	1	Elbow, 90, SW -6FF	
18	8770204	1	Connector SAE 6 - str thd ORB x FF	

SECTION 9 - FORK POSITIONING HYDRAULICS

FIGURE 9-8. 11K FORK SIDESHIFT CYLINDER (SN MV006 to Present)



SECTION 9 - FORK POSITIONING HYDRAULICS

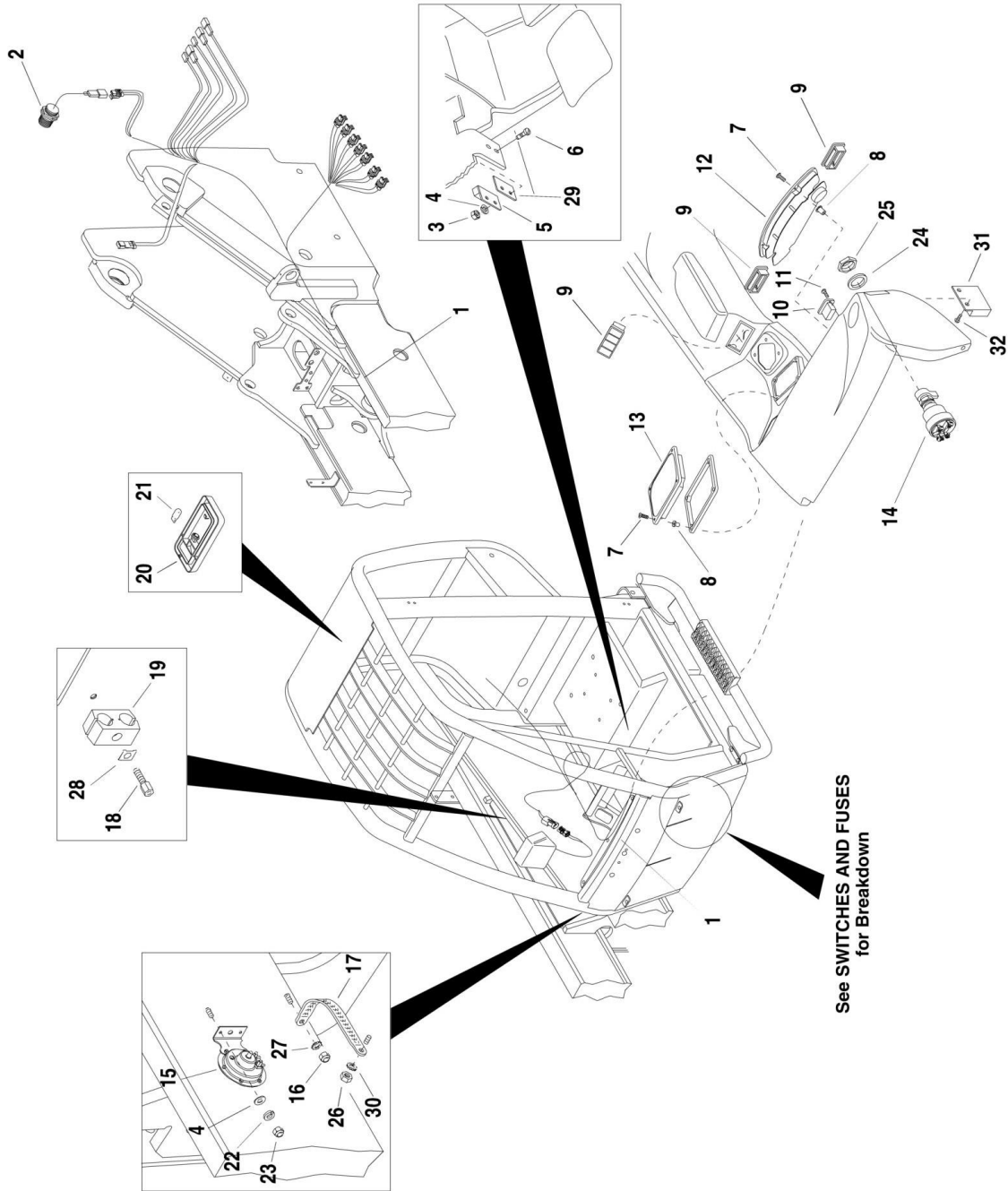
FIGURE 9-8. 11K FORK SIDESHIFT CYLINDER (SN MV006 to Present)

ITEM	PART NUMBER	QTY	DESCRIPTION	REV
1	6623296	1	Cylinder, 11K Fork Sideshift (Includes Items 2 thru 19)	
2	N.S.S.	1	Tube, Weldment (Order Item 1)	
3	8036361	1	Piston	
4	8036362	1	Tube, Rod	
5	8036363	1	Guide, 3.00 Bore - 2.50 Rod	
6	8036364	1	Rod Assembly	
7	8036365	1	Guide, 2.00 Bore - 1.25 Rod	
8	See Kits	1	Piston Seal	
9	See Kits	1	O-ring	
10	See Kits	1	Set Screw 1/4-28 x 5/16in Nylon	
11	See Kits	1	O-ring	
12	See Kits	1	Ring, Back-Up	
13	See Kits	1	Seal, Poly 2.50 x 2.875 DO .375	
14	See Kits	1	Wiper Ring, 2.50 AN Series	
15	See Kits	3	Ring, Cast Iron Piston	
16	See Kits	1	O-ring	
17	See Kits	1	Ring, Back-Up	
18	See Kits	1	Seal, Poly 1.25 x 1.50 DO .25	
19	See Kits	1	Wiper Ring, 1.25 AN Series	
20	8205825	1	Ref KIT Seal Kit, 11K Fork Sideshift Cylinder (Includes Items 8 Thru 19)	

SECTION 10 - ELECTRICAL

SECTION 10 - ELECTRICAL

FIGURE 10-1. OPERATORS CAB AND FRAME WIRING HARNESS (S/N MV006 - MV200)



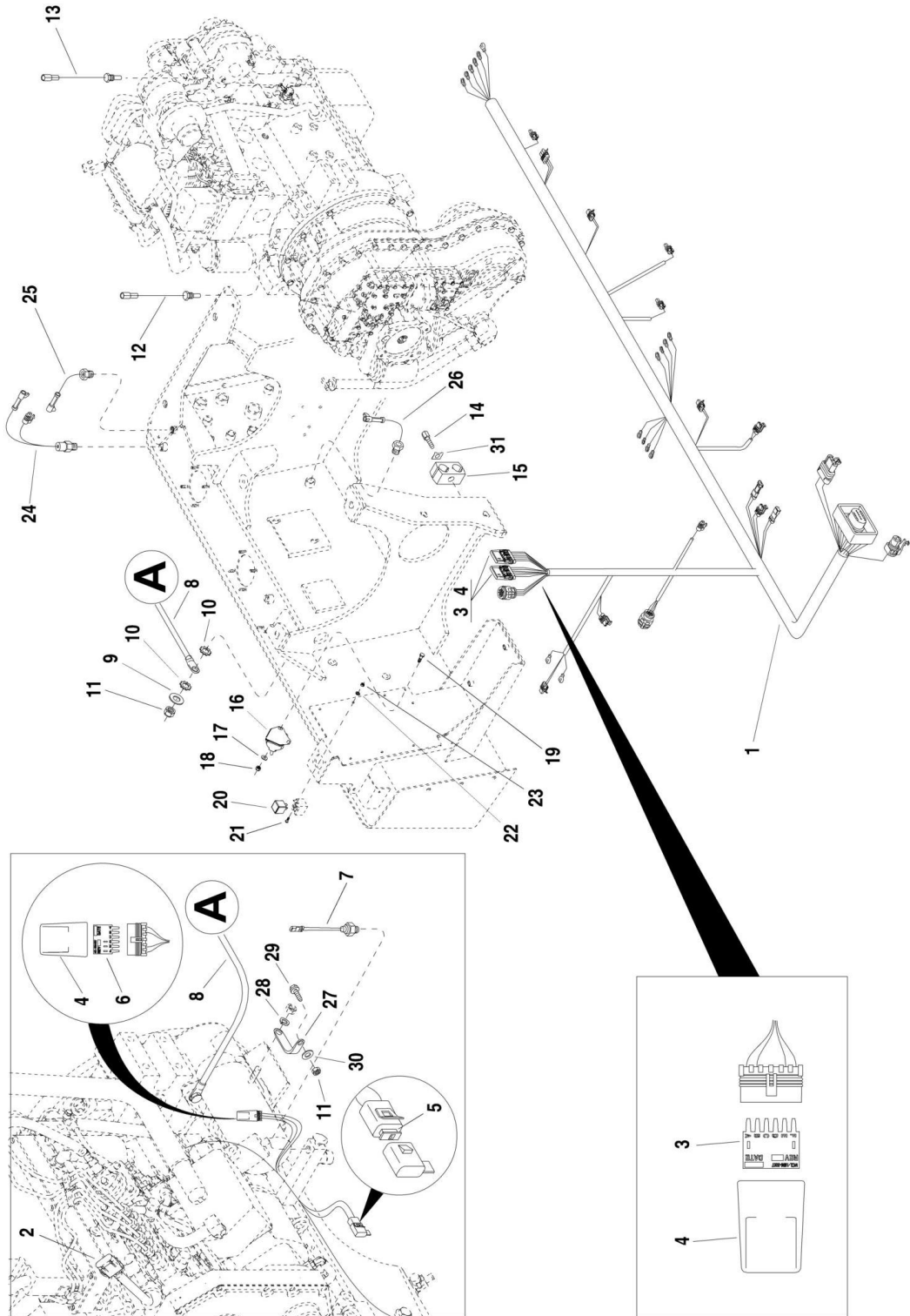
SECTION 10 - ELECTRICAL

FIGURE 10-1. OPERATORS CAB AND FRAME WIRING HARNESS (S/N MV006 - MV200)

ITEM	PART NUMBER	QTY	DESCRIPTION	REV
1	6623467	1	Harness, Cab	
2	7130682	1	Sensor, Boom	
3	8310085	2	Nut, Hex Lock Elastic #10-24	
4	8307111	4	Washer, Flat #10 Narrow	
5	8223231	1	Switch, Magnetic Proximity	
6	8310583	2	Screw, Slotted Pan Hd #10-24 x 7/8in	
7	8310358	8	BHCS, #10-32 x 3/4in	
8	8580421	8	Nut, Well #10-32	
9	8223046	3	Bezel, Switch	
10	8467017	1	Hourmeter	
11	8310366	2	Screw, Wood, Round Hd #6 x 1/2in	
12	8220358	1	Dash, Front Console	
13	8220346	1	Panel, Joystick Logic	
14	8223455	1	Switch, Ignition, Keyless	
15	8270623	1	Horn, Signal	
16	8305645	1	Nut, Hex Lock, 3/8in-16 NC	
17	6611172	1	Ground Cable, Cab to Frame	
18	8750026	1	Bolt, Stacking	
19	8750022	1	Clamp Set	
20	8036437	1	Light, Dome (Includes Item 21)	
21	8036442	1	Blub	
22	8307003	2	Washer, Lock #10	
23	8305002	2	Nut, Hex #10-24	
24	8307107	1	Washer, Plain, 5/8in SAE Narrow	
25	8310587	1	Nut, Hex 5/8in-32, 1/8in Thk	
26	8305626	1	Nut, Hex 5/16in-18	
27	8307026	1	Washer, External Tooth Lock, 3/8in	
28	8750017	1	Plate, Locking	
29	7300841	1	Spacer, Switch	
30	8307027	1	Washer, External Tooth Lock, 5/16in	
31	10727307	1	Buzzer, Low Brake Pressure Warning	
32	8310353	2	Screw, Hex Washer Head, Self-Tapping	

SECTION 10 - ELECTRICAL

FIGURE 10-2. ENGINE WIRING HARNESS - SWITCHES, FUSES AND RELAYS (S/N MV006 - MV200)



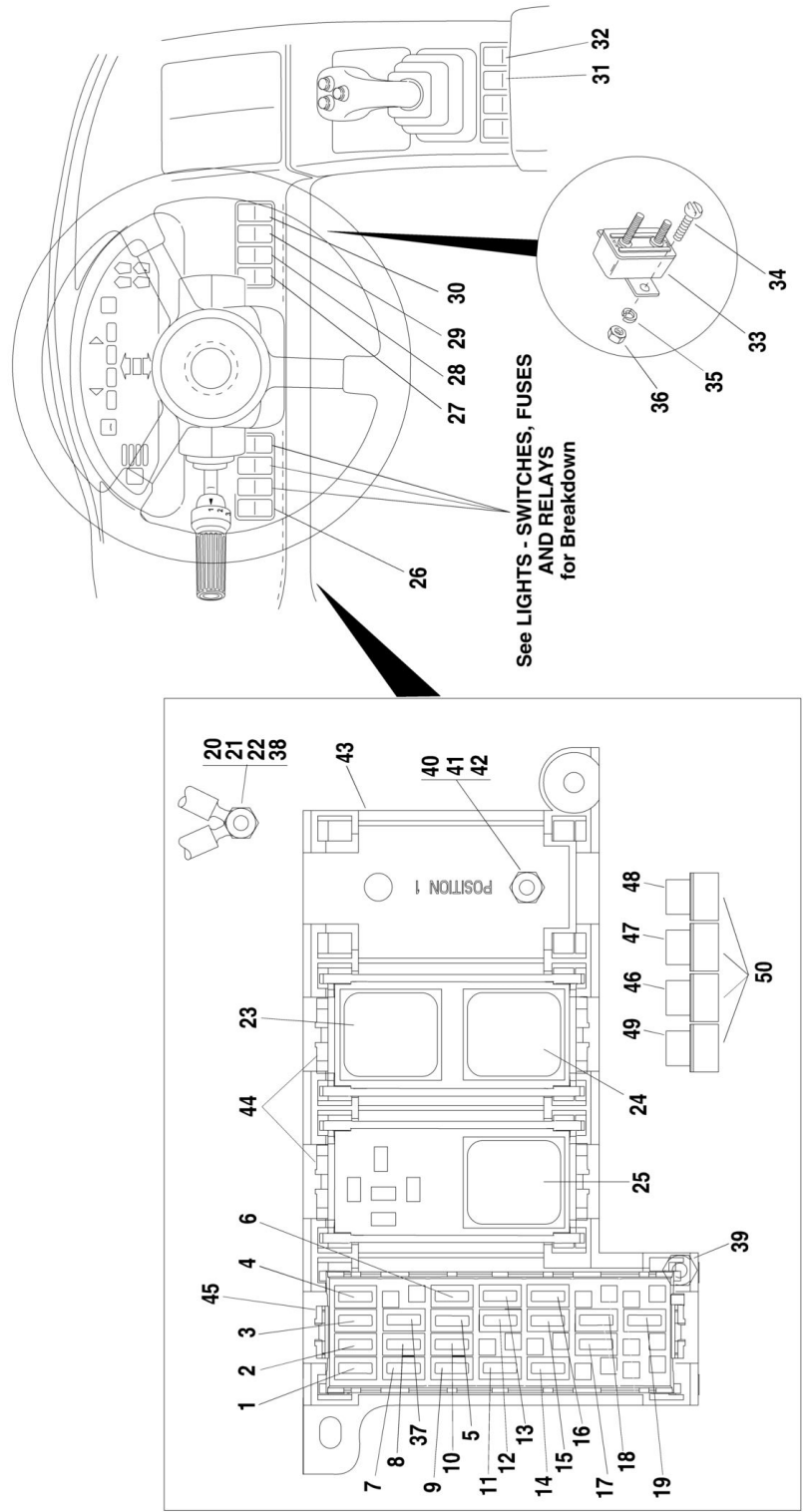
SECTION 10 - ELECTRICAL

FIGURE 10-2. ENGINE WIRING HARNESS - SWITCHES, FUSES AND RELAYS (S/N MV006 - MV200)

ITEM	PART NUMBER	QTY	DESCRIPTION	REV
1	6623304	1	Harness, Engine (Includes Items 2 thru 6)	
2	8035276	1	Solenoid, Fuel Shut Off	
3	8036378	2	Circuit Board, 3 Diode (Transmission)	
4	8220357	3	Cap, Clear Ves-Pac	
5	8229242	1	Fuse, 5 Amp, (Fuel Shut Off)	
6	8036379	1	Circuit Board (Alternator)	
7		Ref	Switch, Engine Oil Pressure, (no longer available, order Kit, Pressure Switch)	
8	8270140	1	Cable, Ground (Starter to Frame)	
9	8307204	1	Washer, Plain 3/8in	
10	8307026	2	Washer, External Tooth 3/8in	
11	8305645	2	Nut, Hex Lock Elastic 3/8in-16	
12	8223232	1	Switch, Transmission Temperature - 250 F (121 C)	
13	8223243	1	Switch, Engine Water Temperature - 210 F (99 C)	
14	8750026	1	Bolt, Stacking	
15	8750022	1	Clamp Set	
16	10167789	1	Relay, Starter	
17	8307109	2	Washer, Flat 1/4in	
18	8305624	2	Nut, Hex Lock Elastic 1/4in-20	
19	8303540	2	HHCS, 1/4in-20 x 1in Gr 5	
20	8225119	1	Relay, Fuel Shut Off Soleniod	
21	8303837	1	Screw, Slotted Pan Hd #10-24 x 3/4in	
22	8307003	1	Washer, Lock #10	
23	8305002	1	Nut, Hex #10-24	
24	8223526	1	Switch, Hydraulic Oil Pressure 20psi (1,4 kPa)	
25	8223227	1	Switch, Hydr Oil Filter Temperature, 100 F (38 C)	
26	8223226	1	Switch, Hydr Oil High Temperature, 195 F (91 C)	
27	6621412	1	Terminal, Starter 90	
28	8307005	1	Washer, Lock 3/8in	
29	8303510	1	HHCS, 3/8in-24 x 1in	
30	8307110	1	Washer, Flat 3/8in Narrow	
31	8750017	1	Plate, Locking	
	2915053	1	Kit, Pressure Switch, (includes items listed below)	
	4360609	1	Switch, Engine Oil Pressure	
	4923263	1	Jumper, Pressure Switch	
	77373058	1	Adapter	

SECTION 10 - ELECTRICAL

FIGURE 10-3. SWITCHES AND FUSES (S/N MV006 - MV200)



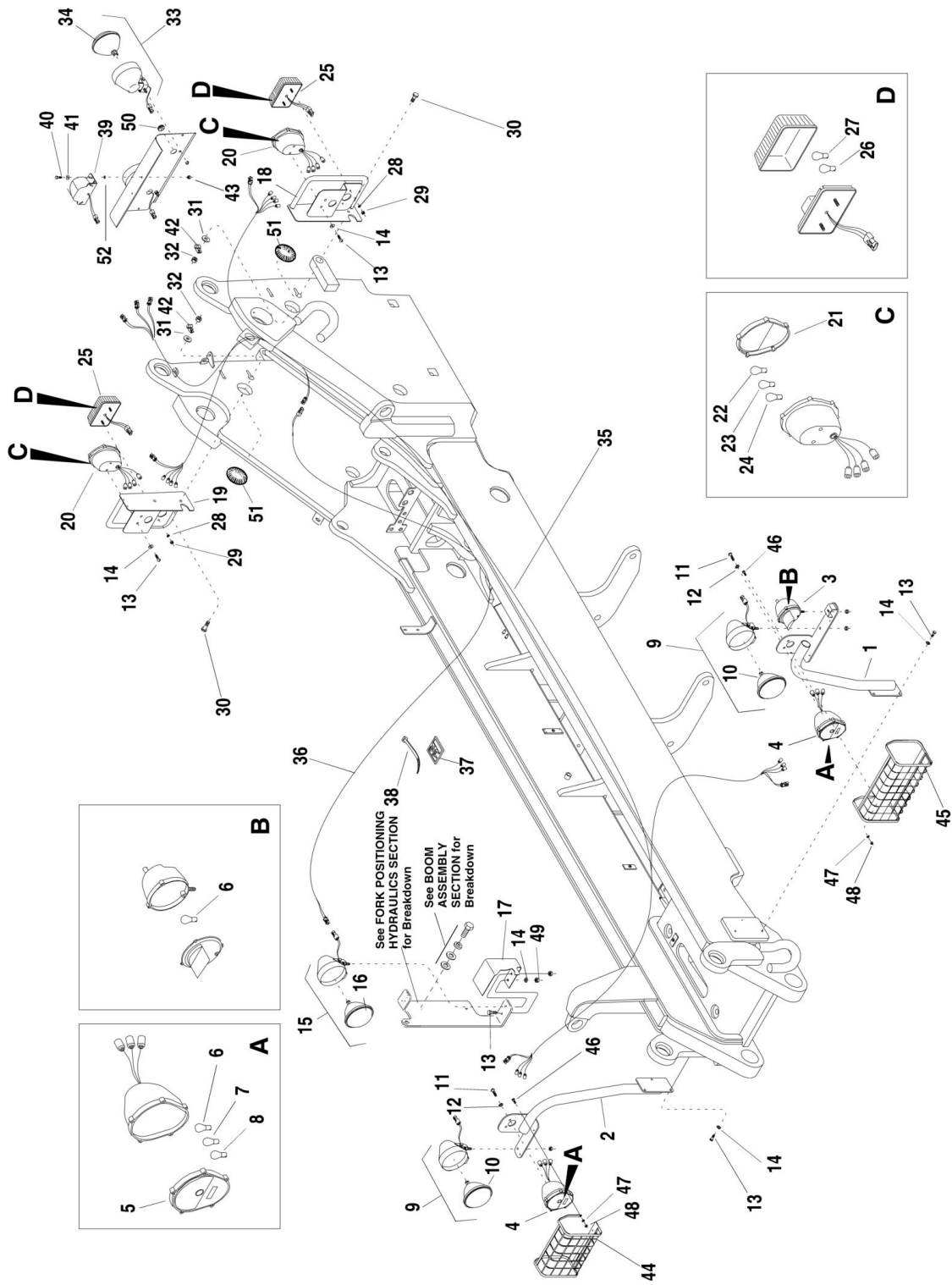
SECTION 10 - ELECTRICAL

FIGURE 10-3. SWITCHES AND FUSES (S/N MV006 - MV200)

ITEM	PART NUMBER	QTY	DESCRIPTION	REV
1	8229242	1	Fuse, 5 Amp, Transmission Gear (Tan)	
2	8229252	1	Fuse, 2 Amp, Hour Meter (Gray)	
3	8229244	1	Fuse, 15 Amp, Ignition-Preheat-Cold Start (Blue)	
4	8229245	1	Fuse, 30 Amp, Main (Green)	
5	8229245	1	Fuse, 30 Amp, Power Window (Green)	
6	8229249	1	Fuse, 3 Amp, Load Moment Indicator (Violet)	
7	8229242	1	Fuse, 5 Amp, Transmission Direction (Tan)	
8	8229244	1	Fuse, 15 Amp, Dash Panel (Blue)	
9	8229242	1	Fuse, 5 Amp, Park Brake (Tan)	
10	8229243	1	Fuse, 7.5 Amp, Joystick Panel (Tan)	
11	8229252	1	Fuse, 2 Amp, Service Brake (Gray)	
12	8229243	1	Fuse, 7.5 Amp, Front Wiper/Washer	
13	8229243	1	Fuse, 7.5 Amp, Fork Shift, Left (Brown)	
14	8229242	1	Fuse, 5 Amp, Steer Mode (Tan)	
15	8229243	1	Fuse, 7.5 Amp, Top Wiper (Brown)	
16	8229243	1	Fuse, 7.5 Amp, Fork Shift, Right (Brown)	
17	8229252	1	Fuse, 2 Amp, Switch Lamp (Gray)	
18	8229243	1	Fuse, 7.5 Amp, Rear Wiper (Brown)	
19	8229247	1	Fuse, 25 Amp, Heater (White)	
20	8310002	2	Washer, External Tooth Lock, 1/4in	
21	8303540	1	HHCS, 1/4in-20 x 1in	
22	8305624	1	Nut, Hex Lock, 1/4in-20	
23	8225119	1	Relay, 12 Volt, Cab Power	
24	8225119	1	Relay, 12 Volt, Power Window	
25	8225119	1	Relay, Sealed 12V - 40A, Neutral Engage	
26	8223054	1	Switch, Park Brake	
27	8223061	1	Switch, Windshield Wiper/Washer	
28	8223040	1	Switch, Roof Wiper	
29	8223068	1	Switch, Steer Select	
30	8223048	1	Switch, Attachment Tilt Mode	
31	8223062	1	Switch, Fork Side Shift, Left	
32	8223063	1	Switch, Fork Side Shift, Right	
33	8229257	1	Breaker, Circuit, 50 Amp 12V	
34	8303837	2	SCR SLTD PNH, #10-24 NC x 3/4in	
35	8307003	2	Washer, Lock #10	
36	8305002	2	Nut, Hex, #10-24 NC	
37	8229252	1	Fuse, 2 Amp, Low Brake Pressure Warning	
38	8307109	1	Washer, Plain, 1/4in Narrow	
39	8303670	1	HHCS, 5/16in-18 x 1in	
40	8303739	1	HHCS, 5/16in-18 x 1-1/4in	
41	8307106	1	Washer, Plain, 5/16in Narrow	
42	8305626	1	Nut, Hex Lock Elastic, 5/16in-18	
43	8220348	1	Base, Electrical 4-Way	
44	8220354	2	Module, Relay	
45	8220352	1	Module, Fuse	
46	8229242	1	Fuse, 5 Amp, Spare	
47	8229244	1	Fuse, 15 Amp, Spare	
48	8229249	1	Fuse, 3 Amp, Spare	
49	8229252	1	Fuse, 2 Amp, Spare	
50	8582008	4	Clip, Spare Fuse	

SECTION 10 - ELECTRICAL

FIGURE 10-4. LIGHT ASSEMBLIES AND BACKUP ALARM (S/N MV006 - MV200)



SECTION 10 - ELECTRICAL

FIGURE 10-4. LIGHT ASSEMBLIES AND BACKUP ALARM (S/N MV006 - MV200)

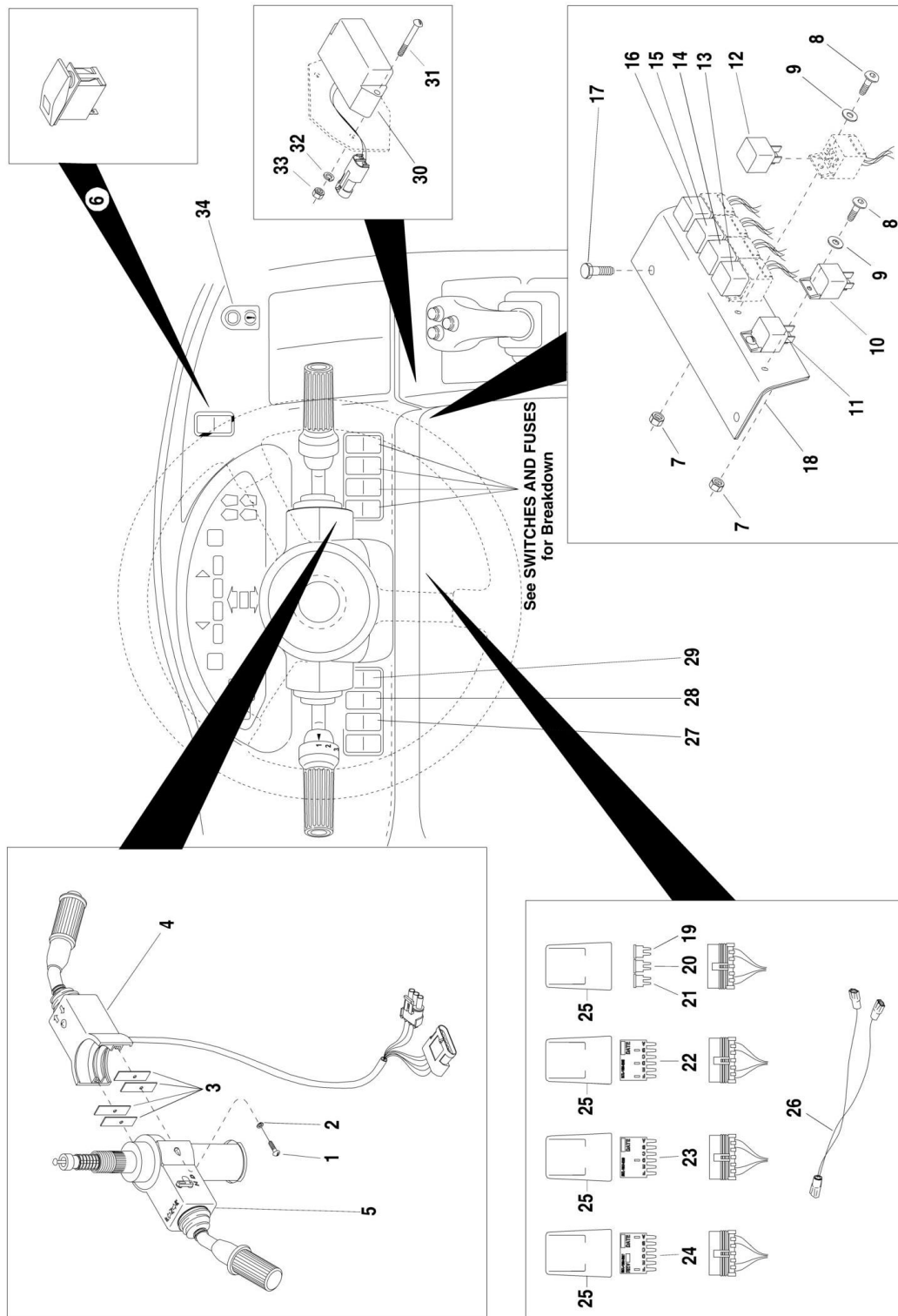
ITEM	PART NUMBER	QTY	DESCRIPTION	REV
1	6623442	1	Light Bracket Assembly, Left Front	
2	6623445	1	Light Bracket Assembly, Right Front	
3	8500037	1	Blackout Headlight Assembly (See "B" for breakdown) (Includes Item 6 and Mounting Hardware)	
4	8500039	2	Blackout Marker Assembly, Front (See "A" for breakdown) (Includes Items 5 thru 8)	
5	8501042	1	Lens w/Door	
6	8469020	1	Bulb 28V / 1.02A	
7	8469021	1	Bulb 28V / .37A	
8	8469022	1	Bulb 28V / .23A	
9	8500064	2	Headlamp Assembly (Includes Item 10 and Mounting Hardware)	
10	8036324	1	Sealed Beam 28V / 60-80W	
11	8303681	4	HHCS 3/8-16 x 3/4in	
12	8307005	4	Washer, Lock 3/8in	
13	8303681	11	HHCS 3/8-16 x 3/4in	
14	8307005	11	Washer, Lock 3/8in	
15	8500065	1	Worklight (Includes Item 16 and Mounting Hardware)	
16	8036325	1	Sealed Beam 28V / 60W	
17	6623601	1	Guard, Boom Light	
18	6623448	1	Light Bracket, Left Rear	
19	6623453	1	Light Bracket, Right Rear	
20	8500038	2	Tail Light Assembly, Blackout Stop (Includes Items 21 thru 24) (See "C" for breakdown)	
21	8501037	1	Lens w/Door	
22	8469020	1	Bulb 28V / 1.02A	
23	8469021	1	Bulb 28V / .37A	
24	8469022	1	Bulb 28V / .23A	
25	8500063	2	Tail Light (See "D" for breakdown) (Includes Items 26 & 27)	
26	8036326	1	Bulb 24V - 21/5W	
27	8036327	1	Bulb 24V - 21W	
28	8310078	4	Washer, Lock M5	
29	8310188	4	Nut-Hex, M5	
30	8303771	4	HHCS 3/8-16 x 2-1/4in	
31	8307204	4	Washer, Plain 3/8in	
32	8305645	4	Nut-Lock Elastic 3/8in-16	
33	8500065	2	Worklight (Includes Item 34)	
34	8036325	1	Sealed Beam 28V / 60W	
35	6623301	1	Harness, Lighting	
36	6623468	1	Harness Boom Worklight	
37	8584018	8	Mount, Tie	
38	8584001	16	Tie Wrap	
39	8270615	1	Alarm, Backup	
40	8303697	2	HHCS, 5/16-18 x 3/4in Gr 5	
41	8307106	2	Washer, Flat 5/16in Narrow	
42	8406105	2	Clip, Tube 3/4in	
43	8305006	2	Nut, Hex 5/16in-18	
44	6623607	1	Guard, Light RH	
45	6623608	1	Guard, Light LH	
46	8303005	6	HHCS, 1/4-20 x 7/8in	
47	8307002	6	Washer, Lock, 1/4in	

SECTION 10 - ELECTRICAL

ITEM	PART NUMBER	QTY	DESCRIPTION	REV
48	8305004	6	Nut, Hex 1/4in-20	
49	8305008	1	Nut, Hex, 3/8in-16	
50	8580228	2	Grommet, Rubber	
51	7139249	AR	Conduit, 1in Dia (60in Cut to Fit)	
52	8307004	2	Washer, Lock, 5/16in	

SECTION 10 - ELECTRICAL

FIGURE 10-5. LIGHTS - SWITCHES, FUSES AND RELAYS (S/N MV006 - MV200)



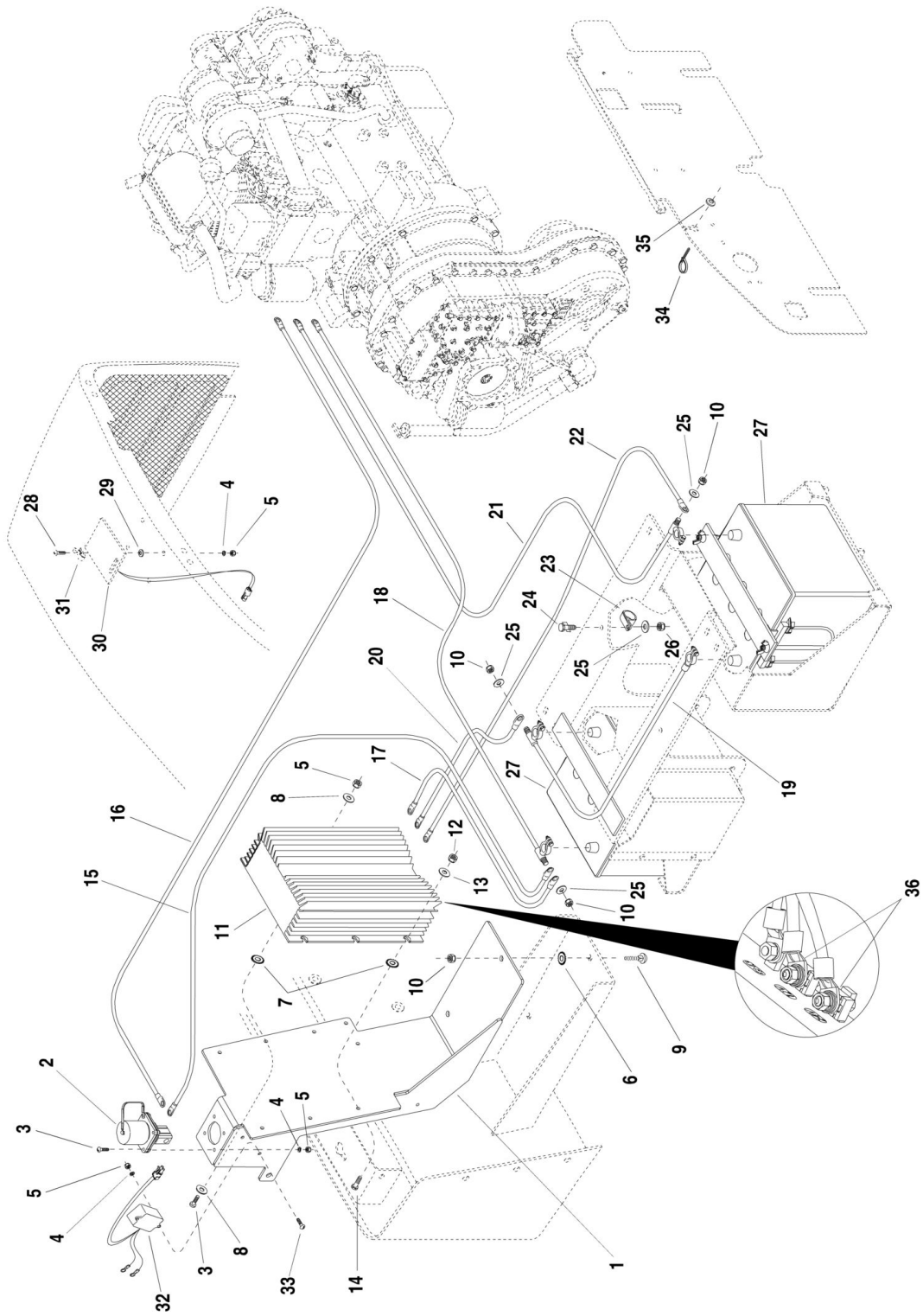
SECTION 10 - ELECTRICAL

FIGURE 10-5. LIGHTS - SWITCHES, FUSES AND RELAYS (S/N MV006 - MV200)

ITEM	PART NUMBER	QTY	DESCRIPTION	REV
1	8310559	2	Screw, Pan Head M5 x 25mm	
2	8310078	2	Washer, Lock M5	
3	7131961	4	Spacer, Transmission Shifter	
4	7150742	1	Lever, Turn Signal	
5	8223049	1	Transmission Range Selector	
6	8223067	1	Switch, Hazard Lights	
7	8305002	7	Nut-Hex, #10-24 NC	
8	8310362	7	BHCS, #10-24 x 1/2in	
9	8307111	7	Washer, Flat #10 SAE	
10	8225114	1	Relay, Sealed 24V, Worklight Power	
11	8225114	1	Relay, Sealed 24V, High Beam Power	
12	8225119	1	Relay, Sealed 12V, Brake Light	
13	8225119	1	Relay, Sealed 12V, Light Power	
14	8225119	1	Relay, Sealed 12V Blackout Ignition	
15	8225119	1	Relay, Sealed 12V, Normal Lights	
16	8225119	1	Relay, Sealed 12V, Reverse Signal	
17	8303982	2	Screw, Hx Hd 1/4-20 x 3/4in	
18	6623480	1	Bracket, Relay	
19	8229243	1	Fuse, 7.5 Amp, Horn	
20	8229247	1	Fuse, 25 Amp Normal Lights (White)	
21	8229247	1	Fuse, 25 Amp Blackout Lights (White)	
22	8036381	1	Circuit Board, 3 Resistor	
23	8036380	1	Circuit Board, 1 Resistor	
24	8220356	1	Circuit Board, 2 Diode	
25	8220357	4	Cap, Clear Ves-Pac	
26	7139662	1	Jumper Wire, Acc. Power	
27	8223065	1	Switch, Blackout Drive/Marker	
28	8223064	1	Switch, Blackout Activate	
29	8223066	1	Switch, Worklights	
30	8500204	1	Flasher, 24 Volt	
31	8303920	2	Screw, Pan Hd #10-24 x 1 3/4in	
32	8307003	2	Washer, Lock #10	
33	8305002	2	Nut, Hex #10-24	
34	10727311	1	Light, Indicator, Low Brake Pressure	

SECTION 10 - ELECTRICAL

FIGURE 10-6. BATTERIES - EQUALIZER AND SOLARGIZER ASSEMBLY (S/N MV006 - MV200)



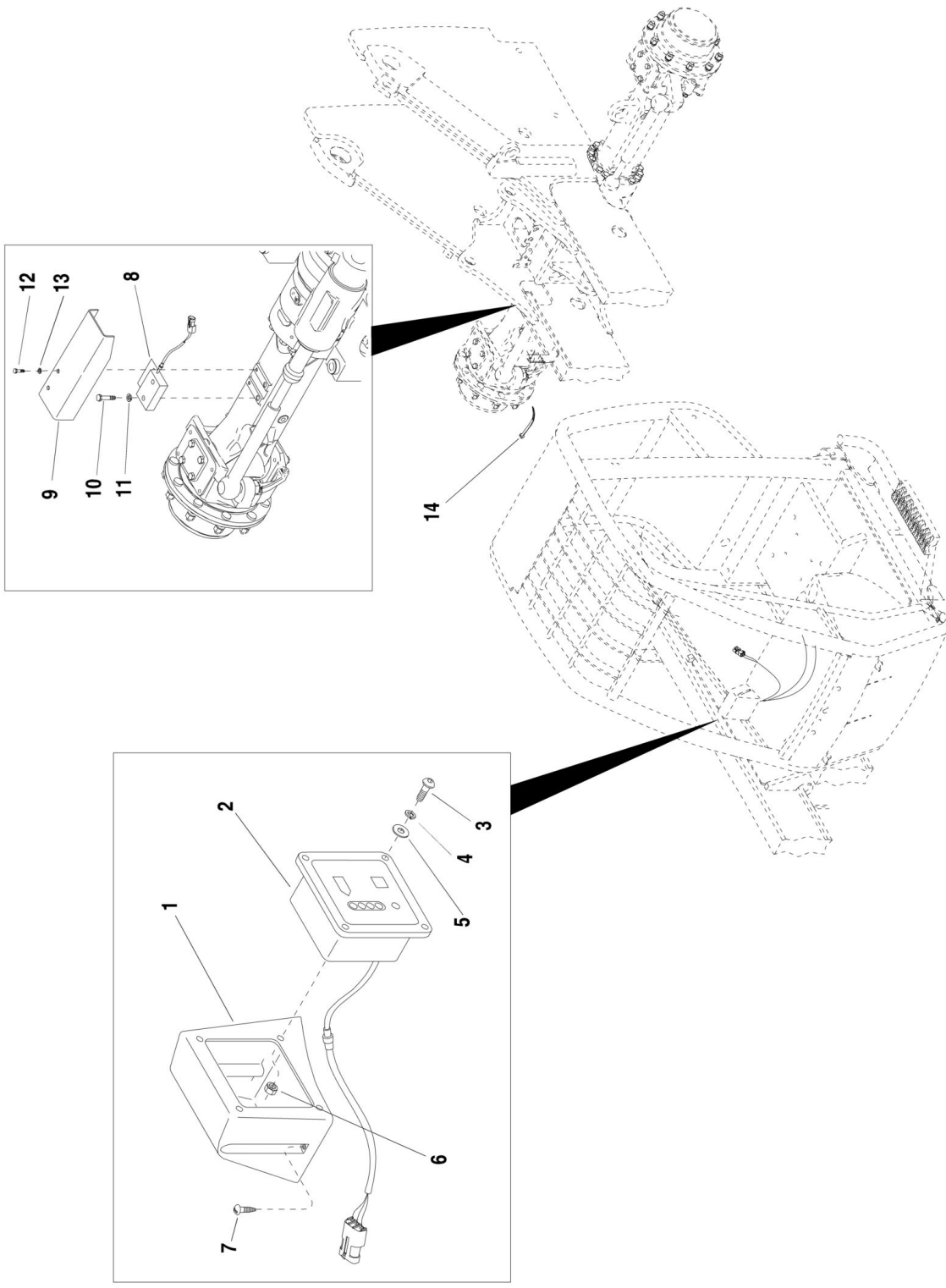
SECTION 10 - ELECTRICAL

FIGURE 10-6. BATTERIES - EQUALIZER AND SOLARGIZER ASSEMBLY (S/N MV006 - MV200)

ITEM	PART NUMBER	QTY	DESCRIPTION	REV
1	6623494	1	Bracket, Equalizer	
2	8220876	1	Receptacle, Slave (Includes Cap)	
3	8303837	5	Screw, Slotted Pan Hd #10-24 x 3/4in	
4	8307003	10	Washer, Lock #10	
5	8305002	10	Nut, Hex #10-24	
6	8307026	3	Washer, External Tooth Lock 3/8in	
7	8310002	6	Washer, External Tooth Lock 1/4in	
8	8307111	2	Washer, Flat #10	
9	8310335	3	Bolt, Carriage 3/8-16 x 1-1/2in	
10	8305603	6	Nut, Hex Lock, 3/8-16	
11	8270223	1	Equalizer, Battery	
12	8305624	5	Nut, Hex Lock Elastic 1/4-20	
13	8307109	5	Washer, Flat 1/4in	
14	8303540	5	HHCS, 1/4-20 x 1in Gr 5	
15	6623478	1	Battery Cable, Slave Rec. Neg	
16	6623476	1	Battery Cable, Slave Rec. Pos.	
17	6623479	1	Battery Cable, Equalizer Neg.	
18	6623473	1	Battery Cable, Ground	
19	6623472	1	Battery Cable, 12-24V	
20	6623477	1	Battery Cable, 12V Equalizer Pos.	
21	6623475	1	Battery Cable, 24V Equalizer Pos.	
22	6623471	1	Battery Cable, 24V Pos.	
23	10837368	1	Clamp, Double Tube	
24	8303675	1	HHCS, 3/8-16 x 1-1/4in Gr 5	
25	8307005	4	Washer, Lock 3/8in	
26	8305008	1	Nut, Hex 3/8-16	
27	8270143	2	Battery, 12 Volt	
28	8303893	4	Screw, Slotted Pan Hd #10-24 x 1-1/2in	
29	8580215	4	Grommet, Rubber	
30	6623571	1	Panel, Solargizer	
31	8406002	1	Clip, Wire	
32	6623572	1	Control Box, Solargizer	
33	8303836	2	Screw, Slotted Pan Hd #10-24 x 5/8in	
34	8584001	1	Tie Wrap	
35	8580227	1	Grommet, Rubber	
36	8229258	2	Fuse Kit, Battery Equalizer (Includes Hardware)	

SECTION 10 - ELECTRICAL

FIGURE 10-7. LMI ELECTRICAL ASSEMBLY (S/N MV006 - MV200)



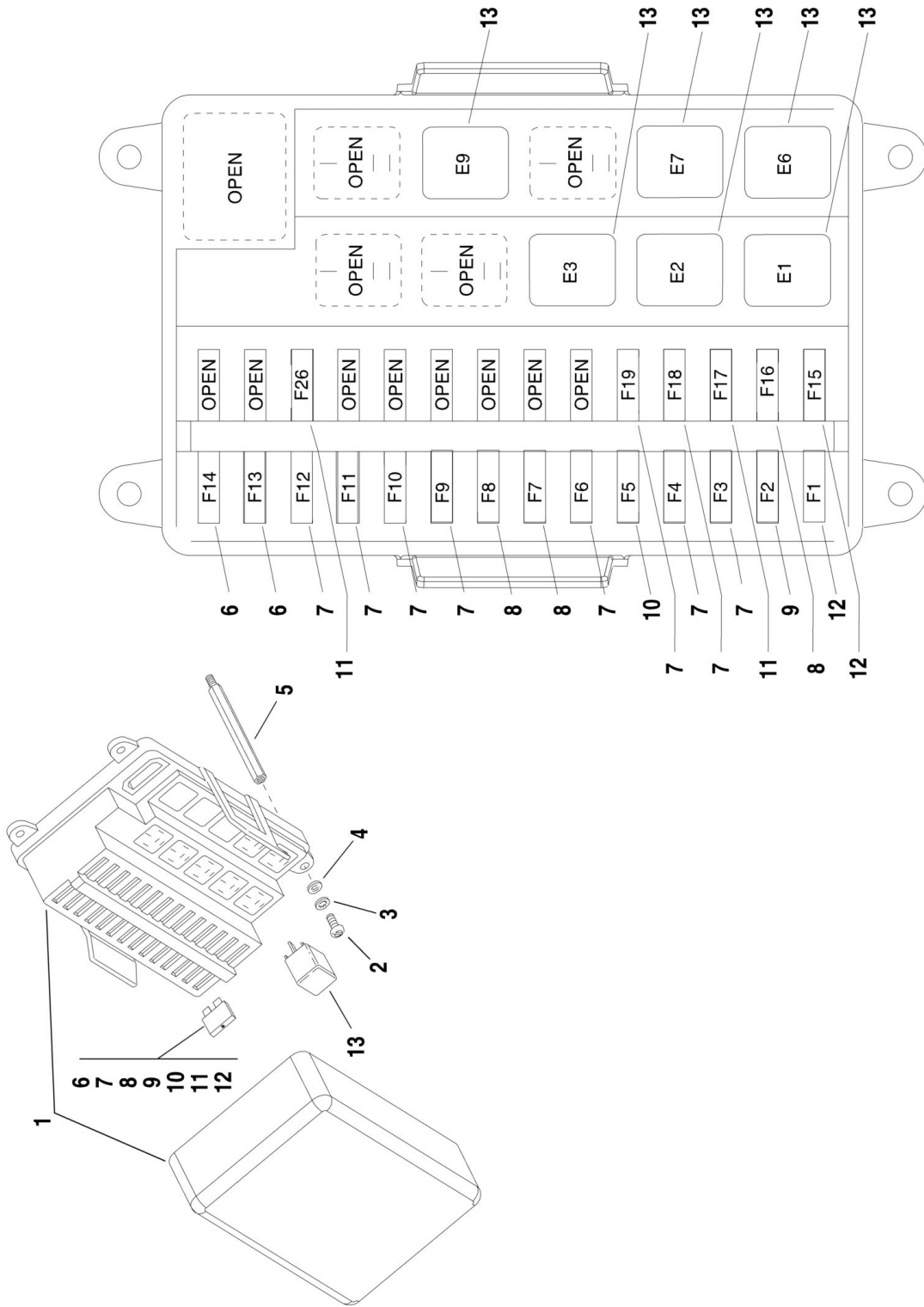
SECTION 10 - ELECTRICAL

FIGURE 10-7. LMI ELECTRICAL ASSEMBLY (S/N MV006 - MV200)

ITEM	PART NUMBER	QTY	DESCRIPTION	REV
1	6623481	1	Mounting Bracket, LMI Display	
2	8468028	1	Display Unit, LMI	
3	8310372	4	Screw, Button Hd #10-24 x 5/8in	
4	8307003	4	Washer, Lock #10	
5	8307111	4	Washer, Plain #10 Narrow	
6	8305002	4	Nut, Hex #10-24	
7	8310577	3	Screw, Sheetmetal, #4 x 1in	
8	8466312	1	Transducer, LMI Sensor	
9	6623553	1	Cover, LMI Sensor	
10	8310534	2	HHCS, M10-1.5 x 40mm	
11	8307023	2	Washer, Lock M10	
12	8310293	2	HHCS, M10-1.25 x 50mm	
13	8307022	2	Washer, Lock, M8	
14	8584001	3	Plastic Tie	

SECTION 10 - ELECTRICAL

FIGURE 10-8. FUSES, RELAYS AND FLASHER BOX (S/N MV201 -)



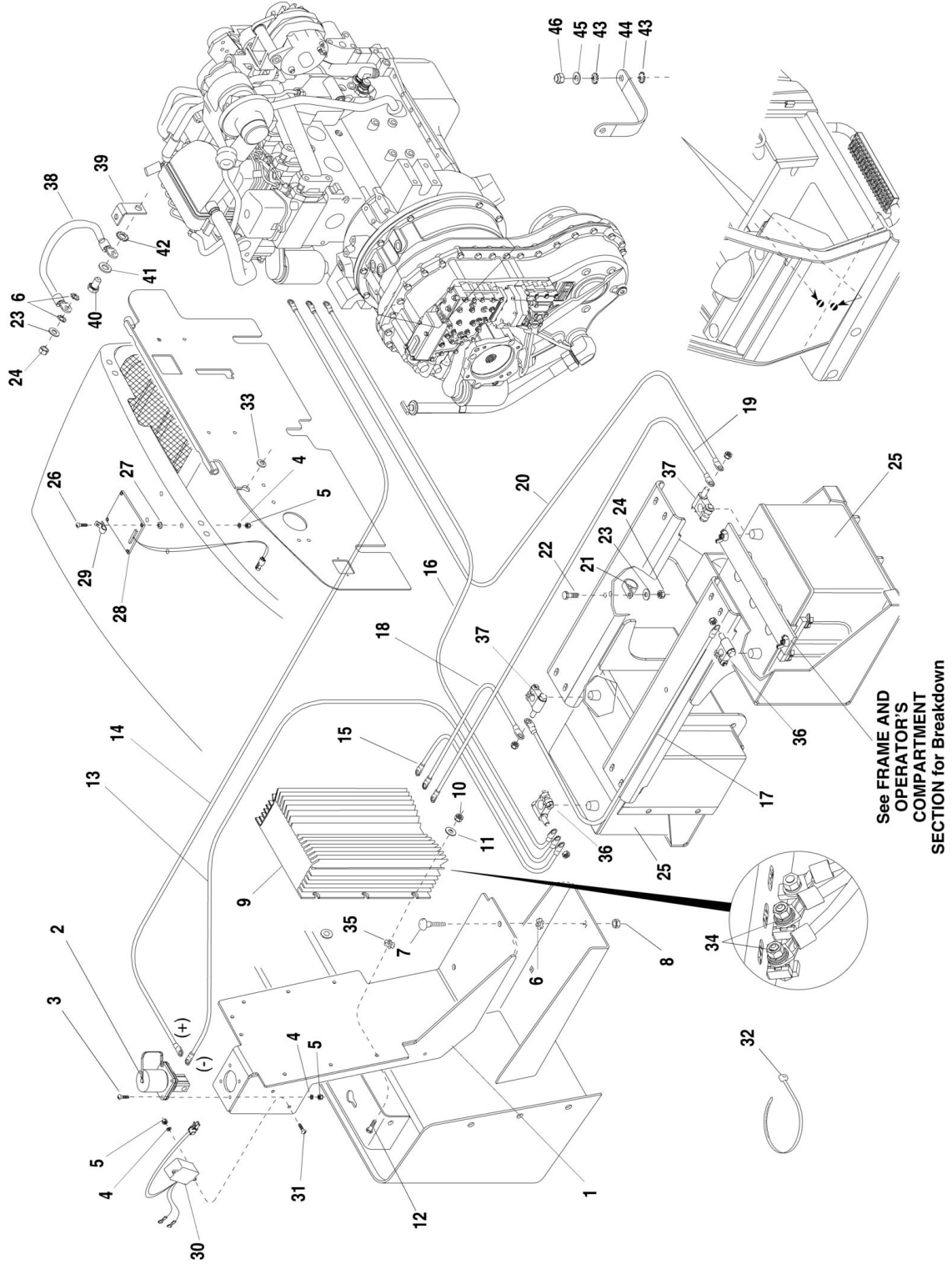
SECTION 10 - ELECTRICAL

FIGURE 10-8. FUSES, RELAYS AND FLASHER BOX (S/N MV201 -)

ITEM	PART NUMBER	QTY	DESCRIPTION	REV
1	8220362	1	Box, Fuse/Relay	
2	8310642	4	Screw, Slt'd PNH M5-.8-12mm	
3	8310641	4	Washer, Lock-Internal Tooth M5	
4	8310390	4	Washer, Plain M5	
5	8310640	4	Standoff, Steel Hex 80mm Long	
6	8229263	2	Fuse, 3 Amp (Violet) Auto Blade Type	
7	8229233	9	Fuse, 7.5 Amp (Brown) Auto Blade Type	
8	8229234	3	Fuse, 10 Amp (Red) Auto Blade Type	
9	8229237	1	Fuse, 15 Amp (Blue) Auto Blade Type	
10	8229235	1	Fuse, 20 Amp (Yellow) Auto Blade Type	
11	8229262	2	Fuse, 25 Amp (Clear) Auto Blade Type	
12	8229238	2	Fuse, 40 Amp (Orange) Auto Blade Type	
13	8225119	6	Relay, 12V Sealed	

SECTION 10 - ELECTRICAL

FIGURE 10-9. BATTERIES - EQUALIZER AND SOLARGIZER ASSEMBLIES (S/N MV201 - MV1209)



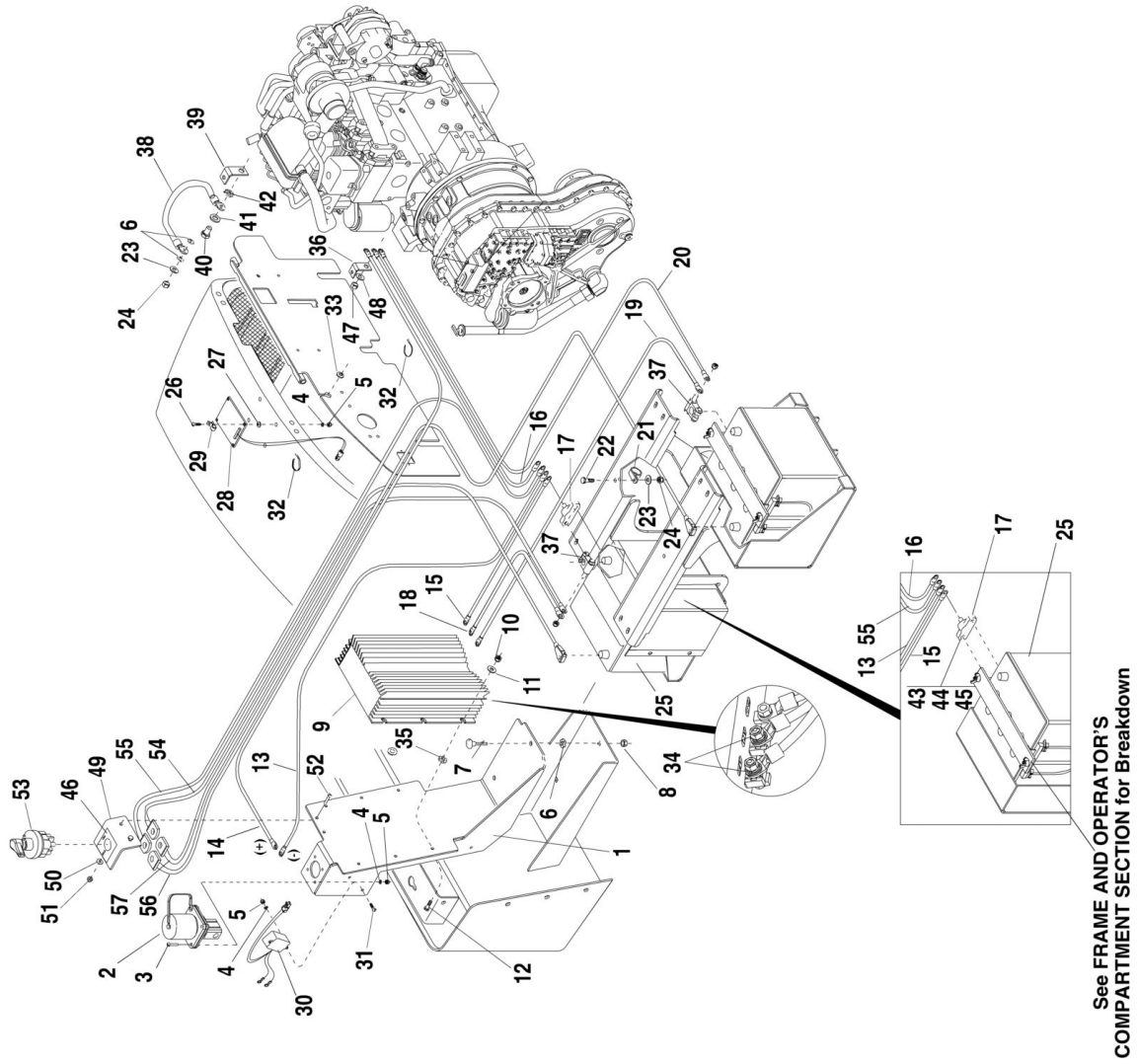
SECTION 10 - ELECTRICAL

FIGURE 10-9. BATTERIES - EQUALIZER AND SOLARGIZER ASSEMBLIES (S/N MV201 - MV1209)

ITEM	PART NUMBER	QTY	DESCRIPTION	REV
1	6623716	1	Bracket, Equalizer	
2	8220876	1	Receptacle, Slave (Includes Cap)	
3	8303837	4	Screw, Slotted Pan Hd #10-24 x 3/4in	
4	8307003	10	Washer, Lock #10	
5	8305002	10	Nut, Hex #10-24	
6	8307026	5	Washer, Lock, External Tooth, 3/8in	
7	8310335	3	Bolt, Carriage 3/8-16 x 1-1/2in	
8	8305603	3	Nut, Hex Lock, 3/8in-16	
9	8270223	1	Equalizer, Battery	
10	8305624	6	Nut, Hex Lock Elastic 1/4in-20	
11	8307109	6	Washer, Flat 1/4in	
12	8303540	6	HHCS, 1/4-20 x 1in Gr 5	
13	6623478	1	Battery Cable, Slave Rec. Neg	
14	6623812	1	Battery Cable, Slave Rec. Pos.	
15	6623479	1	Battery Cable, Equalizer Neg.	
16	6623813	1	Battery Cable, Ground	
17	6623821	1	Battery Cable, 12-24V	
18	6623477	1	Battery Cable, 12V Equalizer Pos.	
19	6623475	1	Battery Cable, 24V Equalizer Pos.	
20	6623814	1	Battery Cable, 24V Pos.	
21	10837368	1	Clamp, Double Tube	
22	8303675	1	HHCS, 3/8-16 x 1-1/4in Gr 5	
23	8307110	2	Washer, 3/8in Narrow	
24	8305008	2	Nut, Hex, 3/8in-16	
25	8270143	2	Battery, 12 Volt	
26	8303893	4	Screw, Slotted Pan Hd #10-24 x 1-1/2in	
27	8580215	4	Grommet, Rubber	
28	6623571	1	Panel, Solargizer	
29	8406002	1	Clip, Wire	
30	6623572	1	Control Box, Solargizer	
31	8303836	2	Screw, Slotted Pan Hd #10-24 x 5/8in	
32	8584001	AR	Tie, Plastic Cable .19W x 6.7in LG	
33	8580227	1	Grommet, Rubber	
34	8229258	2	Fuse Kit, Battery Equalizer (Includes Hardware)	
35	8310002	6	Washer, Lock, External Tooth, 1/4in	
36	8270147	2	Clamp, Battery, Negative Polarity	
37	8270148	2	Clamp, Battery, Positive Polarity	
38	8270150	1	Cable, Engine Pod Ground	
39	7301529	1	Bus Bar, 90	
40	8303533	1	HHCS, M12 x 1.75 x 20mm	
41	8307220	1	Washer, Plain, M12	
42	8310650	1	Washer, Lock, M12 External Tooth	
43	8310647	2	Washer, Lock, M8 External Tooth	
44	6611172	1	Ground Strap	
45	8307222	1	Washer, Plain M8	
46	8305654	1	Nut, Hex Lock Elastic, M8	

SECTION 10 - ELECTRICAL

FIGURE 10-10. BATTERIES - EQUALIZER AND SOLARGIZER ASSEMBLIES (S/N MV1210 -)



SECTION 10 - ELECTRICAL

FIGURE 10-10. BATTERIES - EQUALIZER AND SOLARGIZER ASSEMBLIES (S/N MV1210 -)

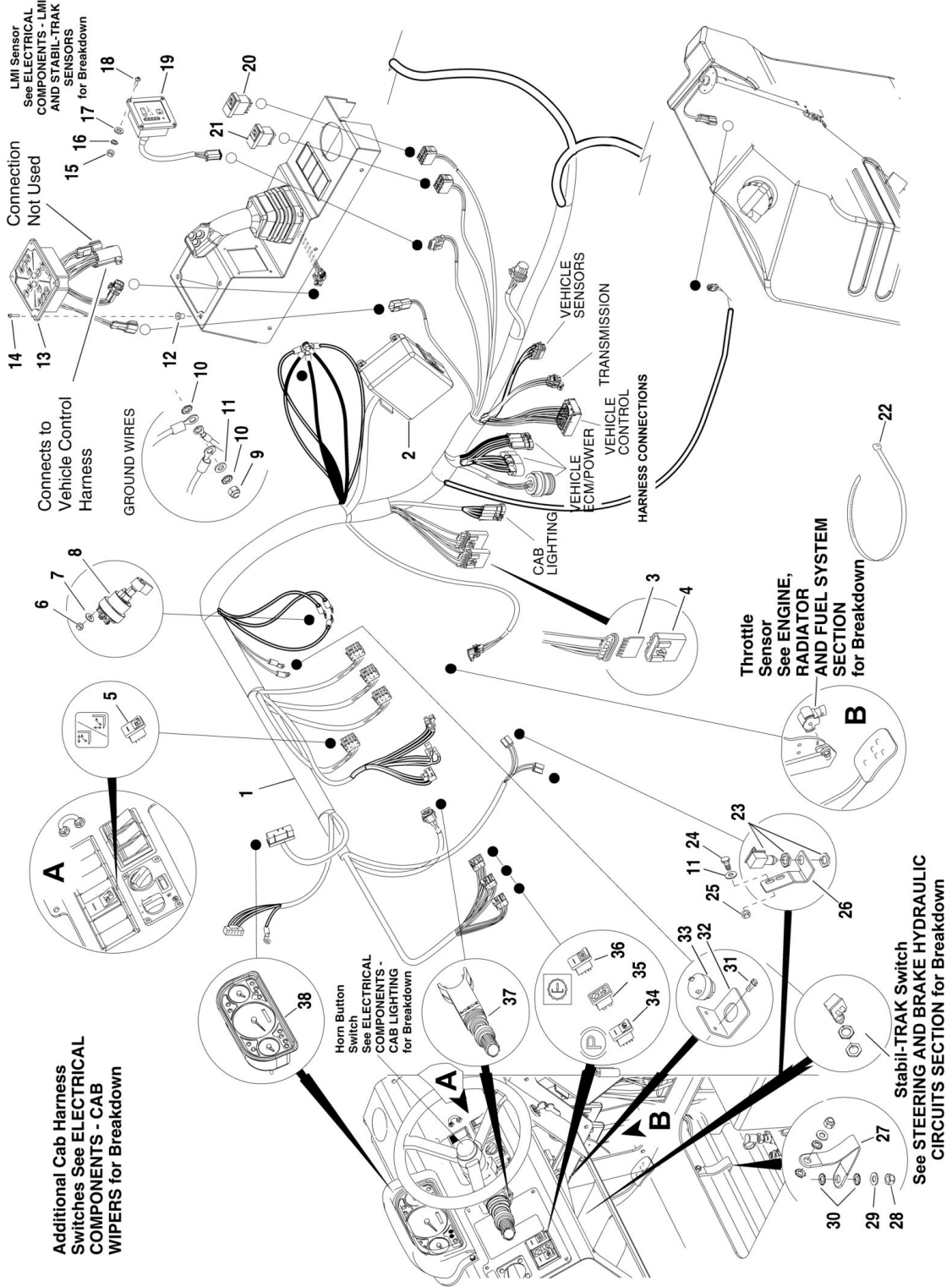
ITEM	PART NUMBER	QTY	DESCRIPTION	REV
1	6623716	1	Bracket, Equalizer	
2	8220876	1	Receptacle, Slave (Includes Cap)	
3	8303837	4	Screw, Slotted Pan Hd #10-24 x 3/4in	
4	8307003	10	Washer, Lock #10	
5	8305002	10	Nut, Hex #10-24	
6	8307026	5	Washer, Lock, External Tooth, 3/8in	
7	8310335	3	Bolt, Carriage 3/8-16 x 1-1/2in	
8	8305603	3	Nut, Hex Lock, 3/8in-16	
9	8270223	1	Equalizer, Battery	
10	8305624	6	Nut, Hex Lock Elastic 1/4in-20	
11	8307109	6	Washer, Flat 1/4in	
12	8303540	6	HHCS, 1/4-20 x 1in Gr 5	
13	6623478	1	Battery Cable, Slave Rec. Neg	
14	6623812	1	Battery Cable, Slave Rec. Pos.	
15	6623479	1	Battery Cable, Equalizer Neg.	
16	6623813	1	Battery Cable, Ground	
17	1001120750	1	Insulated Stud Terminal	
18	6623477	1	Battery Cable, 12V Equalizer Pos.	
19	6623475	1	Battery Cable, 24V Equalizer Pos.	
20	6623814	1	Battery Cable, 24V Pos.	
21	10837368	1	Clamp, Double Tube	
22	8303675	1	HHCS, 3/8-16 x 1-1/4in Gr 5	
23	8307110	2	Washer, 3/8in Narrow	
24	8305008	2	Nut, Hex, 3/8in-16	
25	8270143	2	Battery, 12 Volt	
26	8303893	4	Screw, Slotted Pan Hd #10-24 x 1-1/2in	
27	8580215	4	Grommet, Rubber	
28	6623571	1	Panel, Solargizer	
29	8406002	1	Clip, Wire	
30	6623572	1	Control Box, Solargizer	
31	8303836	2	Screw, Slotted Pan Hd #10-24 x 5/8in	
32	8584001	AR	Tie, Plastic Cable .19W x 6.7in LG	
33	8580227	1	Grommet, Rubber	
34	8229258	2	Fuse Kit, Battery Equalizer (Includes Hardware)	
35	8310002	6	Washer, Lock, External Tooth, 1/4in	
36	6621412	1	Terminal, 90	
37	8270148	2	Clamp, Battery, Positive Polarity	
38	8270150	1	Cable, Engine Pod Ground	
39	7301529	1	Bus Bar, 90	
40	8303533	1	HHCS, M12 x 1.75 x 20mm	
41	8307220	1	Washer, Plain, M12	
42	8310650	1	Washer, Lock, M12 External Tooth	
43	4711000	2	Washer, #10	
44	3311005	2	Hex Lock Nut, 1024, GR2	
45	3931010	2	Socket Hd Capscrew, 10-24x5/8	
46	1001121219	1	Battery Disconnect Decal	
47	8305038	1	Hex Nut, M10x1-1/2	
48	8307221	1	Washer, M10	
49	1001120766	1	Battery Disconnect Mount	
50	8307109	2	Washer, 0.25	

SECTION 10 - ELECTRICAL

ITEM	PART NUMBER	QTY	DESCRIPTION	REV
51	8305624	2	Hex Lock Nut, 0.25-20	
52	8303540	2	Hex Hd Capscrew, 0.25-20x1, GR5	
53	1001120778	1	Battery Disconnect Switch	
54	1001120575	1	Battery Disconnect Ground Cable	
55	1001120574	1	Battery Cable, Ground	
56	1001120573	1	Battery Disconnect Cable, 12-24V Pos.	
57	1001120572	1	Battery Disconnect Cable, 12-24V Neg.	

SECTION 10 - ELECTRICAL

FIGURE 10-11. ELECTRICAL COMPONENTS - CAB (S/N MV201 -)



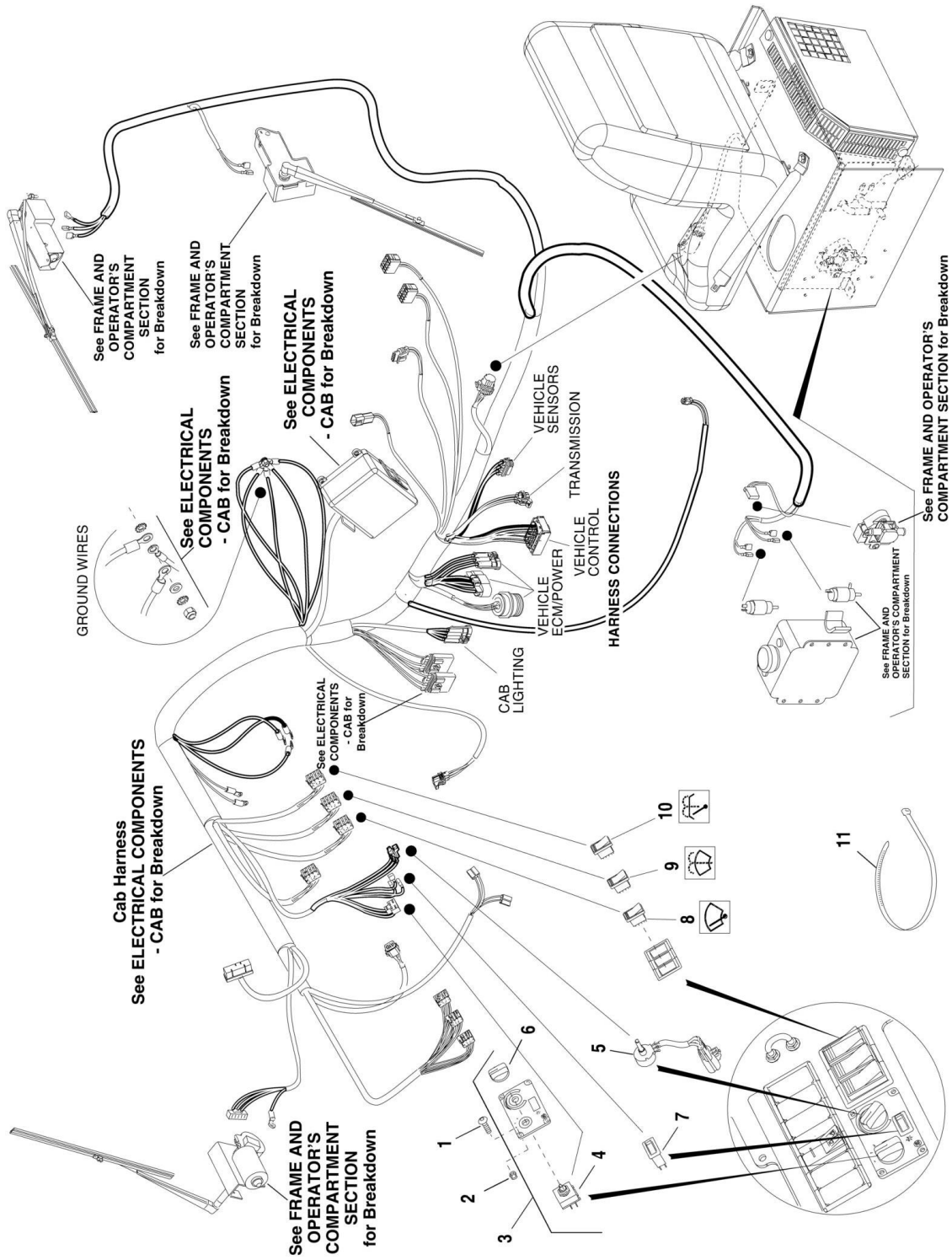
SECTION 10 - ELECTRICAL

FIGURE 10-11. ELECTRICAL COMPONENTS - CAB (S/N MV201 -)

ITEM	PART NUMBER	QTY	DESCRIPTION	REV
1	6623776	1	Harness, Cab (Includes Item 2 thru 4)	
2	8220362	1	Box, Fuse/Relay (See FUSES, RELAYS AND FLASHER BOX for Breakdown)	
3	8220357	2	Cover, Clear Ves-Pac	
4	8220366	2	Circuit Board, 3 Diode	
5	8223048	1	Attachment Tilt Mode Switch	
6	8310587	1	Nut, Hex, 5/8in-32	
7	8307107	1	Washer, Plain, 5/8in	
8	8223455	1	Switch, Ignition, Keyless	
9	8305652	1	Nut, Hex Lock M6X1.00	
10	8310687	2	Washer, Lock, External Tooth-M6	
11	8307219	3	Washer, Plain Metric M6-6.4-12.5 1.600	
12	8580419	4	Nut, Well	
13	8310583	4	BHCS, #10 -24 x 7/8in	
14	8220346	1	Logic Panel	
15	8305002	4	Nut, Hex, #10-24	
16	8307003	4	Washer, Lock-Spring #10	
17	8307111	4	Washer, Plain Narrow #10 x .218 x .500 x.049	
18	8310372	4	BHCS, #10-24NC-.625	
19	8468028	1	LMI Display Unit	
20	8223063	1	Switch, Fork Side Shift Right	
21	8223062	1	Switch, Fork Side Shift Left	
22	8584001	AR	Tie, Plastic Cable .19 x 6.7in	
23	8223238	1	Switch, Brake Light	
24	8303607	2	HHCS, M6 x 1-25mm PC8.8	
25	8305637	2	Nut, Hex Lock, M6 x 1.00	
26	7151322	1	Bracket, Brake Light Switch	
27	6611172	1	Cable, Ground, Cab to Cab Support	
28	8305654	2	Nut, Hex Lock-M8x1.25	
29	8307222	2	Washer, Plain M8	
30	8310647	4	Washer, Lock, External Tooth-M8	
31	8310683	2	HHDS, 5/16-18-3/4in (Self Drilling)	
32	7301147	1	Bracket, Buzzer	
33	8270627	1	Alarm, Buzzer, 12V	
34	8223054	1	Switch, Park Brake	
35	8223081	1	Switch, ECM Indicator	
36	8223071	1	Switch, Transmission Disconnect	
37	8223049	1	Selector, Transmission Control (Includes Attaching Hardware)	
38	8220360	1	Panel, Dash	

SECTION 10 - ELECTRICAL

FIGURE 10-12. ELECTRICAL COMPONENTS - CAB WIPERS (S/N MV201 -)



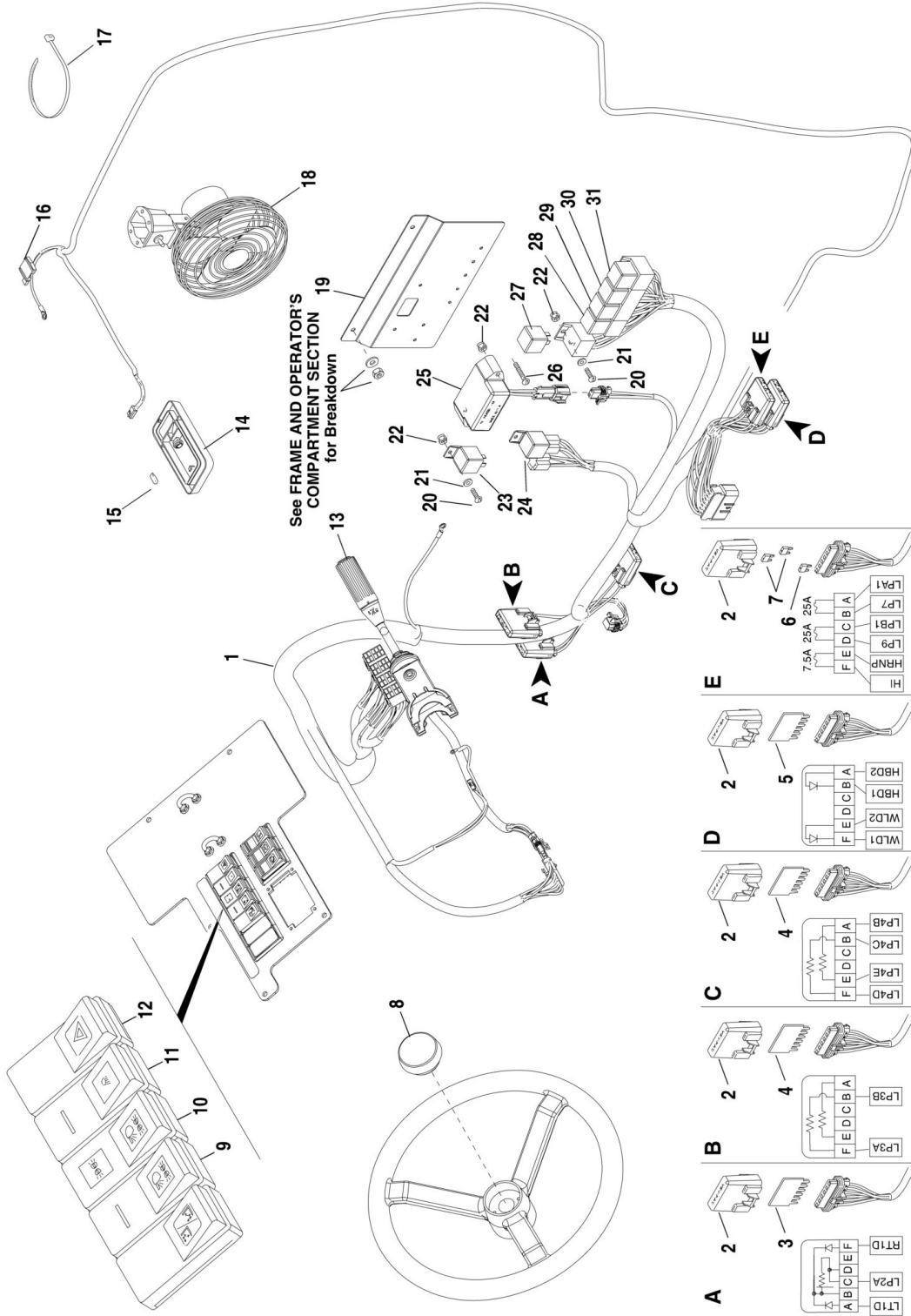
SECTION 10 - ELECTRICAL

FIGURE 10-12. ELECTRICAL COMPONENTS - CAB WIPERS (S/N MV201 -)

ITEM	PART NUMBER	QTY	DESCRIPTION	REV
1	8310358	4	BHCS #10-32 NC	
2	8310392	4	Nut, Hex Lock, Elastic #10-32	
3	7301260	1	Panel, Heater Control (Includes Items 4 thru 6)	
4	8036463	1	Switch, Blower Control	
5	8036603	1	Switch, Temperture Control	
6	8036438	2	Knob, Positioning	
7	7301265	1	Switch, Air Conditioning Rocker	
8	8223043	1	Switch, Windshield Wiper	
9	8223044	1	Switch, Windshield Washer	
10	8223040	1	Switch, Roof Wiper/Washer	
11	8584001	AR	Tie, Plastic Cable .19 W x 6.7 L	

SECTION 10 - ELECTRICAL

FIGURE 10-13. ELECTRICAL COMPONENTS - CAB LIGHTING (S/N MV201 -)



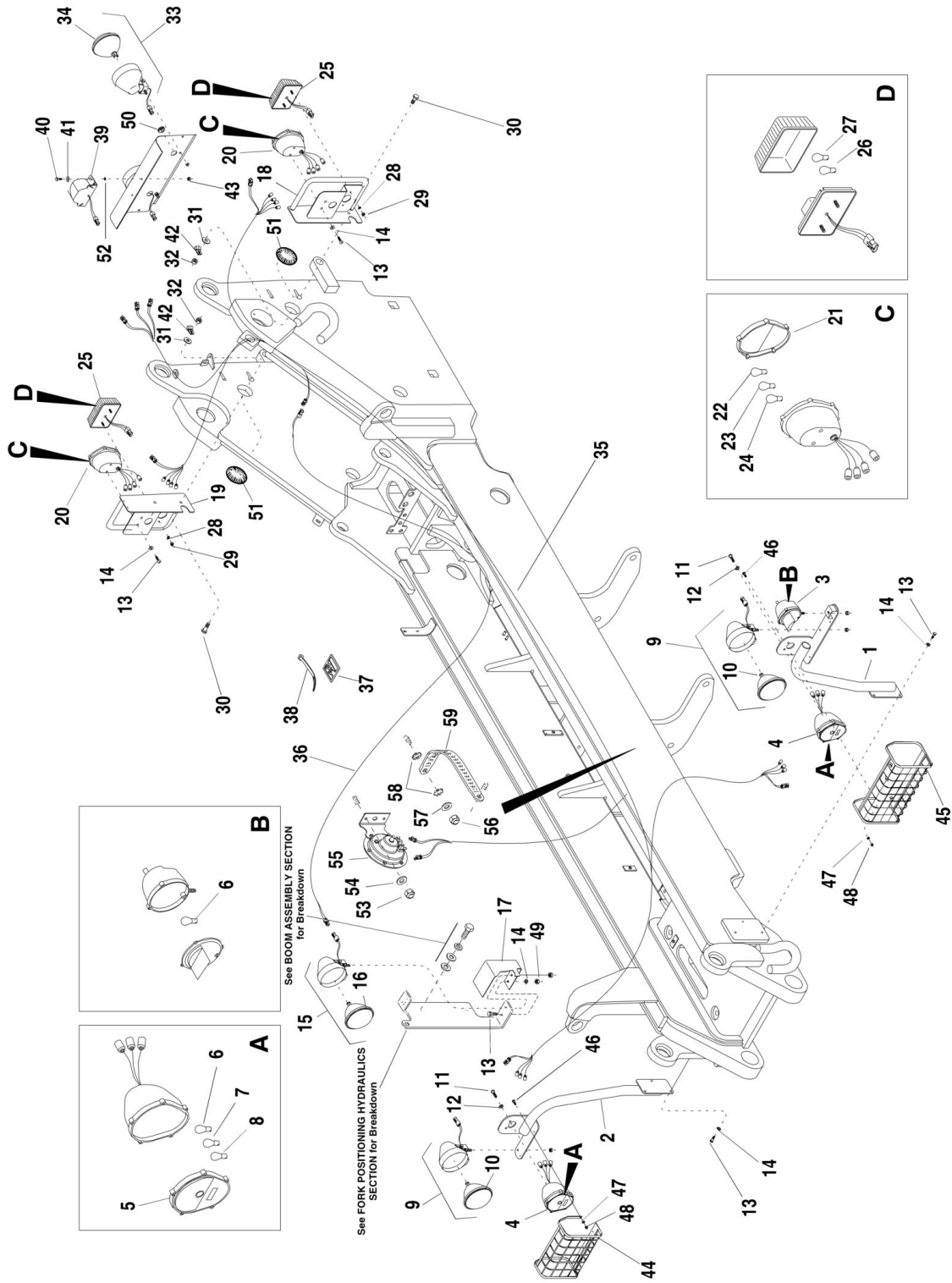
SECTION 10 - ELECTRICAL

FIGURE 10-13. ELECTRICAL COMPONENTS - CAB LIGHTING (S/N MV201 -)

ITEM	PART NUMBER	QTY	DESCRIPTION	REV
1	6623793	1	Cab Lighting Harness (Includes Items 2 thru 7)	
2	8220357	5	Cover, Clear Ves-Pac	
3	8220365	1	Diode/Resistor Board	
4	8220367	2	Resistor Board	
5	8220356	1	Diode Board	
6	8229243	1	Fuse, Mini, 7.5 Amp	
7	8229247	2	Fuse, Mini, 25 Amp	
8	7138878	1	Cap w/Horn Button	
9	8223064	1	Switch, Blackout Activity	
10	8223065	1	Switch, Marker/Drive Blackout	
11	8223066	1	Switch, 24V Worklight	
12	8223067	1	Switch, 24V Hazard	
13	7150742	1	Lever, Turn Signal (Includes Attaching Hardware)	
14	8036437	1	Light, Dome (Includes Item 15)	
15	8036442	1	Bulb	
16	8584018	1	Mount, Cable Tie	
17	8584001	AR	Tie, Plastic Cable .19W x 6.7in LG	
18	6623815	1	Fan, 24V Personal (w/Hardware)	
19	6623795	1	Bracket, Cab Relay Mounting	
20	8310362	7	BHCS, #10-24 x 1/2in	
21	8307111	7	Washer, Plain #10	
22	8310085	9	Nut, Hex Lock Elastic #10-24	
23	8225114	1	Relay, 24V, SPDT w/Bracket - Worklight Power	
24	8225114	1	Relay, 24V, SPDT w/Bracket - High Beam Power	
25	8500204	1	Flasher, Module, 12-48 VDC Solid State	
26	8303920	2	SPHCS, #10-24 x 1-3/4in	
27	8225119	1	Relay, 12V Sealed, High Inrush w/Resistor - Brake Light	
28	8225119	1	Relay, 12V Sealed, High Inrush w/Resistor - Light Power	
29	8225119	1	Relay, 12V Sealed, High Inrush w/Resistor - Blackout Ignition	
30	8225119	1	Relay, 12V Sealed, High Inrush w/Resistor - Normal Lights Ignition	
31	8225119	1	Relay, 12V Sealed, High Inrush w/Resistor - Reverse Signal	

SECTION 10 - ELECTRICAL

FIGURE 10-14. ELECTRICAL COMPONENTS - VEHICLE LIGHTING, BACKUP ALARM AND HORN (S/N MV201 -)



SECTION 10 - ELECTRICAL

**FIGURE 10-14. ELECTRICAL COMPONENTS - VEHICLE LIGHTING, BACKUP ALARM AND HORN
(S/N MV201 -)**

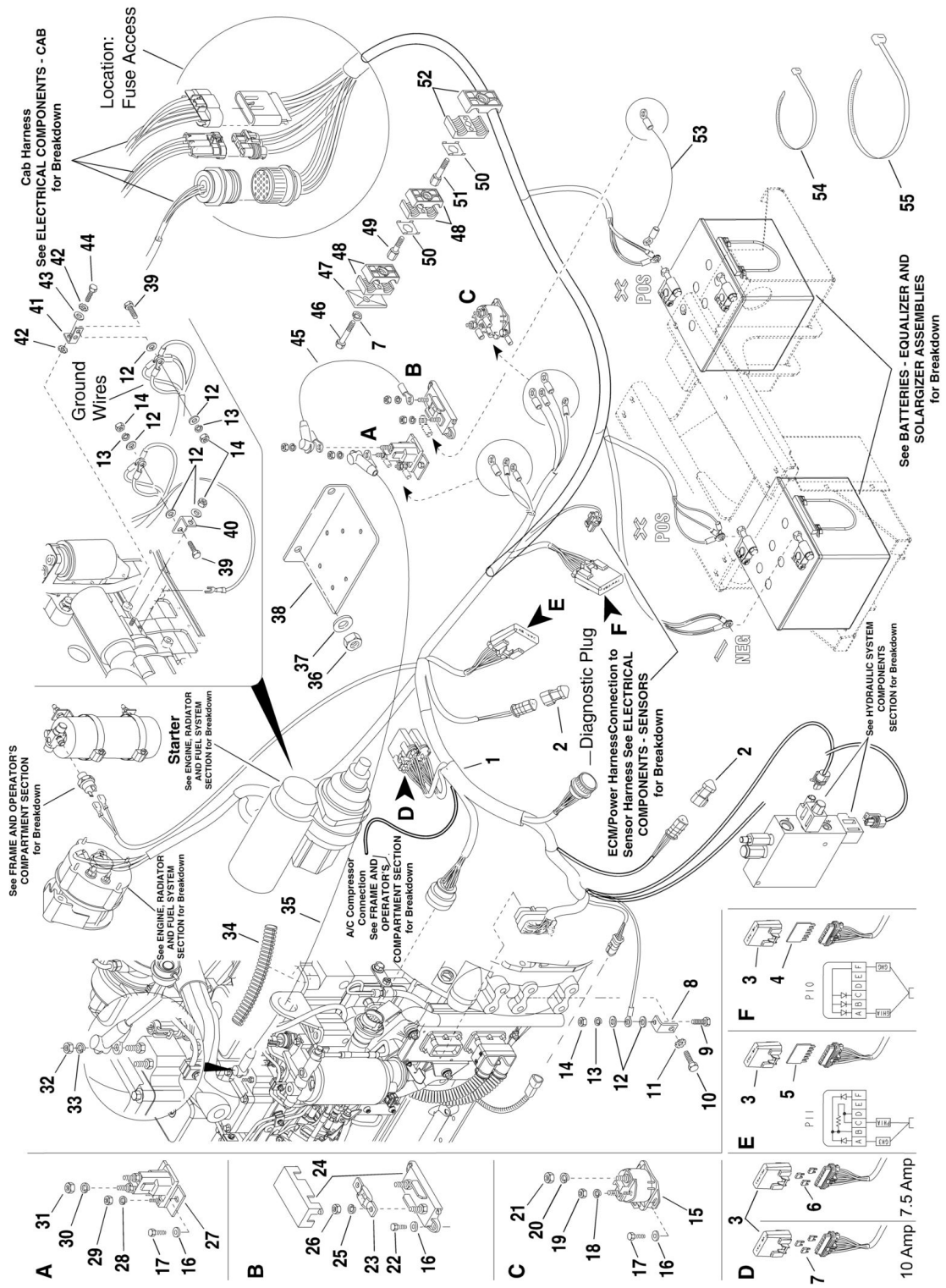
ITEM	PART NUMBER	QTY	DESCRIPTION	REV
1	6623442	1	Light Bracket Assembly, Left Front	
2	6623445	1	Light Bracket Assembly, Right Front	
3	8500037	1	Blackout Headlight Assembly (See "B" for breakdown) (Includes Item 6 and Mounting Hardware)	
4	8500039	2	Blackout Marker Assembly, Front (See "A" for breakdown) (Includes Items 5 thru 8)	
5	8501042	1	Lens w/Door	
6	8469020	1	Bulb 28V / 1.02A	
7	8469021	1	Bulb 28V / .37A	
8	8469022	1	Bulb 28V / .23A	
9	8500064	2	Headlamp Assembly (Includes Item 10 and Mounting Hardware)	
10	8036324	1	Sealed Beam 28V / 60-80W	
11	8303681	4	HHCS 3/8-16 x 3/4in	
12	8307005	4	Washer, Lock 3/8in	
13	8303681	11	HHCS 3/8-16 x 3/4in	
14	8307005	11	Washer, Lock 3/8in	
15	8500065	1	Worklight (Includes Item 16 and Mounting Hardware)	
16	8036325	1	Sealed Beam 28V / 60W	
17	6623601	1	Guard, Boom Light	
18	6623448	1	Light Bracket, Left Rear	
19	6623453	1	Light Bracket, Right Rear	
20	8500038	2	Tail Light Assembly, Blackout Stop (Includes Items 21 thru 24) (See "C" for breakdown)	
21	8501037	1	Lens w/Door	
22	8469020	1	Bulb 28V / 1.02A	
23	8469021	1	Bulb 28V / .37A	
24	8469022	1	Bulb 28V / .23A	
25	8500063	2	Tail Light (See "D" for breakdown) (Includes Items 26 & 27)	
26	8036326	1	Bulb 24V - 21/5W	
27	8036327	1	Bulb 24V - 21W	
28	8310078	4	Washer, Lock M5	
29	8310188	4	Nut-Hex, M5	
30	8303771	4	HHCS 3/8-16 x 2-1/4in	
31	8307204	4	Washer, Plain 3/8in	
32	8305645	4	Nut-Lock Elastic 3/8in-16	
33	8500065	2	Worklight (Includes Item 34)	
34	8036325	1	Sealed Beam 28V / 60W	
35	6623794	1	Harness, Lighting	
36	6623468	1	Harness Boom Worklight	
37	8584018	8	Mount, Tie	
38	8584001	16	Tie Wrap	
39	8270615	1	Alarm, Backup	
40	8303697	2	HHCS, 5/16-18 x 3/4in Gr 5	
41	8307106	2	Washer, Flat 5/16in Narrow	
42	8406105	2	Clip, Tube 3/4in	
43	8305006	2	Nut, Hex 5/16in-18	
44	6623607	1	Guard, Light RH	
45	6623608	1	Guard, Light LH	
46	8303005	6	HHCS, 1/4-20 x 7/8in	

SECTION 10 - ELECTRICAL

ITEM	PART NUMBER	QTY	DESCRIPTION	REV
47	8307002	6	Washer, Lock, 1/4in	
48	8305004	6	Nut, Hex 1/4in-20	
49	8305008	1	Nut, Hex, 3/8in-16	
50	8580228	2	Grommet, Rubber	
51	7139249	AR	Conduit, 1in Dia (60in Cut to Fit)	
52	8307004	2	Washer, Lock, 5/16in	
53	8310085	1	Nut, Hex, Lock Elastic #10-24 NC	
54	8307111	1	Washer, Plain #10	
55	8270623	1	Horn	
56	8305654	2	Nut, Hex Lock Elastic, M8	
57	8307222	2	Washer, Plain M8	
58	8310647	4	Washer, Lock, External Tooth M8	
59	6611172	1	Ground Strap	

SECTION 10 - ELECTRICAL

FIGURE 10-15. ELECTRICAL COMPONENTS - VEHICLE ECM / POWER (S/N MV201 - MV1209)



SECTION 10 - ELECTRICAL

FIGURE 10-15. ELECTRICAL COMPONENTS - VEHICLE ECM / POWER (S/N MV201 - MV1209)

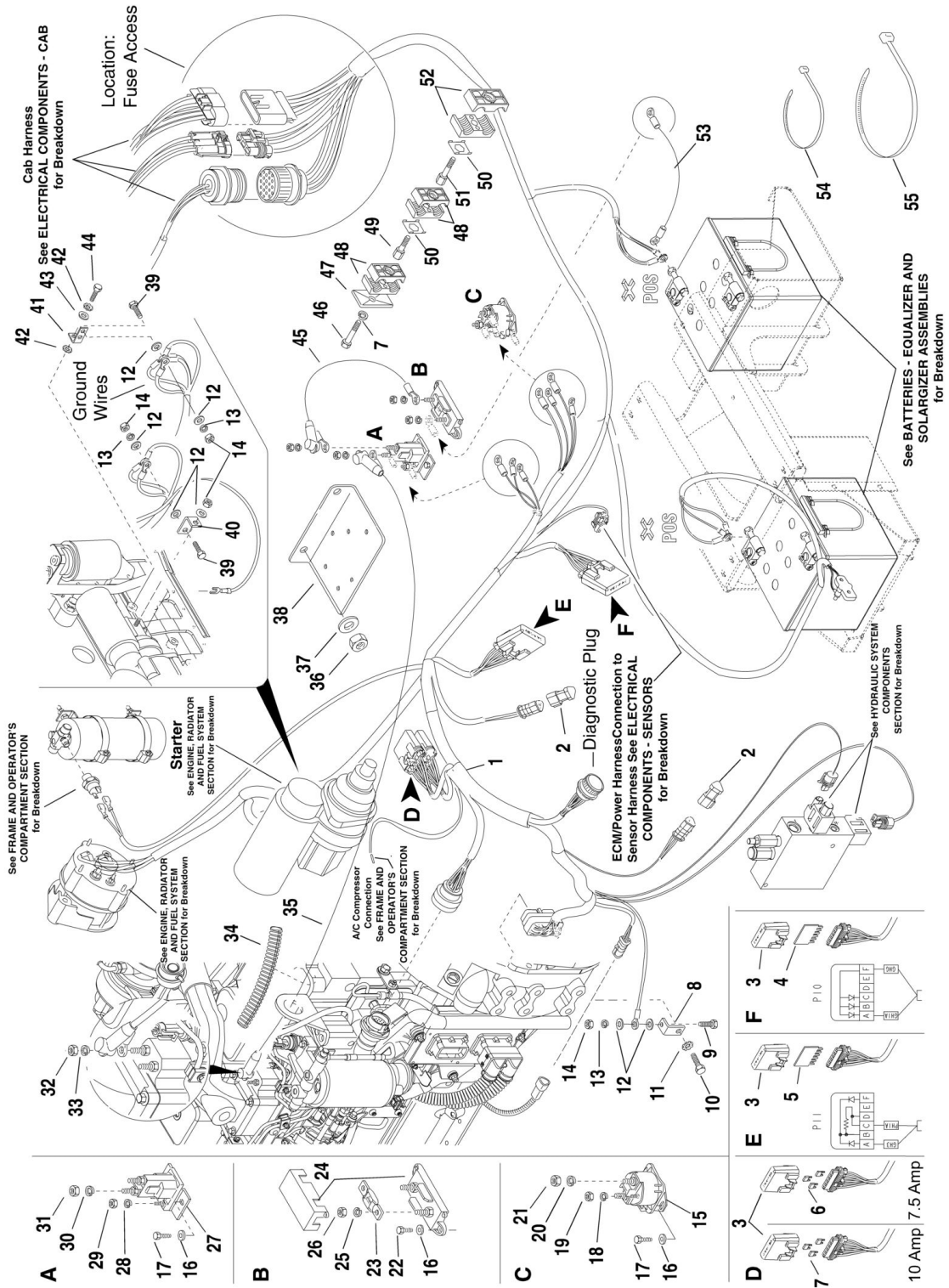
ITEM	PART NUMBER	QTY	DESCRIPTION	REV
1	6623807	1	Harness, ECM Vehicle Power (Includes Items 2 thru 7) (SN 201 to Present)	
2	8220552	2	Resistor	
3	8220357	4	Cover, Clear Ves-Pac	
4	8220366	1	Circuit Board, ECM Diode	
5	8220365	1	Circuit Board, Diode/Resistor	
6	8229243	3	Fuse, Mini, 7.5 Amp	
7	8229264	3	Fuse, Mini, 10 Amp	
8	7301529	1	Buss Bar, 90	
9	8303798	1	HHCS, M10 x 1.5 x 25mm PC8.8	
10	8303533	1	HHCS, M12 x 1.75 x 20mm PC8.8	
11	8310650	1	Washer, External Tooth Lock, M12	
12	8307221	7	Washer, Plain, M10	
13	8307023	3	Washer, Lock, M10	
14	8305038	4	Nut, Hex, M10 x 1.5	
15	10167789	1	Relay, 3 Post	
16	8307219	6	Washer, Plain, M6	
17	8303545	4	HHCS M6 x 1-16mm PC8.8	
18	8307003	1	Washer, Lock, #10	
19	8305003	1	Nut, Hex #10-32 NF	
20	8307004	3	Washer, Lock, 5/16in Spring	
21	8305006	2	Nut, Hex 5/16in-18 NC	
22	8303544	2	HHCS, M6 x 1 x 20mm PC8.8	
23	8229259	1	Fuse, 125A, Mega Bolt On	
24	8229260	1	Fuseblock, Mega (Includes Items 25 & 26)	
25	N.S.S.	2	Washer, Lock, M8	
26	N.S.S.	2	Nut, Hex M8	
27	6623811	1	Relay, 4 Post (Includes Items 28 thru 31)	
28	8307003	2	Washer, Lock, #10	
29	8305003	2	Nut, Hex #10-32 NF	
30	N.S.S.	2	Washer, Lock, 5/16in	
31	N.S.S.	2	Nut, Hex, 5/16in-24 UNF	
32	N.L.A.	1	Nut, Hex Lock, M6 x 1.00 (Available through Cummins)	
33	N.L.A.	1	Washer, External Tooth Lock, M6 (Available through Cummins)	
34	7125861	1	Conduit, .75 I.D. x 60in LG (Cut to Fit)	
35	6623876	1	Cable, Grid Heater, Relay to Grid Heater	
36	8305008	2	Nut, Hex 3/8in-16 NC	
37	8307110	2	Washer, 3/8in Narrow	
38	6623810	1	Bracket, Relay Mounting	
39	8303777	2	HHCS M10x1.5-35mm PC8.8	
40	6621412	1	Terminal, Starter, 90	
41	7300344	1	Bus Bar, Negative Starter	
42	8310650	2	Washer, Lock, External Tooth M12	
43	8307220	1	Washer, Plain M12-13.00-24 2.50	
44	8303533	1	HHCS M12x1.75 20mm PC8.8	
45	7301448	2	Cable, Grid Heater, Fuse to Relay	
46	8310009	1	HHCS, 5/16in-18 NC x 2.00 GR5	
47	8769128	1	Plate, Twin Cover	
48	8750027	2	Clamp Set, .84in Dia Twin	
49	8750012	1	Bolt Stacking	

SECTION 10 - ELECTRICAL

ITEM	PART NUMBER	QTY	DESCRIPTION	REV
50	8750017	2	Plate, Locking	
51	8750026	1	Bolt Stacking	
52	8750022	2	Clamp Set, 1.26in Dia Twin	
53	7301449	1	Cable, Grid Heater, Battery to Fuse	
54	8584001	AR	Tie, Plastic Cable .19W x 6.7in LG	
55	8584003	AR	Tie, Plastic Cable .30W x 14.8in LG	

SECTION 10 - ELECTRICAL

FIGURE 10-16. ELECTRICAL COMPONENTS - VEHICLE ECM / POWER (S/N MV1210 -)



SECTION 10 - ELECTRICAL

FIGURE 10-16. ELECTRICAL COMPONENTS - VEHICLE ECM / POWER (S/N MV1210 -)

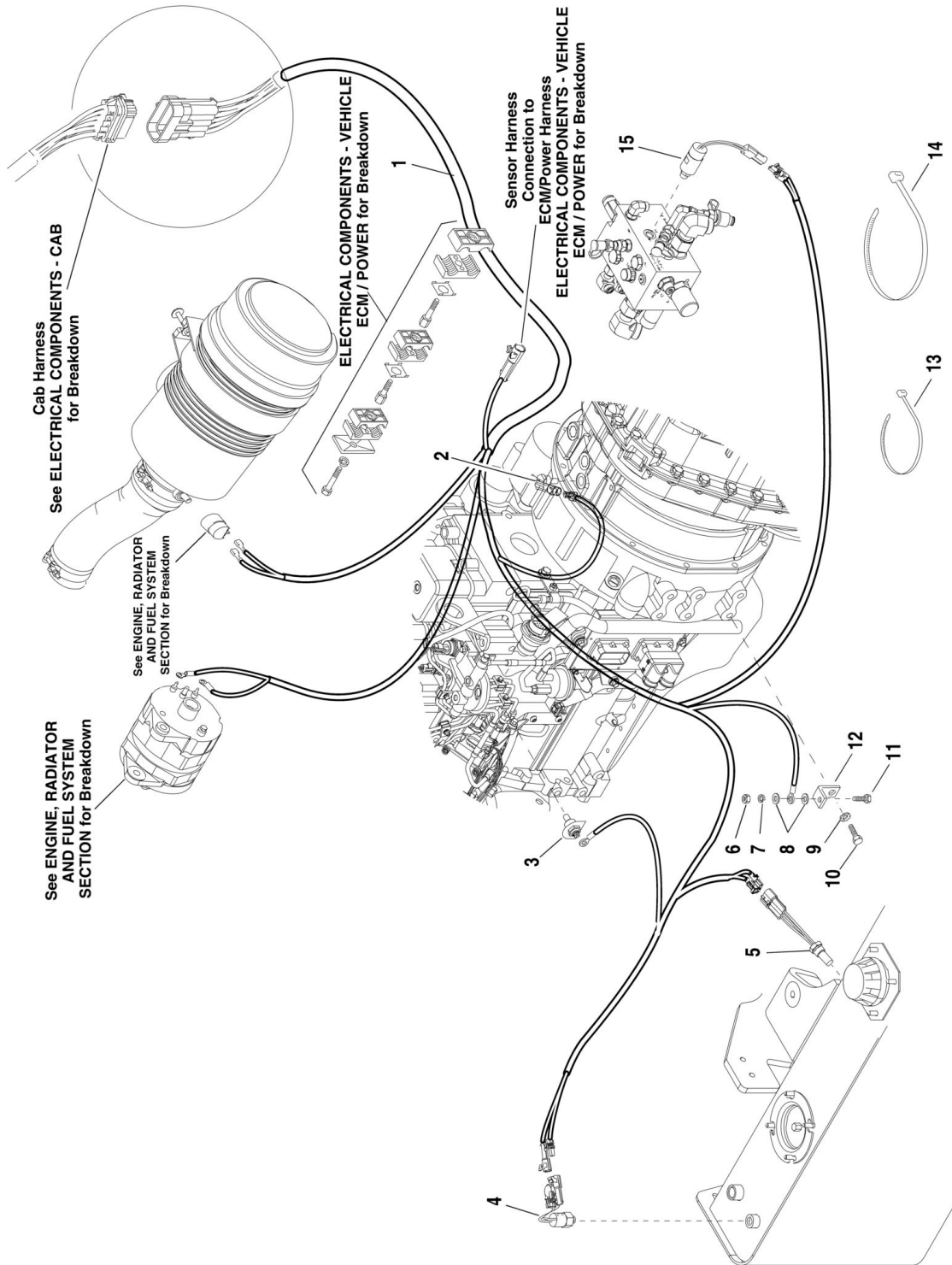
ITEM	PART NUMBER	QTY	DESCRIPTION	REV
1	6623807	1	Harness, ECM Vehicle Power (Includes Items 2 thru 7) (SN 201 to Present)	
2	8220552	2	Resistor	
3	8220357	4	Cover, Clear Ves-Pac	
4	8220366	1	Circuit Board, ECM Diode	
5	8220365	1	Circuit Board, Diode/Resistor	
6	8229243	3	Fuse, Mini, 7.5 Amp	
7	8229264	3	Fuse, Mini, 10 Amp	
8	7301529	1	Buss Bar, 90	
9	8303798	1	HHCS, M10 x 1.5 x 25mm PC8.8	
10	8303533	1	HHCS, M12 x 1.75 x 20mm PC8.8	
11	8310650	1	Washer, External Tooth Lock, M12	
12	8307221	7	Washer, Plain, M10	
13	8307023	3	Washer, Lock, M10	
14	8305038	4	Nut, Hex, M10 x 1.5	
15	10167789	1	Relay, 3 Post	
16	8307219	6	Washer, Plain, M6	
17	8303545	4	HHCS M6 x 1-16mm PC8.8	
18	8307003	1	Washer, Lock, #10	
19	8305003	1	Nut, Hex #10-32 NF	
20	8307004	3	Washer, Lock, 5/16in Spring	
21	8305006	2	Nut, Hex 5/16in-18 NC	
22	8303544	2	HHCS, M6 x 1 x 20mm PC8.8	
23	8229259	1	Fuse, 125A, Mega Bolt On	
24	8229260	1	Fuseblock, Mega (Includes Items 25 & 26)	
25	N.S.S.	2	Washer, Lock, M8	
26	N.S.S.	2	Nut, Hex M8	
27	6623811	1	Relay, 4 Post (Includes Items 28 thru 31)	
28	8307003	2	Washer, Lock, #10	
29	8305003	2	Nut, Hex #10-32 NF	
30	N.S.S.	2	Washer, Lock, 5/16in	
31	N.S.S.	2	Nut, Hex, 5/16in-24 UNF	
32	N.L.A.	1	Nut, Hex Lock, M6 x 1.00 (Available through Cummins)	
33	N.L.A.	1	Washer, External Tooth Lock, M6 (Available through Cummins)	
34	7125861	1	Conduit, .75 I.D. x 60in LG (Cut to Fit)	
35	6623876	1	Cable, Grid Heater, Relay to Grid Heater	
36	8305008	2	Nut, Hex 3/8in-16 NC	
37	8307110	2	Washer, 3/8in Narrow	
38	6623810	1	Bracket, Relay Mounting	
39	8303777	2	HHCS M10x1.5-35mm PC8.8	
40	6621412	1	Terminal, Starter, 90	
41	7300344	1	Bus Bar, Negative Starter	
42	8310650	2	Washer, Lock, External Tooth M12	
43	8307220	1	Washer, Plain M12-13.00-24 2.50	
44	8303533	1	HHCS M12x1.75 20mm PC8.8	
45	7301448	2	Cable, Grid Heater, Fuse to Relay	
46	8310009	1	HHCS, 5/16in-18 NC x 2.00 GR5	
47	8769128	1	Plate, Twin Cover	
48	8750027	2	Clamp Set, .84in Dia Twin	
49	8750012	1	Bolt Stacking	

SECTION 10 - ELECTRICAL

ITEM	PART NUMBER	QTY	DESCRIPTION	REV
50	8750017	2	Plate, Locking	
51	8750026	1	Bolt Stacking	
52	8750022	2	Clamp Set, 1.26in Dia Twin	
53	7301449	1	Cable, Grid Heater, Battery to Fuse	
54	8584001	AR	Tie, Plastic Cable .19W x 6.7in LG	
55	8584003	AR	Tie, Plastic Cable .30W x 14.8in LG	

SECTION 10 - ELECTRICAL

FIGURE 10-17. ELECTRICAL COMPONENTS - SENSORS (S/N MV201 -)



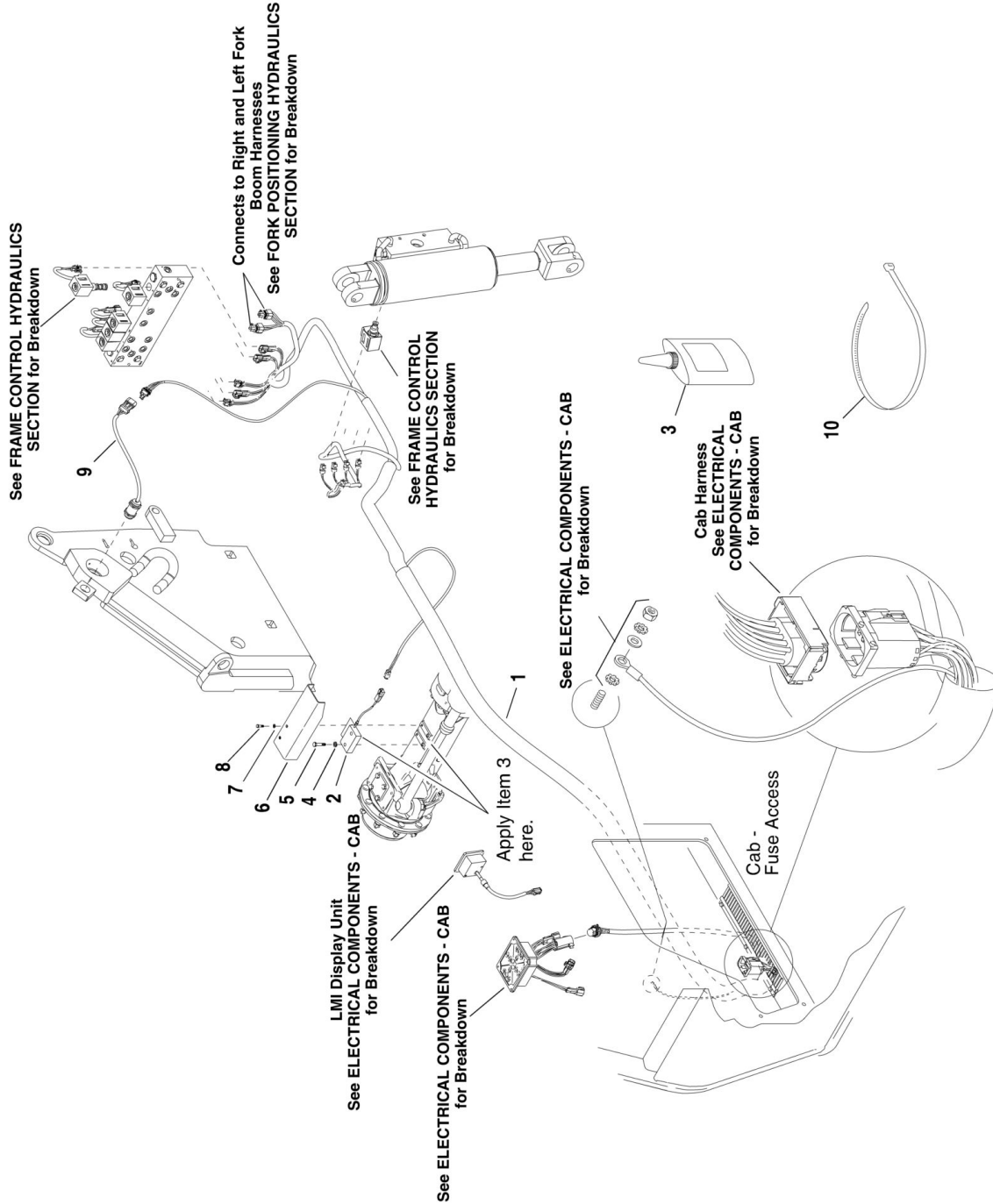
SECTION 10 - ELECTRICAL

FIGURE 10-17. ELECTRICAL COMPONENTS - SENSORS (S/N MV201 -)

ITEM	PART NUMBER	QTY	DESCRIPTION	REV
1	6623808	1	Harness, Vehicle Sensor	
2	8223232	1	Switch, Transmission Temperature	
3	8223246	1	Sender, Water Temperature	
4	8223526	1	Switch, Hydraulic Oil Filter Pressure	
5	8223247	1	Switch, Dual Hydraulic Temperature	
6	8305038	1	Nut, Hex, M10 x 1.5	
7	8307023	1	Washer, Lock, M10	
8	8307221	2	Washer, Plain, M10	
9	8310650	1	Washer, External Tooth Lock, M12	
10	8303533	1	HHCS, M12 x 1.75 x 20mm PC8.8	
11	8303798	1	HHCS, M10 x 1.5 x 25mm PC8.8	
12	7301529	1	Buss Bar, 90	
13	8584001	AR	Tie, Plastic Cable .19W x 6.7in LG	
14	8584003	AR	Tie, Plastic Cable .30W x 14.8in LG	
15	8223241	1	Switch, Brake Pressure	

SECTION 10 - ELECTRICAL

FIGURE 10-18. ELECTRICAL COMPONENTS - LMI AND STABIL-TRAK SENSORS (S/N MV201 -)



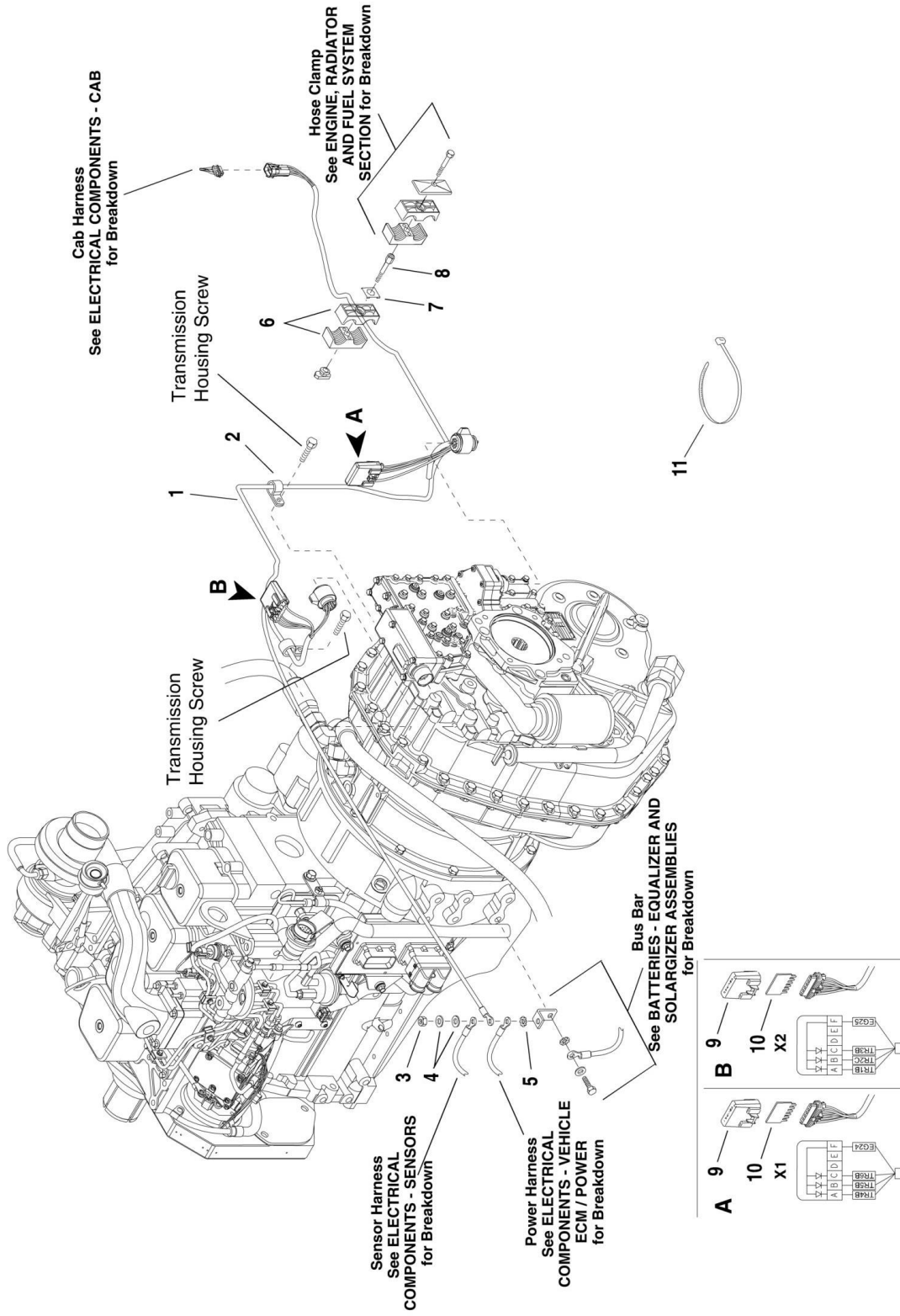
SECTION 10 - ELECTRICAL

FIGURE 10-18. ELECTRICAL COMPONENTS - LMI AND STABIL-TRAK SENSORS (S/N MV201 -)

ITEM	PART NUMBER	QTY	DESCRIPTION	REV
1	6623804	1	Harness, Vehicle Control	
2	8466312	1	Transducer, LMI Sensor	
3	8526059	1	Retaining Compound, Loctite 638, 250 ml (Bottle)	
4	8307023	2	Washer, Lock M10	
5	8310534	2	HHCS, M10-1.5 x 40mm PC10.9	
6	6623553	1	Cover, LMI Sensor	
7	8307022	2	Washer, Lock, M8	
8	8310293	2	HHCS, M8-1.25 x 50mm PC8.8	
9	8223237	1	Switch, Boom Angle Proximity	
10	8584001	AR	Tie, Plastic Cable .19 x 6.7in	

SECTION 10 - ELECTRICAL

FIGURE 10-19. ELECTRICAL COMPONENTS - TRANSMISSION (S/N MV201 -)



SECTION 10 - ELECTRICAL

FIGURE 10-19. ELECTRICAL COMPONENTS - TRANSMISSION (S/N MV201 -)

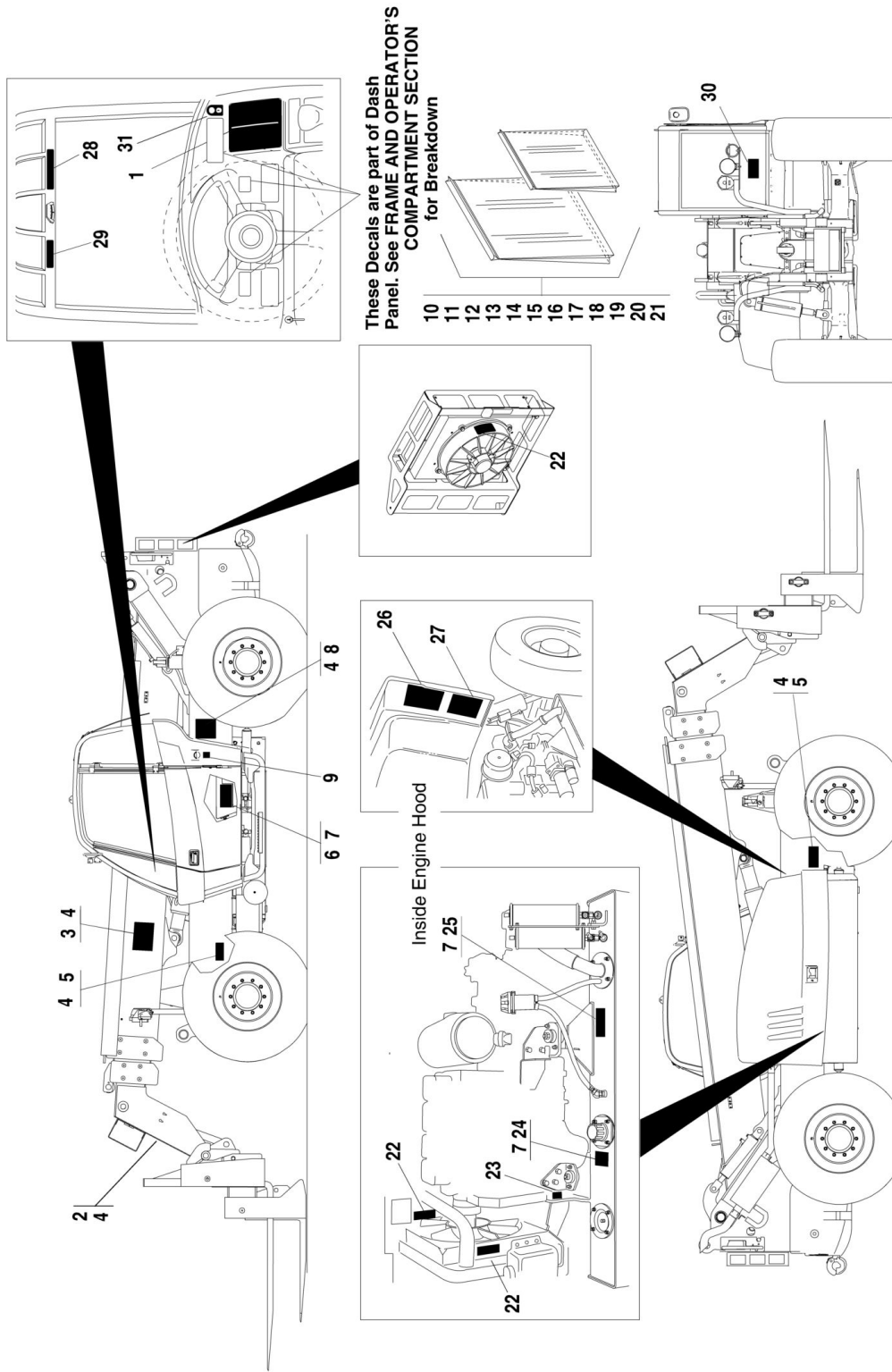
ITEM	PART NUMBER	QTY	DESCRIPTION	REV
1	6623806	1	Harness, Transmission	
2	8406105	2	Clip, Tube, 3/4in	
3	8305038	1	Nut, Hex	
4	8307221	2	Washer, Plain	
5	8307023	1	Washer, Lock	
6	8750022	1	Clamp Set, 1.26in Dia Twin	
7	8750017	1	Plate, Locking	
8	8750026	1	Bolt, Stacking	
9	8220366	2	Diode Board	
10	8220357	2	Cover, Clear Ves-Pac	
11	8584001	AR	Tie, Plastic Cable .19 W x 6.7 L	

SECTION 11 - DECALS AND COMMON SUPPLIES

SECTION 11 - DECALS AND COMMON SUPPLIES

SECTION 11 - DECALS AND COMMON SUPPLIES

FIGURE 11-1. DECALS AND MANUALS (S/N MV006 - MV200)



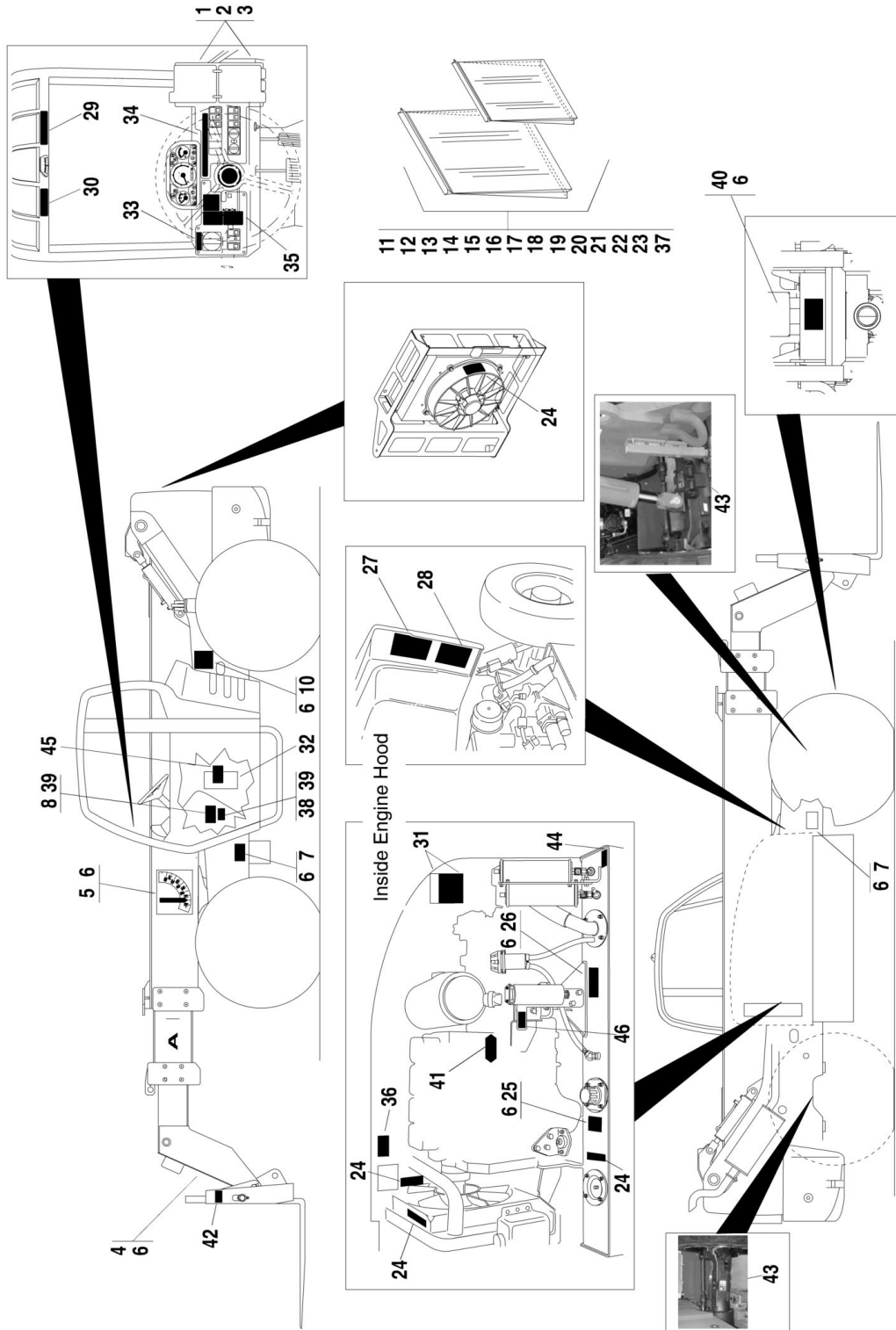
SECTION 11 - DECALS AND COMMON SUPPLIES

FIGURE 11-1. DECALS AND MANUALS (S/N MV006 - MV200)

ITEM	PART NUMBER	QTY	DESCRIPTION	REV
1	6623603	1	Booklet, Load Chart	
2	4110304	1	Plate, Carrying Personnel	
3	4110305	1	Plate, Boom Angle Indicator	
4	8309030	AR	Tack, Metal	
5	4110303	2	Plate, Battery Hazard	
6	4110307	1	Plate, Machine Identification	
7	8310176	AR	Tack, Metal	
8	4110306	1	Plate, Shipping Data	
9	4105171	1	Decal, Diesel Fuel Fill	
10	8581026	1	Poly Bag, Zipper, 8in x 10in - 4 Mil	
11	8581034	1	Poly Bag, Zipper, 12in x 15in - 4 Mil	
12	8990439	1	Manual, Owners/Operators	
14	8990113	1	Manual, Safety	
15	8990440	1	Manual, Service	
16	8990418	1	Manual, ZF Transmission Repair	
17	8990419	1	Manual, ZF Rear Axle Repair	
18	8990430	1	Manual, ZF Front Axle Repair	
19	8990423	1	Manual, ZF Transfer Case Repair	
20	8990450	1	Manual, ZF Transmission Technical Data and Maintenance	
21	8990456	1	Laminate, Hydraulic Test	
22	4110184	3	Decal, Fan Warning	
23	4107901	1	Decal, Engine Idle Setting	
24	4110301	1	Plate, Hydraulic Oil Fill	
25	4108302	1	Plate, Hydraulic Oil Level	
26	4110308	1	Decal, Lubrication Chart	
27	4110313	1	Decal, Maintenance Chart	
28	4110137	1	Decal, Tip Over Hazard	
29	4108991	1	Decal, Electrocution Hazard	
30	4109791	1	Decal, Emergency Exit	
31	4110334	1	Decal, Low Brake Pressure	

SECTION 11 - DECALS AND COMMON SUPPLIES

FIGURE 11-2. DECALS AND MANUALS (S/N MV201 -)



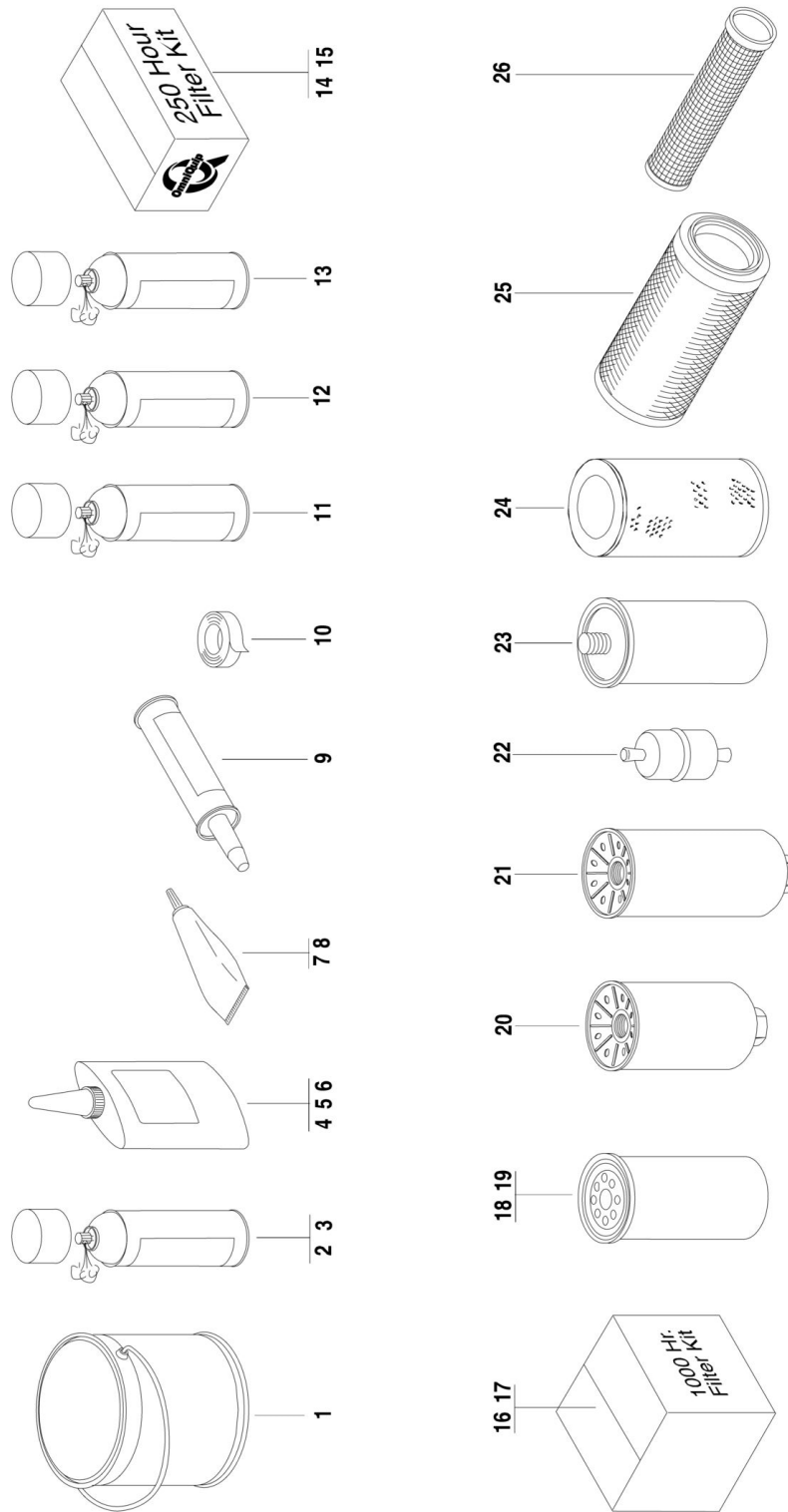
SECTION 11 - DECALS AND COMMON SUPPLIES

FIGURE 11-2. DECALS AND MANUALS (S/N MV201 -)

ITEM	PART NUMBER	QTY	DESCRIPTION	REV
1	6623762	1	Booklet, Load Chart Std	
2	6623944	1	Booklet, Load Chart for 60 psi Tire Pressure	
3	6623997	1	Booklet, Load Chart for 45 psi Tire Pressure	
4	4110304	1	Plate, Carrying Personnel	
5	4110305	1	Plate, Boom Angle Indicator	
6	2080075	32	Fastener, Amtack 4139	
7	4110303	2	Plate, Battery Hazard	
8	Not Available	Ref	Plate, Machine Identification	
9	8526042	AR	Adhesive (apply to all data plates)	
10	4110306	1	Plate, Shipping Data	
11	8581026	1	Poly Bag, Zipper, 8in x 10in - 4 Mil	
12	8581034	1	Poly Bag, Zipper, 12in x 15in - 4 Mil	
13	8990504	1	Manual, Owners/Operators	
15	8990113	1	Manual, Safety	
16	8990505	1	Manual, Service	
17	8990497	1	Manual, Cummins	
18	8990418	1	Manual, ZF Transmission Repair	
19	8990419	1	Manual, ZF Rear Axle Repair	
20	8990430	1	Manual, ZF Front Axle Repair	
21	8990423	1	Manual, ZF Transfer Case Repair	
22	8990450	1	Manual, ZF Transmission Technical Data and Maintenance	
23	8990519	1	Laminate, Hydraulic Testing MMV2	
24	4110184	4	Decal, Fan Warning	
25	4110301	1	Plate, Hydraulic Oil Fill	
26	4110302	1	Plate, Hydraulic Oil Level	
27	4110308	1	Decal, Lubrication Chart	
28	4110464	1	Decal, Maintenance Chart	
29	4110137	1	Decal, Tip Over Hazard	
30	4108991	1	Decal, Electrocution Hazard	
31	4110463	2	Decal, Ether Start Warning	
32	4110462	1	Decal, Fuse Location (back side of cover)	
33	4110359	1	Decal, Steer Mode Indicator	
34	4110361	1	Decal, Safety Instructions	
35	4110358	1	Decal, Warning and Danger	
36	4110468	1	Decal, Coolant Filling Caution	
37	8990518	1	MMV Operator, Parts and Service Manuals on CD	
38	Not Available	Ref	Plate, Universal Identification	
39	8302531	8	Rivet, Pop, .125 Dia	
40	Not Available	Ref	Plate, MMV Serial Number	
41	Not Available	Ref	Plate, Universal Identification, Engine Plate, Universal Identification	
42	Not Available	Ref	Plate, Universal Identification, 7K Carriage Plate, Universal Identification, 11K Carriage	
43	Not Available	Ref	Plate, Universal Identification, Front Axle Plate, Universal Identification, Rear Axle	
44	1001121649	1	Decal, Slave 24V DC (SN MV1210 to Present)	
45	1001112065	1	Decal, Government Ground Support (front side of cover)	
46	6610002	1	Plate, Engine Oil Sample	

SECTION 11 - DECALS AND COMMON SUPPLIES

FIGURE 11-3. FILTERS PAINT AND COMMON SUPPLIES (S/N MV006 -)



SECTION 11 - DECALS AND COMMON SUPPLIES

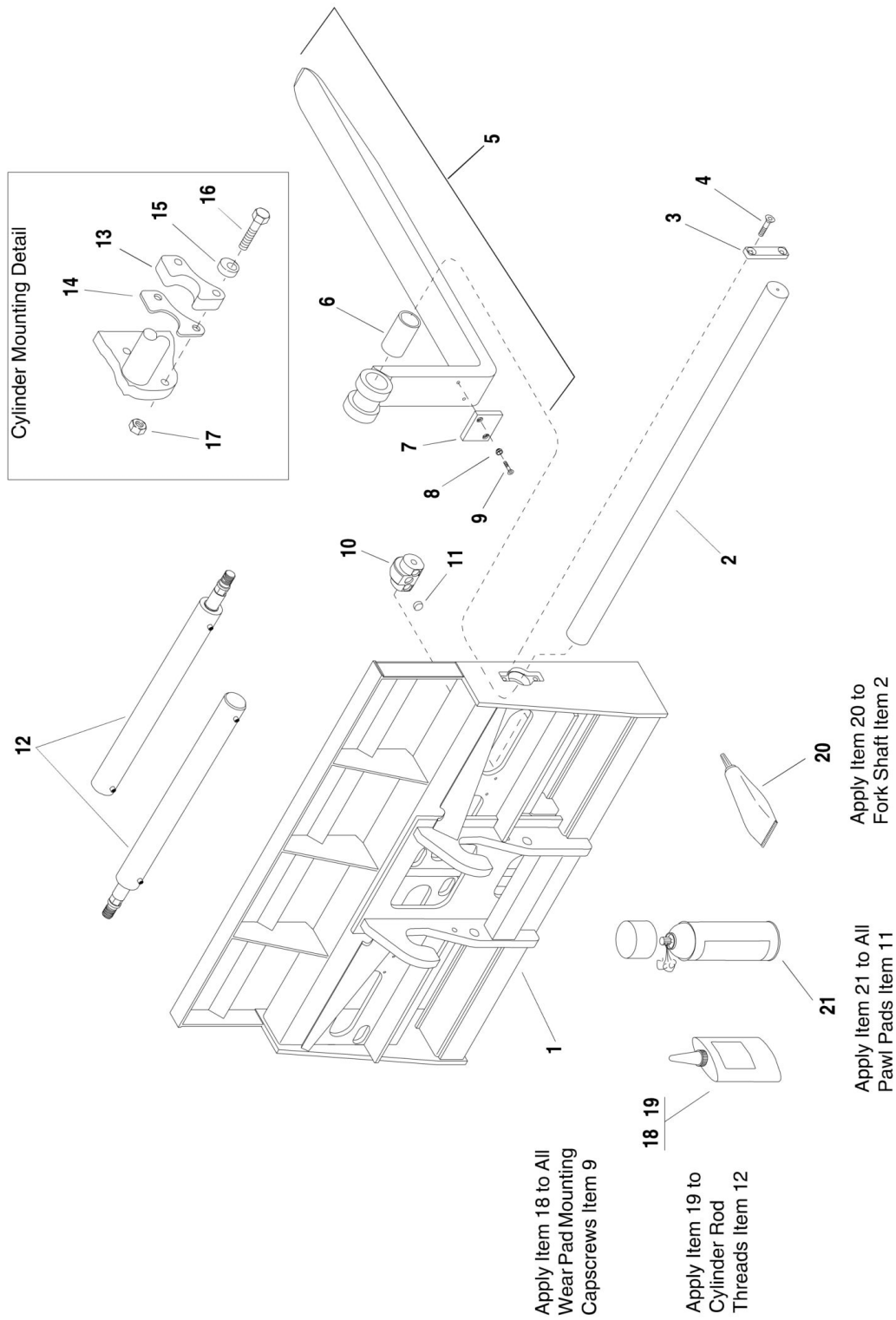
FIGURE 11-3. FILTERS PAINT AND COMMON SUPPLIES (S/N MV006 -)

ITEM	PART NUMBER	QTY	DESCRIPTION	REV
1	8528027	AR	Paint, Green (CARC), Acrylic Enamel, Gallon (Service Repaint)	
2	8528101	AR	Paint, Black, Semi-gloss, 16 Oz Spray Can	
3	8528044	AR	Paint, Black, High Temperature, 16 Oz Spray Can	
4	8526007	AR	Threadlocker, 242 Loctite, Removable, 250ml Bottle	
5	8526011	AR	Threadlocker, 271 Loctite, High Strength, 250ml Bottle	
6	8526052	AR	Threadlocker, 277 Loctite, High Strength/Large Bolt, 250ml Bottle	
7	8522012	AR	Lube, Anti-Seize	
8	8526415	AR	Lubricant, Teflon	
9	8035523	AR	Sealant, Urethane, 10 Oz Cartridge	
10	8526053	AR	Tape, Thread Sealant	
11	8526042	AR	Adhesive, 16 Oz Spray Can	
12	8526056	AR	Gasket Eliminator, 518 Loctite	
13	8526406	AR	Varnish, Electrical Insulating, 16 Oz Spray Can	
14	7138288	1	Filter Kit, 250 Hour (Includes Items 18 & 20) (SN MV006 through MV200)	
15	8024051	1	Filter Kit, 250 Hour (Includes Items 19 & 21) (SN MV201 to Present)	
16	8024015	1	Filter Kit, 1000 Hour (Includes Items 18, 20 & 22 thru 26) (SN MV006 through MV200)	
17	8024052	1	Filter Kit, 1000 Hour (Includes Items 19 & 21 thru 26) (SN MV201 to Present)	
18	8320262	1	Filter, Engine Oil (SN MV006 through MV200)	
19	8320275	1	Filter, Engine Oil (SN MV201 to Present)	
20	8320270	1	Fuel Filter, Primary (SN MV006 through MV200)	
21	8320277	1	Fuel Filter, Primary Lubricity (SN MV201 to Present)	
22	8274022	1	Fuel Filter, Inline Strainer	
23	1319726	1	Filter, Transmission Oil	
24	8320265	1	Filter, Hydraulic Oil	
25	1101312	1	Air Filter, Primary	
26	1101313	1	Air Filter, Safety Element	

SECTION 12 - ATTACHMENTS

SECTION 12 - ATTACHMENTS

FIGURE 12-1. CARRIAGE AND FORK ASSEMBLIES - 7K (S/N MV006 -)



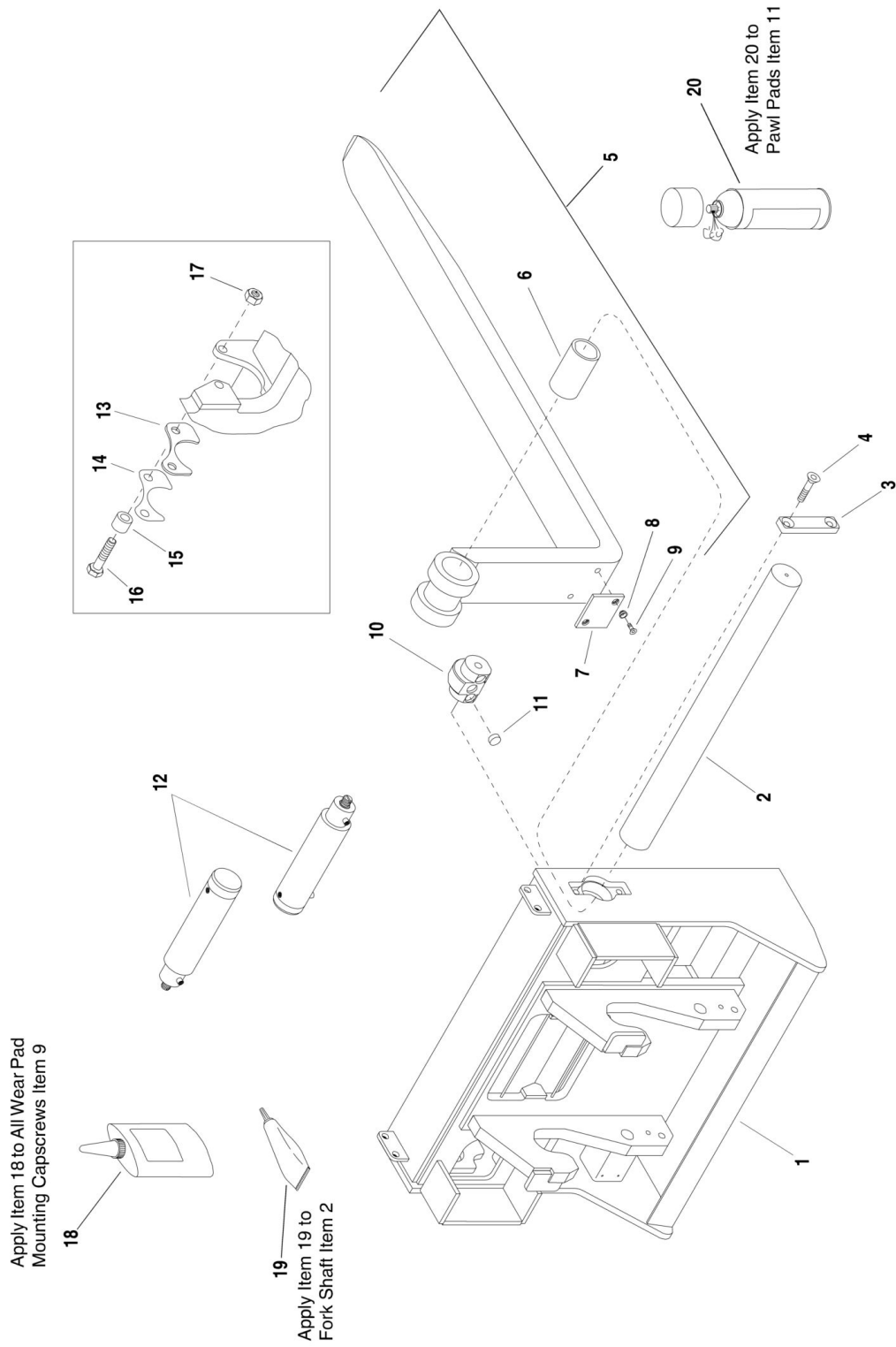
SECTION 12 - ATTACHMENTS

FIGURE 12-1. CARRIAGE AND FORK ASSEMBLIES - 7K (S/N MV006 -)

ITEM	PART NUMBER	QTY	DESCRIPTION	REV
1	6615184	1	Weldment, Carriage - 7K	
2	6616543	1	Shaft, Fork	
3	6616152	1	Retainer, Fork Shaft	
4	8310263	2	Screw, SFHC 3/4in-10 x 1-3/4in	
5	6623331	2	Fork Assembly for 7K Carriage (Includes Items 6 Thru 9)	
6	6616092	1	Bearing, Fiberglass	
7	6618612	1	Pad, Wear	
8	6618622	2	Insert, Pad	
9	8310341	2	Screw, SFHC 3/8in-16 x 1-1/2in	
10	7115372	2	Pawl, Cylinder Rod End	
11	7115382	12	Pad, Pawl	
12	6623295	2	Cylinder, Fork Sideshift - 7K (See FORK POSITIONING HYDRAULICS SECTION for Breakdown)	
13	6616391	2	Plate, Cylinder Retainer	
14	6617361	AR	Shim, Cylinder Retainer	
15	6617371	4	Cam, Cylinder Retainer Bolt	
16	8303782	4	HHCS, 1/2in-13 x 4in	
17	8305644	4	Nut, Hex Lock Elastic, 1/2in-13	
18	8526011	AR	Threadlocker, 271 Loctite, High Strength, 250ml Bottle	
19	8526051	AR	Threadlocker, 277 Loctite, High Strength/Large Bolt, 250ml Bottle	
20	8526415	AR	Lubricant, Teflon	
21	8526042	AR	Adhesive 3M #90 High Strength Spray	

SECTION 12 - ATTACHMENTS

FIGURE 12-2. CARRIAGE AND FORK ASSEMBLIES - 11K (S/N MV006 -)



SECTION 12 - ATTACHMENTS

FIGURE 12-2. CARRIAGE AND FORK ASSEMBLIES - 11K (S/N MV006 -)

ITEM	PART NUMBER	QTY	DESCRIPTION	REV
1	6615174	1	Weldment, Carriage - 11K	
2	6616553	1	Shaft, Fork	
3	6616152	1	Retainer, Fork Shaft	
4	8310261	2	Screw, SFHC 3/4in-10 x 1-1/2in	
5	6623333	2	Fork Assembly, Carriage 2.25 x 4.00 x 48.00 (includes Items 6 thru 9)	
6	6616072	1	Bearing, Fiberglide	
7	6618632	1	Pad, Wear	
8	6618622	2	Insert, Pad	
9	8310341	2	Screw, SFHC 3/8in-16 x 1-1/2in	
10	7115372	2	Pawl, Cylinder Rod End	
11	6619882	AR	Pad, Pawl	
12	6623296	2	Cylinder, Fork Sideshift - 11K (See FORK POSITIONING HYDRAULICS SECTION for Breakdown)	
13	6616372	6	Plate, Cylinder Retainer	
14	6617012	12	Shim, Cylinder Retainer	
15	7116171	4	Spacer Cam, Cylinder Retainer	
16	8303702	4	HHCS, 1/2in-13 x 3in	
17	8305644	4	Nut, Hex Lock Elastic, 1/2in-13	
18	8526011	AR	Threadlocker, 271 Loctite, High Strength, 250ml Bottle	
19	8526415	AR	Lubricant, Teflon	
20	8526042	1	Adhesive 3M #90 High Strength Spray	

PART NUMBER INDEX

PART NUMBER INDEX

0080268.....253, 257	1319344.....36	1319433.....21, 41	1319534.....23, 43
0100011.....123, 165	1319345.....36	1319436.....21, 41	1319535.....23, 43
0100087.....254, 258	1319346.....36	1319439.....21, 41	1319536.....23, 43
0641406.....165	1319347.....36	1319440.....21, 41	1319537.....23, 43
0701214.....13, 89	1319348.....36	1319441.....21, 41	1319538.....23, 43
0860520.....165	1319349.....36	1319444.....35, 49	1319539.....23, 43
1001081073.....195, 199	1319350.....36	1319445.....29, 49	1319540.....23, 43
1001081280.....193	1319351.....36	1319447.....29, 49	1319541.....23, 43
1001108548.....191	1319352.....36	1319448.....49	1319542.....23, 43
1001109417.....191, 193	1319353.....36	1319449.....49	1319543.....23, 43
1001112065.....385	1319354.....35	1319450.....49	1319545.....23
1001120572.....354	1319355.....35	1319451.....49	1319557.....53
1001120573.....354	1319356.....35	1319452.....49	1319558.....53
1001120574.....354	1319357.....35	1319453.....49	1319559.....53
1001120575.....354	1319358.....35	1319454.....49	1319563.....53
1001120750.....353	1319359.....35	1319455.....49	1319566.....53, 79
1001120766.....353	1319360.....35	1319456.....49	1319567.....55
1001120778.....354	1319361.....35	1319457.....49	1319568.....55
1001121219.....353	1319362.....35	1319458.....49	1319569.....53, 55
1001121649.....385	1319363.....35	1319459.....49	1319570.....55
10138818.....123	1319364.....35	1319460.....49	1319571.....55
10139087.....173	1319365.....35	1319461.....49	1319572.....55
10166680.....246, 250	1319366.....35	1319462.....29, 49	1319573.....55
10167789...335, 367, 371	1319367.....35	1319463.....49	1319574.....53
10168743.....227, 317	1319369.....35	1319464.....29, 49	1319575.....53
10268515.....113, 115	1319370.....35	1319472.....29, 49	1319576.....53, 55
10268516.....113, 115	1319371.....35	1319476.....29, 49	1319577.....53
10268992.....254, 258	1319372.....35	1319477.....29, 49	1319578.....55, 85
10725268.....173	1319373.....35	1319483.....51	1319580.....55
10727307.....333	1319374.....35	1319484.....51	1319581.....55, 79
10727311.....343	1319375.....35	1319485.....51	1319582.....55, 79
10728873.....119	1319376.....35	1319491.....23, 43	1319583.....55
10731709.....71, 73, 77	1319377.....35	1319494.....71	1319584.....55
10731732.....53	1319378.....35	1319496.....24, 44	1319585.....55, 69, 79
10731744.....53	1319379.....35	1319497.....24, 44	1319586.....55
10731845.....57, 59, 63	1319380.....35	1319499.....24, 44	1319587.....55
10731913.....53	1319381.....35	1319500.....24, 44	1319588.....55
10731949.....24, 44	1319382.....35	1319501.....24, 44	1319589.....69
10731959.....69, 85	1319383.....35	1319502.....24, 44	1319590.....55
10732029.....73	1319384.....35	1319504.....24, 44	1319591.....57
10732063.....73, 77	1319385.....35	1319505.....24, 44	1319593....57, 59, 61, 63,
10732064.....73	1319386.....35	1319506 ... 21, 24, 31, 41,	65, 67
10732071.....71	1319387.....35	43, 51	1319594....57, 59, 61, 63,
10732072.....71	1319388.....35	1319510.....23, 43	65, 67
10837368...345, 351, 353	1319389.....35	1319511.....23, 43	1319595....57, 59, 61, 63,
10837580.....265, 267	1319390.....35	1319512.....23, 43	65, 67
10839156.....69	1319391.....35	1319513.....23, 43	1319596.....57, 59, 63
10868086.....267	1319392.....35	1319514.....23, 43	1319597....57, 59, 61, 63,
1101056.....29, 49	1319393.....35	1319515.....23, 43	65, 67
1101312.....113, 115, 387	1319394.....35	1319516.....23, 43	1319598....57, 59, 61, 63,
1101313.....113, 115, 387	1319395.....35	1319517.....23, 43	65, 67
1319210.....29, 49	1319396.....35	1319518.....23, 43	1319599....57, 59, 61, 63,
1319229.....53	1319397.....35	1319519.....23, 43	65, 67
1319236.....53	1319398.....35	1319520.....23, 43	1319600....57, 59, 61, 63,
1319258.....53	1319399.....36	1319521.....23, 43	65, 67
1319333.....36	1319400.....36	1319522.....23, 43	1319601....57, 59, 61, 63,
1319334.....36	1319401.....36	1319523.....23, 43	65, 67
1319335.....36	1319402.....36	1319524.....23, 43	1319602....57, 59, 61, 63,
1319336.....36	1319406.....35	1319525.....23, 43	65, 67
1319337.....36	1319412.....39	1319526.....23, 43	1319603....57, 59, 61, 63,
1319338.....36	1319414.....19	1319527.....23, 43	65, 67
1319339.....36	1319415.....19, 39	1319529.....23, 43	1319604....57, 59, 61, 63,
1319340.....36	1319423.....21, 41	1319530.....23, 43	65, 67
1319341.....36	1319425....21, 23, 41, 43	1319531.....23, 43	1319605....57, 59, 61, 63
1319342.....36	1319429.....21, 41	1319532.....23, 43	1319607.....57
1319343.....36	1319431.....23, 43	1319533.....23, 43	1319608.....57, 67

PART NUMBER INDEX

1319612 ... 57, 59, 61, 63, 65, 67	1319683 73	1321162.....24, 44	2716532..... 225
1319613 59	1319684 73	1321163.....24, 44	2716533..... 225
1319614 59	1319685 73	1321172.....47	2716534..... 227
1319615 59, 63, 65	1319686 73	1321174.....24, 44	2716535..... 227
1319616 61	1319687 73	1321175.....29	2716536..... 283, 285
1319617 61, 65, 67	1319688 73	1321178.....47	2716537..... 283, 285
1319618 61, 65, 67	1319689 73	1321184.....19, 39	2716538..... 275, 277
1319619 61	1319690 73	1321185.....15	2716539..... 275, 277
1319620 61, 65, 67	1319691 73	1321186.....15	2716567..... 245, 249
1319621 61, 65, 67	1319692 73	1321187.....15	2716568..... 275
1319622 61, 65, 67	1319693 73	1321189.....15	2716569..... 275
1319623 61, 65, 67	1319694 73	1321190.....15	2716570..... 275
1319624 61, 65, 67	1319695 73	1321191.....31	2716572..... 293
1319625 61, 65, 67	1319696 73, 77	1321194.....16	2716573..... 275
1319626 61, 65, 67	1319697 73	1321196.....15	2716574..... 275
1319627 61, 65, 67	1319698 73	1321197.....15	2716575..... 283, 285
1319628 61, 65, 67	1319699 73	1321198.....15	2716620..... 227
1319629 61, 65, 67	1319700 73	1321199.....15	2716624..... 275
1319630 61, 65, 67	1319701 73	1321201.....16	2716628..... 227
1319631 61, 65, 67	1319702 73, 77	1321202.....16	2716629..... 227
1319632 61, 65, 67	1319703 73, 77	1321203.....16	2716630..... 293
1319633 61	1319704 73	1321204.....16	2716631..... 245, 249
1319634 63	1319705 73	1321205.....31	2716633..... 245, 249
1319635 63	1319706 73	1321206.....27	2716634..... 227
1319636 63, 65, 67	1319707 73, 77	1321207.....27	2716635..... 227
1319637 65	1319708 73	1321208.....27	2716636..... 299
1319638 65, 67	1319709 77	1321210.....16	2716637..... 299
1319639 67	1319710 77	1321211.....35	2716638..... 299
1319640 69	1319711 77	1321212.....16	2716639..... 299
1319641 69	1319712 77	1321213.....15	2716640..... 283, 299
1319644 69	1319713 77	1321214.....31	2716641..... 245, 249
1319645 69	1319714 77	1321215.....19, 39	2716642..... 225
1319646 69	1319715 77	1321217.....19	2716643..... 225
1319647 69, 85	1319716 73	1321218.....19	2716644..... 227
1319648 69, 85	1319717 77	1321219.....19	2716645..... 227
1319649 69, 85	1319718 79	1321220.....19	2716648..... 283, 285
1319650 71	1319719 79	1321221.....19	2716736..... 229
1319651 71	1319720 79	1321225.....19, 39	2716809..... 323, 327
1319652 71, 73	1319721 79	1321226.....49	2716810..... 327
1319653 71	1319722 79	1321228.....29	2716811..... 327
1319654 71	1319723 79	1321230.....15	2716812..... 327
1319655 71	1319724 79	1321231.....51	2716817..... 323
1319657 71	1319725 79	1321232.....31	2716818..... 323
1319658 71	1319726 79, 387	1321233.....31	2716819..... 323
1319659 71	1320748 85	1321237.....35	2716820..... 323
1319660 71	1320749 85	1321239.....49	2716825..... 317
1319661 71, 73	1320750 85	1321242.....51	2716826..... 319
1319662 71	1320751 85	1321247.....51	2716835..... 283
1319663 71	1320753 85	1321248.....16	2716836..... 283
1319664 71	1320754 85	1321249.....29	2716837..... 315
1319665 71	1320755 85	1321250.....29	2716838..... 127, 129
1319666 71	1320757 85, 131	1321251.....29	2716839..... 127
1319667 71	1320758 85	1321255.....31	2716840..... 127
1319668 71	1320761 85	1321258.....31	2716841..... 275, 277
1319670 71, 73, 77	1320763 85	1321259.....39	2716842..... 317
1319671 74	1320764 85	1321260.....39	2716843..... 315
1319673 73	1320765 85	2080075.....385	2716844..... 315
1319674 73	1321149 33	2210113.....107	2716851..... 203, 205
1319675 73	1321150 24, 44	2715052.....225	2716852..... 203, 205
1319676 73	1321151 24, 44	2715312.....293	2716853..... 253, 257
1319677 73	1321152 24, 44	2716492.....225	2716854..... 253, 257
1319678 73	1321153 19, 39	2716518.....81	2716869..... 227
1319679 73	1321154 19, 39	2716519.....81	2716870..... 227
1319680 73	1321155 29, 49	2716520.....245, 249	2716871..... 203
1319681 73	1321157 29, 49	2716525.....245	2716872..... 203
1319682 73	1321158 23, 43	2716530.....245, 249	2716877..... 245
	1321159 23, 43	2716531.....245, 249	2716879..... 275

PART NUMBER INDEX

2716880.....	245, 249	4110302.....	385	6623368.....	137	6623527.....	317
2716881.....	275	4110303.....	383, 385	6623369.....	169	6623528.....	317
2716882.....	245, 249	4110304.....	383, 385	6623370.....	169	6623531.....	127, 129
2716883.....	245, 249	4110305.....	383, 385	6623371.....	169	6623532.....	127, 129
2716884.....	283	4110306.....	383, 385	6623372.....	169	6623533.....	127, 129
2716887.....	283	4110307.....	383	6623376.....	11, 13	6623538.....	315
2716888.....	283	4110308.....	383, 385	6623378.....	143, 147	6623553.....	347, 377
2716889.....	245	4110313.....	383	6623383.....	137, 253	6623556.....	315
2716891.....	245	4110334.....	383	6623384.....	319	6623558.....	221
2716892.....	245, 249	4110358.....	385	6623385.....	319	6623560.....	203, 205
2716893.....	245, 249	4110359.....	385	6623391.....	319	6623568.....	203, 205
2716927.....	277	4110361.....	385	6623395.....	137	6623569.....	227
2717071.....	83	4110462.....	385	6623405.....	137, 139, 141	6623570.....	227
2717163.....	129	4110463.....	385	6623406.....	319	6623571.....	345, 351, 353
2717164.....	129	4110464.....	385	6623407.....	213	6623572.....	345, 351, 353
2717165.....	129	4110468.....	385	6623411.....	153	6623579.....	151
2717166.....	129	4341074.....	165	6623412.....	127, 129	6623586.....	105
2717167.....	285	4360609.....	335	6623413.....	315	6623589.....	203, 205
2717168.....	285	4711000.....	353	6623417.....	143, 147	6623591.....	143, 147
2717202.....	103	4751400.....	165	6623418.....	143, 147	6623592.....	143, 147
2717206.....	295	4832100.....	13, 89	6623423.....	143	6623593.....	143, 147
2717207.....	277	4923263.....	335	6623428.....	153	6623598.....	11, 13
2717208.....	277	5724302.....	227, 317	6623429.....	315	6623599.....	127
2717211.....	277	5724742.....	117	6623430.....	315	6623601.....	339, 363
2717212.....	277	5746491.....	315	6623431.....	315	6623602.....	144, 148
2717213.....	277	5752022.....	137, 139, 141	6623432.....	315	6623603.....	383
2717214.....	277	6603712.....	11, 13	6623433.....	315	6623607.....	339, 363
2717215.....	285	6610002.....	385	6623434.....	315	6623608.....	339, 363
2717218.....	83	6611172.....	333, 351, 357, 364	6623435.....	315	6623609.....	131
2717219.....	277	6615174.....	393	6623436.....	315	6623621.....	139, 141
2717220.....	277	6615184.....	391	6623437.....	315	6623625.....	139, 141
2717221.....	285	6616072.....	393	6623438.....	315	6623633.....	139, 141
2717222.....	285	6616092.....	391	6623442.....	339, 363	6623635.....	117
2717224.....	285	6616092.....	391	6623445.....	339, 363	6623650.....	117
2717225.....	295	6616152.....	391, 393	6623448.....	339, 363	6623655.....	115
2717226.....	277	6616372.....	393	6623453.....	339, 363	6623658.....	103
2717228.....	277	6616391.....	391	6623467.....	333	6623662.....	103
2717229.....	277	6616543.....	391	6623468.....	339, 363	6623665.....	151
2717230.....	277	6616553.....	393	6623469.....	315	6623666.....	151
2717231.....	277	6617012.....	393	6623470.....	315	6623670.....	117
2717232.....	295	6617132.....	221	6623471.....	345	6623671.....	351, 353
2717233.....	277, 295	6617361.....	391	6623472.....	345	6623724.....	111
2717234.....	285	6617371.....	391	6623473.....	345	6623749.....	119
2717235.....	285	6618612.....	391	6623475.....	345, 351, 353	6623751.....	139, 141
2717244.....	249	6618622.....	391, 393	6623476.....	345	6623762.....	385
2717245.....	246, 250	6618632.....	393	6623477.....	345, 351, 353	6623773.....	155
2717246.....	249	6619882.....	393	6623478.....	345, 351, 353	6623774.....	155
2717247.....	249	6620751.....	143, 147	6623479.....	345, 351, 353	6623776.....	357
2717248.....	249	6620962.....	207	6623480.....	343	6623781.....	173
2717277.....	295	6620971.....	199	6623481.....	347	6623782.....	173
2770160.....	83	6620973.....	207	6623482.....	315	6623783.....	173
2915028.....	197	6621412.....	335, 353, 367, 371	6623489.....	127	6623786.....	173
2915053.....	335	6623295.....	325, 391	6623491.....	127, 129	6623787.....	173
2915056.....	165	6623296.....	329, 393	6623492.....	127, 129	6623793.....	361
3311005.....	353	6623301.....	339	6623494.....	345	6623794.....	363
3931010.....	353	6623304.....	335	6623498.....	283, 285	6623795.....	361
3980039.....	165	6623318.....	215	6623499.....	211	6623804.....	377
4060805.....	197	6623321.....	211	6623508.....	121	6623806.....	379
4105171.....	383	6623321.....	211	6623514.....	231	6623807.....	367, 371
4107901.....	383	6623331.....	391	6623516.....	225	6623808.....	375
4108302.....	383	6623333.....	393	6623517.....	225	6623810.....	367, 371
4108991.....	383, 385	6623334.....	221	6623518.....	317	6623811.....	367, 371
4109791.....	383	6623351.....	143, 147	6623519.....	317	6623812.....	351, 353
4110137.....	383, 385	6623353.....	143	6623520.....	227	6623813.....	351, 353
4110184.....	383, 385	6623365.....	301	6623521.....	227	6623814.....	351, 353
4110253.....	125	6623366.....	237	6623525.....	227	6623815.....	361
4110301.....	383, 385	6623367.....	305	6623526.....	227	6623821.....	351

PART NUMBER INDEX

6623827	173	70022243	51	7127562	101, 103	7138772	299
6623833	205	70022271	31	7129101	117	7138773	293, 295
6623834	205	70022610	33	7129111	117	7138774	293, 295
6623843	181	70022689	325	7129121	117	7138775	293, 295
6623844	181	70022785	51	7129441	155, 169	7138776	293, 295
6623845	115	70022838	24	7129973	105	7138784	245, 249
6623846	115	70022839	24	7130131	105, 205	7138785	245, 249
6623848	233	70023261	31	7130412	161	7138806	125
6623849	239	70023262	51	7130682	333	7138808	125
6623850	307	70023330	31	7130744	171	7138820	157
6623855	107	70031092	235	7130773	171	7138829	143, 147
6623856	107	7017283	239	7130862	171	7138833	159
6623863	189	7017402	265, 267	7131003	171	7138836	159
6623864	193	7017496	311	7131952	105	7138841	171
6623865	189	7026744	53	7131961	343	7138843	143, 147
6623866	193	7026745	53	7131992	117	7138846	157, 171
6623867	303	7026749	53	7132002	105	7138850	117
6623871	147	7026798	165	7132012	105	7138858	163, 165
6623873	143, 147	7026799	165	7132111	117	7138867	137
6623876	367, 371	7026900	165	7132131	103, 117	7138878	159, 361
6623878	139	7026901	165	7132141	101, 103	7138883	163
6623883	139, 141, 257	7026902	165	7132751	171	7138944	173
6623896	147	7026905	165	7135432	211, 213, 215	7138950	125
6623899	147	7026906	165	7135442	211, 213, 215	7138962	171
6623906	147	7027212	27	7135773	253, 257	7138977	219
6623910	107	7027271	85	7135912	11, 91	7138986	219
6623918	107	7027273	85	7135922	11, 95	7138991	217
6623930	115	7028837	103	7136322	215	7139018	213
6623938	119	7028963	101, 103	7136742	167	7139019	213
6623944	385	7028977	29, 49	7137022	253, 257	7139035	195
6623974	119	7028979	49	7137082	217	7139036	195
6623978	13, 87	7028993	103	7137142	137, 139, 141, 211	7139099	195
6623979	13, 93	7029367	159	7137623	157	7139101	195
6623980	13, 97	7029412	197	7137664	171	7139108	123, 287, 289
6623981	133	7029413	197	7137772	211	7139158	211
6623997	385	7029414	197	7138173	235	7139179	245, 249
6624053	11, 13	7029415	197	7138209	253, 257	7139248	137, 139, 141
6624054	11, 13	7029721	71	7138222	221	7139249	137, 139, 141, 340, 364
70020408	24, 44	7057141	105, 107, 161, 169, 171	7138230	105	7139324	137, 139, 141
70020409	24, 44	7075611	211	7138231	105	7139325	211
70020413	27	7085422	105, 107	7138242	105	7139330	211
70020483	44	7085542	221	7138250	187	7139331	211
70020484	44	7089722	235	7138275	171	7139335	137, 139, 141
70020485	24, 44	7094562	253, 257	7138288	101, 117, 131, 387	7139356	137, 139, 141
70020486	24, 44	7096491	161, 163	7138317	195	7139405	211
70020487	24, 44	7111572	211, 213, 215	7138342	143	7139460	109
70020497	87	7114112	217	7138361	205	7139461	109, 111
70020498	87	7115372	391, 393	7138478	203, 205	7139502	137, 139, 141
70020499	87	7115382	391	7138483	203, 205	7139514	105
70020500	87	7116171	393	7138484	195	7139515	105
70020501	87	7116691	253, 257	7138485	199	7139517	203
70020502	87	7120613	117	7138515	105	7139554	211
70020503	87	7121531	219	7138682	143, 147	7139662	343
70021495	33	7121543	161	7138686	109, 111	7139780	213
70021553	49	7121951	101, 103	7138736	117	7139781	213
70021554	49	7124301	215	7138756	157	7139822	113
70021568	33	7124331	137, 139, 141	7138757	157	7139823	113
70021569	33	7124531	171, 199	7138760	11, 13, 89	7139824	113, 115
70021570	33	7125861	367, 371	7138763	241	7139852	283, 285
70021571	33	7126172	211, 213, 215	7138764	241	7139917	105
70021599	119	7126182	211, 213, 215	7138765	299	7139935	144, 148
70021617	33	7126662	217	7138767	241	7139938	105
70021726	33	7127091	121	7138768	241	7139960	327
70021789	29	7127462	101	7138769	241	7139975	213
70021790	29	7127492	101	7138771	241	7139976	213
70022052	49	7127552	101, 103			7139977	213
70022197	51						

PART NUMBER INDEX

7139979.....213	77373058.....335	8034803.....191, 193	8035432.....195
7139980.....253, 257	8024015....79, 101, 113, 117, 131, 254, 387	8034804.....193	8035433.....195
7139982.....203	8024027.....217	8034805....189, 191, 193	8035434.....195
7139983.....275	8024028.....219	8034807.....189	8035435.....179, 195
7139984.....253, 257	8024030.....105	8034808....189, 191, 193	8035436.....179
7139992.....107	8024031.....105	8034811.....193	8035437.....179
7139997.....143	8024051...103, 119, 131, 133, 387	8034815.....183, 185	8035438.....179
7139999.....143, 147	8024052...103, 115, 119, 131, 133, 258, 387	8035045.....261	8035439.....179, 181
7150742.....343, 361	80264082..179, 191, 193	8035109....91, 93, 95, 97	8035441.....179, 181
7151246.....119	80304173.....29, 49	8035241.....87	8035442.....179
7151262.....173	80304227.....31	8035243.....87	8035443.....179
7151271.....173	80304405.....29, 49, 53	8035276.....335	8035444.....179
7151285.....123	8032737.....229	8035281.....309	8035445.....179, 181
7151322.....357	8032991.....263	8035282.....309, 311	8035446.....179
7300001.....287	8032992.....263	8035294.....175	8035447.....179
7300135.....287, 289	8032993.....263	8035308.....235	8035448.....179
7300136.....287, 289	8032994...263, 309, 311	8035309.....235	8035449.....179
7300137.....287, 289	8032995.....263	8035321.....235	8035450.....179
7300140.....287	8033004.....89, 91, 95	8035322.....301, 305	8035452.....179
7300143....123, 287, 289	8033032.....195, 199	8035323.....301, 305	8035453.....179
7300205.....253, 257	8033058.....179	8035324.....301, 305	8035454.....179
7300206.....254, 258	8033072.....179	8035326....301, 303, 305	8035455.....179
7300213.....287	8033075.....185, 189	8035327.....235, 303	8035456.....179
7300267.....203, 205	8033087.....191	8035345.....261	8035457.....179
7300344.....367, 371	8033102.....183	8035346.....261	8035458.....179
7300375.....107	8033178.....121	8035347.....261	8035459.....179
7300377.....119	8033590.....87	8035348.....261	8035460.....179
7300378.....119	8033594.....87	8035358.....261	8035461.....179
7300379.....119	8033595.....87	8035363.....261	8035463.....179
7300436.....85	8033596.....87	8035365.....261	8035464.....179
7300479.....253, 257	8033597.....87	8035366.....261	8035466.....179
7300510.....119	8033599.....87	8035367.....261	8035467.....179
7300841.....333	8033603.....87	8035381.....261	8035473.....179
7301066.....289	8033604.....87	8035388.....195	8035475.....191, 193
7301076.....119	8033608.....87	8035389.....195	8035476.....191
7301147.....357	8033609.....87	8035390...183, 185, 187, 189	8035477....181, 191, 193
7301259.....197	8033610.....87	8035391.....183	8035478....187, 191, 193
7301260.....359	8033611.....87	8035392.....183, 185	8035480.....191
7301261.....197	8033612.....87	8035393.....183, 185	8035481.....191
7301262.....205	8033613.....87	8035394.....183	8035482.....191
7301265.....199, 359	8033614.....87	8035395.....183	8035483.....191
7301279.....173	8033615.....87	8035399.....199	8035486.....191, 193
7301302.....205	8033616.....87	8035400.....199	8035487.....191
7301392.....123	8033617.....87	8035402.....199	8035490....175, 177, 191
7301393.....123	8033618.....87	8035403.....199	8035493.....187, 189
7301394.....123	8033619.....87	8035404.....199	8035496.....187
7301433.....197	8033622.....87	8035405.....199	8035498.....187, 189
7301434.....197	8033623.....87	8035406.....195, 199	8035499.....187, 189
7301448.....367, 371	8033625.....87	8035409.....183	8035500.....187, 191
7301449.....368, 372	8033626.....87	8035410.....185, 187	8035501.....187
7301457.....201	8033627.....87	8035411.....183	8035502.....191
7301458.....201	8033628.....87	8035412.....195	8035503.....187
7301476.....201	8033629.....87	8035414.....191, 195	8035504.....187
7301478.....201	8033630.....87	8035415.....191, 195	8035506.....191
7301479.....201	8033631.....87	8035416...187, 191, 193, 195	8035507.....191
7301529....351, 353, 367, 371, 375	8033632.....87	8035417.....195	8035508.....191
7301657.....201	8033633.....87	8035422.....195	8035509.....191, 193
7301658.....201	8033634.....87	8035423.....195	8035510.....191
7301659.....201	8033769.....267	8035424.....195	8035511.....191, 193
7301660.....201	8033856.....183	8035425.....195	8035522.....175
7301747.....193	8034037.....271, 309	8035426.....195	8035523....175, 177, 181, 387
7301782.....205	8034798.....179, 193	8035427.....195	8035526.....179
7301815.....205	8034799.....179	8035428.....195	8035527.....175
7301914.....107	8034800.....193	8035430.....195	8035528.....179
7301915.....107	8034801.....193	8035431.....195	8035529.....179
7301916.....107			

PART NUMBER INDEX

8035546	237	8035892	15	8036002.....	79	8036325	339, 363
8035547	237	8035893	15	8036003.....	79	8036326	339, 363
8035548	237	8035894	15	8036004.....	79	8036327	339, 363
8035549	237	8035895	15	8036005.....	79	8036328	229
8035550	237	8035896	15	8036007.....	261	8036331 ...	21, 23, 31, 41, 43, 51
8035551	235	8035897	15	8036009.....	161, 163	8036335	41
8035552	235	8035898	15	8036010.....	161, 163	8036338	49
8035553	235	8035899	15	8036011.....	161, 163	8036340	101
8035599	171	8035900	15	8036013.....	161, 163	8036349	153
8035631	181	8035901	15	8036014.....	161, 163	8036350	153
8035632	181	8035902	15	8036015.....	161, 163	8036351	175
8035637	181	8035903	15	8036017.....	161	8036354	187
8035639	181	8035904	15	8036019.....	309	8036356	271
8035640	155	8035905	15	8036020.....	309	8036360	187
8035644	139	8035906	15	8036037.....	73	8036361	329
8035722	179	8035907	15	8036059.....	181	8036362	329
8035757	301, 303, 311	8035908	15	8036061.....	181	8036363	329
8035758	301	8035909	15	8036064.....	181	8036364	329
8035764	229	8035910	16	8036065.....	181	8036365	329
8035765	229	8035911	16	8036072.....	189	8036366	325
8035769	229	8035912	16	8036074.....	231	8036367	325
8035775	271	8035913	16	8036088.....	189	8036368	325
8035777	293, 295	8035914	16	8036102.....	187	8036369	325
8035778	89, 91, 95	8035915	16	8036103.....	187	8036370	325
8035779	89	8035916	16	8036183.....	261	8036371	187
8035781	309, 311	8035917	16	8036187.....	271	8036372	179
8035782	309	8035918	16	8036190.....	57, 59	8036376	127, 129
8035783	305	8035919	16	8036192.....	271, 309	8036377	283, 285
8035784	309	8035920	16	8036195.....	297, 309	8036378	335
8035785	309, 311	8035921	16	8036229.....	231, 233	8036379	335
8035799	297	8035923	19, 39	8036230.....	229	8036380	343
8035804	157	8035927	21, 41	8036231.....	229	8036381	343
8035834	261	8035945	23, 43	8036233.....	229	8036382	321
8035835	261	8035946	23, 43	8036236.....	231	8036383	321
8035836	261	8035947	23, 43	8036238.....	231	8036387	253, 257
8035839	261	8035948	23, 43	8036239.....	231	80364028	179
8035840	261	8035951	23, 43	8036240.....	231	8036414	51
8035841	261	8035958	27	8036241.....	231	8036415	21
8035843	261	8035959	29	8036242.....	231	8036416	21
8035844	261	8035960	29	8036250.....	79	8036417	21
8035845	261	8035961	29	8036260.....	261	8036419	21, 41
8035846	261	8035962	29	8036263.....	261	8036437	333, 361
8035847	261	8035963	29	8036273.....	183	8036438	199, 359
8035849	261	8035964	29	8036274.....	191	8036441	69
8035850	261	8035965	29	8036277.....	199	8036442	333, 361
8035855	261	8035966	29	8036280.....	191	8036444	23, 43
8035856	261	8035967	29	8036281.....	261	8036445	23, 43
8035871	15	8035968	29	8036282.....	261	8036447	23, 43
8035872	15	8035969	29	8036284.....	261	8036448	203
8035873	15	8035970	29	8036285.....	261	8036449	203
8035874	15	8035971	29	8036288.....	309	8036450	203
8035875	15	8035972	29	8036289.....	309	8036452	265, 267
8035876	15	8035973	29, 49	8036290.....	309	8036453	265, 267
8035877	15	8035974	29	8036291.....	261	8036454	265
8035878	15	8035977	31, 51	8036292.....	261	8036455	265
8035879	15	8035981	33	8036299.....	199	8036456	265, 267
8035881	15	8035982	35	8036300.....	195	8036457	265, 267
8035882	15	8035983	35	8036301.....	195	8036458	265
8035883	15	8035984	39	8036302.....	195	8036460	265, 267
8035884	15	8035986	41	8036304.....	24, 44	8036462	199
8035885	15	8035992	49	8036305.....	24, 44	8036463	199, 359
8035886	15	8035993	49	8036310.....	19	8036464	203, 205
8035887	15	8035994	49	8036312.....	21, 41	8036465	203, 205
8035888	15	8035995	49	8036313.....	21, 41	8036466	203, 205
8035889	15	8035996	49	8036320.....	27	8036468	199
8035890	15	8035997	49	8036321.....	27	8036471	29
8035891	15	8035998	33	8036324.....	339, 363		

PART NUMBER INDEX

8036472.....	29	8036687.....	181	8036826.....	307	8223043.....	359
8036480.....	269	8036688.....	181	8036827.....	307	8223044.....	359
8036481.....	269	8036689.....	181	8036828.....	307	8223046.....	333
8036482.....	269	8036690.....	181	8036831.....	311	8223048.....	337, 357
8036483.....	269	8036691.....	181	8036832.....	311	8223049.....	343, 357
8036484.....	269	8036692.....	181	8036841.....	15	8223054.....	337, 357
8036485.....	269	8036693.....	181	8036842.....	19	8223061.....	337
8036486.....	269	8036694.....	181	8036843.....	21, 41	8223062.....	337, 357
8036490.....	265	8036696.....	181	8036844.....	21, 41	8223063.....	337, 357
8036491.....	265, 267	8036699.....	181	8036845.....	21, 41	8223064.....	343, 361
8036492.....	265	8036700.....	181	8036847.....	23	8223065.....	343, 361
8036493.....	265, 267	8036701.....	181	8036848.....	27	8223066.....	343, 361
8036530.....	129	8036702.....	181	8036849.....	27	8223067.....	343, 361
8036531.....	129	8036703.....	181	8036852.....	27	8223068.....	337
8036532.....	103, 129	8036704.....	181	8036854.....	27	8223071.....	357
8036542.....	127, 129	8036705.....	181	8036855.....	27	8223074.....	173
8036545.....	179	8036706.....	181	8036856.....	27	8223075.....	173
8036546.....	105	8036707.....	181	8036858.....	27	8223081.....	357
8036548.....	195	8036709.....	181	8036859.....	27	8223226.....	335
8036549.....	293, 295	8036711.....	181	8036861.....	27	8223227.....	335
8036552.....	293, 295	8036712.....	181	8036862.....	27	8223231.....	333
8036554.....	281	8036714.....	193	8036863.....	29	8223232.....	335, 375
8036555.....	79	8036716.....	193	8036864.....	29	8223237.....	377
8036564.....	267	8036717.....	193	8036865.....	41	8223238.....	289, 357
8036566.....	267	8036718.....	193	8036866.....	29	8223241.....	375
8036567.....	267	8036719.....	193	8036868.....	113, 115	8223243.....	335
8036568.....	267	8036723.....	197	8036869.....	113, 115	8223246.....	375
8036572.....	265, 267	8036724.....	197	8037204.....	177	8223247.....	375
8036575.....	57, 59, 61, 63, 65, 67	8036725.....	197	8037206.....	179, 191	8223454.....	125
8036579.....	311	8036726.....	197	80384185.....	179	8223455.....	333, 357
8036580.....	311	8036727.....	197	80384187.....	181	8223526.....	335, 375
8036581.....	311	8036728.....	207	80384207.....	183	8223527.....	113, 115
8036582.....	311	8036729.....	193	8050001 ...	137, 139, 141, 211	8223531.....	203, 205
8036590.....	229	8036730.....	233	8050007 ...	137, 139, 141, 211	8225114.....	343, 361
8036601.....	119	8036731.....	239	8050072.....	233	8225119.....	335, 337, 343, 349, 361
8036603.....	359	8036734.....	193	8070018.....	203, 205	8229233.....	349
8036606.....	41	8036735.....	177	8160073.....	121	8229234.....	349
8036626.....	163	8036736.....	181	8160610.....	121	8229235.....	349
8036645.....	101	8036737.....	233	8162003.....	121	8229237.....	349
8036646.....	119	8036739.....	301, 311	8180224.....	107	8229238.....	349
8036654.....	155	8036740.....	311	8180311.....	105	8229242.....	335, 337
8036656.....	181, 185	8036741.....	233	8180318.....	105, 107	8229243.....	337, 343, 361, 367, 371
8036657.....	185	8036742.....	49	8180319.....	105	8229244.....	337
8036659.....	177	8036743.....	49	8180330.....	107	8229245.....	337
8036660.....	177	8036747.....	307	8180336.....	107	8229247.....	337, 343, 361
8036662.....	185	8036748.....	233	8205656 ...	229, 231, 233	8229249.....	337
8036663.....	177	8036749.....	233	8205825.....	329	8229252.....	337
8036664.....	177	8036751.....	36	8220346.....	333, 357	8229257.....	337
8036665.....	177	8036752.....	39	8220348.....	337	8229258.....	345, 351, 353
8036666.....	177	8036753.....	39	8220352.....	337	8229259.....	367, 371
8036667.....	177	8036754.....	21, 41	8220354.....	337	8229260.....	367, 371
8036668.....	185	8036757.....	21, 41	8220356.....	343, 361	8229262.....	349
8036669.....	185	8036758.....	21, 41	8220357 ...	335, 343, 357, 361, 367, 371, 379	8229263.....	349
8036670.....	185	8036759.....	21, 41	8220358.....	333	8229264.....	367, 371
8036671.....	185	8036761.....	189, 193	8220360.....	357	8262159.....	101
8036672.....	193	8036769.....	303	8220362.....	349, 357	8262170.....	103
8036673.....	193	8036770.....	303	8220365 ...	361, 367, 371	8270140.....	335
8036674.....	193	8036771.....	303	8220366 ...	357, 367, 371, 379	8270143.....	345, 351, 353
8036675.....	193	8036772.....	303	8220367.....	361	8270147.....	351
8036677.....	193	8036778.....	239	8220552.....	367, 371	8270148.....	351, 353
8036676.....	193	8036779.....	239	8220876 ...	345, 351, 353	8270150.....	351, 353
8036678.....	189, 193	8036780.....	239	8220912.....	195	8270214.....	101, 103
8036679.....	189	8036781.....	239	8223040.....	337, 359	8270220.....	101, 103
8036681.....	189	8036788.....	267			8270223.....	345, 351, 353
8036682.....	189	8036789.....	267			8270615.....	339, 363
8036684.....	181	8036811.....	307				
8036685.....	181	8036825.....	307				

PART NUMBER INDEX

8270623 333, 364	8303679 211	8305404 161	8307049 11
8270627 357	8303681 ... 143, 147, 211, 213, 215, 315, 339, 363	8305413 315	8307104 211
8272017 101	8303693 ... 137, 139, 141, 253, 257	8305603.... 105, 253, 257, 345, 351, 353	8307106 ... 105, 113, 115, 143, 147, 161, 163, 165, 337, 339, 363
8272032 103	8303697 ... 105, 137, 139, 141, 339, 363	8305624.... 107, 123, 125, 143, 147, 165, 203, 205, 315, 335, 337, 345, 351, 353, 354	8307107 ... 101, 103, 333, 357
8274022 117, 119, 387	8303702 393	8305626.... 105, 107, 113, 115, 137, 139, 141, 143, 147, 161, 163, 165, 171, 211, 253, 257, 317, 333, 337	8307109 ... 107, 121, 125, 143, 147, 195, 207, 315, 335, 337, 345, 351, 353
8275041 109, 111	8303705 293	8305630.... 107, 123, 203, 205	8307110 ... 101, 103, 115, 119, 143, 147, 153, 203, 205, 211, 315, 335, 351, 353, 367, 371
8275212 ... 109, 111, 253, 257	8303715 ... 127, 129, 171, 181, 227, 275, 277, 283, 285, 299, 317	8305637 357	8307111 ... 143, 147, 207, 333, 343, 345, 347, 357, 361, 364
8275240 109, 111	8303728 283, 285	8305638 289	8307112 ... 123, 137, 139, 141, 148, 203, 217, 219, 319
8275247 109, 111	8303731 315	8305643.... 101, 103, 211	8307113 ... 101, 103, 119, 211
8275249 109, 111	8303739 ... 169, 171, 287, 289, 337	8305644 11, 13, 143, 147, 211, 221, 253, 257, 319, 391, 393	8307202 105, 123, 285
8276018 203, 205	8303743 105, 227	8305645.... 101, 103, 105, 115, 119, 127, 161, 217, 219, 253, 257, 315, 319, 333, 335, 339, 363	8307203 ... 107, 143, 147, 163, 165, 169, 171, 183, 253, 257
8277098 125	8303744 143, 147	8305646 217, 219	8307204 ... 105, 161, 211, 253, 257, 315, 335, 339, 363
8277101 125	8303746 129, 171	8305647 211	8307205 163
8277161 101, 103	8303752 ... 137, 139, 141, 211	8305650 121	8307206 ... 143, 147, 171, 253, 257
8278008 105	8303766 253, 257	8305652 357	8307211 137, 139, 141
8278020 107	8303769 11, 13, 53	8305654.... 107, 315, 351, 357, 364	8307219 ... 167, 173, 357, 367, 371
8278023 105	8303771 ... 213, 215, 339, 363	8305906.... 143, 147, 169	8307220 ... 253, 257, 289, 351, 353, 367, 371
8278024 105	8303772 221	8305916 159	8307221 ... 159, 173, 205, 353, 367, 371, 375, 379
8278026 169	8303776 195	8307002.... 105, 117, 121, 195, 207, 283, 285, 339, 364	8307222 ... 173, 197, 203, 205, 289, 351, 357, 364
8278038 101, 103	8303777 159, 367, 371	8307003.... 117, 121, 167, 207, 333, 335, 337, 343, 345, 347, 351, 353, 357, 367, 371	8307703 217, 219
8278039 101, 103	8303782 391	8307004.... 105, 127, 129, 137, 139, 141, 143, 147, 169, 171, 227, 253, 257, 275, 277, 283, 285, 299, 317, 323, 327, 340, 364, 367, 371	8307904 221
8278041 155	8303783 163, 165, 173	8307005.... 113, 137, 143, 147, 153, 157, 211, 213, 215, 245, 249, 253, 257, 315, 335, 339, 345, 363	8307912 211
8302470 143, 147	8303786 323, 327	8307007 11, 217, 219, 245, 249	8307913 211
8302531 385	8303790 ... 101, 103, 121	8307010 211, 213	8307918 221
8303005 ... 117, 123, 339, 363	8303798 11, 13, 173, 367, 371, 375	8307022.... 101, 107, 203, 205, 347, 377	8309030 383
8303097 107	8303799 121, 167	8307023.. 11, 13, 53, 203, 347, 367, 371, 375, 377, 379	8310002 ... 125, 183, 337, 345, 351, 353
8303118 295	8303835 207	8307024 121, 167	8310009 ... 171, 275, 277, 283, 285, 367, 371
8303261 289	8303836 ... 117, 167, 345, 351, 353	8307025.... 101, 103, 121, 125, 151, 253, 257	8310016 171
8303510 335	8303837 ... 117, 121, 335, 337, 345, 351, 353	8307026.... 333, 335, 345, 351, 353	8310025 221
8303515 119	8303847 207	8307027 333	8310026 107
8303519 139, 141	8303893 345, 351, 353		8310028 129
8303533 ... 125, 351, 353, 367, 371, 375	8303920 343, 361		8310029 183
8303538 137, 139, 141	8303982 343		8310061 11, 13, 137, 139, 141
8303540 ... 203, 205, 335, 337, 345, 351, 353, 354	8304005 287		8310067 169, 211, 217
8303544 ... 105, 167, 173, 367, 371	8304006 153, 319		8310076 211
8303545 367, 371	8304672 157		8310078 339, 343, 363
8303550 119	8305002 ... 121, 207, 333, 335, 337, 343, 345, 347, 351, 353, 357		8310084 11
8303606 ... 107, 197, 203, 205	8305003 367, 371		8310085 ... 143, 147, 171, 333, 361, 364
8303607 173, 357	8305004 ... 125, 207, 283, 285, 340, 364		8310089 13, 133
8303611 131, 133	8305006 ... 183, 253, 257, 339, 363, 367, 371		8310090 137, 139, 141
8303615 121, 143, 147	8305008 ... 143, 147, 153, 253, 257, 319, 340, 345, 351, 353, 364, 367, 371		
8303618 119	8305012 11, 13, 148		
8303620 ... 137, 143, 147, 213, 215, 253, 257, 315	8305038 ... 123, 353, 367, 371, 375, 379		
8303621 ... 101, 103, 105, 115, 211, 213, 215, 287	8305043 123		
8303622 211, 213	8305044 289		
8303624 123, 217, 219	8305047 105, 173		
8303625 148	8305401 315		
8303626 ... 143, 147, 245, 249, 253, 257, 319	8305402 121		
8303627 139, 253, 257			
8303641 213			
8303656 107			
8303670 ... 113, 115, 127, 143, 147, 161, 169, 171, 337			
8303674 163			
8303675 ... 101, 103, 113, 127, 245, 249, 253, 257, 345, 351, 353			

PART NUMBER INDEX

8310093.....221	8310498.....195	8340034.....121	8500038.....339, 363
8310094.....317	8310507 ... 123, 287, 289	8340035.....143, 147	8500039.....339, 363
8310104.....105	8310508 ... 123, 287, 289	8342016.....105, 107	8500063.....339, 363
8310109.....101, 103	8310514 ... 213, 217, 219	8342416.....203, 205	8500064.....339, 363
8310117.....203	8310515.....217	8342425.....143, 147	8500065.....339, 363
8310124.....169	8310516.....217	8342808 ... 143, 147, 179, 181	8500204.....343, 361
8310136.....181, 191, 193	8310517.....217	8360005.....195	8501037.....339, 363
8310164.....101, 103, 151, 253, 257	8310522 ... 245, 249, 287	8360015.....195	8501042.....339, 363
8310167.....143, 147	8310525.....153	8382016 ... 137, 139, 141	8520001....137, 139, 141, 217, 221
8310176.....383	8310531.....211	8403225.....125	8520003....137, 139, 141, 211, 219
8310188.....339, 363	8310532.....211	8405009.....117, 119	8520013.....231, 235
8310200.....107	8310534 ... 107, 205, 347, 377	8405102.....115	8520021.....211, 235
8310209.....211	8310548.....315	8405104.....105	8522012....211, 215, 217, 219, 387
8310211....137, 139, 141	8310549.....211	8405201.....105, 107	8526007....29, 103, 211, 213, 215, 229, 303, 307, 315, 387
8310215.....13	8310559.....343	8405202 ... 105, 107, 117	8526011....229, 231, 233, 235, 237, 239, 301, 303, 305, 307, 387, 391, 393
8310233.....143, 147	8310566.....319	8405204.....203, 205	8526042....171, 385, 387, 391, 393
8310248.....133	8310568.....317	8405209.....245, 249	8526044.....107, 129
8310259.....211	8310573.....315	8405306.....113, 115	8526051.....391
8310261.....393	8310576.....315	8405307.....113, 115	8526052.....85, 87, 387
8310263.....391	8310577.....347	8405402.....113, 115	8526053.....117, 387
8310281.....253, 257	8310578.....11, 13	8405404.....113, 115	8526056.....85, 87, 387
8310285....137, 139, 141	8310579.....221	8406002 ... 345, 351, 353	8526059.....377
8310289.....101, 103	8310580.....203, 205	8406101.....127	8526406.....387
8310293.....347, 377	8310582.....143, 147	8406105 ... 339, 363, 379	8526415....387, 391, 393
8310295.....211	8310583 ... 143, 147, 333, 357	8406201.....129	8528027.....387
8310301.....169	8310586.....253, 257	8410009 ... 103, 195, 197, 253, 257	8528044.....387
8310308....139, 141, 151	8310587.....333, 357	8410013.....117, 119	8528101.....387
8310315.....157	8310589.....211	8410016.....107	8530012....107, 127, 129
8310316.....143, 147	8310592.....203, 205	8420229.....117, 119	8530016.....195, 197
8310322.....315	8310594.....253, 257	8430032 ... 245, 249, 283, 285, 317	8530030.....245, 249
8310326.....281	8310621.....107	8430033.....245, 249	8530040.....127
8310327.....254, 281	8310625 ... 139, 141, 289	8430036.....246, 250	8530041.....119
8310333.....101, 103	8310633.....131	8430048.....195, 197	8530042.....107
8310334.....143, 147	8310640.....349	8430051.....319	8530043.....107
8310335....319, 345, 351, 353	8310641.....349	8430052.....323, 327	8540011.....127
8310341.....391, 393	8310642.....349	8430053 ... 275, 277, 319	8540015.....127, 129
8310353.....171, 333	8310645.....103	8430054 ... 275, 277, 323, 327	8540016.....195, 197
8310358....171, 333, 359	8310647 ... 351, 357, 364	8430055.....319	8540023.....195
8310359.....157	8310650 ... 351, 353, 367, 371, 375	8430056.....323, 327	8540028.....127
8310360.....171	8310669.....173	8430057.....319	8540030.....127, 129
8310362....207, 343, 361	8310683.....357	8430058.....323, 327	8540033.....129
8310366.....333	8310687.....357	8430072.....117	8540071.....103
8310372....157, 347, 357	8310688.....203	8430081 ... 245, 249, 283, 285	8540203.....129
8310374....144, 148, 171	8310693.....119	8430082.....317	8540225.....127
8310375.....155, 169	8310701.....197	8430083 ... 275, 277, 319	8540231.....197
8310390.....349	8310702.....117, 165	8430084 ... 275, 277, 323, 327	8540411.....129
8310392.....359	8310715.....123	8430092.....117	8541003.....283, 285
8310393.....253, 257	8310716.....123	8430093.....117	8541404.....117
8310400.....207	8310726.....201	8430094.....117	8546407.....245, 249
8310402.....171	8310727.....129	8430095.....117	8551001.....113, 115
8310410.....123	8310728.....123	8430096.....253, 257	8554008.....193
8310417....137, 139, 141	8310730.....139, 141	8440236.....269	8580118.....157
8310424.....101	8310732.....123	8464013.....253, 257	8580215....345, 351, 353
8310453....227, 287, 289, 317	8310736.....205	8466306.....171, 173	8580227....345, 351, 353
8310456.....254, 258	8310737.....205	8466312.....347, 377	8580228.....340, 364
8310464.....11, 13	8310745.....173	8467017.....333	8580419.....357
8310476.....289	8310746.....123	8468028.....347, 357	8580420.....105, 295
8310479.....11, 13	8320111.....127	8469020.....339, 363	
8310480.....11, 13	8320262.....131, 387	8469021.....339, 363	
8310481 11, 13, 137, 139, 141	8320265 ... 253, 257, 387	8469022.....339, 363	
8310488.....321	8320270.....117, 387	8500037.....339, 363	
8310494.....287	8320275 ... 131, 133, 387		
8310496.....11	8320277.....119, 387		
	8324029.....253, 257		

PART NUMBER INDEX

8580421 171, 333	8760228 129	8770114.....227, 245, 249, 275, 293, 295, 317	8902111 281
8581026 383, 385	8760272 103	8770115.....227, 299	8902195 297
8581034 383, 385	8760356 83, 250	8770116.....227, 253, 275, 277, 299	8902197 281
8582008 337	8760401 103	8770117.....227, 275, 299, 317	8902271 231, 233
8582406 125	8760419 253, 257	8770118.....227	8902281 321
8582427 215	8760420 309	8770124.....245, 249, 283, 285, 299	8902282 283, 285
8584001 ... 125, 183, 185, 189, 195, 339, 345, 347, 351, 353, 357, 359, 361, 363, 368, 372, 375, 377, 379	8760451 283, 297	8770125.....227, 317	8902283 323, 327
8584003 ... 123, 201, 275, 315, 368, 372, 375	8760454 315	8770127.....245, 249, 257, 275, 277, 293, 295, 299	8902287 271
8584018 ... 125, 183, 185, 189, 195, 339, 361, 363	8760483 103	8770129.....227, 275, 277, 315, 319	8902288 321
8630003 327	8760499 103	8770131.....275, 277	8902290 261
8630010 171	8760506 246, 250	8770136.....319	8902292 293, 295
8630016 253, 257	8760545 317	8770140.....241, 299	8902297 265
8630020 123, 287, 289	8769122 227, 317	8770153.....245, 249	8902298 283, 287
8630027 123	8769123 ... 227, 275, 277, 283, 285, 299, 317	8770154.....283	8902299 263
8640017 281, 321	8769126 227	8770155.....278, 283, 285, 293, 295	8902310 277
8640123 245, 249	8769128 ... 127, 129, 197, 227, 275, 277, 283, 285, 317, 367, 371	8770160.....81	8902316 285, 289
8640208 245, 249	8769146 315	8770162.....277	8902320 267
8642224 215	8769149 317	8770163.....225, 250	8902693 297
8660010 117	8769153 227	8770167.....227, 275, 277	8902694 297
8660011 117	8769154 227	8770168.....227, 275, 317	8902695 297
8660012 143, 147	8770001 253, 257	8770169.....283, 285, 315	8902696 263
8700116 121	8770066 ... 241, 277, 283, 285, 293, 295, 299	8770176.....283, 285	8902697 263
8700125 287, 289	8770068 ... 245, 249, 277, 283, 285, 293, 295, 299, 323, 327	8770186.....317	8902698 263
8700126 123	8770069 319	8770204.....275, 327	8902700 297
8702157 143, 147	8770070 81, 225, 245, 249	8770206.....275	8902855 127, 129
8702160 143, 147	8770075 227, 317	8770207.....283, 285	8902856 245, 249
8720016 157	8770078 245, 249	8770208.....283, 285	8902859 299
8720017 157	8770079 ... 225, 245, 249	8770211 317	8902860 299
8721029 157	8770080 83, 249	8770213.....275, 277	8902861 250
8721031 ... 159, 275, 277	8770085 225	8770214.....245, 249	8904001 107, 127, 129
8742008 253, 257	8770086 225	8770215.....85	8904026 103
8750003 317	8770090 245, 249	8770290.....277, 285, 295	8904060 101
8750012 ... 275, 277, 283, 285, 367, 371	8770094 250	8770291.....83	8990113 383, 385
8750015 ... 275, 277, 283, 285, 299	8770095 245, 249	8780052.....11, 13	8990418 383, 385
8750016 ... 275, 277, 283, 285, 317	8770096 245, 249	8786514.....11, 13	8990419 383, 385
8750017 ... 275, 277, 283, 285, 333, 335, 368, 372, 379	8770102 ... 245, 249, 277, 323, 327	8786570.....11, 13, 29, 49	8990423 383, 385
8750022 ... 333, 335, 368, 372, 379	8770103 277	8786571.....11, 13, 29, 49	8990430 383, 385
8750025 119	8770105 ... 245, 249, 275, 283, 285, 299, 315, 327	8841041.....11, 85	8990439 383
8750026 ... 333, 335, 368, 372, 379	8770106 ... 241, 245, 249, 277, 283, 285, 293, 295, 299, 315, 323	8841042.....11, 13	8990440 383
8750027 ... 119, 127, 129, 197, 367, 371	8770107 ... 245, 249, 277, 293, 295	8864053.....161	8990450 383, 385
8750030 315	8770108 ... 241, 293, 295, 299	8864057.....161, 163	8990456 383
8750035 197	8770111 ... 283, 285, 293, 295	8866266.....165	8990497 385
8760136 246, 250	8770112 283, 285	8866341.....105, 107	8990504 385
		8866492.....183	8990505 385
		8866514.....167	8990518 385
		8866515.....167	8990519 385
		8866516.....167	91344043 181
		8866530.....167	91474035 93, 97
		8880218.....11, 13, 91, 93, 95, 97	N.L.A. 367, 371
			N.S.S.... 33, 85, 105, 113, 115, 161, 163, 181, 183, 185, 187, 189, 199, 229, 231, 233, 235, 237, 239, 265, 269, 301, 303, 305, 307, 325, 329, 367, 371