



# *Illustrated Parts Manual*

## *Models*

**3510PS  
35.10**

31211227

November 1, 2023 - Rev G





## **EFFECTIVITY PAGE**

**August 26, 2016 - A - Original Issue of Manual**

**November 17, 2016 - B - Revised Manual**

**March 31, 2017 - C - Revised Manual**

**February 22, 2018 - D - Revised Manual**

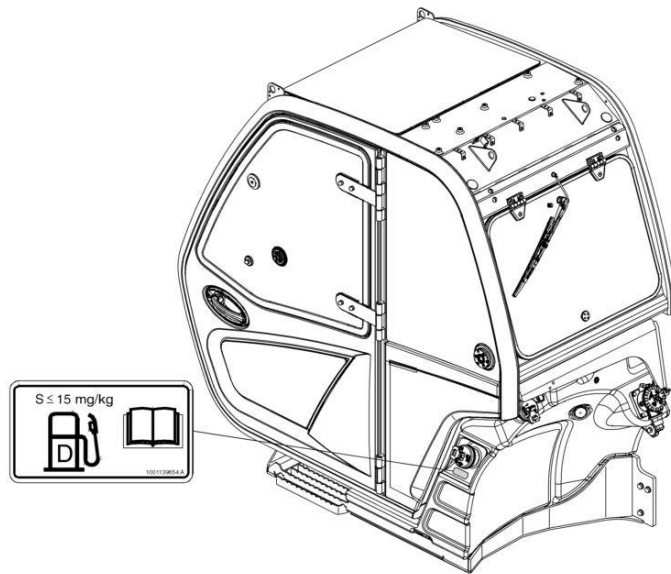
**June 20, 2018 - E - Revised Manual**

**August 13, 2018 - F - Revised Rev 1**

**November 1, 2023 - G - Revised Rev 1**

## Machine Configuration

---



**Two configurations of each machine are included in this manual. Determine if machine is equipped with Ultra Low Sulfur Fuel Decal (1).**

**If equipped with the Ultra Low Sulfur decal, all specific references to this machine configuration will be referred to as Ultra Low Sulfur (ULS) from this point forward.**

**If not equipped with the Ultra Low Sulfur decal, all specific references to this machine configuration will be referred to as Low Sulfur (LS) from this point forward.**

## GENERAL INFORMATION

SECTION 9 - HYDRAULIC COMPONENTS (PRIOR TO SN XXXXXXXXX)  
FIGURE 9-3 EXTEND/RETRACT CYLINDER - XXXXX

MODEL XXXXXXXXX

SECTION 9 - HYDRAULIC COMPONENTS (PRIOR TO SN XXXXXXXXX)  
FIGURE 9-3 EXTEND/RETRACT CYLINDER - XXXXX

ITEM	PART NUMBER	QTY	DESCRIPTION	REV
1	1001144195	1	Extend/Retract Cylinder - XXXXXX	E
2	70025592	1	Assembly, Barrel	
3	70025593	1	Assembly, Rod	
4	70025594	1	Gland	
5	70025595	1	Head, Piston	
6	70025596	1	Screw, Locking	
7	70025596	1	Spacer	
8	Kit	1	O-Ring	
9	Kit	1	Ring, Back-Up	
10	Kit	1	Ring, Rod Bearing	
11	Kit	1	O-Ring	
12	Kit	1	Seal, Rod	
13	Kit	1	Ring, Rod Bearing	
14	Kit	1	Seal, Rod	
15	Kit	1	Seal, Wiper	
16	Kit	2	Ring, Piston Bearing	
17	Kit	1	Seal, Piston	
17	Kit	2	O-Ring	
101	70025597	1	Kit, Seal (includes items 7 thru 17)	

MODEL XXXXXXXXX

### 1) MACHINE IDENTIFICATION

Machines are identified by model and in some cases a combination of models, serial number (SN) or regional standard (e.g. ANSI, CE, CSA, AUS). Components may also be identified by SN or manufacturer. Common components that may be identified by these characteristics are attachments, engine, transmission and hydraulic components.

### 2) PARTS MANUAL ORGANIZATION

Product information in this manual is organized under section titles. Frame, Engine and Electrical are a few examples. Each section is organized by Figure and page number. The information within the Figure is then organized by item number, part number, description and corresponding illustration(s).

### 3) TABLE OF CONTENTS (NOT SHOWN)

A table of contents (TOC) is found toward the beginning of the manual. Figure number, description and page number are provided for quick reference to the page containing the related information.

### 4) RECOMMENDED SPARE PARTS (NOT SHOWN)

The Recommended Spare Parts List, located near the end of the manual, reference most frequently used maintenance parts.

### 5) PART NUMBER INDEX (NOT SHOWN)

A numerical index listing all part numbers and the corresponding page number(s) appears at the back of the manual.

### 6) NON-SERVICED PARTS

In some instances, it is necessary to display non-serviced parts, assemblies or installations. In the case of assemblies and installations there will be a Ref in the QTY column and a note after the item description stating what is available for service within. In the case of parts that are not available for service within assemblies or components, there will be a NSS (Not Sold Separately) listed in the part number column of the manual.

### 7) PARTS LIST ITEM NUMBERS

Numbers shown in the item column correspond to numbers used in the associated illustration(s). Item numbers which are missing from sequence and are not shown in the illustration(s) are not used on that page.

### 8) INDENTED PARTS DESCRIPTION

An indented part description is included in the item under which it is indented.

**9) ABBREVIATION AND SYMBOLS**

AC.....Alternating Current  
A/C.....Air Conditioning  
ADE.....Advanced Design Electronics  
AG.....Agriculture  
AMP.....Amperage  
ANSI..... American National Standards Institute  
AR.....As Required  
ASSY..... Assembly  
AUS.....Australia  
AUX.....Auxiliary  
AWG.....American Wire Gauge  
CAC..... Charge Air Cooler  
CE.....European Conformity  
CM.....Centimeter  
CONST.....Construction  
CSA.....Canadian Standards Association  
DEF.....Diesel Exhaust Fluid  
DIA.....Diameter  
DC.....Direct Current  
DTZ.....Decentralized Transmission Zeros  
ECU.....Electronic Control Unit  
EMS.....Emergency Stop  
FNR.....Forward Neutral Reverse  
FT.....Foot  
GA.....Gauge  
GR.....Grade  
HBP.....High Boom Pivot  
HHP.....High Horse Power  
HOC.....Hydraulic Oil Cooler  
HRC.....High Rated Countries  
HVAC.....Heating Ventilating, and Air Conditioning  
ID.....Inside Diameter  
IN.....Inch  
ISO.....International Organization for Standards  
ITSDF... Industrial Truck Standards Development Foundation  
JIC.....Joint Industry Council  
KG.....Kilogram  
KW.....Kilowatt  
L.....Liter  
LB.....Pound  
LBP.....Low Boom Pivot

LCD.....Liquid Crystal Display  
LED.....Light Emitting Diode  
LH.....Left Hand  
LHD.....Left Hand Drive  
LHP.....Low Horse Power  
LMIS.....Load Management Indicator System  
LRC.....Low Rated Countries  
LS.....Low Sulfur  
LSI.....Load Stability Indicator  
LSS.....Load Sensing System  
M³.....Cubic Meter  
MA.....Milliamp  
M(m).....Metric/Meter  
MM.....Millimeter  
N.....Newton  
NACD.....North America Construction Division  
NLA.....No Longer Available  
NSS.....Not Sold Separately  
OD.....Outside Diameter  
ORB.....O-Ring Boss  
ORFS.....O-Ring Face Seal  
OZ.....Ounce  
PR.....Ply Rating  
QT.....Quart  
QTY.....Quantity  
REF.....Reference  
REV.....Revision  
RH.....Right Hand  
RHD.....Right Hand Drive  
RHCO.....Remote Hydraulic Oil Cooler  
RUS.....Russia  
SAE.....Society of Automotive Engineers  
SAHR.....Spring Applied Hydraulically Released  
SN.....Serial Number  
SPD.....Speed  
TLU.....Torque Look Up  
UGM.....Universal Ground Module  
V.....Volts  
W.....Watts  
#.....Number

**10) ILLUSTRATION REFERENCE LETTERS**

When necessary, illustrations may contain reference letters that are intended to track information from one point to another in the illustration such as harnesses and hoses or any other information that has been separated in the illustration.

Note: Due to continuous product improvements, JLG Industries, Inc. reserves the right to make specification changes without prior notification. Contact JLG Industries, Inc. for updated information.

# TABLE OF CONTENTS

SECTION 1 - FRAME AND ATTACHING PARTS.....	17
FIGURE 1-1. FRAME INSTALLATION.....	18
FIGURE 1-2. ENGINE ENCLOSURE INSTALLATION (NO RHOC - JLG).....	20
FIGURE 1-3. ENGINE ENCLOSURE INSTALLATION (RHOC - JLG).....	22
FIGURE 1-4. ENGINE ENCLOSURE COVER INSTALLATION (NO RHOC).....	24
FIGURE 1-5. ENGINE ENCLOSURE COVER INSTALLATION (RHOC).....	26
FIGURE 1-6. AIR INTAKE SEAL INSTALLATION.....	28
FIGURE 1-7. HOOD INSTALLATION (JLG) (Prior to SN 1160008717).....	30
FIGURE 1-8. HOOD INSTALLATION (JLG) (SN 1160008717 to Present).....	32
FIGURE 1-9. HOOD INSTALLATION (DEUTZ-FAHR) (SN 1160008717 to Present).....	34
FIGURE 1-10. COVER PLATES INSTALLATION (NO OUTRIGGERS - ULS).....	36
FIGURE 1-11. COVER PLATES INSTALLATION (NO OUTRIGGERS - LS).....	38
FIGURE 1-12. COVER PLATE INSTALLATION (NO TRAILER BRAKES).....	40
FIGURE 1-13. COVER PLATE INSTALLATION (TRAILER BRAKES).....	42
FIGURE 1-14. COVER PLATE INSTALLATION (NO REAR AUX).....	44
FIGURE 1-15. COVER PLATE INSTALLATION (REAR AUX).....	46
FIGURE 1-16. COVER PLATE INSTALLATION (HYDRAULIC HITCH AND REAR AUX).....	48
FIGURE 1-17. REAR COVER PLATE INSTALLATION (NO HYDRAULIC HITCH).....	50
FIGURE 1-18. REAR COVER PLATE INSTALLATION (HYDRAULIC HITCH).....	52
FIGURE 1-19. COUNTERWEIGHT INSTALLATION (NO OUTRIGGERS).....	54
FIGURE 1-20. TANKS INSTALLATION.....	56
FIGURE 1-21. FUEL TANK INSTALLATION.....	58
FIGURE 1-22. HYDRAULIC TANK INSTALLATION.....	60
FIGURE 1-23. FUEL TANK ASSEMBLY.....	62
FIGURE 1-24. HYDRAULIC TANK ASSEMBLY.....	64
FIGURE 1-25. FUEL AND HYDRAULIC CAP INSTALLATION.....	66
FIGURE 1-26. HITCH RETRIEVAL INSTALLATION.....	68
FIGURE 1-27. HITCH INSTALLATION (EEC AUTO).....	70
FIGURE 1-28. HITCH INSTALLATION (PITON).....	72
FIGURE 1-29. HITCH ASSEMBLY (EEC AUTO).....	74
FIGURE 1-30. SLIDING HITCH ASSEMBLY (PITON).....	76
FIGURE 1-31. HITCH INSTALLATION (EEC MANUAL).....	78
FIGURE 1-32. HITCH ASSEMBLY (EEC MANUAL).....	80
FIGURE 1-33. HITCH INSTALLATION (CUNA CATEGORY C).....	82
FIGURE 1-34. HITCH ASSEMBLY (CUNA CATEGORY C).....	84
FIGURE 1-35. HITCH INSTALLATION (CUNA CATEGORY D2).....	86
FIGURE 1-36. HITCH ASSEMBLY (CUNA CATEGORY D2).....	88
FIGURE 1-37. HITCH INSTALLATION (FIXED).....	90
FIGURE 1-38. HITCH ASSEMBLY (FIXED).....	92
FIGURE 1-39. HITCH INSTALLATION (HYDRAULIC) (Prior to SN 1160008716).....	94
FIGURE 1-40. HITCH INSTALLATION (HYDRAULIC) (SN 1160008716 to Present).....	96
FIGURE 1-41. TOOL BOX INSTALLATION.....	98
FIGURE 1-42. HITCH PIN ASSEMBLY.....	100
SECTION 2 - BOOM.....	103
FIGURE 2-1. BOOM INSTALLATION (JLG).....	104
FIGURE 2-2. BOOM ASSEMBLY (JLG).....	106
FIGURE 2-3. FIRST BOOM SECTION ASSEMBLY.....	108
FIGURE 2-4. SECOND BOOM SECTION ASSEMBLY.....	110
FIGURE 2-5. THIRD BOOM SECTION ASSEMBLY.....	112
FIGURE 2-6. LINK ASSEMBLY.....	114
FIGURE 2-7. LEVER ASSEMBLY.....	116
FIGURE 2-8. MANUAL QUICK COUPLER INSTALLATION.....	118
FIGURE 2-9. HYDRAULIC QUICK COUPLER INSTALLATION.....	120
FIGURE 2-10. BOOM ANGLE INDICATOR INSTALLATION.....	122
FIGURE 2-11. BOOM PROP INSTALLATION.....	124
FIGURE 2-12. BOOM BRUSHES INSTALLATION.....	126
SECTION 3 - ATTACHMENTS.....	129
FIGURE 3-1. CARRIAGE ASSEMBLY (1524MM) (CE & AUS).....	130
FIGURE 3-2. CARRIAGE ASSEMBLY (1829MM) (CE & AUS).....	132
FIGURE 3-3. CARRIAGE ASSEMBLY (1225MM) (CE & AUS).....	134
FIGURE 3-4. CARRIAGE ASSEMBLY (1270MM) (ANSI - JLG).....	136

# TABLE OF CONTENTS

FIGURE 3-5. CARRIAGE ASSEMBLY (1524 MM) (ANSI - JLG).....	138
FIGURE 3-6. CARRIAGE ASSEMBLY (1829 MM) (ANSI - JLG).....	140
FIGURE 3-7. SIDE TILTING CARRIAGE (4.5 TON - 1225 MM) (CE & AUS).....	142
FIGURE 3-8. SIDE TILTING CARRIAGE (4.5 TON - 1270 MM) (ANSI - JLG).....	144
FIGURE 3-9. SIDE TILTING CARRIAGE (4.5 TON - 1575 MM) (ANSI - JLG).....	146
FIGURE 3-10. SIDE TILTING CARRIAGE (4.0 TON - 1575 MM) (CE & AUS - JLG).....	148
FIGURE 3-11. SIDE TILTING CARRIAGE (4.5 TON - 1829 MM) (ANSI - JLG).....	150
FIGURE 3-12. SIDE TILTING CARRIAGE (4.0 TON - 1829 MM) (CE & AUS).....	152
FIGURE 3-13. SIDE SHIFT CARRIAGE (4.0 TON - 1225 MM) (CE & AUS).....	154
FIGURE 3-14. SIDE SHIFT CARRIAGE (5.5 TON - 1270 MM) (ANSI - JLG).....	156
FIGURE 3-15. FORK POSITIONING CARRIAGE WITH FORKS (4.0 TON) (CE & AUS).....	158
FIGURE 3-16. FORK POSITIONING CARRIAGE WITH FORKS (4.5 TON) (ANSI - JLG).....	160
FIGURE 3-17. DUAL FORK CARRIAGE ASSEMBLY.....	162
FIGURE 3-18. DUAL FORK CARRIAGE VALVE ASSEMBLY.....	164
FIGURE 3-19. FORK ROTATING CARRIAGE (2.05 TON - 990 MM) (CE & AUS - JLG).....	166
FIGURE 3-20. FORK ROTATING CARRIAGE (4.5 TON - 1270 MM) (CE & AUS - JLG).....	170
FIGURE 3-21. CARRIAGE ASSEMBLY (JOHN DEERE FIT) (CE & AUS).....	174
FIGURE 3-22. CARRIAGE ASSEMBLY (MANITOU FIT) (CE & AUS).....	176
FIGURE 3-23. DUAL TINE BAILING FORK CARRIAGE (CE & AUS).....	178
FIGURE 3-24. FEM CARRIAGE AND FORKS (CE & AUS).....	180
FIGURE 3-25. PALLET FORK (50X100X1070) (CE & AUS).....	182
FIGURE 3-26. PALLET FORK (50X100X1220) (CE & AUS).....	184
FIGURE 3-27. PALLET FORK (50X120X1200) (CE).....	186
FIGURE 3-28. PALLET FORK (50X120X1200) (CE & AUS - IF EQUIPPED WITH 1170002).....	188
FIGURE 3-29. PALLET FORK (2.36X4X48) (ANSI - JLG).....	190
FIGURE 3-30. PALLET FORK (2.36X5X48) (ANSI - JLG).....	192
FIGURE 3-31. PALLET FORK (2.00X6X72) (ANSI - JLG).....	194
FIGURE 3-32. PALLET FORK (60X100X1200) (AUS).....	196
FIGURE 3-33. BLOCKING FORK (50X50X1220) (CE & AUS - JLG).....	198
FIGURE 3-34. BLOCKING FORK (50X50X1220) (ANSI - JLG).....	200
FIGURE 3-35. LUMBER FORK (40X150X1540) (CE & AUS - JLG).....	202
FIGURE 3-36. LUMBER FORK (40X150X1540) (ANSI - JLG).....	204
FIGURE 3-37. LUMBER FORK (45X150X1540) CE & AUS - JLG).....	206
FIGURE 3-38. LUMBER FORK (50X180X1540) (ANSI - JLG).....	208
FIGURE 3-39. LUMBER FORK (60X150X1524) (ANSI - JLG).....	210
FIGURE 3-40. CARRIAGE ASSEMBLY (JCB FIT) (CE & AUS).....	212
FIGURE 3-41. BUCKET (1.15 M <sup>3</sup> ) (ANSI - JLG).....	214
FIGURE 3-42. BUCKET (1 M <sup>3</sup> ) (CE & AUS).....	216
FIGURE 3-43. BUCKET (1.5 M <sup>3</sup> ) (CE & AUS).....	218
FIGURE 3-44. BUCKET (2 M <sup>3</sup> ) (CE & AUS).....	220
FIGURE 3-45. BUCKET (2.5 M <sup>3</sup> ) (CE & AUS).....	222
FIGURE 3-46. BUCKET (3 M <sup>3</sup> ) (CE & AUS).....	224
FIGURE 3-47. FORK MOUNTED BUCKET (1.0 M <sup>3</sup> ) (ANSI - JLG).....	226
FIGURE 3-48. DIRT BUCKET (1.0 M <sup>3</sup> ) (CE & AUS).....	228
FIGURE 3-49. 4 IN 1 BUCKET (0.6 M <sup>3</sup> ) (CE & AUS).....	230
FIGURE 3-50. 4 IN 1 BUCKET (1.0 M <sup>3</sup> ) (CE & AUS).....	232
FIGURE 3-51. MULTI-PURPOSE GRAPPLE BUCKET (2450 MM) (ANSI - JLG).....	234
FIGURE 3-52. MULTI-PURPOSE GRAPPLE BUCKET (WIDE GRIP - 2450 MM) (CE & AUS).....	236
FIGURE 3-53. MANURE GRAPPLE BUCKET (CE & AUS).....	238
FIGURE 3-54. BOLT-ON EDGE (2450 MM).....	240
FIGURE 3-55. BUCKET GUARD.....	242
FIGURE 3-56. BUCKET TEETH KIT.....	244
FIGURE 3-57. BALE HANDLER KIT (SPIKES) (CE & AUS).....	246
FIGURE 3-58. BALE HANDLER KIT (SPIKES TO TUBE) (CE & AUS).....	248
FIGURE 3-59. TRUSS BOOM (4 TON - 2.1M) (CE & AUS).....	250
FIGURE 3-60. TRUSS BOOM (1 TON - 3.4M) (CE & AUS).....	252
FIGURE 3-61. TRUSS BOOM (0.9 TON - 3.7M) (ANSI - JLG).....	254
FIGURE 3-62. TRUSS BOOM (1.8 TON - 3 FT WITH WINCH) (CE).....	256
FIGURE 3-63. TRUSS BOOM (1.8 TON - 3 FT WITH WINCH) (ANSI - JLG).....	258
FIGURE 3-64. TRUSS BOOM (3 FT WITH WINCH).....	260
FIGURE 3-65. TRUSS BOOM (0.9 TON - 12 FT WITH WINCH) (CE).....	262
FIGURE 3-66. TRUSS BOOM (0.9 TON - 3.7M WITH WINCH) (ANSI - JLG).....	264
FIGURE 3-67. CRANE HOOK (CE & AUS).....	266
FIGURE 3-68. CRANE HOOK (ANSI - JLG).....	268
FIGURE 3-69. FORK MOUNTED HOOK (4 TON) (ANSI - JLG).....	270
FIGURE 3-70. FORK MOUNTED HOOK (4 TON) (CE).....	272
FIGURE 3-71. BALE HANDLER (TUBE CLAMP) (CE & AUS).....	274



# TABLE OF CONTENTS

FIGURE 3-72. BALE HANDLER (SPIKE CLAMP) (CE & AUS) .....	276
FIGURE 3-73. MUCK FORK AND GRAB (CE & AUS) .....	278
FIGURE 3-74. PIPE HANDLER CARRIAGE (CE & AUS - JLG) .....	280
FIGURE 3-75. PIPE HANDLER CARRIAGE (ANSI - JLG) .....	282
FIGURE 3-76. FORK MOUNTED BASKET (DOMESTIC) (ANSI - JLG) .....	286
FIGURE 3-77. FORK MOUNTED BASKET (ISO) (ANSI - JLG) .....	288
FIGURE 3-78. FORK MOUNTED BASKET (FRENCH) (ANSI - JLG) .....	290
FIGURE 3-79. FORK MOUNTED PLATFORM .....	292
FIGURE 3-80. FORK MOUNTED TRASH HOPPER .....	294
FIGURE 3-81. CONCRETE BUCKET (CE) .....	296
FIGURE 3-82. SWEEPER (CE & AUS) .....	300
FIGURE 3-83. SWEEPER (ANSI) .....	302
FIGURE 3-84. AUGER (COUPLER MOUNTED) (CE & AUS) .....	304
FIGURE 3-85. AUGER BIT, (6INX4IN) (CE & AUS) .....	306
FIGURE 3-86. AUGER BIT, (9INX4IN) (CE & AUS) .....	308
FIGURE 3-87. AUGER BIT, (12INX4IN) (CE & AUS) .....	310
FIGURE 3-88. AUGER BIT, (15INX4IN) (CE & AUS) .....	312
FIGURE 3-89. AUGER BIT, (18INX4IN) (CE & AUS) .....	314
FIGURE 3-90. AUGER BIT, (24INX4IN) (CE & AUS) .....	316
FIGURE 3-91. AUGER BIT, (36INX4IN) (CE & AUS) .....	318
FIGURE 3-92. FORK EXTENSIONS (62X163X2286) (ANSI - JLG) .....	320
FIGURE 3-93. FORK EXTENSION (50X100X1910) (CE) .....	322
FIGURE 3-94. FORK EXTENSION (60X100X1920) (AUS) .....	324
FIGURE 3-95. FORK TRANSPORT LATCH INSTALLATION (CE & AUS) .....	326
SECTION 4 - ENGINE AND ATTACHING PARTS .....	329
FIGURE 4-1. ENGINE INSTALLATION (74.4KW - ULS - PISTON PUMP) .....	330
FIGURE 4-2. ENGINE INSTALLATION (90KW - ULS - PISTON PUMP) .....	332
FIGURE 4-3. ENGINE INSTALLATION (100KW - ULS - PISTON PUMP) .....	334
FIGURE 4-4. ENGINE INSTALLATION (74.4KW - LS - PISTON PUMP) .....	336
FIGURE 4-5. ENGINE INSTALLATION (90KW - LS - PISTON PUMP) .....	338
FIGURE 4-6. ENGINE MOUNTING INSTALLATION (74.4KW) .....	340
FIGURE 4-7. ENGINE MOUNTING INSTALLATION (90KW/100KW) .....	342
FIGURE 4-8. 3.6L ENGINE (74.4KW - ULS - PISTON PUMP) .....	344
FIGURE 4-9. 3.6L ENGINE (90KW - ULS - PISTON PUMP) .....	346
FIGURE 4-10. 3.6L ENGINE (100KW - ULS - PISTON PUMP) .....	348
FIGURE 4-11. 3.6L ENGINE (74.4KW - LS - PISTON PUMP) .....	350
FIGURE 4-12. 3.6L ENGINE (90KW - LS - PISTON PUMP) .....	352
FIGURE 4-13. BRACKET GUARD INSTALLATION .....	354
FIGURE 4-14. FUEL LINES INSTALLATION (ULS) .....	356
FIGURE 4-15. FUEL LINES INSTALLATION (ULS - RHOC) .....	358
FIGURE 4-16. FUEL LINES INSTALLATION (LS) .....	360
FIGURE 4-17. FUEL LINES INSTALLATION (LS - RHOC) .....	362
FIGURE 4-18. EXHAUST INSTALLATION (ULS) .....	364
FIGURE 4-19. EXHAUST INSTALLATION (LS) .....	366
FIGURE 4-20. COOLING PACKAGE INSTALLATION (74.4KW - ULS) .....	368
FIGURE 4-21. COOLING PACKAGE INSTALLATION (74.4KW - LS) .....	370
FIGURE 4-22. COOLING PACKAGE INSTALLATION (90KW - ULS) .....	372
FIGURE 4-23. COOLING PACKAGE INSTALLATION (90KW - LS) .....	374
FIGURE 4-24. COOLING FAN INSTALLATION .....	376
FIGURE 4-25. FAN LINES INSTALLATION (74.4KW) .....	378
FIGURE 4-26. FAN LINES INSTALLATION (90KW) .....	380
FIGURE 4-27. FAN DRIVE MOTOR (NO RHOC) .....	382
FIGURE 4-28. FAN DRIVE MOTOR (RHOC) .....	384
FIGURE 4-29. PRIMARY FUEL FILTER INSTALLATION (74.4KW - ULS) .....	386
FIGURE 4-30. FUEL FILTER INSTALLATION (90/100KW - ULS) .....	388
FIGURE 4-31. PRIMARY FUEL FILTER INSTALLATION (90KW - LS) .....	390
FIGURE 4-32. PRIMARY FUEL FILTER INSTALLATION (74.4KW - LS) .....	392
FIGURE 4-33. AIR CLEANER INSTALLATION (74.4KW - ULS) .....	394
FIGURE 4-34. AIR CLEANER INSTALLATION (90/100KW) .....	396
FIGURE 4-35. AIR CLEANER INSTALLATION (74.4KW - LS) .....	398
FIGURE 4-36. AIR CLEANER ASSEMBLY (74.4KW) .....	400
FIGURE 4-37. AIR CLEANER ASSEMBLY (90/100KW) .....	402
FIGURE 4-38. AIR INTAKE LINES INSTALLATION (74.4KW - ULS) .....	404
FIGURE 4-39. AIR INTAKE LINES INSTALLATION (90/100KW - ULS) .....	406
FIGURE 4-40. AIR INTAKE LINES INSTALLATION (74.4KW - LS) .....	408

# TABLE OF CONTENTS

FIGURE 4-41. AIR INTAKE LINES INSTALLATION (90KW - LS)	410
FIGURE 4-42. COOLER INSTALLATION (74.4KW)	412
FIGURE 4-43. COOLER INSTALLATION (90KW)	414
FIGURE 4-44. RADIATOR COOLING PACKAGE (74.4KW)	416
FIGURE 4-45. RADIATOR COOLING PACKAGE (90KW)	418
FIGURE 4-46. REMOTE HOC INSTALLATION	420
FIGURE 4-47. COOLANT LINES INSTALLATION (ULS)	422
FIGURE 4-48. COOLANT LINES INSTALLATION (LS)	424
FIGURE 4-49. COOLER LINES INSTALLATION (74.4KW) (Prior to SN 1160008434)	426
FIGURE 4-50. COOLER LINES INSTALLATION (74.4KW) (SN 1160008434 to Present)	428
FIGURE 4-51. COOLER LINES INSTALLATION (90KW)	430
FIGURE 4-52. CAC LINES INSTALLATION (ULS)	432
FIGURE 4-53. CAC LINES INSTALLATION (LS)	434
FIGURE 4-54. SURGE TANK INSTALLATION	436
FIGURE 4-55. TANK EXPANSION	438
FIGURE 4-56. BULKHEAD INSTALLATION	440
FIGURE 4-57. DEF CONTROL MODULE INSTALLATION (ULS)	442
FIGURE 4-58. DEF TANK INSTALLATION (ULS) (Prior to SN 1160008715)	444
FIGURE 4-59. DEF TANK INSTALLATION (ULS) (SN 1160008715 to Present)	446
FIGURE 4-60. DEF LINES INSTALLATION (ULS)	448
FIGURE 4-61. DEF TANK ASSEMBLY (ULS) (Prior to SN 1160008715)	450
FIGURE 4-62. DEF TANK ASSEMBLY (ULS) (SN 1160008715 to Present)	452
FIGURE 4-63. REMOTE FUEL PUMP INSTALLATION (74.4KW)	454
FIGURE 4-64. HYDRAULIC PUMP INSTALLATION (74.4KW)	456
FIGURE 4-65. HYDRAULIC PUMP INSTALLATION (90KW)	458
FIGURE 4-66. HEATER LINES INSTALLATION (ULS)	460
FIGURE 4-67. HEATER LINES INSTALLATION (LS)	462
FIGURE 4-68. BLOCK HEATER INSTALLATION (230V - LS)	464
FIGURE 4-69. BLOCK HEATER INSTALLATION (120V - LS - JLG)	466
FIGURE 4-70. BLOCK HEATER (ULS)	468
FIGURE 4-71. BLOCK HEATER (LS)	470
FIGURE 4-72. A/C PUMP INSTALLATION	472
FIGURE 4-73. A/C LINES INSTALLATION	474
SECTION 5 - DRIVE TRAIN	477
FIGURE 5-1. AXLES INSTALLATION (NO HYDRAULIC PARK BRAKE)	478
FIGURE 5-2. AXLES INSTALLATION (HYDRAULIC PARK BRAKE)	480
FIGURE 5-3. FRONT AXLE INSTALLATION (NO HYDRAULIC PARK BRAKE)	482
FIGURE 5-4. FRONT AXLE, CENTRAL HOUSING (NO HYDRAULIC PARK BRAKE)	484
FIGURE 5-5. FRONT AXLE, DIFFERENTIAL (NO HYDRAULIC PARK BRAKE)	486
FIGURE 5-6. FRONT AXLE, HUB REDUCTION (NO HYDRAULIC PARK BRAKE)	488
FIGURE 5-7. FRONT AXLE, BRAKES (NO HYDRAULIC PARK BRAKE)	490
FIGURE 5-8. FRONT AXLE, STEERING (NO HYDRAULIC PARK BRAKE)	492
FIGURE 5-9. FRONT AXLE INSTALLATION (HYDRAULIC PARK BRAKE)	494
FIGURE 5-10. FRONT AXLE, CENTRAL HOUSING (HYDRAULIC PARK BRAKE)	496
FIGURE 5-11. FRONT AXLE, DIFFERENTIAL (HYDRAULIC PARK BRAKE)	498
FIGURE 5-12. FRONT AXLE, HUB REDUCTION (HYDRAULIC PARK BRAKE)	500
FIGURE 5-13. FRONT AXLE, BRAKES (HYDRAULIC PARK BRAKE)	502
FIGURE 5-14. FRONT AXLE, STEERING (HYDRAULIC PARK BRAKE)	504
FIGURE 5-15. REAR AXLE INSTALLATION	506
FIGURE 5-16. REAR AXLE, CENTRAL HOUSING	508
FIGURE 5-17. REAR AXLE, DIFFERENTIAL	510
FIGURE 5-18. REAR AXLE, HUB REDUCTION	512
FIGURE 5-19. REAR AXLE, BRAKES	514
FIGURE 5-20. REAR AXLE, STEERING	516
FIGURE 5-21. DIFFERENTIAL KIT	518
FIGURE 5-22. REDUCTION BUSHING KIT	520
FIGURE 5-23. PLANET GEAR CARRIER KIT	522
FIGURE 5-24. STEERING CASE KIT, (LF, RR)	524
FIGURE 5-25. STEERING CASE KIT, (RF, LR)	526
FIGURE 5-26. STEERING ADJUST BOLT KIT	528
FIGURE 5-27. RING GEAR SUPPORT KIT	530
FIGURE 5-28. PISTON KIT (LH)	532
FIGURE 5-29. PISTON KIT (RH)	534
FIGURE 5-30. DIFFERENTIAL KIT	536
FIGURE 5-31. PISTON KIT	538

# TABLE OF CONTENTS

FIGURE 5-32. TRUNION KIT .....	540
FIGURE 5-33. DRIVE SHAFTS INSTALLATION.....	542
FIGURE 5-34. REMOTE GREASE SYSTEM INSTALLATION (Prior to SN 1160008597) .....	544
FIGURE 5-35. REMOTE GREASE SYSTEM INSTALLATION (SN 1160008597 to Present) .....	546
FIGURE 5-36. AXLE SHIM INSTALLATION (24IN WHEEL).....	548
FIGURE 5-37. TRANSMISSION INSTALLATION (4 SPD).....	550
FIGURE 5-38. TRANSMISSION INSTALLATION (6 SPD - 90KW).....	552
FIGURE 5-39. TRANSMISSION INSTALLATION (6 SPD - 97KW).....	554
FIGURE 5-40. TRANSMISSION (4 SPD).....	556
FIGURE 5-41. TRANSMISSION (6 SPD - 90KW).....	558
FIGURE 5-42. TRANSMISSION (6 SPD - HHP - 97KW).....	560
FIGURE 5-43. PLANETARY CASE AND PARTS GROUP .....	562
FIGURE 5-44. TORQUE CONVERTER GROUP .....	564
FIGURE 5-45. TORQUE CONVERTER GROUP .....	566
FIGURE 5-46. TRANSFER GEAR AND CASE GROUP .....	568
FIGURE 5-47. TRANSFER GEAR AND CASE GROUP .....	570
FIGURE 5-48. TRANSMISSION HYDRAULIC CONTROL GROUP.....	572
FIGURE 5-49. INPUT SHAFT GROUP .....	574
FIGURE 5-50. TRANSMISSION CLUTCH GROUP .....	576
FIGURE 5-51. CLUTCH AND GEAR GROUP.....	578
FIGURE 5-52. TRANSMISSION PUMP GROUP .....	580
FIGURE 5-53. OUTPUT SHAFT GROUP .....	582
FIGURE 5-54. SPEED SENSOR.....	584
FIGURE 5-55. IDLER GEAR .....	586
FIGURE 5-56. REAR TRANSMISSION CASE .....	588
FIGURE 5-57. PLANETARY CASE.....	590
FIGURE 5-58. FRONT TRANSFER CASE.....	592
FIGURE 5-59. REAR TRANSFER CASE .....	594
FIGURE 5-60. FRONT TRANSFER CASE.....	596
FIGURE 5-61. REAR TRANSFER CASE .....	598
FIGURE 5-62. RELIEF VALVE .....	600
FIGURE 5-63. SOLENOID VALVE .....	602
FIGURE 5-64. SOLENOID VALVE.....	604
FIGURE 5-65. FRONT TRANSMISSION CASE ASSEMBLY .....	606
FIGURE 5-66. REAR TRANSMISSION CASE ASSEMBLY.....	608
FIGURE 5-67. TIRE/WHEEL SET (AIR - 15.5/80-24 - 16PR) .....	610
FIGURE 5-68. RIGHT TIRE/WHEEL ASSEMBLY (AIR - 15.5/80-24 - 16PR).....	612
FIGURE 5-69. LEFT TIRE/WHEEL ASSEMBLY (AIR - 15.5/80-24 - 16PR) .....	614
FIGURE 5-70. TIRE/WHEEL SET (AIR - 15.5 R25 XHA TL).....	616
FIGURE 5-71. RIGHT TIRE/WHEEL ASSEMBLY (AIR - 15.5 R25).....	618
FIGURE 5-72. LEFT TIRE/WHEEL ASSEMBLY (AIR - 15.5 R25) .....	620
FIGURE 5-73. TIRE/WHEEL SET (AIR - 460/70 R24 XMCL) .....	622
FIGURE 5-74. RIGHT TIRE/WHEEL ASSEMBLY (AIR - 460/70 R24).....	624
FIGURE 5-75. LEFT TIRE/WHEEL ASSEMBLY (AIR - 460/70 R24) .....	626
FIGURE 5-76. TIRE/WHEEL SET (AIR - 500/70 R24 XMCL) .....	628
FIGURE 5-77. RIGHT TIRE/WHEEL ASSEMBLY (AIR - 500/70 R24).....	630
FIGURE 5-78. LEFT TIRE/WHEEL ASSEMBLY (AIR - 500/70 R24) .....	632
FIGURE 5-79. TIRE/WHEEL SET (AIR - 440/80-24 POWER CL).....	634
FIGURE 5-80. RIGHT TIRE/WHEEL ASSEMBLY (AIR - 440/80-24) .....	636
FIGURE 5-81. LEFT TIRE/WHEEL ASSEMBLY (AIR - 440/80-24).....	638
FIGURE 5-82. TIRE/WHEEL SET (AIR - 400/80-24 POWER CL).....	640
FIGURE 5-83. RIGHT TIRE/WHEEL ASSEMBLY (AIR - 400/80-24) .....	642
FIGURE 5-84. LEFT TIRE/WHEEL ASSEMBLY (AIR - 400/80-24).....	644
FIGURE 5-85. TIRE/WHEEL SET (AIR - 370/75-28).....	646
FIGURE 5-86. TIRE/WHEEL ASSEMBLY (AIR - 370/75-28) .....	648
FIGURE 5-87. TIRE/WHEEL SET (FOAM - 13X24).....	650
FIGURE 5-88. TIRE/WHEEL SET (AIR - 460/70 R24 - BIBLOAD).....	652
FIGURE 5-89. RIGHT TIRE/WHEEL ASSEMBLY (AIR - 460/70 R24 - BIBLOAD) .....	654
FIGURE 5-90. LEFT TIRE/WHEEL ASSEMBLY (AIR - 460/70 R24 - BIBLOAD) .....	656
FIGURE 5-91. WHEEL CHOCK INSTALLATION.....	658
FIGURE 5-92. FENDER INSTALLATION (NO AIR - 460/70 R24 XMCL, AIR - 500/70 R24 XMCL, AIR - 440/80-24 POWER CL) .....	660
FIGURE 5-93. FENDER INSTALLATION (AIR - 460/70 R24 XMCL, AIR - 500/70 R24 XMCL, AIR - 440/80-24 POWER CL) ...	662
FIGURE 5-94. FENDER ASSEMBLY .....	664
FIGURE 5-95. FENDER ASSEMBLY .....	666
FIGURE 5-96. FENDER ASSEMBLY .....	668
FIGURE 5-97. FENDER ASSEMBLY .....	670

# TABLE OF CONTENTS

FIGURE 5-98. FENDER ASSEMBLY.....	672
FIGURE 5-99. FENDER ASSEMBLY.....	674
FIGURE 5-100. FENDER ASSEMBLY.....	676
FIGURE 5-101. FENDER ASSEMBLY.....	678
SECTION 6 - CAB .....	681
FIGURE 6-1. CAB MOUNTS INSTALLATION (JLG) .....	682
FIGURE 6-2. ENCLOSED CAB INSTALLATION (JLG) .....	684
FIGURE 6-3. ENCLOSED CAB ASSEMBLY (JLG) (Prior to SN 1160008716).....	686
FIGURE 6-4. ENCLOSED CAB ASSEMBLY (JLG) (SN 1160008716 to Present).....	688
FIGURE 6-5. ENCLOSED CAB GROUP (JLG) .....	690
FIGURE 6-6. ENCLOSED CAB (DEUTZ-FAHR) (SN 1160008716 to Present).....	692
FIGURE 6-7. ENCLOSED CAB (JLG) (Prior to SN 1160008716).....	694
FIGURE 6-8. ENCLOSED CAB (JLG) (SN 1160008716 to Present).....	696
FIGURE 6-9. ENCLOSED CAB PLUG GROUP.....	698
FIGURE 6-10. OPEN CAB PLUG GROUP .....	700
FIGURE 6-11. REAR WINDOW INSTALLATION .....	702
FIGURE 6-12. REAR WINDOW ASSEMBLY.....	704
FIGURE 6-13. DOOR INSTALLATION (JLG) .....	706
FIGURE 6-14. DOOR ASSEMBLY (AG - DEUTZ-FAHR).....	708
FIGURE 6-15. DOOR ASSEMBLY (AG - JLG) .....	710
FIGURE 6-16. CAB DOOR .....	712
FIGURE 6-17. DOOR UPPER GLASS ASSEMBLY .....	714
FIGURE 6-18. CAB LATCH ASSEMBLY .....	716
FIGURE 6-19. CAB DOOR TRIGGER ASSEMBLY.....	718
FIGURE 6-20. DOOR STRAP INSTALLATION .....	720
FIGURE 6-21. ENCLOSED CAB TRIM INSTALLATION (Prior to SN 1160008716).....	722
FIGURE 6-22. ENCLOSED CAB TRIM INSTALLATION (SN 1160008716 to Present).....	726
FIGURE 6-23. DASH COVER ASSEMBLY.....	730
FIGURE 6-24. RECIRCULATION GRILLE COVER PANEL ASSEMBLY (Prior to SN 1160008716) .....	732
FIGURE 6-25. REAR PANEL COVER ASSEMBLY.....	734
FIGURE 6-26. ADJUSTABLE ARMREST INSTALLATION.....	736
FIGURE 6-27. HEADLINER INSTALLATION.....	738
FIGURE 6-28. HEADLINER/ RADIO READY INSTALLATION .....	740
FIGURE 6-29. COMMON CAB TRIM INSTALLATION .....	742
FIGURE 6-30. CAB TRIM INSTALLATION (Prior to SN 1160008716) .....	744
FIGURE 6-31. CAB TRIM INSTALLATION (SN 1160008716 to Present).....	746
FIGURE 6-32. ROOF CAP INSTALLATION (A/C - JLG) .....	748
FIGURE 6-33. ROOF CAP INSTALLATION (NO A/C - JLG).....	750
FIGURE 6-34. FRONT COVER INSTALLATION .....	752
FIGURE 6-35. FILTER TRAY PANEL.....	754
FIGURE 6-36. FRONT DUCT COVER.....	756
FIGURE 6-37. SEAT ASSEMBLY .....	758
FIGURE 6-38. SEAT INSTALLATION (STANDARD - JLG).....	760
FIGURE 6-39. SEAT ASSEMBLY (AIR SUSPENSION - STANDARD) .....	762
FIGURE 6-40. SEAT ASSEMBLY .....	764
FIGURE 6-41. SEAT INSTALLATION (PREMIUM - JLG).....	766
FIGURE 6-42. SEAT INSTALLATION (MECHANICAL - JLG) .....	768
FIGURE 6-43. UPPER SEAT ASSEMBLY.....	770
FIGURE 6-44. UPPER SEAT ASSEMBLY.....	772
FIGURE 6-45. SUSPENSION KIT .....	774
FIGURE 6-46. SEAT BELT INSTALLATION (3IN).....	776
FIGURE 6-47. SEAT BELT INSTALLATION (2IN).....	778
FIGURE 6-48. HEATER INSTALLATION (Prior to SN 1160008716).....	780
FIGURE 6-49. HEATER INSTALLATION (SN 1160008716 to Present) .....	782
FIGURE 6-50. HEATER AND A/C INSTALLATION (Prior to SN 1160008716) .....	784
FIGURE 6-51. HEATER AND A/C INSTALLATION (SN 1160008716 to Present).....	788
FIGURE 6-52. HEATER ASSEMBLY (Prior to SN 1160008716).....	792
FIGURE 6-53. HEATER ASSEMBLY (SN 1160008716 to Present) .....	794
FIGURE 6-54. HEATER AND A/C ASSEMBLY (Prior to SN 1160008716).....	796
FIGURE 6-55. HEATER AND A/C ASSEMBLY (SN 1160008716 to Present).....	798
FIGURE 6-56. HEATER.....	800
FIGURE 6-57. HEATER.....	802
FIGURE 6-58. HEATER AND A/C.....	804
FIGURE 6-59. HEATER AND A/C.....	806
FIGURE 6-60. CAB CONDENSER ASSEMBLY .....	808

# TABLE OF CONTENTS

FIGURE 6-61. CONDENSER .....	810
FIGURE 6-62. A/C RECEIVER DRIER .....	812
FIGURE 6-63. ROOF WIPER INSTALLATION .....	814
FIGURE 6-64. FRONT NOSE CONE INSTALLATION (SIDELIGHT).....	816
FIGURE 6-65. RETRACTABLE SUNSCREEN INSTALLATION .....	818
FIGURE 6-66. CAB STEP INSTALLATION .....	820
FIGURE 6-67. FLOOR MAT INSTALLATION.....	822
FIGURE 6-68. REAR WINDOW INSTALLATION (WO/WIPER) (CAN & ISO) .....	824
FIGURE 6-69. REAR WINDOW INSTALLATION (WO/WIPER) (ANSI).....	826
FIGURE 6-70. CAB GUARD INSTALLATION (TOP).....	828
FIGURE 6-71. CAB GUARD INSTALLATION (FRONT).....	830
FIGURE 6-72. CAB GUARD INSTALLATION (TOP AND FRONT).....	832
FIGURE 6-73. NUMBER PLATE BRACKET INSTALLATION (NO CAB GUARD) .....	834
FIGURE 6-74. NUMBER PLATE BRACKET INSTALLATION (CAB GUARD) .....	836
FIGURE 6-75. HITCH MIRROR INSTALLATION (CONVEX).....	838
FIGURE 6-76. HITCH MIRROR INSTALLATION (FLAT).....	840
FIGURE 6-77. MIRROR ASSEMBLY (CONVEX).....	842
FIGURE 6-78. INTERIOR MIRROR INSTALLATION .....	844
FIGURE 6-79. INTERIOR MIRROR .....	846
FIGURE 6-80. BASIC MIRROR INSTALLATION (Prior to SN 1160008716).....	848
FIGURE 6-81. BASIC MIRROR INSTALLATION (SN 1160008716 to Present).....	850
FIGURE 6-82. FRONT WIPER INSTALLATION.....	852
FIGURE 6-83. WASHER TANK INSTALLATION .....	854
FIGURE 6-84. WASHER HOSES INSTALLATION .....	856
FIGURE 6-85. HAMMER INSTALLATION.....	858
FIGURE 6-86. HAMMER ATTACHMENT ASSEMBLY .....	860
FIGURE 6-87. LEVEL INDICATOR INSTALLATION.....	862
FIGURE 6-88. HVAC CAB ACTUATOR .....	864
FIGURE 6-89. MIRROR INSTALLATION .....	866
SECTION 7 - CONTROLS .....	869
FIGURE 7-1. ACCELERATOR PEDAL INSTALLATION .....	870
FIGURE 7-2. ACCELERATOR PEDAL .....	872
FIGURE 7-3. BRAKE PEDAL INSTALLATION (Prior to SN 1160008716).....	874
FIGURE 7-4. BRAKE PEDAL INSTALLATION (SN 1160008716 to Present) .....	876
FIGURE 7-5. BRAKE PEDAL .....	878
FIGURE 7-6. BRAKE PEDAL PLATE .....	880
FIGURE 7-7. BRAKE SENSOR INSTALLATION .....	882
FIGURE 7-8. SWITCH PLATE ASSEMBLY .....	884
FIGURE 7-9. PARKING BRAKE INSTALLATION (CABLE) .....	886
FIGURE 7-10. PARKING BRAKE INSTALLATION (SAHR).....	888
FIGURE 7-11. PARKING BRAKE COVER (MECHANICAL) .....	890
FIGURE 7-12. PARKING CABLE ASSEMBLY (MECHANICAL).....	892
FIGURE 7-13. STEERING WHEEL INSTALLATION.....	894
FIGURE 7-14. STEERING WHEEL.....	896
FIGURE 7-15. STEERING COLUMN INSTALLATION (Prior to SN 1160008716).....	898
FIGURE 7-16. STEERING COLUMN INSTALLATION (SN 1160008716 to Present) .....	900
FIGURE 7-17. TILT STEERING COLUMN.....	902
FIGURE 7-18. HORN INSTALLATION .....	904
FIGURE 7-19. HORN BUTTON INSTALLATION (JLG) .....	906
FIGURE 7-20. JOYSTICK INSTALLATION.....	908
FIGURE 7-21. WIPER-TURN SWITCH (0 SPEED - FNR) (Prior to SN 1160008715) .....	910
FIGURE 7-22. WIPER-TURN SWITCH (0 SPEED - FNR) (SN 1160008715 to Present).....	912
FIGURE 7-23. WIPER-TURN SWITCH (NO SPEED) (Prior to SN 1160008715) .....	914
FIGURE 7-24. WIPER-TURN SWITCH (NO SPEED) (SN 1160008715 to Present).....	916
SECTION 8 - HYDRAULIC CIRCUITS.....	919
FIGURE 8-1. COMMON HYDRAULICS INSTALLATION.....	920
FIGURE 8-2. HYDRAULICS INSTALLATION .....	922
FIGURE 8-3. MAIN CONTROL VALVE INSTALLATION.....	924
FIGURE 8-4. PRIORITY VALVE INSTALLATION (Prior to SN 1160008715) .....	926
FIGURE 8-5. PRIORITY VALVE INSTALLATION (SN 1160008715 to Present).....	928
FIGURE 8-6. STEER SELECT VALVE INSTALLATION .....	930
FIGURE 8-7. VALVE ASSEMBLY .....	932
FIGURE 8-8. MANUAL COUPLER LINES INSTALLATION (FRONT BOOM - SINGLE) .....	934

# TABLE OF CONTENTS

FIGURE 8-9. HYDRAULIC COUPLER LINES INSTALLATION (FRONT BOOM - SINGLE) .....	936
FIGURE 8-10. HYDRAULIC COUPLER LINES INSTALLATION (FRONT BOOM - TWIN) .....	938
FIGURE 8-11. MANUAL COUPLER LINES INSTALLATION (FRONT BOOM - TWIN) .....	940
FIGURE 8-12. BRAKE LINES INSTALLATION .....	942
FIGURE 8-13. BRAKE ACCUMULATOR INSTALLATION .....	944
FIGURE 8-14. SAHR LINES INSTALLATION .....	946
FIGURE 8-15. BRAKE LINES INSTALLATION .....	948
FIGURE 8-16. BRAKE ACCUMULATOR .....	950
FIGURE 8-17. STEERING LINES INSTALLATION .....	952
FIGURE 8-18. SUCTION LINES INSTALLATION .....	954
FIGURE 8-19. BOOM LINES INSTALLATION .....	956
FIGURE 8-20. PRIORITY LINES INSTALLATION .....	958
FIGURE 8-21. RETURN LINES INSTALLATION (Prior to SN 1160008715) .....	960
FIGURE 8-22. RETURN LINES INSTALLATION (SN 1160008715 to Present) .....	962
FIGURE 8-23. RETURN LINES INSTALLATION (SAHR) .....	964
FIGURE 8-24. BOOM RAISE HOSES INSTALLATION (NO RIDE CONTROL) .....	966
FIGURE 8-25. BOOM RAISE HOSES INSTALLATION (RIDE CONTROL) .....	968
FIGURE 8-26. REAR AUX HYDRAULICS INSTALLATION (SINGLE) (Prior to SN 1160008716) .....	970
FIGURE 8-27. REAR AUX HYDRAULICS INSTALLATION (SINGLE) (SN 1160008716 to Present) .....	972
FIGURE 8-28. REAR AUX HYDRAULICS INSTALLATION (TWIN) (Prior to SN 1160008716) .....	974
FIGURE 8-29. REAR AUX HYDRAULICS INSTALLATION (TWIN) (SN 1160008716 to Present) .....	976
FIGURE 8-30. TRAILER BRAKE INSTALLATION (Prior to SN 1160008716) .....	978
FIGURE 8-31. TRAILER BRAKE INSTALLATION (SN 1160008716 to Present) .....	980
FIGURE 8-32. TRAILER BRAKE INSTALLATION (ITALIAN) (Prior to SN 1160008716) .....	982
FIGURE 8-33. TRAILER BRAKE INSTALLATION (ITALIAN) (SN 1160008716 to Present) .....	984
FIGURE 8-34. BOOM HYDRAULIC INSTALLATION .....	986
FIGURE 8-35. MAIN HYDRAULIC PUMP INSTALLATION .....	988
FIGURE 8-36. IMPLEMENT PUMP INSTALLATION .....	990
FIGURE 8-37. IMPLEMENT PUMP INSTALLATION .....	992
FIGURE 8-38. LIFT CYLINDER INSTALLATION .....	994
FIGURE 8-39. COMPENSATION CYLINDER INSTALLATION .....	996
SECTION 9 - HYDRAULIC COMPONENTS .....	999
FIGURE 9-1. LIFT CYLINDER .....	1000
FIGURE 9-2. TILT CYLINDER .....	1002
FIGURE 9-3. EXTEND/RETRACT CYLINDER ASSEMBLY .....	1004
FIGURE 9-4. INNER EXTEND/RETRACT CYLINDER .....	1006
FIGURE 9-5. OUTER EXTEND/RETRACT CYLINDER .....	1008
FIGURE 9-6. COMPENSATION CYLINDER (Prior to SN 1160008715) .....	1010
FIGURE 9-7. COMPENSATION CYLINDER (SN 1160008715 to Present) .....	1012
FIGURE 9-8. COUPLER LOCKING CYLINDER ASSEMBLY .....	1014
FIGURE 9-9. COUPLER LOCKING CYLINDER .....	1016
FIGURE 9-10. SIDE TILT CYLINDER .....	1018
FIGURE 9-11. PIPE HANDLER CYLINDER .....	1020
FIGURE 9-12. SIDE SHIFT CARRIAGE CYLINDER .....	1022
FIGURE 9-13. FORK POSITIONING CYLINDER .....	1024
FIGURE 9-14. MAIN CONTROL VALVE (AG) .....	1026
FIGURE 9-15. MAIN CONTROL VALVE (AG) .....	1028
FIGURE 9-16. PRIORITY FLOW MANIFOLD (Prior to SN 1160008715) .....	1030
FIGURE 9-17. PRIORITY FLOW MANIFOLD VALVE (SN 1160008715 to Present) .....	1032
FIGURE 9-18. STEERING SELECT VALVE .....	1034
FIGURE 9-19. DIVERTOR VALVE ASSEMBLY (HI FLOW) .....	1036
FIGURE 9-20. DIVERTOR VALVE .....	1038
FIGURE 9-21. DIVERTOR VALVE .....	1040
FIGURE 9-22. DIVERTOR VALVE .....	1042
FIGURE 9-23. FLOW DIVIDER VALVE .....	1044
FIGURE 9-24. HYDRAULIC HITCH CONTROL VALVE (Prior to SN 1160008597) .....	1046
FIGURE 9-25. HYDRAULIC HITCH CONTROL VALVE (SN 1160008597 to Present) .....	1048
FIGURE 9-26. FAN MOTOR CONTROL VALVE .....	1050
FIGURE 9-27. BOOM CABLE ASSEMBLY .....	1052
FIGURE 9-28. IMPLEMENT PUMP .....	1054
FIGURE 9-29. IMPLEMENT PUMP .....	1056
FIGURE 9-30. VALVE, RIDE CONTROL .....	1058
FIGURE 9-31. VALVE, TRAILER BRAKE .....	1060
SECTION 10 - ELECTRICAL .....	1063

# TABLE OF CONTENTS

FIGURE 10-1. MAIN ELECTRICAL INSTALLATION (Prior to SN 1160008717).....	1064
FIGURE 10-2. MAIN ELECTRICAL INSTALLATION (SN 1160008717 to Present) .....	1066
FIGURE 10-3. FRONT FRAME HARNESS (Prior to SN 1160008717) .....	1068
FIGURE 10-4. FRONT FRAME HARNESS (SN 1160008717 to Present) .....	1072
FIGURE 10-5. REAR FRAME HARNESS (Prior to SN 1160008717) .....	1076
FIGURE 10-6. REAR FRAME HARNESS (SN 1160008717 to Present).....	1080
FIGURE 10-7. ENGINE WIRING INSTALLATION (ULS) .....	1084
FIGURE 10-8. ENGINE HARNESS (ULS).....	1086
FIGURE 10-9. ENGINE ECU INSTALLATION (ULS).....	1094
FIGURE 10-10. ENGINE WIRING INSTALLATION (LS).....	1096
FIGURE 10-11. ENGINE HARNESS (LS) .....	1098
FIGURE 10-12. ENGINE ECU INSTALLATION (LS).....	1104
FIGURE 10-13. FUEL PUMP HARNESS .....	1106
FIGURE 10-14. GLOW PLUG RELAY HARNESS .....	1108
FIGURE 10-15. ELECTRICAL COMPONENTS INSTALLATION.....	1110
FIGURE 10-16. POWER DISTRIBUTION ELECTRICAL BOX.....	1112
FIGURE 10-17. 200 AMP RELAY INSTALLATION .....	1114
FIGURE 10-18. BATTERY INSTALLATION (STANDARD) .....	1116
FIGURE 10-19. BATTERY INSTALLATION (DUAL) .....	1118
FIGURE 10-20. CAB ELECTRICAL INSTALLATION .....	1120
FIGURE 10-21. CAB HARNESS .....	1124
FIGURE 10-22. STANDARD ELECTRICAL BOARD ASSEMBLY .....	1132
FIGURE 10-23. OPTION 1 ELECTRICAL BOARD ASSEMBLY .....	1134
FIGURE 10-24. OPTION 2 ELECTRICAL BOARD ASSEMBLY .....	1136
FIGURE 10-25. CAB OPTION HARNESS.....	1138
FIGURE 10-26. CAB HEATER HARNESS INSTALLATION .....	1140
FIGURE 10-27. CAB HEATER HARNESS (Prior to SN 1160008716) .....	1142
FIGURE 10-28. CAB HEATER HARNESS (SN 1160008716 to Present) .....	1144
FIGURE 10-29. A/C OPTION HARNESS .....	1146
FIGURE 10-30. DASH ELECTRICS INSTALLATION (ULS) .....	1148
FIGURE 10-31. DASH ELECTRICS INSTALLATION (LS).....	1150
FIGURE 10-32. REVERSE CAMERA INSTALLATION (TRAILER BRAKES) .....	1152
FIGURE 10-33. REVERSE CAMERA INSTALLATION (NO TRAILER BRAKES).....	1154
FIGURE 10-34. REVERSE ALARM INSTALLATION .....	1156
FIGURE 10-35. REVERSE SENSOR INSTALLATION (NO HYDRAULIC HITCH) .....	1158
FIGURE 10-36. REVERSE SENSOR INSTALLATION (HYDRAULIC HITCH) .....	1160
FIGURE 10-37. REVERSE SENSOR HARNESS.....	1162
FIGURE 10-38. CLEARSKY INSTALLATION (A/C - LONG ROOF CAP) (Prior to SN 1160008715) .....	1164
FIGURE 10-39. CLEARSKY INSTALLATION (A/C - LONG ROOF CAP) (SN 1160008715 to Present).....	1166
FIGURE 10-40. CLEARSKY INSTALLATION (NO A/C - SHORT ROOF CAP) .....	1168
FIGURE 10-41. CLEARSKY HARNESS (A/C) .....	1170
FIGURE 10-42. TELEMATICS CAP INSTALLATION.....	1172
FIGURE 10-43. DIP LIGHTS INSTALLATION (RHD - NO OUTRIGGERS) .....	1174
FIGURE 10-44. DIP LIGHTS INSTALLATION (LHD - NO OUTRIGGERS).....	1176
FIGURE 10-45. LICENSE PLATE LAMP INSTALLATION .....	1178
FIGURE 10-46. LICENSE LIGHT HARNESS.....	1180
FIGURE 10-47. CAB WORKLIGHTS INSTALLATION (NO A/C) .....	1182
FIGURE 10-48. CAB WORKLIGHTS INSTALLATION (A/C).....	1184
FIGURE 10-49. CAB WORKLIGHTS INSTALLATION (NO A/C - LED) .....	1186
FIGURE 10-50. CAB WORKLIGHTS INSTALLATION (A/C - LED).....	1188
FIGURE 10-51. BOOM WORKLIGHTS INSTALLATION.....	1190
FIGURE 10-52. BOOM LED WORKLIGHTS INSTALLATION.....	1192
FIGURE 10-53. BOOM WORKLIGHTS HARNESS.....	1194
FIGURE 10-54. BEACON LIGHT INSTALLATION.....	1196
FIGURE 10-55. BEACON BRACKET INSTALLATION (Prior to SN 1160008716).....	1198
FIGURE 10-56. BEACON BRACKET INSTALLATION (AG) (SN 1160008716 to Present).....	1200
FIGURE 10-57. TRAILER ELECTRICS INSTALLATION .....	1202
FIGURE 10-58. TRAILER CONNECTOR HARNESS.....	1204
FIGURE 10-59. MULTIFUNCTION DISPLAY INSTALLATION .....	1206
FIGURE 10-60. ENGINE SPEED SET SWITCH INSTALLATION.....	1208
FIGURE 10-61. DECLUTCH SWITCH INSTALLATION .....	1210
FIGURE 10-62. FOG LAMP SWITCH INSTALLATION (Prior to SN 1160008597) .....	1212
FIGURE 10-63. LSI SENSOR INSTALLATION .....	1214
FIGURE 10-64. LSI DISPLAY INSTALLATION .....	1216
FIGURE 10-65. LSI SENSOR (Prior to SN 1160008716).....	1218
FIGURE 10-66. LSI SENSOR (24IN WHEEL) (SN 1160008716 to Present) .....	1220
FIGURE 10-67. LMIS INSTALLATION (NO MULTIFUNCTION DISPLAY) .....	1222

# TABLE OF CONTENTS

FIGURE 10-68. LMIS INSTALLATION (MULTIFUNCTION DISPLAY) .....	1224
FIGURE 10-69. LMIS CONTROLLER INSTALLATION .....	1226
FIGURE 10-70. LMIS CABLE REEL INSTALLATION (NO RIDE CONTROL) .....	1228
FIGURE 10-71. LMIS INSTALLATION MECH .....	1230
FIGURE 10-72. LMIS INSTALLATION MECH (RIDE CONTROL) .....	1232
FIGURE 10-73. LMIS WIRING INSTALLATION .....	1234
FIGURE 10-74. LMIS CHASSIS HARNESS .....	1236
FIGURE 10-75. LMIS BEACON INSTALLATION .....	1238
FIGURE 10-76. BOOM ANGLE SENSOR INSTALLATION .....	1240
FIGURE 10-77. EARTH STRAP INSTALLATION .....	1242
FIGURE 10-78. BOOM RETRACT SENSOR INSTALLATION .....	1244
FIGURE 10-79. IGNITION SWITCH INSTALLATION (JLG) .....	1246
FIGURE 10-80. BOOM HARNESS .....	1248
FIGURE 10-81. SEAT ADAPTOR HARNESS .....	1250
FIGURE 10-82. NO ROAD LIGHTS INSTALLATION .....	1252
FIGURE 10-83. LSI SWITCH INSTALLATION .....	1254
FIGURE 10-84. LSI SENSOR COVER INSTALLATION .....	1256
SECTION 11 - DECALS .....	1259
FIGURE 11-1. CAPACITY CHART HOLDER INSTALLATION .....	1260
FIGURE 11-2. DECALS INSTALLATION (3510PS - JLG) .....	1262
FIGURE 11-3. DECALS INSTALLATION (ULS) (CE) .....	1264
FIGURE 11-4. DECALS INSTALLATION (LS) (AUS - JLG) .....	1268
FIGURE 11-5. DECALS INSTALLATION (LS) (CIS - JLG) .....	1272
FIGURE 11-6. DECALS INSTALLATION (ULS) (ANSI - JLG) .....	1276
FIGURE 11-7. DECALS INSTALLATION (LS) (JLG) .....	1280
FIGURE 11-8. DECAL SOUND PLATE INSTALLATION (106DB) .....	1284
FIGURE 11-9. DECAL SOUND PLATE INSTALLATION (107DB) .....	1286
FIGURE 11-10. LOAD CHART 10M (JLG) (METRIC) .....	1288
FIGURE 11-11. LOAD CHART 10M (JLG) (AUS) .....	1290
FIGURE 11-12. HOMOLOGATION PLATE INSTALLATION .....	1292
FIGURE 11-13. REFLECTORS INSTALLATION .....	1294
SECTION 12 - RECOMMENDED SPARE PARTS .....	1297
FIGURE 12-1. RECOMMENDED SPARE PARTS .....	1298
PART NUMBER INDEX .....	1299

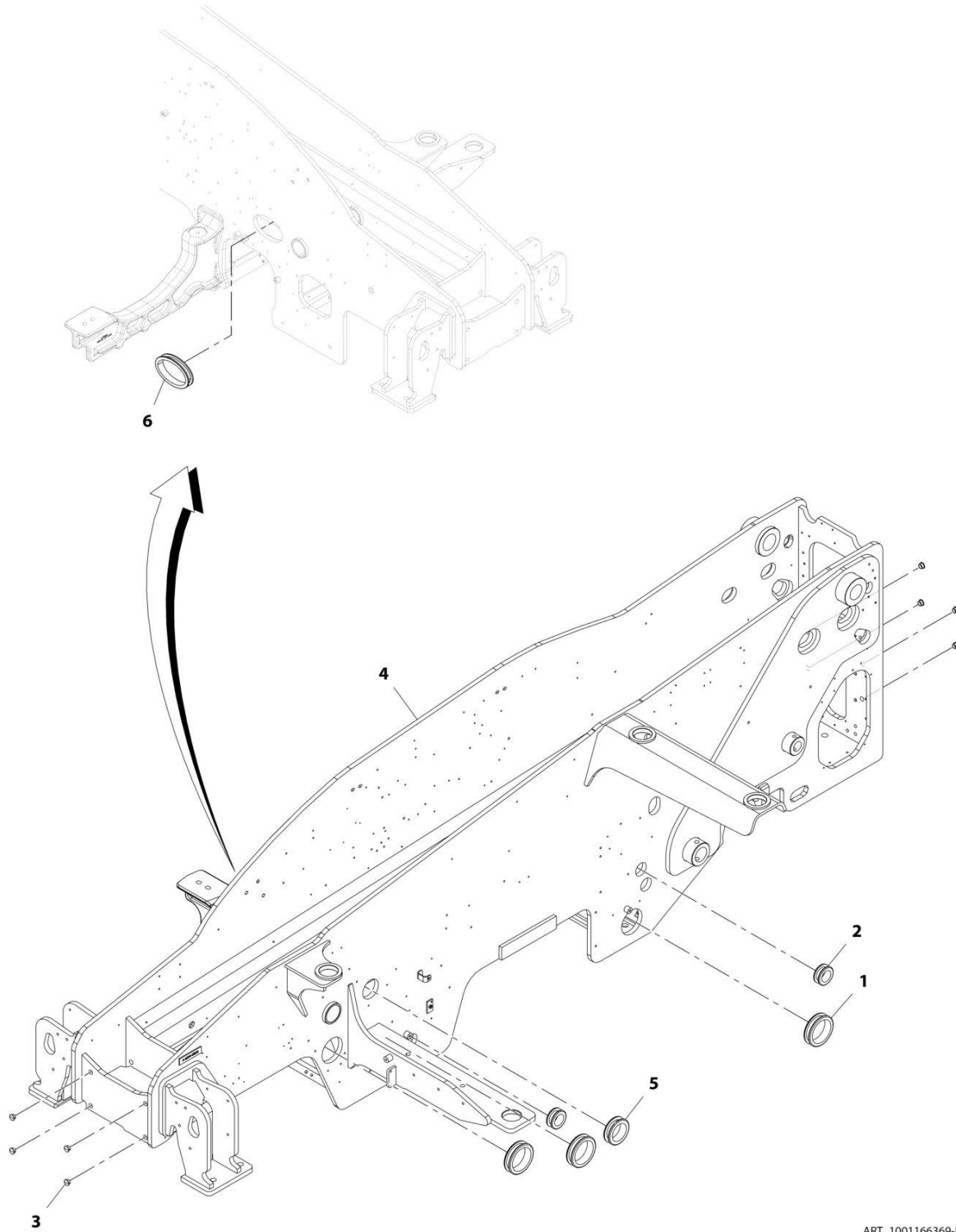


## **SECTION 1 - FRAME AND ATTACHING PARTS**

## **SECTION 1 - FRAME AND ATTACHING PARTS**

# SECTION 1 - FRAME AND ATTACHING PARTS

## FIGURE 1-1. FRAME INSTALLATION



ART\_1001166369-K

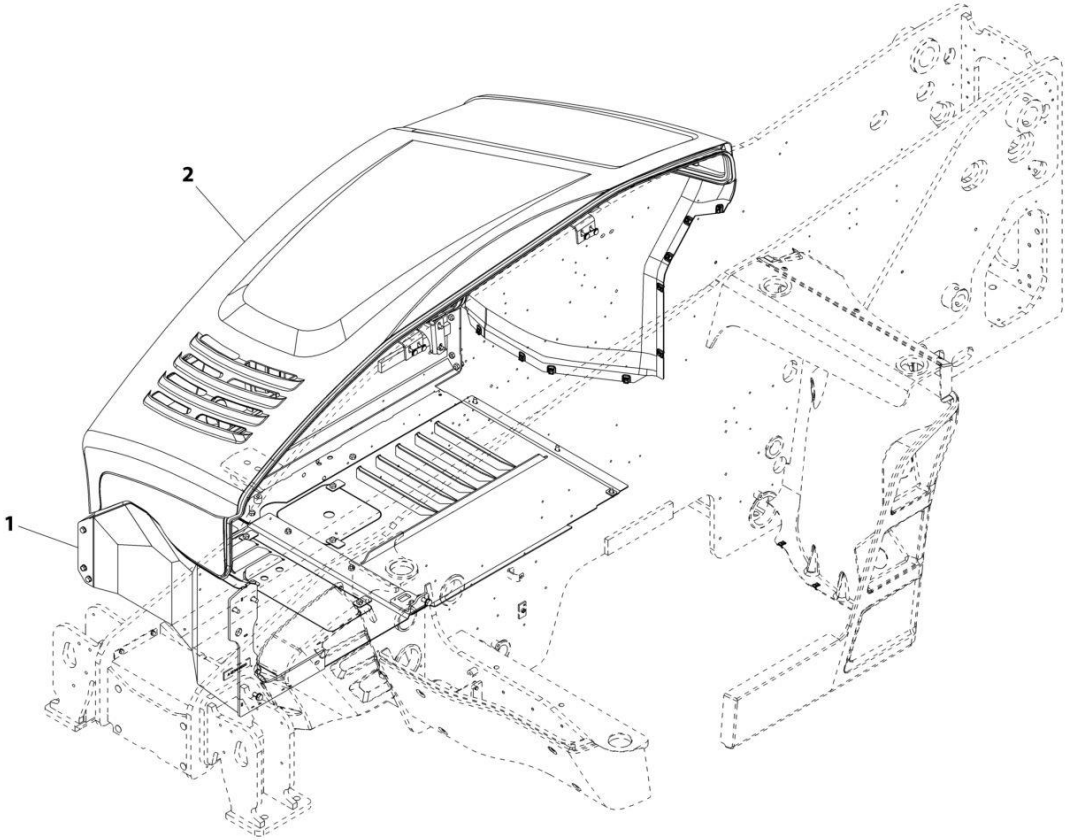
# SECTION 1 - FRAME AND ATTACHING PARTS

## FIGURE 1-1. FRAME INSTALLATION

ITEM	PART NUMBER	QTY	DESCRIPTION	REV
	1001166369	Ref	Frame Installation	K
1	1001003439	3	Grommet, Rubber	
2	1001028308	2	Grommet, Rubber	
3	1001091126	8	Plug, Black	
4	1001153902J	1	Frame	
5	1001028291	1	Grommet	
6	1001217550	1	Grommet, Rubber	

**SECTION 1 - FRAME AND ATTACHING PARTS**

**FIGURE 1-2. ENGINE ENCLOSURE INSTALLATION (NO RHOC - JLG)**



ART\_1001182423-E

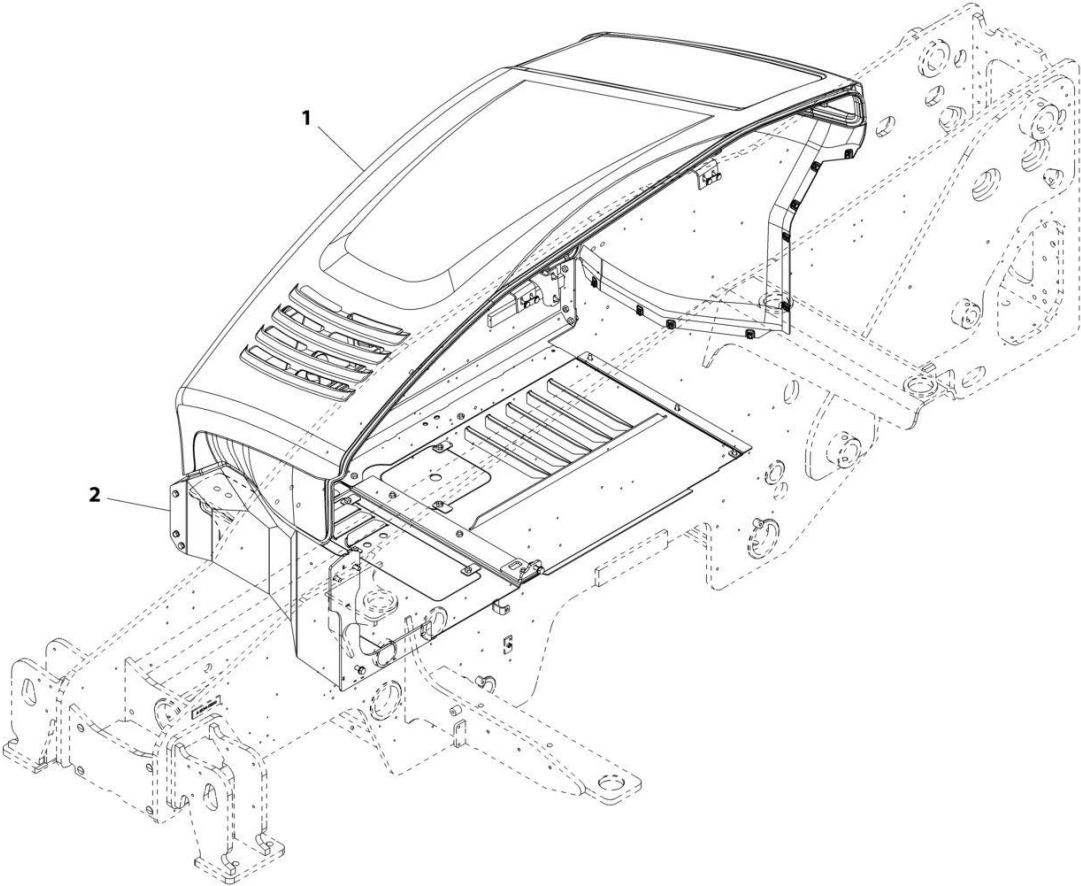
# SECTION 1 - FRAME AND ATTACHING PARTS

**FIGURE 1-2. ENGINE ENCLOSURE INSTALLATION (NO RHOC - JLG)**

ITEM	PART NUMBER	QTY	DESCRIPTION	REV
1	1001182423	Ref	Engine Enclosure Installation (No RHOC)	E
	1001195827	Ref	Installation, Engine Enclosure Cover (No RHOC) (See Separate Breakdown in this Section)	
2	1001184514	Ref	Installation, Hood (See Separate Breakdown in this Section)	

# SECTION 1 - FRAME AND ATTACHING PARTS

FIGURE 1-3. ENGINE ENCLOSURE INSTALLATION (RHOC - JLG)



ART\_1001185790-E

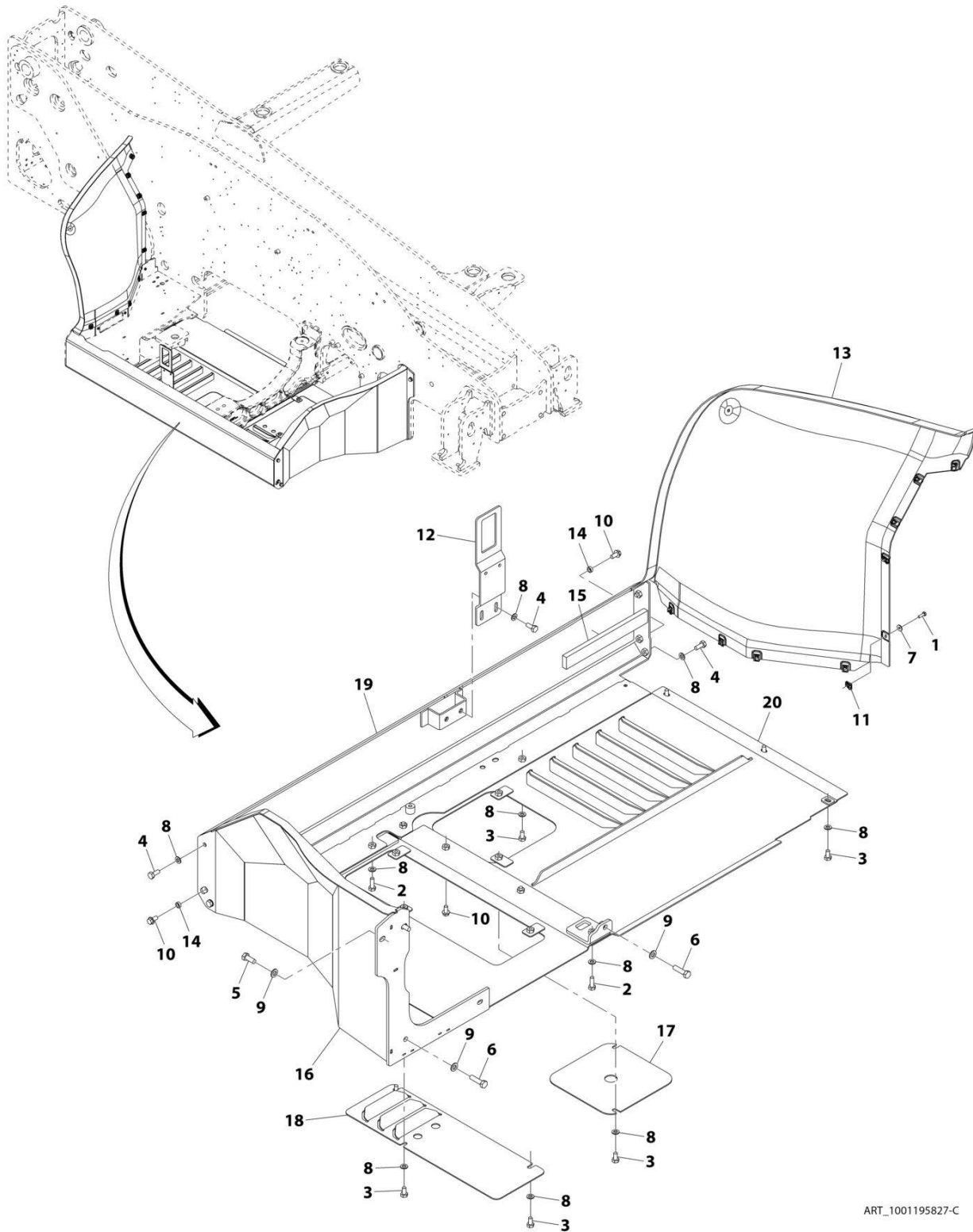
# SECTION 1 - FRAME AND ATTACHING PARTS

## FIGURE 1-3. ENGINE ENCLOSURE INSTALLATION (RHOC - JLG)

ITEM	PART NUMBER	QTY	DESCRIPTION	REV
1	1001185790	Ref	Engine Enclosure Installation (RHOC)	E
	1001184514	Ref	Installation, Hood (See Separate Breakdown in this Section)	
	1001195829	Ref	Installation, Engine Enclosure Cover (RHOC) (See Separate Breakdown in this Section)	

# SECTION 1 - FRAME AND ATTACHING PARTS

## FIGURE 1-4. ENGINE ENCLOSURE COVER INSTALLATION (NO RHOC)





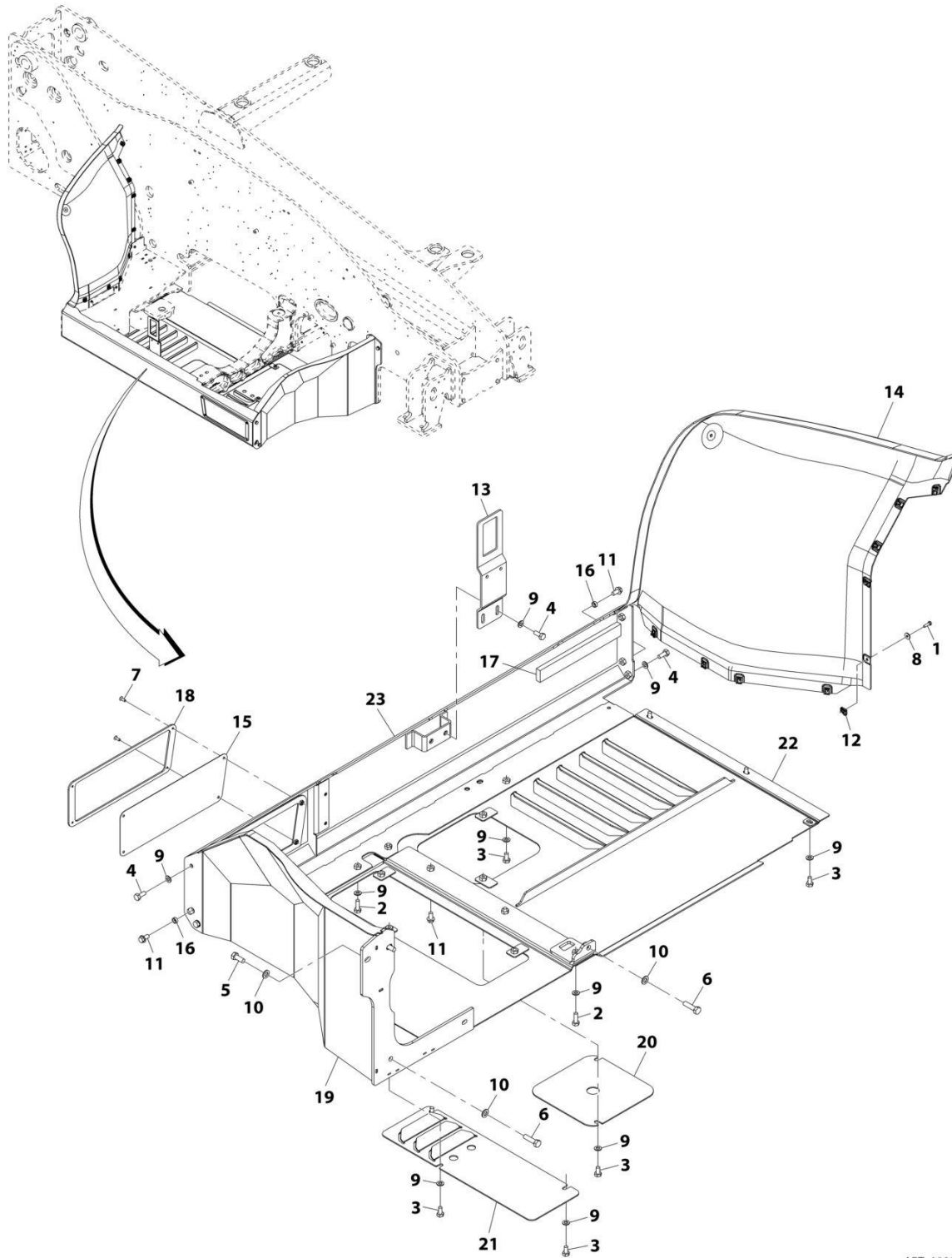
## SECTION 1 - FRAME AND ATTACHING PARTS

**FIGURE 1-4. ENGINE ENCLOSURE COVER INSTALLATION (NO RHOC)**

ITEM	PART NUMBER	QTY	DESCRIPTION	REV
	1001195827	Ref	Engine Enclosure Cover Installation (No RHOC)	C
1	0700610	9	Bolt, M6 X 20	
2	0701014	2	Bolt, M10X30	
3	0761010	10	Bolt, M10X20	
4	0761012	6	Bolt, M10X25	
5	0761214	2	Bolt, M12X30	
6	0761217	2	Bolt, M12X45	
7	4811702	9	Washer, M6	
8	4812000	18	Washer, M10	
9	4812100	4	Washer, M12	
10	5251010	4	Bolt, M10X20 Grade 10.9	
11	8305919	9	Nut, M6	
12	1001154688	1	Plate	
13	1001184524	1	Cover, Engine Enclosure Rear	
14	1001197135	2	Sleeve, Enclosure Skirt	
15	1001197266	1	Seal, Engine Enclosure	
16	1001195210J	1	Panel, Front Enclosure	
17	1001195240J	1	Plate	
18	1001195252J	1	Plate	
19	1001195274J	1	Panel, Engine Enclosure Side	
20	1001201805J	1	Panel, Engine Enclosure Base	

# SECTION 1 - FRAME AND ATTACHING PARTS

## FIGURE 1-5. ENGINE ENCLOSURE COVER INSTALLATION (RHOC)



ART\_1001195829-C

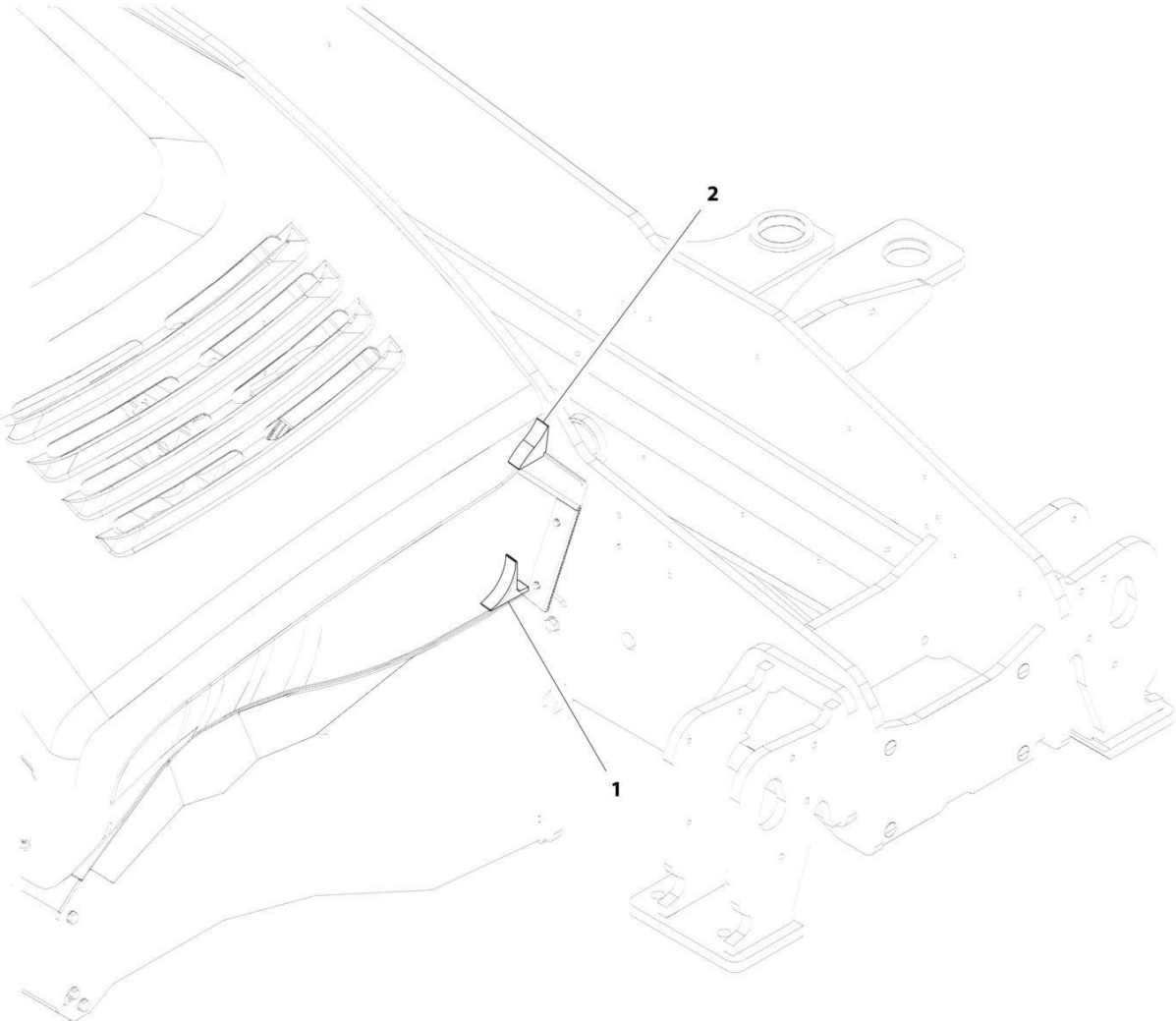
## SECTION 1 - FRAME AND ATTACHING PARTS

**FIGURE 1-5. ENGINE ENCLOSURE COVER INSTALLATION (RHOC)**

ITEM	PART NUMBER	QTY	DESCRIPTION	REV
	1001195829	Ref	Engine Enclosure Cover Installation (RHOC)	E
1	0700610	9	Bolt, M6 X 20	
2	0701014	2	Bolt, M10X30	
3	0761010	10	Bolt, M10X20	
4	0761012	6	Bolt, M10X25	
5	0761214	2	Bolt, M12X30	
6	0761217	2	Bolt, M12X45	
7	3900224	4	Screw	
8	4811702	9	Washer, M6	
9	4812000	18	Washer, M10	
10	4812100	4	Washer, M12	
11	5251010	4	Bolt, M10X20 Grade 10.9	
12	8305919	9	Nut, M6	
13	1001154688	1	Plate	
14	1001184524	1	Cover, Engine Enclosure Rear	
15	1001185061	1	Grill, Engine Enclosure	
16	1001197135	2	Sleeve, Enclosure Skirt	
17	1001197266	1	Seal, Engine Enclosure	
18	1001185023J	1	Panel, Front Vent	
19	1001195210J	1	Panel, Front Enclosure	
20	1001195240J	1	Plate	
21	1001195252J	1	Plate	
22	1001201805J	1	Panel, Engine Enclosure Base	
23	1001196876J	1	Panel, Engine Enclosure Side	

**SECTION 1 - FRAME AND ATTACHING PARTS**

**FIGURE 1-6. AIR INTAKE SEAL INSTALLATION**



ART\_1001217557-A

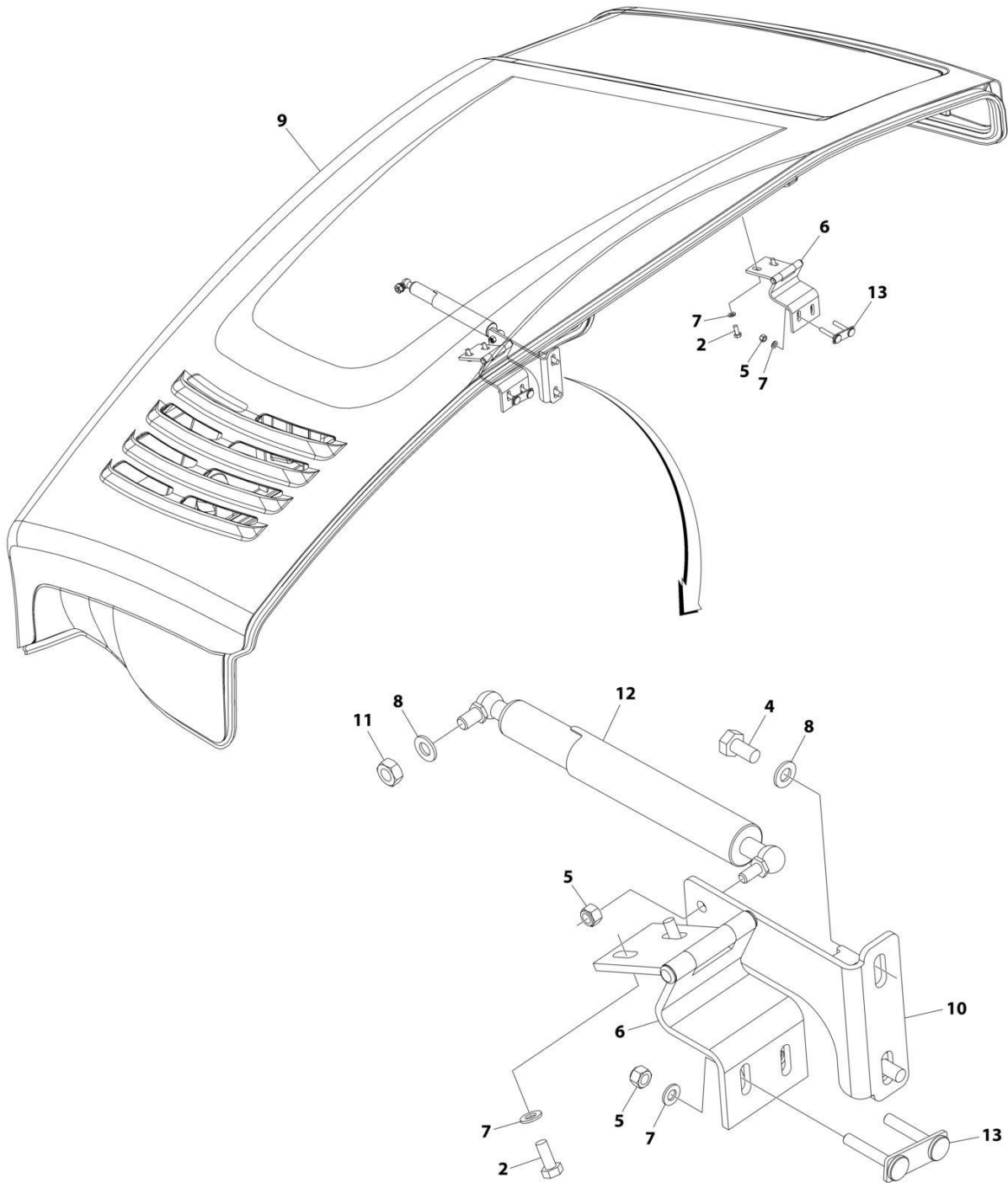
# SECTION 1 - FRAME AND ATTACHING PARTS

## FIGURE 1-6. AIR INTAKE SEAL INSTALLATION

ITEM	PART NUMBER	QTY	DESCRIPTION	REV
	1001217557	Ref	Air Intake Seal Installation	A
1	1001211786	1	Seal	
2	1001211787	1	Seal	

# SECTION 1 - FRAME AND ATTACHING PARTS

FIGURE 1-7. HOOD INSTALLATION (JLG) (Prior to SN 1160008717)



ART\_1001184514

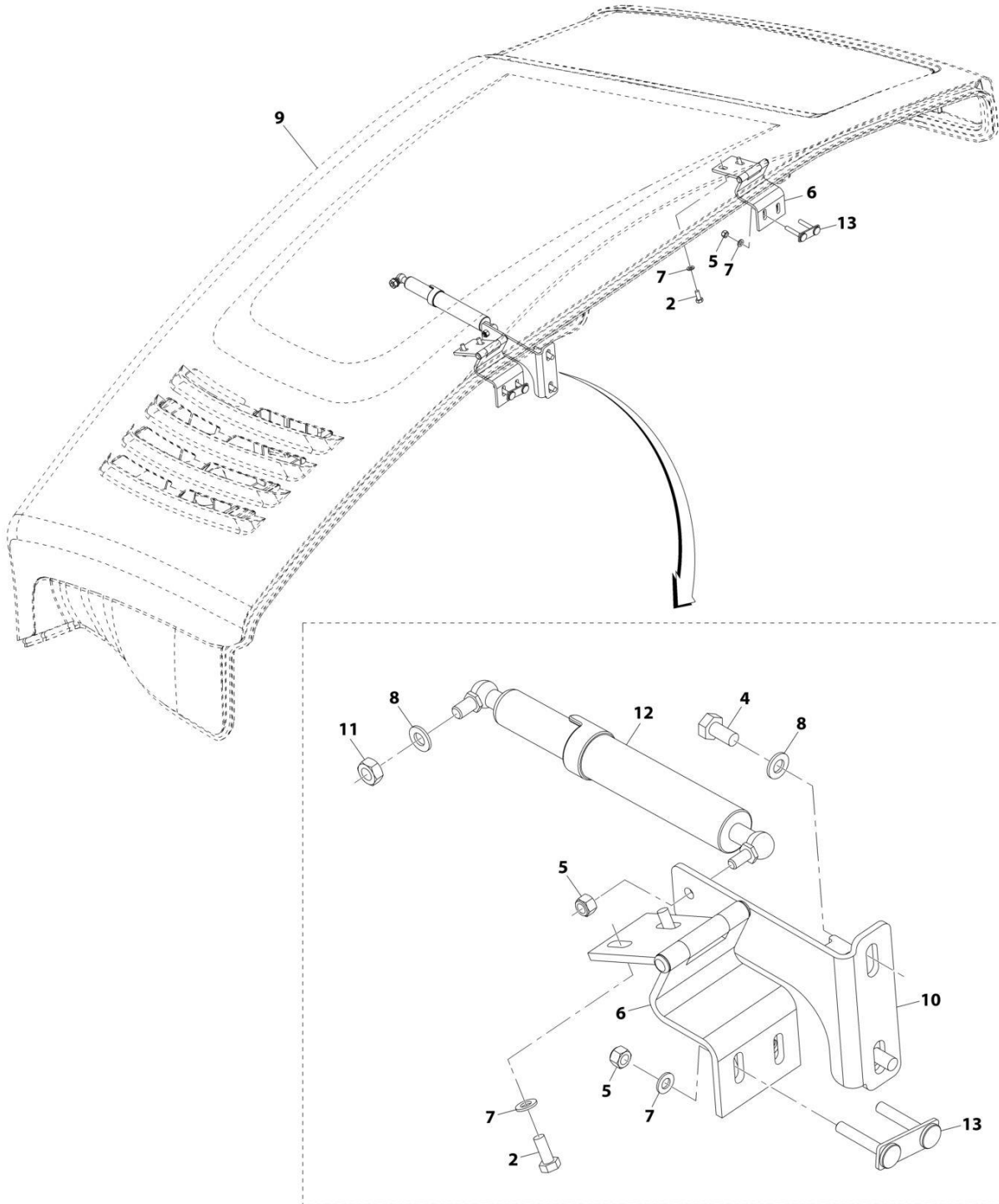
# SECTION 1 - FRAME AND ATTACHING PARTS

## FIGURE 1-7. HOOD INSTALLATION (JLG) (Prior to SN 1160008717)

ITEM	PART NUMBER	QTY	DESCRIPTION	REV
	1001184514	Ref	HOOD IONSTALLATION	G
2	0760810	4	Bolt M8 x 20	
4	0761010	2	Bolt M10 x 20	
5	3290805	5	Nut M8	
6	1001205080	2	Hinge, Hood	
7	4811900	8	Washer M8	
8	4812000	3	Washer M10	
9	1001196418	1	Hood	
10	1001273847	1	Bracket	
11	3291001	1	Nut M10	
12	1001271338	1	Spring	
13	1001195587	2	Brace	

# SECTION 1 - FRAME AND ATTACHING PARTS

FIGURE 1-8. HOOD INSTALLATION (JLG) (SN 1160008717 to Present)



ART\_1001184514-E



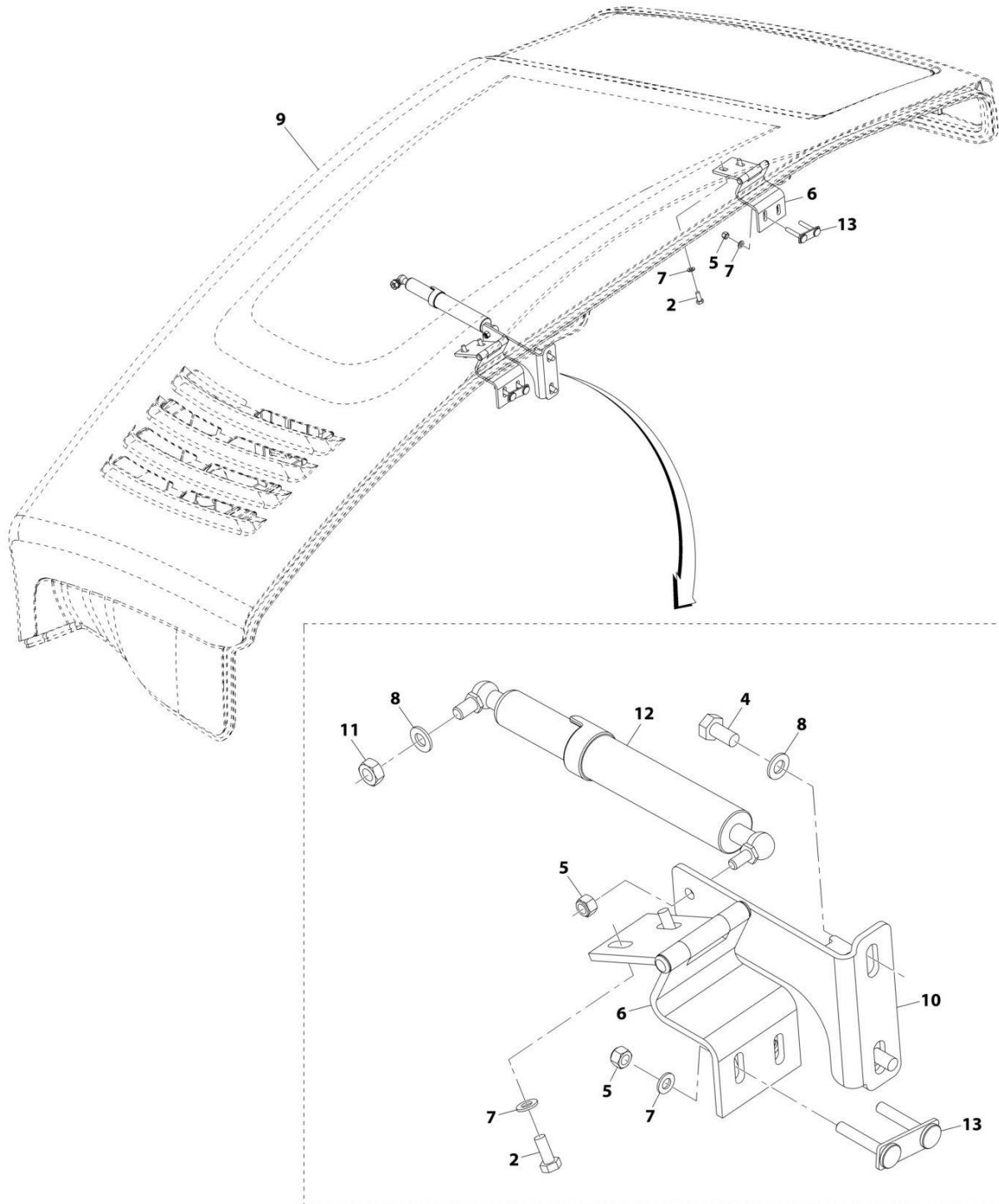
# SECTION 1 - FRAME AND ATTACHING PARTS

FIGURE 1-8. HOOD INSTALLATION (JLG) (SN 1160008717 to Present)

ITEM	PART NUMBER	QTY	DESCRIPTION	REV
	1001184514	Ref	Hood Installation	E
2	0760810	4	Bolt, M8X20	
4	0761010	2	Bolt, M10X20	
5	3290805	5	Nut, Lock M8X1.25 Grade 8	
6	1001205080	2	Hinge, Hood	
7	4811900	8	Washer, M8	
8	4812000	3	Washer, M10	
9	1001230384	1	Hood	
10	1001184431	1	Bracket	
11	3291001	1	Nut, M10X1.5 Grade 8	
12	1001167288	1	Spring	
13	1001195587	2	Brace	

# SECTION 1 - FRAME AND ATTACHING PARTS

FIGURE 1-9. HOOD INSTALLATION (DEUTZ-FAHR) (SN 1160008717 to Present)



ART\_1001184515-E

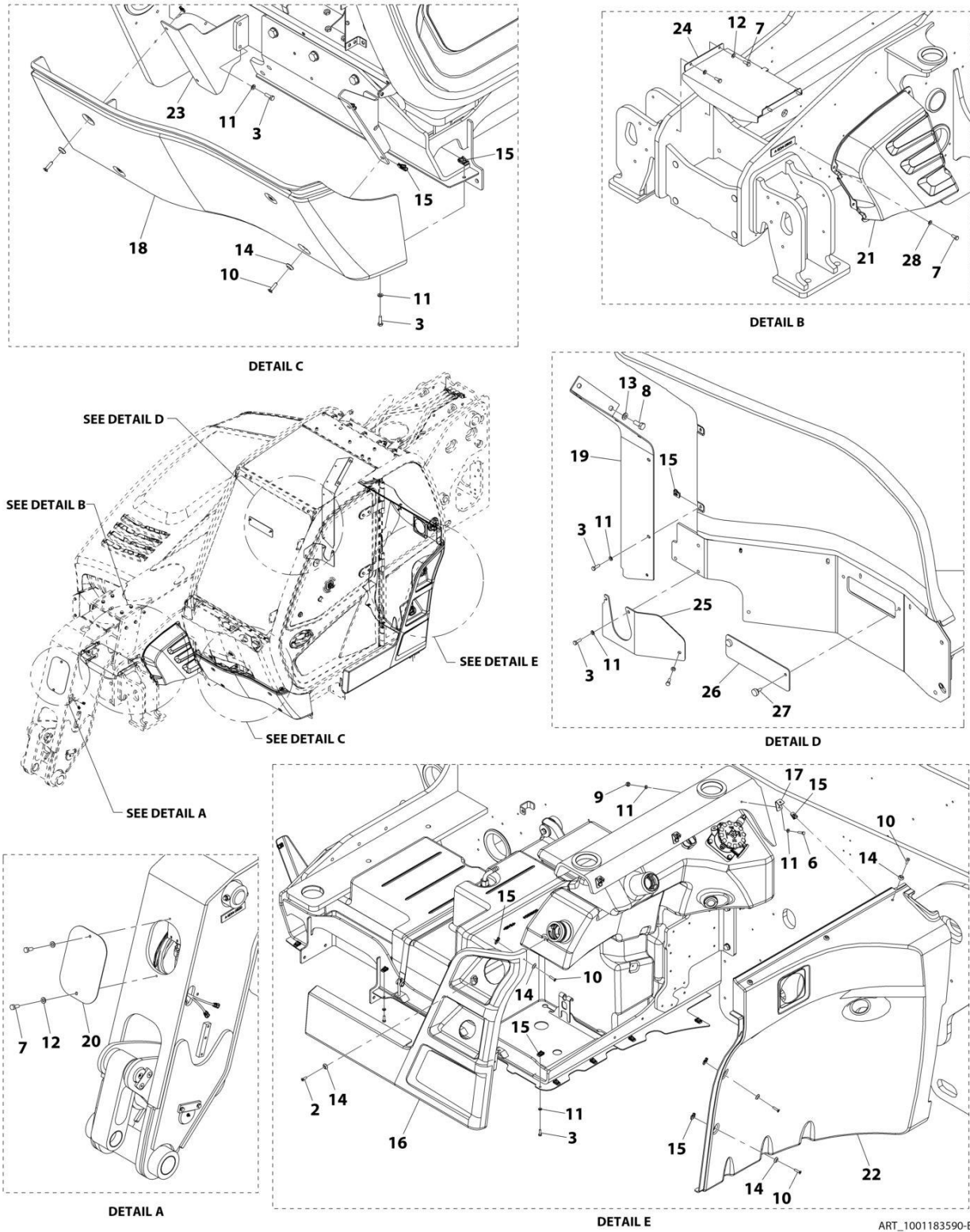
# SECTION 1 - FRAME AND ATTACHING PARTS

FIGURE 1-9. HOOD INSTALLATION (DEUTZ-FAHR) (SN 1160008717 to Present)

ITEM	PART NUMBER	QTY	DESCRIPTION	REV
	1001184515	Ref	Hood Installation	E
2	0760810	4	Bolt, M8X20	
4	0761010	2	Bolt, M10X20	
5	3290805	5	Nut, Lock M8X1.25 Grade 8	
6	1001205080	2	Hinge, Hood	
7	4811900	8	Washer, M8	
8	4812000	3	Washer, M10	
9	1001230479	1	Hood	
10	1001184431	1	Bracket	
11	3291001	1	Nut, M10X1.5 Grade 8	
12	1001167288	1	Spring	
13	1001195587	2	Brace	

# SECTION 1 - FRAME AND ATTACHING PARTS

## FIGURE 1-10. COVER PLATES INSTALLATION (NO OUTRIGGERS - ULS)



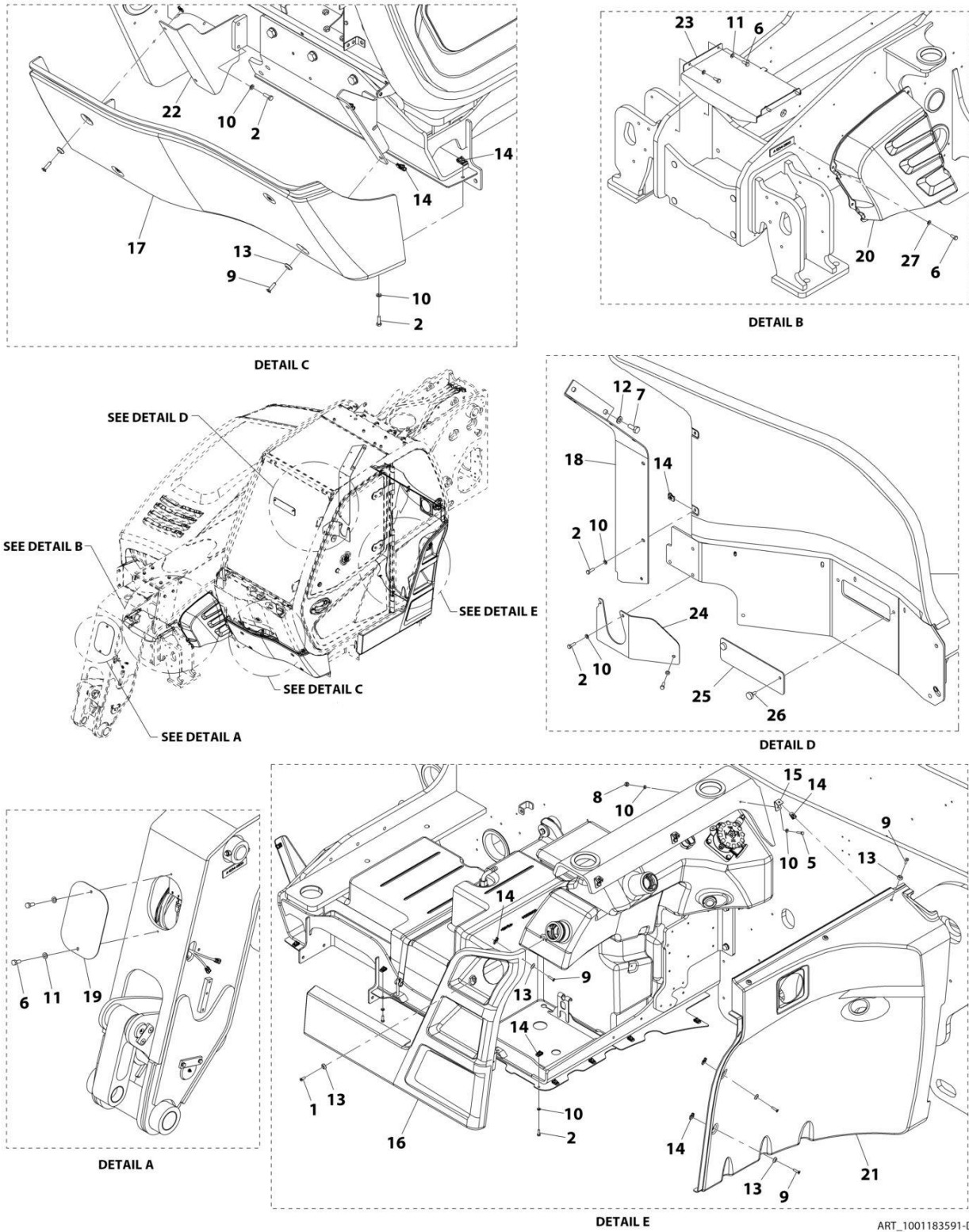
## SECTION 1 - FRAME AND ATTACHING PARTS

**FIGURE 1-10. COVER PLATES INSTALLATION (NO OUTRIGGERS - ULS)**

ITEM	PART NUMBER	QTY	DESCRIPTION	REV
	1001183590	Ref	Cover Plates Installation (No Outriggers - ULS)	E
2	0630576	1	Screw, M6X20	
3	0700610	14	Bolt, M6X20	
6	0760612	3	Bolt, M6X25	
7	0760810	10	Bolt, M8X20	
8	0761012	2	Bolt, M10X25	
9	3290605	3	Nut, Lock M6X1 Grade 8	
10	3900379	10	Screw, M6-1X25 Grade 10.9	
11	4811700	20	Washer, M6	
12	4811900	6	Washer, M8	
13	4812000	2	Washer, M10	
14	1001097540	11	Washer, M6	
15	8305919	18	Nut, M6	
16	1001168758	1	Cover, Side Tank	
17	1001171782	3	Plate, Angle Mount	
18	1001174328	1	Cover, Lower Front	
19	1001182210	1	Plate, Enclosure Rear	
20	1001185936	1	Plate, Cover Boom Head	
21	1001187717	1	Cover, ECU	
22	1001190408	1	Cover, Rear Tank	
23	1001191808	1	Bracket, Cover	
24	1001189984J	1	Panel, Frame	
25	1001201504J	1	Panel, Cover	
26	1001216923J	1	Plate, Radiator Cover	
27	2080092	2	Screw, Thumb M6X20	
28	4811902	4	Washer, M8	

# SECTION 1 - FRAME AND ATTACHING PARTS

## FIGURE 1-11. COVER PLATES INSTALLATION (NO OUTRIGGERS - LS)



ART\_1001183591-D

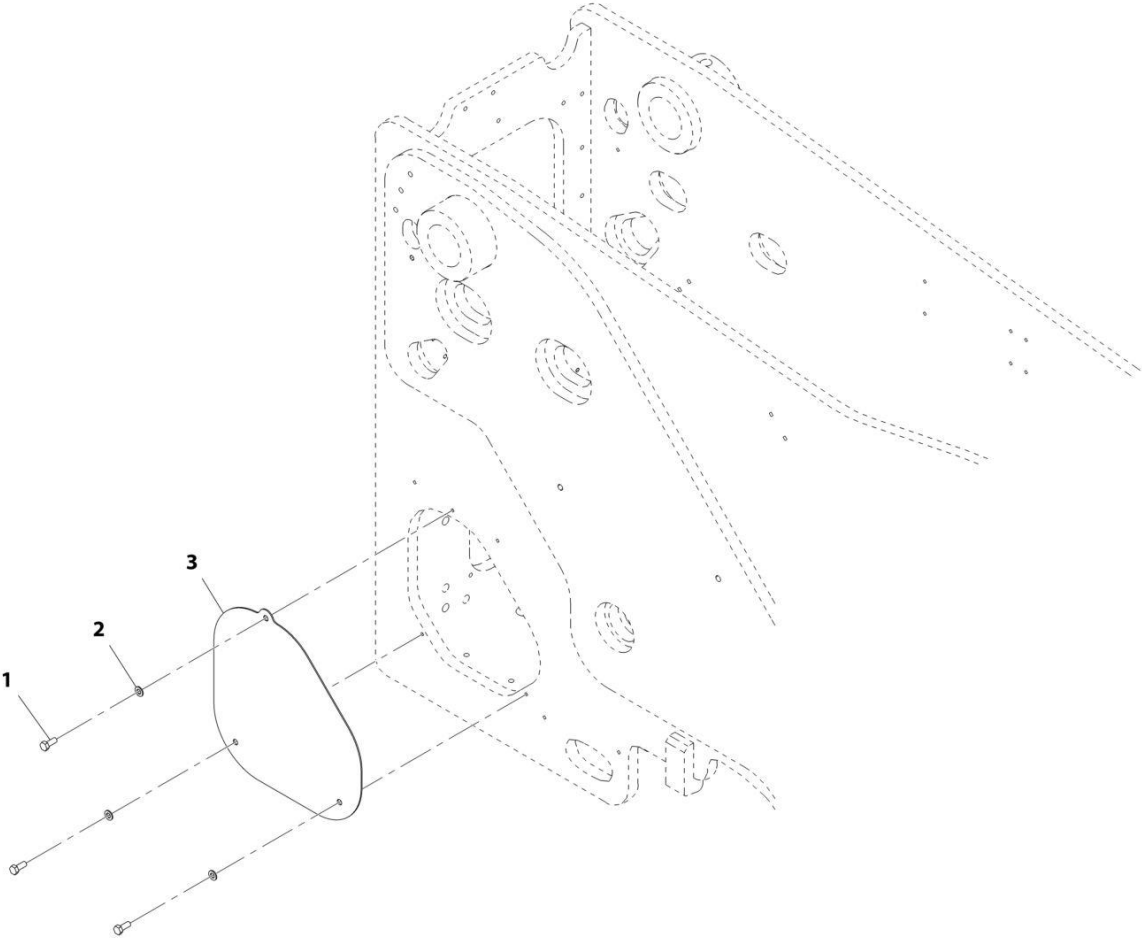
## SECTION 1 - FRAME AND ATTACHING PARTS

**FIGURE 1-11. COVER PLATES INSTALLATION (NO OUTRIGGERS - LS)**

ITEM	PART NUMBER	QTY	DESCRIPTION	REV
	1001183591	Ref	Cover Plates Installation (No Outriggers - LS)	D
1	0630576	1	Screw, M6X20	
2	0700610	14	Bolt, M6X20	
5	0760612	3	Bolt, M6X25	
6	0760810	10	Bolt, M8X20	
7	0761012	2	Bolt, M10X25	
8	3290605	3	Nut, Lock M6X1 Grade 8	
9	3900379	10	Screw, M6-1X25 Grade 10.9	
10	4811700	20	Washer, M6	
11	4811900	6	Washer, M8	
12	4812000	2	Washer, M10	
13	1001097540	11	Washer, M6	
14	8305919	18	Nut, M6	
15	1001171782	3	Plate, Angle Mount	
16	1001172829	1	Cover, Side Tank	
17	1001174328	1	Cover, Lower Front	
18	1001182210	1	Plate, Enclosure Rear	
19	1001185936	1	Plate, Cover Boom Head	
20	1001187717	1	Cover, ECU	
21	1001190408	1	Cover, Rear Tank	
22	1001191808	1	Bracket, Cover	
23	1001189984J	1	Panel, Frame	
24	1001201504J	1	Panel, Cover	
25	1001216923J	1	Plate, Radiator Cover	
26	2080092	2	Screw, Thumb M6X20	
27	4811902	4	Washer, M8	

# SECTION 1 - FRAME AND ATTACHING PARTS

FIGURE 1-12. COVER PLATE INSTALLATION (NO TRAILER BRAKES)



ART\_1001203386-A



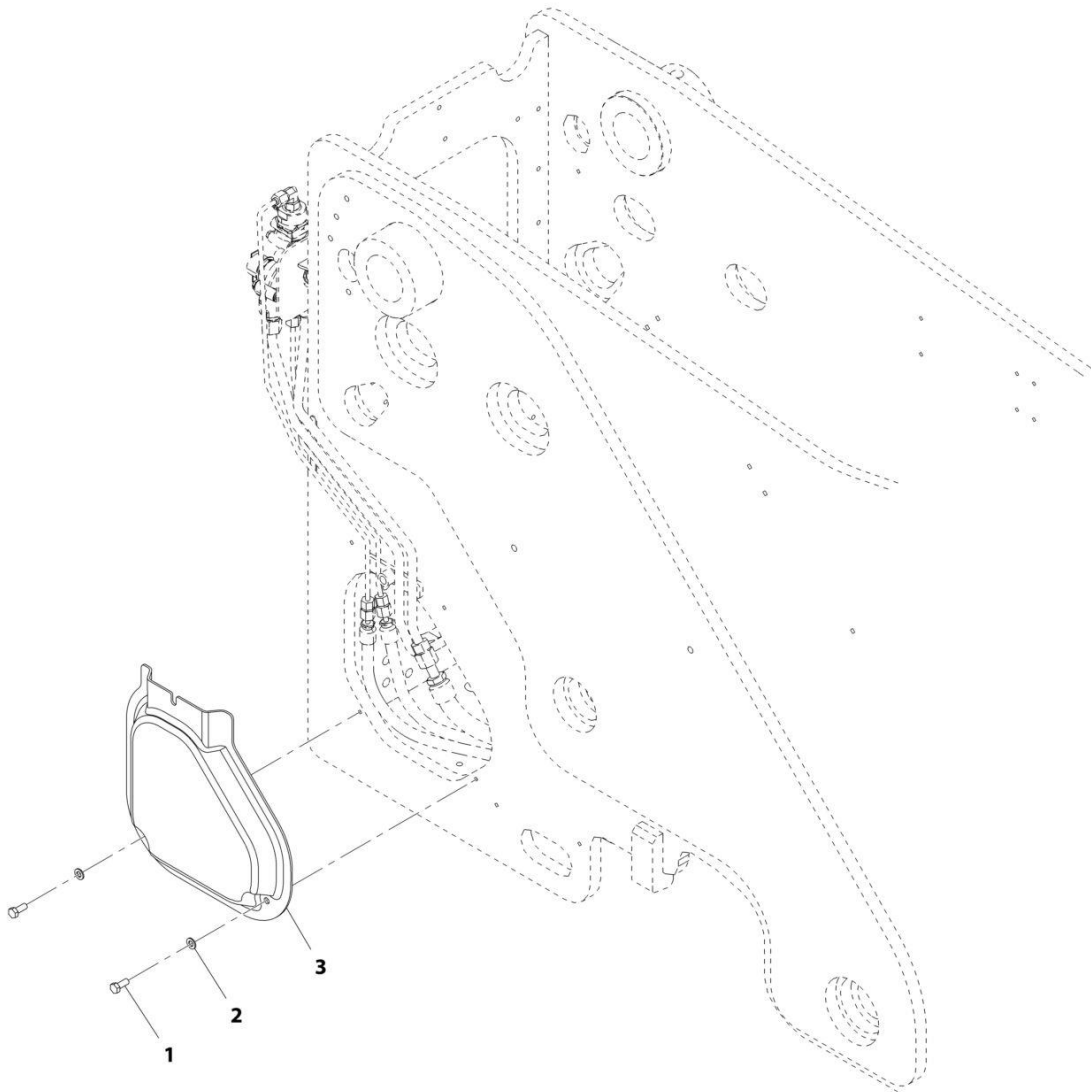
# SECTION 1 - FRAME AND ATTACHING PARTS

## FIGURE 1-12. COVER PLATE INSTALLATION (NO TRAILER BRAKES)

ITEM	PART NUMBER	QTY	DESCRIPTION	REV
	1001203386	Ref	Cover Plate Installation (No Trailer Brakes)	A
1	0760810	3	Bolt, M8X20	
2	4811900	3	Washer, M8	
3	1001180574J	1	Plate, Cover	

# SECTION 1 - FRAME AND ATTACHING PARTS

FIGURE 1-13. COVER PLATE INSTALLATION (TRAILER BRAKES)



ART\_1001203406-A

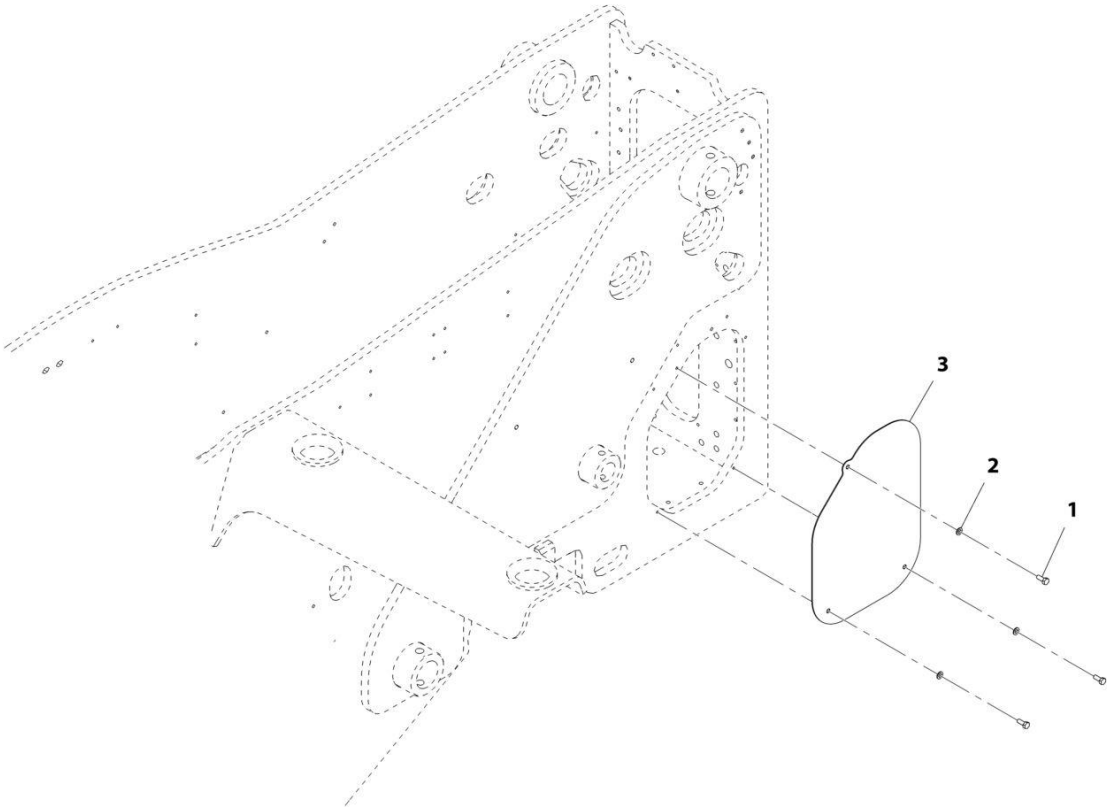
# SECTION 1 - FRAME AND ATTACHING PARTS

## FIGURE 1-13. COVER PLATE INSTALLATION (TRAILER BRAKES)

ITEM	PART NUMBER	QTY	DESCRIPTION	REV
	1001203406	Ref	Cover Plate Installation (Trailer Brakes)	A
1	0760810	2	Bolt, M8X20	
2	4811900	2	Washer, M8	
3	1001203410	1	Cover, Frame	

**SECTION 1 - FRAME AND ATTACHING PARTS**

**FIGURE 1-14. COVER PLATE INSTALLATION (NO REAR AUX)**



ART\_1001203374-A

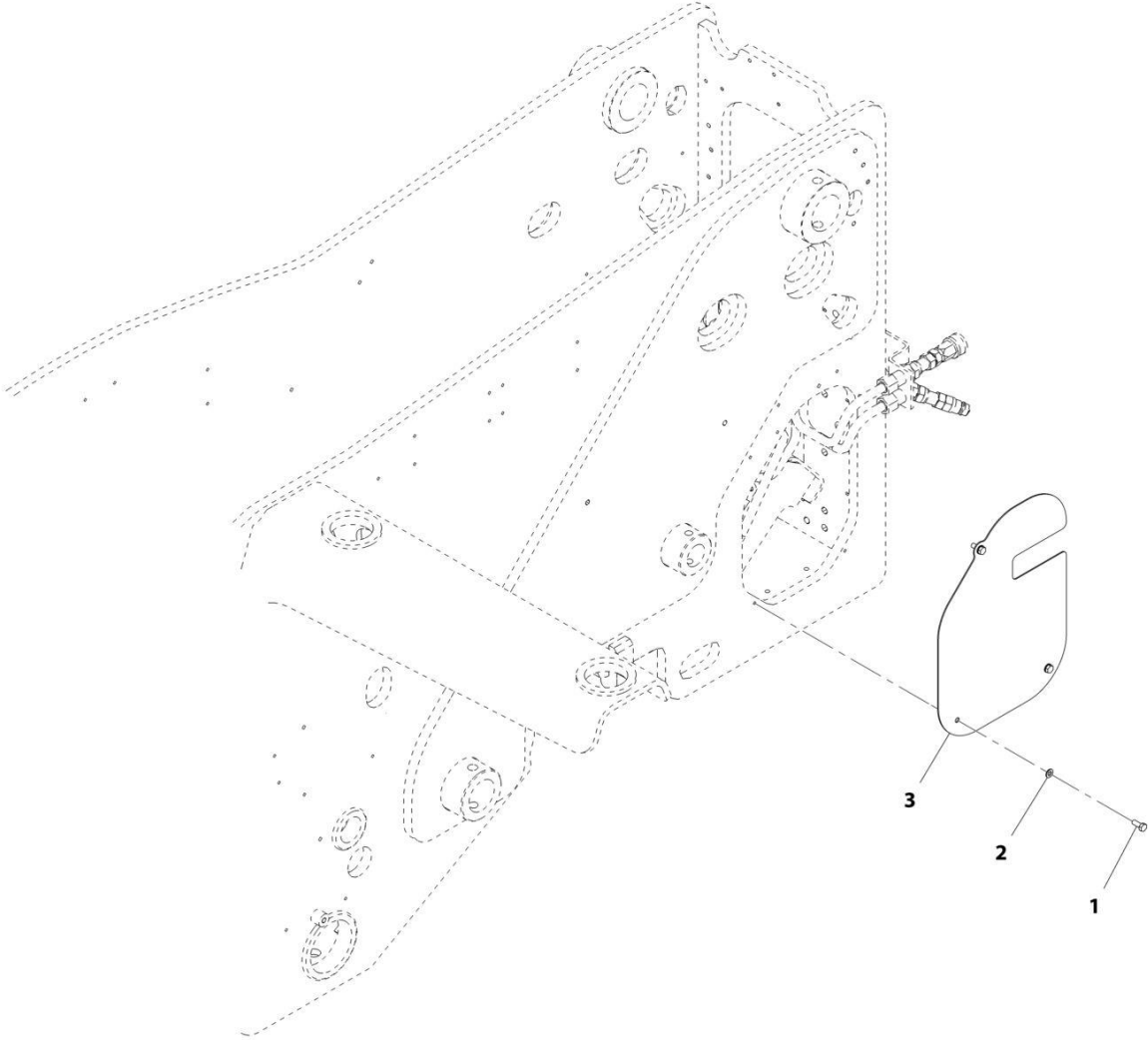
# SECTION 1 - FRAME AND ATTACHING PARTS

## FIGURE 1-14. COVER PLATE INSTALLATION (NO REAR AUX)

ITEM	PART NUMBER	QTY	DESCRIPTION	REV
	1001203374	Ref	Cover Plate Installation (No Rear Aux)	A
1	0760810	3	Bolt, M8X20	
2	4811900	3	Washer, M8	
3	1001183908J	1	Plate, Cover	

**SECTION 1 - FRAME AND ATTACHING PARTS**

**FIGURE 1-15. COVER PLATE INSTALLATION (REAR AUX)**



ART\_1001203402-B

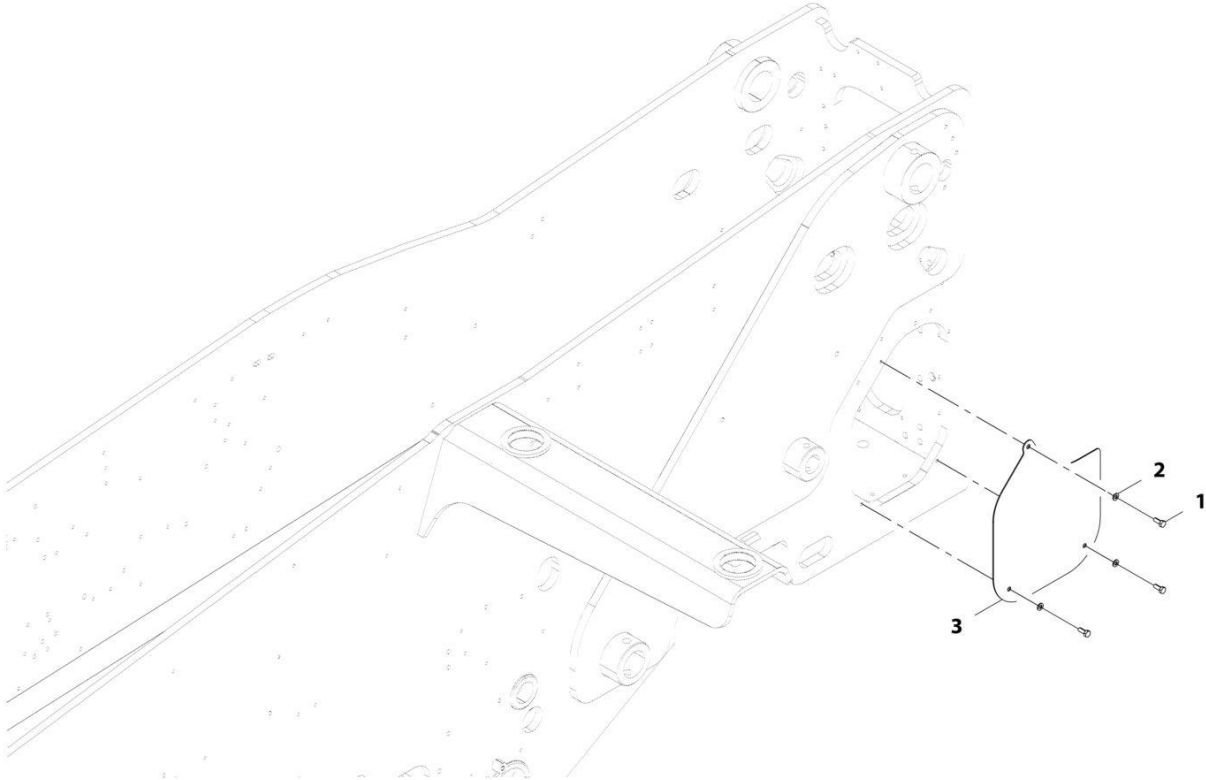
# SECTION 1 - FRAME AND ATTACHING PARTS

## FIGURE 1-15. COVER PLATE INSTALLATION (REAR AUX)

ITEM	PART NUMBER	QTY	DESCRIPTION	REV
	1001203402	Ref	Cover Plate Installation (Rear Aux)	B
1	0760810	3	Bolt, M8X20	
2	4811900	3	Washer, M8	
3	1001203408J	1	Plate, Cover	

**SECTION 1 - FRAME AND ATTACHING PARTS**

**FIGURE 1-16. COVER PLATE INSTALLATION (HYDRAULIC HITCH AND REAR AUX)**



ART\_1001214492-A



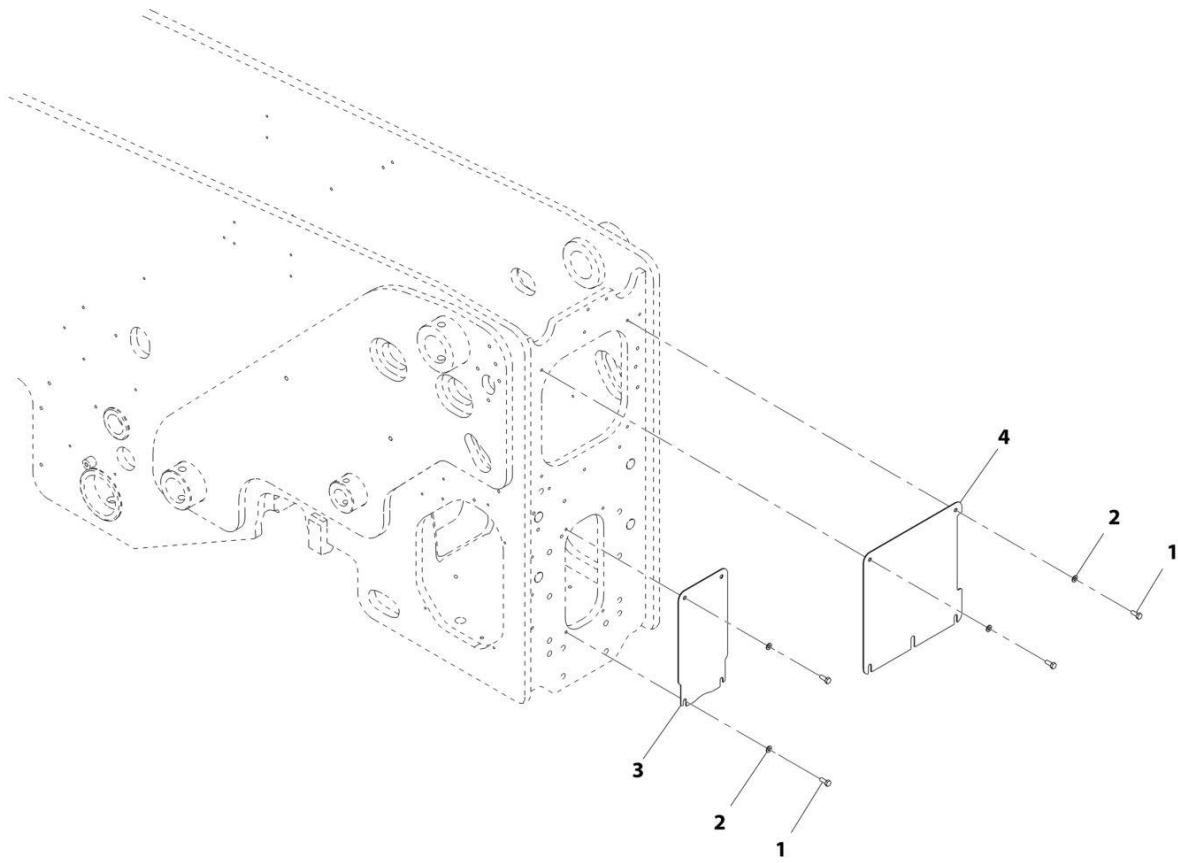
## SECTION 1 - FRAME AND ATTACHING PARTS

FIGURE 1-16. COVER PLATE INSTALLATION (HYDRAULIC HITCH AND REAR AUX)

ITEM	PART NUMBER	QTY	DESCRIPTION	REV
	1001214492	Ref	Cover Plate Installation (Hydraulic Hitch and Rear Aux)	A
1	0760810	3	Bolt, M8X20	
2	4811900	3	Washer, M8	
3	1001214036J	1	Plate	

# SECTION 1 - FRAME AND ATTACHING PARTS

FIGURE 1-17. REAR COVER PLATE INSTALLATION (NO HYDRAULIC HITCH)



ART\_1001203291-B

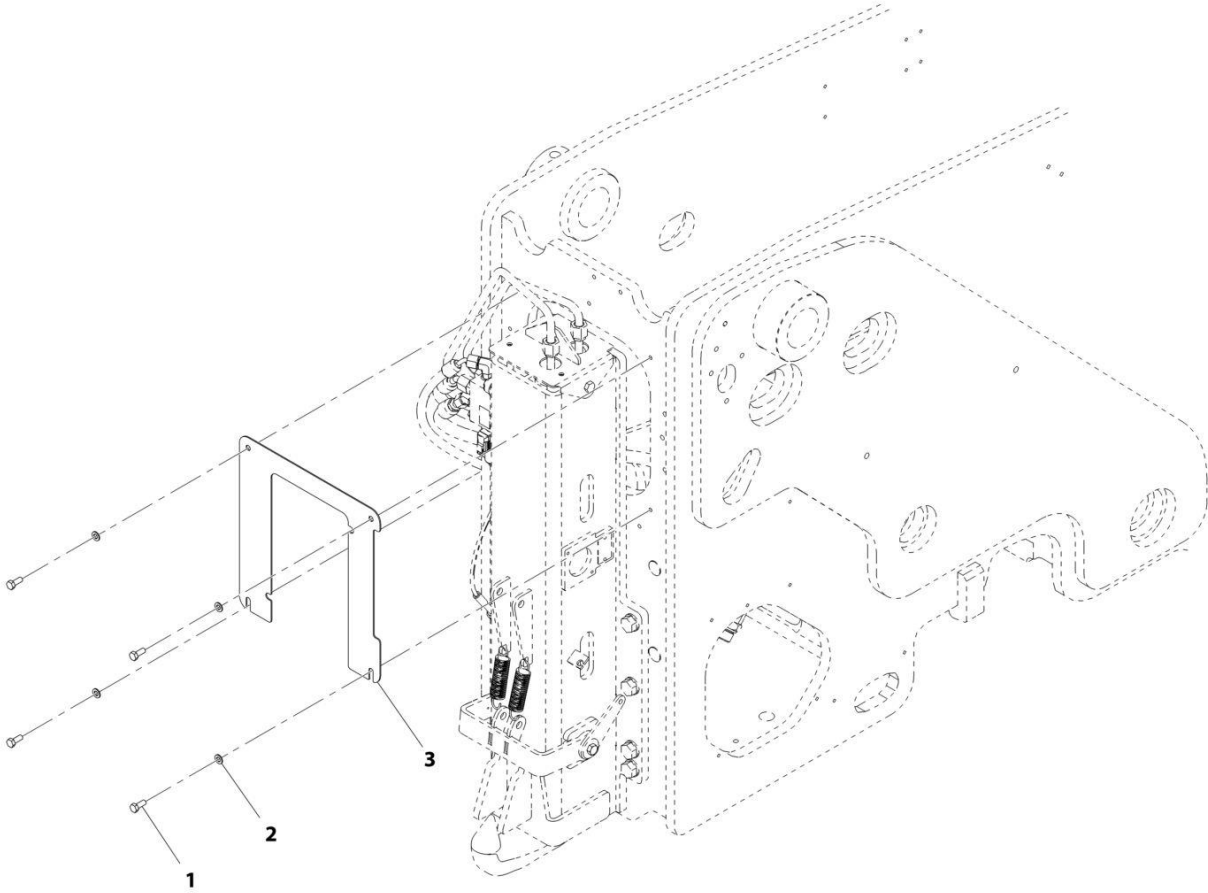
## SECTION 1 - FRAME AND ATTACHING PARTS

FIGURE 1-17. REAR COVER PLATE INSTALLATION (NO HYDRAULIC HITCH)

ITEM	PART NUMBER	QTY	DESCRIPTION	REV
	1001203291	Ref	Rear Cover Plate Installation (No Hydraulic Hitch)	B
1	0760810	8	Bolt, M8X20	
2	4811900	8	Washer, M8	
3	1001183909J	1	Plate, Cover	
4	1001183910J	1	Plate, Cover	

# SECTION 1 - FRAME AND ATTACHING PARTS

FIGURE 1-18. REAR COVER PLATE INSTALLATION (HYDRAULIC HITCH)



ART\_1001203293-B

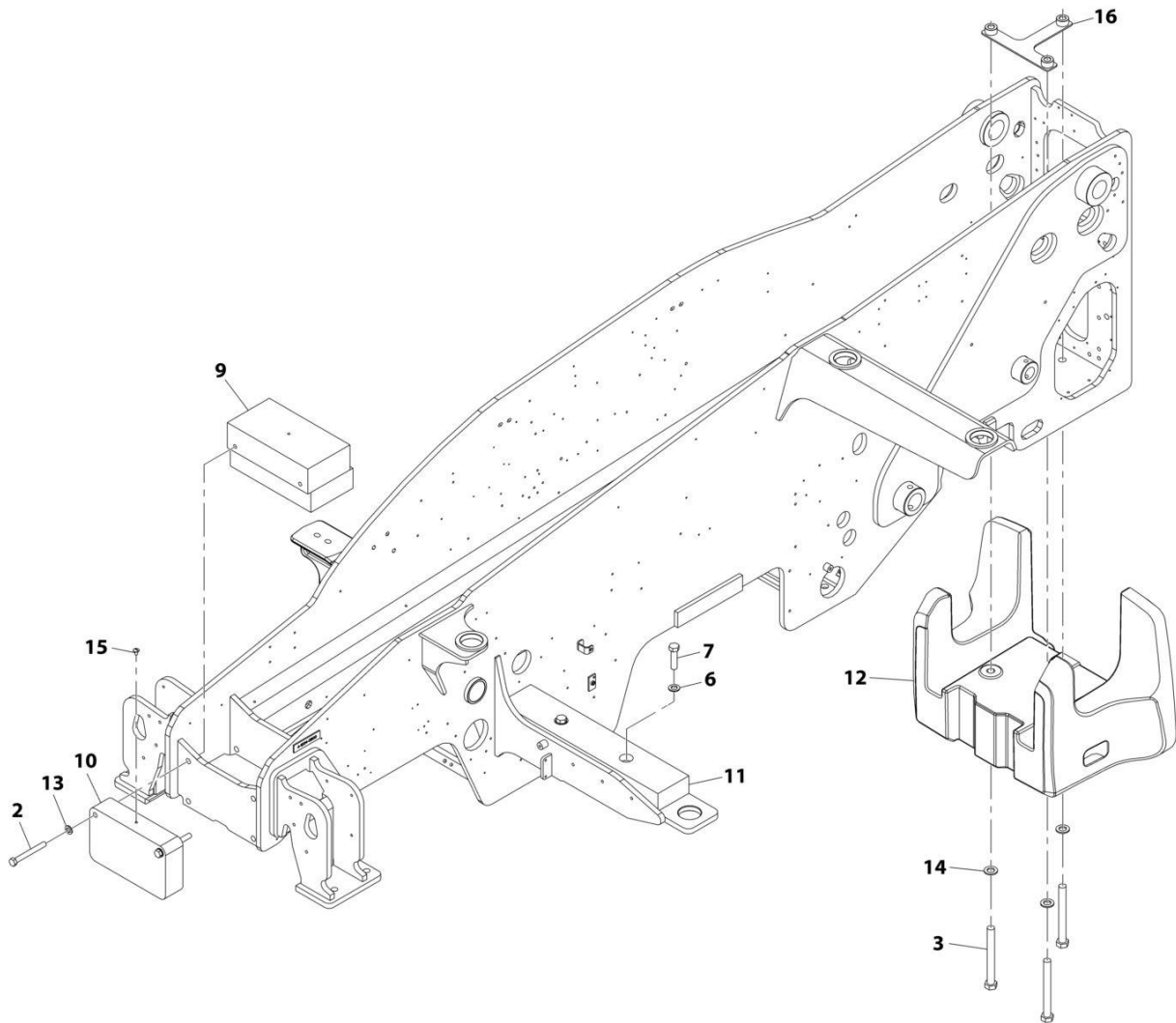
## SECTION 1 - FRAME AND ATTACHING PARTS

FIGURE 1-18. REAR COVER PLATE INSTALLATION (HYDRAULIC HITCH)

ITEM	PART NUMBER	QTY	DESCRIPTION	REV
	1001203293	Ref	Rear Cover Plate Installation (Hydraulic Hitch)	B
1	0760810	4	Bolt, M8X20	
2	4811900	4	Washer, M8	
3	1001203305J	1	Plate, Cover	

# SECTION 1 - FRAME AND ATTACHING PARTS

## FIGURE 1-19. COUNTERWEIGHT INSTALLATION (NO OUTRIGGERS)



ART\_1001187716-D

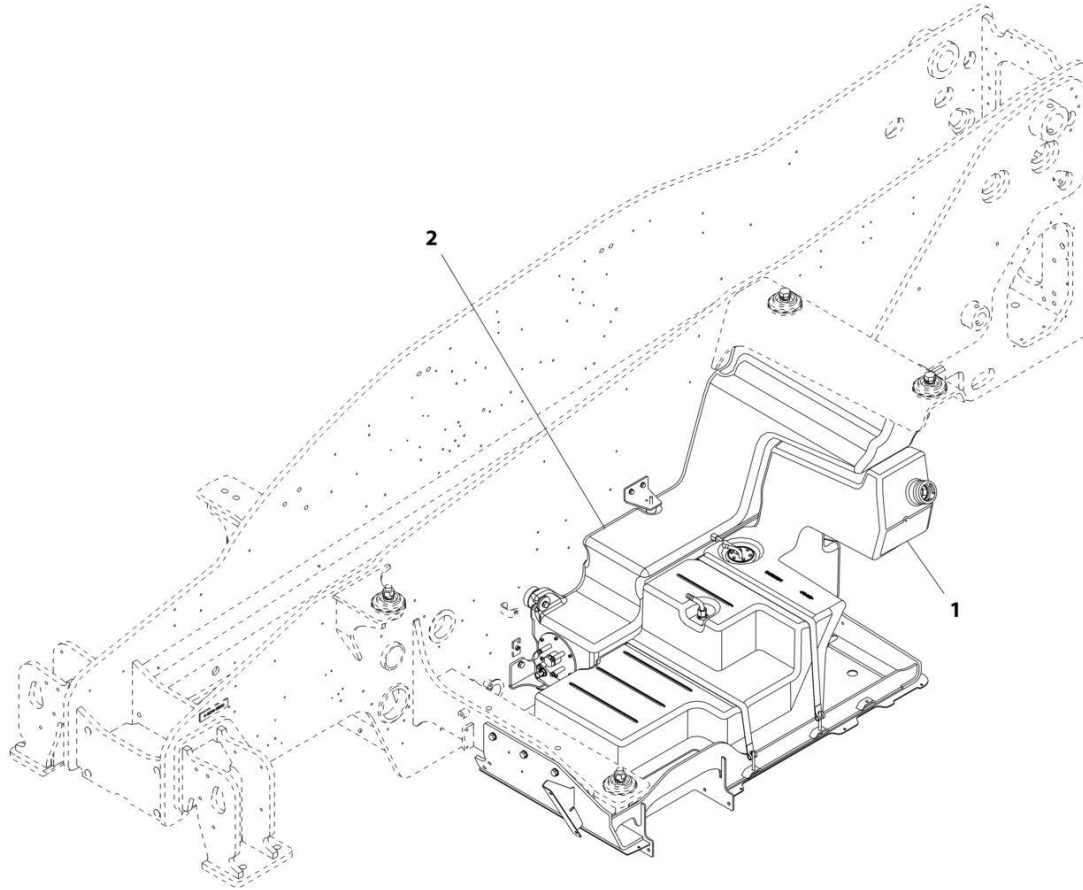
## SECTION 1 - FRAME AND ATTACHING PARTS

**FIGURE 1-19. COUNTERWEIGHT INSTALLATION (NO OUTRIGGERS)**

ITEM	PART NUMBER	QTY	DESCRIPTION	REV
	1001187716	Ref	Counterweight Installation (No Outriggers)	D
2	0701631	2	Bolt, M16X140, Grade 10.9	
3	0712439	3	Bolt, M24X220 Grade 10.9	
6	4812500	2	Washer, M20	
7	1001119057	2	Bolt	
9	1001187622	1	Weight	
10	1001187638J	1	Weight	
11	1001187732	1	Plate	
12	1001201029J	1	Weight, Counterweight	
13	4812300	2	Washer, M16	
14	4812700	3	Washer, M24	
15	1001176341	1	Screw	
16	1001212270	1	Plate	

# SECTION 1 - FRAME AND ATTACHING PARTS

## FIGURE 1-20. TANKS INSTALLATION



ART\_1001176964-B



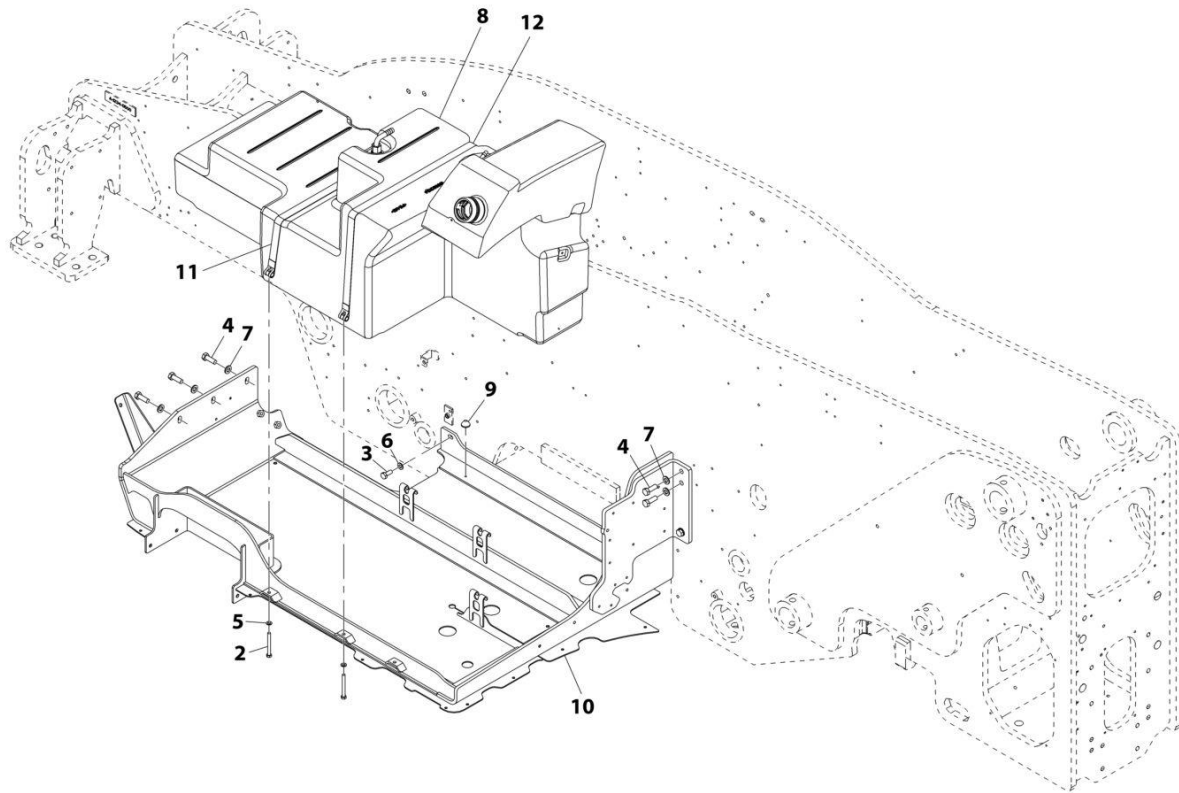
# SECTION 1 - FRAME AND ATTACHING PARTS

## FIGURE 1-20. TANKS INSTALLATION

ITEM	PART NUMBER	QTY	DESCRIPTION	REV
1	1001176964	Ref	Tanks Installation	B
	1001176965	Ref	Installation, Fuel Tank (See Separate Breakdown in this Section)	
	1001176966	Ref	Installation, Hydraulic Tank (See Separate Breakdown in this Section)	

# SECTION 1 - FRAME AND ATTACHING PARTS

## FIGURE 1-21. FUEL TANK INSTALLATION



ART\_1001176965-D

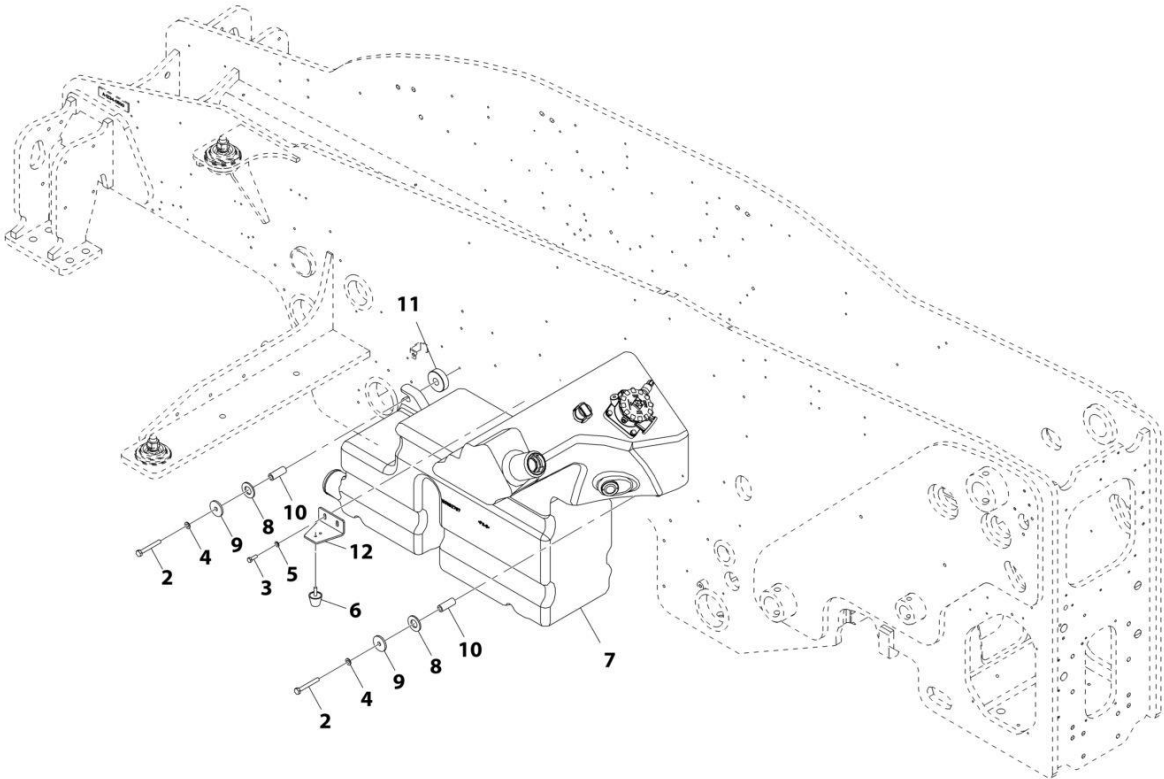
# SECTION 1 - FRAME AND ATTACHING PARTS

## FIGURE 1-21. FUEL TANK INSTALLATION

ITEM	PART NUMBER	QTY	DESCRIPTION	REV
	1001176965	Ref	Fuel Tank Installation	D
2	0760823	2	Bolt, M8X75	
3	0761012	1	Bolt, M10X25	
4	0761215	6	Bolt, M12X35	
5	4811900	2	Washer, M8	
6	4812000	1	Washer, M10	
7	4812100	6	Washer, M12	
8	1001192125	1	Assembly, Fuel Tank (See Separate Breakdown in this Section)	
9	1001169454	4	Mount	
10	1001197360	1	Support, Plate	
11	1001178474	1	Strap, Tank	
12	1001178693	1	Strap, Tank	

# SECTION 1 - FRAME AND ATTACHING PARTS

FIGURE 1-22. HYDRAULIC TANK INSTALLATION



ART\_1001176966-C

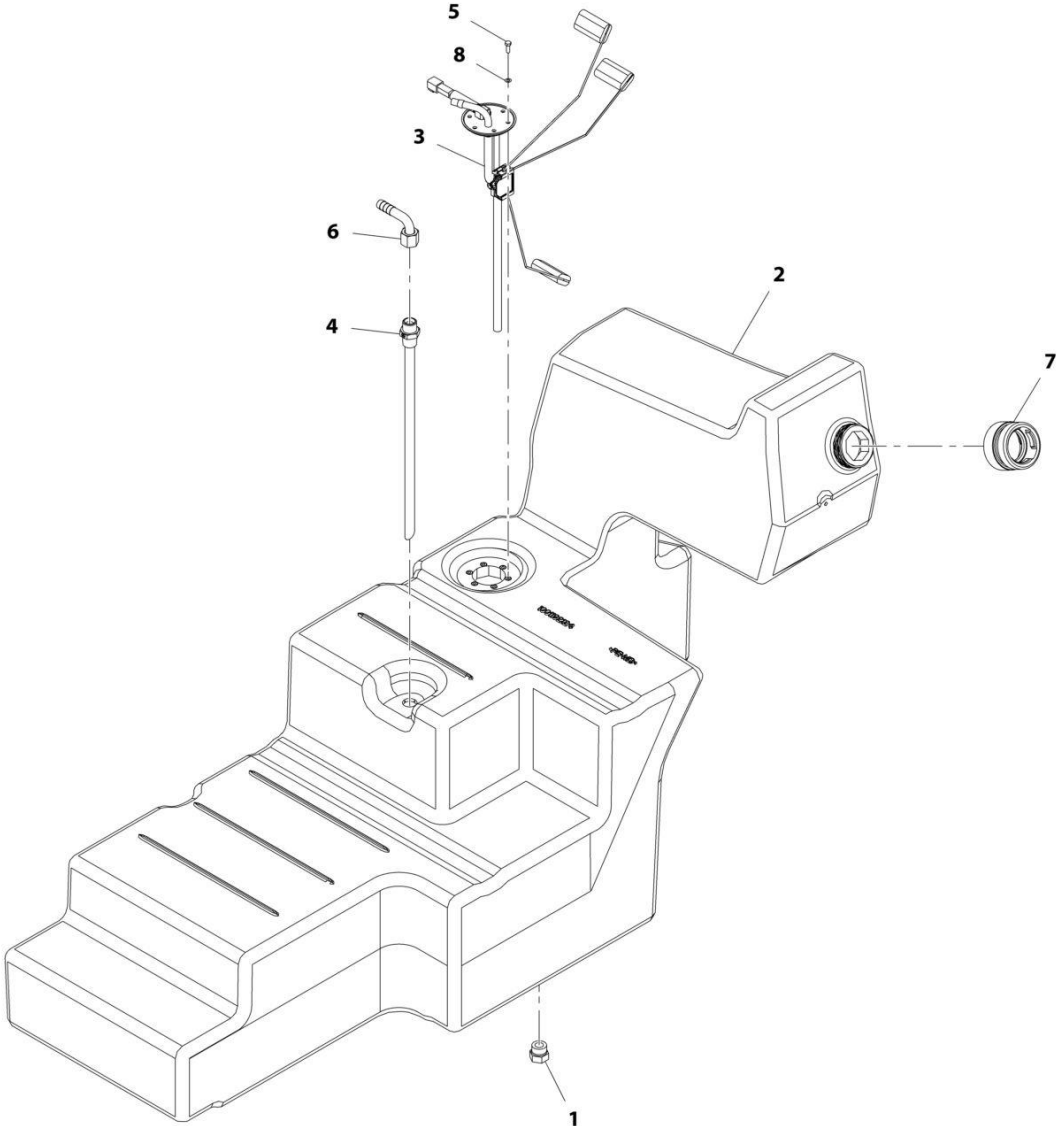
# SECTION 1 - FRAME AND ATTACHING PARTS

## FIGURE 1-22. HYDRAULIC TANK INSTALLATION

ITEM	PART NUMBER	QTY	DESCRIPTION	REV
	1001176966	Ref	Hydraulic Tank Installation	C
2	0701024	2	Bolt, M10X80	
3	0760812	2	Bolt, M8X25	
4	4812000	2	Washer, M10	
5	4811900	2	Washer, M8	
6	1001008575	1	Bumper	
7	1001191521	1	Assembly, Hydraulic Tank (See Separate Breakdown in this Section)	
8	1001172146	2	Washer	
9	1001172147	2	Washer, M10	
10	1001177060	2	Sleeve, Spacer	
11	1001177062	2	Washer	
12	1001177082	1	Bracket, Frame	

**SECTION 1 - FRAME AND ATTACHING PARTS**

**FIGURE 1-23. FUEL TANK ASSEMBLY**



ART\_1001192125-C

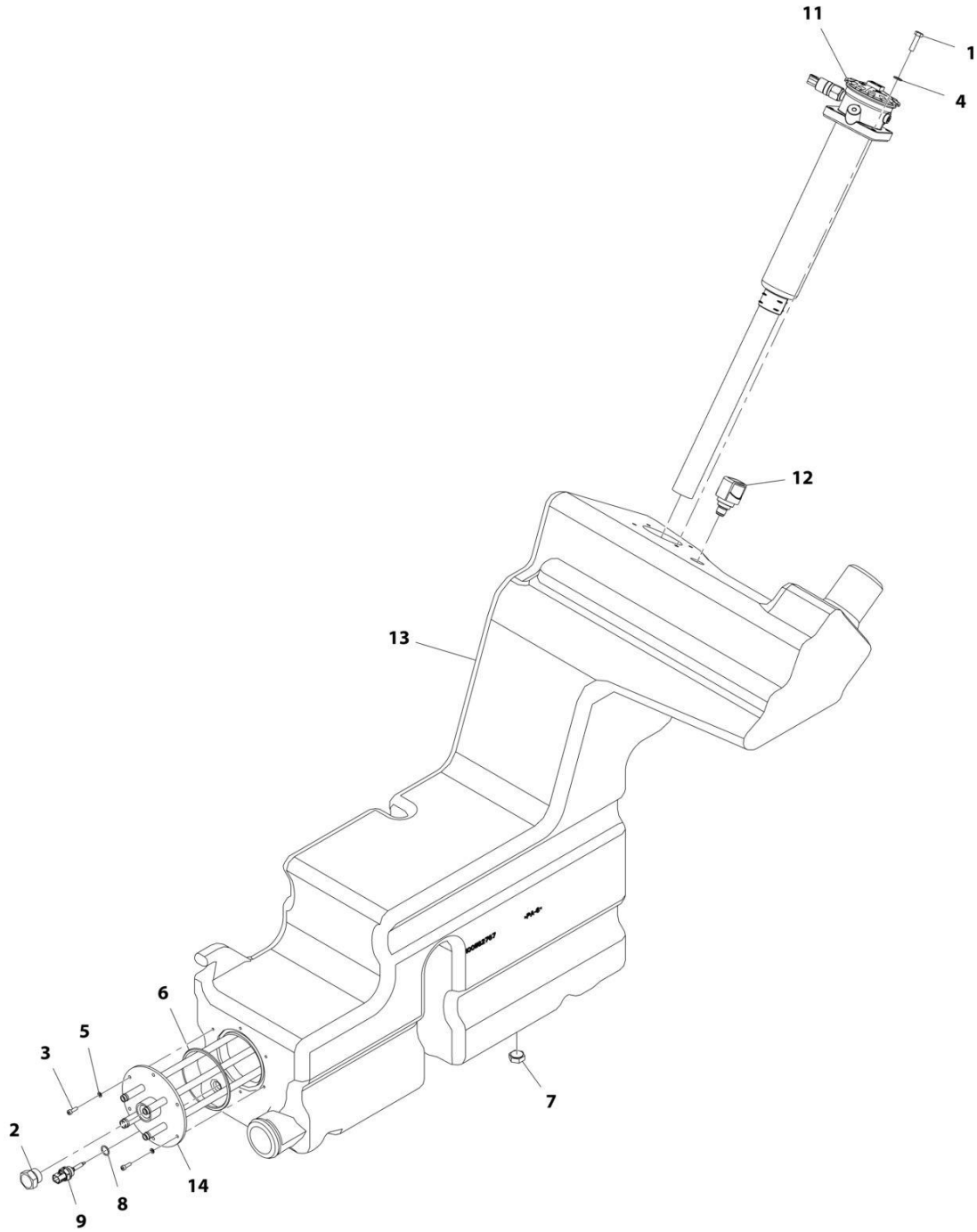
# SECTION 1 - FRAME AND ATTACHING PARTS

## FIGURE 1-23. FUEL TANK ASSEMBLY

ITEM	PART NUMBER	QTY	DESCRIPTION	REV
	1001192125	Ref	FUEL TANK ASSEMBLY	C
1	1001003427	1	Plug	
2	1001192124	1	Tank, Fuel	
3	1001222188	1	Pump, Fuel	
4	1001170106	1	Pipe, Fuel Supply	
5	4031607	6	Bolt, M5X16	
6	1001172693	1	Fitting, 90	
7	1001192392	1	Adapter	
8	1001222190	6	Washer	

# SECTION 1 - FRAME AND ATTACHING PARTS

FIGURE 1-24. HYDRAULIC TANK ASSEMBLY



ART\_1001191521-D



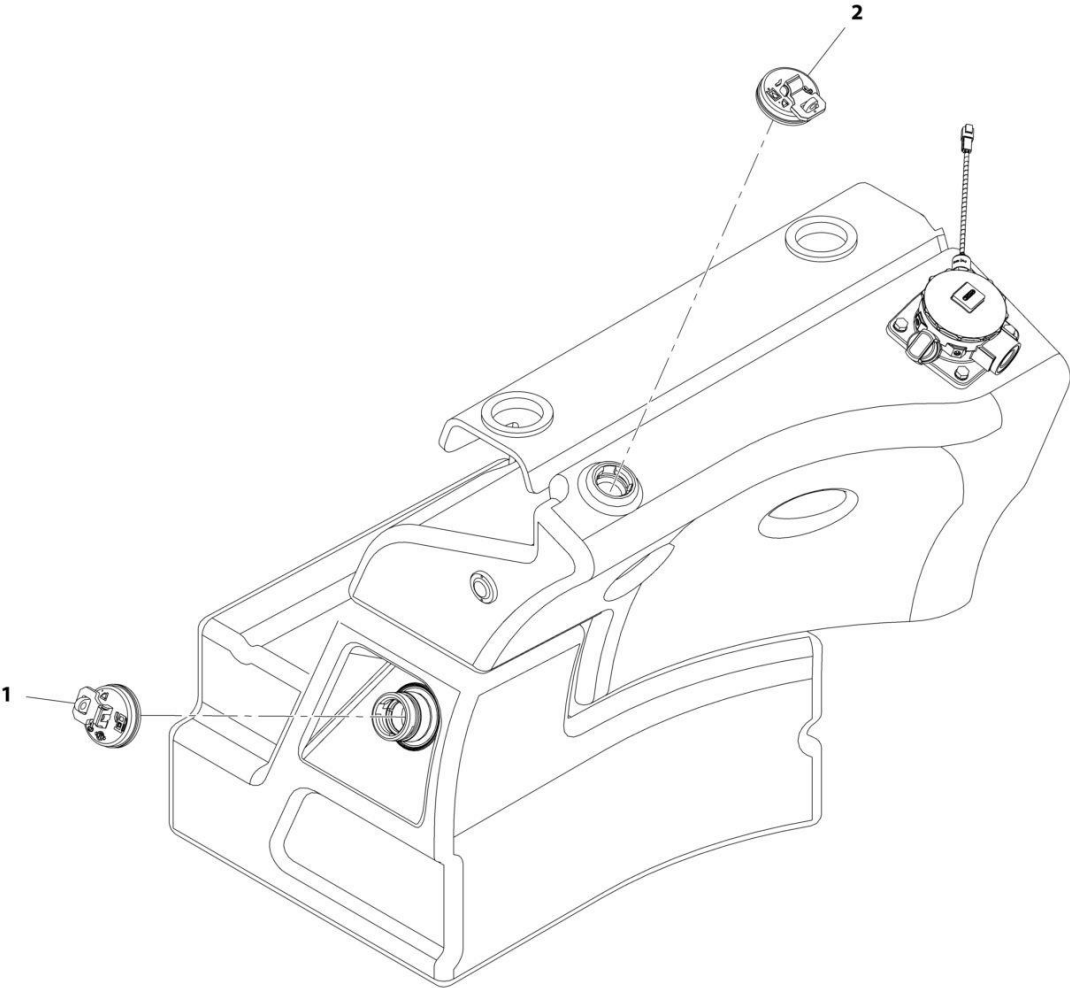
# SECTION 1 - FRAME AND ATTACHING PARTS

## FIGURE 1-24. HYDRAULIC TANK ASSEMBLY

ITEM	PART NUMBER	QTY	DESCRIPTION	REV
	1001191521	Ref	HYDRAULIC TANK ASSEMBLY	D
1	0700814	4	Bolt M8 x 30	
2	2220240	1	Plug	
3	4031607	6	Screw M5 x 16	
4	4811900	4	Washer M8	
5	4831600	6	Washer, Lock M5	
6	1001003301	1	O-Ring	
7	2220239	1	Plug	
8	1001009163	1	O-Ring	
9	1001128478	1	Sensor, Hydraulic Oil Temperature	
11	1001162659	1	Filter, Hydraulic	
12	1001162662	1	Filter, Breather	
13	1001162767	1	Tank, Hydraulic	
14	1001191533	1	Manifold, Hydraulic Return	

# SECTION 1 - FRAME AND ATTACHING PARTS

FIGURE 1-25. FUEL AND HYDRAULIC CAP INSTALLATION



ART\_1001197275-A

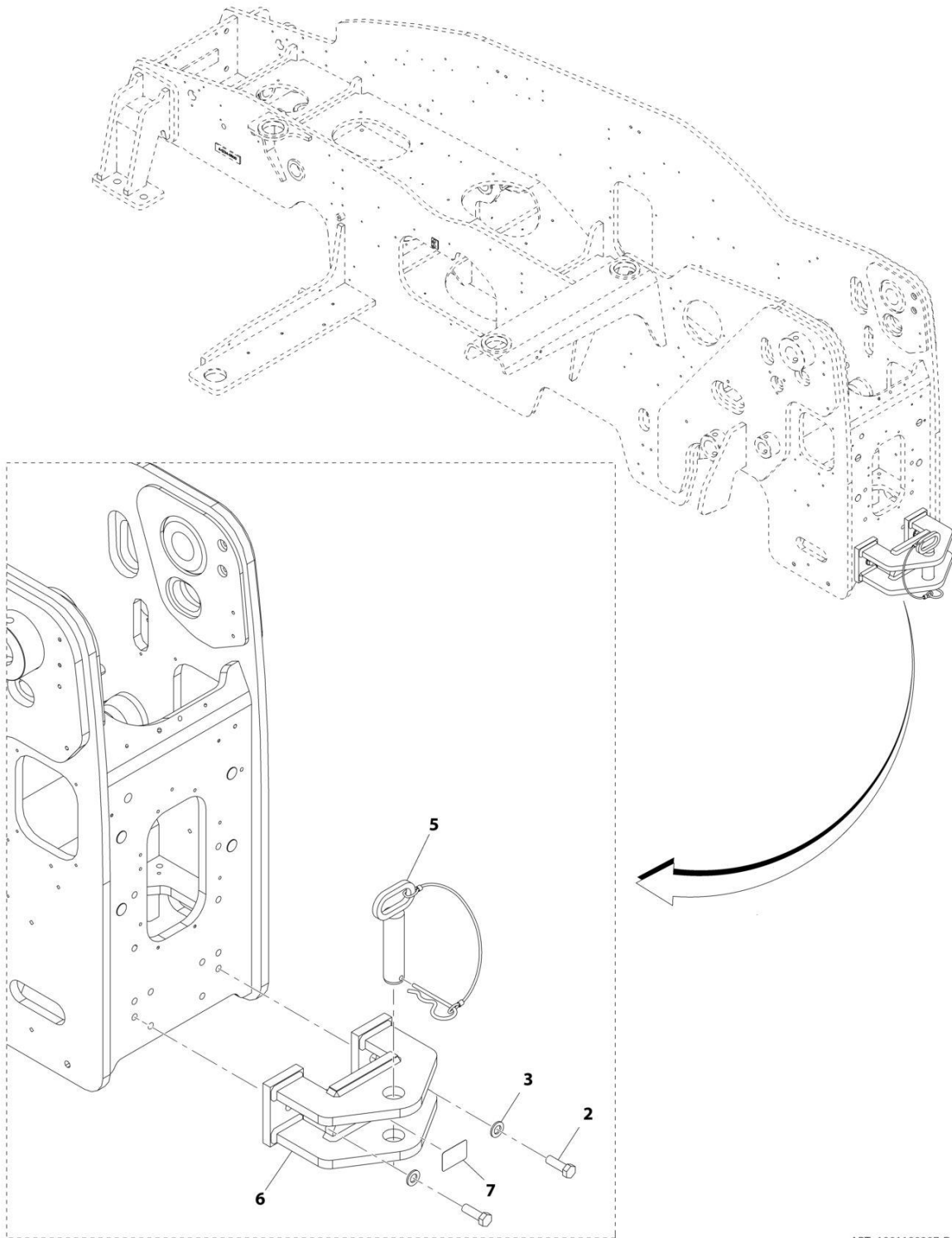
# SECTION 1 - FRAME AND ATTACHING PARTS

## FIGURE 1-25. FUEL AND HYDRAULIC CAP INSTALLATION

ITEM	PART NUMBER	QTY	DESCRIPTION	REV
	1001197275	Ref	Fuel and Hydraulic Cap Installation	A
1	1001142658	1	Cap, Fuel	
2	1001142659	1	Cap, Hydraulic	

# SECTION 1 - FRAME AND ATTACHING PARTS

## FIGURE 1-26. HITCH RETRIEVAL INSTALLATION



ART\_1001180207-D

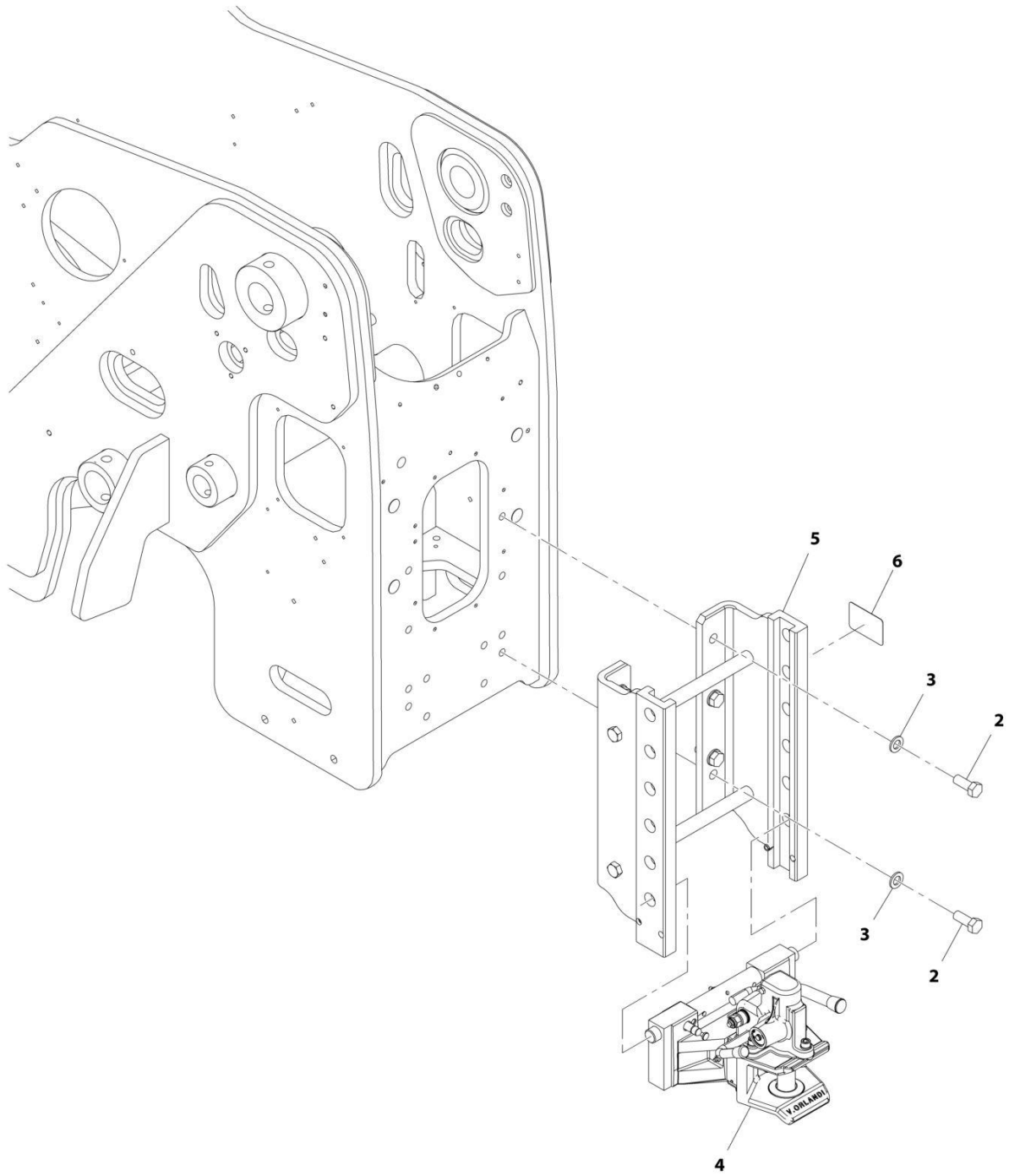
# SECTION 1 - FRAME AND ATTACHING PARTS

## FIGURE 1-26. HITCH RETRIEVAL INSTALLATION

ITEM	PART NUMBER	QTY	DESCRIPTION	REV
	1001180207	Ref	Hitch Retrieval Installation	D
2	0771618	2	Bolt, M16X50 Grade 10.9	
3	5241600	2	Washer, M16	
4	1001003803	1	Pin (Not Shown) <b>(Prior to SN 1160008716)</b>	
5	1001005267	1	Pin <b>(Prior to SN 1160008716)</b>	
5	1001238877	1	Pin Assembly (See Separate Breakdown in this Section) <b>(SN 1160008716 to Present)</b>	
6	1001106570	NLA	Hitch, Retrieval (no longer available, use 1001238460 for replacement)	
6	1001238460	1	Hitch, Retrieval	
7	1001241674	1	Decal, Retrieval Point	

# SECTION 1 - FRAME AND ATTACHING PARTS

## FIGURE 1-27. HITCH INSTALLATION (EEC AUTO)



ART\_1001180196-C

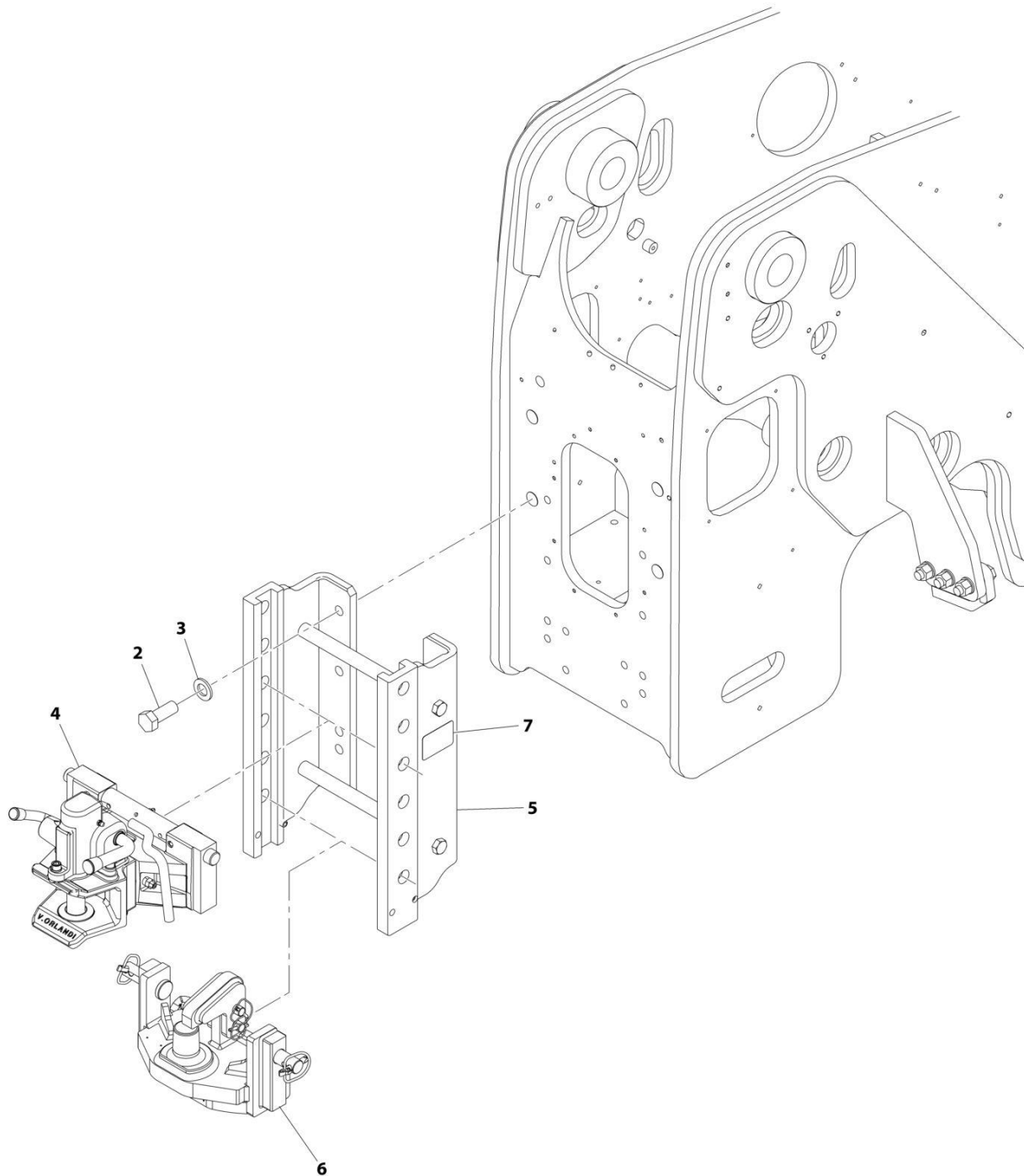
# SECTION 1 - FRAME AND ATTACHING PARTS

## FIGURE 1-27. HITCH INSTALLATION (EEC AUTO)

ITEM	PART NUMBER	QTY	DESCRIPTION	REV
	1001180196	Ref	Hitch Installation (EEC Auto)	C
2	0701616	8	Bolt, M16X40	
3	4812300	8	Washer, M6	
4	1001098629	1	Assembly, Hitch (EEC Auto) (See Separate Breakdown in this Section)	
5	1001183274	1	Hitch, Sliding Towing Bracket	
6	1001241674	1	Decal, Retrieval Point	

# SECTION 1 - FRAME AND ATTACHING PARTS

## FIGURE 1-28. HITCH INSTALLATION (PITON)



ART\_1001180202-C



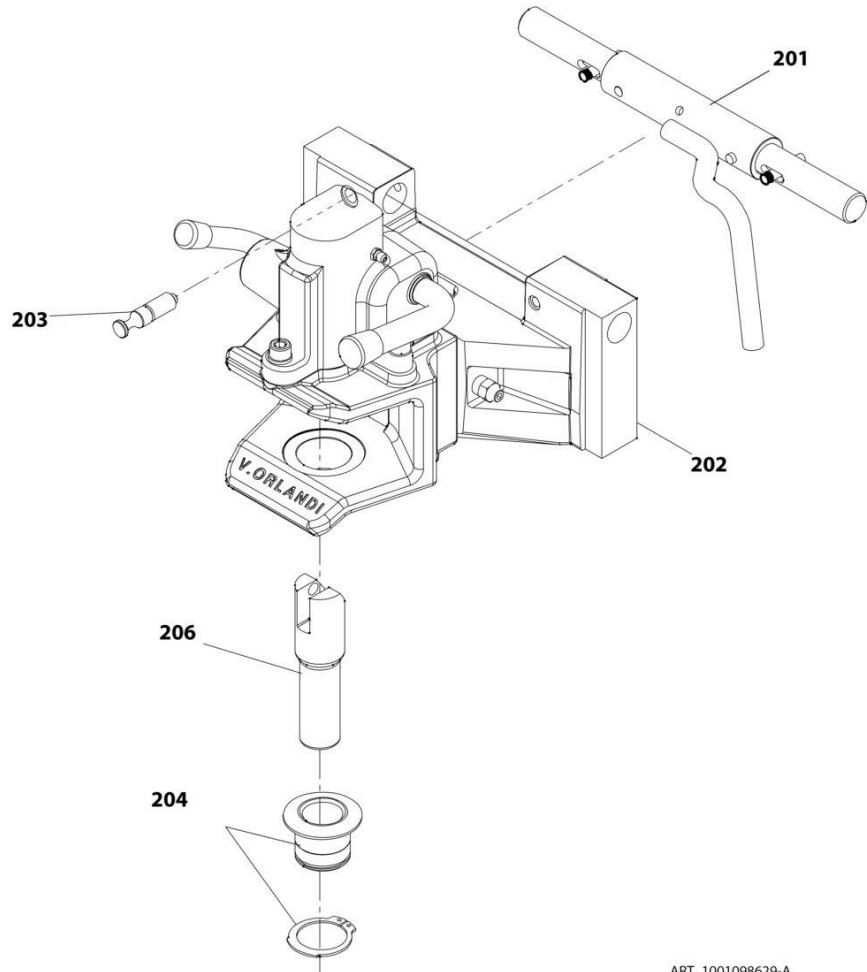
# SECTION 1 - FRAME AND ATTACHING PARTS

## FIGURE 1-28. HITCH INSTALLATION (PITON)

ITEM	PART NUMBER	QTY	DESCRIPTION	REV
	1001180202	Ref	Hitch Installation (Piton)	C
2	0701616	8	Bolt, M16X40	
3	4812300	8	Washer, M16	
4	1001098629	1	Assembly, Hitch (EEC AUTO) (See Separate Breakdown in this Section)	
5	1001183274	1	Hitch, Sliding Towing Bracket	
6	1001185248	1	Hitch, Sliding (Piton) (See Separate Breakdown in this Section)	
7	1001241674	1	Decal, Retrieval Point	

# SECTION 1 - FRAME AND ATTACHING PARTS

## FIGURE 1-29. HITCH ASSEMBLY (EEC AUTO)



ART\_1001098629-A

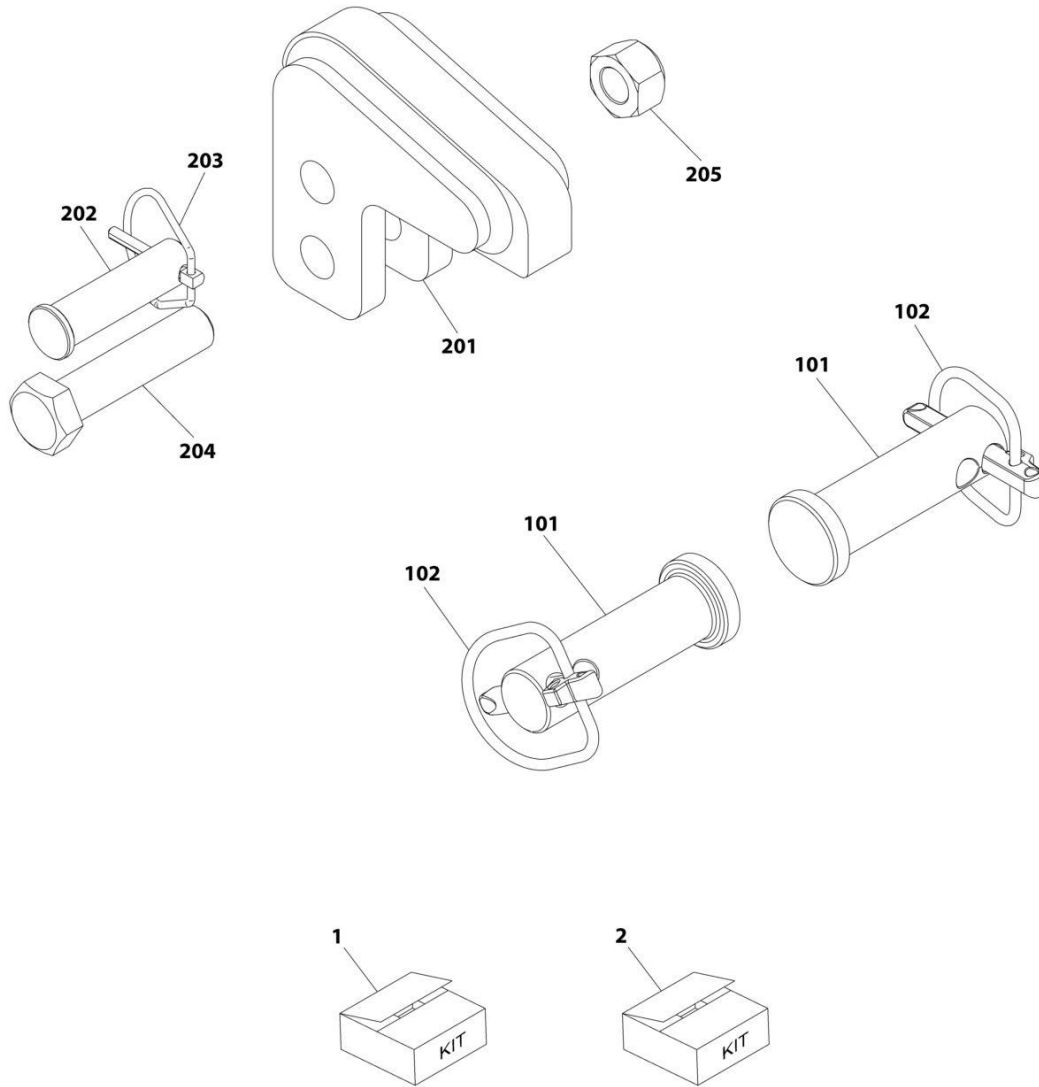
# SECTION 1 - FRAME AND ATTACHING PARTS

## FIGURE 1-29. HITCH ASSEMBLY (EEC AUTO)

ITEM	PART NUMBER	QTY	DESCRIPTION	REV
	1001098629	Ref	Hitch Assembly (EEC Auto)	A
201	70022821	1	Lever, Opening	
202	70022822	1	Mechanism, Box	
203	70022823	1	Pivot, Security	
204	70022824	1	Bushing	
206	70022825	1	Pin	

# SECTION 1 - FRAME AND ATTACHING PARTS

## FIGURE 1-30. SLIDING HITCH ASSEMBLY (PITON)



ART\_1001185248-A

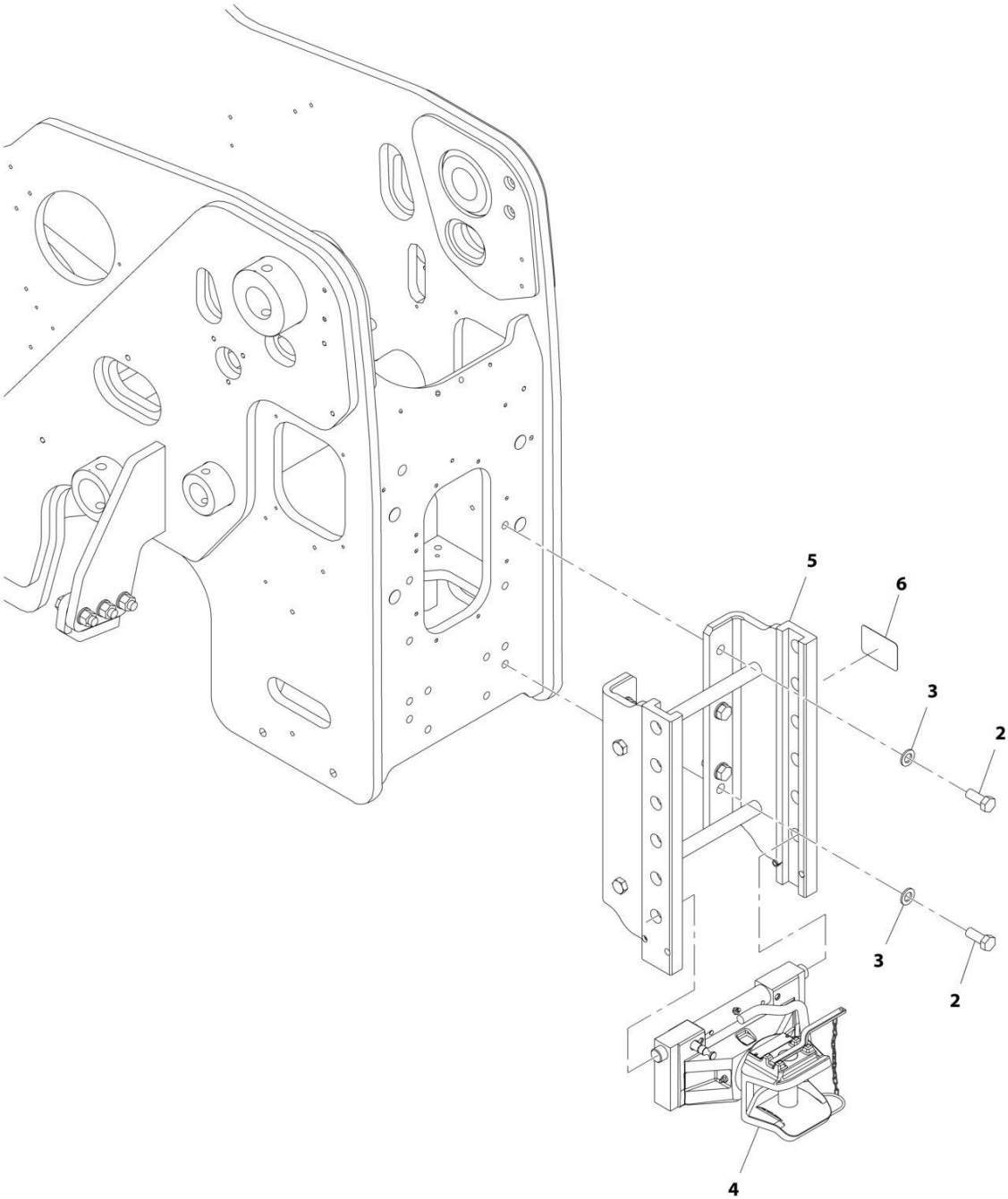
# SECTION 1 - FRAME AND ATTACHING PARTS

## FIGURE 1-30. SLIDING HITCH ASSEMBLY (PITON)

ITEM	PART NUMBER	QTY	DESCRIPTION	REV
	1001185248	Ref	Sliding Hitch Assembly (Piton)	A
1	70027175	1	Kit, Pins (includes items 101 and 102)	
2	70027174	1	Kit, Keeper (includes items 201 thru 205)	
101	Kit	2	Pin	
102	Kit	2	Pin, Safety	
201	Kit	1	Keeper	
202	Kit	1	Pin	
203	Kit	1	Pin, Safety	
204	Kit	1	Bolt, M20X95	
205	Kit	1	Nut	

**SECTION 1 - FRAME AND ATTACHING PARTS**

**FIGURE 1-31. HITCH INSTALLATION (EEC MANUAL)**



ART\_1001180198-C

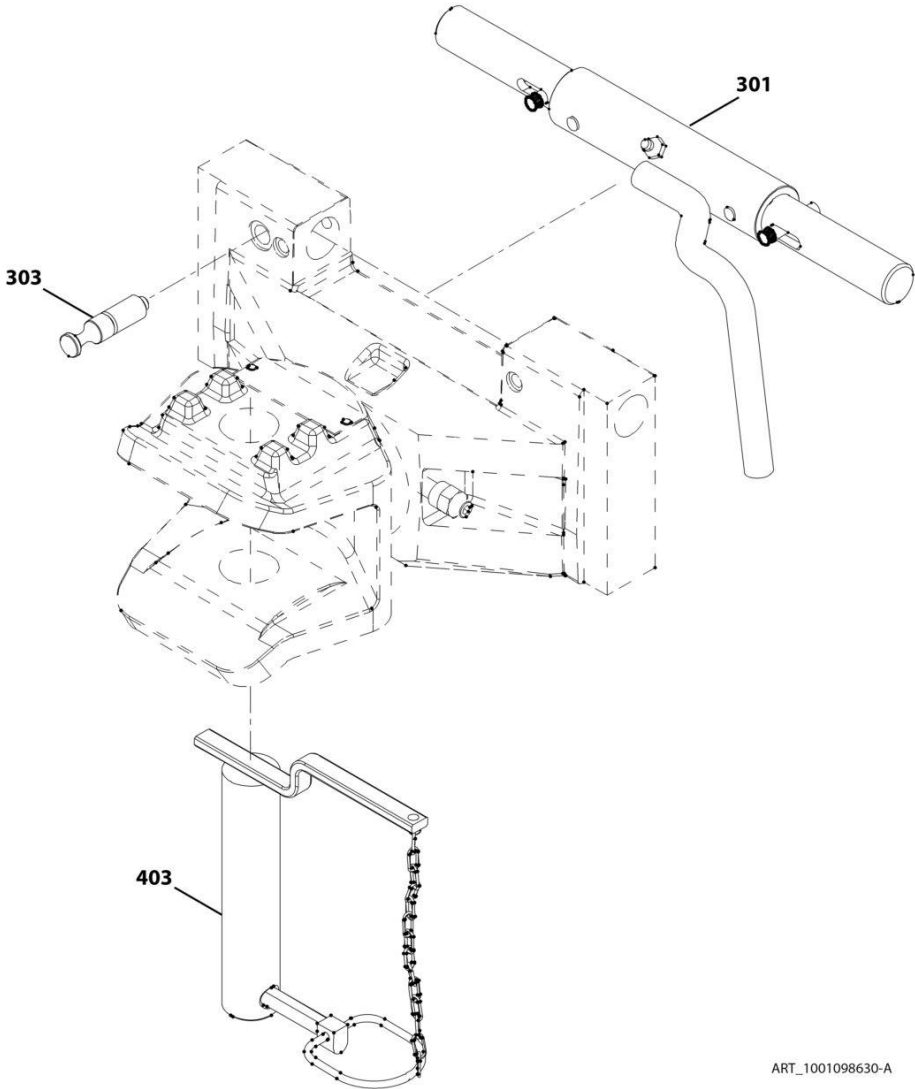
# SECTION 1 - FRAME AND ATTACHING PARTS

## FIGURE 1-31. HITCH INSTALLATION (EEC MANUAL)

ITEM	PART NUMBER	QTY	DESCRIPTION	REV
	1001180198	Ref	Hitch Installation (EEC Manual)	C
2	0701616	8	Bolt, M16X40	
3	4812300	8	Washer, M16	
4	1001098630	1	Assembly, Hitch (EEC Manual) (See Separate Breakdown in this Section)	
5	1001183274	1	Hitch, Sliding Towing Bracket	
6	1001241674	1	Decal, Retrieval Point	

**SECTION 1 - FRAME AND ATTACHING PARTS**

**FIGURE 1-32. HITCH ASSEMBLY (EEC MANUAL)**



ART\_1001098630-A



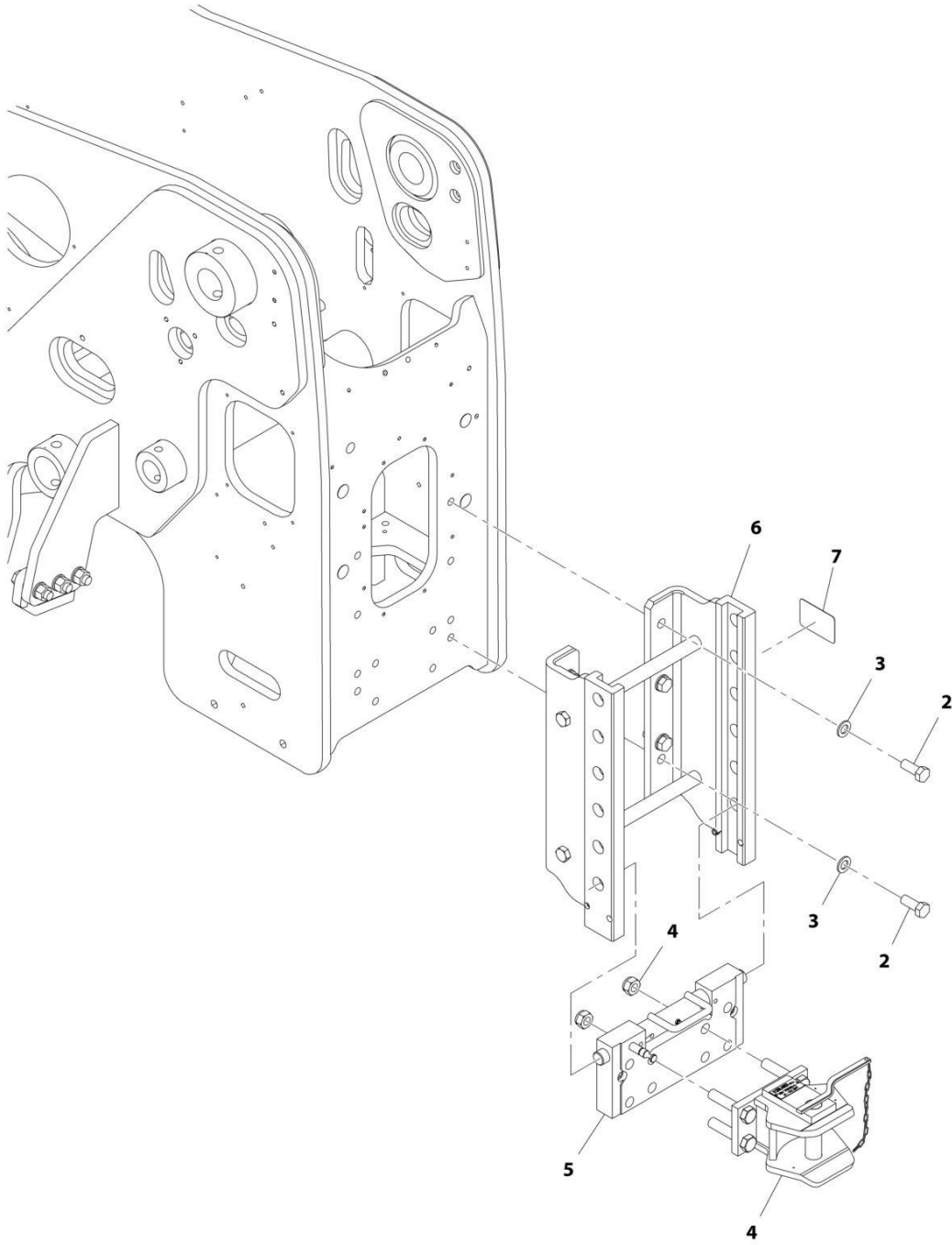
# SECTION 1 - FRAME AND ATTACHING PARTS

## FIGURE 1-32. HITCH ASSEMBLY (EEC MANUAL)

ITEM	PART NUMBER	QTY	DESCRIPTION	REV
	1001098630	Ref	Hitch Assembly (EEC Manual)	A
301	70022821	1	Lever, Opening	
303	70022823	1	Pivot, Security	
403	70022826	1	Pin	

# SECTION 1 - FRAME AND ATTACHING PARTS

## FIGURE 1-33. HITCH INSTALLATION (CUNA CATEGORY C)



ART\_1001180199-D

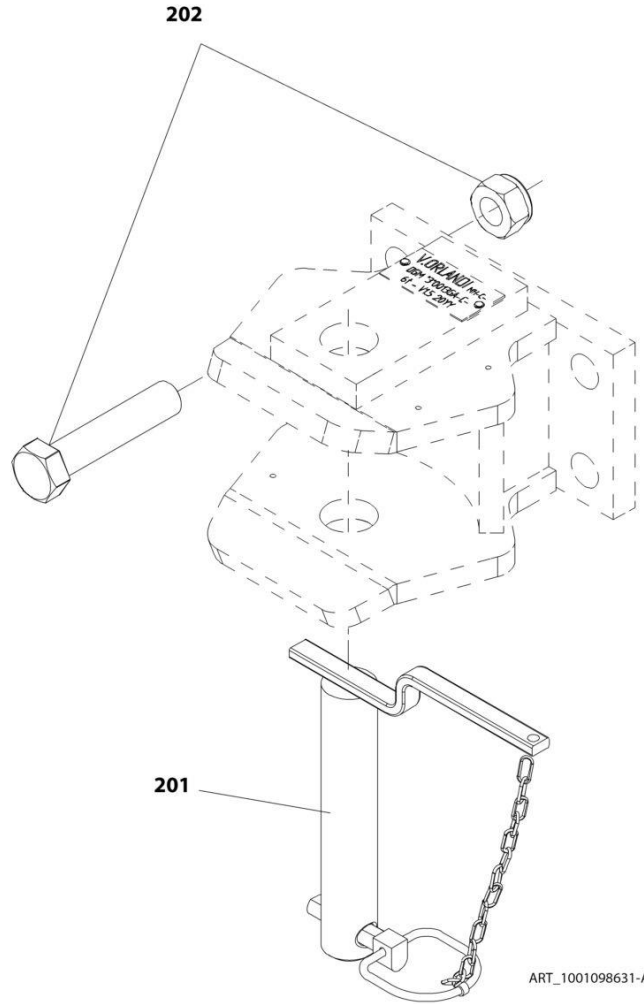
## SECTION 1 - FRAME AND ATTACHING PARTS

FIGURE 1-33. HITCH INSTALLATION (CUNA CATEGORY C)

ITEM	PART NUMBER	QTY	DESCRIPTION	REV
	1001180199	Ref	Hitch Installation (CUNA Category C)	D
2	0701616	8	Bolt, M16X40	
3	4812300	8	Washer, M16	
4	1001098631	1	Assembly, Hitch (CUNA Category C) (See Separate Breakdown in this Section)	
5	1001098636	1	Plate, Adaptor	
6	1001183274	1	Hitch, Sliding Towing Bracket	
7	1001241674	1	Decal, Retrieval Point	

# SECTION 1 - FRAME AND ATTACHING PARTS

FIGURE 1-34. HITCH ASSEMBLY (CUNA CATEGORY C)



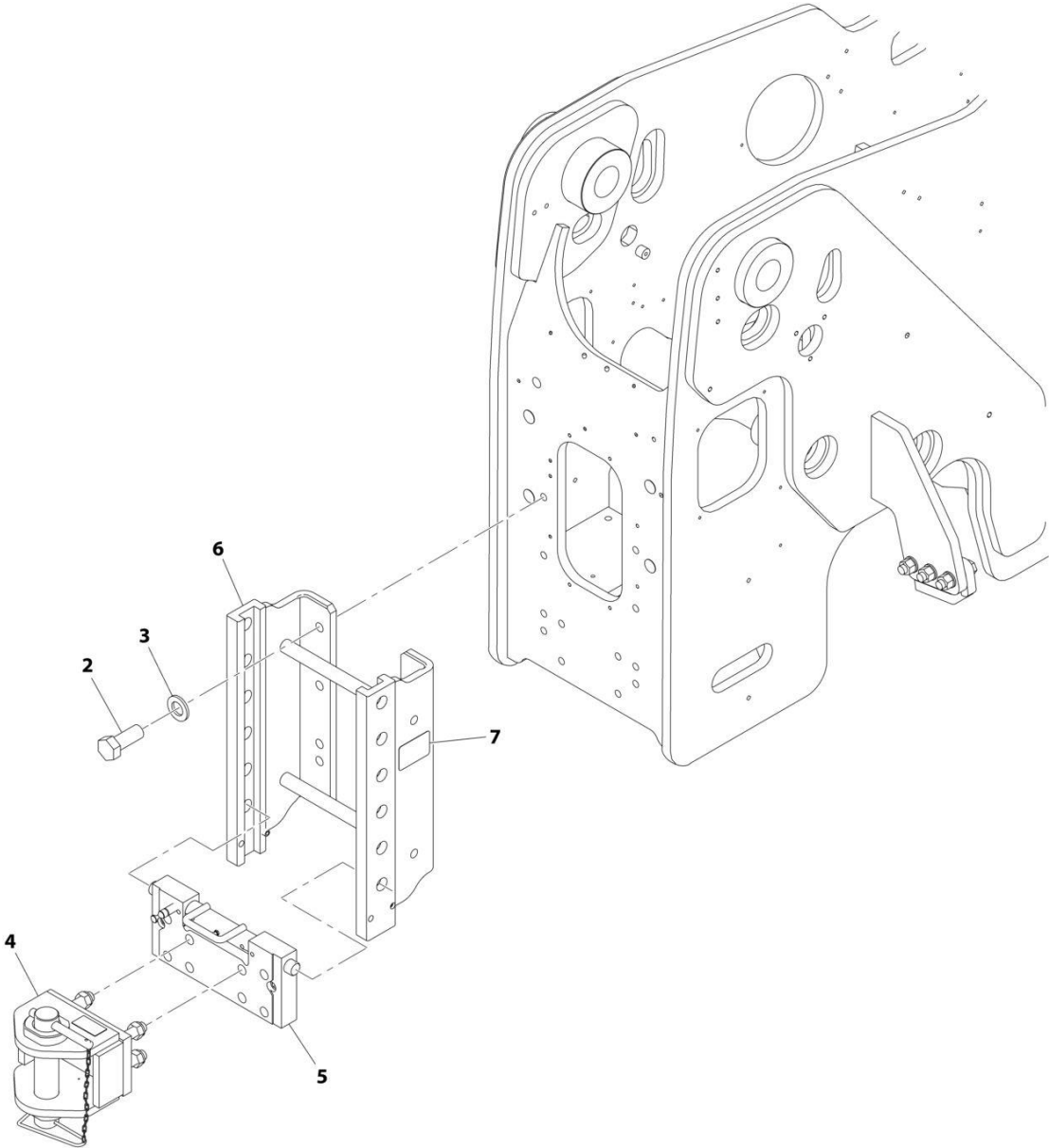
# SECTION 1 - FRAME AND ATTACHING PARTS

## FIGURE 1-34. HITCH ASSEMBLY (CUNA CATEGORY C)

ITEM	PART NUMBER	QTY	DESCRIPTION	REV
	1001098631	Ref	Hitch Assembly (CUNA Category C)	A
201	70022818	1	Pin	
202	70022819	1	Hardware, Mounting	

**SECTION 1 - FRAME AND ATTACHING PARTS**

**FIGURE 1-35. HITCH INSTALLATION (CUNA CATEGORY D2)**



ART\_1001180200-D

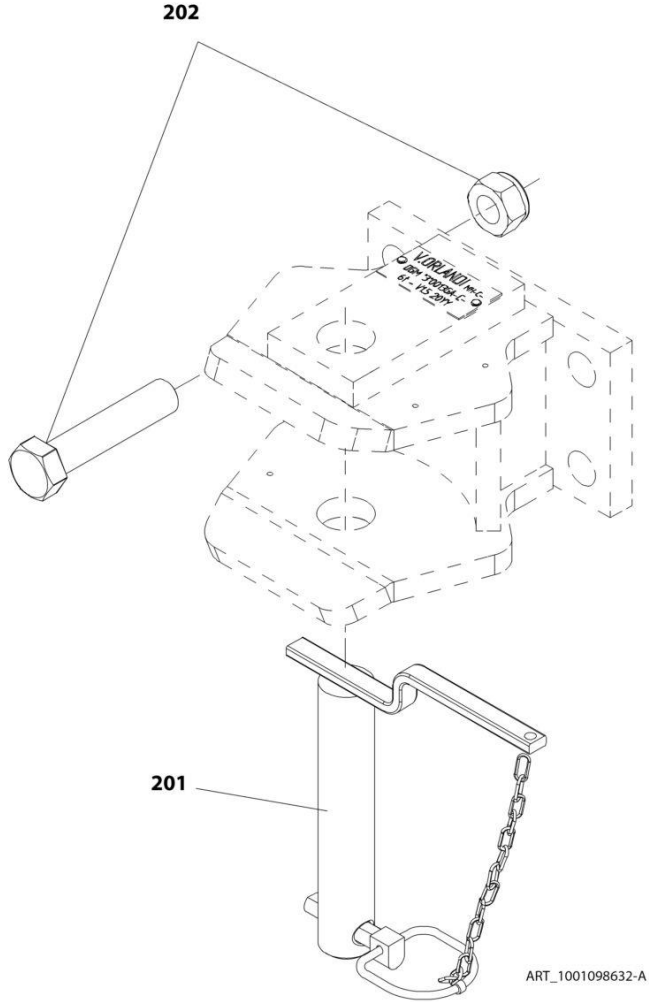
# SECTION 1 - FRAME AND ATTACHING PARTS

## FIGURE 1-35. HITCH INSTALLATION (CUNA CATEGORY D2)

ITEM	PART NUMBER	QTY	DESCRIPTION	REV
	1001180200	Ref	Hitch Installation (CUNA Category D2)	D
2	0701616	8	Bolt, M16X40	
3	4812300	8	Washer, M16	
4	1001098632	1	Assembly, Hitch (CUNA Category D2) (See Separate Breakdown in this Section)	
5	1001098636	1	Plate, Adaptor	
6	1001183274	1	Hitch, Sliding Towing Bracket	
7	1001241674	1	Decal, Retrieval Point	

**SECTION 1 - FRAME AND ATTACHING PARTS**

**FIGURE 1-36. HITCH ASSEMBLY (CUNA CATEGORY D2)**



ART\_1001098632-A



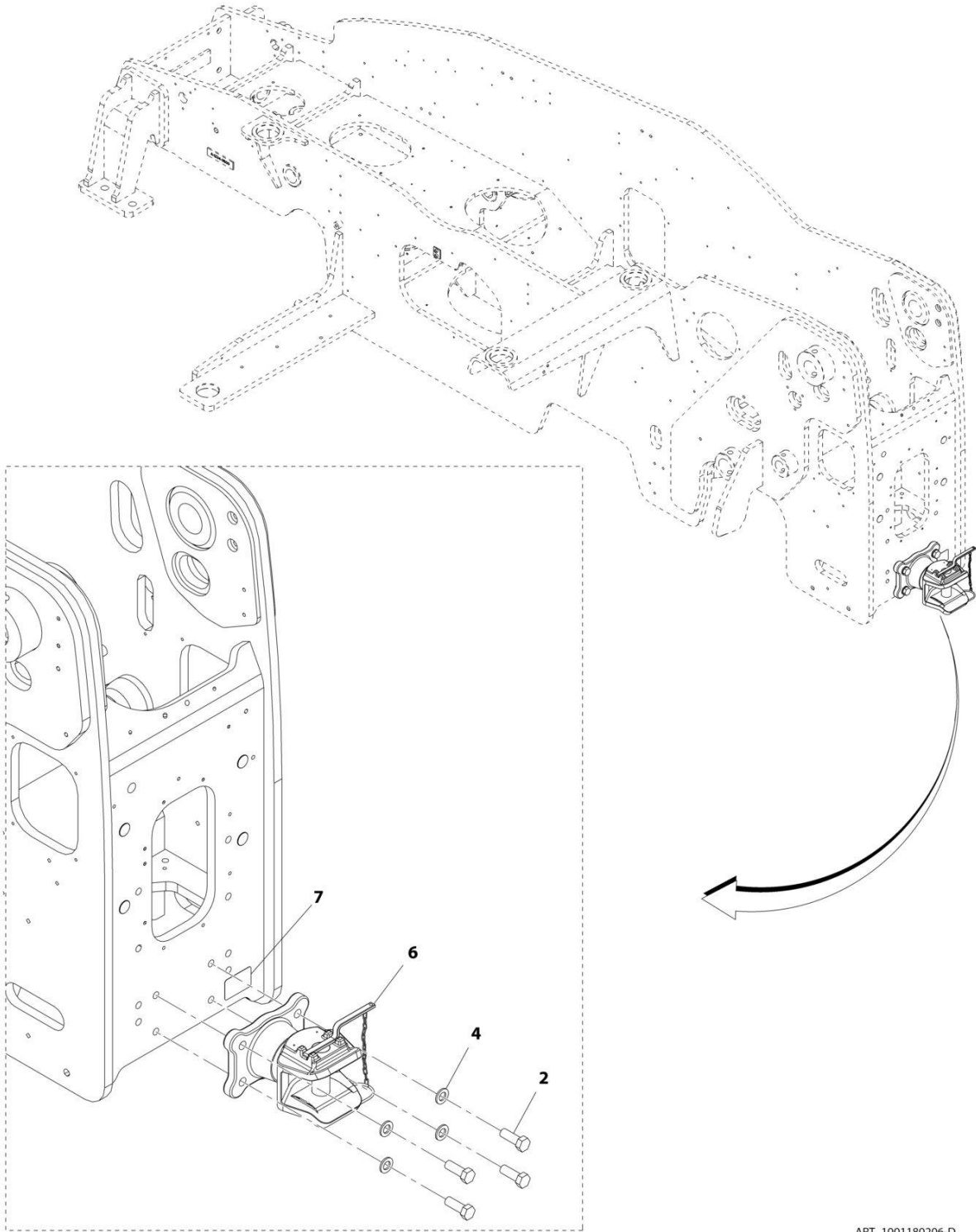
# SECTION 1 - FRAME AND ATTACHING PARTS

## FIGURE 1-36. HITCH ASSEMBLY (CUNA CATEGORY D2)

ITEM	PART NUMBER	QTY	DESCRIPTION	REV
	1001098632	Ref	Hitch Assembly (CUNA Category D2)	A
202	70022818	1	Hardware, Mounting	
301	70022819	4	Pin	

# SECTION 1 - FRAME AND ATTACHING PARTS

## FIGURE 1-37. HITCH INSTALLATION (FIXED)



ART\_1001180206-D

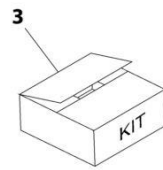
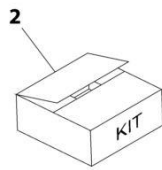
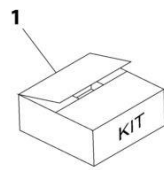
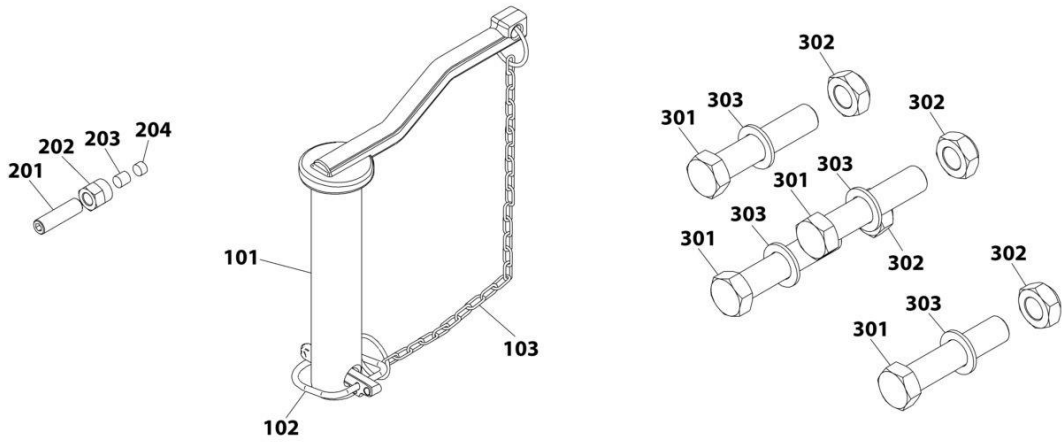
# SECTION 1 - FRAME AND ATTACHING PARTS

## FIGURE 1-37. HITCH INSTALLATION (FIXED)

ITEM	PART NUMBER	QTY	DESCRIPTION	REV
	1001180206	Ref	Hitch Installation (Fixed)	D
2	0701617	4	Bolt, M16X45	
4	4812300	4	Washer, M16	
6	1001110849	1	Assembly, Hitch (Fixed) (See Separate Breakdown in this Section)	
7	1001241674	1	Decal, Retrieval Point	

# SECTION 1 - FRAME AND ATTACHING PARTS

## FIGURE 1-38. HITCH ASSEMBLY (FIXED)



ART\_1001110849-B

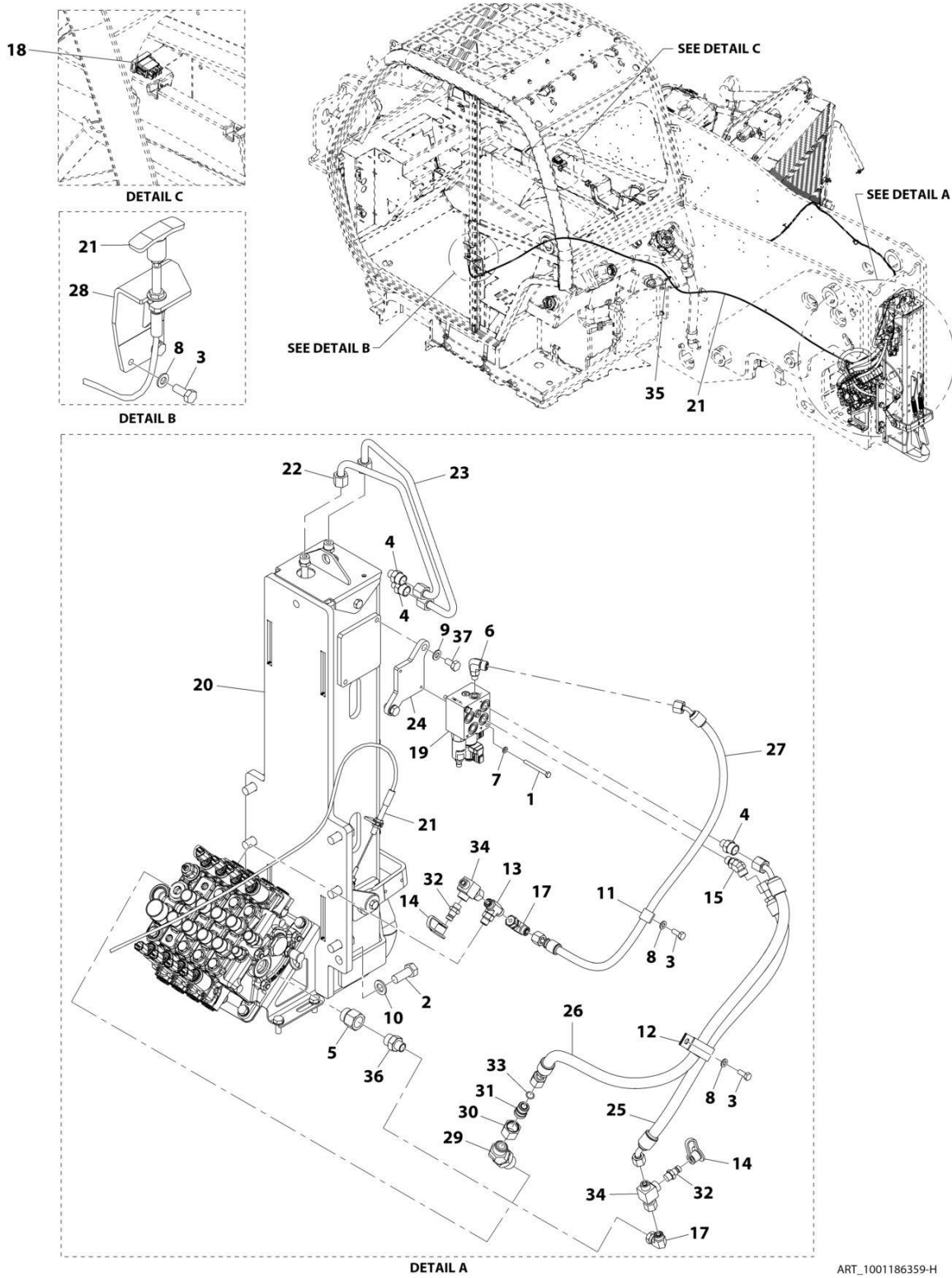
# SECTION 1 - FRAME AND ATTACHING PARTS

## FIGURE 1-38. HITCH ASSEMBLY (FIXED)

ITEM	PART NUMBER	QTY	DESCRIPTION	REV
	1001110849	Ref	Hitch Assembly (Fixed)	B
1	70027178	1	Kit, Towing Pin (includes items 101 thru 103)	
2	70027176	1	Kit, Friction (includes items 201 thru 204)	
3	70027177	1	Kit, Screws (includes items 301 thru 303)	
101	Kit	1	Pin	
102	Kit	1	Chain, Safety	
103	Kit	1	Pin, Safety	
201	Kit	1	Screw, M16X80	
202	Kit	1	Nut, M10	
203	Kit	1	Insert	
204	Kit	1	Insert	
301	Kit	4	Screw, M16X80	
302	Kit	4	Nut, M16	
303	Kit	4	Washer	

# SECTION 1 - FRAME AND ATTACHING PARTS

FIGURE 1-39. HITCH INSTALLATION (HYDRAULIC) (Prior to SN 1160008716)



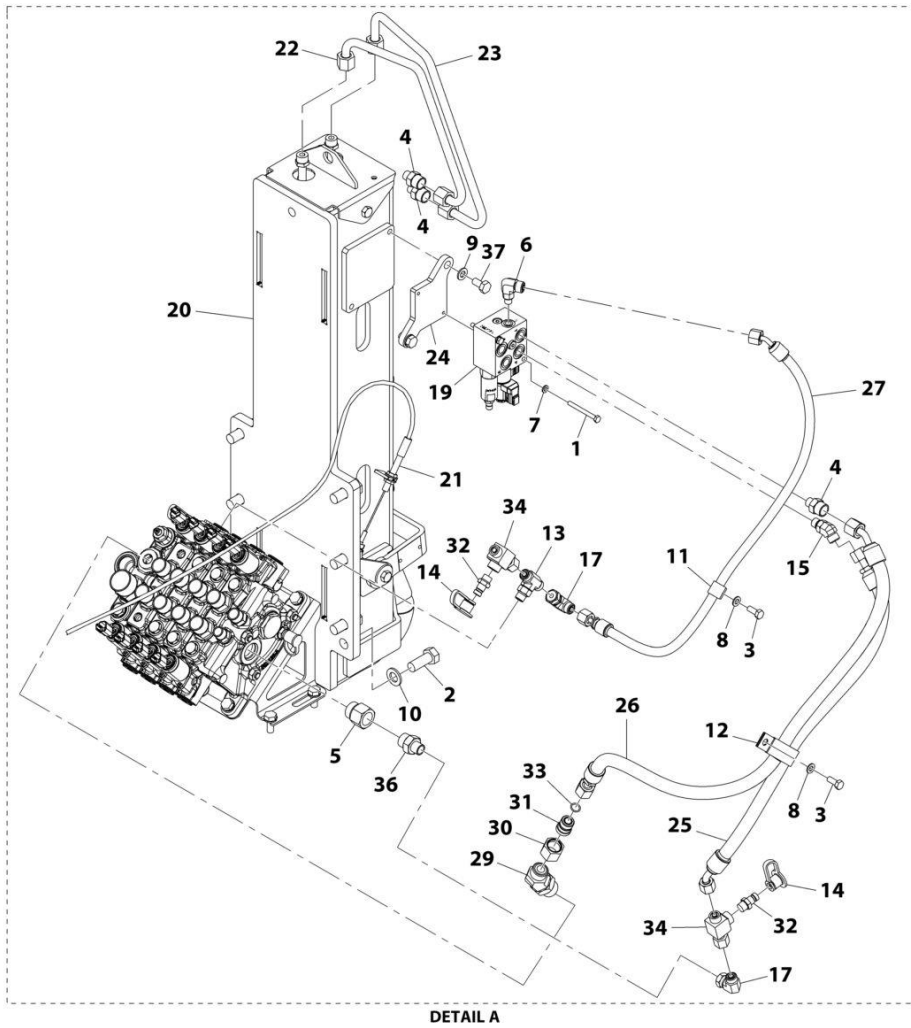
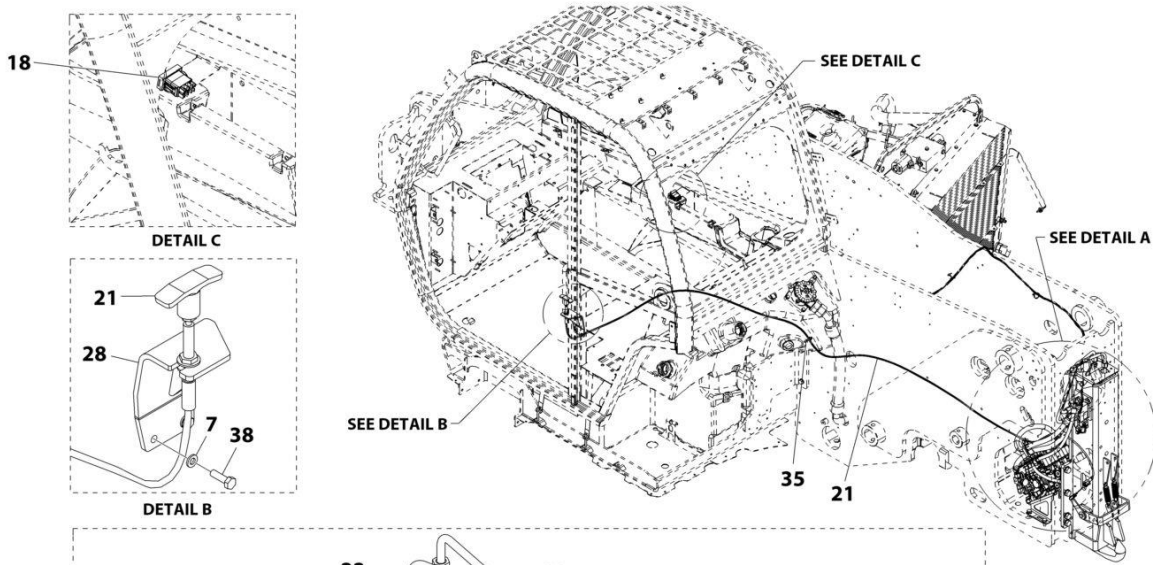
## SECTION 1 - FRAME AND ATTACHING PARTS

**FIGURE 1-39. HITCH INSTALLATION (HYDRAULIC) (Prior to SN 1160008716)**

ITEM	PART NUMBER	QTY	DESCRIPTION	REV
	1001186359	Ref	Hitch Installation (Hydraulic)	H
1	0700620	2	Bolt, M6X60	
2	0711616	8	Bolt, M16X40 Grade 10.9	
3	0760810	4	Bolt, M8X20	
4	2110806	3	Fitting, Straight ORFS	
5	8760550	1	Fitting, Tee	
6	2130604	1	Fitting, 90 ORFS	
7	4811700	2	Washer, M6	
8	4811900	4	Washer, M8	
9	4812000	2	Washer, M10	
10	4812300	8	Washer, M16	
11	1001009207	1	Clip	
12	1001008720	1	Clip	
13	2170406	1	Fitting, Tee ORFS	
14	1001008761	2	Dust Cap	
15	2150606	1	Fitting, 45 ORFS	
17	2172106	2	Fitting, 90 ORFS	
18	1001198836	1	Switch, Hitch Up/Down	
19	1001226722	Ref	Valve, Hydraulic Hitch Control (See Separate Breakdown in HYDRAULIC COMPONENTS Section)	
20	1001182763	1	Hitch, Hydraulic	
21	1001186392	1	Cable, Hitch Release	
22	1001204374	1	Pipe	
23	1001204375	1	Pipe	
24	1001188413	1	Plate	
25	1001204518	1	Hose, ORFS	
26	1001206557	1	Hose, ORFS	
27	1001206558	1	Hose, ORFS	
28	1001188722	1	Bracket, Hitch	
29	2151012	1	Fitting, 45 ORFS	
30	8770143	1	Nut, ORFS	
31	1001032853	1	Reducer, ORFS	
32	1001003590	2	Fitting, Straight	
33	1001008805	1	Seal	
34	1001033119	2	Adapter, ORFS	
35	1001146588	1	Tie Strap	
36	2110610	1	Fitting, Straight	
37	0761010	2	Bolt, M10X20	

# SECTION 1 - FRAME AND ATTACHING PARTS

FIGURE 1-40. HITCH INSTALLATION (HYDRAULIC) (SN 1160008716 to Present)



ART\_1001186359-I



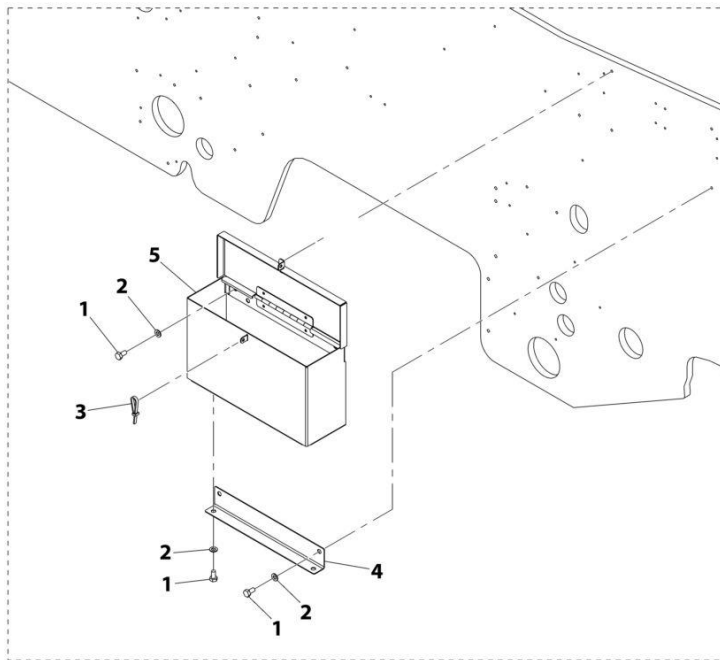
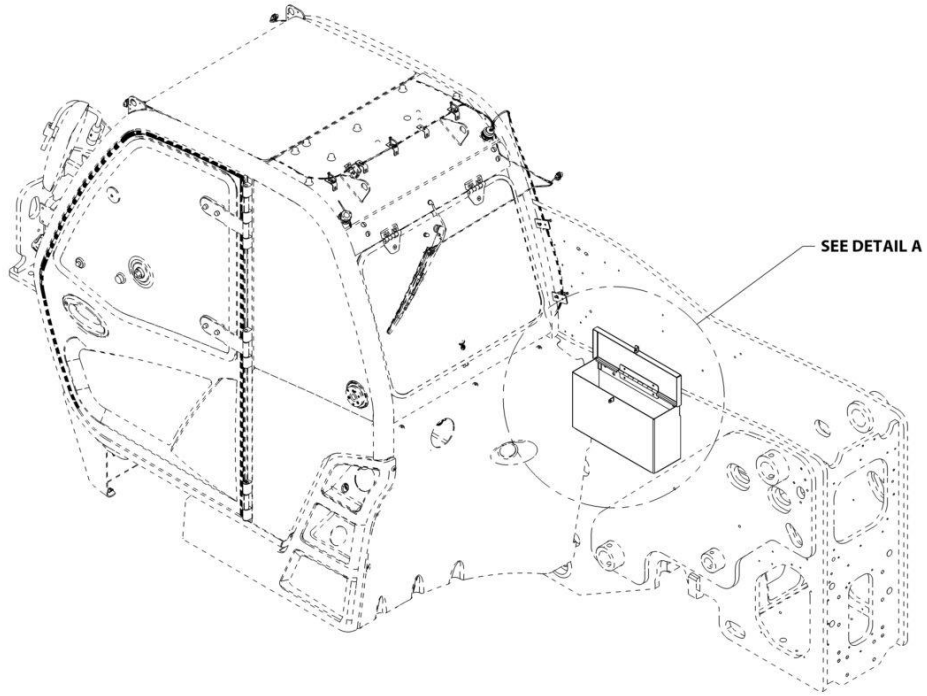
## SECTION 1 - FRAME AND ATTACHING PARTS

**FIGURE 1-40. HITCH INSTALLATION (HYDRAULIC) (SN 1160008716 to Present)**

ITEM	PART NUMBER	QTY	DESCRIPTION	REV
	1001186359	Ref	Hitch Installation (Hydraulic)	1
1	0700620	2	Bolt, M6X60	
2	0711616	8	Bolt, M16X40 Grade 10.9	
3	0760810	2	Bolt, M8X20	
4	2110806	3	Fitting, Straight ORFS	
5	8760550	1	Fitting, Tee	
6	2130604	1	Fitting, 90 ORFS	
7	4811700	4	Washer, M6	
8	4811900	2	Washer, M8	
9	4812000	2	Washer, M10	
10	4812300	8	Washer, M16	
11	1001009207	1	Clip	
12	1001008720	1	Clip	
13	2170406	1	Fitting, Tee ORFS	
14	1001008761	2	Dust Cap	
15	2150606	1	Fitting, 45 ORFS	
17	2172106	2	Fitting, 90 ORFS	
18	1001198836	1	Switch, Hitch	
19	1001226722	Ref	Valve, Hydraulic Hitch Control (See Separate Breakdown in HYDRAULIC COMPONENTS Section)	
20	1001182763	1	Hitch, Hydraulic	
21	1001186392	1	Cable, Hitch Release	
22	1001204374	1	Pipe	
23	1001204375	1	Pipe	
24	1001188413	1	Plate	
25	1001204518	1	Hose, ORFS	
26	1001206557	1	Hose, ORFS	
27	1001206558	1	Hose, ORFS	
28	1001228418	1	Bracket, Hitch	
29	2151012	1	Fitting, 45 ORFS	
30	8770143	1	Nut, ORFS	
31	1001032853	1	Reducer, ORFS	
32	1001003590	2	Fitting, Straight	
33	1001008805	1	Seal	
34	1001033119	2	Adapter, ORFS	
35	1001146588	1	Tie Strap	
36	2110610	1	Fitting, Straight	
37	0761010	2	Bolt, M10X20	
38	0700610	2	Bolt, M6X20	

# SECTION 1 - FRAME AND ATTACHING PARTS

## FIGURE 1-41. TOOL BOX INSTALLATION



DETAIL A

ART\_1001225619-A

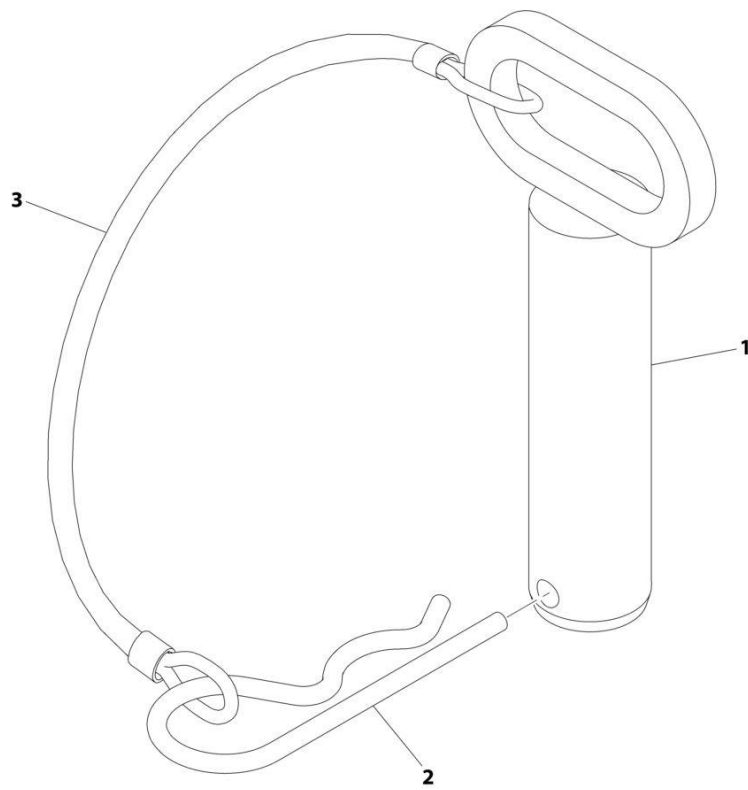
# SECTION 1 - FRAME AND ATTACHING PARTS

## FIGURE 1-41. TOOL BOX INSTALLATION

ITEM	PART NUMBER	QTY	DESCRIPTION	REV
	1001225619	Ref	Toolbox Installation	A
1	0761010	6	Bolt, M10X20	
2	4812000	6	Washer, M10	
3	1001008559	1	Strap	
4	1001178729	1	Bracket	
5	1001192836	1	Box	

# SECTION 1 - FRAME AND ATTACHING PARTS

FIGURE 1-42. HITCH PIN ASSEMBLY



ART\_1001238877-A

# SECTION 1 - FRAME AND ATTACHING PARTS

## FIGURE 1-42. HITCH PIN ASSEMBLY

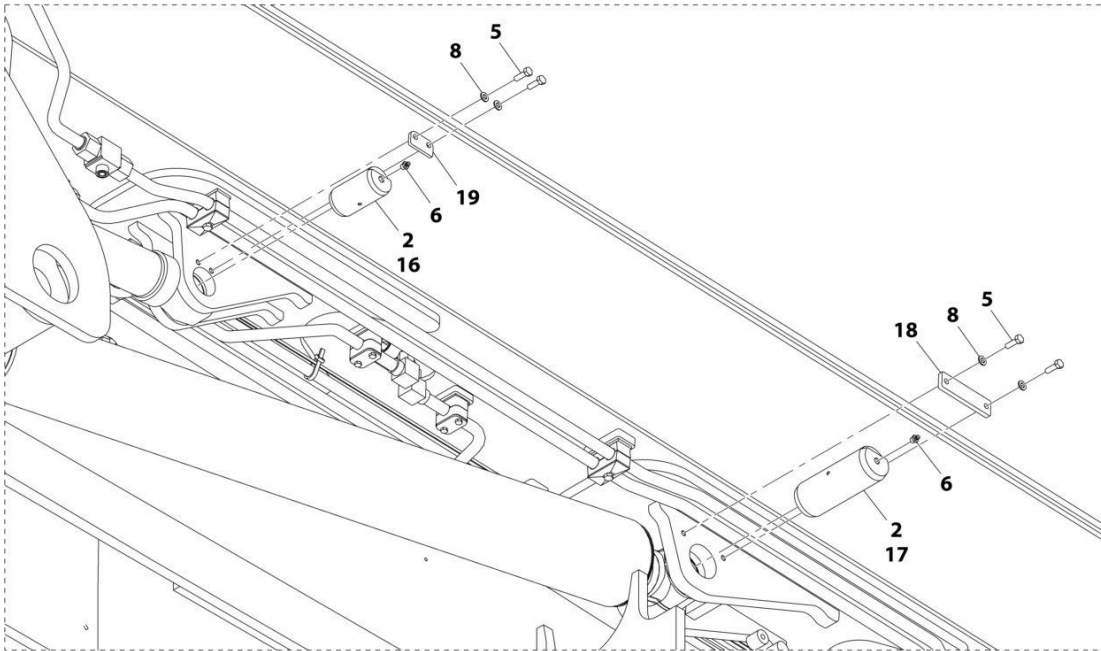
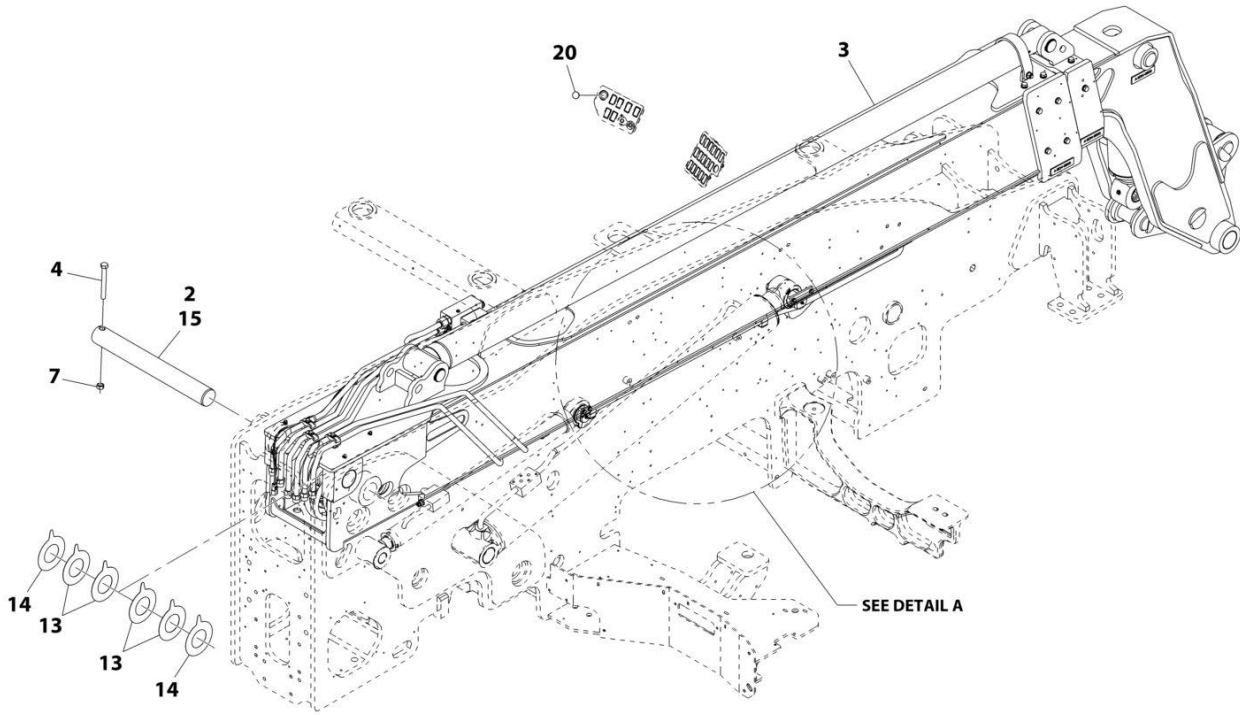
ITEM	PART NUMBER	QTY	DESCRIPTION	REV
	1001238877	Ref	Hitch Pin Assembly	A
1	1001005267	1	Pin	
2	1001238919	1	Pin Cotter	
3	1001238915	1	Lanyard, Hitch Pin	



**SECTION 2 - BOOM**

# SECTION 2 - BOOM

## FIGURE 2-1. BOOM INSTALLATION (JLG)



DETAIL A

ART\_1001176105-F



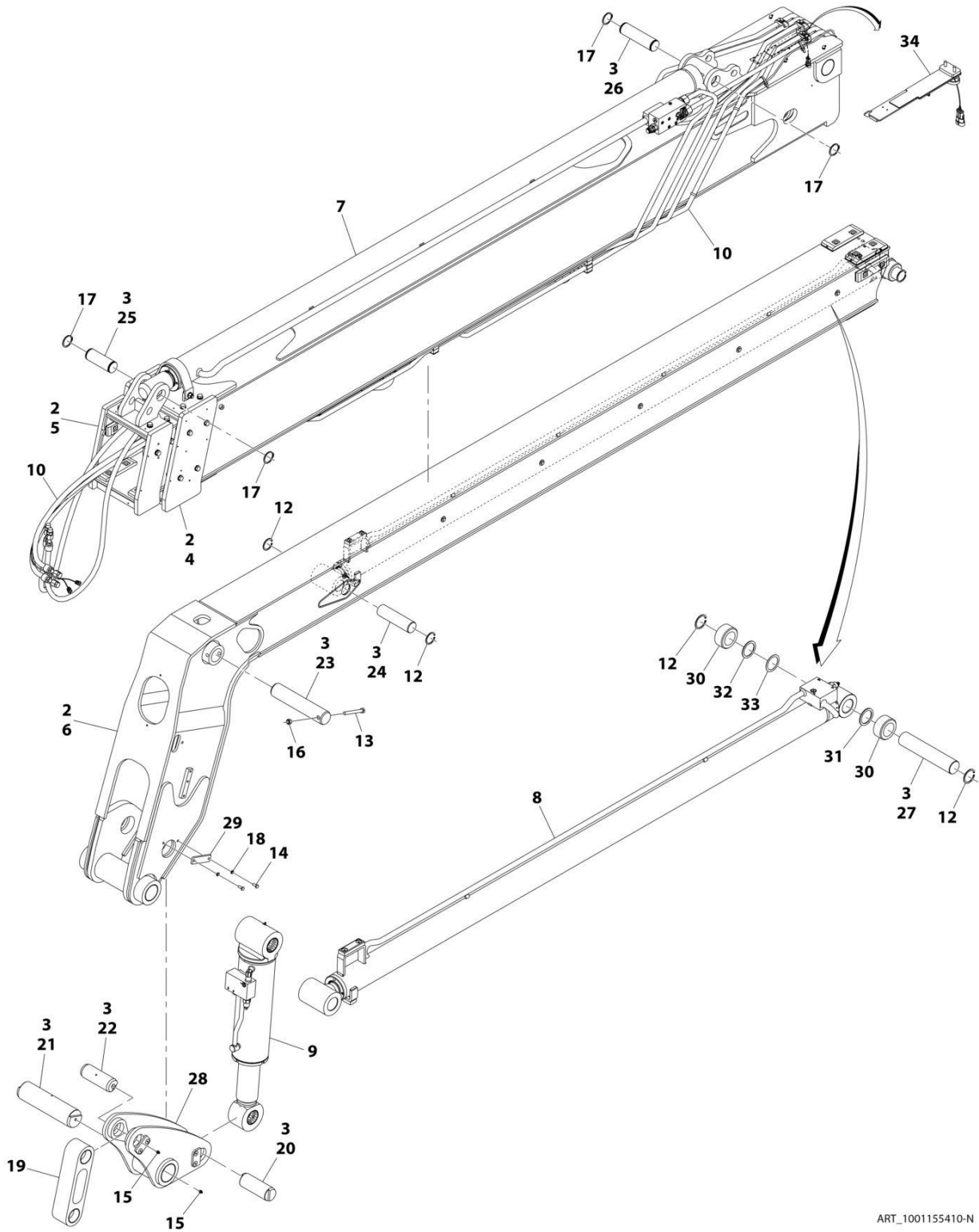
## SECTION 2 - BOOM

**FIGURE 2-1. BOOM INSTALLATION (JLG)**

ITEM	PART NUMBER	QTY	DESCRIPTION	REV
	1001176105	Ref	Boom Installation (JLG)	F
2	1001098457	AR	Lube, Lithium Grease	
3	1001155410	1	Boom Assembly (JLG) (See Separate Breakdown in this Section)	
4	0701631	1	Bolt, M16X140, Grade 10.9	
5	0760812	4	Bolt, M8X25	
6	2160016	2	Fitting, Grease	
7	3291601	1	Nut, M16X2 Grade 8	
8	4811900	4	Washer, M8	
13	1001169048	AR	Shim, M1	
14	1001169049	AR	Shim, M0.5	
15	1001175225	1	Pin, Boom Pivot	
16	1001175754	1	Pin	
17	1001175898	1	Pin	
18	1001191621	1	Plate	
19	1001176942	1	Bracket	
20	1001190589	1	Plug	

# SECTION 2 - BOOM

## FIGURE 2-2. BOOM ASSEMBLY (JLG)



ART\_1001155410-N

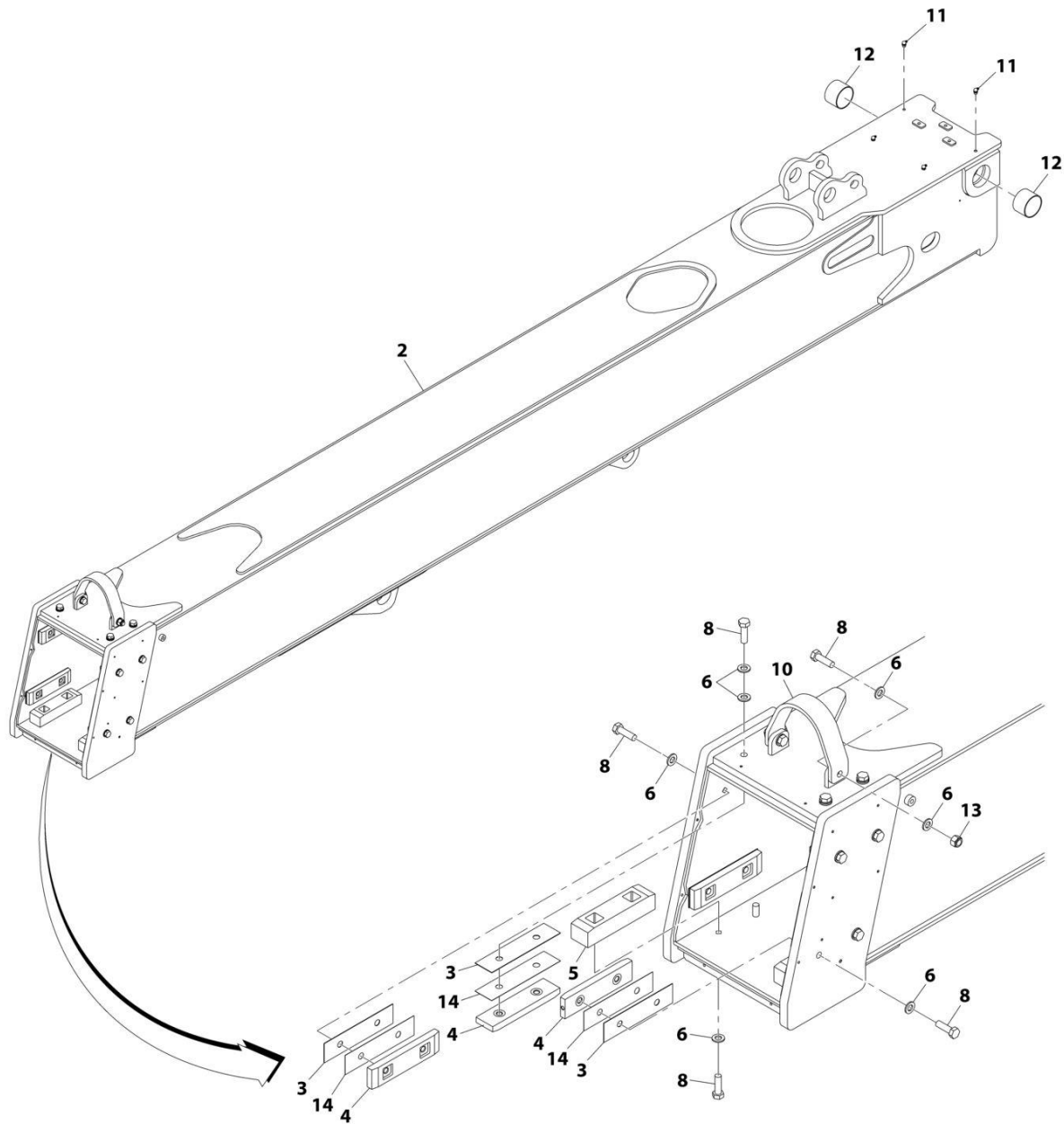
## SECTION 2 - BOOM

**FIGURE 2-2. BOOM ASSEMBLY (JLG)**

ITEM	PART NUMBER	QTY	DESCRIPTION	REV
	1001155410	Ref	Boom Assembly (JLG)	N
2	1001098457	AR	Lube, Lithium Grease	
3	3020040	AR	Lubricant, Moly Paste	
4	1001153862	1	Assembly, First Boom Section (JLG) (See Separate Breakdown in this Section)	
5	1001153863	1	Assembly, Second Boom Section (See Separate Breakdown in this Section)	
6	1001153864	1	Assembly, Third Boom Section (See Separate Breakdown in this Section)	
7	1001203313	1	Assembly, Outer Extend/Retract Cylinder (See Separate Breakdown in HYDRAULIC COMPONENTS Section)	
8	1001175020	1	Cylinder, Inner Extend/Retract (See Separate Breakdown in HYDRAULIC COMPONENTS Section)	
9	1001166534	1	Assembly, Tilt Cylinder (See Separate Breakdown in HYDRAULIC COMPONENTS Section)	
10	1001197212	Ref	Installation, Boom Hydraulic (See Separate Breakdown in HYDRAULIC CIRCUITS Section)	
12	314689	4	Retaining, Ring	
13	0711228	1	Bolt, M12X110 Grade 10.9	
14	0760810	2	Bolt, M8X20	
15	2160016	2	Fitting, Grease	
16	3291205	1	Nut, Lock M12X1.75 Grade 8	
17	3760493	4	Ring, Retaining	
18	4831900	2	Washer, Lock M8	
19	1001096870	1	Assembly, Link (See Separate Breakdown in this Section)	
20	1001175746	1	Pin, Tilt	
21	1001175747	1	Pin, Tilt Lower	
22	1001175749	1	Pin, Tilt Link	
23	1001175751	1	Pin, Tilt	
24	1001175753	1	Pin	
25	1001176426	1	Pin	
26	1001176437	1	Pin	
27	1001176439	1	Pin	
28	1001176407	1	Assembly, Lever (See Separate Breakdown in this Section)	
29	1001191621	1	Plate	
30	1001177670	2	Tube, Spacer	
31	1001155958	AR	Shim, M3	
32	1001155959	AR	Shim, M2	
33	1001155960	AR	Shim, M1	
34	1001184856	Ref	Installation, Boom Retract Sensor (See Separate Breakdown in ELECTRICAL Section)	

# SECTION 2 - BOOM

## FIGURE 2-3. FIRST BOOM SECTION ASSEMBLY



ART\_1001153862-I

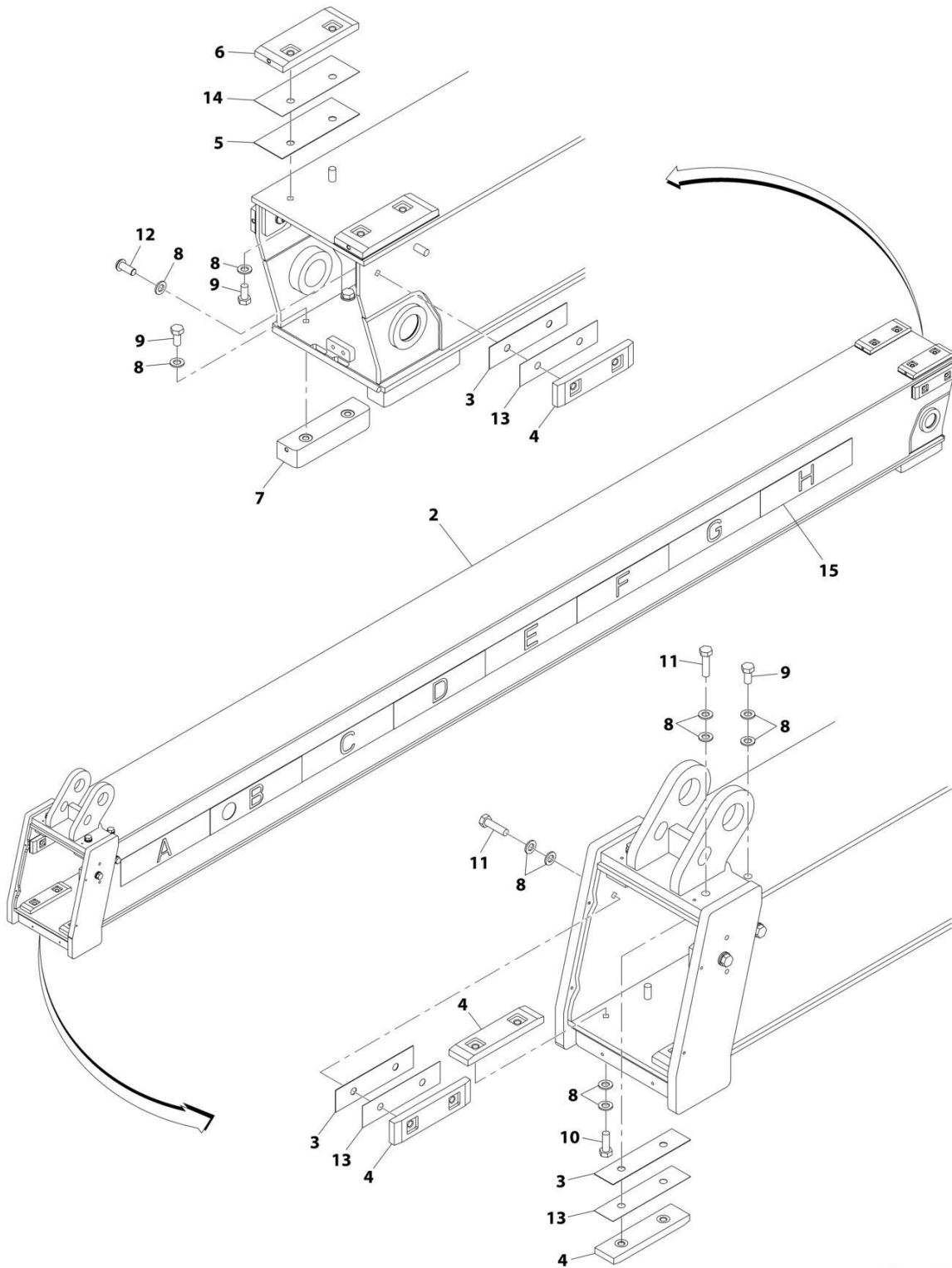
## SECTION 2 - BOOM

**FIGURE 2-3. FIRST BOOM SECTION ASSEMBLY**

ITEM	PART NUMBER	QTY	DESCRIPTION	REV
	1001153862	Ref	First Boom Section Assembly	1
2	1001172321J	1	Boom, First	
3	1001147731	AR	Shim, M1X45X185	
4	1001147657	6	Pad, M15X45X181	
5	1001175853	2	Pad, M38X45X181	
6	1001125117	AR	Washer, M12	
8	0711216	18	Bolt, M12X40, Grade 10.9	
10	1001200696	1	Strap	
11	2160018	4	Fitting, Grease	
12	1001090150	2	Bearing	
13	3291205	2	Nut M12X1.75 Grade 8	
14	1001154174	AR	Shim, M0.5X45X185	

# SECTION 2 - BOOM

## FIGURE 2-4. SECOND BOOM SECTION ASSEMBLY



ART\_1001153863-G

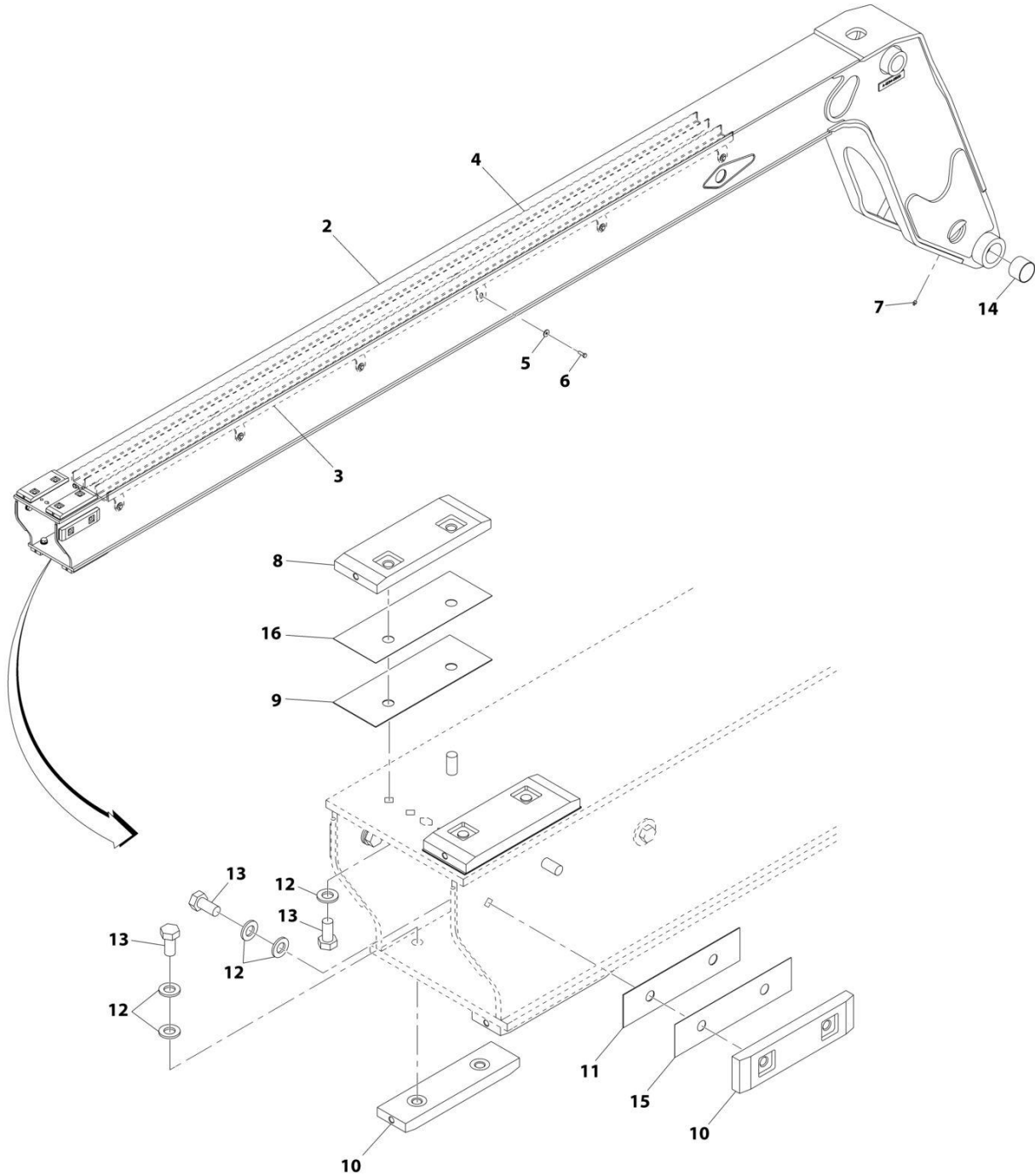
## SECTION 2 - BOOM

**FIGURE 2-4. SECOND BOOM SECTION ASSEMBLY**

ITEM	PART NUMBER	QTY	DESCRIPTION	REV
	1001153863	Ref	Second Boom Section Assembly	H
2	1001172402	1	Boom, Second	
3	1001147731	AR	Shim, M1X45X185	
4	1001147657	8	Pad, M15X45X181	
5	1001148147	AR	Shim, M1X67.5X185	
6	1001148103	2	Pad, M15X67.5X181	
7	1001175911	2	Pad, M38X45X181	
8	1001125117	AR	Washer, M12	
9	0771212	16	Bolt, M12X25 Grade 10.9	
10	0711215	2	Bolt, M12X35 Grade 10.9	
11	0711217	4	Bolt, M12X45 Grade 10.9	
12	1001105260	2	Screw, M12X30	
13	1001154174	AR	Shim, M0.5X45X185	
14	1001154176	AR	Shim, M0.5X67.5X185	
15	1001227229	1	Decal, Boom	
16	1001163103	AR	Shime	

# SECTION 2 - BOOM

## FIGURE 2-5. THIRD BOOM SECTION ASSEMBLY



ART\_1001153864-G



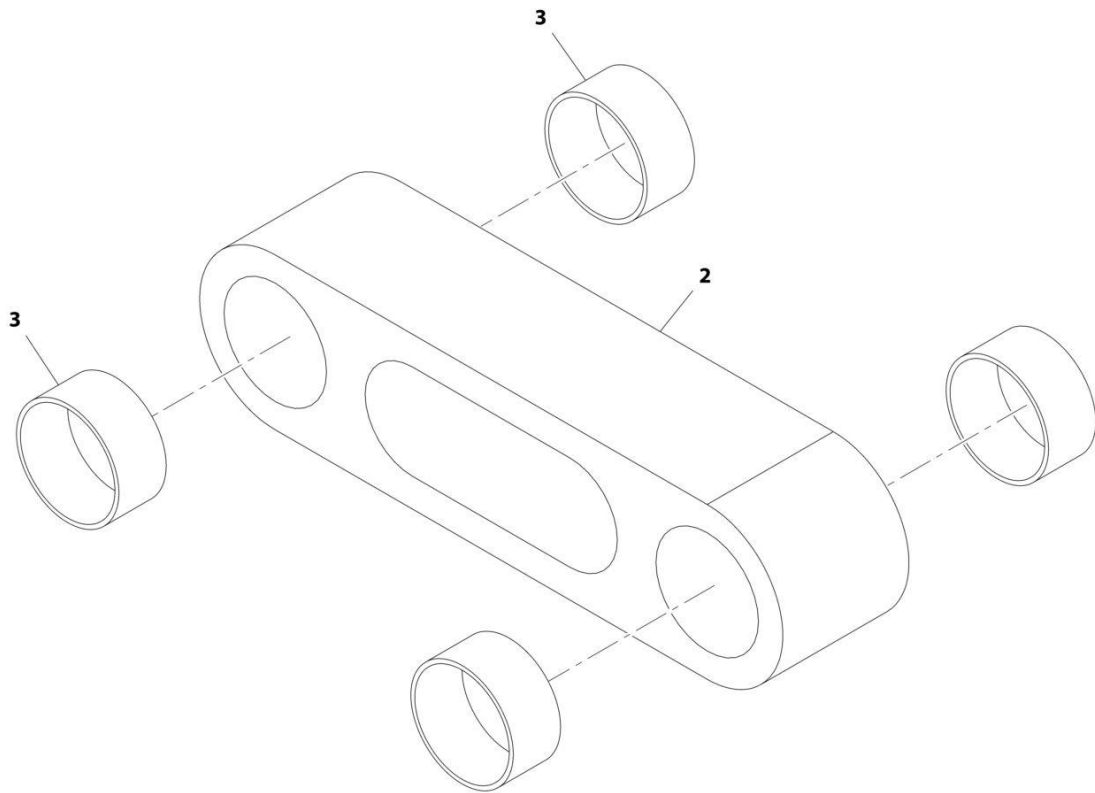
## SECTION 2 - BOOM

**FIGURE 2-5. THIRD BOOM SECTION ASSEMBLY**

ITEM	PART NUMBER	QTY	DESCRIPTION	REV
	1001153864	Ref	Third Boom Section Assembly	G
2	1001172295	1	Boom, Third	
3	1001174557	1	Support, Hose	
4	1001175661	1	Support, Hose	
5	4811902	12	Washer, M8	
6	0760812	12	Bolt, M8X25	
7	2160016	1	Fitting, Grease	
8	1001148103	2	Pad, M15X67.5X181	
9	1001148147	AR	Shim, M1X67.5X185	
10	1001147657	4	Pad, M15X45X181	
11	1001147731	AR	Shim, M1X45X185	
12	1001125117	AR	Washer, M12	
13	0771212	12	Bolt, M12X25 Grade 10.9	
14	1001090150	2	Bearing	
15	1001154174	AR	Shim, M0.5X45X185	
16	1001154176	AR	Shim, M0.5X67.5X185	

# SECTION 2 - BOOM

## FIGURE 2-6. LINK ASSEMBLY



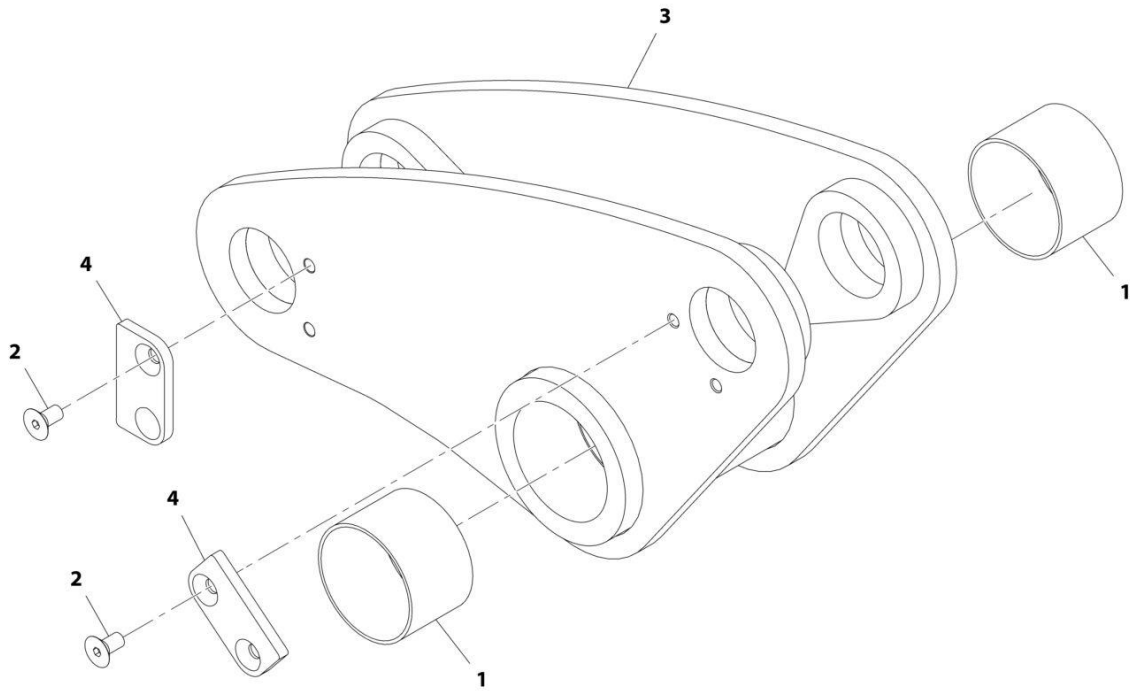
ART\_1001096870-B

FIGURE 2-6. LINK ASSEMBLY

ITEM	PART NUMBER	QTY	DESCRIPTION	REV
	1001096870	Ref	Link Assembly	B
2	1001096726	NSS	Link (Use PN 1001096870 Link Assembly	
3	1001100442	4	Bearing	

## SECTION 2 - BOOM

FIGURE 2-7. LEVER ASSEMBLY



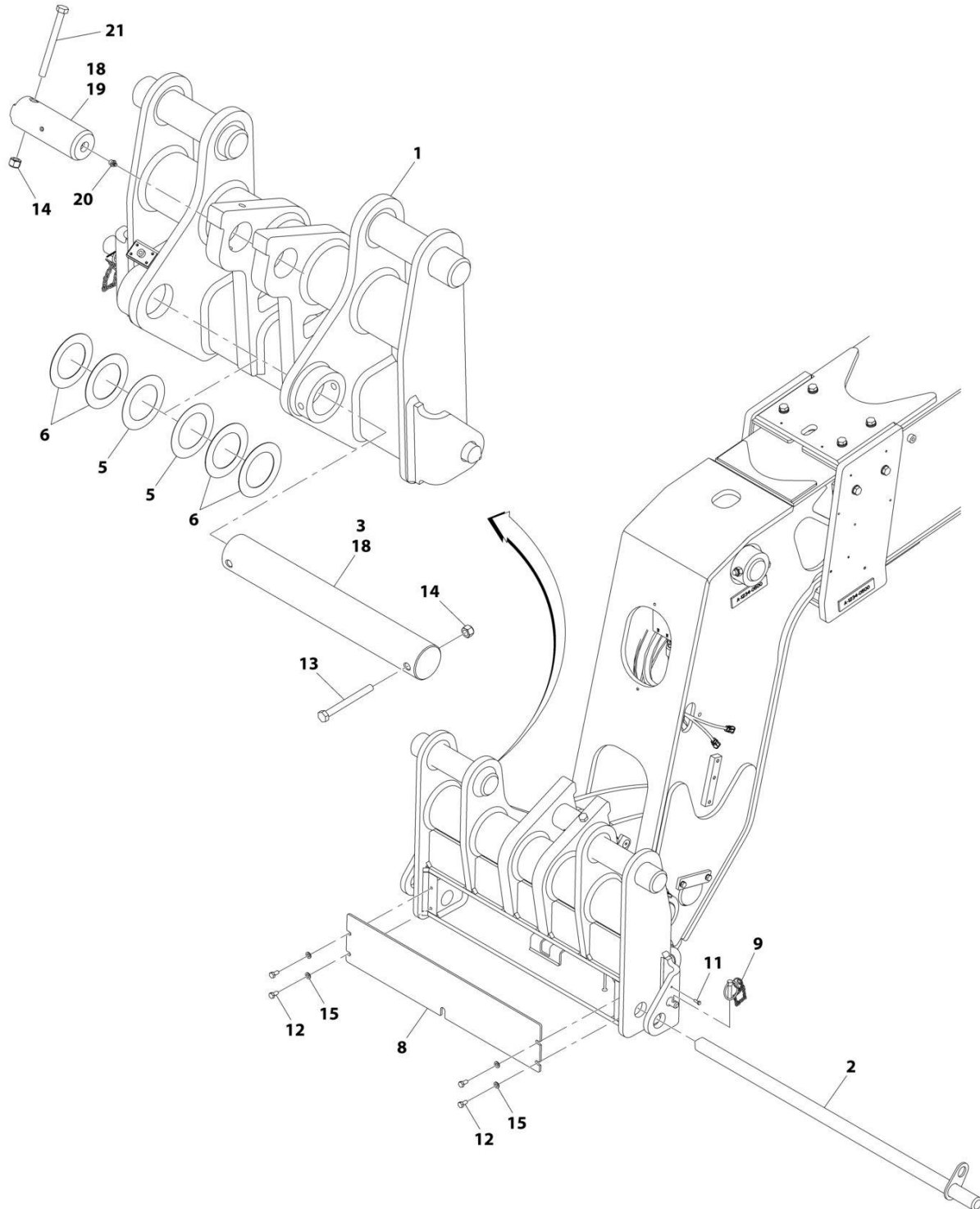
ART\_1001176407-C

FIGURE 2-7. LEVER ASSEMBLY

ITEM	PART NUMBER	QTY	DESCRIPTION	REV
	1001176407	Ref	Lever Assembly	C
1	1001092298	2	Bearing	
2	1001155441	4	Screw, M10-1.5X20	
3	1001189480	1	Plate	
4	1001176882	2	Plate, Pin Retainer	

# SECTION 2 - BOOM

## FIGURE 2-8. MANUAL QUICK COUPLER INSTALLATION



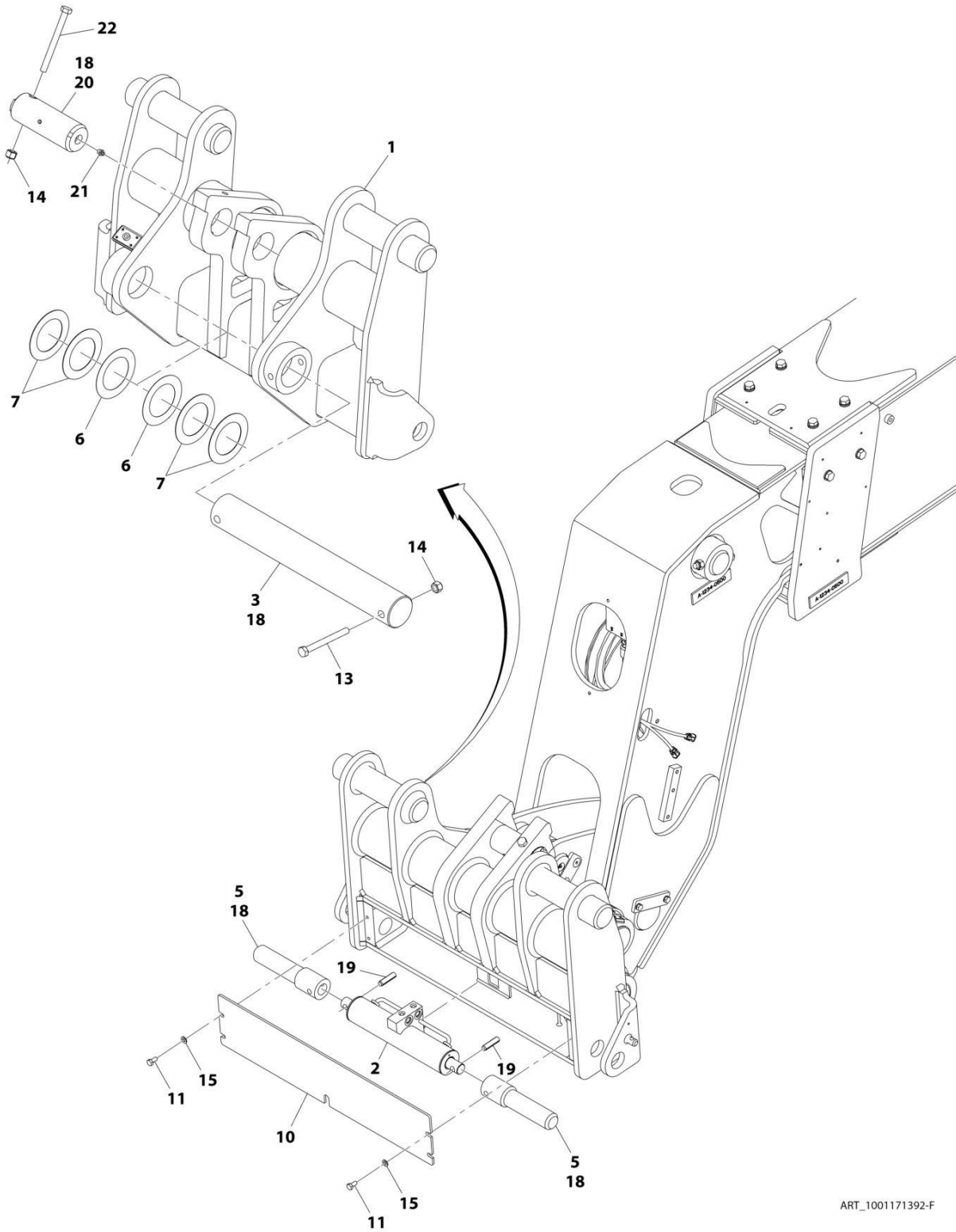
ART\_1001178526-E

FIGURE 2-8. MANUAL QUICK COUPLER INSTALLATION

ITEM	PART NUMBER	QTY	DESCRIPTION	REV
	1001178526	Ref	Manual Quick Coupler Installation	E
1	1001189099	1	Carriage	
2	1001162636	1	Pin	
3	1001172886	1	Pin	
5	1001098146	AR	Shim, M72X110X0.5	
6	1001098147	AR	Shim, M72X110X1.0	
8	1001171390	1	Plate	
9	1001149923	1	Chain, Retaining Pin	
11	0760507	1	Bolt, M5X14	
12	0760808	4	Bolt, M8X16	
13	0701229	1	Bolt, M12X120	
14	3291205	2	Nut, Lock M12X1.75 Grade 8	
15	4811900	4	Washer, M8	
18	1001098457	AR	Lube, Lithium Grease	
19	1001197479	1	Pin	
20	2160016	1	Fitting, Grease	
21	0701232	1	Bolt, M12X150	

# SECTION 2 - BOOM

## FIGURE 2-9. HYDRAULIC QUICK COUPLER INSTALLATION



ART\_1001171392-F

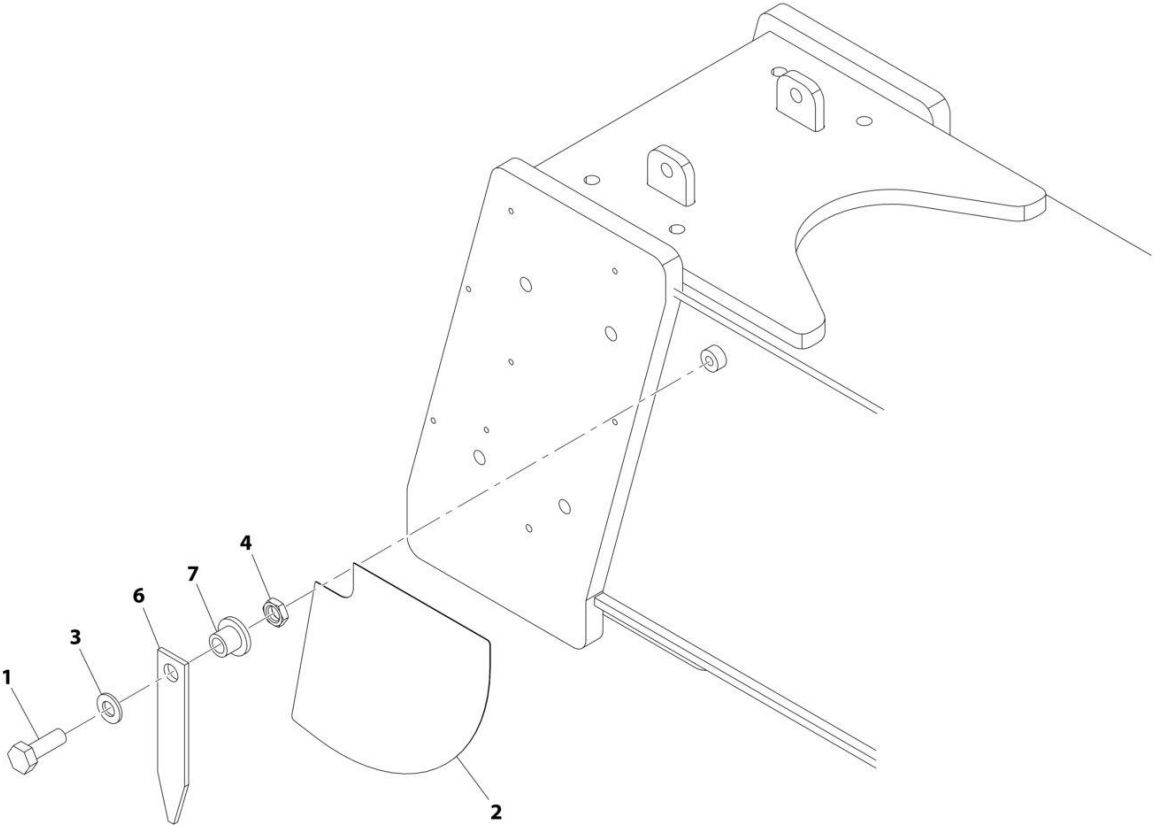


FIGURE 2-9. HYDRAULIC QUICK COUPLER INSTALLATION

ITEM	PART NUMBER	QTY	DESCRIPTION	REV
	1001171392	Ref	Hydraulic Quick Coupler Installation	F
1	1001189099	1	Carriage	
2	1001114787	1	Assembly, Coupler Locking Cylinder (See Separate Breakdown in HYDRAULIC COMPONENTS Section)	
3	1001172886	1	Pin	
5	1001170984	2	Rod, Locking	
6	1001098146	AR	Shim, M72X110X0.5	
7	1001098147	AR	Shim, M72X110X1.0	
10	1001171390	1	Plate	
11	0760808	4	Bolt, M8X16	
13	0701229	1	Bolt, M12X120	
14	3291205	2	Nut, Lock M12X1.75 Grade 8	
15	4811900	4	Washer, M8	
18	1001098457	AR	Lube, Lithium Grease	
19	1001184610	2	Pin	
20	1001197479	1	Pin	
21	2160016	1	Fitting, Grease	
22	0701232	1	Bolt, M12X150	

**SECTION 2 - BOOM**

**FIGURE 2-10. BOOM ANGLE INDICATOR INSTALLATION**



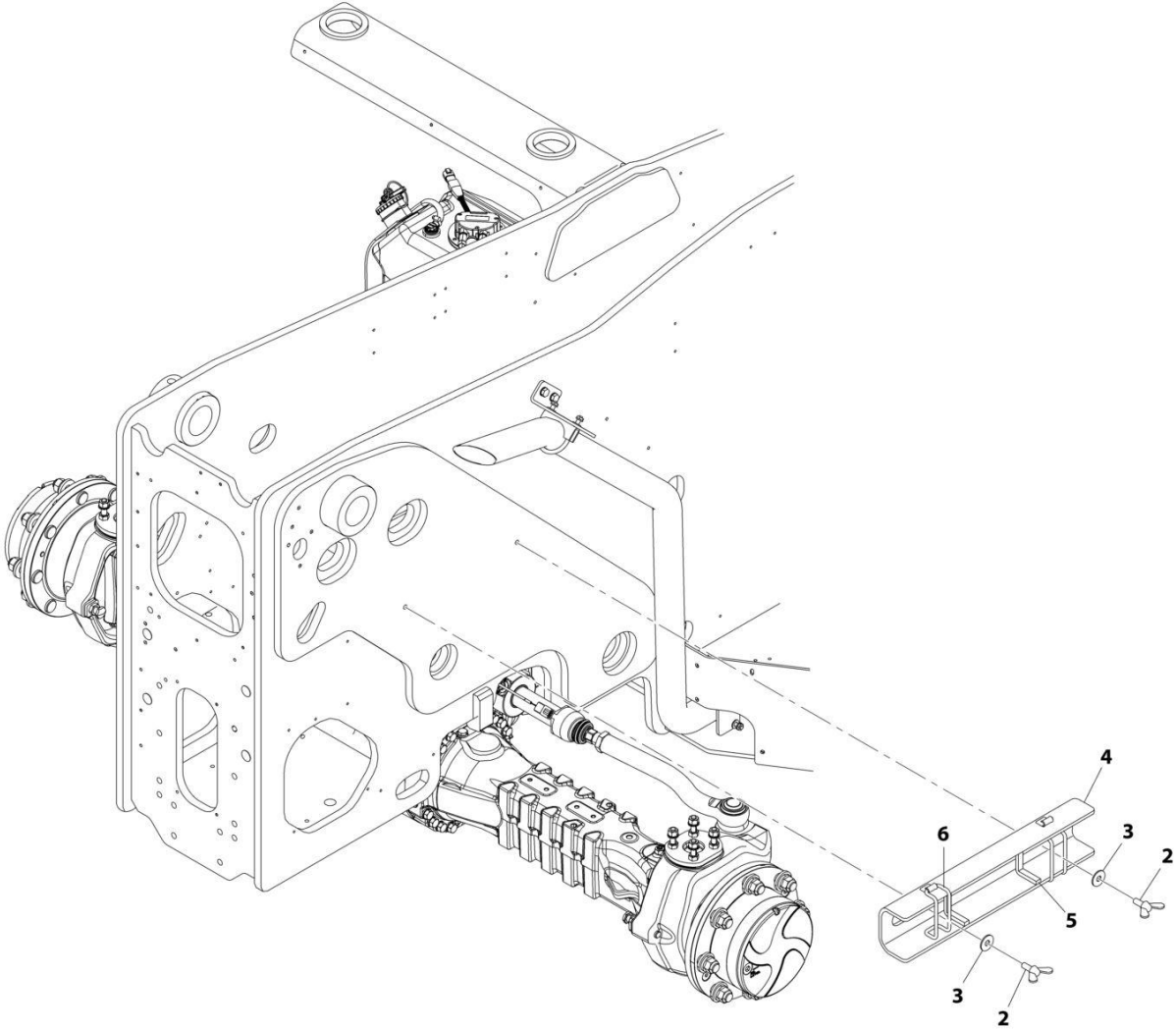
ART\_1001188190-C

**FIGURE 2-10. BOOM ANGLE INDICATOR INSTALLATION**

ITEM	PART NUMBER	QTY	DESCRIPTION	REV
	1001188190	Ref	Boom Angle Indicator Installation	C
1	0701014	1	Bolt, M10X30	
2	4105262	1	Decal, Boom Angle Indicator	
3	4812000	1	Washer, M10	
4	8305438	1	Nut, M10X1.50	
6	1001098769	1	Plate, Boom Angle Indicator	
7	1001171808	1	Spacer	

**SECTION 2 - BOOM**

**FIGURE 2-11. BOOM PROP INSTALLATION**



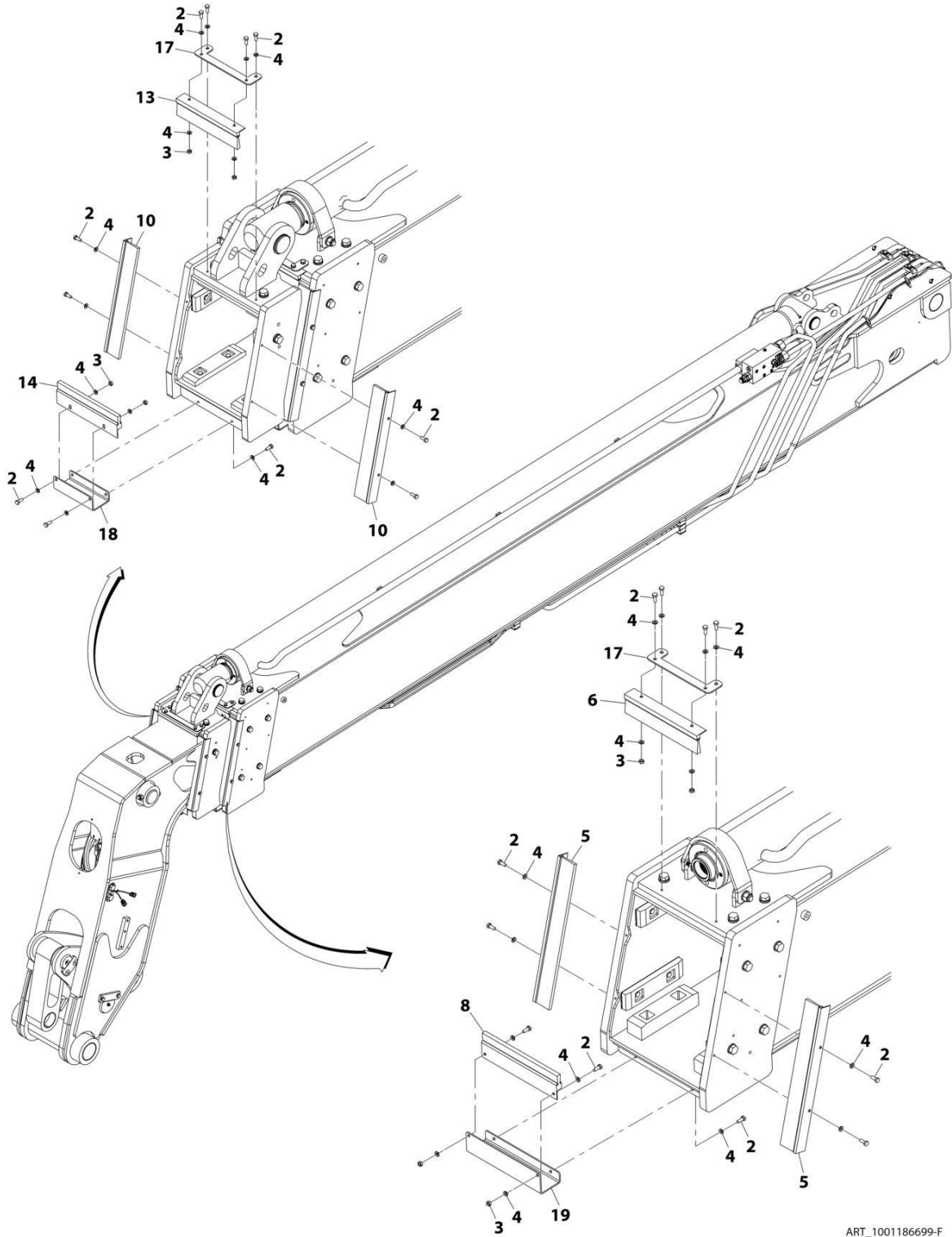
ART\_1001189475-D

**FIGURE 2-11. BOOM PROP INSTALLATION**

ITEM	PART NUMBER	QTY	DESCRIPTION	REV
	1001189475	Ref	Boom Prop Installation	D
2	443630	2	Screw, Wing M12X30	
3	4812102	2	Washer, M12	
4	1001204535	1	Bracket, Boom Support	
5	1001189476	2	Pad	
6	1784861	2	O-Ring	

# SECTION 2 - BOOM

## FIGURE 2-12. BOOM BRUSHES INSTALLATION



ART\_1001186699-F

FIGURE 2-12. BOOM BRUSHES INSTALLATION

ITEM	PART NUMBER	QTY	DESCRIPTION	REV
	1001186699	Ref	Boom Brushes Installation	F
2	0760608	24	Bolt, M6X16	
3	3290601	8	Nut, M6X1 Grade 8	
4	4811700	32	Washer, M6	
5	1001184423	2	Seal, Boom Brush	
6	1001184507	1	Seal, Boom Brush	
8	1001202316	1	Seal, Boom Brush	
10	1001183676	2	Seal, Boom Brush	
13	1001186895	1	Seal, Boom Brush	
14	1001186896	1	Seal, Boom Brush	
17	1001214868	2	Bracket, Boom Brush Top	
18	1001214881	1	Bracket, Boom Brush Bottom	
19	1001214882	1	Bracket, Boom Brush Bottom	

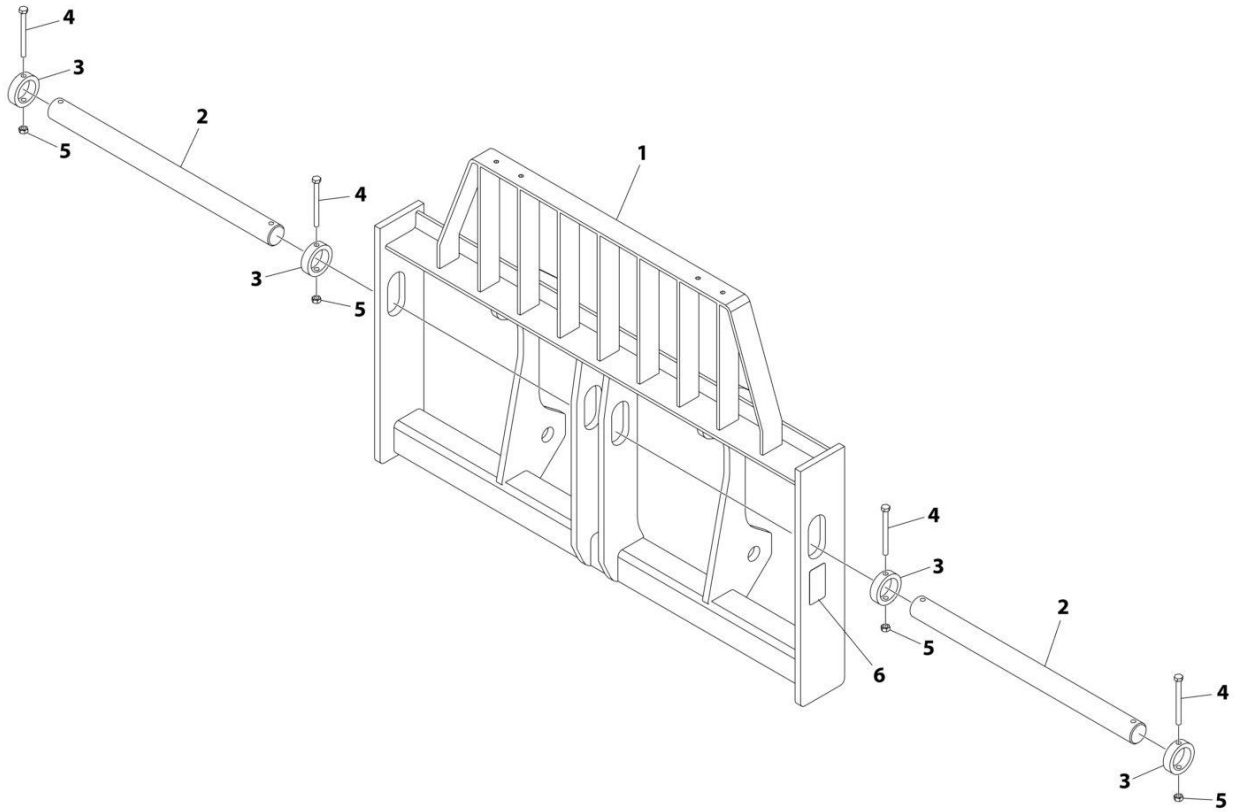




**SECTION 3 - ATTACHMENTS**

# SECTION 3 - ATTACHMENTS

## FIGURE 3-1. CARRIAGE ASSEMBLY (1524MM) (CE & AUS)



ART\_1001184033

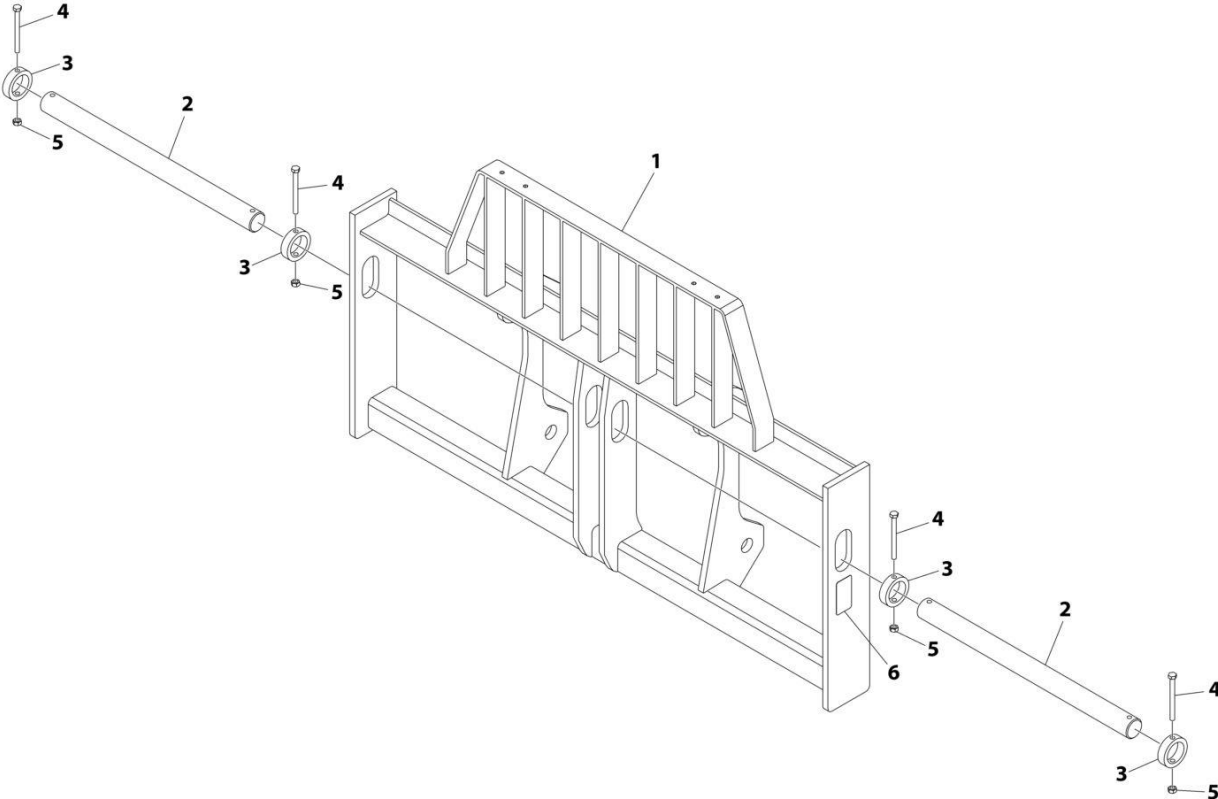
## SECTION 3 - ATTACHMENTS

### FIGURE 3-1. CARRIAGE ASSEMBLY (1524MM) (CE & AUS)

ITEM	PART NUMBER	QTY	DESCRIPTION	REV
	1001184033	Ref	CARRIAGE ASSEMBLY (1524MM)	E
1	N.S.S.	1	Weldment, Carriage	
2	70027659	2	Shaft, Fork	
3	70027606	4	Pin, Block	
4	70027607	4	Bolt	
5	70021241	4	Nut, Lock M12	
6	N.S.S.	1	Plate, Serial Number	

**SECTION 3 - ATTACHMENTS**

**FIGURE 3-2. CARRIAGE ASSEMBLY (1829MM) (CE & AUS)**



ART\_1001184035

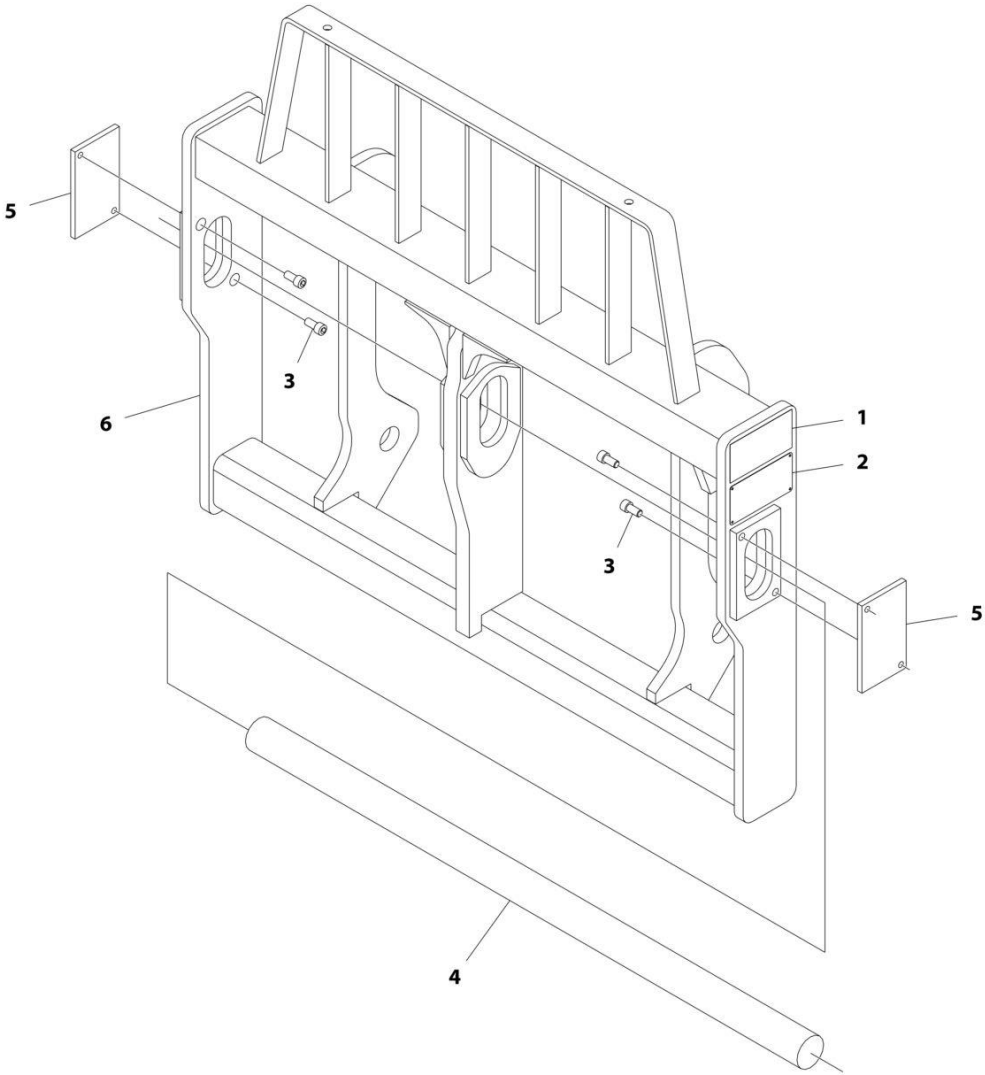
## SECTION 3 - ATTACHMENTS

**FIGURE 3-2. CARRIAGE ASSEMBLY (1829MM) (CE & AUS)**

ITEM	PART NUMBER	QTY	DESCRIPTION	REV
	1001184035	1	CARRIAGE ASSEMBLY (1829MM)	E
1	N.S.S.	1	Carriage	
2	70027658	2	Shaft, Fork	
3	70027606	4	Pin, Block	
4	70027607	4	Bolt	
5	70021241	4	Nut M12	
6	N.S.S.	1	Plate, Serial Number	

**SECTION 3 - ATTACHMENTS**

**FIGURE 3-3. CARRIAGE ASSEMBLY (1225MM) (CE & AUS)**



ART\_1001107581

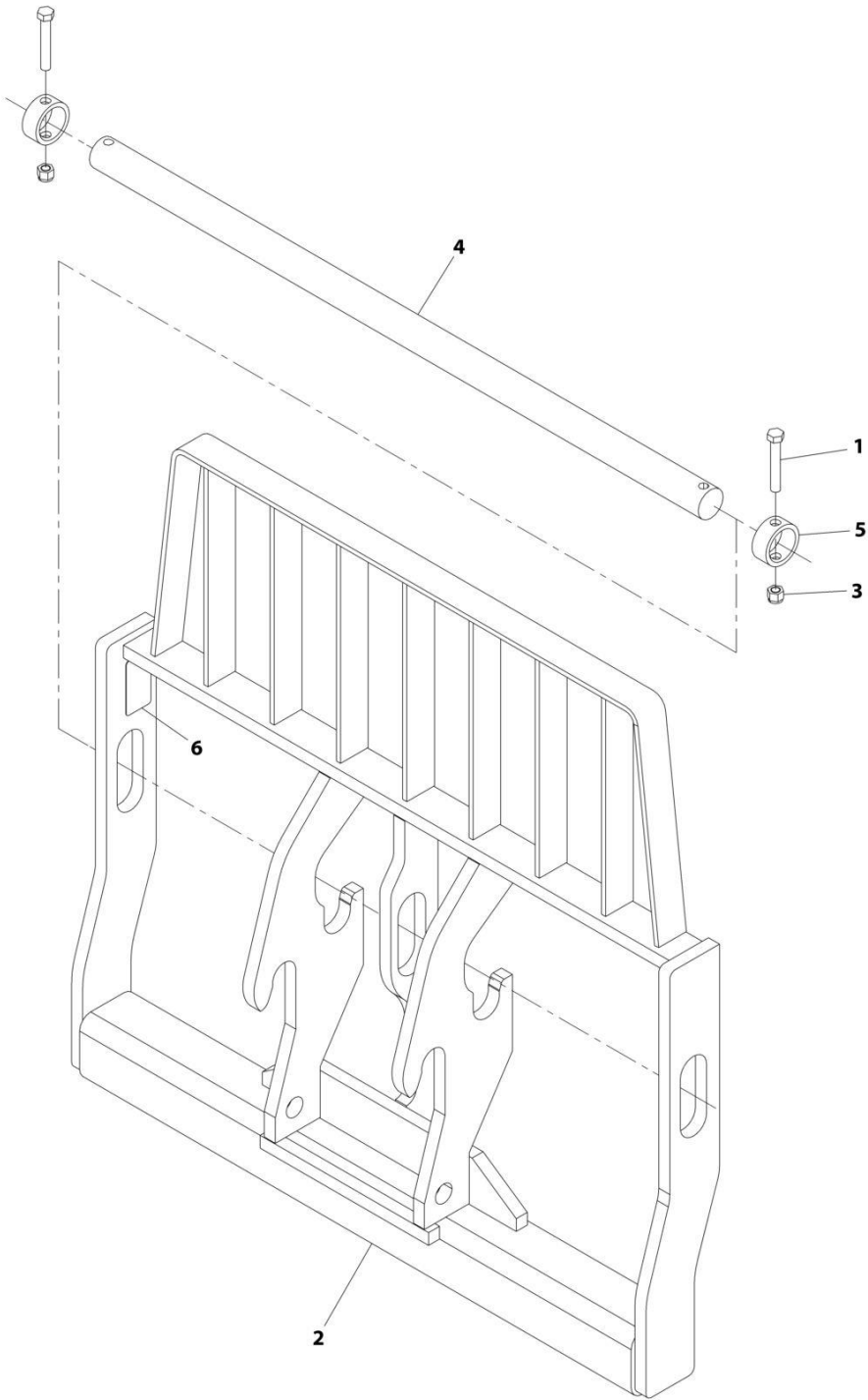
## SECTION 3 - ATTACHMENTS

### FIGURE 3-3. CARRIAGE ASSEMBLY (1225MM) (CE & AUS)

ITEM	PART NUMBER	QTY	DESCRIPTION	REV
	1001107581	Ref	CARRIAGE ASSEMBLY (1225MM)	E
1	See Note	NSS	Name Plate, Carriage (Note: Not Available for Purchase)	
2	See Note	NSS	Plate, Serial Number (Note: Not Available for Purchase)	
3	4032109	4	Bolt M12 x 25	
4	1001107336	1	Shaft, Carriage	
5	1001107338	2	Cover, Shaft	
6	See Note	NSS	Carriage (Note: Purchase PN 1001107581)	

**SECTION 3 - ATTACHMENTS**

**FIGURE 3-4. CARRIAGE ASSEMBLY (1270MM) (ANSI - JLG)**



ART\_1170021-H



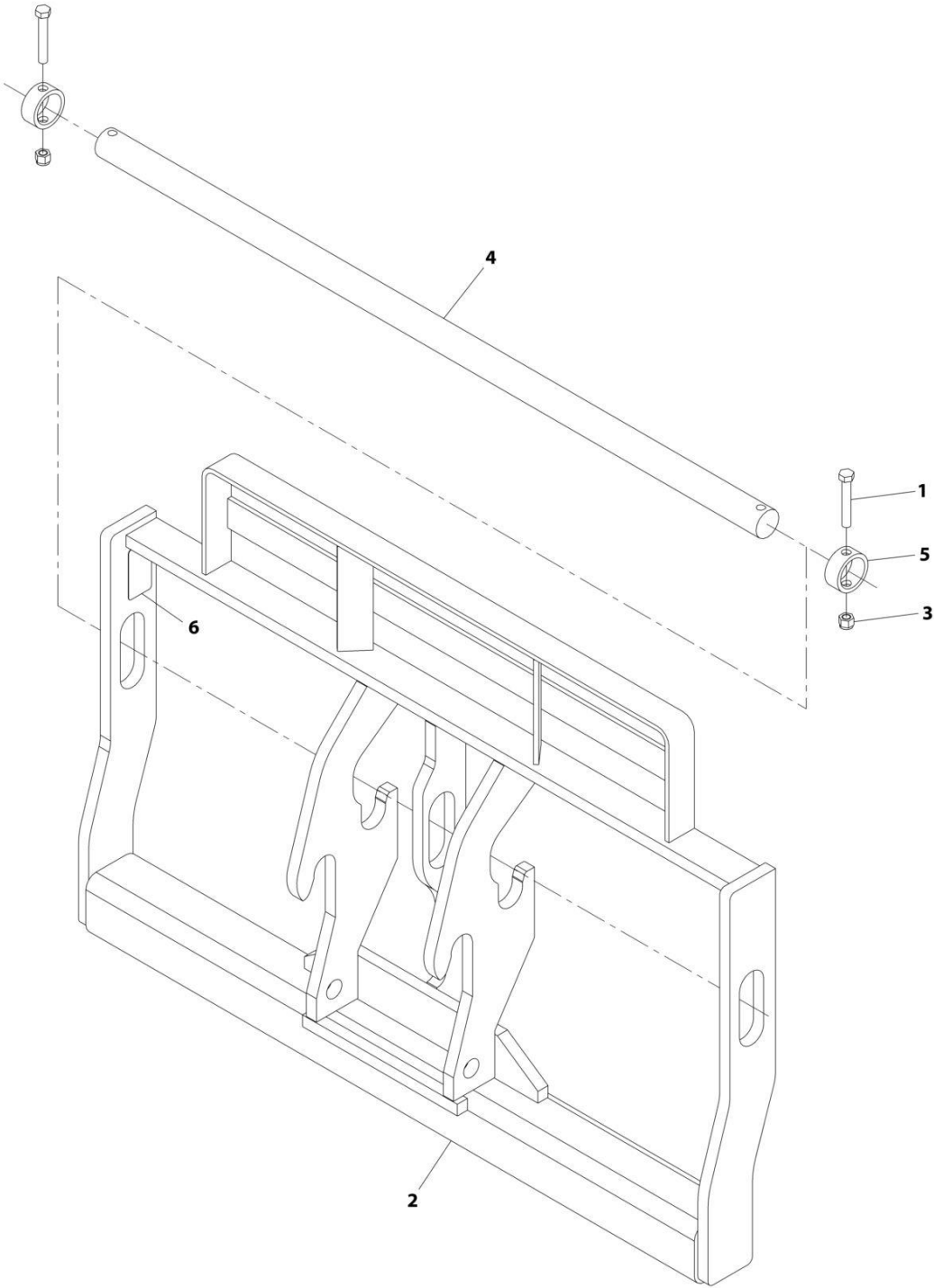
## SECTION 3 - ATTACHMENTS

### FIGURE 3-4. CARRIAGE ASSEMBLY (1270MM) (ANSI - JLG)

ITEM	PART NUMBER	QTY	DESCRIPTION	REV
	1170021	Ref	Carriage Assembly (50 INCH)	H
1	0642032	2	Bolt, 5/8-11X4	
2	1170012	1	Weldment, Carriage	
3	3300240	2	Nut, Lock 5/8-11	
4	3423275	1	Pin, Fork	
5	90200003	2	Collar, Fork Pin	
6	See Note	NSS	S/N Plate (Note: Stamped Part - Not Available for Purchase)	

**SECTION 3 - ATTACHMENTS**

**FIGURE 3-5. CARRIAGE ASSEMBLY (1524 MM) (ANSI - JLG)**



ART\_1170024-H

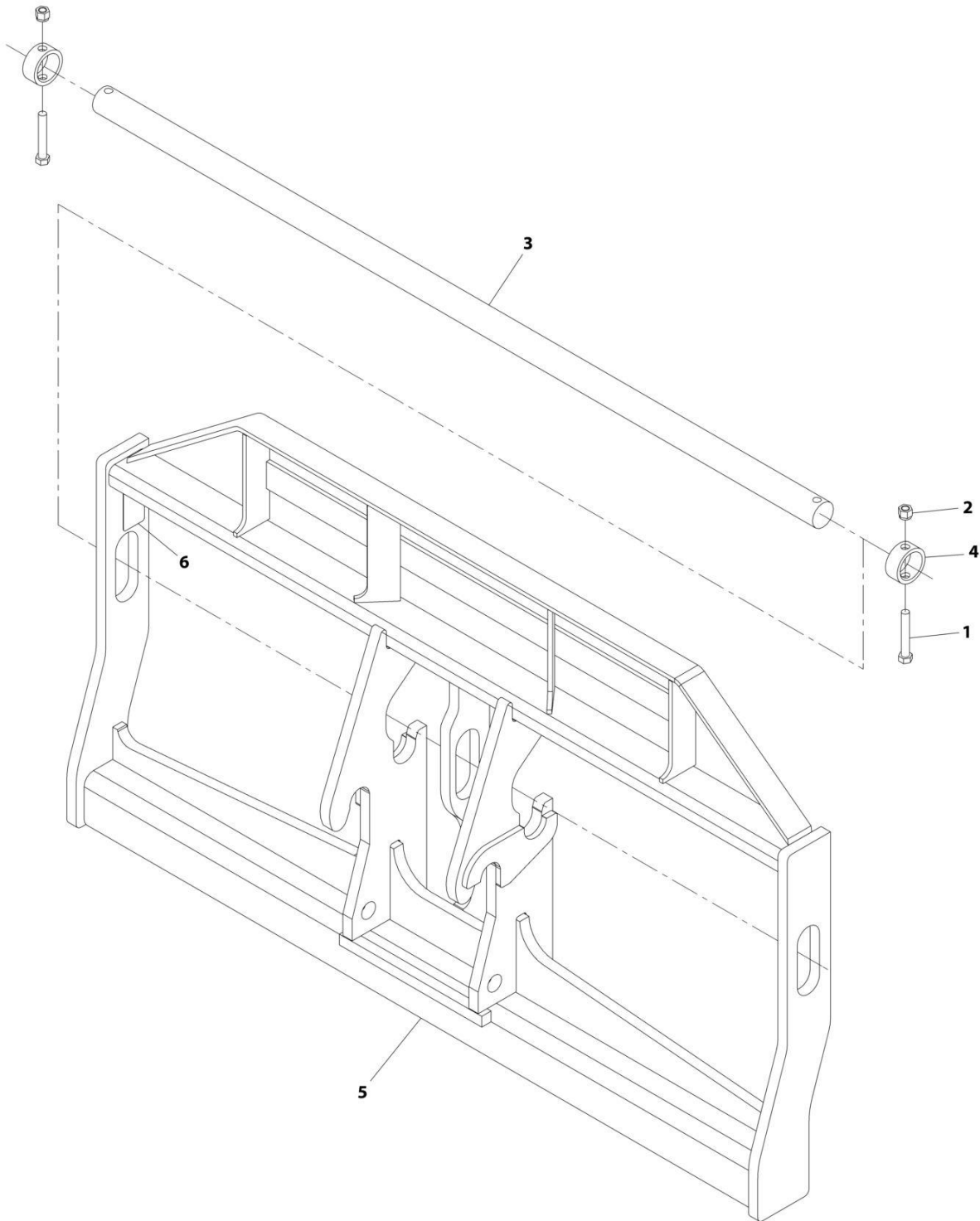
## SECTION 3 - ATTACHMENTS

### FIGURE 3-5. CARRIAGE ASSEMBLY (1524 MM) (ANSI - JLG)

ITEM	PART NUMBER	QTY	DESCRIPTION	REV
	1170024	Ref	Carriage Assembly (1524 MM)	H
1	0642032	2	Bolt 5/8 x 4	
2	See Note	NSS	Carriage (Note: Purchase Complete Assembly)	
3	3300240	2	Nut 5/8	
4	3423242	1	Pin	
5	90200003	2	Sleeve	
6	See Note	NSS	S/N Plate (Note: Stamped Part - Not Available for Purchase)	

# SECTION 3 - ATTACHMENTS

FIGURE 3-6. CARRIAGE ASSEMBLY (1829 MM) (ANSI - JLG)



ART\_1001211516-D

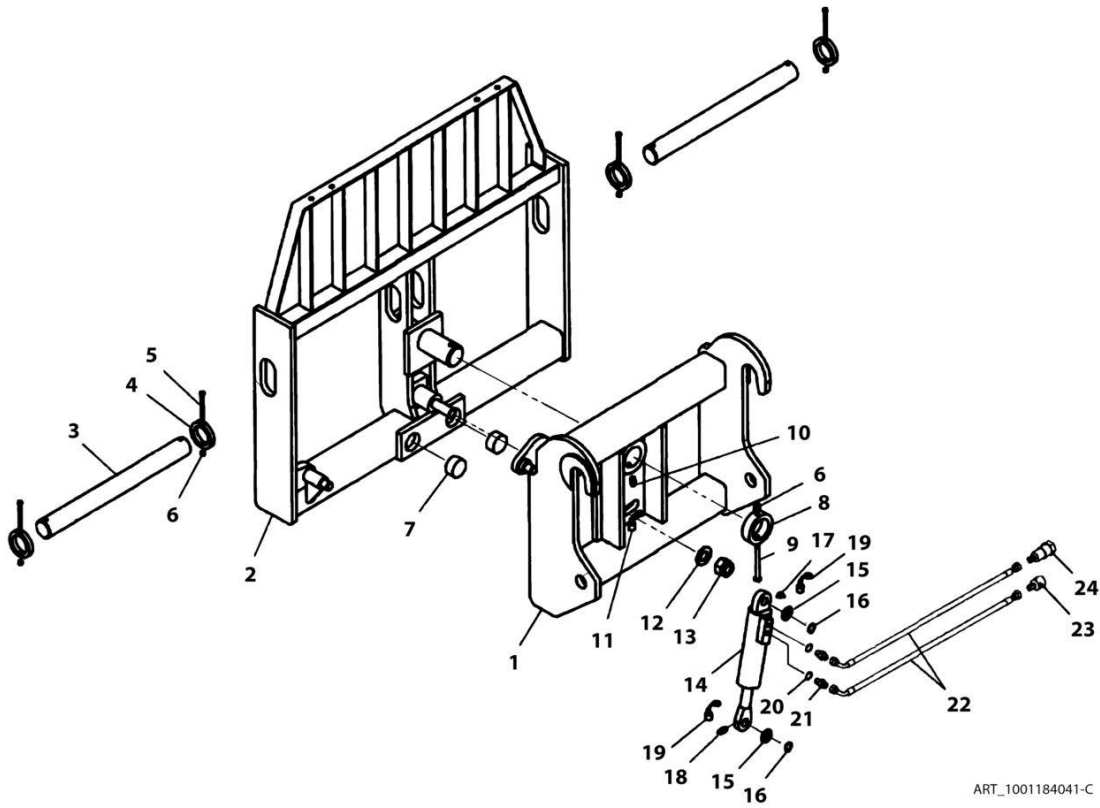
## SECTION 3 - ATTACHMENTS

### FIGURE 3-6. CARRIAGE ASSEMBLY (1829 MM) (ANSI - JLG)

ITEM	PART NUMBER	QTY	DESCRIPTION	REV
	1001211516	Ref	CARRIAGE ASSEMBLY (72 INCH)	D
1	0642032	2	Bolt 5/8 x 4	
2	3300240	2	Nut 5/8	
3	3423276	1	Pin	
4	90200003	2	Sleeve	
5	See Note	NSS	Carriage (Note: Purchase Complete Assembly)	
6	See Note	NSS	S/N Plate (Note: Stamped Part - Not Available for Purchase)	

# SECTION 3 - ATTACHMENTS

FIGURE 3-7. SIDE TILTING CARRIAGE (4.5 TON - 1225 MM) (CE & AUS)



ART\_1001184041-C

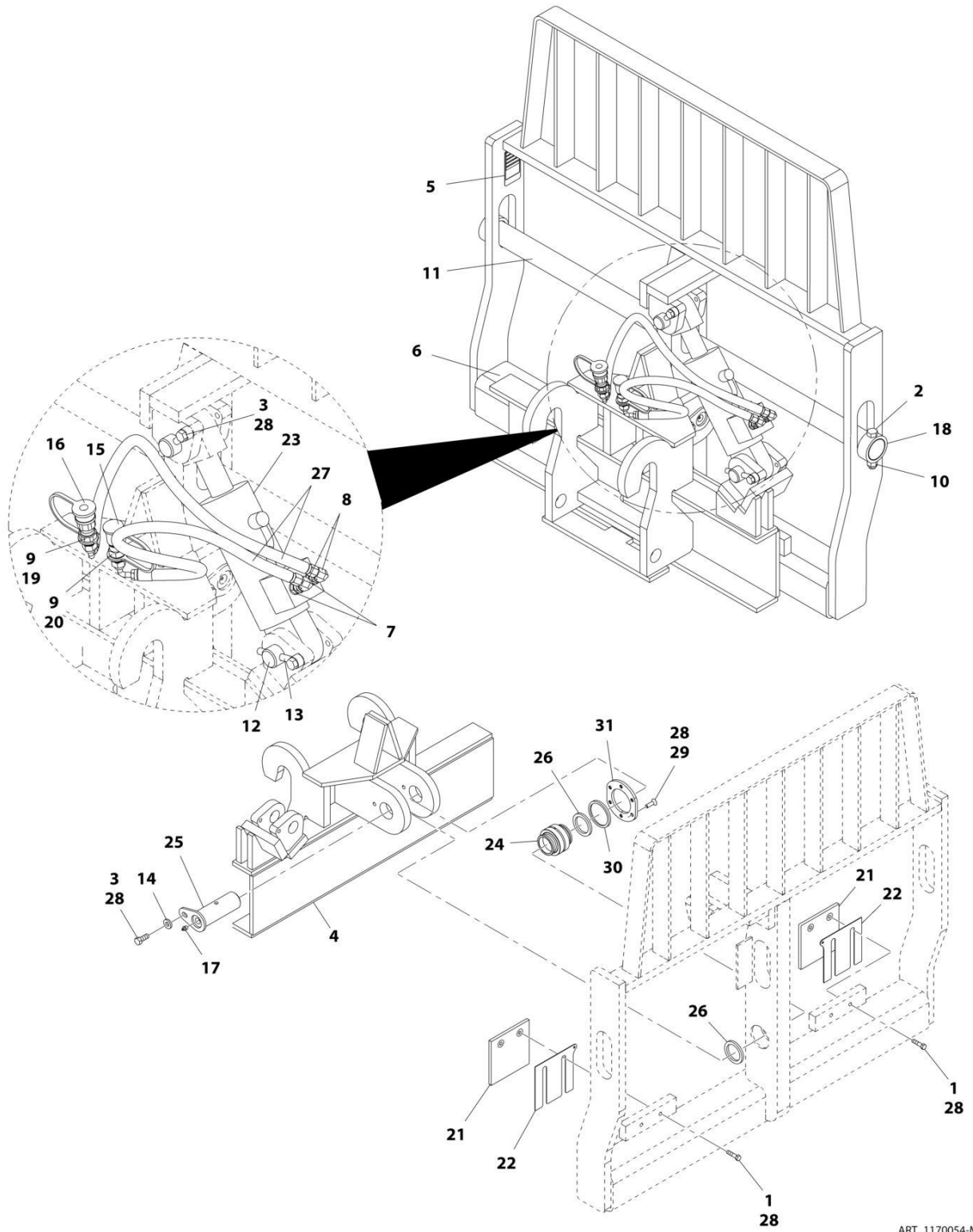
## SECTION 3 - ATTACHMENTS

**FIGURE 3-7. SIDE TILTING CARRIAGE (4.5 TON - 1225 MM) (CE & AUS)**

ITEM	PART NUMBER	QTY	DESCRIPTION	REV
	1001184041	1	Side Tilting Carriage (4.5 ton - 1225 MM)	E
1	N.S.S.	1	Carriage Weldment	
2	70027604	1	Fork, Carriage	
3	70027605	2	Pin	
4	70027606	4	Pin, Block	
5	70027607	4	Bolt	
6	70021241	5	Nut, Lock M12	
7	70021238	2	Buffer	
8	70021239	1	Collar	
9	70021240	1	Bolt	
10	70021242	1	Fitting, Grease	
11	70021243	1	Cover, Grease Fitting	
12	70021244	1	Washer	
13	70022697	1	Nut, Lock	
14	70020506	1	Cylinder	
15	70020507	1	Washer	
16	70020508	2	Ring, Snap	
17	70021245	1	Fitting, Grease	
18	70021246	1	Fitting, Grease	
19	70021247	2	Cover, Grease Fitting	
20	70020730	2	O-Ring	
21	70020731	2	Fitting	
22	70021248	2	Tube, Hydraulic	
23	1001094556	1	Coupling, Male Quick Disconnect	
24	1001094555	1	Coupling, Female Quick Disconnect	

# SECTION 3 - ATTACHMENTS

## FIGURE 3-8. SIDE TILTING CARRIAGE (4.5 TON - 1270 MM) (ANSI - JLG)



ART\_1170054-M



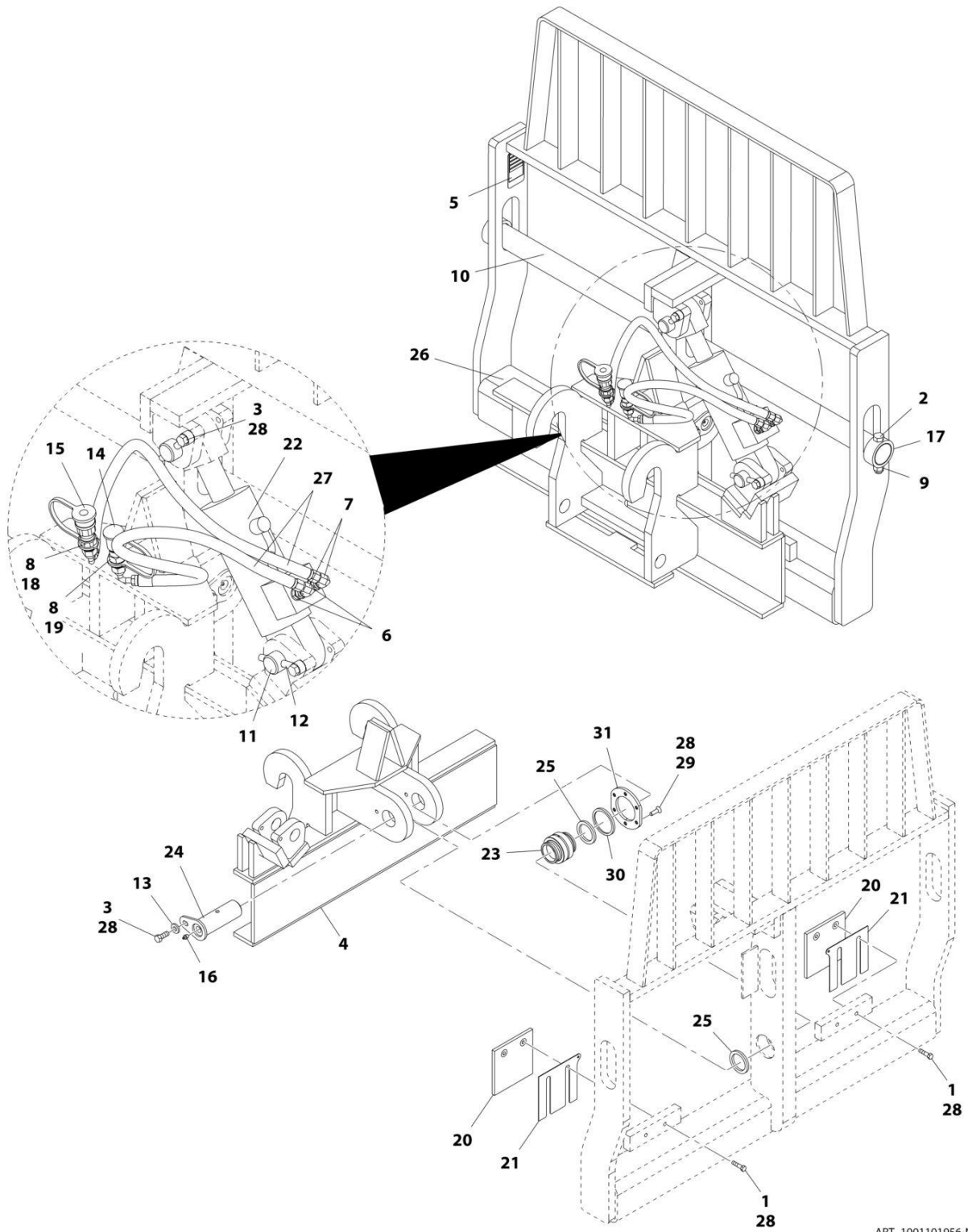
## SECTION 3 - ATTACHMENTS

**FIGURE 3-8. SIDE TILTING CARRIAGE (4.5 TON - 1270 MM) (ANSI - JLG)**

ITEM	PART NUMBER	QTY	DESCRIPTION	REV
	1170054	1	Side Tilting Carriage (4.5 ton - 1270 MM)	M
1	0641612	4	Bolt, 3/8-16X1-1/2	
2	0642032	2	Bolt, 5/8-11X4	
3	0681810	3	Bolt, 1/2-13X1-1/4	
4	1001133072	1	Carriage, Base Pivot	
5	N.S.S.	1	Plate, Serial Number	
6	N.S.S.	1	Carriage, Side Tilt	
7	2110606	2	Fitting, Straight ORFS	
8	2172106	2	Fitting, 90 ORFS	
9	2110808	2	Fitting, Straight ORFS	
10	3300240	2	Nut, Locking 5/8-11	
11	3423275	1	Pin, Fork	
12	3423307	2	Pin	
13	3841203	2	Keeper	
14	4891800	1	Flatwasher	
15	8420053	1	Cap	
16	8420055	1	Plug	
17	88671001	1	Fitting, Grease	
18	90200003	2	Collar	
19	91403413	1	Fitting	
20	91403414	1	Fitting	
21	1001090063	2	Pad	
22	1001090064	AR	Shim	
23	1001163414	1	Cylinder, Side Tilt (See Separate Breakdown in HYDRAULIC COMPONENTS Section)	
24	1001090140	1	Bearing	
25	1001099113	1	Pin	
26	1001099115	2	Sleeve	
27	1001102378	2	Hose	
28	0100011	AR	Compound, Locking	
29	0741610	6	Screw, 3/8-16X1.25	
30	1001120914	1	Shim	
31	1001120915	1	Plate	

# SECTION 3 - ATTACHMENTS

## FIGURE 3-9. SIDE TILTING CARRIAGE (4.5 TON - 1575 MM) (ANSI - JLG)



ART\_1001101956-N

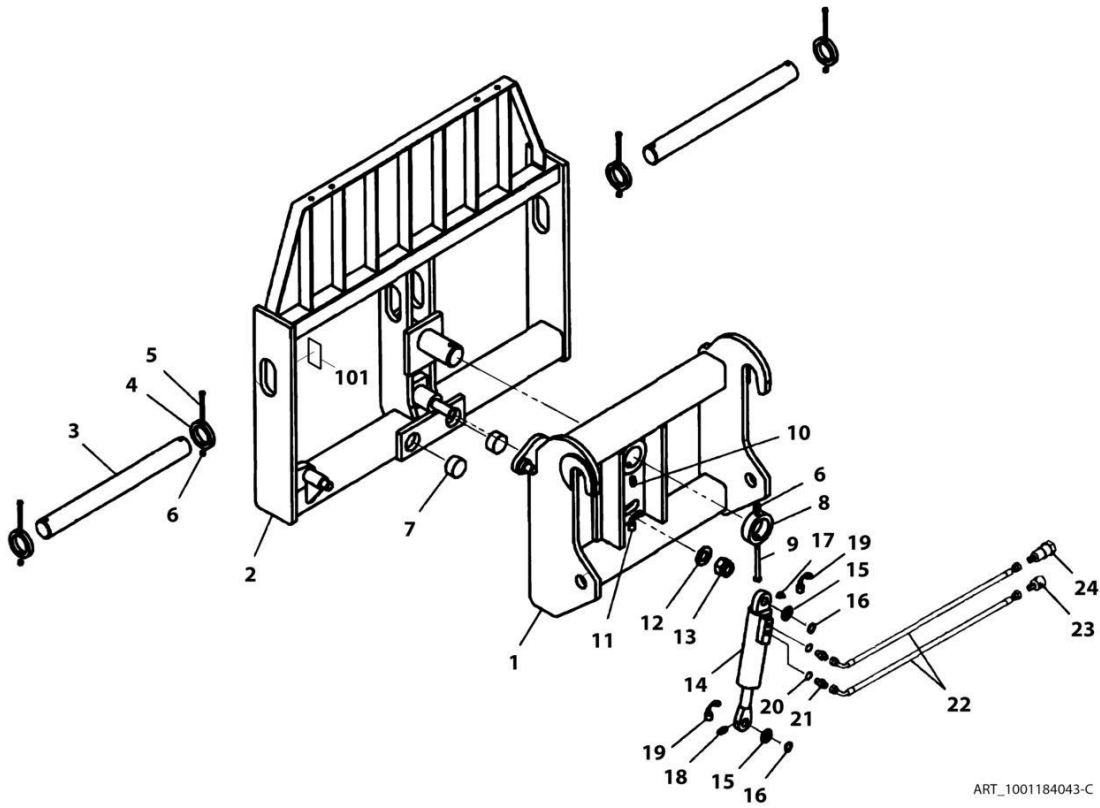
## SECTION 3 - ATTACHMENTS

**FIGURE 3-9. SIDE TILTING CARRIAGE (4.5 TON - 1575 MM) (ANSI - JLG)**

ITEM	PART NUMBER	QTY	DESCRIPTION	REV
	1001101956	Ref	Side Tilting Carriage (4.5 ton - 1575 MM)	N
1	0641612	4	Bolt, 3/8-16X1-1/2	
2	0642032	2	Bolt, 5/8-11X4	
3	0681810	3	Bolt, 1/2-13X1-1/4	
4	1001133072	1	Carriage, Base Pivot	
5	N.S.S.	1	Plate, Serial Number	
6	2110606	2	Fitting, Straight ORFS	
7	2172106	2	Fitting, 90 ORFS	
8	2110808	2	Fitting, Straight ORFS	
9	3300240	2	Nut, Locking 5/8-11	
10	3423242	1	Pin, Fork	
11	3423307	2	Pin	
12	3841203	2	Keeper	
13	4891800	1	Flatwasher	
14	8420053	1	Cap	
15	8420055	1	Plug	
16	88671001	1	Fitting, Grease	
17	90200003	2	Collar	
18	91403413	1	Fitting	
19	91403414	1	Fitting	
20	1001090063	2	Pad	
21	1001090064	AR	Shim	
22	1001163414	1	Cylinder, Side Tilt (See Separate Breakdown in HYDRAULIC COMPONENTS Section)	
23	1001090140	1	Bearing	
24	1001099113	1	Pin, Frame Pivot	
25	1001099115	2	Spacer	
26	N.S.S.	1	Carriage, Side Tilting	
27	1001102378	2	Hose	
28	0100011	AR	Compound, Locking	
29	0741610	6	Screw, 3/8-16X1.25	
30	1001120914	1	Shim	
31	1001120915	1	Plate	

# SECTION 3 - ATTACHMENTS

FIGURE 3-10. SIDE TILTING CARRIAGE (4.0 TON - 1575 MM) (CE & AUS - JLG)



ART\_1001184043-C

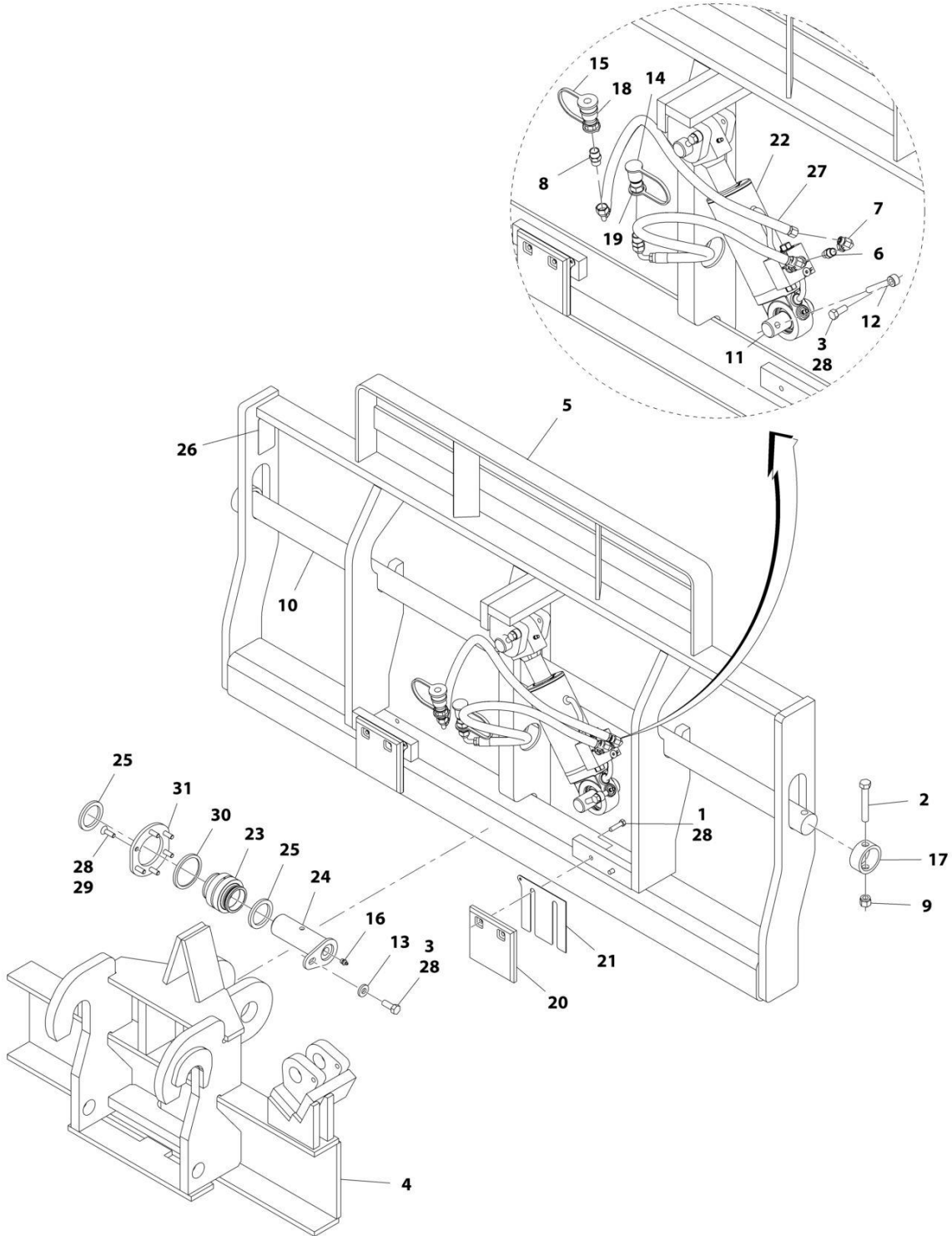
## SECTION 3 - ATTACHMENTS

**FIGURE 3-10. SIDE TILTING CARRIAGE (4.0 TON - 1575 MM) (CE & AUS - JLG)**

ITEM	PART NUMBER	QTY	DESCRIPTION	REV
	1001184043	1	Side Tilting Carriage (4.0 ton - 1575 MM)	E
1	N.S.S.	Ref	Weldment, Carriage	
2	70027604	1	Fork, Carriage	
3	70027605	2	Pin	
4	70027606	4	Pin, Block	
5	70027607	4	Bolt	
6	70021241	5	Locknut, M12	
7	70021238	2	Buffer	
8	70021239	1	Collar	
9	70021240	1	Bolt	
10	70021242	1	Fitting, Grease	
11	70021243	1	Cover, Grease Fitting	
12	70021244	1	Washer	
13	70022697	1	Bolt	
14	70020506	1	Cylinder	
15	70020507	1	Washer	
16	70020508	2	Ring, Snap	
17	70021245	1	Fitting, Grease	
18	70021246	1	Fitting, Grease	
19	70021247	2	Cover, Grease Fitting	
20	70020730	2	O-Ring	
21	70020731	2	Fitting, Straight	
22	70021248	2	Tube	
23	1001094556	1	Coupling, Male Quick Disconnect	
24	1001094555	1	Coupling, Female Quick Disconnect	
101	N.S.S.	Ref	Plate, Serial Number	

# SECTION 3 - ATTACHMENTS

## FIGURE 3-11. SIDE TILTING CARRIAGE (4.5 TON - 1829 MM) (ANSI - JLG)



ART\_1170057-M

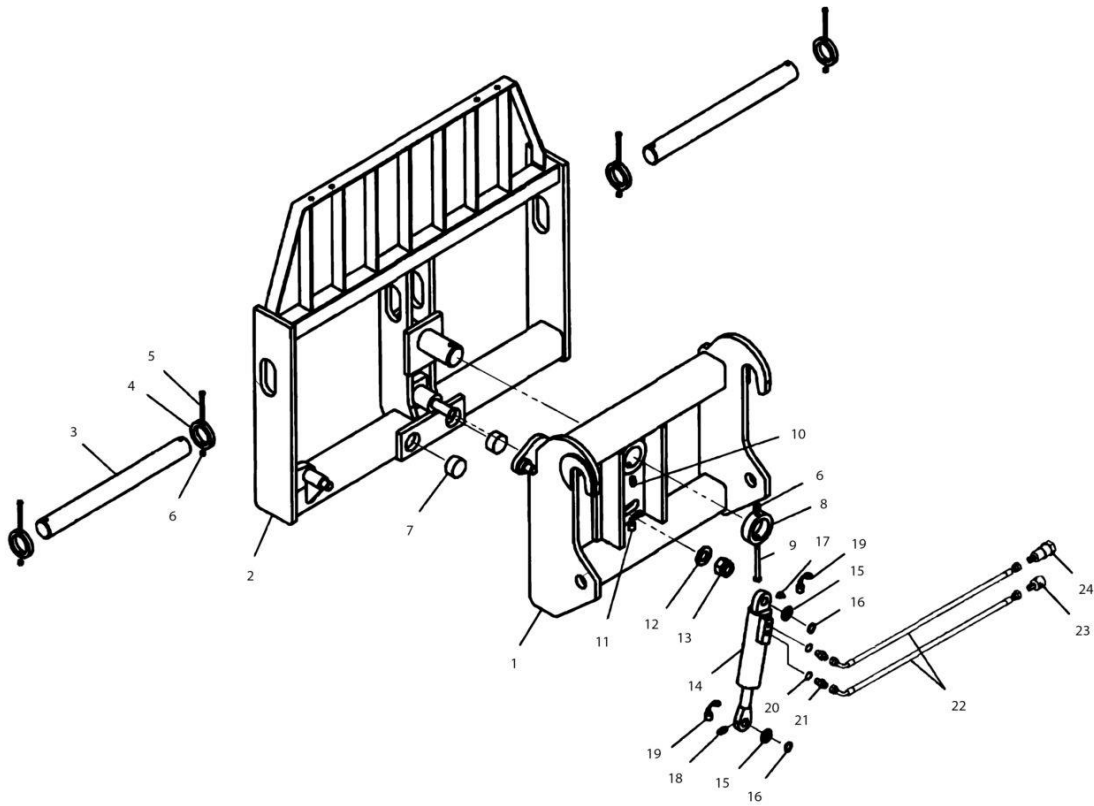
## SECTION 3 - ATTACHMENTS

**FIGURE 3-11. SIDE TILTING CARRIAGE (4.5 TON - 1829 MM) (ANSI - JLG)**

ITEM	PART NUMBER	QTY	DESCRIPTION	REV
	1170057	Ref	Side Tilting Carriage (4.5 ton - 1829 MM)	M
1	0641612	4	Bolt, 3/8-16X1-1/2	
2	0642032	2	Bolt, 5/8-11X4	
3	0681810	3	Bolt, 1/2-13X1-1/4	
4	1001133072	1	Carriage, Base Pivot	
5	N.S.S.	1	Carriage, Side Tilting	
6	2110606	2	Fitting, Straight ORFS	
7	2172106	2	Fitting, 90 ORFS	
8	2110808	2	Fitting, Straight ORFS	
9	3300240	2	Nut, Locking 5/8-11	
10	3423276	1	Pin, Fork	
11	3423307	2	Pin	
12	3841203	2	Keeper	
13	4891800	1	Flatwasher	
14	8420053	1	Cap	
15	8420055	1	Plug	
16	88671001	1	Fitting, Grease	
17	90200003	2	Collar	
18	91403413	1	Fitting	
19	91403414	1	Fitting	
20	1001090063	2	Pad	
21	1001090064	AR	Shim	
22	N.S.S.	1	Cylinder, Side Tilt (See Separate Breakdown in HYDRAULIC COMPONENTS Section)	
23	1001090140	1	Bearing	
24	1001099113	1	Pin	
25	1001099115	2	Sleeve	
26	N.S.S.	1	Plate, Serial Number	
27	1001102378	2	Hose	
28	0100011	AR	Compound, Locking	
29	0741610	6	Screw, 3/8-16X1.25	
30	1001120914	1	Shim	
31	1001120915	1	Plate	

# SECTION 3 - ATTACHMENTS

FIGURE 3-12. SIDE TILTING CARRIAGE (4.0 TON - 1829 MM) (CE & AUS)



ART\_1001184045-B



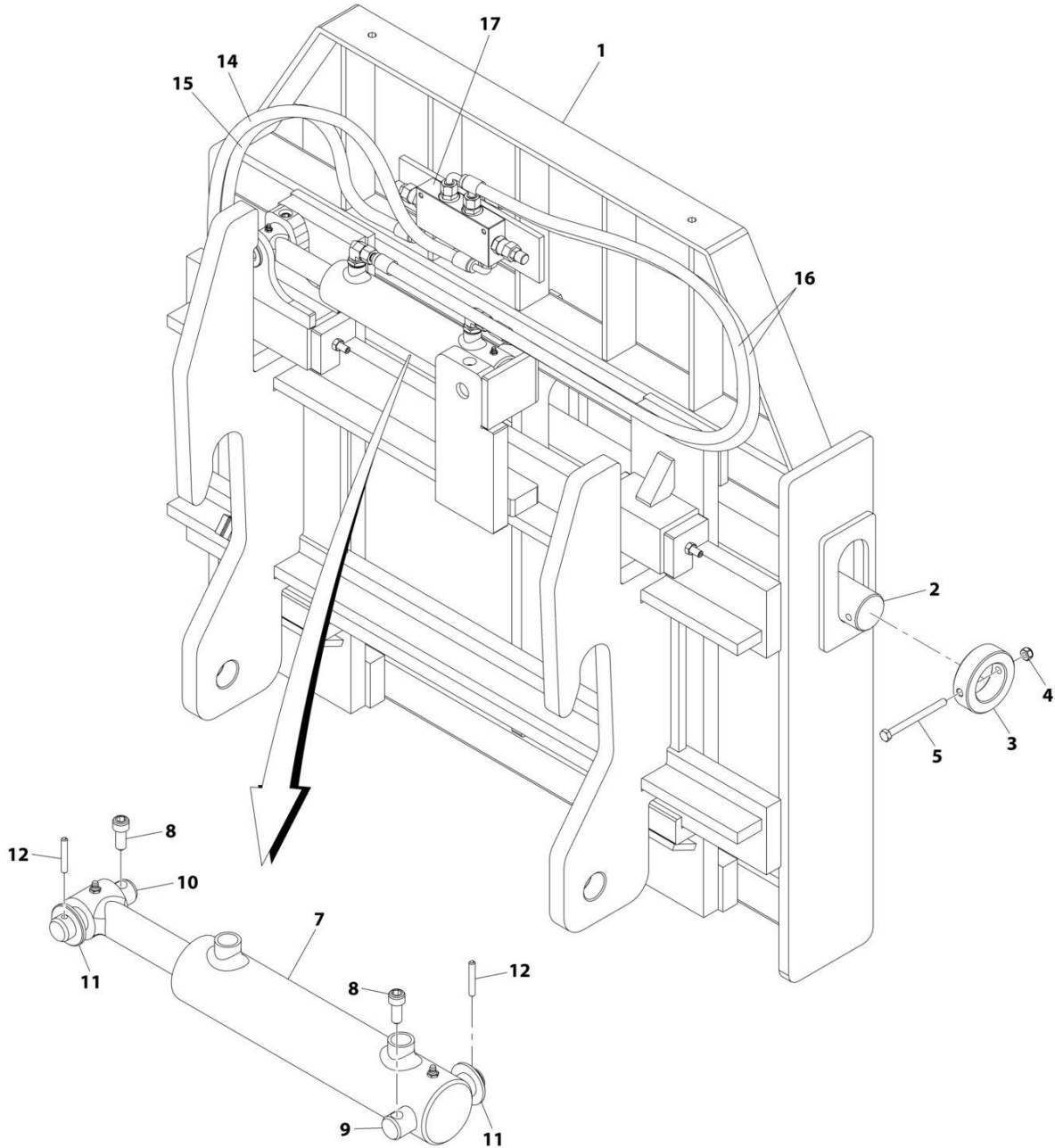
## SECTION 3 - ATTACHMENTS

**FIGURE 3-12. SIDE TILTING CARRIAGE (4.0 TON - 1829 MM) (CE & AUS)**

ITEM	PART NUMBER	QTY	DESCRIPTION	REV
	1001184045	1	Side Tilting Carriage (4.0 ton - 1829 MM)	E
1	N.S.S.	1	Weldment	
2	N.S.S.	1	Weldment, Carriage	
3	70027658	2	Shaft, Fork	
4	70027606	4	Pin, Block	
5	70027607	4	Bolt	
6	70021241	5	Nut, Lock M12	
7	70021238	2	Buffer	
8	70021239	1	Collar	
9	70021240	1	Bolt	
10	70021242	1	Fitting, Grease	
11	70021243	1	Cover	
12	70021244	1	Washer	
13	70022697	1	Nut, Lock	
14	70020506	1	Cylinder	
15	70020507	2	Washer	
16	70020508	2	Ring	
17	70021245	1	Fitting, Grease	
18	70021246	1	Fitting, Grease	
19	70021247	2	Cover	
20	70020730	2	O-Ring	
21	70020731	2	Link	
22	70027608	2	Pipe, Flexible	
23	1001094556	1	Coupling, Male Quick Disconnect	
24	1001094555	1	Coupling, Female Quick Disconnect	

# SECTION 3 - ATTACHMENTS

## FIGURE 3-13. SIDE SHIFT CARRIAGE (4.0 TON - 1225 MM) (CE & AUS)



ART\_1170002-L

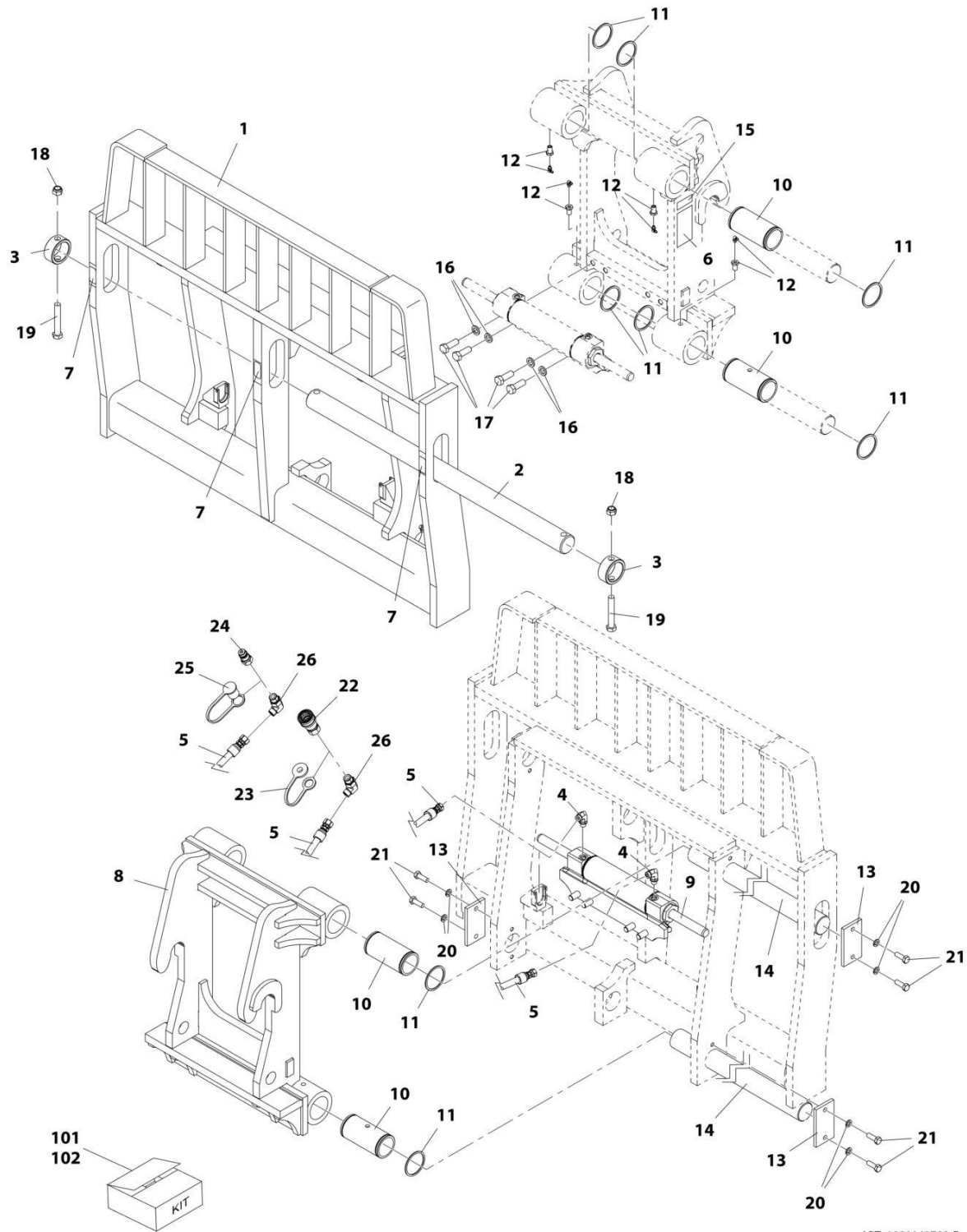
## SECTION 3 - ATTACHMENTS

**FIGURE 3-13. SIDE SHIFT CARRIAGE (4.0 TON - 1225 MM) (CE & AUS)**

ITEM	PART NUMBER	QTY	DESCRIPTION	REV
	1170002	Ref	Side Shift Carriage (4.0 ton - 1255 MM)	L
1	N.S.S.	1	Carriage, Side Shift	
2	7028136	1	Bar, Fork Carrier	
3	7028137	2	Collar	
4	3291005	2	Nut, Lock M10X1.5	
5	0701029	2	Bolt, M10X120	
7	70021558	1	Cylinder	
8	70021559	2	Bolt	
9	70021560	1	Pin	
10	70021561	1	Pin	
11	70021562	2	Washer	
12	70021563	2	Pin	
13	N.S.S.	1	Plate, Serial Number, (not shown)	
14	70029011	3	Hose	
15	70029012	1	Hose	
16	70029013	2	Hose	
17	70027291	1	Balancing Valve	

# SECTION 3 - ATTACHMENTS

## FIGURE 3-14. SIDE SHIFT CARRIAGE (5.5 TON - 1270 MM) (ANSI - JLG)



ART\_1001142790-E

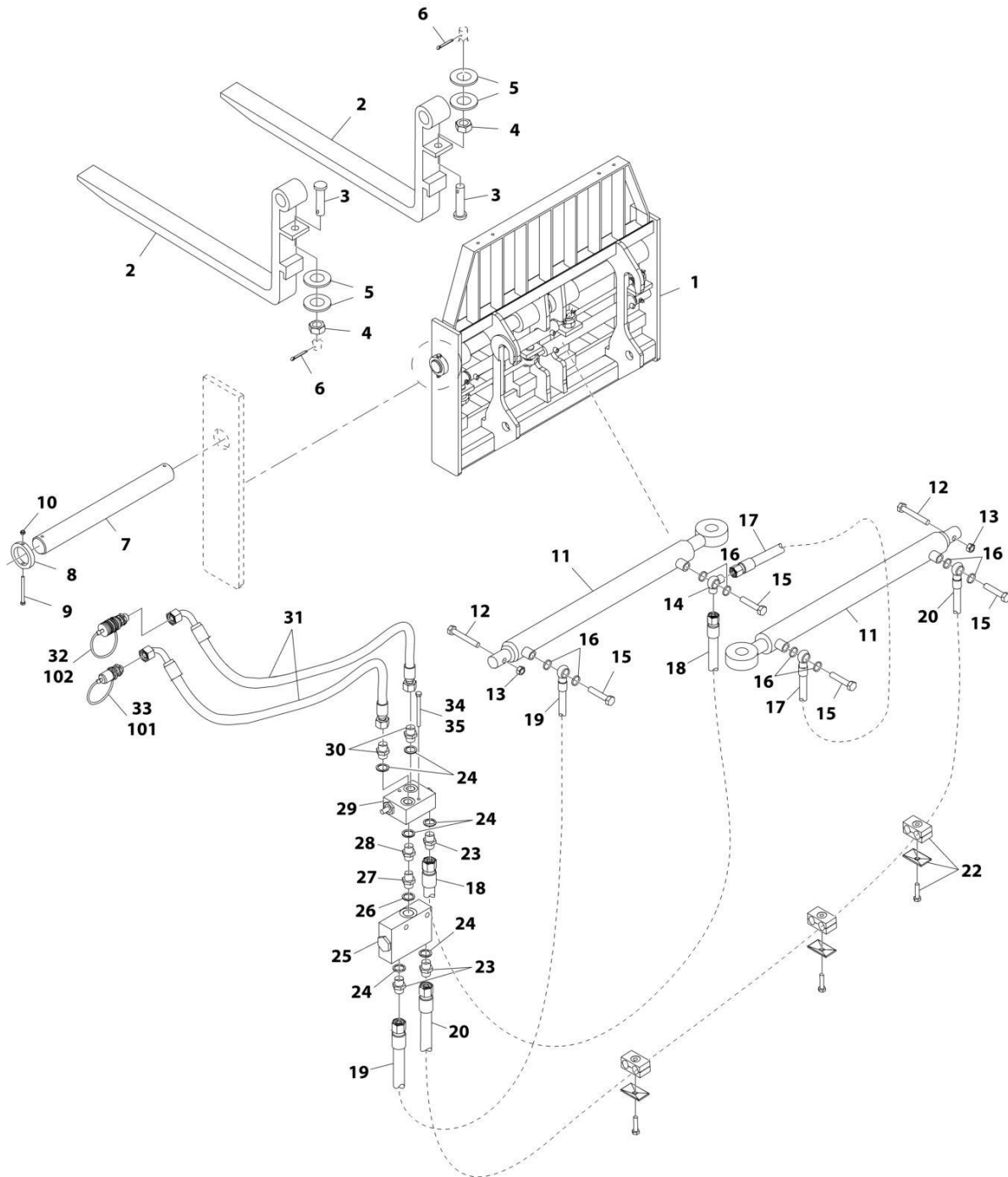
## SECTION 3 - ATTACHMENTS

**FIGURE 3-14. SIDE SHIFT CARRIAGE (5.5 TON - 1270 MM) (ANSI - JLG)**

ITEM	PART NUMBER	QTY	DESCRIPTION	REV
	1001142790	Ref	Side Shift Carriage (5.5 ton - 1270 MM)	E
1	N.S.S.	1	Weldment	
2	70024535	1	Shaft	
3	70024536	2	Collar	
4	70024123	2	Fitting, 90	
5	70024537	2	Hose	
6	N.S.S.	1	S/N Plate	
7	70024538	3	Decal, Warning	
8	N.S.S.	1	Weldment	
9	70024539	1	Cylinder, Side Shift (ANSI) (See Separate Breakdown in HYDRAULIC COMPONENTS Section)	
10	70024540	4	Bushing	
11	70024541	8	Circlip	
12	70024542	4	Fitting, Grease	
13	70024543	4	Retainer	
14	70024544	2	Shaft	
15	N.S.S.	1	S/N Plate	
16	70024551	4	Washer, Lock M16	
17	70024552	4	Bolt, M16X45	
18	70024553	2	Nut, Hex M16	
19	70024554	2	Bolt, M16X100	
20	70022997	8	Washer, Lock M12	
21	70024555	8	Bolt, M12X35	
22	91403413	1	Fitting, Straight	
23	8420055	1	Plug	
24	91403414	1	Fitting, Straight	
25	8420053	1	Cap, Dust	
26	70024550	2	Fitting, 90	
101	70024545	1	Kit, Hydraulic Repair (includes items 5 & 22 thru 26)	
102	70024546	1	Kit, Retainer (includes items 13, 20 & 21)	

# SECTION 3 - ATTACHMENTS

## FIGURE 3-15. FORK POSITIONING CARRIAGE WITH FORKS (4.0 TON) (CE & AUS)



ART\_1001091313-C

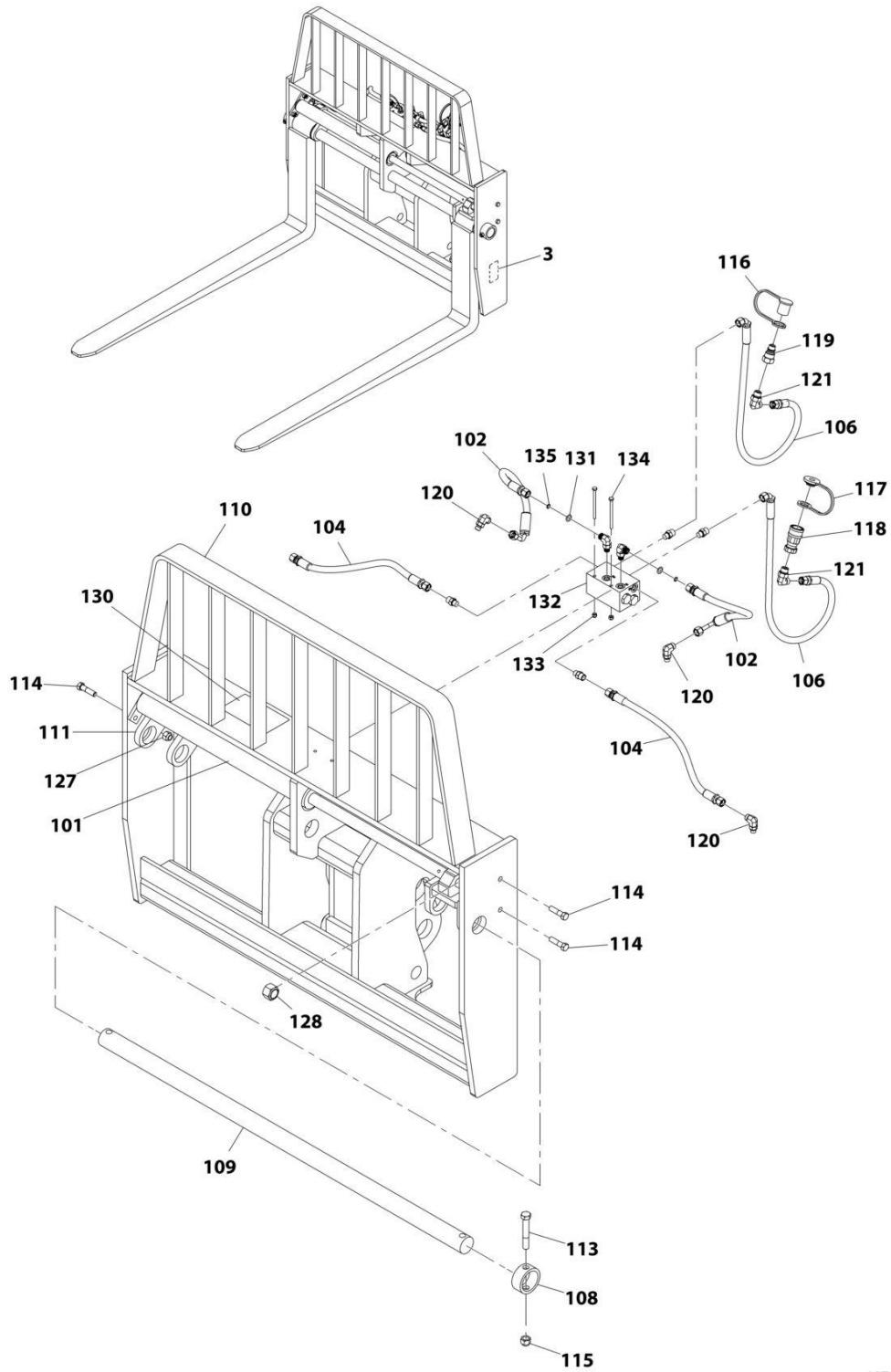
## SECTION 3 - ATTACHMENTS

**FIGURE 3-15. FORK POSITIONING CARRIAGE WITH FORKS (4.0 TON) (CE & AUS)**

ITEM	PART NUMBER	QTY	DESCRIPTION	REV
	1001091313	Ref	Fork Positioning Carriage with Forks (4.0 ton)	D
1	N.S.S.	1	Weldment	
2	70022922	2	Forks, (100X50X1200), (2000kg per fork)	
3	70021835	2	Rod Pin	
4	70026018	2	Nut	
5	70028978	4	Washer	
6	70021836	2	Split Pin	
7	70022923	2	Carriage Shaft	
8	70022924	4	Shaft Collar	
9	70028979	4	Bolt	
10	70021241	4	Hex Locknut, M12	
11	70023276	2	Cylinder	
11	70023278	AR	Seal Kit, (use with cylinders marked 1.3351.01C.02.01)	
11	70023277	AR	Seal Kit, (use with cylinders marked 1.3351.01C.02.02)	
13	70028031	2	Locknut	
12	70028028	2	Bolt	
14	70022925	1	Elbow, 90	
15	1001103530	4	Bolt	
16	70020730	8	O-Ring	
17	70021838	1	Hose	
18	70021839	1	Hose	
19	70021840	1	Hose	
20	70021841	1	Hose	
22	1001103533	3	Clamp Set, (includes screw and plate)	
23	70020731	3	Fitting	
24	70022907	6	O-Ring	
25	70021842	1	Counter Valve	
26	70022927	1	O-Ring	
27	70022928	1	Fitting	
28	70022929	1	Fitting	
29	70021843	1	Pressure Valve	
30	70022906	2	Adapter	
31	70022930	2	Pipe	
32	1001094555	1	Female Quick Disconnect Coupling	
33	1001094556	1	Male Quick Disconnect Coupling	
34	70028980	2	Bolt	
35	70022912	2	Nut	
101	1001093826	1	Dust Cap	
102	1001093827	1	Dust Plug	

# SECTION 3 - ATTACHMENTS

## FIGURE 3-16. FORK POSITIONING CARRIAGE WITH FORKS (4.5 TON) (ANSI - JLG)



ART\_7301295-J



## SECTION 3 - ATTACHMENTS

**FIGURE 3-16. FORK POSITIONING CARRIAGE WITH FORKS (4.5 TON) (ANSI - JLG)**

ITEM	PART NUMBER	QTY	DESCRIPTION	REV
	7301295	Ref	FORK POSITIONING CARRIAGE (4.5 TON)	J
3	N.S.S.	1	S/N Plate	
101	2717283	2	Cylinder, Fork Positioning (See Separate Breakdown in HYDRAULIC COMPONENTS Section)	
102	2717160	2	Hose	
104	2717161	2	Hose	
106	2717162	1	Hose 36in (Boom Front Disconnect)	
106	70031443	1	Hose 44in (Boom Side Disconnect)	
108	90200003	2	Collar, Fork Pin	
109	90451058	1	Shaft, Fork	
110	N.S.S.	1	Weldment, Carriage	
111	N.S.S.	1	Weldment, Fork Adapter	
113	8303634	2	Bolt 5/8 x 4	
114	8303658	4	Bolt 1/2 x 2	
115	8305643	2	Nut 5/8	
116	8420053	1	Cap, Dust	
117	8420055	1	Plug, Dust	
118	91403413	1	Adapter, Quick Disconnect	
119	91403414	1	Adapter, Quick Disconnect	
120	2130606	4	Adapter, 90 Straight	
121	2130608	2	Adapter, 90 Straight	
127	8310302	4	Nut 1/2	
128	10705034	2	Nut 1	
130	4110473	1	Decal, Warning Route Hoses	
131	7139918	2	Disk, Orifice	
132	4641502	1	Assembly, Dual Fork Carriage Valve (See Separate Breakdown in HYDRAULIC COMPONENTS Section)	
133	8305624	2	Nut 1/4	
134	8310435	2	Bolt 1/4 x 3-3/4	
135	8630003	2	O-Ring	



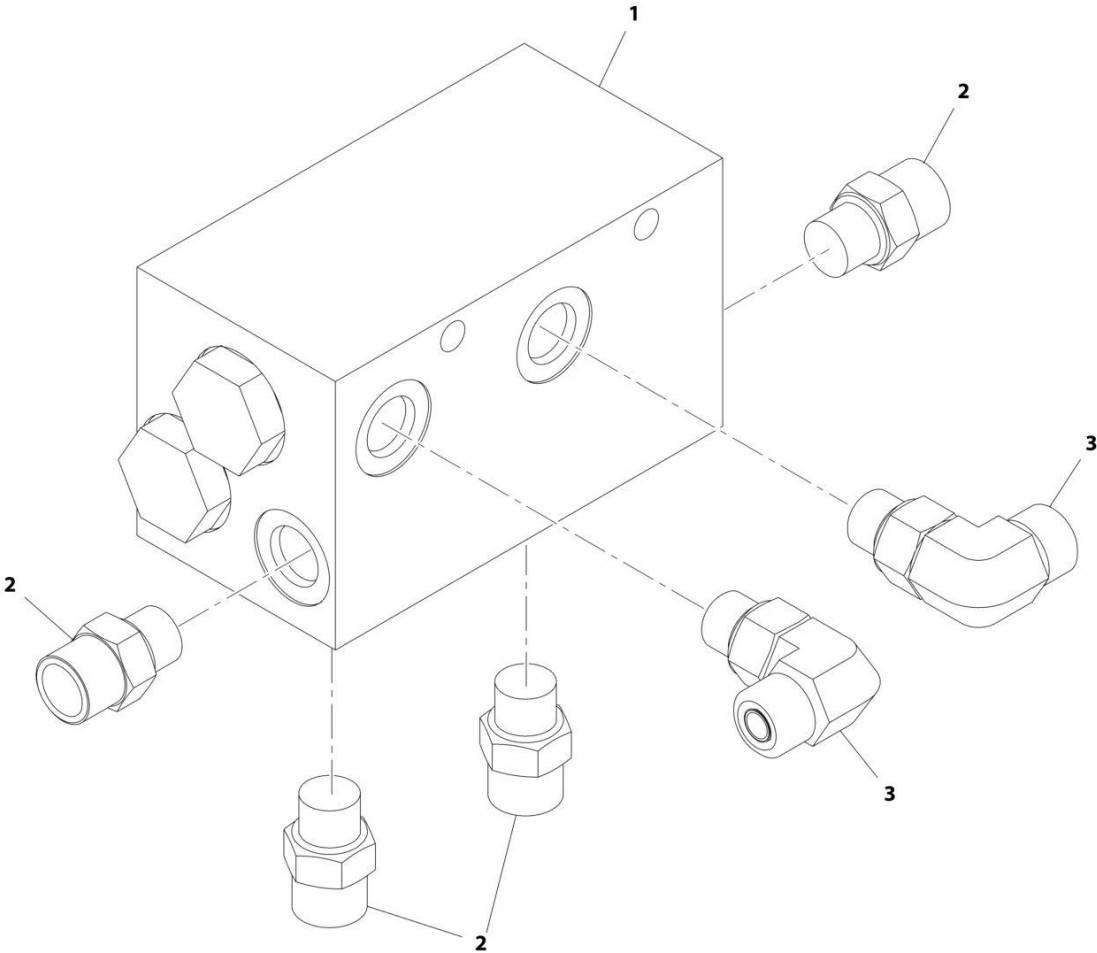
## SECTION 3 - ATTACHMENTS

### FIGURE 3-17. DUAL FORK CARRIAGE ASSEMBLY

ITEM	PART NUMBER	QTY	DESCRIPTION	REV
	7301568	Ref	Dual Fork Carriage Assembly	J
1	2717283	2	Cylinder, Fork Positioning (See Separate Breakdown in HYDRAULIC COMPONENTS Section)	
2	2717160	2	Hose	
4	2717161	2	Hose	
6	2717162	2	Hose	
8	90200003	2	Collar, Fork Pin	
9	90451058	1	Shaft, Fork	
10	N.S.S.	1	Weldment, Carriage	
11	N.S.S.	2	Weldment, Fork Adapter	
13	8303634	2	Bolt, 5/8-11X4	
14	8303658	4	Bolt, 1/2-13X2	
15	8305643	2	Nut, Lock 5/8-11	
16	8420053	1	Cap, Dust	
17	8420055	1	Plug, Dust	
18	91403413	1	Fitting, Straight	
19	91403414	1	Fitting, Straight	
20	2130606	4	Fitting, 90	
21	2130608	2	Fitting, 90	
27	8310302	4	Nut, Lock 1/2-13	
28	10705034	2	Nut, Lock 1-14	
30	4110473	1	Decal, Warning Route Hoses	
31	7139918	2	Disk, Orifice	
32	4641502	1	Assembly, Dual Fork Carriage Valve (See Separate Breakdown in this Section)	
33	8305624	2	Nut, Lock 1/4-20	
34	8310435	2	Bolt, 1/4-20X3-3/4	
35	8630003	2	O-Ring	

**SECTION 3 - ATTACHMENTS**

**FIGURE 3-18. DUAL FORK CARRIAGE VALVE ASSEMBLY**



ART\_4641502-B

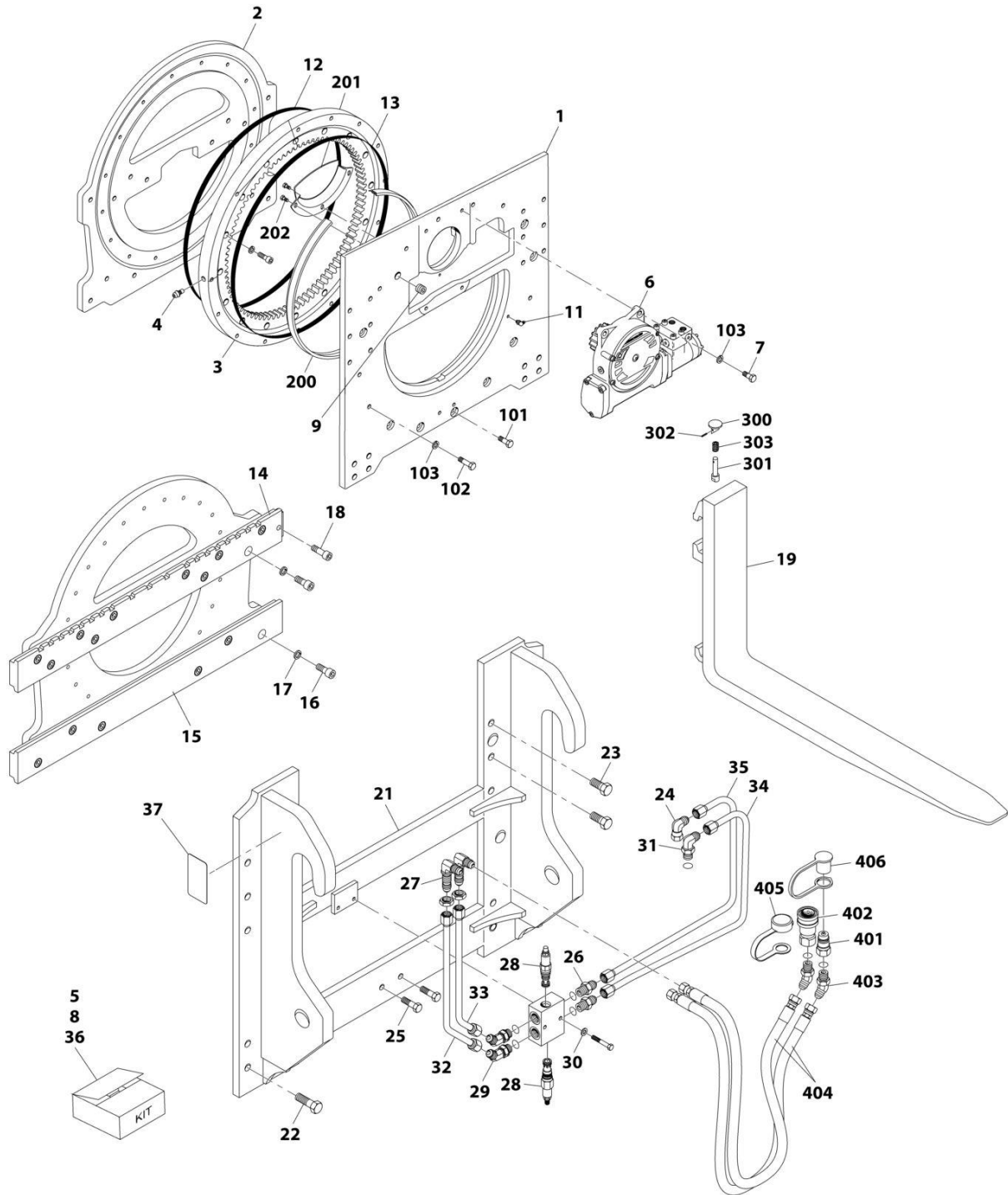
## SECTION 3 - ATTACHMENTS

**FIGURE 3-18. DUAL FORK CARRIAGE VALVE ASSEMBLY**

ITEM	PART NUMBER	QTY	DESCRIPTION	REV
	4641502	Ref	Dual Fork Carriage Valve Assembly	B
1	4641501	1	Valve, Flow Divider (See Separate Breakdown in this Section)	
2	2110606	4	Fitting, Straight ORFS	
3	2130606	2	Fitting, 90	

# SECTION 3 - ATTACHMENTS

## FIGURE 3-19. FORK ROTATING CARRIAGE (2.05 TON - 990 MM) (CE & AUS - JLG)



ART\_1001218835-B

## SECTION 3 - ATTACHMENTS

**FIGURE 3-19. FORK ROTATING CARRIAGE (2.05 TON - 990 MM) (CE & AUS - JLG)**

ITEM	PART NUMBER	QTY	DESCRIPTION	REV
	1001218835	Ref	Fork Rotating Carriage (2.05 ton - 990 MM)	B
1	70028156	1	Baseplate	
2	70028157	1	Faceplate	
3	70028134	1	Bearing	
4	70024679	1	Fitting, Grease	
5	70028172	1	Kit, Baseplate Servies (includes items 101 thru 103)	
6	70028118	Ref	Drive Group Motor (See Separate Breakdown in this Section)	
7	70028129	4	Bolt, M12X30	
8	70028158	1	Kit, Faceplate Service	
9	70024685	1	Plug	
11	70028113	1	Fitting, Grease	
12	70028121	1	Seal	
13	70028165	1	Seal	
14	70028140	1	Bar, Upper	
15	70028141	1	Bar, Lower	
16	70028133	16	Bolt, M16X35	
17	70028127	16	Washer, Lock M16	
18	70024756	2	Bolt, M16X25	
19	70028139	1	Fork	
21	70028167	1	Plate, Mounting	
22	70024765	16	Bolt, M16X40	
23	70024766	4	Bolt, M16X35	
24	70024749	1	Fitting	
25	70024768	2	Bolt	
26	70024748	2	Fitting	
27	70024770	2	Fitting	
28	70024772	2	Valve, Relief	
29	70024773	2	Fitting	
30	70024774	2	Washer	
31	70024750	1	Fitting	
32	70028171	1	Tube	
33	70028170	1	Tube	
34	70028169	1	Tube	
35	70028168	1	Tube	
36	70028166	2	Kit, Seal	
37	N.S.S.	AR	SN Plate	
101	Kit	8	Bolt, M12X35	
102	Kit	8	Bolt, M12X45	
103	Kit	12	Washer, Lock M12	
200	Kit	1	Seal	
201	Kit	1	Cover, Plate	
202	Kit	3	Bolt, M8X16	
300	Kit	1	Knob	
301	Kit	1	Pinion	
302	Kit	1	Pin, Coiled Spring	
303	Kit	1	Spring	
401	Kit	1	Coupler, Male	
402	Kit	1	Coupler, Female	
403	Kit	2	Fitting	
404	Kit	2	Hose	

### SECTION 3 - ATTACHMENTS

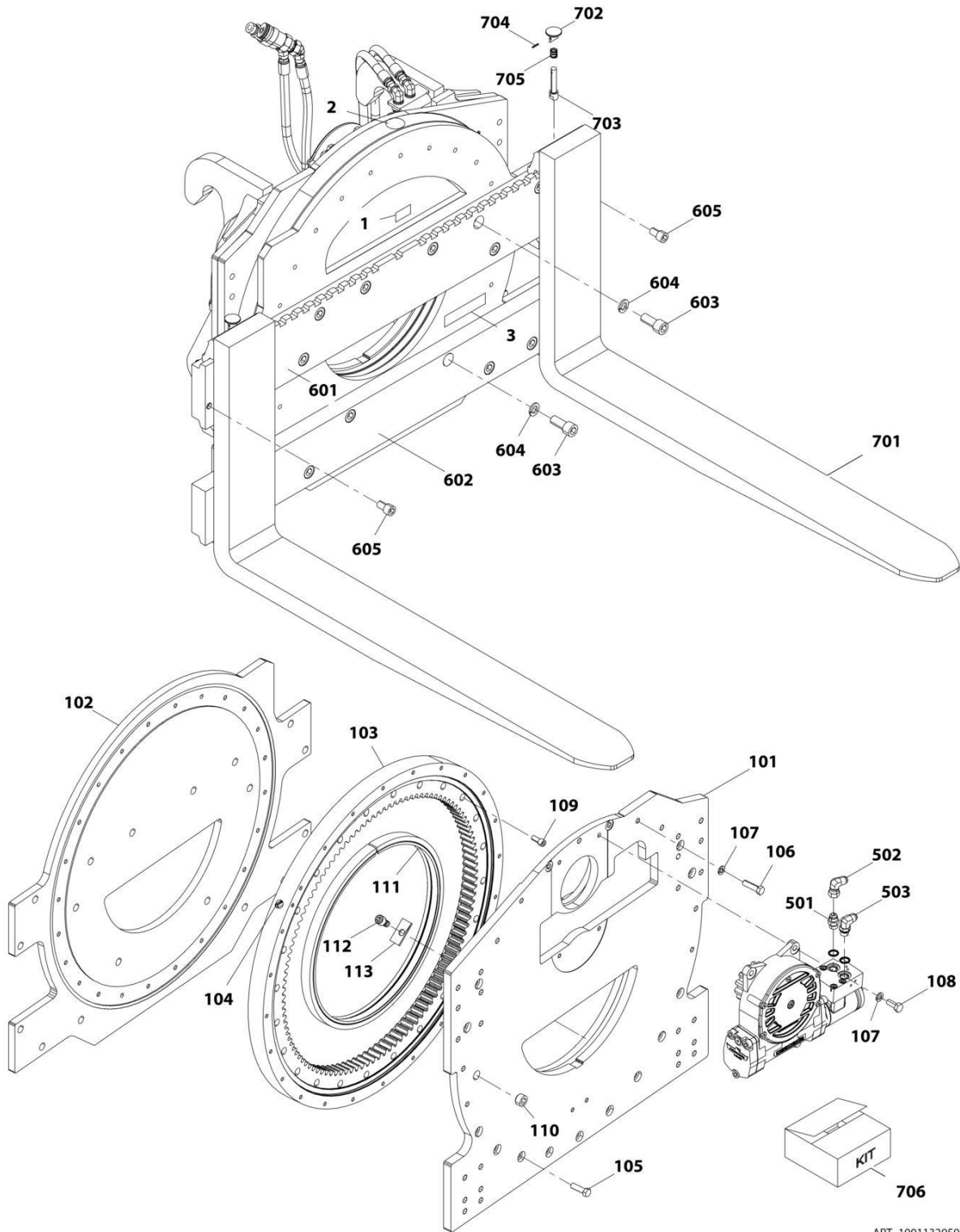
ITEM	PART NUMBER	QTY	DESCRIPTION	REV
405	Kit	1	Cap, Female	
406	Kit	1	Cap, Male	





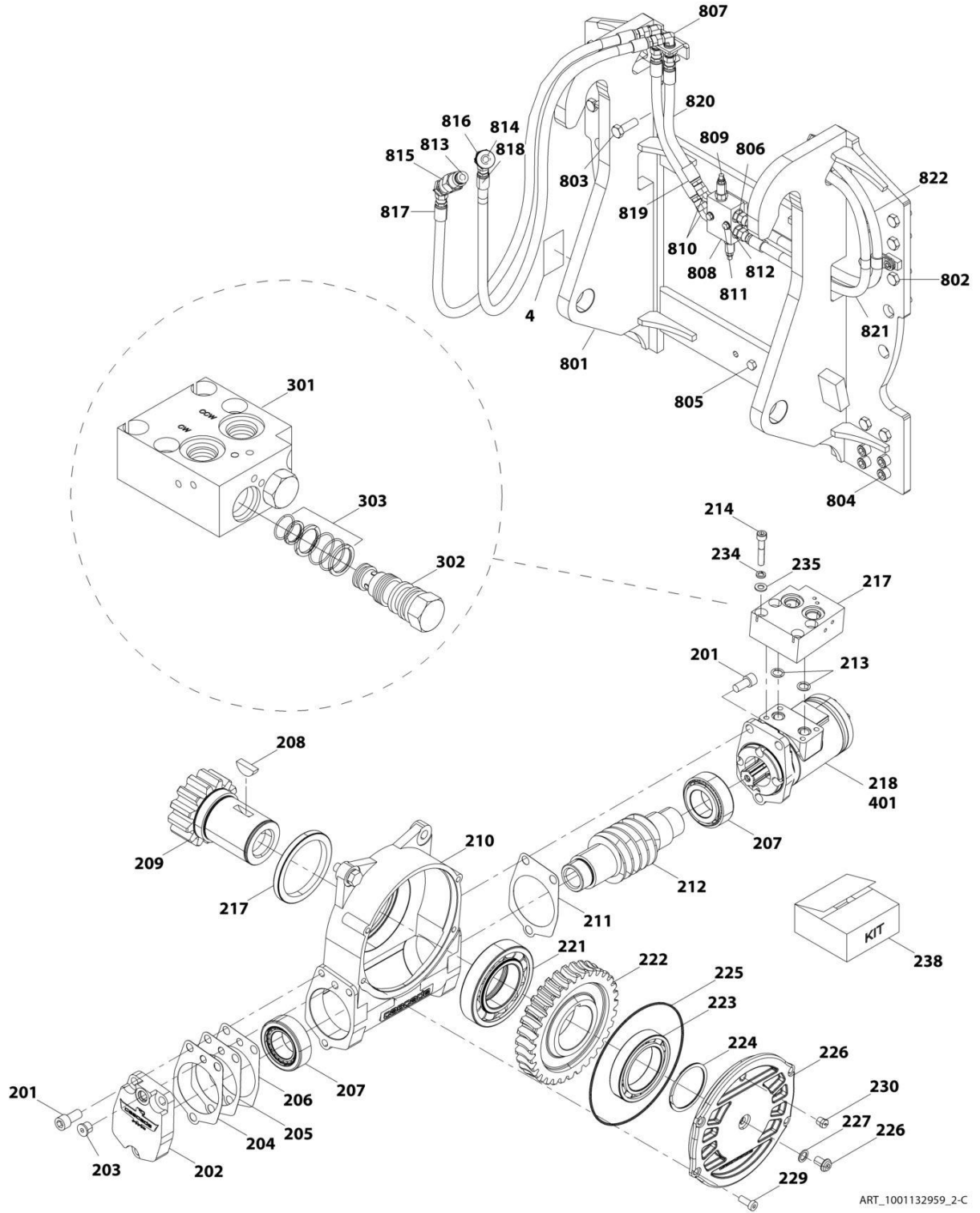
# SECTION 3 - ATTACHMENTS

## FIGURE 3-20. FORK ROTATING CARRIAGE (4.5 TON - 1270 MM) (CE & AUS - JLG)



ART\_1001132959\_1-C

# SECTION 3 - ATTACHMENTS



ART\_1001132959\_2-C

## SECTION 3 - ATTACHMENTS

**FIGURE 3-20. FORK ROTATING CARRIAGE (4.5 TON - 1270 MM) (CE & AUS - JLG)**

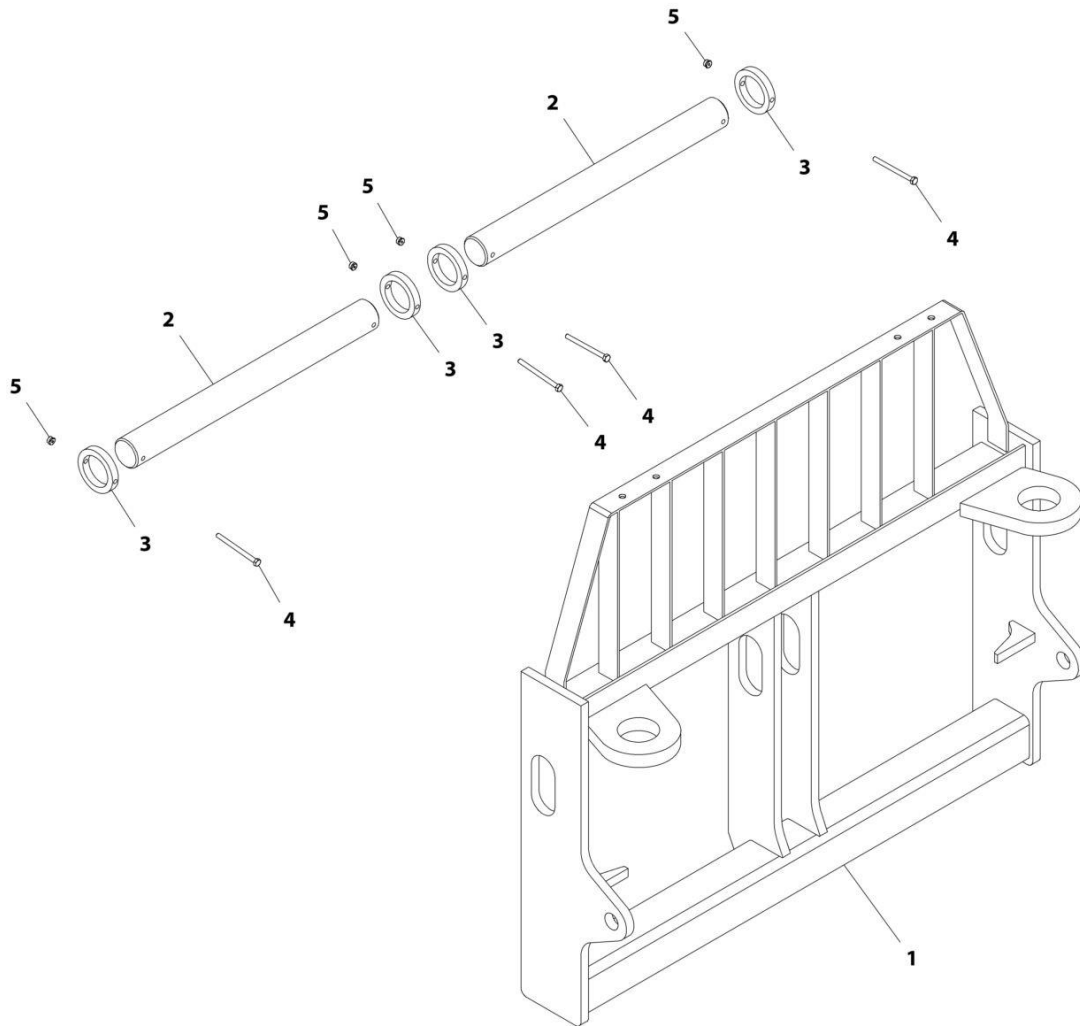
ITEM	PART NUMBER	QTY	DESCRIPTION	REV
	1001132959	NLA	Fork Rotating Carriage (4.5 ton - 1270 MM), (no longer available, see items below for service or 1001218835 for replacement)	C
1	70024538	1	Decal, Pinch Point	
2	70024787	1	Decal, No Step	
3	70024788	1	Decal, Capacity	
4	N.S.S.	Ref	Plate, Serial Number	
101	70024676	1	Baseplate	
102	70024677	1	Faceplate	
103	70024678	1	Bearing	
104	70024679	1	Fitting, Grease	
105	70024680	13	Bolt, M12X40	
106	70024681	11	Bolt, M12X45	
107	70024682	15	Washer, Lock M12	
108	70024683	4	Bolt, M12X30	
109	70024684	24	Bolt, M12X40	
110	70024685	1	Plug	
111	70024686	1	Seal	
112	70024687	1	Bolt, M12X20	
113	70024688	1	Plate	
201	70024690	6	Bolt, M12X25	
202	70024691	1	Cover	
203	70024692	1	Fitting	
204	Kit	AR	Shim, 0.10	
205	Kit	AR	Shim, 0.15	
206	Kit	1	Shim, 0.20	
207	70024696	2	Bearing	
208	70024697	1	Key	
209	70024698	1	Pinion	
210	70024699	1	Housing	
211	Kit	1	Gasket	
212	70024701	1	Worm	
213	70024702	2	O-Ring	
214	70024703	4	Bolt, M8X40	
217	70024731	1	Assembly, Check Valve (includes items 301 thru 303)	
218	70024744	1	Motor, Drive (includes item 401)	
220	70024706	1	Seal	
221	70024713	1	Bearing	
222	70024707	1	Gear, Worm	
223	70024708	1	Bearing	
224	70024709	1	Ring, Snap	
225	Kit	1	O-Ring	
226	70024711	1	Cover	
227	70024712	1	Seal	
228	70024714	1	Bolt, M10X16	
229	70024715	4	Bolt, M8X20	
230	70024716	1	Fitting	
234	70024720	4	Washer, M8	
235	70024721	4	Washer, M8	
237	Kit	1	Sealant	
238	70024724	1	Kit, Shim Service	

## SECTION 3 - ATTACHMENTS

ITEM	PART NUMBER	QTY	DESCRIPTION	REV
301	N.S.S.	Ref	Valve, Body	
302	70024733	2	Valve, Check	
303	70024734	2	Kit, Service	
401	70024745	1	Kit, Service	
501	70024748	1	Fitting	
502	70024749	1	Fitting	
503	70024750	1	Fitting	
601	70024752	1	Bar, Upper Fork	
602	70024753	1	Bar, Lower Fork	
603	70024754	18	Bolt, M20X45	
604	70024755	18	Washer, Lock M20	
605	70024756	2	Bolt, M16X25	
700	70024757	1	Assembly, Fork (includes items 701 thru 705)	
701	70024758	1	Fork	
702	Kit	1	Knob	
703	Kit	1	Pin	
704	Kit	1	Pin, Coiled Spring	
705	Kit	1	Spring	
706	70024786	1	Kit, Pin (includes items 702 thru 705)	
801	N.S.S.	Ref	Plate, Mounting	
802	70024765	12	Bolt, M16X40	
803	70024766	4	Bolt, M16X35	
804	70024767	8	Bolt, M16X40	
805	70024768	2	Bolt	
806	70024748	2	Fitting	
807	70024770	2	Fitting	
808	70024771	1	Body, Valve	
809	70024772	2	Valve, Relief	
810	70024773	2	Fitting	
811	70024774	2	Washer	
812	70024775	2	Bolt	
813	70024776	1	Coupler, Male	
814	70024777	1	Coupler, Female	
815	70024778	1	Fitting	
816	70024779	1	Fitting	
817	70024780	1	Hose	
818	70024781	1	Hose	
819	70024782	1	Hose	
820	70024783	1	Hose	
821	70024784	1	Hose	
822	70024785	1	Hose	

# SECTION 3 - ATTACHMENTS

FIGURE 3-21. CARRIAGE ASSEMBLY (JOHN DEERE FIT) (CE & AUS)



ART\_1001102554-B

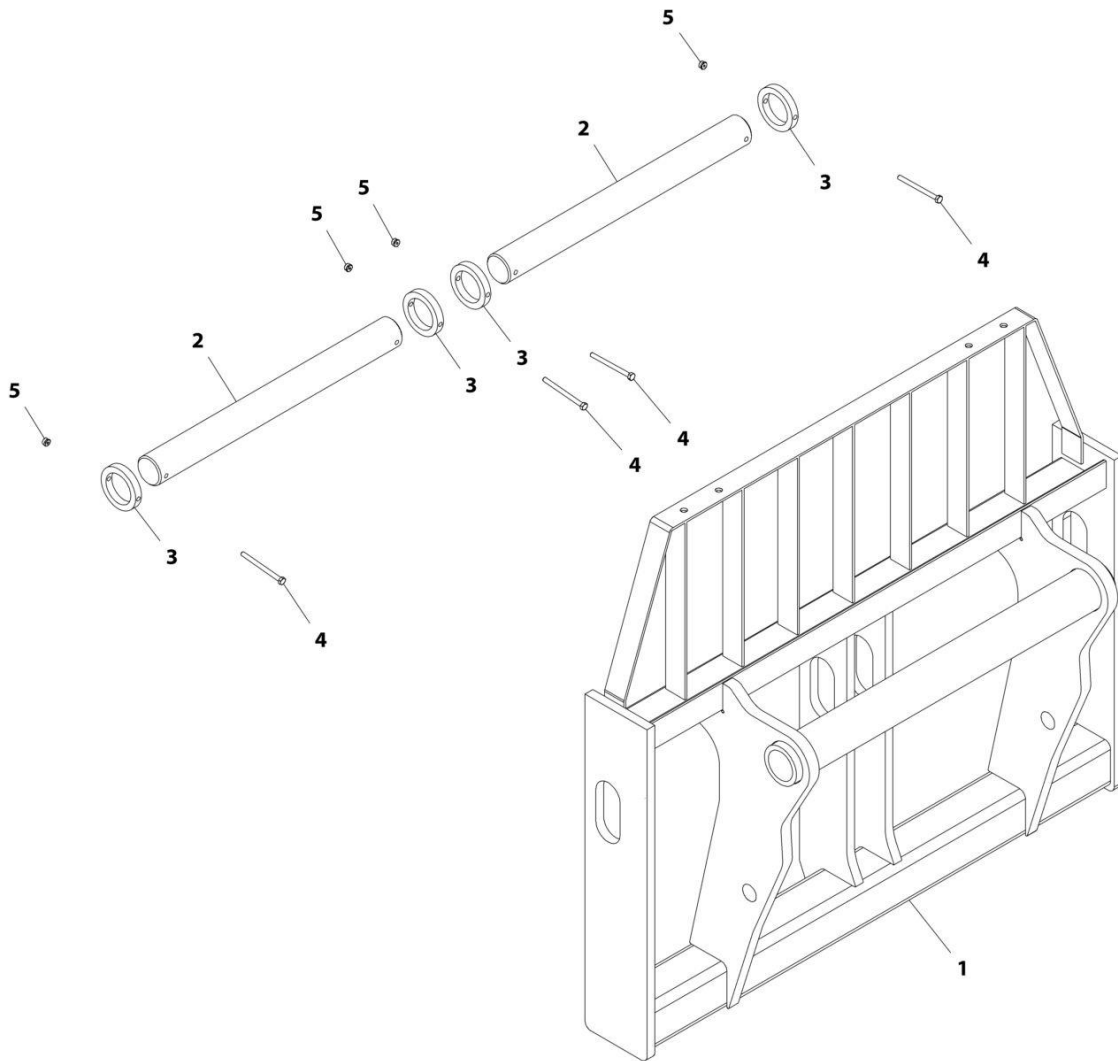
## SECTION 3 - ATTACHMENTS

**FIGURE 3-21. CARRIAGE ASSEMBLY (JOHN DEERE FIT) (CE & AUS)**

ITEM	PART NUMBER	QTY	DESCRIPTION	REV
	1001102554	1	Carriage Assembly (John Deere Fit)	B
1	N.S.S.	1	Weldment, Carriage	
2	4040283	2	Shaft, Carriage	
3	3760508	4	Collar, Shaft	
4	0700827	4	Bolt, M8X100	
5	3290805	4	Nut, M8X1.25 Grade 8	

# SECTION 3 - ATTACHMENTS

## FIGURE 3-22. CARRIAGE ASSEMBLY (MANITOU FIT) (CE & AUS)



ART\_1001102553-B



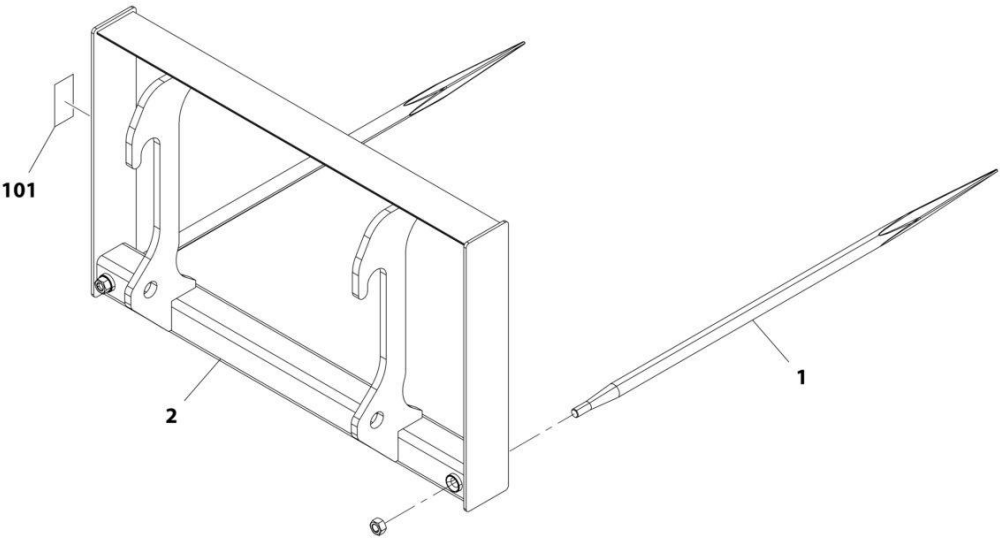
## SECTION 3 - ATTACHMENTS

**FIGURE 3-22. CARRIAGE ASSEMBLY (MANITOU FIT) (CE & AUS)**

ITEM	PART NUMBER	QTY	DESCRIPTION	REV
	1001102553	Ref	Carriage Assembly (Manitou Fit)	B
1	NSS	1	Weldment, Carriage	
2	4040283	2	Shaft, Carriage	
3	3760508	4	Collar, Shaft	
4	0700827	4	Bolt, M8X100	
5	3290805	4	Nut, M8X1.25 Grade 8	

**SECTION 3 - ATTACHMENTS**

**FIGURE 3-23. DUAL TINE BAILING FORK CARRIAGE (CE & AUS)**



ART\_1001211897-B

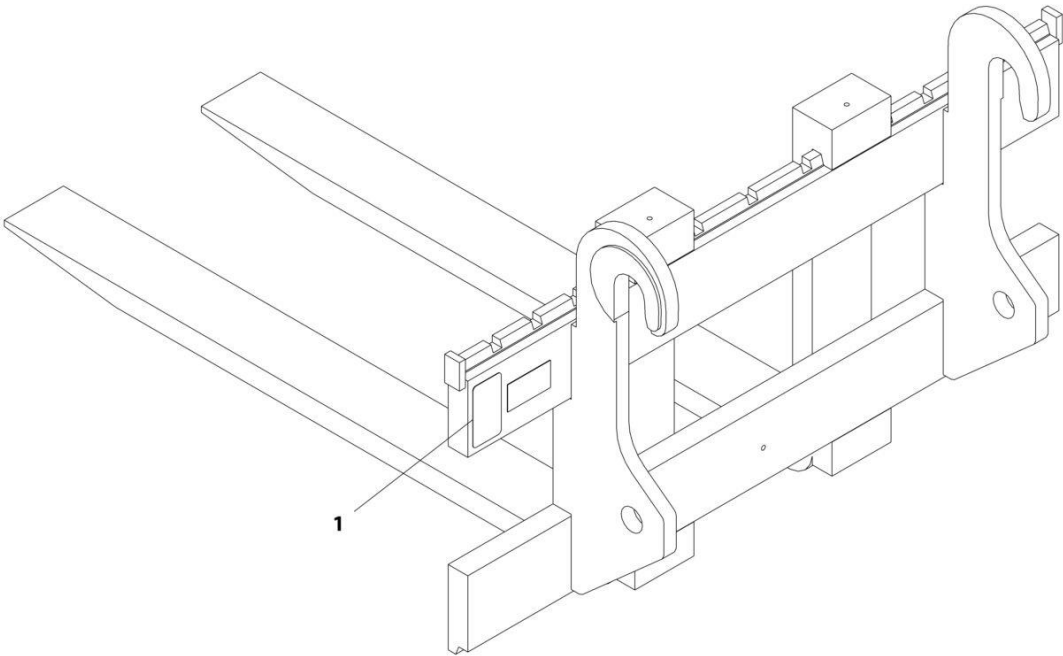
## SECTION 3 - ATTACHMENTS

**FIGURE 3-23. DUAL TINE BAILING FORK CARRIAGE (CE & AUS)**

ITEM	PART NUMBER	QTY	DESCRIPTION	REV
	1001211897	1	Dual Tine Bailing Fork Carriage	B
1	70027631	2	Tine, Bale (includes Hex Nut)	
2	N.S.S.	Ref	Weldment, Carriage	
101	N.S.S.	Ref	Plate, Serial Number	

**SECTION 3 - ATTACHMENTS**

**FIGURE 3-24. FEM CARRIAGE AND FORKS (CE & AUS)**



ART\_1001172667-B

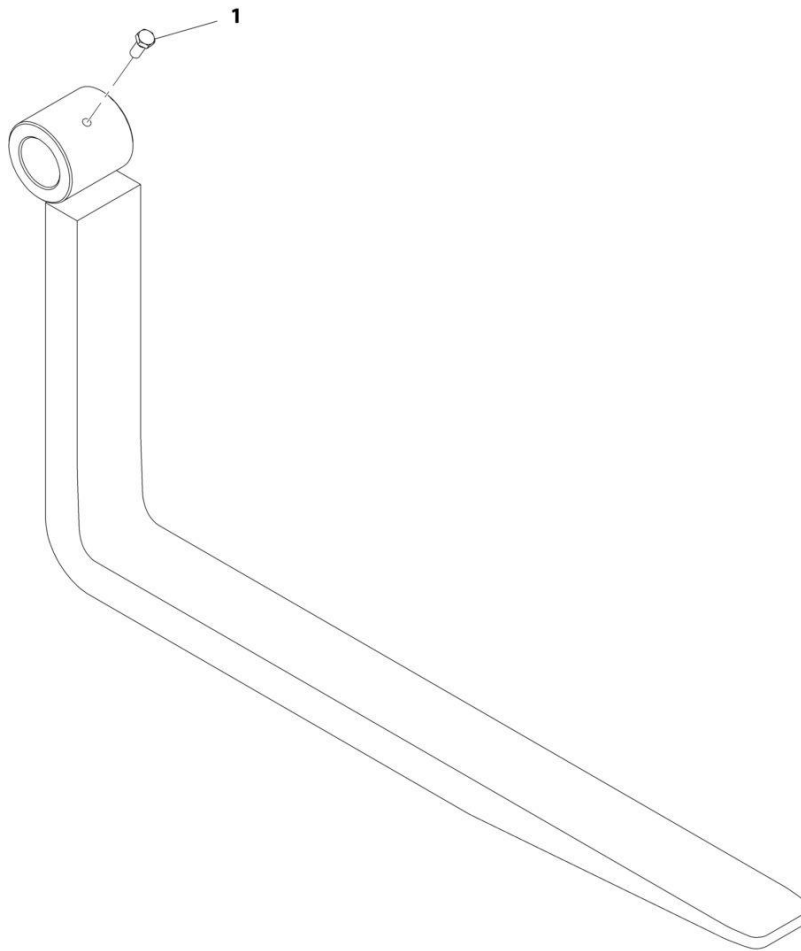
## SECTION 3 - ATTACHMENTS

**FIGURE 3-24. FEM CARRIAGE AND FORKS (CE & AUS)**

ITEM	PART NUMBER	QTY	DESCRIPTION	REV
1	1001172667	1	FEM Carriage and Forks	B
	N.S.S.	1	Plate, Serial Number	

## SECTION 3 - ATTACHMENTS

FIGURE 3-25. PALLET FORK (50X100X1070) (CE & AUS)



ART\_1001170488-A

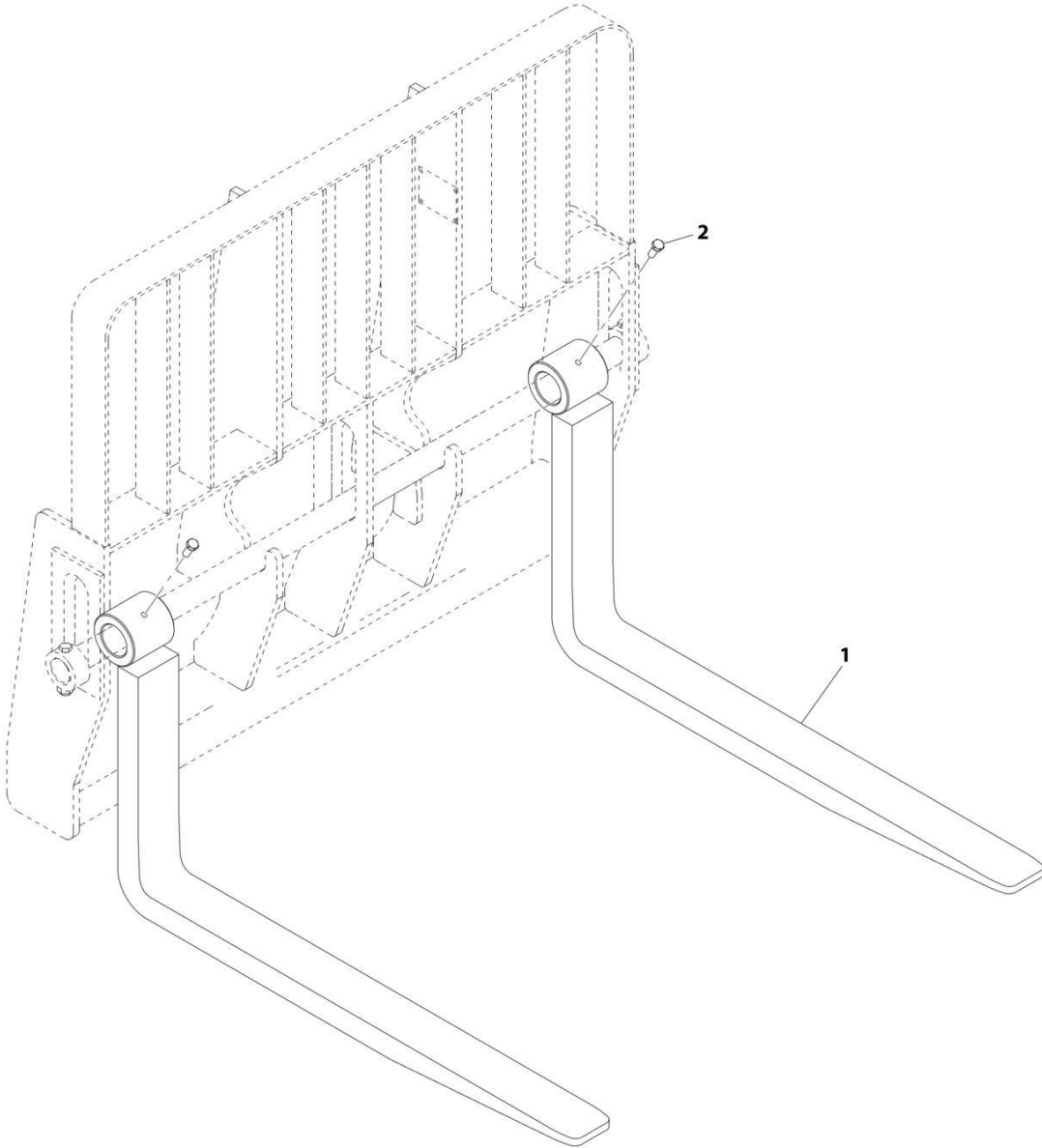
## SECTION 3 - ATTACHMENTS

**FIGURE 3-25. PALLET FORK (50X100X1070) (CE & AUS)**

ITEM	PART NUMBER	QTY	DESCRIPTION	REV
1	1001170488	1	Pallet Fork (60X100X1070)	A
	70027179	1	Screw	
	Note	Ref	<p>FORKS RATED LESS THAN THE ATTACHMENT OR MACHINE'S CAPACITY DECREASES CAPACITY OF THE ATTACHMENT OR MACHINE TO THAT OF THE FORKS. FORKS RATED MORE THAN THE ATTACHMENT OR MACHINE'S CAPACITY DO NOT INCREASE ATTACHMENT OR MACHINE'S CAPACITY.</p>	
	Note	Ref	<p>PLEASE CONSULT JLG PARTS DEPARTMENT TO DETERMINE THE CORRECT FORKS APPLICABLE TO YOUR SPECIFIC CARRIAGE ASSEMBLY AND APPLICATION.</p>	

**SECTION 3 - ATTACHMENTS**

**FIGURE 3-26. PALLET FORK (50X100X1220) (CE & AUS)**



ART\_1001100911-E



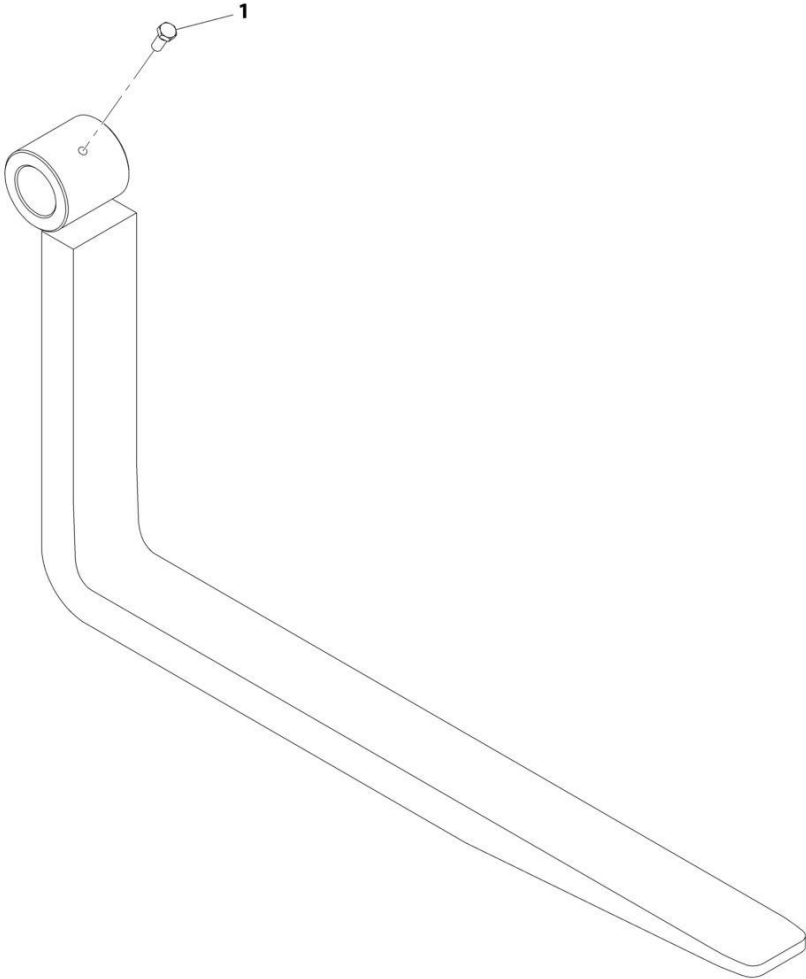
## SECTION 3 - ATTACHMENTS

**FIGURE 3-26. PALLET FORK (50X100X1220) (CE & AUS)**

ITEM	PART NUMBER	QTY	DESCRIPTION	REV
1	1001100911	1 pr	Pallet Fork (50X100X1220)	E
2	70027179	2	Screw	
	Note	Ref	<p>FORKS RATED LESS THAN THE ATTACHMENT OR MACHINE'S CAPACITY DECREASES CAPACITY OF THE ATTACHMENT OR MACHINE TO THAT OF THE FORKS. FORKS RATED MORE THAN THE ATTACHMENT OR MACHINE'S CAPACITY DO NOT INCREASE ATTACHMENT OR MACHINE'S CAPACITY.</p>	
	Note	Ref	<p>PLEASE CONSULT JLG PARTS DEPARTMENT TO DETERMINE THE CORRECT FORKS APPLICABLE TO YOUR SPECIFIC CARRIAGE ASSEMBLY AND APPLICATION.</p>	

**SECTION 3 - ATTACHMENTS**

**FIGURE 3-27. PALLET FORK (50X120X1200) (CE)**



ART\_1001117945-C

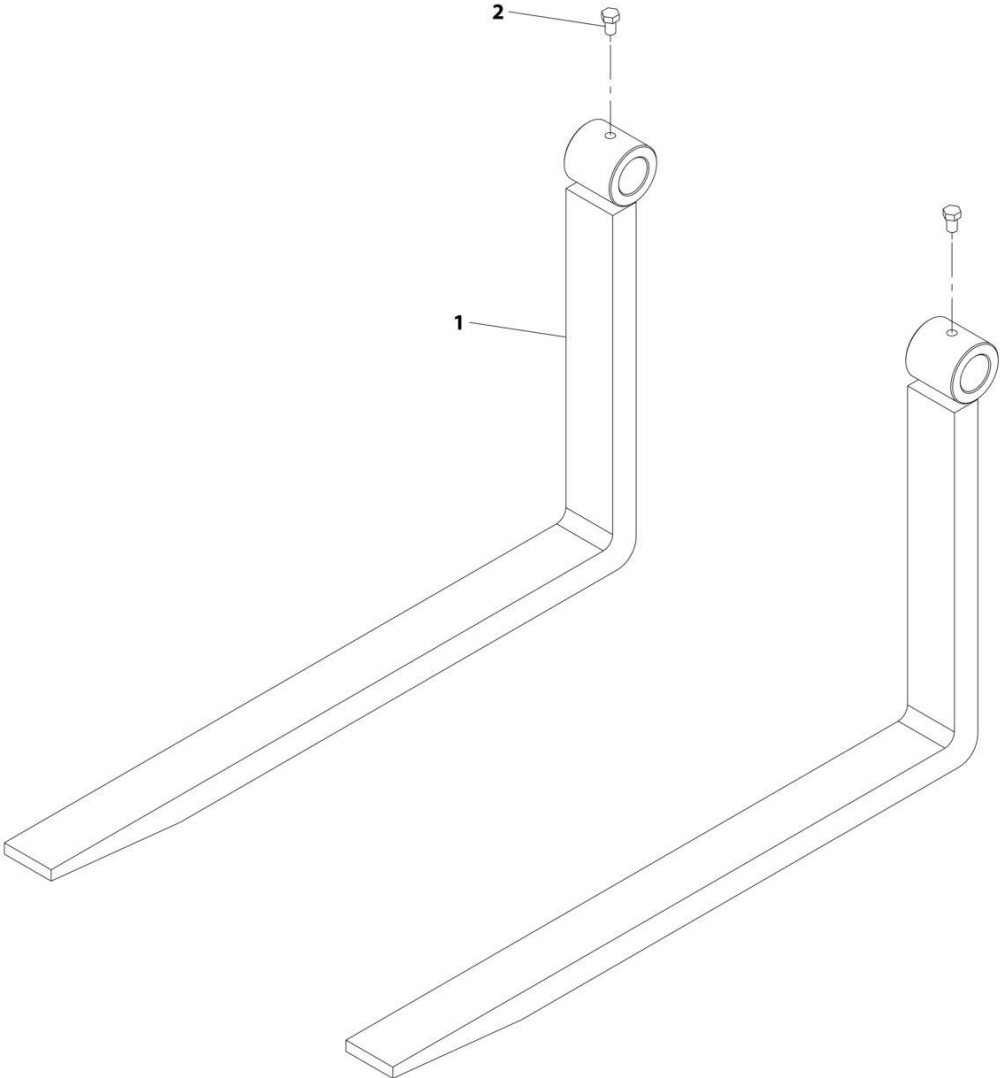
## SECTION 3 - ATTACHMENTS

**FIGURE 3-27. PALLET FORK (50X120X1200) (CE)**

ITEM	PART NUMBER	QTY	DESCRIPTION	REV
1	1001117945 0761612 Note	1 pr 2 Ref	Pallet Fork (50X120X1200) Bolt, M16X25 FORKS RATED LESS THAN THE ATTACHMENT OR MACHINE'S CAPACITY DECREASES CAPACITY OF THE ATTACHMENT OR MACHINE TO THAT OF THE FORKS. FORKS RATED MORE THAN THE ATTACHMENT OR MACHINE'S CAPACITY DO NOT INCREASE ATTACHMENT OR MACHINE'S CAPACITY.	C
	Note	Ref	PLEASE CONSULT JLG PARTS DEPARTMENT TO DETERMINE THE CORRECT FORKS APPLICABLE TO YOUR SPECIFIC CARRIAGE ASSEMBLY AND APPLICATION.	

**SECTION 3 - ATTACHMENTS**

**FIGURE 3-28. PALLET FORK (50X120X1200) (CE & AUS - IF EQUIPPED WITH 1170002)**



ART\_2340030-D

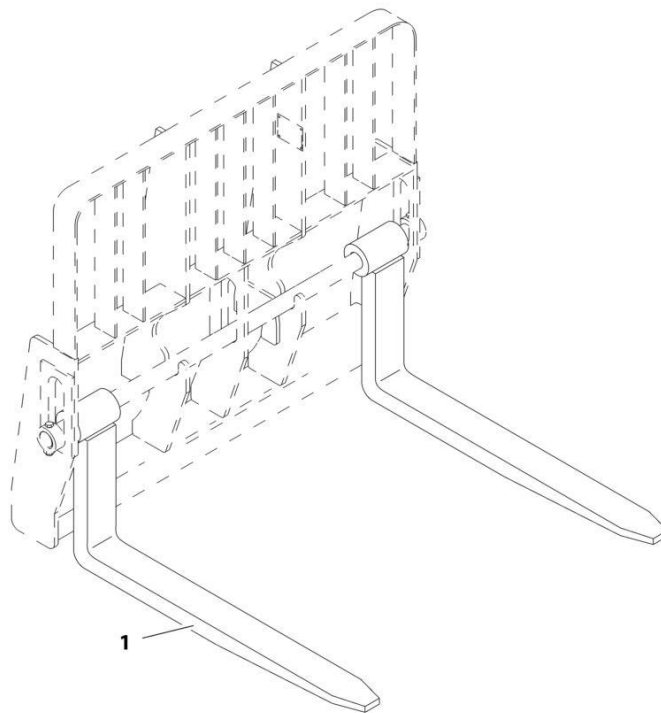
## SECTION 3 - ATTACHMENTS

**FIGURE 3-28. PALLET FORK (50X120X1200) (CE & AUS - IF EQUIPPED WITH 1170002)**

ITEM	PART NUMBER	QTY	DESCRIPTION	REV
1	2340030	2 pr	Pallet Fork (50X120X1200)	D
2	0761612	2	Bolt, M16X25	
	Note	Ref	<p>FORKS RATED LESS THAN THE ATTACHMENT OR MACHINE'S CAPACITY DECREASES CAPACITY OF THE ATTACHMENT OR MACHINE TO THAT OF THE FORKS. FORKS RATED MORE THAN THE ATTACHMENT OR MACHINE'S CAPACITY DO NOT INCREASE ATTACHMENT OR MACHINE'S CAPACITY.</p>	
	Note	Ref	<p>PLEASE CONSULT JLG PARTS DEPARTMENT TO DETERMINE THE CORRECT FORKS APPLICABLE TO YOUR SPECIFIC CARRIAGE ASSEMBLY AND APPLICATION.</p>	

## SECTION 3 - ATTACHMENTS

FIGURE 3-29. PALLET FORK (2.36X4X48) (ANSI - JLG)



ART\_2340045

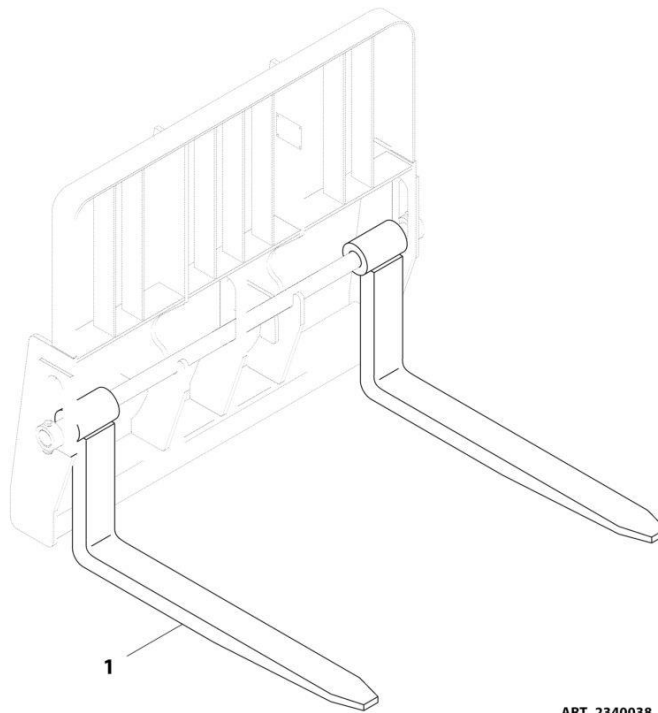
## SECTION 3 - ATTACHMENTS

**FIGURE 3-29. PALLET FORK (2.36X4X48) (ANSI - JLG)**

ITEM	PART NUMBER	QTY	DESCRIPTION	REV
1	2340045	2	Pallet Fork (2.36X4X48)	
	Note	Ref	<b>FORKS RATED LESS THAN THE ATTACHMENT OR MACHINE'S CAPACITY DECREASES CAPACITY OF THE ATTACHMENT OR MACHINE TO THAT OF THE FORKS. FORKS RATED MORE THAN THE ATTACHMENT OR MACHINE'S CAPACITY DO NOT INCREASE ATTACHMENT OR MACHINE'S CAPACITY.</b>	
	Note	Ref	<b>PLEASE CONSULT JLG PARTS DEPARTMENT TO DETERMINE THE CORRECT FORKS APPLICABLE TO YOUR SPECIFIC CARRIAGE ASSEMBLY AND APPLICATION.</b>	

## SECTION 3 - ATTACHMENTS

FIGURE 3-30. PALLET FORK (2.36X5X48) (ANSI - JLG)



ART\_2340038



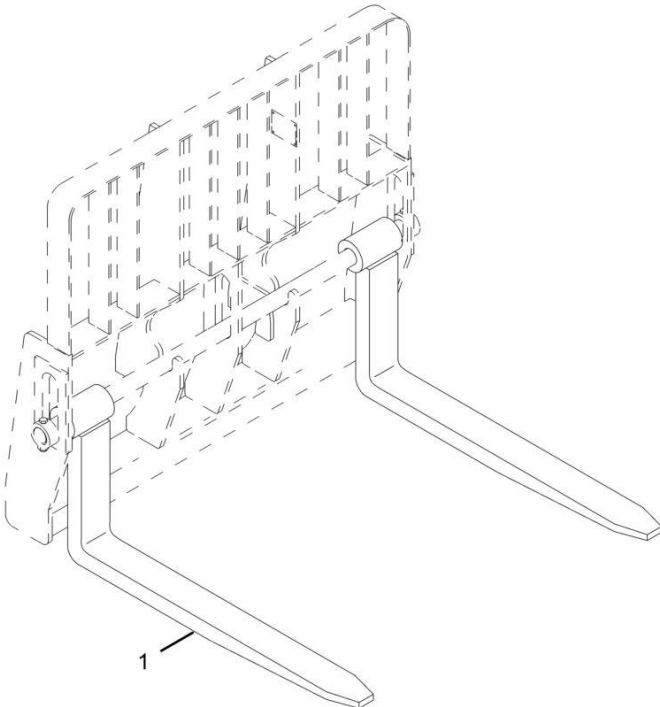
## SECTION 3 - ATTACHMENTS

**FIGURE 3-30. PALLET FORK (2.36X5X48) (ANSI - JLG)**

ITEM	PART NUMBER	QTY	DESCRIPTION	REV
1	2340038	2	Pallet Fork (2.36X5X48)	B
	Note	Ref	<b>FORKS RATED LESS THAN THE ATTACHMENT OR MACHINE'S CAPACITY DECREASES CAPACITY OF THE ATTACHMENT OR MACHINE TO THAT OF THE FORKS. FORKS RATED MORE THAN THE ATTACHMENT OR MACHINE'S CAPACITY DO NOT INCREASE ATTACHMENT OR MACHINE'S CAPACITY.</b>	
	Note	Ref	<b>PLEASE CONSULT JLG PARTS DEPARTMENT TO DETERMINE THE CORRECT FORKS APPLICABLE TO YOUR SPECIFIC CARRIAGE ASSEMBLY AND APPLICATION.</b>	

**SECTION 3 - ATTACHMENTS**

**FIGURE 3-31. PALLET FORK (2.00X6X72) (ANSI - JLG)**



ART\_1001092391

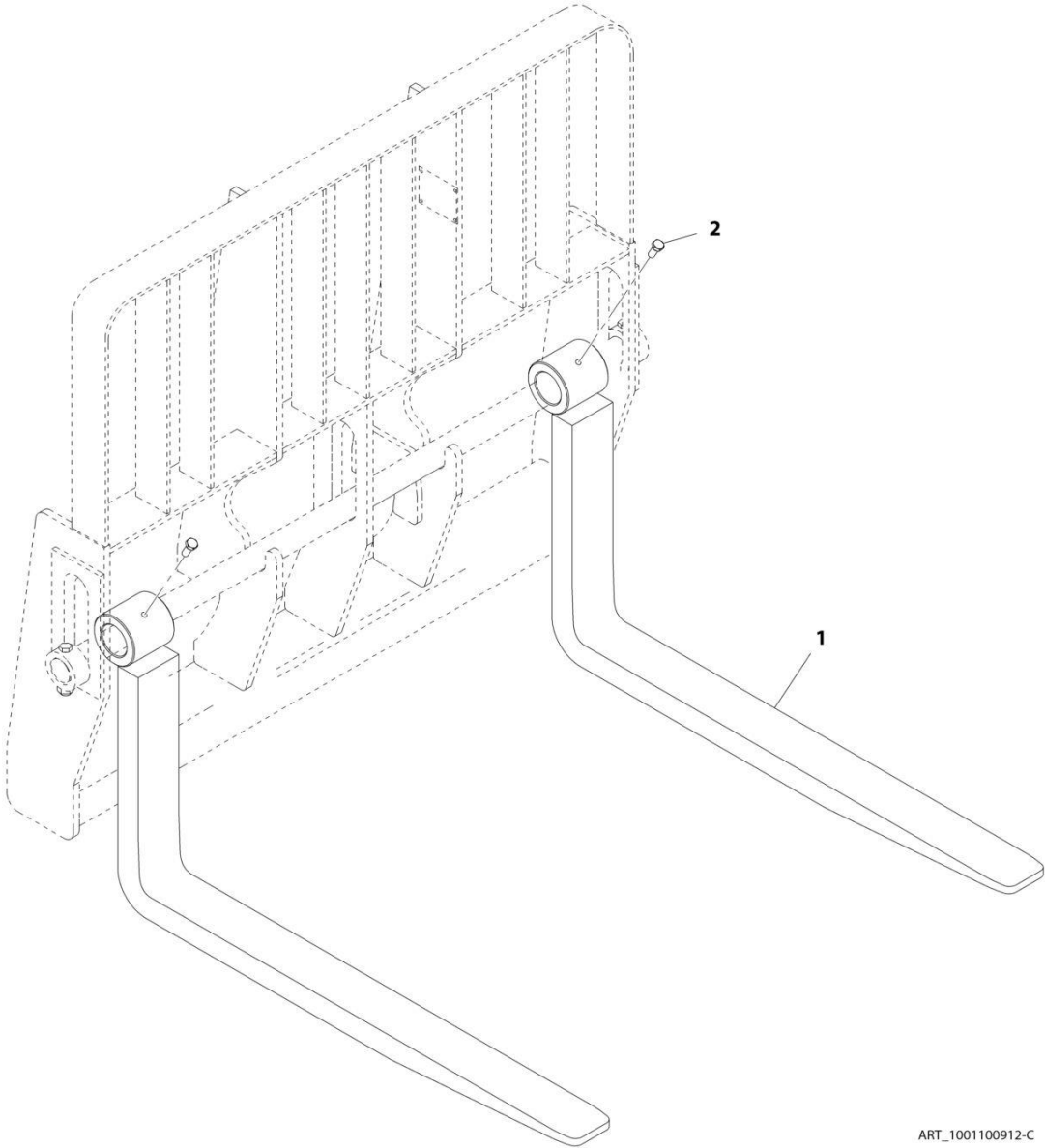
## SECTION 3 - ATTACHMENTS

**FIGURE 3-31. PALLET FORK (2.00X6X72) (ANSI - JLG)**

ITEM	PART NUMBER	QTY	DESCRIPTION	REV
1	1001092391	2	Dual Taper Fork (2.00X6X72)	C
N1	Note	Ref	<b>FORKS RATED LESS THAN THE ATTACHMENT OR MACHINE'S CAPACITY DECREASES CAPACITY OF THE ATTACHMENT OR MACHINE TO THAT OF THE FORKS. FORKS RATED MORE THAN THE ATTACHMENT OR MACHINE'S CAPACITY DO NOT INCREASE ATTACHMENT OR MACHINE'S CAPACITY.</b>	
N2	Note	Ref	<b>PLEASE CONSULT JLG PARTS DEPARTMENT TO DETERMINE THE CORRECT FORKS APPLICABLE TO YOUR SPECIFIC CARRIAGE ASSEMBLY AND APPLICATION.</b>	

**SECTION 3 - ATTACHMENTS**

**FIGURE 3-32. PALLET FORK (60X100X1200) (AUS)**



ART\_1001100912-C

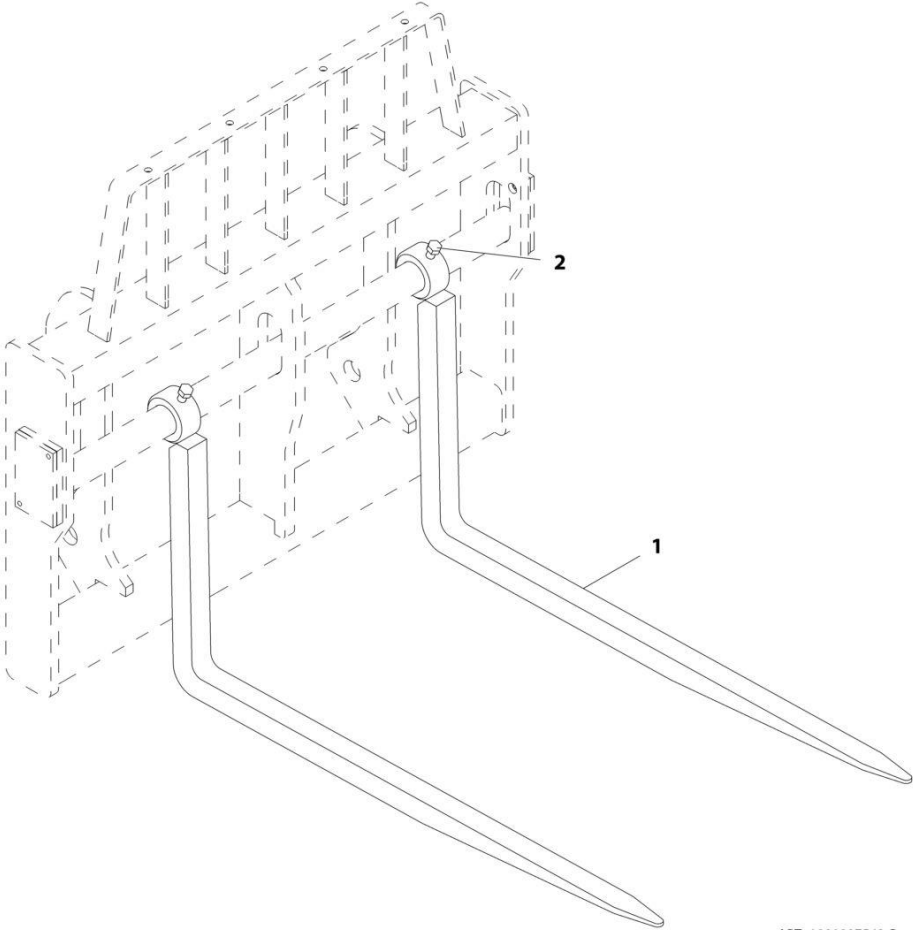
## SECTION 3 - ATTACHMENTS

**FIGURE 3-32. PALLET FORK (60X100X1200) (AUS)**

ITEM	PART NUMBER	QTY	DESCRIPTION	REV
1	1001100912	1 pr	Pallet Fork (60X100X1220)	C
2	70027179	2	Screw	
	Note	Ref	<p>FORKS RATED LESS THAN THE ATTACHMENT OR MACHINE'S CAPACITY DECREASES CAPACITY OF THE ATTACHMENT OR MACHINE TO THAT OF THE FORKS. FORKS RATED MORE THAN THE ATTACHMENT OR MACHINE'S CAPACITY DO NOT INCREASE ATTACHMENT OR MACHINE'S CAPACITY.</p>	
	Note	Ref	<p>PLEASE CONSULT JLG PARTS DEPARTMENT TO DETERMINE THE CORRECT FORKS APPLICABLE TO YOUR SPECIFIC CARRIAGE ASSEMBLY AND APPLICATION.</p>	

**SECTION 3 - ATTACHMENTS**

**FIGURE 3-33. BLOCKING FORK (50X50X1220) (CE & AUS - JLG)**



ART\_1001007543-B

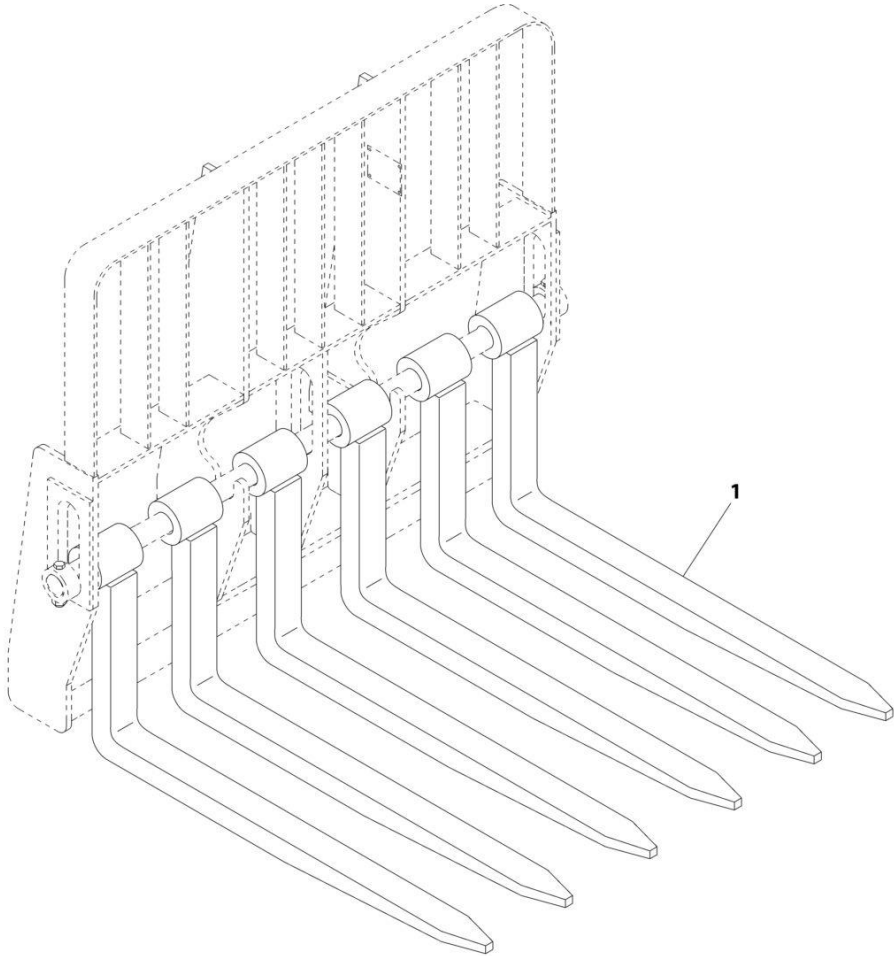
## SECTION 3 - ATTACHMENTS

**FIGURE 3-33. BLOCKING FORK (50X50X1220) (CE & AUS - JLG)**

ITEM	PART NUMBER	QTY	DESCRIPTION	REV
	1001007543	1	Blocking Fork (50X50X1220) (pair)	B
2	N.S.S.	1	Fork	
2	1001109113	2	Bolt, 5/8-18X1.50, Grade 8	
	Note	Ref	FORKS RATED LESS THAN THE ATTACHMENT OR MACHINE'S CAPACITY DECREASES CAPACITY OF THE ATTACHMENT OR MACHINE TO THAT OF THE FORKS. FORKS RATED MORE THAN THE ATTACHMENT OR MACHINE'S CAPACITY DO NOT INCREASE ATTACHMENT OR MACHINE'S CAPACITY.	
	Note	Ref	PLEASE CONSULT JLG PARTS DEPARTMENT TO DETERMINE THE CORRECT FORKS APPLICABLE TO YOUR SPECIFIC CARRIAGE ASSEMBLY AND APPLICATION.	

**SECTION 3 - ATTACHMENTS**

**FIGURE 3-34. BLOCKING FORK (50X50X1220) (ANSI - JLG)**



ART\_2340037



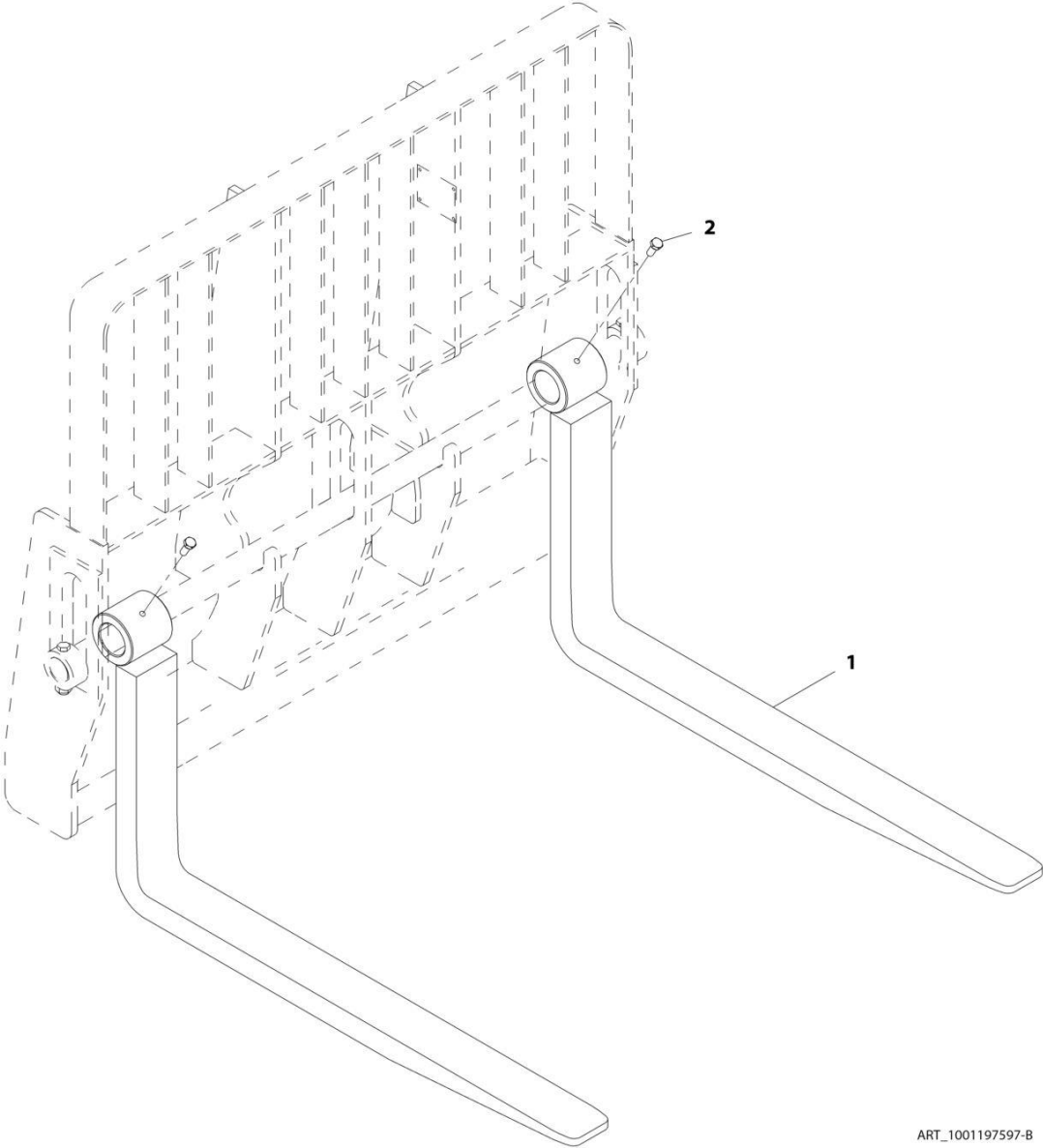
## SECTION 3 - ATTACHMENTS

**FIGURE 3-34. BLOCKING FORK (50X50X1220) (ANSI - JLG)**

ITEM	PART NUMBER	QTY	DESCRIPTION	REV
1	2340037	1	Cubing Fork (2.00X2X48)	A
	Note	Ref	<b>FORKS RATED LESS THAN THE ATTACHMENT OR MACHINE'S CAPACITY DECREASES CAPACITY OF THE ATTACHMENT OR MACHINE TO THAT OF THE FORKS. FORKS RATED MORE THAN THE ATTACHMENT OR MACHINE'S CAPACITY DO NOT INCREASE ATTACHMENT OR MACHINE'S CAPACITY.</b>	
	Note	Ref	<b>PLEASE CONSULT JLG PARTS DEPARTMENT TO DETERMINE THE CORRECT FORKS APPLICABLE TO YOUR SPECIFIC CARRIAGE ASSEMBLY AND APPLICATION.</b>	

**SECTION 3 - ATTACHMENTS**

**FIGURE 3-35. LUMBER FORK (40X150X1540) (CE & AUS - JLG)**



ART\_1001197597-B

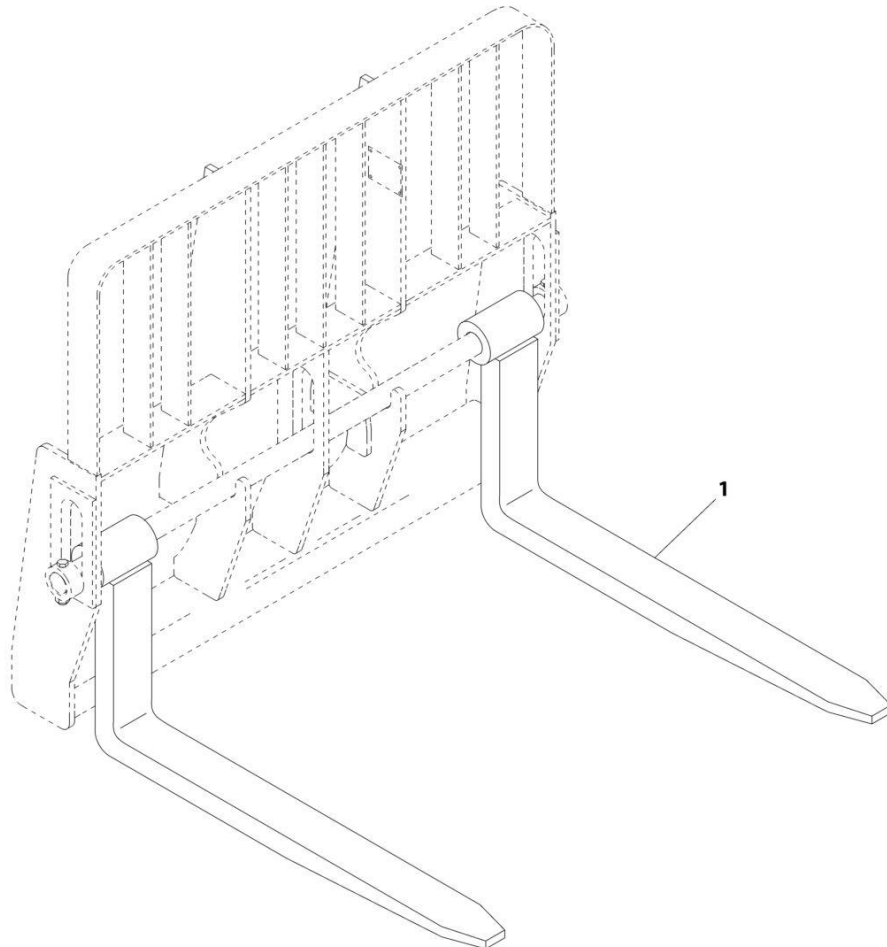
## SECTION 3 - ATTACHMENTS

**FIGURE 3-35. LUMBER FORK (40X150X1540) (CE & AUS - JLG)**

ITEM	PART NUMBER	QTY	DESCRIPTION	REV
1	1001197597	1 pr	Lumber Fork (40X150X1540)	B
2	70027180	2	Screw, M16X30	
	Note	Ref	<p>FORKS RATED LESS THAN THE ATTACHMENT OR MACHINE'S CAPACITY DECREASES CAPACITY OF THE ATTACHMENT OR MACHINE TO THAT OF THE FORKS. FORKS RATED MORE THAN THE ATTACHMENT OR MACHINE'S CAPACITY DO NOT INCREASE ATTACHMENT OR MACHINE'S CAPACITY.</p>	
	Note	Ref	<p>PLEASE CONSULT JLG PARTS DEPARTMENT TO DETERMINE THE CORRECT FORKS APPLICABLE TO YOUR SPECIFIC CARRIAGE ASSEMBLY AND APPLICATION.</p>	

# SECTION 3 - ATTACHMENTS

FIGURE 3-36. LUMBER FORK (40X150X1540) (ANSI - JLG)



ART\_1001099457-C

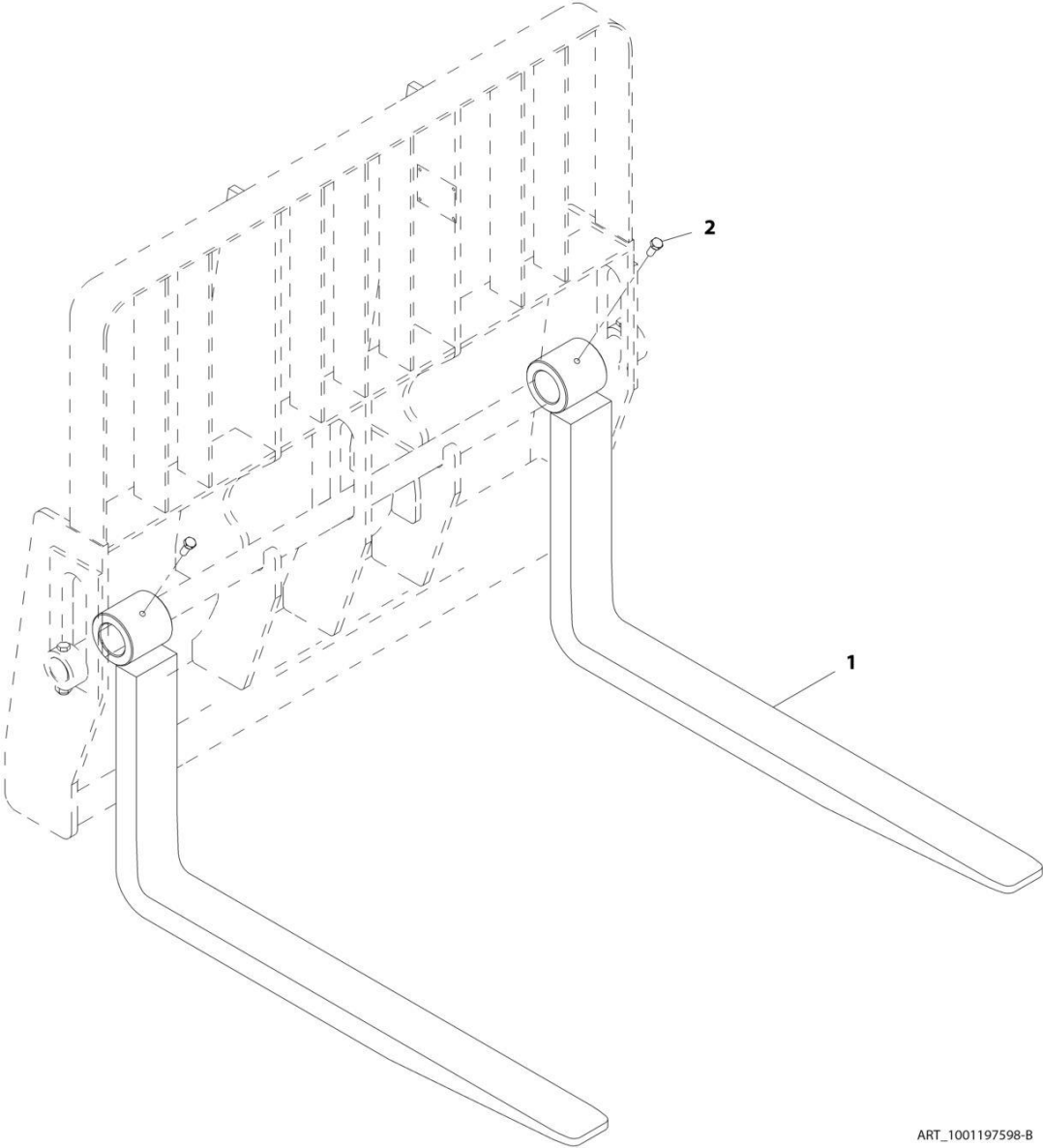
## SECTION 3 - ATTACHMENTS

**FIGURE 3-36. LUMBER FORK (40X150X1540) (ANSI - JLG)**

ITEM	PART NUMBER	QTY	DESCRIPTION	REV
1	1001099457	2	Lumber Fork (1.5X6X60)	C
	Note	Ref	<b>FORKS RATED LESS THAN THE ATTACHMENT OR MACHINE'S CAPACITY DECREASES CAPACITY OF THE ATTACHMENT OR MACHINE TO THAT OF THE FORKS. FORKS RATED MORE THAN THE ATTACHMENT OR MACHINE'S CAPACITY DO NOT INCREASE ATTACHMENT OR MACHINE'S CAPACITY.</b>	
	Note	Ref	<b>PLEASE CONSULT JLG PARTS DEPARTMENT TO DETERMINE THE CORRECT FORKS APPLICABLE TO YOUR SPECIFIC CARRIAGE ASSEMBLY AND APPLICATION.</b>	

**SECTION 3 - ATTACHMENTS**

**FIGURE 3-37. LUMBER FORK (45X150X1540) CE & AUS - JLG)**



ART\_1001197598-B

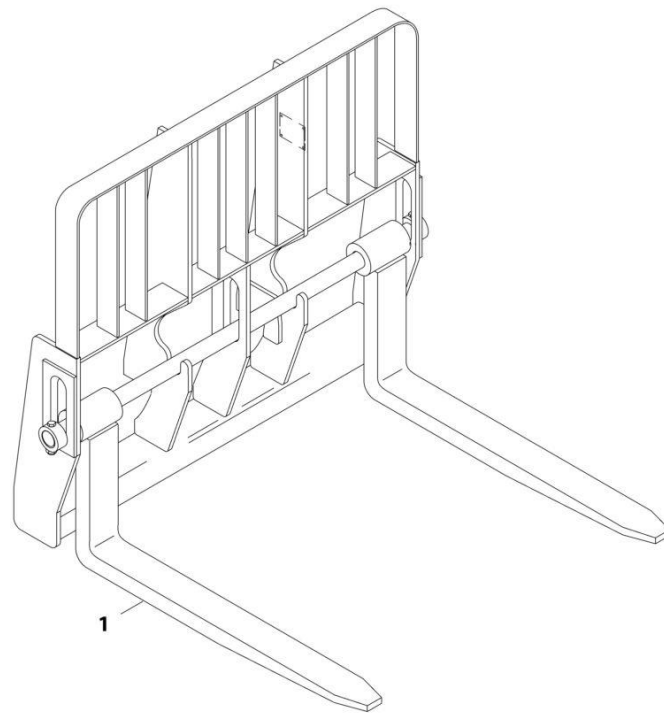
## SECTION 3 - ATTACHMENTS

**FIGURE 3-37. LUMBER FORK (45X150X1540) CE & AUS - JLG)**

ITEM	PART NUMBER	QTY	DESCRIPTION	REV
1	1001197598	2	Lumber Fork (45X150X1540)	B
2	70027180	2	Screw, M16X30	
	Note	Ref	<p>FORKS RATED LESS THAN THE ATTACHMENT OR MACHINE'S CAPACITY DECREASES CAPACITY OF THE ATTACHMENT OR MACHINE TO THAT OF THE FORKS. FORKS RATED MORE THAN THE ATTACHMENT OR MACHINE'S CAPACITY DO NOT INCREASE ATTACHMENT OR MACHINE'S CAPACITY.</p>	
	Note	Ref	<p>PLEASE CONSULT JLG PARTS DEPARTMENT TO DETERMINE THE CORRECT FORKS APPLICABLE TO YOUR SPECIFIC CARRIAGE ASSEMBLY AND APPLICATION.</p>	

## SECTION 3 - ATTACHMENTS

FIGURE 3-38. LUMBER FORK (50X180X1540) (ANSI - JLG)



ART\_1001097110-A



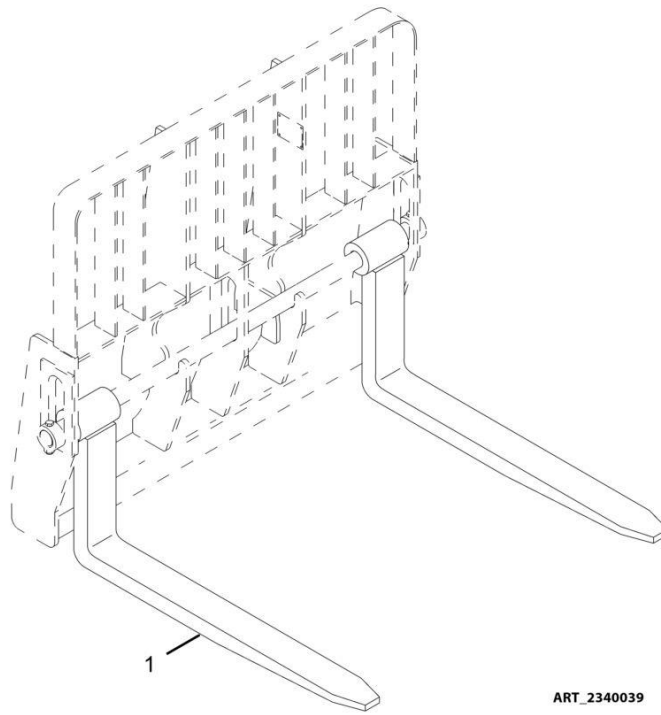
## SECTION 3 - ATTACHMENTS

**FIGURE 3-38. LUMBER FORK (50X180X1540) (ANSI - JLG)**

ITEM	PART NUMBER	QTY	DESCRIPTION	REV
1	1001097110	2	Lumber Fork (2.00X7X60)	A
	Note	Ref	<b>FORKS RATED LESS THAN THE ATTACHMENT OR MACHINE'S CAPACITY DECREASES CAPACITY OF THE ATTACHMENT OR MACHINE TO THAT OF THE FORKS. FORKS RATED MORE THAN THE ATTACHMENT OR MACHINE'S CAPACITY DO NOT INCREASE ATTACHMENT OR MACHINE'S CAPACITY.</b>	
	Note	Ref	<b>PLEASE CONSULT JLG PARTS DEPARTMENT TO DETERMINE THE CORRECT FORKS APPLICABLE TO YOUR SPECIFIC CARRIAGE ASSEMBLY AND APPLICATION.</b>	

## SECTION 3 - ATTACHMENTS

FIGURE 3-39. LUMBER FORK (60X150X1524) (ANSI - JLG)



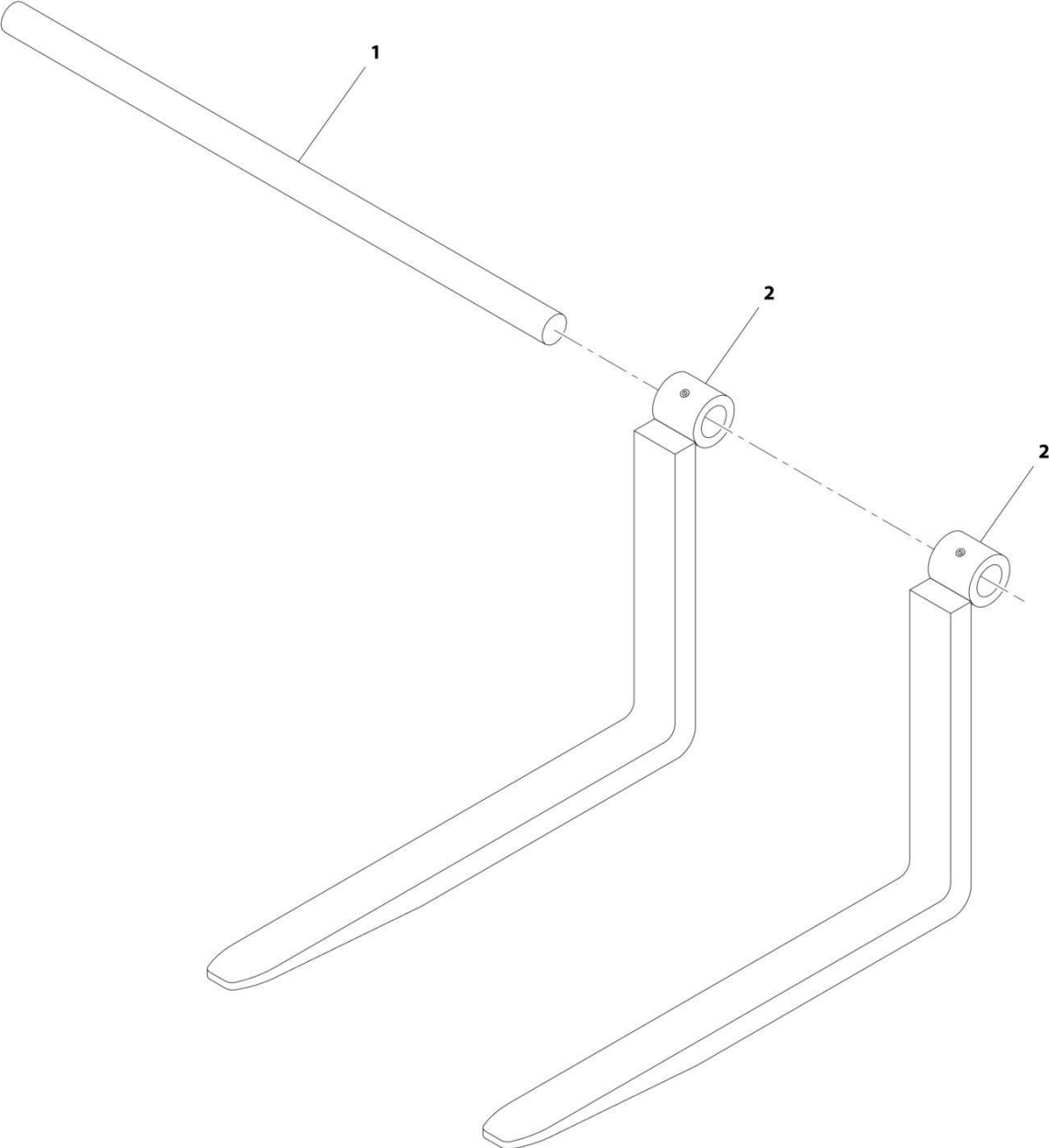
## SECTION 3 - ATTACHMENTS

**FIGURE 3-39. LUMBER FORK (60X150X1524) (ANSI - JLG)**

ITEM	PART NUMBER	QTY	DESCRIPTION	REV
1	2340039	2	Lumber Fork (60X150X1524)	
	Note	Ref	<b>FORKS RATED LESS THAN THE ATTACHMENT OR MACHINE'S CAPACITY DECREASES CAPACITY OF THE ATTACHMENT OR MACHINE TO THAT OF THE FORKS. FORKS RATED MORE THAN THE ATTACHMENT OR MACHINE'S CAPACITY DO NOT INCREASE ATTACHMENT OR MACHINE'S CAPACITY.</b>	
	Note	Ref	<b>PLEASE CONSULT JLG PARTS DEPARTMENT TO DETERMINE THE CORRECT FORKS APPLICABLE TO YOUR SPECIFIC CARRIAGE ASSEMBLY AND APPLICATION.</b>	

**SECTION 3 - ATTACHMENTS**

**FIGURE 3-40. CARRIAGE ASSEMBLY (JCB FIT) (CE & AUS)**



ART\_1001111758-E

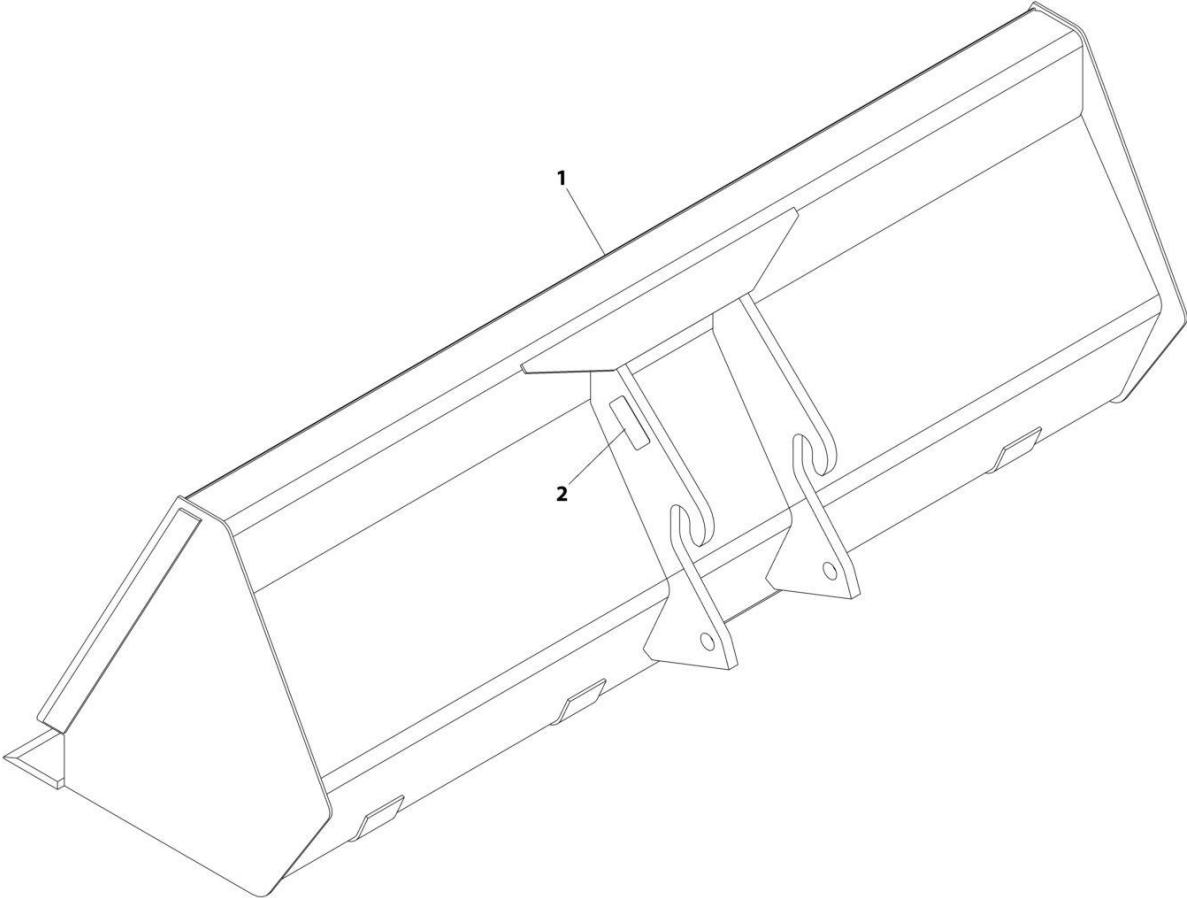
## SECTION 3 - ATTACHMENTS

**FIGURE 3-40. CARRIAGE ASSEMBLY (JCB FIT) (CE & AUS)**

ITEM	PART NUMBER	QTY	DESCRIPTION	REV
	1001111758	Ref	Fork Assembly (JCB Fit)	E
1	1001108133	1	Fork Bar	
2	1001111757	2	Fork	

**SECTION 3 - ATTACHMENTS**

**FIGURE 3-41. BUCKET (1.15 M<sup>3</sup>) (ANSI - JLG)**



ART\_1001100823-F

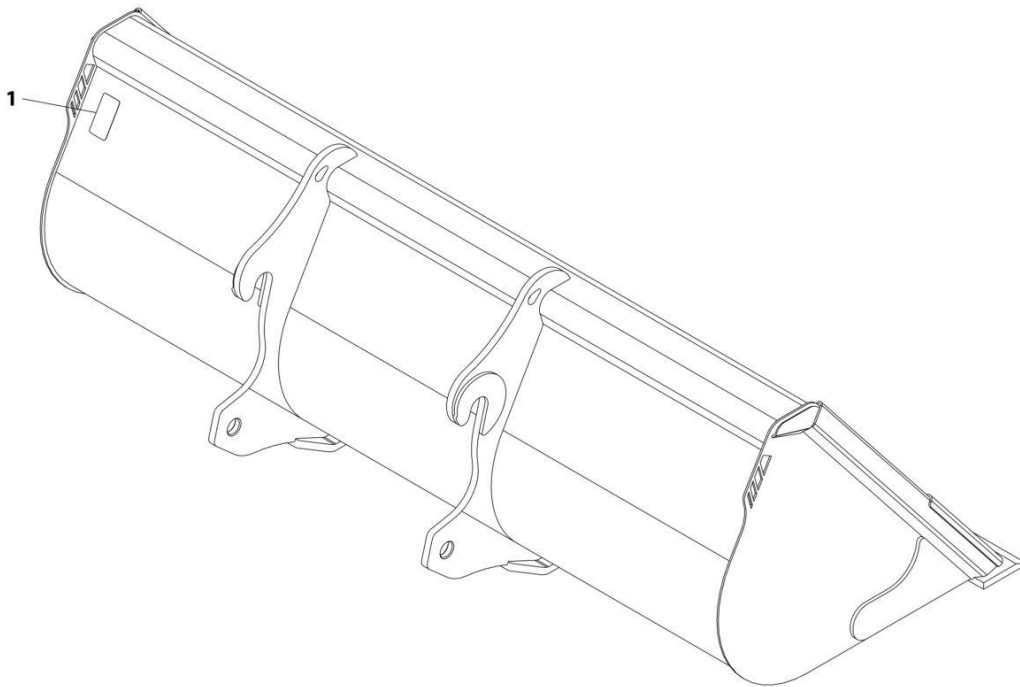
## SECTION 3 - ATTACHMENTS

### FIGURE 3-41. BUCKET (1.15 M<sup>3</sup>) (ANSI - JLG)

ITEM	PART NUMBER	QTY	DESCRIPTION	REV
	1001100823	Ref	BUCKET (1.15 M <sup>3</sup> )	F
1	1001100266	1	Bucket	
2	N.S.S.	1	S/N Plate	

## SECTION 3 - ATTACHMENTS

FIGURE 3-42. BUCKET (1 M<sup>3</sup>) (CE & AUS)



ART\_1001215988-B



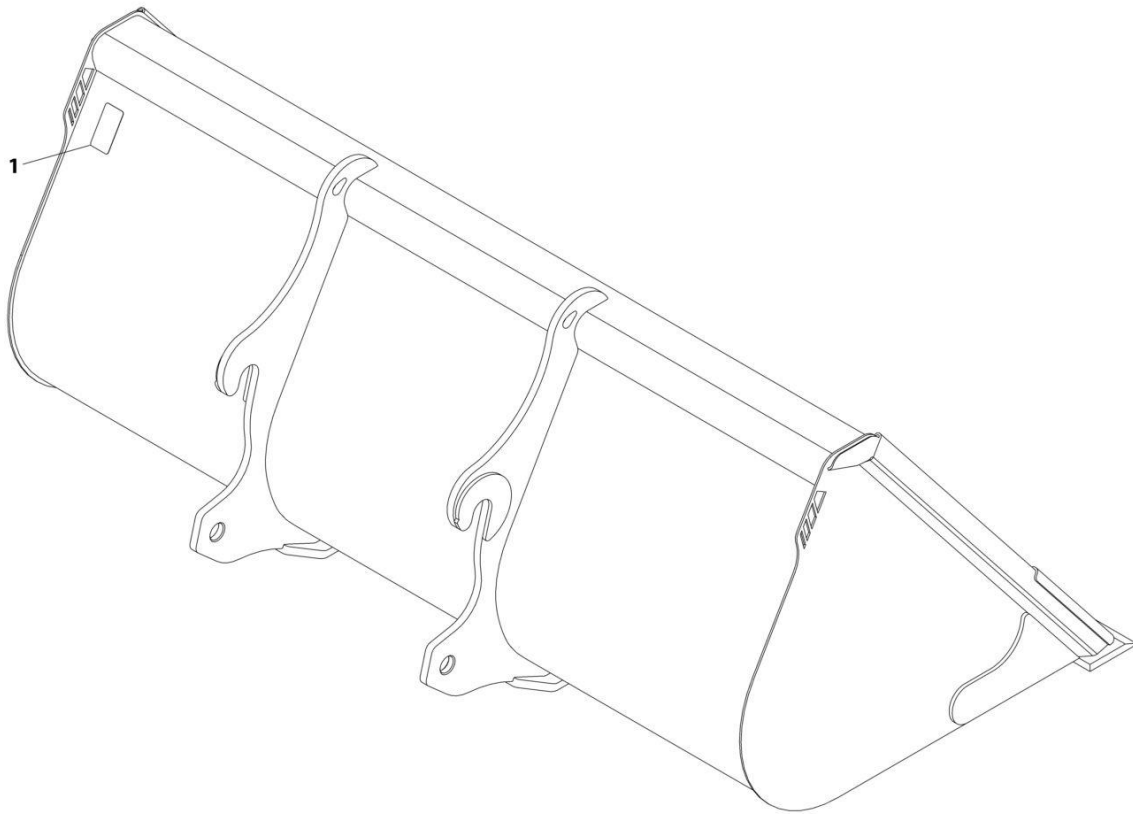
## SECTION 3 - ATTACHMENTS

**FIGURE 3-42. BUCKET (1 M<sup>3</sup>) (CE & AUS)**

ITEM	PART NUMBER	QTY	DESCRIPTION	REV
	1001215988	1	Bucket (1 m <sup>3</sup> )	D
1	N.S.S.	1	Plate, Serial Number	
2	70031031	1	Attachment, Cutting Edge (Optional - Must be Ordered Separately) (Not Shown)	

## SECTION 3 - ATTACHMENTS

FIGURE 3-43. BUCKET (1.5 M<sup>3</sup>) (CE & AUS)



ART\_1001215990-B

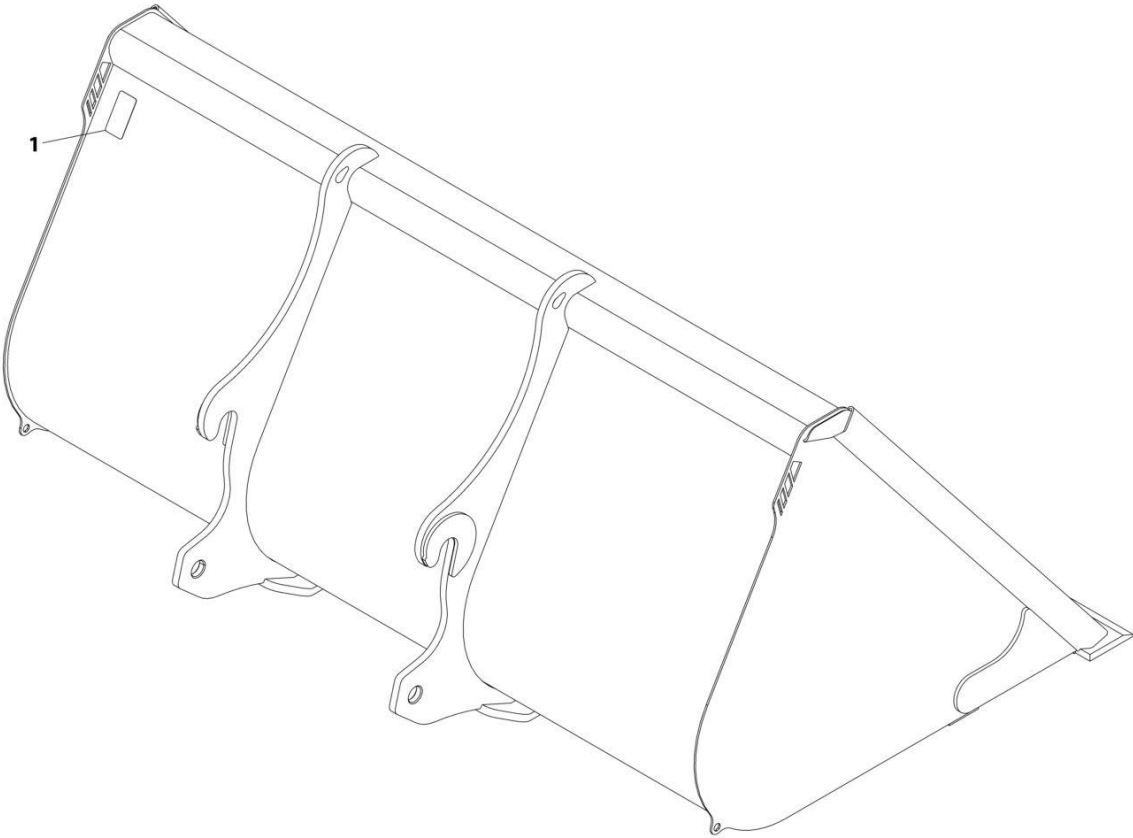
## SECTION 3 - ATTACHMENTS

**FIGURE 3-43. BUCKET (1.5 M<sup>3</sup>) (CE & AUS)**

ITEM	PART NUMBER	QTY	DESCRIPTION	REV
	1001215990	1	Bucket (1.5 m <sup>3</sup> )	D
1	N.S.S.	1	Plate, Serial Number	
2	70031031	1	Attachment, Cutting Edge (Optional - Must be Ordered Separately) (Not Shown)	

**SECTION 3 - ATTACHMENTS**

**FIGURE 3-44. BUCKET (2 M<sup>3</sup>) (CE & AUS)**



ART\_1001215992-B

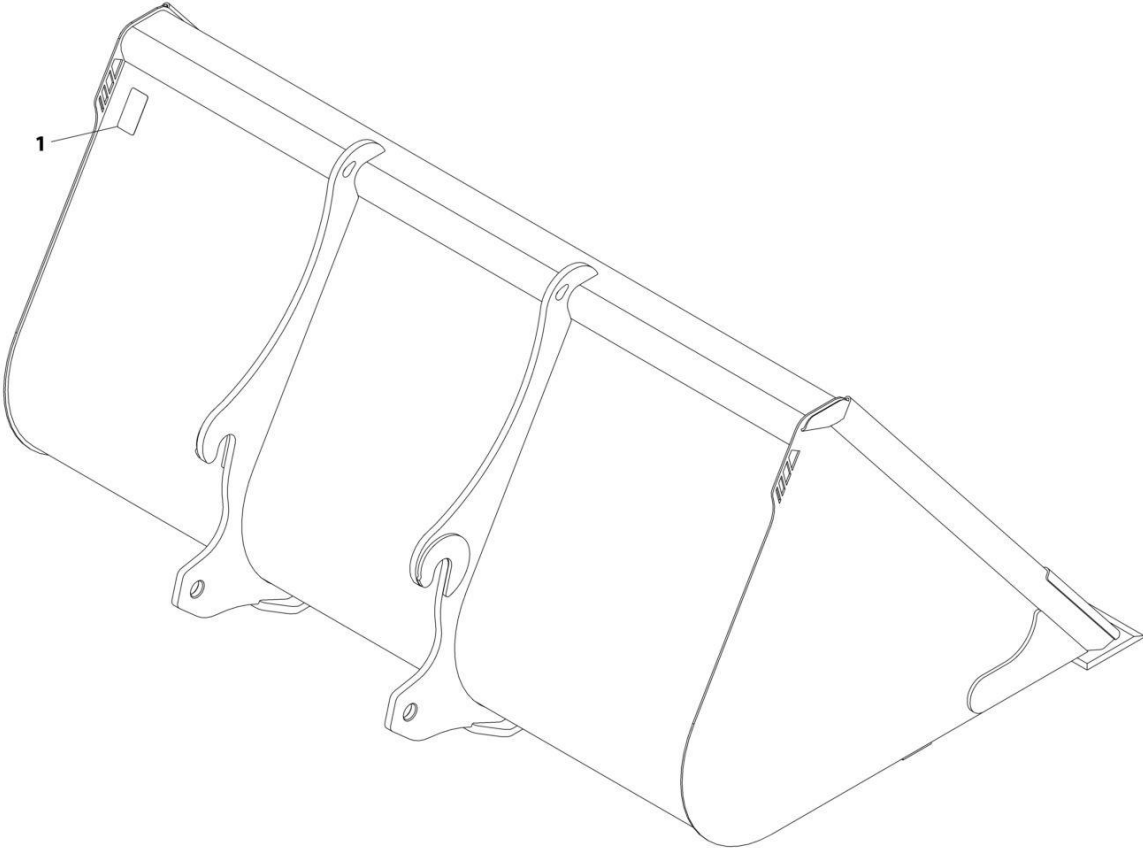
## SECTION 3 - ATTACHMENTS

**FIGURE 3-44. BUCKET (2 M<sup>3</sup>) (CE & AUS)**

ITEM	PART NUMBER	QTY	DESCRIPTION	REV
	1001215992	1	Bucket (2 m <sup>3</sup> )	D
1	N.S.S.	1	Plate, Serial Number	
2	70031031	1	Attachment, Cutting Edge (Optional - Must be Ordered Separately) (Not Shown)	

**SECTION 3 - ATTACHMENTS**

**FIGURE 3-45. BUCKET (2.5 M<sup>3</sup>) (CE & AUS)**



ART\_1001215994-B

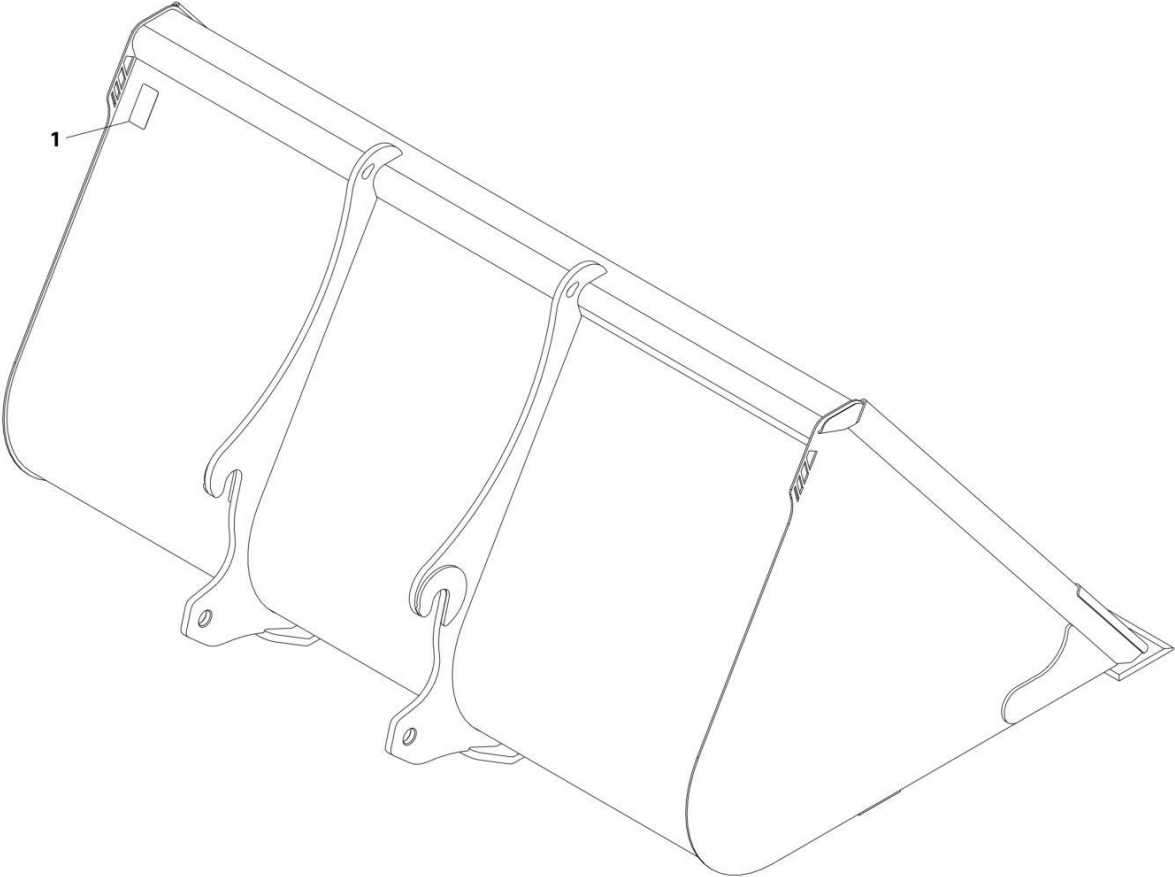
## SECTION 3 - ATTACHMENTS

**FIGURE 3-45. BUCKET (2.5 M<sup>3</sup>) (CE & AUS)**

ITEM	PART NUMBER	QTY	DESCRIPTION	REV
	1001215994	1	Bucket (2.5 m <sup>3</sup> )	D
1	N.S.S.	1	Plate, Serial Number	
2	70031031	1	Attachment, Cutting Edge (Optional - Must be Ordered Separately) (Not Shown)	

**SECTION 3 - ATTACHMENTS**

**FIGURE 3-46. BUCKET (3 M<sup>3</sup>) (CE & AUS)**



ART\_1001215996-B



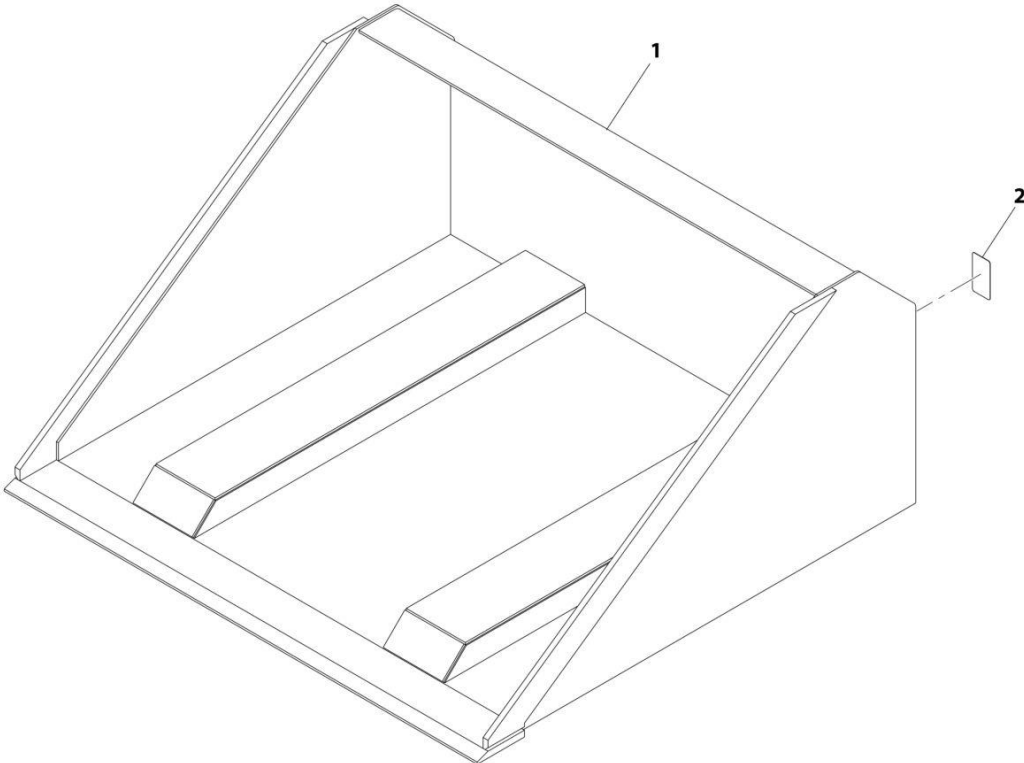
## SECTION 3 - ATTACHMENTS

**FIGURE 3-46. BUCKET (3 M<sup>3</sup>) (CE & AUS)**

ITEM	PART NUMBER	QTY	DESCRIPTION	REV
	1001215996	1	Bucket (3 m <sup>3</sup> )	D
1	N.S.S.	1	Plate, Serial Number	
2	70031032	1	Attachment, Cutting Edge (Optional - Must be Ordered Separately) (Not Shown)	

**SECTION 3 - ATTACHMENTS**

**FIGURE 3-47. FORK MOUNTED BUCKET (1.0 M<sup>3</sup>) (ANSI - JLG)**



ART\_1001195970-D

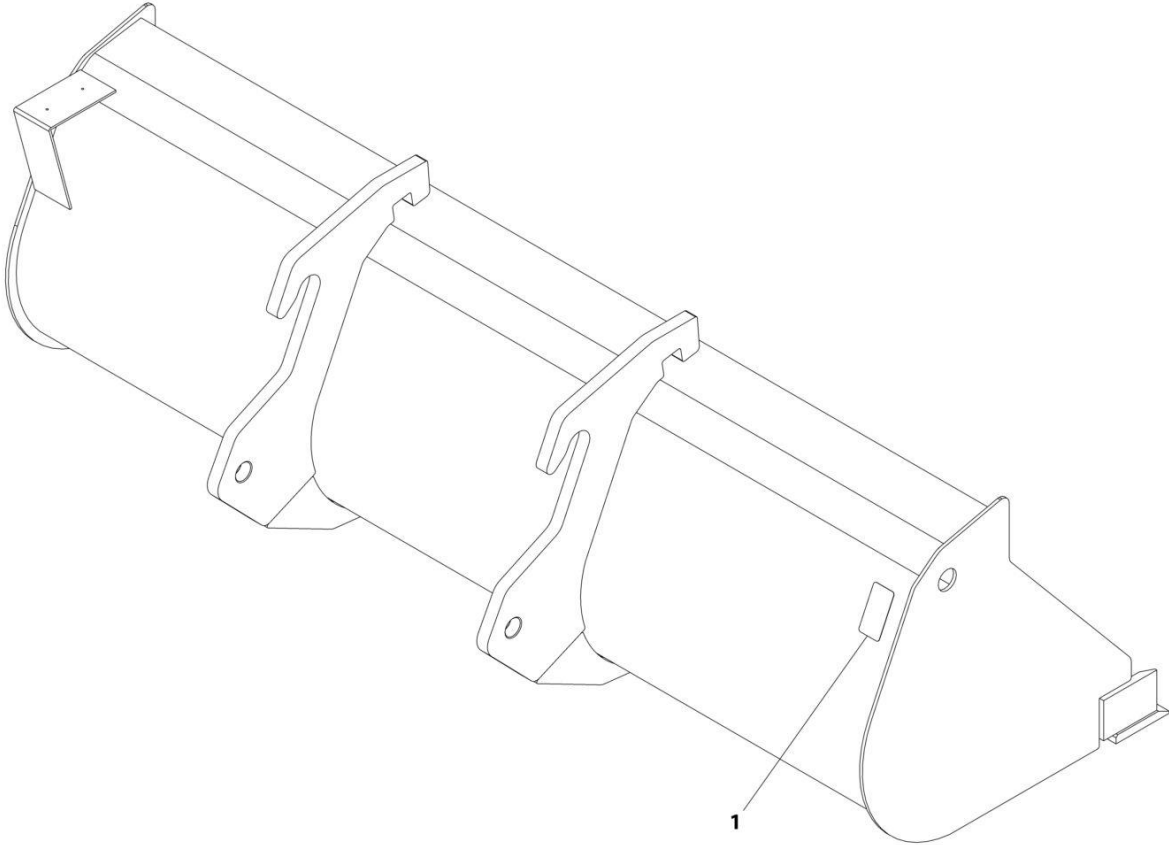
## SECTION 3 - ATTACHMENTS

**FIGURE 3-47. FORK MOUNTED BUCKET (1.0 M<sup>3</sup>) (ANSI - JLG)**

ITEM	PART NUMBER	QTY	DESCRIPTION	REV
1	1001195970	Ref	Bucket 1.0 m <sup>3</sup> (Fork Mounted)	E
2	See Note	NSS	S/N Plate (Note: Stamped Part - Not Available for Purchase)	

**SECTION 3 - ATTACHMENTS**

**FIGURE 3-48. DIRT BUCKET (1.0 M<sup>3</sup>) (CE & AUS)**



ART\_1001197945-A

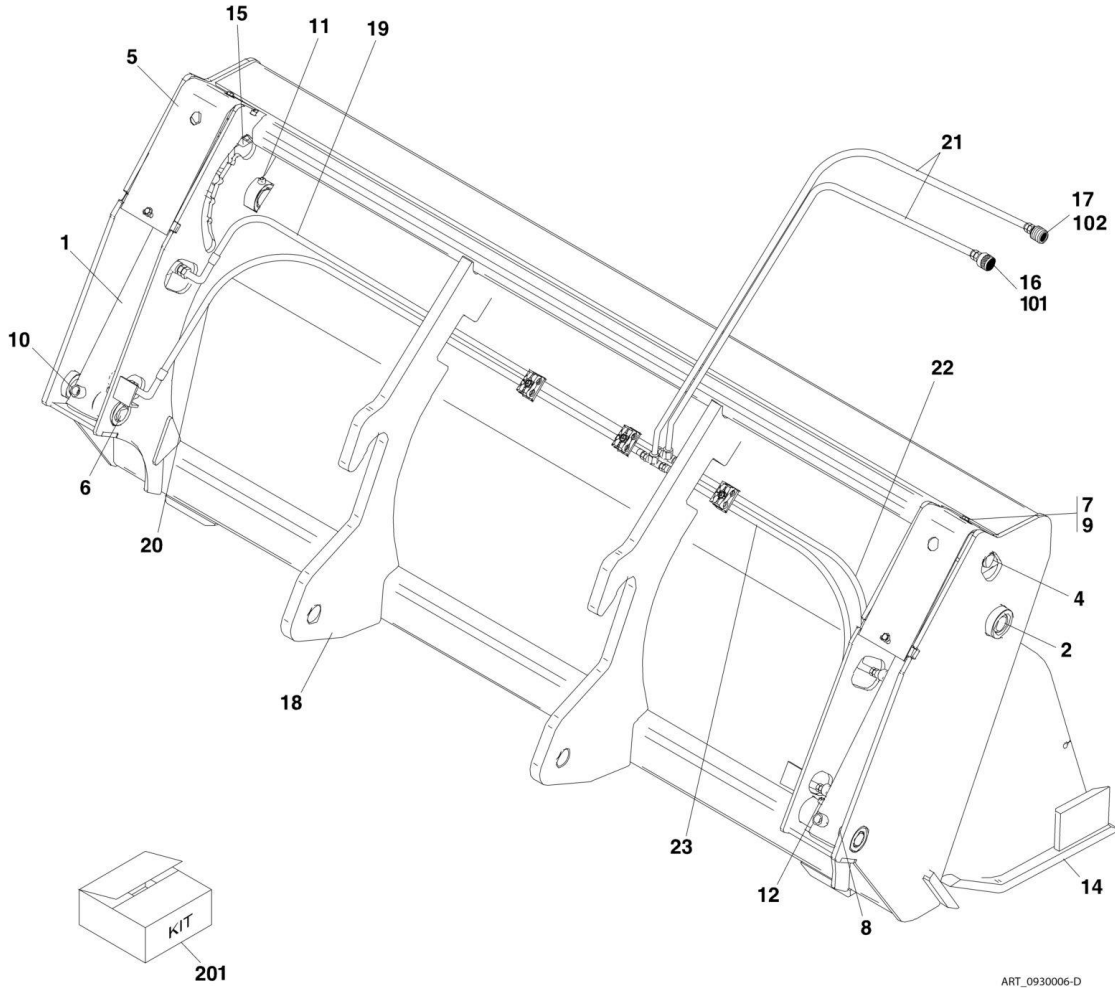
## SECTION 3 - ATTACHMENTS

**FIGURE 3-48. DIRT BUCKET (1.0 M<sup>3</sup>) (CE & AUS)**

ITEM	PART NUMBER	QTY	DESCRIPTION	REV
1	1001197945	1	Dig Bucket (1.0 m <sup>3</sup> )	D
	N.S.S.	1	Plate, Serial Number	

# SECTION 3 - ATTACHMENTS

## FIGURE 3-49. 4 IN 1 BUCKET (0.6 M<sup>3</sup>) (CE & AUS)



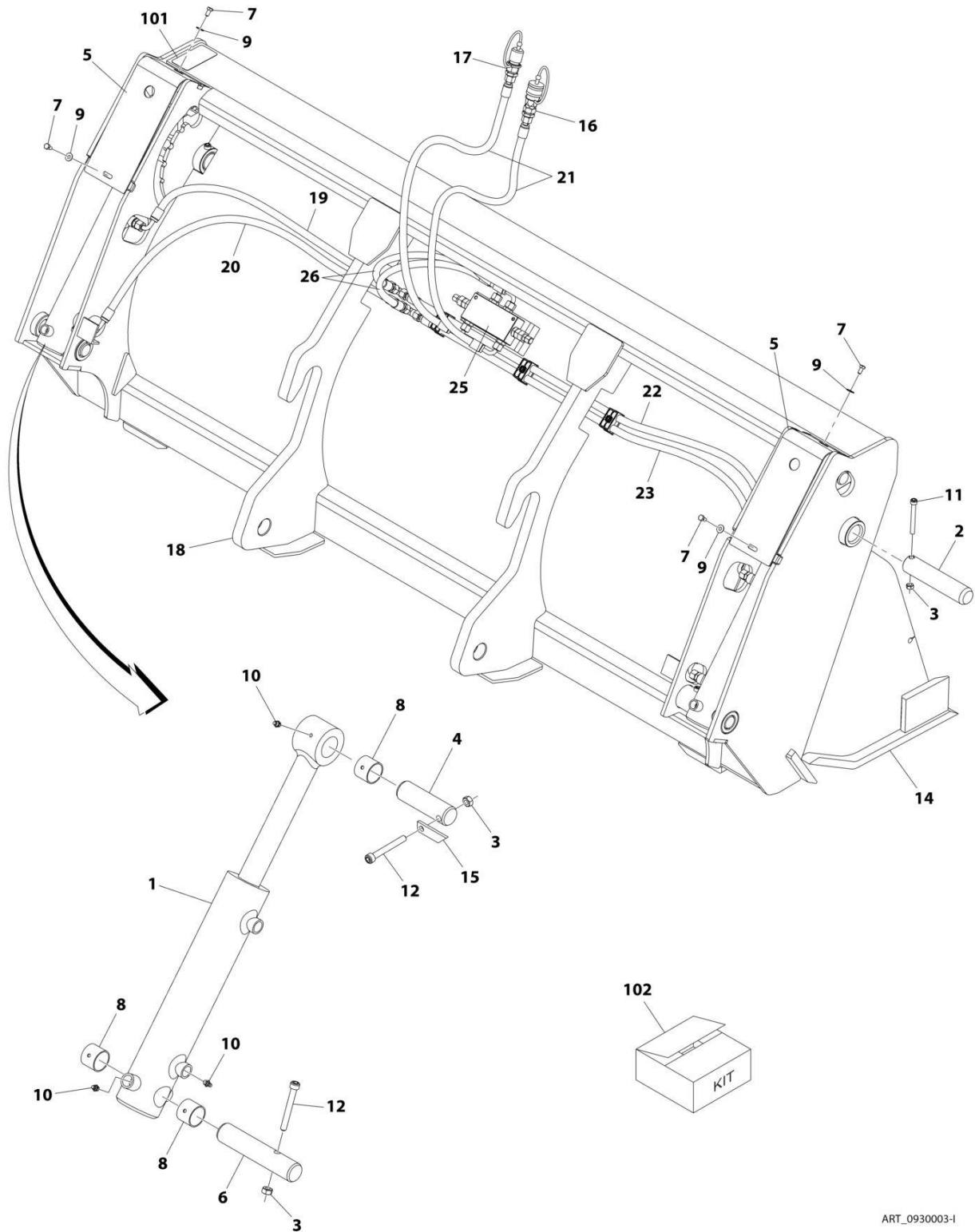
## SECTION 3 - ATTACHMENTS

**FIGURE 3-49. 4 IN 1 BUCKET (0.6 M<sup>3</sup>) (CE & AUS)**

ITEM	PART NUMBER	QTY	DESCRIPTION	REV
	0930006	1	4 in 1 Bucket 0.6 M <sup>3</sup>	D
1	7028990	2	Cylinder	
1	7028910	1	Kit, Seal, Cylinder	
2	7028911	2	Pin	
3	7028912	6	Nut, (not shown)	
4	7028913	2	Pin	
5	7028914	2	Plate, Protective	
6	7028915	2	Pin	
7	7028916	4	Bolt	
8	7028131	6	Bushing	
9	7028917	4	Washer	
10	7028918	6	Nipple, Grease	
11	7028920	2	Screw	
12	7028919	4	Screw	
14	N.S.S.	1	Weldment	
15	7028923	1	Gauge	
16	1001094555	1	Adapter, Female Quick Disconnect	
17	1001094556	1	Adapter, Male Quick Disconnect	
18	N.S.S.	1	Weldment	
19	7028982	1	Hose	
20	7028983	1	Hose	
21	7028984	2	Hose	
22	7028985	1	Hose	
23	7028991	1	Hose	
101	1001093826	1	Cap, Dust	
102	1001093827	1	Plug, Dust	
201	1001097287	1	Kit, Quick Disconnect Adapter (includes items 16, 17, 101 & 102)	

# SECTION 3 - ATTACHMENTS

## FIGURE 3-50. 4 IN 1 BUCKET (1.0 M<sup>3</sup>) (CE & AUS)



ART\_0930003-I



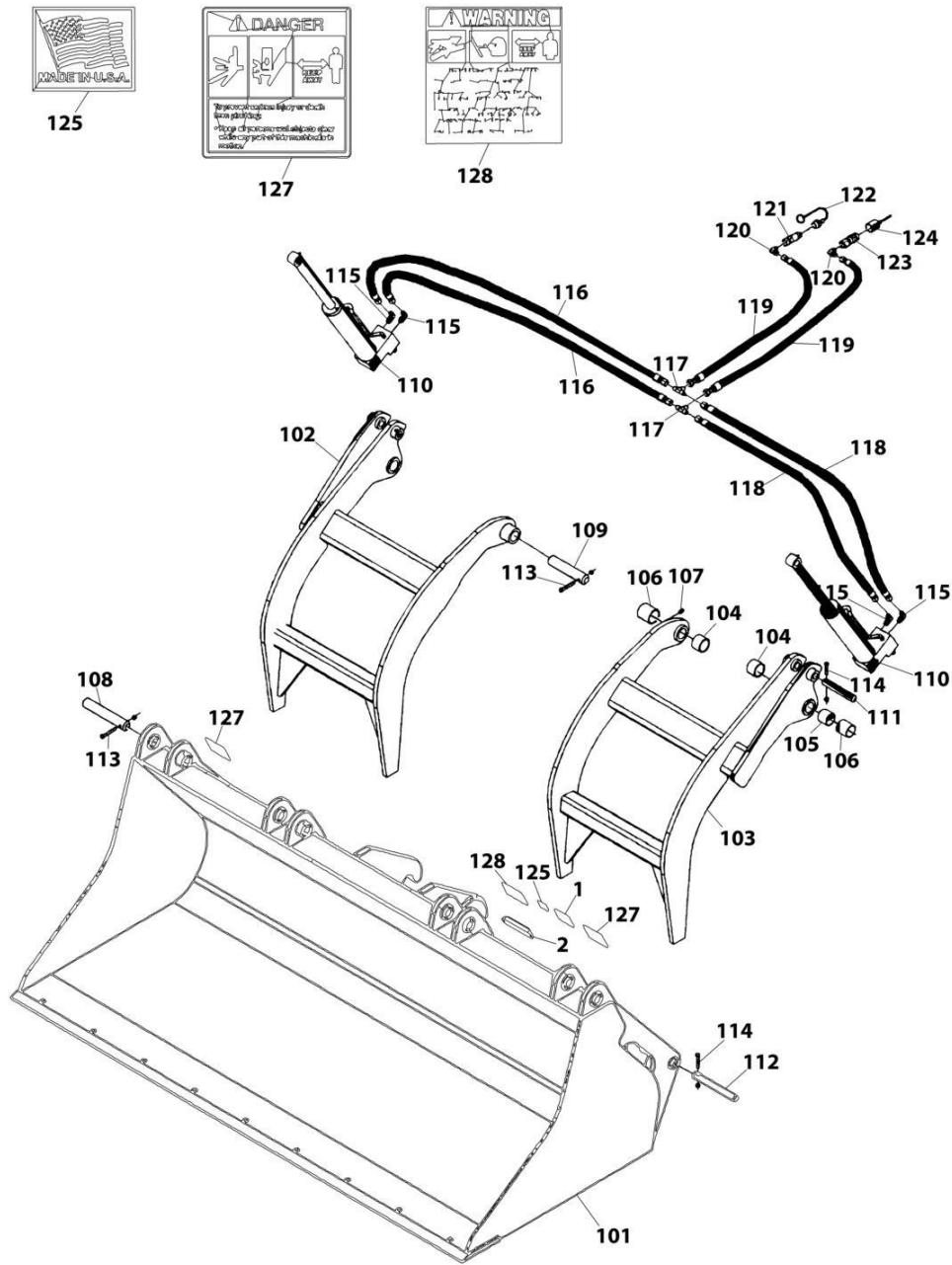
## SECTION 3 - ATTACHMENTS

**FIGURE 3-50. 4 IN 1 BUCKET (1.0 M<sup>3</sup>) (CE & AUS)**

ITEM	PART NUMBER	QTY	DESCRIPTION	REV
	0930003	Ref	4 in 1 Bucket (1.0 m <sup>3</sup> )	1
1	7028990	2	Cylinder	
	7028910	AR	Kit, Seal, Cylinder	
2	7028911	2	Pin	
3	7028912	6	Nut, (not shown)	
4	7028913	2	Pin	
5	N.S.S.	2	Plate	
6	7028915	2	Pin	
7	7028916	4	Bolt	
8	7028131	6	Bushing	
9	7028917	4	Washer	
10	7028918	6	Nipple, Grease	
11	7028920	2	Screw	
12	7028919	4	Screw	
14	N.S.S.	1	Weldment	
15	7028923	1	Gauge	
16	1001094555	1	Coupling, Female Quick Disconnect	
17	1001094556	1	Coupling, Male Quick Disconnect	
18	N.S.S.	1	Weldment	
19	7028982	1	Hose	
20	7028983	1	Hose	
21	7028984	2	Hose	
22	7028995	1	Hose	
23	7028991	1	Hose	
24	70027291	1	Balancing Valve	
26	70029011	2	Hose	
101	N.S.S.	1	S/N Plate	
102	1001097287	1	Quick Disconnect Coupling Kit, (includes items 16, 17 dust cap and dust plug)	

# SECTION 3 - ATTACHMENTS

## FIGURE 3-51. MULTI-PURPOSE GRAPPLE BUCKET (2450 MM) (ANSI - JLG)



ART\_0930020

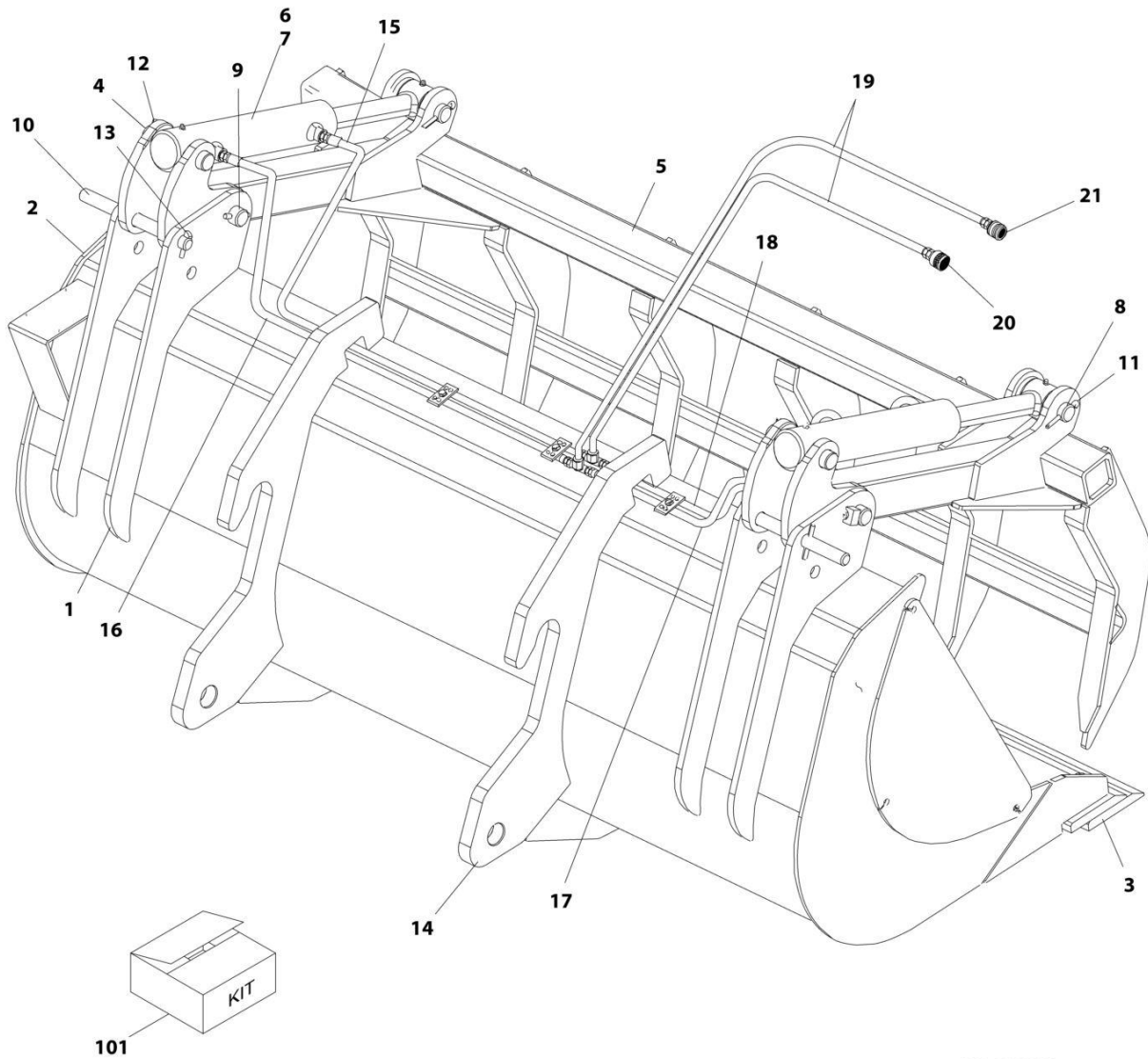
## SECTION 3 - ATTACHMENTS

**FIGURE 3-51. MULTI-PURPOSE GRAPPLE BUCKET (2450 MM) (ANSI - JLG)**

ITEM	PART NUMBER	QTY	DESCRIPTION	REV
	0930020	Ref	Multi-Purpose Grapple Bucket (2450 MM)	L
1	See Note	NSS	S/N Plate (Note: Stamped Part - Not Available for Purchase)	
2	1001227670	1	Tag, RFID	
101	N.S.S.	1	Bucket	
101	70021387	4	Clamp, Hose	
102	70021391	1	Hook, RH Grapple	
103	70021392	1	Hook, LH Grapple	
104	70021358	4	Bushing	
105	70021359	2	Spacer	
106	70021360	4	Bushing	
107	7029714	4	Fitting, Grease	
108	70021361	2	Pin	
109	70021362	2	Pin	
110	70021393	2	Cylinder, Grapple Bucket (See Separate Breakdown in HYDRAULIC COMPONENTS Section)	
111	70021364	2	Pin	
112	70021365	2	Pin	
113	70021366	4	Bolt, 3/8X2-3/4	
113	70021367	4	Nut 3/8	
114	70021399	4	Bolt, 3/8X2-1/4	
114	70021367	4	Nut, Lock 3/8	
115	90554065	4	Fitting, 90	
116	70021980	2	Hose	
117	70020562	2	Fitting, Tee	
118	70021981	2	Hose	
119	70021982	2	Hose 34in (Boom Front Disconnect)	
119	70031446	2	Hose 45in (Boom Side Disconnect)	
120	70022527	2	Fitting, 90	
121	7029692	1	Coupler	
122	90554062	1	Cover	
123	70021342	1	Coupler	
124	90554076	1	Cover	
125	90554016	1	Decal, Made in USA	
127	90554017	2	Decal, Danger Pinch Point	
128	90554018	1	Decal, Warning High Pressure	

# SECTION 3 - ATTACHMENTS

## FIGURE 3-52. MULTI-PURPOSE GRAPPLE BUCKET (WIDE GRIP - 2450 MM) (CE & AUS)



ART\_0930004-E

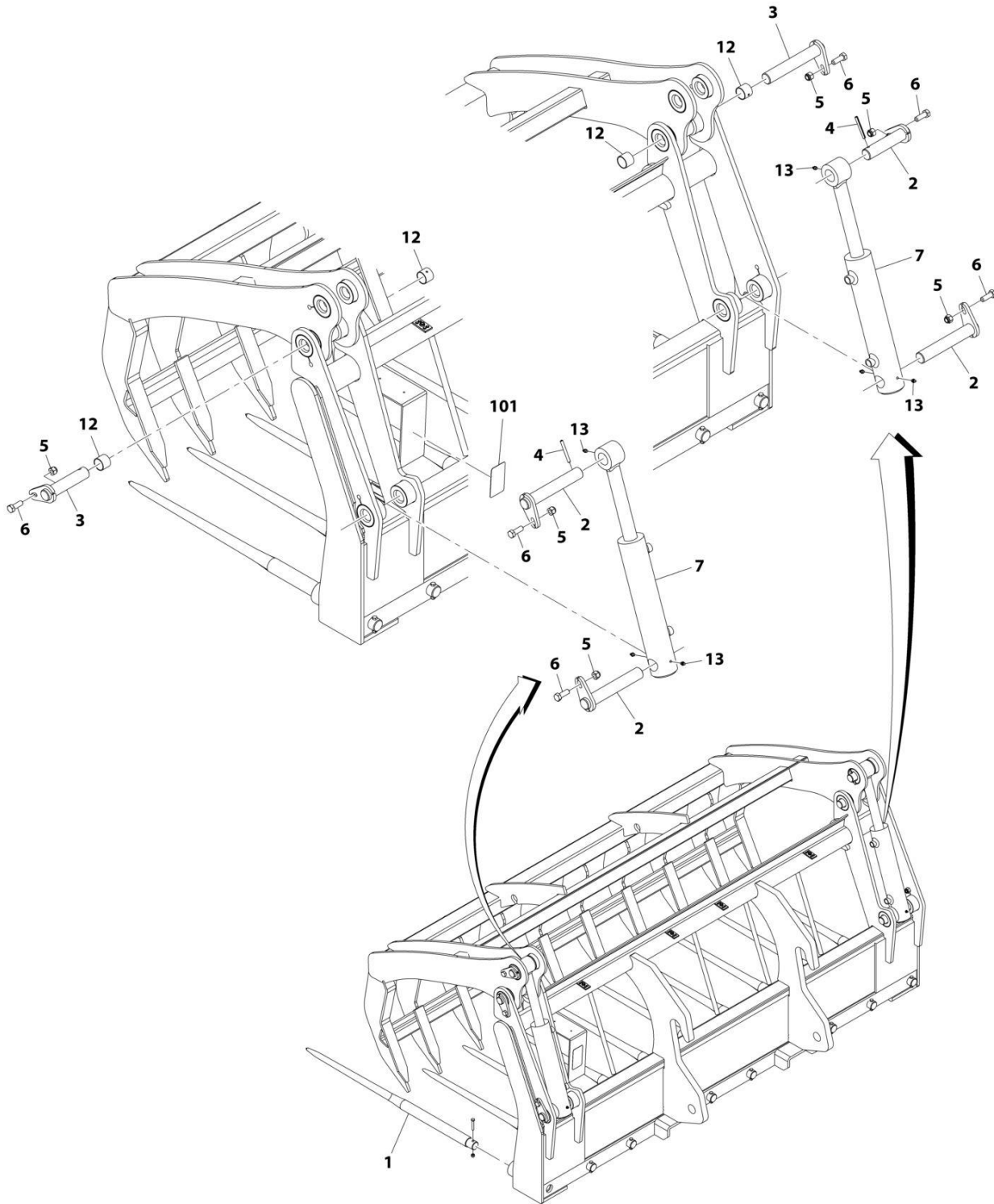
## SECTION 3 - ATTACHMENTS

**FIGURE 3-52. MULTI-PURPOSE GRAPPLE BUCKET (WIDE GRIP - 2450 MM) (CE & AUS)**

ITEM	PART NUMBER	QTY	DESCRIPTION	REV
	0930004	1	Multi-Purpose Grapple Bucket (Wide Grip - 2450 MM) (CE & AUS)	E
1	N.S.S.	1	Weldment	
2	7028133	1	Plate	
3	7028132	1	Assembly, Blade (includes blade and the following hardware)	
	7029356	8	Nut, Lock M16	
	70023484	8	Bolt, M16X60	
4	7028126	2	Bracket	
5	7028125	1	Grapple	
6	7028127	2	Cylinder, Tilt	
	7028910	AR	Kit, Seal	
7	7028131	6	Bushing	
8	7028128	2	Pin	
9	7028129	2	Pin, Locking	
10	7028130	2	Pin	
11	7028135	4	Pin, Roll	
12	7028134	8	Pin, Roll	
13	7029124	2	Circlip	
14	7029749	1	Assembly, Connecting	
15	7028986	1	Hose	
16	7028987	1	Hose	
17	7028988	1	Hose	
18	7028989	1	Hose	
19	7028984	2	Hose	
20	1001094555	1	Coupler, Female	
21	1001094556	1	Coupler, Male	
101	Kit	1	Kit	

# SECTION 3 - ATTACHMENTS

## FIGURE 3-53. MANURE GRAPPLE BUCKET (CE & AUS)



ART\_1001216001-B

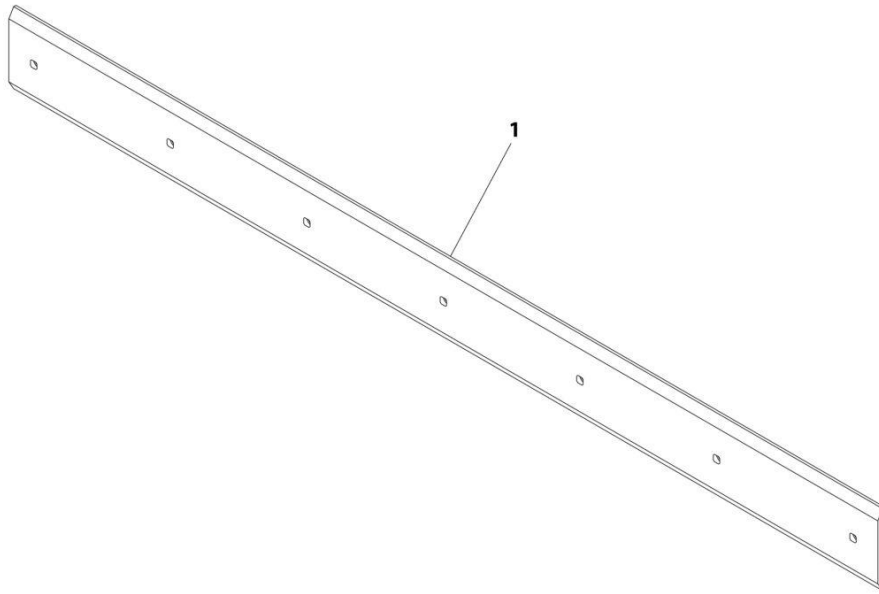
## SECTION 3 - ATTACHMENTS

**FIGURE 3-53. MANURE GRAPPLE BUCKET (CE & AUS)**

ITEM	PART NUMBER	QTY	DESCRIPTION	REV
	1001216001	1	Manure Grapple Bucket (2300 MM)	D
1	70027302	10	Right Electro-Forged Fingers	
2	70027294	4	Pin	
3	70027293	2	Pin	
4	70027298	2	Roll Pin	
5	70027296	6	Nut	
6	70027297	6	Screw	
7	7028127	2	Cylinder	
8	70027325	1	Hose (not shown)	
9	7028988	1	Hose (not shown)	
10	70027326	1	Hose (not shown)	
11	7028986	1	Hose (not shown)	
12	7028131	10	Bush	
13	7028918	6	Grease Nipple	
101	N.S.S.	1	Plate, Serial Number	

# SECTION 3 - ATTACHMENTS

FIGURE 3-54. BOLT-ON EDGE (2450 MM)



ART\_70020392-A



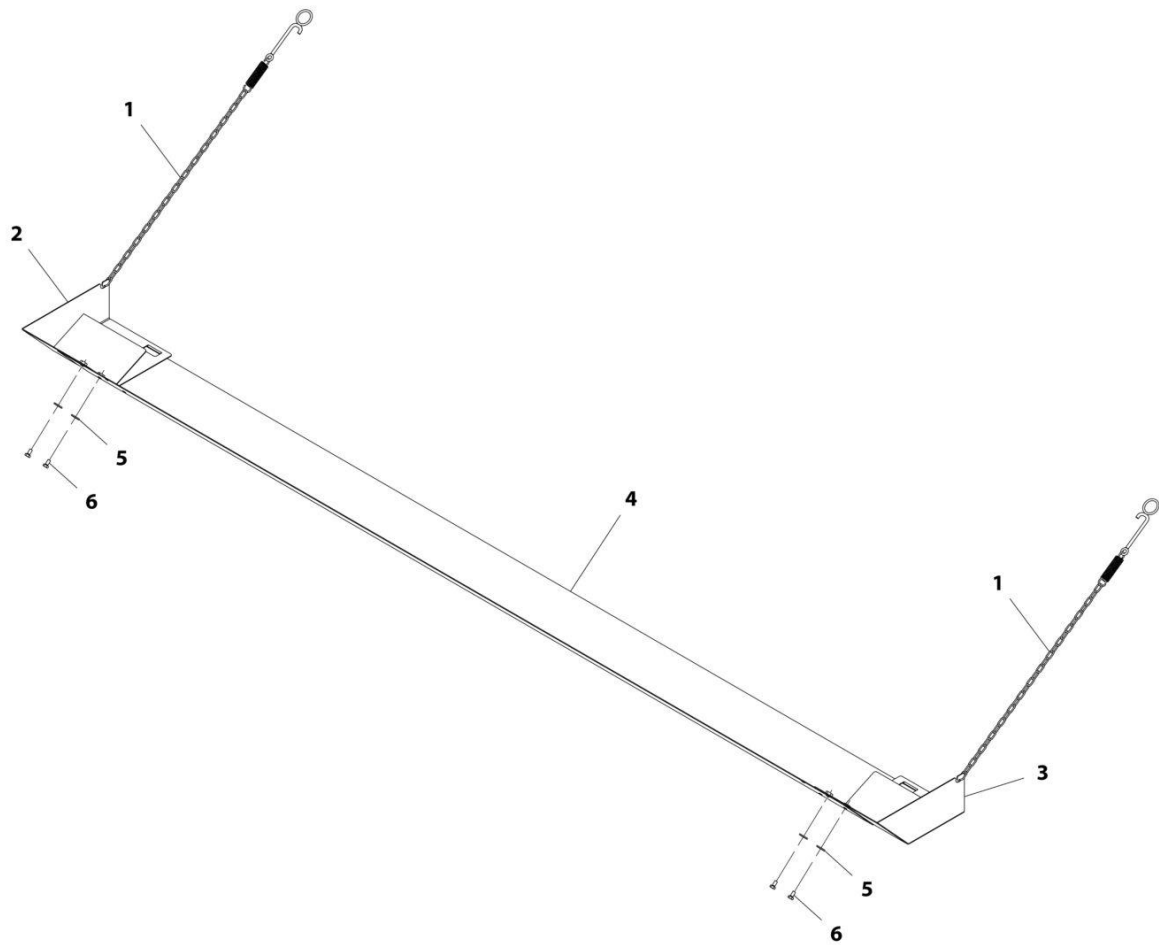
## SECTION 3 - ATTACHMENTS

### FIGURE 3-54. BOLT-ON EDGE (2450 MM)

ITEM	PART NUMBER	QTY	DESCRIPTION	REV
1	70020392	Ref	Bolt-on Edge (2450 MM)	A
	N.S.S.	7	Bolt	
	N.S.S.	7	Nut	

# SECTION 3 - ATTACHMENTS

## FIGURE 3-55. BUCKET GUARD



ART\_1001004620-B

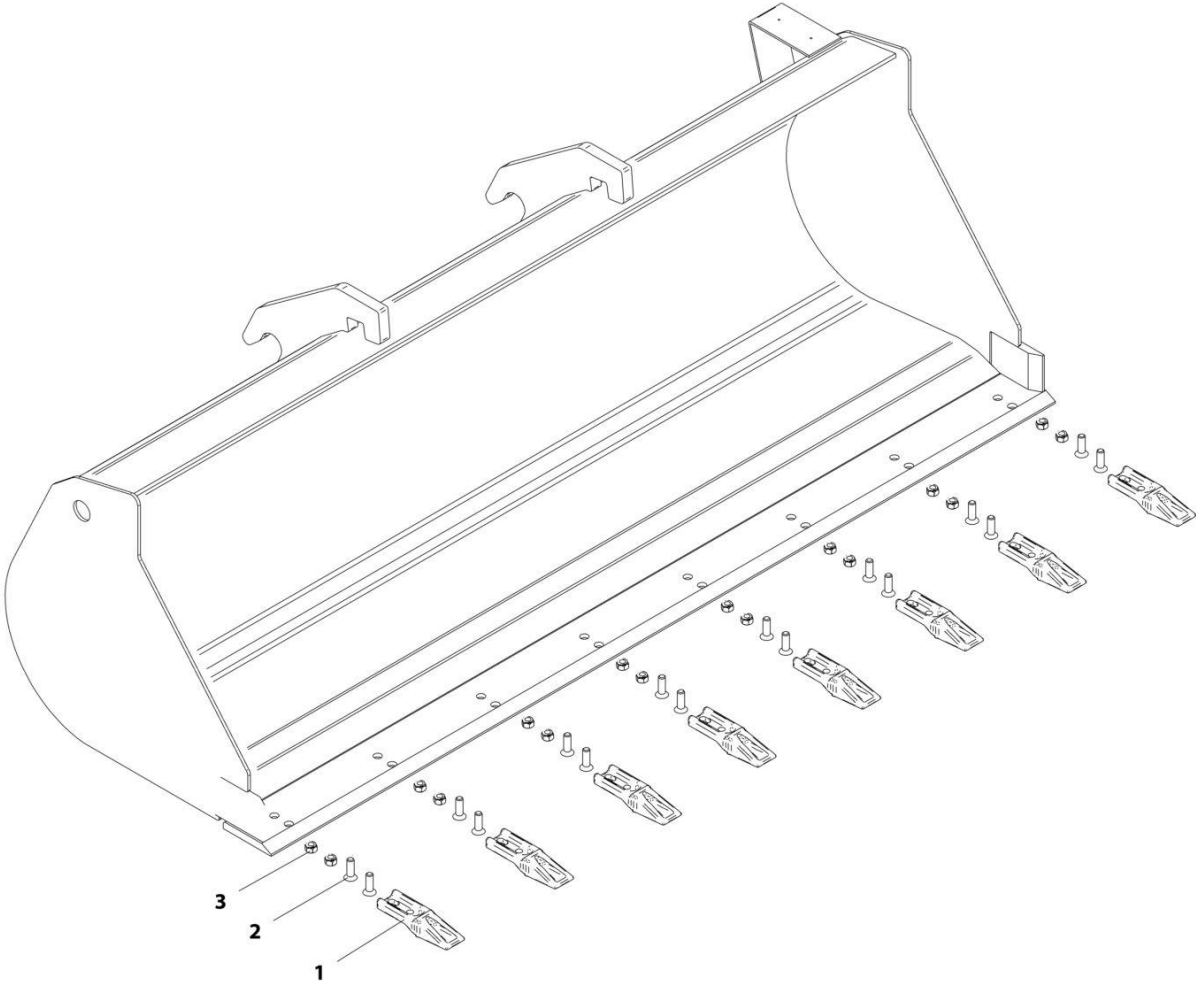
## SECTION 3 - ATTACHMENTS

### FIGURE 3-55. BUCKET GUARD

ITEM	PART NUMBER	QTY	DESCRIPTION	REV
	1001004620	1	Bucket Guard	B
1	1001003064	2	Assembly, Retainer	
2	1001004617	1	Plate	
3	1001004618	1	Plate	
4	1001004619	1	Plate	
5	1001008665	4	Washer	
6	1001009105	4	Bolt, M6X1	

**SECTION 3 - ATTACHMENTS**

**FIGURE 3-56. BUCKET TEETH KIT**



ART\_1001196751-A

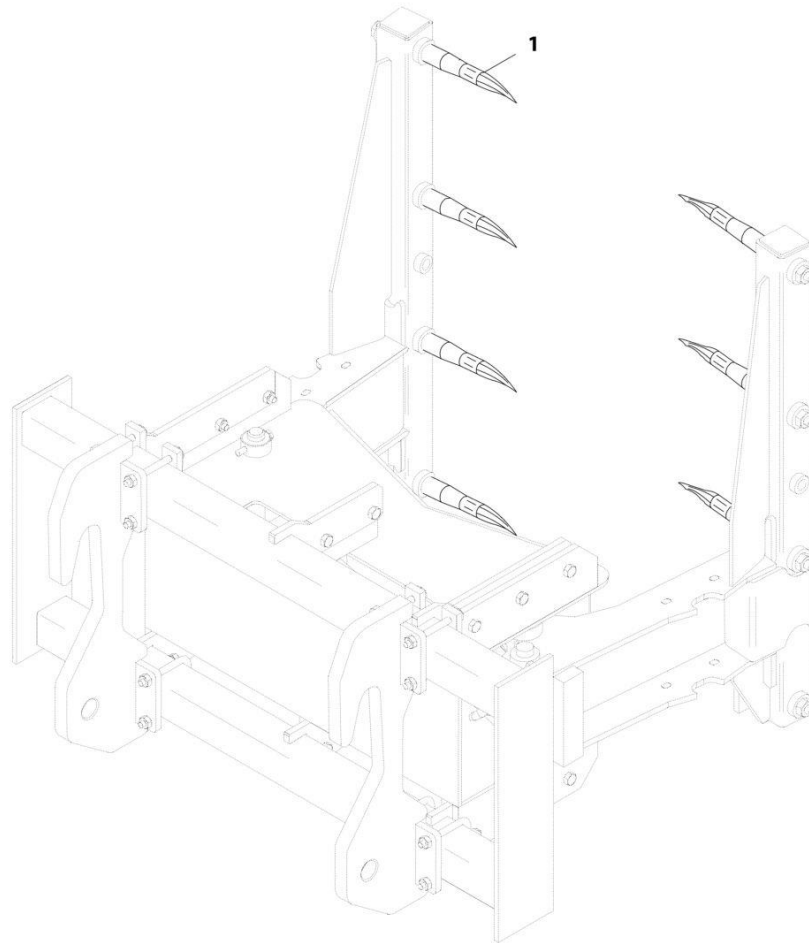
## SECTION 3 - ATTACHMENTS

### FIGURE 3-56. BUCKET TEETH KIT

ITEM	PART NUMBER	QTY	DESCRIPTION	REV
	1001196751	1	Bucket Teeth Kit	A
1	Kit	8	Tooth	
2	Kit	16	Screw	
3	Kit	16	Nut	

## SECTION 3 - ATTACHMENTS

FIGURE 3-57. BALE HANDLER KIT (SPIKES) (CE & AUS)



ART\_2902441-A

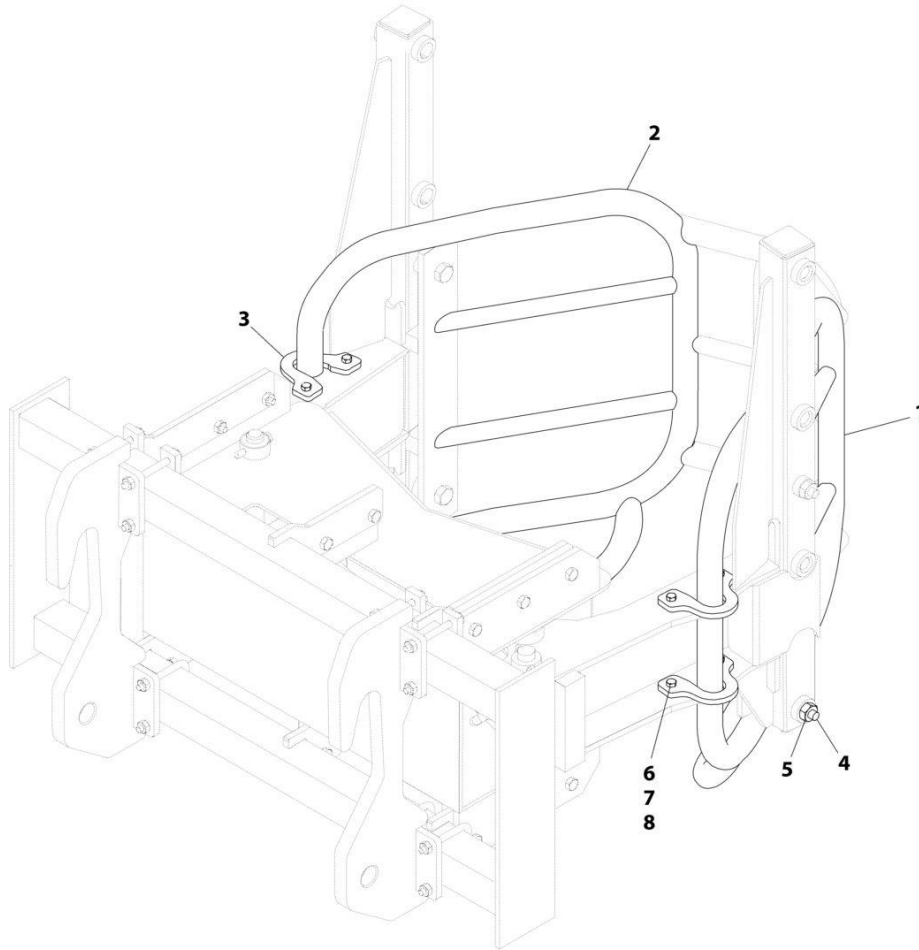
## SECTION 3 - ATTACHMENTS

**FIGURE 3-57. BALE HANDLER KIT (SPIKES) (CE & AUS)**

ITEM	PART NUMBER	QTY	DESCRIPTION	REV
1	2902441 Kit	1 1	Bale Handler Kit (Spikes) Kit	A

## SECTION 3 - ATTACHMENTS

FIGURE 3-58. BALE HANDLER KIT (SPIKES TO TUBE) (CE & AUS)



ART\_2902440-A



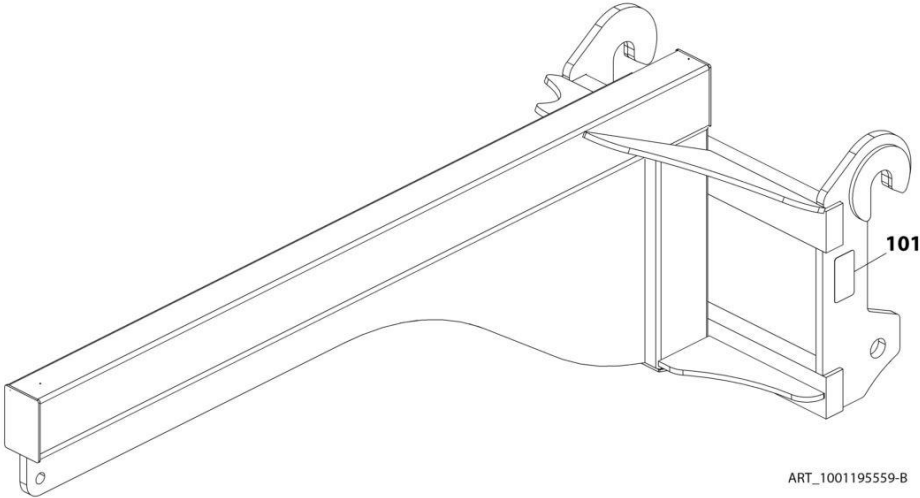
## SECTION 3 - ATTACHMENTS

**FIGURE 3-58. BALE HANDLER KIT (SPIKES TO TUBE) (CE & AUS)**

ITEM	PART NUMBER	QTY	DESCRIPTION	REV
	2902440	Ref	Bale Handler Kit (Spikes to Tube)	A
1	7029348	1	Bent Arm, Right	
2	7029347	1	Bent Arm, Left	
3	7029346	4	Strap	
4	7029351	4	Bolt, M22X180-8.8	
5	7029352	4	Locknut, M22-8	
6	7029345	8	Bolt, M12X45-8.8	
7	7029350	8	Locknut, M12-8	
8	7029349	8	Washer, M12	

**SECTION 3 - ATTACHMENTS**

**FIGURE 3-59. TRUSS BOOM (4 TON - 2.1M) (CE & AUS)**



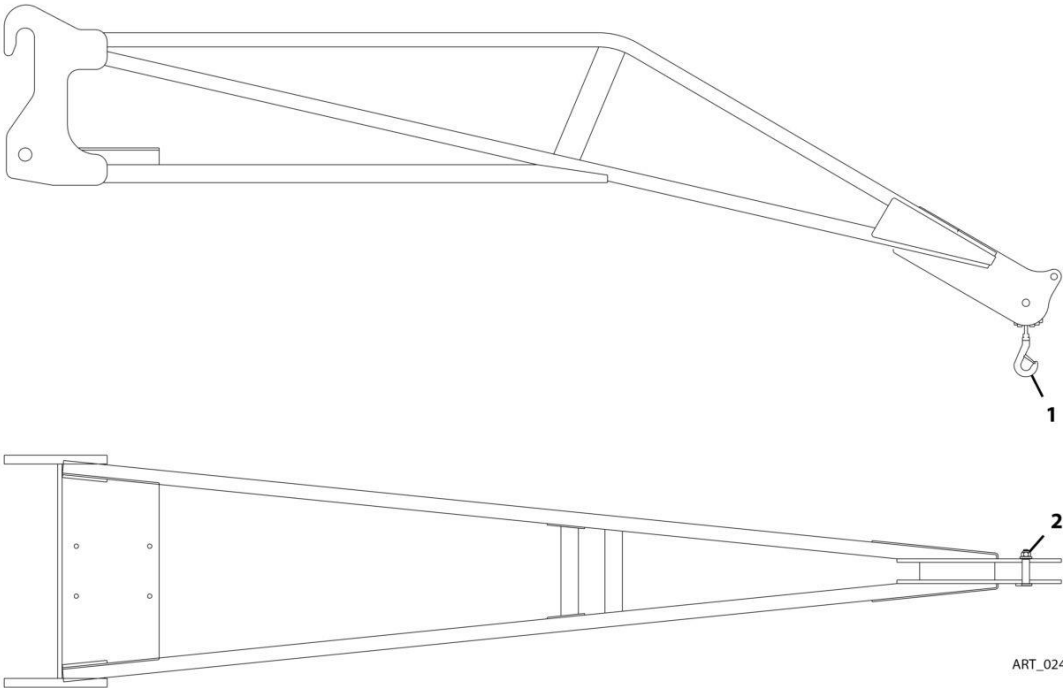
## SECTION 3 - ATTACHMENTS

**FIGURE 3-59. TRUSS BOOM (4 TON - 2.1M) (CE & AUS)**

ITEM	PART NUMBER	QTY	DESCRIPTION	REV
	1001195559	1	Truss Boom (4 Ton - 2.1M)	B
101	N.S.S.	1	Plate, Serial Number	

**SECTION 3 - ATTACHMENTS**

**FIGURE 3-60. TRUSS BOOM (1 TON - 3.4M) (CE & AUS)**



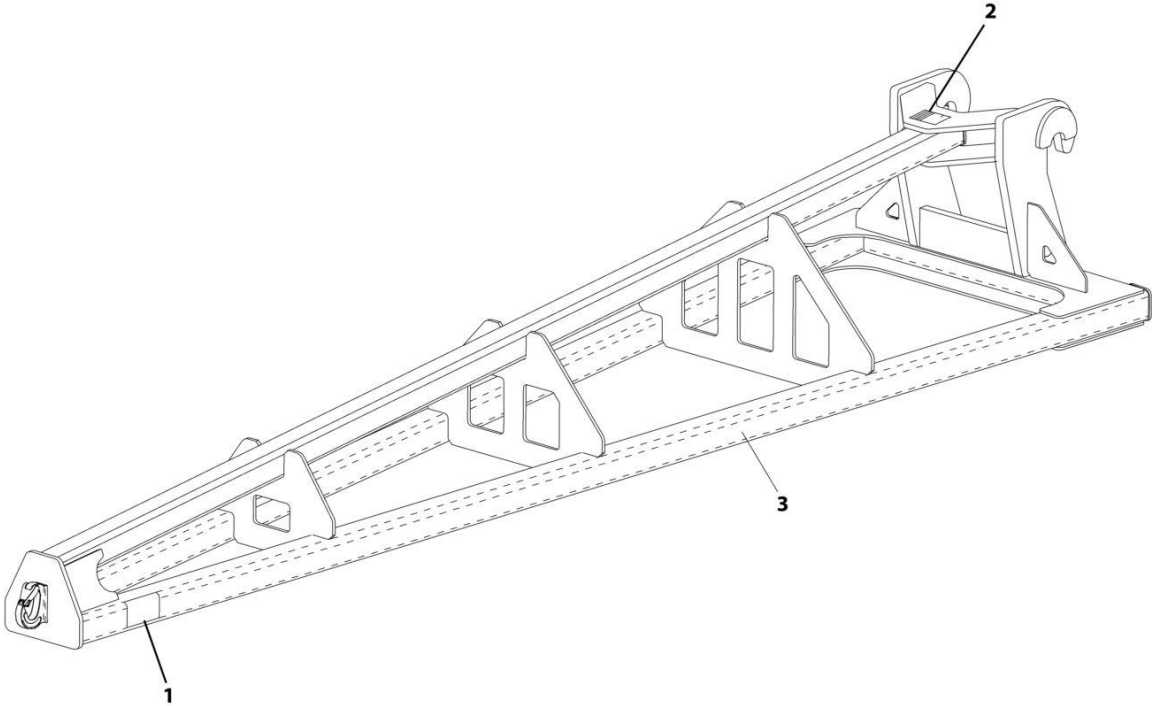
## SECTION 3 - ATTACHMENTS

**FIGURE 3-60. TRUSS BOOM (1 TON - 3.4M) (CE & AUS)**

ITEM	PART NUMBER	QTY	DESCRIPTION	REV
	0240063	Ref	Truss Boom (1 Ton - 3.4M)	D
1	70020421	1	Hook	
2	70020422	1	Bolt	

**SECTION 3 - ATTACHMENTS**

**FIGURE 3-61. TRUSS BOOM (0.9 TON - 3.7M) (ANSI - JLG)**



ART\_1001099902

## SECTION 3 - ATTACHMENTS

**FIGURE 3-61. TRUSS BOOM (0.9 TON - 3.7M) (ANSI - JLG)**

ITEM	PART NUMBER	QTY	DESCRIPTION	REV
	1001099902	Ref	TRUSS BOOM (0.9 TON - 3.7M)	E
1	4110422	2	Decal, Danger Swinging Loads	
2	N.S.S.	1	S/N Plate	
3	N.S.S.	1	Boom, Truss	





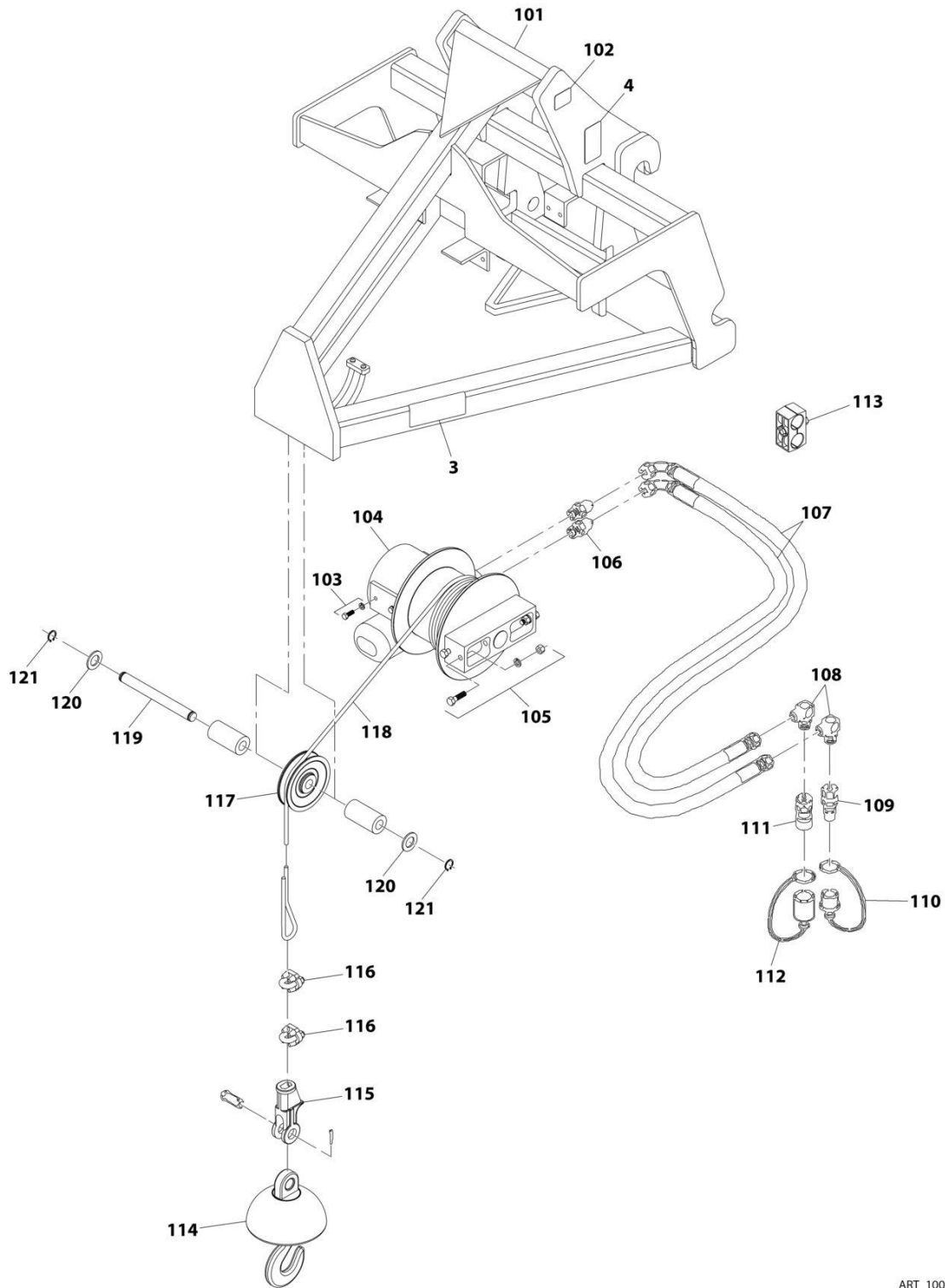
## SECTION 3 - ATTACHMENTS

**FIGURE 3-62. TRUSS BOOM (1.8 TON - 3 FT WITH WINCH) (CE)**

ITEM	PART NUMBER	QTY	DESCRIPTION	REV
	1001206669	1	Truss Boom (1.8 Ton - 3 FT with Winch)	E
1	N.S.S.	1	Weldment, Truss Boom Frame	
2	70021921	1	Winch	
3	90554042	4	Washer	
4	70021349	4	Bolt	
5	70024059	2	Bolt	
6	90554020	2	Washer	
7	90554054	2	Nut	
8	70022028	1	Cable	
9	70021935	1	Pulley	
10	70022529	1	Pin	
11	70027009	2	Washer	
12	70026698	2	Ring, Snap	
13	70021979	1	Assembly, Socket (includes Pin & Cotter Pin)	
14	70022528	1	Clamp	
15	70021978	1	Hook, Ball Swivel	
16	70021415	2	Fitting	
17	70021977	2	Hose	
18	70022527	2	Fitting, 90	
19	7029692	1	Coupler, Male Quick	
20	1001003475	1	Cap, Dust	
21	70021342	1	Coupler, Female Quick	
22	1001003474	1	Plug, Dust	
23	70021387	1	Clamp, Hose	
24	4110422	2	Decal, Swinging Loads Danger	
25	N.S.S.	1	Plate, Serial Number	
26	90554016	1	Decal, Made in USA	

# SECTION 3 - ATTACHMENTS

FIGURE 3-63. TRUSS BOOM (1.8 TON - 3 FT WITH WINCH) (ANSI - JLG)



ART\_1001100967-F

## SECTION 3 - ATTACHMENTS

**FIGURE 3-63. TRUSS BOOM (1.8 TON - 3 FT WITH WINCH) (ANSI - JLG)**

ITEM	PART NUMBER	QTY	DESCRIPTION	REV
	1001100967	Ref	TRUSS BOOM ASSEMBLY (3 FOOT WITH WINCH) (INCLUDES ITEMS 3, 4 & 101 THRU 121)	F
3	4110422	2	Decal, Danger, Swinging Loads	
4	N.S.S.	1	Plate, Serial Number	
101	N.S.S.	1	Truss Boom Frame	
102	90554016	1	Decal	
103	70021349	4	Bolt	
103	90554042	4	Washer	
104	70021921	1	Winch, Truss Boom	
105	70024059	4	Bolt	
105	90554054	4	Nut	
105	90554020	4	Washer	
106	70021415	2	Fitting	
107	70021977	2	Hose 32in (Boom Front Disconnect)	
107	70031445	2	Hose 48in (Boom Side Disconnect)	
108	70022527	2	Fitting, 90	
109	91403414	1	Fitting, Straight	
110	8420053	1	Cap	
111	91403413	1	Fitting, Straight	
112	8420055	1	Plug	
113	70021387	1	Clamp	
114	70021978	1	Ball Swivel Safety Hook	
115	70021979	1	Assembly, Socket	
116	70022528	2	Clamp	
117	70021935	1	Pulley	
118	70022028	1	Cable	
119	70022529	1	Pin	
120	70027009	2	Washer	
121	70026698	2	Ring, Snap	



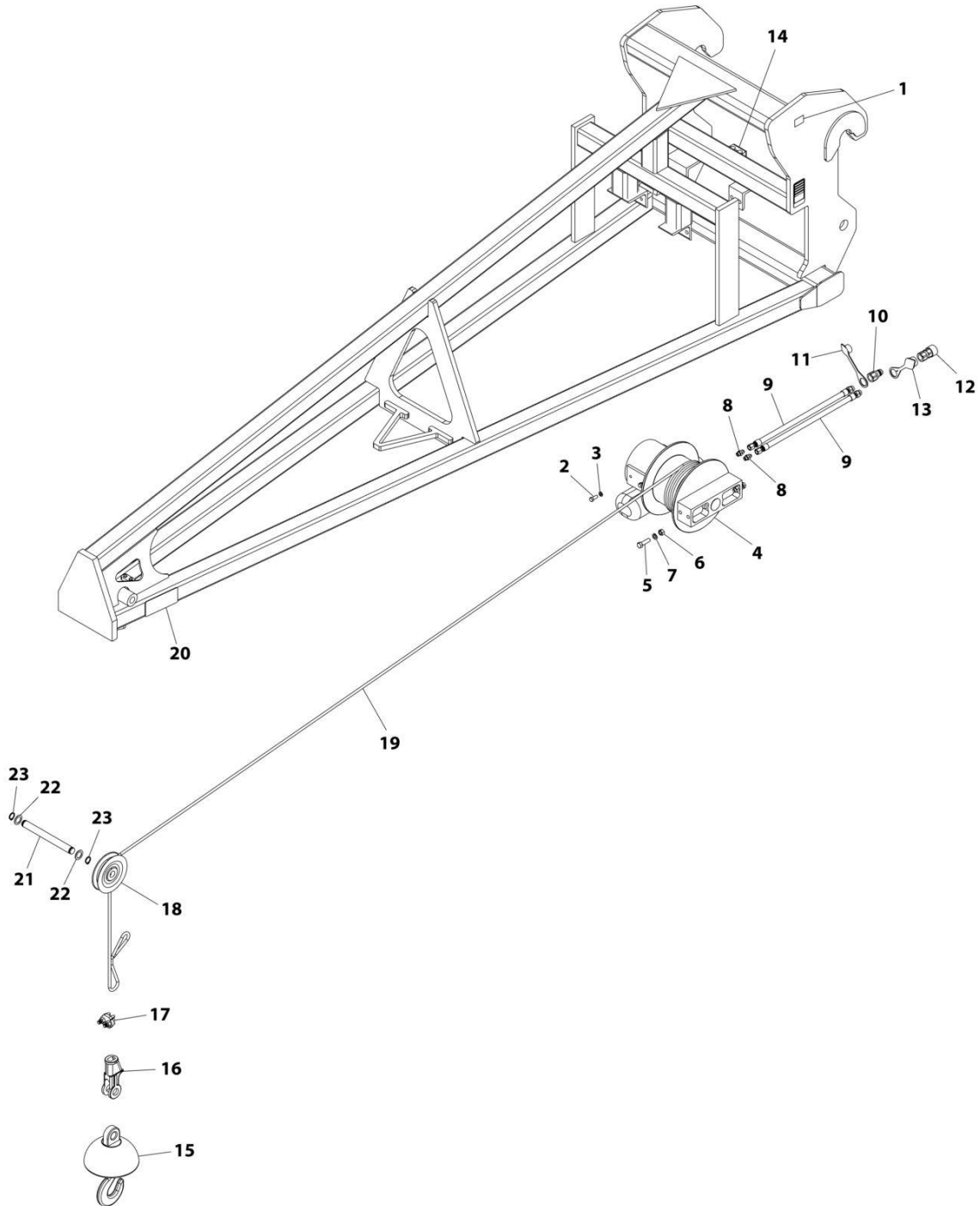
## SECTION 3 - ATTACHMENTS

**FIGURE 3-64. TRUSS BOOM (3 FT WITH WINCH)**

ITEM	PART NUMBER	QTY	DESCRIPTION	REV
	8380008	1	Truss Boom (3 Foot with Winch) (no longer available, use 1001100967 for replacement)	D
1	N.S.S.	1	Weldment	
2	70021921	1	Winch	
3	90554042	4	Washer, Lock 3/8	
4	70021349	4	Bolt, 3/8X1	
5	70024059	2	Bolt, 1/2X1-3/4	
6	90554020	2	Washer, Lock 1/2	
7	90554054	2	Nut, 1/2	
8	70022028	1	Cable	
9	70021935	1	Pulley	
10	70022529	1	Pin	
11	70024060	2	Washer	
12	70024061	2	Ring, Snap	
13	70021979	1	Assembly, Socket (includes pin and cotter pin)	
14	70022528	1	Clamp	
15	70021978	1	Hook	
16	2220371	2	Connector	
17	70021977	2	Hose	
18	2220628	2	Fitting, 90 JIC	
19	91403413	1	Coupler, Quick Disconnect	
20	8420055	1	Plug, Dust	
21	91403414	1	Coupler, Quick Disconnect	
22	8420053	1	Plug, Dust	
23	70021387	1	Clamp	
24	70024062	2	Decal, Capacity	
25	70024063	4	Decal, Rotating Part	
26	70024064	1	Decal, Do Not Tow	
27	N.S.S.	1	Plate, Serial Number	
28	90554018	1	Decal, High Pressure Warning	
29	90554016	1	Decal, Made In USA	

# SECTION 3 - ATTACHMENTS

FIGURE 3-65. TRUSS BOOM (0.9 TON - 12 FT WITH WINCH) (CE)



ART\_1001206671-B

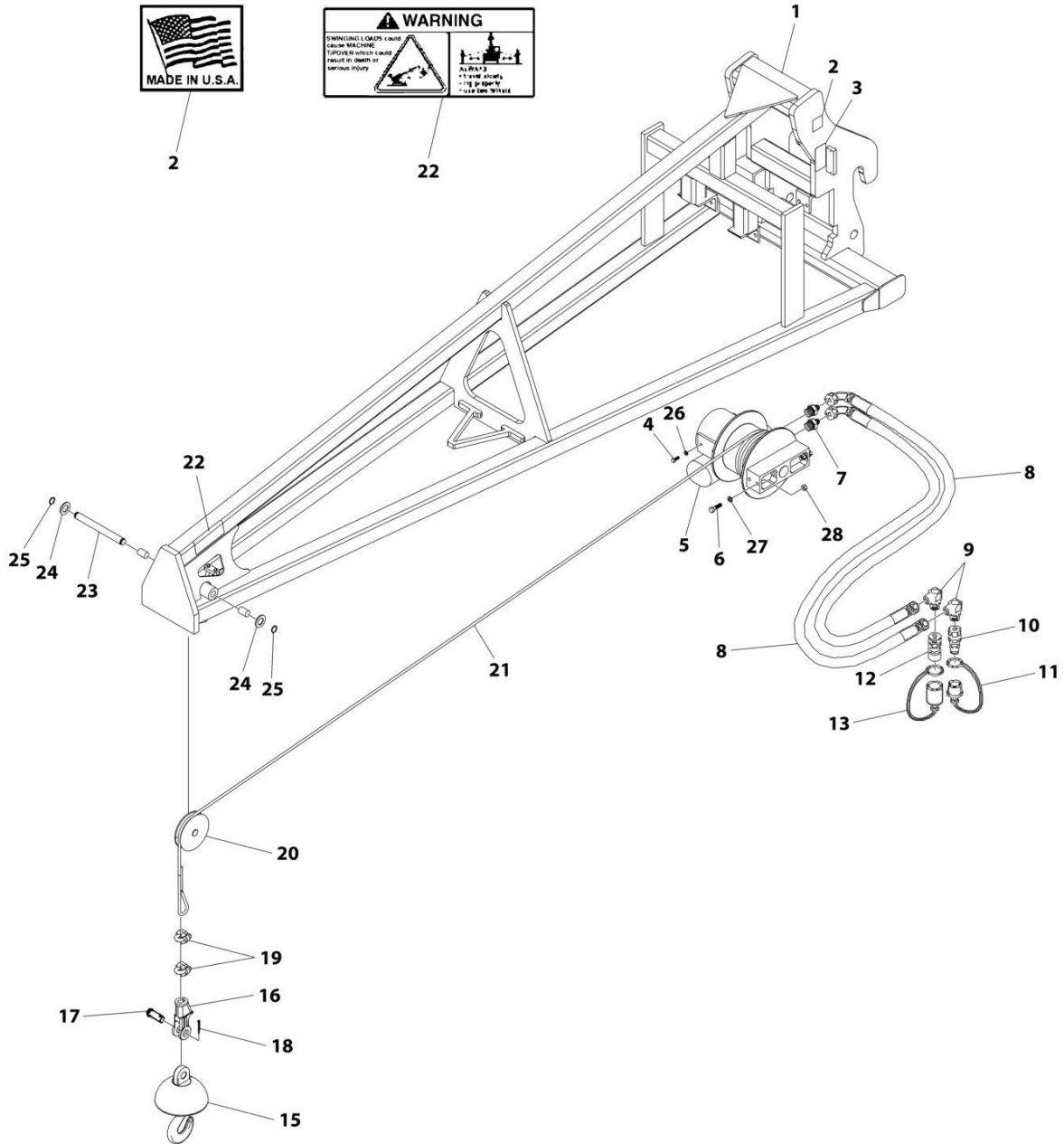
## SECTION 3 - ATTACHMENTS

**FIGURE 3-65. TRUSS BOOM (0.9 TON - 12 FT WITH WINCH) (CE)**

ITEM	PART NUMBER	QTY	DESCRIPTION	REV
	1001206671	1	Truss Boom	E
1	90554016	1	Decal	
2	70021349	4	Bolt	
3	90554042	4	Washer	
4	70021921	1	Winch, Truss Boom, Assembly	
5	70024059	2	Bolt	
6	90554054	2	Nut	
7	90554020	2	Washer	
8	70021415	2	Fitting	
9	70026702	2	Hose	
10	1001101041	1	Hydraulic Couplier, Male	
11	1001093826	1	Dust Cap, Male	
12	1001101042	1	Hydraulic Couplier, Female	
13	1001093827	1	Plug, Dust, Female	
14	70021387	1	Hose Clamp	
15	70021978	1	Ball Swivel Safety Hook	
16	70021979	1	Wedge Socket Assembly	
17	70022528	1	Clamp, Cable	
18	70021935	1	Sheave, Grooved Pulley	
19	70022028	1	Cable	
20	70027790	2	Decal	
21	70022529	1	Pin	
22	70027009	2	Washer	
23	70026698	2	Ring, Snap	

# SECTION 3 - ATTACHMENTS

FIGURE 3-66. TRUSS BOOM (0.9 TON - 3.7M WITH WINCH) (ANSI - JLG)



ART\_1001099351



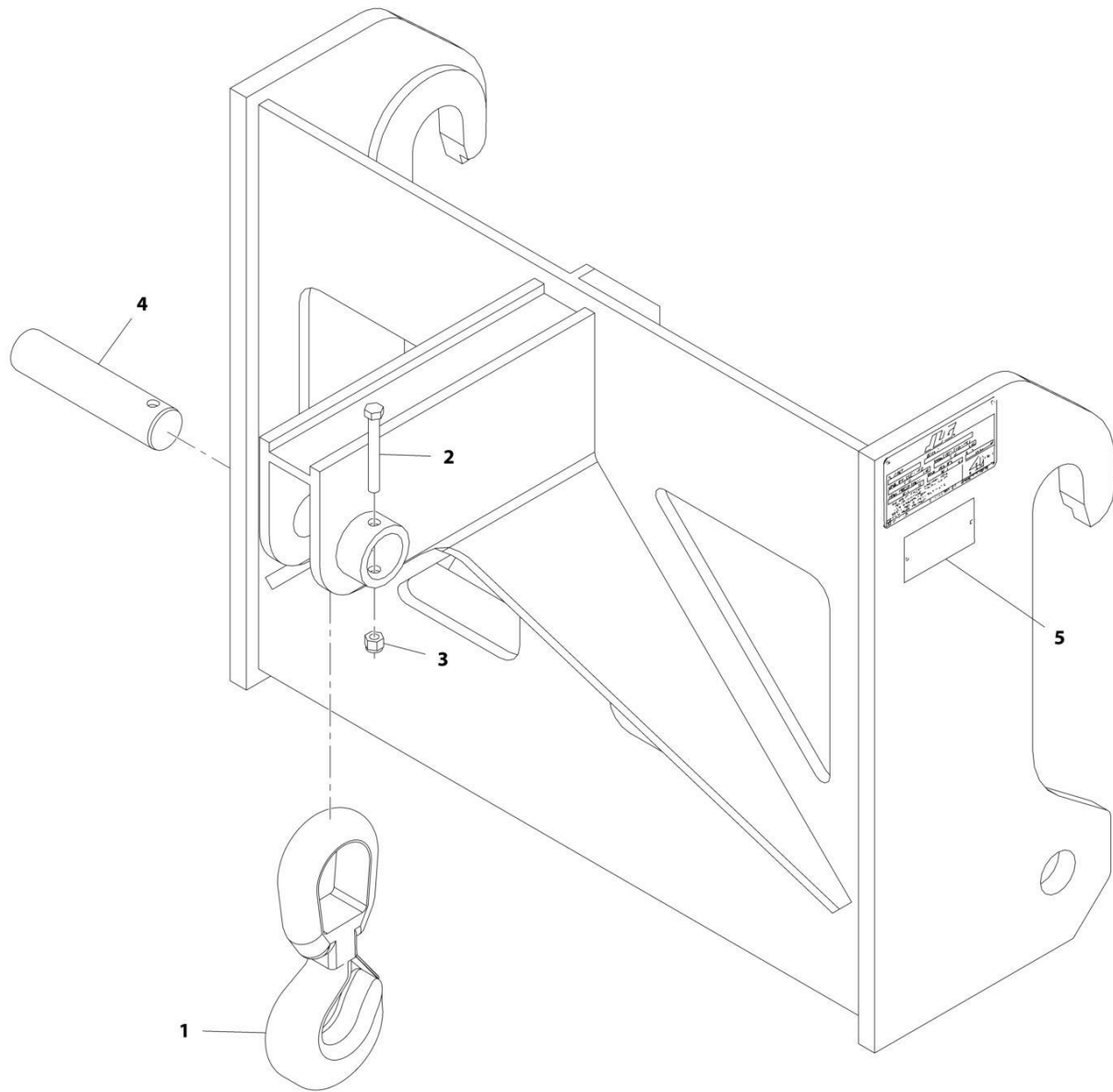
## SECTION 3 - ATTACHMENTS

**FIGURE 3-66. TRUSS BOOM (0.9 TON - 3.7M WITH WINCH) (ANSI - JLG)**

ITEM	PART NUMBER	QTY	DESCRIPTION	REV
	1001099351	Ref	TRUSS BOOM (0.9 TON - 3.7M WITH WINCH)	L
1	See Note	NSS	Frame, Truss Boom (Note: Purchase Complete Assembly)	
2	90554016	1	Decal, Made in USA	
	See Note	NSS	S/N Plate (Note: Stamped Part - Not Available for Purchase)	
4	70021349	4	Bolt 3/8 x 1	
5	70021921	1	Motor, Truss Boom Winch	
6	70024059	2	Bolt 1/2 x 1-3/4	
7	70021415	2	Connector	
8	70021977	2	Hose 32in (Boom Front Disconnect)	
8	70031445	2	Hose 48in (Boom Side Disconnect)	
9	70022527	2	Fitting, 90	
10	7029692	1	Fitting, Straight	
11	90554062	1	Cap, Dust	
12	70021342	1	Fitting, Straight	
13	90554076	1	Cap, Dust	
15	70021978	1	Ball Swivel with Safety Hook	
16	70021979	1	Assembly, Socket (includes items 17 thru 18)	
17	See Note	NSS	Pin (Note: Use Item 16)	
18	See Note	NSS	Pin, Cotter (Note: Use Item 16)	
19	70022528	2	Clamp	
20	70021935	1	Pulley	
21	70022028	1	Cable	
22	4110422	2	Decal, Warning Swinging Loads	
23	70022529	1	Pin	
24	70024060	2	Washer	
25	70026698	2	Ring, Snap	
26	90554042	4	Washer 3/8	
27	90554020	2	Washer 1/2	
28	90554054	2	Nut 1/2	

# SECTION 3 - ATTACHMENTS

## FIGURE 3-67. CRANE HOOK (CE & AUS)



ART\_1170058-C

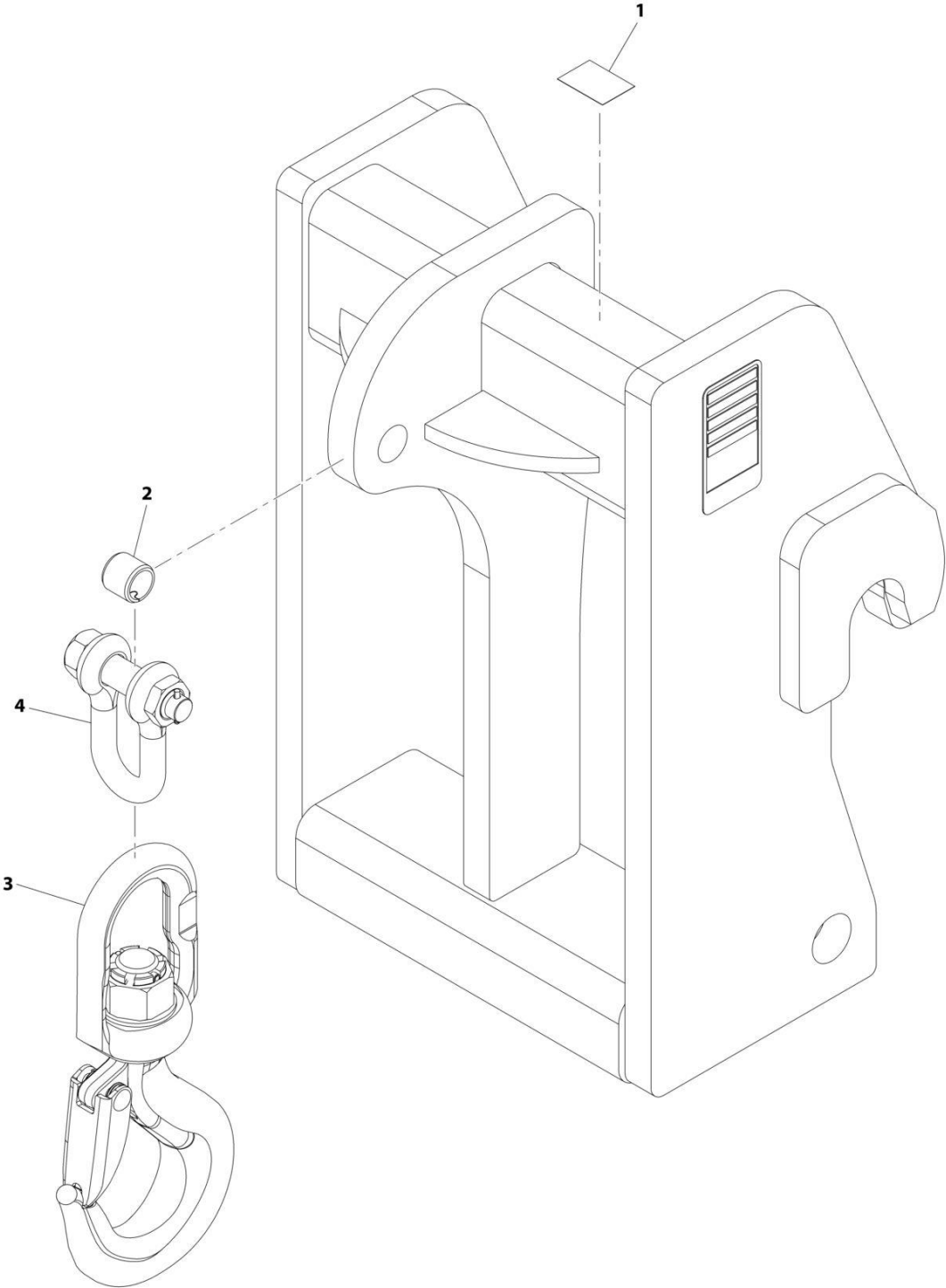
## SECTION 3 - ATTACHMENTS

### FIGURE 3-67. CRANE HOOK (CE & AUS)

ITEM	PART NUMBER	QTY	DESCRIPTION	REV
	1170058	1	Crane Hook	C
1	70020417	1	Hook	
2	70020205	1	Bolt	
3	70020206	1	Nut, Locking	
4	70020201	1	Pin	
5	N.S.S.	1	Plate, Serial Number	

**SECTION 3 - ATTACHMENTS**

**FIGURE 3-68. CRANE HOOK (ANSI - JLG)**



ART\_1001207606-C

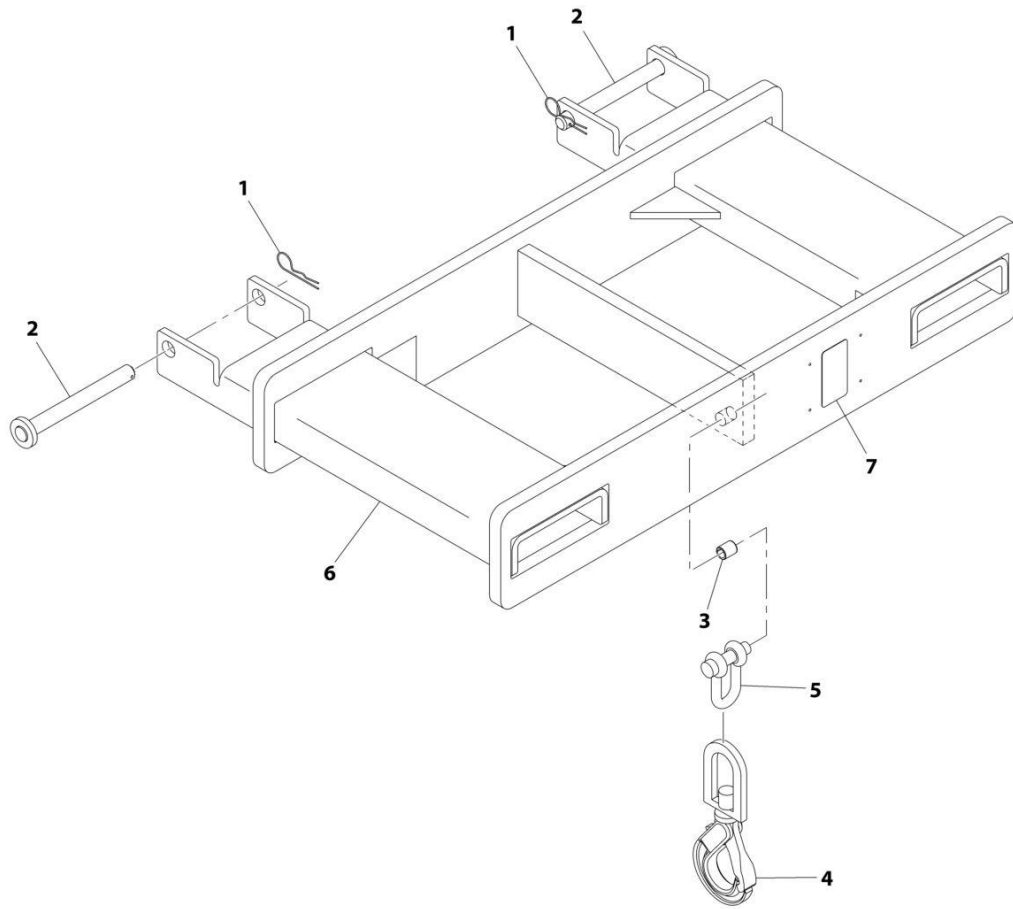
## SECTION 3 - ATTACHMENTS

### FIGURE 3-68. CRANE HOOK (ANSI - JLG)

ITEM	PART NUMBER	QTY	DESCRIPTION	REV
	1001207606	Ref	COUPLER MOUNTED HOOK	C
1	90554016	1	Decal	
2	70020555	1	Bushing	
3	70026745	1	Hook Swivel	
4	70026746	1	Shackle Chain	

# SECTION 3 - ATTACHMENTS

## FIGURE 3-69. FORK MOUNTED HOOK (4 TON) (ANSI - JLG)



ART\_1001097205-I

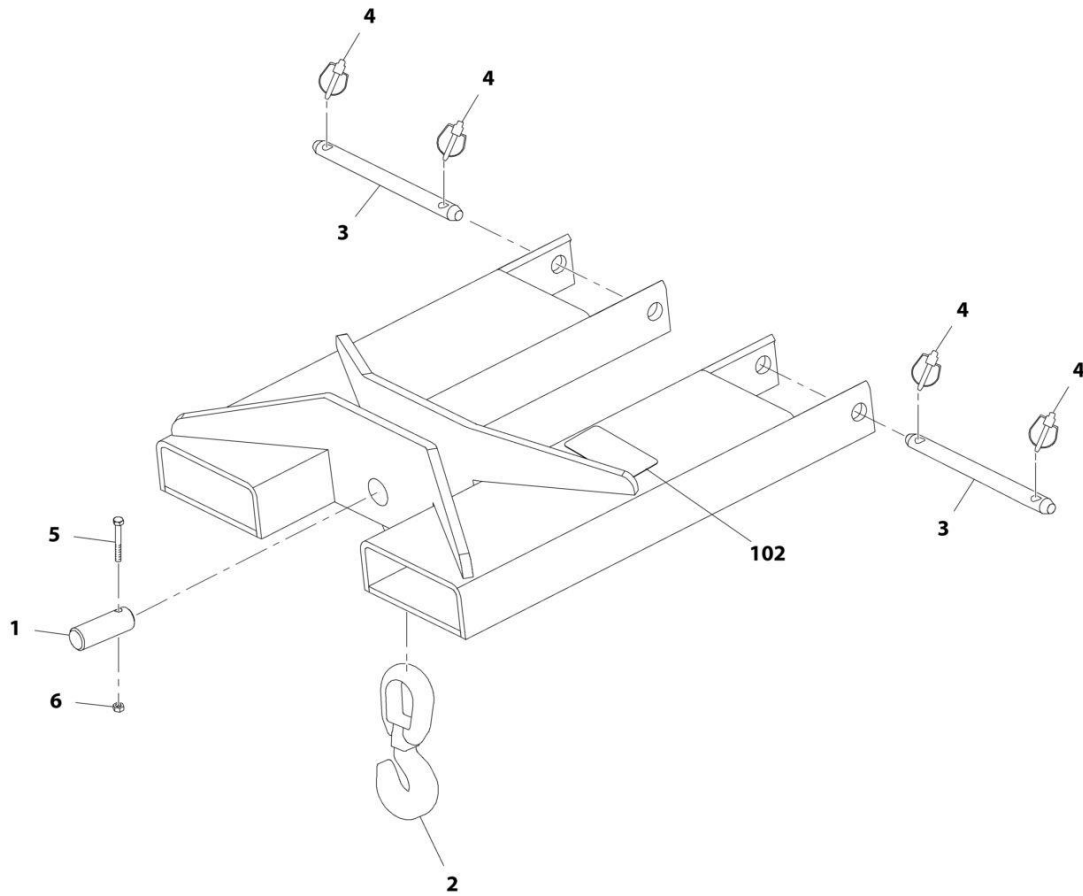
## SECTION 3 - ATTACHMENTS

### FIGURE 3-69. FORK MOUNTED HOOK (4 TON) (ANSI - JLG)

ITEM	PART NUMBER	QTY	DESCRIPTION	REV
	1001097205	Ref	Fork Mounted Hook (4 Ton)	J
1	7029520	2	Pin, Cotter	
2	1001093171	2	Pin	
3	70020555	1	Bushing	
4	90554080	1	Hook	
5	7029521	1	Shackle	
6	See Note	NSS	Frame, Hook (Note: Purchase Complete Assembly)	
7	See Note	NSS	S/N Plate (Note: Stamped Part - Not Available for Purchase)	

# SECTION 3 - ATTACHMENTS

## FIGURE 3-70. FORK MOUNTED HOOK (4 TON) (CE)



ART\_2700118-E



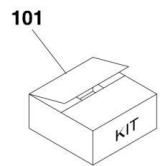
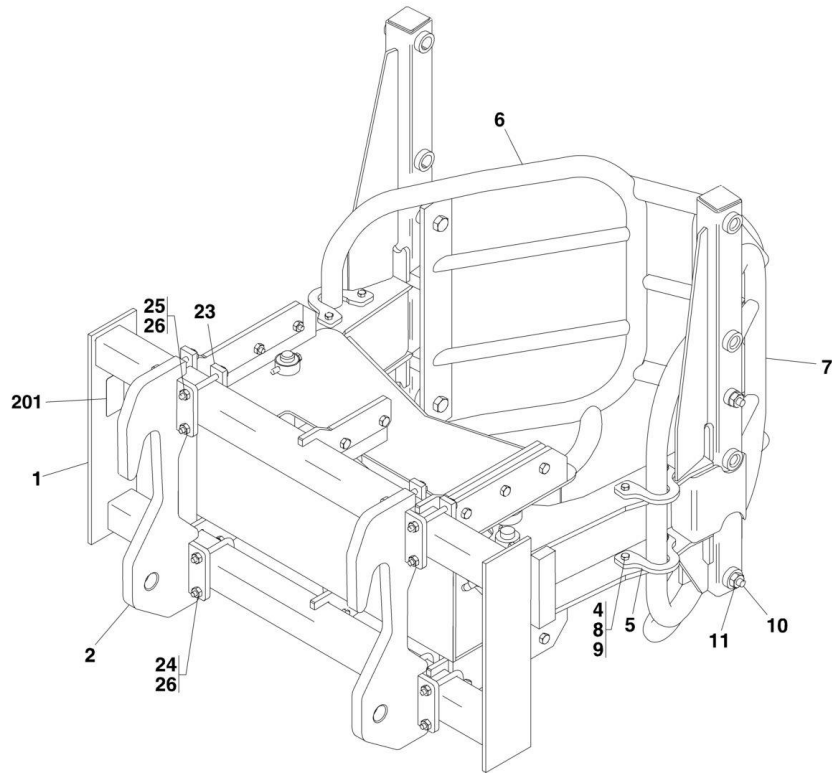
## SECTION 3 - ATTACHMENTS

### FIGURE 3-70. FORK MOUNTED HOOK (4 TON) (CE)

ITEM	PART NUMBER	QTY	DESCRIPTION	REV
	2700118	Ref	Fork Mounted Hook (4 Ton)	E
1	70020201	1	Pin	
2	70020202	1	Hook	
3	70020203	2	Pin	
4	70020204	4	Pin, Retaining	
5	70020205	1	Bolt	
6	70020206	1	Nut, Self Locking	
102	N.S.S.	1	S/N Plate	

# SECTION 3 - ATTACHMENTS

## FIGURE 3-71. BALE HANDLER (TUBE CLAMP) (CE & AUS)



ART\_0240117-E

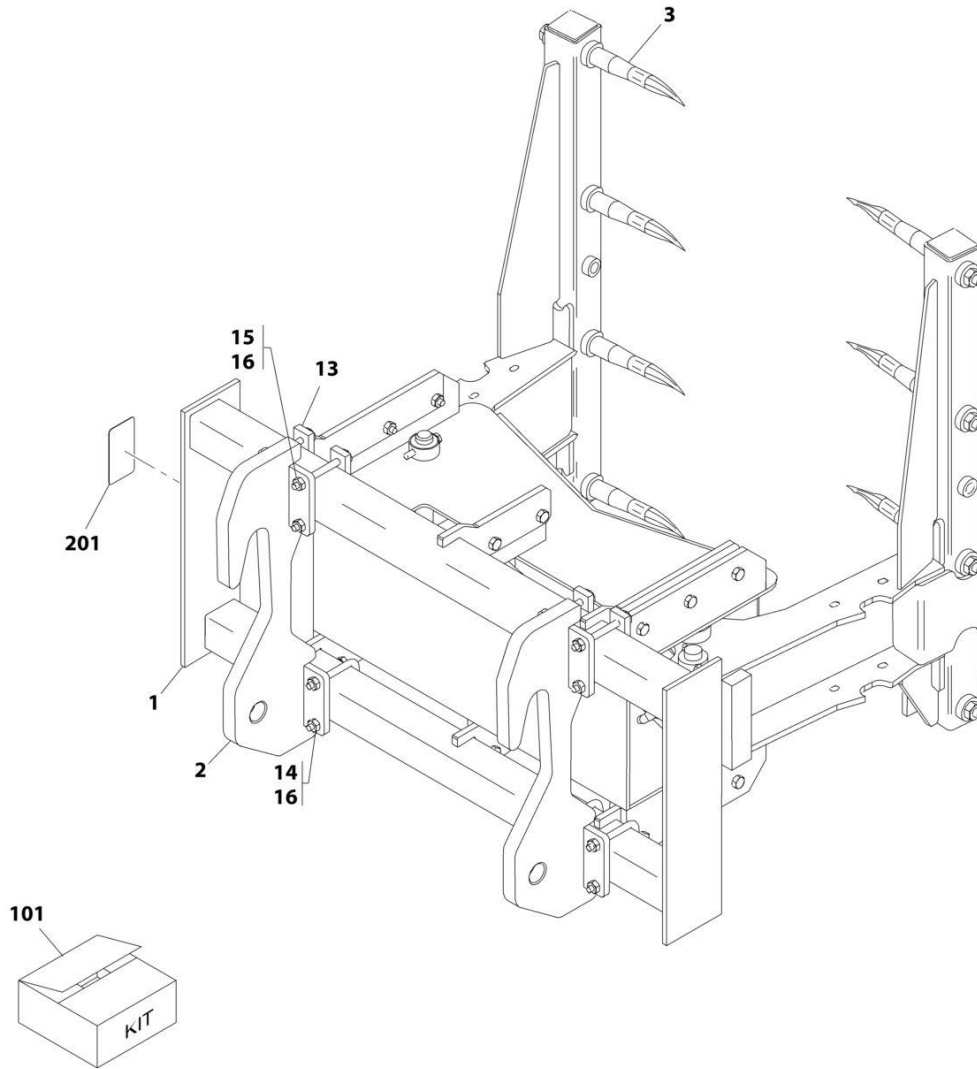
## SECTION 3 - ATTACHMENTS

**FIGURE 3-71. BALE HANDLER (TUBE CLAMP) (CE & AUS)**

ITEM	PART NUMBER	QTY	DESCRIPTION	REV
	0240117	1	Bale Handler (Tube Clamp)	E
1	N.S.S.	1	Weldment	
2	7029344	1	Weldment, Attach (includes items 23 thru 26)	
4	7029345	8	Bolt, M12X45	
5	7029346	4	Strap	
6	7029347	1	Arm, Left Tube	
7	7029348	1	Arm, Right Tube	
8	7029349	8	Washer, M12	
9	7029350	8	Locknut, M12X8	
10	7029351	4	Bolt, M22X180	
11	7029352	4	Locknut, M22X8	
23	7029353	4	Plate	
24	7029354	4	U-Bolt	
25	7029355	8	Bolt, M16X130	
26	7029356	16	Locknut, M16X8	
101	2902440	1	Kit, Bale Handler (Spikes to Tube) (CE & AUS) (includes items 4 thru 11) (See Separate Breakdown in this Section)	
201	N.S.S.	AR	SN Plate	

# SECTION 3 - ATTACHMENTS

## FIGURE 3-72. BALE HANDLER (SPIKE CLAMP) (CE & AUS)



ART\_0240118-E

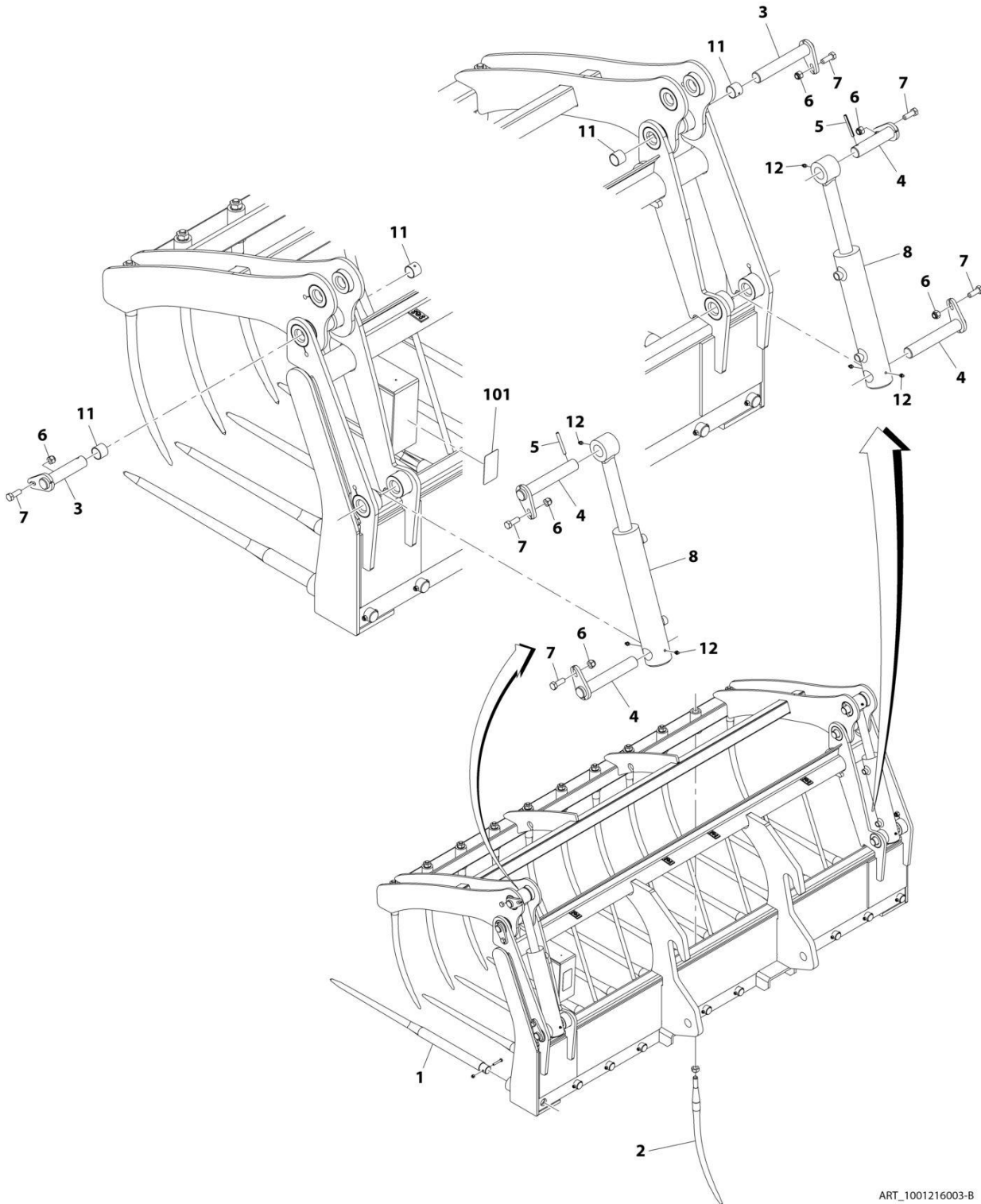
## SECTION 3 - ATTACHMENTS

**FIGURE 3-72. BALE HANDLER (SPIKE CLAMP) (CE & AUS)**

ITEM	PART NUMBER	QTY	DESCRIPTION	REV
	0240118	1	Bale Handler (Spike Clamp)	E
1	N.S.S.	1	Weldment	
2	7029344	1	Weldment, Attach (includes items 13 thru 16)	
3	7029357	8	Spike	
13	7029353	4	Plate	
14	7029354	4	U-Bolt	
15	7029355	8	Bolt, M16X130	
16	7029356	16	Locknut, M16X8	
101	2902441	1	Kit, Bale Handler Kit (Spikes) (CE & AUS) (includes item 3) (See Separate Breakdown in this Section)	
201	N.S.S.	AR	SN Plate	

# SECTION 3 - ATTACHMENTS

## FIGURE 3-73. MUCK FORK AND GRAB (CE & AUS)



ART\_1001216003-B

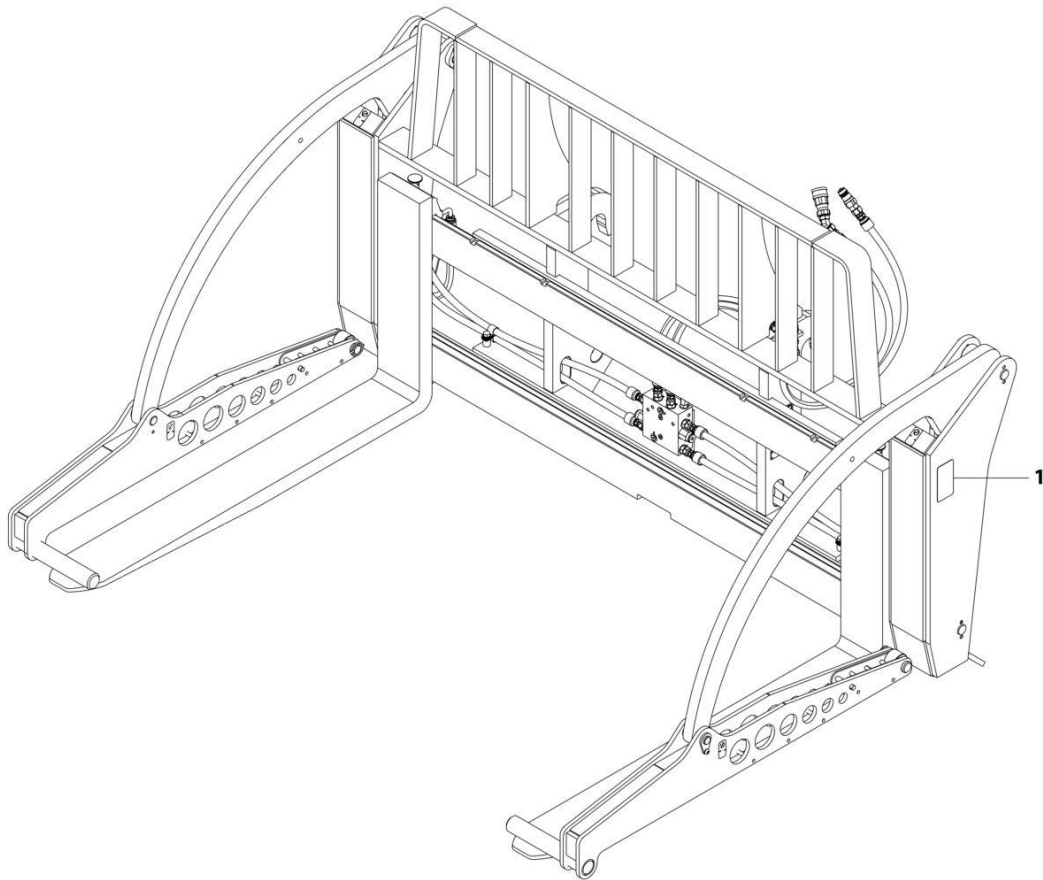
## SECTION 3 - ATTACHMENTS

**FIGURE 3-73. MUCK FORK AND GRAB (CE & AUS)**

ITEM	PART NUMBER	QTY	DESCRIPTION	REV
	1001216003	1	Muck Fork and Grab (2450MM)	D
1	70027302	12	Right Electro-Forged Fingers	
2	70027324	11	Curved Electro-Forged Fingers	
3	70027293	2	Pin	
4	70027294	4	Pin	
5	70027298	2	Roll Pin	
6	70027296	6	Nut	
7	70027297	6	Screw	
8	7028127	2	Cylinder	
9	70027295	2	Hose (not shown)	
10	70028436	2	Hose (not shown)	
11	7028131	10	Ring	
12	7028918	6	Grease Nipple	
101	N.S.S.	1	Plate, Serial Number	

## SECTION 3 - ATTACHMENTS

FIGURE 3-74. PIPE HANDLER CARRIAGE (CE & AUS - JLG)



ART\_1001197025-B



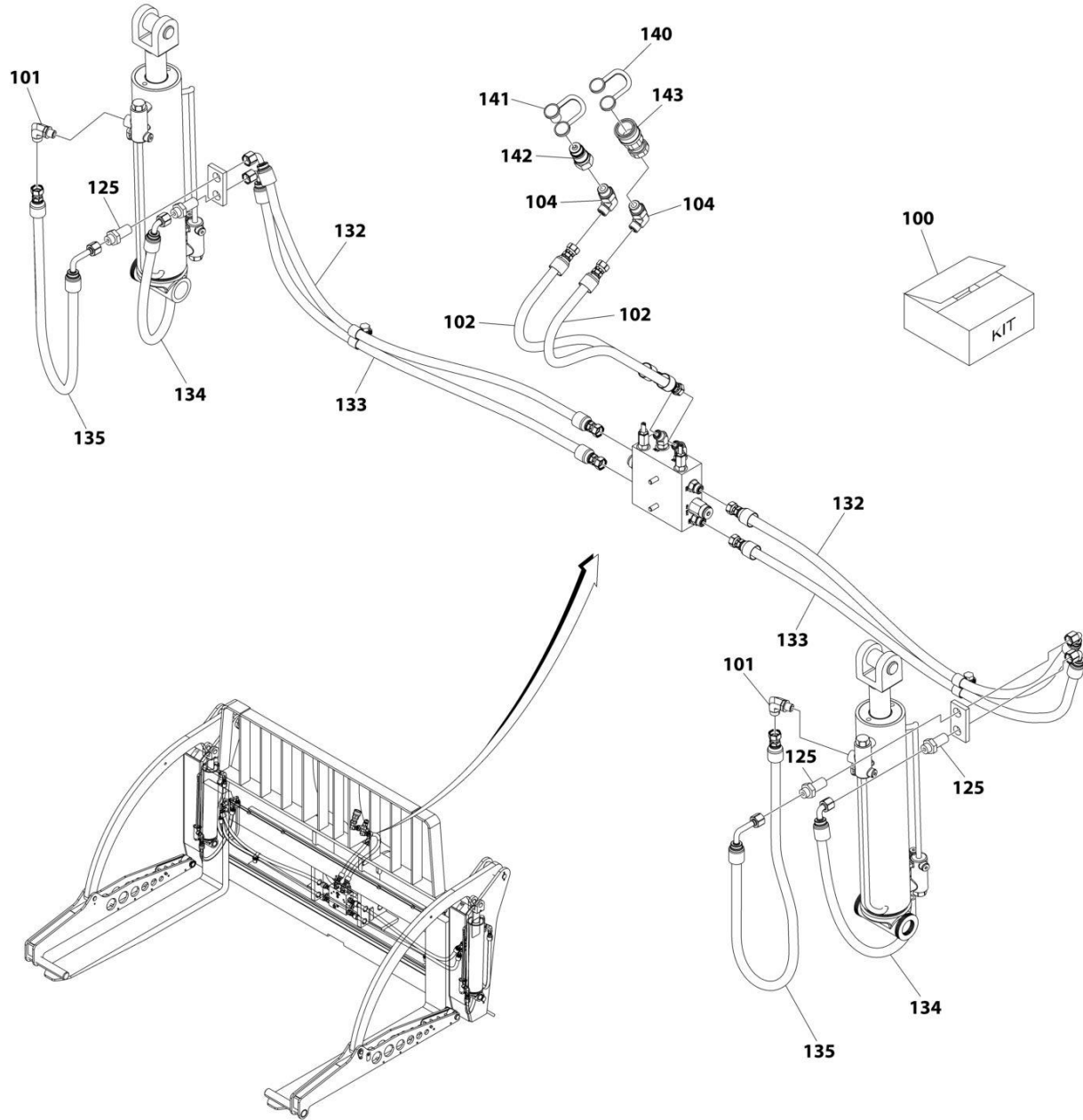
## SECTION 3 - ATTACHMENTS

**FIGURE 3-74. PIPE HANDLER CARRIAGE (CE & AUS - JLG)**

ITEM	PART NUMBER	QTY	DESCRIPTION	REV
1	1001197025	1	Pipe Handler Carriage	B
	N.S.S.	1	Plate, Serial Number	

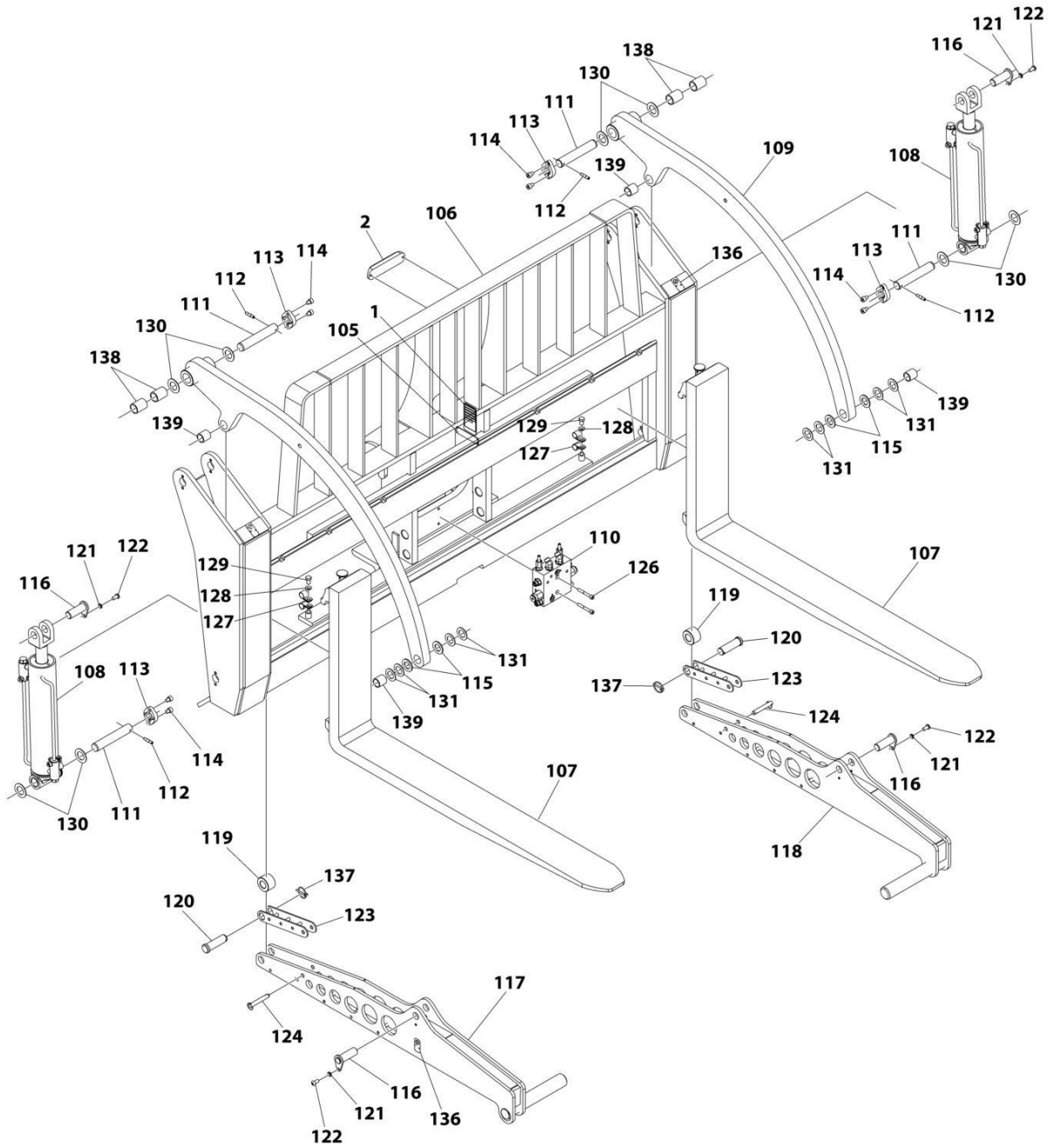
# SECTION 3 - ATTACHMENTS

## FIGURE 3-75. PIPE HANDLER CARRIAGE (ANSI - JLG)



ART\_1001142247\_1

# SECTION 3 - ATTACHMENTS



ART\_1001142247\_2

## SECTION 3 - ATTACHMENTS

**FIGURE 3-75. PIPE HANDLER CARRIAGE (ANSI - JLG)**

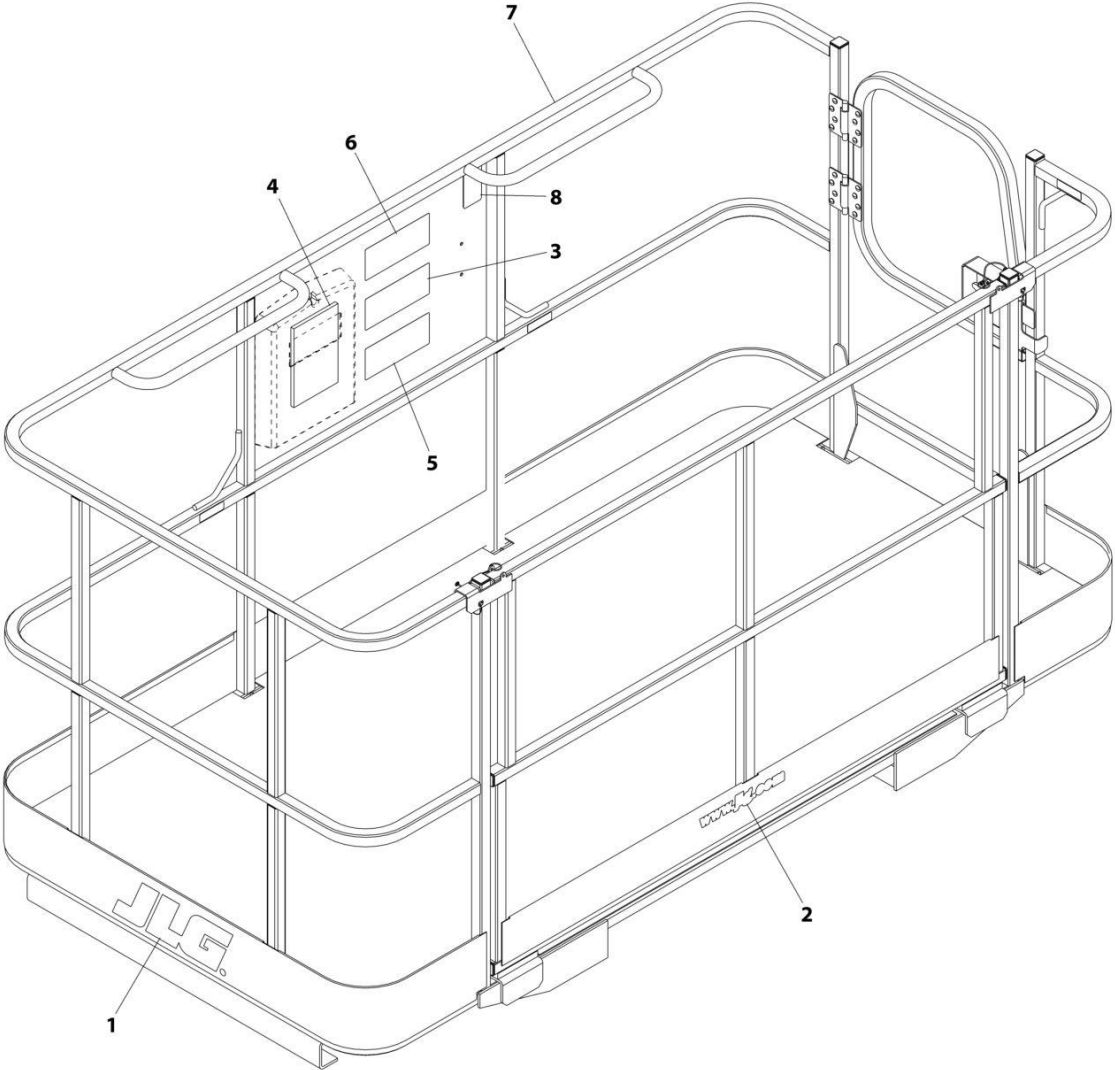
ITEM	PART NUMBER	QTY	DESCRIPTION	REV
	1001142247	Ref	PIPE HANDLER ASSEMBLY	G
1	See Note	NSS	JLG Plate (Note: Stamped Part - Not Available for Purchase)	
2	1001227670	1	Tag, RFID	
100	70026585	1	Disconnect & Hose Kit (Boom Front Disconnect) (Includes Items 101, 102, 104, 125, 132-135, 140-143)	
100	70031442	1	Disconnect Kit (Boom Side Disconnect) (Includes Items 102, 104, & 140-143)	
101	70024123	4	Fitting, 90	
102	70026347	2	Hose 20in (Boom Front Disconnect)	
102	70031448	2	Hose 44in (Boom Side Disconnect)	
104	70024550	2	Fitting, 90	
105	See Note	NSS	S/N Plate (Note: Stamped Part - Not Available for Purchase)	
106	See Note	NSS	Carriage (Note: Purchase Complete Assembly)	
107	70026586	2	Fork	
108	70026587	2	Cylinder, Pipe Handler (See Separate Breakdown in HYDRAULIC COMPONENTS Section)	
109	70026588	2	Arm	
110	70026589	1	Valve Assembly (See Separate Breakdown in HYDRAULIC CIRCUITS Section)	
111	70026470	4	Pin	
112	70026471	4	Pin Drive - Lock	
113	70026472	4	Retainer	
114	70026473	8	Capscrew, M10 x 12	
115	70026590	4	Thrust Washer	
116	70026591	4	Pin Weldment	
117	70026592	1	Contact Pad - RH	
118	70026593	1	Contact Pad - LH	
119	70026594	2	Roller	
120	70026595	2	Clevis Pin	
121	70026596	4	Lockwasher, M8	
122	70026597	4	Capscrew, M8 x 16	
123	70026598	2	Retainer	
124	70026599	2	Ring Detent Pin	
125	70023000	4	Fitting	
126	70026600	2	Capscrew, M8 x 60	
127	70026481	4	Hose Clamp	
128	70026482	2	Washer	
129	70022996	2	Capscrew, M10X16	
130	70026476	24	Shim	
131	70026601	8	Shim	
132	70026602	2	Hose	
133	70026603	2	Hose	
134	70026604	2	Hose	
135	70026605	2	Hose	
136	70024538	4	Warning Decal	
137	70026606	2	Lynch Pin, 3/16	
138	70026501	4	Bushing	
139	70026607	4	Bushing	
140	70026608	1	Plug	
141	70026609	1	Cap	

## SECTION 3 - ATTACHMENTS

ITEM	PART NUMBER	QTY	DESCRIPTION	REV
142	91403414	1	Coupler - Male	
143	91403413	1	Coupler - Female	

**SECTION 3 - ATTACHMENTS**

**FIGURE 3-76. FORK MOUNTED BASKET (DOMESTIC) (ANSI - JLG)**



ART\_1001103637-G

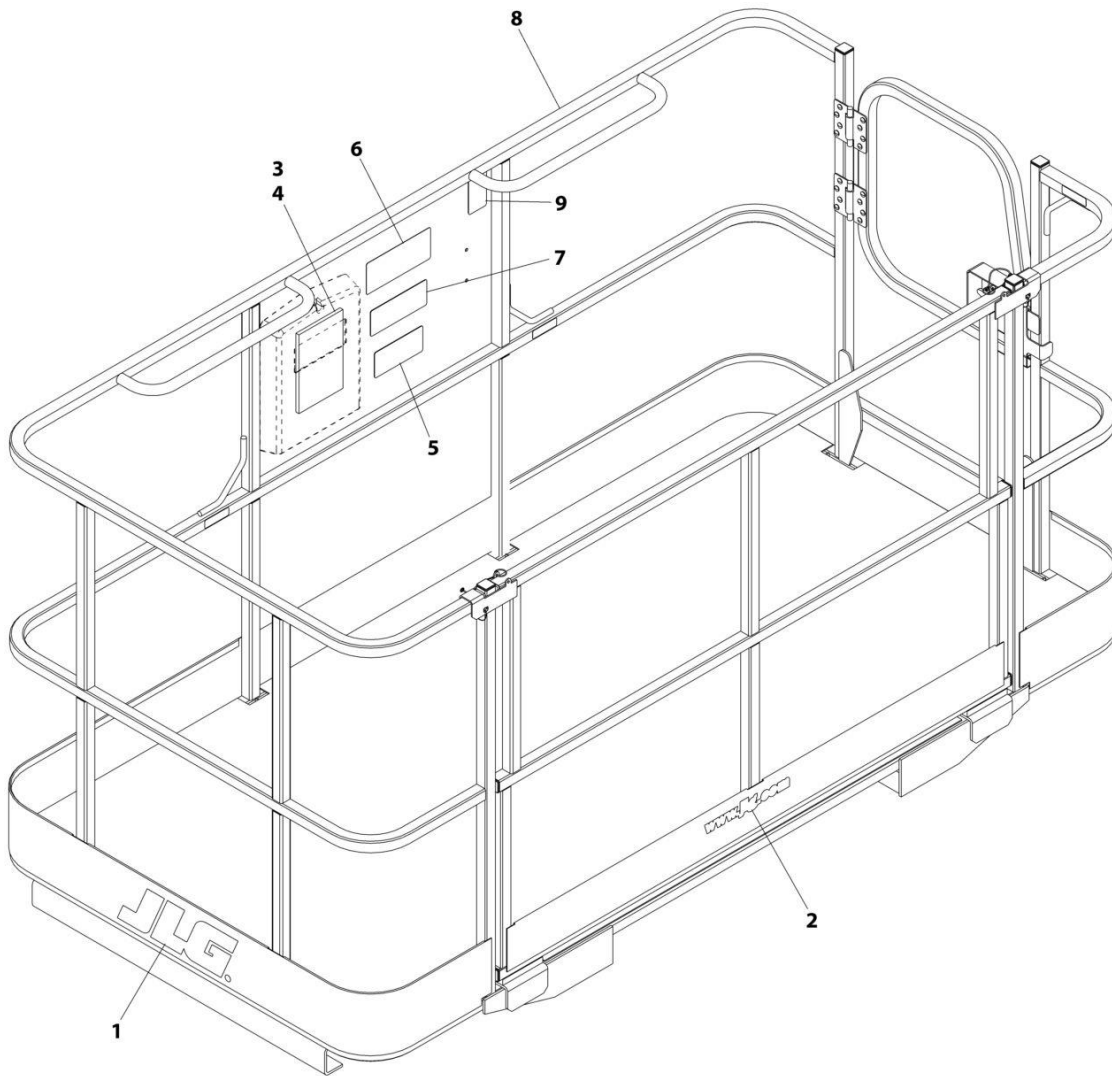
## SECTION 3 - ATTACHMENTS

**FIGURE 3-76. FORK MOUNTED BASKET (DOMESTIC) (ANSI - JLG)**

ITEM	PART NUMBER	QTY	DESCRIPTION	REV
	1001103637	Ref	Fork Mounted Basket (ASME)	G
1	1702773	2	Decal, JLG	
2	1704885	1	Decal, Website	
3	1706892	1	Decal, Platform Warning	
4	31200160	1	Manual, Personnel Work Platform Operation and Safety	
5	1001092481	1	Decal, Warning Attachment	
6	1001092482	1	Decal, Platform Capacity	
7	1001096162	1	Platform, Fork Mounted (See Separate Breakdown in this Section)	
8	N.S.S.	1	S/N Plate	

# SECTION 3 - ATTACHMENTS

FIGURE 3-77. FORK MOUNTED BASKET (ISO) (ANSI - JLG)



ART\_1001103730-G



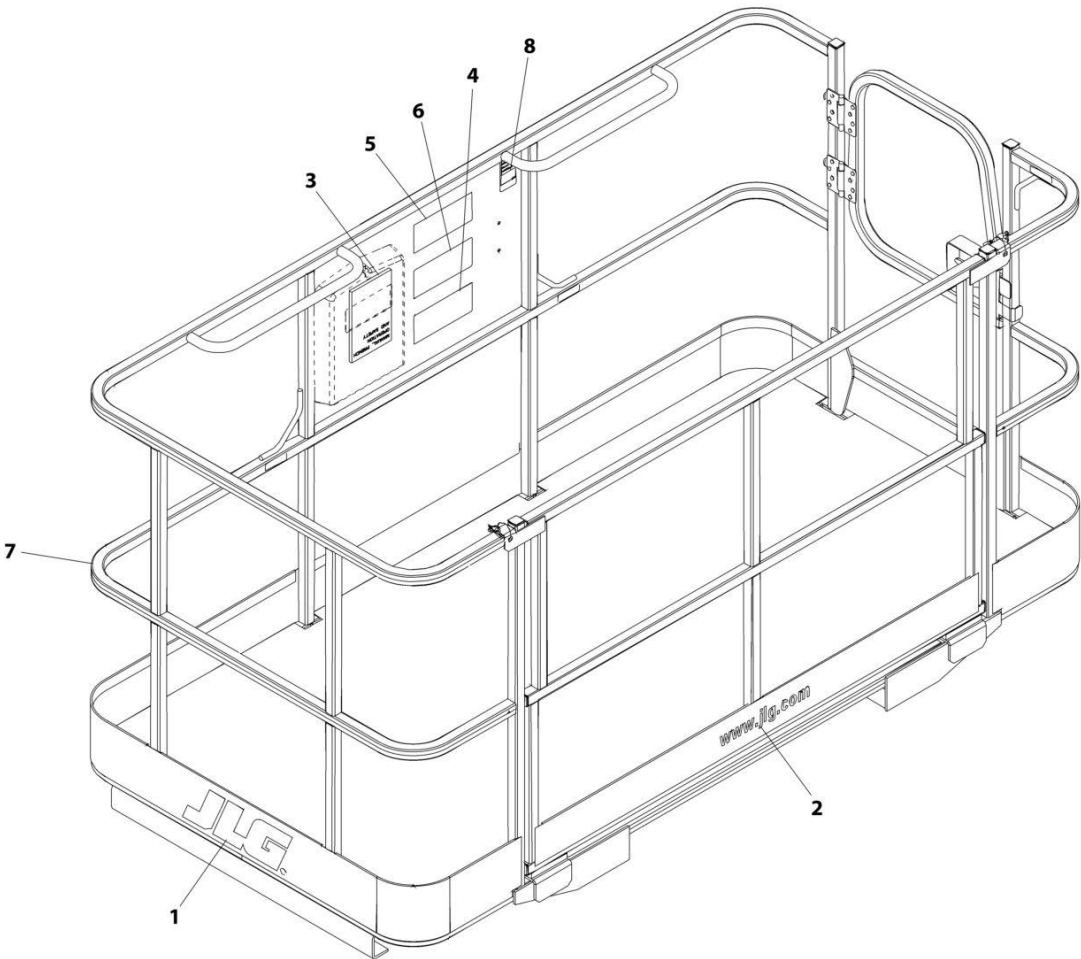
## SECTION 3 - ATTACHMENTS

**FIGURE 3-77. FORK MOUNTED BASKET (ISO) (ANSI - JLG)**

ITEM	PART NUMBER	QTY	DESCRIPTION	REV
	1001103730	Ref	Fork Mounted Basket (ISO)	G
1	1702773	2	Decal, JLG	
2	1704885	1	Decal, Website	
3	31200387	1	Manual, Operation and Safety, Spanish	
4	31200388	1	Manual, Operation and Safety, Portuguese	
5	1001096021	1	Decal, Warning Attachment	
6	1001096023	1	Decal, Platform Capacity	
7	1001096025	1	Decal, Platform Warning	
8	1001096162	1	Platform, Fork Mounted (ANSI) (See Separate Breakdown in this Section)	
9	N.S.S.	1	S/N Plate	

**SECTION 3 - ATTACHMENTS**

**FIGURE 3-78. FORK MOUNTED BASKET (FRENCH) (ANSI - JLG)**



ART\_1001103736-G

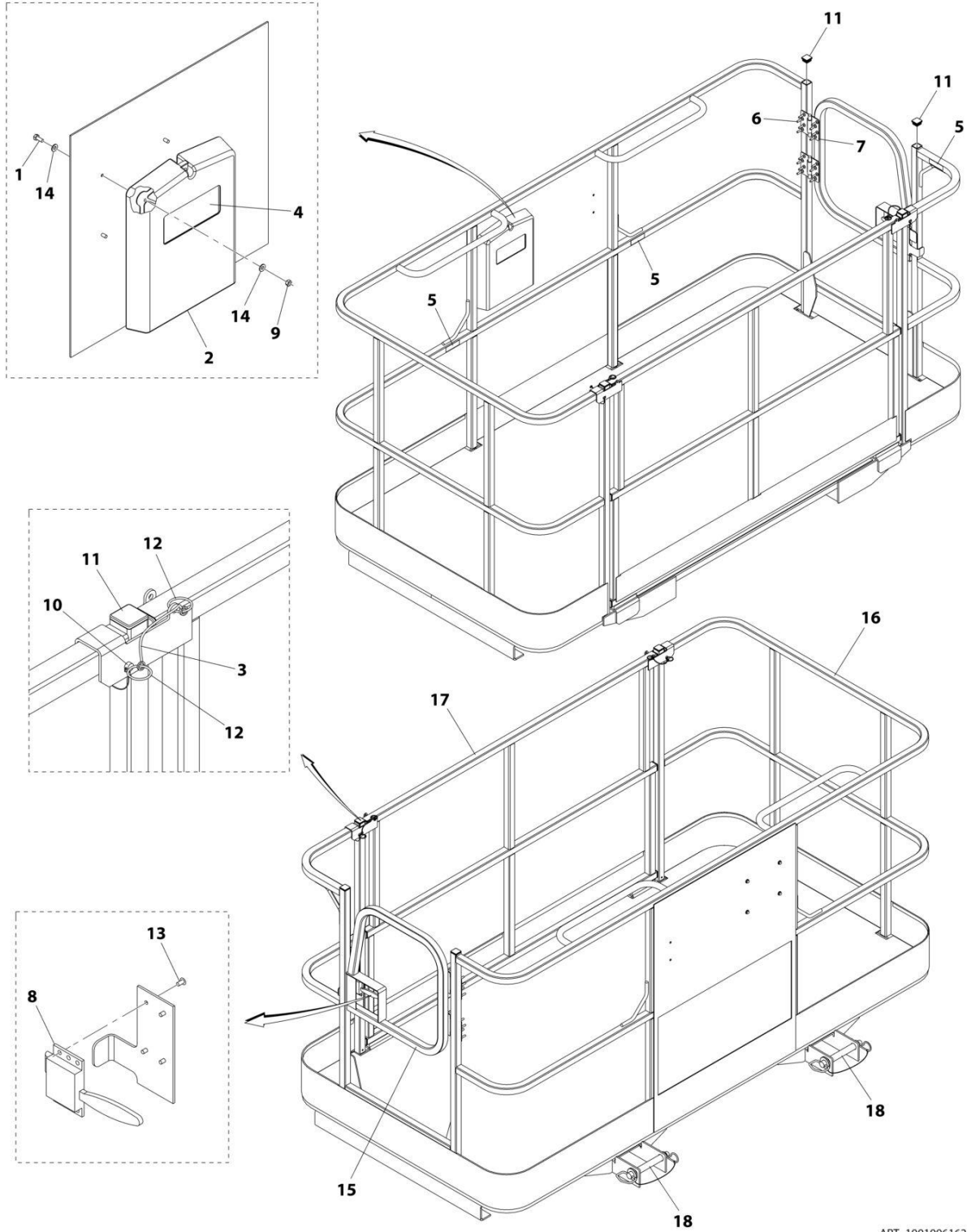
## SECTION 3 - ATTACHMENTS

**FIGURE 3-78. FORK MOUNTED BASKET (FRENCH) (ANSI - JLG)**

ITEM	PART NUMBER	QTY	DESCRIPTION	REV
	1001103736	Ref	Fork Mounted Basket (France)	G
1	1702773	2	Decal, JLG	
2	1704885	1	Decal, Website	
3	31200386	1	Manual, Operation and Safety (French)	
4	1001096019	1	Decal, Warning Attachment (French)	
5	1001096020	1	Decal, Platform Capacity (French)	
6	1001096024	1	Decal, Platform Warning (French)	
7	1001096162	1	Platform, Fork Mounted (ANSI) (See Separate Breakdown in this Section)	
8	N.S.S.	1	S/N Plate	

# SECTION 3 - ATTACHMENTS

## FIGURE 3-79. FORK MOUNTED PLATFORM



ART\_1001096162-N

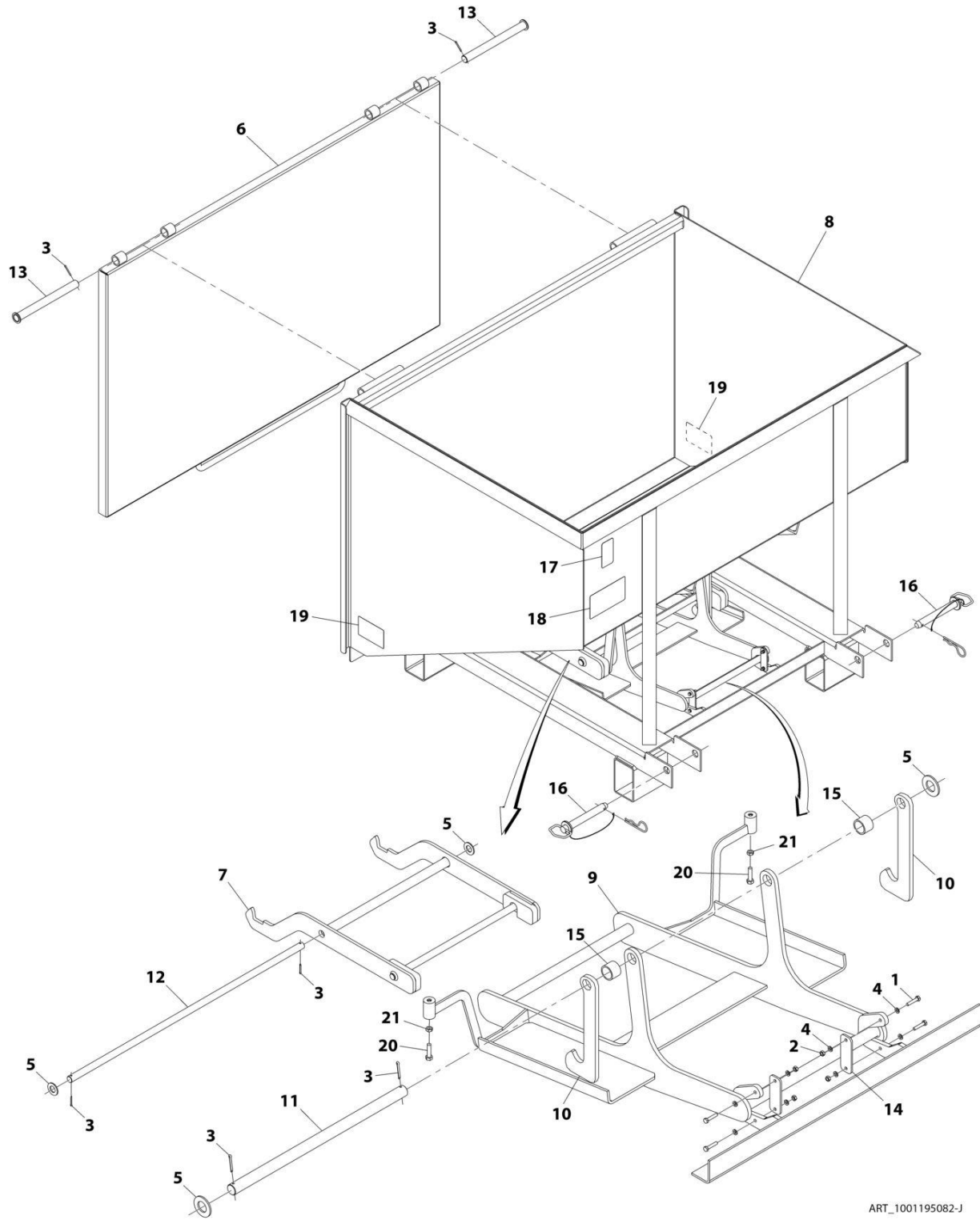
## SECTION 3 - ATTACHMENTS

**FIGURE 3-79. FORK MOUNTED PLATFORM**

ITEM	PART NUMBER	QTY	DESCRIPTION	REV
	1001096162	Ref	Fork Mounted Platform (ANSI)	N
1	0641405	4	Bolt, 1/4 x 5/8	
2	0860520	1	Box, Manual Storage	
3	1060379	2	Cable, Lanyard	
4	1701509	1	Decal, Manual	
5	1704277	3	Decal, Lanyard Attach	
6	2080040	16	Fastener	
7	2600281	2	Hinge	
8	2940074	1	Latch	
9	3311405	4	Nut 1/4	
10	3421453	2	Pin	
11	3520072	10	Plug	
12	3760170	4	Ring	
13	3820020	4	Rivet	
14	4711400	8	Washer, 1/4	
15	1001144629J	1	Gate	
16	N.S.S.	1	Platform, Fork Mounted	
17	1001095810	1	Gate	
18	1001102813	2	Pin, Hitch	

# SECTION 3 - ATTACHMENTS

## FIGURE 3-80. FORK MOUNTED TRASH HOPPER



ART\_1001195082-J

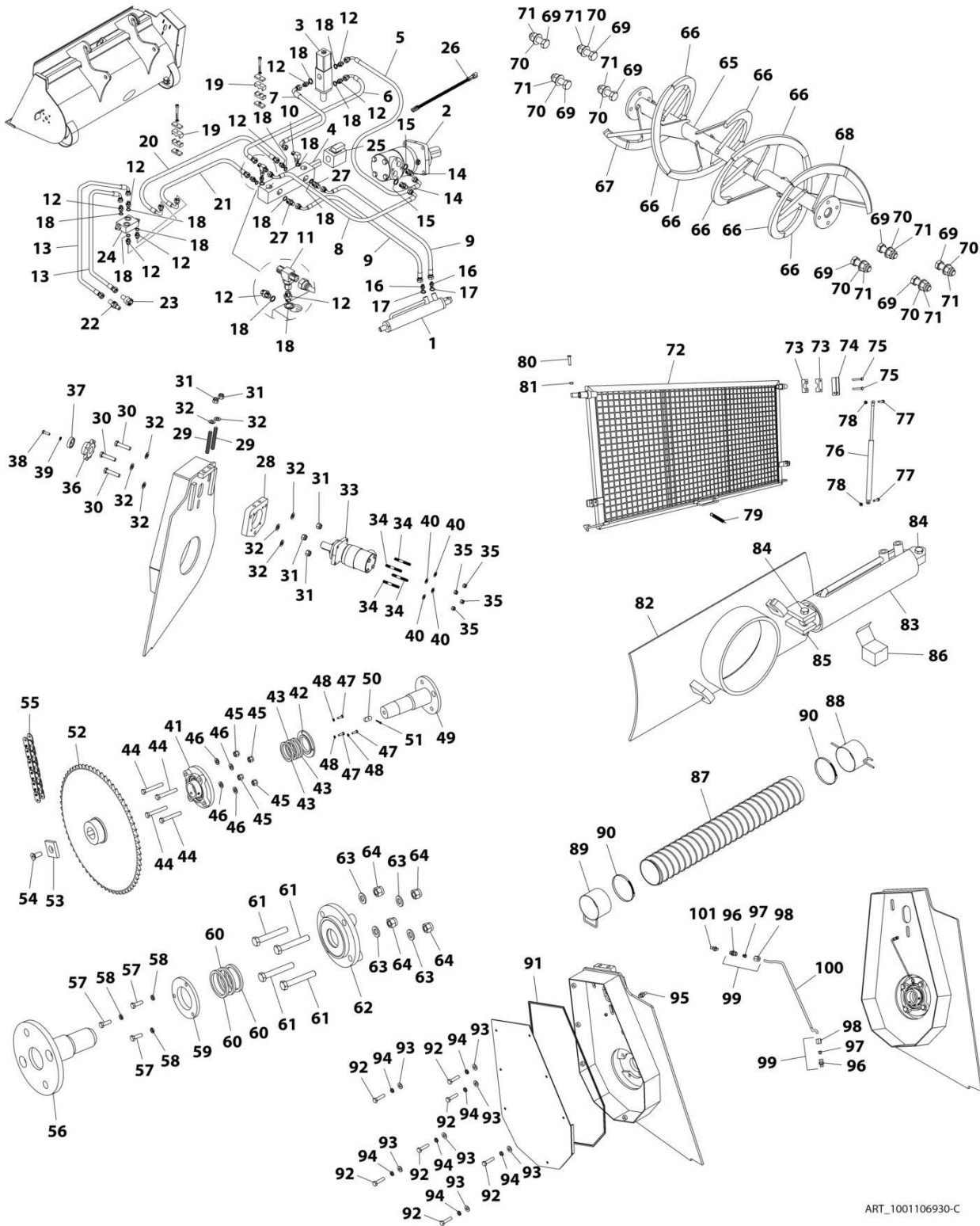
## SECTION 3 - ATTACHMENTS

**FIGURE 3-80. FORK MOUNTED TRASH HOPPER**

ITEM	PART NUMBER	QTY	DESCRIPTION	REV
	1001195082	Ref	Fork Mounted Trash Hopper	J
1	0700614	4	Bolt, M6X30	
2	3290601	4	Nut, M6X1 Grade 8	
3	3391410	6	Pin	
4	4811700	8	Washer, M6	
5	5242400	4	Washer, M24	
6	1001192711	1	Door Assembly	
7	1001192720	1	Hook Assembly	
8	N.S.S.	1	Weldment, Trash Hopper	
9	1001192875	1	Tray Assembly	
10	1001192876	2	Arm, Swing	
11	1001192877	1	Rod, Swing	
12	1001193525	1	Bar	
13	1001193540	2	Pin	
14	1001193729	2	Plate	
15	1001198355	2	Spacer	
16	1001102813	2	Pin	
17	N.S.S.	1	S/N Plate	
18	1001203503	1	Decal, Trash Hopper Operation	
19	1706302	2	Decal, Pinch Point	
20	0641510	2	Bolt, 5/16-18 x 1-1/4	
21	3311502	2	Nut, 5/16-18	

# SECTION 3 - ATTACHMENTS

## FIGURE 3-81. CONCRETE BUCKET (CE)



ART\_1001106930-C



## SECTION 3 - ATTACHMENTS

### FIGURE 3-81. CONCRETE BUCKET (CE)

ITEM	PART NUMBER	QTY	DESCRIPTION	REV
	1001106930	1	Concrete Bucket	E
1	70024436	1	Cylinder, Concrete Bucket	
2	70024437	1	Engine, Hydraulic	
3	70024438	1	Valve, Flow Divisor	
4	70024439	1	Valve, Solenoid	
5	70024440	1	Pipe	
6	70024441	1	Pipe	
7	70024442	1	Pipe	
8	70024443	1	Pipe	
9	70024444	2	Pipe	
10	70024445	1	Fitting, 90	
11	70024446	1	Fitting, Tee	
12	70024447	10	Fitting, Straight	
13	70024448	2	Pipe	
14	70024449	2	Fitting, Straight	
15	70024450	2	Gasket	
16	1001104958	2	Fitting, Straight	
17	1001103531	2	Gasket	
18	70022927	2	Gasket	
19	70024452	2	Clamp	
20	70024453	1	Pipe	
21	70024454	1	Pipe	
22	1001101041	1	Coupling, Male Quick Disconnect	
23	1001101042	1	Coupling, Female Quick Disconnect	
24	70027990	1	Valve	
25	70024455	1	Coil	
26	70024456	1	Electric Cable	
27	70027991	2	Fitting, Straight	
28	70027992	1	Regulation plate	
29	70027993	2	Stud	
30	70027994	3	Bolt	
31	70027995	5	Nut, Self Locking	
32	70020728	8	Washer	
33	70024437	1	Hydraulic Engine	
34	70027996	4	Stud	
35	70027997	4	Nut, Self Locking	
36	70027998	1	Pinion	
37	70027999	1	Pinion cover	
38	70028000	1	Bolt	
39	70028001	1	Grower	
40	70028002	4	Washer	
41	70028003	1	Support Flange bearing	
42	70028004	1	Cover seal press	
43	70028005	3	Rope Fat	
44	70020724	4	Bolt	
45	70020726	4	Nut, Self Locking	
46	70020725	4	Washer	
47	70028006	3	Bolt	
48	70028007	3	Grower	
49	70028008	1	Pin	

## SECTION 3 - ATTACHMENTS

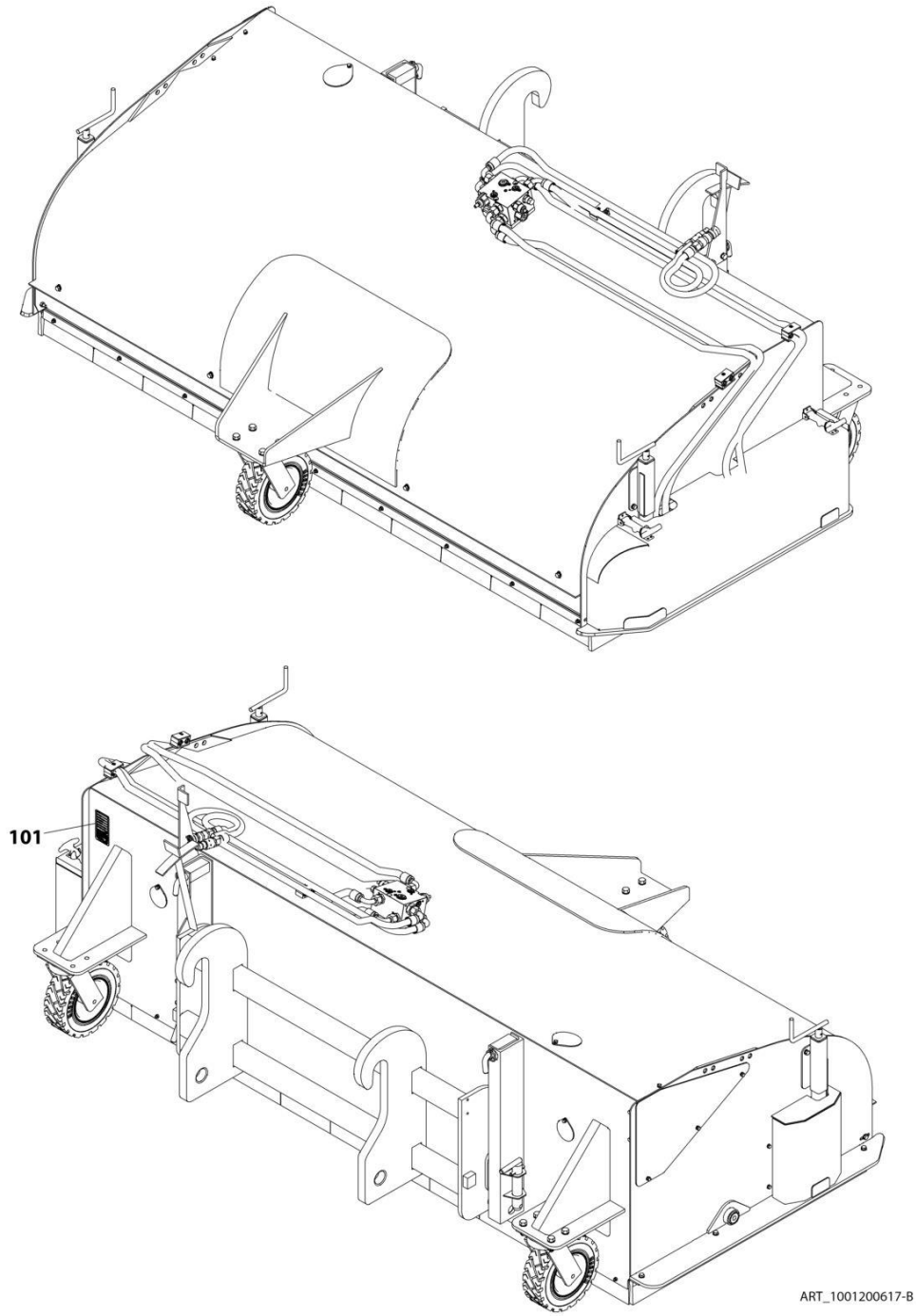
ITEM	PART NUMBER	QTY	DESCRIPTION	REV
50	70028009	1	Tab	
51	70028010	1	Bolt	
52	70028011	1	Koruna Wheels	
53	70028012	1	Fixing Koruna Wheels	
54	70028013	1	Bolt	
55	70028014	1	Track	
56	70028015	1	Pin	
57	70028006	3	Bolt	
58	70028007	3	Grower	
59	70028016	1	Cover seal press	
60	70028017	3	Rope Fat	
61	70028018	4	Bolt	
62	70028019	1	Support flange bearing	
63	70028002	4	Washer	
64	70027997	4	Nut, Self Locking	
65	70028020	1	Helical mixer only carpentry	
66	70028021	8	Central Sector	
67	70028022	1	Left Sector	
68	70028023	1	Right Sector	
69	70028024	8	Bolt	
70	70020728	8	Washer	
71	70027995	8	Nut, Self Locking	
72	70028025	1	Grid only carpentry	
73	70028026	4	Clamp heavy	
74	70028027	2	Pull nitrogen absorber	
75	70028028	4	Bolt	
76	70028029	2	Nitrogen absorber	
77	70028030	4	Bolt	
78	1001103201	4	Nut, Self Locking	
79	70028031	1	Return spring	
80	70028032	1	Bolt	
81	70028033	1	Nut	
82	70028034	1	Sliding door only carpentry	
83	70024436	1	Cylinder	
84	70028035	2	Bolt	
85	1001103201	2	Nut, Self Locking	
86	70028036	1	Gasket Kit	
87	70028037	1	Dump tube	
88	70028038	1	Tube with clevis door blocking	
89	70028039	1	Tube with clevis move	
90	70028040	2	Hose Clamp	
91	70028041	1	Gasket carter	
92	70028042	7	Bolt	
93	70028087	7	Washer	
94	70028007	7	Grower	
95	70021242	1	Greaser	
96	70028043	2	Link	
97	70028044	2	Sleeve	
98	70028046	2	Nut	
99	70028045	2	Link, sleeve, nut	
100	70028047	1	Pipe	

## SECTION 3 - ATTACHMENTS

ITEM	PART NUMBER	QTY	DESCRIPTION	REV
101	70021242	1	Greaser	

# SECTION 3 - ATTACHMENTS

## FIGURE 3-82. SWEEPER (CE & AUS)



ART\_1001200617-B

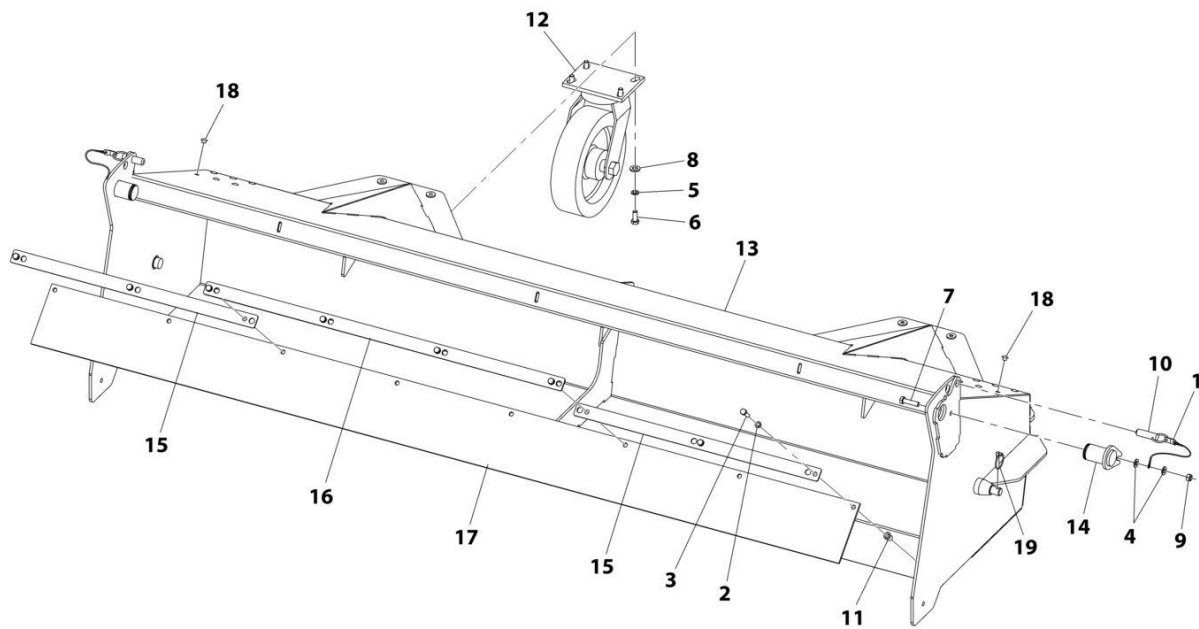
## SECTION 3 - ATTACHMENTS

**FIGURE 3-82. SWEEPER (CE & AUS)**

ITEM	PART NUMBER	QTY	DESCRIPTION	REV
101	1001200617 N.S.S.	1 1	Sweeper Plate, Serial Number	B

# SECTION 3 - ATTACHMENTS

## FIGURE 3-83. SWEEPER (ANSI)



ART\_1001202904\_1-B

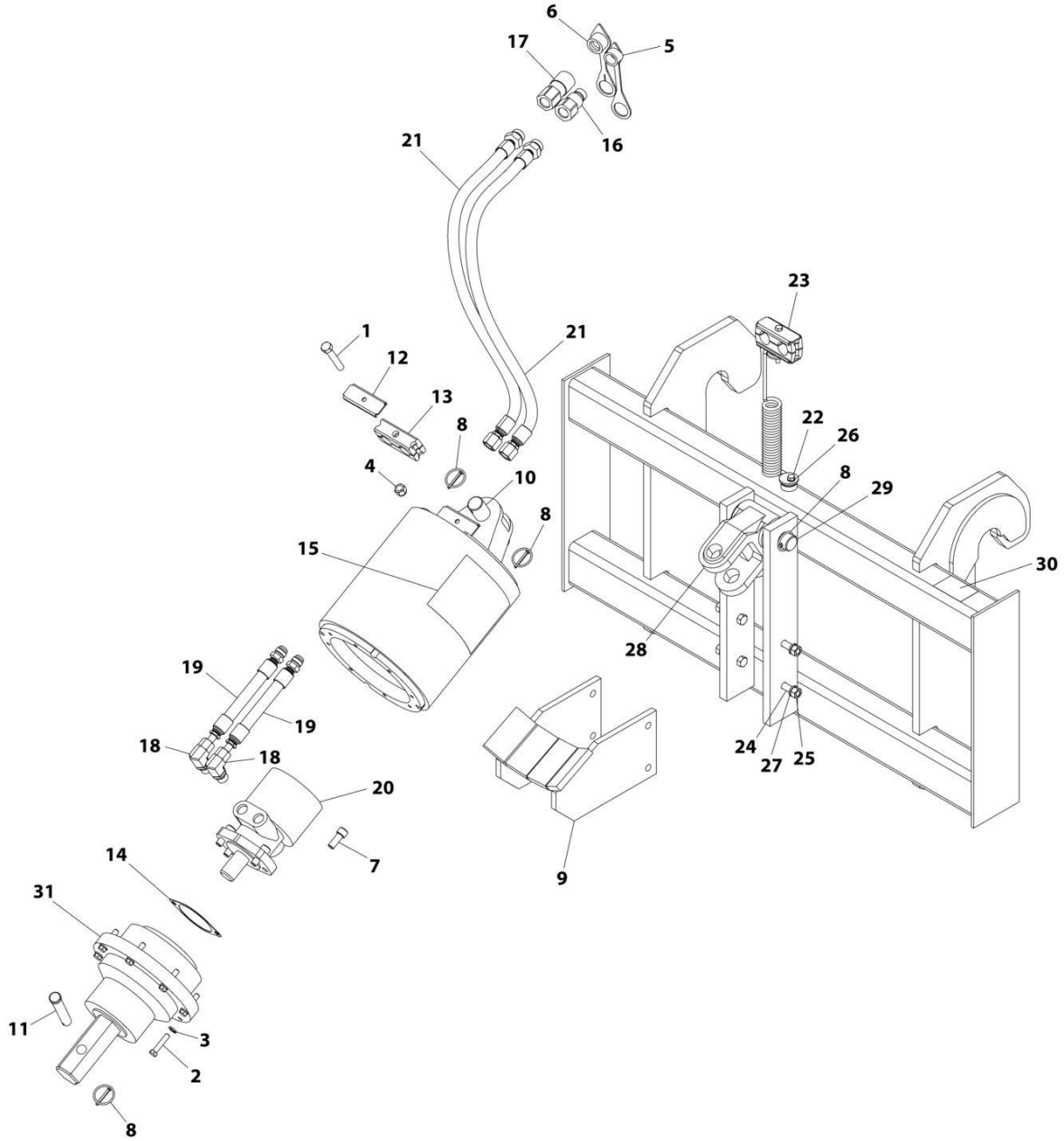
## SECTION 3 - ATTACHMENTS

**FIGURE 3-83. SWEEPER (ANSI)**

ITEM	PART NUMBER	QTY	DESCRIPTION	REV
	1001202904	Ref	SWEEPER ASSEMBLY - HOPPER	
1	70029725	2	Lanyard	
2	70029734	8	Washer	
3	70029735	8	Screw	
4	70029738	4	Washer	
5	70029739	8	Washer	
6	70029740	8	Screw	
7	70029742	2	Screw	
8	70029743	8	Washer	
9	70029747	2	Nut	
10	70029750	2	Pin	
11	70029756	8	Nut	
12	70029762	2	Assembly, Caster	
13	See Note	NSS	Hopper (Note: Purchase Complete Assembly)	
14	70029777	2	Pin	
15	70029780	2	Plate	
16	70029781	1	Plate	
17	70029785	1	Flap	
18	70029792	12	Plug	
19	70029794	2	Pin, Lynch	

# SECTION 3 - ATTACHMENTS

## FIGURE 3-84. AUGER (COUPLER MOUNTED) (CE & AUS)



ART\_1001206173-B



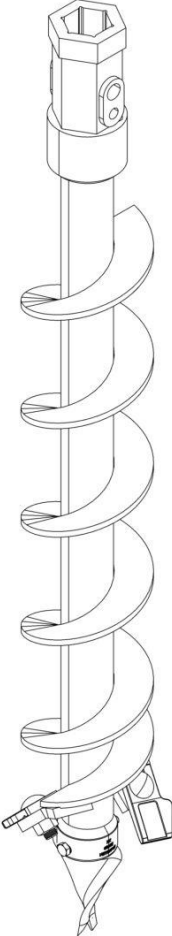
## SECTION 3 - ATTACHMENTS

**FIGURE 3-84. AUGER (COUPLER MOUNTED) (CE & AUS)**

ITEM	PART NUMBER	QTY	DESCRIPTION	REV
	1001206173	1	Auger (Coupler Mounted)	E
1	90554070	1	Bolt	
2	70027774	8	Bolt	
3	90554042	8	Washer, Lock	
4	70027775	1	Nut, Lock	
5	1001093826	1	Cap, Male Dust	
6	1001093827	1	Cap, Female Dust	
7	70027776	4	Bolt	
8	70027777	5	Pin	
9	70027778	1	Bracket, Cradle	
10	70027781	1	Pin	
11	70027782	1	Pin	
12	70027783	1	Plate, Hose Cushion	
13	70027784	1	Block, Hose Cushion	
14	70027785	1	Gasket, Motor	
15	70027787	2	Decal, Danger	
16	1001101041	1	Coupler, Male Hydraulic	
17	1001101042	1	Coupler, Female Hydraulic	
18	70027788	2	Fitting	
19	70027789	2	Hose	
20	70027791	1	Motor	
21	70027794	2	Hose	
22	70027773	1	Bolt	
23	70027792	1	Clamp, Hose	
24	90554019	4	Bolt	
25	90554054	4	Nut	
26	90554067	1	Washer, Lock	
27	90554020	4	Washer, Lock	
28	70027779	1	Swivel	
29	70027780	1	Pin	
30	70027786	1	Decal, Warning	
31	70027793	1	Gearbox, Planetary	
101	N.S.S.	1	Plate, Serial Number	

**SECTION 3 - ATTACHMENTS**

**FIGURE 3-85. AUGER BIT, (6INX4IN) (CE & AUS)**



ART\_1001204128-B

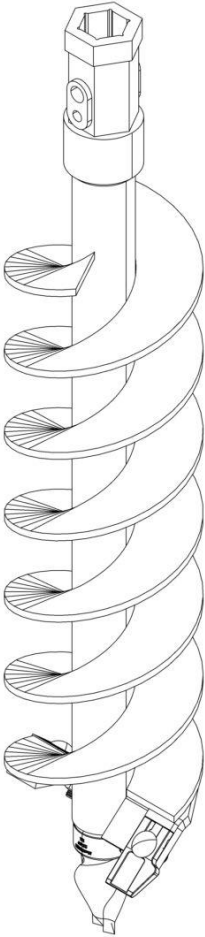
## SECTION 3 - ATTACHMENTS

**FIGURE 3-85. AUGER BIT, (6INX4IN) (CE & AUS)**

ITEM	PART NUMBER	QTY	DESCRIPTION	REV
	1001204128	Ref	Auger Bit (6INX4IN)	B

**SECTION 3 - ATTACHMENTS**

**FIGURE 3-86. AUGER BIT, (9INX4IN) (CE & AUS)**



ART\_1001204129-B

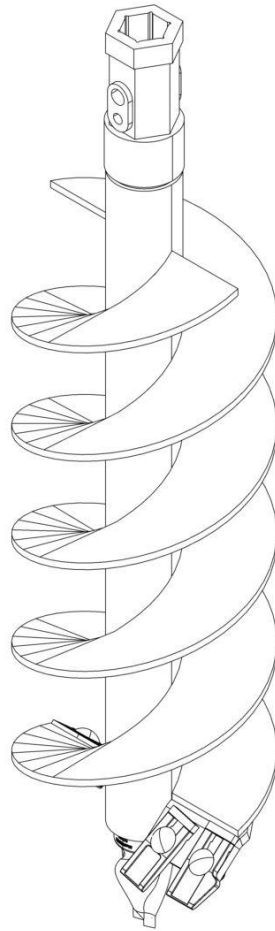
## SECTION 3 - ATTACHMENTS

**FIGURE 3-86. AUGER BIT, (9INX4IN) (CE & AUS)**

ITEM	PART NUMBER	QTY	DESCRIPTION	REV
	1001204129	Ref	Auger Bit (9INX4IN)	B

## SECTION 3 - ATTACHMENTS

FIGURE 3-87. AUGER BIT, (12INX4IN) (CE & AUS)



ART\_1001204130-B

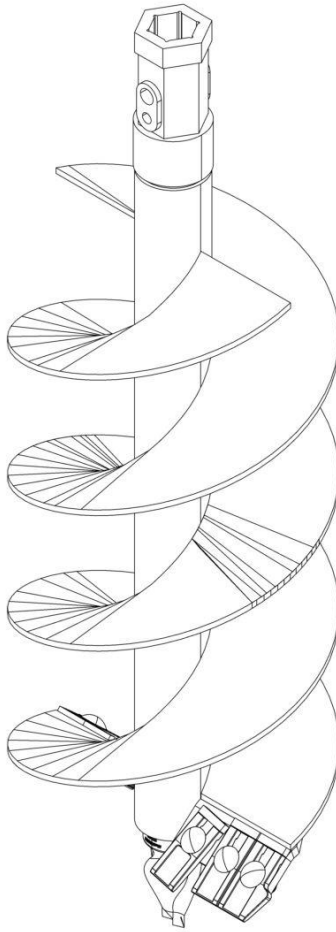
## SECTION 3 - ATTACHMENTS

**FIGURE 3-87. AUGER BIT, (12INX4IN) (CE & AUS)**

ITEM	PART NUMBER	QTY	DESCRIPTION	REV
	1001204130	Ref	Auger Bit (12INX4IN)	B

## SECTION 3 - ATTACHMENTS

FIGURE 3-88. AUGER BIT, (15INX4IN) (CE & AUS)



ART\_1001204131-B



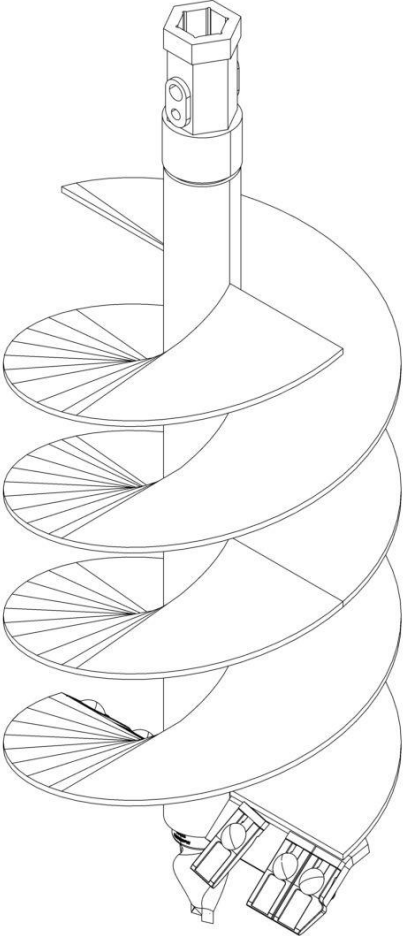
## SECTION 3 - ATTACHMENTS

**FIGURE 3-88. AUGER BIT, (15INX4IN) (CE & AUS)**

ITEM	PART NUMBER	QTY	DESCRIPTION	REV
	1001204131	Ref	Auger Bit (15INX4IN)	B

**SECTION 3 - ATTACHMENTS**

**FIGURE 3-89. AUGER BIT, (18INX4IN) (CE & AUS)**



ART\_1001204132-B

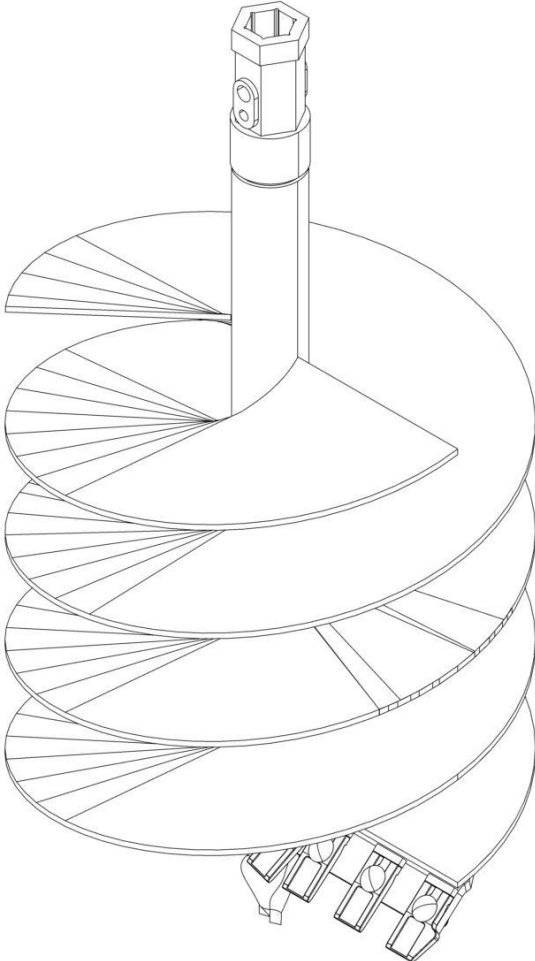
## SECTION 3 - ATTACHMENTS

**FIGURE 3-89. AUGER BIT, (18INX4IN) (CE & AUS)**

ITEM	PART NUMBER	QTY	DESCRIPTION	REV
	1001204132	Ref	Auger Bit (18INX4IN)	B

**SECTION 3 - ATTACHMENTS**

**FIGURE 3-90. AUGER BIT, (24INX4IN) (CE & AUS)**



ART\_1001204133-B

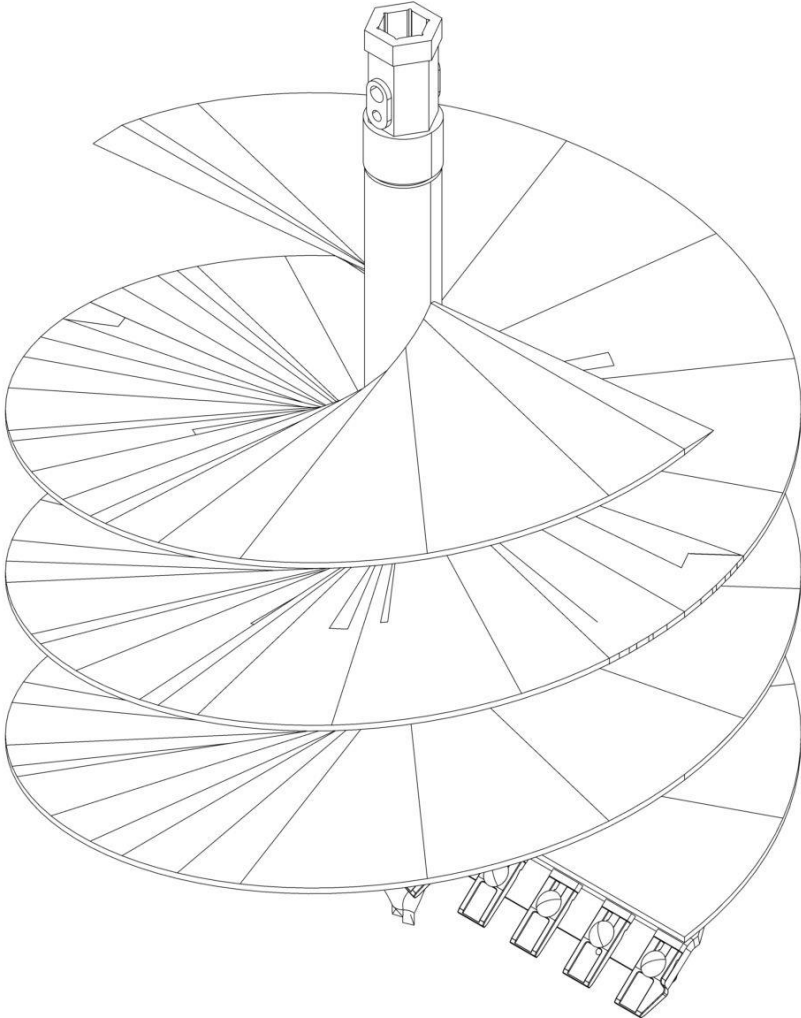
## SECTION 3 - ATTACHMENTS

**FIGURE 3-90. AUGER BIT, (24INX4IN) (CE & AUS)**

ITEM	PART NUMBER	QTY	DESCRIPTION	REV
	1001204133	Ref	Auger Bit (24INX4IN)	B

**SECTION 3 - ATTACHMENTS**

**FIGURE 3-91. AUGER BIT, (36INX4IN) (CE & AUS)**



ART\_1001204134-B

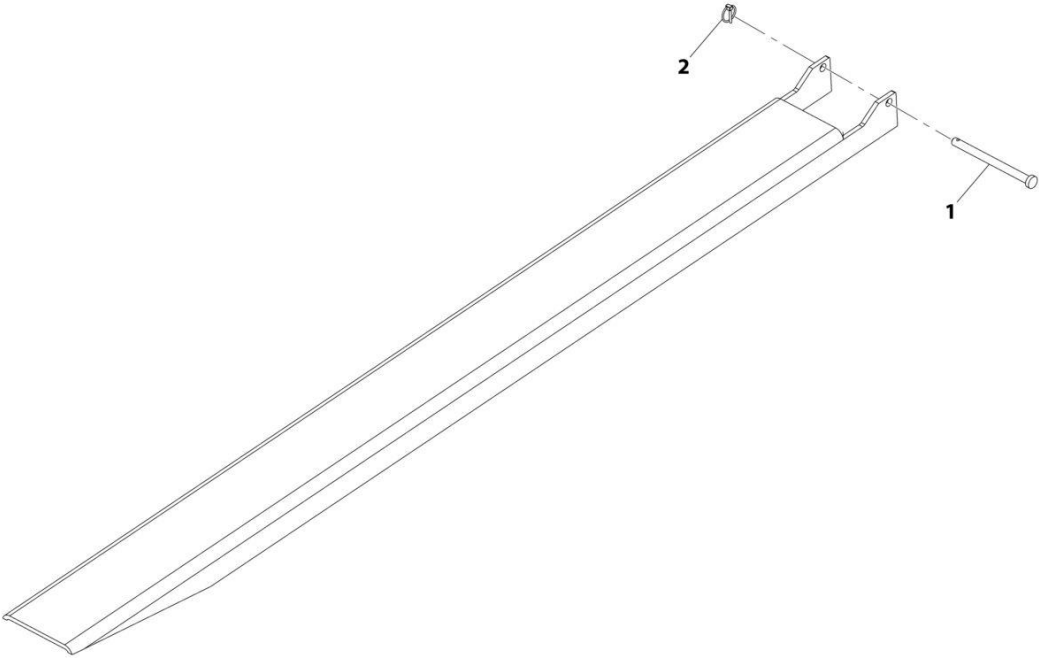
## SECTION 3 - ATTACHMENTS

**FIGURE 3-91. AUGER BIT, (36INX4IN) (CE & AUS)**

ITEM	PART NUMBER	QTY	DESCRIPTION	REV
	1001204134	Ref	Auger Bit (36INX4IN)	B

**SECTION 3 - ATTACHMENTS**

**FIGURE 3-92. FORK EXTENSIONS (62X163X2286) (ANSI - JLG)**



ART\_1001137512-D



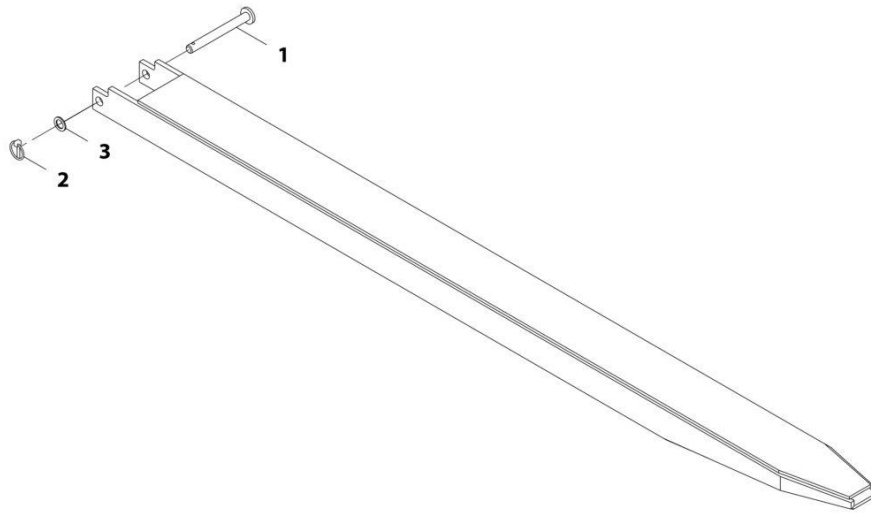
## SECTION 3 - ATTACHMENTS

**FIGURE 3-92. FORK EXTENSIONS (62X163X2286) (ANSI - JLG)**

ITEM	PART NUMBER	QTY	DESCRIPTION	REV
	1001137512	2 pr	Fork Extensions (62X163X2286)	D
1	70024306	1	Pin	
2	70024307	1	Clip	

# SECTION 3 - ATTACHMENTS

FIGURE 3-93. FORK EXTENSION (50X100X1910) (CE)



ART\_1001112559-C

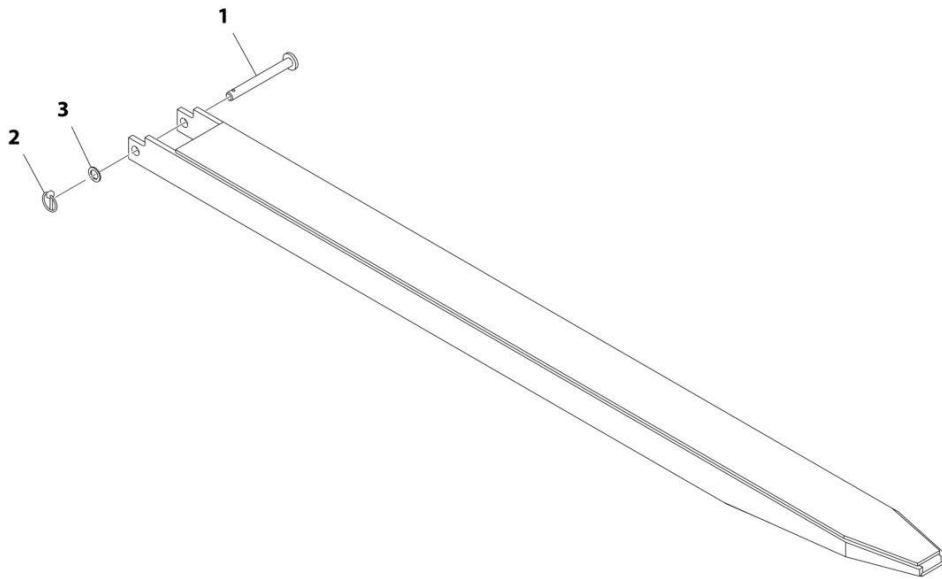
## SECTION 3 - ATTACHMENTS

**FIGURE 3-93. FORK EXTENSION (50X100X1910) (CE)**

ITEM	PART NUMBER	QTY	DESCRIPTION	REV
	1001112559	1	Fork Extension (50X100X1910)	C
1	70022831	1	Kit, Pin	
2	N.S.S.	1	Pin, Locking	
3	N.S.S.	1	Washer	

# SECTION 3 - ATTACHMENTS

FIGURE 3-94. FORK EXTENSION (60X100X1920) (AUS)



ART\_1001112560-B

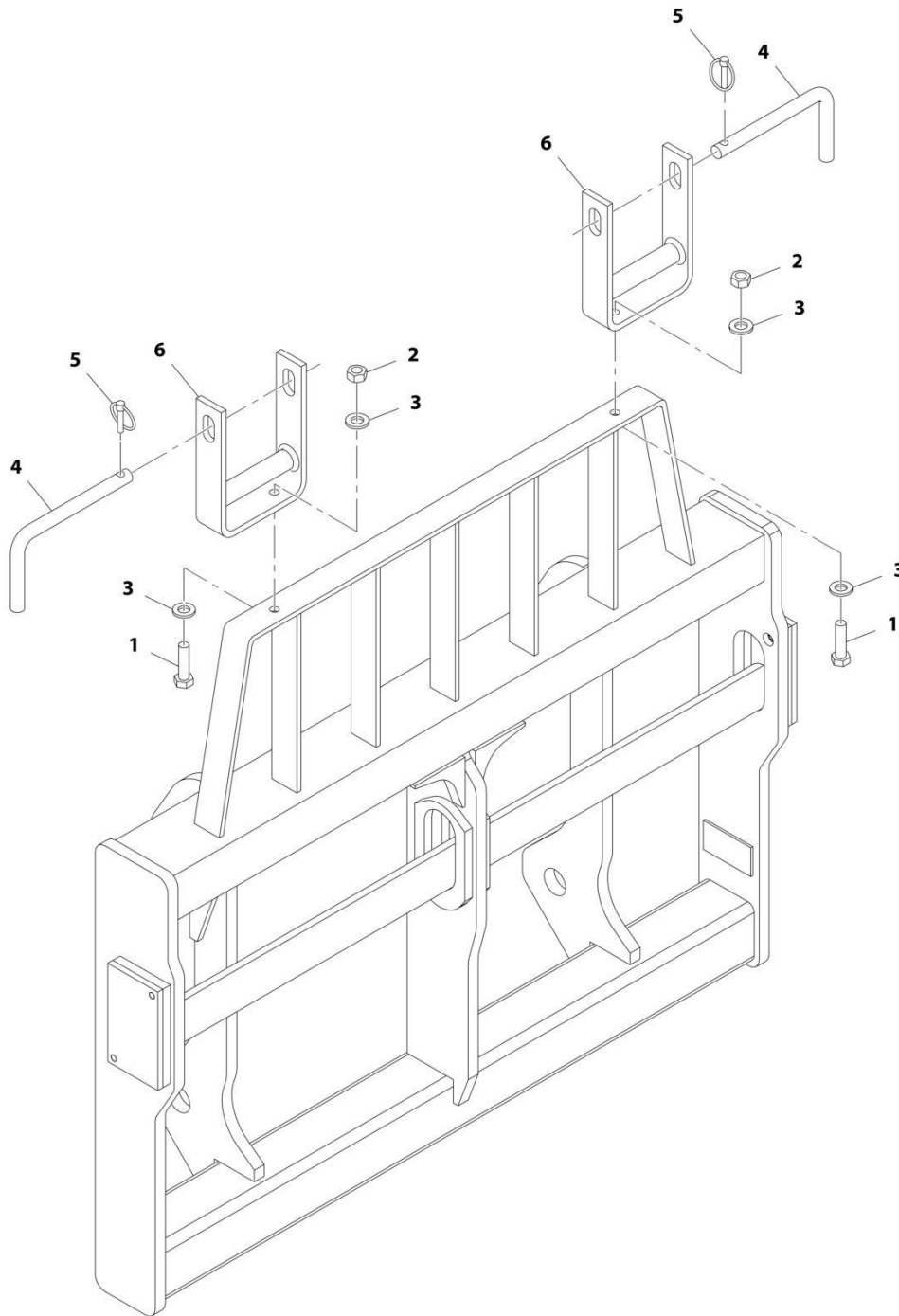
## SECTION 3 - ATTACHMENTS

**FIGURE 3-94. FORK EXTENSION (60X100X1920) (AUS)**

ITEM	PART NUMBER	QTY	DESCRIPTION	REV
	1001112560	1	Fork Extension (60X100X1920)	B
1	70022831	1	Kit, Pin	
2	N.S.S.	1	Pin, Locking	
3	N.S.S.	1	Washer	

# SECTION 3 - ATTACHMENTS

## FIGURE 3-95. FORK TRANSPORT LATCH INSTALLATION (CE & AUS)



ART\_1001221644-A

## SECTION 3 - ATTACHMENTS

**FIGURE 3-95. FORK TRANSPORT LATCH INSTALLATION (CE & AUS)**

ITEM	PART NUMBER	QTY	DESCRIPTION	REV
	1001221644	Ref	Fork Transport Latches Installation	A
1	0701217	2	Bolt, M12X45	
2	3291201	2	Nut, M12X1.75	
3	5241200	4	Washer, M12	
4	1001100262	2	Pin	
5	1001109387	2	Pin	
6	1001152259	2	Bracket	



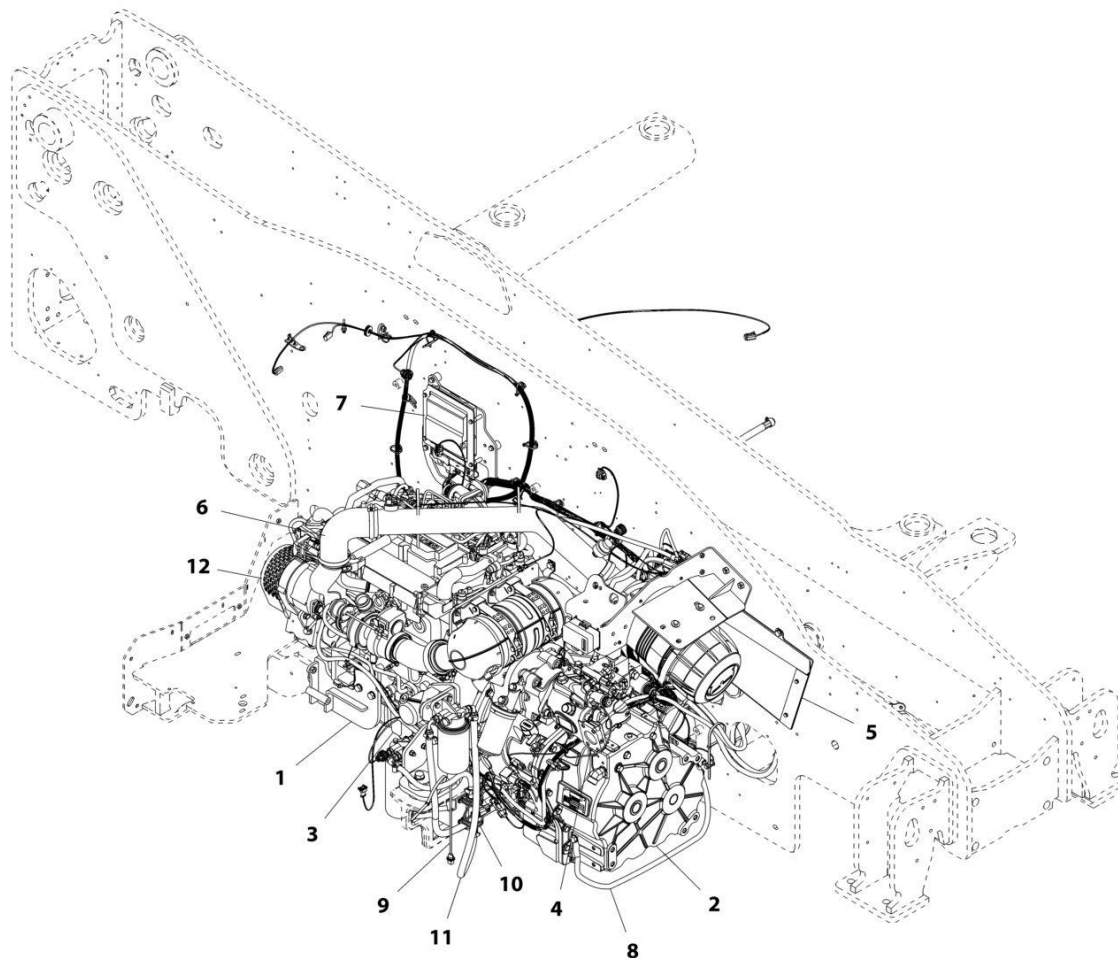


## **SECTION 4 - ENGINE AND ATTACHING PARTS**

## **SECTION 4 - ENGINE AND ATTACHING PARTS**

# SECTION 4 - ENGINE AND ATTACHING PARTS

FIGURE 4-1. ENGINE INSTALLATION (74.4KW - ULS - PISTON PUMP)



ART\_1001175306-E

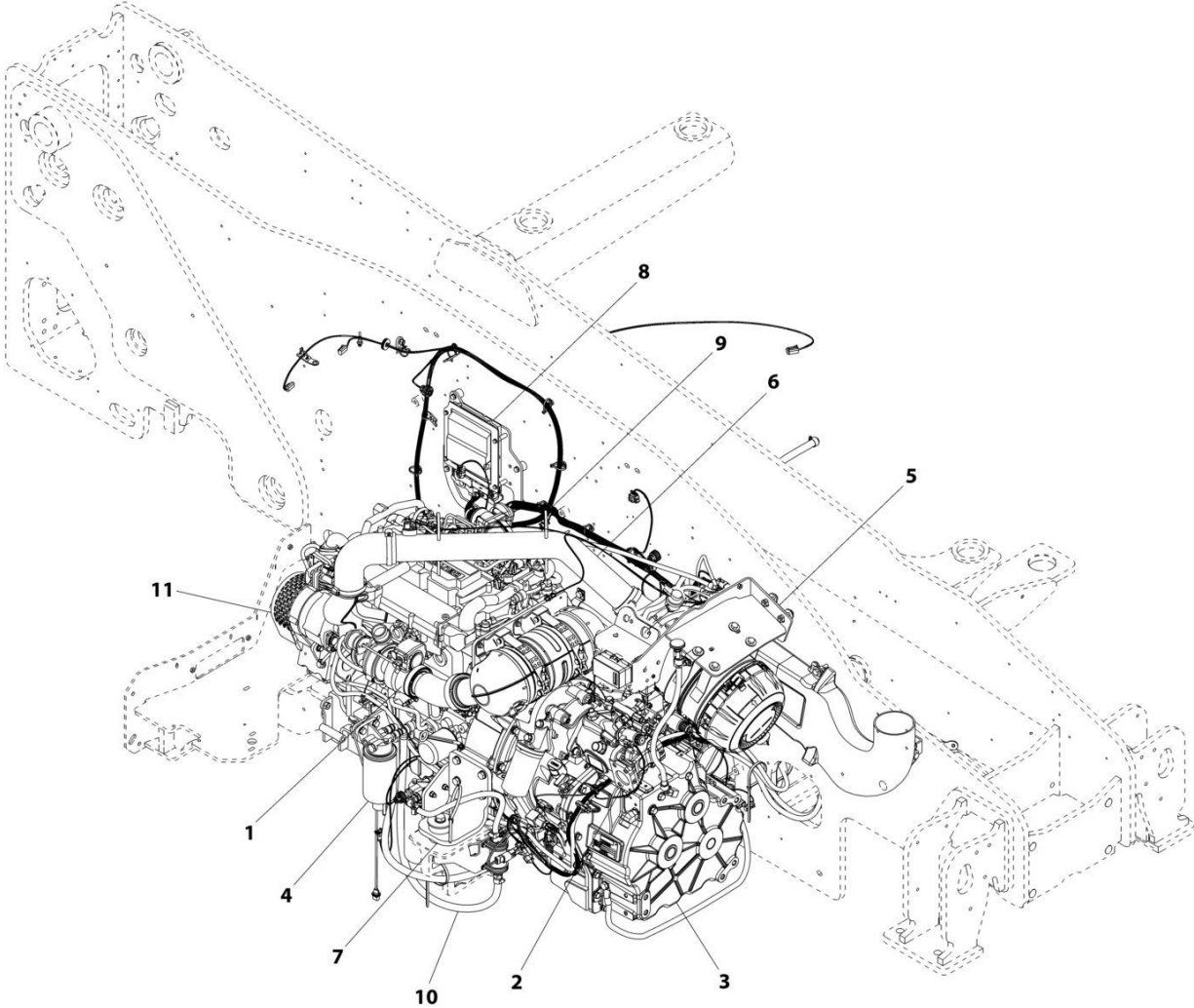
## SECTION 4 - ENGINE AND ATTACHING PARTS

**FIGURE 4-1. ENGINE INSTALLATION (74.4KW - ULS - PISTON PUMP)**

ITEM	PART NUMBER	QTY	DESCRIPTION	REV
1	1001175306	Ref	Engine Installation (74.4KW - ULS - Piston Pump)	E
	1001188466	Ref	Installation, Engine Mounting (74.4KW) (See Separate Breakdown in this Section)	
2	1001200180	Ref	Installation, Transmission (4 SPD) (See Separate Breakdown in Drivetrain Section)	
3	1001175550	1	Engine, 3.6L (74.4KW - ULS - Piston Pump) (See Separate Breakdown in this Section)	
4	1001177863	Ref	Installation, Main Hydraulic Pump (See Separate Breakdown in HYDRAULIC CIRCUITS Section)	
5	1001182040	Ref	Installation, Air Cleaner (74.4KW - ULS) (See Separate Breakdown in this Section)	
6	1001182041	Ref	Installation, Air Intake Lines (74.4KW - ULS) (See Separate Breakdown in this Section)	
7	1001182735	Ref	Installation, Engine ECU (ULS) (See Separate Breakdown in ELECTRICAL Section)	
8	1001185375	Ref	Installation, Engine Wiring (ULS) (See Separate Breakdown in ELECTRICAL Section)	
9	1001211729	Ref	Installation, Primary Fuel Filter (74.4KW - ULS) (See Separate Breakdown in this Section)	
10	1001165789	Ref	Installation, Remote Fuel Pump (74.4KW) (See Separate Breakdown in this Section)	
11	1001185181	Ref	Installation, Fuel Lines (ULS) (See Separate Breakdown in this Section)	
12	1001182235	Ref	Installation, Bracket Guard (See Separate Breakdown in this Section)	

# SECTION 4 - ENGINE AND ATTACHING PARTS

FIGURE 4-2. ENGINE INSTALLATION (90KW - ULS - PISTON PUMP)



ART\_1001175309-E

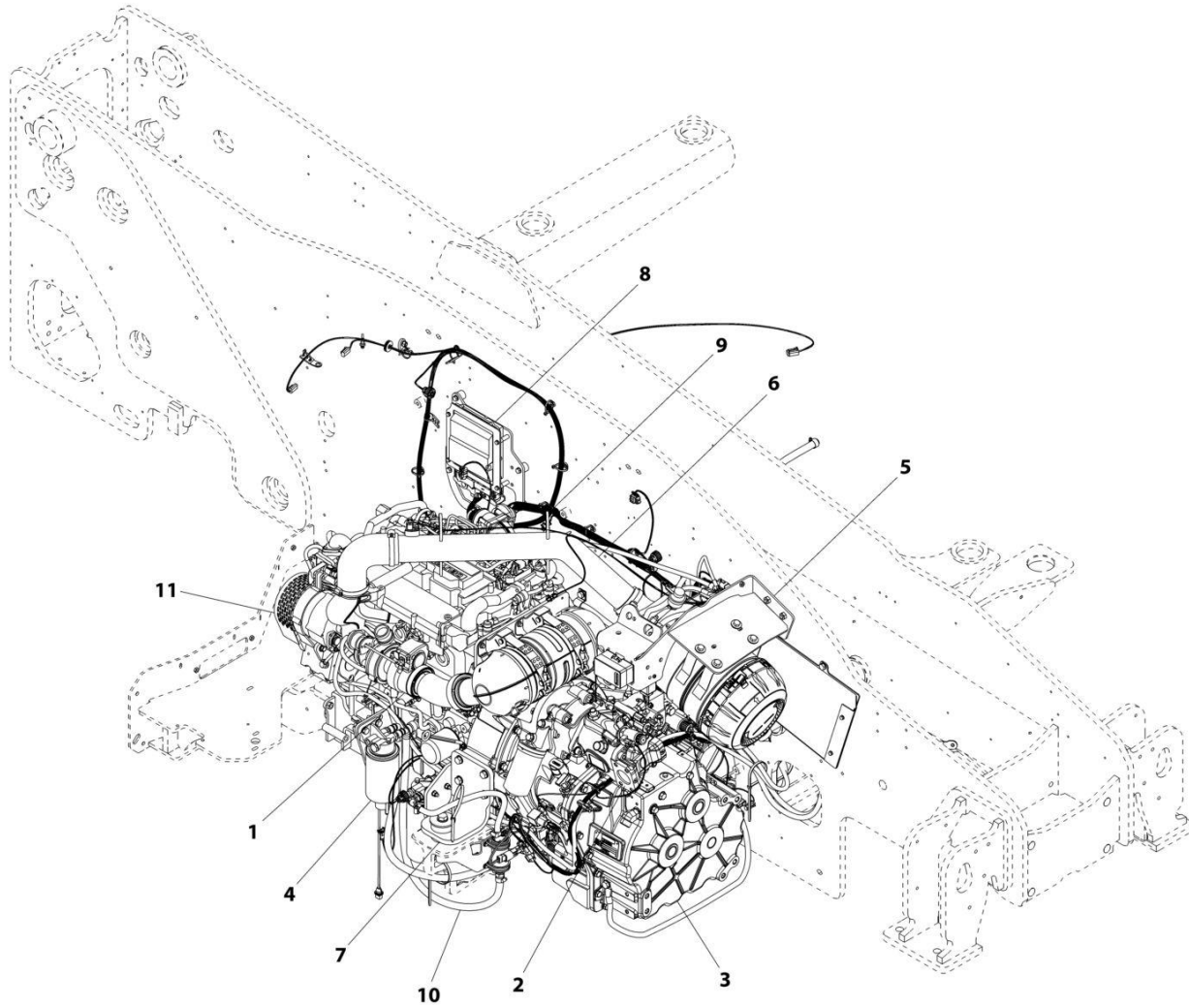
## SECTION 4 - ENGINE AND ATTACHING PARTS

**FIGURE 4-2. ENGINE INSTALLATION (90KW - ULS - PISTON PUMP)**

ITEM	PART NUMBER	QTY	DESCRIPTION	REV
	1001175309	Ref	Engine Installation (90KW - ULS - Piston Pump)	D
1	1001175553	1	Engine, 3.6L (90KW - ULS - Piston Pump) (See Separate Breakdown in this Section)	
2	1001177863	Ref	Installation, Main Hydraulic Pump (See Separate Breakdown in HYDRAULIC CIRCUITS Section)	
3	1001178439	Ref	Installation, Transmission (6 SPD) (See Separate Breakdown in DRIVETRAIN Section)	
4	1001181951	Ref	Installation, Fuel Filter (90/100KW - ULS) (See Separate Breakdown in this Section)	
5	1001182036	Ref	Installation, Air Cleaner (90/100KW) (See Separate Breakdown in this Section)	
6	1001182037	Ref	Installation, Air Intake Lines (90/100KW - ULS) (See Separate Breakdown in this Section)	
7	1001182582	Ref	Installation, Engine Mounting (90/100KW) (See Separate Breakdown in this Section)	
8	1001182735	Ref	Installation, Engine ECU (ULS) (See Separate Breakdown in this Section)	
9	1001185375	Ref	Installation, Engine Wiring (ULS) (See Separate Breakdown in ELECTRICAL Section)	
10	1001197821	Ref	Installation, Fuel Lines (ULS - RHOC) (See Separate Breakdown in this Section)	
11	1001182235	Ref	Installation, Bracket Guard (See Separate Breakdown in this Section)	

# SECTION 4 - ENGINE AND ATTACHING PARTS

FIGURE 4-3. ENGINE INSTALLATION (100KW - ULS - PISTON PUMP)



ART\_1001178622-E

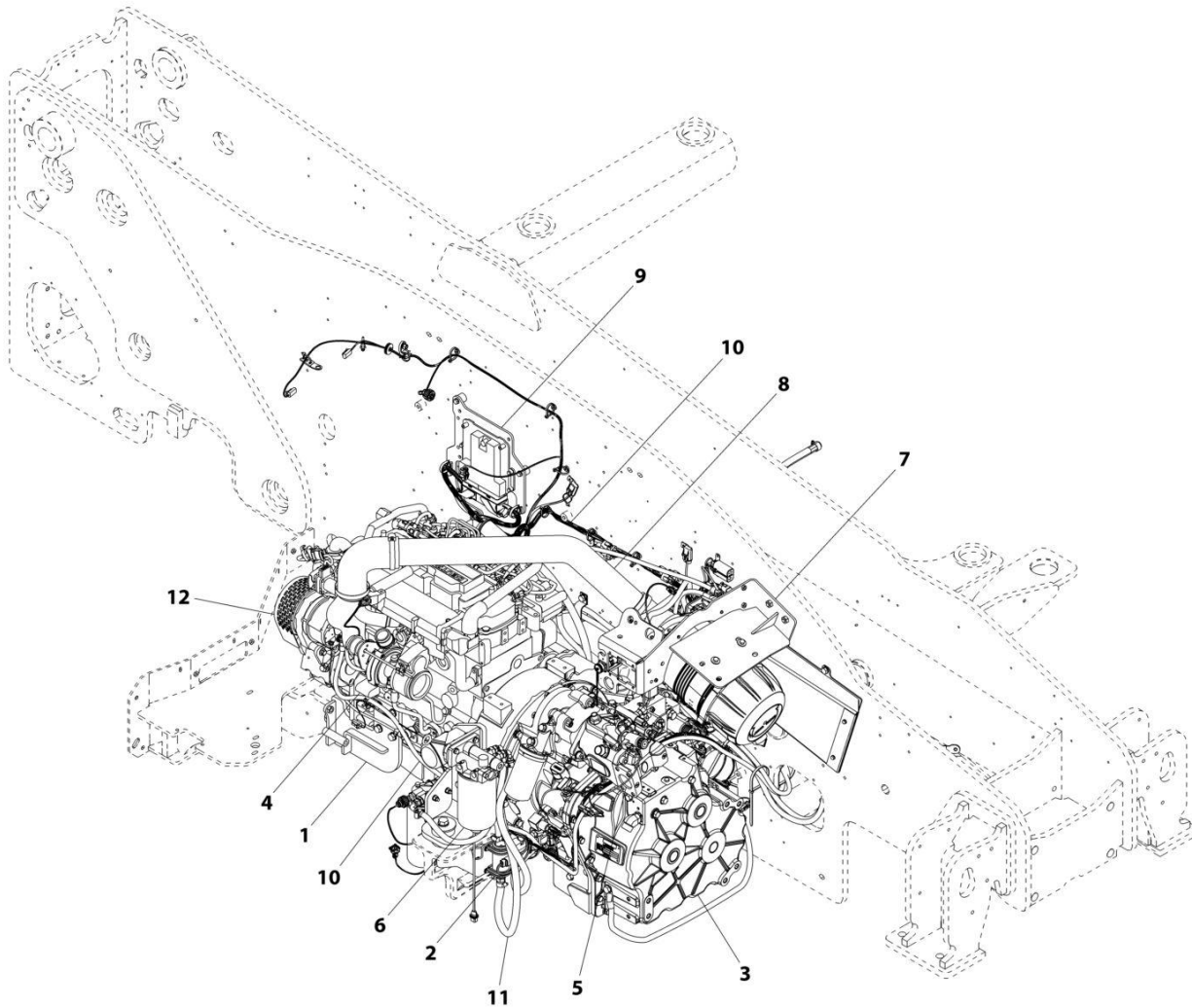
## SECTION 4 - ENGINE AND ATTACHING PARTS

**FIGURE 4-3. ENGINE INSTALLATION (100KW - ULS - PISTON PUMP)**

ITEM	PART NUMBER	QTY	DESCRIPTION	REV
	1001178622	Ref	Engine Installation (100KW - ULS - Piston Pump)	E
1	1001175555	1	Engine, 3.6L (100KW - ULS - Piston Pump) (See Separate Breakdown in this Section)	
2	1001177863	Ref	Installation, Main Hydraulic Pump (See Separate Breakdown in HYDRAULIC CIRCUITS Section)	
3	1001182647	Ref	Installation, Transmission (6 SPD - HHP) (See Separate Breakdown in DRIVETRAIN Section)	
4	1001181951	Ref	Installation, Fuel Filter (90/100KW - ULS) (See Separate Breakdown in this Section)	
5	1001182036	Ref	Installation, Air Cleaner (90/100KW) (See Separate Breakdown in this Section)	
6	1001182037	Ref	Installation, Air Intake Lines (90/100KW - ULS) (See Separate Breakdown in this Section)	
7	1001182582	Ref	Installation, Engine Mounting (90/100KW) (See Separate Breakdown in this Section)	
8	1001182735	Ref	Installation, Engine ECU (ULS) (See Separate Breakdown in ELECTRICAL Section)	
9	1001185375	Ref	Installation, Engine Wiring (ULS) (See Separate Breakdown in ELECTRICAL Section)	
10	1001197821	Ref	Installation, Fuel Lines (ULS - RHOC) (See Separate Breakdown in this Section)	
11	1001182235	Ref	Installation, Bracket Guard (See Separate Breakdown in this Section)	

# SECTION 4 - ENGINE AND ATTACHING PARTS

FIGURE 4-4. ENGINE INSTALLATION (74.4KW - LS - PISTON PUMP)



ART\_1001175313-E



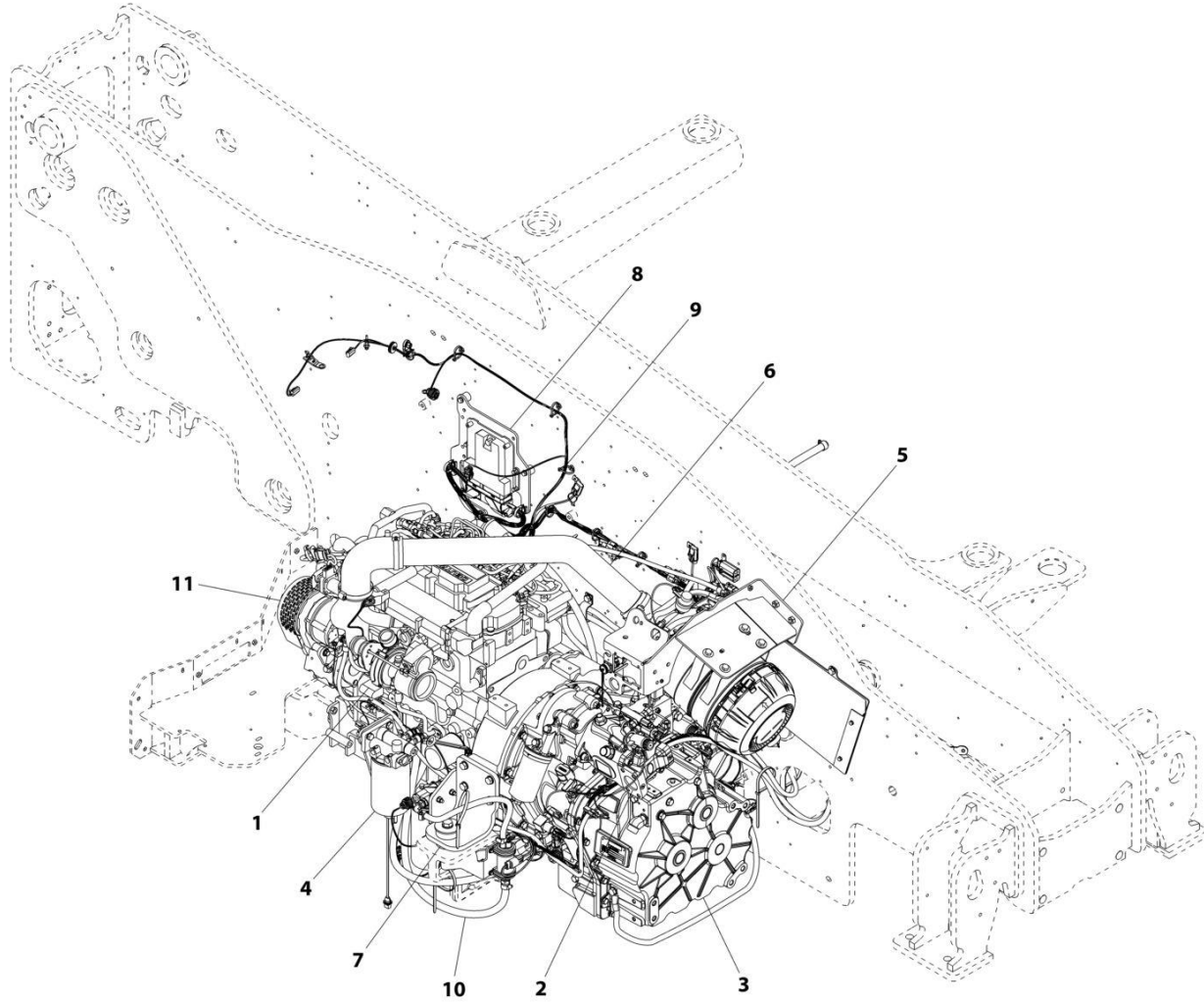
## SECTION 4 - ENGINE AND ATTACHING PARTS

**FIGURE 4-4. ENGINE INSTALLATION (74.4KW - LS - PISTON PUMP)**

ITEM	PART NUMBER	QTY	DESCRIPTION	REV
	1001175313	Ref	Engine Installation (74.4KW - LS - Piston Pump)	E
1	1001188466	Ref	Installation, Engine Mounting (74.4KW) (See Separate Breakdown in this Section)	
2	1001165789	Ref	Installation, Remote Fuel Pump (74.4KW) (See Separate Breakdown in this Section)	
3	1001200180	Ref	Installation, Transmission (4 SPD) (See Separate Breakdown in DRIVETRAIN Section)	
4	1001175552	1	Engine, 3.6L (74.4KW - LS - Piston Pump) (See Separate Breakdown in this Section)	
5	1001177863	Ref	Installation, Main Hydraulic Pump (See Separate Breakdown in HYDRAULIC CIRCUITS Section)	
6	1001211730	Ref	Installation, Primary Fuel Filter (74.4KW - LS) (See Separate Breakdown in this Section)	
7	1001182042	Ref	Installation, Air Cleaner (74.4KW - LS) (See Separate Breakdown in this Section)	
8	1001182043	Ref	Installation, Air Intake Lines (74.4KW - LS) (See Separate Breakdown in this Section)	
9	1001182736	Ref	Installation, Engine ECU (LS) (See Separate Breakdown in ELECTRICAL Section)	
10	1001185377	Ref	Installation, Engine Wiring (LS) (See Separate Breakdown in ELECTRICAL Section)	
11	1001197826	Ref	Installation, Fuel Lines (LS) (See Separate Breakdown in this Section)	
12	1001182235	Ref	Installation, Bracket Guard (See Separate Breakdown in this Section)	

# SECTION 4 - ENGINE AND ATTACHING PARTS

FIGURE 4-5. ENGINE INSTALLATION (90KW - LS - PISTON PUMP)



ART\_1001175315-D

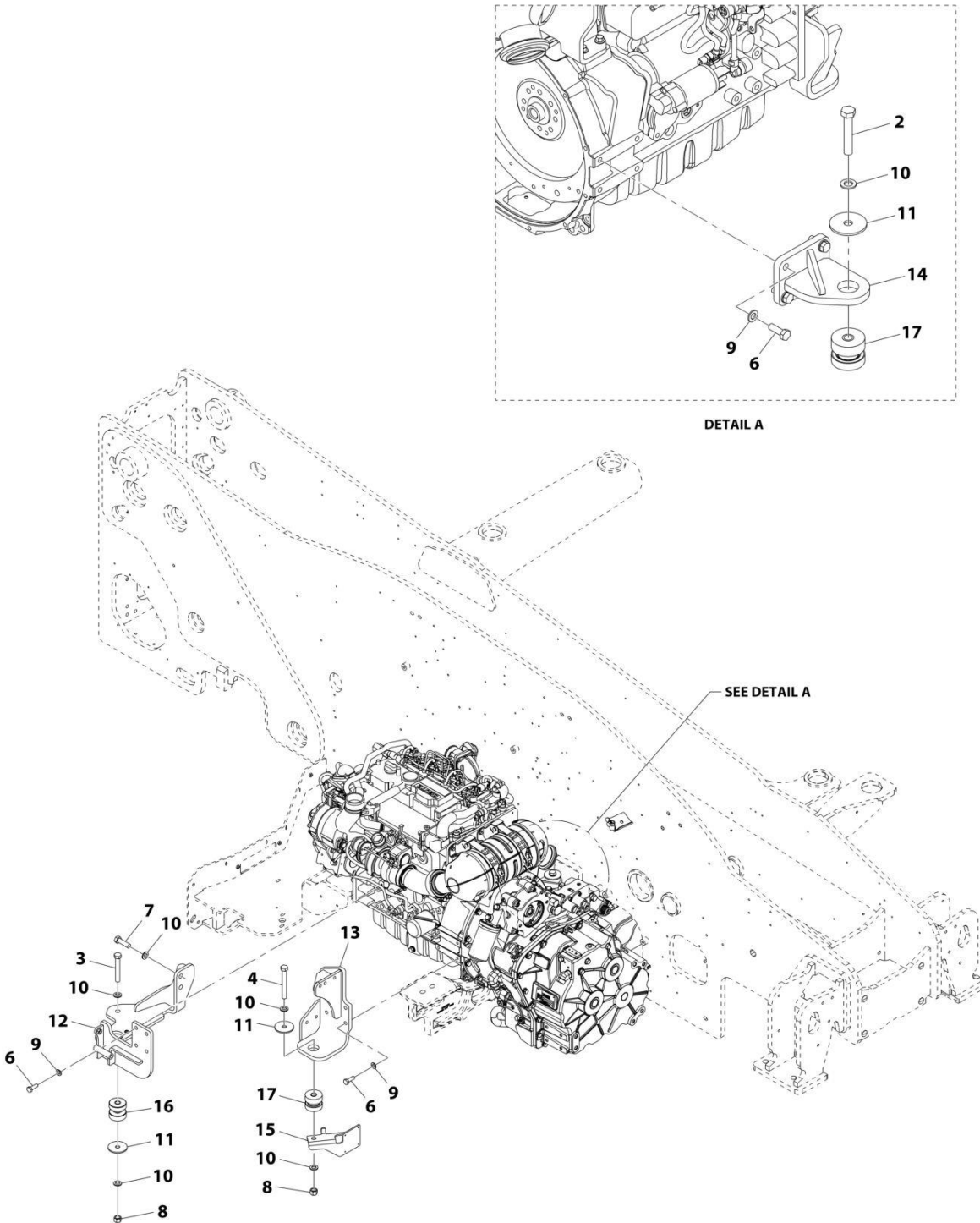
## SECTION 4 - ENGINE AND ATTACHING PARTS

**FIGURE 4-5. ENGINE INSTALLATION (90KW - LS - PISTON PUMP)**

ITEM	PART NUMBER	QTY	DESCRIPTION	REV
	1001175315	Ref	Engine Installation (90KW - LS - Piston Pump)	D
1	1001175554	1	Engine, 3.6L (90KW - LS - Piston Pump) (See Separate Breakdown in this Section)	
2	1001177863	Ref	Installation, Main Hydraulic Pump (See Separate Breakdown in HYDRAULIC CIRCUITS Section)	
3	1001178439	Ref	Installation, Transmission (6 SPD) (See Separate Breakdown in DRIVETRAIN Section)	
4	1001181952	Ref	Installation, Primary Fuel Filter (90KW - LS) (See Separate Breakdown in this Section)	
5	1001182036	Ref	Installation, Air Cleaner (90/100KW) (See Separate Breakdown in this Section)	
6	1001182039	Ref	Installation, Air Intake Lines (90KW - LS) (See Separate Breakdown in this Section)	
7	1001182582	Ref	Installation, Engine Mounting (90/100KW) (See Separate Breakdown in this Section)	
8	1001182736	Ref	Installation, Engine ECU (LS) (See Separate Breakdown in ELECTRICAL Section)	
9	1001185377	Ref	Installation, Engine Wiring (LS) (See Separate Breakdown in ELECTRICAL Section)	
10	1001185189	Ref	Installation, Fuel Lines (LS - RHOC) (See Separate Breakdown in this Section)	
11	1001182235	Ref	Installation, Bracket Guard (See Separate Breakdown in this Section)	

# SECTION 4 - ENGINE AND ATTACHING PARTS

## FIGURE 4-6. ENGINE MOUNTING INSTALLATION (74.4KW)



ART\_1001188466-E

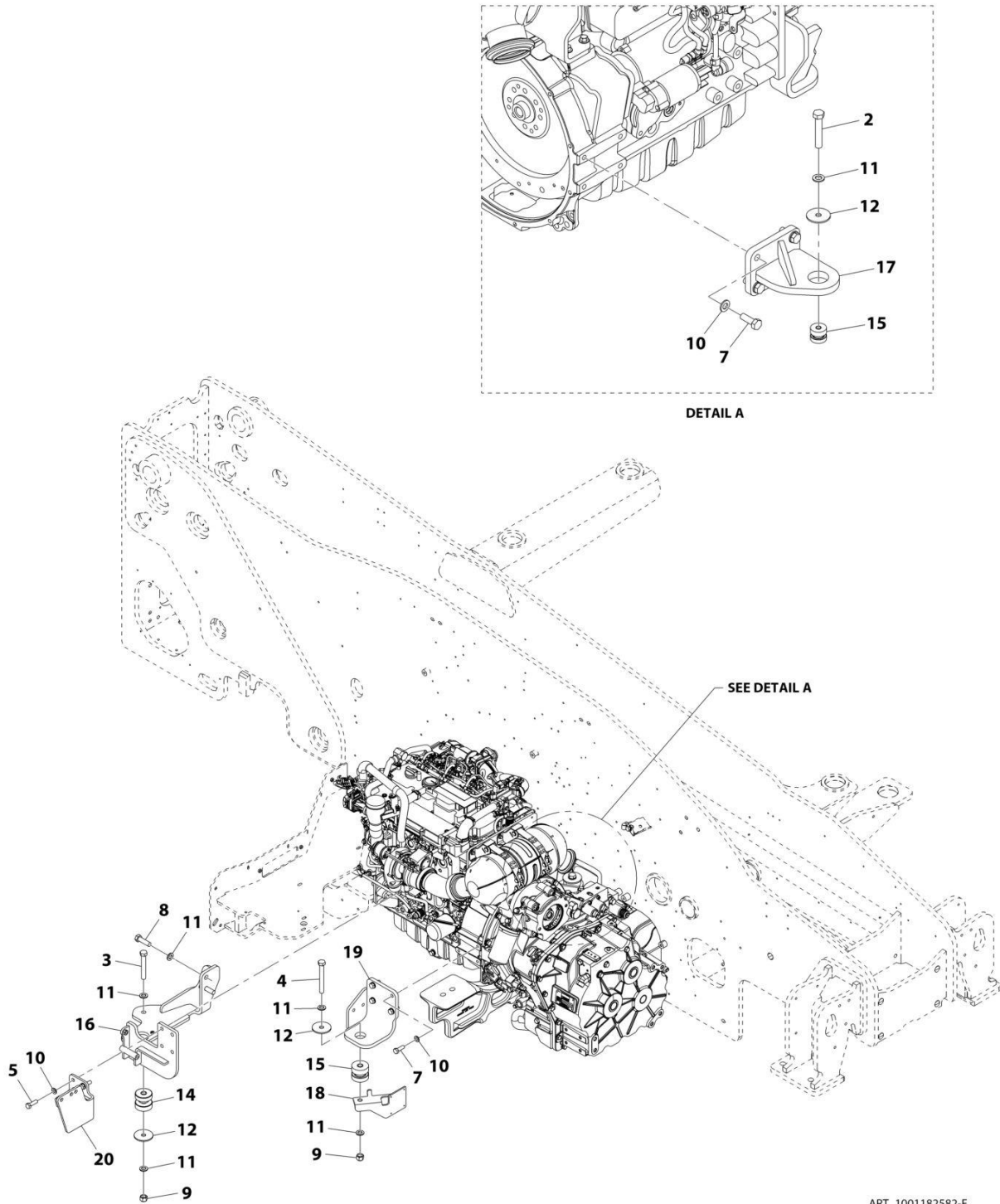
## SECTION 4 - ENGINE AND ATTACHING PARTS

FIGURE 4-6. ENGINE MOUNTING INSTALLATION (74.4KW)

ITEM	PART NUMBER	QTY	DESCRIPTION	REV
	1001188466	Ref	Engine Mounting Installation (74.4KW)	E
2	0701626	1	Bolt, M16X90	
3	0701628	1	Bolt, M16X110	
4	0701630	1	Bolt, M16X130	
6	0761215	12	Bolt, M12X35	
7	0761619	2	Bolt, M16X55	
8	3291605	2	Bolt, M16X2	
9	4812100	12	Washer, M12	
10	4812300	7	Washer, M16	
11	7300435	3	Washer	
12	1001169216	1	Bracket, Engine Mount	
13	1001169309	1	Bracket, Engine Mount	
14	1001169424	1	Bracket, Engine Mount	
15	1001188204	1	Bracket, Fuel Pump	
16	1001163387	1	Mount, Isolator Engine	
17	1001195518	2	Mount, Isolator Engine	

# SECTION 4 - ENGINE AND ATTACHING PARTS

## FIGURE 4-7. ENGINE MOUNTING INSTALLATION (90KW/100KW)



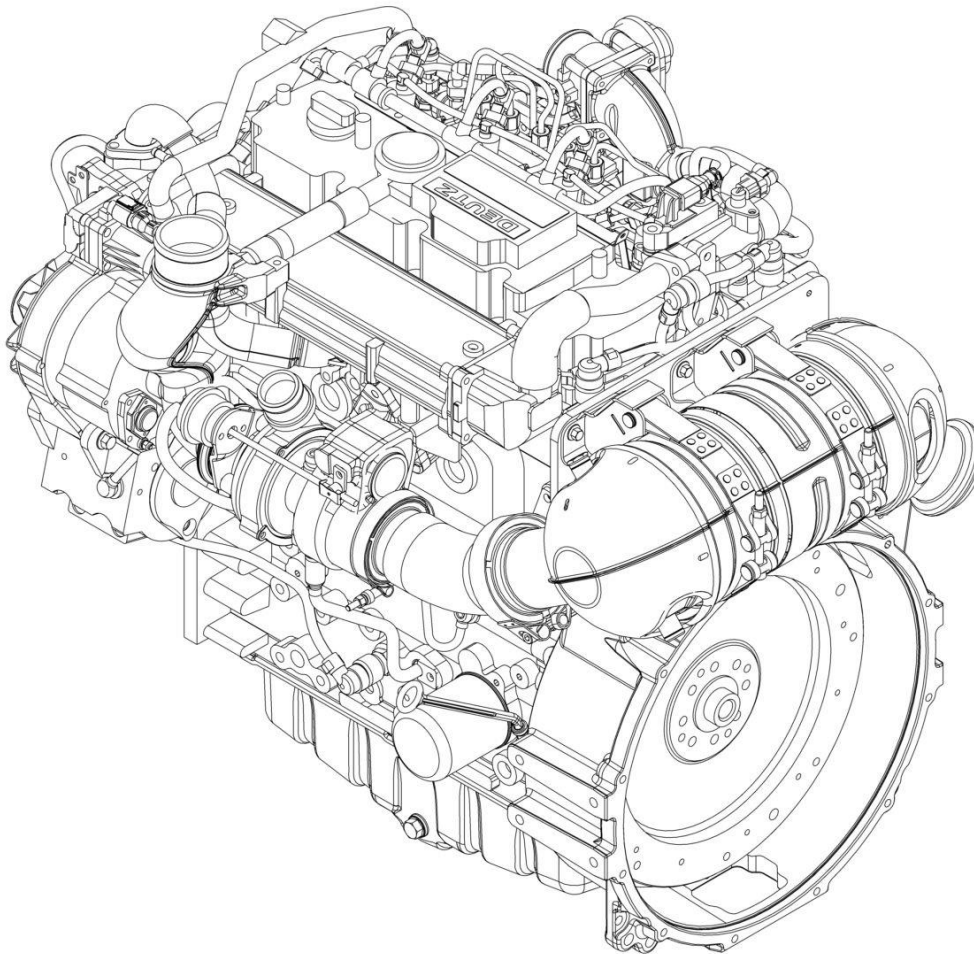
## SECTION 4 - ENGINE AND ATTACHING PARTS

**FIGURE 4-7. ENGINE MOUNTING INSTALLATION (90KW/100KW)**

ITEM	PART NUMBER	QTY	DESCRIPTION	REV
	1001182582	Ref	Engine Mounting Installation (90KW/100KW)	F
2	0701626	1	Bolt, M16X90	
3	0701628	1	Bolt, M16X110	
4	0701630	1	Bolt, M16X130	
5	0761216	4	Bolt, M12X40	
7	0761215	8	Bolt, M12X35	
8	0761619	2	Bolt, M16X55	
9	3291605	2	Bolt, M16X2	
10	4812100	12	Washer, M12	
11	4812300	7	Washer, M16	
12	7300435	3	Washer	
14	1001163387	1	Mount, Isolator Engine	
15	1001195518	2	Mount, Isolator Engine	
16	1001169216	1	Bracket, Engine Mount	
17	1001169424	1	Bracket, Engine Mount	
18	1001188204	1	Bracket, Fuel Pump	
19	1001183745	1	Bracket, Engine Mount	
20	1001189586	1	Bracket, Fuel Filter	

## SECTION 4 - ENGINE AND ATTACHING PARTS

FIGURE 4-8. 3.6L ENGINE (74.4KW - ULS - PISTON PUMP)



ART\_1001175550-E



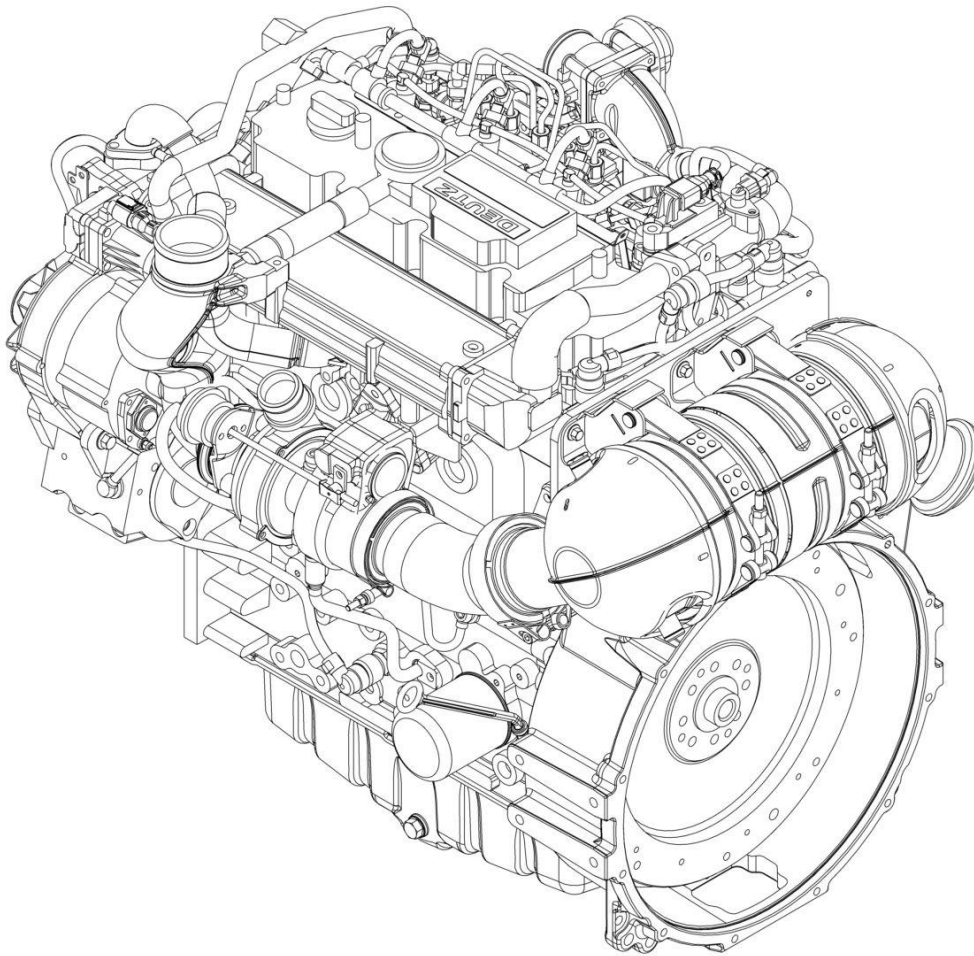
## SECTION 4 - ENGINE AND ATTACHING PARTS

**FIGURE 4-8. 3.6L ENGINE (74.4KW - ULS - PISTON PUMP)**

ITEM	PART NUMBER	QTY	DESCRIPTION	REV
	1001175550	Ref	3.6L Engine (74.4KW - ULS - Piston Pump)	E
	70027657	1	Dipstick	
	7020442	2	O-Ring	
	7020465	1	Cap, Filler	
	70025205	1	Gasket	
	70004280	1	Seal	
	7016331	1	Filter, Oil	
	70024494	1	Oil cooler	
	70024495	1	Gasket	
	70024509	1	Gasket	
	70011901	1	Pump, High Pressure	
	70024485	4	Injector, Fuel	
	70024504	1	Sensor, Pressure	
	70024920	1	Seal	
	70026011	1	Pump, Water	
	70024918	1	Sender, Coolant Temperature	
	70005504	1	Sensor, Pressure	
	70005505	2	O-Seal	
	70027405	1	Sensor, Temperature	
	70005507	2	O-Seal	
	70005515	1	Turbocharger	
	70024480	1	Gasket	
	70027404	1	Oil Pressure Sensor	
	70027403	1	V-Belt	
	70025535	1	Starter	
	70026210	1	Speed Sensor	
	70005191	1	O-Ring	
	70005556	1	Sensor, Temperature	
	70005559	1	Sensor, Temperature	
	70027417	1	Filter, Fuel	
	1001225432	1	Element, Filter	
	70024961	1	Prefilter, Fuel	

## SECTION 4 - ENGINE AND ATTACHING PARTS

FIGURE 4-9. 3.6L ENGINE (90KW - ULS - PISTON PUMP)



ART\_1001175553

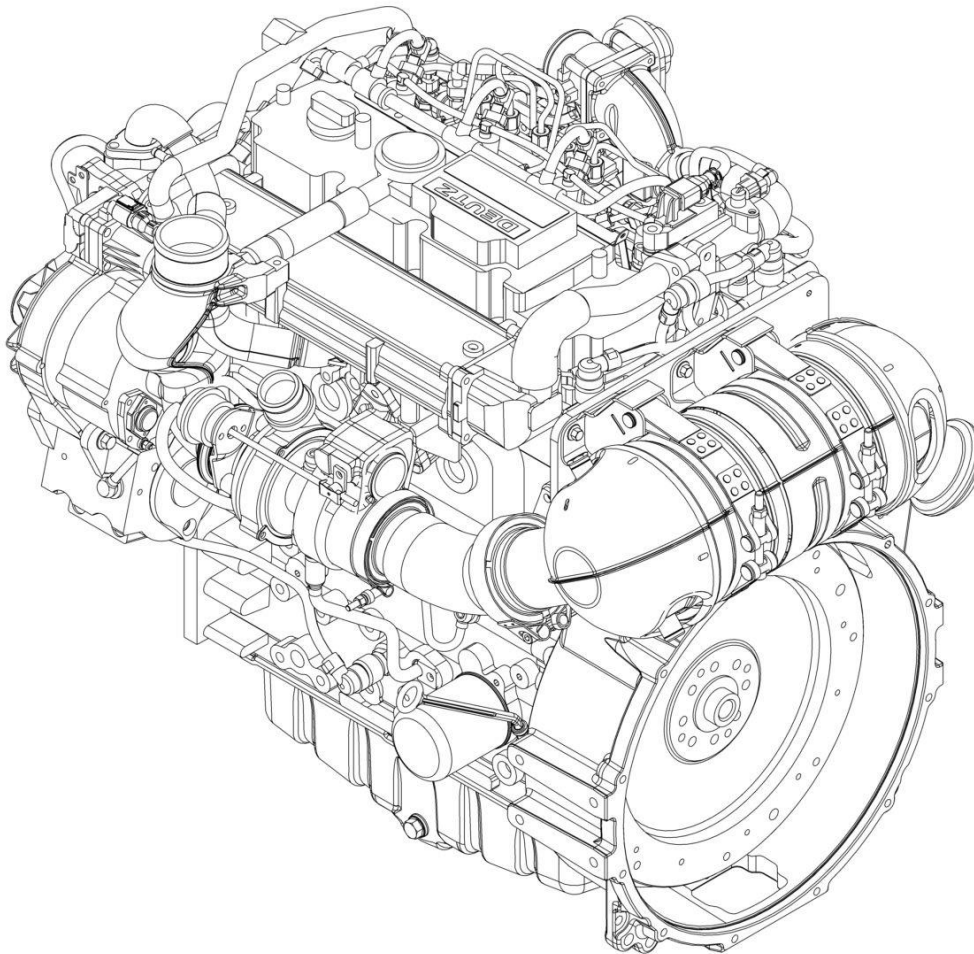
## SECTION 4 - ENGINE AND ATTACHING PARTS

**FIGURE 4-9. 3.6L ENGINE (90KW - ULS - PISTON PUMP)**

ITEM	PART NUMBER	QTY	DESCRIPTION	REV
	1001175553	Ref	3.6L Engine (90KW - ULS - Piston Pump)	H
	70027657	1	Dipstick	
	7020442	2	O-Ring	
	7020465	1	Cap, Filler	
	70025205	1	Gasket	
	70004280	1	Seal	
	7016331	1	Filter, Oil	
	70024494	1	Oil cooler	
	70024495	1	Gasket	
	70024509	1	Gasket	
	70011901	1	Pump, High Pressure	
	70024485	4	Injector, Fuel	
	70024504	1	Sensor, Pressure	
	70024920	1	Seal	
	70026011	1	Pump, Water	
	70024918	1	Sender, Temperature	
	70005504	1	Sensor, Pressure	
	70005505	2	O-Seal	
	70027405	1	Sensor, Temperature	
	70005507	2	O-Seal	
	70005515	1	Turbocharger	
	70024480	1	Gasket	
	70027404	1	Generator	
	70027403	1	V-Belt	
	70025535	1	Starter	
	70026210	1	Sensor	
	70005191	1	O-Ring	
	70024505	1	Sensor, Temperature	
	70005556	1	Sensor, Temperature	
	70005559	1	Sensor, Temperature	
	70025153	1	Prefilter, Fuel	
	70027417	1	Filter, Fuel	
	1001225432	1	Element, Filter	

## SECTION 4 - ENGINE AND ATTACHING PARTS

FIGURE 4-10. 3.6L ENGINE (100KW - ULS - PISTON PUMP)



ART\_1001175555

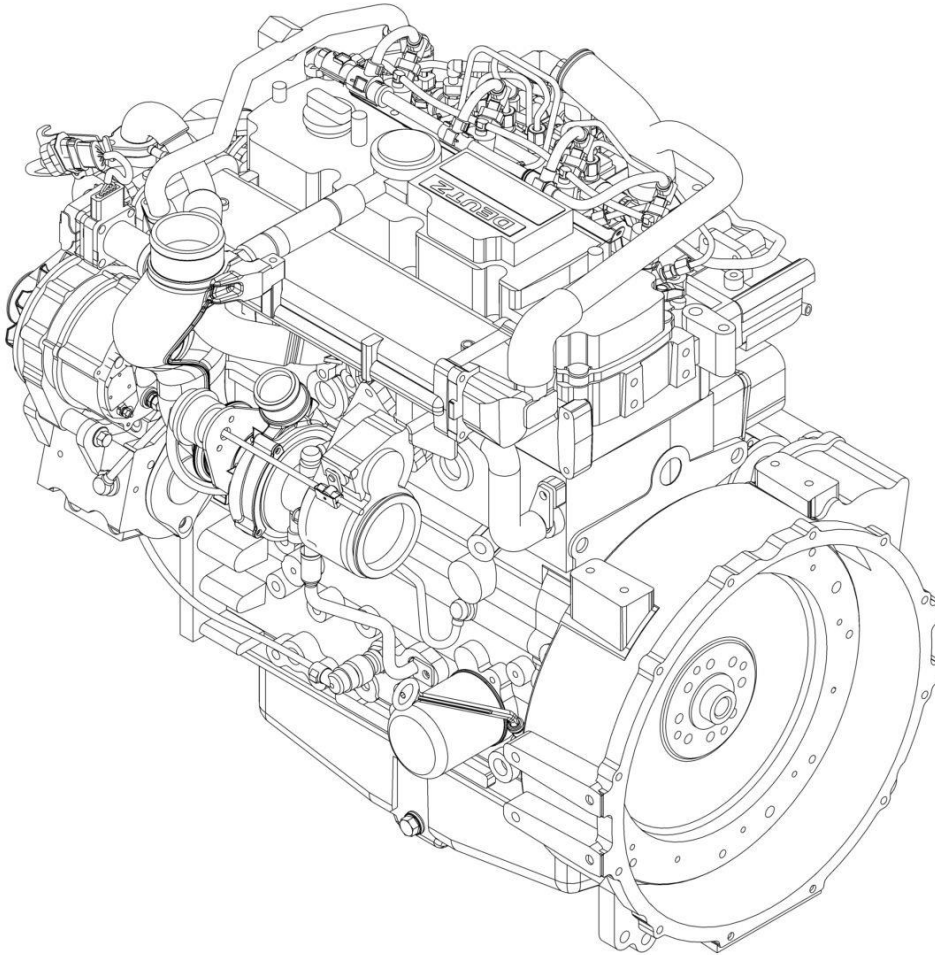
## SECTION 4 - ENGINE AND ATTACHING PARTS

**FIGURE 4-10. 3.6L ENGINE (100KW - ULS - PISTON PUMP)**

ITEM	PART NUMBER	QTY	DESCRIPTION	REV
	1001175555	Ref	3.6L Engine (100KW - ULS - Piston Pump)	H
	70027657	1	Dipstick	
	7020442	2	O-Ring	
	7020465	1	Cap, Filler	
	70025205	1	Gasket	
	70004280	1	Seal	
	7016331	1	Filter, Oil	
	70024494	1	Oil cooler	
	70024495	1	Gasket	
	70024509	1	Gasket	
	70011901	1	Pump, High Pressure	
	70024485	4	Injector, Fuel	
	70024504	1	Sensor, Pressure	
	70024920	1	Seal	
	70026011	1	Pump, Water	
	70024918	1	Sender, Temperature	
	70005504	1	Sensor, Pressure	
	70005505	2	O-Seal	
	70027405	1	Sensor, Temperature	
	70005507	2	O-Seal	
	70005515	1	Turbocharger	
	70024480	1	Gasket	
	70027404	1	Generator	
	70027403	1	V-Belt	
	70025535	1	Starter	
	70026210	1	Sensor	
	70005191	1	O-Ring	
	70024505	1	Sensor, Temperature	
	70005556	1	Sensor, Temperature	
	70005559	1	Sensor, Temperature	
	70027417	1	Filter, Fuel	
	1001225432	1	Element, Filter	
	70025153	1	Prefilter, Fuel	

## SECTION 4 - ENGINE AND ATTACHING PARTS

FIGURE 4-11. 3.6L ENGINE (74.4KW - LS - PISTON PUMP)



ART\_1001175552-C

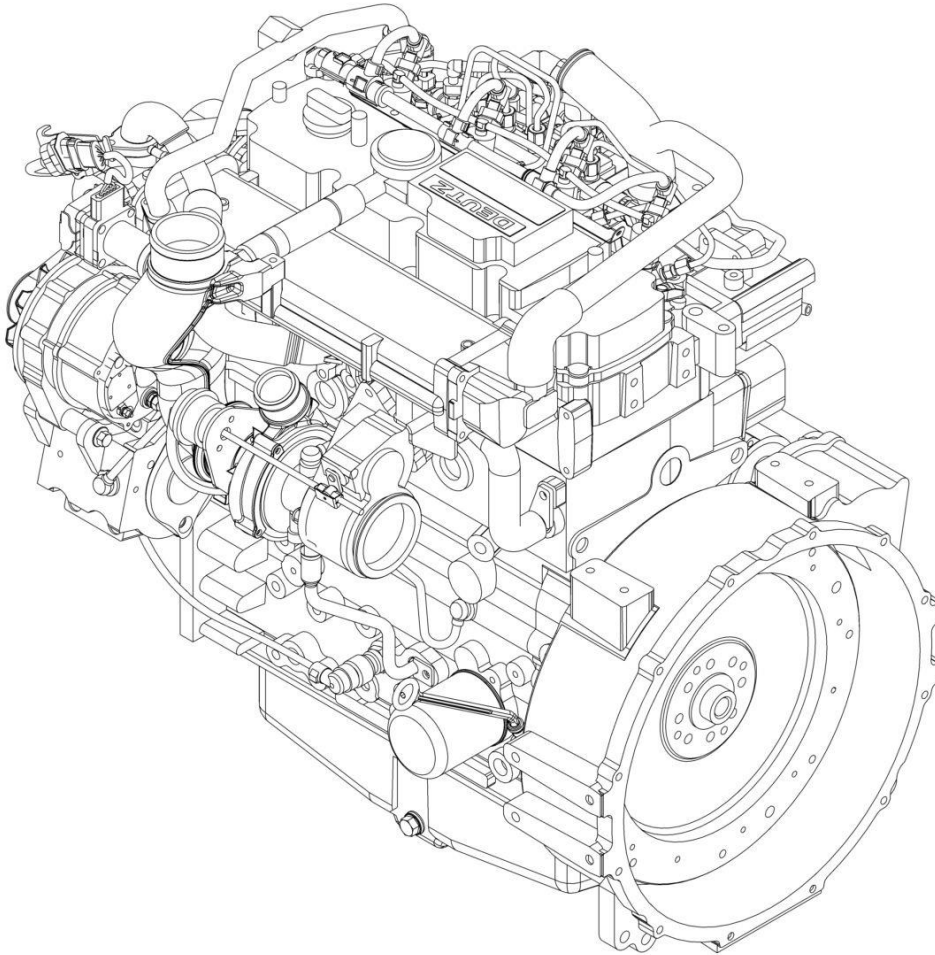
## SECTION 4 - ENGINE AND ATTACHING PARTS

**FIGURE 4-11. 3.6L ENGINE (74.4KW - LS - PISTON PUMP)**

ITEM	PART NUMBER	QTY	DESCRIPTION	REV
	1001175552	Ref	3.6L Engine (74.4KW - LS - Piston Pump)	C
	70027657	1	Dipstick	
	7020442	2	O-Ring	
	7020465	1	Cap, Filler	
	70025205	1	Gasket	
	70004280	1	Seal	
	7016331	1	Filter, Oil	
	70024494	1	Oil cooler	
	70024495	1	Gasket	
	70024509	1	Gasket	
	70011901	1	Pump, High Pressure	
	70024485	4	Injector, Fuel	
	70004512	1	Filter, Fuel	
	70024504	1	Sensor, Pressure	
	70005504	1	Sensor, Pressure	
	70026011	1	Pump, Water	
	70024918	1	Sender, Temperature	
	70004518	1	Turbocharger	
	70024480	1	Gasket	
	70025533	1	Generator	
	70025478	1	V-Belt	
	70025535	1	Starter	
	70026210	2	Generator	
	70005191	2	O-Ring	
	70027417	1	Filter, Fuel	

## SECTION 4 - ENGINE AND ATTACHING PARTS

FIGURE 4-12. 3.6L ENGINE (90KW - LS - PISTON PUMP)



ART\_1001175554-C



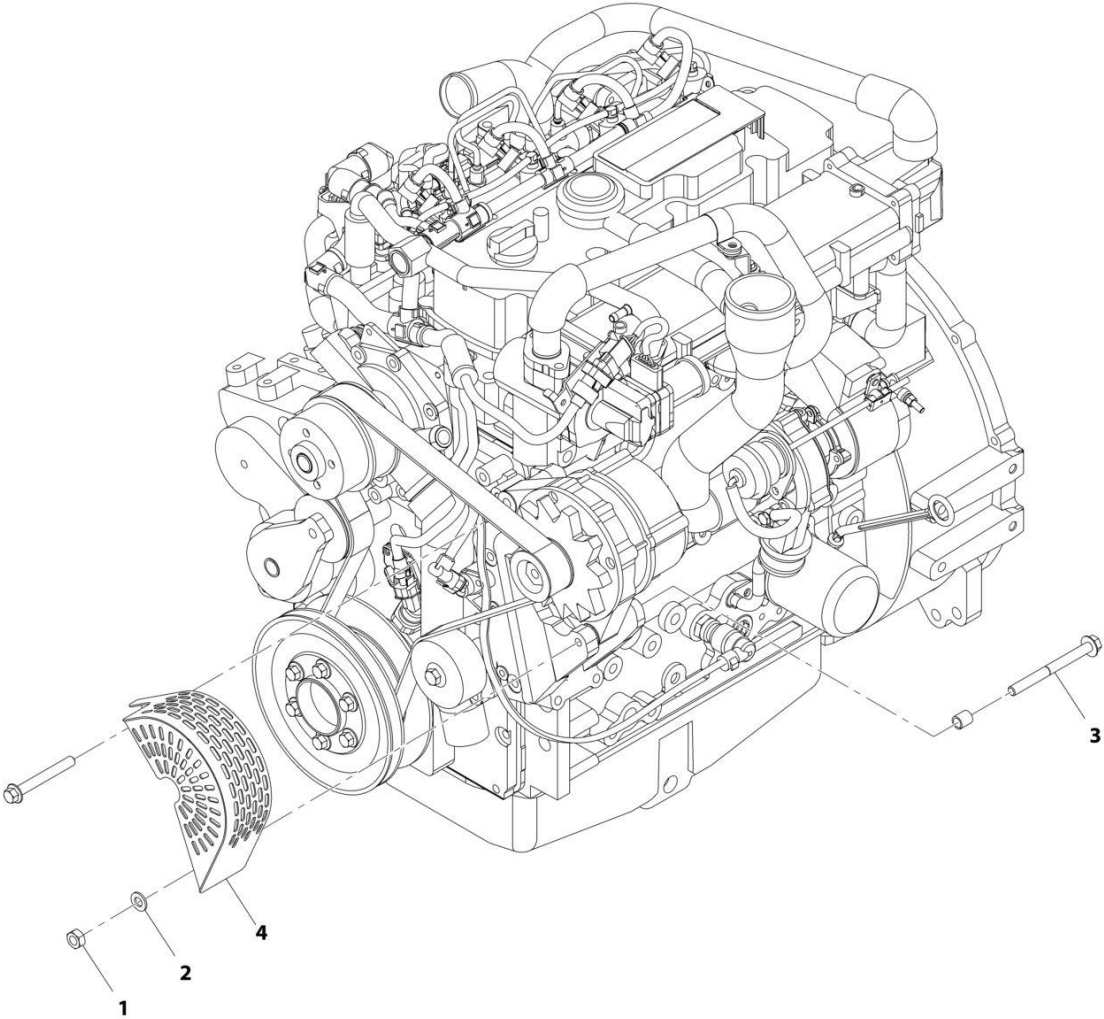
## SECTION 4 - ENGINE AND ATTACHING PARTS

**FIGURE 4-12. 3.6L ENGINE (90KW - LS - PISTON PUMP)**

ITEM	PART NUMBER	QTY	DESCRIPTION	REV
	1001175554	Ref	3.6L Engine (90KW - LS - Piston Pump)	C
	70027657	1	Dipstick	
	7020442	2	O-Ring	
	7020465	1	Cap, Filler	
	70025205	1	Gasket	
	70004280	1	Seal	
	7016331	1	Filter, Oil	
	70024494	1	Oil cooler	
	70024495	1	Gasket	
	70024509	1	Gasket	
	70011901	1	Pump, High Pressure	
	70024485	4	Injector, Fuel	
	70004512	1	Filter, Fuel	
	70024504	1	Sensor, Pressure	
	70005504	1	Sensor, Pressure	
	70026011	1	Pump, Water	
	70024918	1	Sender, Temperature	
	70004518	1	Turbocharger	
	70024480	1	Gasket	
	70025533	1	Generator	
	70025478	1	V-Belt	
	70025535	1	Starter	
	70026210	2	Generator	
	70005191	2	O-Ring	
	70027417	1	Filter, Fuel	
	1001225432	1	Element, Filter	

# SECTION 4 - ENGINE AND ATTACHING PARTS

## FIGURE 4-13. BRACKET GUARD INSTALLATION



ART\_1001182235-B

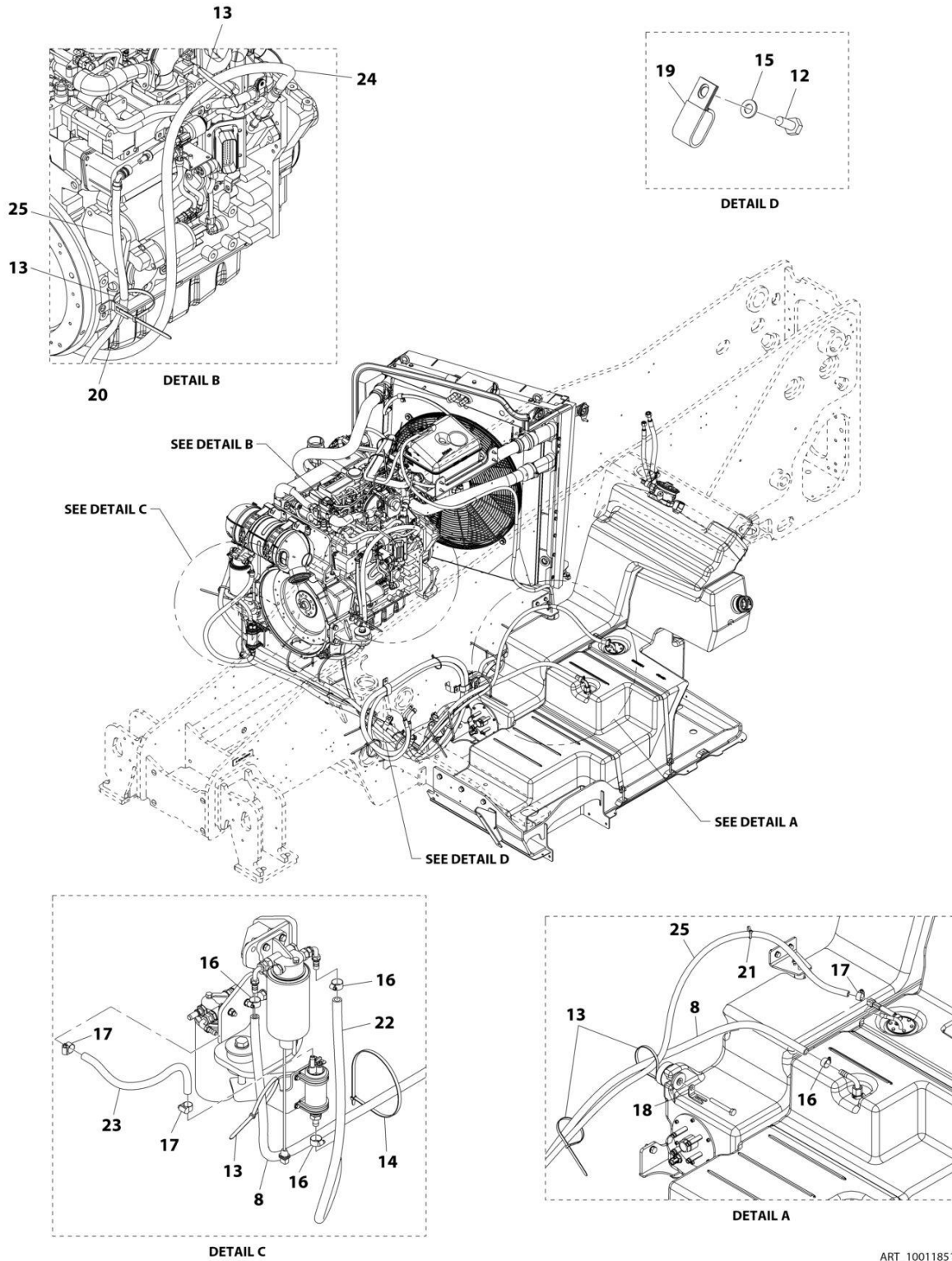
## SECTION 4 - ENGINE AND ATTACHING PARTS

FIGURE 4-13. BRACKET GUARD INSTALLATION

ITEM	PART NUMBER	QTY	DESCRIPTION	REV
	1001182235	Ref	Bracket Guard Installation	B
1	3291001	1	Nut, M10X1.5 Grade 8	
2	4812000	1	Washer, M10	
3	1001152378	1	Bolt, M10X110 Grade 10.9	
4	1001213006	1	Bracket, Guard	

# SECTION 4 - ENGINE AND ATTACHING PARTS

## FIGURE 4-14. FUEL LINES INSTALLATION (ULS)



ART\_1001185181-B

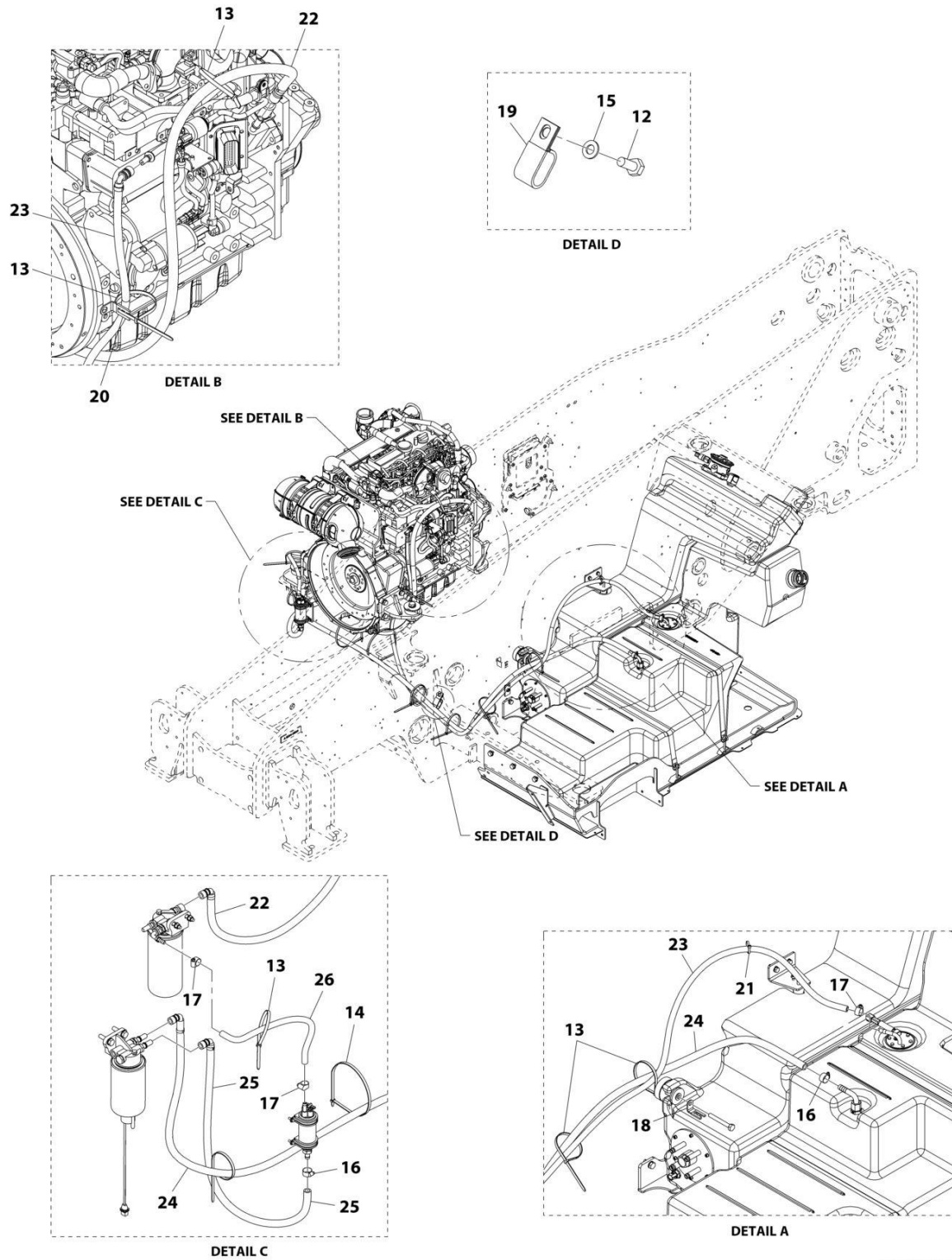
## SECTION 4 - ENGINE AND ATTACHING PARTS

**FIGURE 4-14. FUEL LINES INSTALLATION (ULS)**

ITEM	PART NUMBER	QTY	DESCRIPTION	REV
	1001185181	Ref	Fuel Lines Installation (ULS)	B
8	1001200192	1	Hose, 0.5IN Fuel	
12	0761012	1	Bolt, M10X25	
13	1062255	AR	Strap, Tie	
14	4240127	AR	Strap, Tie	
15	4812000	1	Washer, M10	
16	8405006	4	Clamp, Gear	
17	8410013	3	Clamp, Gear	
18	1001003305	1	Clip	
19	1001026104	1	Clip	
20	1001130198	1	Clip, 90	
21	1001146588	1	Strap, Fir Tree Cable Tie	
22	1001204839	1	Hose, 0.5IN Fuel	
23	1001204840	1	Hose, 0.38IN Fuel	
24	1001204841	1	Hose, 0.5IN Fuel	
25	1001204842	1	Hose, 0.38IN Fuel	

# SECTION 4 - ENGINE AND ATTACHING PARTS

## FIGURE 4-15. FUEL LINES INSTALLATION (ULS - RHOC)



ART\_1001197821-C

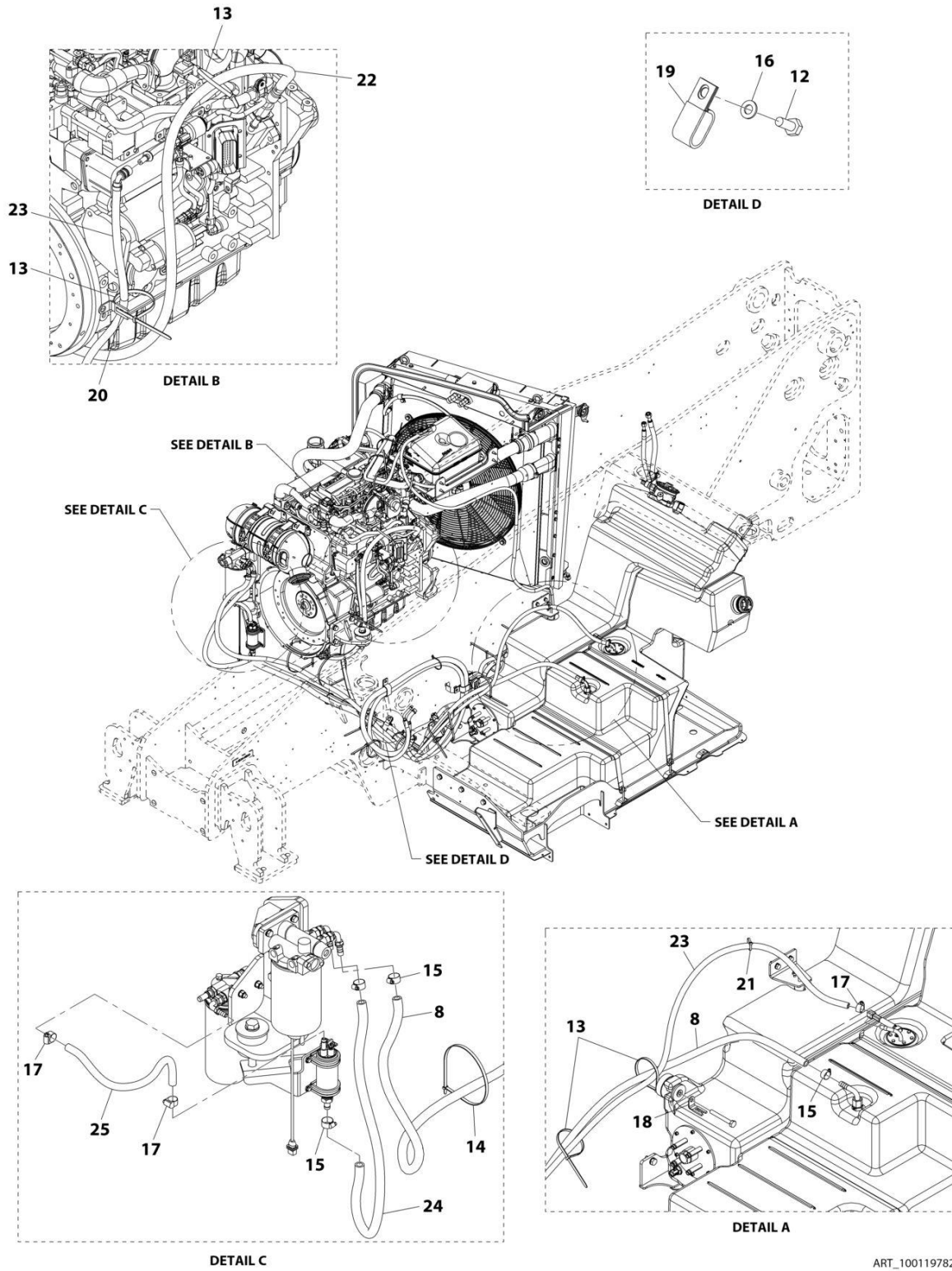
## SECTION 4 - ENGINE AND ATTACHING PARTS

**FIGURE 4-15. FUEL LINES INSTALLATION (ULS - RHOC)**

ITEM	PART NUMBER	QTY	DESCRIPTION	REV
	1001197821	Ref	Fuel Lines Installation (ULS - RHOC)	C
12	0761012	1	Bolt, M10X25	
13	1062255	AR	Strap, Tie	
14	4240127	AR	Strap, Tie	
15	4812000	1	Washer, M10	
16	8405006	2	Clamp, Gear	
17	8410013	3	Clamp, Gear	
18	1001003305	1	Clip	
19	1001026104	1	Clip	
20	1001130198	1	Clip, 90	
21	1001146588	1	Strap, Fir Tree Cable Tie	
22	1001204841	1	Hose, 0.5IN Fuel	
23	1001204842	1	Hose, 0.38IN Fuel	
24	1001216854	1	Hose, 0.5IN Fuel	
25	1001216855	1	Hose, 0.5IN Fuel	
26	1001205041	1	Hose, 0.38IN Fuel	

# SECTION 4 - ENGINE AND ATTACHING PARTS

## FIGURE 4-16. FUEL LINES INSTALLATION (LS)



ART\_1001197826-B



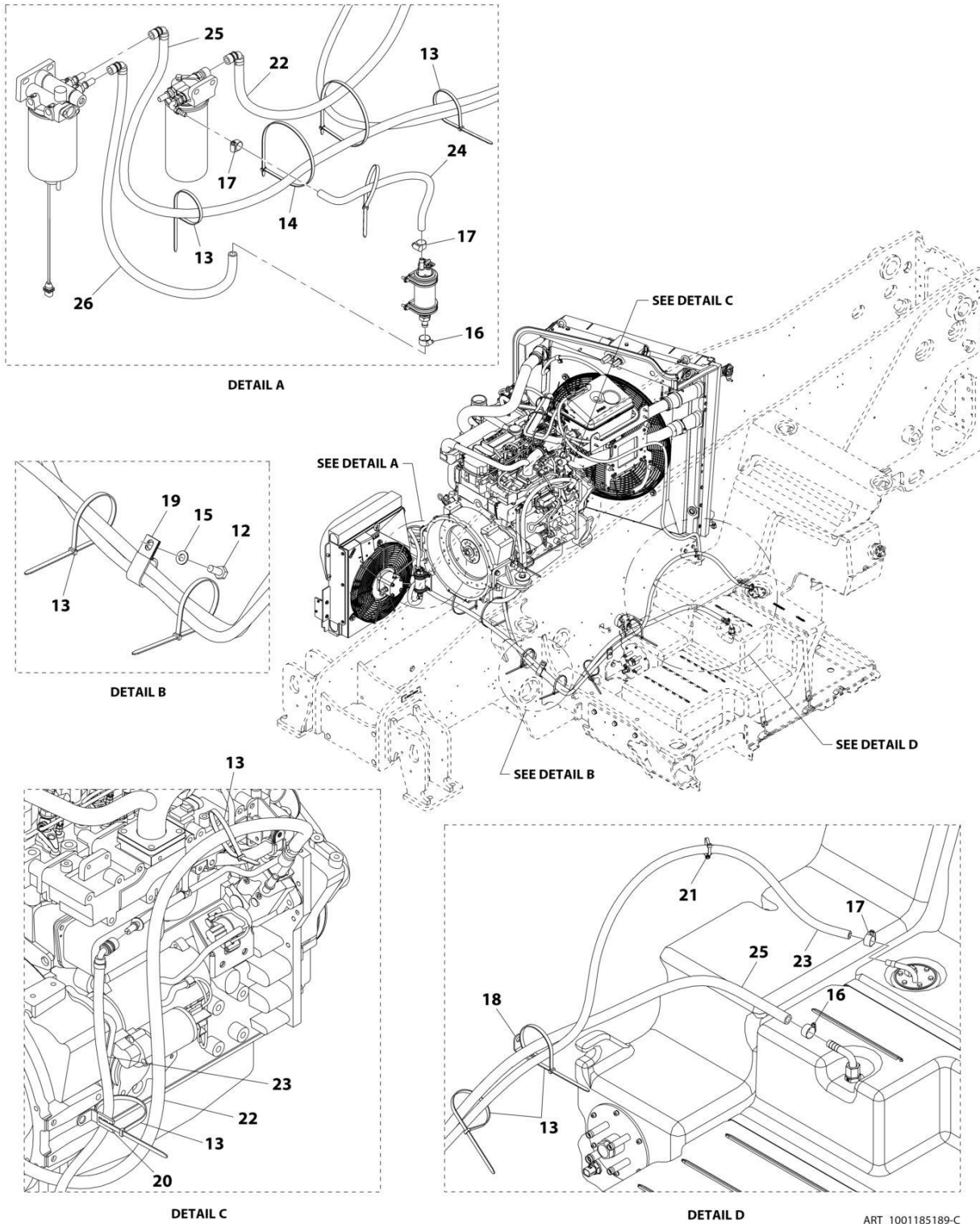
## SECTION 4 - ENGINE AND ATTACHING PARTS

**FIGURE 4-16. FUEL LINES INSTALLATION (LS)**

ITEM	PART NUMBER	QTY	DESCRIPTION	REV
	1001197826	Ref	Fuel Lines Installation (LS)	B
8	1001200192	1	Hose, 0.5IN Fuel	
12	0761012	1	Bolt, M10X25	
13	1062255	AR	Strap, Tie	
14	4240127	AR	Strap, Tie	
15	8405006	4	Clamp, Gear	
16	4812000	1	Washer, M10	
17	8410013	3	Clamp, Gear	
18	1001003305	1	Clip	
19	1001026104	1	Clip	
20	1001130198	1	Clip, 90	
21	1001146588	1	Strap, Fir Tree Cable Tie	
22	1001204841	1	Hose, 0.5IN Fuel	
23	1001204842	1	Hose, 0.38IN Fuel	
24	1001204839	1	Hose, 0.5IN Fuel	
25	1001204840	1	Hose, 0.38IN Fuel	

# SECTION 4 - ENGINE AND ATTACHING PARTS

## FIGURE 4-17. FUEL LINES INSTALLATION (LS - RHOC)



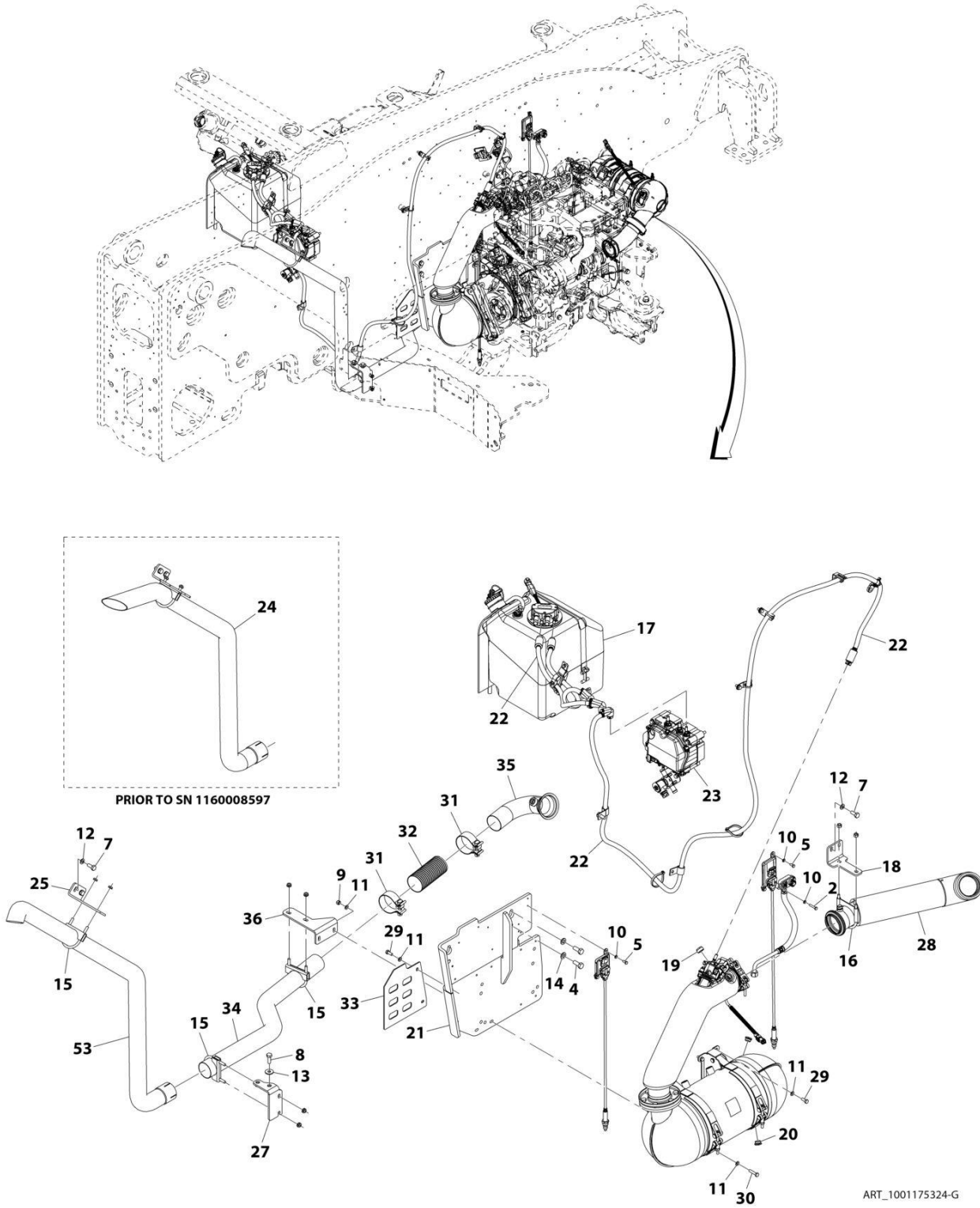
## SECTION 4 - ENGINE AND ATTACHING PARTS

**FIGURE 4-17. FUEL LINES INSTALLATION (LS - RHOC)**

ITEM	PART NUMBER	QTY	DESCRIPTION	REV
	1001185189	Ref	Fuel Lines Installation (LS - RHOC)	C
12	0761012	1	Bolt, M10X25	
13	1062255	AR	Strap, Tie	
14	4240127	AR	Strap, Tie	
15	4812000	1	Washer, M10	
16	8405006	2	Clamp, Gear	
17	8410013	3	Clamp, Gear	
18	1001003305	1	Clip	
19	1001026104	1	Clip	
20	1001130198	1	Clip, 90	
21	1001146588	1	Strap, Fir Tree Cable Tie	
22	1001204841	1	Hose, 0.5IN Fuel	
23	1001204842	1	Hose, 0.38IN Fuel	
24	1001205041	1	Hose, 0.38IN Fuel	
25	1001216854	1	Hose, 0.5IN Fuel	
26	1001216855	1	Hose, 0.5IN Fuel	

# SECTION 4 - ENGINE AND ATTACHING PARTS

## FIGURE 4-18. EXHAUST INSTALLATION (ULS)



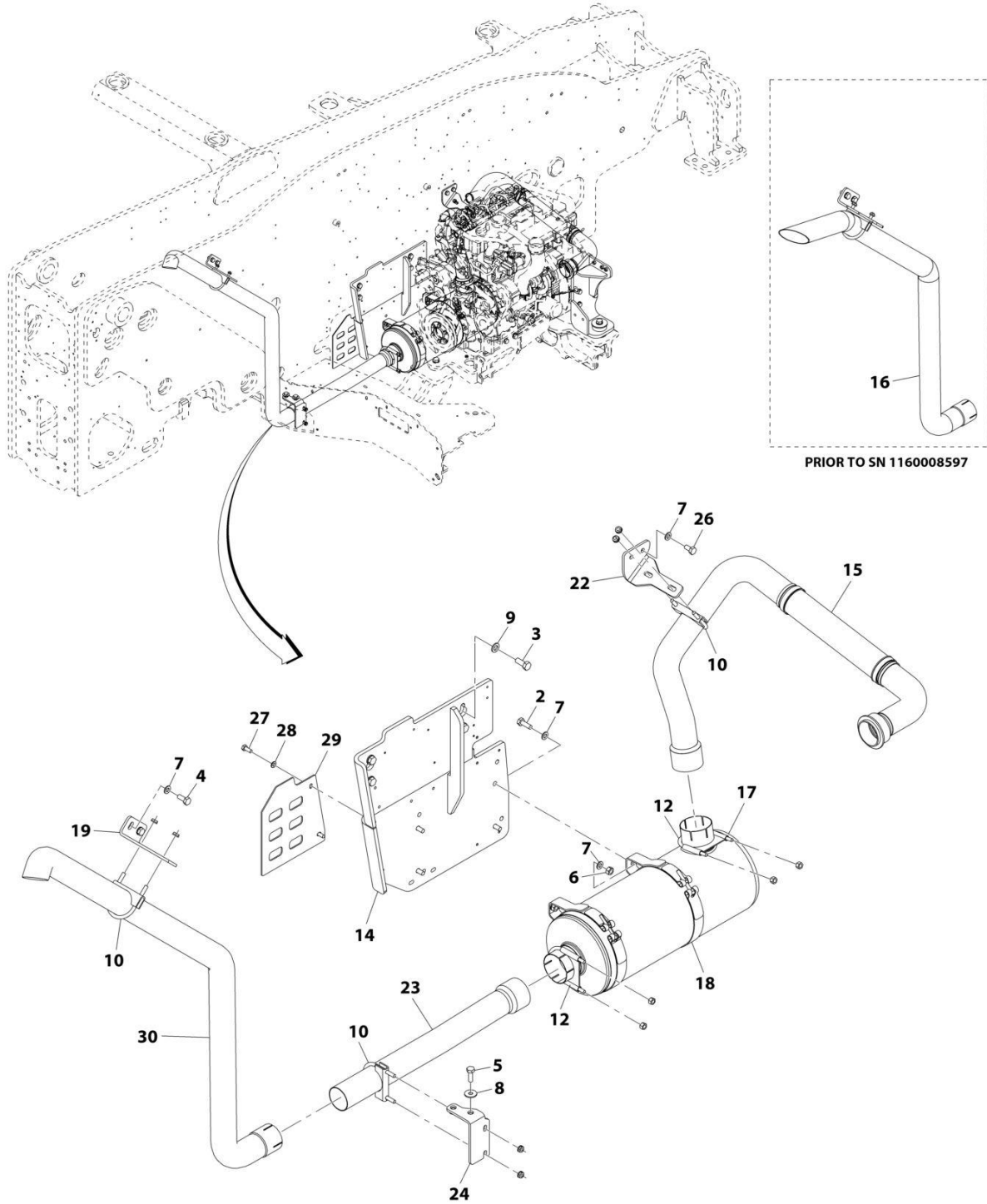
## SECTION 4 - ENGINE AND ATTACHING PARTS

**FIGURE 4-18. EXHAUST INSTALLATION (ULS)**

ITEM	PART NUMBER	QTY	DESCRIPTION	REV
	1001175324	Ref	Exhaust Installation (ULS)	G
2	0700614	2	Bolt, M6X30	
4	0701214	4	Bolt, M12X30	
5	0760607	4	Bolt, M6X14	
7	0761012	4	Bolt, M10X25	
8	0761014	2	Bolt, M10X30	
9	3290805	2	Nut, Lock M8X1.25 Grade 8	
10	4811700	6	Washer, M6	
11	4811900	12	Washer, M8	
12	4812000	4	Washer, M10	
13	4812002	2	Washer, M10	
14	4812100	4	Washer, M12	
15	8275212	3	Clamp, Muffler	
16	24921332	1	Clamp, Exhaust	
17	1001168639	Ref	Installation, DEF Tank (ULS) (See Separate Breakdown in this Section)	
18	1001169918	1	Plate, Exhaust	
19	1001171913	1	Cap	
20	1001171959	2	Plug	
21	1001210022	1	Bracket	
22	1001176977	Ref	Installation, DEF Lines (ULS) (See Separate Breakdown in this Section)	
23	1001178030	Ref	Installation, DEF Control Module (ULS) (See Separate Breakdown in this Section)	
24	1001178115	1	Pipe, Tail Exhaust ( <b>Prior to SN 1160008597</b> )	
25	1001182824	1	Bracket, Tailpipe	
27	1001201811	1	Bracket, Tailpipe	
28	1001193551	1	Pipe, Exhaust Flex	
29	0760810	8	Bolt, M8X20	
30	0760815	2	Bolt, M8X35	
31	91163268	2	Clamp, Flex Pipe ( <b>Prior to SN 1160008597</b> )	
31	1001225213	2	Clamp, Flex Pipe ( <b>SN 1160008597 to Present</b> )	
32	1001201766	1	Pipe, Exhaust Flex	
33	1001201823	1	Plate, Airflow	
34	1001201929	1	Pipe, Exhaust	
35	1001201930	1	Pipe, Exhaust	
36	1001201933	1	Support, Exhaust Pipe	
53	1001222187	1	Pipe, Tail Exhaust ( <b>SN 1160008597 to Present</b> )	

# SECTION 4 - ENGINE AND ATTACHING PARTS

## FIGURE 4-19. EXHAUST INSTALLATION (LS)



PRIOR TO SN 1160008597

ART\_1001175325-E

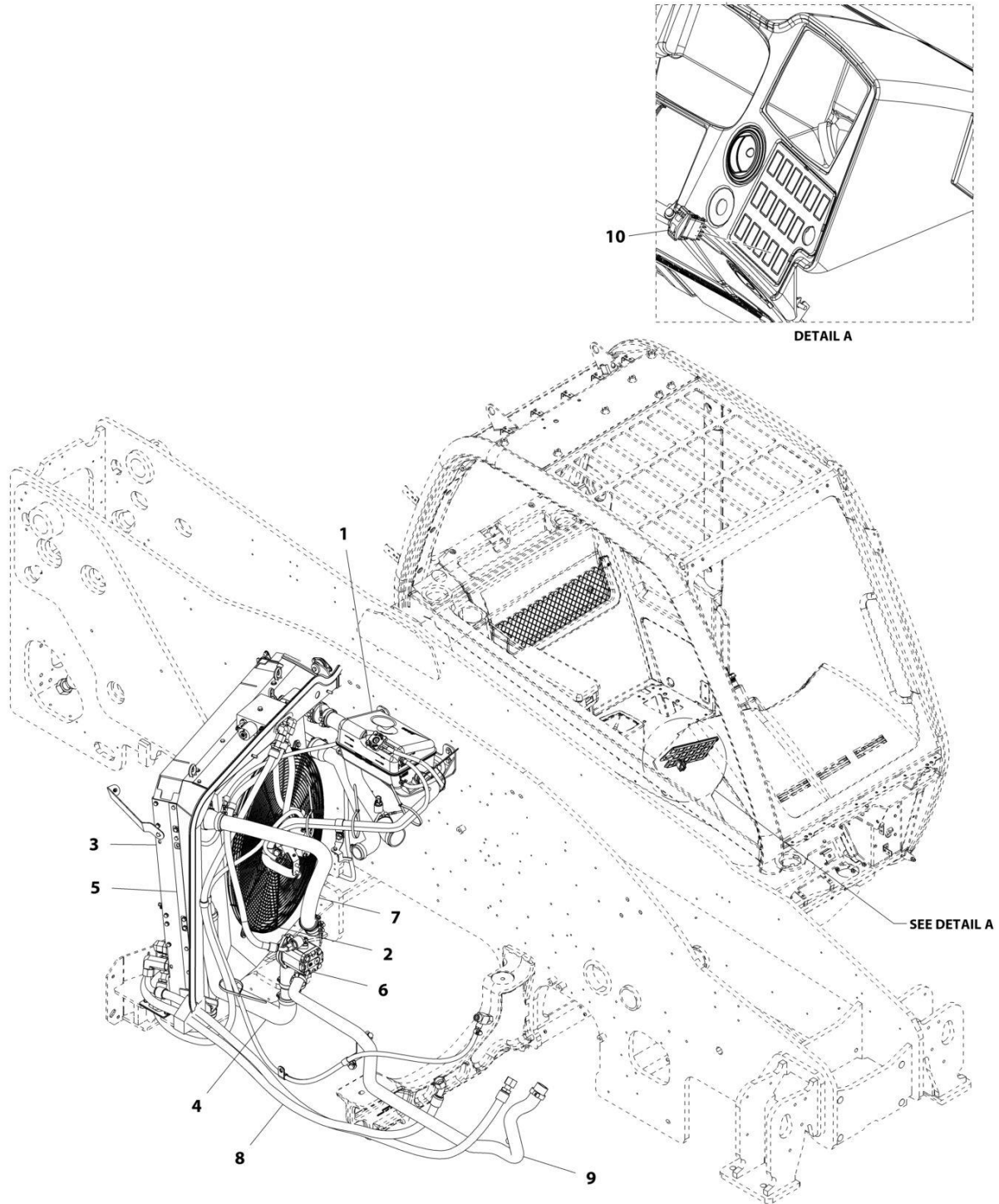
## SECTION 4 - ENGINE AND ATTACHING PARTS

### FIGURE 4-19. EXHAUST INSTALLATION (LS)

ITEM	PART NUMBER	QTY	DESCRIPTION	REV
	1001175325	Ref	Exhaust Installation (LS)	E
2	0701014	4	Bolt, M10X30	
3	0701214	4	Bolt, M12X30	
4	0761012	2	Bolt, M10X25	
5	0761014	2	Bolt, M10X30	
6	3291007	4	Nut, Lock M10X1.5 Grade 8	
7	4812000	12	Washer, M10	
8	4812002	2	Washer, M10	
9	4812100	4	Washer, M12	
10	8275212	3	Clamp, Muffler	
12	24921332	2	Clamp, Exhaust	
14	1001210022	1	Bracket	
15	1001208281	1	Pipe, Exhaust	
16	1001178115	1	Pipe, Tail Exhaust <b>(Prior to SN 1160008597)</b>	
17	1001180226	1	Muffler, Exhaust	
18	1001180227	2	Clamp, Muffler	
19	1001182824	1	Bracket, Tailpipe	
22	1001190740	1	Plate, Exhaust	
23	1001184710	1	Tube, Exhaust	
24	1001201811	1	Bracket, Tailpipe	
26	0761010	2	Bolt, M10X20	
27	0760810	2	Bolt, M8X20	
28	4811900	2	Washer, M8	
29	1001201823	1	Plate, Airflow	
30	1001222187	1	Pipe, Tail Exhaust <b>(SN 1160008597 to Present)</b>	

# SECTION 4 - ENGINE AND ATTACHING PARTS

## FIGURE 4-20. COOLING PACKAGE INSTALLATION (74.4KW - ULS)



ART\_1001182447-D



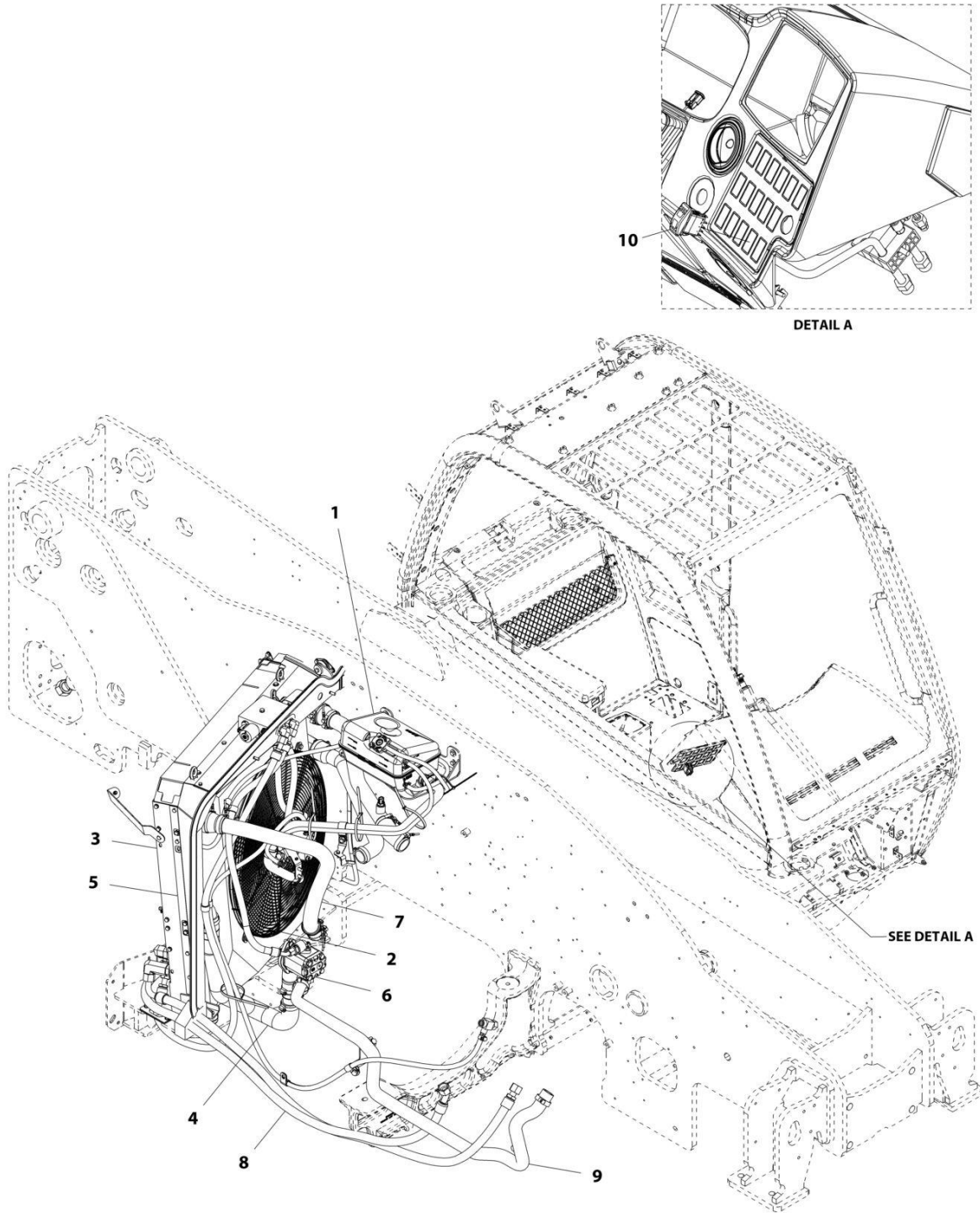
## SECTION 4 - ENGINE AND ATTACHING PARTS

**FIGURE 4-20. COOLING PACKAGE INSTALLATION (74.4KW - ULS)**

ITEM	PART NUMBER	QTY	DESCRIPTION	REV
	1001182447	Ref	Cooling Package Installation (74.4KW - ULS)	D
1	1001179864	Ref	Installation, Surge Tank (See Separate Breakdown in this Section)	
2	1001182112	Ref	Installation, Cooling Fan (See Separate Breakdown in this Section)	
3	1001184061	Ref	Installation, Cooler (74.4KW) (See Separate Breakdown in this Section)	
4	1001184120	Ref	Installation, Coolant Lines (ULS) (See Separate Breakdown in this Section)	
5	1001184955	Ref	Installation, Bulkhead (See Separate Breakdown in this Section)	
6	1001185865	Ref	Installation, Hydraulic Pump (74.4KW) (See Separate Breakdown in this Section)	
7	1001186849	Ref	Installation, CAC Lines (ULS) (See Separate Breakdown in this Section)	
8	1001183075	Ref	Installation, Cooler Lines (74.4KW) (See Separate Breakdown in this Section)	
9	1001188220	Ref	Installation, Fan Lines (74.4KW) (See Separate Breakdown in this Section)	
10	1001145204	1	Switch, Reversing Fan	

# SECTION 4 - ENGINE AND ATTACHING PARTS

FIGURE 4-21. COOLING PACKAGE INSTALLATION (74.4KW - LS)



ART\_1001184315-D

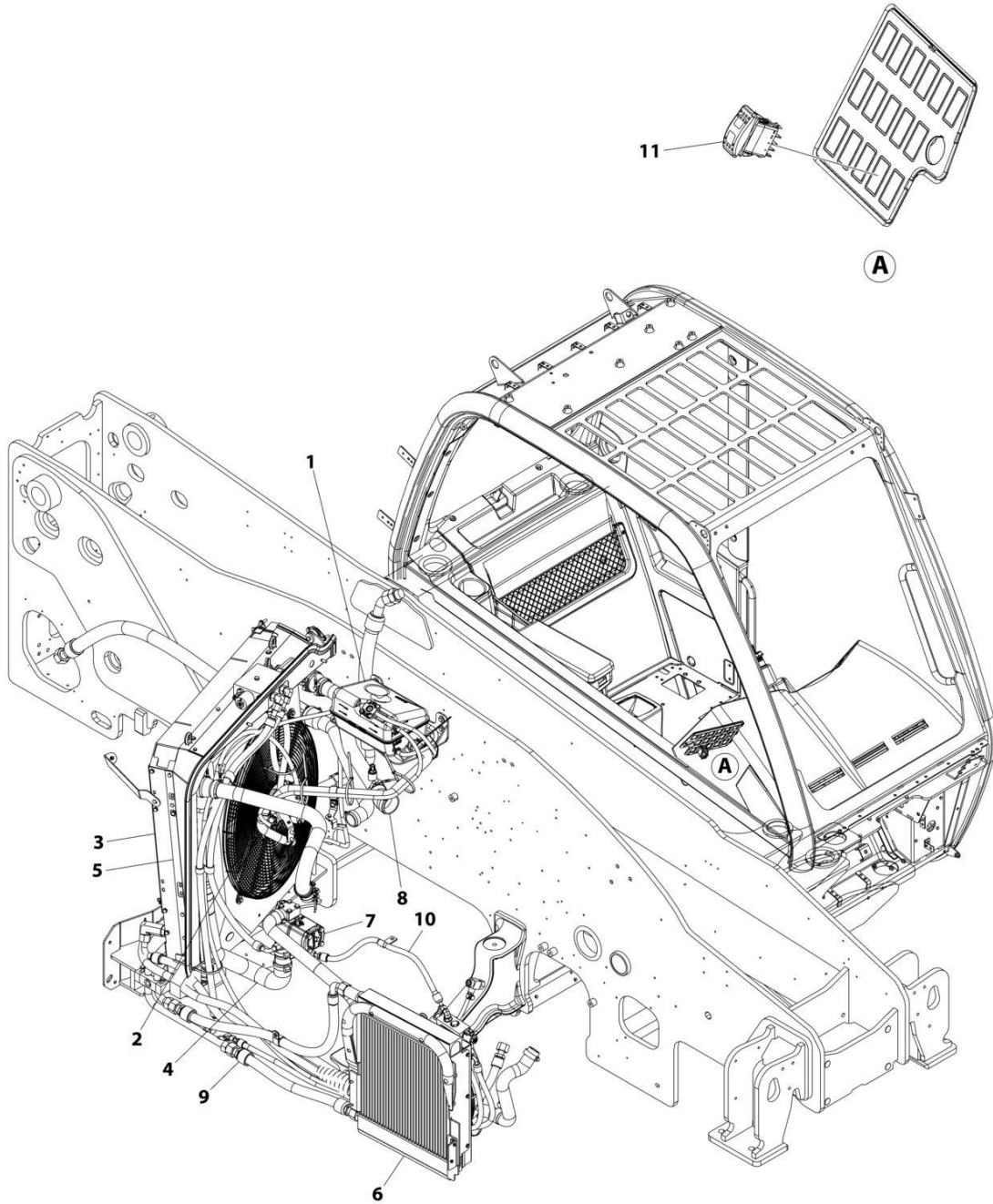
## SECTION 4 - ENGINE AND ATTACHING PARTS

**FIGURE 4-21. COOLING PACKAGE INSTALLATION (74.4KW - LS)**

ITEM	PART NUMBER	QTY	DESCRIPTION	REV
	1001184315	Ref	Cooling Package Installation (74.4KW - LS)	D
1	1001179864	Ref	Installation, Surge Tank (See Separate Breakdown in this Section)	
2	1001182112	Ref	Installation, Cooling Fan (See Separate Breakdown in this Section)	
3	1001184061	Ref	Installation, Cooler (74.4KW) (See Separate Breakdown in this Section)	
4	1001184132	Ref	Installation, Coolant Lines (LS) (See Separate Breakdown in this Section)	
5	1001184955	Ref	Installation, Bulkhead (See Separate Breakdown in this Section)	
6	1001185865	Ref	Installation, Hydraulic Pump (74.4KW) (See Separate Breakdown in this Section)	
7	1001186848	Ref	Installation, CAC Lines (LS) (See Separate Breakdown in this Section)	
8	1001183075	Ref	Installation, Cooler Lines (74.4KW) (See Separate Breakdown in this Section)	
9	1001188220	Ref	Installation, Fan Lines (74.4KW) (See Separate Breakdown in this Section)	
10	1001145204	1	Switch, Reversing Fan	

# SECTION 4 - ENGINE AND ATTACHING PARTS

FIGURE 4-22. COOLING PACKAGE INSTALLATION (90KW - ULS)



ART\_1001182450

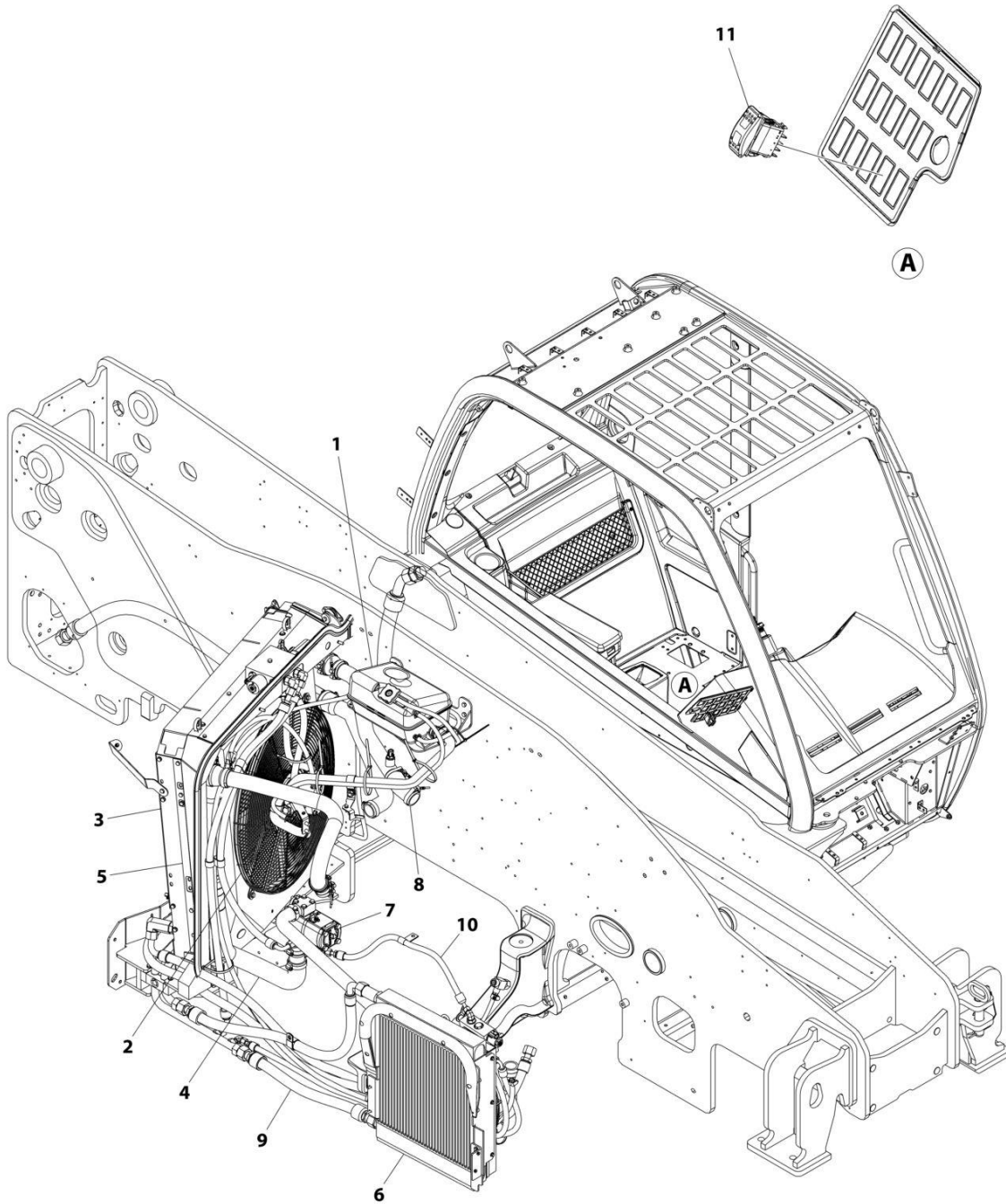
## SECTION 4 - ENGINE AND ATTACHING PARTS

**FIGURE 4-22. COOLING PACKAGE INSTALLATION (90KW - ULS)**

ITEM	PART NUMBER	QTY	DESCRIPTION	REV
	1001182450	Ref	COOLING PACKAGE INSTALLATION (90KW - ULS)	H
1	1001179864	Ref	Installation, Surge Tank (See Separate Breakdown in this Section)	
2	1001182112	Ref	Installation, Cooling Fan (See Separate Breakdown in this Section)	
3	1001184062	Ref	Installation, Cooler (90KW) (See Separate Breakdown in this Section)	
4	1001184120	Ref	Installation, Coolant Lines (ULS) (See Separate Breakdown in this Section)	
5	1001184955	Ref	Installation, Bulkhead (See Separate Breakdown in this Section)	
6	1001185337	Ref	Installation, Remote HOC (See Separate Breakdown in this Section)	
7	1001185864	Ref	Installation, Hydraulic Pump (90KW) (See Separate Breakdown in this Section)	
8	1001186849	Ref	Installation, CAC Lines (ULS) (See Separate Breakdown in this Section)	
9	1001183076	Ref	Installation, Cooler Lines (90KW) (See Separate Breakdown in this Section)	
10	1001187276	Ref	Installation, Fan Lines (90KW) (See Separate Breakdown in this Section)	
11	1001145204	1	Switch, Reversing Fan	

# SECTION 4 - ENGINE AND ATTACHING PARTS

## FIGURE 4-23. COOLING PACKAGE INSTALLATION (90KW - LS)



ART\_1001184322

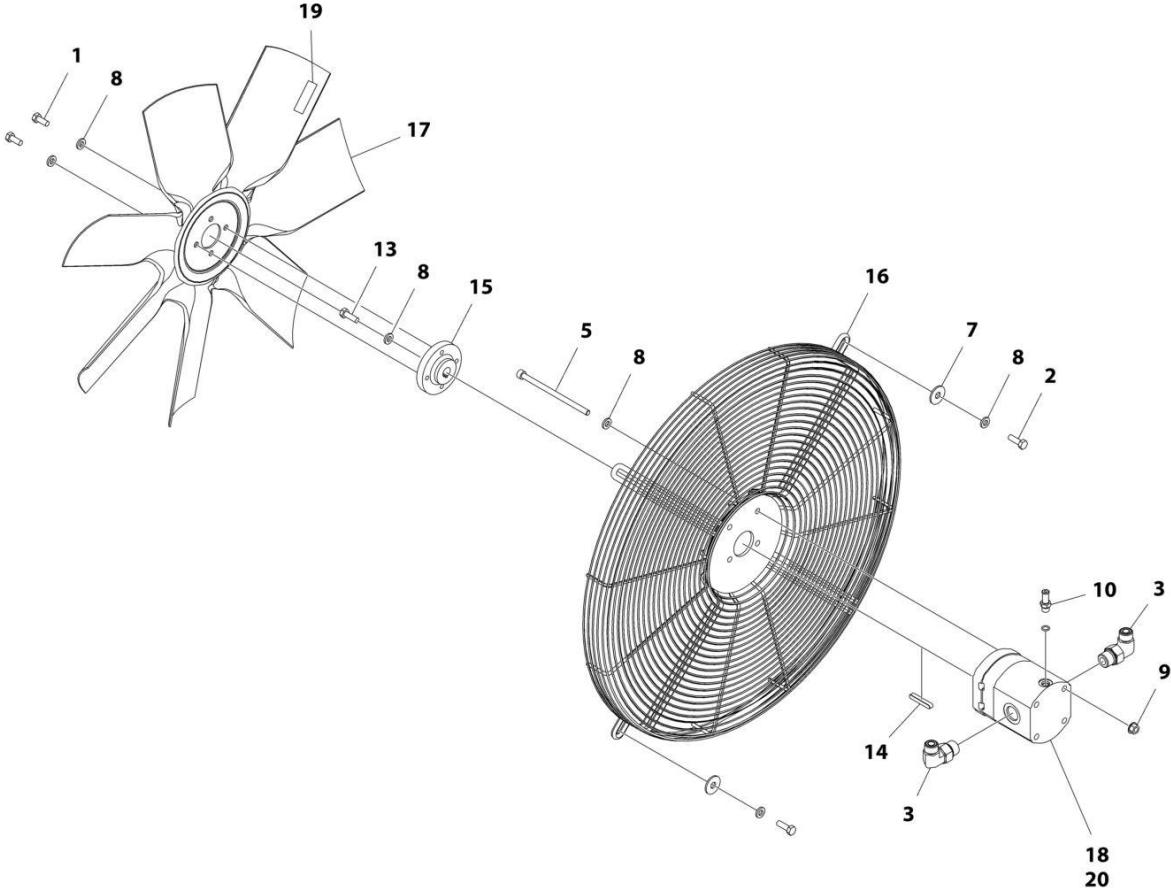
## SECTION 4 - ENGINE AND ATTACHING PARTS

**FIGURE 4-23. COOLING PACKAGE INSTALLATION (90KW - LS)**

ITEM	PART NUMBER	QTY	DESCRIPTION	REV
	1001184322	Ref	COOLING PACKAGE INSTALLATION (90KW - LS)	G
1	1001179864	Ref	Installation, Surge Tank (See Separate Breakdown in this Section)	
2	1001182112	Ref	Installation, Cooling Fan (See Separate Breakdown in this Section)	
3	1001184062	Ref	Installation, Cooler (90KW) (See Separate Breakdown in this Section)	
4	1001184132	Ref	Installation, Coolant Lines (LS) (See Separate Breakdown in this Section)	
5	1001184955	Ref	Installation, Bulkhead (See Separate Breakdown in this Section)	
6	1001185337	Ref	Installation, Remote HOC (See Separate Breakdown in this Section)	
7	1001185864	Ref	Installation, Hydraulic Pump (90KW) (See Separate Breakdown in this Section)	
8	1001186848	Ref	Installation, CAC Lines (LS) (See Separate Breakdown in this Section)	
9	1001183076	Ref	Installation, Cooler Lines (90KW) (See Separate Breakdown in this Section)	
10	1001187276	Ref	Installation, Fan Lines (90KW) (See Separate Breakdown in this Section)	
11	1001145204	1	Switch, Reversing Fan	

# SECTION 4 - ENGINE AND ATTACHING PARTS

## FIGURE 4-24. COOLING FAN INSTALLATION



ART\_1001182112



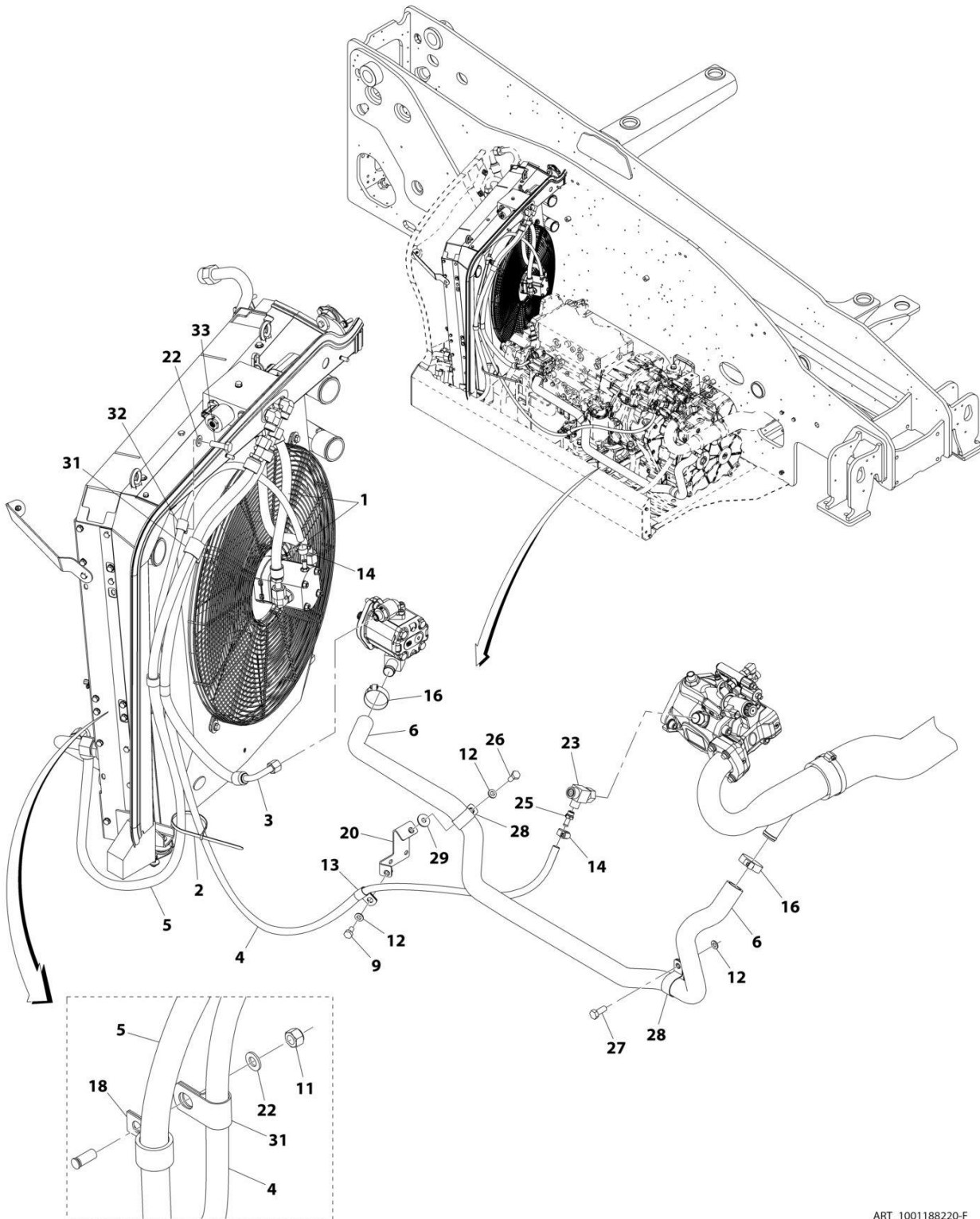
## SECTION 4 - ENGINE AND ATTACHING PARTS

**FIGURE 4-24. COOLING FAN INSTALLATION**

ITEM	PART NUMBER	QTY	DESCRIPTION	REV
	1001182112	Ref	COOLING FAN INSTALLATION	F
1	0770810	4	Bolt M8 x 20 Grade 10.9	
2	0760812	4	Bolt M8 x 25	
3	2130810	2	Fitting, 90 ORFS	
5	4031927	4	Bolt M8 x 140	
7	4812002	4	Washer M10	
8	5240800	13	Washer M8	
9	5260800	4	Nut M10	
10	1001093401	1	Fitting, Straight ORFS	
13	1001139034	1	Bolt	
14	1001152940	1	Key, Fan Hub	
15	1001191508	1	Adapter, Fan Hub	
16	1001182111	1	Shield, Fan	
17	1001182193	1	Fan, M610	
18	1001182949	1	Motor, Fan Drive (14.53CC) (See Separate Breakdown in this Section)	
19	1001222573	AR	Reflective Tape	
20	1001125466	AR	Compound, Locking	

# SECTION 4 - ENGINE AND ATTACHING PARTS

## FIGURE 4-25. FAN LINES INSTALLATION (74.4KW)



ART\_1001188220-F

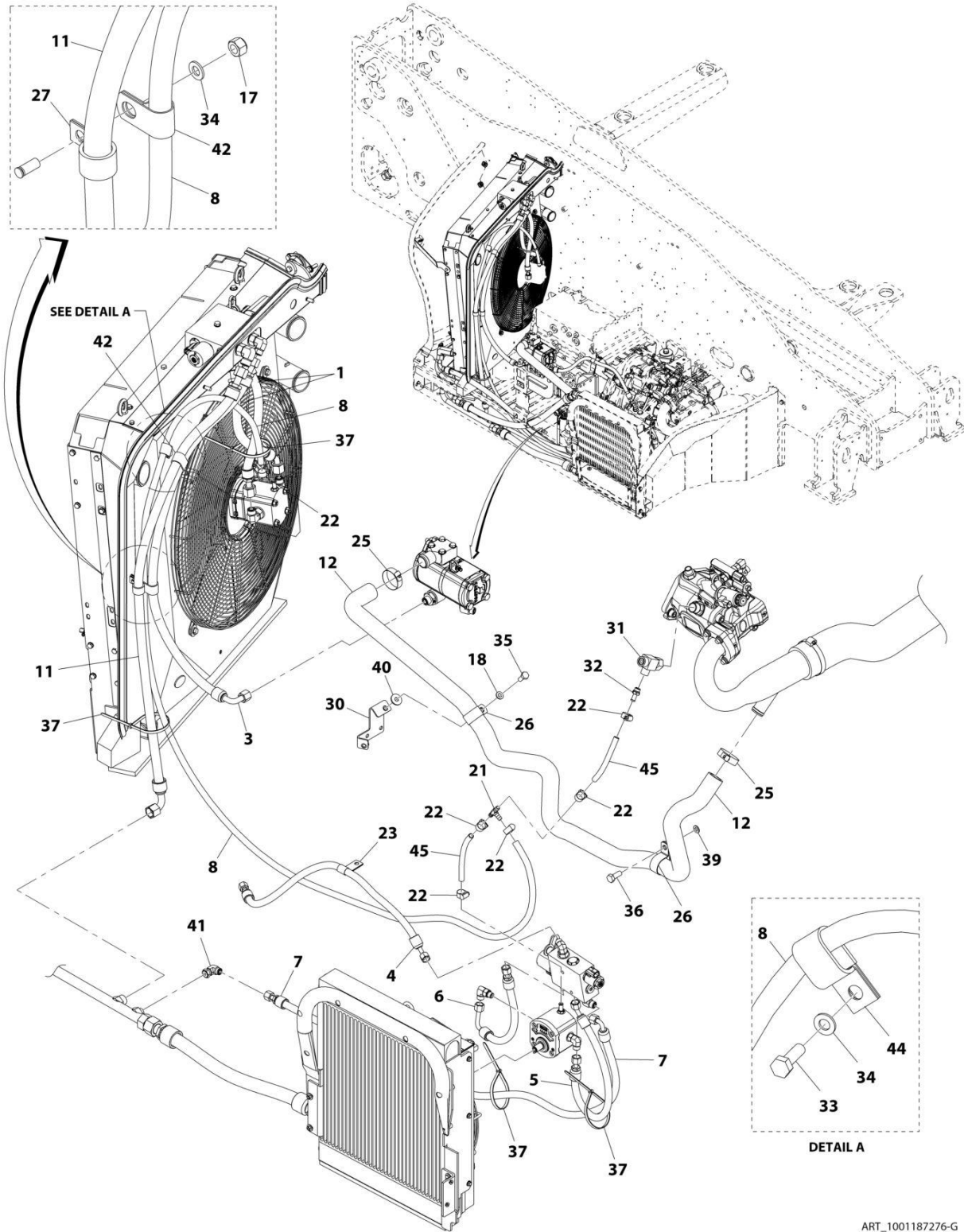
## SECTION 4 - ENGINE AND ATTACHING PARTS

**FIGURE 4-25. FAN LINES INSTALLATION (74.4KW)**

ITEM	PART NUMBER	QTY	DESCRIPTION	REV
	1001188220	Ref	Fan Lines Installation (74.4KW)	F
1	1001187277	2	Hose	
2	1062255	1	Strap, Tie	
3	1001200798	1	Hose, 0.50IN ORFS	
4	1001187550	1	Hose <b>(Prior to SN 1160008434)</b>	
4	1001220551	1	Hose <b>(SN 1160008434 to Present)</b>	
5	1001203287	1	Hose, 0.63IN ORFS <b>(Prior to SN 1160008434)</b>	
5	1001221993	1	Hose <b>(SN 1160008434 to Present)</b>	
6	1001202484	1	Hose, 1.25IN	
9	0761010	1	Bolt, M10X20	
11	3290805	1	Nut, Lock M8X1.25 Grade 8	
12	4812000	3	Washer, M10	
13	8406105	1	Clip	
14	8410013	2	Clamp, Gear	
16	1001008657	2	Clamp, Hose	
18	1001009384	1	Clip	
20	1001187712	1	Bracket	
22	4811900	2	Washer, M8	
23	1001033120	1	Fitting, Tee ORFS	
25	1001168030	1	Barb, Hose	
26	0701012	1	Bolt, M10X25	
27	0701214	1	Bolt, M12X30	
28	1320239	2	Clamp, 1-3/4IN	
29	4812002	1	Washer, M10	
31	1001008720	2	Clip	
32	1001008626	1	Clip	
33	0760812	1	Bolt, M8X25	

# SECTION 4 - ENGINE AND ATTACHING PARTS

## FIGURE 4-26. FAN LINES INSTALLATION (90KW)



ART\_1001187276-G

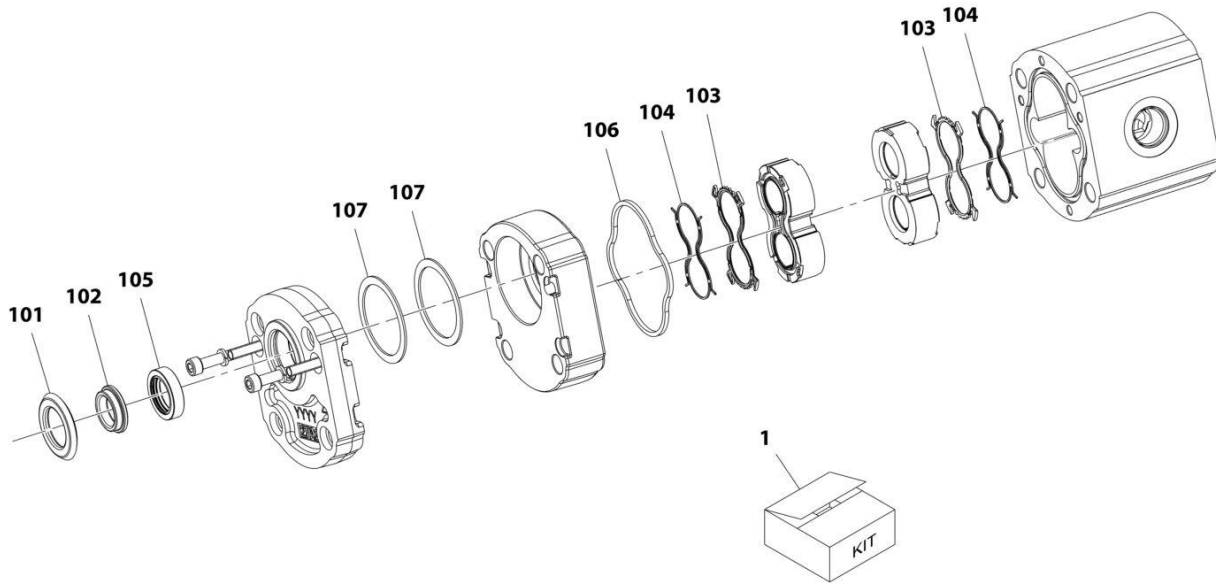
## SECTION 4 - ENGINE AND ATTACHING PARTS

**FIGURE 4-26. FAN LINES INSTALLATION (90KW)**

ITEM	PART NUMBER	QTY	DESCRIPTION	REV
	1001187276	Ref	Fan Lines Installation (90KW)	G
1	1001187277	2	Hose	
3	1001203025	1	Hose, ORFS	
4	1001202922	1	Hose, ORFS	
5	1001220145	NLA	Hose, ORFS (no longer available, use 1001229063 for replacement)	
5	1001229063	1	Hose, ORFS	
6	1001187407	NLA	Hose (no longer available, use 1001229068 for replacement)	
6	1001229068	1	Hose, ORFS	
7	1001196662	NLA	Hose, ORFS (no longer available, use 1001228931 for replacement)	
7	1001228931	1	Hose, ORFS	
8	1001187550	NLA	Hose (no longer available, use 1001228929 for replacement)	
8	1001228929	1	Hose	
9	1001187551	NLA	Hose (no longer available, use 1001228930 for replacement)	
10	1001187552	NLA	Hose (no longer available, use 1001228930 for replacement)	
11	1001203178	1	Hose, ORFS	
12	1001199403	1	Hose	
17	3290805	1	Nut, Lock M8X1.25 Grade 8	
18	4812000	1	Washer, M10	
21	1001003934	1	Fitting, Tee Barb	
22	8410013	6	Clamp, Gear	
23	1001004143	1	Clip	
25	1001008657	2	Clamp, Hose	
26	1320239	2	Clamp, 1-3/4IN	
27	1001009384	1	Clip	
30	1001187712	1	Bracket	
31	1001033120	1	Fitting, Tee ORFS	
32	1001168030	1	Barb, Hose	
33	0760812	1	Bolt, M8X25	
34	4811900	2	Washer, M8	
35	0701012	1	Bolt, M10X25	
36	0701214	1	Bolt, M12X30	
37	1062255	4	Strap, Tie	
39	4812100	1	Washer, M12	
40	4812002	1	Washer, M10	
41	2172106	1	Fitting, 90 ORFS	
42	1001008720	2	Clip	
44	1001008626	1	Clip	
45	1001228930	1	Hose	

# SECTION 4 - ENGINE AND ATTACHING PARTS

FIGURE 4-27. FAN DRIVE MOTOR (NO RHOC)



ART\_1001182949-B

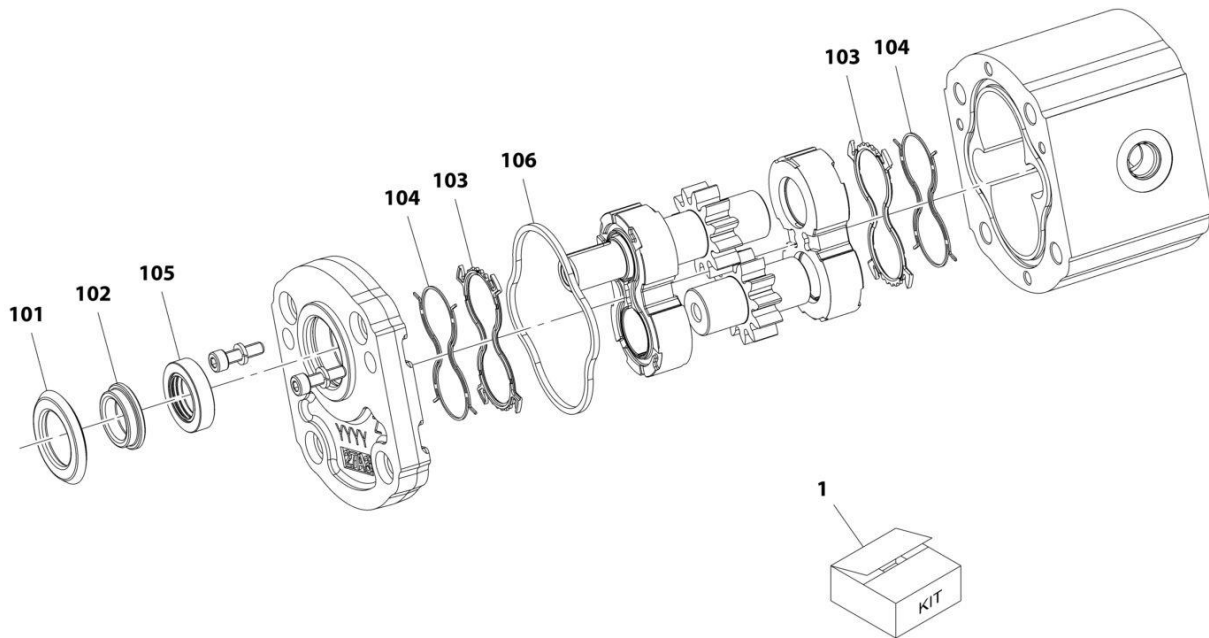
## SECTION 4 - ENGINE AND ATTACHING PARTS

FIGURE 4-27. FAN DRIVE MOTOR (NO RHOC)

ITEM	PART NUMBER	QTY	DESCRIPTION	REV
	1001182949	Ref	Fan Drive Motor (No RHOC)	B
1	70027008	1	Kit, Seal	
101	Kit	1	Seal	
102	Kit	1	Holder Bushing	
103	Kit	2	Seal	
104	Kit	2	Ring, Anti-Extrusion	
105	Kit	1	Seal, Shaft	
106	Kit	1	Seal	
107	Kit	2	Seal	

# SECTION 4 - ENGINE AND ATTACHING PARTS

## FIGURE 4-28. FAN DRIVE MOTOR (RHOC)



ART\_1001182950-B



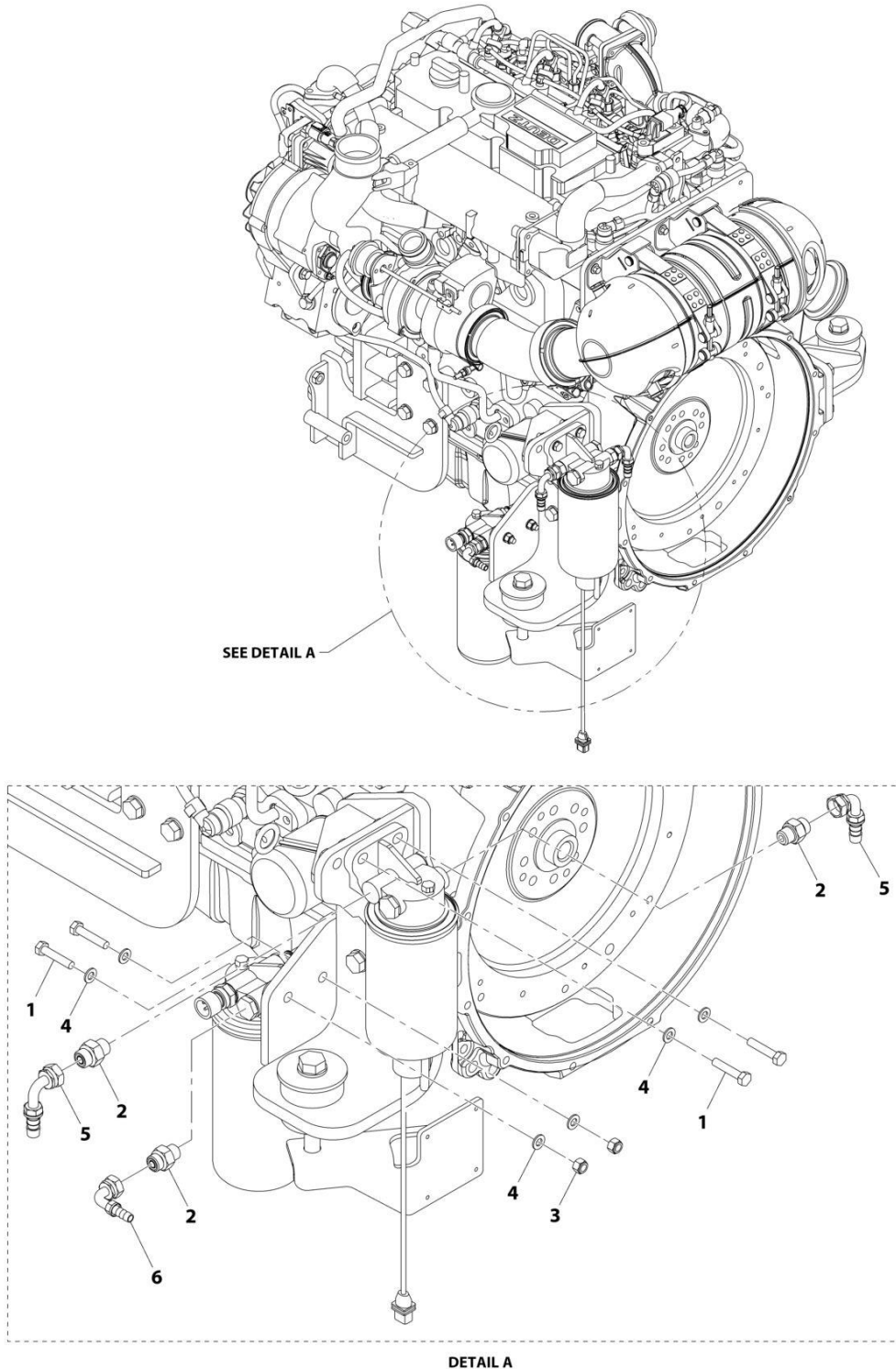
## SECTION 4 - ENGINE AND ATTACHING PARTS

FIGURE 4-28. FAN DRIVE MOTOR (RHOC)

ITEM	PART NUMBER	QTY	DESCRIPTION	REV
	1001182950	Ref	Fan Drive Motor (RHOC)	B
1	70027037	1	Kit, Seal	
101	N.S.S.	1	Seal, Axial	
102	N.S.S.	1	Bush Holder	
103	N.S.S.	2	Seal	
104	N.S.S.	2	Ring	
105	N.S.S.	1	Seal	
106	N.S.S.	1	Seal	

# SECTION 4 - ENGINE AND ATTACHING PARTS

## FIGURE 4-29. PRIMARY FUEL FILTER INSTALLATION (74.4KW - ULS)



ART\_1001211729-C

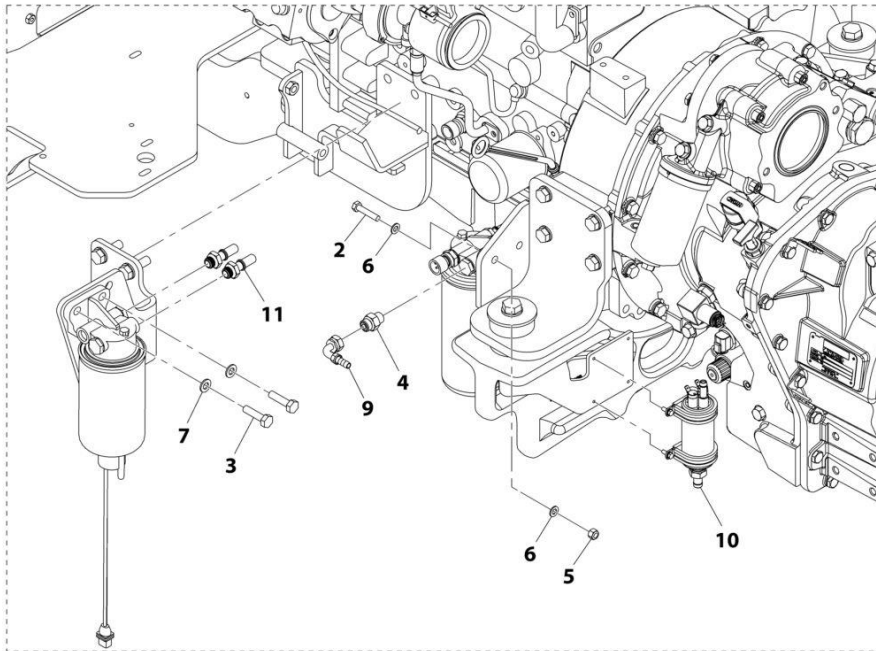
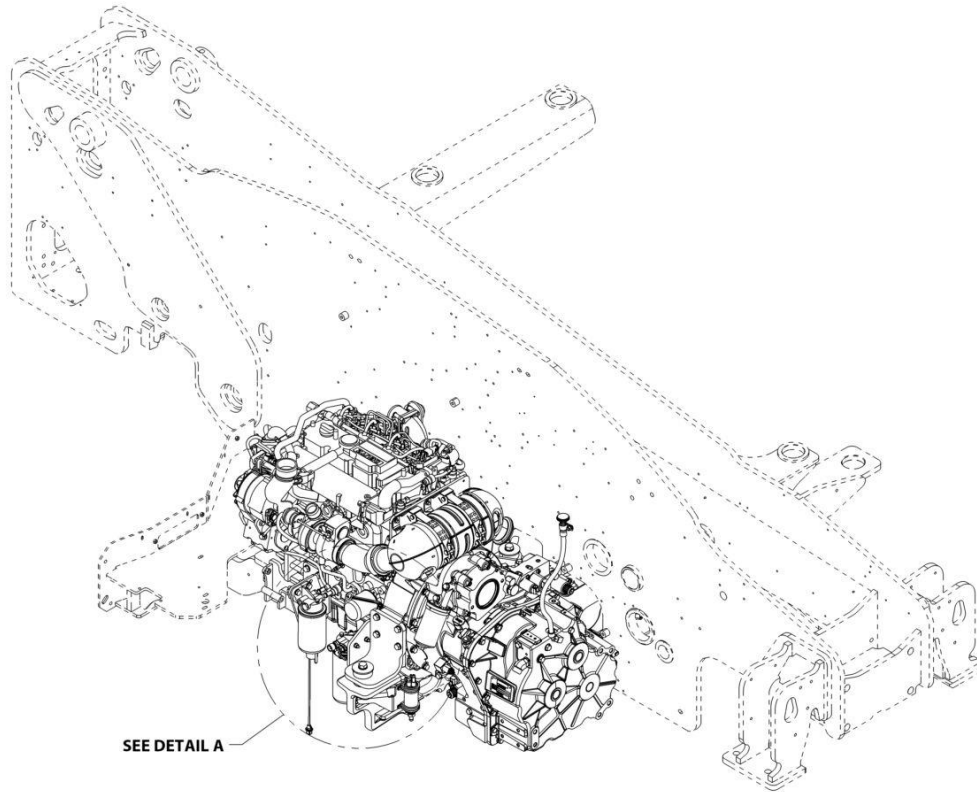
## SECTION 4 - ENGINE AND ATTACHING PARTS

**FIGURE 4-29. PRIMARY FUEL FILTER INSTALLATION (74.4KW - ULS)**

ITEM	PART NUMBER	QTY	DESCRIPTION	REV
	1001211729	Ref	Primary Fuel Filter Installation (74.4KW - ULS)	C
1	0700816	4	Bolt, M8X40	
2	2144606	3	Fitting, Straight ORFS	
3	3290805	2	Nut, Lock M8X1.25 Grade 8	
4	4811900	6	Washer, M8	
5	1001095301	2	Fitting, 90 ORFS	
6	1001133793	1	Fitting, 90 ORFS	

# SECTION 4 - ENGINE AND ATTACHING PARTS

## FIGURE 4-30. FUEL FILTER INSTALLATION (90/100KW - ULS)



DETAIL A

ART\_1001181951-F

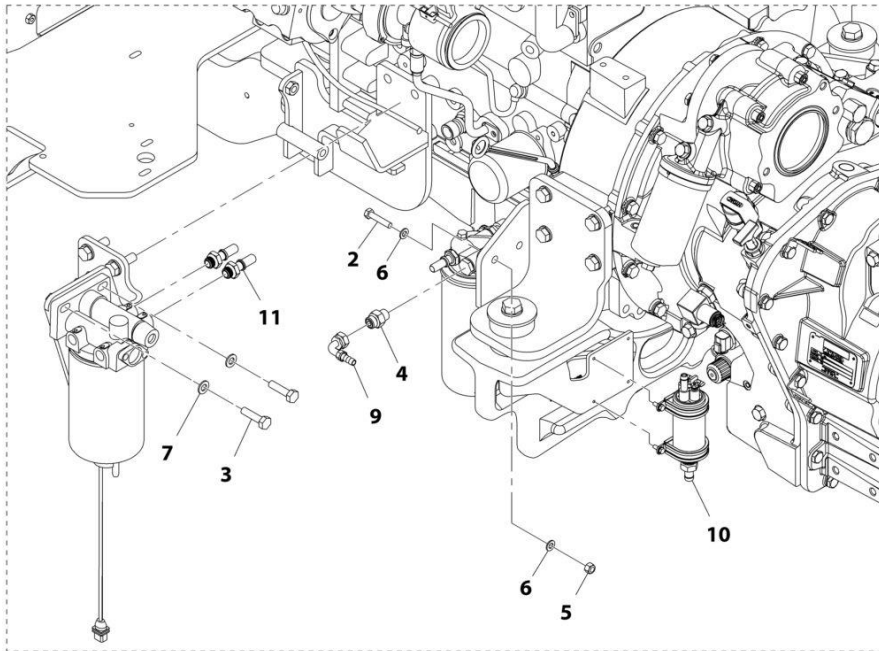
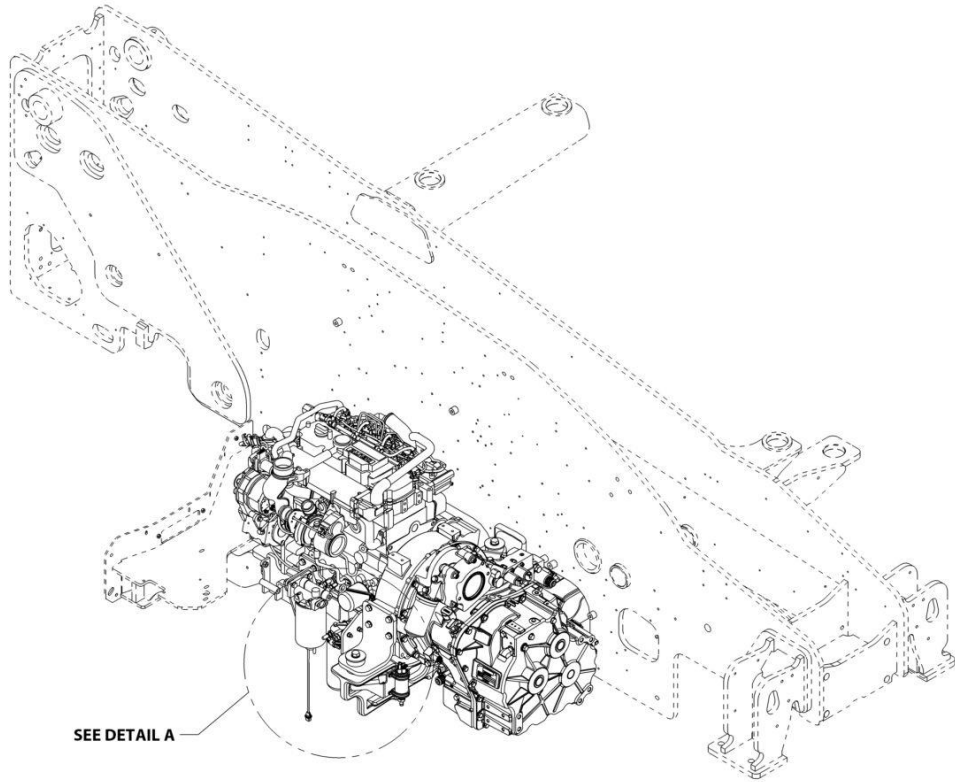
## SECTION 4 - ENGINE AND ATTACHING PARTS

FIGURE 4-30. FUEL FILTER INSTALLATION (90/100KW - ULS)

ITEM	PART NUMBER	QTY	DESCRIPTION	REV
	1001181951	Ref	FUEL FILTER INSTALLATION	F
2	0700816	2	Bolt M8X40	
3	0701016	2	Bolt M10X40	
4	2144606	1	Fitting, Straight ORFS	
5	3290805	2	Nut, Lock M8	
6	4811900	4	Washer M8	
7	4812000	2	Washer M10	
9	1001133793	1	Fitting, 90 ORFS	
10	1001165789	1	Remote Fuel Pump Installation (See Separate Breakdown in this Section)	
11	1001133690	2	Coupling, M16X1.5	

# SECTION 4 - ENGINE AND ATTACHING PARTS

FIGURE 4-31. PRIMARY FUEL FILTER INSTALLATION (90KW - LS)



DETAIL A

ART\_1001181952-D

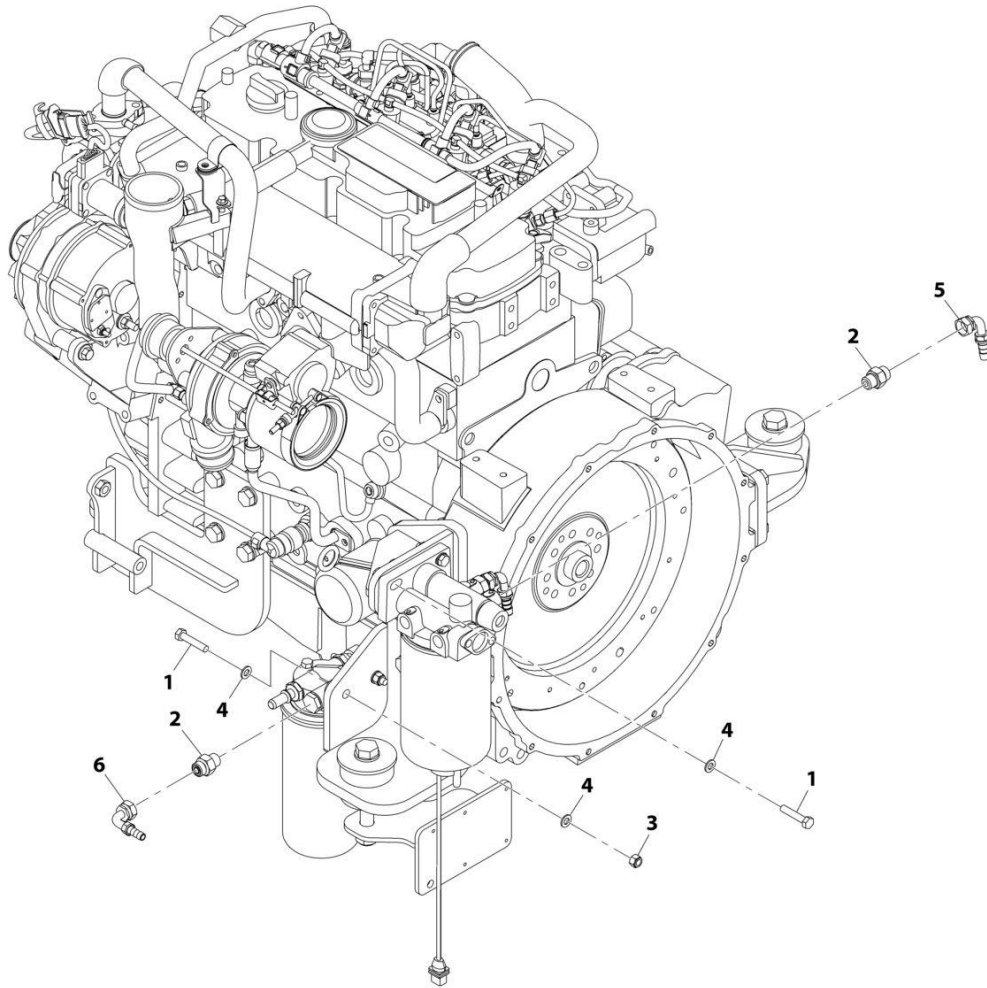
## SECTION 4 - ENGINE AND ATTACHING PARTS

FIGURE 4-31. PRIMARY FUEL FILTER INSTALLATION (90KW - LS)

ITEM	PART NUMBER	QTY	DESCRIPTION	REV
	1001181952	Ref	Primary Fuel Filter Installation (90KW - LS)	D
2	0700816	2	Bolt, M8X40	
3	0701016	2	Bolt, M10X40	
4	2144606	1	Fitting, Straight ORFS	
5	3290805	2	Nut, Lock M8X1.25 Grade 8	
6	4811900	4	Washer, M8	
7	4812000	2	Washer, M10	
9	1001133793	1	Fitting, 90 ORFS	
10	1001165789	Ref	Installation, Remote Fuel Pump (74.4KW) (See Separate Breakdown in this Section)	
11	1001133690	2	Coupling, M16X1.5	

# SECTION 4 - ENGINE AND ATTACHING PARTS

FIGURE 4-32. PRIMARY FUEL FILTER INSTALLATION (74.4KW - LS)



ART\_1001211730-A



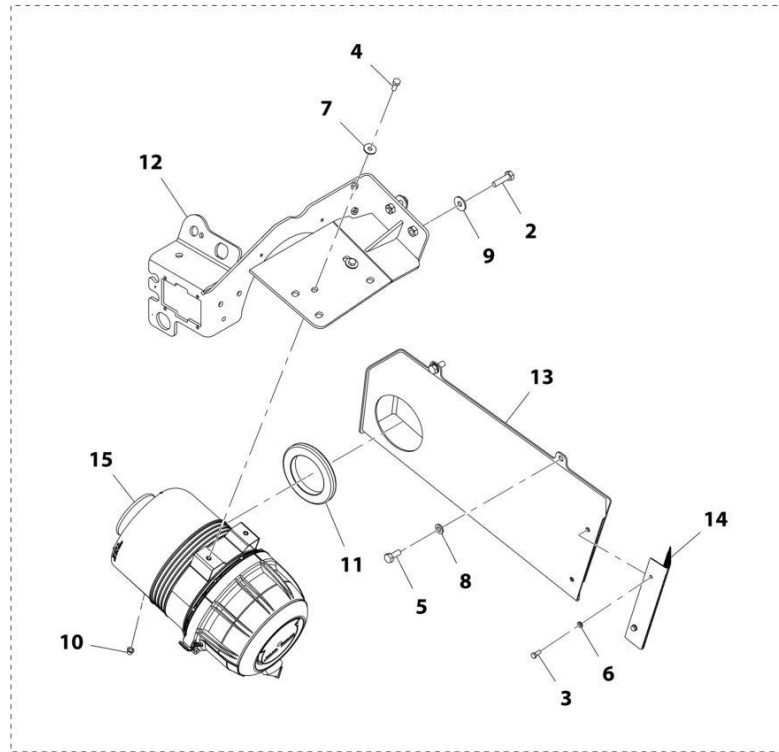
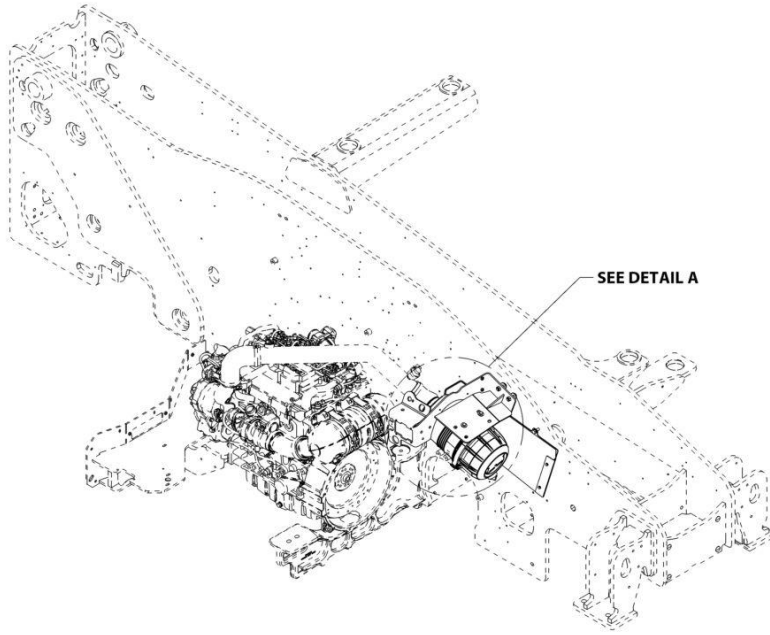
## SECTION 4 - ENGINE AND ATTACHING PARTS

FIGURE 4-32. PRIMARY FUEL FILTER INSTALLATION (74.4KW - LS)

ITEM	PART NUMBER	QTY	DESCRIPTION	REV
	1001211730	Ref	Primary Fuel Filter Installation (74.4KW - LS)	A
1	0700816	4	Bolt, M8X40	
2	2144606	3	Fitting, Straight ORFS	
3	3290805	2	Nut, Lock M8X1.25 Grade 8	
4	4811900	6	Washer, M8	
5	1001095301	2	Fitting, 90 ORFS	
6	1001133793	1	Fitting, 90 ORFS	

# SECTION 4 - ENGINE AND ATTACHING PARTS

## FIGURE 4-33. AIR CLEANER INSTALLATION (74.4KW - ULS)



DETAIL A

ART\_1001182040-D

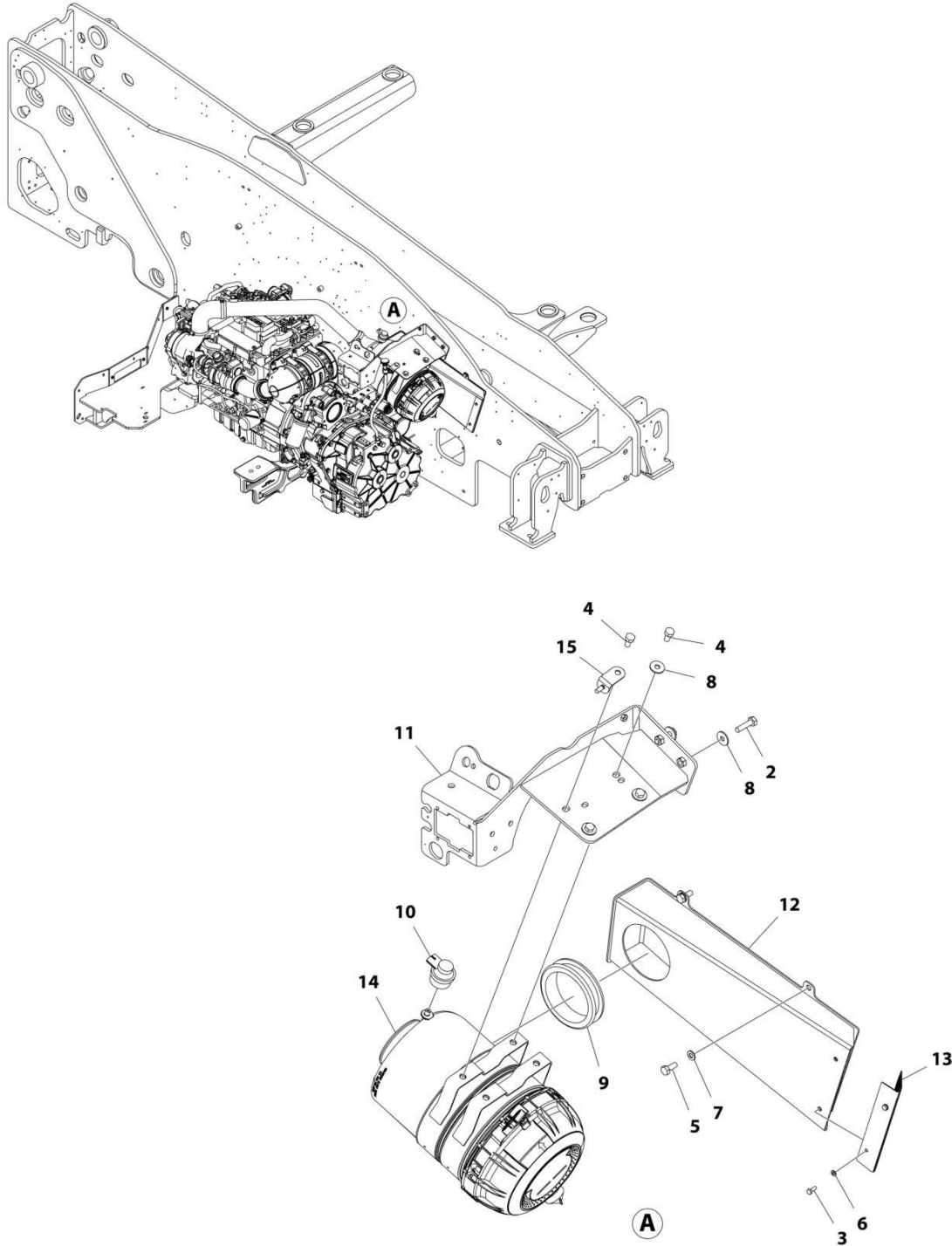
## SECTION 4 - ENGINE AND ATTACHING PARTS

**FIGURE 4-33. AIR CLEANER INSTALLATION (74.4KW - ULS)**

ITEM	PART NUMBER	QTY	DESCRIPTION	REV
	1001182040	Ref	Air Cleaner Installation (74.4KW - ULS)	D
2	0701016	3	Bolt, M10X40	
3	0760608	2	Bolt, M6X16	
4	0760810	2	Bolt, M8X20	
5	0761012	4	Bolt, M10X25	
6	4811700	2	Washer, M6	
7	4811902	2	Washer, M8	
8	4812000	4	Washer, M10	
9	4812002	3	Washer, M10	
10	1001183177	1	Cap	
11	1001183830	1	Grommet	
12	1001212907	1	Bracket	
13	1001186009	1	Duct	
14	1001186290	1	Grill	
15	1001166566	1	Filter, Air Cleaner (74.4KW) (See Separate Breakdown in this Section)	

# SECTION 4 - ENGINE AND ATTACHING PARTS

## FIGURE 4-34. AIR CLEANER INSTALLATION (90/100KW)



ART\_1001182036

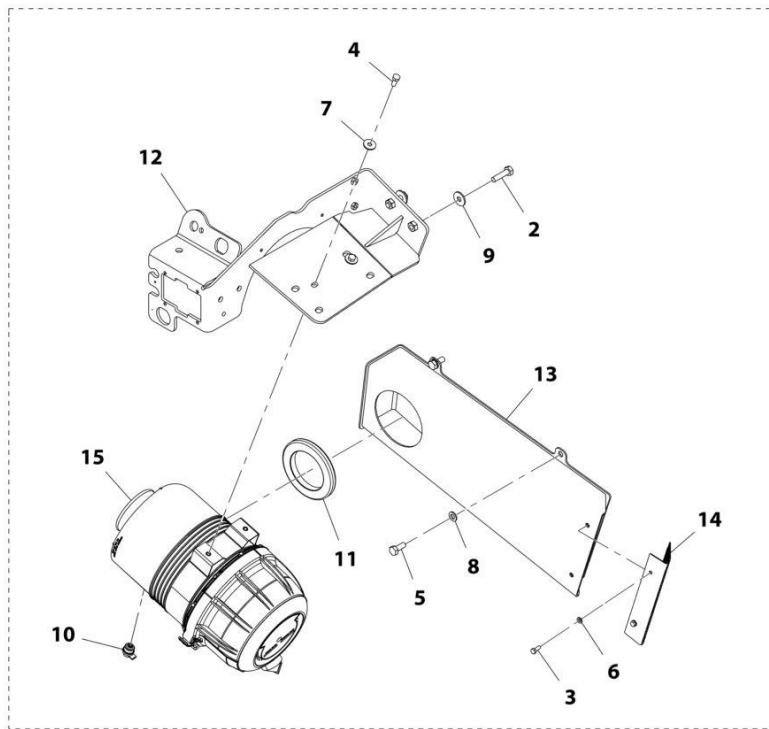
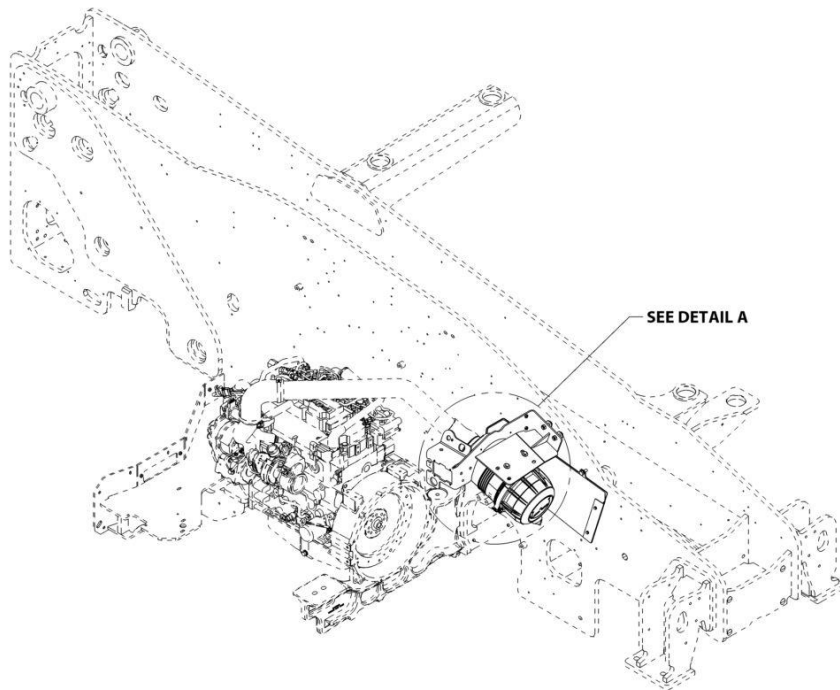
## SECTION 4 - ENGINE AND ATTACHING PARTS

**FIGURE 4-34. AIR CLEANER INSTALLATION (90/100KW)**

ITEM	PART NUMBER	QTY	DESCRIPTION	REV
	1001182036	Ref	AIR CLEANER INSTALLATION (90/100KW)	G
2	0701016	3	Bolt M10 x 40	
3	0760608	2	Bolt M6 x 16	
4	0761010	4	Bolt M10 x 20	
5	0761012	4	Bolt M10 x 25	
6	4811700	2	Washer M6	
7	4812000	4	Washer M10	
8	4812002	6	Washer M10	
9	1001166397	1	Grommet	
10	1001166715	1	Indicator	
11	1001212906	1	Bracket	
12	1001186009	1	Duct	
13	1001186290	1	Grill	
14	1001166565	1	Filter, Air Cleaner (90/100KW) (See Separate Breakdown in this Section)	
15	1001218486	1	Bracket	

# SECTION 4 - ENGINE AND ATTACHING PARTS

## FIGURE 4-35. AIR CLEANER INSTALLATION (74.4KW - LS)



DETAIL A

ART\_1001182042-D

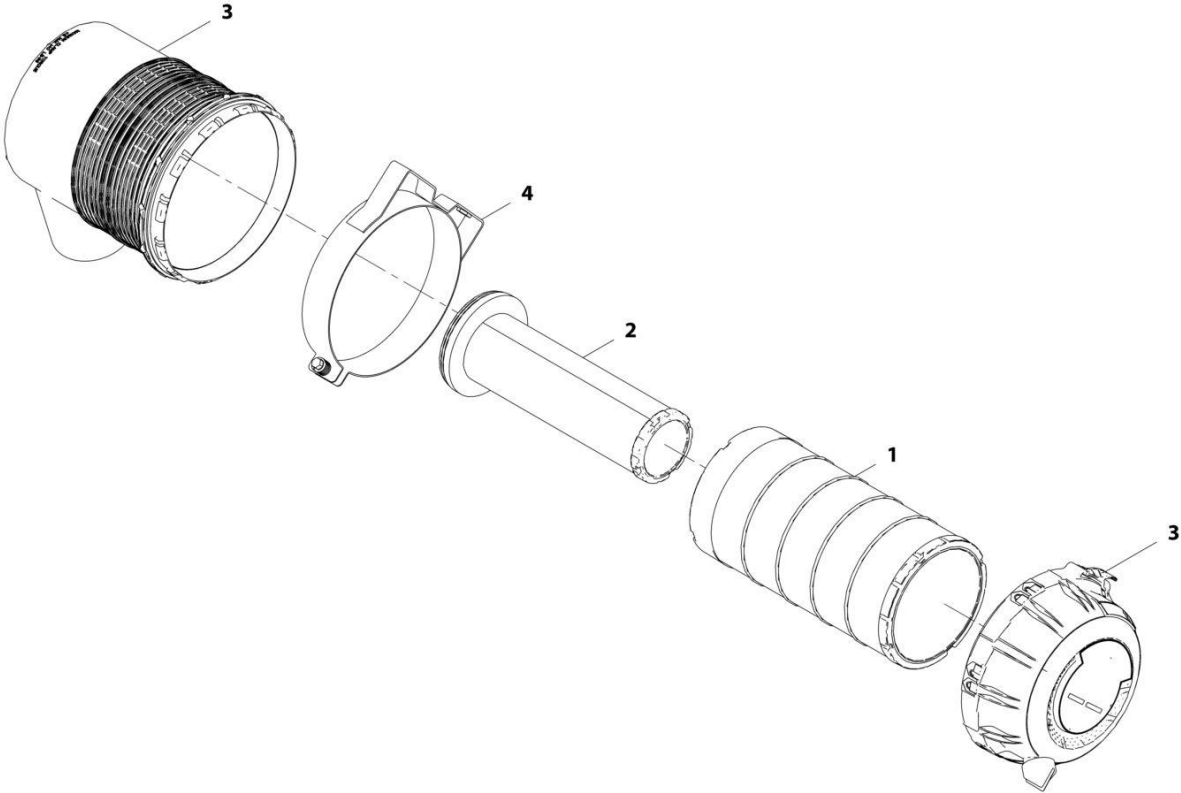
## SECTION 4 - ENGINE AND ATTACHING PARTS

**FIGURE 4-35. AIR CLEANER INSTALLATION (74.4KW - LS)**

ITEM	PART NUMBER	QTY	DESCRIPTION	REV
	1001182042	Ref	Air Cleaner Installation (74.4KW - LS)	D
2	0701016	3	Bolt, M10X40	
3	0760608	2	Bolt, M6X16	
4	0760810	2	Bolt, M8X20	
5	0761012	4	Bolt, M10X25	
6	4811700	2	Washer, M6	
7	4811902	2	Washer, M8	
8	4812000	4	Washer, M10	
9	4812002	3	Washer, M10	
10	1001166715	1	Indicator	
11	1001183830	1	Grommet	
12	1001212907	1	Bracket	
13	1001186009	1	Duct	
14	1001186290	1	Grill	
15	1001166566	1	Filter, Air Cleaner (74.4KW) (See Separate Breakdown in this Section)	

# SECTION 4 - ENGINE AND ATTACHING PARTS

## FIGURE 4-36. AIR CLEANER ASSEMBLY (74.4KW)



ART\_1001166566-G



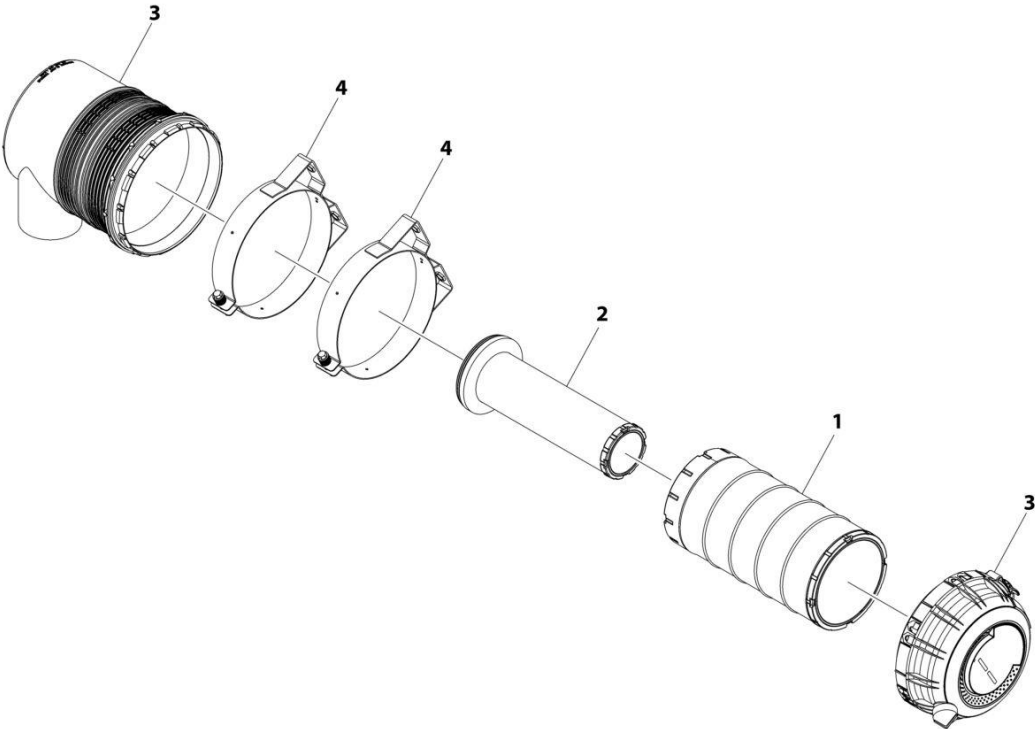
## SECTION 4 - ENGINE AND ATTACHING PARTS

FIGURE 4-36. AIR CLEANER ASSEMBLY (74.4KW)

ITEM	PART NUMBER	QTY	DESCRIPTION	REV
	1001166566	Ref	Air Cleaner Assembly (74.4KW)	G
1	70025852	1	Filter, Air Cylindrical Primary	
2	70025853	1	Filter, Air Cylindrical Secondary	
3	70026393	1	Cover, Air Cleaner	
4	70026394	1	Bracket, Mounting Band	

**SECTION 4 - ENGINE AND ATTACHING PARTS**

**FIGURE 4-37. AIR CLEANER ASSEMBLY (90/100KW)**



ART\_1001166565

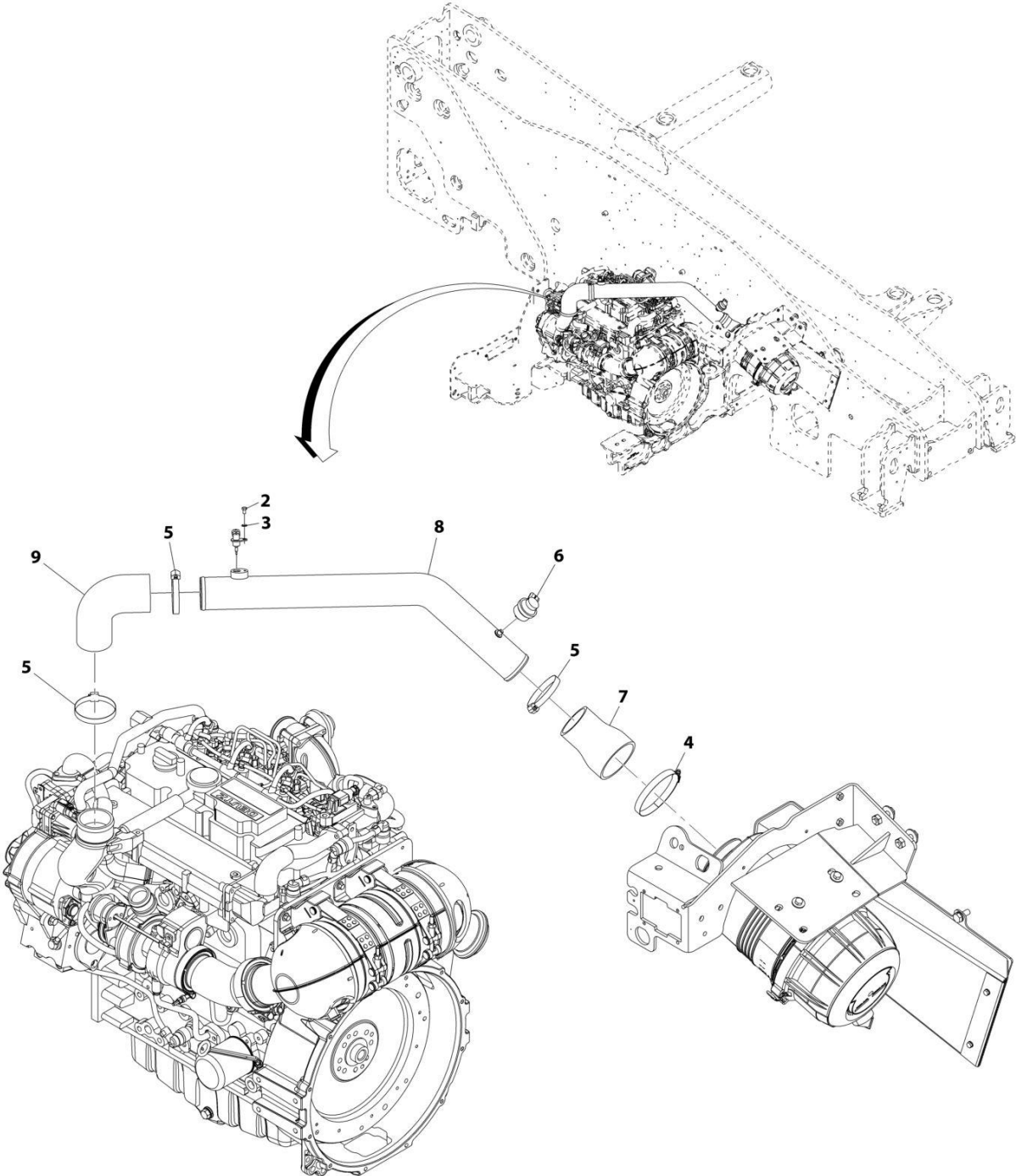
## SECTION 4 - ENGINE AND ATTACHING PARTS

FIGURE 4-37. AIR CLEANER ASSEMBLY (90/100KW)

ITEM	PART NUMBER	QTY	DESCRIPTION	REV
	1001166565	Ref	AIR FILTER ASSEMBLY (90/100KW)	F
1	70025850	1	Filter, Cylindrical Air Primary	
2	70025851	1	Filter, Cylindrical Air Secondary	
3	70026395	1	Cover	
4	70026396	2	Bracket	

# SECTION 4 - ENGINE AND ATTACHING PARTS

FIGURE 4-38. AIR INTAKE LINES INSTALLATION (74.4KW - ULS)



ART\_1001182041-D

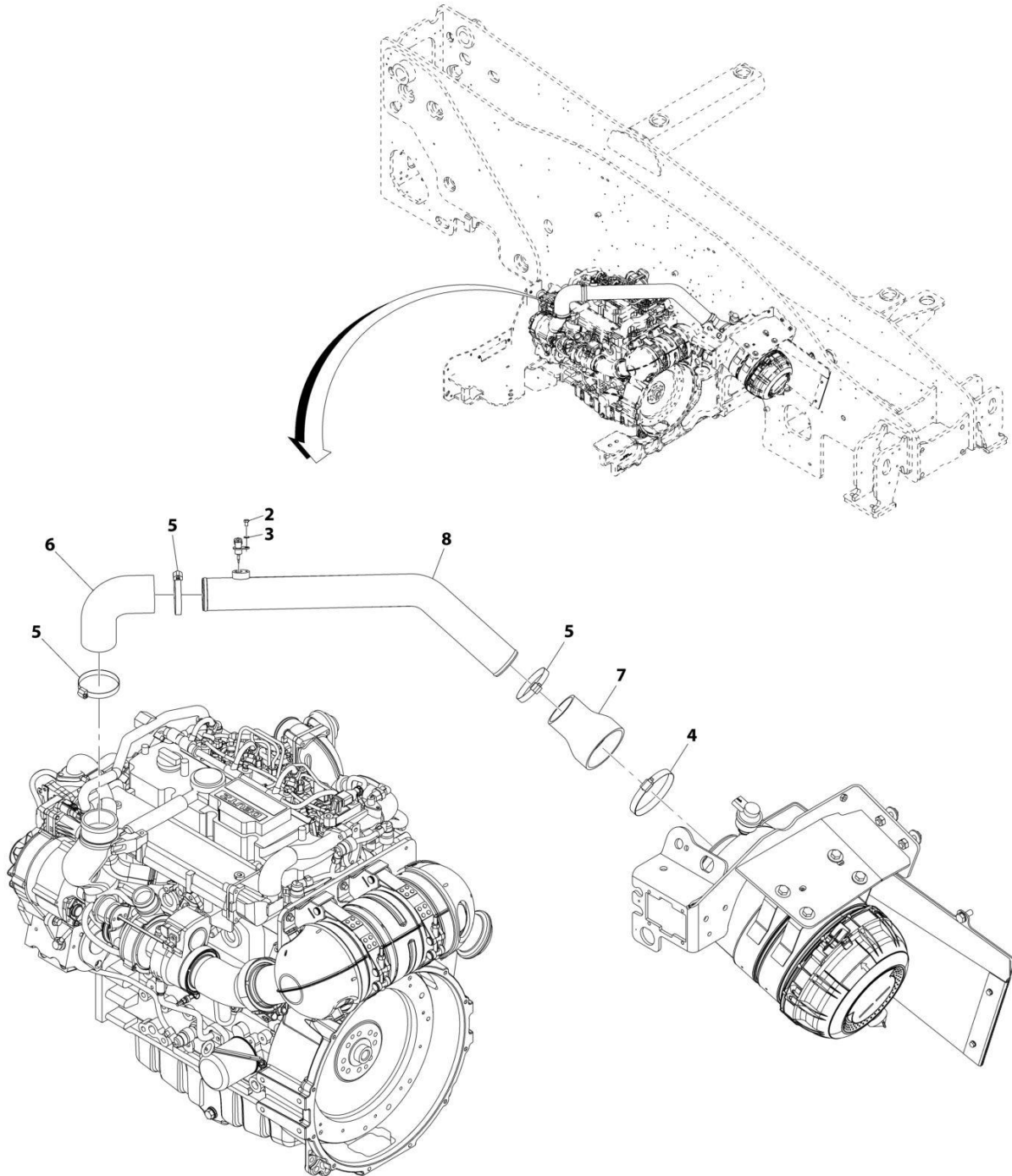
## SECTION 4 - ENGINE AND ATTACHING PARTS

**FIGURE 4-38. AIR INTAKE LINES INSTALLATION (74.4KW - ULS)**

ITEM	PART NUMBER	QTY	DESCRIPTION	REV
	1001182041	Ref	Air Intake Lines Installation (74.4KW - ULS)	D
2	0760605	1	Bolt, M6X10	
3	4811700	1	Washer, M6	
4	8405402	1	Clamp	
5	8410011	3	Clamp, Gear	
6	1001166715	1	Indicator	
7	1001175586	1	Sleeve	
8	1001182880	1	Tube	
9	1001182881	1	Hose	

# SECTION 4 - ENGINE AND ATTACHING PARTS

FIGURE 4-39. AIR INTAKE LINES INSTALLATION (90/100KW - ULS)



ART\_1001182037-D

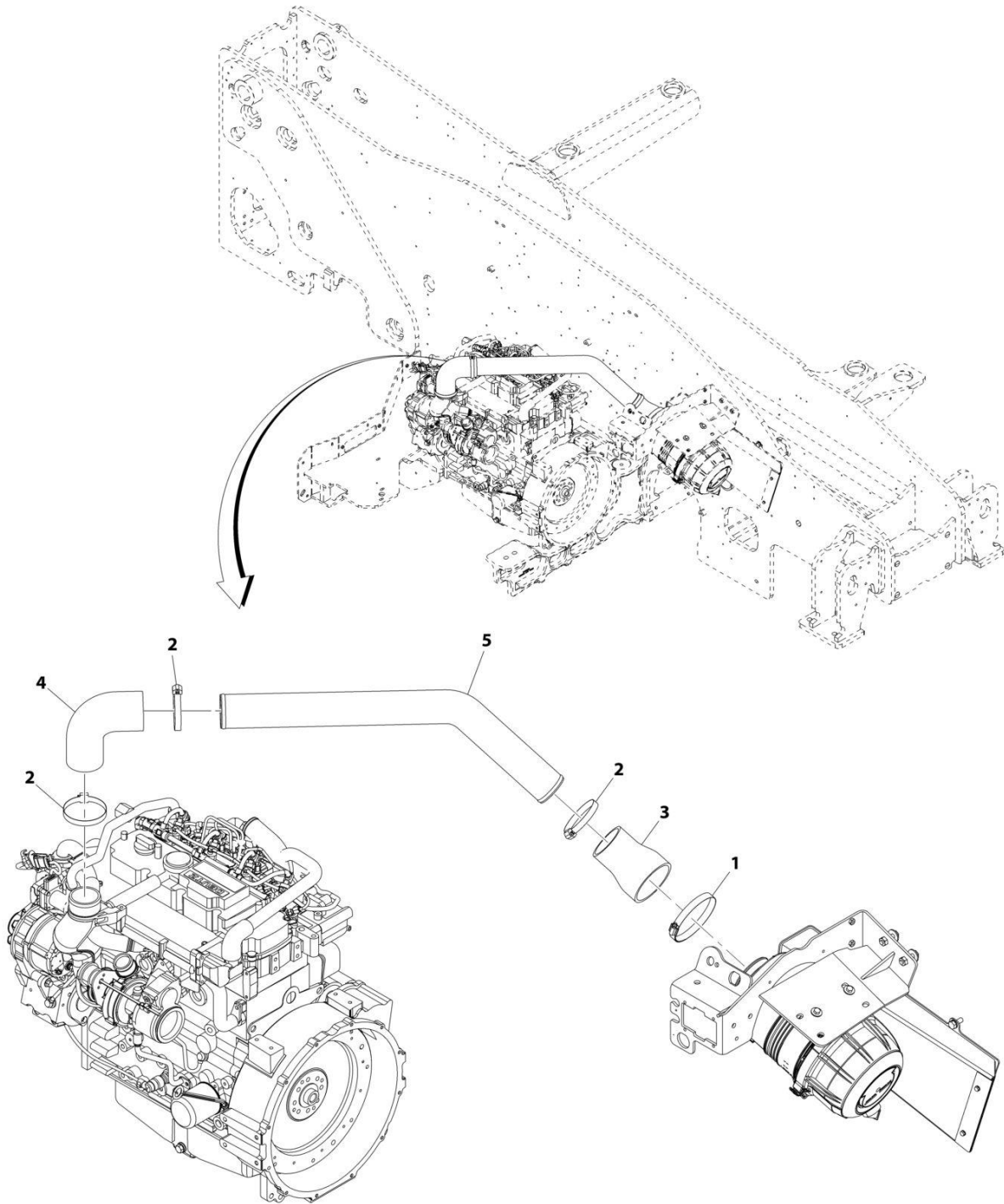
## SECTION 4 - ENGINE AND ATTACHING PARTS

FIGURE 4-39. AIR INTAKE LINES INSTALLATION (90/100KW - ULS)

ITEM	PART NUMBER	QTY	DESCRIPTION	REV
	1001182037	Ref	Air Intake Lines Installation (90/100KW - ULS)	D
2	0760605	1	Bolt, M6X10	
3	4811700	1	Washer, M6	
4	8405402	1	Clamp	
5	8410011	3	Clamp, Gear	
6	1001182881	1	Hose	
7	1001182885	1	Hose	
8	1001182886	1	Tube	

# SECTION 4 - ENGINE AND ATTACHING PARTS

FIGURE 4-40. AIR INTAKE LINES INSTALLATION (74.4KW - LS)



ART\_1001182043-A



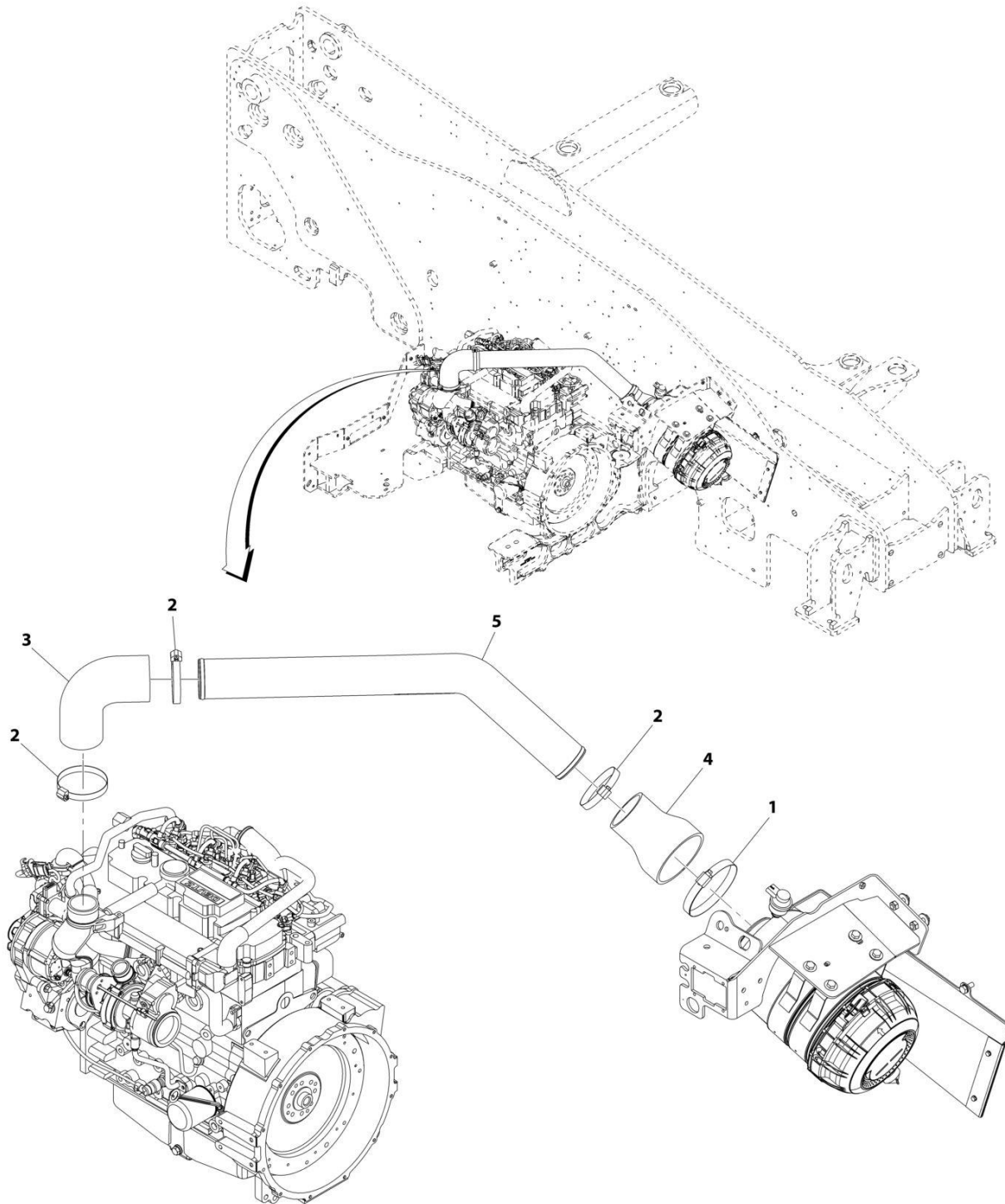
## SECTION 4 - ENGINE AND ATTACHING PARTS

**FIGURE 4-40. AIR INTAKE LINES INSTALLATION (74.4KW - LS)**

ITEM	PART NUMBER	QTY	DESCRIPTION	REV
	1001182043	Ref	Air Intake Lines Installation (74.4KW - LS)	A
1	8405402	1	Clamp	
2	8410011	3	Clamp, Gear	
3	1001175586	1	Sleeve	
4	1001182881	1	Hose	
5	1001182887	1	Tube	

# SECTION 4 - ENGINE AND ATTACHING PARTS

## FIGURE 4-41. AIR INTAKE LINES INSTALLATION (90KW - LS)



ART\_1001182039-A

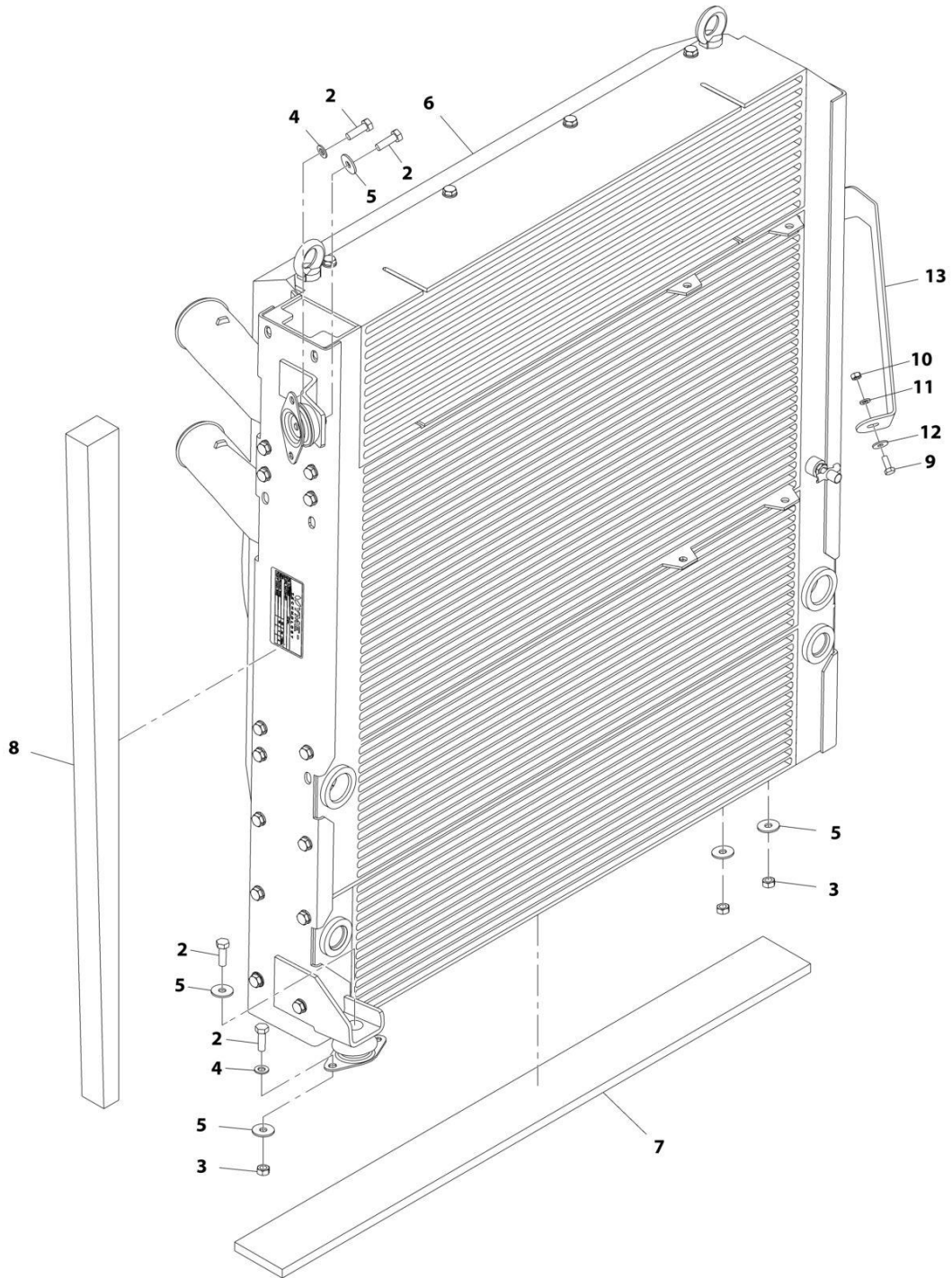
## SECTION 4 - ENGINE AND ATTACHING PARTS

FIGURE 4-41. AIR INTAKE LINES INSTALLATION (90KW - LS)

ITEM	PART NUMBER	QTY	DESCRIPTION	REV
	1001182039	Ref	Air Intake Lines Installation (90KW - LS)	A
1	8405402	1	Clamp	
2	8410011	3	Clamp, Gear	
3	1001182881	1	Hose	
4	1001182885	1	Hose	
5	1001182888	1	Tube	

# SECTION 4 - ENGINE AND ATTACHING PARTS

## FIGURE 4-42. COOLER INSTALLATION (74.4KW)



ART\_1001184061-E

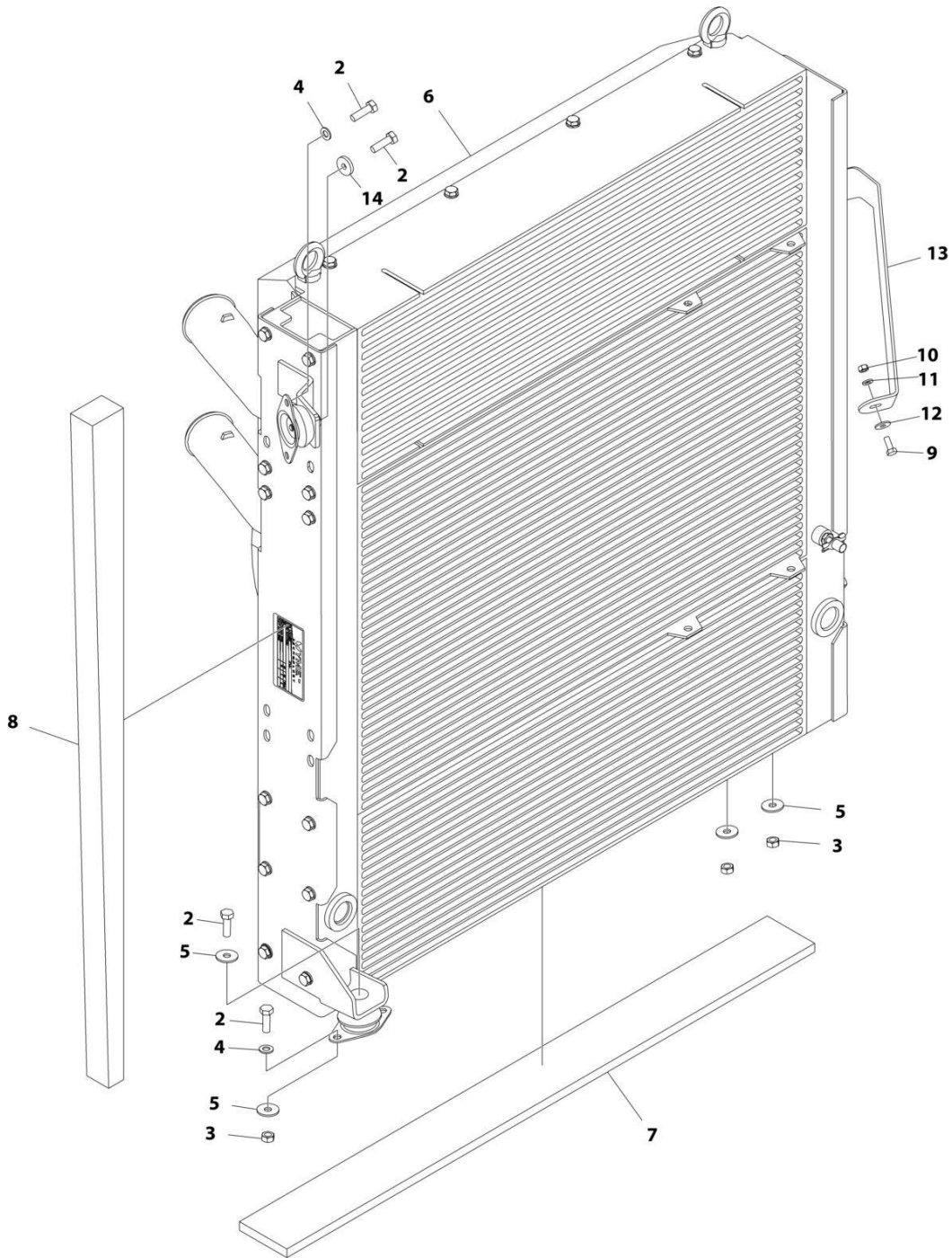
## SECTION 4 - ENGINE AND ATTACHING PARTS

**FIGURE 4-42. COOLER INSTALLATION (74.4KW)**

ITEM	PART NUMBER	QTY	DESCRIPTION	REV
	1001184061	Ref	Cooler Installation (74.4KW)	E
2	0760812	9	Bolt, M8X25	
3	3290801	4	Nut, M8X1.25 Grade 8	
4	4811900	6	Washer, M8	
5	4811902	7	Washer, M8	
6	1001180581	1	Package, Radiator Cooling (74.4KW) (See Separate Breakdown in this Section)	
7	1001182994	1	Seal	
8	1001182995	1	Seal	
9	0760608	1	Bolt, M6X16	
10	3290601	1	Nut, M6X1 Grade 8	
11	4811700	1	Washer, M6	
12	4811702	1	Washer, M6	
13	1001202120	1	Plate	

# SECTION 4 - ENGINE AND ATTACHING PARTS

## FIGURE 4-43. COOLER INSTALLATION (90KW)



ART\_1001184062

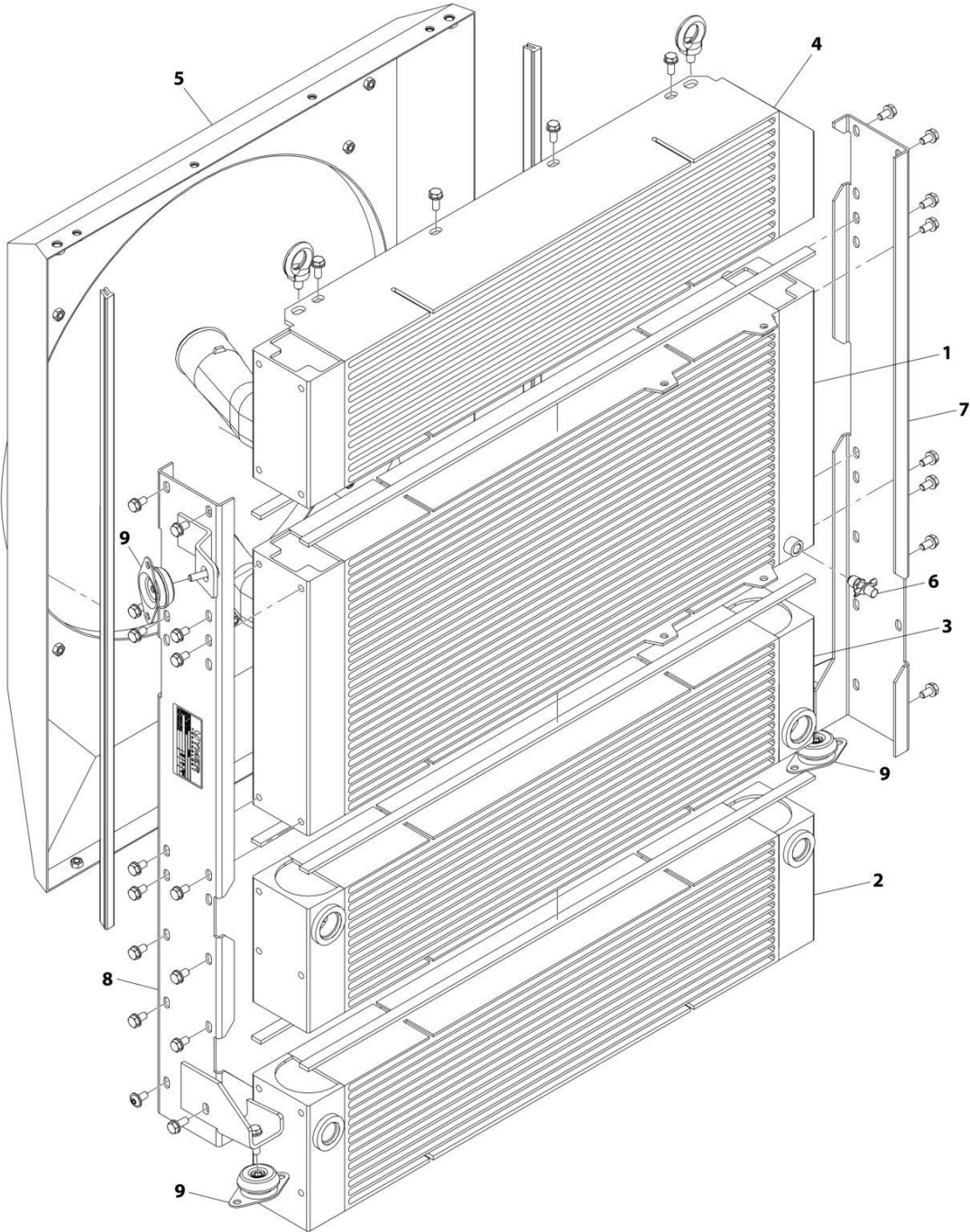
## SECTION 4 - ENGINE AND ATTACHING PARTS

**FIGURE 4-43. COOLER INSTALLATION (90KW)**

ITEM	PART NUMBER	QTY	DESCRIPTION	REV
	1001184062	Ref	COOLER INSTALLATION (90KW)	E
2	0760812	9	Bolt M8 x 25	
3	3290801	4	Nut M8 x 1.25 Grade 8	
4	4811900	6	Washer M8	
5	4811902	6	Washer M8	
6	1001175320	1	Package, Radiator Cooling (90KW) (See Separate Breakdown in this Section)	
7	1001182994	1	Seal	
8	1001182995	1	Seal	
9	0760608	1	Bolt M6 x 16	
10	3290601	1	Nut M6 x 1 Grade 8	
11	4811700	1	Washer M6	
12	4811702	1	Washer M6	
13	1001202120	1	Plate	
14	4740572	1	Washer M10	

# SECTION 4 - ENGINE AND ATTACHING PARTS

## FIGURE 4-44. RADIATOR COOLING PACKAGE (74.4KW)



ART\_1001180581-C



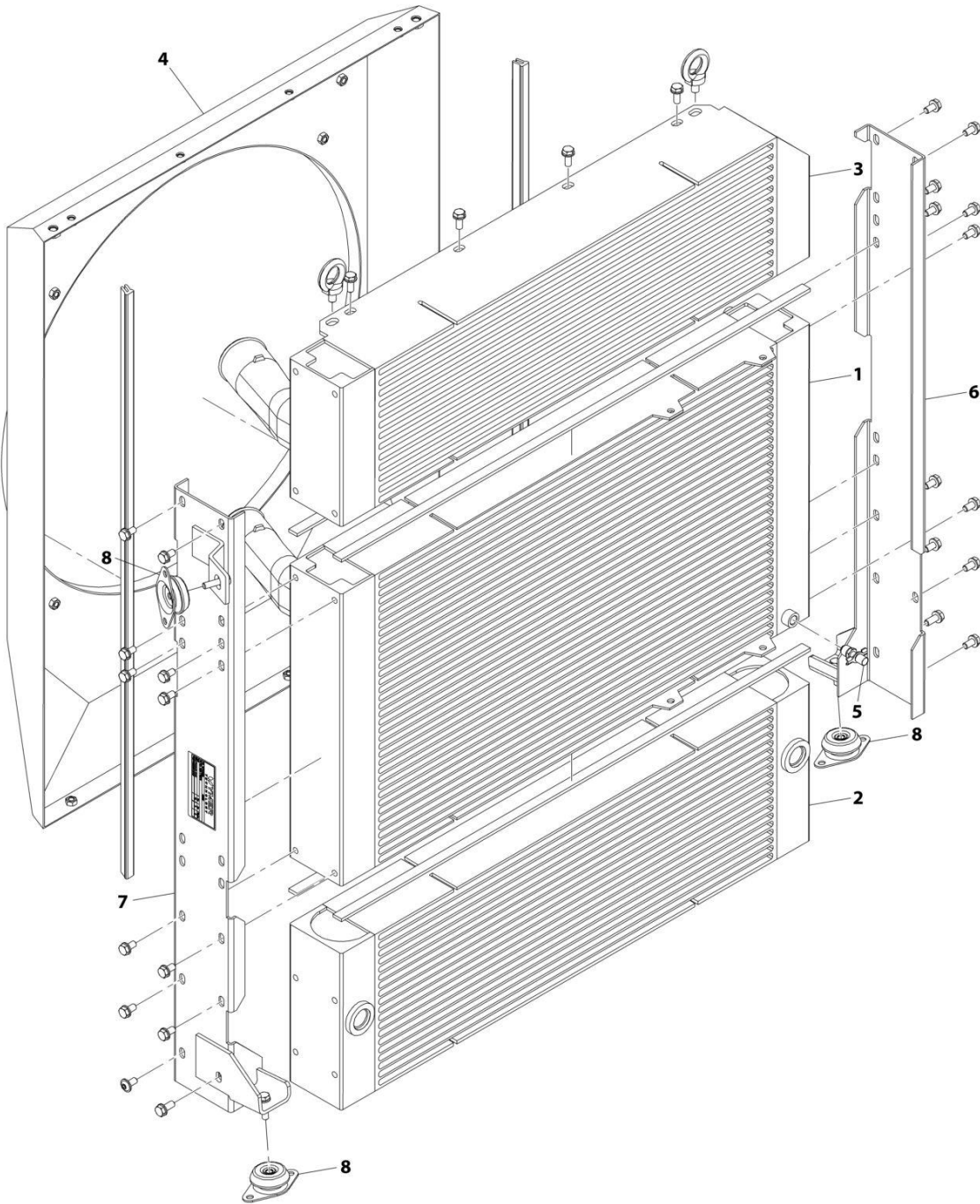
## SECTION 4 - ENGINE AND ATTACHING PARTS

FIGURE 4-44. RADIATOR COOLING PACKAGE (74.4KW)

ITEM	PART NUMBER	QTY	DESCRIPTION	REV
	1001180581	Ref	Radiator Cooling Package (74.4KW)	C
1	70027205	1	Cooler, Water	
2	70027207	1	Cooler, Oil	
3	70027206	1	Cooler, Oil	
4	70027208	1	Cooler, Air	
5	70027202	1	Shroud	
6	70025644	1	Valve, Drain	
7	70027203	1	Bracket, Mounting	
8	70027204	1	Bracket, Mounting	
9	1001184609	1	Isolator, Mount	

# SECTION 4 - ENGINE AND ATTACHING PARTS

## FIGURE 4-45. RADIATOR COOLING PACKAGE (90KW)



ART\_1001175320-C

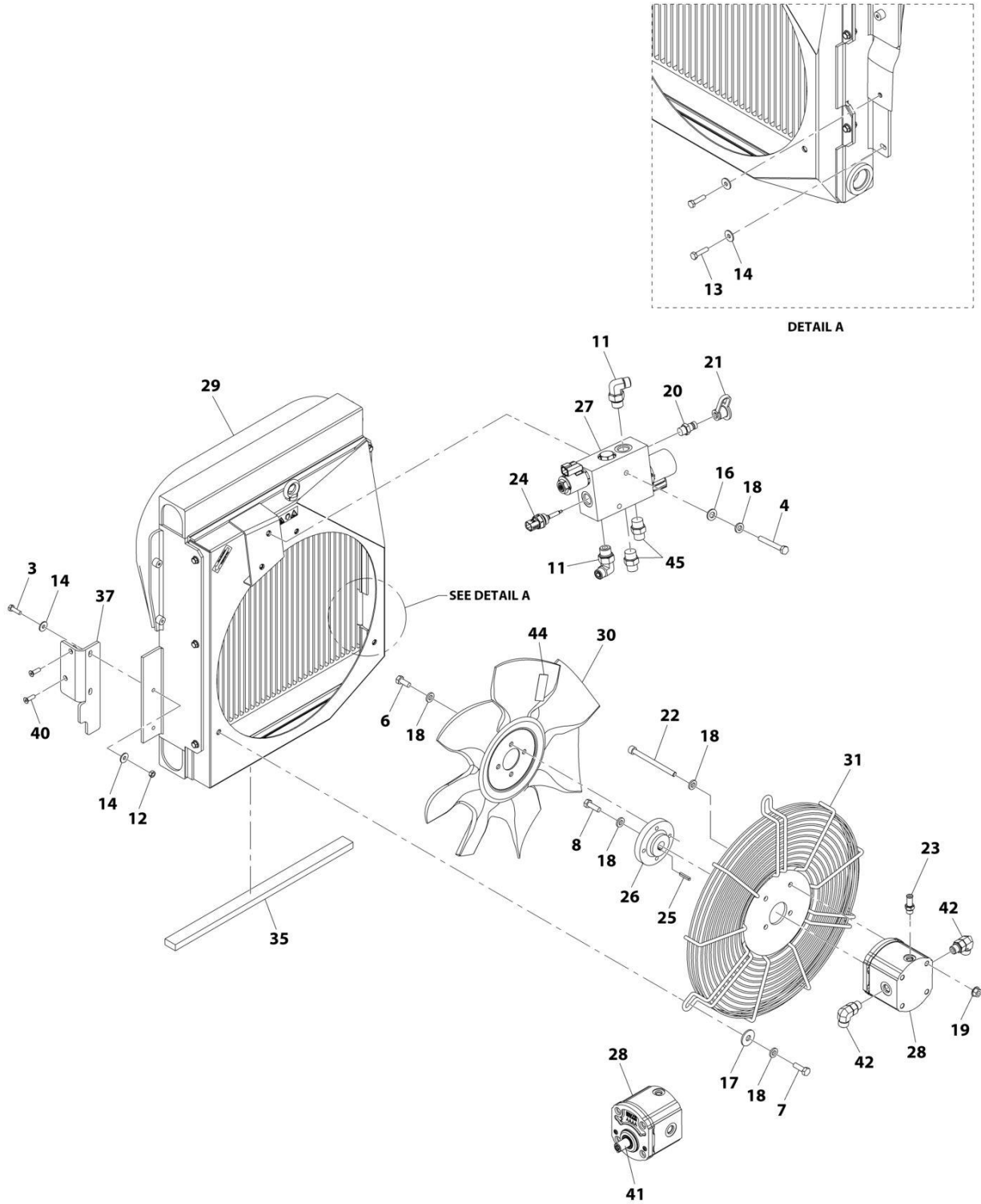
## SECTION 4 - ENGINE AND ATTACHING PARTS

FIGURE 4-45. RADIATOR COOLING PACKAGE (90KW)

ITEM	PART NUMBER	QTY	DESCRIPTION	REV
	1001175320	Ref	Radiator Cooling Package (90KW)	C
1	70027199	1	Cooler, Water	
2	70027200	1	Cooler, Oil	
3	70027201	1	Cooler, Air	
4	70027202	1	Shroud	
5	70025644	1	Valve, Drain	
6	70027203	1	Bracket, Mounting	
7	70027204	1	Bracket, Mounting	
8	1001184609	1	Isolator, Mount	

# SECTION 4 - ENGINE AND ATTACHING PARTS

## FIGURE 4-46. REMOTE HOC INSTALLATION



ART\_1001185337-I

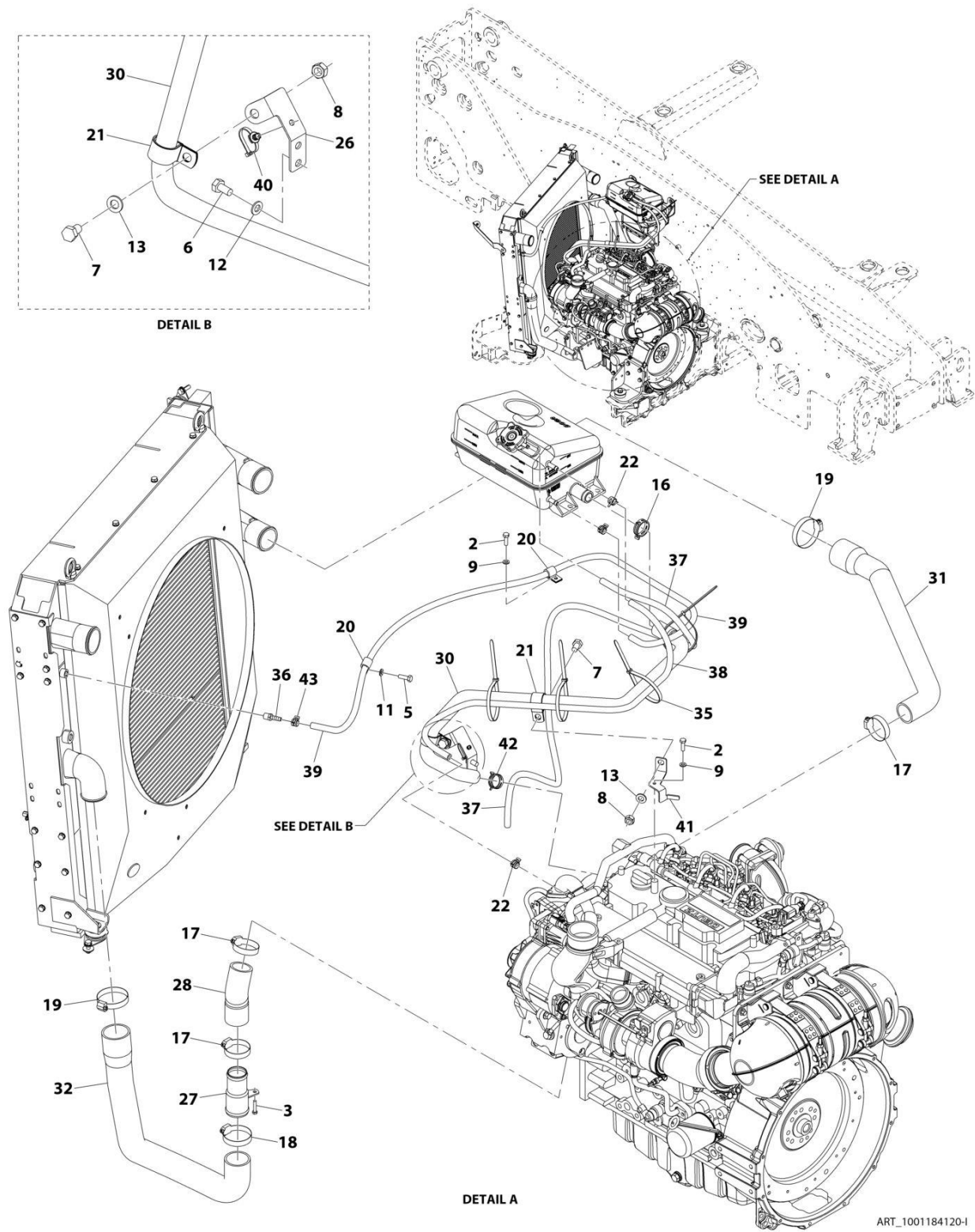
## SECTION 4 - ENGINE AND ATTACHING PARTS

**FIGURE 4-46. REMOTE HOC INSTALLATION**

ITEM	PART NUMBER	QTY	DESCRIPTION	REV
	1001185337	Ref	Remote HOC Installation	1
3	0700610	2	Bolt, M6X20	
4	0700821	2	Bolt, M8X65	
6	0770810	4	Bolt, M8X20 Grade 10.9	
7	0760812	3	Bolt, M8X25	
8	1001139034	1	Bolt	
11	2130608	2	Fitting, 90 ORFS	
12	3290601	2	Nut, M6X1 Grade 8	
13	0700612	2	Bolt, M6X25	
14	4811702	6	Washer, M6	
16	4812000	2	Washer, M10	
17	4812002	3	Washer, M10	
18	5240800	14	Washer, M8	
19	5260800	4	Nut, M8	
20	1001003590	1	Fitting, Straight	
21	1001008761	1	Cap, Dust	
22	1001093277	4	Bolt, M8X100	
23	1001093401	1	Fitting, Straight ORFS	
24	1001128478	1	Sensor, Temperature <b>(Prior to SN 1160008597)</b>	
25	1001152940	1	Key, Fan Hub	
26	1001191508	1	Adapter, Fan Hub	
27	1001182213	1	Valve, Fan Motor Control (See Separate Breakdown in Hydraulic Components Section)	
28	1001182950	1	Motor, Fan Drive (7.29CC) (See Separate Breakdown in this Section)	
29	1001183956	1	Cooler, Oil	
30	1001185210	1	Fan	
31	1001185282	1	Shield, Fan	
35	1001219810	1	Seal	
37	1001197430	1	Bracket	
40	0630576	2	Screw, M6X20	
41	1001125466	AR	Compound, Locking	
42	2130606	2	Fitting, 90 ORFS	
44	1001222573	AR	Reflective Tape	
45	2110608	2	Fitting, Straight ORFS	

# SECTION 4 - ENGINE AND ATTACHING PARTS

## FIGURE 4-47. COOLANT LINES INSTALLATION (ULS)



ART\_1001184120-I

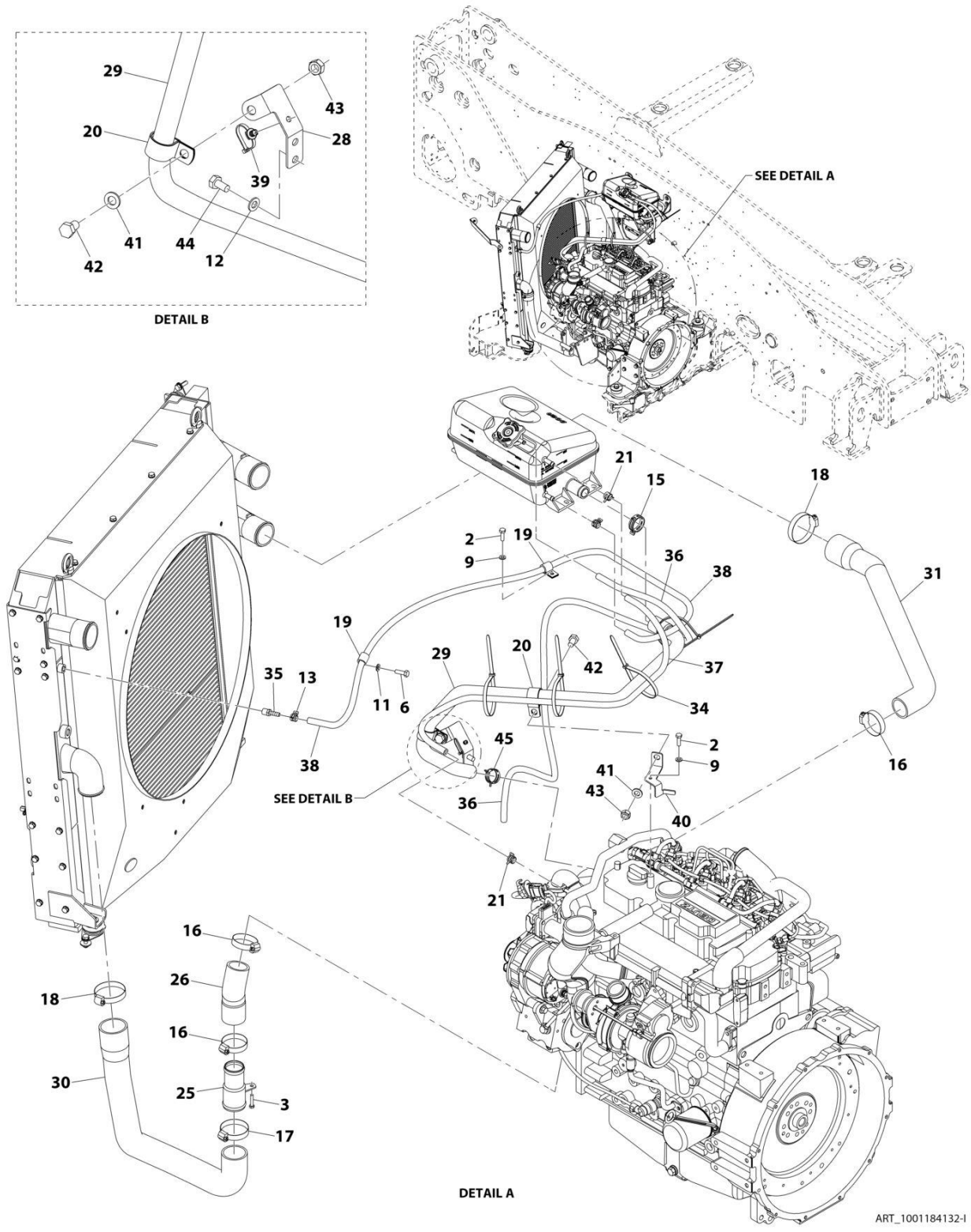
## SECTION 4 - ENGINE AND ATTACHING PARTS

### FIGURE 4-47. COOLANT LINES INSTALLATION (ULS)

ITEM	PART NUMBER	QTY	DESCRIPTION	REV
	1001184120	Ref	Coolant Lines Installation (ULS)	1
2	0700610	2	Bolt, M6X20	
3	0700614	1	Bolt, M6X30	
5	0760812	1	Bolt, M8X25	
6	0761010	2	Bolt, M10X20	
7	0761210	2	Bolt, M12X20	
8	3291201	2	Nut, M12X1.75 Grade 8	
9	4811700	2	Washer, M6	
11	4811900	1	Washer, M8	
12	4812000	2	Washer, M10	
13	4812100	2	Washer, M12	
16	1001212949	1	Clamp	
17	8405104	3	Clamp	
18	8405201	1	Clamp	
19	8405202	2	Clamp, Gear	
20	1001008580	2	Clip	
21	8406302	2	Clamp, Hose	
22	1001195443	3	Clamp	
26	1001168727	1	Bracket	
27	1001189884	1	Pipe	
28	1001217333	1	Hose	
30	1001184099	1	Hose	
31	1001184129	1	Hose	
32	1001184128	1	Hose	
35	1062255	AR	Strap, Tie	
36	8420231	1	Adapter	
37	1001203009	1	Hose	
38	1001203027	1	Hose	
39	1001203028	1	Hose	
40	1001146588	1	Strap	
41	1001205551	1	Bracket	
42	1001212948	1	Clamp	
43	1001140296	1	Clamp	

# SECTION 4 - ENGINE AND ATTACHING PARTS

## FIGURE 4-48. COOLANT LINES INSTALLATION (LS)



ART\_1001184132-I



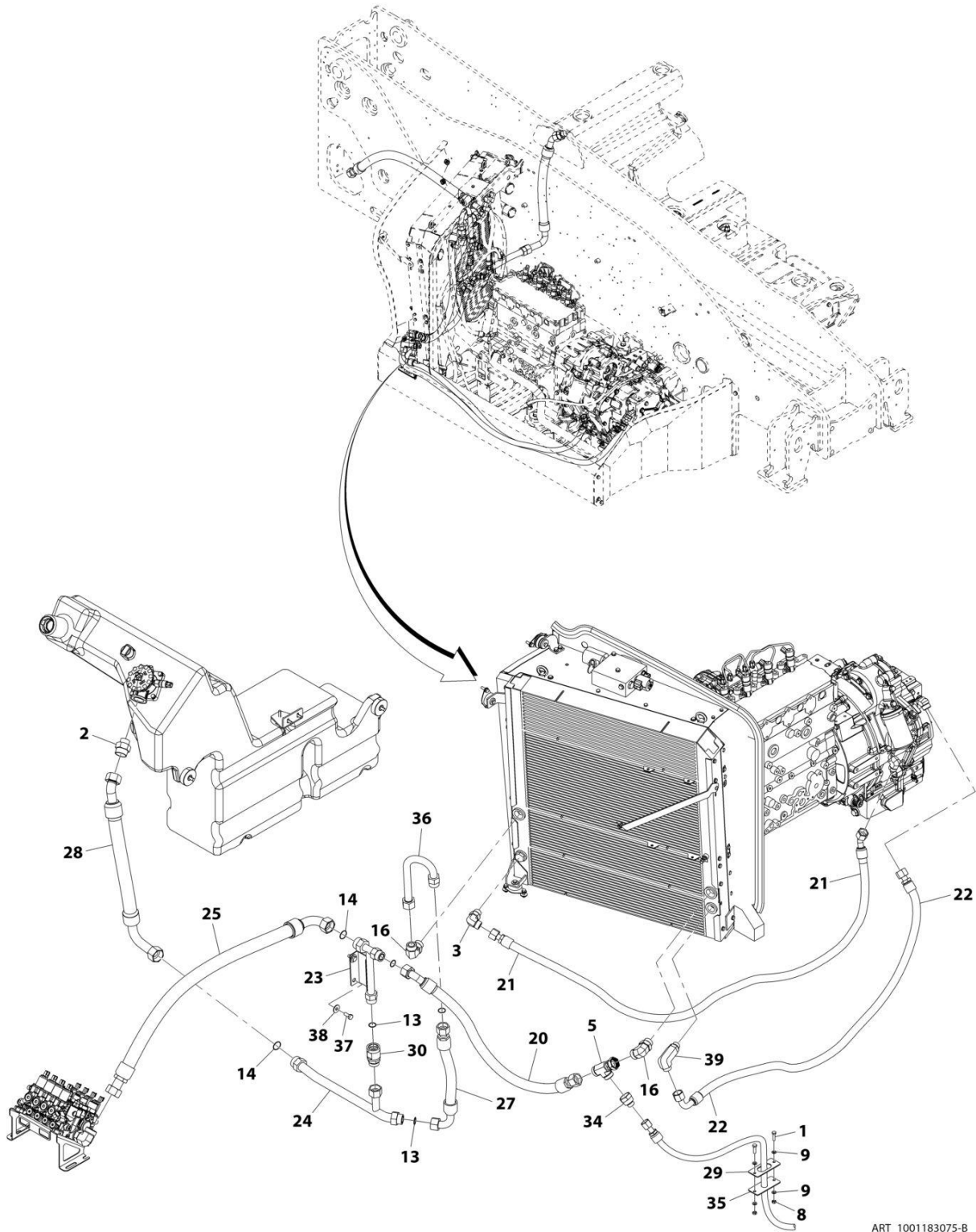
## SECTION 4 - ENGINE AND ATTACHING PARTS

**FIGURE 4-48. COOLANT LINES INSTALLATION (LS)**

ITEM	PART NUMBER	QTY	DESCRIPTION	REV
	1001184132	Ref	Coolant Lines Installation (LS)	1
2	0700610	2	Bolt, M6X20	
3	0700614	1	Bolt, M6X30	
6	0760812	1	Bolt, M8X25	
9	4811700	2	Washer, M6	
11	4811900	1	Washer, M8	
12	4812000	2	Washer, M10	
13	1001140296	1	Clamp	
15	1001212949	1	Clamp	
16	8405104	3	Clamp	
17	8405201	1	Clamp	
18	8405202	2	Clamp, Gear	
19	1001008580	2	Clip	
20	8406302	2	Clamp, Hose	
21	1001195443	3	Clamp	
25	1001189884	1	Pipe	
26	1001217333	1	Hose	
28	1001168727	1	Bracket	
29	1001184099	1	Hose	
30	1001184128	1	Hose	
31	1001184129	1	Hose	
34	1062255	AR	Strap, Tie	
35	8420231	1	Adapter	
36	1001203009	1	Hose	
37	1001203027	1	Hose	
38	1001203028	1	Hose	
39	1001146588	1	Strap	
40	1001205551	1	Bracket	
41	4812100	2	Washer, M12	
42	0761210	2	Bolt, M12X20	
43	3291201	2	Nut, M12X1.75 Grade 8	
44	0761010	2	Bolt, M10X20	
45	1001212948	1	Clamp	

# SECTION 4 - ENGINE AND ATTACHING PARTS

FIGURE 4-49. COOLER LINES INSTALLATION (74.4KW) (Prior to SN 1160008434)



ART\_1001183075-B

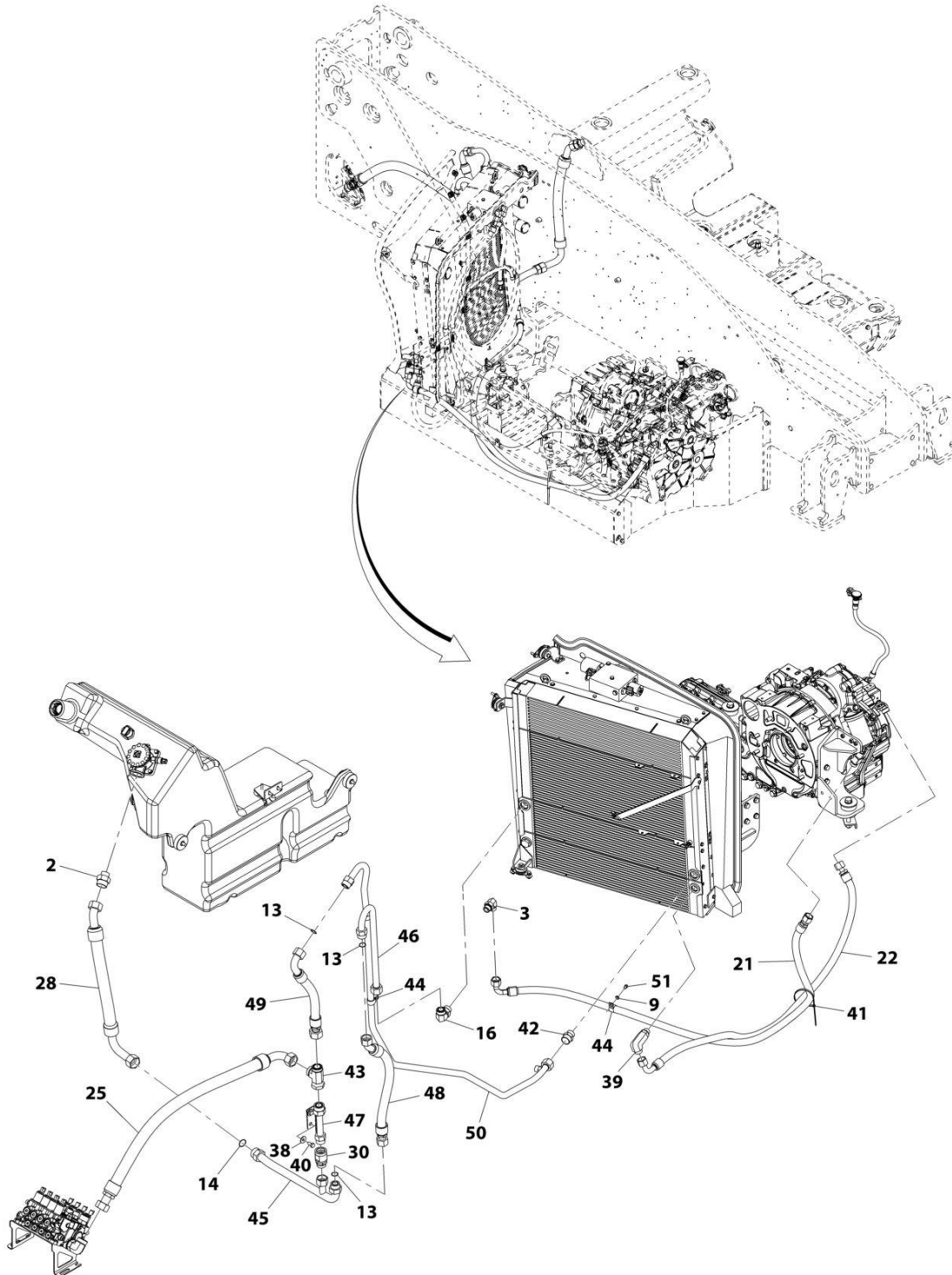
## SECTION 4 - ENGINE AND ATTACHING PARTS

**FIGURE 4-49. COOLER LINES INSTALLATION (74.4KW) (Prior to SN 1160008434)**

ITEM	PART NUMBER	QTY	DESCRIPTION	REV
	1001183075	Ref	Cooler Lines Installation (74.4KW)	B
1	0760814	2	Bolt, M8X30	
2	2112016	1	Fitting, Straight ORFS	
3	2131212	1	Fitting, 90 ORFS	
5	2170716	1	Fitting, Tee ORFS	
8	3290801	2	Nut, M8X1.25 Grade 8	
9	4811900	4	Washer, M8	
13	1001010240	4	Seal, O-Ring ORFS	
14	1001010938	2	Seal, O-Ring ORFS	
16	2131616	2	Fitting, 90 ORFS	
20	1001202253	1	Hose, ORFS	
21	1001203173	1	Hose, ORFS	
22	1001203174	1	Hose, ORFS	
23	1001202445	1	Pipe, ORFS	
24	1001203014	1	Pipe, ORFS	
25	1001202249	1	Hose, ORFS	
27	1001202251	1	Hose, ORFS	
28	1001203039	1	Hose, ORFS	
29	1001200449	1	Plate	
30	1001185871	1	Check, Valve ORFS	
34	1001202805	1	Reducer, ORFS	
35	1001200450	1	Gasket	
36	1001202506	1	Pipe, ORFS	
37	0701012	2	Bolt, M10X25	
38	4812002	2	Washer, M10	
39	2170212	1	Fitting, 90 ORFS	

# SECTION 4 - ENGINE AND ATTACHING PARTS

FIGURE 4-50. COOLER LINES INSTALLATION (74.4KW) (SN 1160008434 to Present)



ART\_1001183075-C

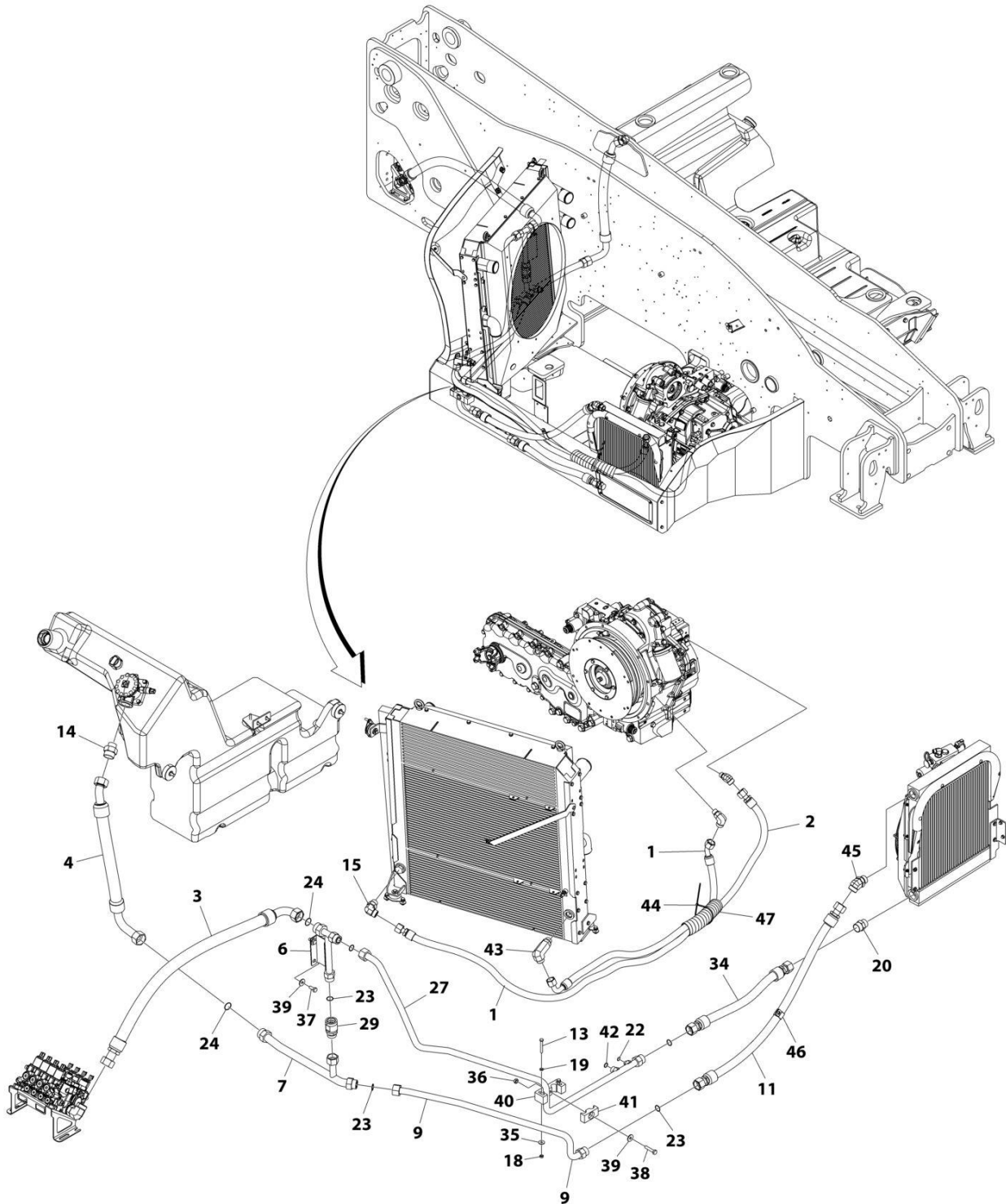
## SECTION 4 - ENGINE AND ATTACHING PARTS

**FIGURE 4-50. COOLER LINES INSTALLATION (74.4KW) (SN 1160008434 to Present)**

ITEM	PART NUMBER	QTY	DESCRIPTION	REV
	1001183075	Ref	Cooler Lines Installation (74.4KW)	C
2	2112016	1	Fitting, Straight ORFS	
3	2131212	1	Fitting, 90 ORFS	
9	4811900	1	Washer, M8	
13	1001010240	3	Seal, O-Ring ORFS	
14	1001010938	1	Seal, O-Ring ORFS	
16	2131616	1	Fitting, 90 ORFS	
21	1001221860	1	Hose, ORFS	
22	1001203174	1	Hose, ORFS	
25	1001202249	1	Hose, ORFS	
28	1001203039	1	Hose, ORFS	
30	1001185871	1	Check, Valve ORFS	
38	4812002	2	Washer, M10	
39	2170212	1	Fitting, 90 ORFS	
40	0761010	2	Bolt, M10X20	
41	1062255	1	Strap, Tie	
42	2111616	1	Fitting, Straight ORFS	
43	2170720	1	Adapter	
44	1001008910	3	Clip	
45	1001212783	1	Pipe	
46	1001212792	1	Pipe	
47	1001212799	1	Pipe	
48	1001221858	1	Hose	
49	1001221859	1	Hose	
50	1001221862	1	Pipe	
51	0760806	1	Bolt, M8X12	

# SECTION 4 - ENGINE AND ATTACHING PARTS

## FIGURE 4-51. COOLER LINES INSTALLATION (90KW)



ART\_1001183076

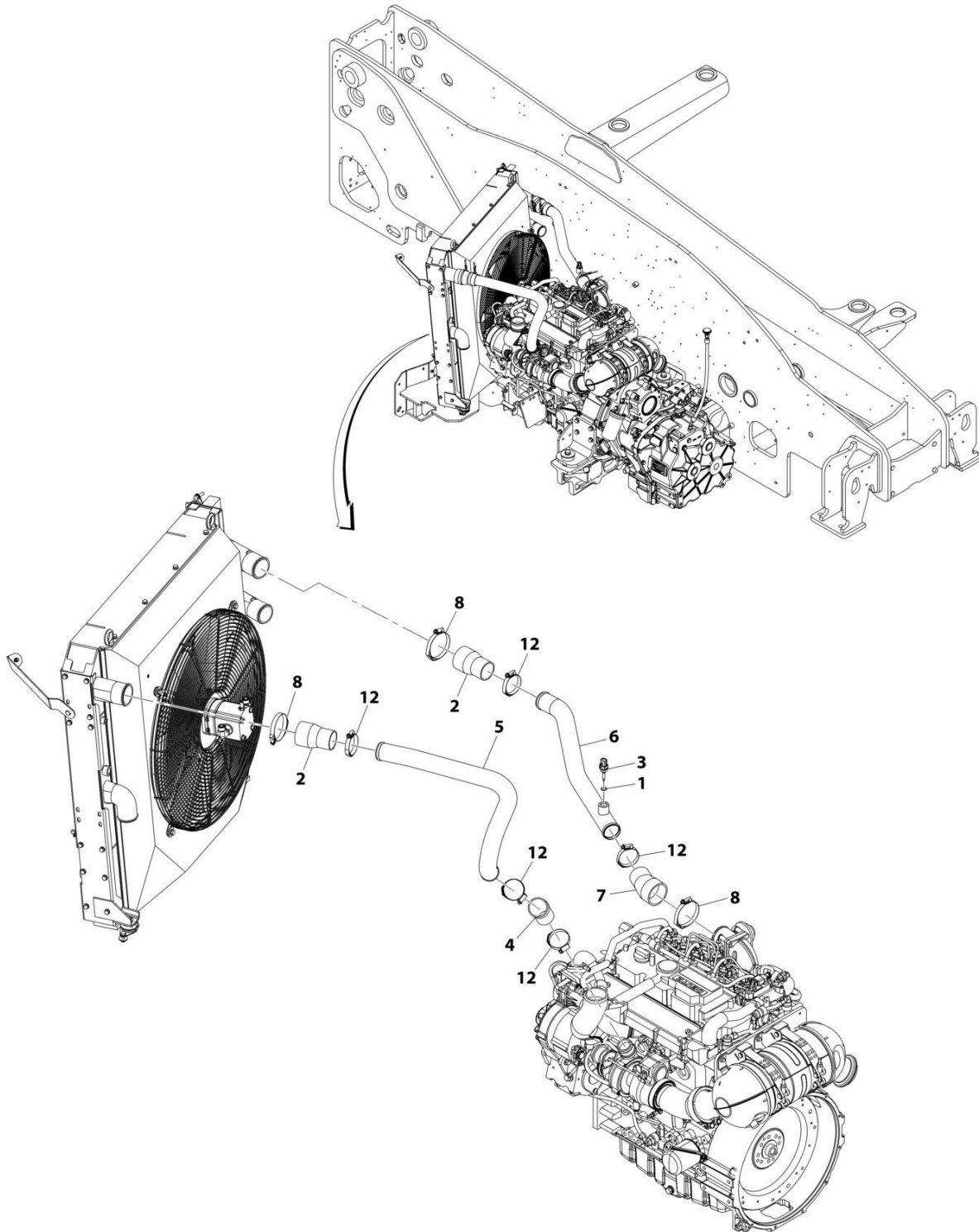
## SECTION 4 - ENGINE AND ATTACHING PARTS

**FIGURE 4-51. COOLER LINES INSTALLATION (90KW)**

ITEM	PART NUMBER	QTY	DESCRIPTION	REV
	1001183076	Ref	Cooler Lines Installation (90KW)	F
1	1001203173	1	Hose, ORFS	
2	1001229093	1	Hose, ORFS	
3	1001202249	1	Hose, ORFS	
4	1001203039	1	Hose, ORFS	
6	1001202445	1	Pipe, ORFS	
7	1001203014	1	Pipe, ORFS	
9	1001202329	1	Pipe, ORFS	
11	1001202375	NLA	Hose, ORFS (no longer available, use 1001228503 for replacement)	
11	1001228503	1	Hose, ORFS	
13	0700820	2	Bolt, M8X60	
14	2112016	1	Fitting, Straight ORFS	
15	2131212	1	Fitting, 90 ORFS	
18	3290801	2	Nut, M8X1.25 Grade 8	
19	4811900	2	Washer, M8	
20	2111616	1	Fitting, Straight ORFS	
22	1001008804	1	Seal	
23	1001010240	5	Seal, O-Ring ORFS	
24	1001010938	2	Seal, O-Ring ORFS	
27	1001202328	1	Pipe, ORFS	
29	1001185871	1	Check, Valve ORFS	
34	1001202376	1	Hose, ORFS	
35	4811902	2	Washer, M8	
36	3291001	1	Nut, M10X1.5 Grade 8	
37	0701012	2	Bolt, M10X25	
38	0701018	1	Bolt, M10X50	
39	4812002	3	Washer, M10	
40	1001202653	1	Clamp, Pipes Female	
41	1001202654	1	Clamp, Pipes Male	
42	1001008922	1	Seal	
43	2170212	1	Fitting, 90 ORFS	
44	1062255	1	Strap, Tie	
45	2151616	1	Fitting, 45 ORFS	
46	8406302	1	Clamp	
47	1001268889	1	Sleeve, Hose Wrap	

# SECTION 4 - ENGINE AND ATTACHING PARTS

FIGURE 4-52. CAC LINES INSTALLATION (ULS)



ART\_1001186849-F



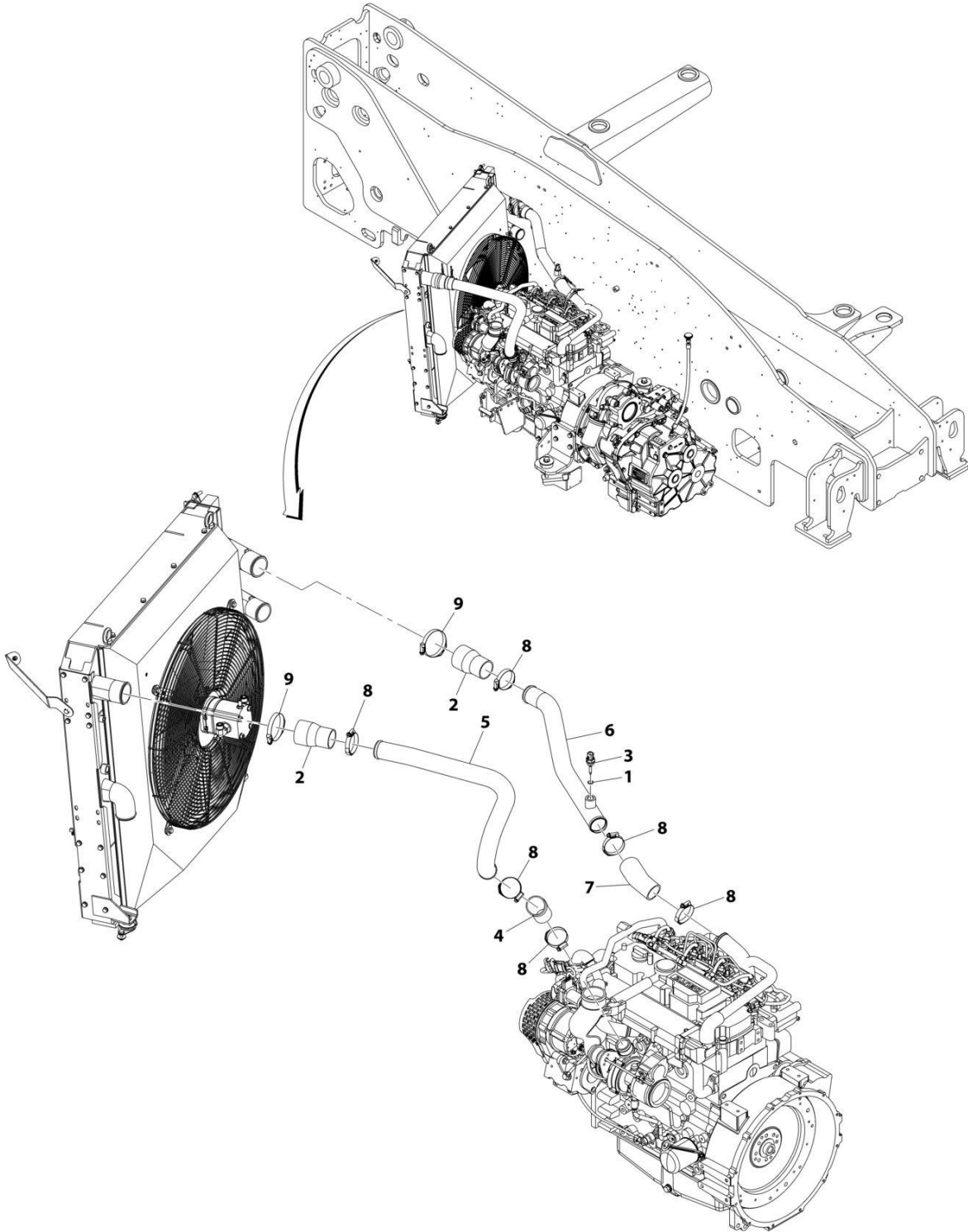
## SECTION 4 - ENGINE AND ATTACHING PARTS

**FIGURE 4-52. CAC LINES INSTALLATION (ULS)**

ITEM	PART NUMBER	QTY	DESCRIPTION	REV
	1001186849	Ref	CAC Lines Installation (ULS)	F
1	1001009163	1	O-Ring	
2	1001117244	2	Coupling, Reducer <b>(Prior to SN 1160008597)</b>	
2	1001226096	2	Coupling, Reducer <b>(SN 1160008597 to Present)</b>	
3	1001128478	1	Sensor	
4	1001197653	1	Coupling, Reducer	
5	1001197641	1	Pipe	
6	1001197638	1	Pipe	
7	1001197654	1	Coupling, Reducer	
8	1001215022	3	Clamp	
12	1001215024	5	Clamp	

# SECTION 4 - ENGINE AND ATTACHING PARTS

## FIGURE 4-53. CAC LINES INSTALLATION (LS)



ART\_1001186848-F

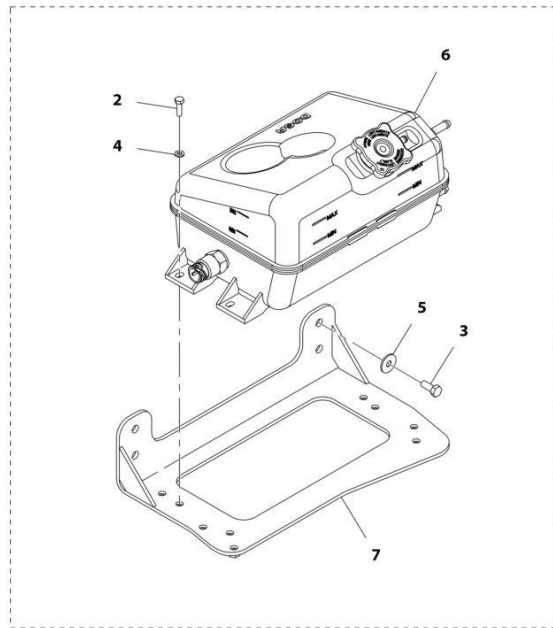
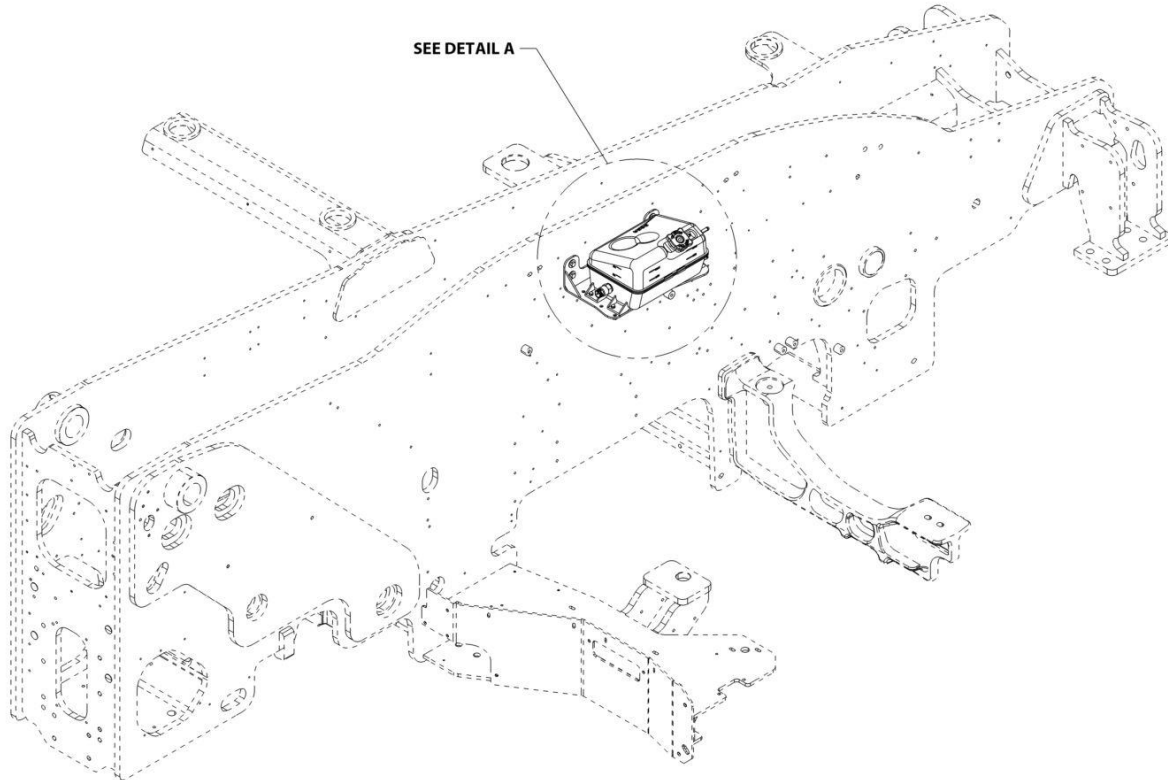
## SECTION 4 - ENGINE AND ATTACHING PARTS

**FIGURE 4-53. CAC LINES INSTALLATION (LS)**

ITEM	PART NUMBER	QTY	DESCRIPTION	REV
	1001186848	Ref	CAC Lines Installation (LS)	F
1	1001009163	1	O-Ring	
2	1001117244	2	Coupling, Reducer <b>(Prior to SN 1160008597)</b>	
2	1001226096	2	Coupling, Reducer <b>(SN 1160008597 to Present)</b>	
3	1001128478	1	Sensor	
4	1001197653	1	Coupling, Reducer	
5	1001197641	1	Pipe	
6	1001197638	1	Pipe	
7	1001197655	1	Coupling, Reducer	
8	1001215024	6	Clamp	
9	1001215022	2	Clamp	

# SECTION 4 - ENGINE AND ATTACHING PARTS

## FIGURE 4-54. SURGE TANK INSTALLATION



DETAIL A

ART\_1001179864-C

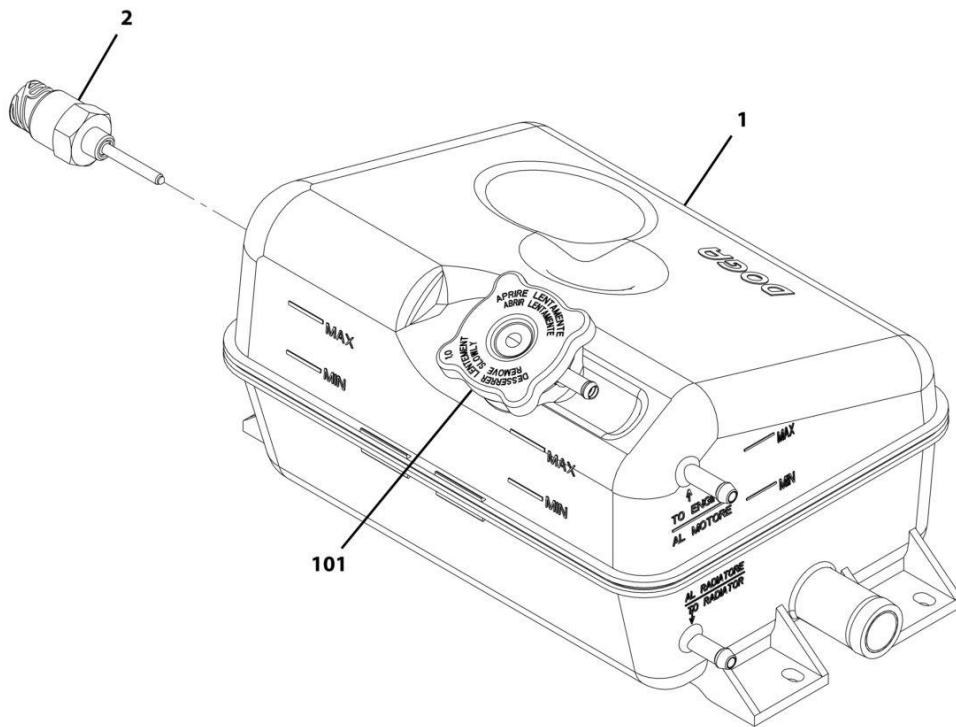
## SECTION 4 - ENGINE AND ATTACHING PARTS

### FIGURE 4-54. SURGE TANK INSTALLATION

ITEM	PART NUMBER	QTY	DESCRIPTION	REV
	1001179864	Ref	Surge Tank Installation	C
2	0700610	4	Bolt, M6X20	
3	0760810	4	Bolt, M8X20	
4	4811700	4	Washer, M6	
5	4811902	4	Washer, M8	
6	1001149375	1	Tank, Expansion (See Separate Breakdown in this Section)	
7	1001188407	1	Bracket	

# SECTION 4 - ENGINE AND ATTACHING PARTS

## FIGURE 4-55. TANK EXPANSION



ART\_1001149375-B

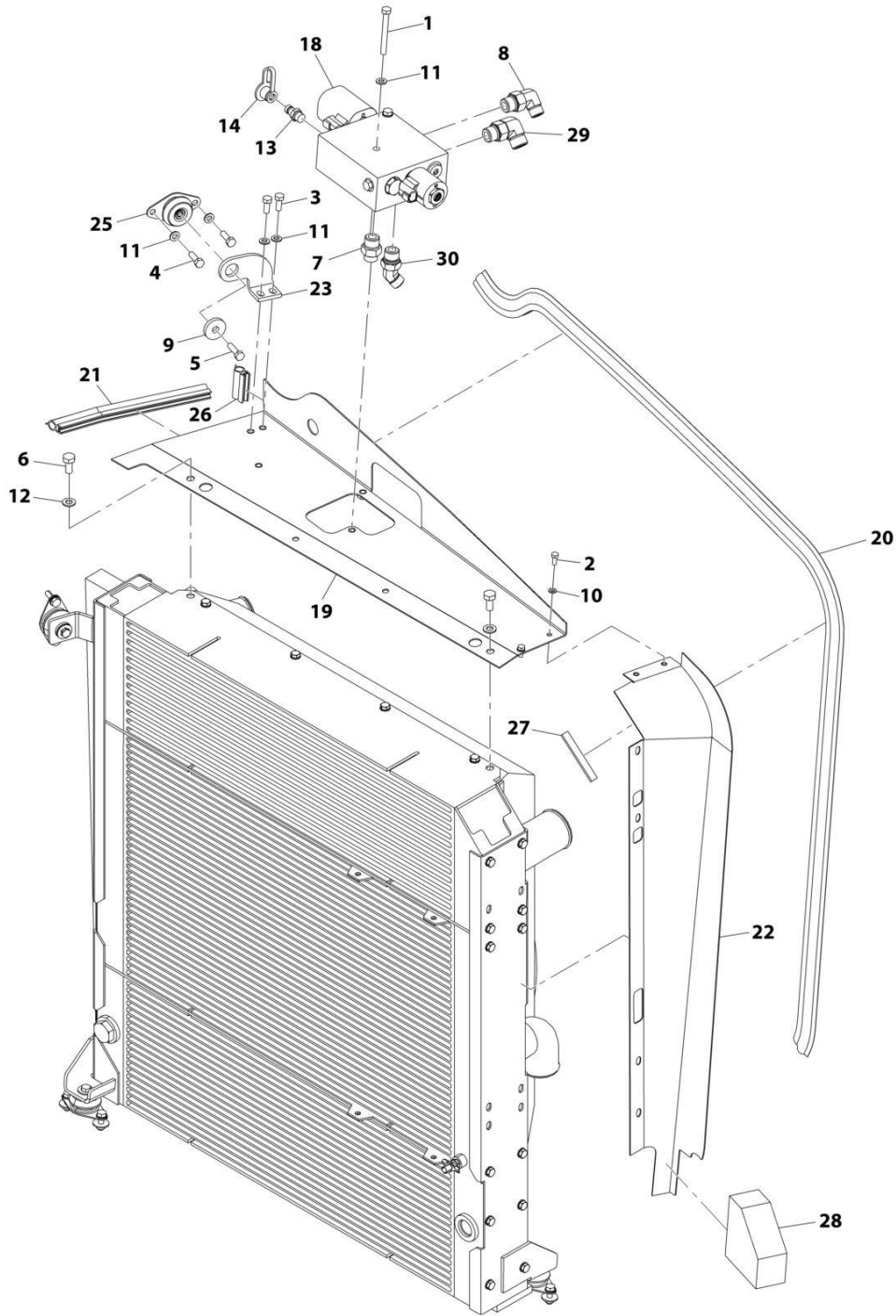
## SECTION 4 - ENGINE AND ATTACHING PARTS

### FIGURE 4-55. TANK EXPANSION

ITEM	PART NUMBER	QTY	DESCRIPTION	REV
	1001149375	Ref	EXPANSION TANK	B
1	1001149308	1	Tank, Expansion	
2	1001149376	1	Sensor, Coolant Level	
101	70026997	1	Cap	

# SECTION 4 - ENGINE AND ATTACHING PARTS

## FIGURE 4-56. BULKHEAD INSTALLATION



ART\_1001184955-H



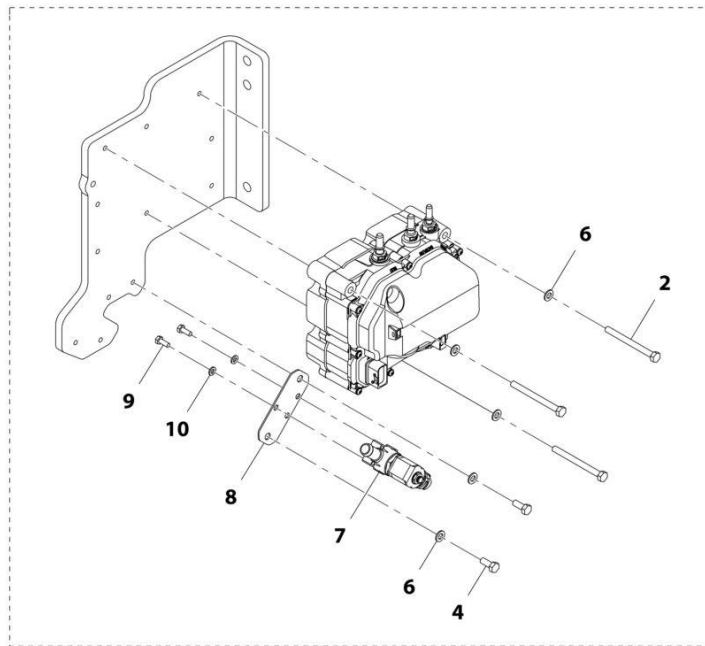
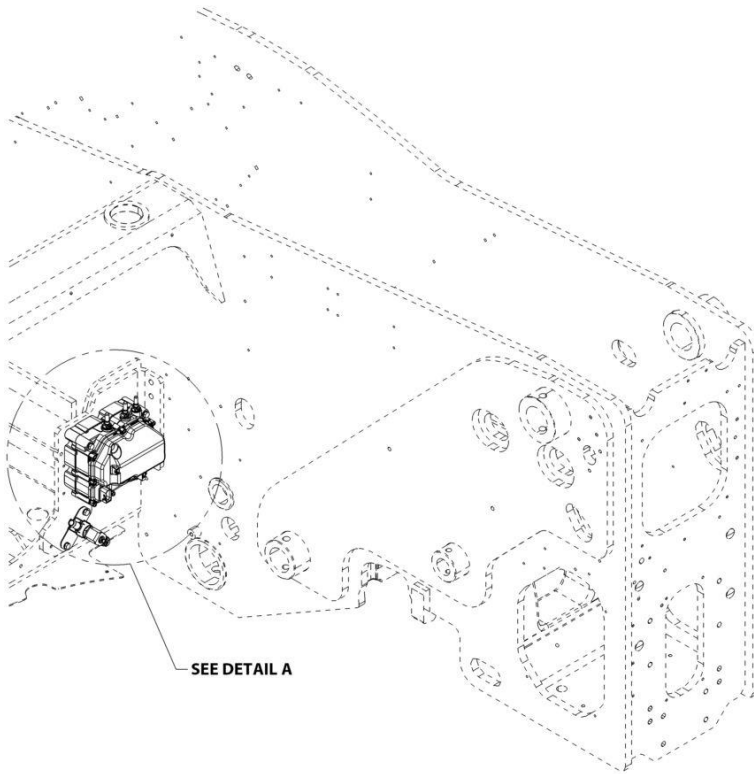
## SECTION 4 - ENGINE AND ATTACHING PARTS

**FIGURE 4-56. BULKHEAD INSTALLATION**

ITEM	PART NUMBER	QTY	DESCRIPTION	REV
	1001184955	Ref	Bulkhead Installation	H
1	0700823	2	Bolt, M8X75	
2	0760607	2	Bolt, M6X14	
3	0760810	2	Bolt, M8X20	
4	0760812	2	Bolt, M8X25	
5	0760814	1	Bolt, M8X30	
6	0761011	2	Bolt, M10X22	
7	2110810	1	Fitting, Straight ORFS	
8	2130810	1	Fitting, 90 ORFS	
9	4740572	1	Washer, M10	
10	4811700	2	Washer, M6	
11	4811900	6	Washer, M8	
12	4812000	2	Washer, M10	
13	1001003590	1	Fitting, Straight	
14	1001008761	1	Cap	
18	1001200908	1	Valve, Fan Motor Control	
19	1001182424	NLA	Panel, (no longer available, use 1001230411 for replacement)	
19	1001230411	1	Panel	
20	1001182452	1	Seal	
21	1001182453	1	Seal	
22	1001183958	1	Panel	
23	1001184445	1	Bracket	
25	1001184609	1	Mount	
26	1001184800	1	Seal	
27	1001216867	1	Seal, Bulkhead	
28	1001186370	1	Seal	
29	2131010	1	Fitting, 90 ORFS	
30	2150810	1	Fitting, 45 ORFS	

# SECTION 4 - ENGINE AND ATTACHING PARTS

## FIGURE 4-57. DEF CONTROL MODULE INSTALLATION (ULS)



DETAIL A

ART\_1001178030-B

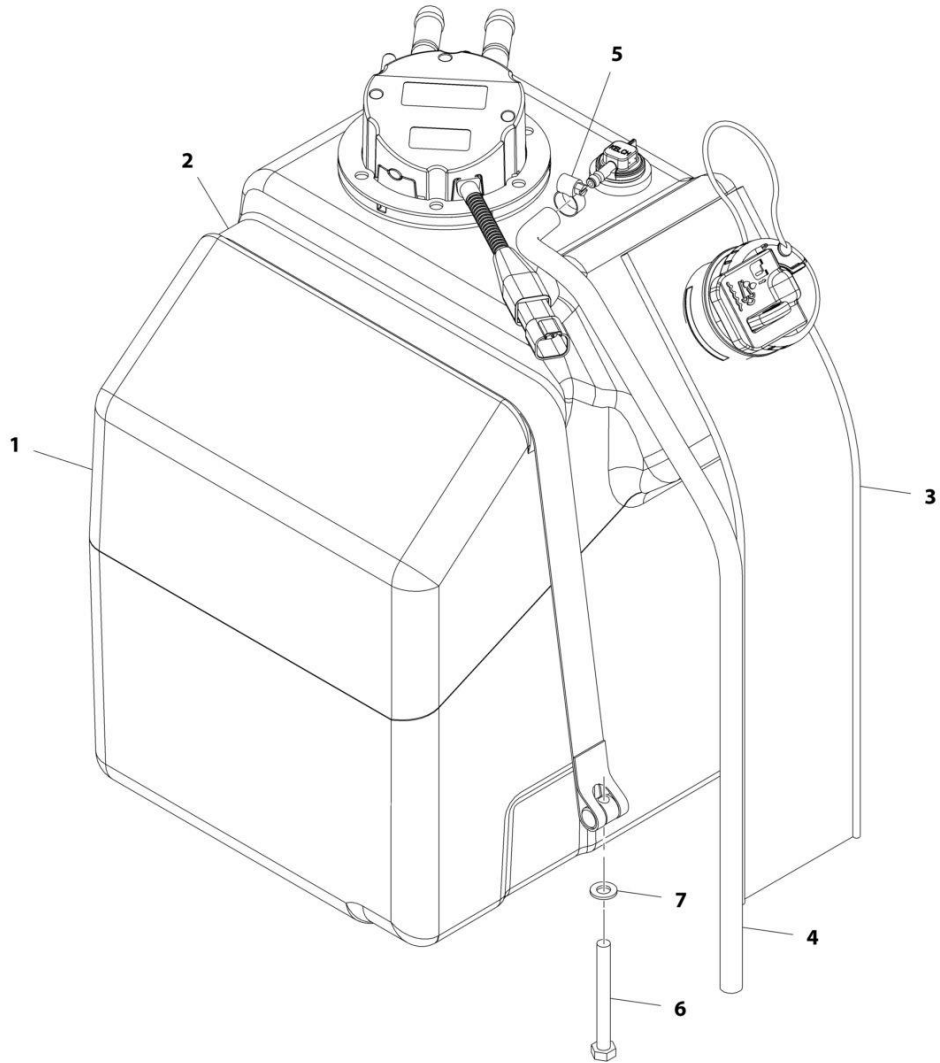
## SECTION 4 - ENGINE AND ATTACHING PARTS

FIGURE 4-57. DEF CONTROL MODULE INSTALLATION (ULS)

ITEM	PART NUMBER	QTY	DESCRIPTION	REV
	1001178030	Ref	DEF Control Module Installation (ULS)	B
2	0700826	3	Bolt, M8X90	
4	0760810	2	Bolt, M8X20	
6	4811900	5	Washer, M8	
7	1001199670	1	Valve	
8	1001200201	1	Bracket	
9	0700608	3	Bolt, M6X16	
10	4811700	3	Washer, M6	

# SECTION 4 - ENGINE AND ATTACHING PARTS

FIGURE 4-58. DEF TANK INSTALLATION (ULS) (Prior to SN 1160008715)



ART\_1001168639-J

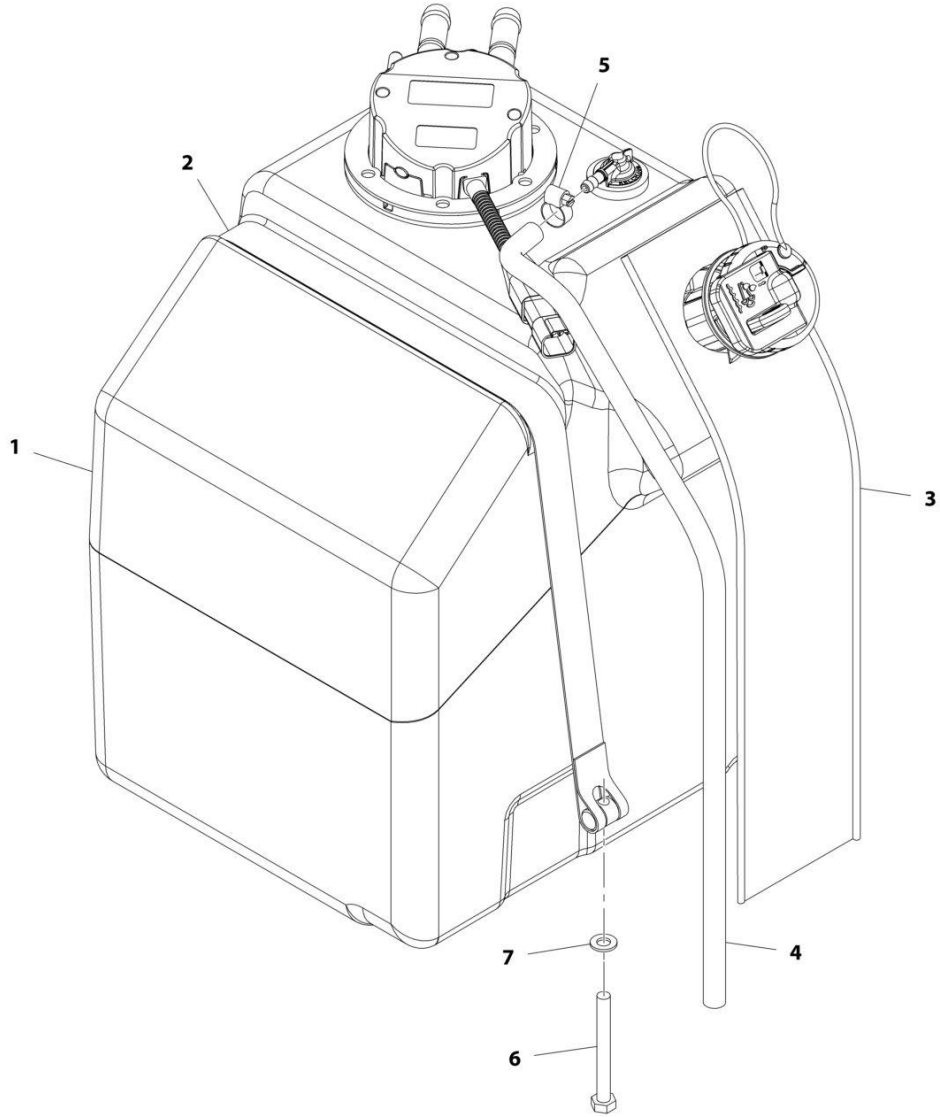
## SECTION 4 - ENGINE AND ATTACHING PARTS

**FIGURE 4-58. DEF TANK INSTALLATION (ULS) (Prior to SN 1160008715)**

ITEM	PART NUMBER	QTY	DESCRIPTION	REV
	1001168639	Ref	DEF Tank Installation (ULS)	J
1	1001164968	1	DEF Tank Assembly (ULS) (See Separate Breakdown in this Section)	
2	1001178791	1	Strap	
3	1001168272	1	Sleeve	
4	1001175201	0.6 m	Hose	
5	8405009	1	Clamp	
6	0760823	1	Bolt, M8X75	
7	4811900	1	Washer, M8	

# SECTION 4 - ENGINE AND ATTACHING PARTS

FIGURE 4-59. DEF TANK INSTALLATION (ULS) (SN 1160008715 to Present)



ART\_1001168639-K

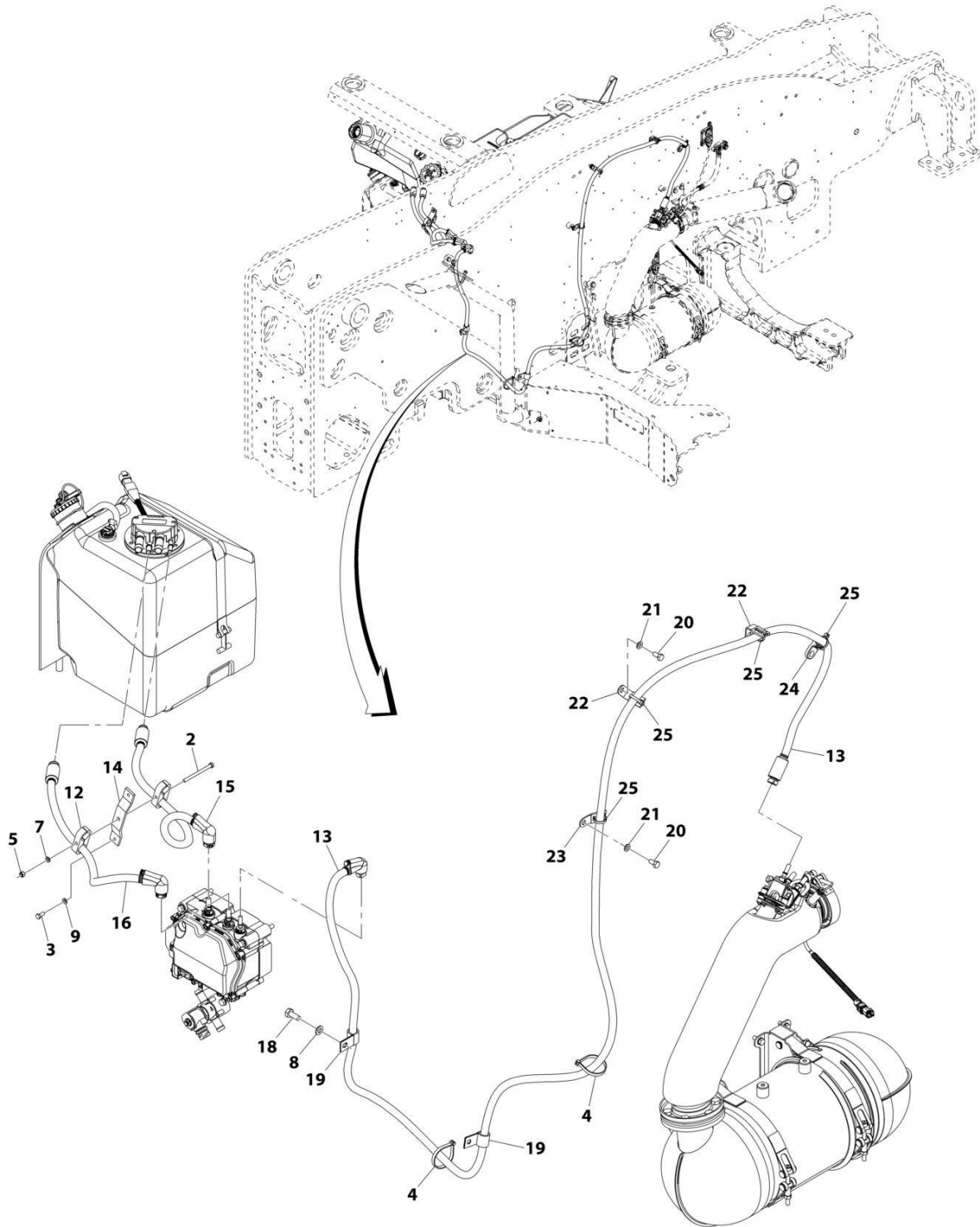
## SECTION 4 - ENGINE AND ATTACHING PARTS

FIGURE 4-59. DEF TANK INSTALLATION (ULS) (SN 1160008715 to Present)

ITEM	PART NUMBER	QTY	DESCRIPTION	REV
	1001168639	Ref	DEF Tank Installation (ULS)	K
1	1001225676	1	DEF Tank Assembly (ULS) (See Separate Breakdown in this Section)	
2	1001178791	1	Strap	
3	1001168272	1	Sleeve	
4	1001175201	0.6 m	Hose	
5	8405009	1	Clamp	
6	0760823	1	Bolt, M8X75	
7	4811900	1	Washer, M8	

# SECTION 4 - ENGINE AND ATTACHING PARTS

## FIGURE 4-60. DEF LINES INSTALLATION (ULS)



ART\_1001176977-D



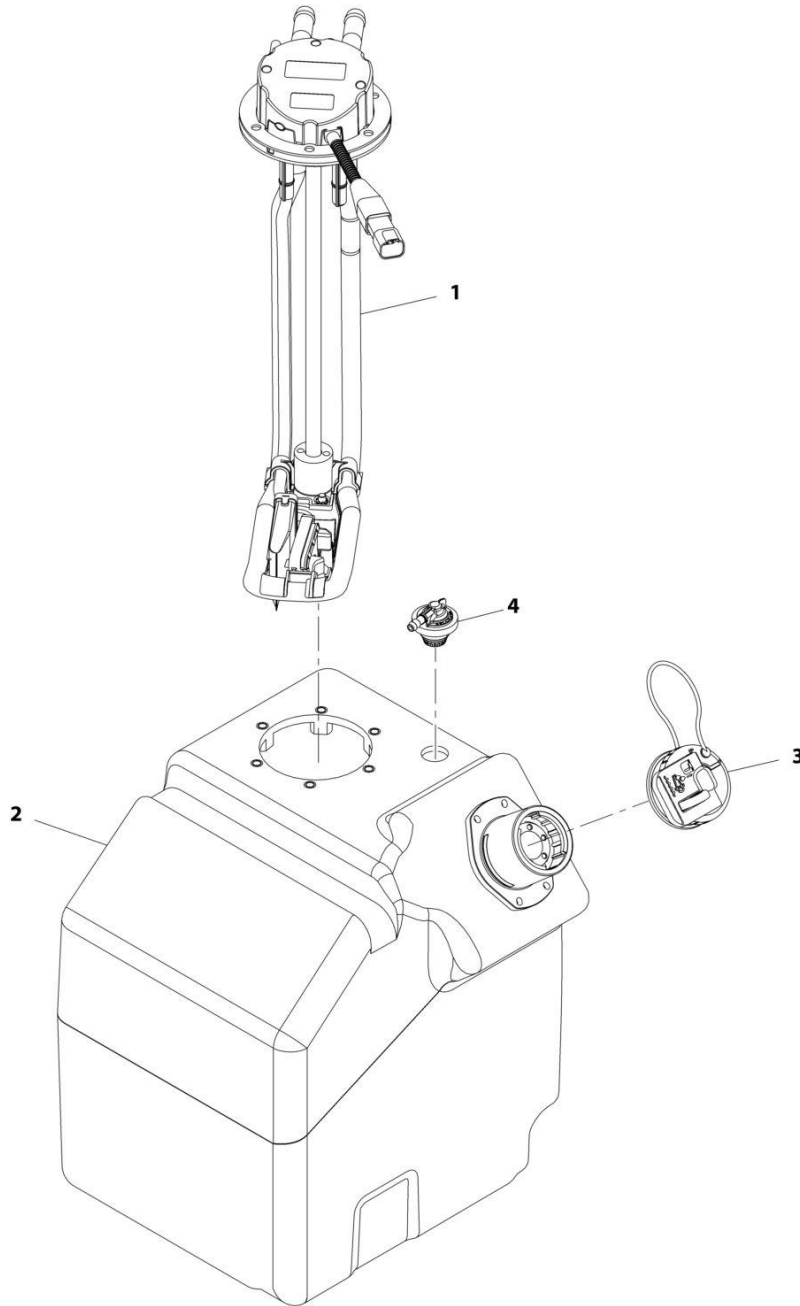
## SECTION 4 - ENGINE AND ATTACHING PARTS

**FIGURE 4-60. DEF LINES INSTALLATION (ULS)**

ITEM	PART NUMBER	QTY	DESCRIPTION	REV
	1001176977	Ref	DEF Lines Installation (ULS)	D
2	0700624	1	Bolt, M6X80	
3	0760607	2	Bolt, M6X14	
4	1062255	2	Strap, Tie	
5	3290605	1	Nut, Lock M6X1 Grade 8	
7	4811700	1	Washer, M6	
8	4812000	1	Washer, M10	
9	4831700	2	Washer, Lock M6	
12	1001094301	2	Clamp	
13	1001207486	1	Hose	
14	1001180328	1	Bracket	
15	1001180435	1	Hose	
16	1001180436	1	Hose	
18	0761012	1	Bolt, M10X25	
19	1001008574	2	Clip	
20	0760808	2	Bolt, M8X16	
21	4811900	2	Washer, M8	
22	1001003305	2	Clip	
23	1001008593	1	Clip	
24	1001169146	1	Mount	
25	471678	4	Strap, Tie	

# SECTION 4 - ENGINE AND ATTACHING PARTS

FIGURE 4-61. DEF TANK ASSEMBLY (ULS) (Prior to SN 1160008715)



ART\_1001164968-G

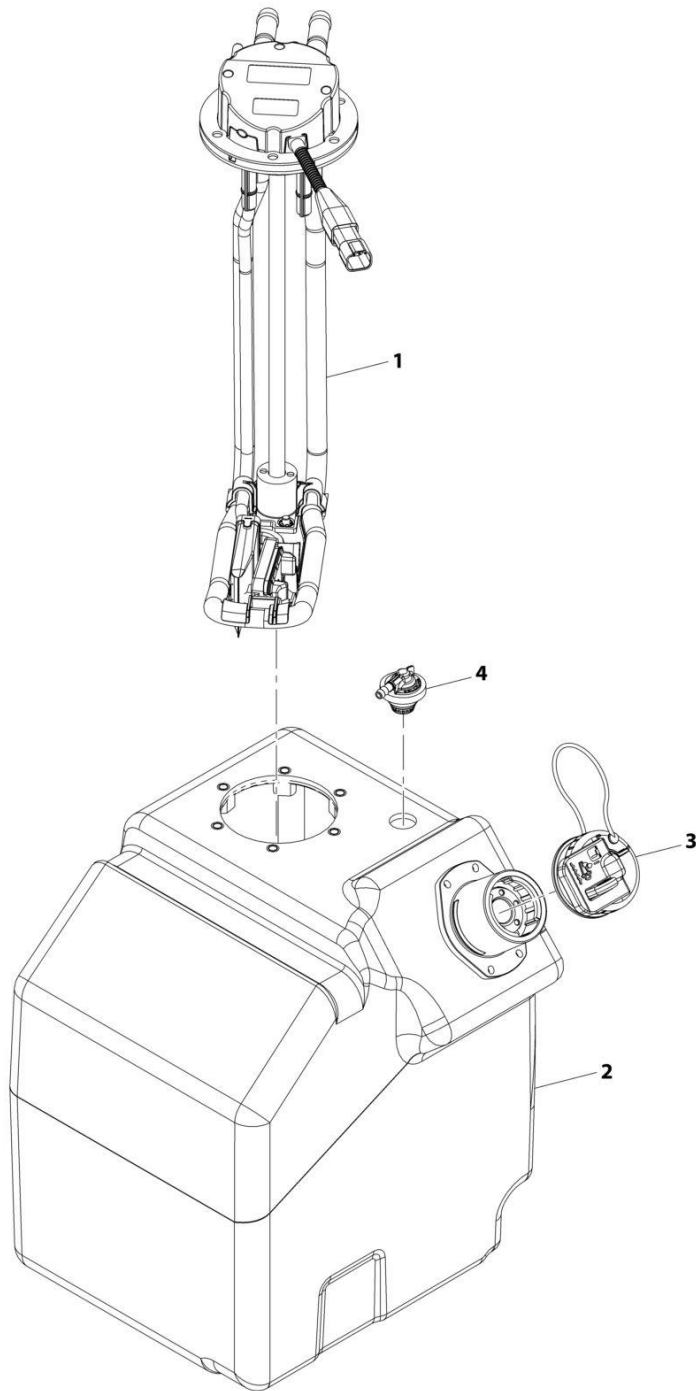
## SECTION 4 - ENGINE AND ATTACHING PARTS

FIGURE 4-61. DEF TANK ASSEMBLY (ULS) (Prior to SN 1160008715)

ITEM	PART NUMBER	QTY	DESCRIPTION	REV
	1001164968	Ref	DEF Tank Assembly (ULS)	G
1	1001164965	1	DEF, Header	
2	1001164967	1	Tank, DEF	
3	1001174795	1	Cap	
4	1001215319	1	Valve, DEF Breather	

# SECTION 4 - ENGINE AND ATTACHING PARTS

FIGURE 4-62. DEF TANK ASSEMBLY (ULS) (SN 1160008715 to Present)



ART\_1001225676-B

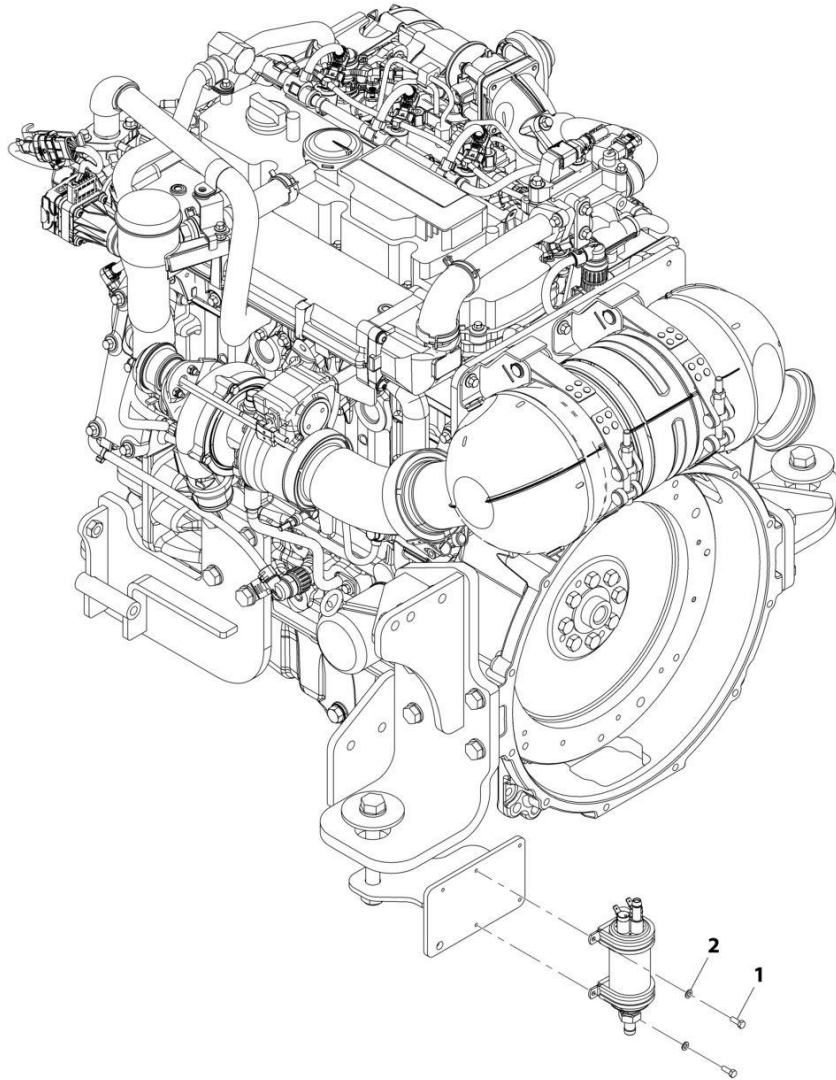
## SECTION 4 - ENGINE AND ATTACHING PARTS

FIGURE 4-62. DEF TANK ASSEMBLY (ULS) (SN 1160008715 to Present)

ITEM	PART NUMBER	QTY	DESCRIPTION	REV
	1001225676	Ref	Def Tank Assembly	B
1	1001225677	1	DEF, Header	
2	1001164967	1	Tank, DEF	
3	1001174795	1	Cap	
4	1001215319	1	Valve, DEF Breather	

# SECTION 4 - ENGINE AND ATTACHING PARTS

FIGURE 4-63. REMOTE FUEL PUMP INSTALLATION (74.4KW)



ART\_1001165789-G

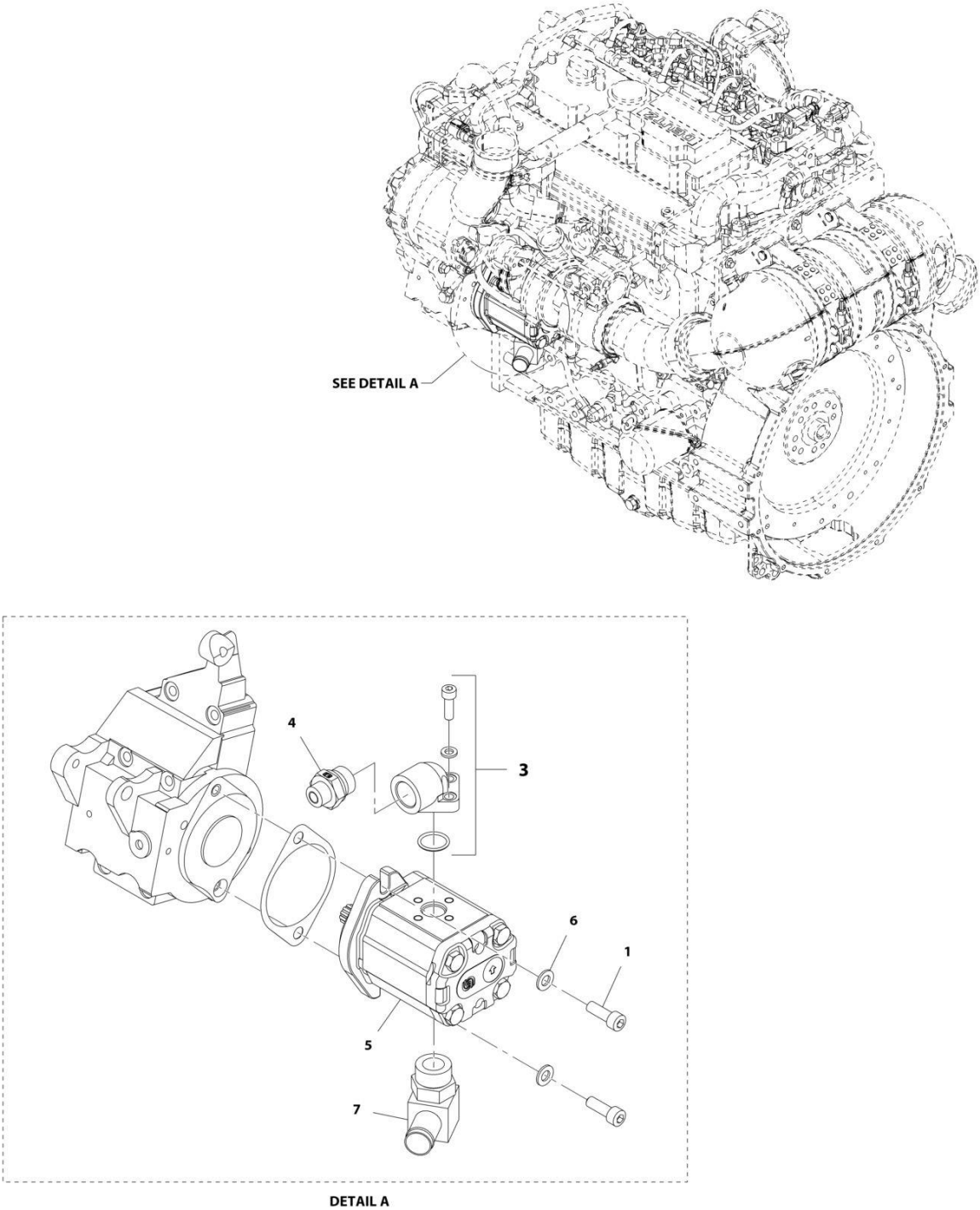
## SECTION 4 - ENGINE AND ATTACHING PARTS

FIGURE 4-63. REMOTE FUEL PUMP INSTALLATION (74.4KW)

ITEM	PART NUMBER	QTY	DESCRIPTION	REV
	1001165789	Ref	Remote Fuel Pump Installation (74.4KW)	G
1	0760507	4	Bolt, M5X14	
2	4811600	4	Washer, M5	

# SECTION 4 - ENGINE AND ATTACHING PARTS

## FIGURE 4-64. HYDRAULIC PUMP INSTALLATION (74.4KW)



ART\_1001185865-E



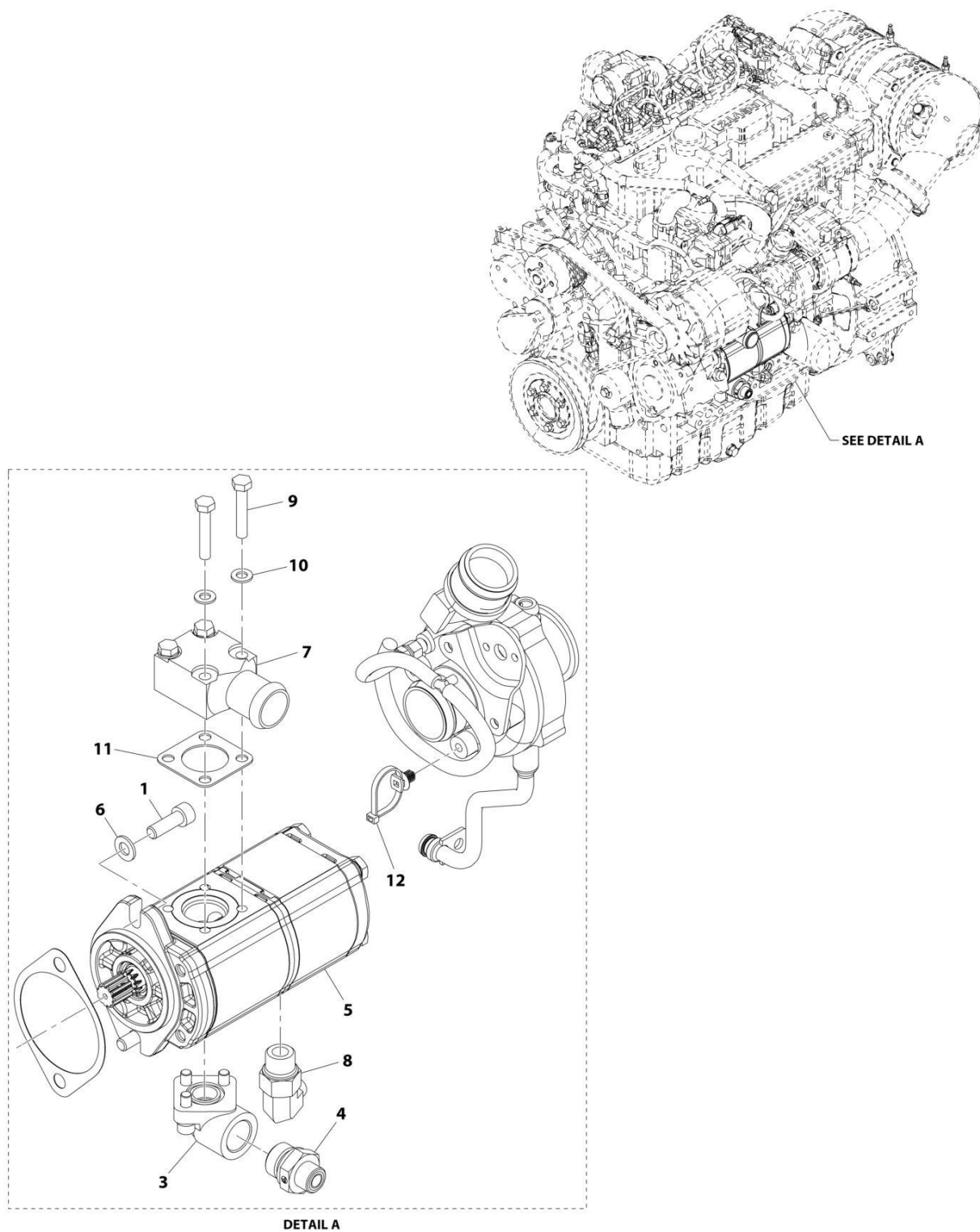
## SECTION 4 - ENGINE AND ATTACHING PARTS

FIGURE 4-64. HYDRAULIC PUMP INSTALLATION (74.4KW)

ITEM	PART NUMBER	QTY	DESCRIPTION	REV
	1001185865	Ref	Hydraulic Pump Installation (74.4KW)	E
1	4032010	2	Bolt, M10X30	
3	1001135245	1	Elbow, Adapter	
4	1001192411	1	Fitting, Straight ORFS	
5	1001182943	1	Pump	
6	4812000	2	Washer, M10	
7	1001109494	1	Fitting, 90 ORFS	

# SECTION 4 - ENGINE AND ATTACHING PARTS

## FIGURE 4-65. HYDRAULIC PUMP INSTALLATION (90KW)



ART\_1001185864-G

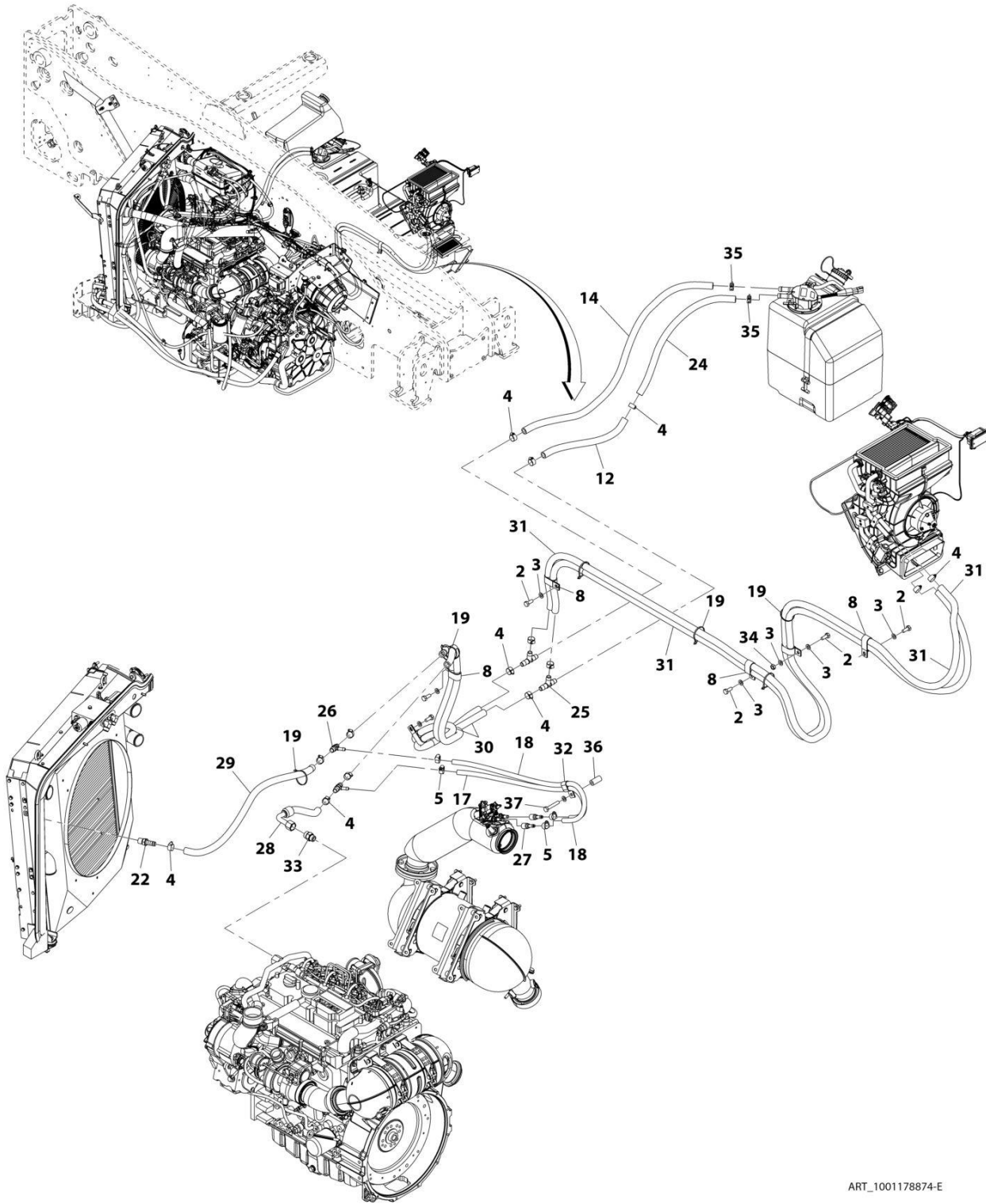
## SECTION 4 - ENGINE AND ATTACHING PARTS

FIGURE 4-65. HYDRAULIC PUMP INSTALLATION (90KW)

ITEM	PART NUMBER	QTY	DESCRIPTION	REV
	1001185864	Ref	Hydraulic Pump Installation (90KW)	G
1	4032010	2	Bolt, M10X30	
3	1001135245	1	Elbow, Adapter	
4	1001192411	1	Fitting, Straight ORFS	
5	1001182935	1	Pump	
6	4812000	2	Washer, M10	
7	1001202643	1	Fitting	
8	2130610	1	Fitting, 90 ORFS	
9	0700817	4	Bolt, M8X45	
10	4811900	4	Washer, M8	
11	1001203012	1	Seal	
12	1001146588	1	Strap	

# SECTION 4 - ENGINE AND ATTACHING PARTS

## FIGURE 4-66. HEATER LINES INSTALLATION (ULS)



ART\_1001178874-E

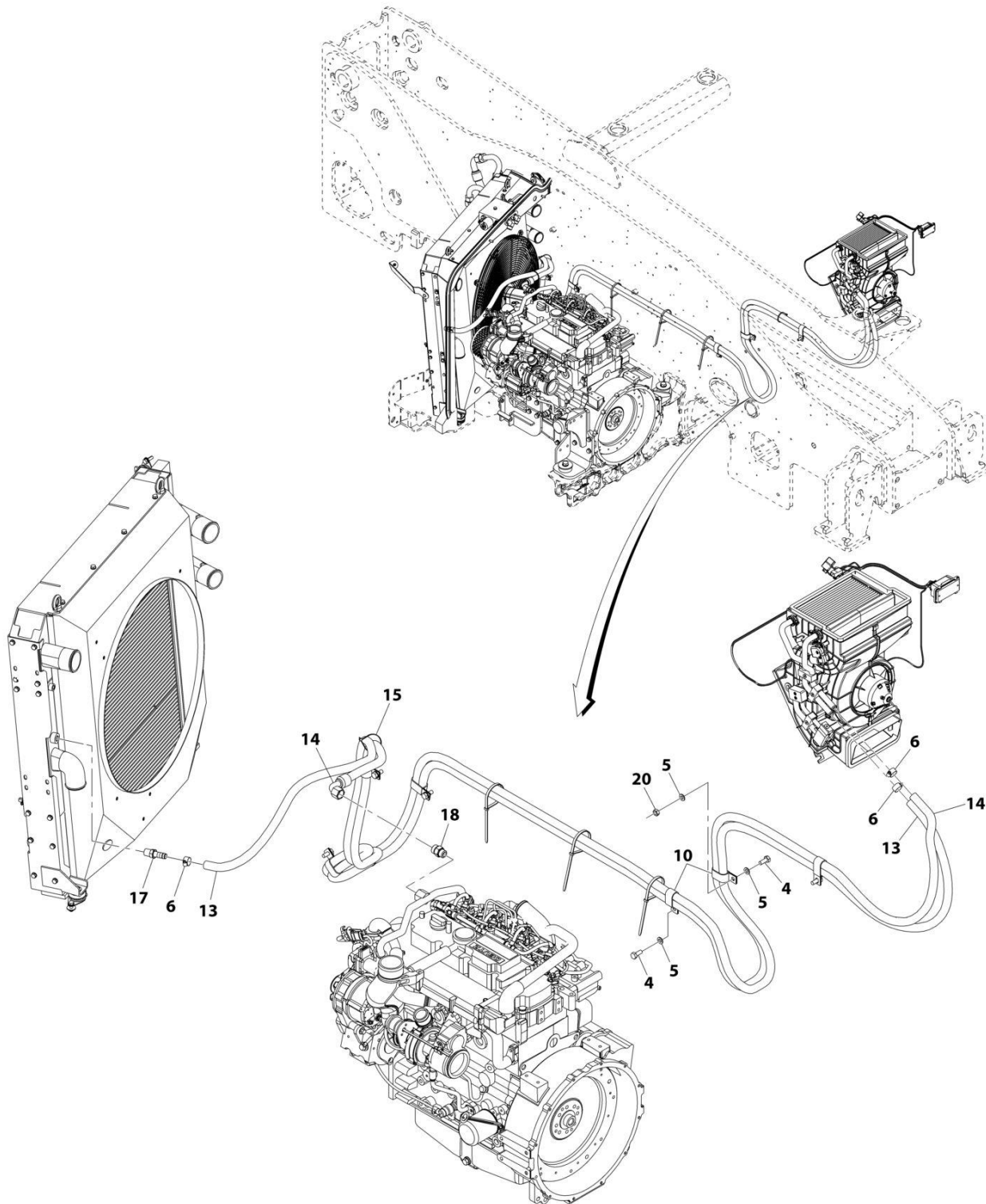
## SECTION 4 - ENGINE AND ATTACHING PARTS

**FIGURE 4-66. HEATER LINES INSTALLATION (ULS)**

ITEM	PART NUMBER	QTY	DESCRIPTION	REV
	1001178874	Ref	Heater Lines Installation (ULS)	E
2	0761012	6	Bolt, M10X25	
3	4812000	8	Washer, M10	
4	8410009	15	Clamp	
5	8410013	4	Clamp	
8	1001008720	6	Clip	
12	1001202478	1	Hose	
14	1001202479	1	Hose	
17	1001202473	1	Hose	
18	1001202474	1	Hose	
19	1001008559	8	Strap	
22	1001104685	1	Fitting, Barbed	
24	1001180429	1	Hose	
25	1001183125	2	Fitting, Tee	
26	1001183149	2	Fitting, Tee	
27	1001183357	2	Fitting, Straight	
28	1001212956	1	HOSE ASSY,.63" ORFS/NONE	
29	1001202476	1	Hose	
30	1001202477	2	Hose	
31	1001202480	2	Hose	
32	1001008573	1	Clip	
33	2221257	1	Fitting, Straight ORFS	
34	3291001	1	Nut, M10X1.5 Grade 8	
35	1001152730	2	Clamp	
36	1001092122	1	Spacer	
37	0701020	1	Bolt, M10X60	

# SECTION 4 - ENGINE AND ATTACHING PARTS

## FIGURE 4-67. HEATER LINES INSTALLATION (LS)



ART\_1001181413-D

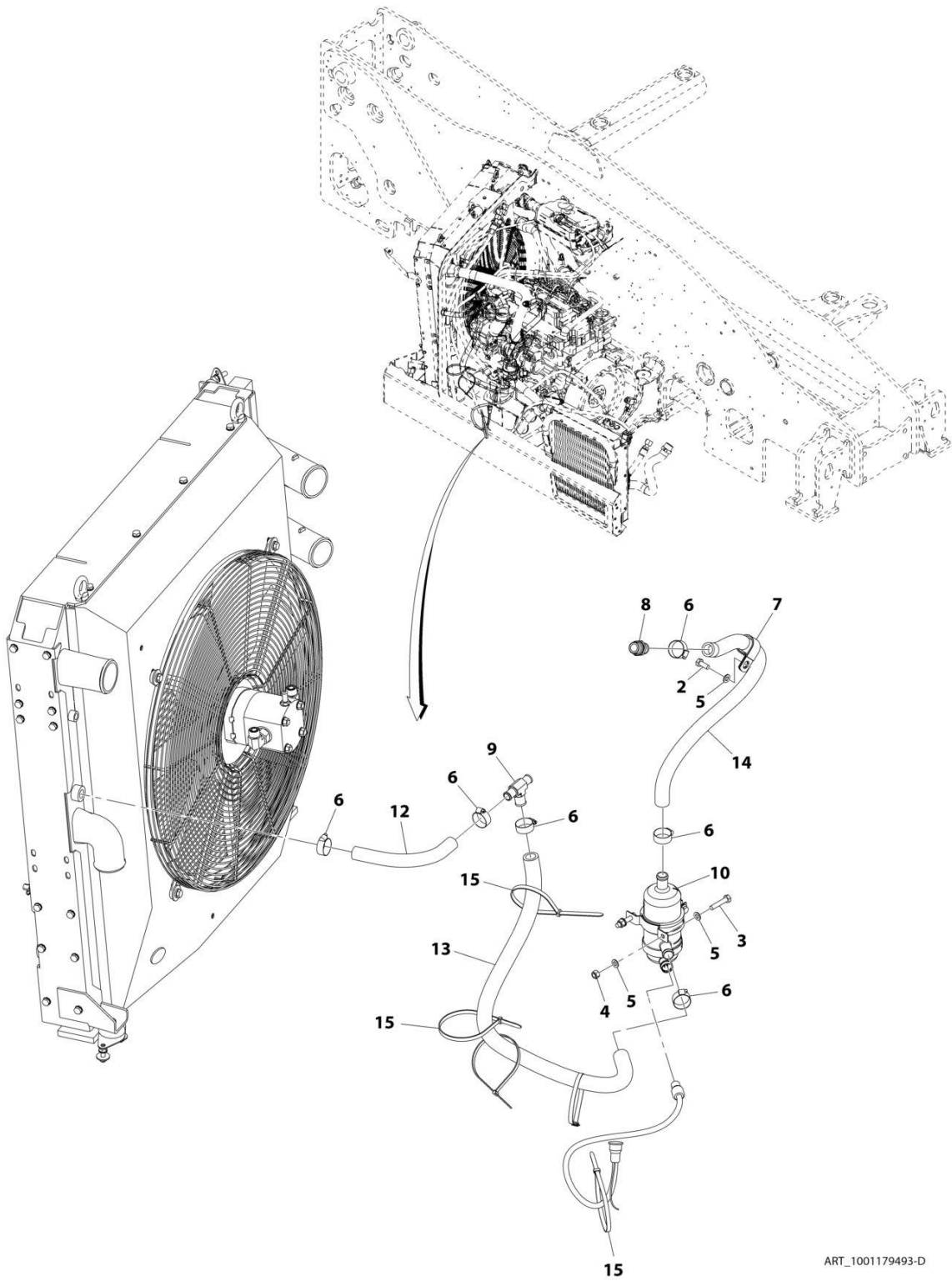
## SECTION 4 - ENGINE AND ATTACHING PARTS

FIGURE 4-67. HEATER LINES INSTALLATION (LS)

ITEM	PART NUMBER	QTY	DESCRIPTION	REV
	1001181413	Ref	Heater Lines Installation (LS)	D
4	0761012	6	Bolt, M10X25	
5	4812000	7	Washer, M10	
6	8410009	3	Clamp	
10	1001008720	6	Clip	
13	1001201296	1	Hose	
14	1001202772	1	Hose	
15	1001008559	2	Strap	
17	1001104685	1	Fitting, Barbed	
18	1001202921	1	Fitting, Straight ORFS	
18	2221257	1	Fitting, Straight ORFS	
20	3291001	1	Nut, M10X1.5	

# SECTION 4 - ENGINE AND ATTACHING PARTS

## FIGURE 4-68. BLOCK HEATER INSTALLATION (230V - LS)



ART\_1001179493-D



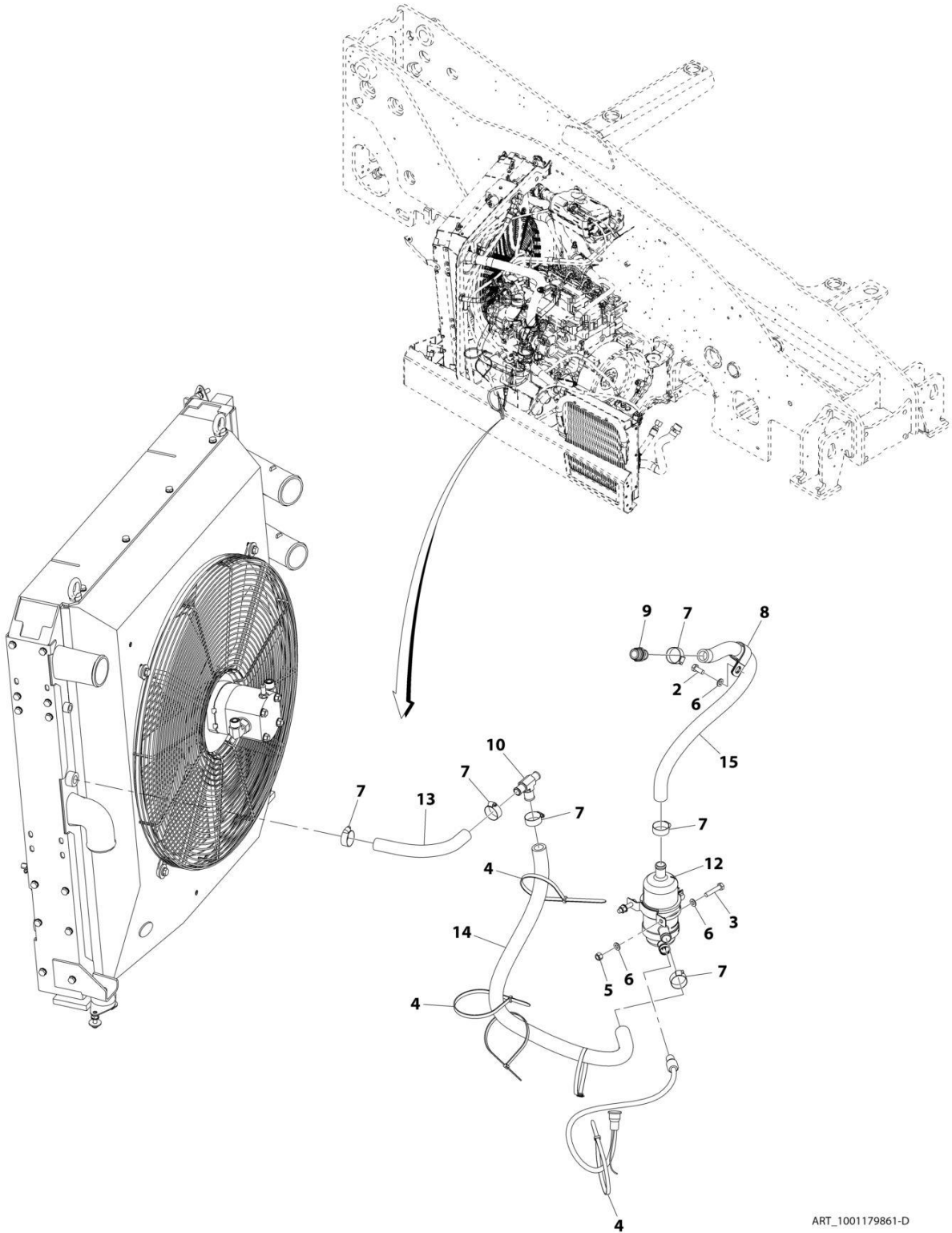
## SECTION 4 - ENGINE AND ATTACHING PARTS

**FIGURE 4-68. BLOCK HEATER INSTALLATION (230V - LS)**

ITEM	PART NUMBER	QTY	DESCRIPTION	REV
	1001179493	Ref	Block Heater Installation (230V - LS)	D
2	0760810	1	Bolt, M8X20	
3	0760816	2	Bolt, M8X40	
4	3290805	2	Nut, Lock M8X1.25 Grade 8	
5	4811900	5	Washer, M8	
6	8405007	6	Clamp	
7	8406302	1	Clamp	
8	1001167408	1	Adapter, Hose	
9	1001167773	1	Fitting, Tee	
10	1001165069	1	Block Heater (230V) (See Separate Breakdown in this Section)	
12	1001204302	1	Hose	
13	1001204301	1	Hose	
14	1001204373	1	Hose	
15	1062255	5	Strap, Tie	

# SECTION 4 - ENGINE AND ATTACHING PARTS

FIGURE 4-69. BLOCK HEATER INSTALLATION (120V - LS - JLG)



ART\_1001179861-D

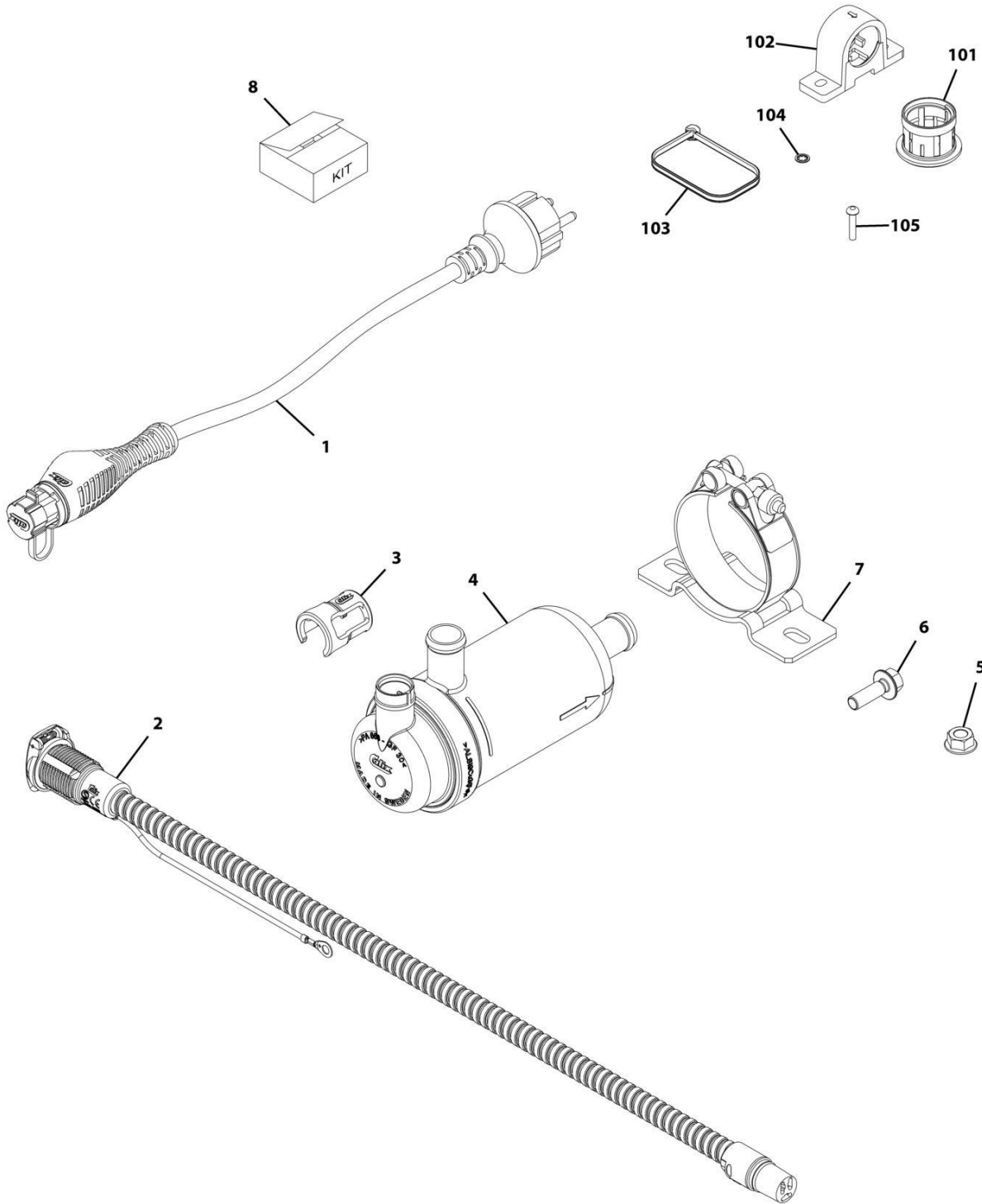
## SECTION 4 - ENGINE AND ATTACHING PARTS

**FIGURE 4-69. BLOCK HEATER INSTALLATION (120V - LS - JLG)**

ITEM	PART NUMBER	QTY	DESCRIPTION	REV
	1001179861	Ref	Block Heater Installation (120V - LS - JLG)	D
2	0760810	1	Bolt, M8X20	
3	0760816	2	Bolt, M8X40	
4	1062255	5	Strap, Tie	
5	3290805	2	Nut, Lock M8X1.25 Grade 8	
6	4811900	5	Washer, M8	
7	8405007	6	Clamp	
8	8406302	1	Clamp	
9	1001167408	1	Adapter, Hose	
10	1001167773	1	Fitting, Tee	
12	1001179910	1	Block Heater (120V) (See Separate Breakdown in this Section)	
13	1001204302	1	Hose	
14	1001204301	1	Hose	
15	1001204373	1	Hose	

# SECTION 4 - ENGINE AND ATTACHING PARTS

## FIGURE 4-70. BLOCK HEATER (ULS)



ART\_1001165069-B

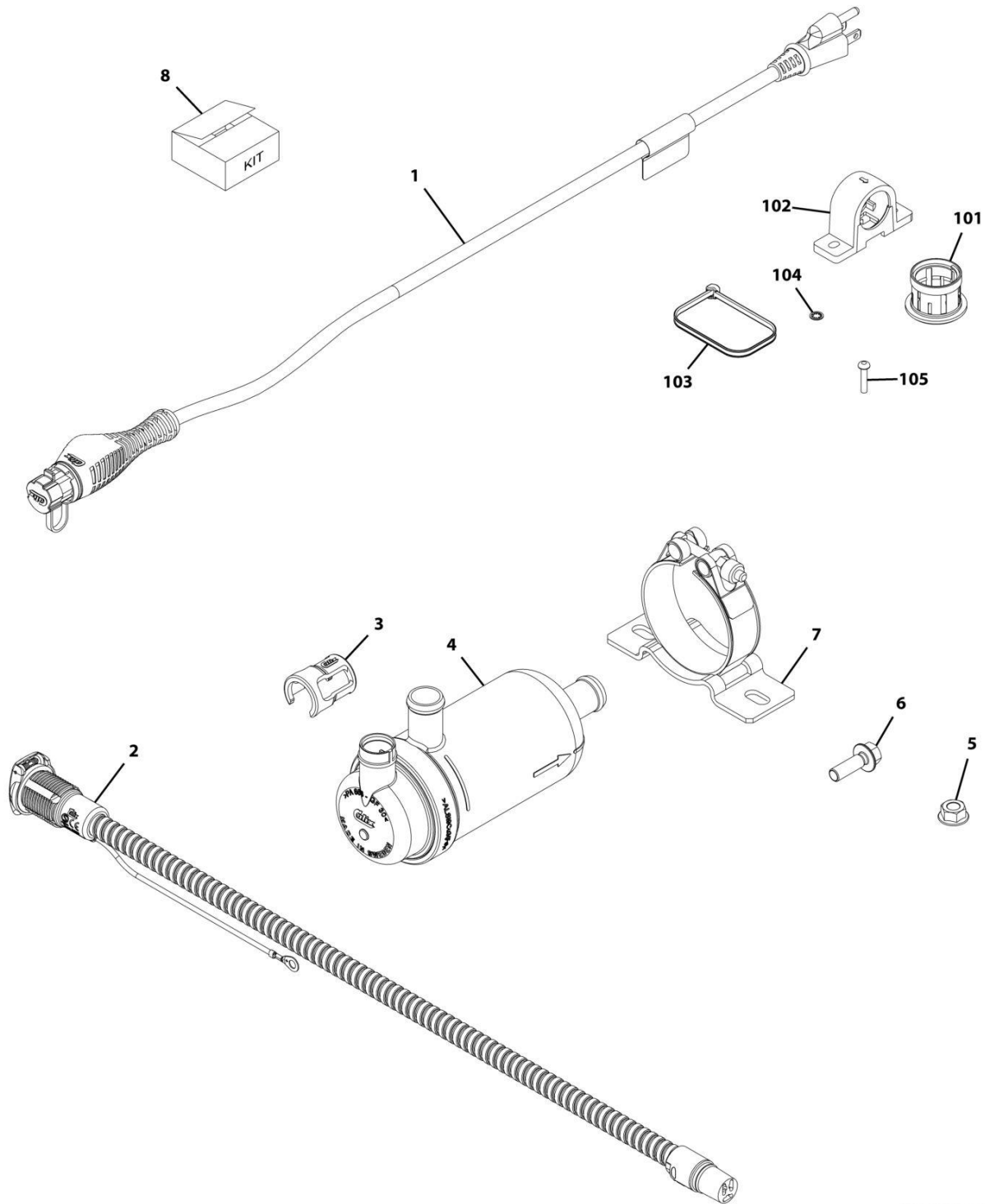
## SECTION 4 - ENGINE AND ATTACHING PARTS

**FIGURE 4-70. BLOCK HEATER (ULS)**

ITEM	PART NUMBER	QTY	DESCRIPTION	REV
	1001165069	Ref	Block Heater (ULS)	B
1	70026718	1	Cable, Supply	
2	70026717	1	Cable, Inlet	
3	70026720	1	Clip, Safety	
4	70026721	1	Heater	
5	70026722	2	Nut, Flange M8X8	
6	70026723	2	Screw, Flange M8X25	
7	70026724	1	Clamp	
8	70026719	1	Kit, MK Assembly	
101	Kit	1	Expander	
102	Kit	1	Clamp	
103	Kit	5	Wrap, Tie	
104	Kit	2	Washer, Lock	
105	Kit	3	Screw	

# SECTION 4 - ENGINE AND ATTACHING PARTS

## FIGURE 4-71. BLOCK HEATER (LS)



ART\_1001179910-B

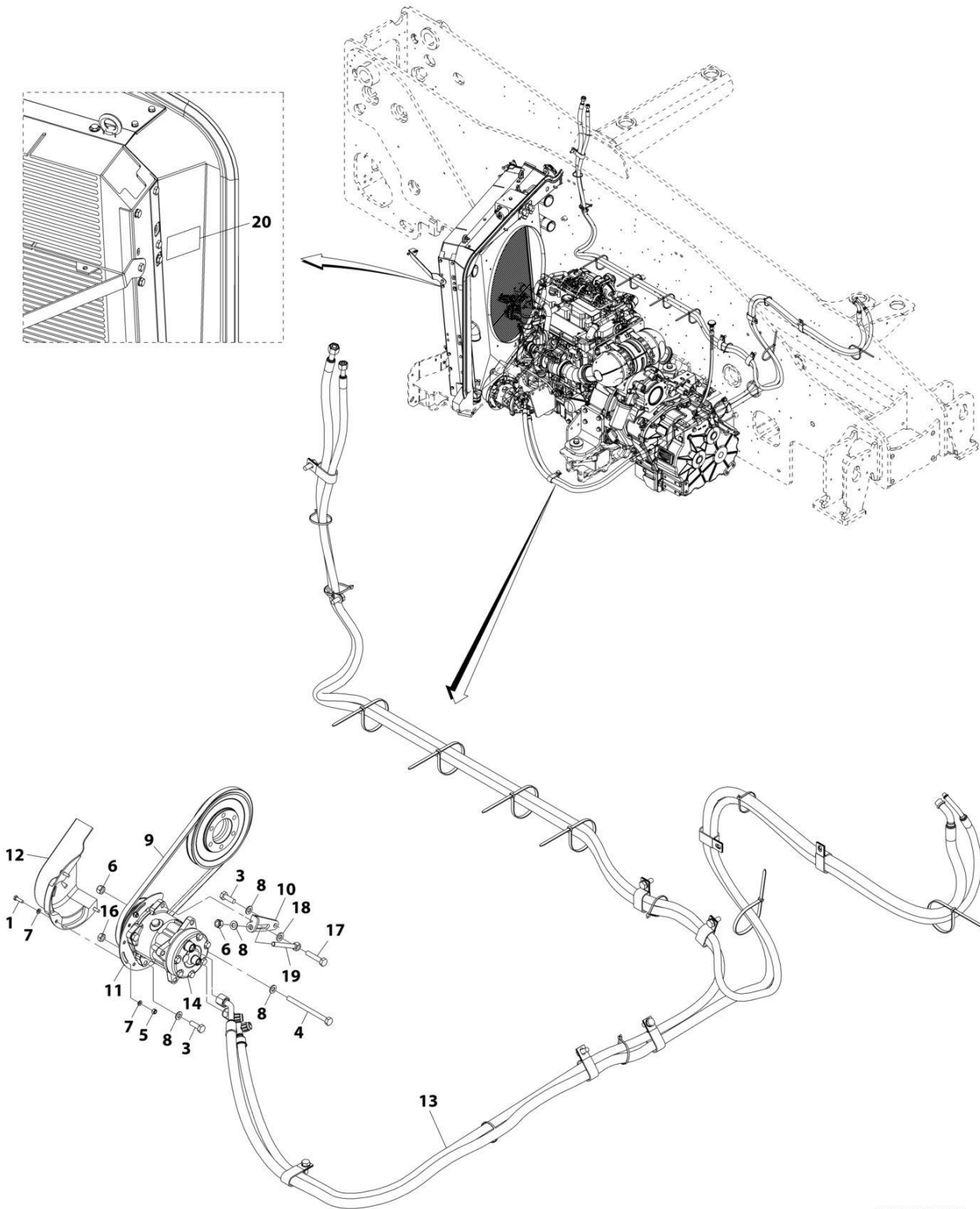
## SECTION 4 - ENGINE AND ATTACHING PARTS

### FIGURE 4-71. BLOCK HEATER (LS)

ITEM	PART NUMBER	QTY	DESCRIPTION	REV
	1001179910	Ref	Block Heater (LS)	B
1	70026725	1	Cable, Supply	
2	70026726	1	Cable, Inlet	
3	70026720	1	Clip, Safety	
4	70026721	1	Heater	
5	70026722	2	Nut, Flange M8X8	
6	70026723	2	Screw, Flange M8X25	
7	70026724	1	Clamp	
8	70026719	1	Kit, MK Assembly	
101	Kit	1	Expander	
102	Kit	1	Clamp	
103	Kit	5	Wrap, Tie	
104	Kit	2	Washer, Lock	
105	Kit	3	Screw	

# SECTION 4 - ENGINE AND ATTACHING PARTS

## FIGURE 4-72. A/C PUMP INSTALLATION



ART\_1001178725



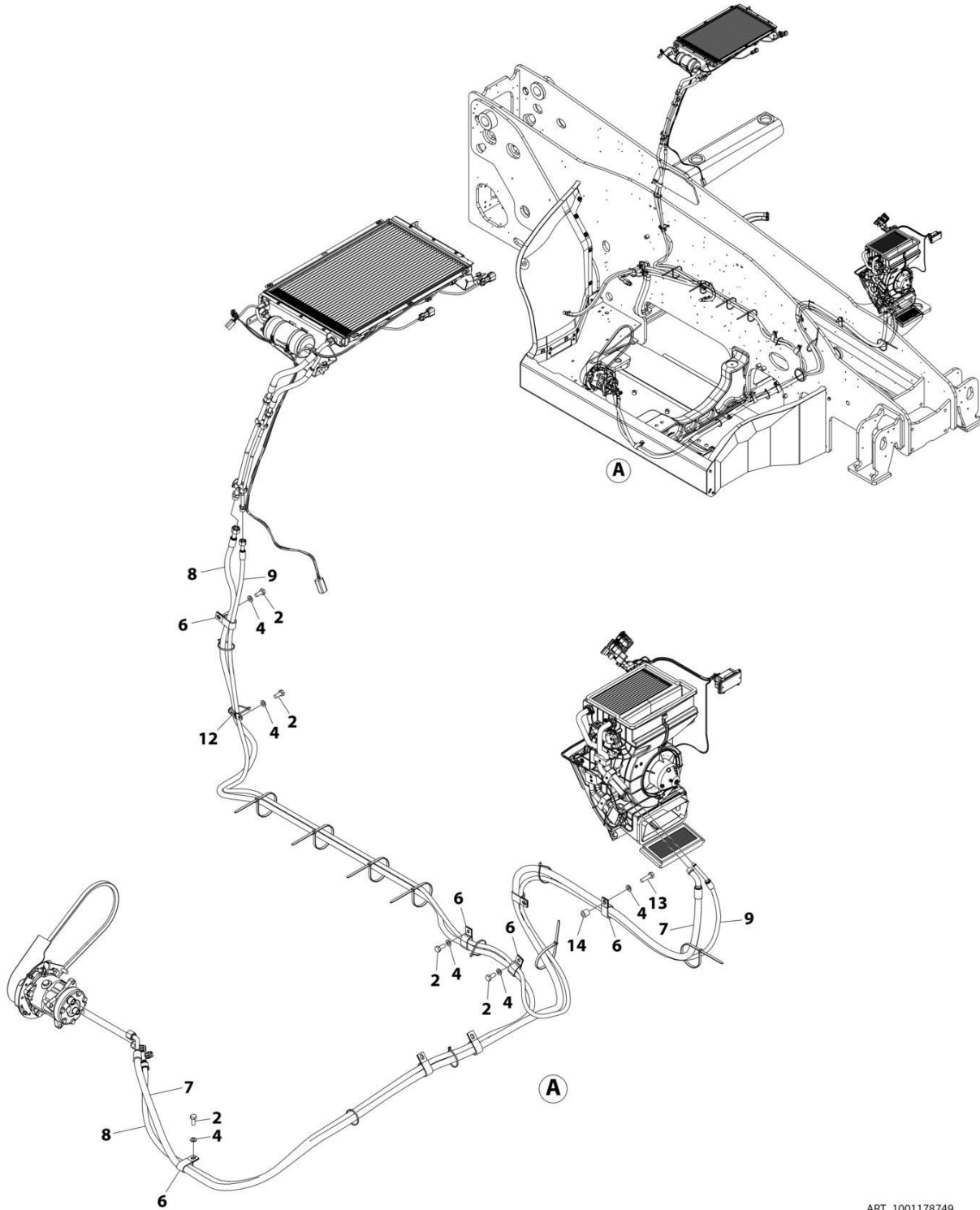
## SECTION 4 - ENGINE AND ATTACHING PARTS

### FIGURE 4-72. A/C PUMP INSTALLATION

ITEM	PART NUMBER	QTY	DESCRIPTION	REV
	1001178725	Ref	A/C Pump Installation	F
1	0700610	3	Bolt, M6X20	
3	0701014	3	Bolt, M10X30	
4	0701030	1	Bolt, M10X130	
5	3290605	3	Nut, Lock M6X1 Grade 8	
6	3291005	2	Nut, Lock M10X1.5 Grade 8	
7	4811700	6	Washer, M6	
8	4812000	5	Washer, M10	
9	1001167356	1	Belt, Drive A/C	
10	1001188855	1	Plate	
11	1001193735	1	Support	
12	1001171000	1	Cover	
13	1001178749	Ref	Installation, A/C Lines (See Separate Breakdown in this Section)	
14	1001119220	1	Compressor	
16	3291001	2	Nut, M10X1.5 Grade 8	
17	0701018	1	Bolt, M10X50	
18	5241000	1	Washer, M10	
19	1001188856	1	Rod	
20	1001227090	1	Decal	

# SECTION 4 - ENGINE AND ATTACHING PARTS

## FIGURE 4-73. A/C LINES INSTALLATION



ART\_1001178749

## SECTION 4 - ENGINE AND ATTACHING PARTS

### FIGURE 4-73. A/C LINES INSTALLATION

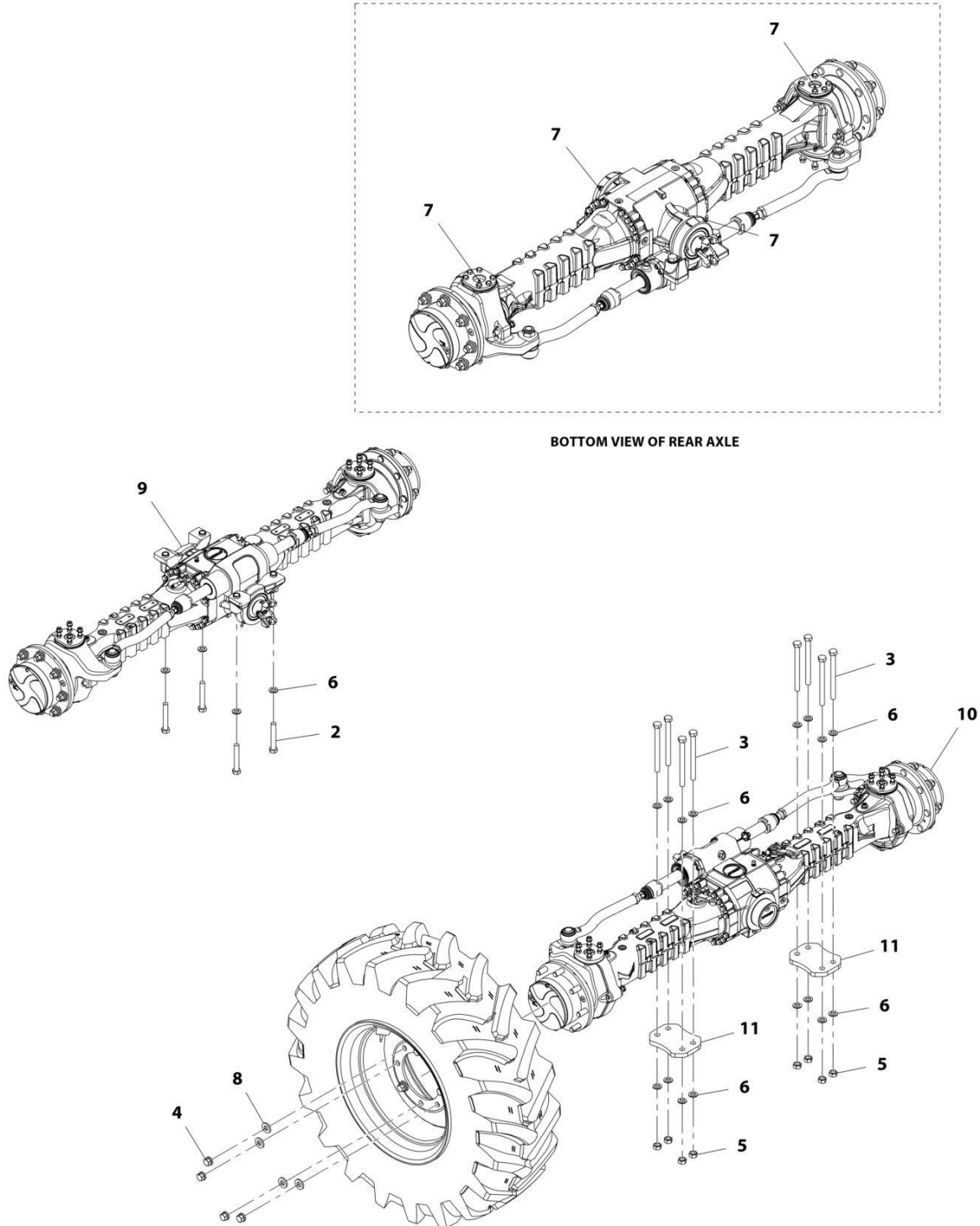
ITEM	PART NUMBER	QTY	DESCRIPTION	REV
	1001178749	Ref	A/C LINES INSTALLATION	G
2	0761012	5	Bolt M10 x 25	
4	4812000	6	Washer M10	
6	1001026104	8	Clip	
7	1001203825	1	Hose	
8	1001180593	1	Hose	
9	1001203826	1	Hose	
10	1001008559	AR	Tie-Strap 365MM (Not Shown)	
11	1062255	AR	Tie-Strap 170MM (Not Shown)	
12	1001008593	1	Clip	
13	0701016	1	Bolt M10 x 40	
14	1001095401	1	Spacer	



**SECTION 5 - DRIVE TRAIN**

# SECTION 5 - DRIVE TRAIN

## FIGURE 5-1. AXLES INSTALLATION (NO HYDRAULIC PARK BRAKE)



ART\_1001175295-D

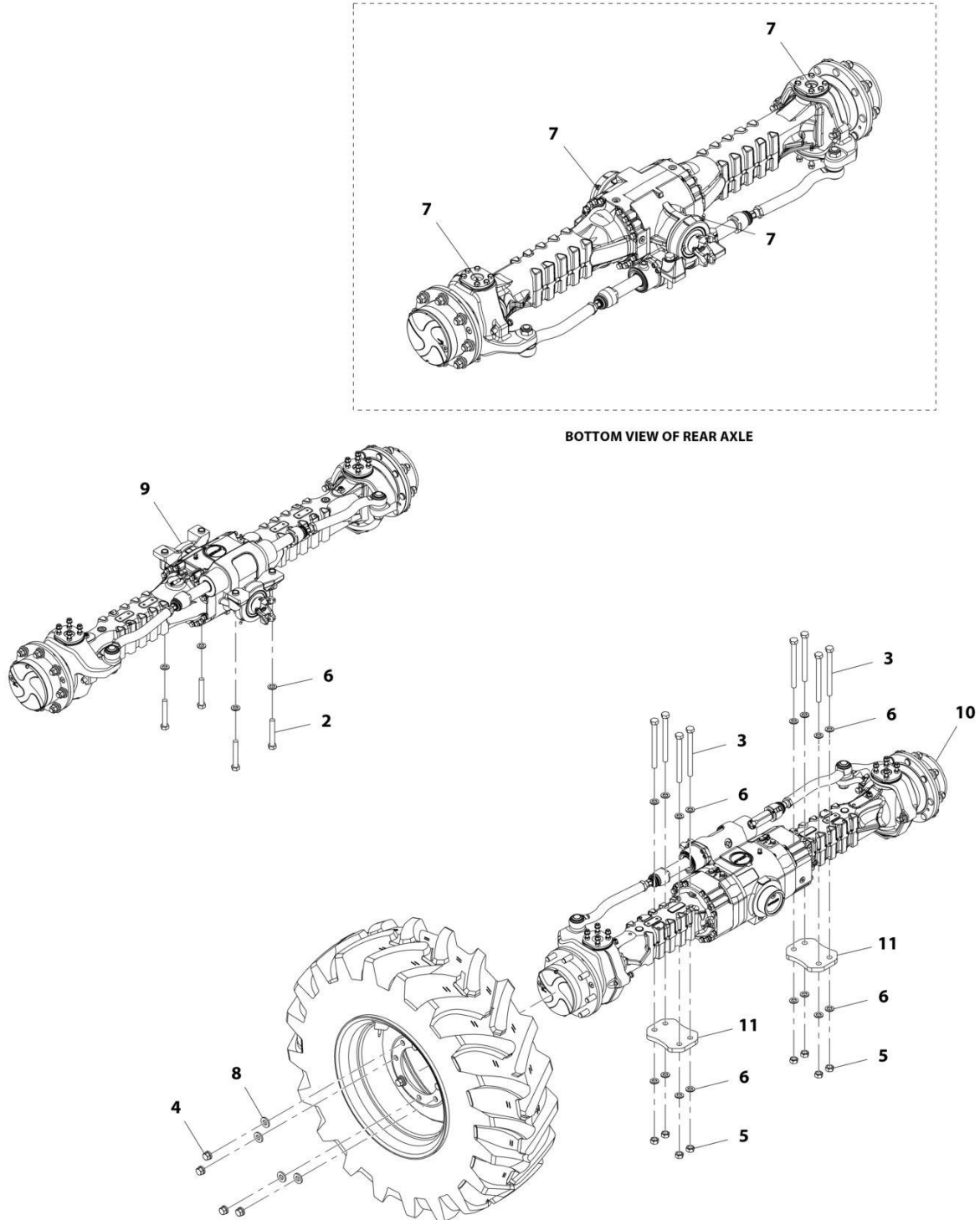
## SECTION 5 - DRIVE TRAIN

**FIGURE 5-1. AXLES INSTALLATION (NO HYDRAULIC PARK BRAKE)**

ITEM	PART NUMBER	QTY	DESCRIPTION	REV
	1001175295	Ref	Axles Installation (No Hydraulic Park Brake)	D
2	0712030	4	Bolt, M20X130 Grade 10.9	
3	0712040	8	Bolt, M20X230 Grade 10.9	
4	3300479	32	Nut, M22X1.5	
5	3332011	8	Nut, M20X2.5	
6	1001197130	20	Washer	
7	1001008462	AR	Grease	
8	1001114802	32	Washer	
9	1001165857	Ref	Installation, Rear Axle (See Separate Breakdown in this Section)	
10	1001175670	Ref	Installation, Front Axle (No Hydraulic Park Brake) (See Separate Breakdown in this Section)	
11	1001190542	2	Plate	

# SECTION 5 - DRIVE TRAIN

## FIGURE 5-2. AXLES INSTALLATION (HYDRAULIC PARK BRAKE)



ART\_1001176839-D



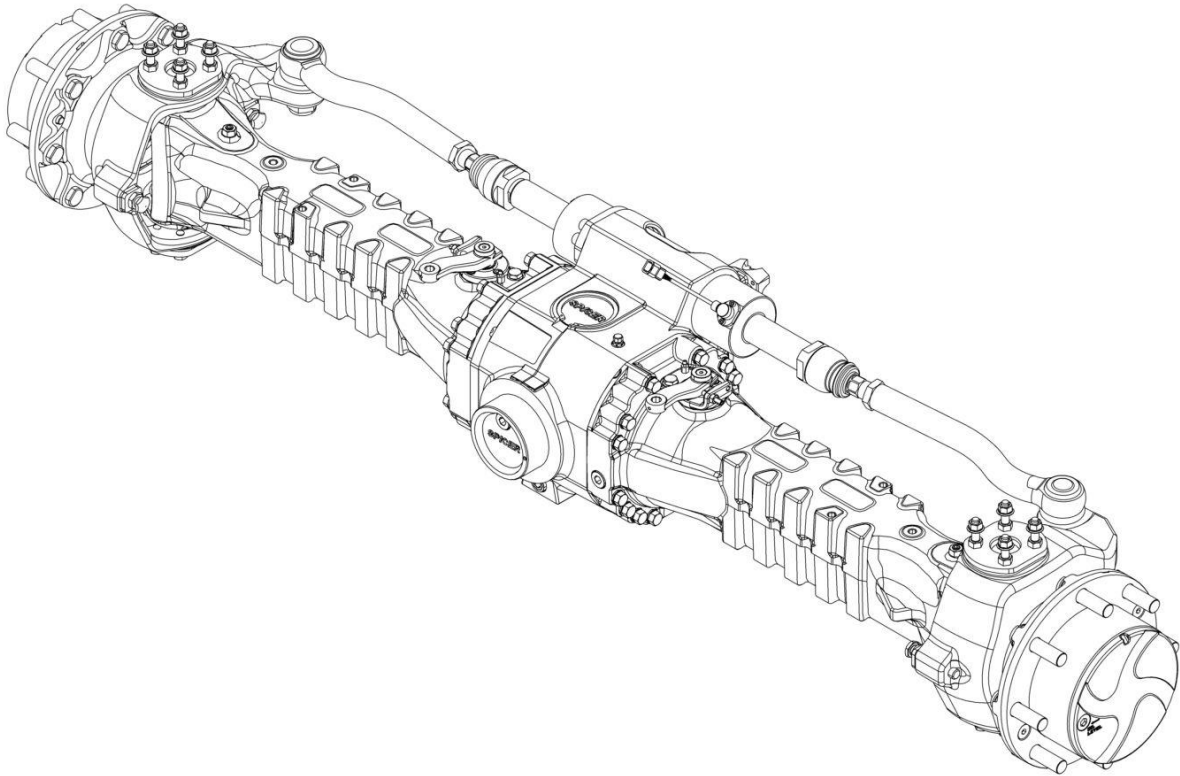
## SECTION 5 - DRIVE TRAIN

**FIGURE 5-2. AXLES INSTALLATION (HYDRAULIC PARK BRAKE)**

ITEM	PART NUMBER	QTY	DESCRIPTION	REV
	1001176839	Ref	Axles Installation (Hydraulic Park Brake)	D
2	0712030	4	Bolt, M20X130 Grade 10.9	
3	0712040	8	Bolt, M20X230 Grade 10.9	
4	3300479	32	Nut, M22X1.5	
5	3332011	8	Nut, M20X2.5	
6	1001197130	20	Washer	
7	1001008462	AR	Grease	
8	1001114802	32	Washer	
9	1001165857	Ref	Installation, Rear Axle (See Separate Breakdown in this Section)	
10	1001175671	Ref	Installation, Front Axle (Hydraulic Park Brake) (See Separate Breakdown in this Section)	
11	1001190542	2	Plate	

## SECTION 5 - DRIVE TRAIN

FIGURE 5-3. FRONT AXLE INSTALLATION (NO HYDRAULIC PARK BRAKE)



ART\_1001175670

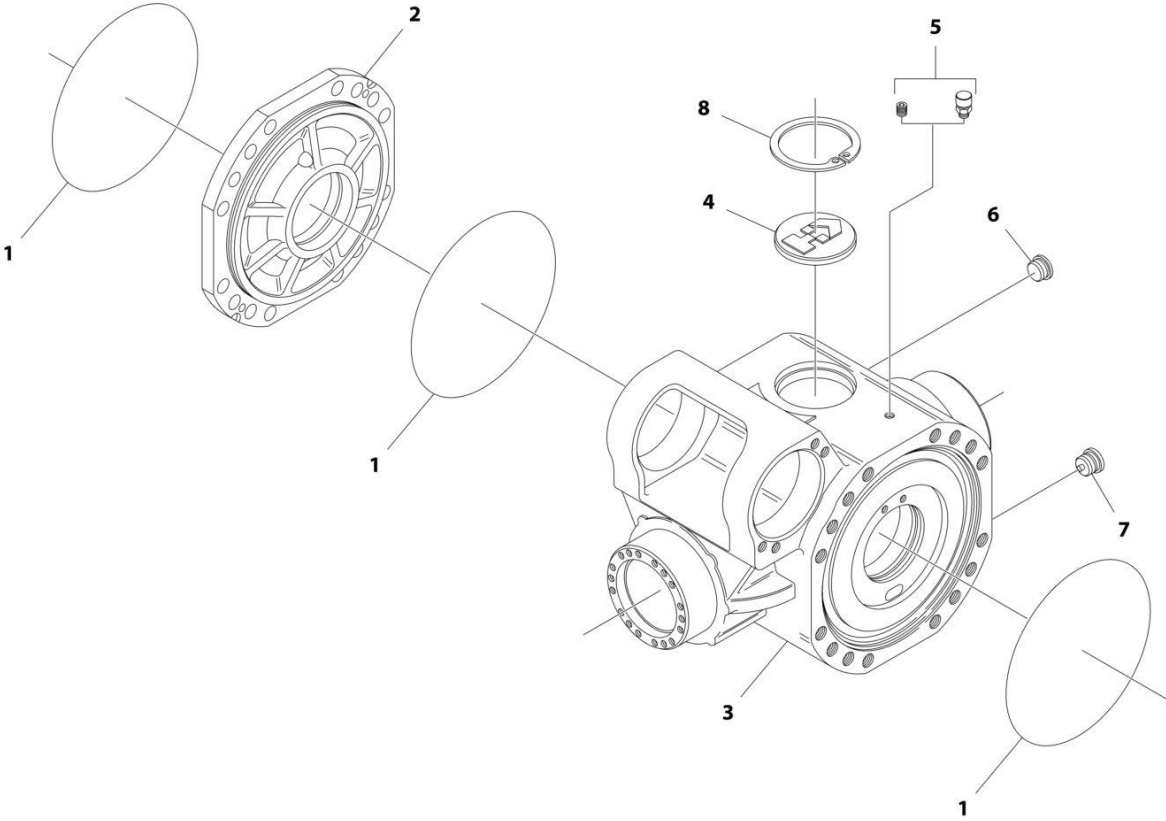
## SECTION 5 - DRIVE TRAIN

**FIGURE 5-3. FRONT AXLE INSTALLATION (NO HYDRAULIC PARK BRAKE)**

ITEM	PART NUMBER	QTY	DESCRIPTION	REV
	1001175670	Ref	Front Axle Installation (No Hydraulic Park Brake)	H
		Ref	Front Axle, Central Housing (No Hydraulic Park Brake) (See Separate Breakdown in this Section)	
		Ref	Front Axle, Differential (No Hydraulic Park Brake) (See Separate Breakdown in this Section)	
		Ref	Front Axle, Hub Reduction (No Hydraulic Park Brake) (See Separate Breakdown in this Section)	
		Ref	Front Axle, Brakes (No Hydraulic Park Brake) (See Separate Breakdown in this Section)	
		Ref	Front Axle, Steering (No Hydraulic Park Brake) (See Separate Breakdown in this Section)	

**SECTION 5 - DRIVE TRAIN**

**FIGURE 5-4. FRONT AXLE, CENTRAL HOUSING (NO HYDRAULIC PARK BRAKE)**



ART\_1001175670\_1OF5

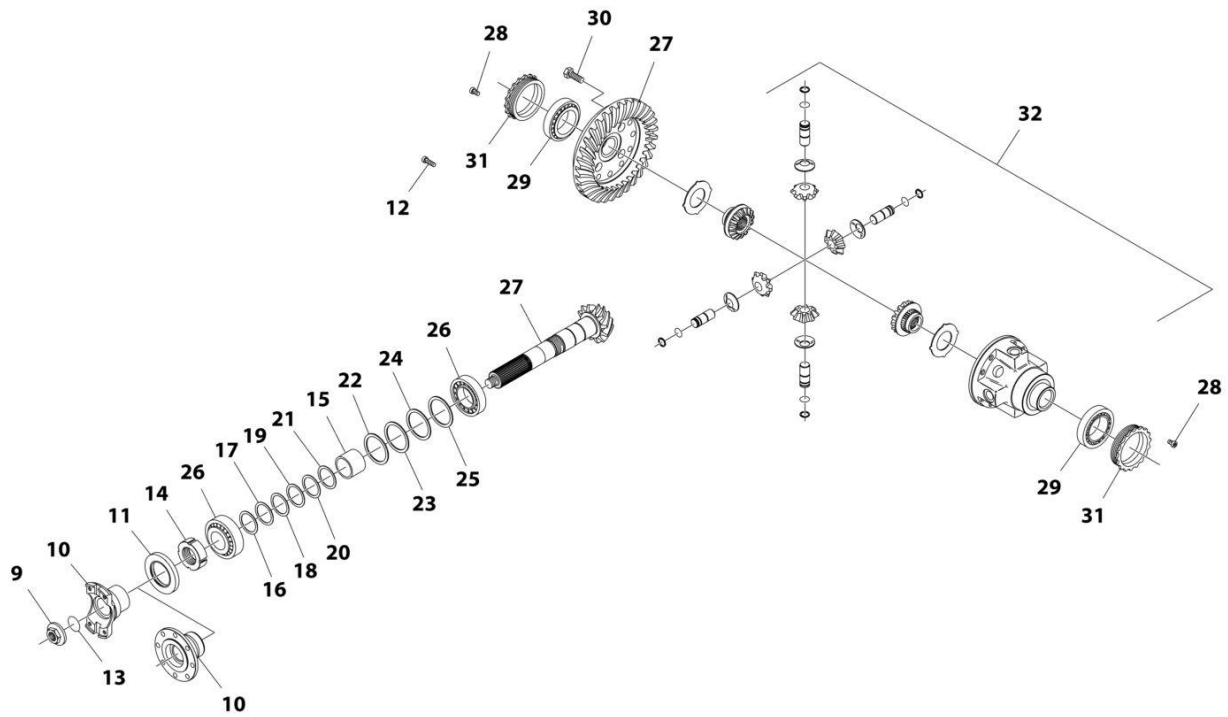
## SECTION 5 - DRIVE TRAIN

**FIGURE 5-4. FRONT AXLE, CENTRAL HOUSING (NO HYDRAULIC PARK BRAKE)**

ITEM	PART NUMBER	QTY	DESCRIPTION	REV
1	91474507	3	O-Ring	
2	70024519	1	Cover	
3	70026749	1	Housing	
4	91514098	1	Plug	
5	91474512	1	Vent	
6	91514188	1	Plug	
7	91474513	1	Plug, Magnet	
8	80204005	1	Circlip	

# SECTION 5 - DRIVE TRAIN

## FIGURE 5-5. FRONT AXLE, DIFFERENTIAL (NO HYDRAULIC PARK BRAKE)



ART\_1001175670\_2OF5

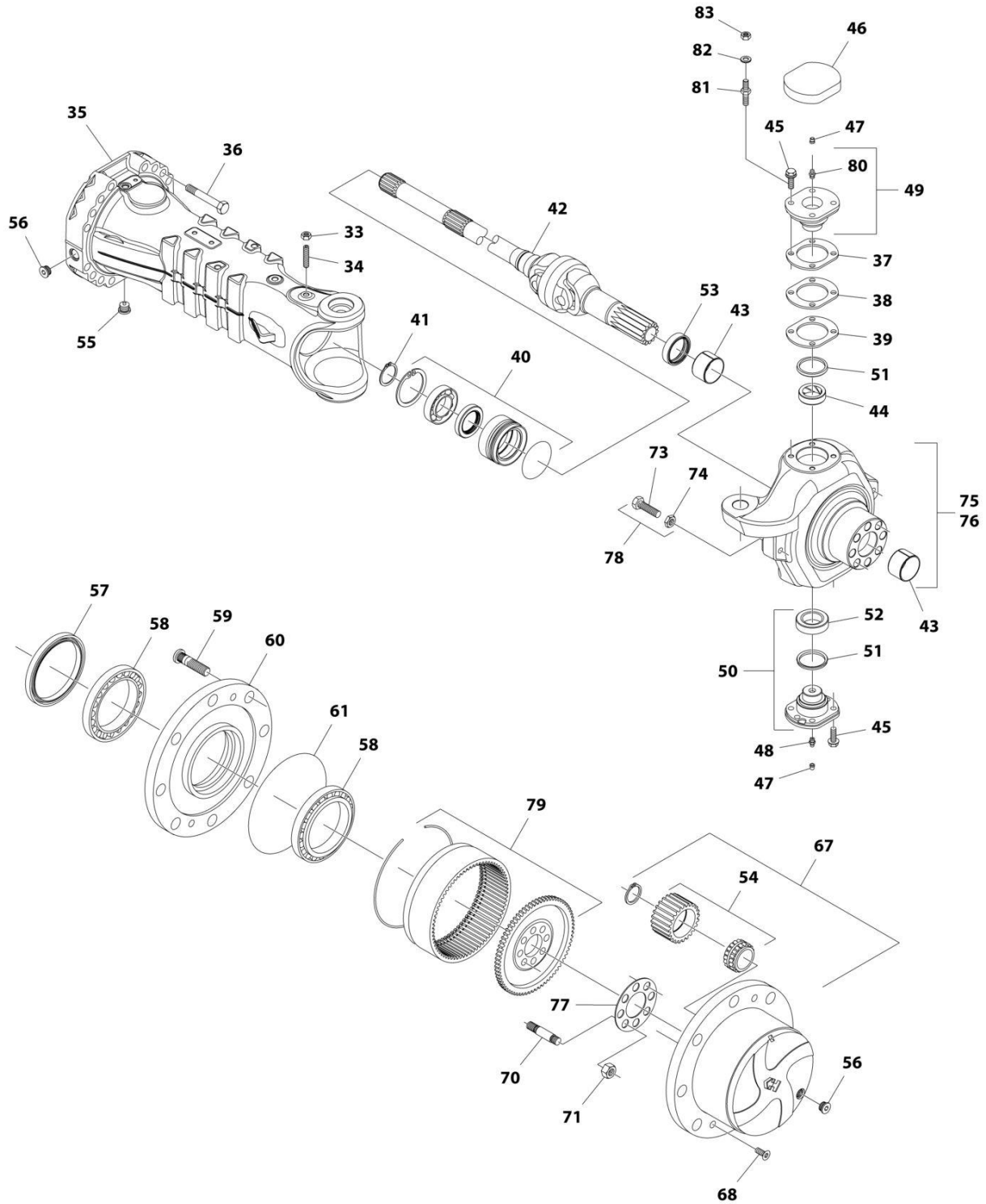
## SECTION 5 - DRIVE TRAIN

**FIGURE 5-5. FRONT AXLE, DIFFERENTIAL (NO HYDRAULIC PARK BRAKE)**

ITEM	PART NUMBER	QTY	DESCRIPTION	REV
9	70026631	1	Nut	
10	7029427	1	Flange	
11	70024522	1	Seal	
12	91474591	4	Bolt	
13	91474529	1	O-Ring	
14	91474533	1	Nut, Ring	
15	91474539	1	Spacer	
16	91474535	1	Shim	
17	91474536	1	Shim	
18	91474537	1	Shim	
19	91474538	1	Shim	
20	70024520	2	Shim	
21	70024520	1	Shim	
22	91474540	1	Shim	
23	91474541	1	Shim	
24	91474541	1	Shim	
25	91474543	1	Shim	
26	3968141	2	Bearing, Taper Roller	
27	8007749	1	Bevel Gear Set	
28	91514134	2	Bolt	
29	70026031	2	Bearing, Taper Roller	
30	91514123	12	Bolt	
31	91474547	2	Nut, Ring	
32	7028710	1	Kit, Differential (See Separate Breakdown in this Section)	

# SECTION 5 - DRIVE TRAIN

## FIGURE 5-6. FRONT AXLE, HUB REDUCTION (NO HYDRAULIC PARK BRAKE)



ART\_1001175670\_3OF5



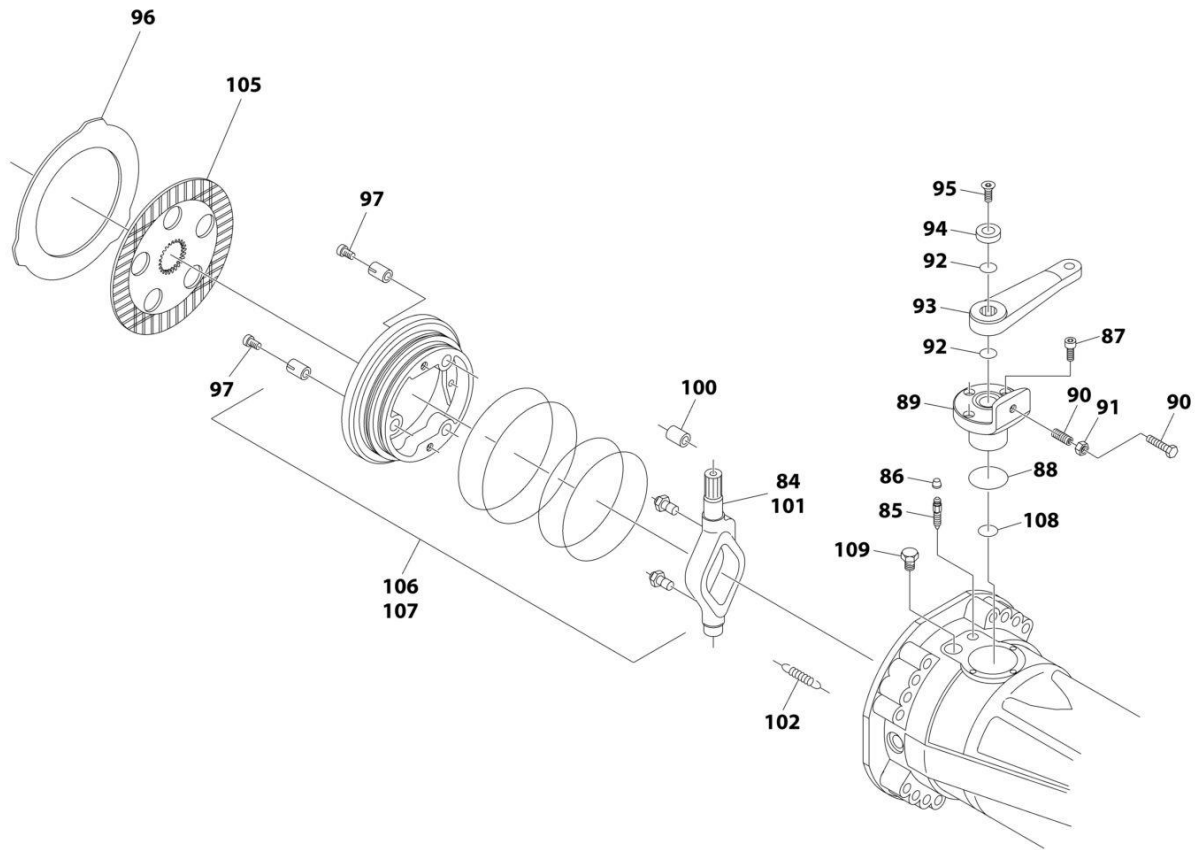
## SECTION 5 - DRIVE TRAIN

**FIGURE 5-6. FRONT AXLE, HUB REDUCTION (NO HYDRAULIC PARK BRAKE)**

ITEM	PART NUMBER	QTY	DESCRIPTION	REV
33	91514082	2	Nut	
34	2400600	2	Bolt	
35	70026950	2	Case, Axle	
36	7029428	32	Bolt	
37	8007779	2	Shim	
38	8007780	2	Shim	
39	8007782	2	Shim	
40	91514149	2	Kit, Reduction Bushing (See Separate Breakdown in this Section)	
41	80204071	2	Circlip	
42	70026824	2	Joint, Double Universal	
43	8004468	2	Bushing, Thrust	
44	70020173	2	Bushing	
45	70025562	12	Bolt	
46	70025549	2	Cover	
47	2997103	4	Plug	
48	91514099	2	Fitting, Grease	
49	70025567	2	Pin, Pivot	
50	8006605	2	Pin, Pivot	
51	2401043	4	Seal	
52	2401258	2	Bearing	
53	8007771	2	Seal	
54	70023900	8	Kit, Planet Gear (includes Planet Gear and Bearing)	
55	91474513	2	Plug, Magnet	
56	91514188	4	Plug	
57	7029430	2	Seal	
58	3984301	4	Bearing	
59	8000877	16	Stud, Wheel	
60	70026818	2	Hub, Wheel	
61	91474507	2	O-Ring	
67	70026827	2	Kit, Planet Gear Carrier (See Separate Breakdown in this Section)	
68	91514189	4	Bolt	
70	91474583	16	Stud	
71	91474584	16	Nut	
72	91474579	2	Circlip	
73	91514117	4	Bolt	
74	80204065	4	Nut	
75	8007774	1	Kit, Steering Case (LF, RR) (See Separate Breakdown in this Section)	
76	8007777	1	Kit, Steering Case (RF, LR) (See Separate Breakdown in this Section)	
77	3983731	2	Plate	
78	7028733	4	Kit, Steering Adjust Bolt (See Separate Breakdown in this Section)	
79	7029432	2	Kit, Ring Gear Support (See Separate Breakdown in this Section)	
80	7028115	2	Fitting, Grease	
81	70025819	8	Stud	
82	91514119	8	Washer	
83	91514120	8	Nut	

# SECTION 5 - DRIVE TRAIN

## FIGURE 5-7. FRONT AXLE, BRAKES (NO HYDRAULIC PARK BRAKE)



ART\_1001175670\_40F5

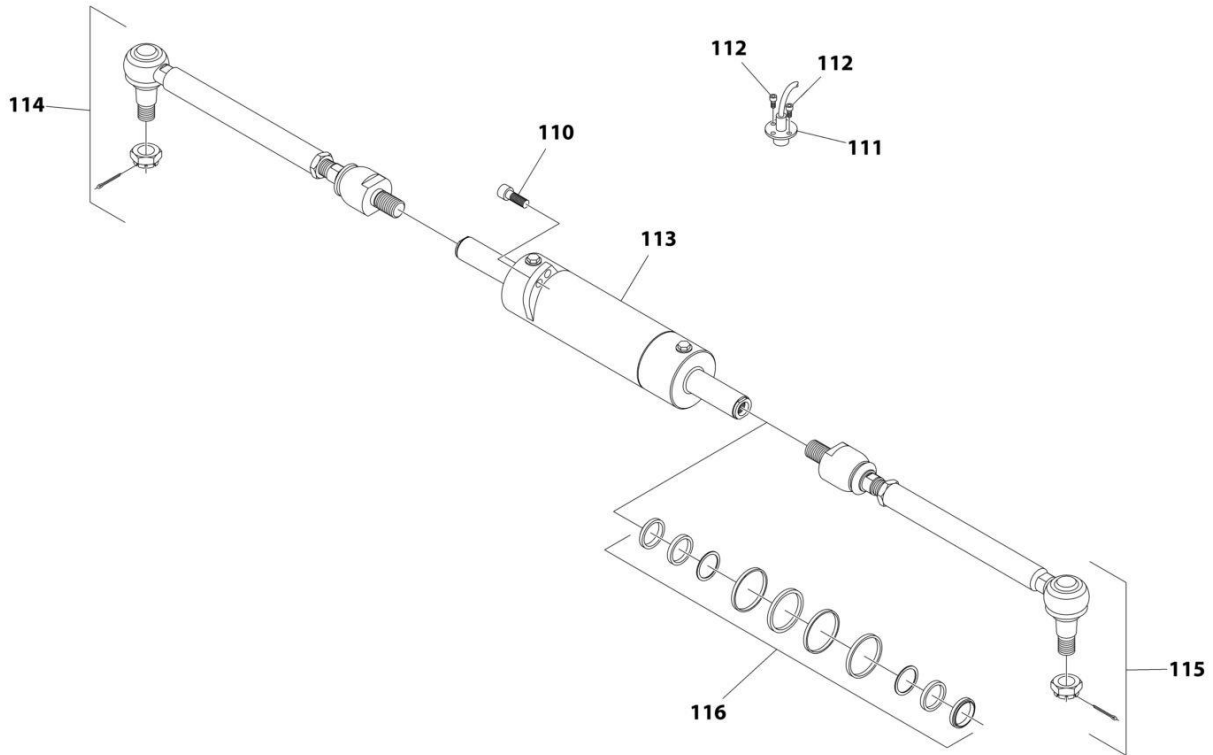
## SECTION 5 - DRIVE TRAIN

**FIGURE 5-7. FRONT AXLE, BRAKES (NO HYDRAULIC PARK BRAKE)**

ITEM	PART NUMBER	QTY	DESCRIPTION	REV
84	8007785	1	Lever, Right	
85	80204281	2	Bleeding Bolt	
86	80204117	2	Plug	
87	2401736	6	Bolt, Cylinder	
88	3986405	2	O-Ring	
89	8007788	2	Bushing, Reduction	
90	8002798	2	Setscrew	
91	8008168	2	Nut	
92	7028038	2	O-Ring	
93	70025568	2	Lever	
94	7028039	2	Washer	
95	8008169	2	Bolt, Countersunk	
96	70025823	10	Disc, Intermediate Brake	
97	7029786	6	Bolt, Adjusting	
100	7029433	2	Dowel	
101	8007786	1	Lever, Left	
102	3984425	6	Spring	
105	91474568	8	Disc	
106	70026069	1	Kit, Piston (Left) (See Separate Breakdown in this Section)	
107	70026068	1	Kit, Piston (Right) (See Separate Breakdown in this Section)	
108	8007802	2	O-Ring	
109	91514154	2	Bolt	

# SECTION 5 - DRIVE TRAIN

## FIGURE 5-8. FRONT AXLE, STEERING (NO HYDRAULIC PARK BRAKE)



ART\_1001175670\_SOF5

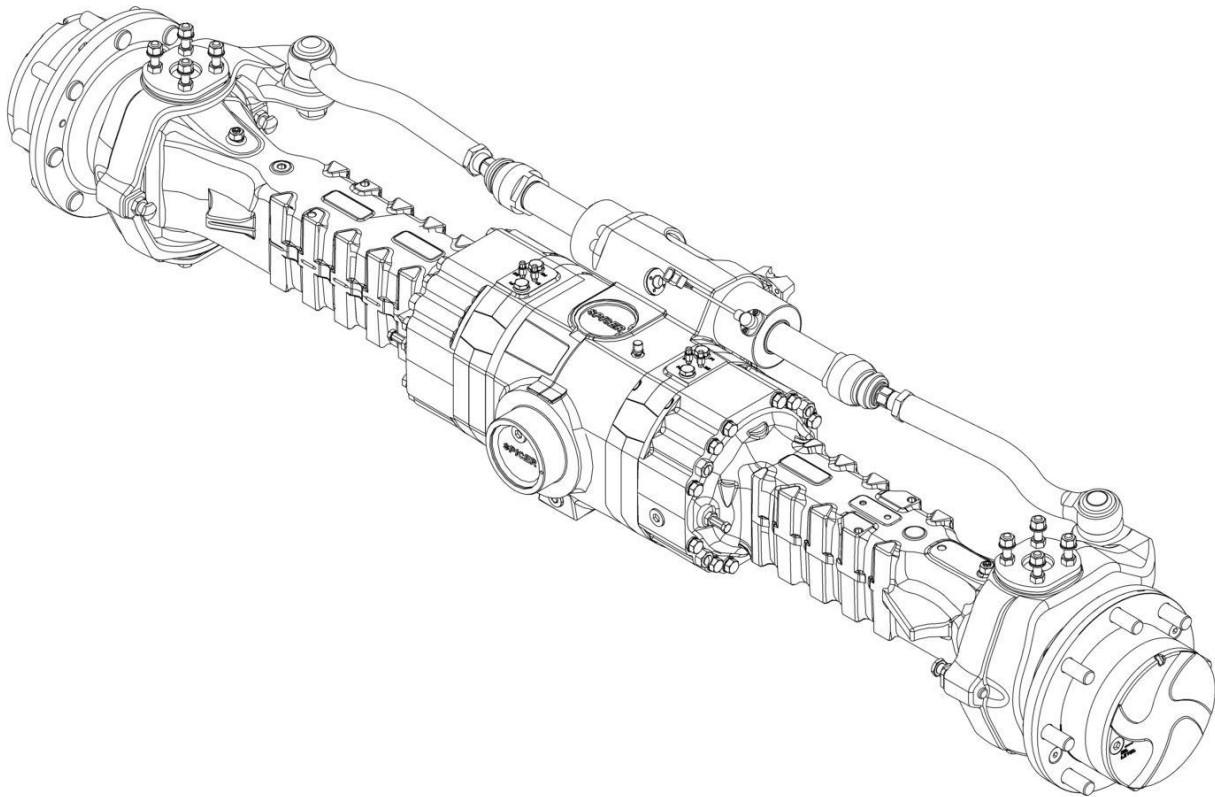
## SECTION 5 - DRIVE TRAIN

**FIGURE 5-8. FRONT AXLE, STEERING (NO HYDRAULIC PARK BRAKE)**

ITEM	PART NUMBER	QTY	DESCRIPTION	REV
110	91474522	4	Bolt	
111	70026808	1	Sensor	
112	8008175	2	Bolt	
113	70026826	1	Cylinder	
114	70026819	1	Rod, Tie	
115	70026820	1	Rod, Tie	
116	70025842	1	Kit, Seal	

## SECTION 5 - DRIVE TRAIN

FIGURE 5-9. FRONT AXLE INSTALLATION (HYDRAULIC PARK BRAKE)



ART\_1001175671-C

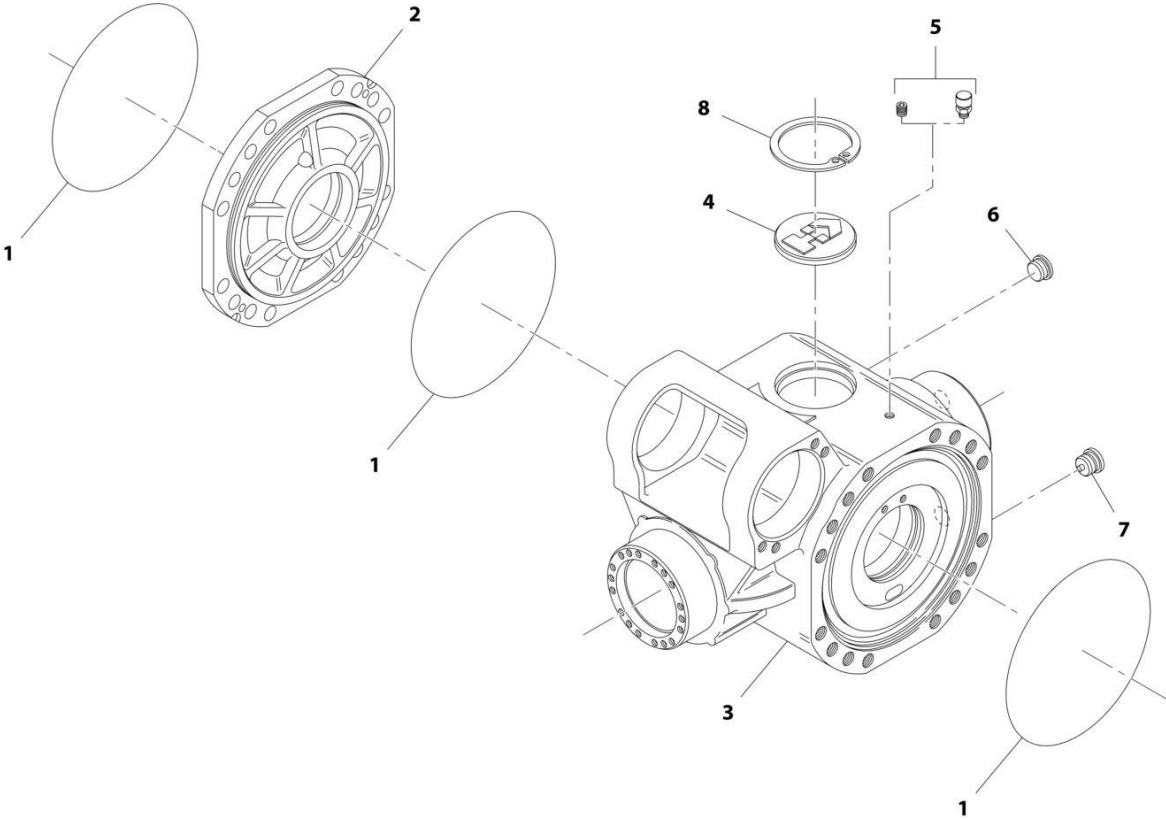
## SECTION 5 - DRIVE TRAIN

**FIGURE 5-9. FRONT AXLE INSTALLATION (HYDRAULIC PARK BRAKE)**

ITEM	PART NUMBER	QTY	DESCRIPTION	REV
	1001175671	Ref	Front Axle Installation (Hydraulic Park Brake)	C
		Ref	Front Axle, Central Housing (Hydraulic Park Brake) (See Separate Breakdown in this Section)	
		Ref	Front Axle, Differential (Hydraulic Park Brake) (See Separate Breakdown in this Section)	
		Ref	Front Axle, Hub Reduction (Hydraulic Park Brake) (See Separate Breakdown in this Section)	
		Ref	Front Axle, Brakes (Hydraulic Park Brake) (See Separate Breakdown in this Section)	
		Ref	Front Axle, Steering (Hydraulic Park Brake) (See Separate Breakdown in this Section)	

**SECTION 5 - DRIVE TRAIN**

**FIGURE 5-10. FRONT AXLE, CENTRAL HOUSING (HYDRAULIC PARK BRAKE)**



ART\_1001175671\_1-C



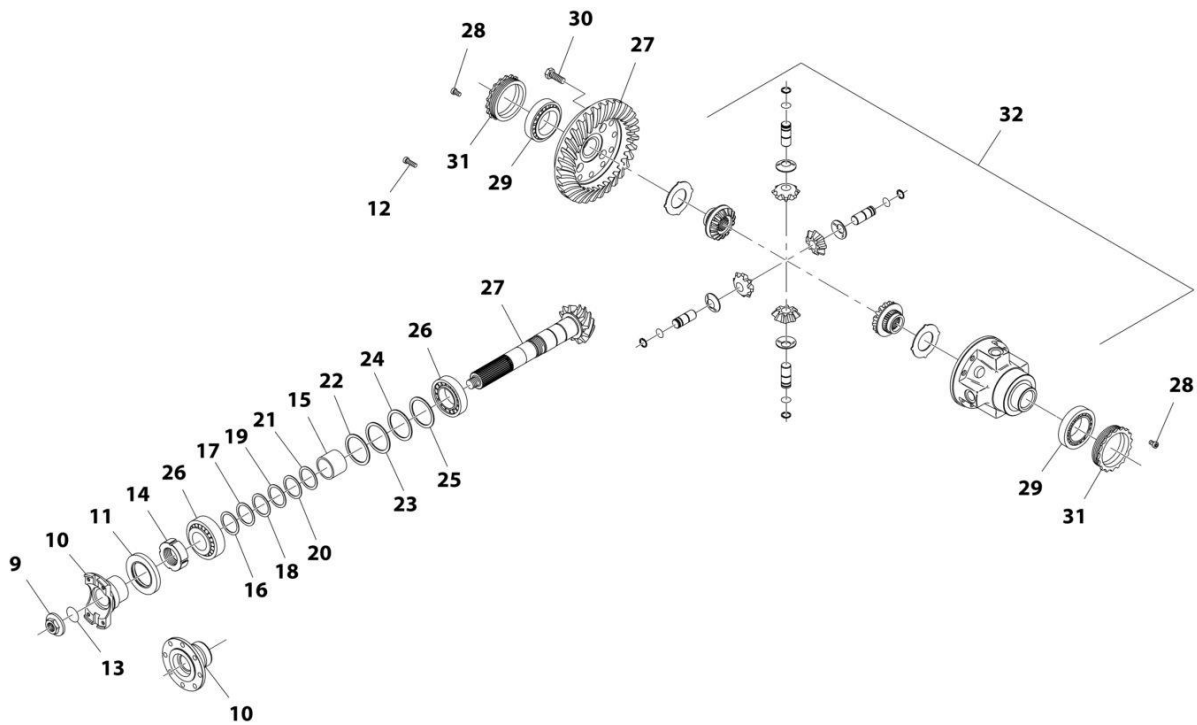
## SECTION 5 - DRIVE TRAIN

**FIGURE 5-10. FRONT AXLE, CENTRAL HOUSING (HYDRAULIC PARK BRAKE)**

ITEM	PART NUMBER	QTY	DESCRIPTION	REV
1	91474507	3	O-Ring	
2	70024519	1	Cover	
3	70026749	1	Housing	
4	91514098	1	Plug	
5	91474512	1	Vent	
6	91514188	1	Plug	
7	91474513	1	Plug, Magnet	
8	80204005	1	Circlip	

# SECTION 5 - DRIVE TRAIN

## FIGURE 5-11. FRONT AXLE, DIFFERENTIAL (HYDRAULIC PARK BRAKE)



ART\_1001175671\_2-C

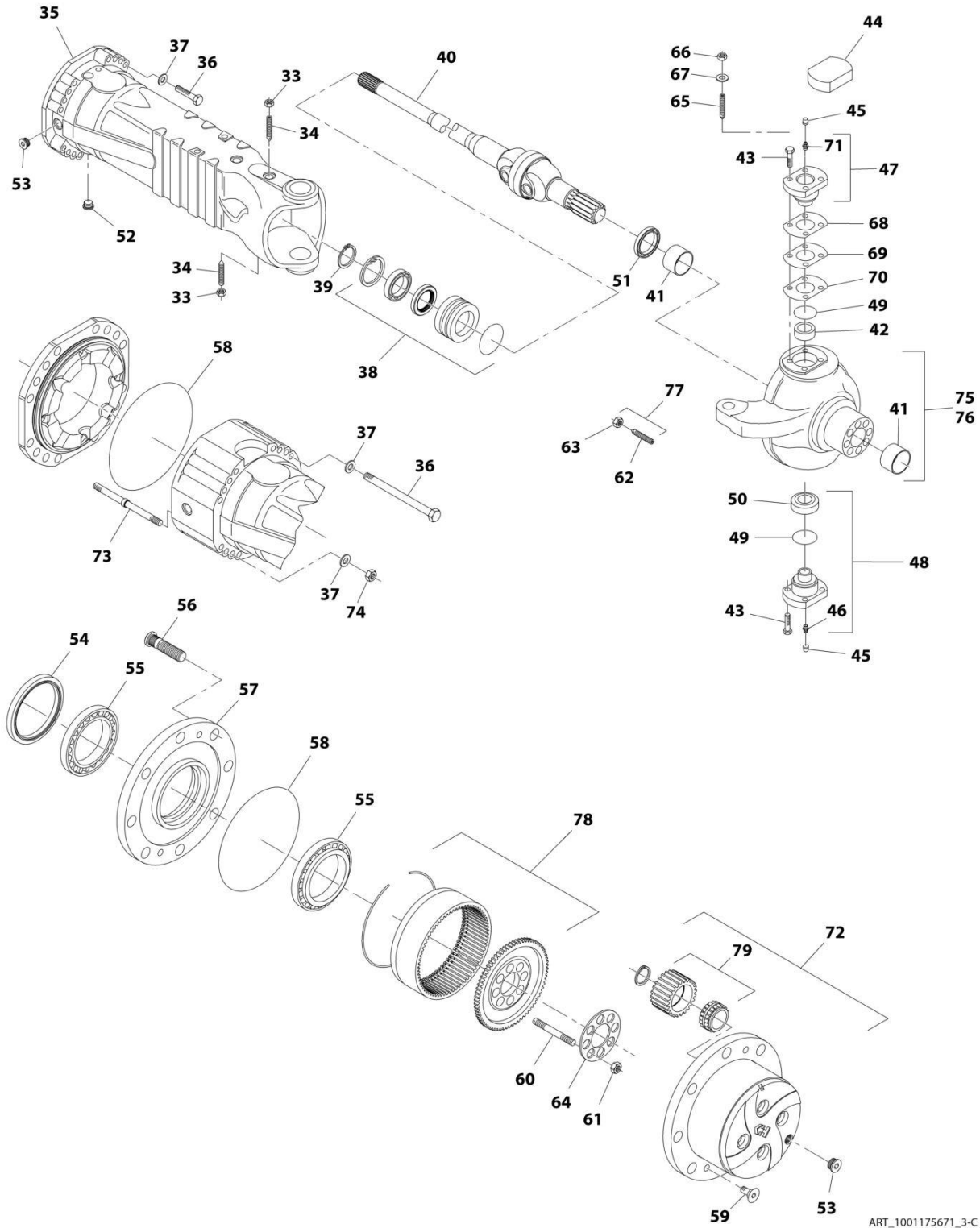
## SECTION 5 - DRIVE TRAIN

**FIGURE 5-11. FRONT AXLE, DIFFERENTIAL (HYDRAULIC PARK BRAKE)**

ITEM	PART NUMBER	QTY	DESCRIPTION	REV
9	70026631	1	Nut	
10	7029427	1	Flange	
11	70024522	1	Seal	
12	91474591	4	Bolt	
13	91474529	1	O-Ring	
14	91474533	1	Nut, Ring	
15	91474539	1	Spacer	
16	91474535	1	Shim	
17	91474536	1	Shim	
18	91474537	1	Shim	
19	91474538	1	Shim	
20	70024520	1	Shim	
21	70024521	1	Shim	
22	91474540	1	Shim	
23	91474541	1	Shim	
24	91474542	1	Shim	
25	91474543	1	Shim	
26	3968141	2	Bearing, Taper Roller	
27	8007749	1	Bevel Gear Set	
28	91514134	2	Bolt	
29	70026031	2	Bearing, Taper Roller	
30	91514123	12	Bolt	
31	91474547	2	Nut, Ring	
32	7028710	1	Front Axle, Differential Kit (Hydraulic Park Brake) (See Separate Breakdown in this Section)	

# SECTION 5 - DRIVE TRAIN

## FIGURE 5-12. FRONT AXLE, HUB REDUCTION (HYDRAULIC PARK BRAKE)



ART\_1001175671\_3-C

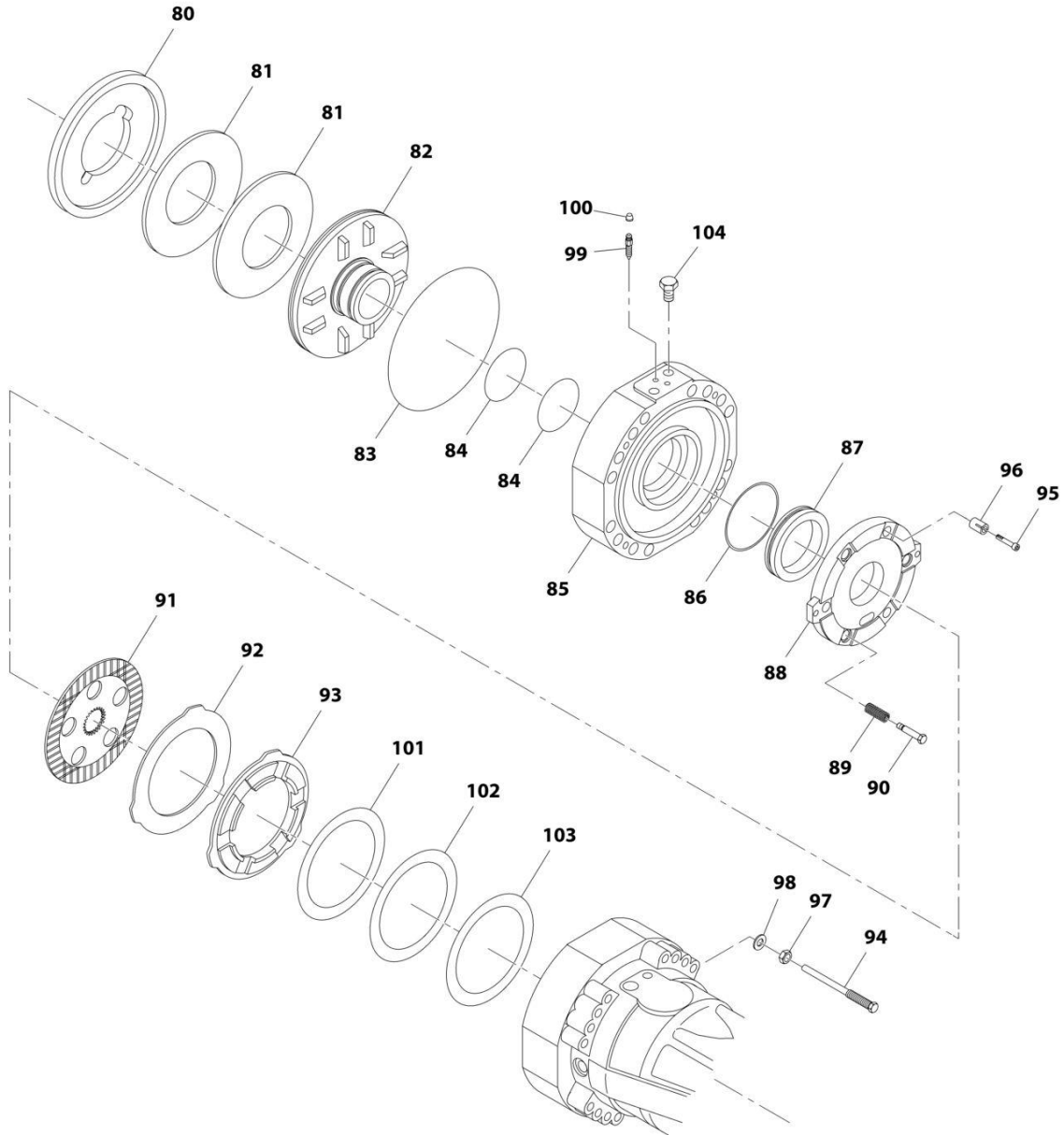
## SECTION 5 - DRIVE TRAIN

**FIGURE 5-12. FRONT AXLE, HUB REDUCTION (HYDRAULIC PARK BRAKE)**

ITEM	PART NUMBER	QTY	DESCRIPTION	REV
33	91514082	2	Nut	
34	2400600	2	Bolt	
35	70026817	2	Case, Axle	
36	70025012	24	Bolt	
37	91514084	8	Washer	
38	91514149	2	Kit, Reduction Bushing (See Separate Breakdown in this Section)	
39	80204071	2	Circlip	
40	70026824	2	Joint, Double Universal	
41	8004468	2	Bushing, Thrust	
42	70020173	2	Bushing	
43	70025562	24	Bolt	
44	70025549	2	Cover	
45	80204117	2	Plug	
46	91514099	4	Fitting, Grease	
47	70025567	2	Pin, Pivot	
48	8006605	2	Pin, Pivot	
49	2401043	4	Seal	
50	2401258	2	Bearing	
51	8007771	2	Seal	
52	91474513	2	Plug, Magnet	
53	91514188	4	Plug	
54	7029430	2	Seal	
55	3984301	4	Bearing	
56	8000877	16	Stud, Wheel	
57	70026818	2	Hub, Wheel	
58	91474507	2	O-Ring	
59	91514189	4	Bolt	
60	91474583	16	Stud	
61	91474584	16	Nut	
62	91514117	4	Bolt	
63	80204065	4	Nut	
64	3983731	2	Plate	
65	70025819	8	Stud	
66	91514120	8	Nut	
67	91514119	8	Washer	
68	8007779	2	Shim	
69	8007780	2	Shim	
70	8007782	2	Shim	
71	7028115	2	Fitting, Grease	
72	70026827	2	Kit, Planet Gear Carrier (See Separate Breakdown in this Section)	
73	70025014	8	Stud	
74	91514083	8	Nut	
75	8007774	1	Kit, Steering Case (LF, RR) (See Separate Breakdown in this Section)	
76	8007777	1	Kit, Steering Case (RF, LR) (See Separate Breakdown in this Section)	
77	7028733	4	Kit, Steering Adjust Bolt (See Separate Breakdown in this Section)	
78	7029432	2	Kit, Ring Gear Support (See Separate Breakdown in this Section)	
79	70023900	8	Kit, Planet Gear (includes Planet Gear and Bearing)	

# SECTION 5 - DRIVE TRAIN

## FIGURE 5-13. FRONT AXLE, BRAKES (HYDRAULIC PARK BRAKE)



ART\_1001175671\_4-C

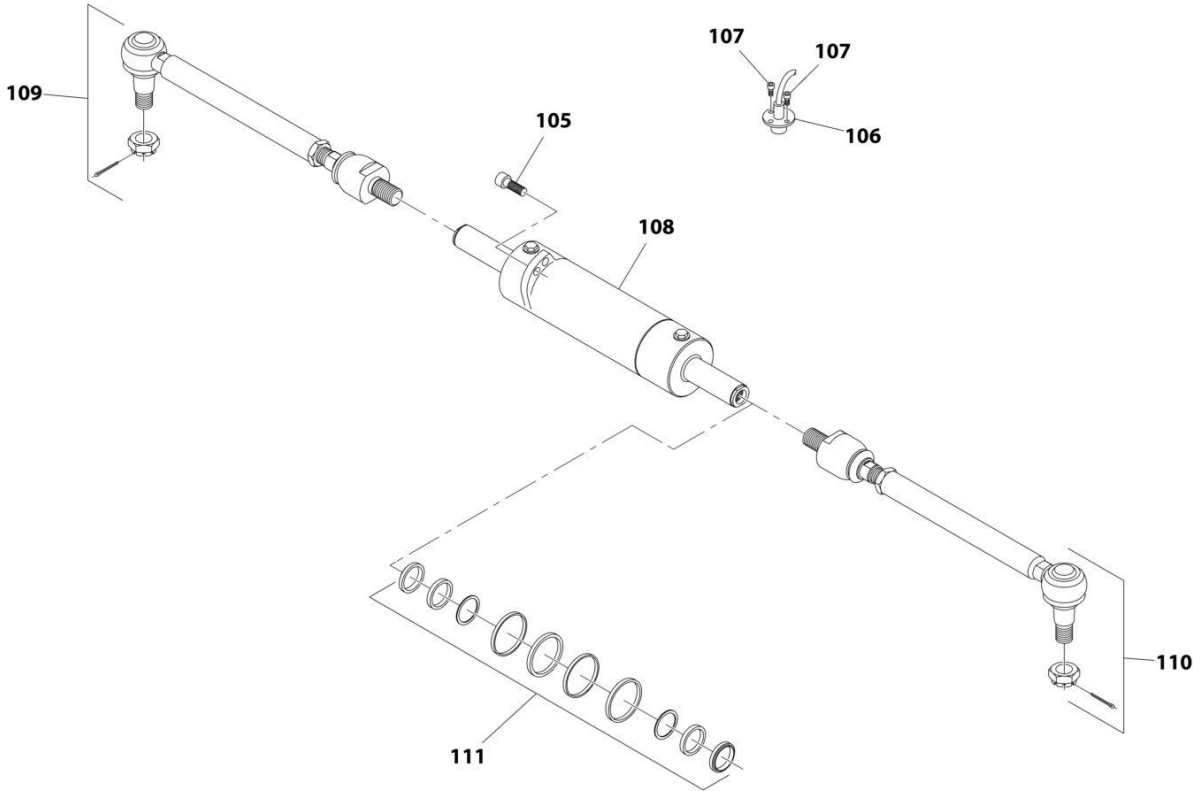
## SECTION 5 - DRIVE TRAIN

**FIGURE 5-13. FRONT AXLE, BRAKES (HYDRAULIC PARK BRAKE)**

ITEM	PART NUMBER	QTY	DESCRIPTION	REV
80	7028734	1	Spacer	
81	91474559	4	Spring	
82	91474560	2	Piston	
83	91474561	2	O-Ring	
84	70026262	4	Seal	
85	7028735	2	Cover	
86	70026623	2	Seal	
87	91474564	2	Piston	
88	91474565	2	Disc, Intermediate Brake	
89	91514159	6	Spring	
90	70024210	6	Bolt	
91	91474568	8	Disc	
92	70025823	8	Disc, Intermediate Brake	
93	91474570	2	Spacer	
94	70024213	4	Bolt, M12X122.5	
95	7029788	6	Bolt	
96	91514165	6	Spring	
97	80204060	4	Nut	
98	80204108	4	Washer, Lock	
99	80204281	4	Bolt	
100	80204117	4	Plug	
101	91474571	2	Shim	
102	91474572	2	Shim	
103	91474573	2	Shim	
104	91514154	4	Bolt	

**SECTION 5 - DRIVE TRAIN**

**FIGURE 5-14. FRONT AXLE, STEERING (HYDRAULIC PARK BRAKE)**



ART\_1001175671\_5-C



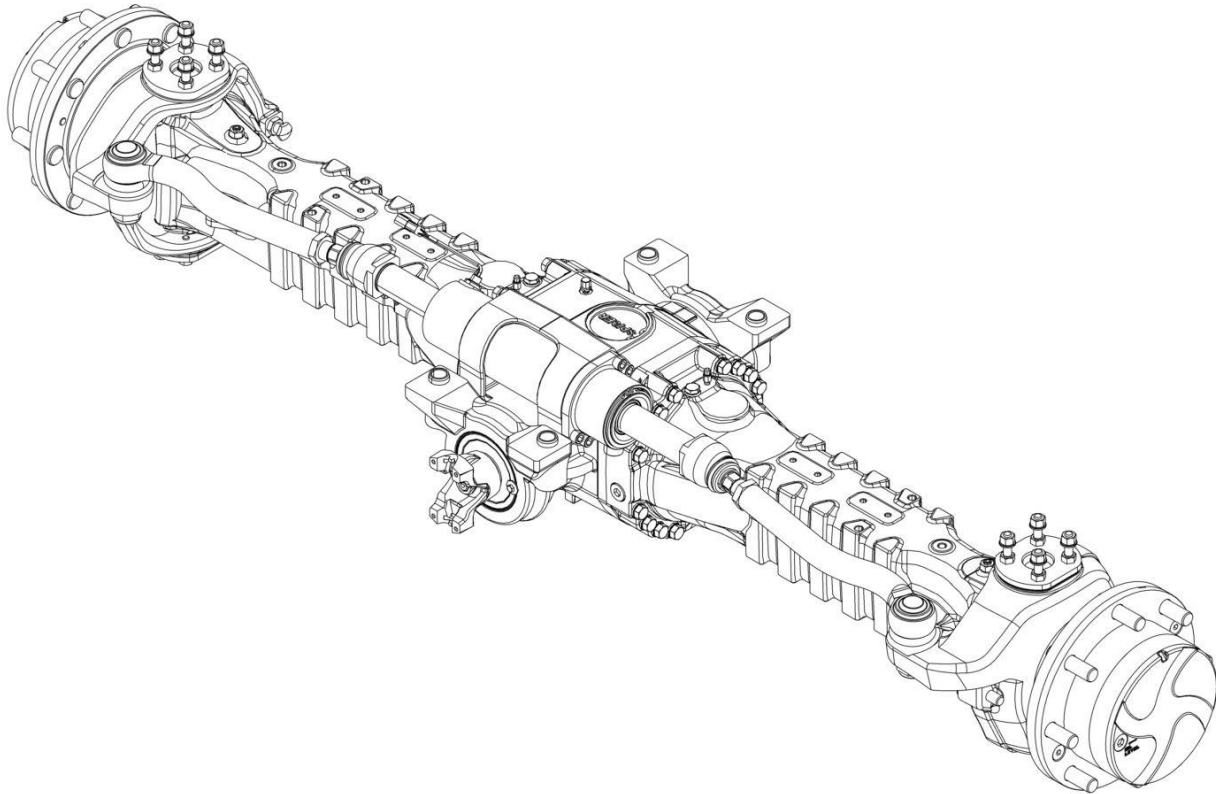
## SECTION 5 - DRIVE TRAIN

**FIGURE 5-14. FRONT AXLE, STEERING (HYDRAULIC PARK BRAKE)**

ITEM	PART NUMBER	QTY	DESCRIPTION	REV
105	91474522	4	Bolt	
106	70026808	1	Sensor	
107	8008175	2	Bolt	
108	70026826	1	Cylinder	
109	70026819	1	Rod, Tie	
110	70026820	1	Rod, Tie	
111	70025842	1	Kit, Seal	

## SECTION 5 - DRIVE TRAIN

FIGURE 5-15. REAR AXLE INSTALLATION



ART\_1001165857-J

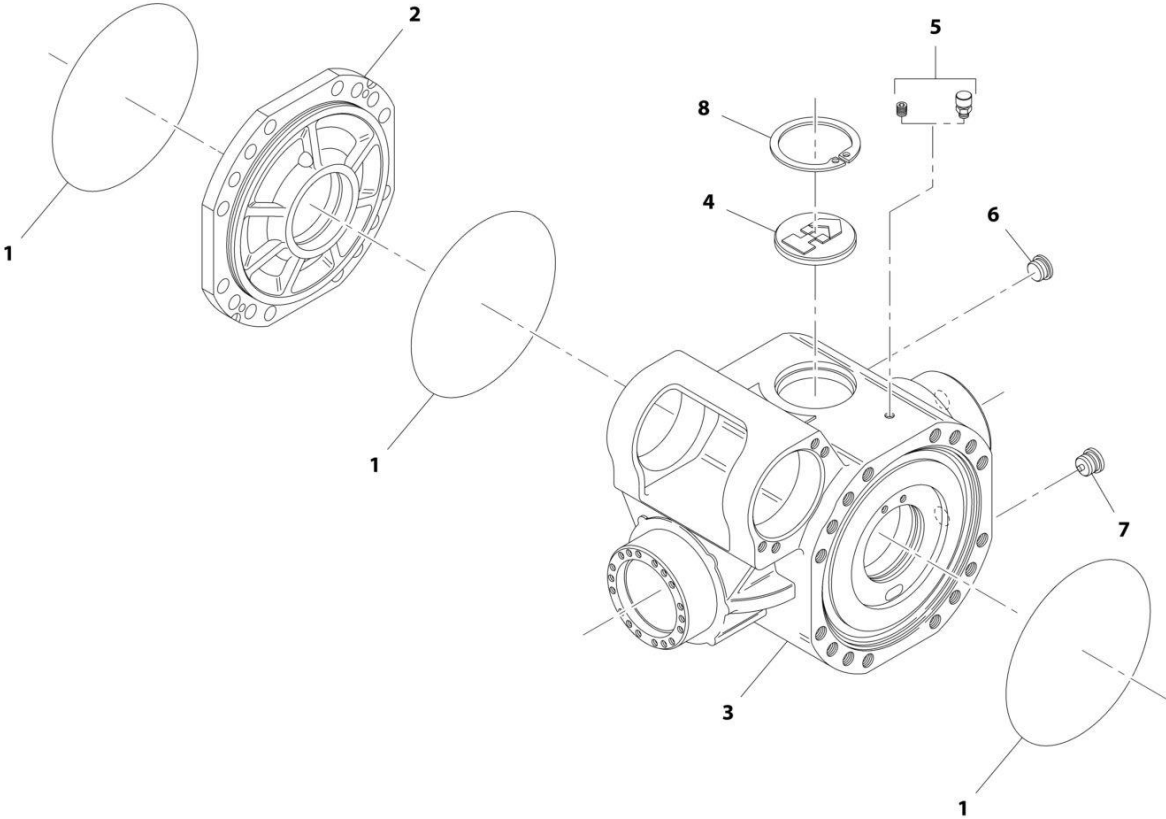
## SECTION 5 - DRIVE TRAIN

### FIGURE 5-15. REAR AXLE INSTALLATION

ITEM	PART NUMBER	QTY	DESCRIPTION	REV
	1001165857	Ref	Rear Axle Installation	J
		Ref	Rear Axle, Central Housing (See Separate Breakdown in this Section)	
		Ref	Rear Axle, Differential (See Separate Breakdown in this Section)	
		Ref	Rear Axle, Hub Reduction (See Separate Breakdown in this Section)	
		Ref	Rear Axle, Brakes (See Separate Breakdown in this Section)	
		Ref	Rear Axle, Steering (See Separate Breakdown in this Section)	
		Ref	Rear Axle, Trunion (See Separate Breakdown in this Section)	

**SECTION 5 - DRIVE TRAIN**

**FIGURE 5-16. REAR AXLE, CENTRAL HOUSING**



ART\_1001165857\_1-J

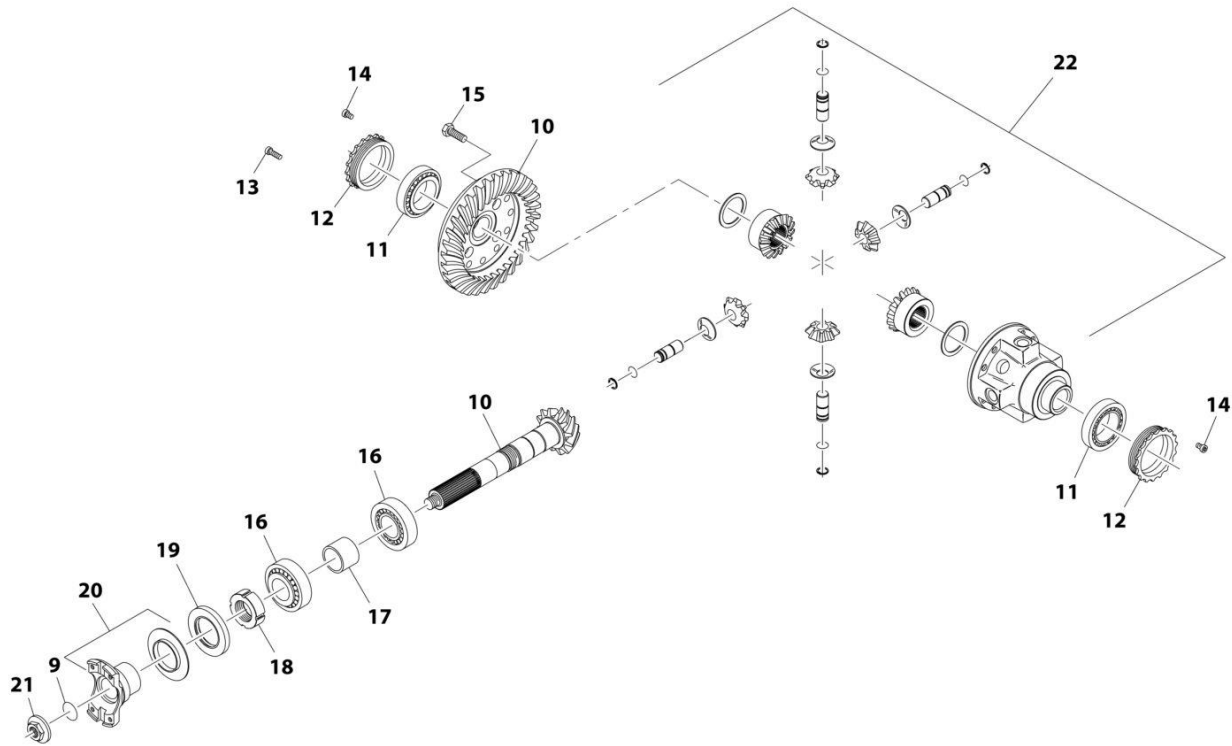
## SECTION 5 - DRIVE TRAIN

### FIGURE 5-16. REAR AXLE, CENTRAL HOUSING

ITEM	PART NUMBER	QTY	DESCRIPTION	REV
1	91474507	3	O-Ring	
2	70024519	1	Cover	
3	70026749	1	Housing	
4	91514098	1	Plug	
5	91474512	1	Vent	
6	91514188	1	Plug	
7	91474513	1	Plug, Magnet	
8	80204005	1	Circlip	

# SECTION 5 - DRIVE TRAIN

## FIGURE 5-17. REAR AXLE, DIFFERENTIAL



ART\_1001165857\_2-J

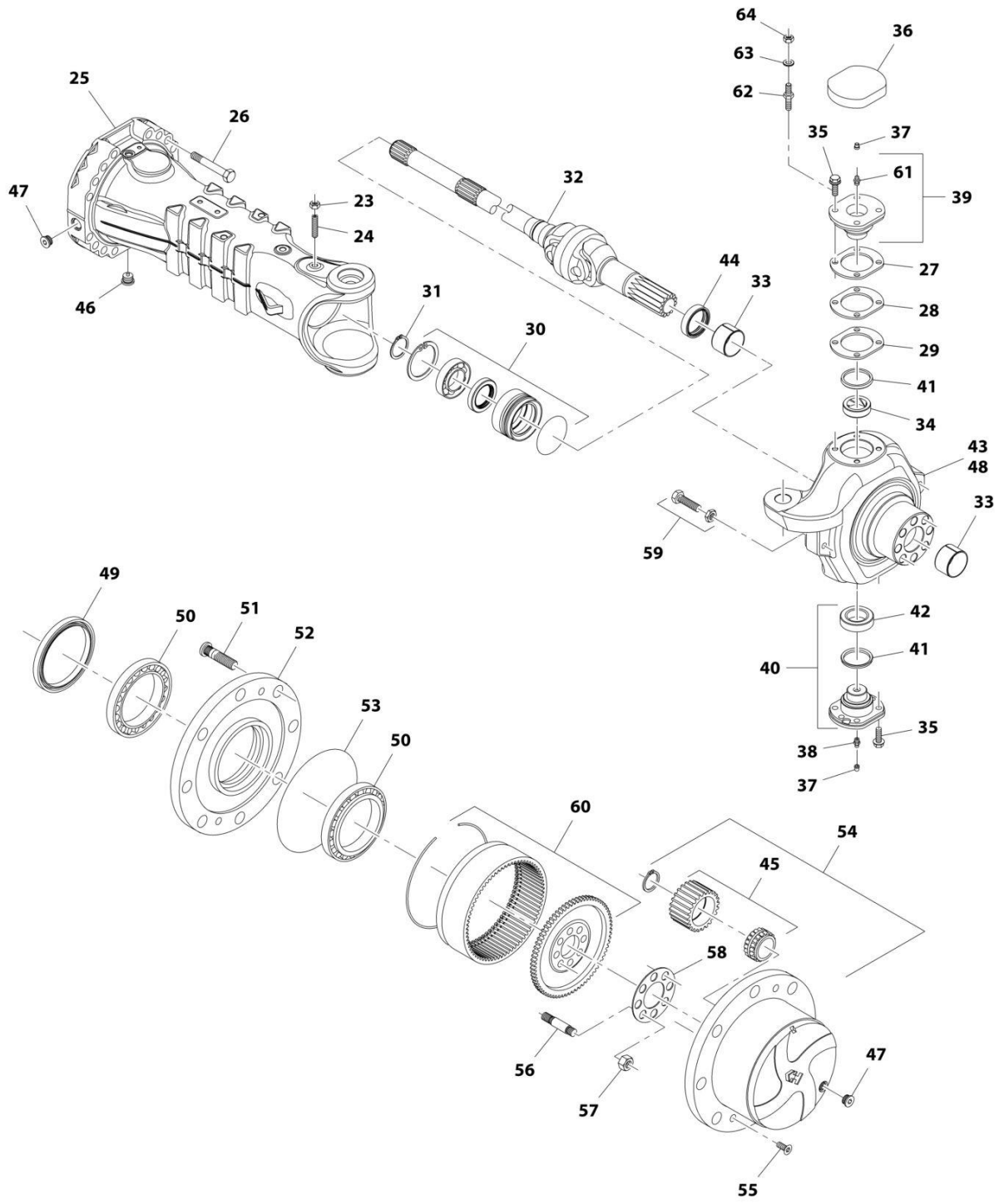
## SECTION 5 - DRIVE TRAIN

### FIGURE 5-17. REAR AXLE, DIFFERENTIAL

ITEM	PART NUMBER	QTY	DESCRIPTION	REV
9	91474529	1	O-Ring	
10	7028043	1	Bevel Gear Set	
11	70026031	2	Bearing, Taper Roller	
12	91474547	2	Nut, Ring	
13	3043222	4	Bolt	
14	91514134	2	Bolt	
15	91514123	12	Bolt	
16	3968141	2	Bearing, Taper Roller	
17	91474539	1	Spacer	
18	91474533	1	Nut, Ring	
19	70024522	1	Seal	
20	7029427	1	Flange	
21	70026631	1	Nut	
22	70021140	1	Kit, Differential (See Separate Breakdown in this Section)	

# SECTION 5 - DRIVE TRAIN

## FIGURE 5-18. REAR AXLE, HUB REDUCTION



ART\_1001165857\_3-J



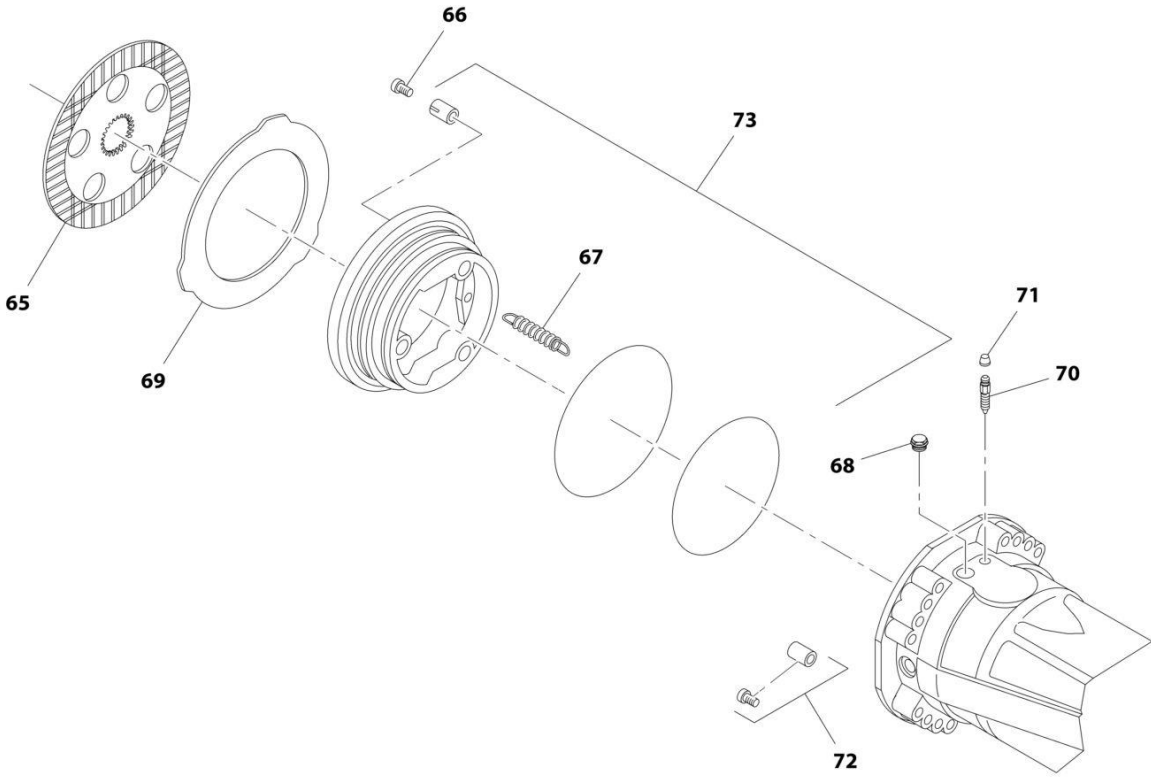
## SECTION 5 - DRIVE TRAIN

**FIGURE 5-18. REAR AXLE, HUB REDUCTION**

ITEM	PART NUMBER	QTY	DESCRIPTION	REV
23	91514082	2	Nut	
24	2400600	2	Bolt	
25	70026822	2	Case, Axle	
26	7029428	24	Bolt	
27	8007779	2	Shim	
28	8007780	2	Shim	
29	8007782	2	Shim	
30	91514149	2	Kit, Bushing Reduction (See Separate Breakdown in this Section)	
31	80204071	2	Circlip	
32	70025810	2	Joint, Double Universal	
33	8004468	2	Bushing, Thrust	
34	70020173	2	Bushing	
35	70025562	24	Bolt	
36	70025549	2	Cover	
37	80204117	2	Plug	
38	91514099	4	Grease Fitting	
39	70025567	2	Pin, Pivot	
40	8006605	2	Pin, Pivot	
41	2401043	4	Seal	
42	2401258	2	Bearing	
43	8007775	1	Case, Steering	
44	8007771	2	Seal	
45	70023900	8	Kit, Planet Gear (includes Planet Gear and Bearing)	
46	91474513	2	Plug, Magnet	
47	91514188	4	Plug	
48	7029429	1	Case, Steering	
49	7029430	2	Seal	
50	3984301	4	Bearing	
51	8000877	16	Wheel Stud	
52	70026818	2	Hub, Wheel	
53	91474507	2	O-Ring	
54	70026827	2	Kit, Planet Gear Carrier (See Separate Breakdown in this Section)	
55	91514189	4	Bolt	
56	91474583	16	Stud	
57	91474584	16	Nut	
58	3983731	2	Plate	
59	7028733	4	Kit, Steering Adjust Bolt (includes nut and bolt)	
60	7029432	2	Kit, Ring Gear Support (See Separate Breakdown in this Section)	
61	7028115	2	Fitting, Grease	
62	70025819	8	Stud	
63	91514119	8	Washer	
64	91514120	8	Nut	

**SECTION 5 - DRIVE TRAIN**

**FIGURE 5-19. REAR AXLE, BRAKES**



ART\_1001165857\_4-J

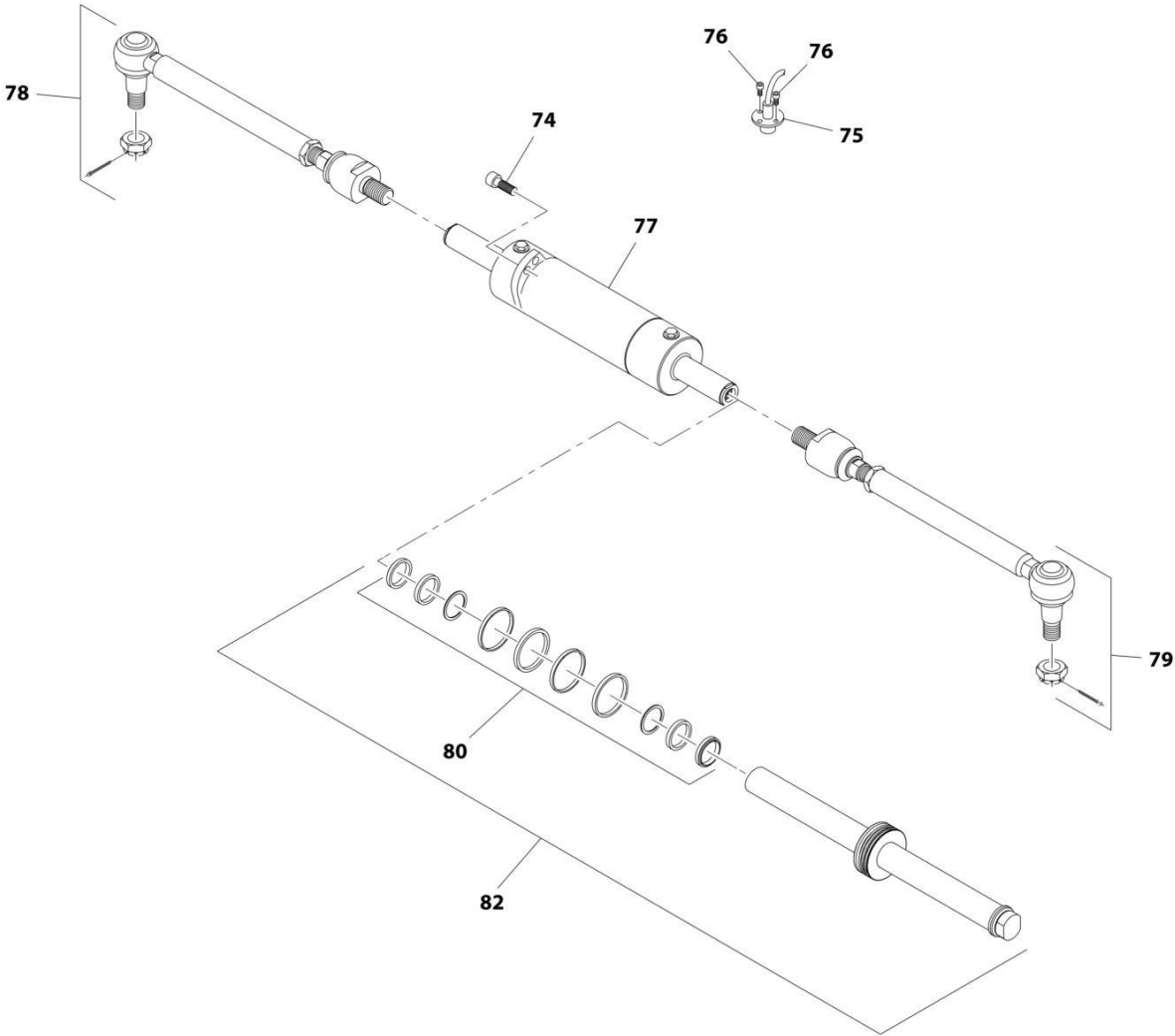
## SECTION 5 - DRIVE TRAIN

### FIGURE 5-19. REAR AXLE, BRAKES

ITEM	PART NUMBER	QTY	DESCRIPTION	REV
65	91474568	6	Disc	
66	7029786	6	Bolt	
67	3984425	6	Spring	
68	91514154	2	Bolt	
69	70025823	8	Disc, Intermediate Brake	
70	80204281	2	Bleeding Bolt	
71	80204117	2	Plug	
72	70021613	2	Bolt	
73	70026823	2	Kit, Piston (See Separate Breakdown in this Section)	

**SECTION 5 - DRIVE TRAIN**

**FIGURE 5-20. REAR AXLE, STEERING**



ART\_1001165857\_5-J

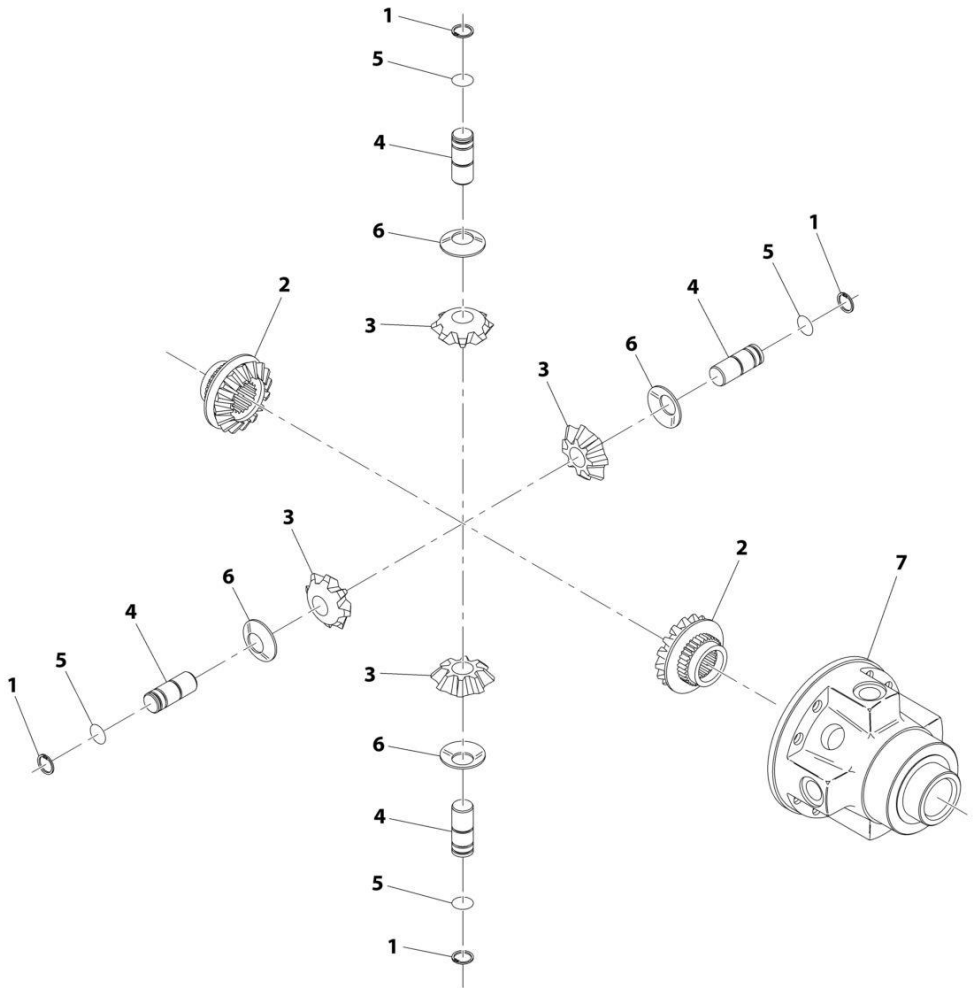
## SECTION 5 - DRIVE TRAIN

### FIGURE 5-20. REAR AXLE, STEERING

ITEM	PART NUMBER	QTY	DESCRIPTION	REV
74	91474522	4	Bolt	
75	70026808	1	Sensor	
76	8008175	2	Bolt	
77	70026826	1	Cylinder	
78	70026819	1	Rod, Tie	
79	70026820	1	Rod, Tie	
80	70025842	1	Kit, Seal	
82	70030364	1	Piston/Rod & Seal Kit	

# SECTION 5 - DRIVE TRAIN

## FIGURE 5-21. DIFFERENTIAL KIT



ART\_7028710

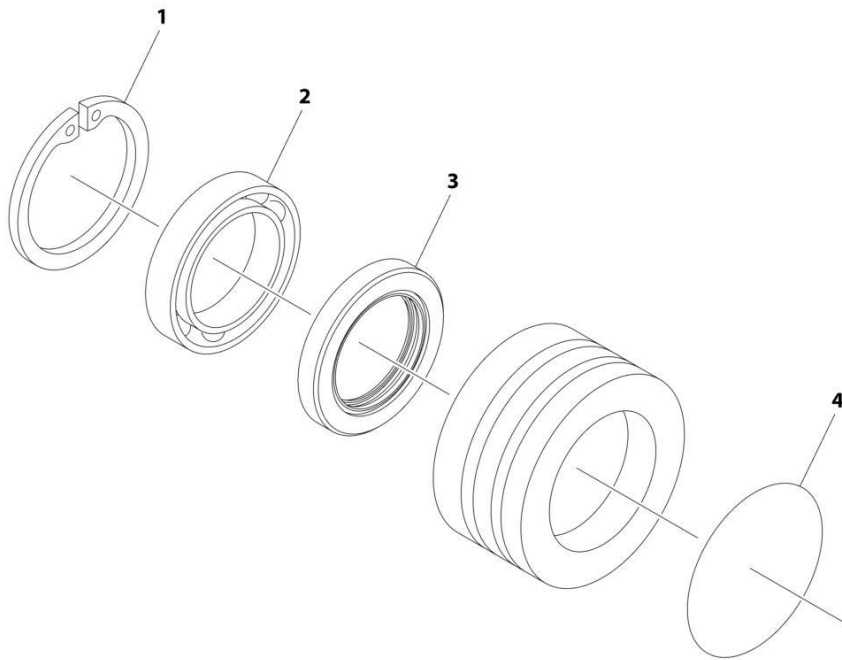
## SECTION 5 - DRIVE TRAIN

### FIGURE 5-21. DIFFERENTIAL KIT

ITEM	PART NUMBER	QTY	DESCRIPTION	REV
	7028710	Ref	Differential Kit	
1	91474550	4	Circlip	
2	91474549	2	Gear, Differential Side	
3	7029129	4	Pinion, Differential	
4	7029131	4	Pin	
5	91474551	4	Circlip	
6	91474553	4	Washer, Friction	
7	8007751	1	Carrier, Differential	

## SECTION 5 - DRIVE TRAIN

FIGURE 5-22. REDUCTION BUSHING KIT



ART\_91514149



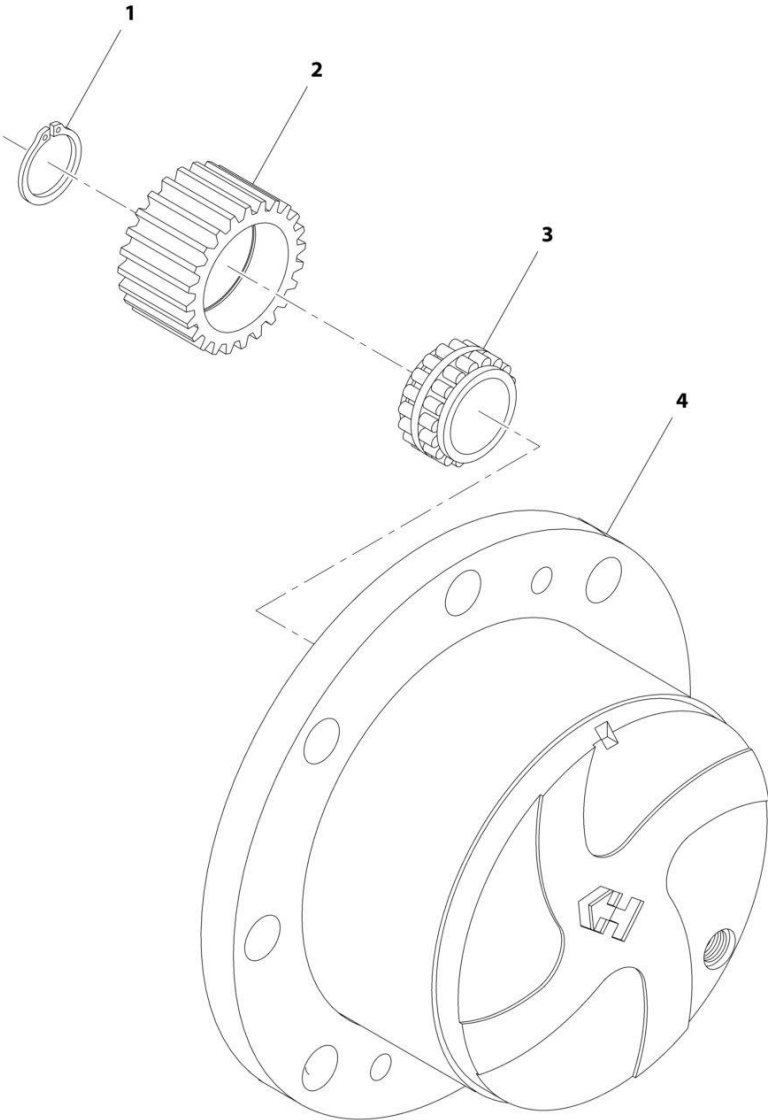
## SECTION 5 - DRIVE TRAIN

**FIGURE 5-22. REDUCTION BUSHING KIT**

ITEM	PART NUMBER	QTY	DESCRIPTION	REV
	91514149	Ref	Reduction Bushing Kit	
1	80204005	2	Circlip	
2	91514146	2	Bearing, Ball	
3	91514147	2	Seal	
4	91514148	2	O-Ring	

**SECTION 5 - DRIVE TRAIN**

**FIGURE 5-23. PLANET GEAR CARRIER KIT**



ART\_70026827-E

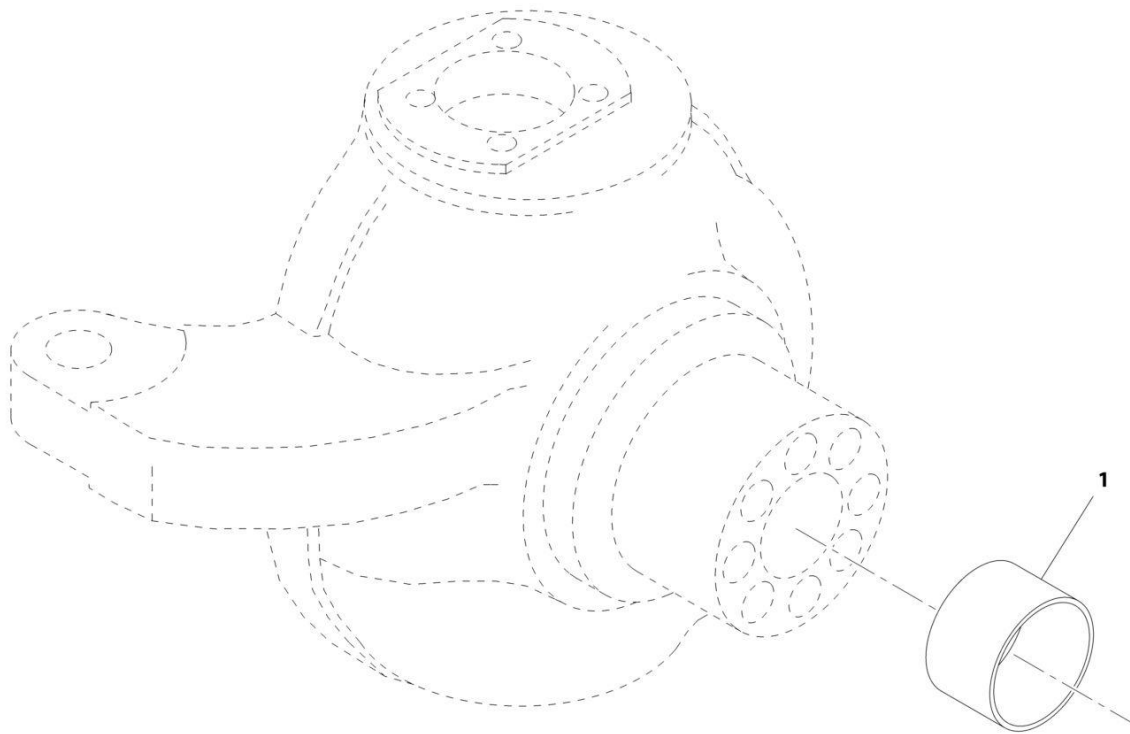
## SECTION 5 - DRIVE TRAIN

### FIGURE 5-23. PLANET GEAR CARRIER KIT

ITEM	PART NUMBER	QTY	DESCRIPTION	REV
	70026827	Ref	Planet Gear Carrier Kit	
1	91474585	2	Circlip	
2	91474586	4	Gear, Planet	
3	91474587	4	Bearing	
4	70026821	1	Carrier, Planet Gear	

# SECTION 5 - DRIVE TRAIN

## FIGURE 5-24. STEERING CASE KIT, (LF, RR)



ART\_8007774

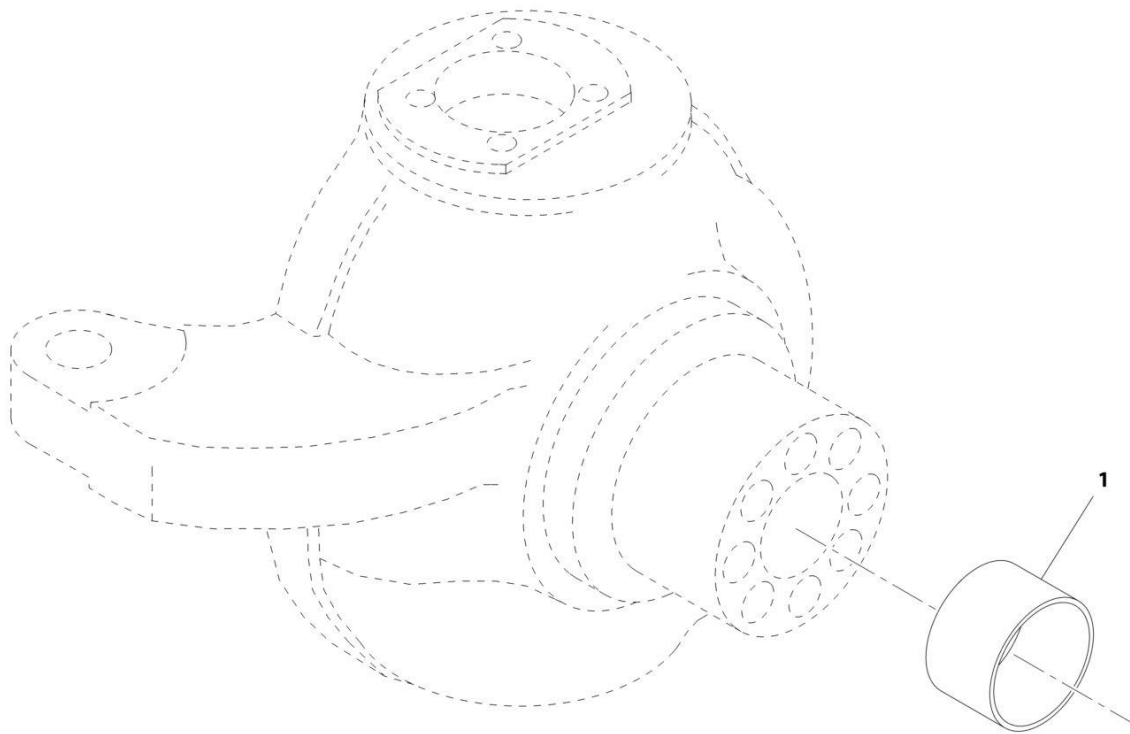
## SECTION 5 - DRIVE TRAIN

**FIGURE 5-24. STEERING CASE KIT, (LF, RR)**

ITEM	PART NUMBER	QTY	DESCRIPTION	REV
1	8007774	Ref	Steering Case Kit, (RF, LR)	
	8004468	1	Bushing, Thrust	

# SECTION 5 - DRIVE TRAIN

## FIGURE 5-25. STEERING CASE KIT, (RF, LR)



ART\_8007777

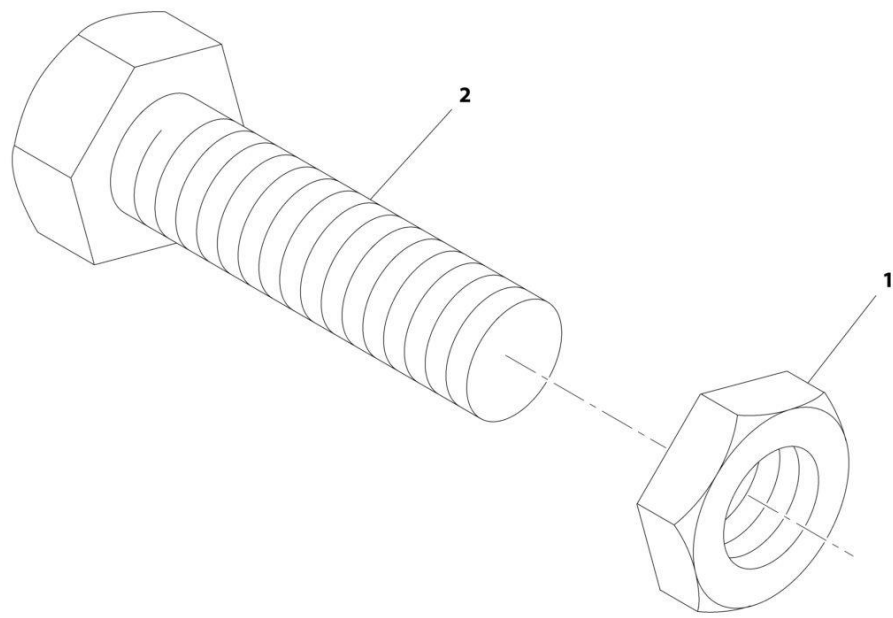
## SECTION 5 - DRIVE TRAIN

**FIGURE 5-25. STEERING CASE KIT, (RF, LR)**

ITEM	PART NUMBER	QTY	DESCRIPTION	REV
1	8007777	Ref	Steering Case Kit, (LF, RR)	
	8004468	1	Bushing, Thrust	

## SECTION 5 - DRIVE TRAIN

FIGURE 5-26. STEERING ADJUST BOLT KIT



ART\_7028733



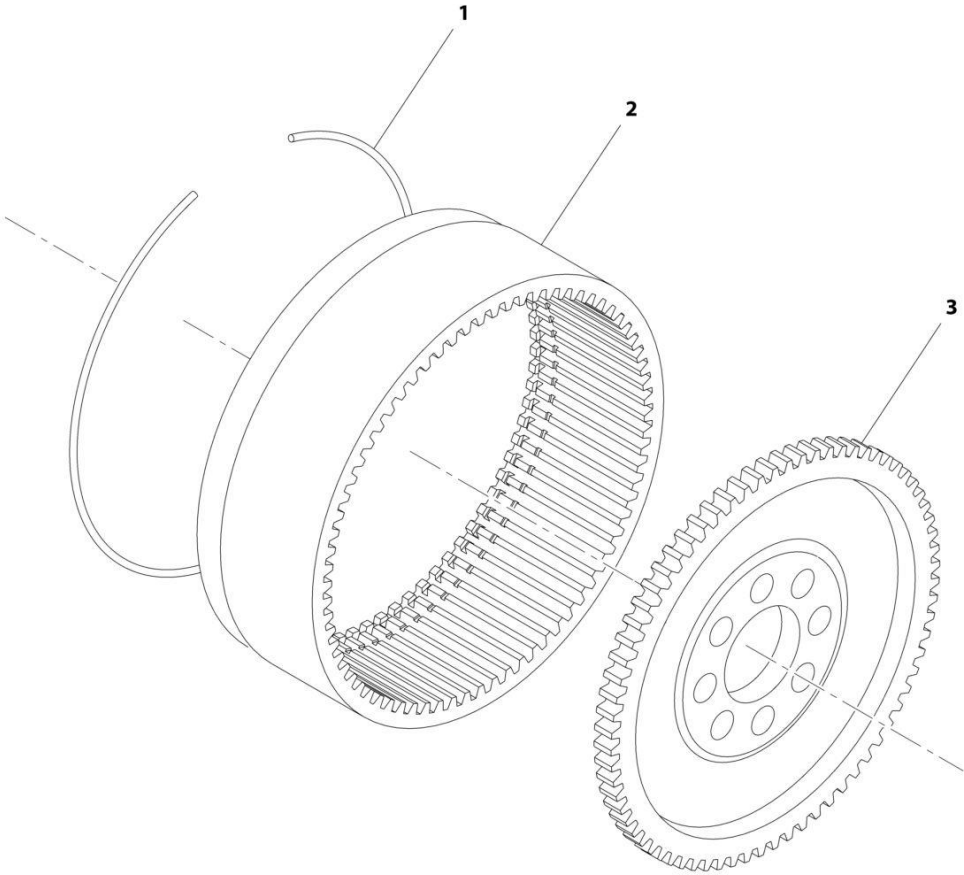
## SECTION 5 - DRIVE TRAIN

### FIGURE 5-26. STEERING ADJUST BOLT KIT

ITEM	PART NUMBER	QTY	DESCRIPTION	REV
	7028733	Ref	Steering Adjust Bolt Kit	
1	80204065	2	Nut	
2	91514117	2	Bolt	

**SECTION 5 - DRIVE TRAIN**

**FIGURE 5-27. RING GEAR SUPPORT KIT**



ART\_7029432

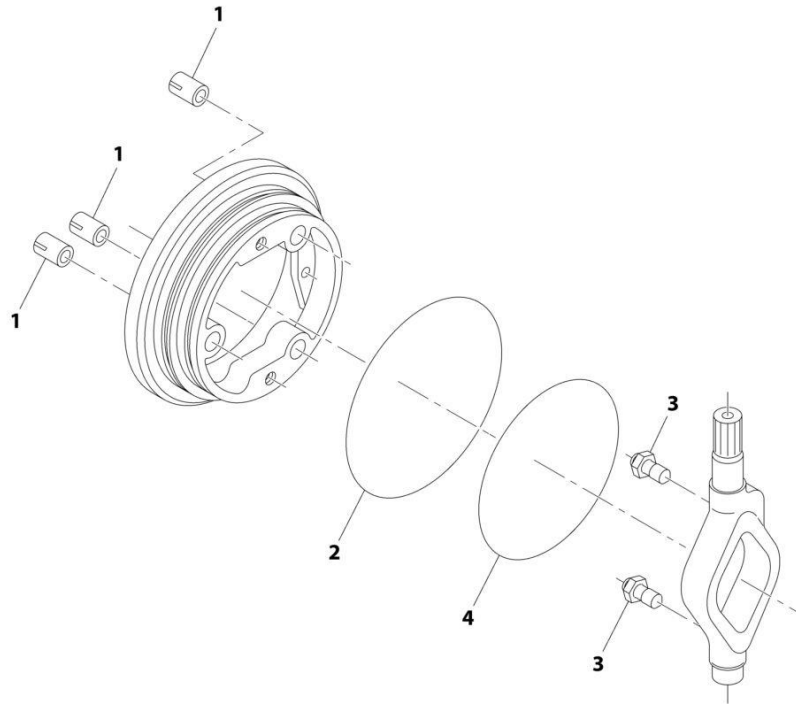
## SECTION 5 - DRIVE TRAIN

### FIGURE 5-27. RING GEAR SUPPORT KIT

ITEM	PART NUMBER	QTY	DESCRIPTION	REV
	7029432	Ref	Ring Gear Support Kit	
1	91474579	1	Circlip	
2	91474580	1	Ring Gear	
3	3983720	1	Ring Gear Support	

# SECTION 5 - DRIVE TRAIN

## FIGURE 5-28. PISTON KIT (LH)



ART\_70026069

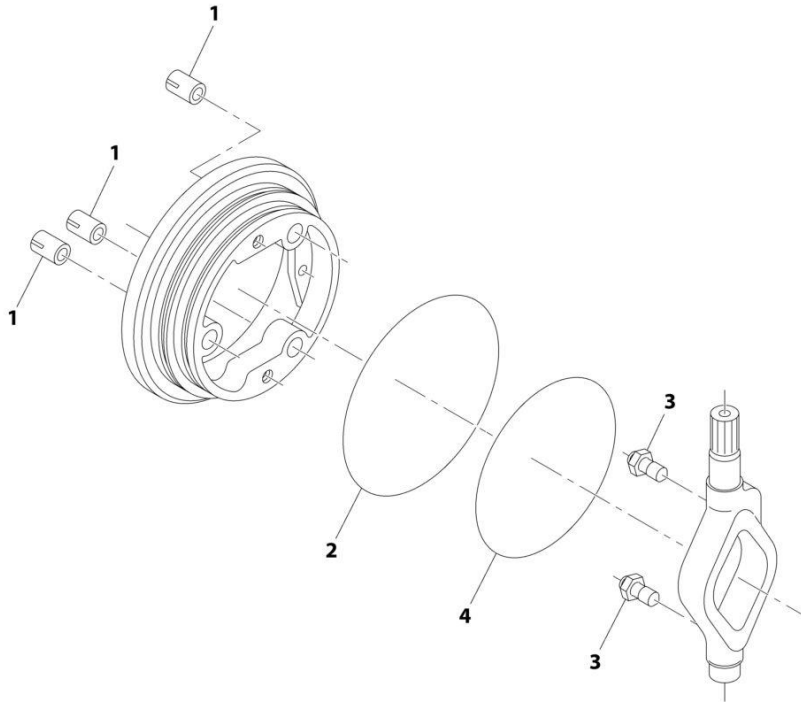
## SECTION 5 - DRIVE TRAIN

### FIGURE 5-28. PISTON KIT (LH)

ITEM	PART NUMBER	QTY	DESCRIPTION	REV
	70026069	Ref	Brakes Piston Kit (LH)	
1	91514165	3	Spring	
2	70025821	1	O-Ring	
3	2903197	2	Pusher	
4	70025822	1	O-Ring	

**SECTION 5 - DRIVE TRAIN**

**FIGURE 5-29. PISTON KIT (RH)**



ART\_70026068

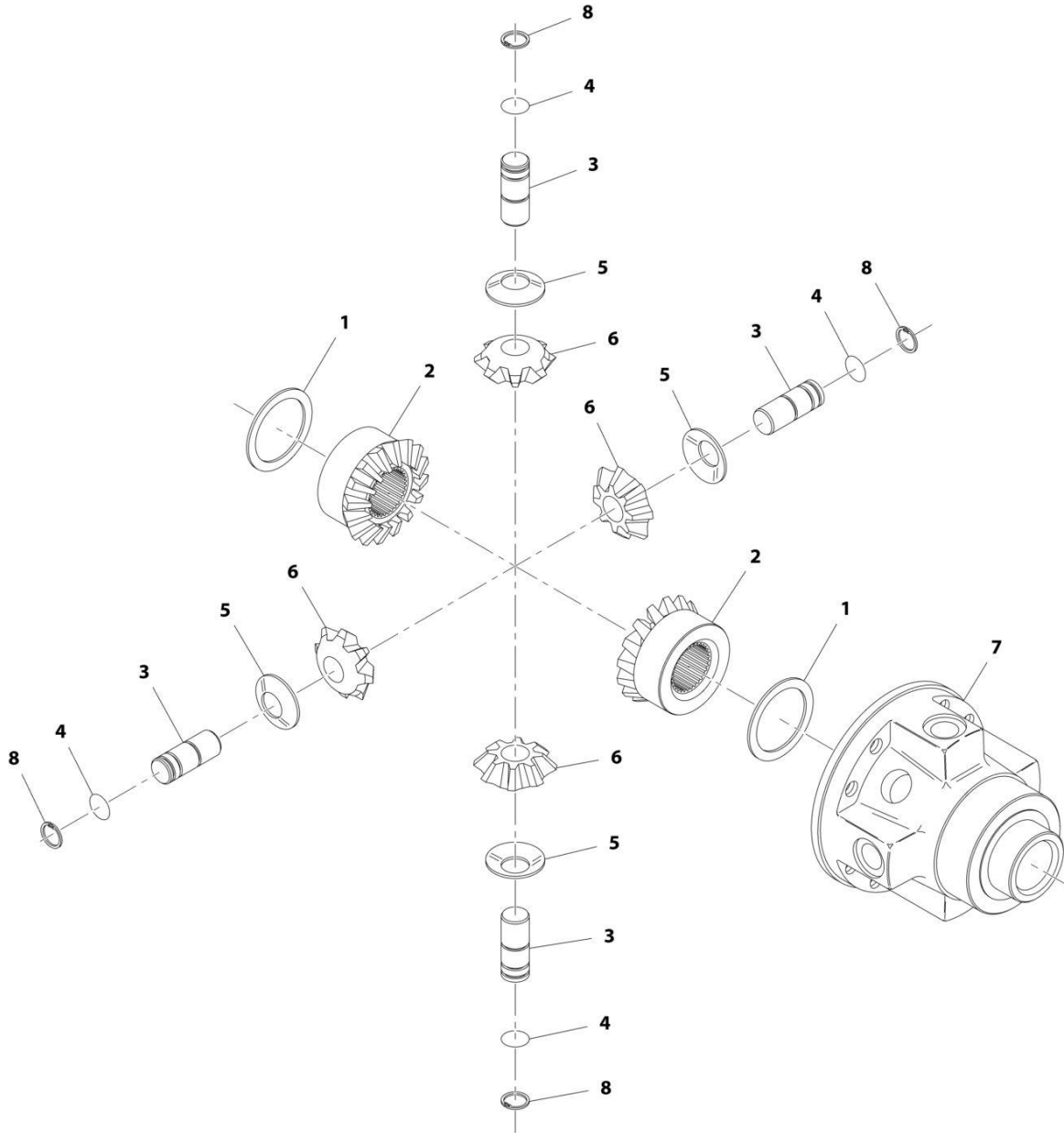
## SECTION 5 - DRIVE TRAIN

### FIGURE 5-29. PISTON KIT (RH)

ITEM	PART NUMBER	QTY	DESCRIPTION	REV
	70026068	Ref	Brakes Piston Kit (RH)	
1	91514165	3	Spring	
2	70025821	1	O-Ring	
3	2903197	2	Pusher	
4	70025822	1	O-Ring	

# SECTION 5 - DRIVE TRAIN

## FIGURE 5-30. DIFFERENTIAL KIT



ART\_70021140



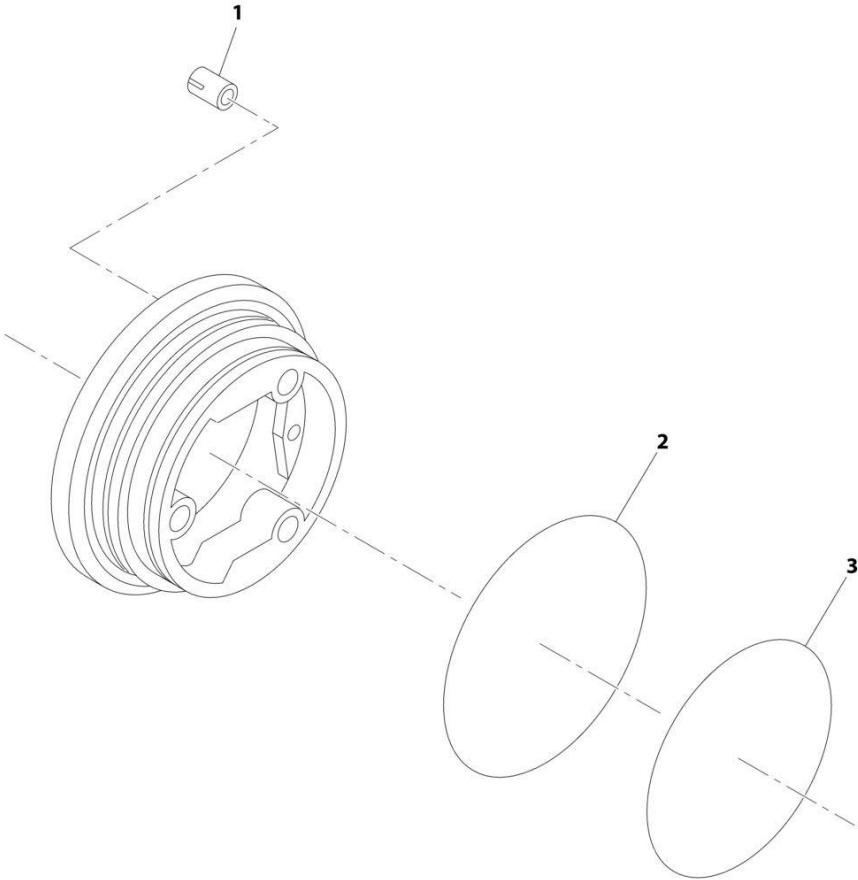
## SECTION 5 - DRIVE TRAIN

### FIGURE 5-30. DIFFERENTIAL KIT

ITEM	PART NUMBER	QTY	DESCRIPTION	REV
	70021140	Ref	Differential Kit	
1	91474593	2	Washer, Friction	
2	70025569	2	Gear, Differential Side	
3	7029131	4	Pin	
4	91474551	4	Circlip	
5	91474553	4	Washer, Friction	
6	70025570	4	Pinion, Differential	
7	91474595	1	Carrier, Differential	
8	91474550	4	Circlip	

**SECTION 5 - DRIVE TRAIN**

**FIGURE 5-31. PISTON KIT**



ART\_70026823

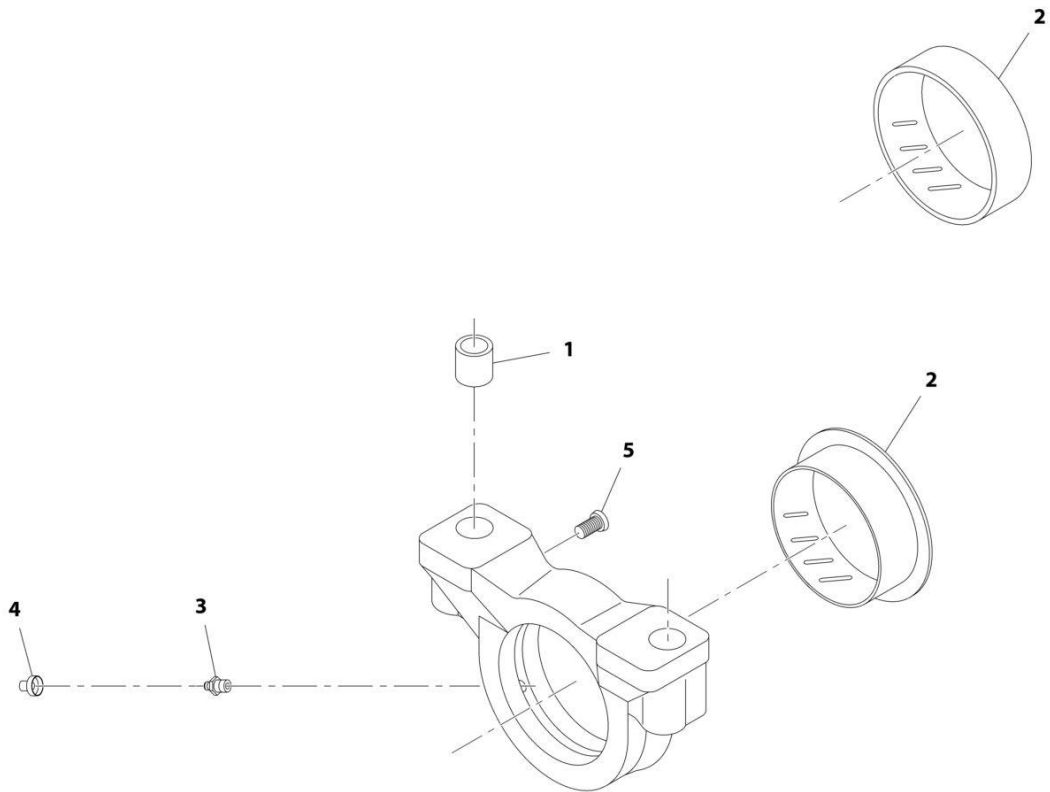
## SECTION 5 - DRIVE TRAIN

### FIGURE 5-31. PISTON KIT

ITEM	PART NUMBER	QTY	DESCRIPTION	REV
	70026823	Ref	Kit, Piston	
1	91514165	3	Spring	
2	70025821	1	O-Ring	
3	70025822	1	O-Ring	

# SECTION 5 - DRIVE TRAIN

## FIGURE 5-32. TRUNION KIT



ART\_70026630

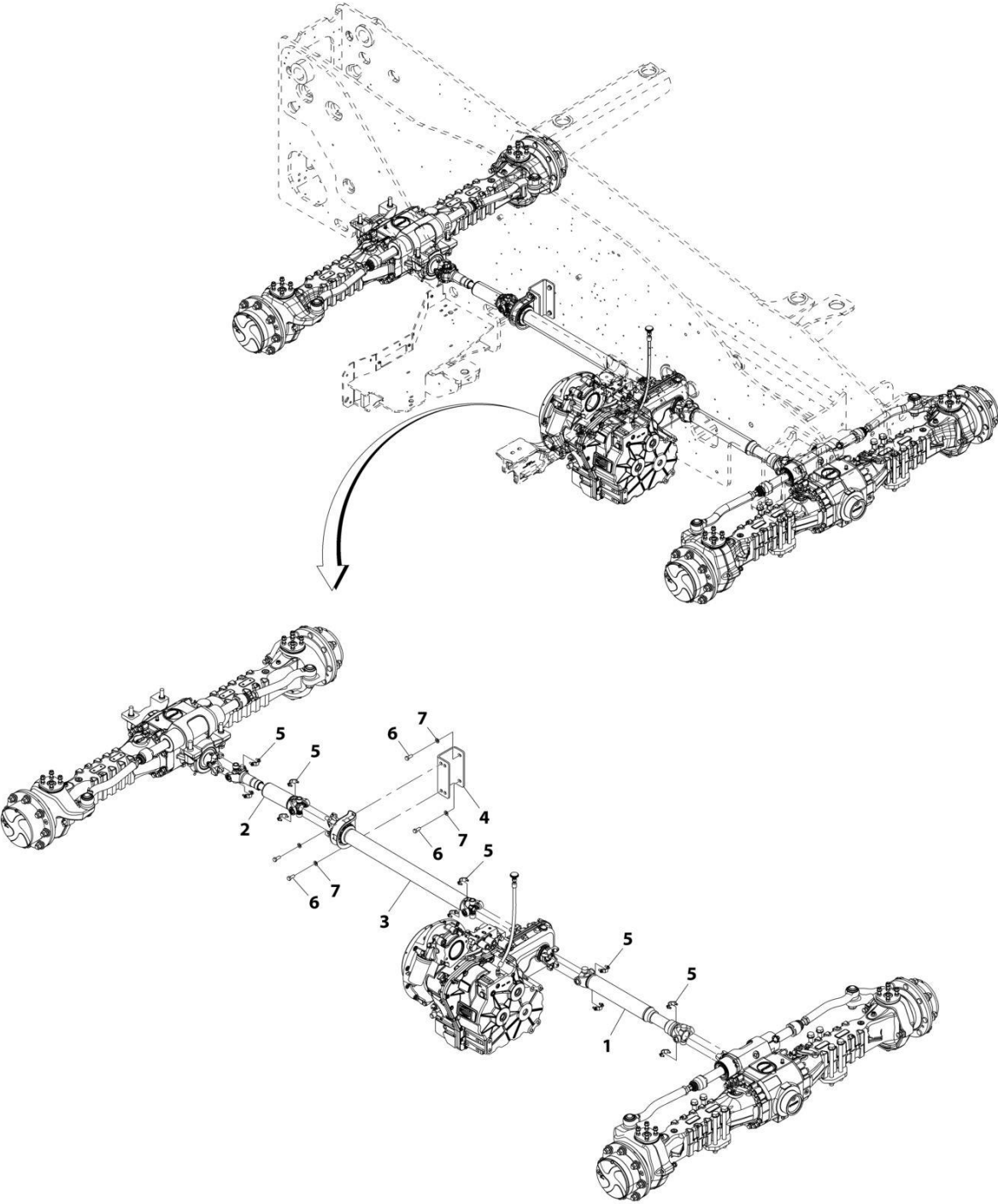
## SECTION 5 - DRIVE TRAIN

### FIGURE 5-32. TRUNION KIT

ITEM	PART NUMBER	QTY	DESCRIPTION	REV
	70026630	Ref	Kit, Trunion	
1	91474516	4	Bushing, Reduction	
2	91474515	2	Bushing, Thrust	
3	91514099	2	Fitting, Grease	
4	80204117	2	Plug	
5	70025884	2	Bolt	

**SECTION 5 - DRIVE TRAIN**

**FIGURE 5-33. DRIVE SHAFTS INSTALLATION**



ART\_1001177638-B

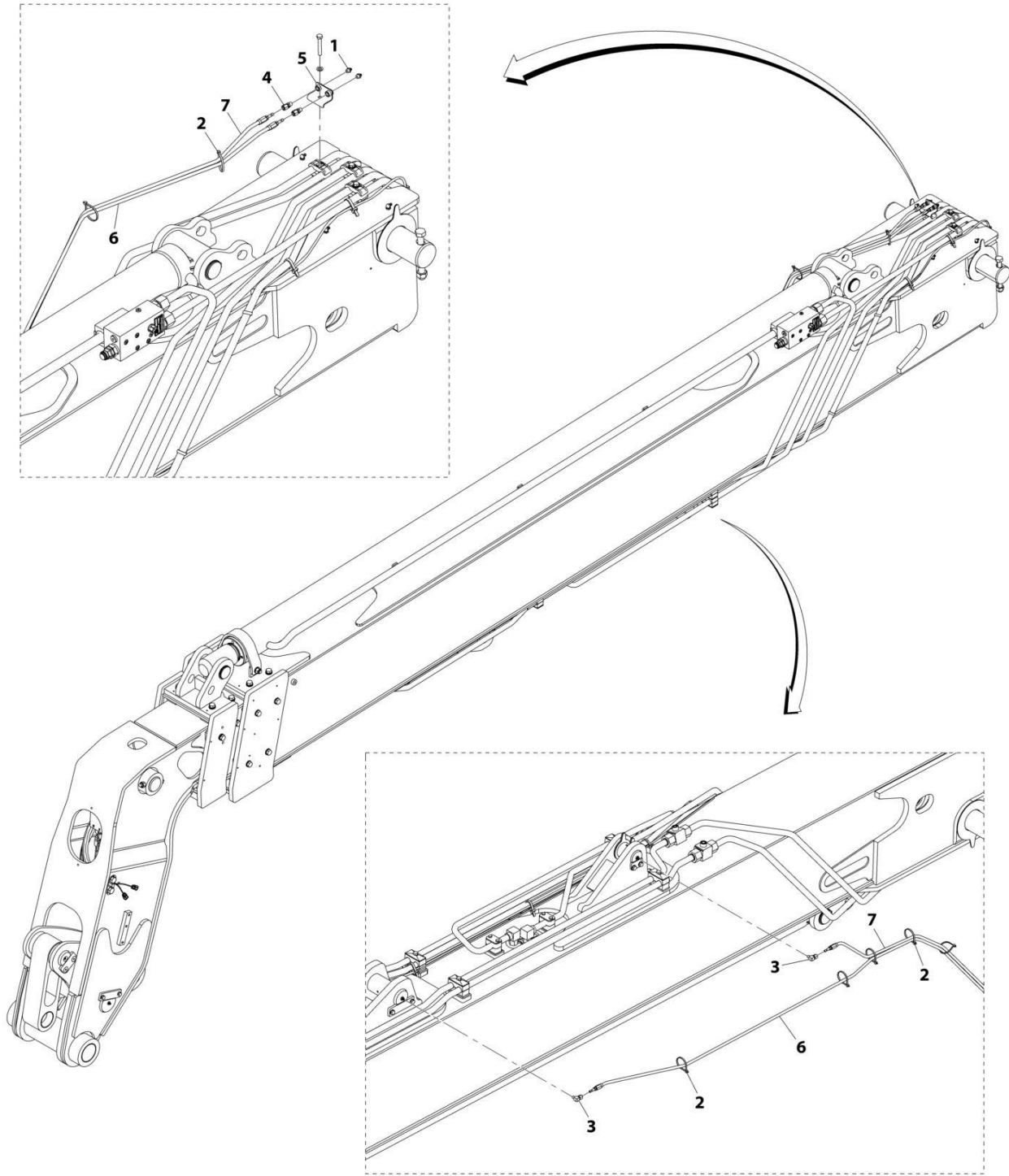
## SECTION 5 - DRIVE TRAIN

### FIGURE 5-33. DRIVE SHAFTS INSTALLATION

ITEM	PART NUMBER	QTY	DESCRIPTION	REV
	1001177638	Ref	Drive Shafts Installation	B
1	1001174879	1	Shaft, Drive	
2	1001174880	1	Shaft, Drive	
3	1001174881	1	Shaft, Drive	
4	1001177870	1	Support	
5	8005079	10	Clampset	
6	0761214	4	Bolt, M12X30	
7	4812100	4	Washer, M12	

# SECTION 5 - DRIVE TRAIN

FIGURE 5-34. REMOTE GREASE SYSTEM INSTALLATION (Prior to SN 1160008597)



ART\_1001210417-A



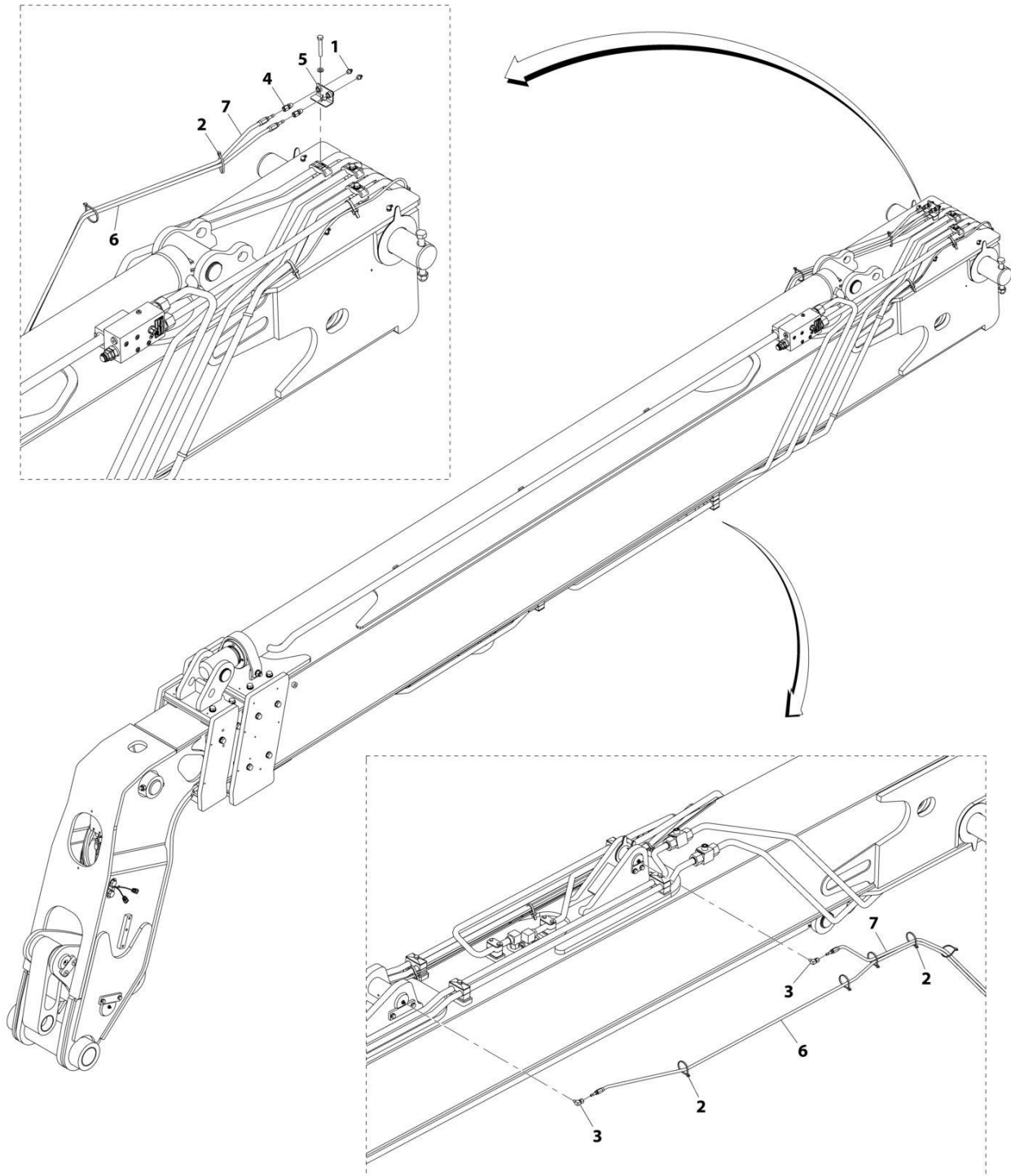
## SECTION 5 - DRIVE TRAIN

**FIGURE 5-34. REMOTE GREASE SYSTEM INSTALLATION (Prior to SN 1160008597)**

ITEM	PART NUMBER	QTY	DESCRIPTION	REV
	1001210417	Ref	Remote Grease System Installation	A
1	2160016	1	Fitting, Grease	
2	1001008559	7	Strap, Cable	
3	1001101561	2	Adapter, 90 Grease	
4	1001101563	2	Adapter, Straight Grease	
5	1001210409	1	Bracket	
6	1001210431	1	Hose, Grease	
7	1001210432	1	Hose, Grease	

# SECTION 5 - DRIVE TRAIN

## FIGURE 5-35. REMOTE GREASE SYSTEM INSTALLATION (SN 1160008597 to Present)



ART\_1001210417-B

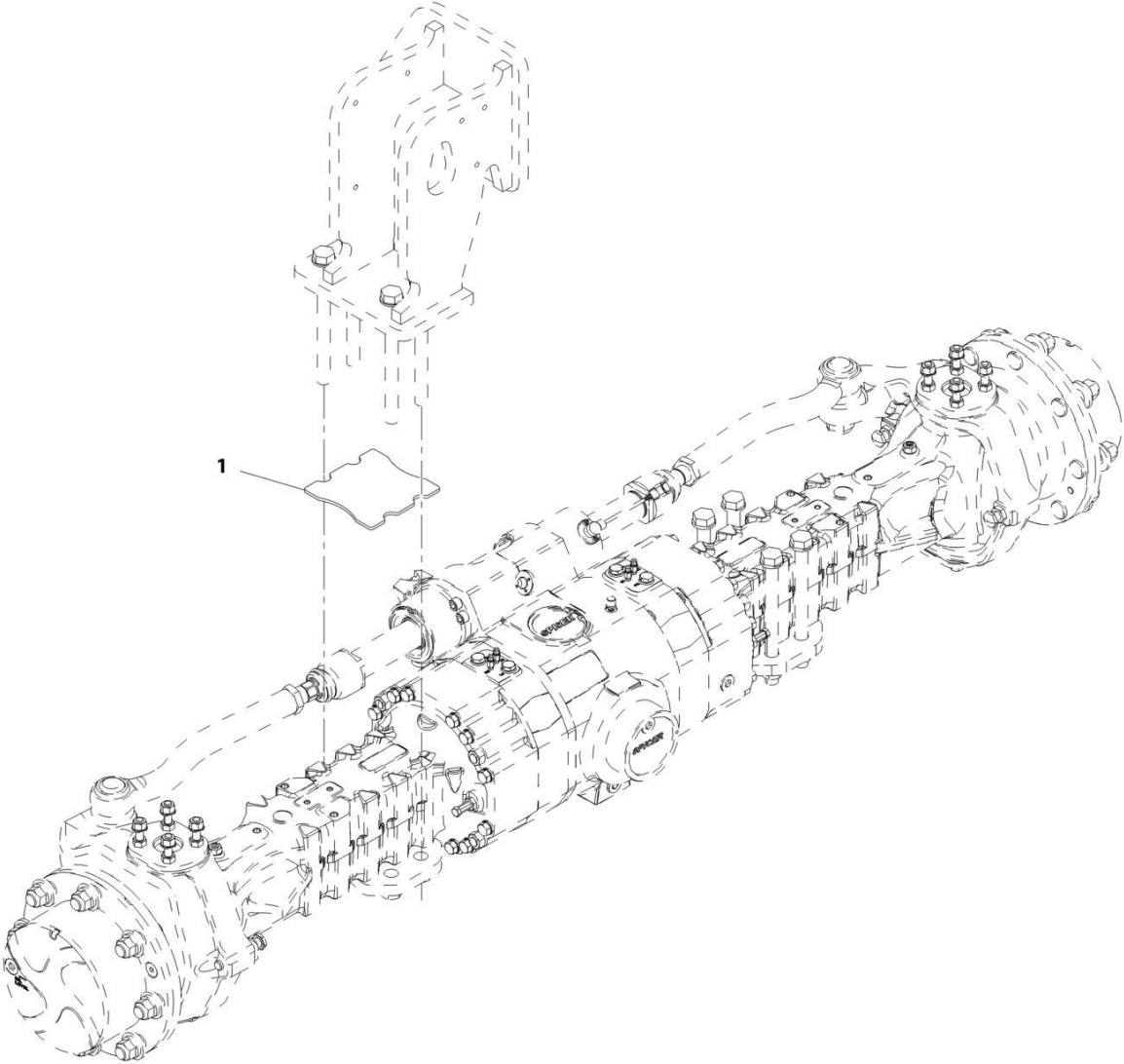
## SECTION 5 - DRIVE TRAIN

**FIGURE 5-35. REMOTE GREASE SYSTEM INSTALLATION (SN 1160008597 to Present)**

ITEM	PART NUMBER	QTY	DESCRIPTION	REV
	1001210417	Ref	Remote Grease System Installation	B
1	2160016	1	Fitting, Grease	
2	1001008559	7	Strap, Cable	
3	1001164053	2	Adapter, 90 Grease	
4	1001101563	2	Adapter, Straight Grease	
5	1001227653	1	Bracket	
6	1001210431	1	Hose, Grease	
7	1001210432	1	Hose, Grease	

**SECTION 5 - DRIVE TRAIN**

**FIGURE 5-36. AXLE SHIM INSTALLATION (24IN WHEEL)**



ART\_1001186574-C

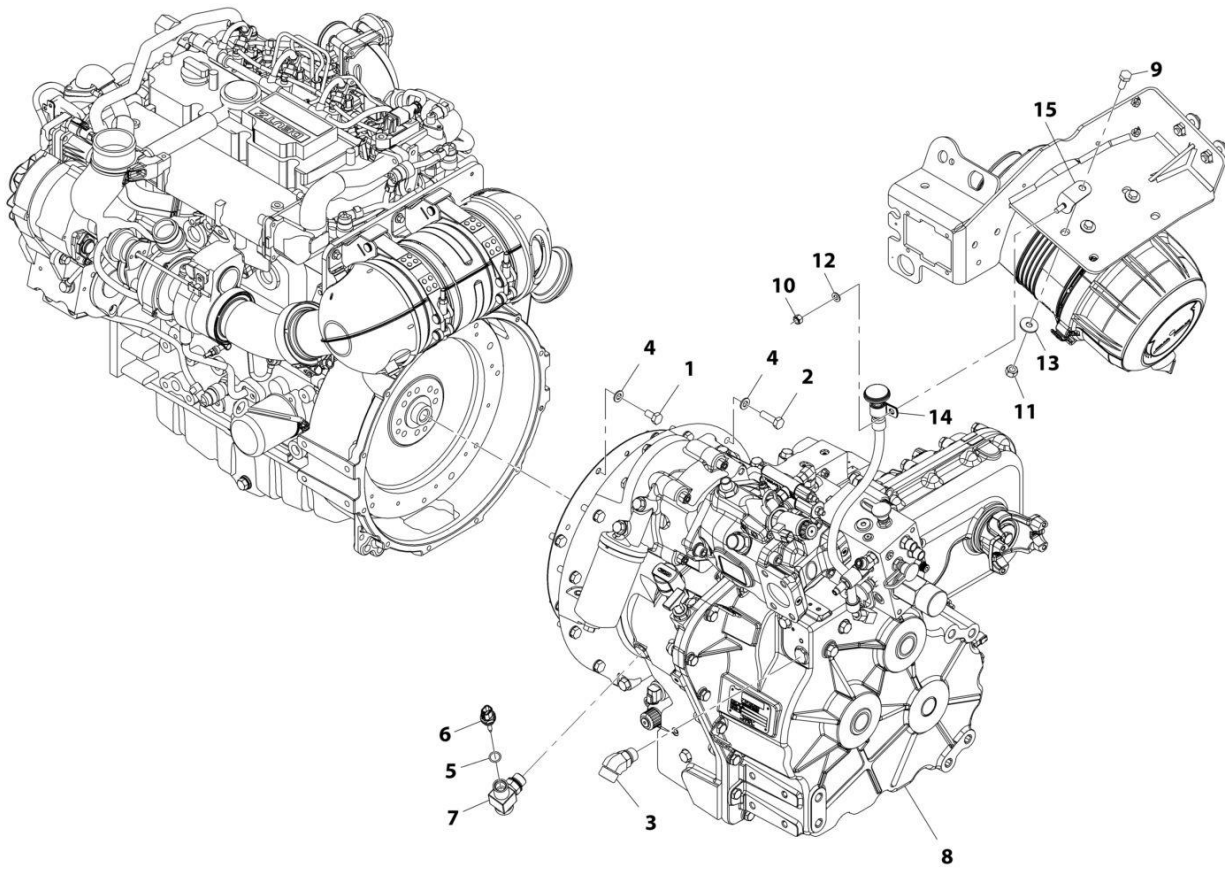
## SECTION 5 - DRIVE TRAIN

**FIGURE 5-36. AXLE SHIM INSTALLATION (24IN WHEEL)**

ITEM	PART NUMBER	QTY	DESCRIPTION	REV
1	1001186574 1001190541	Ref 1	Axle Shim Installation (24IN Wheel) Plate, Axle Shim	C

# SECTION 5 - DRIVE TRAIN

## FIGURE 5-37. TRANSMISSION INSTALLATION (4 SPD)



ART\_1001200180-B

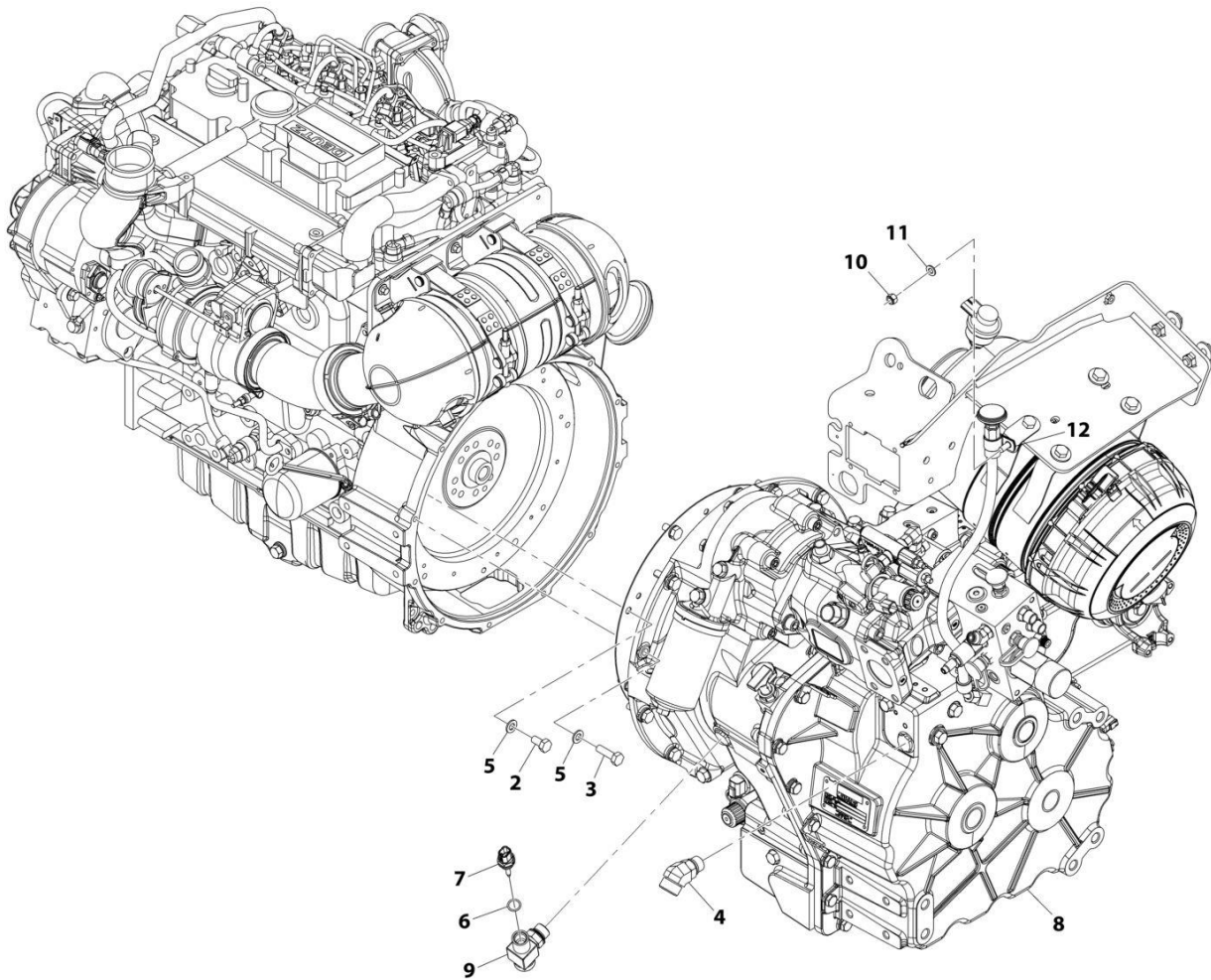
## SECTION 5 - DRIVE TRAIN

**FIGURE 5-37. TRANSMISSION INSTALLATION (4 SPD)**

ITEM	PART NUMBER	QTY	DESCRIPTION	REV
	1001200180	Ref	Transmission Installation (4 SPD)	B
1	0761010	8	Bolt, M10X20	
2	0761015	10	Bolt, M10X35	
3	2151210	1	Fitting, 45 ORFS	
4	4812000	18	Washer, M10	
5	1001009163	1	O-Ring	
6	1001128478	1	Sensor	
7	1001219182	1	Adapter, ORFS	
8	1001199948	1	Transmission (4 SPD) (See Separate Breakdown in this Section)	
9	0701012	1	Bolt, M10X25	
10	3290805	1	Nut, Lock M8X1.25 Grade 8	
11	3291005	1	Nut, Lock M10X1.5 Grade 8	
12	4811900	1	Washer, M8	
13	4812002	1	Washer, M10	
14	91043147	1	Clamp	
15	1001218486	1	Bracket	

# SECTION 5 - DRIVE TRAIN

## FIGURE 5-38. TRANSMISSION INSTALLATION (6 SPD - 90KW)



ART\_1001178439-F



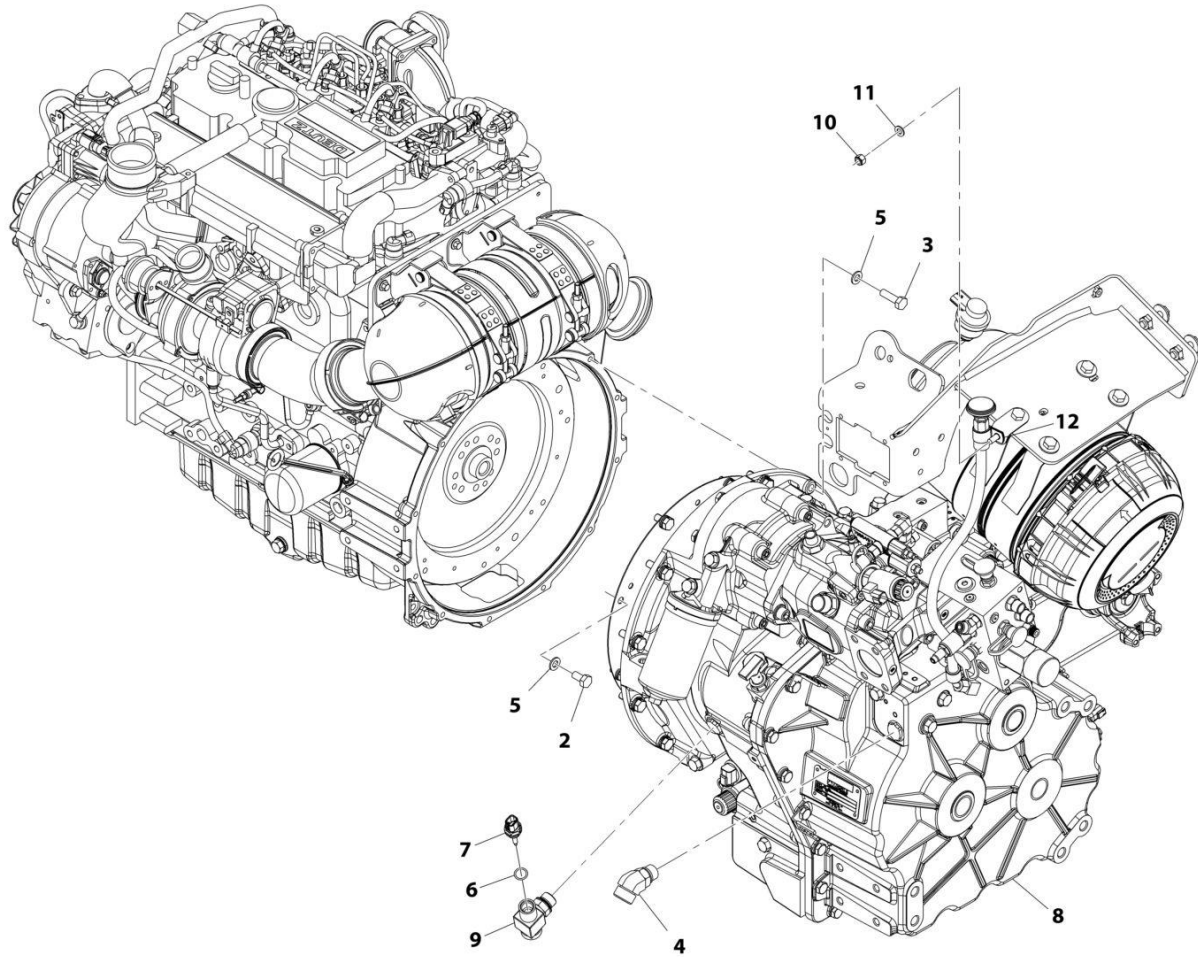
## SECTION 5 - DRIVE TRAIN

**FIGURE 5-38. TRANSMISSION INSTALLATION (6 SPD - 90KW)**

ITEM	PART NUMBER	QTY	DESCRIPTION	REV
	1001178439	Ref	TRANSMISSION INSTALLATION (6 SPD)	F
2	0761010	8	Bolt M10 x 20	
3	0761015	10	Bolt M10 x 35	
4	2151210	1	Fitting, 45 ORFS	
5	4812000	18	Washer M10	
6	1001009163	1	O-Ring	
7	1001128478	1	Sensor, Temperature	
8	1001177851	1	Transmission (6 SPD - DTZ - 90KW) (See Separate Breakdown in this Section)	
9	1001219182	1	Adapter, ORFS	
10	3290805	1	Nut, Lock M8 x 1.25	
11	4811900	1	Washer M8	
12	91043147	1	Clamp	

# SECTION 5 - DRIVE TRAIN

## FIGURE 5-39. TRANSMISSION INSTALLATION (6 SPD - 97KW)



ART\_1001182647-D

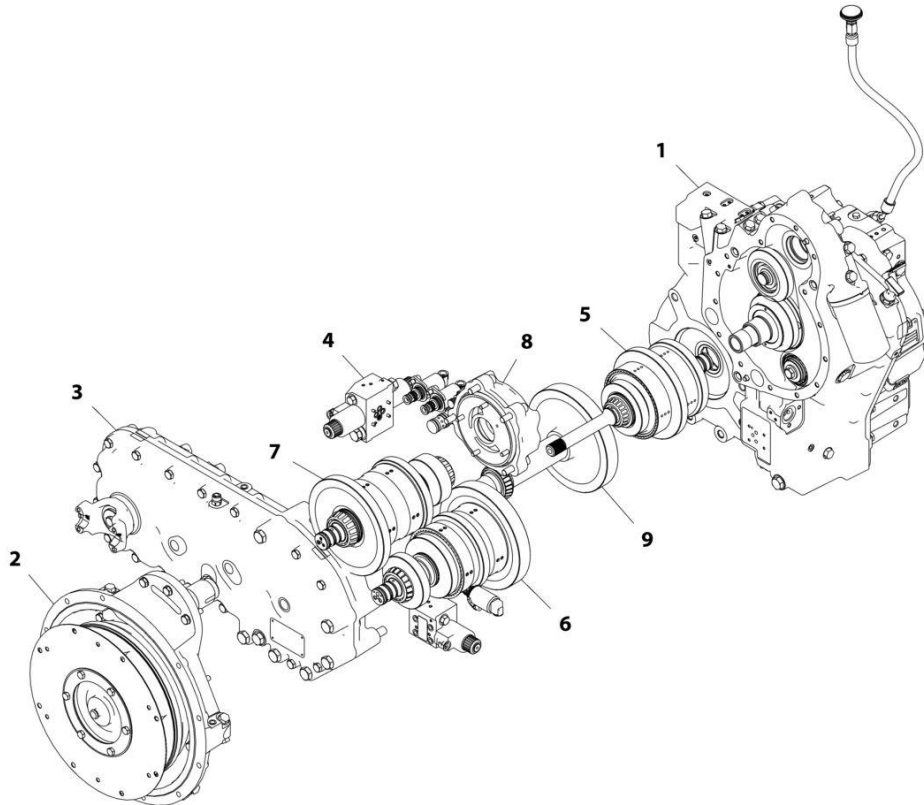
## SECTION 5 - DRIVE TRAIN

**FIGURE 5-39. TRANSMISSION INSTALLATION (6 SPD - 97KW)**

ITEM	PART NUMBER	QTY	DESCRIPTION	REV
	1001182647	Ref	TRANSMISSION INSTALLATION (6 SPD - HHP)	D
2	0761010	8	Bolt M10 x 20	
3	0761015	10	Bolt M10 x 35	
4	2151210	1	Fitting, 45 ORFS	
5	4812000	18	Washer M10	
6	1001009163	1	O-Ring	
7	1001128478	1	Sensor, Temperature	
8	1001181559	1	Transmission (6 SPD - HHP - 97KW) (See Separate Breakdown in this Section)	
9	1001219182	1	Fitting, Tee ORFS	
10	3290805	1	Nut, Lock M8 x 1.25	
11	4811900	1	Washer M8	
12	91043147	1	Clamp	

# SECTION 5 - DRIVE TRAIN

## FIGURE 5-40. TRANSMISSION (4 SPD)



ART\_1001199948-C

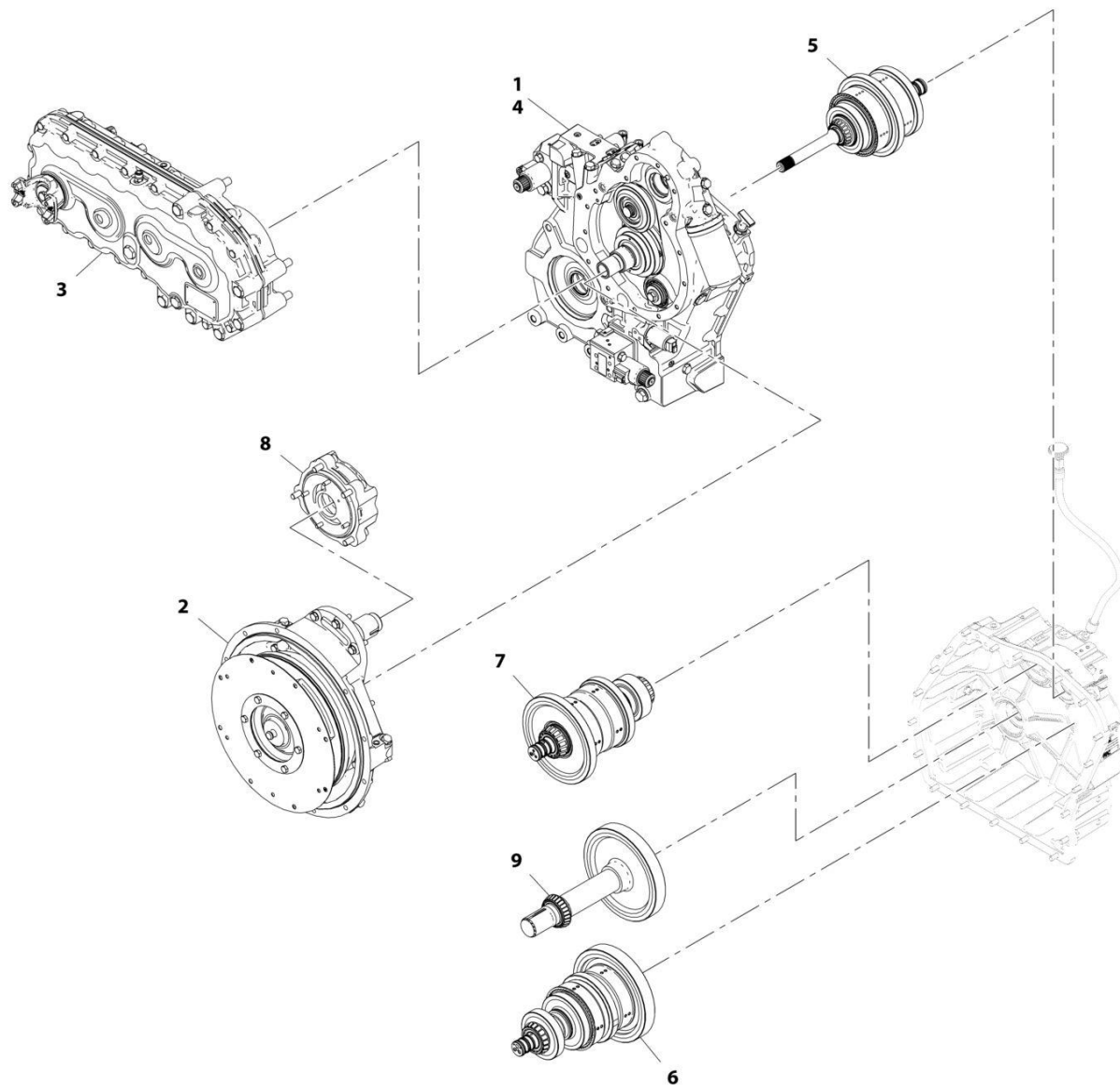
## SECTION 5 - DRIVE TRAIN

### FIGURE 5-40. TRANSMISSION (4 SPD)

ITEM	PART NUMBER	QTY	DESCRIPTION	REV
1	1001199948	Ref	Transmission (4 SPD)	C
	70027723	Ref	Group, Planetary Case and Parts (See Separate Breakdown in this Section)	
2	70027721	Ref	Group, Torque Converter (See Separate Breakdown in this Section)	
3	70027722	Ref	Group, Transfer Gear and Case (See Separate Breakdown in this Section)	
4	70027720	Ref	Group, Transmission Hydraulic Control (See Separate Breakdown in this Section)	
5	70027717	Ref	Group, Input Shaft (See Separate Breakdown in this Section)	
6	70027718	Ref	Group, Transmission Clutch (See Separate Breakdown in this Section)	
7	70027715	Ref	Group, Clutch and Gear (See Separate Breakdown in this Section)	
8	70027719	Ref	Group, Transmission Pump (See Separate Breakdown in this Section)	
9	70027716	Ref	Group, Output Shaft (See Separate Breakdown in this Section)	

# SECTION 5 - DRIVE TRAIN

## FIGURE 5-41. TRANSMISSION (6 SPD - 90KW)



ART\_1001177851-E

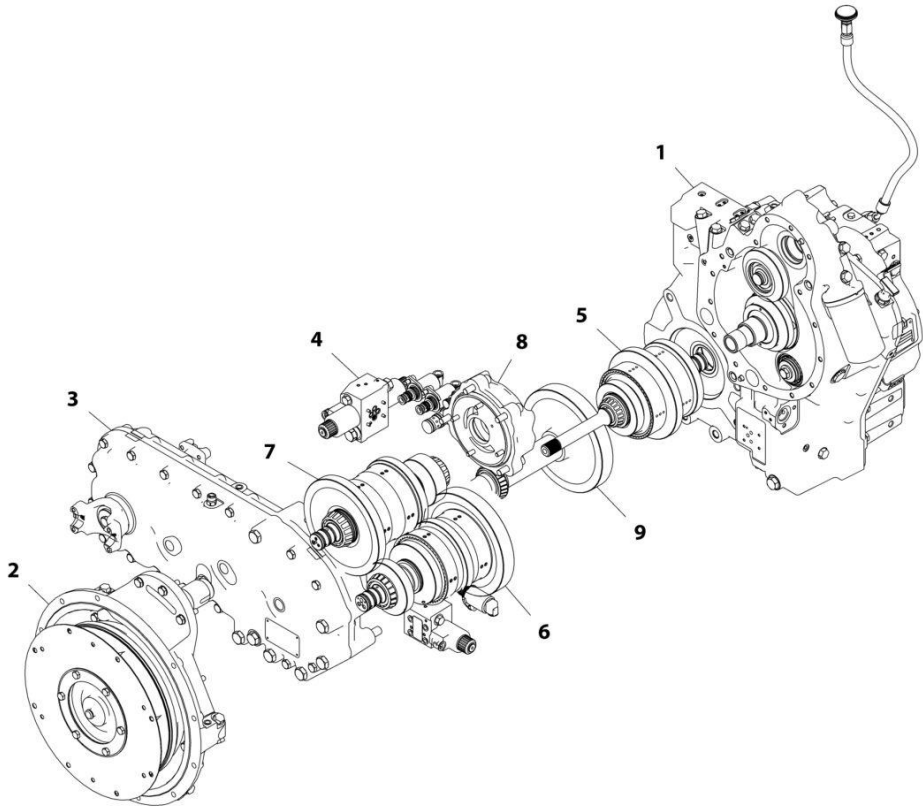
## SECTION 5 - DRIVE TRAIN

**FIGURE 5-41. TRANSMISSION (6 SPD - 90KW)**

ITEM	PART NUMBER	QTY	DESCRIPTION	REV
	1001177851	Ref	Transmission (6 SPD - 90KW)	E
1	70027723	Ref	Group, Planetary Case and Parts (See Separate Breakdown in this Section)	
2	70027721	Ref	Group, Torque Converter (See Separate Breakdown in this Section)	
3	70027725	Ref	Group, Transfer Gear and Case (See Separate Breakdown in this Section)	
4	70027720	Ref	Group, Transmission Hydraulic Control (See Separate Breakdown in this Section)	
5	70027717	Ref	Group, Input Shaft (See Separate Breakdown in this Section)	
6	70027718	Ref	Group, Transmission Clutch (See Separate Breakdown in this Section)	
7	70027715	Ref	Group, Clutch and Gear (See Separate Breakdown in this Section)	
8	70027719	Ref	Group, Transmission Pump (See Separate Breakdown in this Section)	
9	70027716	Ref	Group, Output Shaft (See Separate Breakdown in this Section)	

**SECTION 5 - DRIVE TRAIN**

**FIGURE 5-42. TRANSMISSION (6 SPD - HHP - 97KW)**



ART\_1001181559-D



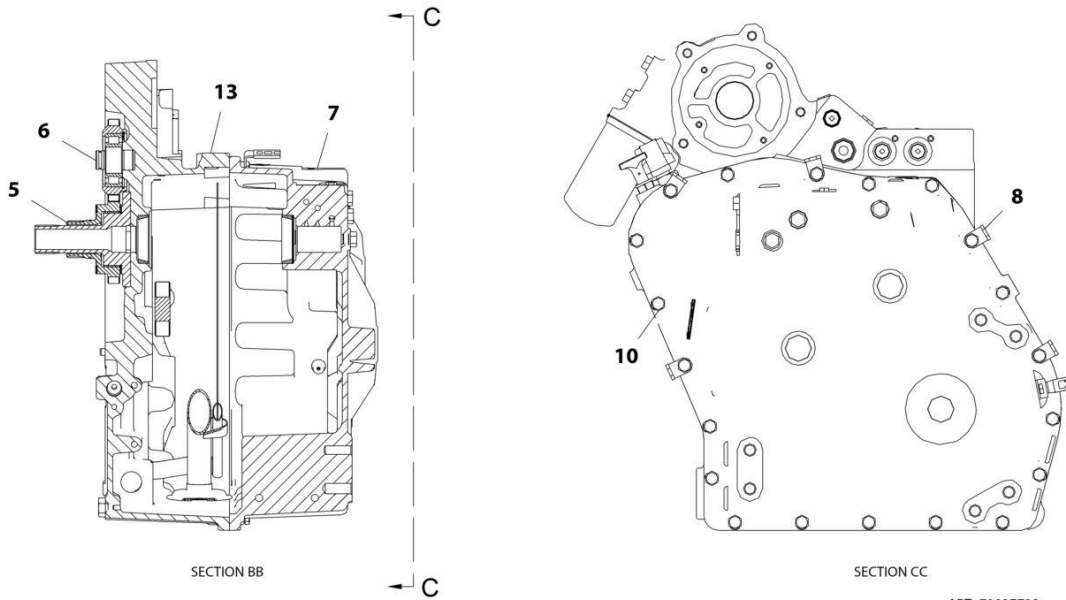
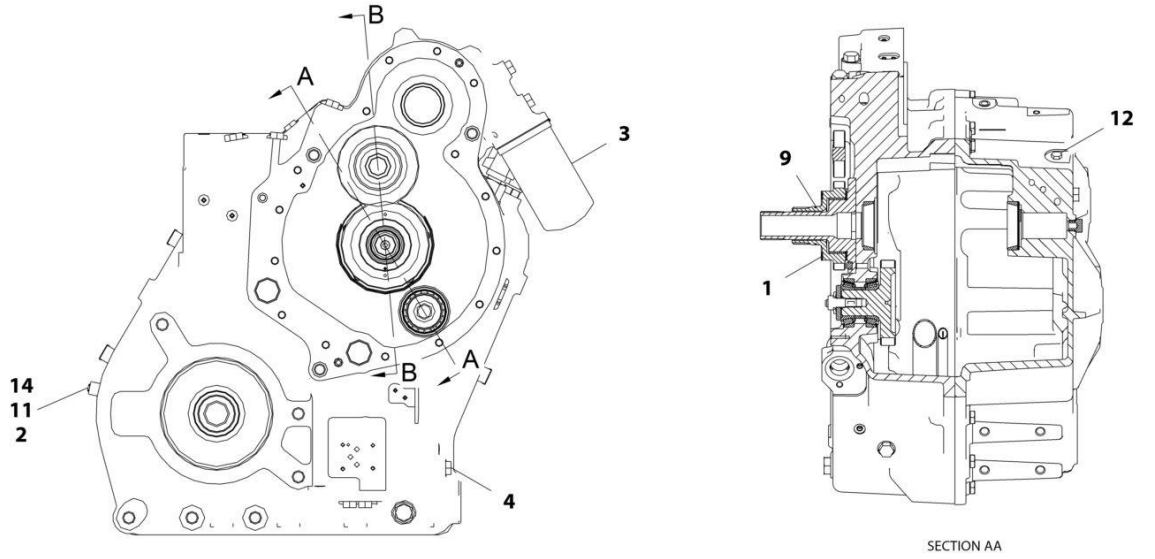
## SECTION 5 - DRIVE TRAIN

**FIGURE 5-42. TRANSMISSION (6 SPD - HHP - 97KW)**

ITEM	PART NUMBER	QTY	DESCRIPTION	REV
	1001181559	Ref	Transmission (6 SPD - HHP - 97KW)	D
1	70027723	Ref	Group, Planetary Case and Parts (See Separate Breakdown in this Section)	
2	70027724	Ref	Group, Torque Converter (See Separate Breakdown in this Section)	
3	70027725	Ref	Group, Transfer Gear and Case (See Separate Breakdown in this Section)	
4	70027720	Ref	Group, Transmission Hydraulic Control (See Separate Breakdown in this Section)	
5	70027717	Ref	Group, Input Shaft (See Separate Breakdown in this Section)	
6	70027718	Ref	Group, Transmission Clutch (See Separate Breakdown in this Section)	
7	70027715	Ref	Group, Clutch and Gear (See Separate Breakdown in this Section)	
8	70027719	Ref	Group, Transmission Pump (See Separate Breakdown in this Section)	
9	70027716	Ref	Group, Output Shaft (See Separate Breakdown in this Section)	

# SECTION 5 - DRIVE TRAIN

## FIGURE 5-43. PLANETARY CASE AND PARTS GROUP



ART\_70027723

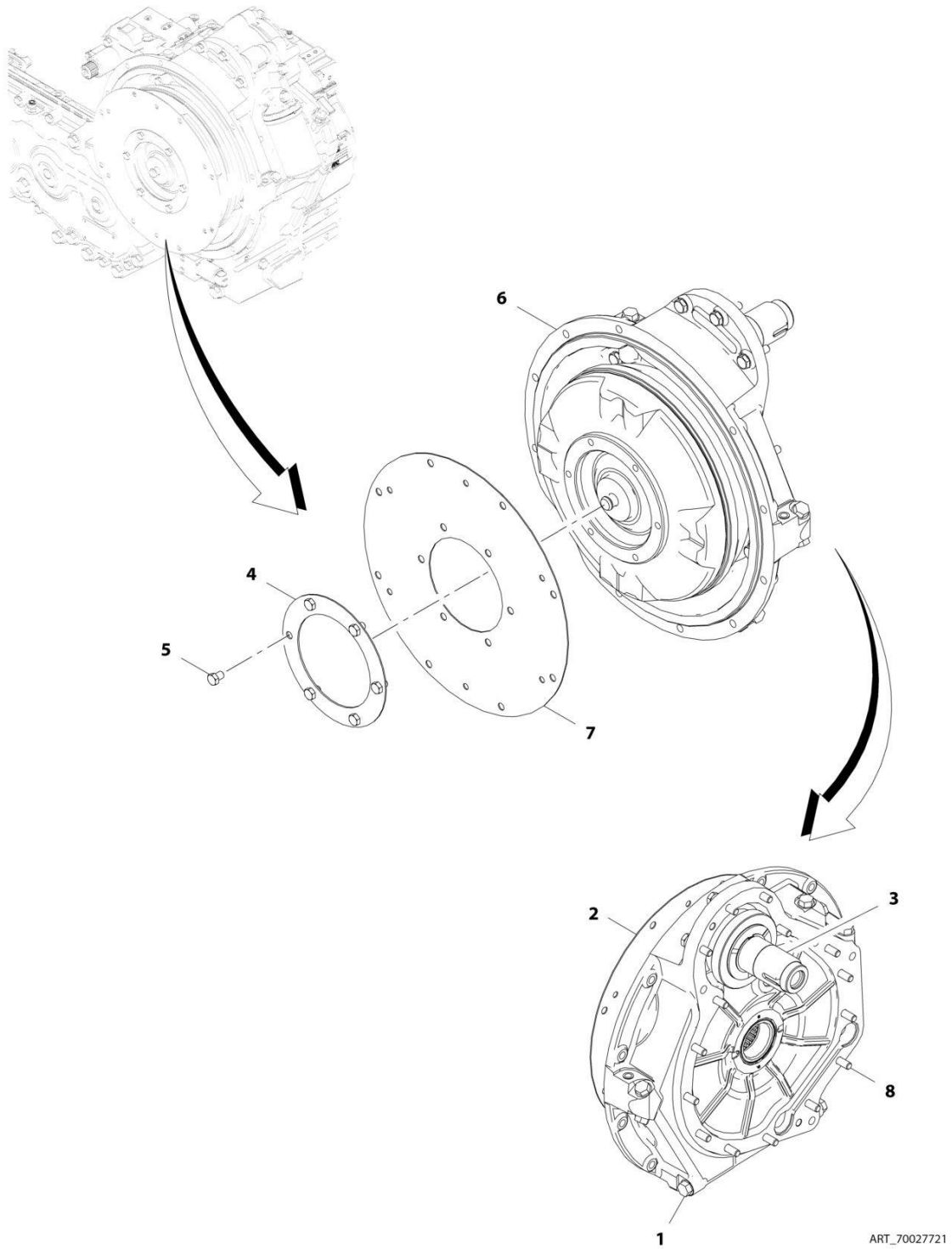
## SECTION 5 - DRIVE TRAIN

**FIGURE 5-43. PLANETARY CASE AND PARTS GROUP**

ITEM	PART NUMBER	QTY	DESCRIPTION	REV
	70027723	Ref	Planetary Case and Parts Group	
1	70025511	2	Washer, Thrust	
2	70025526	1	Sensor, Speed (See Separate Breakdown in this Section)	
3	70025453	1	Filter, Transmission	
4	70027663	1	Assembly, Plug	
	70025525	1	O-Ring	
	70025524	1	Plug	
5	70027341	1	Assembly, Gear	
6	70027707	1	Gear, Idler (See Separate Breakdown in this Section)	
7	70027711	1	Case, Rear Transmission (See Separate Breakdown in this Section)	
8	70027331	5	Clip	
9	70025512	1	O-Ring	
10	70025514	20	Bolt	
11	70025528	1	Bolt	
12	70025529	1	Plug	
13	70027714	1	Case, Planetary (See Separate Breakdown in this Section)	
14	70025527	1	O-Ring	

# SECTION 5 - DRIVE TRAIN

## FIGURE 5-44. TORQUE CONVERTER GROUP



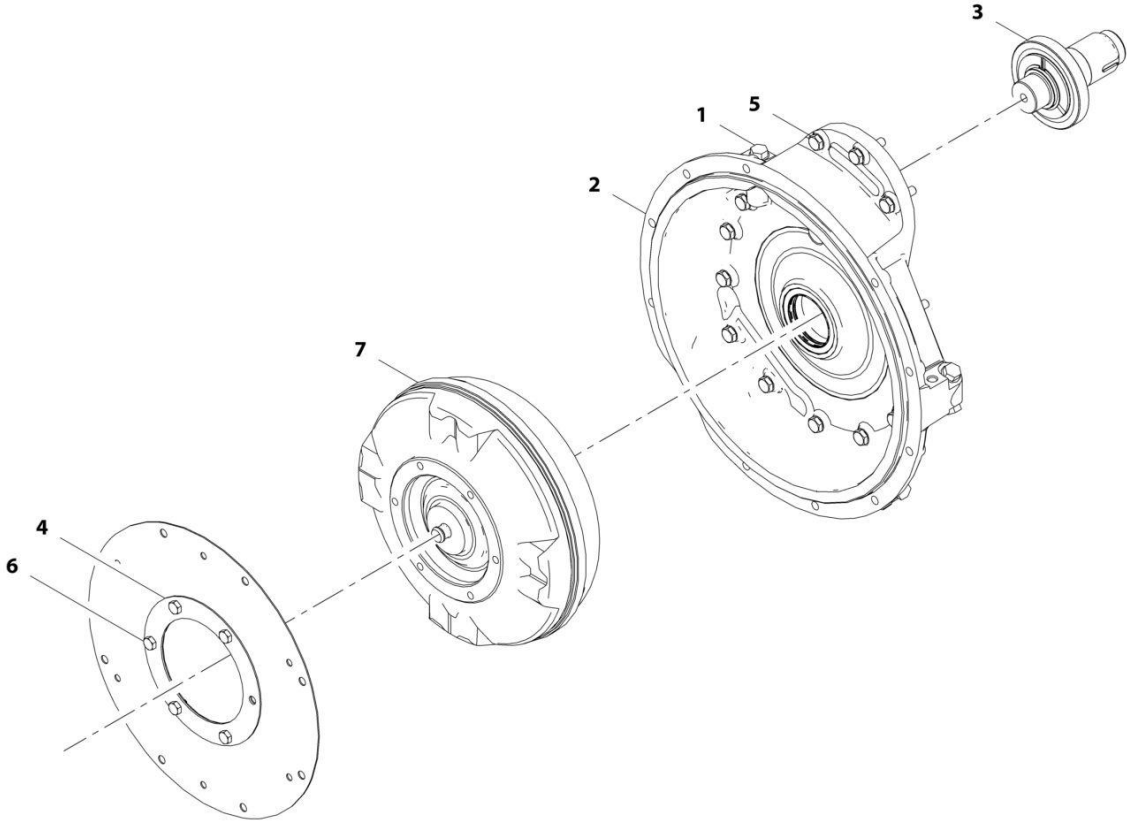
## SECTION 5 - DRIVE TRAIN

**FIGURE 5-44. TORQUE CONVERTER GROUP**

ITEM	PART NUMBER	QTY	DESCRIPTION	REV
1	70027721	Ref	Torque Converter Group	
	70027663	7	Assembly, Plug	
	70025525	1	O-Ring	
	70025524	1	Plug	
2	70027666	1	Assembly, Torque Converter	
	70027676	1	Bearing	
	70025383	1	Seal	
	70025382	2	Pin	
	70027345	1	Converter	
3	70027667	1	Assembly, Shaft	
	70025510	2	Ring, Snap	
	70025393	2	Disc, Thrust	
	70025392	1	Pump, Gear	
4	70025397	1	Plate, Converter Drive	
5	70025398	6	Screw	
6	70027382	1	Converter, Torque	
7	70027670	1	Plate, Converter Drive	
8	70027682	15	Bolt	

**SECTION 5 - DRIVE TRAIN**

**FIGURE 5-45. TORQUE CONVERTER GROUP**



ART\_70027724

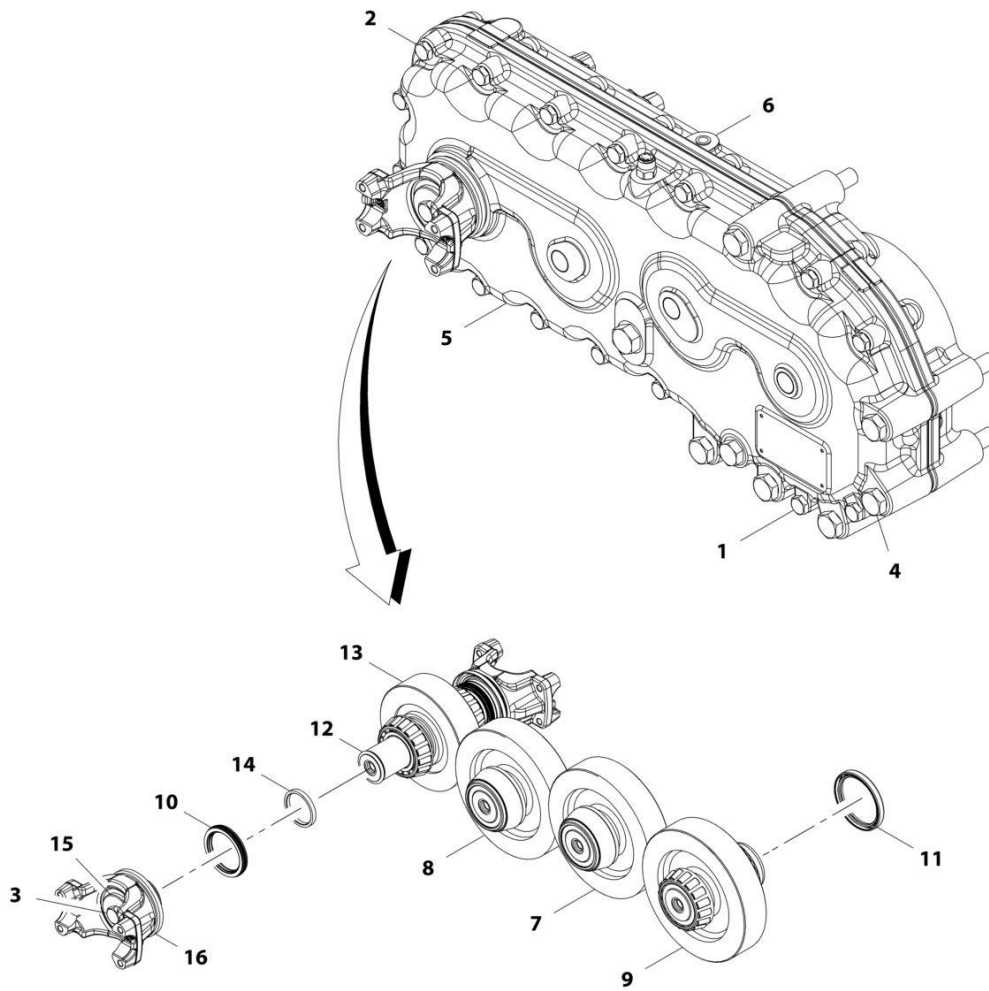
## SECTION 5 - DRIVE TRAIN

**FIGURE 5-45. TORQUE CONVERTER GROUP**

ITEM	PART NUMBER	QTY	DESCRIPTION	REV
1	70027724	Ref	Torque Converter Group	
	70027663	7	Assembly, Plug	
	70025525	1	O-Ring	
	70025524	1	Plug	
2	70027666	1	Torque Converter	
	70027676	1	Bearing	
	70025383	1	Seal	
	70025382	2	Pin	
	70027345	1	Converter	
3	70027667	1	Assembly, Shaft	
	70025510	2	Ring, Snap	
	70025393	2	Disc, Thrust	
	70025392	1	Pump, Gear	
4	70025397	1	Plate, Converter	
5	70025514	15	Bolt	
6	70025398	6	Setscrew	
7	70027383	1	Converter, Torque	

# SECTION 5 - DRIVE TRAIN

## FIGURE 5-46. TRANSFER GEAR AND CASE GROUP



ART\_70027722



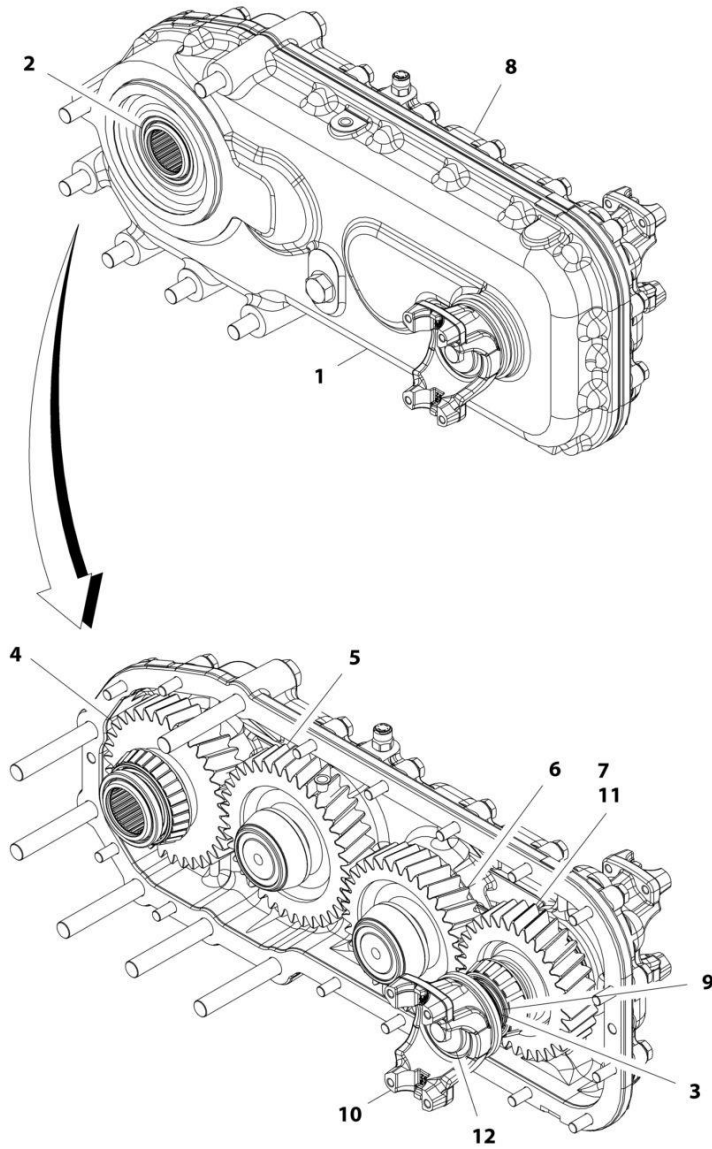
## SECTION 5 - DRIVE TRAIN

**FIGURE 5-46. TRANSFER GEAR AND CASE GROUP**

ITEM	PART NUMBER	QTY	DESCRIPTION	REV
	70027722	Ref	Torque Converter Group	
1	70027708	2	Bolt	
2	70027709	14	Bolt	
3	70025505	2	Bolt	
4	70025507	6	Bolt	
5	70027713	1	Case, Front Transfer (See Separate Breakdown in this Section)	
6	70027712	1	Case, Rear Transfer (See Separate Breakdown in this Section)	
7	70027342	1	Gear	
8	70027343	1	Gear	
	70025493	2	Cone, Bearing	
9	70027356	1	Assembly, Input Gear	
	70025496	1	Cone, Roller Bearing	
	70024634	1	Cone, Roller Bearing	
10	70027376	2	Seal	
11	70024642	1	Seal	
12	70025503	2	O-Ring	
13	70027711	1	Assembly, Output Shaft	
	70025498	2	Ring, Retaining	
	70025496	2	Cone, Roller Bearing	
	70024639	1	Shaft, Output	
	70024638	1	Gear, Output	
14	70024644	2	Spacer	
15	70025504	2	Washer	
16	70024645	2	Yoke	

# SECTION 5 - DRIVE TRAIN

## FIGURE 5-47. TRANSFER GEAR AND CASE GROUP



ART\_70027725

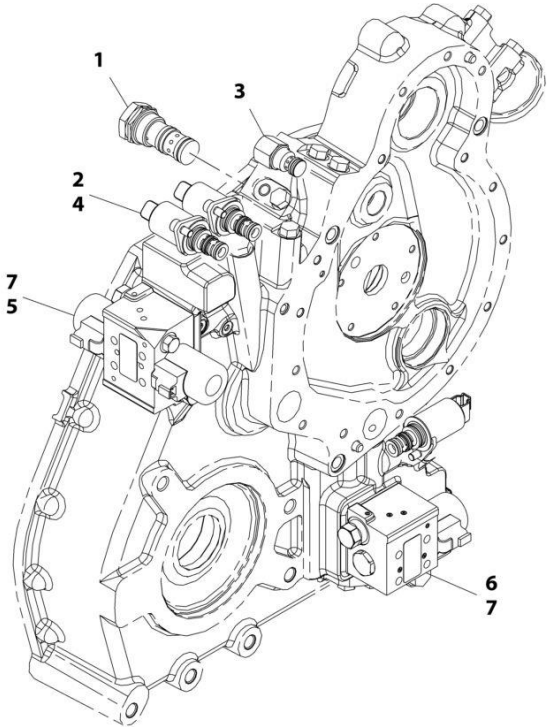
## SECTION 5 - DRIVE TRAIN

**FIGURE 5-47. TRANSFER GEAR AND CASE GROUP**

ITEM	PART NUMBER	QTY	DESCRIPTION	REV
	70027725	Ref	Group, Transfer Gear and Case	
1	70027373	1	Case, Front Transfer (See Separate Breakdown in this Section)	
2	70024642	1	Seal, Lip	
3	70027376	2	Seal, Lip	
4	70027672	1	Gear Assembly	
	70025496	2	Cone, Roller Bearing	
	70024634	1	Cone, Roller Bearing	
	70027368	1	Gear, Input	
5	70027673	1	Assembly, Idler Gear	
	70025493	2	Bearing, Cone	
	70027369	1	Idler, Gear	
6	70027674	1	Assembly, Idler Gear	
	70025493	2	Bearing, Cone	
	70027370	1	Idler, Gear	
7	70027675	1	Assembly, Output Shaft	
	70025496	2	Cone, Roller Bearing	
	70025498	2	Ring, Retaining	
	70024639	1	Shaft, Output	
	70027371	1	Gear, Output	
8	70027375	1	Case, Rear Transfer (See Separate Breakdown in this Section)	
9	70024644	2	Spacer	
10	70024645	2	Yoke	
11	70025503	2	O-Ring	
12	70025504	2	Washer	

**SECTION 5 - DRIVE TRAIN**

**FIGURE 5-48. TRANSMISSION HYDRAULIC CONTROL GROUP**



ART\_70027720

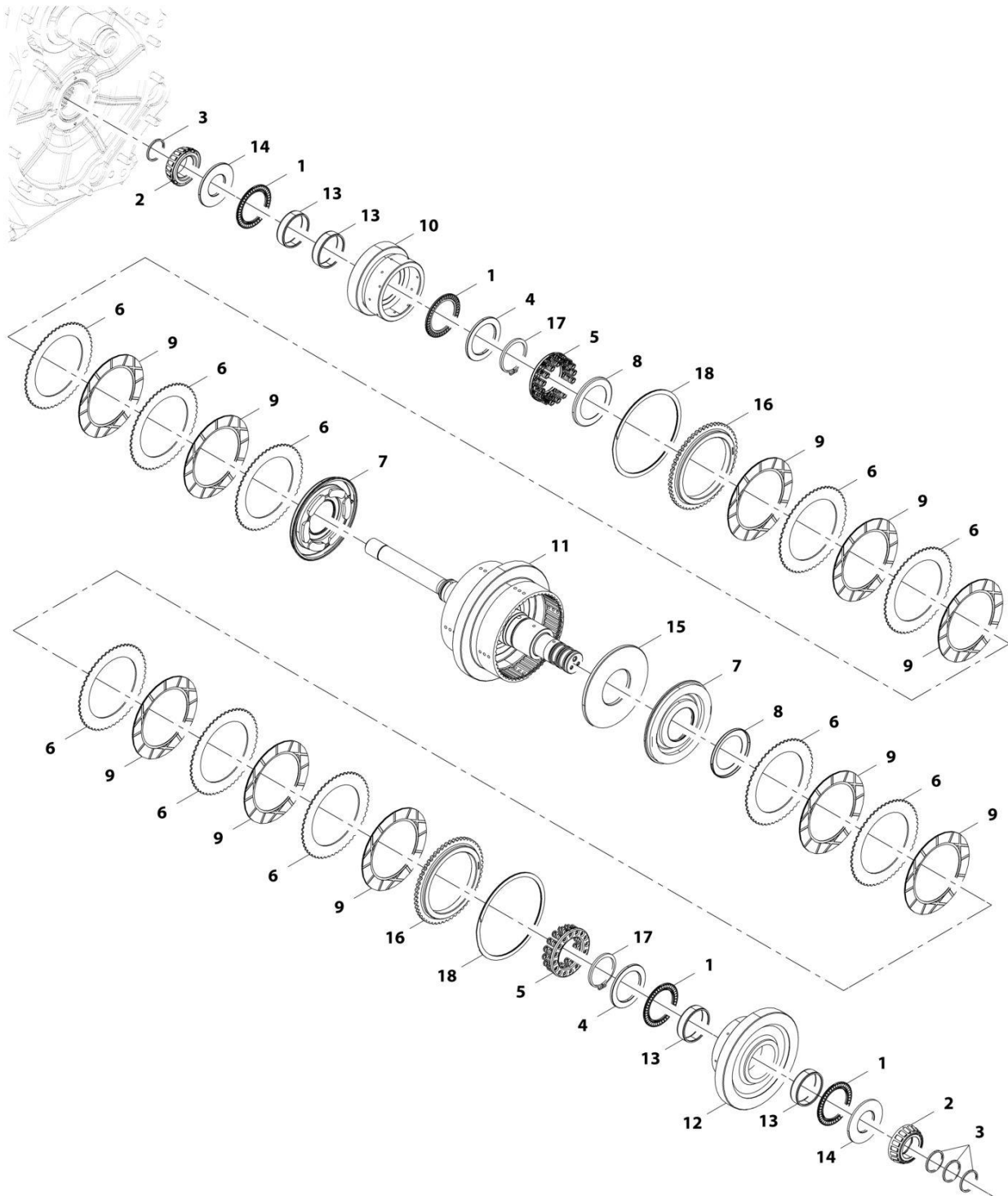
## SECTION 5 - DRIVE TRAIN

**FIGURE 5-48. TRANSMISSION HYDRAULIC CONTROL GROUP**

ITEM	PART NUMBER	QTY	DESCRIPTION	REV
	70027720	Ref	Transmission Hydraulic Control Group	
1	70025469	1	Valve, Relief (See Separate Breakdown in this Section)	
2	70025520	3	Capscrew	
3	70025470	1	Valve, Relief	
	70027387	1	O-Ring	
	70027680	1	O-Ring	
4	70025451	3	Valve, Solenoid	
5	70027362	1	Valve, Solenoid (See Separate Breakdown in this Section)	
6	70027363	1	Valve, Solenoid (See Separate Breakdown in this Section)	
7	70027671	8	Bolt	

# SECTION 5 - DRIVE TRAIN

## FIGURE 5-49. INPUT SHAFT GROUP



ART\_70027717

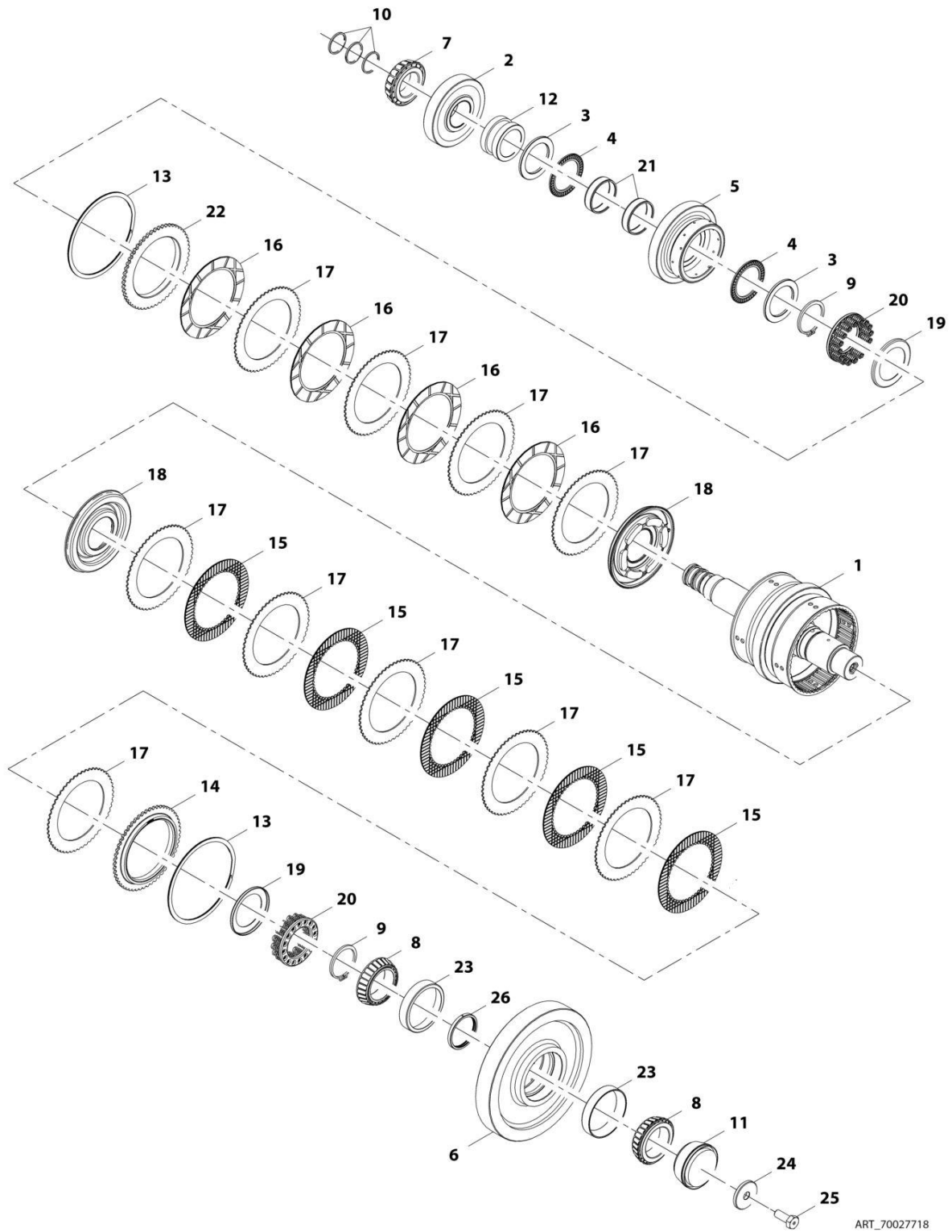
## SECTION 5 - DRIVE TRAIN

### FIGURE 5-49. INPUT SHAFT GROUP

ITEM	PART NUMBER	QTY	DESCRIPTION	REV
	70027717	Ref	Input Shaft Group	
1	70025432	4	Bearing, Thrust	
2	70025508	2	Bearing, Roller Cone	
3	70025433	4	Ring, Sealing	
4	70025429	2	Washer, Thrust	
5	70025440	2	Assembly, Spring and Retainer	
6	70025437	10	Plate, Clutch	
7	70025438	2	Piston, Clutch	
8	70025439	2	Retainer, Spring	
9	70025448	10	Disc, Friction	
10	70025400	1	Gear	
11	70025445	1	Assembly, Plug	
	70027328	2	Plug	
	70027348	1	Plug, Orifice	
12	70025401	1	Gear	
13	70025424	4	Bearing, Needle Roller	
14	70025446	2	Washer, Thrust	
15	70025449	1	Spacer, Piston	
16	70025447	2	Plate, Retainer	
17	70025498	2	Ring, Retaining	
18	70027681	2	Ring, Retaining	

# SECTION 5 - DRIVE TRAIN

## FIGURE 5-50. TRANSMISSION CLUTCH GROUP



ART\_70027718



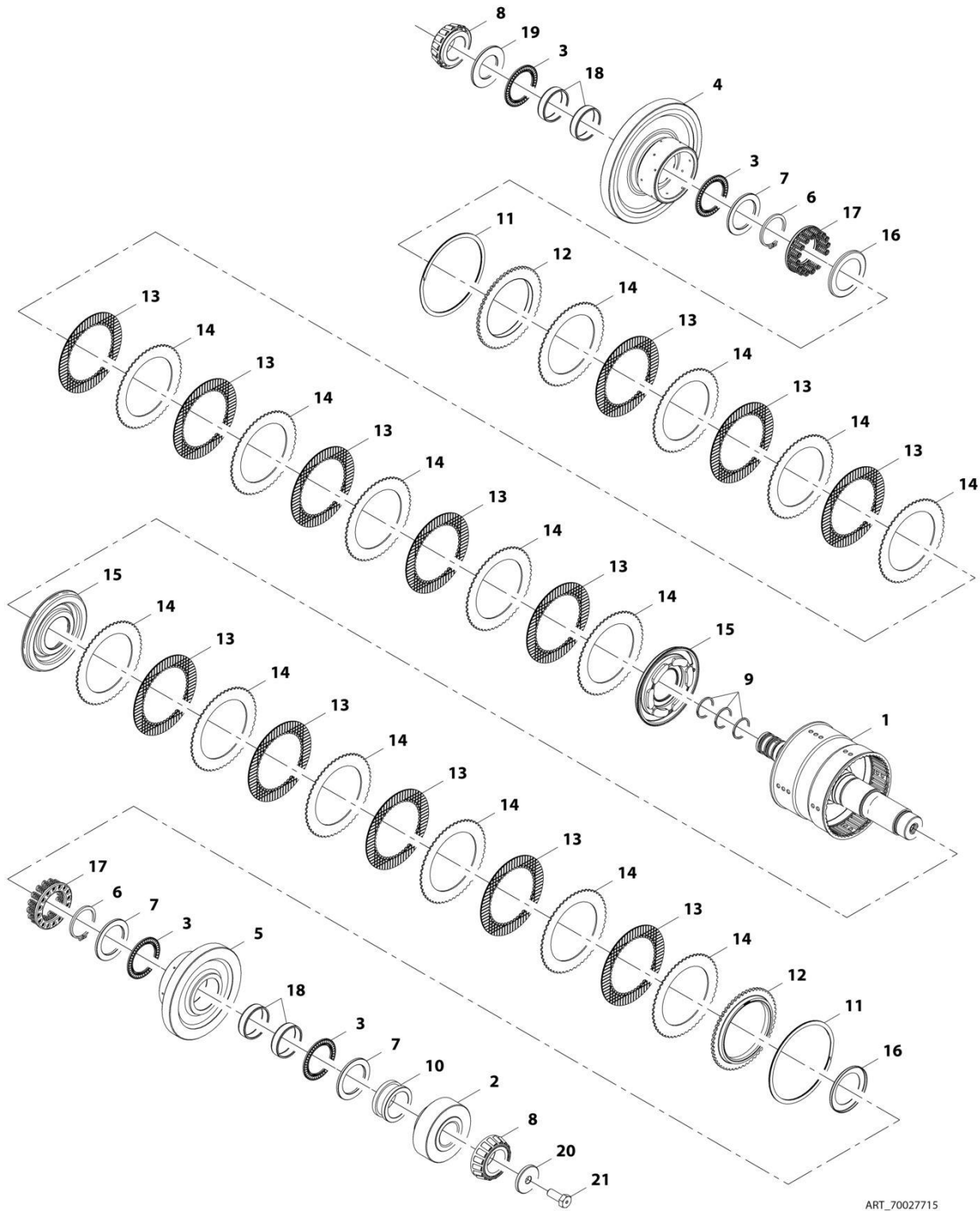
## SECTION 5 - DRIVE TRAIN

### FIGURE 5-50. TRANSMISSION CLUTCH GROUP

ITEM	PART NUMBER	QTY	DESCRIPTION	REV
	70027718	Ref	Transmission Clutch Group	
1	70025450	1	Shaft, Forward High/3rd	
	70027339	2	Plug	
	70027344	1	Plug-Orifice	
2	70025402	1	Gear	
3	70025429	2	Washer, Thrust	
4	70025432	2	Bearing, Thrust	
5	70025403	1	Gear	
6	70025404	1	Gear	
7	70025406	1	Bearing, Cone Roller	
8	70025407	2	Bearing, Cone Roller	
9	70025498	2	Ring, Retaining	
10	70025433	3	Ring, Sealing	
11	70025493	1	Bearing, Cone Roller	
12	70025409	1	Spacer	
13	70027681	2	Ring, Retaining	
14	70025435	1	Plate, Retainer	
15	70025436	5	Disc-Friction	
16	70025448	4	Disc-Friction	
17	70025437	10	Plate, Clutch	
18	70025438	2	Piston, Clutch	
19	70025439	2	Spring, Retainer	
20	70025440	2	Assembly, Spring and Retainer	
21	70025424	2	Bearing, Needle Roller	
22	70025447	1	Plate, Retaining	
23	70025408	2	Bearing, Cup	
24	70025504	1	Washer	
25	70025442	1	Bolt	
26	70025410	AR	Spacer, 5.88-5.90	
	70025411	AR	Spacer, 5.85-5.87	
	70025412	AR	Spacer, 5.82-5.84	
	70025413	AR	Spacer, 5.79-5.81	
	70025414	AR	Spacer, 6.00-6.02	
	70025415	AR	Spacer, 5.97-5.99	
	70025416	AR	Spacer, 5.94-5.96	
	70025417	AR	Spacer, 5.91-5.93	
	70025418	AR	Spacer, 6.09-6.11	
	70025419	AR	Spacer, 6.06-6.08	
	70027358	AR	Spacer, 6.12-6.14	
	70027359	AR	Spacer, 6.15-6.17	
	70025420	AR	Spacer, 6.03-6.05	
	70027364	AR	Spacer, 6.20-6.22	
	70027365	AR	Spacer, 6.25-6.27	

# SECTION 5 - DRIVE TRAIN

## FIGURE 5-51. CLUTCH AND GEAR GROUP



ART\_70027715

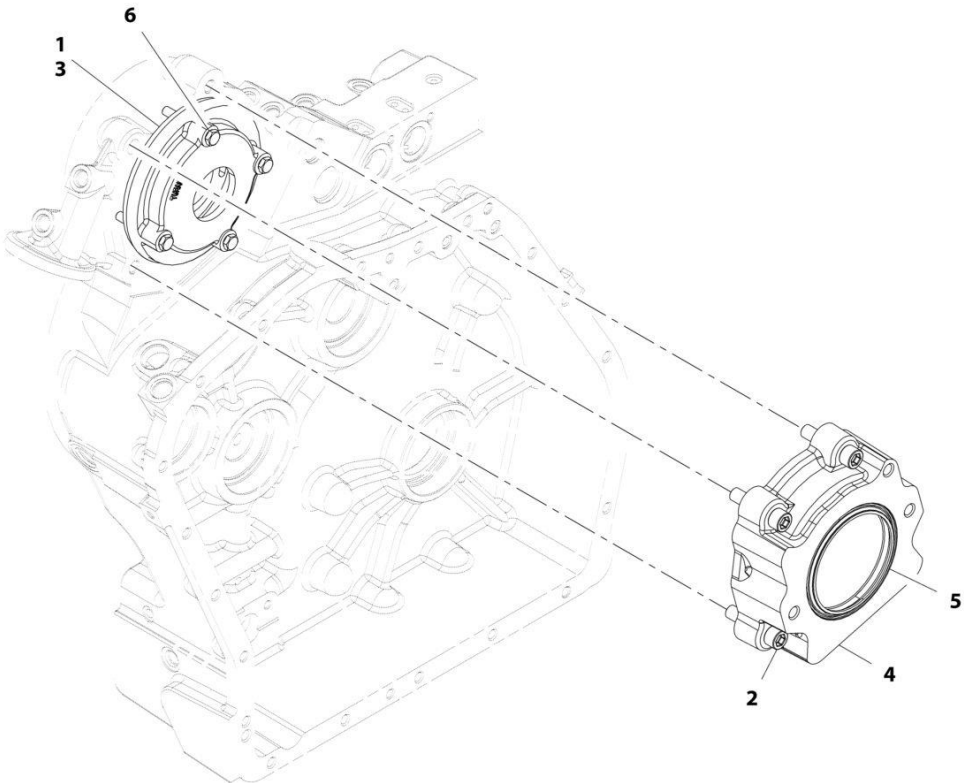
## SECTION 5 - DRIVE TRAIN

**FIGURE 5-51. CLUTCH AND GEAR GROUP**

ITEM	PART NUMBER	QTY	DESCRIPTION	REV
	70027715	Ref	Clutch and Gear Group	
1	70025431	1	Assembly, Plug	
	70027328	2	Plug	
	70027344	1	Plug, Orifice	
	70027349	1	Plug, Orifice	
2	70025423	1	Gear	
3	70025432	4	Bearing, Thrust	
4	70025425	1	Gear	
5	70025401	1	Gear	
6	70025498	2	Ring, Retaining	
7	70025429	3	Washer, Thrust	
8	70025496	2	Cone, Roller Bearing	
9	70025433	3	Ring, Sealing	
10	70025426	1	Spacer	
11	70027681	2	Ring, Retaining	
12	70025435	2	Plate, Retainer	
13	70025436	13	Disc, Friction	
14	70025437	15	Plate, Clutch	
15	70025438	2	Piston, Clutch	
16	70025439	2	Retainer, Spring	
17	70025440	2	Assembly, Spring and Retainer	
18	70025424	4	Bearing, Needle Roller	
19	70025441	1	Washer, Thrust	
20	70025504	1	Washer	
21	70025442	1	Bolt	

**SECTION 5 - DRIVE TRAIN**

**FIGURE 5-52. TRANSMISSION PUMP GROUP**



ART\_70027719

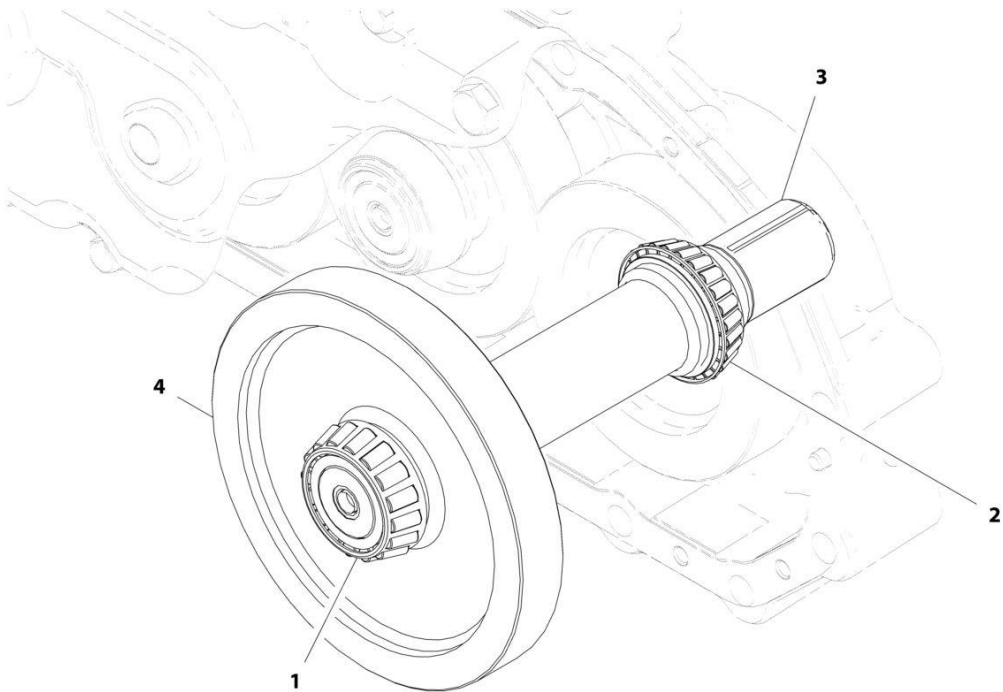
## SECTION 5 - DRIVE TRAIN

### FIGURE 5-52. TRANSMISSION PUMP GROUP

ITEM	PART NUMBER	QTY	DESCRIPTION	REV
	70027719	Ref	Transmission Pump Group	
1	70025464	1	O-Ring	
2	70025463	4	Capscrew	
3	70025459	1	Pump, Charge	
4	70025452	1	Housing, Pump	
5	70027347	1	Plug	
6	70025522	4	Bolt	

**SECTION 5 - DRIVE TRAIN**

**FIGURE 5-53. OUTPUT SHAFT GROUP**



ART\_70027716

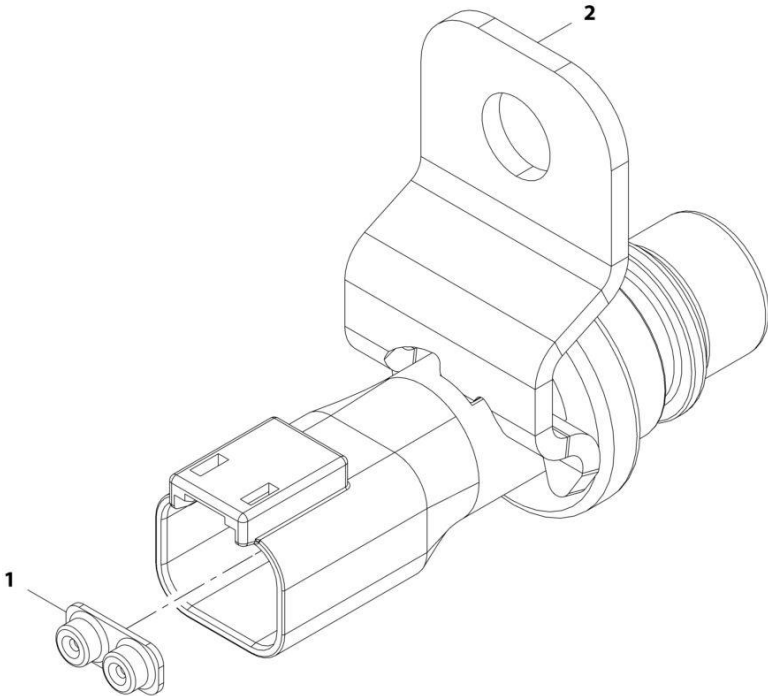
## SECTION 5 - DRIVE TRAIN

### FIGURE 5-53. OUTPUT SHAFT GROUP

ITEM	PART NUMBER	QTY	DESCRIPTION	REV
	70027716	Ref	Output Shaft Group	
1	70025496	1	Cone, Roller Bearing	
2	70025407	1	Cone, Roller Bearing	
3	70025428	1	Gear	
4	70025427	1	Shaft, Output	

**SECTION 5 - DRIVE TRAIN**

**FIGURE 5-54. SPEED SENSOR**



ART\_70025526



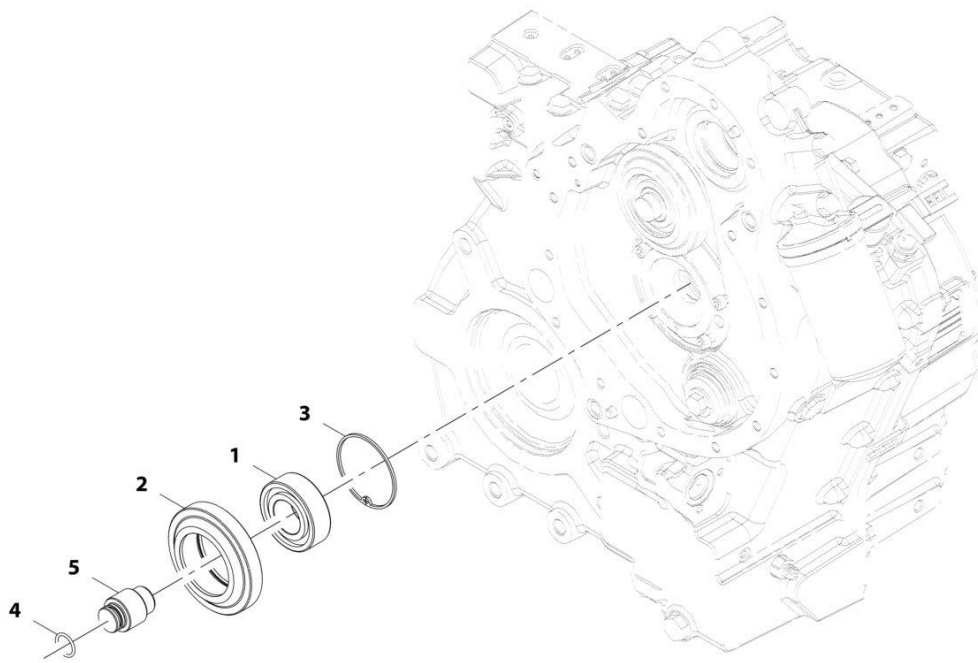
## SECTION 5 - DRIVE TRAIN

### FIGURE 5-54. SPEED SENSOR

ITEM	PART NUMBER	QTY	DESCRIPTION	REV
	70025526	Ref	Speed Sensor	
1	70027332	1	Connector	
2	70027661	1	Bracket	

## SECTION 5 - DRIVE TRAIN

FIGURE 5-55. IDLER GEAR



ART\_70027707

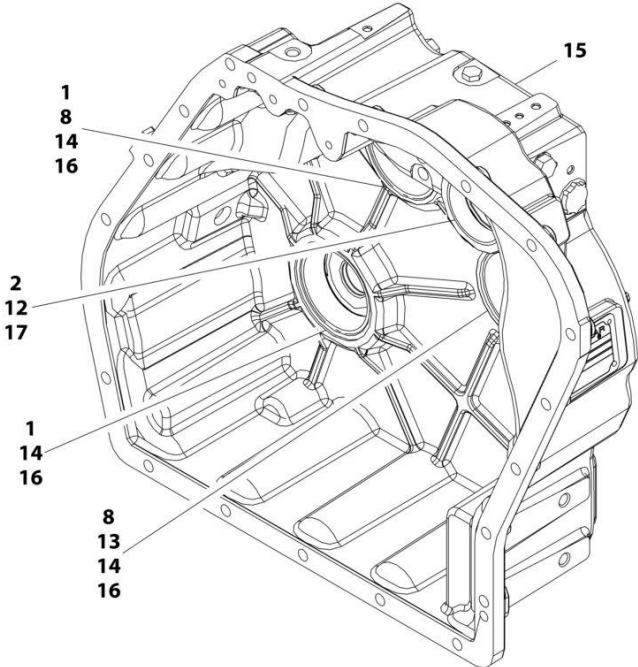
## SECTION 5 - DRIVE TRAIN

### FIGURE 5-55. IDLER GEAR

ITEM	PART NUMBER	QTY	DESCRIPTION	REV
	70027707	Ref	Idler Gear Group	
1	70025389	1	Bearing, Roller	
2	70025388	1	Pump, Idler Gear	
3	70025391	1	Circlip	
4	70025390	1	O-Ring	
5	70025387	1	Pump, Output Shaft	

**SECTION 5 - DRIVE TRAIN**

**FIGURE 5-56. REAR TRANSMISSION CASE**



ART\_70027711

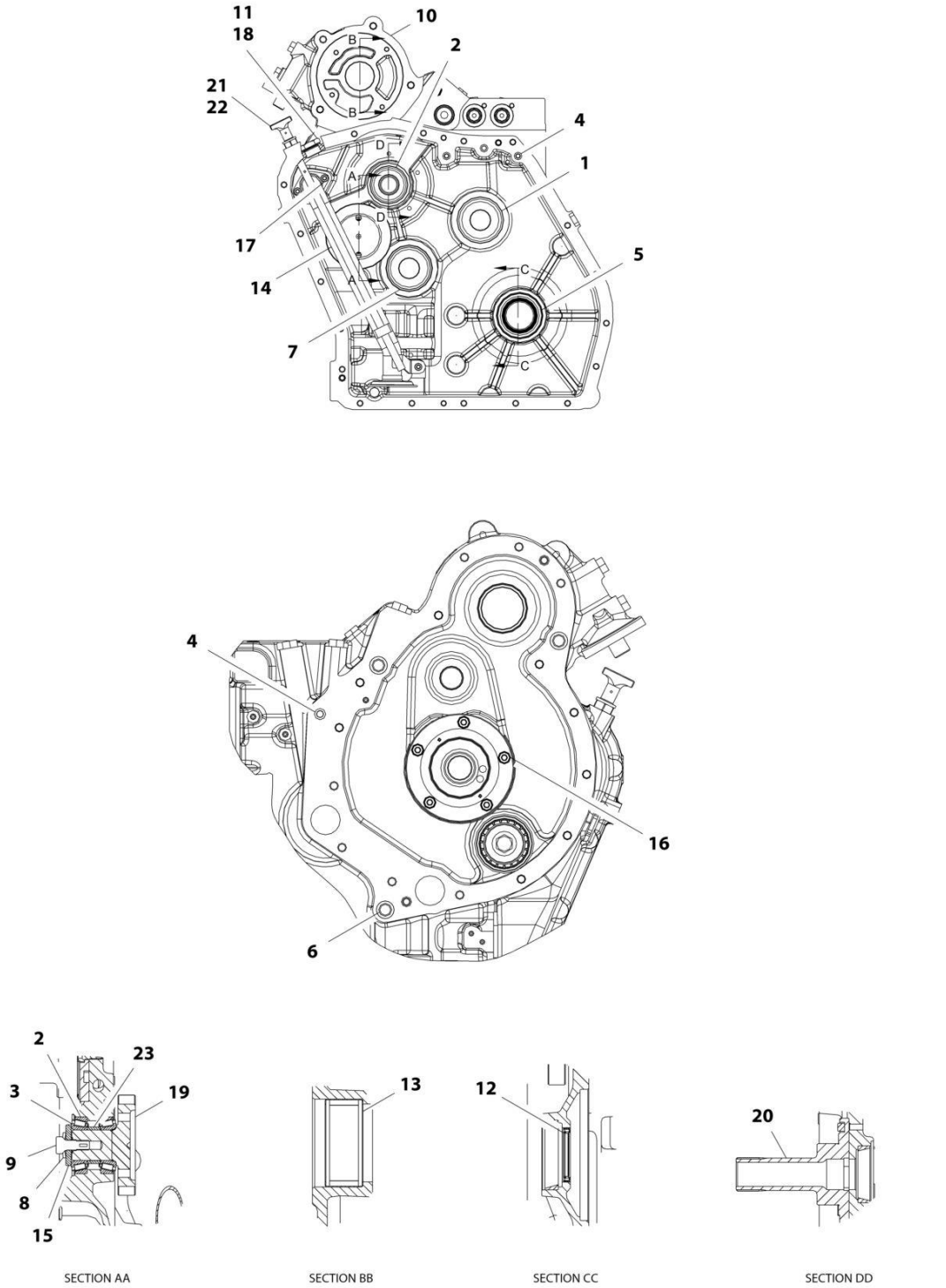
## SECTION 5 - DRIVE TRAIN

**FIGURE 5-56. REAR TRANSMISSION CASE**

ITEM	PART NUMBER	QTY	DESCRIPTION	REV
	70027711	Ref	Rear Transmission Case	
1	70025497	2	Cup, Roller Bearing	
2	70025443	AR	Shim, 0.508	
	70025444	AR	Shim, 0.381	
	70025518	AR	Shim, 0.051	
	70025515	AR	Shim, 0.178	
	70025516	AR	Shim, 0.127	
	70025517	AR	Shim, 0.076	
8	70025502	AR	Shim, 0.599	
	70025501	AR	Shim, 0.178	
	70025500	AR	Shim, 0.076	
	70025499	AR	Shim, 0.051	
12	70025509	1	Cup, Roller Bearing	
13	70025494	1	Cup, Bearing	
14	70025476	3	Cap	
15	70025430	1	Assembly, Rear Transmission Case (See Separate Breakdown in this Section)	
16	70025421	3	Shim	
17	70027350	1	Spacer	

# SECTION 5 - DRIVE TRAIN

## FIGURE 5-57. PLANETARY CASE



ART\_70027714

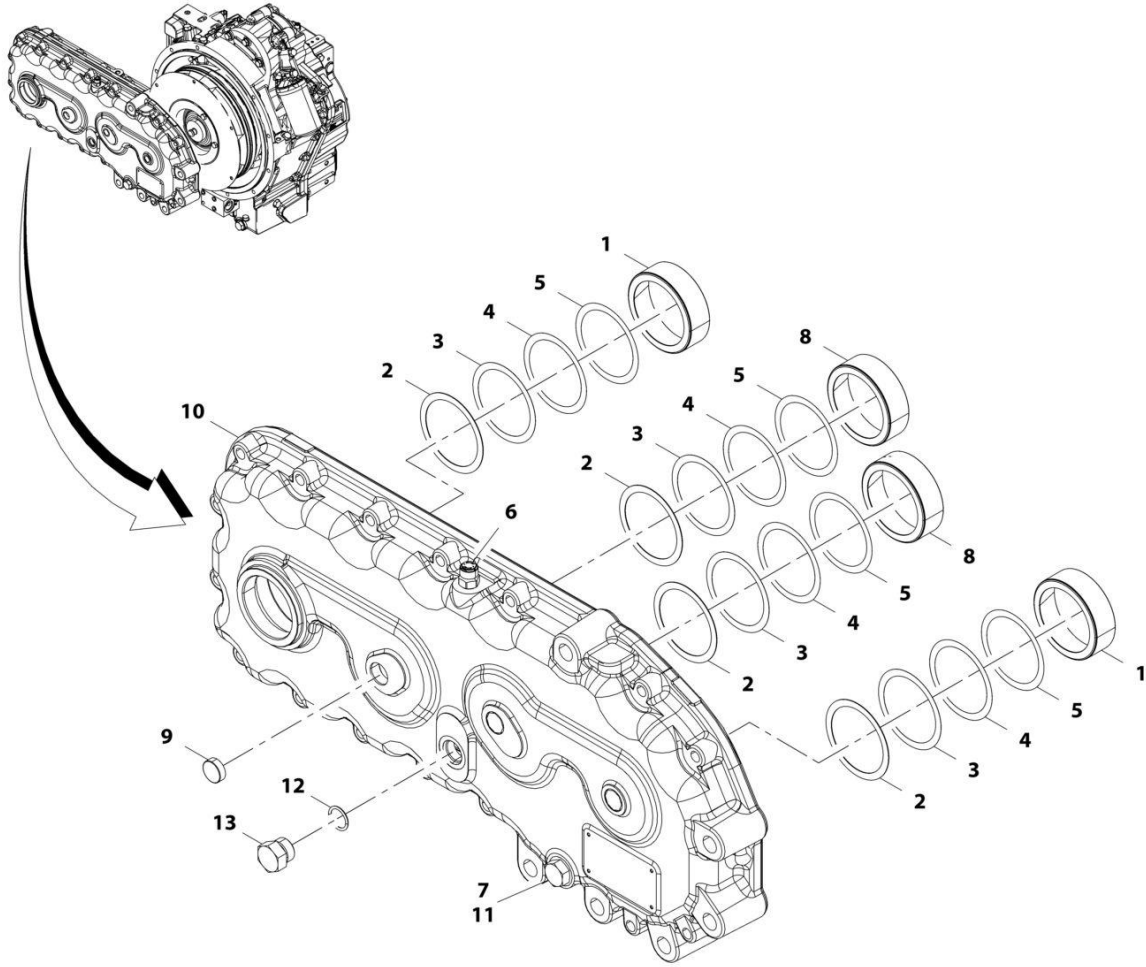
## SECTION 5 - DRIVE TRAIN

### FIGURE 5-57. PLANETARY CASE

ITEM	PART NUMBER	QTY	DESCRIPTION	REV
	70027714	Ref	Planetary Case	
1	70025497	1	Cup, Roller Bearing	
2	70025509	3	Cup, Roller Bearing	
3	70025508	1	Cone, Roller Bearing	
4	70025523	4	O-Ring	
5	70025408	1	Cup, Bearing	
6	70025468	3	O-Ring	
7	70027340	1	Bearing	
8	70025380	1	Washer, Bevel Spring	
9	70025505	1	Bolt	
10	70025467	1	Assembly, Front Transmission Case (See Separate Breakdown in this Section)	
11	70027664	1	Housing	
12	70027376	1	Seal, Lip	
13	70025360	1	Bearing, Needle Roller	
14	70027668	1	Assembly, Strainer	
	70025461	2	O-Ring	
	70025460	1	Strainer	
15	70025504	1	Washer	
16	70025513	5	Capscrew	
17	70025520	3	Capscrew	
18	70025472	1	Washer	
19	70027665	1	Shaft, Idler	
	70025508	1	Cone, Bearing	
	70025361	1	Gear, Reverse Idler	
20	70025394	1	Support	
	70025382	2	Pin	
21	70025465	1	Dipstick	
22	70025462	1	Assembly, Dipstick Tube	
	70027388	1	O-Ring	
	70027346	1	Tube	
23	70025370	AR	Spacer, 15.09-15.11	
	70025376	AR	Spacer, 15.27-15.29	
	70025362	AR	Spacer, 14.85-14.87	
	70025377	AR	Spacer, 15.30-15.32	
	70025371	AR	Spacer, 15.12-15.14	
	70025372	AR	Spacer, 15.15-15.17	
	70025373	AR	Spacer, 15.18-15.20	
	70025363	AR	Spacer, 14.88-14.90	
	70025364	AR	Spacer, 14.91-14.93	
	70025365	AR	Spacer, 14.94-14.96	
	70025366	AR	Spacer, 14.97-14.99	
	70025367	AR	Spacer, 15.00-15.02	
	70025368	AR	Spacer, 15.03-15.05	
	70025369	AR	Spacer, 15.06-15.08	
	70025374	AR	Spacer, 15.21-15.23	
	70025378	AR	Spacer, 15.33-15.35	
	70025379	AR	Spacer, 15.36-15.38	
	70025375	AR	Spacer, 15.24-15.26	

# SECTION 5 - DRIVE TRAIN

## FIGURE 5-58. FRONT TRANSFER CASE



ART\_70027713



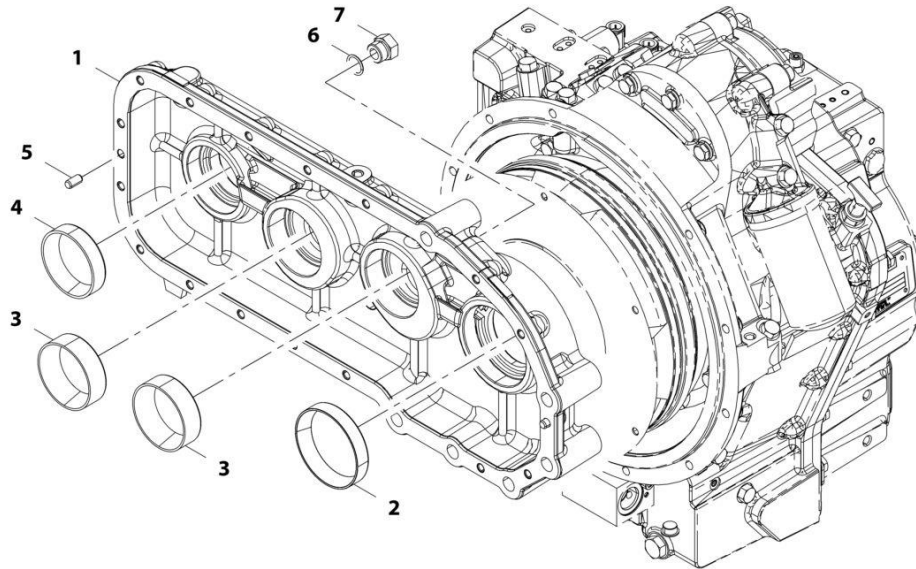
## SECTION 5 - DRIVE TRAIN

### FIGURE 5-58. FRONT TRANSFER CASE

ITEM	PART NUMBER	QTY	DESCRIPTION	REV
	70027713	Ref	Front Transfer Case	
1	70025497	2	Cup, Roller Bearing	
2	70025502	4	Shim, 0.236	
3	70025501	4	Shim, 0.007	
4	70025500	4	Shim, 0.003	
5	70025499	4	Shim, 0.002	
6	70027374	1	Breather	
7	70024646	1	Plug	
8	70025494	1	Cup, Bearing	
9	70024641	1	Cap	
10	70027357	1	Case, Transfer	
11	7022730	1	O-Ring	
12	70027387	1	O-Ring	
13	70025506	1	Plug	

# SECTION 5 - DRIVE TRAIN

## FIGURE 5-59. REAR TRANSFER CASE



ART\_70027712

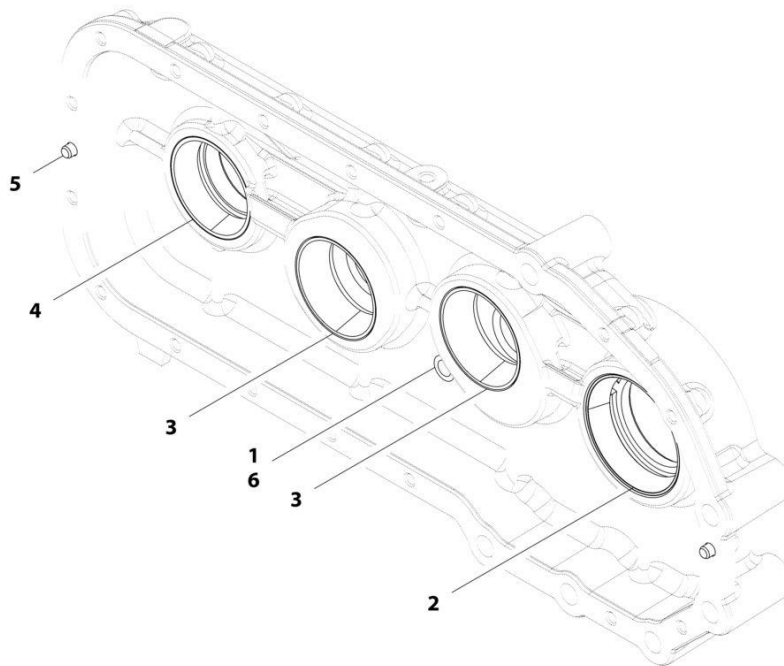
## SECTION 5 - DRIVE TRAIN

### FIGURE 5-59. REAR TRANSFER CASE

ITEM	PART NUMBER	QTY	DESCRIPTION	REV
	70027712	Ref	Rear Transfer Case	
1	70027367	1	Case, Rear Transfer	
2	70024635	1	Cup, Roller Bearing	
3	70025494	2	Cup, Bearing	
4	70025497	1	Cup, Roller Bearing	
5	70025495	2	Dowel	
6	70027387	1	Seal	
7	70025506	1	Plug	

# SECTION 5 - DRIVE TRAIN

## FIGURE 5-60. FRONT TRANSFER CASE



ART\_70027373

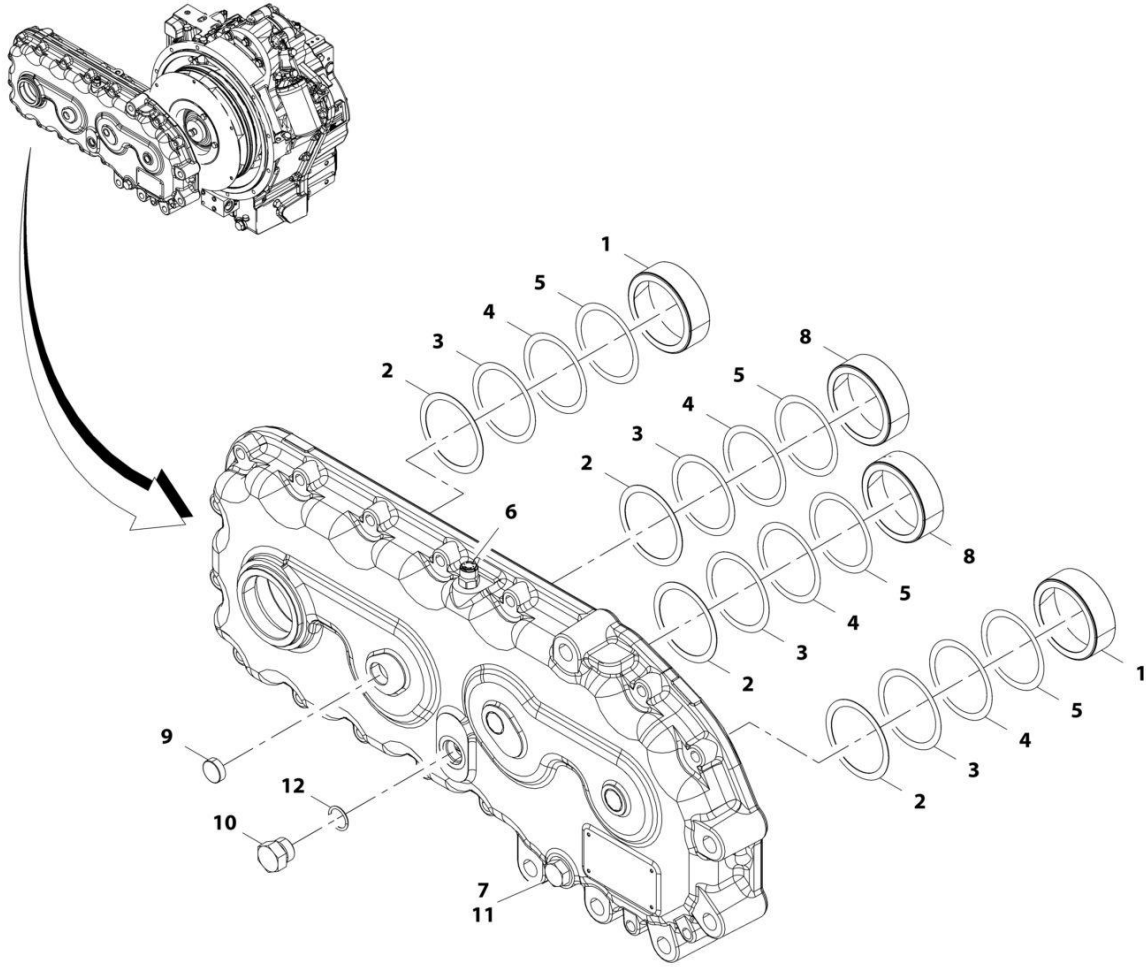
## SECTION 5 - DRIVE TRAIN

### FIGURE 5-60. FRONT TRANSFER CASE

ITEM	PART NUMBER	QTY	DESCRIPTION	REV
	70027373	Ref	Front Transfer Case	
1	70025506	1	Plug	
2	70024635	1	Cup, Roller Bearing	
3	70025494	2	Cup, Bearing	
4	70025497	1	Cup, Roller Bearing	
5	70025495	2	Dowel	
6	70027387	1	O-Ring	

# SECTION 5 - DRIVE TRAIN

## FIGURE 5-61. REAR TRANSFER CASE



ART\_70027375

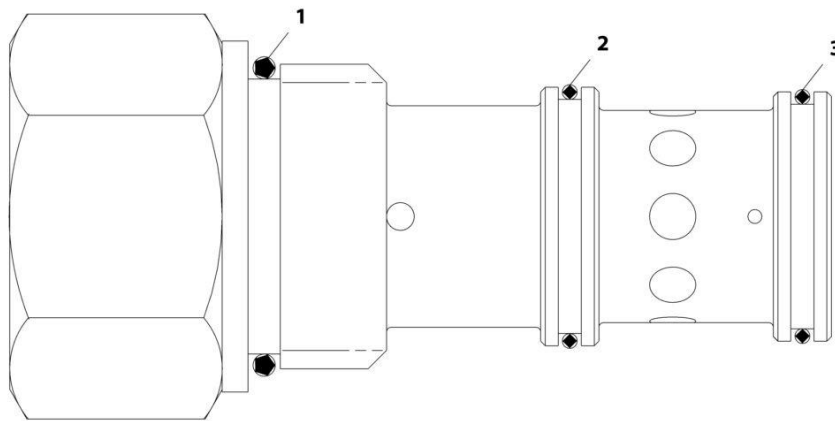
## SECTION 5 - DRIVE TRAIN

### FIGURE 5-61. REAR TRANSFER CASE

ITEM	PART NUMBER	QTY	DESCRIPTION	REV
	70027375	Ref	Rear Transfer Case	
1	70025497	2	Cup, Roller Bearing	
2	70025502	4	Shim, 0.236	
3	70025501	4	Shim, 0.007	
4	70025500	4	Shim, 0.003	
5	70025499	4	Shim, 0.002	
6	70027374	1	Breather	
7	70024646	1	Plug	
8	70025494	2	Cup, Bearing	
9	70024641	3	Cap	
10	70025506	1	Plug	
11	7022730	1	O-Ring	
12	70027387	1	O-Ring	

# SECTION 5 - DRIVE TRAIN

## FIGURE 5-62. RELIEF VALVE



ART\_70025469



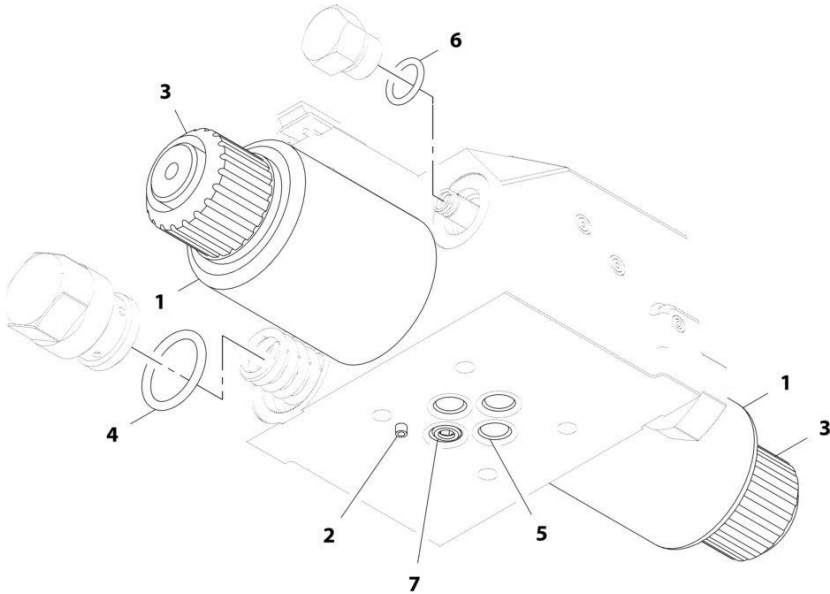
## SECTION 5 - DRIVE TRAIN

### FIGURE 5-62. RELIEF VALVE

ITEM	PART NUMBER	QTY	DESCRIPTION	REV
	70025469	Ref	Valve, Relief	
1	70027679	1	O-Ring	
2	70027678	1	O-Ring	
3	70027660	1	O-Ring	

**SECTION 5 - DRIVE TRAIN**

**FIGURE 5-63. SOLENOID VALVE**



ART\_70027362

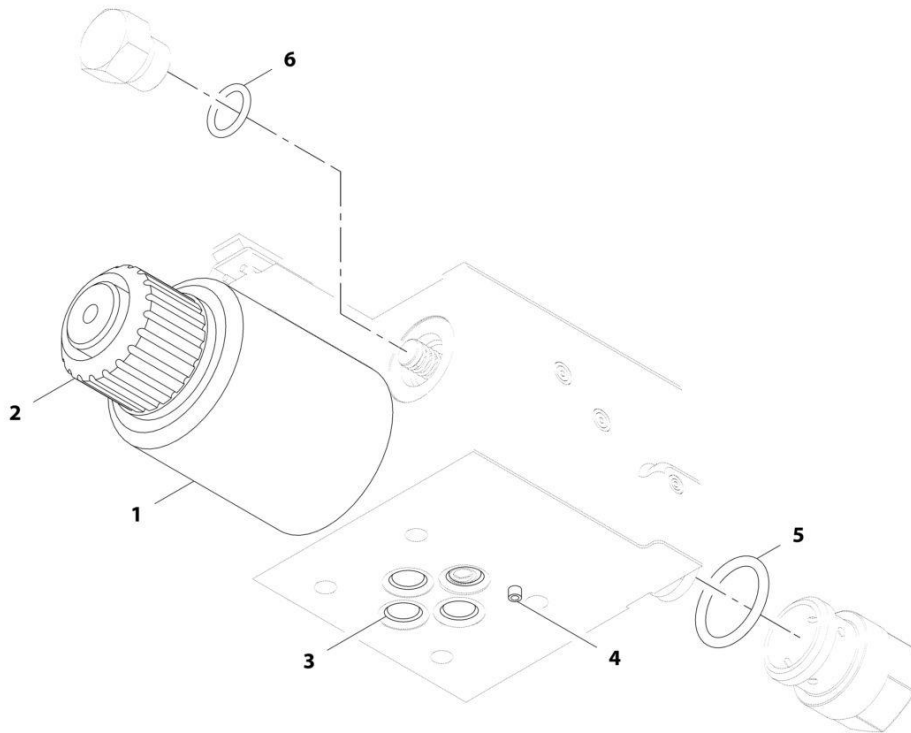
## SECTION 5 - DRIVE TRAIN

### FIGURE 5-63. SOLENOID VALVE

ITEM	PART NUMBER	QTY	DESCRIPTION	REV
	70027362	Ref	Solenoid Valve	
1	70025456	2	Coil, Solenoid	
2	70027389	1	Pin	
3	70025457	2	Assembly, Solenoid	
	70027677	1	O-Ring	
	70025455	1	Nut, Self Locking	
4	70027352	2	O-Ring	
5	70025466	4	O-Ring	
6	70027353	2	O-Ring	
7	70027361	1	Plug	

# SECTION 5 - DRIVE TRAIN

## FIGURE 5-64. SOLENOID VALVE



ART\_70027363

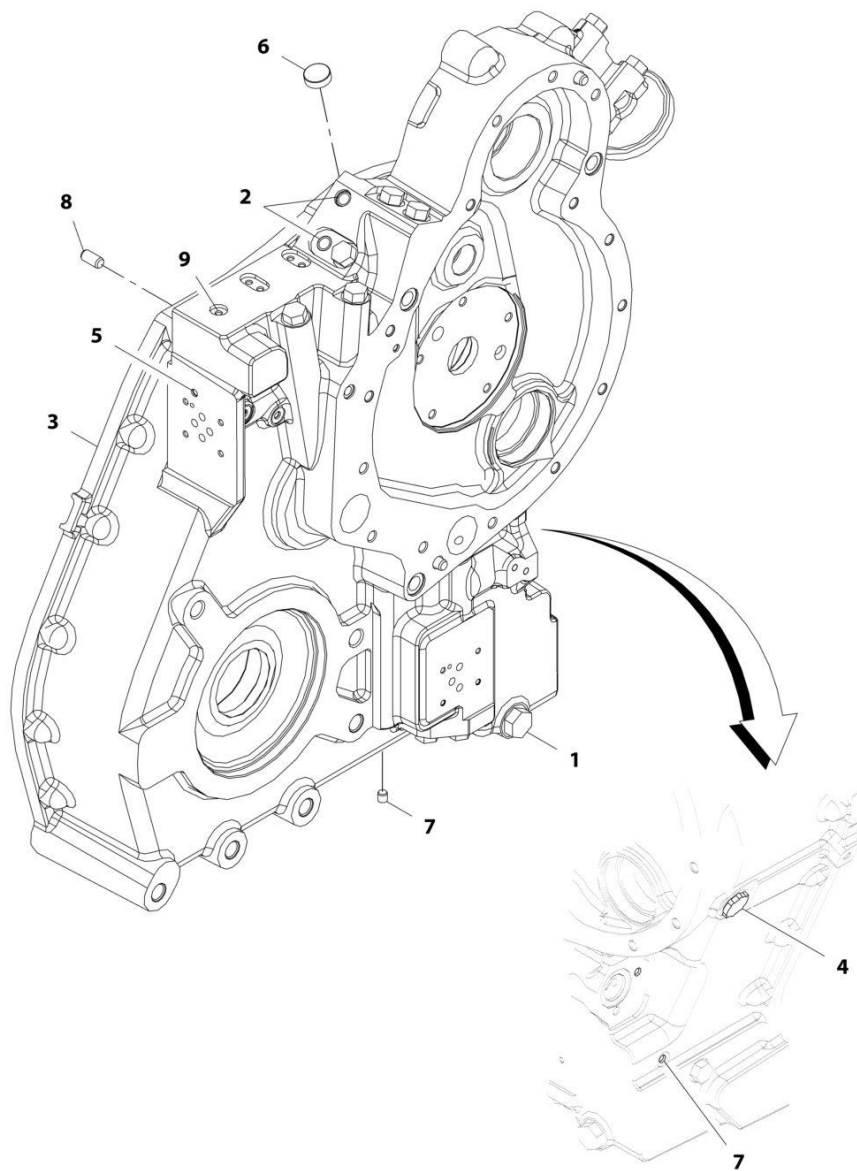
## SECTION 5 - DRIVE TRAIN

### FIGURE 5-64. SOLENOID VALVE

ITEM	PART NUMBER	QTY	DESCRIPTION	REV
	70027363	Ref	Solenoid Valve	
1	70025456	1	Coil, Solenoid	
2	70025457	1	Tube	
	70027677	1	O-Ring	
	70025455	1	Nut, Self Locking	
3	70025466	4	O-Ring	
4	70027389	1	Pin	
5	70027352	1	O-Ring	
6	70027353	1	O-Ring	

# SECTION 5 - DRIVE TRAIN

## FIGURE 5-65. FRONT TRANSMISSION CASE ASSEMBLY



ART\_70025467

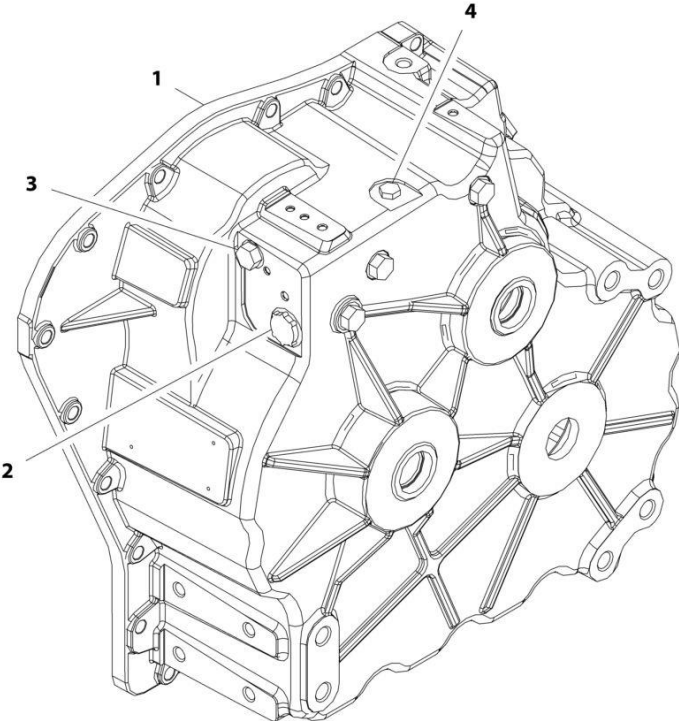
## SECTION 5 - DRIVE TRAIN

### FIGURE 5-65. FRONT TRANSMISSION CASE ASSEMBLY

ITEM	PART NUMBER	QTY	DESCRIPTION	REV
	70025467	Ref	Front Transmission Case Assembly	
1	70024646	1	Plug	
2	70025471	2	Plug	
3	70027669	1	Case, Front Transmission	
	70027354	1	Adapter	
4	70027337	1	Plug	
5	70027338	4	Plug	
6	70024641	1	Cap	
7	70027339	3	Plug	
8	70025495	4	Dowel	
9	70027328	7	Plug	

**SECTION 5 - DRIVE TRAIN**

**FIGURE 5-66. REAR TRANSMISSION CASE ASSEMBLY**



ART\_70025430



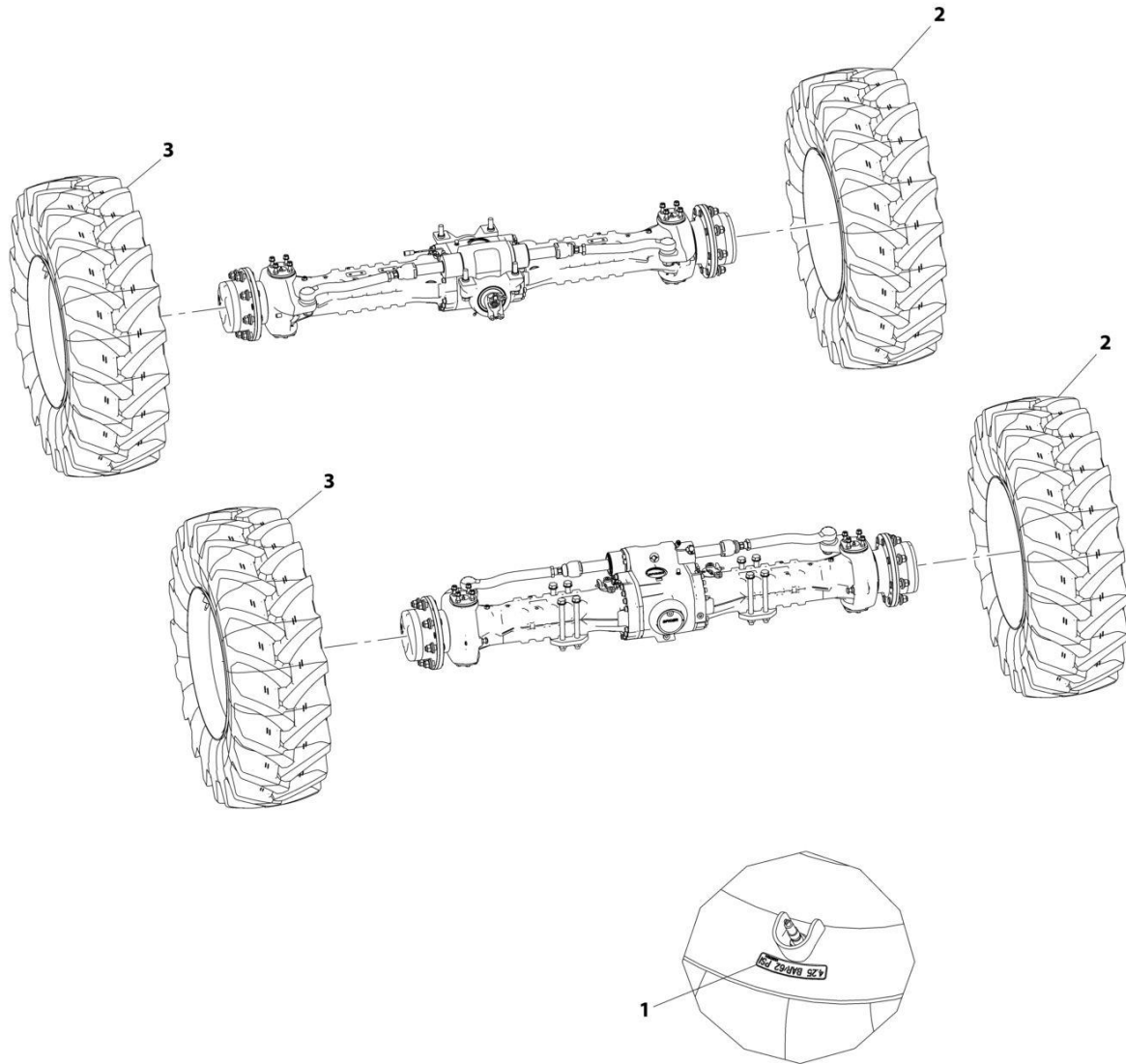
## SECTION 5 - DRIVE TRAIN

**FIGURE 5-66. REAR TRANSMISSION CASE ASSEMBLY**

ITEM	PART NUMBER	QTY	DESCRIPTION	REV
	70025430	Ref	Rear Transmission Case Assembly	
1	70027366	1	Case, Rear Transmission	
	70027338	4	Plug	
	70027339	4	Plug	
2	70027337	1	Plug	
3	70027663	4	Assembly, Plug	
	70025525	1	O-Ring	
	70025524	1	Plug	
4	70025529	1	Plug	

# SECTION 5 - DRIVE TRAIN

FIGURE 5-67. TIRE/WHEEL SET (AIR - 15.5/80-24 - 16PR)



ART\_1001216851-A

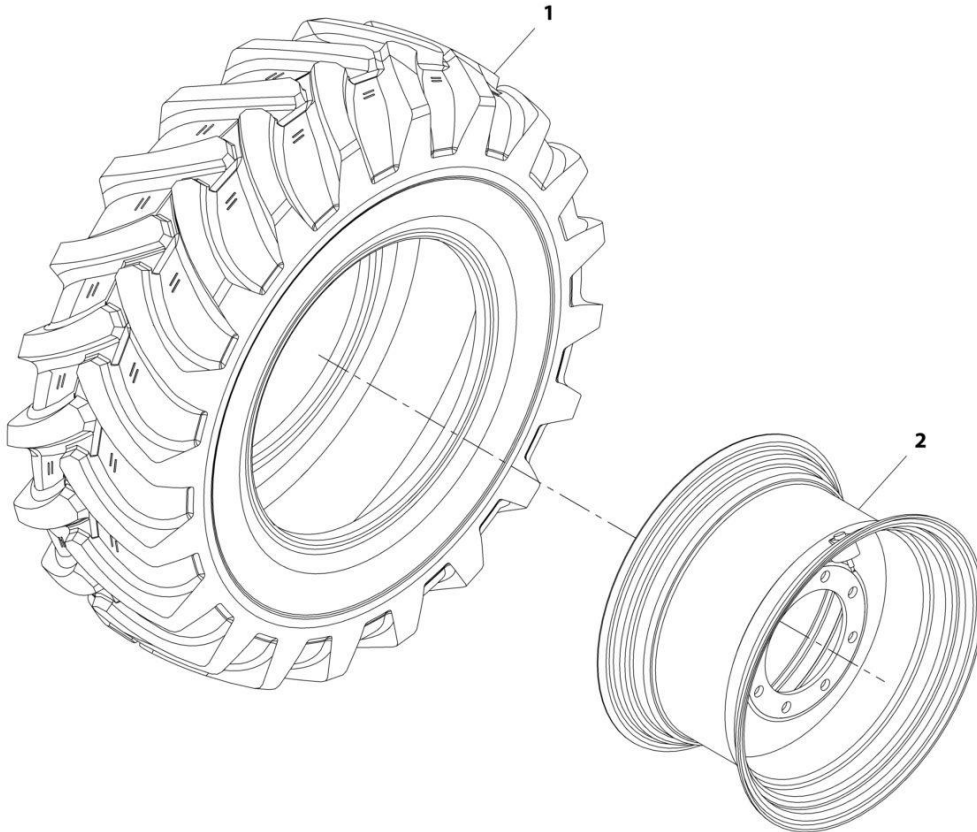
## SECTION 5 - DRIVE TRAIN

**FIGURE 5-67. TIRE/WHEEL SET (AIR - 15.5/80-24 - 16PR)**

ITEM	PART NUMBER	QTY	DESCRIPTION	REV
1	1001216851	1	Tire/Wheel Set (Air - 15.5/80-24 - 16PR or PLY)	A
1	1001112924	4	Decal	
2	1001216664	2	Assembly, Left Tire/Wheel (Air - 15.5/80-24 - 16PR) (See Separate Breakdown in this Section)	
3	1001216667	2	Assembly, Right Tire/Wheel (Air - 15.5/80-24 - 16PR) (See Separate Breakdown in this Section)	

## SECTION 5 - DRIVE TRAIN

FIGURE 5-68. RIGHT TIRE/WHEEL ASSEMBLY (AIR - 15.5/80-24 - 16PR)



ART\_1001216667-A

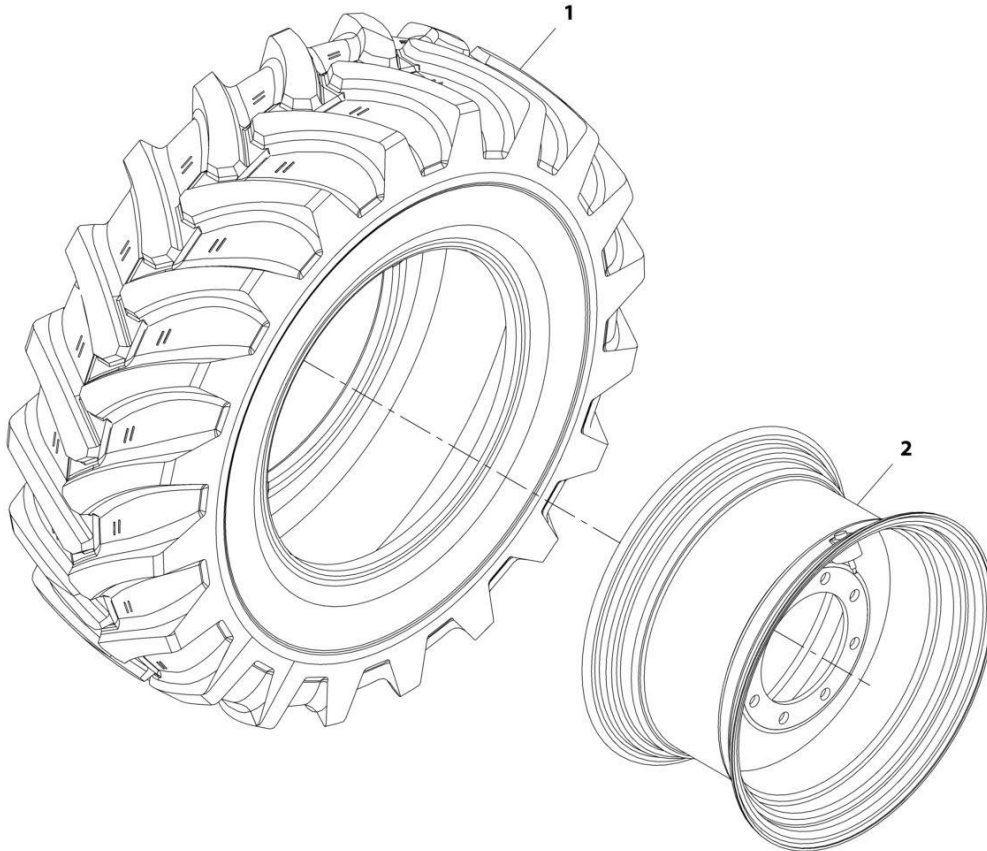
## SECTION 5 - DRIVE TRAIN

**FIGURE 5-68. RIGHT TIRE/WHEEL ASSEMBLY (AIR - 15.5/80-24 - 16PR)**

ITEM	PART NUMBER	QTY	DESCRIPTION	REV
	1001216667	Ref	Right Tire/Wheel Assembly (Air - 15.5/80-24 - 16PR)	A
1	1001214479	1	Tire, 15.5/80-24 16 PLY	
2	1001216661	1	Wheel, RH Rim	

## SECTION 5 - DRIVE TRAIN

FIGURE 5-69. LEFT TIRE/WHEEL ASSEMBLY (AIR - 15.5/80-24 - 16PR)



ART\_1001216664-A

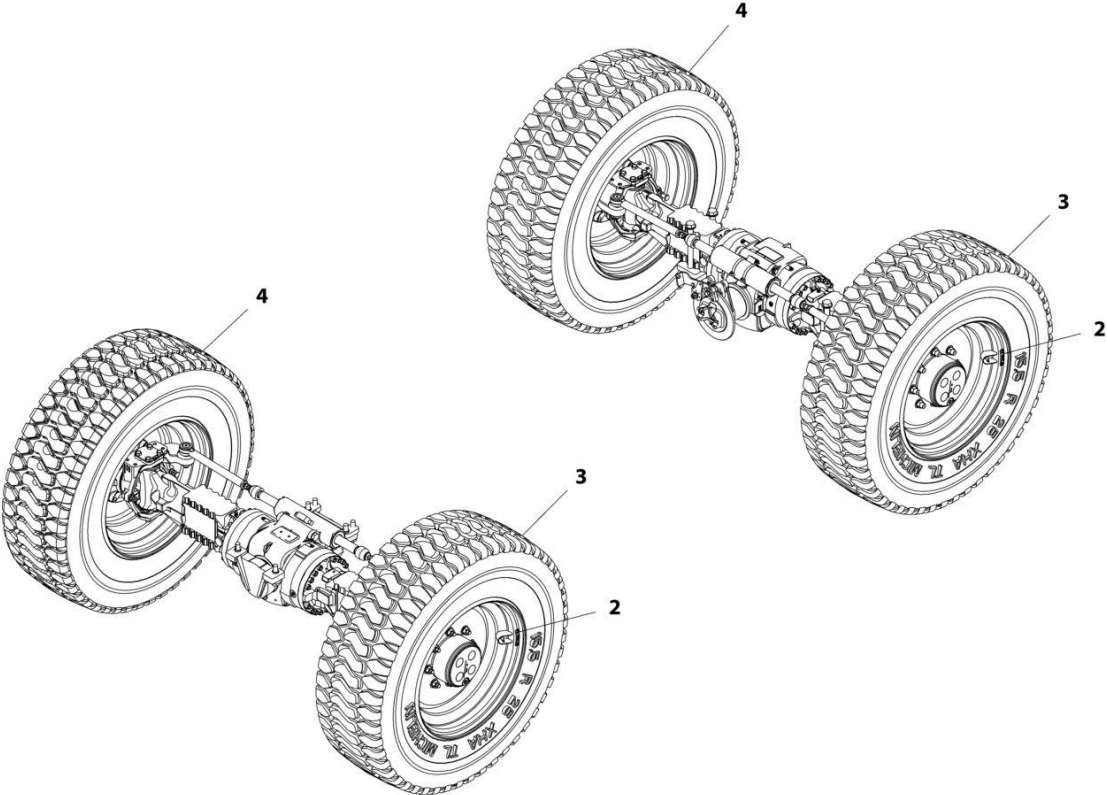
## SECTION 5 - DRIVE TRAIN

**FIGURE 5-69. LEFT TIRE/WHEEL ASSEMBLY (AIR - 15.5/80-24 - 16PR)**

ITEM	PART NUMBER	QTY	DESCRIPTION	REV
	1001216664	Ref	Left Tire/Wheel Assembly (Air - 15.5/80-24 - 16PR)	A
1	1001214479	1	Tire, 15.5/80-24 16 PLY	
2	1001216658	1	Wheel, LH Rim	

**SECTION 5 - DRIVE TRAIN**

**FIGURE 5-70. TIRE/WHEEL SET (AIR - 15.5 R25 XHA TL)**



ART\_1001178300-B



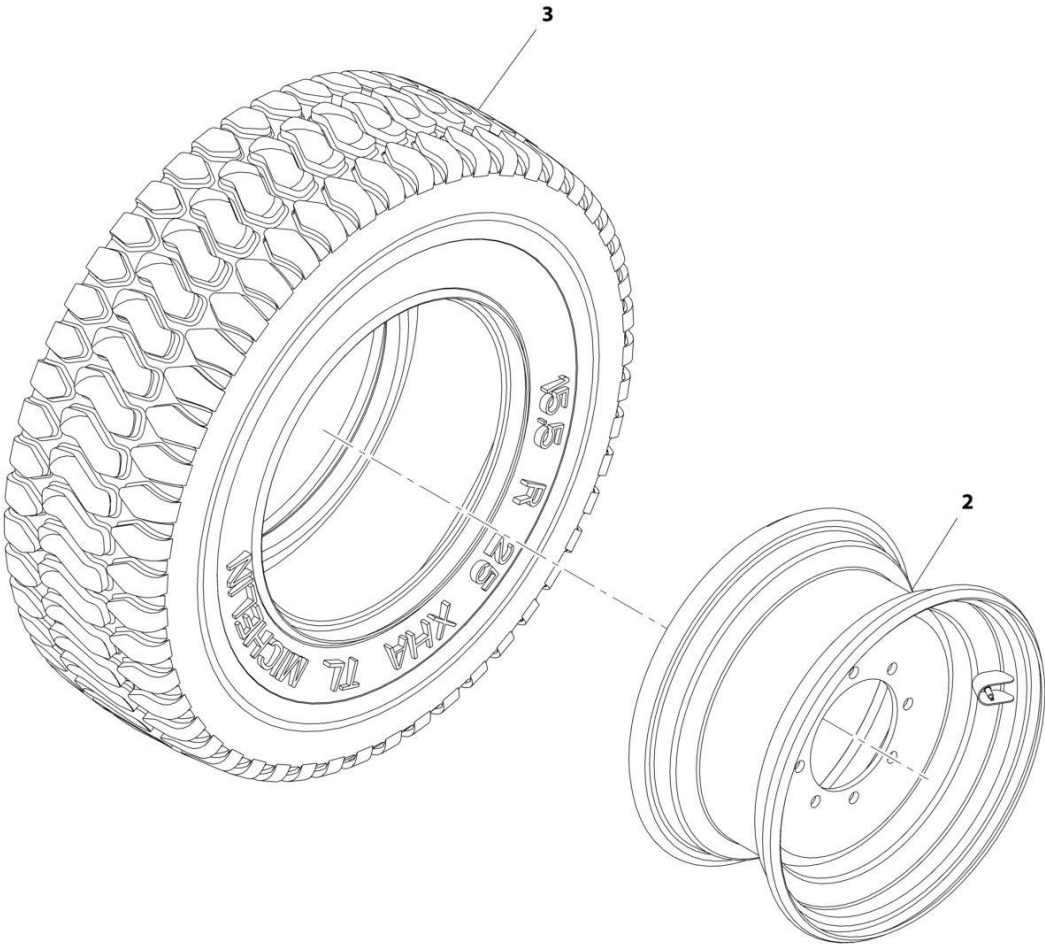
## SECTION 5 - DRIVE TRAIN

**FIGURE 5-70. TIRE/WHEEL SET (AIR - 15.5 R25 XHA TL)**

ITEM	PART NUMBER	QTY	DESCRIPTION	REV
	1001178300	1	Tire/Wheel Set (Air - 15.5 R25 XHA TL)	B
2	1001112924	1	Decal	
3	1001178298	2	Assembly, Right Tire/Wheel (Air - 15.5 R25) (See Separate Breakdown in this Section)	
4	1001178299	2	Assembly, Left Tire/Wheel (Air - 15.5 R25) (See Separate Breakdown in this Section)	

**SECTION 5 - DRIVE TRAIN**

**FIGURE 5-71. RIGHT TIRE/WHEEL ASSEMBLY (AIR - 15.5 R25)**



ART\_1001178298-8

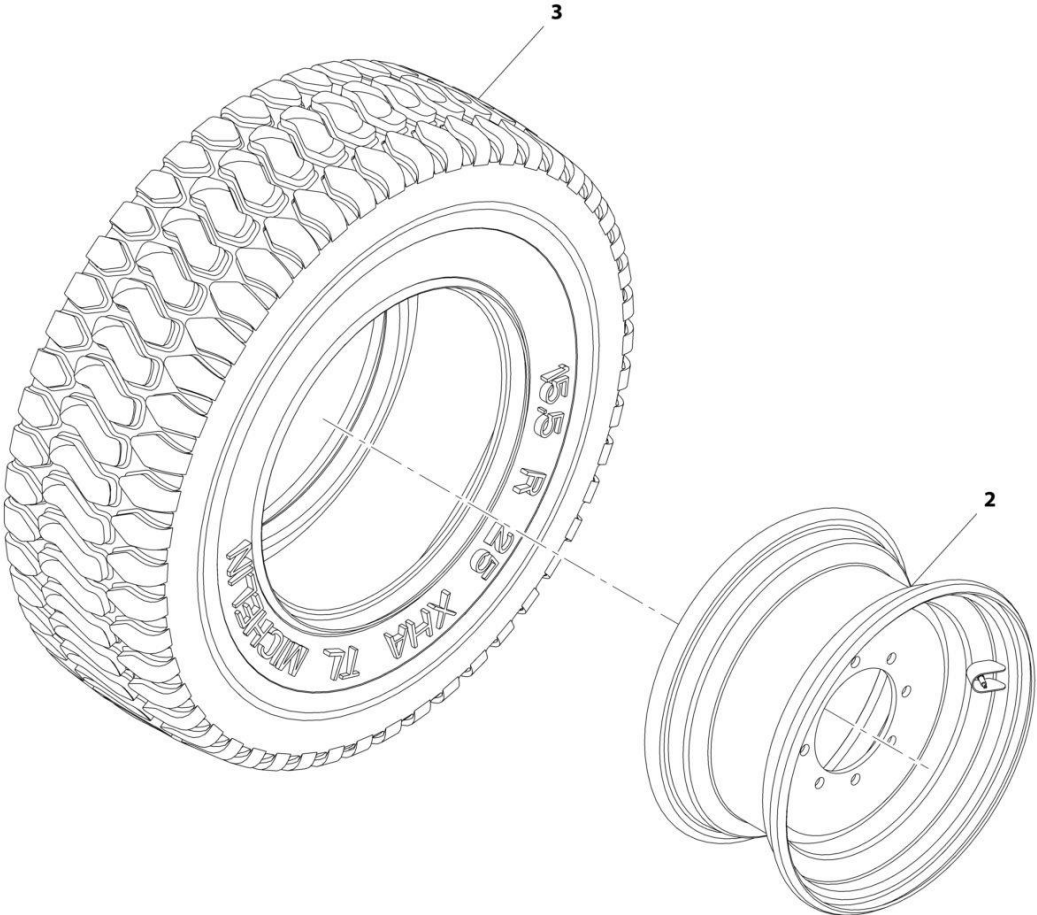
## SECTION 5 - DRIVE TRAIN

**FIGURE 5-71. RIGHT TIRE/WHEEL ASSEMBLY (AIR - 15.5 R25)**

ITEM	PART NUMBER	QTY	DESCRIPTION	REV
	1001178298	Ref	Right Tire/Wheel Assembly (Air - 15.5 R25)	B
2	1001212602	1	Wheel, RH Rim	
3	1001172807	1	Tire, 15.5 R 25 XHA TL	

**SECTION 5 - DRIVE TRAIN**

**FIGURE 5-72. LEFT TIRE/WHEEL ASSEMBLY (AIR - 15.5 R25)**



ART\_1001178299-B

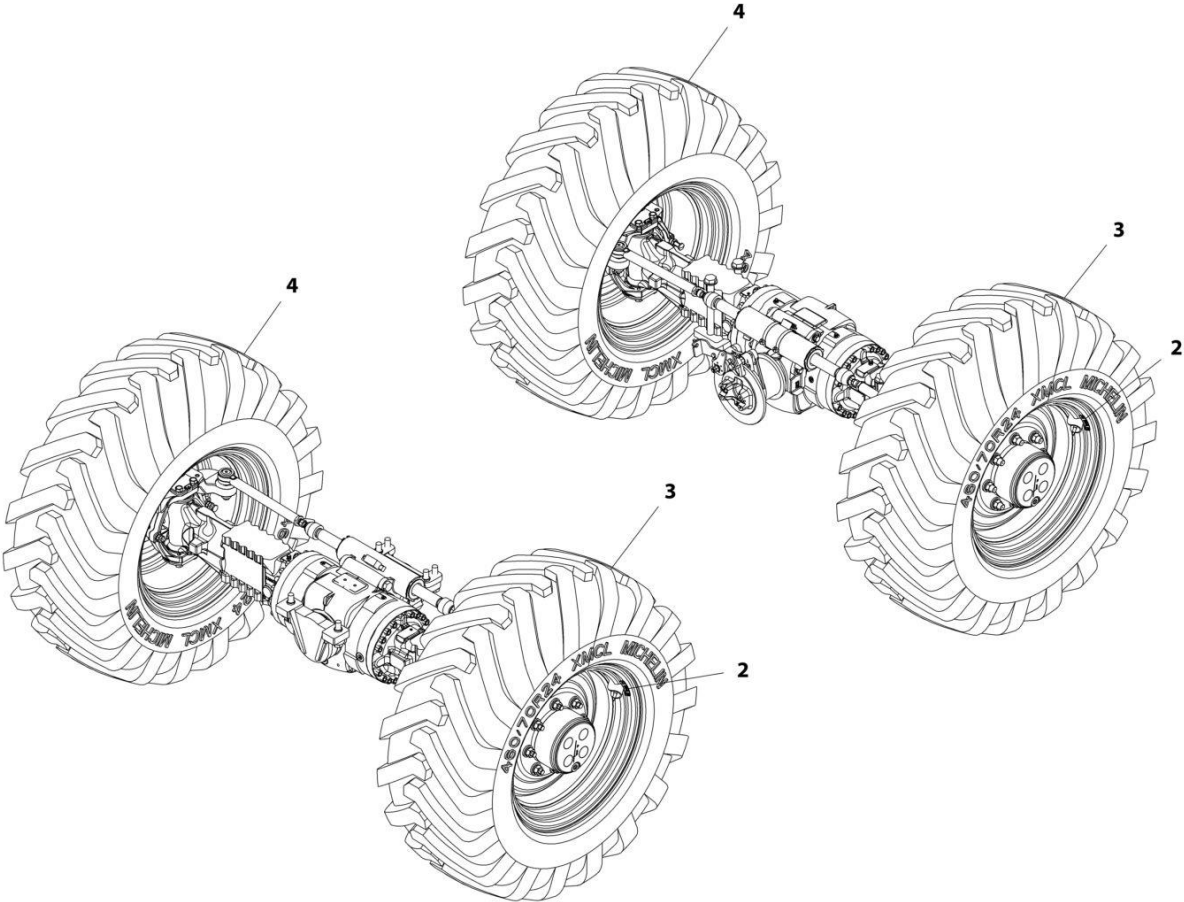
## SECTION 5 - DRIVE TRAIN

**FIGURE 5-72. LEFT TIRE/WHEEL ASSEMBLY (AIR - 15.5 R25)**

ITEM	PART NUMBER	QTY	DESCRIPTION	REV
	1001178299	Ref	Left Tire/Wheel Assembly (Air - 15.5 R25)	B
2	1001212603	1	Wheel, LH Rim	
3	1001172807	1	Tire, 15.5 R 25 XHA TL	

**SECTION 5 - DRIVE TRAIN**

**FIGURE 5-73. TIRE/WHEEL SET (AIR - 460/70 R24 XMCL)**



ART\_1001142285-D

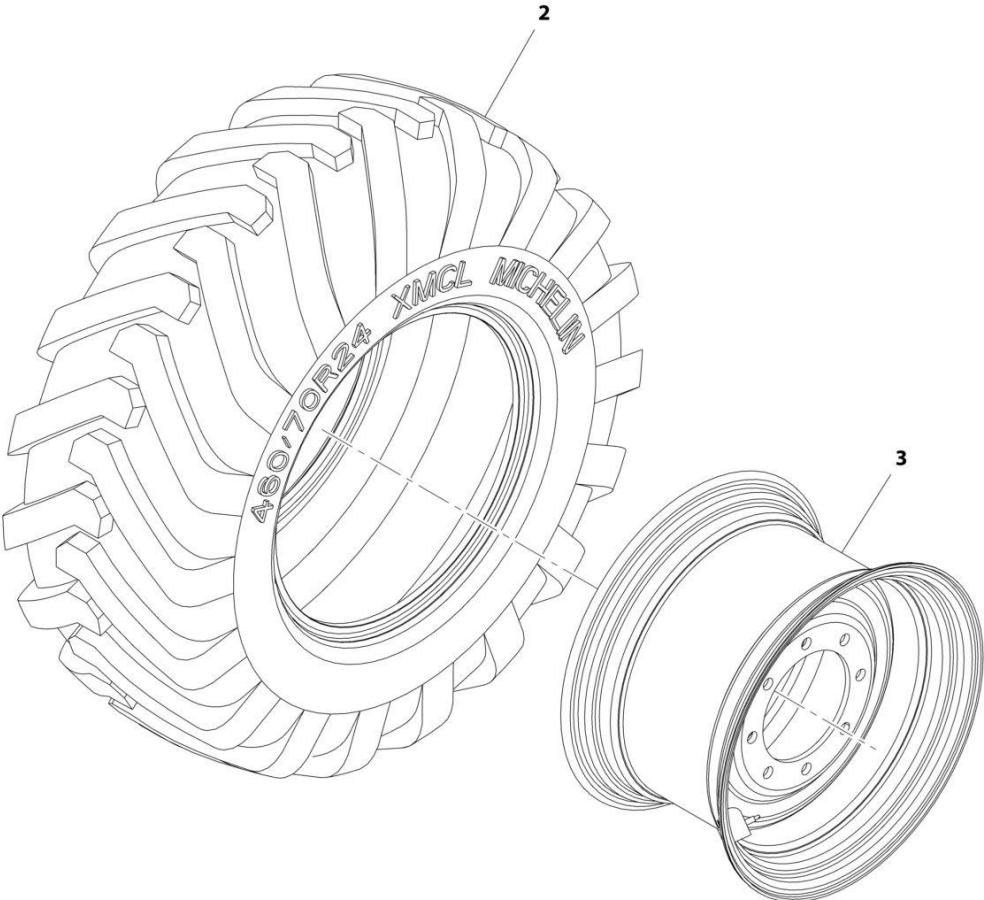
## SECTION 5 - DRIVE TRAIN

**FIGURE 5-73. TIRE/WHEEL SET (AIR - 460/70 R24 XMCL)**

ITEM	PART NUMBER	QTY	DESCRIPTION	REV
	1001142285	1	Tire/Wheel Set (Air - 460/70 R24 XMCL)	D
2	8005827	4	Label	
3	1001142286	2	Assembly, Right Tire/Wheel (Air - 460/70 R24) (See Separate Breakdown in this Section)	
4	1001142287	2	Assembly, Left Tire/Wheel (Air - 460/70 R24) (See Separate Breakdown in this Section)	

**SECTION 5 - DRIVE TRAIN**

**FIGURE 5-74. RIGHT TIRE/WHEEL ASSEMBLY (AIR - 460/70 R24)**



ART\_1001142286-C



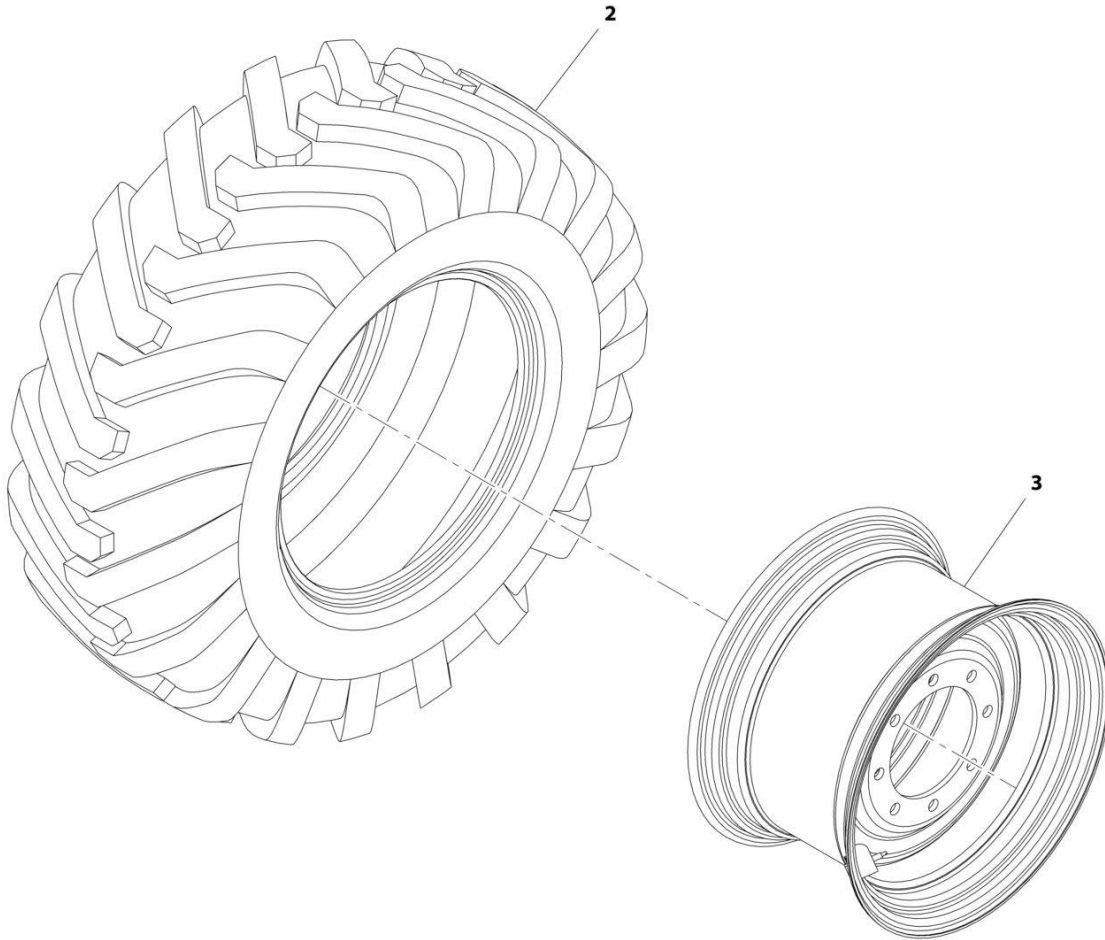
## SECTION 5 - DRIVE TRAIN

**FIGURE 5-74. RIGHT TIRE/WHEEL ASSEMBLY (AIR - 460/70 R24)**

ITEM	PART NUMBER	QTY	DESCRIPTION	REV
	1001142286	Ref	Right Tire/Wheel Assembly (Air - 460/70 R24)	C
2	1001092008	1	Tire, 460/70 R 24 XMCL	
3	1001212590	1	Wheel, RH Rim	

## SECTION 5 - DRIVE TRAIN

FIGURE 5-75. LEFT TIRE/WHEEL ASSEMBLY (AIR - 460/70 R24)



ART\_1001142287-C

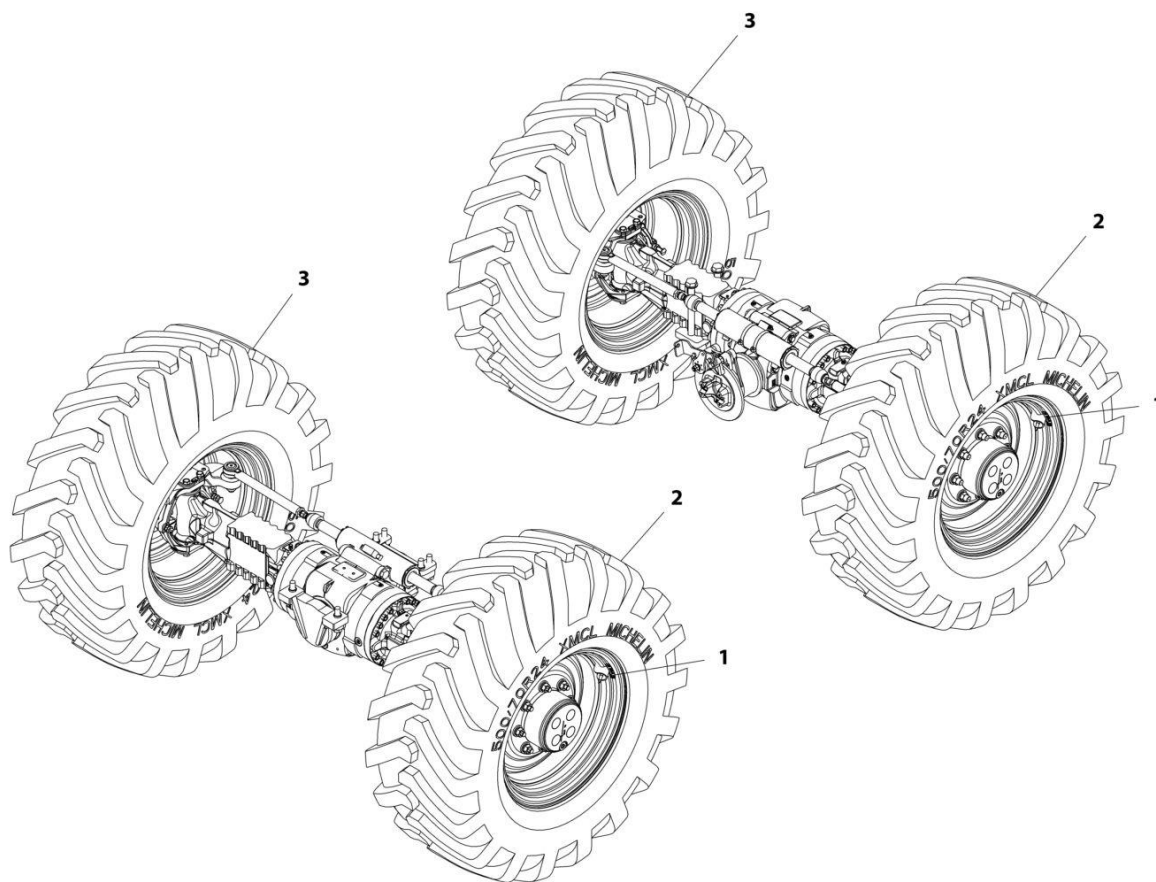
## SECTION 5 - DRIVE TRAIN

**FIGURE 5-75. LEFT TIRE/WHEEL ASSEMBLY (AIR - 460/70 R24)**

ITEM	PART NUMBER	QTY	DESCRIPTION	REV
	1001142287	Ref	Left Tire/Wheel Assembly (Air - 460/70 R24)	C
2	1001092008	1	Tire, 460/70 R 24 XMCL	
3	1001212591	1	Wheel, LH Rim	

# SECTION 5 - DRIVE TRAIN

FIGURE 5-76. TIRE/WHEEL SET (AIR - 500/70 R24 XMCL)



ART\_1001142288-D

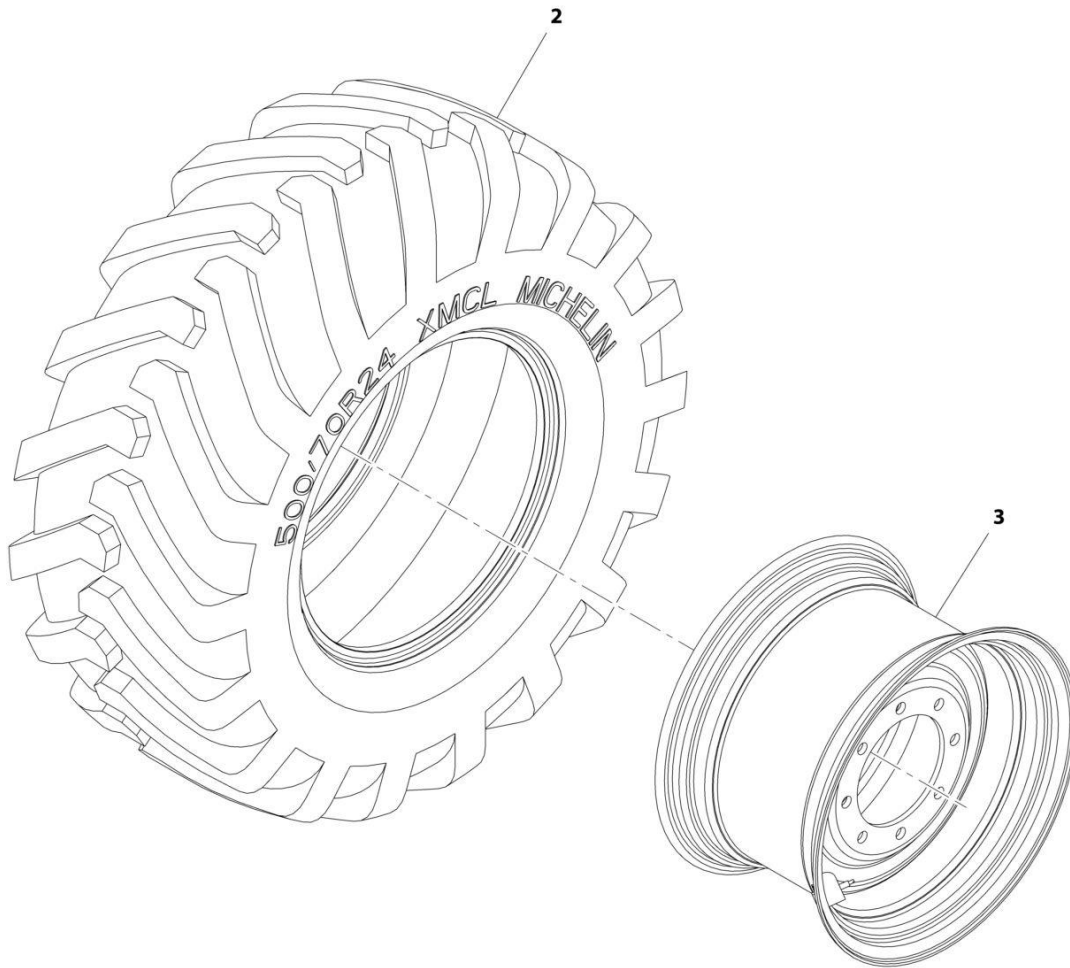
## SECTION 5 - DRIVE TRAIN

**FIGURE 5-76. TIRE/WHEEL SET (AIR - 500/70 R24 XMCL)**

ITEM	PART NUMBER	QTY	DESCRIPTION	REV
	1001142288	1	Tire/Wheel Set (Air - 500/70 R24 XMCL)	D
1	1001127728	4	Decal	
2	1001142289	2	Assembly, Right Tire/Wheel (Air - 500/70 R24) (See Separate Breakdown in this Section)	
3	1001142290	2	Assembly, Left Tire/Wheel (Air - 500/70 R24) (See Separate Breakdown in this Section)	

## SECTION 5 - DRIVE TRAIN

FIGURE 5-77. RIGHT TIRE/WHEEL ASSEMBLY (AIR - 500/70 R24)



ART\_1001142289-B

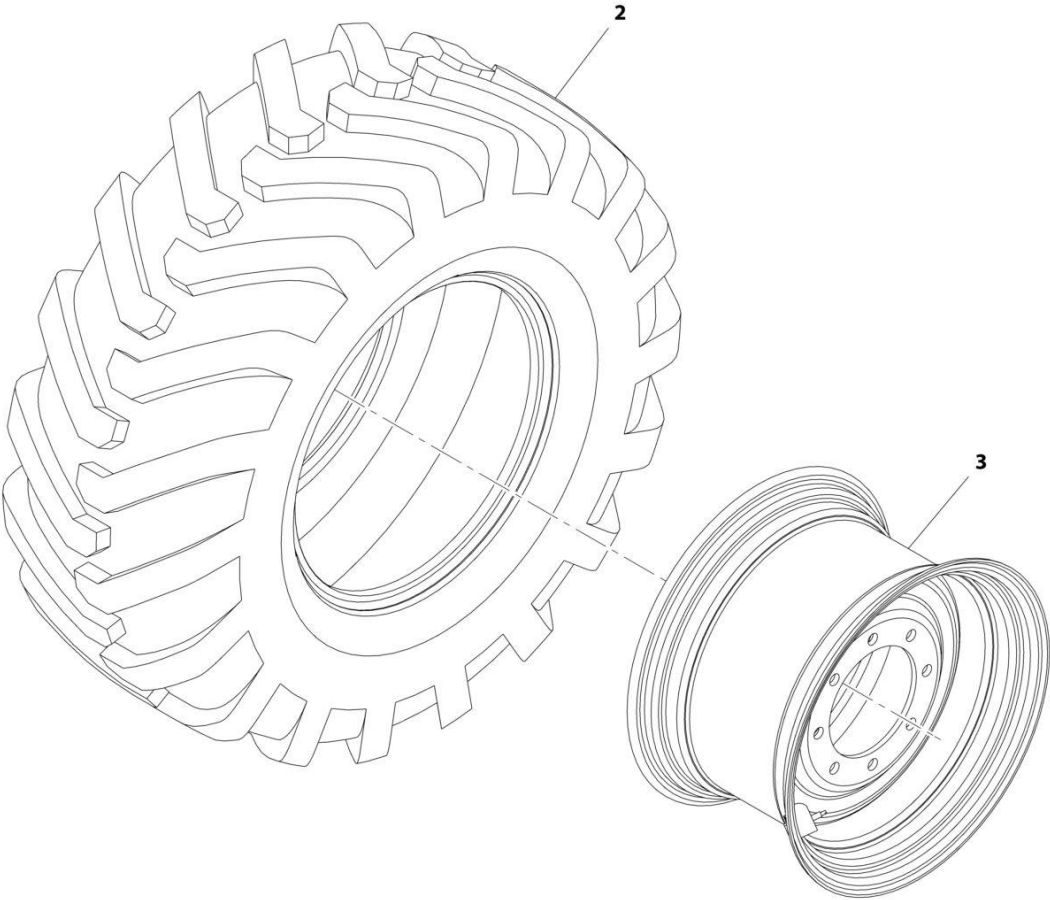
## SECTION 5 - DRIVE TRAIN

**FIGURE 5-77. RIGHT TIRE/WHEEL ASSEMBLY (AIR - 500/70 R24)**

ITEM	PART NUMBER	QTY	DESCRIPTION	REV
	1001142289	Ref	Right Tire/Wheel Assembly (Air - 500/70 R24)	B
2	1001092009	1	Tire, 500/70 R 24 XMCL	
3	1001212598	1	Wheel, RH Rim	

**SECTION 5 - DRIVE TRAIN**

**FIGURE 5-78. LEFT TIRE/WHEEL ASSEMBLY (AIR - 500/70 R24)**



ART\_1001142290-B



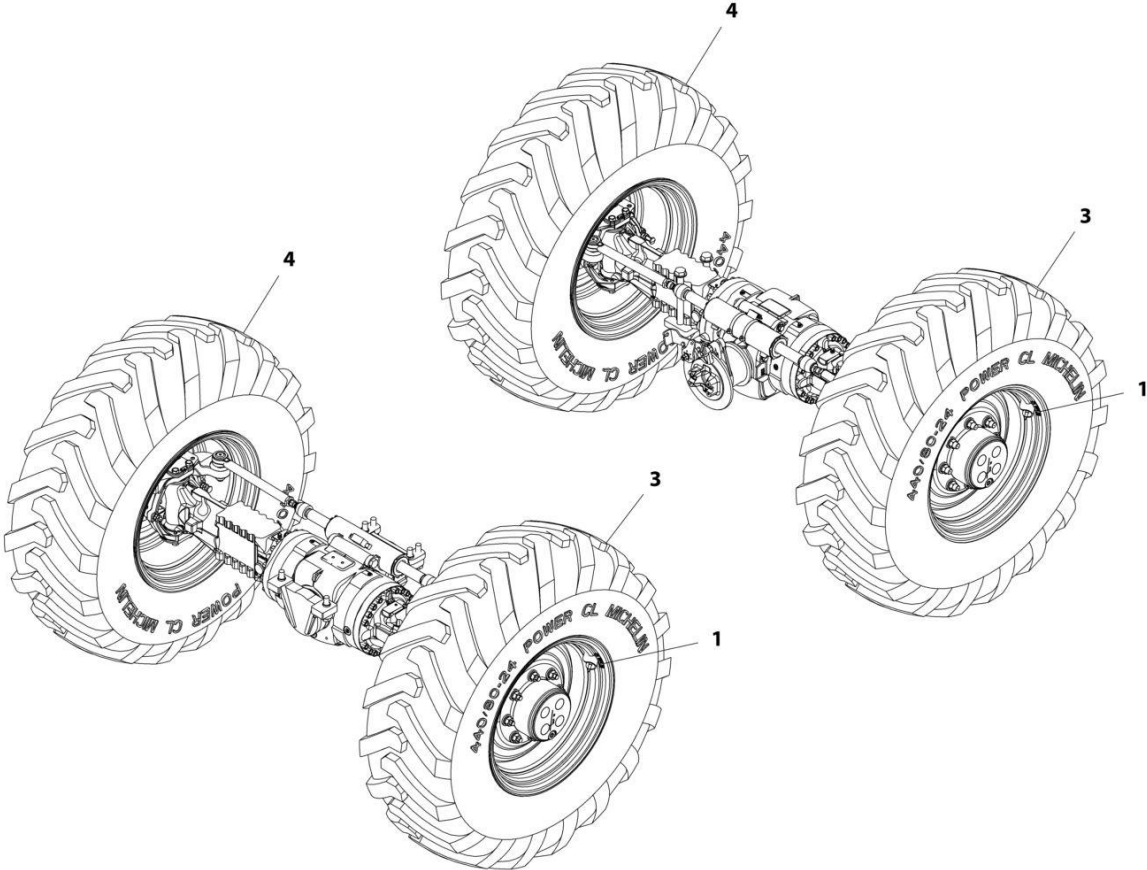
## SECTION 5 - DRIVE TRAIN

**FIGURE 5-78. LEFT TIRE/WHEEL ASSEMBLY (AIR - 500/70 R24)**

ITEM	PART NUMBER	QTY	DESCRIPTION	REV
	1001142290	Ref	Left Tire/Wheel Assembly (Air - 500/70 R24)	B
2	1001092009	1	Tire, 500/70 R 24 XMCL	
3	1001212599	1	Wheel, LH Rim	

**SECTION 5 - DRIVE TRAIN**

**FIGURE 5-79. TIRE/WHEEL SET (AIR - 440/80-24 POWER CL)**



ART\_1001142291-C

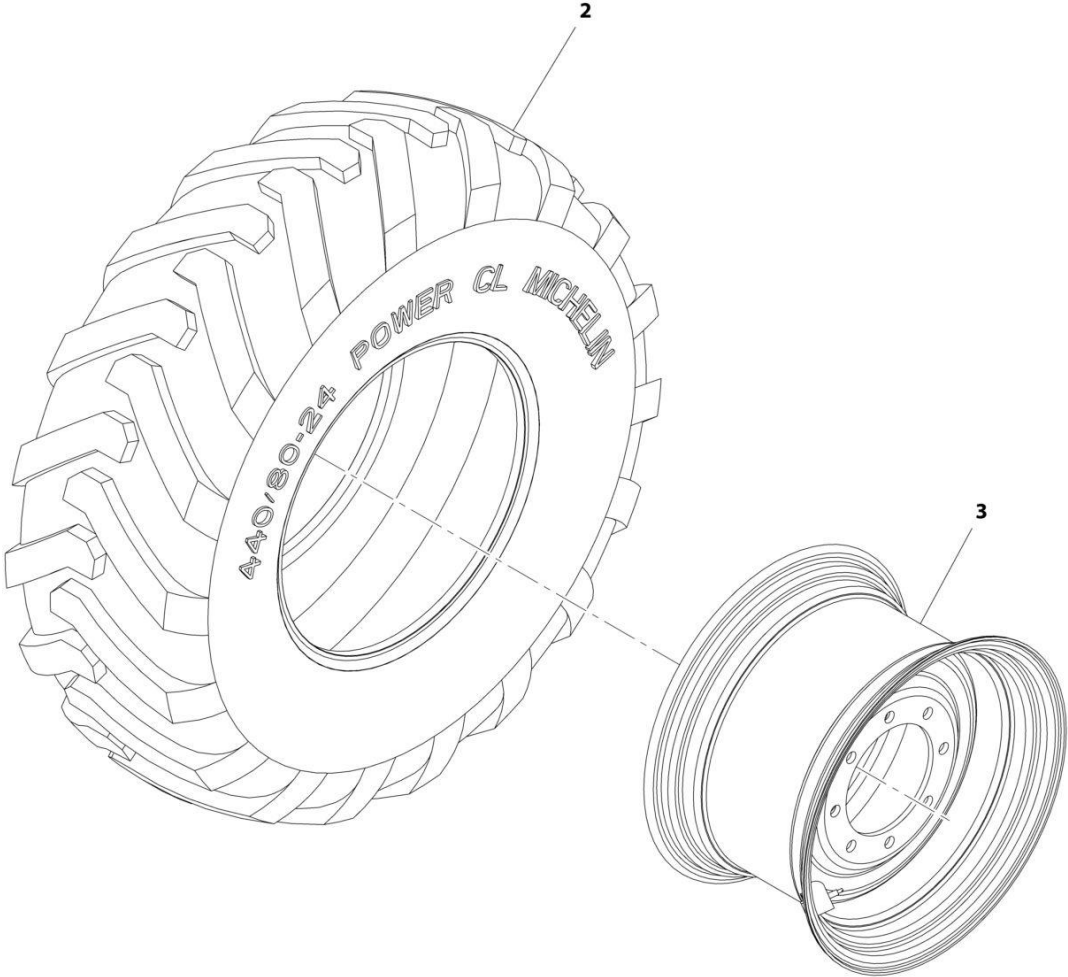
## SECTION 5 - DRIVE TRAIN

**FIGURE 5-79. TIRE/WHEEL SET (AIR - 440/80-24 POWER CL)**

ITEM	PART NUMBER	QTY	DESCRIPTION	REV
	1001142291	1	Tire/Wheel Set (Air - 440/80-24 Power CL)	C
1	8005825	4	Label	
3	1001142292	2	Assembly, Right Tire/Wheel (Air - 440/80-24) (See Separate Breakdown in this Section)	
4	1001142293	2	Assembly, Left Tire/Wheel (Air - 440/80-24) (See Separate Breakdown in this Section)	

**SECTION 5 - DRIVE TRAIN**

**FIGURE 5-80. RIGHT TIRE/WHEEL ASSEMBLY (AIR - 440/80-24)**



ART\_1001142292-B

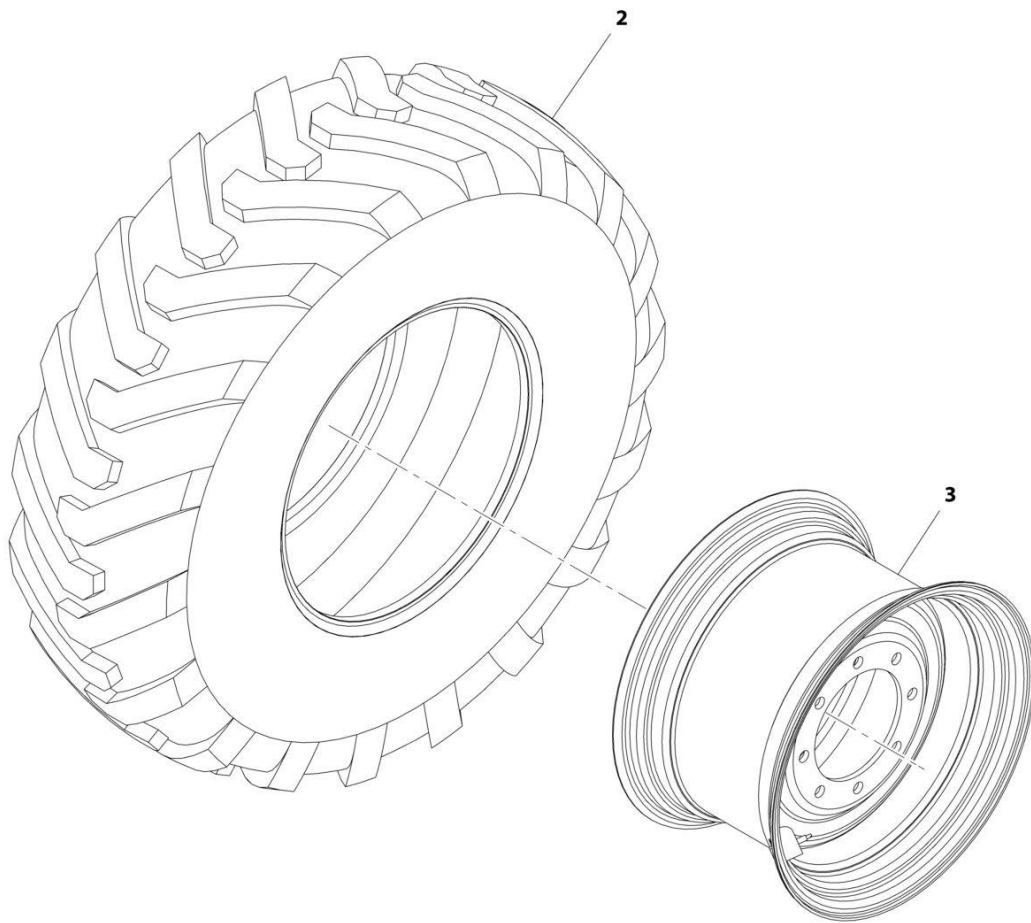
## SECTION 5 - DRIVE TRAIN

**FIGURE 5-80. RIGHT TIRE/WHEEL ASSEMBLY (AIR - 440/80-24)**

ITEM	PART NUMBER	QTY	DESCRIPTION	REV
	1001142292	Ref	Right Tire/Wheel Assembly (Air - 440/80-24)	B
2	1001100651	1	Tire, 440/80-24 Power CL	
3	1001212600	1	Wheel, RH Rim	

## SECTION 5 - DRIVE TRAIN

FIGURE 5-81. LEFT TIRE/WHEEL ASSEMBLY (AIR - 440/80-24)



ART\_1001142293-B

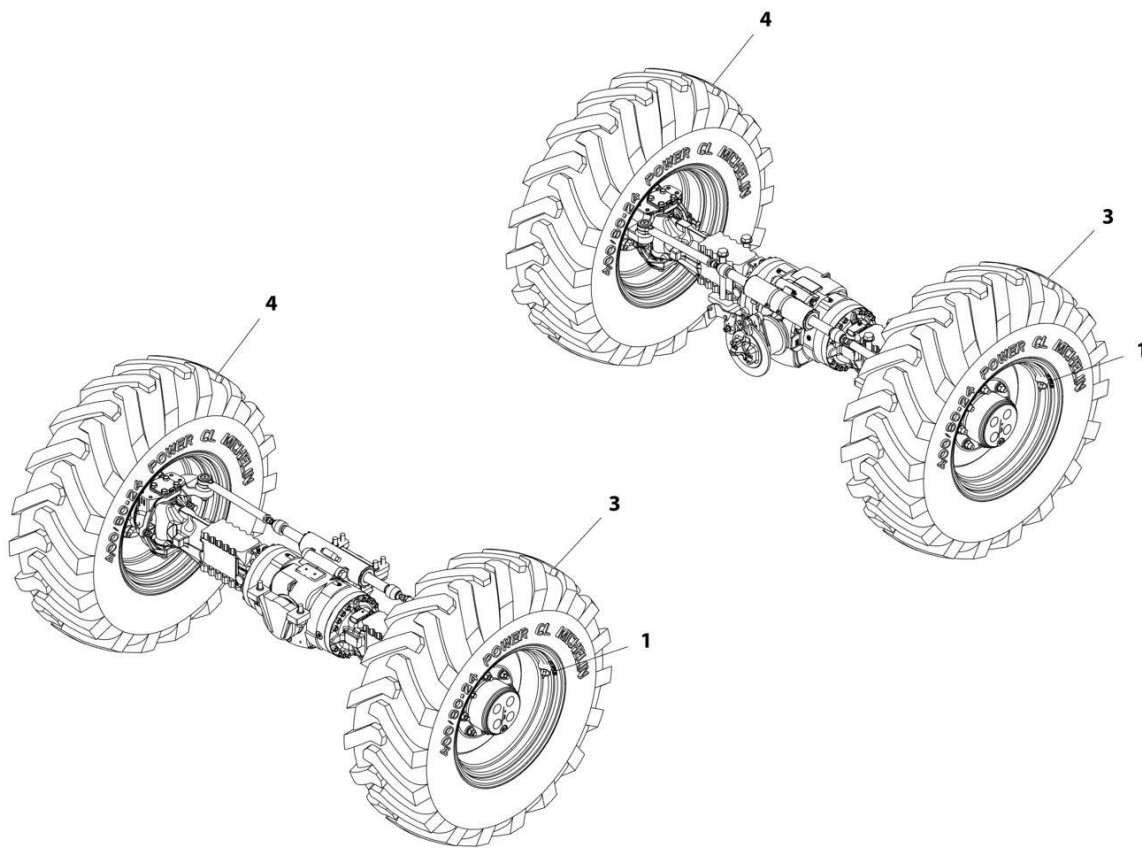
## SECTION 5 - DRIVE TRAIN

**FIGURE 5-81. LEFT TIRE/WHEEL ASSEMBLY (AIR - 440/80-24)**

ITEM	PART NUMBER	QTY	DESCRIPTION	REV
	1001142293	Ref	Left Tire/Wheel Assembly (Air - 440/80-24)	B
2	1001100651	1	Tire, 440/80-24 Power CL	
3	1001212601	1	Wheel, LH Rim	

# SECTION 5 - DRIVE TRAIN

FIGURE 5-82. TIRE/WHEEL SET (AIR - 400/80-24 POWER CL)



ART\_1001142315-C



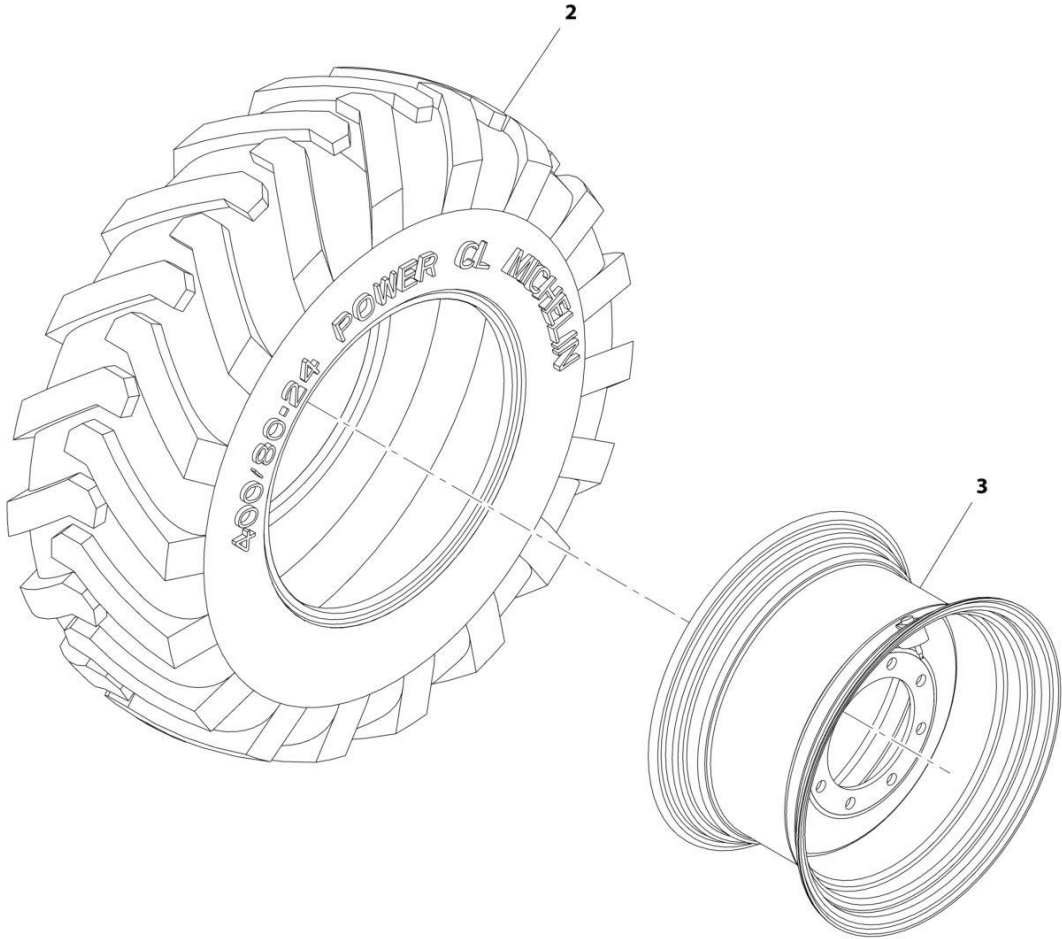
## SECTION 5 - DRIVE TRAIN

**FIGURE 5-82. TIRE/WHEEL SET (AIR - 400/80-24 POWER CL)**

ITEM	PART NUMBER	QTY	DESCRIPTION	REV
	1001142315	1	Tire/Wheel Set (Air - 400/80-24 Power CL)	C
1	8005827	4	Label	
3	1001142281	2	Assembly, Right Tire/Wheel (Air - 400/80-24) (See Separate Breakdown in this Section)	
4	1001142316	2	Assembly, Left Tire/Wheel (Air - 400/80-24) (See Separate Breakdown in this Section)	

**SECTION 5 - DRIVE TRAIN**

**FIGURE 5-83. RIGHT TIRE/WHEEL ASSEMBLY (AIR - 400/80-24)**



ART\_1001142281-B

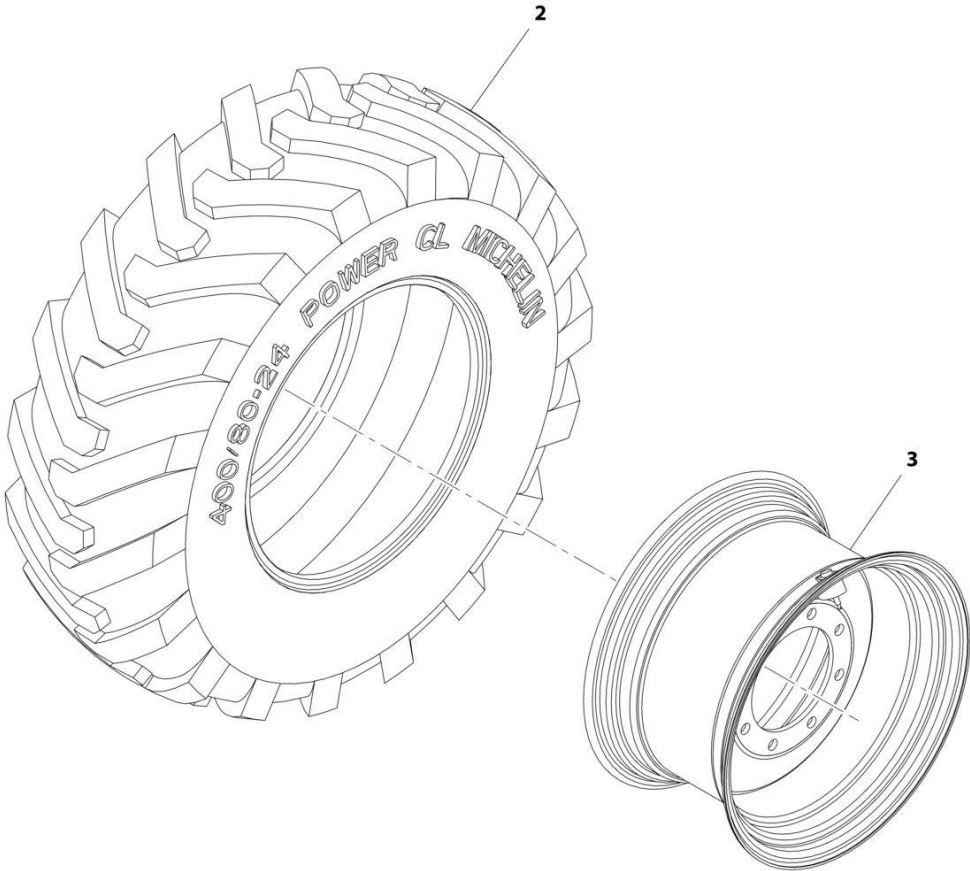
## SECTION 5 - DRIVE TRAIN

**FIGURE 5-83. RIGHT TIRE/WHEEL ASSEMBLY (AIR - 400/80-24)**

ITEM	PART NUMBER	QTY	DESCRIPTION	REV
	1001142281	Ref	Right Tire/Wheel Assembly (Air - 400/80-24)	B
2	1001099204	1	Tire, 400/80 - 24 Power CL	
3	1001212594	1	Wheel, RH Rim	

**SECTION 5 - DRIVE TRAIN**

**FIGURE 5-84. LEFT TIRE/WHEEL ASSEMBLY (AIR - 400/80-24)**



ART\_1001142316-B

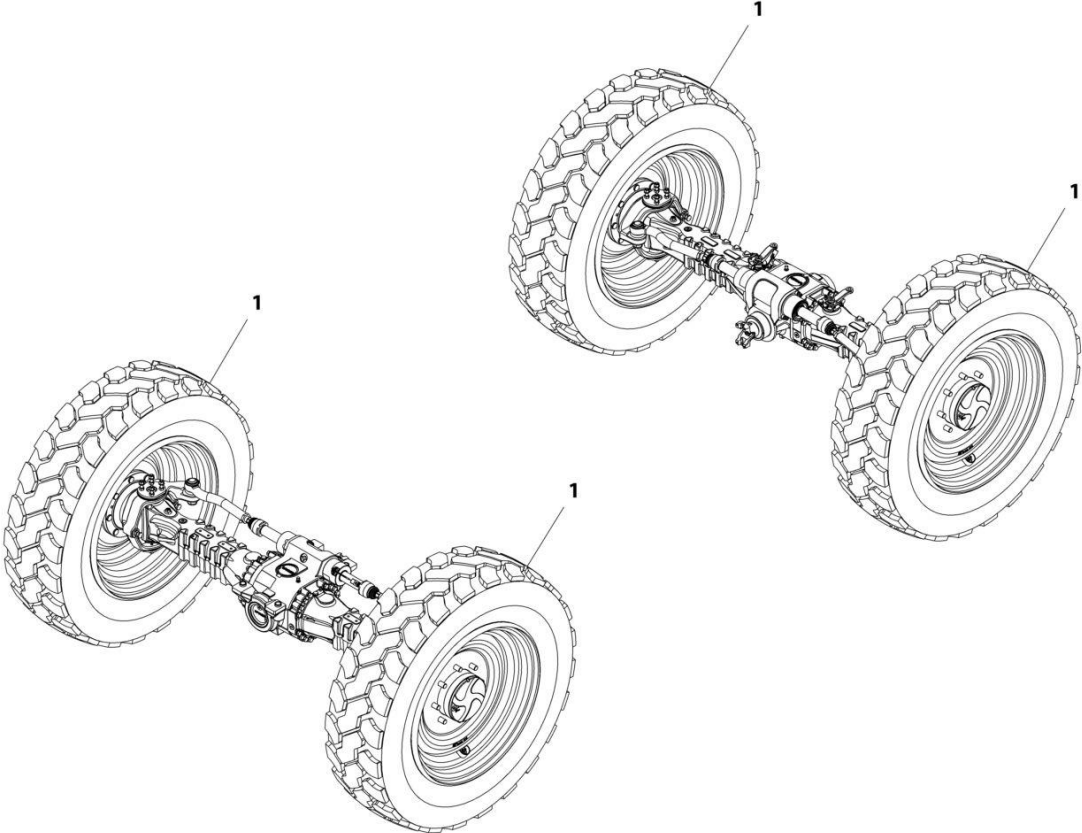
## SECTION 5 - DRIVE TRAIN

**FIGURE 5-84. LEFT TIRE/WHEEL ASSEMBLY (AIR - 400/80-24)**

ITEM	PART NUMBER	QTY	DESCRIPTION	REV
	1001142316	Ref	Left Tire/Wheel Assembly (Air - 400/80-24)	B
2	1001099204	1	Tire, 400/80 - 24 Power CL	
3	1001212595	1	Wheel, LH Rim	

**SECTION 5 - DRIVE TRAIN**

**FIGURE 5-85. TIRE/WHEEL SET (AIR - 370/75-28)**



ART\_1001179719-A

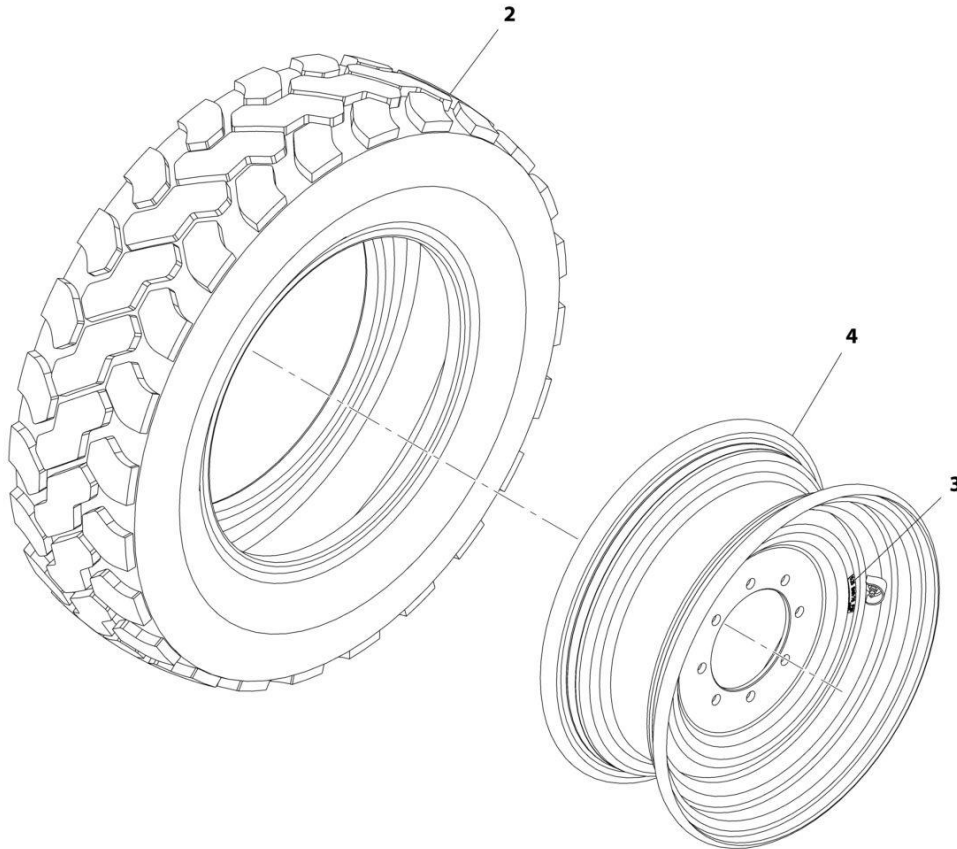
## SECTION 5 - DRIVE TRAIN

**FIGURE 5-85. TIRE/WHEEL SET (AIR - 370/75-28)**

ITEM	PART NUMBER	QTY	DESCRIPTION	REV
1	1001179719	1	Tire/Wheel Set (Air - 370/75-28)	A
	1001196385	4	Assembly, Tire/Wheel (Air - 370/75-28 14PR) (See Separate Breakdown in this Section)	

## SECTION 5 - DRIVE TRAIN

FIGURE 5-86. TIRE/WHEEL ASSEMBLY (AIR - 370/75-28)



ART\_1001196385-B



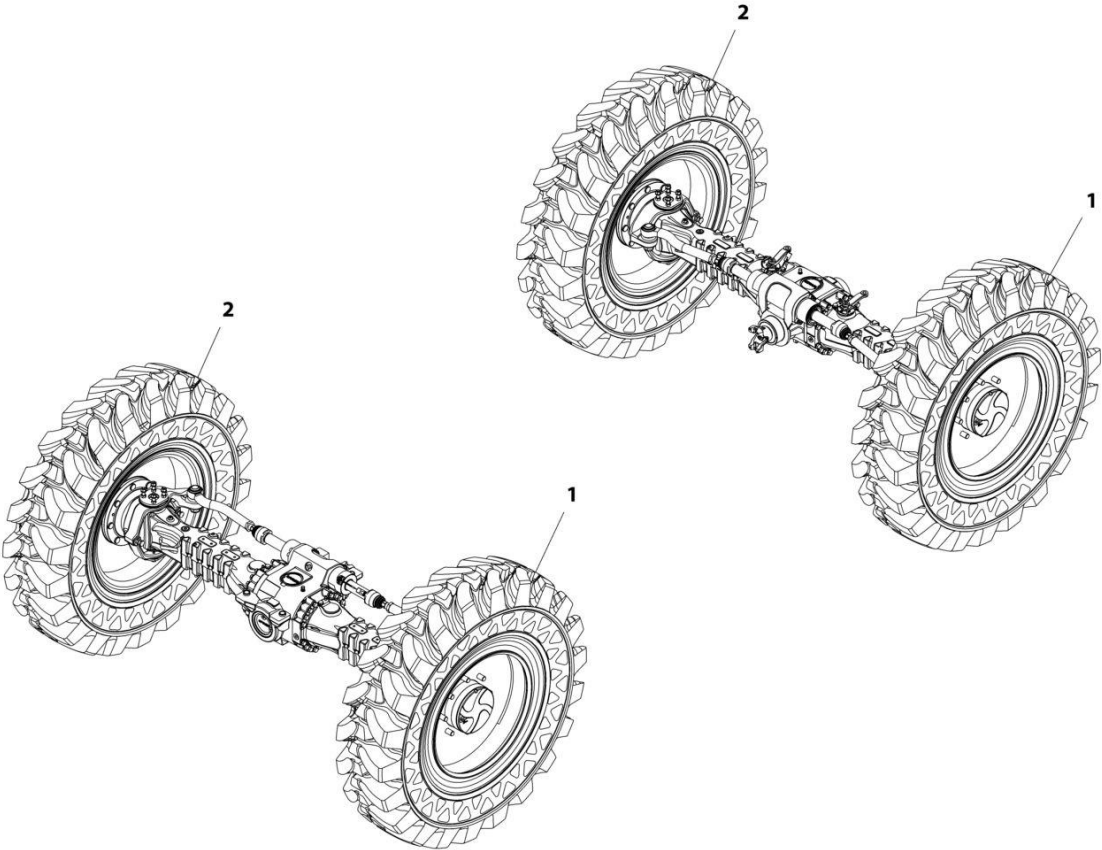
## SECTION 5 - DRIVE TRAIN

**FIGURE 5-86. TIRE/WHEEL ASSEMBLY (AIR - 370/75-28)**

ITEM	PART NUMBER	QTY	DESCRIPTION	REV
	1001196385	Ref	Tire/Wheel Assembly (Air - 370/75-28 14PR)	B
2	1001100284	1	Tire, 370/75-28	
3	1001112923	1	Decal	
4	1001219857	1	Wheel, Rim	

**SECTION 5 - DRIVE TRAIN**

**FIGURE 5-87. TIRE/WHEEL SET (FOAM - 13X24)**



ART\_1001179720-A

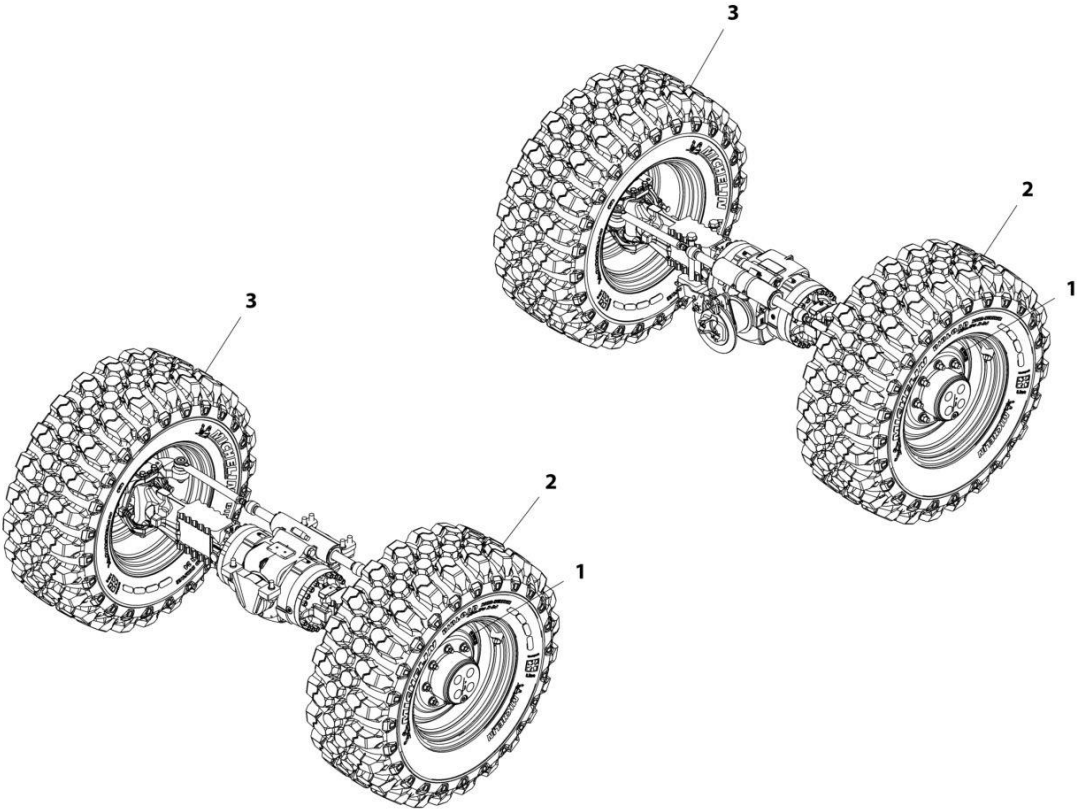
## SECTION 5 - DRIVE TRAIN

**FIGURE 5-87. TIRE/WHEEL SET (FOAM - 13X24)**

ITEM	PART NUMBER	QTY	DESCRIPTION	REV
	1001179720	1	Tire/Wheel Set (Foam - 13X24)	A
1	1001196448J	2	Wheel, RH 13X24 Solid	
2	1001196449J	2	Wheel, LH 13X24 Solid	

**SECTION 5 - DRIVE TRAIN**

**FIGURE 5-88. TIRE/WHEEL SET (AIR - 460/70 R24 - BIBLOAD)**



ART\_1001200143-A

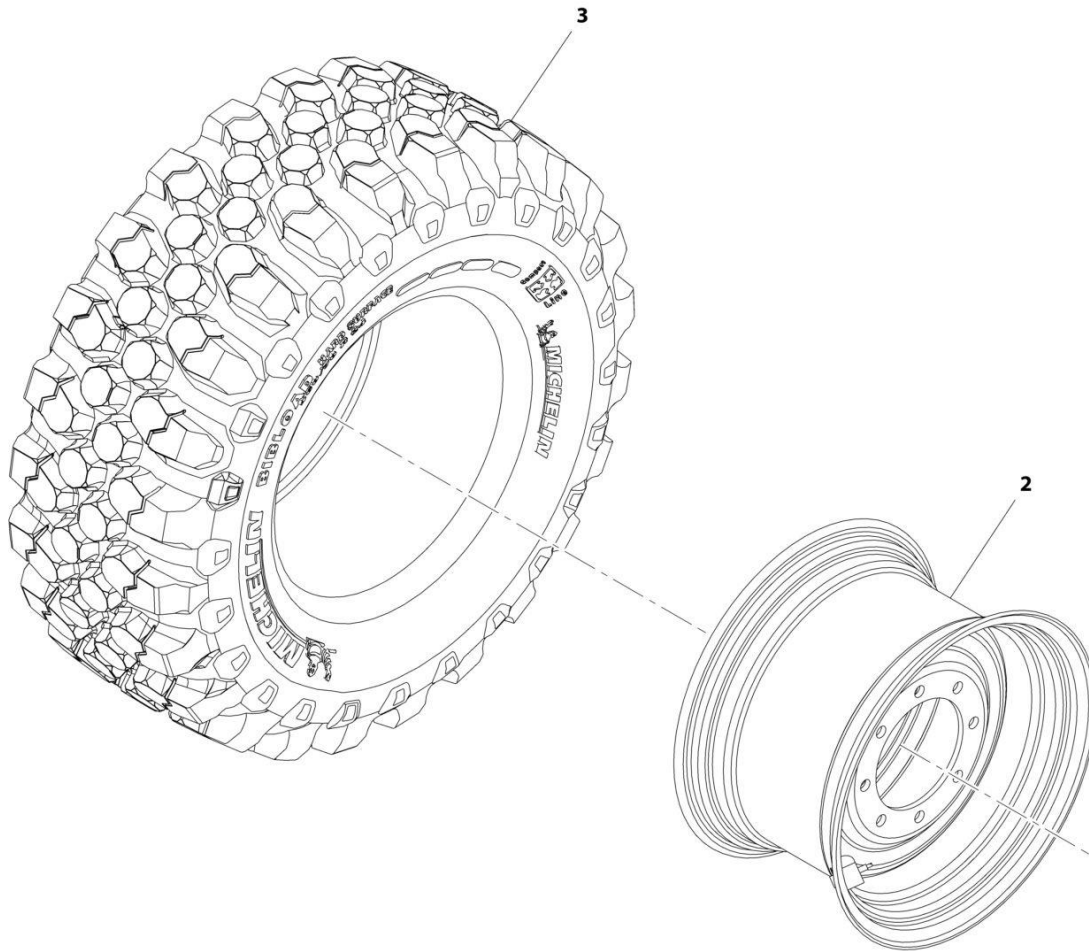
## SECTION 5 - DRIVE TRAIN

**FIGURE 5-88. TIRE/WHEEL SET (AIR - 460/70 R24 - BIBLOAD)**

ITEM	PART NUMBER	QTY	DESCRIPTION	REV
1	1001200143	1	Tire/Wheel Set (Air - 460/70 R24 - Bibload)	A
1	8005827	4	Label	
2	1001200141	2	Assembly, Right Tire/Wheel (Air - 460/70 R24 - Bibload) (See Separate Breakdown in this Section)	
3	1001200142	2	Assembly, Left Tire/Wheel (Air - 460/70 R24 - Bibload) (See Separate Breakdown in this Section)	

# SECTION 5 - DRIVE TRAIN

FIGURE 5-89. RIGHT TIRE/WHEEL ASSEMBLY (AIR - 460/70 R24 - BIBLOAD)



ART\_1001200141-B

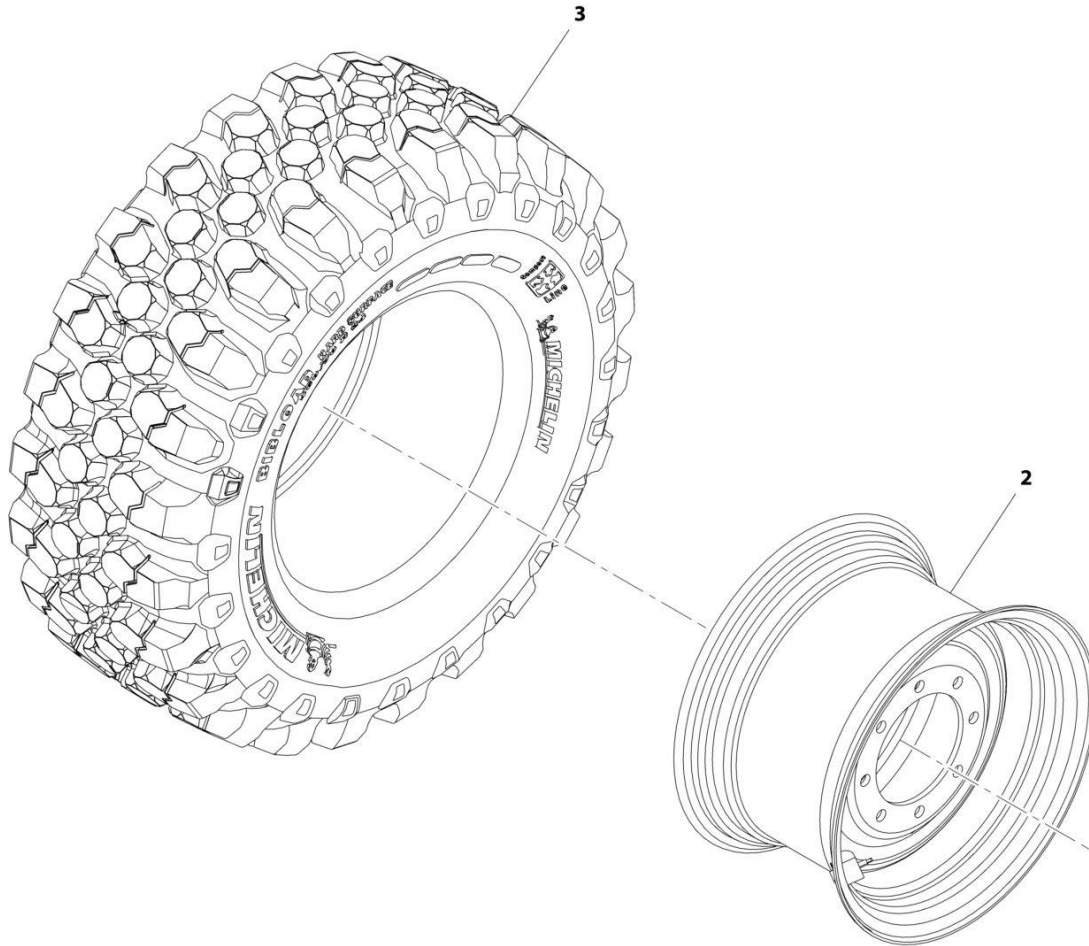
## SECTION 5 - DRIVE TRAIN

**FIGURE 5-89. RIGHT TIRE/WHEEL ASSEMBLY (AIR - 460/70 R24 - BIBLOAD)**

ITEM	PART NUMBER	QTY	DESCRIPTION	REV
	1001200141	Ref	Right Tire/Wheel Assembly (Air - 460/70 R24 - Bibload)	B
2	1001212596	1	Wheel, RH Rim	
3	1001199390	1	Tire, 460/70 R24	

# SECTION 5 - DRIVE TRAIN

FIGURE 5-90. LEFT TIRE/WHEEL ASSEMBLY (AIR - 460/70 R24 - BIBLOAD)



ART\_1001200142-B



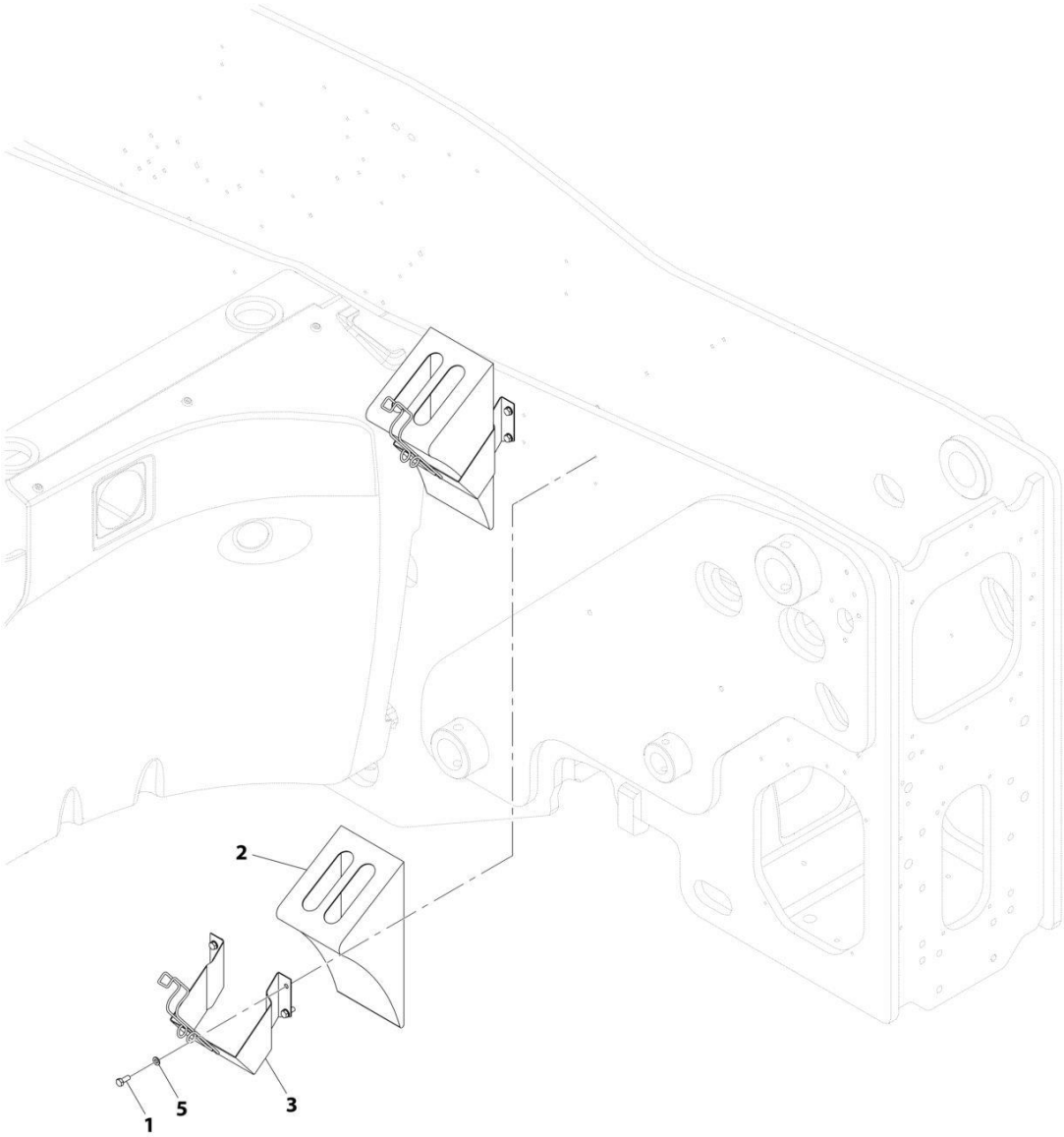
## SECTION 5 - DRIVE TRAIN

**FIGURE 5-90. LEFT TIRE/WHEEL ASSEMBLY (AIR - 460/70 R24 - BIBLOAD)**

ITEM	PART NUMBER	QTY	DESCRIPTION	REV
	1001200142	Ref	Left Tire/Wheel Assembly (Air - 460/70 R24 - Bibload)	B
2	1001212597	1	Wheel, LH Rim	
3	1001199390	1	Tire, 460/70 R24	

**SECTION 5 - DRIVE TRAIN**

**FIGURE 5-91. WHEEL CHOCK INSTALLATION**



ART\_1001180413-C

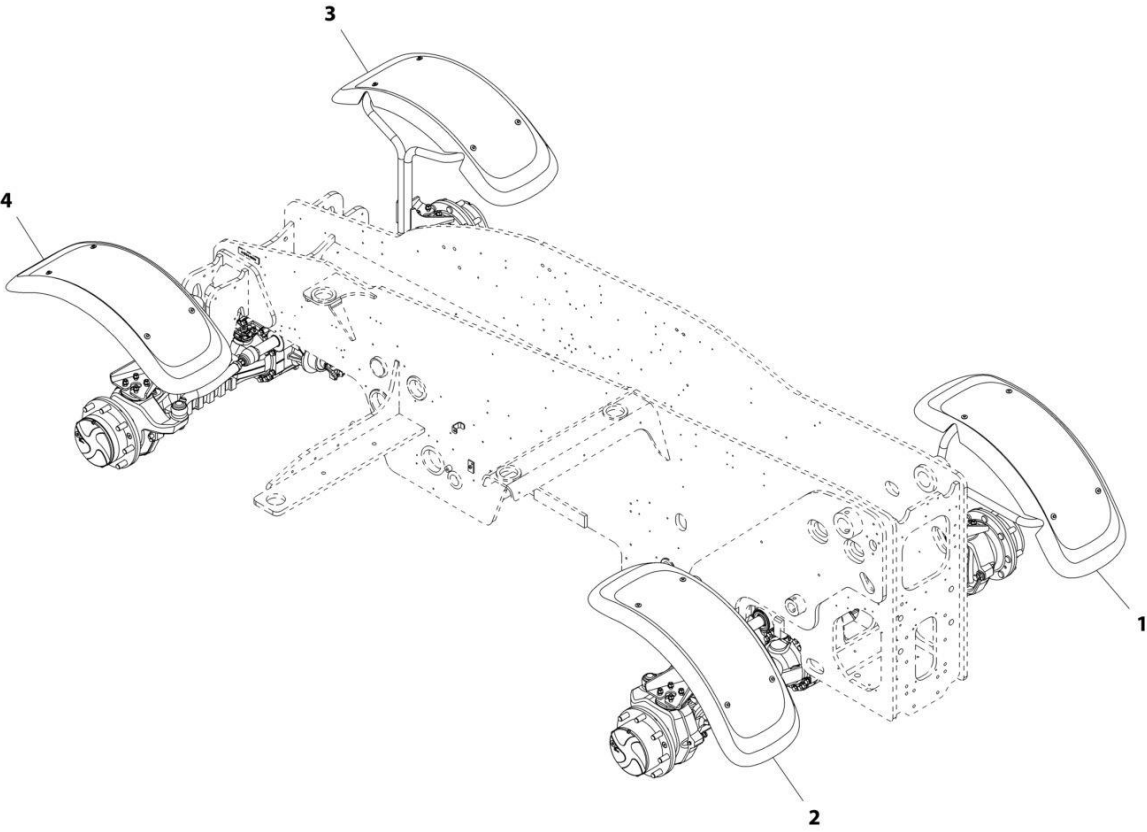
## SECTION 5 - DRIVE TRAIN

### FIGURE 5-91. WHEEL CHOCK INSTALLATION

ITEM	PART NUMBER	QTY	DESCRIPTION	REV
	1001180413	Ref	Wheel Chock Installation	C
1	0760810	8	Bolt, M8X20	
2	806253	2	Wedge	
3	806264	2	Holder, Wedge	
5	4811900	8	Washer, M8	

# SECTION 5 - DRIVE TRAIN

FIGURE 5-92. FENDER INSTALLATION (NO AIR - 460/70 R24 XMCL, AIR - 500/70 R24 XMCL, AIR - 440/80-24 POWER CL)



ART\_1001176123-C

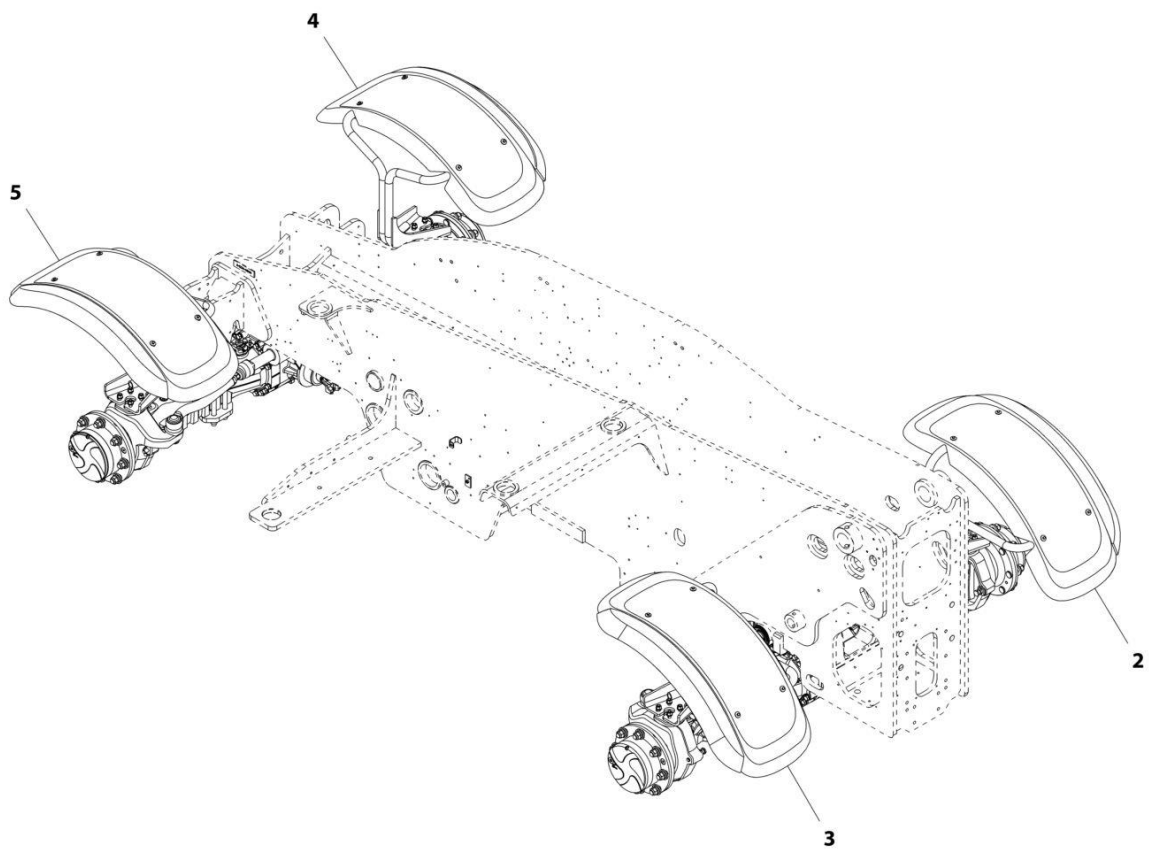
## SECTION 5 - DRIVE TRAIN

**FIGURE 5-92. FENDER INSTALLATION (NO AIR - 460/70 R24 XMCL, AIR - 500/70 R24 XMCL, AIR - 440/80-24 POWER CL)**

ITEM	PART NUMBER	QTY	DESCRIPTION	REV
	1001176123	Ref	Fender Installation	C
1	1001176349	1	Assembly, Fender (See Separate Breakdown in this Section)	
2	1001176350	1	Assembly, Fender (See Separate Breakdown in this Section)	
3	1001176916	1	Assembly, Fender (See Separate Breakdown in this Section)	
4	1001176950	1	Assembly, Fender (See Separate Breakdown in this Section)	

## SECTION 5 - DRIVE TRAIN

FIGURE 5-93. FENDER INSTALLATION (AIR - 460/70 R24 XMCL, AIR - 500/70 R24 XMCL, AIR - 440/80-24 POWER CL)



ART\_1001176122-C

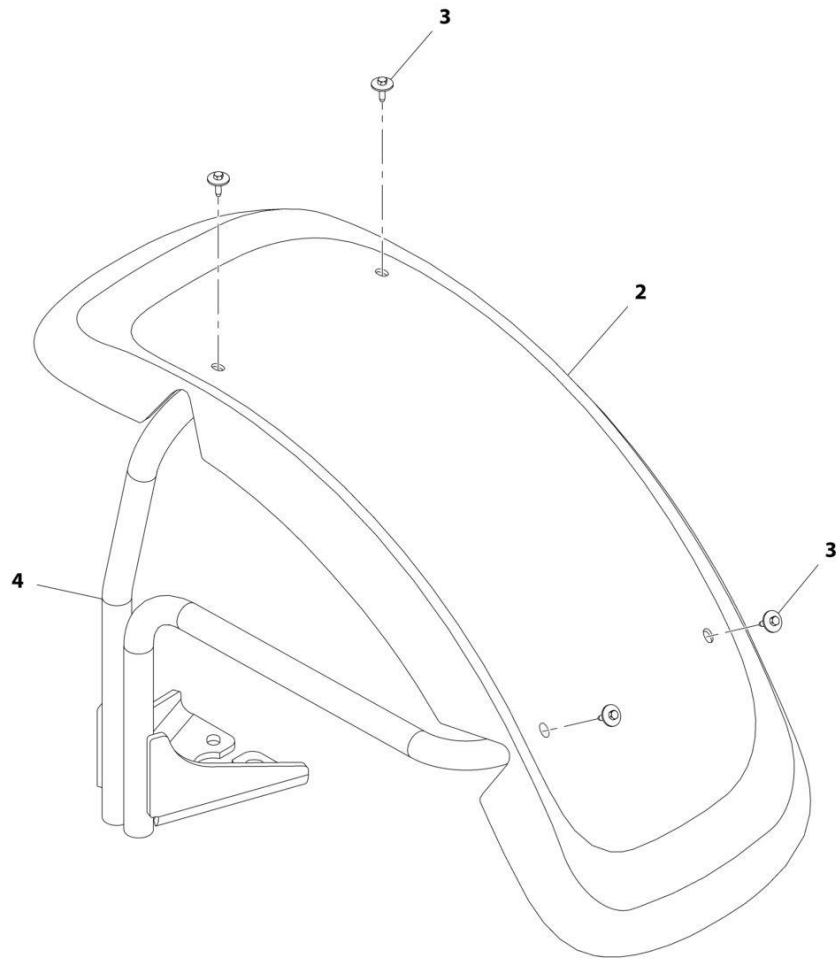
## SECTION 5 - DRIVE TRAIN

**FIGURE 5-93. FENDER INSTALLATION (AIR - 460/70 R24 XMCL, AIR - 500/70 R24 XMCL, AIR - 440/80-24 POWER CL)**

ITEM	PART NUMBER	QTY	DESCRIPTION	REV
	1001176122	Ref	Fender Installation	C
2	1001176351	1	Assembly, Fender (See Separate Breakdown in this Section)	
3	1001176352	1	Assembly, Fender (See Separate Breakdown in this Section)	
4	1001176353	1	Assembly, Fender (See Separate Breakdown in this Section)	
5	1001176354	1	Assembly, Fender (See Separate Breakdown in this Section)	

# SECTION 5 - DRIVE TRAIN

## FIGURE 5-94. FENDER ASSEMBLY



ART\_1001176349-B



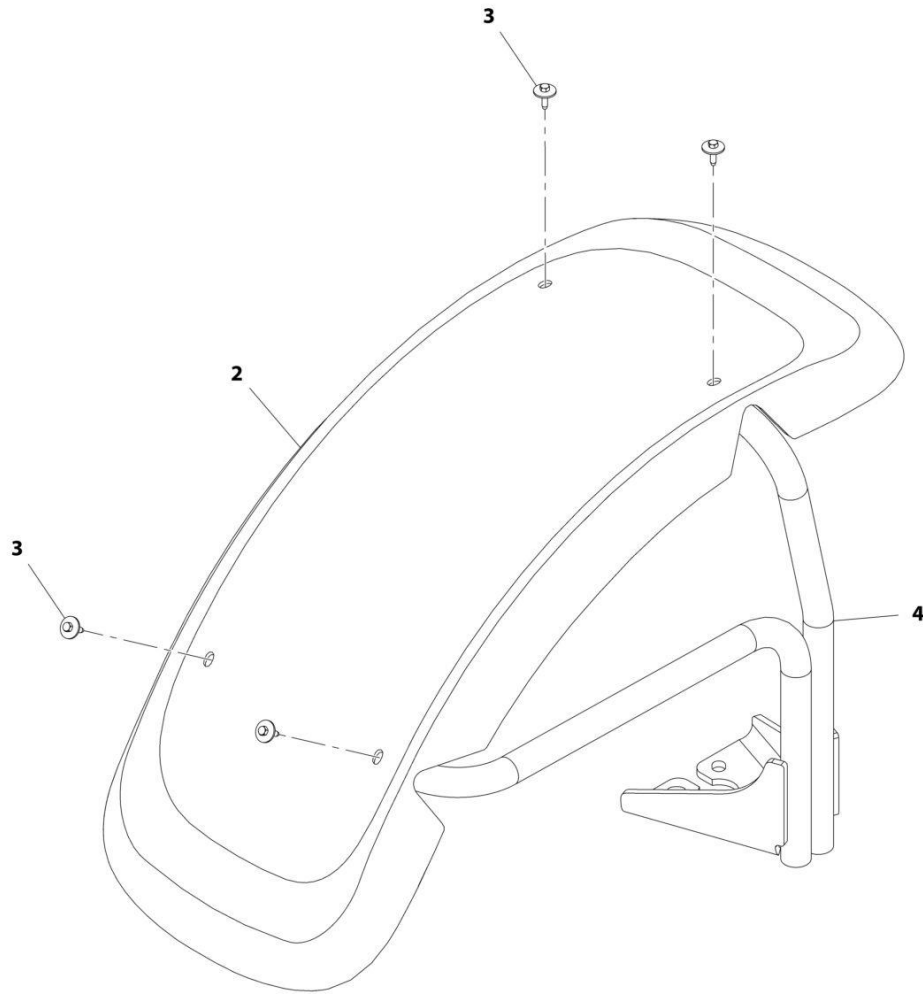
## SECTION 5 - DRIVE TRAIN

### FIGURE 5-94. FENDER ASSEMBLY

ITEM	PART NUMBER	QTY	DESCRIPTION	REV
	1001176349	Ref	Fender Assembly (Standard)	B
2	1001168264	1	Fender, Plastic	
3	1001170697	4	Screw, Self-Tapping	
4	1001176129	1	Bracket, Fender	

# SECTION 5 - DRIVE TRAIN

## FIGURE 5-95. FENDER ASSEMBLY



ART\_1001176350-B

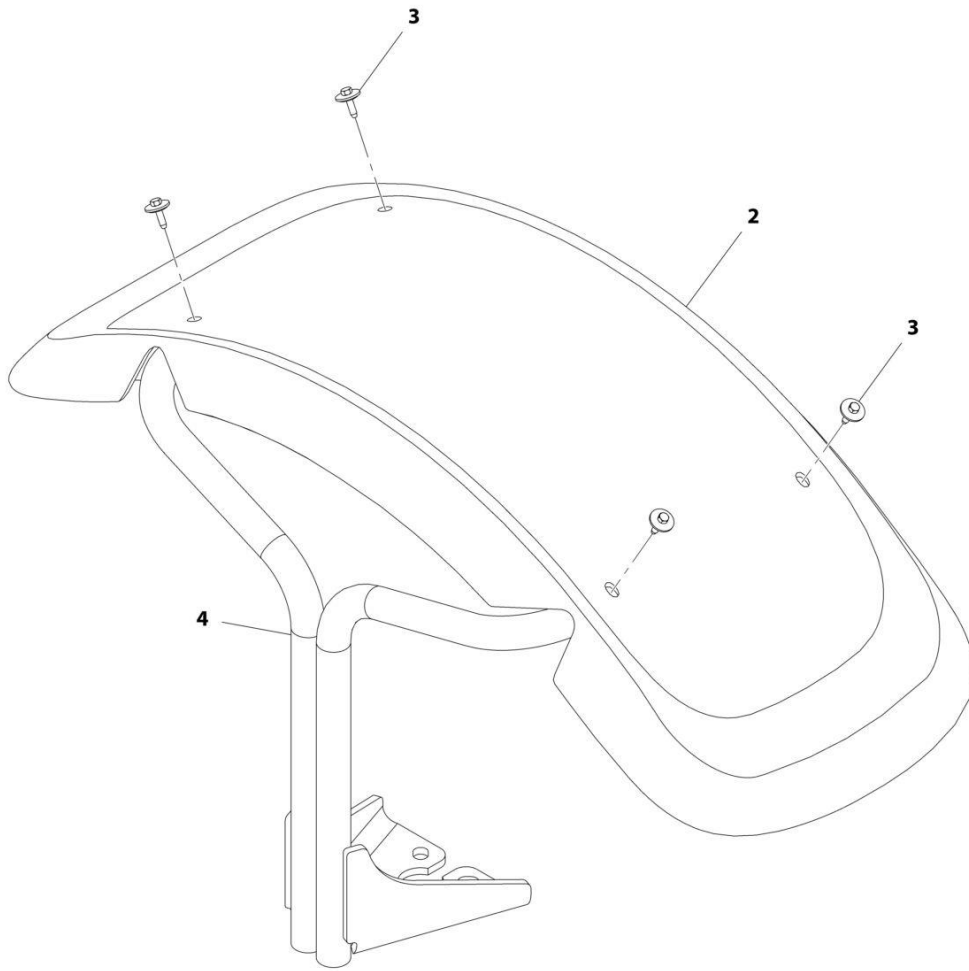
## SECTION 5 - DRIVE TRAIN

### FIGURE 5-95. FENDER ASSEMBLY

ITEM	PART NUMBER	QTY	DESCRIPTION	REV
	1001176350	Ref	Fender Assembly (Standard)	B
2	1001168264	1	Fender, Plastic	
3	1001170697	4	Screw, Self-Tapping	
4	1001176130	1	Bracket, Fender	

# SECTION 5 - DRIVE TRAIN

## FIGURE 5-96. FENDER ASSEMBLY



ART\_1001176916-B

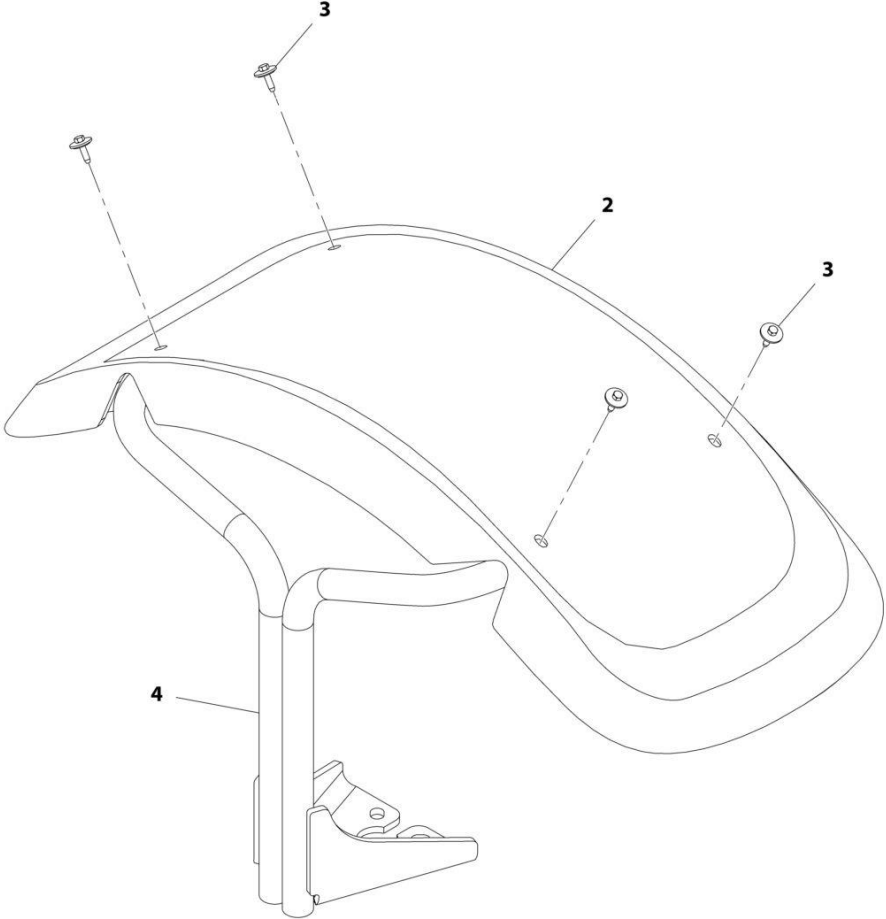
## SECTION 5 - DRIVE TRAIN

### FIGURE 5-96. FENDER ASSEMBLY

ITEM	PART NUMBER	QTY	DESCRIPTION	REV
	1001176916	Ref	Fender Assembly (Standard)	B
2	1001168264	1	Fender, Plastic	
3	1001170697	4	Screw, Self-Tapping	
4	1001176914	1	Bracket, Fender	

**SECTION 5 - DRIVE TRAIN**

**FIGURE 5-97. FENDER ASSEMBLY**



ART\_1001176950-B

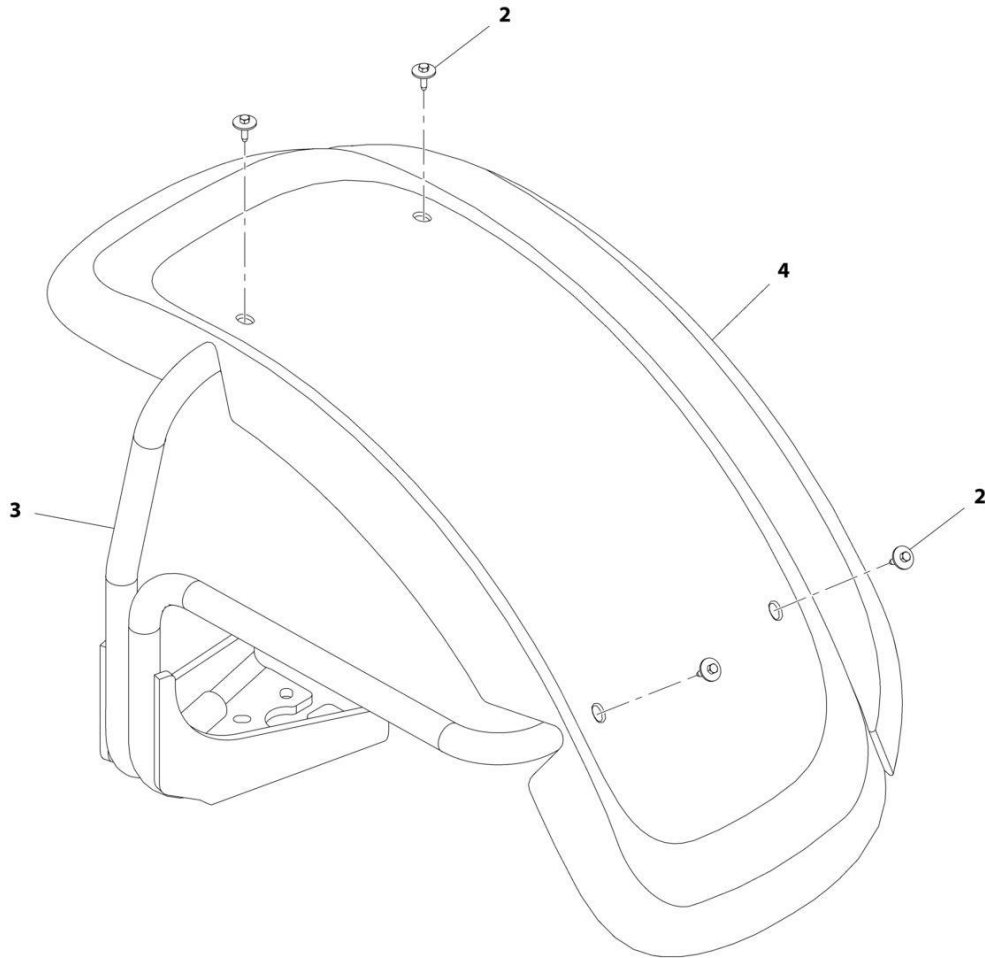
## SECTION 5 - DRIVE TRAIN

### FIGURE 5-97. FENDER ASSEMBLY

ITEM	PART NUMBER	QTY	DESCRIPTION	REV
	1001176950	Ref	Fender Assembly (Standard)	B
2	1001168264	1	Fender, Plastic	
3	1001170697	4	Screw, Self-Tapping	
4	1001176949	1	Bracket, Fender	

# SECTION 5 - DRIVE TRAIN

## FIGURE 5-98. FENDER ASSEMBLY



ART\_1001176351-B



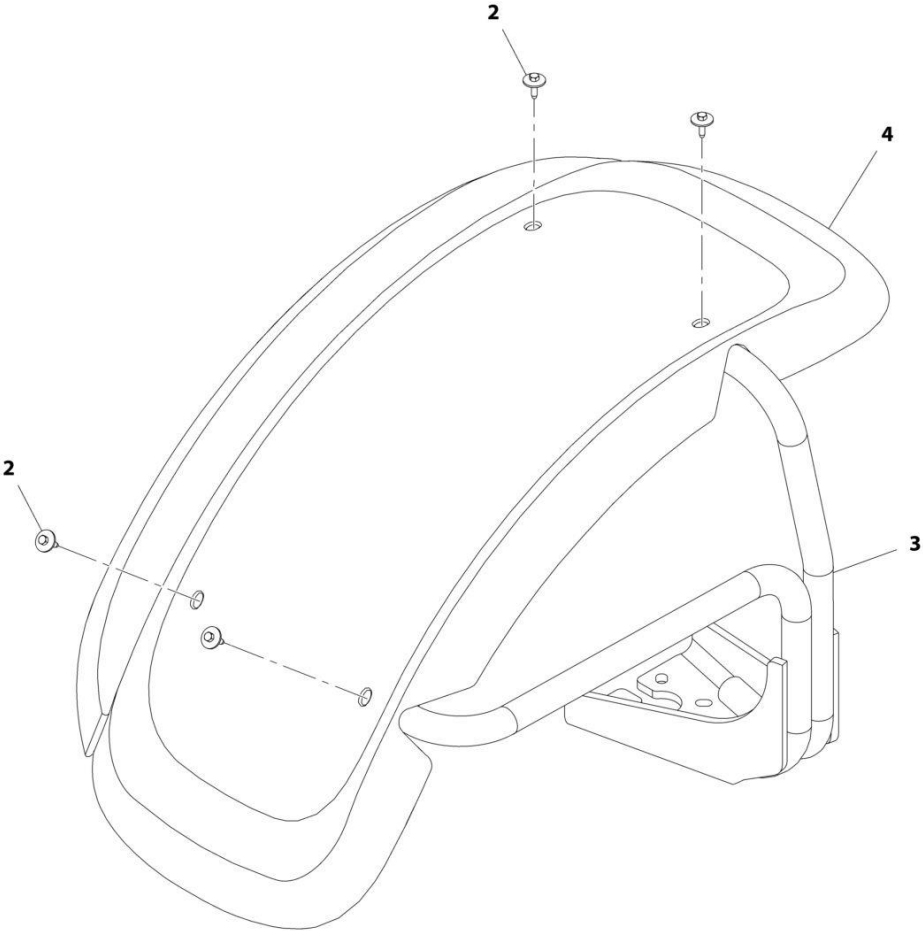
## SECTION 5 - DRIVE TRAIN

### FIGURE 5-98. FENDER ASSEMBLY

ITEM	PART NUMBER	QTY	DESCRIPTION	REV
	1001176351	Ref	Fender Assembly (500MM)	B
2	1001170697	4	Screw, Self-Tapping	
3	1001176125	1	Bracket, Fender	
4	1001178171	1	Fender, Plastic	

**SECTION 5 - DRIVE TRAIN**

**FIGURE 5-99. FENDER ASSEMBLY**



ART\_1001176352-B

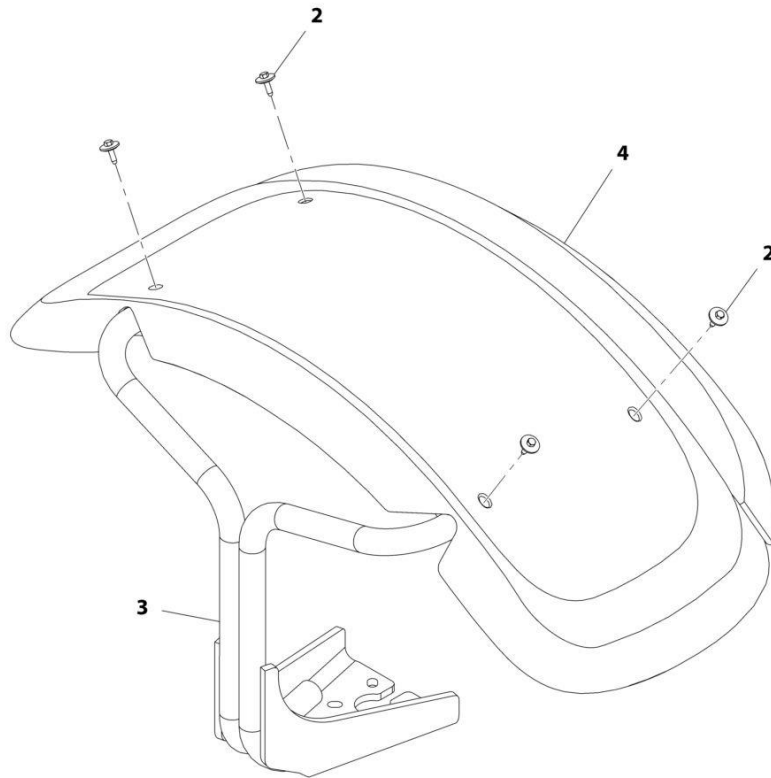
## SECTION 5 - DRIVE TRAIN

### FIGURE 5-99. FENDER ASSEMBLY

ITEM	PART NUMBER	QTY	DESCRIPTION	REV
	1001176352	Ref	Fender Assembly (500MM)	B
2	1001170697	4	Screw, Self-Tapping	
3	1001176126	1	Bracket, Fender	
4	1001178171	1	Fender, Plastic	

# SECTION 5 - DRIVE TRAIN

## FIGURE 5-100. FENDER ASSEMBLY



ART\_1001176353-B

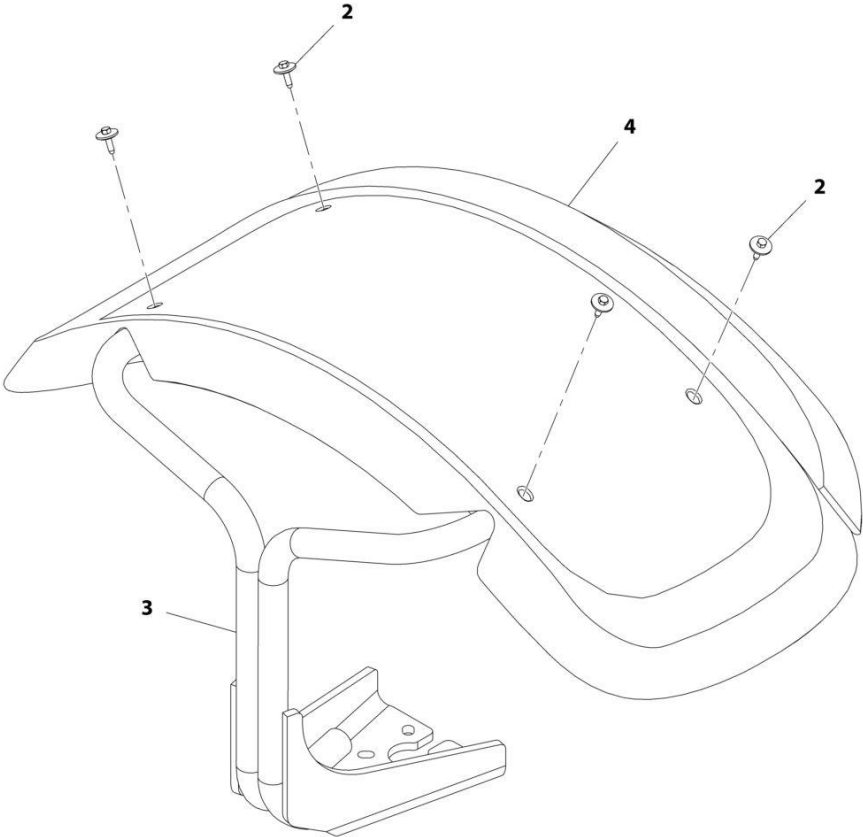
## SECTION 5 - DRIVE TRAIN

### FIGURE 5-100. FENDER ASSEMBLY

ITEM	PART NUMBER	QTY	DESCRIPTION	REV
	1001176353	Ref	Fender Assembly (500MM)	B
2	1001170697	4	Screw, Self-Tapping	
3	1001176127	1	Bracket, Fender	
4	1001178171	1	Fender, Plastic	

**SECTION 5 - DRIVE TRAIN**

**FIGURE 5-101. FENDER ASSEMBLY**



ART\_1001176354-B

## SECTION 5 - DRIVE TRAIN

### FIGURE 5-101. FENDER ASSEMBLY

ITEM	PART NUMBER	QTY	DESCRIPTION	REV
	1001176354	Ref	Fender Assembly (500MM)	B
2	1001170697	4	Screw, Self-Tapping	
3	1001176128	1	Bracket, Fender	
4	1001178171	1	Fender, Plastic	

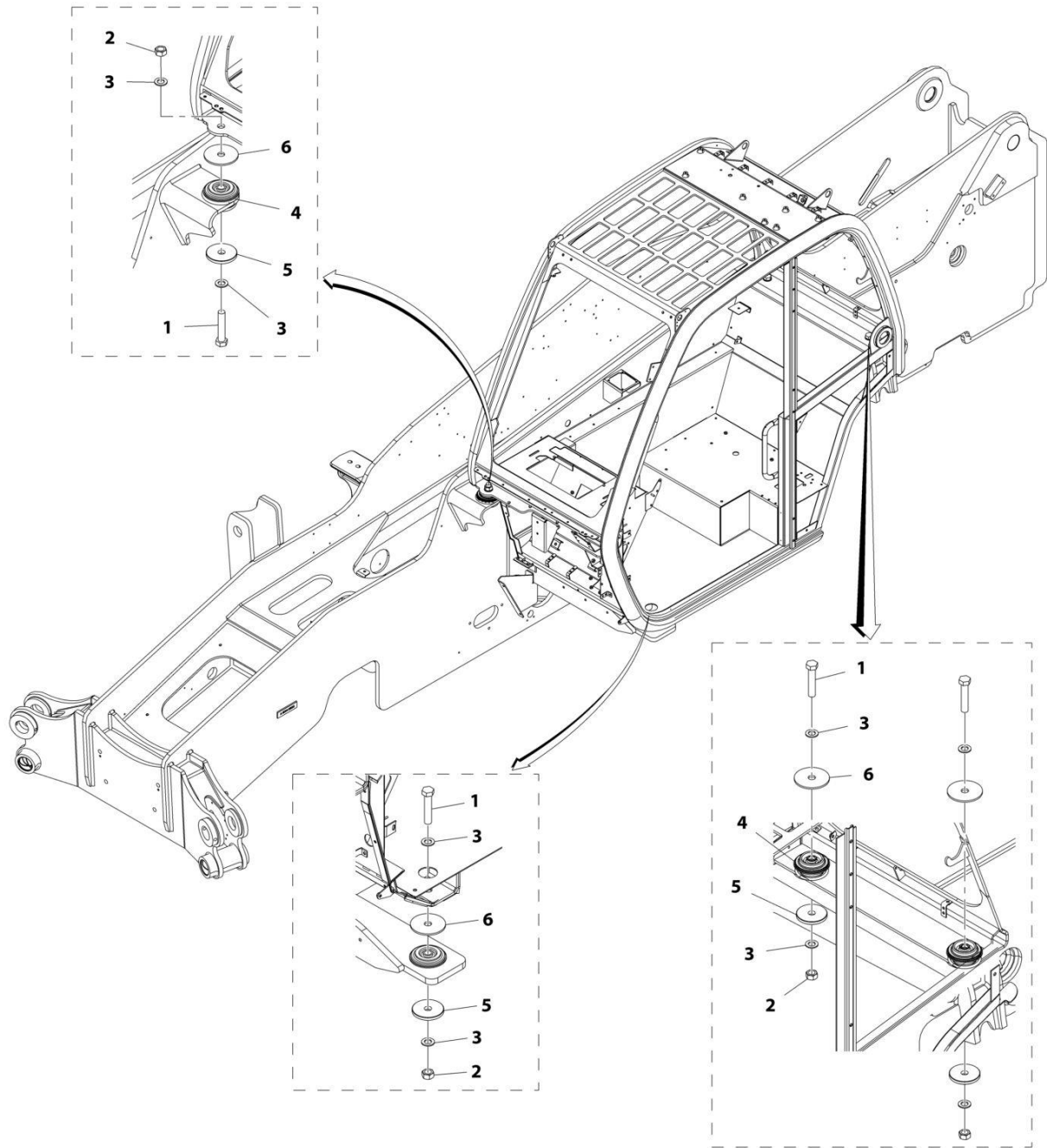




**SECTION 6 - CAB**

# SECTION 6 - CAB

## FIGURE 6-1. CAB MOUNTS INSTALLATION (JLG)



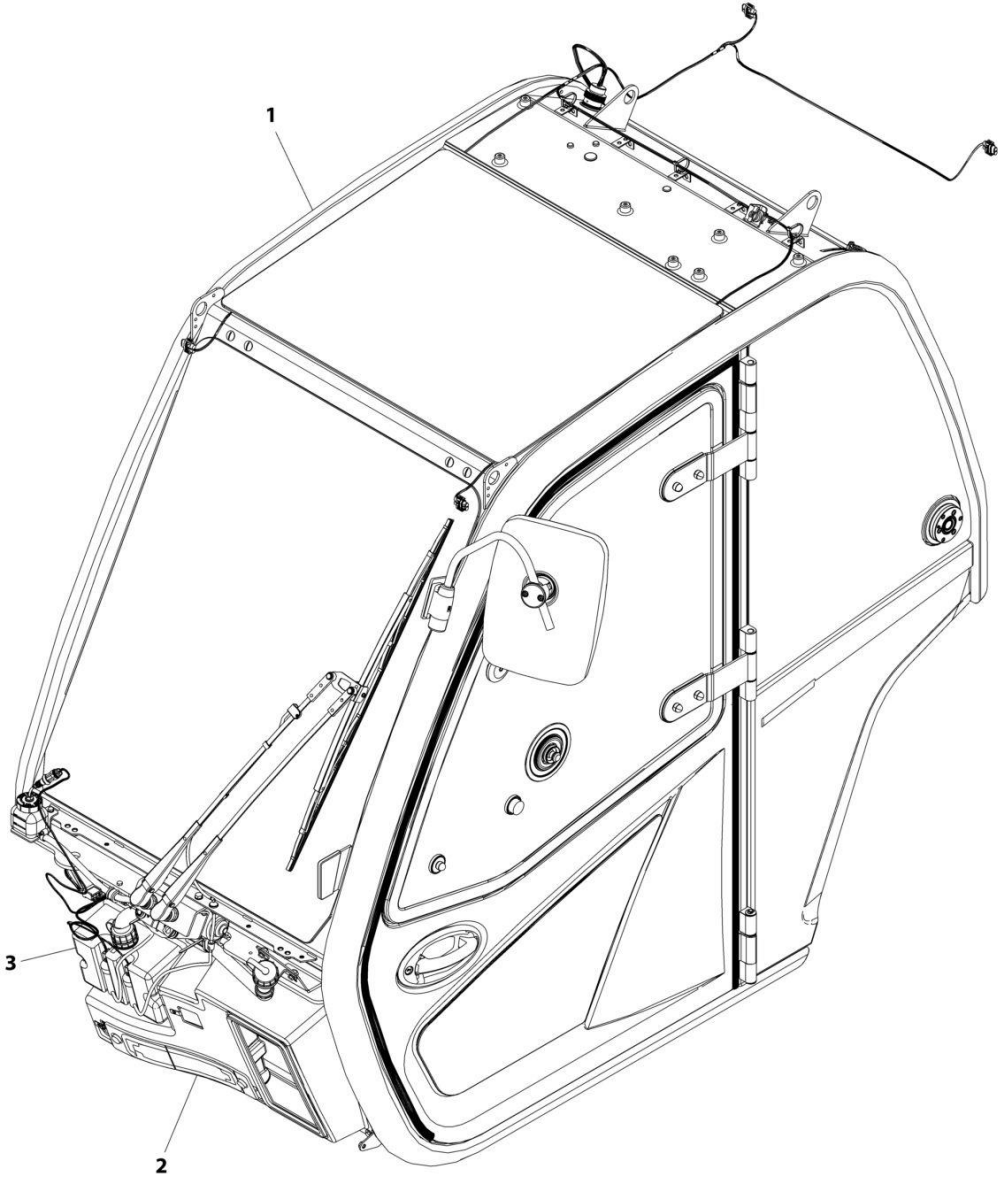
ART\_1001155446-E

FIGURE 6-1. CAB MOUNTS INSTALLATION (JLG)

ITEM	PART NUMBER	QTY	DESCRIPTION	REV
	1001155446	Ref	Cab Mounts Installation	E
1	0712027	4	Bolt, M20X100	
2	3332011	4	Nut, M20X2.5	
3	4812500	8	Washer, M20	
4	1001166754	4	Mount, Cab Isolation	
5	1001166755	4	Washer, Cab Rebound	
6	1001220540	4	Washer, Cab Mount	

**SECTION 6 - CAB**

**FIGURE 6-2. ENCLOSED CAB INSTALLATION (JLG)**



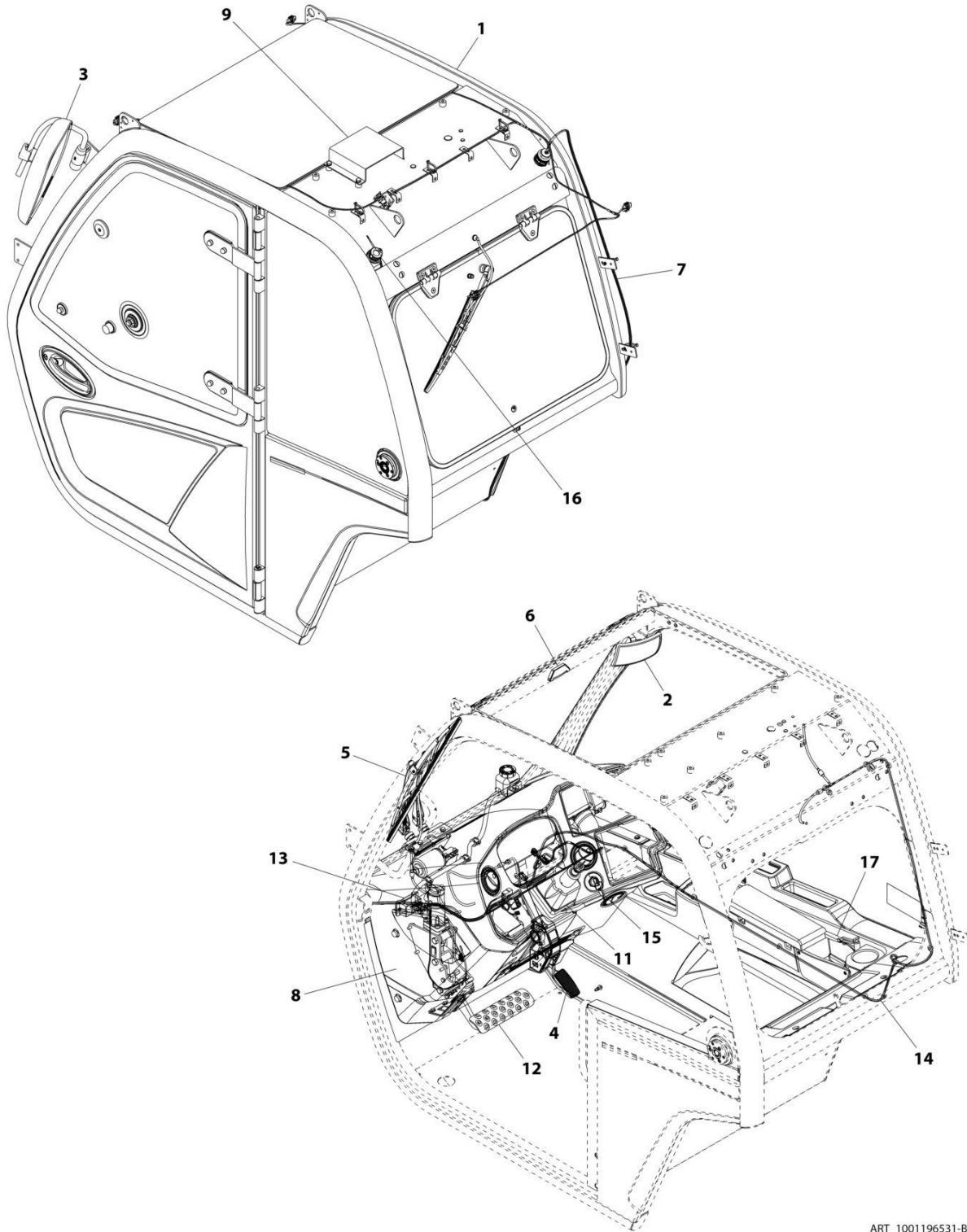
ART\_1001202086-D

**FIGURE 6-2. ENCLOSED CAB INSTALLATION (JLG)**

ITEM	PART NUMBER	QTY	DESCRIPTION	REV
	1001202086	Ref	Enclosed Cab Installation	D
1	1001196531	Ref	Assembly, Enclosed Cab (JLG) (See Separate Breakdown in this Section)	
2	1001170366	Ref	Installation, Front Cover (See Separate Breakdown in this Section)	
3	1001201027	Ref	Installation, Washer Tank (See Separate Breakdown in this Section)	

# SECTION 6 - CAB

FIGURE 6-3. ENCLOSED CAB ASSEMBLY (JLG) (Prior to SN 1160008716)



ART\_1001196531-B

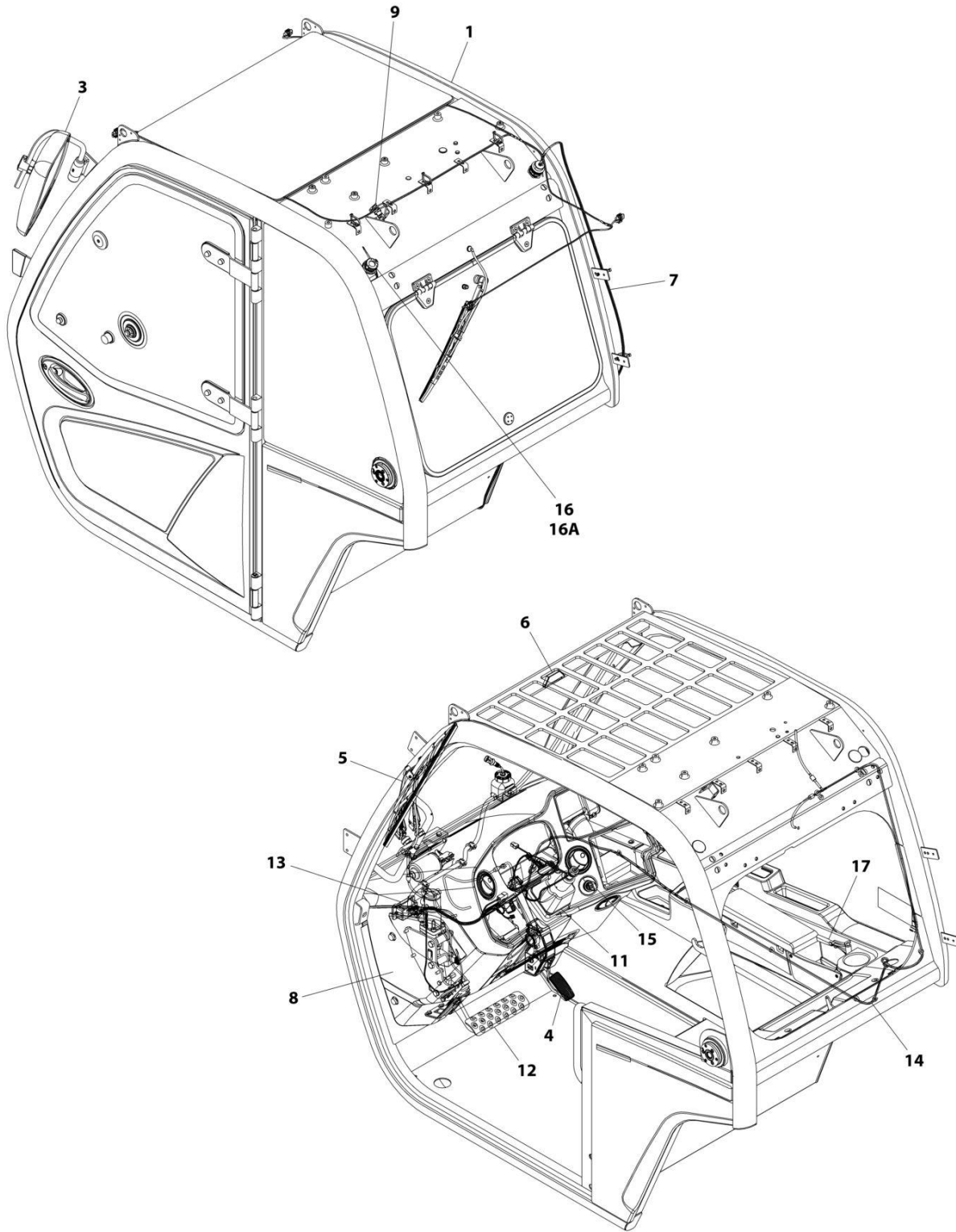
## SECTION 6 - CAB

**FIGURE 6-3. ENCLOSED CAB ASSEMBLY (JLG) (Prior to SN 1160008716)**

ITEM	PART NUMBER	QTY	DESCRIPTION	REV
1	1001196531	Ref	Enclosed Cab Assembly	B
	1001168152	Ref	Group, Enclosed Cab (JLG) (See Separate Breakdown in this Section)	
2	1001166192	Ref	Installation, Interior Mirror (See Separate Breakdown in this Section)	
3	1001160508	Ref	Installation, Interior Mirror (See Separate Breakdown in this Section)	
4	1001161499	Ref	Installation, Accelerator Pedal (See Separate Breakdown in this Section)	
5	1001155447	Ref	Installation, Front Wiper (See Separate Breakdown in this Section)	
6	1001172401	Ref	Installation, Level Indicator (See Separate Breakdown in this Section)	
7	1001184069	Ref	Installation, Cab Electrical (See Separate Breakdown in this Section)	
8	1001167981	Ref	Installation, Enclosed Cab Trim (See Separate Breakdown in this Section)	
9	1001200689	Ref	Installation, Beacon Bracket (See Separate Breakdown in this Section)	
11	1001162704	Ref	Installation, Steering Column Tilt (See Separate Breakdown in this Section)	
12	1001188262	Ref	Installation, Brake Pedal (See Separate Breakdown in this Section)	
13	1001201340	Ref	Installation, Cab Heater Harness (See Separate Breakdown in this Section)	
14	1001201520	Ref	Installation, Washer Hoses (See Separate Breakdown in this Section)	
15	1001208518	Ref	Installation, Ignition Switch (JLG) (See Separate Breakdown in this Section)	
16	1001201161	Ref	Installation, Telematics Cap (See Separate Breakdown in this Section)	
17	1001210628	Ref	Installation, Hammer (See Separate Breakdown in this Section)	

# SECTION 6 - CAB

FIGURE 6-4. ENCLOSED CAB ASSEMBLY (JLG) (SN 1160008716 to Present)



ART\_1001196531



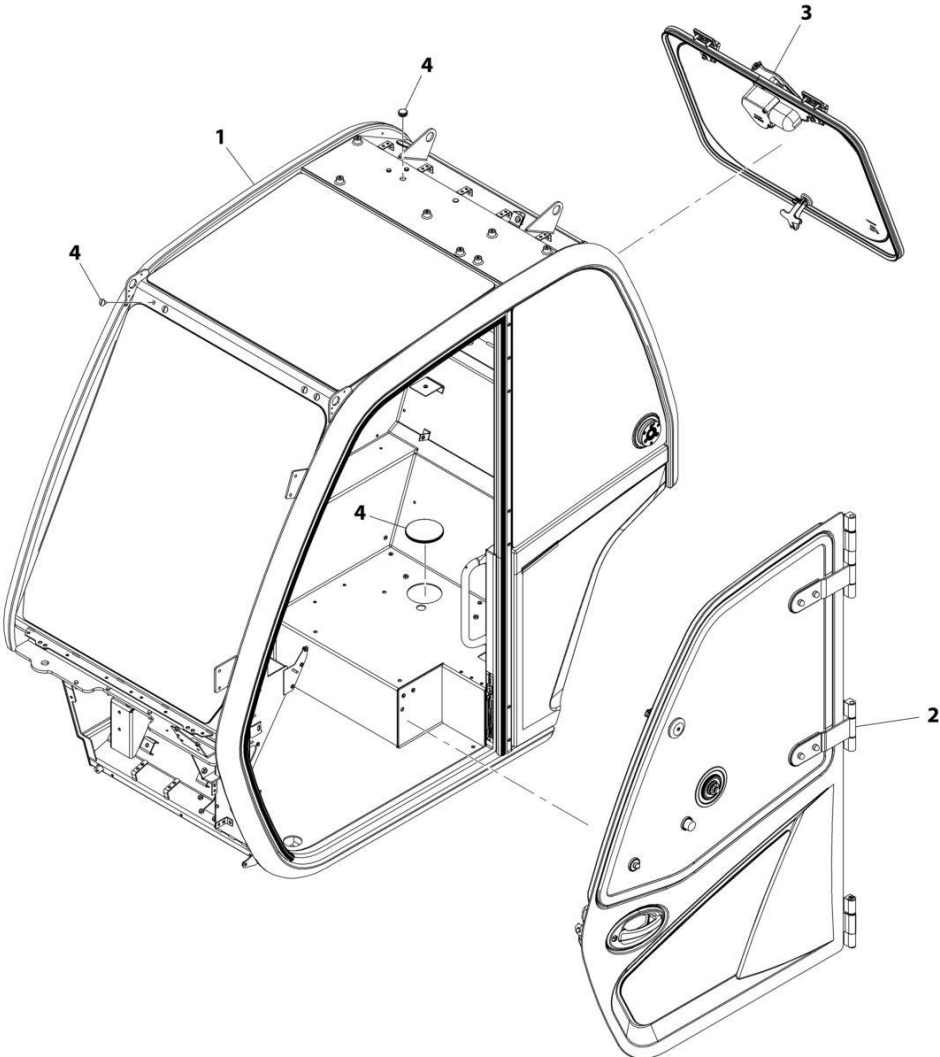
## SECTION 6 - CAB

**FIGURE 6-4. ENCLOSED CAB ASSEMBLY (JLG) (SN 1160008716 to Present)**

ITEM	PART NUMBER	QTY	DESCRIPTION	REV
	1001196531	Ref	Enclosed Cab Assembly	S
1	1001168152	Ref	Group, Enclosed Cab (JLG) (See Separate Breakdown in this Section)	
3	1001230435	Ref	Installation, Interior Mirror (See Separate Breakdown in this Section)	
4	1001161499	Ref	Installation, Accelerator Pedal (See Separate Breakdown in CONTROLS Section)	
5	1001155447	Ref	Installation, Front Wiper (See Separate Breakdown in this Section)	
6	1001172401	Ref	Installation, Level Indicator (See Separate Breakdown in this Section)	
7	1001184069	Ref	Installation, Cab Electrical (See Separate Breakdown in ELECTRICAL Section)	
8	1001167981	Ref	Installation, Enclosed Cab Trim (See Separate Breakdown in this Section)	
9	1001218856	Ref	Installation, Beacon Bracket (See Separate Breakdown in this Section)	
11	1001229534	Ref	Installation, Steering Column Tilt (See Separate Breakdown in CONTROLS Section)	
12	1001188262	Ref	Installation, Brake Pedal (See Separate Breakdown in this Section)	
13	1001201340	Ref	Installation, Cab Heater Harness (See Separate Breakdown in this Section)	
14	1001201520	Ref	Installation, Washer Hoses (See Separate Breakdown in this Section)	
15	1001208518	Ref	Installation, Ignition Switch (JLG) (See Separate Breakdown in ELECTRICAL Section)	
16	1001201161	Ref	Installation, Telematics Cap	
16A	1001201162	1	Cap	
17	1001210628	Ref	Installation, Hammer (See Separate Breakdown in this Section)	

**SECTION 6 - CAB**

**FIGURE 6-5. ENCLOSED CAB GROUP (JLG)**



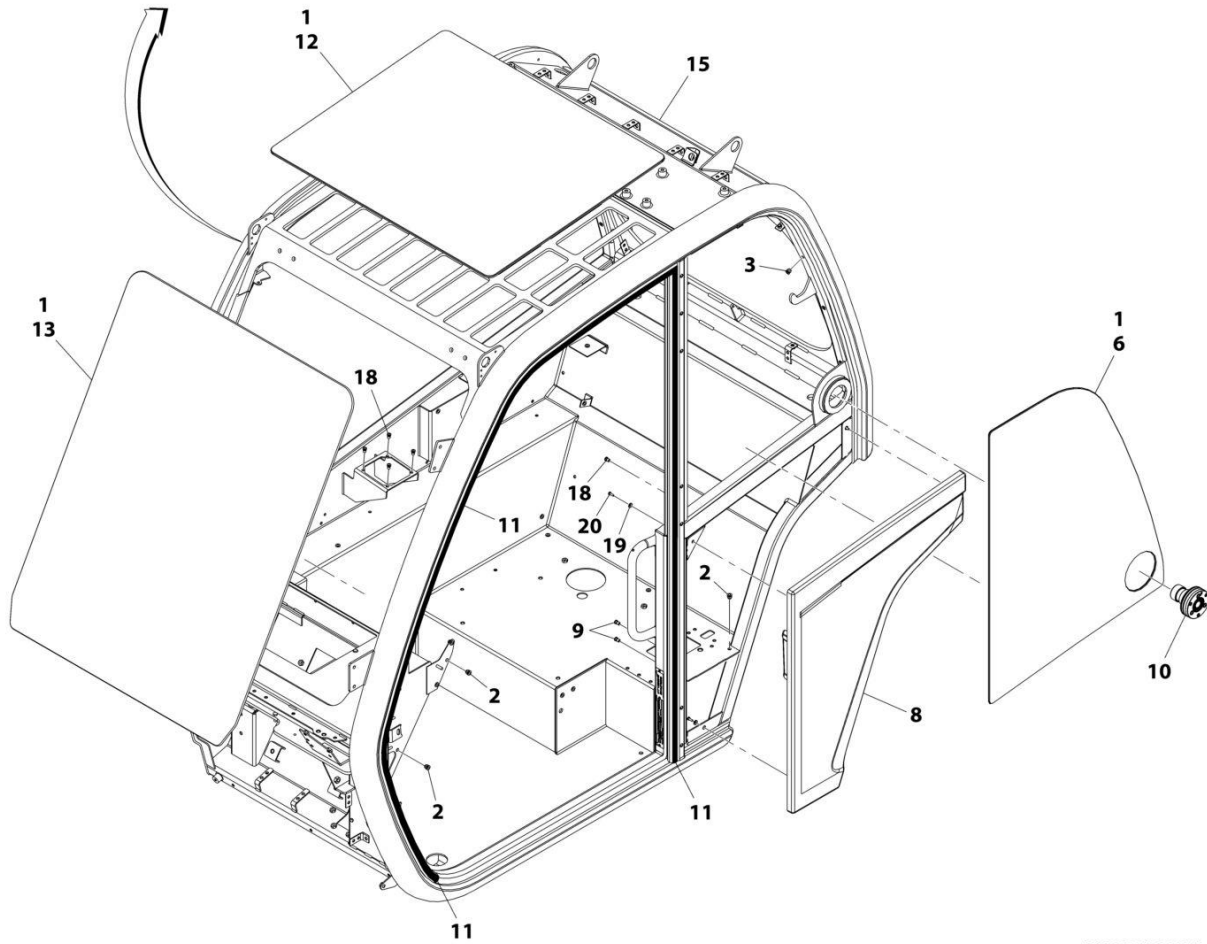
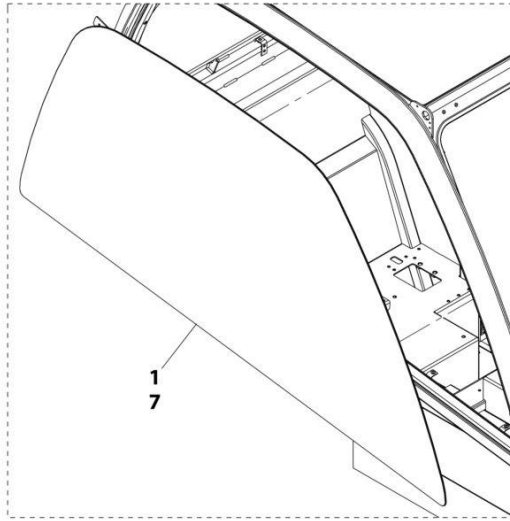
ART\_1001168152

**FIGURE 6-5. ENCLOSED CAB GROUP (JLG)**

ITEM	PART NUMBER	QTY	DESCRIPTION	REV
	1001168152	Ref	Enclosed Cab Group	1
1	1001173641	Ref	Cab, Enclosed (JLG) (See Separate Breakdown in this Section)	
2	1001155228	Ref	Installation, Door (JLG) (See Separate Breakdown in this Section)	
3	1001178678	Ref	Installation, Rear Window (See Separate Breakdown in this Section)	
4	1001170603	Ref	Group, Enclosed Cab Plug (See Separate Breakdown in this Section)	

# SECTION 6 - CAB

## FIGURE 6-6. ENCLOSED CAB (DEUTZ-FAHR) (SN 1160008716 to Present)



ART\_1001173642-H

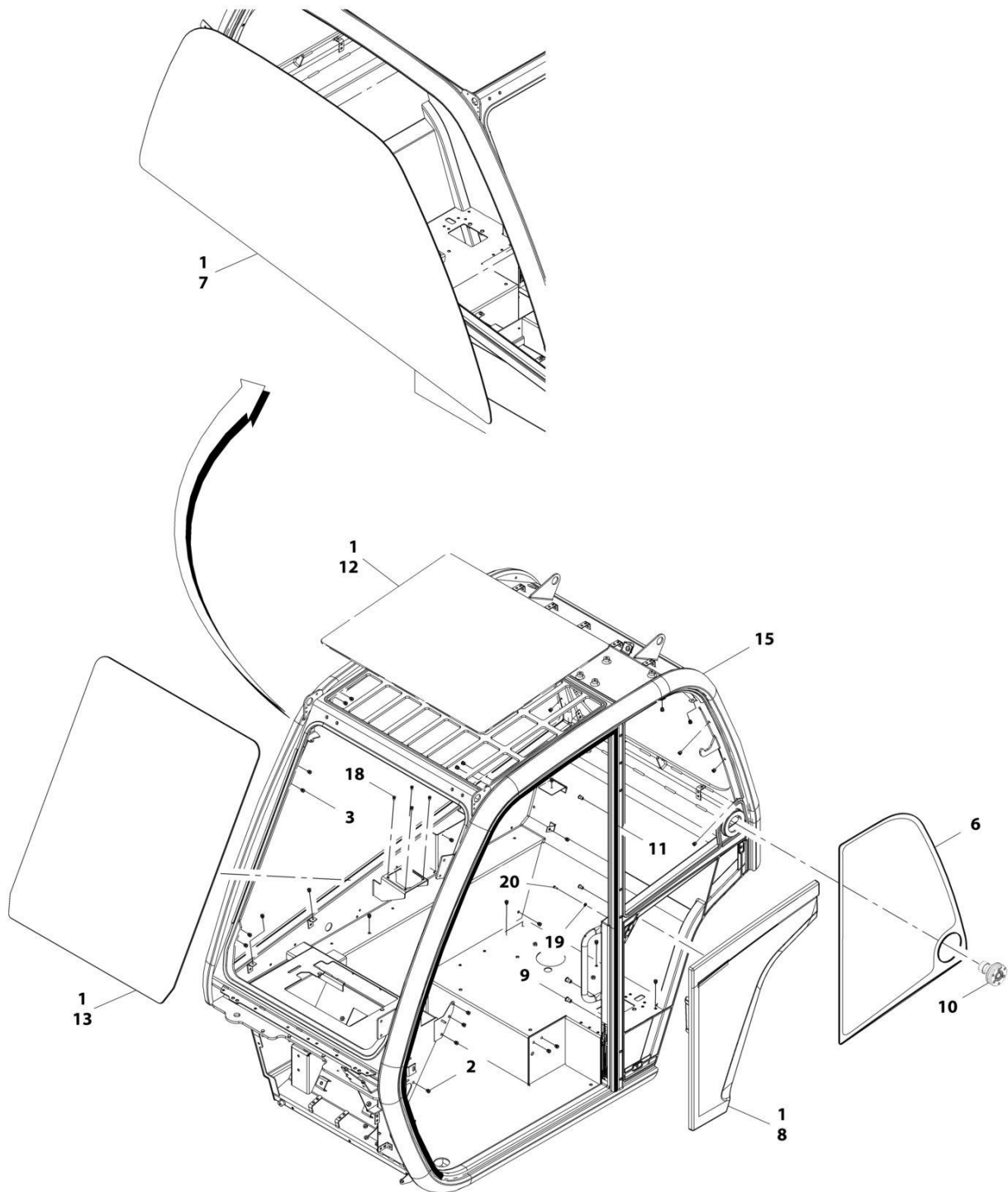
## SECTION 6 - CAB

**FIGURE 6-6. ENCLOSED CAB (DEUTZ-FAHR) (SN 1160008716 to Present)**

ITEM	PART NUMBER	QTY	DESCRIPTION	REV
	1001173642	Ref	Enclosed Cab (Deutz-Fahr)	H
1	1001111317	AR	Compound, Locking	
2	2080086	27	Rivnut, M6X1	
3	2080087	16	Rivnut, M8X1.25	
6	1001152915	1	Glass, LH Screen	
7	1001152947	1	Glass, RH Screen	
8	1001229318	1	Panel, Cab Quarter	
9	1001172193	2	Rivnut, M5X0.8	
10	1001174320	1	Latch, Top Window	
11	1001227186	1	Seal, Cab Door	
12	1001178159	1	Glass, Roof Laminated	
13	1001178160	1	Glass, Front Laminated	
15	1001225177	1	Weldment, Cab	
18	1001195878	7	Rivnut, M5X0.8	
19	4811700	3	Washer, M6	
20	0750804	3	Screw	

# SECTION 6 - CAB

## FIGURE 6-7. ENCLOSED CAB (JLG) (Prior to SN 1160008716)



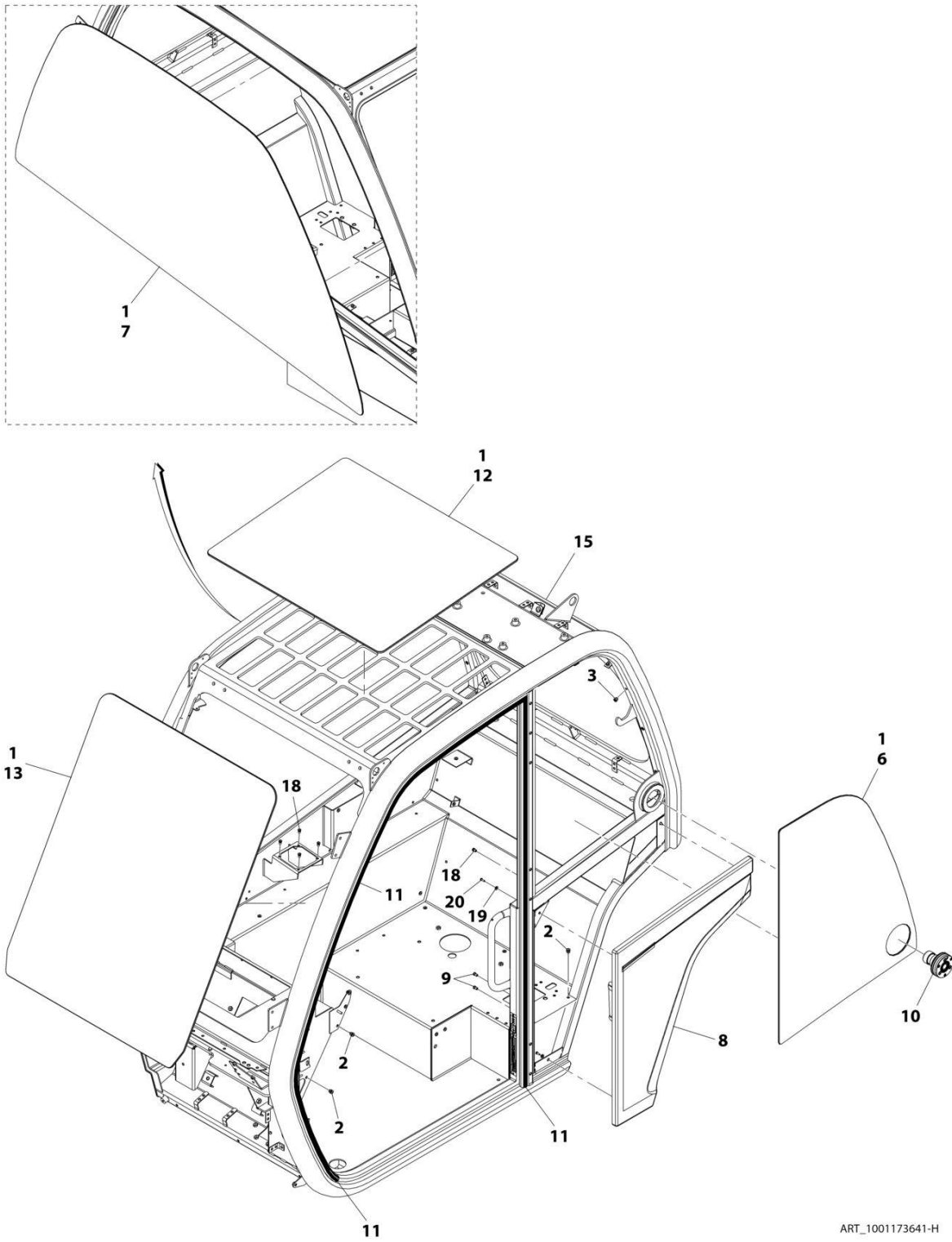
ART\_1001173641-H

**SECTION 6 - CAB****FIGURE 6-7. ENCLOSED CAB (JLG) (Prior to SN 1160008716)**

<b>ITEM</b>	<b>PART NUMBER</b>	<b>QTY</b>	<b>DESCRIPTION</b>	<b>REV</b>
	1001173641	Ref	Enclosed Cab	H
1	1001111317	AR	Compound, Locking	
2	2080086	27	Rivnut, M6X1	
3	2080087	16	Rivnut, M8X1.25	
6	1001152915	1	Glass, LH Screen	
7	1001152947	1	Glass, RH Screen	
8	1001229319	1	Panel, Cab Quarter	
9	1001172193	2	Rivnut, M5X0.8	
10	1001174320	1	Latch, Top Window	
11	1001227186	1	Seal, Cab Door	
12	1001178159	1	Glass, Roof Laminated	
13	1001178160	1	Glass, Front Laminated	
15	1001225176	1	Weldment, Cab	
18	1001195878	7	Rivnut, M5X0.8	
19	4811700	3	Washer, M6	
20	0750804	3	Screw	

# SECTION 6 - CAB

## FIGURE 6-8. ENCLOSED CAB (JLG) (SN 1160008716 to Present)



ART\_1001173641-H



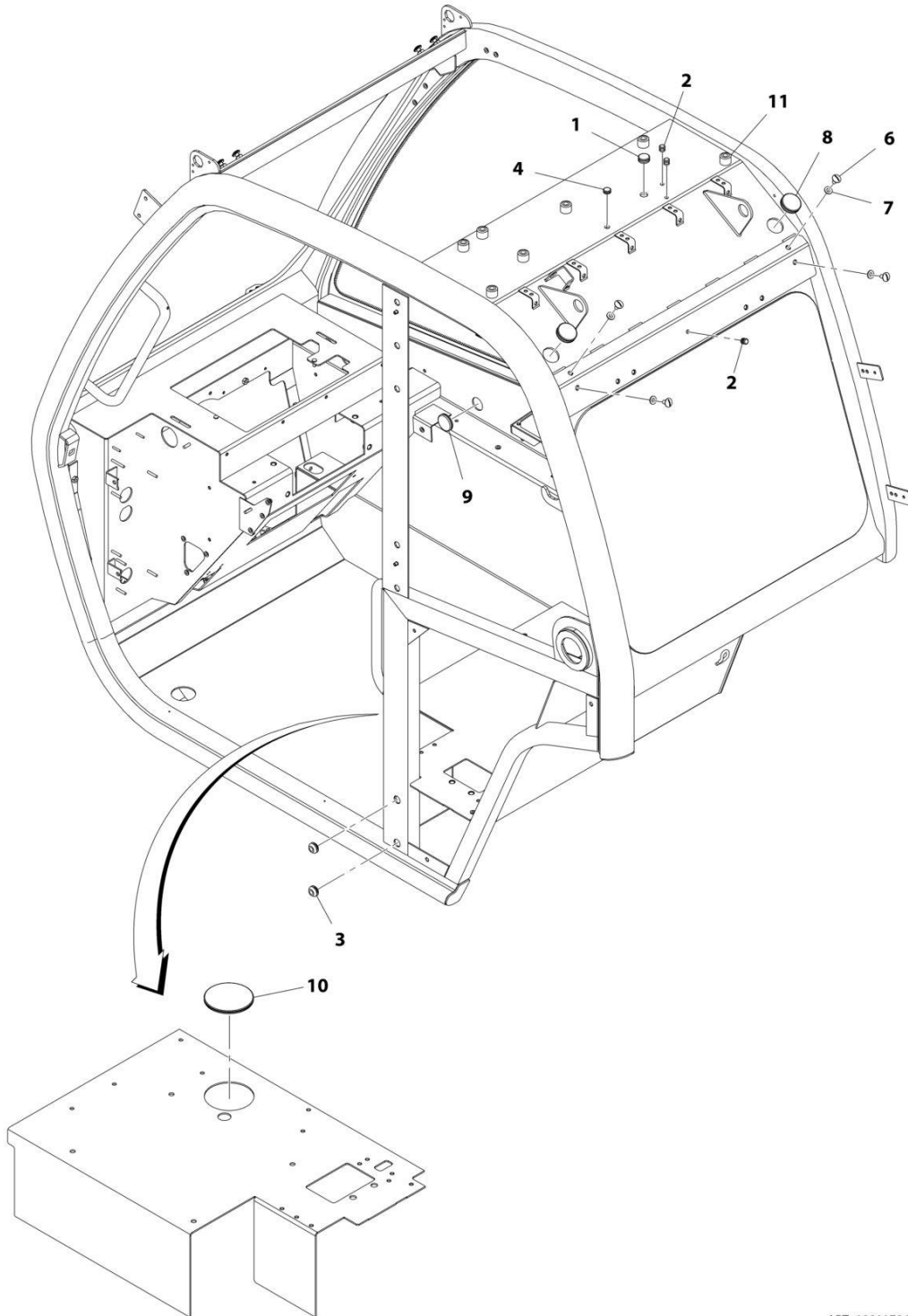
## SECTION 6 - CAB

**FIGURE 6-8. ENCLOSED CAB (JLG) (SN 1160008716 to Present)**

ITEM	PART NUMBER	QTY	DESCRIPTION	REV
	1001173641	Ref	Enclosed Cab (JLG)	H
1	1001111317	AR	Compound, Locking	
2	2080086	27	Rivnut, M6X1	
3	2080087	16	Rivnut, M8X1.25	
6	1001152915	1	Glass, LH Screen	
7	1001152947	1	Glass, RH Screen	
8	1001229319	1	Panel, Cab Quarter	
9	1001172193	2	Rivnut, M5X0.8	
10	1001174320	1	Latch, Top Window	
11	1001227186	1	Seal, Cab Door	
12	1001178159	1	Glass, Roof Laminated	
13	1001178160	1	Glass, Front Laminated	
15	1001225176	1	Weldment, Cab	
18	1001195878	7	Rivnut, M5X0.8	
19	4811700	3	Washer, M6	
20	0750804	3	Screw	

# SECTION 6 - CAB

## FIGURE 6-9. ENCLOSED CAB PLUG GROUP



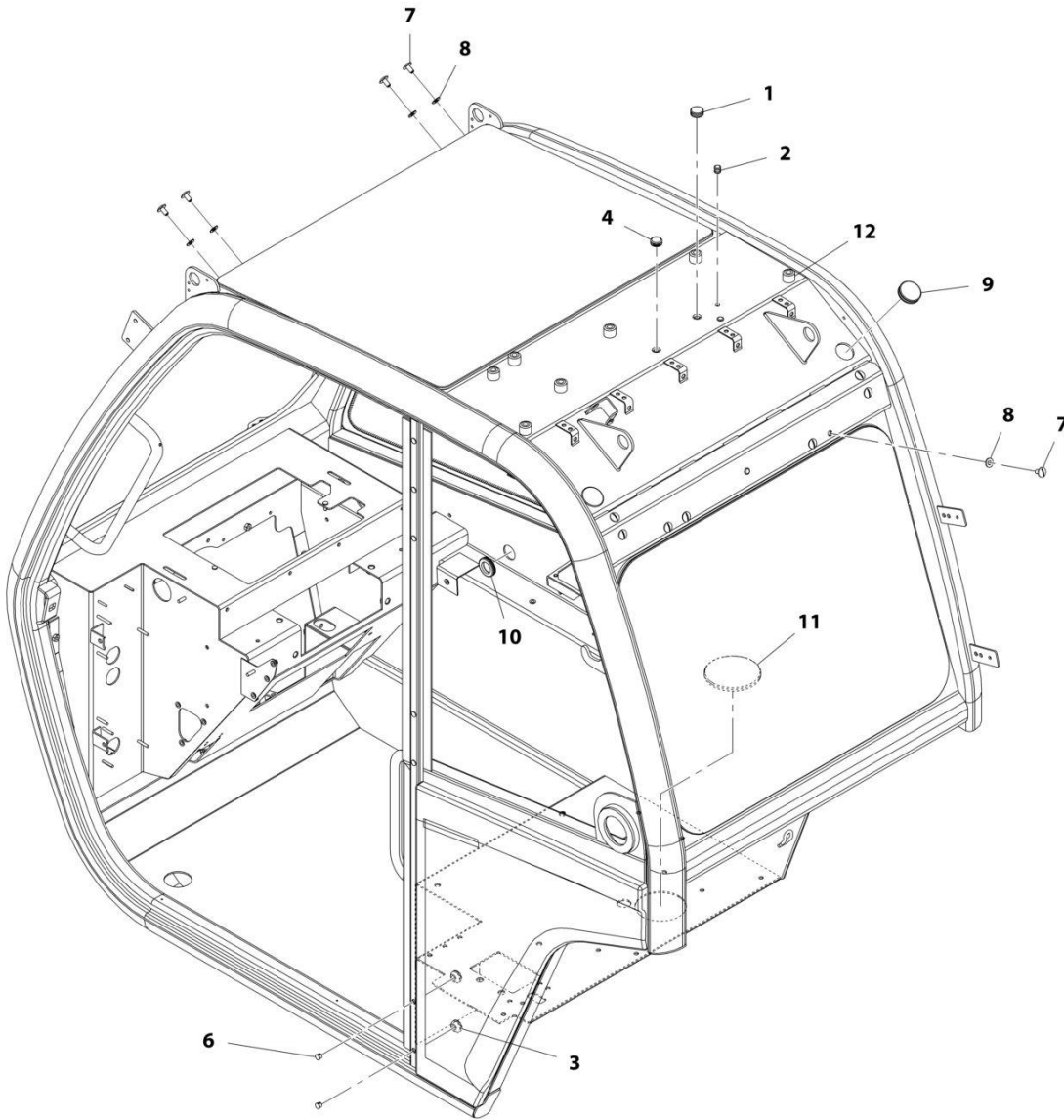
ART\_1001170603-E

FIGURE 6-9. ENCLOSED CAB PLUG GROUP

ITEM	PART NUMBER	QTY	DESCRIPTION	REV
	1001170603	Ref	Enclosed Cab Plug Group	E
1	1001176273	1	Plug	
2	1001176272	3	Plug	
3	1001143200	2	Plug	
4	1001176626	1	Plug	
6	1001181920	8	Screw, M8X16	
7	1001181921	8	Washer, Rubber M8	
8	1001182123	2	Plug	
9	1001182139	1	Plug	
10	1001209899	1	Plug	
11	1001219220	7	Cap, Vinyl Round	

# SECTION 6 - CAB

## FIGURE 6-10. OPEN CAB PLUG GROUP



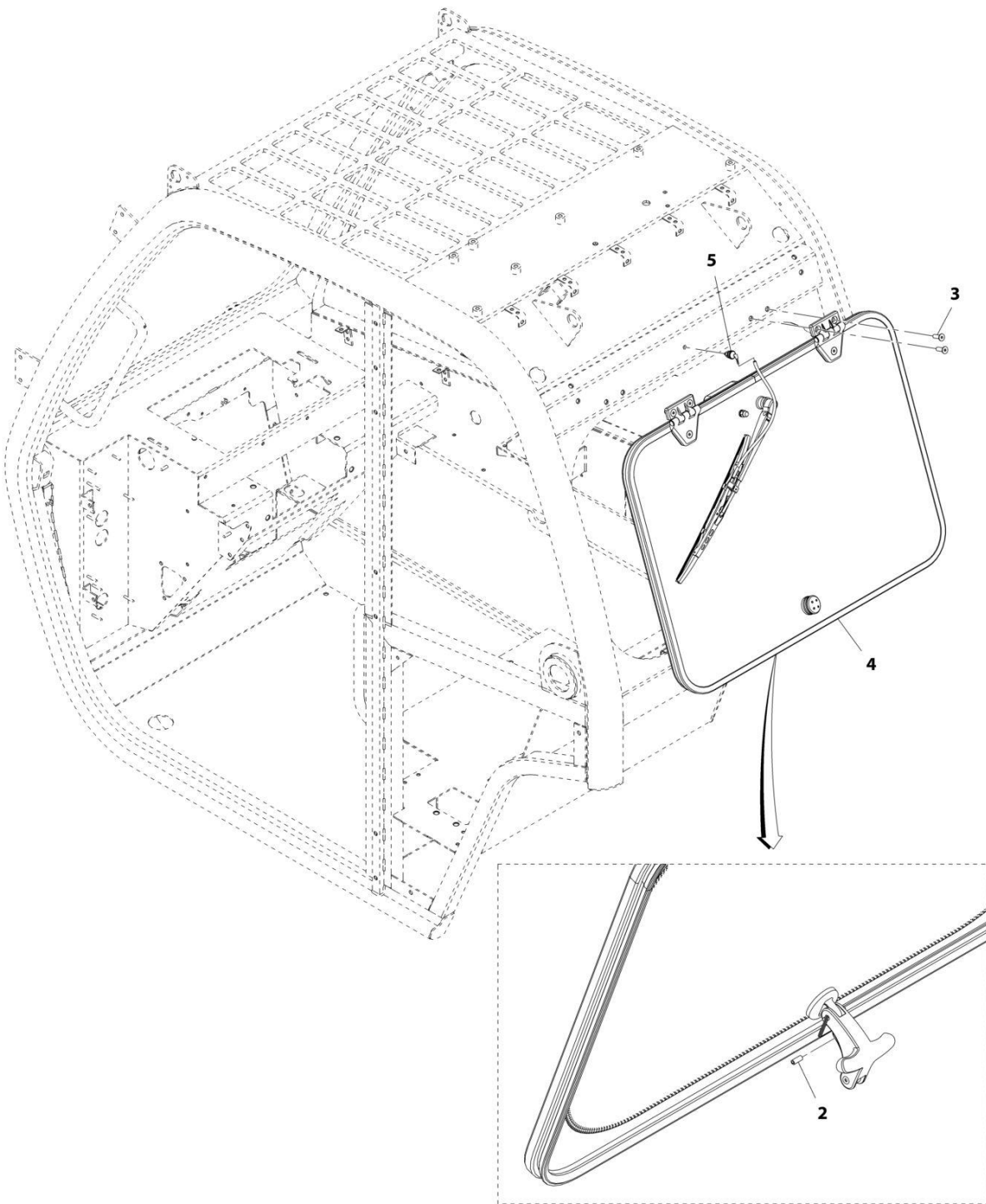
ART\_1001170495-E

FIGURE 6-10. OPEN CAB PLUG GROUP

ITEM	PART NUMBER	QTY	DESCRIPTION	REV
	1001170495	Ref	Open Cab Plug Group	E
1	1001176273	1	Plug	
2	1001176272	3	Plug	
3	1001143200	2	Plug	
4	1001176626	1	Plug	
6	1001170374	7	Plug	
7	1001181920	12	Screw, M8X16	
8	1001181921	12	Washer, M8 Rubber	
9	1001182123	2	Plug	
10	1001182139	1	Plug	
11	1001209899	1	Plug	
12	1001219220	1	Cap, Vinyl Round	

# SECTION 6 - CAB

## FIGURE 6-11. REAR WINDOW INSTALLATION



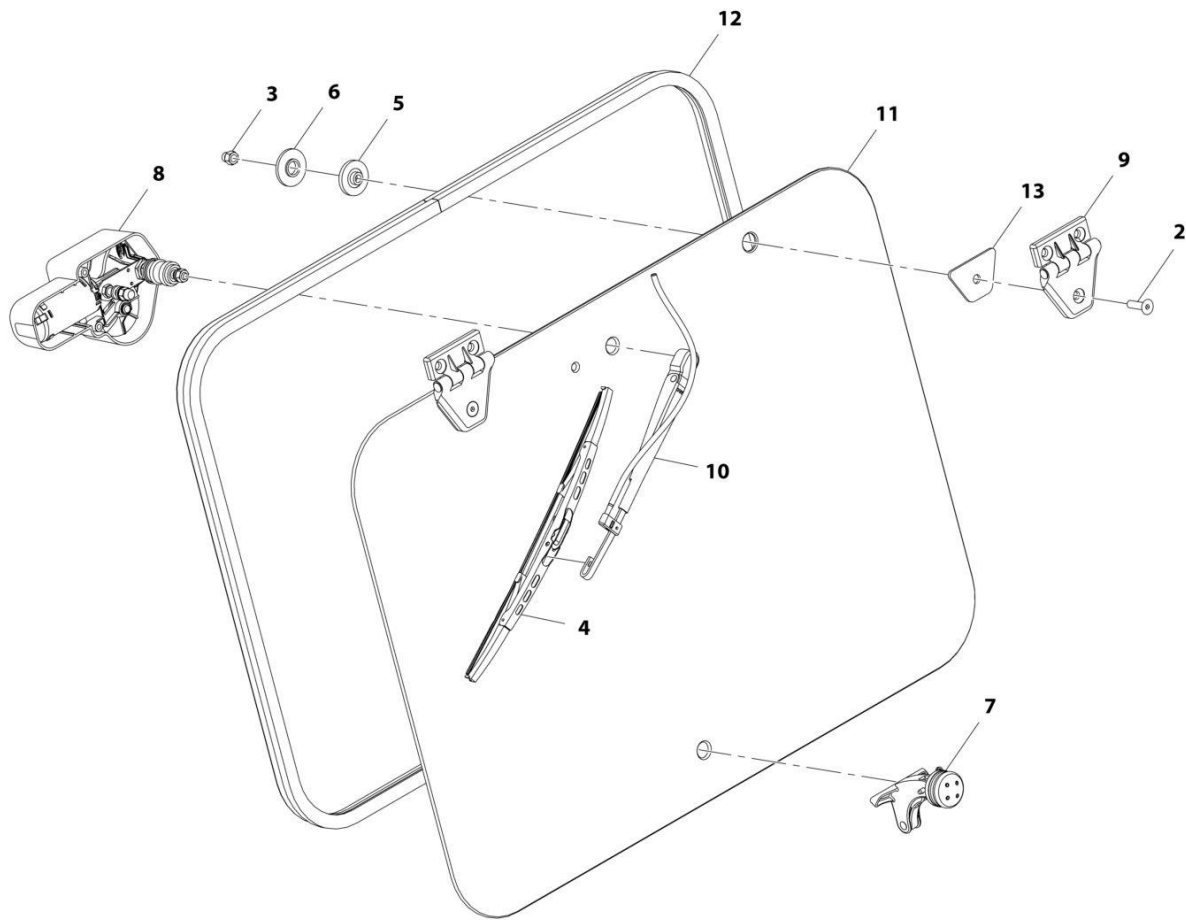
ART\_1001178678-C

FIGURE 6-11. REAR WINDOW INSTALLATION

ITEM	PART NUMBER	QTY	DESCRIPTION	REV
	1001178678	Ref	Rear Window Installation	C
2	1001003043	1	Pin, Spring	
3	1001097586	4	Screw, M8X1.25	
4	1001178679	1	Assembly, Rear Window (See Separate Breakdown in this Section)	
5	1001090343	1	Connector	

# SECTION 6 - CAB

## FIGURE 6-12. REAR WINDOW ASSEMBLY



ART\_1001178679-C

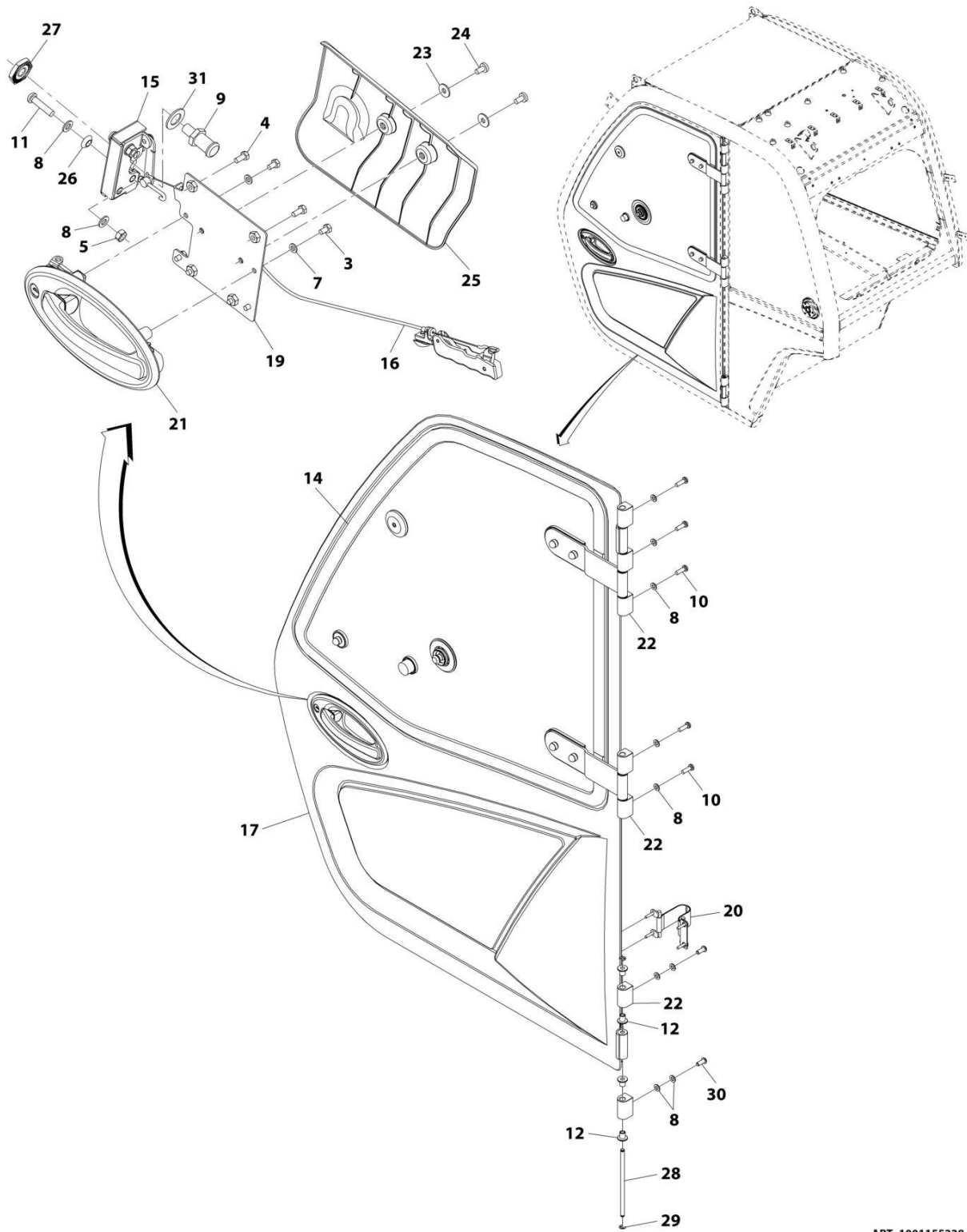


FIGURE 6-12. REAR WINDOW ASSEMBLY

ITEM	PART NUMBER	QTY	DESCRIPTION	REV
	1001178679	Ref	Rear Window Assembly	C
2	2080078	2	Fastener, M8X30	
3	3290806	2	Nut, M8X1.25 Grade 8	
4	4807718	1	Blade, Wiper	
5	8000759	2	Spacer	
6	8004398	2	Spacer	
7	1001005368	1	Latch, Window	
8	1001139552	1	Motor, Rear Wiper	
9	1001139568	2	Hinge	
10	1001141312	1	Arm, Rear Window Wiper	
11	1001178680	1	Glass, Rear Window	
12	1001178681	1	Seal	
13	1001181411	2	Gasket, Rear Window Hinge	

# SECTION 6 - CAB

## FIGURE 6-13. DOOR INSTALLATION (JLG)



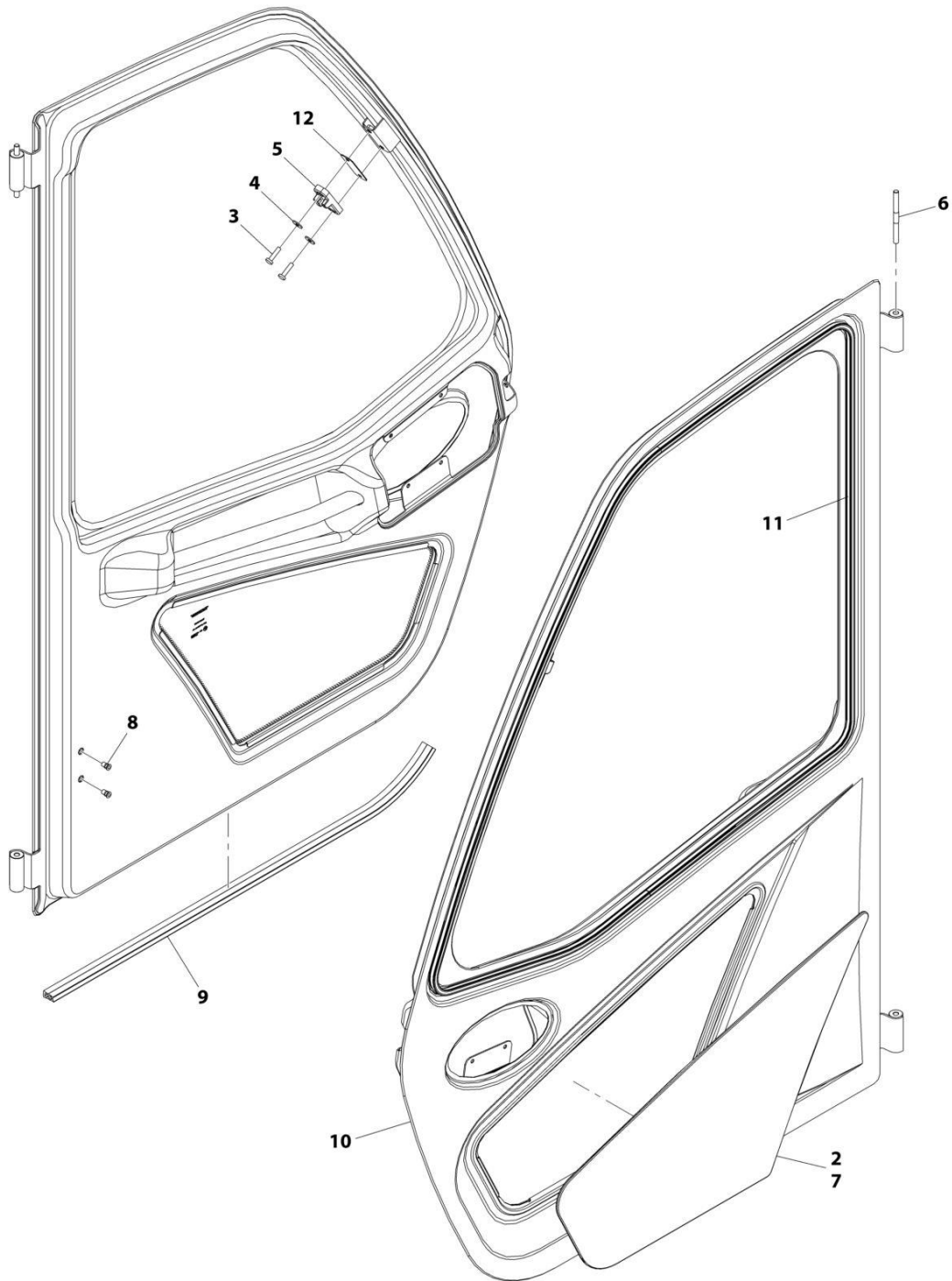
ART\_1001155228

FIGURE 6-13. DOOR INSTALLATION (JLG)

ITEM	PART NUMBER	QTY	DESCRIPTION	REV
	1001155228	Ref	Door Installation	Q
3	0760605	4	Bolt, M6X10	
4	0760607	4	Bolt, M6X14	
5	3290801	2	Nut, M8X1.25 Grade 8	
7	4811700	4	Washer, M6	
8	4811900	13	Washer, M8	
9	8000803	1	Pin, Door Striker	
10	1001008988	5	Screw M8X25	
11	1001047062	2	Screw, M8X35	
12	1001107192	10	Sleeve, Hinge	
14	1001205532	1	Assembly, Door Upper Glass (See Separate Breakdown in this Section)	
15	1001192766	1	Assembly, Cab Latch (See Separate Breakdown in this Section)	
16	1001167958	1	Assembly, Cab Door Trigger (See Separate Breakdown in this Section)	
17	1001170114	1	Assembly, Door (See Separate Breakdown in this Section)	
19	1001173298	1	Bracket	
20	1001174295	1	Installation, Door Strap (See Separate Breakdown in this Section)	
21	1001192646	1	Handle, Exterior Door	
22	1001229543	7	Block, Hinge (Rounded Top/Bottom Edge)	
22	1001170601J	7	Block, Hinge (Square Top/Bottom Edge)	
23	4811702001	2	Washer, M6	
24	4010608002	2	Screw, Posi-Drive, M6X16	
25	1001175477	1	Cover, Cab Door Interior	
26	1001184439	2	Bushing	
27	1001192309	1	Nut, M12X1	
28	1001213791	1	Pin	
29	0498748	2	Washer, Lock M7	
30	1001164726	2	Bolt, M8X20	
31	1001227802	1	Washer	

# SECTION 6 - CAB

## FIGURE 6-14. DOOR ASSEMBLY (AG - DEUTZ-FAHR)



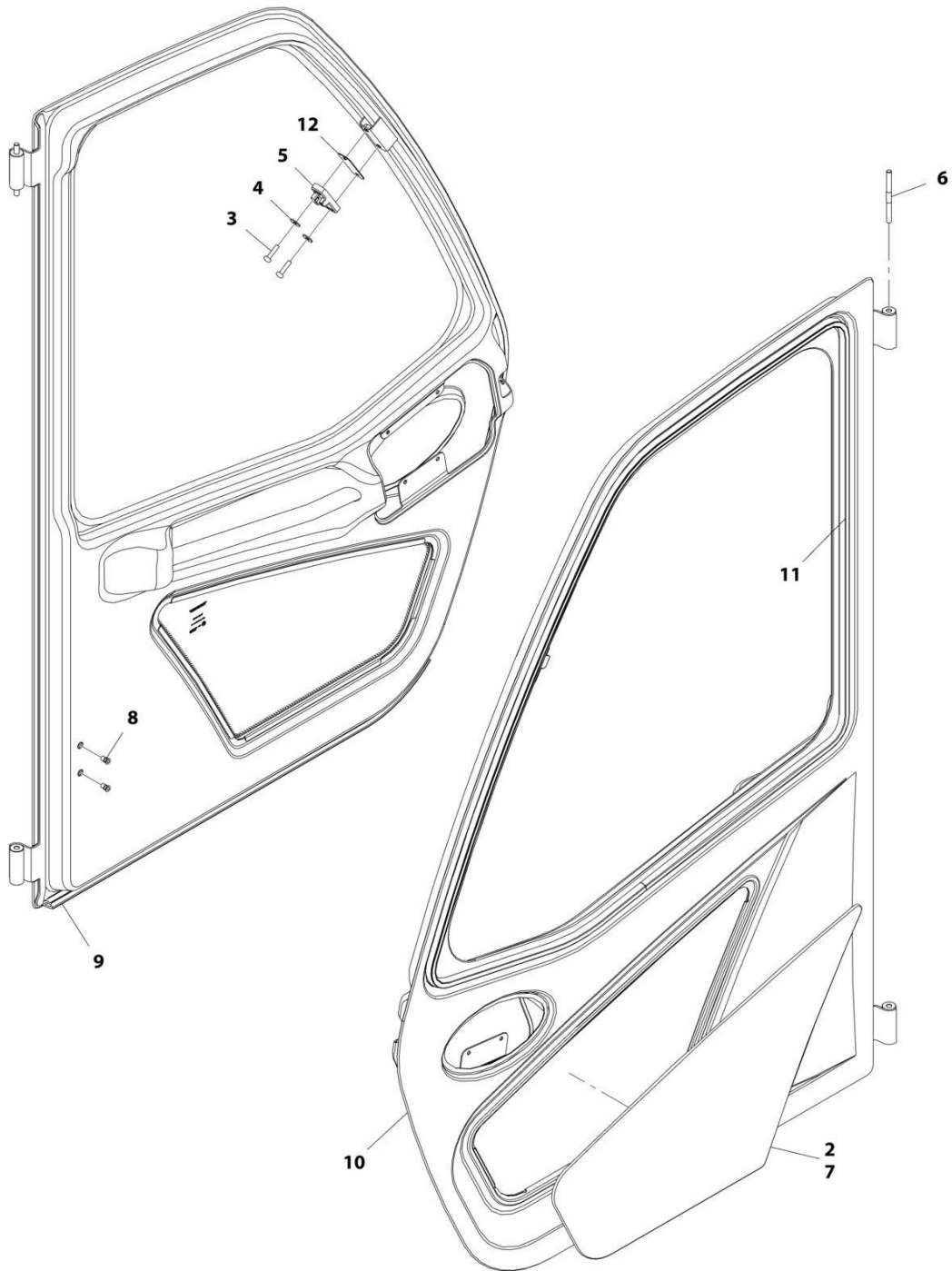
ART\_1001170122-J

FIGURE 6-14. DOOR ASSEMBLY (AG - DEUTZ-FAHR)

ITEM	PART NUMBER	QTY	DESCRIPTION	REV
	1001170122	Ref	Door Assembly (Deutz-Fahr)	J
2	1001111317	AR	Compound, Locking	
3	4010612002	2	Bolt, M6X25	
4	4811702001	2	Washer, 6MM	
5	1001165276	1	Plate, Window Latch Striker	
6	1001166634	1	Pin, Hinge	
7	1001169880	1	Window, Lower Glass	
8	1001172193	2	Rivnut, M5X0.8	
9	1001227188	1	Seal, Cab Door	
10	1001170113C	1	Door, Cab (See Separate Breakdown in this Section)	
11	1001227187	1	Seal, Cab Door Window	
12	1001193210	AR	Shim, Window Latch	

# SECTION 6 - CAB

## FIGURE 6-15. DOOR ASSEMBLY (AG - JLG)



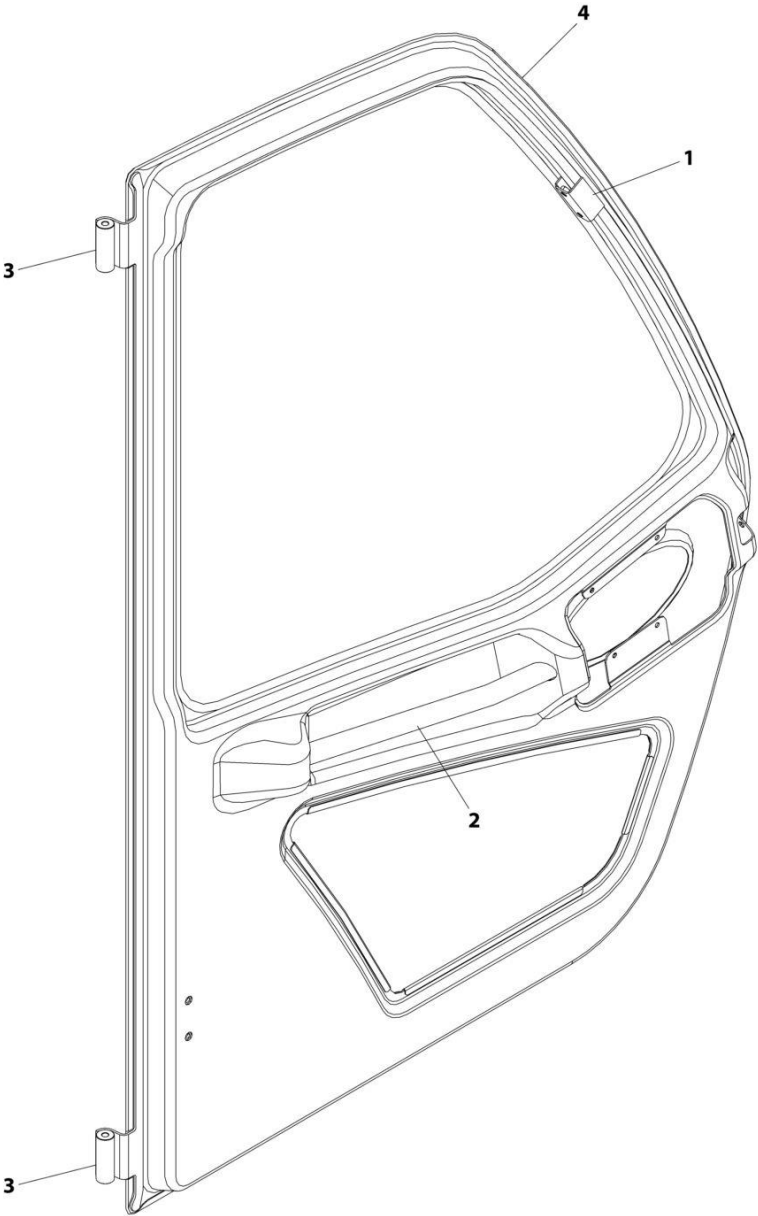
ART\_1001170114

FIGURE 6-15. DOOR ASSEMBLY (AG - JLG)

ITEM	PART NUMBER	QTY	DESCRIPTION	REV
	1001170114	Ref	Door Assembly	K
2	1001111317	AR	Compound, Locking	
3	4010612002	2	Screw, M6X25	
4	4811702001	2	Washer, M6	
5	1001165276	1	Plate, Window Latch Striker	
6	1001166634	1	Pin, Hinge	
7	1001169880	1	Window, Lower Glass	
8	1001172193	2	Rivnut, M5X0.8	
9	1001227188	1	Seal, Cab Door	
10	1001170113J	1	Door, Cab (See Separate Breakdown in this Section)	
11	1001227187	1	Seal, Cab Door Window	
12	1001193210	AR	Shim, Window Latch	

**SECTION 6 - CAB**

**FIGURE 6-16. CAB DOOR**



ART\_1001170113-E

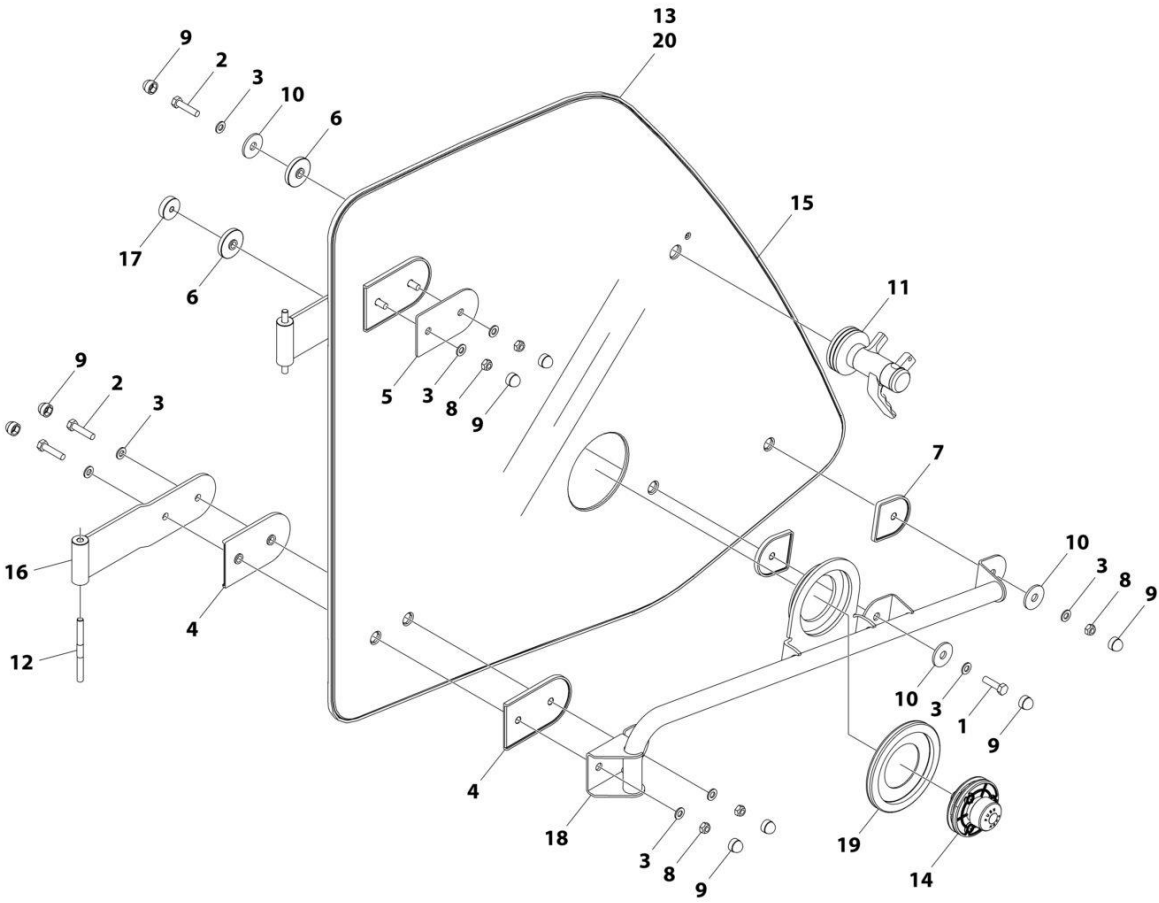


FIGURE 6-16. CAB DOOR

ITEM	PART NUMBER	QTY	DESCRIPTION	REV
	1001170113	Ref	Cab Door	E
1	1001169883	1	Bracket, Window Latch	
2	1001169885	1	Handle, Interior Door	
3	1001171037	1	Plate, Hinge	
4	1001171635	1	Frame, Door	

# SECTION 6 - CAB

## FIGURE 6-17. DOOR UPPER GLASS ASSEMBLY



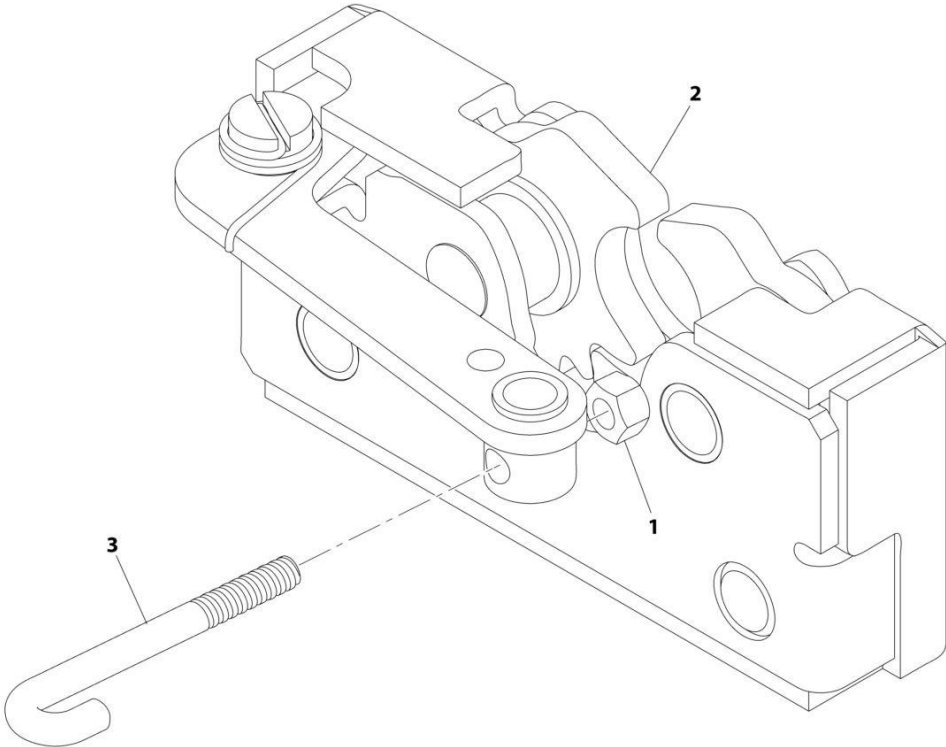
ART\_1001205532

FIGURE 6-17. DOOR UPPER GLASS ASSEMBLY

ITEM	PART NUMBER	QTY	DESCRIPTION	REV
	1001205532	Ref	Door Upper Glass Assembly	G
1	0760812	1	Bolt, M8X25	
2	0760815	5	Bolt, M8X35	
3	4811900	11	Washer, 8MM	
4	1001002946	4	Mount, Hinge	
5	1001002947	1	Mount, Hinge	
6	1001002953	2	Mount, Rubber	
7	1001002957	2	Mount, Latch	
8	1001008857	5	Nut, Lock	
9	1001096365	11	Cap, M8	
10	1001141246	3	Mount, Rubber	
11	1001165275	1	Latch, Window	
12	1001166634	2	Pin, Hinge	
13	1001170944	1	Panel, Window Surround	
14	1001174321	1	Striker, Top Window	
15	1001204066	1	Glass, Window	
16	1001204115	2	Hinge	
17	1001222741	1	Buffer, Cab	
18	1001204120	1	Handle	
19	1001213331	1	Gasket	
20	1001215531	AR	Adhesive	

**SECTION 6 - CAB**

**FIGURE 6-18. CAB LATCH ASSEMBLY**



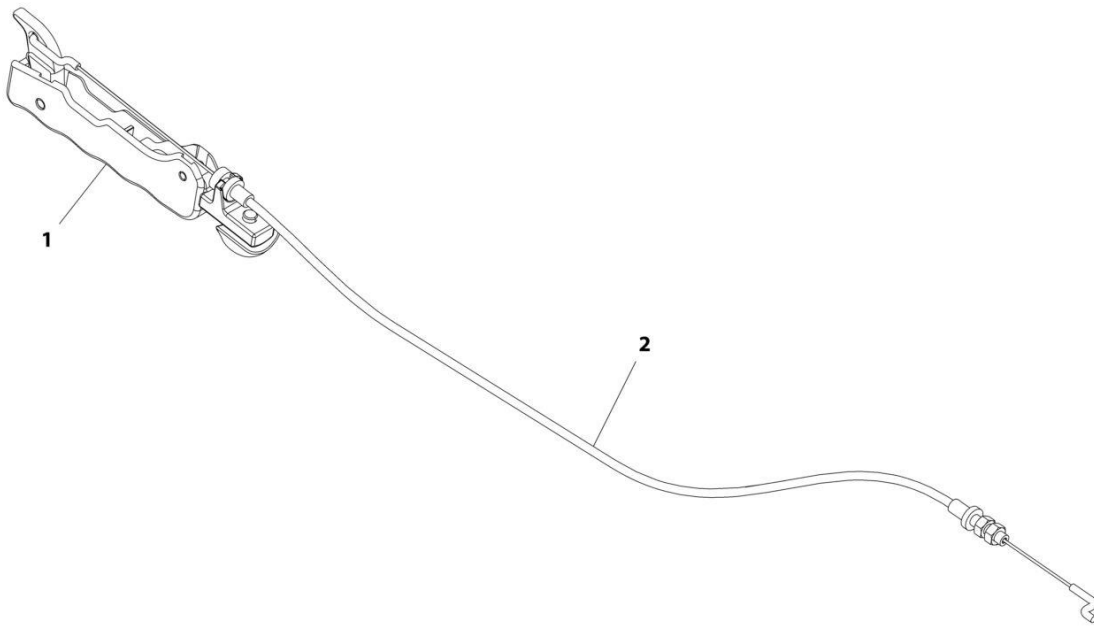
ART\_1001192766-B

FIGURE 6-18. CAB LATCH ASSEMBLY

ITEM	PART NUMBER	QTY	DESCRIPTION	REV
	1001192766	Ref	Cab Latch Assembly	B
1	3290405	1	Nut, M4X0.7 Grade 8	
2	1001192643	1	Latch	
3	1001241308	1	Link, Door Handle	

# SECTION 6 - CAB

## FIGURE 6-19. CAB DOOR TRIGGER ASSEMBLY



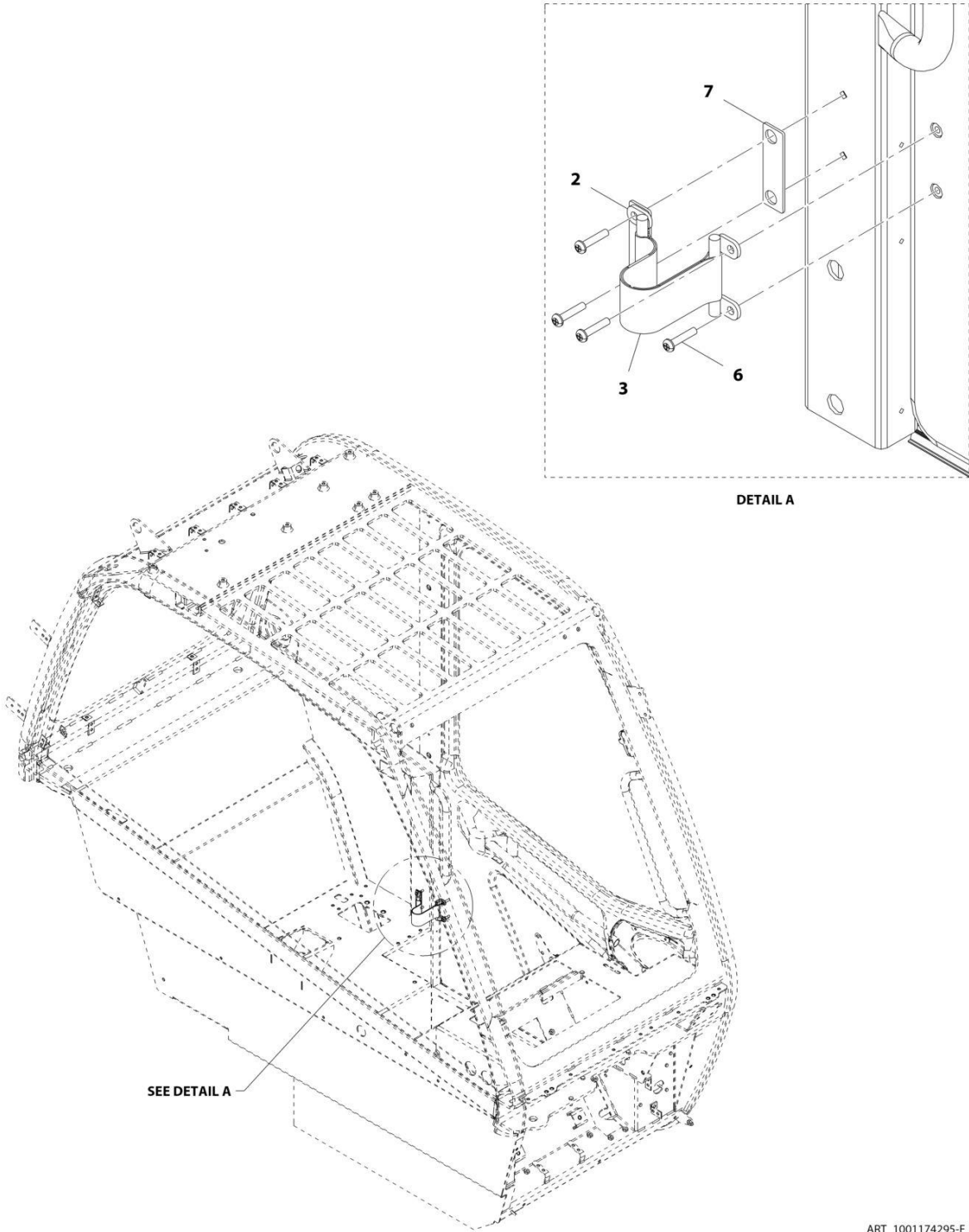
ART\_1001167958-E

**FIGURE 6-19. CAB DOOR TRIGGER ASSEMBLY**

<b>ITEM</b>	<b>PART NUMBER</b>	<b>QTY</b>	<b>DESCRIPTION</b>	<b>REV</b>
	1001167958	Ref	Cab Door Trigger Assembly	E
1	1001167937	1	Trigger, Cab Interior Release	
2	1001192644	1	Cable, Cab Latch Release	

**SECTION 6 - CAB**

**FIGURE 6-20. DOOR STRAP INSTALLATION**



ART\_1001174295-F

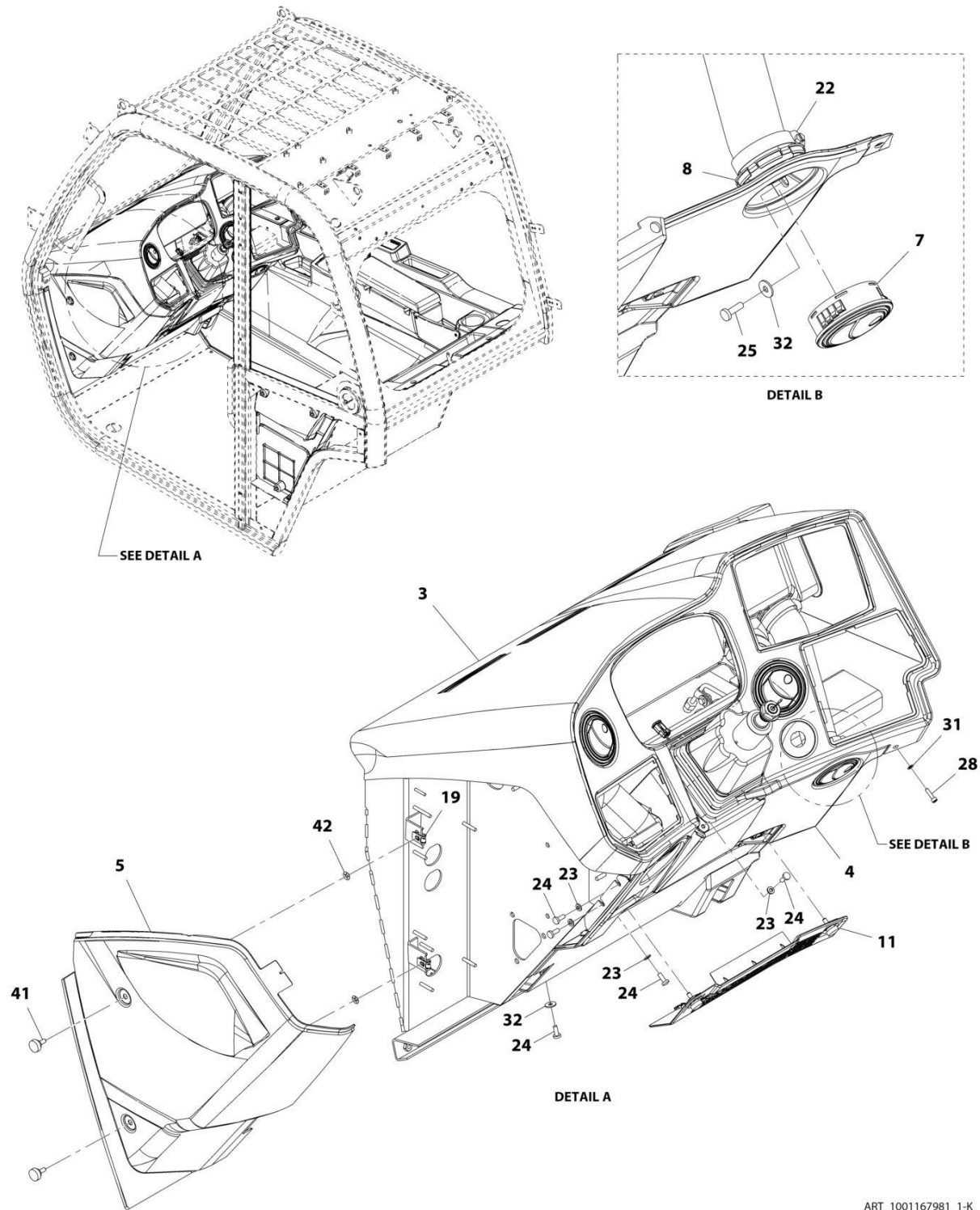


**FIGURE 6-20. DOOR STRAP INSTALLATION**

<b>ITEM</b>	<b>PART NUMBER</b>	<b>QTY</b>	<b>DESCRIPTION</b>	<b>REV</b>
	1001174295	Ref	Door Strap Installation	F
2	1001230163	2	Bracket, Strap Holder	
3	1001212011	1	Strap, Door Hold Open	
6	8310559	4	Screw	
7	1001191091	1	Plate, Cab Door Strap	

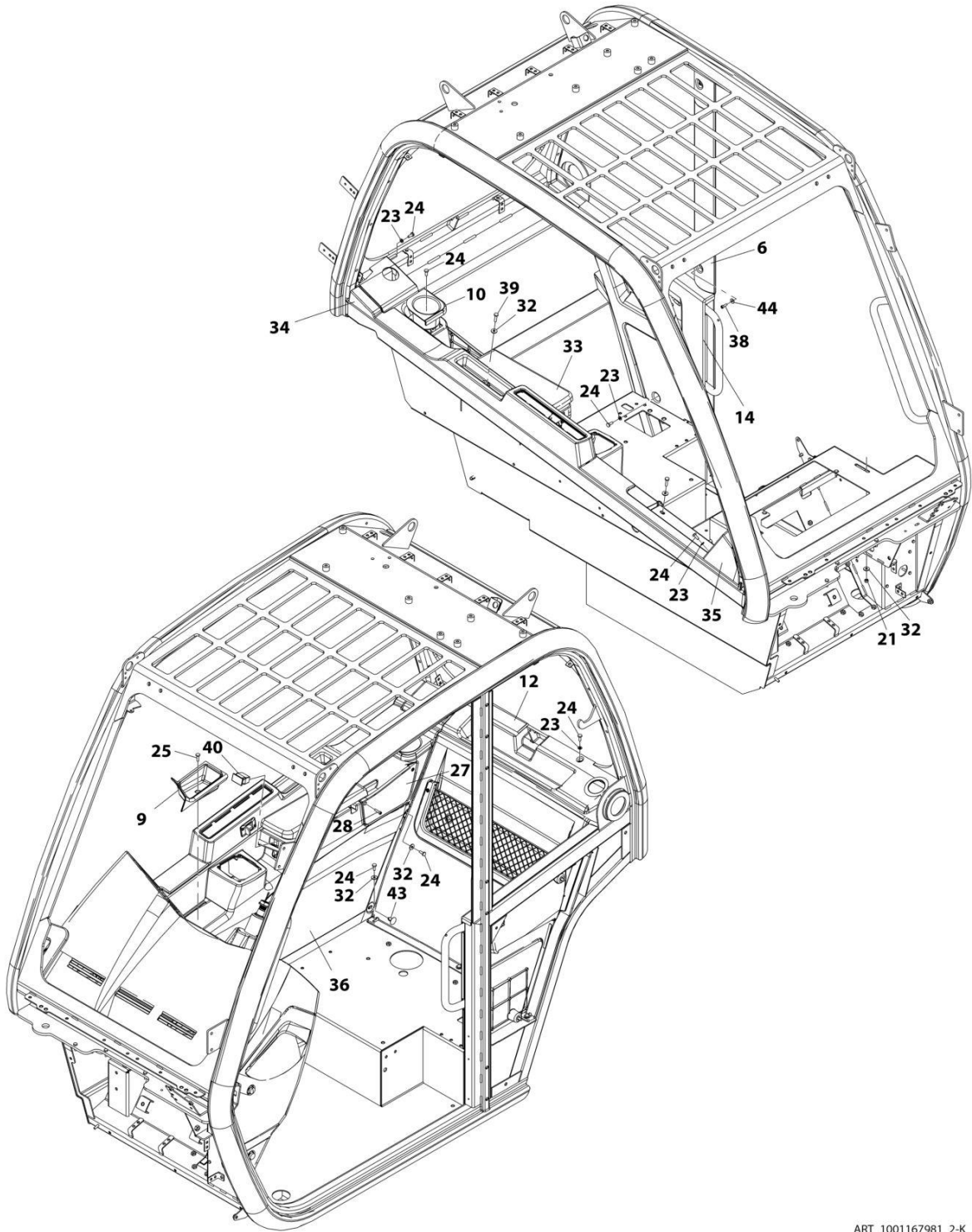
# SECTION 6 - CAB

## FIGURE 6-21. ENCLOSED CAB TRIM INSTALLATION (Prior to SN 1160008716)



ART\_1001167981\_1-K

# SECTION 6 - CAB



ART\_1001167981\_2-K

## SECTION 6 - CAB

**FIGURE 6-21. ENCLOSED CAB TRIM INSTALLATION (Prior to SN 1160008716)**

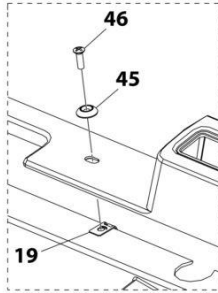
ITEM	PART NUMBER	QTY	DESCRIPTION	REV
	1001167981	Ref	Enclosed Cab Trim Installation	K
3	1001169604	1	Assembly, Dash Cover (See Separate Breakdown in this Section)	
4	1001175903	1	Panel, Lower Dash	
5	1001161855	1	Panel, LH Dash	
6	1001161251	1	Panel, Cover	
7	1001147449	2	Vent, Air	
8	1001149278	2	Vent, Connector	
9	1001169603	1	Panel, Trinket Tray	
10	1001170518	1	Holder, Cup	
11	1001170506	1	Panel, Recirculation Grille Cover (See Separate Breakdown in this Section)	
12	1001170519	1	Assembly, Rear Panel Cover (See Separate Breakdown in this Section)	
14	1001161068	1	Panel, Cover	
19	8305919	2	Nut, M6	
21	3290605	2	Nut, Lock M6X1 Grade 8	
22	8405201	2	Clamp, Gear	
23	4811700	13	Washer, M6	
24	4010608002	20	Screw, M6X16	
25	4010610002	2	Screw, M6X20	
27	1001173965	1	Bezel, RH	
28	4031608	3	Bolt, M5X20	
31	4811600	3	Washer, M5	
32	4811702	12	Washer, M6	
33	1001181726	Ref	Installation, Adjustable Armrest (See Separate Breakdown in this Section)	
34	1001182834	1	Panel, Cover	
35	1001185870	1	Panel, Cover	
36	1001189182	1	Panel, Cover	
38	4031607	2	Bolt, M5-.8X16	
39	4010612002	3	Screw, M6X25	
41	1001208308	2	Bolt, M6X15	
42	1001148557	2	Washer, Star	
43	1001211907	1	Screw, Retainer	
44	4811602	2	Washer, 5M	



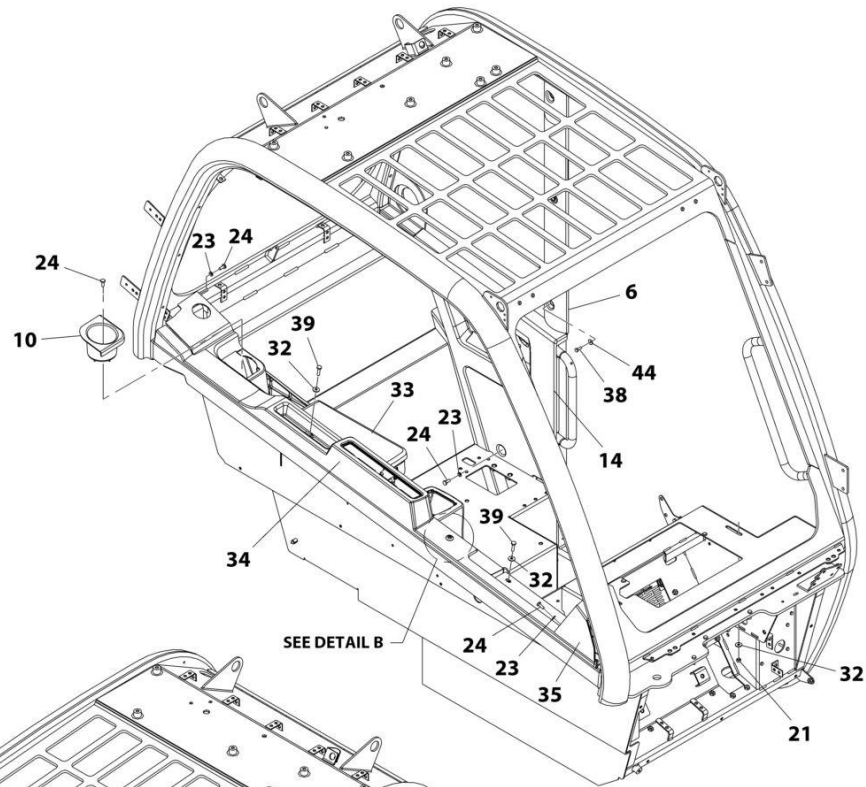
## **SECTION 6 - CAB**

**FIGURE 6-22. ENCLOSED CAB TRIM INSTALLATION (SN 1160008716 to Present)**

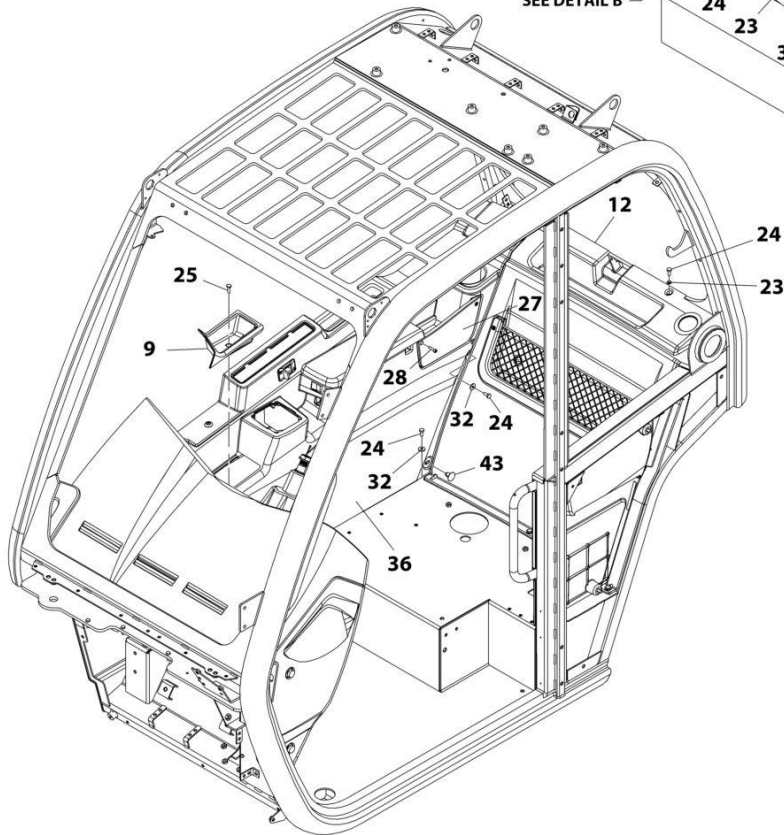
# SECTION 6 - CAB



DETAIL B



SEE DETAIL B



ART\_1001167981\_2-N

## SECTION 6 - CAB

**FIGURE 6-22. ENCLOSED CAB TRIM INSTALLATION (SN 1160008716 to Present)**

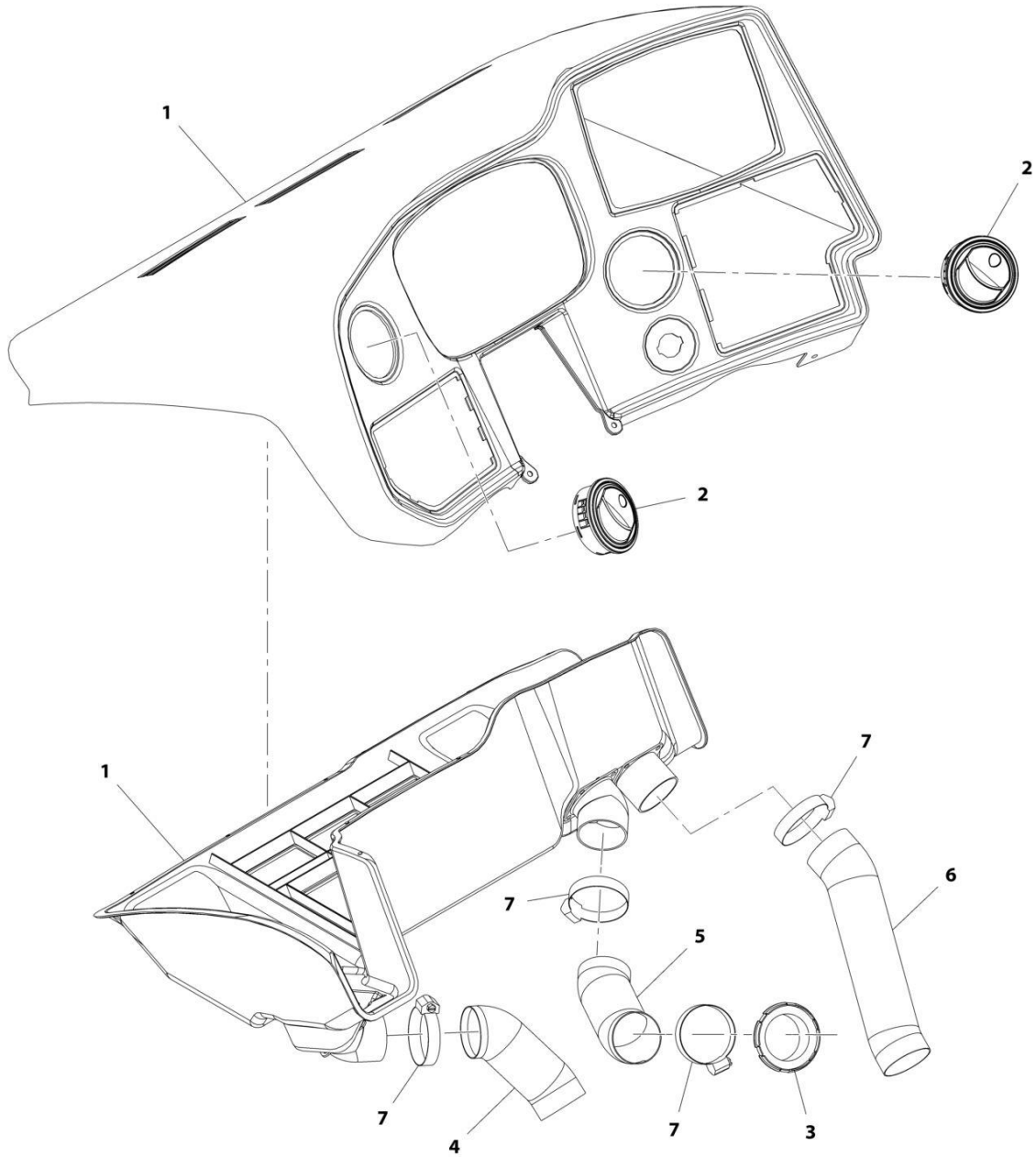
ITEM	PART NUMBER	QTY	DESCRIPTION	REV
	1001167981	Ref	Enclosed Cab Trim Installation	N
3	1001169604	1	Assembly, Dash Cover (See Separate Breakdown in this Section)	
4	1001175903	1	Panel, Lower Dash	
5	1001161855	1	Panel, LH Dash	
6	1001219076	1	Panel, Cover	
7	1001147449	2	Vent, Air	
8	1001149278	2	Vent, Connector	
9	1001169603	1	Panel, Trinket Tray	
10	1001170518	1	Holder, Cup	
11	1001170504	1	Panel, Recirculation Grille Cover	
12	1001170519	1	Assembly, Rear Panel Cover (See Separate Breakdown in this Section)	
14	1001161068	1	Panel, Cover	
19	8305919	5	Nut, M6	
21	3290605	2	Nut, Lock M6X1 Grade 8	
22	8405201	2	Clamp, Gear	
23	4811700001	13	Washer, M6	
24	4010608002	20	Screw, M6X16	
25	4010610002	2	Screw, M6X20	
27	1001173965	1	Bezel, RH	
28	4031608001	3	Bolt, M5X20	
31	4811600	1	Washer, M5	
32	4811702001	12	Washer, M6	
33	1001181726	Ref	Installation, Adjustable Armrest (See Separate Breakdown in this Section)	
34	1001182834	1	Panel, Cover	
35	1001185870	1	Panel, Cover	
36	1001189182	1	Panel, Cover	
38	4010508002	3	Bolt, M5-.8X16	
39	4010612002	3	Screw, M6X25	
41	1001208308	4	Bolt, M6X15	
43	1001211907	1	Screw, Retainer	
44	4811602001	3	Washer, 5M	
45	1001098150	1	Washer, M6	
46	1001132564	1	Screw M6X20	





# SECTION 6 - CAB

## FIGURE 6-23. DASH COVER ASSEMBLY



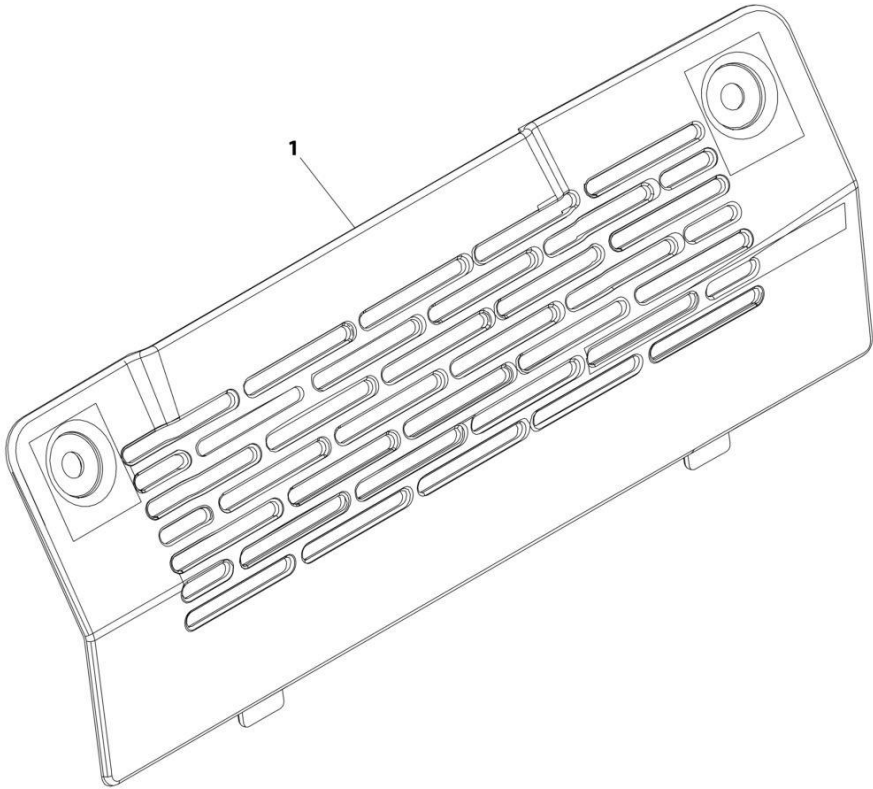
ART\_1001169604-B

FIGURE 6-23. DASH COVER ASSEMBLY

ITEM	PART NUMBER	QTY	DESCRIPTION	REV
	1001169604	Ref	Dash Cover Assembly (Construction)	B
1	1001161851	1	Panel, Top Dash	
2	1001147449	2	Vent, Air	
3	1001149278	1	Vent, Connector	
4	1001174652	1	Hose	
5	1001174653	1	Hose	
6	1001174655	1	Hose	
7	8405201	4	Clamp, Gear	

**SECTION 6 - CAB**

**FIGURE 6-24. RECIRCULATION GRILLE COVER PANEL ASSEMBLY (Prior to SN 1160008716)**



ART\_1001170506-F

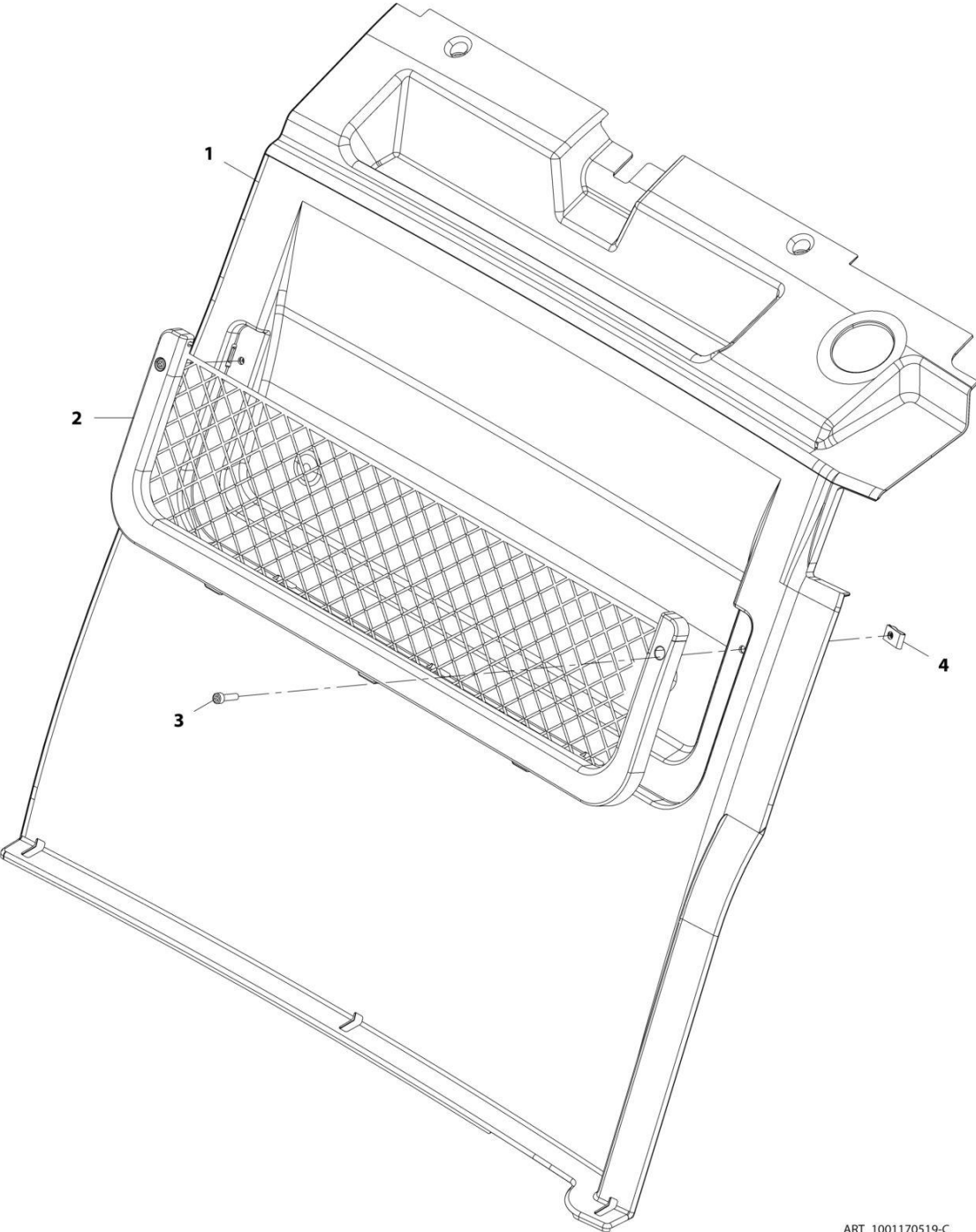
## SECTION 6 - CAB

**FIGURE 6-24. RECIRCULATION GRILLE COVER PANEL ASSEMBLY (Prior to SN 1160008716)**

ITEM	PART NUMBER	QTY	DESCRIPTION	REV
1	1001170506	1	Recirculation Grille Cover Panel Assembly	F
	1001170504	1	Cover, HVAC Recirc Grille	

**SECTION 6 - CAB**

**FIGURE 6-25. REAR PANEL COVER ASSEMBLY**



ART\_1001170519-C

FIGURE 6-25. REAR PANEL COVER ASSEMBLY

ITEM	PART NUMBER	QTY	DESCRIPTION	REV
	1001170519	Ref	Rear Panel Cover Assembly	C
1	1001161067	1	Panel, Rear	
2	1001170514	1	Storage Net, Rear Panel	
3	4031608	2	Bolt, M5X20	
4	1001183550	2	Nut, Cage M5	

# SECTION 6 - CAB

## FIGURE 6-26. ADJUSTABLE ARMREST INSTALLATION

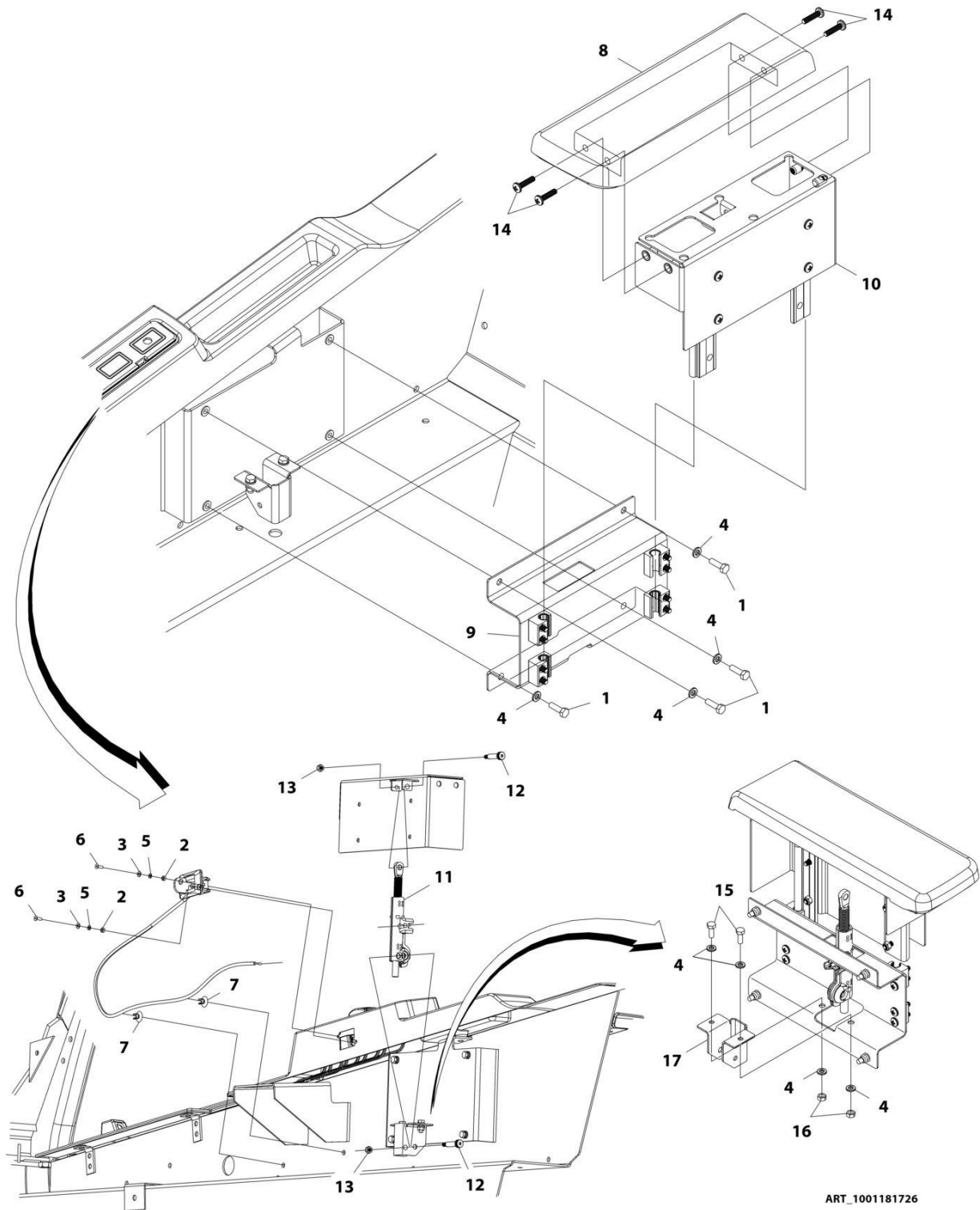


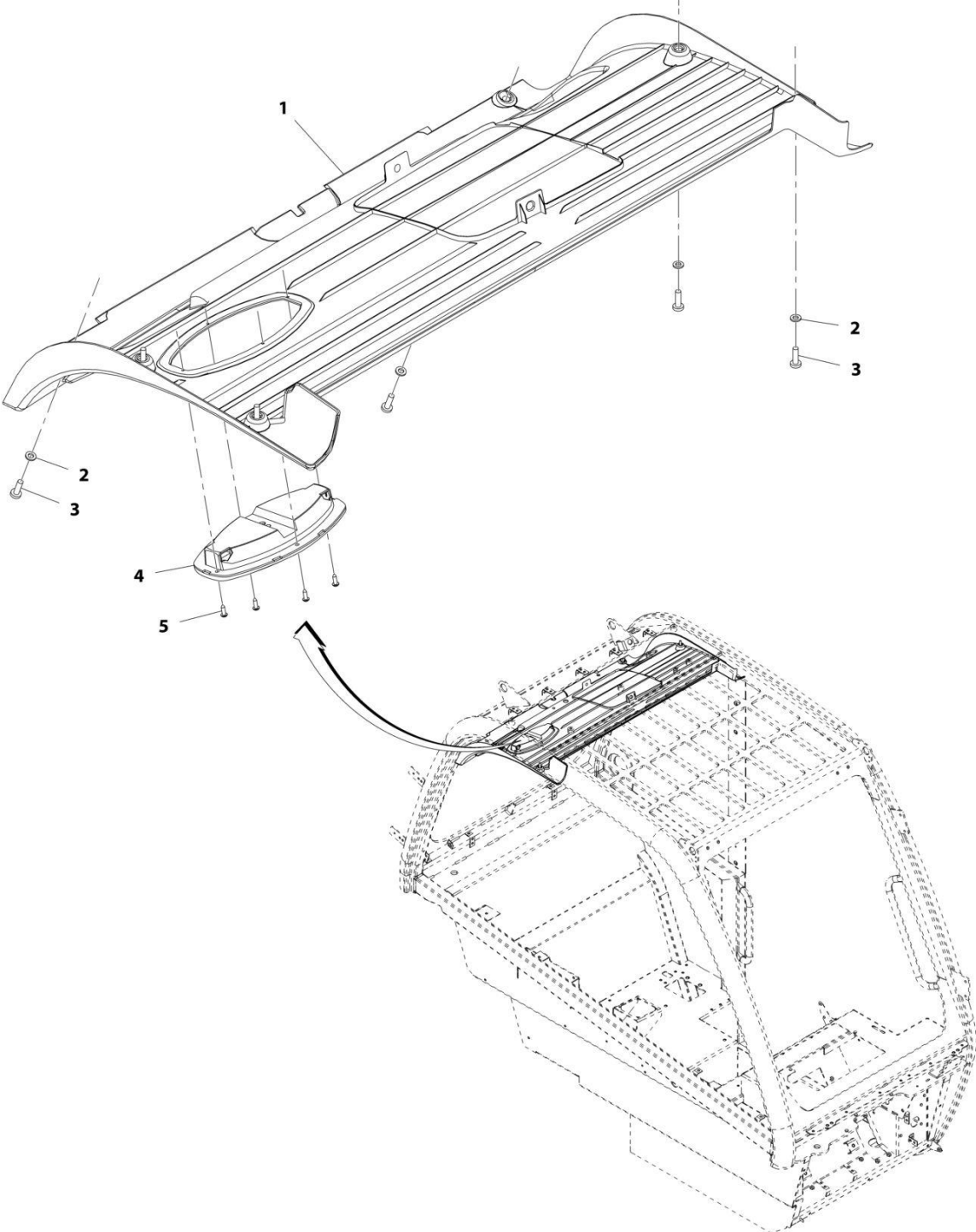


FIGURE 6-26. ADJUSTABLE ARMREST INSTALLATION

ITEM	PART NUMBER	QTY	DESCRIPTION	REV
	1001181726	Ref	Adjustable Armrest Installation	F
1	0700610	4	Bolt, M6X20	
2	3290401	2	Nut, M4X0.7	
3	4811400	2	Washer, M4	
4	4811700	8	Washer, M6	
5	4831400	2	Washer, Lock M4	
6	1001097244	2	Screw, M4X12	
7	1001165458	4	Hose	
8	1001191281	1	Armrest (See Separate Breakdown in this Section)	
9	1001191283	1	Bracket, Fixed Armrest (See Separate Breakdown in this Section)	
10	1001191284	1	Bracket, Moving Armrest (See Separate Breakdown in this Section)	
11	1001191285	1	Spring	
12	1001191370	2	Screw, M6	
13	3290605	2	Nut, M6X1 Grade 8	
14	4010612002	4	Screw, M6X25	
15	0760608	2	Bolt, M6X16	
16	3290601	2	Nut, M6X1	
17	1001212468	1	Bracket, Locking Spring Mount	

**SECTION 6 - CAB**

**FIGURE 6-27. HEADLINER INSTALLATION**



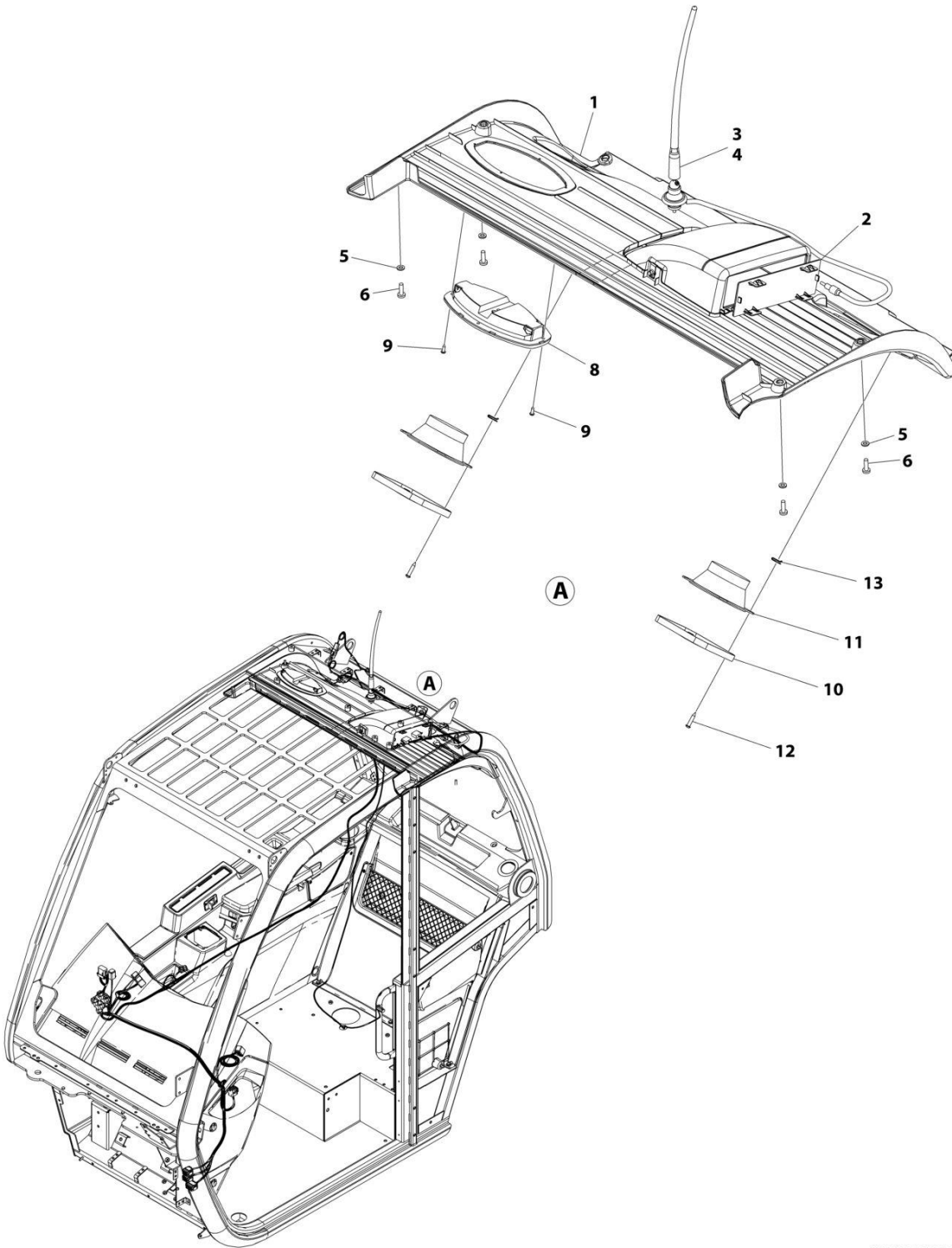
ART\_1001170718-C

FIGURE 6-27. HEADLINER INSTALLATION

ITEM	PART NUMBER	QTY	DESCRIPTION	REV
	1001170718	Ref	Headliner Installation	D
1	1001170716	1	Panel, Headliner	
2	4811700	6	Washer, M6	
3	4031708001	6	Capscrew M6 x 20	
4	1001167015	1	Lamp, Dome	
5	7029486	4	Screw	

# SECTION 6 - CAB

## FIGURE 6-28. HEADLINER/ RADIO READY INSTALLATION



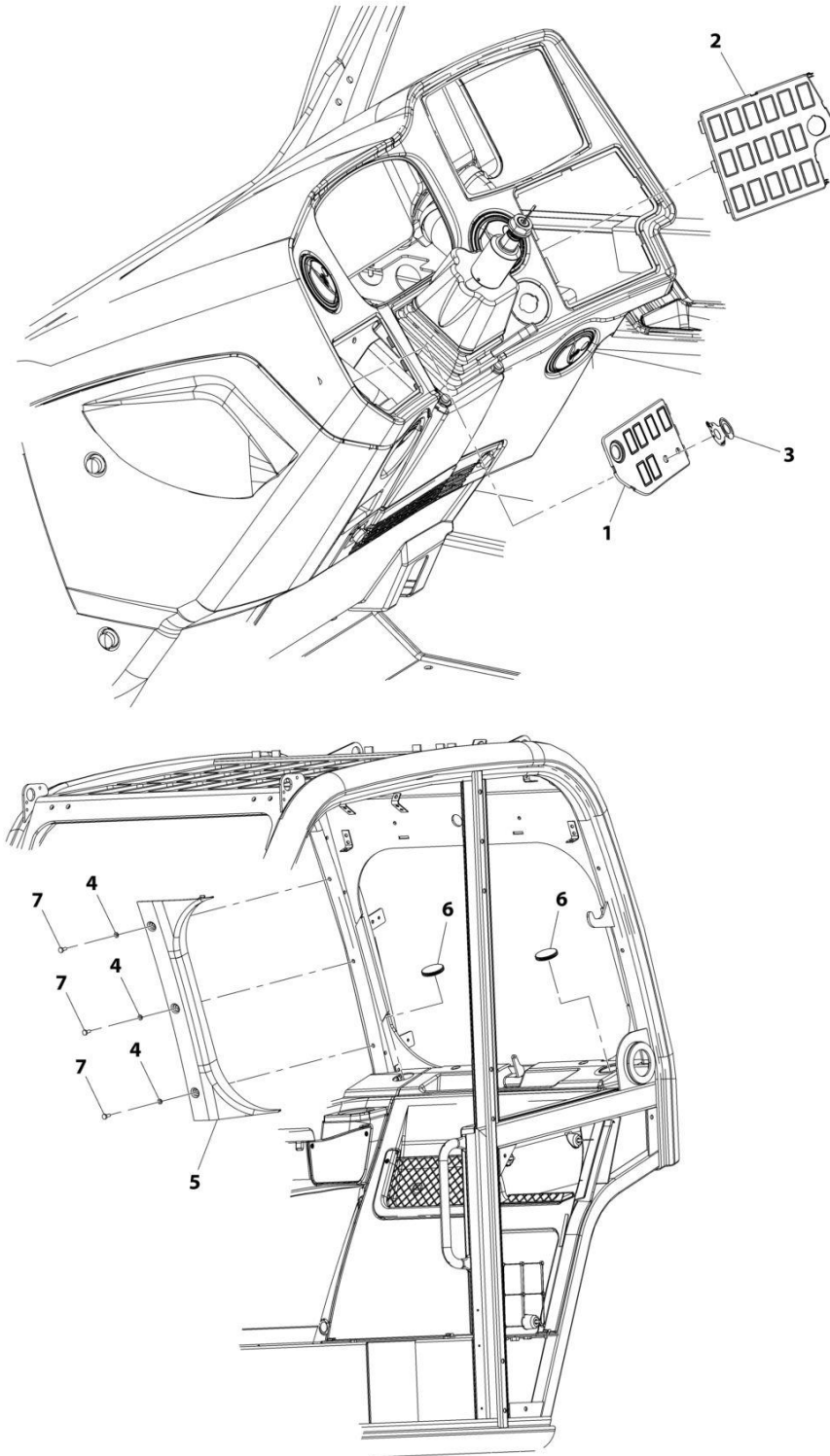
ART\_1001173425

FIGURE 6-28. HEADLINER/ RADIO READY INSTALLATION

ITEM	PART NUMBER	QTY	DESCRIPTION	REV
	1001173425	Ref	HEADLINER/ RADIO READY INSTALLATION	F
1	1001243343	1	Cover, Headliner	
2	1001200968	1	Plate	
3	8005901	1	Antenna	
4	1001116128	AR	Sealant, Polysiloxane	
5	4811700	6	Washer, 6M	
6	4031708001	6	Screw, M6 x 20	
8	1001167015	1	Lamp	
9	7029486	4	Screw	
10	1671326	2	Cover, Speaker	
11	1001146901	1	Radio, Speaker	
12	1001111147	8	Screw, Spire	
13	1001258342	8	Nut, Spire	

# SECTION 6 - CAB

## FIGURE 6-29. COMMON CAB TRIM INSTALLATION



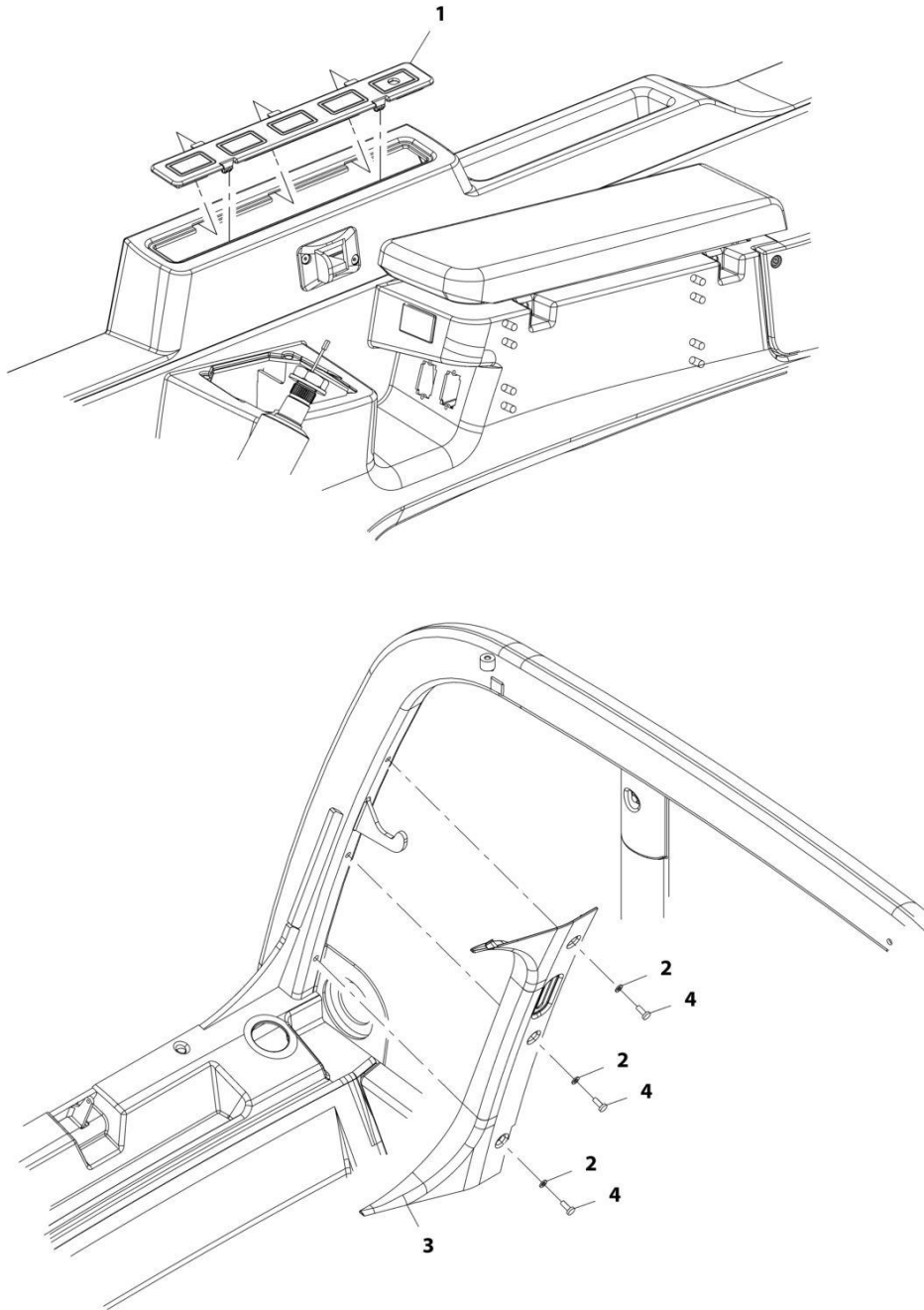
ART\_1001200694-D

FIGURE 6-29. COMMON CAB TRIM INSTALLATION

ITEM	PART NUMBER	QTY	DESCRIPTION	REV
	1001200694	Ref	Common Cab Trim Installation	D
1	1001219864	1	Panel, LH Switch	
2	1001219865	1	Panel, RH Switch	
3	1001184975	1	Decal, HVAC	
4	4811700001	3	Washer, M6	
5	1001161253	1	Panel, Cover	
6	1001223265	2	Grommet	
7	4010608002	3	Screw, M6X16	

# SECTION 6 - CAB

FIGURE 6-30. CAB TRIM INSTALLATION (Prior to SN 1160008716)



ART\_1001201207-B



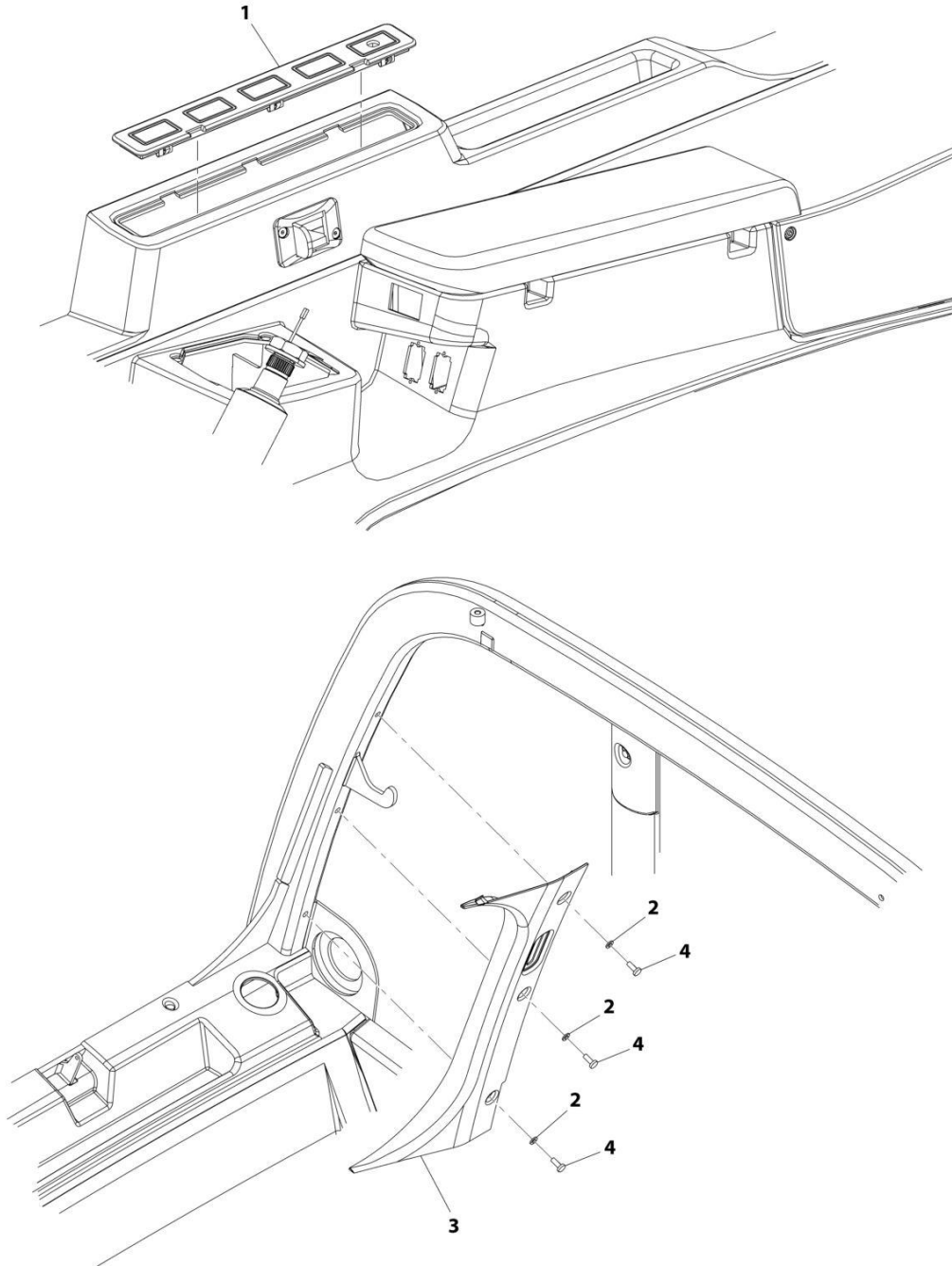
## SECTION 6 - CAB

**FIGURE 6-30. CAB TRIM INSTALLATION (Prior to SN 1160008716)**

ITEM	PART NUMBER	QTY	DESCRIPTION	REV
	1001201207	Ref	Cab Trim Installation	B
1	1001177464	1	Plate, Switch	
2	4811700	1	Washer, M6	
3	1001161252	1	Panel, Cover	
4	4010608002	3	Screw, M6X16	

# SECTION 6 - CAB

## FIGURE 6-31. CAB TRIM INSTALLATION (SN 1160008716 to Present)



ART\_1001201207-C

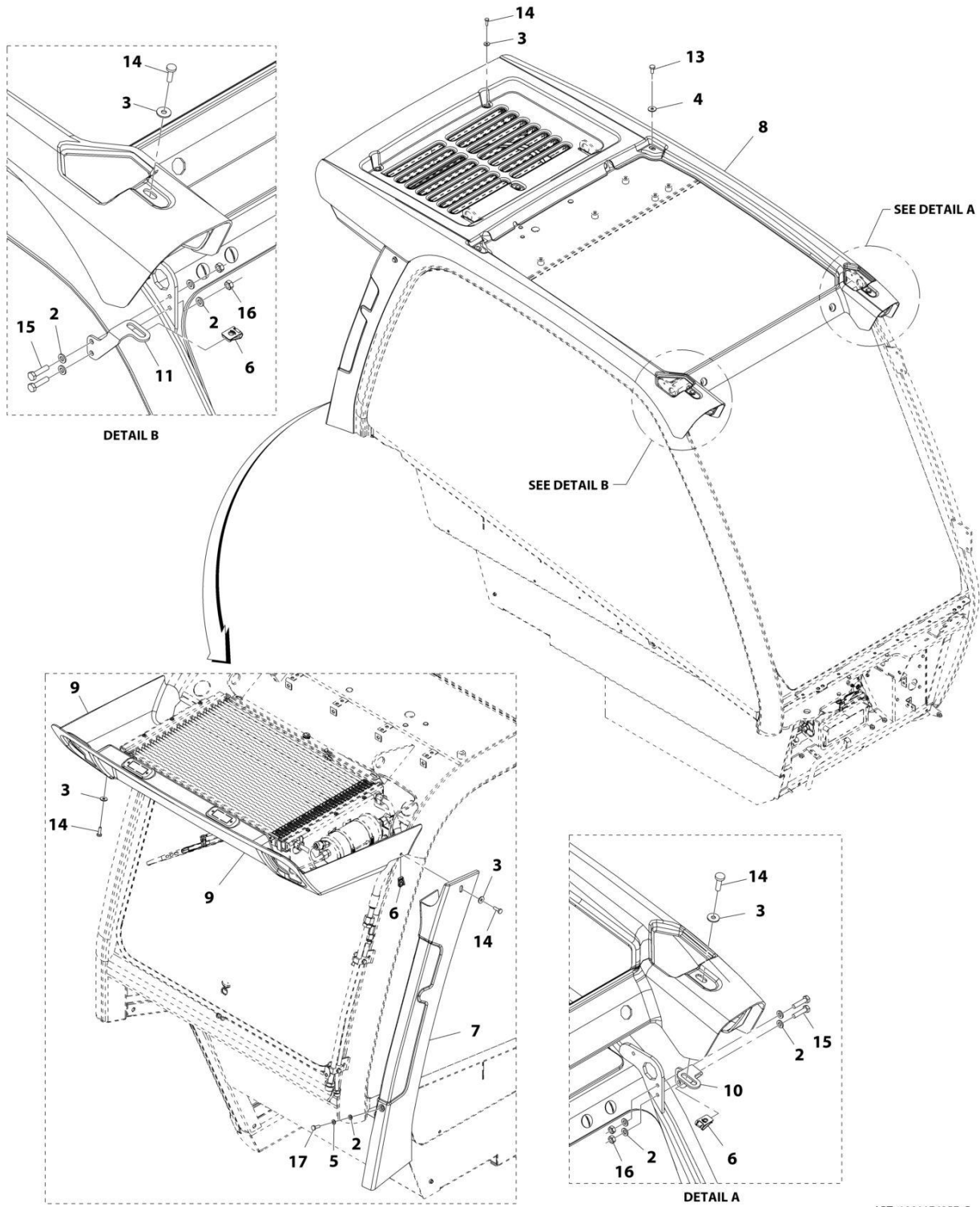
## SECTION 6 - CAB

**FIGURE 6-31. CAB TRIM INSTALLATION (SN 1160008716 to Present)**

ITEM	PART NUMBER	QTY	DESCRIPTION	REV
	1001201207	Ref	Cab Trim Installation	C
1	1001219863	1	Panel, Switch	
2	4811700001	3	Washer, M6	
3	1001161252	1	Panel, Cover	
4	4010608002	3	Screw, M6X16	

# SECTION 6 - CAB

## FIGURE 6-32. ROOF CAP INSTALLATION (A/C - JLG)



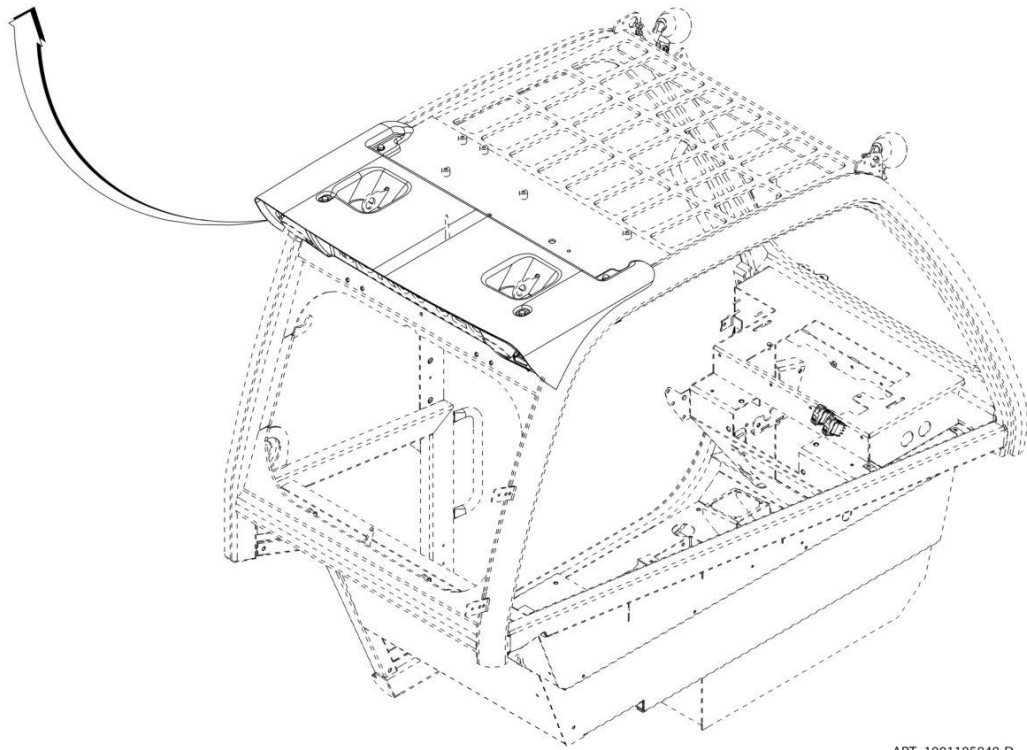
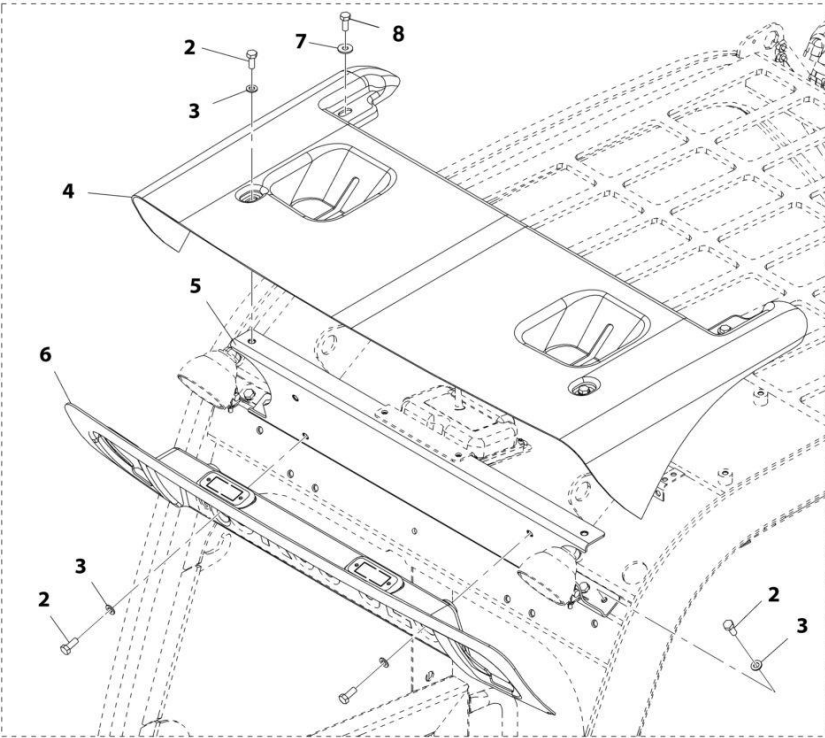
ART\_1001176257-G

FIGURE 6-32. ROOF CAP INSTALLATION (A/C - JLG)

ITEM	PART NUMBER	QTY	DESCRIPTION	REV
	1001176257	Ref	Roof Cap Installation (A/C)	G
2	4811700	9	Washer, M6	
3	4811702	10	Washer, M6	
4	4811902	2	Washer, M8	
5	4831700	1	Washer, Lock M6	
6	8305919	3	Nut, M6	
7	1001174741	1	Cover	
8	1001176140	1	Cover	
9	1001176318	1	Cover	
10	1001174800	1	Bracket	
11	1001174801	1	Bracket	
13	0760608	2	Bolt, M6X16	
14	4010610002	10	Screw, Posi-Drive M6X20	
15	0700612	4	Bolt, M6X25	
16	3290601	4	Nut, M6X1	
17	4010608002	1	Screw, Posi-Drive, M6X16	

# SECTION 6 - CAB

## FIGURE 6-33. ROOF CAP INSTALLATION (NO A/C - JLG)



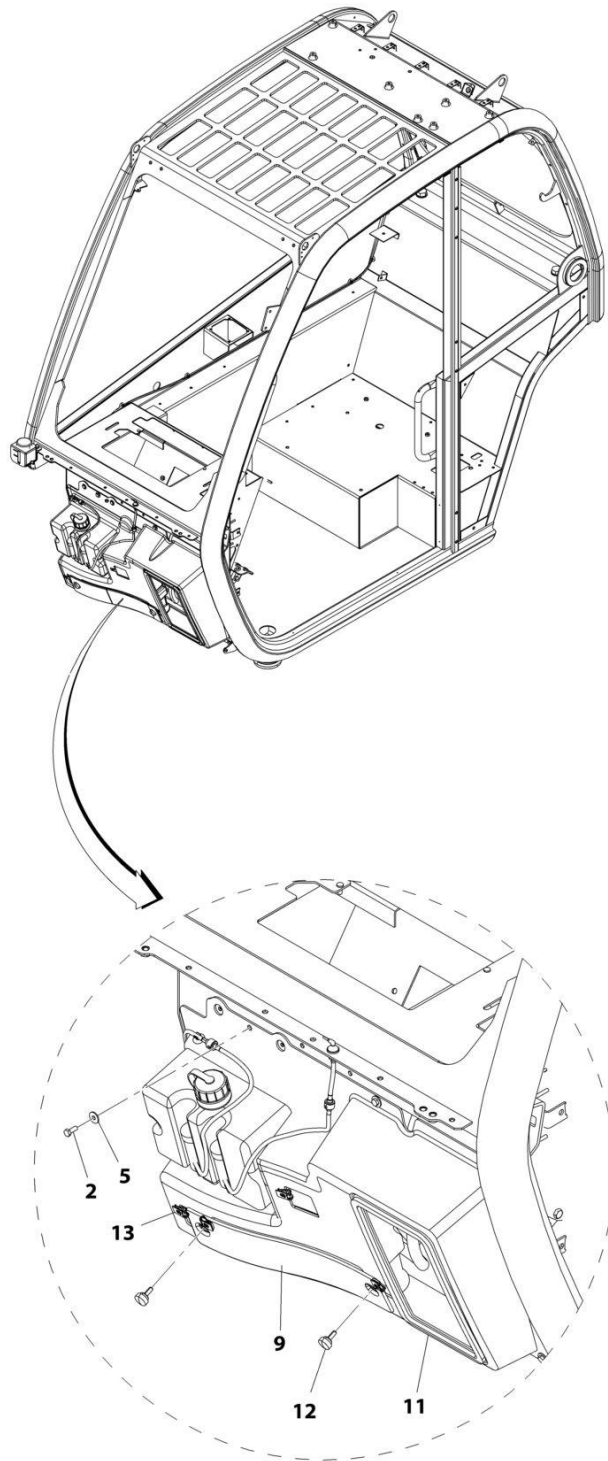
ART\_1001185848-D

FIGURE 6-33. ROOF CAP INSTALLATION (NO A/C - JLG)

ITEM	PART NUMBER	QTY	DESCRIPTION	REV
	1001185848	Ref	Roof Cap Installation (No A/C - AG)	D
2	0760810	8	Bolt, M8X20	
3	4811900	8	Washer, M8	
4	1001182330	1	Cover, Short Upper Roof Cap	
5	1001185633	1	Bracket, Roof Cap Mount	
6	1001185845	1	Cover, Short Lower Roof Cap	
7	4811902	2	Washer, M8	
8	0760808	2	Bolt, M8X16	

# SECTION 6 - CAB

## FIGURE 6-34. FRONT COVER INSTALLATION



ART\_1001170366-G

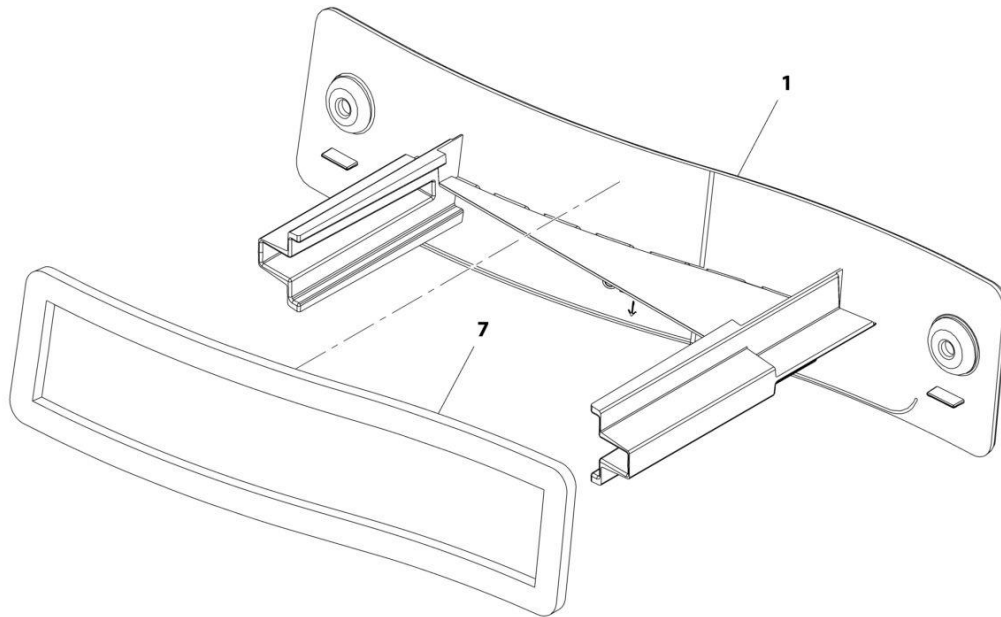


FIGURE 6-34. FRONT COVER INSTALLATION

ITEM	PART NUMBER	QTY	DESCRIPTION	REV
	1001170366	Ref	Front Cover Installation	G
2	0760608	7	Bolt, M6X16	
5	4811702	7	Washer, M6	
9	1001175471	1	Panel, Filter Tray (See Separate Breakdown in this Section)	
11	1001176121	1	Cover, Front Duct (See Separate Breakdown in this Section)	
12	2080092	2	Thumb Screw, M6X16	
13	8305919	4	Nut, M6	

# SECTION 6 - CAB

## FIGURE 6-35. FILTER TRAY PANEL



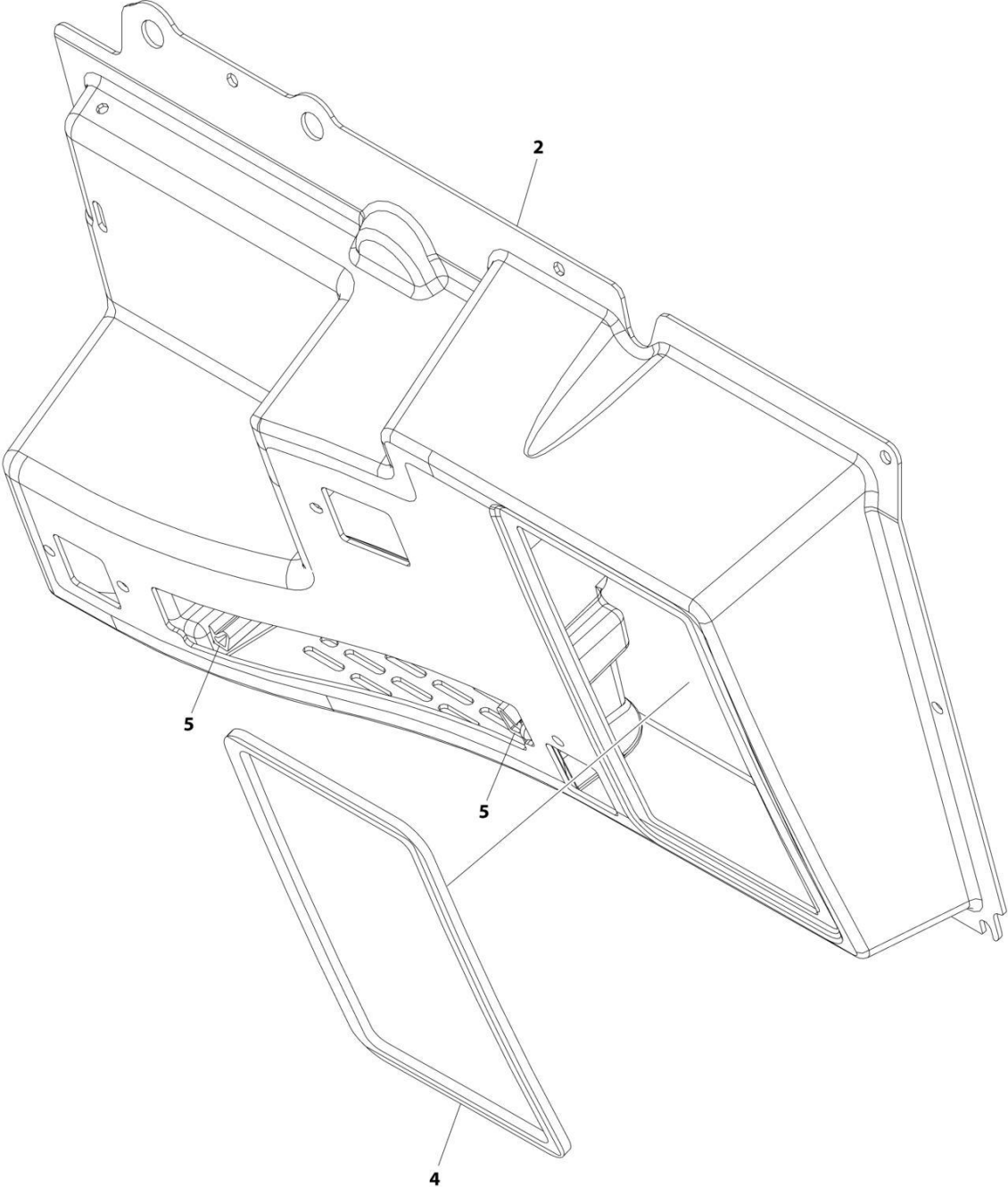
ART\_1001175471-D

**FIGURE 6-35. FILTER TRAY PANEL**

<b>ITEM</b>	<b>PART NUMBER</b>	<b>QTY</b>	<b>DESCRIPTION</b>	<b>REV</b>
	1001175471	Ref	Filter Tray Panel	D
1	1001170993	1	Panel, Front Inlet	
7	1001171767	1	Cab, Front Panel Seal	

**SECTION 6 - CAB**

**FIGURE 6-36. FRONT DUCT COVER**



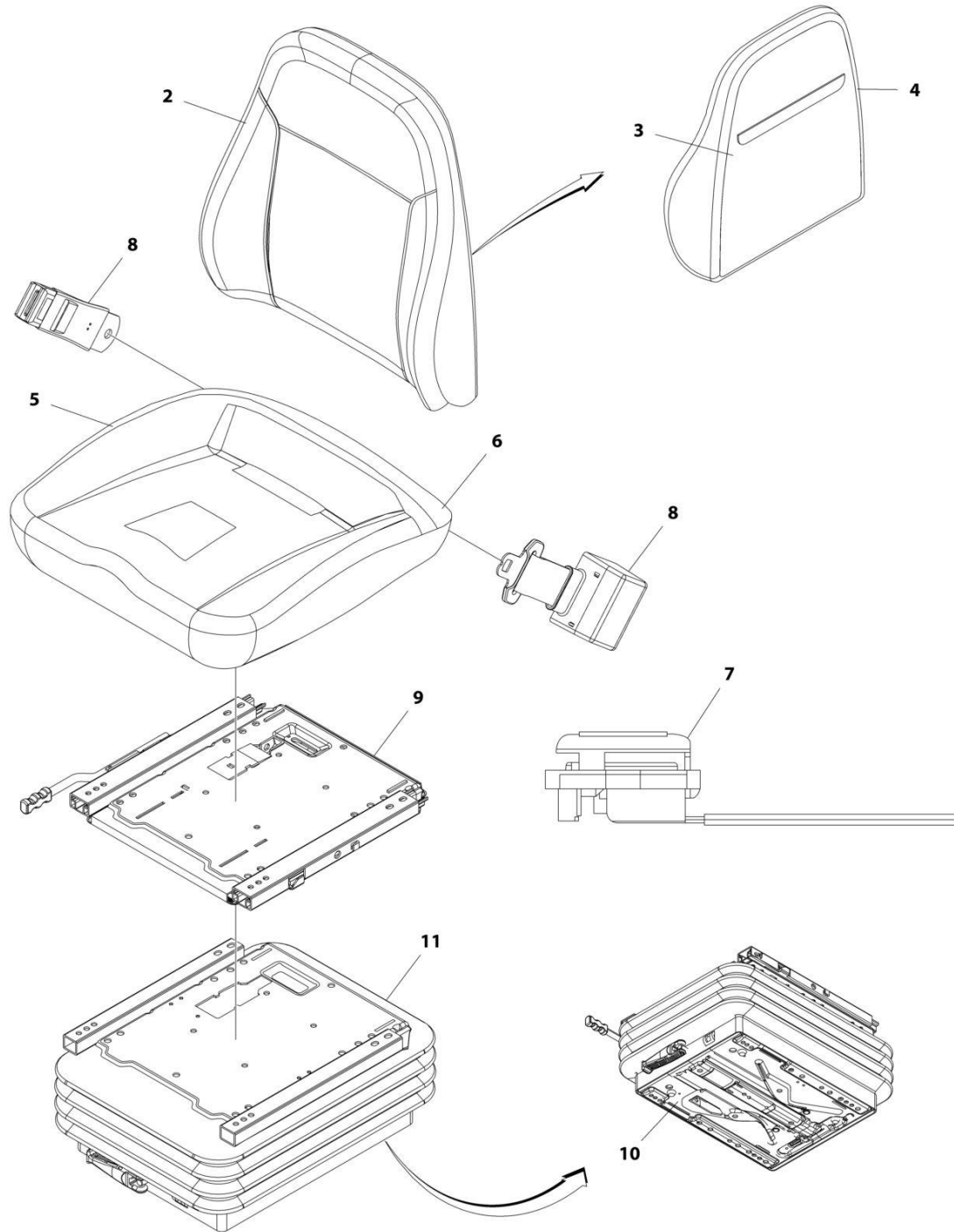
ART\_1001176121

**FIGURE 6-36. FRONT DUCT COVER**

<b>ITEM</b>	<b>PART NUMBER</b>	<b>QTY</b>	<b>DESCRIPTION</b>	<b>REV</b>
	1001176121	Ref	FRONT DUCT COVER	H
2	1001170326	1	Cover, Front	
4	1001175470	1	Seal, Front Cab Panel	
5	1001270117	AR	Seal, Bulb	

# SECTION 6 - CAB

## FIGURE 6-37. SEAT ASSEMBLY



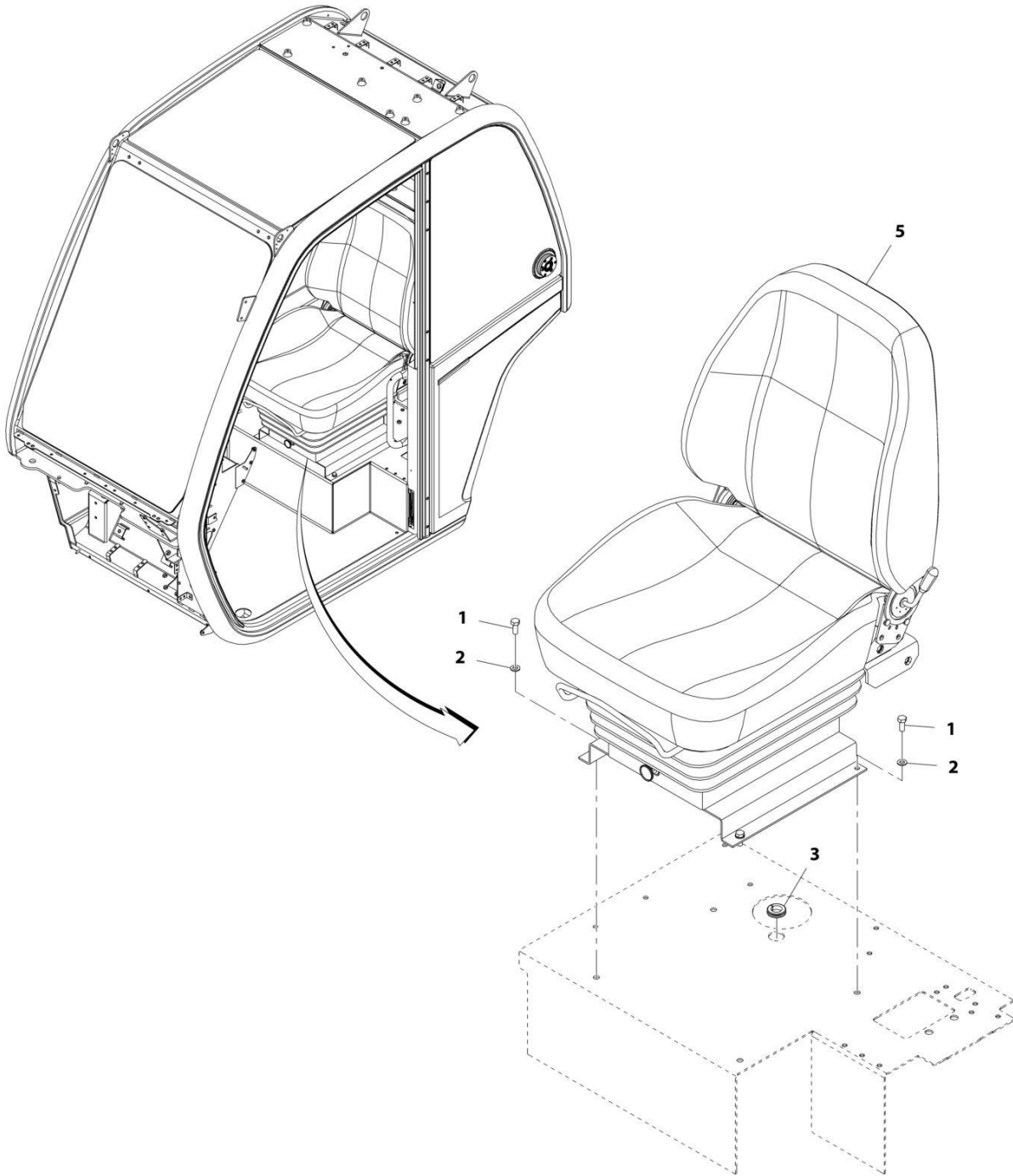
ART\_1001150294

FIGURE 6-37. SEAT ASSEMBLY

ITEM	PART NUMBER	QTY	DESCRIPTION	REV
	1001150294	Ref	CLOTH SEAT	F
2	70025489	1	Fabric, Upper Seat	
3	70025490	1	Cover, Back	
4	70025483	1	Foam, Back	
5	70025491	1	Cover, Seat	
6	70025485	1	Foam, Seat	
7	70025486	1	Switch, Contact	
8	7029767	1	Belt, Seat	
9	70021252	1	Rail, Slide	
10	70021251	1	Unit, Suspension	
11	70022034	1	Cover, Rubber	

# SECTION 6 - CAB

## FIGURE 6-38. SEAT INSTALLATION (STANDARD - JLG)



ART\_1001158596-D

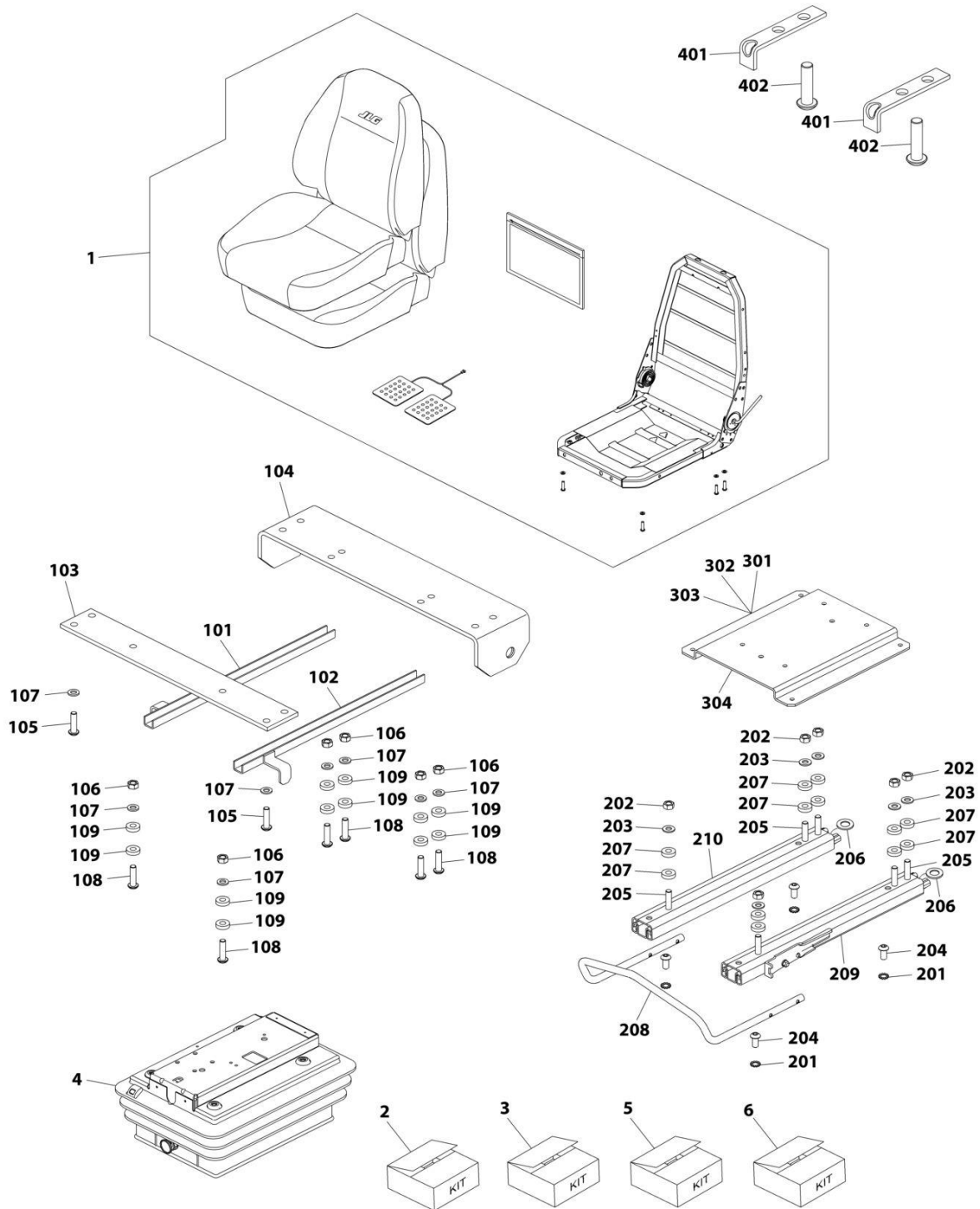


**FIGURE 6-38. SEAT INSTALLATION (STANDARD - JLG)**

<b>ITEM</b>	<b>PART NUMBER</b>	<b>QTY</b>	<b>DESCRIPTION</b>	<b>REV</b>
	1001158596	Ref	Seat Installation (Air Suspension - Standard)	D
1	0760810	4	Bolt, M8X20	
2	4811900	4	Washer, M8	
3	1001216974	1	Grommet	
5	1001165573	1	Assembly, Seat (See Separate Breakdown in this Section)	

# SECTION 6 - CAB

## FIGURE 6-39. SEAT ASSEMBLY (AIR SUSPENSION - STANDARD)



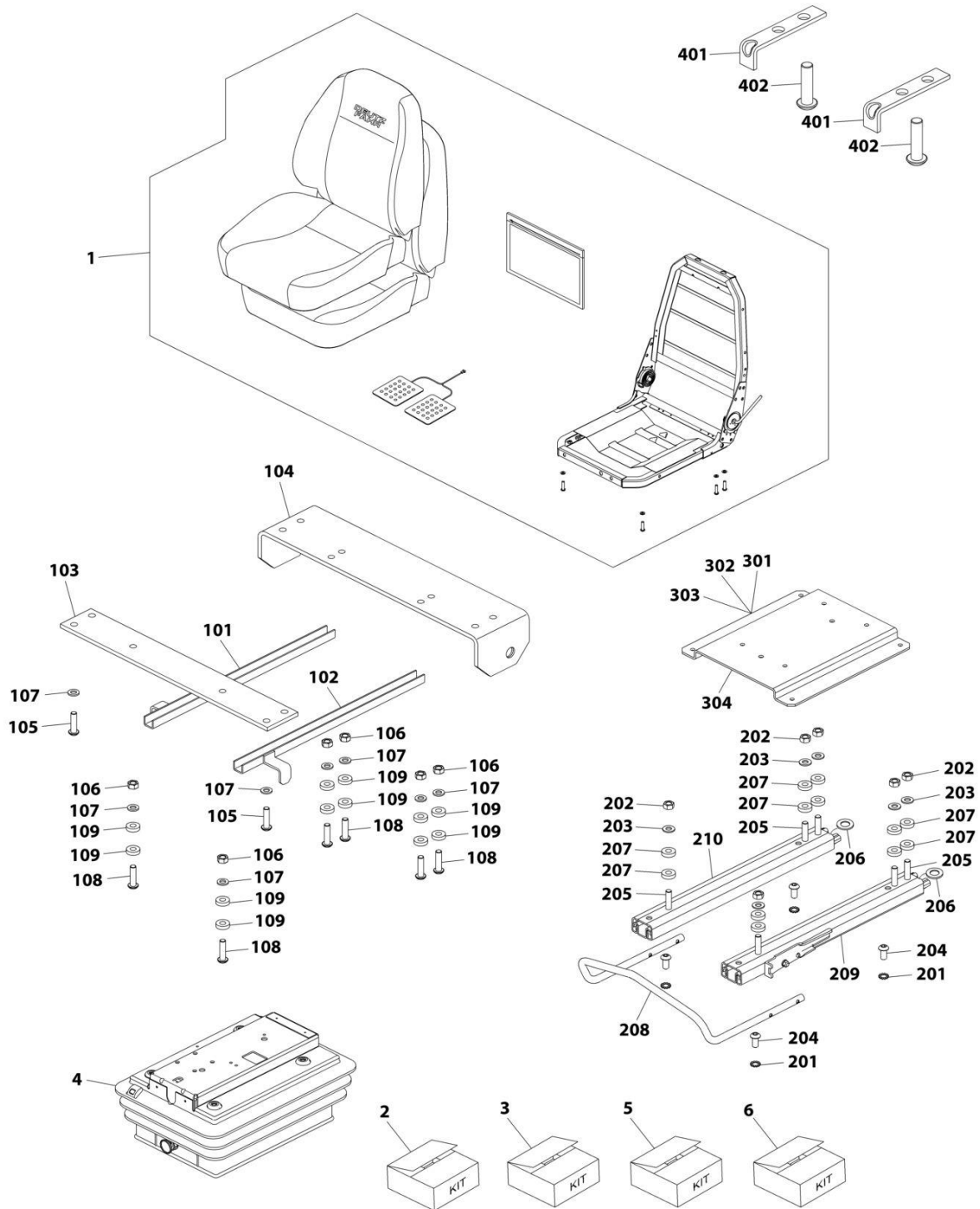
ART\_1001165573-C

FIGURE 6-39. SEAT ASSEMBLY (AIR SUSPENSION - STANDARD)

ITEM	PART NUMBER	QTY	DESCRIPTION	REV
	1001165573	Ref	Seat Assembly (Air Suspension - Standard)	C
1	70027392	1	Assembly, Upper Seat (See Separate Breakdown in this Section)	
2	70021317	1	Kit, Cross Strap (includes items 101 thru 109)	
3	70021318	1	Kit, Fore and Aft Adjustment (includes items 201 thru 210)	
4	70021319	1	Kit, Suspension (See Separate Breakdown in this Section)	
5	70027395	1	Kit, Adapter Plate (includes items 301 thru 304)	
6	70021322	1	Kit, Slide Rail Stop (includes items 401 & 402)	
101	N.S.S.	1	Channel	
102	N.S.S.	1	Channel	
103	N.S.S.	1	Plate, Strap	
104	N.S.S.	1	Plate, Strap	
105	N.S.S.	4	Bolt, M8X25	
106	N.S.S.	6	Nut, M8	
107	N.S.S.	10	Washer	
108	N.S.S.	6	Bolt, M8X30	
109	N.S.S.	12	Spacer	
201	N.S.S.	4	Washer, Spring M8	
202	N.S.S.	1	Nut, M8	
203	N.S.S.	1	Washer	
204	N.S.S.	1	Bolt, M8X16	
205	N.S.S.	1	Bolt, M8X30	
206	N.S.S.	1	Washer	
207	N.S.S.	1	Spacer	
208	N.S.S.	1	Handle	
209	N.S.S.	1	Rail, Slide	
210	N.S.S.	1	Rail, Slide	
301	N.S.S.	1	Bolt, M8X25	
302	N.S.S.	1	Bolt, M8X16	
303	N.S.S.	1	Washer	
304	N.S.S.	1	Plate, Adapter	
401	N.S.S.	1	Stop, Sliderrail	
402	N.S.S.	1	Bolt, M8X16	

# SECTION 6 - CAB

## FIGURE 6-40. SEAT ASSEMBLY



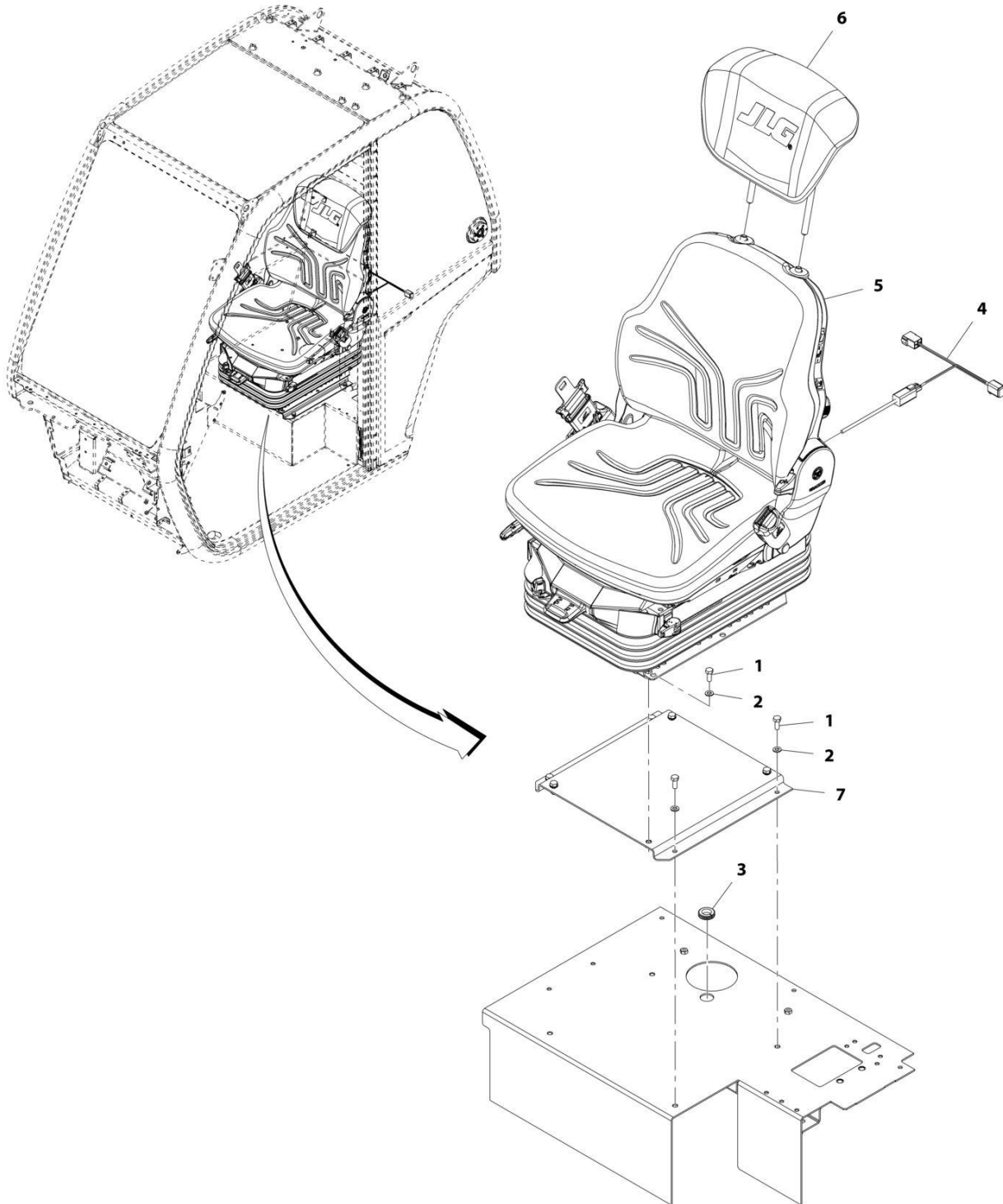
ART\_1001165574-C

FIGURE 6-40. SEAT ASSEMBLY

ITEM	PART NUMBER	QTY	DESCRIPTION	REV
	1001165574	Ref	Seat Assembly	C
1	70027396	1	Assembly, Upper Seat (See Separate Breakdown in this Section)	
2	70021317	1	Kit, Cross Strap (includes items 101 thru 109)	
3	70021318	1	Kit, Fore and Aft Adjustment (includes items 201 thru 210)	
4	70021319	1	Kit, Suspension (See Separate Breakdown in this Section)	
5	70027395	1	Kit, Adapter Plate (includes items 301 thru 304)	
6	70021322	1	Kit, Slide Rail Stop (includes items 401 & 402)	
101	N.S.S.	1	Channel	
102	N.S.S.	1	Channel	
103	N.S.S.	1	Plate, Front Strap	
104	N.S.S.	1	Plate, Rear Strap	
105	N.S.S.	4	Bolt, M8X25	
106	N.S.S.	6	Nut, M8	
107	N.S.S.	10	Washer	
108	N.S.S.	6	Bolt, M8X30	
109	N.S.S.	12	Spacer	
201	N.S.S.	4	Washer, Spring M8	
202	N.S.S.	6	Nut, M8	
203	N.S.S.	10	Washer	
204	N.S.S.	4	Bolt, M8X16	
205	N.S.S.	6	Bolt, M8X30	
206	N.S.S.	2	Washer	
207	N.S.S.	12	Spacer	
208	N.S.S.	1	Handle	
209	N.S.S.	1	Sliderail	
210	N.S.S.	1	Sliderail	
301	N.S.S.	2	Bolt, M8X25	
302	N.S.S.	2	Bolt, M8X16	
303	N.S.S.	4	Washer	
304	N.S.S.	1	Plate, Adapter	
401	N.S.S.	2	Stop, Sliderail	
402	N.S.S.	12	Bolt, M8X16	

# SECTION 6 - CAB

## FIGURE 6-41. SEAT INSTALLATION (PREMIUM - JLG)



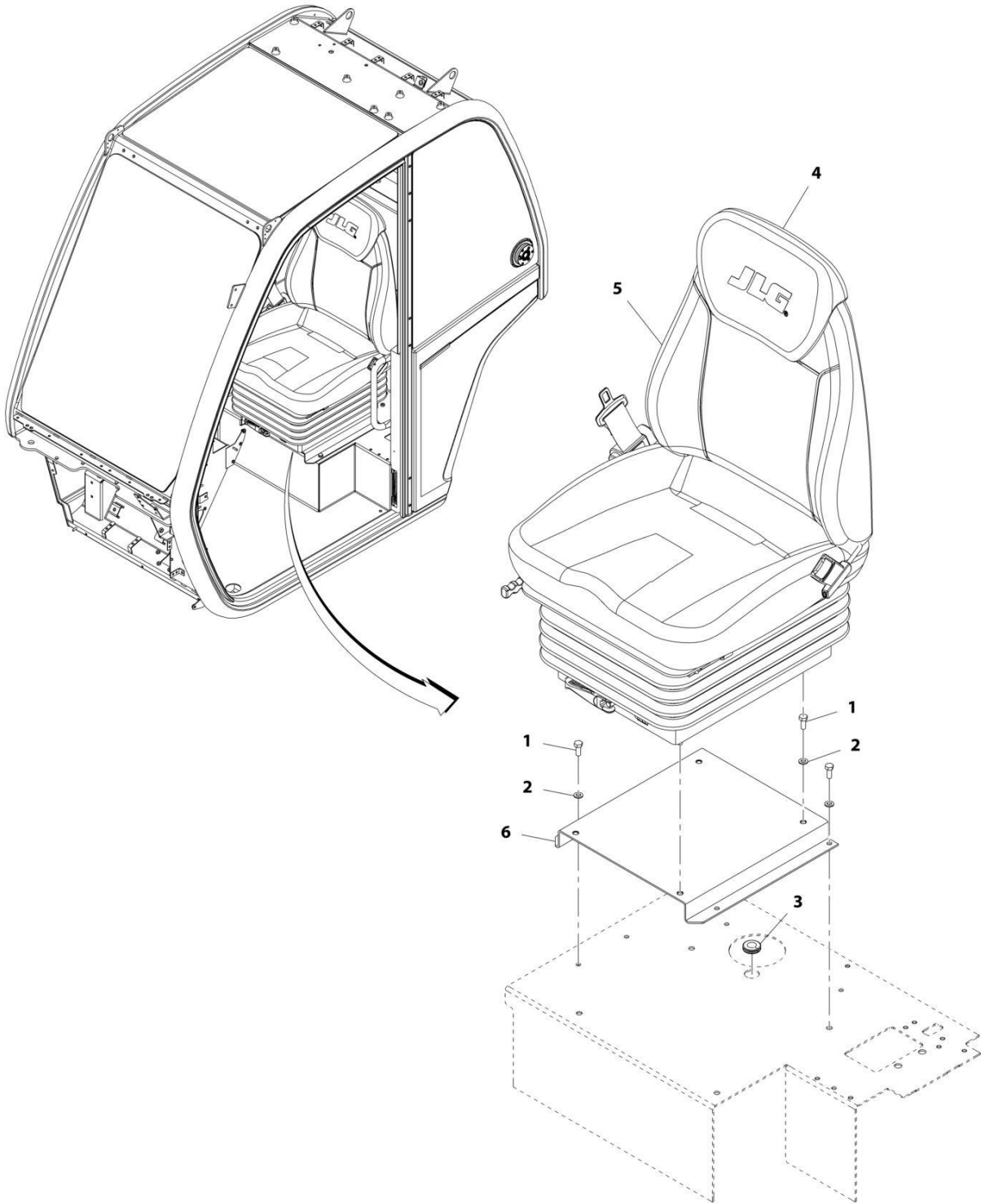
ART\_1001205648-B

FIGURE 6-41. SEAT INSTALLATION (PREMIUM - JLG)

ITEM	PART NUMBER	QTY	DESCRIPTION	REV
	1001205648	1	Installation, Seat (Premium)	B
1	0760810	8	Bolt, M8X20	
2	4811900	8	Washer, M8	
3	1001216974	1	Grommet	
4	1001168531	1	Harness, Seat Adaptor (See Separate Breakdown in this Section)	
5	1001169135	1	Assembly, Seat (See Separate Breakdown in this Section)	
6	1001182529	1	Headrest	
7	1001158736C	1	Plinth, Seat	

# SECTION 6 - CAB

## FIGURE 6-42. SEAT INSTALLATION (MECHANICAL - JLG)



ART\_1001205782-B

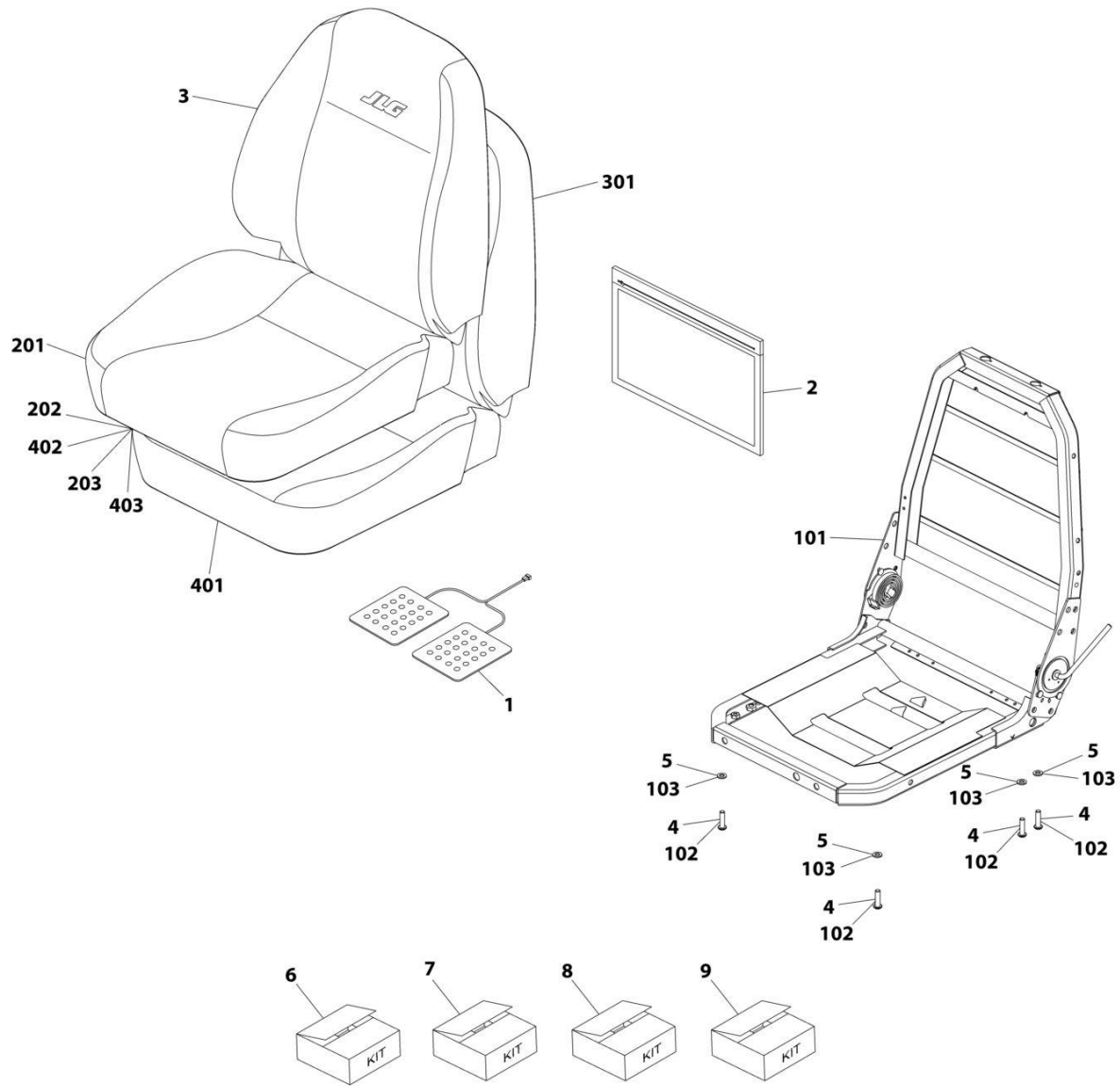


FIGURE 6-42. SEAT INSTALLATION (MECHANICAL - JLG)

ITEM	PART NUMBER	QTY	DESCRIPTION	REV
	1001205782	Ref	Seat Installation (Mechanical - JLG)	B
1	0760810	8	Bolt, M8X20	
2	4811900	8	Washer, M8	
3	1001216974	1	Grommet	
4	1001119467	1	Headrest, Cloth	
5	1001150294	1	Seat, Assembly (See Separate Breakdown in this Section)	
6	1001205514	1	Plinth, Seat	

# SECTION 6 - CAB

## FIGURE 6-43. UPPER SEAT ASSEMBLY



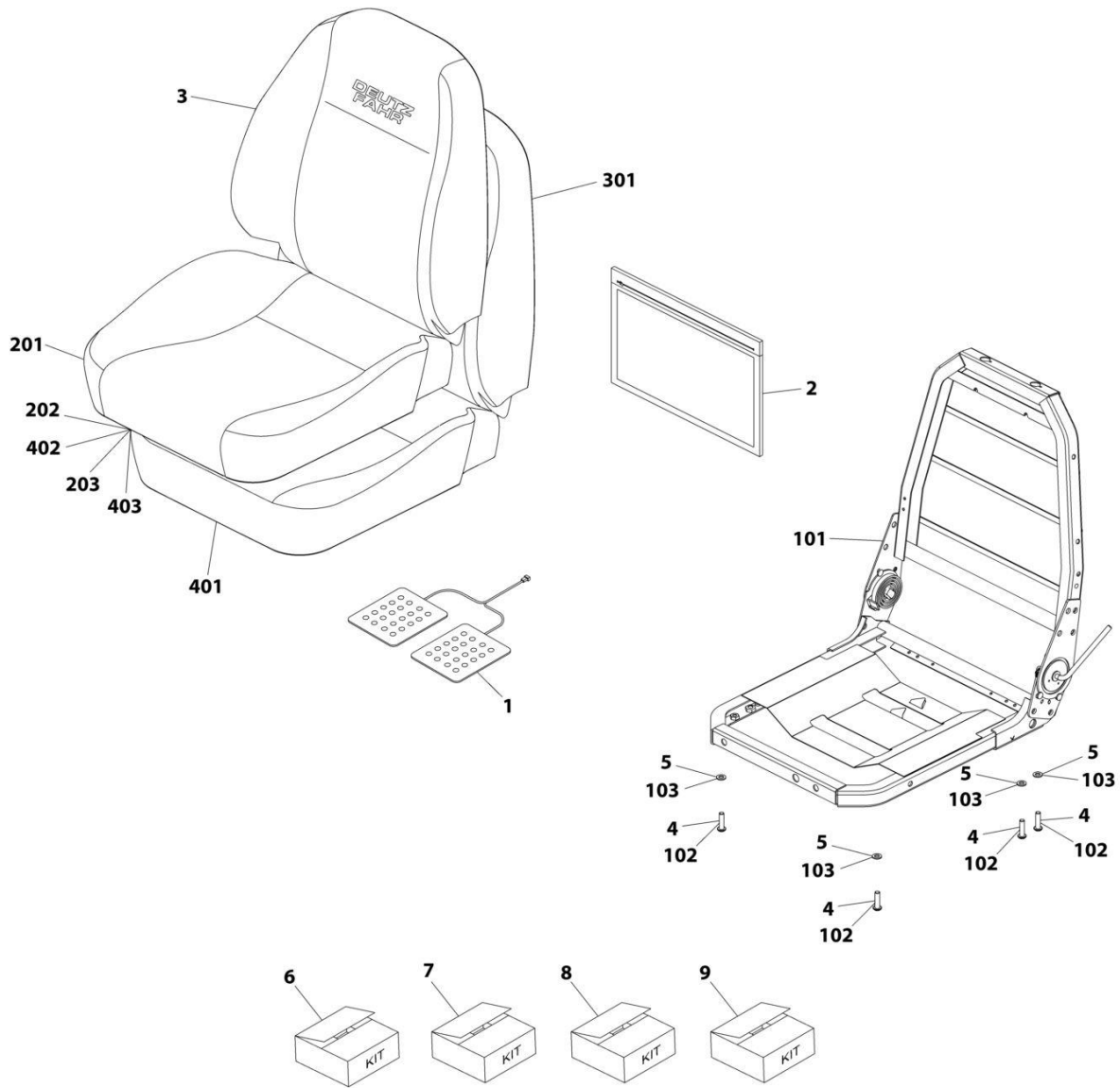
ART\_70027392

FIGURE 6-43. UPPER SEAT ASSEMBLY

ITEM	PART NUMBER	QTY	DESCRIPTION	REV
	70027392	Ref	Upper Seat Assembly	
1	70025539	1	Pad, Sensor	
2	70021316	1	Bag	
3	70027393	1	Cover, Back	
4	N.S.S.	4	Bolt, M8X25	
5	N.S.S.	4	Washer	
6	70021314	1	Kit, Frame (includes items 101 thru 103)	
7	70027394	1	Kit, Bottom Seat Cover (includes items 201 thru 203)	
8	80264002	1	Kit, Back Foam (includes items 301 thru 303)	
9	80264004	1	Kit, Seat Foam (includes items 401 thru 403)	
101	N.S.S.	1	Frame, Seat	
102	N.S.S.	4	Bolt, M8X25	
103	N.S.S.	4	Washer	
201	N.S.S.	1	Cover, Seat	
202	N.S.S.	2	Clip	
203	N.S.S.	17	Clip	
301	N.S.S.	1	Foam, Back	
302	N.S.S.	3	Bar, Trim	
303	N.S.S.	4	Ring	
401	N.S.S.	1	Foam, Seat	
402	N.S.S.	2	Clip	
403	N.S.S.	17	Clip	

# SECTION 6 - CAB

## FIGURE 6-44. UPPER SEAT ASSEMBLY



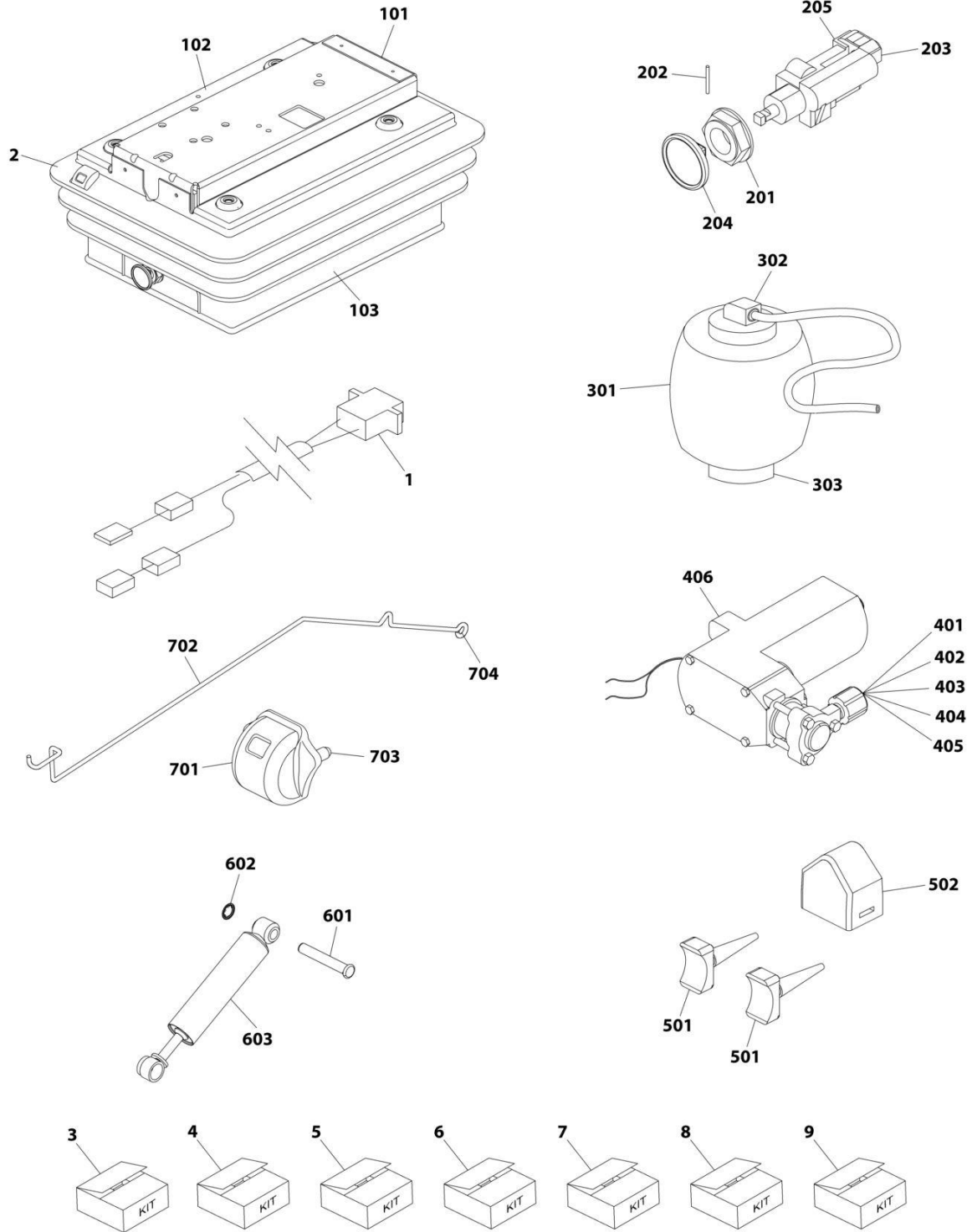
ART\_70027396

FIGURE 6-44. UPPER SEAT ASSEMBLY

ITEM	PART NUMBER	QTY	DESCRIPTION	REV
	70027396	Ref	Upper Seat Assembly	
1	70025539	1	Pad, Sensor	
2	70021316	1	Bag	
3	70027397	1	Cover, Back	
4	N.S.S.	4	Bolt, M8X25	
5	N.S.S.	4	Washer	
6	70021314	1	Kit, Frame (includes items 101 thru 103)	
7	70027394	1	Kit, Bottom Seat Cover (includes items 201 thru 203)	
8	80264002	1	Kit, Back Foam (includes items 301 thru 303)	
9	80264004	1	Kit, Seat Foam (includes items 401 thru 403)	
101	N.S.S.	1	Frame	
102	N.S.S.	4	Bolt, M8X25	
103	N.S.S.	4	Washer	
201	N.S.S.	1	Cover, Seat	
202	N.S.S.	2	Clip	
203	N.S.S.	17	Clip	
301	N.S.S.	1	Foam, Back	
302	N.S.S.	3	Bar, Trim	
303	N.S.S.	4	Ring	
401	N.S.S.	1	Foam, Seat	
402	N.S.S.	2	Clip	
403	N.S.S.	17	Clip	

# SECTION 6 - CAB

## FIGURE 6-45. SUSPENSION KIT



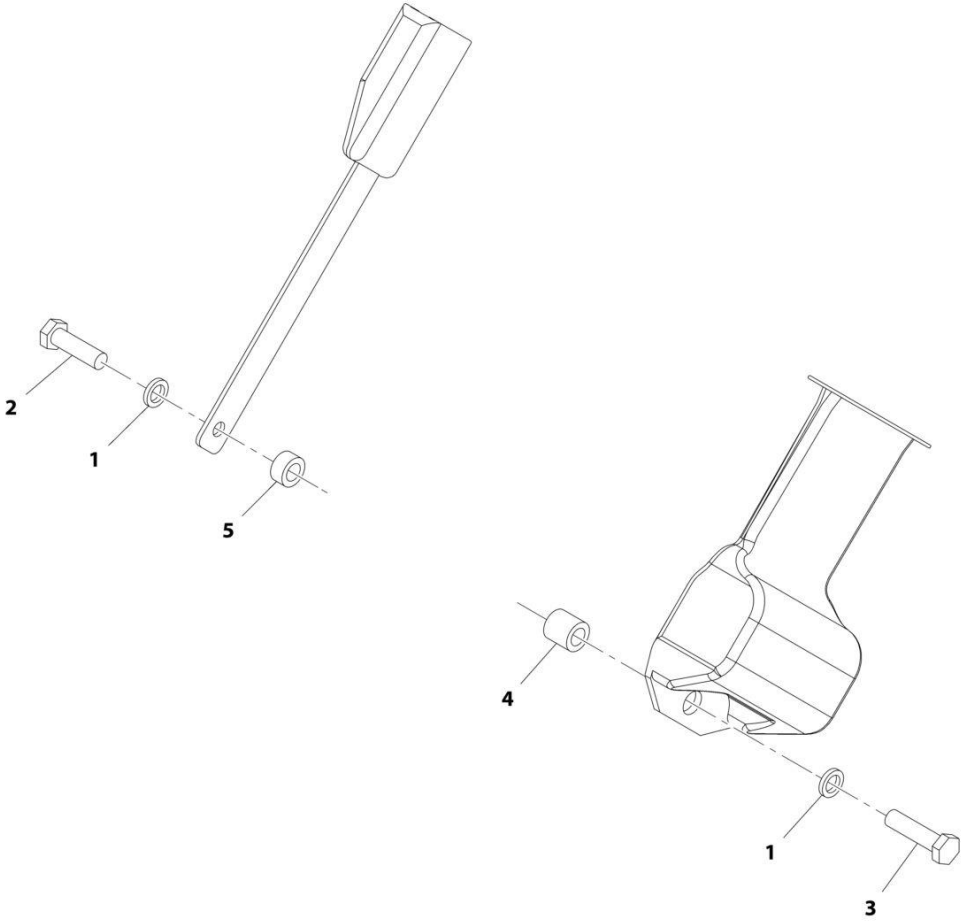
ART\_70021319

FIGURE 6-45. SUSPENSION KIT

ITEM	PART NUMBER	QTY	DESCRIPTION	REV
	70021319	Ref	Suspension Kit	
1	70021330	1	Lead, Fly	
2	N.S.S.	1	Suspension	
3	70021321	1	Kit, Suspension Cover (includes items 101 thru 103)	
4	70021323	1	Kit, Air Valve (includes items 201 thru 205)	
5	70021324	1	Kit, Air Spring (includes items 301 thru 303)	
6	70021325	1	Kit, Compressor (includes items 401 thru 406)	
7	70021326	1	Kit, Upstop/Bumpstop (includes items 501 & 502)	
8	70021327	1	Kit, Damper (includes items 601 thru 603)	
9	70021328	1	Kit, Ride Indicator (includes items 701 thru 704)	
101	N.S.S.	6	Clip, Cover	
102	N.S.S.	1	Cover, Suspension	
103	N.S.S.	5	Clip, Cover	
201	N.S.S.	1	Nut, Air Valve	
202	N.S.S.	1	Pin, Retaining	
203	N.S.S.	1	Valve, Combination	
204	N.S.S.	1	Knob	
205	N.S.S.	2	Tie, Plastic	
301	N.S.S.	1	Spring, Air	
302	N.S.S.	1	Clip	
303	N.S.S.	1	Screw, Countersunk Self Tapping	
401	N.S.S.	1	Clip	
402	N.S.S.	1	Pad	
403	N.S.S.	1	Loom	
404	N.S.S.	2	Tie, Cable	
405	N.S.S.	3	Tie, Plastic	
406	N.S.S.	1	Compressor (with Elbow)	
501	N.S.S.	2	Upstop	
502	N.S.S.	1	Bumpstop	
601	N.S.S.	2	Pin	
602	N.S.S.	2	Washer, Starlock	
603	N.S.S.	1	Damper	
701	N.S.S.	1	Indicator, Ride	
702	N.S.S.	1	Wire, Ride Indicator	
703	N.S.S.	2	Washer, Starlock	
704	N.S.S.	1	Washer, Grip M4	

**SECTION 6 - CAB**

**FIGURE 6-46. SEAT BELT INSTALLATION (3IN)**



ART\_1001006731-B

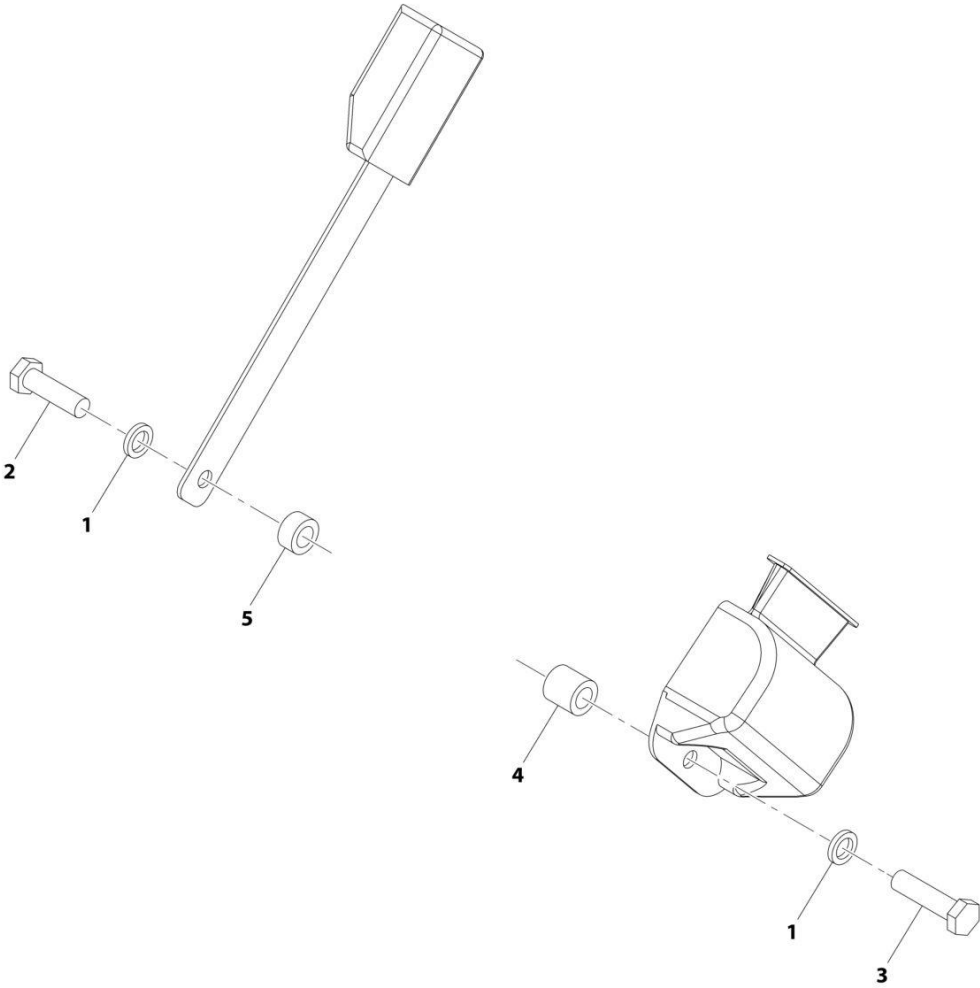


FIGURE 6-46. SEAT BELT INSTALLATION (3IN)

ITEM	PART NUMBER	QTY	DESCRIPTION	REV
	1001006731	Ref	Seat Belt Installation (3IN)	B
1	1001010646	2	Washer	
2	1001010647	1	Bolt	
3	1001010648	1	Bolt	
4	1001010649	1	Spacer	
5	1001010650	1	Spacer	

**SECTION 6 - CAB**

**FIGURE 6-47. SEAT BELT INSTALLATION (2IN)**



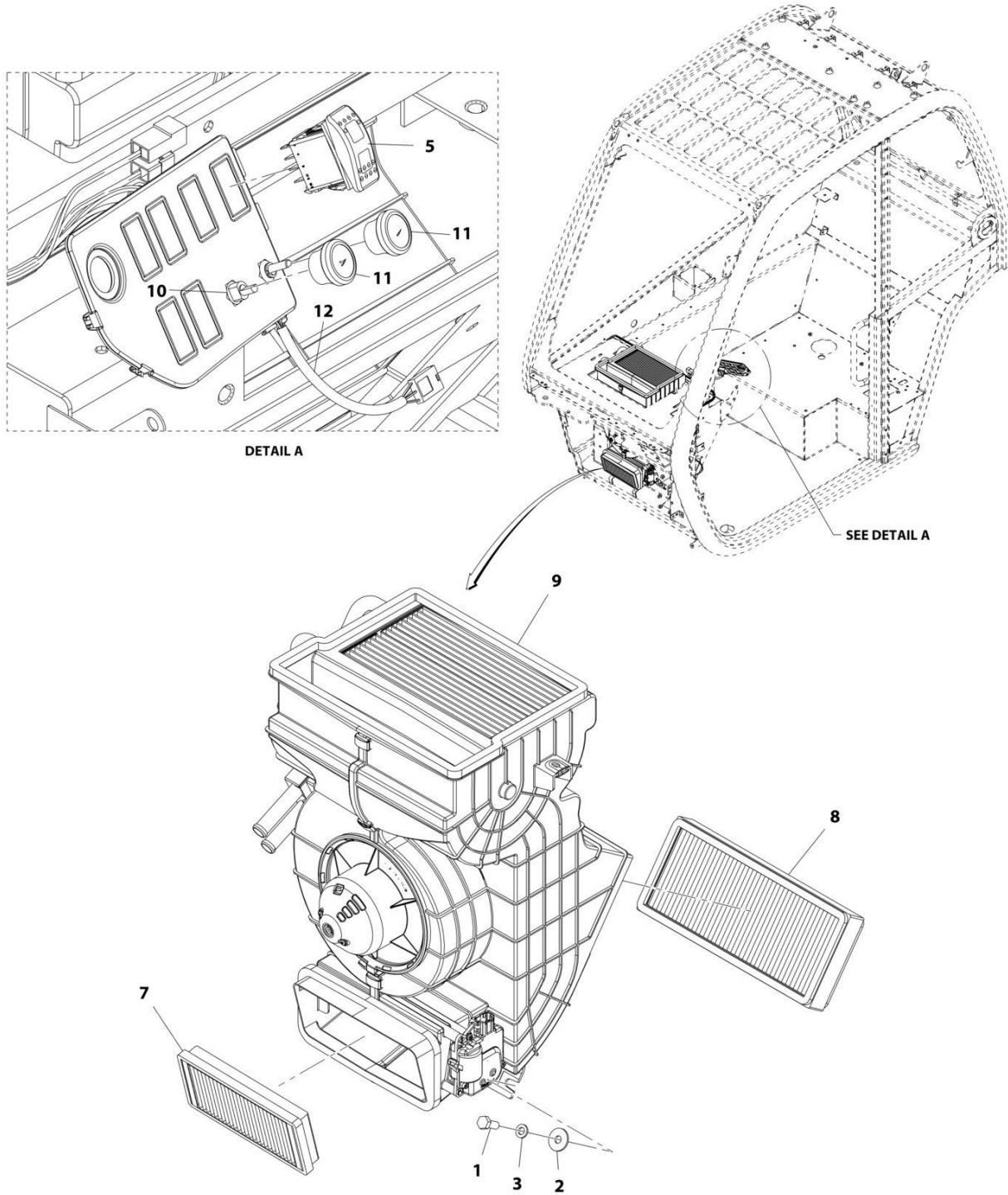
ART\_1001006730

FIGURE 6-47. SEAT BELT INSTALLATION (2IN)

ITEM	PART NUMBER	QTY	DESCRIPTION	REV
	1001006730	Ref	Seat Belt Installation (2IN)	H
1	1001010646	2	Washer	
2	1001010647	1	Bolt	
3	1001010648	1	Bolt	
4	1001010649	1	Spacer, Shim	
5	1001010650	1	Spacer, Shim	

# SECTION 6 - CAB

## FIGURE 6-48. HEATER INSTALLATION (Prior to SN 1160008716)



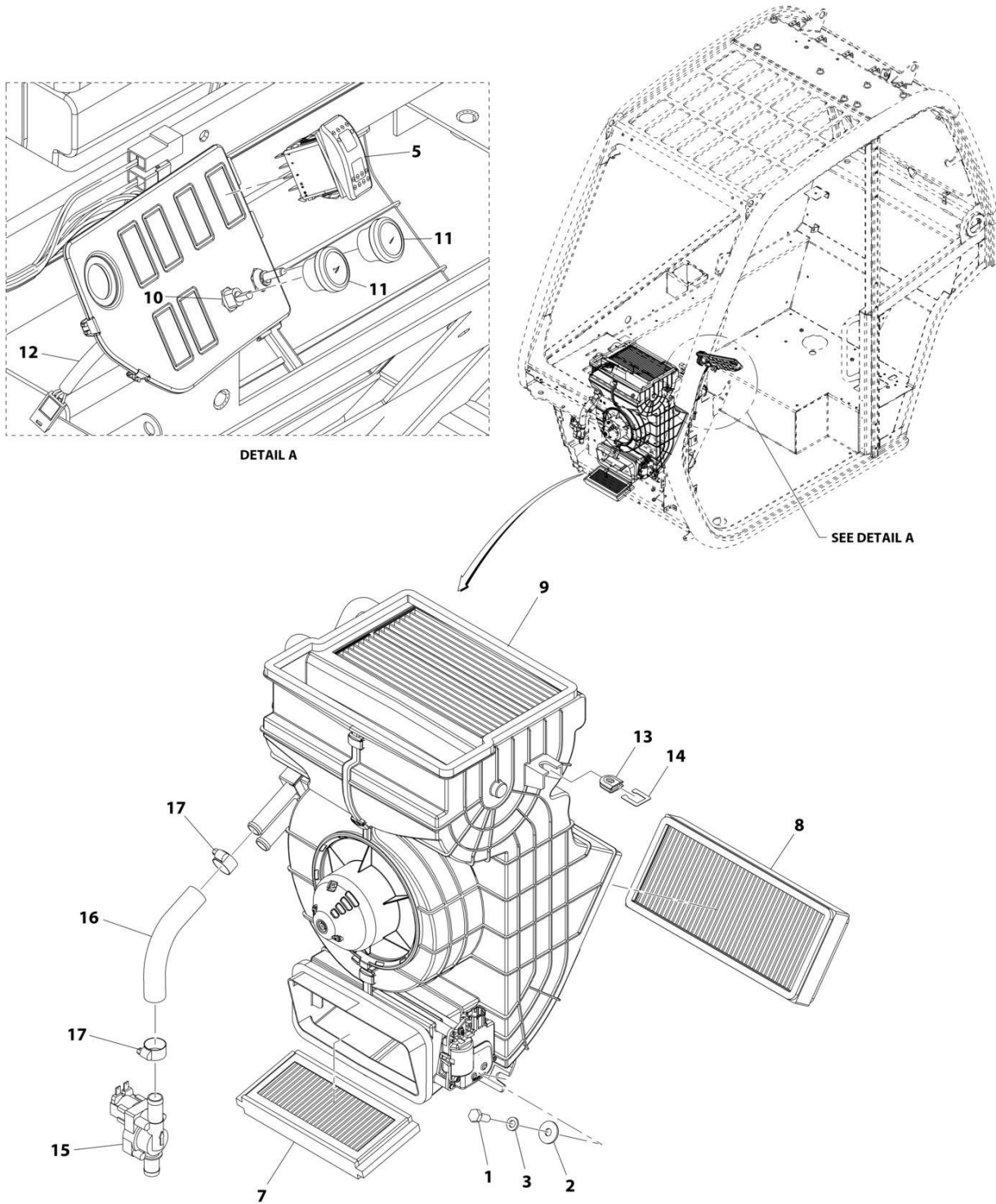
ART\_1001201336-C

FIGURE 6-48. HEATER INSTALLATION (Prior to SN 1160008716)

ITEM	PART NUMBER	QTY	DESCRIPTION	REV
	1001201336	Ref	Heater Installation	C
1	0760810	2	Bolt, M8X20	
2	4811902	2	Washer, M8	
3	4831900	2	Washer, Lock M8	
5	1001159925	1	Switch, HVAC Recycle	
7	1001172546	1	Filter, HVAC Air	
8	1001172553	1	Filter, HVAC Recirculation Air	
9	1001201498	1	Assembly, Heater (See Separate Breakdown in this Section)	
10	1001172547	1	Switch	
11	1001172550	2	Knob, HVAC	
12	1001172552	1	Cable, HVAC	

# SECTION 6 - CAB

## FIGURE 6-49. HEATER INSTALLATION (SN 1160008716 to Present)



ART\_1001201336-F

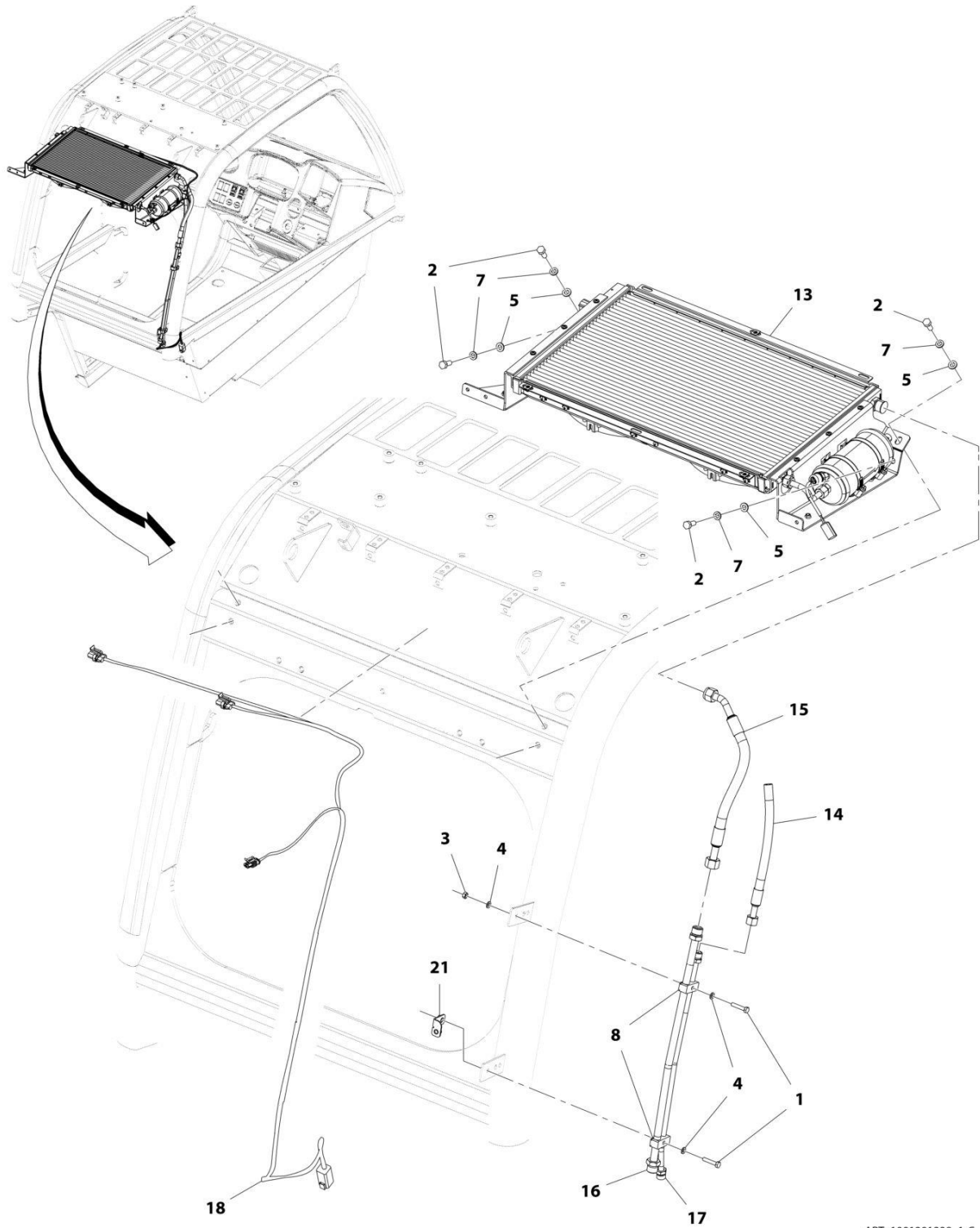
**SECTION 6 - CAB**

**FIGURE 6-49. HEATER INSTALLATION (SN 1160008716 to Present)**

ITEM	PART NUMBER	QTY	DESCRIPTION	REV
	1001201336	Ref	Heater Installation	F
1	0760810	2	Bolt, M8X20	
2	4811902	2	Washer, M8	
3	4831900	2	Washer, Lock M8	
5	1001159925	1	Switch, HVAC Recycle	
7	1001218996	1	Filter, HVAC Air	
8	1001172553	1	Filter, HVAC Recirculation Air	
9	1001221053	1	Assembly, Heater (See Separate Breakdown in this Section)	
10	1001172547	1	Switch	
11	1001172550	2	Knob, HVAC	
12	1001218529	1	Cable, HVAC	
13	1001188590	2	Grommet	
14	1001218542	2	Shim	
15	1001221059	1	Valve, Cab	
16	1001221259	1	Hose	
17	8410009	2	Gear Clamp	

# SECTION 6 - CAB

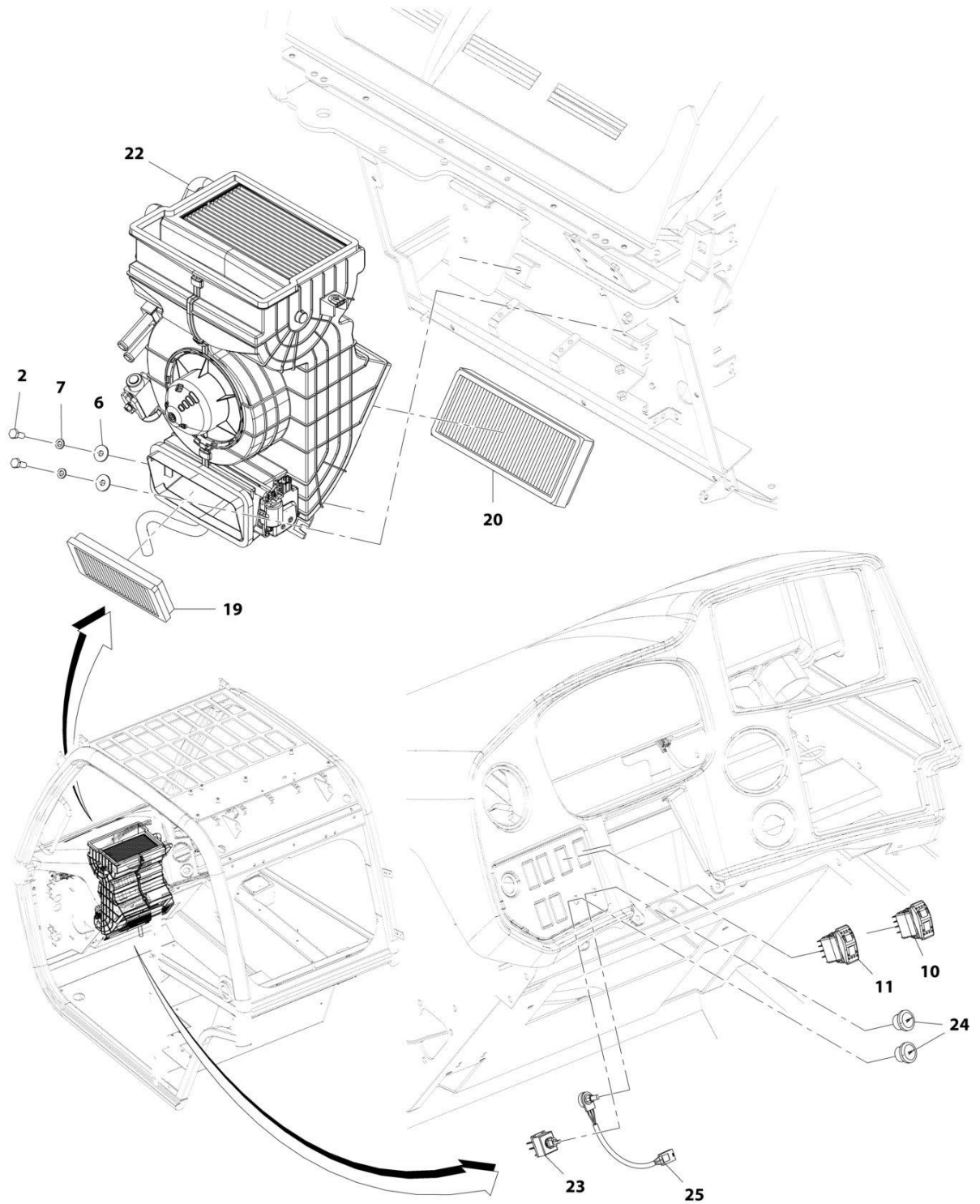
## FIGURE 6-50. HEATER AND A/C INSTALLATION (Prior to SN 1160008716)



ART\_1001201338\_1-C



# SECTION 6 - CAB



ART\_1001201338\_2-C

## SECTION 6 - CAB

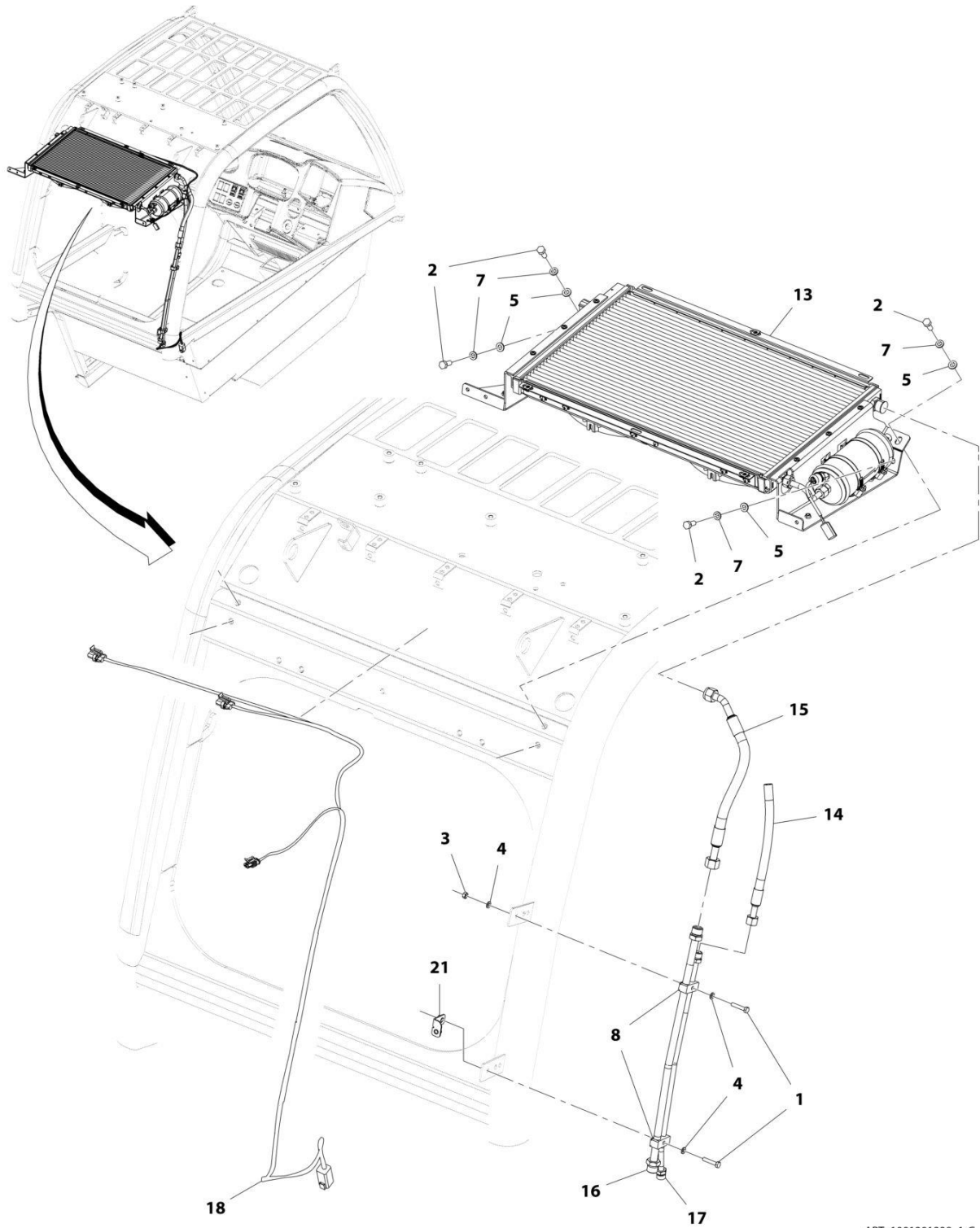
**FIGURE 6-50. HEATER AND A/C INSTALLATION (Prior to SN 1160008716)**

ITEM	PART NUMBER	QTY	DESCRIPTION	REV
	1001201338	Ref	Heater and A/C Installation	C
1	0700614	2	Bolt, M6X30	
2	0760810	6	Bolt, M8X20	
3	3290601	1	Nut, M6X1	
4	4811700	3	Washer, M6	
5	4811900	4	Washer, M8	
6	4811902	2	Washer, M8	
7	4831900	6	Washer, Lock M8	
8	1001145539	2	Support, Pipe	
10	1001159925	1	Switch, HVAC Recycle	
11	1001160326	1	Switch, HVAC On/Off	
13	1001162953	1	Assembly, Cab Condenser (See Separate Breakdown in this Section)	
14	1001168327	1	Hose	
15	1001168330	1	Hose	
16	1001168331	1	Tube	
17	1001168456	1	Tube	
18	1001169151	1	Harness, A/C Option (See Separate Breakdown in ELECTRICAL Section)	
19	1001172546	1	Filter, HVAC Fresh Air	
20	1001172553	1	Filter, HVAC Air Recirculation	
21	1001178170	1	Bracket	
22	1001201497	1	Assembly, Heater and A/C (See Separate Breakdown in this Section)	
23	1001172547	1	Switch, HVAC Rotary 3 Speed	
24	1001172550	2	Knob, HVAC Control	
25	1001172552	1	Cable, HVAC	



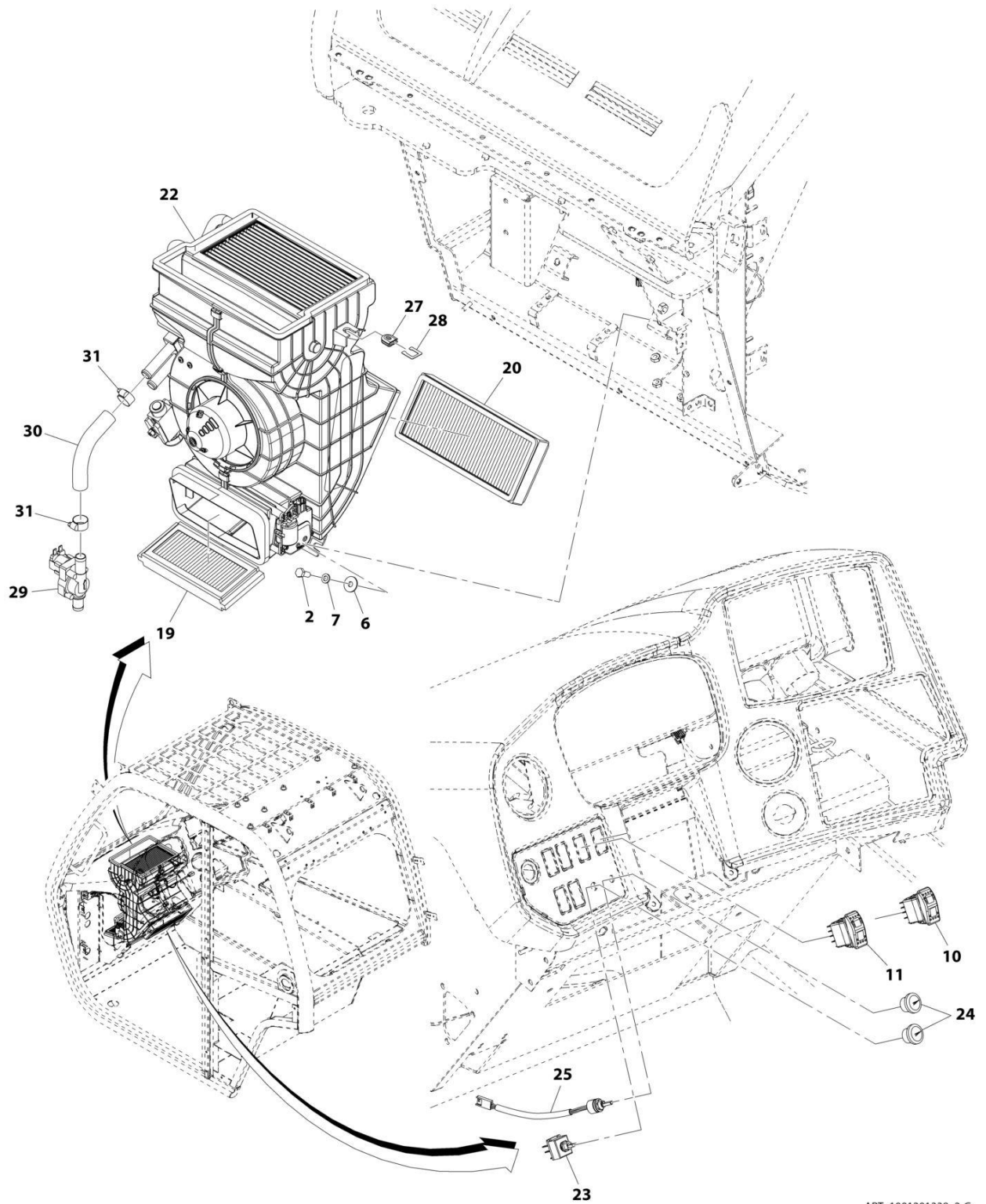
# SECTION 6 - CAB

## FIGURE 6-51. HEATER AND A/C INSTALLATION (SN 1160008716 to Present)



ART\_1001201338\_1-G

# SECTION 6 - CAB



ART\_1001201338\_2-G

## SECTION 6 - CAB

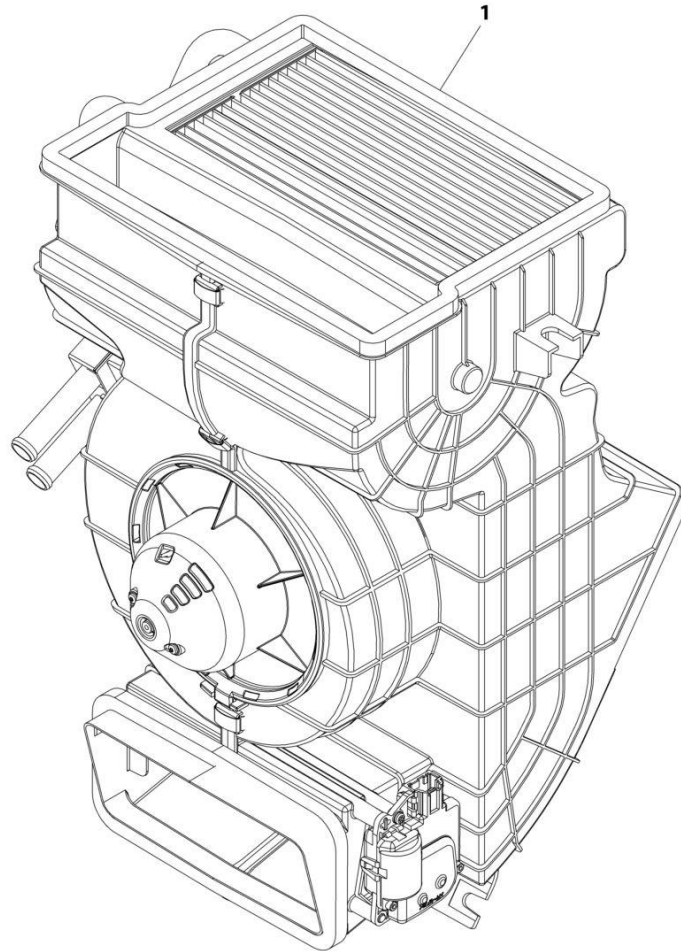
**FIGURE 6-51. HEATER AND A/C INSTALLATION (SN 1160008716 to Present)**

ITEM	PART NUMBER	QTY	DESCRIPTION	REV
	1001201338	Ref	Heater and A/C Installation	G
1	0700614	2	Bolt, M6X30	
2	0760810	6	Bolt, M8X20	
3	3290601	1	Nut, M6X1	
4	4811700	3	Washer, M6	
5	4811900	4	Washer, M8	
6	4811902	2	Washer, M8	
7	4831900	6	Washer, Lock M8	
8	1001145539	2	Support, Pipe	
10	1001159925	1	Switch, HVAC Recycle	
11	1001160326	1	Switch, HVAC On/Off	
13	1001162953	1	Assembly, Cab Condenser (See Separate Breakdown in this Section)	
14	1001168327	1	Hose	
15	1001168330	1	Hose	
16	1001168331	1	Tube	
17	1001168456	1	Tube	
18	1001169151	1	Harness, A/C Option (See Separate Breakdown in ELECTRICAL Section)	
19	1001218996	1	Filter, HVAC Fresh Air	
20	1001172553	1	Filter, HVAC Air Recirculation	
21	1001178170	1	Bracket	
22	1001221055	1	Assembly, Heater and A/C (See Separate Breakdown in this Section)	
23	1001172547	1	Switch, HVAC Rotary 3 Speed	
24	1001172550	2	Knob, HVAC Control	
25	1001218529	1	Cable, HVAC	
27	1001188590	2	Grommet	
28	1001218542	2	Shim	
29	1001221059	1	Valve, Cab	
30	1001221295	1	Hose	
31	8410009	2	Clamp	



## SECTION 6 - CAB

FIGURE 6-52. HEATER ASSEMBLY (Prior to SN 1160008716)



ART\_1001201498-C

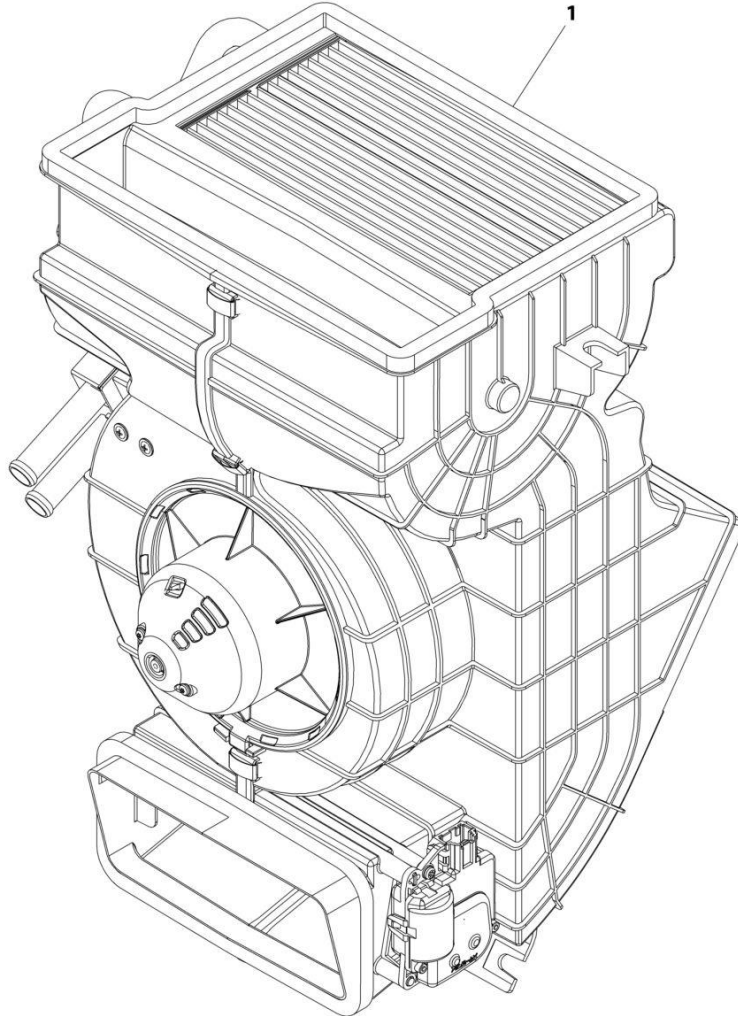


**FIGURE 6-52. HEATER ASSEMBLY (Prior to SN 1160008716)**

<b>ITEM</b>	<b>PART NUMBER</b>	<b>QTY</b>	<b>DESCRIPTION</b>	<b>REV</b>
1	1001201498 1001152908	Ref 1	Heater Assembly Heater (See Separate Breakdown in this Section)	C

## SECTION 6 - CAB

FIGURE 6-53. HEATER ASSEMBLY (SN 1160008716 to Present)



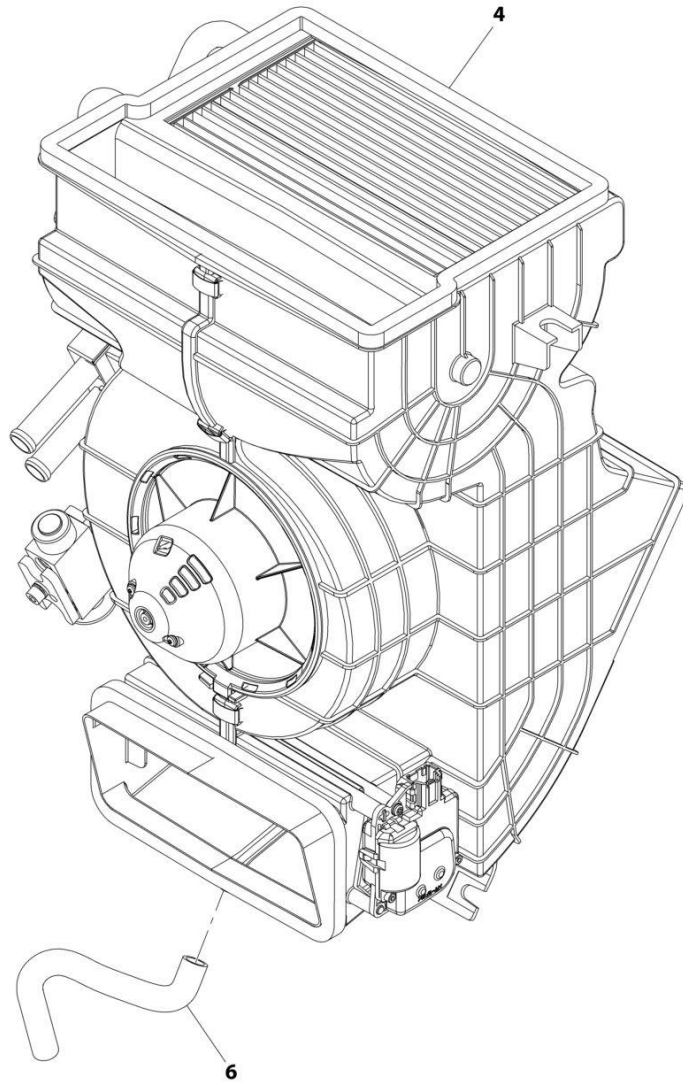
ART\_1001221053-A

**FIGURE 6-53. HEATER ASSEMBLY (SN 1160008716 to Present)**

<b>ITEM</b>	<b>PART NUMBER</b>	<b>QTY</b>	<b>DESCRIPTION</b>	<b>REV</b>
1	1001221053 1001221052	Ref 1	Heater Assembly Heater (See Separate Breakdown in this Section)	A

## SECTION 6 - CAB

FIGURE 6-54. HEATER AND A/C ASSEMBLY (Prior to SN 1160008716)



ART\_1001201497-E

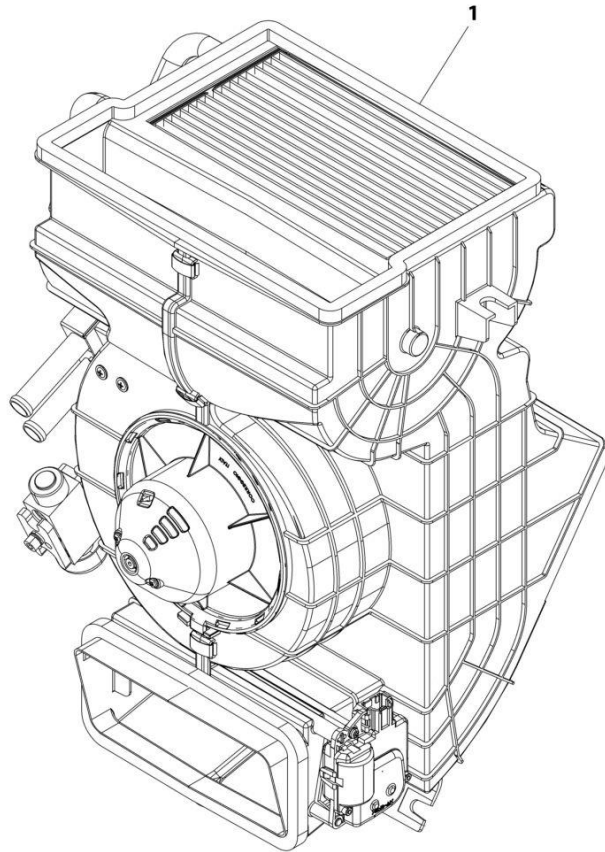
## SECTION 6 - CAB

**FIGURE 6-54. HEATER AND A/C ASSEMBLY (Prior to SN 1160008716)**

ITEM	PART NUMBER	QTY	DESCRIPTION	REV
	1001201497	Ref	Heater and A/C Assembly	E
4	1001188275	1	Heater and AC (See Separate Breakdown in this Section)	
6	1001161865	1	Hose	

## SECTION 6 - CAB

FIGURE 6-55. HEATER AND A/C ASSEMBLY (SN 1160008716 to Present)



ART\_1001221055-A

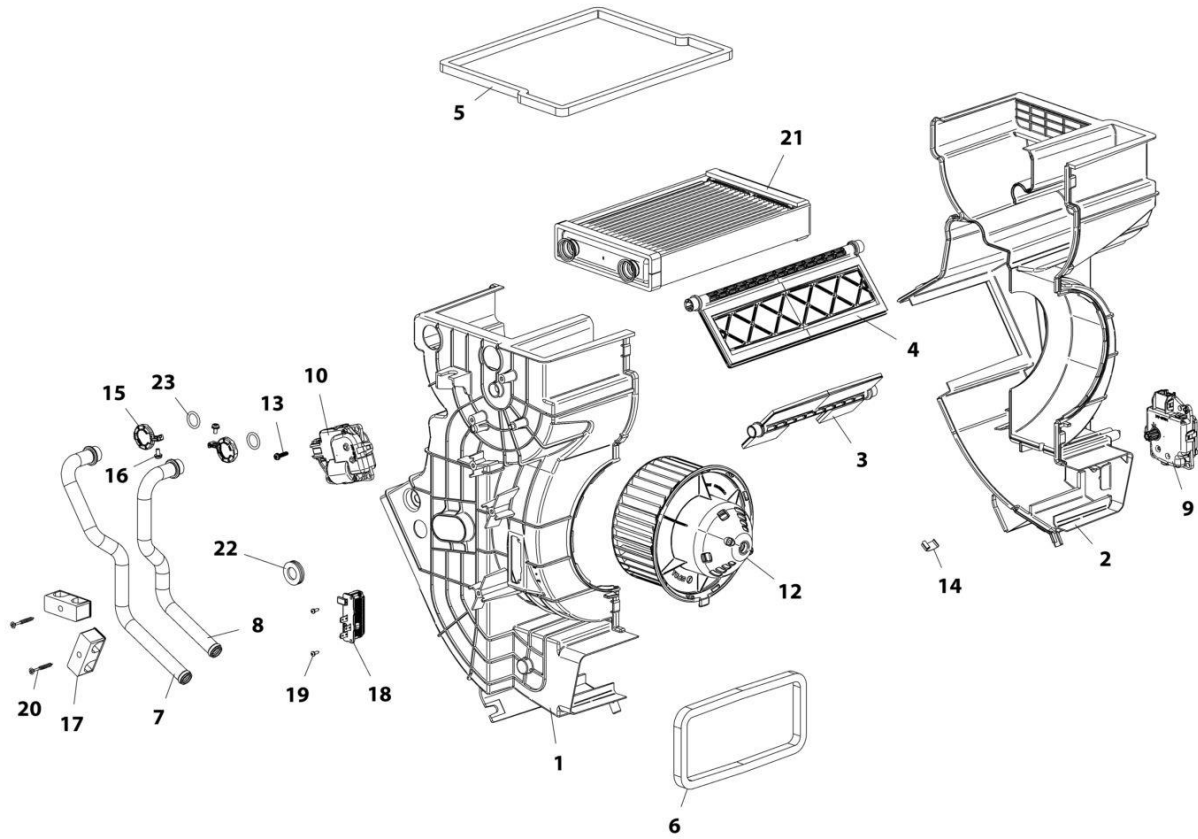
## SECTION 6 - CAB

**FIGURE 6-55. HEATER AND A/C ASSEMBLY (SN 1160008716 to Present)**

ITEM	PART NUMBER	QTY	DESCRIPTION	REV
1	1001221055	Ref	Heater and A/C Assembly	A
	1001221054	1	Heater and AC (See Separate Breakdown in this Section)	

# SECTION 6 - CAB

## FIGURE 6-56. HEATER



ART\_1001152908-E

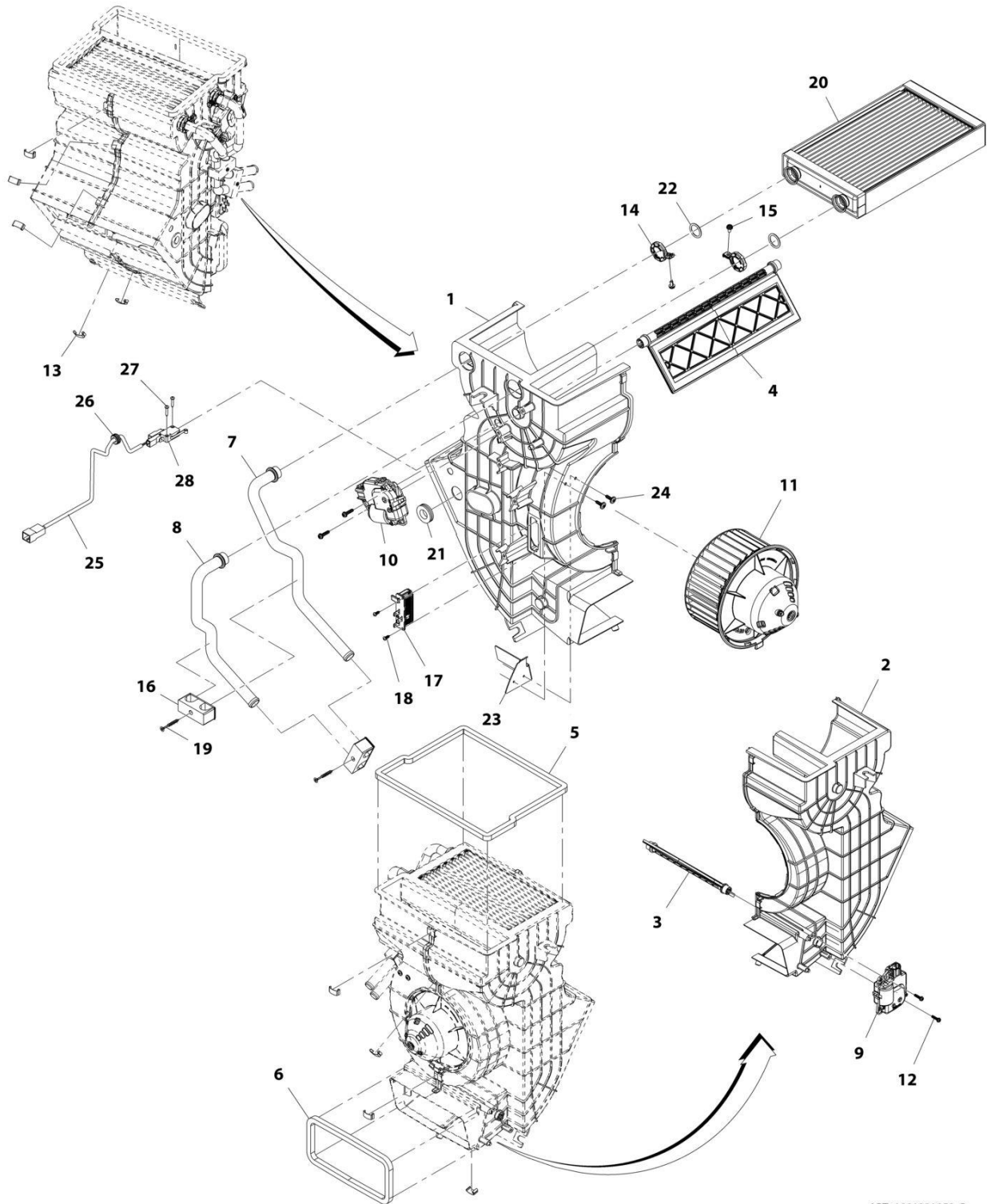


FIGURE 6-56. HEATER

ITEM	PART NUMBER	QTY	DESCRIPTION	REV
	1001152908	NLA	Heater (no longer available, see items 1 through 23 for service or use 1001221052 for replacement)	E
1	1001166091	1	Housing, RH	
2	1001166092	1	Housing, LH	
3	1001184275	1	Flap, Recirculation with Foam	
4	1001184278	1	Flap, Mixing with Foam	
5	1001184294	1	Foam, Air Outlet	
6	1001184295	1	Foam, Air Inlet	
7	1001184296	1	Pipe, Water	
8	1001184297	1	Pipe, Water	
9	1001188577	1	Actuator, Fresh/Recirculation Air	
10	1001188578	1	Actuator, Hot/Cold	
12	1001188594	1	Fan, 12V	
13	1001188602	4	Screw	
14	1001188603	9	Clamp	
15	1001188604	2	Clamp	
16	1001188610	2	Screw	
17	1001188612	2	Clamp	
18	1001188614	1	Resistor	
19	1001188720	2	Screw	
20	1001188725	2	Screw	
21	1001188729	1	Radiator, Heater Core	
22	1001188733	1	Grommet	
23	1001189025	2	O-Ring	

SECTION 6 - CAB

FIGURE 6-57. HEATER



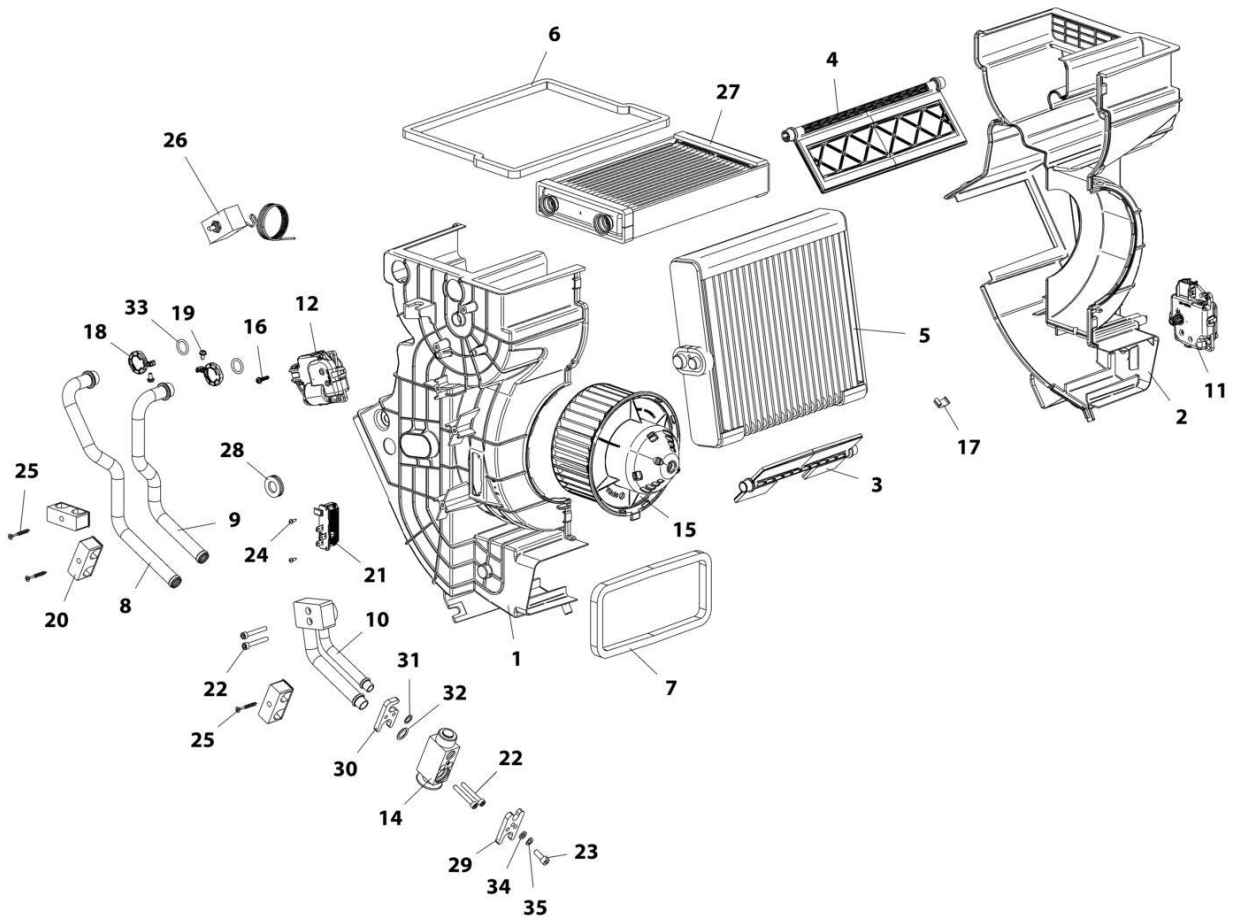
ART\_1001221052-C

FIGURE 6-57. HEATER

ITEM	PART NUMBER	QTY	DESCRIPTION	REV
	1001221052	Ref	Heater	B
1	1001166091	1	Housing, RH	
2	1001166092	1	Housing, LH	
3	1001184275	1	Flap, Recirculation with Foam	
4	1001184278	1	Flap, Mixing with Foam	
5	1001184294	1	Foam, Air Outlet	
6	1001184295	1	Foam, Air Inlet	
7	1001184296	1	Pipe, Water	
8	1001184297	1	Pipe, Water	
9	1001188577	1	Actuator, Fresh/Recirculation Air	
10	1001188578	1	Actuator, Hot/Cold	
11	1001188594	1	Fan, 12V	
12	1001188602	4	Screw	
13	1001188603	9	Clamp	
14	1001188604	2	Clamp	
15	1001188610	2	Screw	
16	1001188612	2	Clamp	
17	1001188614	1	Resistor	
18	1001188720	2	Screw	
19	1001188725	2	Screw	
20	1001188729	1	Radiator, Heater Core	
21	1001188733	1	Grommet	
22	1001189025	2	O-Ring	
23	1001221057	1	Baffle, Plate	
24	1001221058	2	Screw	
25	1001228132	1	Harness	
26	1001228140	1	Grommet	
27	1001228141	2	Screw	
28	1001228147	1	Sensor	

# SECTION 6 - CAB

## FIGURE 6-58. HEATER AND A/C



ART\_1001188275-D

FIGURE 6-58. HEATER AND A/C

ITEM	PART NUMBER	QTY	DESCRIPTION	REV
	1001188275	NLA	Heater and A/C (no longer available, see items 1 through 35 for service or use 1001221054 for replacement)	D
1	1001166091	1	Housing, HVAC RH	
2	1001166092	1	Housing, HVAC LH	
3	1001184275	1	Foam, Heater Flap	
4	1001184278	1	Foam, Heater Mixing Flap	
5	1001184280	1	Evaporator, Heater	
6	1001184294	1	Seal, Heater Foam	
7	1001184295	1	Seal, Air Inlet Foam	
8	1001184296	1	Pipe, Heater Water	
9	1001184297	1	Pipe, Heater Water	
10	1001184427	1	Pipe, Heater	
11	1001188577	1	Actuator, Fresh/Recirculation Air	
12	1001188578	1	Actuator, Hot/Cold Mixing	
14	1001188592	1	Valve, HVAC Expansion	
15	1001188594	1	Fan, HVAC Centrifugal 12V	
16	1001188602	4	Screw, M4	
17	1001188603	9	Clamp, HVAC Case	
18	1001188604	2	Clamp, HVAC Pipe	
19	1001188610	2	Screw, M4X0.7	
20	1001188612	3	Clamp, Pipe	
21	1001188614	1	Resistor	
22	1001188618	4	Screw, M5	
23	1001188619	1	Screw, M6	
24	1001188720	2	Screw, M2.9X9.5	
25	1001188725	3	Screw, M4X35	
26	1001188728	1	Sensor, HVAC Thermostat	
27	1001188729	1	Radiator, Heater Core	
28	1001188733	1	Grommet	
29	1001188817	1	Clamp, Hose	
30	1001188818	1	Clamp, HVAC EVAP/Valve	
31	1001189023	1	O-Ring	
32	1001189024	1	O-Ring	
33	1001189025	2	O-Ring	
34	1001189048	1	Washer	
35	1001189054	1	Washer, Spring	

# SECTION 6 - CAB

## FIGURE 6-59. HEATER AND A/C

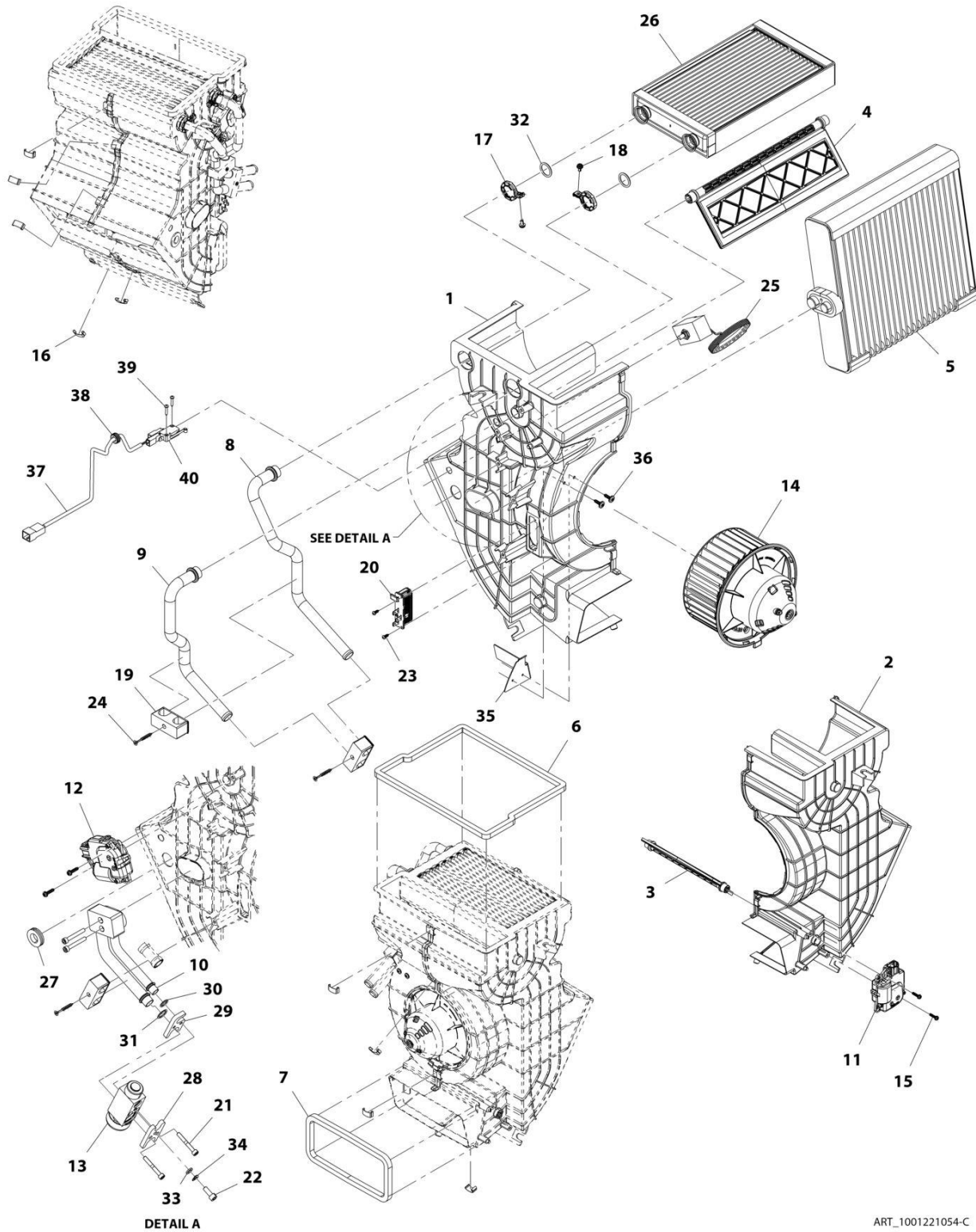
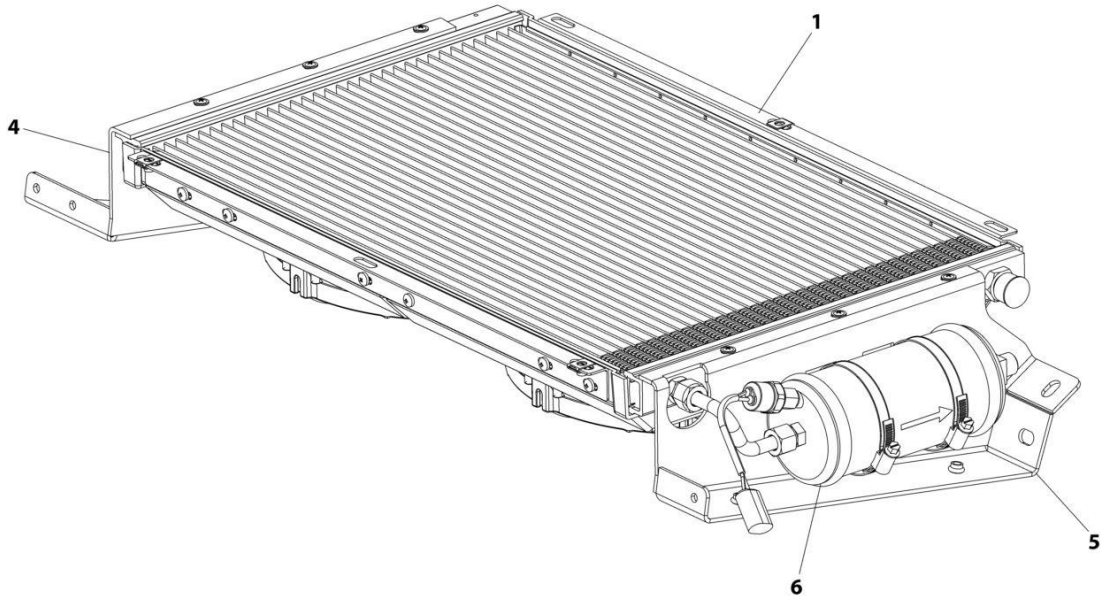


FIGURE 6-59. HEATER AND A/C

ITEM	PART NUMBER	QTY	DESCRIPTION	REV
	1001221054	Ref	Heater and A/C	B
1	1001166091	1	Housing, HVAC RH	
2	1001166092	1	Housing, HVAC LH	
3	1001184275	1	Foam, Heater Flap	
4	1001184278	1	Foam, Heater Mixing Flap	
5	1001184280	1	Evaporator, Heater	
6	1001184294	1	Seal, Heater Foam	
7	1001184295	1	Seal, Air Inlet Foam	
8	1001184296	1	Pipe, Heater Water	
9	1001184297	1	Pipe, Heater Water	
10	1001184427	1	Pipe, Heater	
11	1001188577	1	Actuator, Fresh/Recirculation Air	
12	1001188578	1	Actuator, Hot/Cold Mixing	
13	1001188592	1	Valve, HVAC Expansion	
14	1001188594	1	Fan, HVAC Centrifugal 12V	
15	1001188602	4	Screw, M4	
16	1001188603	9	Clamp, HVAC Case	
17	1001188604	2	Clamp, HVAC Pipe	
18	1001188610	2	Screw, M4X0.7	
19	1001188612	3	Clamp, Pipe	
20	1001188614	1	Resistor	
21	1001188618	4	Screw, M5	
22	1001188619	1	Screw, M6	
23	1001188720	2	Screw, M2.9X9.5	
24	1001188725	3	Screw, M4X35	
25	1001188728	1	Sensor, HVAC Thermostat	
26	1001188729	1	Radiator, Heater Core	
27	1001188733	1	Grommet	
28	1001188817	1	Clamp, Hose	
29	1001188818	1	Clamp, HVAC EVAP/Valve	
30	1001189023	1	O-Ring	
31	1001189024	1	O-Ring	
32	1001189025	2	O-Ring	
33	1001189048	1	Washer	
34	1001189054	1	Washer, Spring	
35	1001221057	1	Plate	
36	1001221058	2	Screw	
37	1001228132	1	Harness, HVAC Sensor	
38	1001228140	1	Grommet	
39	1001228141	2	Screw	
40	1001228147	1	Valve, Water Sensor	

# SECTION 6 - CAB

## FIGURE 6-60. CAB CONDENSER ASSEMBLY



ART\_1001162953

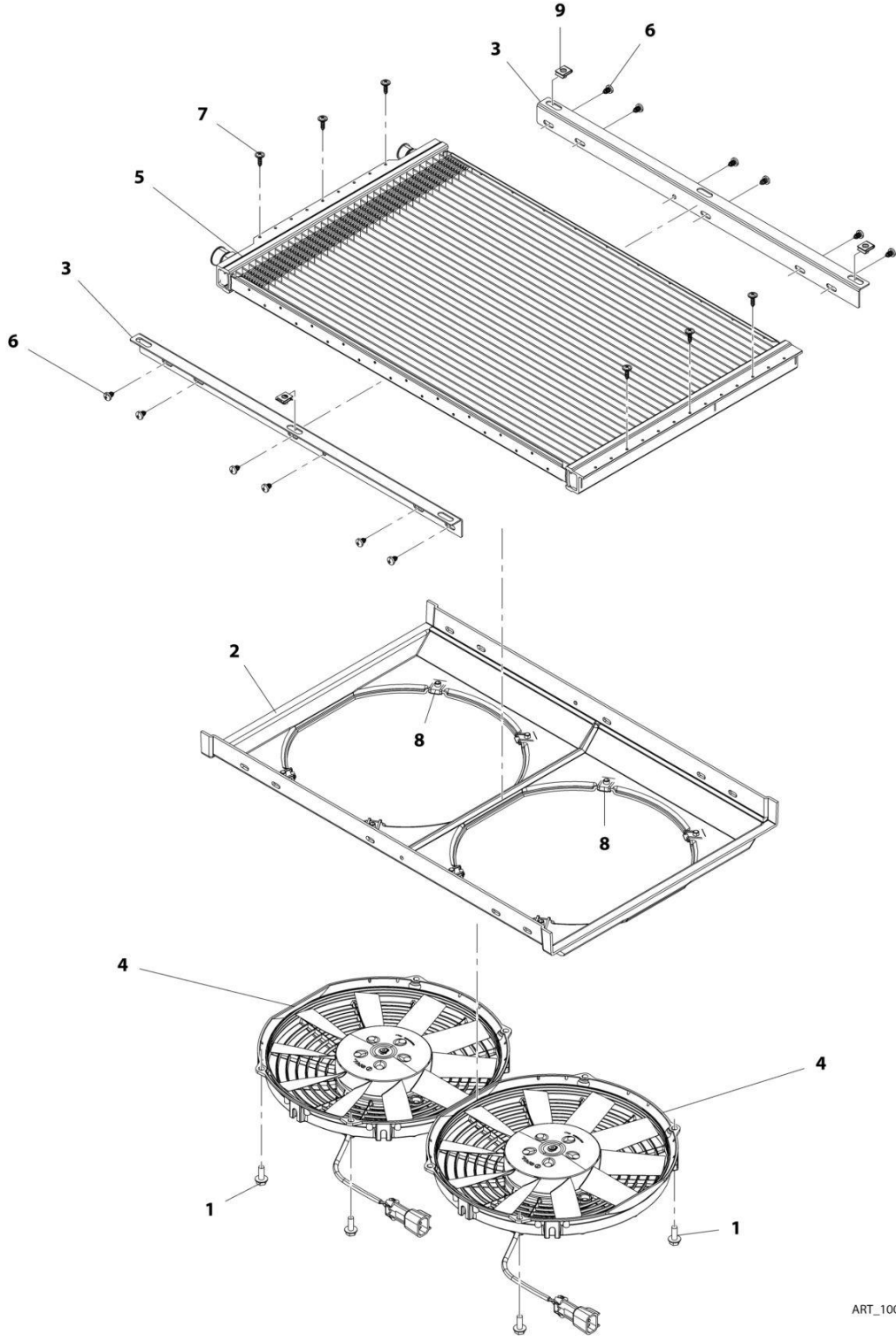


FIGURE 6-60. CAB CONDENSER ASSEMBLY

ITEM	PART NUMBER	QTY	DESCRIPTION	REV
	1001162953	Ref	Cab Condenser Assembly	G
1	1001167266	1	Condenser (See Separate Breakdown in this Section)	
4	1001179080	1	Bracket	
5	1001179081	1	Bracket	
6	1001179130	1	Drier, A/C Receiver (See Separate Breakdown in this Section)	

SECTION 6 - CAB

FIGURE 6-61. CONDENSER



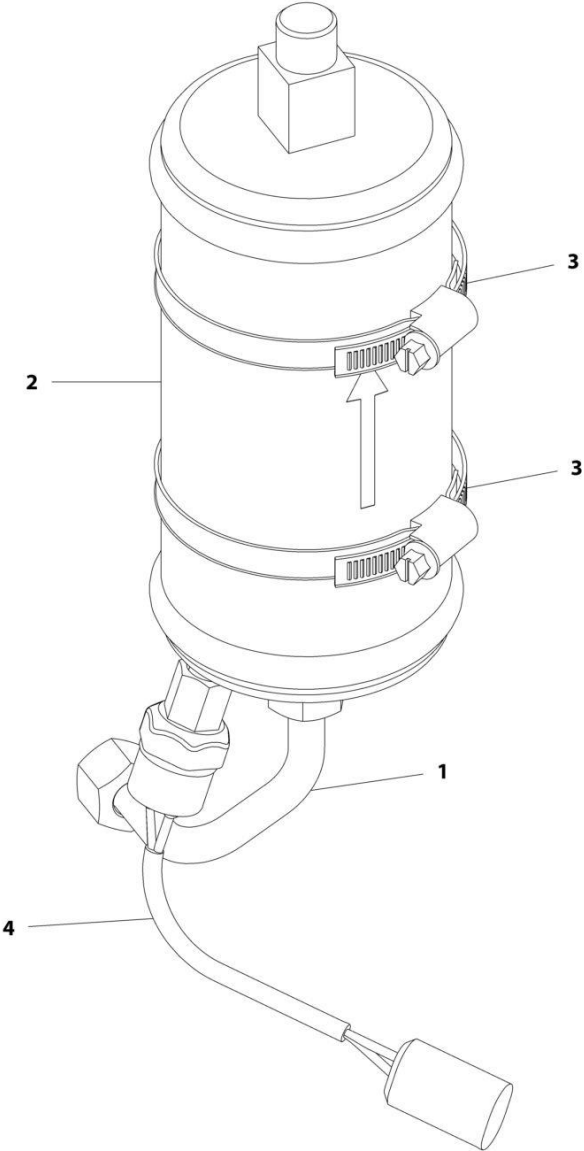
ART\_1001167266-C

FIGURE 6-61. CONDENSER

ITEM	PART NUMBER	QTY	DESCRIPTION	REV
	1001167266	Ref	Condenser	C
1	5250608	8	Bolt, M6X16	
2	1001195342	1	Bracket, Condenser Fan Mount	
3	1001195343	2	Support, Condenser	
4	1001195345	2	Fan, Condenser	
5	1001195346	1	Condenser	
6	1001195385	12	Screw, M3.9X9.5	
7	1001195386	6	Screw, M4.2X16	
8	1001195437	8	Clip, M6X1	
9	1001195438	3	Clip, M6X1	

**SECTION 6 - CAB**

**FIGURE 6-62. A/C RECEIVER DRIER**



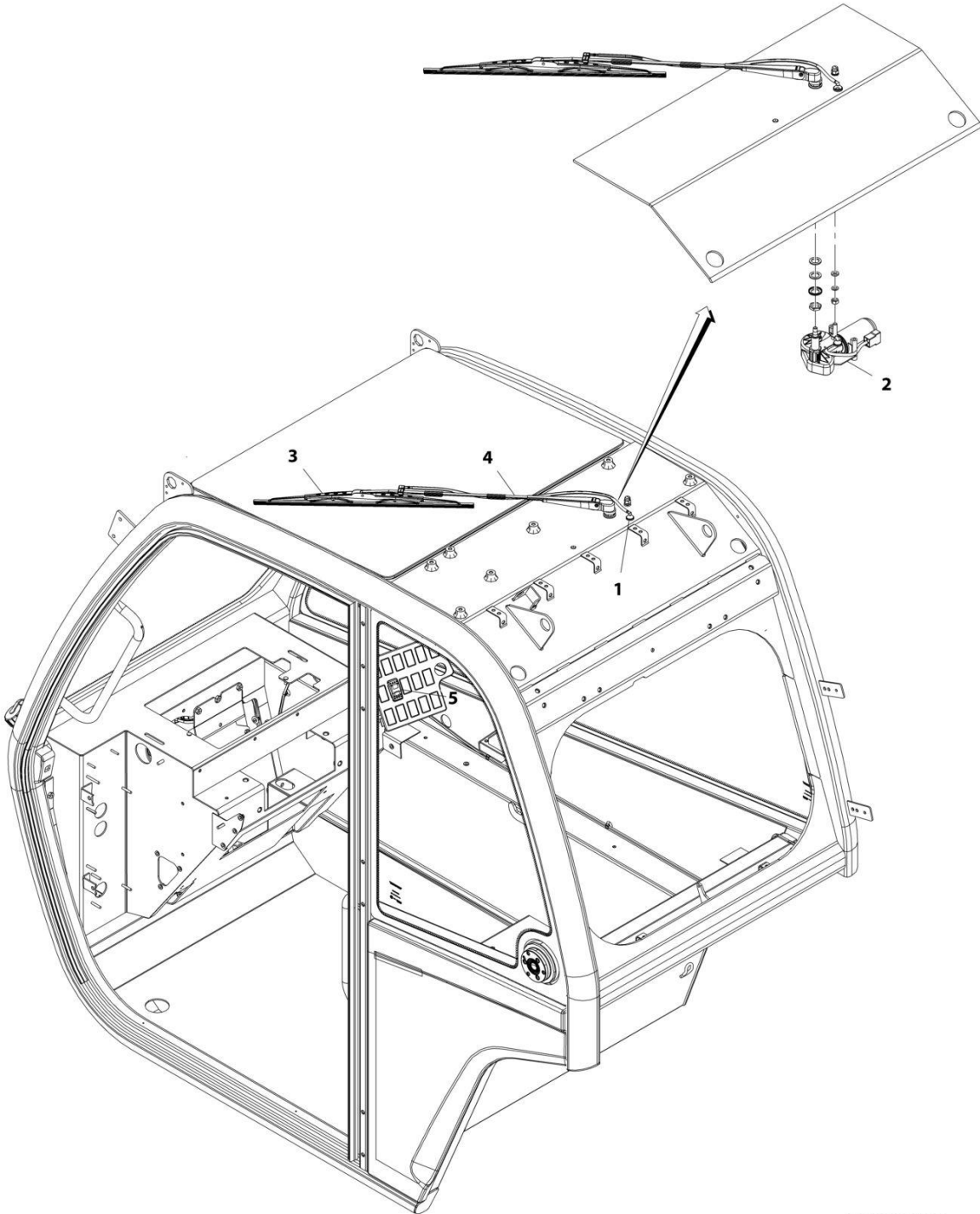
ART\_1001179130-B

FIGURE 6-62. A/C RECEIVER DRIER

ITEM	PART NUMBER	QTY	DESCRIPTION	REV
	1001179130	Ref	A/C Receiver Drier	B
1	1001184403	1	Tube, Heater	
2	1001184404	1	Receiver, Heater Drier	
3	1001184405	2	Clamp	
4	1001184406	1	Connector, Heater	

# SECTION 6 - CAB

## FIGURE 6-63. ROOF WIPER INSTALLATION



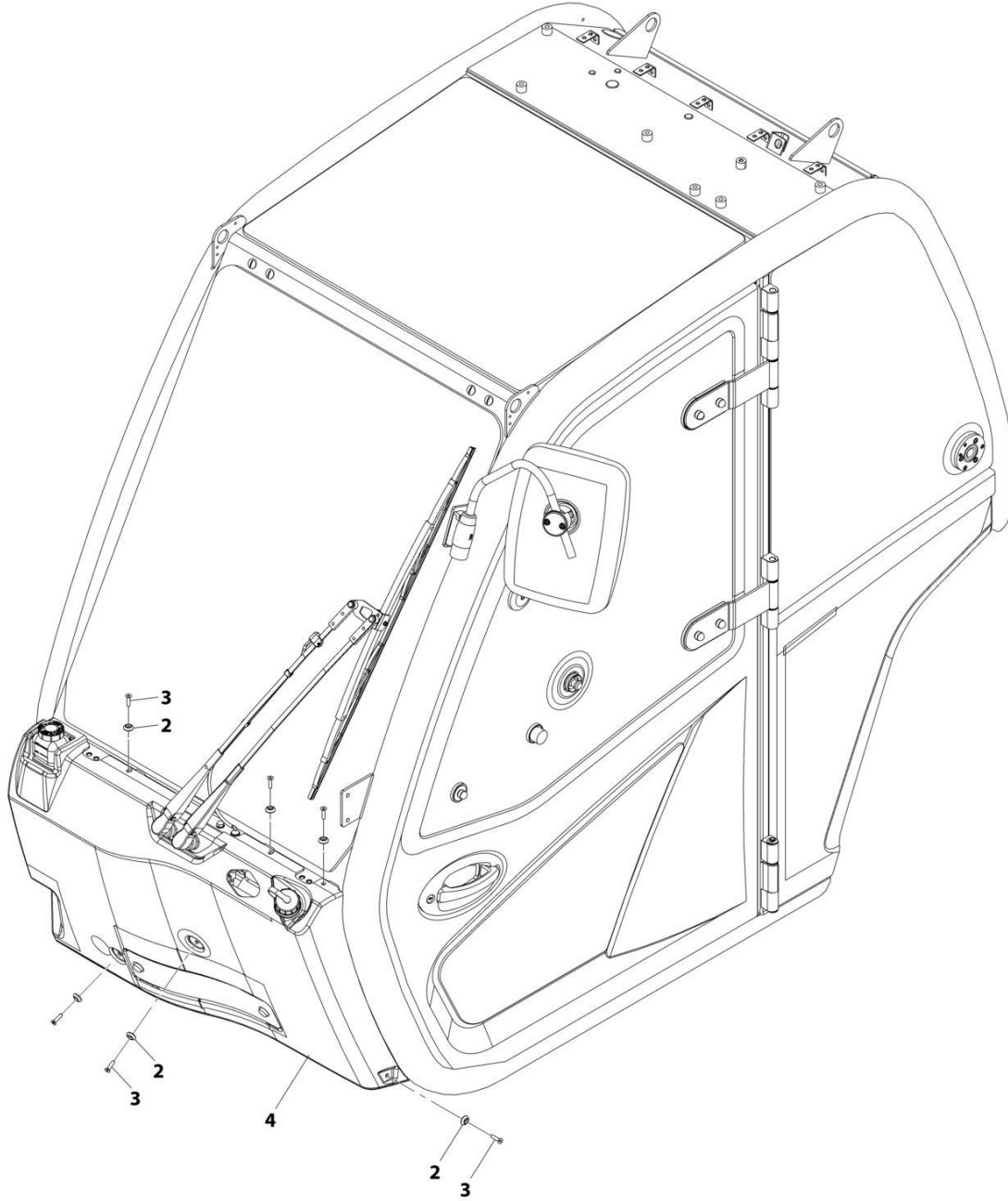
ART\_1001155486-B

FIGURE 6-63. ROOF WIPER INSTALLATION

ITEM	PART NUMBER	QTY	DESCRIPTION	REV
	1001155486	Ref	Roof Wiper Installation	B
1	1001090343	1	Connector	
2	1001139551	1	Motor, Roof Wiper	
3	1001141313	1	Blade, Roof Wiper	
4	1001141311	1	Arm, Roof Wiper Blade	
5	1001159736	1	Switch, Roof Wiper	

# SECTION 6 - CAB

## FIGURE 6-64. FRONT NOSE CONE INSTALLATION (SIDELIGHT)



ART\_1001179895-G

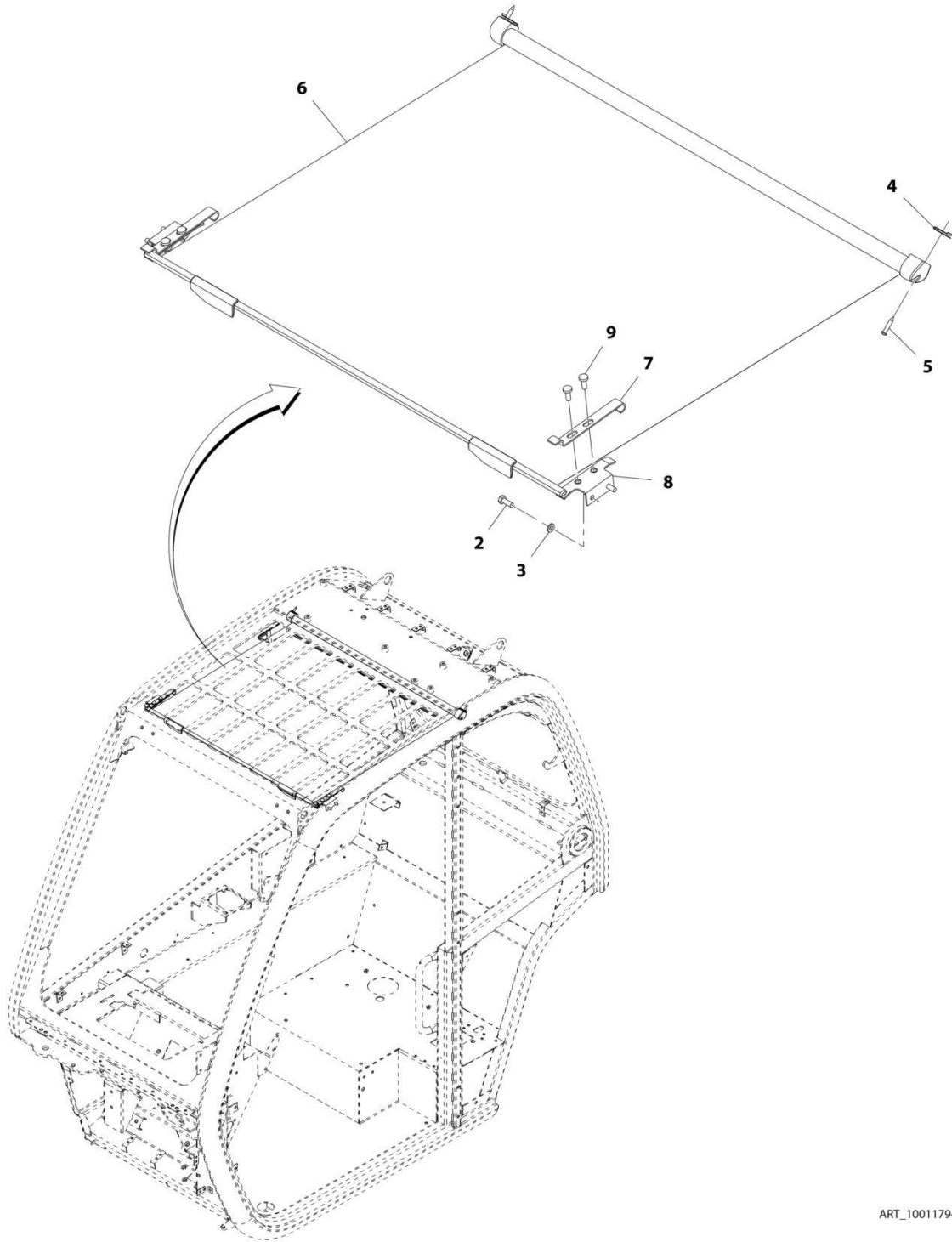


**FIGURE 6-64. FRONT NOSE CONE INSTALLATION (SIDELIGHT)**

<b>ITEM</b>	<b>PART NUMBER</b>	<b>QTY</b>	<b>DESCRIPTION</b>	<b>REV</b>
	1001179895	Ref	Front Nose Cone Installation (Sidelight)	G
2	1001097540	6	Washer, M6	
3	3900379	6	Screw, M6X25MM	
4	1001179898	1	Cover	

# SECTION 6 - CAB

## FIGURE 6-65. RETRACTABLE SUNSCREEN INSTALLATION



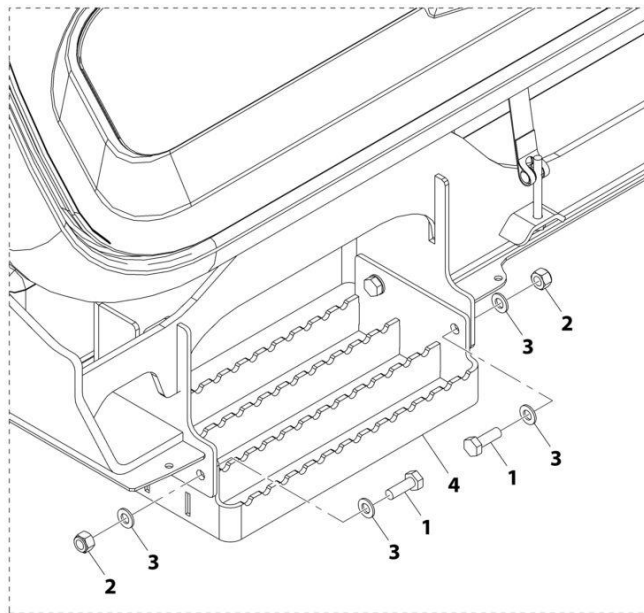
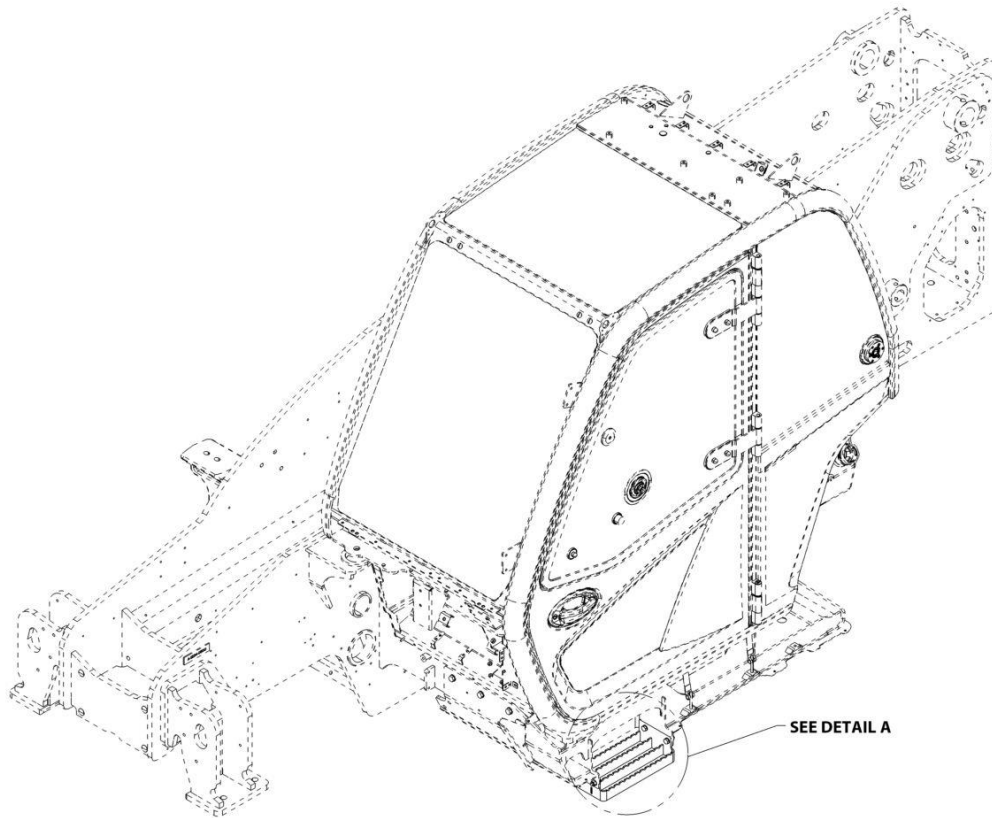
ART\_1001179482-D

**FIGURE 6-65. RETRACTABLE SUNSCREEN INSTALLATION**

ITEM	PART NUMBER	QTY	DESCRIPTION	REV
	1001179482	Ref	Retractable Sunscreen Installation	D
2	0760608	4	Bolt, M6X16	
3	4811700	4	Washer, M6	
4	1001111076	2	Nut, Spire	
5	1001111147	2	Screw, Self Tapping	
6	1001179483	1	Cab, Sun Blind	
7	1001209463	2	Bracket	
8	1001166385	2	Bracket	
9	4010608002	4	Screw, Posi-Drive M6X16	

# SECTION 6 - CAB

## FIGURE 6-66. CAB STEP INSTALLATION



DETAIL A

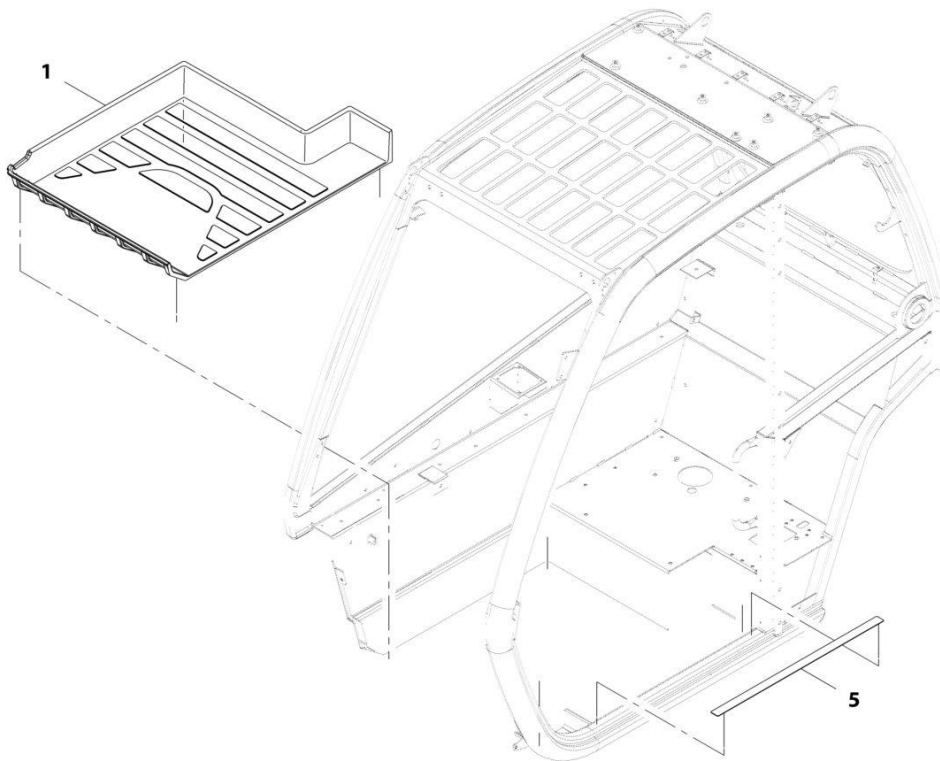
ART\_1001198958-B

FIGURE 6-66. CAB STEP INSTALLATION

ITEM	PART NUMBER	QTY	DESCRIPTION	REV
	1001198958	Ref	Cab Step Installation	B
1	0701014	4	Bolt, M10X30	
2	3291005	4	Nut, Lock M10X1.5 Grade 8	
3	4812000	8	Washer, M10	
4	1001198924	1	Bracket, Step	

# SECTION 6 - CAB

## FIGURE 6-67. FLOOR MAT INSTALLATION



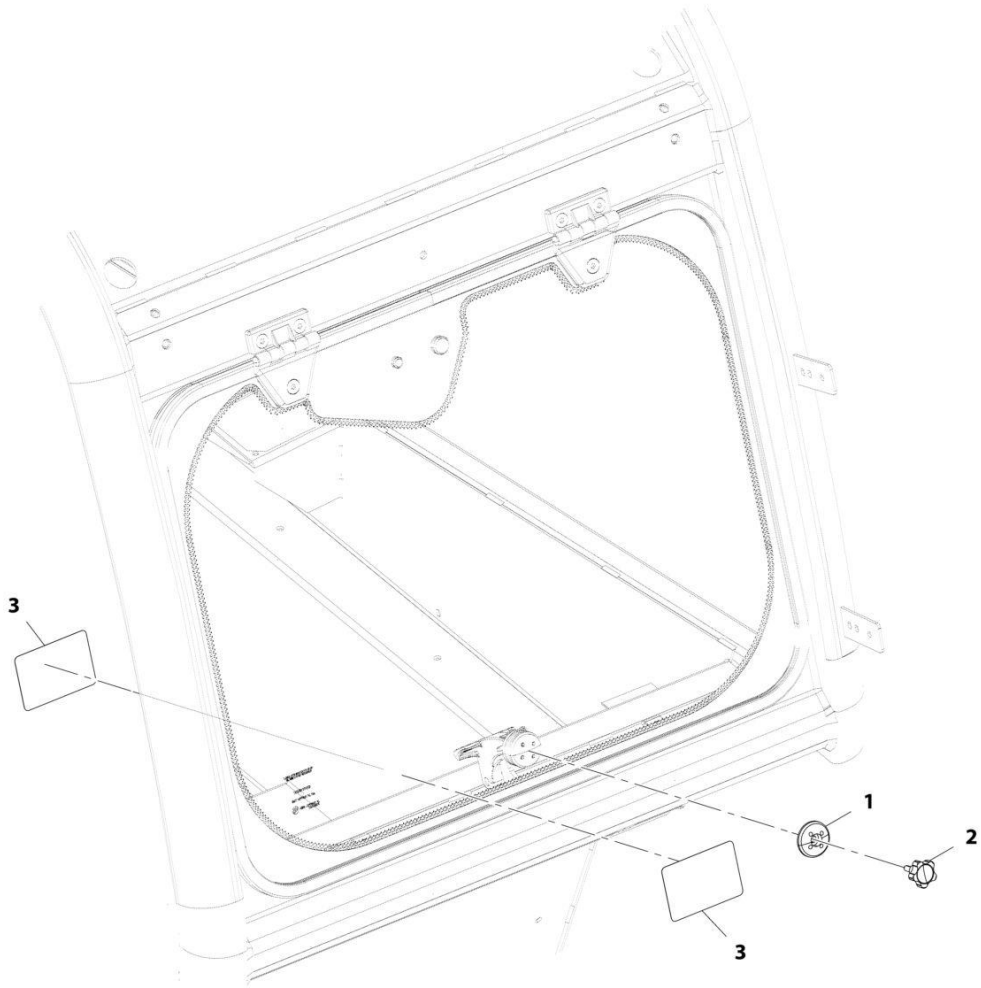
ART\_1001161080-E

**FIGURE 6-67. FLOOR MAT INSTALLATION**

<b>ITEM</b>	<b>PART NUMBER</b>	<b>QTY</b>	<b>DESCRIPTION</b>	<b>REV</b>
	1001161080	Ref	Floor Mat Installation	E
1	1001161078	1	Cab, Floor Mat	
5	1001197259	1	Tape, Frame Non Skid	

# SECTION 6 - CAB

## FIGURE 6-68. REAR WINDOW INSTALLATION (WO/WIPER) (CAN & ISO)



ART\_1001178826-C

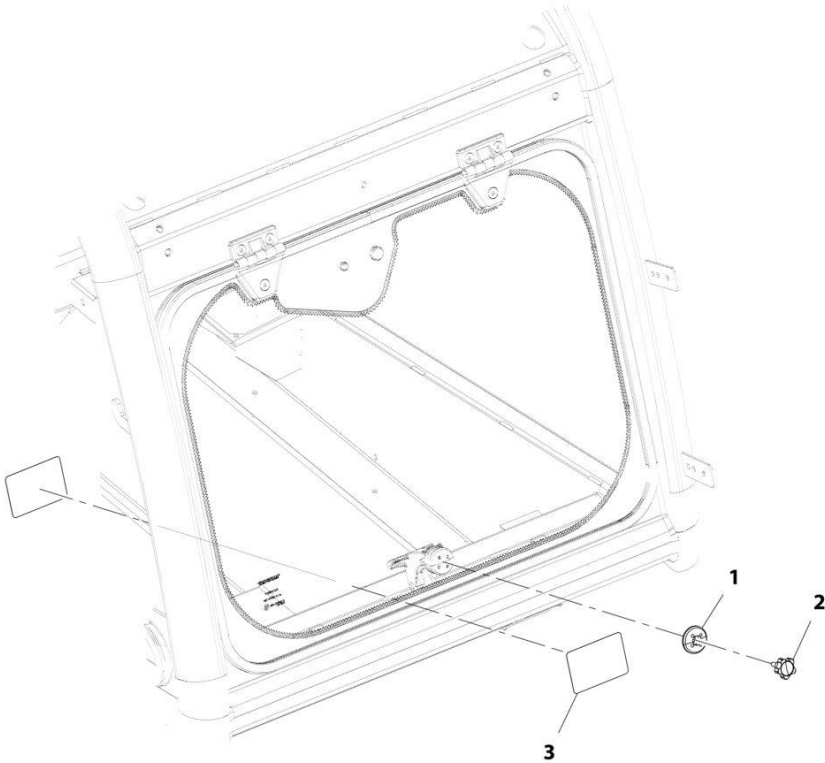


**FIGURE 6-68. REAR WINDOW INSTALLATION (WOWIPER) (CAN & ISO)**

<b>ITEM</b>	<b>PART NUMBER</b>	<b>QTY</b>	<b>DESCRIPTION</b>	<b>REV</b>
	1001178826	Ref	External Window Release Installation (English/French)	C
1	1001179008	1	Cap, Latch Window	
2	1001179009	1	Knob	
3	1001204709	2	Decal, Emergency Exit (English/French)	

**SECTION 6 - CAB**

**FIGURE 6-69. REAR WINDOW INSTALLATION (WOWIPER) (ANSI)**



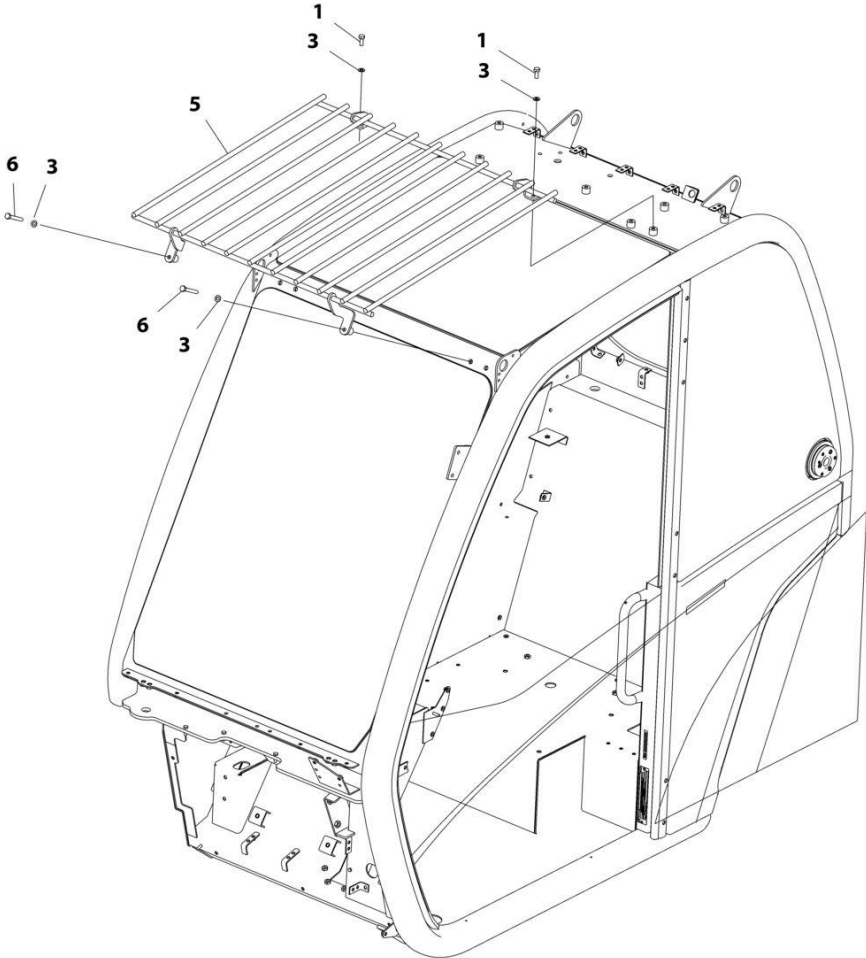
ART\_1001212047-A

**FIGURE 6-69. REAR WINDOW INSTALLATION (WO/WIPER) (ANSI)**

<b>ITEM</b>	<b>PART NUMBER</b>	<b>QTY</b>	<b>DESCRIPTION</b>	<b>REV</b>
	1001212047	Ref	Rear Window Installation (WO/Wiper) (ANSI)	A
1	1001179008	1	Cap, Latch Window	
2	1001179009	1	Cap, Knob M6	
3	1001212049	2	Decal, Emergency Exit	

**SECTION 6 - CAB**

**FIGURE 6-70. CAB GUARD INSTALLATION (TOP)**



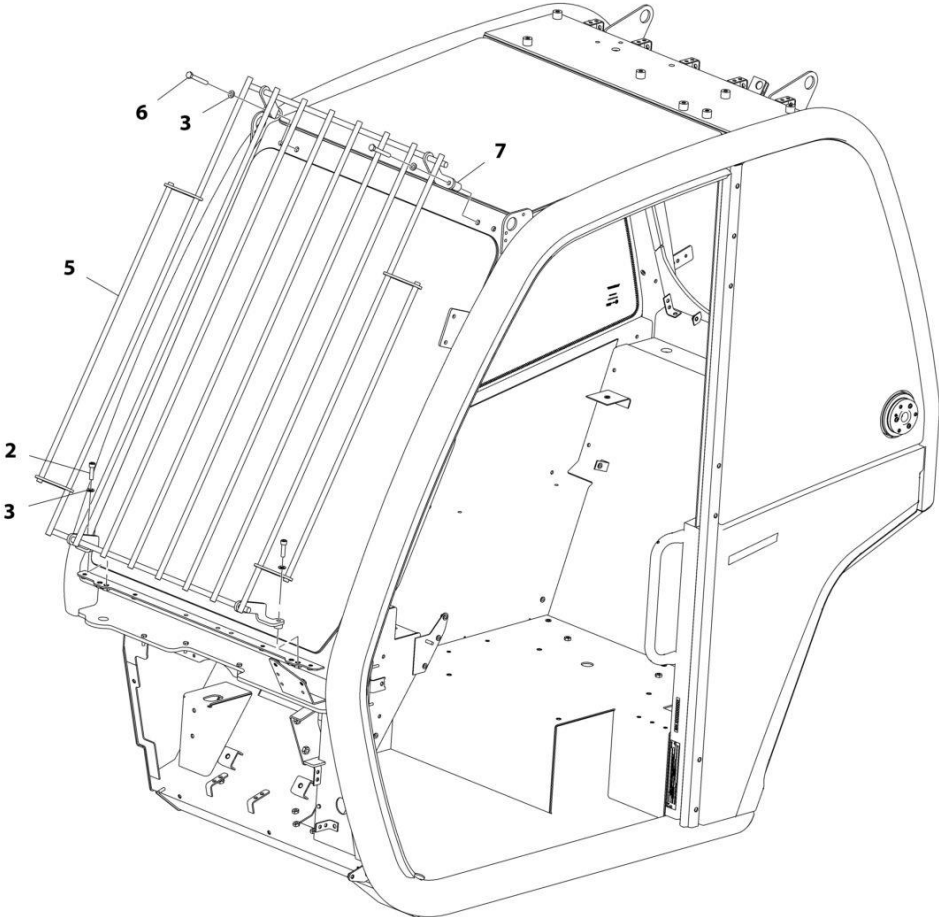
ART\_1001160496

**FIGURE 6-70. CAB GUARD INSTALLATION (TOP)**

ITEM	PART NUMBER	QTY	DESCRIPTION	REV
	1001160496	Ref	Cab Guard Installation (Top)	G
1	0760810	2	Bolt, M8X20	
3	4811900	4	Washer, M8	
5	1001160503	1	Guard, Top Screen	
6	0700820	2	Bolt, M8X60	

**SECTION 6 - CAB**

**FIGURE 6-71. CAB GUARD INSTALLATION (FRONT)**



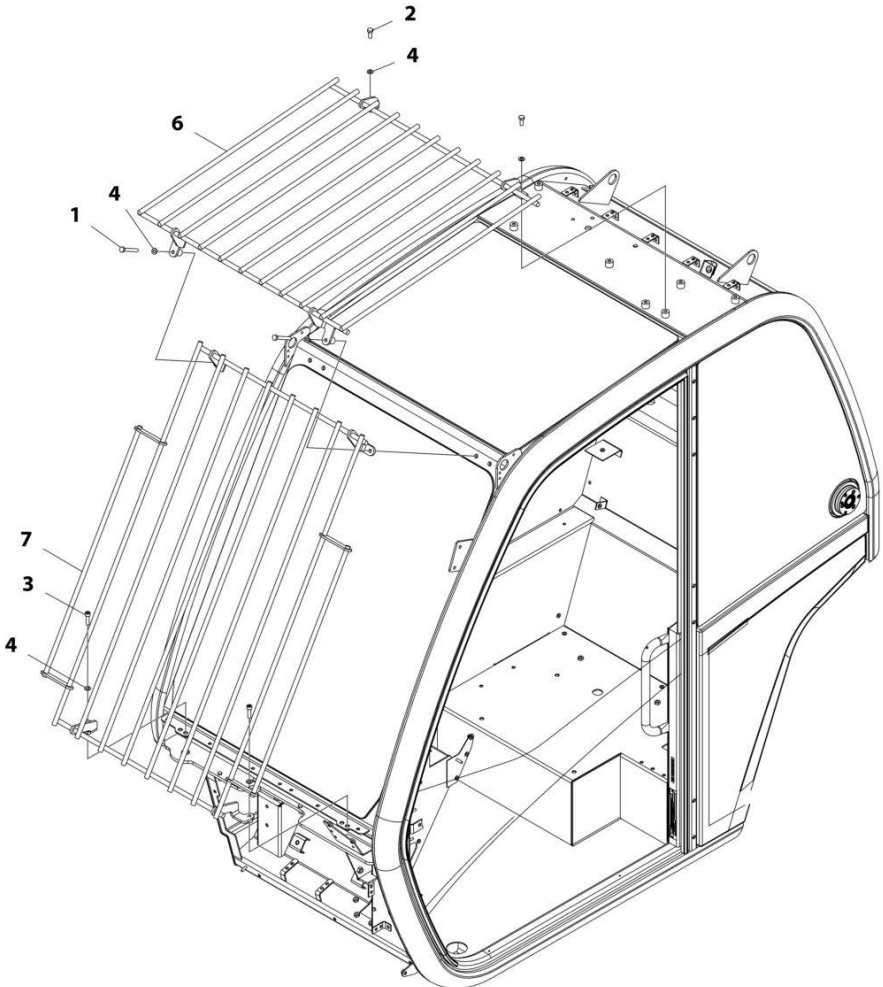
ART\_1001160506-G

FIGURE 6-71. CAB GUARD INSTALLATION (FRONT)

ITEM	PART NUMBER	QTY	DESCRIPTION	REV
	1001160506	Ref	Cab Guard Installation (Front)	G
2	4031910	2	Bolt, M8X30	
3	4811900	4	Washer, M8	
5	1001180263	1	Guard, Front Screen	
6	0700820	2	Bolt, M8X60	
7	1001173257	2	Spacer	

**SECTION 6 - CAB**

**FIGURE 6-72. CAB GUARD INSTALLATION (TOP AND FRONT)**



ART\_1001172774

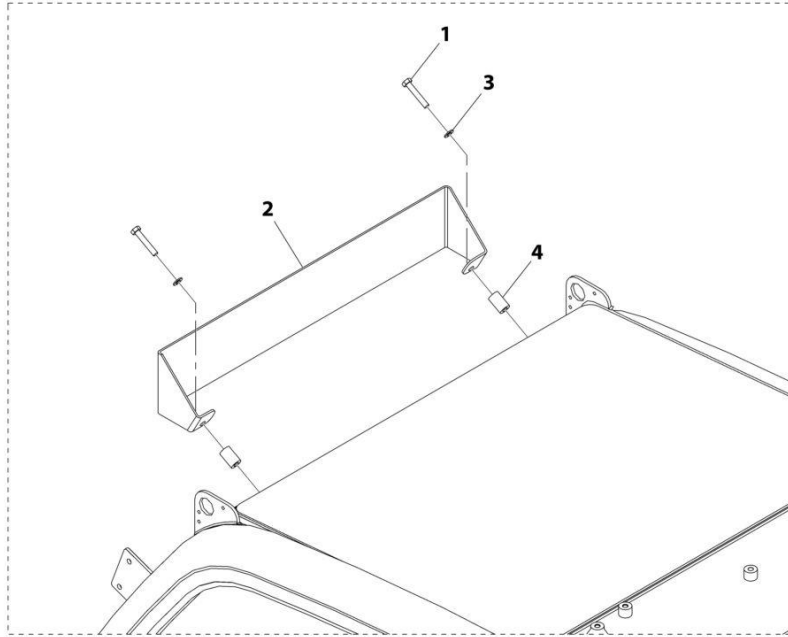


**FIGURE 6-72. CAB GUARD INSTALLATION (TOP AND FRONT)**

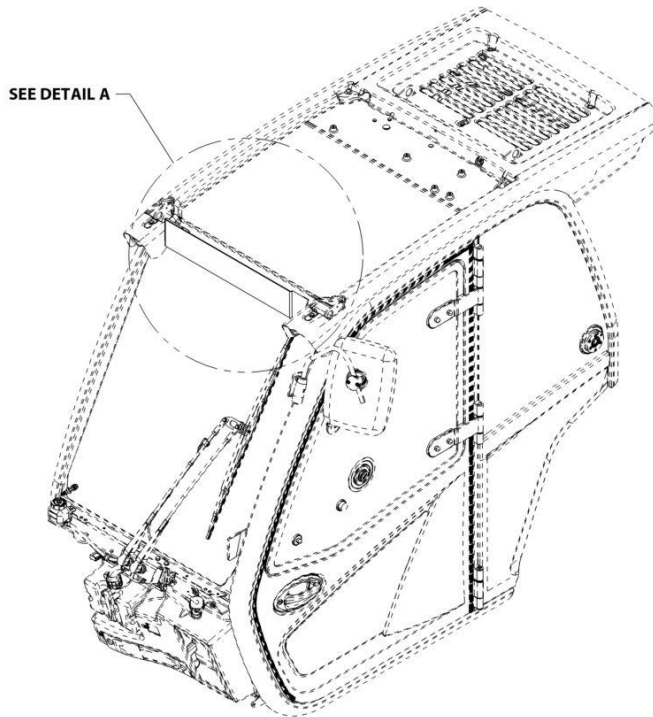
ITEM	PART NUMBER	QTY	DESCRIPTION	REV
	1001172774	Ref	CAB GUARD INSTALLATION (TOP AND FRONT)	G
1	0700820	2	Bolt M8 x 60	
2	0760810	2	Bolt M8 x 20	
3	4031910	2	Bolt M8 x 30	
4	4811900	6	Washer M8	
6	1001160503	1	Guard, Top Screen	
7	1001180263	1	Guard, Front Screen	

# SECTION 6 - CAB

## FIGURE 6-73. NUMBER PLATE BRACKET INSTALLATION (NO CAB GUARD)



DETAIL A



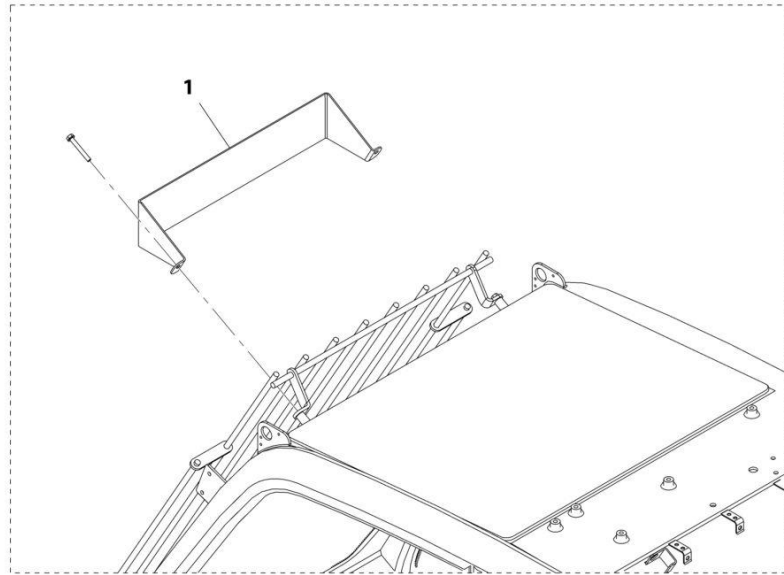
ART\_1001210804-B

**FIGURE 6-73. NUMBER PLATE BRACKET INSTALLATION (NO CAB GUARD)**

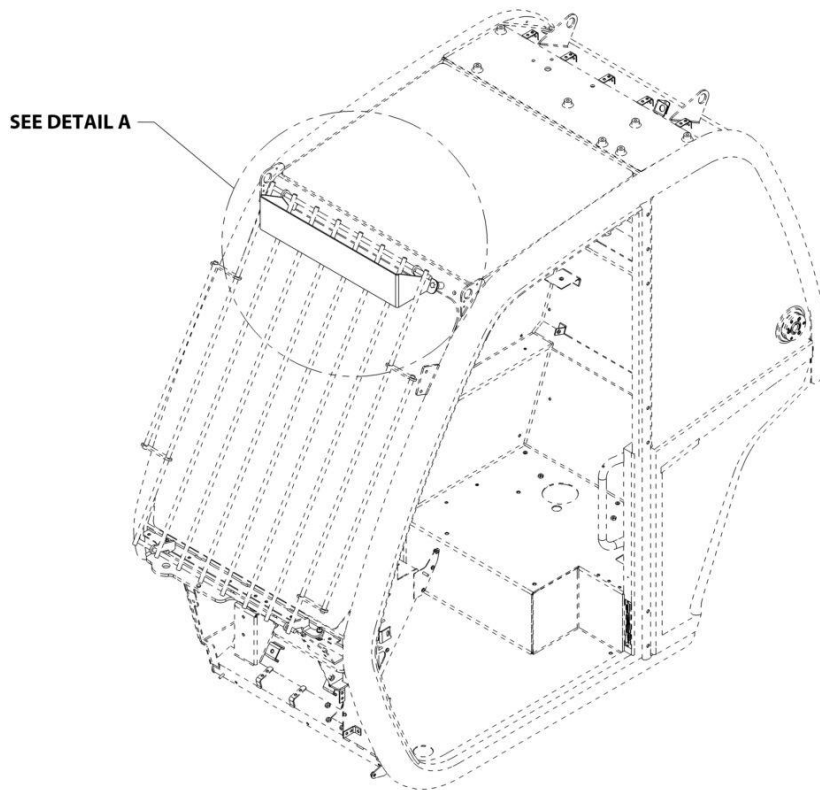
<b>ITEM</b>	<b>PART NUMBER</b>	<b>QTY</b>	<b>DESCRIPTION</b>	<b>REV</b>
	1001210804	Ref	Number Plate Bracket Installation (No Cab Guard)	B
1	0700817	2	Bolt, M8X45	
2	1001210802	1	Bracket, Number Plate (No Cab Guard)	
3	4811900	2	Washer, M8	
4	1001173257	2	Block, Spacer	

# SECTION 6 - CAB

## FIGURE 6-74. NUMBER PLATE BRACKET INSTALLATION (CAB GUARD)



DETAIL A



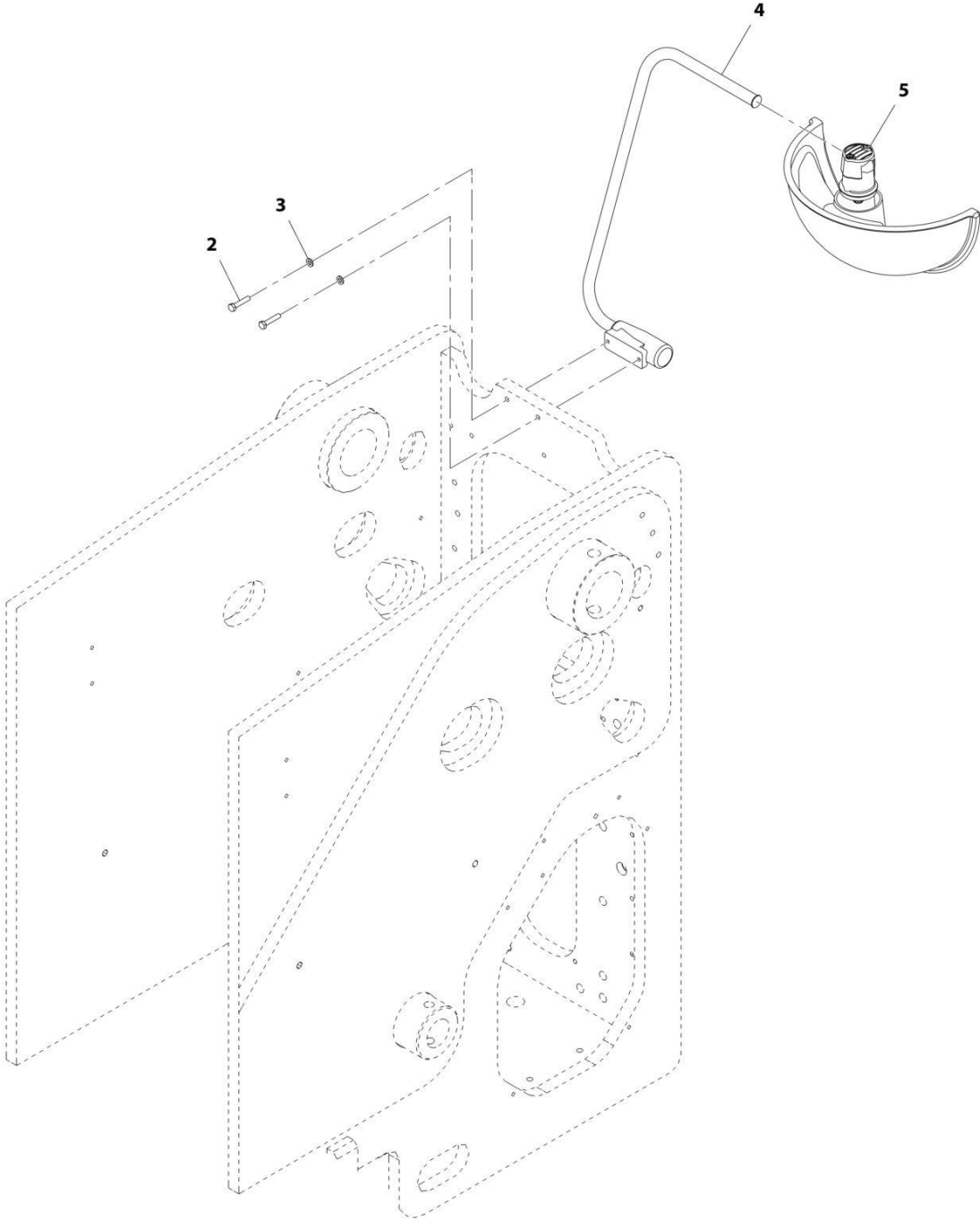
ART\_1001210799-A

**FIGURE 6-74. NUMBER PLATE BRACKET INSTALLATION (CAB GUARD)**

<b>ITEM</b>	<b>PART NUMBER</b>	<b>QTY</b>	<b>DESCRIPTION</b>	<b>REV</b>
1	1001210799 1001210798	Ref 1	Number Plate Bracket Installation (Cab Guard) Bracket	A

**SECTION 6 - CAB**

**FIGURE 6-75. HITCH MIRROR INSTALLATION (CONVEX)**



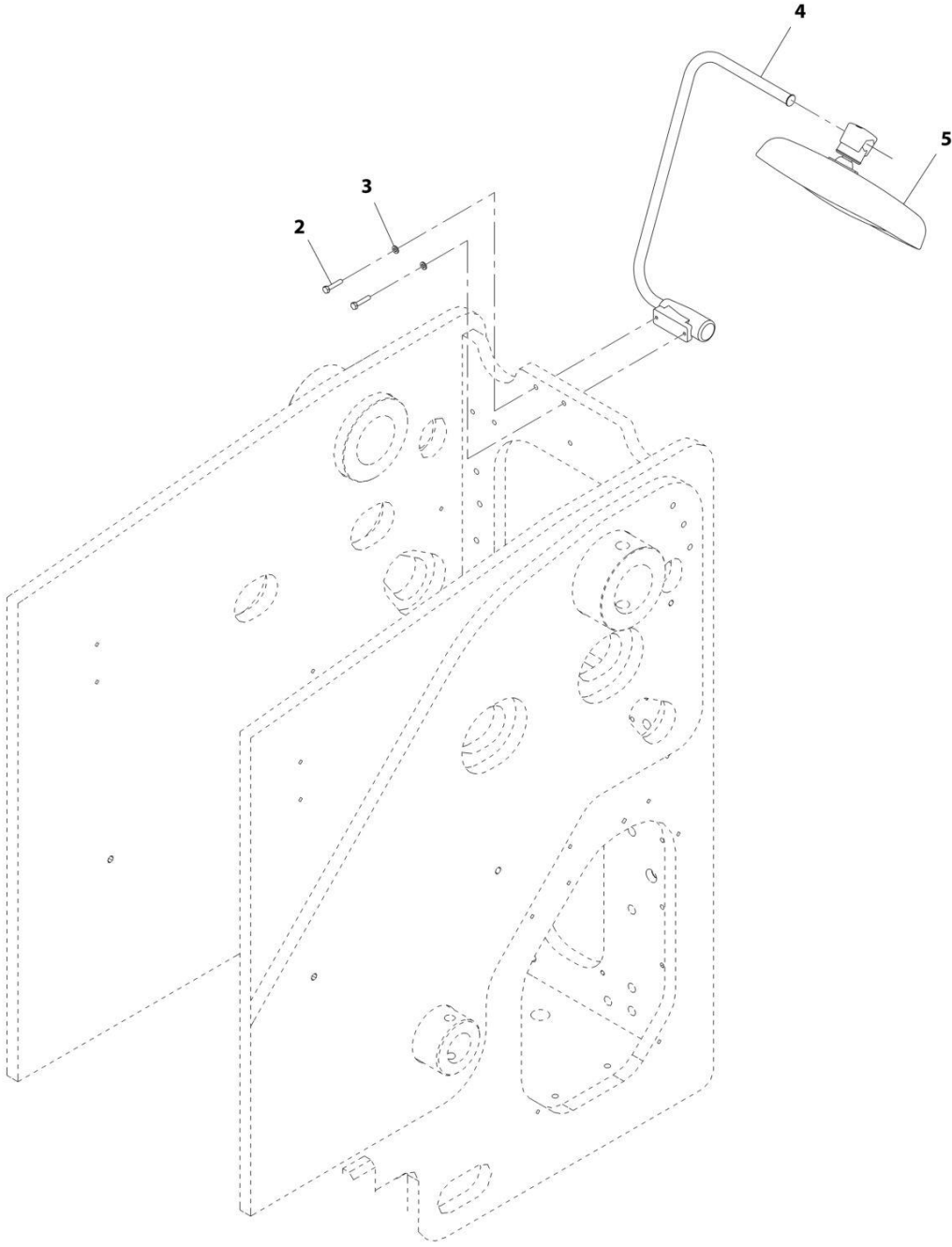
ART\_1001186439-B

FIGURE 6-75. HITCH MIRROR INSTALLATION (CONVEX)

ITEM	PART NUMBER	QTY	DESCRIPTION	REV
	1001186439	Ref	Hitch Mirror Installation (Fish Eye)	B
2	0700614	2	Bolt, M6X30	
3	4811700	2	Washer, M6	
4	1001005980	1	Arm	
5	1001008436	1	Assembly, Mirror (Convex) (See Separate Breakdown in this Section)	

**SECTION 6 - CAB**

**FIGURE 6-76. HITCH MIRROR INSTALLATION (FLAT)**



ART\_1001186395-B

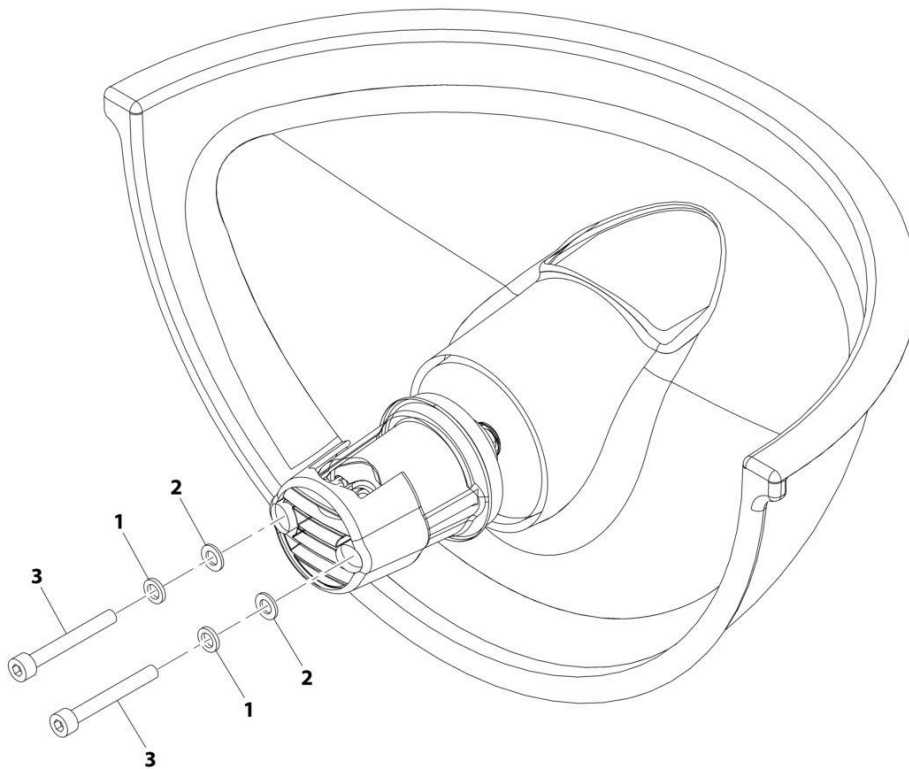


FIGURE 6-76. HITCH MIRROR INSTALLATION (FLAT)

ITEM	PART NUMBER	QTY	DESCRIPTION	REV
	1001186395	Ref	REAR MIRROR INSTALLATION (FLAT)	B
2	0700614	2	Bolt M6 x 30	
3	4811700	2	Washer M6	
4	1001005980	1	Arm	
5	1001005981	1	Assembly, Mirror	

# SECTION 6 - CAB

## FIGURE 6-77. MIRROR ASSEMBLY (CONVEX)



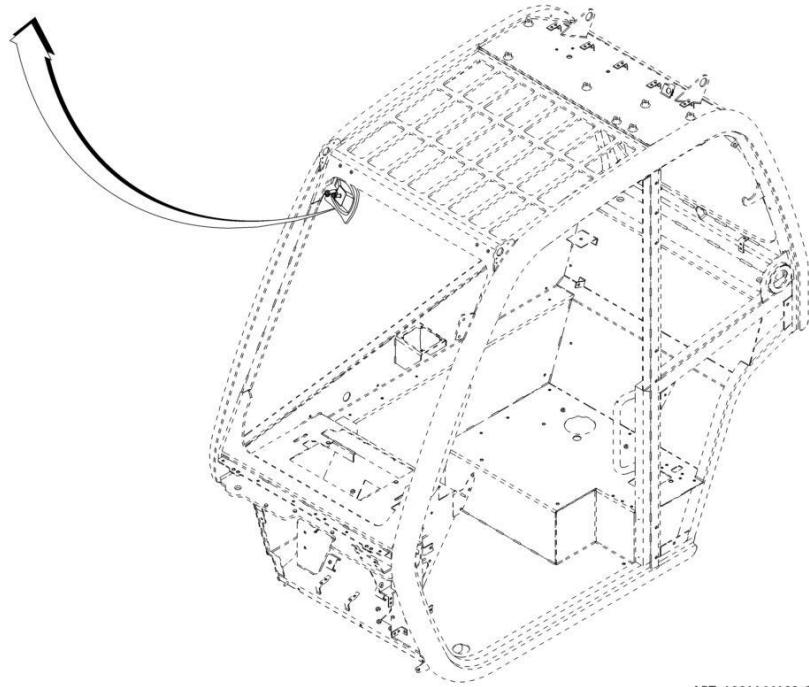
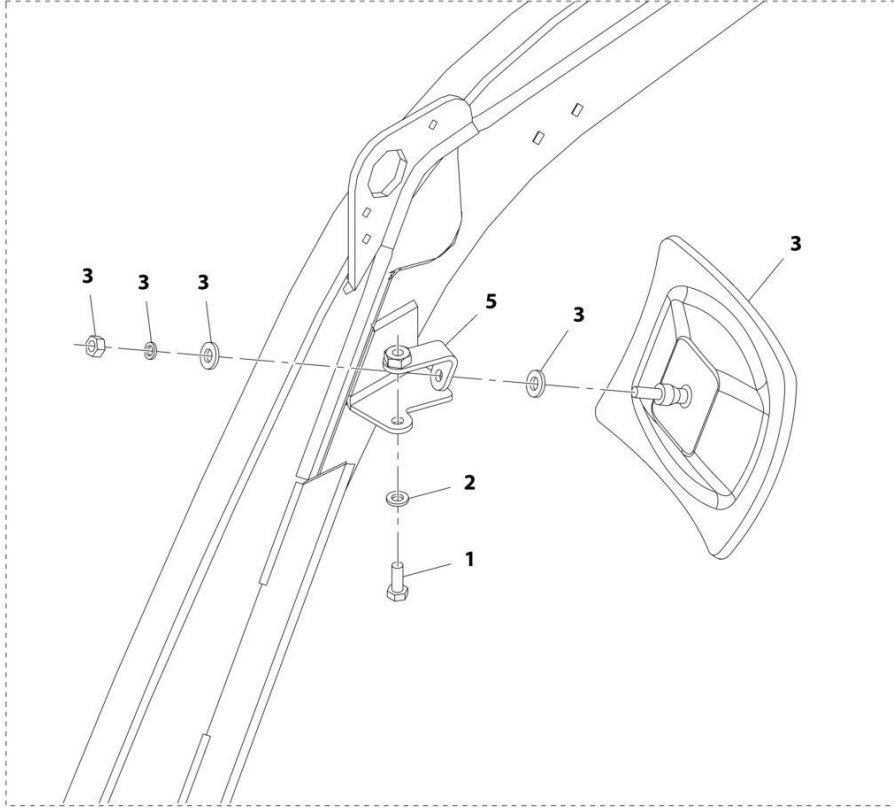
ART\_1001008436-D

**FIGURE 6-77. MIRROR ASSEMBLY (CONVEX)**

<b>ITEM</b>	<b>PART NUMBER</b>	<b>QTY</b>	<b>DESCRIPTION</b>	<b>REV</b>
	1001008436	Ref	Mirror Assembly (Convex)	D
1	1001008475	2	Washer, Lock	
2	1001009062	2	Washer	
3	1001010838	2	Bolt	

# SECTION 6 - CAB

## FIGURE 6-78. INTERIOR MIRROR INSTALLATION



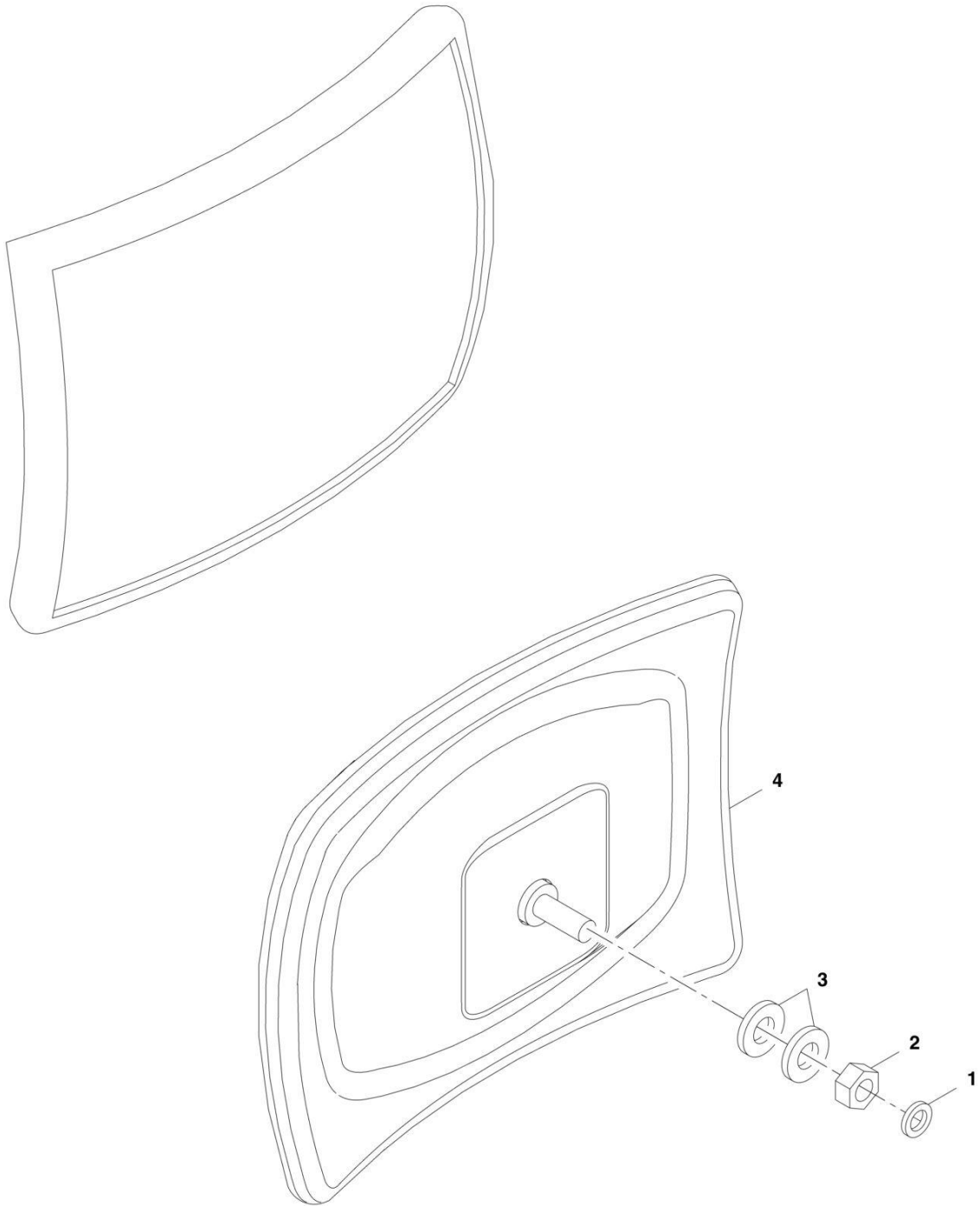
ART\_1001166192-C

FIGURE 6-78. INTERIOR MIRROR INSTALLATION

ITEM	PART NUMBER	QTY	DESCRIPTION	REV
	1001166192	Ref	Interior Mirror Installation	C
1	0760608	1	Bolt, M6X16	
2	4811700	1	Washer, M6	
3	1001007641	1	Mirror, Interior (See Separate Breakdown in this Section)	
5	1001166191	1	Bracket	

**SECTION 6 - CAB**

**FIGURE 6-79. INTERIOR MIRROR**



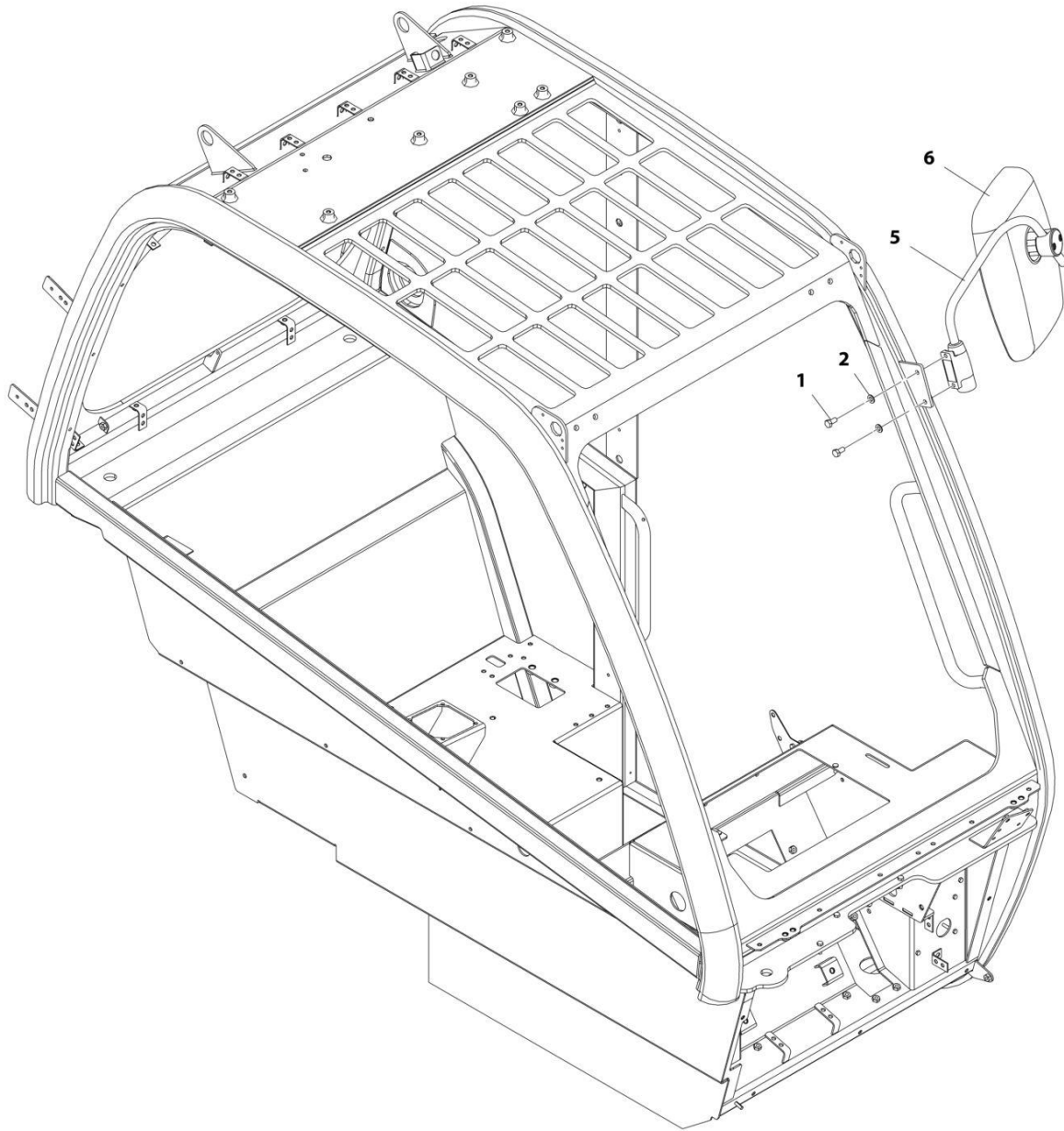
ART\_1001007641-B

FIGURE 6-79. INTERIOR MIRROR

ITEM	PART NUMBER	QTY	DESCRIPTION	REV
	1001007641	Ref	Mirror, Interior	B
1	1001008475	1	Washer, Lock 12	
2	1001008604	1	Nut	
3	1001009124	2	Washer	
4	1001010839	1	MIRROR	

# SECTION 6 - CAB

## FIGURE 6-80. BASIC MIRROR INSTALLATION (Prior to SN 1160008716)



ART\_1001160508-E

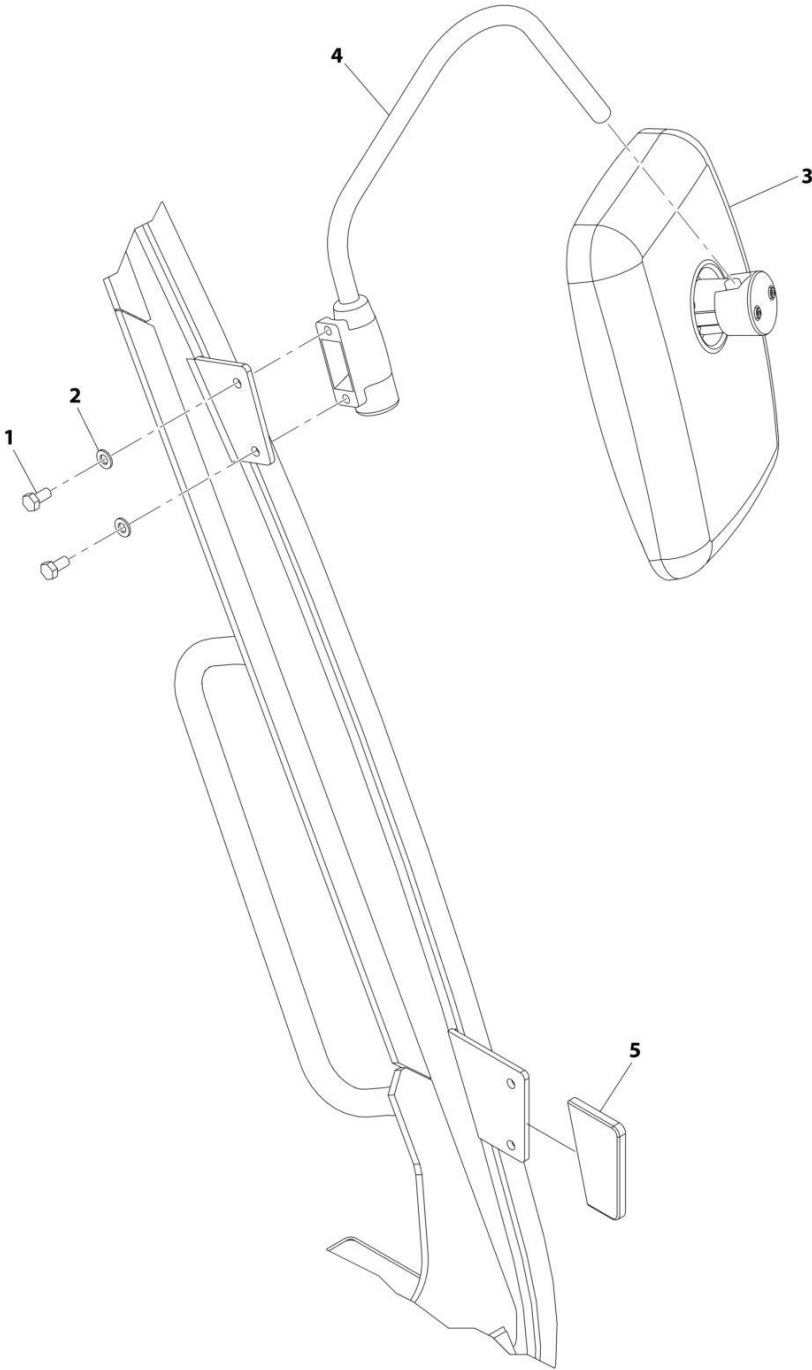


**FIGURE 6-80. BASIC MIRROR INSTALLATION (Prior to SN 1160008716)**

<b>ITEM</b>	<b>PART NUMBER</b>	<b>QTY</b>	<b>DESCRIPTION</b>	<b>REV</b>
	1001160508	Ref	Basic Mirror Installation	E
1	0760808	2	Bolt, M8X16	
2	4811900	2	Washer, M8	
5	1001164655	1	Bracket	
6	80363195	1	Mirror	

**SECTION 6 - CAB**

**FIGURE 6-81. BASIC MIRROR INSTALLATION (SN 1160008716 to Present)**



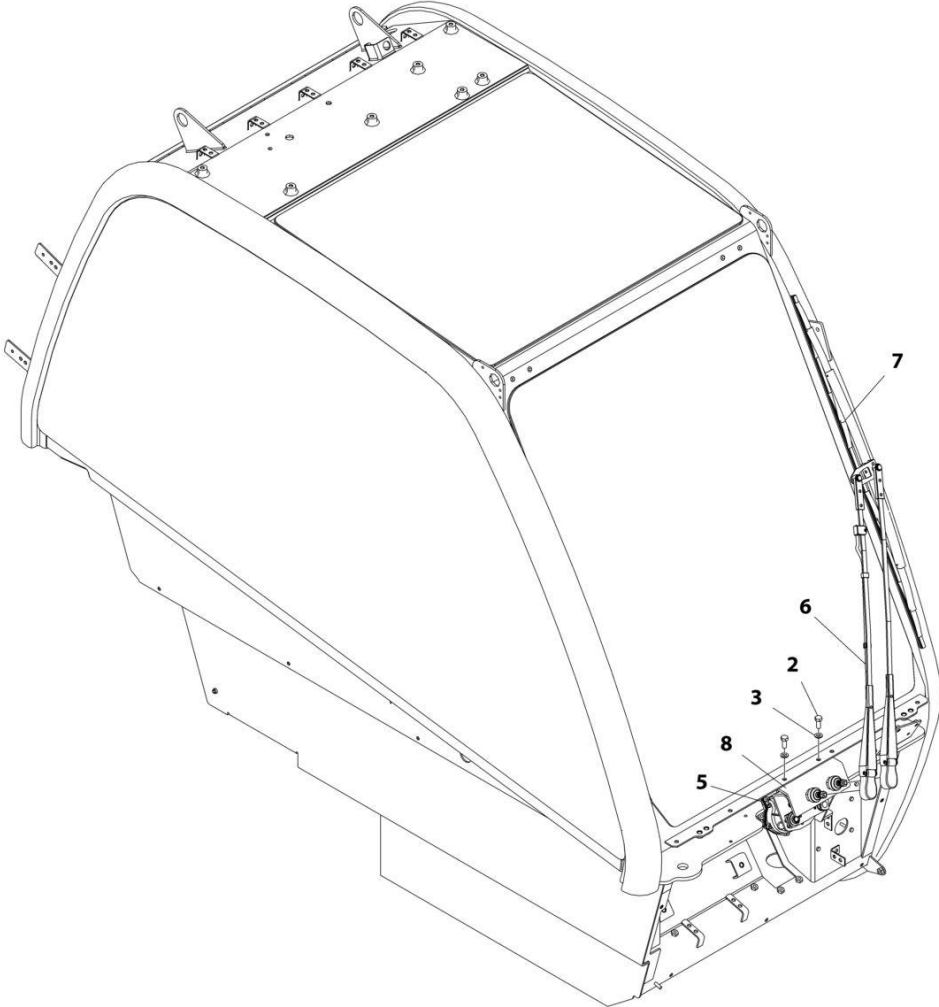
ART\_1001230435-A

**FIGURE 6-81. BASIC MIRROR INSTALLATION (SN 1160008716 to Present)**

ITEM	PART NUMBER	QTY	DESCRIPTION	REV
	1001230435	Ref	Basic Mirror Installation	A
1	0760808	2	Bolt, M8X16	
2	4811900	2	Washer, M8	
3	80363195	1	Mirror	
4	1001164655	1	Bracket	
5	1001227357	1	Cover, Mirror Bracket	

**SECTION 6 - CAB**

**FIGURE 6-82. FRONT WIPER INSTALLATION**



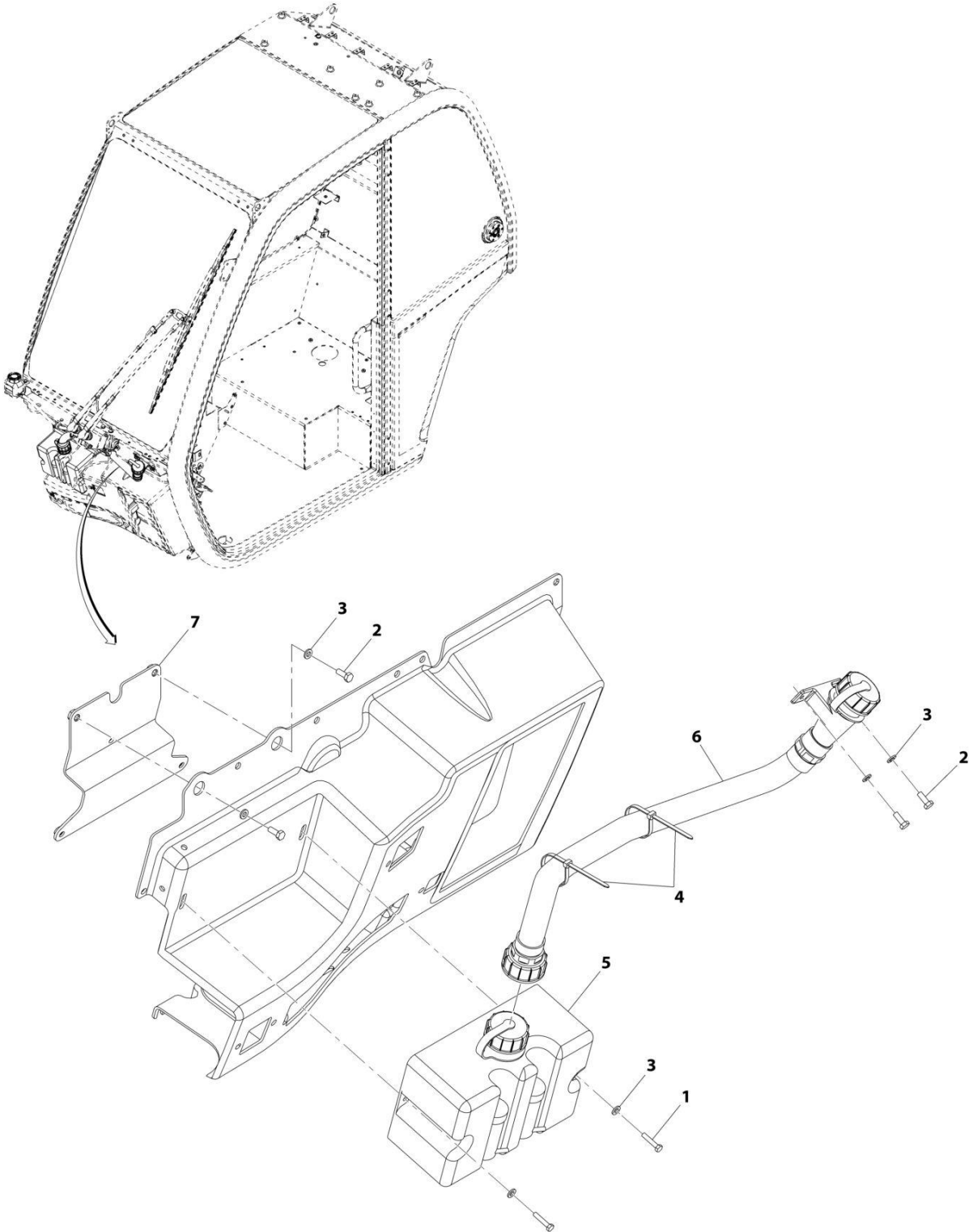
ART\_1001155447-G

FIGURE 6-82. FRONT WIPER INSTALLATION

ITEM	PART NUMBER	QTY	DESCRIPTION	REV
	1001155447	Ref	Front Wiper Installation	G
2	0760810	2	Bolt, M8X20	
3	4811900	2	Washer, M8	
5	1001214092	1	Motor, Front Wiper	
6	1001212369	1	Arm, Front Wiper	
7	1001141281	1	Blade, Wiper	
8	1001165637	1	Bracket	

**SECTION 6 - CAB**

**FIGURE 6-83. WASHER TANK INSTALLATION**



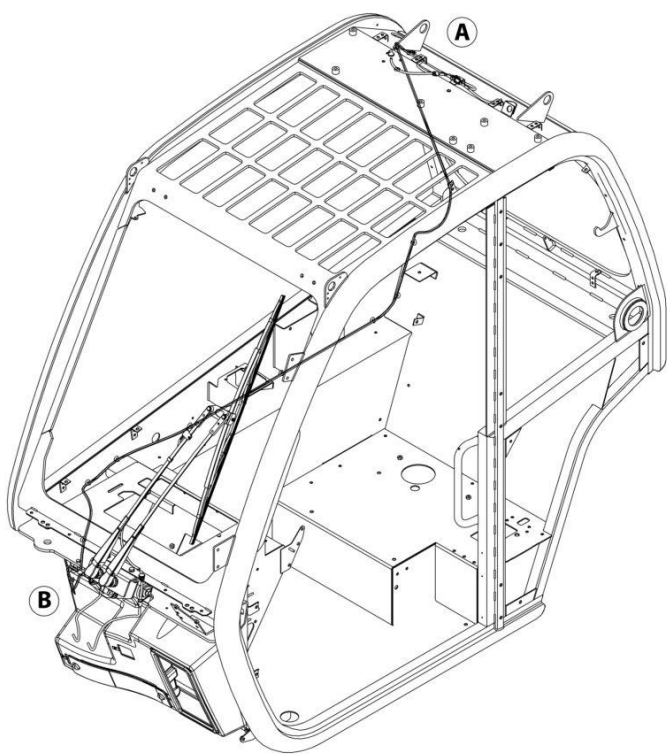
ART\_1001201027-C

FIGURE 6-83. WASHER TANK INSTALLATION

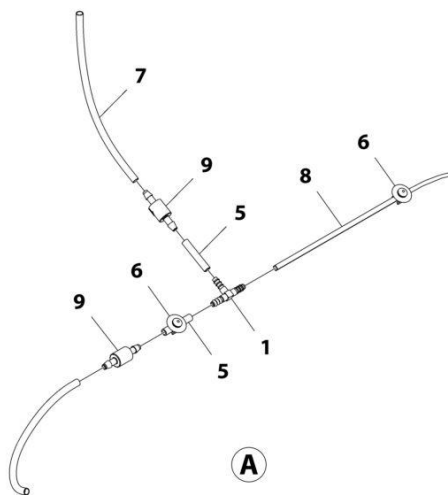
ITEM	PART NUMBER	QTY	DESCRIPTION	REV
	1001201027	Ref	Washer Tank Installation	C
1	0760512	2	Bolt M5X25	
2	0760608	4	Bolt, M6X16	
3	4811700	6	Washer, M6	
4	471678	2	Band, Cable	
5	1001165269	1	Bottle, Washer (See Separate Breakdown in this Section)	
6	1001165270	1	Hose, Washer Filler	
7	1001171756	1	Bracket	

# SECTION 6 - CAB

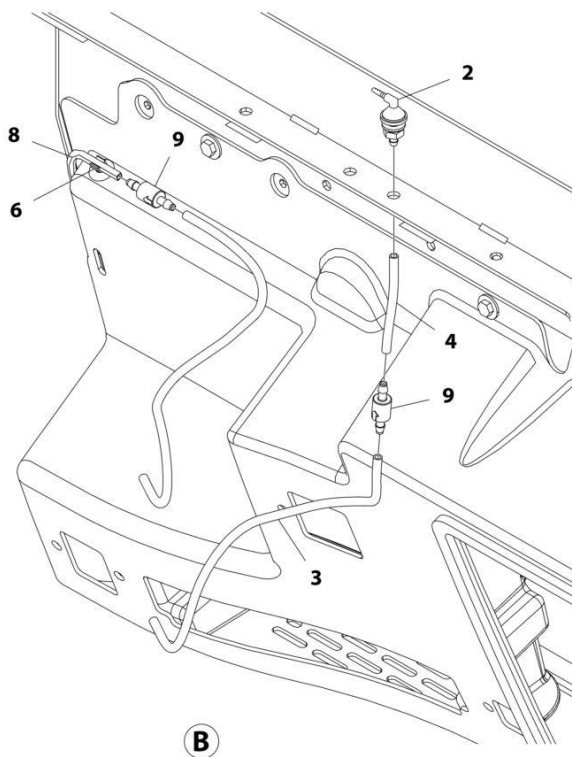
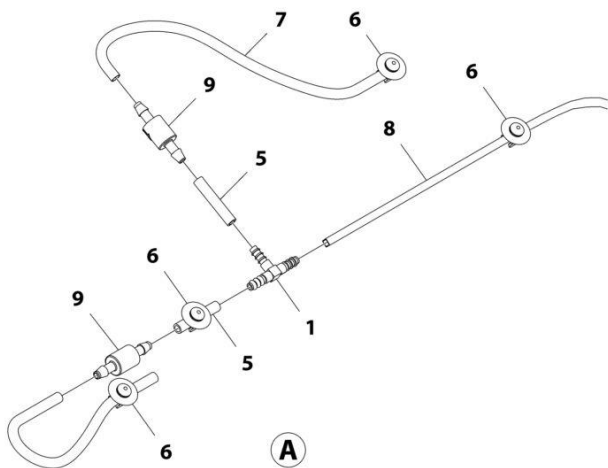
## FIGURE 6-84. WASHER HOSES INSTALLATION



WITH WIPERS FITTED



WITHOUT WIPERS FITTED



ART\_1001201520

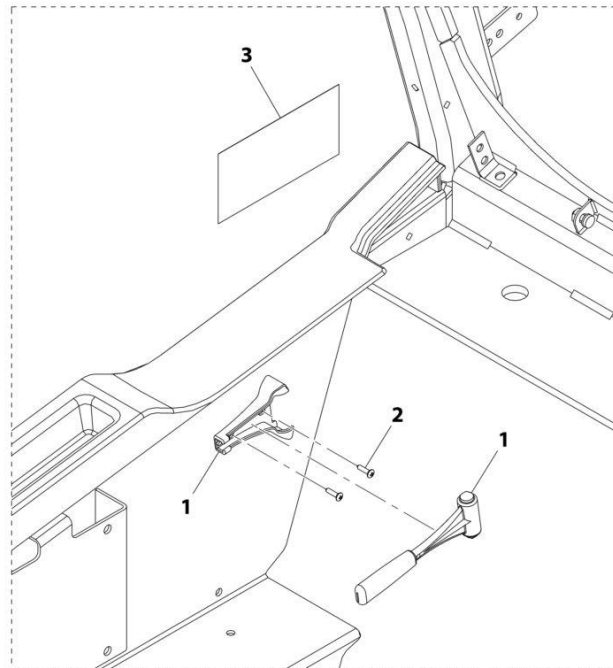


FIGURE 6-84. WASHER HOSES INSTALLATION

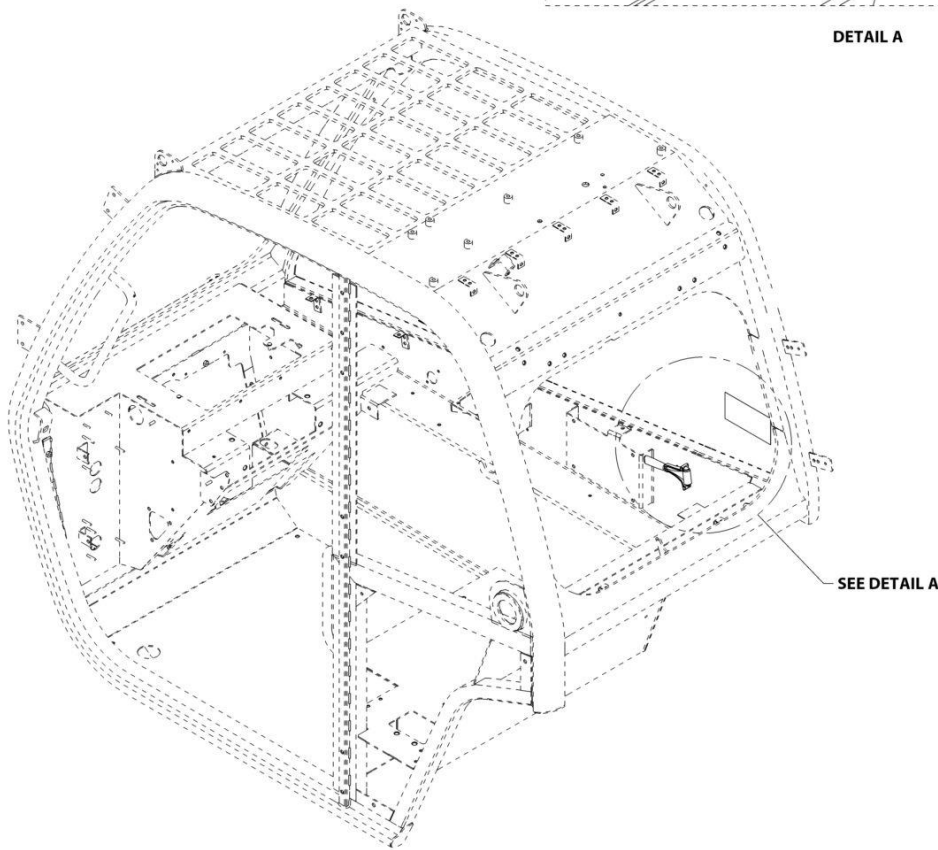
ITEM	PART NUMBER	QTY	DESCRIPTION	REV
	1001201520	Ref	WASHER HOSES INSTALLATION	C
1	1001008742	1	Coupling, Tee	
2	1001090343	1	Connector	
3	1001165351	2	Hose	
4	1001165416	1	Hose	
5	1001165455	2	Hose	
6	1001165458	16	Mount, Hose	
7	1001178123	2	Hose	
8	1001180045	1	Hose	
9	1001201331	4	Valve, Check	

# SECTION 6 - CAB

## FIGURE 6-85. HAMMER INSTALLATION



DETAIL A



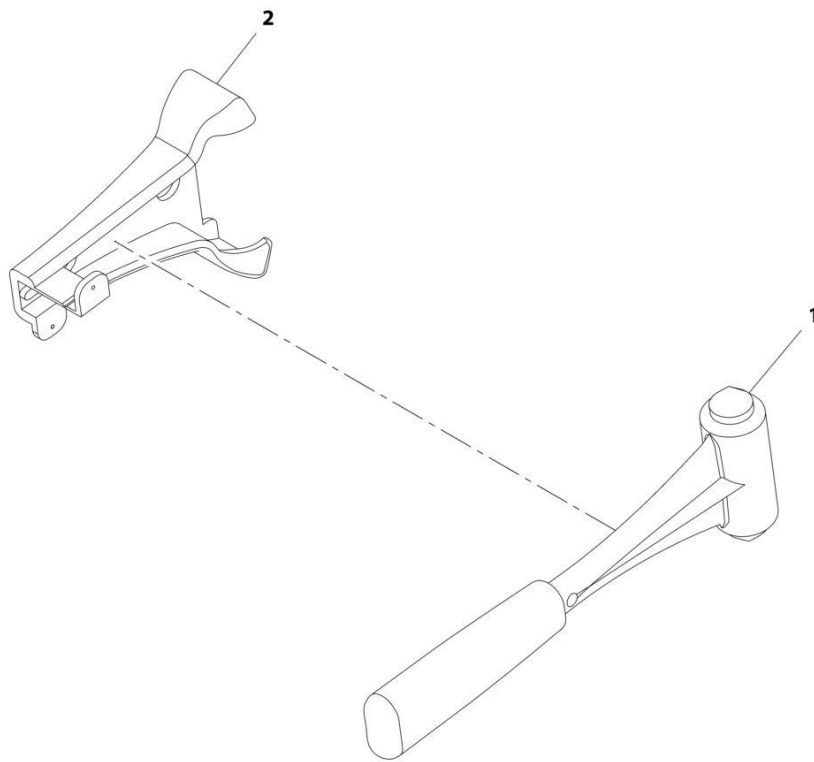
ART\_1001210628-B

FIGURE 6-85. HAMMER INSTALLATION

ITEM	PART NUMBER	QTY	DESCRIPTION	REV
1	1001210628	Ref	Hammer Installation	B
	1001005038	1	Assembly, Hammer Attachment (See Separate Breakdown in this Section)	
2	1001005193	2	Screw	
3	1001215804	1	Decal, Emergency Exit	

**SECTION 6 - CAB**

**FIGURE 6-86. HAMMER ATTACHMENT ASSEMBLY**



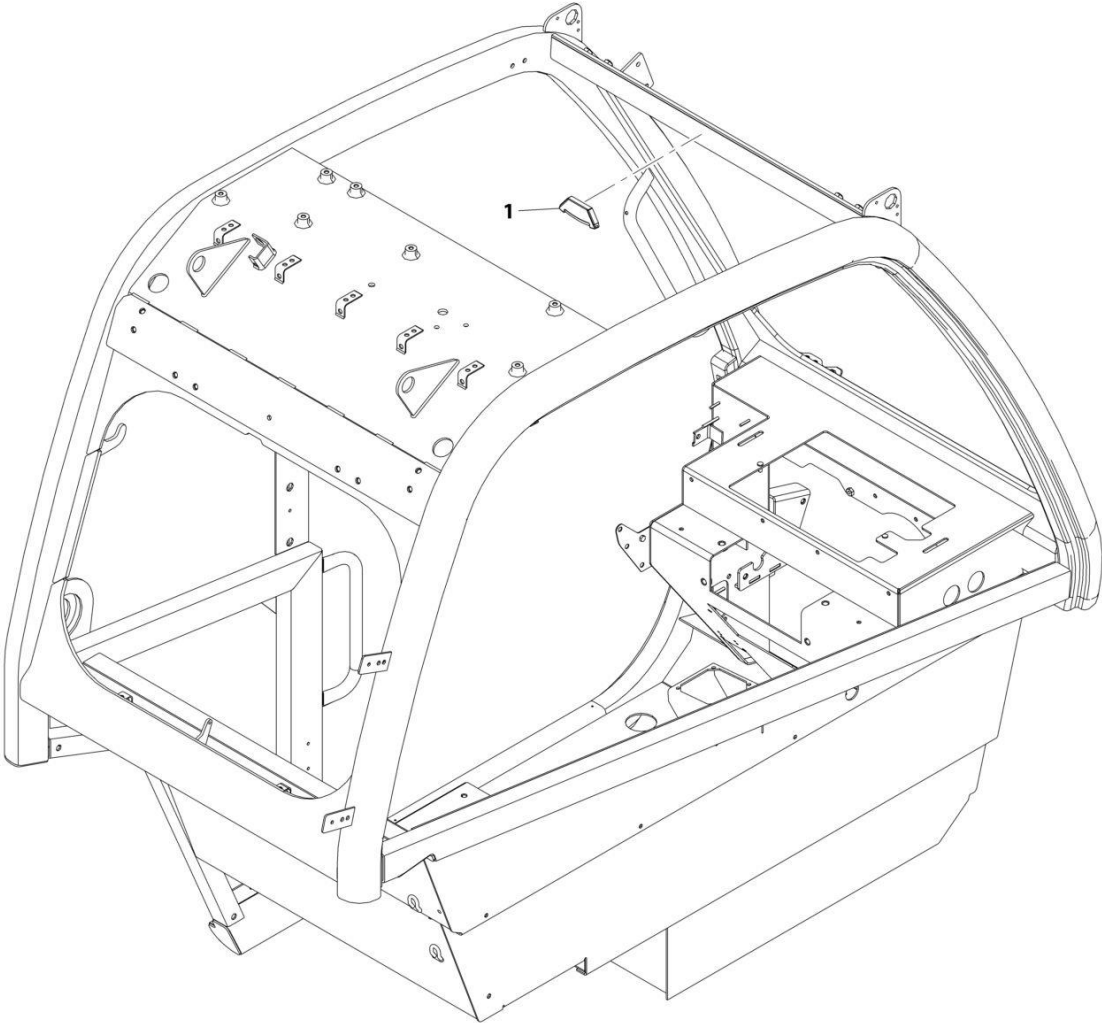
ART\_1001005038-B

**FIGURE 6-86. HAMMER ATTACHMENT ASSEMBLY**

<b>ITEM</b>	<b>PART NUMBER</b>	<b>QTY</b>	<b>DESCRIPTION</b>	<b>REV</b>
	1001005038	Ref	Hammer Attachment Assembly	B
1	1001006954	1	Hammer	
2	1001006955	1	Bracket, Hammer	

**SECTION 6 - CAB**

**FIGURE 6-87. LEVEL INDICATOR INSTALLATION**



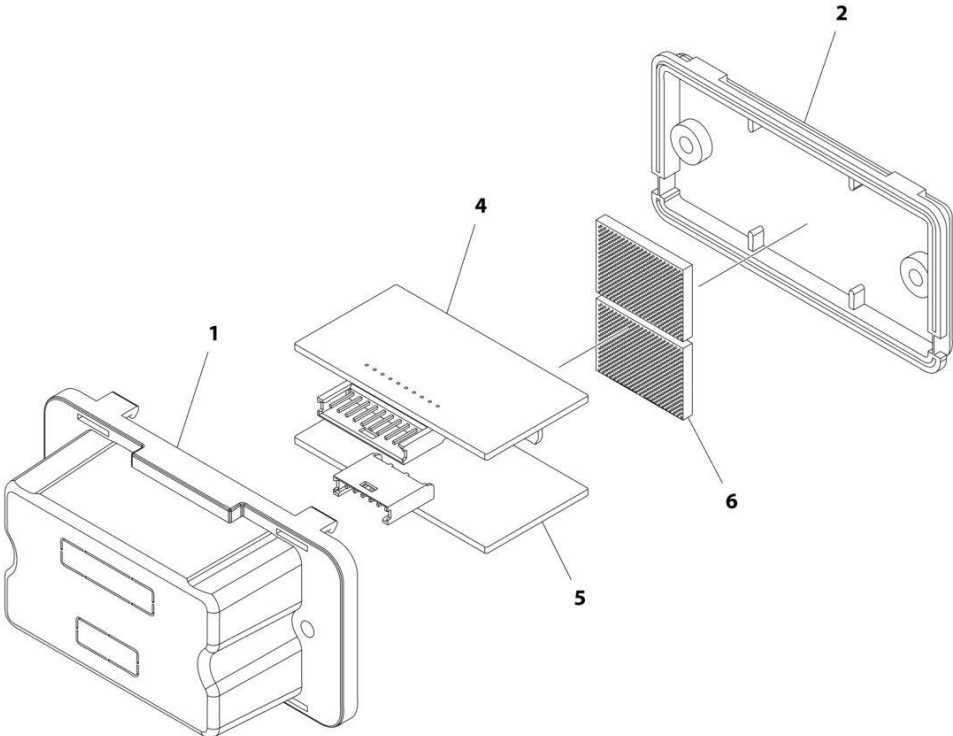
ART\_1001172401-C

**FIGURE 6-87. LEVEL INDICATOR INSTALLATION**

<b>ITEM</b>	<b>PART NUMBER</b>	<b>QTY</b>	<b>DESCRIPTION</b>	<b>REV</b>
1	1001172401 8466306	Ref 1	Level Indicator Installation Gauge, Tilt Angle	C

**SECTION 6 - CAB**

**FIGURE 6-88. HVAC CAB ACTUATOR**



ART\_1001172551

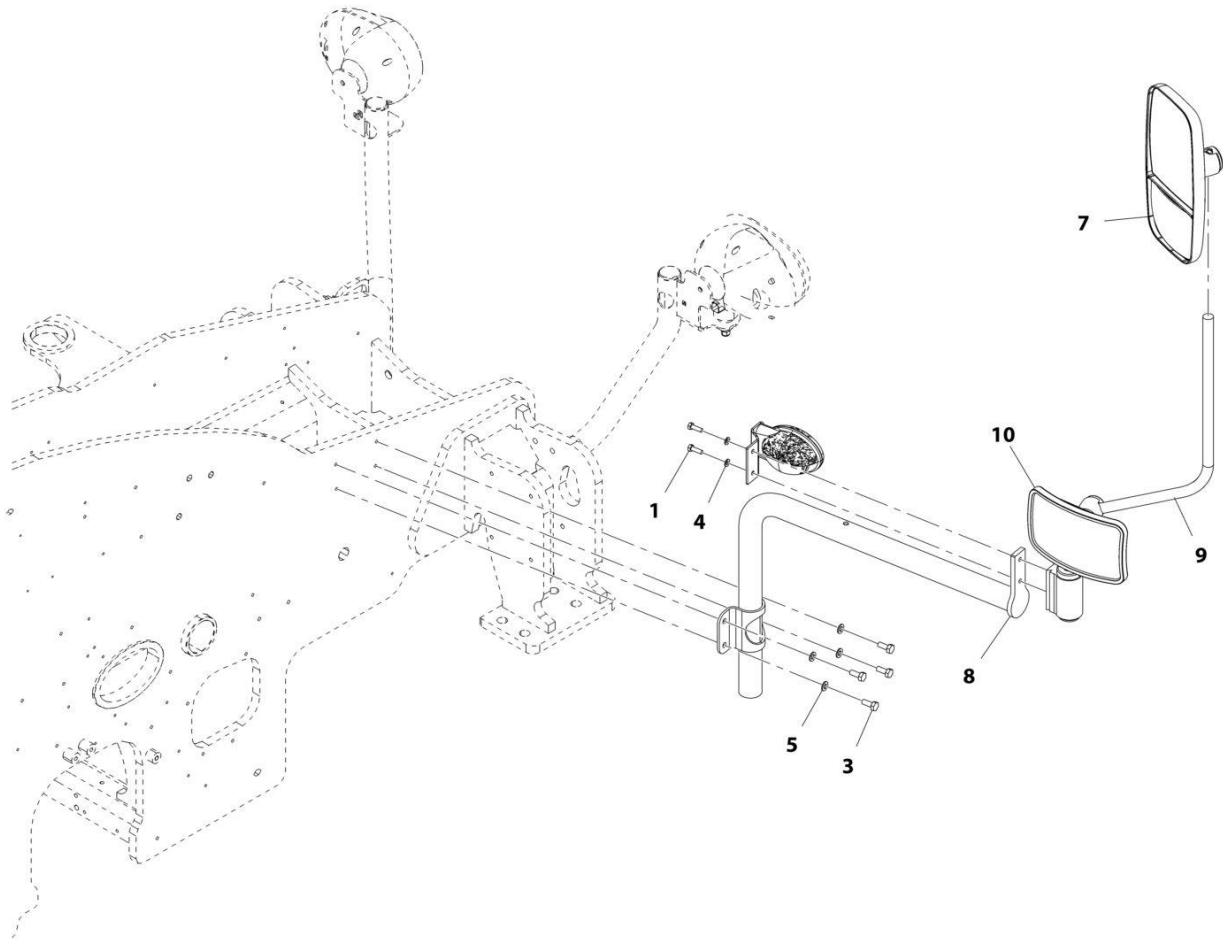


FIGURE 6-88. HVAC CAB ACTUATOR

ITEM	PART NUMBER	QTY	DESCRIPTION	REV
	1001172551	Ref	HVAC CAB ACTUATOR	E
1	1001184306	1	Box, Heater Controller	
2	1001184307	1	Base, Heater Controller Box	
4	1001184309	1	Board, Heater Control	
5	1001184310	1	Board, Heater Control	
6	1001189980	2	Insulator, Heater Controller Box	

# SECTION 6 - CAB

## FIGURE 6-89. MIRROR INSTALLATION



ART\_1001186393-H

FIGURE 6-89. MIRROR INSTALLATION

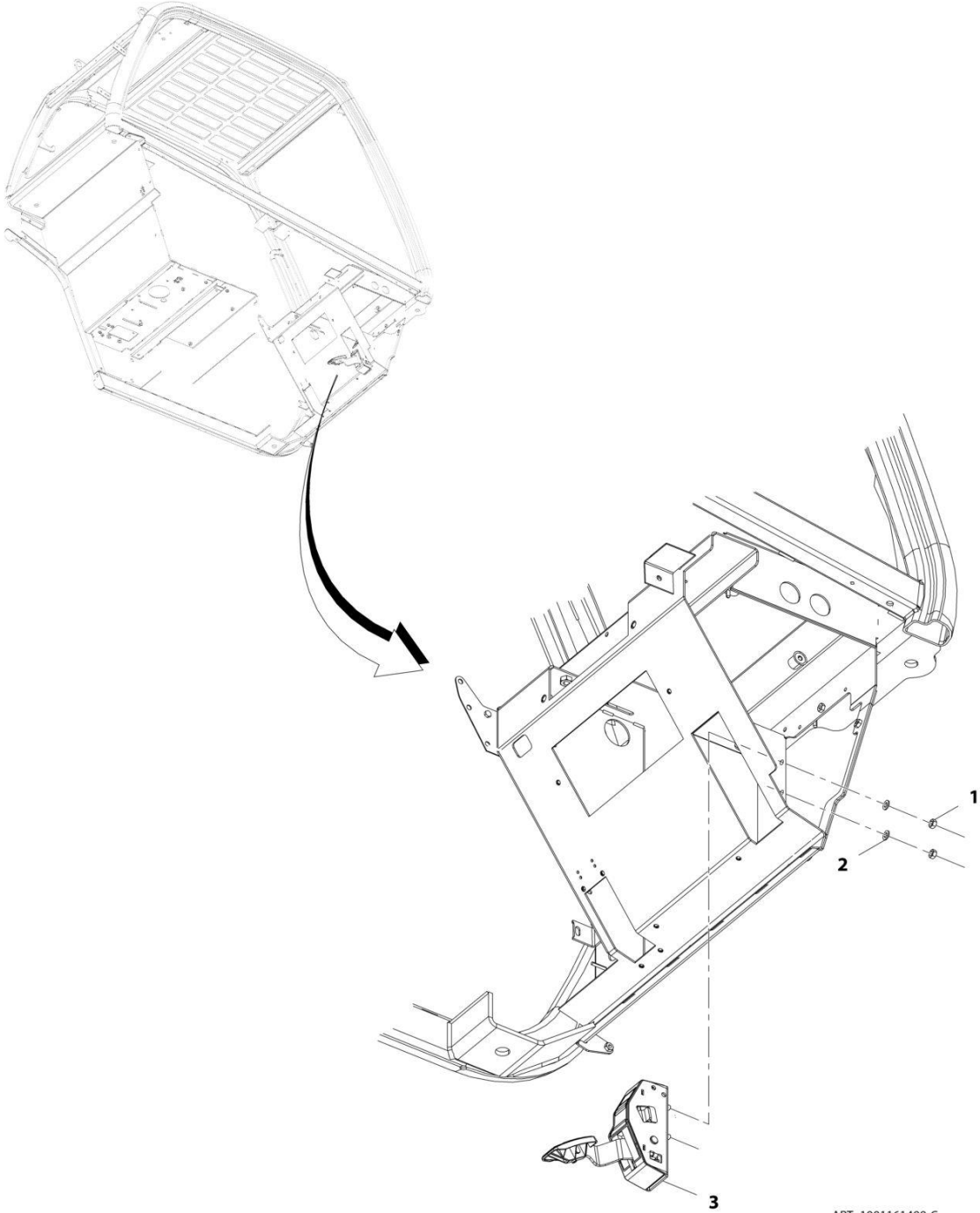
ITEM	PART NUMBER	QTY	DESCRIPTION	REV
	1001186393	Ref	Mirror Installation	H
1	0760812	2	Bolt, M8X25	
3	0761012	4	Bolt, M10X25	
4	4811900	2	Washer, M8	
5	4812000	4	Washer, M10	
7	1001175812	1	Mirror, Dual Lens	
8	1001181360	1	Bracket	
9	1001189193	1	Bracket	
10	1001142724	1	Mirror, Convex	



**SECTION 7 - CONTROLS**

# SECTION 7 - CONTROLS

## FIGURE 7-1. ACCELERATOR PEDAL INSTALLATION



ART\_1001161499-C

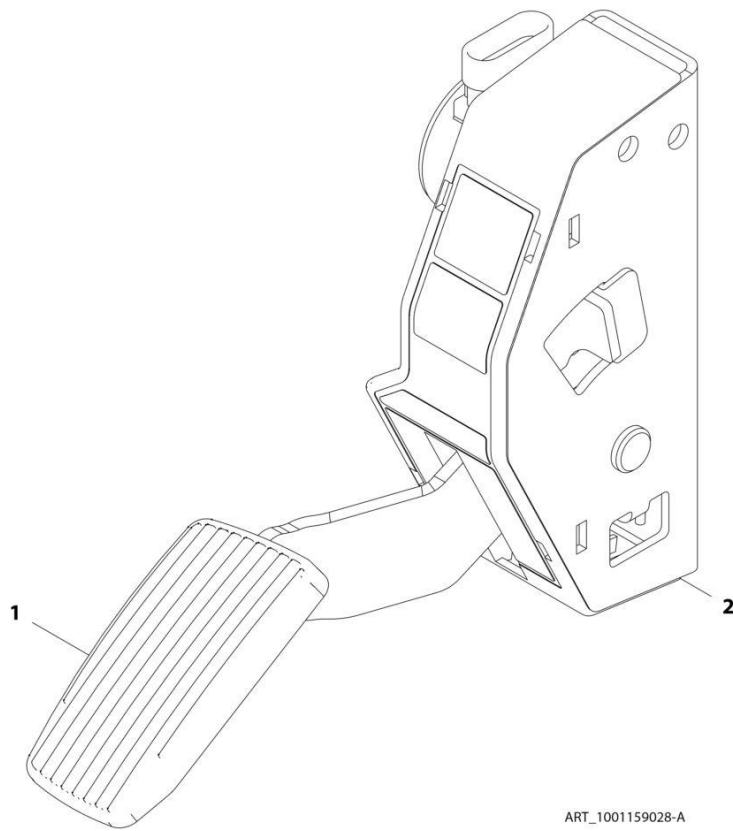
## SECTION 7 - CONTROLS

### FIGURE 7-1. ACCELERATOR PEDAL INSTALLATION

ITEM	PART NUMBER	QTY	DESCRIPTION	REV
	1001161499	Ref	Accelerator Pedal Installation	C
1	3290801	2	Nut, M8X1.25	
2	4811900	2	Washer, M8	
3	1001159028	1	Pedal, Accelerator (See Separate Breakdown in this Section)	

# SECTION 7 - CONTROLS

## FIGURE 7-2. ACCELERATOR PEDAL



ART\_1001159028-A



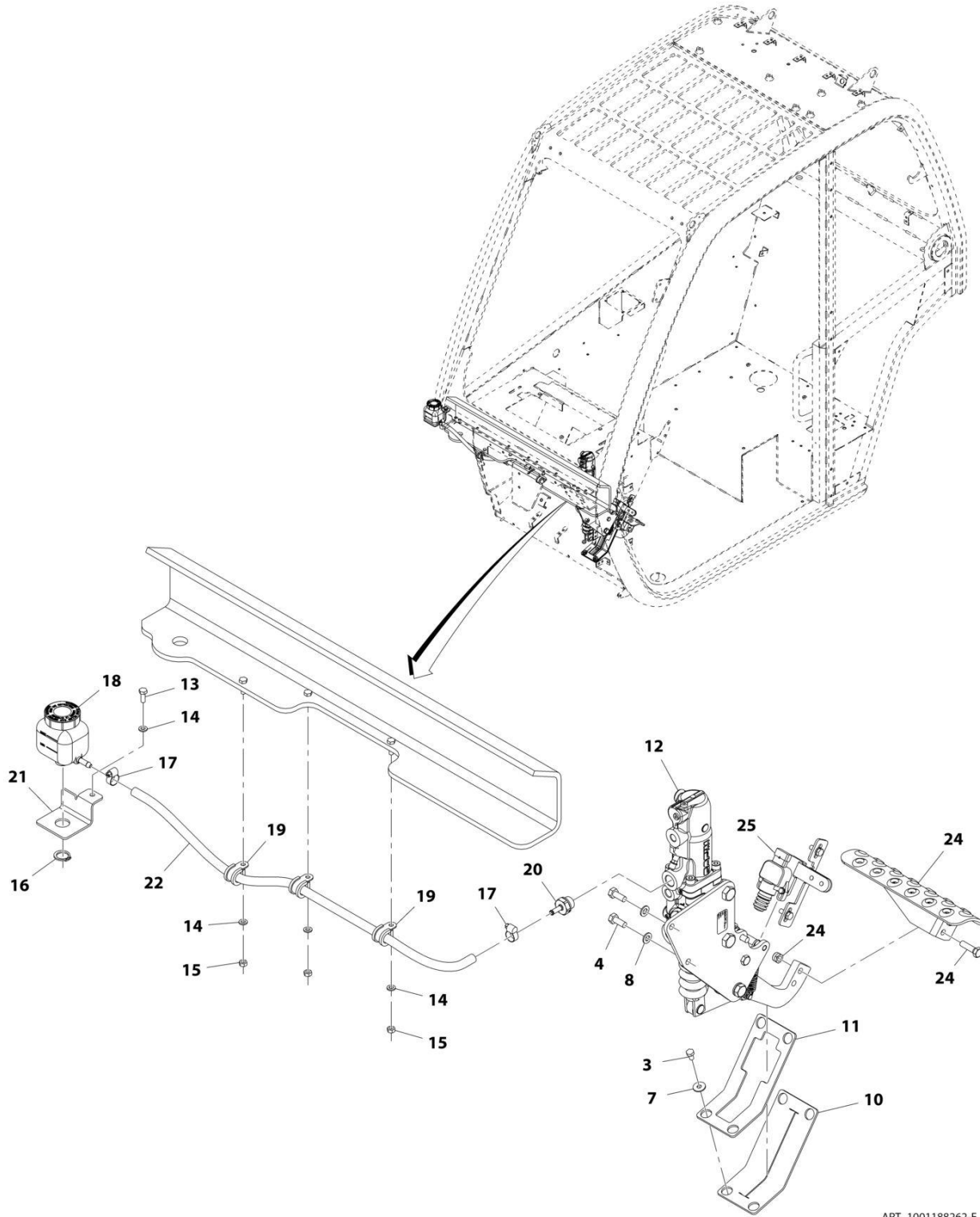
## SECTION 7 - CONTROLS

### FIGURE 7-2. ACCELERATOR PEDAL

ITEM	PART NUMBER	QTY	DESCRIPTION	REV
	1001159028	Ref	Accelerator Pedal	A
1	70025816	1	Pad, Rubber	
2	70025817	1	Cover, Rubber	

# SECTION 7 - CONTROLS

## FIGURE 7-3. BRAKE PEDAL INSTALLATION (Prior to SN 1160008716)



ART\_1001188262-E

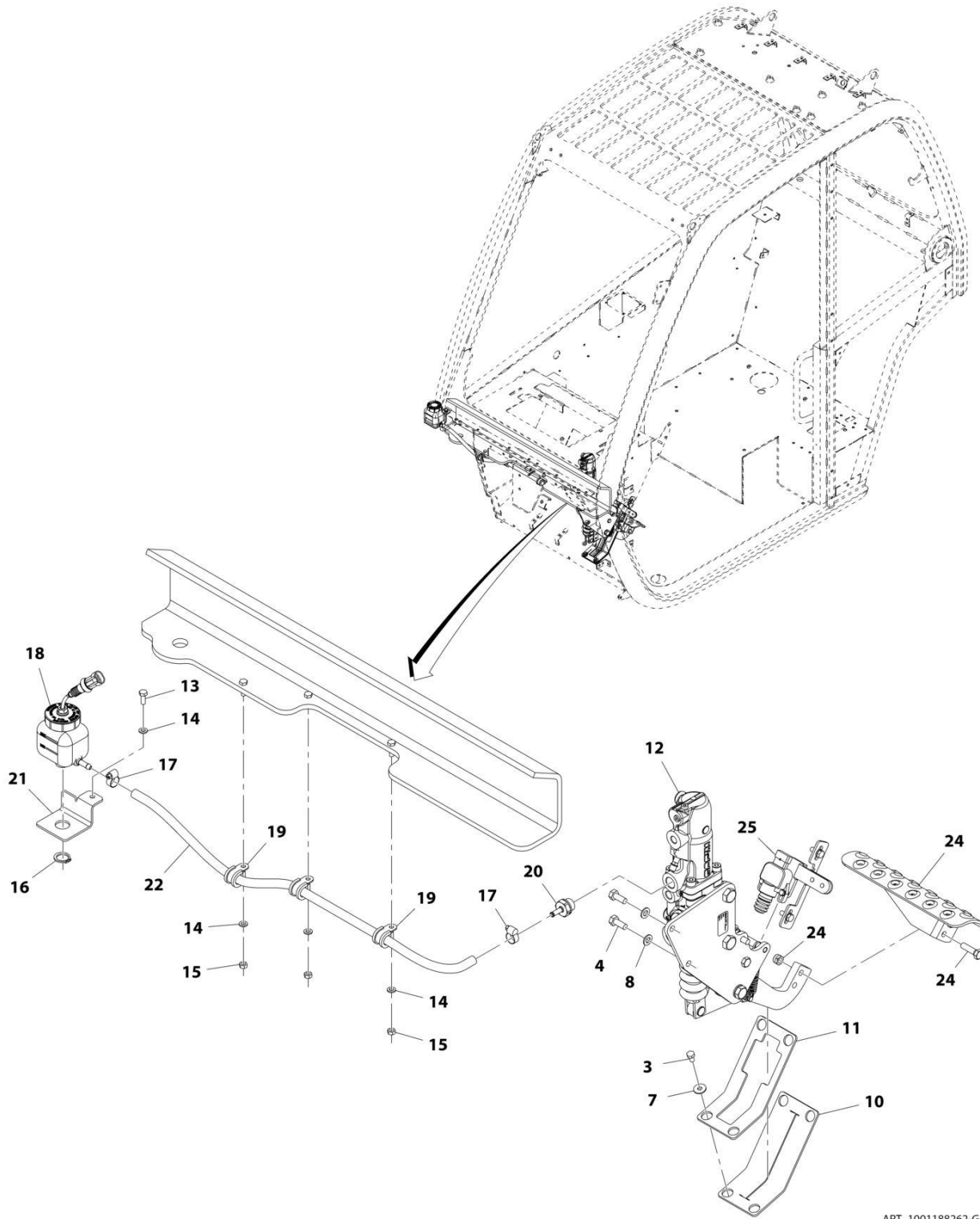
## SECTION 7 - CONTROLS

**FIGURE 7-3. BRAKE PEDAL INSTALLATION (Prior to SN 1160008716)**

ITEM	PART NUMBER	QTY	DESCRIPTION	REV
	1001188262	Ref	Brake Pedal Installation	E
3	0760605	4	Bolt, M6X10	
4	0760810	3	Bolt, M8X20	
7	4811702	4	Washer, M6	
8	4811900	3	Washer, M8	
10	1001162920	1	Gasket, Brake Pedal	
11	1001162922	1	Plate	
12	1001187413	1	Pedal, Brake (See Separate Breakdown in this Section)	
13	0760608	1	Bolt, M6X16	
14	4811700	4	Washer, M6	
15	3290601	3	Nut, M6X1 Grade 8	
16	3760348	1	Ring, Retaining	
17	8405009	2	Clamp, Gear	
18	1001214220	1	Reservoir, Brake	
19	1001170231	3	Clip	
20	1001171874	1	Fitting, Hose Barb	
21	1001172088	1	Bracket	
22	1001172094	1	Hose	
24	1001197139	1	Plate, Brake Pedal (See Separate Breakdown in this Section)	
25	1001205061	Ref	Installation, Brake Sensor (See Separate Breakdown in this Section)	

# SECTION 7 - CONTROLS

## FIGURE 7-4. BRAKE PEDAL INSTALLATION (SN 116008716 to Present)



ART\_1001188262-G

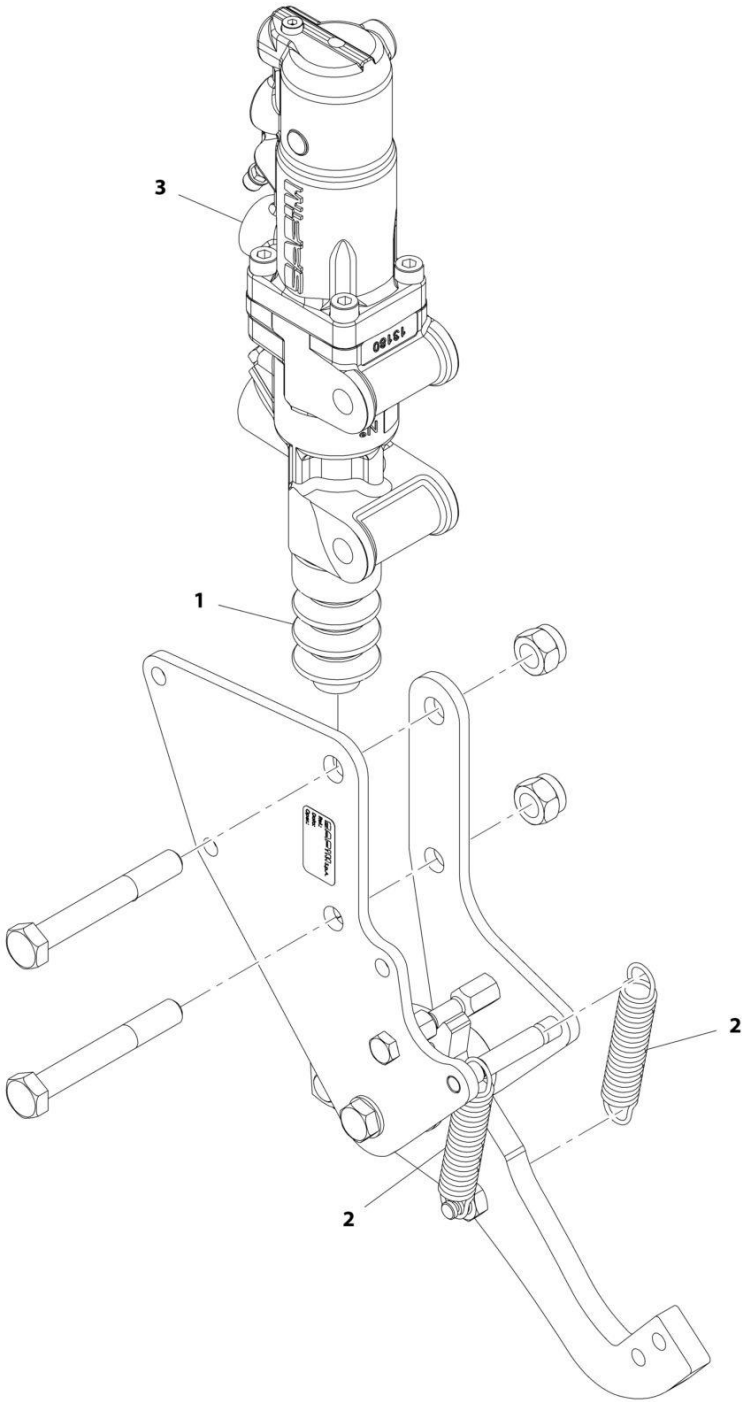
## SECTION 7 - CONTROLS

**FIGURE 7-4. BRAKE PEDAL INSTALLATION (SN 1160008716 to Present)**

ITEM	PART NUMBER	QTY	DESCRIPTION	REV
	1001188262	Ref	Brake Pedal Installation	G
3	0760605	4	Bolt, M6X10	
4	0760810	3	Bolt, M8X20	
7	4811702	4	Washer, M6	
8	4811900	3	Washer, M8	
10	1001162920	1	Gasket, Brake Pedal	
11	1001162922	1	Plate	
12	1001187413	1	Pedal, Brake (See Separate Breakdown in this Section)	
13	0760608	1	Bolt, M6X16	
14	4811700	4	Washer, M6	
15	3290601	3	Nut, M6X1 Grade 8	
16	3760348	1	Ring, Retaining	
17	8405009	2	Clamp, Gear	
18	1001228974	1	Reservoir, Brake	
19	1001170231	3	Clip	
20	1001171874	1	Fitting, Hose Barb	
21	1001172088	1	Bracket	
22	1001172094	1	Hose	
24	1001197139	1	Plate, Brake Pedal (See Separate Breakdown in this Section)	
25	1001205061	Ref	Installation, Brake Sensor (See Separate Breakdown in this Section)	

**SECTION 7 - CONTROLS**

**FIGURE 7-5. BRAKE PEDAL**



ART\_1001187413-D

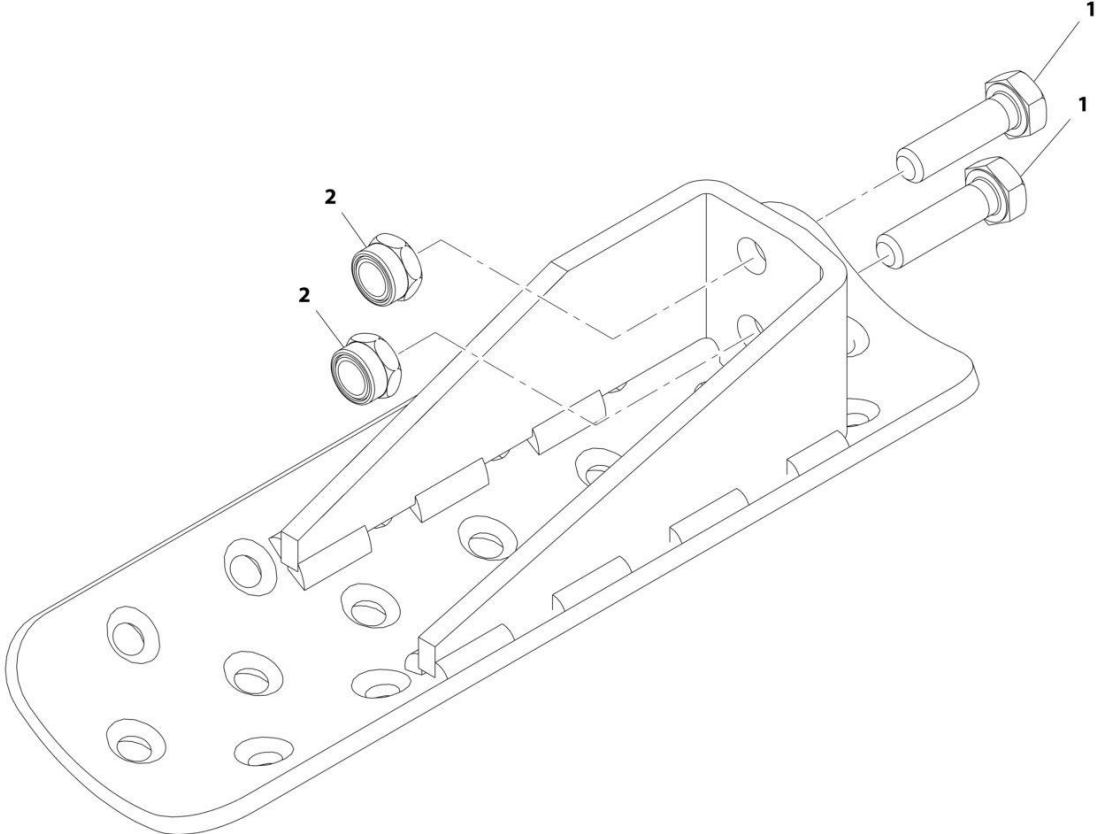
## SECTION 7 - CONTROLS

### FIGURE 7-5. BRAKE PEDAL

ITEM	PART NUMBER	QTY	DESCRIPTION	REV
	1001187413	Ref	Brake Pedal	D
1	70025859	1	Cover, Dust	
2	70025860	1	Spring, Return	
3	70026537	1	Cylinder, Master	

**SECTION 7 - CONTROLS**

**FIGURE 7-6. BRAKE PEDAL PLATE**



ART\_1001197139-A



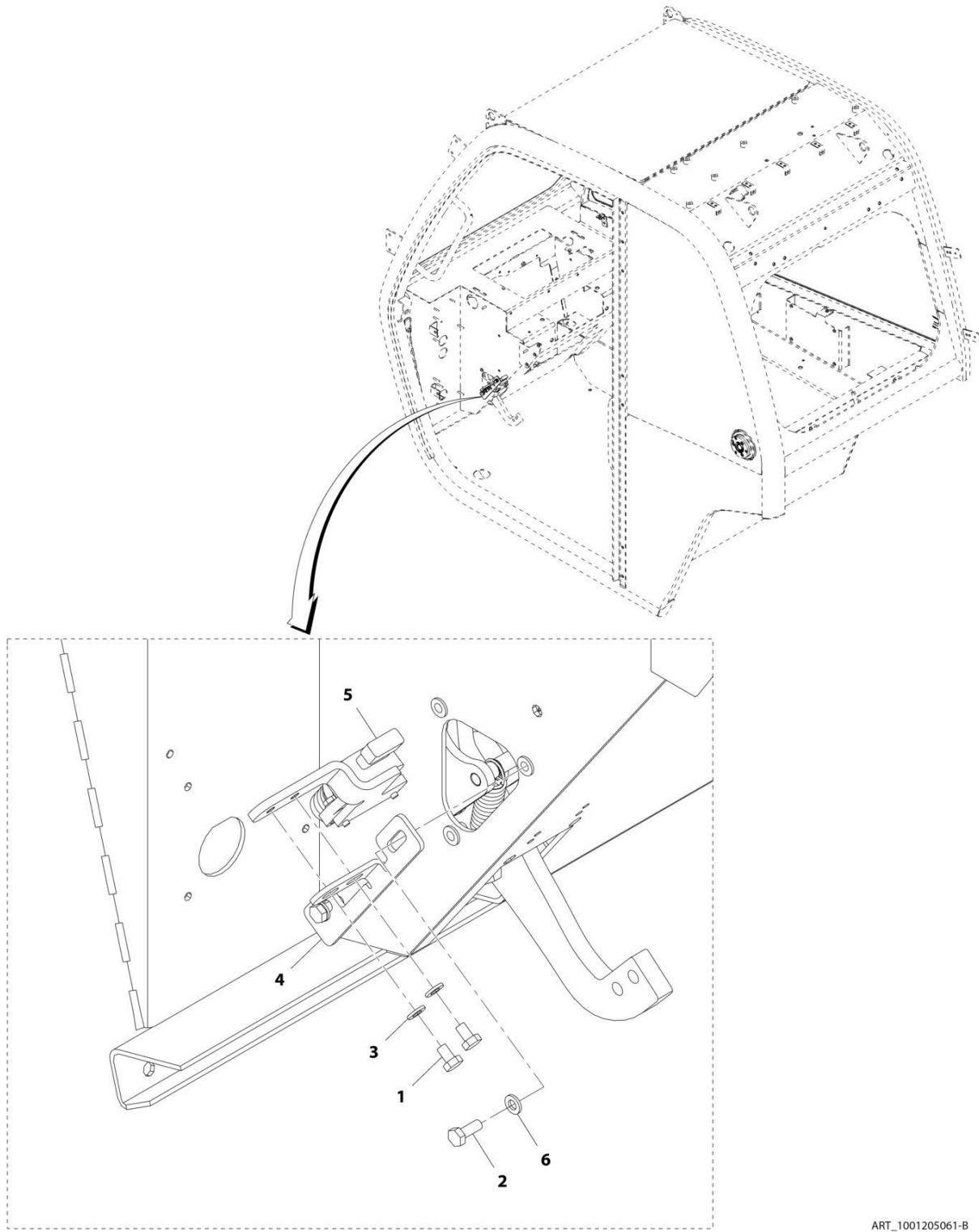
## SECTION 7 - CONTROLS

### FIGURE 7-6. BRAKE PEDAL PLATE

ITEM	PART NUMBER	QTY	DESCRIPTION	REV
	1001197139	Ref	Brake Pedal Plate	A
1	0770814	1	Bolt, M8X30 Grade 10.9	
2	3290805	1	Nut, Lock M8X1.25 Grade 8	

# SECTION 7 - CONTROLS

## FIGURE 7-7. BRAKE SENSOR INSTALLATION



ART\_1001205061-B

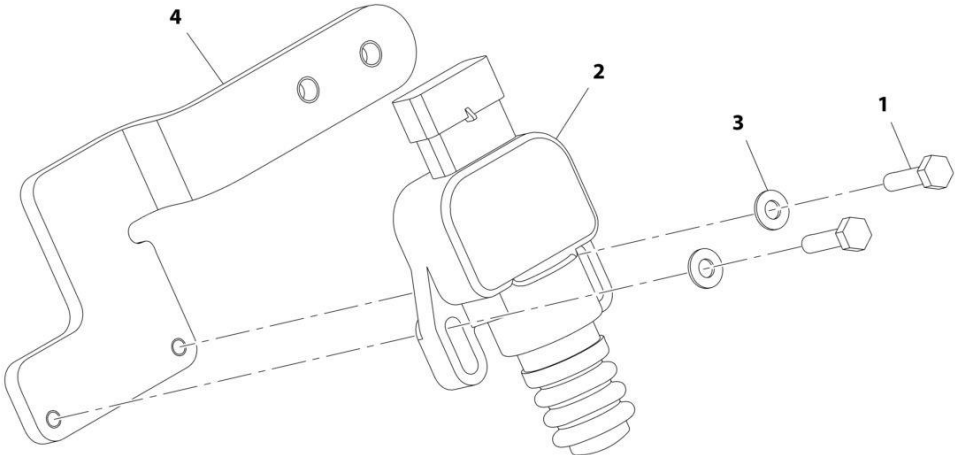
## SECTION 7 - CONTROLS

### FIGURE 7-7. BRAKE SENSOR INSTALLATION

ITEM	PART NUMBER	QTY	DESCRIPTION	REV
	1001205061	Ref	Brake Sensor Installation	B
1	0760605	2	Bolt, M6X10	
2	0760608	2	Bolt, M6X16	
3	4811700	2	Washer, M6	
4	1001201499	1	Plate, Switch Adjustment	
5	1001201501	1	Assembly, Switch Plate (See Separate Breakdown in this Section)	
6	4811702	2	Washer, M6	

**SECTION 7 - CONTROLS**

**FIGURE 7-8. SWITCH PLATE ASSEMBLY**



ART\_1001201501-A

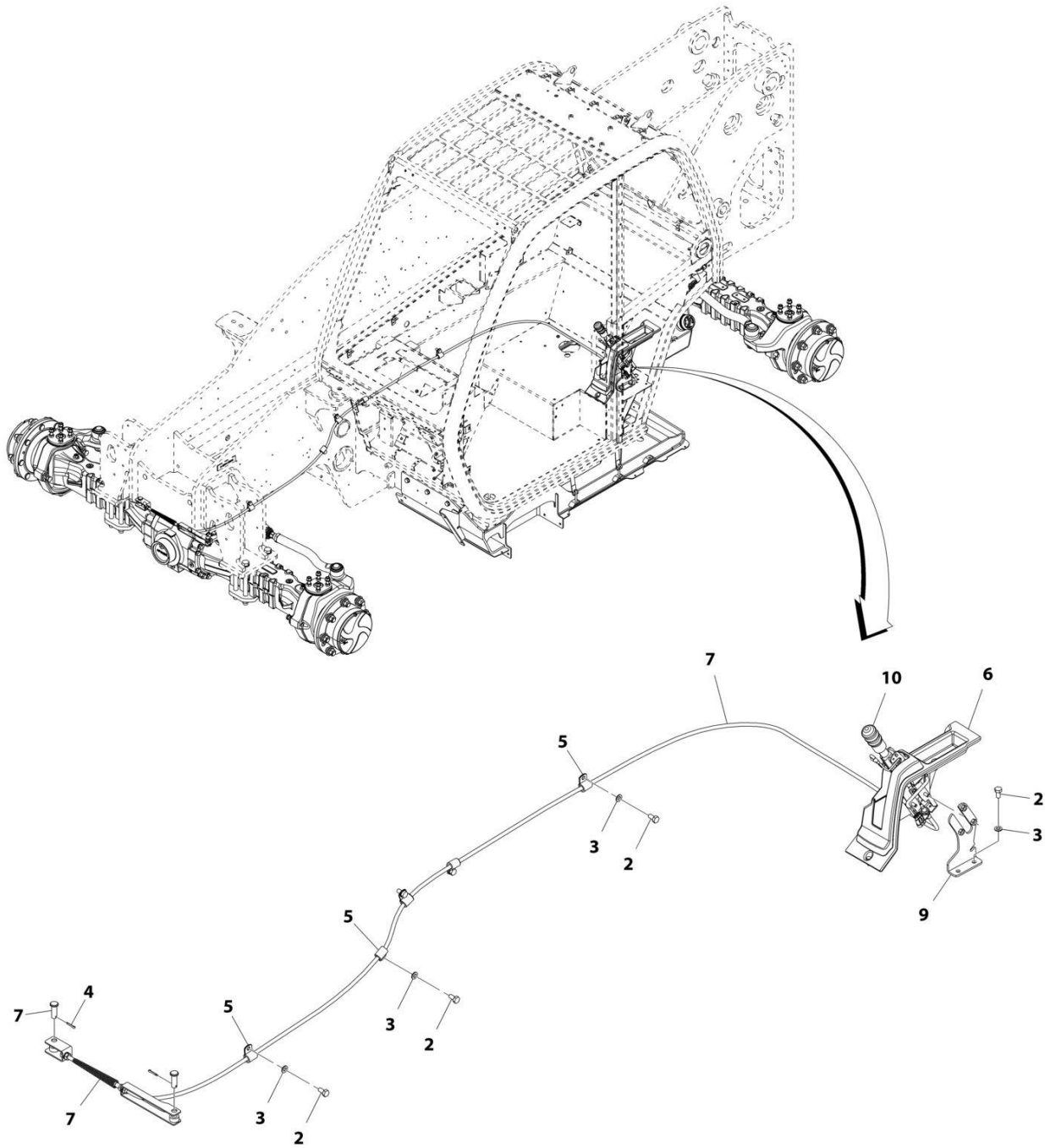
## SECTION 7 - CONTROLS

### FIGURE 7-8. SWITCH PLATE ASSEMBLY

ITEM	PART NUMBER	QTY	DESCRIPTION	REV
	1001201501	Ref	Switch Plate Assembly	A
1	0700408	2	Bolt, M4X16	
2	4360658	1	Sensor, Brake	
3	4811400	2	Washer, M4	
4	1001201500	1	Plate	

# SECTION 7 - CONTROLS

## FIGURE 7-9. PARKING BRAKE INSTALLATION (CABLE)



ART\_1001180472-E

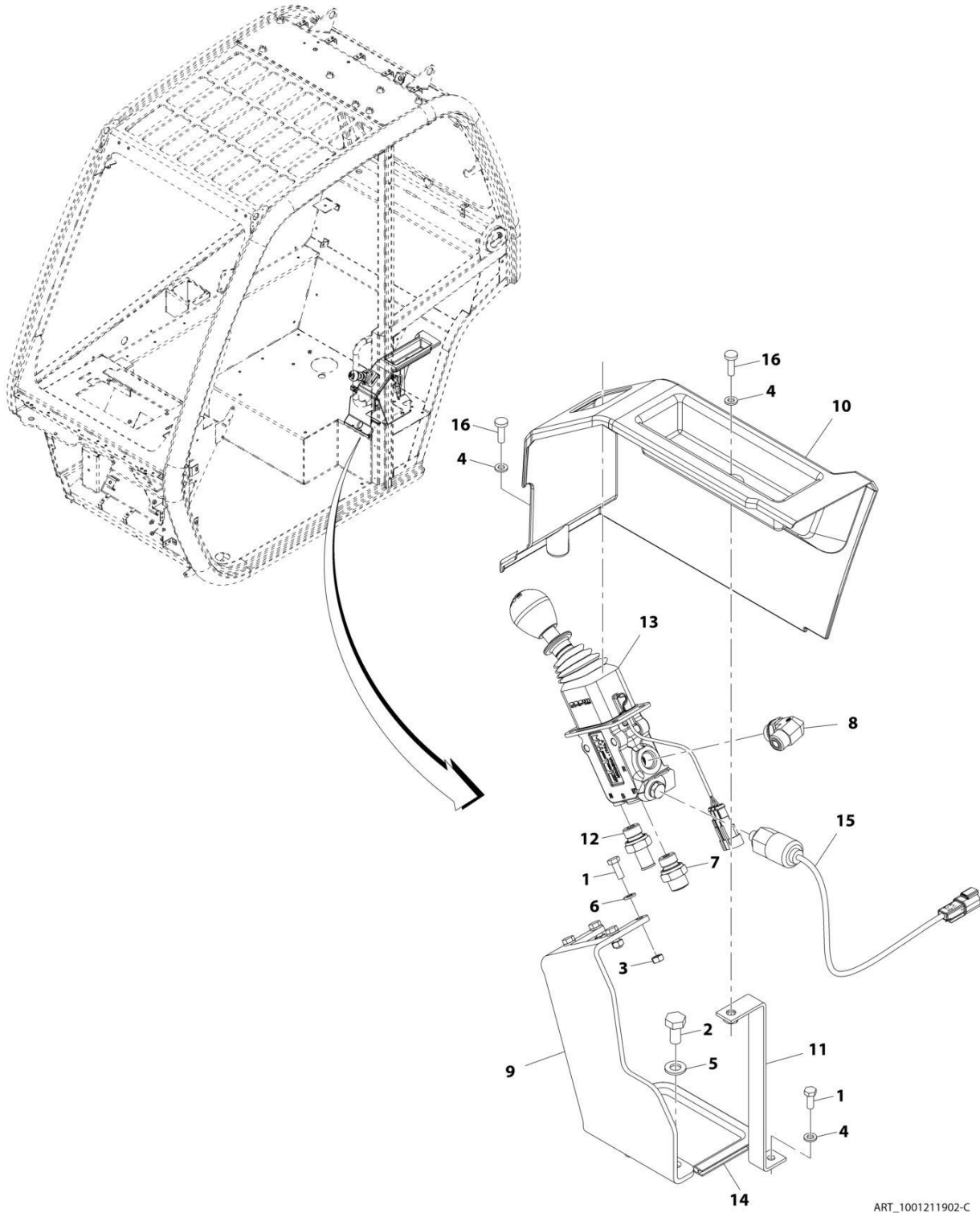
## SECTION 7 - CONTROLS

**FIGURE 7-9. PARKING BRAKE INSTALLATION (CABLE)**

ITEM	PART NUMBER	QTY	DESCRIPTION	REV
	1001180472	Ref	Parking Brake Installation (Cable)	E
2	0761010	7	Bolt, M10X20	
3	4812000	7	Washer, M10	
4	3391408	2	Pin	
5	1001003809	5	Clamp	
6	1001174567	1	Cover, Parking Brake (Mechanical) (See Separate Breakdown in this Section)	
7	1001177053	1	Assembly, Parking Cable (Mechanical) (See Separate Breakdown in this Section)	
9	1001195207	1	Bracket	
10	1001201951	1	Lever, Parking Brake (Mechanical)	

# SECTION 7 - CONTROLS

## FIGURE 7-10. PARKING BRAKE INSTALLATION (SAHR)



ART\_1001211902-C



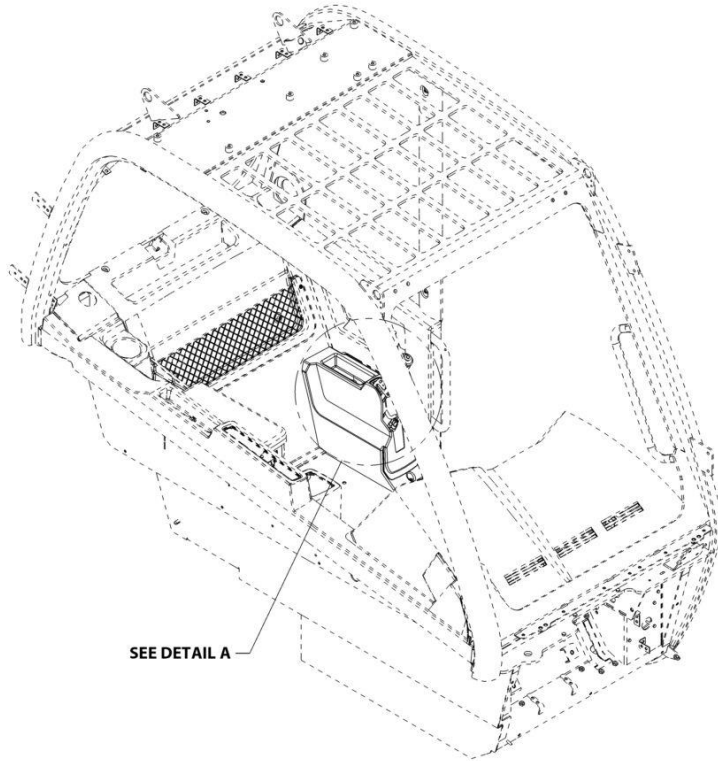
## SECTION 7 - CONTROLS

**FIGURE 7-10. PARKING BRAKE INSTALLATION (SAHR)**

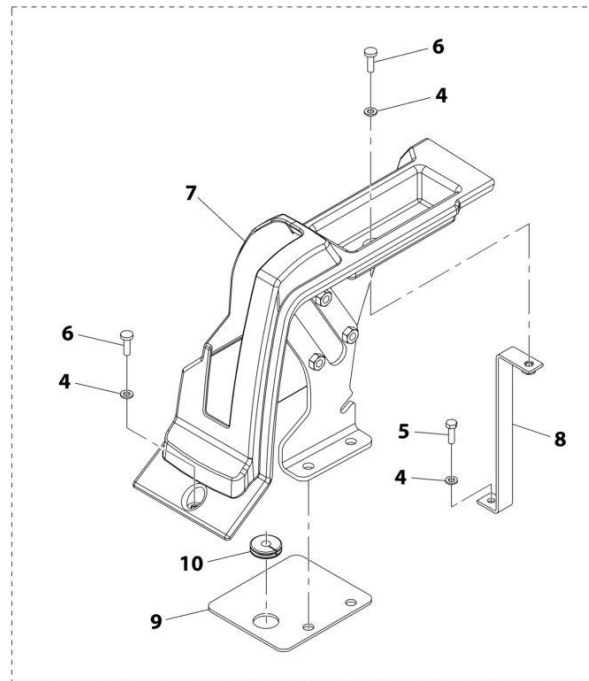
ITEM	PART NUMBER	QTY	DESCRIPTION	REV
	1001211902	Ref	Parking Brake Installation (SAHR)	C
1	0760608	5	Bolt, 6X16	
2	0761010	2	Bolt, M10X20	
3	3290601	4	Nut, M6X1 Grade 8	
4	4811700	3	Washer, M6	
5	4812000	2	Washer, M10	
6	4831700	4	Washer, Lock M6	
7	1001101702	1	Fitting, Straight ORFS	
8	1001125222	1	Fitting, 90 ORFS	
9	1001191915	1	Bracket	
10	1001193474	1	Panel, Brake Cover	
11	1001195254	1	Bracket	
12	1001206744	1	Fitting, Grease	
13	1001207956	1	Valve, Hydraulic Park Brake Release	
14	1001208037	1	Seal	
15	1001211915	1	Switch, Hydraulic Pressure	
16	4010610002	2	Screw, M6X20	

# SECTION 7 - CONTROLS

## FIGURE 7-11. PARKING BRAKE COVER (MECHANICAL)



SEE DETAIL A



DETAIL A

ART\_1001174567-C

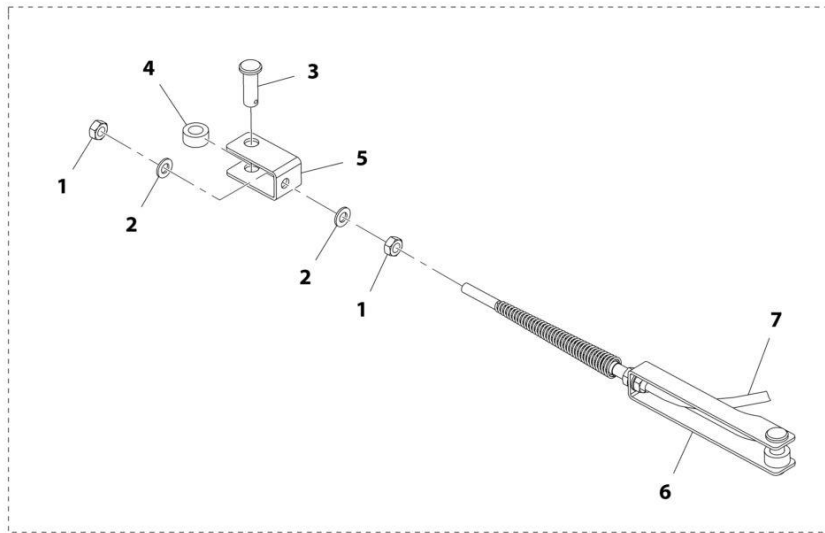
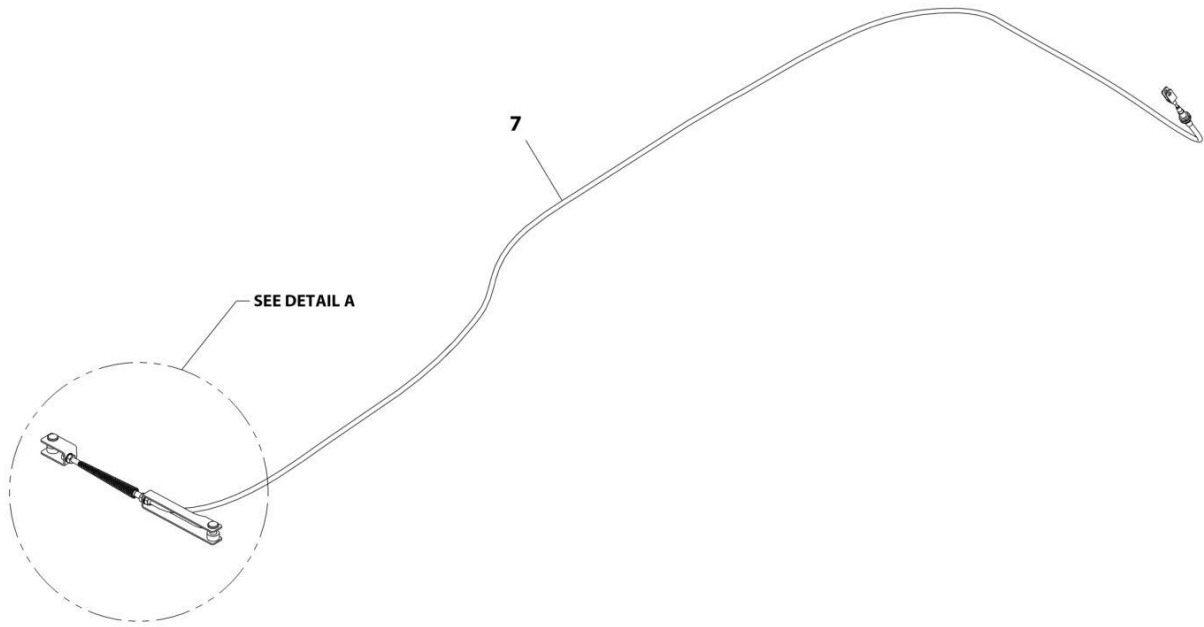
## SECTION 7 - CONTROLS

### FIGURE 7-11. PARKING BRAKE COVER (MECHANICAL)

ITEM	PART NUMBER	QTY	DESCRIPTION	REV
	1001174567	Ref	Parking Brake Cover (Mechanical)	C
4	4811700	3	Washer, M6	
5	0700610	1	Bolt, M6X20	
6	4010610002	2	Screw, M6X20	
7	1001195004	1	Panel, Brake Cover	
8	1001195254	1	Bracket	
9	1001221255	1	Plate, Cover	
10	1001008469	1	Grommet	

# SECTION 7 - CONTROLS

## FIGURE 7-12. PARKING CABLE ASSEMBLY (MECHANICAL)



DETAIL A

ART\_1001177053-A

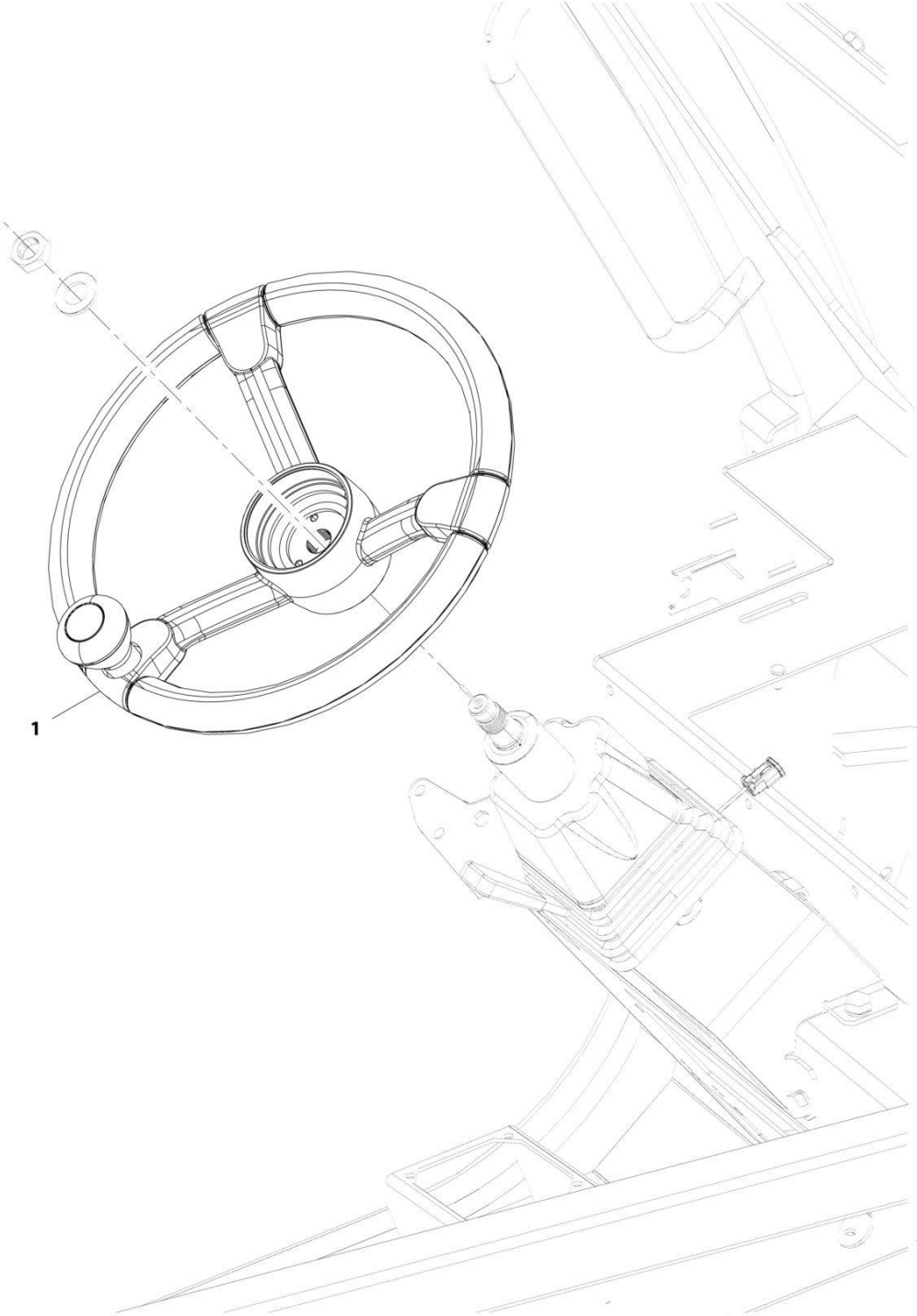
## SECTION 7 - CONTROLS

**FIGURE 7-12. PARKING CABLE ASSEMBLY (MECHANICAL)**

ITEM	PART NUMBER	QTY	DESCRIPTION	REV
	1001177053	Ref	Parking Cable Assembly (Mechanical)	A
1	3291001	4	Nut, M10X1.5 Grade 8	
2	4812000	4	Washer, M10	
3	1001177048	2	Pin	
4	1001177049	2	Spacer	
5	1001177050	1	Clevis, Park Brake Small	
6	1001177051	1	Clevis, Park Brake Large	
7	1001177052	1	Cable, Hand Brake	

**SECTION 7 - CONTROLS**

**FIGURE 7-13. STEERING WHEEL INSTALLATION**



ART\_1001169751-C

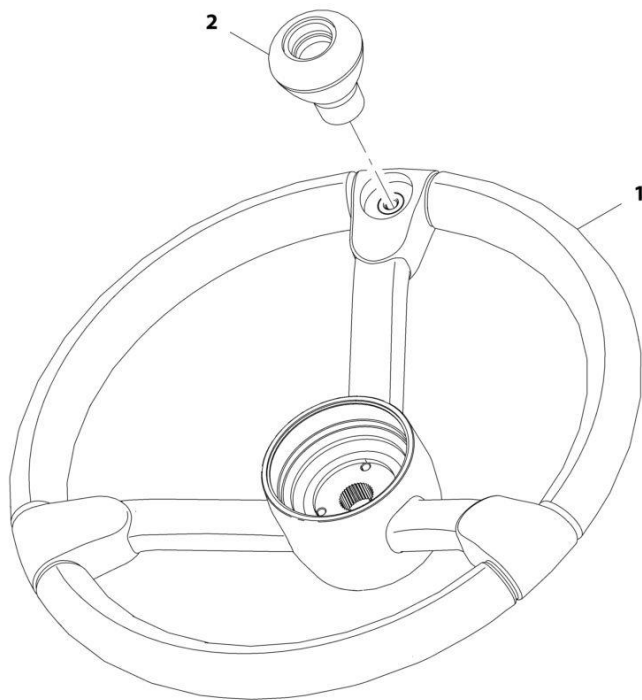
## SECTION 7 - CONTROLS

**FIGURE 7-13. STEERING WHEEL INSTALLATION**

ITEM	PART NUMBER	QTY	DESCRIPTION	REV
1	1001169751 1001169354	Ref 1	Steering Wheel Installation Wheel, Steering (See Separate Breakdown in this Section)	C

# SECTION 7 - CONTROLS

## FIGURE 7-14. STEERING WHEEL



ART\_1001169354-D



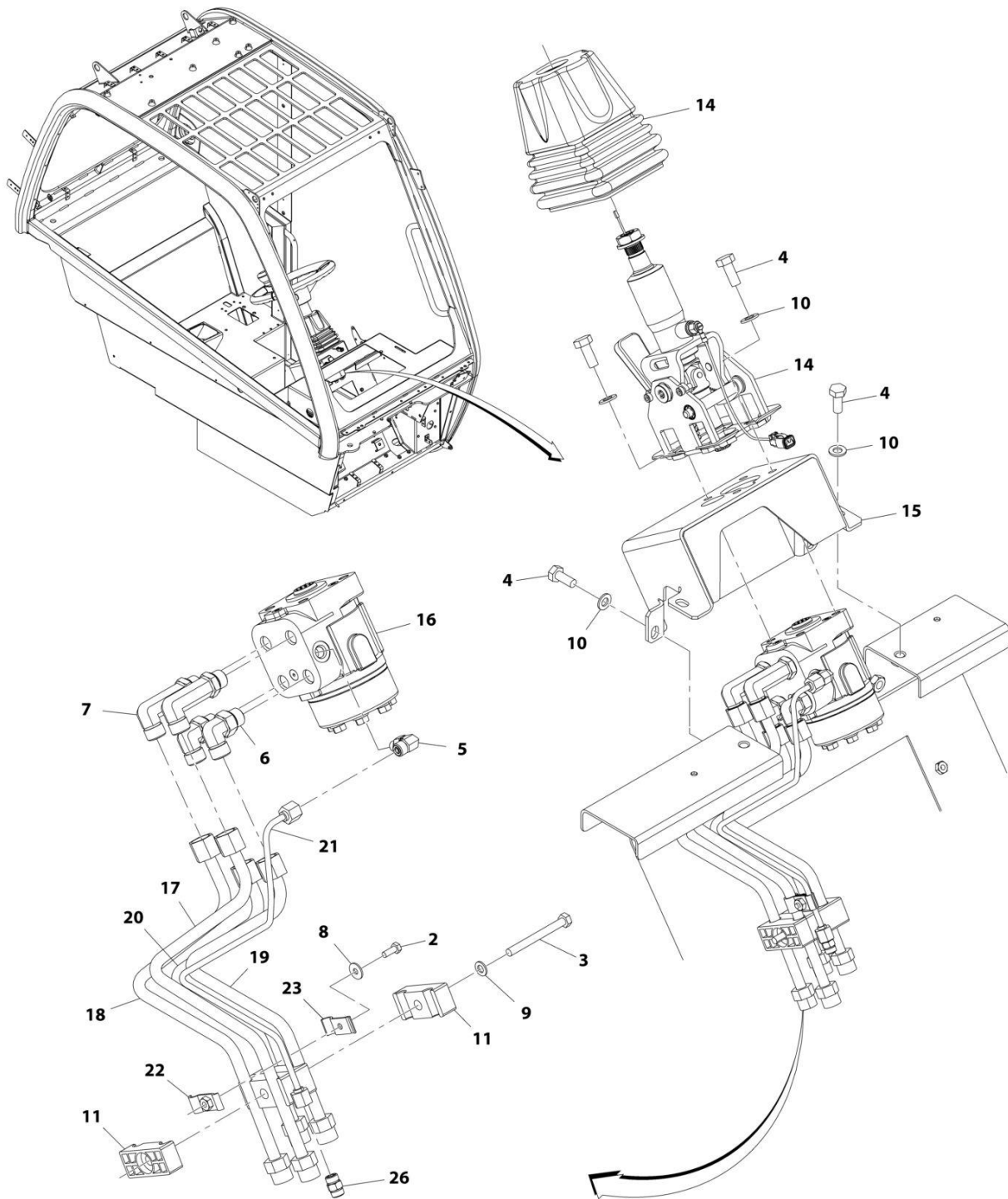
## SECTION 7 - CONTROLS

### FIGURE 7-14. STEERING WHEEL

ITEM	PART NUMBER	QTY	DESCRIPTION	REV
	1001169354	Ref	Steering Wheel	D
1	1001169367	1	Wheel, Steering	
2	1001169355	1	Handle, Steer Spinner	

# SECTION 7 - CONTROLS

## FIGURE 7-15. STEERING COLUMN INSTALLATION (Prior to SN 1160008716)



ART\_1001162704-H

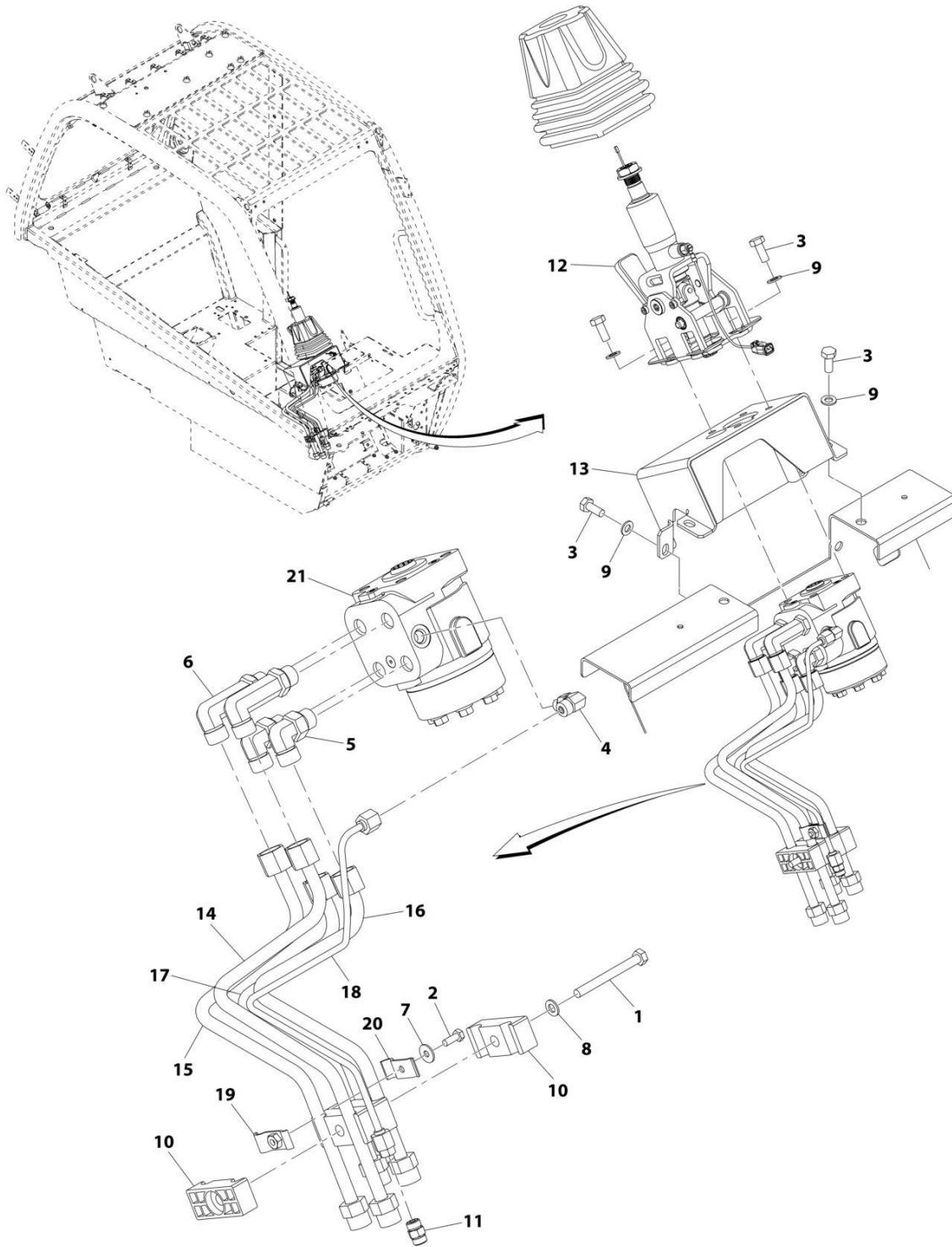
## SECTION 7 - CONTROLS

**FIGURE 7-15. STEERING COLUMN INSTALLATION (Prior to SN 1160008716)**

ITEM	PART NUMBER	QTY	DESCRIPTION	REV
	1001162704	Ref	Steering Column Installation	H
2	0760608	1	Bolt, M6X16	
3	0700824	1	Bolt, M8X80	
4	0761012	8	Bolt, M10X25	
5	2130404	1	Fitting, 90 ORFS	
6	2130808	2	Fitting, 90 ORFS	
7	2170208	2	Fitting, 90 ORFS	
8	4811702	1	Washer, M6	
9	4811900	1	Washer, M8	
10	4812000	8	Washer, M10	
11	1001004640	4	Clamp	
14	1001155276	1	Column, Tilt Steering (See Separate Breakdown in this Section)	
15	1001156265	1	Bracket, Support	
16	1001191217	1	Valve, Steering Unit	
17	1001161672	1	Pipe	
18	1001161896	1	Pipe	
19	1001161897	1	Pipe	
20	1001161898	1	Pipe	
21	1001162979	1	Pipe	
22	1001168142	1	Bracket	
23	1001168151	1	Bracket	
26	1001143857	1	Fitting, Straight ORFS	

# SECTION 7 - CONTROLS

## FIGURE 7-16. STEERING COLUMN INSTALLATION (SN 1160008716 to Present)



ART\_1001229534-A

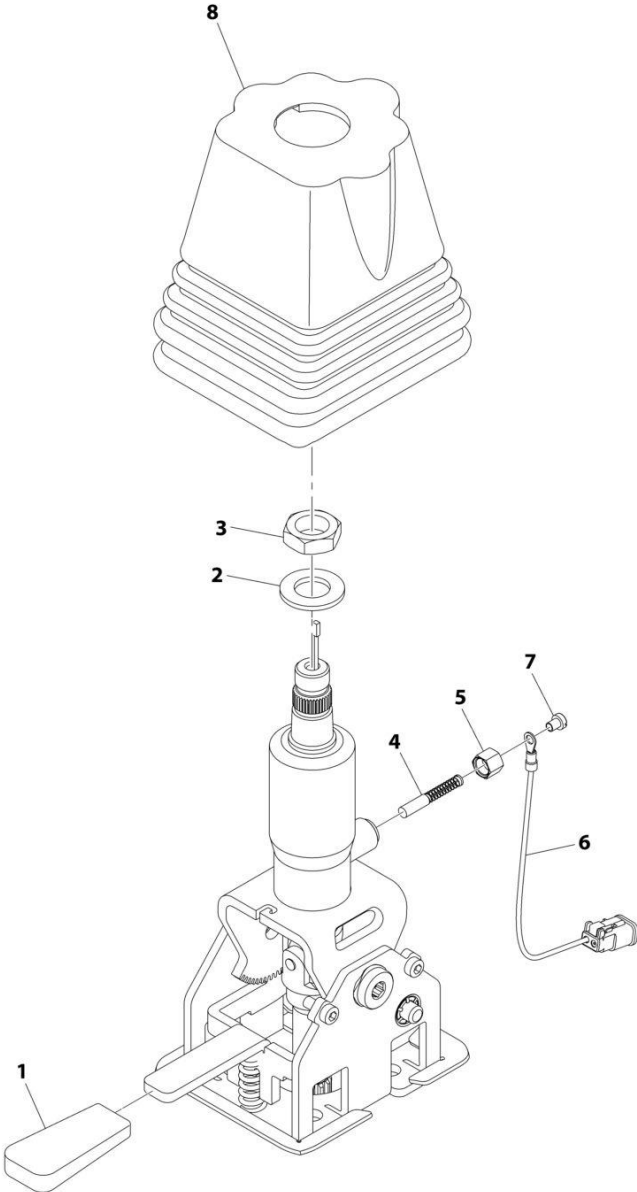
## SECTION 7 - CONTROLS

**FIGURE 7-16. STEERING COLUMN INSTALLATION (SN 1160008716 to Present)**

ITEM	PART NUMBER	QTY	DESCRIPTION	REV
	1001229534	Ref	Steering Column Installation	A
1	0700824	1	Bolt, M8X80	
2	0760608	1	Bolt, M6X16	
3	0761012	8	Bolt, M10X25	
4	2130404	1	Fitting, 90 ORFS	
5	2130808	2	Fitting, 90 ORFS	
6	2170208	2	Fitting, 90 ORFS	
7	4811702	1	Washer, M6	
8	4811900	1	Washer, M8	
9	4812000	8	Washer, M10	
10	1001004640	4	Clamp	
11	1001143857	1	Fitting, Straight ORFS	
12	1001155276	1	Column, Tilt Steering (See Separate Breakdown in this Section)	
13	1001156265	1	Bracket, Support	
14	1001161672	1	Pipe	
15	1001161896	1	Pipe	
16	1001161897	1	Pipe	
17	1001161898	1	Pipe	
18	1001162979	1	Pipe	
19	1001168142	1	Bracket	
20	1001168151	1	Bracket	
21	1001229087	1	Valve, Steering Unit	

**SECTION 7 - CONTROLS**

**FIGURE 7-17. TILT STEERING COLUMN**



ART\_1001155276

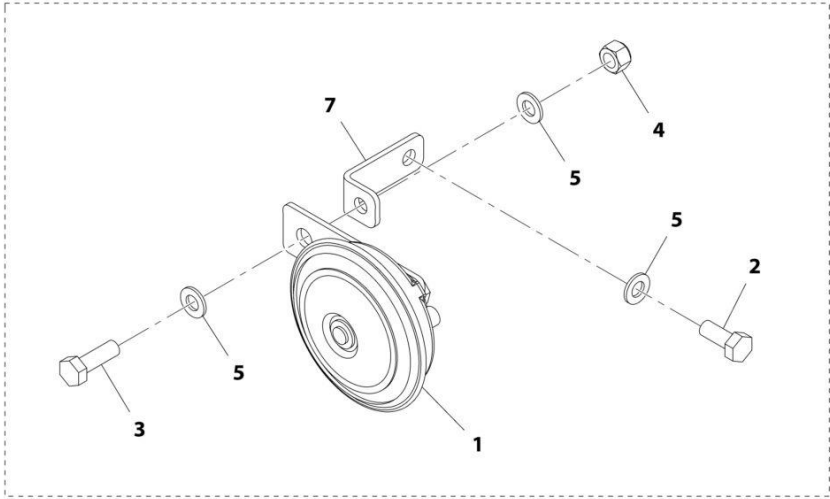
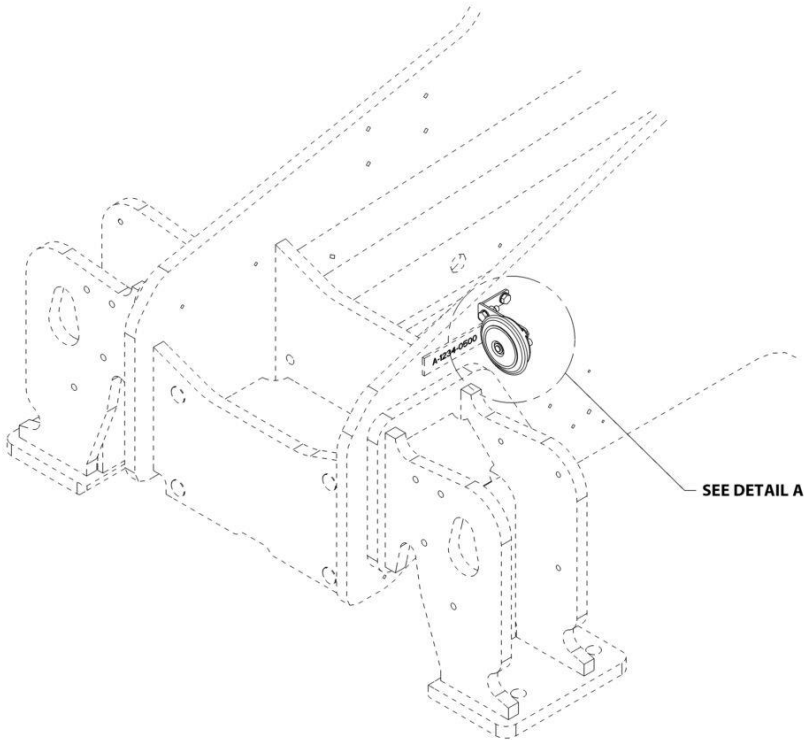
## SECTION 7 - CONTROLS

### FIGURE 7-17. TILT STEERING COLUMN

ITEM	PART NUMBER	QTY	DESCRIPTION	REV
	1001155276	Ref	Tilt Steering Column	G
1	70026366	1	Knob	
2	70026364	1	Washer	
3	70026363	1	Nut	
4	70026362	1	Contact, Sliding	
5	70026361	1	Cap, Brass	
6	70026367	1	Cable	
7	70026365	1	Screw, Cap	
8	1001184504	1	Boot	

**SECTION 7 - CONTROLS**

**FIGURE 7-18. HORN INSTALLATION**



**DETAIL A**

ART\_1001180418-C



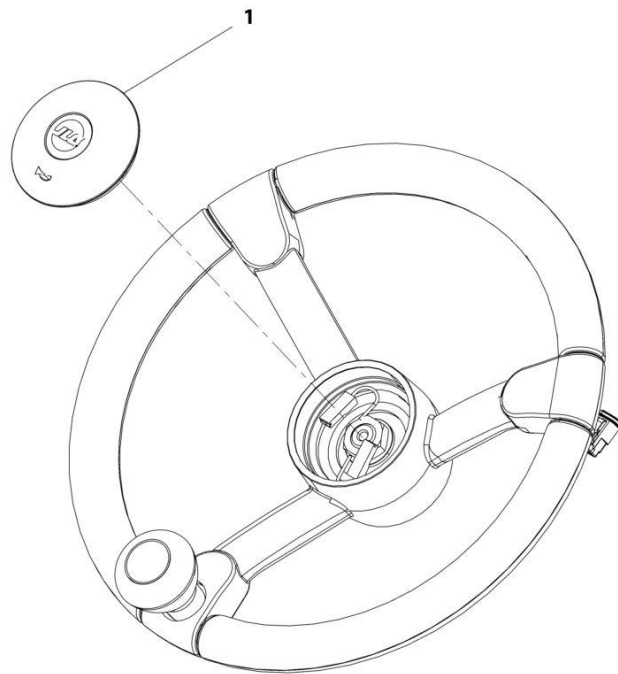
## SECTION 7 - CONTROLS

### FIGURE 7-18. HORN INSTALLATION

ITEM	PART NUMBER	QTY	DESCRIPTION	REV
	1001180418	Ref	Horn Installation	C
1	1001003596	1	Horn	
2	0760810	1	Bolt, M8X20	
3	0760812	1	Bolt, M8X25	
4	3290805	1	Nut, Lock M8X1.25 Grade 8	
5	4811900	3	Washer, M8	
7	1001104437	1	Bracket, Horn Mount	

## SECTION 7 - CONTROLS

FIGURE 7-19. HORN BUTTON INSTALLATION (JLG)



ART\_1001169763-A

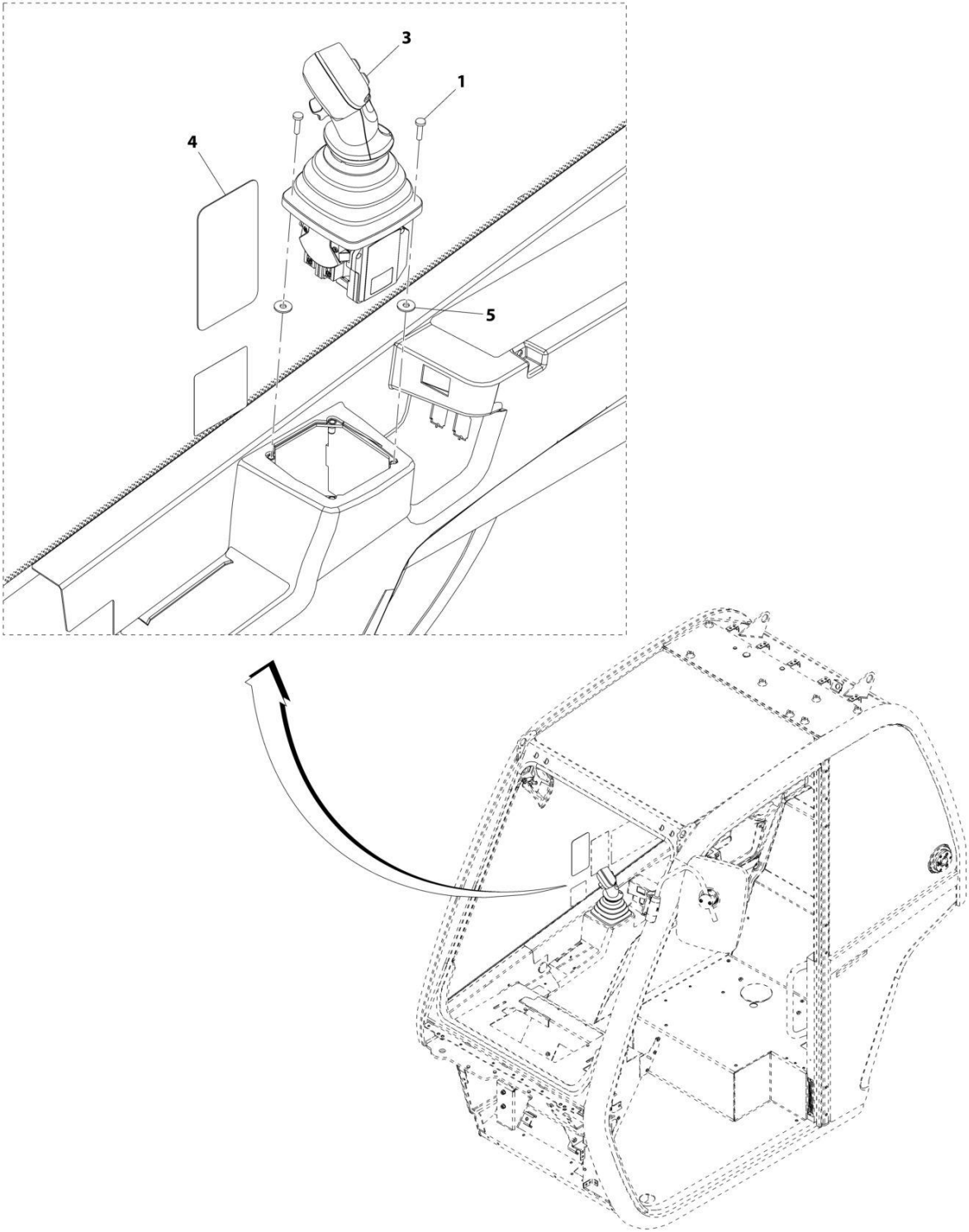
## SECTION 7 - CONTROLS

**FIGURE 7-19. HORN BUTTON INSTALLATION (JLG)**

ITEM	PART NUMBER	QTY	DESCRIPTION	REV
1	1001169763 1001169268	Ref 1	Horn Button Installation Button, Horn	A

**SECTION 7 - CONTROLS**

**FIGURE 7-20. JOYSTICK INSTALLATION**



ART\_1001167004-G

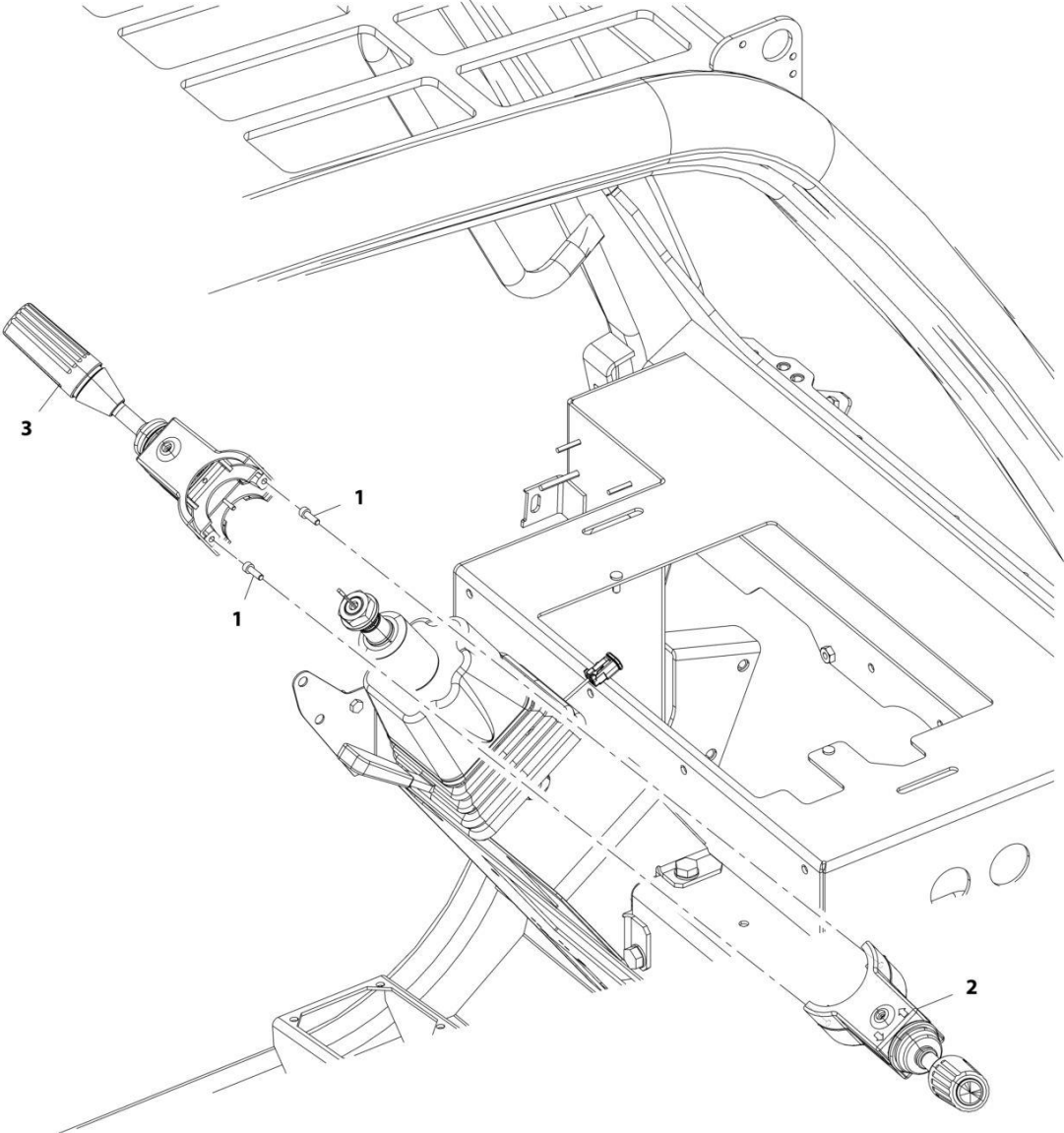
## SECTION 7 - CONTROLS

### FIGURE 7-20. JOYSTICK INSTALLATION

ITEM	PART NUMBER	QTY	DESCRIPTION	REV
	1001167004	Ref	Joystick Installation	H
1	4010510	4	Screw, M5X20	
3	1001222603	1	Joystick	
4	1001236404	NLA	Decal, Joystick (no longer available, use 1001241950 for replacement)	
4	1001241950	1	Decal, Joystick	
5	4811702001	AR	Washer, M6	

**SECTION 7 - CONTROLS**

**FIGURE 7-21. WIPER-TURN SWITCH (0 SPEED - FNR) (Prior to SN 1160008715)**



ART\_1001181927-C

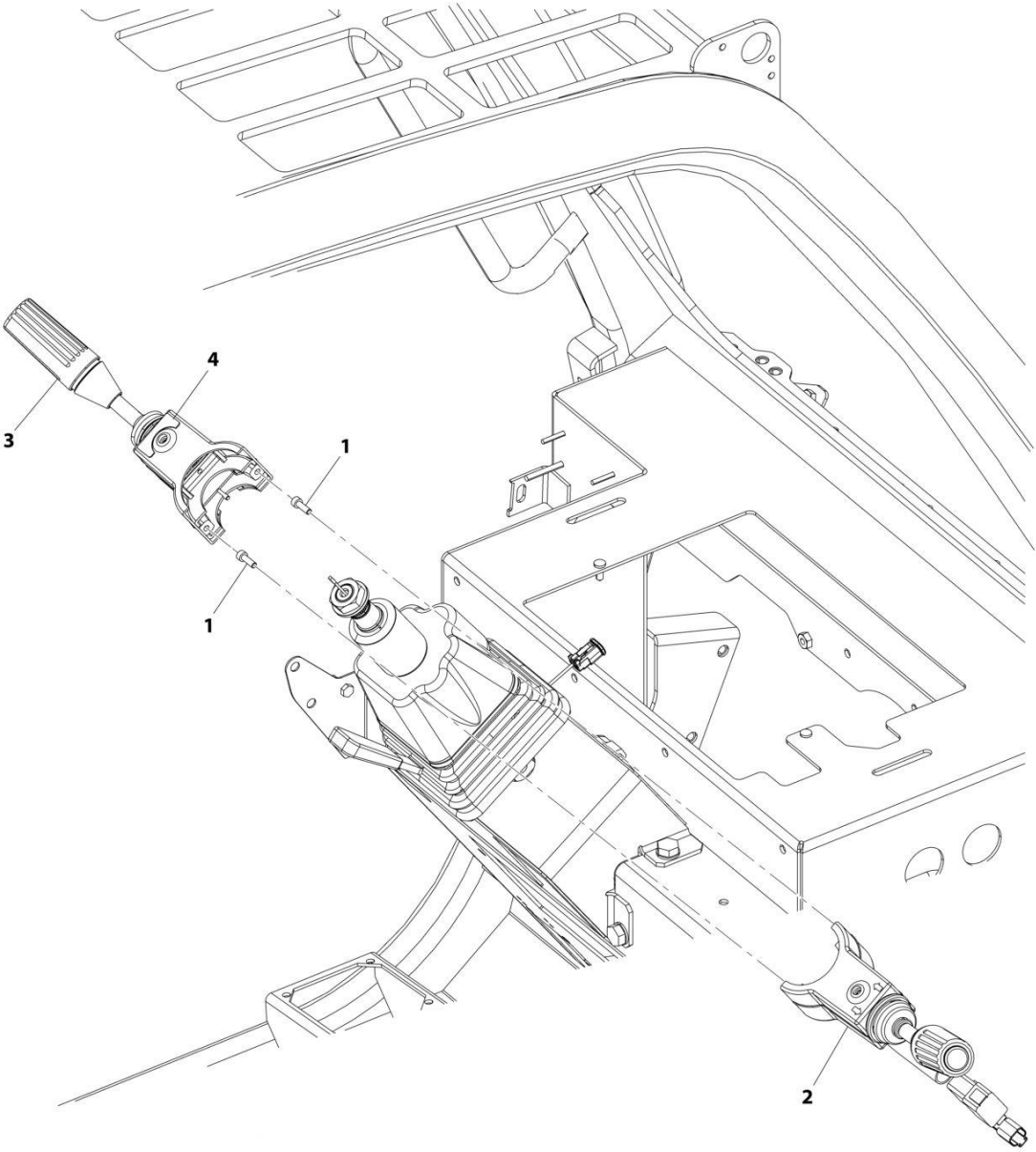
## SECTION 7 - CONTROLS

**FIGURE 7-21. WIPER-TURN SWITCH (0 SPEED - FNR) (Prior to SN 1160008715)**

ITEM	PART NUMBER	QTY	DESCRIPTION	REV
	1001181927	Ref	Wiper-Turn Switch (0 Speed - FNR)	C
1	4031607	2	Bolt, M5X16	
2	1001163695	1	Switch, Turn-Wiper	
3	1001163697	1	Switch, Zero Speed	

# SECTION 7 - CONTROLS

FIGURE 7-22. WIPER-TURN SWITCH (0 SPEED - FNR) (SN 1160008715 to Present)



ART\_1001181927-E



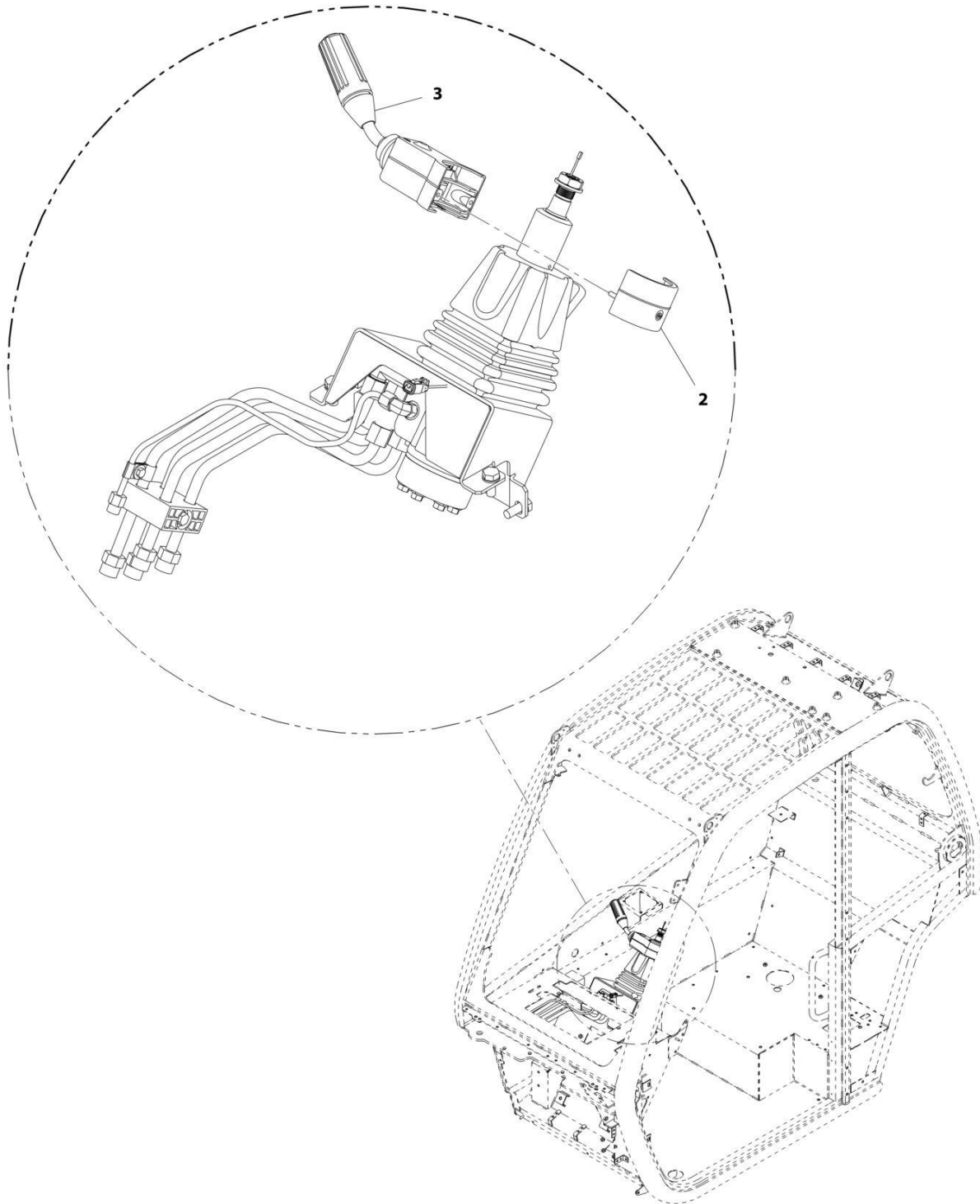
## SECTION 7 - CONTROLS

**FIGURE 7-22. WIPER-TURN SWITCH (0 SPEED - FNR) (SN 1160008715 to Present)**

ITEM	PART NUMBER	QTY	DESCRIPTION	REV
	1001181927	Ref	Wiper-Turn Switch (0 Speed - FNR)	E
1	4031607	2	Bolt, M5X16	
2	1001214280	1	Switch, Turn-Wiper	
3	1001163697	1	Switch, Zero Speed	
4	1001236402	1	Decal	

# SECTION 7 - CONTROLS

FIGURE 7-23. WIPER-TURN SWITCH (NO SPEED) (Prior to SN 1160008715)



ART\_1001181928-C

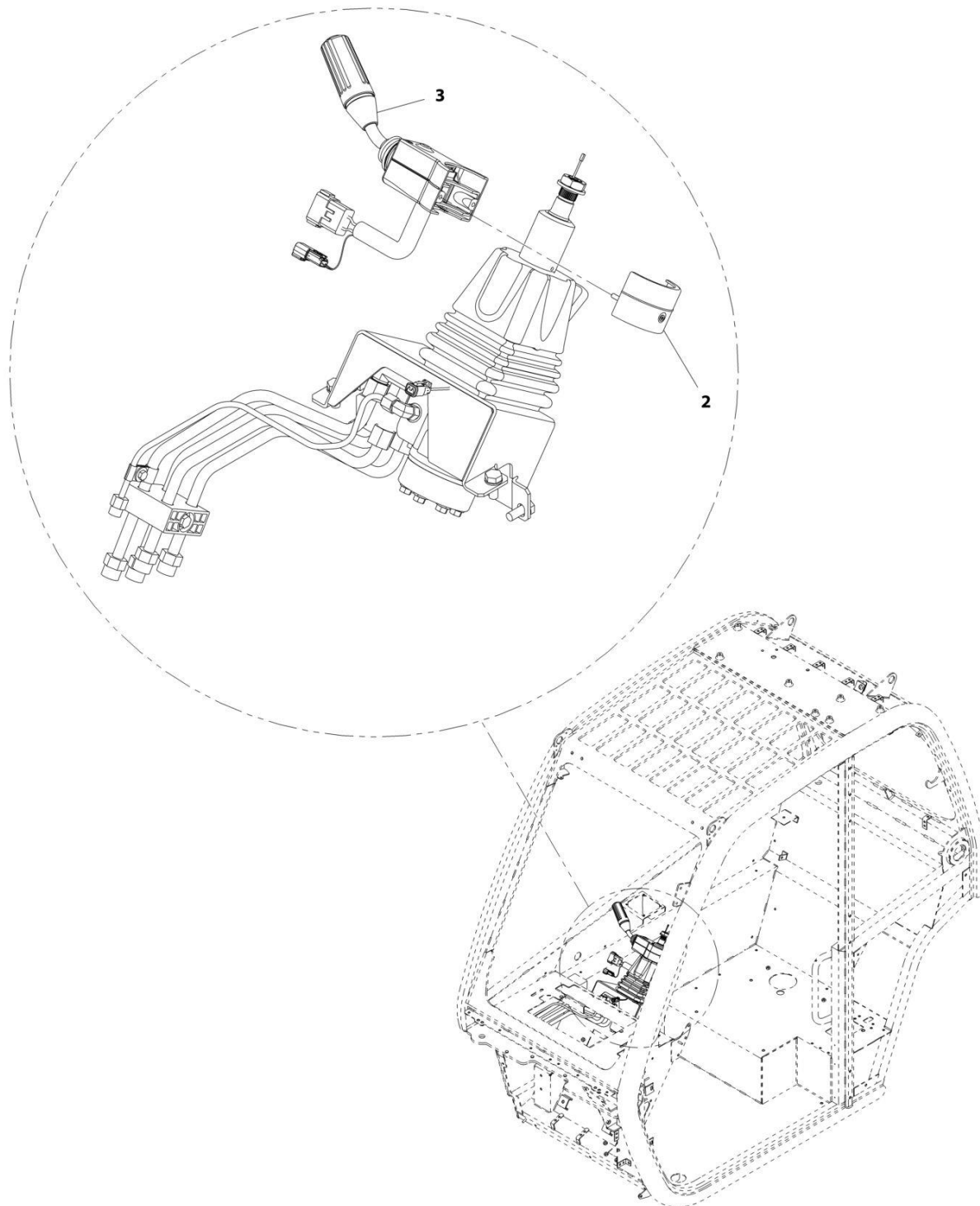
## SECTION 7 - CONTROLS

**FIGURE 7-23. WIPER-TURN SWITCH (NO SPEED) (Prior to SN 1160008715)**

ITEM	PART NUMBER	QTY	DESCRIPTION	REV
	1001181928	Ref	Wiper-Turn Switch (No Speed)	C
2	1001146949	1	Clamp	
3	1001163695	1	Switch, Turn-Wiper	

## SECTION 7 - CONTROLS

FIGURE 7-24. WIPER-TURN SWITCH (NO SPEED) (SN 1160008715 to Present)



ART\_1001181928-D

## SECTION 7 - CONTROLS

**FIGURE 7-24. WIPER-TURN SWITCH (NO SPEED) (SN 1160008715 to Present)**

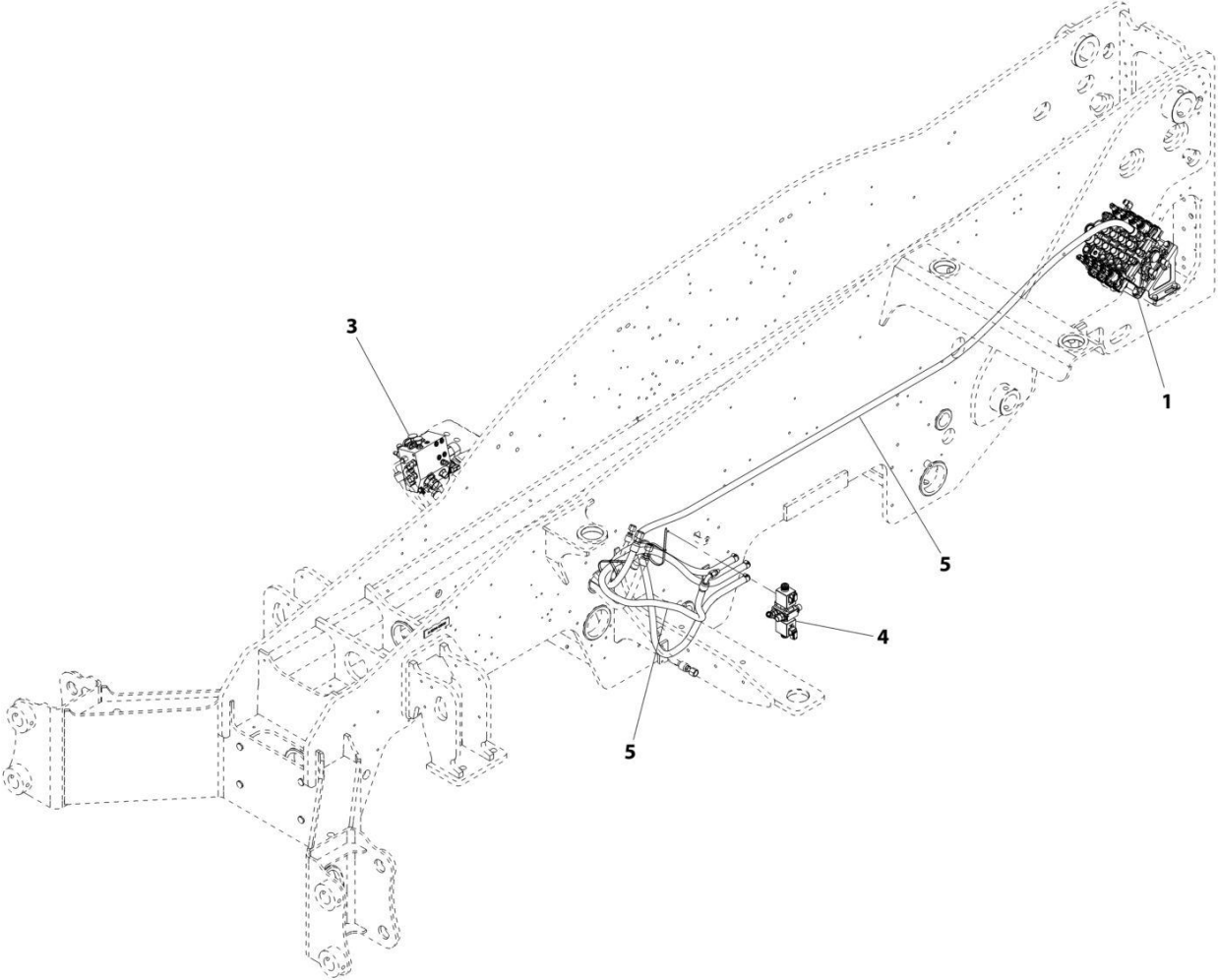
ITEM	PART NUMBER	QTY	DESCRIPTION	REV
	1001181928	Ref	Wiper-Turn Switch (No Speed)	D
2	1001146949	1	Clamp	
3	1001214280	1	Switch, Turn-Wiper	



**SECTION 8 - HYDRAULIC CIRCUITS**

# SECTION 8 - HYDRAULIC CIRCUITS

## FIGURE 8-1. COMMON HYDRAULICS INSTALLATION



ART\_1001172892-C



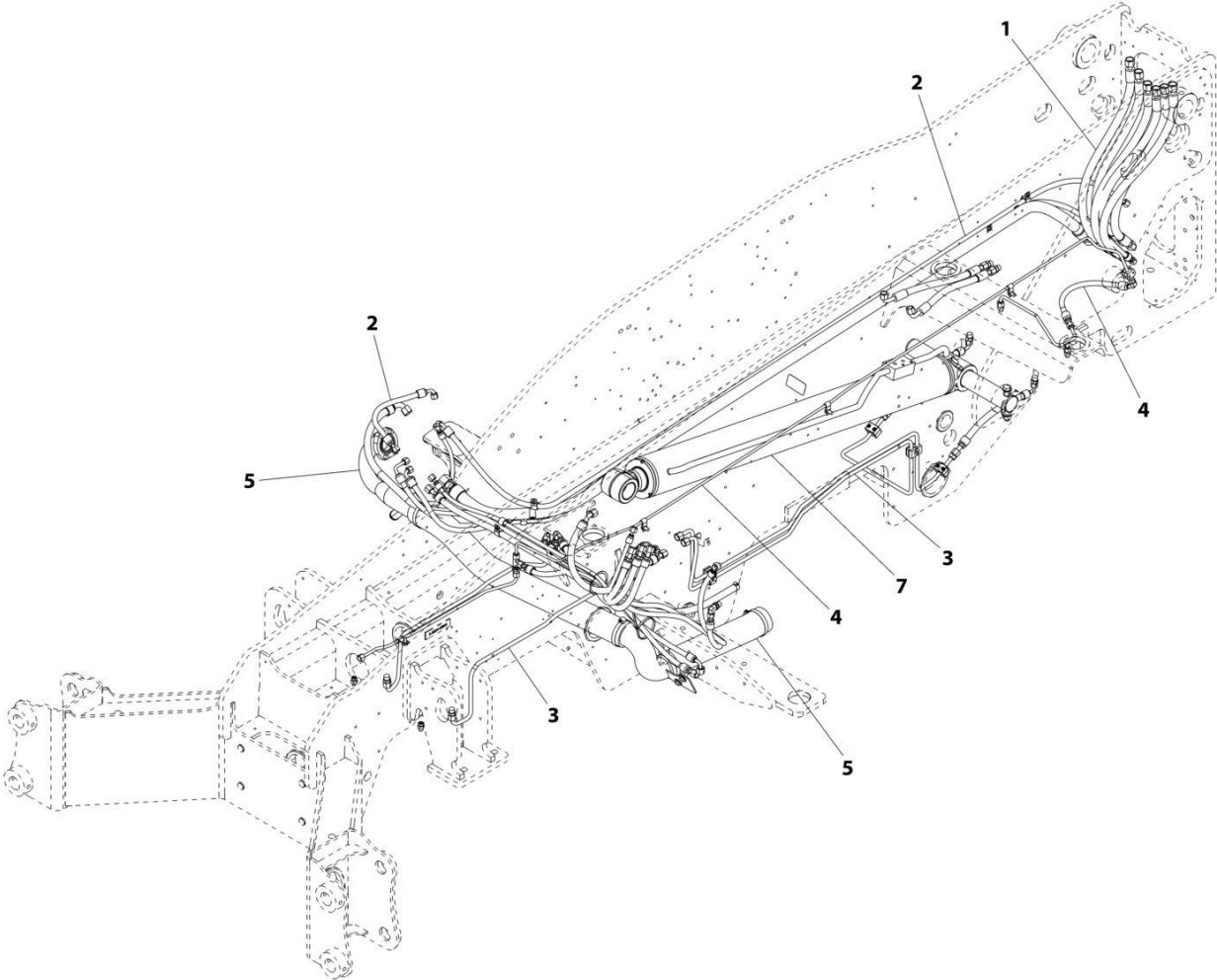
## SECTION 8 - HYDRAULIC CIRCUITS

**FIGURE 8-1. COMMON HYDRAULICS INSTALLATION**

ITEM	PART NUMBER	QTY	DESCRIPTION	REV
1	1001172892	Ref	Common Hydraulics Installation	C
	1001172900	Ref	Installation, Main Control Valve (See Separate Breakdown in this Section)	
3	1001221147	Ref	Installation, Priority Valve (See Separate Breakdown in this Section)	
4	1001172894	Ref	Installation, Steer Select Valve (See Separate Breakdown in this Section)	
5	1001185351	Ref	Installation, Return Lines (See Separate Breakdown in this Section)	

# SECTION 8 - HYDRAULIC CIRCUITS

## FIGURE 8-2. HYDRAULICS INSTALLATION



ART\_1001172939-C

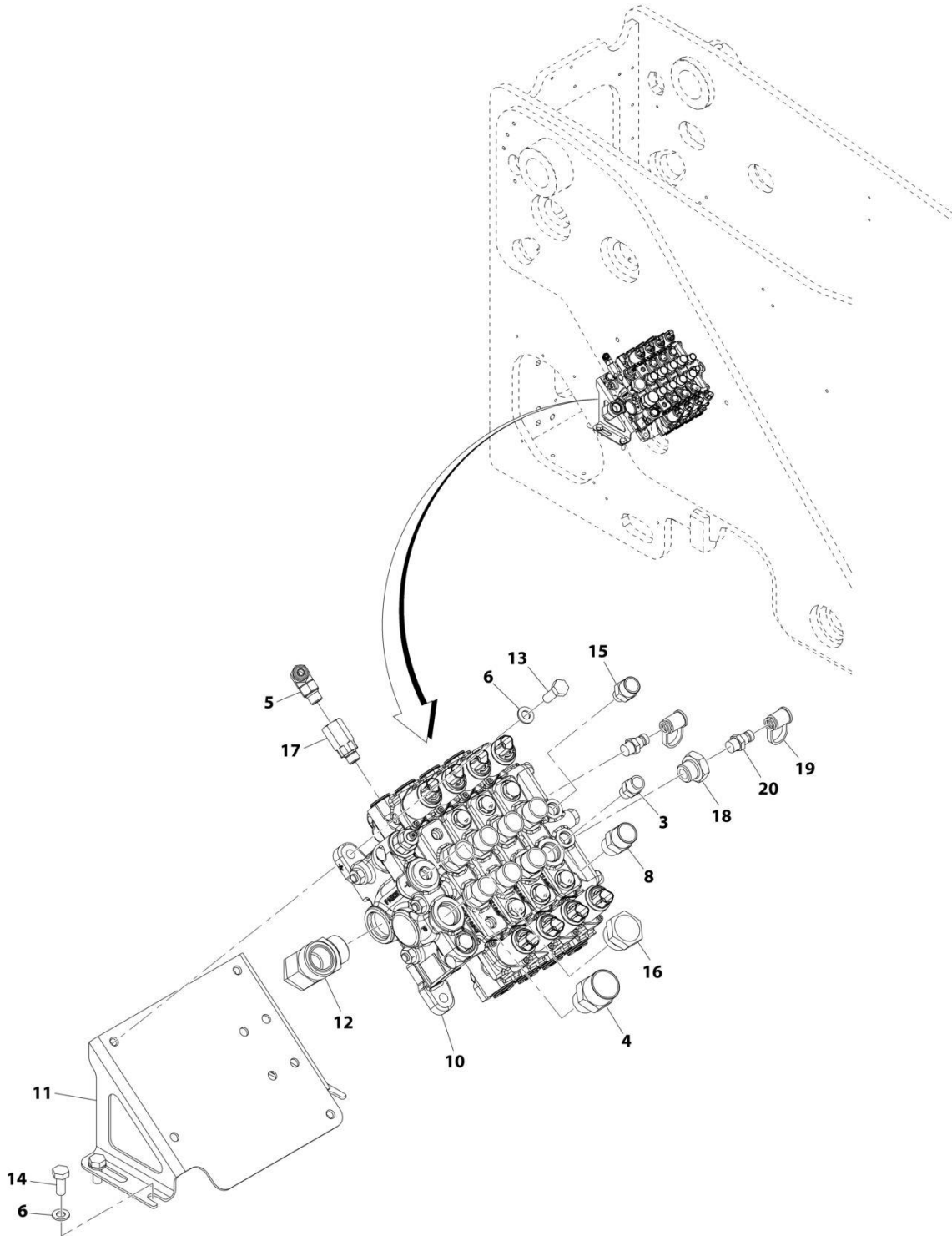
## SECTION 8 - HYDRAULIC CIRCUITS

### FIGURE 8-2. HYDRAULICS INSTALLATION

ITEM	PART NUMBER	QTY	DESCRIPTION	REV
	1001172939	Ref	Hydraulics Installation	C
1	1001173023	Ref	Installation, Boom Lines (See Separate Breakdown in this Section)	
2	1001180845	Ref	Installation, Priority Lines (See Separate Breakdown in this Section)	
3	1001180134	Ref	Installation, Steering Lines (See Separate Breakdown in this Section)	
4	1001172909	Ref	Installation, Brake Lines (See Separate Breakdown in this Section)	
5	1001184531	Ref	Installation, Suction Lines (See Separate Breakdown in this Section)	
7	1001173015	Ref	Installation, Lift Cylinder (See Separate Breakdown in this Section)	

# SECTION 8 - HYDRAULIC CIRCUITS

## FIGURE 8-3. MAIN CONTROL VALVE INSTALLATION



ART\_1001172900-I

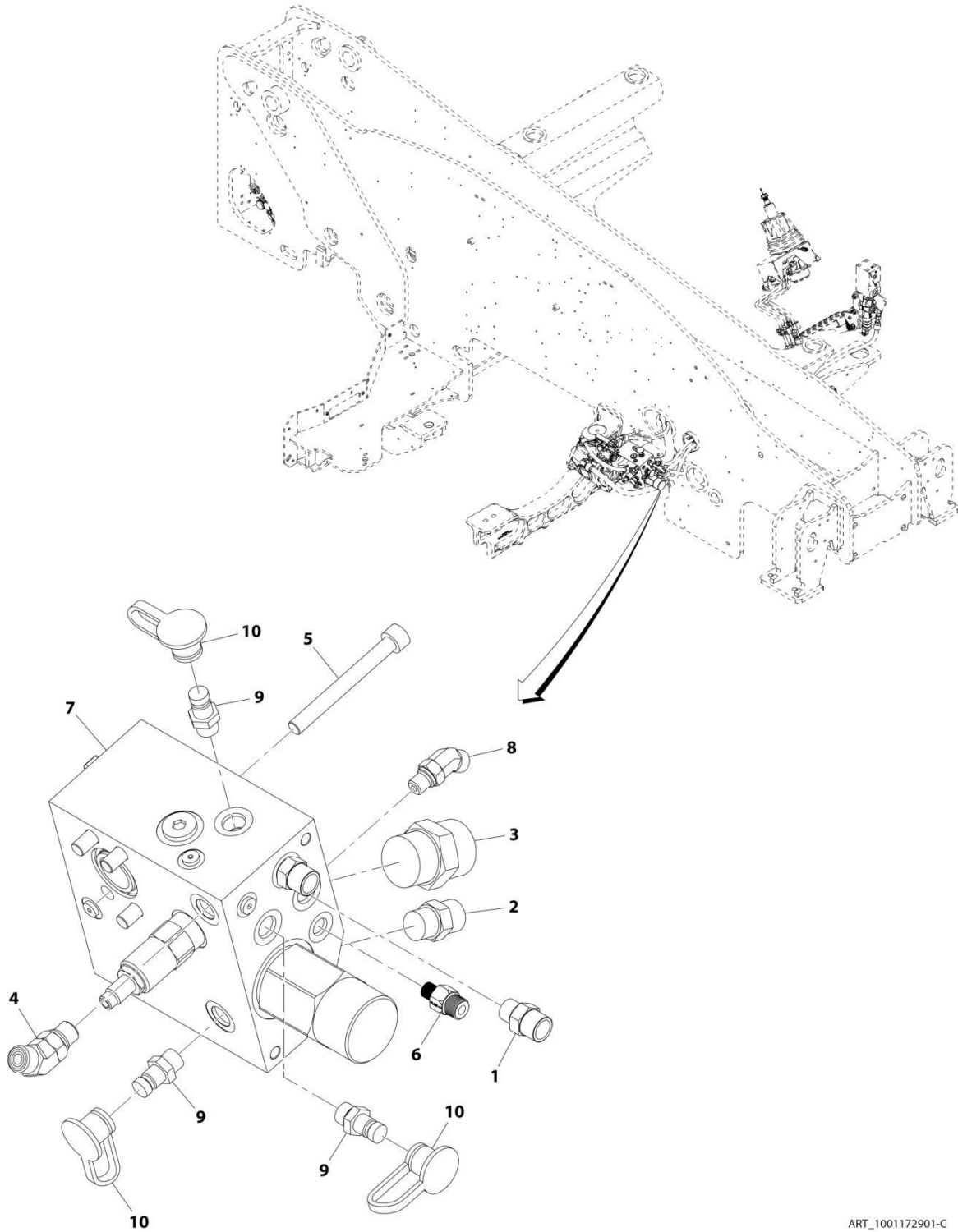
## SECTION 8 - HYDRAULIC CIRCUITS

**FIGURE 8-3. MAIN CONTROL VALVE INSTALLATION**

ITEM	PART NUMBER	QTY	DESCRIPTION	REV
	1001172900	Ref	Main Control Valve Installation	1
3	2110606	1	Fitting, Straight ORFS	
4	2111612	1	Fitting, Straight ORFS	
5	2130606	1	Fitting, 90 ORFS	
6	4812000	7	Washer, M10	
8	2111010	8	Fitting, Straight ORFS	
10	1001180252	NLA	Valve, Main Control (See Separate Breakdown in HYDRAULIC COMPONENTS Section) (no longer available, use 1001233797 for replacement)	
10	1001233797	1	Valve, Main Control (See Separate Breakdown in HYDRAULIC COMPONENTS Section)	
11	1001182231	1	Bracket	
12	2132016	1	Fitting, 90 ORFS	
13	0701014	3	Bolt, M10X30	
14	0701012	4	Bolt, M10X25	
15	2110806	1	Fitting, Straight ORFS	
16	2220242	1	Fitting ( <b>Prior to SN 82560</b> )	
17	1001187355	1	Valve, Check	
18	2220221	1	Fitting, Reducer	
19	1001008761	2	Cap	
20	1001003590	2	Fitting, Straight	

# SECTION 8 - HYDRAULIC CIRCUITS

FIGURE 8-4. PRIORITY VALVE INSTALLATION (Prior to SN 1160008715)



ART\_1001172901-C

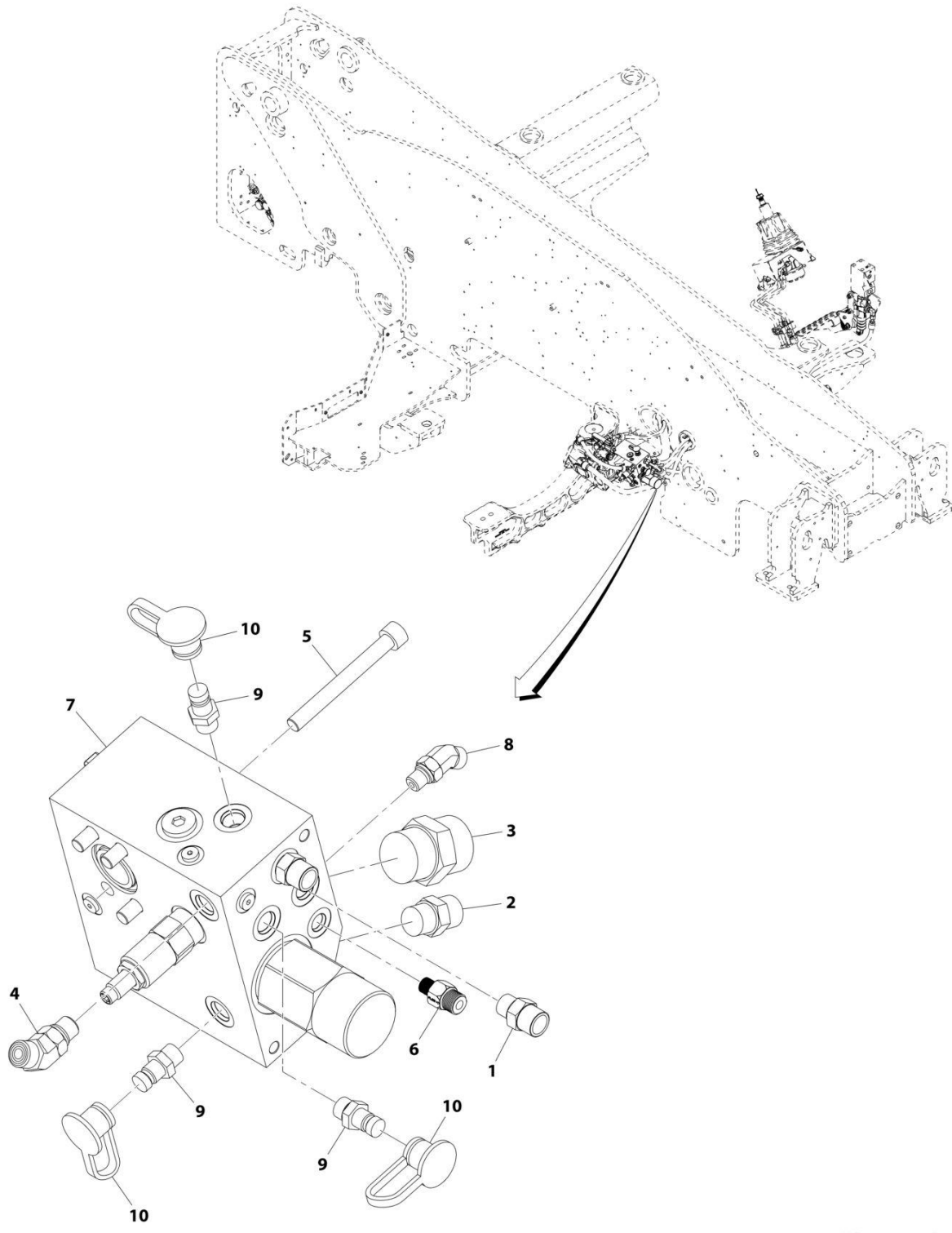
## SECTION 8 - HYDRAULIC CIRCUITS

**FIGURE 8-4. PRIORITY VALVE INSTALLATION (Prior to SN 1160008715)**

ITEM	PART NUMBER	QTY	DESCRIPTION	REV
	1001172901	Ref	Priority Valve Installation	C
1	2110606	2	Fitting, Straight ORFS	
2	2110808	1	Fitting, Straight ORFS	
3	2111616	1	Fitting, Straight ORFS	
4	2150606	1	Fitting, 45 ORFS	
5	5272022	4	Screw, M10X1.5X90	
6	4641237	1	Valve, Check	
7	1001179462	Ref	Manifold, Priority Flow (See Separate Breakdown in HYDRAULIC COMPONENTS Section)	
8	2150404	1	Fitting, 45 ORFS	
9	1001003590	3	Fitting, Straight	
10	1001008761	3	Cap	

# SECTION 8 - HYDRAULIC CIRCUITS

FIGURE 8-5. PRIORITY VALVE INSTALLATION (SN 1160008715 to Present)



ART\_1001172901-E



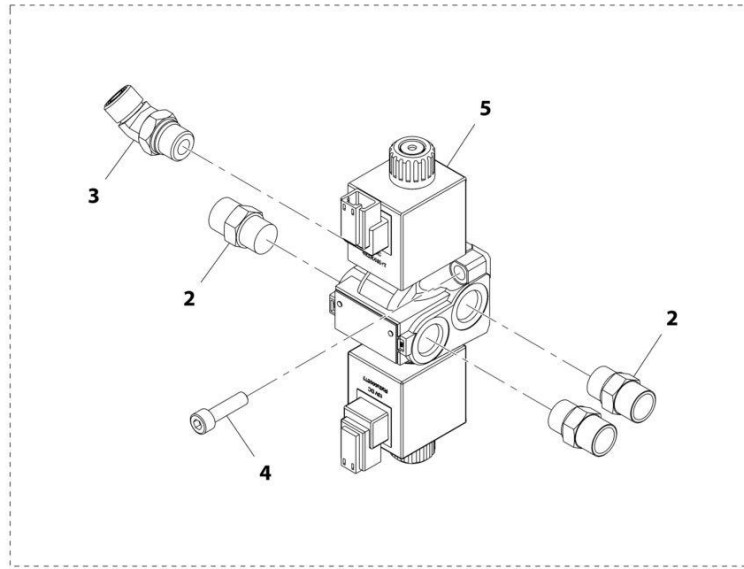
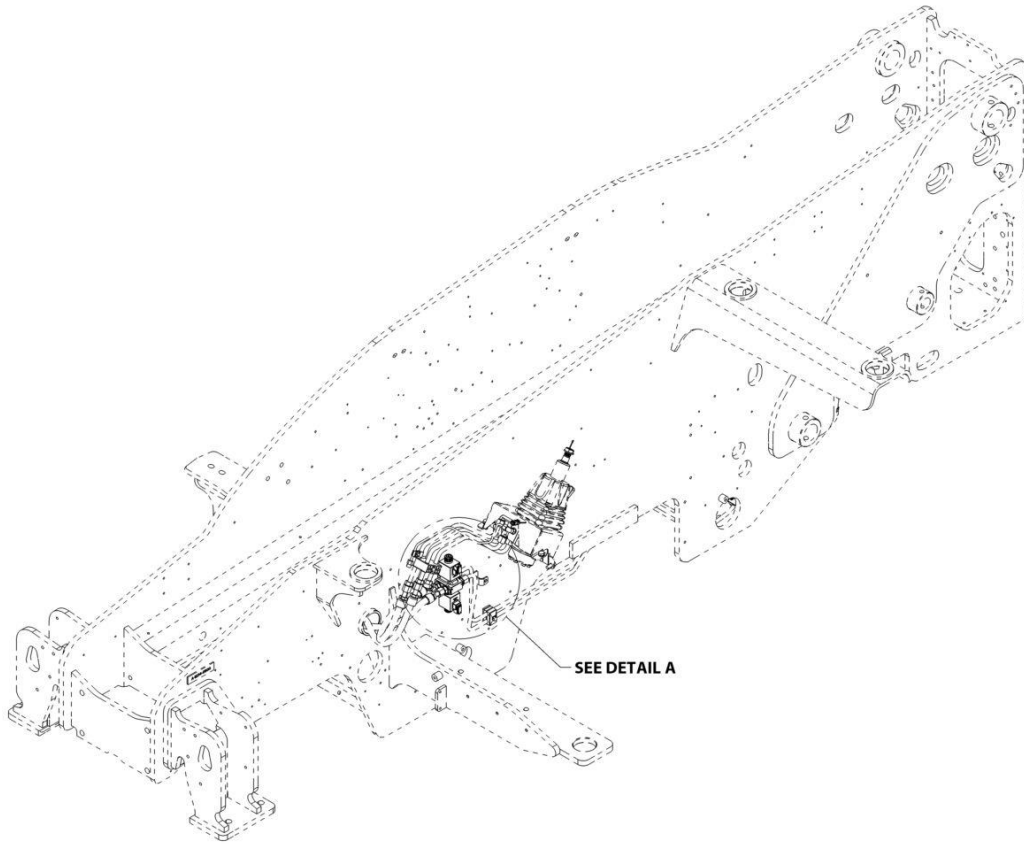
## SECTION 8 - HYDRAULIC CIRCUITS

**FIGURE 8-5. PRIORITY VALVE INSTALLATION (SN 1160008715 to Present)**

ITEM	PART NUMBER	QTY	DESCRIPTION	REV
	1001172901	Ref	Priority Valve Installation	E
1	2110606	2	Fitting, Straight ORFS	
2	2110808	1	Fitting, Straight ORFS	
3	2111616	1	Fitting, Straight ORFS	
4	2150606	1	Fitting, 45 ORFS	
5	5272022	4	Screw, M10X1.5X90	
6	4641237	1	Valve, Check	
7	1001229050	Ref	Manifold, Priority Flow (See Separate Breakdown in Hydraulic Circuits Section)	
8	2150404	1	Fitting, 45 ORFS	
9	1001003590	3	Fitting, Straight	
10	1001008761	3	Cap	

# SECTION 8 - HYDRAULIC CIRCUITS

## FIGURE 8-6. STEER SELECT VALVE INSTALLATION



DETAIL A

ART\_1001172894-B

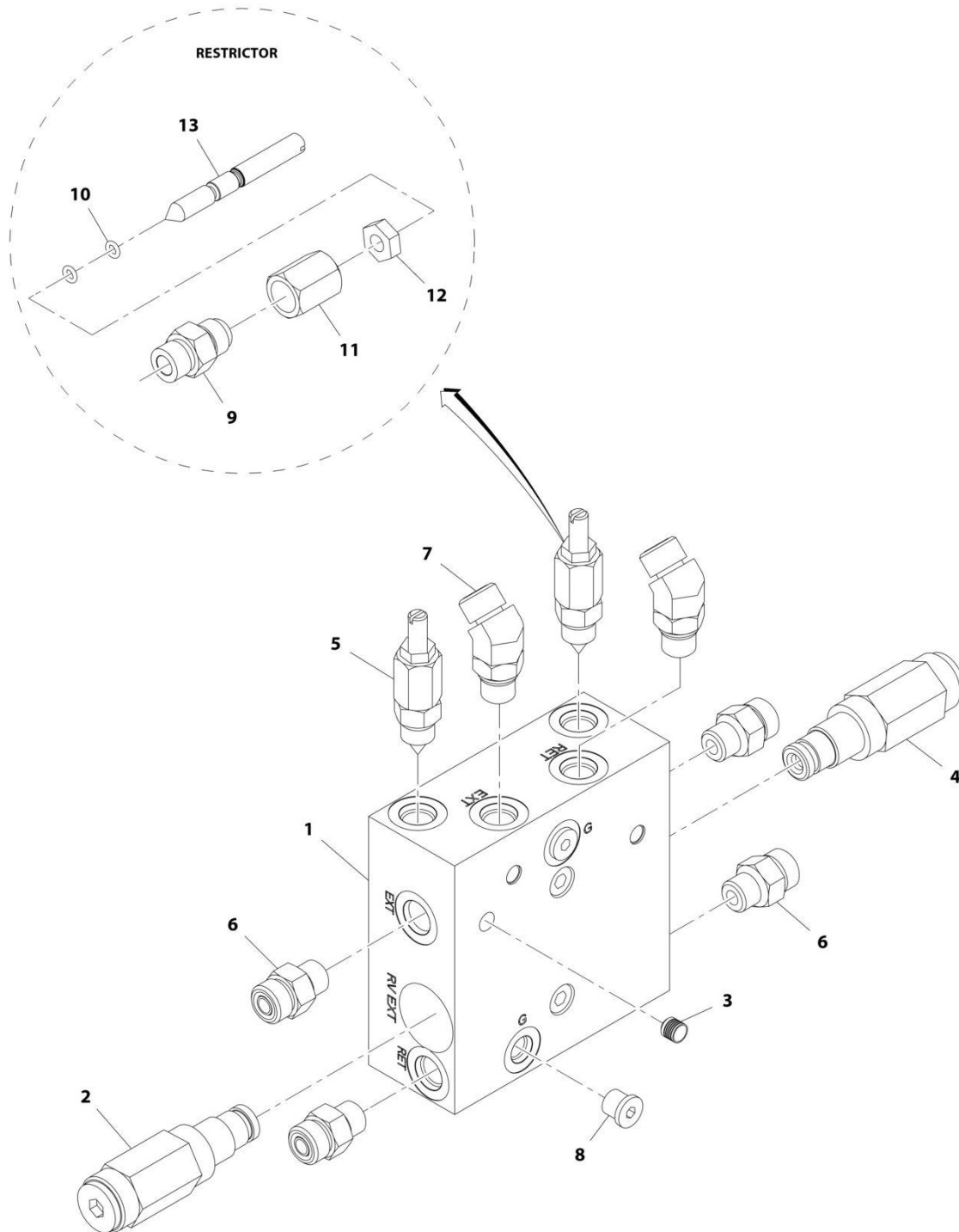
## SECTION 8 - HYDRAULIC CIRCUITS

### FIGURE 8-6. STEER SELECT VALVE INSTALLATION

ITEM	PART NUMBER	QTY	DESCRIPTION	REV
	1001172894	Ref	Steer Select Valve Installation	B
2	2110808	3	Fitting, Straight ORFS	
3	2150808	1	Fitting, 45 ORFS	
4	4031910	2	Screw, M8X30	
5	1001153748	1	Valve, Steering Select (See Separate Breakdown in HYDRAULIC COMPONENTS Section)	

# SECTION 8 - HYDRAULIC CIRCUITS

## FIGURE 8-7. VALVE ASSEMBLY



ART\_70026589

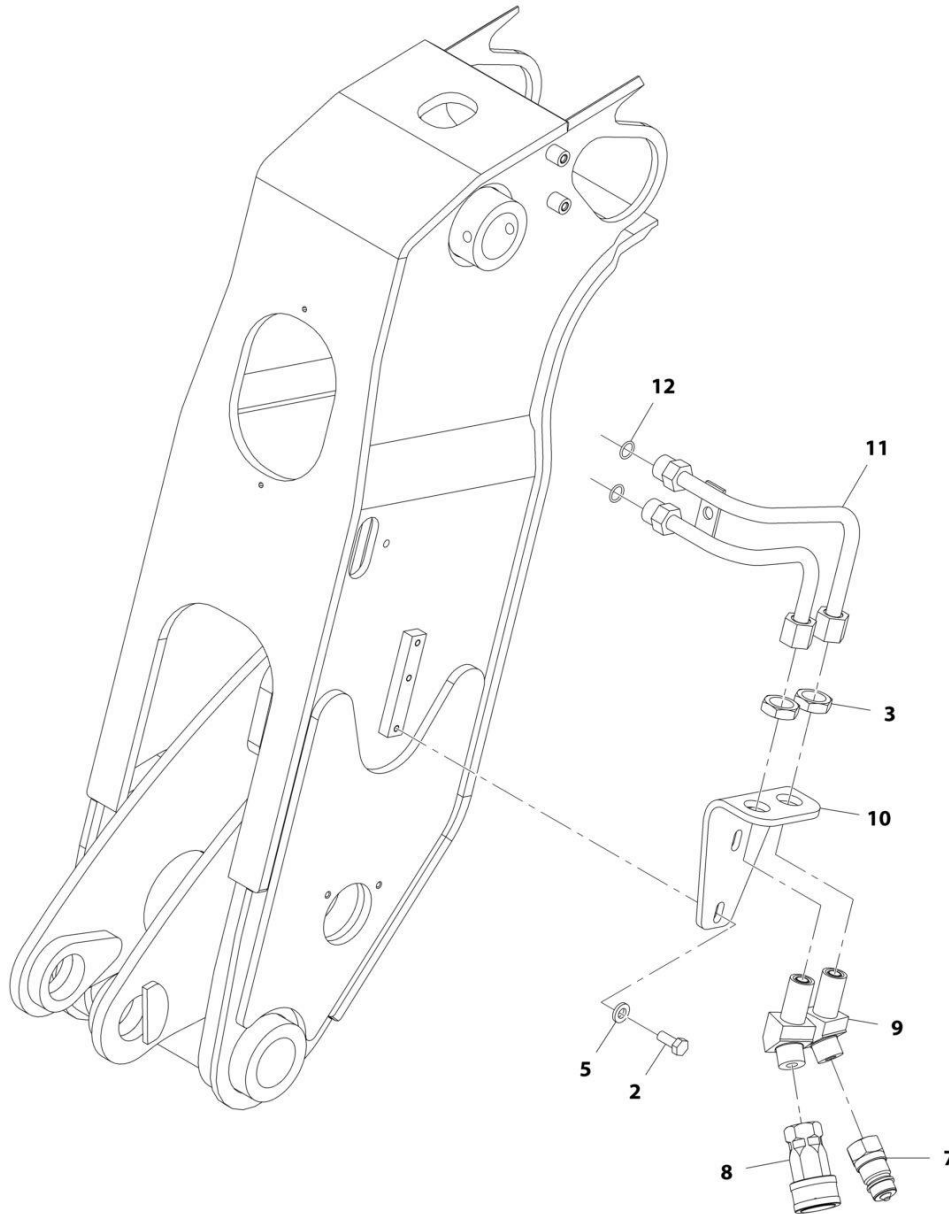
## SECTION 8 - HYDRAULIC CIRCUITS

### FIGURE 8-7. VALVE ASSEMBLY

ITEM	PART NUMBER	QTY	DESCRIPTION	REV
	70026589	Ref	Valve Assembly	
1	70026612	NLA	Manifold (Purchase Complete Assembly)	
2	70026613	1	Cartridge	
3	70026614	4	Plug	
4	70026478	1	Cartridge	
5	70026615	2	Restrictor	
6	70024130	4	Fitting	
7	70026616	2	Fitting	
8	70024129	2	Plug	
9	70026617	1	Fitting	
10	70026618	2	O-Ring	
11	70026619	1	Cap	
12	70026620	1	Jam Nut	
13	70026621	1	Plunger	

# SECTION 8 - HYDRAULIC CIRCUITS

## FIGURE 8-8. MANUAL COUPLER LINES INSTALLATION (FRONT BOOM - SINGLE)



ART\_1001179054-C

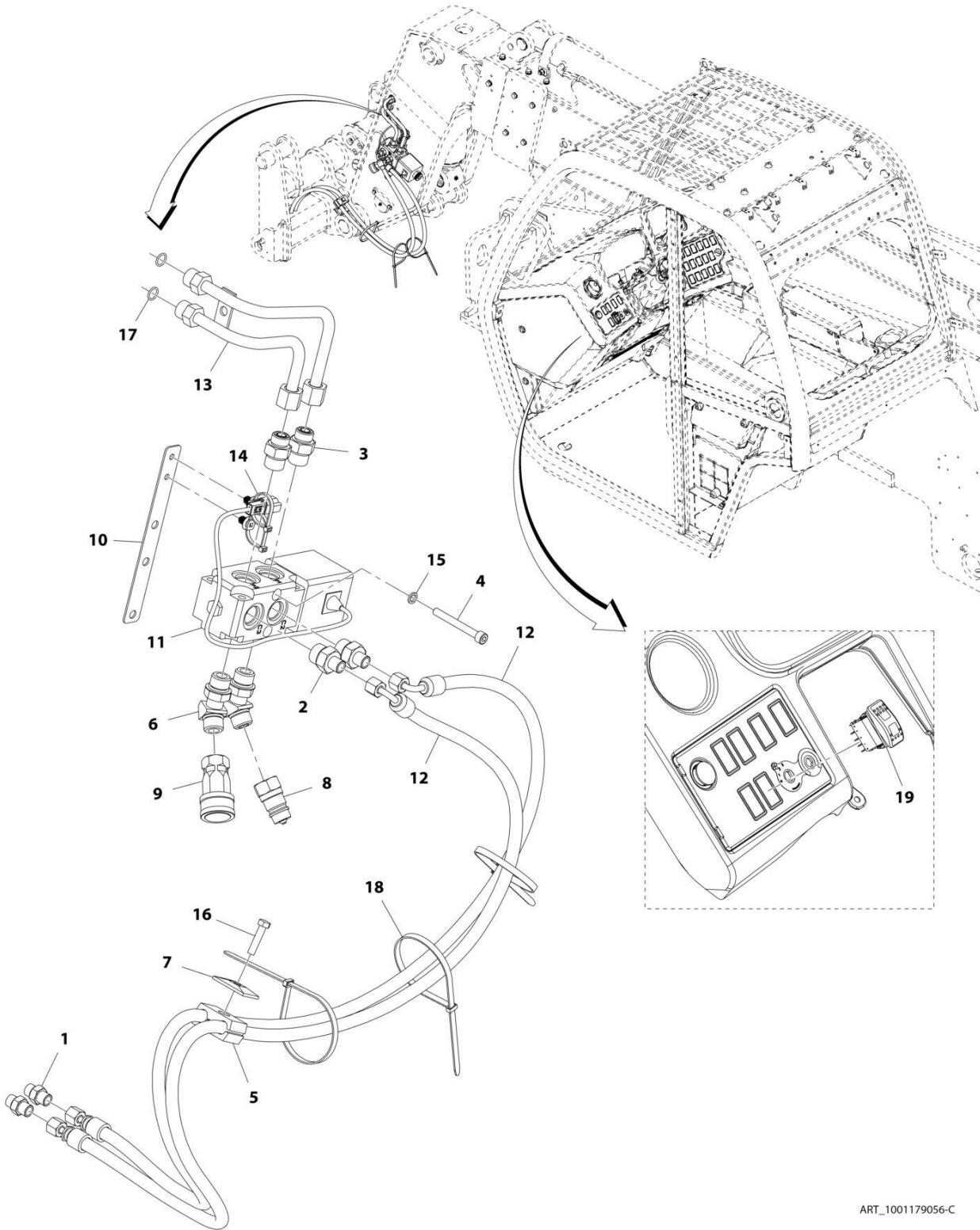
## SECTION 8 - HYDRAULIC CIRCUITS

**FIGURE 8-8. MANUAL COUPLER LINES INSTALLATION (FRONT BOOM - SINGLE)**

ITEM	PART NUMBER	QTY	DESCRIPTION	REV
	1001179054	Ref	Manual Coupler Lines Installation (Front Boom - Single)	C
2	0760810	2	Bolt, M8X20	
3	2172208	2	Nut	
5	5240800	2	Washer, M8	
7	1001101041	1	Adapter, Male Quick Disconnect	
8	1001101042	1	Adapter, Female Quick Disconnect	
9	1001103640	2	Adapter, 45 ORFS	
10	1001202177	1	Plate	
11	1001181161	1	Tube	
12	1001008805	2	Seal	

# SECTION 8 - HYDRAULIC CIRCUITS

## FIGURE 8-9. HYDRAULIC COUPLER LINES INSTALLATION (FRONT BOOM - SINGLE)



ART\_1001179056-C



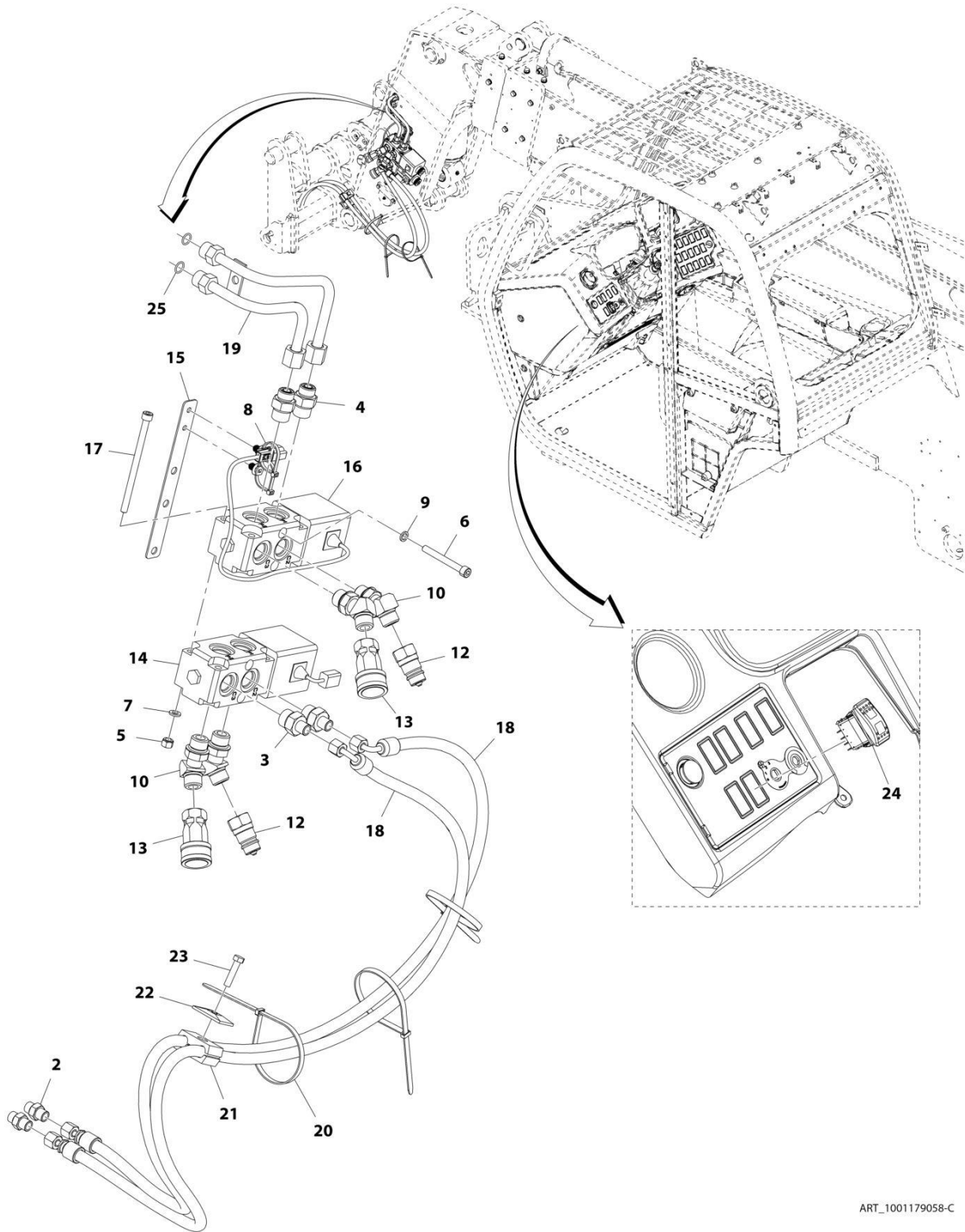
## SECTION 8 - HYDRAULIC CIRCUITS

**FIGURE 8-9. HYDRAULIC COUPLER LINES INSTALLATION (FRONT BOOM - SINGLE)**

ITEM	PART NUMBER	QTY	DESCRIPTION	REV
	1001179056	Ref	Hydraulic Coupler Lines Installation (Front Boom - Single)	C
1	2110406	2	Fitting, Straight ORFS	
2	2110410	2	Fitting, Straight ORFS	
3	2110810	2	Fitting, Straight ORFS	
4	4031918	2	Bolt, M8X70	
5	8769124	1	Clamp	
6	1001005904	2	Elbow	
7	77133140	1	Plate, Cover	
8	1001101041	1	Coupling, Male Quick Disconnect	
9	1001101042	1	Coupling, Female Quick Disconnect	
10	1001108918	1	Plate	
11	1001110023	1	Valve, Divertor (See Separate Breakdown in HYDRAULIC COMPONENTS Section)	
12	1001200218	2	Hose, ORFS	
13	1001181161	1	Tube	
14	1001146588	2	Strap, Fir Tree Cable Tie	
15	1001005262	2	Washer	
16	77133177	1	Bolt, M5/16X1-3/8	
17	1001008805	2	Seal	
18	1062255	3	Strap, Tie	
19	1001080375	1	Switch, Quick Switch	

# SECTION 8 - HYDRAULIC CIRCUITS

## FIGURE 8-10. HYDRAULIC COUPLER LINES INSTALLATION (FRONT BOOM - TWIN)



ART\_1001179058-C

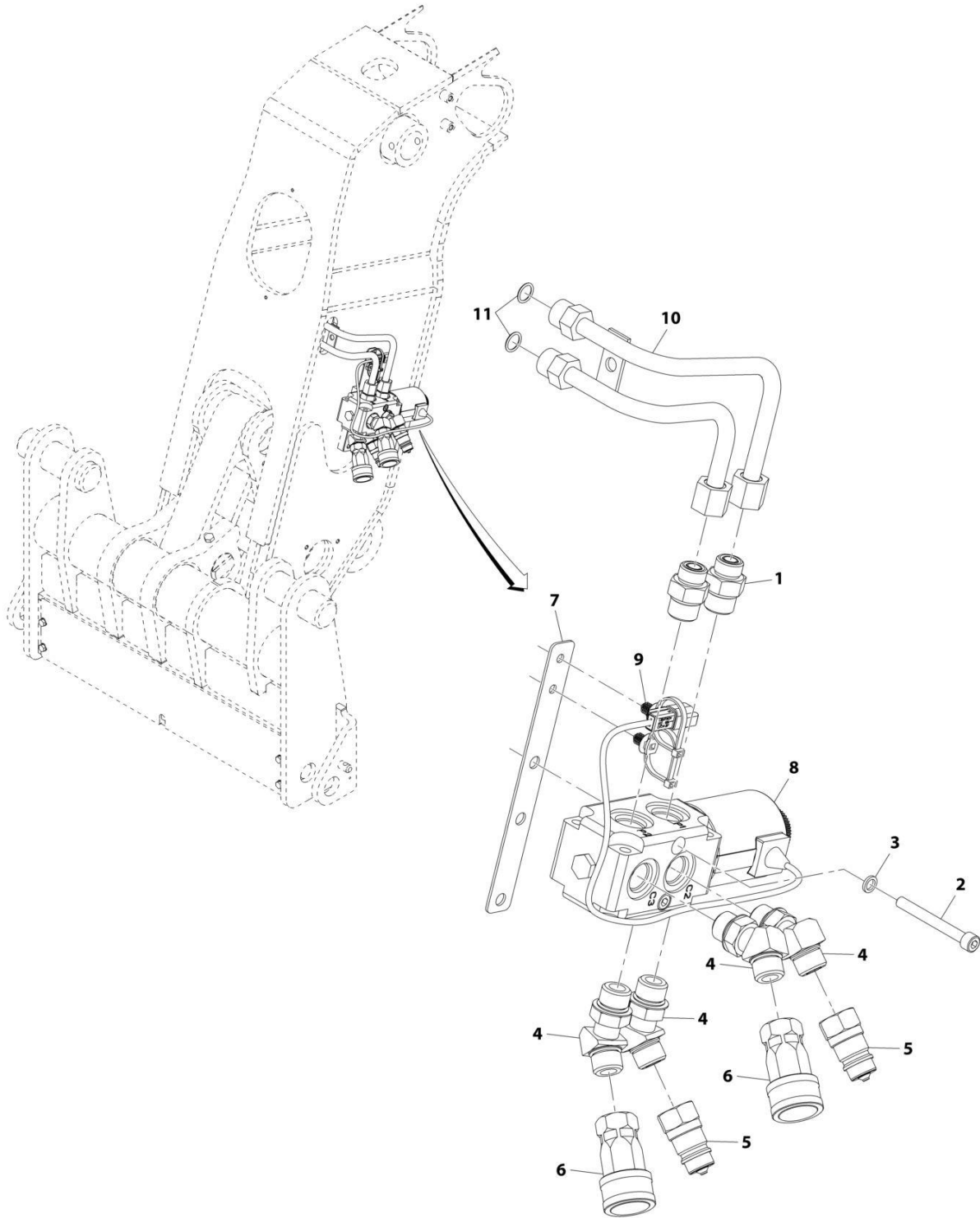
## SECTION 8 - HYDRAULIC CIRCUITS

**FIGURE 8-10. HYDRAULIC COUPLER LINES INSTALLATION (FRONT BOOM - TWIN)**

ITEM	PART NUMBER	QTY	DESCRIPTION	REV
	1001179058	Ref	Hydraulic Coupler Lines Installation (Front Boom - Twin)	C
2	2110406	2	Fitting, Straight ORFS	
3	2110410	2	Fitting, Straight ORFS	
4	2110810	2	Fitting, Straight ORFS	
5	3290805	4	Nut, Lock M8X1.25 Grade 8	
6	4031918	2	Bolt, M8X70	
7	4831900	4	Washer, Lock M8	
8	1001146588	2	Strap, Fir Tree Cable Tie	
9	1001005262	2	Washer	
10	1001005904	4	Elbow	
12	1001101041	2	Coupling, Male Quick Disconnect	
13	1001101042	2	Coupling, Female Quick Disconnect	
14	1001104477	1	Valve, Divertor (See Separate Breakdown in HYDRAULIC COMPONENTS Section)	
15	1001108918	1	Plate	
16	1001110023	1	Valve, Divertor (See Separate Breakdown in HYDRAULIC COMPONENTS Section)	
17	1001110115	4	Bolt, M8X100	
18	1001200218	2	Hose, ORFS	
19	1001181161	1	Tube	
20	1062255	3	Strap, Tie	
21	8769124	1	Clamp	
22	77133140	1	Plate, Cover	
23	77133177	1	Bolt, M5/16X1-3/8	
24	1001080375	1	Switch, Quick Switch	
25	1001008805	2	Seal	

# SECTION 8 - HYDRAULIC CIRCUITS

## FIGURE 8-11. MANUAL COUPLER LINES INSTALLATION (FRONT BOOM - TWIN)



ART\_1001201205-B

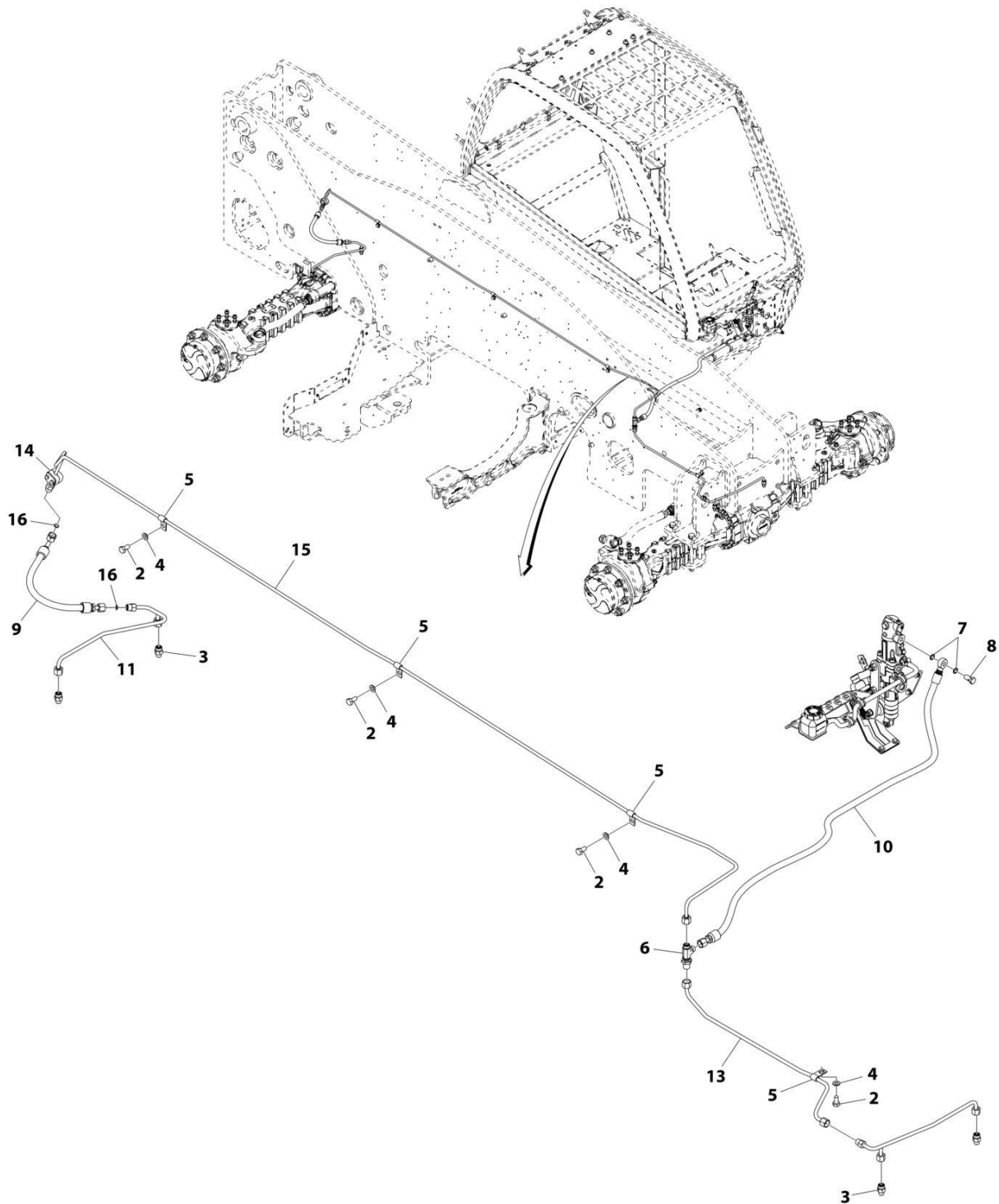
## SECTION 8 - HYDRAULIC CIRCUITS

**FIGURE 8-11. MANUAL COUPLER LINES INSTALLATION (FRONT BOOM - TWIN)**

ITEM	PART NUMBER	QTY	DESCRIPTION	REV
	1001201205	Ref	Manual Coupler Lines Installation (Front Boom - Twin)	B
1	2110810	2	Fitting, Straight ORFS	
2	4031918	2	Bolt, M8X70	
3	1001005262	2	Washer	
4	1001005904	4	Fitting, 45	
5	1001101041	2	Adapter, Male Quick Disconnect	
6	1001101042	2	Adapter, Female Quick Disconnect	
7	1001108918	1	Plate	
8	1001110023	1	Valve, Divertor (See Separate Breakdown in HYDRAULIC COMPONENTS Section)	
9	1001146588	2	Strap, Cable	
10	1001181161	1	Tube	
11	1001008805	2	Seal	

# SECTION 8 - HYDRAULIC CIRCUITS

## FIGURE 8-12. BRAKE LINES INSTALLATION



ART\_1001172909-E

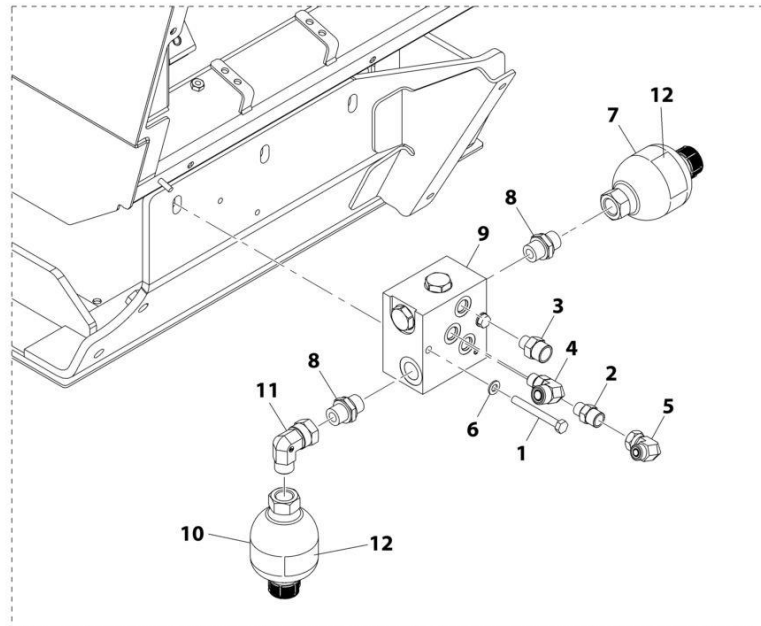
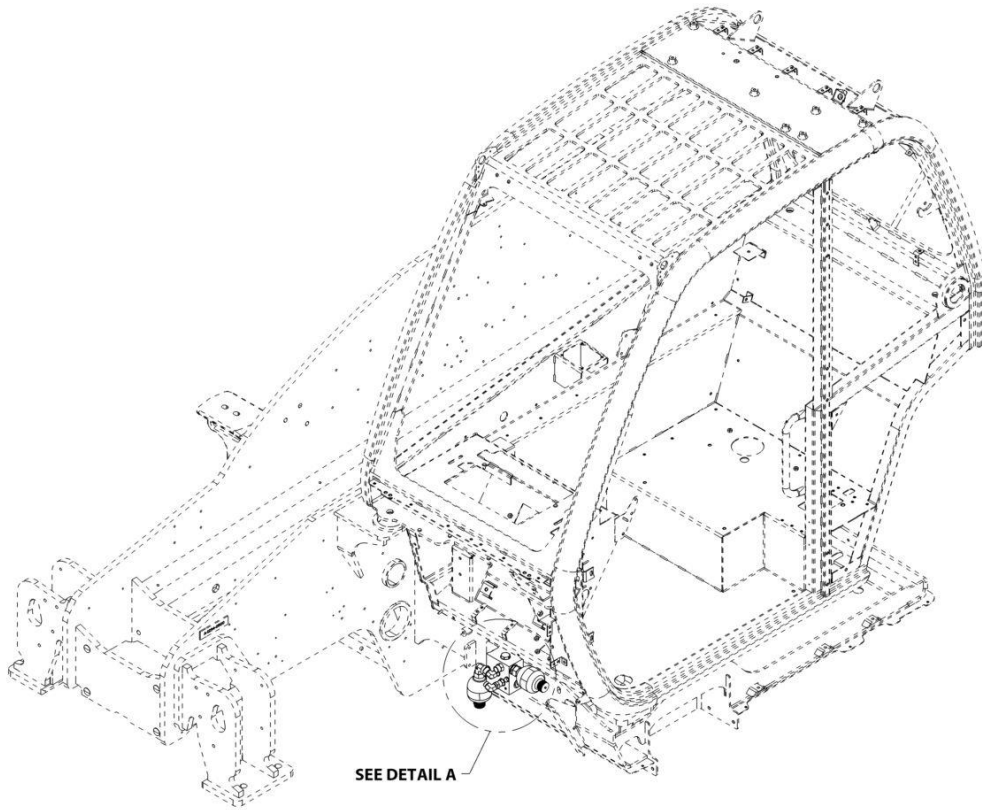
## SECTION 8 - HYDRAULIC CIRCUITS

### FIGURE 8-12. BRAKE LINES INSTALLATION

ITEM	PART NUMBER	QTY	DESCRIPTION	REV
	1001172909	Ref	Brake Lines Installation	E
2	0761010	4	Bolt, M10X20	
3	2144605	4	Fitting, Straight ORFS	
4	4812000	4	Washer, M10	
5	1001008773	4	Clip	
6	88662434	1	Fitting, Tee ORFS	
7	1001105639	2	Washer	
8	1001105643	1	Bolt	
9	1001181008	1	Hose, Rear Brake	
10	1001196912	1	Hose, ORFS <b>(Prior to SN 1160008597)</b>	
10	1001221952	1	Hose, ORFS <b>(SN 1160008597 to Present)</b>	
11	1001181016	1	Pipe, ORFS	
13	1001181019	1	Pipe, ORFS	
14	1001181170	1	Clamp	
15	1001203046	1	Pipe, ORFS <b>(Prior to SN 1160008597)</b>	
15	1001221953	1	Pipe, ORFS <b>(SN 1160008597 to Present)</b>	
16	1001008804	2	Seal	

# SECTION 8 - HYDRAULIC CIRCUITS

## FIGURE 8-13. BRAKE ACCUMULATOR INSTALLATION



DETAIL A

ART\_1001207694-C



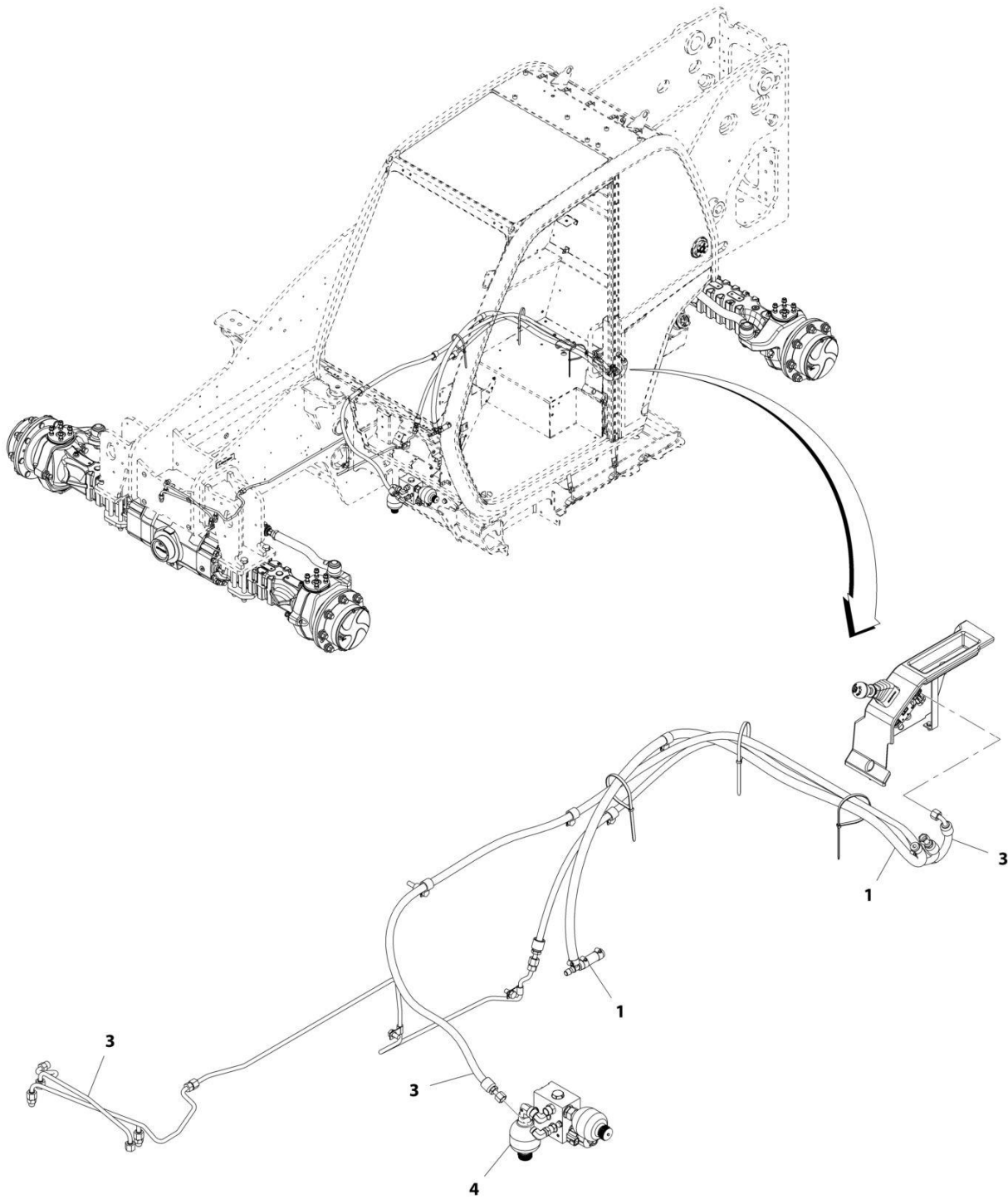
## SECTION 8 - HYDRAULIC CIRCUITS

### FIGURE 8-13. BRAKE ACCUMULATOR INSTALLATION

ITEM	PART NUMBER	QTY	DESCRIPTION	REV
	1001207694	Ref	Brake Accumulator Installation	C
1	0700822	2	Bolt, M8X70	
2	2110606	1	Fitting, Straight ORFS	
3	2110806	1	Fitting, Straight ORFS	
4	2130806	1	Fitting, 90 ORFS	
5	2172106	1	Fitting, 90 ORFS	
6	4811900	2	Washer, M8	
7	1001173418	1	Brake	
8	1001179926	2	Adapter	
9	1001215589	1	Manifold	
10	1001209651	1	Brake, Damper	
11	1001211376	1	Fitting, 90 ORFS	
12	1001237054	2	Decal, Stored Energy	

# SECTION 8 - HYDRAULIC CIRCUITS

## FIGURE 8-14. SAHR LINES INSTALLATION



ART\_1001193722-C

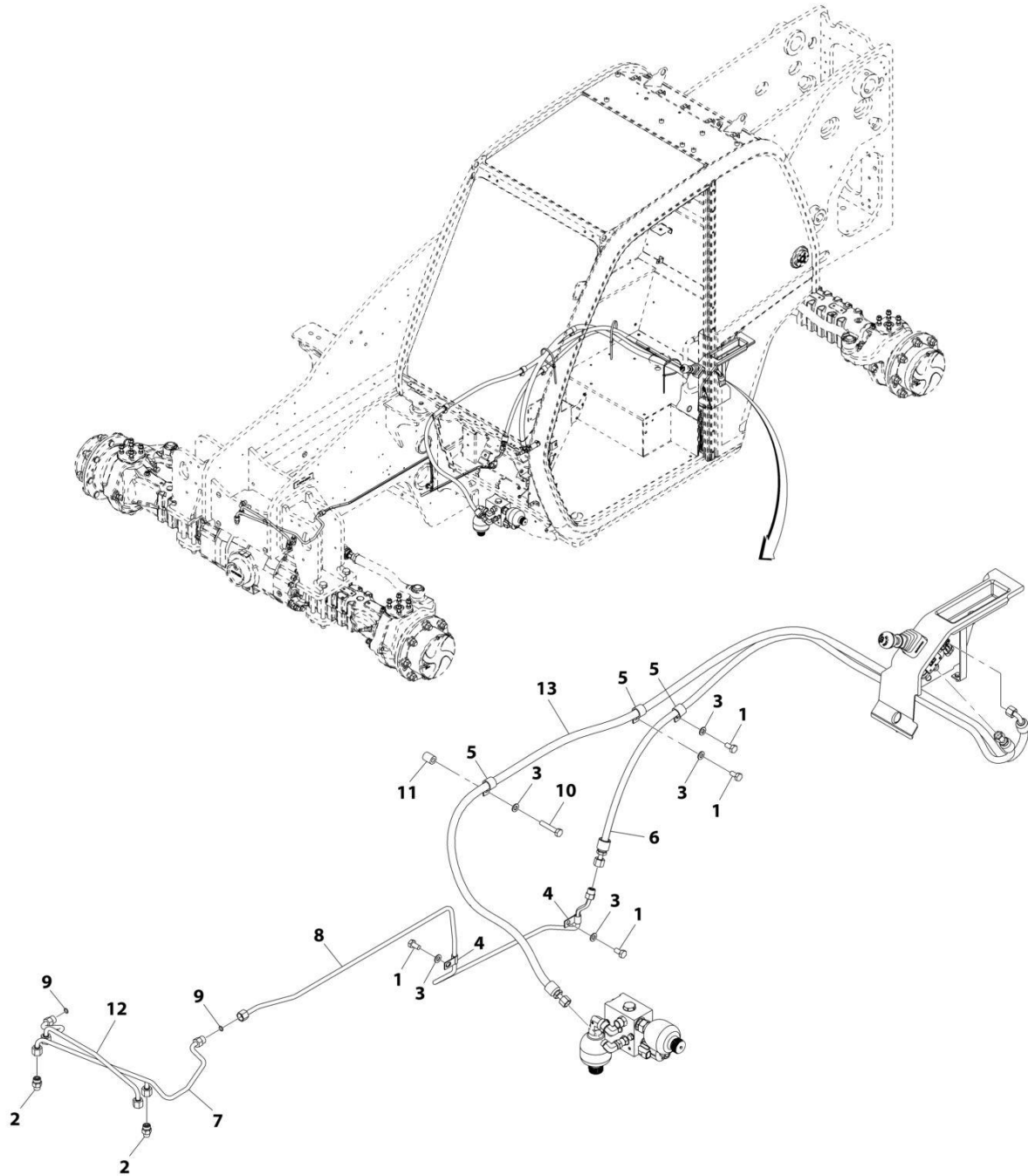
## SECTION 8 - HYDRAULIC CIRCUITS

**FIGURE 8-14. SAHR LINES INSTALLATION**

ITEM	PART NUMBER	QTY	DESCRIPTION	REV
1	1001193722	Ref	SAHR Lines Installation	C
	1001187400	Ref	Installation, Return Lines (See Separate Breakdown in this Section)	
3	1001188609	Ref	Installation, Brake Lines (See Separate Breakdown in this Section)	
4	1001207694	Ref	Installation, Brake Accumulator (See Separate Breakdown in this Section)	

# SECTION 8 - HYDRAULIC CIRCUITS

## FIGURE 8-15. BRAKE LINES INSTALLATION



ART\_1001188609-C

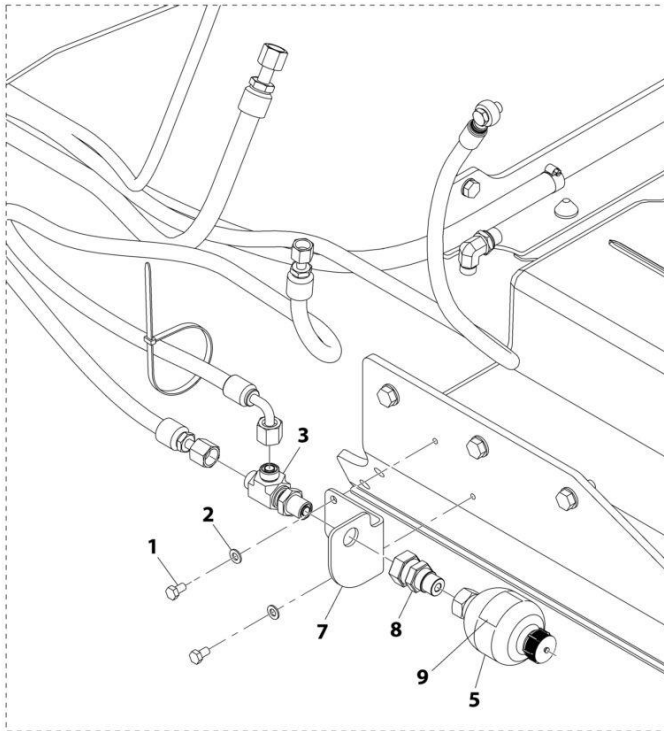
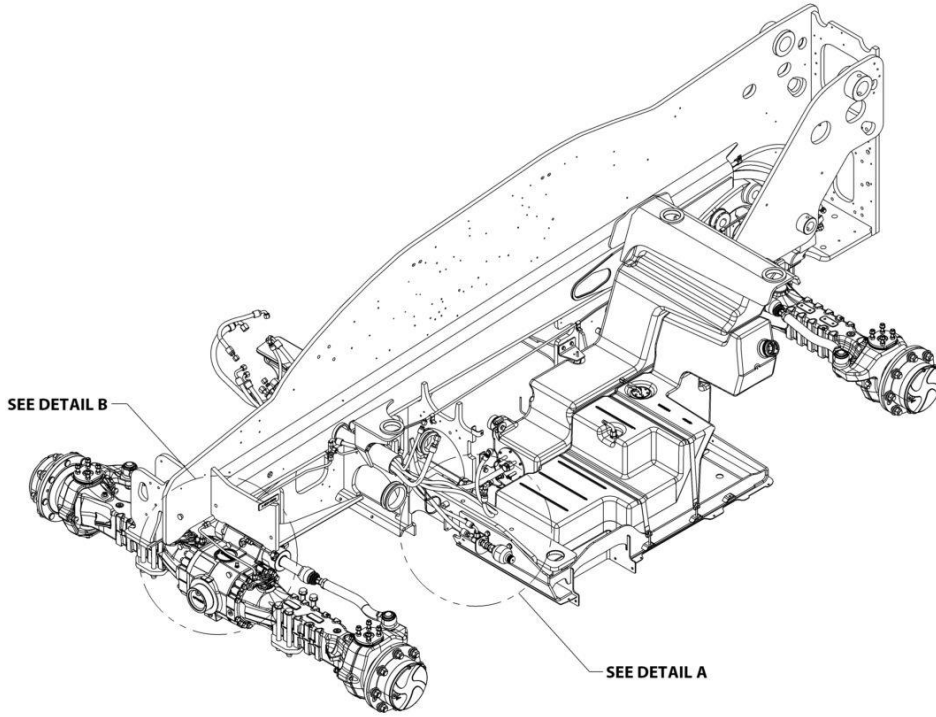
## SECTION 8 - HYDRAULIC CIRCUITS

### FIGURE 8-15. BRAKE LINES INSTALLATION

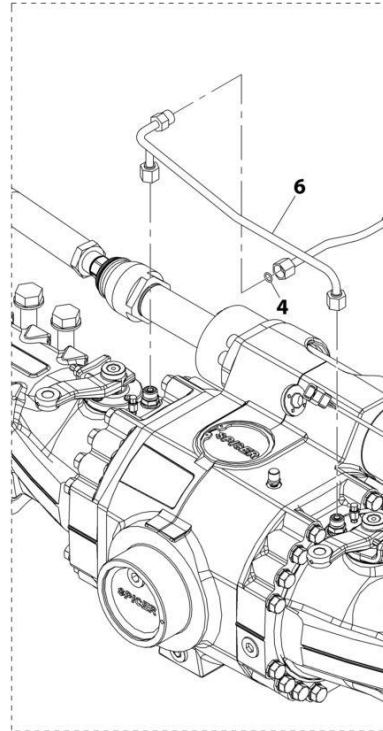
ITEM	PART NUMBER	QTY	DESCRIPTION	REV
	1001188609	Ref	Brake Lines Installation	C
1	0761010	4	Bolt, M10X20	
2	2144605	2	Fitting, Straight ORFS	
3	4812000	5	Washer, M10	
4	1001008773	2	Clip	
5	1001004144	3	Clip	
6	1001207908	1	Hose, ORFS	
7	1001201941	1	Pipe, ORFS	
8	1001207903	1	Pipe, ORFS	
9	1001008804	3	Seal	
10	0701019	1	Bolt, M10X55	
11	1001188548	1	Boss	
12	1001201940	1	Pipe, ORFS	
13	1001207804	1	Hose, ORFS	

# SECTION 8 - HYDRAULIC CIRCUITS

## FIGURE 8-16. BRAKE ACCUMULATOR



DETAIL A



DETAIL B

ART\_1001213031-B

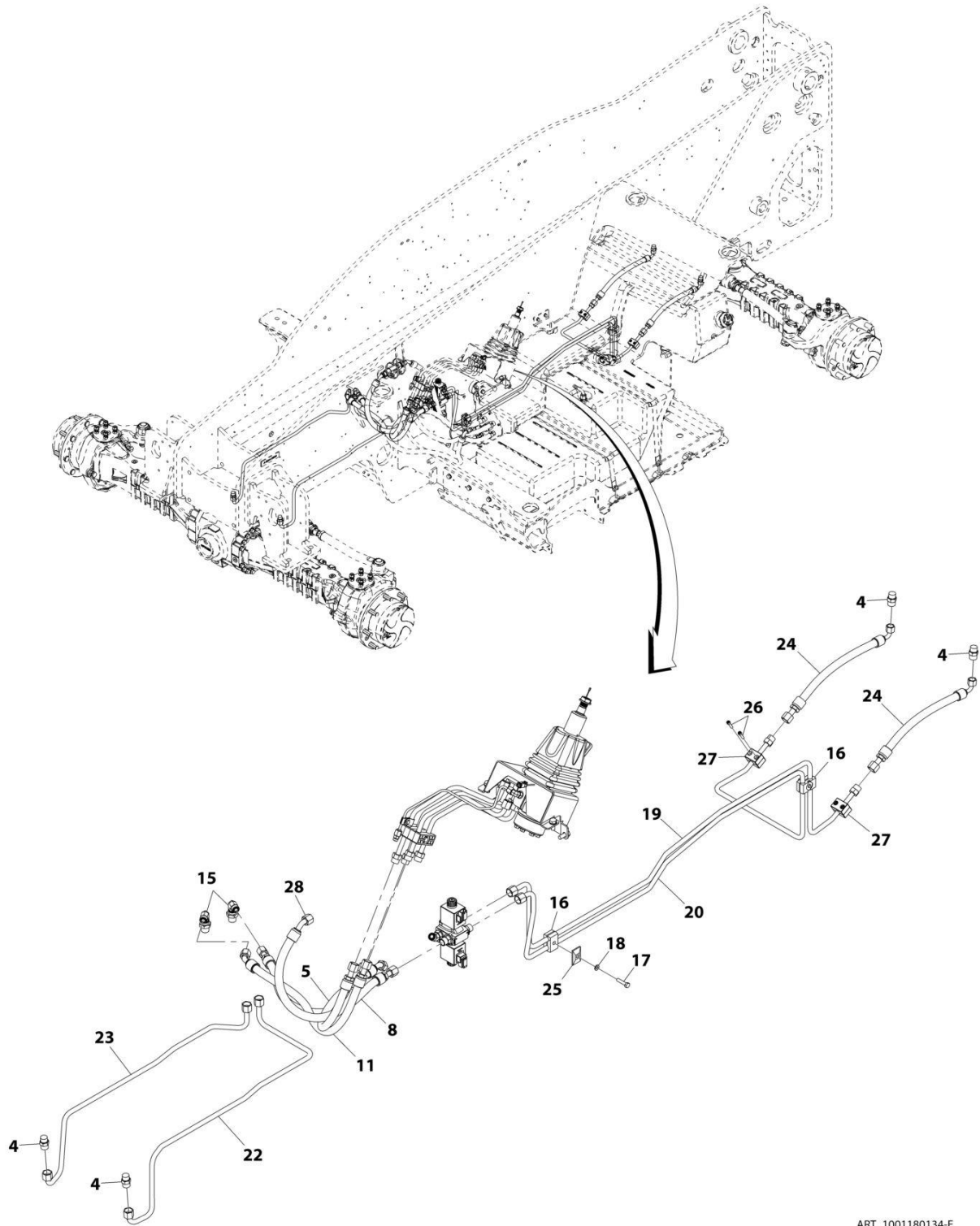
## SECTION 8 - HYDRAULIC CIRCUITS

### FIGURE 8-16. BRAKE ACCUMULATOR

ITEM	PART NUMBER	QTY	DESCRIPTION	REV
	1001213031	Ref	Brake Accumulator	B
1	0760807	2	Bolt, M8X14	
2	4811900	2	Washer, M8	
3	8770167	1	Fitting, Tee ORFS	
4	1001008804	1	Seal	
5	1001173418	1	Brake, Damper	
6	1001181017	1	Pipe, ORFS	
7	1001207522	1	Bracket, Accumulator	
8	1001207523	1	Fitting, Straight ORFS	
9	1001237054	1	Decal, Stored Energy	

# SECTION 8 - HYDRAULIC CIRCUITS

## FIGURE 8-17. STEERING LINES INSTALLATION



ART\_1001180134-E



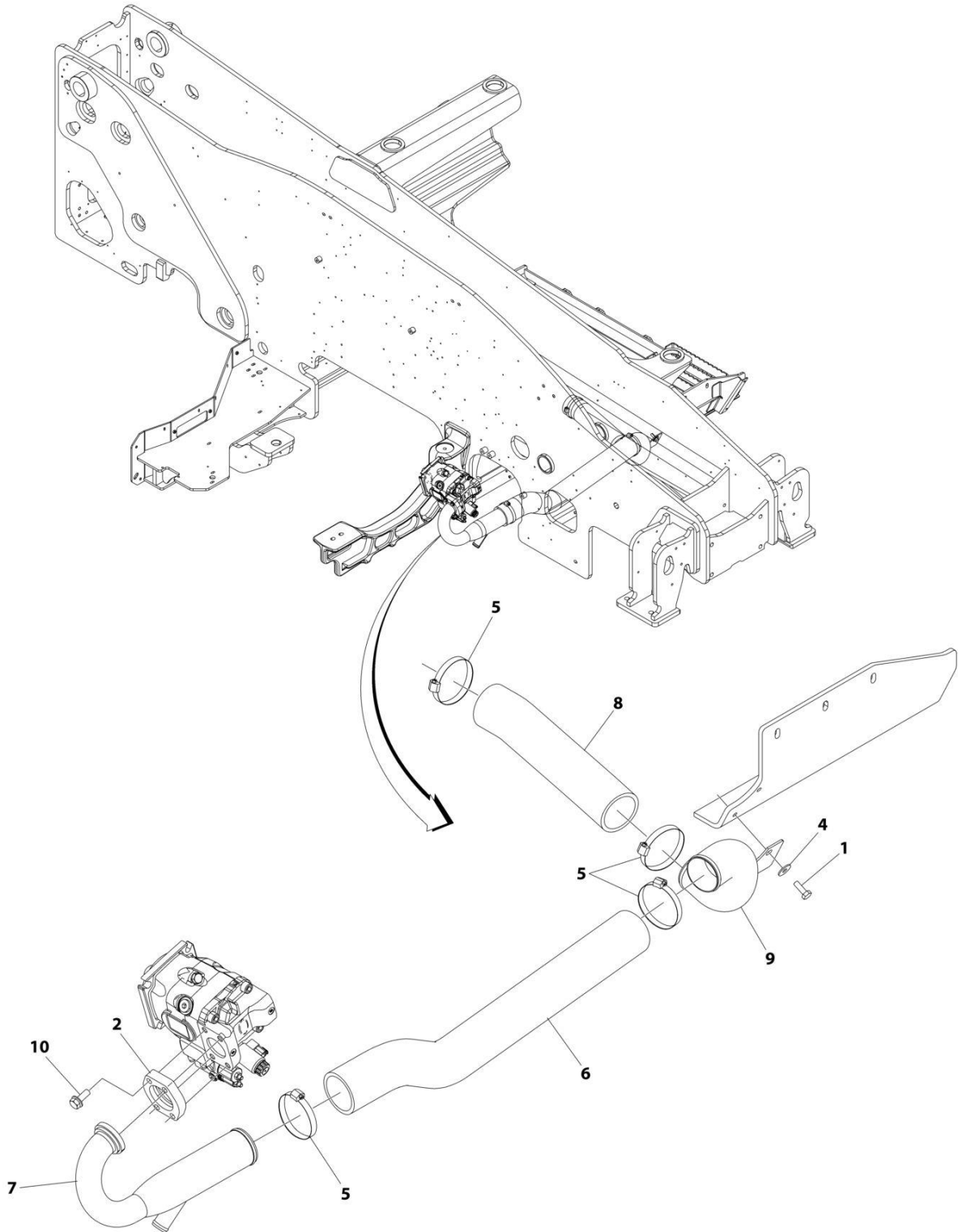
## SECTION 8 - HYDRAULIC CIRCUITS

**FIGURE 8-17. STEERING LINES INSTALLATION**

ITEM	PART NUMBER	QTY	DESCRIPTION	REV
	1001180134	Ref	Steering Lines Installation	E
4	2110808	4	Fitting, Straight ORFS	
5	1001180810	1	Hose, Steering	
8	1001180809	1	Hose, Steering	
11	1001180811	1	Hose, Steering	
15	2171208	2	Adapter, ORFS	
16	77133168	2	Clamp	
17	0700815	2	Bolt, M8X35	
18	4811900	2	Washer, M8	
19	1001195741	1	Pipe, ORFS	
20	1001195742	1	Pipe, ORFS	
22	1001193515	1	Pipe, ORFS	
23	1001193514	NLA	Pipe, ORFS (no longer available, use 1001225423 for replacement)	
23	1001225423	1	Pipe, ORFS	
24	1001193513	2	Hose, ORFS	
25	77133140	2	Plate, Cover	
26	4031709	4	Bolt, M6X25	
27	1001104934	2	Clamp	
28	1001224476	1	Hose Assy, ORFS	

# SECTION 8 - HYDRAULIC CIRCUITS

## FIGURE 8-18. SUCTION LINES INSTALLATION



ART\_1001184531

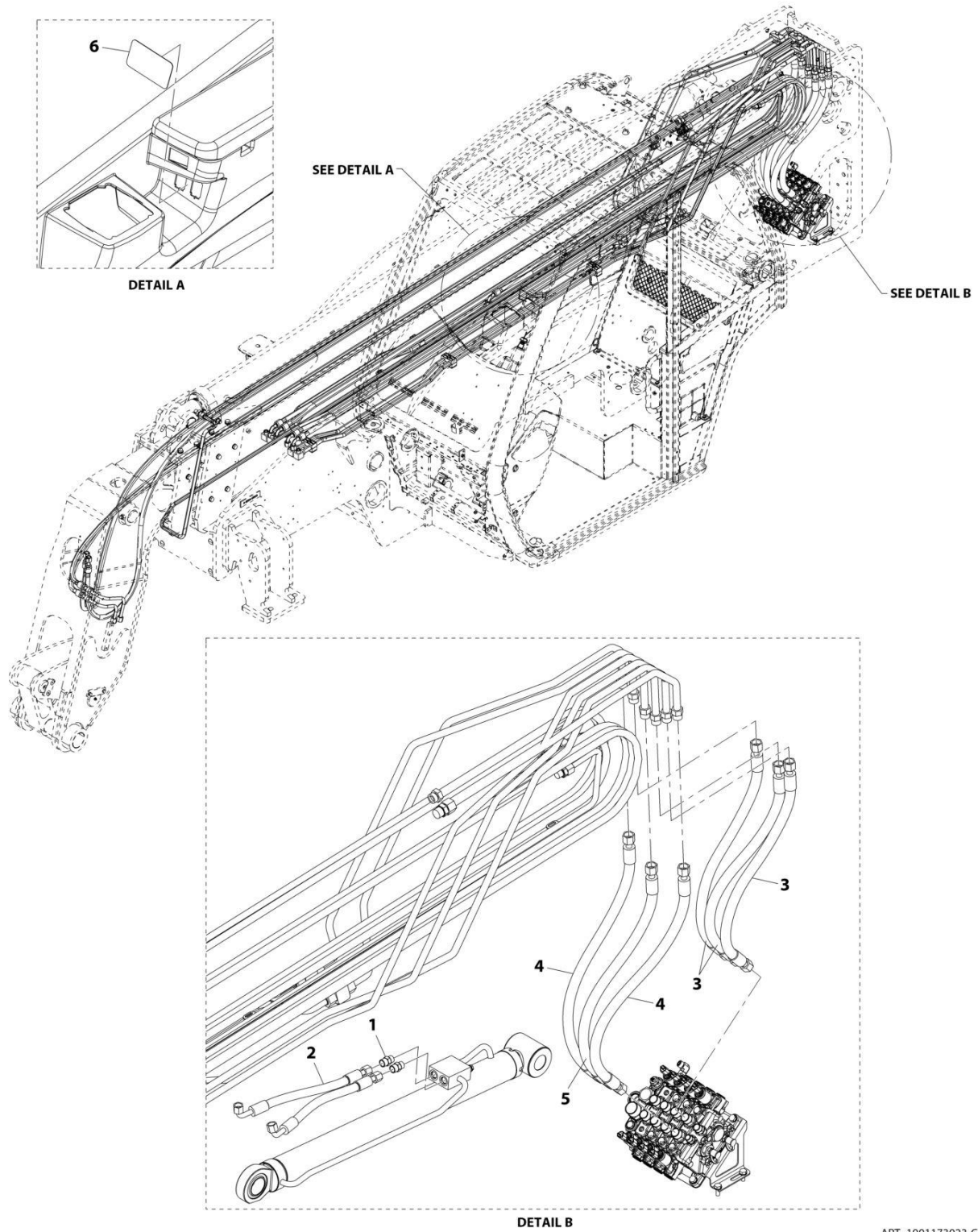
## SECTION 8 - HYDRAULIC CIRCUITS

### FIGURE 8-18. SUCTION LINES INSTALLATION

ITEM	PART NUMBER	QTY	DESCRIPTION	REV
	1001184531	Ref	SUCTION LINES INSTALLATION	F
1	0761014	2	Bolt M10 x 30	
2	2171832	1	Fitting, Straight	
4	4812002	2	Washer M10	
5	8405301	4	Clamp	
6	1001176313	1	Hose	
7	1001202135	1	Pipe	
8	1001193421	1	Hose	
9	1001184530	1	Pipe	
10	5201215	4	Bolt M12 x 35	

# SECTION 8 - HYDRAULIC CIRCUITS

## FIGURE 8-19. BOOM LINES INSTALLATION



ART\_1001173023-C

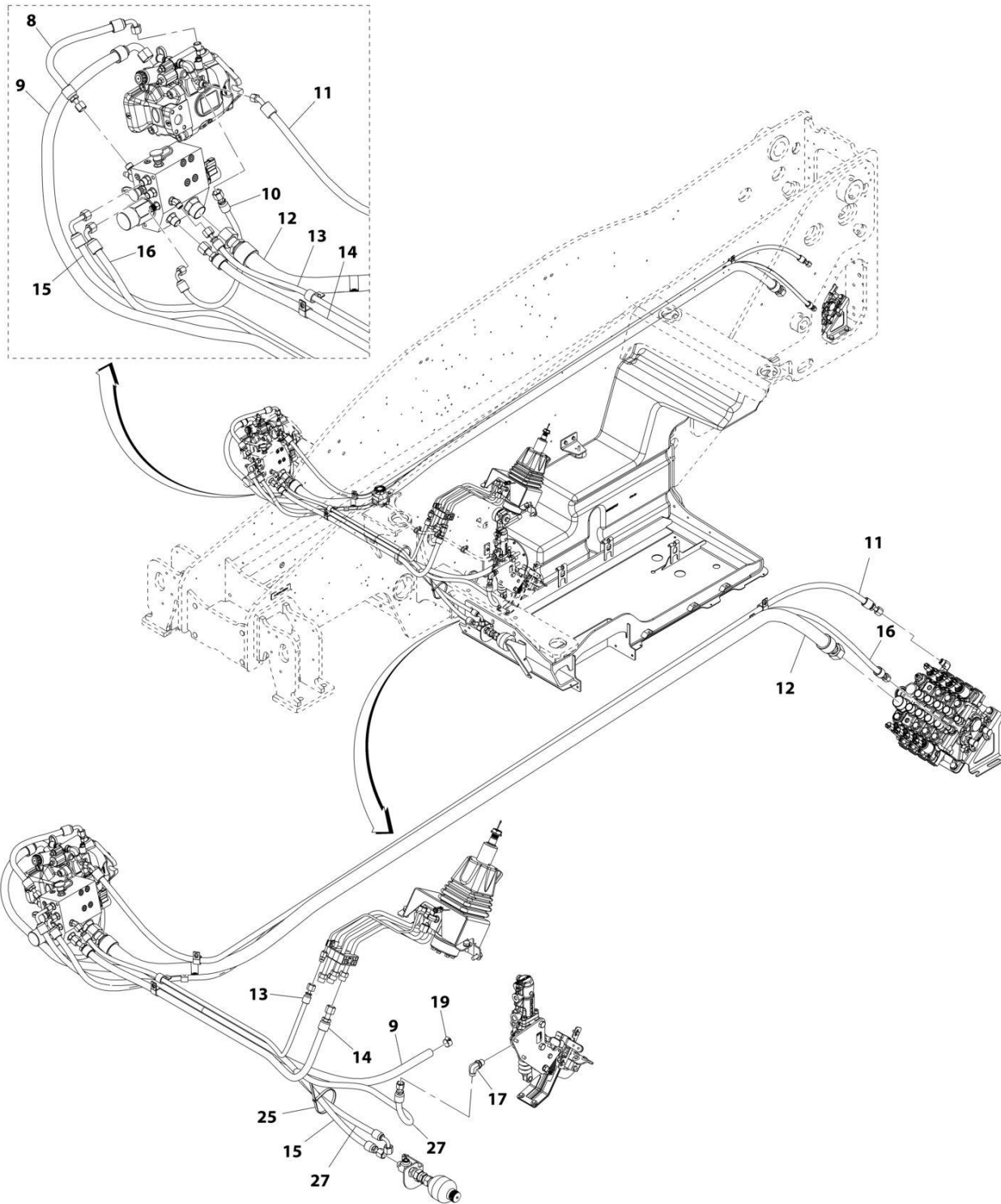
## SECTION 8 - HYDRAULIC CIRCUITS

### FIGURE 8-19. BOOM LINES INSTALLATION

ITEM	PART NUMBER	QTY	DESCRIPTION	REV
	1001173023	Ref	Boom Lines Installation	D
1	2110808	2	Fitting, Straight ORFS	
2	1001181784	2	Hose	
3	1001183990	3	Hose	
4	1001183959	2	Hose	
5	1001184482	1	Hose	
6	1670836	1	Cover	

# SECTION 8 - HYDRAULIC CIRCUITS

## FIGURE 8-20. PRIORITY LINES INSTALLATION



ART\_1001180845-E

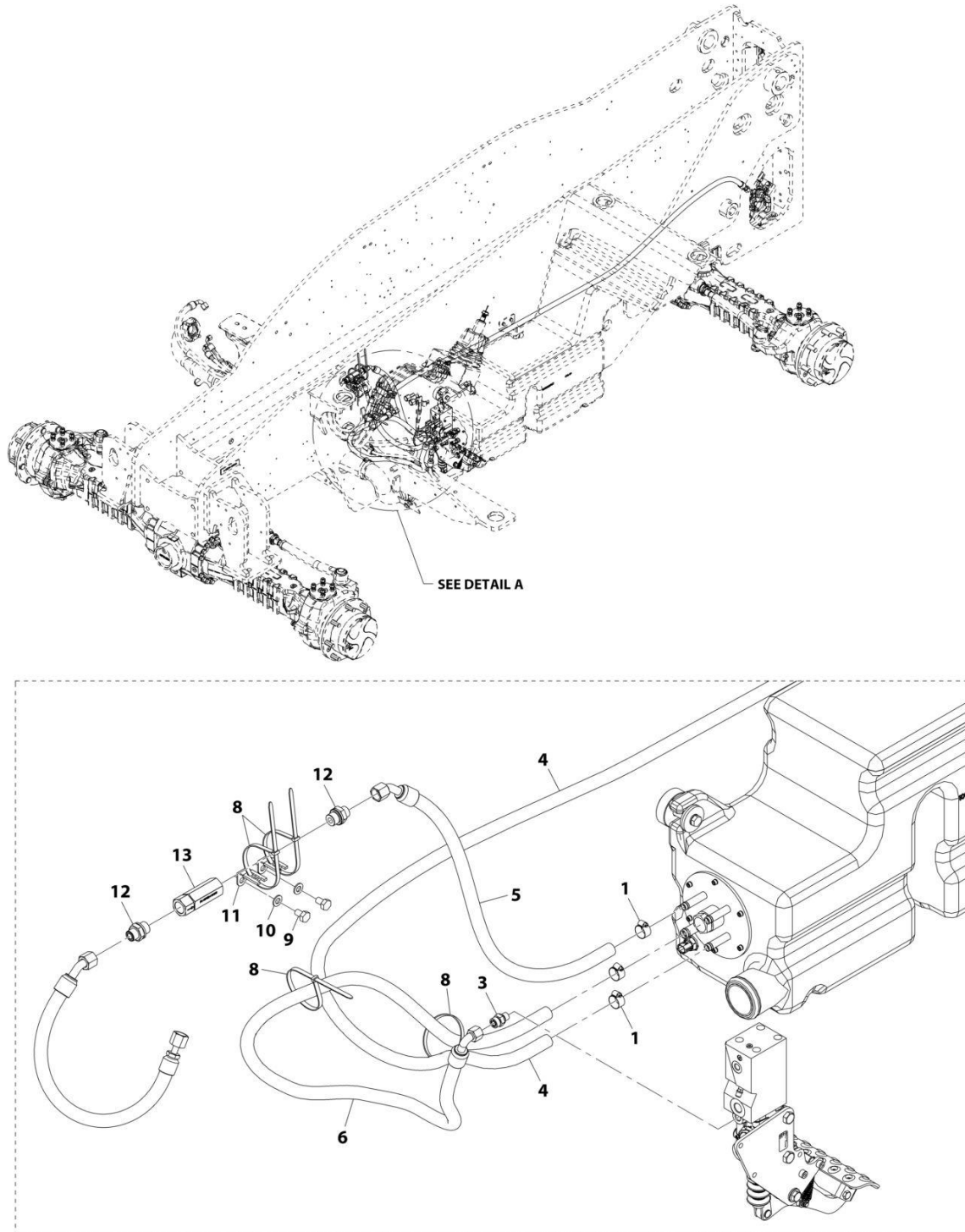
## SECTION 8 - HYDRAULIC CIRCUITS

**FIGURE 8-20. PRIORITY LINES INSTALLATION**

ITEM	PART NUMBER	QTY	DESCRIPTION	REV
	1001180845	Ref	Priority Lines Installation	E
8	1001180850	1	Hose	
9	1001196723	1	Hose, ORFS	
10	1001195994	1	Hose, ORFS	
11	1001196002	1	Hose, ORFS	
12	1001195992	1	Hose, ORFS	
13	1001180855	1	Hose	
14	1001180856	1	Hose	
15	1001207526	1	Hose, ORFS	
16	1001201422	1	Hose, ORFS	
17	80333151	1	Fitting, 90 ORFS	
19	8405006	1	Clamp	
25	1062255	1	Strap, Tie	
27	1001207525	1	Hose, ORFS	

# SECTION 8 - HYDRAULIC CIRCUITS

FIGURE 8-21. RETURN LINES INSTALLATION (Prior to SN 1160008715)



DETAIL A

ART\_1001185351-D



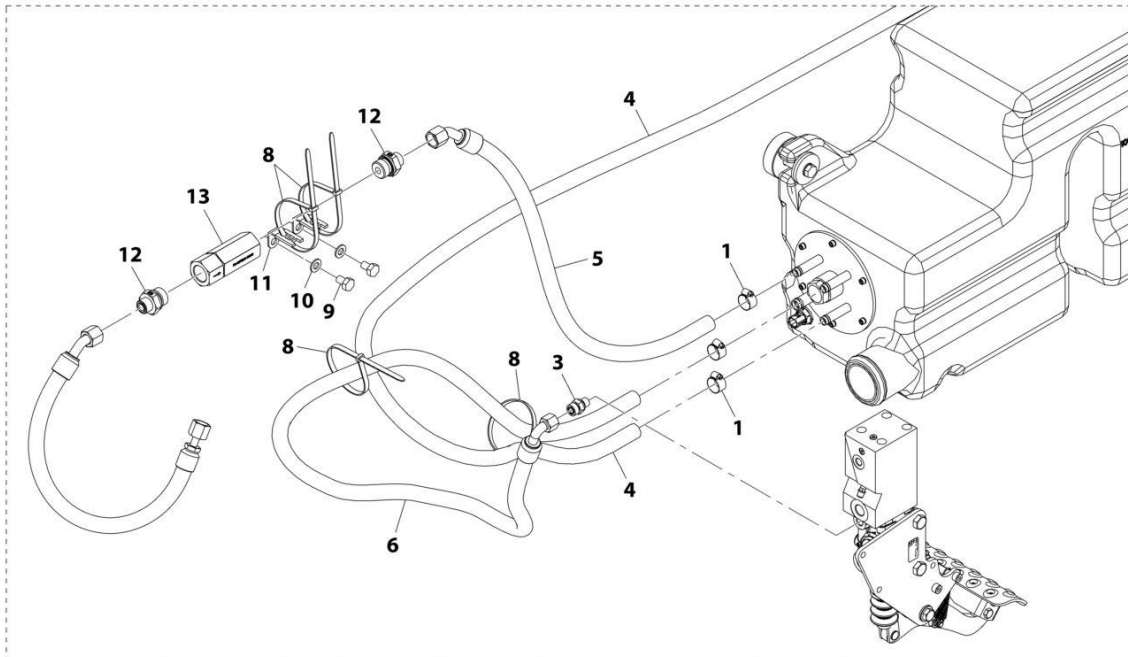
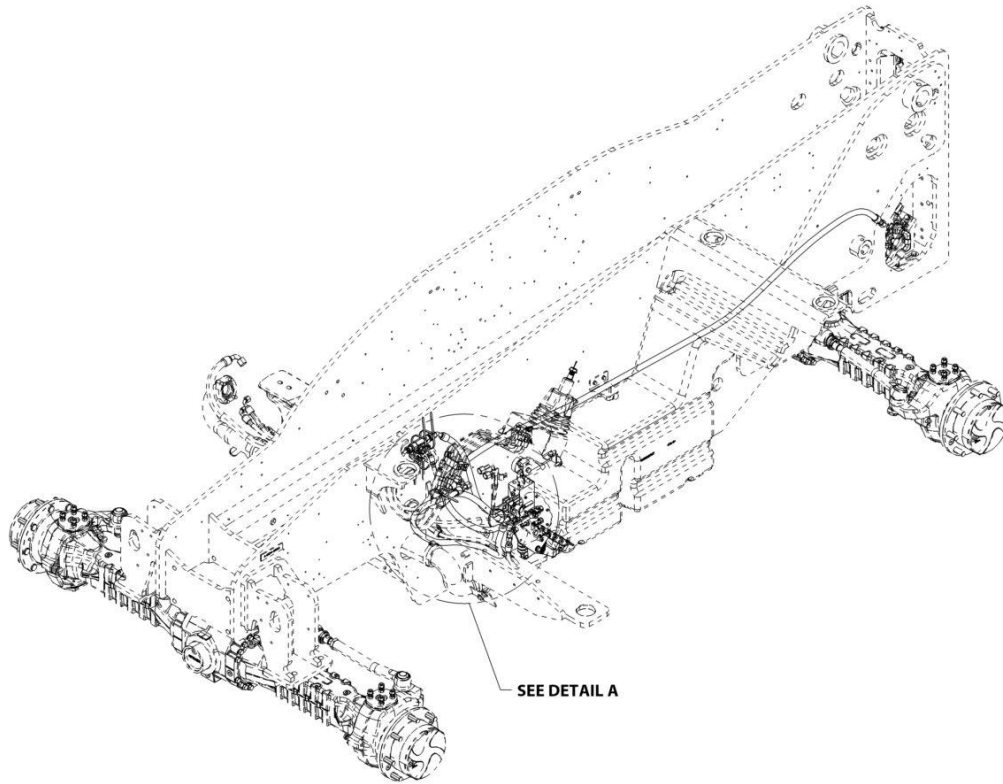
## SECTION 8 - HYDRAULIC CIRCUITS

**FIGURE 8-21. RETURN LINES INSTALLATION (Prior to SN 1160008715)**

ITEM	PART NUMBER	QTY	DESCRIPTION	REV
	1001185351	Ref	Return Lines Installation	D
1	8410009	3	Clamp, Gear	
3	80233218	1	Adapter, Straight ORFS	
4	1001196787	NLA	Hose, ORFS (no longer available, use 1001224143 for replacement)	
4	1001224143	1	Hose, ORFS	
5	1001201943	NLA	Hose, ORFS (no longer available, use 1001224144 for replacement)	
5	1001224144	1	Hose, ORFS	
6	1001196661	1	Hose, ORFS	
8	1062255	4	Strap, Tie	
9	0761008	2	Bolt, M10X16	
10	4812000	2	Washer, M10	
11	1001003305	2	Clip	
12	1001121127	2	Adapter, Straight ORFS	
13	1001224447	NLA	Check Valve (no longer available, use 1001227974 for replacement)	
13	1001227974	1	Check Valve	

# SECTION 8 - HYDRAULIC CIRCUITS

FIGURE 8-22. RETURN LINES INSTALLATION (SN 1160008715 to Present)



DETAIL A

ART\_1001185351-E

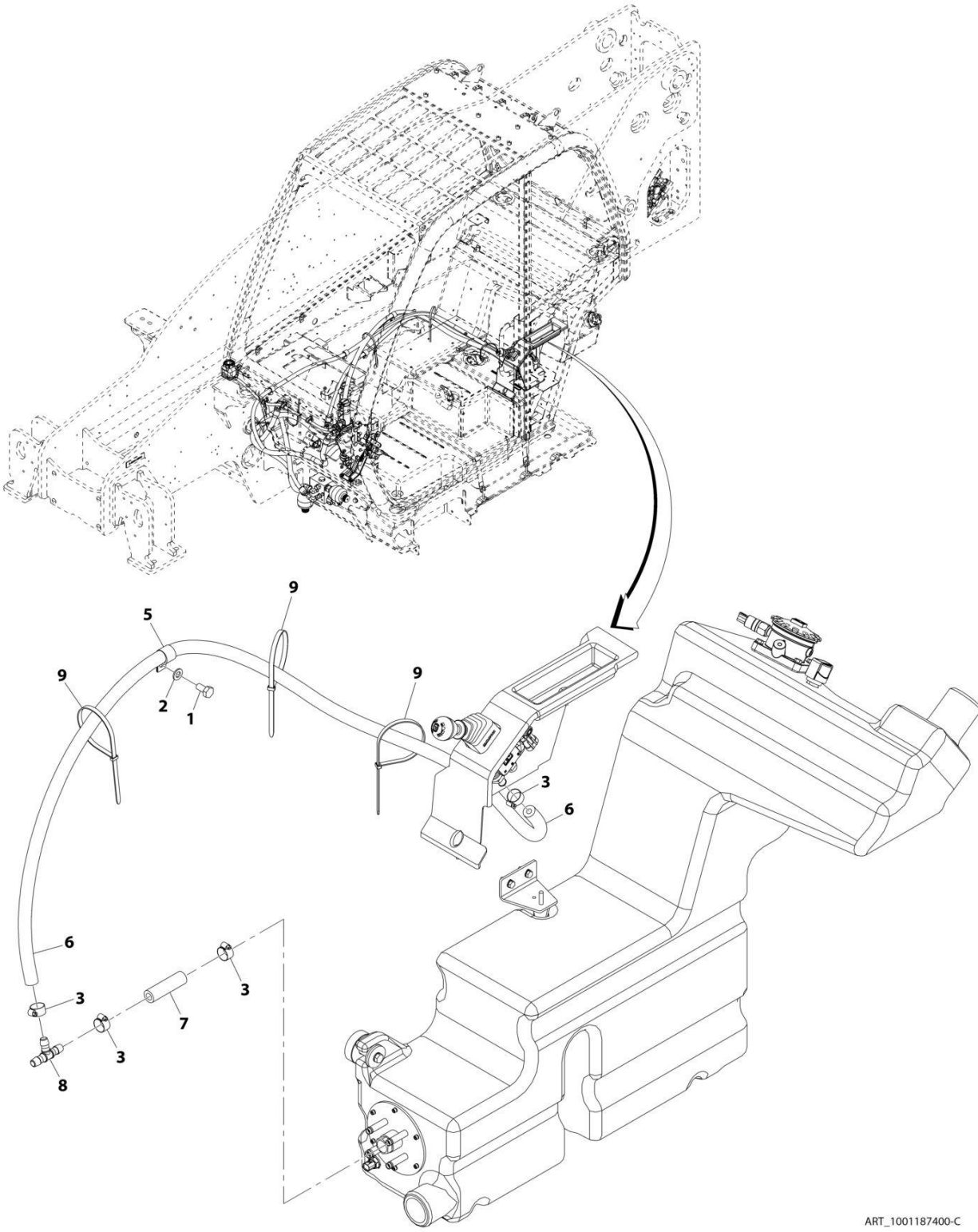
## SECTION 8 - HYDRAULIC CIRCUITS

**FIGURE 8-22. RETURN LINES INSTALLATION (SN 1160008715 to Present)**

ITEM	PART NUMBER	QTY	DESCRIPTION	REV
	1001185351	Ref	Return Lines Installation	E
1	8410009	3	Clamp, Gear	
3	80233218	1	Adapter, Straight ORFS	
4	1001224143	1	Hose, ORFS	
5	1001224144	1	Hose, ORFS	
6	1001196661	1	Hose, ORFS	
8	1062255	4	Strap, Tie	
9	0761008	2	Bolt, M10X16	
10	4812000	2	Washer, M10	
11	1001003305	2	Clip	
12	1001192411	2	Adapter, Straight ORFS	
13	1001229155	1	Check Valve	

**SECTION 8 - HYDRAULIC CIRCUITS**

**FIGURE 8-23. RETURN LINES INSTALLATION (SAHR)**



ART\_1001187400-C

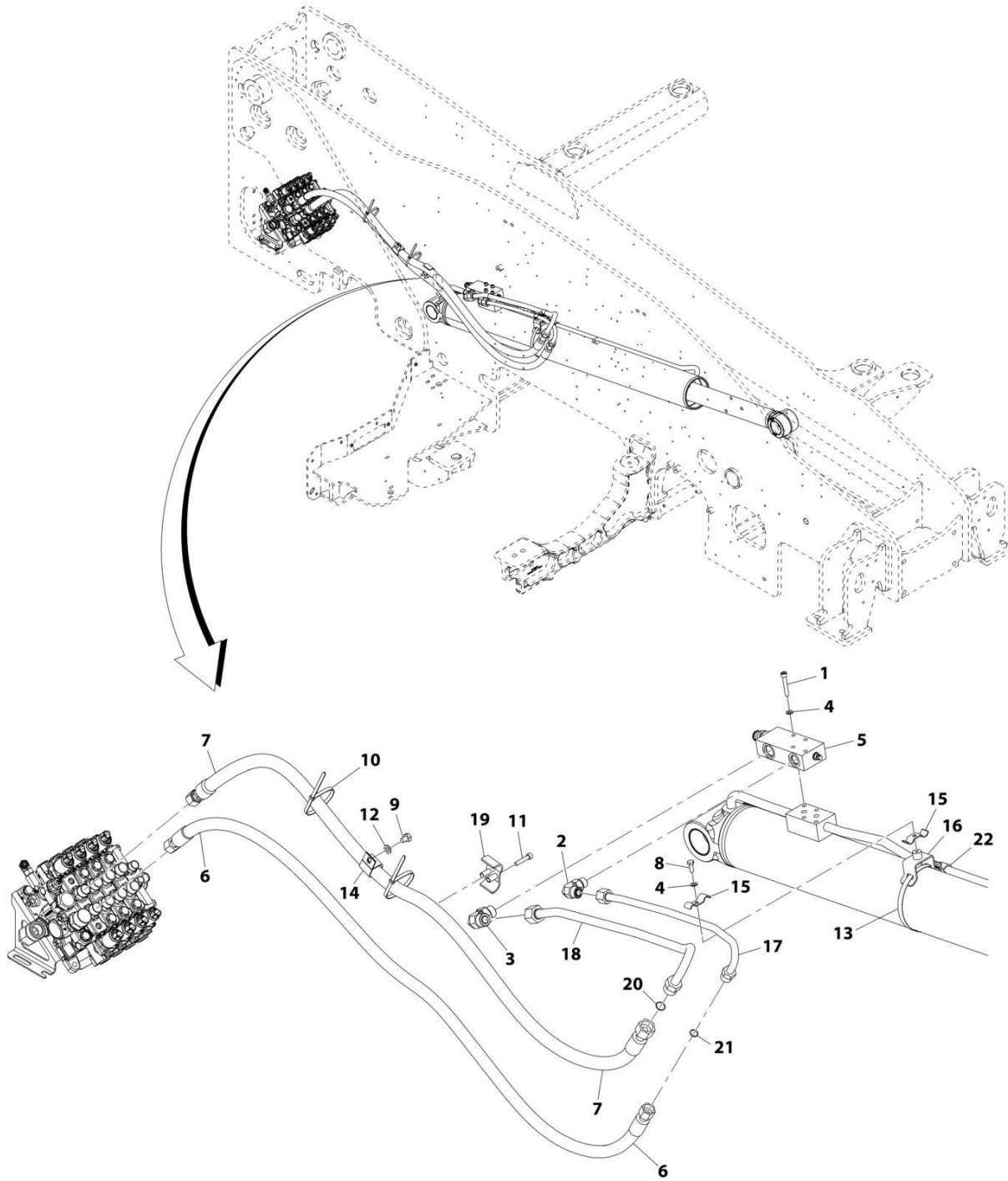
## SECTION 8 - HYDRAULIC CIRCUITS

**FIGURE 8-23. RETURN LINES INSTALLATION (SAHR)**

ITEM	PART NUMBER	QTY	DESCRIPTION	REV
	1001187400	Ref	Return Lines Installation	C
1	0761010	1	Bolt, M10X20	
2	4812000	1	Washer, M10	
3	8410009	4	Clamp, Gear	
5	1001004144	1	Clip	
6	1001207754	1	Hose	
7	1001187416	1	Hose	
8	1001176411	1	Adapter, Tee	
9	1062255	3	Strap, Tie	

# SECTION 8 - HYDRAULIC CIRCUITS

## FIGURE 8-24. BOOM RAISE HOSES INSTALLATION (NO RIDE CONTROL)



ART\_1001179041-C

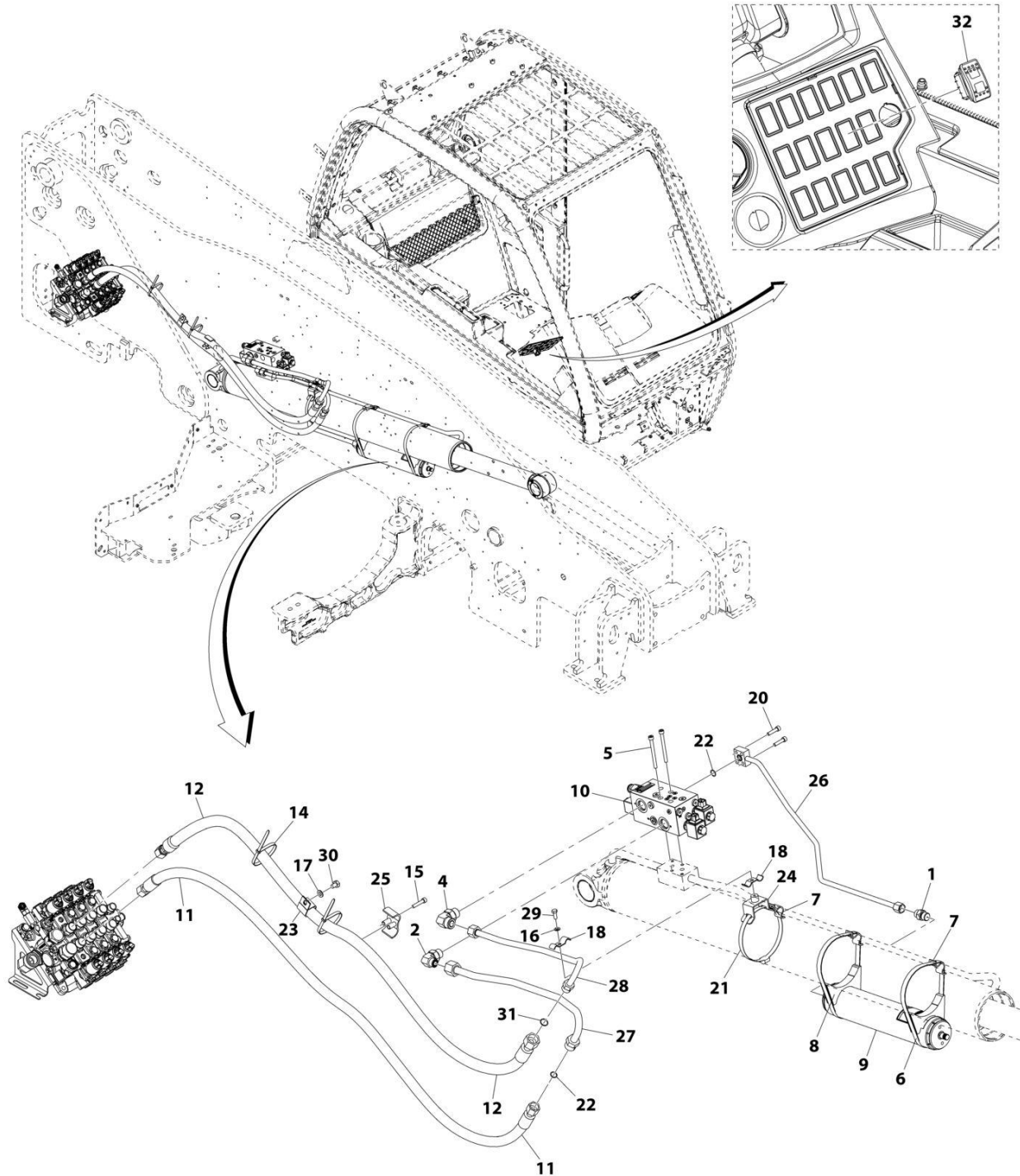
## SECTION 8 - HYDRAULIC CIRCUITS

**FIGURE 8-24. BOOM RAISE HOSES INSTALLATION (NO RIDE CONTROL)**

ITEM	PART NUMBER	QTY	DESCRIPTION	REV
	1001179041	Ref	Boom Raise Hoses Installation (No Ride Control)	C
1	5271814	4	Bolt, M8X50	
2	2131010	1	Fitting, 90 ORFS	
3	2131212	1	Fitting, 90 ORFS	
4	4811900	5	Washer, M8	
5	1001201245	1	Valve, Counterbalance (Sold as Complete Assembly Only)	
5	70027600	1	Seal Kit - Mounting Seal (Includes Seals Between Valve & Cylinder)	
6	1001203923	1	Hose, ORFS	
7	1001203922	1	Hose, ORFS	
8	0760810	1	Bolt, M8X20	
9	0761007	1	Bolt, M10X14	
10	1062255	2	Strap, Tie	
11	4031912	2	Bolt, M8X40	
12	4812000	1	Washer, M10	
13	8405502	1	Clamp	
14	1001008572	1	Clip	
15	1001198331	2	Clamp, Twin	
16	1001200038	1	Bracket	
17	1001203905	1	Pipe, ORFS	
18	1001203915	1	Pipe, ORFS	
19	1001203919	1	Bracket	
20	1001008863	1	Seal	
21	1001008922	1	Seal	
22	1001101064	1	Clip	

# SECTION 8 - HYDRAULIC CIRCUITS

## FIGURE 8-25. BOOM RAISE HOSES INSTALLATION (RIDE CONTROL)



ART\_1001179043-E



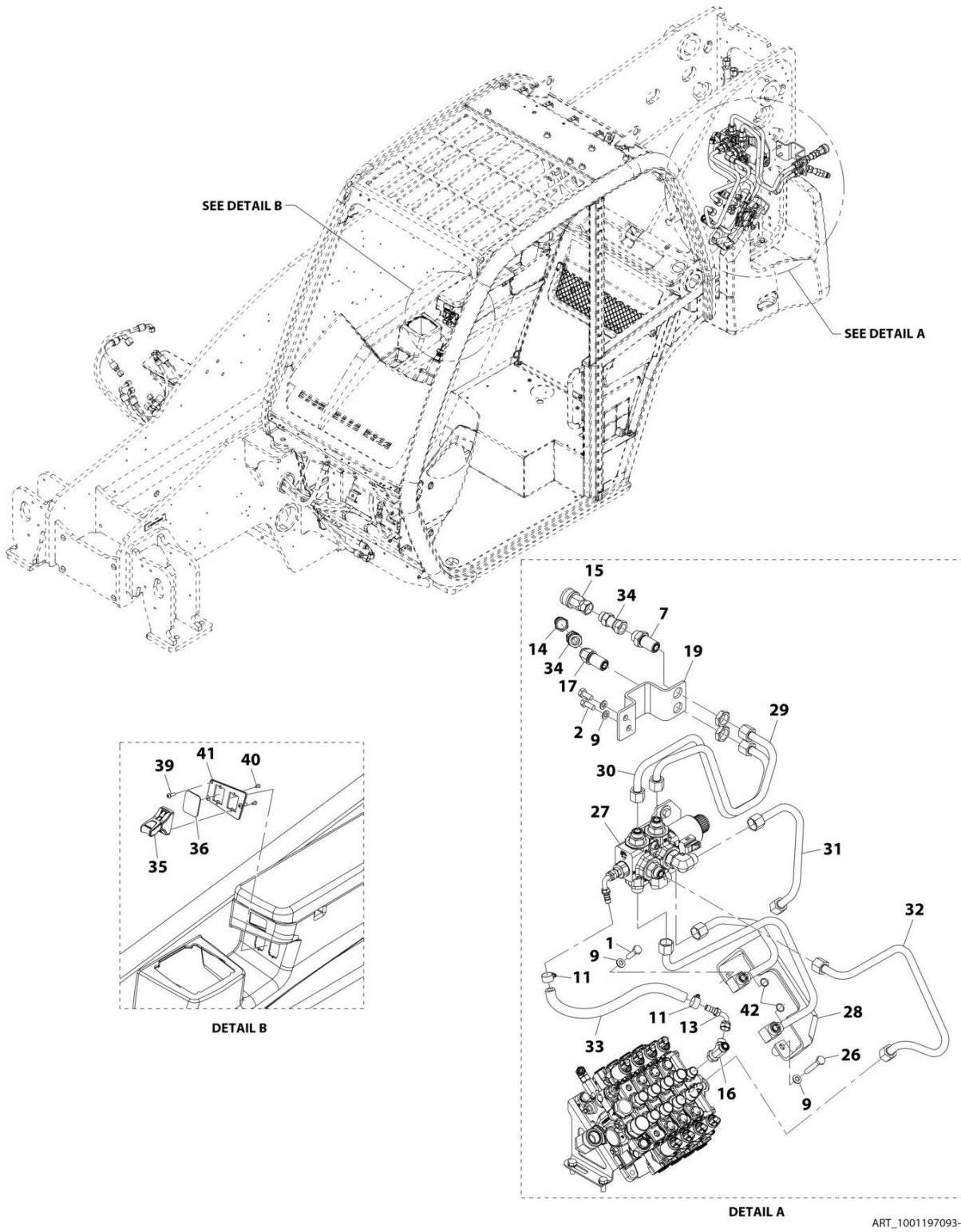
## SECTION 8 - HYDRAULIC CIRCUITS

**FIGURE 8-25. BOOM RAISE HOSES INSTALLATION (RIDE CONTROL)**

ITEM	PART NUMBER	QTY	DESCRIPTION	REV
	1001179043	Ref	Boom Raise Hoses Installation (Ride Control)	E
1	1001216636	1	Valve, Check	
2	2131012	1	Fitting, 90 ORFS	
4	2131212	1	Fitting, 90 ORFS	
5	5271922	4	Bolt, M8X90	
6	1001101063	2	Clamp	
7	1001101064	3	Clip	
8	1001208035	2	Bumper	
9	1001106729	1	Cylinder, Piston Accumulator	
10	1001215261	1	Valve, Ride Control (See Separate Breakdown in HYDRAULIC COMPONENTS Section)	
11	1001203923	1	Hose, ORFS	
12	1001203922	1	Hose, ORFS	
14	1062255	2	Strap, Tie	
15	4031912	2	Bolt, M8X40	
16	4811900	1	Washer, M8	
17	4812000	1	Washer, M10	
18	1001198331	2	Clamp	
20	5271808	4	Screw, M8X20	
21	8405502	1	Clamp	
22	1001008922	2	Seal	
23	1001008572	1	Clip	
24	1001200038	1	Bracket	
25	1001203919	1	Bracket	
26	1001211452	1	Pipe, ORFS	
27	1001204974	1	Pipe, ORFS	
28	1001204975	1	Pipe, ORFS	
29	0760810	1	Bolt, M8X20	
30	0761007	1	Bolt, M10X14	
31	1001008863	1	Seal	
32	1001159745	1	Switch	

# SECTION 8 - HYDRAULIC CIRCUITS

## FIGURE 8-26. REAR AUX HYDRAULICS INSTALLATION (SINGLE) (Prior to SN 1160008716)



ART\_1001197093-F

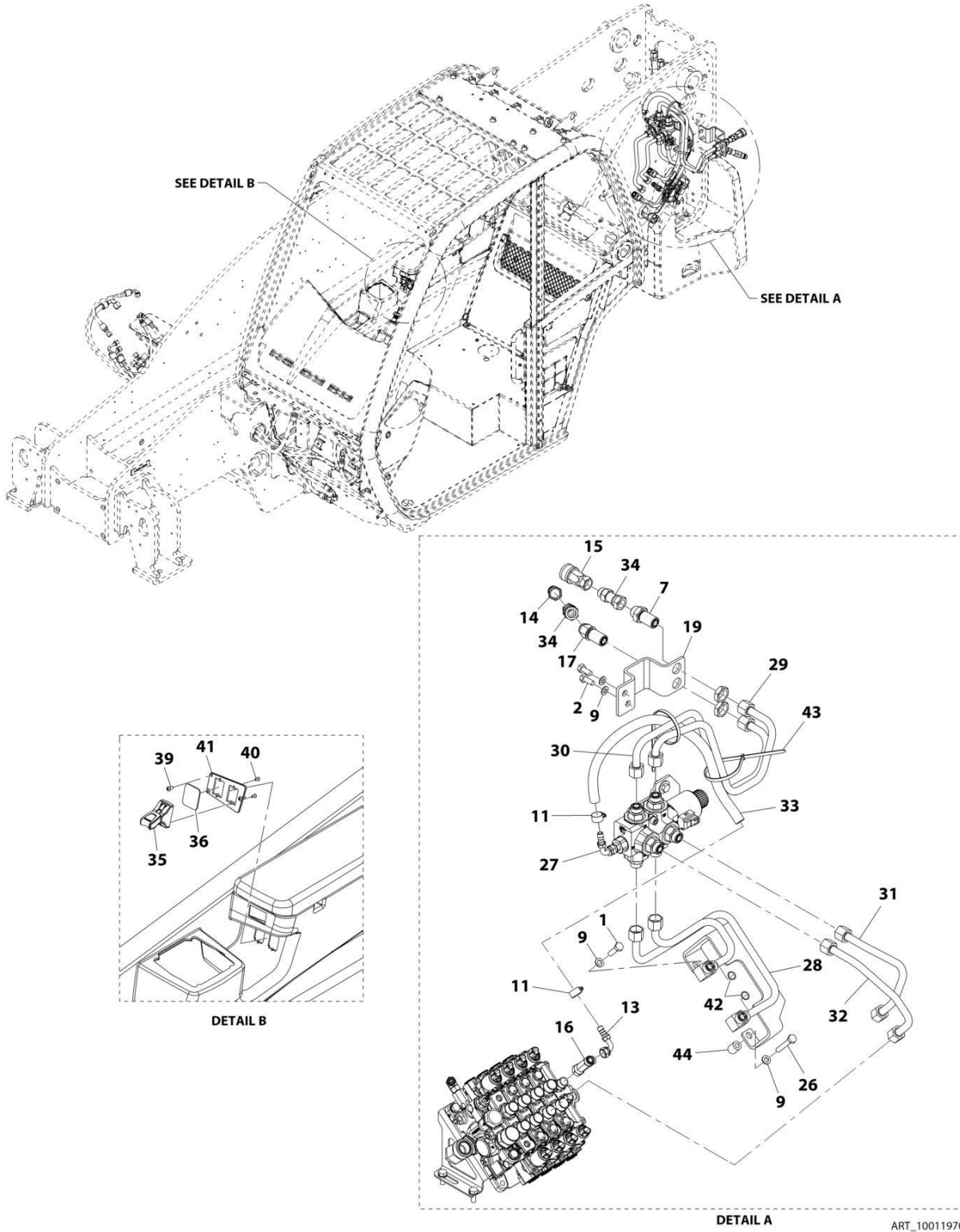
## SECTION 8 - HYDRAULIC CIRCUITS

**FIGURE 8-26. REAR AUX HYDRAULICS INSTALLATION (SINGLE) (Prior to SN 1160008716)**

ITEM	PART NUMBER	QTY	DESCRIPTION	REV
	1001197093	Ref	Rear Aux Hydraulics Installation (Single)	F
1	0701016	1	Bolt, M10X40	
2	0761012	2	Bolt, M10X25	
7	2171110	1	Fitting, Straight ORFS	
9	4812000	4	Washer, M10	
11	8405006	2	Clamp	
13	1001095301	1	Fitting, 90 ORFS	
14	1001101041	1	Coupling, Male Quick Disconnect	
15	1001101042	1	Coupling, Female Quick Disconnect	
16	1001104646	1	Fitting, Tee ORFS	
17	2171310	1	Fitting, 45 ORFS	
19	1001213829	1	Bracket	
26	0701021	1	Bolt, M10X65	
27	1001204420	1	Assembly, Divertor Valve (Hi Flow) (See Separate Breakdown in HYDRAULIC COMPONENTS Section)	
28	1001204421	1	Pipe	
29	1001213771	NLA	Pipe, ORFS (no longer available, use 1001226101 for replacement)	
29	1001226101	1	Pipe, ORFS	
30	1001213772	1	Pipe, ORFS	
31	1001204427	1	Pipe, ORFS	
32	1001204428	1	Pipe, ORFS	
33	1001204437	1	Hose	
34	1001001556	2	Fitting, Straight ORFS	
35	1001157919	1	Joystick, Fingertip Control	
36	1001214399	1	Cover	
39	1001005193	3	Screw	
40	1001216232	2	Screw	
41	1001216163	1	<b>Plate</b>	
42	1001008922	2	Seal	

# SECTION 8 - HYDRAULIC CIRCUITS

FIGURE 8-27. REAR AUX HYDRAULICS INSTALLATION (SINGLE) (SN 1160008716 to Present)



ART\_1001197093-H

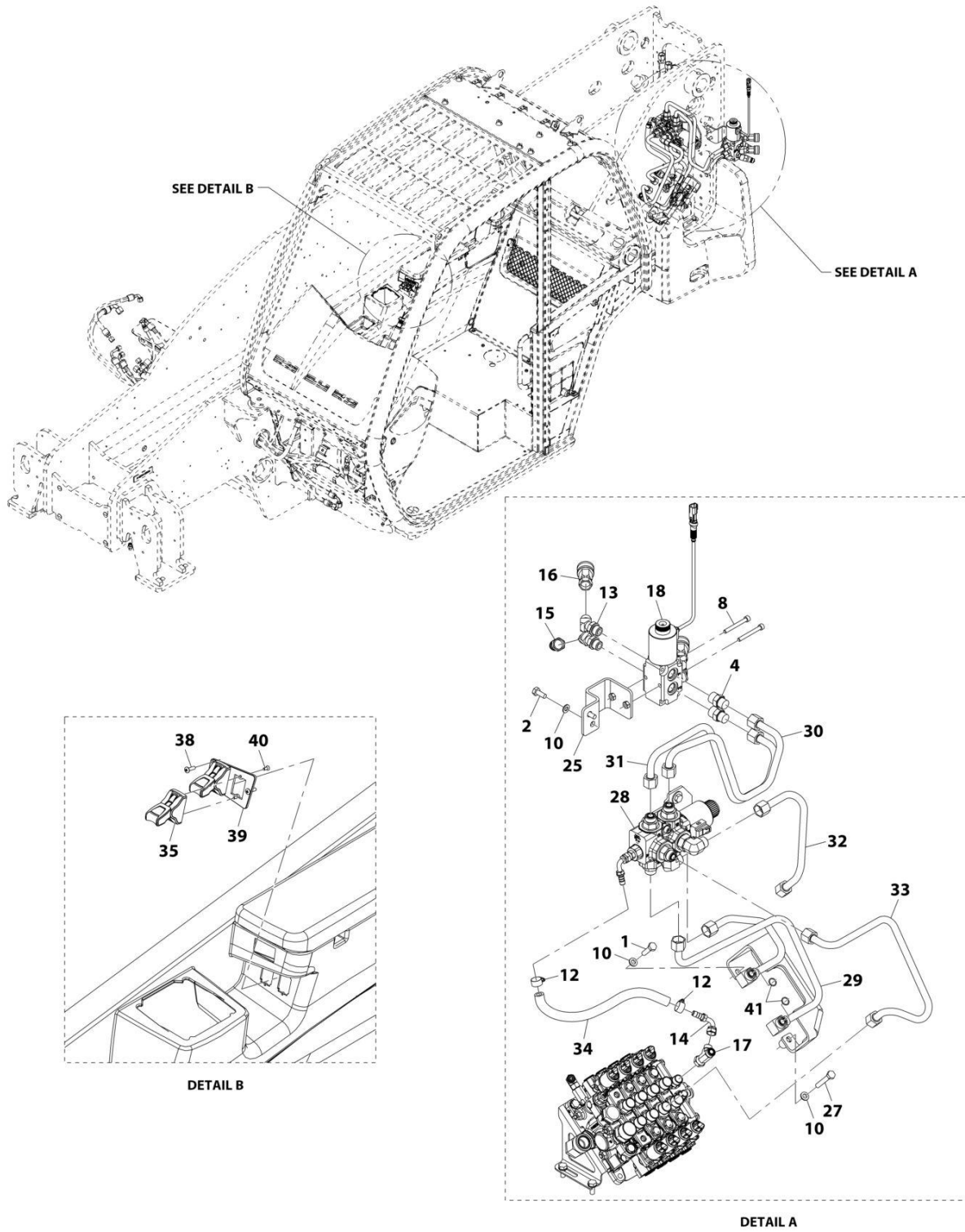
## SECTION 8 - HYDRAULIC CIRCUITS

**FIGURE 8-27. REAR AUX HYDRAULICS INSTALLATION (SINGLE) (SN 1160008716 to Present)**

ITEM	PART NUMBER	QTY	DESCRIPTION	REV
	1001197093	Ref	Rear Aux Hydraulics Installation (Single)	H
1	0701016	1	Bolt, M10X40	
2	0761012	2	Bolt, M10X25	
7	2171110	1	Fitting, Straight ORFS	
9	4812000	4	Washer, M10	
11	8405006	2	Clamp	
13	1001095301	1	Fitting, 90 ORFS	
14	1001101041	1	Coupling, Male Quick Disconnect	
15	1001101042	1	Coupling, Female Quick Disconnect	
16	1001104646	1	Fitting, Tee ORFS	
17	2171310	1	Fitting, 45 ORFS	
19	1001213829	1	Bracket	
26	0701021	1	Bolt, M10X65	
27	1001204420	1	Assembly, Divertor Valve (Hi Flow) (See Separate Breakdown in HYDRAULIC COMPONENTS Section)	
28	1001226776	1	Pipe	
29	1001213771	NLA	Pipe, ORFS (no longer available, use 1001226101 for replacement)	
29	1001226101	1	Pipe, ORFS	
30	1001213772	1	Pipe, ORFS	
31	1001226777	1	Pipe, ORFS	
32	1001226778	1	Pipe, ORFS	
33	1001226779	1	Hose	
34	1001001556	2	Fitting, Straight ORFS	
35	1001157919	1	Joystick, Fingertip Control	
36	1001214399	1	Cover	
39	7029486	3	Screw	
40	1001216232	2	Screw	
41	1001216163	1	Plate	
42	1001008922	2	Seal	
43	1062255	2	Strap, Tie	
44	1001188548	1	Boss	

# SECTION 8 - HYDRAULIC CIRCUITS

FIGURE 8-28. REAR AUX HYDRAULICS INSTALLATION (TWIN) (Prior to SN 1160008716)



ART\_1001197090-F

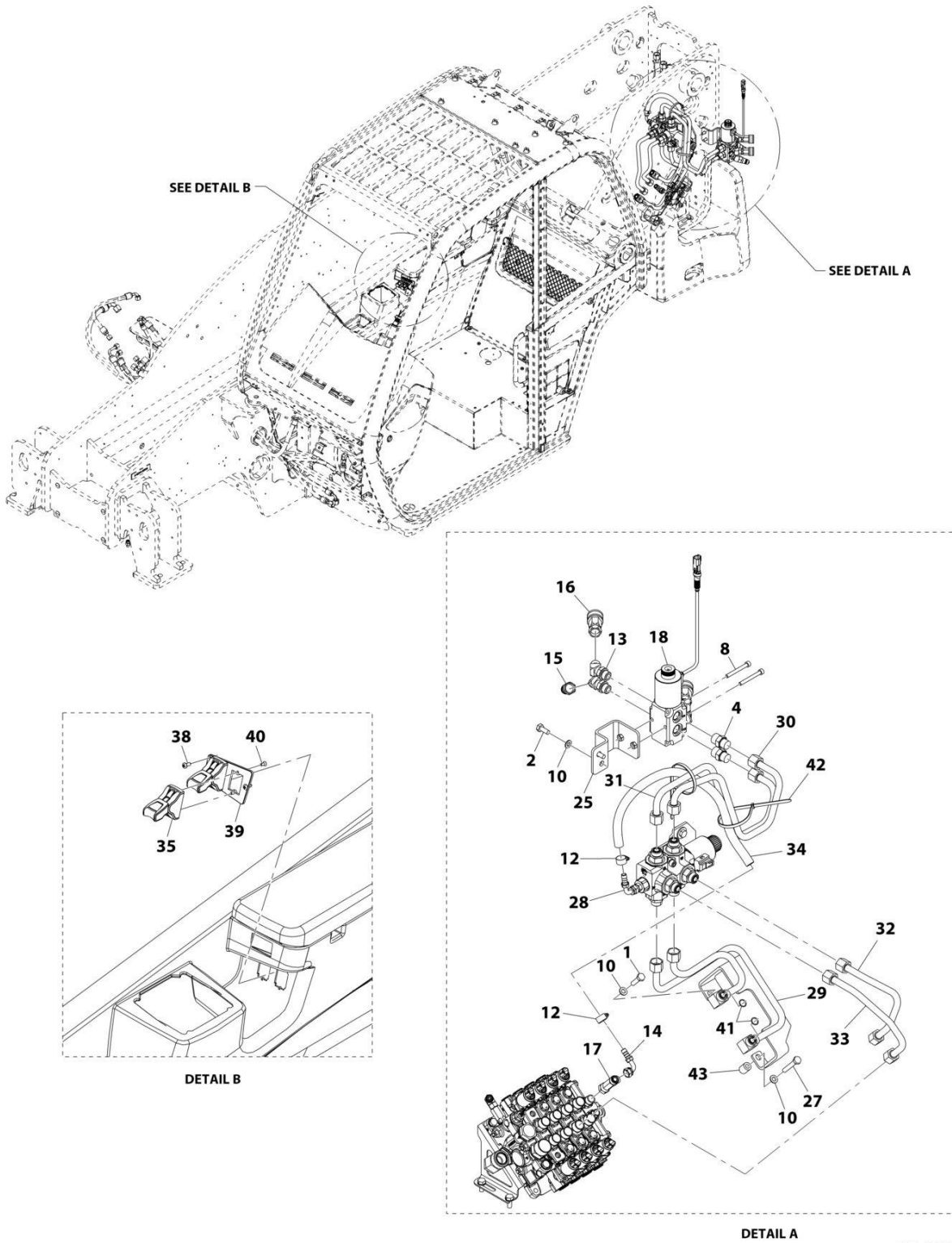
## SECTION 8 - HYDRAULIC CIRCUITS

**FIGURE 8-28. REAR AUX HYDRAULICS INSTALLATION (TWIN) (Prior to SN 1160008716)**

ITEM	PART NUMBER	QTY	DESCRIPTION	REV
	1001197090	Ref	Rear Aux Hydraulics Installation (Twin)	F
1	0701016	1	Bolt, M10X40	
2	0761012	2	Bolt, M10X25	
4	2111010	2	Fitting, Straight ORFS	
8	4031918	2	Bolt, M8X70	
10	4812000	4	Washer, M10	
12	8405006	2	Clamp	
13	1001005904	4	Fitting, 45	
14	1001095301	1	Fitting, 90 ORFS	
15	1001101041	2	Coupling, Male Quick Disconnect	
16	1001101042	2	Coupling, Female Quick Disconnect	
17	1001104646	1	Fitting, Tee ORFS	
18	1001110023	1	Valve, Divertor (See Separate Breakdown in HYDRAULIC COMPONENTS Section)	
25	1001213871	1	Bracket	
27	0701021	1	Bolt, M10X65	
28	1001204420	1	Assembly, Divertor Valve (Hi Flow) (See Separate Breakdown in HYDRAULIC COMPONENTS Section)	
29	1001204421	1	Pipe	
30	1001213771	NLA	Pipe, ORFS (no longer available, use 1001226101 for replacement)	
30	1001226101	1	Pipe, ORFS	
31	1001213772	1	Pipe, ORFS	
32	1001204427	1	Pipe, ORFS	
33	1001204428	1	Pipe, ORFS	
34	1001204437	1	Hose	
35	1001157919	2	Joystick, Fingertip Control	
38	1001005193	3	Screw	
39	1001216163	1	Plate	
40	1001216232	4	Screw	
41	1001008922	2	Seal	

# SECTION 8 - HYDRAULIC CIRCUITS

FIGURE 8-29. REAR AUX HYDRAULICS INSTALLATION (TWIN) (SN 1160008716 to Present)



ART\_1001197090-H



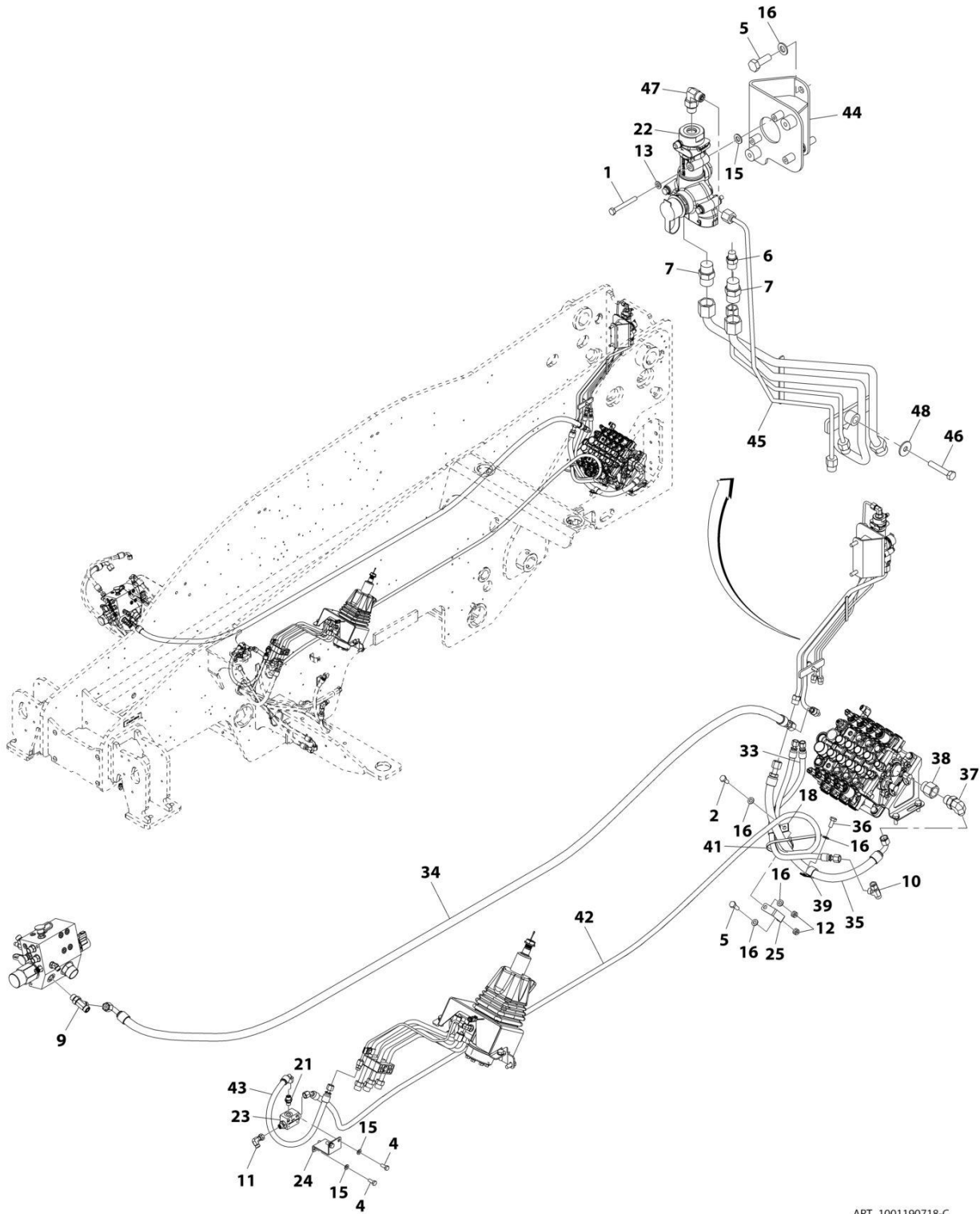
## SECTION 8 - HYDRAULIC CIRCUITS

**FIGURE 8-29. REAR AUX HYDRAULICS INSTALLATION (TWIN) (SN 1160008716 to Present)**

ITEM	PART NUMBER	QTY	DESCRIPTION	REV
	1001197090	Ref	Rear Aux Hydraulics Installation (Twin)	H
1	0701016	1	Bolt, M10X40	
2	0761012	2	Bolt, M10X25	
4	2111010	2	Fitting, Straight ORFS	
8	4031918	2	Bolt, M8X70	
10	4812000	4	Washer, M10	
12	8405006	2	Clamp	
13	1001005904	4	Fitting, 45	
14	1001095301	1	Fitting, 90 ORFS	
15	1001101041	2	Coupling, Male Quick Disconnect	
16	1001101042	2	Coupling, Female Quick Disconnect	
17	1001104646	1	Fitting, Tee ORFS	
18	1001110023	1	Valve, Divertor (See Separate Breakdown in HYDRAULIC COMPONENTS Section)	
25	1001213871	1	Bracket	
27	0701021	1	Bolt, M10X65	
28	1001204420	1	Assembly, Divertor Valve (Hi Flow) (See Separate Breakdown in HYDRAULIC COMPONENTS Section)	
29	1001226776	1	Pipe	
30	1001213771	NLA	Pipe, ORFS (no longer available, use 1001226101 for replacement)	
30	1001226101	1	Pipe, ORFS	
31	1001213772	1	Pipe, ORFS	
32	1001226777	1	Pipe, ORFS	
33	1001226778	1	Pipe, ORFS	
34	1001226779	1	Hose	
35	1001157919	2	Joystick, Fingertip Control	
38	7029486	3	Screw	
39	1001216163	1	Plate	
40	1001216232	4	Screw	
41	1001008922	2	Seal	
42	1062255	2	Strap, Tie	
43	1001188548	1	Boss	

# SECTION 8 - HYDRAULIC CIRCUITS

## FIGURE 8-30. TRAILER BRAKE INSTALLATION (Prior to SN 1160008716)



ART\_1001190718-C

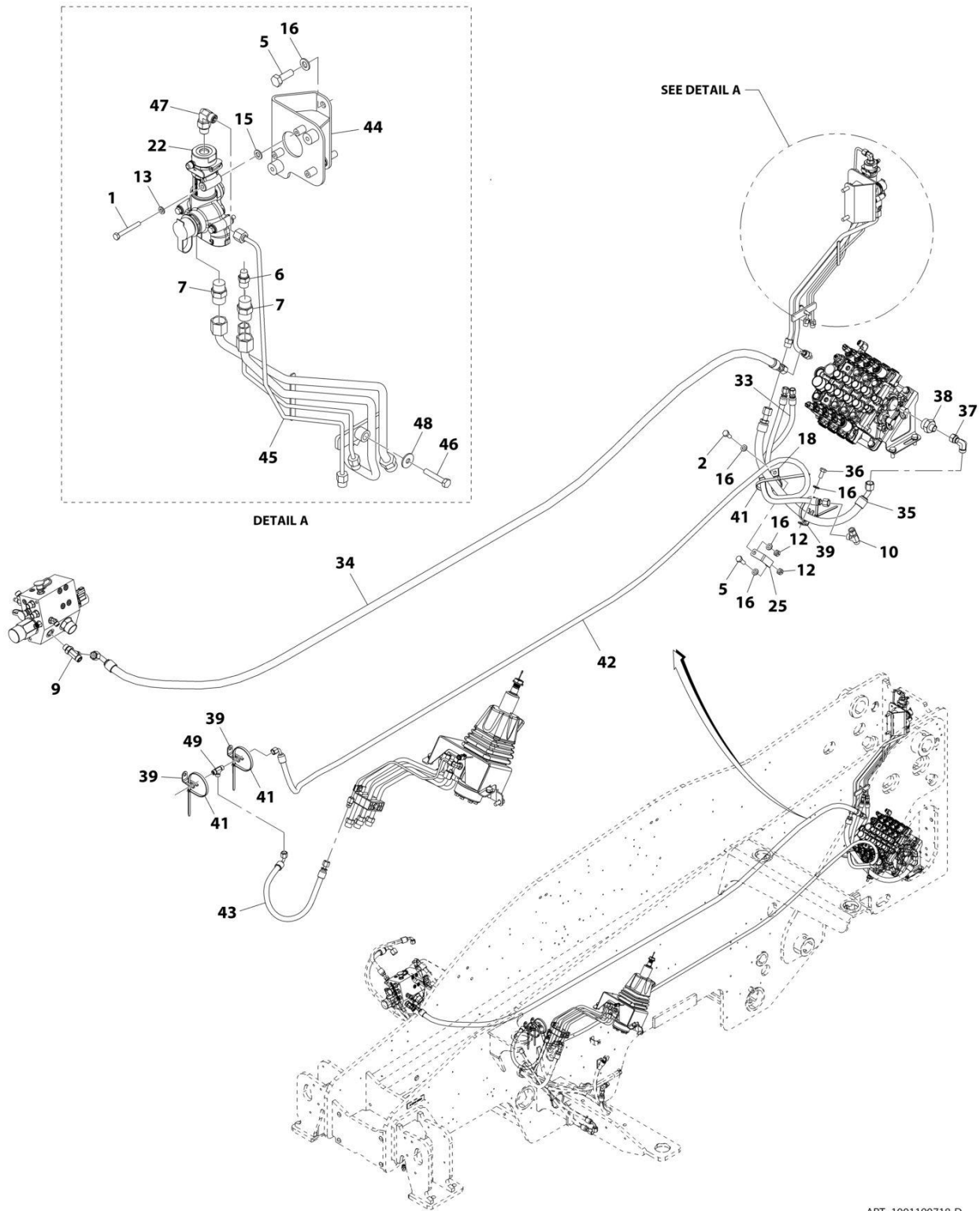
## SECTION 8 - HYDRAULIC CIRCUITS

**FIGURE 8-30. TRAILER BRAKE INSTALLATION (Prior to SN 1160008716)**

ITEM	PART NUMBER	QTY	DESCRIPTION	REV
	1001190718	Ref	Trailer Brake Installation	C
1	0700618	3	Bolt, M6X50	
2	0701012	1	Bolt, M10X25	
4	0760810	4	Bolt, M8X20	
5	0761014	3	Bolt, M10X30	
6	1001206179	1	Valve, Check	
7	2110808	2	Fitting, Straight ORFS	
9	2170308	1	Fitting, Tee ORFS	
10	2170706	1	Fitting, Tee ORFS	
11	2172104	1	Fitting, 90 ORFS	
12	3291001	2	Nut, M10X1.5 Grade 8	
13	4811700	3	Washer, M6	
15	4811900	7	Washer, M8	
16	4812000	6	Washer, M10	
18	1001008626	1	Clip	
21	1001120501	1	Fitting, Straight ORFS	
22	1001212384	1	Valve, Trailer Brake (See Separate Breakdown in HYDRAULIC COMPONENTS SECTION)	
23	1001151257	1	Valve, Dynamic Select	
24	1001184517	1	Bracket	
25	1001184518	1	Bracket	
33	1001204729	1	Hose, ORFS	
34	1001204731	1	Hose, ORFS	
35	1001205078	1	Hose, ORFS	
36	0701011	1	Bolt, M10X22	
37	2130812	1	Fitting, 90 ORFS	
38	2220550	1	Fitting, Straight ORFS	
39	1001009384	1	Clip	
41	1062255	4	Strap, Tie	
42	1001205392	1	Hose, ORFS	
43	1001205393	1	Hose, ORFS	
44	1001204629	1	Bracket	
45	1001204681	1	Pipe	
46	0700817	1	Bolt, M8X45	
47	2130406	1	Fitting, 90 ORFS	
48	4811902	1	Washer, M8	

# SECTION 8 - HYDRAULIC CIRCUITS

## FIGURE 8-31. TRAILER BRAKE INSTALLATION (SN 1160008716 to Present)



ART\_1001190718-D

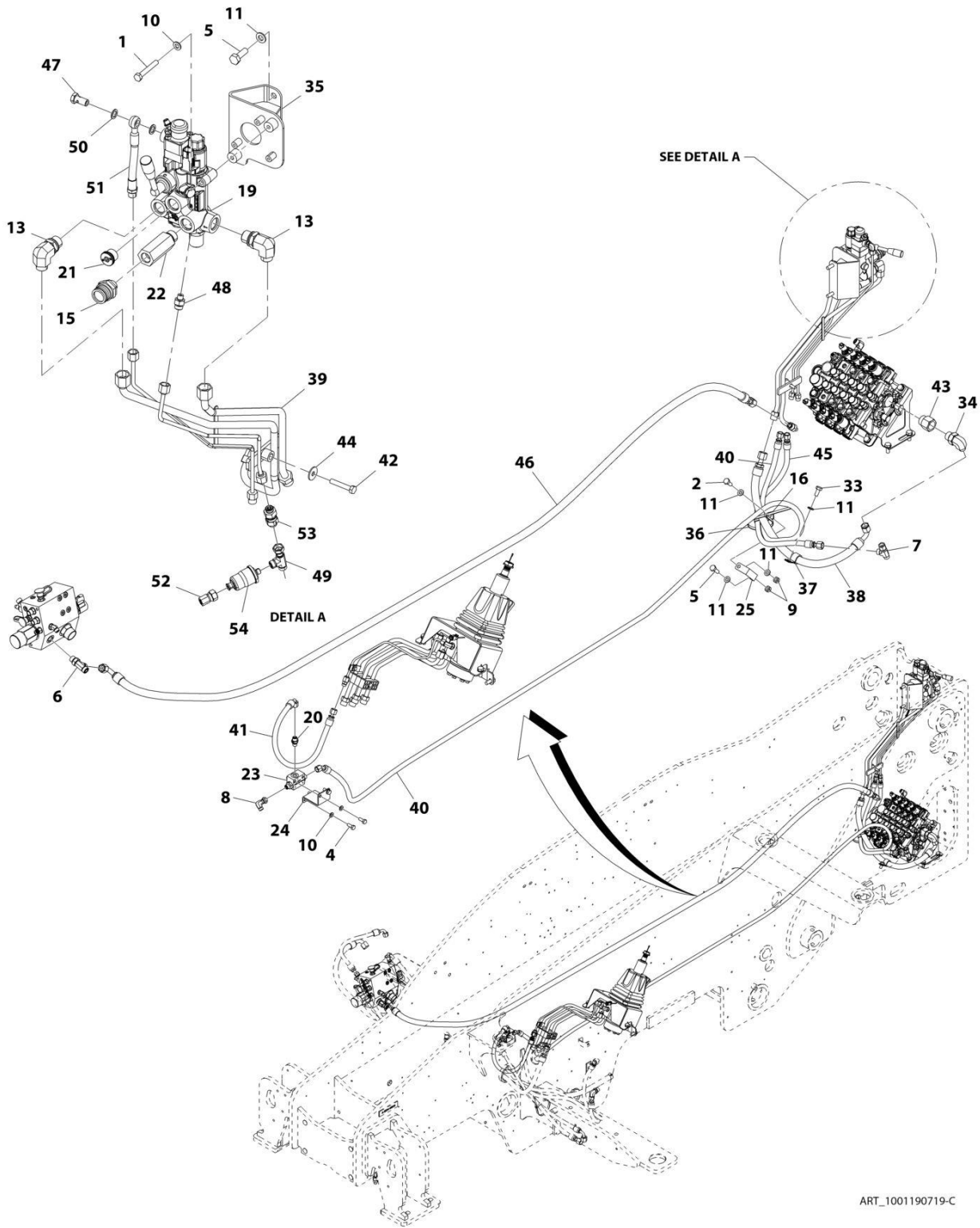
## SECTION 8 - HYDRAULIC CIRCUITS

**FIGURE 8-31. TRAILER BRAKE INSTALLATION (SN 1160008716 to Present)**

ITEM	PART NUMBER	QTY	DESCRIPTION	REV
	1001190718	Ref	Trailer Brake Installation	D
1	0700618	3	Bolt, M6X50	
2	0701012	1	Bolt, M10X25	
5	0761014	3	Bolt, M10X30	
6	1001206179	1	Valve, Check	
7	2110808	2	Fitting, Straight ORFS	
9	2170308	1	Fitting, Tee ORFS	
10	2170706	1	Fitting, Tee ORFS	
12	3291001	2	Nut, M10X1.5 Grade 8	
13	4811700	3	Washer, M6	
15	4811900	3	Washer, M8	
16	4812000	6	Washer, M10	
18	1001008626	1	Clip	
22	1001212384	1	Valve, Trailer Brake	
25	1001184518	1	Bracket	
33	1001204729	1	Hose, ORFS	
34	1001204731	1	Hose, ORFS	
35	1001226789	1	Hose, ORFS	
36	0701011	1	Bolt, M10X22	
37	2172108	1	Fitting, 90 ORFS	
38	2110816	1	Fitting, Straight ORFS	
39	1001003305	3	Clip	
41	1062255	4	Strap, Tie	
42	1001226787	1	Hose, ORFS	
43	1001205393	1	Hose, ORFS	
44	1001204629	1	Bracket	
45	1001204681	1	Pipe	
46	0700817	1	Bolt, M8X45	
47	2130406	1	Fitting, 90 ORFS	
48	4811902	1	Washer, M8	
49	2170504	1	Fitting, ORFS	

# SECTION 8 - HYDRAULIC CIRCUITS

## FIGURE 8-32. TRAILER BRAKE INSTALLATION (ITALIAN) (Prior to SN 1160008716)



ART\_1001190719-C

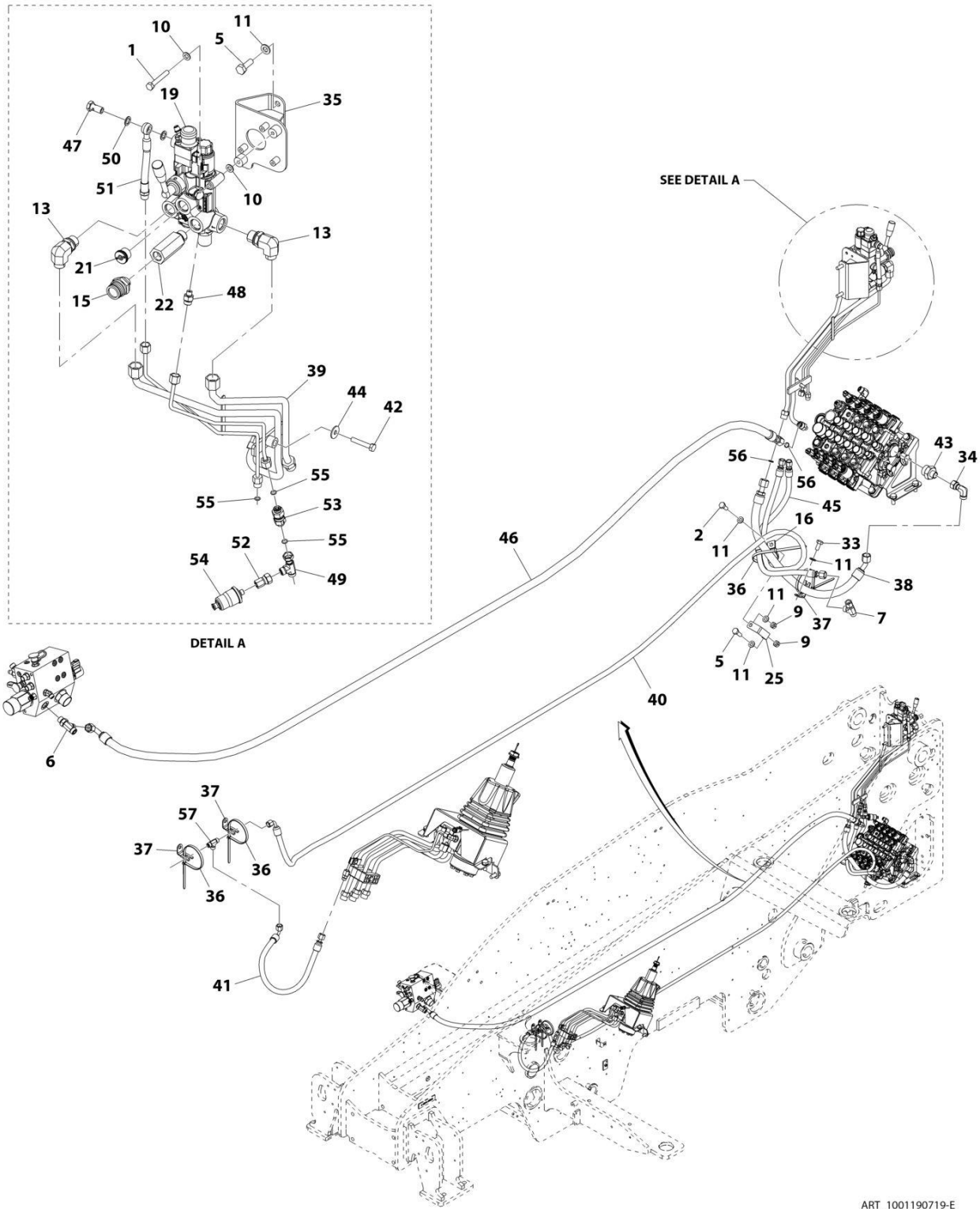
## SECTION 8 - HYDRAULIC CIRCUITS

**FIGURE 8-32. TRAILER BRAKE INSTALLATION (ITALIAN) (Prior to SN 1160008716)**

ITEM	PART NUMBER	QTY	DESCRIPTION	REV
	1001190719	Ref	Trailer Brake Installation (Italian)	C
1	0700819	2	Bolt, M8X55	
2	0701012	1	Bolt, M10X25	
4	0760810	4	Bolt, M8X20	
5	0761014	3	Bolt, M10X30	
6	2170308	1	Fitting, Tee ORFS	
7	2170706	1	Fitting, Tee ORFS	
8	2172104	1	Fitting, 90 ORFS	
9	3291001	2	Nut, M10X1.5 Grade 8	
10	4811900	8	Washer, M8	
11	4812000	6	Washer, M10	
13	8770175	2	Fitting, 90 ORFS	
15	1001005893	1	Coupler	
16	1001008626	1	Clip	
19	1001211323	1	Valve, Trailer Brake (Italian)	
20	1001120501	1	Fitting, Straight ORFS	
21	1001120505	1	Plug	
22	1001120602	1	Adapter	
23	1001151257	1	Valve, Dynamic Select	
24	1001184517	1	Bracket	
25	1001184518	1	Bracket	
33	0701011	1	Bolt, M10X22	
34	2130812	1	Fitting, 90 ORFS	
35	1001204629	1	Bracket	
36	1062255	1	Strap, Tie	
37	1001009384	1	Clip	
38	1001205078	1	Hose, ORFS	
39	1001218654	1	Bracket	
40	1001205392	1	Hose, ORFS	
41	1001205393	1	Hose, ORFS	
42	0700817	1	Bolt, M8X45	
43	2220550	1	Fitting, Straight ORFS	
44	4811902	1	Washer, M8	
45	1001204729	1	Hose, ORFS	
46	1001204731	1	Hose, ORFS	
47	0630609	1	Bolt, M12X1.25	
48	2144601	1	Fitting, Straight ORFS	
49	2170704	1	Fitting, Tee ORFS	
50	4740566	2	Washer, M12	
51	1001149050	1	Hose	
52	1001218962	1	Fitting, Straight	
53	1001169803	1	Valve, Check	
54	1001219481	1	Sensor	

# SECTION 8 - HYDRAULIC CIRCUITS

## FIGURE 8-33. TRAILER BRAKE INSTALLATION (ITALIAN) (SN 1160008716 to Present)



ART\_1001190719-E



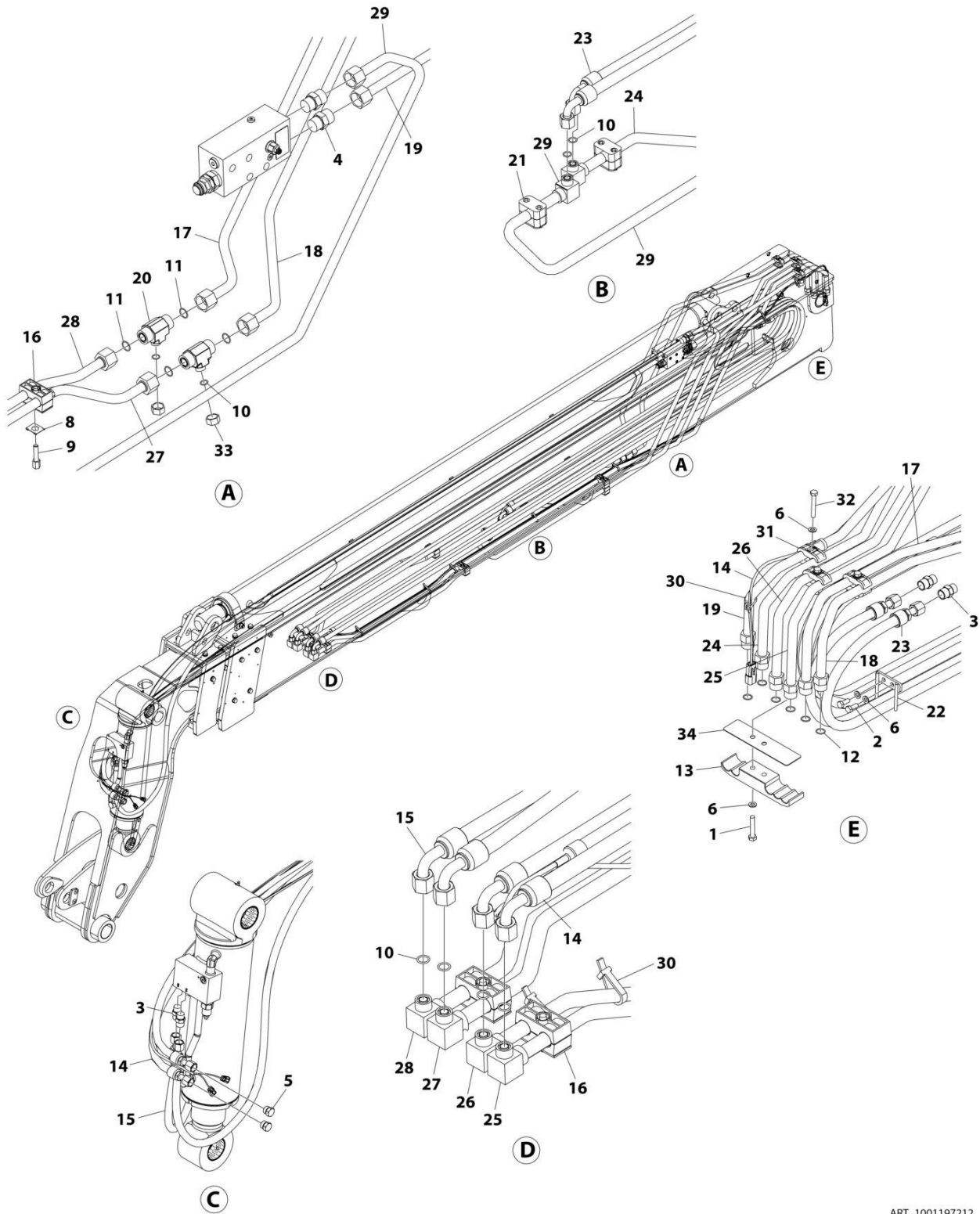
## SECTION 8 - HYDRAULIC CIRCUITS

**FIGURE 8-33. TRAILER BRAKE INSTALLATION (ITALIAN) (SN 1160008716 to Present)**

ITEM	PART NUMBER	QTY	DESCRIPTION	REV
	1001190719	Ref	Trailer Brake Installation (Italian)	E
1	0700819	2	Bolt, M8X55	
2	0701012	1	Bolt, M10X25	
5	0761014	3	Bolt, M10X30	
6	2170308	1	Fitting, Tee ORFS	
7	2170706	1	Fitting, Tee ORFS	
9	3291001	2	Nut, M10X1.5 Grade 8	
10	4811900	4	Washer, M8	
11	4812000	6	Washer, M10	
13	8770175	2	Fitting, 90 ORFS	
15	1001005893	1	Coupler	
16	1001008626	1	Clip	
19	1001211323	1	Valve, Trailer Brake (Italian)	
21	1001120505	1	Plug	
22	1001120602	1	Adapter	
25	1001184518	1	Bracket	
33	0701011	1	Bolt, M10X22	
34	2172108	1	Fitting, 90 ORFS	
35	1001204629	1	Bracket	
36	1062255	4	Strap, Tie	
37	1001003305	3	Clip	
38	1001226789	1	Hose, ORFS	
39	1001218654	1	Bracket	
40	1001226787	1	Hose, ORFS	
41	1001205393	1	Hose, ORFS	
42	0700817	1	Bolt, M8X45	
43	2110816	1	Fitting, Straight ORFS	
44	4811902	1	Washer, M8	
45	1001204729	1	Hose, ORFS	
46	1001204731	1	Hose, ORFS	
47	0630609	1	Bolt, M12X1.25	
48	2144601	1	Fitting, Straight ORFS	
49	2170704	1	Fitting, Tee ORFS	
50	4740566	2	Washer, M12	
51	1001149050	1	Hose	
52	1001218962	1	Fitting, Straight	
53	1001169803	1	Valve, Check	
54	1001219481	1	Sensor	
55	1001008586	3	Seal, O-Ring ORFS	
56	1001008805	2	Seal	
57	2170504	1	Fitting, ORFS	

# SECTION 8 - HYDRAULIC CIRCUITS

## FIGURE 8-34. BOOM HYDRAULIC INSTALLATION



ART\_1001197212

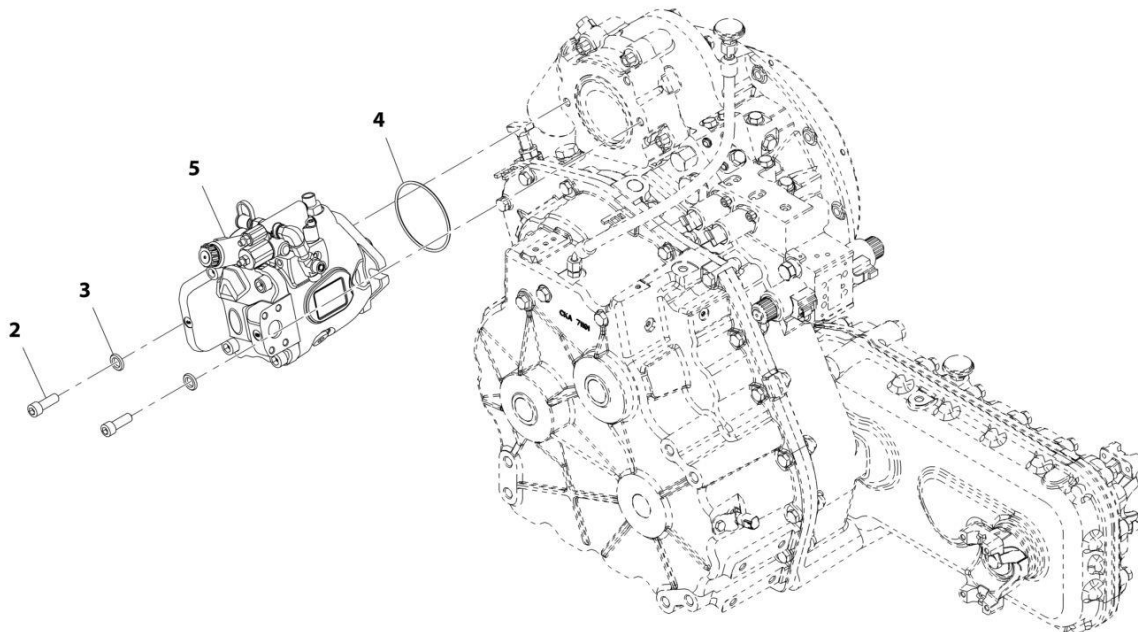
## SECTION 8 - HYDRAULIC CIRCUITS

**FIGURE 8-34. BOOM HYDRAULIC INSTALLATION**

ITEM	PART NUMBER	QTY	DESCRIPTION	REV
	1001197212	Ref	BOOM HYDRAULIC INSTALLATION	G
1	0760815	2	Bolt, M8 x 35	
1	0760817	2	Bolt M8 x 45	
2	0760810	2	Bolt, M8 x 20	
3	2110808	4	Fitting, Straight ORFS	
4	2111212	2	Fitting, Straight ORFS	
5	2171008	2	Fitting, Straight ORFS	
6	4811900	7	Washer, M8	
8	8750017	1	Plate	
9	8750038	1	Clamp	
10	1001008805	8	Seal	
11	1001008863	4	Seal	
12	1001008922	6	Seal	
13	1001213020	1	Clamp (Used without Item 24 Clamping Plate)	
13	1001276011	1	Clamp (Used with Item 24 Clamping Plate)	
14	1001186170	1	Assembly, Boom Cable (See Separate Breakdown in HYDRAULIC COMPONENTS Section)	
15	1001270599	1	Hose, Twin	
16	1001181455	7	Clamp, Twin	
17	1001181945	1	Tube	
18	1001181946	1	Tube	
19	1001182066	1	Tube	
20	1001182793	2	Adapter, ORFS	
21	1001183580	2	Clamp	
22	1001196268	1	Bracket	
23	1001196442	1	Hose, Twin	
24	1001197281	1	Pipe	
25	1001197300	1	Pipe	
26	1001197301	1	Pipe	
27	1001197302	1	Pipe	
28	1001197303	1	Pipe	
29	1001197500	1	Pipe	
30	1001008923	AR	Strap, Tie	
31	1001213883	3	Clamp	
32	0700819	3	Bolt, M8 x 55	
33	2170908	2	Cap, Fitting	
34	1001277894	1	Plate, Clamping	

# SECTION 8 - HYDRAULIC CIRCUITS

## FIGURE 8-35. MAIN HYDRAULIC PUMP INSTALLATION



ART\_100117863-B

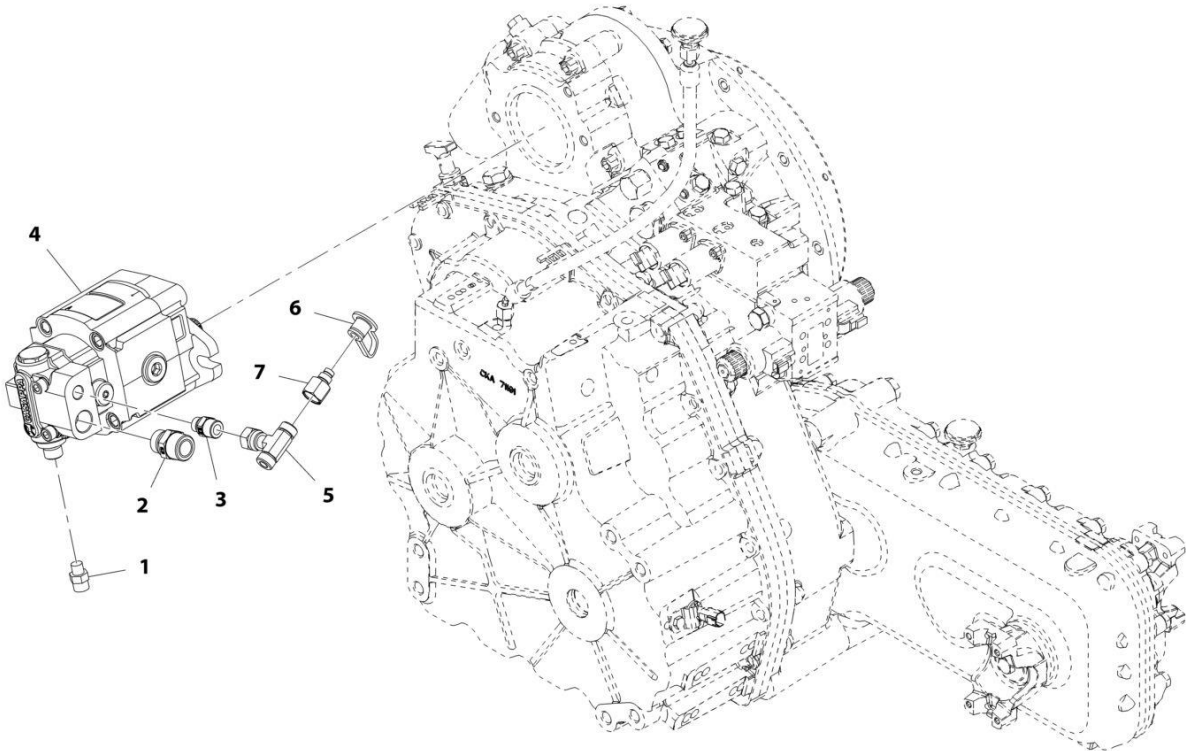
## SECTION 8 - HYDRAULIC CIRCUITS

**FIGURE 8-35. MAIN HYDRAULIC PUMP INSTALLATION**

ITEM	PART NUMBER	QTY	DESCRIPTION	REV
	1001177863	Ref	Main Hydraulic Pump Installation	C
2	0761215	1	Bolt M12X35	
3	4740532	2	Washer M12	
4	1001008450	1	O-Ring	
5	1001183983	Ref	Implement Pump Installation (See Separate Breakdown in this Section)	

# SECTION 8 - HYDRAULIC CIRCUITS

## FIGURE 8-36. IMPLEMENT PUMP INSTALLATION



ART\_1001185070-C

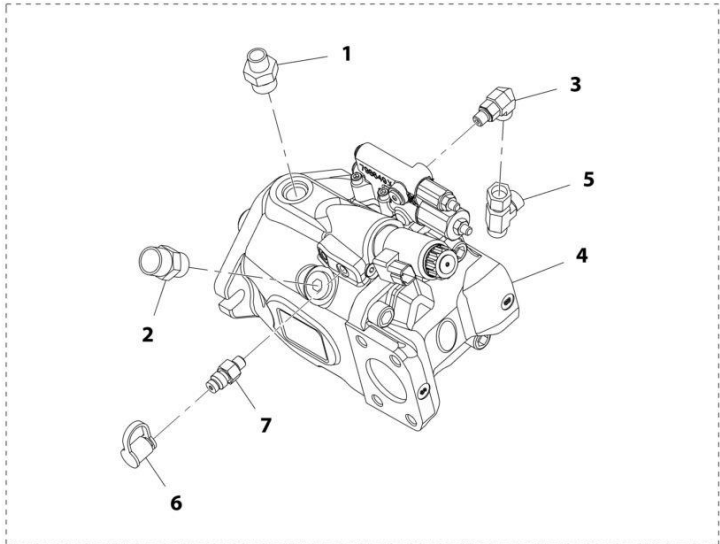
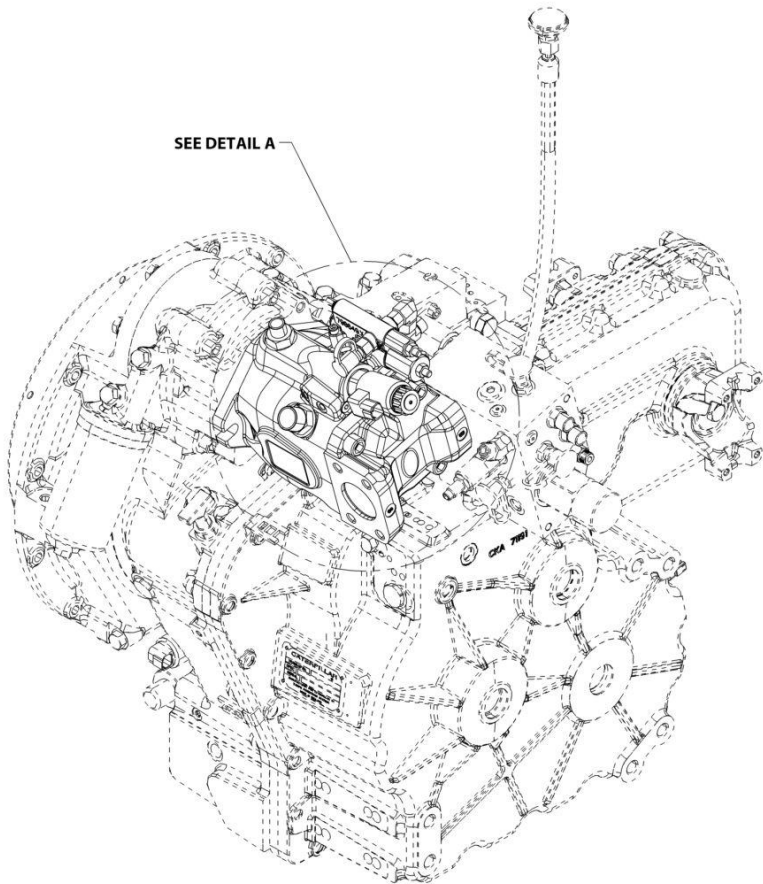
## SECTION 8 - HYDRAULIC CIRCUITS

### FIGURE 8-36. IMPLEMENT PUMP INSTALLATION

ITEM	PART NUMBER	QTY	DESCRIPTION	REV
	1001185070	Ref	Implement Pump Installation	C
1	1001059819	1	Fitting, Straight ORFS	
2	1001169806	1	Fitting, Straight ORFS	
3	1001177730	1	Fitting, Straight ORFS	
4	1001179768	1	Pump, Implement (See Separate Breakdown in HYDRAULIC COMPONENTS Section)	
5	2170808	1	Fitting, Tee ORFS	
6	1001008761	1	Cap	
7	8430082	1	Fitting, Straight ORFS	

# SECTION 8 - HYDRAULIC CIRCUITS

## FIGURE 8-37. IMPLEMENT PUMP INSTALLATION



DETAIL A

ART\_1001183983-B



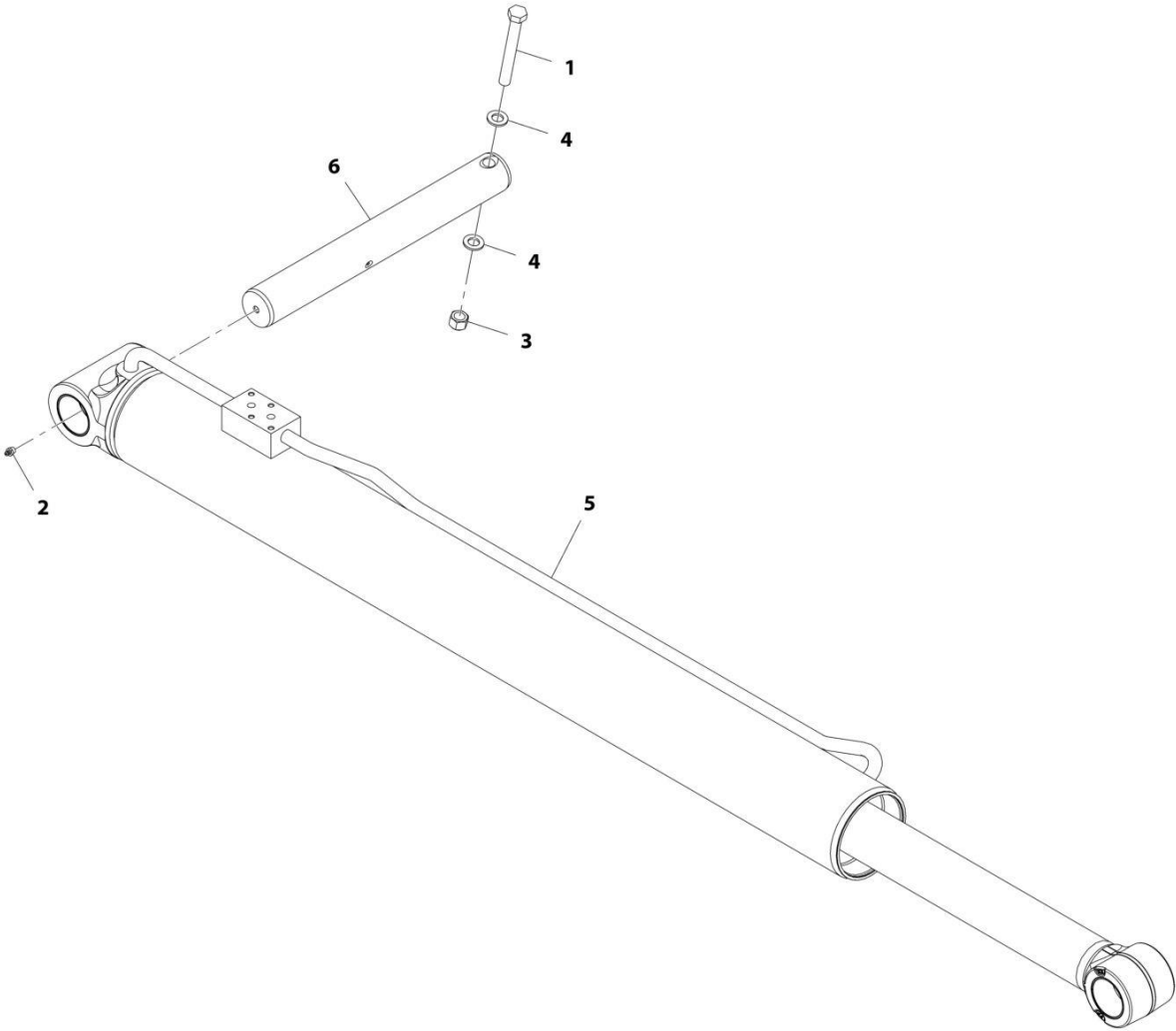
## SECTION 8 - HYDRAULIC CIRCUITS

### FIGURE 8-37. IMPLEMENT PUMP INSTALLATION

ITEM	PART NUMBER	QTY	DESCRIPTION	REV
	1001183983	Ref	Implement Pump Installation	B
1	2110610	1	Fitting, Straight ORFS	
2	2111010	1	Fitting, Straight ORFS	
3	2130604	1	Fitting, 90 ORFS	
4	1001200815	1	Pump, Implement (See Separate Breakdown in HYDRAULIC COMPONENTS Section)	
5	2170706	1	Fitting, Tee ORFS	
6	8430032	1	Plug	
7	8430033	1	Adapter	

# SECTION 8 - HYDRAULIC CIRCUITS

## FIGURE 8-38. LIFT CYLINDER INSTALLATION



ART\_1001173015-A

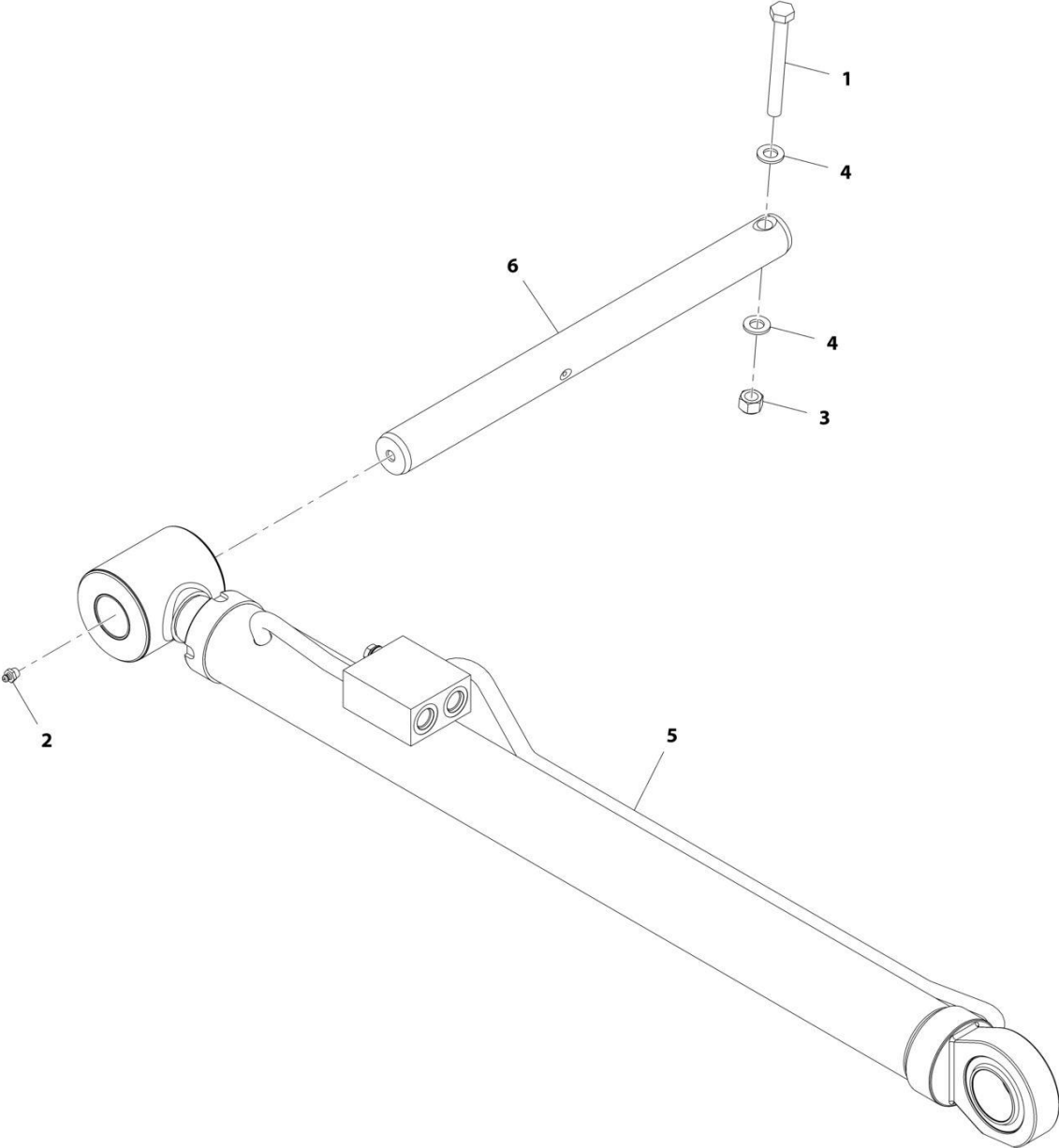
## SECTION 8 - HYDRAULIC CIRCUITS

### FIGURE 8-38. LIFT CYLINDER INSTALLATION

ITEM	PART NUMBER	QTY	DESCRIPTION	REV
	1001173015	Ref	Lift Cylinder Installation	A
1	0701630	1	Bolt, M16X130	
2	2160016	1	Fitting, Grease	
3	3291605	1	Nut, Lock M16X2 Grade 8	
4	4812300	2	Washer, M16	
5	1001175016	1	Cylinder, Lift (See Separate Breakdown in HYDRAULIC COMPONENTS Section)	
6	1001183460	1	Pin	

# SECTION 8 - HYDRAULIC CIRCUITS

## FIGURE 8-39. COMPENSATION CYLINDER INSTALLATION



ART\_1001173011-B

## SECTION 8 - HYDRAULIC CIRCUITS

### FIGURE 8-39. COMPENSATION CYLINDER INSTALLATION

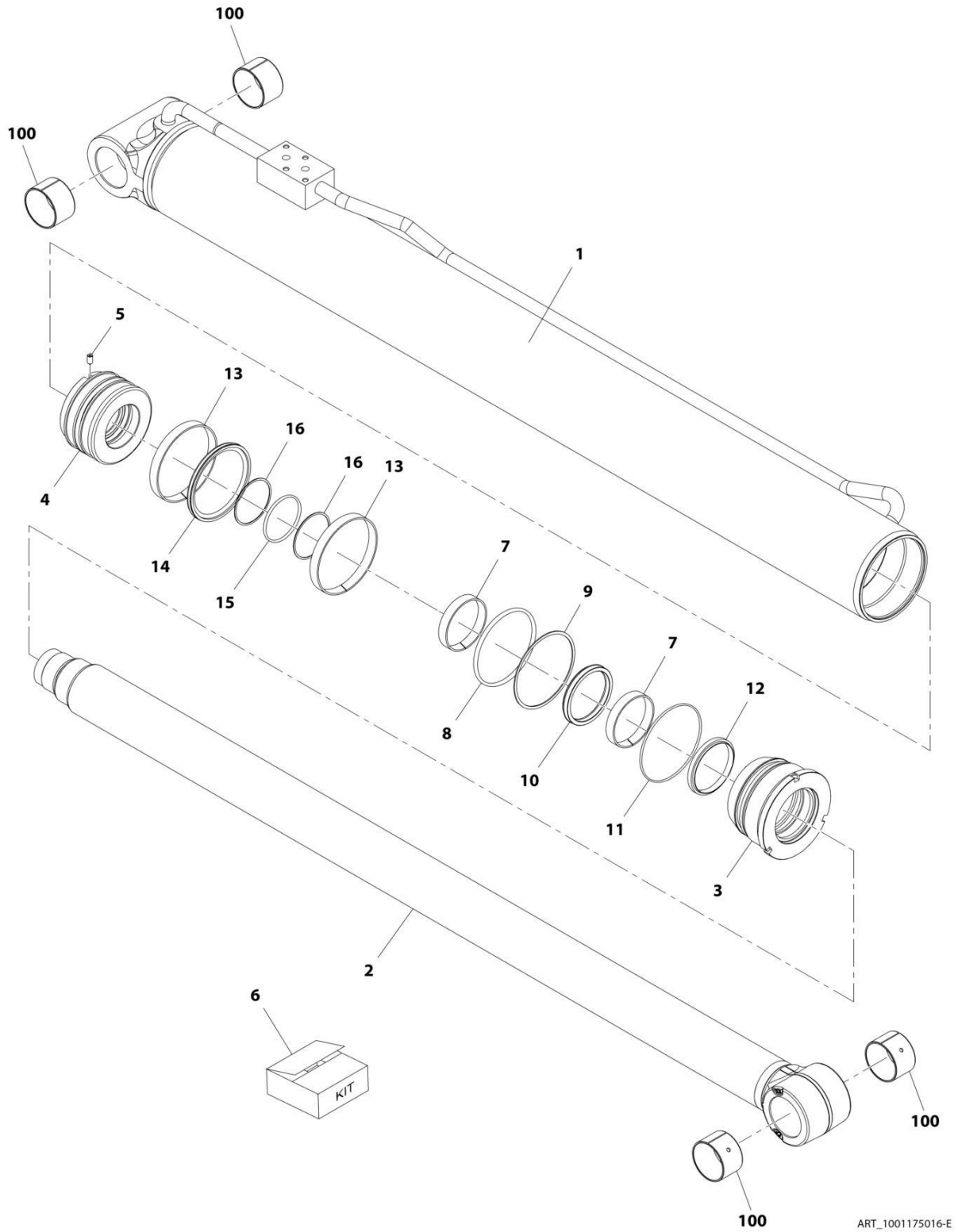
ITEM	PART NUMBER	QTY	DESCRIPTION	REV
	1001173011	Ref	Compensation Cylinder Installation	B
1	0761228	1	Bolt, M12X110	
2	2160016	1	Fitting, Grease	
3	3291205	1	Nut, Lock M12X1.75 Grade 8	
4	4812100	2	Washer, M12	
5	1001174993	1	Cylinder, Compensation (See Separate Breakdown in HYDRAULIC COMPONENTS Section) <b>(Prior to SN 1160008715)</b>	
5	1001229924	1	Cylinder, Compensation (See Separate Breakdown in HYDRAULIC COMPONENTS Section) <b>(SN 1160008715 to Present)</b>	
6	1001183461	1	Pin	



**SECTION 9 - HYDRAULIC COMPONENTS**

# SECTION 9 - HYDRAULIC COMPONENTS

## FIGURE 9-1. LIFT CYLINDER



ART\_1001175016-E



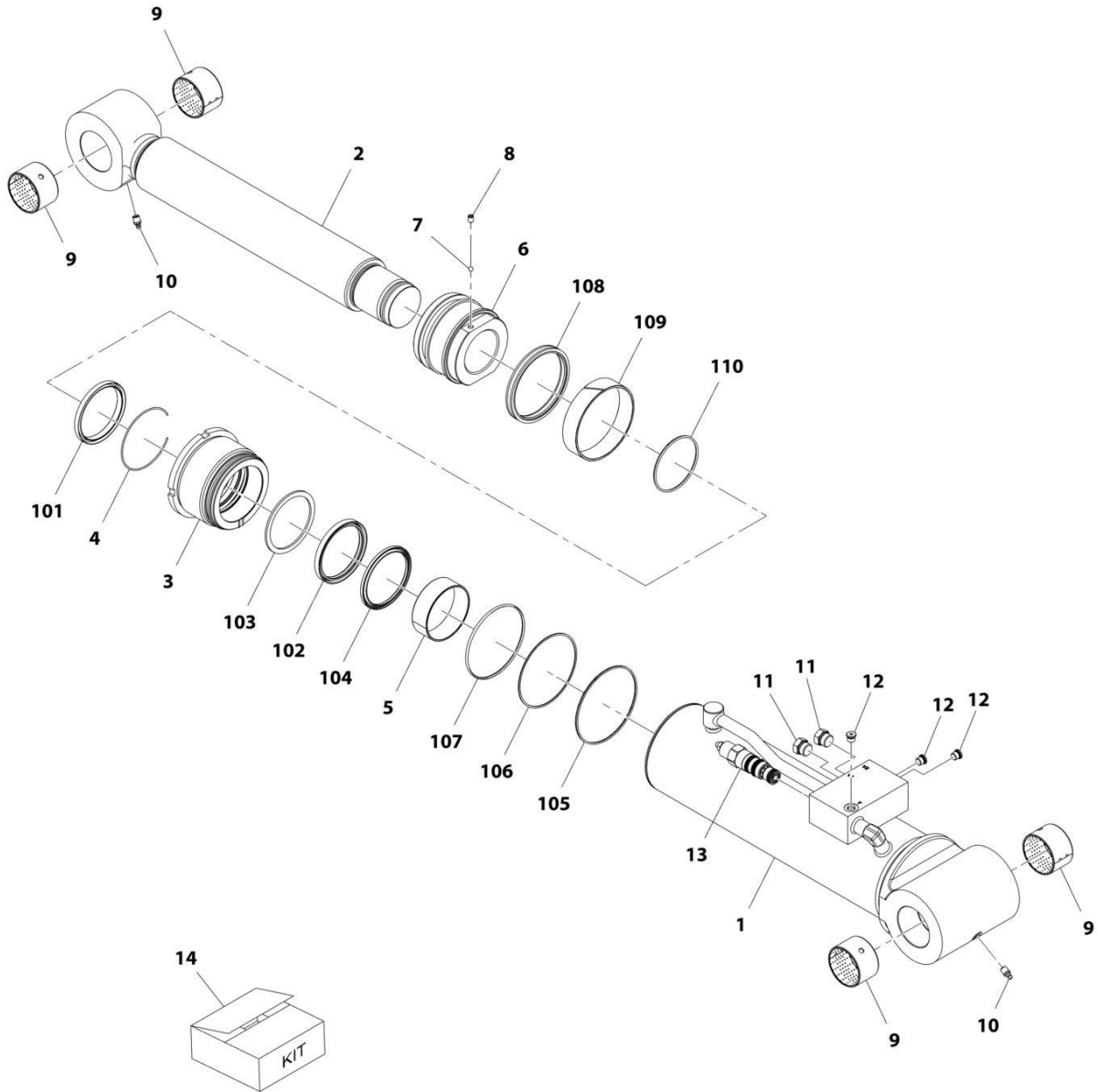
## SECTION 9 - HYDRAULIC COMPONENTS

### FIGURE 9-1. LIFT CYLINDER

ITEM	PART NUMBER	QTY	DESCRIPTION	REV
	1001175016	Ref	LIFT CYLINDER	F
		Ref	<b>Note: Original Cylinder May Have Been Replaced with Service Replacement. Identify PN Stamped on Cylinder Before Ordering Parts.</b>	
1	70026845	1	Barrel	
2	70026846	1	Rod	
3	70026847	1	Guide, Rod	
4	70026843	1	Piston	
5	70020438	1	Screw	
6	70026848	1	Kit, Seal	
7	Kit	2	Bearing	
8	Kit	1	O-Ring	
9	Kit	1	Ring, Backup	
10	Kit	1	Seal, Rod	
11	Kit	1	O-Ring	
12	Kit	1	Wiper	
13	Kit	2	Bearing	
14	Kit	1	Seal, Piston	
15	Kit	1	O-Ring	
16	Kit	2	Ring, Backup	
100	70030327	4	Bushing	

# SECTION 9 - HYDRAULIC COMPONENTS

## FIGURE 9-2. TILT CYLINDER



ART\_1001166534-D

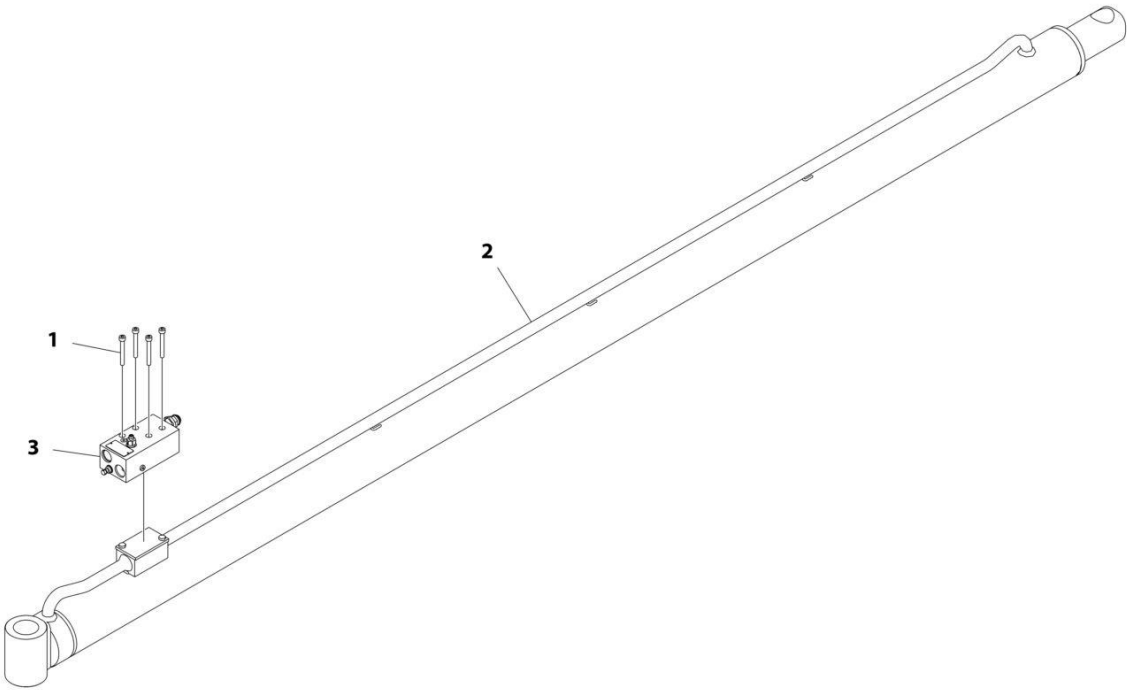
## SECTION 9 - HYDRAULIC COMPONENTS

### FIGURE 9-2. TILT CYLINDER

ITEM	PART NUMBER	QTY	DESCRIPTION	REV
	1001166534	Ref	Tilt Cylinder	D
		Ref	<b>Note: Original Cylinder May Have Been Replaced with Service Replacement. Identify PN Stamped on Cylinder Before Ordering Parts.</b>	
1	70027226	1	Tube	
2	70027227	1	Rod	
3	70027223	1	Gland	
4	70023380	1	Ring, Retaining	
5	70027225	1	Bearing, Dry	
6	70027224	1	Piston	
7	70022564	1	Ball, Steel	
8	70022563	1	Screw, Set	
9	70026543	4	Bearing, Dry	
10	70026308	2	Fitting, Grease	
11	70023372	2	Plug, Hex	
12	70023370	3	Plug, Socket	
13	1001189888	1	Valve, Counterbalance	
14	70027228	1	Kit, Seal	
101	Kit	1	Wiper, Dust	
102	Kit	1	Seal, Rod	
103	Kit	1	Ring, Backup	
104	Kit	1	Ring, Buffer	
105	Kit	1	O-Ring	
106	Kit	1	Ring, Backup	
107	Kit	1	O-Ring	
108	Kit	1	Seal, Piston	
109	Kit	1	Ring, Wear	
110	Kit	1	O-Ring	

# SECTION 9 - HYDRAULIC COMPONENTS

FIGURE 9-3. EXTEND/RETRACT CYLINDER ASSEMBLY



ART\_1001203313

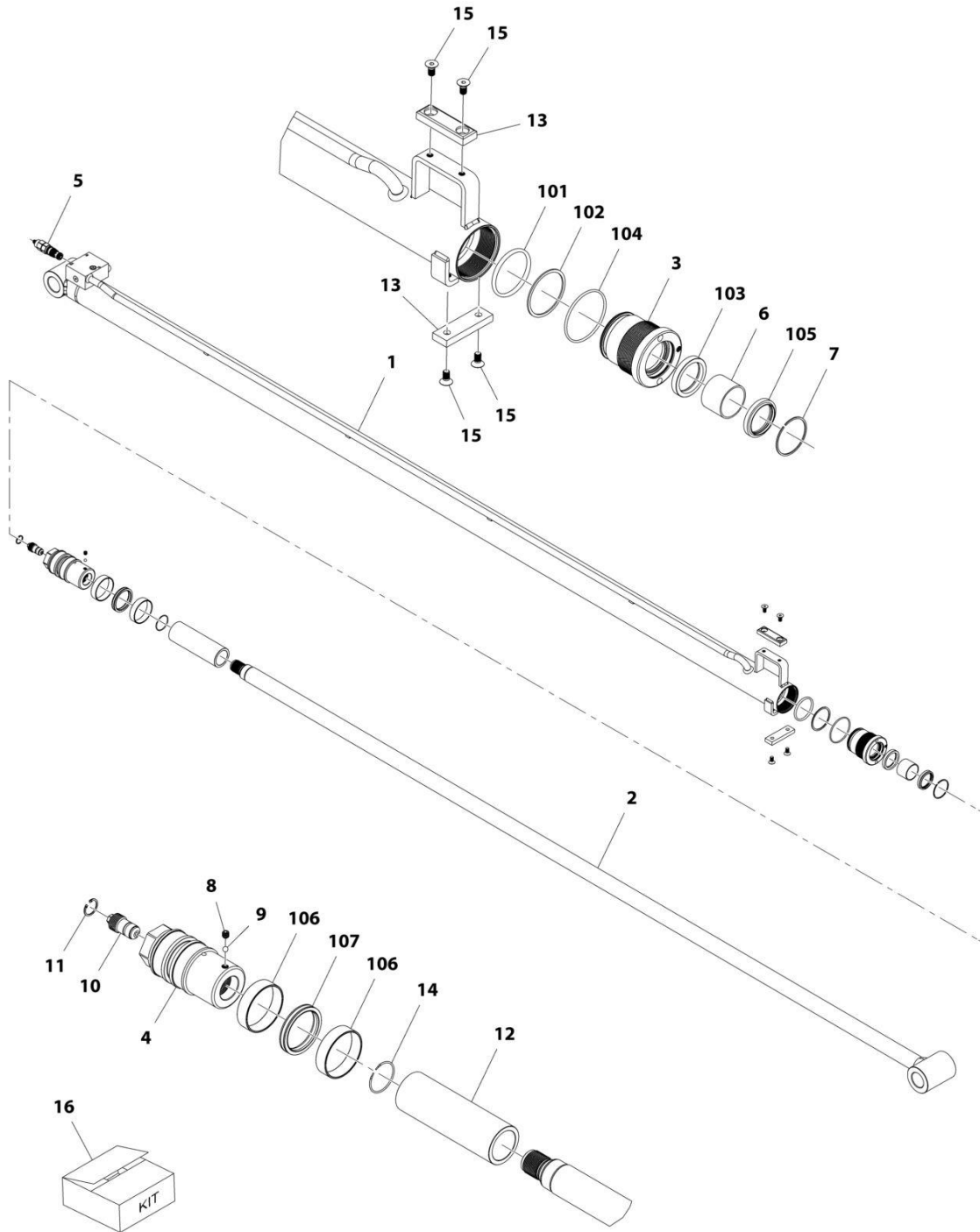
## SECTION 9 - HYDRAULIC COMPONENTS

**FIGURE 9-3. EXTEND/RETRACT CYLINDER ASSEMBLY**

ITEM	PART NUMBER	QTY	DESCRIPTION	REV
	1001203313	Ref	EXTEND/RETRACT CYLINDER ASSEMBLY	B
1	5271917	4	Screw M8 x 65	
2	1001175019	1	Cylinder, Extend/Retract (See Separate Breakdown in this Section)	
3	1001192946	1	Valve, Counterbalance	

# SECTION 9 - HYDRAULIC COMPONENTS

## FIGURE 9-4. INNER EXTEND/RETRACT CYLINDER



ART\_1001175020-E

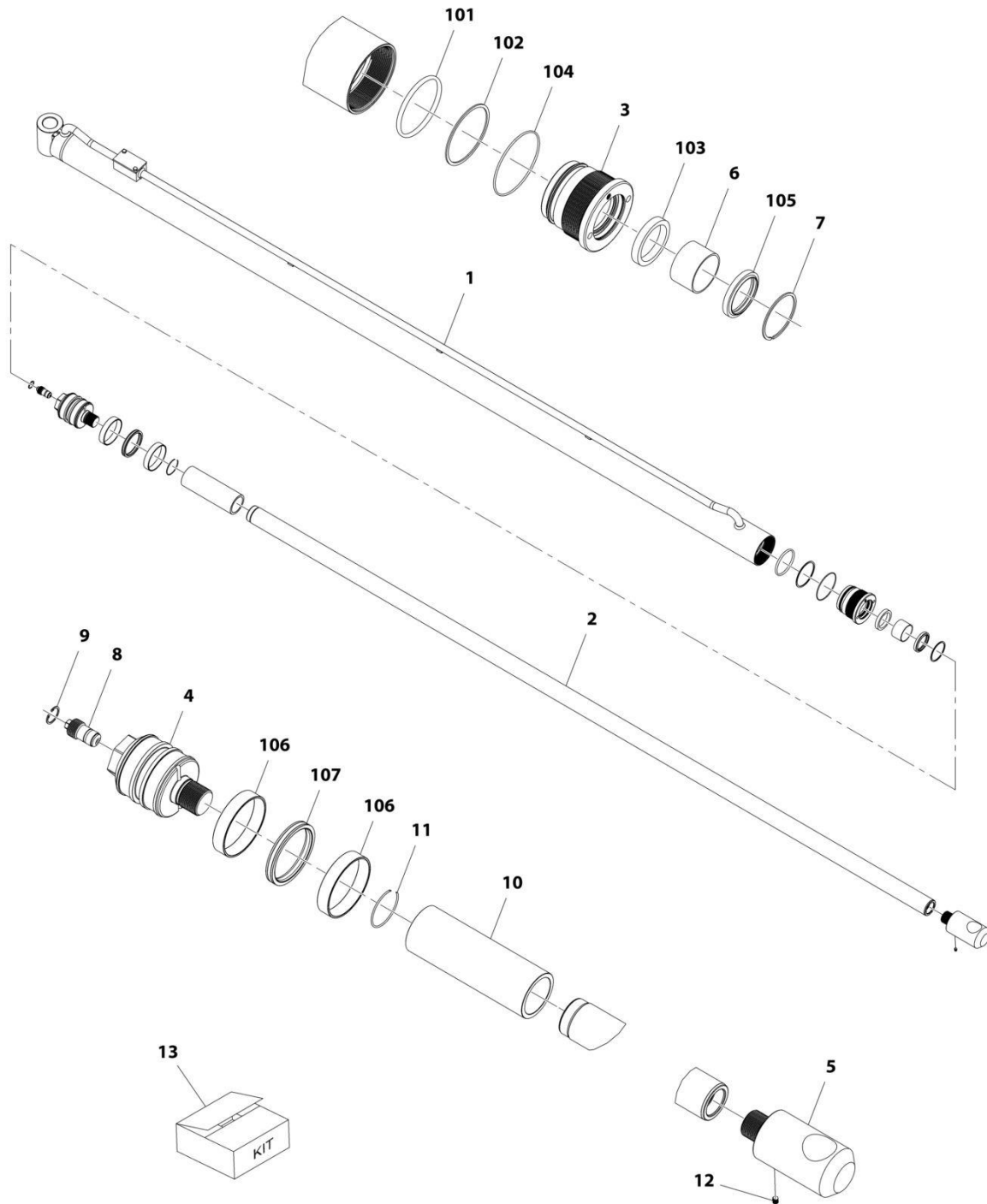
## SECTION 9 - HYDRAULIC COMPONENTS

**FIGURE 9-4. INNER EXTEND/RETRACT CYLINDER**

ITEM	PART NUMBER	QTY	DESCRIPTION	REV
	1001175020	Ref	Extend/Retract Cylinder Assembly	E
		Ref	<b>Note: Original Cylinder May Have Been Replaced with Service Replacement. Identify PN Stamped on Cylinder Before Ordering Parts.</b>	
1	70027077	1	Barrel	
2	70027078	1	Rod	
3	70027079	1	Gland	
4	70027080	1	Piston Head	
5	1001162974	1	Valve, Counterbalance	
6	70027081	1	Bushing, Spare	
7	70023101	1	Ring, Snap	
8	70025956	1	Screw, Lock	
9	70025614	1	Bearing, Ball	
10	70027087	1	Valve, Check	
11	70027074	1	Circlip	
12	70027082	1	Spacer	
13	70027083	1	Guide, Plate	
14	70027084	1	Wire Ring	
15	70027085	1	Screw	
16	70027086	1	Kit, Seal	
101	Kit	1	O-Ring	
102	Kit	1	Ring, Backup	
103	Kit	1	Seal, Rod	
104	Kit	1	O-Ring	
105	Kit	1	Wiper	
106	Kit	1	Bearing, Piston Ring	
107	Kit	1	Seal, Piston	

# SECTION 9 - HYDRAULIC COMPONENTS

## FIGURE 9-5. OUTER EXTEND/RETRACT CYLINDER



ART\_1001175019-G



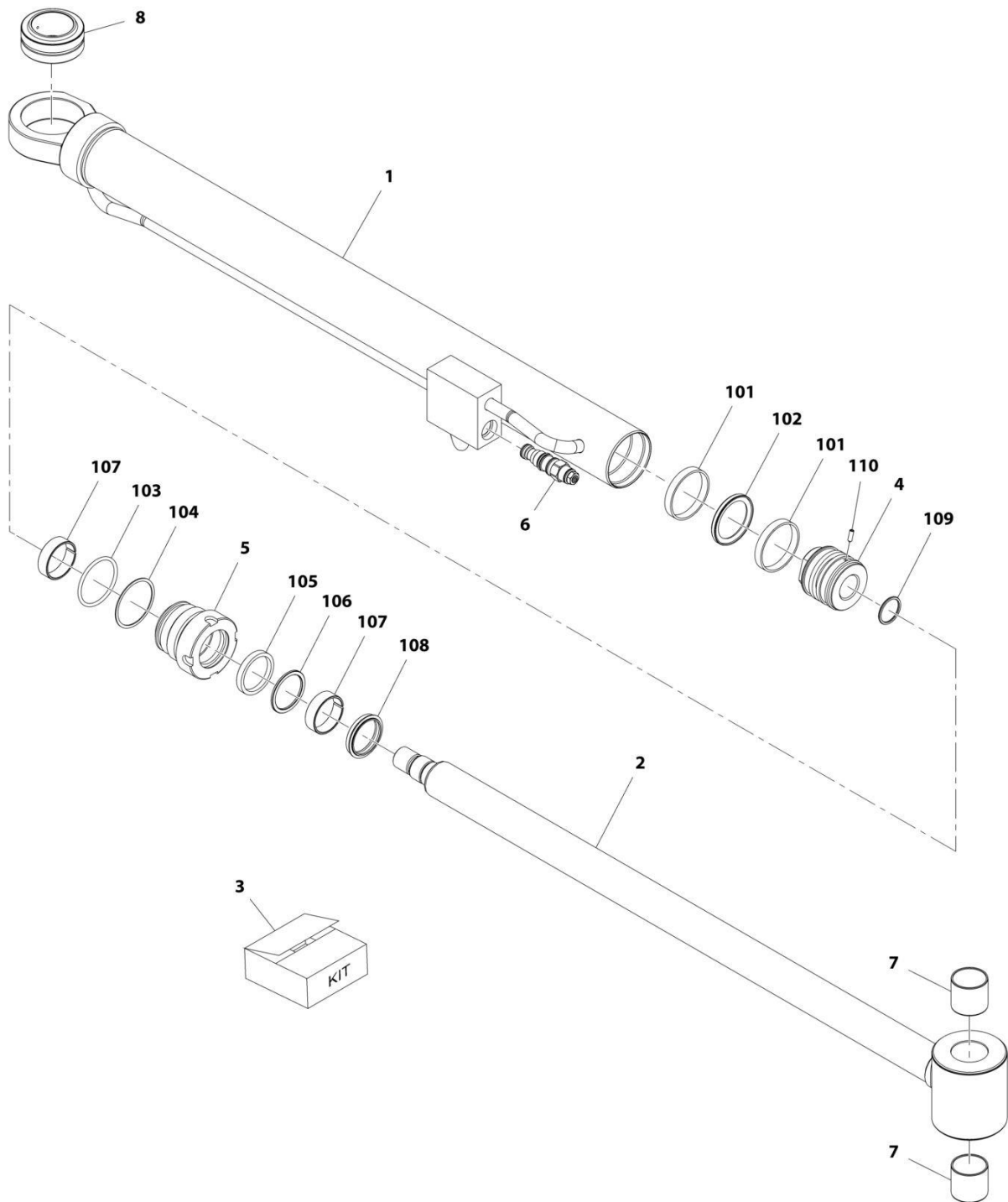
## SECTION 9 - HYDRAULIC COMPONENTS

**FIGURE 9-5. OUTER EXTEND/RETRACT CYLINDER**

ITEM	PART NUMBER	QTY	DESCRIPTION	REV
	1001175019	Ref	Extend/Retract Cylinder	G
		Ref	<b>Note: Original Cylinder May Have Been Replaced with Service Replacement. Identify PN Stamped on Cylinder Before Ordering Parts.</b>	
1	70027068	1	Barrel	
2	70027069	1	Rod	
3	70027070	1	Head	
4	70027071	1	Piston	
5	70027072	1	Screw	
6	70027073	1	Bushing, Spare	
7	70002222	1	Ring, Retaining	
8	70027087	1	Valve, Check	
9	70027074	1	Circlip	
10	70027075	1	Spacer	
11	70027076	1	Wire Ring	
12	70027088	1	Screw, Lock	
13	70027067	1	Kit, Seal	
101	Kit	1	O-Ring	
102	Kit	1	Ring, Backup	
103	Kit	1	Seal, Rod	
104	Kit	1	O-Ring	
105	Kit	1	Wiper	
106	Kit	1	Bearing, Piston Ring	
107	Kit	1	Seal, Piston	

# SECTION 9 - HYDRAULIC COMPONENTS

FIGURE 9-6. COMPENSATION CYLINDER (Prior to SN 1160008715)



ART\_1001174993-G

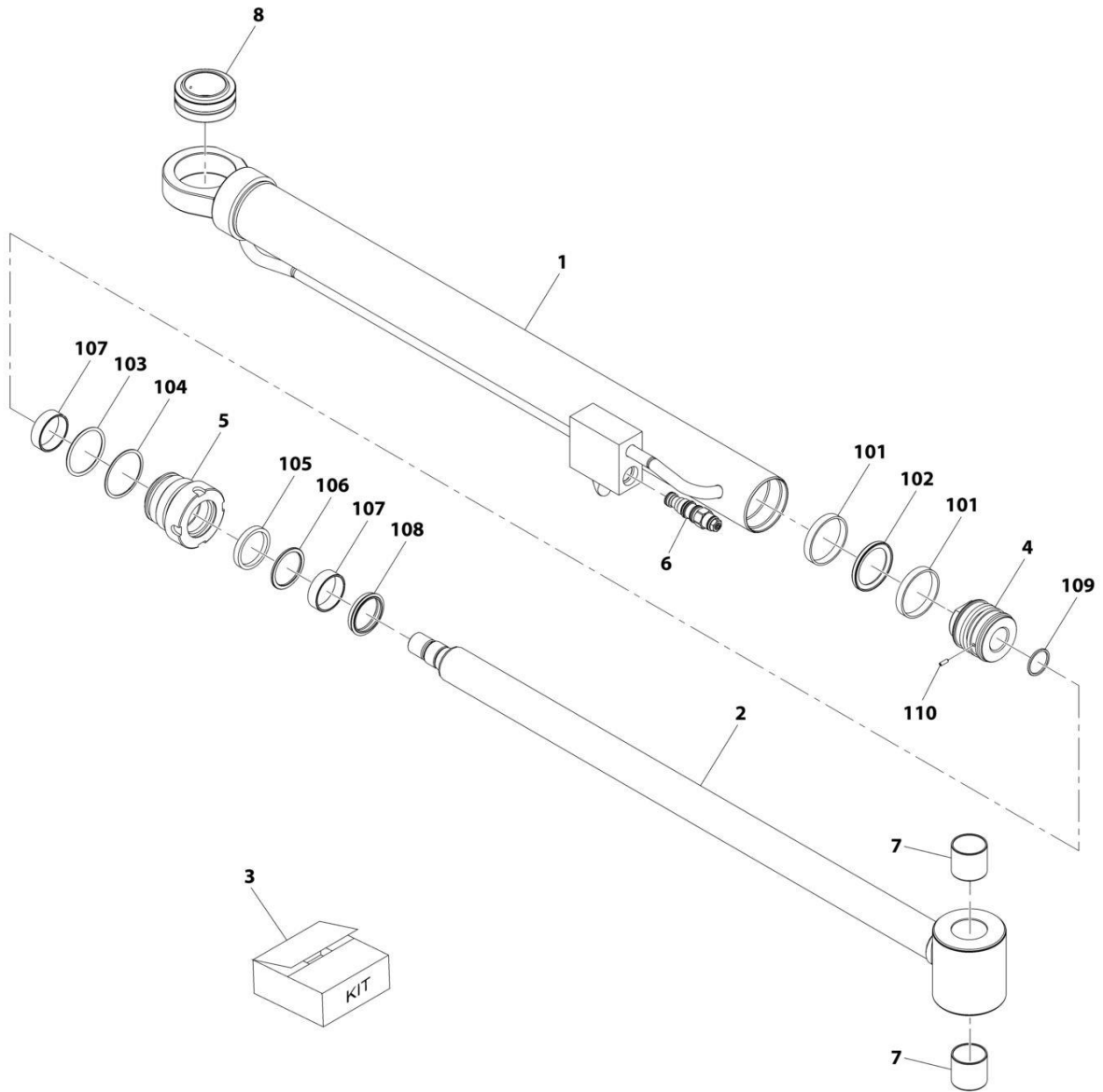
## SECTION 9 - HYDRAULIC COMPONENTS

**FIGURE 9-6. COMPENSATION CYLINDER (Prior to SN 1160008715)**

ITEM	PART NUMBER	QTY	DESCRIPTION	REV
	1001174993	Ref	Compensation Cylinder	G
		Ref	<b>Note: Original Cylinder May Have Been Replaced with Service Replacement. Identify PN Stamped on Cylinder Before Ordering Parts.</b>	
1	70027236	1	Barrel	
2	70027237	1	Rod	
3	70027238	1	Kit, Seal	
101	Kit	2	Ring, Wear	
102	Kit	1	Seal, Piston	
103	Kit	1	O-Ring	
104	Kit	1	Ring	
105	Kit	1	Seal, Rod	
106	Kit	1	Ring, Nylon	
107	Kit	2	Ring, Wear	
108	Kit	1	Wiper	
109	Kit	1	O-Ring	
110	Kit	1	Screw	
4	70027239	1	Piston	
5	70027240	1	Retainer	
6	1001164336	1	Valve, Counterbalance	
6	2900770	1	Seal Kit - 1001164336 Valve	
7	70027234	2	Bearing	
8	70027235	1	Bearing, Spherical	

# SECTION 9 - HYDRAULIC COMPONENTS

## FIGURE 9-7. COMPENSATION CYLINDER (SN 1160008715 to Present)



ART\_1001229924-B

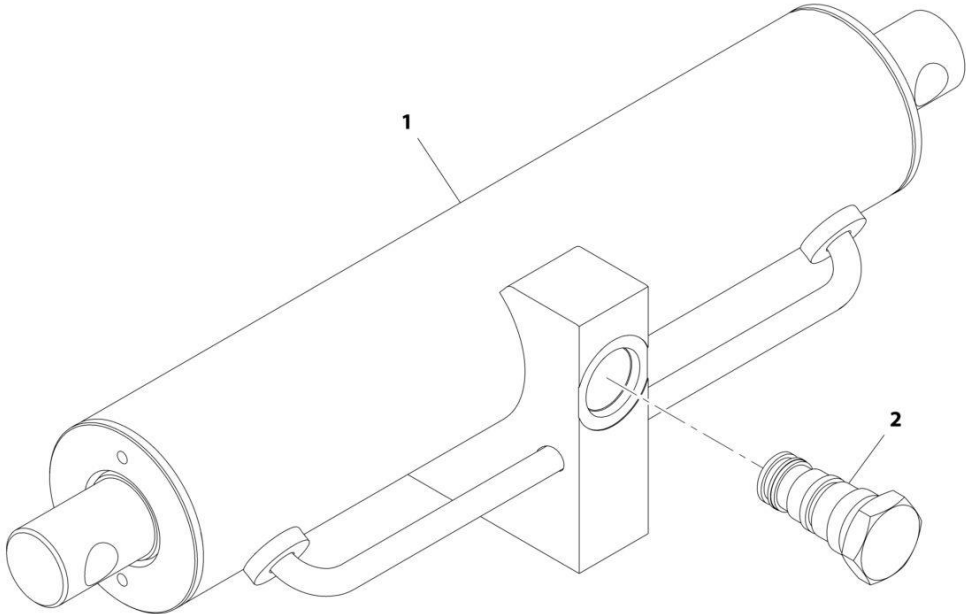
## SECTION 9 - HYDRAULIC COMPONENTS

**FIGURE 9-7. COMPENSATION CYLINDER (SN 1160008715 to Present)**

ITEM	PART NUMBER	QTY	DESCRIPTION	REV
	1001229924	Ref	Compensation Cylinder	B
1	70027729	1	Barrel	
2	70027730	1	Rod	
3	70027238	1	Kit, Seal (includes items 101 thru 110)	
4	70027239	1	Piston	
5	70027240	1	Retainer	
6	1001164336	1	Valve, Counterbalance	
6	2900770	1	Seal Kit - 1001164336 Valve	
7	70027234	2	Bearing	
8	70027235	1	Bearing, Spherical	
101	Kit	2	Ring, Wear	
102	Kit	1	Seal, Piston	
103	Kit	1	O-Ring	
104	Kit	1	Ring	
105	Kit	1	Seal, Rod	
106	Kit	1	Ring, Nylon	
107	Kit	2	Ring, Wear	
108	Kit	1	Wiper	
109	Kit	1	O-Ring	
110	Kit	1	Screw	

**SECTION 9 - HYDRAULIC COMPONENTS**

**FIGURE 9-8. COUPLER LOCKING CYLINDER ASSEMBLY**



ART\_1001114787-B

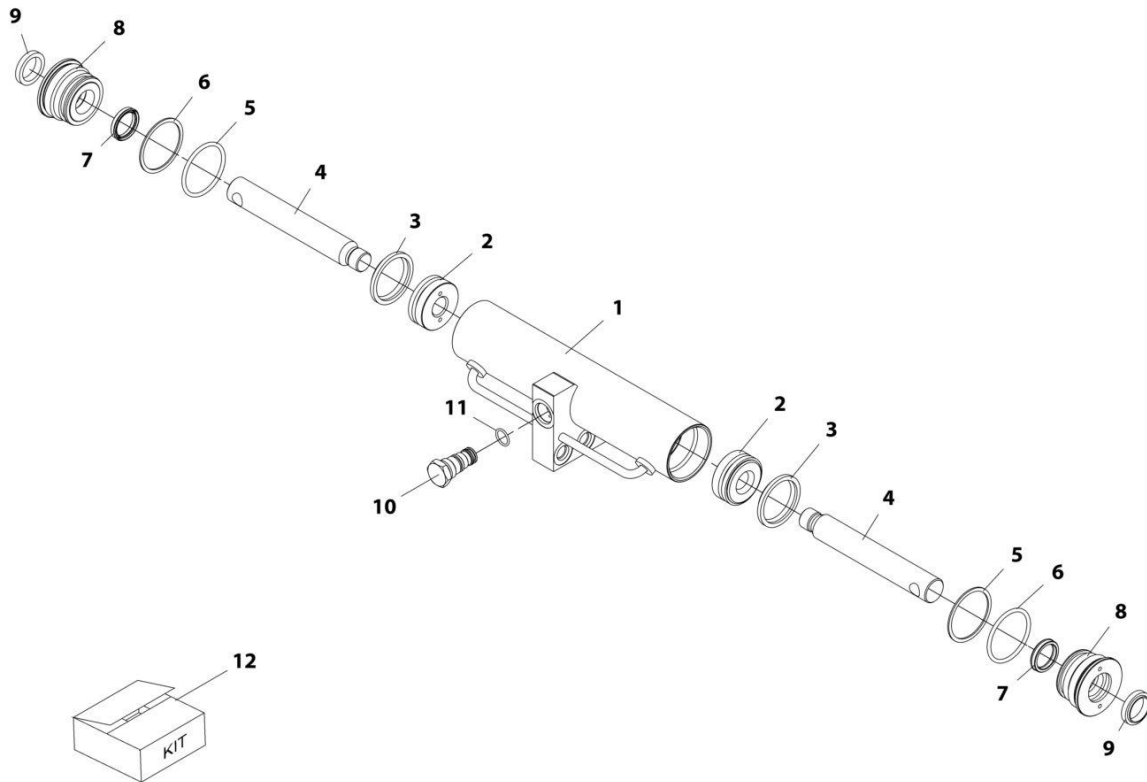
## SECTION 9 - HYDRAULIC COMPONENTS

FIGURE 9-8. COUPLER LOCKING CYLINDER ASSEMBLY

ITEM	PART NUMBER	QTY	DESCRIPTION	REV
1	1001114787	Ref	COUPLER LOCKING CYLINDER ASSEMBLY	B
	1001145390	1	Cylinder, Coupler Locking (See Separate Breakdown in this Section)	
2	1001145444	1	Valve, P.O. Check	

# SECTION 9 - HYDRAULIC COMPONENTS

## FIGURE 9-9. COUPLER LOCKING CYLINDER



ART\_1001145390-A



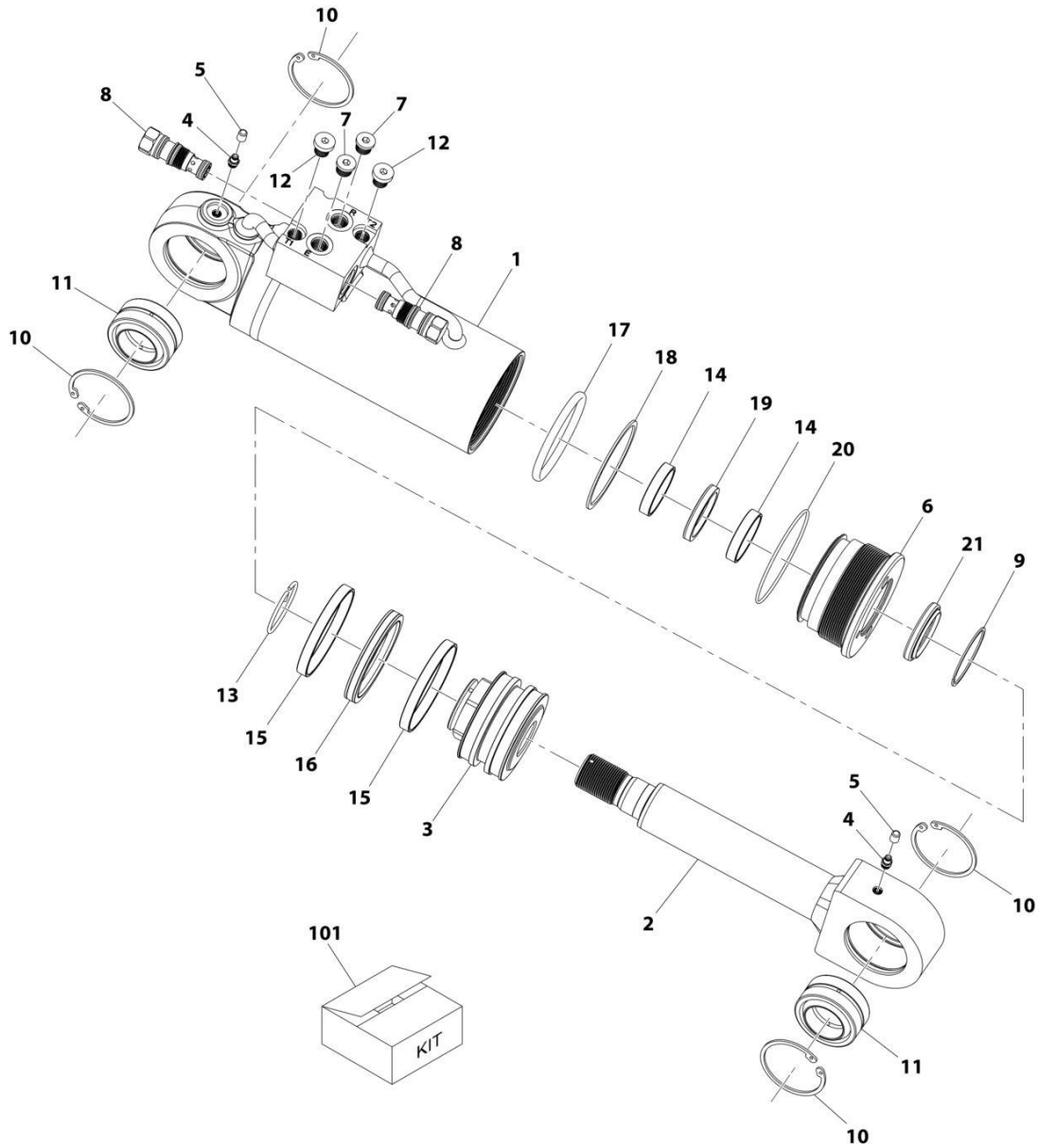
## SECTION 9 - HYDRAULIC COMPONENTS

### FIGURE 9-9. COUPLER LOCKING CYLINDER

ITEM	PART NUMBER	QTY	DESCRIPTION	REV
	1001145390	Ref	Coupler Locking Cylinder	A
		Ref	<b>Note: Original Cylinder May Have Been Replaced with Service Replacement. Identify PN Stamped on Cylinder Before Ordering Parts.</b>	
1	70024164	2	Body	
2	70024165	2	Piston	
3	Kit	2	Seal, Piston	
4	70024166	2	Rod	
5	Kit	2	O-Ring	
6	Kit	2	Ring, Backup	
7	Kit	2	Seal, Rod	
8	70024167	2	Gland	
9	Kit	2	Seal, Wiper	
10	1001007056	1	Valve, Check	
11	91574001	1	Seal, Check Valve	
12	70024168	1	Kit, Seal (includes items 3, 5, 6, 7 & 9)	

# SECTION 9 - HYDRAULIC COMPONENTS

## FIGURE 9-10. SIDE TILT CYLINDER



ART\_1001163414-A

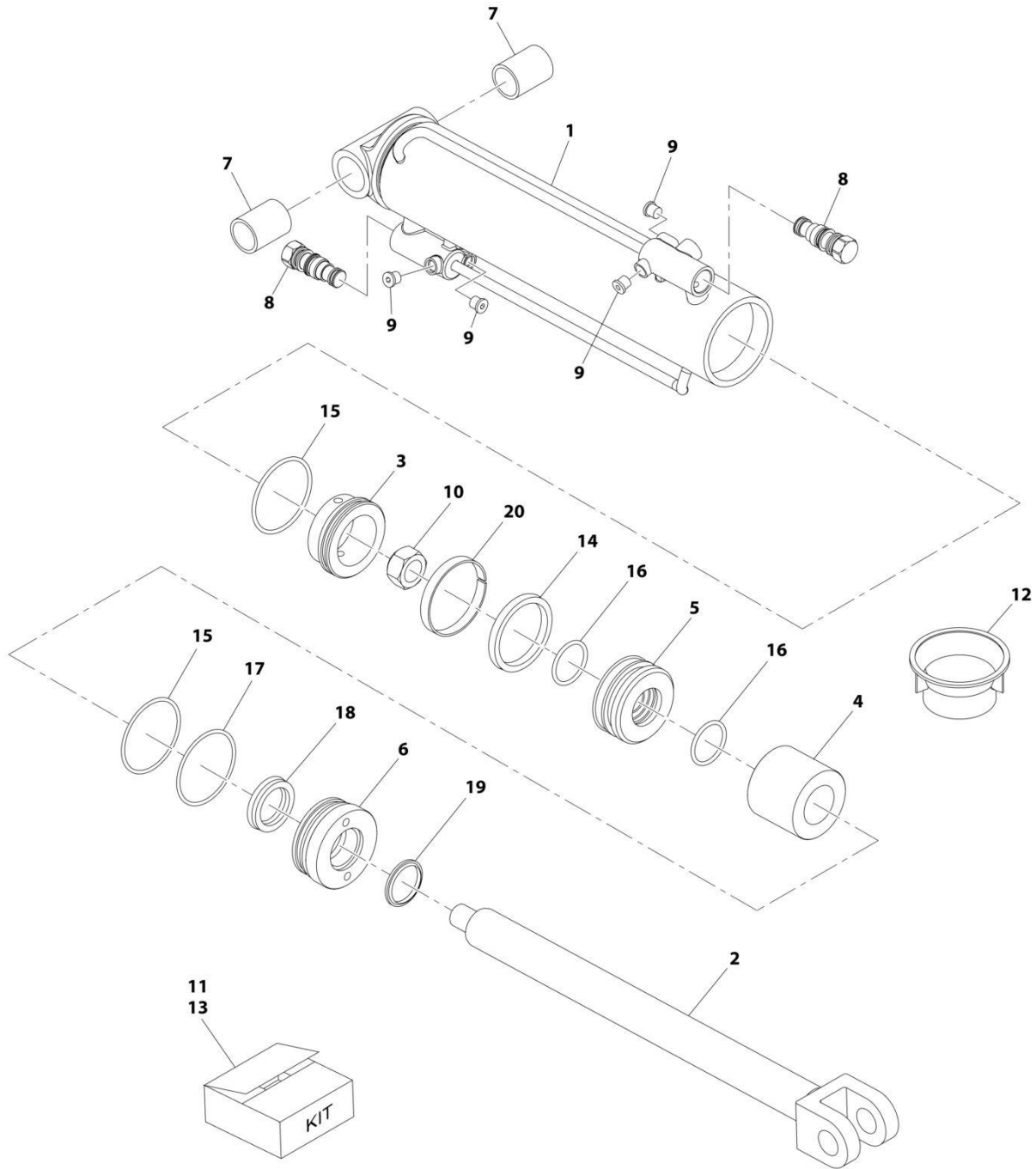
## SECTION 9 - HYDRAULIC COMPONENTS

### FIGURE 9-10. SIDE TILT CYLINDER

ITEM	PART NUMBER	QTY	DESCRIPTION	REV
	1001163414	Ref	Side Tilt Cylinder	A
		Ref	<b>Note: Original Cylinder May Have Been Replaced with Service Replacement. Identify PN Stamped on Cylinder Before Ordering Parts.</b>	
1	70026056	1	Barrel	
2	70026057	1	Rod	
3	70026058	1	Piston	
4	70025606	2	Nipple, Grease	
5	70024020	2	Fitting, Grease	
6	70003849	1	Head	
7	70025959	2	Plug	
8	70026059	2	Valve, Check	
9	70002219	1	Ring, Retaining	
10	70026060	4	Ring, Retaining	
11	70026061	2	Bearing	
12	70024262	2	Plug	
13	70002224	1	Ring, Lock	
14	Kit	NSS	Ring, Rod Bearing (Note: Use Item 101)	
15	Kit	NSS	Ring, Piston Bearing (Note: Use Item 101)	
16	Kit	NSS	Seal, Piston (Note: Use Item 101)	
17	Kit	NSS	O-Ring (Note: Use Item 101)	
18	Kit	NSS	Ring, Back-Up (Note: Use Item 101)	
19	Kit	NSS	Seal, Rod (Note: Use Item 101)	
20	Kit	NSS	O-Ring (Note: Use Item 101)	
21	Kit	NSS	Seal, Wiper (Note: Use Item 101)	
101	70026062	1	Kit, Seal (includes items 14 thru 21)	

# SECTION 9 - HYDRAULIC COMPONENTS

## FIGURE 9-11. PIPE HANDLER CYLINDER



ART\_70026587

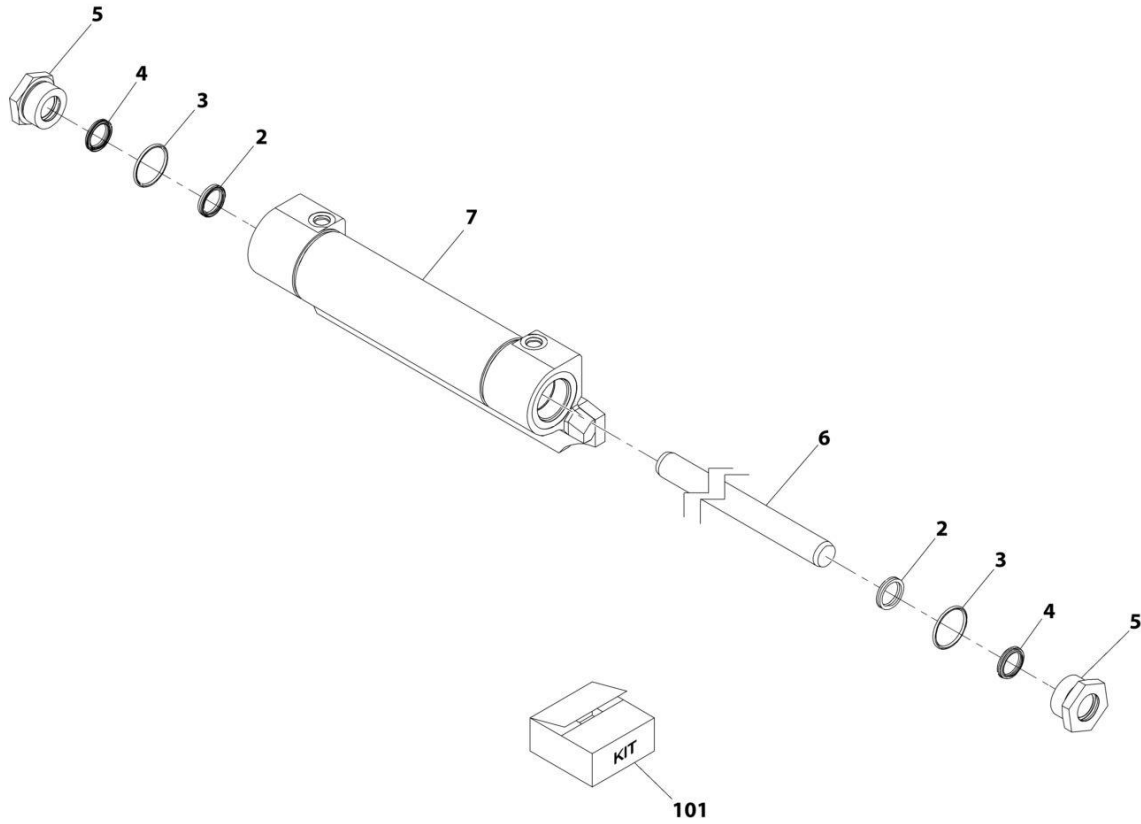
## SECTION 9 - HYDRAULIC COMPONENTS

### FIGURE 9-11. PIPE HANDLER CYLINDER

ITEM	PART NUMBER	QTY	DESCRIPTION	REV
	70026587	Ref	Pipe Handler Cylinder	
		Ref	Note: Original Cylinder May Have Been Replaced with Service Replacement. Identify PN Stamped on Cylinder Before Ordering Parts.	
1	70026495	1	Barrel	
2	70026610	1	Rod	
3	70026497	1	Spacer	
4	70026611	1	Spacer	
5	70026499	1	Piston	
6	70026500	1	Retainer	
7	70026501	2	Bushing	
8	70026502	2	Valve, Check	
9	70024129	4	Fitting, 4	
10	70026503	1	Nut	
11	70024734	1	Kit, Check Valve Service	
12	70026505	1	Seal Loader	
13	70026506	1	Seal Kit (includes items 14 thru 20)	
14	Kit	AR	Seal (Note: Use Item 13)	
15	Kit	AR	O-Ring (Note: Use Item 13)	
16	Kit	AR	O-Ring (Note: Use Item 13)	
17	Kit	AR	Ring, Back-up (Note: Use Item 13)	
18	Kit	AR	Seal (Note: Use Item 13)	
19	Kit	AR	Wiper (Note: Use Item 13)	
20	Kit	AR	Ring, Wear (Note: Use Item 13)	

# SECTION 9 - HYDRAULIC COMPONENTS

FIGURE 9-12. SIDE SHIFT CARRIAGE CYLINDER



ART\_70024539-B

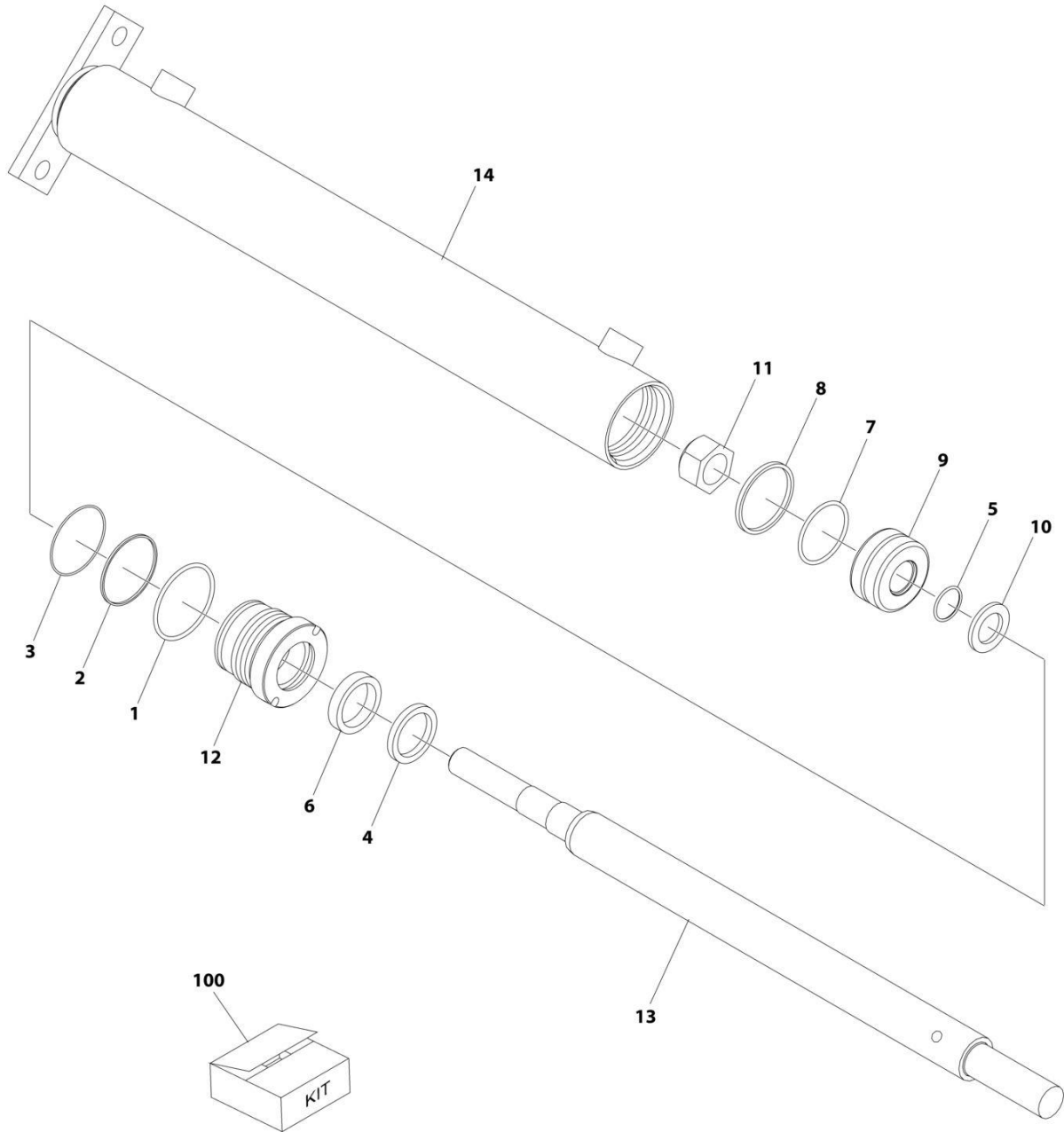
## SECTION 9 - HYDRAULIC COMPONENTS

### FIGURE 9-12. SIDE SHIFT CARRIAGE CYLINDER

ITEM	PART NUMBER	QTY	DESCRIPTION	REV
	70024539	Ref	Side Shift Carriage Cylinder	B
		Ref	<b>Note: Original Cylinder May Have Been Replaced with Service Replacement. Identify PN Stamped on Cylinder Before Ordering Parts.</b>	
2	Kit	NSS	Seal, Rod (Note: Use Item 101)	
3	70024547	2	O-Ring	
4	Kit	NSS	Seal, Rod Wiper (Note: Use Item 101)	
5	70024548	2	Seal, Retainer	
6	N.S.S.	NSS	Rod (Note: Use PN 70024539)	
7	N.S.S.	NSS	Barrel (Note: Use PN 70024539)	
101	70024549	1	Kit, Seal (includes items 2 & 4)	

# SECTION 9 - HYDRAULIC COMPONENTS

## FIGURE 9-13. FORK POSITIONING CYLINDER



ART\_2717283



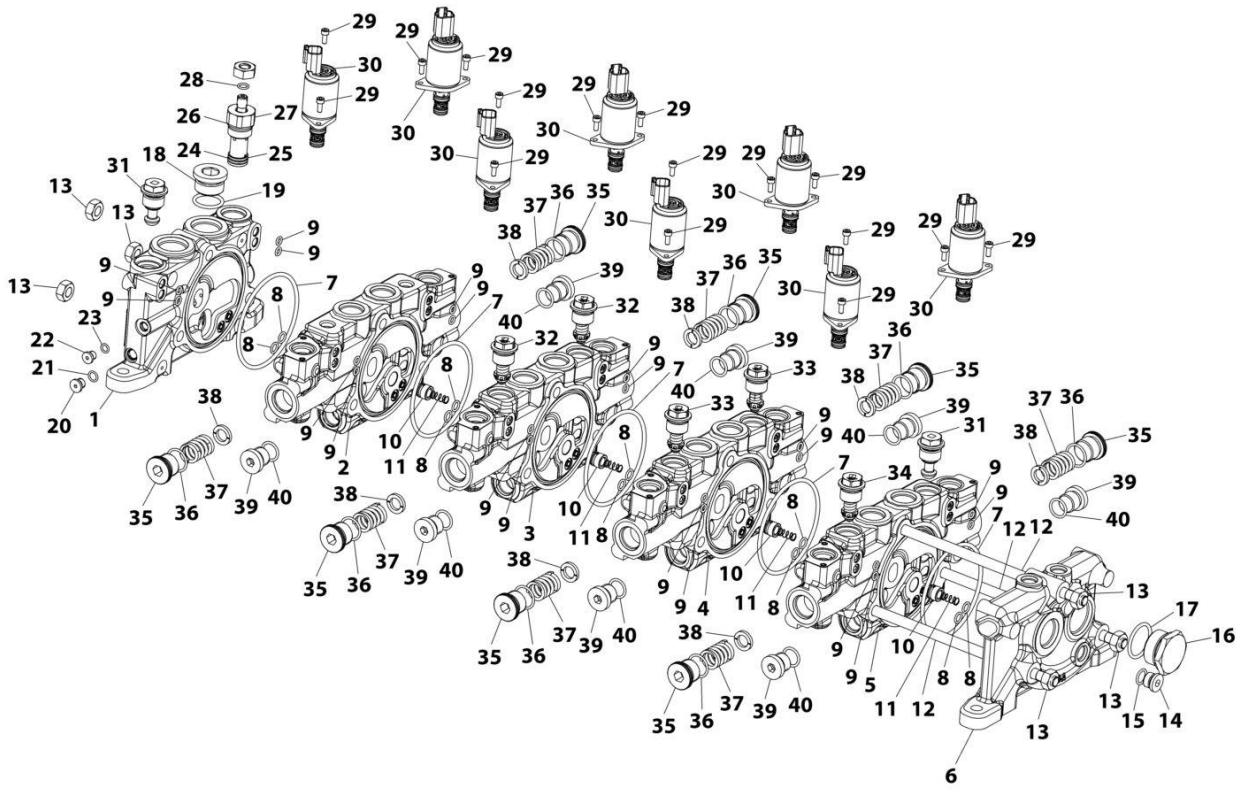
## SECTION 9 - HYDRAULIC COMPONENTS

**FIGURE 9-13. FORK POSITIONING CYLINDER**

ITEM	PART NUMBER	QTY	DESCRIPTION	REV
	2717283	Ref	FORK POSITIONING CYLINDER	B
		Ref	<b>Note: Original Cylinder May Have Been Replaced with Service Replacement. Identify PN Stamped on Cylinder Before Ordering Parts.</b>	
1	See Note	NSS	O-Ring (Use Item 100)	
2	See Note	NSS	Ring, Back-up (Use Item 100)	
3	See Note	NSS	O-Ring (Use Item 100)	
4	See Note	NSS	Seal (Use Item 100)	
5	See Note	NSS	O-Ring (Use Item 100)	
6	See Note	NSS	Seal (Use Item 100)	
7	See Note	NSS	O-Ring (Use Item 100)	
8	See Note	NSS	Seal (Use Item 100)	
9	70026771	1	Piston	
10	70026775	1	Washer	
11	70026770	1	Nut	
12	70026774	1	Head	
13	70026773	1	Rod	
14	See Note	NSS	Barrel (Note: Use PN 2717283)	
100	8036733	1	Seal Kit (includes items 1 thru 8)	

# SECTION 9 - HYDRAULIC COMPONENTS

## FIGURE 9-14. MAIN CONTROL VALVE (AG)



ART\_1001180252-J

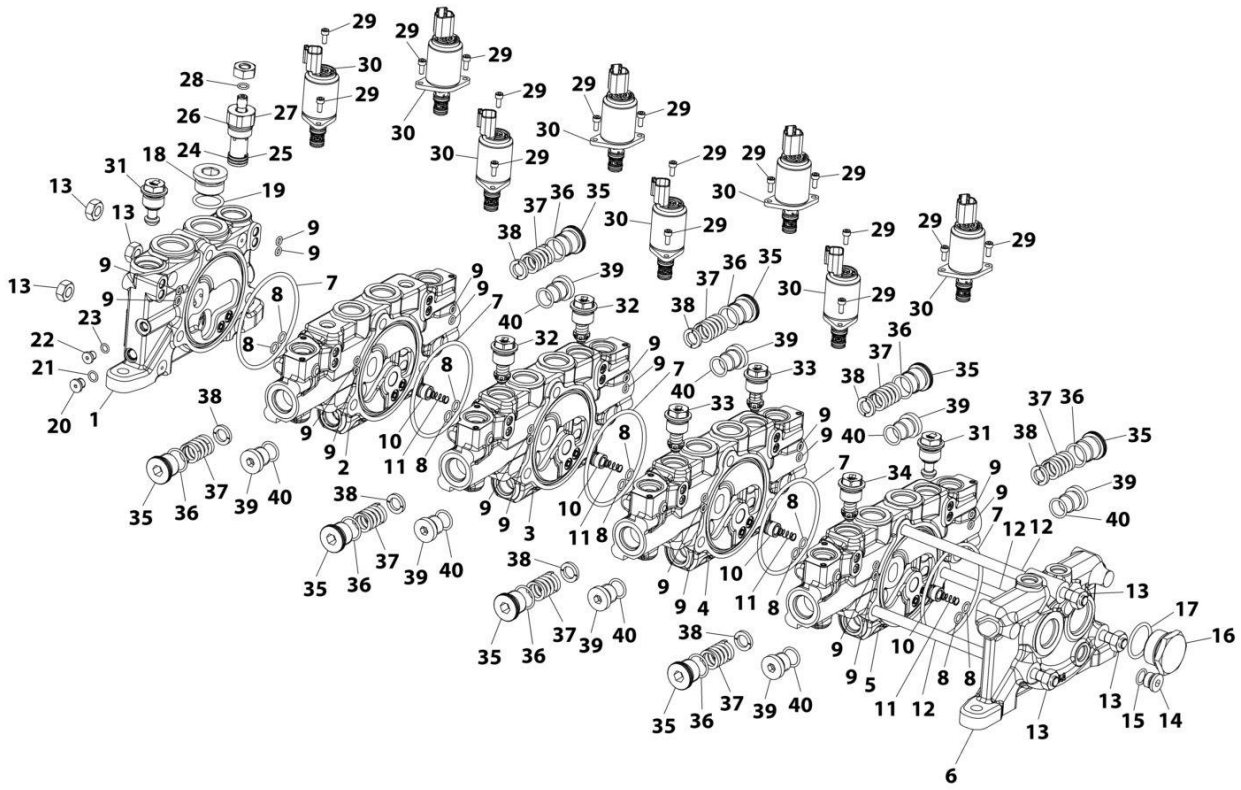
## SECTION 9 - HYDRAULIC COMPONENTS

**FIGURE 9-14. MAIN CONTROL VALVE (AG)**

ITEM	PART NUMBER	QTY	DESCRIPTION	REV
	1001180252	NLA	Main Control Valve, (no longer available, see items 1 through 40 for service or use 1001233797 for replacement)	J
1	70027136	1	Section, Inlet	
2	70027140	1	Section, Lift	
3	70027137	1	Section, Tilt	
4	70027138	1	Section, Aux	
5	70027139	1	Section, Tele	
6	70027141	1	Section, Outlet	
7	8034697	5	O-Ring	
8	10837926	10	O-Ring	
9	70027128	20	O-Ring	
10	10837929	4	Poppet	
11	10837937	4	Spring	
12	70026375	3	Tie Rod	
13	70050481	6	Nut	
14	70050475	1	Plug	
15	8036533	1	O-Ring	
16	8035835	1	Plug	
17	7013903	1	O-Ring	
18	90201309	1	Plug	
19	70026374	1	O-Ring	
20	70027096	1	Plug	
21	70026371	1	O-Ring	
22	91044238	1	Plug	
23	70026372	1	O-Ring	
24	70026370	1	O-Ring	
25	70026376	1	Ring	
26	10837928	1	O-Ring	
27	70027132	1	Drain, Regulator	
28	70026373	1	O-Ring	
29	70027135	16	Cap	
30	70051155	8	Valve	
31	70026382	2	Plug	
32	70022010	2	Valve	
33	70027133	2	Valve	
34	70027134	1	Valve	
35	70050503	8	Plug	
36	70026777	8	O-Ring	
37	70026377	8	Spring	
38	70027129	8	Spring	
39	70027131	8	Plug	
40	70027130	8	O-Ring	

# SECTION 9 - HYDRAULIC COMPONENTS

## FIGURE 9-15. MAIN CONTROL VALVE (AG)



ART\_1001233797-A

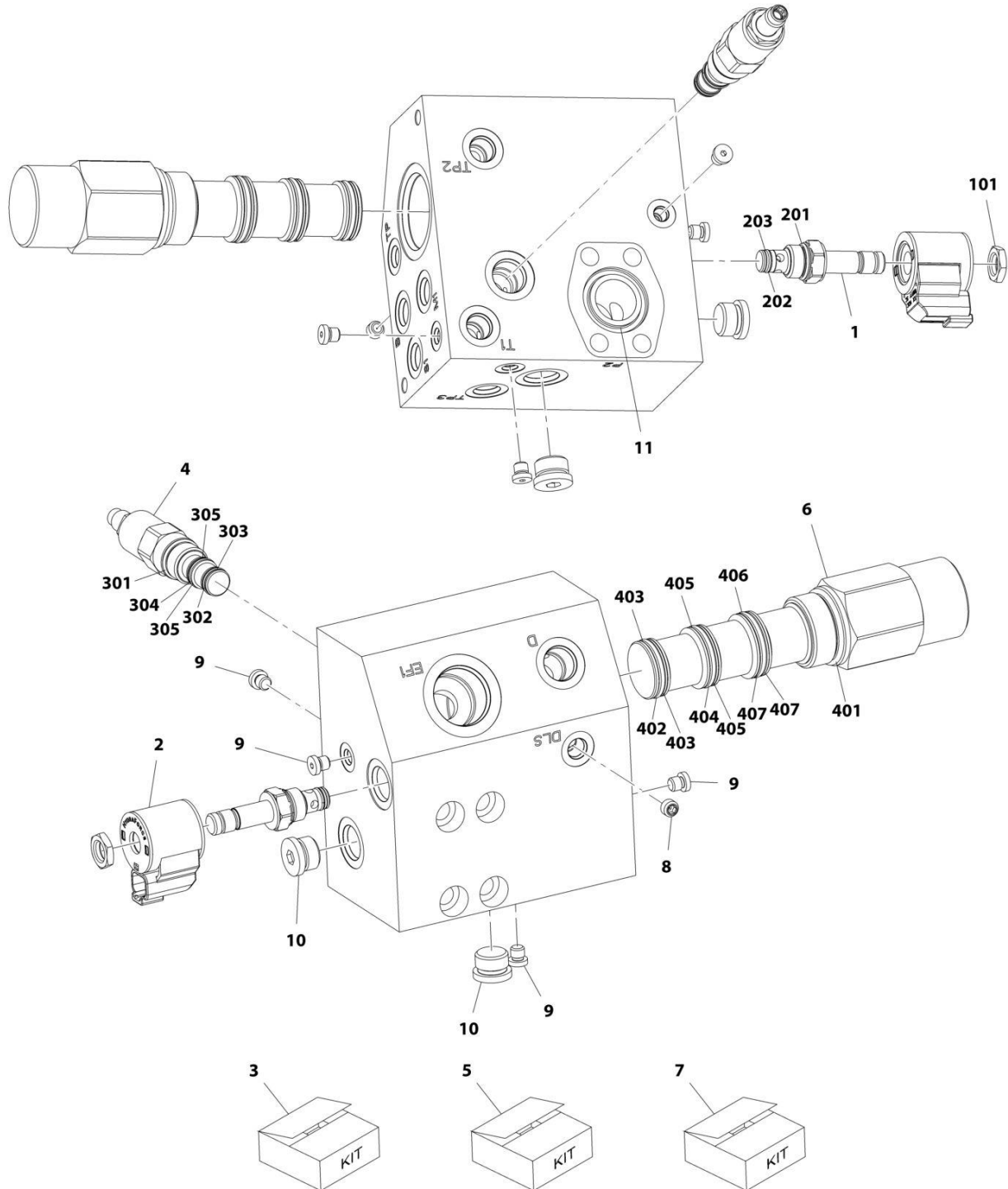
## SECTION 9 - HYDRAULIC COMPONENTS

**FIGURE 9-15. MAIN CONTROL VALVE (AG)**

ITEM	PART NUMBER	QTY	DESCRIPTION	REV
	1001233797	Ref	Main Control Valve	A
1	70027136	1	Section, Inlet	
2	70027140	1	Section, Lift	
3	70027137	1	Section, Tilt	
4	70027138	1	Section, Aux	
5	70029029	1	Section, Tele	
6	70027141	1	Section, Outlet	
7	8034697	5	O-Ring	
8	10837926	10	O-Ring	
9	70027128	20	O-Ring	
10	10837929	4	Poppet	
11	10837937	4	Spring	
12	70026375	3	Tie Rod	
13	70050481	6	Nut	
14	70050475	1	Plug	
15	8036533	1	O-Ring	
16	70029030	1	Plug	
17	10732931	1	O-Ring	
18	70050472	1	Plug	
19	70026374	1	O-Ring	
20	70026368	1	Plug	
21	70026371	1	O-Ring	
22	70026379	1	Plug	
23	70026372	1	O-Ring	
24	70026370	1	O-Ring	
25	70026376	1	Ring	
26	10837928	1	O-Ring	
27	70027132	1	Drain, Regulator	
28	70026373	1	O-Ring	
29	70027135	16	Cap	
30	70051155	8	Valve	
31	70026382	2	Plug	
32	70022010	2	Valve	
33	70027133	2	Valve	
34	70027134	1	Valve	
35	70050503	8	Plug	
36	70026777	8	O-Ring	
37	70026377	8	Spring	
38	70027129	8	Spring	
39	70027131	8	Plug	
40	70027130	8	O-Ring	

# SECTION 9 - HYDRAULIC COMPONENTS

## FIGURE 9-16. PRIORITY FLOW MANIFOLD (Prior to SN 1160008715)



ART\_1001179462-E

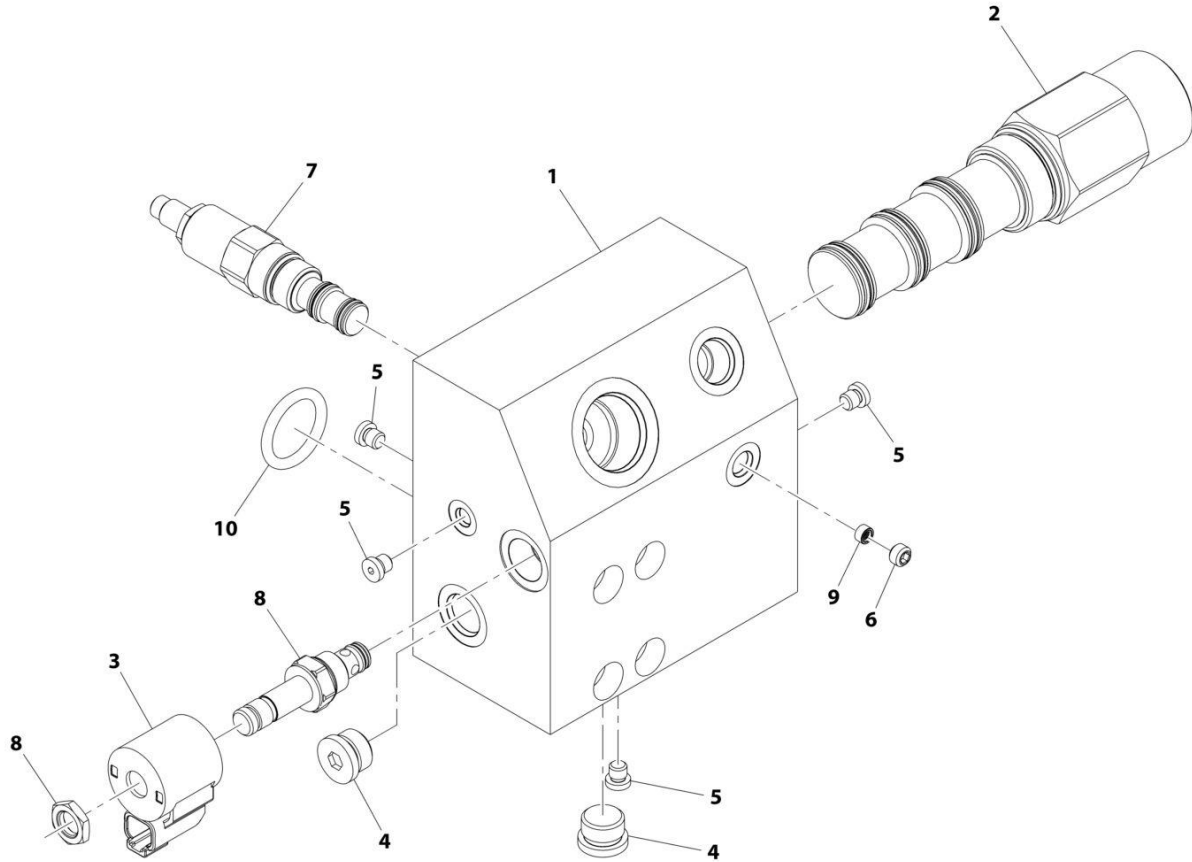
## SECTION 9 - HYDRAULIC COMPONENTS

**FIGURE 9-16. PRIORITY FLOW MANIFOLD (Prior to SN 1160008715)**

ITEM	PART NUMBER	QTY	DESCRIPTION	REV
	1001179462	Ref	Priority Flow Manifold	E
1	70027001	1	Valve, Solenoid	
2	70002386	1	Coil	
3	7012998	1	Kit, Seal (includes items 201 thru 203)	
4	70027002	1	Reducer, Pressure	
5	7021653	1	Kit, Seal (includes items 301 thru 305)	
6	70027003	1	Compensator, Pressure	
7	70026333	1	Kit, Seal (includes items 401 thru 407)	
8	70026313	1	Plug	
9	2220881	4	Plug	
10	2220886	2	Plug	
11	70027000	1	O-Ring	
101	Kit	1	Nut	
201	Kit	1	O-Ring	
202	Kit	1	O-Ring	
203	Kit	1	Ring, Backup	
301	Kit	1	O-Ring	
302	Kit	1	O-Ring	
303	Kit	1	Ring, Backup	
304	Kit	1	O-Ring	
305	Kit	2	Ring, Backup	
401	Kit	1	O-Ring	
402	Kit	1	O-Ring	
403	Kit	2	Ring, Backup	
404	Kit	1	O-Ring	
405	Kit	2	Ring, Backup	
406	Kit	1	O-Ring	
407	Kit	2	Ring, Backup	

# SECTION 9 - HYDRAULIC COMPONENTS

FIGURE 9-17. PRIORITY FLOW MANIFOLD VALVE (SN 1160008715 to Present)



ART\_1001229050-B



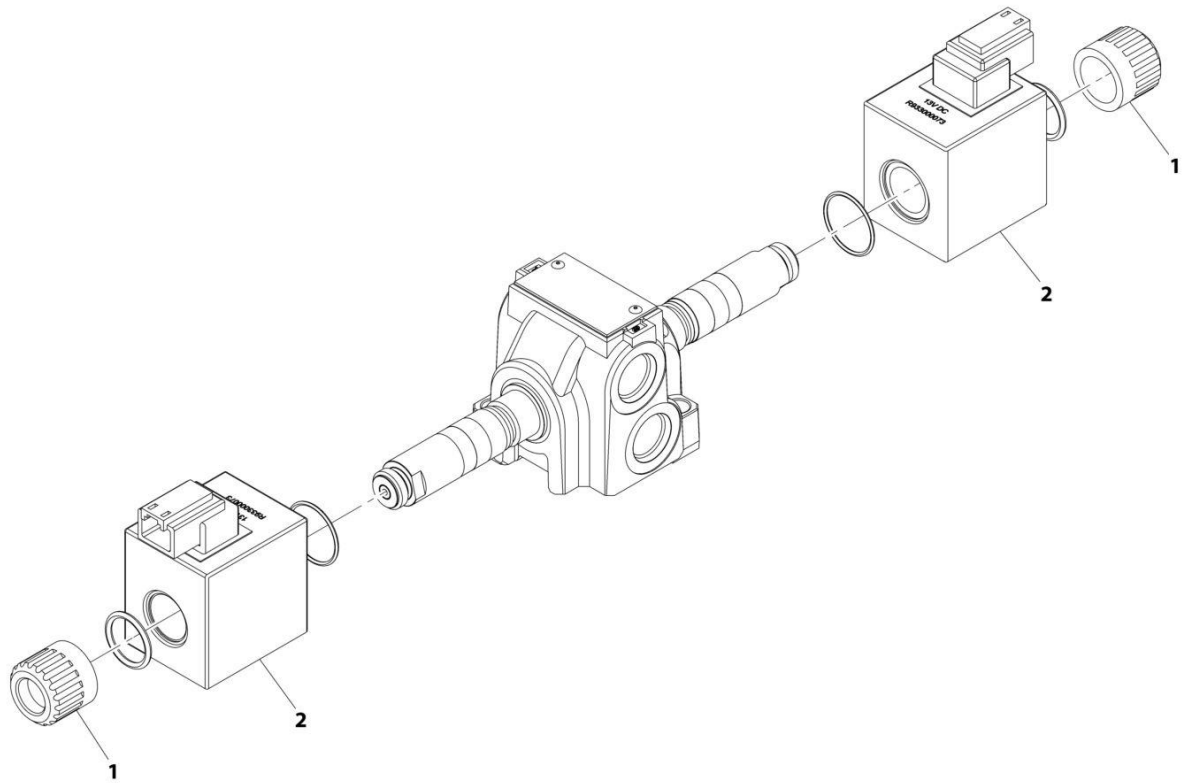
## SECTION 9 - HYDRAULIC COMPONENTS

**FIGURE 9-17. PRIORITY FLOW MANIFOLD VALVE (SN 1160008715 to Present)**

ITEM	PART NUMBER	QTY	DESCRIPTION	REV
	1001229050	Ref	Priority Flow Manifold, Valve	B
1	N.S.S.	1	Body	
2	70028900	1	Direction Control Valve	
3	70002386	1	Coil	
4	2220886	2	Plug	
5	2220881	4	Plug	
6	70026313	1	Plug	
7	70028901	1	Relief Valve	
8	70027001	1	Valve, Solenoid	
9	70028899	1	Filter Screen	
10	70027000	1	O-Ring	

# SECTION 9 - HYDRAULIC COMPONENTS

## FIGURE 9-18. STEERING SELECT VALVE



ART\_1001153748-C

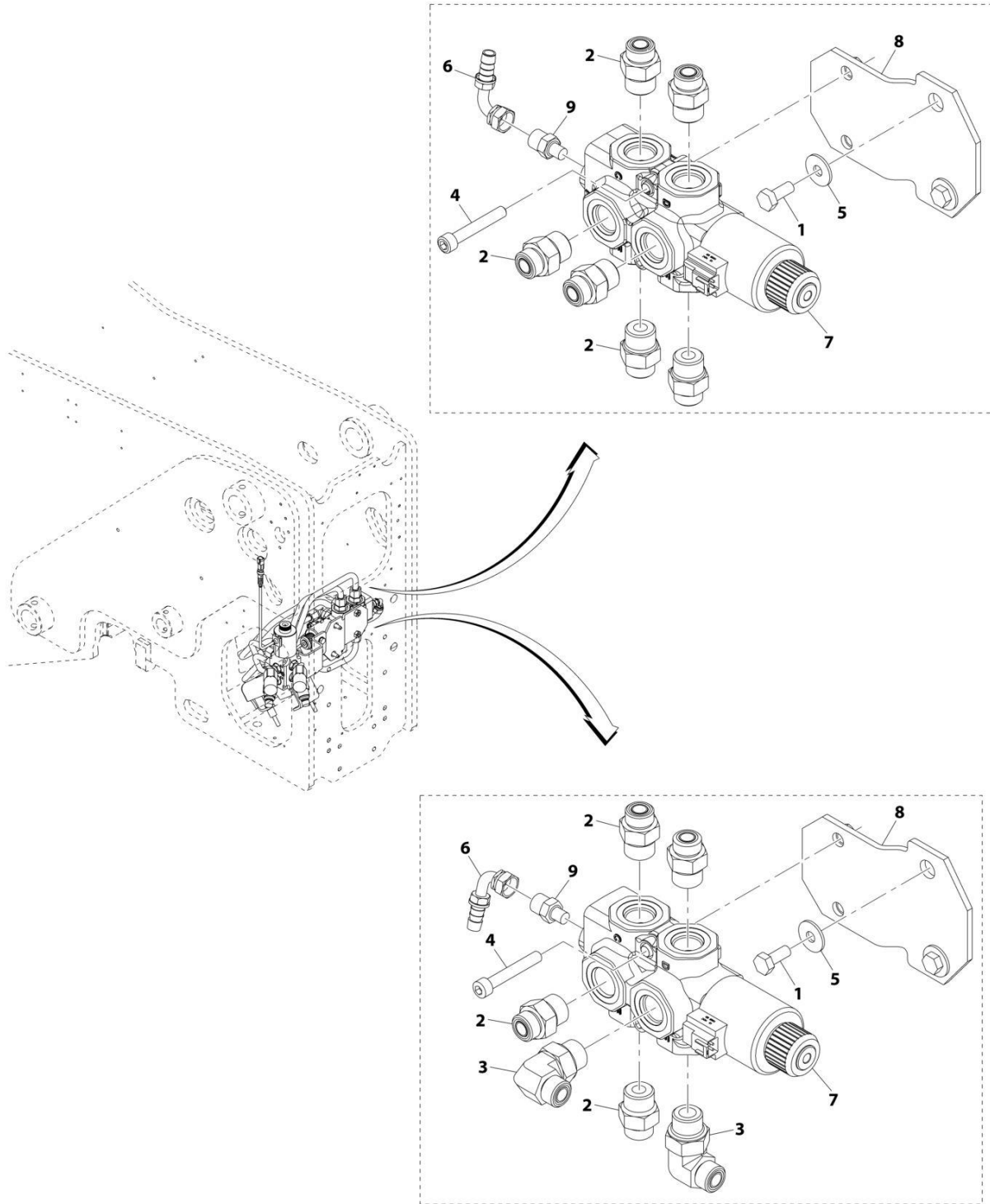
## SECTION 9 - HYDRAULIC COMPONENTS

### FIGURE 9-18. STEERING SELECT VALVE

ITEM	PART NUMBER	QTY	DESCRIPTION	REV
	1001153748	Ref	Steering Select Valve	C
1	70020867	2	Nut, Coil	
2	70026582	2	Coil	

# SECTION 9 - HYDRAULIC COMPONENTS

## FIGURE 9-19. DIVERTOR VALVE ASSEMBLY (HI FLOW)



PRIOR TO SN 0300087631

ART\_1001204420-C

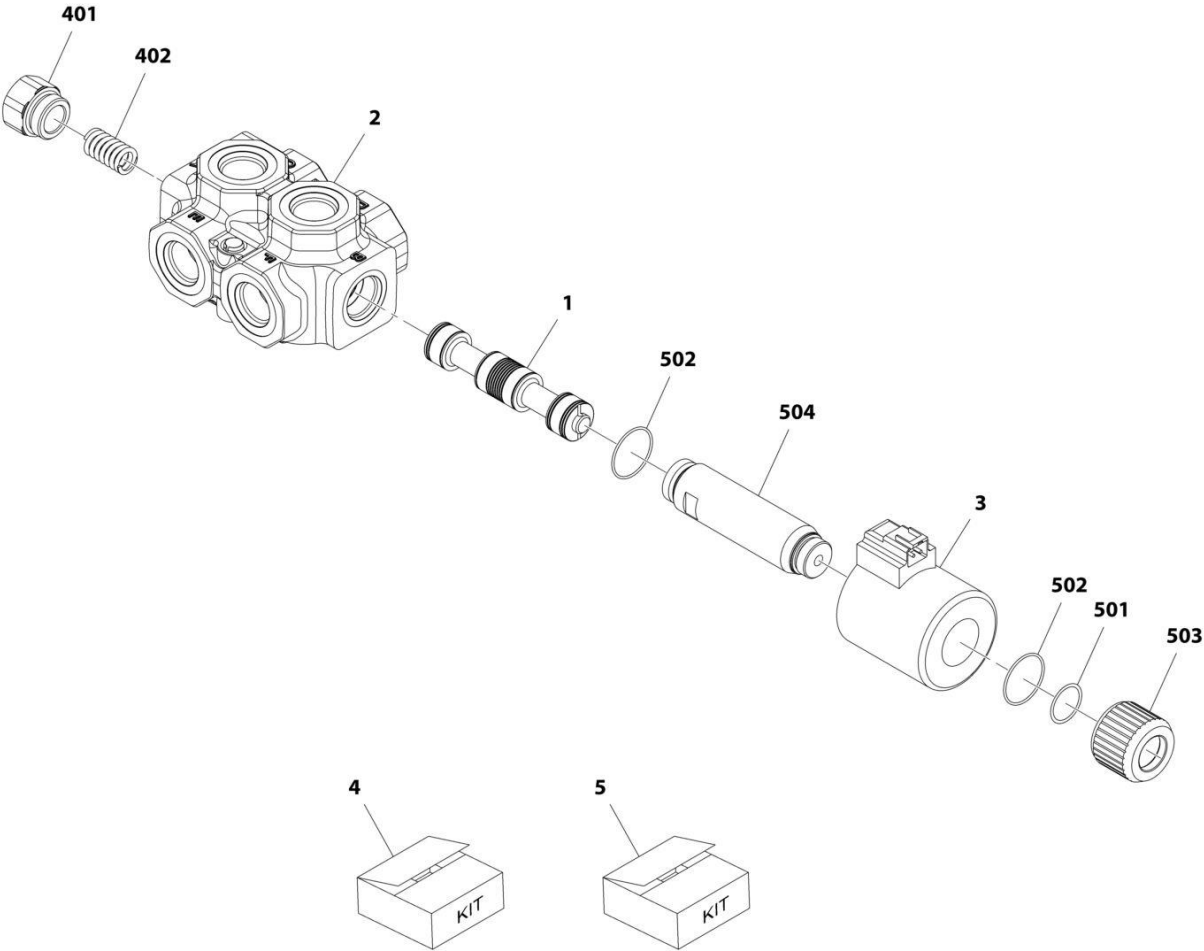
## SECTION 9 - HYDRAULIC COMPONENTS

**FIGURE 9-19. DIVERTOR VALVE ASSEMBLY (HI FLOW)**

ITEM	PART NUMBER	QTY	DESCRIPTION	REV
	1001204420	Ref	Divertor Valve Assembly (Hi Flow)	C
1	0761012	2	Bolt, M10X25	
2	2111012	6	Fitting, Straight ORFS	
3	2131012	2	Fitting, 90 ORFS <b>(Prior to SN 0300087631)</b>	
4	4032017	2	Bolt	
5	4812002	2	Washer, M10	
6	1001095301	1	Fitting, 90 ORFS	
7	1001173771	1	Valve, Divertor (Hi Flow) (See Separate Breakdown in this Section)	
8	1001213748	1	Bracket	
9	2110604	1	Fitting, Straight ORFS	

# SECTION 9 - HYDRAULIC COMPONENTS

## FIGURE 9-20. DIVERTOR VALVE



ART\_1001173771-D

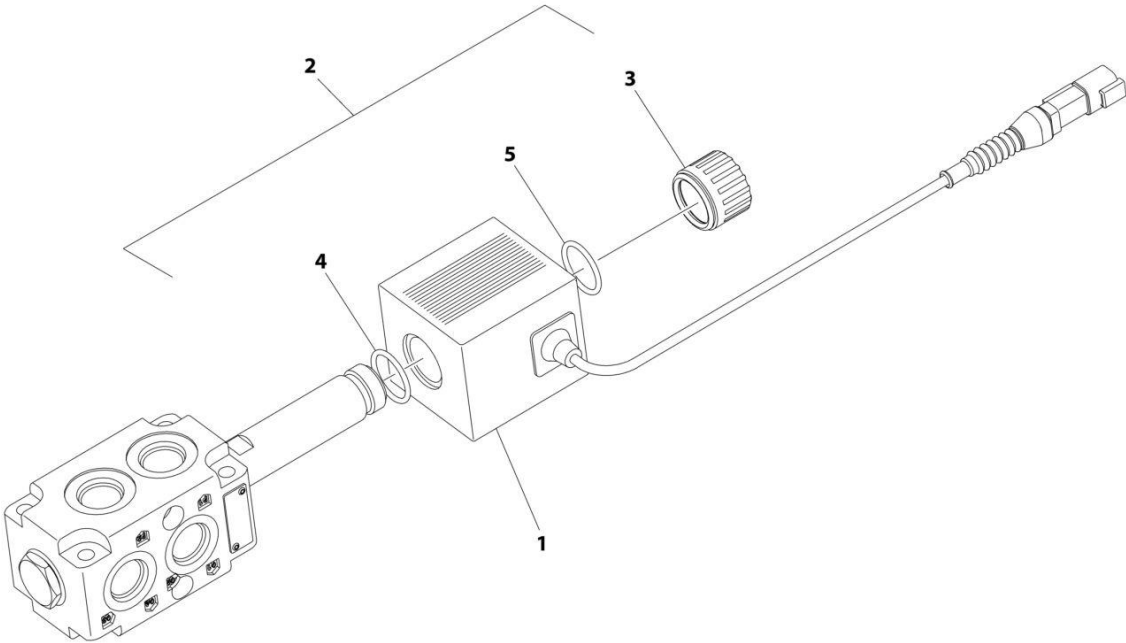
## SECTION 9 - HYDRAULIC COMPONENTS

### FIGURE 9-20. DIVERTOR VALVE

ITEM	PART NUMBER	QTY	DESCRIPTION	REV
	1001173771	Ref	Divertor Valve	D
1	70027267	1	Spool, Divertor	
2	70027268	1	Body, Divertor	
3	70027269	1	Coil	
4	70027270	1	Kit, Drain Plug	
401	Kit	1	Plug	
402	Kit	1	Spring	
5	70027271	1	Kit, Tube	
501	Kit	1	O-Ring	
502	Kit	2	O-Ring	
503	Kit	1	Plug	
504	Kit	1	Tube	

**SECTION 9 - HYDRAULIC COMPONENTS**

**FIGURE 9-21. DIVERTOR VALVE**



ART\_1001104477



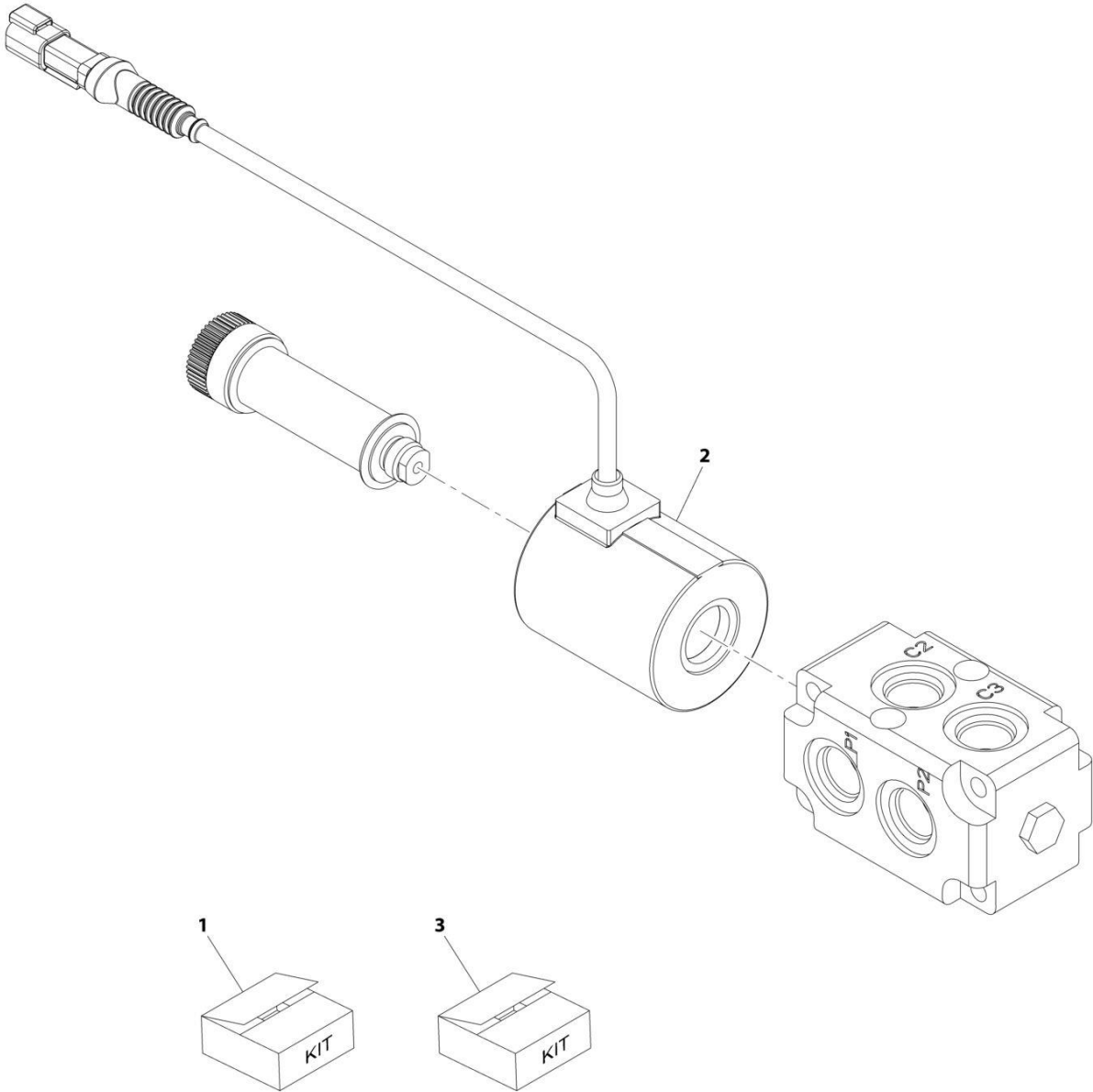
# SECTION 9 - HYDRAULIC COMPONENTS

## FIGURE 9-21. DIVERTOR VALVE

ITEM	PART NUMBER	QTY	DESCRIPTION	REV
	1001104477	Ref	DIVERTOR VALVE	D
1	70020764	1	Coil	
2	70021531	1	Retainer Kit (Includes Items 3-5)	
3	Kit	1	Nut	
4	Kit	1	O-Ring	
5	Kit	1	O-Ring	

**SECTION 9 - HYDRAULIC COMPONENTS**

**FIGURE 9-22. DIVERTOR VALVE**



ART\_100110023-B

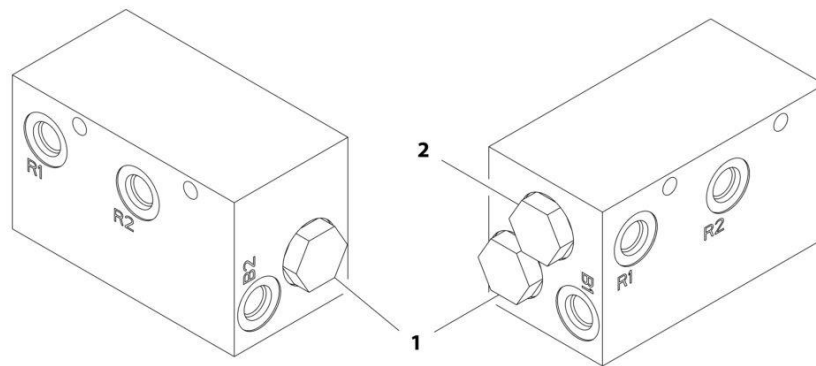
## SECTION 9 - HYDRAULIC COMPONENTS

### FIGURE 9-22. DIVERTOR VALVE

ITEM	PART NUMBER	QTY	DESCRIPTION	REV
	1001110023	Ref	Divertor Valve	B
1	70027596	1	Kit, Seal	
	Kit	2	O-Ring	
2	70020764	1	Coil	
3	70021531	1	Kit, Coil Nut	
	N.S.S.	1	O-Ring	
	N.S.S.	1	O-Ring	
	N.S.S.	1	Nut	

# SECTION 9 - HYDRAULIC COMPONENTS

FIGURE 9-23. FLOW DIVIDER VALVE



ART\_4641501-A

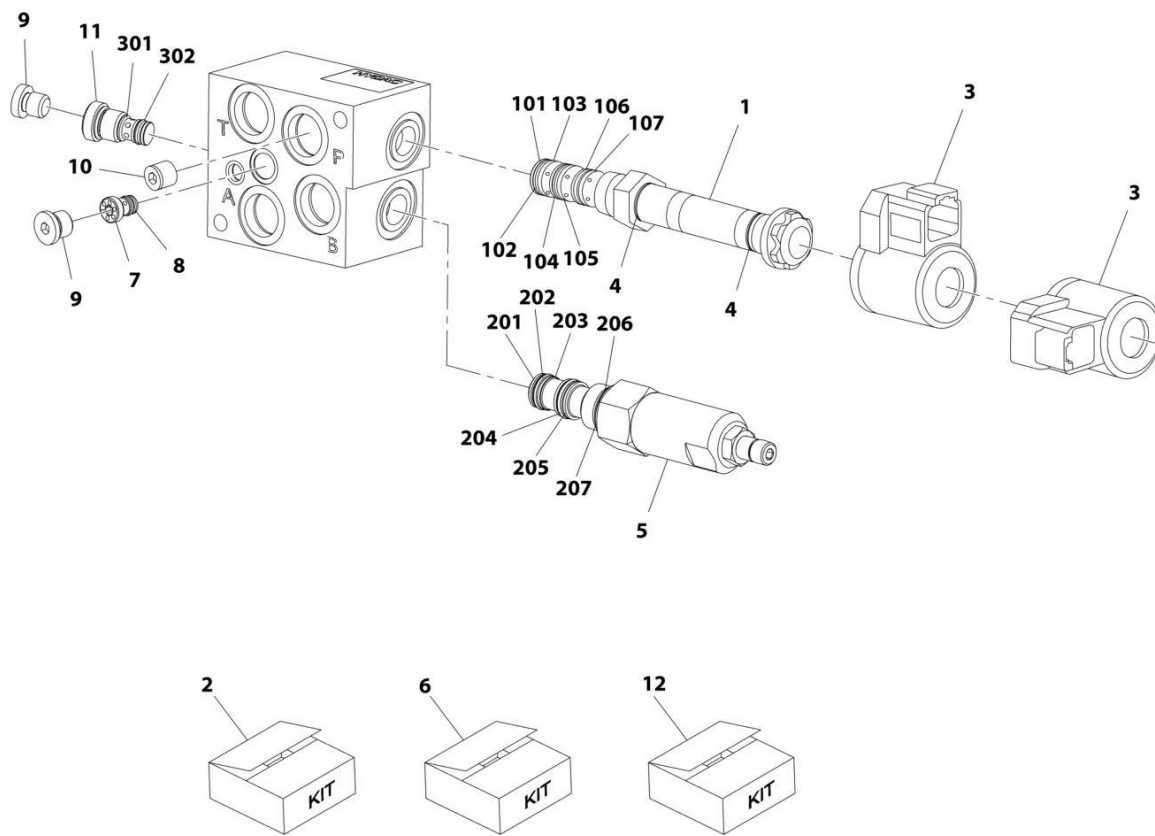
## SECTION 9 - HYDRAULIC COMPONENTS

### FIGURE 9-23. FLOW DIVIDER VALVE

ITEM	PART NUMBER	QTY	DESCRIPTION	REV
	4641501	Ref	Flow Divider Valve	A
1	70023928	2	Valve, Check	
2	70023929	1	Valve, Cartridge	

# SECTION 9 - HYDRAULIC COMPONENTS

FIGURE 9-24. HYDRAULIC HITCH CONTROL VALVE (Prior to SN 1160008597)



ART\_1001173770-F

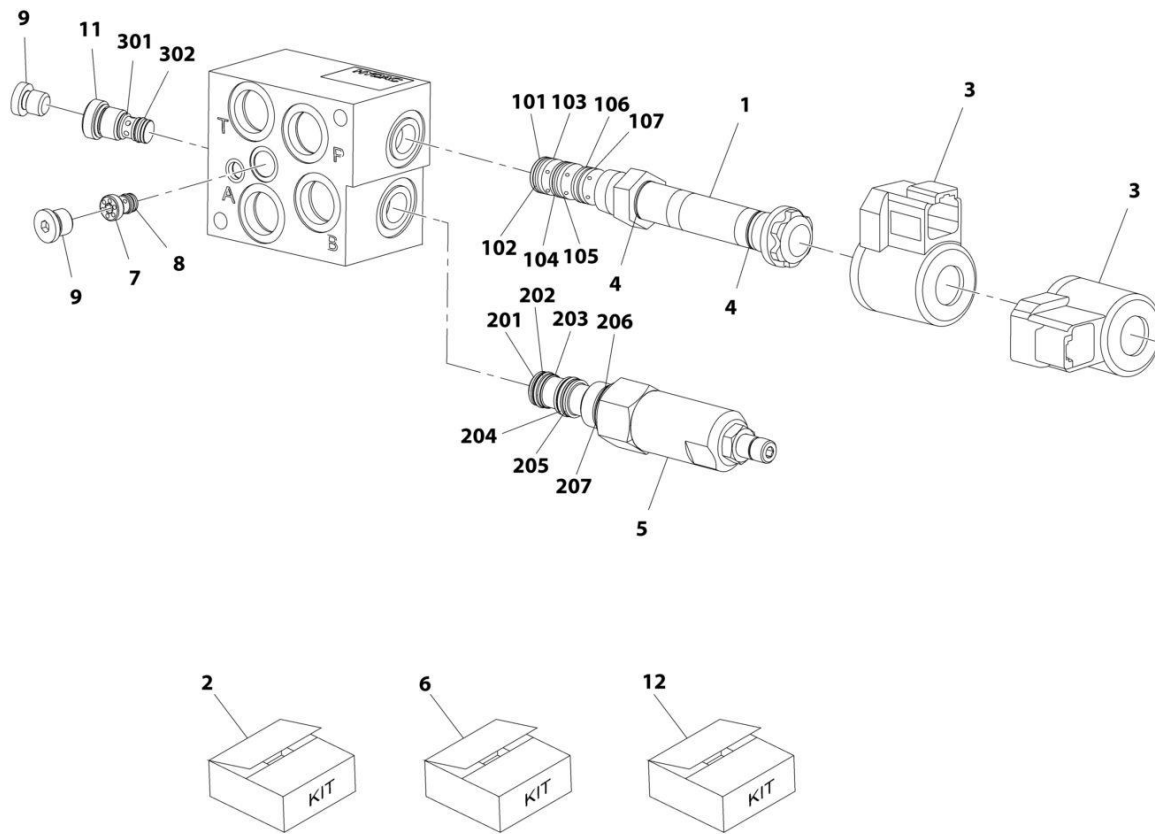
## SECTION 9 - HYDRAULIC COMPONENTS

**FIGURE 9-24. HYDRAULIC HITCH CONTROL VALVE (Prior to SN 1160008597)**

ITEM	PART NUMBER	QTY	DESCRIPTION	REV
	1001173770	Ref	Hydraulic Hitch Control Valve	F
1	70026965	1	Valve	
2	70026966	1	Kit, Seal (includes items 101 thru 107)	
3	70026967	2	Coil	
4	70026968	1	Nut	
5	70026969	1	Valve	
6	70026970	1	Kit, Seal (includes items 201 thru 207)	
7	70026971	1	Valve	
8	70026972	1	Seal	
9	70026973	2	Plug	
10	70026974	1	Orifice	
11	70026975	1	Valve	
12	70026976	1	Kit, Seal (includes items 301 & 302)	
101	Kit	1	O-Ring	
102	Kit	1	O-Ring	
103	Kit	2	Ring, Support	
104	Kit	1	O-Ring	
105	Kit	2	Ring, Support	
106	Kit	1	O-Ring	
107	Kit	2	Ring, Support	
201	Kit	1	O-Ring	
202	Kit	1	O-Ring	
203	Kit	2	Ring, Support	
204	Kit	1	O-Ring	
205	Kit	2	Ring, Support	
206	Kit	1	O-Ring	
207	Kit	2	Ring, Support	
301	Kit	1	O-Ring	
302	Kit	1	O-Ring	

# SECTION 9 - HYDRAULIC COMPONENTS

FIGURE 9-25. HYDRAULIC HITCH CONTROL VALVE (SN 1160008597 to Present)



ART\_1001226722-A



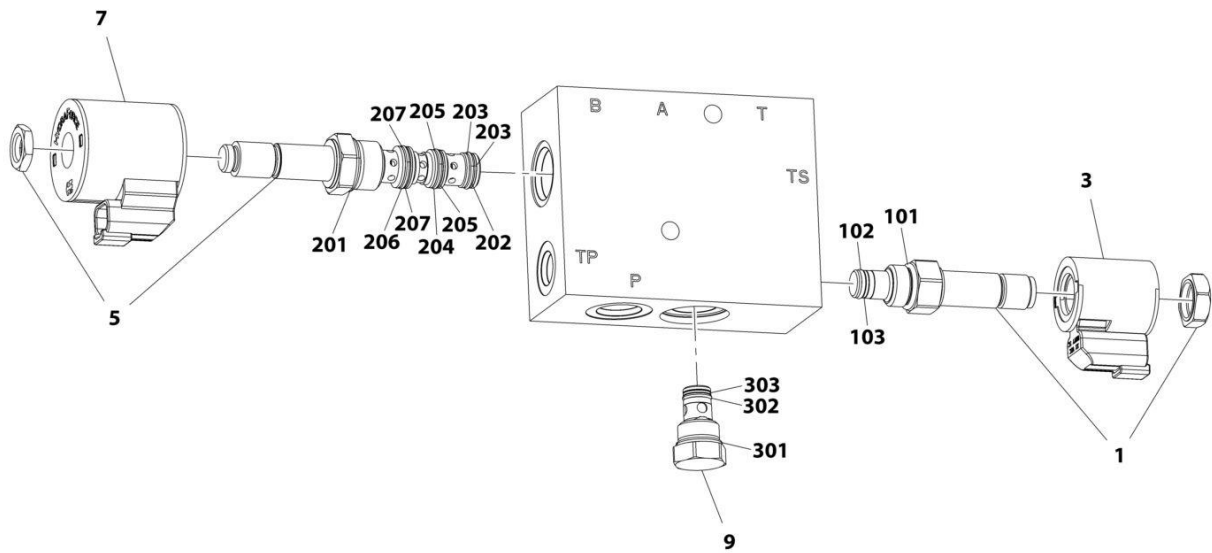
## SECTION 9 - HYDRAULIC COMPONENTS

**FIGURE 9-25. HYDRAULIC HITCH CONTROL VALVE (SN 1160008597 to Present)**

ITEM	PART NUMBER	QTY	DESCRIPTION	REV
	1001226722	Ref	Hydraulic Hitch Control Valve	B
1	70026965	1	Valve	
2	70026966	1	Kit, Seal	
101	Kit	1	O-Ring	
102	Kit	1	O-Ring	
103	Kit	2	Support Ring	
104	Kit	1	O-Ring	
105	Kit	2	Support Ring	
106	Kit	1	O-Ring	
107	Kit	2	Support Ring	
3	70026967	2	Coil	
4	70026968	1	Nut	
5	70026969	1	Valve	
6	70026970	1	Kit, Seal	
201	Kit	1	O-Ring	
202	Kit	1	O-Ring	
203	Kit	2	Support Ring	
204	Kit	1	O-Ring	
205	Kit	2	Support Ring	
206	Kit	1	O-Ring	
207	Kit	2	Support Ring	
7	70026971	1	Valve	
8	70026972	1	Seal	
9	70026973	2	Plug	
11	70026975	1	Valve	
12	70026976	1	Kit, Seal	
301	Kit	1	O-Ring	
302	Kit	1	O-Ring	

# SECTION 9 - HYDRAULIC COMPONENTS

## FIGURE 9-26. FAN MOTOR CONTROL VALVE



ART\_1001182213-C

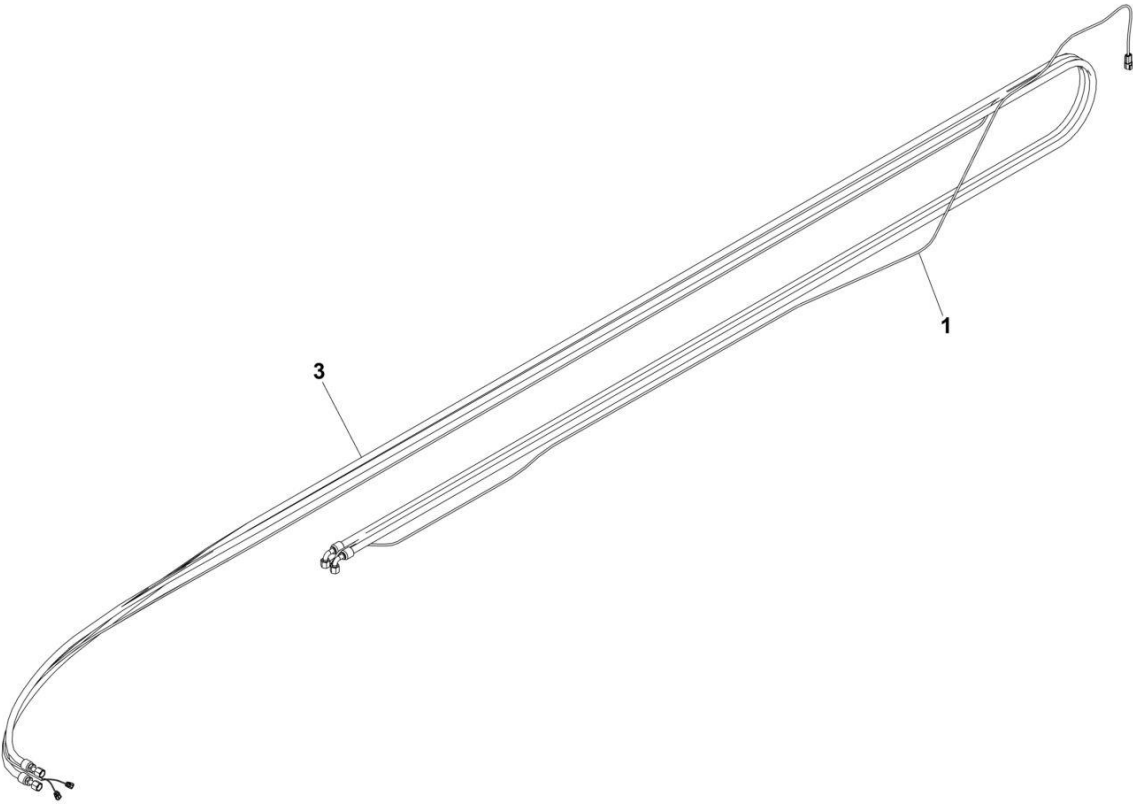
## SECTION 9 - HYDRAULIC COMPONENTS

### FIGURE 9-26. FAN MOTOR CONTROL VALVE

ITEM	PART NUMBER	QTY	DESCRIPTION	REV
	1001182213	Ref	Fan Motor Control Valve	C
1	70027004	1	Valve, Proportional	
3	70002971	1	Coil	
4	7012998	1	Kit, Seal (includes items 101 thru 103)	
5	8036580	1	Valve, Solenoid	
7	70003788	1	Coil	
8	7012903	1	Kit, Seal (includes items 201 thru 207)	
9	7022391	1	Valve, Check	
10	7012998	1	Kit, Seal (includes items 301 thru 303)	
101	N.S.S.	1	O-Ring	
102	N.S.S.	1	O-Ring	
103	N.S.S.	1	O-Ring, Back-up	
201	N.S.S.	1	O-Ring	
202	N.S.S.	1	O-Ring	
203	N.S.S.	2	O-Ring, Back-up	
204	N.S.S.	1	O-Ring	
205	N.S.S.	2	O-Ring, Back-up	
206	N.S.S.	1	O-Ring	
207	N.S.S.	2	O-Ring, Back-up	
301	N.S.S.	1	O-Ring	
302	N.S.S.	1	O-Ring	
303	N.S.S.	1	O-Ring, Back-up	

**SECTION 9 - HYDRAULIC COMPONENTS**

**FIGURE 9-27. BOOM CABLE ASSEMBLY**



ART\_1001186170

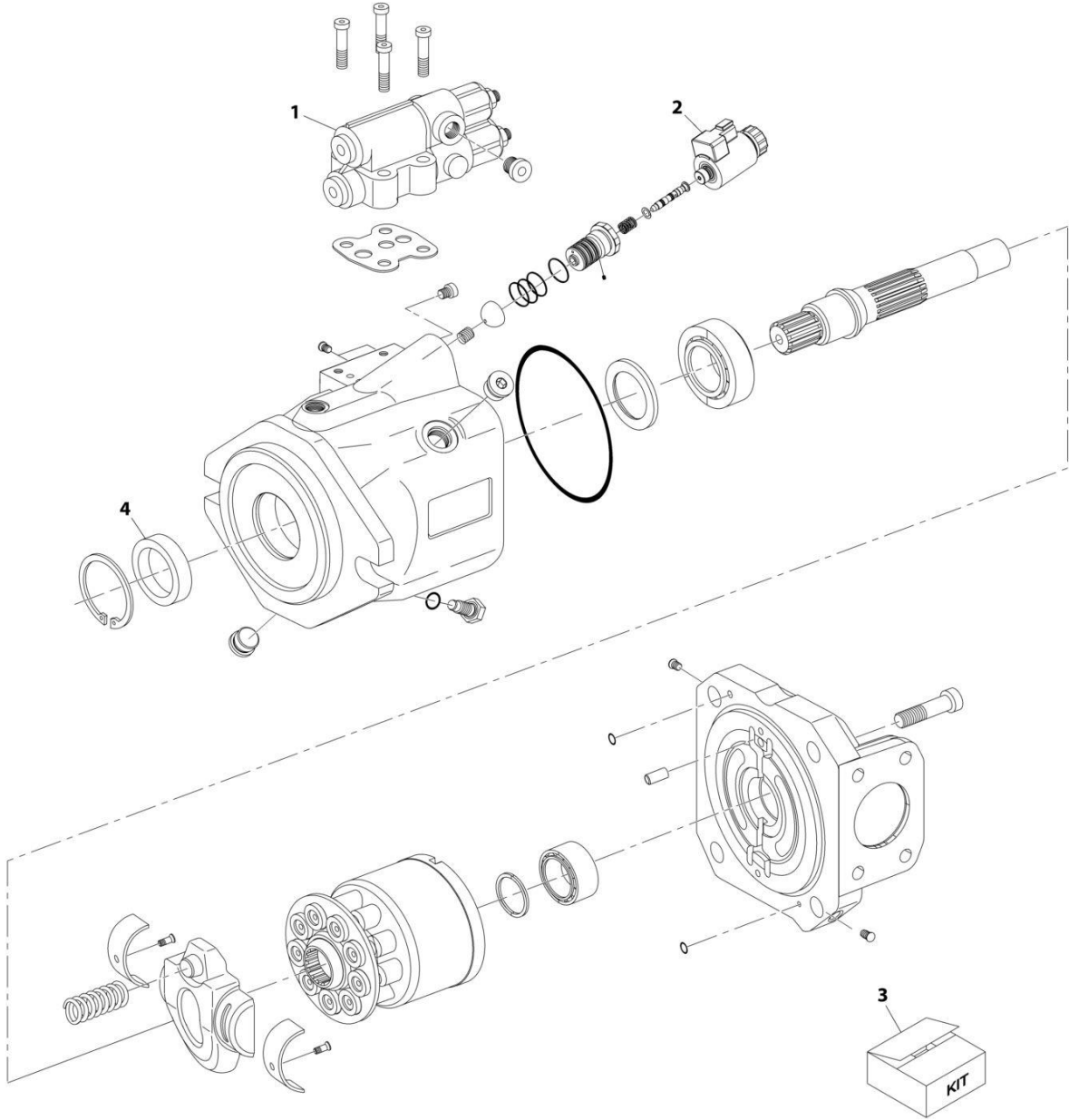
## SECTION 9 - HYDRAULIC COMPONENTS

FIGURE 9-27. BOOM CABLE ASSEMBLY

ITEM	PART NUMBER	QTY	DESCRIPTION	REV
1	1001186170	Ref	Boom Cable Assembly	D
	1001184422	1	Harness, Boom (See Separate Breakdown in ELECTRICAL Section)	
3	1001204124	1	Hose	

# SECTION 9 - HYDRAULIC COMPONENTS

## FIGURE 9-28. IMPLEMENT PUMP



ART\_1001200815-B

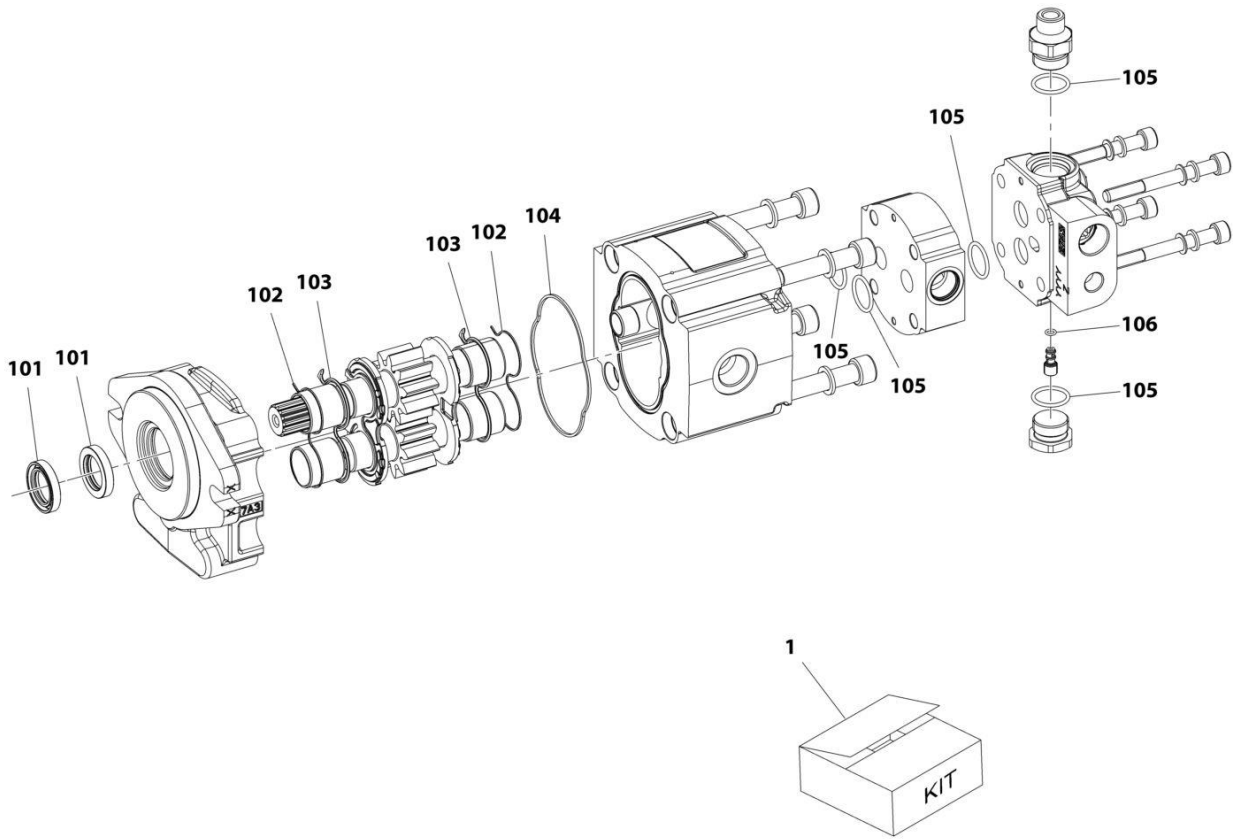
## SECTION 9 - HYDRAULIC COMPONENTS

### FIGURE 9-28. IMPLEMENT PUMP

ITEM	PART NUMBER	QTY	DESCRIPTION	REV
	1001200815	Ref	Implement Pump	B
1	70027595	1	Controller, DSR	
2	70024186	1	Controller, EK	
3	70024189	1	Kit, Seal	
4	7024947	1	SHAFT SEAL	
	Kit	1	O-Ring	
	Kit	2	O-Ring	
	Kit	2	O-Ring	
	Kit	4	O-Ring	
	Kit	2	O-Ring	
	Kit	1	Seal	
	Kit	1	Ring, Retaining	
	Kit	1	O-Ring	
	Kit	1	Seal	
	Kit	1	O-Ring	
	Kit	6	Seal	
	Kit	1	O-Ring	
	Kit	1	O-Ring	
	Kit	2	O-Ring	
	Kit	2	Ring, Thrust	
	Kit	1	O-Ring	
	Kit	1	O-Ring	
	Kit	1	Ring, Backup	
	Kit	1	O-Ring	
	Kit	1	Ring, Backup	

# SECTION 9 - HYDRAULIC COMPONENTS

## FIGURE 9-29. IMPLEMENT PUMP



ART\_1001179768-B



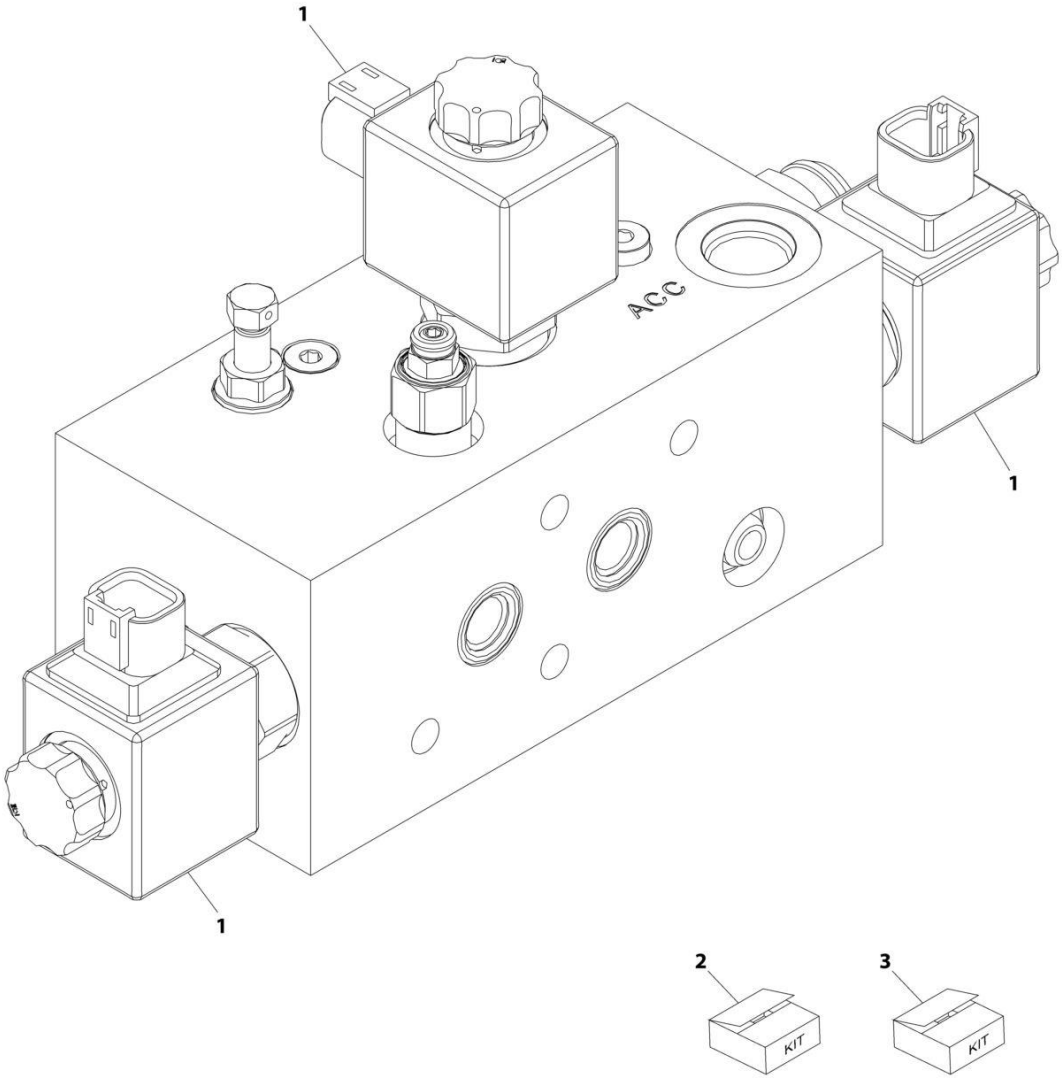
# SECTION 9 - HYDRAULIC COMPONENTS

## FIGURE 9-29. IMPLEMENT PUMP

ITEM	PART NUMBER	QTY	DESCRIPTION	REV
	1001179768	Ref	Implement Pump	B
1	70027038	1	Kit, Seal	
101	Kit	2	Shaft Seal	
102	Kit	2	Ring, Antiextrusion	
103	Kit	2	Seal	
104	Kit	1	Seal	
105	Kit	5	O-Ring	
106	Kit	1	O-Ring	

# SECTION 9 - HYDRAULIC COMPONENTS

FIGURE 9-30. VALVE, RIDE CONTROL



ART\_1001215261-C

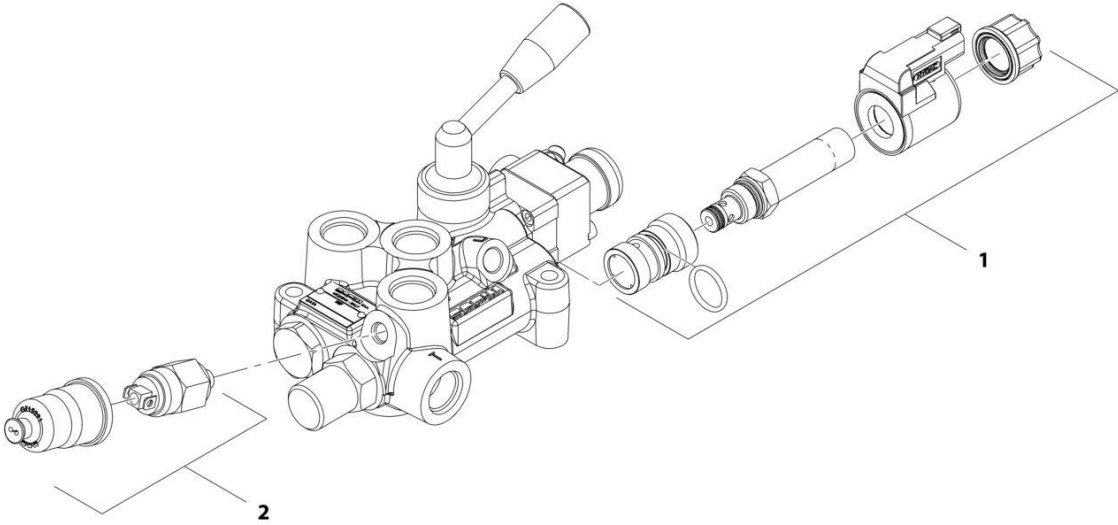
# SECTION 9 - HYDRAULIC COMPONENTS

## FIGURE 9-30. VALVE, RIDE CONTROL

ITEM	PART NUMBER	QTY	DESCRIPTION	REV
	1001215261	Ref	Valve, Ride Control	C
1	70022147	3	Coil	
2	70027285	3	Coil Nut Kit	
	Kit	1	Nut	
	Kit	1	O-Ring	
	Kit	1	O-Ring	
3	70027600	1	Seal Kit	
	Kit	1	O-Ring	

**SECTION 9 - HYDRAULIC COMPONENTS**

**FIGURE 9-31. VALVE, TRAILER BRAKE**



ART\_1001211323-A

## SECTION 9 - HYDRAULIC COMPONENTS

FIGURE 9-31. VALVE, TRAILER BRAKE

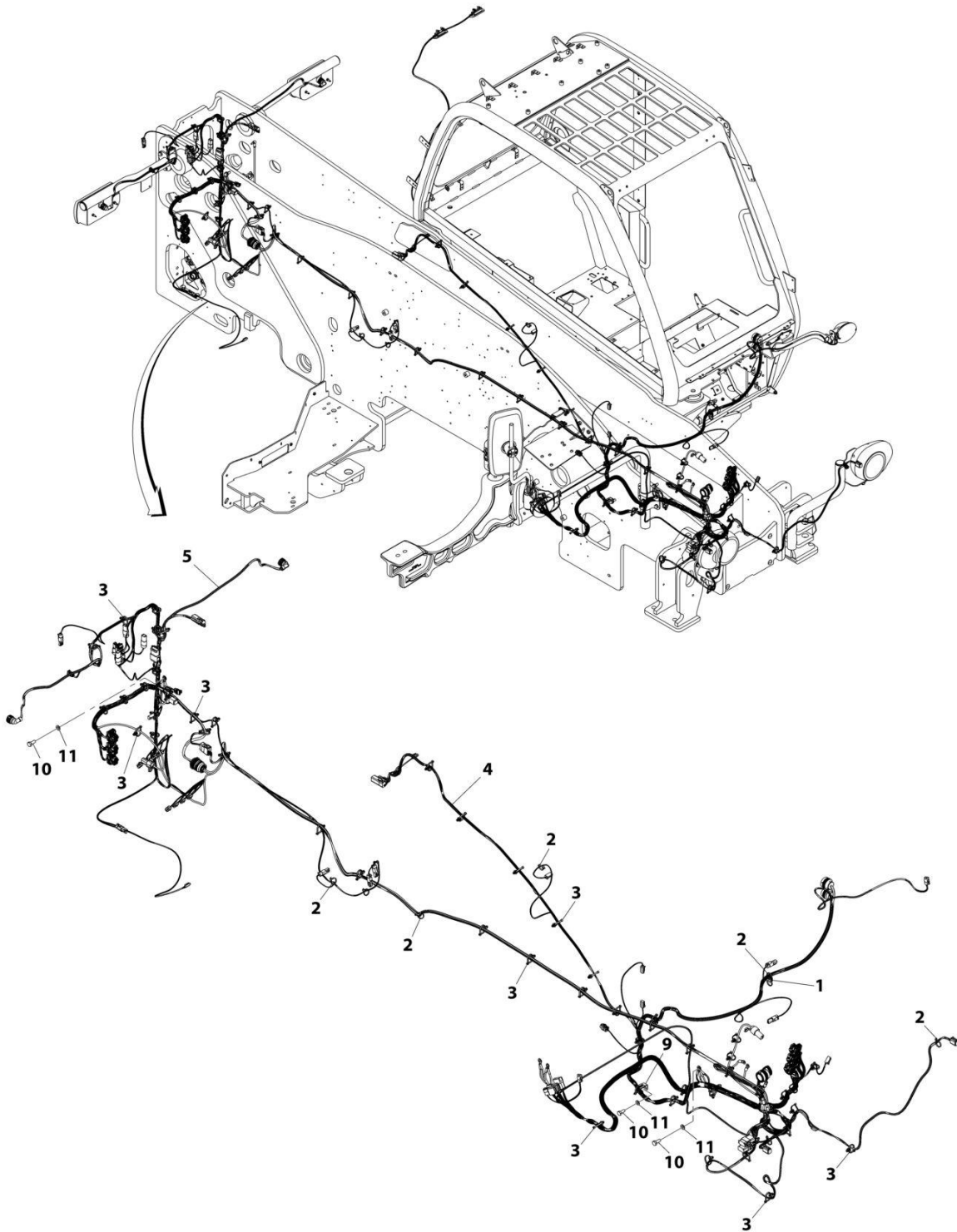
ITEM	PART NUMBER	QTY	DESCRIPTION	REV
	1001211323	Ref	Valve, Trailer Brake	A
1	70025987	1	2 ways valve with coil 12 volt	
2	70025989	1	Pressure switch	



**SECTION 10 - ELECTRICAL**

# SECTION 10 - ELECTRICAL

FIGURE 10-1. MAIN ELECTRICAL INSTALLATION (Prior to SN 1160008717)



ART\_1001185391-C



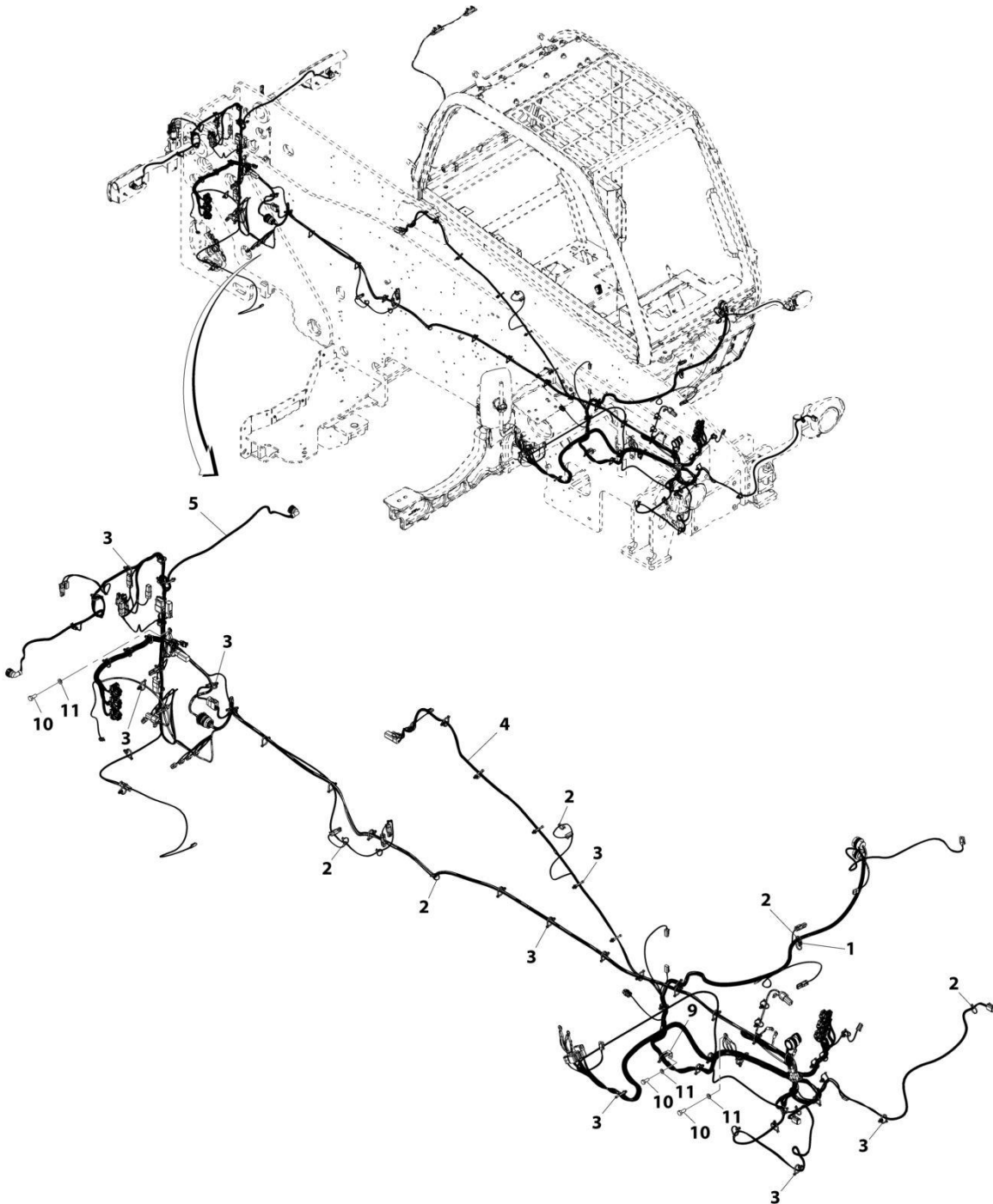
## SECTION 10 - ELECTRICAL

**FIGURE 10-1. MAIN ELECTRICAL INSTALLATION (Prior to SN 1160008717)**

ITEM	PART NUMBER	QTY	DESCRIPTION	REV
	1001185391	Ref	Main Electrical Installation	C
1	1001004723	1	Saddle	
2	1001008559	9	Strap, Cable	
3	1001146588	54	Strap, Cable Tie	
4	1001180524	Ref	Harness, Front Frame (See Separate Breakdown in this Section)	
5	1001180525	Ref	Harness, Rear Frame (See Separate Breakdown in this Section)	
9	1001003305	1	Clip	
10	0761012	3	Bolt, M10X25	
11	4812000	3	Washer, M10	

# SECTION 10 - ELECTRICAL

FIGURE 10-2. MAIN ELECTRICAL INSTALLATION (SN 1160008717 to Present)



ART\_1001185391-E

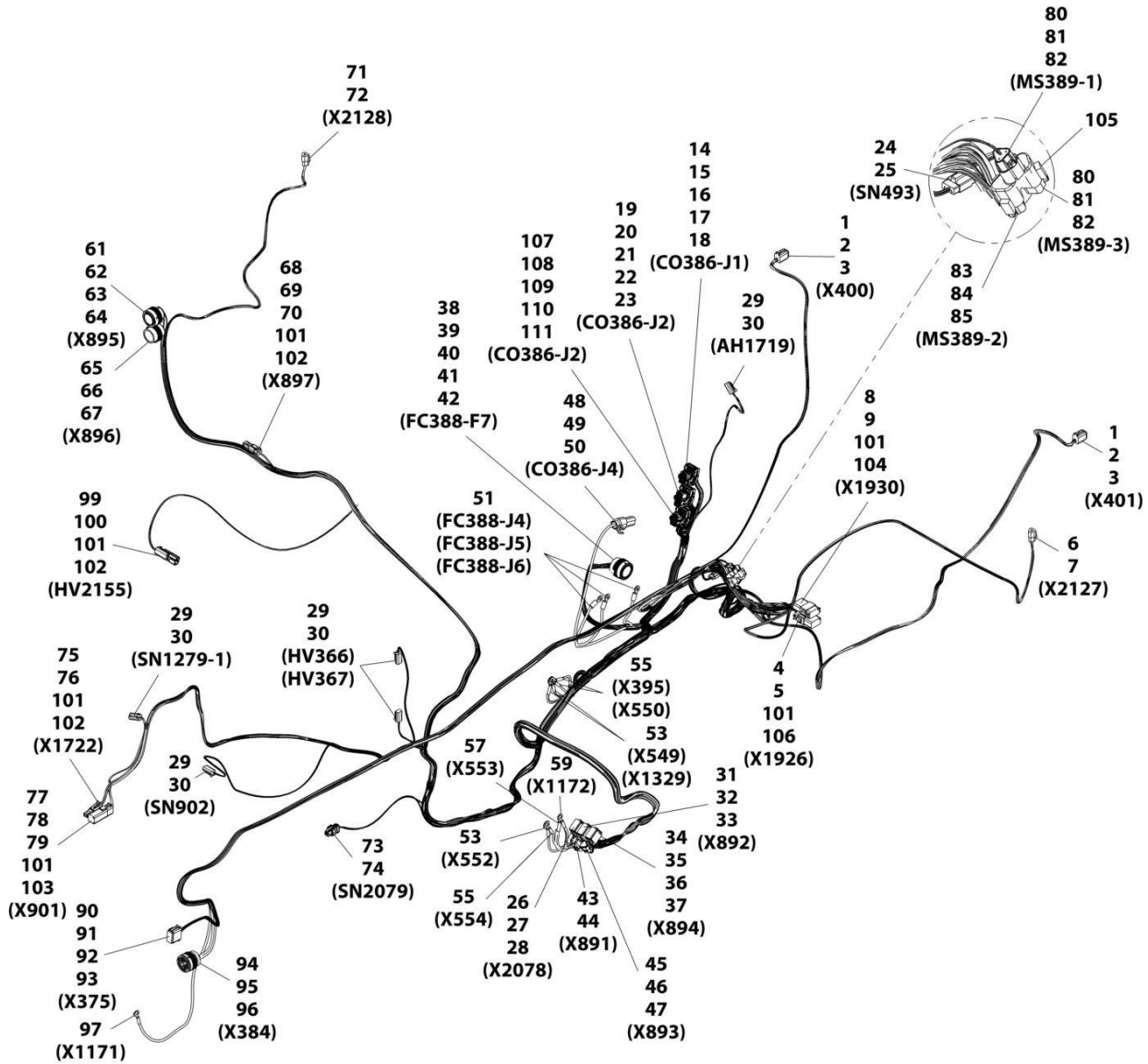
## SECTION 10 - ELECTRICAL

**FIGURE 10-2. MAIN ELECTRICAL INSTALLATION (SN 1160008717 to Present)**

ITEM	PART NUMBER	QTY	DESCRIPTION	REV
	1001185391	Ref	Main Electrical Installation	E
1	1001004723	1	Saddle	
2	1001008559	9	Strap, Cable	
3	1001146588	55	Strap, Cable Tie	
4	1001231424	Ref	Harness, Front Frame (See Separate Breakdown in this Section)	
5	1001231423	Ref	Harness, Rear Frame (See Separate Breakdown in this Section)	
9	1001003305	1	Clip	
10	0761012	3	Bolt, M10X25	
11	4812000	3	Washer, M10	

# SECTION 10 - ELECTRICAL

FIGURE 10-3. FRONT FRAME HARNESS (Prior to SN 1160008717)



ART\_1001180524-E

## SECTION 10 - ELECTRICAL

**FIGURE 10-3. FRONT FRAME HARNESS (Prior to SN 1160008717)**

ITEM	PART NUMBER	QTY	DESCRIPTION	REV
	1001180524	Ref	Front Frame Harness	E
1	4460894	2	Connector	
2	4460942	5	Terminal	
3	4460466	1	Plug	
4	4460933	1	Connector	
5	4460465	12	Terminal	
6	4460539	1	Connector	
7	4460942	3	Terminal	
8	4460970	1	Connector	
9	4460464	12	Terminal	
14	1001161957	1	Connector	
15	1001161095	19	Terminal	
16	1001161098	2	Terminal	
17	1001161100	7	Plug	
18	1001161101	6	Plug	
19	1001161963	1	Connector	
20	1001161095	26	Terminal	
21	1001161099	6	Terminal	
22	1001161100	14	Plug	
23	1001161101	2	Plug	
24	4460911	1	Connector	
25	1001126008	3	Terminal	
26	4460970	1	Connector	
27	4460464	7	Terminal	
28	4460466	5	Plug	
29	4460891	5	Connector	
30	4460465	2	Terminal	
31	4460933	1	Connector	
32	4460465	10	Terminal	
33	4460466	2	Plug	
34	4460836	1	Connector	
35	4460465	9	Terminal	
36	4460942	1	Terminal	
37	4460466	2	Plug	
38	1001165309	1	Connector	
39	4460465	9	Terminal	
40	4460942	1	Terminal	
41	4460509	6	Terminal	
42	4460466	3	Plug	
43	1001116810	1	Connector	
44	4460509	4	Terminal	
45	1001116812	1	Connector	
46	4460465	2	Terminal	
47	4460466	1	Plug	
48	1001160509	1	Connector	
49	1001160510	1	Terminal	
50	1001175266	1	Seal	
51	8220114	3	Terminal, Ring	
53	1001117110	3	Terminal, Ring	
55	1001117108	3	Terminal, Ring	

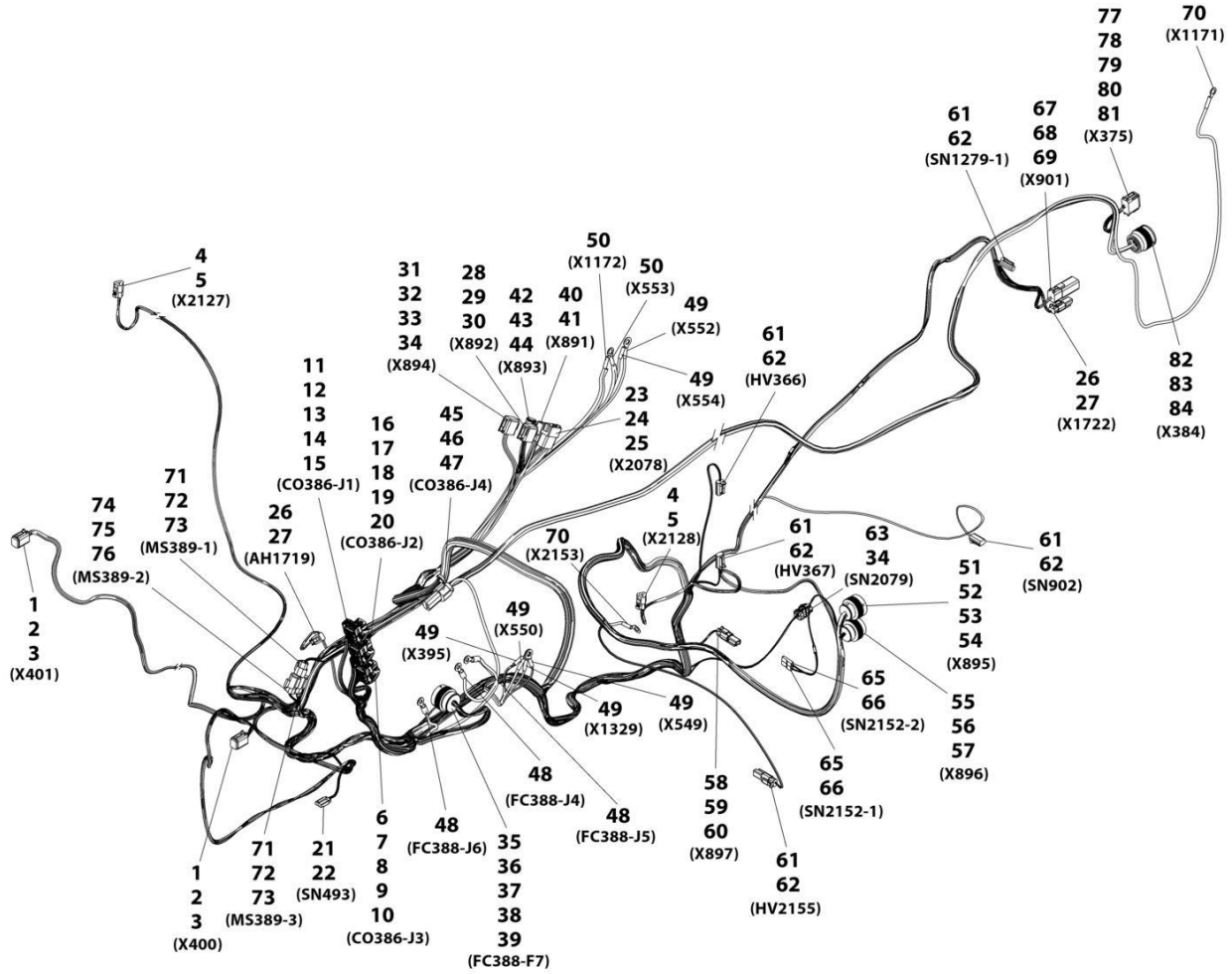
## SECTION 10 - ELECTRICAL

ITEM	PART NUMBER	QTY	DESCRIPTION	REV
57	1001128127	1	Terminal, Ring	
59	1001117109	1	Terminal, Ring	
61	1001118323	1	Connector	
62	4460942	3	Terminal	
63	91013192	2	Terminal	
64	4460466	1	Terminal	
65	4461015	1	Connector	
66	4460465	8	Terminal	
67	4460466	6	Terminal	
68	4460891	1	Connector	
69	1001157890	1	Terminal	
70	4460466	1	Terminal	
71	4460539	1	Connector	
72	4460942	3	Terminal	
73	1001116950	1	Connector	
74	4460465	2	Terminal	
75	4460891	1	Connector	
76	4460942	2	Terminal	
77	4460894	1	Connector	
78	4460942	4	Terminal	
79	4460465	2	Terminal	
80	1001116812	2	Connector	
81	4460944	4	Terminal	
82	4460466	2	Terminal	
83	4460539	1	Connector	
84	4460944	2	Terminal	
85	4460466	1	Terminal	
90	4460933	1	Connector	
91	4460465	4	Terminal	
92	1001157890	2	Terminal	
93	4460466	6	Plug	
94	1001165310	1	Connector	
95	1001116686	4	Terminal	
96	4460466	2	Plug	
97	1001117109	1	Connector	
99	4460891	1	Connector	
100	4460465	2	Terminal	
101	4460466	36	Plug	
102	4460897	3	Connector	
103	4460899	1	Terminal	
104	4460933	1	Plug	
105	4460945	1	Connector, 3Way	
106	4460970	1	Plug	
107	1001160500	1	Connector	
108	1001161095	14	Terminal	
109	1001161099	7	Terminal	
110	1001161100	11	Plug	
111	1001161101	1	Plug	



# SECTION 10 - ELECTRICAL

## FIGURE 10-4. FRONT FRAME HARNESS (SN 1160008717 to Present)



ART\_1001231424-D



## SECTION 10 - ELECTRICAL

**FIGURE 10-4. FRONT FRAME HARNESS (SN 1160008717 to Present)**

ITEM	PART NUMBER	QTY	DESCRIPTION	REV
	1001231424	Ref	Front Frame Harness	B
1	4460894	1	Connector	
2	4460942	5	Terminal	
3	4460466	1	Terminal	
4	4460894	1	Connector	
5	4460942	5	Terminal	
6	4460466	1	Terminal	
7	4460933	1	Connector	
8	4460465	12	Terminal	
9	4460466	12	Terminal	
10	4460970	1	Connector	
11	4460539	1	Connector	
12	4460942	3	Terminal	
13	4460970	1	Connector	
14	4460464	12	Terminal	
15	4460466	12	Terminal	
16	4460933	1	Connector	
17	1001160500	1	Connector	
18	1001161095	15	Terminal	
19	1001161100	10	Terminal	
20	1001161099	7	Terminal	
21	1001161101	1	Terminal	
22	1001161957	1	Connector	
23	1001161095	19	Terminal	
24	1001161100	7	Terminal	
25	1001161101	6	Terminal	
26	1001161098	2	Terminal	
27	1001161963	1	Connector	
28	1001161095	26	Terminal	
29	1001161100	14	Terminal	
30	1001161099	6	Terminal	
31	1001161101	2	Terminal	
32	4460911	1	Connector	
33	1001126008	3	Terminal	
34	4460970	1	Connector	
35	4460464	7	Terminal	
36	4460466	5	Terminal	
37	4460891	1	Connector	
38	4460465	2	Terminal	
39	4460933	1	Connector	
40	4460465	10	Terminal	
41	4460466	2	Terminal	
42	4460836	1	Connector	
43	4460942	1	Terminal	
44	4460465	9	Terminal	
45	4460466	2	Terminal	
46	1001165309	1	Connector	
47	4460466	1	Terminal	
48	4460465	9	Terminal	
49	4460942	1	Terminal	

# SECTION 10 - ELECTRICAL

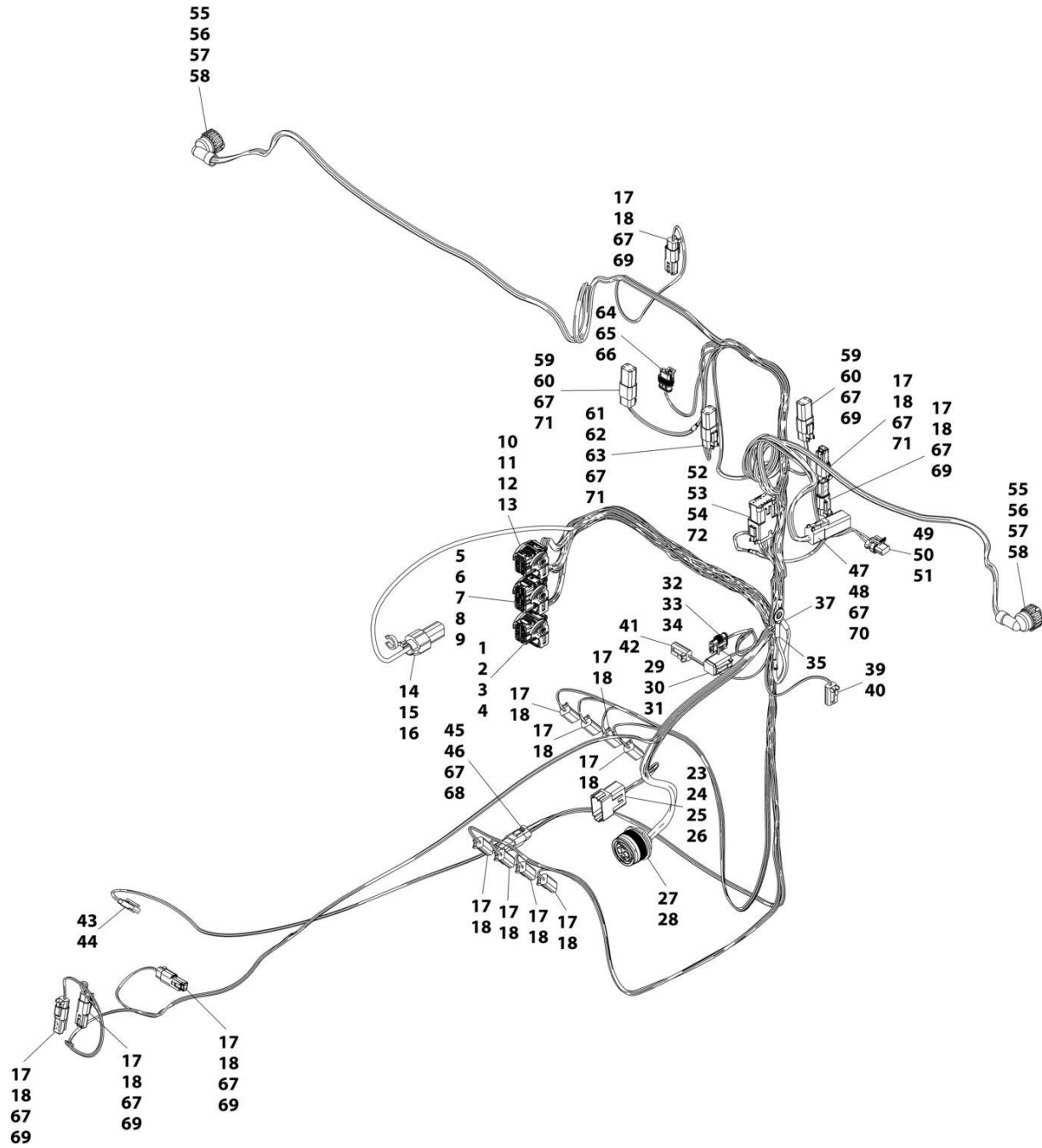
ITEM	PART NUMBER	QTY	DESCRIPTION	REV
50	4460509	6	Terminal	
51	4460466	2	Terminal	
52	1001116810	1	Connector	
53	4460509	4	Terminal	
54	1001116812	1	Connector	
55	4460465	2	Terminal	
56	4460466	1	Terminal	
57	1001160509	1	Connector	
58	1001160510	1	Terminal	
59	1001175266	1	Seal	
60	8220114	1	Connector	
61	8220114	1	Terminal	
62	8220114	1	Connector	
63	8220114	1	Terminal	
64	8220114	1	Connector	
65	8220114	1	Terminal	
66	1001117110	1	Connector	
67	1001117110	2	Terminal	
68	1001117108	1	Connector	
69	1001117108	2	Terminal	
70	1001117108	1	Connector	
71	1001117108	1	Terminal	
72	1001117110	1	Connector	
73	1001117110	1	Terminal	
74	1001117110	1	Connector	
75	1001117110	1	Terminal	
76	1001128127	1	Connector	
77	1001128127	2	Terminal	
78	1001117108	1	Connector	
79	1001117108	2	Terminal	
80	1001117109	1	Connector	
81	1001117109	2	Terminal	
82	1001118323	1	Connector	
83	4460942	3	Terminal	
84	91013192	2	Terminal	
85	4460466	1	Terminal	
86	4461015	1	Connector	
87	4460465	8	Terminal	
88	4460466	6	Terminal	
89	4460891	1	Connector	
90	1001157890	1	Terminal	
91	4460466	1	Terminal	
92	4460897	1	Connector	
93	4460466	2	Terminal	
94	4460539	1	Connector	
95	4460942	3	Terminal	
96	4460891	1	Connector	
97	4460465	2	Terminal	
98	4460891	1	Connector	
99	4460465	2	Terminal	
100	1001116950	1	Connector	

## SECTION 10 - ELECTRICAL

ITEM	PART NUMBER	QTY	DESCRIPTION	REV
101	4460465	2	Terminal	
102	4460891	1	Connector	
103	4460465	2	Terminal	
104	4460891	1	Connector	
105	4460465	2	Terminal	
106	4460897	1	Connector	
107	4460466	2	Terminal	
108	1001116995	1	Connector	
109	1001118379	1	Terminal	
110	1001116995	1	Connector	
111	1001118379	1	Terminal	
112	4460891	1	Connector	
113	4460942	2	Terminal	
114	4460466	2	Terminal	
115	4460897	1	Connector	
116	4460894	1	Connector	
117	4460942	4	Terminal	
118	4460465	2	Terminal	
119	4460466	6	Terminal	
120	4460899	1	Terminal	
121	4460891	1	Connector	
122	4460465	2	Terminal	
123	1001116812	1	Connector	
124	4460944	2	Terminal	
125	4460466	1	Terminal	
126	4460539	1	Connector	
127	4460944	2	Terminal	
128	4460466	1	Terminal	
129	1001116812	1	Connector	
130	4460944	2	Terminal	
131	4460466	1	Terminal	
132	4460945	1	Terminal	
133	4460933	1	Connector	
134	4460465	4	Terminal	
135	1001157890	2	Terminal	
136	4460466	6	Terminal	
137	1001165310	1	Connector	
138	1001116686	4	Terminal	
139	91013192	2	Terminal	
140	1001117109	1	Connector	
141	1001117109	1	Terminal	

# SECTION 10 - ELECTRICAL

## FIGURE 10-5. REAR FRAME HARNESS (Prior to SN 1160008717)



ART\_1001180525-E

## SECTION 10 - ELECTRICAL

**FIGURE 10-5. REAR FRAME HARNESS (Prior to SN 1160008717)**

ITEM	PART NUMBER	QTY	DESCRIPTION	REV
	1001180525	Ref	Rear Frame Harness	E
1	1001161958	1	Connector	
2	1001161095	11	Terminal	
3	1001161100	13	Plug	
4	1001161101	8	Plug	
5	1001161964	1	Connector	
6	1001161095	26	Terminal	
7	1001161099	6	Terminal	
8	1001161100	14	Plug	
9	1001161101	2	Plug	
10	1001160499	1	Connector	
11	1001161095	4	Terminal	
12	1001161100	21	Plug	
13	1001161099	7	Terminal	
14	1001160509	1	Connector	
15	1001160510	1	Terminal	
16	1001175266	1	Seal	
17	4460891	14	Connector	
18	4460465	2	Terminal	
23	4460970	1	Connector	
24	4460464	4	Terminal	
25	4460466	7	Plug	
26	1001157891	1	Terminal	
27	1001165311	1	Connector	
28	91013191	2	Terminal	
29	4460894	1	Connector	
30	4460465	2	Terminal	
31	4460466	4	Plug	
32	4461262	1	Connector	
33	1001107854	3	Terminal	
34	1001104498	3	Seal	
35	1001117110	1	Terminal, Ring	
37	1001117108	1	Terminal, Ring	
39	4460891	1	Connector	
40	4460465	2	Terminal	
41	4460891	1	Connector	
42	4460465	2	Terminal	
43	4460911	1	Connector	
44	1001126008	3	Terminal	
45	4460539	1	Connector	
46	4460465	3	Terminal	
47	4460894	1	Connector	
48	4460942	6	Terminal	
49	1001117021	1	Connector	
50	1001116728	2	Terminal	
51	4460458	2	Seal	
52	4460933	1	Connector	
53	4460465	8	Terminal	
54	4460466	4	Plug	
55	1001116996	2	Connector	

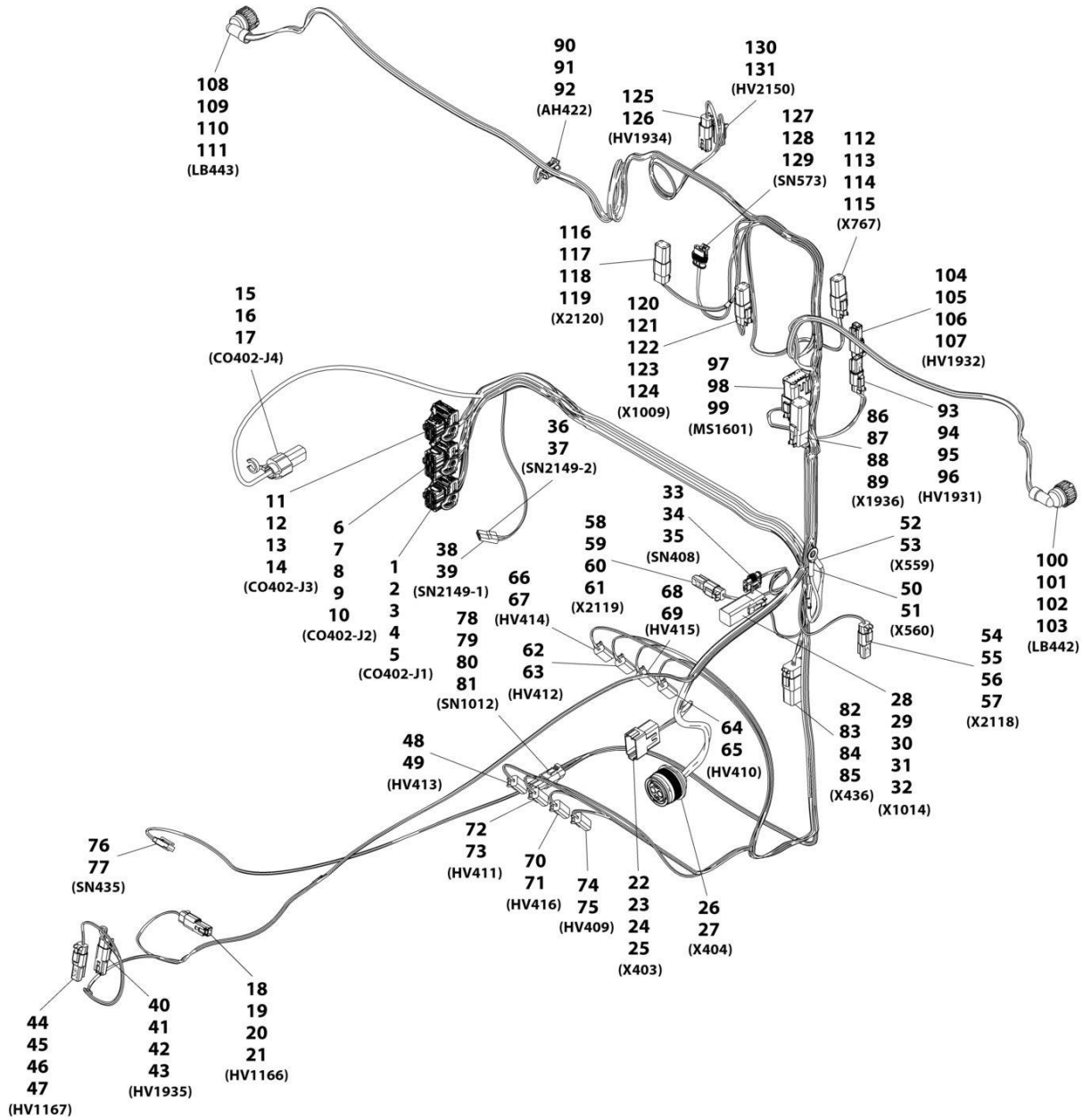
## SECTION 10 - ELECTRICAL

ITEM	PART NUMBER	QTY	DESCRIPTION	REV
56	1001118392	12	Terminal	
57	1001116696	2	Plug	
58	4461054	12	Seal	
59	4460884	2	Connector	
60	4460465	8	Terminal	
61	4460884	1	Connector	
62	4460465	2	Terminal	
63	4460466	2	Plug	
64	4461262	1	Connector	
65	1001107854	3	Terminal	
66	1001104498	3	Seal	
67	4460466	33	Plug	
68	4460536	1	Terminal	
69	4460897	6	Connector	
70	4460899	1	Terminal	
71	4460932	3	Connector	
72	1001125677	1	Connector	



# SECTION 10 - ELECTRICAL

## FIGURE 10-6. REAR FRAME HARNESS (SN 1160008717 to Present)



ART\_1001231423-B



## SECTION 10 - ELECTRICAL

**FIGURE 10-6. REAR FRAME HARNESS (SN 1160008717 to Present)**

ITEM	PART NUMBER	QTY	DESCRIPTION	REV
	1001231423	Ref	Rear Frame Harness	B
1	1001161958	1	Connector	
2	1001161095	11	Terminal	
3	1001161100	13	Terminal	
4	1001161101	4	Terminal	
5	1001161099	4	Terminal	
6	1001161964	1	Connector	
7	1001161095	29	Terminal	
8	1001161100	11	Terminal	
9	1001161101	1	Terminal	
10	1001161099	7	Terminal	
11	1001160499	1	Connector	
12	1001161095	5	Terminal	
13	1001161100	20	Terminal	
14	1001161099	7	Terminal	
15	1001160509	1	Connector	
16	1001160510	1	Terminal	
17	1001175266	1	Seal	
18	4460891	1	Connector	
19	4460465	2	Terminal	
20	4460466	2	Terminal	
21	4460897	1	Connector	
22	4460970	1	Connector	
23	4460464	4	Terminal	
24	1001157891	1	Terminal	
25	4460466	6	Terminal	
26	1001165311	1	Connector	
27	91013191	2	Terminal	
28	4460894	1	Connector	
29	4460466	4	Terminal	
30	4460465	2	Terminal	
31	4460899	1	Terminal	
32	4460466	6	Terminal	
33	4461262	1	Connector	
34	1001107854	3	Terminal	
35	1001104498	3	Seal	
36	1001116995	1	Connector	
37	1001118379	1	Terminal	
38	1001116995	1	Connector	
39	1001118379	1	Terminal	
40	4460891	1	Connector	
41	4460465	2	Terminal	
42	4460897	1	Connector	
43	4460466	2	Terminal	
44	4460891	1	Connector	
45	4460465	2	Terminal	
46	4460897	1	Connector	
47	4460466	2	Terminal	
48	4460891	1	Connector	
49	4460465	2	Terminal	

## SECTION 10 - ELECTRICAL

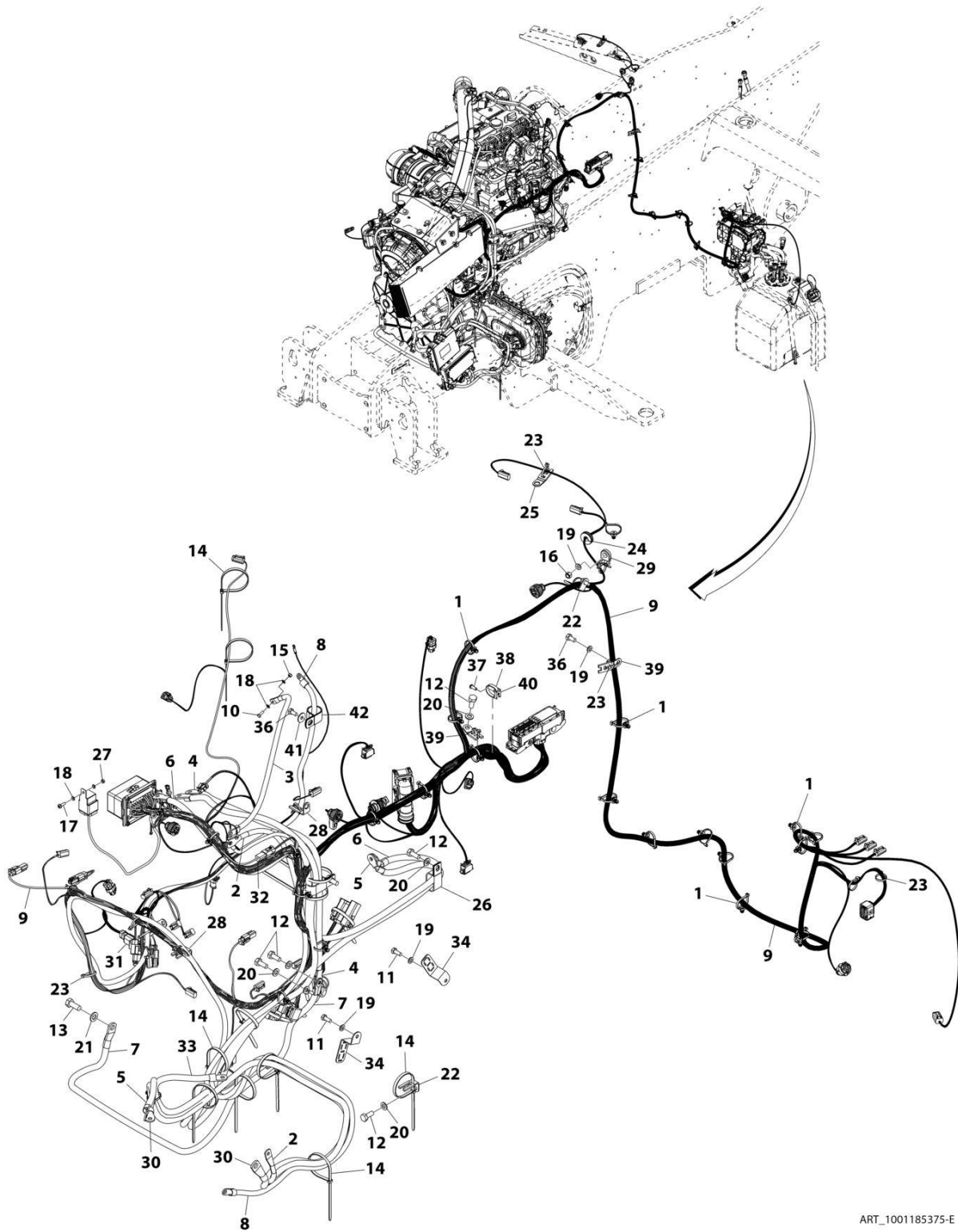
ITEM	PART NUMBER	QTY	DESCRIPTION	REV
50	1001117110	1	Connector	
51	1001117110	1	Terminal	
52	1001117108	1	Connector	
53	1001117108	2	Terminal	
54	4460891	1	Connector	
55	4460465	2	Terminal	
56	4460466	2	Terminal	
57	4460897	1	Connector	
58	4460891	1	Connector	
59	4460465	2	Terminal	
60	4460897	1	Connector	
61	4460466	6	Terminal	
62	4460891	1	Connector	
63	4460465	2	Terminal	
64	4460891	1	Connector	
65	4460465	2	Terminal	
66	4460891	1	Connector	
67	4460465	2	Terminal	
68	4460891	1	Connector	
69	4460465	2	Terminal	
70	4460891	1	Connector	
71	4460465	2	Terminal	
72	4460891	1	Connector	
73	4460465	2	Terminal	
74	4460891	1	Connector	
75	4460465	2	Terminal	
76	4460911	1	Connector	
77	1001126008	3	Terminal	
78	4460539	1	Connector	
79	4460465	3	Terminal	
80	4460466	3	Terminal	
81	4460536	1	Terminal	
82	4460930	1	Connector	
83	4460465	6	Terminal	
84	4460466	2	Terminal	
85	4460466	8	Terminal	
86	4460894	1	Connector	
87	4460942	6	Terminal	
88	4460466	6	Terminal	
89	4460899	1	Terminal	
90	1001117021	1	Connector	
91	1001116728	2	Terminal	
92	4460458	2	Terminal	
93	4460891	1	Connector	
94	4460465	2	Terminal	
95	4460897	1	Connector	
96	4460466	2	Terminal	
97	4460933	1	Connector	
98	4460465	10	Terminal	
99	4460466	2	Terminal	
100	1001116996	1	Connector	

## SECTION 10 - ELECTRICAL

ITEM	PART NUMBER	QTY	DESCRIPTION	REV
101	1001118392	6	Terminal	
102	4461054	6	Seal	
103	1001116696	1	Terminal	
104	4460891	1	Connector	
105	4460465	2	Terminal	
106	4460897	1	Connector	
107	4460466	2	Terminal	
108	1001116996	1	Connector	
109	1001118392	6	Terminal	
110	4461054	6	Seal	
111	1001116696	1	Terminal	
112	4460884	1	Connector	
113	4460465	4	Terminal	
114	4460932	1	Connector	
115	4460466	4	Terminal	
116	4460884	1	Connector	
117	4460465	4	Terminal	
118	4460466	4	Terminal	
119	4460932	1	Connector	
120	4460884	1	Connector	
121	4460465	2	Terminal	
122	4460466	2	Terminal	
123	4460466	4	Terminal	
124	4460932	1	Connector	
125	4460891	1	Connector	
126	4460465	2	Terminal	
127	4461262	1	Connector	
128	1001107854	3	Terminal	
129	1001104498	3	Seal	
130	4460891	1	Connector	
131	4460465	2	Terminal	

# SECTION 10 - ELECTRICAL

## FIGURE 10-7. ENGINE WIRING INSTALLATION (ULS)



ART\_1001185375-E

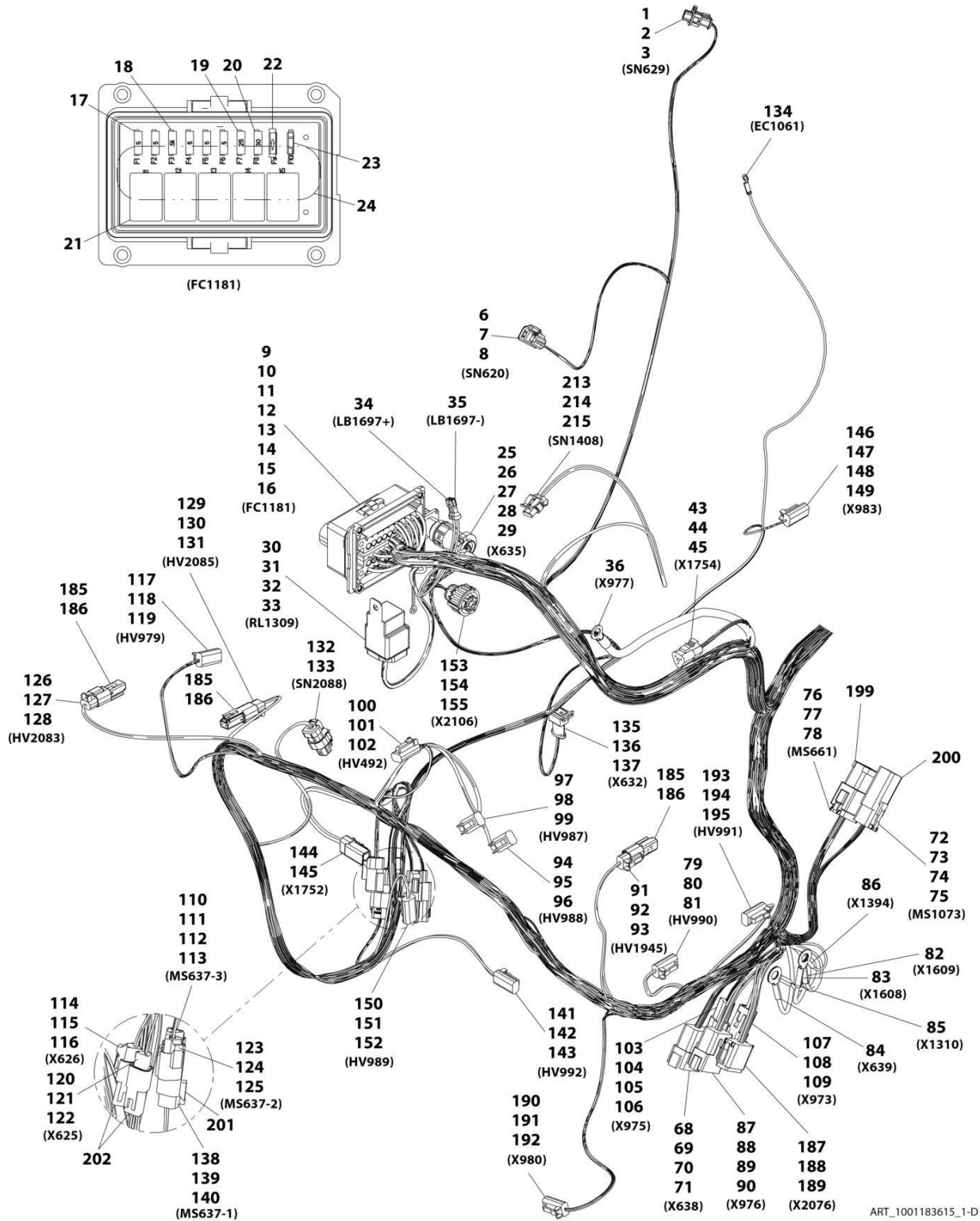
## SECTION 10 - ELECTRICAL

**FIGURE 10-7. ENGINE WIRING INSTALLATION (ULS)**

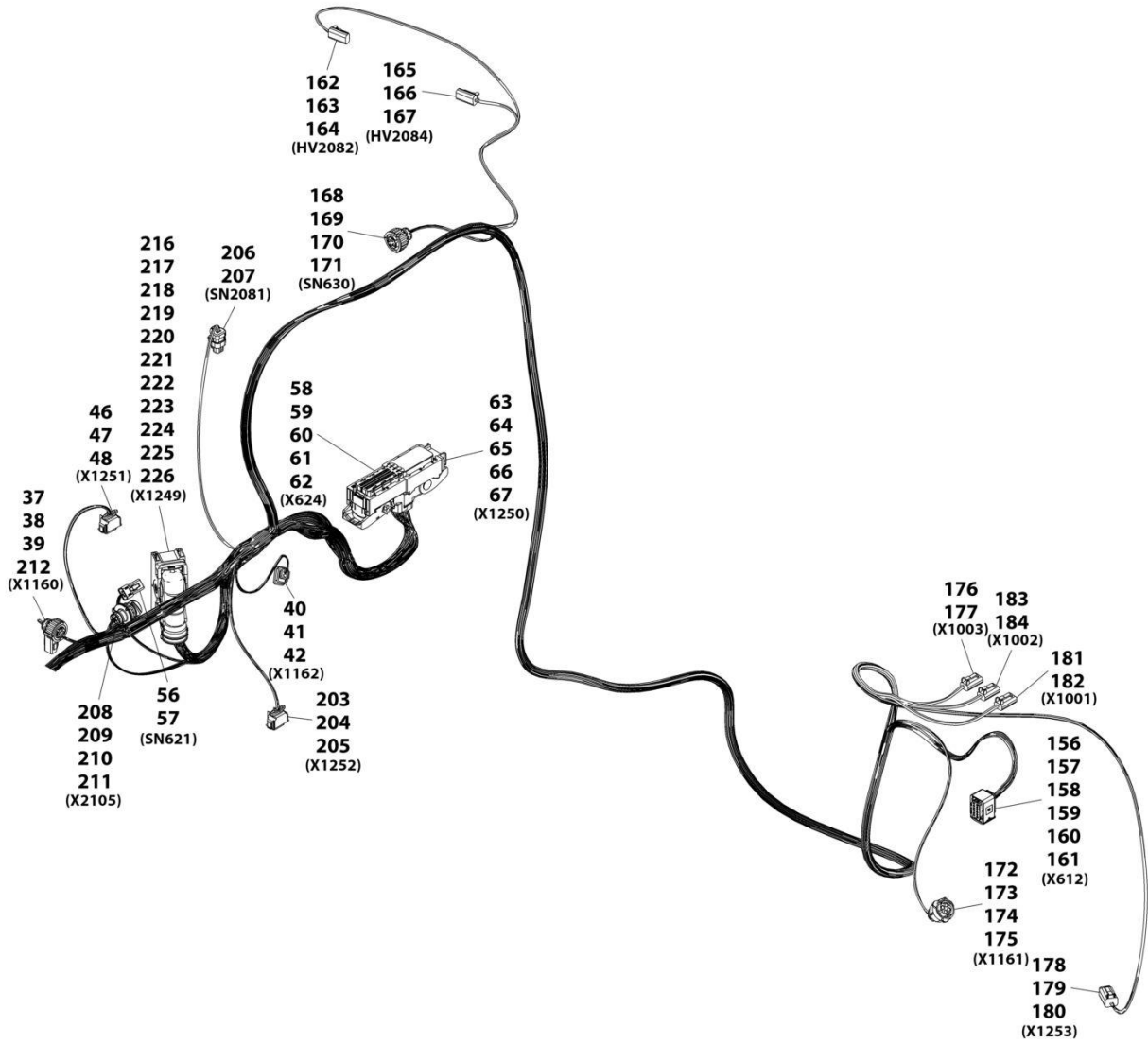
ITEM	PART NUMBER	QTY	DESCRIPTION	REV
	1001185375	Ref	Engine Wiring Installation (ULS)	E
1	1001146588	24	Strap, Tie	
2	1001182218	1	Cable, PDM to Glow Plug Relay	
3	1001182219	1	Cable, Glow Plug to Relay	
4	1001182654	1	Cable, Batt to Ground	
5	1001182650	1	Cable, Starter to Battery +	
6	1001182651	1	Cable, Starter to Remote B+	
7	1001182652	1	Cable, Ground Buss to Engine Ground	
8	1001182216	1	Cable, Alternator	
9	1001183615	1	Harness, Engine (ULS) (See Separate Breakdown in this Section)	
10	0760507	1	Bolt, M5X14	
11	0760810	2	Bolt, M8X20	
12	0761012	7	Bolt, M10X25	
13	0761214	1	Bolt, M12X30	
14	1062255	13	Strap, Tie	
15	3290505	1	Nut, Lock M5X0.8 Grade 8	
16	3290805	1	Nut, Lock M8X1.25 Grade 8	
17	3900381	1	Screw, M5X16	
18	4811600	4	Washer, M5	
19	4811900	5	Washer, M8	
20	4812000	7	Washer, M10	
21	4812100	1	Washer, M12	
22	1001003305	4	Clip	
23	1001008559	12	Strap, Tie	
24	1001009375	1	Grommet	
25	1001025750	1	Clip, Ladder	
26	1001008720	2	Clip	
27	1001128972	1	Nut, M5X0.8	
28	1001130198	3	Clip, Ladder	
29	1001169146	1	Mount	
30	1001182217	1	Cable, Batt + to PDM	
31	1001182929	1	Harness, Fuel Pump (See Separate Breakdown in this Section)	
32	1001182930	1	Harness, Glow Plug Relay (See Separate Breakdown in this Section)	
33	1001203015	1	Cable, Batt (-) to Batt Disc	
34	1001203882	2	Bracket, Harness Tie Wrap	
36	0760808	3	Bolt, M8X16	
37	3900357	1	Screw, M6X16	
38	8881800	1	Strap, Tie	
39	1001008593	2	Clip	
40	1001138645	1	Mount, Cable Tie	
41	4811902	1	Washer, M8	
42	8406302	1	Clamp	

# SECTION 10 - ELECTRICAL

## FIGURE 10-8. ENGINE HARNESS (ULS)



# SECTION 10 - ELECTRICAL



ART\_1001183615\_2-D

# SECTION 10 - ELECTRICAL

## FIGURE 10-8. ENGINE HARNESS (ULS)

ITEM	PART NUMBER	QTY	DESCRIPTION	REV
	1001183615	Ref	Engine Harness (ULS)	D
1	1001126487	1	Connector	
2	1001167634	2	Terminal	
3	1001126485	2	Seal	
6	1001126487	1	Connector	
7	1001167634	2	Terminal	
8	1001126485	2	Seal	
9	1001167616	1	Box, Fuse	
10	8220097	21	TERMINAL, TANGLESS FEMALE METRI-PACK 280	
11	8220098	16	TERMINAL, TANGLESS FEMALE METRI-PACK 280	
12	1001116725	3	Terminal	
13	1001175265	11	Seal	
14	4460458	16	Seal	
15	80963067	2	Seal	
16	4460748	5	Plug	
17	8229242	5	Fuse, 5A	
18	8229244	1	Fuse, 15A	
19	8229247	1	Fuse, 25A	
20	8229245	1	Fuse, 30A	
21	1001095704	5	Fuse, 35A	
22	1001177597	1	Fuse, 6A	
23	1001197719	1	Resistor	
24	1001190921	1	Seal, Fuse Box	
25	2902443	1	Kit, Receptacle	
26	4461071	6	Terminal	
27	4461072	1	Housing, Flange Mount Receptacle Inner	
28	4461073	1	Cap, Dust	
29	4461074	1	Housing, Receptacle Outer	
30	1001118282	1	Connector	
31	1001116734	2	Terminal	
32	1001116732	2	Terminal	
33	1001128128	1	Plug	
34	8220108	1	Terminal, Blade	
35	8220108	1	Terminal, Blade	
36	8220115	1	Terminal, Ring	
37	1001138116	1	Connector	
38	1001133715	3	Terminal	
39	1001135650	4	Seal	
40	1001126487	1	Connector	
41	1001167635	2	Terminal	
42	1001126485	2	Seal	
43	4460539	1	Connector	
44	77363244	1	Lock, Connector	
45	4460465	3	Terminal	
46	1001167629	1	Connector	
47	1001167630	4	Terminal	
48	1001126485	4	Seal	
56	1001126245	1	Connector	
57	1001126008	2	Terminal	
58	1001167615	1	Connector	



## SECTION 10 - ELECTRICAL

ITEM	PART NUMBER	QTY	DESCRIPTION	REV
59	1001166551	6	Terminal	
60	1001126353	6	Seal	
61	1001167621	21	Terminal	
62	1001167622	64	Plug	
63	1001167625	1	Connector	
64	1001166555	13	Terminal	
65	1001167621	50	Terminal	
66	1001167623	5	Plug	
67	1001167622	37	Plug	
68	4460950	1	Connector	
69	80363179	1	Lock, Connector	
70	4460464	8	Terminal	
71	4460466	4	Plug	
72	4460894	1	Connector	
73	91504107	1	Lock, Connector	
74	4460465	5	Terminal	
75	4460466	1	Plug	
76	4460933	1	Connector	
77	80604016	1	Lock, Connector	
78	4460944	12	Terminal	
79	4460891	1	Connector	
80	80604018	1	Lock, Connector	
81	4460465	2	Terminal	
82	1001117109	1	Terminal, Ring	
83	1001117110	1	Terminal, Ring	
84	1001117110	1	Terminal, Ring	
85	1001117110	1	Terminal, Ring	
86	4460256	1	Terminal, Ring	
87	4460970	1	Connector	
88	80363179	1	Lock, Connector	
89	4460464	8	Terminal	
90	4460466	4	Plug	
91	4460891	1	Connector	
92	80604016	1	Lock, Connector	
93	4460465	2	Terminal	
94	4460891	1	Connector	
95	80604016	1	Lock, Connector	
96	4460465	2	Terminal	
97	4460891	1	Connector	
98	80604016	1	Lock, Connector	
99	4460465	2	Terminal	
100	4460891	1	Connector	
101	80604016	1	Lock, Connector	
102	4460465	2	Terminal	
103	1001144147	1	Connector	
104	91554022	1	Lock, Connector	
105	4460464	2	Terminal	
106	4460466	1	Plug	
107	1001116811	1	Connector	
108	4460508	3	Plug	
109	4460466	1	Plug	

## SECTION 10 - ELECTRICAL

ITEM	PART NUMBER	QTY	DESCRIPTION	REV
110	1001116812	1	Connector	
111	91554019	1	Lock, Connector	
112	4460944	2	Terminal	
113	4460466	1	Plug	
114	4461095	1	Connector	
115	4460465	2	Terminal	
116	4460466	1	Plug	
117	4460891	1	Connector	
118	80604016	1	Lock, Connector	
119	4460465	2	Terminal	
120	4461095	1	Connector	
121	4460465	2	Terminal	
122	4460466	1	Plug	
123	4460539	1	Connector	
124	4460944	2	Terminal	
125	4460466	1	Plug	
126	4460891	1	Connector	
127	80604016	1	Lock, Connector	
128	4460465	2	Terminal	
129	4460891	1	Connector	
130	80604016	1	Lock, Connector	
131	4460465	2	Terminal	
132	1001116950	1	Connector	
133	4460465	2	Terminal	
134	4460247	1	Terminal, Ring	
135	1001167636	1	Connector	
136	1001166702	2	Terminal	
137	4461006	2	Seal	
138	1001116812	1	Connector	
139	4460944	2	Terminal	
140	4460466	1	Plug	
141	4460891	1	Connector	
142	80604016	1	Lock, Connector	
143	4460465	2	Terminal	
144	4461018	1	Connector	
145	4460509	2	Terminal	
146	4460891	1	Connector	
147	80604016	1	Lock, Connector	
148	4460465	1	Terminal	
149	4460466	1	Plug	
150	4460891	1	Connector	
151	80604016	1	Lock, Connector	
152	4460465	2	Terminal	
153	1001133714	1	Connector	
154	4460508	3	Terminal	
155	4460466	1	Plug	
156	1001165194	1	Connector	
157	1001166556	8	Terminal	
158	1001116701	8	Seal	
159	1001166774	2	Terminal	
160	1001126393	2	Seal	

## SECTION 10 - ELECTRICAL

ITEM	PART NUMBER	QTY	DESCRIPTION	REV
161	1001126391	2	Plug	
162	4460891	1	Connector	
163	80604016	1	Lock, Connector	
164	4460465	2	Terminal	
165	4460891	1	Connector	
166	80604016	1	Lock, Connector	
167	4460465	2	Terminal	
168	1001133714	1	Connector	
169	1001133715	3	Terminal	
170	1001135650	3	Seal	
171	1001135651	1	Plug	
172	1001167620	1	Connector	
173	1001167622	2	Terminal	
174	1001167623	2	Plug	
175	1001167624	2	Plug	
176	4460891	1	Connector	
177	4460942	2	Terminal	
178	4460884	1	Connector	
179	80604021	1	Lock, Connector	
180	4460465	4	Terminal	
181	4460891	1	Connector	
182	4460942	2	Terminal	
183	4460891	1	Connector	
184	4460942	2	Terminal	
185	4460897	3	Connector	
186	4460466	2	Plug	
187	4460933	1	Connector	
188	4460465	7	Terminal	
189	4460466	5	Plug	
190	4460891	1	Connector	
191	80604016	1	Lock, Connector	
192	4460465	2	Terminal	
193	4460891	1	Connector	
194	80604016	1	Lock, Connector	
195	4460465	2	Terminal	
199	1001125677	1	Connector	
200	4460892	1	Terminal	
201	4460945	1	Receptacle, 3-Way	
202	4461070	2	Connector	
203	1001167631	1	Connector	
204	1001167630	4	Terminal	
205	1001126485	4	Seal	
206	1001116950	1	Connector	
207	4460465	2	Terminal	
208	1001148842	1	Connector	
209	1001148841	3	Terminal	
210	1001135650	3	Seal	
211	4460508	1	Plug	
212	1001201478	1	Connector, Strain Relief	
213	10011209097	1	Connector	
214	8200124	2	Terminal	

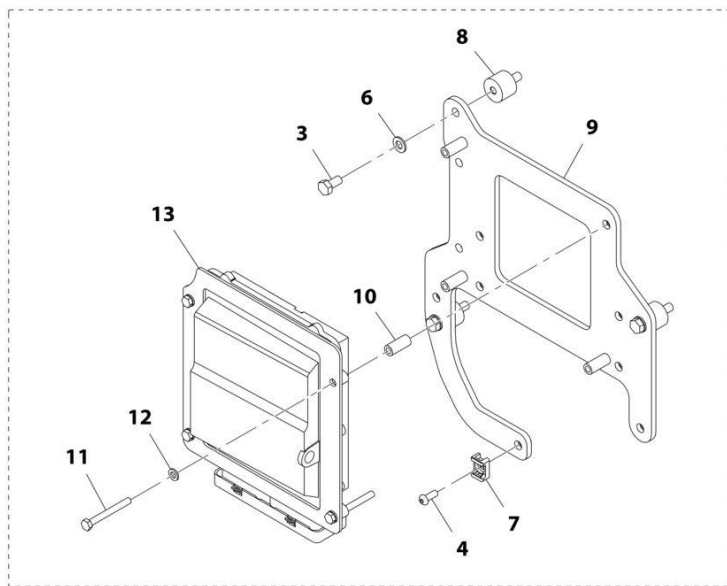
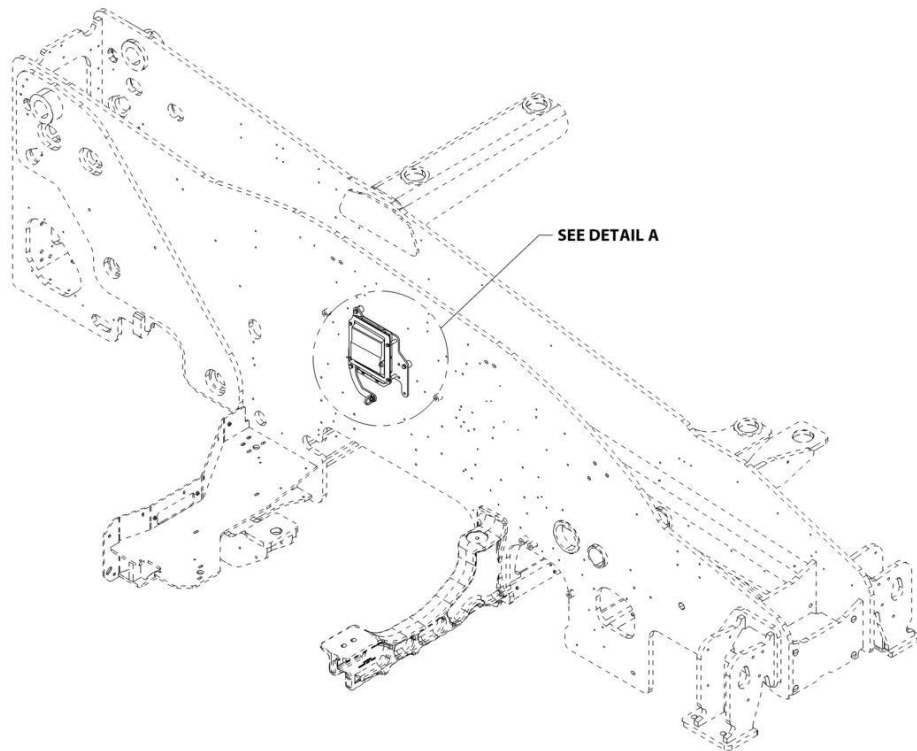
## SECTION 10 - ELECTRICAL

ITEM	PART NUMBER	QTY	DESCRIPTION	REV
215	1001189877	2	Seal	
216	1001126362	1	Connector	
217	1001166556	30	Terminal	
218	1001166774	10	Terminal	
219	1001166541	2	Terminal	
220	1001166543	2	Terminal	
221	1001126391	16	Plug	
222	4461008	2	Plug	
223	1001166701	30	Seal	
224	1001126393	10	Seal	
225	4461006	2	Seal	
226	4461054	2	Seal	



# SECTION 10 - ELECTRICAL

## FIGURE 10-9. ENGINE ECU INSTALLATION (ULS)



ART\_1001182735-D

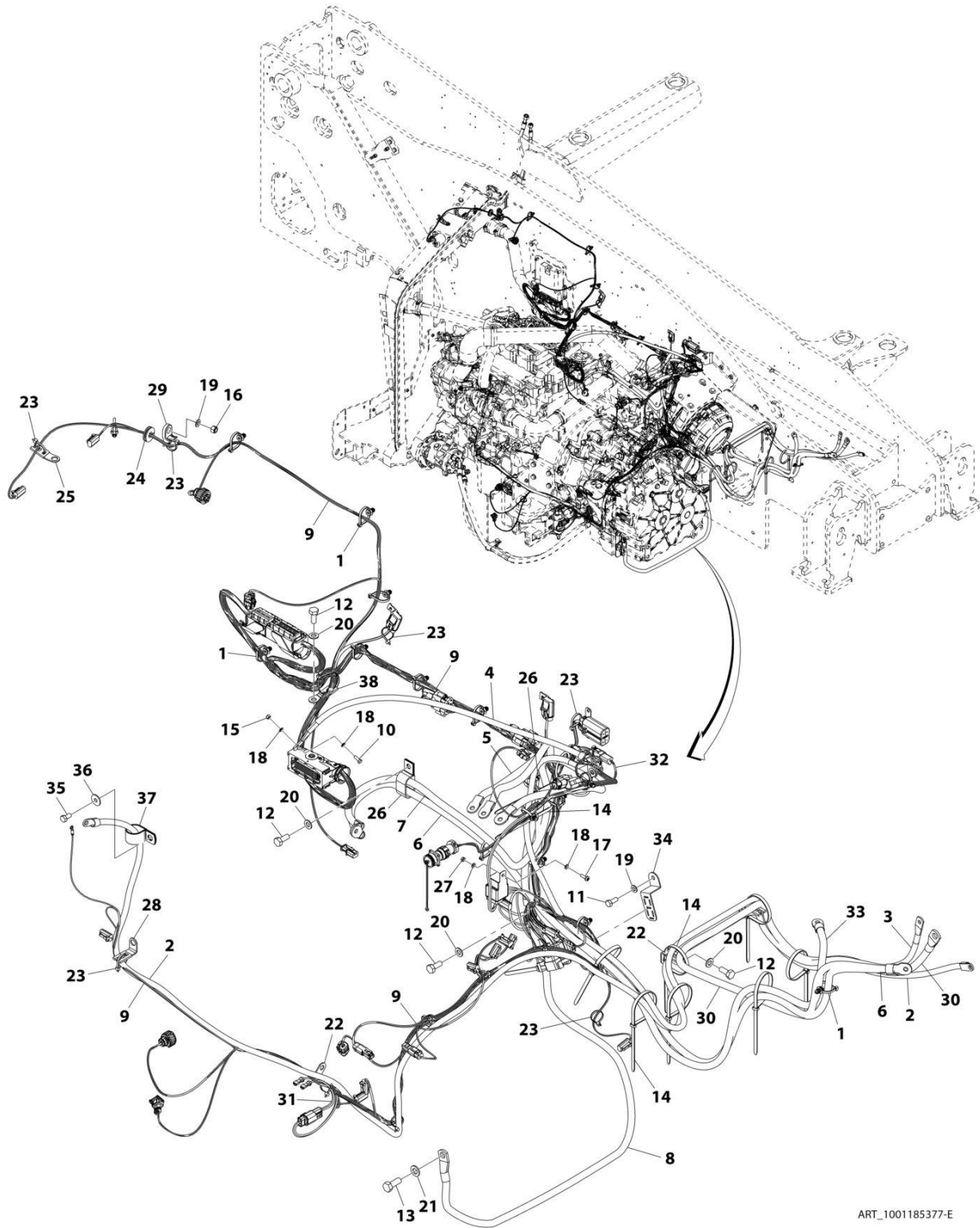
## SECTION 10 - ELECTRICAL

### FIGURE 10-9. ENGINE ECU INSTALLATION (ULS)

ITEM	PART NUMBER	QTY	DESCRIPTION	REV
	1001182735	Ref	Engine ECU Installation (ULS)	D
3	0760808	3	Bolt, M8X16	
4	3900357	1	Capscrew, M6X16	
6	4811900	3	Washer, M8	
7	1001138645	1	Mount, Cable Tie	
8	1001179907	3	Mount, Isolator	
9	1001183347	1	Plate	
10	1001196587	4	Sleeve, Spacer	
11	0760619	4	Bolt, M6X55	
12	4811700	4	Washer, M6	
13	1001206120	1	Plate	

# SECTION 10 - ELECTRICAL

## FIGURE 10-10. ENGINE WIRING INSTALLATION (LS)



ART\_1001185377-E



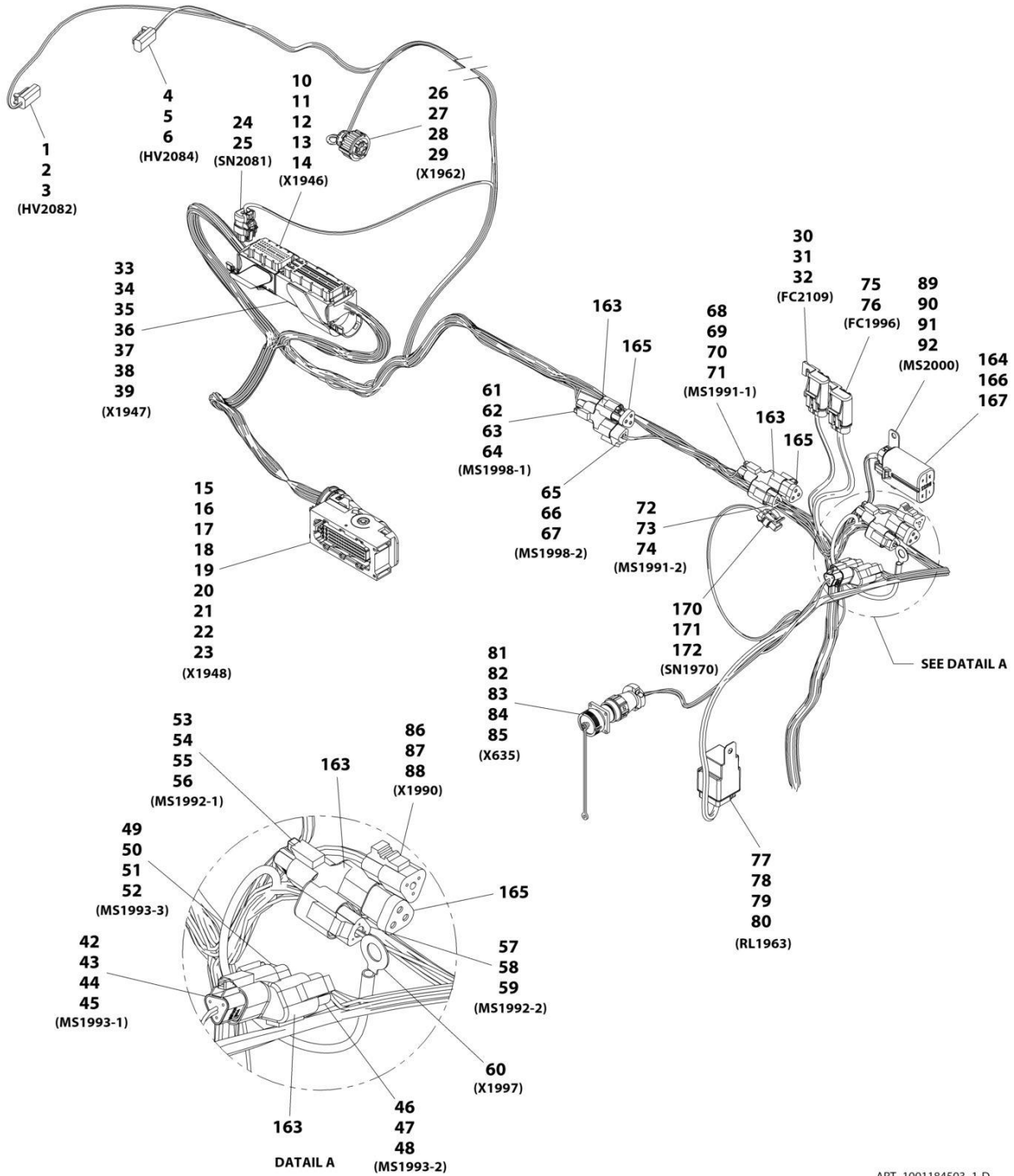
## SECTION 10 - ELECTRICAL

**FIGURE 10-10. ENGINE WIRING INSTALLATION (LS)**

ITEM	PART NUMBER	QTY	DESCRIPTION	REV
	1001185377	Ref	Engine Wiring Installation (LS)	E
1	1001146588	16	Strap, Cable Tie	
2	1001182216	1	Cable	
3	1001182218	1	Cable	
4	1001182219	1	Cable	
5	1001182654	1	Cable	
6	1001182650	1	Cable	
7	1001182651	1	Cable	
8	1001182652	1	Cable	
9	1001184503	1	Harness, Engine (LS) (See Separate Breakdown in this Section)	
10	0760507	1	Bolt, M5X14	
11	0760810	1	Bolt, M8X20	
12	0761012	7	Bolt, M10X25	
13	0761214	1	Bolt, M12X30	
14	1062255	10	Strap, Tie	
15	3290505	1	Nut, Lock M5X0.8	
16	3290805	1	Nut, Lock M8X1.25	
17	3900381	1	Screw, M5X16	
18	4811600	4	Washer, M5	
19	4811900	2	Washer, M8	
20	4812000	7	Washer, M10	
21	4812100	1	Washer, M12	
22	1001003305	3	Clip	
23	1001008559	12	Strap, Cable	
24	1001009375	1	Grommet	
25	1001025750	1	Clip	
26	1001008720	2	Clip	
27	1001128972	1	Nut, M5X.8	
28	1001130198	2	Clip	
29	1001169146	1	Mount	
30	1001182217	1	Cable	
31	1001182929	1	Harness, Fuel Pump (See Separate Breakdown in this Section)	
32	1001182930	1	Harness, Glow Plug Relay (See Separate Breakdown in this Section)	
33	1001203015	1	Cable	
34	1001203882	1	Bracket	
35	0760808	1	Bolt, M8X16	
36	4811902	1	Washer, M8	
37	8406302	1	Clamp	
38	1001008593	1	Clip	

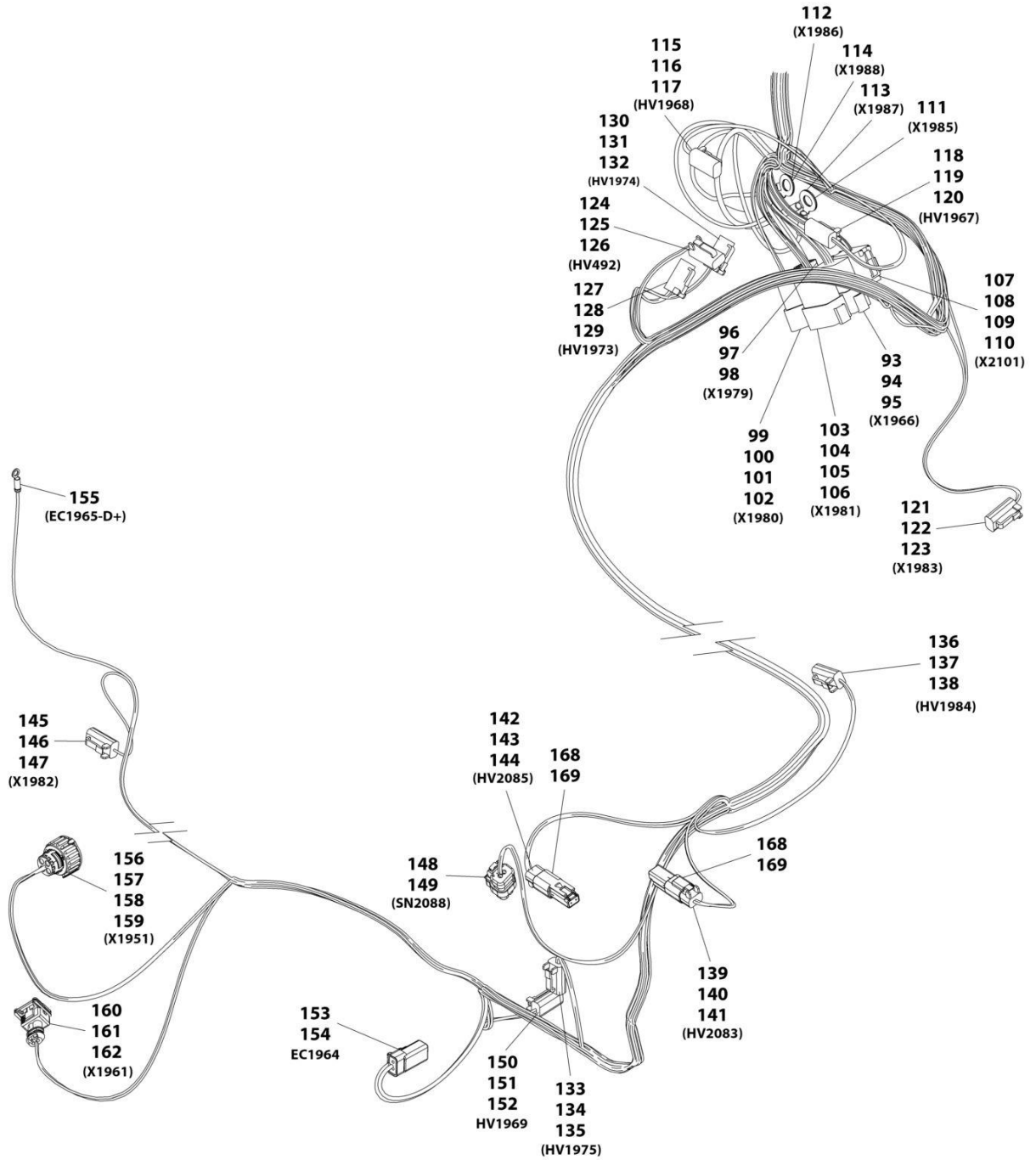
# SECTION 10 - ELECTRICAL

## FIGURE 10-11. ENGINE HARNESS (LS)



ART\_1001184503\_1-D

# SECTION 10 - ELECTRICAL



ART\_1001184503\_2-D

# SECTION 10 - ELECTRICAL

## FIGURE 10-11. ENGINE HARNESS (LS)

ITEM	PART NUMBER	QTY	DESCRIPTION	REV
	1001184503	Ref	Engine Harness (LS)	D
1	4460891	1	Connector	
2	80604018	1	Lock, Connector	
3	4460465	2	Terminal	
4	4460891	1	Connector	
5	80604018	1	Lock, Connector	
6	4460465	2	Terminal	
10	1001126360	1	Connector	
11	1001126351	13	Terminal	
12	1001126384	17	Terminal	
13	1001126357	11	Plug	
14	1001126356	19	Plug	
15	1001126362	1	Connector	
16	1001166556	24	Terminal	
17	1001166701	24	Seal	
18	1001166774	10	Terminal	
19	1001126393	10	Seal	
20	1001166543	2	Terminal	
21	4461054	2	Seal	
22	1001126391	22	Plug	
23	1001116696	4	Plug	
24	1001116950	1	Connector	
25	4460465	2	Terminal	
26	1001133714	1	Connector	
27	1001133715	3	Terminal	
28	1001135650	3	Seal	
29	1001135651	1	Plug	
30	1001117018	1	Connector (includes 25 amp auto fuse)	
31	1001116734	1	Terminal	
32	1001116735	1	Terminal	
33	1001126349	1	Connector	
34	1001126352	6	Terminal	
35	1001126353	6	Seal	
36	1001126384	19	Terminal	
37	1001126351	2	Terminal	
38	1001126356	65	Terminal	
39	1001126357	2	Plug	
42	1001116812	1	Connector	
43	91554019	1	Lock, Connector	
44	4460944	2	Terminal	
45	4460466	1	Plug	
46	4460539	1	Connector	
47	4460944	2	Terminal	
48	4460466	1	Plug	
49	1001116812	1	Connector	
50	91554019	1	Lock, Connector	
51	4460944	2	Terminal	
52	4460466	1	Plug	
53	1001116812	1	Connector	
54	91554019	1	Lock, Connector	

## SECTION 10 - ELECTRICAL

ITEM	PART NUMBER	QTY	DESCRIPTION	REV
55	4460944	2	Terminal	
56	4460466	1	Plug	
57	4460539	1	Connector	
58	4460944	2	Terminal	
59	4460466	1	Plug	
60	1001117110	1	Ring, Terminal	
61	1001116812	1	Connector	
62	91554019	1	Lock, Connector	
63	4460944	2	Terminal	
64	4460466	1	Plug	
65	4460539	1	Connector	
66	4460944	2	Terminal	
67	4460466	1	Plug	
68	1001116812	1	Connector	
69	91554019	1	Lock, Connector	
70	4460944	2	Terminal	
71	4460466	1	Plug	
72	4460539	1	Connector	
73	4460944	2	Terminal	
74	4460466	1	Plug	
75	1001117018	1	Connector (includes 25 amp auto fuse)	
76	1001116734	2	Terminal	
77	1001118282	1	Connector	
78	1001116734	3	Terminal	
79	1001116732	1	Terminal	
80	1001128128	1	Plug	
81	2902443	1	Kit, Receptacle	
82	4461071	6	Terminal	
83	4461072	1	Housing, Flange Mount Receptacle Inner	
84	4461073	1	Cap, Dust	
85	4461074	1	Housing, Receptacle Outer	
86	4460539	1	Connector	
87	4460465	2	Terminal	
88	4460942	1	Terminal	
89	1001184551	1	Connector	
90	1001116728	7	Terminal	
91	1001116747	1	Terminal	
92	1001175265	8	Seal	
93	4460970	1	Connector	
94	4460464	7	Terminal	
95	4460466	5	Plug	
96	1001116811	1	Connector	
97	4460508	3	Terminal	
98	4460466	1	Plug	
99	1001144147	1	Connector	
100	91554022	1	Lock, Connector	
101	4460464	2	Terminal	
102	4460466	1	Plug	
103	4460950	1	Connector Housing	
104	80363179	1	Lock, Connector	
105	4460464	9	Terminal	

## SECTION 10 - ELECTRICAL

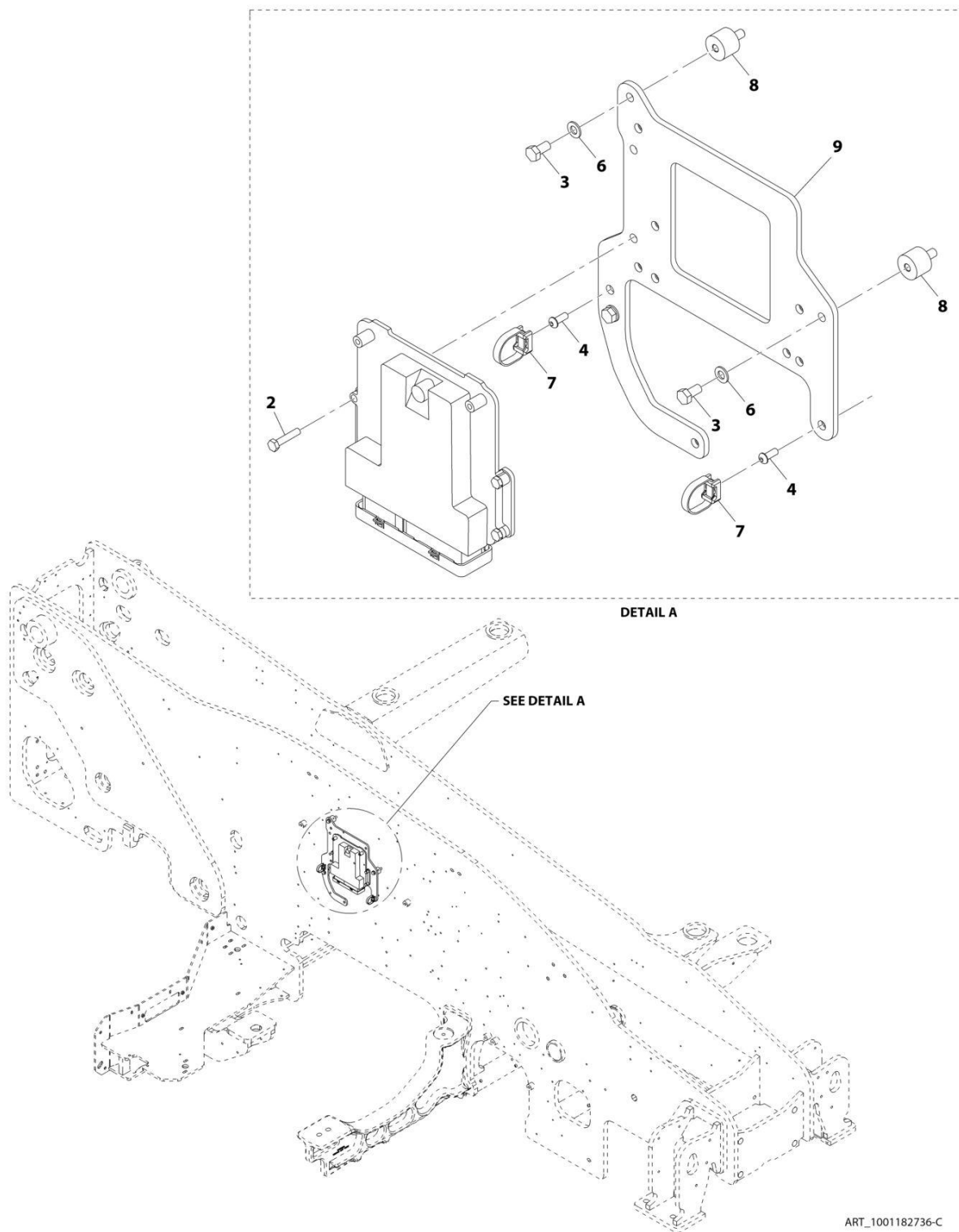
ITEM	PART NUMBER	QTY	DESCRIPTION	REV
106	4460466	3	Plug	
107	4460933	1	Connector	
108	80604016	1	Lock, Connector	
109	4460465	7	Terminal	
110	4460466	5	Plug	
111	1001117110	1	Ring, Terminal	
112	1001117109	1	Ring, Terminal	
113	1001117110	1	Ring, Terminal	
114	1001117110	1	Ring, Terminal	
115	4460891	1	Connector	
116	80604018	1	Lock, Connector	
117	4460465	2	Terminal	
118	4460891	1	Connector	
119	80604018	1	Lock, Connector	
120	4460465	2	Terminal	
121	4460891	1	Connector	
122	80604018	1	Lock, Connector	
123	4460465	2	Terminal	
124	4460891	1	Connector	
125	80604018	1	Lock, Connector	
126	4460465	2	Terminal	
127	4460891	1	Connector	
128	80604018	1	Lock, Connector	
129	4460465	2	Terminal	
130	4460891	1	Connector	
131	80604018	1	Lock, Connector	
132	4460465	2	Terminal	
133	4460891	1	Connector	
134	80604018	1	Lock, Connector	
135	4460465	2	Terminal	
136	4460891	1	Connector	
137	80604018	1	Lock, Connector	
138	4460465	2	Terminal	
139	4460891	1	Connector	
140	80604018	1	Lock, Connector	
141	4460465	2	Terminal	
142	4460891	1	Connector	
143	80604018	1	Lock, Connector	
144	4460465	2	Terminal	
145	4460891	1	Connector	
146	80604018	1	Lock, Connector	
147	4460465	2	Terminal	
148	1001116950	1	Connector	
149	4460465	2	Terminal	
150	4460891	1	Connector	
151	80604018	1	Lock, Connector	
152	4460465	2	Terminal	
153	4461018	1	Connector	
154	4460509	2	Belgium Built Machines - Use Terminal	
155	4460247	1	Terminal, Ring	
156	1001133714	1	Connector	

## SECTION 10 - ELECTRICAL

ITEM	PART NUMBER	QTY	DESCRIPTION	REV
157	1001133715	3	Terminal	
158	1001135650	3	Seal	
159	1001135651	1	Plug	
160	1001116983	1	Connector	
161	1001116710	2	Terminal	
162	4461006	2	Seal	
163	4460945	4	Connector	
164	8229242	1	Fuse, 5A	
165	1001116815	3	Connector	
166	1001177597	1	Diode, 6A	
167	1001197719	2	Resistor	
168	4460466	4	Plug	
169	4460897	2	Connector	
170	4461118	1	Connector	
171	8220124	2	Terminal	
172	1001189877	2	Seal	

# SECTION 10 - ELECTRICAL

## FIGURE 10-12. ENGINE ECU INSTALLATION (LS)



ART\_1001182736-C



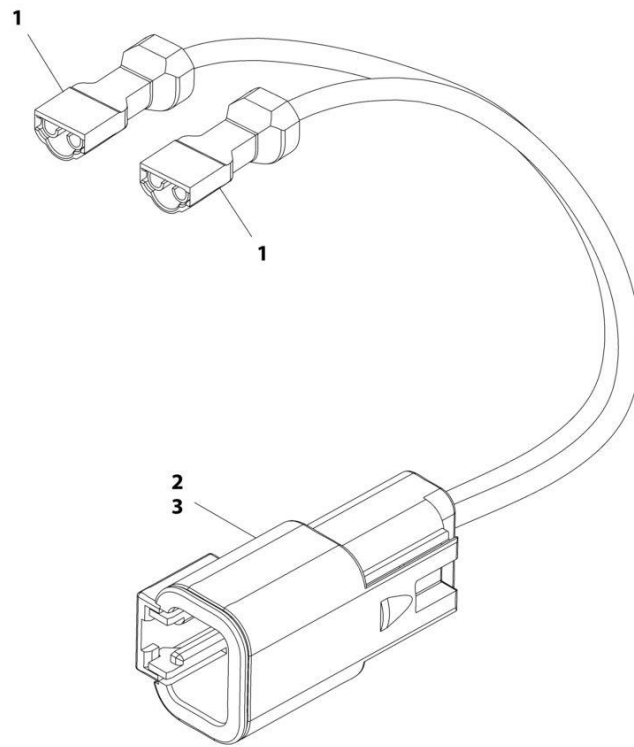
## SECTION 10 - ELECTRICAL

### FIGURE 10-12. ENGINE ECU INSTALLATION (LS)

ITEM	PART NUMBER	QTY	DESCRIPTION	REV
	1001182736	Ref	Engine ECU Installation (LS)	C
2	0700614	4	Bolt, M6X30	
3	0760808	3	Bolt, M8X16	
4	3900357	2	Capscrew, M6X16	
6	4811900	3	Washer, M8	
7	1001138645	2	Mount, Cable Tie	
8	1001179907	3	Mount, Isolator	
9	1001183347	1	Plate	

# SECTION 10 - ELECTRICAL

## FIGURE 10-13. FUEL PUMP HARNESS



ART\_1001182929-E

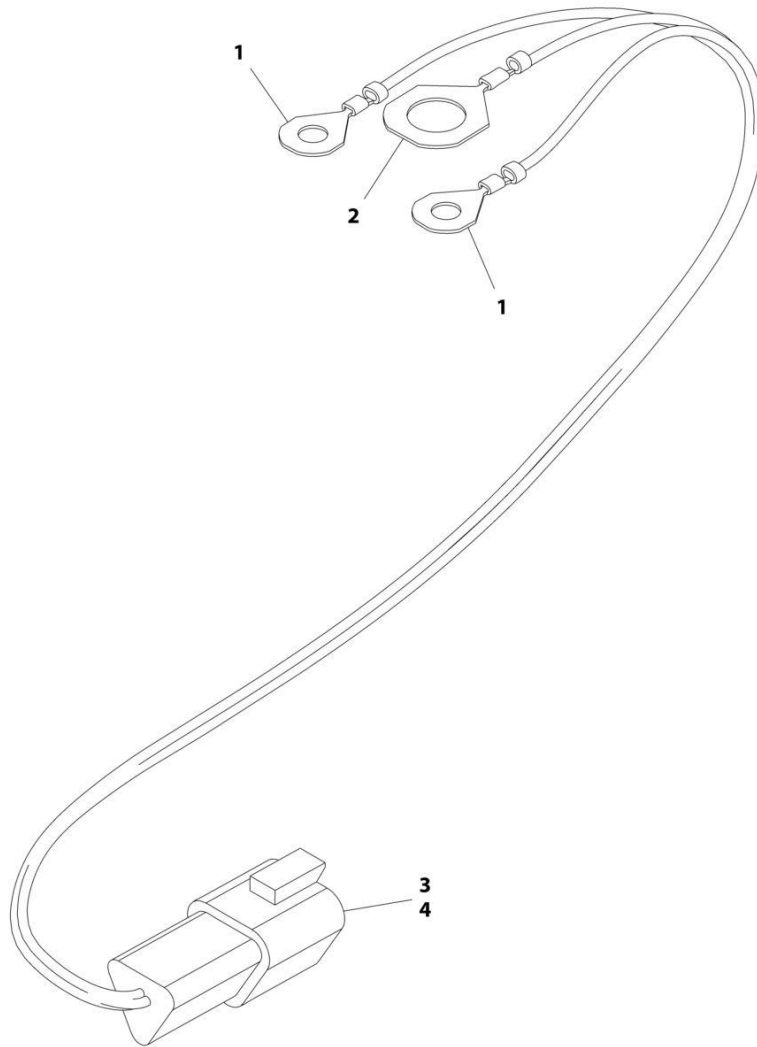
## SECTION 10 - ELECTRICAL

### FIGURE 10-13. FUEL PUMP HARNESS

ITEM	PART NUMBER	QTY	DESCRIPTION	REV
	1001182929	Ref	Fuel Pump Harness	E
1	8220043	2	Connector	
2	4461017	1	Connector	
3	4460508	2	Terminal	

# SECTION 10 - ELECTRICAL

## FIGURE 10-14. GLOW PLUG RELAY HARNESS



ART\_1001182930-C

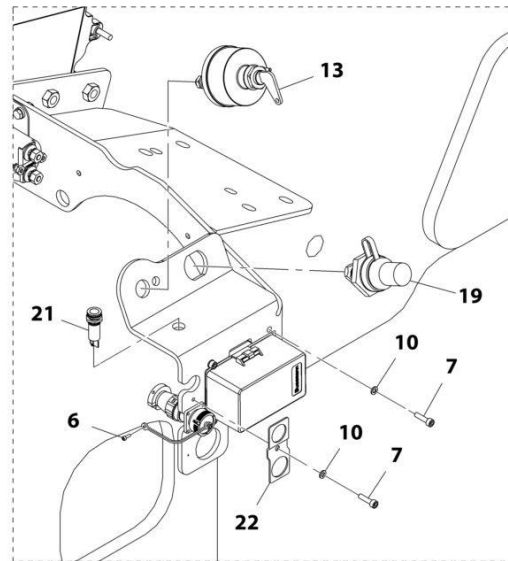
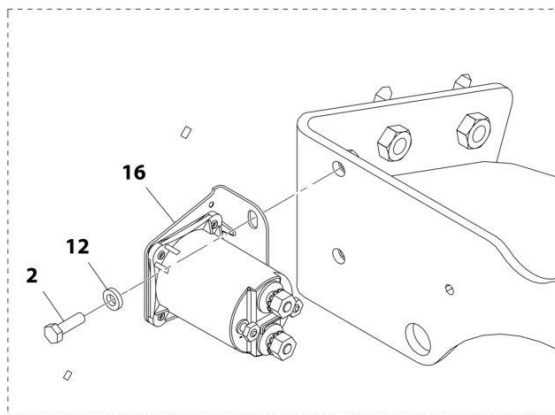
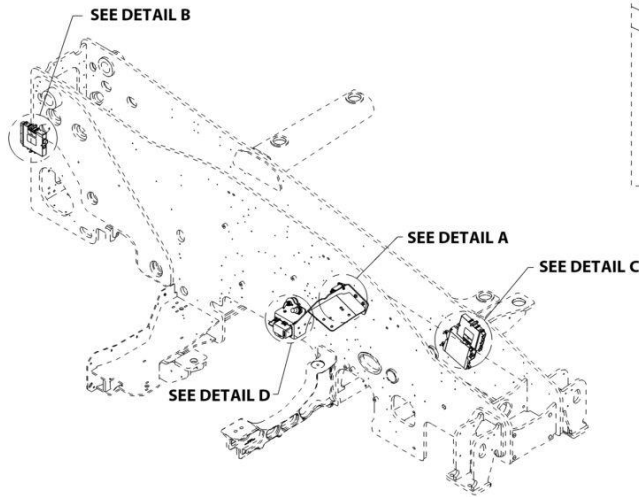
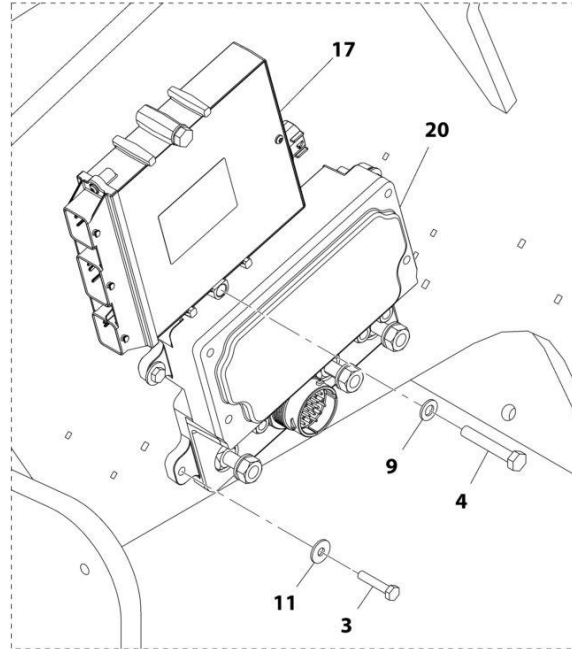
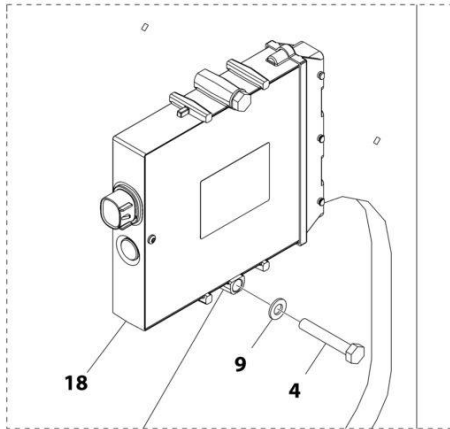
## SECTION 10 - ELECTRICAL

### FIGURE 10-14. GLOW PLUG RELAY HARNESS

ITEM	PART NUMBER	QTY	DESCRIPTION	REV
	1001182930	Ref	Glow Plug Relay Harness	C
1	1001187070	2	Ring, Terminal	
2	1001187077	1	Ring, Terminal	
3	4460536	1	Connector	
4	4460464	3	Terminal	

# SECTION 10 - ELECTRICAL

## FIGURE 10-15. ELECTRICAL COMPONENTS INSTALLATION



ART\_1001183838-D

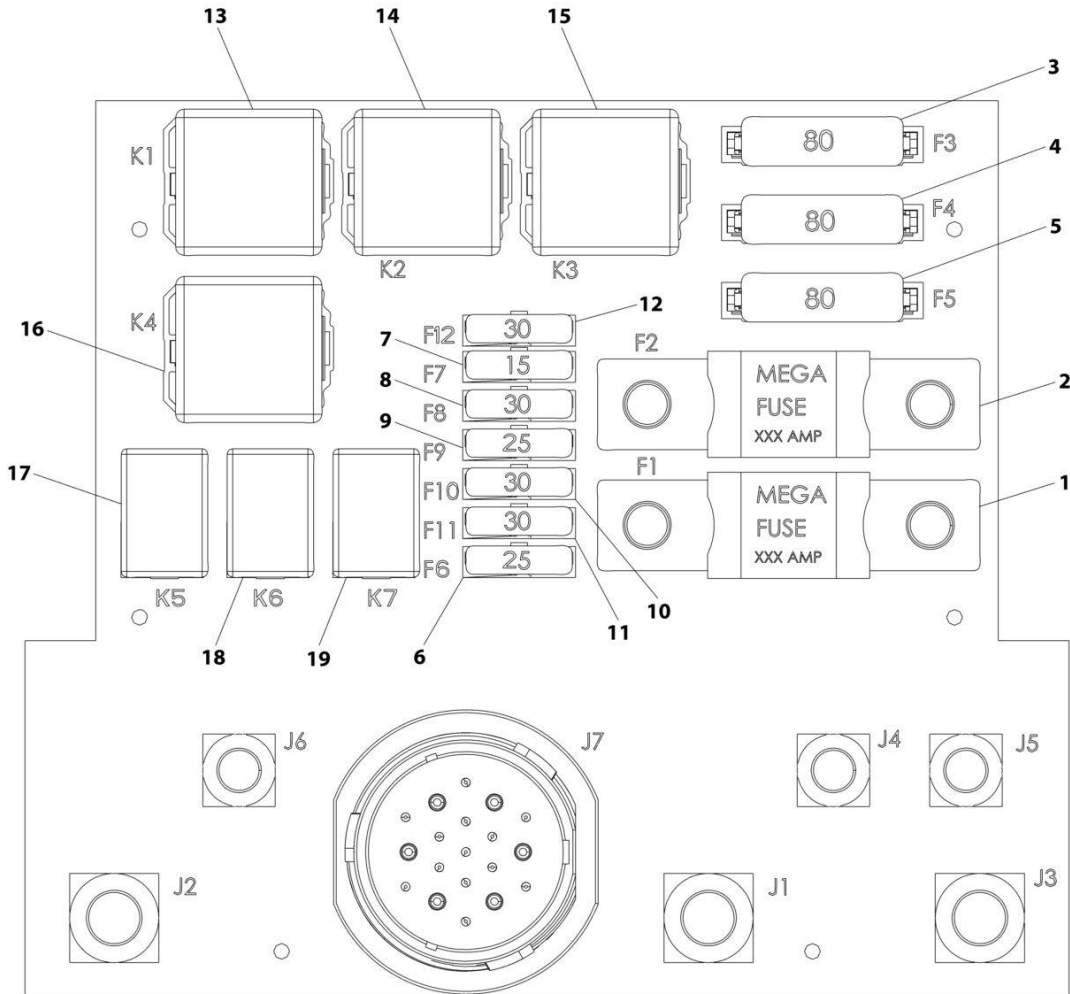
## SECTION 10 - ELECTRICAL

**FIGURE 10-15. ELECTRICAL COMPONENTS INSTALLATION**

ITEM	PART NUMBER	QTY	DESCRIPTION	REV
	1001183838	Ref	Electrical Components Installation	D
2	0700610	2	Bolt, M6X20	
3	0700614	4	Bolt, M6X30	
4	0700818	4	Bolt, M8X50	
6	3900349	1	Screw, M2.5X0.45	
7	4031608	5	Screw, M5X20	
9	4811900	4	Washer, M8	
10	4831600	5	Washer, Lock M5	
11	4811702	4	Washer, Lock M6	
12	5240600	2	Washer, M6	
13	1001008926	NLA	Switch, Disconnect (no longer available, use 1001192142 for replacement)	
13	1001192142	1	Switch, Disconnect	
16	1001117308	1	Relay, 200 AMP (See Separate Breakdown in this Section)	
17	1001209577	1	Control, TMH Front Frame Module LBP	
18	1001209576	1	Control, TMH Rear Frame Module LBP	
19	1001193993	1	Terminal, Battery	
20	1001164402	1	Box, Power Distribution Electrical (See Separate Breakdown in this Section)	
21	1001169825	1	Lamp, 12V Yellow	
22	1001186693	1	Plate	

# SECTION 10 - ELECTRICAL

## FIGURE 10-16. POWER DISTRIBUTION ELECTRICAL BOX



ART\_1001164402-G



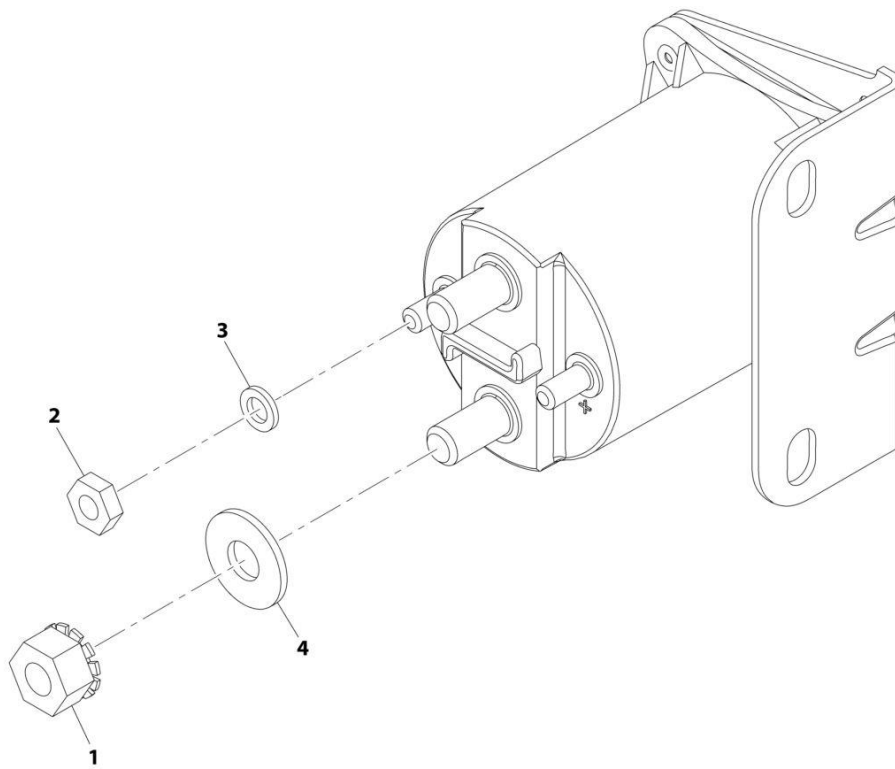
## SECTION 10 - ELECTRICAL

**FIGURE 10-16. POWER DISTRIBUTION ELECTRICAL BOX**

ITEM	PART NUMBER	QTY	DESCRIPTION	REV
	1001164402	Ref	Power Distribution Electrical Box	G
1	1001095336	1	Fuse, 150AMP	
2	70026296	1	Fuse, 200AMP	
3	70026297	1	Fuse, 80AMP	
4	70026297	1	Fuse, 80AMP	
5	70026297	1	Fuse, 80AMP	
6	8229247	1	Fuse, 25AMP	
7	8229244	1	Fuse, 15AMP	
8	8229245	1	Fuse, 30AMP	
9	8229247	1	Fuse, 25AMP	
10	8229245	1	Fuse, 30AMP	
11	8229245	1	Fuse, 30AMP	
12	8229245	1	Fuse, 30AMP	
13	70026294	1	Fuse, 70AMP	
14	70026294	1	Fuse, 70AMP	
15	70026294	1	Fuse, 70AMP	
16	70026294	1	Fuse, 70AMP	
17	70026295	1	Fuse, 35AMP	
18	70026295	1	Fuse, 35AMP	
19	70026295	1	Fuse, 35AMP	

# SECTION 10 - ELECTRICAL

## FIGURE 10-17. 200 AMP RELAY INSTALLATION



ART\_1001117308-C

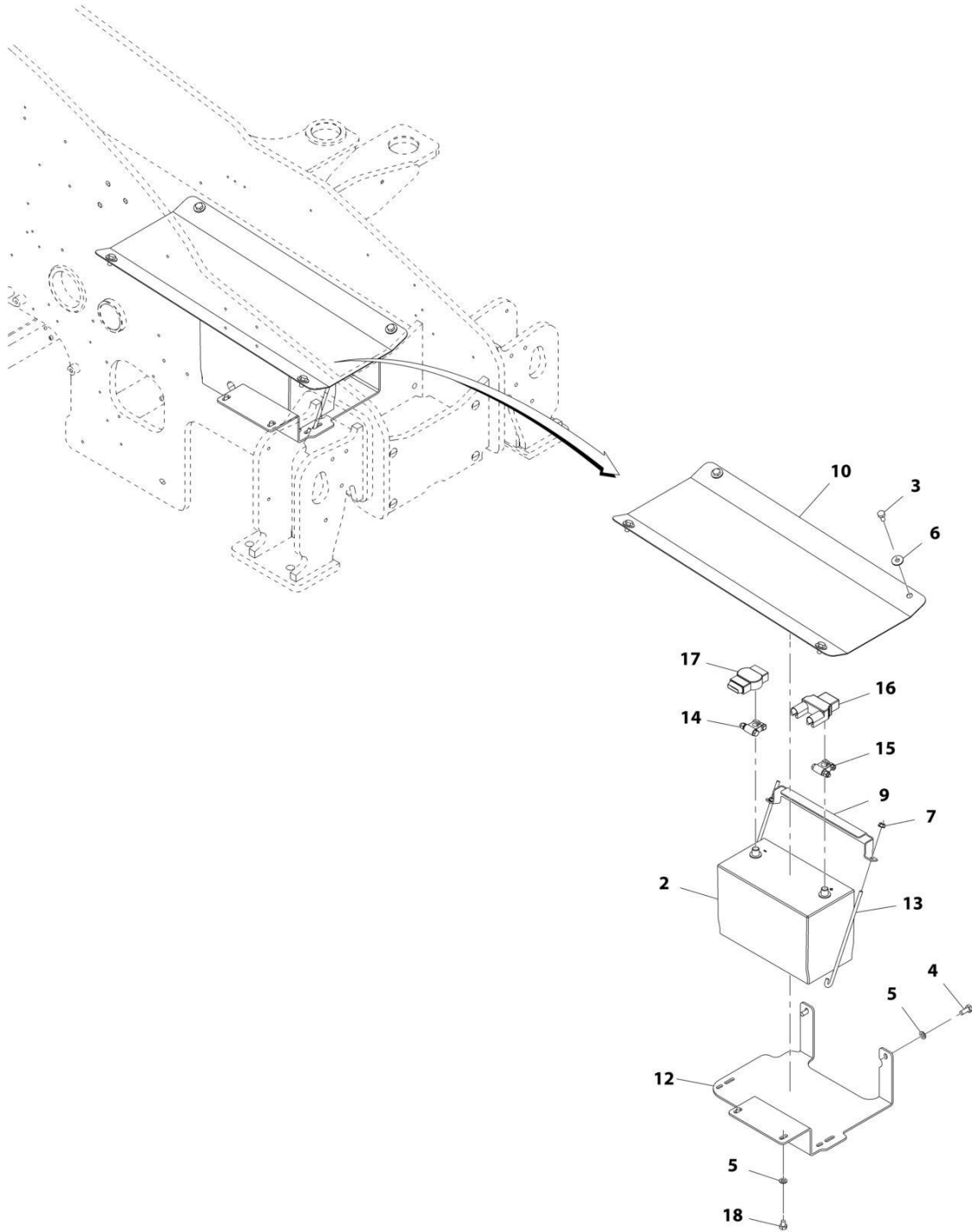
## SECTION 10 - ELECTRICAL

### FIGURE 10-17. 200 AMP RELAY INSTALLATION

ITEM	PART NUMBER	QTY	DESCRIPTION	REV
	1001117308	Ref	200 AMP Relay Installation	C
1	3300220	2	Nut, Washer	
2	3321001	2	Nut	
3	4761000	2	Washer, Lock	
4	1001111424	2	Washer	

# SECTION 10 - ELECTRICAL

## FIGURE 10-18. BATTERY INSTALLATION (STANDARD)



ART\_1001180267-F

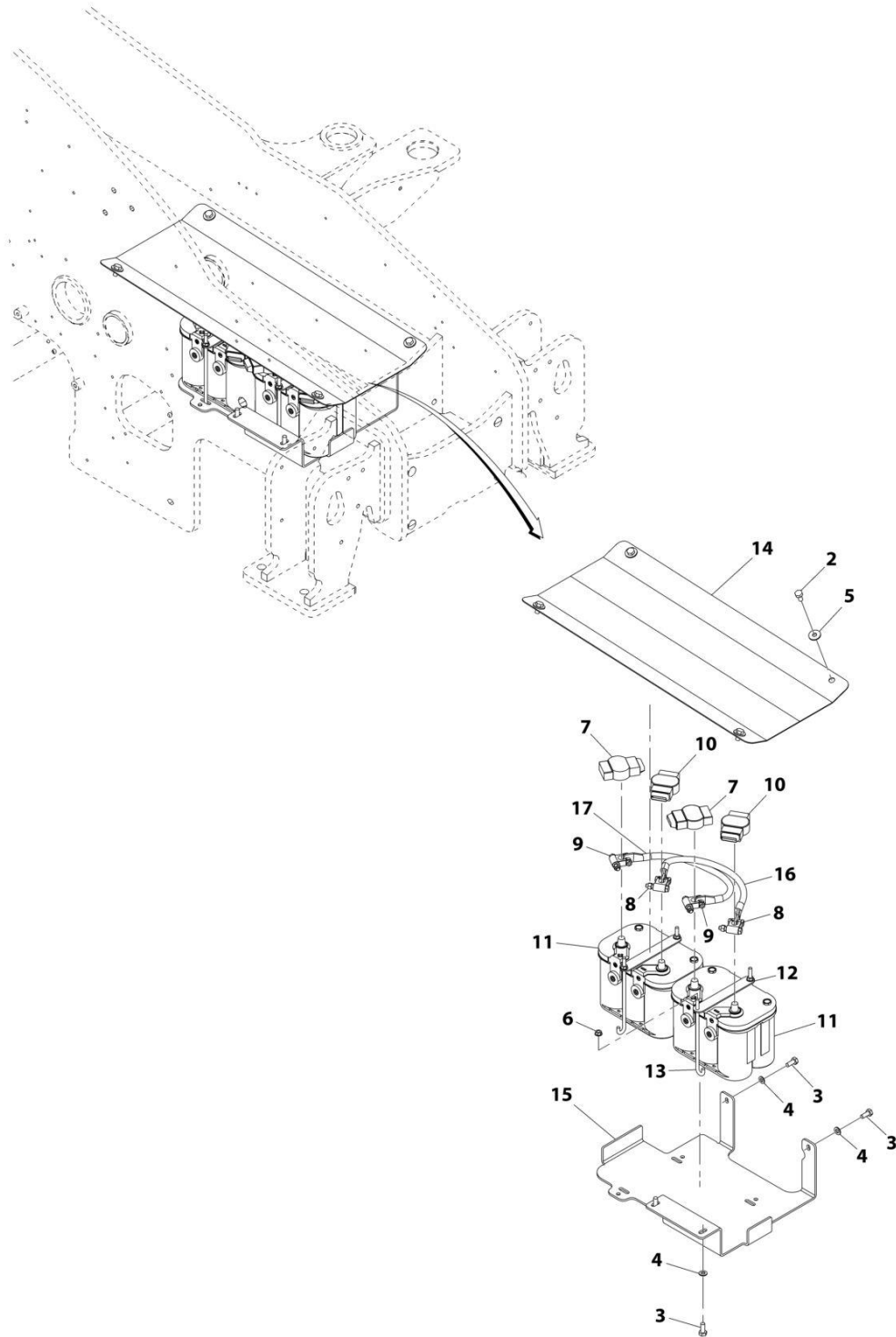
## SECTION 10 - ELECTRICAL

**FIGURE 10-18. BATTERY INSTALLATION (STANDARD)**

ITEM	PART NUMBER	QTY	DESCRIPTION	REV
	1001180267	Ref	Battery Installation (Standard)	F
2	0400075	1	Battery, 12V	
3	0761010	4	Bolt, M10X20	
4	0761012	2	Bolt, M10X25	
5	4812000	4	Washer, M10	
6	4812002	4	Washer, M10	
7	5220800	2	Nut, M8	
9	1001141596	1	Plate	
10	1001179221J	1	Cover	
12	1001217179	1	Tray	
13	1001160928	2	J-Bolt	
14	8270147	1	Clamp	
15	8270148	1	Clamp	
16	7301893	NLA	Insulator, Battery Terminal (no longer available, use 1001214663 for replacement)	
16	1001214663	1	Insulator, Battery Terminal	
17	1001145300	1	Insulator, Battery Terminal	
18	0761007	2	Bolt, M10X14	

# SECTION 10 - ELECTRICAL

## FIGURE 10-19. BATTERY INSTALLATION (DUAL)



ART\_1001179197-C

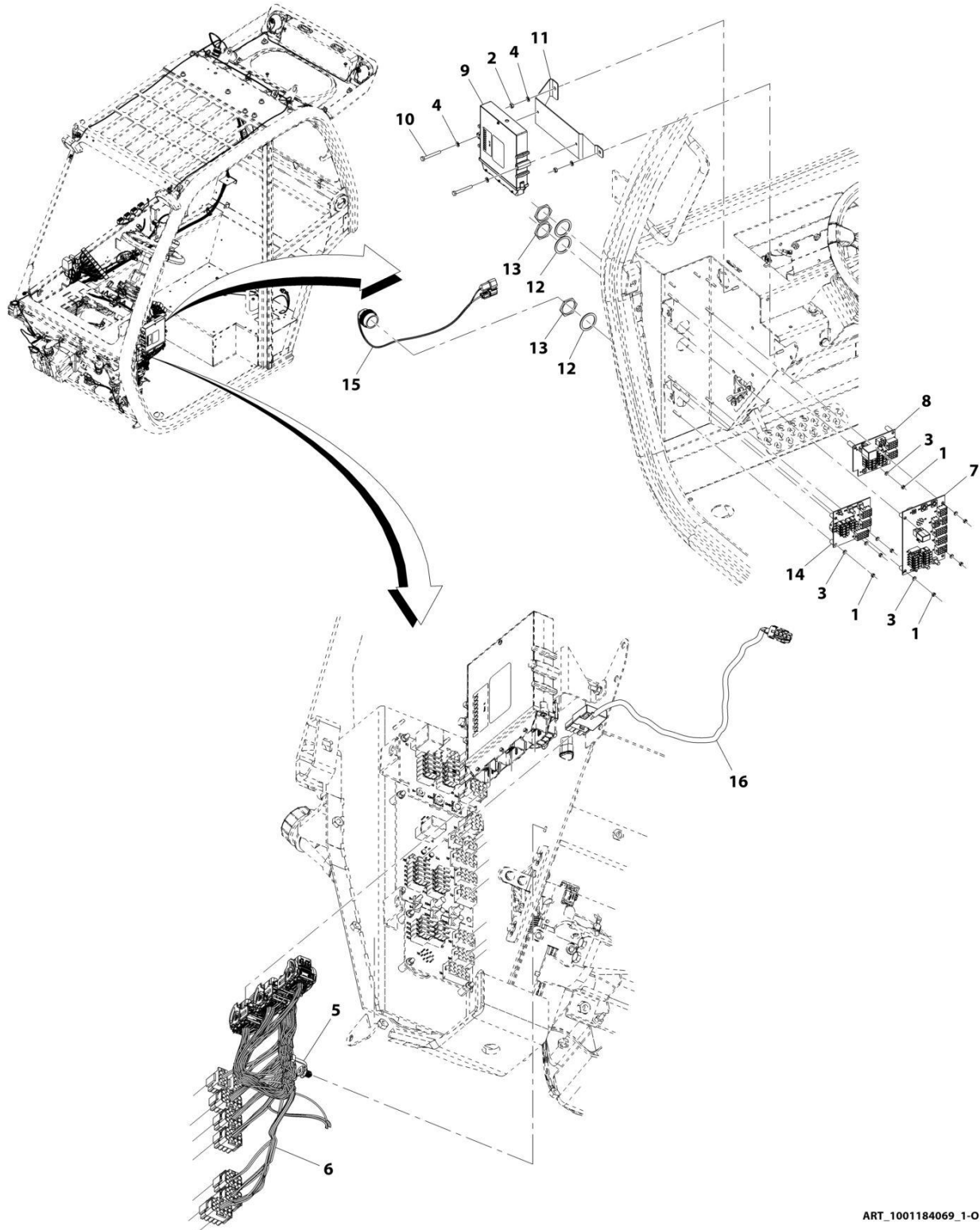
## SECTION 10 - ELECTRICAL

**FIGURE 10-19. BATTERY INSTALLATION (DUAL)**

ITEM	PART NUMBER	QTY	DESCRIPTION	REV
	1001179197	Ref	Battery Installation (Dual)	C
2	0761010	4	Bolt, M10X20	
3	0761012	4	Bolt, M10X25	
4	4812000	4	Washer, M10	
5	4812002	4	Washer, M10	
6	5220800	4	Nut, M8	
7	7301893	2	Insulator, Battery Terminal	
8	8270147	2	Clamp	
9	8270148	2	Clamp	
10	1001145300	2	Insulator, Battery Terminal	
11	1001167212	2	Battery	
12	1001179585	2	Bracket	
13	1001179586	4	Bolt	
14	1001179221J	1	Cover	
15	1001203417J	NLA	Tray (no longer available, use 1001229139 for replacement)	
15	1001229139	1	Tray	
16	1001189339	1	Cable	
17	1001189338	1	Cable	

# SECTION 10 - ELECTRICAL

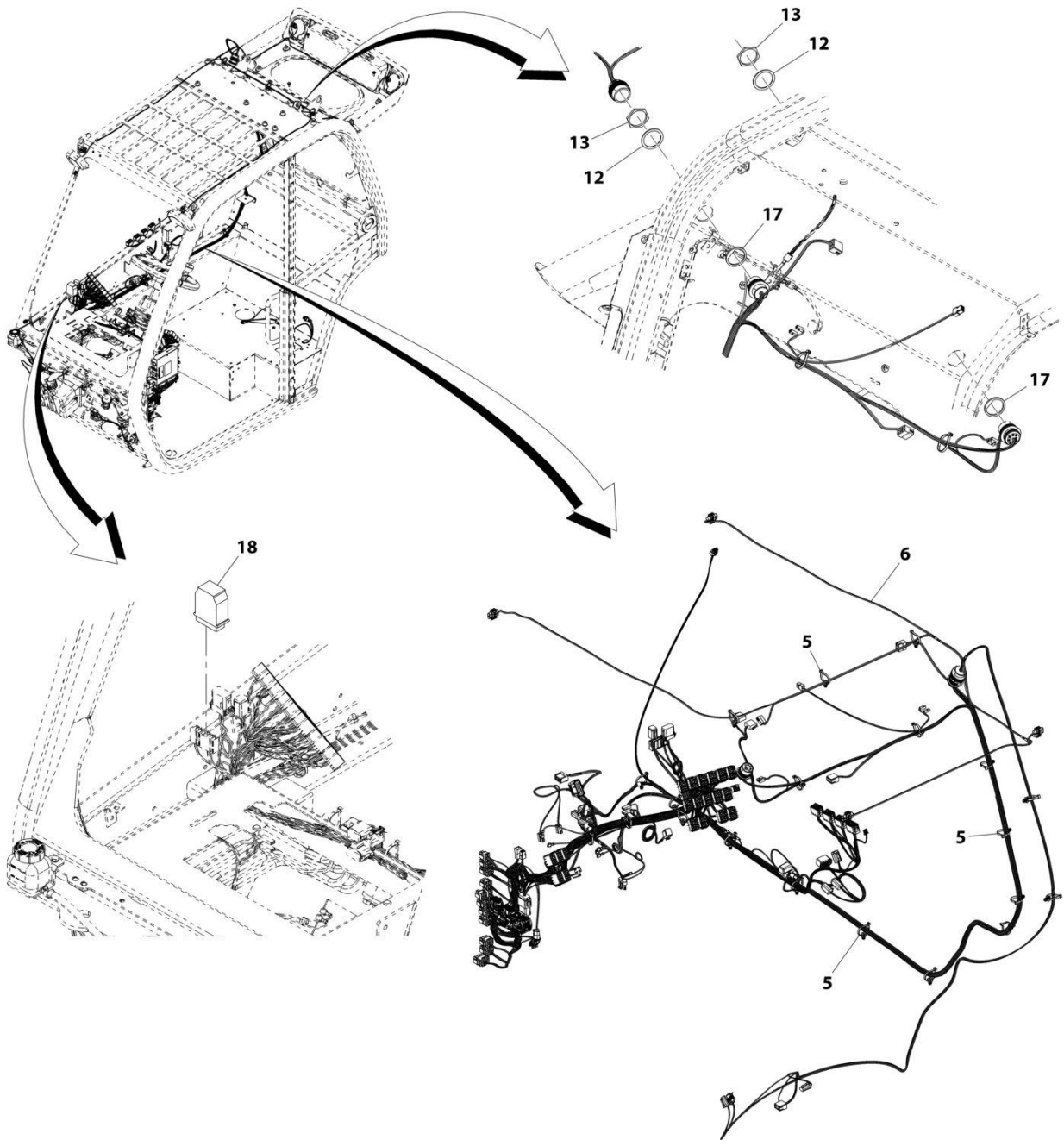
## FIGURE 10-20. CAB ELECTRICAL INSTALLATION



ART\_1001184069\_1-0



# SECTION 10 - ELECTRICAL



ART\_1001184069\_2-O

## SECTION 10 - ELECTRICAL

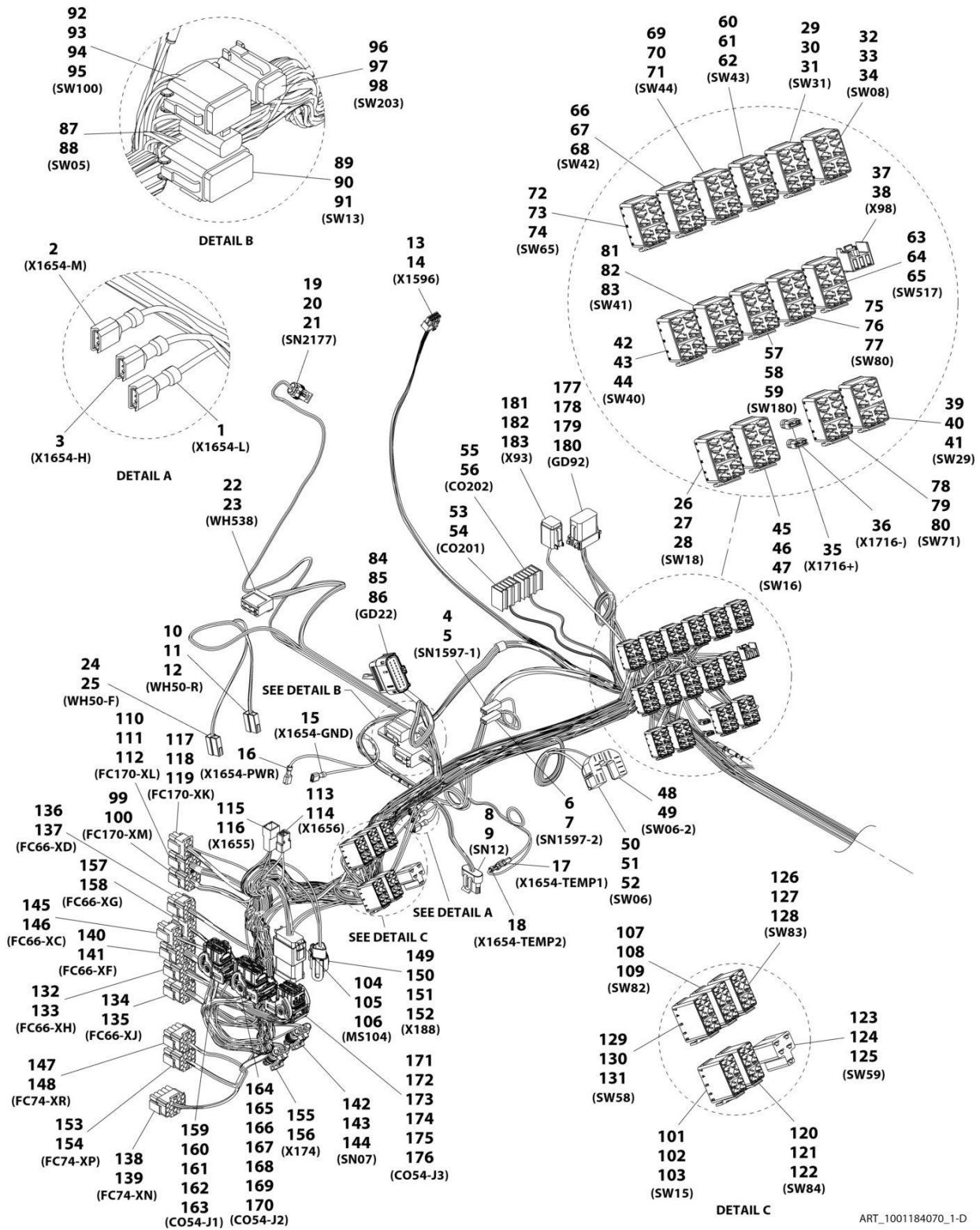
**FIGURE 10-20. CAB ELECTRICAL INSTALLATION**

ITEM	PART NUMBER	QTY	DESCRIPTION	REV
	1001184069	Ref	Cab Electrical Installation	O
1	3290501	7	Nut, M5X0.8 Grade 8	
2	3290601	2	Nut, M6X1 Grade 8	
3	120034	7	Washer, Plastic	
4	4811700	4	Washer, M6	
5	1001146588	23	Strap, Cable Tie	
6	1001184070	1	Harness, Cab (See Separate Breakdown in this Section)	
7	1001161769	1	Assembly, Standard Electrical Board (See Separate Breakdown in this Section)	
8	1001161770	1	Assembly, Option 1 Electrical Board (See Separate Breakdown in this Section)	
9	1001209578	1	Module, Cab Control	
10	0700618	2	Bolt, M6X50	
11	1001178933	1	Bracket	
12	4460496	5	Washer, Terminal Lock	
13	4460497	5	Nut, Terminal	
14	1001161771	1	Assembly, Option 2 Electrical Board (See Separate Breakdown in this Section)	
15	1001181681	1	Harness, Cab Option LBP (See Separate Breakdown in this Section)	
16	1001213988	1	Cable, Communication Analyzer	
17	1001211693	2	Seal	
18	1001214281	1	Connector, Wiper Module	



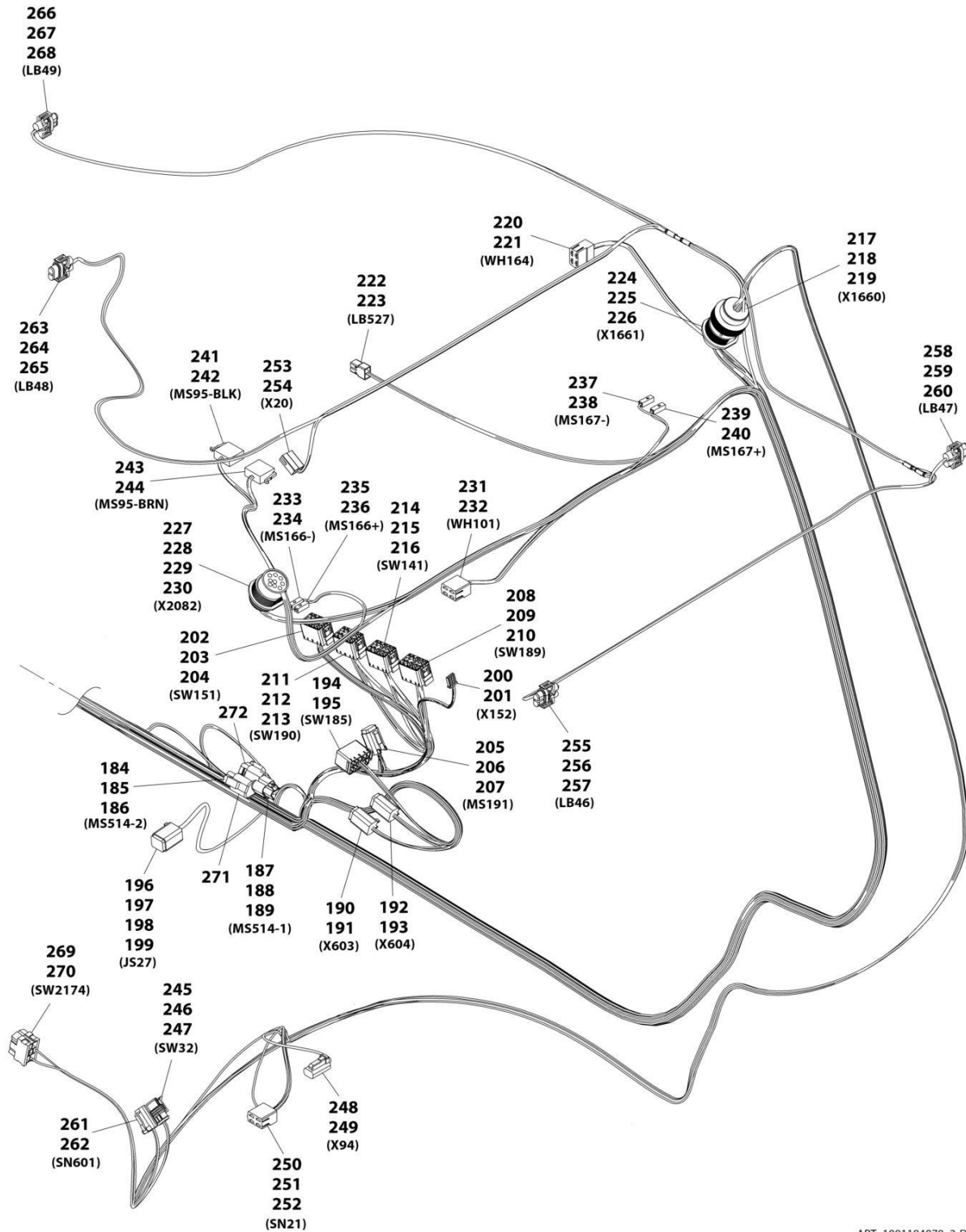
# SECTION 10 - ELECTRICAL

## FIGURE 10-21. CAB HARNESS



ART\_1001184070\_1-D

# SECTION 10 - ELECTRICAL



ART\_1001184070\_2-D

# SECTION 10 - ELECTRICAL

## FIGURE 10-21. CAB HARNESS

ITEM	PART NUMBER	QTY	DESCRIPTION	REV
	1001184070	Ref	Cab Harness	D
1	8220051	1	Connector	
2	8220051	1	Connector	
3	8220051	1	Connector	
4	1001116995	1	Connector	
5	1001118379	1	Terminal	
6	1001116995	1	Connector	
7	1001118379	2	Terminal	
8	1001230931	1	Connector	
9	1001116748	6	Terminal	
10	4460994	1	Connector	
11	1001118384	1	Terminal	
12	1001116723	2	Terminal	
13	1001150735	1	Connector	
14	1001150737	7	Terminal	
15	8220051	1	Connector	
16	8220051	1	Connector	
17	8220051	1	Connector	
18	8220051	1	Connector	
19	4461118	1	Connector	
20	1001107854	2	Terminal	
21	1001104498	2	Seal	
22	1001116997	1	Connector	
23	1001118384	5	Terminal	
24	4460994	1	Connector	
25	1001118384	2	Terminal	
26	1001117081	1	Connector	
27	1001118384	5	Terminal	
28	1001116723	6	Terminal	
29	1001117081	1	Connector	
30	1001118384	2	Terminal	
31	1001116723	4	Terminal	
32	1001117079	1	Connector	
33	1001116723	6	Terminal	
34	1001118384	2	Terminal	
35	8220051	1	Connector	
36	8220051	1	Connector	
37	1001118684	1	Connector	
38	1001116754	2	Terminal	
39	1001117081	1	Connector	
40	1001116723	10	Terminal	
41	1001118384	1	Terminal	
42	1001117081	1	Connector	
43	1001118384	4	Terminal	
44	1001116723	6	Terminal	
45	1001117081	1	Connector	
46	1001116723	6	Terminal	
47	1001118384	1	Terminal	
48	1001117121	1	Connector	
49	1001104519	1	Terminal	

## SECTION 10 - ELECTRICAL

ITEM	PART NUMBER	QTY	DESCRIPTION	REV
50	1001118685	1	Connector	
51	1001104519	3	Terminal	
52	1001118383	1	Terminal	
53	1001214686	1	Connector	
54	1001116753	5	Terminal	
55	1001214687	1	Connector	
56	1001116753	3	Terminal	
57	1001117081	1	Connector	
58	1001118384	3	Terminal	
59	1001116723	4	Terminal	
60	1001117081	1	Connector	
61	1001118384	2	Terminal	
62	1001116723	4	Terminal	
63	1001117081	1	Connector	
64	1001116723	6	Terminal	
65	1001118384	1	Terminal	
66	1001117081	1	Connector	
67	1001118384	2	Terminal	
68	1001116723	4	Terminal	
69	1001117081	1	Connector	
70	1001118384	2	Terminal	
71	1001116723	4	Terminal	
72	1001117081	1	Connector	
73	1001116723	6	Terminal	
74	1001118384	1	Terminal	
75	1001117081	1	Connector	
76	1001116723	6	Terminal	
77	1001118384	1	Terminal	
78	1001117081	1	Connector	
79	1001116723	8	Terminal	
80	1001118384	2	Terminal	
81	1001117081	1	Connector	
82	1001118384	3	Terminal	
83	1001116723	4	Terminal	
84	1001162886	1	Connector	
85	1001163340	13	Plug	
86	1001162887	7	Terminal	
87	4460897	1	Connector	
88	4460464	1	Terminal	
89	4460933	1	Connector	
90	4460465	9	Terminal	
91	4460466	3	Plug	
92	4460836	1	Connector	
93	4460942	3	Terminal	
94	4460465	8	Terminal	
95	4460466	1	Plug	
96	4460884	1	Connector	
97	4460942	2	Terminal	
98	4460466	2	Plug	
99	4460343	1	Connector	
100	4460267	7	Terminal	

## SECTION 10 - ELECTRICAL

ITEM	PART NUMBER	QTY	DESCRIPTION	REV
101	1001117081	1	Connector	
102	1001116723	6	Terminal	
103	1001118384	1	Terminal	
104	4460933	1	Connector	
105	1001125677	1	Connector, Buss Bar	
106	4460465	12	Terminal	
107	1001117081	1	Connector	
108	1001116723	6	Terminal	
109	1001118384	1	Terminal	
110	4460343	1	Connector	
111	4460268	8	Terminal	
112	4460906	1	Terminal	
113	1001116991	1	Connector	
114	1001118384	2	Terminal	
115	1001116999	1	Connector	
116	1001116700	4	Terminal	
117	4460225	1	Connector	
118	4460267	5	Terminal	
119	4460906	1	Terminal	
120	1001117081	1	Connector	
121	1001116723	6	Terminal	
122	1001118384	1	Terminal	
123	1001173411	1	Connector	
124	1001116716	2	Terminal	
125	1001104519	5	Terminal	
126	1001117081	1	Connector	
127	1001116723	6	Terminal	
128	1001118384	1	Terminal	
129	1001117081	1	Connector	
130	1001118384	2	Terminal	
131	1001116723	4	Terminal	
132	4460343	1	Connector	
133	4460268	9	Terminal	
134	4460343	1	Connector	
135	4460267	9	Terminal	
136	4460265	1	Connector	
137	4460268	5	Terminal	
138	4460434	1	Connector	
139	4460268	7	Terminal	
140	4460434	1	Connector	
141	4460268	15	Terminal	
142	1001103012	1	Connector	
143	1001116697	2	Terminal	
144	1001116698	2	Plug	
145	4460225	1	Connector	
146	4460267	3	Terminal	
147	4460343	1	Connector	
148	4460267	3	Terminal	
149	1001116812	1	Connector	
150	4460944	2	Terminal	
151	4460466	1	Plug	



## SECTION 10 - ELECTRICAL

ITEM	PART NUMBER	QTY	DESCRIPTION	REV
152	1001144296	1	Cap	
153	4460343	1	Connector	
154	4460268	6	Terminal	
155	4461262	1	Connector	
156	1001107854	3	Terminal	
157	4460225	1	Connector	
158	4460268	5	Terminal	
159	1001160498	1	Connector	
160	1001161095	24	Terminal	
161	1001161098	6	Terminal	
162	1001161099	1	Terminal	
163	1001161101	1	Plug	
164	1001160502	1	Connector	
165	1001161095	25	Terminal	
166	1001161100	14	Plug	
167	1001161097	1	Terminal	
168	1001161098	5	Terminal	
169	1001161099	1	Terminal	
170	1001161101	2	Plug	
171	1001161959	1	Connector	
172	1001161095	12	Terminal	
173	1001161097	6	Terminal	
174	1001161100	5	Plug	
175	1001161098	2	Terminal	
176	1001161101	7	Plug	
177	1001176333	1	Connector	
178	4460465	3	Terminal	
179	4460466	11	Plug	
180	4460944	4	Terminal	
181	4460930	1	Connector	
182	4460465	2	Terminal	
183	4460466	6	Plug	
184	4460539	1	Connector	
185	4460944	2	Terminal	
186	4460466	1	Plug	
187	1001116812	1	Connector	
188	4460944	2	Terminal	
189	4460466	1	Plug	
190	4460884	1	Connector	
191	4460465	4	Terminal	
192	4460884	1	Connector	
193	4460465	4	Terminal	
194	1001117081	1	Connector	
195	1001118384	5	Terminal	
196	4460894	1	Connector	
197	4460465	3	Terminal	
198	4460944	2	Terminal	
199	4460466	1	Plug	
200	1001184473	1	Connector	
201	1001184479	3	Terminal	
202	1001117081	1	Connector	

## SECTION 10 - ELECTRICAL

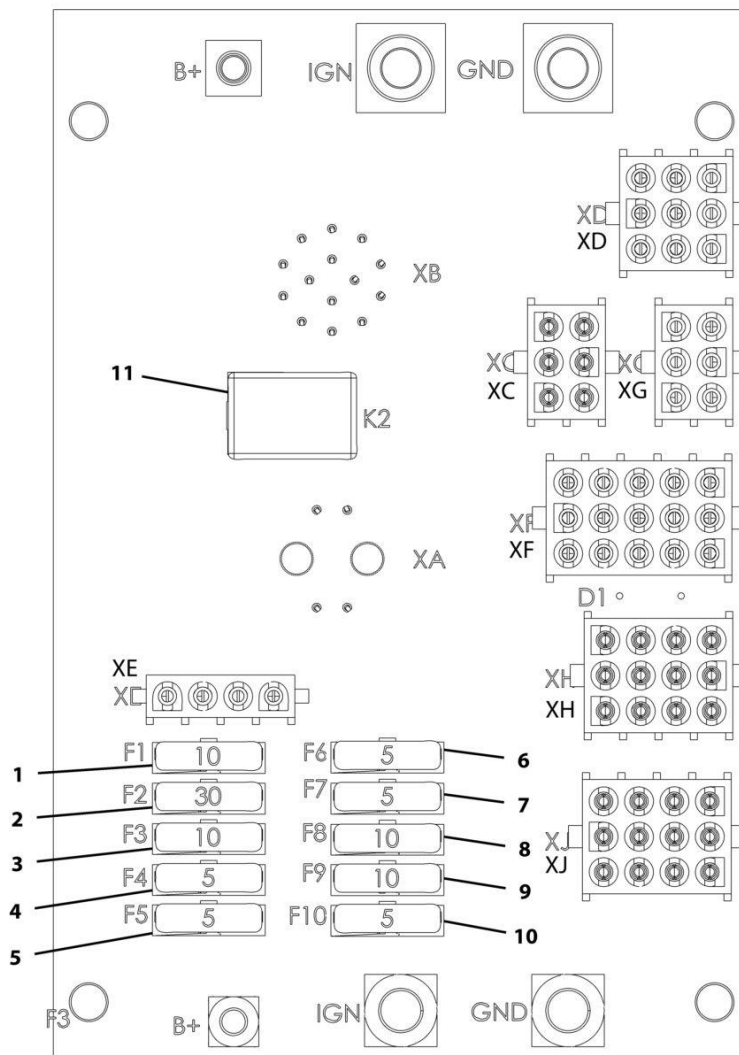
ITEM	PART NUMBER	QTY	DESCRIPTION	REV
203	1001118384	1	Terminal	
204	1001116723	12	Terminal	
205	4460884	1	Connector	
206	1001201070	1	Connector	
207	4460465	4	Terminal	
208	1001117081	1	Connector	
209	1001116723	6	Terminal	
210	1001118384	1	Terminal	
211	1001117081	1	Connector	
212	1001116723	6	Terminal	
213	1001118384	1	Terminal	
214	1001117081	1	Connector	
215	1001116723	6	Terminal	
216	1001118384	1	Terminal	
217	1001201080	1	Connector	
218	4460465	8	Terminal	
219	4460942	6	Terminal	
220	1001116986	1	Connector	
221	1001118384	4	Terminal	
222	1001116991	1	Connector	
223	1001118384	2	Terminal	
224	1001201081	1	Connector	
225	4460464	8	Terminal	
226	4460943	6	Terminal	
227	1001112612	1	Connector	
228	4460464	3	Terminal	
229	4460466	4	Plug	
230	4460943	2	Terminal	
231	1001116986	1	Connector	
232	1001118384	4	Terminal	
233	1001116998	1	Connector	
234	1001118387	1	Terminal	
235	1001116998	1	Connector	
236	1001118387	1	Terminal	
237	1001116998	1	Connector	
238	1001118387	1	Terminal	
239	1001116998	1	Connector	
240	1001118387	1	Terminal	
241	1001116985	1	Connector	
242	1001118386	3	Terminal	
243	1001116984	1	Connector	
244	1001118386	4	Terminal	
245	4461262	1	Connector	
246	1001107854	2	Terminal	
247	1001116698	1	Plug	
248	4460891	1	Connector	
249	4460465	2	Terminal	
250	1001116986	1	Connector	
251	1001118384	2	Terminal	
252	1001116723	4	Terminal	
253	4460994	1	Connector	

## SECTION 10 - ELECTRICAL

ITEM	PART NUMBER	QTY	DESCRIPTION	REV
254	1001118384	2	Terminal	
255	4461115	1	Connector	
256	1001116728	2	Terminal	
257	4460458	2	Seal	
258	4461115	1	Connector	
259	1001116728	2	Terminal	
260	4460458	2	Seal	
261	4460891	1	Connector	
262	4460465	2	Terminal	
263	4461115	1	Connector	
264	1001116728	2	Terminal	
265	4460458	2	Seal	
266	4461115	1	Connector	
267	1001116728	2	Terminal	
268	4460458	2	Seal	
269	4460418	1	Connector	
270	4460419	2	Terminal	
271	4460945	1	Connector, 3 Way	
272	1001116815	1	Connector, 3 Pin	

# SECTION 10 - ELECTRICAL

FIGURE 10-22. STANDARD ELECTRICAL BOARD ASSEMBLY



ART\_1001161769-C

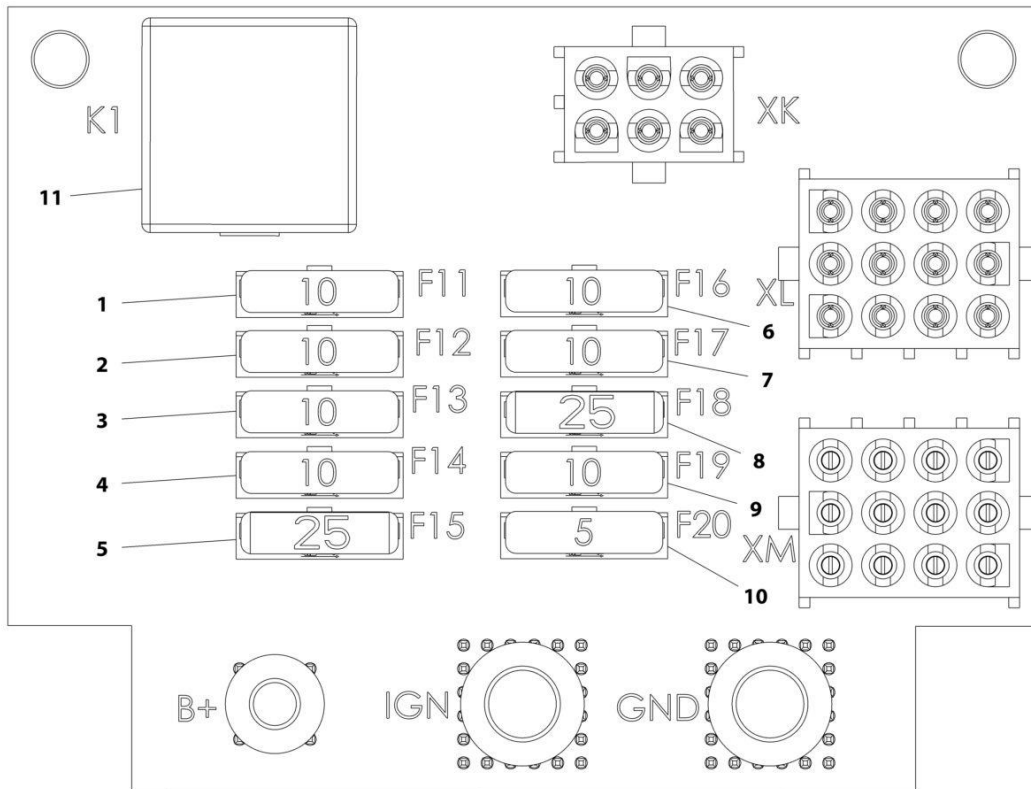
## SECTION 10 - ELECTRICAL

FIGURE 10-22. STANDARD ELECTRICAL BOARD ASSEMBLY

ITEM	PART NUMBER	QTY	DESCRIPTION	REV
	1001161769	Ref	Standard Electrical Board Assembly	C
1	80983191	1	Fuse, 10AMP	
2	8229245	1	Fuse, 30AMP	
3	80983191	1	Fuse, 10AMP	
4	8229242	1	Fuse, 5AMP	
5	8229242	1	Fuse, 5AMP	
6	8229242	1	Fuse, 5AMP	
7	8229242	1	Fuse, 5AMP	
8	80983191	1	Fuse, 10AMP	
9	80983191	1	Fuse, 10AMP	
10	8229242	1	Fuse, 5AMP	
11	70026292	1	Fuse, 35AMP	

# SECTION 10 - ELECTRICAL

## FIGURE 10-23. OPTION 1 ELECTRICAL BOARD ASSEMBLY



ART\_1001161770-C

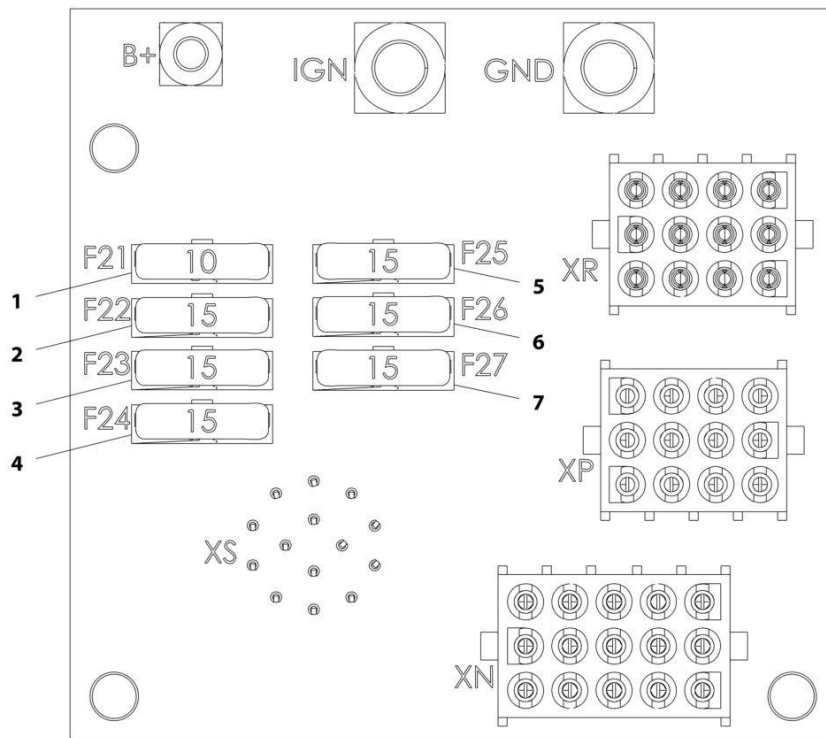
## SECTION 10 - ELECTRICAL

### FIGURE 10-23. OPTION 1 ELECTRICAL BOARD ASSEMBLY

ITEM	PART NUMBER	QTY	DESCRIPTION	REV
	1001161770	Ref	Option 1 Electrical Board Assembly	C
1	80983191	1	Fuse, 10AMP	
2	80983191	1	Fuse, 10AMP	
3	80983191	1	Fuse, 10AMP	
4	80983191	1	Fuse, 10AMP	
5	8229247	1	Fuse, 25AMP	
6	80983191	1	Fuse, 10AMP	
7	80983191	1	Fuse, 10AMP	
8	8229247	1	Fuse, 25AMP	
9	80983191	1	Fuse, 10AMP	
10	8229242	1	Fuse, 5AMP	
11	70026293	1	Fuse, 50AMP	

# SECTION 10 - ELECTRICAL

## FIGURE 10-24. OPTION 2 ELECTRICAL BOARD ASSEMBLY



ART\_1001161771-B



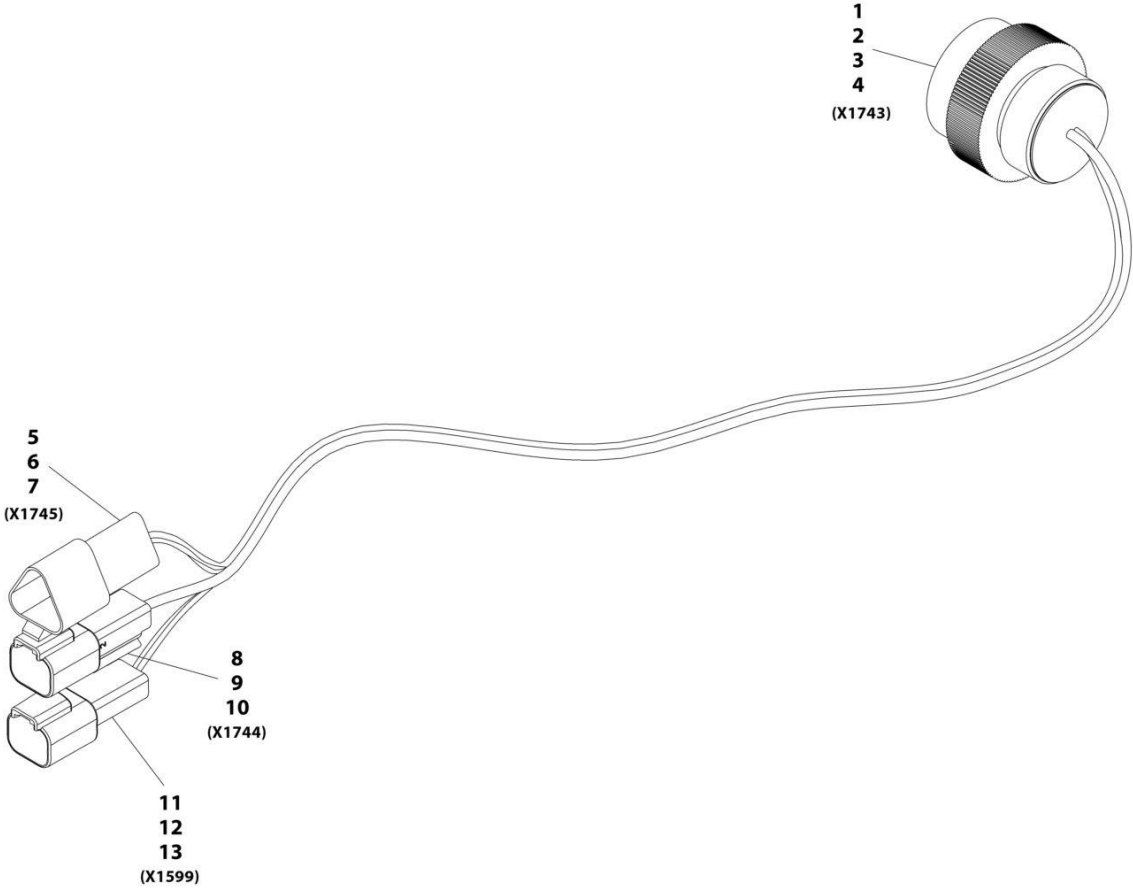
## SECTION 10 - ELECTRICAL

### FIGURE 10-24. OPTION 2 ELECTRICAL BOARD ASSEMBLY

ITEM	PART NUMBER	QTY	DESCRIPTION	REV
	1001161771	Ref	Option 2 Electrical Board Assembly	B
1	80983191	1	Fuse, 10AMP	
2	8229244	1	Fuse, 15AMP	
3	8229244	1	Fuse, 15AMP	
4	8229244	1	Fuse, 15AMP	
5	8229244	1	Fuse, 15AMP	
6	8229244	1	Fuse, 15AMP	
7	8229244	1	Fuse, 15AMP	

**SECTION 10 - ELECTRICAL**

**FIGURE 10-25. CAB OPTION HARNESS**



ART\_1001181681-C

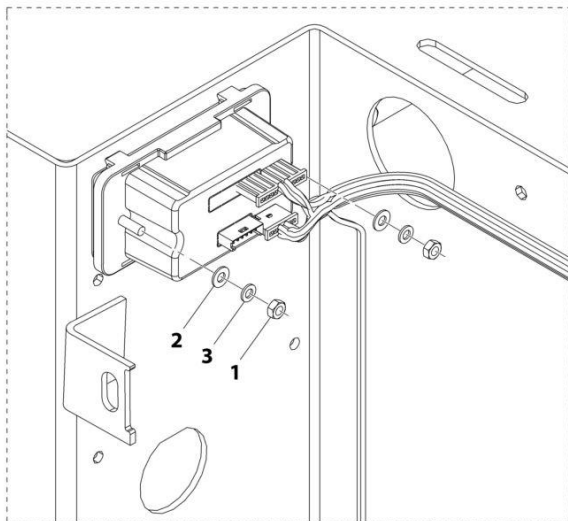
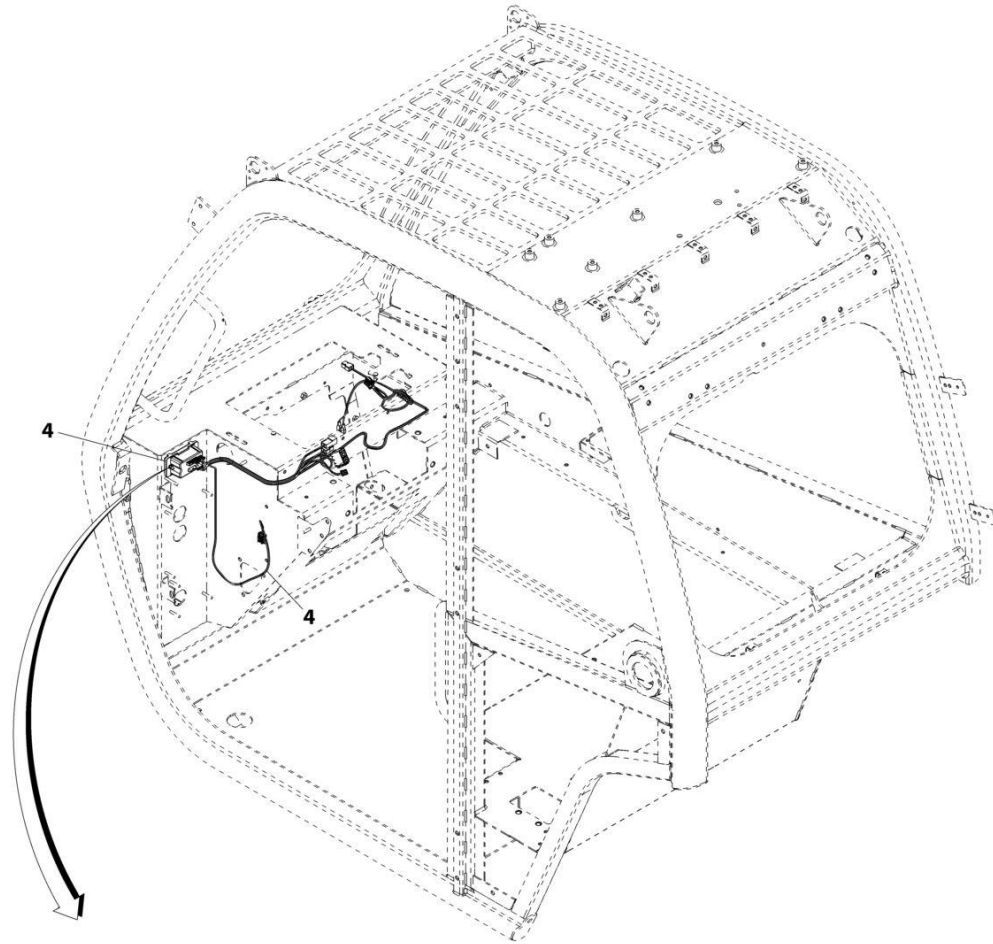
## SECTION 10 - ELECTRICAL

### FIGURE 10-25. CAB OPTION HARNESS

ITEM	PART NUMBER	QTY	DESCRIPTION	REV
	1001181681	Ref	Cab Option Harness	D
1	4461015	1	Connector	
2	4460465	5	Terminal	
3	4460466	8	Plug	
4	4460942	1	Terminal	
5	1001144147	1	Connector	
6	4460943	2	Terminal	
7	4460466	1	Plug	
8	4460897	1	Connector	
9	4460941	1	Terminal	
10	4460466	1	Plug	
11	4460932	1	Connector	
12	4460464	3	Terminal	
13	4460466	1	Plug	

# SECTION 10 - ELECTRICAL

## FIGURE 10-26. CAB HEATER HARNESS INSTALLATION



ART\_1001201340-C

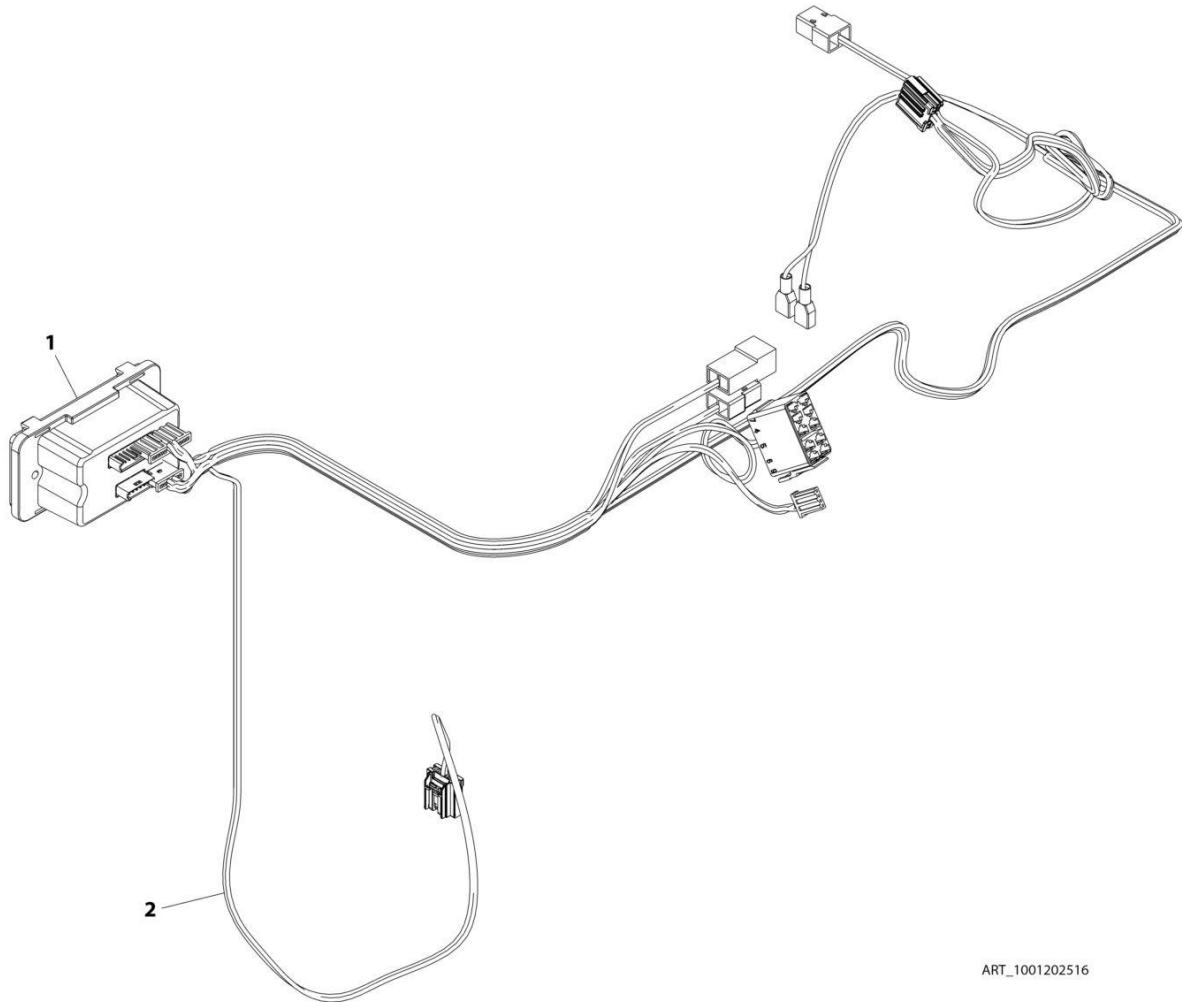
## SECTION 10 - ELECTRICAL

### FIGURE 10-26. CAB HEATER HARNESS INSTALLATION

ITEM	PART NUMBER	QTY	DESCRIPTION	REV
	1001201340	Ref	Cab Heater Harness Installation	C
1	3290401	2	Nut, M4X0.7 Grade 8	
2	4811400	2	Washer, M4	
3	4831400	2	Washer, Lock M4	
4	1001202516	1	Harness, Cab Heater (See Separate Breakdown in this Section)	

# SECTION 10 - ELECTRICAL

FIGURE 10-27. CAB HEATER HARNESS (Prior to SN 1160008716)



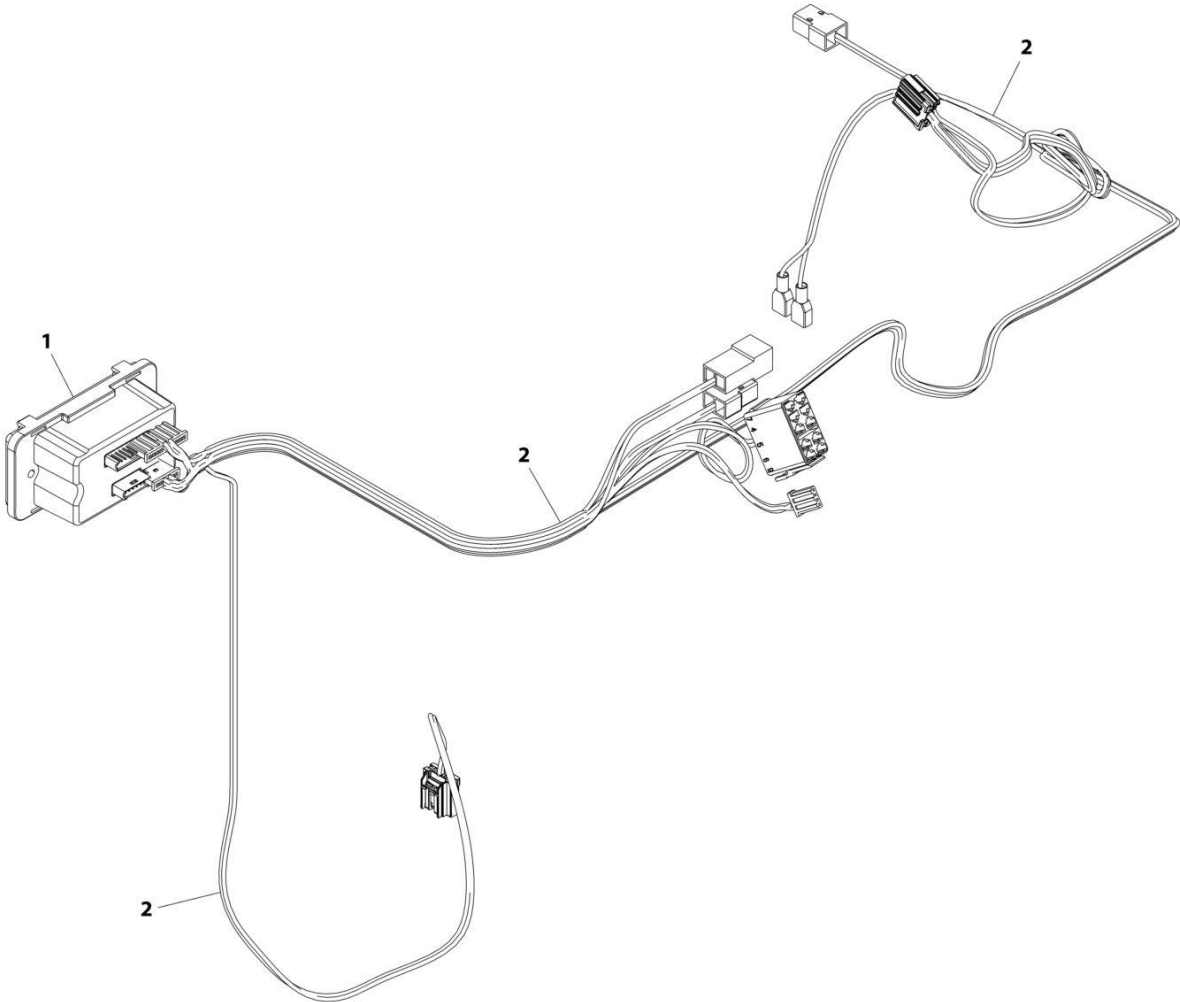
## SECTION 10 - ELECTRICAL

**FIGURE 10-27. CAB HEATER HARNESS (Prior to SN 1160008716)**

ITEM	PART NUMBER	QTY	DESCRIPTION	REV
	1001202516	Ref	CAB HEATER HARNESS	F
1	1001172551	1	Actuator, HVAC (See Separate Breakdown in CAB Section)	
2	1001221056	1	HVAC Cab Actuator Harness (See Separate Breakdown in ELECTRICAL Section)	

**SECTION 10 - ELECTRICAL**

**FIGURE 10-28. CAB HEATER HARNESS (SN 1160008716 to Present)**



ART\_1001202516-C



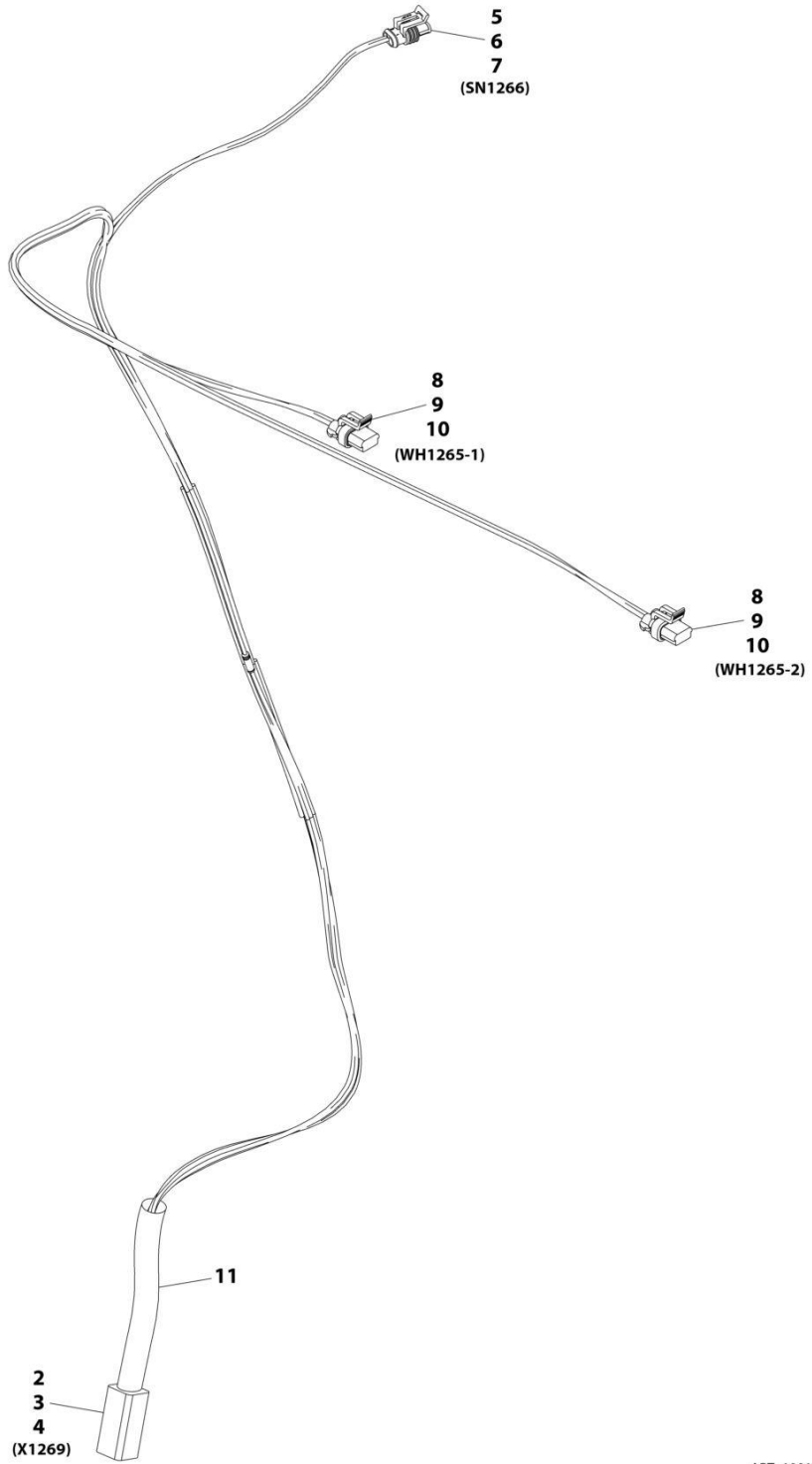
## SECTION 10 - ELECTRICAL

**FIGURE 10-28. CAB HEATER HARNESS (SN 1160008716 to Present)**

ITEM	PART NUMBER	QTY	DESCRIPTION	REV
1	1001202516	Ref	Cab Heater Harness	C
	1001172551	Ref	Actuator, HVAC (See Separate Breakdown in CAB Section)	
	1001221056	Ref	Harness, HVAC Cab Actuator	

# SECTION 10 - ELECTRICAL

## FIGURE 10-29. A/C OPTION HARNESS



ART\_1001169151-E

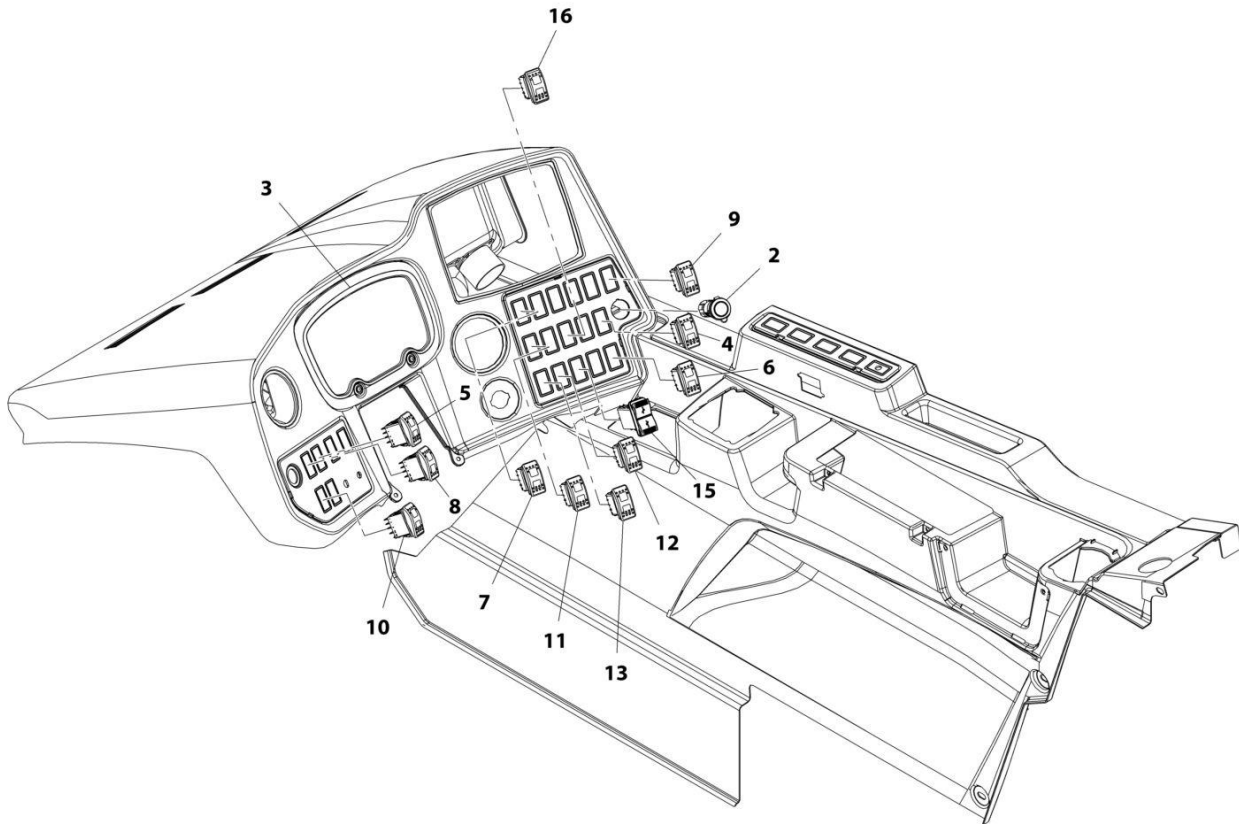
## SECTION 10 - ELECTRICAL

### FIGURE 10-29. A/C OPTION HARNESS

ITEM	PART NUMBER	QTY	DESCRIPTION	REV
	1001169151	Ref	A/C Option Harness	F
2	4460899	1	Connector	
3	4460941	4	Terminal	
4	4460464	2	Terminal	
5	4461118	1	Connector	
6	1001107854	2	Terminal	
7	1001116763	2	Seal	
8	1001117021	2	Connector	
9	1001116747	4	Terminal	
10	4460789	4	Seal	
11	70028546	1	Backshell	

# SECTION 10 - ELECTRICAL

## FIGURE 10-30. DASH ELECTRICS INSTALLATION (ULS)



ART\_1001185809-D

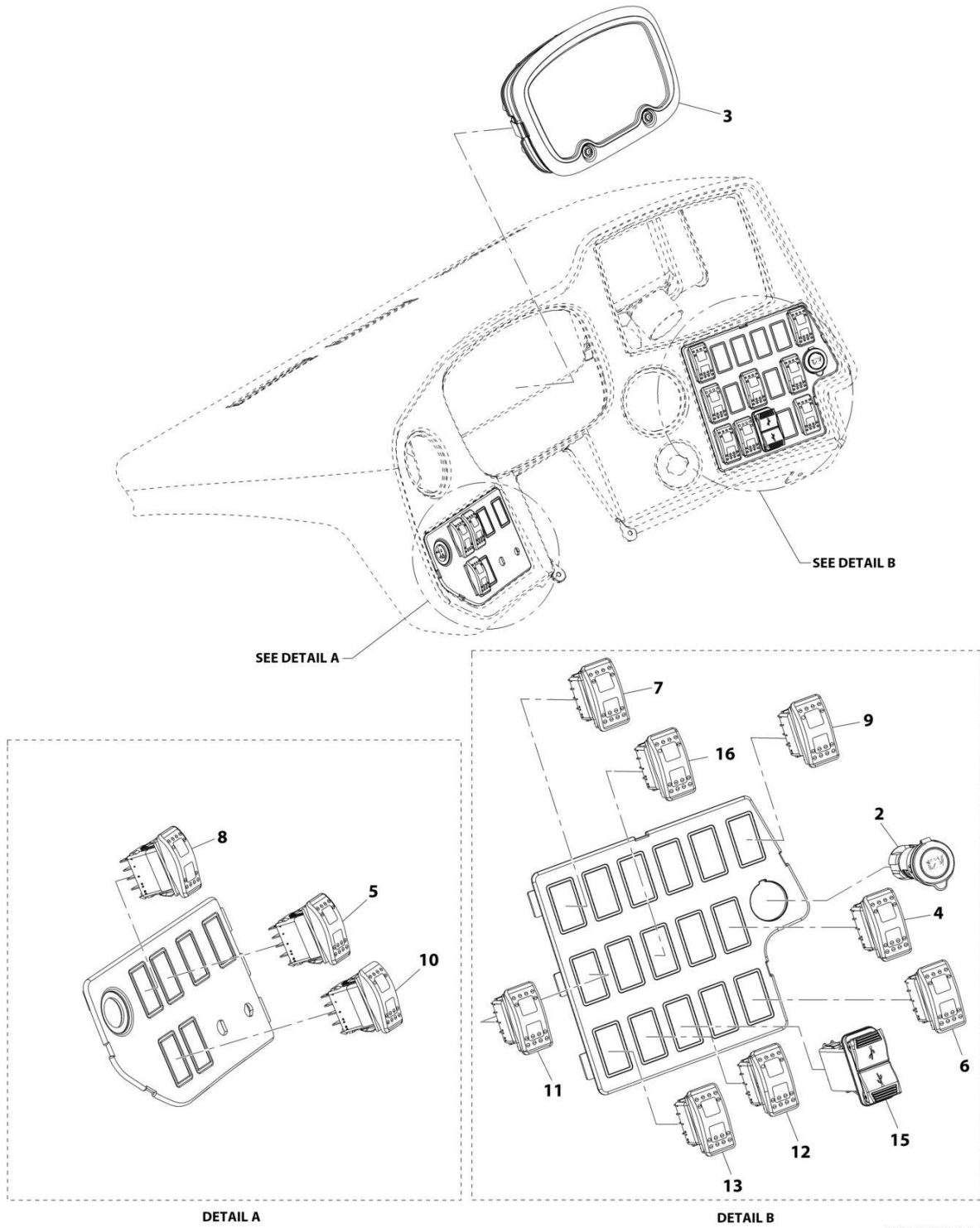
## SECTION 10 - ELECTRICAL

**FIGURE 10-30. DASH ELECTRICS INSTALLATION (ULS)**

ITEM	PART NUMBER	QTY	DESCRIPTION	REV
	1001185809	Ref	Dash Electrics Installation (ULS)	D
2	1001095804	1	Connector, 12V Power Socket	
3	1001158146	1	Cluster, Electrical Gauge	
4	1001104654	1	Switch, AUX Decomp	
5	1001159741	1	Switch, Constanst AUX	
6	1001163639	1	Switch, Driving Lights	
7	1001159737	1	Switch, Fog Lights	
8	1001189898	1	Switch, Framer/Loader	
9	1001159734	1	Switch, Hazard	
10	1001159742	1	Switch, LSI Override	
11	1001159735	1	Switch, Rear Wiper	
12	1001159743	1	Switch, Road Use	
13	1001159849	1	Switch, Steer Mode	
15	1001174712	1	Switch, USB Charger	
16	1001159748	1	Switch, Bucket Mode	

# SECTION 10 - ELECTRICAL

## FIGURE 10-31. DASH ELECTRICS INSTALLATION (LS)



ART\_1001213471-B

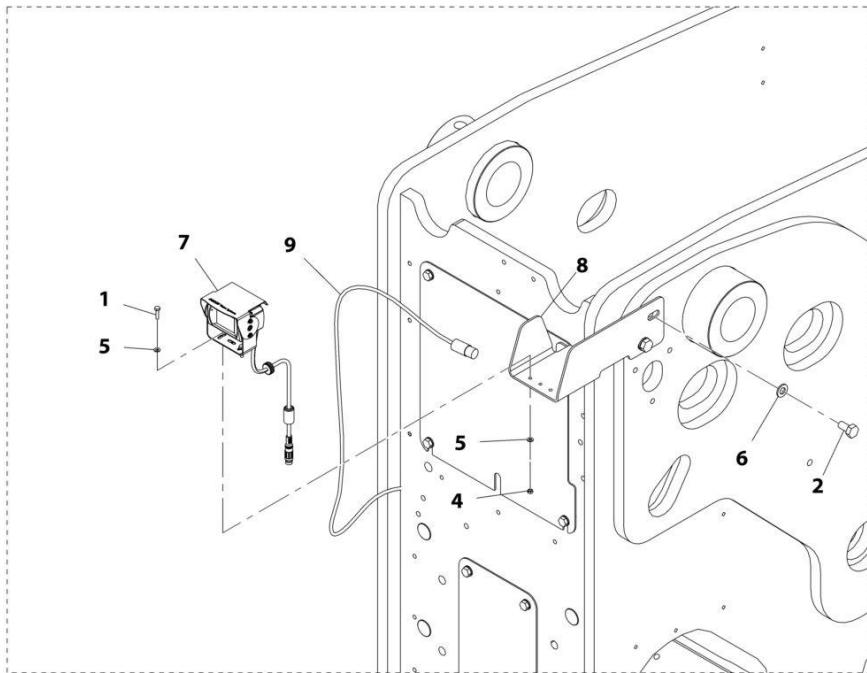
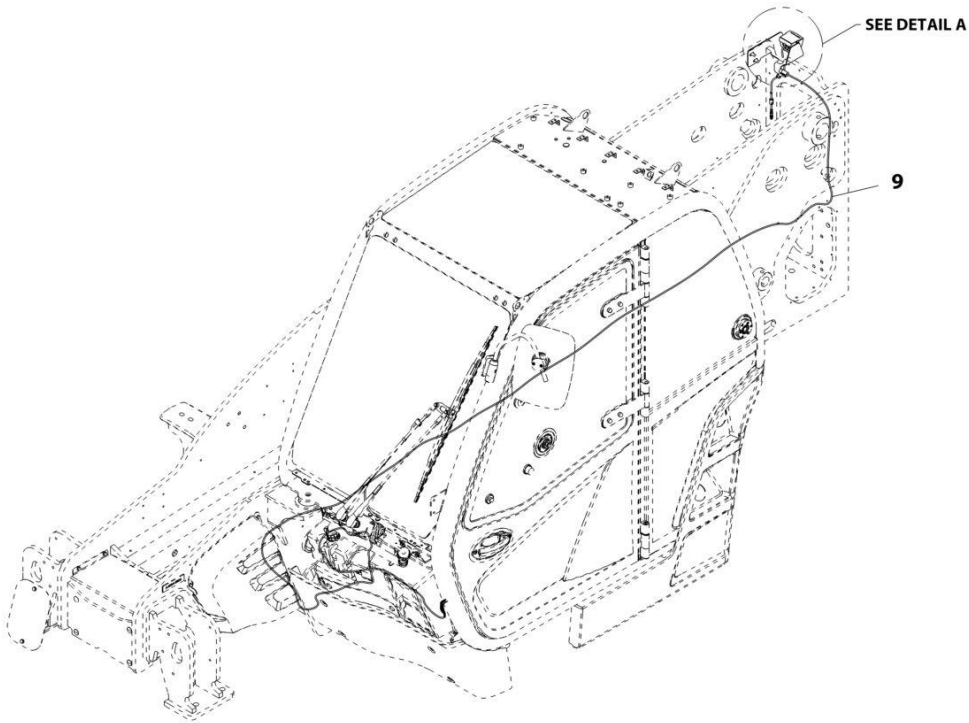
## SECTION 10 - ELECTRICAL

**FIGURE 10-31. DASH ELECTRICS INSTALLATION (LS)**

ITEM	PART NUMBER	QTY	DESCRIPTION	REV
	1001213471	Ref	Dash Electrics Installation (LS)	C
2	1001095804	1	Connector, 12V Power Socket	
3	1001202454	1	Gauge (LS)	
4	1001104654	1	Switch, AUX Decomp	
5	1001159741	1	Switch, Constanst AUX	
6	1001163639	1	Switch, Driving Lights	
7	1001159737	1	Switch, Fog Lights	
8	1001189898	1	Switch, Framer/Loader	
9	1001159734	1	Switch, Hazard	
10	1001159742	1	Switch, LSI Override	
11	1001159735	1	Switch, Rear Wiper	
12	1001159743	1	Switch, Road Use	
13	1001159849	1	Switch, Steer Mode	
15	1001174712	1	Switch, USB Charger	
16	1001159748	1	Switch, Bucket Mode	
17	1001285715	1	Switch, Beacon (Not Shown)	

# SECTION 10 - ELECTRICAL

## FIGURE 10-32. REVERSE CAMERA INSTALLATION (TRAILER BRAKES)



DETAIL A

ART\_1001190225-B



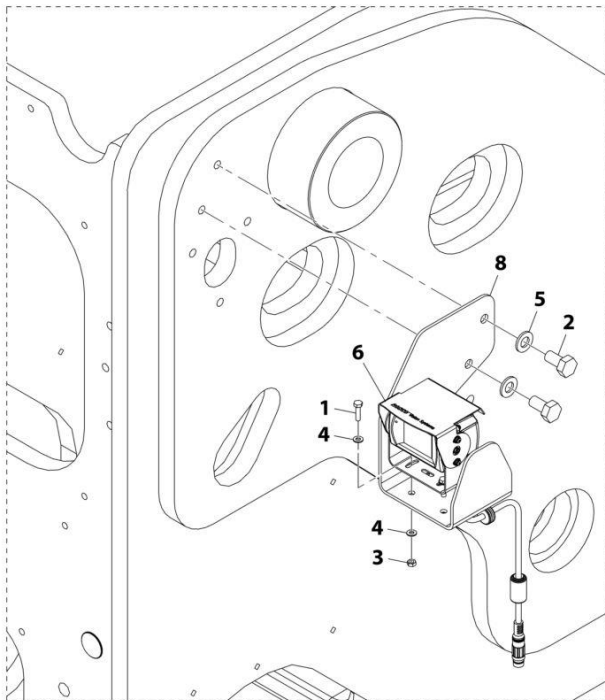
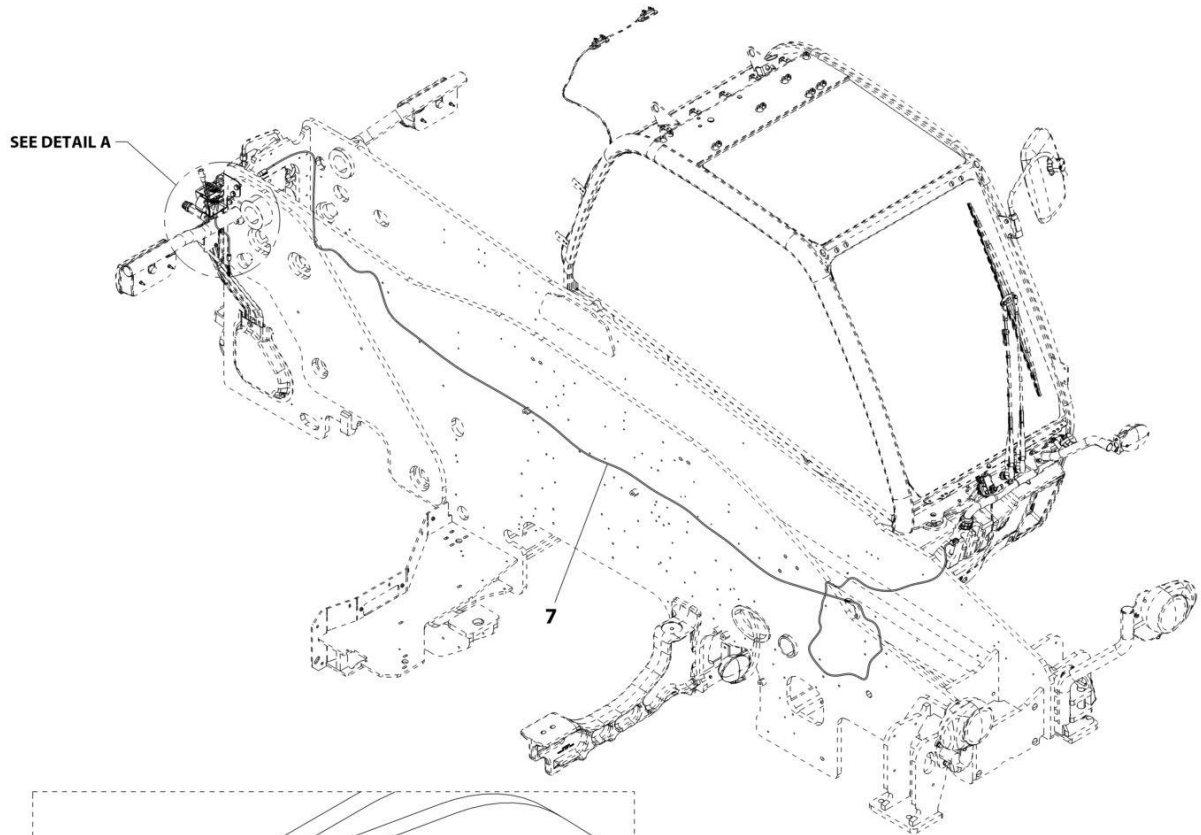
## SECTION 10 - ELECTRICAL

### FIGURE 10-32. REVERSE CAMERA INSTALLATION (TRAILER BRAKES)

ITEM	PART NUMBER	QTY	DESCRIPTION	REV
	1001190225	Ref	Reverse Camera Installation (Trailer Brakes)	B
1	0700408	2	Bolt, M4X16	
2	0761010	2	Bolt, M10X20	
4	3290401	2	Nut, M4X0.7	
5	4811400	4	Washer, M4	
6	4812000	2	Washer, M10	
7	1001167017	1	Camera	
8	1001202293	1	Bracket	
9	1001202558	1	Cable	

# SECTION 10 - ELECTRICAL

## FIGURE 10-33. REVERSE CAMERA INSTALLATION (NO TRAILER BRAKES)



DETAIL A

ART\_1001217635-B

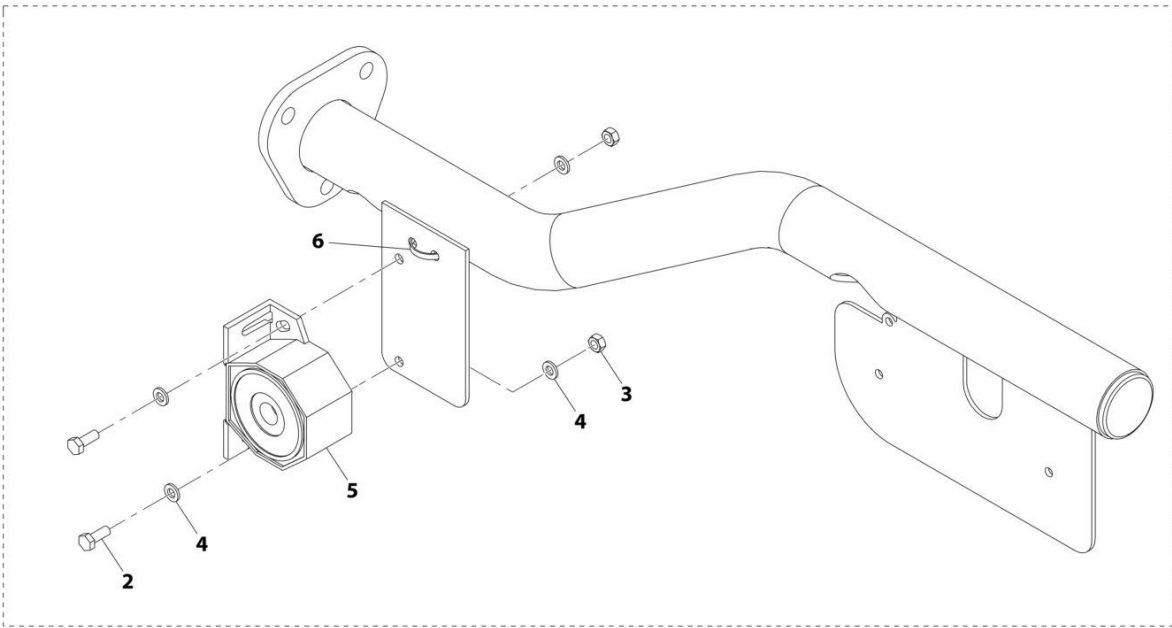
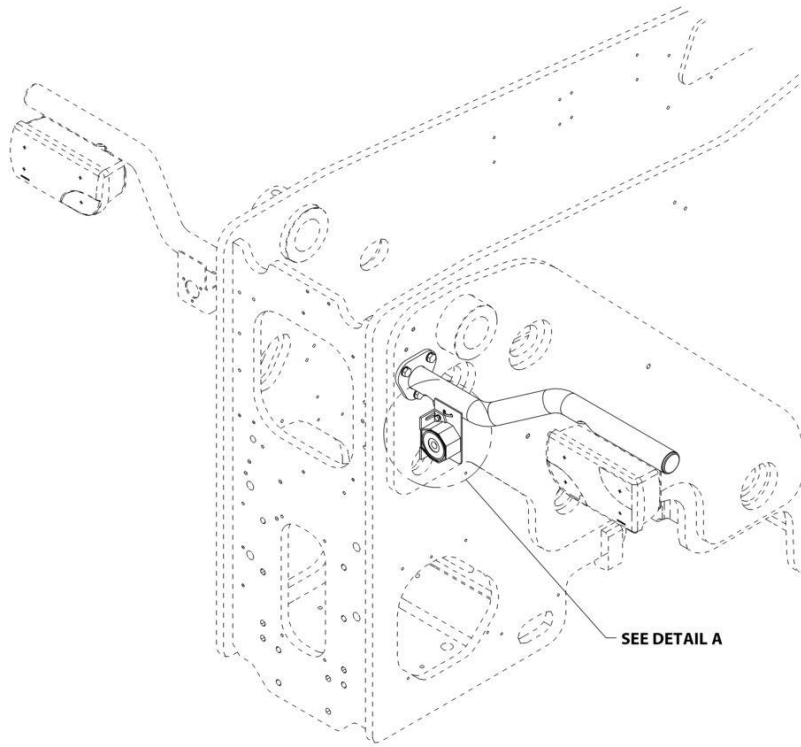
## SECTION 10 - ELECTRICAL

**FIGURE 10-33. REVERSE CAMERA INSTALLATION (NO TRAILER BRAKES)**

ITEM	PART NUMBER	QTY	DESCRIPTION	REV
	1001217635	Ref	Reverse Camera Installation (No Trailer Brakes)	B
1	0700408	2	Bolt, M4X16	
2	0761010	2	Bolt, M10X20	
3	3290401	2	Nut, M4X0.7	
4	4811400	4	Washer, M4	
5	4812000	2	Washer, M10	
6	1001167017	1	Camera	
7	1001202558	1	Cable, Reverse Camera	
8	1001222519	1	Bracket	

# SECTION 10 - ELECTRICAL

## FIGURE 10-34. REVERSE ALARM INSTALLATION



DETAIL A

ART\_1001183596-D

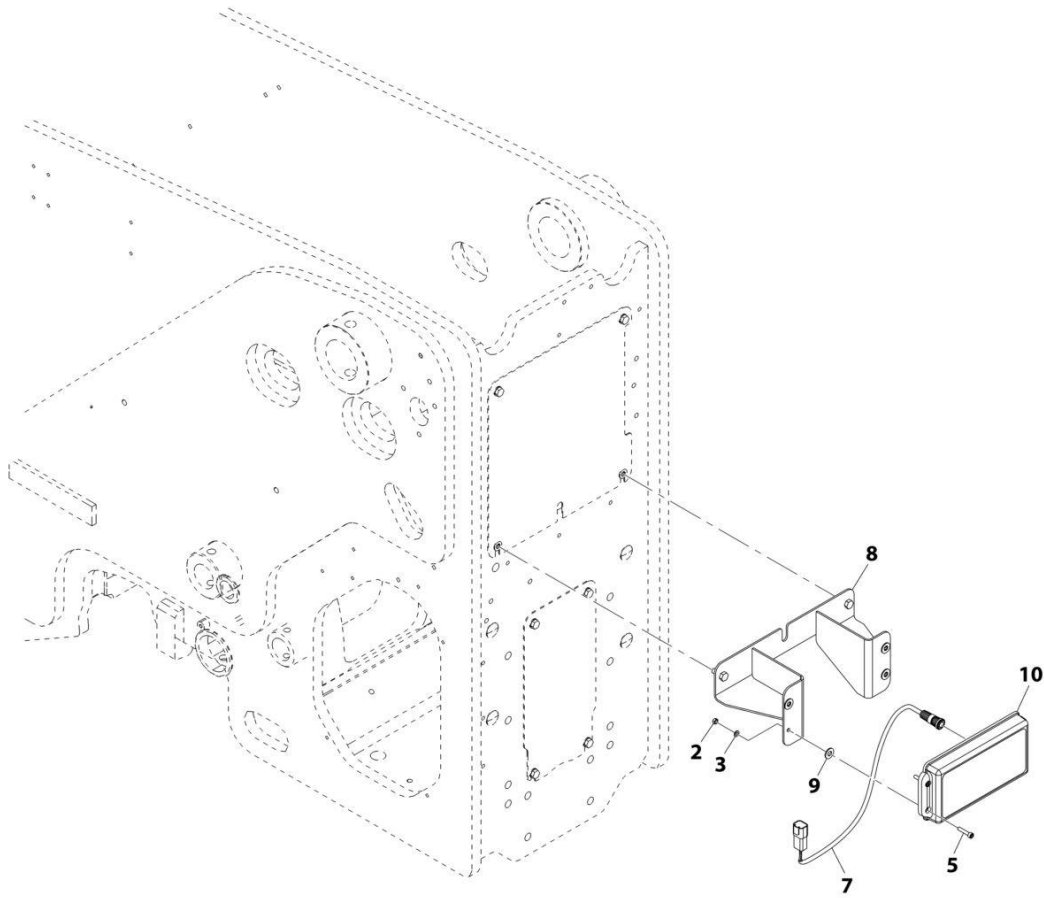
## SECTION 10 - ELECTRICAL

### FIGURE 10-34. REVERSE ALARM INSTALLATION

ITEM	PART NUMBER	QTY	DESCRIPTION	REV
	1001183596	Ref	Reverse Alarm Installation	D
2	0760608	2	Bolt, M6X16	
3	3290601	2	Nut, M6X1	
4	4811700	4	Washer, M6	
5	1001147060	1	Alarm, Reverse	
6	1001008559	1	Strap, Cable	

# SECTION 10 - ELECTRICAL

## FIGURE 10-35. REVERSE SENSOR INSTALLATION (NO HYDRAULIC HITCH)



ART\_1001190227-C

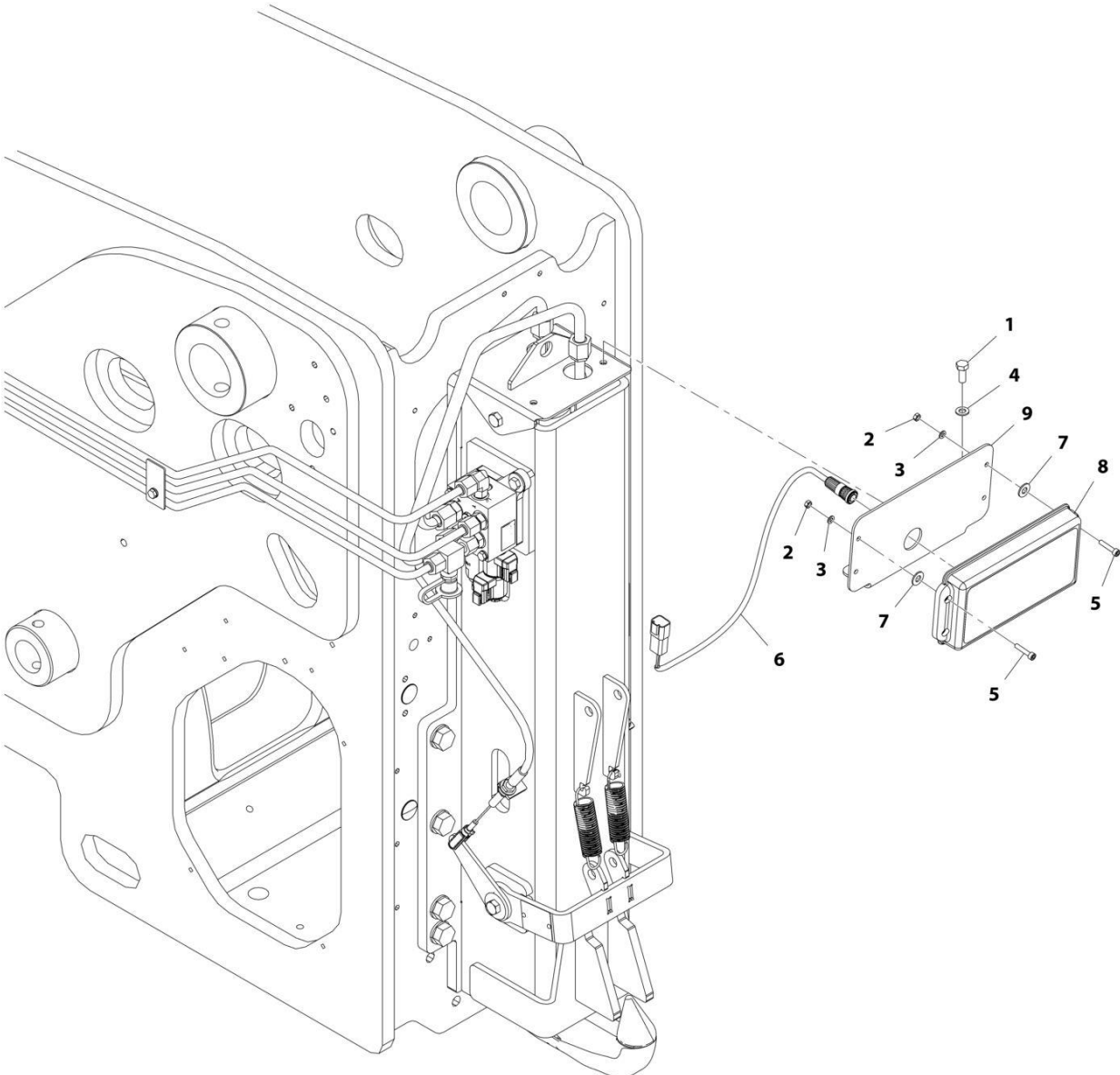
## SECTION 10 - ELECTRICAL

**FIGURE 10-35. REVERSE SENSOR INSTALLATION (NO HYDRAULIC HITCH)**

ITEM	PART NUMBER	QTY	DESCRIPTION	REV
	1001190227	Ref	Reverse Sensor Installation (No Hydraulic Hitch)	C
2	3290501	4	Nut, M5X0.8	
3	4811600	4	Washer, M5	
5	5271609	4	Screw, M5X25	
7	1001175776	1	Harness, Reverse Sensor (See Separate Breakdown in this Section)	
8	1001202288	1	Bracket	
9	1001181921	4	Washer, Rubber M8	
10	1001189997	1	Sensor, Reverse	

**SECTION 10 - ELECTRICAL**

**FIGURE 10-36. REVERSE SENSOR INSTALLATION (HYDRAULIC HITCH)**



ART\_1001202395-C



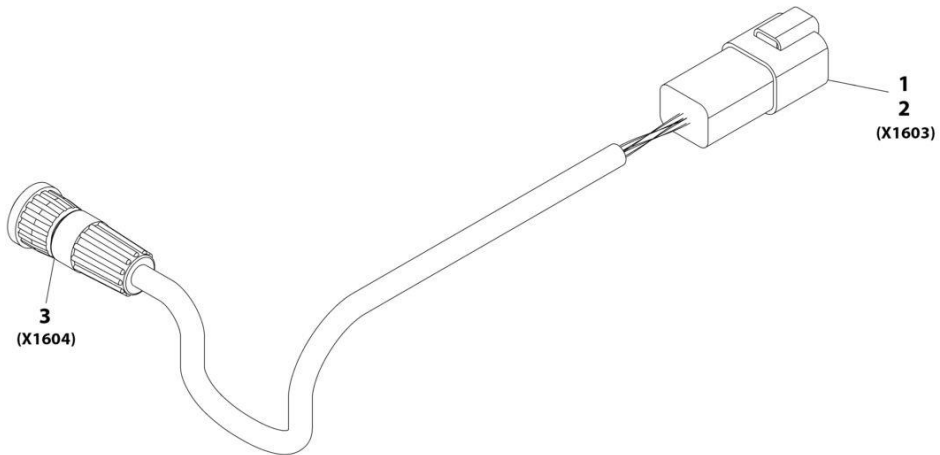
## SECTION 10 - ELECTRICAL

**FIGURE 10-36. REVERSE SENSOR INSTALLATION (HYDRAULIC HITCH)**

ITEM	PART NUMBER	QTY	DESCRIPTION	REV
	1001202395	Ref	Reverse Sensor Installation (Hydraulic Hitch)	C
1	0760810	2	Bolt, M8X20	
2	3290501	4	Nut, M5X0.8 Grade 8	
3	4811600	4	Washer, M5	
4	4811900	2	Washer, M8	
5	5271609	4	Screw, M12.9	
6	1001175776	1	Harness, Reverse Sensor (See Separate Breakdown in this Section)	
7	1001181921	4	Washer, Rubber M8	
8	1001189997	1	Sensor, Reverse	
9	1001202286	1	Bracket	

# SECTION 10 - ELECTRICAL

## FIGURE 10-37. REVERSE SENSOR HARNESS



ART\_1001175776-C

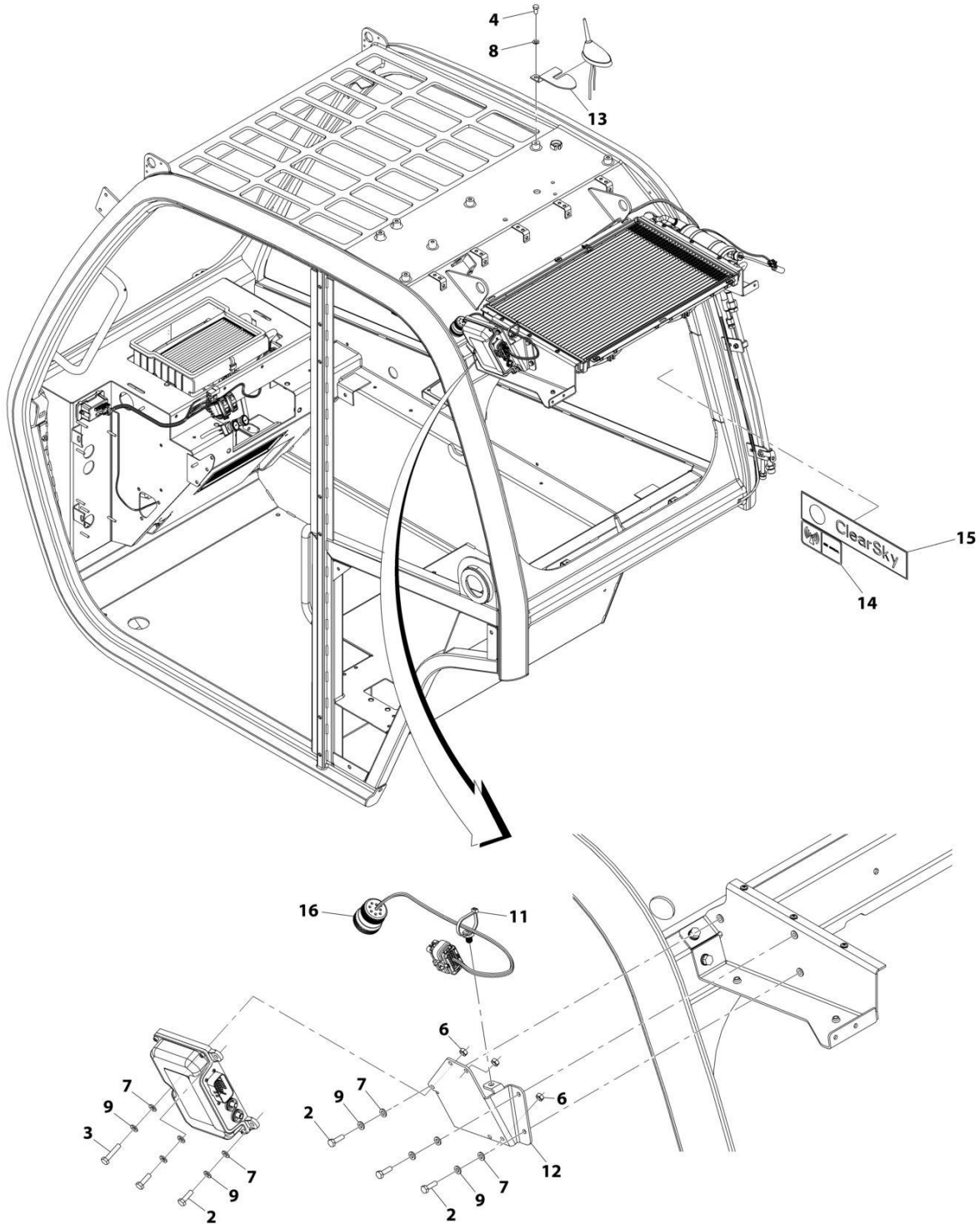
## SECTION 10 - ELECTRICAL

### FIGURE 10-37. REVERSE SENSOR HARNESS

ITEM	PART NUMBER	QTY	DESCRIPTION	REV
	1001175776	Ref	Reverse Sensor Harness	C
1	4460932	1	Connector	
2	4460464	4	Terminal	
3	1001175733	1	Connector	

# SECTION 10 - ELECTRICAL

FIGURE 10-38. CLEARSKY INSTALLATION (A/C - LONG ROOF CAP) (Prior to SN 1160008715)



ART\_1001174368-G

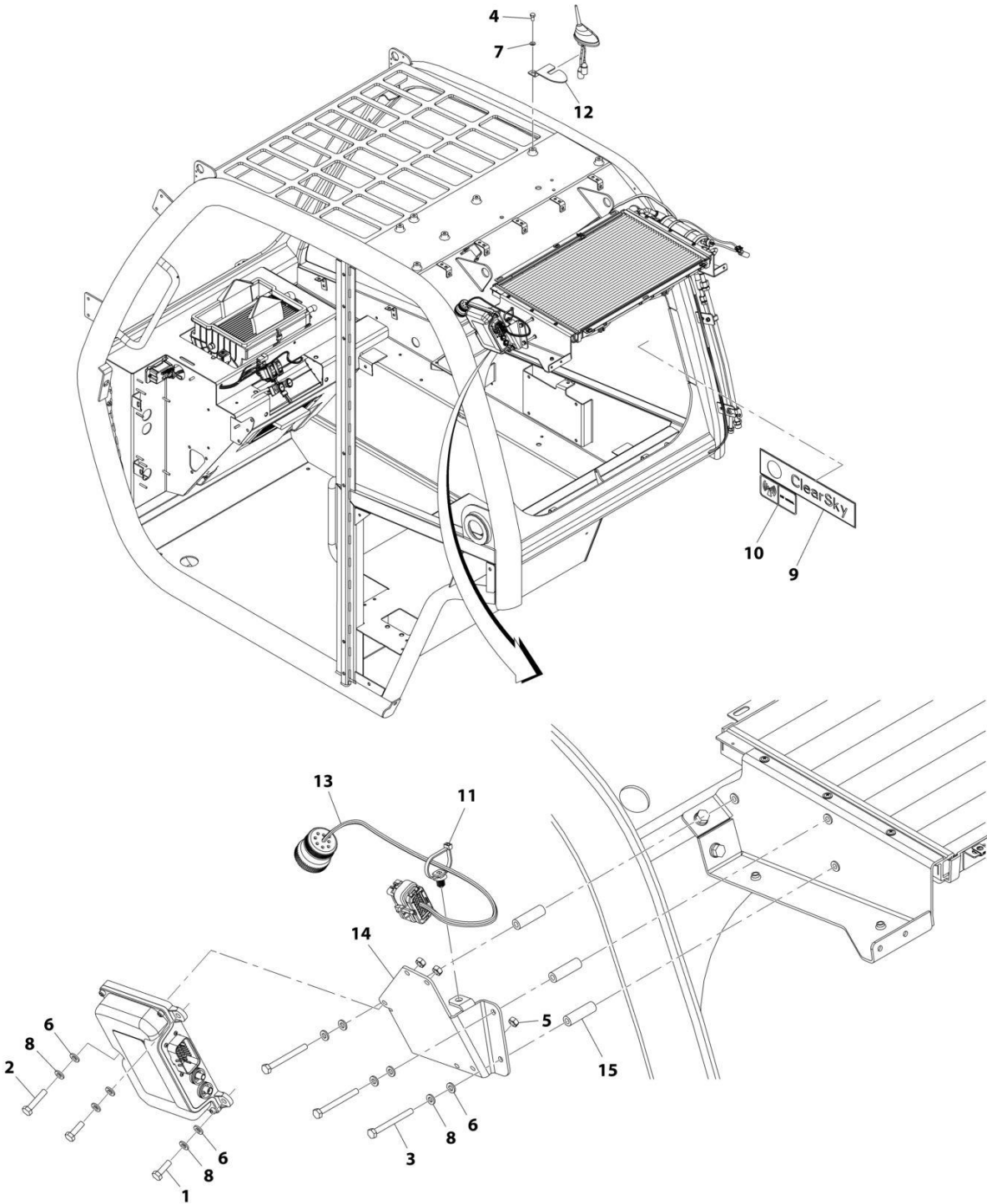
## SECTION 10 - ELECTRICAL

**FIGURE 10-38. CLEARSKY INSTALLATION (A/C - LONG ROOF CAP) (Prior to SN 1160008715)**

ITEM	PART NUMBER	QTY	DESCRIPTION	REV
	1001174368	Ref	Clearsky Installation (A/C - Long Roof Cap)	G
2	0700610	5	Bolt, M6X20	
3	0700614	1	Bolt, M6X30	
4	0760808	1	Bolt, M8X16	
6	3290601	3	Nut, M6X1 Grade 8	
7	4811700	6	Washer, M6	
8	4811900	1	Washer, M8	
9	4831700	6	Washer, Lock M6	
11	1001146588	1	Strap, Cable	
12	1001220947	1	Bracket	
13	1001174372	1	Bracket, Antenna	
14	1001120989	1	Decal, Radio Frequency	
15	1001116208	1	Decal, Clearsky	
16	1001196452	1	Harness, Clearsky (See Separate Breakdown in this Section)	

# SECTION 10 - ELECTRICAL

FIGURE 10-39. CLEARSKY INSTALLATION (A/C - LONG ROOF CAP) (SN 1160008715 to Present)



ART\_1001220945-A

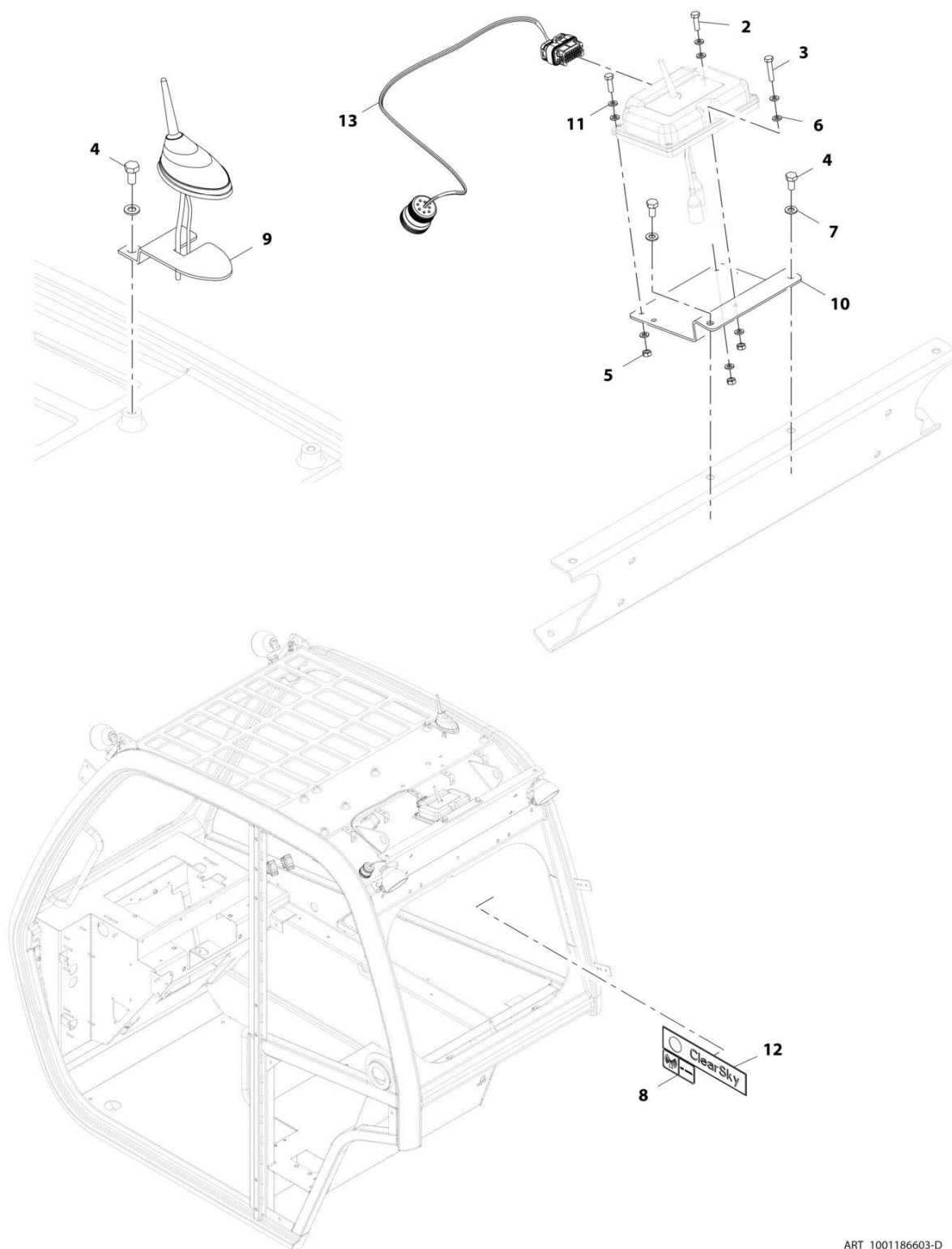
## SECTION 10 - ELECTRICAL

**FIGURE 10-39. CLEARSKY INSTALLATION (A/C - LONG ROOF CAP) (SN 1160008715 to Present)**

ITEM	PART NUMBER	QTY	DESCRIPTION	REV
	1001220945	Ref	Clearsky Installation (A/C - Long Roof Cap)	A
1	0700610	2	Bolt, M6X20	
2	0700614	1	Bolt, M6X30	
3	0700620	3	Bolt, M6X60	
4	0760808	1	Bolt, M8X16	
5	3290601	3	Nut, M6X1 Grade 8	
6	4811700	6	Washer, M6	
7	4811900	1	Washer, M8	
8	4831700	6	Washer, Lock M6	
9	1001116208	1	Decal, Clearsky	
10	1001120989	1	Decal, Radio Frequency	
11	1001146588	1	Strap, Cable	
12	1001174372	1	Bracket, Antenna	
13	1001196452	Ref	Harness, Clearsky (See Separate Breakdown in this Section)	
14	1001220947	1	Bracket	
15	1001220948	3	Spacer	

# SECTION 10 - ELECTRICAL

## FIGURE 10-40. CLEARSKY INSTALLATION (NO A/C - SHORT ROOF CAP)



ART\_1001186603-D



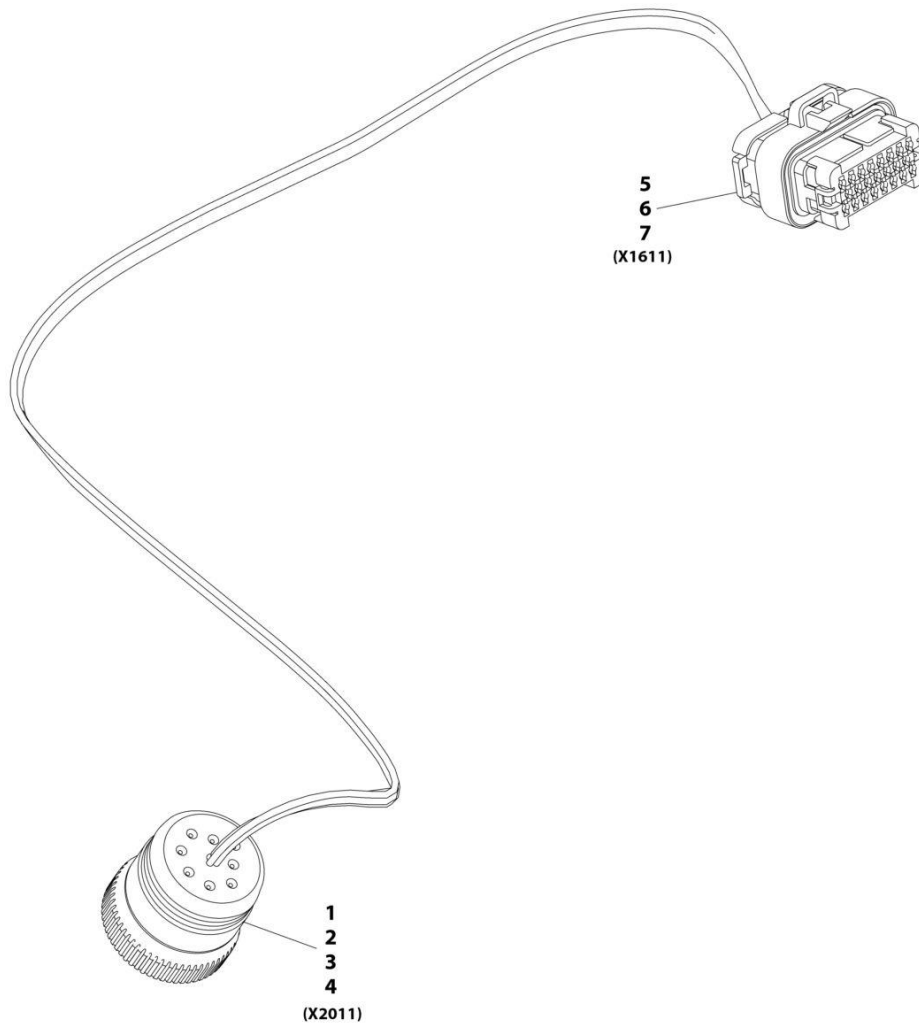
## SECTION 10 - ELECTRICAL

**FIGURE 10-40. CLEARSKY INSTALLATION (NO A/C - SHORT ROOF CAP)**

ITEM	PART NUMBER	QTY	DESCRIPTION	REV
	1001186603	Ref	Clearsky Installation (No A/C - Short Roof Cap)	D
2	0700610	2	Bolt, M6X20	
3	0700614	1	Bolt, M6X30	
4	0760808	3	Bolt, M8X16	
5	3290601	3	Nut, M6X1 Grade 8	
6	4811700	6	Washer, M6	
7	4811900	3	Washer, M8	
8	1001120989	1	Decal, Radio Frequency	
9	1001174372	1	Bracket, Antenna	
10	1001185722	1	Bracket	
11	4831700	3	Washer, Lock M6	
12	1001116208	1	Decal, Clearsky	
13	1001196452	1	Harness, Clearsky (See Separate Breakdown in this Section)	

# SECTION 10 - ELECTRICAL

## FIGURE 10-41. CLEARSKY HARNESS (A/C)



ART\_1001196452-A

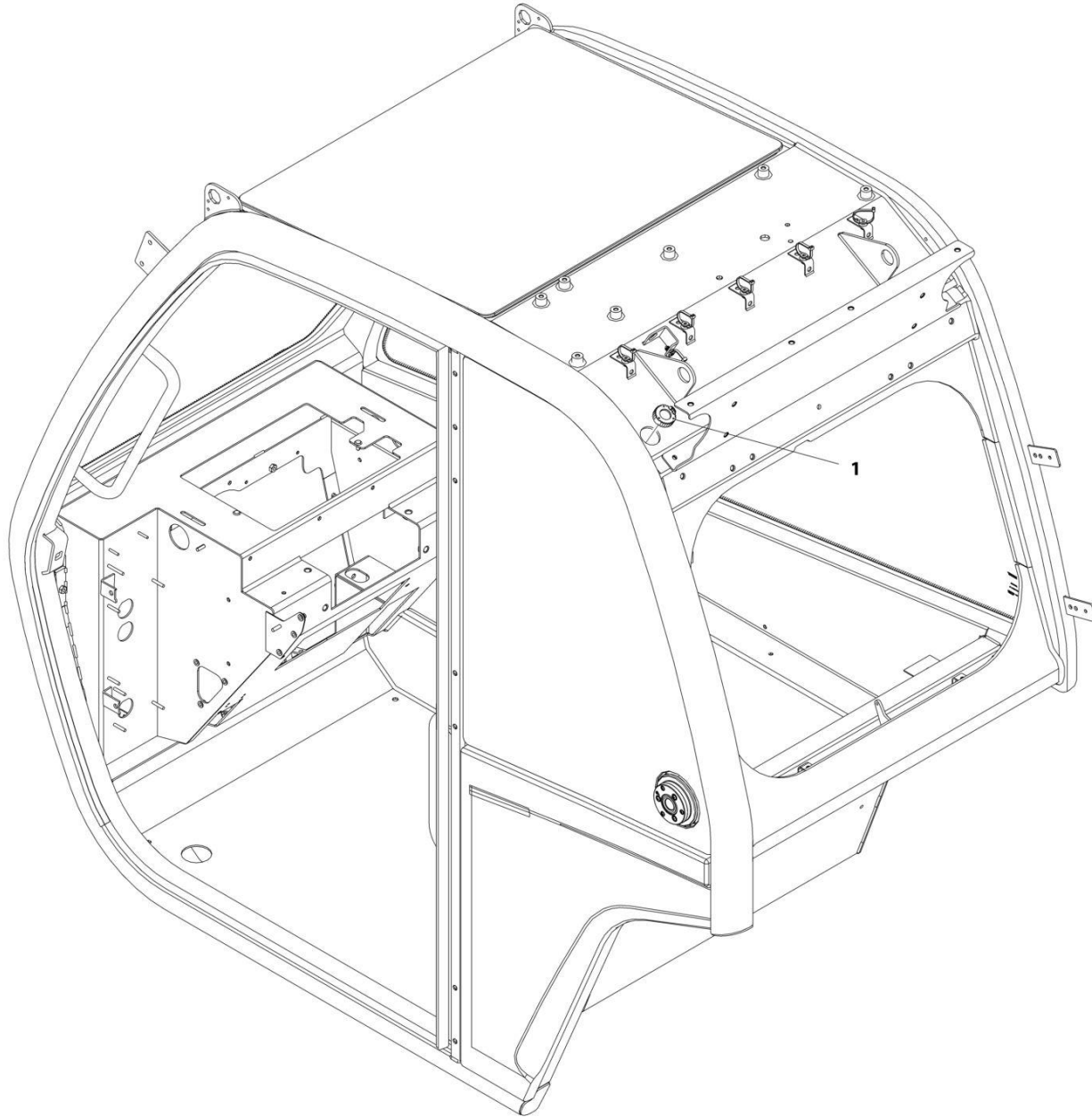
## SECTION 10 - ELECTRICAL

### FIGURE 10-41. CLEARSKY HARNESS (A/C)

ITEM	PART NUMBER	QTY	DESCRIPTION	REV
	1001196452	Ref	Clearsky Harness (A/C)	A
1	1001112796	1	Connector	
2	4460465	3	Terminal	
3	4460944	2	Terminal	
4	4460466	4	Plug	
5	1001116994	1	Connector	
6	4460871	5	Terminal	
7	4460905	18	Plug	

# SECTION 10 - ELECTRICAL

## FIGURE 10-42. TELEMATICS CAP INSTALLATION



ART\_1001201161-A

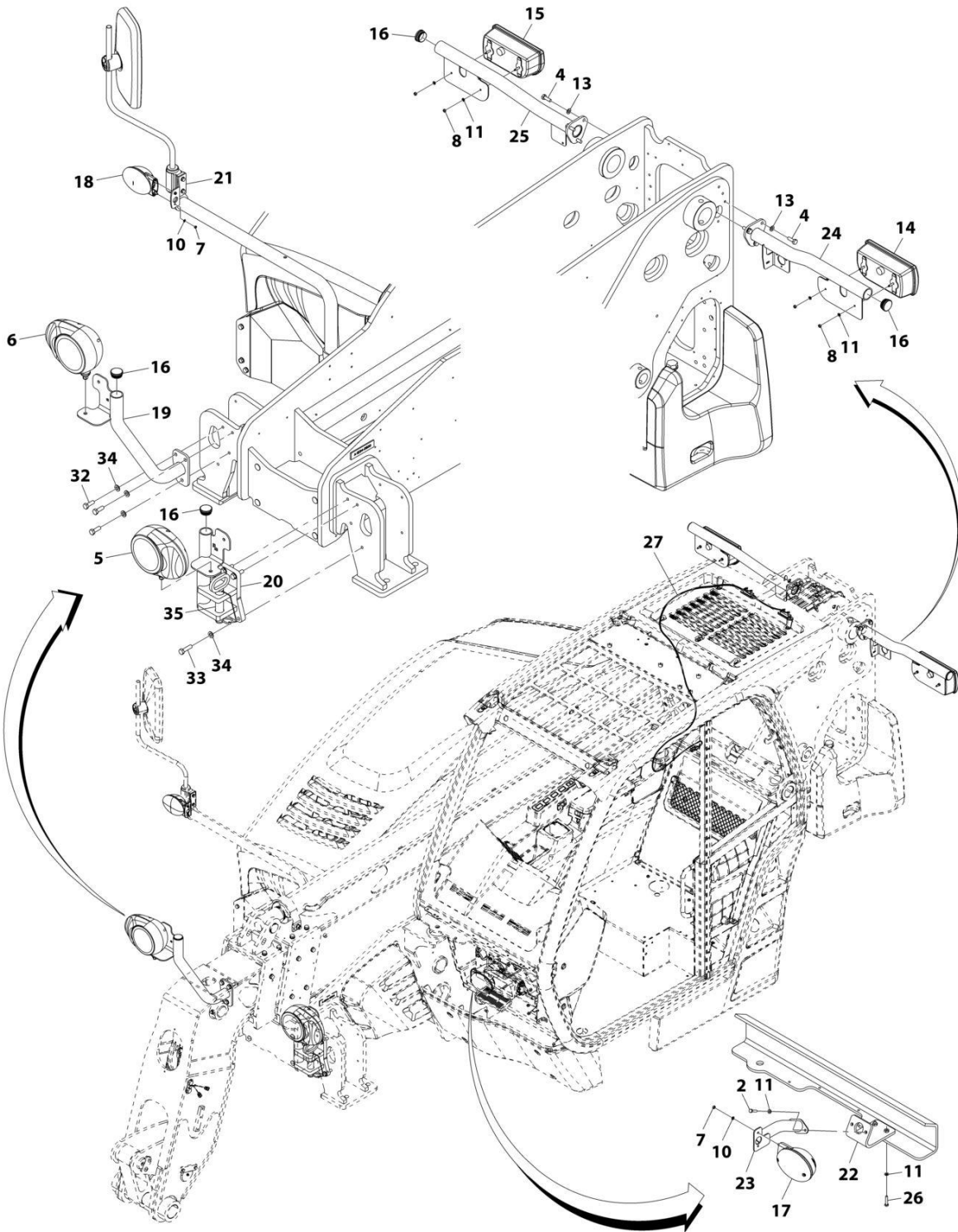
## SECTION 10 - ELECTRICAL

### FIGURE 10-42. TELEMATICS CAP INSTALLATION

ITEM	PART NUMBER	QTY	DESCRIPTION	REV
1	1001201161 1001201162	Ref 1	Telematics Cap Installation Cap	A

# SECTION 10 - ELECTRICAL

## FIGURE 10-43. DIP LIGHTS INSTALLATION (RHD - NO OUTRIGGERS)



ART\_1001179092-D

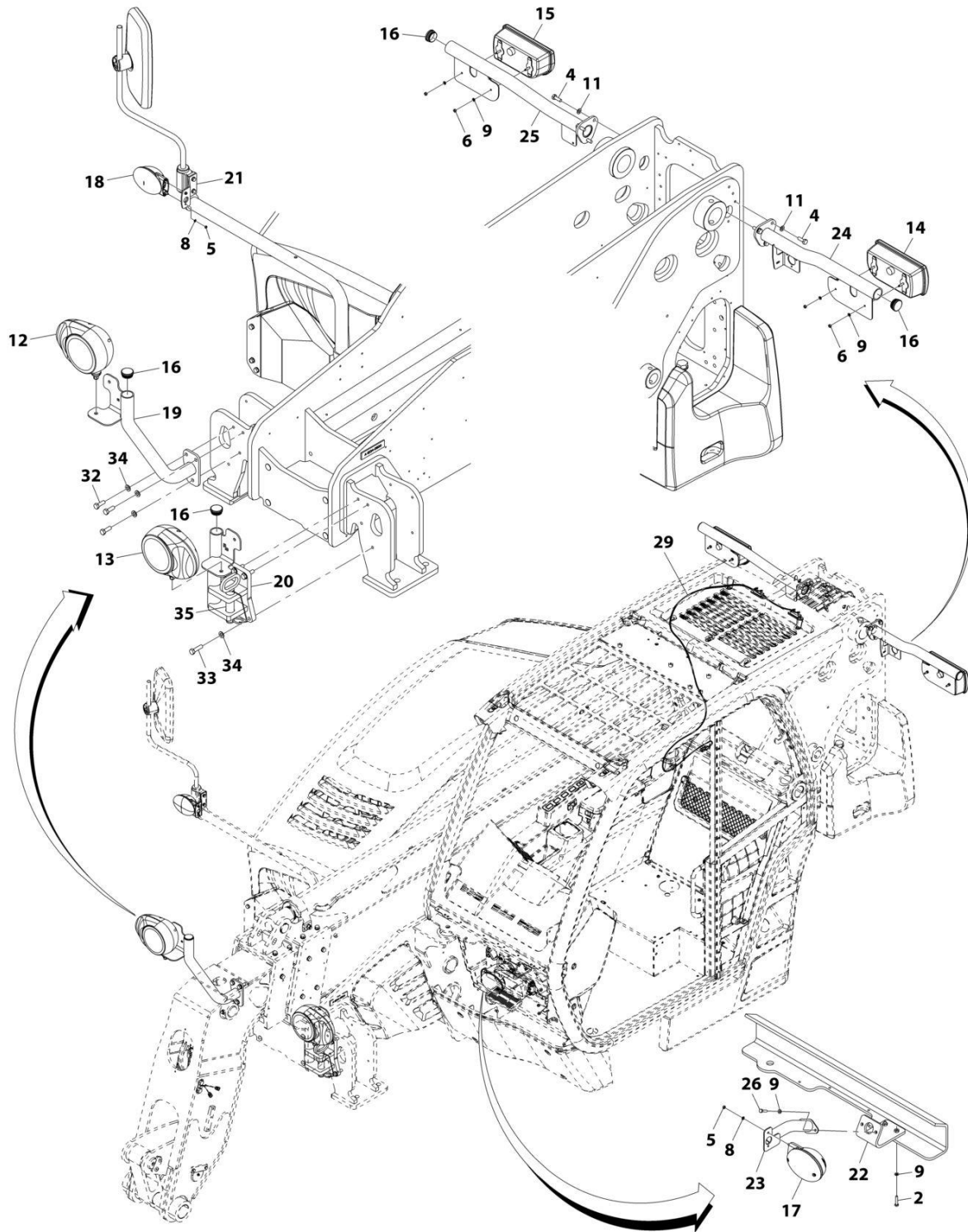
## SECTION 10 - ELECTRICAL

**FIGURE 10-43. DIP LIGHTS INSTALLATION (RHD - NO OUTRIGGERS)**

ITEM	PART NUMBER	QTY	DESCRIPTION	REV
	1001179092	Ref	Dip Lights Installation (RHD - No Outriggers)	D
2	0700612	2	Bolt, M6X25	
4	0761014	6	Bolt, M10X30	
5	2920207	1	Driving Light (RHD - LH)	
	7029969	1	Bulb, 4W	
	7029970	1	Bulb, 55W	
	7029971	1	Bulb, 21W	
6	2920208	1	Driving Light (RHD - RH)	
	7029969	1	Bulb, 4W	
	7029970	1	Bulb, 55W	
	7029971	1	Bulb, 21W	
7	3290501	4	Nut, M5X0.8 Grade 8	
8	3290601	4	Nut, M6X1 Grade 8	
10	4811600	4	Washer, M5	
11	4811700	8	Washer, M6	
13	4812000	6	Washer, M10	
14	1001091715	1	Lamp, Rear (LH)	
	70021341	1	Bulb, 5W	
	70021340	1	Bulb, 21W	
	7029971	1	Bulb, 21W	
15	1001091716	1	Lamp, Rear (RH)	
	70021341	1	Bulb, 5W	
	70021340	1	Bulb, 21W	
	7029971	1	Bulb, 21W	
16	1001096913	4	Bracket	
17	1001105167	1	Sidelight (LH)	
	70021340	1	Bulb, 21W	
	70021341	1	Bulb, 5W	
	70027287	1	Lens	
18	1001105168	1	Sidelight (RH)	
	70021340	1	Bulb, 21W	
	70021341	1	Bulb, 5W	
	70027287	1	Lens	
19	1001198621	1	Bracket	
20	1001208531	1	Bracket	
21	1001208763	1	Bracket	
22	1001197015	1	Mount	
23	1001198796	1	Bracket	
24	1001213825	1	Bracket	
25	1001213826	1	Bracket	
26	0700614	2	Bolt, M6X30	
27	1001189569	Ref	Installation, License Plate Lamp (See Separate Breakdown in this Section)	
32	0701215	3	Bolt, M12X35	
33	0701217	4	Bolt, M12X45	
34	4812100	7	Washer, M12	
35	1001003391	1	Pin	

# SECTION 10 - ELECTRICAL

## FIGURE 10-44. DIP LIGHTS INSTALLATION (LHD - NO OUTRIGGERS)



ART\_1001179093-D



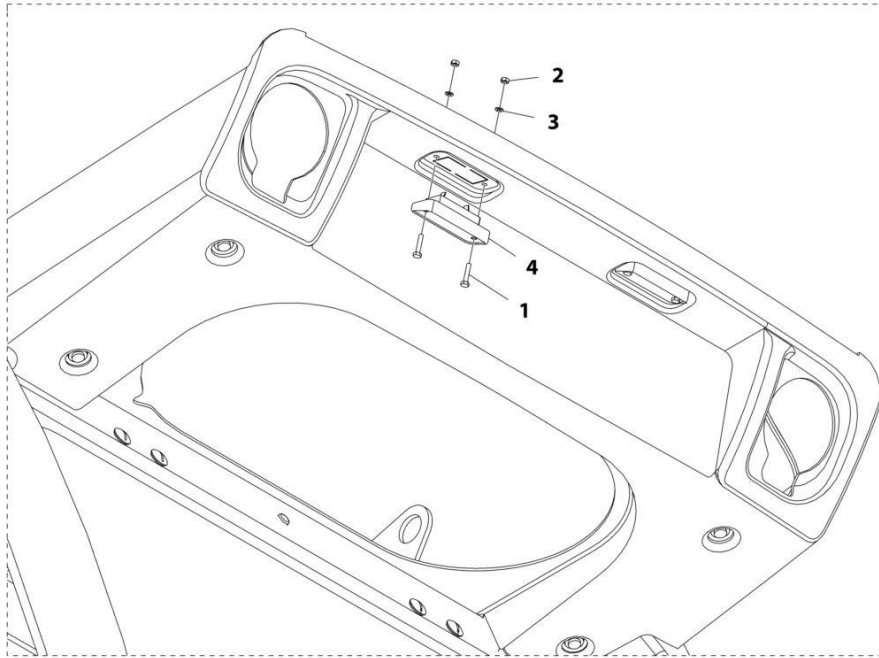
## SECTION 10 - ELECTRICAL

**FIGURE 10-44. DIP LIGHTS INSTALLATION (LHD - NO OUTRIGGERS)**

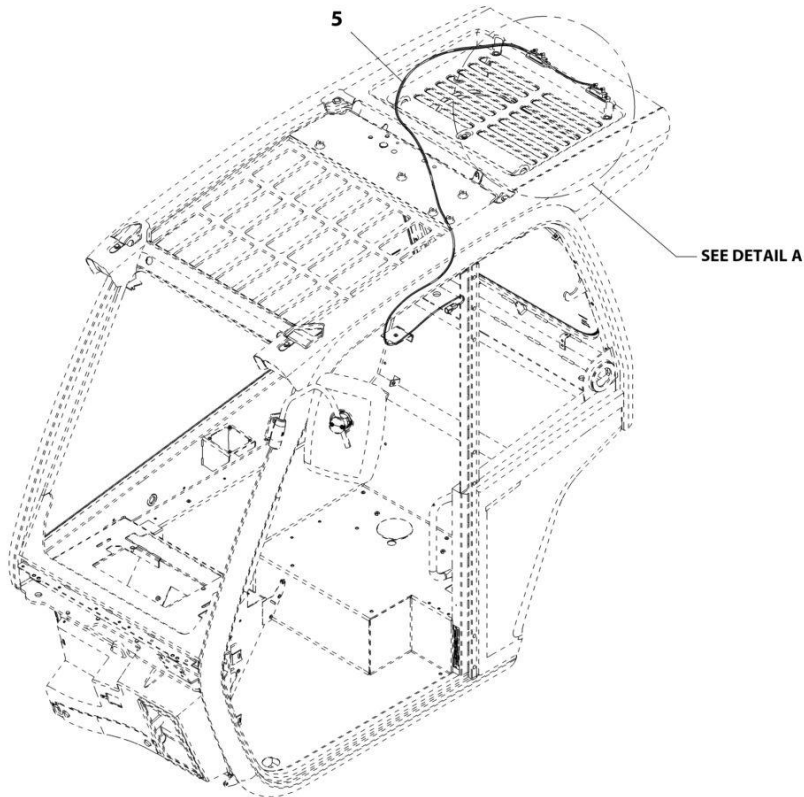
ITEM	PART NUMBER	QTY	DESCRIPTION	REV
	1001179093	Ref	Dip Lights Installation (LHD - No Outriggers)	D
2	0700614	2	Bolt, M6X30	
4	0761014	6	Bolt, M10X30	
5	3290501	4	Nut, M5X0.8 Grade 8	
6	3290601	4	Nut, M6X1 Grade 8	
8	4811600	4	Washer, M5	
9	4811700	8	Washer, M6	
11	4812000	6	Washer, M10	
12	1001002778	1	Light, Driving (LHD - RH)	
	7029969	1	Bulb, 4W	
	7029970	1	Bulb, 55W	
	7029971	1	Bulb, 21W	
13	1001002779	1	Light, Driving (LHD - LH)	
	7029969	1	Bulb, 4W	
	7029970	1	Bulb, 55W	
	7029971	1	Bulb, 21W	
14	1001091715	1	Lamp, Rear (LH)	
	70021341	1	Bulb, 5W	
	70021340	1	Bulb, 21W	
	7029971	1	Bulb, 21W	
15	1001091716	1	Lamp, Rear (RH)	
	70021341	1	Bulb, 5W	
	70021340	1	Bulb, 21W	
	7029971	1	Bulb, 21W	
16	1001096913	4	Bracket	
17	1001105167	1	Sidelight (LH)	
	70021340	1	Bulb, 21W	
	70021341	1	Bulb, 5W	
	70027287	1	Lens	
18	1001105168	1	Sidelight (RH)	
	70021340	1	Bulb, 21W	
	70021341	1	Bulb, 5W	
	70027287	1	Lens	
19	1001198621	1	Bracket	
20	1001208531	1	Bracket	
21	1001208763	1	Bracket	
22	1001197015	1	Mount	
23	1001198796	1	Bracket	
24	1001213825	1	Bracket	
25	1001213826	1	Bracket	
26	0700612	2	Bolt, M6X25	
29	1001189569	Ref	Installation, License Plate Lamp (See Separate Breakdown in this Section)	
32	0701215	3	Bolt, M12X35	
33	0701217	4	Bolt, M12X45	
34	4812100	7	Washer, M12	
35	1001003391	1	Pin	

# SECTION 10 - ELECTRICAL

## FIGURE 10-45. LICENSE PLATE LAMP INSTALLATION



DETAIL A



ART\_1001189569-A

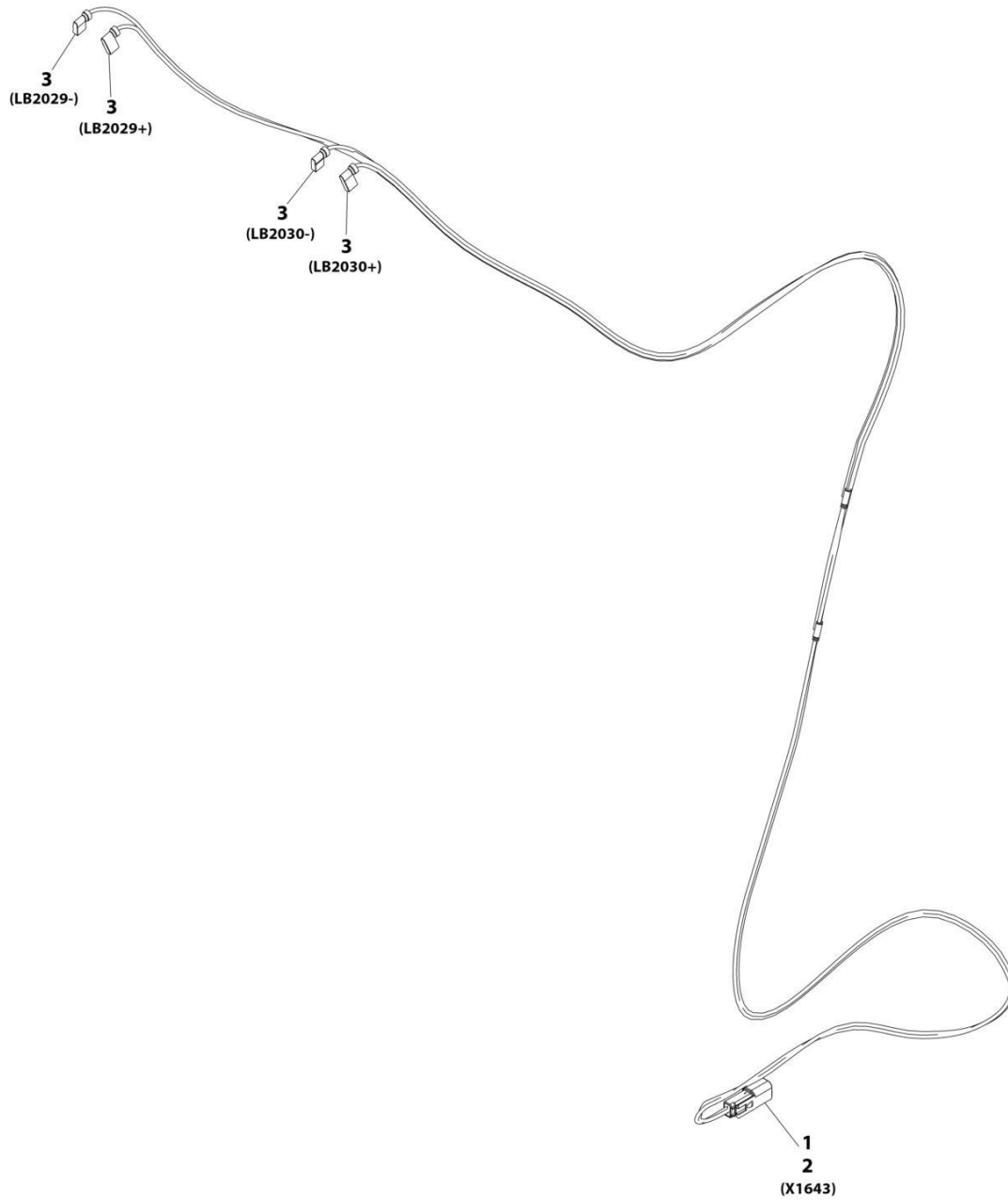
## SECTION 10 - ELECTRICAL

### FIGURE 10-45. LICENSE PLATE LAMP INSTALLATION

ITEM	PART NUMBER	QTY	DESCRIPTION	REV
	1001189569	Ref	License Plate Lamp Installation	A
1	0760410	4	Bolt, M4X20	
2	3290401	4	Nut, M4X0.7 Grade 8	
3	4831400	4	Washer, Lock M4	
4	1001173829	2	Lamp, License Plate	
5	1001178053	1	Harness, License Light (See Separate Breakdown in this Section)	

# SECTION 10 - ELECTRICAL

## FIGURE 10-46. LICENSE LIGHT HARNESS



ART\_1001178053-C

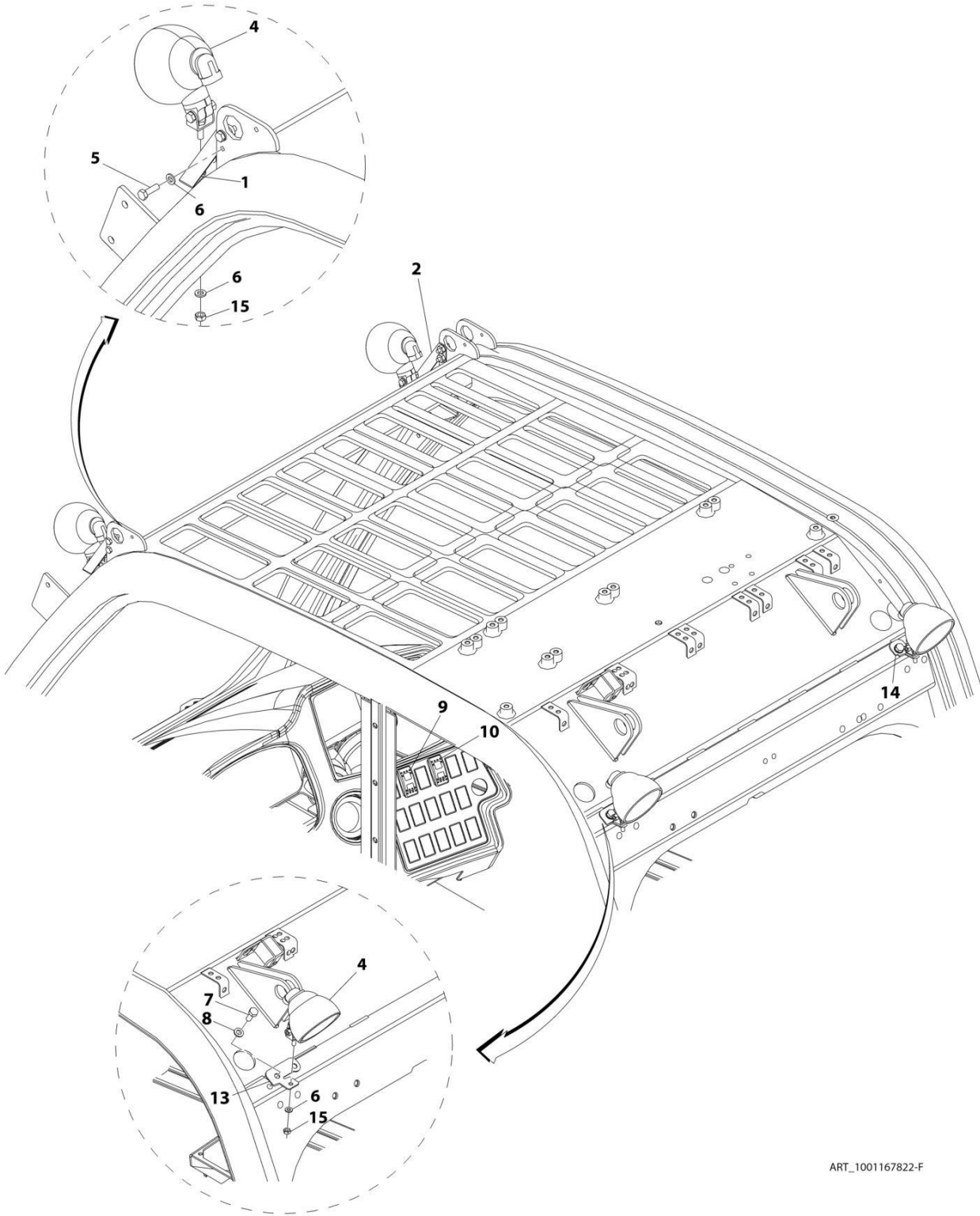
## SECTION 10 - ELECTRICAL

### FIGURE 10-46. LICENSE LIGHT HARNESS

ITEM	PART NUMBER	QTY	DESCRIPTION	REV
	1001178053	Ref	License Light Harness	C
1	4460897	1	Connector	
2	4460941	2	Terminal	
3	1001190396	4	Connector	

# SECTION 10 - ELECTRICAL

## FIGURE 10-47. CAB WORKLIGHTS INSTALLATION (NO A/C)



ART\_1001167822-F

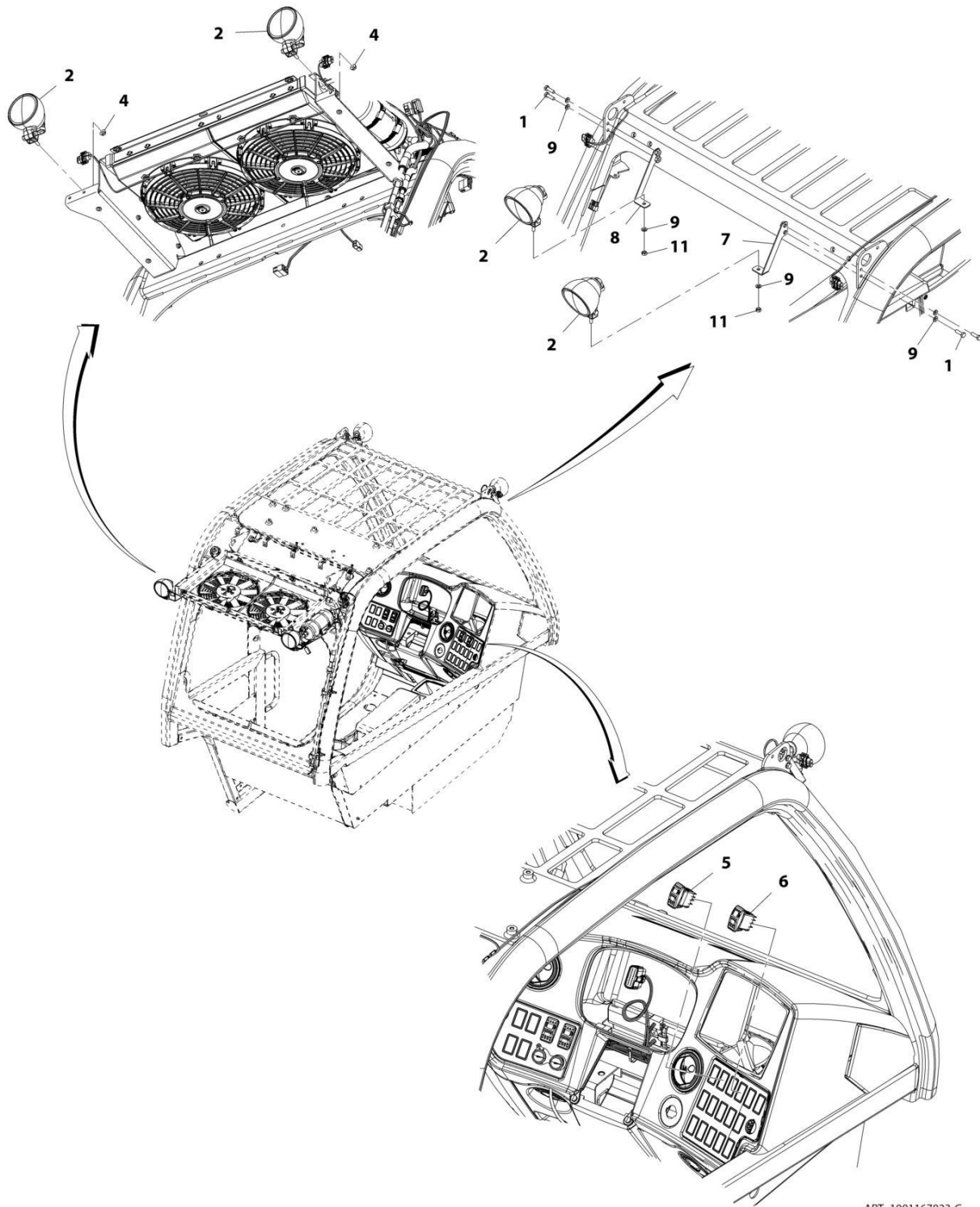
## SECTION 10 - ELECTRICAL

### FIGURE 10-47. CAB WORKLIGHTS INSTALLATION (NO A/C)

ITEM	PART NUMBER	QTY	DESCRIPTION	REV
	1001167822	Ref	Cab Worklights Installation (No A/C)	F
1	1001186567	1	Bracket, Work Light LH	
2	1001186565	1	Bracket, Work Light RH	
4	2920206	4	Worklight	
5	0700610	4	Bolt, M6X20	
6	4811700	8	Washer, M6	
7	0760810	2	Bolt, M8X20	
8	4811900	2	Washer, M8	
9	1001159845	1	Switch, Front Worklights	
10	1001159846	1	Switch, Rear Worklights	
13	1001183888	1	Bracket, Work Light LH	
14	1001183890	1	Bracket, Work Light RH	
15	3290601	4	Nut, M6X1 Grade 8	

# SECTION 10 - ELECTRICAL

## FIGURE 10-48. CAB WORKLIGHTS INSTALLATION (A/C)



ART\_1001167823-G



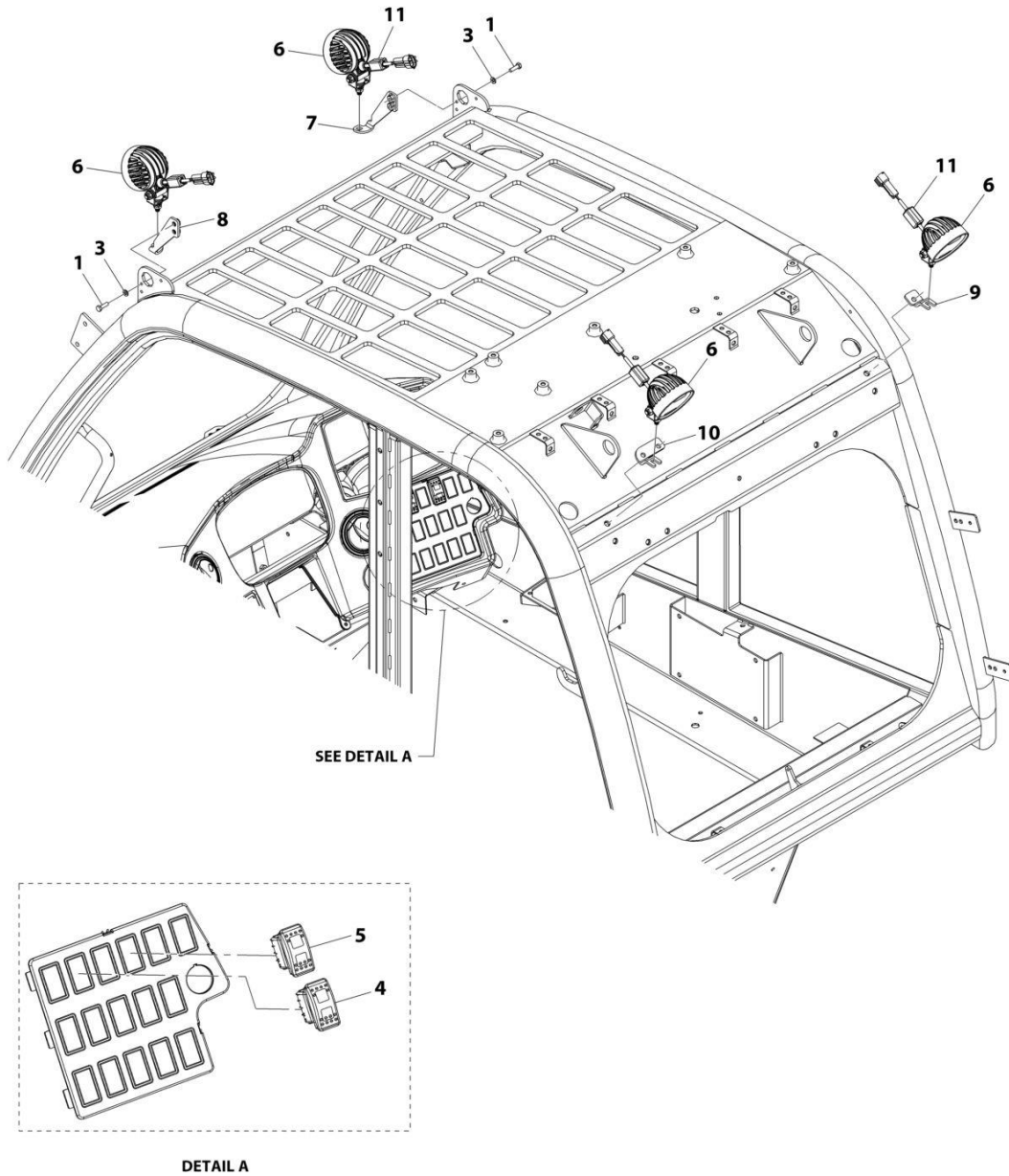
## SECTION 10 - ELECTRICAL

### FIGURE 10-48. CAB WORKLIGHTS INSTALLATION (A/C)

ITEM	PART NUMBER	QTY	DESCRIPTION	REV
	1001167823	Ref	Cab Worklights Installation (A/C)	G
1	0700610	4	Bolt, M6X20	
2	2920206	4	Worklight	
4	5220600	2	Nut, M6	
5	1001159845	1	Switch, Front Worklights	
6	1001159846	1	Switch, Rear Worklights	
7	1001186567	1	Bracket, Work Light LH	
8	1001186565	1	Bracket, Work Light RH	
9	4811700	6	Washer, M6	
11	3290601	2	Nut, M6X1 Grade 8	

# SECTION 10 - ELECTRICAL

## FIGURE 10-49. CAB WORKLIGHTS INSTALLATION (NO A/C - LED)



ART\_1001200538-D

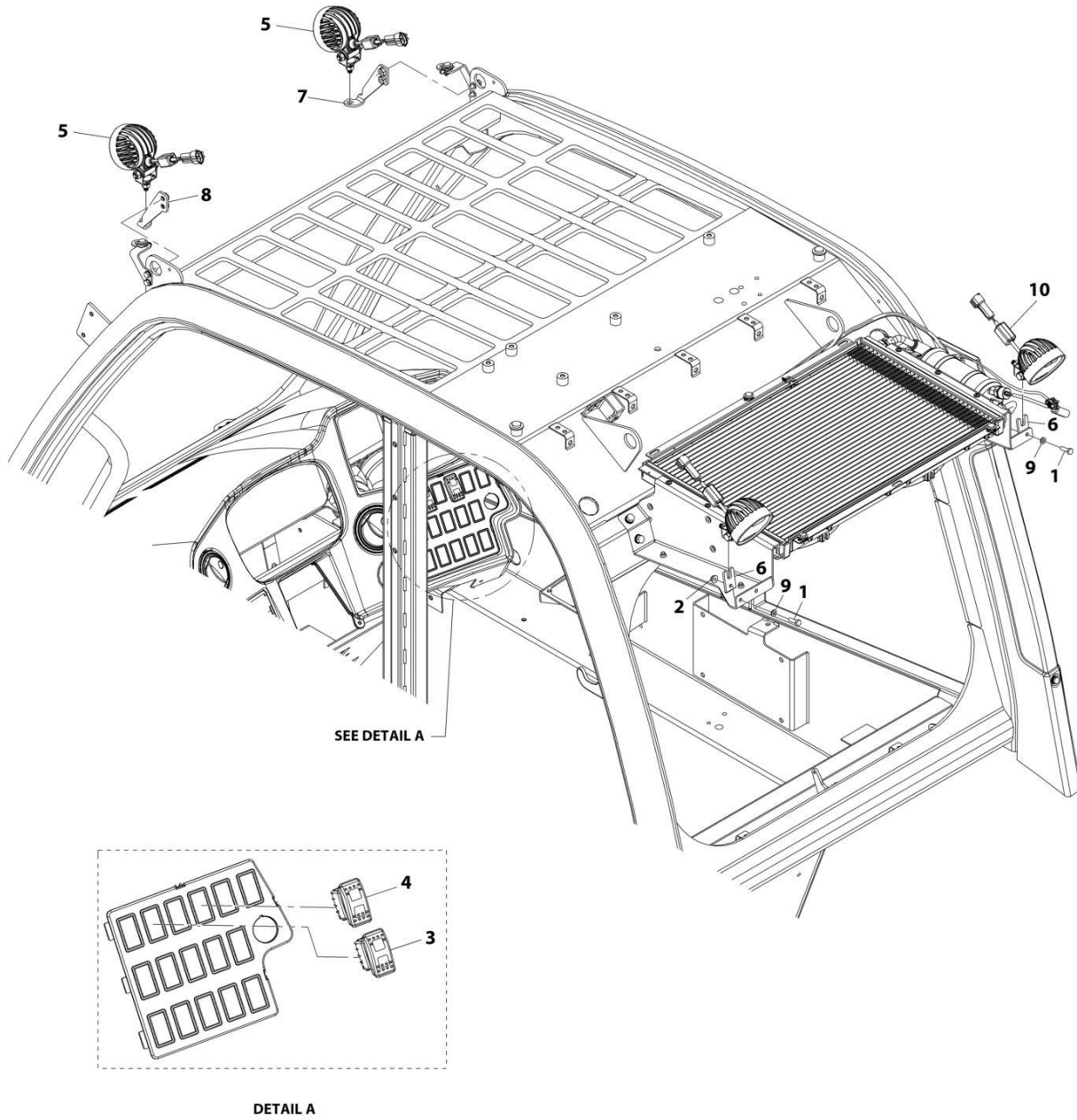
## SECTION 10 - ELECTRICAL

### FIGURE 10-49. CAB WORKLIGHTS INSTALLATION (NO A/C - LED)

ITEM	PART NUMBER	QTY	DESCRIPTION	REV
	1001200538	Ref	Cab Worklights Installation (No A/C - LED)	D
1	0700610	4	Bolt, M6X20	
3	4811700	4	Washer, M6	
4	1001159845	1	Switch, Front Worklights	
5	1001159846	1	Switch, Rear Worklights	
6	1001203640	4	Lamp, LED Work Light	
7	1001244193	1	Support, LED Work Light RH	
8	1001244192	1	Support, LED Work Light LH	
9	1001204528	1	Support, LED Work Light RH	
10	1001204530	1	Support, LED Work Light LH	
11	1001228989	4	Harness, Ferrite	

# SECTION 10 - ELECTRICAL

## FIGURE 10-50. CAB WORKLIGHTS INSTALLATION (A/C - LED)



ART\_1001200539-D

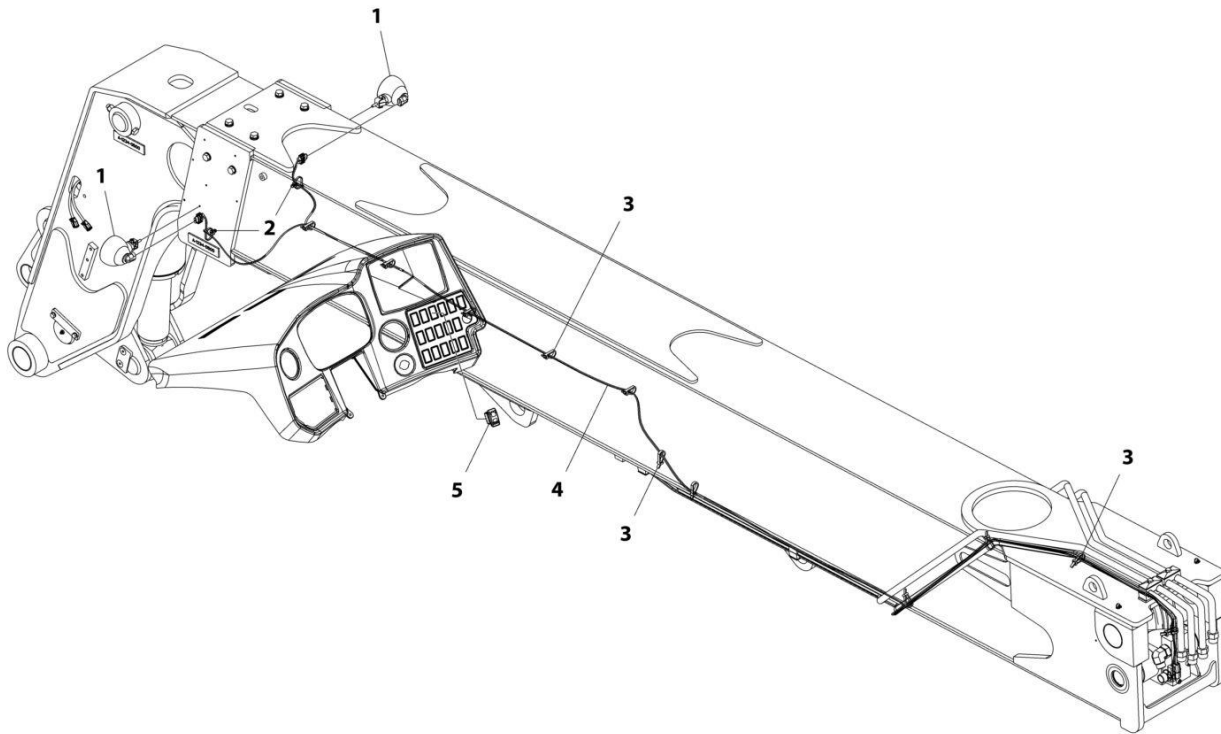
## SECTION 10 - ELECTRICAL

### FIGURE 10-50. CAB WORKLIGHTS INSTALLATION (A/C - LED)

ITEM	PART NUMBER	QTY	DESCRIPTION	REV
	1001200539	Ref	Cab Worklights Installation (A/C - LED)	D
1	0700610	2	Bolt, M6X20	
2	5220600	2	Nut, M6	
3	1001159845	1	Switch, Front Worklights	
4	1001159846	1	Switch, Rear Worklights	
5	1001203640	4	Lamp, LED Work Light	
6	1001204060	2	Bracket	
7	1001244193	1	Support, LED Work Light RH	
8	1001244192	1	Support, LED Work Light LH	
9	4811700	2	Washer, M6	
10	1001228989	4	Harness, Ferrite	

# SECTION 10 - ELECTRICAL

## FIGURE 10-51. BOOM WORKLIGHTS INSTALLATION



ART\_1001180529

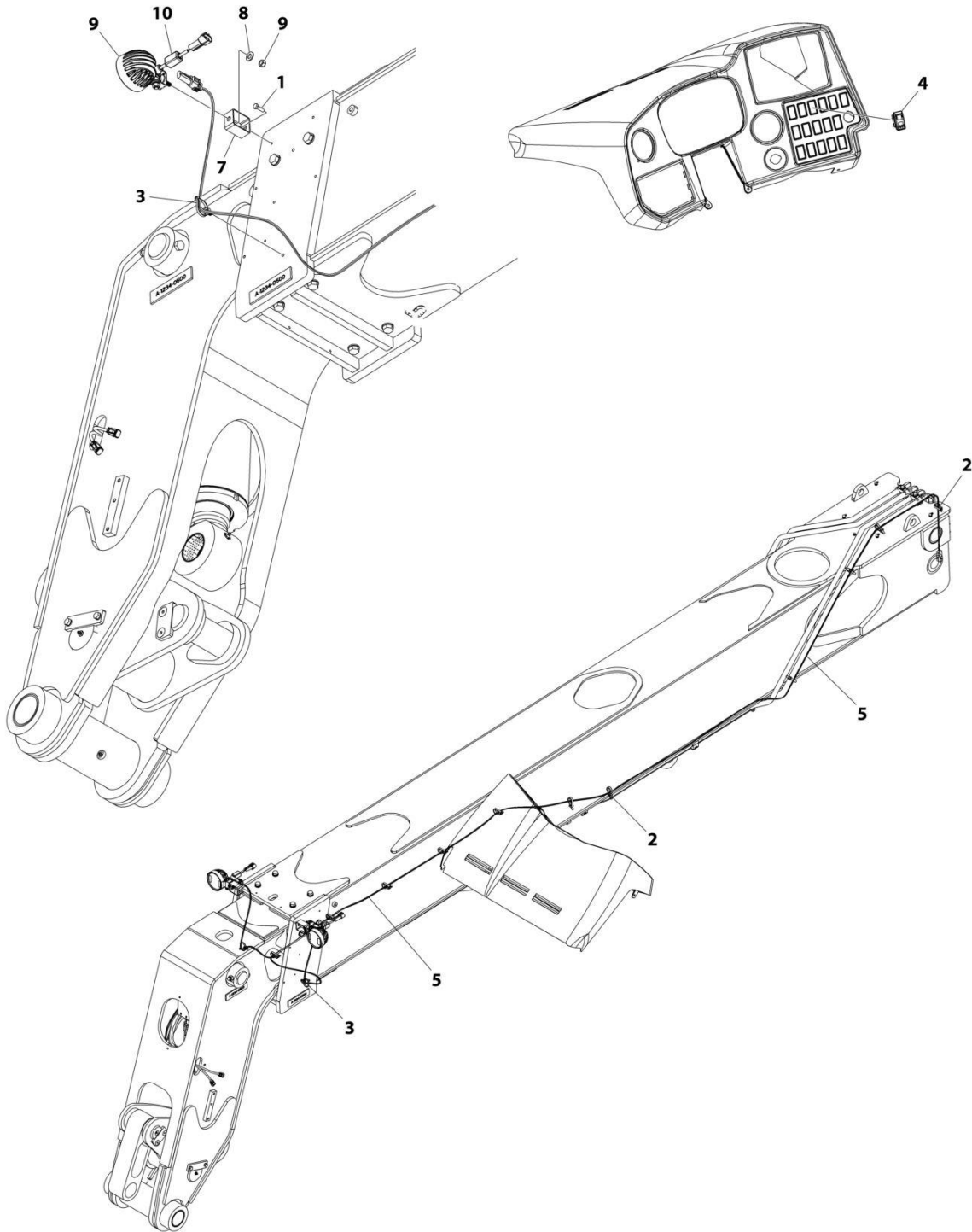
## SECTION 10 - ELECTRICAL

### FIGURE 10-51. BOOM WORKLIGHTS INSTALLATION

ITEM	PART NUMBER	QTY	DESCRIPTION	REV
	1001180529	Ref	Boom Worklights Installation	D
1	2920206	2	Worklight	
2	1001146588	2	Strap, Cable	
3	1001008923	11	Strap, Cable	
4	1001183297	1	Harness, Boom Worklights (See Separate Breakdown in this Section)	
5	1001159739	1	Switch, Boom Worklights	

# SECTION 10 - ELECTRICAL

## FIGURE 10-52. BOOM LED WORKLIGHTS INSTALLATION



ART\_1001210961



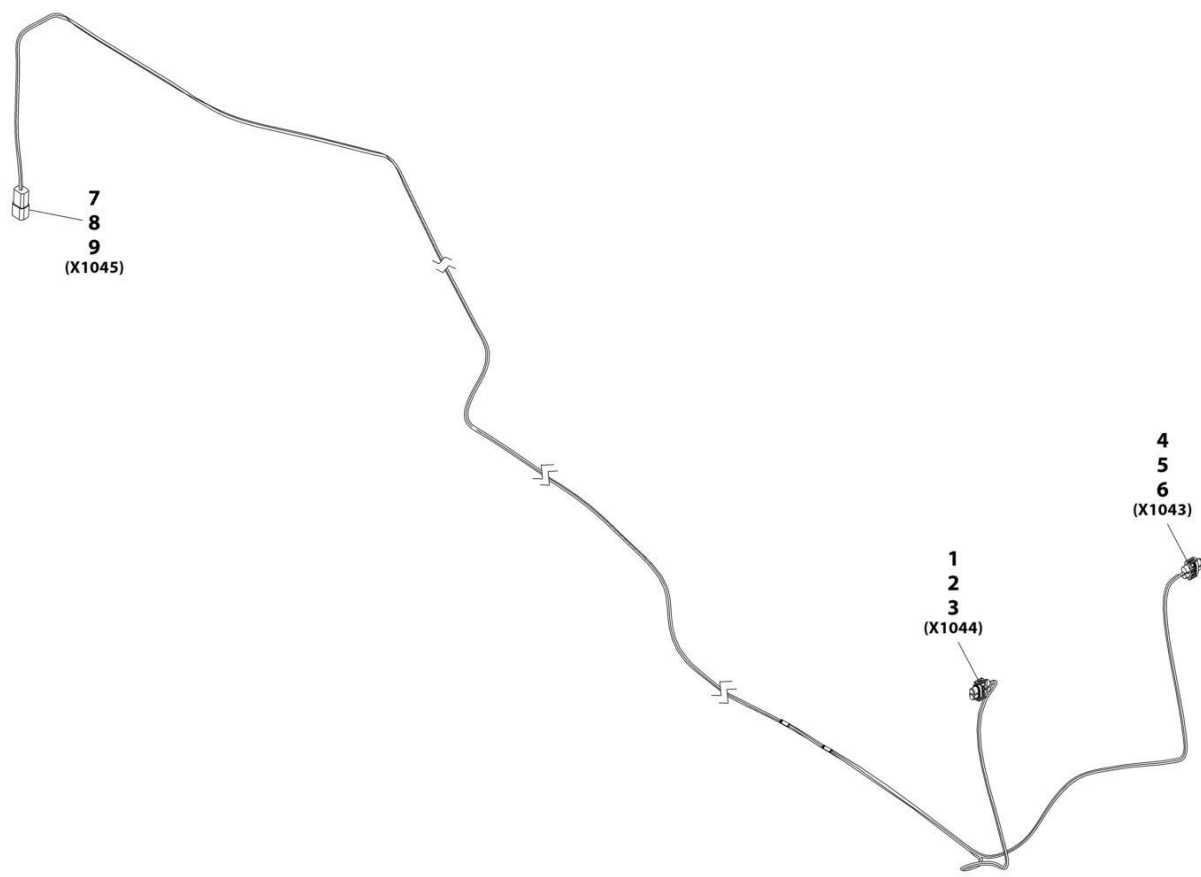
## SECTION 10 - ELECTRICAL

### FIGURE 10-52. BOOM LED WORKLIGHTS INSTALLATION

ITEM	PART NUMBER	QTY	DESCRIPTION	REV
	1001210961	Ref	Boom LED Worklights Installation	D
1	0760610	2	Bolt, M6X20	
2	1001008923	11	Strap, Cable	
3	1001146588	2	Strap, Tie	
4	1001159739	1	Switch, Boom Worklights	
5	1001183297	1	Harness, Boom Worklights (See Separate Breakdown in this Section)	
7	1001210962	2	Bracket	
8	4812000	2	Washer, M10	
9	1001203640	2	Lamp, LED Worklights	
10	1001228989	2	Harness, Ferrite	

# SECTION 10 - ELECTRICAL

## FIGURE 10-53. BOOM WORKLIGHTS HARNESS



ART\_1001183297-C

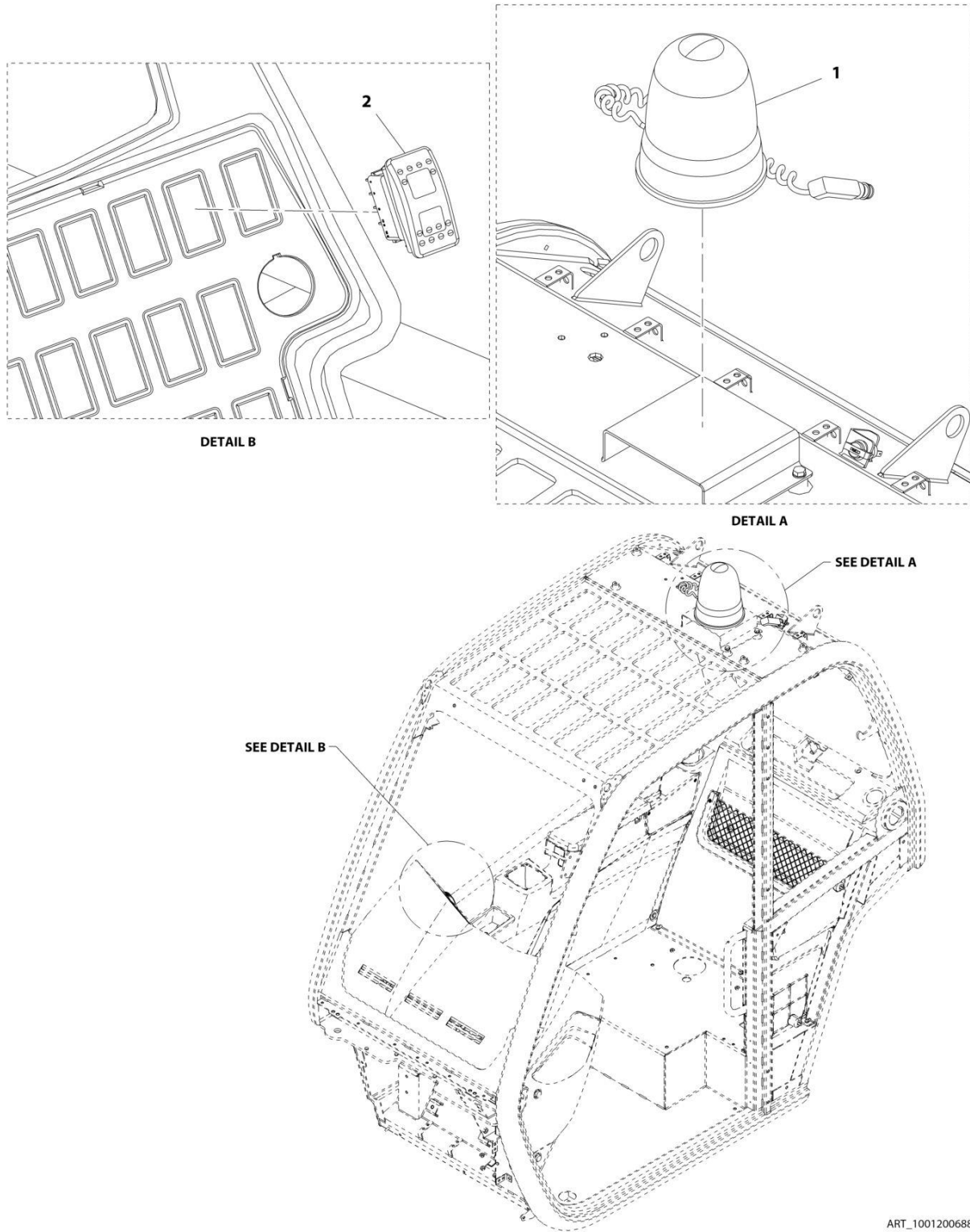
## SECTION 10 - ELECTRICAL

### FIGURE 10-53. BOOM WORKLIGHTS HARNESS

ITEM	PART NUMBER	QTY	DESCRIPTION	REV
	1001183297	Ref	Boom Worklights Harness	C
1	4461115	1	Connector	
2	1001116728	2	Terminal	
3	4460458	2	Seal	
4	4461115	1	Connector	
5	1001116728	2	Terminal	
6	4460458	2	Seal	
7	4460932	1	Connector	
8	4460464	2	Terminal	
9	4460466	2	Plug	

# SECTION 10 - ELECTRICAL

## FIGURE 10-54. BEACON LIGHT INSTALLATION



ART\_1001200688-B

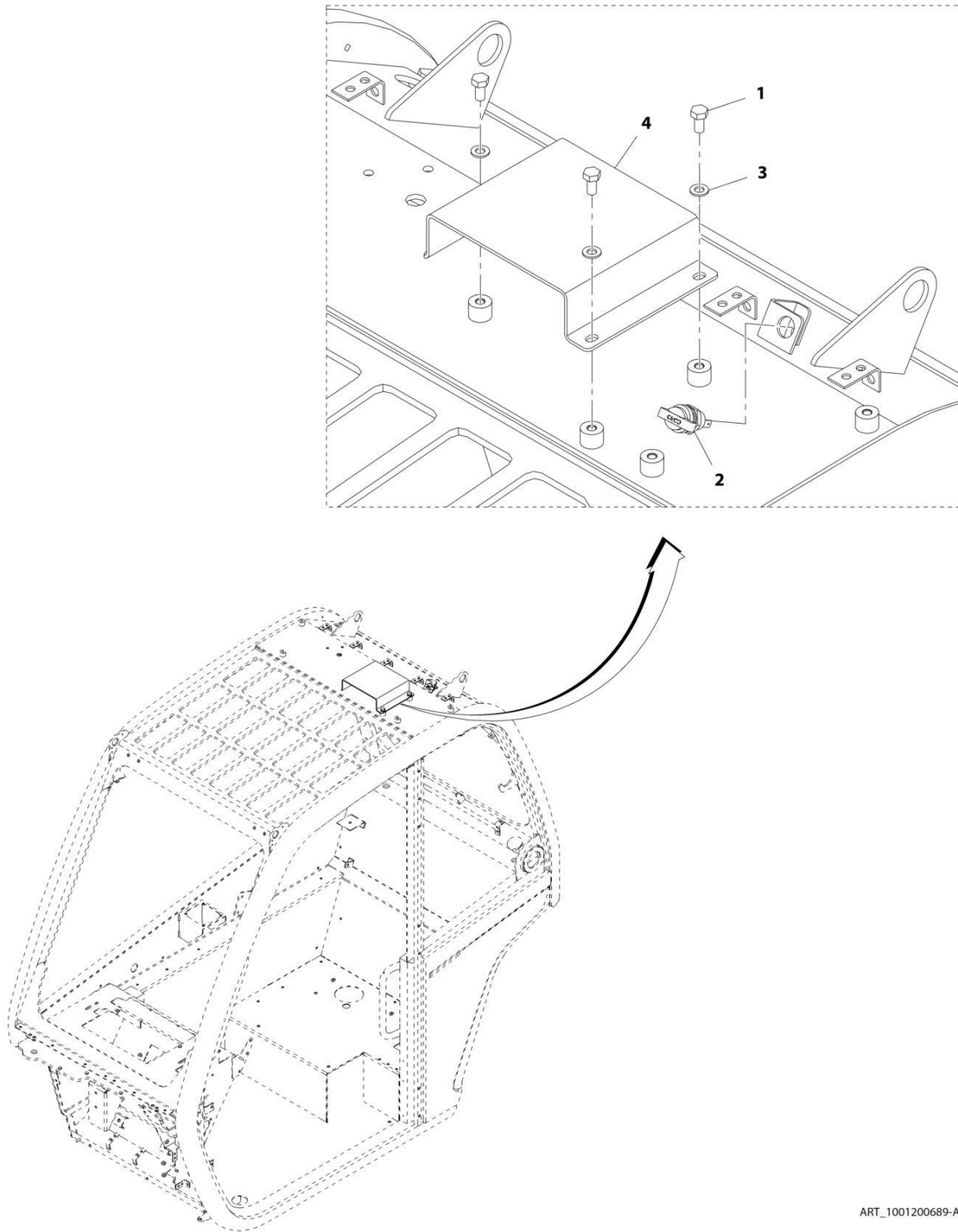
## SECTION 10 - ELECTRICAL

### FIGURE 10-54. BEACON LIGHT INSTALLATION

ITEM	PART NUMBER	QTY	DESCRIPTION	REV
	1001200688	Ref	BEACON LIGHT INSTALLATION	B
1	1001217623	1	Light, Warning	
2	1001159738	1	Switch, Beacon	

# SECTION 10 - ELECTRICAL

## FIGURE 10-55. BEACON BRACKET INSTALLATION (Prior to SN 1160008716)



ART\_1001200689-A

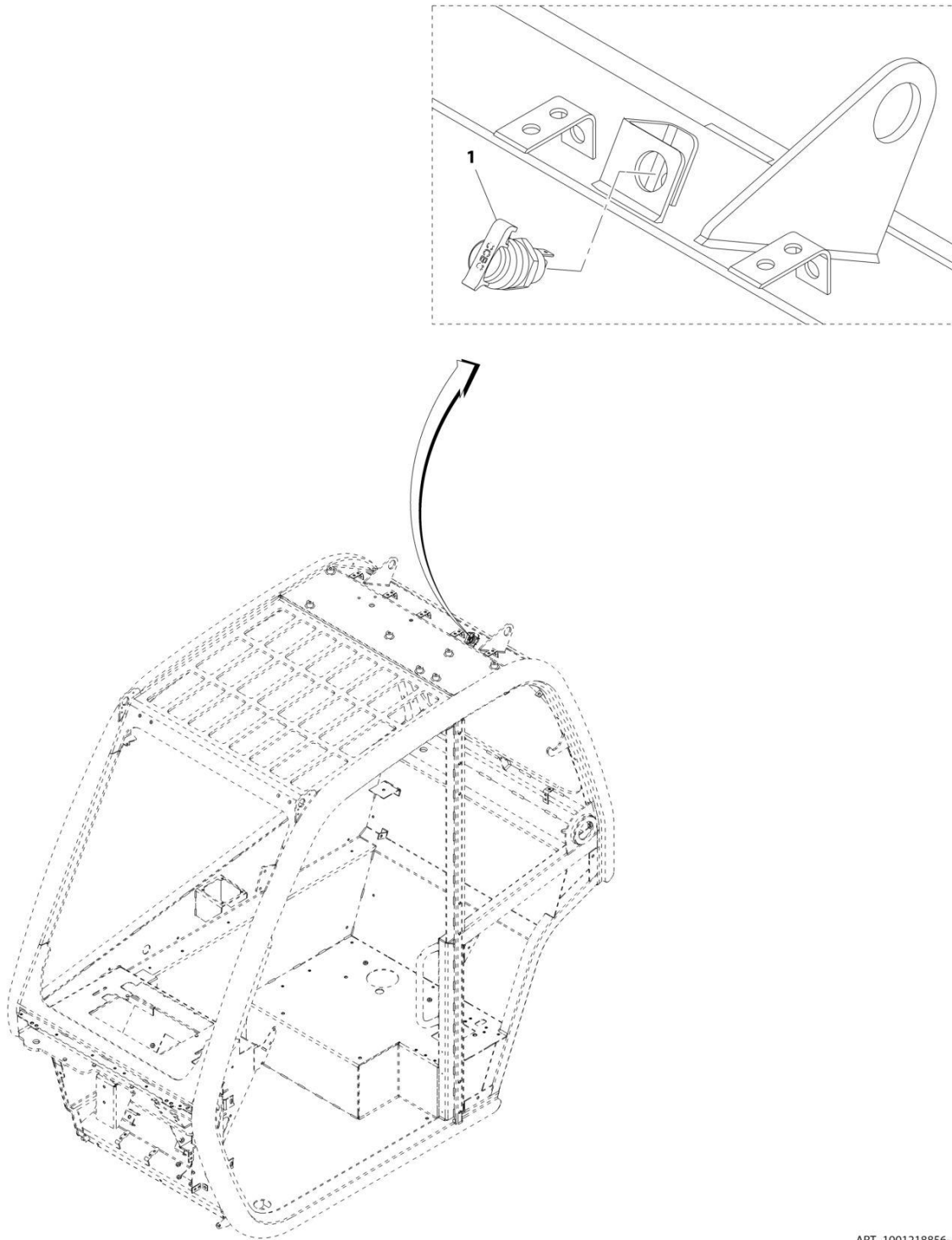
## SECTION 10 - ELECTRICAL

**FIGURE 10-55. BEACON BRACKET INSTALLATION (Prior to SN 1160008716)**

ITEM	PART NUMBER	QTY	DESCRIPTION	REV
	1001200689	Ref	Beacon Bracket Installation	A
1	0760808	3	Bolt, M8X16	
2	4461174	1	Terminal, 12 Volt	
3	4811900	3	Washer, M8	
4	1001174796	1	Bracket, Beacon	

# SECTION 10 - ELECTRICAL

FIGURE 10-56. BEACON BRACKET INSTALLATION (AG) (SN 1160008716 to Present)



ART\_1001218856-A



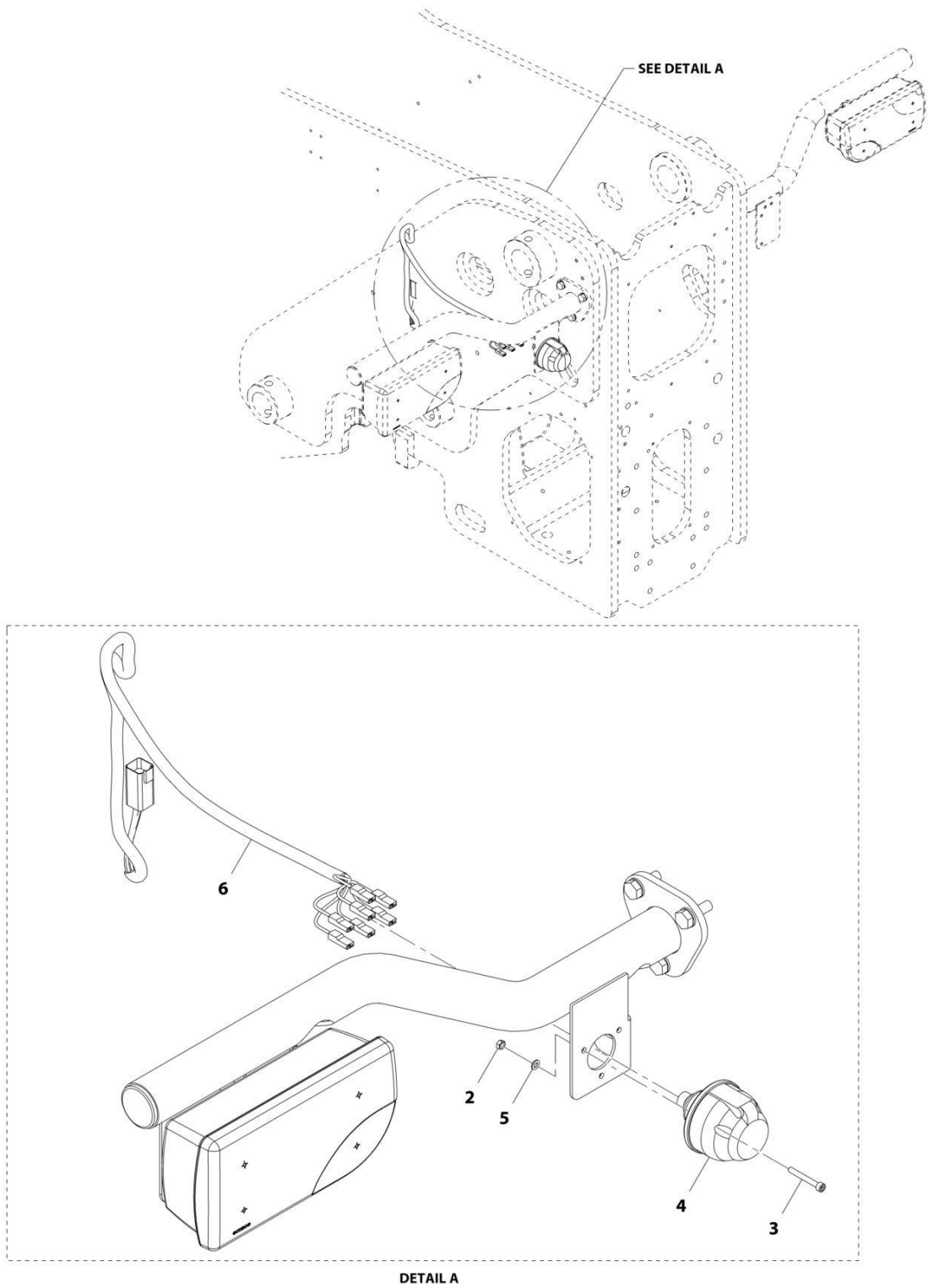
## SECTION 10 - ELECTRICAL

**FIGURE 10-56. BEACON BRACKET INSTALLATION (AG) (SN 1160008716 to Present)**

ITEM	PART NUMBER	QTY	DESCRIPTION	REV
1	1001218856 4461174	Ref 1	Beacon Bracket Installation Plug, 12V Power	A

# SECTION 10 - ELECTRICAL

## FIGURE 10-57. TRAILER ELECTRICS INSTALLATION



ART\_1001179059-B

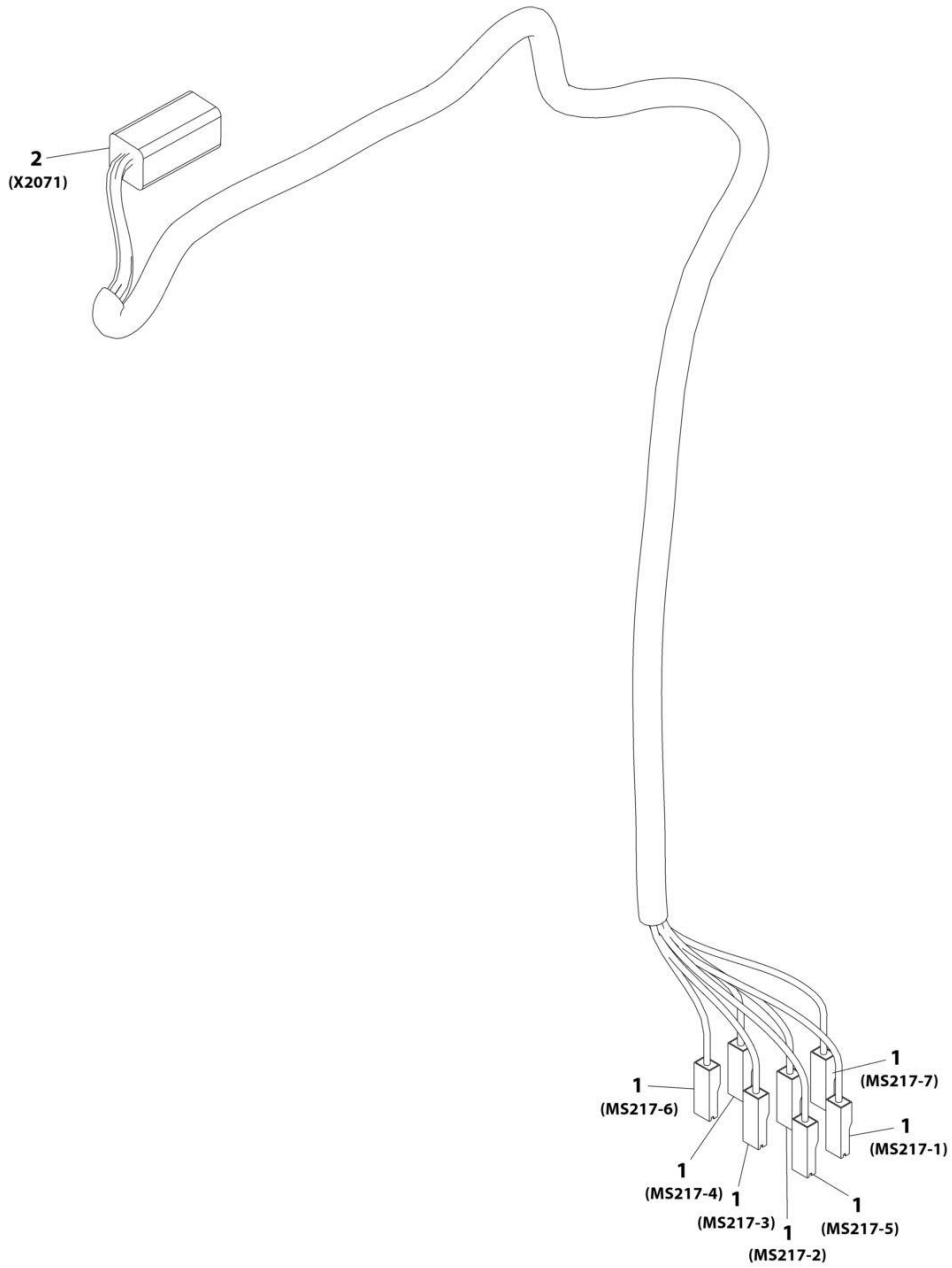
## SECTION 10 - ELECTRICAL

### FIGURE 10-57. TRAILER ELECTRICS INSTALLATION

ITEM	PART NUMBER	QTY	DESCRIPTION	REV
	1001179059	Ref	TRAILER ELECTRICS INSTALLATION	B
2	3290501	3	Nut M5	
3	4031612	3	Bolt M5 X 40	
4	4461170	1	Connector	
5	4811600	3	Washer M5	
6	1001184839	1	Harness,Trailer Connector (See Separate Breakdown in this Section)	

# SECTION 10 - ELECTRICAL

## FIGURE 10-58. TRAILER CONNECTOR HARNESS



ART\_1001184839-C

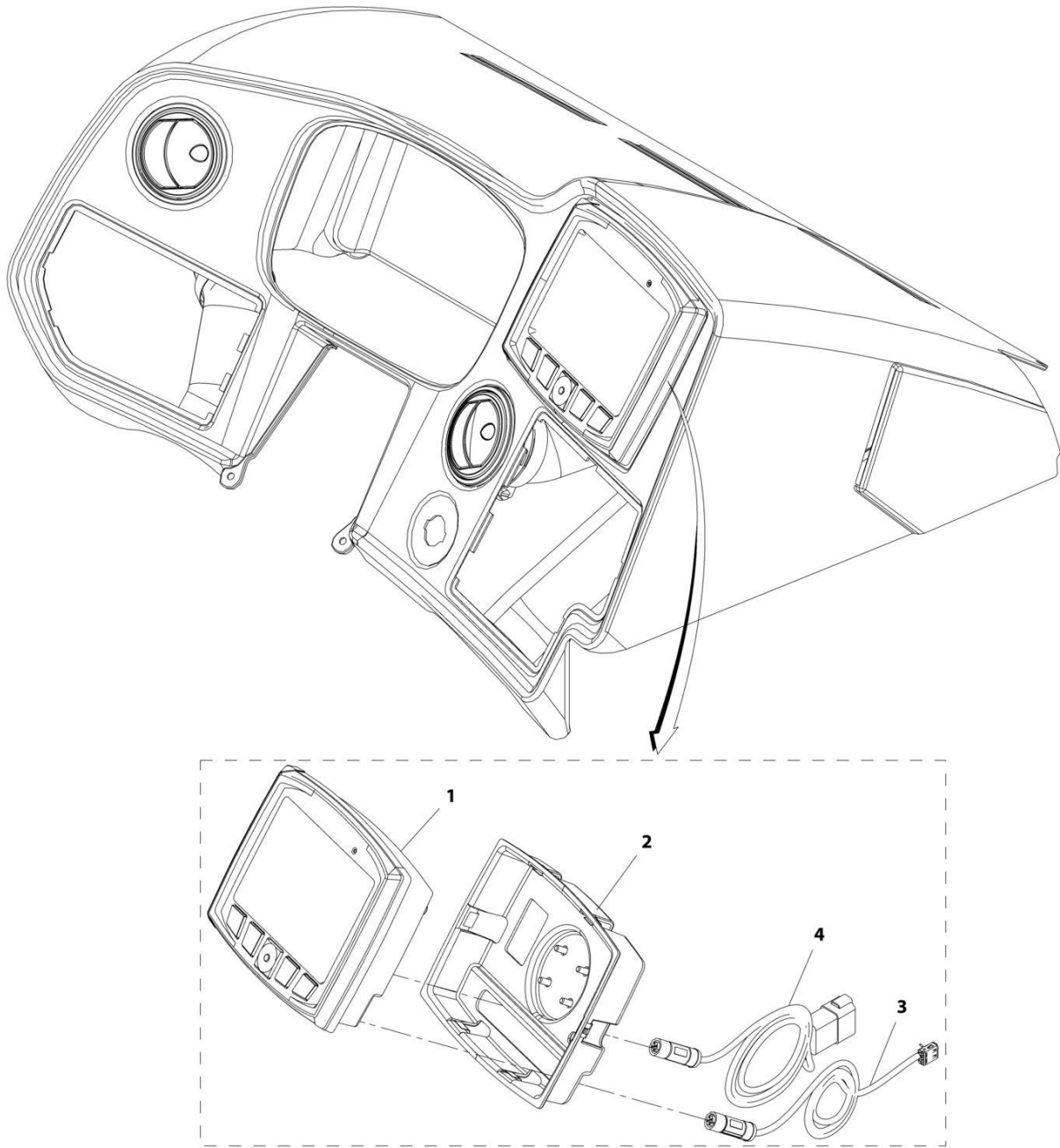
## SECTION 10 - ELECTRICAL

### FIGURE 10-58. TRAILER CONNECTOR HARNESS

ITEM	PART NUMBER	QTY	DESCRIPTION	REV
	1001184839	Ref	TRAILER CONNECTOR HARNESS	C
1	1001116995	7	Connector	
2	4460899	1	Connector	
2	4460941	6	Pin	

# SECTION 10 - ELECTRICAL

## FIGURE 10-59. MULTIFUNCTION DISPLAY INSTALLATION



ART\_1001176338-B

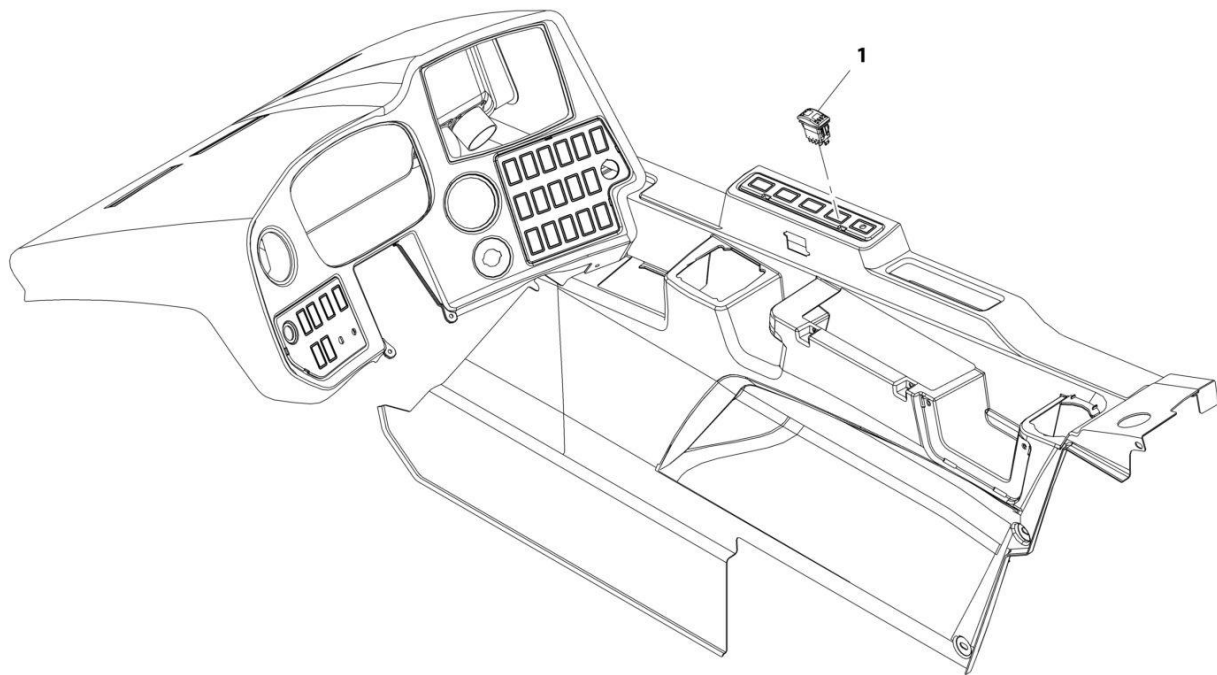
## SECTION 10 - ELECTRICAL

### FIGURE 10-59. MULTIFUNCTION DISPLAY INSTALLATION

ITEM	PART NUMBER	QTY	DESCRIPTION	REV
	1001176338	Ref	Multifunction Display Installation	B
1	1001211357	1	Display	
2	1001178783	1	Bezel	
3	1001180682	1	Cable, Display Programming	
4	1001180683	1	Cable, Display Video	

# SECTION 10 - ELECTRICAL

## FIGURE 10-60. ENGINE SPEED SET SWITCH INSTALLATION



ART\_1001197639-B



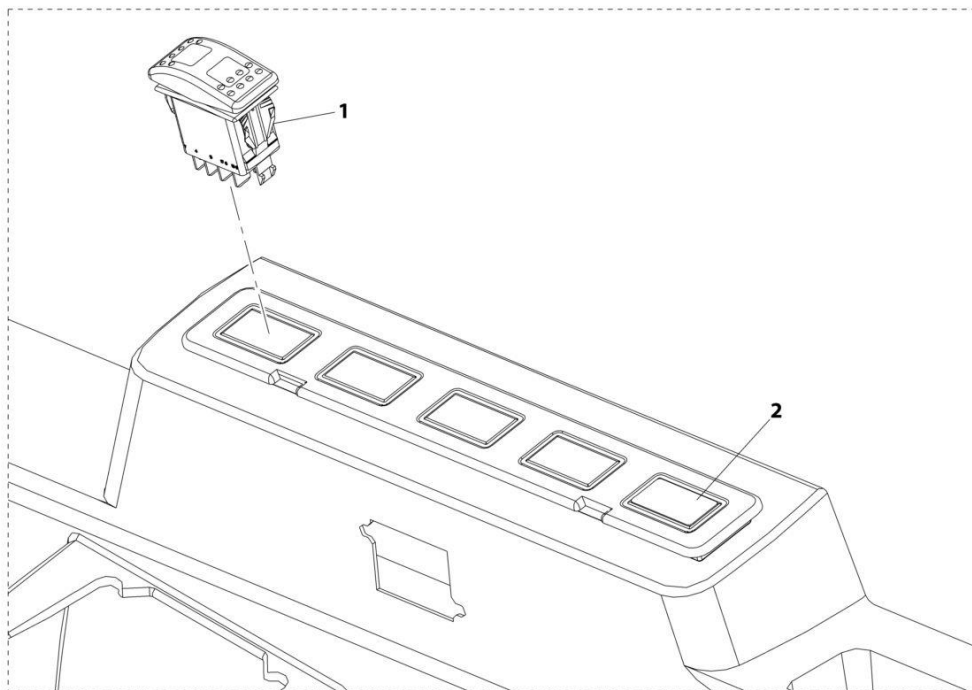
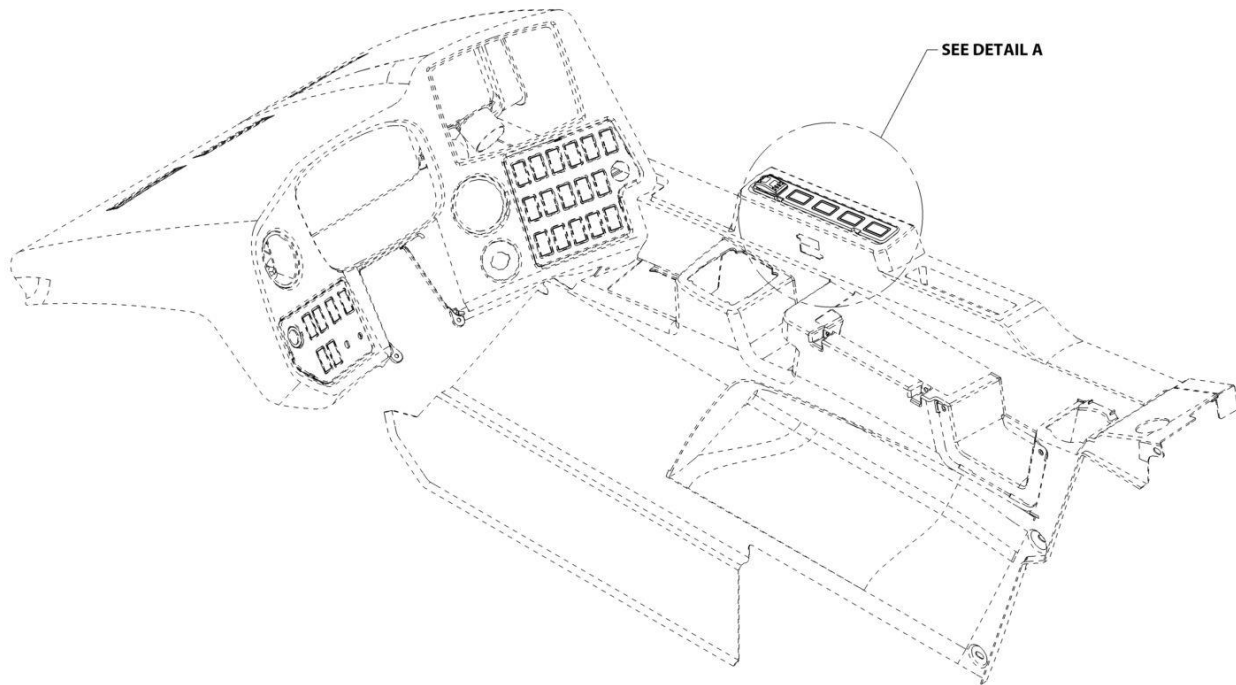
## SECTION 10 - ELECTRICAL

**FIGURE 10-60. ENGINE SPEED SET SWITCH INSTALLATION**

ITEM	PART NUMBER	QTY	DESCRIPTION	REV
1	1001197639	1	Engine Speed Set Switch Installation	B
	1001198932	1	Switch, Engine Speed Set	

# SECTION 10 - ELECTRICAL

## FIGURE 10-61. DECLUTCH SWITCH INSTALLATION



DETAIL A

ART\_1001202430-B

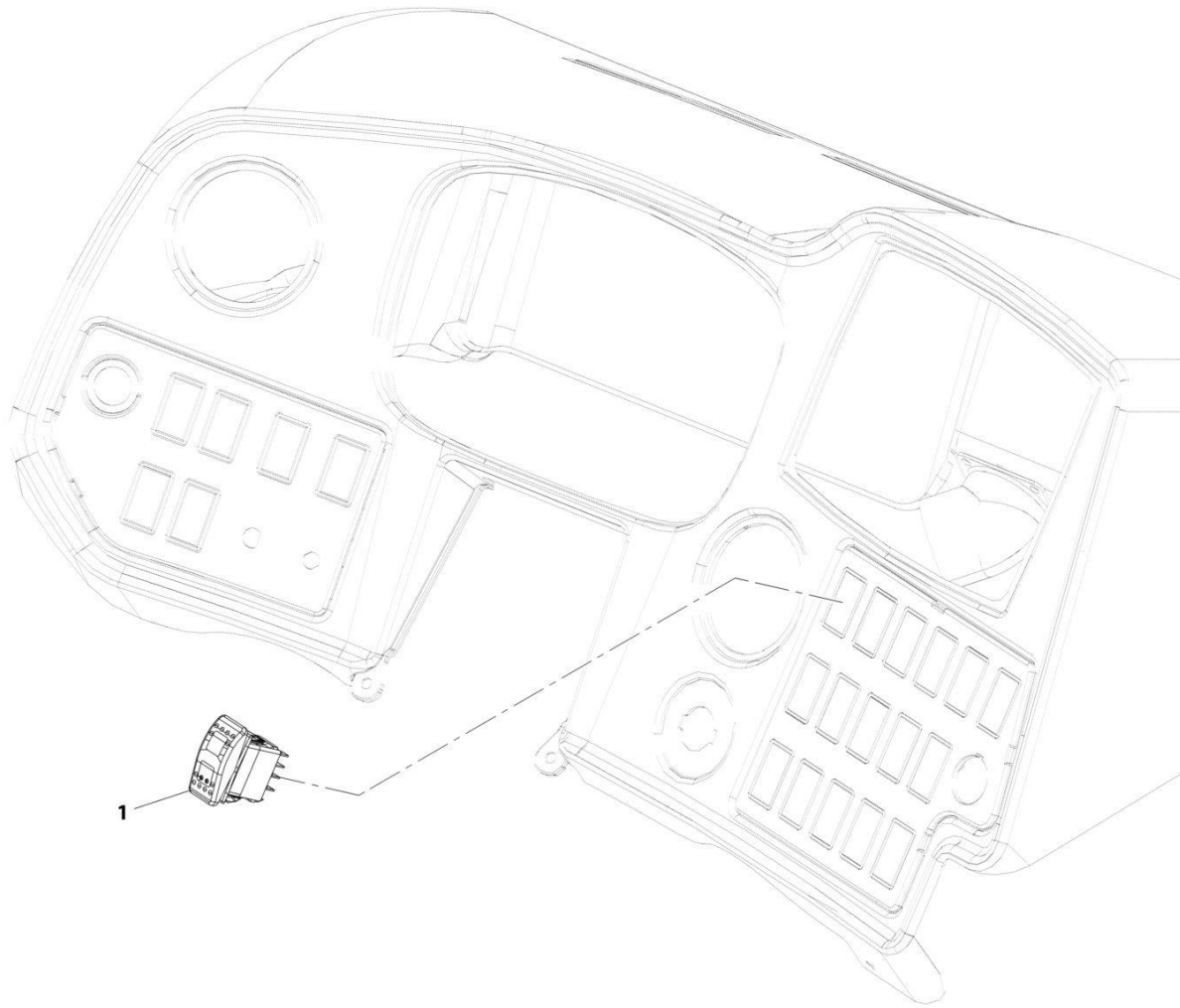
## SECTION 10 - ELECTRICAL

### FIGURE 10-61. DECLUTCH SWITCH INSTALLATION

ITEM	PART NUMBER	QTY	DESCRIPTION	REV
	1001202430	Ref	Declutch Switch Installation	B
1	1001202421	1	Switch, Transmission Disconnect	
2	1001226481	1	Decal, Blank	

# SECTION 10 - ELECTRICAL

FIGURE 10-62. FOG LAMP SWITCH INSTALLATION (Prior to SN 1160008597)



ART\_1001186714-A

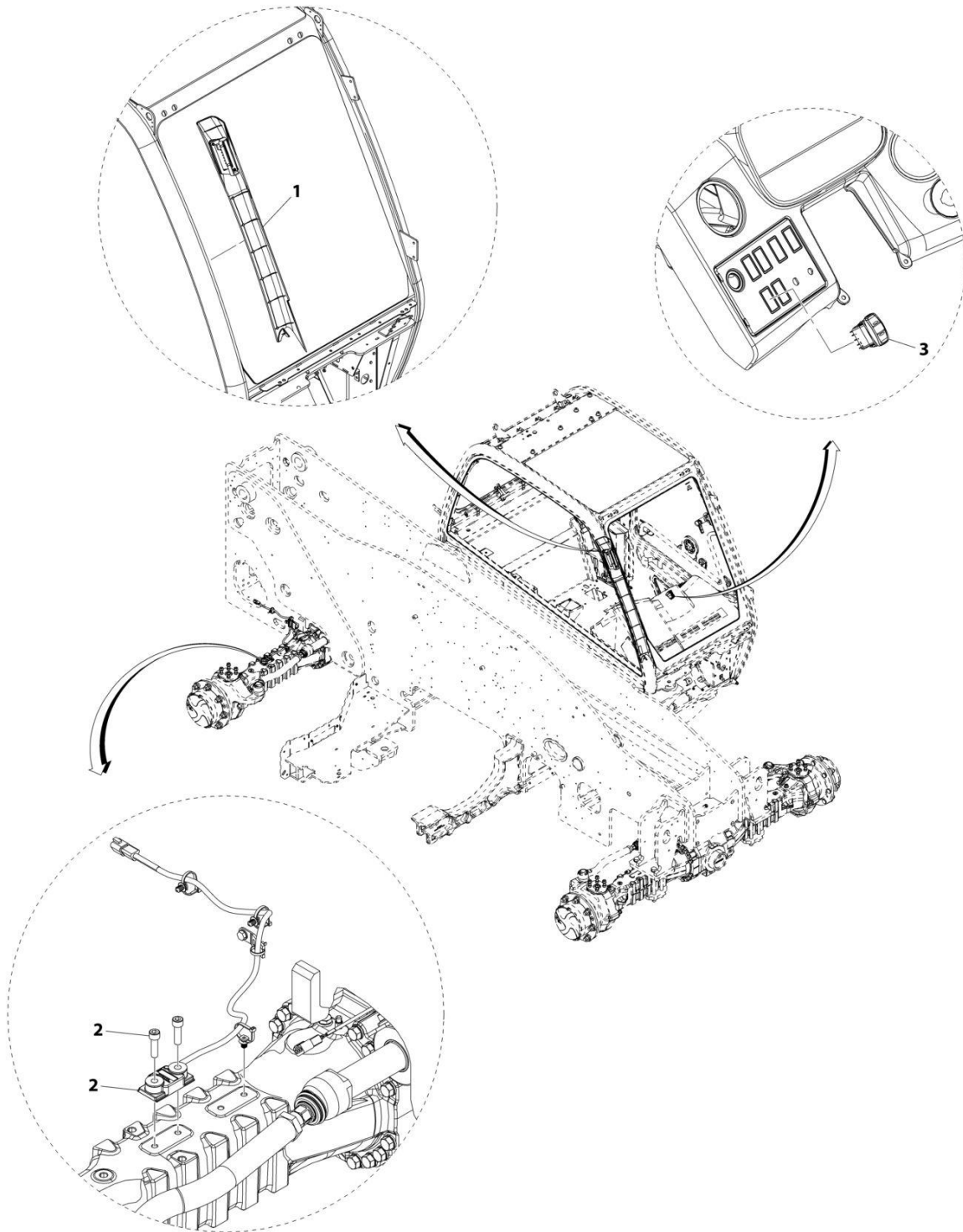
## SECTION 10 - ELECTRICAL

**FIGURE 10-62. FOG LAMP SWITCH INSTALLATION (Prior to SN 1160008597)**

ITEM	PART NUMBER	QTY	DESCRIPTION	REV
1	1001186714 1001159737	Ref 1	Fog Lamp Switch Installation Switch, Fog Lights	A

# SECTION 10 - ELECTRICAL

## FIGURE 10-63. LSI SENSOR INSTALLATION



ART\_1001197589-D

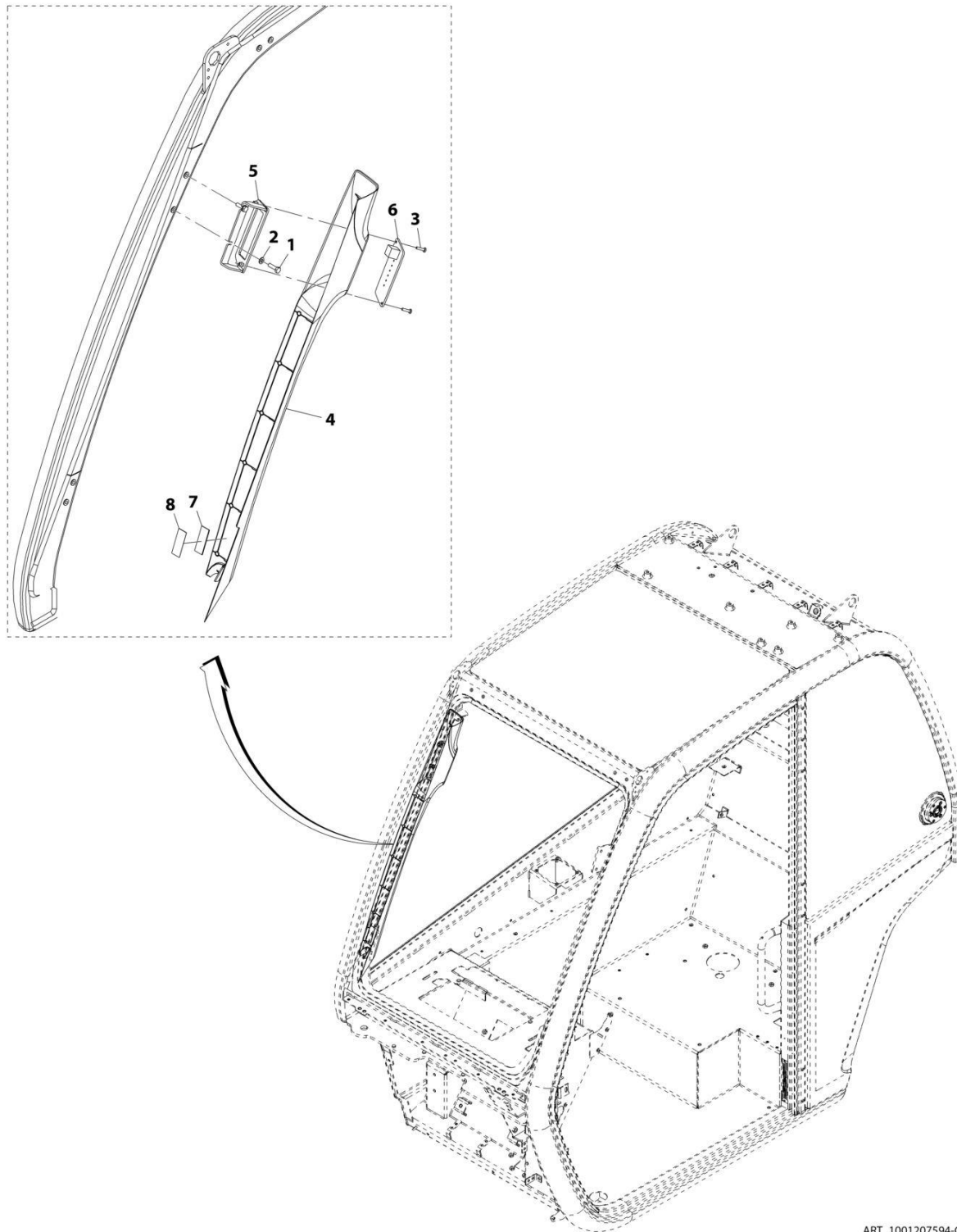
## SECTION 10 - ELECTRICAL

### FIGURE 10-63. LSI SENSOR INSTALLATION

ITEM	PART NUMBER	QTY	DESCRIPTION	REV
1	1001197589	Ref	LSI Sensor Installation (24IN Wheel)	D
	1001207594	Ref	Installation, LSI Assembly (See Separate Breakdown in this Section)	
2	1001199935	Ref	Installation, LSI Sensor (24IN Wheel) (See Separate Breakdown in this Section)	
3	1001233407	Ref	Installation, LSI Switch (See Separate Breakdown in this Section)	

# SECTION 10 - ELECTRICAL

## FIGURE 10-64. LSI DISPLAY INSTALLATION



ART\_1001207594-C



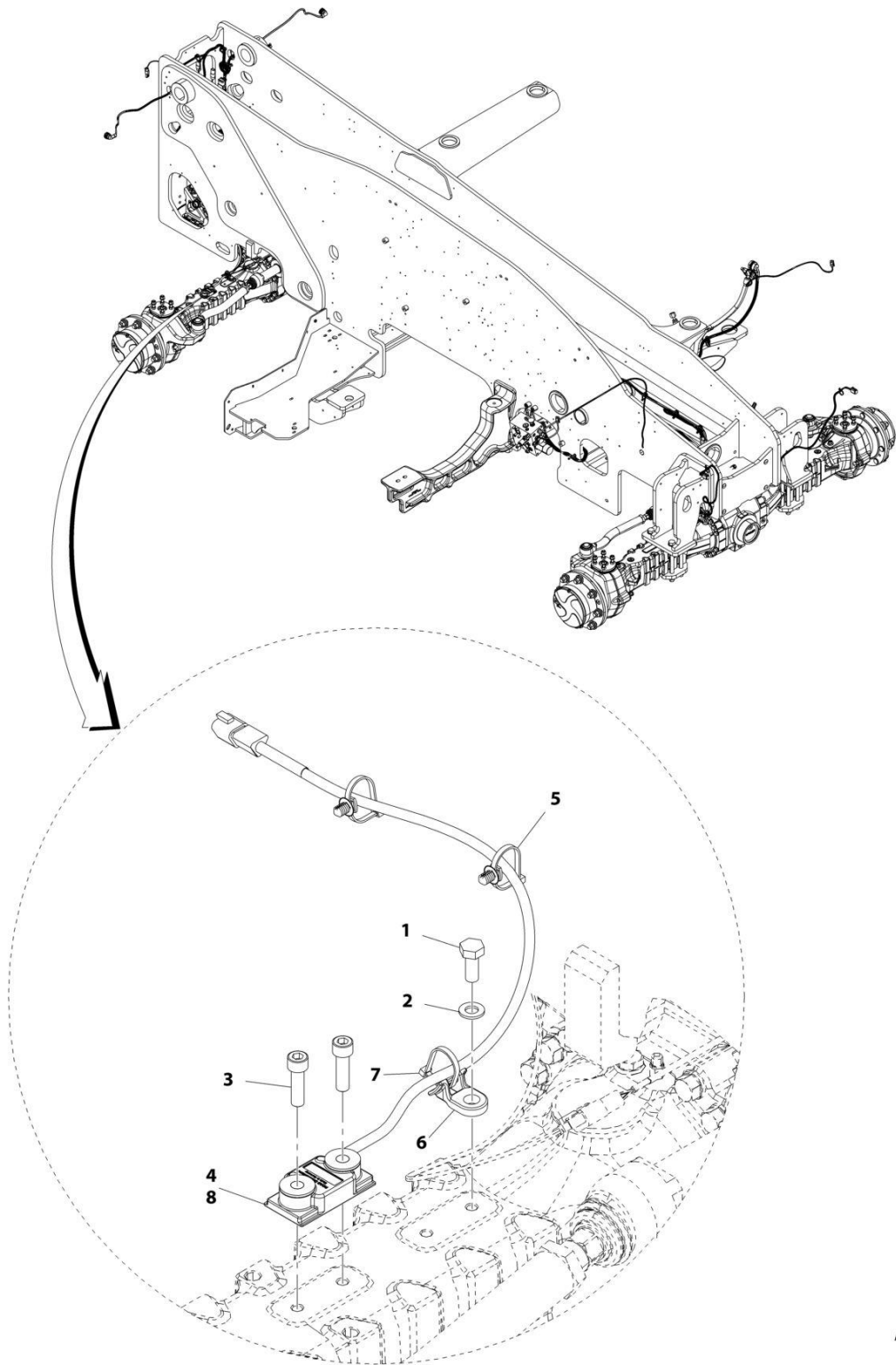
## SECTION 10 - ELECTRICAL

### FIGURE 10-64. LSI DISPLAY INSTALLATION

ITEM	PART NUMBER	QTY	DESCRIPTION	REV
	1001207594	Ref	LSI Display Installation	C
1	0760610	2	Bolt, M6X20	
2	4811700	2	Washer, M6	
3	1001126837	2	Screw, M4X16	
4	1001182839	1	Cover	
5	1001214401	1	Bracket	
6	1001213752	1	Display, LSI	
7	1001221318	1	Tape, Hook Fastener	
8	1001221319	1	Tape, Hook Fastener	

# SECTION 10 - ELECTRICAL

## FIGURE 10-65. LSI SENSOR (Prior to SN 1160008716)



ART\_1001199935-B

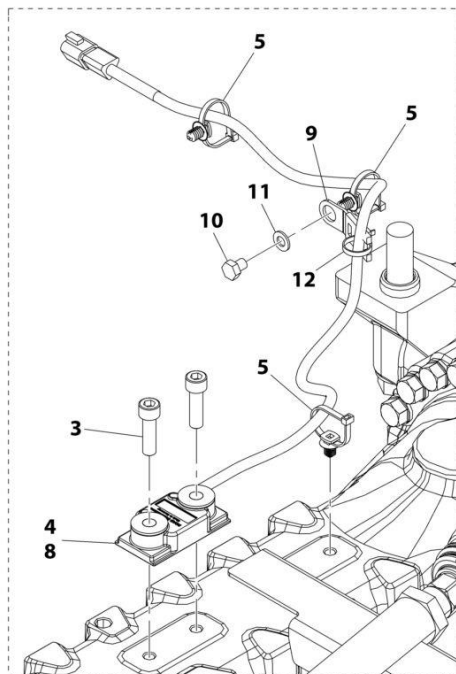
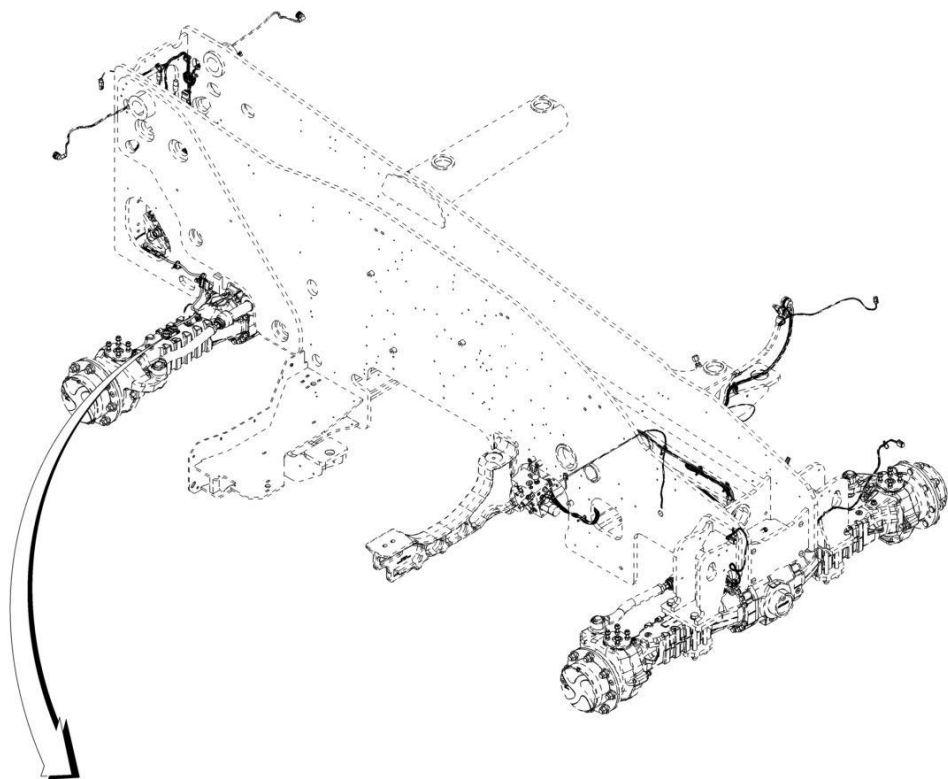
## SECTION 10 - ELECTRICAL

**FIGURE 10-65. LSI SENSOR (Prior to SN 1160008716)**

ITEM	PART NUMBER	QTY	DESCRIPTION	REV
	1001199935	Ref	LSI Sensor (24IN Wheel)	B
1	0761012	1	Bolt, M10X25	
2	4812000	1	Washer, M10	
3	5272011	2	Screw, M10X35	
4	1001116128	1	Sealant, Polysiloxane	
5	1001146588	2	Strap, Cable	
6	1001169146	1	Mount	
7	1001004720	1	Strap, Cable	
8	1001160730	1	Sensor, Rear Axle LSI	

# SECTION 10 - ELECTRICAL

FIGURE 10-66. LSI SENSOR (24IN WHEEL) (SN 1160008716 to Present)



ART\_1001199935-E

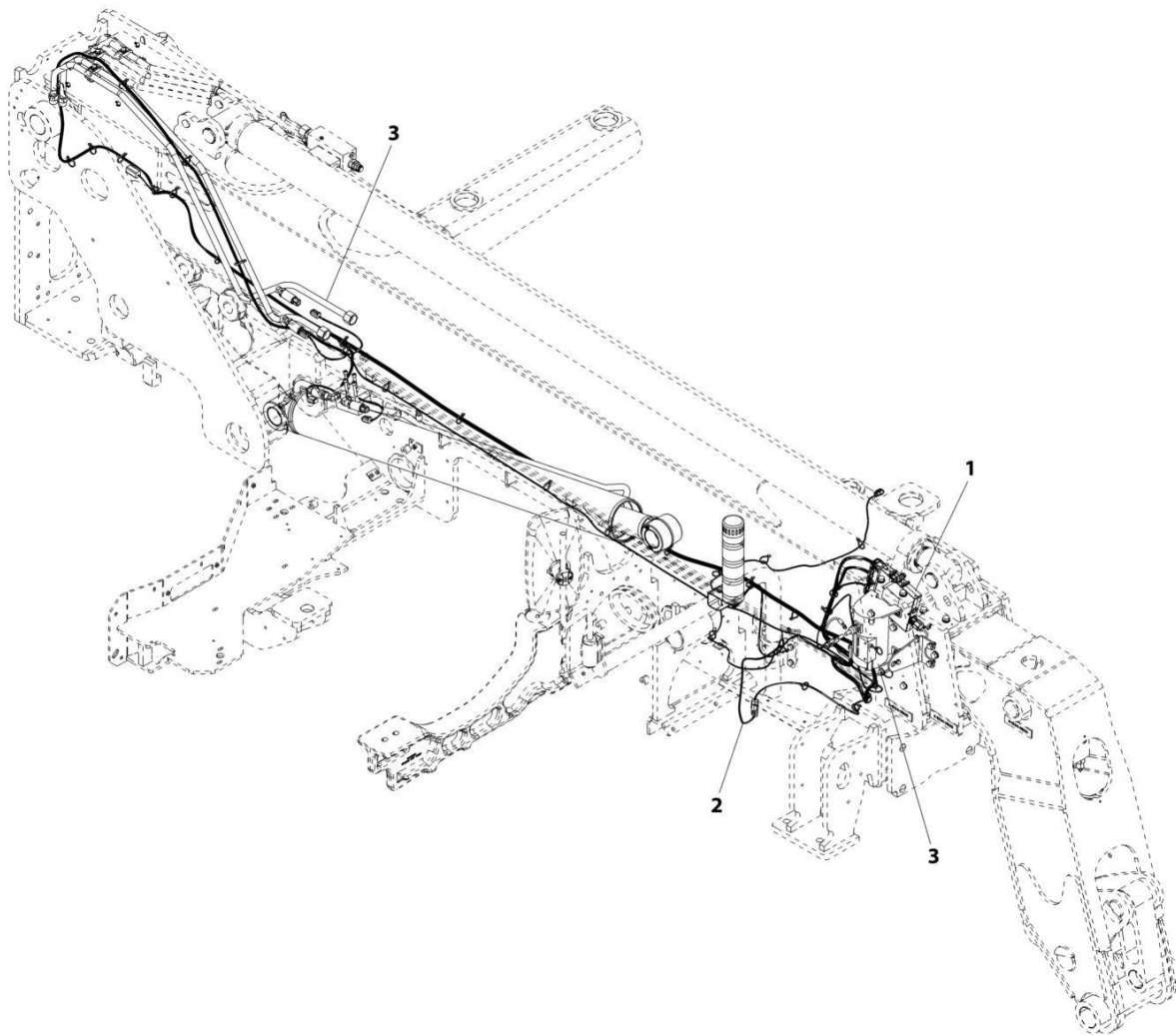
## SECTION 10 - ELECTRICAL

**FIGURE 10-66. LSI SENSOR (24IN WHEEL) (SN 1160008716 to Present)**

ITEM	PART NUMBER	QTY	DESCRIPTION	REV
	1001199935	Ref	LSI Sensor (24IN Wheel)	E
3	5272011	2	Screw, M10X35	
4	1001116128	1	Sealant, Polysiloxane	
5	1001146588	3	Strap, Cable	
8	1001160730	1	Sensor, Rear Axle LSI	
9	1001025750	1	Clip	
10	0760805	1	Screw, 8X10	
11	4811900	1	Washer, 8M	
12	1001008559	1	Strap, Cable	

# SECTION 10 - ELECTRICAL

## FIGURE 10-67. LMIS INSTALLATION (NO MULTIFUNCTION DISPLAY)



ART\_1001203036-B

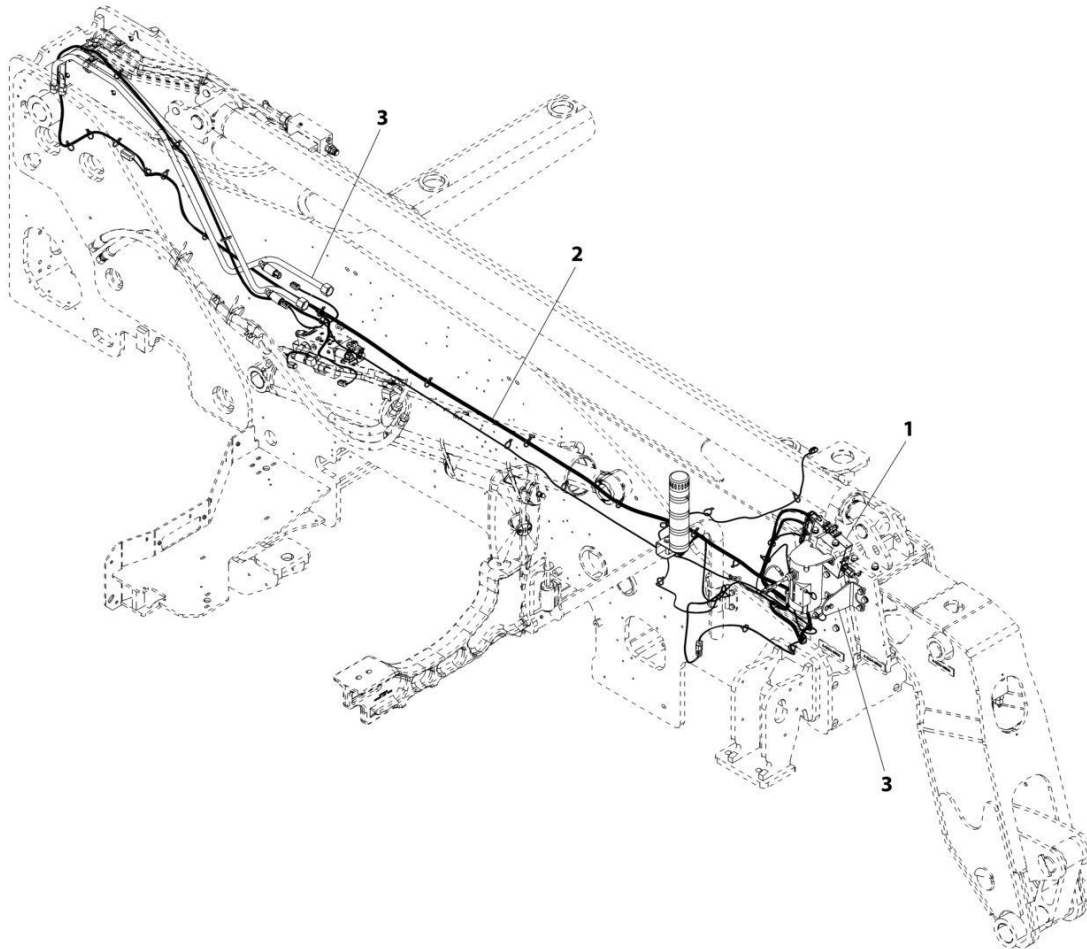
## SECTION 10 - ELECTRICAL

**FIGURE 10-67. LMIS INSTALLATION (NO MULTIFUNCTION DISPLAY)**

ITEM	PART NUMBER	QTY	DESCRIPTION	REV
1	1001203036	Ref	LMIS Installation	B
	1001183818	Ref	Installation, LMIS Controller (See Separate Breakdown in this Section)	
2	1001186012	Ref	Installation, LMIS Wiring (See Separate Breakdown in this Section)	
3	1001203037	Ref	Installation, LMIS Mech (See Separate Breakdown in this Section)	

# SECTION 10 - ELECTRICAL

## FIGURE 10-68. LMIS INSTALLATION (MULTIFUNCTION DISPLAY)



ART\_1001211965-A



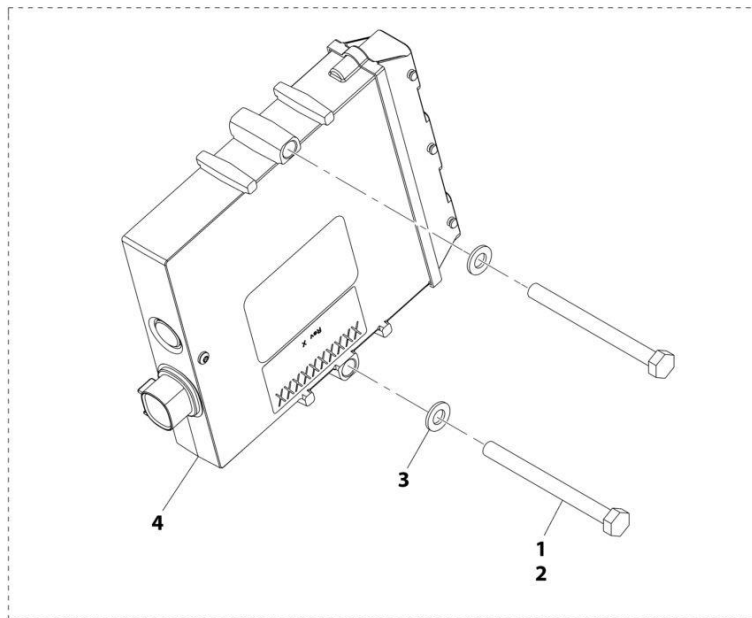
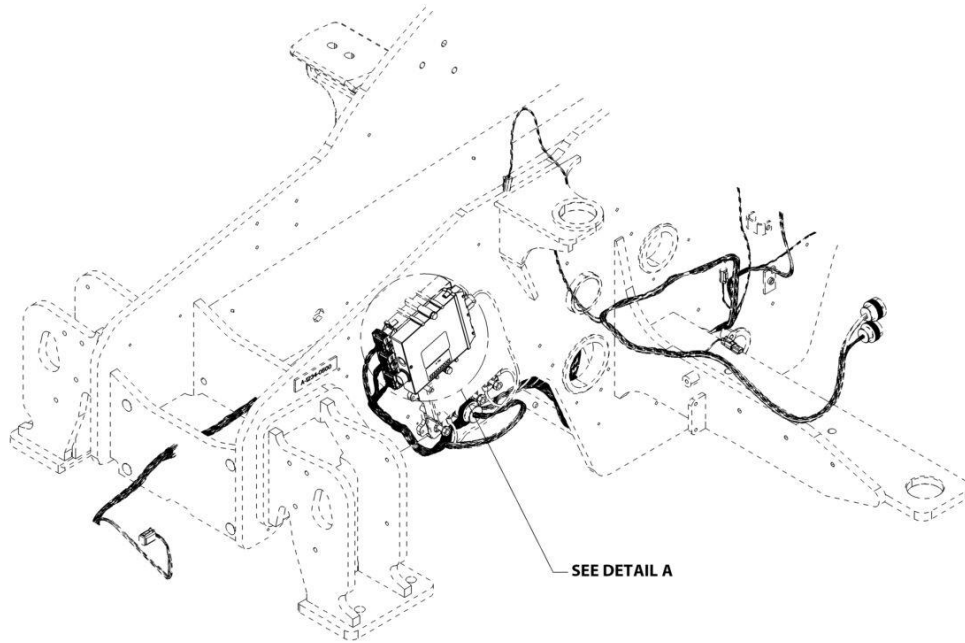
## SECTION 10 - ELECTRICAL

**FIGURE 10-68. LMIS INSTALLATION (MULTIFUNCTION DISPLAY)**

ITEM	PART NUMBER	QTY	DESCRIPTION	REV
1	1001211965	Ref	LMIS Installation (Ride Control)	A
	1001183818	1	Installation, LMIS Controller (See Separate Breakdown in this Section)	
2	1001186012	1	Installation, LMIS Wiring (See Separate Breakdown in this Section)	
3	1001211966	1	Installation, LMIS Mech (Ride Control) (See Separate Breakdown in this Section)	

# SECTION 10 - ELECTRICAL

## FIGURE 10-69. LMIS CONTROLLER INSTALLATION



DETAIL A

ART\_1001183818-A

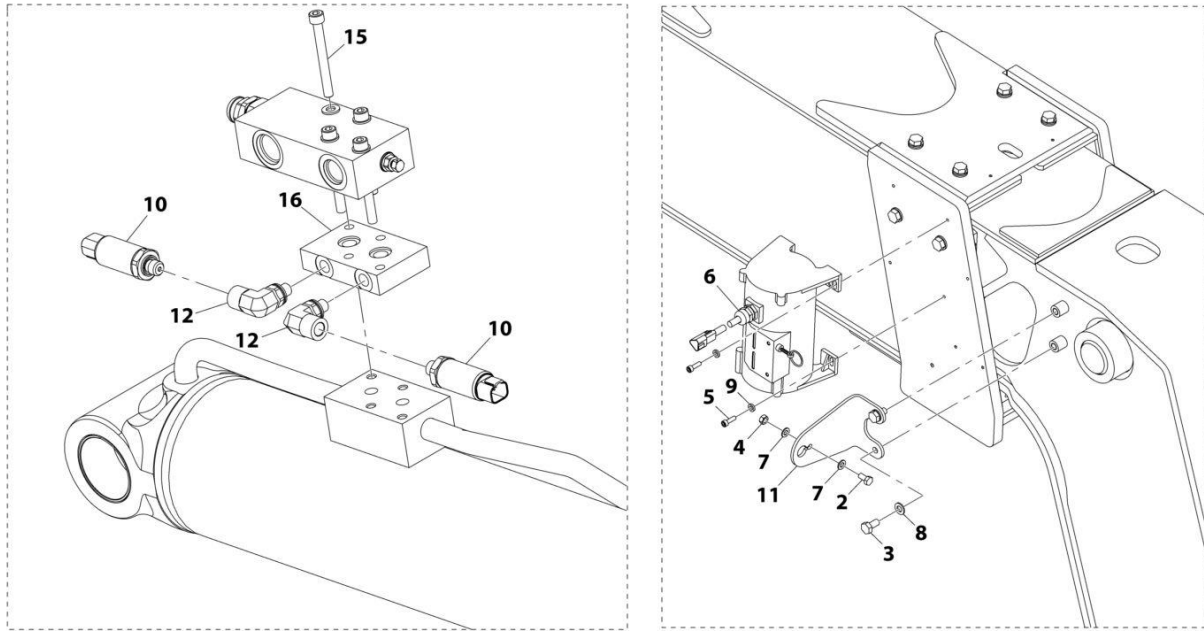
## SECTION 10 - ELECTRICAL

### FIGURE 10-69. LMIS CONTROLLER INSTALLATION

ITEM	PART NUMBER	QTY	DESCRIPTION	REV
	1001183818	Ref	LMIS Controller Installation	A
1	1001095650	AR	Compound, Locking	
2	0700826	2	Bolt, M8X90	
3	4811900	2	Washer, M8	
4	1001179901	1	Module, LMIS Control	

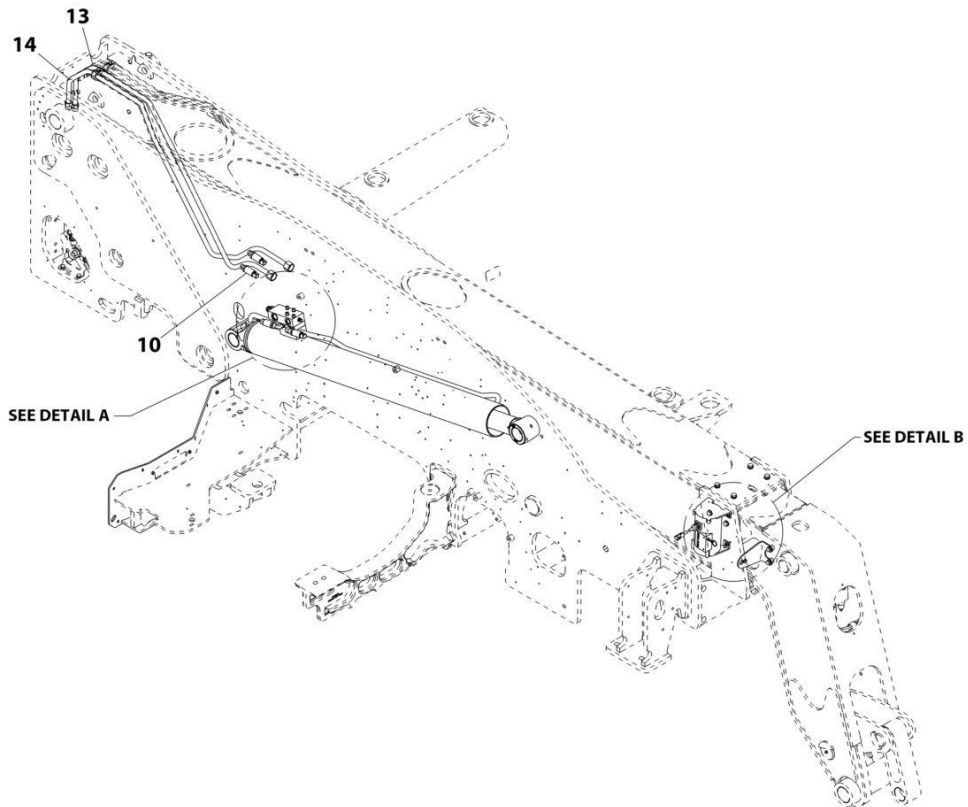
# SECTION 10 - ELECTRICAL

## FIGURE 10-70. LMIS CABLE REEL INSTALLATION (NO RIDE CONTROL)



DETAIL A

DETAIL B



ART\_1001183819-D

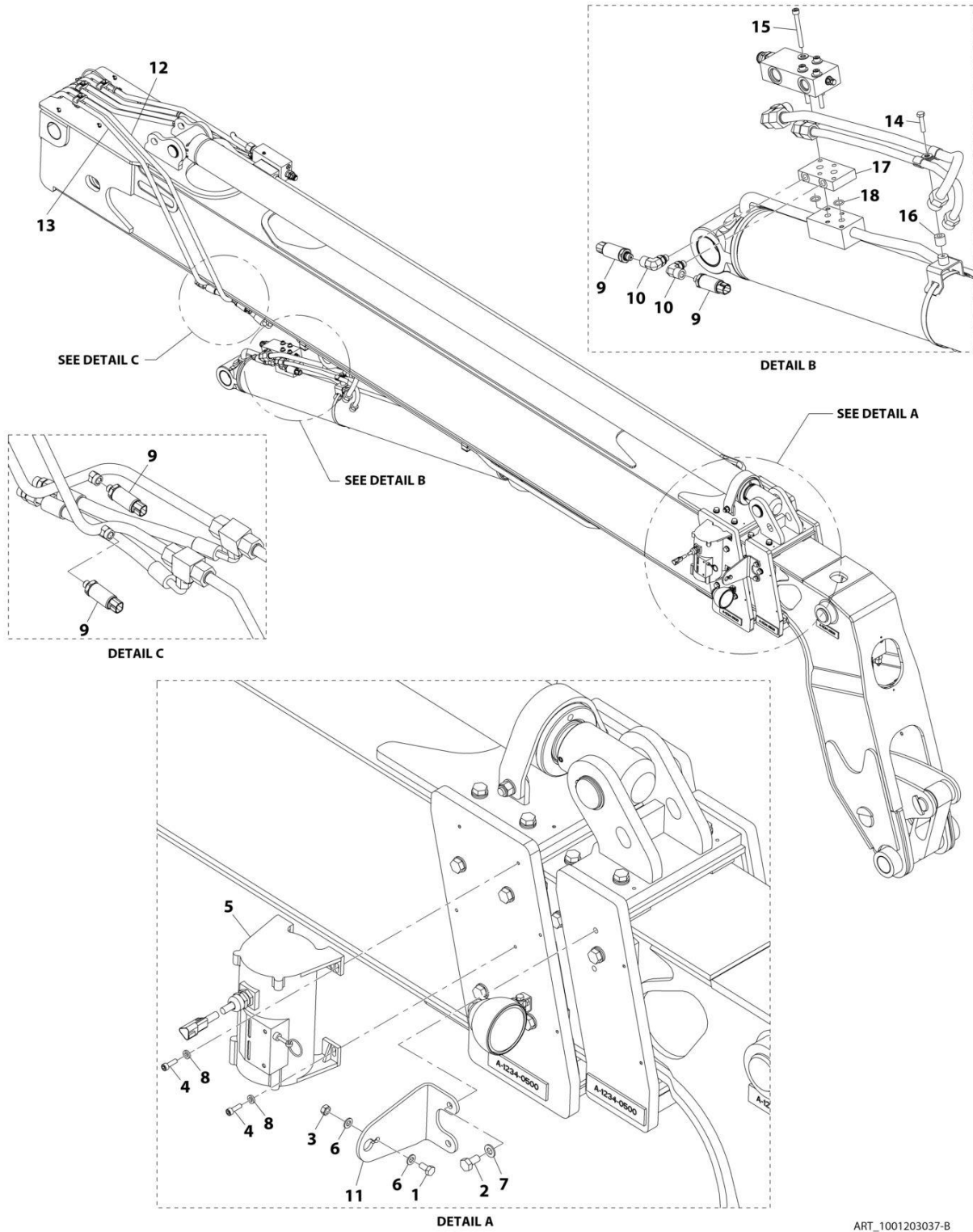
## SECTION 10 - ELECTRICAL

**FIGURE 10-70. LMIS CABLE REEL INSTALLATION (NO RIDE CONTROL)**

ITEM	PART NUMBER	QTY	DESCRIPTION	REV
	1001183819	Ref	LMIS Cable Reel Installation	D
2	0760808	1	Bolt, M8X16	
3	0761010	2	Bolt, M10X20	
4	3290801	1	Nut, M8X1.25	
5	4031708	4	Bolt, M6X20	
6	1001211389	1	Sensor	
7	4811900	2	Washer, M8	
8	4812000	2	Washer, M10	
9	5240600	4	Washer, M6	
10	1001162885	4	Sensor	
11	1001190657	1	Bracket	
12	1001184172	2	Fitting, 90	
13	1001203284	1	Hose	
14	1001203285	1	Hose	
15	5271919	4	Screw	
16	1001108857	1	Manifold	

# SECTION 10 - ELECTRICAL

## FIGURE 10-71. LMIS INSTALLATION MECH



ART\_1001203037-B

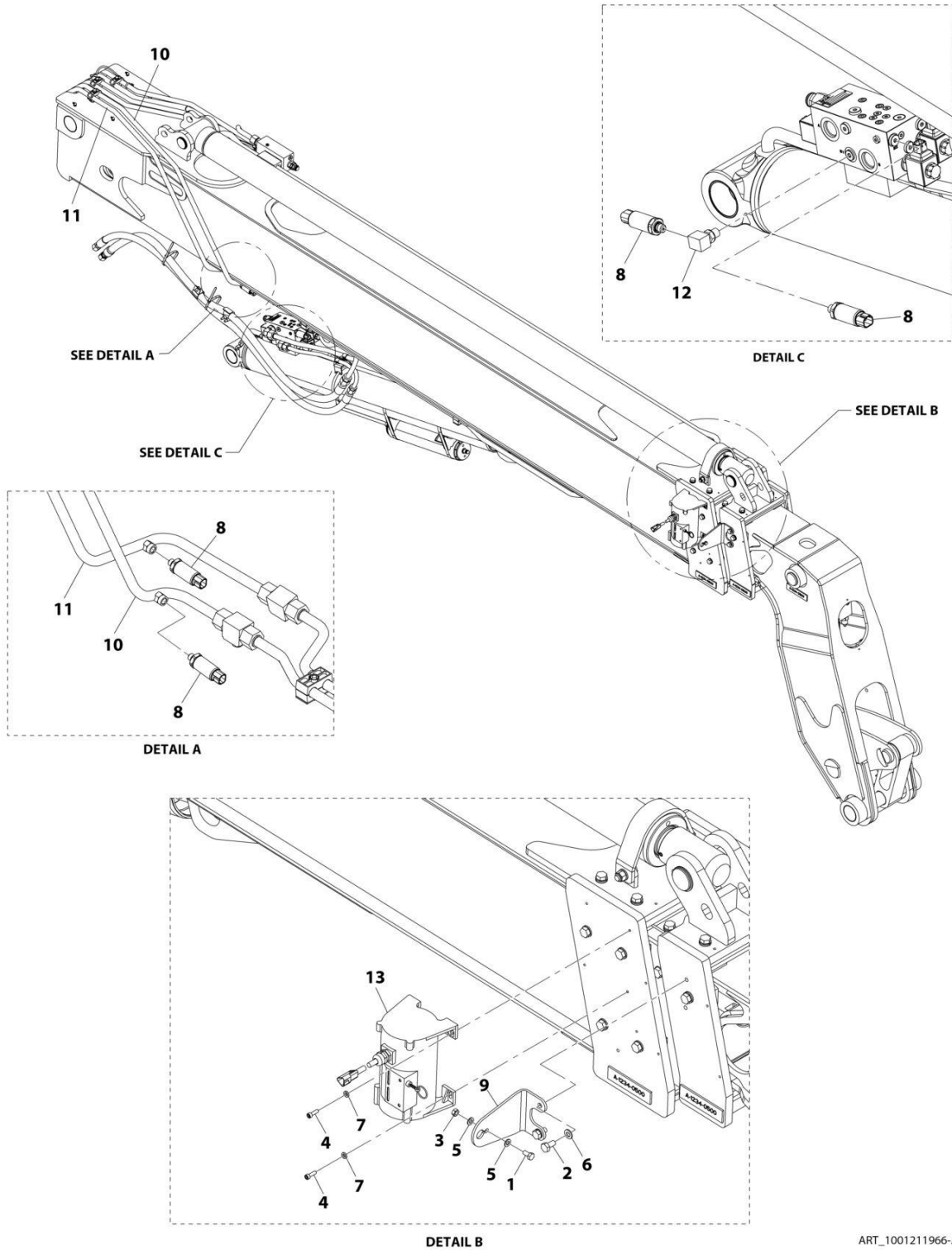
## SECTION 10 - ELECTRICAL

**FIGURE 10-71. LMIS INSTALLATION MECH**

ITEM	PART NUMBER	QTY	DESCRIPTION	REV
	1001203037	Ref	LMIS Installation Mech	B
1	0760808	1	Bolt, M8X16	
2	0761010	2	Bolt, M10X20	
3	3290801	1	Nut, M8X1.25	
4	4031708	4	Bolt, M6X20	
5	1001211389	1	Switch, Boom Length	
6	4811900	2	Washer, M8	
7	4812000	2	Washer, M10	
8	5240600	4	Washer, M6	
9	1001162885	4	Sensor	
10	1001101855	2	Fitting, 90	
11	1001190657	1	Bracket	
12	1001203282	1	Pipe, ORFS	
13	1001203283	1	Pipe, ORFS	
14	0760815	1	Bolt, M8X35	
15	5271919	4	Screw	
16	1001095401	1	Spacer	
17	1001108857	1	Manifold	
18	1001102080	2	O-Ring	

# SECTION 10 - ELECTRICAL

## FIGURE 10-72. LMIS INSTALLATION MECH (RIDE CONTROL)



ART\_1001211966-A



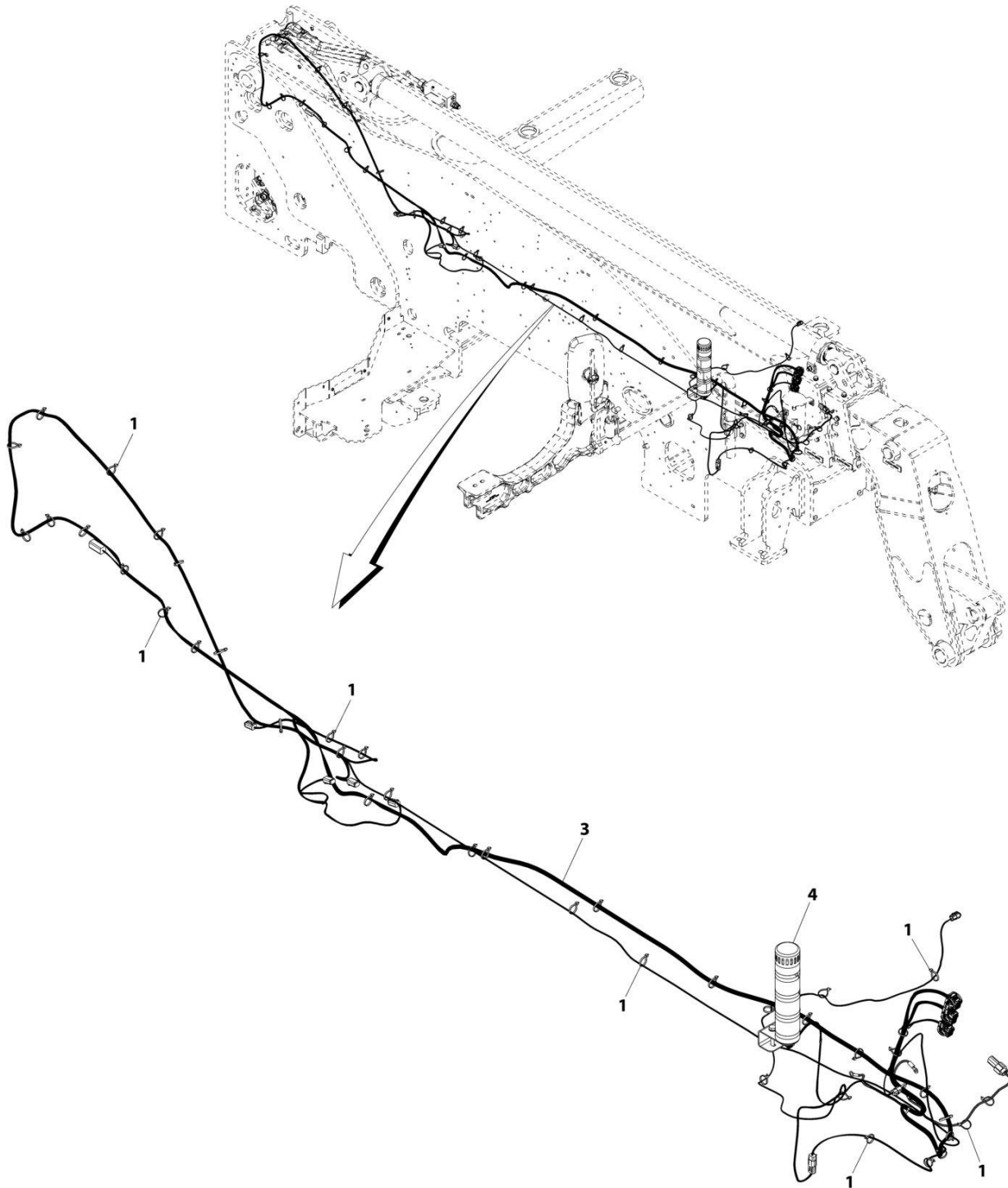
## SECTION 10 - ELECTRICAL

**FIGURE 10-72. LMIS INSTALLATION MECH (RIDE CONTROL)**

ITEM	PART NUMBER	QTY	DESCRIPTION	REV
	1001211966	Ref	LMIS Installation Mech (Ride Control)	A
1	0760808	1	Bolt, M8X16	
2	0761010	2	Bolt, M10X20	
3	3290801	1	Nut, M8X1.25 Grade 8	
4	4031708	4	Bolt, M6X20	
5	4811900	2	Washer, M8	
6	4812000	2	Washer, M10	
7	5240600	4	Washer, M6	
8	1001162885	4	Sensor, Pressure LMIS	
9	1001190657	1	Bracket, LMIS	
10	1001203282	1	Pipe, ORFS	
11	1001203283	1	Pipe, ORFS	
12	1001209986	1	Adapter, 90	
13	1001211389	1	Sensor, Boom Length	

# SECTION 10 - ELECTRICAL

## FIGURE 10-73. LMIS WIRING INSTALLATION



ART\_1001186012-D

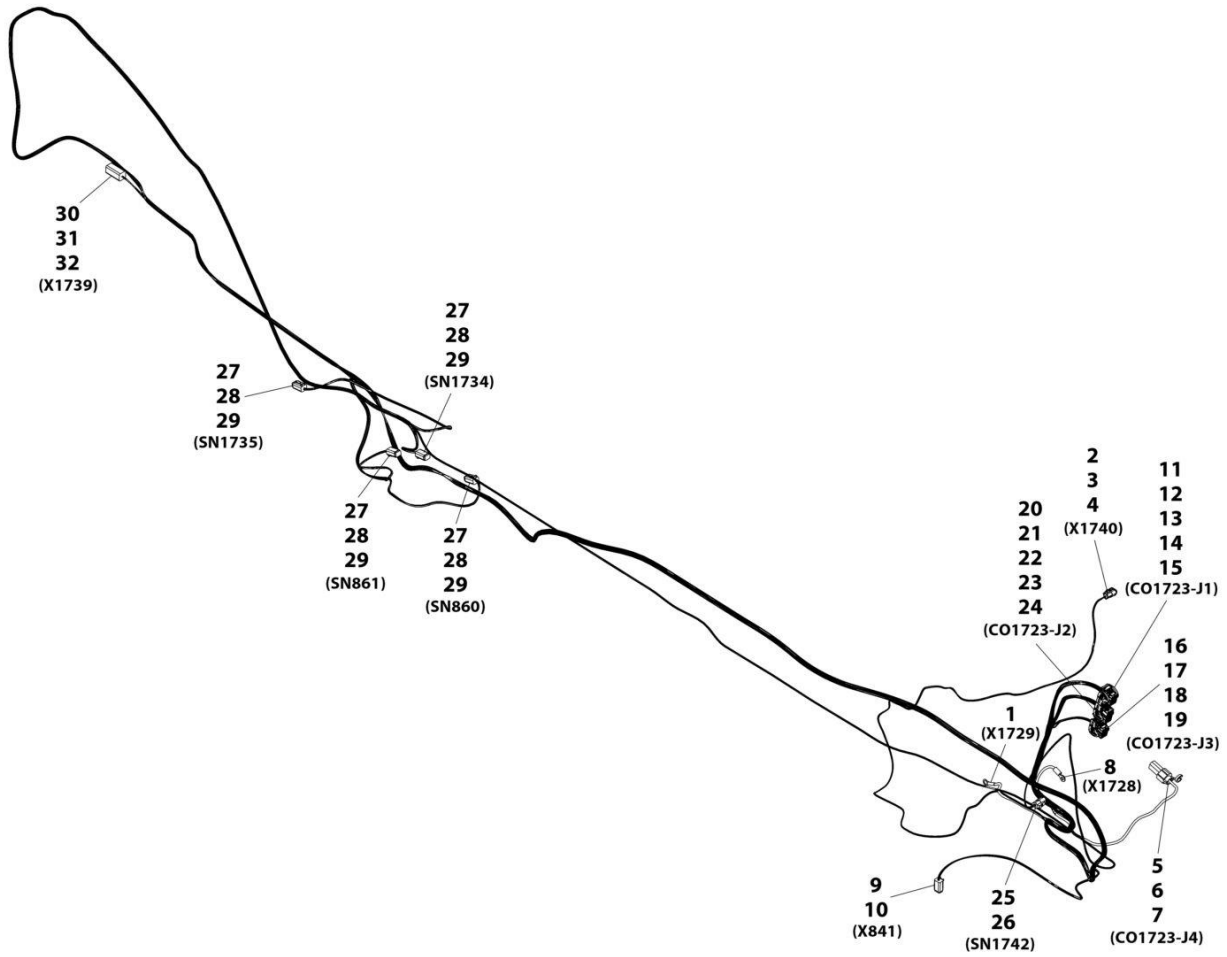
## SECTION 10 - ELECTRICAL

### FIGURE 10-73. LMIS WIRING INSTALLATION

ITEM	PART NUMBER	QTY	DESCRIPTION	REV
	1001186012	Ref	LMIS Wiring Installation	D
1	1001008559	44	Strap, Cable	
3	1001185959	1	Wiring, LMIS (See Separate Breakdown in this Section)	
4	1001183832	1	Installation, LMIS Beacon (See Separate Breakdown in this Section)	

# SECTION 10 - ELECTRICAL

## FIGURE 10-74. LMIS CHASSIS HARNESS



ART\_1001185959-E

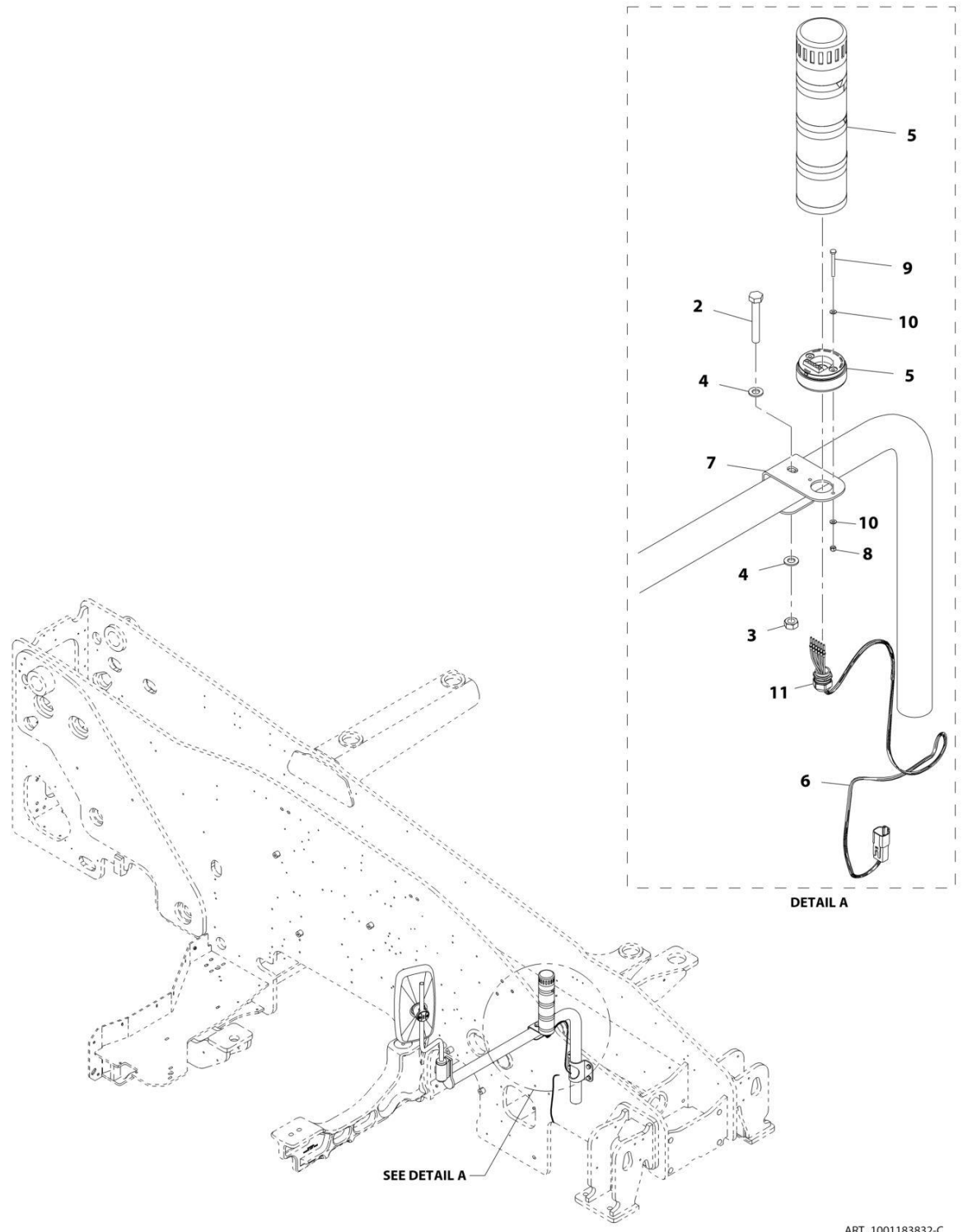
## SECTION 10 - ELECTRICAL

### FIGURE 10-74. LMIS CHASSIS HARNESS

ITEM	PART NUMBER	QTY	DESCRIPTION	REV
	1001185959	Ref	LMIS Harness	D
1	1001117109	1	Terminal, Ring	
2	1001116812	1	Connector	
3	4460944	2	Terminal	
4	4460466	1	Plug	
5	1001160509	1	Connector	
6	1001160510	1	Terminal	
7	1001175266	1	Seal	
8	8220114	1	Terminal, Ring	
9	4460884	1	Connector	
10	4460465	4	Terminal	
11	1001161957	1	Connector	
12	1001161095	11	Terminal	
13	1001161100	13	Plug	
14	1001161099	4	Terminal	
15	1001161101	4	Plug	
16	1001161963	1	Connector	
17	1001161095	13	Terminal	
18	1001161100	27	Plug	
19	1001161099	4	Terminal	
20	1001161101	4	Plug	
21	1001160500	1	Connector	
22	1001161095	5	Terminal	
23	1001161100	19	Plug	
24	1001161101	8	Plug	
25	4460539	1	Connector	
26	4460942	1	Terminal	
27	4460465	2	Terminal	
28	4460884	1	Connector	
29	4460942	1	Terminal	
30	4460465	3	Terminal	
31	4460884	1	Connector	
32	4460942	1	Terminal	
33	4460465	3	Terminal	
34	4460884	1	Connector	
35	4460942	1	Terminal	
36	4460465	3	Terminal	
37	4460899	1	Connector	
38	4460464	2	Terminal	
39	4460466	4	Plug	
40	4460884	1	Connector	
41	4460942	1	Terminal	
42	4460465	3	Terminal	

# SECTION 10 - ELECTRICAL

## FIGURE 10-75. LMIS BEACON INSTALLATION



ART\_1001183832-C

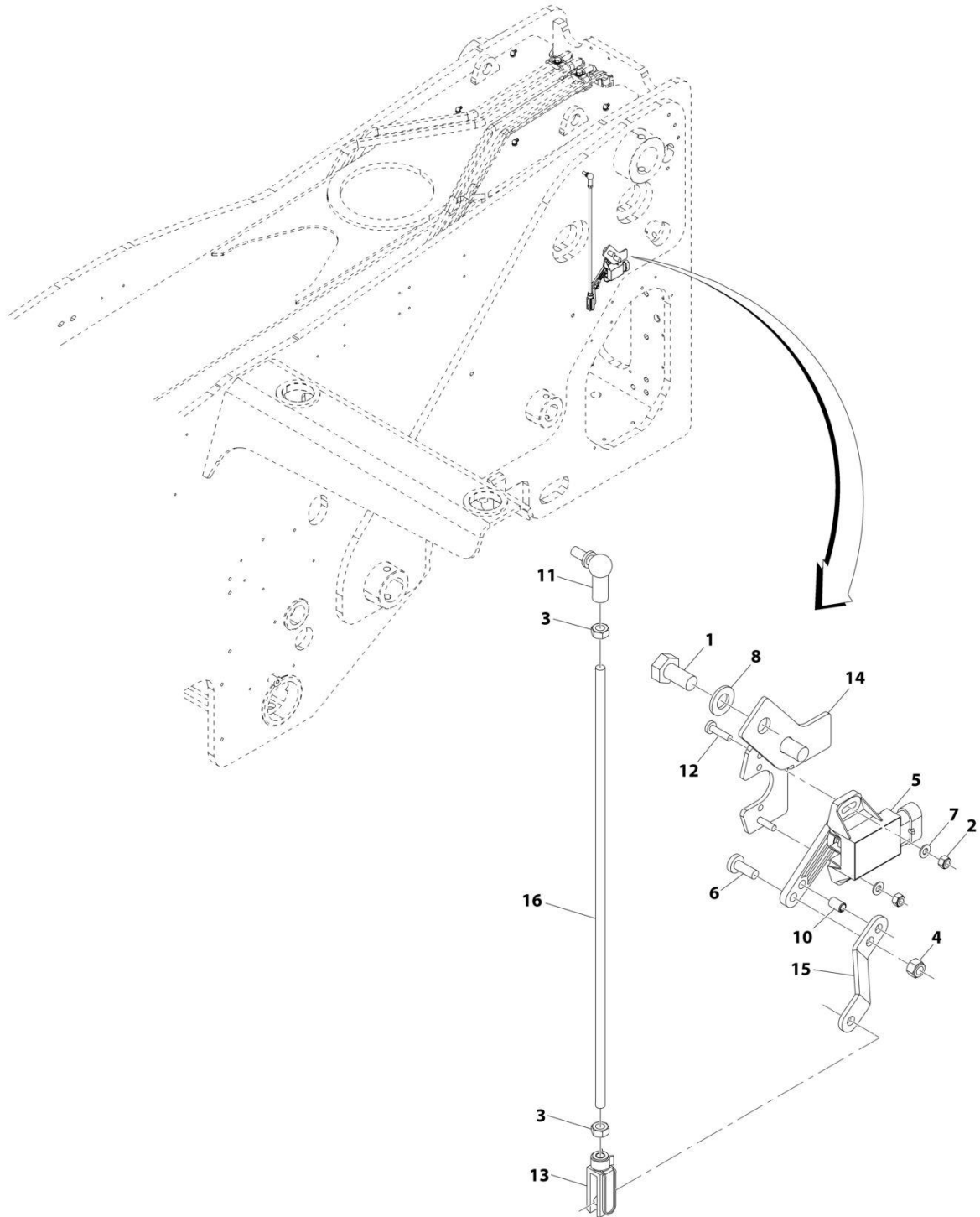
## SECTION 10 - ELECTRICAL

### FIGURE 10-75. LMIS BEACON INSTALLATION

ITEM	PART NUMBER	QTY	DESCRIPTION	REV
	1001183832	Ref	LMIS Beacon Installation	C
2	0701022	1	Bolt, M10X70	
3	3291001	1	Nut, M10X1.5 Grade 8	
4	4812000	2	Washer, M10	
5	1001108661	1	Lamp, LMIS Beacon Alarm	
6	1001117247	1	Harness, LMIS Beacon Option	
7	1001191259	1	Bracket	
8	3290405	2	Nut, Lock M4X0.7	
9	4010416	2	Screw, Pozidrive M4X40	
10	4811400	4	Washer, M4	
11	E000269	1	Connector, Strain Relief	

# SECTION 10 - ELECTRICAL

## FIGURE 10-76. BOOM ANGLE SENSOR INSTALLATION



ART\_1001179937-C



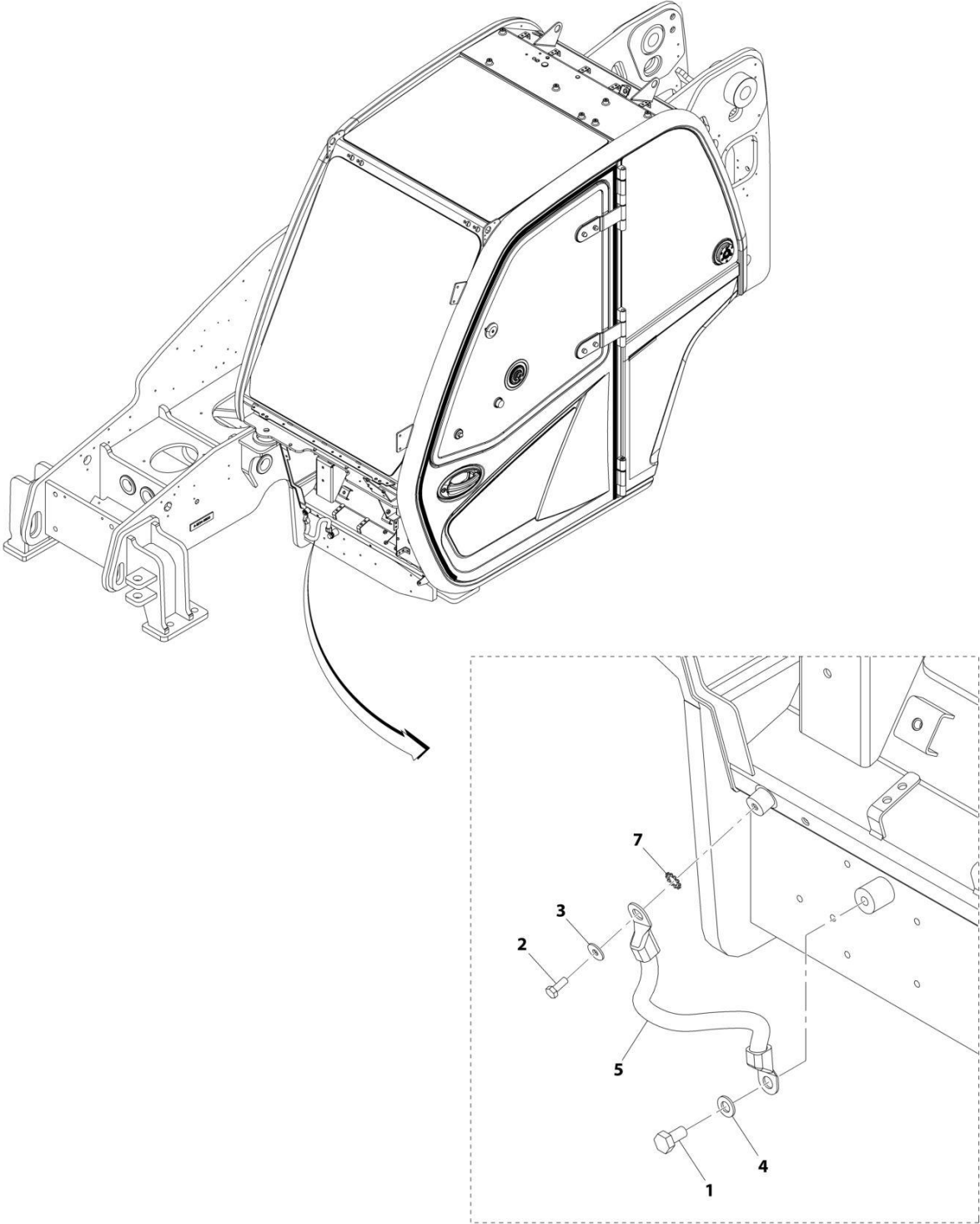
## SECTION 10 - ELECTRICAL

**FIGURE 10-76. BOOM ANGLE SENSOR INSTALLATION**

ITEM	PART NUMBER	QTY	DESCRIPTION	REV
	1001179937	Ref	BOOM ANGLE SENSOR INSTALLATION	D
1	0761010	2	Bolt M10 x 20	
2	3290405	2	Nut, Lock M4 x 0.7	
3	3290601	2	Nut M6 x 1	
4	3290605	1	Nut, Lock M6 x 1	
	1001278028	1	Sensor, Boom Angle	
6	4010608	1	Screw M6 x 16	
7	4811400	2	Washer M4	
8	4812000	2	Washer M10	
10	1001103156	1	Pin	
11	1001103300	1	Ball, Joint	
12	1001126837	2	Screw M4 x 16	
13	1001134274	1	Clevis	
14	1001187851	1	Bracket	
15	1001187852	1	Link	
16	1001187853	1	Rod	

**SECTION 10 - ELECTRICAL**

**FIGURE 10-77. EARTH STRAP INSTALLATION**



ART\_1001186646-D

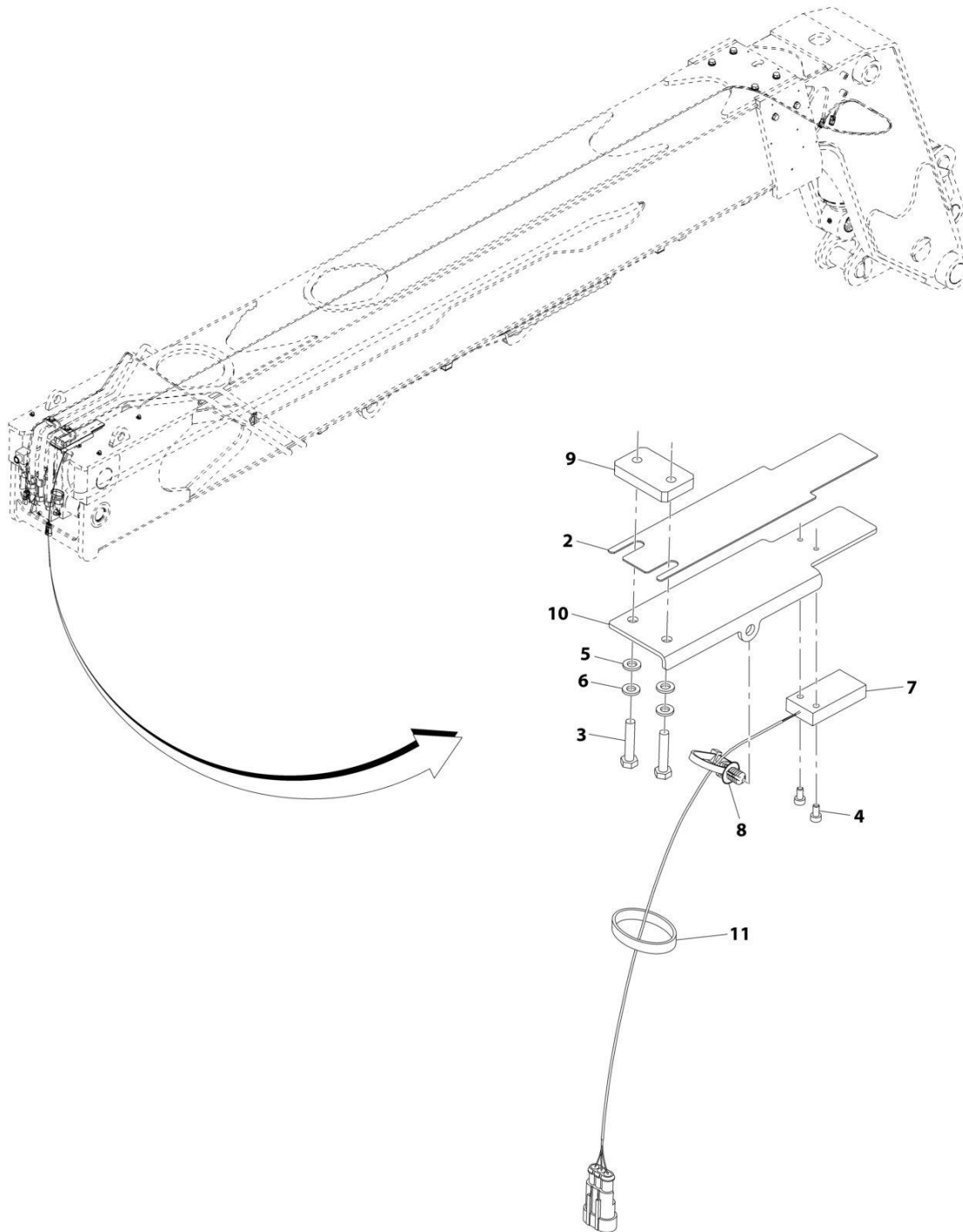
## SECTION 10 - ELECTRICAL

### FIGURE 10-77. EARTH STRAP INSTALLATION

ITEM	PART NUMBER	QTY	DESCRIPTION	REV
	1001186646	Ref	Earth Strap Installation	D
1	0761010	1	Bolt, M10X20	
2	0760608	1	Bolt, M6X16	
3	4811702	1	Washer, M6	
4	4812000	1	Washer, M10	
5	1001009038	1	Strap, Earth	
7	4872000	1	Washer, M10	

# SECTION 10 - ELECTRICAL

## FIGURE 10-78. BOOM RETRACT SENSOR INSTALLATION



ART\_1001184856-D

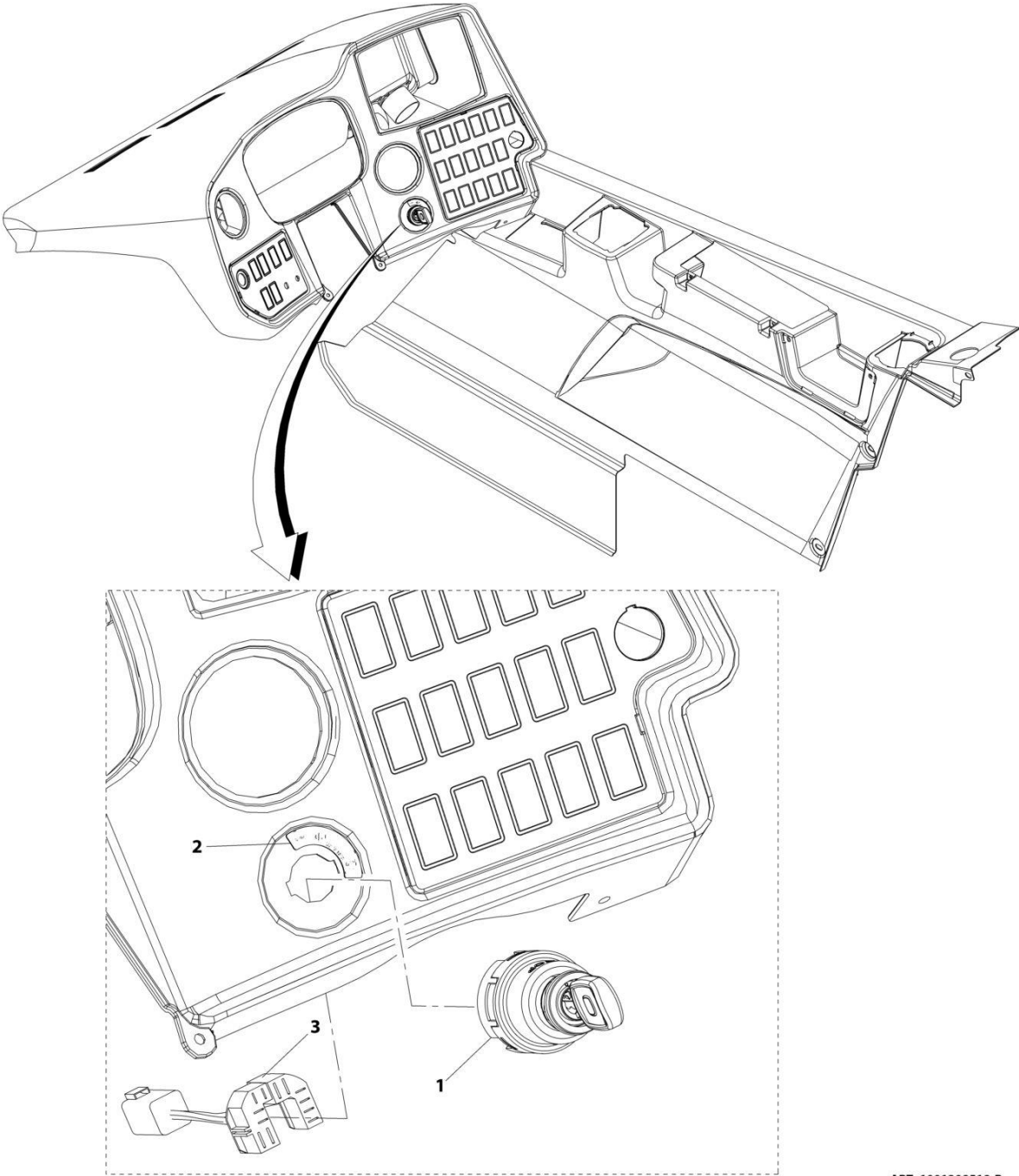
## SECTION 10 - ELECTRICAL

### FIGURE 10-78. BOOM RETRACT SENSOR INSTALLATION

ITEM	PART NUMBER	QTY	DESCRIPTION	REV
	1001184856	Ref	Boom Retract Sensor Installation	D
2	1001199299	AR	Shim, Retract Sensor	
3	0760614	2	Bolt, M6X30	
4	4031504	2	Screw, M4X8	
5	4811700	2	Washer, M6	
6	4831700	2	Washer, Lock M6	
7	1001121021	1	Sensor, Proximity	
8	1001146588	1	Strap, Cable	
9	1001182049	1	Plate	
10	1001218495	1	Bracket	
11	1001008923	1	Strap, Cable	

**SECTION 10 - ELECTRICAL**

**FIGURE 10-79. IGNITION SWITCH INSTALLATION (JLG)**



ART\_1001208518-B

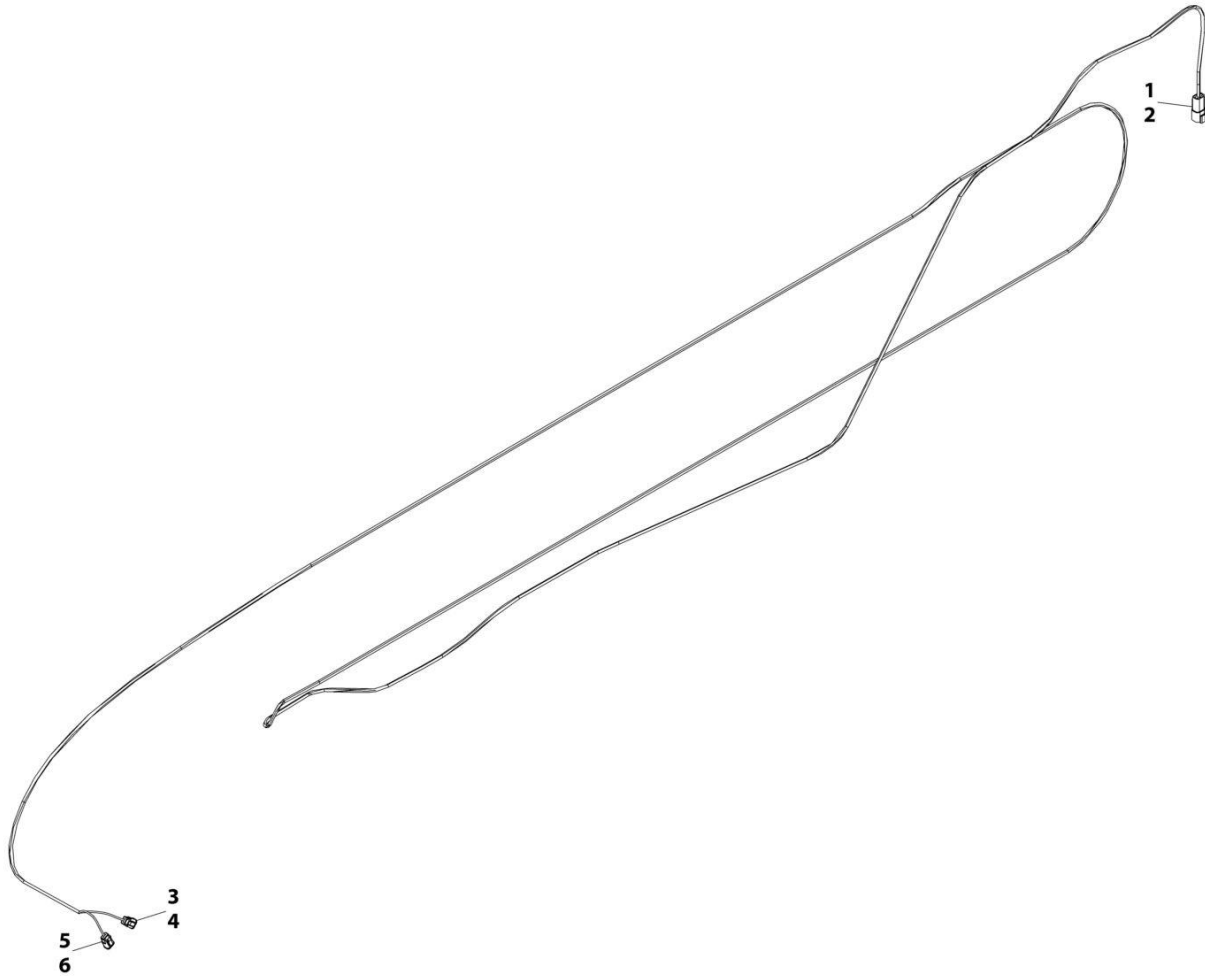
## SECTION 10 - ELECTRICAL

### FIGURE 10-79. IGNITION SWITCH INSTALLATION (JLG)

ITEM	PART NUMBER	QTY	DESCRIPTION	REV
	1001208518	Ref	Ignition Switch Installation	B
1	1001102502	1	Switch, 4 Position Key	
1	70022765	1	Key, Ignition	
2	1001181531	1	Decal, Ignition Switch	
3	1001223968	1	Harness, Ignition Switch	

# SECTION 10 - ELECTRICAL

## FIGURE 10-80. BOOM HARNESS



ART\_1001184422-D



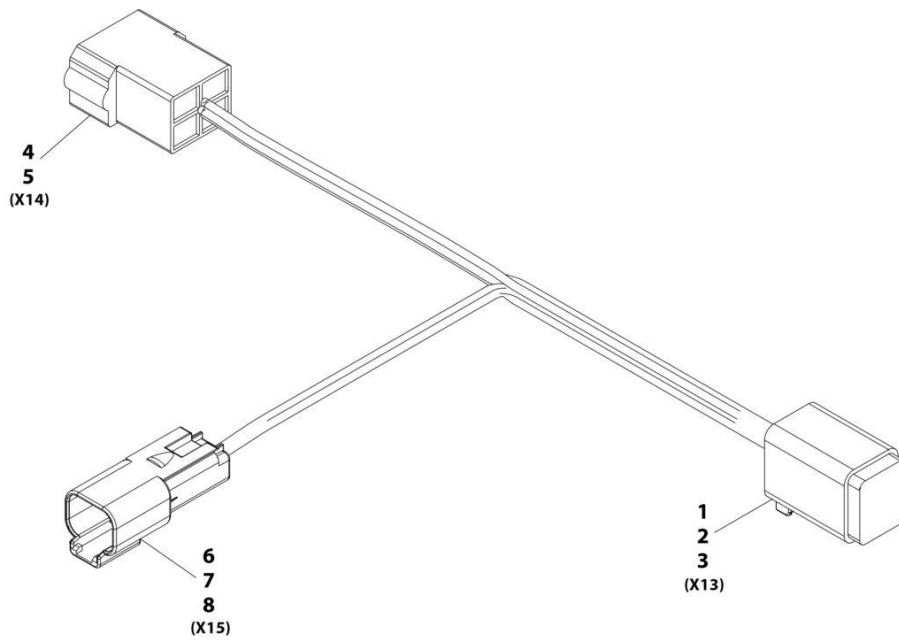
## SECTION 10 - ELECTRICAL

### FIGURE 10-80. BOOM HARNESS

ITEM	PART NUMBER	QTY	DESCRIPTION	REV
	1001184422	Ref	Boom Harness	D
1	4460932	1	Connector	
2	4460464	4	Terminal	
3	4460891	1	Connector	
4	4460465	2	Terminal	
5	4460891	1	Connector	
6	4460465	2	Terminal	

# SECTION 10 - ELECTRICAL

## FIGURE 10-81. SEAT ADAPTOR HARNESS



ART\_1001168531-A

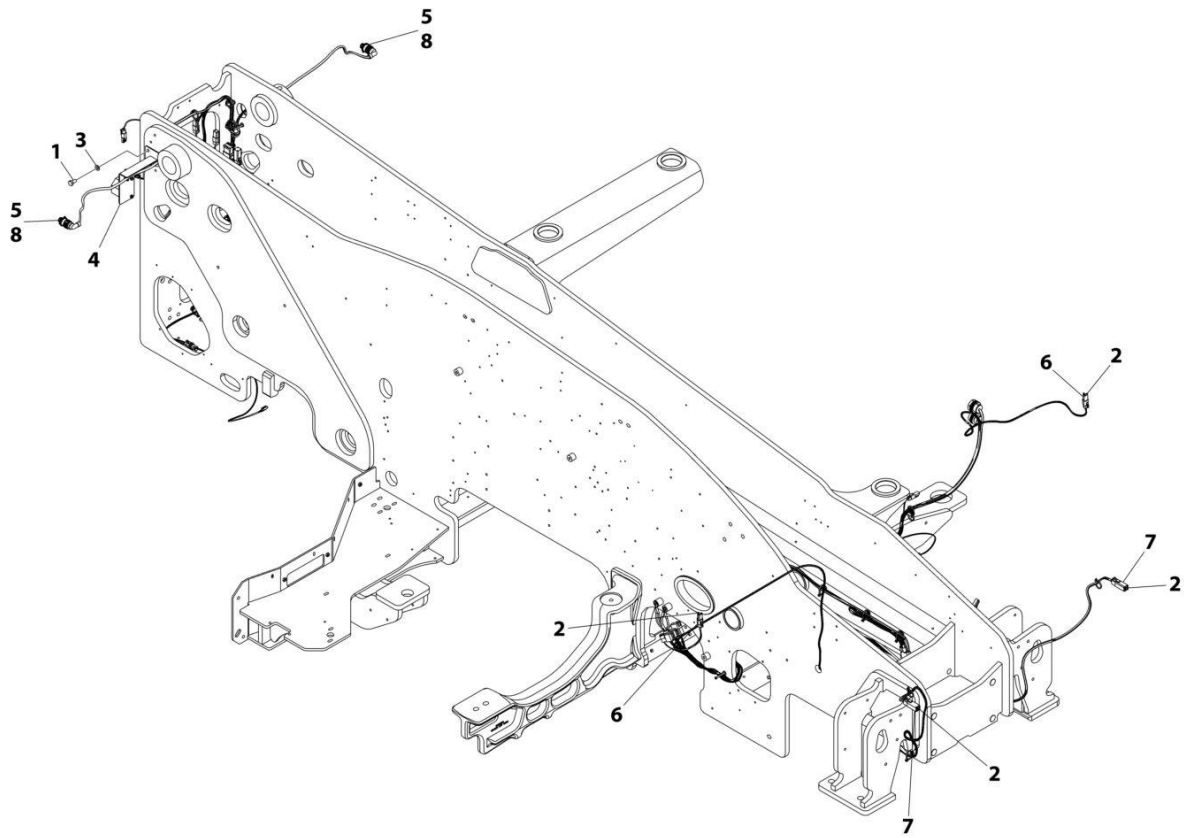
## SECTION 10 - ELECTRICAL

### FIGURE 10-81. SEAT ADAPTOR HARNESS

ITEM	PART NUMBER	QTY	DESCRIPTION	REV
	1001168531	Ref	Seat Adaptor Harness	A
1	4460894	1	Connector	
2	91504107	1	Lock, Connector	
3	4460465	6	Terminal	
4	1001117011	1	Connector	
5	1001116700	3	Terminal	
6	4460897	1	Connector	
7	80604017	1	Lock, Connector	
8	4460943	2	Terminal	

# SECTION 10 - ELECTRICAL

## FIGURE 10-82. NO ROAD LIGHTS INSTALLATION



ART\_1001225382-A

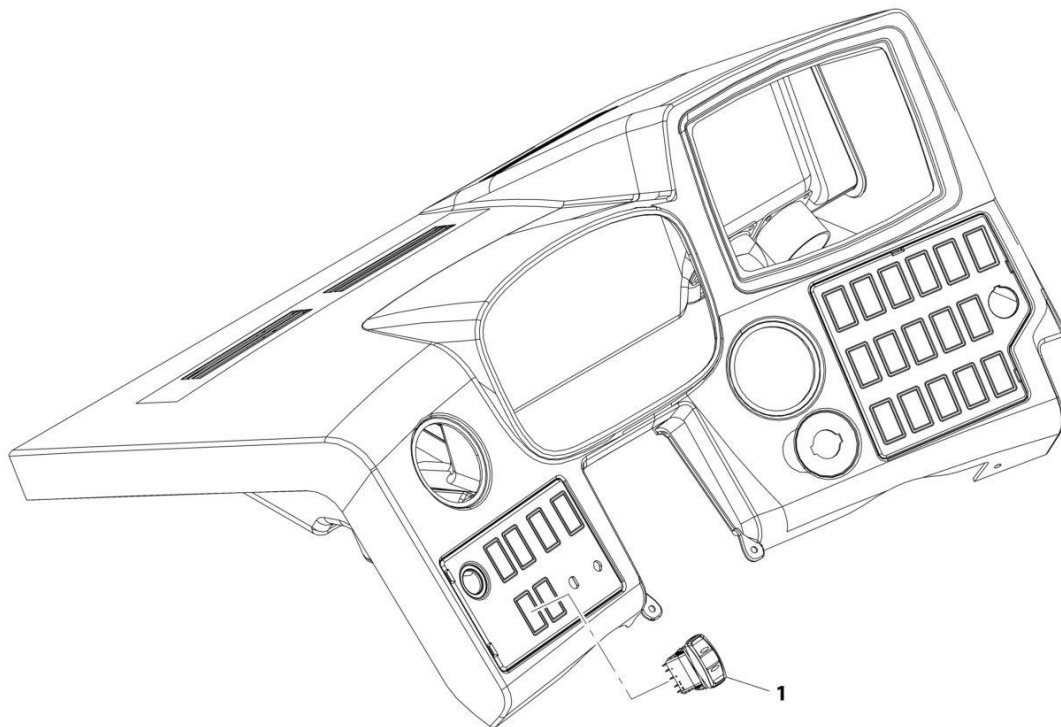
## SECTION 10 - ELECTRICAL

### FIGURE 10-82. NO ROAD LIGHTS INSTALLATION

ITEM	PART NUMBER	QTY	DESCRIPTION	REV
	1001225382	Ref	No Road Lights Installation	A
1	0761010	2	Bolt, M10X20	
2	4460466	18	Plug	
3	4812000	2	Washer, M10	
4	1001225386	1	Mount, Reverse Alarm	
5	1001225658	2	Connector	
6	4460536	2	Connector	
7	4460899	2	Connector	
8	4461008	14	Plug	

# SECTION 10 - ELECTRICAL

## FIGURE 10-83. LSI SWITCH INSTALLATION



ART\_1001233407-A

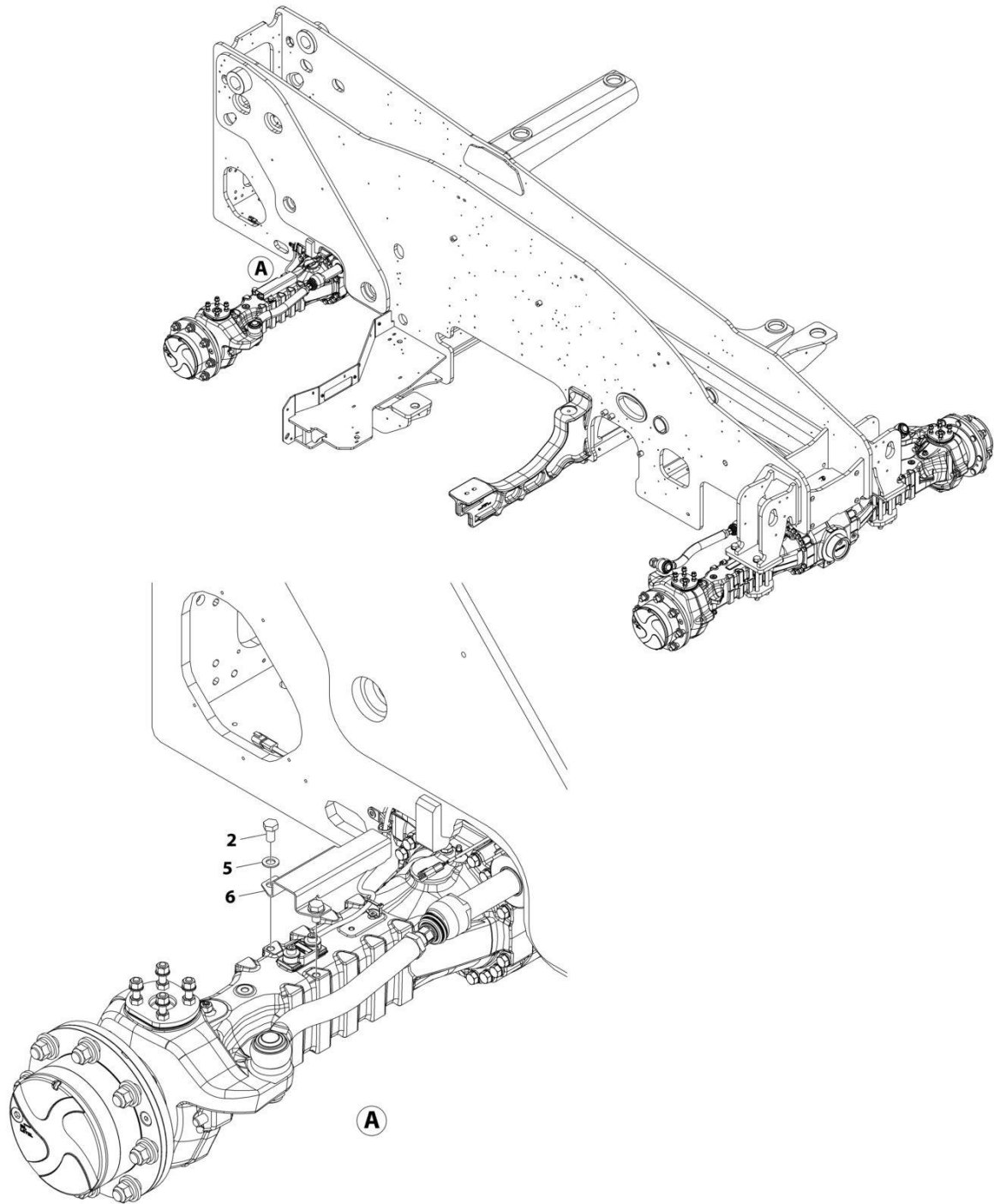
## SECTION 10 - ELECTRICAL

**FIGURE 10-83. LSI SWITCH INSTALLATION**

ITEM	PART NUMBER	QTY	DESCRIPTION	REV
1	1001233407 1001198830	Ref 1	LSI Switch Installation Switch, LSI Override	A

# SECTION 10 - ELECTRICAL

## FIGURE 10-84. LSI SENSOR COVER INSTALLATION



ART\_1001225414



## SECTION 10 - ELECTRICAL

### FIGURE 10-84. LSI SENSOR COVER INSTALLATION

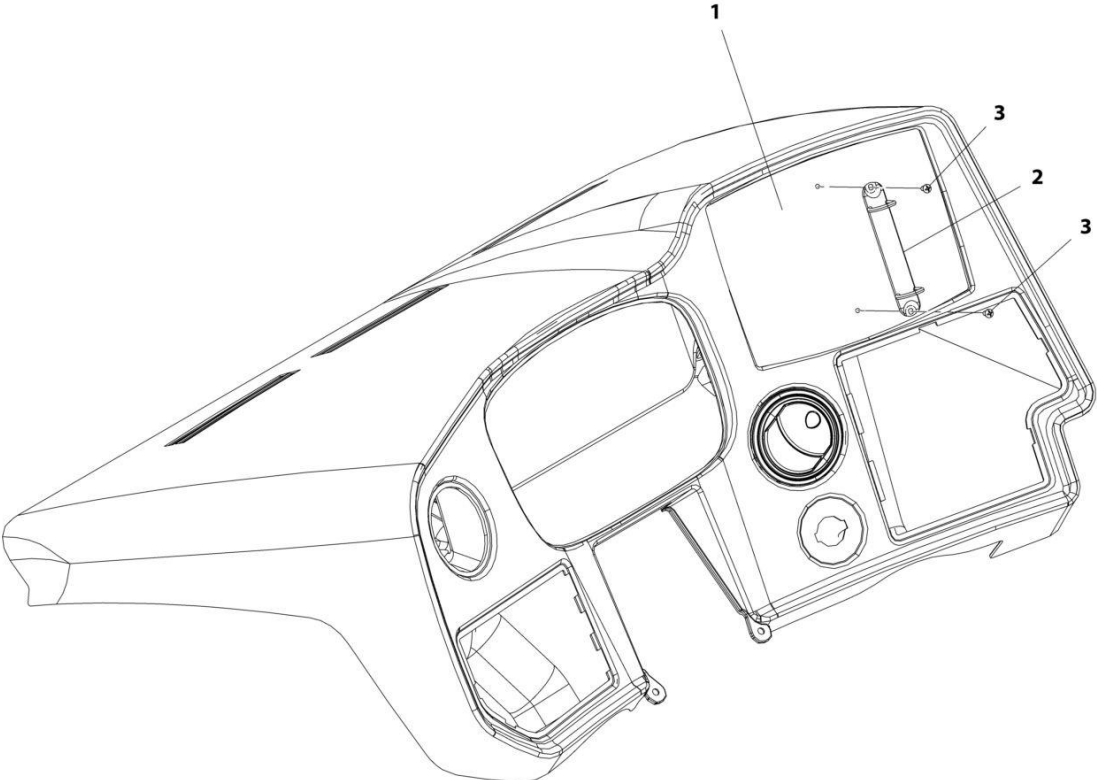
ITEM	PART NUMBER	QTY	DESCRIPTION	REV
	1001225414	Ref	LSI SENSOR COVER INSTALLATION	D
2	0761412	2	Bolt M14 x 25	
5	4812200	2	Washer M14	
6	1001290666	1	Shield, LSI Sensor	



**SECTION 11 - DECALS**

**SECTION 11 - DECALS**

**FIGURE 11-1. CAPACITY CHART HOLDER INSTALLATION**



ART\_1001178706-A

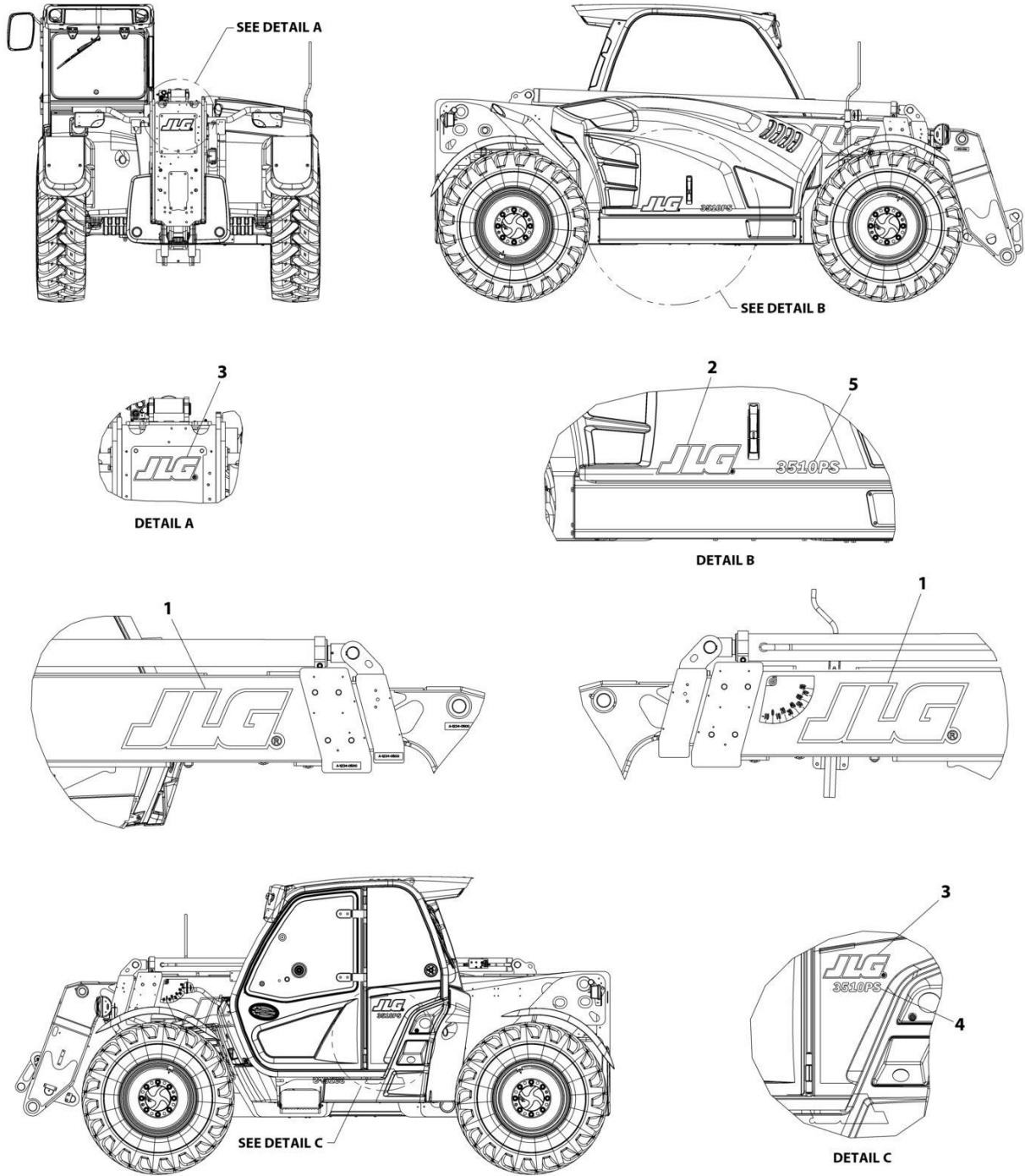
## SECTION 11 - DECALS

### FIGURE 11-1. CAPACITY CHART HOLDER INSTALLATION

ITEM	PART NUMBER	QTY	DESCRIPTION	REV
	1001178706	Ref	Capacity Chart Holder Installation	A
1	1001179297	1	Load Chart, Bezel	
2	1001005960	1	Holder	
3	7029486	2	Screw	

# SECTION 11 - DECALS

## FIGURE 11-2. DECALS INSTALLATION (3510PS - JLG)



ART\_1001183605-A

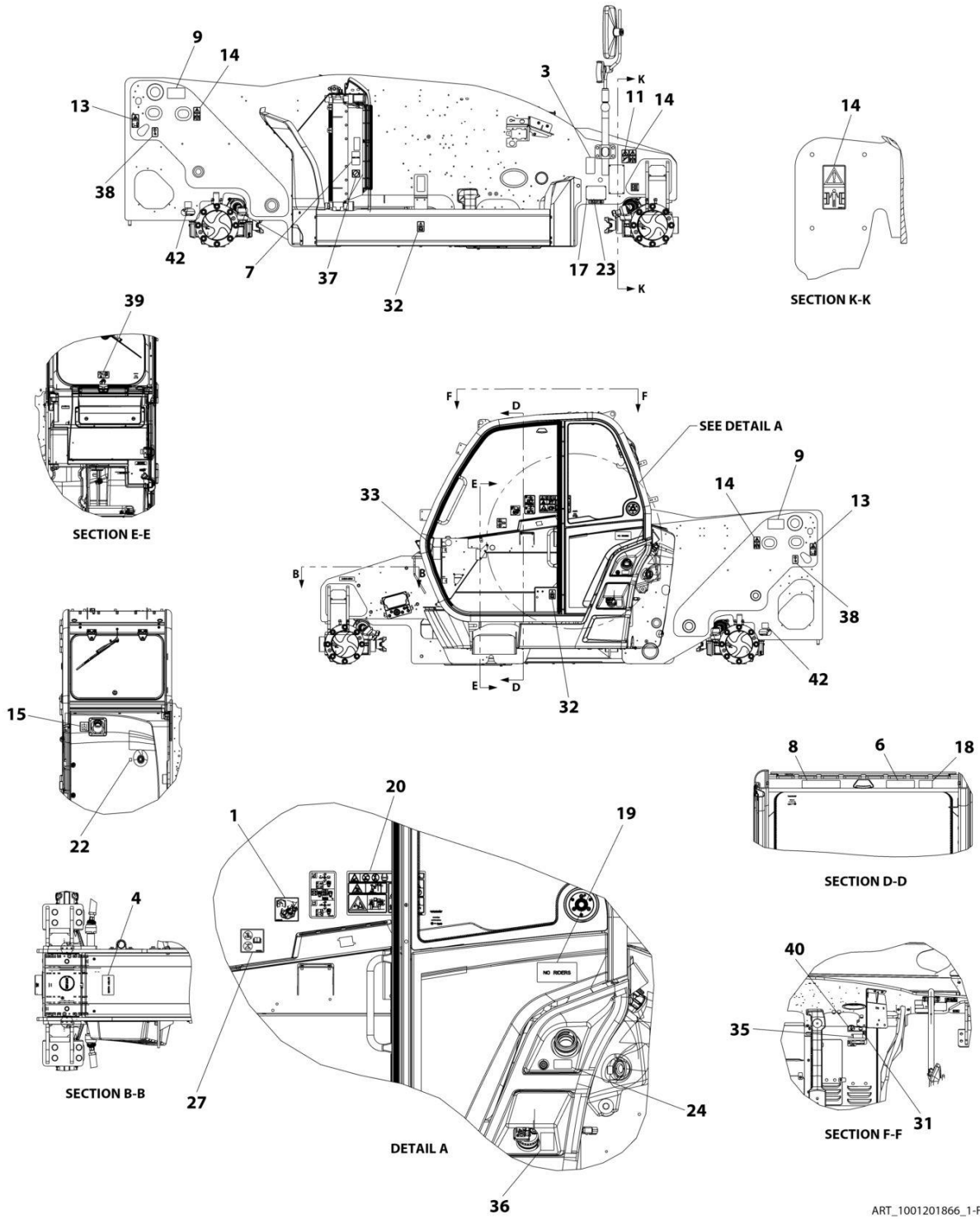
## SECTION 11 - DECALS

### FIGURE 11-2. DECALS INSTALLATION (3510PS - JLG)

ITEM	PART NUMBER	QTY	DESCRIPTION	REV
	1001183605	Ref	Decals Installation (3510PS - JLG)	A
1	1001159728	2	Decal, JLG Logo	
2	1001160775	1	Decal, JLG 5" Black	
3	1001169674	2	Decal, JLG M100X285	
4	1001206716	1	Decal, JLG 3510PS Cab	
5	1001206717	1	Decal, JLG 3510PS Hood	

# SECTION 11 - DECALS

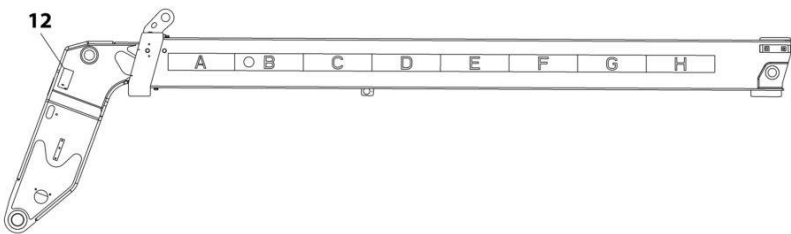
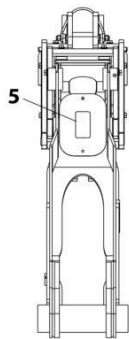
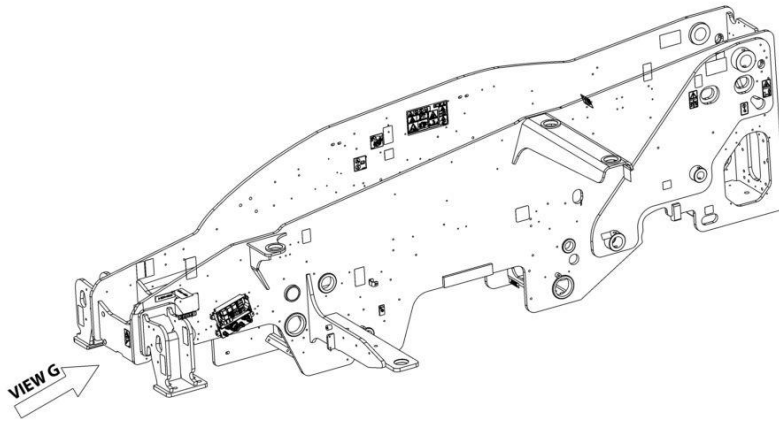
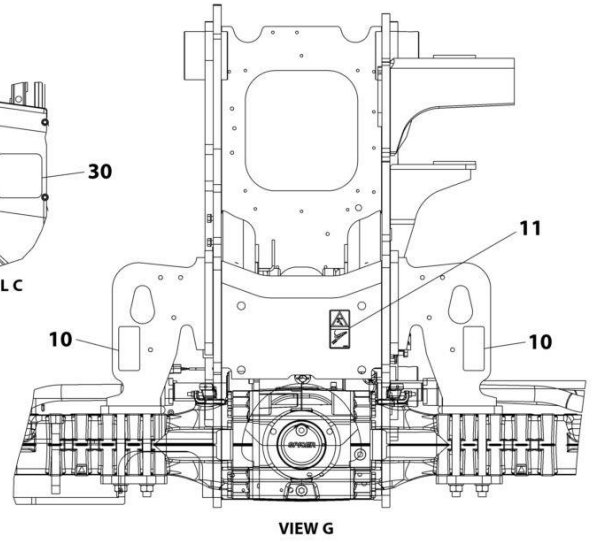
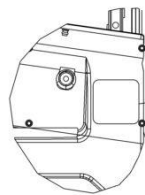
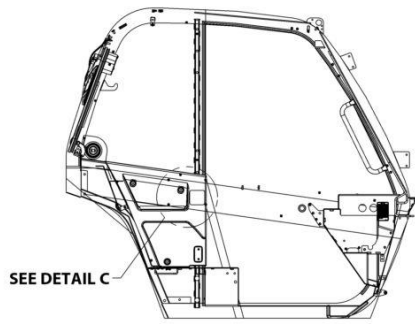
## FIGURE 11-3. DECALS INSTALLATION (ULS) (CE)



ART\_1001201866\_1-F



# SECTION 11 - DECALS



ART\_1001201866\_2-F

## SECTION 11 - DECALS

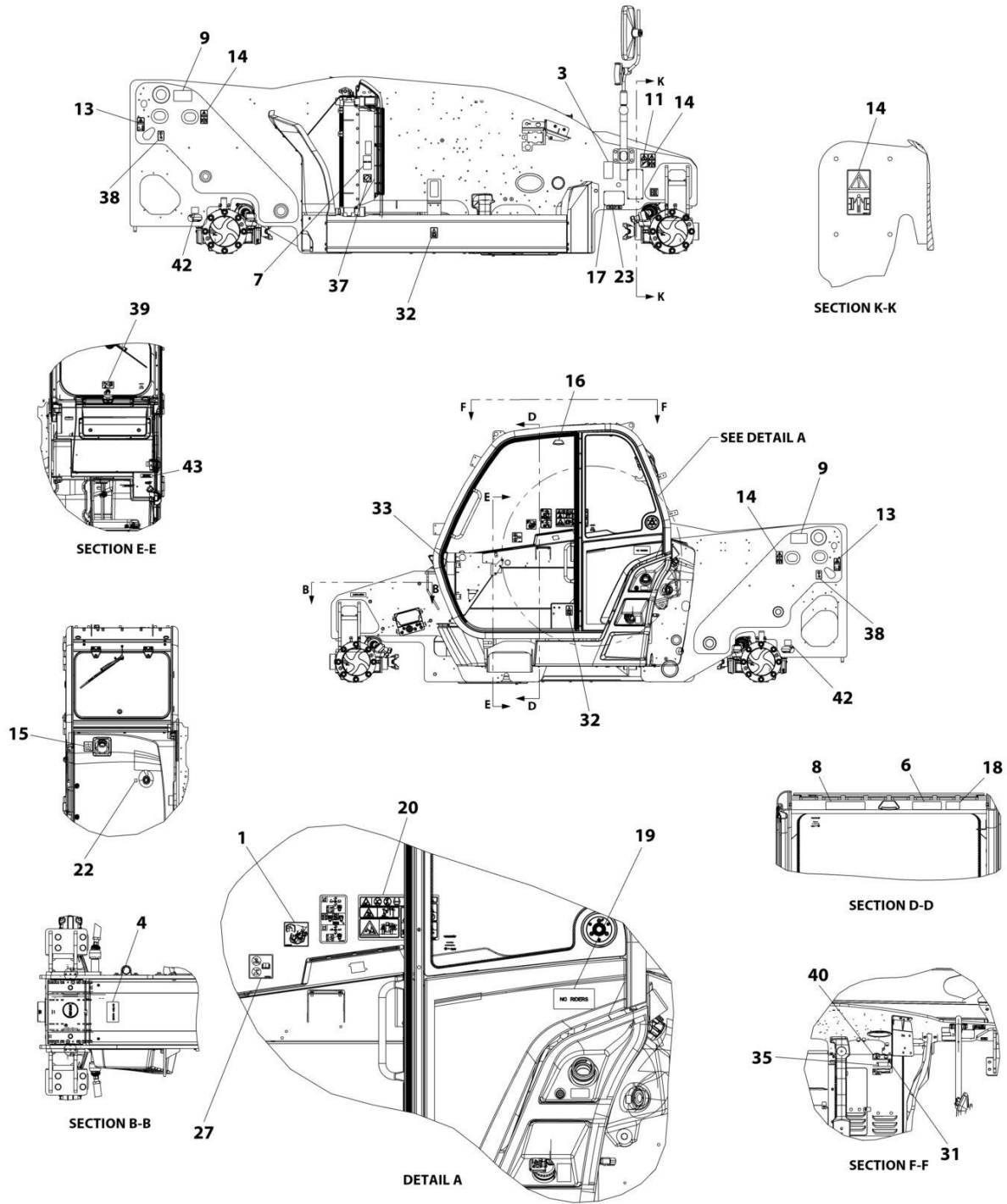
FIGURE 11-3. DECALS INSTALLATION (ULS) (CE)

ITEM	PART NUMBER	QTY	DESCRIPTION	REV
	1001201866	Ref	Decals Installation (ULS)	F
1	1001227287	1	Decal, Manual Location	
3	1706098	1	Decal, Warning Ether Start	
4	1706281	1	Decal, Battery Warning	
5	1001223875	1	Decal, No Standing On Forks	
6	1706284	1	Decal, Electrocutation Hazard	
7	1706285	1	Decal, Moving Parts (ISO)	
8	1706288	1	Decal, Tip Over Warning	
9	1706292	2	Decal, Pinch Point Boom Holes	
10	1001100957	2	Decal, Lift/Tie Down Point	
11	8005671	2	Decal, Cylinder Lock Warning	
12	8005675	2	Decal, Watch for Raised Boom Warning	
13	8006612	2	Decal, Stay Clear of Swing Area	
14	8008657	4	Decal, Set Brake Lever Warning	
15	1001094708	1	Decal, Hydraulic Oil	
17	1001009178	4	Tack, Metal	
18	1001092877	1	Decal, Crush Hazard Warning	
19	1001092878	1	Decal, No Riders	
20	1001101895	1	Decal, Cab Warning	
22	1001130323	1	Decal, Oil Level	
23	1001139647	1	Decal, Nameplate Serial Number	
24	1001139654	1	Decal, Ultra Low Sulphur Fuel	
27	1001172035	1	Decal, No Weld Or Drill	
30	1001214206	1	Decal, Park Brake	
31	1001184632	1	Decal, Battery Positive	
32	1001189154	2	Decal, Read Operators Manual Instruction	
33	1001191229	1	Decal, Fuse Panel	
35	1001195855	1	Decal, Battery Disconnect	
36	1001196806	1	Decal, Diesel Exhaust Fluid	
37	AU2105	1	Decal, No Karcher	
38	8005616	2	Decal, Lifting Point	
39	8005870	1	Decal, Emergency Exit	
40	1001008540	1	Plate, Battery	
42	4109801	2	Decal, Tie Down Point	



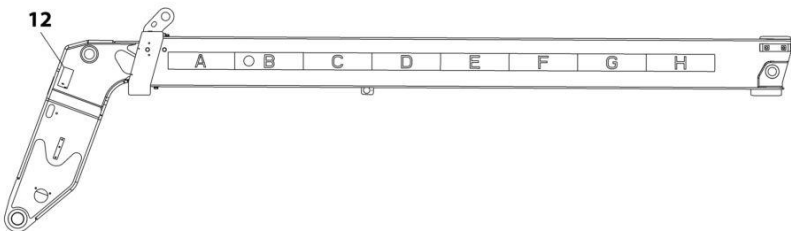
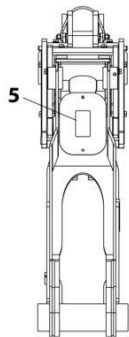
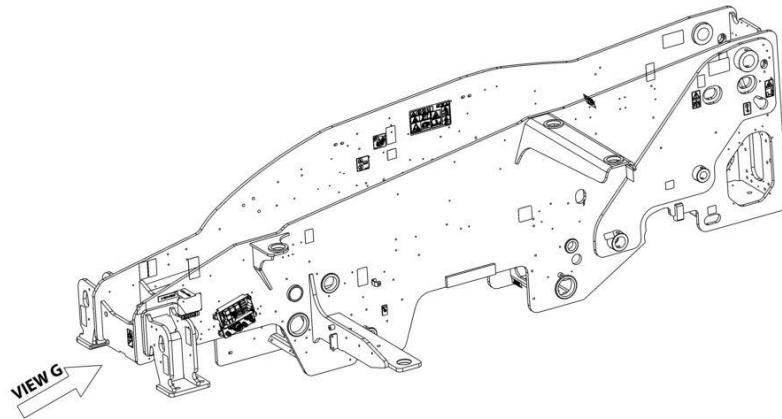
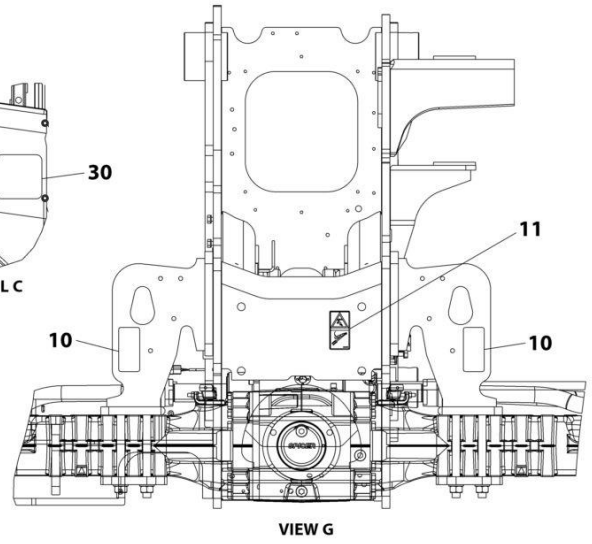
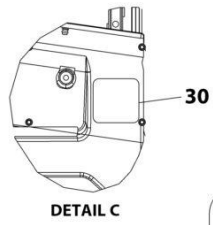
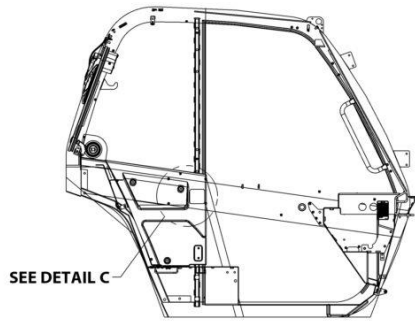
# SECTION 11 - DECALS

## FIGURE 11-4. DECALS INSTALLATION (LS) (AUS - JLG)



ART\_1001201867\_1-F

# SECTION 11 - DECALS



ART\_1001201867\_2-F

# SECTION 11 - DECALS

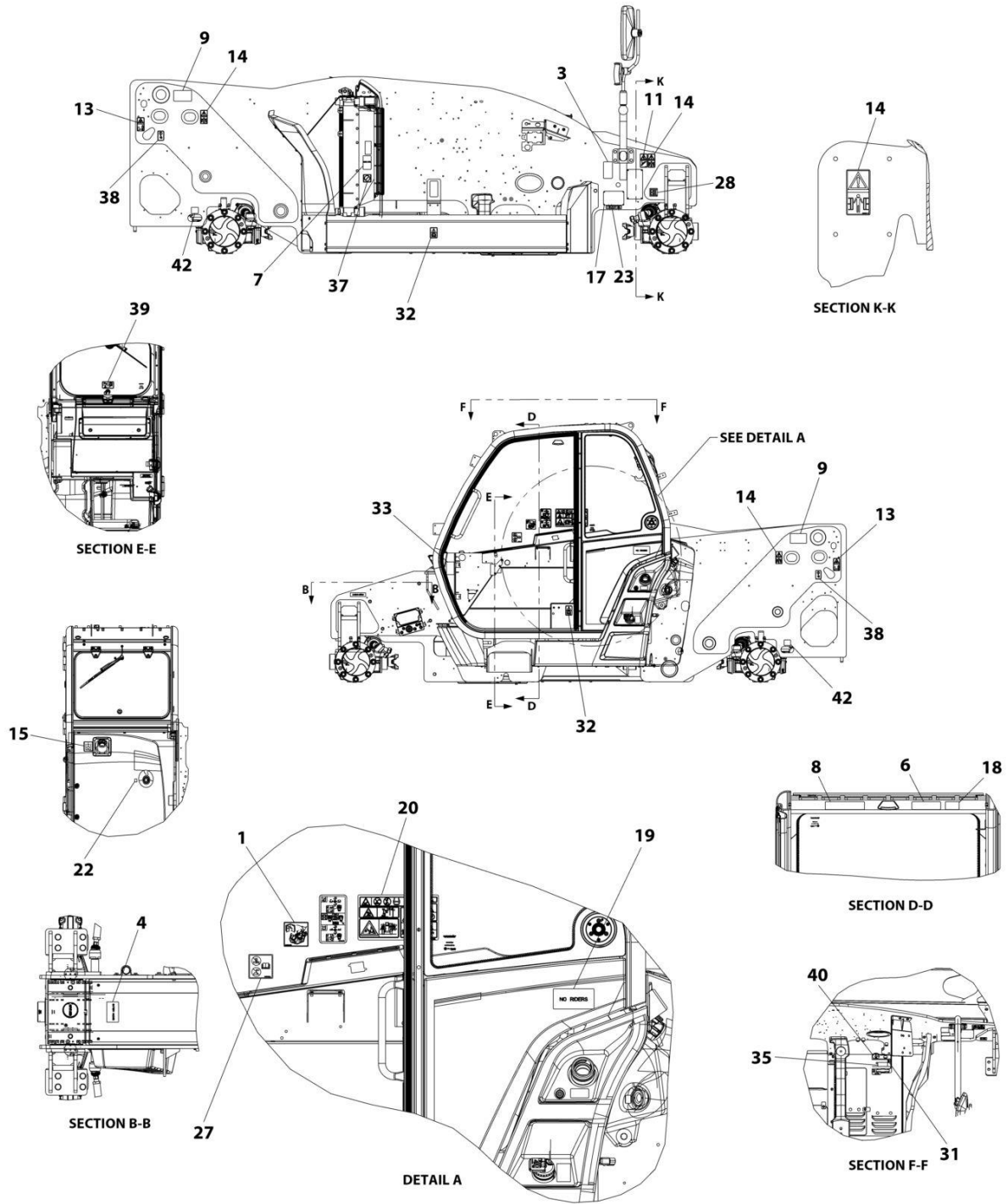
FIGURE 11-4. DECALS INSTALLATION (LS) (AUS - JLG)

ITEM	PART NUMBER	QTY	DESCRIPTION	REV
	1001201867	Ref	Decals Installation (LS)	F
1	1001227287	1	Decal, Manual Location	
3	1706098	1	Decal, Warning Ether Start	
4	1706281	1	Decal, Battery Warning	
5	1001223875	1	Decal, No Standing On Forks	
6	1706284	1	Decal, Electrocutation Hazard	
7	1706285	1	Decal, Moving Parts (ISO)	
8	1706288	1	Decal, Tip Over Warning	
9	1706292	2	Decal, Pinch Point Boom Holes	
10	1001100957	2	Decal, Lift/Tie Down Point	
11	8005671	2	Decal, Cylinder Lock Warning	
12	8005675	2	Decal, Watch for Raised Boom Warning	
13	8006612	2	Decal, Stay Clear of Swing Area	
14	8008657	4	Decal, Set Brake Lever Warning	
15	1001094708	1	Decal, Hydraulic Oil	
16	8466306	1	Gage, Tilt Angle	
17	1001009178	4	Tack, Metal	
18	1001092877	1	Decal, Crush Hazard Warning	
19	1001092878	1	Decal, No Riders	
20	1001101895	1	Decal, Cab Warning	
22	1001130323	1	Decal, Oil Level	
23	1001155231	1	Decal, Nameplate Serial Number AUS	
27	1001172035	1	Decal, No Weld Or Drill	
30	1001214206	1	Decal, Park Brake	
31	1001184632	1	Decal, Battery Positive	
32	1001189154	2	Decal, Read Operators Manual Instruction	
33	1001191229	1	Decal, Fuse Panel	
35	1001195855	1	Decal, Battery Disconnect	
37	AU2105	1	Decal, No Karcher	
38	8005616	2	Decal, Lifting Point	
39	8005870	1	Decal, Emergency Exit	
40	1001008540	1	Plate, Battery	
42	4109801	2	Decal, Tie Down Point	
43	1001155230	1	Decal, Cab AUS Safety	



# SECTION 11 - DECALS

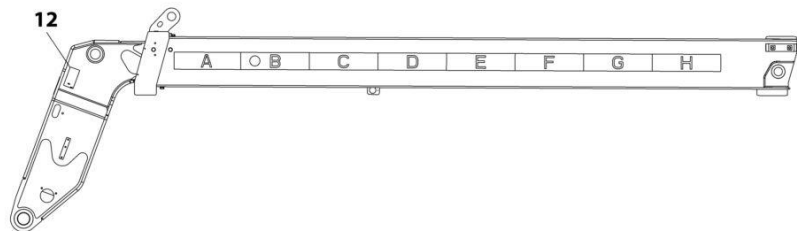
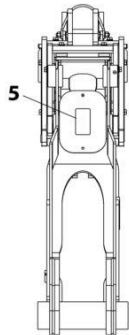
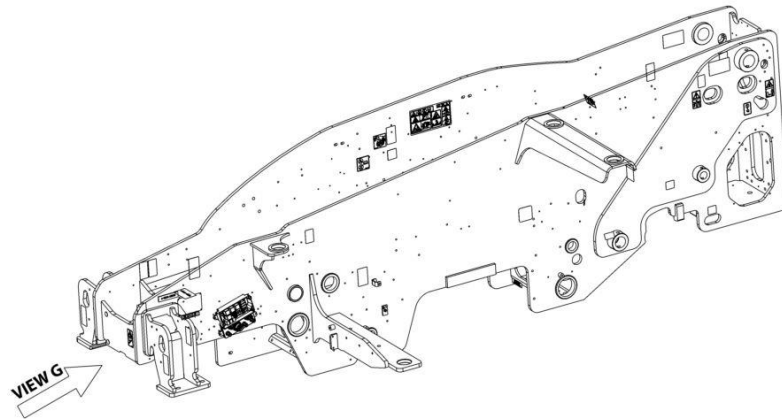
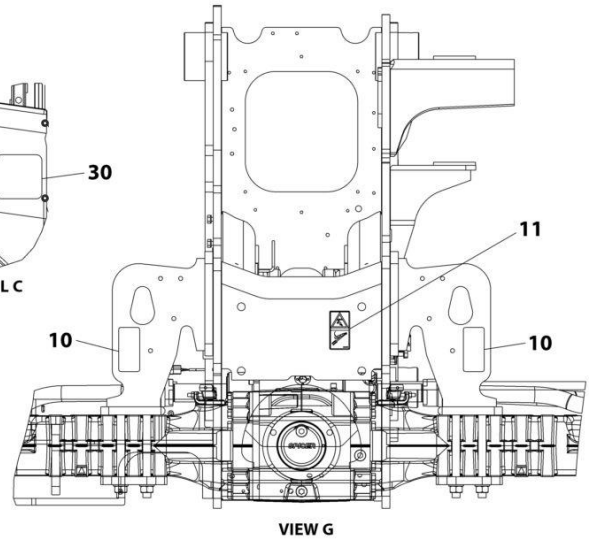
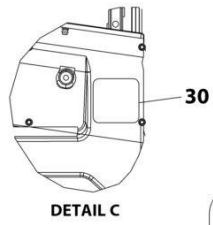
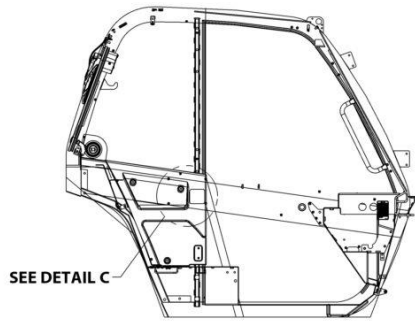
## FIGURE 11-5. DECALS INSTALLATION (LS) (CIS - JLG)



ART\_1001201868\_1-F



# SECTION 11 - DECALS



ART\_1001201868\_2-F

## SECTION 11 - DECALS

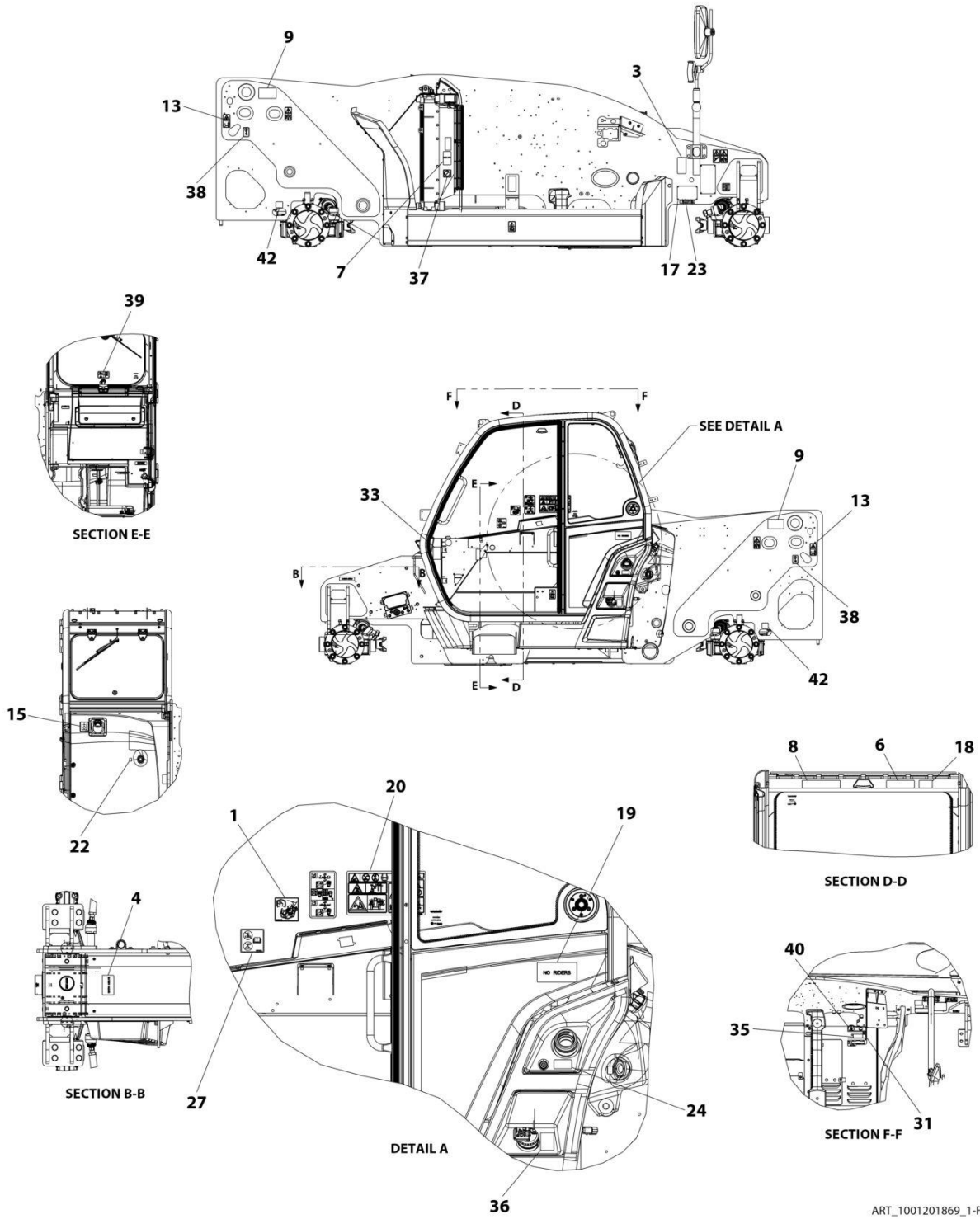
FIGURE 11-5. DECALS INSTALLATION (LS) (CIS - JLG)

ITEM	PART NUMBER	QTY	DESCRIPTION	REV
	1001201868	Ref	Decals Installation (LS)	F
1	1001227287	1	Decal, Manual Location	
3	1706098	1	Decal, Warning Ether Start	
4	1706281	1	Decal, Battery Warning	
5	1001223875	1	Decal, No Standing On Forks	
6	1706284	1	Decal, Electrocutation Hazard	
7	1706285	1	Decal, Moving Parts (ISO)	
8	1706288	1	Decal, Tip Over Warning	
9	1706292	2	Decal, Pinch Point Boom Holes	
10	1001100957	2	Decal, Lift/Tie Down Point	
11	8005671	2	Decal, Cylinder Lock Warning	
12	8005675	2	Decal, Watch for Raised Boom Warning	
13	8006612	2	Decal, Stay Clear of Swing Area	
14	8008657	4	Decal, Set Brake Lever Warning	
15	1001094708	1	Decal, Hydraulic Oil	
17	1001009178	4	Tack, Metal	
18	1001092877	1	Decal, Crush Hazard Warning	
19	1001092878	1	Decal, No Riders	
20	1001101895	1	Decal, Cab Warning	
22	1001130323	1	Decal, Oil Level	
23	1001139647	1	Decal, Nameplate Serial Number	
27	1001172035	1	Decal, No Weld Or Drill	
28	1001173703	1	Decal, EAC	
30	1001214206	1	Decal, Park Brake	
31	1001184632	1	Decal, Battery Positive	
32	1001189154	2	Decal, Read Operators Manual Instruction	
33	1001191229	1	Decal, Fuse Panel	
35	1001195855	1	Decal, Battery Disconnect	
37	AU2105	1	Decal, No Karcher	
38	8005616	2	Decal, Lifting Point	
39	8005870	1	Decal, Emergency Exit	
40	1001008540	1	Plate, Battery	
42	4109801	2	Decal, Tie Down Point	



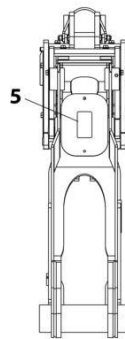
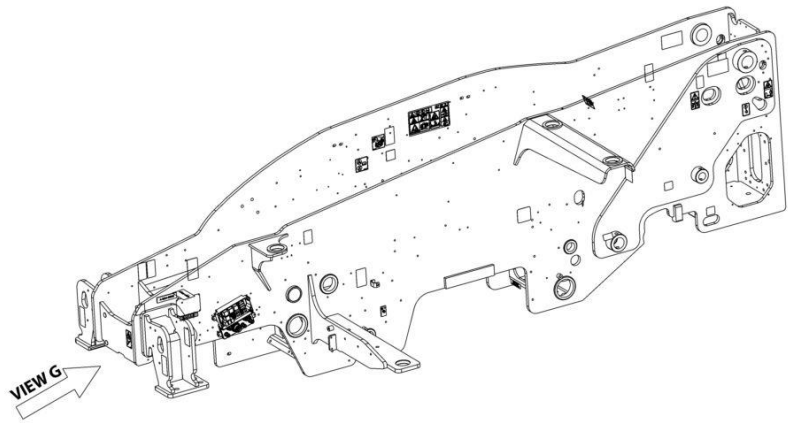
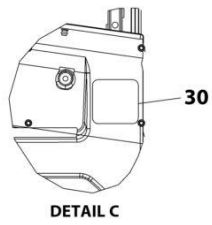
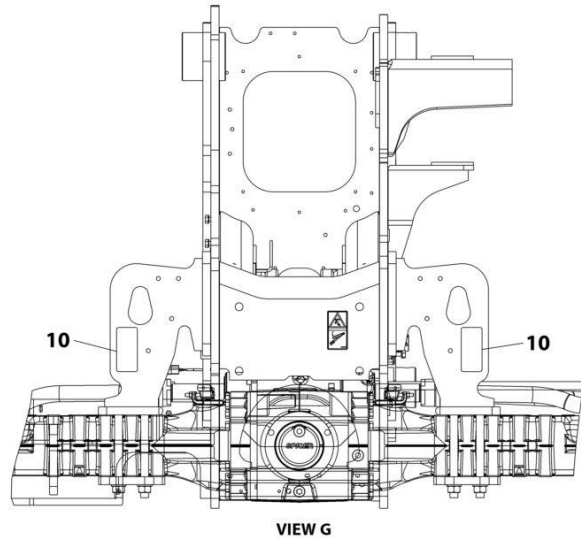
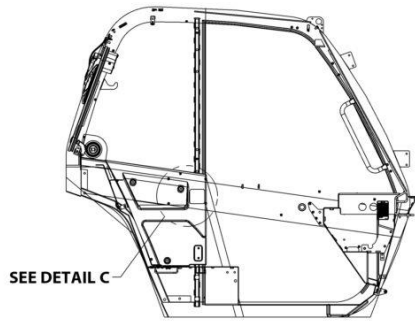
# SECTION 11 - DECALS

## FIGURE 11-6. DECALS INSTALLATION (ULS) (ANSI - JLG)



ART\_1001201869\_1-F

# SECTION 11 - DECALS



ART\_1001201869\_2-F

## SECTION 11 - DECALS

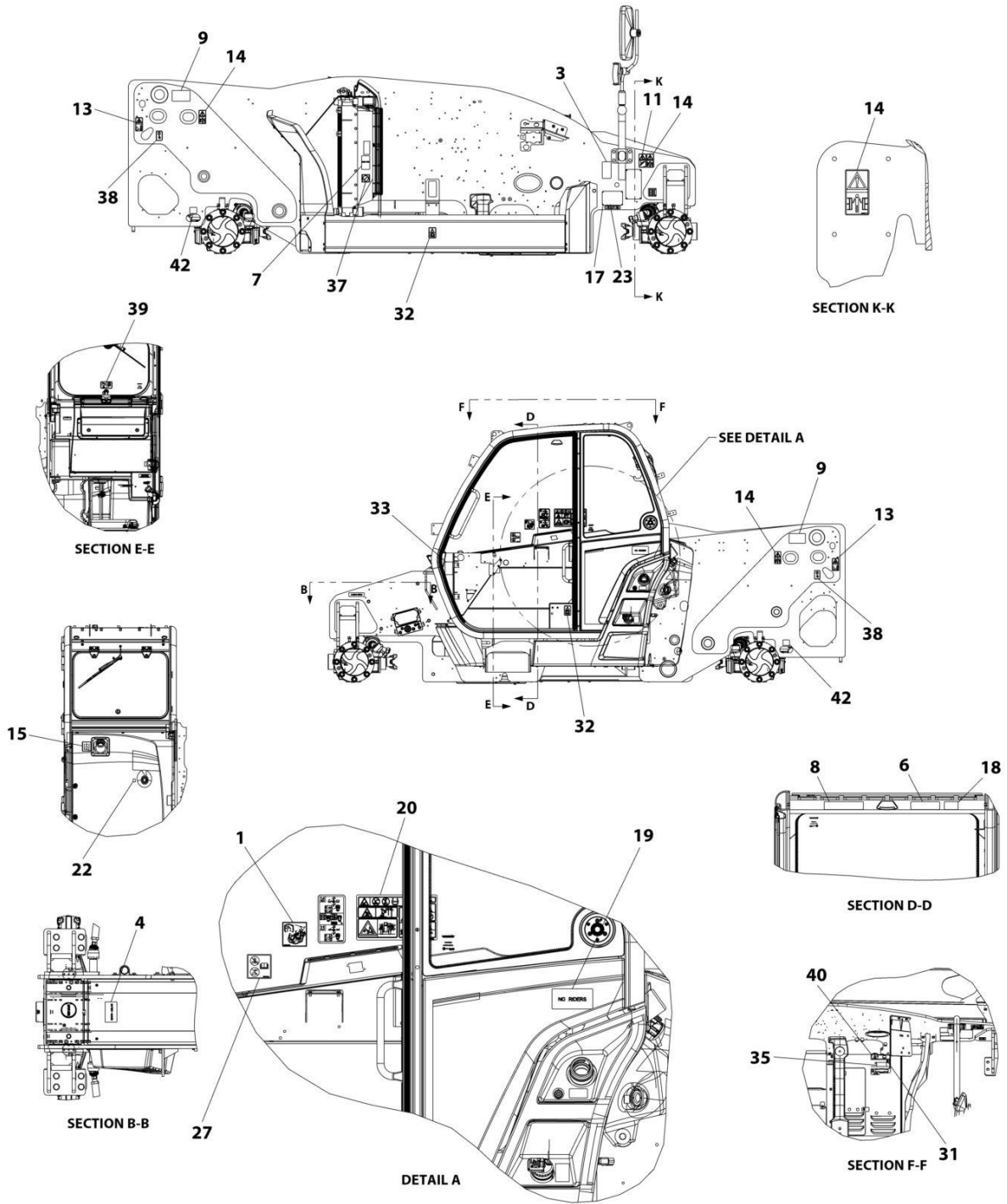
FIGURE 11-6. DECALS INSTALLATION (ULS) (ANSI - JLG)

ITEM	PART NUMBER	QTY	DESCRIPTION	REV
	1001201869	Ref	Decals Installation (ULS)	F
1	1001227287	1	Decal, Manual Location	
3	1706098	1	Decal, Ether Warning	
4	1706296	1	Decal, Battery Warning (ANSI)	
5	1001102750	1	Decal, No Standing On Forks	
6	1706299	1	Decal, Contacting Power Lines Warning	
7	1706301	1	Decal, Keep Clear Of Rotating Parts Warning	
8	1706306	1	Decal, Tip Over Warning	
9	1706302	2	Decal, Pinch Point Boom Holes	
10	1001100957	2	Decal, Lift/Tie Down Point	
13	8006612	2	Decal, Stay Clear of Swing Area	
15	1001094708	1	Decal, Hydraulic Oil	
17	1001009178	4	Tack, Metal	
18	1706850	1	Decal, Crush Hazard Warning	
19	1706768	1	Decal, Vehicle Roll Away	
20	1707078	1	Decal, Warning/Danger	
22	1001130323	1	Decal, Oil Level	
23	1001174911	1	Decal, Nameplate Serial Number	
24	1001125387	1	Decal, Ultra Low Sulfur Diesel	
27	1001172035	1	Decal, No Weld or Drill	
30	1001214206	1	Decal, Park Brake	
31	1001184632	1	Decal, Battery Positive	
33	1001191229	1	Decal, Fuse Panel	
35	1001195855	1	Decal, Battery Disconnect	
36	1001196806	1	Decal, Diesel Exhaust Fluid	
37	AU2105	1	Decal, No Karcher	
38	8005616	2	Decal, Lifting Point	
39	8005870	1	Decal, Emergency Exit	
40	1001008540	1	Plate, Battery	
42	4109801	2	Decal, Tie Down Point	



# SECTION 11 - DECALS

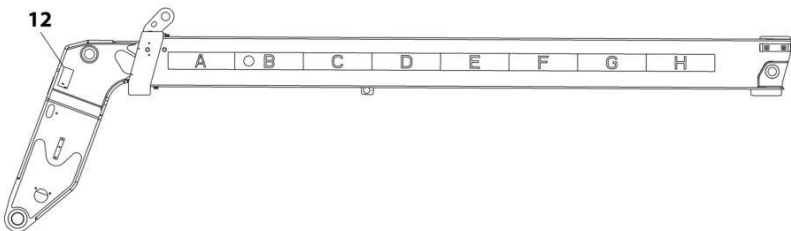
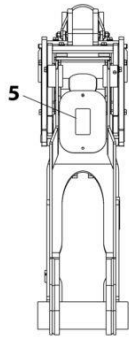
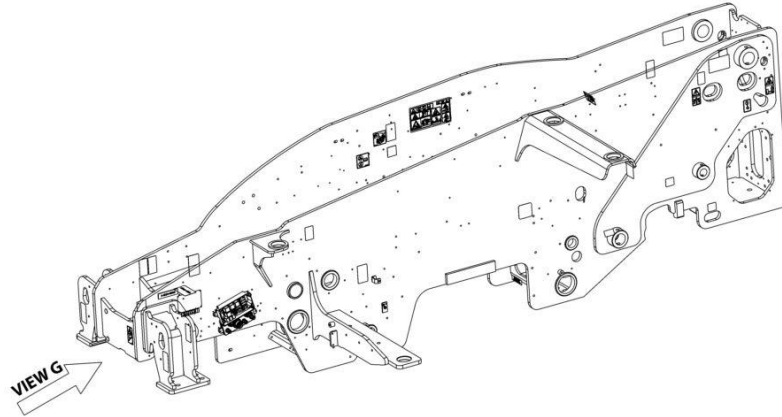
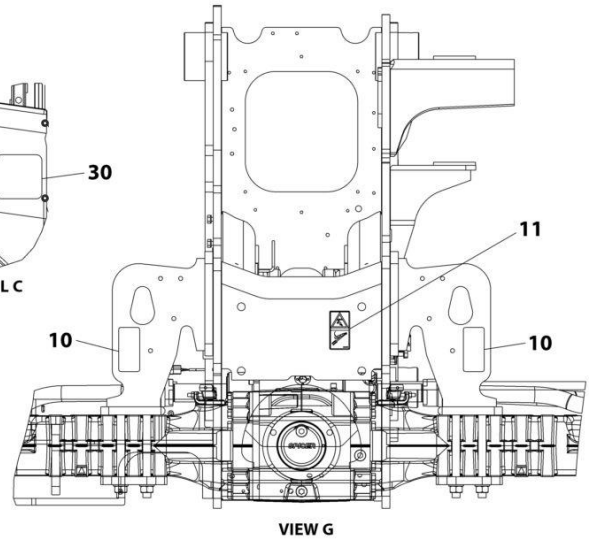
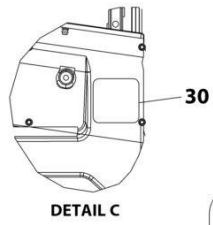
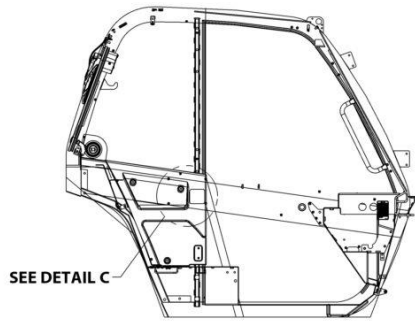
## FIGURE 11-7. DECALS INSTALLATION (LS) (JLG)



ART\_1001201870\_1-F



# SECTION 11 - DECALS



ART\_1001201870\_2-F

# SECTION 11 - DECALS

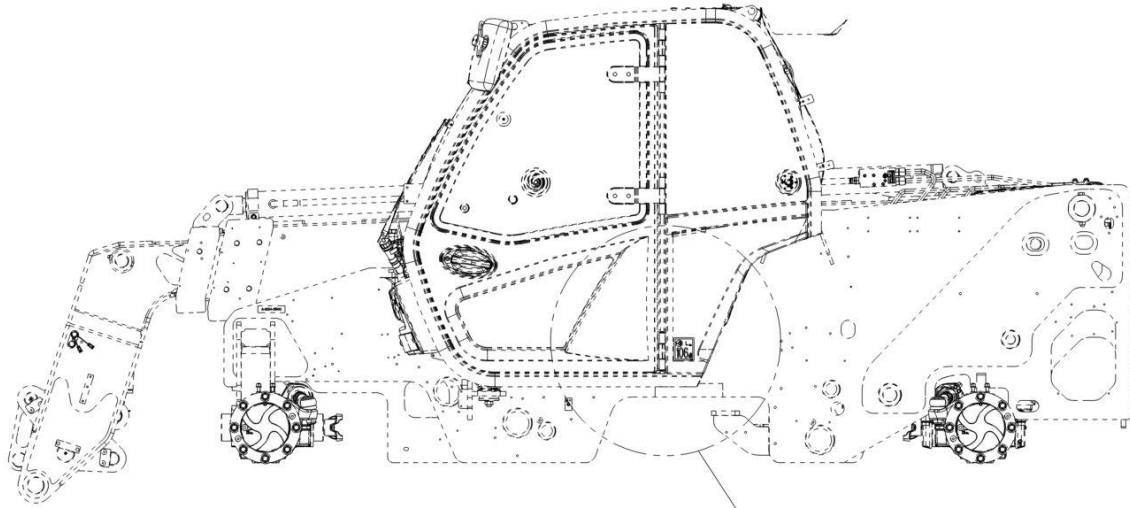
**FIGURE 11-7. DECALS INSTALLATION (LS) (JLG)**

ITEM	PART NUMBER	QTY	DESCRIPTION	REV
	1001201870	Ref	Decals Installation (LS)	F
1	1001227287	1	Decal, Manual Location	
3	1706098	1	Decal, Warning Ether Start	
4	1706281	1	Decal, Battery Warning	
5	1001223875	1	Decal, No Standing On Forks	
6	1706284	1	Decal, Electrocutation Hazard	
7	1706285	1	Decal, Moving Parts (ISO)	
8	1706288	1	Decal, Tip Over Warning	
9	1706292	2	Decal, Pinch Point Boom Holes	
10	1001100957	2	Decal, Lift/Tie Down Point	
11	8005671	2	Decal, Cylinder Lock Warning	
12	8005675	2	Decal, Watch for Raised Boom Warning	
13	8006612	2	Decal, Stay Clear of Swing Area	
14	8008657	4	Decal, Set Brake Lever Warning	
15	1001094708	1	Decal, Hydraulic Oil	
17	1001009178	4	Tack, Metal	
18	1001092877	1	Decal, Crush Hazard Warning	
19	1001092878	1	Decal, No Riders	
20	1001101895	1	Decal, Cab Warning	
22	1001130323	1	Decal, Oil Level	
23	1001139647	1	Decal, Nameplate Serial Number	
27	1001172035	1	Decal, No Weld Or Drill	
30	1001214206	1	Decal, Park Brake	
31	1001184632	1	Decal, Battery Positive	
32	1001189154	2	Decal, Read Operators Manual Instruction	
33	1001191229	1	Decal, Fuse Panel	
35	1001195855	1	Decal, Battery Disconnect	
37	AU2105	1	Decal, No Karcher	
38	8005616	2	Decal, Lifting Point	
39	8005870	1	Decal, Emergency Exit	
40	1001008540	1	Plate, Battery	
42	4109801	2	Decal, Tie Down Point	

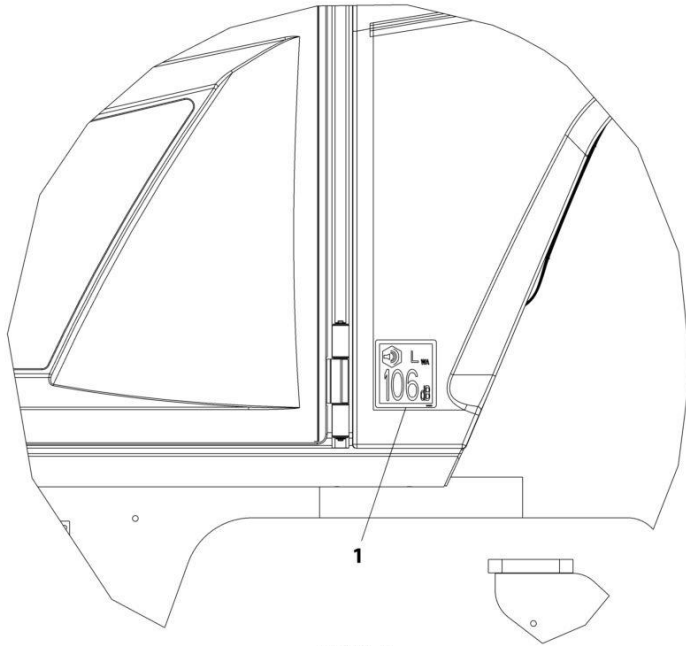


# SECTION 11 - DECALS

## FIGURE 11-8. DECAL SOUND PLATE INSTALLATION (106DB)



SEE DETAIL A



DETAIL A

ART\_1001220865-A

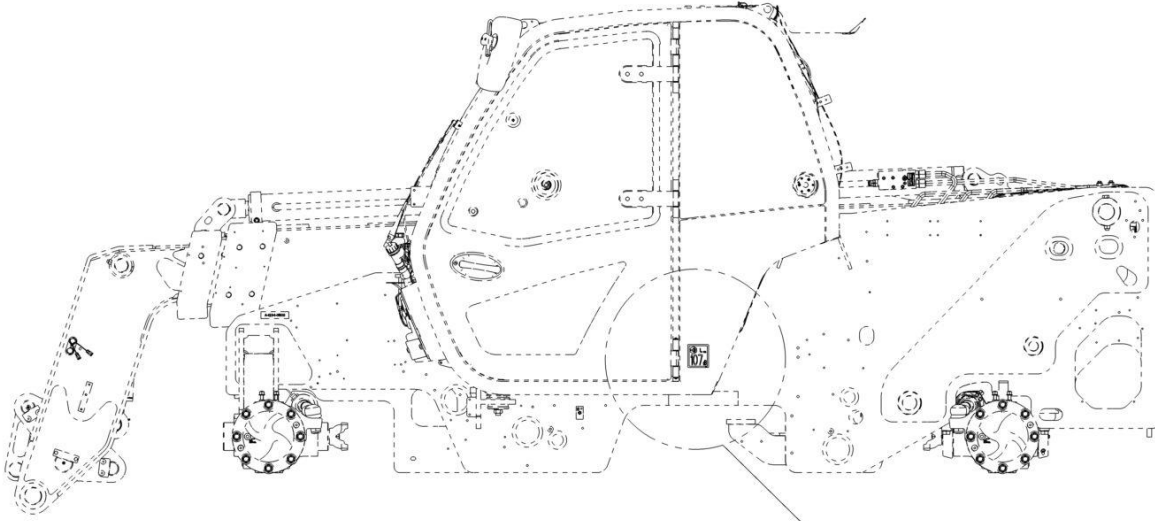
## SECTION 11 - DECALS

**FIGURE 11-8. DECAL SOUND PLATE INSTALLATION (106DB)**

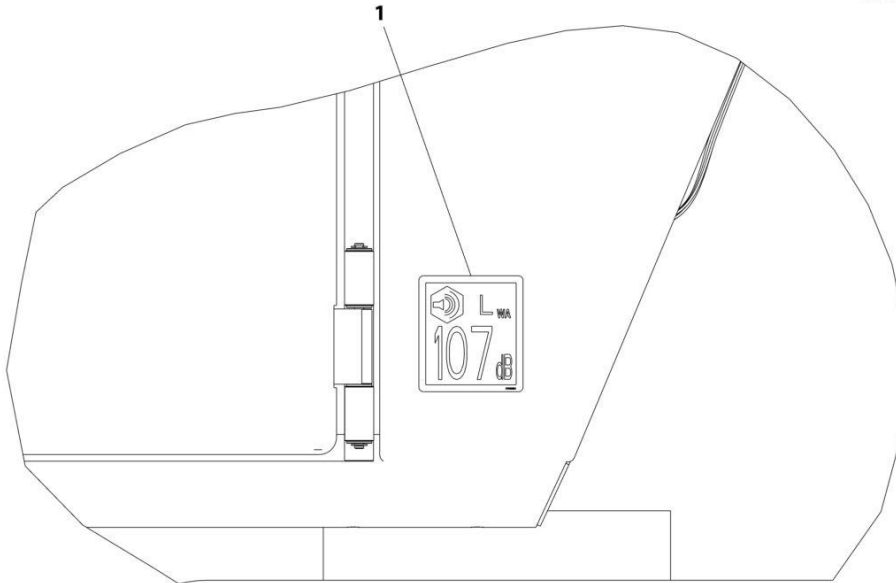
ITEM	PART NUMBER	QTY	DESCRIPTION	REV
1	1001220865 1705980	Ref 1	Decal Sound Plate Installation (106db) Decal, Acoustic Power (106db)	A

# SECTION 11 - DECALS

## FIGURE 11-9. DECAL SOUND PLATE INSTALLATION (107DB)



SEE DETAIL A



DETAIL A

ART\_1001220541-A

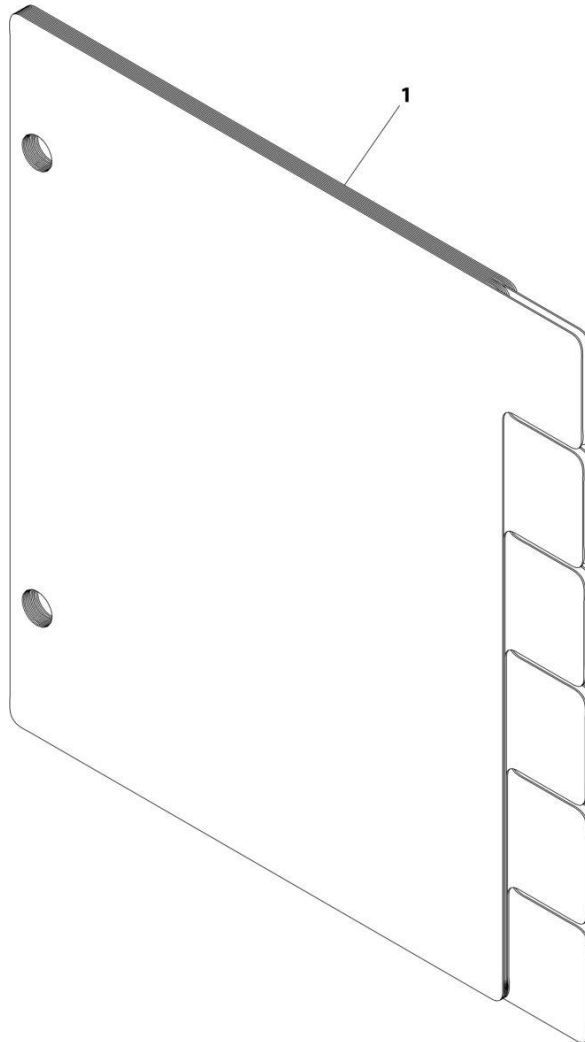
## SECTION 11 - DECALS

**FIGURE 11-9. DECAL SOUND PLATE INSTALLATION (107DB)**

ITEM	PART NUMBER	QTY	DESCRIPTION	REV
1	1001220541	Ref	Decal Sound Plate Installation (107db)	A
	1001102782	1	Decal, Plate-Exterior Sound (107db)	

# SECTION 11 - DECALS

## FIGURE 11-10. LOAD CHART 10M (JLG) (METRIC)



ART\_1001183657-B



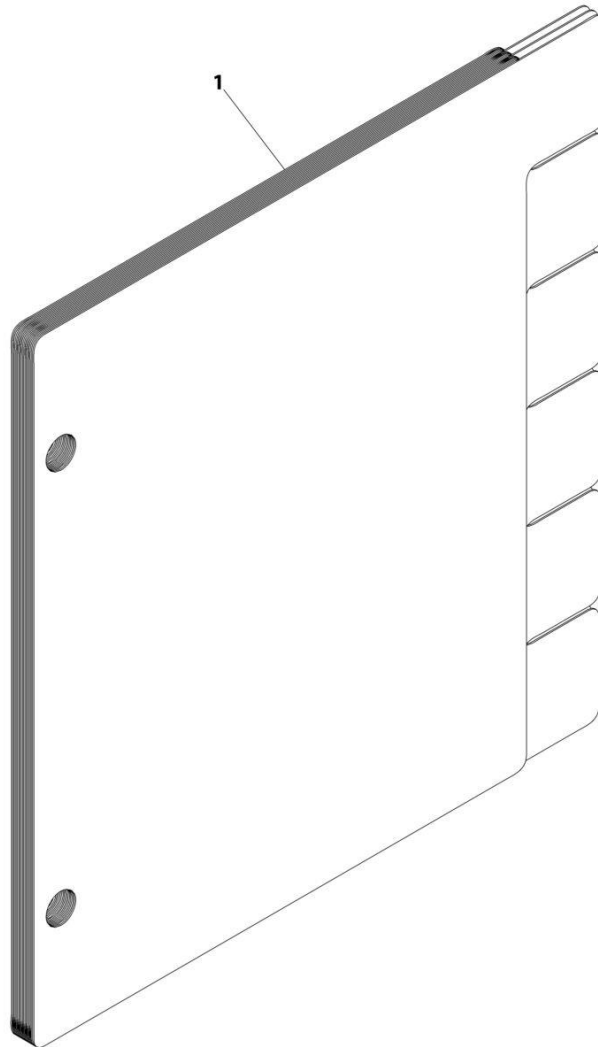
## SECTION 11 - DECALS

**FIGURE 11-10. LOAD CHART 10M (JLG) (METRIC)**

ITEM	PART NUMBER	QTY	DESCRIPTION	REV
	1001183657	Ref	Load Chart 10M (JLG) (Metric)	B

# SECTION 11 - DECALS

FIGURE 11-11. LOAD CHART 10M (JLG) (AUS)



ART\_1001183659-A

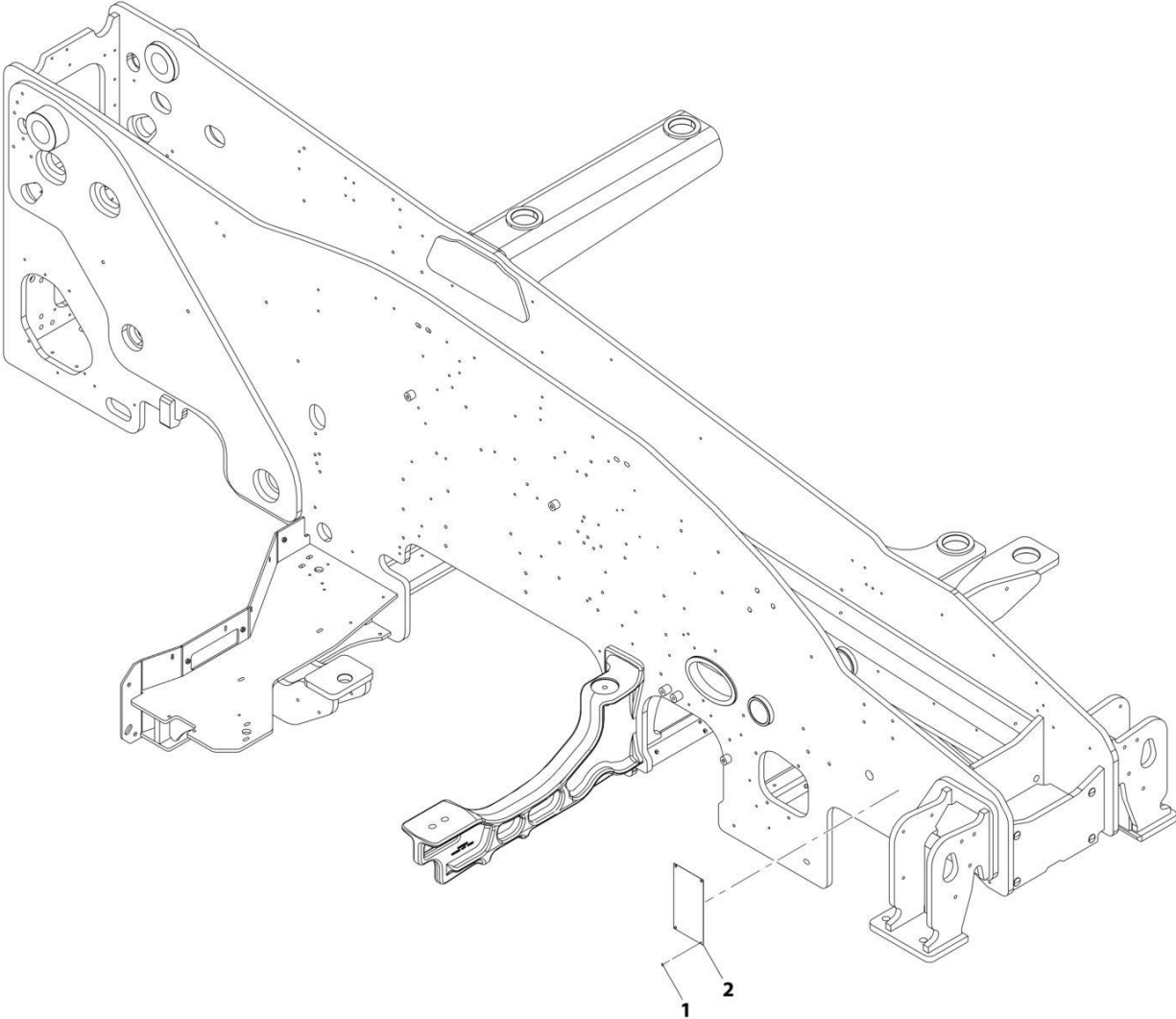
## SECTION 11 - DECALS

**FIGURE 11-11. LOAD CHART 10M (JLG) (AUS)**

ITEM	PART NUMBER	QTY	DESCRIPTION	REV
	1001183659	Ref	Load Chart 10M (JLG) (AUS)	A

**SECTION 11 - DECALS**

**FIGURE 11-12. HOMOLOGATION PLATE INSTALLATION**



ART\_1001225657-B

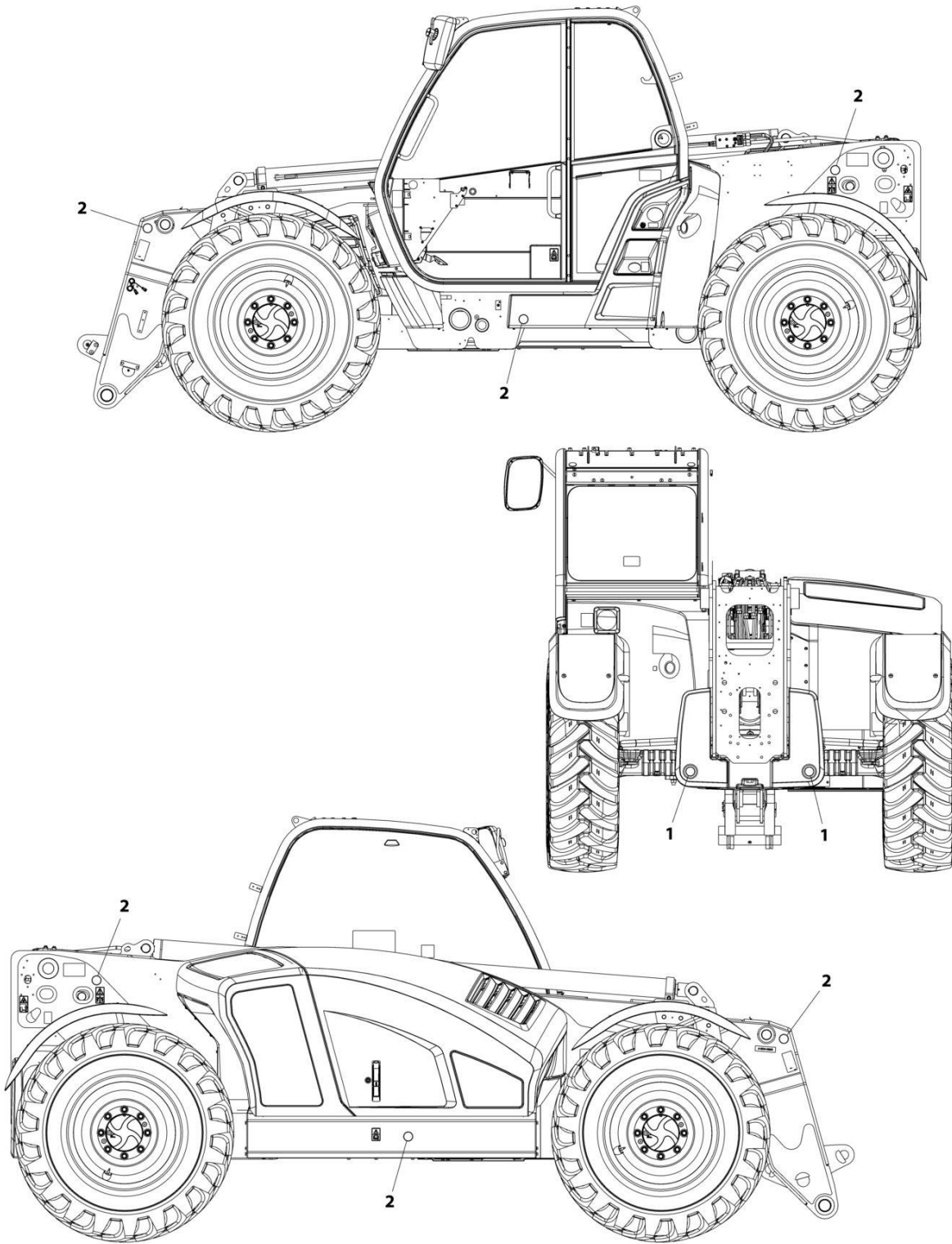
## SECTION 11 - DECALS

### FIGURE 11-12. HOMOLOGATION PLATE INSTALLATION

ITEM	PART NUMBER	QTY	DESCRIPTION	REV
	1001225657	Ref	Homologation Plate Installation	B
1	1001009178	4	Tack, Metal	
2	1001232659	1	Plate, Homologation	

# SECTION 11 - DECALS

## FIGURE 11-13. REFLECTORS INSTALLATION



ART\_1001212513-A

## SECTION 11 - DECALS

### FIGURE 11-13. REFLECTORS INSTALLATION

ITEM	PART NUMBER	QTY	DESCRIPTION	REV
	1001212513	Ref	Reflectors Installation	A
1	3700015	2	Reflector, Rear	
2	3700016	6	Reflector, Rear	





## **SECTION 12 - RECOMMENDED SPARE PARTS**

## **SECTION 12 - RECOMMENDED SPARE PARTS**

## SECTION 12 - RECOMMENDED SPARE PARTS

FIGURE 12-1. RECOMMENDED SPARE PARTS

ITEM	PART NUMBER	QTY	DESCRIPTION	REV
		Ref	<b>Frame and Attaching Parts</b>	
	1001142658	1	Cap, Fuel	
	1001142659	1	Cap, Hydraulic	
		Ref	<b>Boom</b>	
	1001147731	AR	Shim, M1X45X185	
	1001147657	AR	Pad, M15X45X181	
	1001175853	AR	Pad, M38X45X181	
	1001148147	AR	Shim, M1X67.5X185	
	1001148103	AR	Pad, M15X67.5X181	
	1001175911	AR	Pad, M38X45X181	
		Ref	<b>Engine and Attaching Parts</b>	
	7016331	1	Filter, Oil	
	70024961	1	Prefilter, Fuel (74.4 KW)	
	70027417	1	Fuel Filter (74.4KW & 100KW)	
	70004511	1	Filter, Fuel (90KW)	
	70025153	1	Prefilter, Fuel (90KW & 100KW)	
	70027657	1	Dipstick	
	70027403	1	V-Belt (ULS)	
	70025478	1	V-Belt (LS)	
		Ref	<b>Cab</b>	
	1001172546	1	Filter, HVAC Fresh Air Filter	
	1001172553	1	Filter, HVAC Recirculation Air	
	1001141281	1	Blade, 800mm	
	1001141313	1	Blade, Roof 500mm	
		Ref	<b>Hydraulic Components</b>	
	70026848	1	Kit, Lift Cylinder Seal	
	70027228	1	Kit, Tilt Cylinder Seal	
	70027086	1	Kit, Outer Extend/Retract Seal	
	70027067	1	Kit, Inner Extend/Retract Seal	
	70027238	1	Kit, Compensation Cylinder Seal	
		Ref	<b>Electrical</b>	
	0400075	1	Battery (Standard)	
	1001167212	2	Battery (Dual)	
	1001218328	1	Key	

## SECTION 12 - RECOMMENDED SPARE PARTS

### PART NUMBER INDEX

## SECTION 12 - RECOMMENDED SPARE PARTS

0100011.....145, 147, 151	0701214... 365, 367, 379, 381	0760814 ..... 427, 441	1001003439..... 19
0240063.....253	0701215 ..... 1175, 1177	0760815 ... 365, 715, 987, 1231	1001003474.....257
0240117.....275	0701217.327, 1175, 1177	0760816 ..... 465, 467	1001003475.....257
0240118.....277	0701229 ..... 119, 121	0760817 ..... 987	1001003590..95, 97, 421, 441, 925, 927, 929
0400075..... 1117, 1298	0701232 ..... 119, 121	0760823 ..... 59, 445, 447	1001003596..... 905
0498748.....707	0701616 ... 71, 73, 79, 83, 87	0761007 .. 967, 969, 1117	1001003803..... 69
0630576.....37, 39, 421	0701617 ..... 91	0761008 ..... 961, 963	1001003809..... 887
0630609.....983, 985	0701626 ..... 341, 343	0761010 ... 25, 27, 31, 33, 35, 95, 97, 99, 367, 379, 397, 423, 425, 429, 551, 553, 555, 887, 889, 943, 949, 965, 1117, 1119, 1153, 1155, 1229, 1231, 1233, 1241, 1243, 1253	1001003934.....381
0641405.....293	0701628 ..... 341, 343	0761011 ..... 441	1001004143.....381
0641510.....295	0701630 ... 341, 343, 995	0761012 ... 25, 27, 37, 39, 59, 357, 359, 361, 363, 365, 367, 395, 397, 399, 449, 461, 463, 475, 867, 899, 901, 971, 973, 975, 977, 1037, 1065, 1067, 1085, 1097, 1117, 1119, 1219	1001004144.....949, 965
0641612..... 145, 147, 151	0701631 ..... 55, 105	0761014 ... 365, 367, 955, 979, 981, 983, 985, 1175, 1177	1001004617.....243
0642032.... 137, 139, 141, 145, 147, 151	0711215 ..... 111	0761015 .... 551, 553, 555	1001004618.....243
0681810..... 145, 147, 151	0711216 ..... 109	0761210 ..... 423, 425	1001004619.....243
0700408.885, 1153, 1155	0711217 ..... 111	0761212 ..... 25, 27, 543, 1085, 1097	1001004620.....243
0700608.....443	0711228 ..... 107	0761215 .... 59, 341, 343, 989	1001004640.....899, 901
0700610....25, 27, 37, 39, 97, 421, 423, 425, 437, 473, 737, 891, 1111, 1165, 1167, 1169, 1183, 1185, 1187, 1189	0711616 ..... 95, 97	0761216 ..... 343	1001004720..... 1219
0700612...421, 749, 1175, 1177	0712027 ..... 683	0761217 ..... 25, 27	1001004723... 1065, 1067
0700614....295, 365, 423, 425, 786, 790, 839, 841, 1105, 1111, 1165, 1167, 1169, 1175, 1177	0712030 ..... 479, 481	0761218 ..... 997	1001005038.....859, 861
0700618...979, 981, 1122	0712040 ..... 479, 481	0761219 ..... 111, 113	1001005038.....859, 971, 975
0700620.....95, 97, 1167	0712439 ..... 55	0761228 ..... 997	1001005262.....937, 939, 941
0700624.....449	0741610.... 145, 147, 151	0761412 ..... 1257	1001005267..... 69, 101
0700814.....65	0750804 .... 693, 695, 697	0761416 ..... 187, 189	1001005368.....705
0700815.....953	0760410 ..... 1179	0761619 ..... 341, 343	1001005893.....983, 985
0700816....387, 389, 391, 393	0760507. 119, 455, 1085, 1097	0770810 ..... 377, 421	1001005904.....937, 939, 941, 975, 977
0700817....459, 835, 979, 981, 983, 985	0760512 ..... 855	0770814 ..... 881	1001005960..... 1261
0700818.....1111	0760605 ... 405, 407, 707, 875, 877, 883	0771212 ..... 111, 113	1001005980..... 839, 841
0700819.....983, 985, 987	0760607 ... 365, 441, 449, 707	0771618 ..... 69	1001005981..... 841
0700820....431, 829, 831, 833	0760608 ... 127, 395, 397, 399, 413, 415, 737, 749, 753, 819, 845, 855, 875, 877, 883, 889, 899, 901, 1157, 1243	0860520 ..... 293	1001006730.....779
0700821 .....421	0760610 ..... 1193, 1217	0930003 ..... 233	1001006731.....777
0700822.....945	0760612 ..... 37, 39	0930004 ..... 237	1001006954.....861
0700823.....441	0760614 ..... 1245	0930006 ..... 231	1001006955.....861
0700824.....899, 901	0760619 ..... 1095	0930020 ..... 235	1001007056..... 1017
0700826.....443, 1227	0760805 ..... 1221	1001001556 ..... 971, 973	1001007543..... 199
0700827 ..... 175, 177	0760806 ..... 429	1001002778 ..... 1177	1001007641.....845, 847
0701011....979, 981, 983, 985	0760807 ..... 951	1001002779 ..... 1177	1001008436..... 839, 843
0701012....379, 381, 427, 431, 551, 925, 979, 981, 983, 985	0760808 ... 119, 121, 449, 751, 849, 851, 1085, 1095, 1097, 1105, 1165, 1167, 1169, 1199, 1229, 1231, 1233	1001002946 ..... 715	1001008450.....989
0701014.25, 27, 123, 367, 473, 821, 925	0760810 ... 31, 33, 35, 37, 39, 41, 43, 45, 47, 49, 51, 53, 95, 97, 107, 365, 367, 395, 399, 437, 441, 443, 465, 467, 659, 751, 761, 767, 769, 781, 783, 786, 790, 829, 833, 853, 875, 877, 905, 935, 967, 969, 979, 983, 987, 1085, 1097, 1161, 1183	1001002947 ..... 715	1001008462.....479, 481
0701016....389, 391, 395, 397, 399, 475, 971, 973, 975, 977	0760812 ..... 61, 105, 113, 377, 379, 381, 413, 415, 421, 423, 425, 441, 715, 867, 905	1001002953 ..... 715	1001008469.....891
0701018.....431, 473		1001002957 ..... 715	1001008475.....843, 847
0701019.....949		1001003043 ..... 703	1001008540.. 1266, 1270, 1274, 1278, 1282
0701020.....461		1001003064 ..... 243	100100855999, 461, 463, 475, 545, 547, 1065, 1067, 1085, 1097, 1157, 1221, 1235
0701021....971, 973, 975, 977		1001003301 ..... 65	1001008572.....967, 969
0701022.....1239		1001003305 .... 357, 359, 361, 363, 449, 961, 963, 981, 985, 1065, 1067, 1085, 1097	1001008573.....461
0701024.....61		1001003391 .. 1175, 1177	1001008574.....449
0701029.....155		1001003427 ..... 63	1001008575..... 61
0701030.....473			1001008580.....423, 425

## SECTION 12 - RECOMMENDED SPARE PARTS

1001008761 . 95, 97, 421, 441, 925, 927, 929, 991	1001092009..... 631, 633	1001099351.....265	1001106729 ..... 969
1001008773 ..... 943, 949	1001092122..... 461	1001099457 .....205	1001106930 ..... 297
1001008804 ..... 431, 943, 949, 951	1001092298..... 117	1001099902.....255	1001107192 ..... 707
1001008805 . 95, 97, 935, 937, 939, 941, 985, 987	1001092391..... 195	1001100262.....327	1001107336 ..... 135
1001008857 ..... 715	1001092481.....287	1001100266.....215	1001107338 ..... 135
1001008863 ..... 967, 969, 987	1001092482.....287	1001100284.....649	1001107581 ..... 135
1001008910 ..... 429	1001092877.. 1266, 1270, 1274, 1282	1001100442..... 115	1001107854 . 1077, 1078, 1081, 1083, 1126, 1129, 1130, 1147
1001008922 ..... 431, 967, 969, 971, 973, 975, 977, 987	1001092878.. 1266, 1270, 1274, 1282	1001100651.....637, 639	1001108133 ..... 213
1001008923 ... 987, 1191, 1193, 1245	1001093171..... 271	1001100823.....215	1001108661 ..... 1239
1001008926 ..... 1111	1001093277..... 421	1001100911.....185	1001108857 .. 1229, 1231
1001008988 ..... 707	1001093401..... 377, 421	1001100912..... 197	1001108918 ..... 937, 939, 941
1001009038 ..... 1243	1001093826..... 159, 231, 263, 305	1001100957..1266, 1270, 1274, 1278, 1282	1001109113 ..... 199
1001009062 ..... 843	1001093827..... 159, 231, 263, 305	1001101041.....263, 297, 305, 935, 937, 939, 941, 971, 973, 975, 977	1001109387 ..... 327
1001009105 ..... 243	1001094301..... 449	1001101042.....263, 297, 305, 935, 937, 939, 941, 971, 973, 975, 977	1001109494 ..... 457
1001009124 ..... 847	1001094555..... 143, 149, 153, 159, 231, 233, 237	1001101063.....969	1001110023 .... 937, 939, 941, 975, 977, 1043
1001009163 65, 433, 435, 551, 553, 555	1001094556..... 143, 149, 153, 159, 231, 233, 237	1001101064.....967, 969	1001110115 ..... 939
1001009178 . 1266, 1270, 1274, 1278, 1282, 1293	1001094708.. 1266, 1270, 1274, 1278, 1282	1001101066.....545	1001110849 ..... 91, 93
1001009207 ..... 95, 97	1001095301..... 387, 393, 971, 973, 975, 977, 1037	1001101561.....545	1001111076 ..... 819
1001009375 .. 1085, 1097	1001095336..... 1113	1001101702.....889	1001111147 ..... 741, 819
1001009384 ..... 379, 381, 979, 983	1001095401..... 475, 1231	1001101855..... 1231	1001111317 ..... 693, 695, 697, 709, 711
1001010240 ..... 427, 429, 431	1001095650..... 1227	1001101895..1266, 1270, 1274, 1282	1001111424 ..... 1115
1001010646 ..... 777, 779	1001095704..... 1088	1001101956..... 147	1001111757 ..... 213
1001010647 ..... 777, 779	1001095804... 1149, 1151	1001102080 ..... 1231	1001111758 ..... 213
1001010648 ..... 777, 779	1001095810..... 293	1001102378..... 145, 147, 151	1001112559 ..... 323
1001010649 ..... 777, 779	1001096019..... 291	1001102502..... 1247	1001112560 ..... 325
1001010650 ..... 777, 779	1001096020..... 291	1001102553..... 177	1001112612 ..... 1130
1001010838 ..... 843	1001096021..... 289	1001102554..... 175	1001112796 ..... 1171
1001010839 ..... 847	1001096022..... 289	1001102750..... 1278	1001112923 ..... 649
1001010938 ..... 427, 429, 431	1001096024..... 291	1001102782 ..... 1287	1001112924 ..... 611, 617
1001025750 . 1085, 1097, 1221	1001096025..... 289	1001102813..... 293, 295	1001114787 .... 121, 1015
1001026104 ..... 357, 359, 361, 363, 475	1001096162..... 287, 289, 291, 293	1001103012..... 1128	1001114802 ..... 479, 481
1001028291 ..... 19	1001096365..... 715	1001103156..... 1241	1001116128 ... 741, 1219, 1221
1001028308 ..... 19	1001096726..... 115	1001103201 ..... 298	1001116208 . 1165, 1167, 1169
1001032853 ..... 95, 97	1001096870..... 107, 115	1001103300 ..... 1241	1001116686 .. 1070, 1075
1001033119 ..... 95, 97	1001096913... 1175, 1177	1001103530..... 159	1001116696 . 1078, 1083, 1100
1001033120 ..... 379, 381	1001097110..... 209	1001103531..... 297	1001116697 ..... 1128
1001047062 ..... 707	1001097205..... 271	1001103533..... 159	1001116698 .. 1128, 1130
1001059819 ..... 991	1001097244..... 737	1001103637 ..... 287	1001116700.. 1128, 1251
1001080375 ..... 937, 939	1001097287..... 231, 233	1001103640 ..... 935	1001116701 ..... 1090
1001090063 ..... 145, 147, 151	1001097540... 37, 39, 817	1001103730 ..... 289	1001116710 ..... 1103
1001090064 ..... 145, 147, 151	1001097586..... 703	1001103736 ..... 291	1001116716 ..... 1128
1001090140 ..... 145, 147, 151	1001098146..... 119, 121	1001104437 ..... 905	1001116723 . 1126, 1127, 1128, 1130
1001090150 ..... 109, 113	1001098147..... 119, 121	1001104477..... 939, 1041	1001116725 ..... 1088
1001090343 ..... 703, 815, 857	1001098150..... 728	1001104498..1077, 1078, 1081, 1083, 1126	1001116728 . 1077, 1082, 1101, 1131, 1195
1001091126 ..... 19	1001098457..... 105, 107, 119, 121	1001104519..1126, 1127, 1128	1001116732 .. 1088, 1101
1001091313 ..... 159	1001098629..... 71, 73, 75	1001104646..... 971, 973, 975, 977	1001116734 . 1088, 1100, 1101
1001091715 .. 1175, 1177	1001098630..... 79, 81	1001104654... 1149, 1151	1001116735 ..... 1100
1001091716 .. 1175, 1177	1001098631..... 83, 85	1001104685..... 461, 463	1001116747 .. 1101, 1147
1001092008 ..... 625, 627	1001098632..... 87, 89	1001104934 ..... 953	1001116748 ..... 1126
	1001098636..... 83, 87	1001104958..... 297	1001116753 ..... 1127
	1001098769..... 123	1001105167... 1175, 1177	1001116754 ..... 1126
	1001099113..... 145, 147, 151	1001105168... 1175, 1177	1001116763 ..... 1147
	1001099115..... 145, 147, 151	1001105260 ..... 111	1001116810 .. 1069, 1074
	1001099204..... 643, 645	1001105639..... 943	1001116811 .. 1089, 1101
		1001105643..... 943	1001116812 . 1069, 1070, 1074, 1075, 1090,
		1001106570..... 69	

## SECTION 12 - RECOMMENDED SPARE PARTS

1100, 1101, 1128, 1129, 1237	1001125387 ..... 1278	1001141596 ..... 1117	1001152908..... 793, 801
1001116815...1103, 1131	1001125466 ..... 377, 421	1001142247 ..... 284	1001152915..... 693, 695, 697
1001116950..1070, 1074, 1090, 1091, 1100, 1102	1001125677. 1078, 1091, 1128	1001142281 ..... 641, 643	1001152940..... 377, 421
1001116983.....1103	1001126008. 1069, 1073, 1077, 1082, 1088	1001142285 ..... 623	1001152947..... 693, 695, 697
1001116984.....1130	1001126245 ..... 1088	1001142286 ..... 623, 625	1001153748..... 931, 1035
1001116985.....1130	1001126349 ..... 1100	1001142287 ..... 623, 627	1001153862..... 107, 109
1001116986.....1130	1001126351 ..... 1100	1001142288 ..... 629	1001153863..... 107, 111
1001116991...1128, 1130	1001126352 ..... 1100	1001142289 ..... 629, 631	1001153864..... 107, 113
1001116994.....1171	1001126353.. 1089, 1100	1001142290 ..... 629, 633	1001153902J..... 19
1001116995..1075, 1081, 1126, 1205	1001126356 ..... 1100	1001142291 ..... 635	1001154174..... 109, 111, 113
1001116996..1077, 1082, 1083	1001126357 ..... 1100	1001142292 ..... 635, 637	1001154176..... 111, 113
1001116997.....1126	1001126360 ..... 1100	1001142293 ..... 635, 639	1001154688..... 25, 27
1001116998.....1130	1001126362.. 1092, 1100	1001142315 ..... 641	1001155228..... 691, 707
1001116999.....1128	1001126384 ..... 1100	1001142316 ..... 641, 645	1001155230..... 1270
1001117011 .....1251	1001126391. 1091, 1092, 1100	1001142658 ..... 67, 1298	1001155231..... 1270
1001117018...1100, 1101	1001126393. 1090, 1092, 1100	1001142659 ..... 67, 1298	1001155276..... 899, 901, 903
1001117021..1077, 1082, 1147	1001126485.. 1088, 1091	1001142724 ..... 867	1001155410..... 105, 107
1001117079.....1126	1001126487 ..... 1088	1001142790 ..... 157	1001155441..... 117
1001117081...1126, 1127, 1128, 1129, 1130	1001126837.. 1217, 1241	1001143200 ..... 699, 701	1001155446..... 683
1001117108..1069, 1074, 1077, 1082	1001127728 ..... 629	1001143857 ..... 899, 901	1001155447..... 687, 689, 853
1001117109..1070, 1074, 1075, 1089, 1102, 1237	1001128127.. 1070, 1074	1001144147 . 1089, 1101, 1139	1001155486..... 815
1001117110..1069, 1074, 1077, 1082, 1089, 1101, 1102	1001128128.. 1088, 1101	1001144296 ..... 1129	1001155958..... 107
1001117121 .....1126	100112847865, 421, 433, 435, 551, 553, 555	1001144629J..... 293	1001155959..... 107
1001117244 ..... 433, 435	1001128972.. 1085, 1097	1001145204 ..... 369, 371, 373, 375	1001155960..... 107
1001117247 .....1239	1001130198 ..... 357, 359, 361, 363, 1085, 1097	1001145300 .. 1117, 1119	1001155978..... 899, 901
1001117308...1111, 1115	1001130323. 1266, 1270, 1274, 1278, 1282	1001145390 .. 1015, 1017	1001156265..... 899, 901
1001117945 .....187	1001132564 ..... 728	1001145444 ..... 1015	1001157890.. 1070, 1074, 1075
1001118282...1088, 1101	1001132959 ..... 172	1001145539 ..... 786, 790	1001157891... 1077, 1081
1001118323...1070, 1074	1001133072 ..... 145, 147, 151	1001146588. 95, 97, 357, 359, 361, 363, 423, 425, 459, 937, 939, 941, 1065, 1067, 1085, 1097, 1122, 1165, 1167, 1191, 1193, 1219, 1221, 1245	1001157919..... 971, 973, 975, 977
1001118379..1075, 1081, 1126	1001133690 ..... 389, 391	1001146901 ..... 741	1001158146..... 1149
1001118383.....1127	1001133714. 1090, 1091, 1100, 1102	1001146949 ..... 915, 917	1001158596..... 761
1001118384..1126, 1127, 1128, 1129, 1130, 1131	1001133715. 1088, 1091, 1100, 1103	1001147060 ..... 1157	1001158736C ..... 767
1001118386.....1130	1001133793 ..... 387, 389, 391, 393	1001147449 ..... 724, 728, 731	1001159028..... 871, 873
1001118387.....1130	1001134274 ..... 1241	1001147657 ..... 109, 111, 113, 1298	1001159728..... 1263
1001118392...1078, 1083	1001135245 ..... 457, 459	1001147731 ..... 109, 111, 113, 1298	1001159734... 1149, 1151
1001118684.....1126	1001135650. 1088, 1091, 1100, 1103	1001148103 ..... 111, 113, 1298	1001159735... 1149, 1151
1001118685.....1127	1001135651. 1091, 1100, 1103	1001148147 ..... 111, 113, 1298	1001159736..... 815
1001119057 .....55	1001137512 ..... 321	1001148557 ..... 724	1001159737.. 1149, 1151, 1213
1001119220 .....473	1001138116 ..... 1088	1001148841 ..... 1091	1001159738..... 1197
1001119467 .....769	1001138645. 1085, 1095, 1105	1001148842 ..... 1091	1001159739... 1191, 1193
1001120501 ..... 979, 983	1001139034 ..... 377, 421	1001149050 ..... 983, 985	1001159741... 1149, 1151
1001120505 ..... 983, 985	1001139551 ..... 815	1001149278 ..... 724, 728, 731	1001159742... 1149, 1151
1001120602 ..... 983, 985	1001139552 ..... 705	1001149308 ..... 439	1001159743... 1149, 1151
10011209097 .....1091	1001139568 ..... 705	1001149375 ..... 437, 439	1001159745..... 969
1001120914 .....145, 147, 151	1001139647. 1266, 1274, 1282	1001149376 ..... 439	1001159748... 1149, 1151
1001120915 .....145, 147, 151	1001139654 ..... 1266	1001149923 ..... 119	1001159845.. 1183, 1185, 1187, 1189
1001120989..1165, 1167, 1169	1001140296 ..... 423, 425	1001150294 ..... 759, 769	1001159846.. 1183, 1185, 1187, 1189
1001121021 .....1245	1001141246 ..... 715	1001150735 ..... 1126	1001159849... 1149, 1151
1001121127 .....961	1001141281 .... 853, 1298	1001150737 ..... 1126	1001159925..... 781, 783, 786, 790
1001125117 .....109, 111, 113	1001141311 ..... 815	1001151257 ..... 979, 983	1001160326..... 786, 790
1001125222 .....889	1001141312 ..... 705	1001152259 ..... 327	1001160496..... 829
	1001141313 .... 815, 1298	1001152378 ..... 355	1001160498..... 1129
		1001152730 ..... 461	1001160499... 1077, 1081
			1001160500.. 1070, 1073, 1237
			1001160502..... 1129
			1001160503..... 829, 833

## SECTION 12 - RECOMMENDED SPARE PARTS

1001160506..... 831	1001163387..... 341, 343	1001167266..... 809, 811	1001169883..... 713
1001160508..... 687, 849	1001163414..... 145, 147, 1019	1001167288..... 33, 35	1001169885..... 713
1001160509 . 1069, 1074, 1077, 1081, 1237	1001163639... 1149, 1151	1001167356..... 473	1001169918..... 365
1001160510 . 1069, 1074, 1077, 1081, 1237	1001163695..... 911, 915	1001167408..... 465, 467	1001170106..... 63
1001160730 .. 1219, 1221	1001163697..... 911, 913	1001167615..... 1088	1001170113..... 713
1001160775..... 1263	1001164053..... 547	1001167616..... 1088	1001170113C..... 709
1001160928..... 1117	1001164336... 1011, 1013	1001167620..... 1091	1001170113J..... 711
1001161067..... 735	1001164402... 1111, 1113	1001167621..... 1089	1001170114..... 707, 711
1001161068..... 724, 728	1001164655..... 849, 851	1001167622... 1089, 1091	1001170122..... 709
1001161078..... 823	1001164726..... 707	1001167623... 1089, 1091	1001170231..... 875, 877
1001161080..... 823	1001164965..... 451	1001167624..... 1091	1001170326..... 757
1001161080..... 823	1001164967..... 451, 453	1001167625..... 1089	1001170366..... 685, 753
1001161095 . 1069, 1070, 1073, 1077, 1081, 1129, 1237	1001164968..... 445, 451	1001167629..... 1088	1001170374..... 701
1001161097..... 1129	1001165069..... 465, 469	1001167630... 1088, 1091	1001170488..... 183
1001161098 . 1069, 1073, 1129	1001165194..... 1090	1001167631..... 1091	1001170495..... 701
1001161099 . 1069, 1070, 1073, 1077, 1081, 1129, 1237	1001165269..... 855	1001167634..... 1088	1001170504..... 728, 733
1001161100 . 1069, 1070, 1073, 1077, 1081, 1129, 1237	1001165270..... 855	1001167635..... 1088	1001170506..... 724, 733
1001161101 . 1069, 1070, 1073, 1077, 1081, 1129, 1237	1001165275..... 715	1001167636..... 1090	1001170514..... 735
1001161251..... 724	1001165276..... 709, 711	1001167773..... 465, 467	1001170518..... 724, 728
1001161252..... 745, 747	1001165309... 1069, 1073	1001167822..... 1183	1001170519..... 724, 728, 735
1001161253..... 743	1001165310... 1070, 1075	1001167823..... 1185	1001170601J..... 707
1001161499..... 687, 689, 871	1001165311... 1077, 1081	1001167937..... 719	1001170603..... 691, 699
1001161672..... 899, 901	1001165351..... 857	1001167958..... 707, 719	1001170697..... 665, 667, 669, 671, 673, 675, 677, 679
1001161769 .. 1122, 1133	1001165416..... 857	1001167981..... 687, 689, 724, 728	1001170716..... 739
1001161770 .. 1122, 1135	1001165455..... 857	1001168030..... 379, 381	1001170718..... 739
1001161771 .. 1122, 1137	1001165458..... 737, 857	1001168142..... 899, 901	1001170944..... 715
1001161851..... 731	1001165573..... 761, 763	1001168151..... 899, 901	1001170984..... 121
1001161855..... 724, 728	1001165574..... 765	1001168152..... 687, 689, 691	1001170993..... 755
1001161865..... 797	1001165637..... 853	1001168264..... 665, 667, 669, 671	1001171000..... 473
1001161896..... 899, 901	1001165789..... 331, 337, 389, 391, 455	1001168272..... 445, 447	1001171037..... 713
1001161897..... 899, 901	1001165857..... 479, 481, 507	1001168327..... 786, 790	1001171390..... 119, 121
1001161898..... 899, 901	1001166091..... 801, 803, 805, 807	1001168330..... 786, 790	1001171392..... 121
1001161957 . 1069, 1073, 1237	1001166092..... 801, 803, 805, 807	1001168331..... 786, 790	1001171635..... 713
1001161958 .. 1077, 1081	1001166191..... 845	1001168456..... 786, 790	1001171756..... 855
1001161959..... 1129	1001166192..... 687, 845	1001168531..... 767, 1251	1001171767..... 755
1001161963 . 1069, 1073, 1237	1001166369..... 19	1001168639..... 365, 445, 447	1001171782..... 37, 39
1001161964 .. 1077, 1081	1001166385..... 819	1001168727..... 423, 425	1001171808..... 123
1001162636..... 119	1001166397..... 397	1001168758..... 37	1001171874..... 875, 877
1001162659..... 65	1001166534..... 107, 1003	1001169048..... 105	1001171913..... 365
1001162662..... 65	1001166541..... 1092	1001169049..... 105	1001171959..... 365
1001162704..... 687, 899	1001166543... 1092, 1100	1001169135..... 767	1001172035 . 1266, 1270, 1274, 1278, 1282
1001162767..... 65	1001166551..... 1089	1001169146... 449, 1085, 1097, 1219	1001172088..... 875, 877
1001162885 . 1229, 1231, 1233	1001166555..... 1089	1001169151..... 786, 790, 1147	1001172094..... 875, 877
1001162886..... 1127	1001166556.. 1090, 1092, 1100	1001169216..... 341, 343	1001172146..... 61
1001162887..... 1127	1001166565..... 397, 403	1001169268..... 907	1001172147..... 61
1001162920..... 875, 877	1001166566..... 395, 399, 401	1001169295..... 113	1001172193..... 693, 695, 697, 709, 711
1001162922..... 875, 877	1001166634..... 709, 711, 715	1001172295..... 113	1001172321J..... 109
1001162953..... 786, 790, 809	1001166701... 1092, 1100	1001172354..... 895, 897	1001172401..... 687, 689, 863
1001162974..... 1007	1001166702..... 1090	1001172355..... 897	1001172402..... 111
1001162979..... 899, 901	1001166715..... 397, 399, 405	1001172367..... 897	1001172546..... 781, 786, 1298
1001163103..... 111	1001166754..... 683	1001169424..... 341, 343	1001172547..... 781, 783, 786, 790
1001163340..... 1127	1001166755..... 683	1001169454..... 59	1001172550..... 781, 783, 786, 790
	1001166774.. 1090, 1092, 1100	1001169603..... 724, 728	1001172551... 865, 1143, 1145
	1001167004..... 909	1001169604..... 724, 728, 731	1001172552..... 781, 786
	1001167015..... 739, 741	1001169674..... 1263	1001172553..... 781, 783, 786, 790, 1298
	1001167017... 1153, 1155	1001169751..... 895	
	1001167212... 1119, 1298	1001169763..... 907	
		1001169803..... 983, 985	
		1001169806..... 991	
		1001169825..... 1111	
		1001169880..... 709, 711	

## SECTION 12 - RECOMMENDED SPARE PARTS

1001172667.....181	1001175325.....367	1001176966.....57, 61	1001179221J.1117, 1119
1001172693.....63	1001175470.....757	1001176977.....365, 449	1001179297.....1261
1001172774.....833	1001175471.....753, 755	1001177048.....893	1001179462.....927, 1031
1001172807.....619, 621	1001175477.....707	1001177049.....893	1001179482.....819
1001172829.....39	1001175550.....331, 345	1001177050.....893	1001179483.....819
1001172886.....119, 121	1001175552.....337, 351	1001177051.....893	1001179493.....465
1001172892.....921	1001175553.....333, 347	1001177052.....893	1001179585.....1119
1001172894.....921, 931	1001175554.....339, 353	1001177053.....887, 893	1001179586.....1119
1001172900.....921, 925	1001175555.....335, 349	1001177060.....61	1001179719.....647
1001172901.....927, 929	1001175586.....405, 409	1001177062.....61	1001179720.....651
1001172909.....923, 943	1001175661.....113	1001177082.....61	1001179768.....991, 1057
1001172939.....923	1001175670.....479, 483	1001177464.....745	1001179861.....467
1001173011.....997	1001175671.....481, 495	1001177597..1088, 1103	1001179864.....369, 371, 373, 375, 437
1001173015.....923, 995	1001175733.....1163	1001177638.....543	1001179895.....817
1001173023.....923, 957	1001175746.....107	1001177670.....107	1001179898.....817
1001173257.....831, 835	1001175747.....107	1001177730.....991	1001179901.....1227
1001173298.....707	1001175749.....107	1001177851.....553, 559	1001179907...1095, 1105
1001173411.....1128	1001175751.....107	1001177863.....331, 333, 335, 337, 339, 989	1001179910.....467, 471
1001173418.....945, 951	1001175753.....107	1001177870.....543	1001179926.....945
1001173425.....741	1001175754.....105	1001178030.....365, 443	1001179937.....1241
1001173641.....691, 695, 697	1001175776..1159, 1161, 1163	1001178053..1179, 1181	1001180045.....857
1001173642.....693	1001175812.....867	1001178115.....365, 367	1001180134.....923, 953
1001173703.....1274	1001175853.....109, 1298	1001178123.....857	1001180196.....71
1001173770.....1047	1001175898.....105	1001178159.....693, 695, 697	1001180198.....79
1001173771...1037, 1039	1001175903.....724, 728	1001178160.....693, 695, 697	1001180199.....83
1001173829.....1179	1001175911.....111, 1298	1001178170.....786, 790	1001180200.....87
1001173965.....724, 728	1001176105.....105	1001178171.....673, 675, 677, 679	1001180202.....73
1001174295.....707, 721	1001176121.....753, 757	1001178298.....617, 619	1001180206.....91
1001174320.....693, 695, 697	1001176122.....663	1001178299.....617, 621	1001180207.....69
1001174321.....715	1001176123.....661	1001178300.....617	1001180226.....367
1001174328.....37, 39	1001176125.....673	1001178439.....333, 339, 553	1001180227.....367
1001174368.....1165	1001176126.....675	1001178474.....59	1001180252.....925, 1027
1001174372..1165, 1167, 1169	1001176127.....677	1001178526.....119	1001180263.....831, 833
1001174557.....113	1001176128.....679	1001178622.....335	1001180267.....1117
1001174567.....887, 891	1001176129.....665	1001178678.....691, 703	1001180328.....449
1001174652.....731	1001176130.....667	1001178679.....703, 705	1001180413.....659
1001174653.....731	1001176140.....749	1001178680.....705	1001180418.....905
1001174655.....731	1001176257.....749	1001178681.....705	1001180429.....461
1001174712...1149, 1151	1001176272.....699, 701	1001178688.....705	1001180435.....449
1001174741.....749	1001176273.....699, 701	1001178706.....1261	1001180436.....449
1001174795.....451, 453	1001176313.....955	1001178725.....473	1001180472.....887
1001174796.....1199	1001176318.....749	1001178729.....99	1001180524...1065, 1069
1001174800.....749	1001176333.....1129	1001178749.....473, 475	1001180525...1065, 1077
1001174801.....749	1001176338.....1207	1001178783.....1207	1001180529.....1191
1001174879.....543	1001176341.....55	1001178791.....445, 447	1001180574J.....41
1001174880.....543	1001176349.....661, 665	1001178826.....825	1001180581.....413, 417
1001174881.....543	1001176350.....661, 667	1001178874.....461	1001180593.....475
1001174911.....1278	1001176351.....663, 673	1001178933.....1122	1001180682.....1207
1001174993.....997, 1011	1001176352.....663, 675	1001179008.....825, 827	1001180683.....1207
1001175016.....995, 1001	1001176353.....663, 677	1001179009.....825, 827	1001180809.....953
1001175019...1005, 1009	1001176354.....663, 679	1001179041.....967	1001180810.....953
1001175020.....107, 1007	1001176407.....107, 117	1001179043.....969	1001180811.....953
1001175201.....445, 447	1001176411.....965	1001179054.....935	1001180845.....923, 959
1001175225.....105	1001176426.....107	1001179056.....937	1001180850.....959
1001175265...1088, 1101	1001176437.....107	1001179058.....939	1001180855.....959
1001175266..1069, 1074, 1077, 1081, 1237	1001176439.....107	1001179059.....1203	1001180856.....959
1001175295.....479	1001176626.....699, 701	1001179080.....809	1001181008.....943
1001175306.....331	1001176839.....481	1001179081.....809	1001181016.....943
1001175309.....333	1001176882.....117	1001179092.....1175	1001181017.....951
1001175313.....337	1001176914.....669	1001179093.....1177	1001181019.....943
1001175315.....339	1001176916.....661, 669	1001179130.....809, 813	1001181161.....935, 937, 939, 941
1001175320.....415, 419	1001176942.....105	1001179197.....1119	1001181170.....943
1001175324.....365	1001176949.....671		1001181360.....867
	1001176950.....661, 671		1001181411.....705
	1001176964.....57		1001181413.....463
	1001176965.....57, 59		



## SECTION 12 - RECOMMENDED SPARE PARTS

1001181455..... 987	1001182880.....405	1001184062.....373, 375,	1001184955..... 369, 371,
1001181531..... 1247	1001182881.....405, 407,	415	373, 375, 441
1001181559..... 555, 561	409, 411	1001184069.....687, 689,	1001184975..... 743
1001181681 .. 1122, 1139	1001182885..... 407, 411	1122	1001185023J..... 27
1001181726..... 724, 728,	1001182886.....407	1001184070...1122, 1126	1001185061..... 27
737	1001182887.....409	1001184099.....423, 425	1001185070..... 991
1001181784..... 957	1001182888..... 411	1001184120.....369, 373,	1001185181..... 331, 357
1001181920..... 699, 701	1001182929.. 1085, 1097,	423	1001185189..... 339, 363
1001181921..... 699, 701,	1107	1001184128.....423, 425	1001185210..... 421
1159, 1161	1001182930.. 1085, 1097,	1001184129.....423, 425	1001185248..... 73, 77
1001181927..... 911, 913	1109	1001184132.....371, 375,	1001185282..... 421
1001181928..... 915, 917	1001182935.....459	425	1001185337..... 373, 375,
1001181945..... 987	1001182943.....457	1001184172..... 1229	421
1001181946..... 987	1001182949..... 377, 383	1001184275.....801, 803,	1001185351..... 921, 961,
1001181951..... 333, 335,	1001182950..... 385, 421	805, 807	963
389	1001182994..... 413, 415	1001184278.....801, 803,	1001185375..... 331, 333,
1001181952..... 339, 391	1001182995.....413, 415	805, 807	335, 1085
1001182036..... 333, 335,	1001183075.....369, 371,	1001184280.....805, 807	1001185377..... 337, 339,
339, 397	427, 429	1001184294.....801, 803,	1097
1001182037..... 333, 335,	1001183076..... 373, 375,	805, 807	1001185391 .. 1065, 1067
407	431	1001184295.....801, 803,	1001185633..... 751
1001182039..... 339, 411	1001183125.....461	805, 807	1001185722..... 1169
1001182040..... 331, 395	1001183149.....461	1001184296.....801, 803,	1001185790..... 23
1001182041..... 331, 405	1001183177.....395	805, 807	1001185809..... 1149
1001182042..... 337, 399	1001183274.... 71, 73, 79,	1001184297.....801, 803,	1001185845..... 751
1001182043..... 337, 409	83, 87	805, 807	1001185848..... 751
1001182049..... 1245	1001183297.. 1191, 1193,	1001184306.....865	1001185864..... 373, 375,
1001182066..... 987	1195	1001184307.....865	459
1001182111..... 377	1001183347... 1095, 1105	1001184309.....865	1001185865..... 369, 371,
1001182112..... 369, 371,	1001183357.....461	1001184310.....865	457
373, 375, 377	1001183460.....995	1001184315.....371	1001185870..... 724, 728
1001182123..... 699, 701	1001183461.....997	1001184322.....375	1001185871..... 427, 429,
1001182139..... 699, 701	1001183550..... 735	1001184403.....813	431
1001182193..... 377	1001183580.....987	1001184404.....813	1001185936..... 37, 39
1001182210..... 37, 39	1001183590..... 37	1001184405.....813	1001185959.. 1235, 1237
1001182213..... 421, 1051	1001183591..... 39	1001184406.....813	1001186009..... 395, 397,
1001182216.. 1085, 1097	1001183596..... 1157	1001184422... 1053, 1249	399
1001182217.. 1085, 1097	1001183605..... 1263	1001184423.....127	1001186012.. 1223, 1225,
1001182218.. 1085, 1097	1001183615... 1085, 1088	1001184427.....805, 807	1235
1001182219.. 1085, 1097	1001183657..... 1289	1001184431.....33, 35	1001186170 .... 987, 1053
1001182231..... 925	1001183659..... 1291	1001184439.....707	1001186290..... 395, 397,
1001182235..... 331, 333,	1001183676..... 127	1001184445.....441	399
335, 337, 339, 355	1001183745..... 343	1001184473..... 1129	1001186359..... 95, 97
1001182330..... 751	1001183818.. 1223, 1225,	1001184479..... 1129	1001186370..... 441
1001182423..... 21	1227	1001184482.....957	1001186392..... 95, 97
1001182424..... 441	1001183819..... 1229	1001184503... 1097, 1100	1001186393..... 867
1001182447..... 369	1001183830..... 395, 399	1001184504.....903	1001186395..... 841
1001182450..... 373	1001183832... 1235, 1239	1001184507..... 127	1001186439..... 839
1001182452..... 441	1001183838..... 1111	1001184514....21, 23, 31,	1001186565.. 1183, 1185
1001182453..... 441	1001183888..... 1183	33	1001186567.. 1183, 1185
1001182529..... 767	1001183890..... 1183	1001184515.....35	1001186574..... 549
1001182582..... 333, 335,	1001183908J..... 45	1001184517.....979, 983	1001186603..... 1169
339, 343	1001183909J..... 51	1001184518.....979, 981,	1001186646..... 1243
1001182647..... 335, 555	1001183910J..... 51	983, 985	1001186693..... 1111
1001182650.. 1085, 1097	1001183956..... 421	1001184524.....25, 27	1001186699..... 127
1001182651.. 1085, 1097	1001183958..... 441	1001184530.....955	1001186714..... 1213
1001182652.. 1085, 1097	1001183959..... 957	1001184531.....923, 955	1001186848..... 371, 375,
1001182654.. 1085, 1097	1001183983..... 989, 993	1001184551..... 1101	435
1001182735..... 331, 333,	1001183990..... 957	1001184609.....417, 419,	1001186849..... 369, 373,
335, 1095	1001184033..... 131	441	433
1001182736..... 337, 339,	1001184035..... 133	1001184610.....121	1001186895..... 127
1105	1001184041..... 143	1001184632..1266, 1270,	1001186896..... 127
1001182763..... 95, 97	1001184043..... 149	1274, 1278, 1282	1001187070..... 1109
1001182793..... 987	1001184045..... 153	1001184710.....367	1001187077..... 1109
1001182824..... 365, 367	1001184061.....369, 371,	1001184800.....441	1001187276..... 373, 375,
1001182834..... 724, 728	413	1001184839... 1203, 1205	381
1001182839..... 1217		1001184856.....107, 1245	1001187277..... 379, 381

## SECTION 12 - RECOMMENDED SPARE PARTS

1001187355.....925	1001188856..... 473	1001192720.....295	1001196787.....961
1001187400.....947, 965	1001189023..... 805, 807	1001192766..... 707, 717	1001196806...1266, 1278
1001187407.....381	1001189024..... 805, 807	1001192836..... 99	1001196876J.....27
1001187413.....875, 877, 879	1001189025..... 801, 803, 805, 807	1001192875..... 295	1001196912.....943
1001187416.....965	1001189048..... 805, 807	1001192876..... 295	1001197015...1175, 1177
1001187550.....379, 381	1001189054..... 805, 807	1001192877..... 295	1001197025.....281
1001187551.....381	1001189099..... 119, 121	1001192946..... 1005	1001197090.....975, 977
1001187552.....381	1001189154. 1266, 1270, 1274, 1282	1001193210..... 709, 711	1001197093.....971, 973
1001187622.....55	1001189182..... 724, 728	1001193421..... 955	1001197130.....479, 481
1001187638J.....55	1001189193..... 867	1001193474..... 889	1001197135.....25, 27
1001187712.....379, 381	1001189338..... 1119	1001193513..... 953	1001197139.....875, 877, 881
1001187716.....55	1001189339..... 1119	1001193514..... 953	1001197212..... 107, 987
1001187717.....37, 39	1001189475..... 125	1001193515..... 953	1001197259.....823
1001187732.....55	1001189476..... 125	1001193525..... 295	1001197266.....25, 27
1001187851.....1241	1001189480..... 117	1001193540..... 295	1001197275.....67
1001187852.....1241	1001189569. 1175, 1177, 1179	1001193551..... 365	1001197281.....987
1001187853.....1241	1001189586..... 343	1001193722..... 947	1001197300.....987
1001188190.....123	1001189877.. 1092, 1103	1001193729..... 295	1001197301.....987
1001188204.....341, 343	1001189884..... 423, 425	1001193735..... 473	1001197302.....987
1001188220.....369, 371, 379	1001189888..... 1003	1001193993..... 1111	1001197303.....987
1001188262.....687, 689, 875, 877	1001189897.. 1092, 1103	1001195004..... 891	1001197360.....59
1001188275.....797, 805	1001189898.. 1149, 1151	1001195082..... 295	1001197430.....421
1001188407.....437	1001189980..... 865	1001195207..... 887	1001197479.....119, 121
1001188413.....95, 97	1001189984J..... 37, 39	1001195210J.....25, 27	1001197500.....987
1001188466.....331, 337, 341	1001189984J..... 37, 39	1001195240J.....25, 27	1001197589.....1215
1001188548.....949, 973, 977	1001189997.. 1159, 1161	1001195252J.....25, 27	1001197597.....203
1001188577.....801, 803, 805, 807	1001190225..... 1153	1001195254..... 889, 891	1001197598.....207
1001188578.....801, 803, 805, 807	1001190227..... 1159	1001195274J.....25	1001197638.....433, 435
1001188590.....783, 790	1001190396..... 1181	1001195342..... 811	1001197639.....1209
1001188592.....805, 807	1001190408..... 37, 39	1001195343..... 811	1001197641.....433, 435
1001188594.....801, 803, 805, 807	1001190541..... 549	1001195345..... 811	1001197653.....433, 435
1001188602.....801, 803, 805, 807	1001190542..... 479, 481	1001195346..... 811	1001197654.....433
1001188603.....801, 803, 805, 807	1001190589..... 105	1001195385..... 811	1001197655.....435
1001188604.....801, 803, 805, 807	1001190657. 1229, 1231, 1233	1001195386..... 811	1001197719...1088, 1103
1001188609.....947, 949	1001190718..... 979, 981	1001195437..... 811	1001197821.....333, 335, 359
1001188610.....801, 803, 805, 807	1001190719..... 983, 985	1001195438..... 811	1001197826.....337, 361
1001188612.....801, 803, 805, 807	1001190740..... 367	1001195443..... 423, 425	1001197945.....229
1001188614.....801, 803, 805, 807	1001190921..... 1088	1001195518..... 341, 343	1001198331.....967, 969
1001188618.....805, 807	1001191091..... 721	1001195559..... 251	1001198355.....295
1001188619.....805, 807	1001191217..... 899	1001195587... 31, 33, 35	1001198621...1175, 1177
1001188720.....801, 803, 805, 807	1001191229. 1266, 1270, 1274, 1278, 1282	1001195741..... 953	1001198796...1175, 1177
1001188722.....95	1001191259..... 1239	1001195742..... 953	1001198830.....1255
1001188725.....801, 803, 805, 807	1001191281..... 737	1001195827..... 21, 25	1001198836.....95, 97
1001188728.....805, 807	1001191283..... 737	1001195829..... 23, 27	1001198924.....821
1001188729.....801, 803, 805, 807	1001191284..... 737	1001195855. 1266, 1270, 1274, 1278, 1282	1001198932.....1209
1001188733.....801, 803, 805, 807	1001191285..... 737	1001195878..... 693, 695, 697	1001198958.....821
1001188817.....805, 807	1001191370..... 737	1001195970..... 227	1001199299.....1245
1001188818.....805, 807	1001191508..... 377, 421	1001195992..... 959	1001199390.....655, 657
1001188855.....473	1001191521..... 61, 65	1001195994..... 959	1001199403.....381
	1001191533..... 65	1001196002..... 959	1001199670.....443
	1001191621..... 105, 107	1001196268..... 987	1001199935.. 1215, 1219, 1221
	1001191808..... 37, 39	1001196385..... 647, 649	1001199948.....551, 557
	1001191915..... 889	1001196418..... 31	1001200038.....967, 969
	1001192124..... 63	1001196442..... 987	1001200141.....653, 655
	1001192125..... 59, 63	1001196448J..... 651	1001200142.....653, 657
	1001192142..... 1111	1001196449J..... 651	1001200143.....653
	1001192309..... 707	1001196452. 1165, 1167, 1169, 1171	1001200180.....331, 337, 551
	1001192392..... 63	1001196531..... 685, 687, 689	1001200192.....357, 361
	1001192411..... 457, 459, 963	1001196587..... 1095	1001200201.....443
	1001192643..... 717	1001196661..... 961, 963	1001200218.....937, 939
	1001192644..... 719	1001196662..... 381	1001200449.....427
	1001192646..... 707	1001196723..... 959	1001200450.....427
	1001192711..... 295	1001196751..... 245	1001200538.....1187

## SECTION 12 - RECOMMENDED SPARE PARTS

1001200539..... 1189	1001202375.....431	1001203922.....967, 969	1001206744..... 889
1001200617..... 301	1001202376.....431	1001203923.....967, 969	1001207486..... 449
1001200688..... 1197	1001202395..... 1161	1001204060..... 1189	1001207522..... 951
1001200689.... 687, 1199	1001202421..... 1211	1001204066..... 715	1001207523..... 951
1001200694..... 743	1001202430..... 1211	1001204115..... 715	1001207525..... 959
1001200696..... 109	1001202445..... 427, 431	1001204120..... 715	1001207526..... 959
1001200798..... 379	1001202454..... 1151	1001204124..... 1053	1001207594.. 1215, 1217
1001200815.... 993, 1055	1001202473..... 461	1001204128..... 307	1001207606..... 269
1001200908..... 441	1001202474..... 461	1001204129..... 309	1001207694..... 945, 947
1001200968..... 741	1001202476..... 461	1001204130..... 311	1001207754..... 965
1001201027..... 685, 855	1001202477..... 461	1001204131..... 313	1001207804..... 949
1001201029J..... 55	1001202478..... 461	1001204132..... 315	1001207903..... 949
1001201070..... 1130	1001202479..... 461	1001204133..... 317	1001207908..... 949
1001201080..... 1130	1001202480..... 461	1001204134..... 319	1001207956..... 889
1001201081..... 1130	1001202484..... 379	1001204301..... 465, 467	1001208035..... 969
1001201161.... 687, 689, 1173	1001202506..... 427	1001204302..... 465, 467	1001208037..... 889
1001201162.... 689, 1173	1001202516.. 1141, 1143, 1145	1001204373..... 465, 467	1001208281..... 367
1001201205..... 941	1001202558... 1153, 1155	1001204374..... 95, 97	1001208308..... 724, 728
1001201207..... 745, 747	1001202643..... 459	1001204375..... 95, 97	1001208518..... 687, 689, 1247
1001201245..... 967	1001202643..... 459	1001204420..... 971, 973, 975, 977, 1037	1001208531.. 1175, 1177
1001201296..... 463	1001202653..... 431	1001204421..... 971, 975	1001208763.. 1175, 1177
1001201331..... 857	1001202654..... 431	1001204427..... 971, 975	1001209463..... 819
1001201336..... 781, 783	1001202772..... 463	1001204428..... 971, 975	1001209576..... 1111
1001201338..... 786, 790	1001202805..... 427	1001204437..... 971, 975	1001209577..... 1111
1001201340.... 687, 689, 1141	1001202904..... 303	1001204518..... 95, 97	1001209578..... 1122
1001201422..... 959	1001202921..... 463	1001204528..... 1187	1001209651..... 945
1001201478..... 1091	1001202922..... 381	1001204530..... 1187	1001209899..... 699, 701
1001201497..... 786, 797	1001203009..... 423, 425	1001204535..... 125	1001209986..... 1233
1001201498..... 781, 793	1001203012..... 427, 431	1001204629..... 979, 981, 983, 985	1001210022..... 365, 367
1001201499..... 883	1001203015... 1085, 1097	1001204681..... 979, 981	1001210409..... 545
1001201500..... 885	1001203025..... 381	1001204709..... 825	1001210417..... 545, 547
1001201501..... 883, 885	1001203027..... 423, 425	1001204709..... 825	1001210431..... 545, 547
1001201504J..... 37, 39	1001203028..... 423, 425	1001204729..... 979, 981, 983, 985	1001210432..... 545, 547
1001201520.... 687, 689, 857	1001203036..... 1223	1001204731..... 979, 981, 983, 985	1001210628..... 687, 689, 859
1001201766..... 365	1001203037... 1223, 1231	1001204839..... 357, 361	1001210798..... 837
1001201805J..... 25, 27	1001203039..... 427, 429, 431	1001204840..... 357, 361	1001210799..... 837
1001201811..... 365, 367	1001203046..... 943	1001204841..... 357, 359, 361, 363	1001210802..... 835
1001201823..... 365, 367	1001203173..... 427, 431	1001204842..... 357, 359, 361, 363	1001210804..... 835
1001201866..... 1266	1001203174..... 427, 429	1001204974..... 969	1001210961..... 1193
1001201867..... 1270	1001203178..... 381	1001204975..... 969	1001210962..... 1193
1001201868..... 1274	1001203282... 1231, 1233	1001205041..... 359, 363	1001211323..... 983, 985, 1061
1001201869..... 1278	1001203283... 1231, 1233	1001205061..... 875, 877, 883	1001211357..... 1207
1001201870..... 1282	1001203284..... 1229	1001205078..... 979, 983	1001211376..... 945
1001201929..... 365	1001203285..... 1229	1001205080..... 31, 33, 35	1001211389.. 1229, 1231, 1233
1001201930..... 365	1001203287..... 379	1001205392..... 979, 983	1001211516..... 141
1001201933..... 365	1001203291..... 51	1001205393..... 979, 981, 983, 985	1001211693..... 1122
1001201940..... 949	1001203293..... 53	1001205514..... 769	1001211729..... 331, 387
1001201941..... 949	1001203305J..... 53	1001205532..... 707, 715	1001211730..... 337, 393
1001201943..... 961	1001203313..... 107, 1005	1001205551..... 423, 425	1001211786..... 29
1001201951..... 887	1001203374..... 45	1001205648..... 767	1001211897..... 179
1001202086..... 685	1001203386..... 41	1001205782..... 769	1001211902..... 889
1001202120.... 413, 415	1001203402..... 47	1001206120..... 1095	1001211907..... 724, 728
1001202135..... 955	1001203406..... 43	1001206173..... 305	1001211915..... 889
1001202177..... 935	1001203408J..... 47	1001206179..... 979, 981	1001211965..... 1225
1001202249.... 427, 429, 431	1001203410..... 43	1001206557..... 95, 97	1001211966.. 1225, 1233
1001202251..... 427	1001203417J..... 1119	1001206558..... 95, 97	1001212011..... 721
1001202253..... 427	1001203503..... 295	1001206669..... 257	1001212047..... 827
1001202286..... 1161	1001203640.. 1187, 1189, 1193	1001206671..... 263	1001212049..... 827
1001202288..... 1159	1001203825..... 475	1001206716..... 1263	1001212270..... 55
1001202293..... 1153	1001203826..... 475	1001206717..... 1263	1001212369..... 853
1001202316..... 127	1001203882... 1085, 1097		1001212384..... 979, 981
1001202328..... 431	1001203905..... 967		
1001202329..... 431	1001203915..... 967		
	1001203919..... 967, 969		

## SECTION 12 - RECOMMENDED SPARE PARTS

1001212468.....737	1001215994.....223	1001221319.....1217	1001228503.....431
1001212513.....1295	1001215996.....225	1001221644.....327	1001228929.....381
1001212590.....625	1001216001.....239	1001221858.....429	1001228930.....381
1001212591.....627	1001216003.....279	1001221859.....429	1001228931.....381
1001212594.....643	1001216163.....971, 973, 975, 977	1001221860.....429	1001228974.....877
1001212595.....645	1001216232.....971, 973, 975, 977	1001221862.....429	1001228989..1187, 1189, 1193
1001212596.....655	1001216636.....969	1001221952.....943	1001229050.....929, 1033
1001212597.....657	1001216658.....615	1001221953.....943	1001229063.....381
1001212598.....631	1001216661.....613	1001221993.....379	1001229068.....381
1001212599.....633	1001216664.....611, 615	1001222187.....365, 367	1001229087.....901
1001212600.....637	1001216667.....611, 613	1001222188.....63	1001229093.....431
1001212601.....639	1001216851.....611	1001222190.....63	1001229139.....1119
1001212602.....619	1001216854.....359, 363	1001222519.....1155	1001229155.....963
1001212603.....621	1001216855.....359, 363	1001222573.....377, 421	1001229318.....693
1001212783.....429	1001216867.....441	1001222603.....909	1001229319.....695, 697
1001212792.....429	1001216923J.....37, 39	1001222741.....715	1001229534.....689, 901
1001212799.....429	1001216974.....761, 767, 769	1001223265.....743	1001229543.....707
1001212906.....397	1001217179.....1117	1001223875 .1266, 1270, 1274, 1282	1001229924.....997, 1013
1001212907.....395, 399	1001217333.....423, 425	1001223968.....1247	1001230163.....721
1001212948.....423, 425	1001217550.....19	1001224143.....961, 963	1001230384.....33
1001212949.....423, 425	1001217557.....29	1001224144.....961, 963	1001230411.....441
1001212956.....461	1001217623.....1197	1001224447.....961	1001230435.....689, 851
1001213006.....355	1001217635.....1155	1001224476.....953	1001230479.....35
1001213020.....987	1001218328.....1298	1001225176.....695, 697	1001230931.....1126
1001213031.....951	1001218486.....397, 551	1001225177.....693	1001231423...1067, 1081
1001213331.....715	1001218495.....1245	1001225213.....365	1001231424...1067, 1073
1001213471.....1151	1001218529.....783, 790	1001225382.....1253	1001232659.....1293
1001213748.....1037	1001218542.....783, 790	1001225386.....1253	1001233407...1215, 1255
1001213752.....1217	1001218654.....983, 985	1001225414.....1257	1001233797.....925, 1029
1001213771.....971, 973, 975, 977	1001218835.....167	1001225423.....953	1001236402.....913
1001213772.....971, 973, 975, 977	1001218856....689, 1201	1001225432.....345, 347, 349, 353	1001236404.....909
1001213791.....707	1001218962.....983, 985	1001225619.....99	1001237054.....945, 951
1001213825...1175, 1177	1001218996.....783, 790	1001225657.....1293	1001238460.....69
1001213826...1175, 1177	1001219076.....728	1001225658.....1253	1001238877.....69, 101
1001213829.....971, 973	1001219182.....551, 553, 555	1001225676.....447, 453	1001238915.....101
1001213871.....975, 977	1001219220.....699, 701	1001225677.....453	1001238919.....101
1001213883.....987	1001219481.....983, 985	1001226096.....433, 435	1001241308.....717
1001213988.....1122	1001219810.....421	1001226101.....971, 973, 975, 977	1001241674....69, 71, 73, 79, 83, 87, 91
1001214036J.....49	1001219857.....649	1001226481.....1211	1001241950.....909
1001214092.....853	1001219863.....747	1001226722 95, 97, 1049	1001243343.....741
1001214206..1266, 1270, 1274, 1278, 1282	1001219864.....743	1001226776.....973, 977	1001244192...1187, 1189
1001214220.....875	1001219865.....743	1001226777.....973, 977	1001244193...1187, 1189
1001214280.....913, 917	1001220145.....381	1001226778.....973, 977	1001258342.....741
1001214281.....1122	1001220540.....683	1001226779.....973, 977	1001268889.....431
1001214399.....971, 973	1001220541.....1287	1001226787.....981, 985	1001270117.....757
1001214401.....1217	1001220551.....379	1001226789.....981, 985	1001270599.....987
1001214479.....613, 615	1001220865.....1285	1001226789.....981, 985	1001271338.....31
1001214492.....49	1001220945.....1167	1001227090.....473	1001273847.....31
1001214663.....1117	1001220947..1165, 1167	1001227186.....693, 695, 697	1001276011.....987
1001214686.....1127	1001220948.....1167	1001227187.....709, 711	1001277894.....987
1001214687.....1127	1001221052.....795, 803	1001227188.....709, 711	1001278028.....1241
1001214868.....127	1001221053.....783, 795	1001227229.....111	1001285715.....1151
1001214881.....127	1001221054.....799, 807	1001227287 .1266, 1270, 1274, 1278, 1282	1001290666.....1257
1001214882.....127	1001221055.....790, 799	1001227357.....851	1060379.....293
1001215022.....433, 435	1001221056..1143, 1145	1001227653.....547	1062255...357, 359, 361, 363, 379, 381, 423, 425, 429, 431, 449, 465, 467, 475, 937, 939, 959, 961, 963, 965, 967, 969, 973, 977, 979, 981, 983, 985, 1085, 1097
1001215024.....433, 435	1001221057.....803, 807	1001227670.....235, 284	10705034.....161, 163
1001215261.....969, 1059	1001221058.....803, 807	1001227802.....707	10732931.....1029
1001215319.....451, 453	1001221059.....783, 790	1001227974.....961	10837926.....1027, 1029
1001215531.....715	1001221147.....921	1001228132.....803, 807	
1001215589.....945	1001221255.....891	1001228140.....803, 807	
1001215804.....859	1001221259.....783	1001228141.....803, 807	
1001215988.....217	1001221295.....790	1001228147.....803, 807	
1001215990.....219	1001221318.....1217	1001228418.....97	
1001215992.....221			

## SECTION 12 - RECOMMENDED SPARE PARTS

10837928 ..... 1027, 1029	2112016 .... 427, 429, 431	2340037.....201	3291601 ..... 105
10837929 ..... 1027, 1029	2130404 ..... 899, 901	2340038.....193	3291605 .... 341, 343, 995
10837937 ..... 1027, 1029	2130406 ..... 979, 981	2340039.....211	3300220 ..... 1115
1170002 ..... 155	2130604 ..... 95, 97, 993	2340045.....191	3300240... 137, 139, 141, 145, 147, 151
1170012 ..... 137	2130606 ... 161, 163, 165, 421, 925	2400600.....489, 501, 513	3300479 ..... 479, 481
1170021 ..... 137	2130608 .... 161, 163, 421	2401043.....489, 501, 513	3311405 ..... 293
1170024 ..... 139	2130610 ..... 459	2401258.....489, 501, 513	3311502 ..... 295
1170054 ..... 145	2130806 ..... 945	2401736.....491	3321001 ..... 1115
1170057 ..... 151	2130808 ..... 899, 901	24921332.....365, 367	3332011 .... 479, 481, 683
1170058 ..... 267	2130810 ..... 377, 441	2600281.....293	3391408 ..... 887
120034 ..... 1122	2130812 ..... 979, 983	2700118.....273	3391410 ..... 295
1320239 ..... 379, 381	2131010 ..... 441, 967	2717160.....161, 163	3421453 ..... 293
1670836 ..... 957	2131012 ..... 969, 1037	2717161.....161, 163	3423242 ..... 139, 147
1671326 ..... 741	2131212 ... 427, 429, 431, 967, 969	2717162.....161, 163	3423275 ..... 137, 145
1701509 ..... 293	2131616 ..... 427, 429	2717283... 161, 163, 1025	3423276 ..... 141, 151
1702773 .... 287, 289, 291	2132016 ..... 925	2900770.....1011, 1013	3423307 .... 145, 147, 151
1704277 ..... 293	2144601 ..... 983, 985	2902440.....249, 275	3520072 ..... 293
1704885 .... 287, 289, 291	2144605 ..... 943, 949	2902441.....247, 277	3700015 ..... 1295
1705980 ..... 1285	2144606 ... 387, 389, 391, 393	2902443.....1088, 1101	3700016 ..... 1295
1706098 ..... 1266, 1270, 1274, 1278, 1282	2150404 ..... 927, 929	2903197.....533, 535	3760170 ..... 293
1706281 ..... 1266, 1270, 1274, 1282	2150606 95, 97, 927, 929	2920206.....1183, 1185, 1191	3760348 ..... 875, 877
1706284 ..... 1266, 1270, 1274, 1282	2150808 ..... 931	2920207.....1175	3760493 ..... 107
1706285 ..... 1266, 1270, 1274, 1282	2150810 ..... 441	2920208.....1175	3760508 ..... 175, 177
1706288 ..... 1266, 1270, 1274, 1282	2151012 ..... 95, 97	2940074.....293	3820020 ..... 293
1706292 ..... 1266, 1270, 1274, 1282	2151210 .... 551, 553, 555	2997103.....489	3841203 .... 145, 147, 151
1706296 ..... 1278	2151616 ..... 431	3020040.....107	3900224 ..... 27
1706299 ..... 1278	2160016 ... 105, 107, 113, 119, 121, 545, 547, 995, 997	3043222.....511	3900349 ..... 1111
1706301 ..... 1278	2160018 ..... 109	31200160.....287	3900357 ..... 1085, 1095, 1105
1706302 ..... 295, 1278	2170208 ..... 899, 901	31200386.....291	3900379 ..... 37, 39, 817
1706306 ..... 1278	2170212 .... 427, 429, 431	31200387.....289	3900381 ..... 1085, 1097
1706768 ..... 1278	2170308 ... 979, 981, 983, 985	31200388.....289	3968141 .... 487, 499, 511
1706850 ..... 1278	2170406 ..... 95, 97	314689.....107	3983720 ..... 531
1706892 ..... 287	2170504 ..... 981, 985	3290401 737, 1141, 1153, 1155, 1179	3983731 .... 489, 501, 513
1707078 ..... 1278	2170704 ..... 983, 985	3290405.717, 1239, 1241	3984301 .... 489, 501, 513
1784861 ..... 125	2170706 ... 979, 981, 983, 985, 993	3290501.....1122, 1159, 1161, 1175, 1177, 1203	3984425 ..... 491, 515
2080040 ..... 293	2170716 ..... 427	3290505 ..... 1085, 1097	3986405 ..... 491
2080078 ..... 705	2170720 ..... 429	3290601.... 127, 295, 413, 415, 421, 737, 749, 786, 790, 875, 877, 889, 1122, 1157, 1165, 1167, 1169, 1175, 1177, 1183, 1185, 1241	4010416 ..... 1239
2080086 .... 693, 695, 697	2170808 ..... 991	3290801....413, 415, 427, 431, 707, 871, 1229, 1231, 1233	4010508002 ..... 728
2080087 .... 693, 695, 697	2170908 ..... 987	3290805..31, 33, 35, 175, 177, 365, 379, 381, 387, 389, 391, 393, 465, 467, 551, 553, 555, 881, 905, 939, 1085, 1097	4010510 ..... 909
2080092 ..... 37, 39, 753	2171008 ..... 987	3290806.....705	4010608 ..... 1241
2110406 ..... 937, 939	2171110 ..... 971, 973	3291001..31, 33, 35, 355, 431, 461, 463, 473, 893, 979, 981, 983, 985, 1239	4010608002 .... 707, 724, 728, 743, 745, 747, 749, 819
2110410 ..... 937, 939	2171208 ..... 953	3291005.... 155, 473, 551, 821	4010610002 ..... 724, 728, 749, 889, 891
2110604 ..... 1037	2171310 ..... 971, 973	3291007.....367	4010612002 ..... 709, 711, 724, 728, 737
2110606 ... 145, 147, 151, 165, 925, 927, 929, 945	2171832 ..... 955	3291201.....327, 423, 425	4031504 ..... 1245
2110608 ..... 421	2172104 ..... 979, 983	3291205.... 107, 109, 119, 121, 997	4031607 63, 65, 724, 911, 913
2110610 ..... 95, 97, 993	2172106 95, 97, 145, 147, 151, 381, 945		4031608 .. 724, 735, 1111
2110806 95, 97, 925, 945	2172108 ..... 981, 985		4031608001 ..... 728
2110808 ... 145, 147, 151, 927, 929, 931, 953, 957, 979, 981, 987	2172208 ..... 935		4031612 ..... 1203
2110810 ... 441, 937, 939, 941	2220221 ..... 925		4031708 ..... 1229, 1231, 1233
2110816 ..... 981, 985	2220239 ..... 65		4031708001 ..... 739, 741
2111010 ... 925, 975, 977, 993	2220240 ..... 65		4031709 ..... 953
2111012 ..... 1037	2220242 ..... 925		4031910 .... 831, 833, 931
2111212 ..... 987	2220371 ..... 261		4031912 ..... 967, 969
2111612 ..... 925	2220550 ..... 979, 983		4031918 ... 937, 939, 941, 975, 977
2111616 ... 429, 431, 927, 929	2220628 ..... 261		4031927 ..... 377
	2220881 ..... 1031, 1033		4032010 ..... 457, 459
	2220886 ..... 1031, 1033		4032017 ..... 1037
	2221257 ..... 461, 463		4032109 ..... 135
	2340030 ..... 189		

## SECTION 12 - RECOMMENDED SPARE PARTS

4040283.....175, 177	4460884..... 1078, 1083,	4461095 ..... 1090	985, 987, 1085, 1095,
4105262.....123	1091, 1127, 1129,	4461115 ..... 1131, 1195	1097, 1105, 1111,
4109801..... 1266, 1270,	1130, 1237	4461118 ..... 1103, 1126,	1161, 1165, 1167,
1274, 1278, 1282	4460891..... 1069, 1070,	1147	1169, 1183, 1199,
4110422....255, 257, 259,	1073, 1074, 1075,	4461170 ..... 1203	1221, 1227, 1229,
265	1077, 1081, 1082,	4461174 ..... 1199, 1201	1231, 1233
4110473..... 161, 163	1083, 1089, 1090,	4461262 ..... 1077, 1078,	481190237, 39, 113, 395,
4240127 ....357, 359, 361,	1091, 1100, 1102,	1081, 1083, 1129, 1130	399, 413, 415, 431,
363	1130, 1131, 1249	4641237 ..... 927, 929	437, 749, 751, 781,
4360658.....885	4460892..... 1091	4641501 ..... 165, 1045	783, 786, 790, 979,
443630..... 125	4460894..... 1069, 1070,	4641502 .... 161, 163, 165	981, 983, 985, 1085,
4460225..... 1128, 1129	1073, 1075, 1077,	4711400 ..... 293	1097
4460247 ..... 1090, 1102	1081, 1082, 1089,	471678 ..... 449, 855	4812000....25, 27, 31, 33,
4460256.....1089	1129, 1251	4740532 ..... 989	35, 37, 39, 59, 61, 95,
4460265.....1128	4460897 ..... 1070, 1074,	4740566 ..... 983, 985	97, 99, 123, 355, 357,
4460267 ..... 1127, 1128	1075, 1078, 1081,	4740572 ..... 415, 441	359, 361, 363, 365,
4460268..... 1128, 1129	1082, 1083, 1091,	4761000 ..... 1115	367, 379, 381, 389,
4460343..... 1127, 1128,	1103, 1127, 1139,	4807718 ..... 705	391, 395, 397, 399,
1129	1181, 1251	4811400 . 737, 885, 1141,	421, 423, 425, 441,
4460418.....1131	4460899 ..... 1070, 1075,	1153, 1155, 1239, 1241	449, 457, 459, 461,
4460419.....1131	1078, 1081, 1082,	4811600 ... 455, 724, 728,	463, 473, 475, 551,
4460434.....1128	1147, 1205, 1237, 1253	1085, 1097, 1159,	553, 555, 821, 867,
4460458..... 1077, 1082,	4460905 ..... 1171	1161, 1175, 1177, 1203	887, 889, 893, 899,
1088, 1131, 1195	4460906 ..... 1128	4811602 ..... 724	901, 925, 943, 949,
4460464..... 1069, 1073,	4460911 ..... 1069, 1073,	4811602001 ..... 728	961, 963, 965, 967,
1077, 1081, 1089,	1077, 1082	4811700 ... 37, 39, 95, 97,	969, 971, 973, 975,
1101, 1109, 1127,	4460930 ..... 1082, 1129	127, 295, 365, 395,	977, 979, 981, 983,
1130, 1139, 1147,	4460932 ..... 1078, 1083,	397, 399, 405, 407,	985, 1065, 1067, 1085,
1163, 1195, 1237, 1249	1139, 1163, 1195, 1249	413, 415, 423, 425,	1097, 1117, 1119,
4460465..... 1069, 1070,	4460933 ..... 1069, 1070,	437, 441, 443, 449,	1153, 1155, 1175,
1073, 1074, 1075,	1073, 1075, 1077,	473, 693, 695, 697,	1177, 1193, 1219,
1077, 1078, 1081,	1082, 1089, 1091,	707, 724, 737, 739,	1229, 1231, 1233,
1082, 1083, 1088,	1102, 1127, 1128	741, 745, 749, 786,	1239, 1241, 1243, 1253
1089, 1090, 1091,	4460941 ..... 1139, 1147,	790, 819, 839, 841,	4812002....365, 367, 377,
1100, 1101, 1102,	1181, 1205	845, 855, 875, 877,	379, 381, 395, 397,
1127, 1128, 1129,	4460942 ..... 1069, 1070,	883, 889, 891, 979,	399, 421, 427, 429,
1130, 1131, 1139,	1073, 1074, 1075,	981, 1095, 1122, 1157,	431, 551, 955, 1037,
1171, 1237, 1249, 1251	1077, 1082, 1091,	1165, 1167, 1169,	1117, 1119
4460466..... 1069, 1070,	1101, 1127, 1130,	1175, 1177, 1183,	4812100..25, 27, 59, 341,
1073, 1074, 1075,	1139, 1237	1185, 1187, 1189,	343, 365, 367, 381,
1077, 1078, 1081,	4460943 ..... 1130, 1139,	1217, 1245	423, 425, 543, 997,
1082, 1083, 1089,	1251	4811700001 ..... 728, 743,	1085, 1097, 1175, 1177
1090, 1091, 1100,	4460944 ..... 1070, 1075,	747	4812102..... 125
1101, 1102, 1103,	1089, 1090, 1100,	481170225, 27, 413, 415,	4812200..... 1257
1127, 1128, 1129,	1101, 1128, 1129,	421, 724, 749, 753,	4812300....55, 71, 73, 79,
1130, 1139, 1171,	1171, 1237	875, 877, 883, 899,	83, 87, 91, 95, 97, 341,
1195, 1237, 1253	4460945 ..... 1070, 1075,	901, 1111, 1243	343, 995
4460496.....1122	1091, 1103, 1131	4811702001 ..... 707, 709,	4812500.....55, 683
4460497.....1122	4460950 ..... 1089, 1101	711, 728, 909	4812700.....55
4460508..... 1089, 1090,	4460970 ..... 1069, 1070,	4811900 ... 31, 33, 35, 37,	4831400.737, 1141, 1179
1091, 1101, 1107	1073, 1077, 1081,	39, 41, 43, 45, 47, 49,	4831600..... 65, 1111
4460509..... 1069, 1074,	1089, 1101	51, 53, 59, 61, 65, 95,	4831700....449, 749, 889,
1090, 1102	4460994 ..... 1126, 1130	97, 105, 119, 121, 365,	1165, 1167, 1169, 1245
4460536..... 1078, 1082,	4461006 ..... 1090, 1092,	367, 379, 381, 387,	4831900.... 107, 781, 783,
1109, 1253	1103	389, 391, 393, 413,	786, 790, 939
4460539..... 1069, 1070,	4461008 ..... 1092, 1253	415, 423, 425, 427,	4872000..... 1243
1073, 1074, 1075,	4461015 ..... 1070, 1074,	429, 431, 441, 443,	4891800.... 145, 147, 151
1077, 1082, 1088,	1139	445, 447, 449, 459,	5201215..... 955
1090, 1100, 1101,	4461017 ..... 1107	465, 467, 551, 553,	5220600..... 1185, 1189
1129, 1237	4461018 ..... 1090, 1102	555, 659, 707, 715,	5220800..... 1117, 1119
4460748..... 1088	4461054 ..... 1078, 1083,	751, 761, 767, 769,	5240600..... 1111, 1229,
4460789..... 1147	1092, 1100	786, 790, 829, 831,	1231, 1233
4460836..... 1069, 1073,	4461070 ..... 1091	833, 835, 849, 851,	5240800....377, 421, 935
1127	4461071 ..... 1088, 1101	853, 867, 871, 875,	5241000..... 473
4460871..... 1171	4461072 ..... 1088, 1101	877, 899, 901, 905,	5241200..... 327
	4461073 ..... 1088, 1101	945, 951, 953, 967,	5241600..... 69
	4461074 ..... 1088, 1101	969, 979, 981, 983,	5242400..... 295

## SECTION 12 - RECOMMENDED SPARE PARTS

5250608 .....	811	70021242 .	143, 149, 153, 298, 299	70021977 ..	257, 259, 261, 265	70024129 .....	933, 1021
5251010 .....	25, 27	70021243 ..	143, 149, 153	70021978 ..	257, 259, 261, 263, 265	70024130 .....	933
5260800 .....	377, 421	70021244 ..	143, 149, 153	70021979 ..	257, 259, 261, 263, 265	70024164 .....	1017
5271609 .....	1159, 1161	70021245 ..	143, 149, 153	70021980 .....	235	70024165 .....	1017
5271808 .....	969	70021246 ..	143, 149, 153	70021981 .....	235	70024166 .....	1017
5271814 .....	967	70021247 ..	143, 149, 153	70021982 .....	235	70024167 .....	1017
5271917 .....	1005	70021248 .....	143, 149	70022010 .....	1027, 1029	70024168 .....	1017
5271919 .....	1229, 1231	70021251 .....	759	70022028 ..	257, 259, 261, 263, 265	70024186 .....	1055
5271922 .....	969	70021252 .....	759	70022034 .....	759	70024189 .....	1055
5272011 .....	1219, 1221	70021314 .....	771, 773	70022147 .....	1059	70024210 .....	503
5272022 .....	927, 929	70021316 .....	771, 773	70022527 ..	235, 257, 259, 265	70024213 .....	503
70002219 .....	1019	70021317 .....	763, 765	70022528 ..	257, 259, 261, 263, 265	70024262 .....	1019
70002222 .....	1009	70021318 .....	763, 765	70022529 ..	257, 259, 261, 263, 265	70024306 .....	321
70002224 .....	1019	70021319 ..	763, 765, 775	70022563 .....	1003	70024307 .....	321
70002386 .....	1031, 1033	70021321 .....	775	70022564 .....	1003	70024436 .....	297, 298
70002971 .....	1051	70021322 .....	763, 765	70022697 ...	143, 149, 153	70024437 .....	297
70003788 .....	1051	70021323 .....	775	70022765 .....	1247	70024438 .....	297
70003849 .....	1019	70021324 .....	775	70022818 .....	85, 89	70024439 .....	297
70004280 .	345, 347, 349, 351, 353	70021325 .....	775	70022819 .....	85, 89	70024440 .....	297
70004511 .....	1298	70021326 .....	775	70022821 .....	75, 81	70024441 .....	297
70004512 .....	351, 353	70021327 .....	775	70022822 .....	75	70024442 .....	297
70004518 .....	351, 353	70021328 .....	775	70022823 .....	75, 81	70024443 .....	297
70005191 .	345, 347, 349, 351, 353	70021330 .....	775	70022824 .....	75	70024444 .....	297
70005504 .	345, 347, 349, 351, 353	70021340 .....	1175, 1177	70022825 .....	75	70024445 .....	297
70005505 ..	345, 347, 349	70021341 .....	1175, 1177	70022826 .....	81	70024446 .....	297
70005507 ..	345, 347, 349	70021342 ..	235, 257, 265	70022831 .....	323, 325	70024447 .....	297
70005515 ..	345, 347, 349	70021349 .	257, 259, 261, 263, 265	70022906 .....	159	70024448 .....	297
70005556 ..	345, 347, 349	70021358 .....	235	70022907 .....	159	70024449 .....	297
70005559 ..	345, 347, 349	70021359 .....	235	70022912 .....	159	70024450 .....	297
70011901 .	345, 347, 349, 351, 353	70021360 .....	235	70022922 .....	159	70024452 .....	297
70020173 ..	489, 501, 513	70021361 .....	235	70022923 .....	159	70024453 .....	297
70020201 .....	267, 273	70021362 .....	235	70022924 .....	159	70024454 .....	297
70020202 .....	273	70021364 .....	235	70022925 .....	159	70024455 .....	297
70020203 .....	273	70021365 .....	235	70022927 .....	159, 297	70024456 .....	297
70020204 .....	273	70021366 .....	235	70022928 .....	159	70024480 .	345, 347, 349, 351, 353
70020205 .....	267, 273	70021367 .....	235	70022929 .....	159	70024485 .	345, 347, 349, 351, 353
70020206 .....	267, 273	70021387 .	235, 257, 259, 261, 263	70022930 .....	159	70024494 .	345, 347, 349, 351, 353
70020392 .....	241	70021391 .....	235	70022996 .....	284	70024495 .	345, 347, 349, 351, 353
70020417 .....	267	70021392 .....	235	70022997 .....	157	70024504 .	345, 347, 349, 351, 353
70020421 .....	253	70021393 .....	235	70023000 .....	284	70024505 .....	347, 349
70020422 .....	253	70021399 .....	235	70023101 .....	1007	70024509 .	345, 347, 349, 351, 353
70020438 .....	1001	70021415 .	257, 259, 263, 265	70023276 .....	159	70024519 ..	485, 497, 509
70020506 ..	143, 149, 153	70021531 .....	1041, 1043	70023277 .....	159	70024520 .....	487, 499
70020507 ..	143, 149, 153	70021558 .....	155	70023278 .....	159	70024521 .....	499
70020508 ..	143, 149, 153	70021559 .....	155	70023278 .....	159	70024522 ..	487, 499, 511
70020555 .....	269, 271	70021560 .....	155	70023370 .....	1003	70024535 .....	157
70020562 .....	235	70021561 .....	155	70023372 .....	1003	70024536 .....	157
70020724 .....	297	70021562 .....	155	70023380 .....	1003	70024537 .....	157
70020725 .....	297	70021563 .....	155	70023484 .....	237	70024538 ..	157, 172, 284
70020726 .....	297	70021613 .....	515	70023900 ...	489, 501, 513	70024539 .....	157, 1023
70020728 .....	297, 298	70021835 .....	159	70023928 .....	1045	70024540 .....	157
70020730 .	143, 149, 153, 159	70021836 .....	159	70023929 .....	1045	70024541 .....	157
70020731 .	143, 149, 153, 159	70021838 .....	159	70024020 .....	1019	70024542 .....	157
70020764 .....	1041, 1043	70021839 .....	159	70024059 .	257, 259, 261, 263, 265	70024543 .....	157
70020867 .....	1035	70021840 .....	159	70024060 .....	261, 265	70024544 .....	157
70021140 .....	511, 537	70021841 .....	159	70024061 .....	261	70024545 .....	157
70021238 ..	143, 149, 153	70021842 .....	159	70024062 .....	261	70024546 .....	157
70021239 ..	143, 149, 153	70021843 .....	159	70024063 .....	261	70024547 .....	1023
70021240 ..	143, 149, 153	70021921 .	257, 259, 261, 263, 265	70024064 .....	261	70024548 .....	1023
70021241 .	131, 133, 143, 149, 153, 159	70021935 .	257, 259, 261, 263, 265	70024123 .....	157, 284	70024549 .....	1023

## SECTION 12 - RECOMMENDED SPARE PARTS

70024551.....	157	70024767.....	173	70025404.....	577	70025485.....	759
70024552.....	157	70024768.....	167, 173	70025406.....	577	70025486.....	759
70024553.....	157	70024770.....	167, 173	70025407.....	577, 583	70025489.....	759
70024554.....	157	70024771.....	173	70025408.....	577, 591	70025490.....	759
70024555.....	157	70024772.....	167, 173	70025409.....	577	70025491.....	759
70024634.....	569, 571	70024773.....	167, 173	70025410.....	577	70025493...569, 571, 577	
70024635.....	595, 597	70024774.....	167, 173	70025411.....	577	70025494..589, 593, 595,	
70024638.....	569	70024775.....	173	70025412.....	577	597, 599	
70024639.....	569, 571	70024776.....	173	70025413.....	577	70025495...595, 597, 607	
70024641...593, 599, 607		70024777.....	173	70025414.....	577	70025496..569, 571, 579,	
70024642.....	569, 571	70024778.....	173	70025415.....	577	583	
70024644.....	569, 571	70024779.....	173	70025416.....	577	70025497..589, 591, 593,	
70024645.....	569, 571	70024780.....	173	70025417.....	577	595, 597, 599	
70024646...593, 599, 607		70024781.....	173	70025418.....	577	70025498..569, 571, 575,	
70024676.....	172	70024782.....	173	70025419.....	577	577, 579	
70024677.....	172	70024783.....	173	70025420.....	577	70025499...589, 593, 599	
70024678.....	172	70024784.....	173	70025421.....	589	70025500...589, 593, 599	
70024679.....	167, 172	70024785.....	173	70025423.....	579	70025501...589, 593, 599	
70024680.....	172	70024786.....	173	70025424..575, 577, 579		70025502...589, 593, 599	
70024681.....	172	70024787.....	172	70025425.....	579	70025503.....	569, 571
70024682.....	172	70024788.....	172	70025426.....	579	70025504..569, 571, 577,	
70024683.....	172	70024918.345, 347, 349,		70025427.....	583	579, 591	
70024684.....	172	351, 353		70025428.....	583	70025505.....	569, 591
70024685.....	167, 172	70024920..345, 347, 349		70025429..575, 577, 579		70025506...593, 595, 597,	
70024686.....	172	70024961.....345, 1298		70025430.....	589, 609	599	
70024687.....	172	70025012.....	501	70025431.....	579	70025507.....	569
70024688.....	172	70025014.....	501	70025432..575, 577, 579		70025508.....	575, 591
70024690.....	172	70025153.347, 349, 1298		70025433..575, 577, 579		70025509.....	589, 591
70024691.....	172	70025205.345, 347, 349,		70025435.....	577, 579	70025510.....	565, 567
70024692.....	172	351, 353		70025436.....	577, 579	70025511.....	563
70024696.....	172	70025360.....	591	70025437..575, 577, 579		70025512.....	563
70024697.....	172	70025361.....	591	70025438..575, 577, 579		70025513.....	591
70024698.....	172	70025362.....	591	70025439..575, 577, 579		70025514.....	563, 567
70024699.....	172	70025363.....	591	70025440..575, 577, 579		70025515.....	589
70024701.....	172	70025364.....	591	70025441.....	579	70025516.....	589
70024702.....	172	70025365.....	591	70025442.....	577, 579	70025517.....	589
70024703.....	172	70025366.....	591	70025443.....	589	70025518.....	589
70024706.....	172	70025367.....	591	70025444.....	589	70025520.....	573, 591
70024707.....	172	70025368.....	591	70025445.....	575	70025522.....	581
70024708.....	172	70025369.....	591	70025446.....	575	70025523.....	591
70024709.....	172	70025370.....	591	70025447.....	575, 577	70025524..563, 565, 567,	
70024711.....	172	70025371.....	591	70025448.....	575, 577	609	
70024712.....	172	70025372.....	591	70025449.....	575	70025525..563, 565, 567,	
70024713.....	172	70025373.....	591	70025450.....	577	609	
70024714.....	172	70025374.....	591	70025451.....	573	70025526.....	563, 585
70024715.....	172	70025375.....	591	70025452.....	581	70025527.....	563
70024716.....	172	70025376.....	591	70025453.....	563	70025528.....	563
70024720.....	172	70025377.....	591	70025455.....	603, 605	70025529.....	563, 609
70024721.....	172	70025378.....	591	70025456.....	603, 605	70025533.....	351, 353
70024724.....	172	70025379.....	591	70025457.....	603, 605	70025535..345, 347, 349,	
70024731.....	172	70025380.....	591	70025459.....	581	351, 353	
70024733.....	173	70025382..565, 567, 591		70025460.....	591	70025539.....	771, 773
70024734.....	173, 1021	70025383.....	565, 567	70025461.....	591	70025549...489, 501, 513	
70024744.....	172	70025387.....	587	70025462.....	591	70025562...489, 501, 513	
70024745.....	173	70025388.....	587	70025463.....	581	70025567...489, 501, 513	
70024748.....	167, 173	70025389.....	587	70025464.....	581	70025568.....	491
70024749.....	167, 173	70025390.....	587	70025465.....	591	70025569.....	537
70024750.....	167, 173	70025391.....	587	70025466.....	603, 605	70025570.....	537
70024752.....	173	70025392.....	565, 567	70025467.....	591, 607	70025606.....	1019
70024753.....	173	70025393.....	565, 567	70025468.....	591	70025614.....	1007
70024754.....	173	70025394.....	591	70025469.....	573, 601	70025644.....	417, 419
70024755.....	173	70025397.....	565, 567	70025470.....	573	70025810.....	513
70024756.....	167, 173	70025398.....	565, 567	70025471.....	607	70025816.....	873
70024757.....	173	70025400.....	575	70025472.....	591	70025817.....	873
70024758.....	173	70025401.....	575, 579	70025476.....	589	70025819...489, 501, 513	
70024765.....	167, 173	70025402.....	577	70025478.351, 353, 1298		70025821...533, 535, 539	
70024766.....	167, 173	70025403.....	577	70025483.....	759	70025822...533, 535, 539	



## SECTION 12 - RECOMMENDED SPARE PARTS

70025823 .. 491, 503, 515	70026481 .....284	70026745.....269	70027085..... 1007
70025842 .. 493, 505, 517	70026482 .....284	70026746.....269	70027086..... 1007, 1298
70025850 ..... 403	70026495 ..... 1021	70026749...485, 497, 509	70027087..... 1007, 1009
70025851 ..... 403	70026497 ..... 1021	70026770..... 1025	70027088..... 1009
70025852 ..... 401	70026499 ..... 1021	70026771..... 1025	70027096..... 1027
70025853 ..... 401	70026500 ..... 1021	70026773..... 1025	70027128..... 1027, 1029
70025859 ..... 879	70026501 ..... 284, 1021	70026774..... 1025	70027129..... 1027, 1029
70025860 ..... 879	70026502 ..... 1021	70026775..... 1025	70027130..... 1027, 1029
70025884 ..... 541	70026503 ..... 1021	70026777..... 1027, 1029	70027131..... 1027, 1029
70025956 ..... 1007	70026505 ..... 1021	70026808...493, 505, 517	70027132..... 1027, 1029
70025959 ..... 1019	70026506 ..... 1021	70026817.....501	70027133..... 1027, 1029
70025987 ..... 1061	70026537 ..... 879	70026818...489, 501, 513	70027134..... 1027, 1029
70025989 ..... 1061	70026543 ..... 1003	70026819...493, 505, 517	70027135..... 1027, 1029
70026011 . 345, 347, 349, 351, 353	70026582 ..... 1035	70026820...493, 505, 517	70027136..... 1027, 1029
70026018 ..... 159	70026585 ..... 284	70026821.....523	70027137..... 1027, 1029
70026031 .. 487, 499, 511	70026586 ..... 284	70026822.....513	70027138..... 1027, 1029
70026056 ..... 1019	70026587 ..... 284, 1021	70026823.....515, 539	70027139..... 1027
70026057 ..... 1019	70026588 ..... 284	70026824..... 489, 501	70027140..... 1027, 1029
70026058 ..... 1019	70026589 ..... 284, 933	70026826...493, 505, 517	70027141..... 1027, 1029
70026059 ..... 1019	70026590 ..... 284	70026827.. 489, 501, 513, 523	70027174..... 77
70026060 ..... 1019	70026591 ..... 284	70026843..... 1001	70027175..... 77
70026061 ..... 1019	70026592 ..... 284	70026845..... 1001	70027176..... 93
70026062 ..... 1019	70026593 ..... 284	70026846..... 1001	70027177..... 93
70026068 ..... 491, 535	70026594 ..... 284	70026847..... 1001	70027178..... 93
70026069 ..... 491, 533	70026595 ..... 284	70026848..... 1001, 1298	70027179.. 183, 185, 197
70026210 . 345, 347, 349, 351, 353	70026596 ..... 284	70026950..... 489	70027180..... 203, 207
70026262 ..... 503	70026597 ..... 284	70026965..... 1047, 1049	70027199..... 419
70026292 ..... 1133	70026598 ..... 284	70026966..... 1047, 1049	70027200..... 419
70026293 ..... 1135	70026599 ..... 284	70026967..... 1047, 1049	70027201..... 417, 419
70026294 ..... 1113	70026600 ..... 284	70026968..... 1047, 1049	70027202..... 417, 419
70026295 ..... 1113	70026601 ..... 284	70026969..... 1047, 1049	70027203..... 417, 419
70026296 ..... 1113	70026602 ..... 284	70026970..... 1047, 1049	70027204..... 417, 419
70026297 ..... 1113	70026603 ..... 284	70026971..... 1047, 1049	70027205..... 417
70026308 ..... 1003	70026604 ..... 284	70026972..... 1047, 1049	70027206..... 417
70026313 ..... 1031, 1033	70026605 ..... 284	70026973..... 1047, 1049	70027207..... 417
70026333 ..... 1031	70026606 ..... 284	70026974..... 1047	70027208..... 417
70026347 ..... 284	70026607 ..... 284	70026975..... 1047, 1049	70027223..... 1003
70026361 ..... 903	70026608 ..... 284	70026976..... 1047, 1049	70027224..... 1003
70026362 ..... 903	70026609 ..... 284	70026997..... 439	70027225..... 1003
70026363 ..... 903	70026610 ..... 1021	70027000..... 1031, 1033	70027226..... 1003
70026364 ..... 903	70026611 ..... 1021	70027001..... 1031, 1033	70027227..... 1003
70026365 ..... 903	70026612 ..... 933	70027002..... 1031	70027228..... 1003, 1298
70026366 ..... 903	70026613 ..... 933	70027003..... 1031	70027234..... 1011, 1013
70026367 ..... 903	70026614 ..... 933	70027004..... 1051	70027235..... 1011, 1013
70026368 ..... 1029	70026615 ..... 933	70027008..... 383	70027236..... 1011
70026370 ..... 1027, 1029	70026616 ..... 933	70027009...257, 259, 263	70027237..... 1011
70026371 ..... 1027, 1029	70026617 ..... 933	70027037..... 385	70027238..... 1011, 1013, 1298
70026372 ..... 1027, 1029	70026618 ..... 933	70027038..... 1057	70027239..... 1011, 1013
70026373 ..... 1027, 1029	70026619 ..... 933	70027067..... 1009, 1298	70027240..... 1011, 1013
70026374 ..... 1027, 1029	70026620 ..... 933	70027068..... 1009	70027267..... 1039
70026375 ..... 1027, 1029	70026621 ..... 933	70027069..... 1009	70027268..... 1039
70026376 ..... 1027, 1029	70026623 ..... 503	70027070..... 1009	70027269..... 1039
70026377 ..... 1027, 1029	70026630 ..... 541	70027071..... 1009	70027270..... 1039
70026379 ..... 1029	70026631 .. 487, 499, 511	70027072..... 1009	70027271..... 1039
70026382 ..... 1027, 1029	70026698 . 257, 259, 263, 265	70027073..... 1009	70027285..... 1059
70026393 ..... 401	70026702 ..... 263	70027074..... 1007, 1009	70027287..... 1175, 1177
70026394 ..... 401	70026717 ..... 469	70027075..... 1009	70027291..... 155, 233
70026395 ..... 403	70026718 ..... 469	70027076..... 1009	70027293..... 239, 279
70026396 ..... 403	70026719 ..... 469, 471	70027077..... 1007	70027294..... 239, 279
70026470 ..... 284	70026720 ..... 469, 471	70027078..... 1007	70027295..... 279
70026471 ..... 284	70026721 ..... 469, 471	70027079..... 1007	70027296..... 239, 279
70026472 ..... 284	70026722 ..... 469, 471	70027080..... 1007	70027297..... 239, 279
70026473 ..... 284	70026723 ..... 469, 471	70027081..... 1007	70027298..... 239, 279
70026476 ..... 284	70026724 ..... 469, 471	70027082..... 1007	70027302..... 239, 279
70026478 ..... 933	70026725 ..... 471	70027083..... 1007	70027324..... 279
	70026726 ..... 471	70027084..... 1007	70027325..... 239

## SECTION 12 - RECOMMENDED SPARE PARTS

70027326.....239	70027608..... 153	70027784..... 305	70028046.....298
70027328...575, 579, 607	70027631..... 179	70027785..... 305	70028047.....298
70027331.....563	70027657. 345, 347, 349, 351, 353, 1298	70027786..... 305	70028087.....298
70027332.....585	70027658..... 133, 153	70027787..... 305	70028113.....167
70027337.....607, 609	70027659..... 131	70027788..... 305	70028118.....167
70027338.....607, 609	70027660..... 601	70027789..... 305	70028121.....167
70027339...577, 607, 609	70027661..... 585	70027790..... 263	70028127.....167
70027340.....591	70027663. 563, 565, 567, 609	70027791..... 305	70028129.....167
70027341.....563	70027664..... 591	70027792..... 305	70028133.....167
70027342.....569	70027665..... 591	70027793..... 305	70028134.....167
70027343.....569	70027666..... 565, 567	70027794..... 305	70028139.....167
70027344.....577, 579	70027667..... 565, 567	70027990..... 297	70028140.....167
70027345.....565, 567	70027668..... 591	70027991..... 297	70028141.....167
70027346.....591	70027669..... 607	70027992..... 297	70028156.....167
70027347.....581	70027670..... 565	70027993..... 297	70028157.....167
70027348.....575	70027671..... 573	70027994..... 297	70028158.....167
70027349.....579	70027672..... 571	70027995..... 297, 298	70028165.....167
70027350.....589	70027673..... 571	70027996..... 297	70028166.....167
70027352.....603, 605	70027674..... 571	70027997..... 297, 298	70028167.....167
70027353.....603, 605	70027675..... 571	70027998..... 297	70028168.....167
70027354.....607	70027676..... 565, 567	70027999..... 297	70028169.....167
70027356.....569	70027677..... 603, 605	70028000..... 297	70028170.....167
70027357.....593	70027678..... 601	70028001..... 297	70028171.....167
70027358.....577	70027679..... 601	70028002..... 297, 298	70028172.....167
70027359.....577	70027680..... 573	70028003..... 297	70028436.....279
70027361.....603	70027681.. 575, 577, 579	70028004..... 297	70028546.....1147
70027362.....573, 603	70027682..... 565	70028005..... 297	70028899.....1033
70027363.....573, 605	70027707..... 563, 587	70028006..... 297, 298	70028900.....1033
70027364.....577	70027708..... 569	70028007..... 297, 298	70028901.....1033
70027365.....577	70027709..... 569	70028008..... 297	70028978.....159
70027366.....609	70027711.. 563, 569, 589	70028009..... 298	70028979.....159
70027367.....595	70027712..... 569, 595	70028010..... 298	70028980.....159
70027368.....571	70027713..... 569, 593	70028011..... 298	70029011..... 155, 233
70027369.....571	70027714..... 563, 591	70028012..... 298	70029012.....155
70027370.....571	70027715. 557, 559, 561, 579	70028013..... 298	70029013.....155
70027371.....571	70027716. 557, 559, 561, 583	70028014..... 298	70029029.....1029
70027373.....571, 597	70027717. 557, 559, 561, 575	70028015..... 298	70029030.....1029
70027374.....593, 599	70027718. 557, 559, 561, 577	70028016..... 298	70029725.....303
70027375.....571, 599	70027719. 557, 559, 561, 581	70028017..... 298	70029734.....303
70027376...569, 571, 591	70027720. 557, 559, 561, 573	70028018..... 298	70029735.....303
70027382.....565	70027721.. 557, 559, 565	70028019..... 298	70029738.....303
70027383.....567	70027722..... 557, 569	70028020..... 298	70029739.....303
70027387..573, 593, 595, 597, 599	70027723. 557, 559, 561, 563	70028021..... 298	70029740.....303
70027388.....591	70027724..... 561, 567	70028022..... 298	70029742.....303
70027389.....603, 605	70027725.. 559, 561, 571	70028023..... 298	70029743.....303
70027392.....763, 771	70027729..... 1013	70028024..... 298	70029747.....303
70027393.....771	70027730..... 1013	70028025..... 298	70029750.....303
70027394.....771, 773	70027773..... 305	70028026..... 298	70029756.....303
70027395.....763, 765	70027774..... 305	70028027..... 298	70029762.....303
70027396.....765, 773	70027775..... 305	70028028..... 159, 298	70029777.....303
70027397.....773	70027776..... 305	70028029..... 298	70029780.....303
70027403..345, 347, 349, 1298	70027777..... 305	70028030..... 298	70029781.....303
70027404...345, 347, 349	70027778..... 305	70028031..... 159, 298	70029785.....303
70027405...345, 347, 349	70027779..... 305	70028032..... 298	70029792.....303
70027417..345, 347, 349, 351, 353, 1298	70027780..... 305	70028033..... 298	70029794.....303
70027595.....1055	70027781..... 305	70028034..... 298	70030327.....1001
70027596.....1043	70027782..... 305	70028035..... 298	70030364.....517
70027600.....967, 1059	70027783..... 305	70028036..... 298	70031031..217, 219, 221, 223
70027604..... 143, 149		70028037..... 298	70031032.....225
70027605..... 143, 149		70028038..... 298	70031442.....284
70027606..131, 133, 143, 149, 153		70028039..... 298	70031443.....161
70027607..131, 133, 143, 149, 153		70028040..... 298	70031445.....259, 265
		70028041..... 298	70031446.....235
		70028042..... 298	70031448.....284
		70028043..... 298	70050472.....1029
		70028044..... 298	70050475.....1027, 1029
		70028045..... 298	

## SECTION 12 - RECOMMENDED SPARE PARTS

70050481 ..... 1027, 1029	7029345 ..... 249, 275	8007774 ..... 489, 501, 525	8303634 ..... 161, 163
70050503 ..... 1027, 1029	7029346 ..... 249, 275	8007775 ..... 513	8303658 ..... 161, 163
70051155 ..... 1027, 1029	7029347 ..... 249, 275	8007777 ..... 489, 501, 527	8305438 ..... 123
7012903 ..... 1051	7029348 ..... 249, 275	8007779 ..... 489, 501, 513	8305624 ..... 161, 163
7012998 ..... 1031, 1051	7029349 ..... 249, 275	8007780 ..... 489, 501, 513	8305643 ..... 161, 163
7013903 ..... 1027	7029350 ..... 249, 275	8007782 ..... 489, 501, 513	8305919 ... 25, 27, 37, 39, 724, 728, 749, 753
7016331 ... 345, 347, 349, 351, 353, 1298	7029351 ..... 249, 275	8007785 ..... 491	8310302 ..... 161, 163
7020442 ... 345, 347, 349, 351, 353	7029352 ..... 249, 275	8007786 ..... 491	8310435 ..... 161, 163
7020465 ... 345, 347, 349, 351, 353	7029353 ..... 275, 277	8007788 ..... 491	8310559 ..... 721
7021653 ..... 1031	7029354 ..... 275, 277	8007802 ..... 491	8380008 ..... 261
7022391 ..... 1051	7029355 ..... 275, 277	8008168 ..... 491	8405006 ... 357, 359, 361, 363, 959, 971, 973, 975, 977
7022730 ..... 593, 599	7029356 ... 237, 275, 277	8008169 ..... 491	8405007 ..... 465, 467
7024947 ..... 1055	7029357 ..... 277	8008175 ..... 493, 505, 517	8405009 ... 445, 447, 875, 877
7028038 ..... 491	7029427 ... 487, 499, 511	8008657 ..... 1266, 1270, 1274, 1282	8405104 ..... 423, 425
7028039 ..... 491	7029428 ..... 489, 513	80204005 .. 485, 497, 509, 521	8405201 ... 423, 425, 724, 728, 731
7028043 ..... 511	7029430 ... 489, 501, 513	80204060 ..... 503	8405202 ..... 423, 425
7028115 ... 489, 501, 513	7029432 ... 489, 501, 513, 531	80204065 ... 489, 501, 529	8405301 ..... 955
7028125 ..... 237	7029433 ..... 491	80204071 ... 489, 501, 513	8405402 ... 405, 407, 409, 411
7028126 ..... 237	7029486 ... 739, 741, 973, 977, 1261	80204108 ..... 503	8405502 ..... 967, 969
7028127 ... 237, 239, 279	7029520 ..... 271	80204117 .. 491, 501, 503, 513, 515, 541	8406105 ..... 379
7028128 ..... 237	7029521 ..... 271	80204281 ... 491, 503, 515	8406302 ... 423, 425, 431, 465, 467, 1085, 1097
7028129 ..... 237	7029692 ... 235, 257, 265	80233218 ..... 961, 963	8410009 ... 461, 463, 783, 790, 961, 963, 965
7028130 ..... 237	7029714 ..... 235	80264002 ..... 771, 773	8410011 ... 405, 407, 409, 411
7028131 ... 231, 233, 237, 239, 279	7029749 ..... 237	80264004 ..... 771, 773	8410013 ... 357, 359, 361, 363, 379, 381, 461
7028132 ..... 237	7029767 ..... 759	80333151 ..... 959	8420053 ... 145, 147, 151, 157, 161, 163, 259, 261
7028133 ..... 237	7029786 ..... 491, 515	8034697 ..... 1027, 1029	8420055 ... 145, 147, 151, 157, 161, 163, 259, 261
7028134 ..... 237	7029788 ..... 503	8035835 ..... 1027	8420231 ..... 423, 425
7028135 ..... 237	7029969 ..... 1175, 1177	80363179 ..... 1089, 1101	8430032 ..... 993
7028136 ..... 155	7029970 ..... 1175, 1177	80363195 ..... 849, 851	8430033 ..... 993
7028137 ..... 155	7029971 ..... 1175, 1177	8036533 ..... 1027, 1029	8430082 ..... 991
7028710 ... 487, 499, 519	7139918 ..... 161, 163	8036580 ..... 1051	8466306 ..... 863, 1270
7028733 ... 489, 501, 513, 529	7300435 ..... 341, 343	8036733 ..... 1025	8630003 ..... 161, 163
7028734 ..... 503	7301295 ..... 161	80604016 ..... 1089, 1090, 1091, 1102	8750017 ..... 987
7028735 ..... 503	7301568 ..... 163	80604017 ..... 1251	8750038 ..... 987
7028910 ... 231, 233, 237	7301893 ..... 1117, 1119	80604018 ..... 1089, 1100, 1102	8760550 ..... 95, 97
7028911 ..... 231, 233	77133140 ... 937, 939, 953	80604021 ..... 1091	8769124 ..... 937, 939
7028912 ..... 231, 233	77133168 ..... 953	806253 ..... 659	8770143 ..... 95, 97
7028913 ..... 231, 233	77133177 ..... 937, 939	806264 ..... 659	8770167 ..... 951
7028914 ..... 231	77363244 ..... 1088	80963067 ..... 1088	8770175 ..... 983, 985
7028915 ..... 231, 233	8000759 ..... 705	80983191 ..... 1133, 1135, 1137	88662434 ..... 943
7028916 ..... 231, 233	8000803 ..... 707	8200124 ..... 1091	88671001 .. 145, 147, 151
7028917 ..... 231, 233	8000877 ... 489, 501, 513	8220043 ..... 1107	8881800 ..... 1085
7028918 ... 231, 233, 239, 279	8002798 ..... 491	8220051 ..... 1126	90200003 . 137, 139, 141, 145, 147, 151, 161, 163
7028919 ..... 231, 233	8004398 ..... 705	8220097 ..... 1088	90201309 ..... 1027
7028920 ..... 231, 233	8004468 ... 489, 501, 513, 525, 527	8220098 ..... 1088	90451058 ..... 161, 163
7028923 ..... 231, 233	8005079 ..... 543	8220108 ..... 1088	90554016 . 235, 257, 259, 261, 263, 265, 269
7028982 ..... 231, 233	8005616 ..... 1266, 1270, 1274, 1278, 1282	8220114 ..... 1069, 1074, 1237	90554017 ..... 235
7028983 ..... 231, 233	8005671 ..... 1266, 1270, 1274, 1282	8220115 ..... 1088	90554018 ..... 235, 261
7028984 ... 231, 233, 237	8005675 ..... 1266, 1270, 1274, 1282	8220124 ..... 1103	90554019 ..... 305
7028985 ..... 231	8005825 ..... 635	8229242 ..... 1088, 1103, 1133, 1135	90554020 . 257, 259, 261, 263, 265, 305
7028986 ..... 237, 239	8005827 ... 623, 641, 653	8229244 ..... 1088, 1113, 1137	90554042 . 257, 259, 261, 263, 265, 305
7028987 ..... 237	8005870 ..... 1266, 1270, 1274, 1278, 1282	8229245 ..... 1088, 1113, 1133	
7028988 ..... 237, 239	8005901 ..... 741	8229247 ..... 1088, 1113, 1135	
7028989 ..... 237	8006605 ... 489, 501, 513	8270147 ..... 1117, 1119	
7028990 ..... 231, 233	8006612 ..... 1266, 1270, 1274, 1278, 1282	8270148 ..... 1117, 1119	
7028991 ..... 231, 233	8007749 ..... 487, 499	8275212 ..... 365, 367	
7028995 ..... 233	8007751 ..... 519		
7029124 ..... 237	8007771 ... 489, 501, 513		
7029129 ..... 519			
7029131 ..... 519, 537			
7029344 ..... 275, 277			

## SECTION 12 - RECOMMENDED SPARE PARTS

90554054..257, 259, 261, 263, 265, 305	91474513 . 485, 489, 497, 501, 509, 513	91474564 ..... 503	91514117... 489, 501, 529
90554062.....235, 265	91474515 ..... 541	91474565 ..... 503	91514119... 489, 501, 513
90554065.....235	91474516 ..... 541	91474568 .. 491, 503, 515	91514120... 489, 501, 513
90554067.....305	91474522 .. 493, 505, 517	91474570 ..... 503	91514123... 487, 499, 511
90554070.....305	91474529 .. 487, 499, 511	91474571 ..... 503	91514134... 487, 499, 511
90554076.....235, 265	91474533 .. 487, 499, 511	91474572 ..... 503	91514146.....521
90554080.....271	91474535 ..... 487, 499	91474573 ..... 503	91514147.....521
91013191.....1077, 1081	91474536 ..... 487, 499	91474579 ..... 489, 531	91514148.....521
91013192.....1070, 1074, 1075	91474537 ..... 487, 499	91474583 .. 489, 501, 513	91514149.. 489, 501, 513, 521
91043147... 551, 553, 555	91474538 ..... 487, 499	91474584 .. 489, 501, 513	91514154... 491, 503, 515
91044238.....1027	91474539 .. 487, 499, 511	91474585 ..... 523	91514159.....503
91163268.....365	91474540 ..... 487, 499	91474586 ..... 523	91514165.. 503, 533, 535, 539
91403413.. 145, 147, 151, 157, 161, 163, 259, 261, 285	91474541 ..... 487, 499	91474587 ..... 523	91514188.. 485, 489, 497, 501, 509, 513
91403414.. 145, 147, 151, 157, 161, 163, 259, 261, 285	91474542 ..... 499	91474591 ..... 487, 499	91514189... 489, 501, 513
91474507.. 485, 489, 497, 501, 509, 513	91474543 ..... 487, 499	91474593 ..... 537	91554019..... 1090, 1100, 1101
91474512... 485, 497, 509	91474547 .. 487, 499, 511	91474595 ..... 537	91554022..... 1089, 1101
	91474549 ..... 519	91504107 ..... 1089, 1251	91574001..... 1017
	91474550 ..... 519, 537	91514082 .. 489, 501, 513	AU2105..... 1266, 1270, 1274, 1278, 1282
	91474551 ..... 519, 537	91514083 ..... 501	E000269 ..... 1239
	91474553 ..... 519, 537	91514084 ..... 501	
	91474559 ..... 503	91514098 .. 485, 497, 509	
	91474560 ..... 503	91514099 . 489, 501, 513, 541	
	91474561 ..... 503		





31211227



An Oshkosh Corporation Company

**Corporate Office**  
**JLG Industries, Inc.**  
**1 JLG Drive**  
**McConnellsburg, PA 17233-9533 USA**  
**☎ (717) 485-5161 (Corporate)**  
**☎ (877) 554-5438 (Customer Support)**  
**☎ (717) 485-6417**

**Visit our website for JLG Worldwide Locations.**  
**[www.jlg.com](http://www.jlg.com)**