



Illustrated Parts Manual

Models
3614RS
4017RS

SN 1160007024 to SN 1160008790
SN E160000001 to SN E160000496

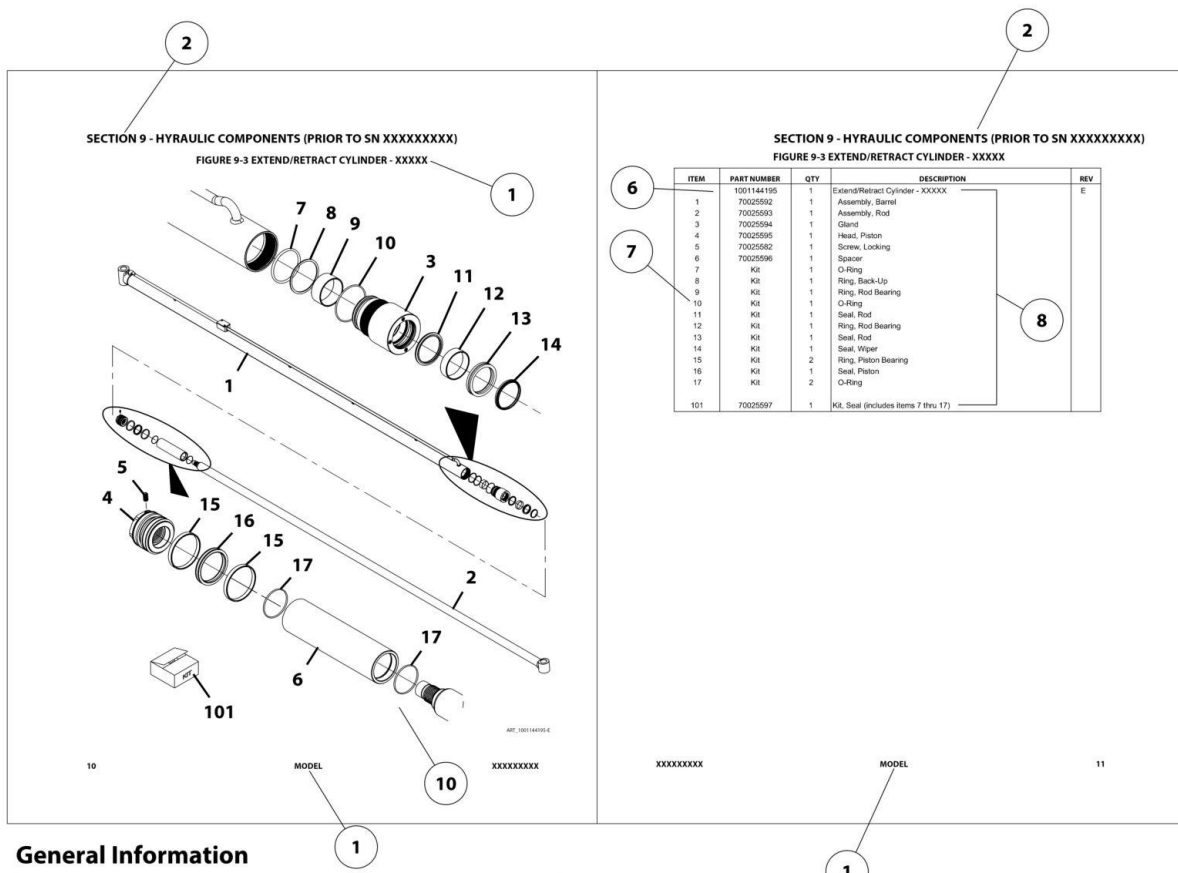
P/N
31200939

March 31, 2024 - Rev O



EFFECTIVITY PAGE

May 9, 2014 - A - Original Issue of Manual
February 5, 2015 - B - Revised Manual
December 17, 2015 - C - Revised Manual
April 27, 2016 - D - Revised Manual
August 19, 2016 - E - Revised Manual
November 30, 2016 - F - Revised Manual
March 8, 2017 - G - Revised Manual
May 19, 2017 - H - Revised Manual
October 13, 2017 - I - Revised Manual
July 18, 2018 - J - Revised Manual
October 8, 2018 - K - Revised Manual
January 18, 2019 - L - Revised Manual
May 2, 2019 - M - Revised Manual
May 27, 2020 - N - Revised Manual
March 31, 2024 - O - Revised Manual



General Information

1. MACHINE IDENTIFICATION

Machines are identified by model and in some cases a combination of model, serial number (S/N) or regional standard (e.g. ANSI, CE, CSA, AUS). Components may also be identified by S/N or manufacturer. Common components that may be identified by these characteristics are attachments, engine, transmission and hydraulic components.

2. PARTS MANUAL ORGANIZATION

Product information in this manual is organized under section titles. Frame, Engine and Electrical are a few examples. Each section is organized by Figure and page number. The information within the Figure is then organized by item number, part number, description and corresponding illustration(s).

3. TABLE OF CONTENTS

A table of contents (TOC) is found toward the beginning of the manual. Figure number, description and page number are provided for quick reference to the page containing the related information.

4. RECOMMENDED SPARE PARTS

The Recommended Spare Parts, located near the end of the manual, references most frequently used maintenance parts.

5. PARTS NUMBER INDEX

A numerical index listing all part numbers and the corresponding page number(s) appears at the back of the manual.

6. NON-SERVICED PARTS

In some instances it is necessary to display non-serviced parts, assemblies or installations. In the case of assemblies and installations there will be a Ref in the QTY column and a note after the item description stating what is available for service within. In the case of parts that are not available for service within assemblies or components there will be a NSS (Not Sold Separately) listed in the part number column of the manual.

7. PARTS LIST ITEM NUMBERS

Numbers shown in the Item column correspond to numbers used in the associated illustration(s). Item numbers which are missing from sequence and are not shown in the illustration(s) are not used on that page.

8. INDENTED PART DESCRIPTION

An indented part description is included in the item under which it is indented.

SECTION 9 - HYDRAULIC COMPONENTS (PRIOR TO SN XXXXXXXXX)
FIGURE 9-3 EXTEND/RETRACT CYLINDER - XXXXX

ITEM	PART NUMBER	QTY	DESCRIPTION	REV
1	1001144195	1	Extend/Retract Cylinder - XXXXX	E
2	70025592	1	Assembly, Barrel	
3	70025593	1	Assembly, Rod	
4	70025594	1	Gland	
5	70025595	1	Head, Piston	
6	70025596	1	Screw, Locking	
7	Kit	1	Spacer	
8	Kit	1	O-Ring	
9	Kit	1	Ring, Back-Up	
10	Kit	1	Ring, Rod Bearing	
11	Kit	1	O-Ring	
12	Kit	1	Seal, Rod	
13	Kit	1	Ring, Rod Bearing	
14	Kit	1	Seal, Rod	
15	Kit	2	Seal, Wiper	
16	Kit	1	Ring, Piston Bearing	
17	Kit	2	Seal, Piston	
101	70025597	1	Kit, Seal (includes items 7 thru 17)	

9. ABBREVIATIONS AND SYMBOLS

AC	Alternating Current	LB	Pound
ADE	Advanced Design Electronics	LCD	Liquid Crystal Display
ANSI	American National Standards Institute	LED	Light Emitting Diode
AR	As Required	LH	Left Hand
ASSY	Assembly	LS	Low Sulfur
AUS	Australia	LSS	Load Sensing System
AUX	Auxiliary	M(m)	Metric/Meter
AWG	American Wire Gauge	MM	Millimeter
CE	European Conformity	MA	Milliamp
CM	Centimeter	N	Newton
CSA	Canadian Standards Association	NLA	No Longer Available
DIA	Diameter	NSS	Not Sold Separately
DC	Direct Current	OD	Outside Diameter
EMS	Emergency Stop	ORB	O-Ring Boss
FT	Foot	ORFS	O-Ring Face Seal
GA	Gauge	OZ	Ounce
GR	Grade	QT	Quart
HAC	Heater and Air Conditioner	QTY	Quantity
ID	Inside Diameter	REF	Reference
IN	Inch	REV	Revision
ISO	International Organization for Standards	RH	Right Hand
ITSDF	Industrial Truck Standards Development Foundation	SN	Serial Number
JIC	Joint Industry Council	SAE	Society of Automotive Engineers
KG	Kilogram	UGM	Universal Ground Module
KW	Kilowatt	ULS	Ultra Low Sulfur
L	Liter	V	Volt

10. ILLUSTRATION REFERENCE LETTERS

When necessary, illustrations may contain reference letters that are intended to track information from one point to another in the illustration such as harnesses and hoses or any other information that has been separated in the illustration.

Note: Due to continuous product improvements, JLG Industries, Inc. reserves the right to make specification changes without prior notification. Contact JLG Industries, Inc. for updated information.

TABLE OF CONTENTS

SECTION 1 - FRAME AND ATTACHING PARTS.....	23
FIGURE 1-1. FRAME INSTALLATION (3614RS).....	24
FIGURE 1-2. FRAME INSTALLATION (3614RS).....	26
FIGURE 1-3. FRAME INSTALLATION (3614RS) (SN E160000342 through E160000496, Including E160000328, E160000329, E160000330, E160000331, E160000332 and E160000336)	28
FIGURE 1-4. FRAME INSTALLATION (55KW) (4017RS).....	30
FIGURE 1-5. FRAME INSTALLATION (55KW) (4017RS).....	32
FIGURE 1-6. FRAME INSTALLATION (74KW) (4017RS).....	34
FIGURE 1-7. FRAME INSTALLATION (74KW) (4017RS).....	36
FIGURE 1-8. FRAME INSTALLATION (4017RS) (SN E160000342 through E160000496, Including E160000328, E160000329, E160000330, E160000331, E160000332 and E160000336)	38
FIGURE 1-9. FRAME INSTALLATION (HIGH CAB) (4017RS) (SN E160000342 through E160000496, Including E160000328, E160000329, E160000330, E160000331, E160000332 and E160000336)	40
FIGURE 1-10. ENCLOSURE GROUP INSTALLATION	42
FIGURE 1-11. MIRROR INSTALLATION (3614RS).....	44
FIGURE 1-12. MIRROR INSTALLATION (4017RS).....	46
FIGURE 1-13. REAR MIRROR INSTALLATION	48
FIGURE 1-14. MIRROR ASSEMBLY	50
FIGURE 1-15. BOOM PROP INSTALLATION	52
FIGURE 1-16. WHEEL CHOCK INSTALLATION.....	54
FIGURE 1-17. COUNTERWEIGHT INSTALLATION (3614RS)	56
FIGURE 1-18. COUNTERWEIGHT INSTALLATION (4017RS)	58
FIGURE 1-19. HOOD ASSEMBLY	60
FIGURE 1-20. SOUND SUPPRESSION INSTALLATION (LCAD, AFRICA AND MID EAST, PAC RIM).....	62
FIGURE 1-21. SOUND SUPPRESSION INSTALLATION (EU, GERMANY, FRANCE, UK AND IRELAND).....	64
FIGURE 1-22. SOUND SUPPRESSION INSTALLATION (SN E160000342 through E160000496, Including E160000328, E160000329, E160000330, E160000331, E160000332 and E160000336)	66
FIGURE 1-23. CHASSIS COVER PLATE INSTALLATION (3614RS).....	68
FIGURE 1-24. CHASSIS COVER PLATE INSTALLATION (4017RS).....	70
FIGURE 1-25. LICENSE PLATE INSTALLATION.....	72
FIGURE 1-26. RETRIEVAL HITCH	74
FIGURE 1-27. HYDRAULIC TANK INSTALLATION	76
FIGURE 1-28. PAD LOCK.....	78
FIGURE 1-29. HITCH PIN ASSEMBLY.....	80
SECTION 2 - BOOM	83
FIGURE 2-1. BOOM INSTALLATION (AUXILIARY HYDRAULICS) (3614RS)	84
FIGURE 2-2. BOOM INSTALLATION (NO AUXILIARY HYDRAULICS) (3614RS).....	86
FIGURE 2-3. BOOM INSTALLATION (AUXILIARY HYDRAULICS) (4017RS)	88
FIGURE 2-4. BOOM INSTALLATION (NO AUXILIARY HYDRAULICS) (4017RS).....	90
FIGURE 2-5. BOOM INSTALLATION (AUXILIARY HYDRAULICS) (3614RS)	92
FIGURE 2-6. BOOM INSTALLATION (NO AUXILIARY HYDRAULICS) (3614RS).....	94
FIGURE 2-7. BOOM INSTALLATION (AUXILIARY HYDRAULICS) (4017RS)	96
FIGURE 2-8. BOOM INSTALLATION (NO AUXILIARY HYDRAULICS) (4017RS).....	100
FIGURE 2-9. EXTEND CHAIN ASSEMBLY (3614RS).....	102
FIGURE 2-10. EXTEND CHAIN ASSEMBLY (1) (4017RS)	104

TABLE OF CONTENTS

FIGURE 2-11. EXTEND CHAIN ASSEMBLY (2) (4017RS)	106
FIGURE 2-12. RETRACT CHAIN ASSEMBLY (3614RS)	108
FIGURE 2-13. RETRACT CHAIN ASSEMBLY (1) (4017RS).....	110
FIGURE 2-14. RETRACT CHAIN ASSEMBLY (2) (4017RS).....	112
FIGURE 2-15. COVER PLATE INSTALLATION (3614RS).....	114
FIGURE 2-16. COVER PLATE INSTALLATION (4017RS).....	116
FIGURE 2-17. FIRST BOOM SECTION (3614RS)	118
FIGURE 2-18. FIRST BOOM SECTION (4017RS)	120
FIGURE 2-19. SECOND BOOM SECTION (3614RS)	122
FIGURE 2-20. SECOND BOOM SECTION (4017RS)	124
FIGURE 2-21. THIRD BOOM SECTION (3614RS).....	126
FIGURE 2-22. THIRD BOOM SECTION (4017RS).....	128
FIGURE 2-23. FOURTH BOOM SECTION (4017RS).....	130
FIGURE 2-24. HOSE SUPPORT ASSEMBLY (4017RS).....	132
FIGURE 2-25. MANUAL QUICK ATTACH	134
FIGURE 2-26. HYDRAULICS INSTALLATION (AUXILIARY HYDRAULICS) (3614RS).....	136
FIGURE 2-27. HYDRAULICS INSTALLATION (NO AUXILIARY HYDRAULICS) (3614RS)	138
FIGURE 2-28. HYDRAULICS INSTALLATION (4017RS).....	140
FIGURE 2-29. HYDRAULICS ASSEMBLY (4017RS).....	142
FIGURE 2-30. HYDRAULICS INSTALLATION (AUXILIARY HYDRAULICS) (4017RS).....	144
FIGURE 2-31. AUXILIARY LINES INSTALLATION	146
FIGURE 2-32. BOOM BRUSH INSTALLATION (3614RS)	148
FIGURE 2-33. BOOM BRUSH INSTALLATION (4017RS)	150
FIGURE 2-34. BOOM BRUSH BRACKET ASSEMBLY (1).....	152
FIGURE 2-35. BOOM BRUSH BRACKET ASSEMBLY (2).....	154
FIGURE 2-36. BOOM BRUSH BRACKET ASSEMBLY (3).....	156
FIGURE 2-37. BOOM BRUSH BRACKET ASSEMBLY (4) (3614RS)	158
FIGURE 2-38. BOOM BRUSH BRACKET ASSEMBLY (5) (3614RS)	160
FIGURE 2-39. BOOM BRUSH BRACKET ASSEMBLY (6).....	162
FIGURE 2-40. BOOM BRUSH BRACKET ASSEMBLY (7) (4017RS,4017RS)	164
FIGURE 2-41. BOOM BRUSH BRACKET ASSEMBLY (8) (4017RS)	166
FIGURE 2-42. BOOM BRUSH BRACKET ASSEMBLY (9) (4017RS)	168
FIGURE 2-43. BOOM BRUSH BRACKET ASSEMBLY (10) (4017RS)	170
FIGURE 2-44. BOOM BRUSH BRACKET ASSEMBLY (11) (4017RS)	172
SECTION 3 - ATTACHMENTS	175
FIGURE 3-1. CARRIAGE	176
FIGURE 3-2. FORKS	178
FIGURE 3-3. FORKS TINES.....	180
FIGURE 3-4. BUCKET 1.8M ³	182
FIGURE 3-5. BUCKET 0.9M ³	184
FIGURE 3-6. MULTI-PURPOSE BUCKET (SN 1160007024 through 1160008687)	186
FIGURE 3-7. MULTI-PURPOSE BUCKET (SN 1160008687 through 1160008790)	188
FIGURE 3-8. TRUSS BOOM (1000 KG)	190
FIGURE 3-9. TRUSS BOOM (4000 KG)	192

TABLE OF CONTENTS

FIGURE 3-10. INSTALLATION, CARRIAGE FORK POSITIONING.....	194
FIGURE 3-11. INSTALLATION, FORK AND HOOK (3614RS)	196
FIGURE 3-12. INSTALLATION, FORK AND HOOK (4017RS)	198
FIGURE 3-13. 4 TON FORK HOOK.....	200
FIGURE 3-14. STANDARD CARRIAGE INSTALLATION WITH LIFT LUG (3614RS)	202
FIGURE 3-15. STANDARD CARRIAGE INSTALLATION WITH LIFT LUG (4017RS)	204
FIGURE 3-16. 4T FORK AND HOOK CARRIAGE	206
FIGURE 3-17. MANITOU CARRIAGE INSTALLATION (3614RS)	208
FIGURE 3-18. MANITOU CARRIAGE INSTALLATION (4017RS)	210
FIGURE 3-19. MANITOU COUPLER INSTALLATION.....	212
FIGURE 3-20. MANITOU CARRIAGE.....	214
FIGURE 3-21. JCB CARRIAGE INSTALLATION (3614RS).....	216
FIGURE 3-22. JCB CARRIAGE INSTALLATION (4017RS).....	218
FIGURE 3-23. JCB COUPLER INSTALLATION.....	220
FIGURE 3-24. JCB COUPLING.....	222
FIGURE 3-25. JCB FORK ASSEMBLY	224
FIGURE 3-26. SIDE SHIFT CARRIAGE INSTALLATION (3614RS).....	226
FIGURE 3-27. SIDE SHIFT CARRIAGE INSTALLATION (4017RS).....	228
FIGURE 3-28. SIDE SHIFT CARRIAGE ASSEMBLY (SN 1160007024 through 1160008687)	230
FIGURE 3-29. SIDE SHIFT CARRIAGE ASSEMBLY (SN 1160008687 through 1160008790)	232
FIGURE 3-30. FORK TRANSPORT LATCH INSTALLATION.....	234
FIGURE 3-31. HOMOLOGATION INSTALLATION (GERMANY) (3614RS)	236
FIGURE 3-32. HOMOLOGATION WARNING PANEL INSTALLATION (GERMANY) (3614RS)	238
FIGURE 3-33. REFLECTIVE PLATES INSTALLATION (FORKS)	240
FIGURE 3-34. REFLECTIVE PLATES INSTALLATION (BUCKET) (ITALY).....	242
FIGURE 3-35. BUCKET GUARD ACCESSORY (ITALY).....	244
SECTION 4 - ENGINE AND ATTACHING PARTS	247
FIGURE 4-1. ENGINE AND TRANSMISSION INSTALLATION (ULS) - 74KW (SN 1160007024 through 1160007354).....	248
FIGURE 4-2. ENGINE AND TRANSMISSION INSTALLATION (ULS) - 74KW (SN 1160007354 through 1160008518).....	250
FIGURE 4-3. ENGINE AND TRANSMISSION INSTALLATION (LS) - 74KW (SN 1160007024 through 1160007354)	252
FIGURE 4-4. ENGINE AND TRANSMISSION INSTALLATION (LS) - 74KW (SN 1160007354 through 1160008518)	254
FIGURE 4-5. TRANSMISSION INSTALLATION (ULS) - 74KW (SN 1160008519 through 1160008790).....	256
FIGURE 4-6. ENGINE AND TRANSMISSION INSTALLATION (ULS) - 55KW (SN E160000001 through E160000342, Excluding E160000328, E160000329, E160000330, E160000331, E160000332 and E160000336).....	258
FIGURE 4-7. ENGINE AND TRANSMISSION INSTALLATION (ULS) - 55KW (SN E160000342 through E160000496, Including E160000328, E160000329, E160000330, E160000331, E160000332 and E160000336).....	260
FIGURE 4-8. ENGINE MOUNTING INSTALLATION	262
FIGURE 4-9. HYDRAULIC PUMP INSTALLATION.....	264
FIGURE 4-10. TURBO SHIELD INSTALLATION	266
FIGURE 4-11. FUEL LINES INSTALLATION (SN 1160007024 through 1160007354)	268
FIGURE 4-12. FUEL LINES INSTALLATION (SN 1160007354 through 1160008790)	270
FIGURE 4-13. FUEL TANK INSTALLATION.....	272
FIGURE 4-14. FUEL TANK	274
FIGURE 4-15. COOLING SYSTEM INSTALLATION - 74KW	276
FIGURE 4-16. COOLING SYSTEM INSTALLATION - 55KW (SN E160000001 through E160000342, Excluding E160000328, E160000329, E160000330, E160000331, E160000332 and E160000336)	278

TABLE OF CONTENTS

FIGURE 4-17. COOLING SYSTEM INSTALLATION - 55KW (SN E160000342 through E160000496, Including E160000328, E160000329, E160000330, E160000331, E160000332 and E160000336).....	280
FIGURE 4-18. EXPANSION TANK	282
FIGURE 4-19. RADIATOR ASSEMBLY - 74KW	284
FIGURE 4-20. RADIATOR ASSEMBLY - 55KW	286
FIGURE 4-21. RADIATOR LINES INSTALLATION	288
FIGURE 4-22. RADIATOR LINES INSTALLATION - ARCTIC	290
FIGURE 4-23. TRANSMISSION COOLING INSTALLATION	292
FIGURE 4-24. THERMAL BYPASS INSTALLATION - ARCTIC	294
FIGURE 4-25. HEATER LINES INSTALLATION	296
FIGURE 4-26. HEATER BLOCK INSTALLATION - ARCTIC	298
FIGURE 4-27. ENGINE COOLANT HOSE INSTALLATION	300
FIGURE 4-28. AIR SYSTEM INSTALLATION - 74KW.....	302
FIGURE 4-29. AIR SYSTEM INSTALLATION - 55KW (SN E160000001 through E160000342, Excluding E160000328, E160000329, E160000330, E160000331, E160000332 and E160000336).....	304
FIGURE 4-30. AIR SYSTEM INSTALLATION - 55KW (SN E160000342 through E160000496, Including E160000328, E160000329, E160000330, E160000331, E160000332 and E160000336).....	306
FIGURE 4-31. AIR FILTER ASSEMBLY	308
FIGURE 4-32. AIR INTAKE FILTER	310
FIGURE 4-33. EXHAUST SYSTEM INSTALLATION (ULS) - 74KW	312
FIGURE 4-34. EXHAUST SYSTEM INSTALLATION (ULS) - 55KW (SN E160000001 through E160000342, Excluding E160000328, E160000329, E160000330, E160000331, E160000332 and E160000336)	314
FIGURE 4-35. EXHAUST SYSTEM INSTALLATION (ULS) - 55KW (SN E160000342 through E160000496, Including E160000328, E160000329, E160000330, E160000331, E160000332 and E160000336)	316
FIGURE 4-36. EXHAUST SYSTEM INSTALLATION (LS).....	318
FIGURE 4-37. ENGINE OIL DRAIN INSTALLATION.....	320
FIGURE 4-38. ENGINE INSTALLATION (SN 1160008519 through 1160008790)	322
FIGURE 4-39. ENGINE, DEUTZ 55 KW	324
SECTION 5 - DRIVETRAIN	327
FIGURE 5-1. AXLE INSTALLATION (74KW) (3614RS).....	328
FIGURE 5-2. AXLE INSTALLATION, (NO FOAM FILL) (74KW) (4017RS)	330
FIGURE 5-3. AXLE INSTALLATION (FOAM FILL) (74KW) (4017RS).....	332
FIGURE 5-4. AXLE INSTALLATION (55KW) (3614RS) (SN E160000342 through E160000496, Including E160000328, E160000329, E160000330, E160000331, E160000332 and E160000336).....	334
FIGURE 5-5. AXLE INSTALLATION (55KW) (4017RS) (SN E160000342 through E160000496, Including E160000328, E160000329, E160000330, E160000331, E160000332 and E160000336).....	336
FIGURE 5-6. DRIVE SHAFT INSTALLATION (3614RS)	338
FIGURE 5-7. DRIVE SHAFT INSTALLATION (4017RS)	340
FIGURE 5-8. FRONT AXLE (3614RS).....	342
FIGURE 5-9. FRONT AXLE, CENTRAL HOUSING (3614RS)	344
FIGURE 5-10. FRONT AXLE, DIFFERENTIAL (3614RS)	346
FIGURE 5-11. FRONT AXLE, HUB REDUCTION (3614RS)	348
FIGURE 5-12. FRONT AXLE, BRAKES (3614RS)	350
FIGURE 5-13. FRONT AXLE, STEERING (3614RS).....	352
FIGURE 5-14. FRONT AXLE, TRUNION (3614RS)	354
FIGURE 5-15. FRONT AXLE, TRUNION KIT (3614RS).....	356
FIGURE 5-16. DIFFERENTIAL KIT.....	358

TABLE OF CONTENTS

FIGURE 5-17. FRONT AXLE (4017RS) (SN 1160007024 through 1160007543, Excluding 1160007516 and 1160007537)	360
FIGURE 5-18. FRONT AXLE, CENTRAL HOUSING (4017RS) (SN 1160007024 through 1160007543, Excluding 1160007516 and 1160007537).....	362
FIGURE 5-19. FRONT AXLE, DIFFERENTIAL (4017RS) (SN 1160007024 through 1160007543, Excluding 1160007516 and 1160007537)	364
FIGURE 5-20. FRONT AXLE, HUB REDUCTION (4017RS) (SN 1160007024 through 1160007543, Excluding 1160007516 and 1160007537)	366
FIGURE 5-21. FRONT AXLE, BRAKES (4017RS) (SN 1160007024 through 1160007543, Excluding 1160007516 and 1160007537)	368
FIGURE 5-22. FRONT AXLE, STEERING (4017RS) (SN 1160007024 through 1160007543, Excluding 1160007516 and 1160007537)	370
FIGURE 5-23. FRONT AXLE, TRUNION (4017RS) (SN 1160007024 through 1160007543, Excluding 1160007516 and 1160007537)	372
FIGURE 5-24. DIFFERENTIAL KIT (4017RS) (SN 1160007024 through 1160007543, Including , Excluding 1160007516 and 1160007537)	374
FIGURE 5-25. FRONT AXLE (4017RS) (SN 1160007543 through 1160008790, Including 1160007516 and 1160007537)	376
FIGURE 5-26. FRONT AXLE, CENTRAL HOUSING (4017RS) (SN 1160007543 through 1160008790, Including 1160007516 and 1160007537)	378
FIGURE 5-27. FRONT AXLE, DIFFERENTIAL (4017RS) (SN 1160007543 through 1160008790, Including 1160007516 and 1160007537)	380
FIGURE 5-28. FRONT AXLE, HUB REDUCTION (4017RS) (SN 1160007543 through 1160008790, Including 1160007516 and 1160007537)	382
FIGURE 5-29. FRONT AXLE, BRAKES (4017RS) (SN 1160007543 through 1160008790, Including 1160007516 and 1160007537)	384
FIGURE 5-30. FRONT AXLE, STEERING (4017RS) (SN 1160007543 through 1160008790, Including 1160007516 and 1160007537)	386
FIGURE 5-31. FRONT AXLE, TRUNION (4017RS) (SN 1160007543 through 1160008790, Including 1160007516 and 1160007537)	388
FIGURE 5-32. DIFFERENTIAL KIT (SN 1160007543 through 1160008790, Including 1160007516 and 1160007537)	390
FIGURE 5-33. REDUCTION BUSHING (SN 1160007543 through 1160008790, Including 1160007516 and 1160007537)	392
FIGURE 5-34. STEERING CASE KIT LH (SN 1160007543 through 1160008790, Including 1160007516 and 1160007537)	394
FIGURE 5-35. STEERING CASE KIT RH (SN 1160007543 through 1160008790, Including 1160007516 and 1160007537)	396
FIGURE 5-36. STEERING ADJUST BOLT KIT (SN 1160007543 through 1160008790, Including 1160007516 and 1160007537)	398
FIGURE 5-37. RING GEAR SUPPORT KIT (SN 1160007543 through 1160008790, Including 1160007516 and 1160007537)	400
FIGURE 5-38. PLANET GEAR CARRIER KIT (SN 1160007543 through 1160008790, Including 1160007516 and 1160007537)	402
FIGURE 5-39. TRUNION KIT (SN 1160007543 through 1160008790, Including 1160007516 and 1160007537)	404
FIGURE 5-40. REAR AXLE (NO FOAM FILL).....	406
FIGURE 5-41. REAR AXLE, CENTRAL HOUSING (NO FOAM FILL)	408
FIGURE 5-42. REAR AXLE, DIFFERENTIAL (NO FOAM FILL)	410
FIGURE 5-43. REAR AXLE, HUB REDUCTION (NO FOAM FILL).....	412
FIGURE 5-44. REAR AXLE, BRAKES (NO FOAM FILL)	414
FIGURE 5-45. REAR AXLE, STEERING (NO FOAM FILL)	416
FIGURE 5-46. REAR AXLE, TRUNION (NO FOAM FILL) (3614RS)	418
FIGURE 5-47. REAR AXLE, TRUNION KIT (NO FOAM FILL).....	420
FIGURE 5-48. PISTON KIT	422
FIGURE 5-49. REAR AXLE (FOAM FILL) (4017RS) (SN 1160007024 through 1160007543, Excluding 1160007516 and 1160007537)	424
FIGURE 5-50. REAR AXLE, CENTRAL HOUSING (FOAM FILL) (4017RS) (SN 1160007024 through 1160007543, Excluding 1160007516 and 1160007537).....	426

TABLE OF CONTENTS

FIGURE 5-51. REAR AXLE, DIFFERENTIAL (FOAM FILL) (4017RS) (SN 1160007024 through 1160007543, Excluding 1160007516 and 1160007537)	428
FIGURE 5-52. REAR AXLE, HUB REDUCTION (FOAM FILL) (4017RS) (SN 1160007024 through 1160007543, Excluding 1160007516 and 1160007537)	430
FIGURE 5-53. REAR AXLE, BRAKES (FOAM FILL) (4017RS) (SN 1160007024 through 1160007543, Excluding 1160007516 and 1160007537)	432
FIGURE 5-54. REAR AXLE, STEERING (FOAM FILL) (4017RS) (SN 1160007024 through 1160007543, Excluding 1160007516 and 1160007537)	434
FIGURE 5-55. REAR AXLE, TRUNION (FOAM FILL) (4017RS) (SN 1160007024 through 1160007543, Excluding 1160007516 and 1160007537)	436
FIGURE 5-56. SUPPORT (FOAM FILL) (4017RS) (SN 1160007024 through 1160007543, Excluding 1160007516 and 1160007537)	438
FIGURE 5-57. REAR AXLE (FOAM FILL) (4017RS) (SN 1160007543 through 1160008790, Including 1160007516 and 1160007537)	440
FIGURE 5-58. REAR AXLE, CENTRAL HOUSING (FOAM FILL) (4017RS) (SN 1160007543 through 1160008790, Including 1160007516 and 1160007537)	442
FIGURE 5-59. REAR AXLE, DIFFERENTIAL (4017RS) (SN 1160007543 through 1160008790, Including 1160007516 and 1160007537)	444
FIGURE 5-60. REAR AXLE, HUB REDUCTION (4017RS) (SN 1160007543 through 1160008790, Including 1160007516 and 1160007537)	446
FIGURE 5-61. REAR AXLE, BRAKES (4017RS) (SN 1160007543 through 1160008790, Including 1160007516 and 1160007537)	448
FIGURE 5-62. REAR AXLE, STEERING (4017RS) (SN 1160007543 through 1160008790, Including 1160007516 and 1160007537)	450
FIGURE 5-63. REAR AXLE, TRUNION (4017RS) (SN 1160007543 through 1160008790, Including 1160007516 and 1160007537)	452
FIGURE 5-64. DIFFERENTIAL KIT (4017RS) (SN 1160007543 through 1160008790, Including 1160007516 and 1160007537)	454
FIGURE 5-65. REDUCTION BUSHING (4017RS) (SN 1160007543 through 1160008790, Including 1160007516 and 1160007537)	456
FIGURE 5-66. STEERING CASE KIT LH (4017RS) (SN 1160007543 through 1160008790, Including 1160007516 and 1160007537)	458
FIGURE 5-67. STEERING CASE KIT RH (4017RS) (SN 1160007543 through 1160008790, Including 1160007516 and 1160007537)	460
FIGURE 5-68. STEERING ADJUST BOLT KIT (4017RS) (SN 1160007543 through 1160008790, Including 1160007516 and 1160007537)	462
FIGURE 5-69. RING GEAR SUPPORT KIT (4017RS) (SN 1160007543 through 1160008790, Including 1160007516 and 1160007537)	464
FIGURE 5-70. PLANET GEAR CARRIER KIT (4017RS) (SN 1160007543 through 1160008790, Including 1160007516 and 1160007537)	466
FIGURE 5-71. PISTON (4017RS) (SN 1160007543 through 1160008790, Including 1160007516 and 1160007537)	468
FIGURE 5-72. TRUNION KIT (4017RS) (SN 1160007543 through 1160008790, Including 1160007516 and 1160007537)	470
FIGURE 5-73. FRONT AXLE (3614RS) (SN E160000342 through E160000496, Including E160000328, E160000329, E160000330, E160000331, E160000332 and E160000336)	472
FIGURE 5-74. FRONT AXLE, CENTRAL HOUSING (3614RS) (SN E160000342 through E160000496, Including E160000328, E160000329, E160000330, E160000331, E160000332 and E160000336)	474
FIGURE 5-75. FRONT AXLE, DIFFERENTIAL (3614RS) (SN E160000342 through E160000496, Including E160000328, E160000329, E160000330, E160000331, E160000332 and E160000336)	476
FIGURE 5-76. FRONT AXLE, HUB REDUCTION (3614RS) (SN E160000342 through E160000496, Including E160000328, E160000329, E160000330, E160000331, E160000332 and E160000336)	478
FIGURE 5-77. FRONT AXLE, BRAKES (3614RS) (SN E160000342 through E160000496, Including E160000328, E160000329, E160000330, E160000331, E160000332 and E160000336)	480
FIGURE 5-78. FRONT AXLE, STEERING (3614RS) (SN E160000342 through E160000496, Including E160000328, E160000329, E160000330, E160000331, E160000332 and E160000336)	482

TABLE OF CONTENTS

FIGURE 5-79. FRONT AXLE, TRUNION (3614RS) (SN E160000342 through E160000496, Including E160000328, E160000329, E160000330, E160000331, E160000332 and E160000336)	484
FIGURE 5-80. DIFFERENTIAL KIT	486
FIGURE 5-81. BRAKES PISTON KIT (LH).....	488
FIGURE 5-82. BRAKES PISTON KIT (RH)	490
FIGURE 5-83. FRONT AXLE (55KW) (4017RS) (SN E160000342 through E160000496, Including E160000328, E160000329, E160000330, E160000331, E160000332 and E160000336)	492
FIGURE 5-84. FRONT AXLE, CENTRAL HOUSING (4017RS) (SN E160000342 through E160000496, Including E160000328, E160000329, E160000330, E160000331, E160000332 and E160000336)	494
FIGURE 5-85. FRONT AXLE, DIFFERENTIAL (4017RS) (SN E160000342 through E160000496, Including E160000328, E160000329, E160000330, E160000331, E160000332 and E160000336)	496
FIGURE 5-86. FRONT AXLE, HUB REDUCTION (4017RS) (SN E160000342 through E160000496, Including E160000328, E160000329, E160000330, E160000331, E160000332 and E160000336)	498
FIGURE 5-87. FRONT AXLE, BRAKES (4017RS) (SN E160000342 through E160000496, Including E160000328, E160000329, E160000330, E160000331, E160000332 and E160000336)	500
FIGURE 5-88. FRONT AXLE, STEERING (4017RS) (SN E160000342 through E160000496, Including E160000328, E160000329, E160000330, E160000331, E160000332 and E160000336)	502
FIGURE 5-89. FRONT AXLE, TRUNION (4017RS) (SN E160000342 through E160000496, Including E160000328, E160000329, E160000330, E160000331, E160000332 and E160000336)	504
FIGURE 5-90. STEERING CASE KIT (LH)	506
FIGURE 5-91. STEERING CASE KIT (RH).....	508
FIGURE 5-92. PLANET GEAR CARRIER KIT	510
FIGURE 5-93. RING GEAR SUPPORT KIT	512
FIGURE 5-94. REAR AXLE (SN E160000342 through E160000496, Including E160000328, E160000329, E160000330, E160000331, E160000332 and E160000336).....	514
FIGURE 5-95. REAR AXLE, CENTRAL HOUSING (SN E160000342 through E160000496, Including E160000328, E160000329, E160000330, E160000331, E160000332 and E160000336)	516
FIGURE 5-96. REAR AXLE, DIFFERENTIAL (SN E160000342 through E160000496, Including E160000328, E160000329, E160000330, E160000331, E160000332 and E160000336)	518
FIGURE 5-97. REAR AXLE, HUB REDUCTION (SN E160000342 through E160000496, Including E160000328, E160000329, E160000330, E160000331, E160000332 and E160000336)	520
FIGURE 5-98. REAR AXLE, BRAKES (SN E160000342 through E160000496, Including E160000328, E160000329, E160000330, E160000331, E160000332 and E160000336)	522
FIGURE 5-99. REAR AXLE, STEERING (SN E160000342 through E160000496, Including E160000328, E160000329, E160000330, E160000331, E160000332 and E160000336)	524
FIGURE 5-100. REAR AXLE, TRUNION (SN E160000342 through E160000496, Including E160000328, E160000329, E160000330, E160000331, E160000332 and E160000336)	526
FIGURE 5-101. STEERING CASE KIT, (LF, RR).....	528
FIGURE 5-102. STEERING CASE KIT, (RF, LR).....	530
FIGURE 5-103. PLANET GEAR CARRIER KIT	532
FIGURE 5-104. PLANET GEAR KIT	534
FIGURE 5-105. RING GEAR SUPPORT KIT	536
FIGURE 5-106. STEERING ADJUST BOLT KIT	538
FIGURE 5-107. TRUNION KIT	540
FIGURE 5-108. POWERSHIFT TRANSMISSION	542
FIGURE 5-109. POWERSHIFT TRANSMISSION, CONVERTER HOUSING	544
FIGURE 5-110. POWERSHIFT TRANSMISSION, TRANSMISSION PLATE	546
FIGURE 5-111. POWERSHIFT TRANSMISSION, TORQUE CONVERTER	548
FIGURE 5-112. POWERSHIFT TRANSMISSION, GEAR GROUP	550
FIGURE 5-113. POWERSHIFT TRANSMISSION, PUMP DRIVE.....	552

TABLE OF CONTENTS

FIGURE 5-114. POWERSHIFT TRANSMISSION, CHARGE PUMP	554
FIGURE 5-115. POWERSHIFT TRANSMISSION, REVERSE IDLER	556
FIGURE 5-116. POWERSHIFT TRANSMISSION, FORWARD AND REVERSE SHAFT	558
FIGURE 5-117. POWERSHIFT TRANSMISSION, 3RD SHAFT	560
FIGURE 5-118. POWERSHIFT TRANSMISSION, 1ST & 2ND SHAFT	562
FIGURE 5-119. POWERSHIFT TRANSMISSION, OUTPUT SHAFT	564
FIGURE 5-120. POWERSHIFT TRANSMISSION, DROP BOX	566
FIGURE 5-121. POWERSHIFT TRANSMISSION, CONTROL	568
FIGURE 5-122. POWERSHIFT TRANSMISSION, MODULATION VALVE	570
FIGURE 5-123. POWERSHIFT TRANSMISSION, DRIVE PLATE	572
FIGURE 5-124. TIRE WHEEL SET, MITAS 15.5/80-24 (3614RS)	574
FIGURE 5-125. RH MITAS WHEEL (3614RS) (SN 1160007024 through 1160008000)	576
FIGURE 5-126. RH MITAS WHEEL (3614RS) (SN 1160008000 through 1160008790)	578
FIGURE 5-127. LH MITAS WHEEL (3614RS) (SN 1160007024 through 1160008000)	580
FIGURE 5-128. LH MITAS WHEEL (3614RS) (SN 1160008000 through 1160008790)	582
FIGURE 5-129. TIRE WHEEL SET, MITAS 14.00-24 (4017RS)	584
FIGURE 5-130. RH MITAS WHEEL (4017RS)	586
FIGURE 5-131. LH MITAS WHEEL (4017RS)	588
FIGURE 5-132. TIRE WHEEL SET, GOODYEAR 15.5-25 SGL (3614RS)	590
FIGURE 5-133. RH GOODYEAR WHEEL (3614RS)	592
FIGURE 5-134. LH GOODYEAR WHEEL (3614RS)	594
FIGURE 5-135. TIRE WHEEL SET, GOODYEAR 14.00-24 (4017RS)	596
FIGURE 5-136. RH GOODYEAR WHEEL (4017RS)	598
FIGURE 5-137. LH GOODYEAR WHEEL (4017RS)	600
FIGURE 5-138. TIRE WHEEL SET, MICHELIN 400/80-24 POWER CL (3614RS)	602
FIGURE 5-139. RH MICHELIN WHEEL (3614RS)	604
FIGURE 5-140. LH MICHELIN WHEEL (3614RS)	606
FIGURE 5-141. TIRE WHEEL SET, MICHELIN (4017RS)	608
FIGURE 5-142. MICHELIN WHEEL (4017RS)	610
FIGURE 5-143. TIRE WHEEL SET, FIRESTONE 370/75-28 (3614RS)	612
FIGURE 5-144. FIRESTONE WHEEL (3614RS)	614
FIGURE 5-145. TIRE WHEEL SET, FIRESTONE 400/75-28 16 PLY (4017RS)	616
FIGURE 5-146. FIRESTONE WHEEL (4017RS)	618
FIGURE 5-147. FOAM FILLED WHEEL SET (3614RS)	620
FIGURE 5-148. RH FOAM WHEEL (3614RS)	622
FIGURE 5-149. LH FOAM WHEEL (3614RS)	624
FIGURE 5-150. FOAM FILLED WHEEL SET (4017RS)	626
FIGURE 5-151. RH FOAM WHEEL (4017RS)	628
FIGURE 5-152. LH FOAM WHEEL (4017RS)	630
FIGURE 5-153. FENDER INSTALLATION (3614RS)	632
FIGURE 5-154. RH FENDER ASSEMBLY (3614RS)	634
FIGURE 5-155. LH FENDER ASSEMBLY (3614RS)	636
FIGURE 5-156. FENDER INSTALLATION (4017RS)	638
FIGURE 5-157. RH FENDER ASSEMBLY (4017RS)	640
FIGURE 5-158. LH FENDER ASSEMBLY (4017RS)	642

TABLE OF CONTENTS

FIGURE 5-159. POWERSHIFT TRANSMISSION.....	644
FIGURE 5-160. RH MITAS RIM ASSEMBLY (3614RS).....	646
FIGURE 5-161. LH MITAS RIM ASSEMBLY (3614RS).....	648
FIGURE 5-162. RH MITAS RIM ASSEMBLY (4017RS).....	650
FIGURE 5-163. LH MITAS RIM ASSEMBLY (4017RS).....	652
FIGURE 5-164. RH GOODYEAR RIM ASSEMBLY (3614RS).....	654
FIGURE 5-165. LH GOODYEAR RIM ASSEMBLY (3614RS).....	656
FIGURE 5-166. RH GOODYEAR RIM ASSEMBLY (4017RS).....	658
FIGURE 5-167. LH GOODYEAR RIM ASSEMBLY (4017RS).....	660
FIGURE 5-168. RH MICHELIN RIM ASSEMBLY (3614RS).....	662
FIGURE 5-169. LH MICHELIN RIM ASSEMBLY (3614RS).....	664
FIGURE 5-170. RH/LH MICHELIN RIM ASSEMBLY (4017RS).....	666
FIGURE 5-171. FIRESTONE RIM ASSEMBLY (3614RS).....	668
FIGURE 5-172. FIRESTONE RIM ASSEMBLY (4017RS).....	670
FIGURE 5-173. RH FOAM RIM ASSEMBLY (3614RS).....	672
FIGURE 5-174. LH FOAM RIM ASSEMBLY (3614RS).....	674
FIGURE 5-175. RH FOAM RIM ASSEMBLY (4017RS).....	676
FIGURE 5-176. LH FOAM RIM ASSEMBLY (4017RS).....	678
SECTION 6 - CAB.....	681
FIGURE 6-1. CAB INSTALLATION (FNR LEVER) (SN E160000001 through E160000141, Excluding E160000120, E160000126, 1160008774, 1160008775 and 1160008777).....	682
FIGURE 6-2. CAB INSTALLATION (FNR LEVER) (SN E160000141 through E160000341, Including E160000120, E160000126, 1160008774, 1160008775 and 1160008777, Excluding E160000328, E160000329, E160000330, E160000331, E160000332 and E160000336).....	684
FIGURE 6-3. CAB INSTALLATION (FNR LEVER) (SN E160000342 through E160000496, Including E160000328, E160000329, E160000330, E160000331, E160000332 and E160000336).....	686
FIGURE 6-4. CAB INSTALLATION (NO FNR LEVER) (SN E160000001 through E160000141, Excluding E160000120, E160000126, 1160008774, 1160008775 and 1160008777).....	688
FIGURE 6-5. CAB INSTALLATION (NO FNR LEVER) (SN E160000141 through E160000341, Including E160000120, E160000126, 1160008774, 1160008775 and 1160008777, Excluding E160000328, E160000329, E160000330, E160000331, E160000332 and E160000336).....	690
FIGURE 6-6. CAB INSTALLATION (NO FNR LEVER) (SN E160000342 through E160000496, Including E160000328, E160000329, E160000330, E160000331, E160000332 and E160000336).....	692
FIGURE 6-7. CAB (FNR LEVER) (SN E160000001 through E160000141, Excluding E160000120, E160000126, 1160008774, 1160008775 and 1160008777).....	694
FIGURE 6-8. CAB (FNR LEVER) (SN E160000141 through E160000341, Including E160000120, E160000126, 1160008774, 1160008775 and 1160008777, Excluding E160000328, E160000329, E160000330, E160000331, E160000332 and E160000336).....	696
FIGURE 6-9. CAB (NO FNR LEVER) (SN E160000001 through E160000141, Excluding E160000120, E160000126, 1160008774, 1160008775 and 1160008777).....	698
FIGURE 6-10. CAB (NO FNR LEVER) (SN E160000141 through E160000341, Including E160000120, E160000126, 1160008774, 1160008775 and 1160008777, Excluding E160000328, E160000329, E160000330, E160000331, E160000332 and E160000336).....	700
FIGURE 6-11. CAB (SN E160000342 through E160000496, Including E160000328, E160000329, E160000330, E160000331, E160000332 and E160000336).....	702
FIGURE 6-12. CAB ASSEMBLY (SN E160000001 through E160000141, Excluding E160000120, E160000126, 1160008774, 1160008775 and 1160008777).....	704
FIGURE 6-13. CAB ASSEMBLY (SN E160000141 through E160000496, Including E160000120, E160000126, 1160008774, 1160008775 and 1160008777).....	706
FIGURE 6-14. CAB.....	708

TABLE OF CONTENTS

FIGURE 6-15. FUEL DOOR INSTALLATION	710
FIGURE 6-16. DOOR STRAP INSTALLATION	712
FIGURE 6-17. INTERIOR MIRROR	714
FIGURE 6-18. MIRROR INSTALLATION.....	716
FIGURE 6-19. TRIM INSTALLATION (SN E160000001 through E160000141, Excluding E160000120, E160000126, 1160008774, 1160008775 and 1160008777)	718
FIGURE 6-20. TRIM INSTALLATION (SN E160000141 through E160000341, Including E160000120, E160000126, 1160008774, 1160008775 and 1160008777, Excluding E160000328, E160000329, E160000330, E160000331, E160000332 and E160000336)	720
FIGURE 6-21. TRIM INSTALLATION (SN E160000342 through E160000496, Including E160000328, E160000329, E160000330, E160000331, E160000332 and E160000336)	722
FIGURE 6-22. DASH COVER ASSEMBLY.....	724
FIGURE 6-23. REAR PANEL ASSEMBLY.....	726
FIGURE 6-24. COVER PANEL INSTALLATION.....	728
FIGURE 6-25. GASKET INSTALLATION.....	730
FIGURE 6-26. FRONT COVER INSTALLATION	732
FIGURE 6-27. FRONT COVER ASSEMBLY	734
FIGURE 6-28. HEADLINER INSTALLATION (SN E160000001 through E160000141, Excluding E160000120, E160000126, 1160008774, 1160008775 and 1160008777)	736
FIGURE 6-29. HEADLINER INSTALLATION (SN E160000141 through E160000496, Including E160000120, E160000126, 1160008774, 1160008775 and 1160008777)	738
FIGURE 6-30. FRONT PANEL INSTALLATION	740
FIGURE 6-31. REAR COVER PANEL INSTALLATION.....	742
FIGURE 6-32. REAR WINDOW INSTALLATION	744
FIGURE 6-33. REAR WINDOW.....	746
FIGURE 6-34. CAB DOOR INSTALLATION	748
FIGURE 6-35. WINDOW INSTALLATION	750
FIGURE 6-36. CAB DOOR	752
FIGURE 6-37. VINYL SEAT INSTALLATION	754
FIGURE 6-38. VINYL SEAT.....	756
FIGURE 6-39. CLOTH SEAT INSTALLATION.....	758
FIGURE 6-40. CLOTH SEAT	760
FIGURE 6-41. FRONT WIPER INSTALLATION	762
FIGURE 6-42. FRONT WIPER INSTALLATION	764
FIGURE 6-43. ROOF WIPER INSTALLATION	766
FIGURE 6-44. HEATER INSTALLATION.....	768
FIGURE 6-45. AIR CONDITIONING INSTALLATION.....	770
FIGURE 6-46. HEATER (NO A/C)	774
FIGURE 6-47. HEATER (A/C).....	776
FIGURE 6-48. CAB SCREEN (GP) SUN BLIND.....	778
FIGURE 6-49. STEP INSTALLATION.....	780
FIGURE 6-50. HYDRAULIC COVER INSTALLATION.....	782
FIGURE 6-51. A/C CONDENSER COVER INSTALLATION.....	784
FIGURE 6-52. TOP SCREEN GUARD INSTALLATION	786
FIGURE 6-53. FRONT SCREEN GUARD INSTALLATION	788
FIGURE 6-54. CLEARSKY INSTALLATION	790
FIGURE 6-55. TOOLBOX INSTALLATION.....	792

TABLE OF CONTENTS

FIGURE 6-56. FRONT LICENSE PLATE INSTALLATION.....	794
FIGURE 6-57. LEVEL INDICATOR INSTALLATION.....	796
SECTION 7 - CONTROLS	799
FIGURE 7-1. BRAKE PEDAL INSTALLATION (SN E16000001 through E160000141, Excluding E160000120, E160000126, 1160008774, 1160008775 and 1160008777).....	800
FIGURE 7-2. BRAKE PEDAL INSTALLATION (SN E160000141 through E160000496, Including E160000120, E160000126, 1160008774, 1160008775 and 1160008777).....	802
FIGURE 7-3. BRAKE PEDAL INSTALLATION (SN E160000001 through E160000141, Excluding E160000120, E160000126, 1160008774, 1160008775 and 1160008777).....	804
FIGURE 7-4. BRAKE PEDAL INSTALLATION (SN E160000141 through E160000496, Including E160000120, E160000126, 1160008774, 1160008775 and 1160008777).....	806
FIGURE 7-5. BRAKE PEDAL ASSEMBLY (SN E160000001 through E160000141, Excluding E160000120, E160000126, 1160008774, 1160008775 and 1160008777).....	808
FIGURE 7-6. BRAKE PEDAL ASSEMBLY (SN E160000141 through E160000496, Including E160000120, E160000126, 1160008774, 1160008775 and 1160008777).....	810
FIGURE 7-7. ACCELERATOR PEDAL INSTALLATION (SN E160000001 through E160000342, Excluding E160000328, E160000329, E160000330, E160000331, E160000332 and E160000336).....	812
FIGURE 7-8. ACCELERATOR PEDAL INSTALLATION (SN E160000342 through E160000496, Including E160000328, E160000329, E160000330, E160000331, E160000332 and E160000336).....	814
FIGURE 7-9. ACCELERATOR PEDAL (SN E160000001 through E160000342, Excluding E160000328, E160000329, E160000330, E160000331, E160000332 and E160000336).....	816
FIGURE 7-10. ACCELERATOR PEDAL (SN E160000342 through E160000496, Including E160000328, E160000329, E160000330, E160000331, E160000332 and E160000336).....	818
FIGURE 7-11. STEER COLUMN INSTALLATION (FNR LEVER) (SN E160000001 through E160000141, Excluding E160000120, E160000126, 1160008774, 1160008775 and 1160008777).....	820
FIGURE 7-12. STEER COLUMN INSTALLATION (FNR LEVER) (SN E160000141 through E160000341, Except SN E160000328 through E160000332, Including E160000120, E160000126, 1160008774, 1160008775 and 1160008777, Excluding E160000336).....	822
FIGURE 7-13. STEERING COLUMN (FNR LEVER) (SN E160000001 through E160000342, Excluding E160000328, E160000329, E160000330, E160000331, E160000332 and E160000336).....	824
FIGURE 7-14. STEERING COLUMN SWITCH (FNR LEVER) (SN E160000342 through E160000496, Including E160000328, E160000329, E160000330, E160000331, E160000332 and E160000336).....	826
FIGURE 7-15. STEERING COLUMN INSTALLATION (NO FNR LEVER) (SN E160000001 through E160000141, Excluding E160000120, E160000126, 1160008774, 1160008775 and 1160008777).....	828
FIGURE 7-16. STEERING COLUMN INSTALLATION (NO FNR LEVER) (SN E160000141 through E160000341, Except SN E160000328 through E160000332, Including E160000120, E160000126, 1160008774, 1160008775 and 1160008777, Excluding E160000336).....	830
FIGURE 7-17. STEERING COLUMN INSTALLATION (SN E160000342 through E160000496, Including E160000328, E160000329, E160000330, E160000331, E160000332 and E160000336).....	832
FIGURE 7-18. STEERING COLUMN (NO FNR LEVER) (SN E160000001 through E160000342, Except SN E160000328 through E160000332, Excluding E160000336).....	834
FIGURE 7-19. STEERING COLUMN (SN E160000342 through E160000496, Including E160000328, E160000329, E160000330, E160000331, E160000332 and E160000336).....	836
FIGURE 7-20. STEERING COLUMN SWITCH (NO FNR LEVER).....	838
FIGURE 7-21. STEERING WHEEL.....	840
FIGURE 7-22. MECHANICAL HANDBRAKE INSTALLATION (3614RS).....	842
FIGURE 7-23. HYDRAULIC HANDBRAKE INSTALLATION (4017RS).....	844
FIGURE 7-24. JOYSTICK INSTALLATION (FNR LEVER) (SN E160000001 through E160000342, Excluding E160000328, E160000329, E160000330, E160000331, E160000332 and E160000336).....	846
FIGURE 7-25. JOYSTICK INSTALLATION (FNR LEVER) (SN E160000342 through E160000496, Including E160000328, E160000329, E160000330, E160000331, E160000332 and E160000336).....	848
FIGURE 7-26. JOYSTICK INSTALLATION (NO FNR LEVER).....	850

TABLE OF CONTENTS

FIGURE 7-27. JOYSTICK INSTALLATION (AUX, FNR LEVER) (SN E16000001 through E160000342, Excluding E160000328, E160000329, E160000330, E160000331, E160000332 and E160000336).....	852
FIGURE 7-28. JOYSTICK INSTALLATION (AUX,FNR LEVER) (SN E160000342 through E160000496, Including E160000328, E160000329, E160000330, E160000331, E160000332 and E160000336).....	854
FIGURE 7-29. JOYSTICK INSTALLATION (AUX, NO FNR LEVER).....	856
FIGURE 7-30. JOYSTICK (FNR LEVER).....	858
FIGURE 7-31. JOYSTICK, (FNR LEVER) (SN E160000001 through E160000342, Excluding E160000328, E160000329, E160000330, E160000331, E160000332 and E160000336).....	860
FIGURE 7-32. ELECTRIC JOYSTICK, (FNR LEVER) (SN E160000342 through E160000496, Including E160000328, E160000329, E160000330, E160000331, E160000332 and E160000336).....	862
FIGURE 7-33. JOYSTICK (NO FNR LEVER)	864
FIGURE 7-34. JOYSTICK, (NO FNR LEVER)	866
FIGURE 7-35. JOYSTICK (AUX, FNR LEVER)	868
FIGURE 7-36. JOYSTICK, (AUX, FNR LEVER) (SN E160000001 through E160000342, Excluding E160000328, E160000329, E160000330, E160000331, E160000332 and E160000336).....	870
FIGURE 7-37. ELECTRIC JOYSTICK, (FNR LEVER) (SN E160000342 through E160000496, Including E160000328, E160000329, E160000330, E160000331, E160000332 and E160000336).....	872
FIGURE 7-38. JOYSTICK (AUX, NO FNR LEVER).....	874
FIGURE 7-39. JOYSTICK, (AUX, NO FNR LEVER).....	876
FIGURE 7-40. CLEARSKY TELEMATICS CONTROLLER.....	878
SECTION 8 - HYDRAULIC CIRCUITS	881
FIGURE 8-1. SUPPLY LINES INSTALLATION (3614RS)	882
FIGURE 8-2. SUPPLY LINES INSTALLATION (4017RS)	884
FIGURE 8-3. PUMP LINES INSTALLATION (NO AUXILIARY HYDRAULICS) (3614RS).....	886
FIGURE 8-4. PUMP LINES INSTALLATION (AUXILIARY HYDRAULICS) (3614RS)	888
FIGURE 8-5. PUMP LINES INSTALLATION (NO AUXILIARY HYDRAULICS) (4017RS).....	890
FIGURE 8-6. PUMP LINES INSTALLATION (AUXILIARY HYDRAULICS) (4017RS)	892
FIGURE 8-7. STEERING INSTALLATION (3614RS).....	894
FIGURE 8-8. STEERING INSTALLATION (4017RS).....	896
FIGURE 8-9. UPPER BRAKE LINES INSTALLATION (3614RS) (SN 1160007024 through 1160008232).....	898
FIGURE 8-10. UPPER BRAKE LINES INSTALLATION (3614RS) (SN 1160008232 through 1160008790).....	900
FIGURE 8-11. UPPER BRAKE LINES INSTALLATION (4017RS) (SN 1160007024 through 1160008232).....	902
FIGURE 8-12. UPPER BRAKE LINES INSTALLATION (4017RS) (SN 1160008232 through 1160008790).....	904
FIGURE 8-13. LOWER BRAKE LINES INSTALLATION (3614RS)	906
FIGURE 8-14. LOWER BRAKE LINES INSTALLATION (4017RS)	908
FIGURE 8-15. IMPLEMENT LINES INSTALLATION (NO AUX HYDRAULICS) (3614RS).....	910
FIGURE 8-16. IMPLEMENT LINES INSTALLATION (AUX HYDRAULICS) (3614RS).....	912
FIGURE 8-17. IMPLEMENT LINES INSTALLATION (NO AUX HYDRAULICS) (4017RS).....	914
FIGURE 8-18. IMPLEMENT LINES INSTALLATION (AUX HYDRAULICS) (4017RS).....	916
FIGURE 8-19. LEVELING AND OUTRIGGERS INSTALLATION (3614RS).....	918
FIGURE 8-20. LEVELING AND OUTRIGGERS INSTALLATION (4017RS).....	920
FIGURE 8-21. OUTRIGGER LEG ASSEMBLY	922
FIGURE 8-22. BREATHER INSTALLATION.....	924
FIGURE 8-23. REMOTE GREASE SYSTEM INSTALLATION	926
FIGURE 8-24. BOOM REMOTE GREASE INSTALLATION (3614RS).....	928
FIGURE 8-25. BOOM REMOTE GREASE INSTALLATION (4017RS).....	930
FIGURE 8-26. 17M PUMP LINES AUXILIARY INSTALLATION (HIGH VIS CAB)	932

TABLE OF CONTENTS

FIGURE 8-27. 17M PUMP LINES NO AUXILIARY INSTALLATION (HIGH VIS CAB).....	934
FIGURE 8-28. 17M SUCTION LINES INSTALLATION (HIGH VIS CAB).....	936
FIGURE 8-29. BRAKE DAMPER INSTALLATION (ITALY).....	938
SECTION 9 - HYDRAULIC COMPONENTS.....	941
FIGURE 9-1. LIFT CYLINDER (3614RS) (SN 1160007024 through 1160007517)	942
FIGURE 9-2. LIFT CYLINDER (3614RS) (SN 1160007517 through 1160008790)	944
FIGURE 9-3. LIFT CYLINDER (4017RS) (SN 1160007024 through 1160007492)	946
FIGURE 9-4. LIFT CYLINDER (4017RS) (SN 1160007492 through 1160008790)	948
FIGURE 9-5. EXTEND/RETRACT CYLINDER (3614RS)	950
FIGURE 9-6. EXTEND/RETRACT CYLINDER (4017RS)	952
FIGURE 9-7. TILT CYLINDER (SN 1160007024 through 1160007470)	954
FIGURE 9-8. TILT CYLINDER (SN 1160007470 through 1160008790)	956
FIGURE 9-9. COMPENSATION CYLINDER.....	958
FIGURE 9-10. FRAME LEVEL CYLINDER (3614RS).....	960
FIGURE 9-11. FRAME LEVEL CYLINDER (3614RS,4017RS)	962
FIGURE 9-12. OUTRIGGER CYLINDER	964
FIGURE 9-13. MAIN CONTROL VALVE (NO AUXILIARY HYDRAULICS).....	966
FIGURE 9-14. MAIN CONTROL VALVE (AUXILIARY HYDRAULICS).....	970
FIGURE 9-15. STEERING SELECT VALVE	974
FIGURE 9-16. OUTRIGGER VALVE.....	976
FIGURE 9-17. GEAR PUMP	978
FIGURE 9-18. HYDRAULIC TANK.....	980
FIGURE 9-19. HYDRAULIC PARK BRAKE RELEASE VALVE (4017RS)	982
FIGURE 9-20. HYDRAULIC OIL FILTER	984
FIGURE 9-21. OUTRIGGER VALVE.....	986
SECTION 10 - ELECTRICAL.....	989
FIGURE 10-1. ENGINE ELECTRICAL INSTALLATION - 74 KW (SN E160000001 through E160000141, Excluding E160000120, E160000126, 1160008774, 1160008775 and 1160008777).....	990
FIGURE 10-2. ENGINE ELECTRICAL INSTALLATION - 74 KW (SN E160000141 through E160000496, Including E160000120, E160000126, 1160008774, 1160008775 and 1160008777).....	992
FIGURE 10-3. ENGINE ELECTRICAL INSTALLATION - 55 KW	994
FIGURE 10-4. 200 AMP RELAY.....	996
FIGURE 10-5. BATTERY INSTALLATION (SN E160000001 through E160000342, Excluding E160000328, E160000329, E160000330, E160000331, E160000332 and E160000336)	998
FIGURE 10-6. BATTERY INSTALLATION (SN E160000342 through E160000496, Including E160000328, E160000329, E160000330, E160000331, E160000332 and E160000336)	1000
FIGURE 10-7. BATTERY INSTALLATION - ARCTIC (SN E160000001 through E160000342, Excluding E160000328, E160000329, E160000330, E160000331, E160000332 and E160000336)	1002
FIGURE 10-8. BATTERY INSTALLATION - ARCTIC (SN E160000342 through E160000496, Including E160000328, E160000329, E160000330, E160000331, E160000332 and E160000336)	1004
FIGURE 10-9. CAB ELECTRICAL INSTALLATION (SN E160000001 through E160000141, Excluding E160000120, E160000126, 1160008774, 1160008775 and 1160008777).....	1006
FIGURE 10-10. CAB ELECTRICAL INSTALLATION (SN E160000141 through E160000341, Including E160000120, E160000126, 1160008774, 1160008775 and 1160008777, Excluding E160000328, E160000329, E160000330, E160000331, E160000332 and E160000336)	1008
FIGURE 10-11. CAB ELECTRICAL INSTALLATION (SN E160000342 through E160000496, Including E160000328, E160000329, E160000330, E160000331, E160000332 and E160000336)	1010

TABLE OF CONTENTS

FIGURE 10-12. UGM CONTROL.....	1012
FIGURE 10-13. PCB ELECTRICAL ASSEMBLY.....	1014
FIGURE 10-14. PC BOARD.....	1016
FIGURE 10-15. LSI INSTALLATION.....	1018
FIGURE 10-16. RADIO INSTALLATION (SN E160000001 through E160000141, Excluding 1160008774, 1160008775, 1160008777, E160000120 and E160000126).....	1020
FIGURE 10-17. RADIO INSTALLATION (SN E160000141 through E160000496, Including 1160008774, 1160008775, 1160008777, E160000120 and E160000126).....	1022
FIGURE 10-18. CAB EARTH INSTALLATION.....	1024
FIGURE 10-19. HORN INSTALLATION.....	1026
FIGURE 10-20. BOOM ANGLE SENSOR INSTALLATION (3614RS) (SN 1160007024 through 1160007423, Including 1160007354, 1160007357 and 1160007359).....	1028
FIGURE 10-21. BOOM ANGLE SENSOR INSTALLATION (3614RS) (SN 1160007423 through 1160008790, Excluding 1160007354, 1160007357 and 1160007459).....	1030
FIGURE 10-22. BOOM ANGLE SENSOR INSTALLATION, (WITH FOLDING LIGHTS) (3614RS).....	1032
FIGURE 10-23. BOOM ANGLE SENSOR INSTALLATION (4017RS).....	1034
FIGURE 10-24. BOOM ANGLE SENSOR INSTALLATION, (WITH FOLDING LIGHTS) (4017RS).....	1036
FIGURE 10-25. BOOM RETRACT SENSOR INSTALLATION (3614RS).....	1038
FIGURE 10-26. BOOM RETRACT SENSOR INSTALLATION (4017RS).....	1040
FIGURE 10-27. LSI SENSOR INSTALLATION.....	1042
FIGURE 10-28. BACK-UP ALARM INSTALLATION (SN 1160007024 through 01160007442).....	1044
FIGURE 10-29. BACK-UP ALARM INSTALLATION (WHITE NOISE).....	1046
FIGURE 10-30. BACK-UP ALARM INSTALLATION (FOLDING LIGHTS).....	1048
FIGURE 10-31. BACK-UP ALARM INSTALLATION (FOLDING LIGHTS AND WHITE NOISE).....	1050
FIGURE 10-32. CHASSIS HARNESS INSTALLATION (3614RS) (SN E160000001 through E160000141, Excluding E160000120, E160000126, 1160008774, 1160008775 and 1160008777).....	1052
FIGURE 10-33. CHASSIS HARNESS INSTALLATION (3614RS) (SN E160000141 through E160000496, Including E160000120, E160000126, 1160008774, 1160008775 and 1160008777).....	1054
FIGURE 10-34. CHASSIS HARNESS INSTALLATION (4017RS) (SN E160000001 through E160000141, Excluding E160000120, E160000126, 1160008774, 1160008775 and 1160008777).....	1056
FIGURE 10-35. CHASSIS HARNESS INSTALLATION (4017RS) (SN E160000141 through E160000496, Including E160000120, E160000126, 1160008774, 1160008775 and 1160008777).....	1058
FIGURE 10-36. DASH ELECTRICAL INSTALLATION (SN E160000001 through E160000141, Excluding E160000120, E160000126, 1160008774, 1160008775 and 1160008777).....	1060
FIGURE 10-37. DASH ELECTRICAL INSTALLATION (SN E160000141 through E160000496, Including E160000120, E160000126, 1160008774, 1160008775 and 1160008777).....	1062
FIGURE 10-38. CAB WORKLIGHTS INSTALLATION (NO HAC).....	1064
FIGURE 10-39. CAB WORKLIGHTS INSTALLATION (HAC).....	1066
FIGURE 10-40. LED CAB WORKLIGHTS INSTALLATION.....	1068
FIGURE 10-41. DRIVING LIGHTS INSTALLATION (GERMANY AND CE).....	1070
FIGURE 10-42. DRIVING LIGHTS INSTALLATION (UK/IRELAND).....	1072
FIGURE 10-43. REAR LIGHTS INSTALLATION.....	1074
FIGURE 10-44. BEACON INSTALLATION.....	1076
FIGURE 10-45. BEACON READY INSTALLATION.....	1078
FIGURE 10-46. OUTRIGGERS DEPLOYED INSTALLATION (4017RS).....	1080
FIGURE 10-47. CLEARSKY INSTALLATION 3-WIRE (CE).....	1084
FIGURE 10-48. ENGINE HARNESS (SN E160000001 through E160000141, Excluding E160000120, E160000126, 1160008774, 1160008775 and 1160008777).....	1086

TABLE OF CONTENTS

FIGURE 10-49. ENGINE HARNESS (SN E160000141 through E160000341, Including E160000120, E160000126, 1160008774, 1160008775 and 1160008777, Excluding E160000328, E160000329, E160000330, E160000331, E160000332 and E160000336).....	1090
FIGURE 10-50. ENGINE HARNESS (SN E160000342 through E160000496, Including E160000328, E160000329, E160000330, E160000331, E160000332 and E160000336).....	1094
FIGURE 10-51. CHASSIS HARNESS (SN E160000001 through E160000141, Excluding E160000120, E160000126, 1160008774, 1160008775 and 1160008777).....	1098
FIGURE 10-52. FRONT FRAME HARNESS (SN E160000141 through E160000496, Including E160000120, E160000126, 1160008774, 1160008775 and 1160008777).....	1102
FIGURE 10-53. REAR FRAME HARNESS (SN E160000141 through E160000496, Including E160000120, E160000126, 1160008774, 1160008775 and 1160008777).....	1104
FIGURE 10-54. CAB HARNESS (SN 1160007024 through 1160007172, Excluding 1160007172, 1160007176, 1160007198 and 1160007201).....	1108
FIGURE 10-55. CAB HARNESS (SN E160000001 through E160000141, Excluding E160000120, E160000126, 1160008774, 1160008775 and 1160008777).....	1112
FIGURE 10-56. CAB HARNESS (SN E160000141 through E160000341, Including E160000120, E160000126, 1160008774, 1160008775 and 1160008777, Excluding E160000328, E160000329, E160000330, E160000331, E160000332 and E160000336).....	1116
FIGURE 10-57. CAB HARNESS (SN E160000342 through E160000496, Including E160000328, E160000329, E160000330, E160000331, E160000332 and E160000336).....	1120
FIGURE 10-58. CAB POWER HARNESS (SN E160000001 through E160000342, Excluding E160000328, E160000329, E160000330, E160000331, E160000332 and E160000336).....	1124
FIGURE 10-59. CAB POWER HARNESS (SN E160000342 through E160000496, Including E160000328, E160000329, E160000330, E160000331, E160000332 and E160000336).....	1126
FIGURE 10-60. RADIO HARNESS (SN E160000001 through E160000141, Excluding 1160008774, 1160008775, 1160008777, E160000120 and E160000126).....	1128
FIGURE 10-61. RADIO HARNESS (SN E160000141 through E160000496, Including 1160008774, 1160008775, 1160008777, E160000120 and E160000126).....	1130
FIGURE 10-62. WORKLIGHTS HARNESS.....	1132
FIGURE 10-63. LIGHT EXTENSION HARNESS.....	1134
FIGURE 10-64. BEACON HARNESS.....	1136
FIGURE 10-65. OUTRIGGERS DEPLOYED CHASSIS HARNESS (4017RS) (SN 1160007024 through 1160007172).....	1138
FIGURE 10-66. OUTRIGGERS DEPLOYED INSTALLATION (4017RS) (SN 1160007172 through 1160008790).....	1140
FIGURE 10-67. OUTRIGGERS DEPLOYED CAB HARNESS (4017RS).....	1142
FIGURE 10-68. ROOF WIPER HARNESS.....	1144
FIGURE 10-69. HAC CAB HARNESS (SN E160000001 through E160000141, Excluding 1160008774, 1160008775, 1160008777, E160000120 and E160000126).....	1146
FIGURE 10-70. HAC CAB HARNESS (SN E160000141 through E160000496, Including 1160008774, 1160008775, 1160008777, E160000120 and E160000126).....	1148
FIGURE 10-71. HAC CHASSIS HARNESS.....	1150
FIGURE 10-72. CLEARSKY HARNESS.....	1152
FIGURE 10-73. CLEARSKY CANBUS INSTALLATION (CE) (SN E160000001 through E160000141, Excluding 1160008774, 1160008775, 1160008777, E160000120 and E160000126).....	1154
FIGURE 10-74. CLEARSKY CANBUS INSTALLATION (CE) (SN E160000141 through E160000496, Including 1160008774, 1160008775, 1160008777, E160000120 and E160000126).....	1156
FIGURE 10-75. CLEARSKY HARNESS (SN E160000001 through E160000141, Excluding 1160008774, 1160008775, 1160008777, E160000120 and E160000126).....	1158
FIGURE 10-76. CLEARSKY HARNESS (SN E160000141 through E160000496, Including 1160008774, 1160008775, 1160008777, E160000120 and E160000126).....	1160
FIGURE 10-77. UNIVERSAL TELEMATICS INSTALLATION.....	1162
FIGURE 10-78. UNIVERSAL TELEMATICS HARNESS.....	1164
FIGURE 10-79. REAR FRAME MODULE.....	1166

TABLE OF CONTENTS

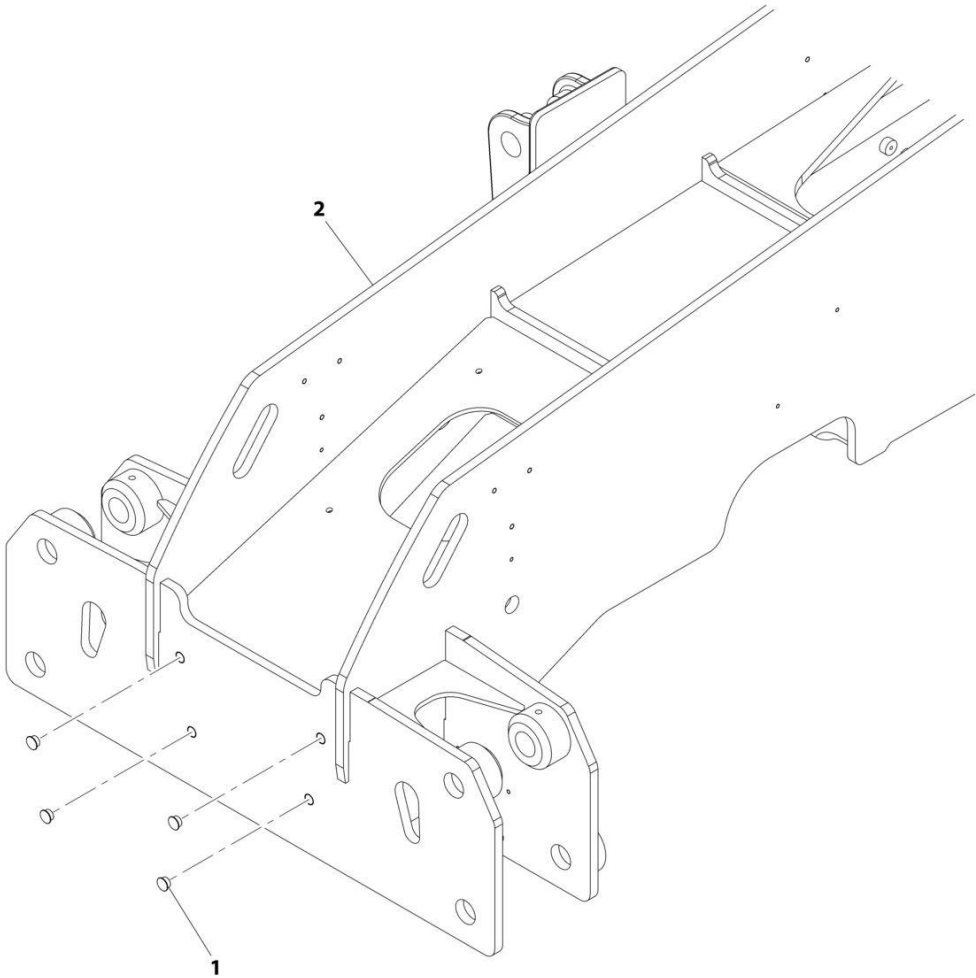
FIGURE 10-80. FRONT FRAME MODULE	1168
FIGURE 10-81. TELEMATICS HARNESS.....	1170
FIGURE 10-82. WORKLIGHTS JUMPER HARNESS.....	1172
FIGURE 10-83. JOYSTICK JUMPER HARNESS	1174
SECTION 11 - DECALS	1177
FIGURE 11-1. DECAL LOCATION INSTALLATION (ULS) (SN E160000001 through E160000191).....	1178
FIGURE 11-2. DECAL LOCATION INSTALLATION (ULS) (SN E160000191 through E160000496).....	1180
FIGURE 11-3. DECAL LOCATION INSTALLATION (LS) (SN E160000001 through E160000191)	1182
FIGURE 11-4. DECAL LOCATION INSTALLATION (LS) (SN E160000191 through E160000496)	1184
FIGURE 11-5. JOYSTICK DECAL INSTALLATION, BUCKET (SN 1160007024 through 1160008269, Excluding 1160008192 and 1160008201).....	1186
FIGURE 11-6. JOYSTICK DECAL INSTALLATION, BUCKET (SN 1160008269 through 1160008790, Including 1160008192 and 1160008201).....	1188
FIGURE 11-7. JOYSTICK DECAL INSTALLATION, FORK (SN 1160007024 through 1160008269, Excluding 1160008192 and 1160008201).....	1190
FIGURE 11-8. JOYSTICK DECAL INSTALLATION, FORK (SN 1160008269 through 1160008790, Including 1160008192 and 1160008201).....	1192
FIGURE 11-9. BOOM DECAL INSTALLATION	1194
FIGURE 11-10. DECAL INSTALLATION, RUSSIA.....	1196
FIGURE 11-11. SOUND PLATE INSTALLATION, 74KW (106DB).....	1198
FIGURE 11-12. SOUND PLATE INSTALLATION, 55KW (104DB).....	1200
FIGURE 11-13. LOAD CHART (3614RS)	1202
FIGURE 11-14. LOAD CHART (4017RS)	1204
FIGURE 11-15. REFLECTOR INSTALLATION	1206
FIGURE 11-16. 25KPH SPEED DECAL INSTALLATION.....	1208
FIGURE 11-17. 20KPH SPEED DECAL INSTALLATION (GERMANY) (3614RS).....	1210
FIGURE 11-18. JLG DECAL INSTALLATION (3614RS)	1212
FIGURE 11-19. JLG DECAL INSTALLATION (4017RS)	1216
FIGURE 11-20. CONSTRUCTION INSTALLATION (UK/IRELAND)	1220
FIGURE 11-21. CONSTRUCTION INSTALLATION (CE).....	1222
FIGURE 11-22. CONSTRUCTION INSTALLATION (FRANCE)	1224
FIGURE 11-23. EAC DECAL INSTALLATION.....	1226
FIGURE 11-24. HOMOLOGATION PLATE INSTALLATION (GERMANY) (3614RS).....	1228
FIGURE 11-25. HOMOLOGATION PLATE INSTALLATION (SPAIN)	1230
FIGURE 11-26. HOMOLOGATION PLATE INSTALLATION (BELGIUM).....	1232
FIGURE 11-27. HOMOLOGATION PLATE INSTALLATION (ITALY).....	1234
FIGURE 11-28. SUNVISOR INSTALLATION (GERMANY) (3614RS).....	1236
FIGURE 11-29. DECAL HOMOLOGATION INSTALLATION (ITALY)	1238
FIGURE 11-30. DECAL BOOM INSTALLATION	1242
FIGURE 11-31. DECAL BOOM INSTALLATION WITH CUSTOMER WINDOW	1244
FIGURE 11-32. CLEARSKY DECAL INSTALLATION	1246
SECTION 12 - RECOMMENDED SPARE PARTS.....	1249
FIGURE 12-1. RECOMMENDED SPARE PARTS.....	1250
PART NUMBER INDEX.....	1253

SECTION 1 - FRAME AND ATTACHING PARTS

SECTION 1 - FRAME AND ATTACHING PARTS

SECTION 1 - FRAME AND ATTACHING PARTS

FIGURE 1-1. FRAME INSTALLATION (3614RS)



ART_1001146014-B

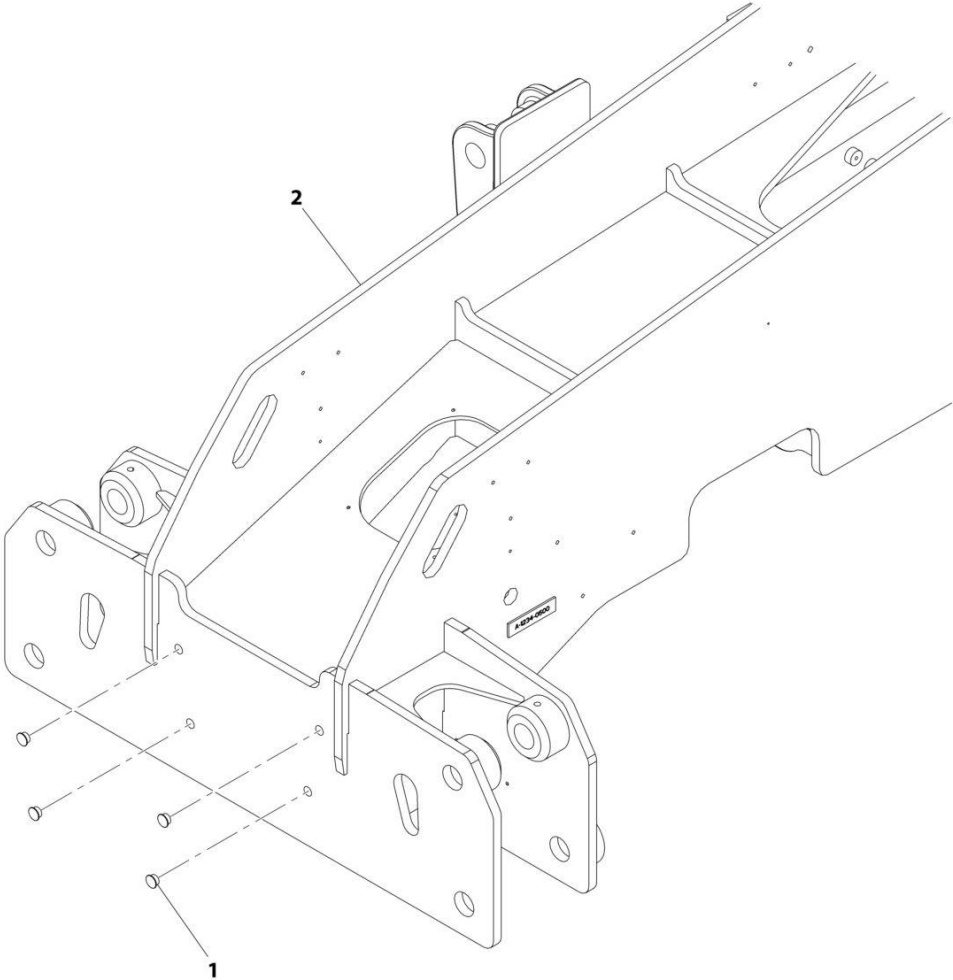
SECTION 1 - FRAME AND ATTACHING PARTS

FIGURE 1-1. FRAME INSTALLATION (3614RS)

ITEM	PART NUMBER	QTY	DESCRIPTION	REV
	1001146014	NLA	Frame Installation (no longer available, use 1001241916 for replacement)	B
1	1001091126	4	Plug	
2	N.S.S.	1	Weldment, Frame	

SECTION 1 - FRAME AND ATTACHING PARTS

FIGURE 1-2. FRAME INSTALLATION (3614RS)



ART_1001241916-A

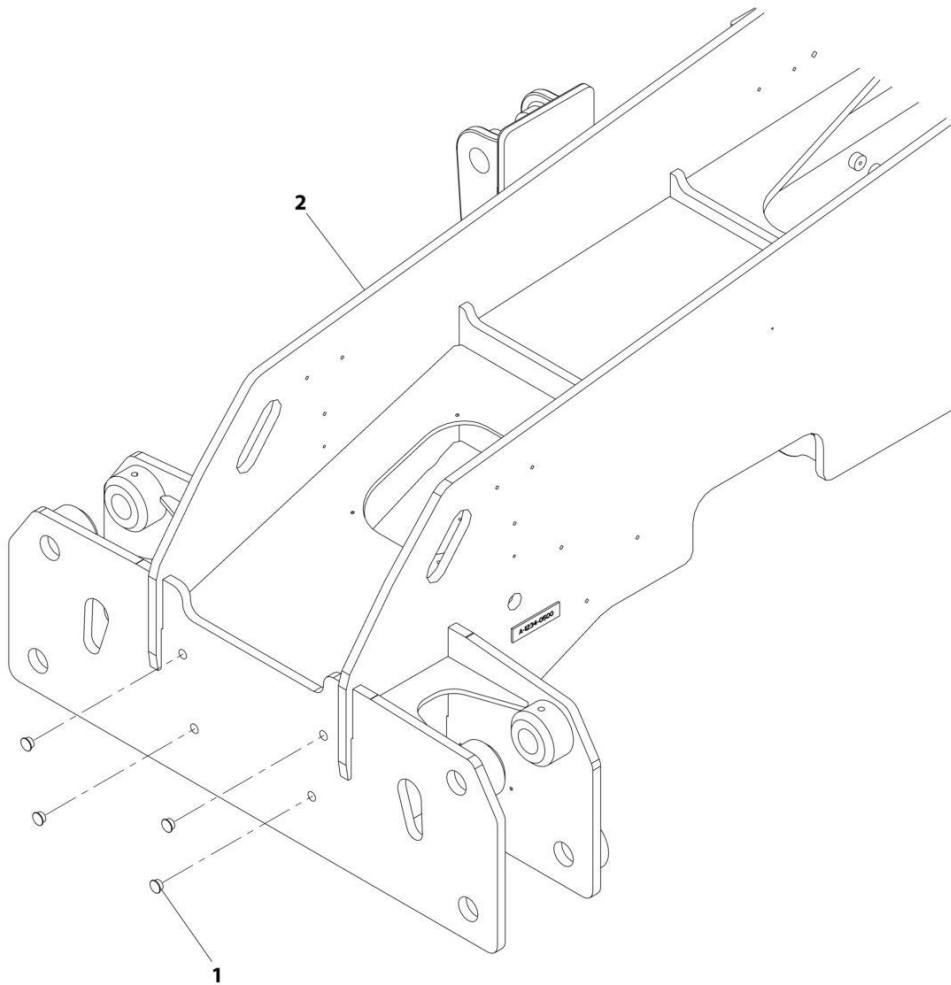
SECTION 1 - FRAME AND ATTACHING PARTS

FIGURE 1-2. FRAME INSTALLATION (3614RS)

ITEM	PART NUMBER	QTY	DESCRIPTION	REV
1	1001241916	Ref	Frame Installation	A
	1001091126	4	Plug	
2	N.S.S.	1	Weldment, Frame	

SECTION 1 - FRAME AND ATTACHING PARTS

FIGURE 1-3. FRAME INSTALLATION (3614RS) (SN E160000342 through E160000496, Including E160000328, E160000329, E160000330, E160000331, E160000332 and E160000336)



ART_1001237050-A

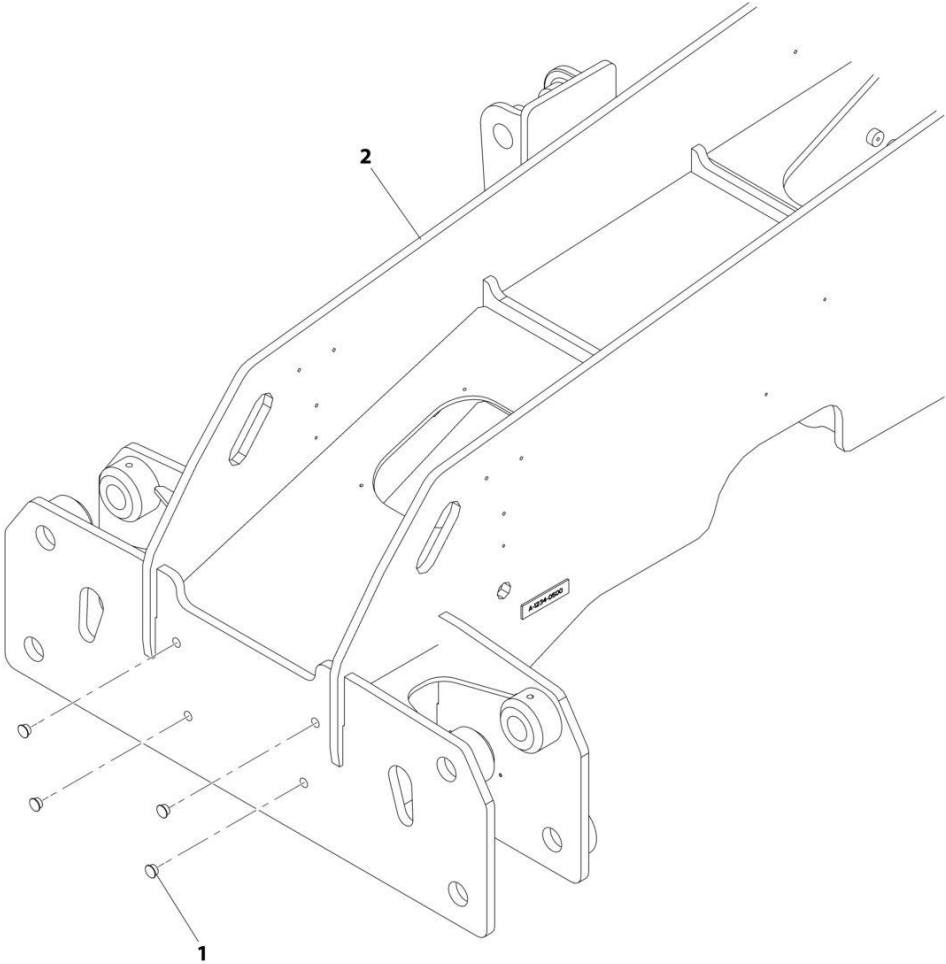
SECTION 1 - FRAME AND ATTACHING PARTS

FIGURE 1-3. FRAME INSTALLATION (3614RS) (SN E160000342 through E160000496, Including E160000328, E160000329, E160000330, E160000331, E160000332 and E160000336)

ITEM	PART NUMBER	QTY	DESCRIPTION	REV
	1001237050	Ref	Frame Installation	A
1	1001091126	4	Plug	
2	N.S.S.	1	Weldment, Frame	

SECTION 1 - FRAME AND ATTACHING PARTS

FIGURE 1-4. FRAME INSTALLATION (55KW) (4017RS)



ART_1001199699-B

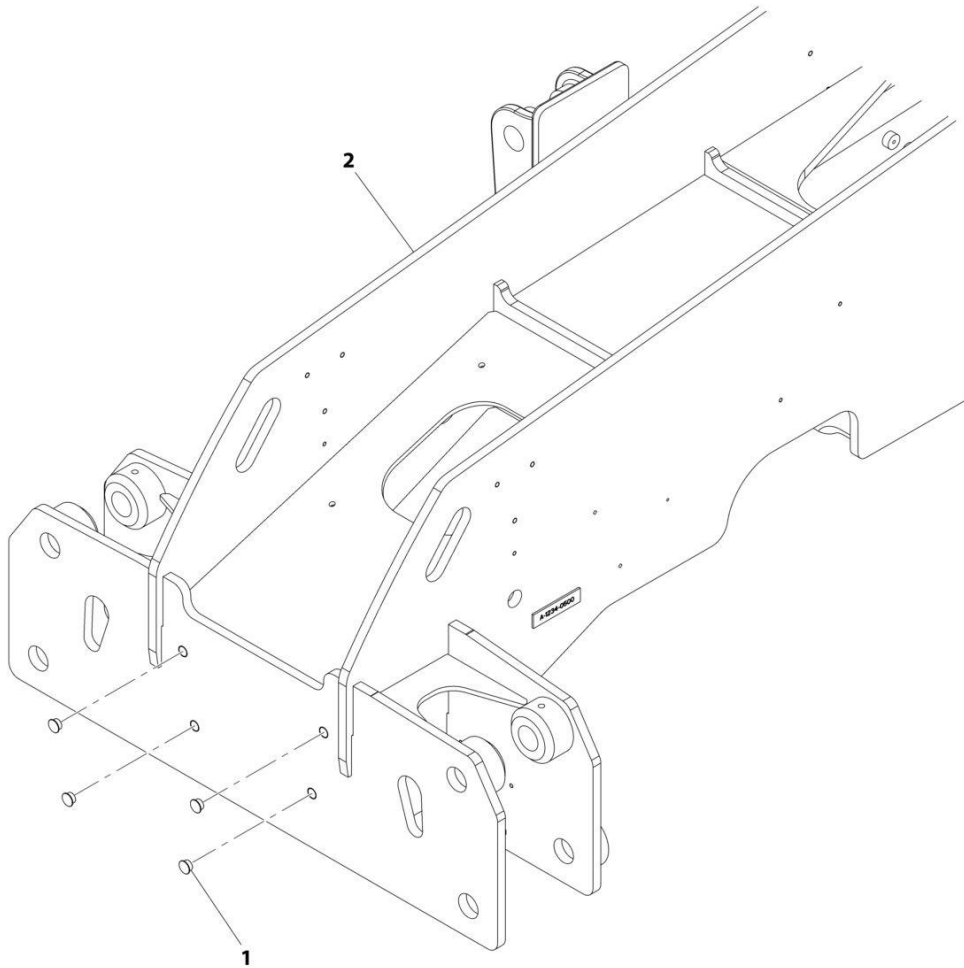
SECTION 1 - FRAME AND ATTACHING PARTS

FIGURE 1-4. FRAME INSTALLATION (55KW) (4017RS)

ITEM	PART NUMBER	QTY	DESCRIPTION	REV
	1001199699	NLA	Frame Installation (55KW) (no longer available, use 1001241920 for replacement)	B
1	1001091126	4	Plug	
2	N.S.S.	1	Weldment, Frame	

SECTION 1 - FRAME AND ATTACHING PARTS

FIGURE 1-5. FRAME INSTALLATION (55KW) (4017RS)



ART_1001241920-A

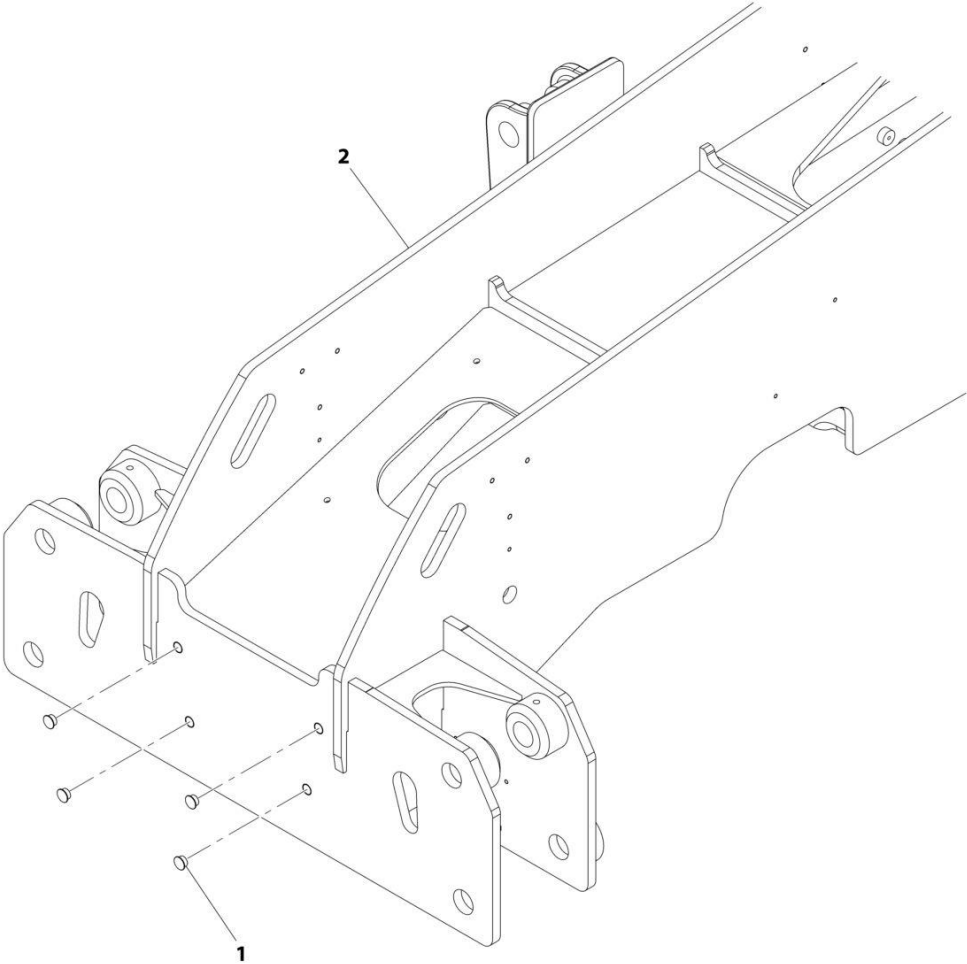
SECTION 1 - FRAME AND ATTACHING PARTS

FIGURE 1-5. FRAME INSTALLATION (55KW) (4017RS)

ITEM	PART NUMBER	QTY	DESCRIPTION	REV
1	1001241920	Ref	Frame Installation (55KW)	A
	1001091126	4	Plug	
2	N.S.S.	1	Weldment, Frame	

SECTION 1 - FRAME AND ATTACHING PARTS

FIGURE 1-6. FRAME INSTALLATION (74KW) (4017RS)



ART_1001146017-B

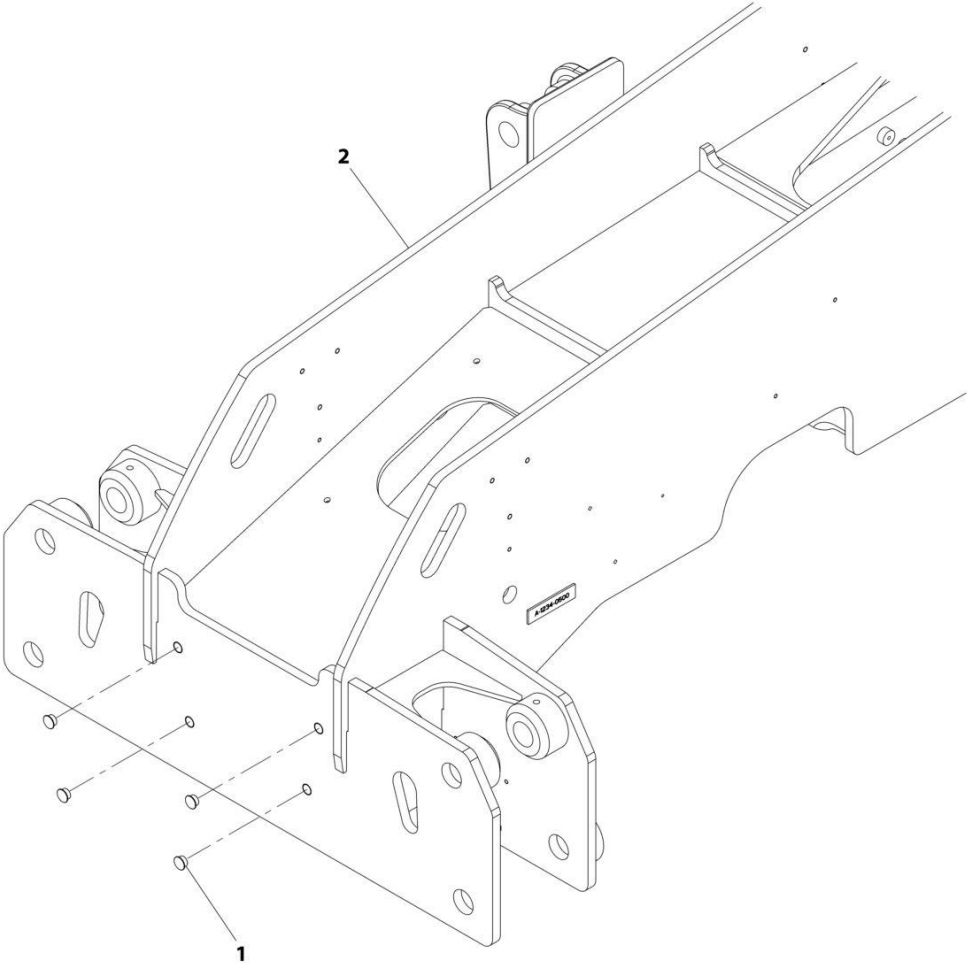
SECTION 1 - FRAME AND ATTACHING PARTS

FIGURE 1-6. FRAME INSTALLATION (74KW) (4017RS)

ITEM	PART NUMBER	QTY	DESCRIPTION	REV
	1001146017	NLA	Frame Installation (74KW) (no longer available, use 1001241918 for replacement)	B
1	1001091126	4	Plug	
2	N.S.S.	1	Weldment, Frame	

SECTION 1 - FRAME AND ATTACHING PARTS

FIGURE 1-7. FRAME INSTALLATION (74KW) (4017RS)



ART_1001241918-A

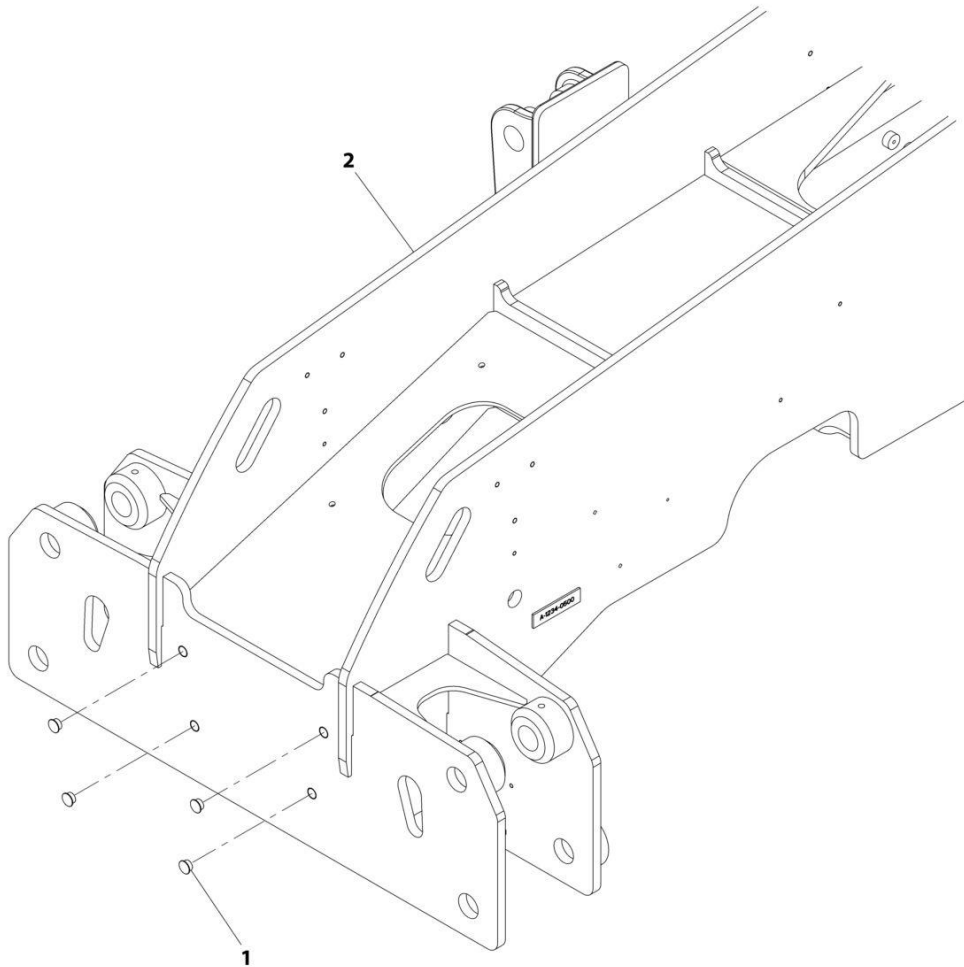
SECTION 1 - FRAME AND ATTACHING PARTS

FIGURE 1-7. FRAME INSTALLATION (74KW) (4017RS)

ITEM	PART NUMBER	QTY	DESCRIPTION	REV
1	1001241918	Ref	Frame Installation (74KW)	A
	1001091126	4	Plug	
2	N.S.S.	1	Weldment, Frame	

SECTION 1 - FRAME AND ATTACHING PARTS

FIGURE 1-8. FRAME INSTALLATION (4017RS) (SN E160000342 through E160000496, Including E160000328, E160000329, E160000330, E160000331, E160000332 and E160000336)



ART_1001237053-A

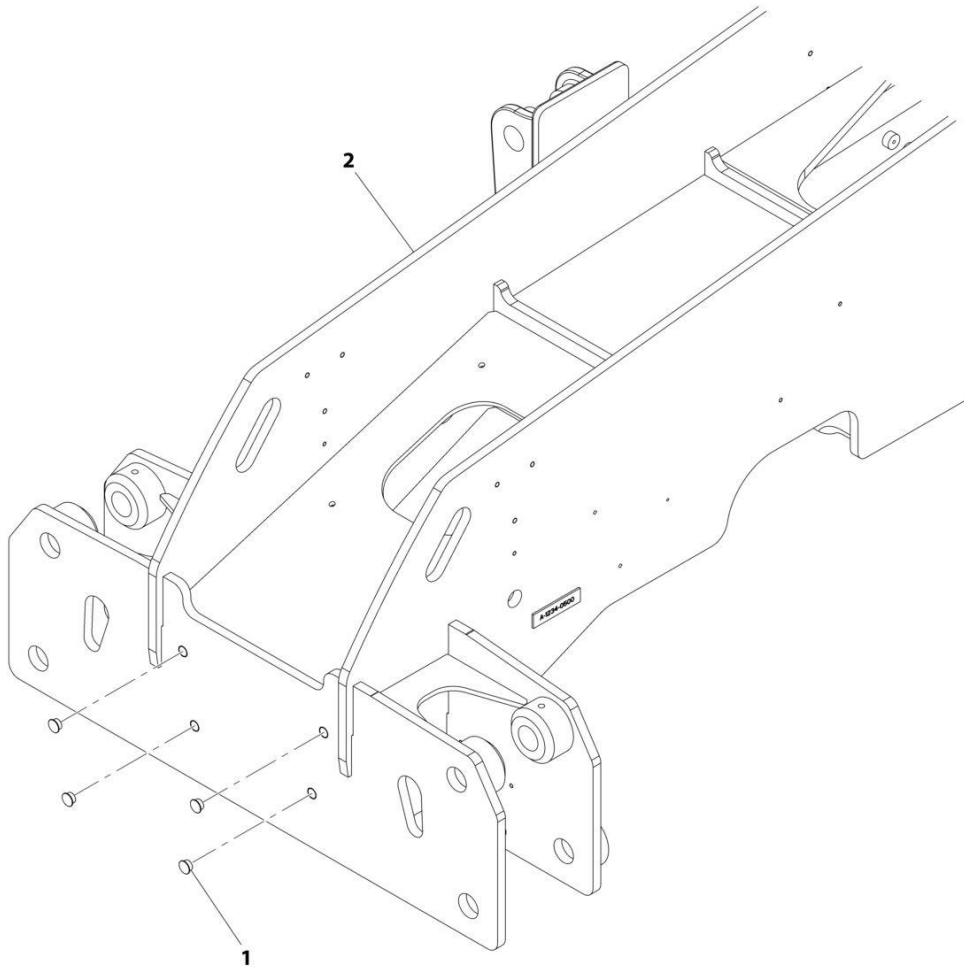
SECTION 1 - FRAME AND ATTACHING PARTS

FIGURE 1-8. FRAME INSTALLATION (4017RS) (SN E160000342 through E160000496, Including E160000328, E160000329, E160000330, E160000331, E160000332 and E160000336)

ITEM	PART NUMBER	QTY	DESCRIPTION	REV
	1001237053	Ref	Frame Installation	A
1	1001091126	4	Plug	
2	N.S.S.	1	Weldment, Frame	

SECTION 1 - FRAME AND ATTACHING PARTS

FIGURE 1-9. FRAME INSTALLATION (HIGH CAB) (4017RS) (SN E160000342 through E160000496, Including E160000328, E160000329, E160000330, E160000331, E160000332 and E160000336)



ART_1001237578-A

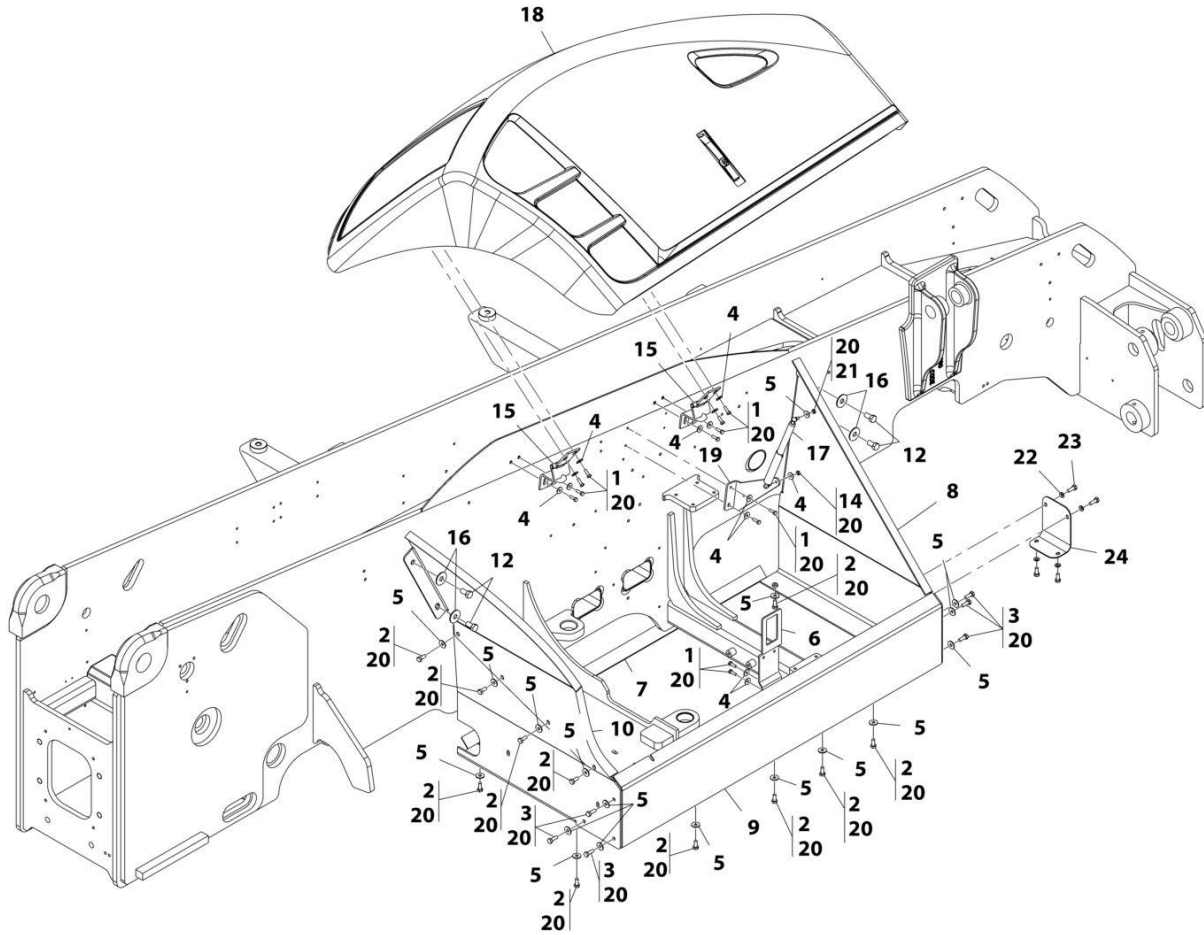
SECTION 1 - FRAME AND ATTACHING PARTS

FIGURE 1-9. FRAME INSTALLATION (HIGH CAB) (4017RS) (SN E160000342 through E160000496, Including E160000328, E160000329, E160000330, E160000331, E160000332 and E160000336)

ITEM	PART NUMBER	QTY	DESCRIPTION	REV
	1001237578	Ref	Frame Installation (High Cab)	A
1	1001091126	4	Plug	
2	N.S.S.	1	Weldment, Frame	

SECTION 1 - FRAME AND ATTACHING PARTS

FIGURE 1-10. ENCLOSURE GROUP INSTALLATION



ART_1001145381-H

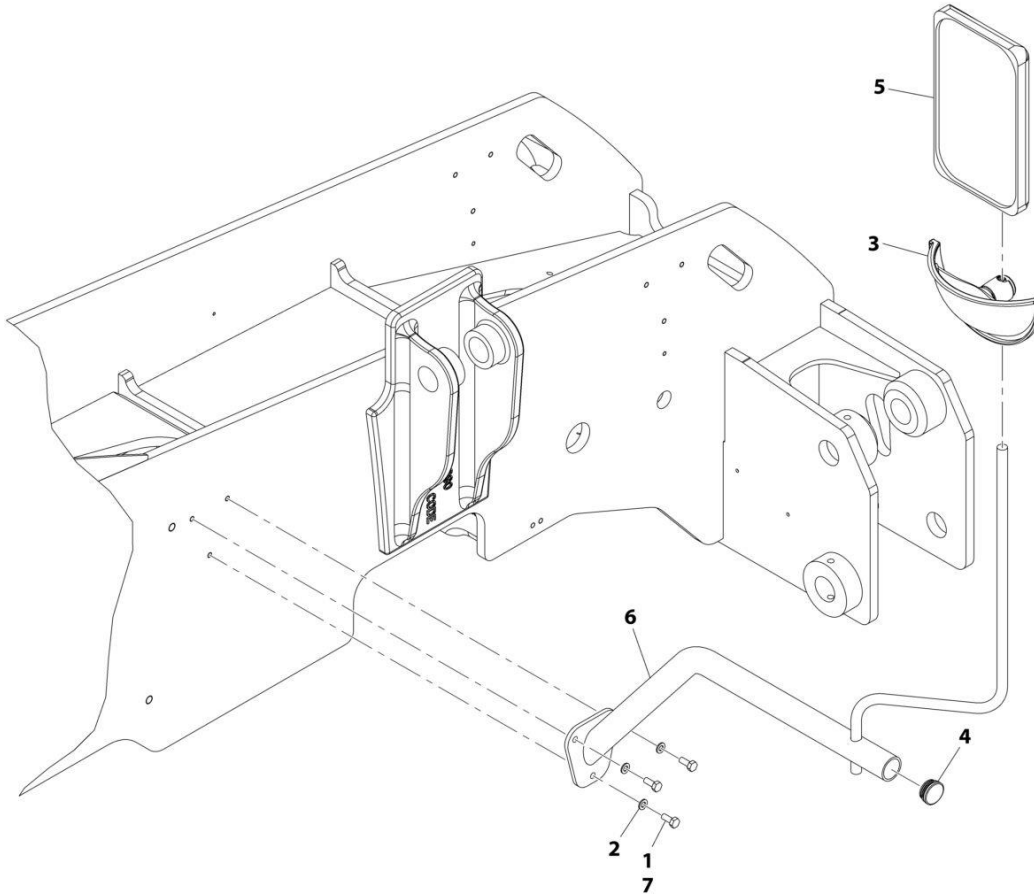
SECTION 1 - FRAME AND ATTACHING PARTS

FIGURE 1-10. ENCLOSURE GROUP INSTALLATION

ITEM	PART NUMBER	QTY	DESCRIPTION	REV
	1001145381	Ref	Enclosure Group Installation	H
1	0760812	12	Bolt, M8X25	
2	0761012	11	Bolt, M10X25	
3	0761014	6	Bolt, M10X30	
4	4811902	13	Washer, M8	
5	4812002	18	Washer, M10	
6	1001154688	1	Plate, Latch	
7	1001145307	1	Plate, Belly Pan	
8	1001179944	1	Panel, Front	
9	1001145313	1	Panel, Side	
10	1001149046	1	Panel, Rear	
12	0761614	4	Bolt, M16X30	
14	3290801	1	Nut, M8X1.25	
15	4806433	2	Hinge, Hood	
16	1001092256	4	Washer, M17	
17	1001167288	NLA	Spring, Hood (no longer available, see 1001237046 for replacement)	
17	1001237046	1	Spring, Hood	
18	1001150144	1	Assembly, Hood (See HOOD ASSEMBLY for Details)	
19	1001150624	1	Bracket, Hood	
20	1001095650	AR	Compound, Locking	
21	3291001	1	Nut, M10X1.5	
22	4811700	4	Washer, M6	
23	0760608	4	Bolt, M6X16	
24	1001180582J	1	Drain, Panel	

SECTION 1 - FRAME AND ATTACHING PARTS

FIGURE 1-11. MIRROR INSTALLATION (3614RS)



ART_1001144111-D

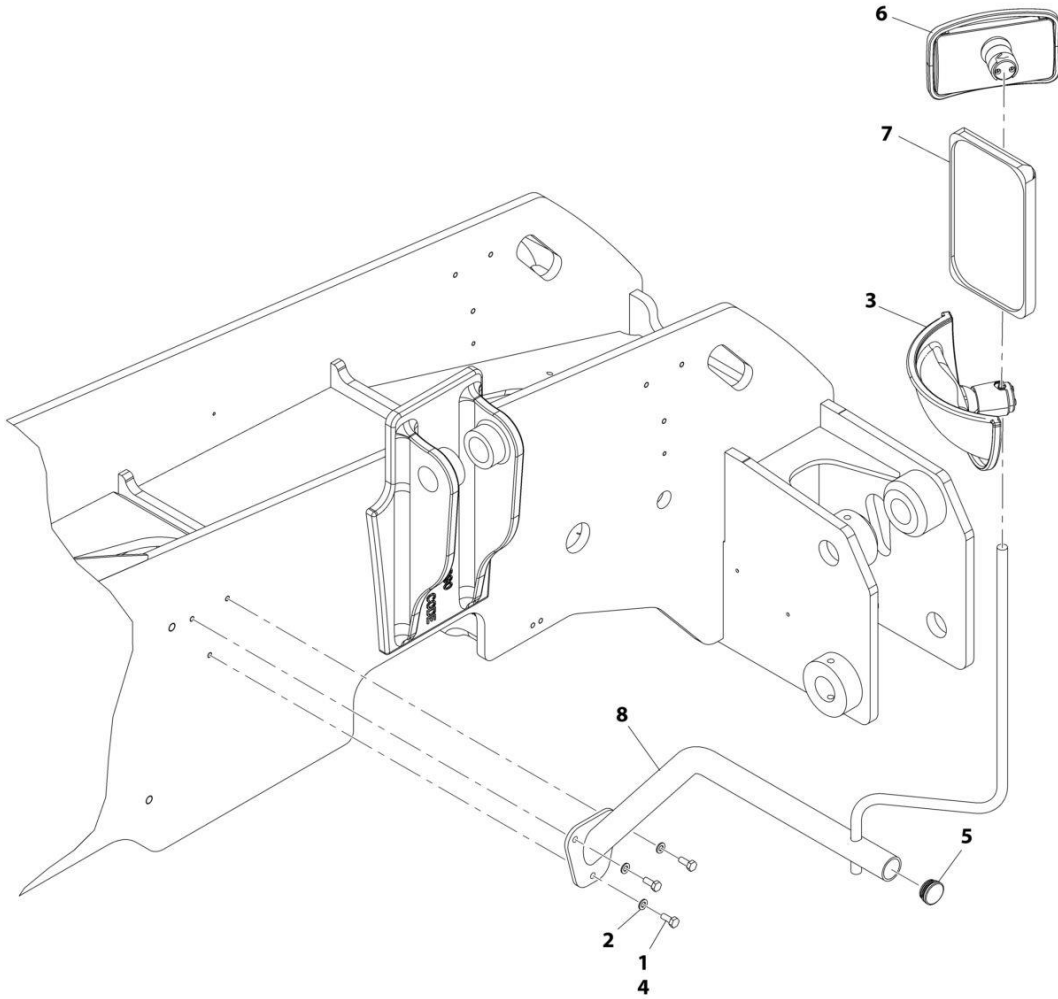
SECTION 1 - FRAME AND ATTACHING PARTS

FIGURE 1-11. MIRROR INSTALLATION (3614RS)

ITEM	PART NUMBER	QTY	DESCRIPTION	REV
	1001144111	Ref	Mirror Installation	C
1	0761012	3	Bolt, M10X25	
2	4812000	3	Washer, M10 (3614RS)	
3	1001008436	1	Mirror, (See MIRROR ASSEMBLY for Breakdown)	
4	1001096913	1	Cap, Lamp Bracket (3614RS)	
5	1001150306	1	Mirror, Convex	
6	1001144430	1	Bracket, Mirror (3614RS)	
7	1001095650	AR	Compound, Locking (3614RS)	

SECTION 1 - FRAME AND ATTACHING PARTS

FIGURE 1-12. MIRROR INSTALLATION (4017RS)



ART_1001171098-C

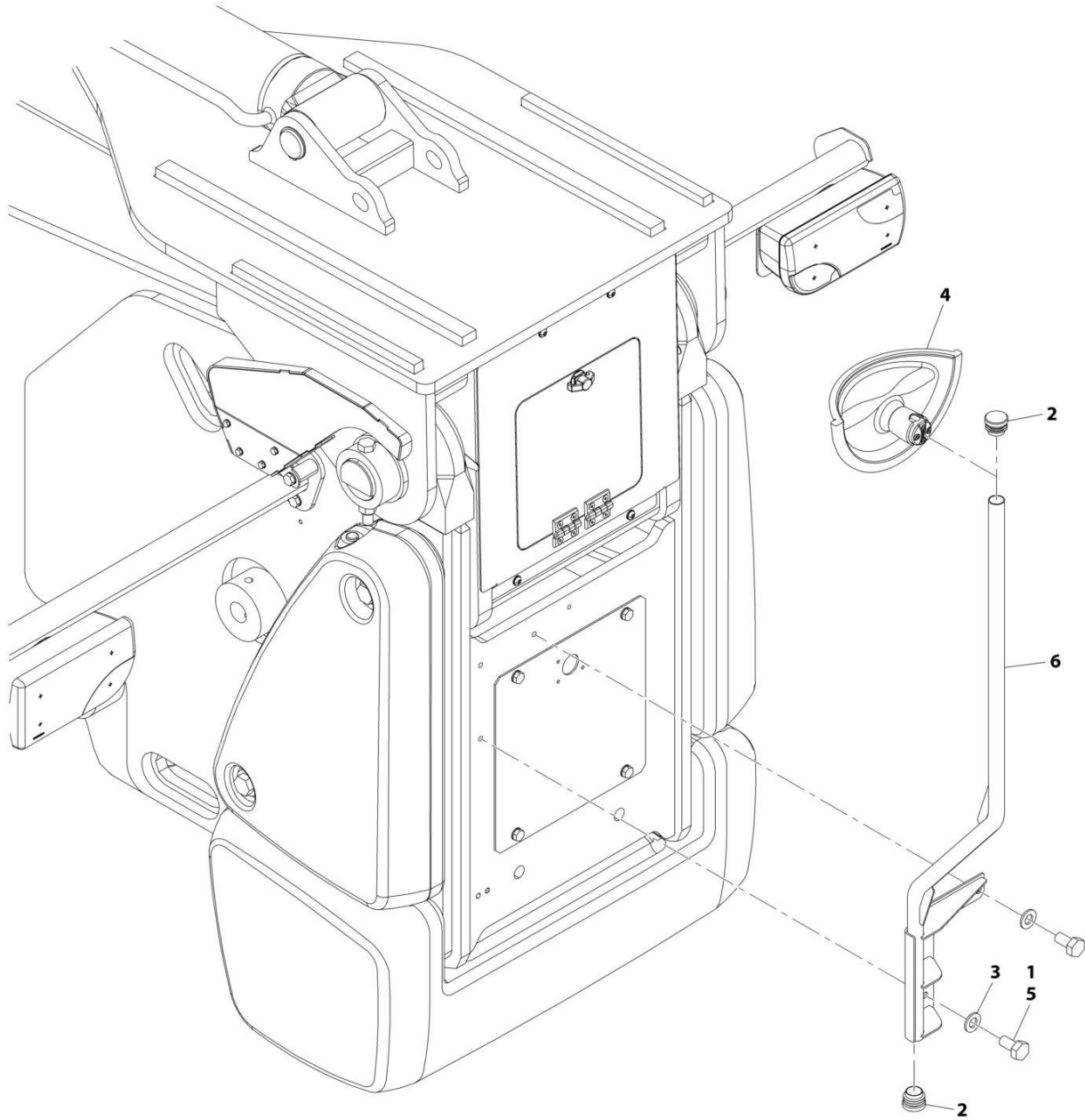
SECTION 1 - FRAME AND ATTACHING PARTS

FIGURE 1-12. MIRROR INSTALLATION (4017RS)

ITEM	PART NUMBER	QTY	DESCRIPTION	REV
	1001171098	Ref	Mirror Installation	C
1	0761012	3	Bolt, M10X25	
2	4812000	3	Washer, M10	
3	1001008436	1	Assembly, Mirror (See MIRROR ASSEMBLY for Breakdown)	
4	1001095650	AR	Compound, Locking	
5	1001096913	1	Cap, Lamp Bracket	
6	1001142724	1	Mirror, Convex	
7	1001150306	1	Mirror, Convex	
8	1001144430	1	Bracket, Mirror	

SECTION 1 - FRAME AND ATTACHING PARTS

FIGURE 1-13. REAR MIRROR INSTALLATION



ART_1001179993-A

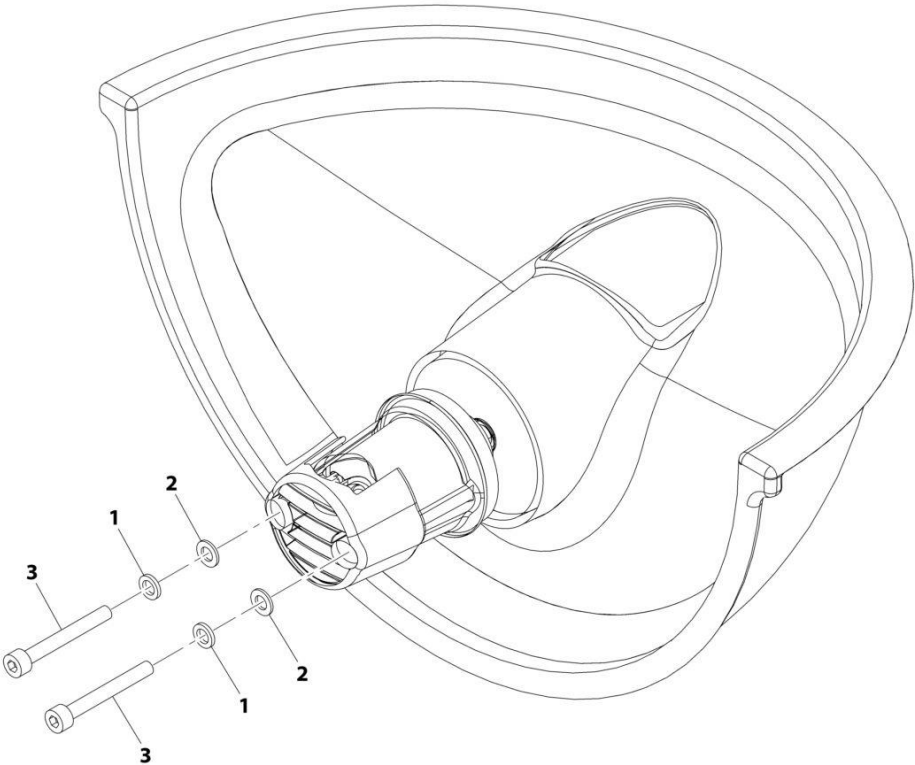
SECTION 1 - FRAME AND ATTACHING PARTS

FIGURE 1-13. REAR MIRROR INSTALLATION

ITEM	PART NUMBER	QTY	DESCRIPTION	REV
	1001179993	Ref	Rear Mirror Installation	A
1	0701010	3	Screw, M10X20	
2	1120592	2	Cap	
3	4812000	3	Washer, M10	
4	1001008436	1	Assembly, Mirror (See MIRROR ASSEMBLY for Breakdown)	
5	1001095650	AR	Compound, Locking	
6	1001179994	1	Bracket	

SECTION 1 - FRAME AND ATTACHING PARTS

FIGURE 1-14. MIRROR ASSEMBLY



ART_1001008436-D

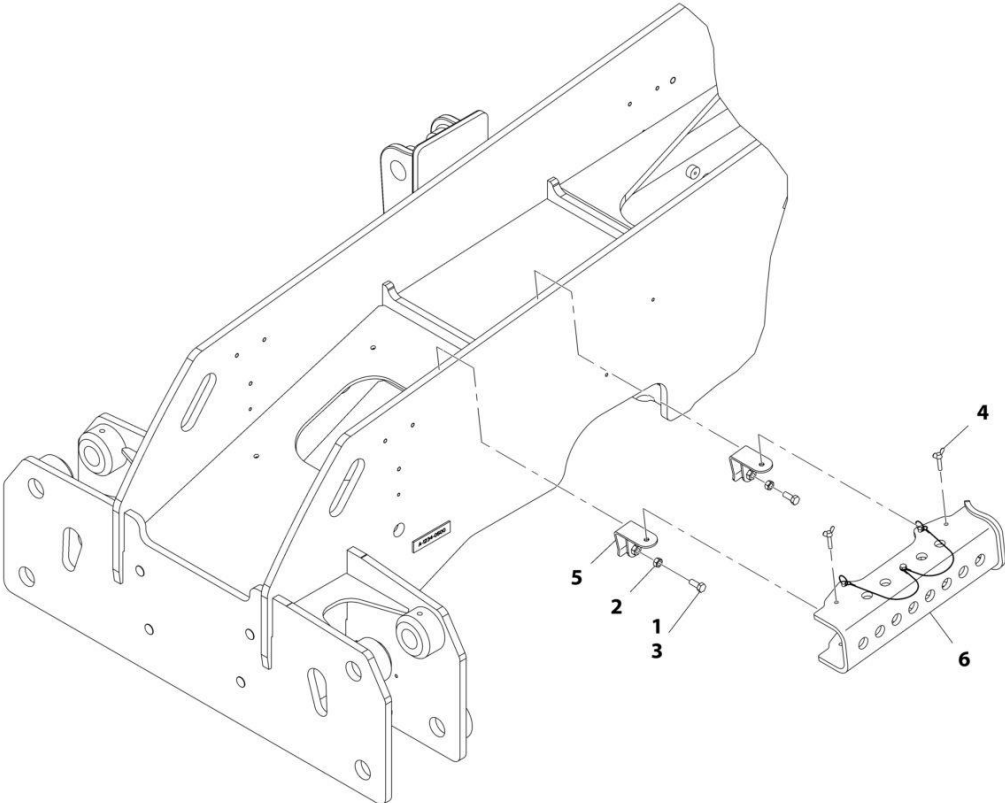
SECTION 1 - FRAME AND ATTACHING PARTS

FIGURE 1-14. MIRROR ASSEMBLY

ITEM	PART NUMBER	QTY	DESCRIPTION	REV
	1001008436	1	Mirror Assembly	D
1	1001008475	2	Lockwasher, M12	
2	1001009062	2	Washer	
3	1001010838	2	Bolt	

SECTION 1 - FRAME AND ATTACHING PARTS

FIGURE 1-15. BOOM PROP INSTALLATION



ART_1001164211-B

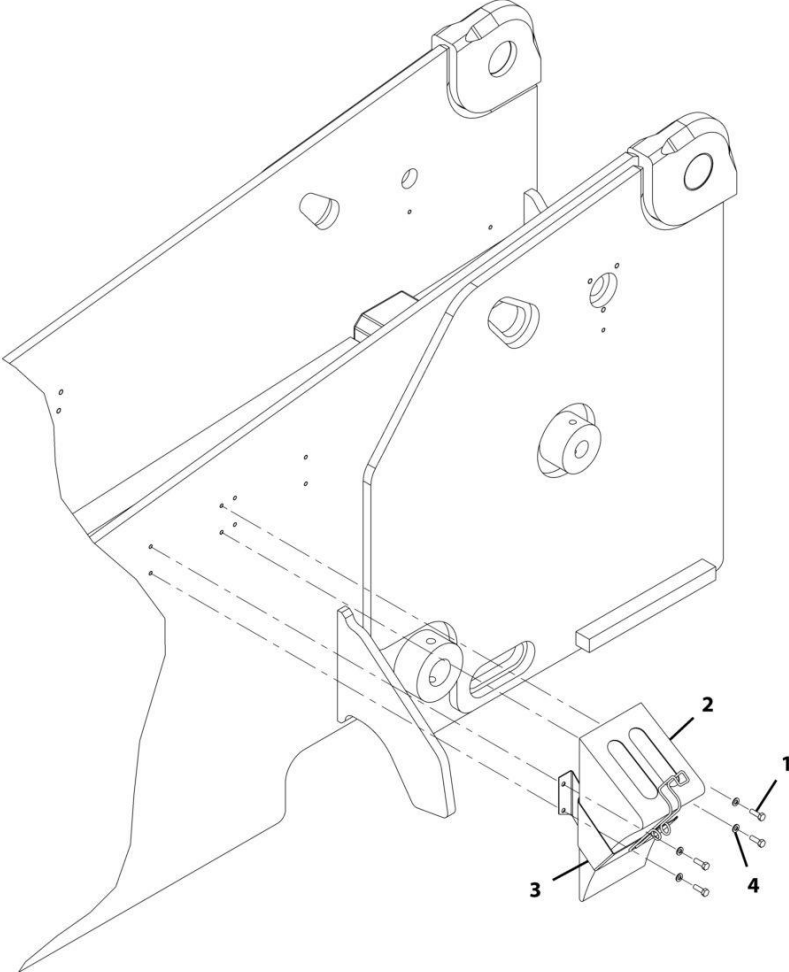
SECTION 1 - FRAME AND ATTACHING PARTS

FIGURE 1-15. BOOM PROP INSTALLATION

ITEM	PART NUMBER	QTY	DESCRIPTION	REV
	1001164211	Ref	Boom Prop Installation	B
1	0761214	2	Bolt, M12X30	
2	3291201	2	Nut, M12X1.75	
3	1001095650	AR	Compound, Locking	
4	1001101458	2	Bolt, Wing M8X40	
5	1001101628	2	Bracket, Boom Prop Mount	
6	1001164018	1	Bracket, Boom Prop	

SECTION 1 - FRAME AND ATTACHING PARTS

FIGURE 1-16. WHEEL CHOCK INSTALLATION



ART_1001157868-A

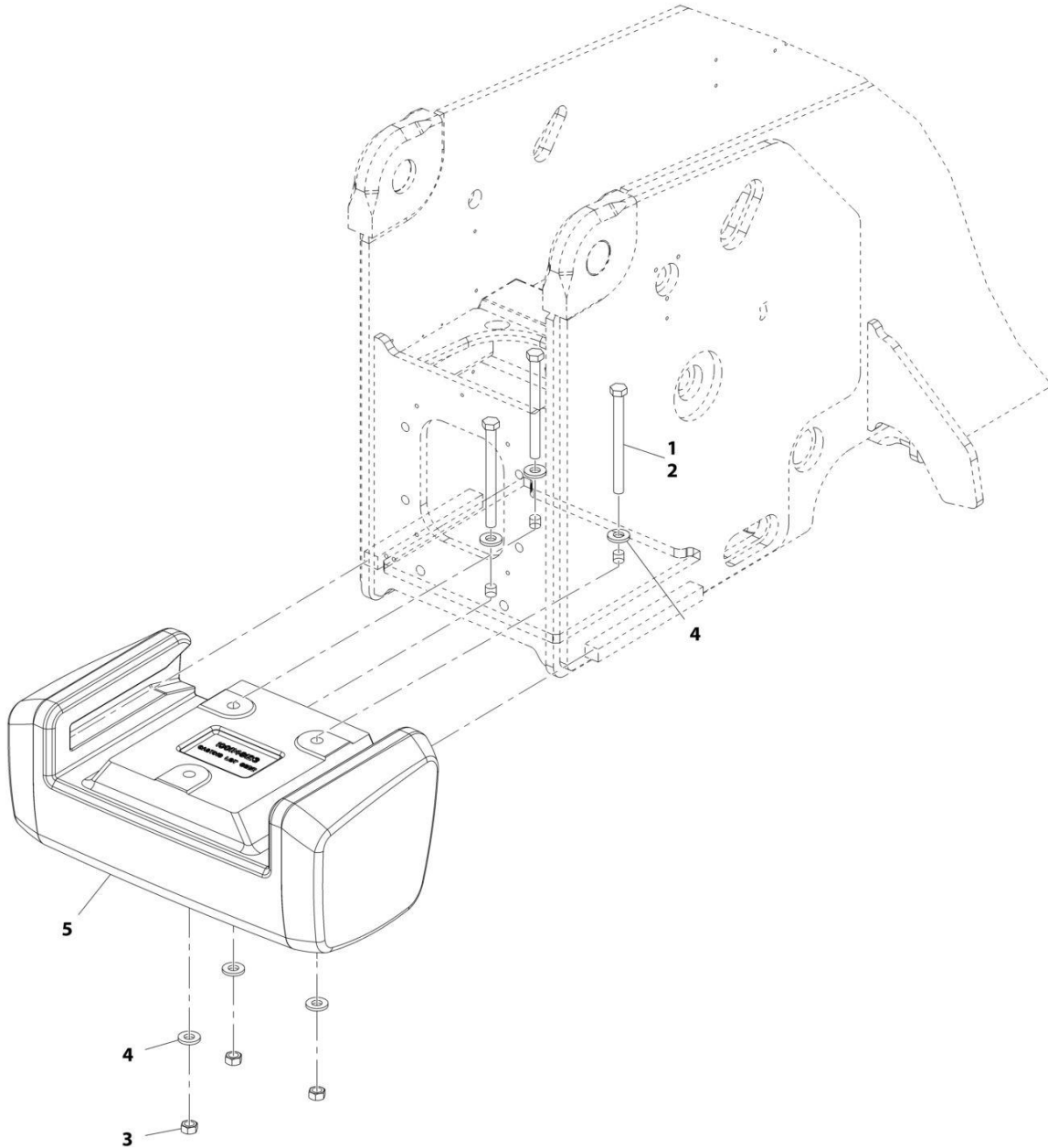
SECTION 1 - FRAME AND ATTACHING PARTS

FIGURE 1-16. WHEEL CHOCK INSTALLATION

ITEM	PART NUMBER	QTY	DESCRIPTION	REV
	1001157868	Ref	Wheel Chock Installation	A
1	0760812	4	Bolt, M8X25	
2	806253	1	Wedge	
3	806264	1	Holder, Wedge	
4	4811900	4	Washer, M8	

SECTION 1 - FRAME AND ATTACHING PARTS

FIGURE 1-17. COUNTERWEIGHT INSTALLATION (3614RS)



ART_1001145545-B

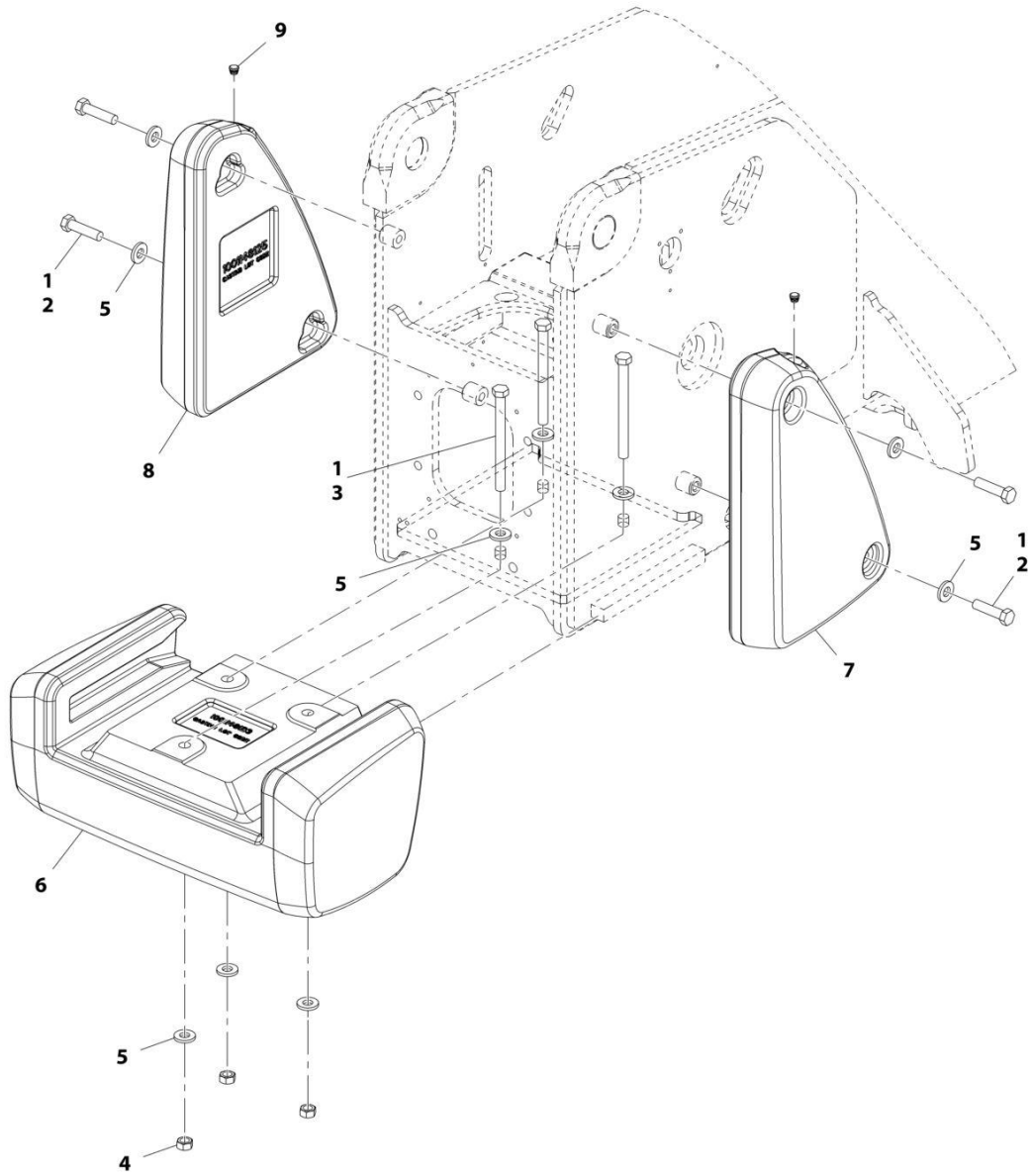
SECTION 1 - FRAME AND ATTACHING PARTS

FIGURE 1-17. COUNTERWEIGHT INSTALLATION (3614RS)

ITEM	PART NUMBER	QTY	DESCRIPTION	REV
	1001145545	Ref	Counterweight Installation	B
1	1001095650	AR	Compound, Locking	
2	0712040	3	Bolt, M20X230	
3	3332011	3	Nut, M20X2.5	
4	1001009146	6	Washer	
5	1001148123J	1	Counterweight, Lower JLG	

SECTION 1 - FRAME AND ATTACHING PARTS

FIGURE 1-18. COUNTERWEIGHT INSTALLATION (4017RS)



ART_1001145546-D

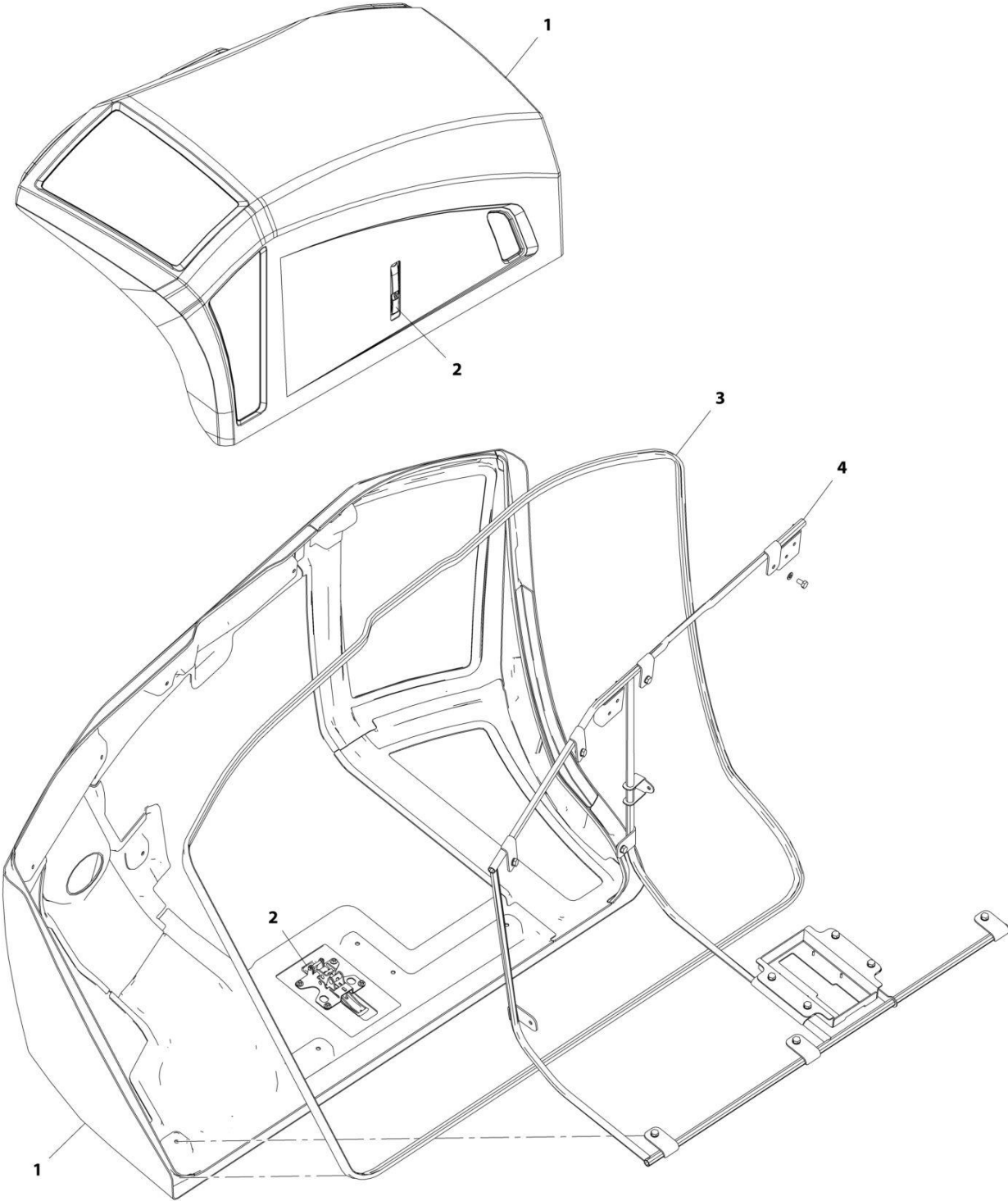
SECTION 1 - FRAME AND ATTACHING PARTS

FIGURE 1-18. COUNTERWEIGHT INSTALLATION (4017RS)

ITEM	PART NUMBER	QTY	DESCRIPTION	REV
	1001145546	Ref	Counterweight Installation	D
1	1001095650	AR	Compound, Locking	
2	0712024	4	Bolt, M20X80	
3	0712040	3	Bolt, M20X230	
4	3332011	3	Nut, M20X2.5	
5	1001009146	10	Washer	
6	1001148123J	1	Counterweight, Lower JLG	
7	1001148124J	1	Counterweight, RH JLG	
8	1001148125J	1	Counterweight, LH JLG	
9	1001096914	2	Cap	

SECTION 1 - FRAME AND ATTACHING PARTS

FIGURE 1-19. HOOD ASSEMBLY



ART_1001150144-D

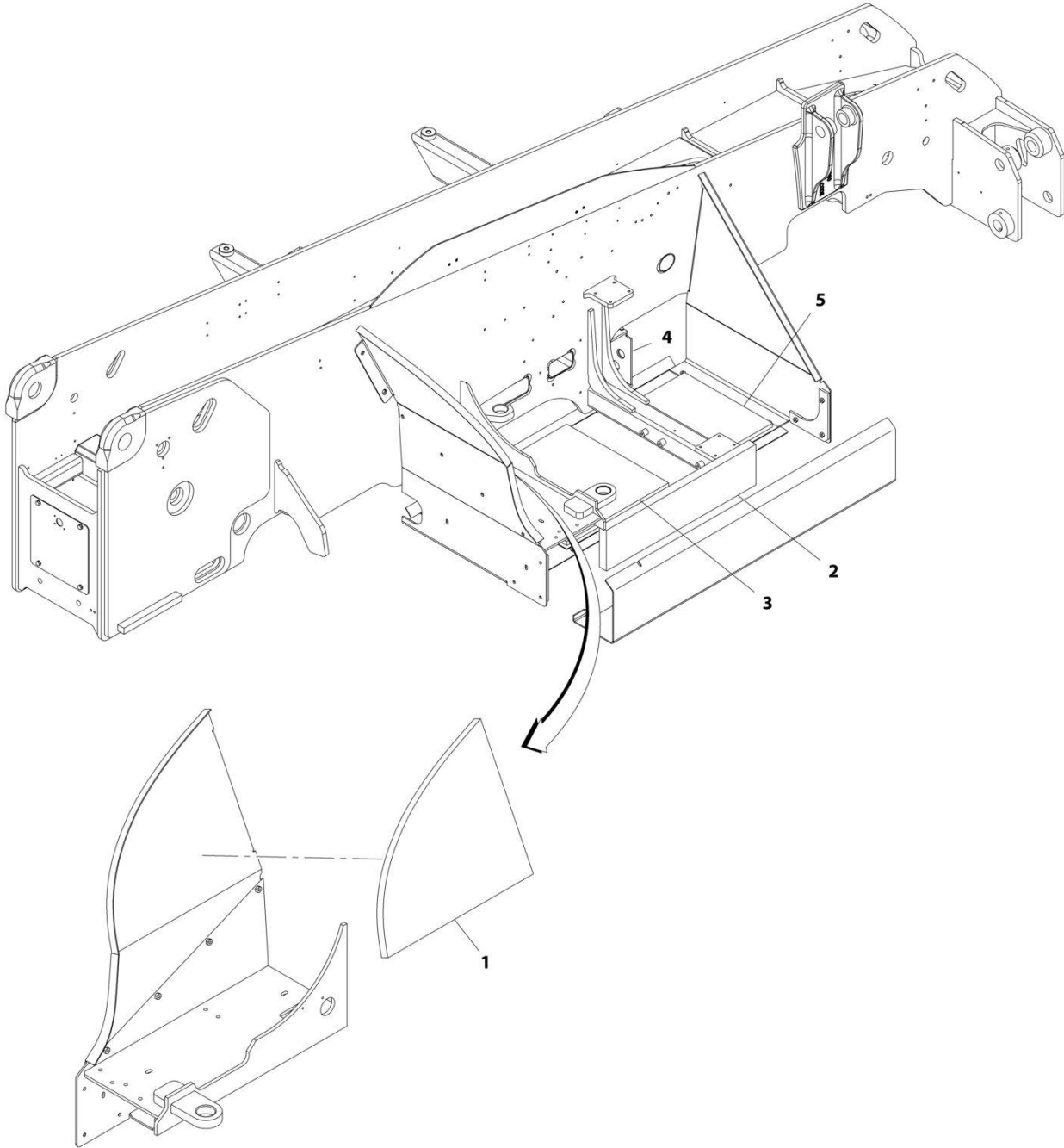
SECTION 1 - FRAME AND ATTACHING PARTS

FIGURE 1-19. HOOD ASSEMBLY

ITEM	PART NUMBER	QTY	DESCRIPTION	REV
	1001150144	1	Hood Assembly	D
1	70026744	1	Hood	
2	1001132873	1	Latch, Hood	
3	1001180728	1	Seal	
4	70025649	1	Frame	

SECTION 1 - FRAME AND ATTACHING PARTS

FIGURE 1-20. SOUND SUPPRESSION INSTALLATION (LCAD, AFRICA AND MID EAST, PAC RIM)



ART_1001162775-C

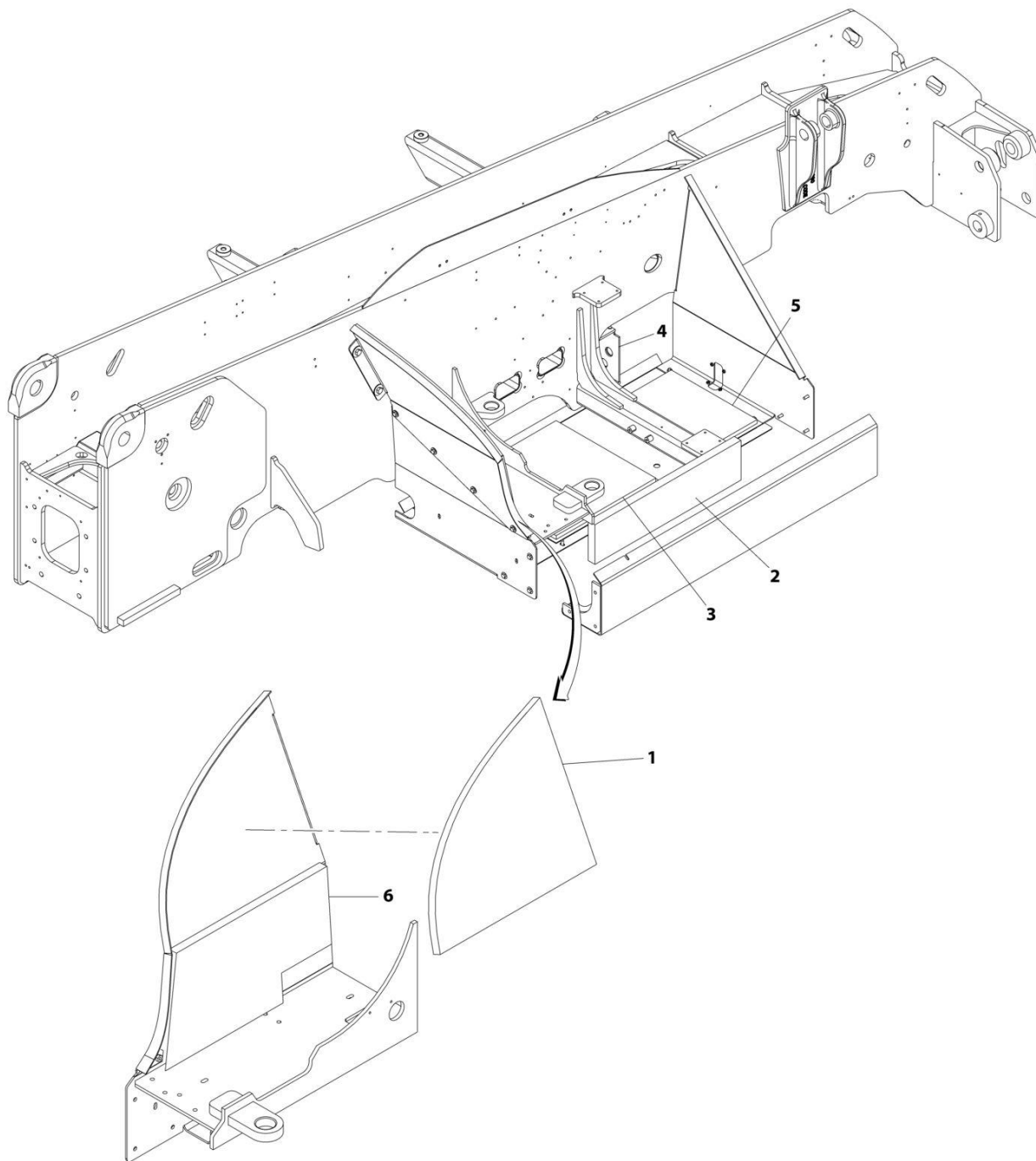
SECTION 1 - FRAME AND ATTACHING PARTS

FIGURE 1-20. SOUND SUPPRESSION INSTALLATION (LCAD, AFRICA AND MID EAST, PAC RIM)

ITEM	PART NUMBER	QTY	DESCRIPTION	REV
	1001162775	Ref	Sound Suppression Installation	C
1	1001162776	1	Insulate, Rear Panel Enclosure	
2	1001162778	1	Insulate, Side Skirt Enclosure	
3	1001162779	1	Insulate, Belly Pan Enclosure	
4	1001162780	1	Insulate, Transmission Cover	
5	1001162872	1	Insulate, Belly Pan Enclosure	

SECTION 1 - FRAME AND ATTACHING PARTS

FIGURE 1-21. SOUND SUPPRESSION INSTALLATION (EU, GERMANY, FRANCE, UK AND IRELAND)



ART_1001216730-A

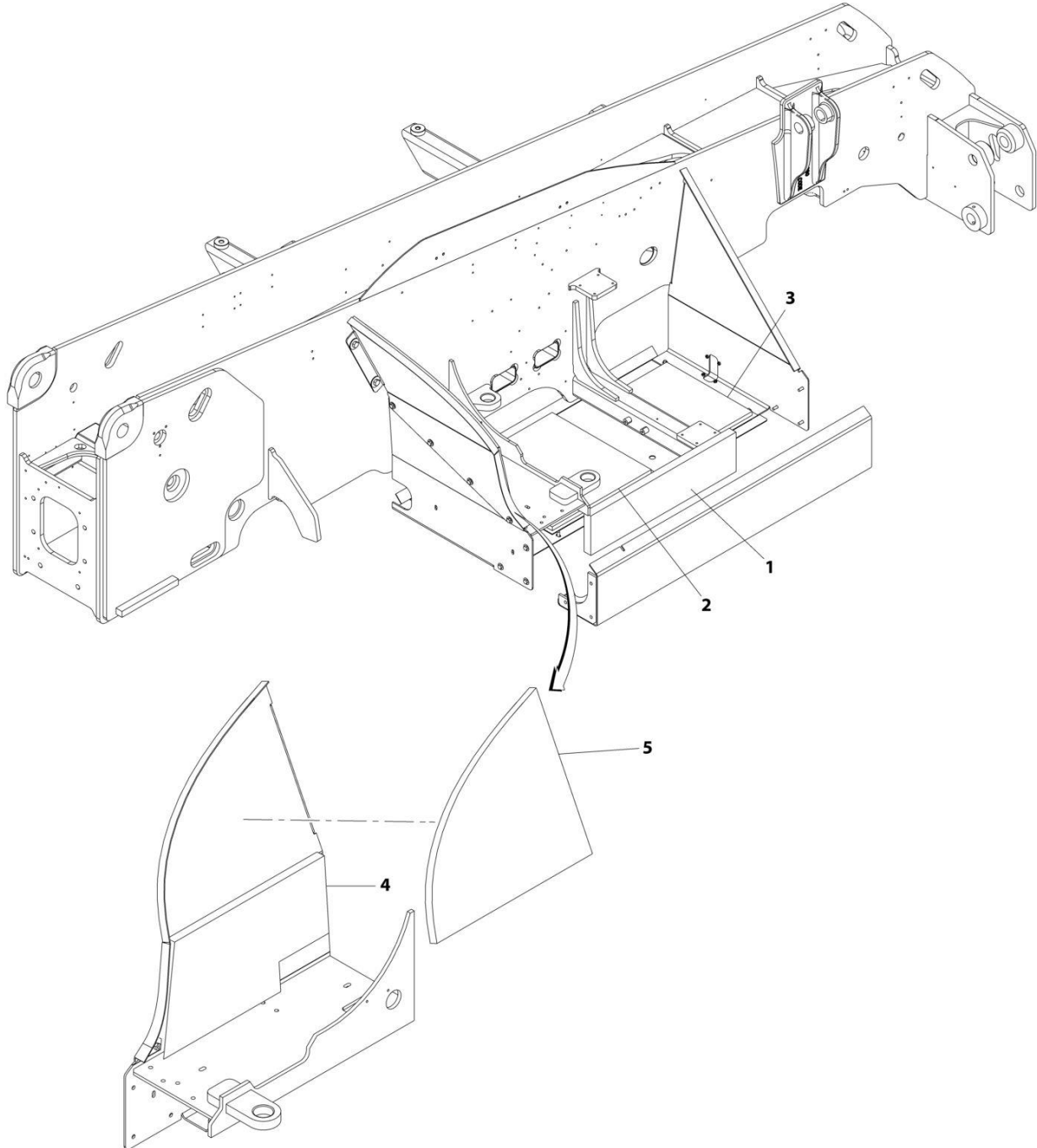
SECTION 1 - FRAME AND ATTACHING PARTS

FIGURE 1-21. SOUND SUPPRESSION INSTALLATION (EU, GERMANY, FRANCE, UK AND IRELAND)

ITEM	PART NUMBER	QTY	DESCRIPTION	REV
	1001216730	Ref	Sound Suppression Installation	A
1	1001215649	1	Insulate, Rear Panel Enclosure	
2	1001162778	1	Insulate, Side Skirt Enclosure	
3	1001162779	1	Insulate, Belly Pan Enclosure	
4	1001162780	1	Insulate, Transmission Cover	
5	1001162872	1	Insulate, Belly Pan Enclosure	
6	1001215331	1	Insulate, Lower Rear Panel	

SECTION 1 - FRAME AND ATTACHING PARTS

FIGURE 1-22. SOUND SUPPRESSION INSTALLATION (SN E160000342 through E160000496, Including E160000328, E160000329, E160000330, E160000331, E160000332 and E160000336)



ART_1001247526-A

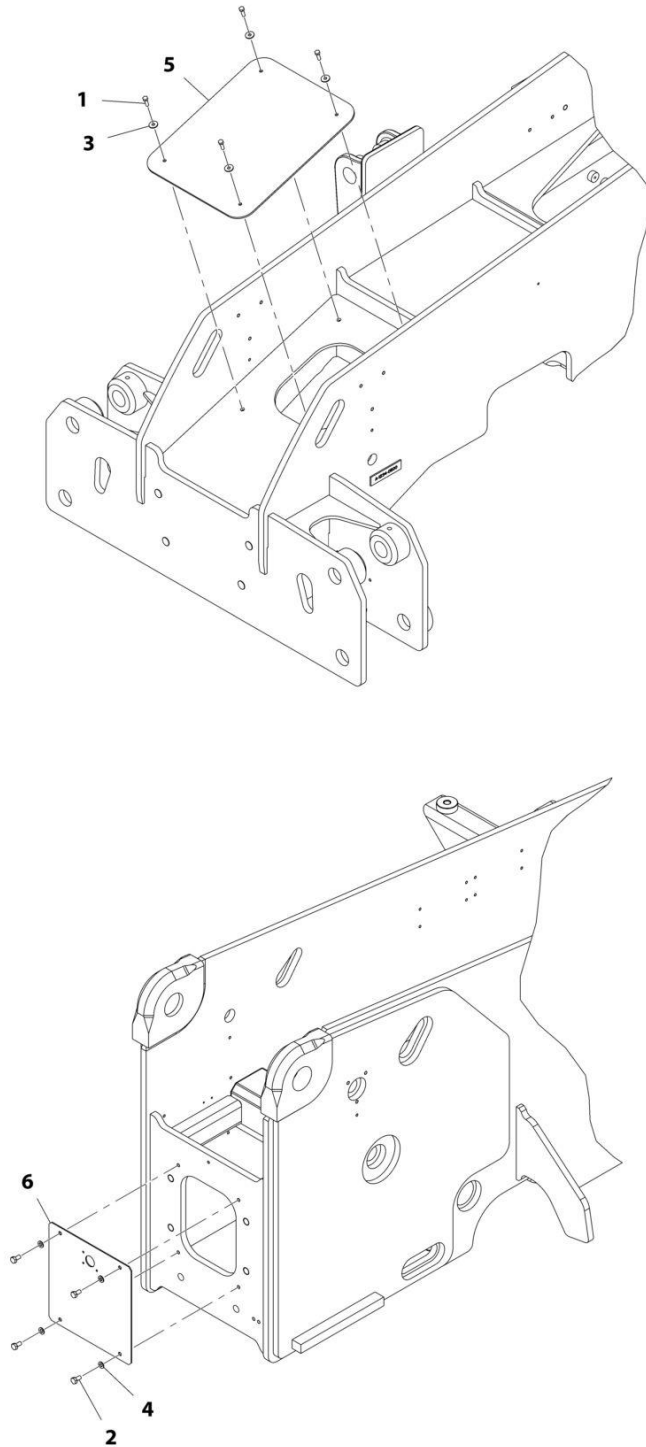
SECTION 1 - FRAME AND ATTACHING PARTS

FIGURE 1-22. SOUND SUPPRESSION INSTALLATION (SN E160000342 through E160000496, Including E160000328, E160000329, E160000330, E160000331, E160000332 and E160000336)

ITEM	PART NUMBER	QTY	DESCRIPTION	REV
	1001247526	Ref	Sound Suppression Installation	A
1	1001162778	1	Insulate, Side Skirt Enclosure	
2	1001162779	1	Insulate, Belly Pan Enclosure	
3	1001162872	1	Insulate, Belly Pan Enclosure	
4	1001215331	1	Insulate, LWR Rear Panel	
5	1001215649	1	Insulate, Rear Panel Enclosure	

SECTION 1 - FRAME AND ATTACHING PARTS

FIGURE 1-23. CHASSIS COVER PLATE INSTALLATION (3614RS)



ART_1001145333-C

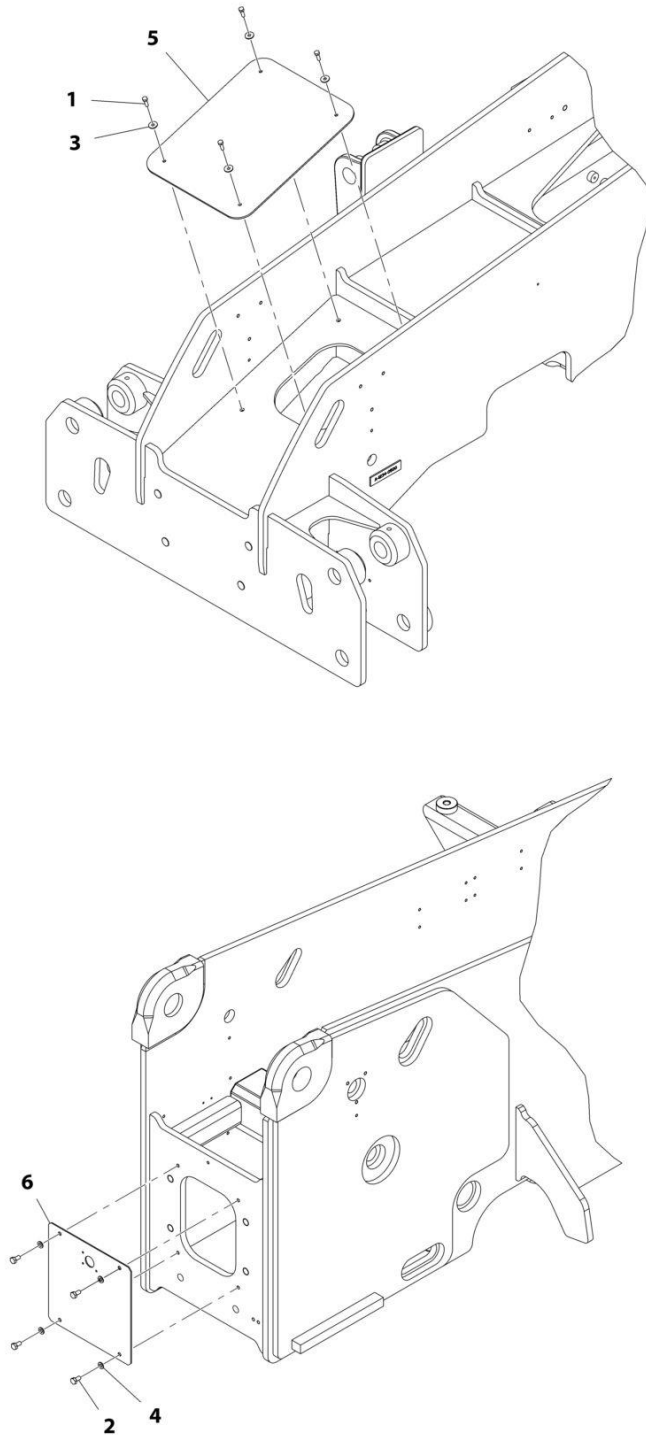
SECTION 1 - FRAME AND ATTACHING PARTS

FIGURE 1-23. CHASSIS COVER PLATE INSTALLATION (3614RS)

ITEM	PART NUMBER	QTY	DESCRIPTION	REV
	1001145333	Ref	Chassis Cover Plate Installation	C
1	0760812	4	Bolt, M8X25	
2	0761010	4	Bolt, M10X20	
3	4811902	4	Washer, M8	
4	4812000	4	Washer, M10	
5	1001112130J	1	Plate, Cover	
6	1001139272J	1	Plate, Access	

SECTION 1 - FRAME AND ATTACHING PARTS

FIGURE 1-24. CHASSIS COVER PLATE INSTALLATION (4017RS)



ART_1001150350-C

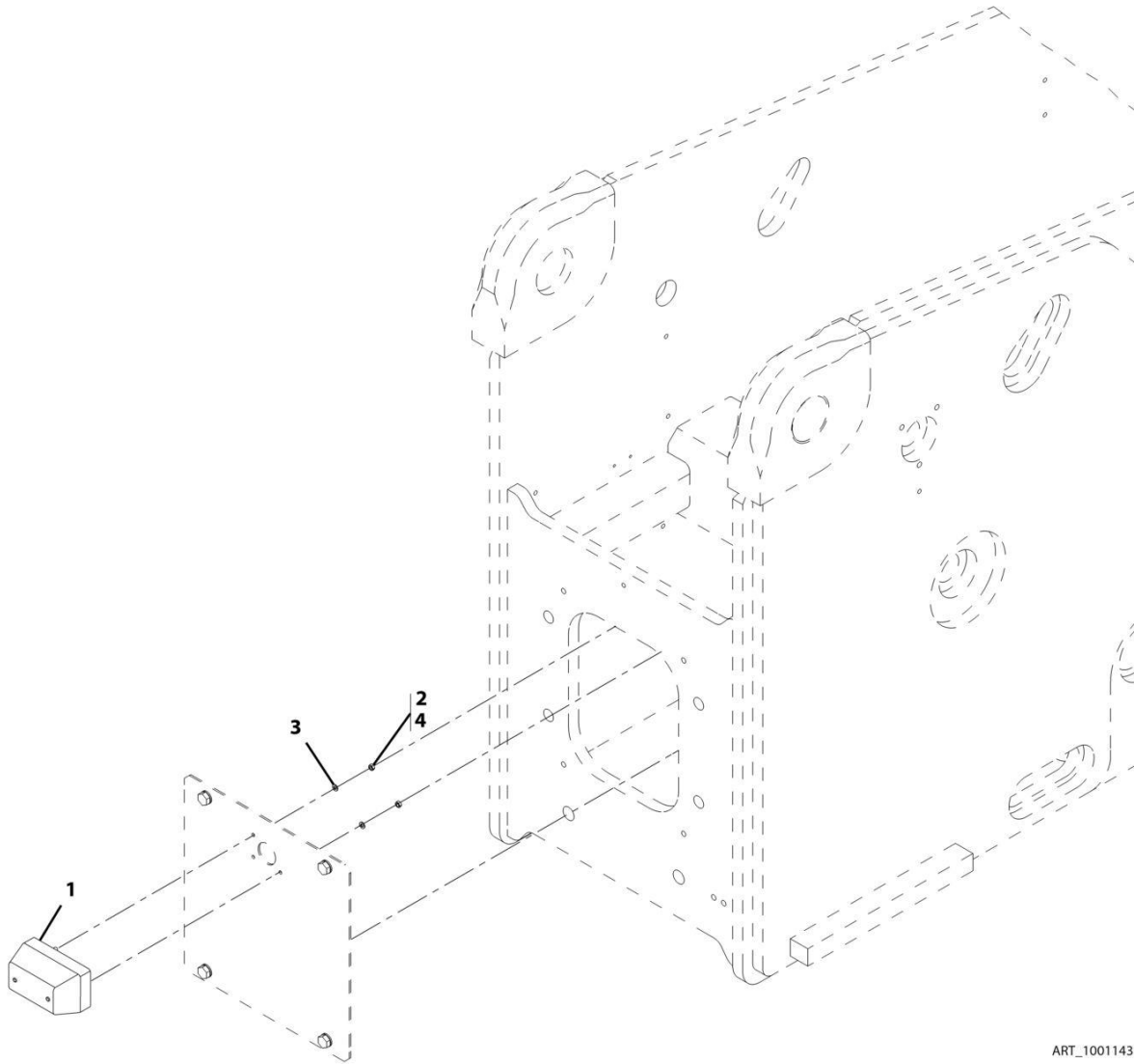
SECTION 1 - FRAME AND ATTACHING PARTS

FIGURE 1-24. CHASSIS COVER PLATE INSTALLATION (4017RS)

ITEM	PART NUMBER	QTY	DESCRIPTION	REV
	1001150350	Ref	Chassis Cover Plate Installation	C
1	0760812	4	Bolt, M8X25	
2	0761010	4	Bolt, M10X20	
3	4811902	4	Washer, M8	
4	4812000	4	Washer, M10	
5	1001112130J	1	Plate, Cover	
6	1001139272J	1	Plate, Access	

SECTION 1 - FRAME AND ATTACHING PARTS

FIGURE 1-25. LICENSE PLATE INSTALLATION



ART_1001143959-C

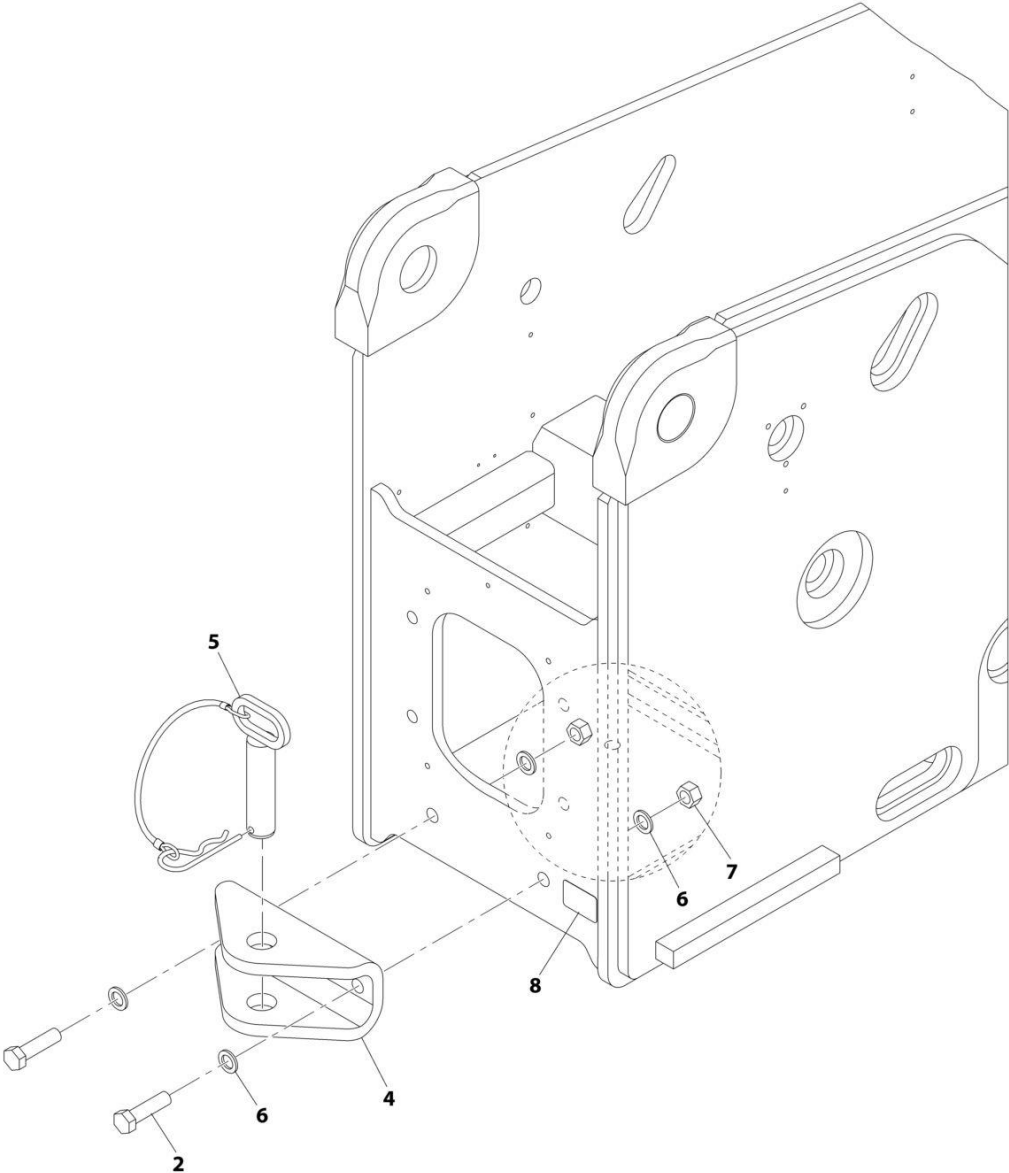
SECTION 1 - FRAME AND ATTACHING PARTS

FIGURE 1-25. LICENSE PLATE INSTALLATION

ITEM	PART NUMBER	QTY	DESCRIPTION	REV
	1001143959	REF	License Plate Installation	C
1	2920204	1	Light, License Plate	
1	70021341	1	Bulb, 12V-5W	
2	3290501	2	Nut, M5X0.8	
3	4811600	2	Washer, M5	
4	1001095650	AR	Compound, Locking	

SECTION 1 - FRAME AND ATTACHING PARTS

FIGURE 1-26. RETRIEVAL HITCH



ART_1001145332-D

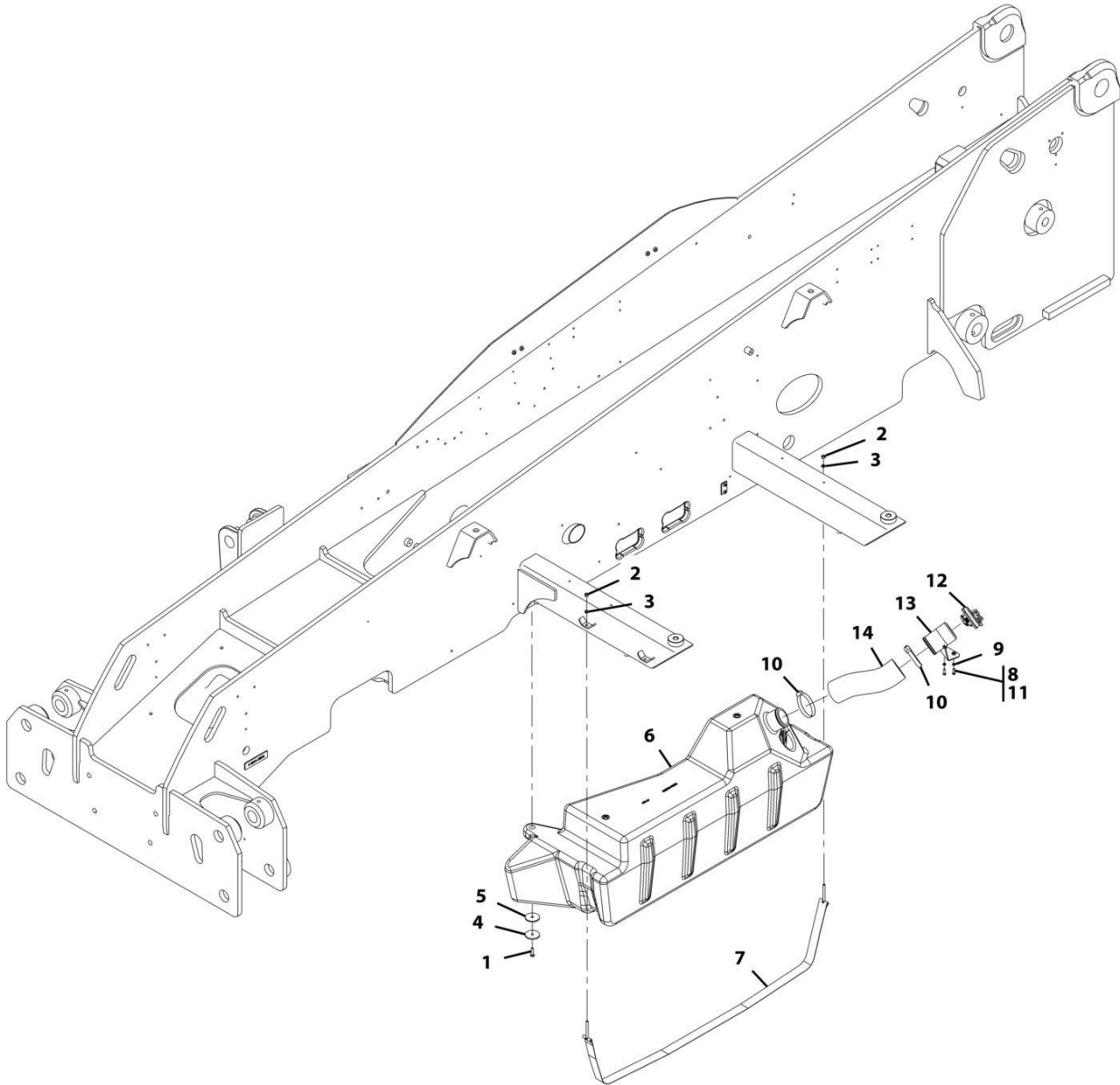
SECTION 1 - FRAME AND ATTACHING PARTS

FIGURE 1-26. RETRIEVAL HITCH

ITEM	PART NUMBER	QTY	DESCRIPTION	REV
	1001145332	Ref	Retrieval Hitch Installation	D
2	1001151044	2	Bolt, M20X75	
4	1001005134	NLA	Hitch, Retrieval (no longer available, use 1001237489 for replacement)	
4	1001237489	1	Hitch, Retrieval	
5	1001238877	1	Hitch Pin (See Separate Breakdown in this Section)	
6	1001009094	4	Washer	
7	1001009095	2	Nut	
8	1001241674	1	Decal, Retrieval Point	

SECTION 1 - FRAME AND ATTACHING PARTS

FIGURE 1-27. HYDRAULIC TANK INSTALLATION



ART_1001145060-E

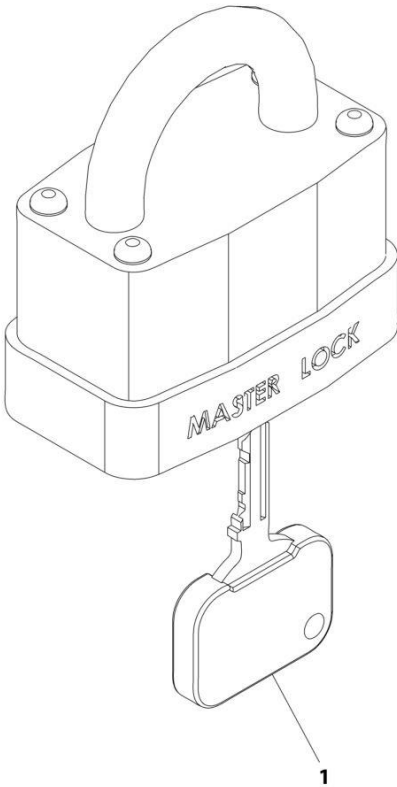
SECTION 1 - FRAME AND ATTACHING PARTS

FIGURE 1-27. HYDRAULIC TANK INSTALLATION

ITEM	PART NUMBER	QTY	DESCRIPTION	REV
	1001145060	Ref	Hydraulic Tank Installation	E
1	0760814	1	Bolt, M8X30	
2	3290805	2	Nut, Lock M8X1.25	
3	4811900	2	Washer, M8	
4	1001006259	1	Washer	
5	1001166897	1	Washer	
6	1001146380	1	Tank, Hydraulic (See HYDRAULIC COMPONENTS SECTION for Breakdown)	
7	1001147729	1	Strap, Tank	
8	0760610	2	Bolt, M6X20	
9	4811700	2	Washer, M6	
10	8410011	2	Gear Clamp, 3.75	
11	1001095650	AR	Compound, Locking	
12	1001142659	1	Cap, Hydraulic	
13	1001151591	1	Tube, Hydraulic Fill	
14	1001155483	1	Hose, Hydraulic Tank	

SECTION 1 - FRAME AND ATTACHING PARTS

FIGURE 1-28. PAD LOCK



ART_1001102157-A

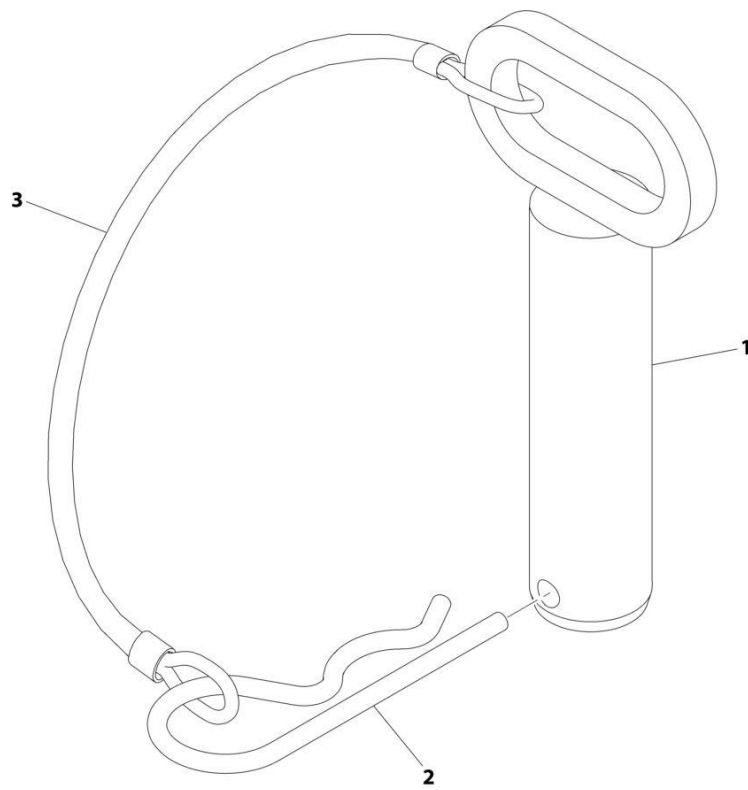
SECTION 1 - FRAME AND ATTACHING PARTS

FIGURE 1-28. PAD LOCK

ITEM	PART NUMBER	QTY	DESCRIPTION	REV
1	1001102157 8342813	Ref 1	Pad Lock Key	A

SECTION 1 - FRAME AND ATTACHING PARTS

FIGURE 1-29. HITCH PIN ASSEMBLY



ART_1001238877-A

SECTION 1 - FRAME AND ATTACHING PARTS

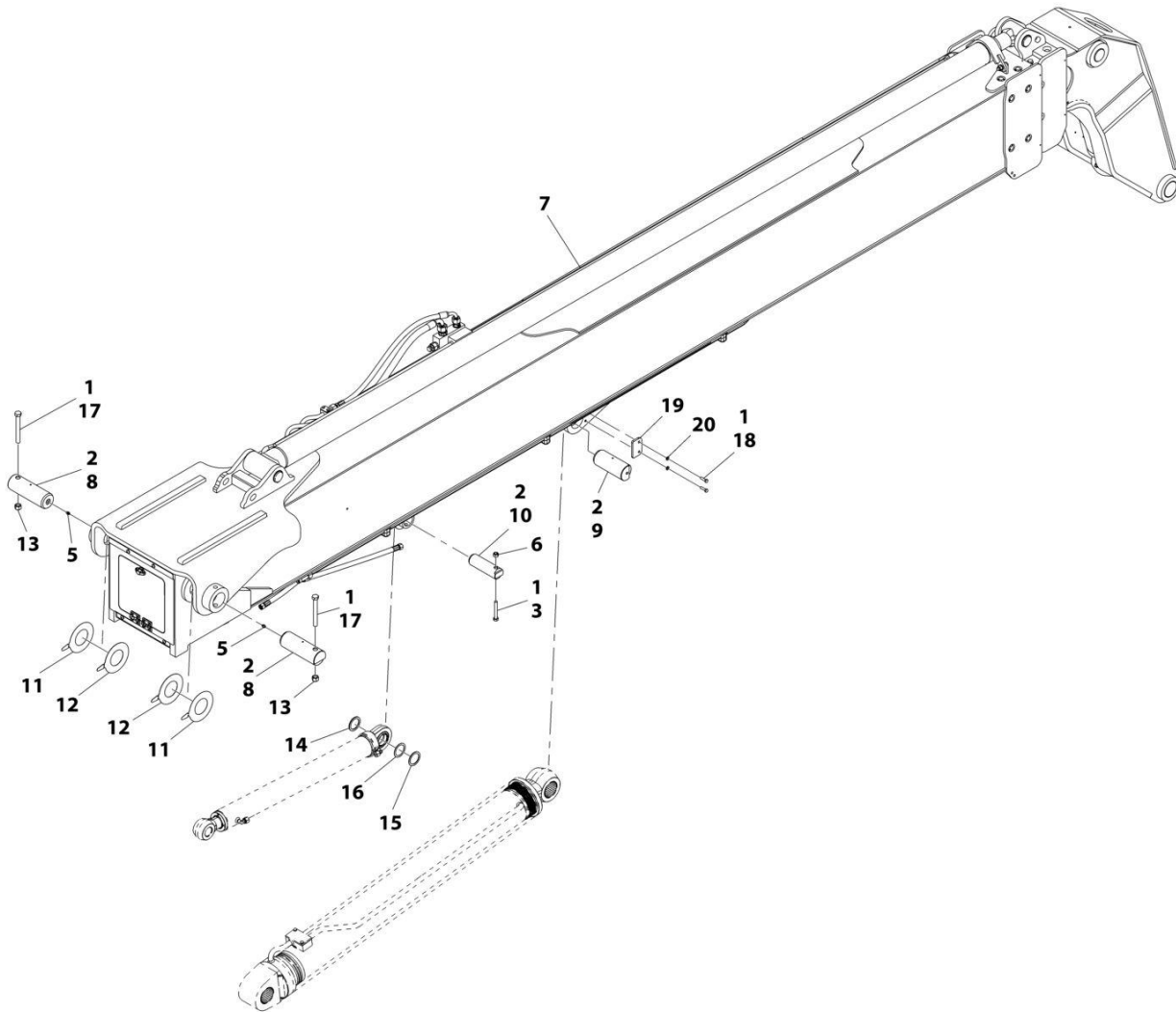
FIGURE 1-29. HITCH PIN ASSEMBLY

ITEM	PART NUMBER	QTY	DESCRIPTION	REV
	1001238877	Ref	Hitch Pin Assembly	A
1	1001005267	1	Pin	
2	1001238919	1	Pin Cotter	
3	1001238915	1	Lanyard, Hitch Pin	

SECTION 2 - BOOM

SECTION 2 - BOOM

FIGURE 2-1. BOOM INSTALLATION (AUXILIARY HYDRAULICS) (3614RS)



ART_1001153614-K

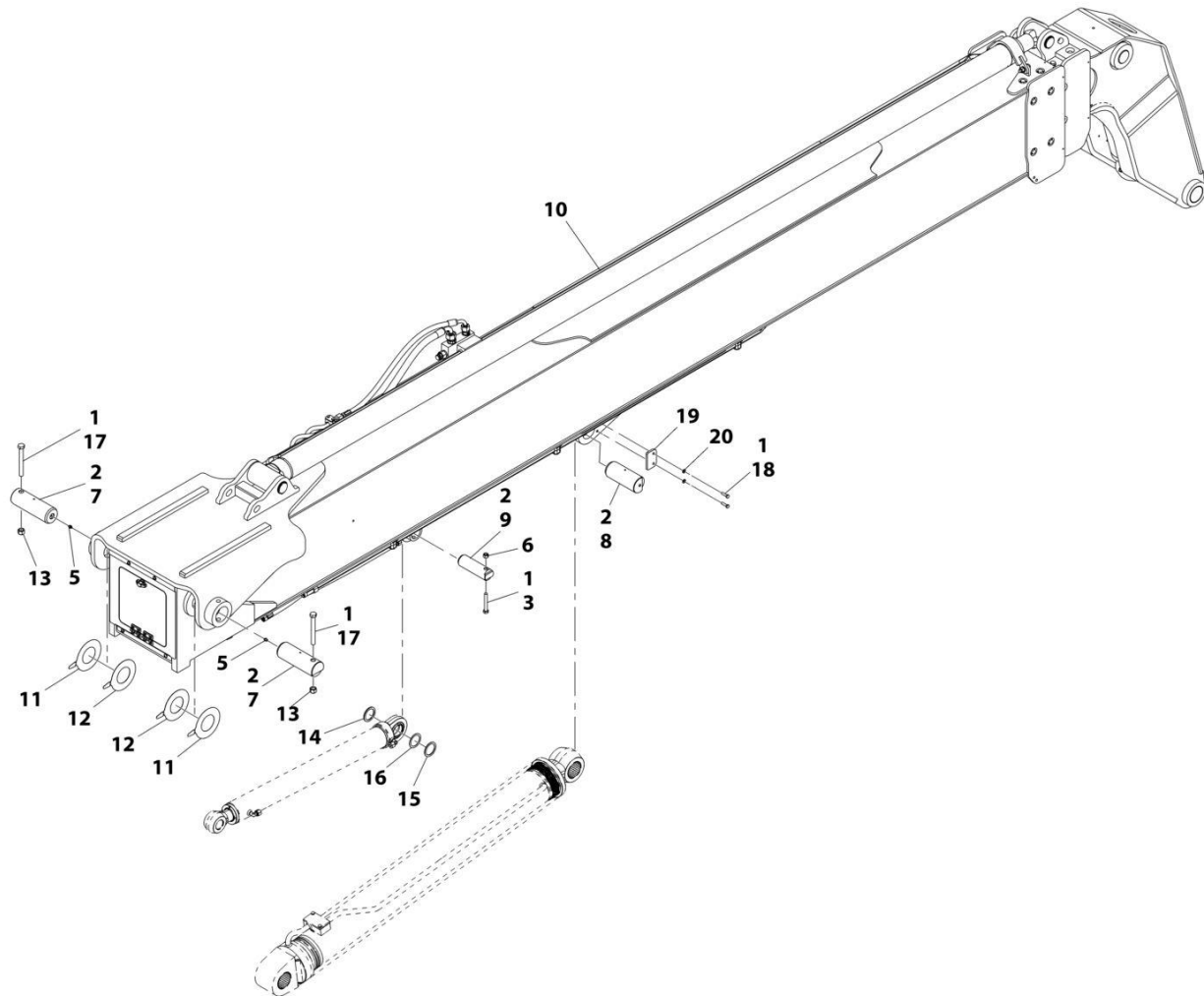
SECTION 2 - BOOM

FIGURE 2-1. BOOM INSTALLATION (AUXILIARY HYDRAULICS) (3614RS)

ITEM	PART NUMBER	QTY	DESCRIPTION	REV
	1001153614	Ref	Boom Installation (auxiliary hydraulics)	J
1	1001095650	AR	Compound, Locking	
2	1001098457	AR	Lube, Lithium Grease	
3	0711225	1	Bolt, M12X85, Grade 10.9	
5	2160016	3	Fitting, Grease	
6	3291205	1	Nut, Lock, M12X1.75	
7	1001144747	Ref	Assembly, Boom (See BOOM ASSEMBLY (AUXILIARY HYDRAULICS) for Breakdown)	
8	1001168549	2	Pin	
9	1001169068	1	Pin, Lift	
10	1001169040	1	Pin, Compensation	
11	1001169049	2	Shim, 0.5	
12	1001169048	2	Shim, 1	
13	3291605	2	Nut, Lock, M16X2	
14	1001155958	AR	Shim, 3	
15	1001155959	AR	Shim, 2	
16	1001155960	AR	Shim, 1	
17	0711631	2	Bolt, M16X140, Grade 10.9	
18	0700814	4	Bolt, M8X30	
19	1001184996	2	Plate, Pin Keeper	
20	4811900	4	Washer, M8	

SECTION 2 - BOOM

FIGURE 2-2. BOOM INSTALLATION (NO AUXILIARY HYDRAULICS) (3614RS)



ART_1001153613-K

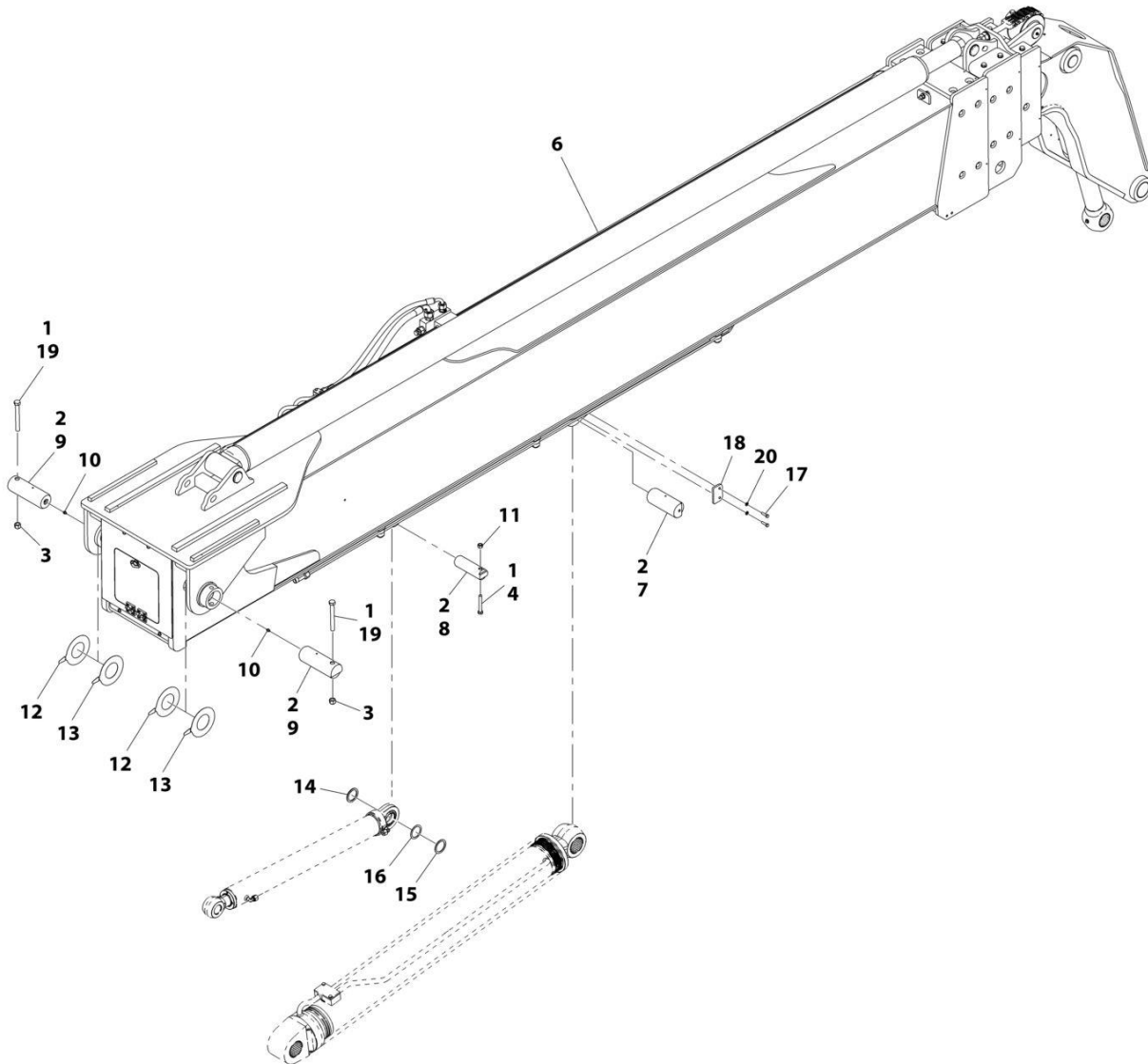
SECTION 2 - BOOM

FIGURE 2-2. BOOM INSTALLATION (NO AUXILIARY HYDRAULICS) (3614RS)

ITEM	PART NUMBER	QTY	DESCRIPTION	REV
	1001153613	Ref	Boom Installation (no auxiliary hydraulics)	J
1	1001095650	AR	Compound, Locking	
2	1001098457	AR	Lube, Lithium Grease	
3	0711225	1	Bolt, M12X85, Grade 10.9	
5	2160016	3	Fitting, Grease	
6	3291205	1	Nut, Lock, M12X1.75	
7	1001168549	2	Pin	
8	1001169068	1	Pin, Lift	
9	1001169040	1	Pin, Compensation	
10	1001148523	Ref	Assembly, Boom (See BOOM ASSEMBLY (NO AUXILIARY HYDRAULICS) for Breakdown)	
11	1001169049	2	Shim, 0.5	
12	1001169048	2	Shim, 1	
13	3291605	2	Nut, Lock, M16X2	
14	1001155958	AR	Shim, 3	
15	1001155959	AR	Shim, 2	
16	1001155960	AR	Shim, 1	
17	0701631	2	Bolt, M16X140, Grade 10.9	
18	0700814	4	Bolt, M8X30	
19	1001184996	2	Plate, Pin Keeper	
20	4811900	4	Washer, M8	

SECTION 2 - BOOM

FIGURE 2-3. BOOM INSTALLATION (AUXILIARY HYDRAULICS) (4017RS)



ART_1001154017-I

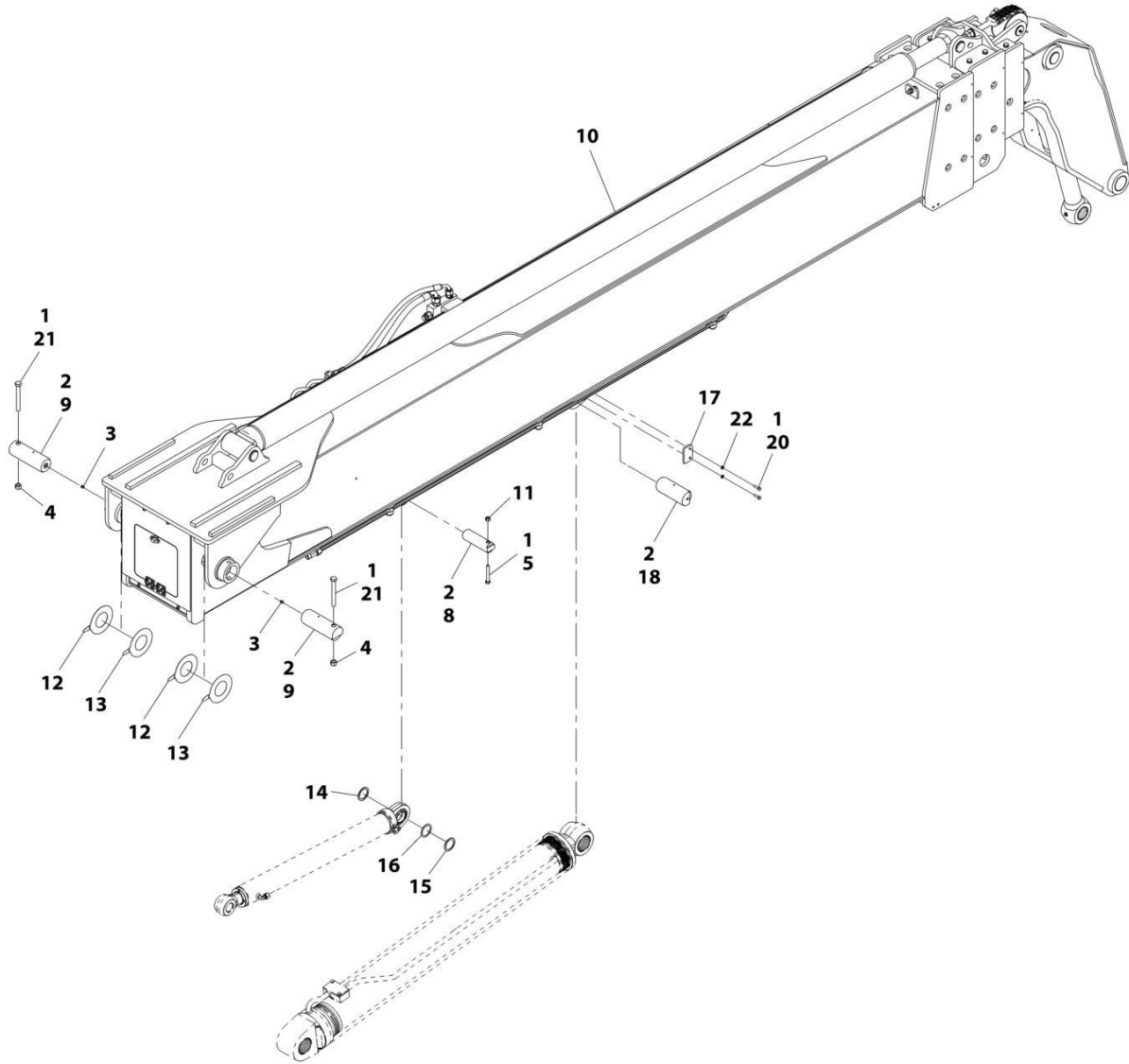
SECTION 2 - BOOM

FIGURE 2-3. BOOM INSTALLATION (AUXILIARY HYDRAULICS) (4017RS)

ITEM	PART NUMBER	QTY	DESCRIPTION	REV
	1001154017	Ref	Boom Installation (no auxiliary hydraulics)	H
1	1001095650	AR	Compound, Locking	
2	1001098457	AR	Lube, Lithium Grease	
3	3291605	2	Nut, Lock, M16X2	
4	0711225	1	Bolt, M12X85, Grade 10.9	
6	1001144686	1	Assembly, Boom (See BOOM ASSEMBLY (NO AUXILIARY HYDRAULICS) for Breakdown)	
7	1001169068	1	Pin, Lift	
8	1001169040	1	Pin, Compensation	
9	1001168593	2	Pin	
10	2160016	3	Fitting, Grease	
11	3291205	1	Nut, Lock, M12X1.75	
12	1001169049	AR	Shim, 0.5	
13	1001169048	AR	Shim, 1	
14	1001155958	AR	Shim, 3	
15	1001155959	AR	Shim, 2	
16	1001155960	AR	Shim, 1	
17	0700814	4	Bolt, M8X30	
18	1001184996	2	Plate, Pin Keeper	
19	0711631	2	Bolt, M16X140, Grade 10.9	
20	4811900	4	Washer, M8	

SECTION 2 - BOOM

FIGURE 2-4. BOOM INSTALLATION (NO AUXILIARY HYDRAULICS) (4017RS)



ART_1001154018-I

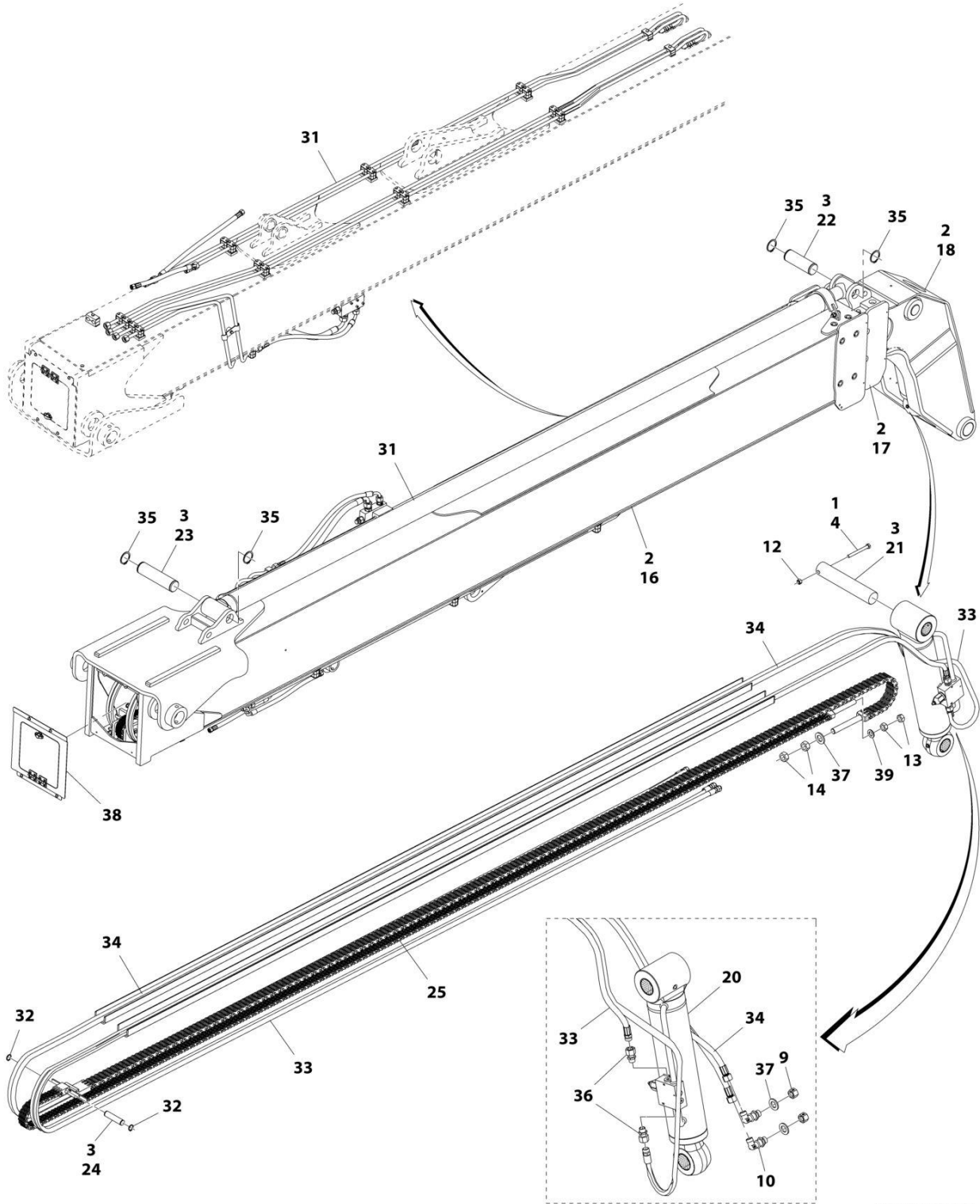
SECTION 2 - BOOM

FIGURE 2-4. BOOM INSTALLATION (NO AUXILIARY HYDRAULICS) (4017RS)

ITEM	PART NUMBER	QTY	DESCRIPTION	REV
	1001154018	Ref	Boom Installation (auxiliary hydraulics)	H
1	1001095650	AR	Compound, Locking	
2	1001098457	AR	Lube, Lithium Grease	
3	2160016	3	Fitting, Grease	
4	3291605	2	Nut, Lock, M16X2	
5	0711225	1	Bolt, M12X85, Grade 10.9	
8	1001169040	1	Pin, Compensation	
9	1001168593	2	Pin	
10	1001149547	1	Assembly, Boom (See BOOM ASSEMBLY (AUXILIARY HYDRAULICS) for Breakdown)	
11	3291205	1	Nut, Lock, M12X1.75	
12	1001169049	AR	Shim, 0.5	
13	1001169048	AR	Shim, 1	
14	1001155958	AR	Shim, 3	
15	1001155959	AR	Shim, 2	
16	1001155960	AR	Shim, 1	
17	1001184996	2	Plate, Pin Keeper	
18	1001169068	1	Pin, Lift	
20	0700814	4	Bolt, M8X30	
21	0711631	2	Bolt, M16X140, Grade 10.9	
22	4811900	4	Washer, M8	

SECTION 2 - BOOM

FIGURE 2-5. BOOM INSTALLATION (AUXILIARY HYDRAULICS) (3614RS)



ART_1001144747-R

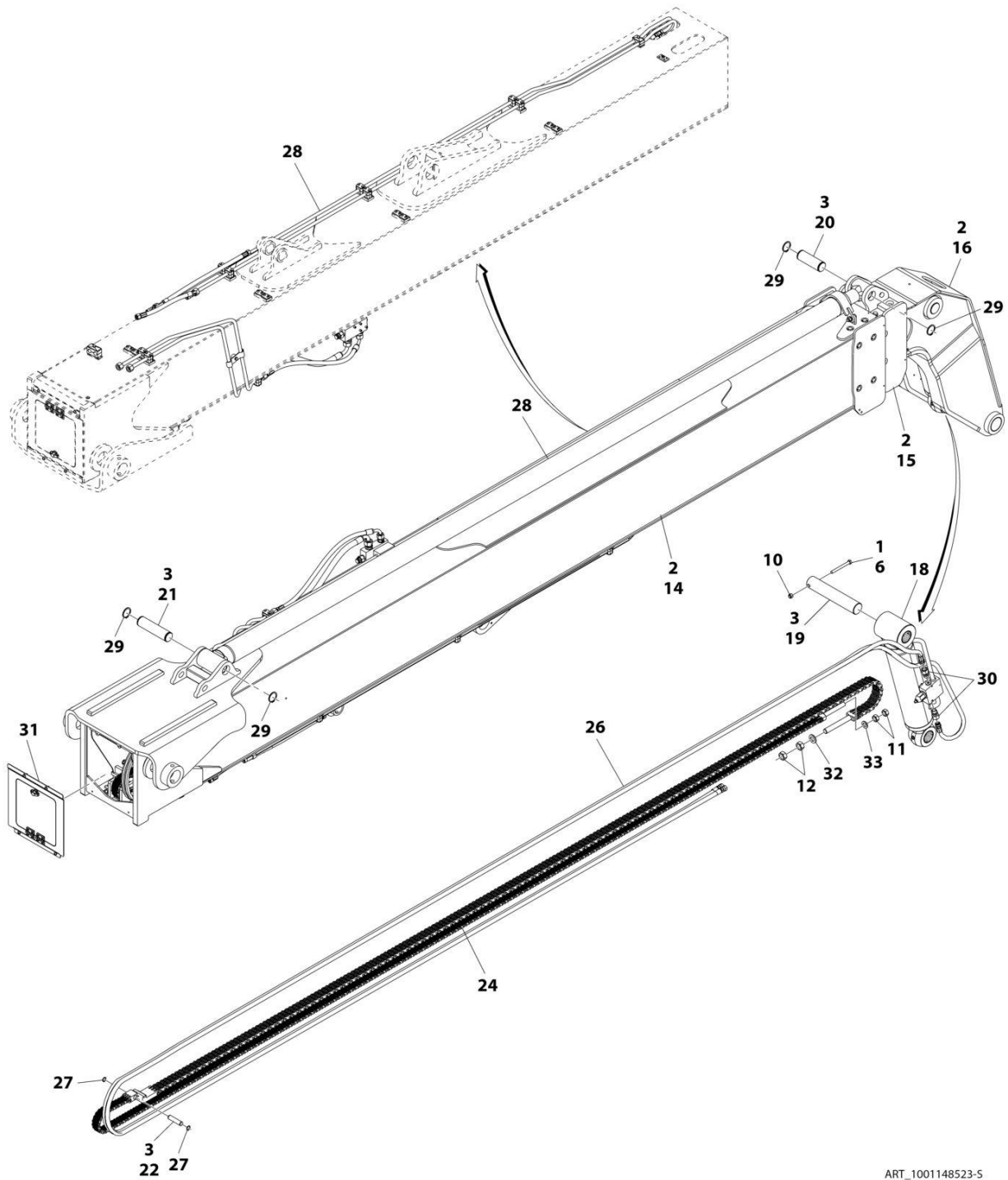
SECTION 2 - BOOM

FIGURE 2-5. BOOM INSTALLATION (AUXILIARY HYDRAULICS) (3614RS)

ITEM	PART NUMBER	QTY	DESCRIPTION	REV
	1001144747	Ref	Boom Assembly (auxiliary hydraulics)	P
1	1001095650	AR	Compound, Locking	
2	1001098457	AR	Lube, Lithium Grease	
3	3020040	AR	Lubricant, Moly Paste	
4	0711229	1	Bolt, M12X120, Grade 10.9	
9	2142516	2	Adapter, Cap	
10	2143316	2	Fitting, Elbow	
12	3291205	1	Nut, Lock, M12X1.75	
13	3332011	2	Nut, M20X2.5	
14	3332411	2	Nut, M24X3	
16	1001143146	1	Section, First Boom (See FIRST BOOM SECTION for Breakdown)	
17	1001143352	1	Section, Second Boom (See SECOND BOOM SECTION for Breakdown)	
18	1001143400	1	Section, Third Boom (See THIRD BOOM SECTION for Breakdown)	
20	1001144198	1	Cylinder, Tilt (See HYDRAULIC COMPONENTS SECTION for Breakdown)	
21	1001147527	1	Pin, Tilt Cylinder	
22	1001147596	1	Pin, Extend/Retract, Rod End	
23	1001147597	1	Pin, Extend/Retract, Barrel End	
24	1001149555	1	Pin, Clevis	
25	1001147839	1	Assembly, Retract Chain (See RETRACT CHAIN ASSEMBLY for Breakdown)	
31	1001147622	1	Installation, Boom Hydraulics (See HYDRAULICS INSTALLATION (AUXILIARY HYDRAULICS) for Breakdown)	
32	1001149581	2	Ring, Snap	
33	1001152477	1	Hose - 3614RS (SN 1160007024 through 1160007979, Excluding 1160007924, 1160007926, 116007937, 116007941 and 116007946)	
33	1001180501	1	Hose - 3614RS (SN 1160007979 through 1160008790, Including 1160007924, 1160007926, 116007937, 116007941 and 116007946)	
34	1001154616	1	Hose - 3614RS (auxiliary hydraulics) (SN 1160007024 through 1160007979, Excluding 1160007924, 1160007926, 116007937, 116007941 and 116007946)	
34	1001180502	1	Hose - 3614RS (auxiliary hydraulics) (SN 1160007979 through 1160008790, Including 1160007924, 1160007926, 116007937, 116007941 and 116007946)	
35	3760493	4	Ring, Retaining	
36	2142816	2	Connector, Swivel	
37	4812700	3	Washer, M24	
38	1001161951	1	Installation, Cover Plate (See COVER PLATE INSTALLATION for Breakdown)	
39	4812500	1	Washer, M20	

SECTION 2 - BOOM

FIGURE 2-6. BOOM INSTALLATION (NO AUXILIARY HYDRAULICS) (3614RS)



ART_1001148523-S

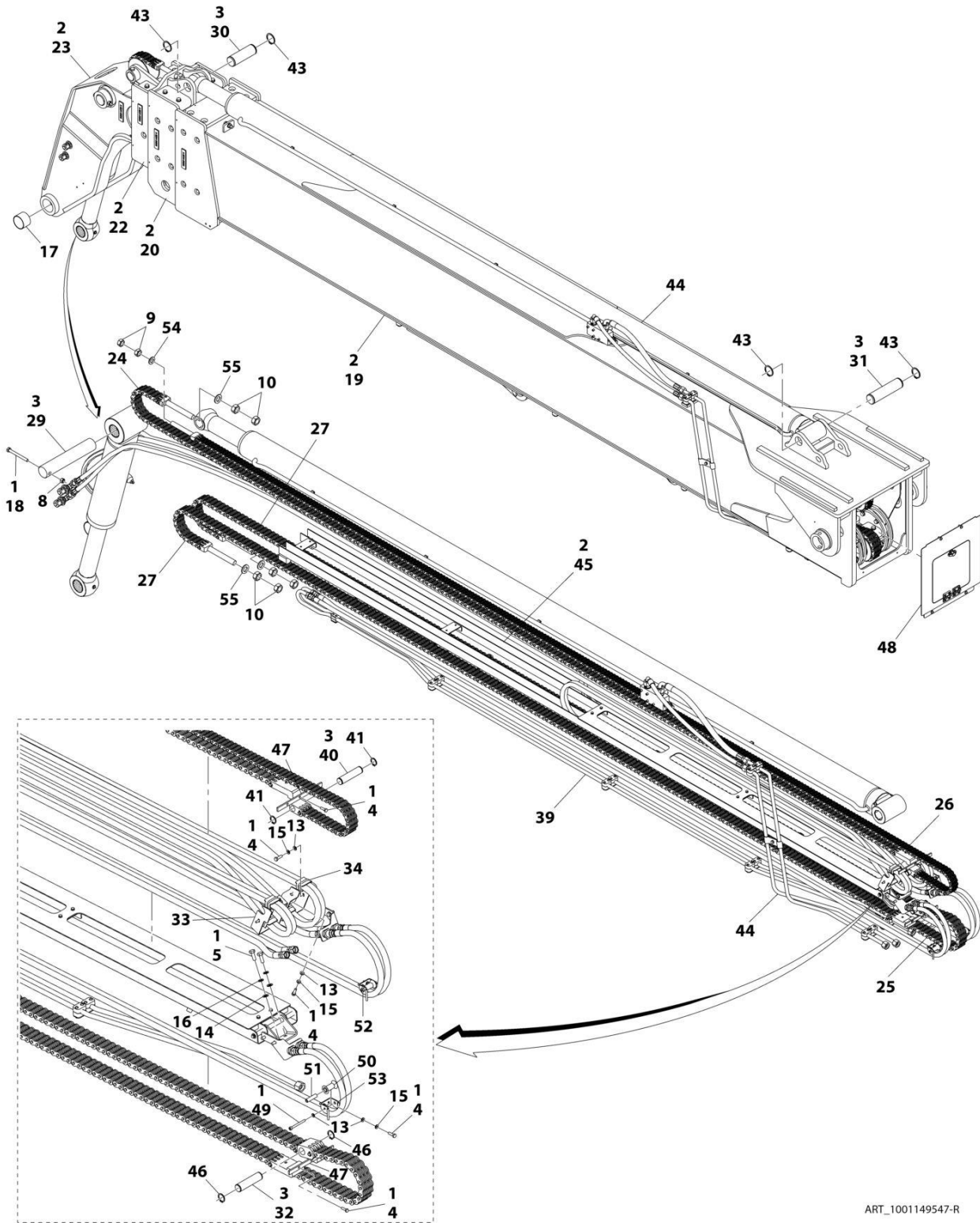
SECTION 2 - BOOM

FIGURE 2-6. BOOM INSTALLATION (NO AUXILIARY HYDRAULICS) (3614RS)

ITEM	PART NUMBER	QTY	DESCRIPTION	REV
	1001148523	Ref	Boom Assembly (no auxiliary hydraulics)	Q
1	1001095650	AR	Compound, Locking	
2	1001098457	AR	Lube, Lithium Grease	
3	3020040	AR	Lubricant, Moly Paste	
6	0711229	1	Bolt, M12X120, Grade 10.9	
10	3291205	1	Nut, Lock, M12X1.75	
11	3332011	2	Nut, M20X2.5	
12	3332411	2	Nut, M24X3	
14	1001143146	1	Section, First Boom (See FIRST BOOM SECTION for Breakdown)	
15	1001143352	Ref	Section, Second Boom (See SECOND BOOM SECTION for Breakdown)	
16	1001143400	1	Section, Third Boom (See THIRD BOOM SECTION for Breakdown)	
18	1001144198	1	Cylinder, Tilt (See HYDRAULIC COMPONENTS SECTION for Breakdown)	
19	1001147527	1	Pin, Tilt Cylinder	
20	1001147596	1	Pin, Extend/Retract Cylinder, Rod End	
21	1001147597	1	Pin, Extend/Retract Cylinder, Barrel End	
22	1001149555	1	Pin, Clevis	
24	1001147839	1	Assembly, Retract Chain (See RETRACT CHAIN ASSEMBLY for Breakdown)	
26	1001152477	1	Hose (3614RS) (SN 1160007024 through 1160007979, Excluding 1160007924, 1160007926, 1160007937, 1160007941 and 1160007946)	
26	1001180501	1	Hose (3614RS) (SN 1160007979 through 1160008790, Including 1160007924, 1160007926, 1160007937, 1160007941 and 1160007946)	
27	1001149581	2	Ring, Snap	
28	1001149652	1	Installation, Boom Hydraulics (See HYDRAULICS INSTALLATION (NO AUXILIARY HYDRAULICS) for Breakdown)	
29	3760493	4	Ring, Retaining	
30	2142816	2	Connector, Swivel	
31	1001161951	1	Installation, Cover Plate (See COVER PLATE INSTALLATION for Breakdown)	
32	4812700	1	Washer, M24	
33	4812500	1	Washer, M20	

SECTION 2 - BOOM

FIGURE 2-7. BOOM INSTALLATION (AUXILIARY HYDRAULICS) (4017RS)



ART_1001149547-R

SECTION 2 - BOOM

FIGURE 2-7. BOOM INSTALLATION (AUXILIARY HYDRAULICS) (4017RS)

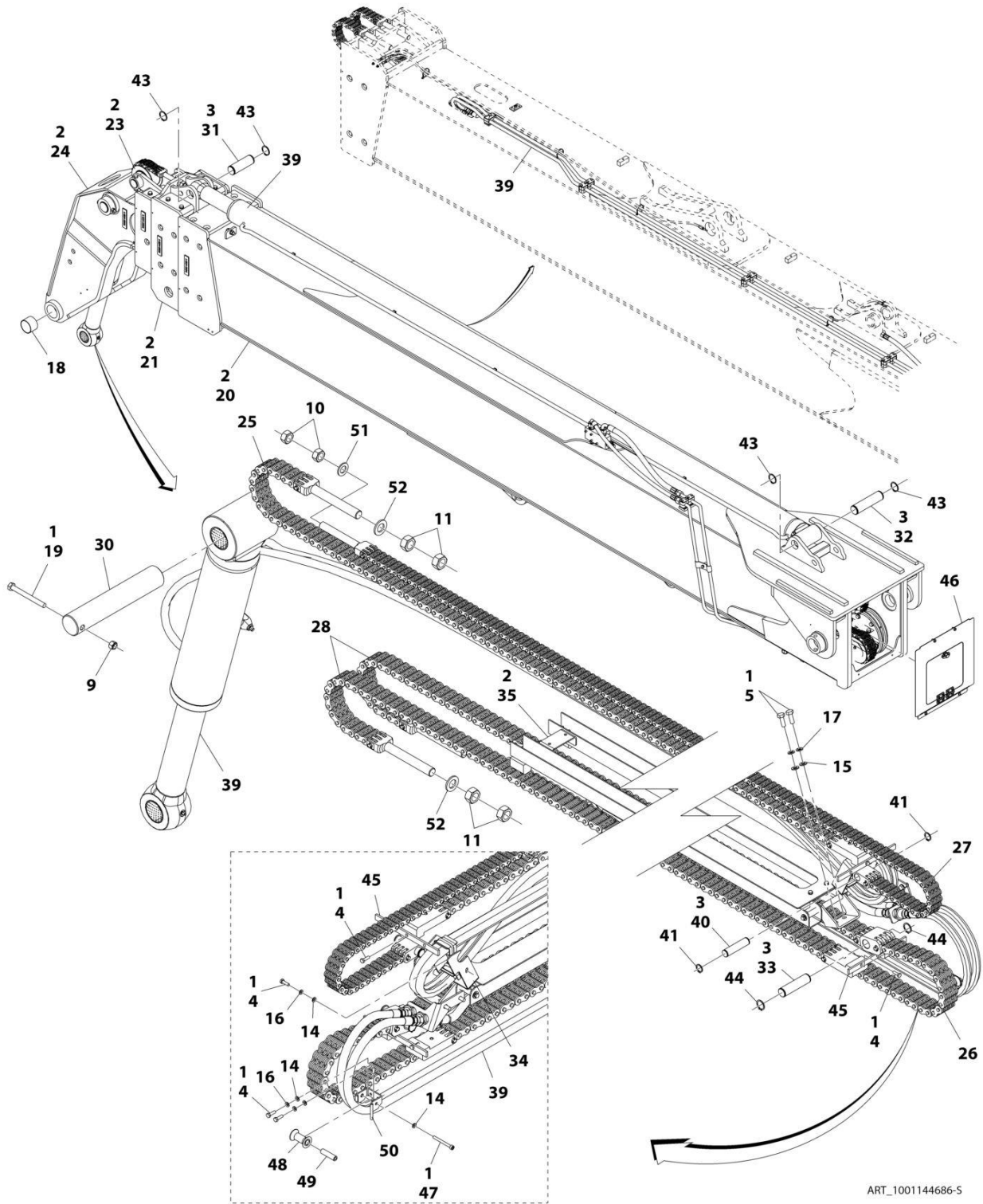
ITEM	PART NUMBER	QTY	DESCRIPTION	REV
	1001149547	Ref	Boom Assembly (auxiliary hydraulics)	Q
1	1001095650	AR	Compound, Locking	
2	1001098457	AR	Lube, Lithium Grease	
3	3020040	AR	Lubricant, Moly Paste	
4	0760610	11	Bolt, M6X20	
5	0701013	2	Bolt, M10X28	
8	3291205	1	Nut, Lock M12X1.75	
9	3332011	2	Nut, M20X2.5	
10	3332411	8	Nut, M24X3	
13	4811700	10	Washer, M6	
14	4812000	2	Washer, M10	
15	4831700	8	Washer, Lock 6	
16	4832000	2	Washer, Lock 10	
17	1001090150	2	Bearing	
18	0711229	1	Bolt, M12X120, Grade 10.9	
19	1001144158	1	Section, First Boom (See FIRST BOOM SECTION for Breakdown)	
20	1001144181	1	Section, Second Boom (See SECOND BOOM SECTION for Breakdown)	
22	1001144218	1	Section, Third Boom (See THIRD BOOM SECTION for Breakdown)	
23	1001144244	1	Section, Fourth Boom (See FOURTH BOOM SECTION for Breakdown)	
24	1001144713	1	Assembly, Extend Chain (See EXTEND CHAIN ASSEMBLY (1) for Breakdown)	
25	1001144758	1	Assembly, Retract Chain (See RETRACT CHAIN ASSEMBLY (1) for Breakdown)	
26	1001144771	1	Assembly, Retract Chain (See RETRACT CHAIN ASSEMBLY (2) for Breakdown)	
27	1001144780	2	Assembly, Extend Chain (See EXTEND CHAIN ASSEMBLY (2) for Breakdown)	
29	1001147527	1	Pin, Tilt Cylinder	
30	1001147596	1	Pin, Extend/Retract Cylinder, Rod End	
31	1001147597	1	Pin, Extend/Retract Cylinder, Barrel End	
32	1001147640	1	Pin, Chain Clevis	
33	1001147894	1	Bracket, Clamp	
34	1001147899	1	Bracket, Clamp	
39	1001149133	1	Installation, Boom Hydraulics (See HYDRAULICS INSTALLATION (AUXILIARY HYDRAULICS) for Breakdown)	
40	1001149555	1	Pin, Clevis	
41	1001149581	2	Ring, Snap	
43	3760493	4	Ring, Retaining	
44	1001149653	1	Installation, Boom Hydraulics (See HYDRAULICS INSTALLATION for Breakdown)	
45	1001151879	1	Assembly, Hose Support (see HOSE SUPPORT ASSEMBLY for Breakdown)	
46	1001155805	2	Ring, Snap	
47	1001156947	2	Plate, Clevis	
48	1001165887	1	Installation, Cover Plate (See COVER PLATE INSTALLATION for Breakdown)	
49	4031716	2	Bolt, M6X60	
50	1001174034	2	Pulley, Hose Sheave	
51	1001174036	2	Spindle, Hose Sheave	

SECTION 2 - BOOM

ITEM	PART NUMBER	QTY	DESCRIPTION	REV
52	1001174042	1	Bracket, Hose Pulley	
53	1001175475	1	Bracket, Hose Pulley	
54	4812500	1	Washer, M20	
55	4812700	4	Washer, M24	

SECTION 2 - BOOM

FIGURE 2-8. BOOM INSTALLATION (NO AUXILIARY HYDRAULICS) (4017RS)



ART_1001144686-S

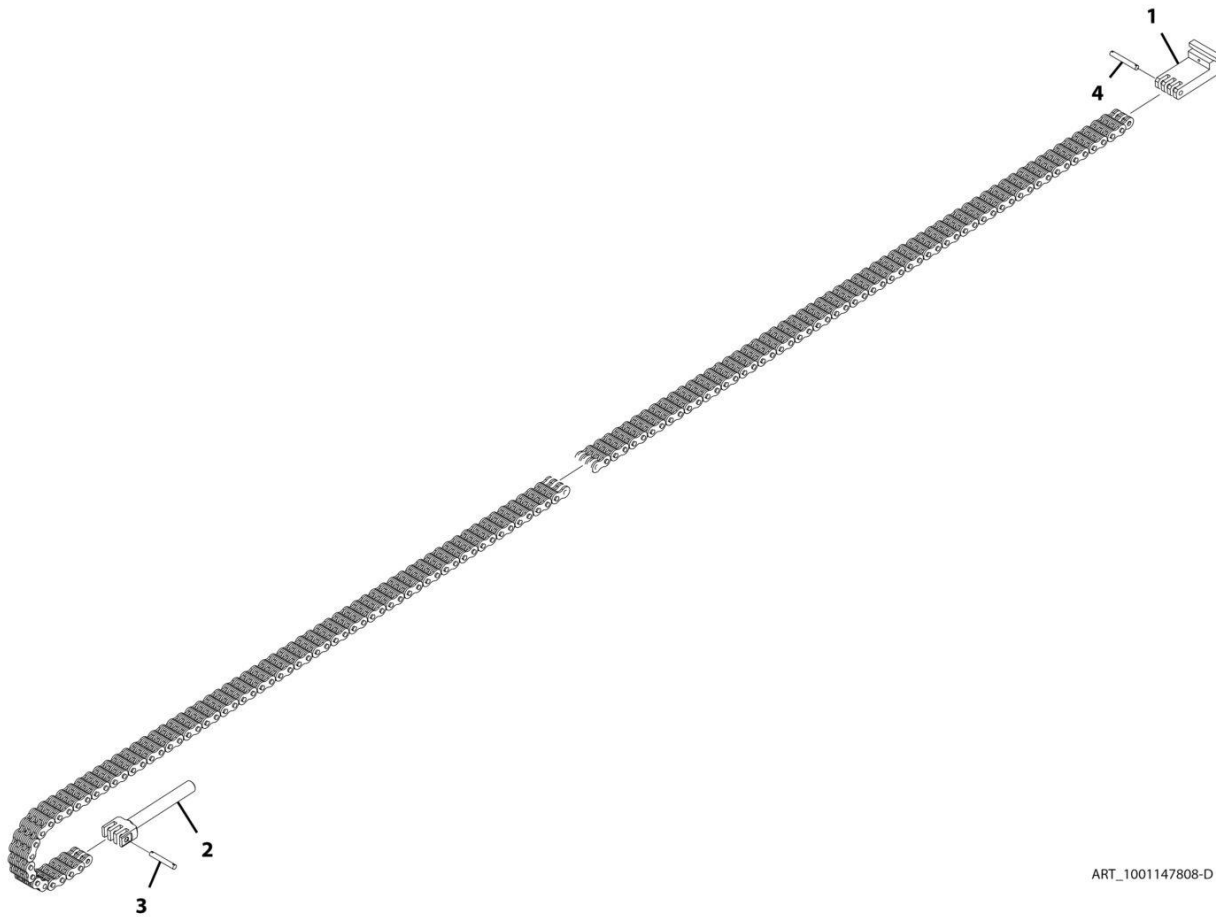
SECTION 2 - BOOM

FIGURE 2-8. BOOM INSTALLATION (NO AUXILIARY HYDRAULICS) (4017RS)

ITEM	PART NUMBER	QTY	DESCRIPTION	REV
	1001144686	Ref	Boom Assembly - 4017RS (no auxiliary hydraulics)	R
1	1001095650	AR	Compound, Locking	
2	1001098457	AR	Lube, Lithium Grease	
3	3020040	AR	Lubricant, Moly Paste	
4	0760610	7	Bolt, M6X20	
5	0701013	2	Bolt, M8X20	
9	3291205	1	Nut, Lock M12X1.75	
10	3332011	2	Nut, M20X2.5	
11	3332411	8	Nut, M24X3	
14	4811700	5	Washer, M6	
15	4812000	2	Washer, M8	
16	4831700	4	Washer, Lock 6	
17	4832000	2	Washer, Lock 8	
18	1001090150	2	Bearing	
19	0711229	1	Bolt, M12X120, Grade 10.9	
20	1001144158	1	Section, First Boom (See FIRST BOOM SECTION for Breakdown)	
21	1001144181	1	Section, Second Boom (See SECOND BOOM SECTION for Breakdown)	
23	1001144218	1	Section, Third Boom (See THIRD BOOM SECTION for Breakdown)	
24	1001144244	1	Section, Fourth Boom (See FOURTH BOOM SECTION for Breakdown)	
25	1001144713	1	Assembly, Extend Chain (See EXTEND CHAIN ASSEMBLY (1) for Breakdown)	
26	1001144758	1	Assembly, Retract Chain (See RETRACT CHAIN ASSEMBLY (1) for Breakdown)	
27	1001144771	1	Assembly, Retract Chain (See RETRACT CHAIN ASSEMBLY (2) for Breakdown)	
28	1001144780	2	Assembly, Extend Chain (See EXTEND CHAIN ASSEMBLY (2) for Breakdown)	
30	1001147527	1	Pin, Tilt Cylinder	
31	1001147596	1	Pin, Extend/Retract Cylinder, Rod End	
32	1001147597	1	Pin, Extend/Retract Cylinder, Barrel End	
33	1001147640	1	Pin, Chain Clevis	
34	1001147899	1	Bracket, Clamp	
35	1001151879	1	Assembly, Hose Support (See HOSE SUPPORT ASSEMBLY for Breakdown)	
39	1001149653	1	Installation, Boom Hydraulics (See HYDRAULICS INSTALLATION for Breakdown)	
40	1001149555	1	Pin, Clevis	
41	1001149581	2	Ring, Snap	
43	3760493	4	Ring, Retaining	
44	1001155805	2	Ring, Snap	
45	1001156947	2	Plate, Clevis	
46	1001165887	1	Installation, Cover Plate (See COVER PLATE INSTALLATION for Breakdown)	
47	4031716	1	Bolt, M6X60	
48	1001174034	1	Pulley, Hose Sheave	
49	1001174036	1	Spindle, Hose Sheave	
50	1001174042	1	Bracket, Hose Pulley	
51	4812500	1	Washer, M20	
52	4812700	4	Washer, M24	

SECTION 2 - BOOM

FIGURE 2-9. EXTEND CHAIN ASSEMBLY (3614RS)



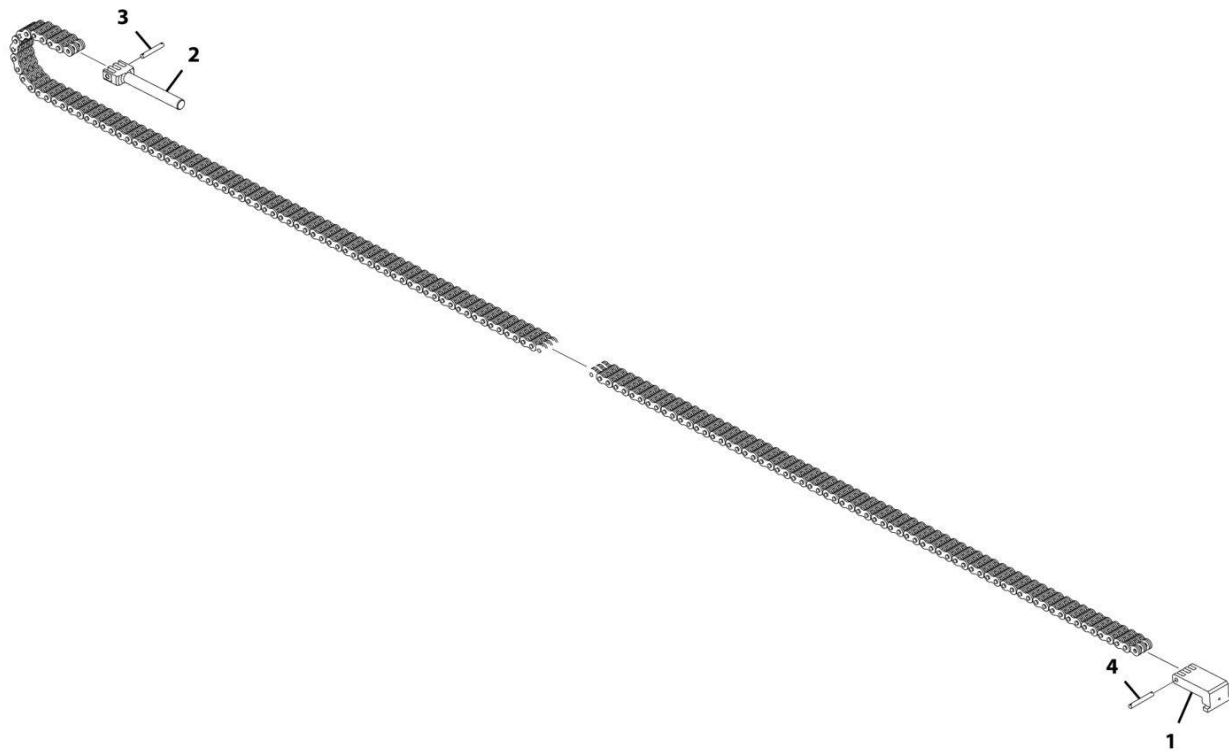
ART_1001147808-D

FIGURE 2-9. EXTEND CHAIN ASSEMBLY (3614RS)

ITEM	PART NUMBER	QTY	DESCRIPTION	REV
	1001147808	Ref	Extend Chain Assembly	D
1	1001147695	1	Clevis, Chain	
2	1001148317	1	Clevis, Chain	
3	1001149163	1	Pin, Anchor	
4	1001149164	1	Pin, Anchor	

SECTION 2 - BOOM

FIGURE 2-10. EXTEND CHAIN ASSEMBLY (1) (4017RS)



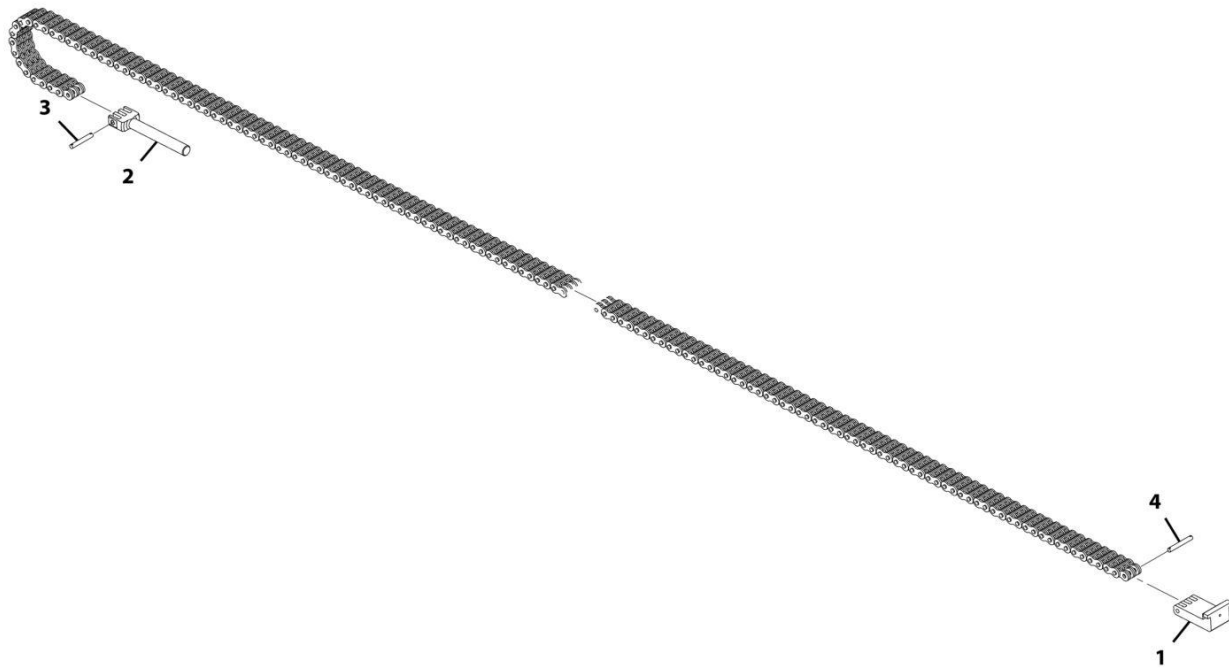
ART_1001144713-A

FIGURE 2-10. EXTEND CHAIN ASSEMBLY (1) (4017RS)

ITEM	PART NUMBER	QTY	DESCRIPTION	REV
	1001144713	Ref	Extend Chain Assembly	A
1	1001147695	1	Clevis, Chain	
2	1001148317	1	Clevis, Chain	
3	1001149163	1	Pin, Anchor	
4	1001149164	1	Pin, Anchor	

SECTION 2 - BOOM

FIGURE 2-11. EXTEND CHAIN ASSEMBLY (2) (4017RS)



ART_1001144780-A

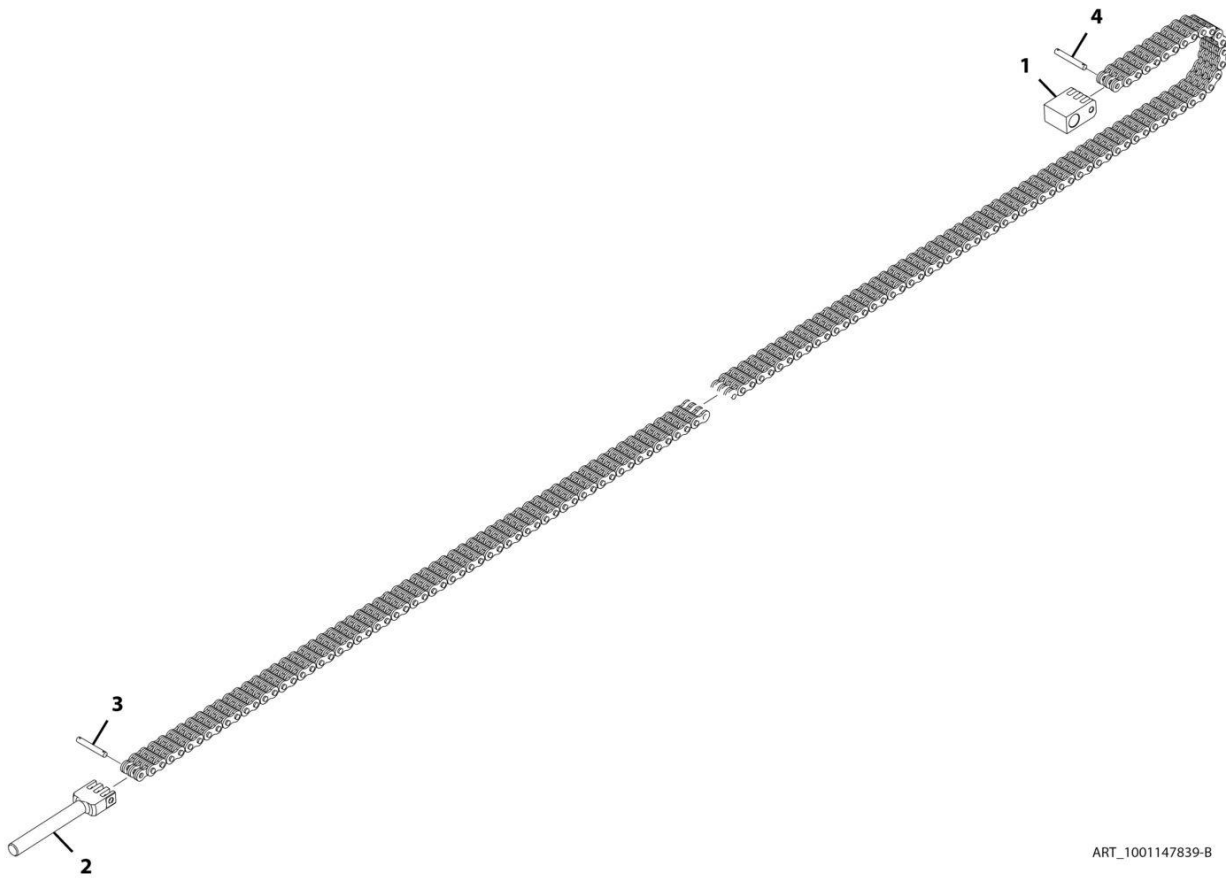
SECTION 2 - BOOM

FIGURE 2-11. EXTEND CHAIN ASSEMBLY (2) (4017RS)

ITEM	PART NUMBER	QTY	DESCRIPTION	REV
	1001144780	Ref	Extend Chain Assembly	A
1	1001147695	1	Clevis, Chain	
2	1001148317	1	Clevis, Chain	
3	1001149163	1	Pin, Anchor	
4	1001149164	1	Pin, Anchor	

SECTION 2 - BOOM

FIGURE 2-12. RETRACT CHAIN ASSEMBLY (3614RS)



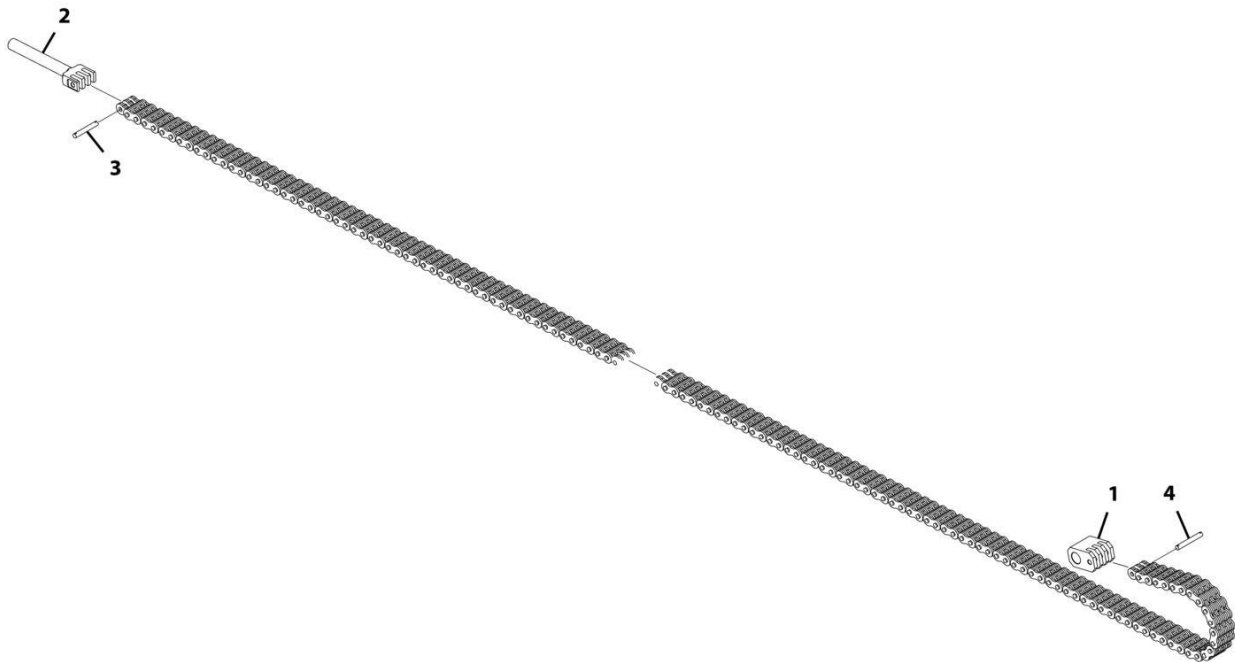
ART_1001147839-B

FIGURE 2-12. RETRACT CHAIN ASSEMBLY (3614RS)

ITEM	PART NUMBER	QTY	DESCRIPTION	REV
	1001147839	Ref	Retract Chain Assembly	B
1	1001147641	1	Clevis, Chain	
2	1001147739	1	Clevis, Chain	
3	1001149156	1	Pin, Anchor	
4	1001149699	1	Pin, Anchor	

SECTION 2 - BOOM

FIGURE 2-13. RETRACT CHAIN ASSEMBLY (1) (4017RS)



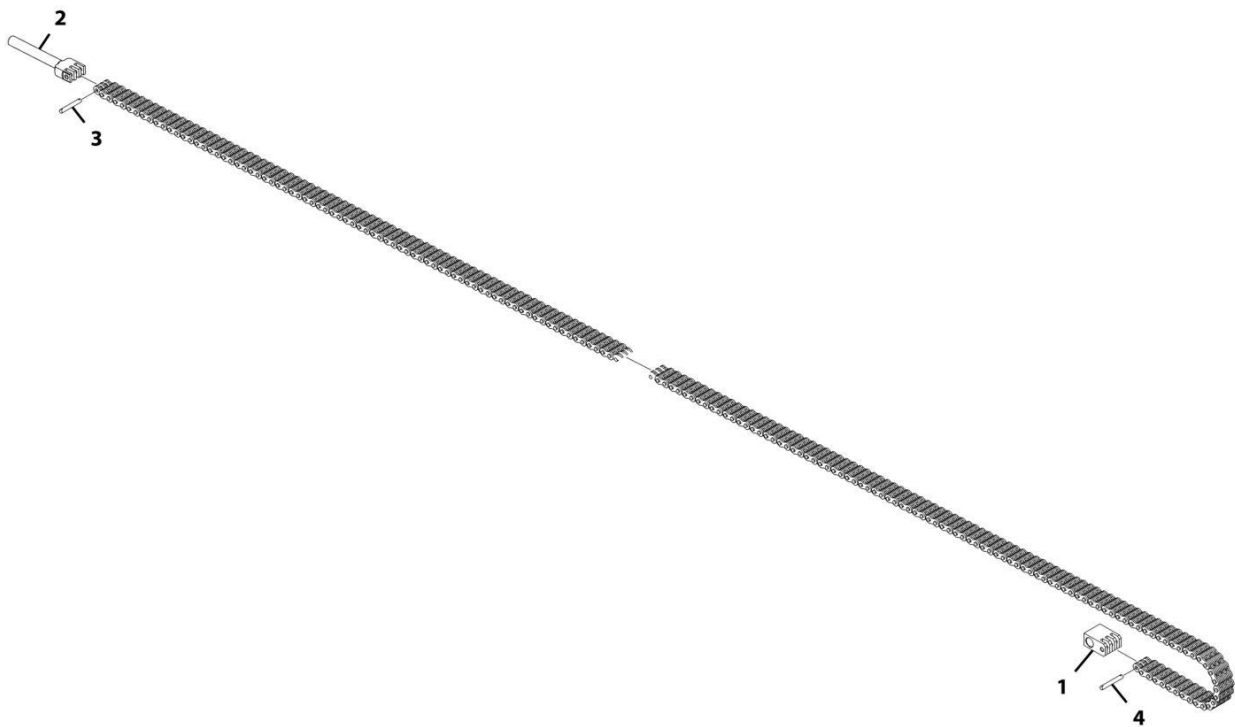
ART_1001144758-A

FIGURE 2-13. RETRACT CHAIN ASSEMBLY (1) (4017RS)

ITEM	PART NUMBER	QTY	DESCRIPTION	REV
	1001144758	Ref	Retract Chain Assembly	A
1	1001147623	1	Clevis, Chain	
2	1001148317	1	Clevis, Chain	
3	1001149163	1	Pin, Anchor	
4	1001149164	1	Pin, Anchor	

SECTION 2 - BOOM

FIGURE 2-14. RETRACT CHAIN ASSEMBLY (2) (4017RS)



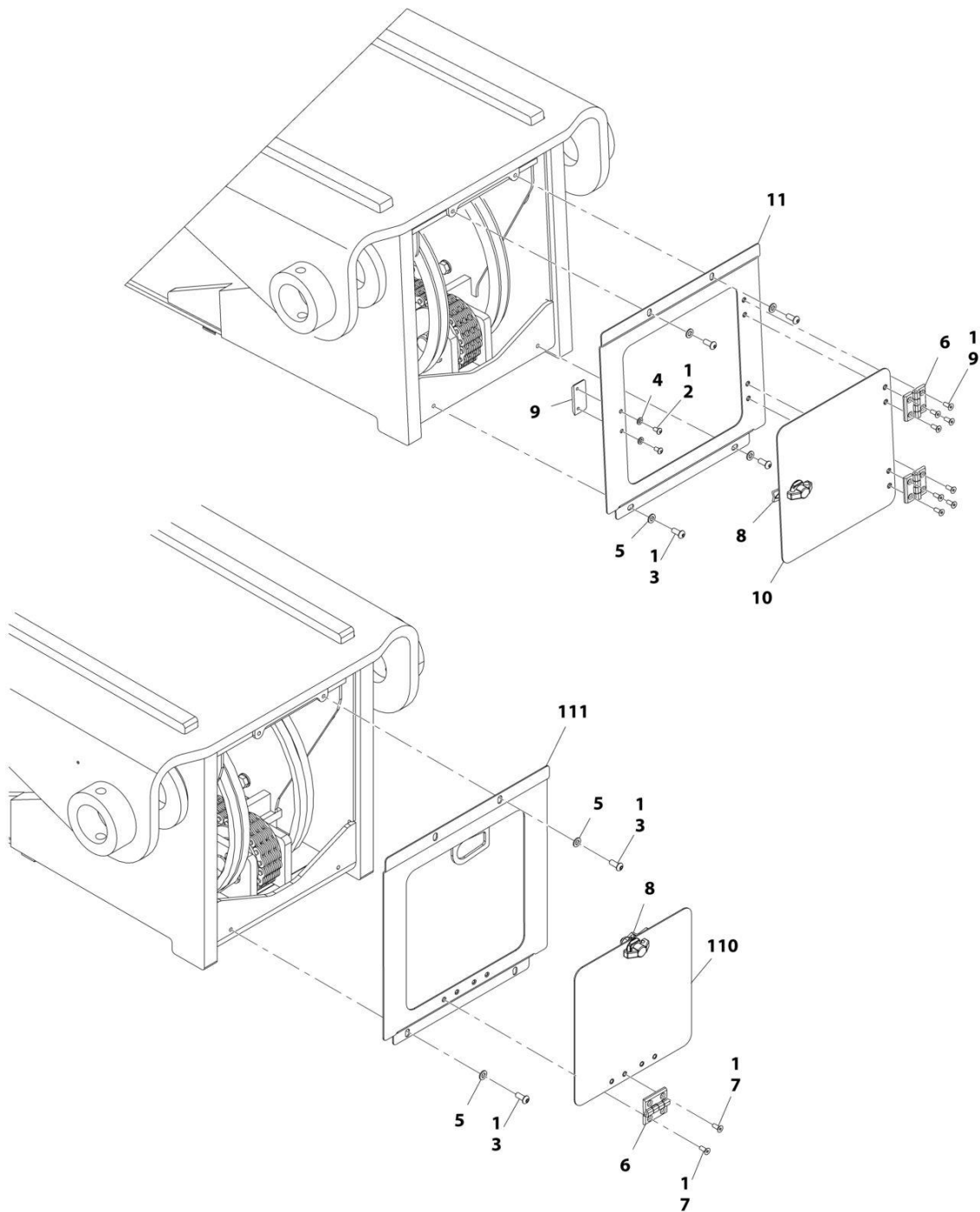
ART_1001144771-A

FIGURE 2-14. RETRACT CHAIN ASSEMBLY (2) (4017RS)

ITEM	PART NUMBER	QTY	DESCRIPTION	REV
	1001144771	Ref	Retract Chain Assembly	A
1	1001147641	1	Clevis, Chain	
2	1001147739	1	Clevis, Chain	
3	1001149156	1	Pin, Anchor	
4	1001149699	1	Pin, Anchor	

SECTION 2 - BOOM

FIGURE 2-15. COVER PLATE INSTALLATION (3614RS)



ART_1001161951-D

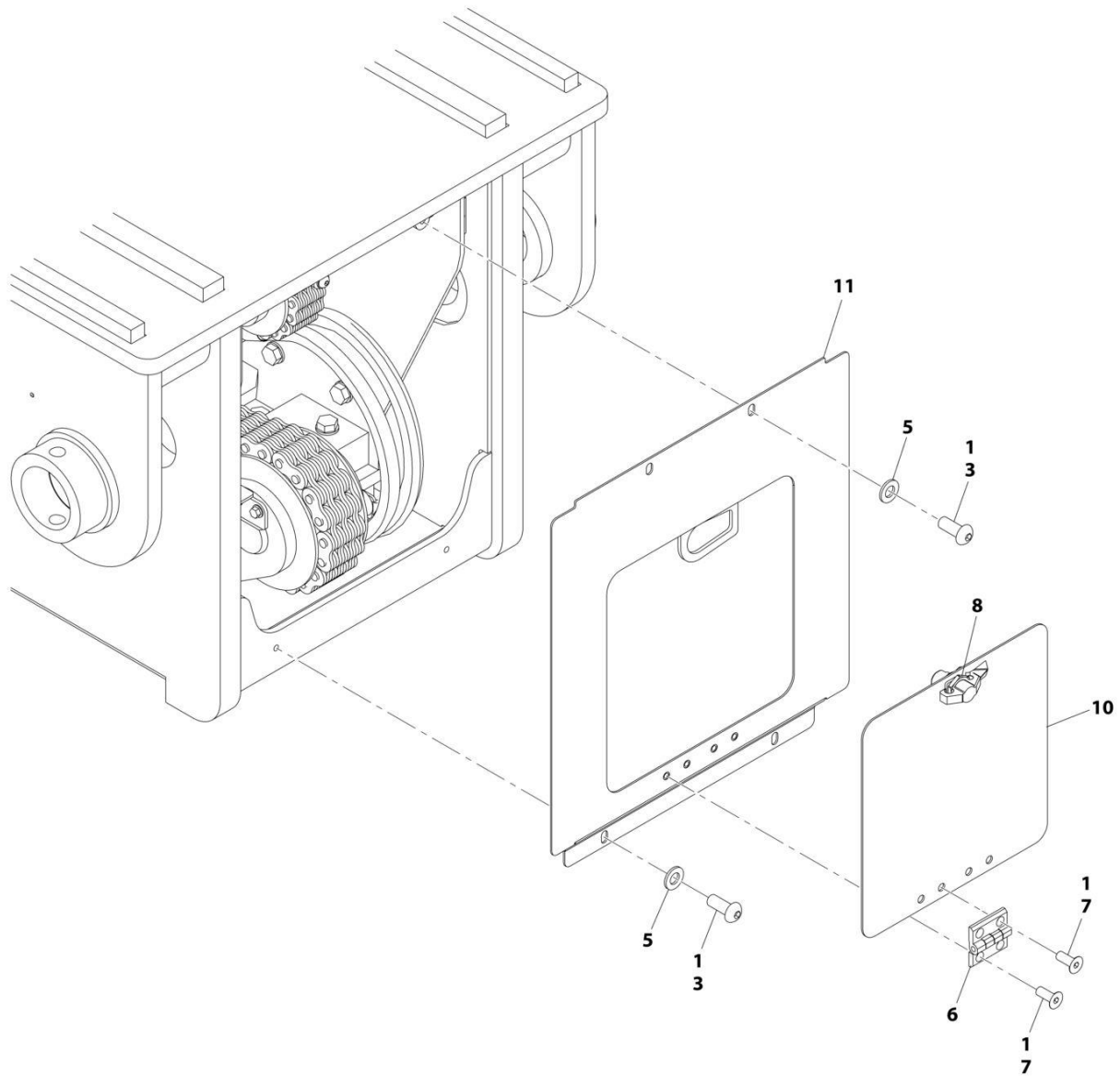
SECTION 2 - BOOM

FIGURE 2-15. COVER PLATE INSTALLATION (3614RS)

ITEM	PART NUMBER	QTY	DESCRIPTION	REV
	1001161951	Ref	Cover Plate Installation	D
1	1001095650	AR	Compound, Locking	
2	1001172289	2	Screw, M6X12 (SN 1160007024 through 1160007970)	
3	1001164726	4	Bolt, M8X20	
4	4811700	2	Washer, M6 (SN 1160007024 through 1160007970)	
5	4811900	4	Washer, M8	
6	8006105	2	Joint, Hinge	
7	1001162246	8	Screw, M6X16	
8	1001162375	1	Latch, Wing Knob	
9	1001162657	1	Plate, Latch (SN 1160007024 through 1160007970)	
10	1001162364J	1	Bracket, Door Cover (SN 1160007024 through 1160007970)	
11	1001172263J	1	Bracket, Cover (SN 1160007024 through 1160007970)	
110	1001175165J	1	Bracket, Door Cover (SN 1160007970 through 1160008790)	
111	1001189957J	1	Bracket, Cover (SN 1160007970 through 1160008790)	

SECTION 2 - BOOM

FIGURE 2-16. COVER PLATE INSTALLATION (4017RS)



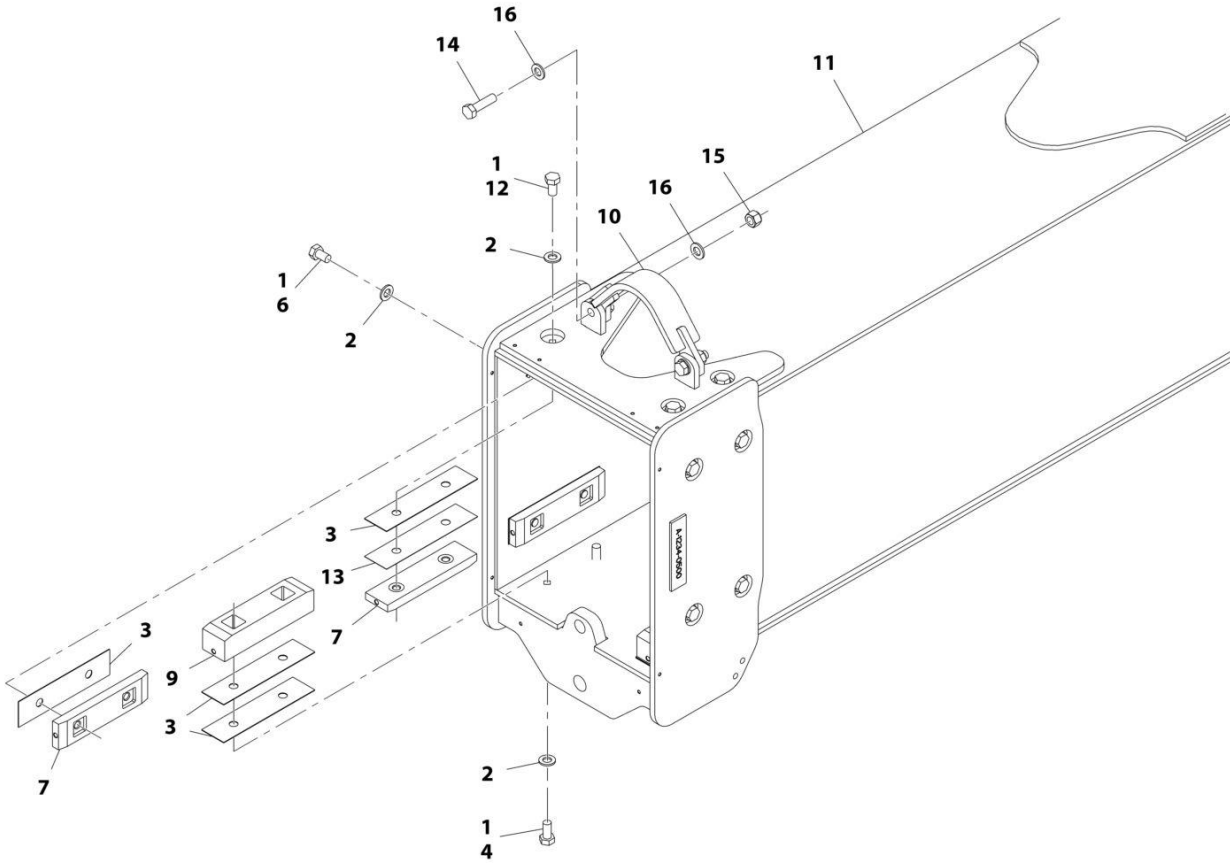
ART_1001165887-E

SECTION 2 - BOOM**FIGURE 2-16. COVER PLATE INSTALLATION (4017RS)**

ITEM	PART NUMBER	QTY	DESCRIPTION	REV
	1001165887	Ref	Cover Plate Installation	C
1	1001095650	AR	Compound, Locking	
3	1001164726	4	Bolt, M8X20	
5	4811900	4	Washer, M8	
6	8006105	2	Joint, Hinge	
7	1001162246	8	Screw, M6X16	
8	1001162375	1	Latch, Wing Knob	
10	1001175165J	1	Bracket, Door Cover	
11	1001175234J	1	Panel, Boom Door	

SECTION 2 - BOOM

FIGURE 2-17. FIRST BOOM SECTION (3614RS)



ART_1001143146-O

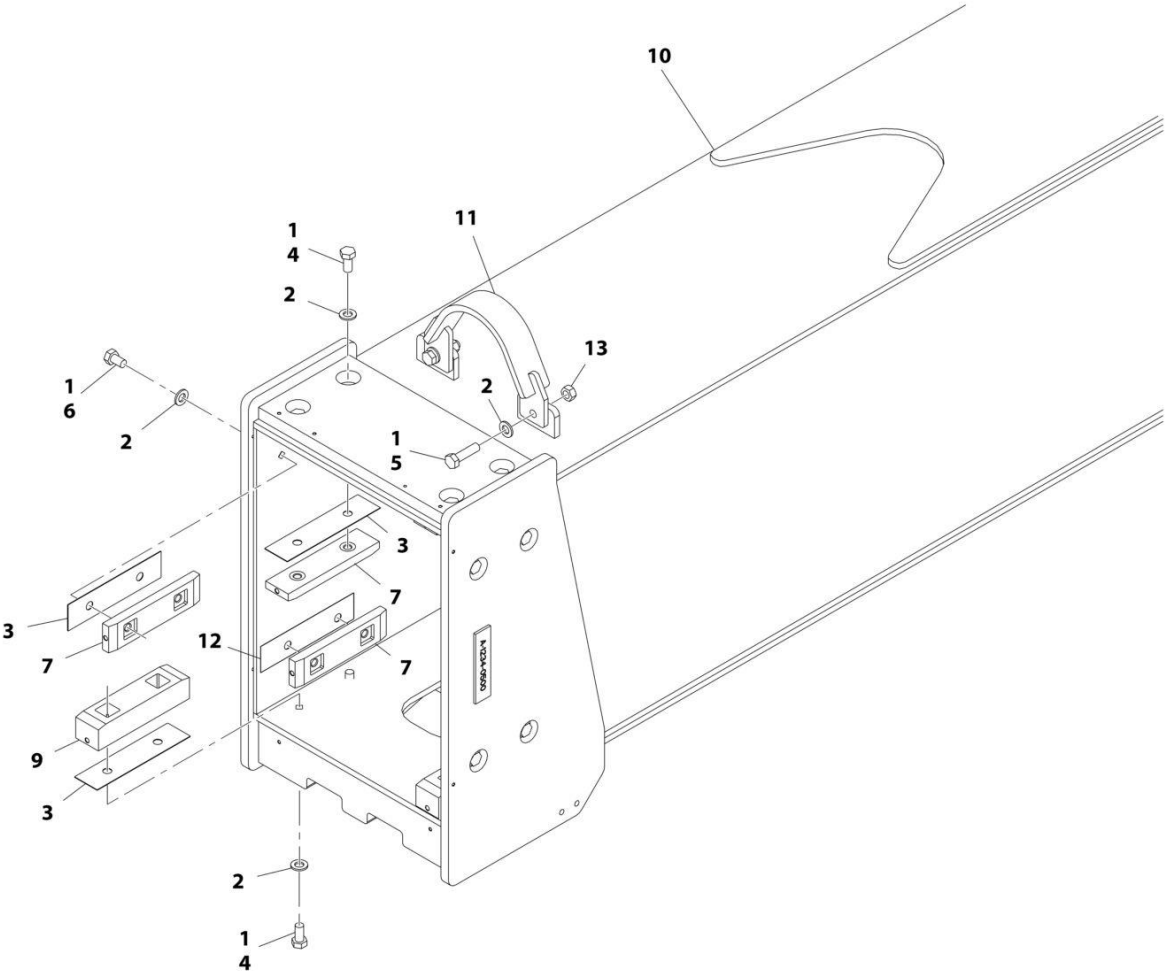
SECTION 2 - BOOM

FIGURE 2-17. FIRST BOOM SECTION (3614RS)

ITEM	PART NUMBER	QTY	DESCRIPTION	REV
	1001143146	Ref	First Boom Section	N
1	1001095650	AR	Compound, Locking	
2	1001125117	AR	Washer	
3	1001147731	AR	Shim, 1X45X185	
4	0771212	4	Bolt, M12X25, Grade 10.9	
6	0771210	8	Bolt, M12X20, Grade 10.9	
7	1001147657	6	Pad, 15X45X181	
9	1001147668	2	Pad, 39X45X181	
10	1001172206	1	Brace, Extend/Retract Cylinder	
11	1001192959J	1	Weldment	
12	0771211	4	Bolt, M12X22, Grade 10.9	
13	1001154174	AR	Shim, 0.5X45X185	
14	0711217	2	Bolt, M12X45, Grade 10.9	
15	3291205	2	Hex Lock Nut, M12X1.75	
16	4812100	4	Washer, M12	

SECTION 2 - BOOM

FIGURE 2-18. FIRST BOOM SECTION (4017RS)



ART_1001144158-N

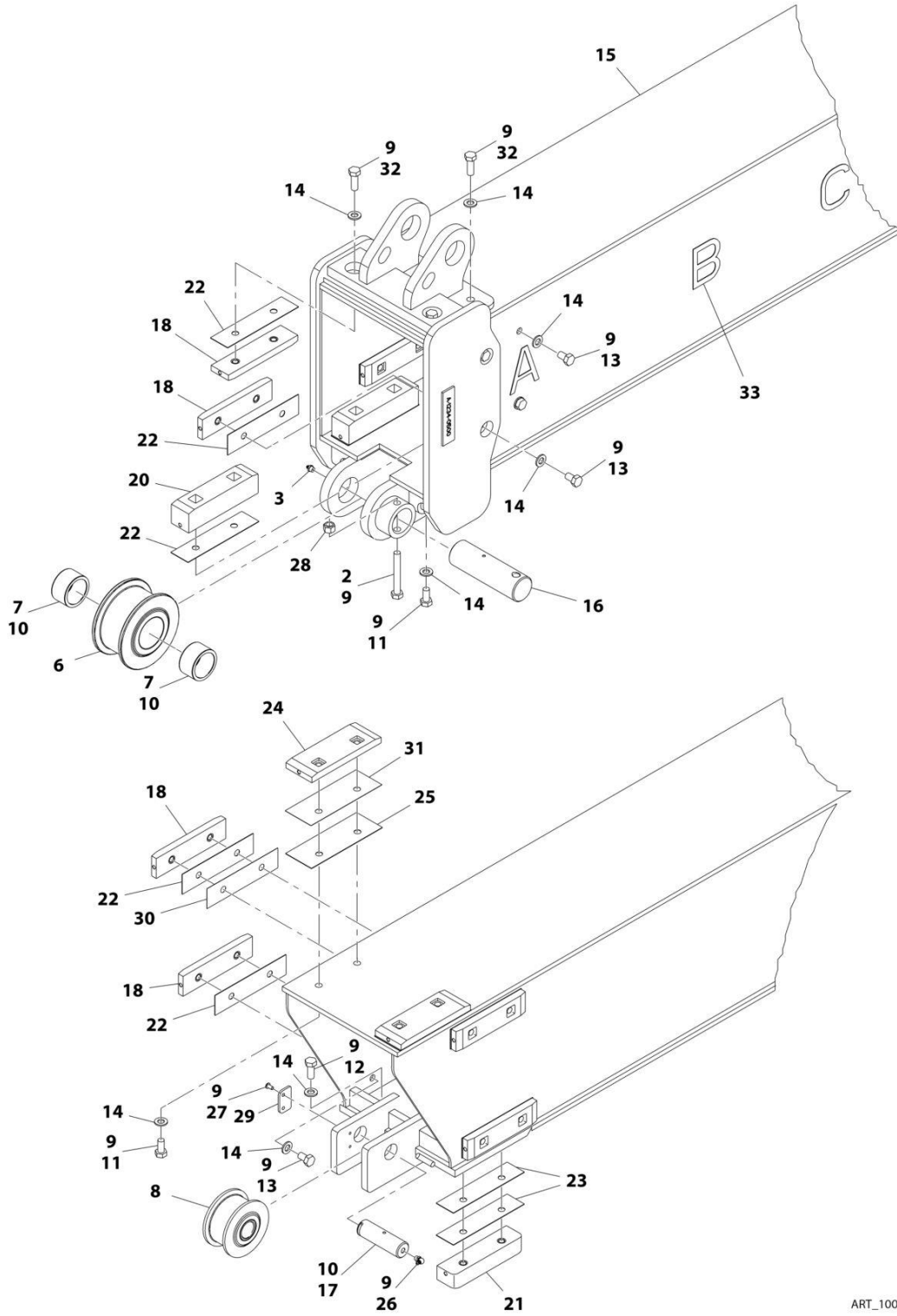
SECTION 2 - BOOM

FIGURE 2-18. FIRST BOOM SECTION (4017RS)

ITEM	PART NUMBER	QTY	DESCRIPTION	REV
	1001144158	Ref	First Boom Section	M
1	1001095650	AR	Compound, Locking	
2	1001125117	AR	Washer	
3	1001147731	AR	Shim, 1X45X185	
4	0771212	8	Bolt, M12X25, Grade 10.9	
5	0771217	2	Bolt, M12X45, Grade 10.9	
6	0771210	8	Bolt, M12X20, Grade 10.9	
7	1001147657	6	Pad, 15X45X181	
9	1001147668	2	Pad, 39X45X181	
10	1001192566J	1	Weldment	
11	1001161015	1	Bracket, Extend/Retract Cylinder	
12	1001154174	AR	Shim, 0.5X45X185	
13	3291201	2	Nut, M12X1.75	

SECTION 2 - BOOM

FIGURE 2-19. SECOND BOOM SECTION (3614RS)



ART_1001143352-L

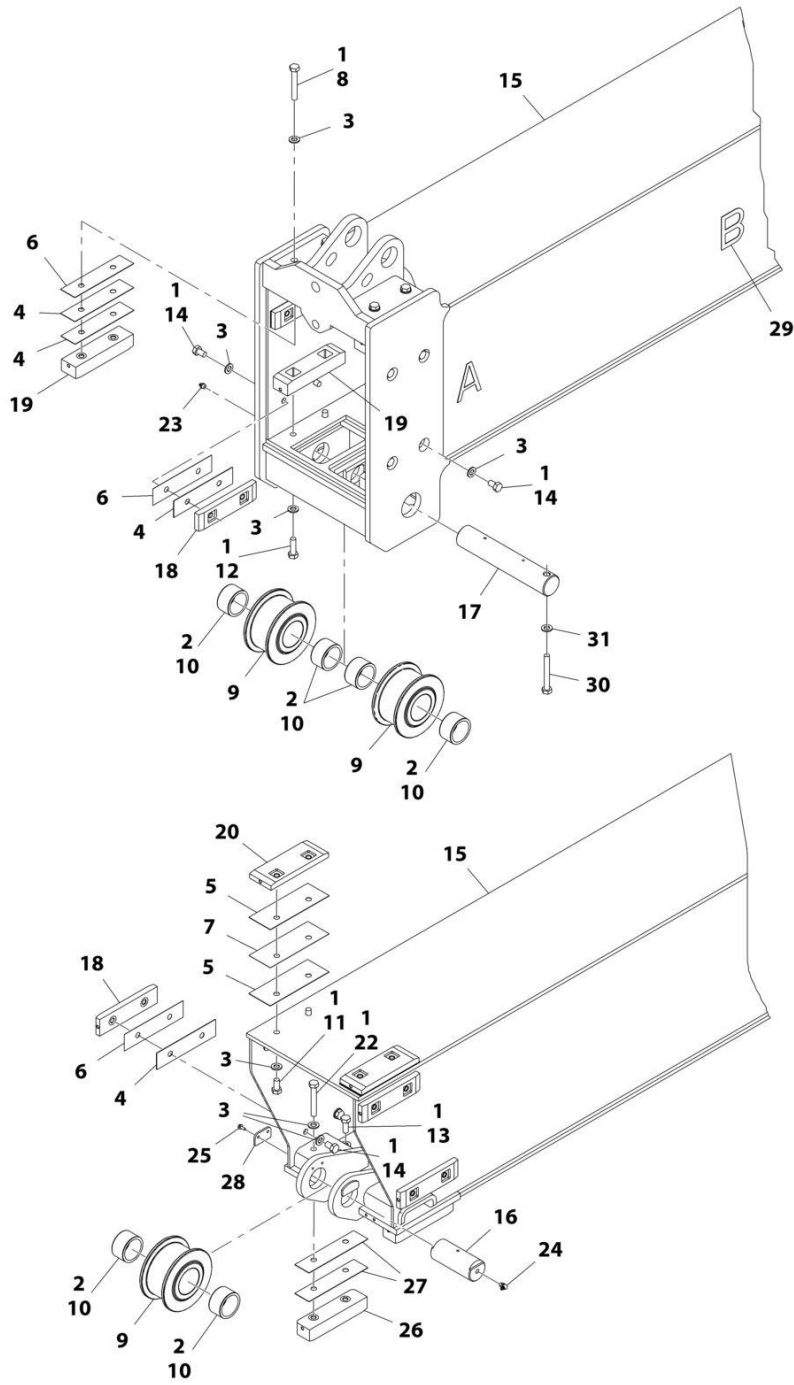
SECTION 2 - BOOM

FIGURE 2-19. SECOND BOOM SECTION (3614RS)

ITEM	PART NUMBER	QTY	DESCRIPTION	REV
	1001143352	Ref	Second Boom Section - 3614RS	L
2	0701226	1	Bolt, M12X90	
3	2160016	1	Fitting, Grease	
6	7114032	1	Sheave, Extend Chain	
7	7117502	2	Bushing, Sheave, Extend Chain	
8	7138986	1	Sheave, Retract Chain	
9	1001095650	AR	Compound, Locking	
10	1001098457	AR	Lube, Lithium Grease	
11	0771212	8	Bolt, M12X25, Grade 10.9	
12	0711214	4	Bolt, M12X30, Grade 10.9	
13	0771210	16	Bolt, M12X20, Grade 10.9	
14	1001125117	AR	Washer	
15	1001143354	1	Weldment	
16	1001147562	1	Pin, Sheave, Extend Chain	
17	1001147595	1	Pin, Sheave, Retract Chain	
18	1001147657	10	Pad, 15X45X181	
20	1001147670	2	Pad, 46X45X181	
21	1001147730	2	Pad, 34X45X181	
22	1001147731	AR	Shim, 1X45X185	
23	1001147802	AR	Shim, 1X45X185	
24	1001148103	2	Pad, 15X67.5X181	
25	1001148147	AR	Shim, 1X67.5X185	
26	2160018	1	Fitting, Grease	
27	3900362	2	Screw, M6-1X12	
28	3291205	1	Nut, Lock M12X1.75	
29	1001153960	1	Bracket, Pin Retainer	
30	1001154174	AR	Shim, 0.5X45X185	
31	1001154176	AR	Shim, 0.5X67.5X185	
32	0711215	4	Bolt, M12X35, Grade 10.9	
33	1001171798	1	Installation, Boom Decal (See DECALS SECTION for Breakdown)	

SECTION 2 - BOOM

FIGURE 2-20. SECOND BOOM SECTION (4017RS)



ART_1001144181-L

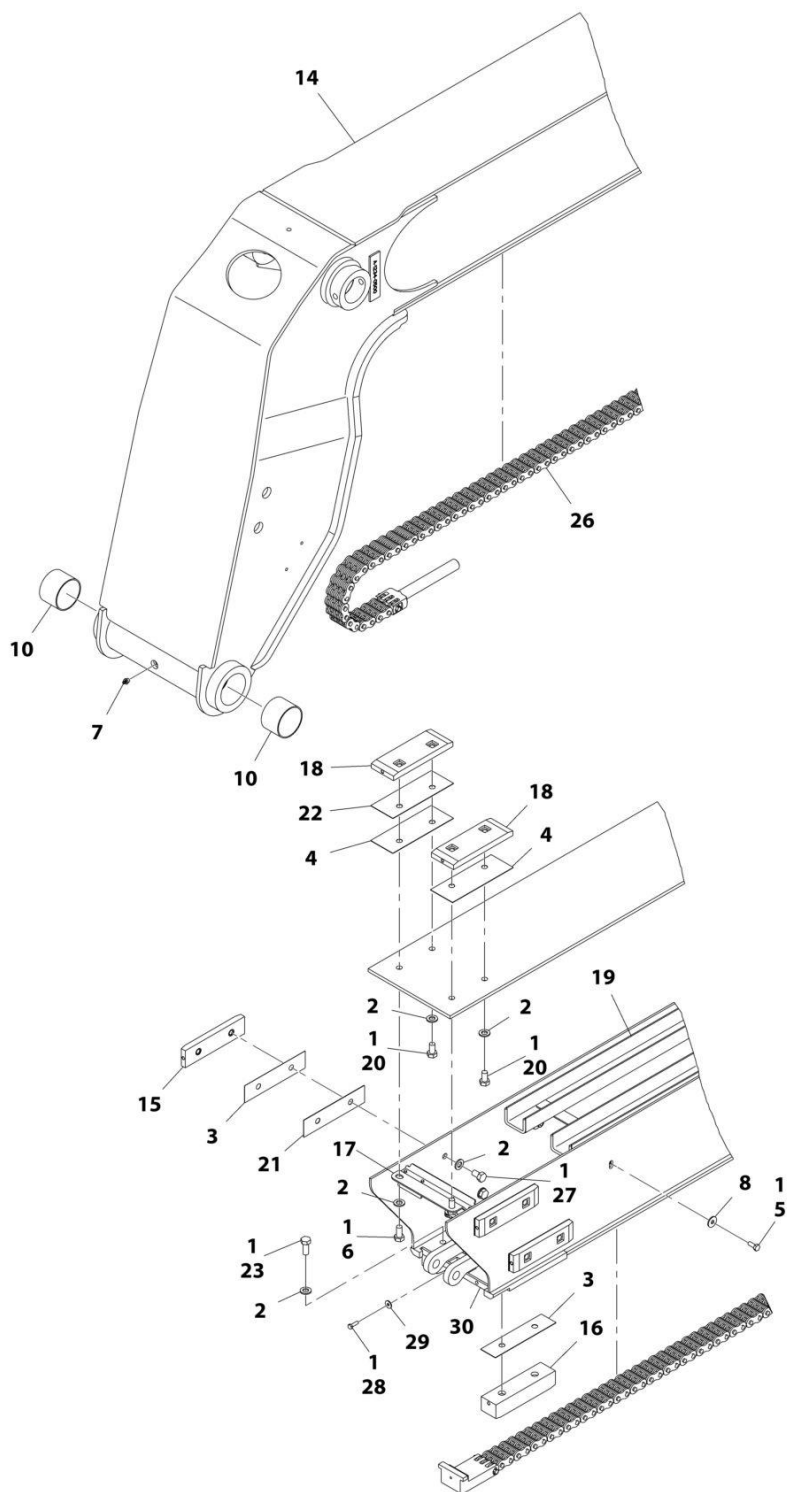
SECTION 2 - BOOM

FIGURE 2-20. SECOND BOOM SECTION (4017RS)

ITEM	PART NUMBER	QTY	DESCRIPTION	REV
	1001144181	Ref	Second Boom Section	L
1	1001095650	AR	Compound, Locking	
2	1001098457	AR	Lube, Lithium Grease	
3	1001125117	AR	Washer	
4	1001147731	AR	Shim, 1X45X185	
5	1001148147	AR	Shim, 1X67.5X185	
6	1001154174	AR	Shim, 0.5X45X185	
7	1001154176	AR	Shim, 0.5X67.5X185	
8	0711225	4	Bolt, M12X85, Grade 10.9	
9	7114032	3	Sheave, Extend Chain	
10	7117502	6	Bushing, Sheave, Extend Chain	
11	0771212	4	Bolt, M12X25, Grade 10.9	
12	0711216	4	Bolt, M12X40, Grade 10.9	
13	0711214	2	Bolt, M12X30, Grade 10.9	
14	0771210	16	Bolt, M12X20, Grade 10.9	
15	1001144182	1	Weldment	
16	1001147601	1	Pin, Sheave	
17	1001147602	1	Pin, Sheave	
18	1001147657	8	Pad, 15X45X181	
19	1001148101	4	Pad, 34X45X181	
20	1001148103	2	Pad, 15X67.5X181	
22	0711224	2	Bolt, M12X80, Grade 10.9	
23	2160016	1	Fitting, Grease	
24	2160018	1	Fitting, Grease	
25	0780608	2	Screw, M6-1X12	
26	1001147730	2	Pad, 34X45X181	
27	1001147802	AR	Shim, 1X45X185	
28	1001153960	1	Bracket, Pin Retainer	
29	1001171798	1	Installation, Boom Decal (See DECALS SECTION for Breakdown)	
30	0711226	1	Screw, M12X90	
31	4812100	1	Washer, M12	

SECTION 2 - BOOM

FIGURE 2-21. THIRD BOOM SECTION (3614RS)



ART_1001143400-P

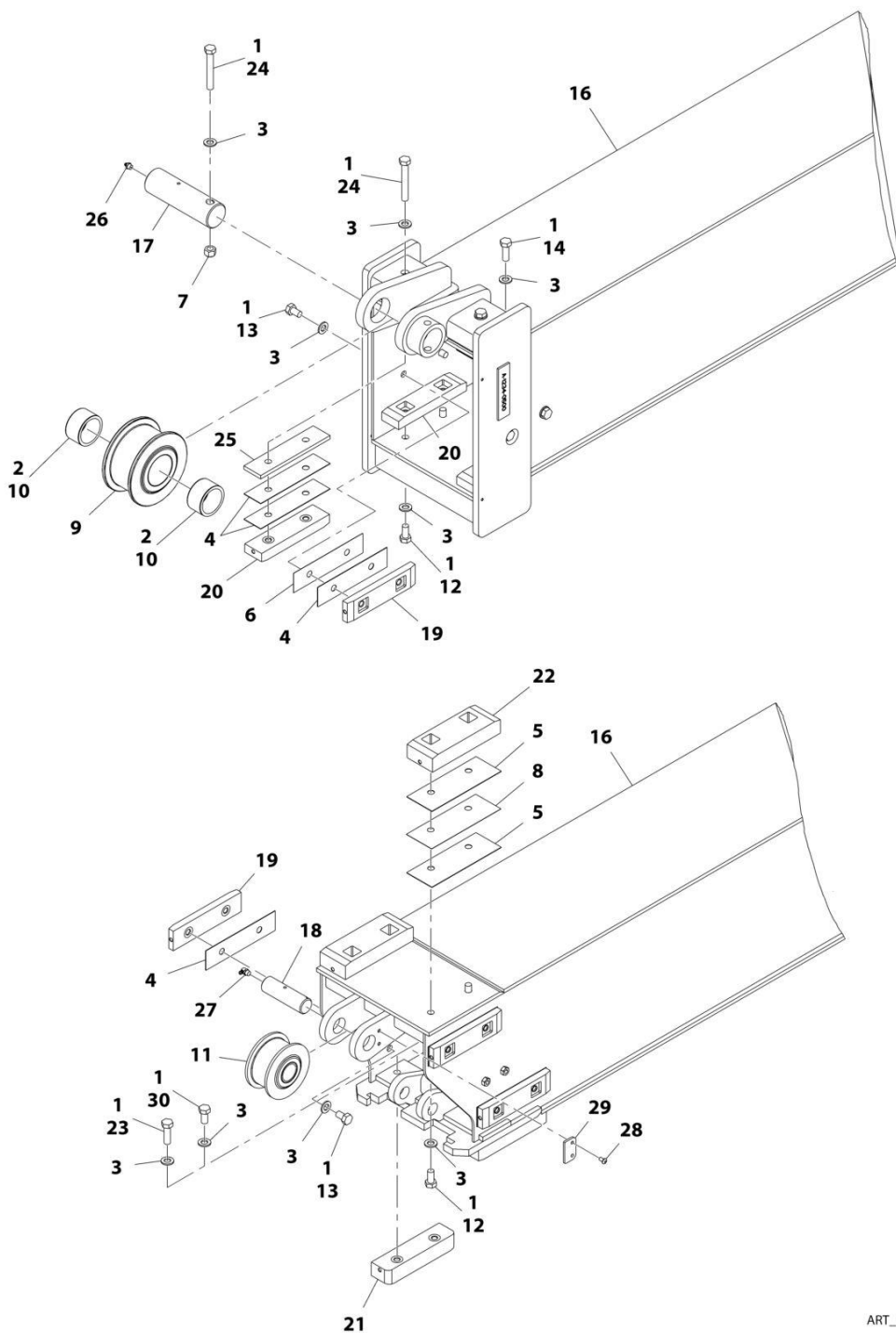
SECTION 2 - BOOM

FIGURE 2-21. THIRD BOOM SECTION (3614RS)

ITEM	PART NUMBER	QTY	DESCRIPTION	REV
	1001143400	Ref	Third Boom Section	P
1	1001095650	AR	Compound, Locking	
2	1001125117	AR	Washer	
3	1001147731	AR	Shim, 1X45X185	
4	1001148147	AR	Shim, 1X67.5X185	
5	0760810	10	Bolt, M8X20	
6	0771212	2	Bolt, M12X25, Grade 10.9	
7	2160016	1	Fitting, Grease	
8	4811902	10	Washer, M8	
10	1001090150	2	Bearing	
14	1001143401	1	Weldment	
15	1001147657	4	Pad, 15X45X181	
16	1001147668	2	Pad, 39X45X181	
17	1001152188	1	Bracket, Hose Clamp	
18	1001148103	2	Pad, 15X67.5X181	
19	1001152330	1	Bracket, Hose Tray	
20	0771211	2	Bolt, M12X22, Grade 10.9	
21	1001154174	AR	Shim, 0.5X45X185	
22	1001154176	AR	Shim, 0.5X67.5X185	
23	0711214	4	Bolt, M12X30, Grade 10.9	
26	1001147808	1	Assembly, Extend Chain (See EXTEND CHAIN ASSEMBLY - 3614RS for Breakdown)	
27	0771210	8	Bolt, M12X20, Grade 10.9	
28	0700610	1	Bolt, M6X20	
29	4811702	1	Washer, M6	
30	1001156947	1	Plate, Clevis	

SECTION 2 - BOOM

FIGURE 2-22. THIRD BOOM SECTION (4017RS)



ART_1001144218-J

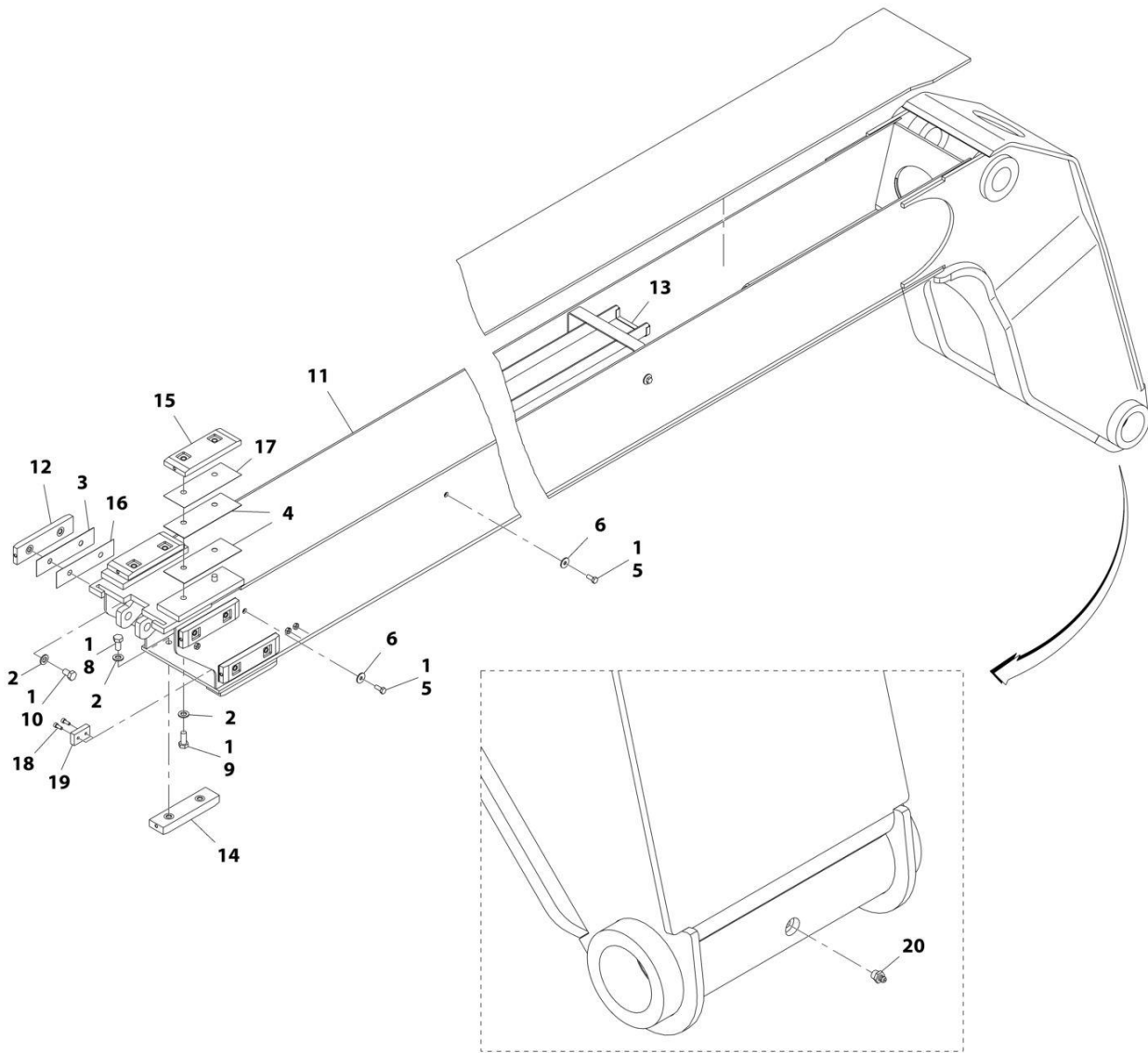
SECTION 2 - BOOM

FIGURE 2-22. THIRD BOOM SECTION (4017RS)

ITEM	PART NUMBER	QTY	DESCRIPTION	REV
	1001144218	Ref	Third Boom Section	J
1	1001095650	AR	Compound, Locking	
2	1001098457	AR	Lube, Lithium	
3	1001125117	AR	Washer	
4	1001147731	AR	Shim, 1X45X185	
5	1001148147	AR	Shim, 1X67.5X185	
6	1001154174	AR	Shim, 0.5X45X185	
7	3291205	1	Nut, Lock M12X1.75	
8	1001154176	AR	Shim, 0.5X67.5X185	
9	7114032	1	Sheave, Extend Chain	
10	7117502	2	Bushing, Sheave, Extend Chain	
11	7138986	1	Sheave, Retract Chain	
12	0771212	8	Bolt, M12X25, Grade 10.9	
13	0771210	12	Bolt, M12X20, Grade 10.9	
14	0711215	2	Bolt, M12X35, Grade 10.9	
16	1001192534	1	Weldment	
17	1001147562	1	Pin, Sheave, Extend Chain	
18	1001147595	1	Pin, Sheave, Retract Chain	
19	1001147657	6	Pad, 15X45X181	
20	1001148100	4	Pad, 22X45X181	
21	1001147730	2	Pad, 34X45X 181	
22	1001148105	2	Pad, 34X67.5X181	
23	0711216	2	Bolt, M12X40, Grade 10.9	
24	0711225	3	Bolt, M12X85, Grade 10.9	
25	1001149327	2	Pad, Spacer	
26	2160016	1	Fitting, Grease	
27	2160018	1	Fitting, Grease	
28	3900362	2	Screw, M6-1X12	
29	1001153960	1	Bracket, Pin Retainer	
30	0711214	2	Capscrew, 12X30	

SECTION 2 - BOOM

FIGURE 2-23. FOURTH BOOM SECTION (4017RS)



ART_1001144244-N

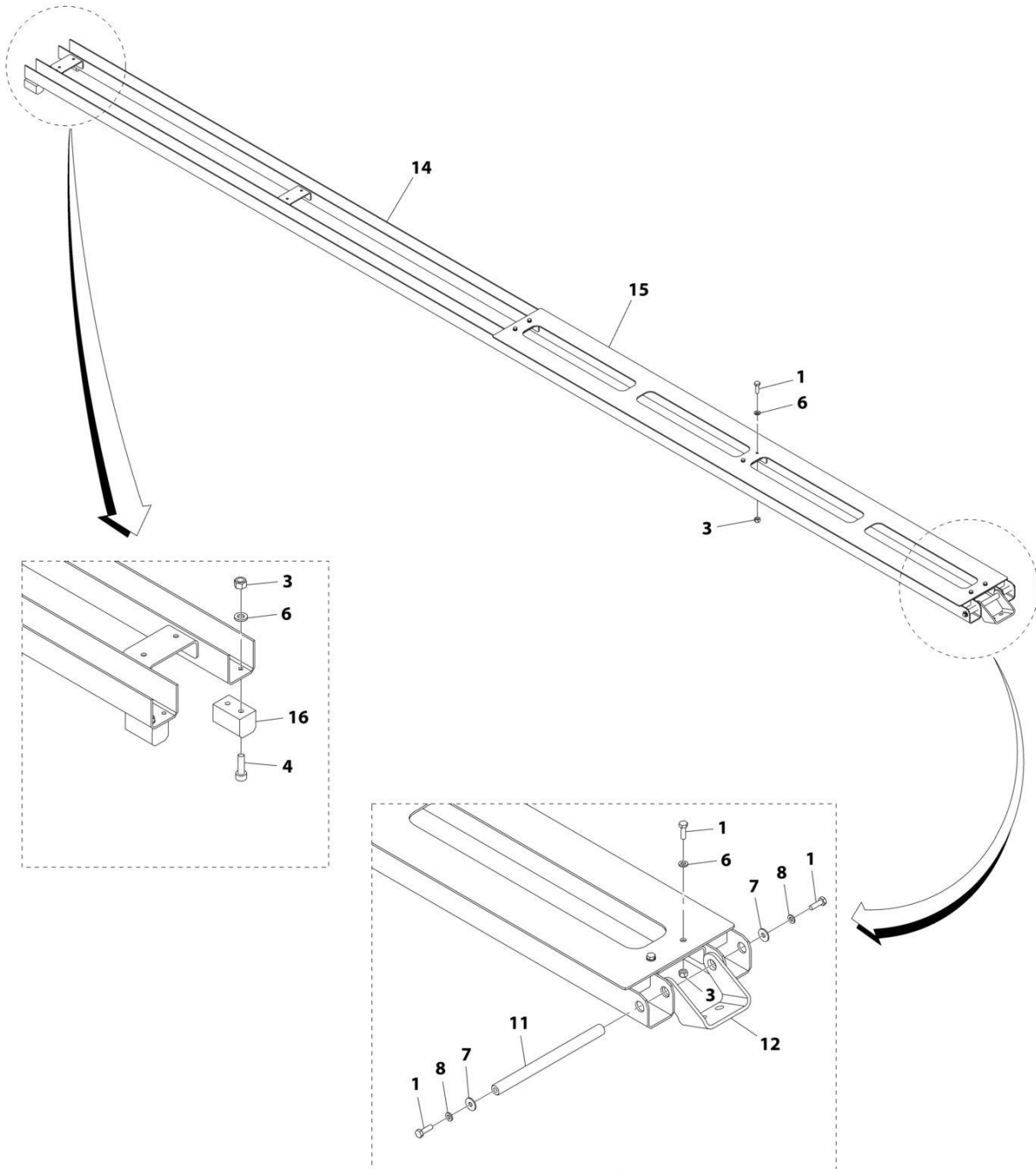
SECTION 2 - BOOM

FIGURE 2-23. FOURTH BOOM SECTION (4017RS)

ITEM	PART NUMBER	QTY	DESCRIPTION	REV
	1001144244	Ref	Fourth Boom Section	N
1	1001095650	AR	Compound, Locking	
2	1001125117	AR	Washer	
3	1001147731	AR	Shim, 1X45X185	
4	1001148147	AR	Shim, 1X67.5X185	
5	0760808	12	Bolt, M8X20	
6	4811902	12	Washer, M8	
8	0771212	4	Bolt, M12X25, Grade 10.9	
9	0711214	4	Bolt, M12X30, Grade 10.9	
10	0771210	8	Bolt, M12X20, Grade 10.9	
11	1001144245	1	Weldment	
12	1001147657	4	Pad, 15X45X181	
13	1001147902	1	Support, Hose	
14	1001148100	2	Pad, 22X45X181	
15	1001148103	2	Pad, 15X67.5X181	
16	1001154174	AR	Shim, 0.5X45X185	
17	1001154176	AR	Shim, 0.5X67.5X185	
18	4031707	8	Screw, M6X16	
19	1001147914	4	Pad, Hose Support	
20	2160016	1	Fitting, Grease	

SECTION 2 - BOOM

FIGURE 2-24. HOSE SUPPORT ASSEMBLY (4017RS)



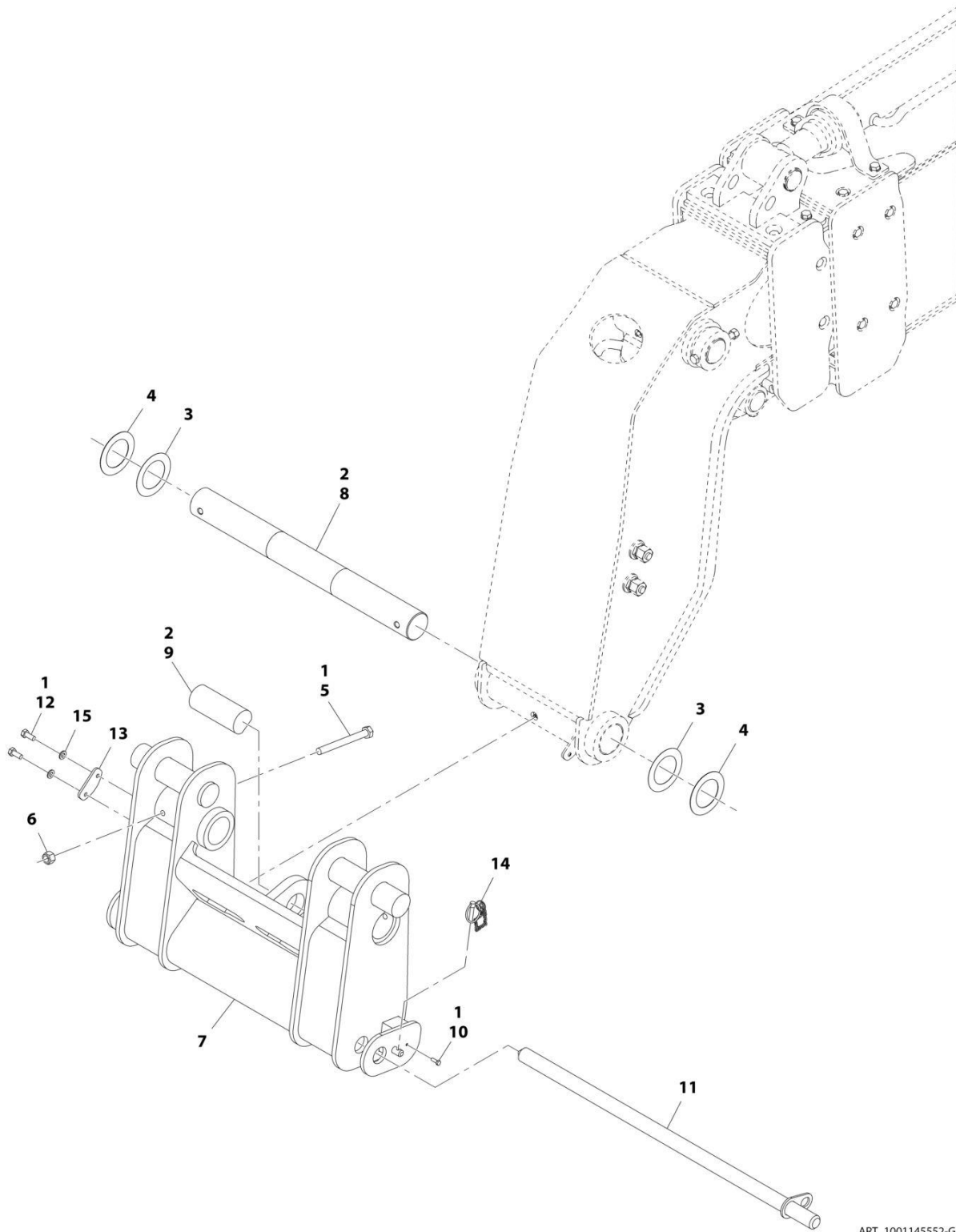
ART_1001151879-H

FIGURE 2-24. HOSE SUPPORT ASSEMBLY (4017RS)

ITEM	PART NUMBER	QTY	DESCRIPTION	REV
	1001151879	Ref	Hose Support Assembly	H
1	0760610	8	Bolt, M6X20	
3	3290605	10	Nut, Lock M6X1	
4	4031708	4	Bolt, M6X20	
6	4811700	16	Washer, M6	
7	4811702	2	Washer, M6	
8	4831700	2	Washer, Lock 6	
11	1001174625	1	Bar, Support	
12	1001174627	1	Bracket, Support	
14	1001177122	1	Support, Hose	
15	1001163539	1	Panel, Tray	
16	1001166995	2	Pad, Hose Tray	

SECTION 2 - BOOM

FIGURE 2-25. MANUAL QUICK ATTACH



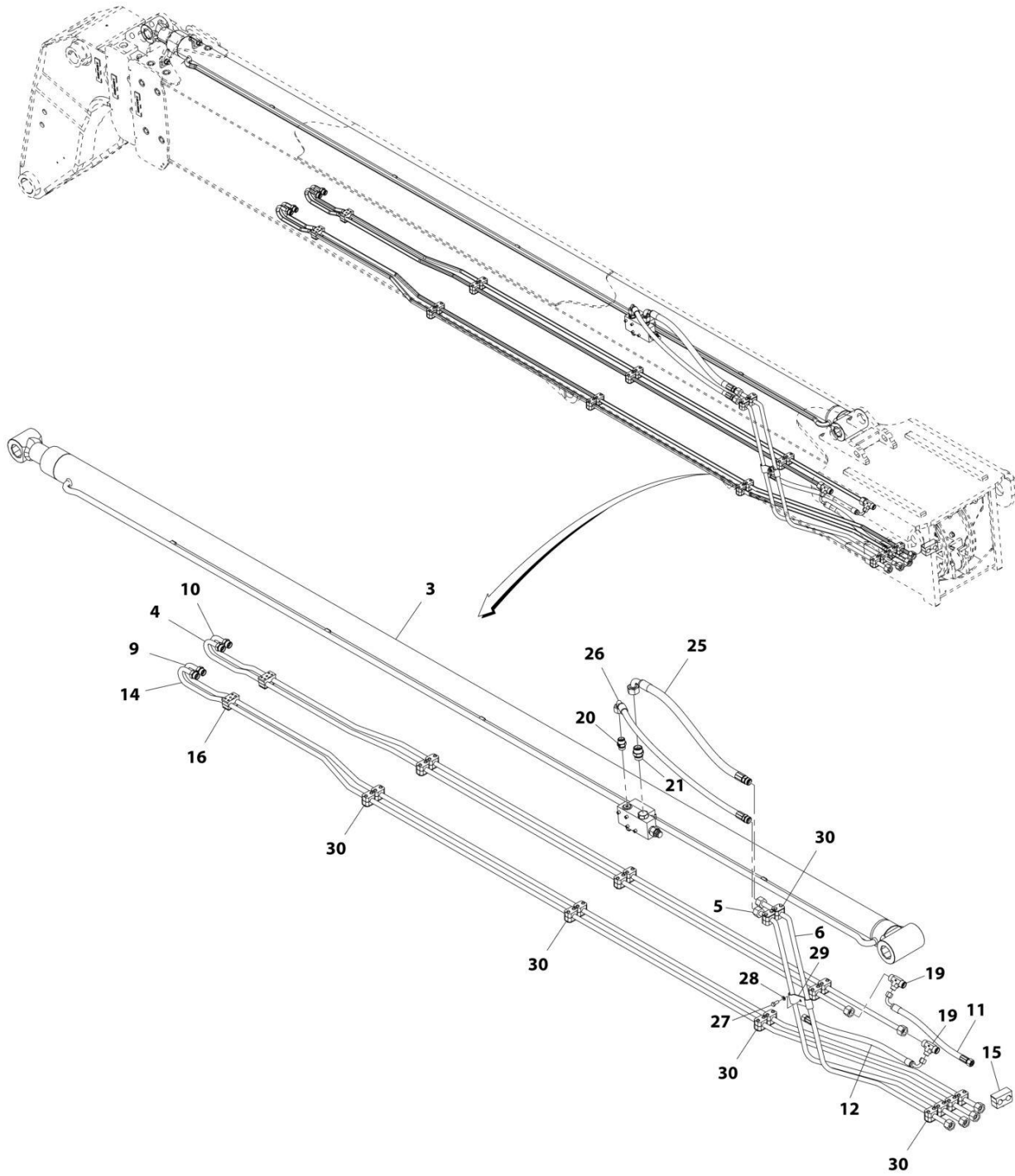
ART_1001145552-G

FIGURE 2-25. MANUAL QUICK ATTACH

ITEM	PART NUMBER	QTY	DESCRIPTION	REV
	1001145552	Ref	Manual Quick Attach	G
1	1001095650	AR	Compound, Locking	
2	1001098457	AR	Lube, Lithium Grease	
3	1001098146	AR	Shim, 72X110X 0.5	
4	1001098147	AR	Shim, 72X110X1.0	
5	0711229	2	Bolt, M12X120, Grade 10.9	
6	3291205	2	Nut, Lock M12X1.75	
7	N.S.S.	1	Weldment	
8	1001147843	1	Pin, Coupler	
9	1001147844	1	Pin, Coupler	
10	0700507	1	Bolt, M5X14	
11	1001162636	1	Pin, Coupler	
12	0760810	2	Bolt, M8X20	
13	1001192350	1	Plate, Pin Retention	
14	1001149923	1	Chain, Retaining Pin	
15	4811900	2	Washer, M8	

SECTION 2 - BOOM

FIGURE 2-26. HYDRAULICS INSTALLATION (AUXILIARY HYDRAULICS) (3614RS)



ART_1001147622-M

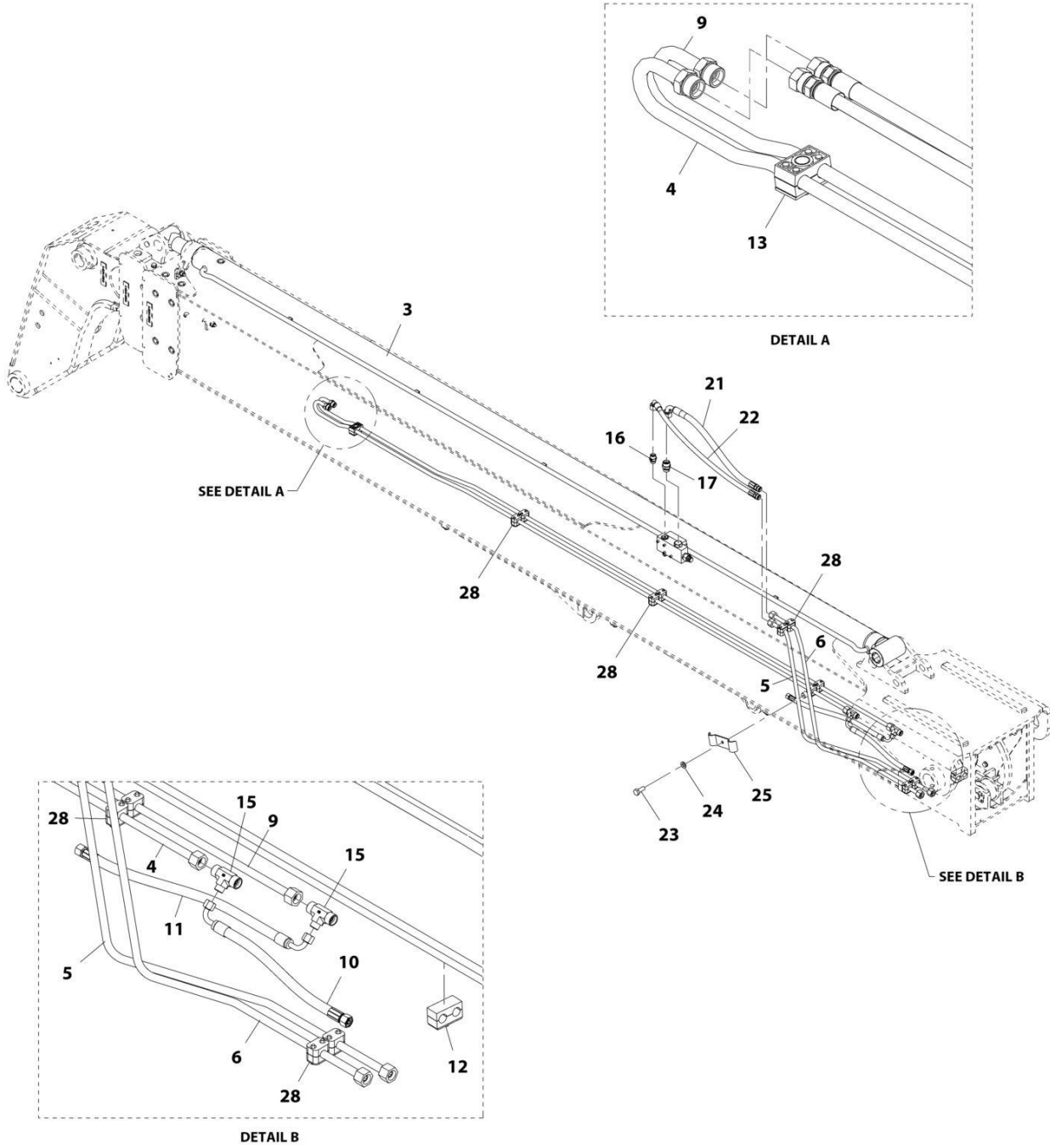
SECTION 2 - BOOM

FIGURE 2-26. HYDRAULICS INSTALLATION (AUXILIARY HYDRAULICS) (3614RS)

ITEM	PART NUMBER	QTY	DESCRIPTION	REV
	1001147622	Ref	Hydraulics Installation (auxiliary hydraulics)	M
3	1001144195	1	Cylinder, Extend/Retract (See HYDRAULIC COMPONENTS SECTION for Breakdown)	
4	1001180495	1	Tube, Boom	
5	1001180503	1	Tube, Boom	
6	1001180504	1	Tube, Boom	
9	1001180499	1	Tube, Boom	
10	1001180496	1	Tube, Boom	
11	1001166932	1	Hose	
12	1001166931	1	Hose	
14	1001180500	1	Tube, Boom	
15	1001148371	1	Clamp, Tube	
16	1001148372	2	Clamp, Tube	
19	1001162852	2	Adapter	
20	2144823	1	Connector	
21	2144826	1	Connector	
25	1001168924	1	Hose	
26	1001180506	1	Hose	
27	0700810	1	Bolt, M8X20	
28	4831900	1	Washer, Lock 8	
29	1001178098	1	Bracket, Pipe Guide	
30	1001211353	18	Clamp Kit	

SECTION 2 - BOOM

FIGURE 2-27. HYDRAULICS INSTALLATION (NO AUXILIARY HYDRAULICS) (3614RS)



ART_1001149652-I

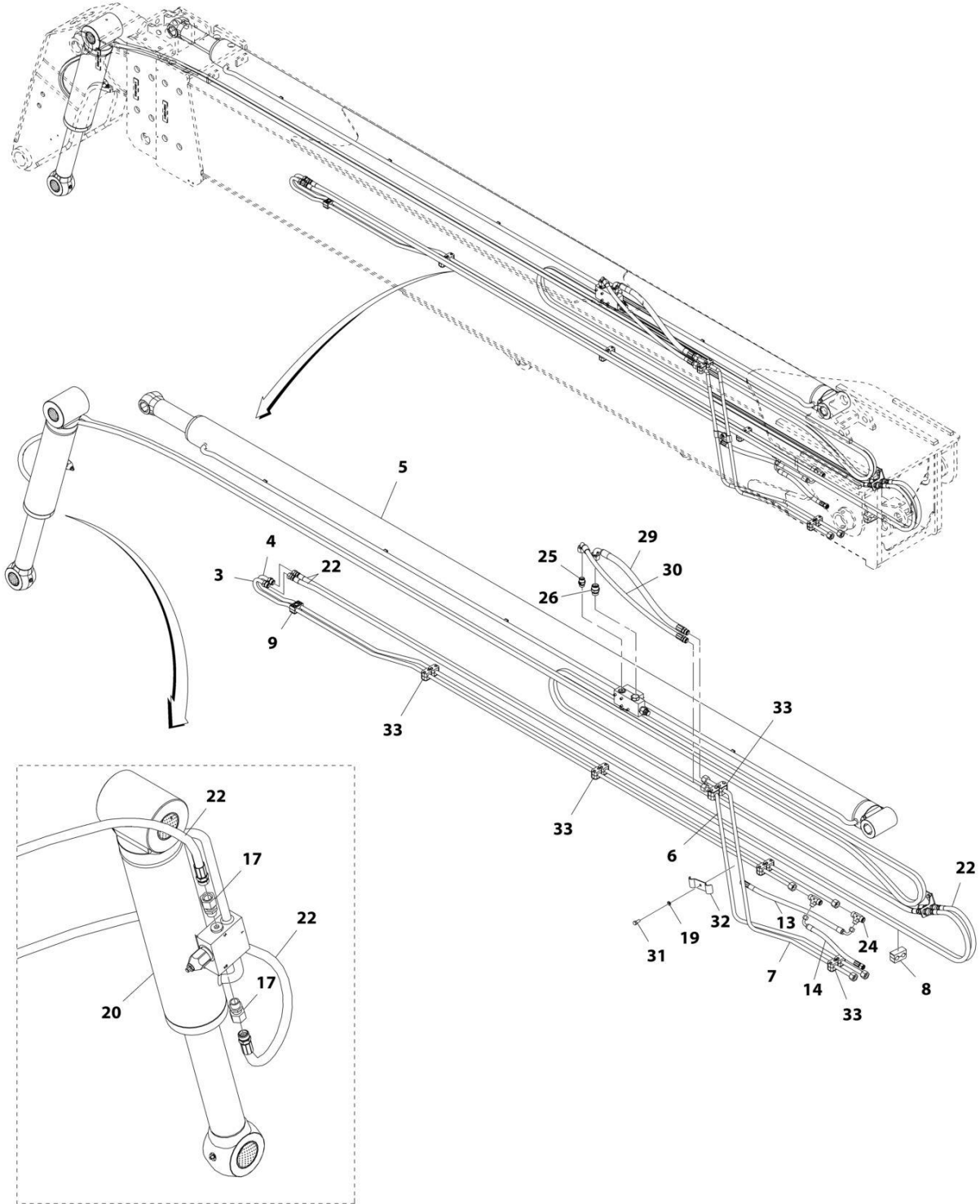
SECTION 2 - BOOM

FIGURE 2-27. HYDRAULICS INSTALLATION (NO AUXILIARY HYDRAULICS) (3614RS)

ITEM	PART NUMBER	QTY	DESCRIPTION	REV
	1001149652	Ref	Hydraulics Installation (no auxiliary hydraulics)	1
3	1001144195	1	Cylinder, Extend/Retract (See HYDRAULIC COMPONENTS SECTION for Breakdown)	
4	1001180495	1	Tube, Boom	
5	1001180503	1	Tube, Boom	
6	1001180504	1	Tube, Boom	
9	1001180496	1	Tube, Boom	
10	1001166932	1	Hose	
11	1001166931	1	Hose	
12	1001148371	1	Clamp, Tube	
13	1001148372	1	Clamp, Tube	
15	1001162852	2	Adapter	
16	2144823	1	Connector	
17	2144826	1	Connector	
21	1001168924	1	Hose	
22	1001180506	1	Hose	
23	0700810	1	Bolt, M8X20	
24	4831900	1	Washer, Lock 8	
25	1001178098	1	Bracket, Pipe Guide	
28	1001211353	10	Clamp Kit	

SECTION 2 - BOOM

FIGURE 2-28. HYDRAULICS INSTALLATION (4017RS)



ART_1001149653-L

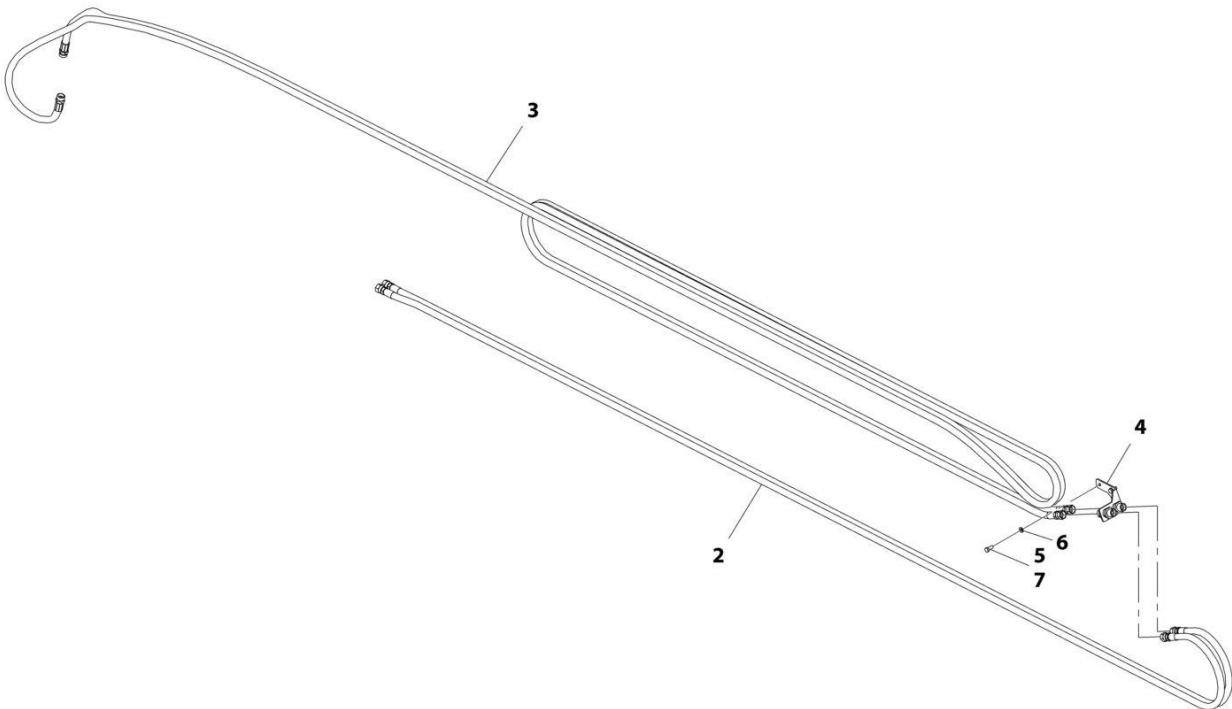
SECTION 2 - BOOM

FIGURE 2-28. HYDRAULICS INSTALLATION (4017RS)

ITEM	PART NUMBER	QTY	DESCRIPTION	REV
	1001149653	Ref	Hydraulics Installation	L
3	1001145229	1	Tube, Boom (SN 1160007024 through 1160007979, Excluding 1160007924, 1160007926, 116007937, 116007941 and 116007946)	
3	1001186405	1	Tube, Boom (SN 1160007979 through 1160008790, Including 1160007924, 1160007926, 116007937, 116007941 and 116007946)	
4	1001145437	1	Tube, Boom (SN 1160007024 through 1160007979, Excluding 1160007924, 1160007926, 116007937, 116007941 and 116007946)	
4	1001186406	1	Tube, Boom (SN 1160007979 through 1160008790, Including 1160007924, 1160007926, 116007937, 116007941 and 116007946)	
5	1001146579	Ref	Cylinder, Extend/Retract (See HYDRAULIC COMPONENTS SECTION for Breakdown)	
6	1001148304	1	Tube, Boom (SN 1160007024 through 1160007979, Excluding 1160007924, 1160007926, 116007937, 116007941 and 116007946)	
6	1001180507	1	Tube, Boom (SN 1160007979 through 1160008790, Including 1160007924, 1160007926, 116007937, 116007941 and 116007946)	
7	1001148305	1	Tube, Boom (SN 1160007024 through 1160007979, Excluding 1160007924, 1160007926, 116007937, 116007941 and 116007946)	
7	1001180508	1	Tube, Boom (SN 1160007979 through 1160008790, Including 1160007924, 1160007926, 116007937, 116007941 and 116007946)	
8	1001148371	1	Clamp, Tube	
9	1001148372	1	Clamp, Tube	
13	1001166931	1	Hose	
14	1001166932	1	Hose	
17	2142816	2	Connector	
19	4831900	1	Washer, Lock 8	
20	1001144198	Ref	Cylinder, Tilt (See HYDRAULIC COMPONENTS SECTION for Breakdown) (SN 1160007024 through 1160007470)	
20	1001174556	Ref	Cylinder, Tilt (See HYDRAULIC COMPONENTS SECTION for Breakdown) (SN 1160007470 through 1160008790)	
22	1001149536	Ref	Assembly, Boom Hydraulics (See HYDRAULICS ASSEMBLY for Breakdown)	
24	1001162852	2	Adapter	
25	2144823	1	Connector	
26	2144826	1	Connector	
27	4031914	4	Bolt, M8X50 (not shown) (SN 1160007024 through 1160007470)	
28	1001168597	Ref	Valve, Counterbalance (not shown) (SN 1160007024 through 1160007470)	
29	1001168924	1	Hose	
30	1001180506	1	Hose	
31	0700810	1	Bolt, M8X20	
32	1001178098	1	Bracket, Pipe Guide	
33	1001211353	10	Clamp Kit	

SECTION 2 - BOOM

FIGURE 2-29. HYDRAULICS ASSEMBLY (4017RS)



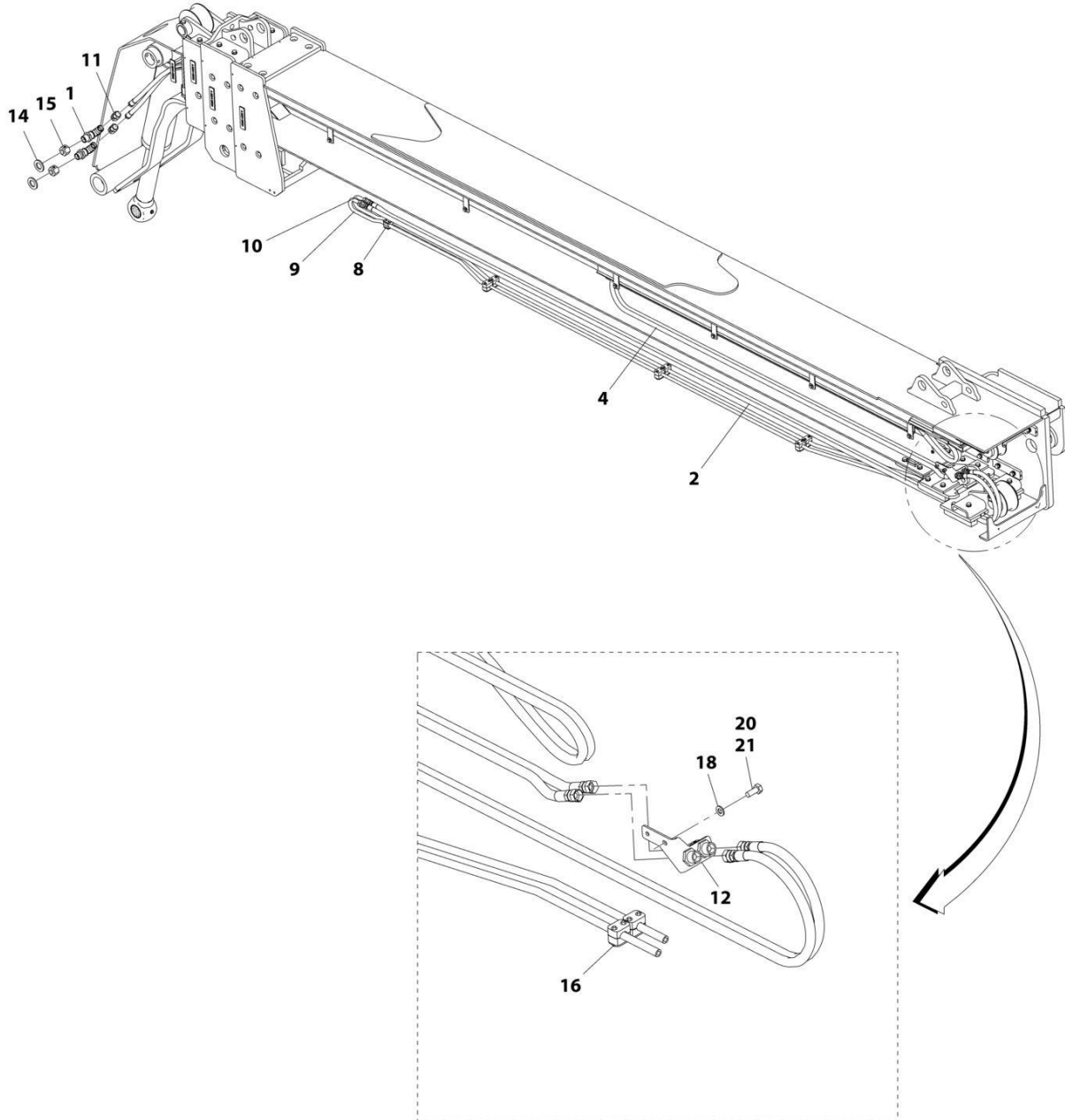
ART_1001149536-F

FIGURE 2-29. HYDRAULICS ASSEMBLY (4017RS)

ITEM	PART NUMBER	QTY	DESCRIPTION	REV
	1001149536	Ref	Hydraulics Assembly	F
2	1001149130	1	Hose (SN 1160007024 through 1160007470)	
2	1001180512	1	Hose (SN 1160007470 through 1160008790)	
3	1001149132	1	Hose (SN 1160007024 through 1160007470)	
3	1001191367	1	Hose (SN 1160007470 through 1160008790)	
4	1001170802	1	Bracket (SN 1160007024 through 1160007470)	
4	1001189881	1	Bracket (SN 1160007470 through 1160008790)	
5	0700810	2	Bolt, M8X20	
6	4811900	2	Washer, M8	
7	1001095650	AR	Compound, Locking	

SECTION 2 - BOOM

FIGURE 2-30. HYDRAULICS INSTALLATION (AUXILIARY HYDRAULICS) (4017RS)



ART_1001149133-K

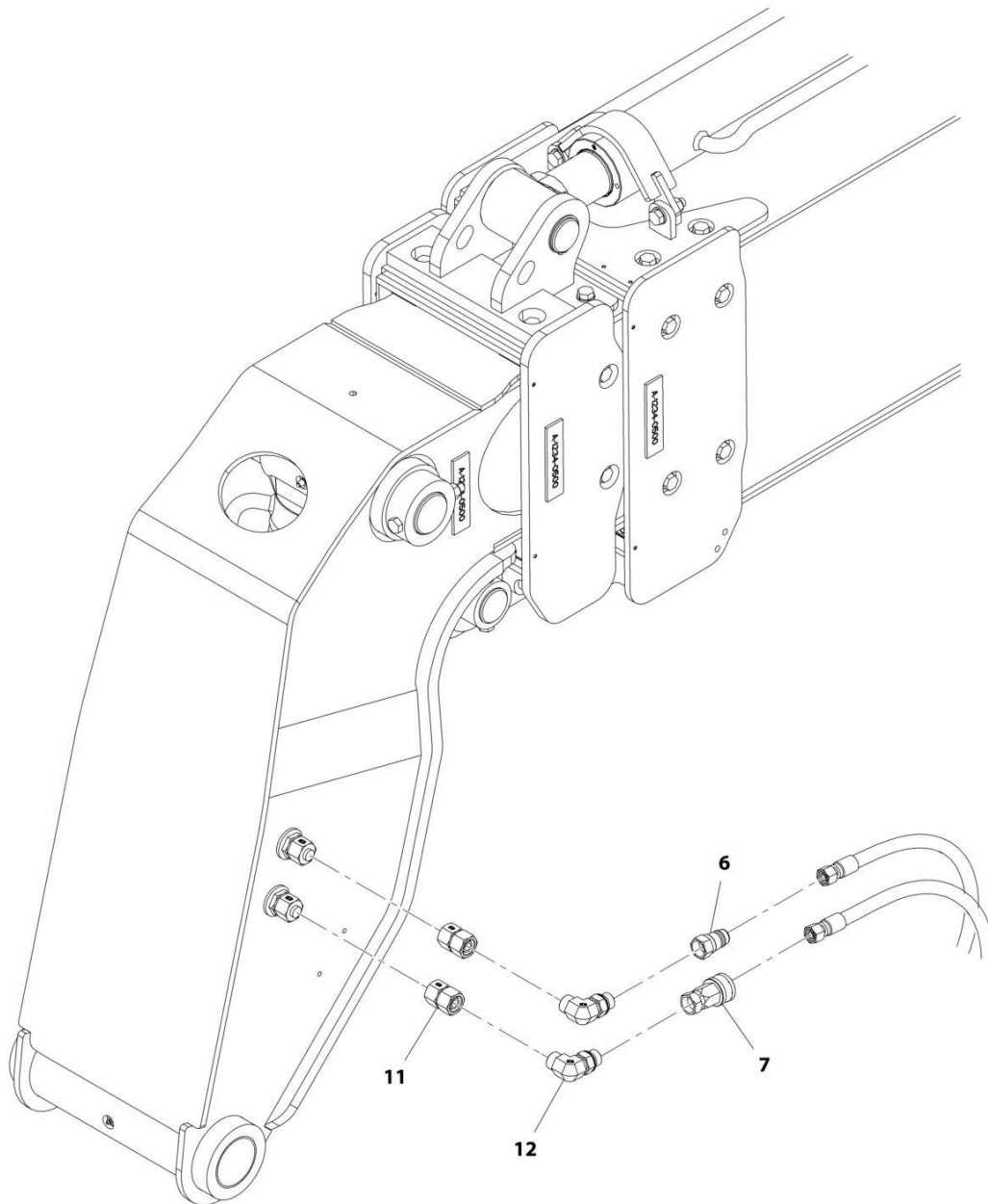
SECTION 2 - BOOM

FIGURE 2-30. HYDRAULICS INSTALLATION (AUXILIARY HYDRAULICS) (4017RS)

ITEM	PART NUMBER	QTY	DESCRIPTION	REV
	1001149133	Ref	Hydraulics Installation (auxiliary hydraulics)	K
1	2143316	2	Connector	
2	1001180512	1	Hose	
4	1001191363	1	Hose	
8	1001148372	1	Clamp, Tube	
9	1001180500	1	Tube, Boom	
10	1001180499	1	Tube, Boom	
11	2143616	2	Connector	
12	1001189953	1	Pipe	
14	4812700	2	Washer, M24	
15	2142516	2	Adapter, Cap	
16	1001211353	8	Clamp Kit	
18	4811900	2	Washer, M8	
20	0700810	2	Bolt, M8X20	
21	1001095650	AR	Compound, Locking	

SECTION 2 - BOOM

FIGURE 2-31. AUXILIARY LINES INSTALLATION



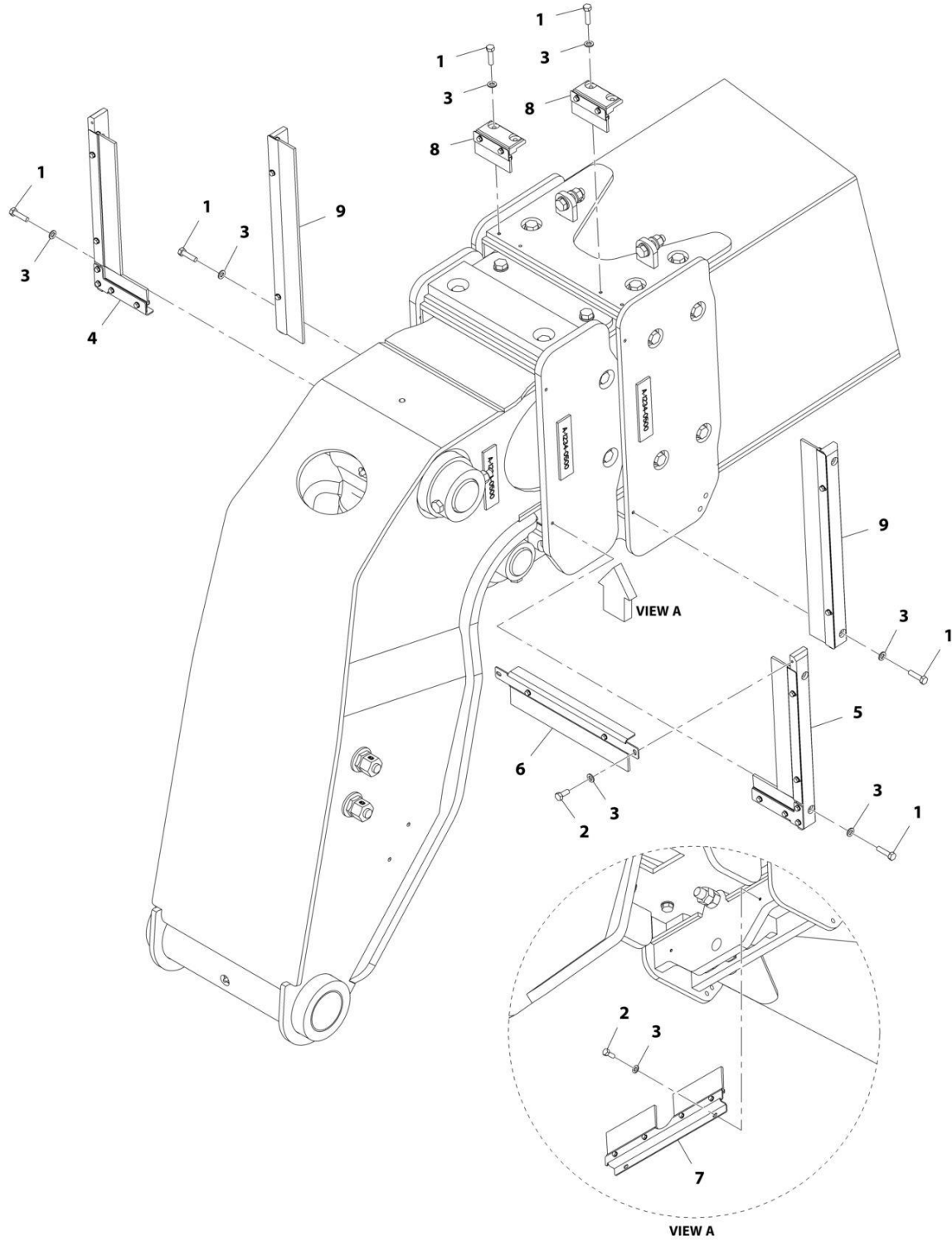
ART_1001172106-B

FIGURE 2-31. AUXILIARY LINES INSTALLATION

ITEM	PART NUMBER	QTY	DESCRIPTION	REV
	1001172106	Ref	Auxiliary Lines Installation	B
6	1001101041	1	Coupling, Male	
7	1001101042	1	Coupling, Female	
11	2143616	2	Connector	
12	1001201043	2	Adaptor	

SECTION 2 - BOOM

FIGURE 2-32. BOOM BRUSH INSTALLATION (3614RS)



ART_1001177532-B

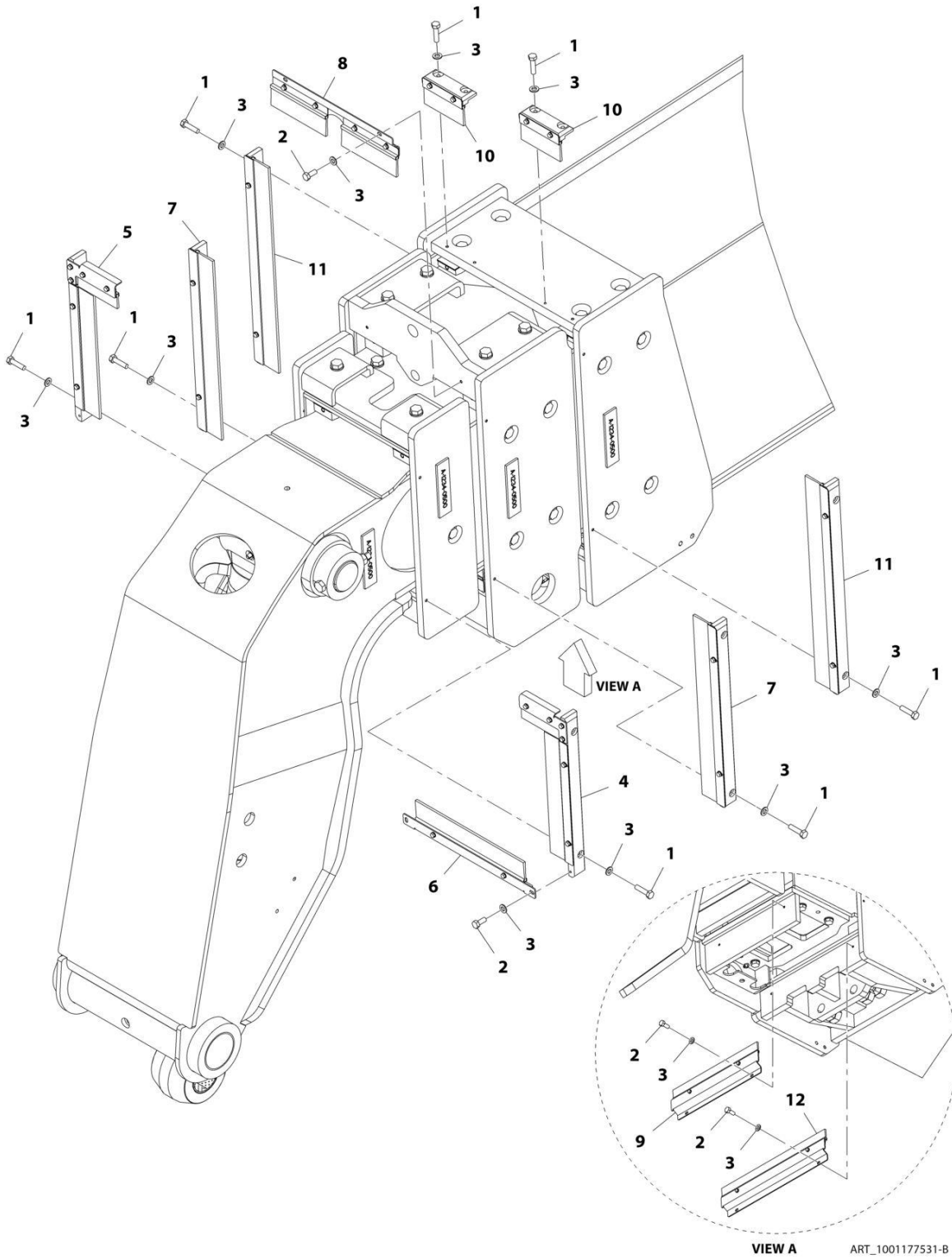
SECTION 2 - BOOM

FIGURE 2-32. BOOM BRUSH INSTALLATION (3614RS)

ITEM	PART NUMBER	QTY	DESCRIPTION	REV
	1001177532	Ref	Boom Brush Installation (If equipped)	B
1	0700510	12	Screw, M5X20	
2	0760506	4	Screw, M5X12	
3	4811600	16	Washer, M5	
4	1001176776	1	Bracket, Boom Brush (See BOOM BRUSH BRACKET ASSEMBLY (1) for Breakdown)	
5	1001176803	1	Bracket, Boom Brush (See BOOM BRUSH BRACKET ASSEMBLY (2) for Breakdown)	
6	1001176903	1	Bracket, Boom Brush (See BOOM BRUSH BRACKET ASSEMBLY (3) for Breakdown)	
7	1001176944	1	Bracket, Boom Brush (See BOOM BRUSH BRACKET ASSEMBLY (4) for Breakdown)	
8	1001177274	2	Bracket, Boom Brush (See BOOM BRUSH BRACKET ASSEMBLY (5) for Breakdown)	
9	1001177320	2	Bracket, Boom Brush (See BOOM BRUSH BRACKET ASSEMBLY (6) for Breakdown)	

SECTION 2 - BOOM

FIGURE 2-33. BOOM BRUSH INSTALLATION (4017RS)



VIEW A ART_1001177531-B

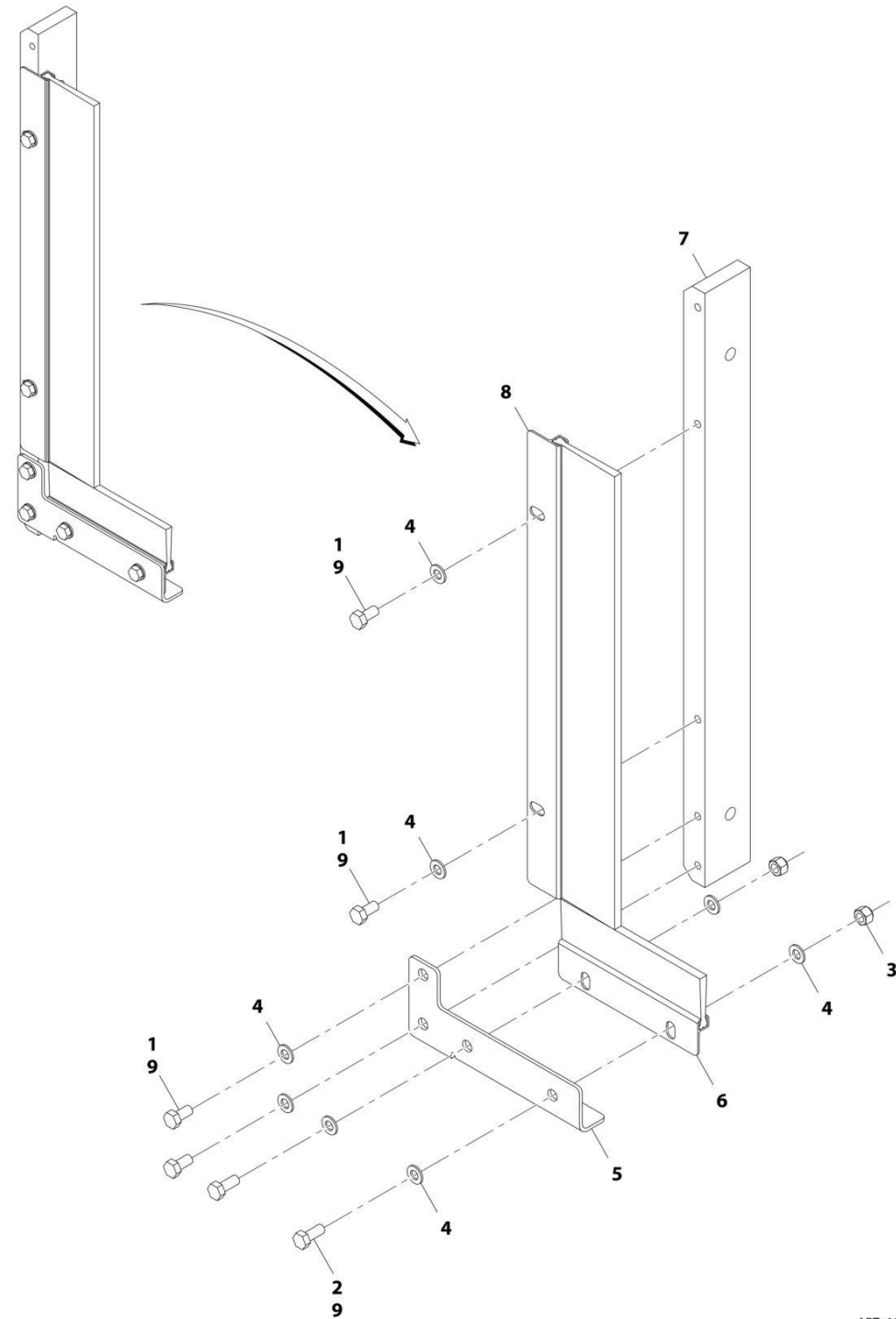
SECTION 2 - BOOM

FIGURE 2-33. BOOM BRUSH INSTALLATION (4017RS)

ITEM	PART NUMBER	QTY	DESCRIPTION	REV
	1001177531	Ref	Boom Brush Installation (If equipped)	B
1	0700510	16	Bolt, M5X20	
2	0760506	8	Bolt, M5X12	
3	4811600	24	Washer, M5	
4	1001176776	1	Bracket, Boom Brush (See BOOM BRUSH BRACKET ASSEMBLY (1) for Breakdown)	
5	1001176803	1	Bracket, Boom Brush (See BOOM BRUSH BRACKET ASSEMBLY (2) for Breakdown)	
6	1001176903	1	Bracket, Boom Brush (See BOOM BRUSH BRACKET ASSEMBLY (3) for Breakdown)	
7	1001177320	2	Bracket, Boom Brush (See BOOM BRUSH BRACKET ASSEMBLY (6) for Breakdown)	
8	1001177342	1	Bracket, Boom Brush (See BOOM BRUSH BRACKET ASSEMBLY (7) for Breakdown)	
9	1001177396	1	Bracket, Boom Brush (See BOOM BRUSH BRACKET ASSEMBLY (8) for Breakdown)	
10	1001177411	2	Bracket, Boom Brush (See BOOM BRUSH BRACKET ASSEMBLY (9) for Breakdown)	
11	1001177439	2	Bracket, Boom Brush (See BOOM BRUSH BRACKET ASSEMBLY (10) for Breakdown)	
12	1001177445	1	Bracket, Boom Brush (See BOOM BRUSH BRACKET ASSEMBLY (11) for Breakdown)	

SECTION 2 - BOOM

FIGURE 2-34. BOOM BRUSH BRACKET ASSEMBLY (1)



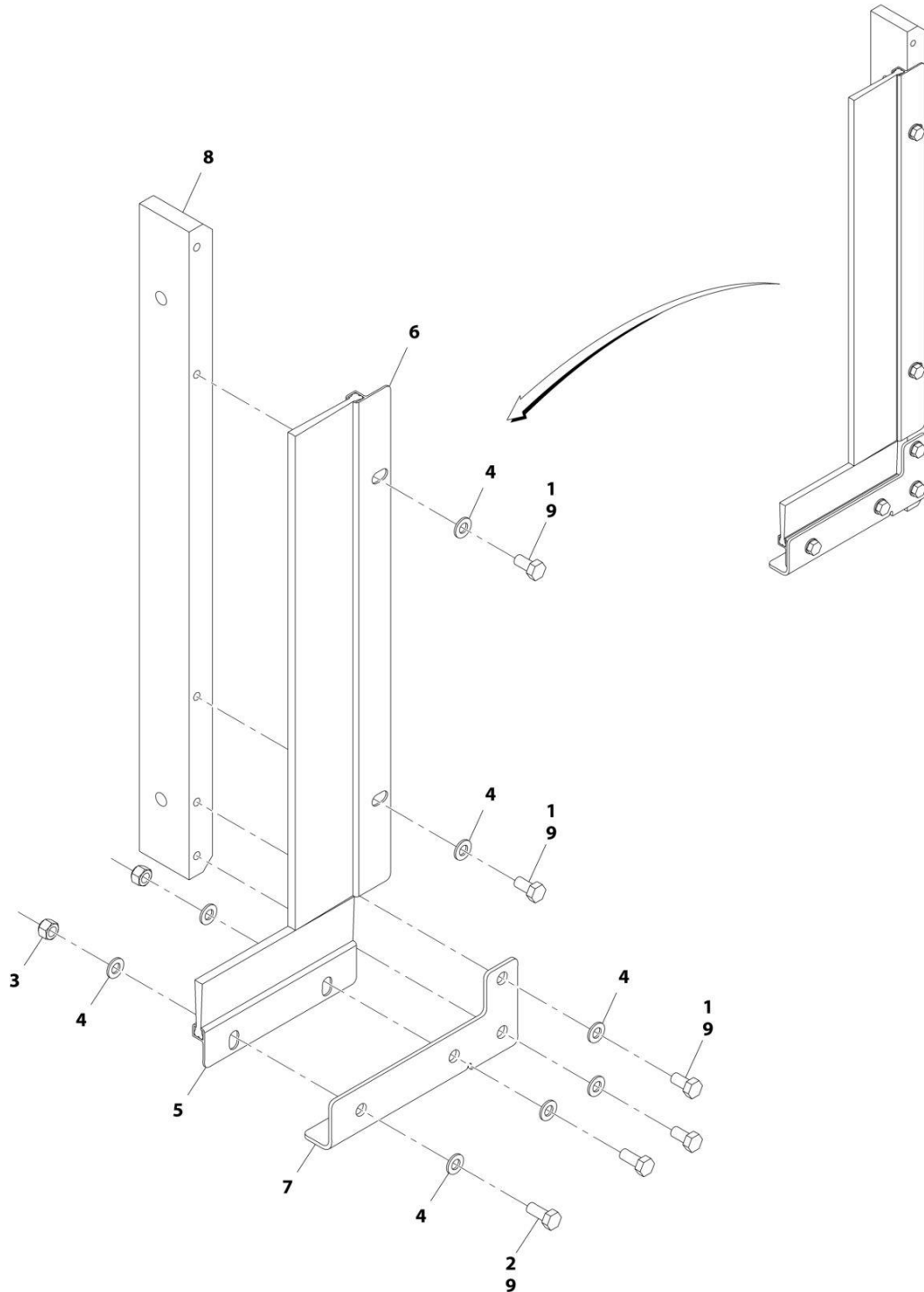
ART_1001176776-B

FIGURE 2-34. BOOM BRUSH BRACKET ASSEMBLY (1)

ITEM	PART NUMBER	QTY	DESCRIPTION	REV
	1001176776	Ref	Boom Brush Bracket Assembly	B
1	0760505	4	Bolt, M5X10	
2	0760506	2	Bolt, M5X12	
3	3290505	2	Nut, Lock M5X0.8	
4	4811600	8	Washer, M5	
5	1001176714	1	Bracket	
6	1001176763	1	Seal	
7	1001176768	1	Bracket	
8	1001176773	1	Seal	
9	1001095650	AR	Compound, Locking	

SECTION 2 - BOOM

FIGURE 2-35. BOOM BRUSH BRACKET ASSEMBLY (2)



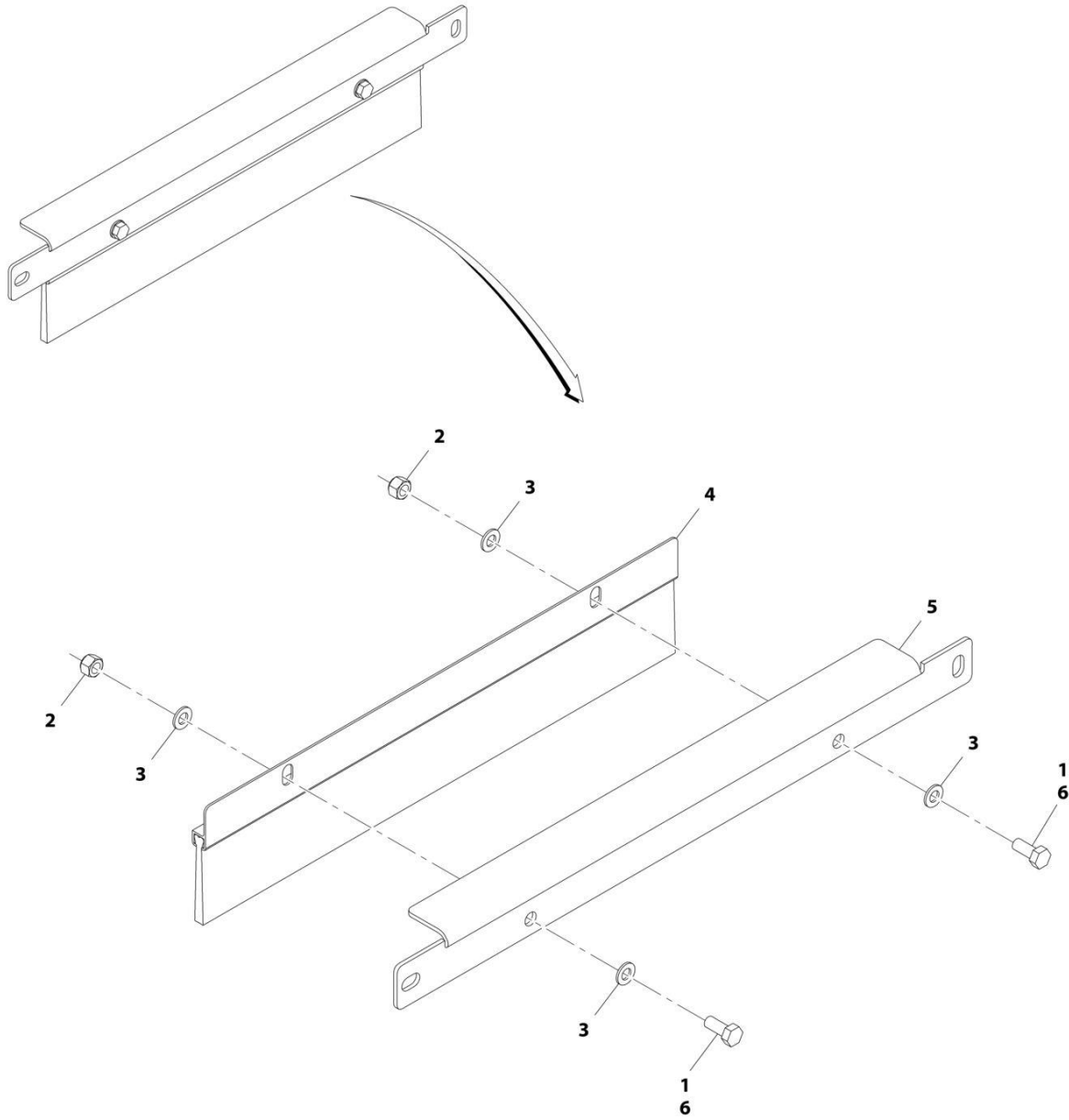
ART_1001176803-B

FIGURE 2-35. BOOM BRUSH BRACKET ASSEMBLY (2)

ITEM	PART NUMBER	QTY	DESCRIPTION	REV
	1001176803	Ref	Boom Brush Bracket Assembly	B
1	0760505	4	Bolt, M5X10	
2	0760506	2	Bolt, M5X12	
3	3290505	2	Nut, Lock M5X0.8	
4	4811600	8	Washer, M5	
5	1001176763	1	Seal	
6	1001176773	1	Seal	
7	1001176791	1	Bracket	
8	1001176798	1	Bracket	
9	1001095650	AR	Compound, Locking	

SECTION 2 - BOOM

FIGURE 2-36. BOOM BRUSH BRACKET ASSEMBLY (3)



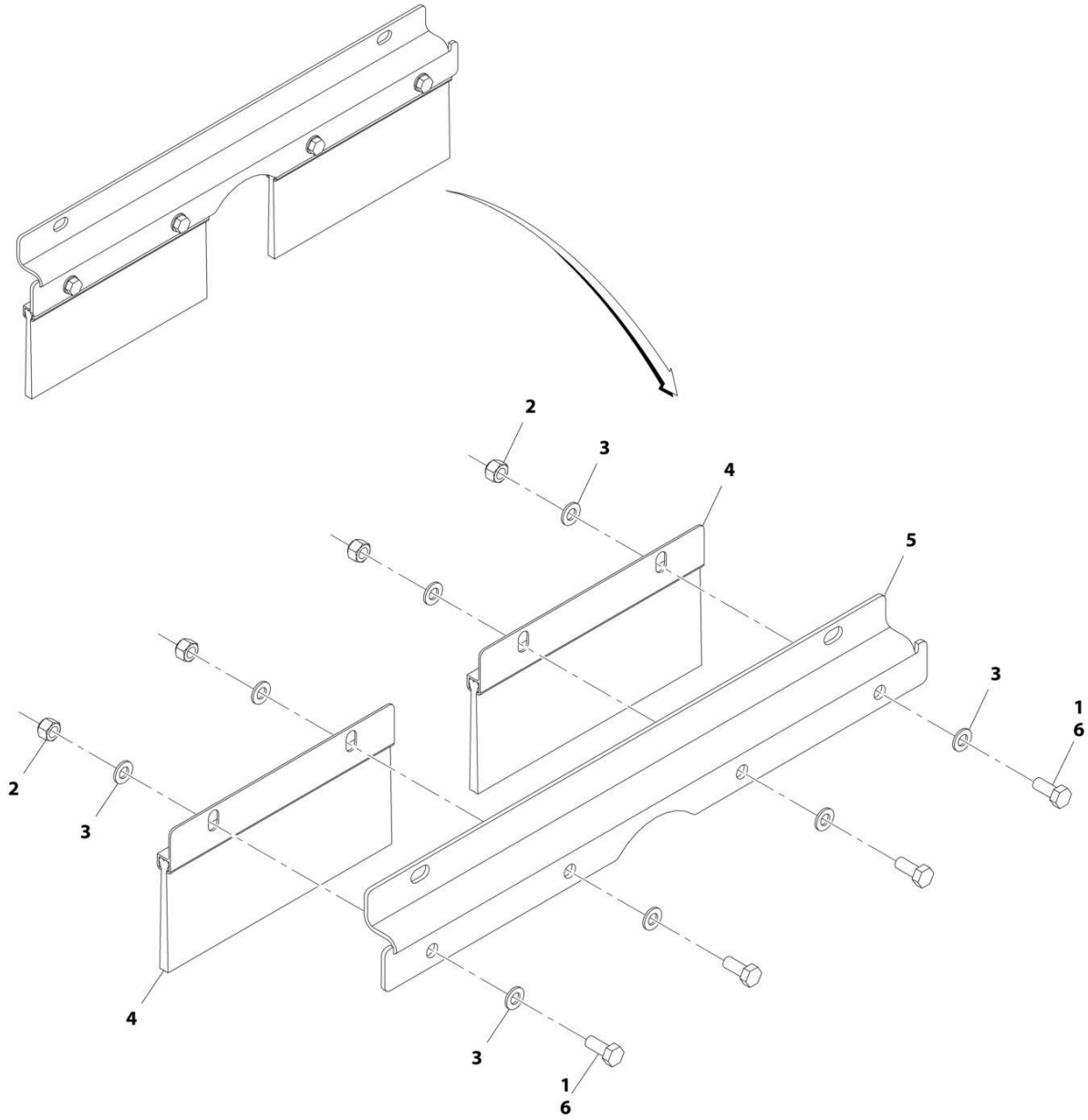
ART_1001176903-A

SECTION 2 - BOOM**FIGURE 2-36. BOOM BRUSH BRACKET ASSEMBLY (3)**

ITEM	PART NUMBER	QTY	DESCRIPTION	REV
	1001176903	Ref	Boom Brush Bracket Assembly	A
1	0760506	2	Bolt, M5X12	
2	3290505	2	Nut, Lock M5X0.8	
3	4811600	4	Washer, M5	
4	1001176773	1	Seal	
5	1001176904	1	Bracket	
6	1001095650	AR	Compound, Locking	

SECTION 2 - BOOM

FIGURE 2-37. BOOM BRUSH BRACKET ASSEMBLY (4) (3614RS)



ART_1001176944-A

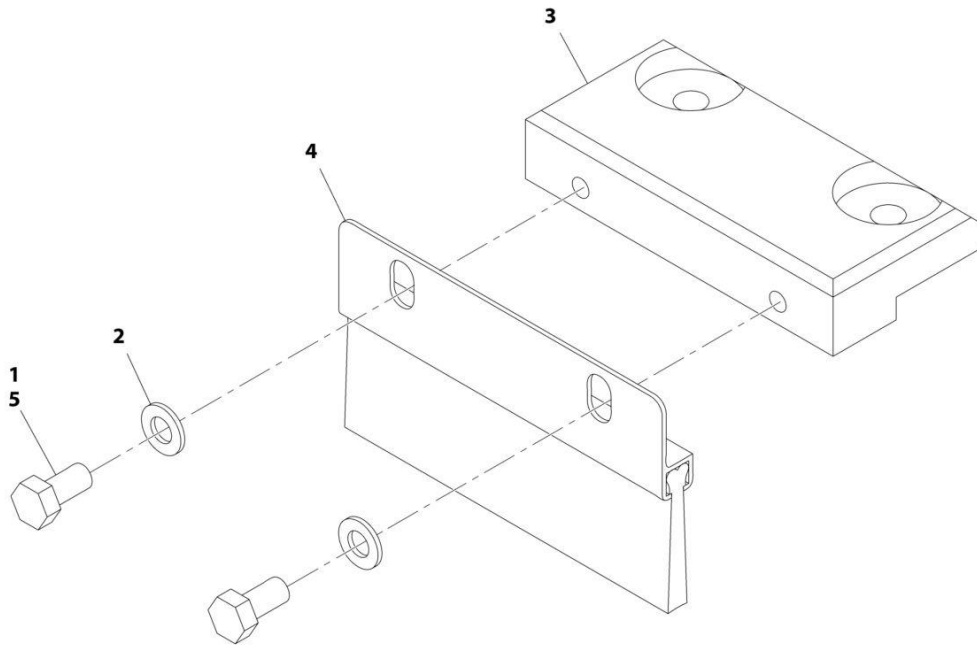
SECTION 2 - BOOM

FIGURE 2-37. BOOM BRUSH BRACKET ASSEMBLY (4) (3614RS)

ITEM	PART NUMBER	QTY	DESCRIPTION	REV
	1001176944	Ref	Boom Brush Bracket Assembly	A
1	0760506	4	Bolt, M5X12	
2	3290505	4	Nut, Lock M5X0.8	
3	4811600	8	Washer, M5	
4	1001177265	2	Seal	
5	1001177266	1	Bracket	
6	1001095650	AR	Compound, Locking	

SECTION 2 - BOOM

FIGURE 2-38. BOOM BRUSH BRACKET ASSEMBLY (5) (3614RS)



ART_1001177274-B

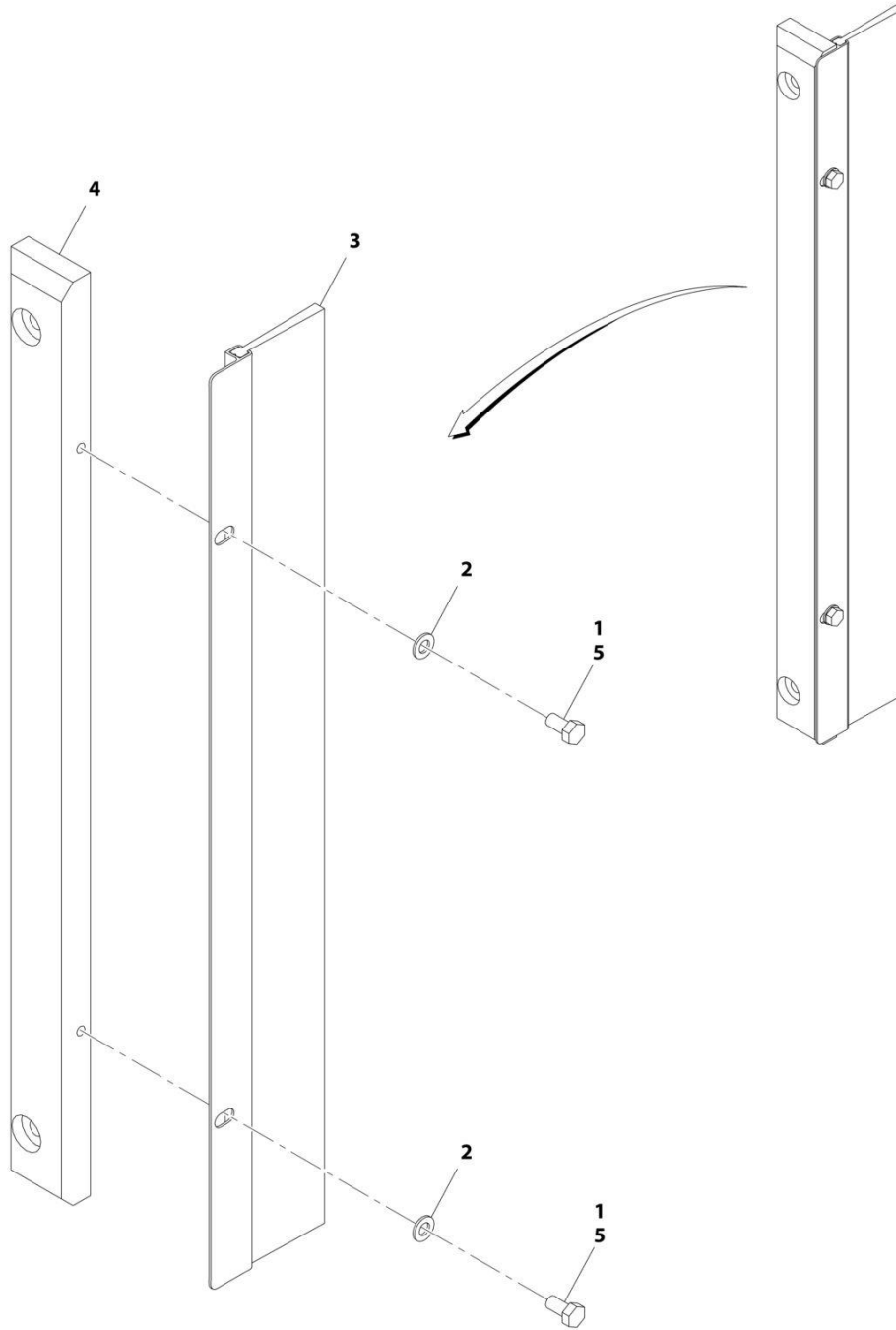
SECTION 2 - BOOM

FIGURE 2-38. BOOM BRUSH BRACKET ASSEMBLY (5) (3614RS)

ITEM	PART NUMBER	QTY	DESCRIPTION	REV
	1001177274	Ref	Boom Brush Bracket Assembly	B
1	0760505	2	Bolt, M5X10	
2	4811600	2	Washer, M5	
3	1001177275	1	Bracket	
4	1001177276	1	Seal	
5	1001095650	AR	Compound, Locking	

SECTION 2 - BOOM

FIGURE 2-39. BOOM BRUSH BRACKET ASSEMBLY (6)



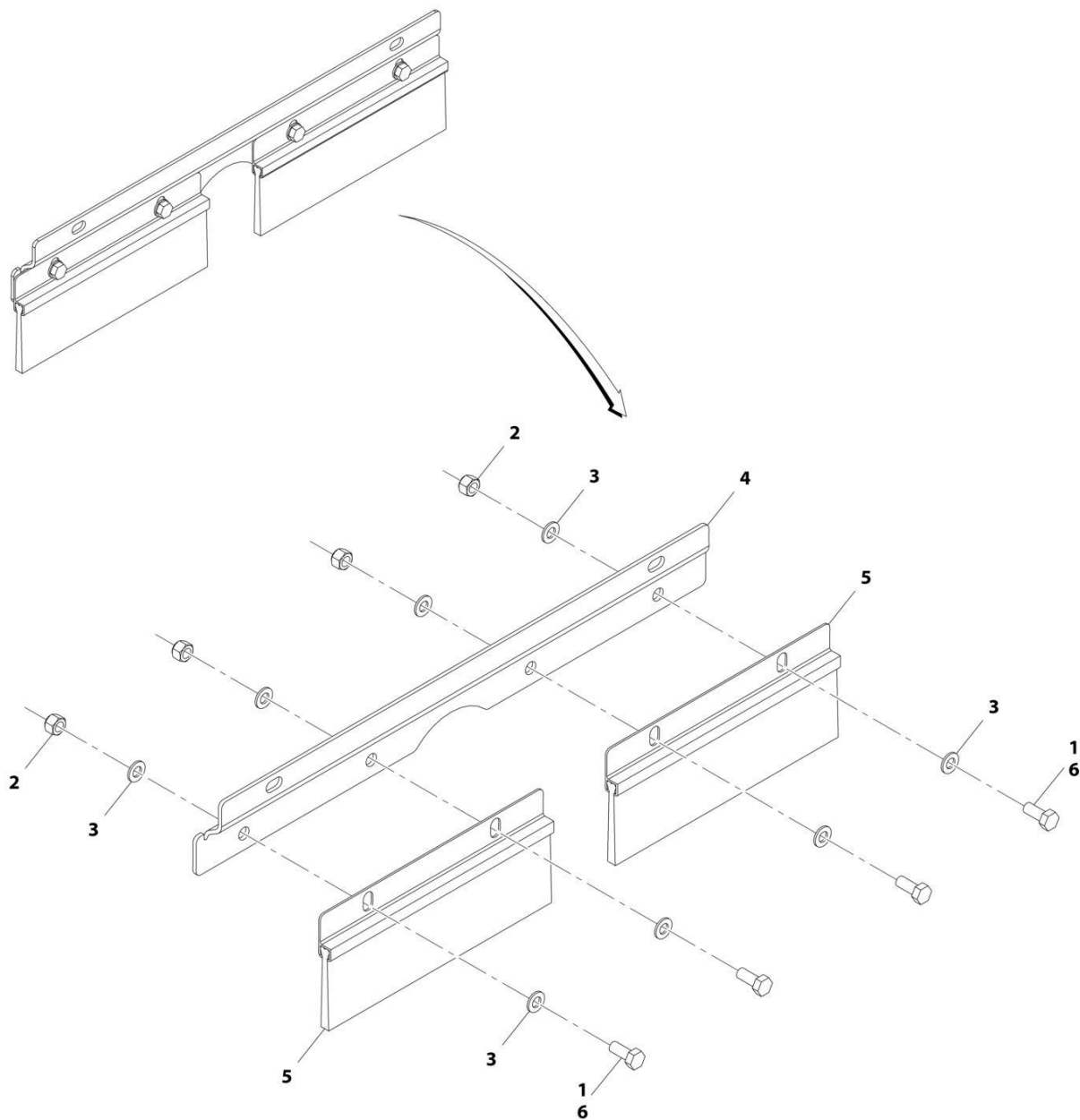
ART_1001177320-A

SECTION 2 - BOOM**FIGURE 2-39. BOOM BRUSH BRACKET ASSEMBLY (6)**

ITEM	PART NUMBER	QTY	DESCRIPTION	REV
	1001177320	Ref	Boom Brush Bracket Assembly	A
1	0760505	2	Bolt, M5X10	
2	4811600	2	Washer, M5	
3	1001177319	1	Seal	
4	1001177321	1	Bracket	
5	1001095650	AR	Compound, Locking	

SECTION 2 - BOOM

FIGURE 2-40. BOOM BRUSH BRACKET ASSEMBLY (7) (4017RS,4017RS)



ART_1001177342-A

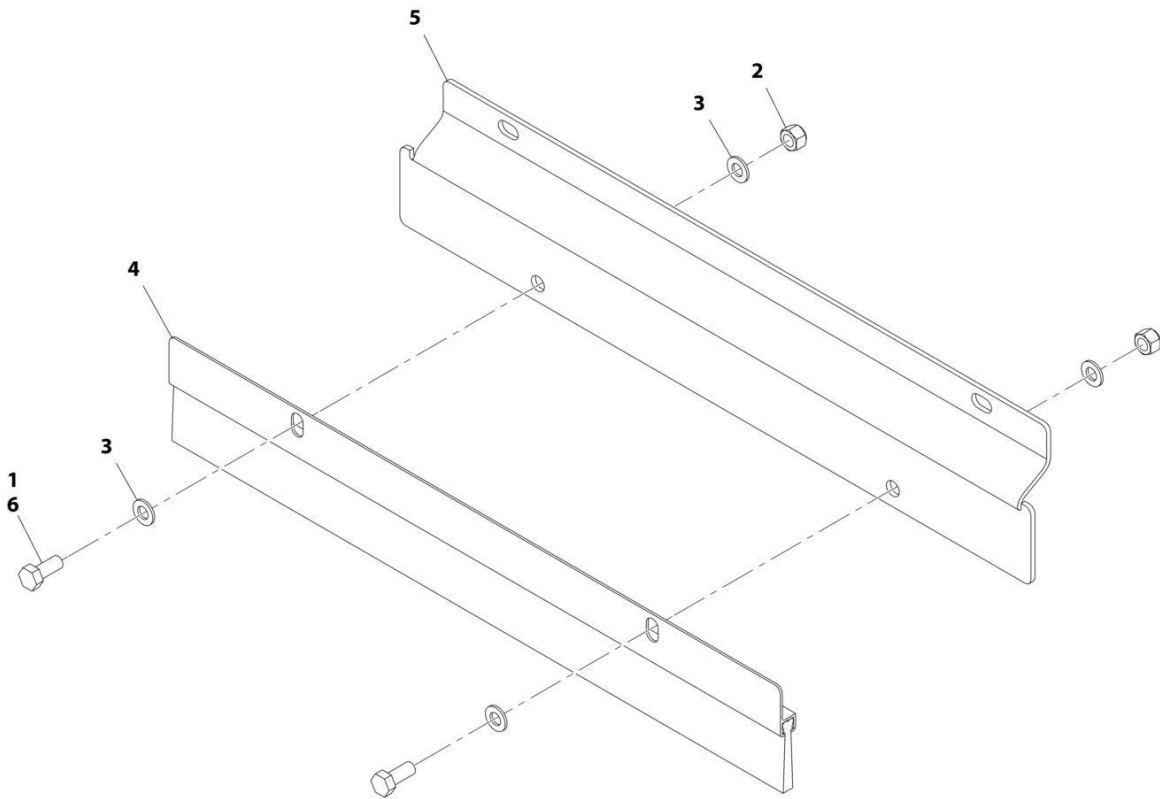
SECTION 2 - BOOM

FIGURE 2-40. BOOM BRUSH BRACKET ASSEMBLY (7) (4017RS,4017RS)

ITEM	PART NUMBER	QTY	DESCRIPTION	REV
	1001177342	Ref	Boom Brush Bracket Assembly	A
1	0760506	4	Bolt, M5X12	
2	3290505	4	Nut, Lock M5X0.8	
3	4811600	8	Washer, M5	
4	1001177343	1	Bracket	
5	1001177344	2	Seal	
6	1001095650	AR	Compound, Locking	

SECTION 2 - BOOM

FIGURE 2-41. BOOM BRUSH BRACKET ASSEMBLY (8) (4017RS)



ART_1001177396-A

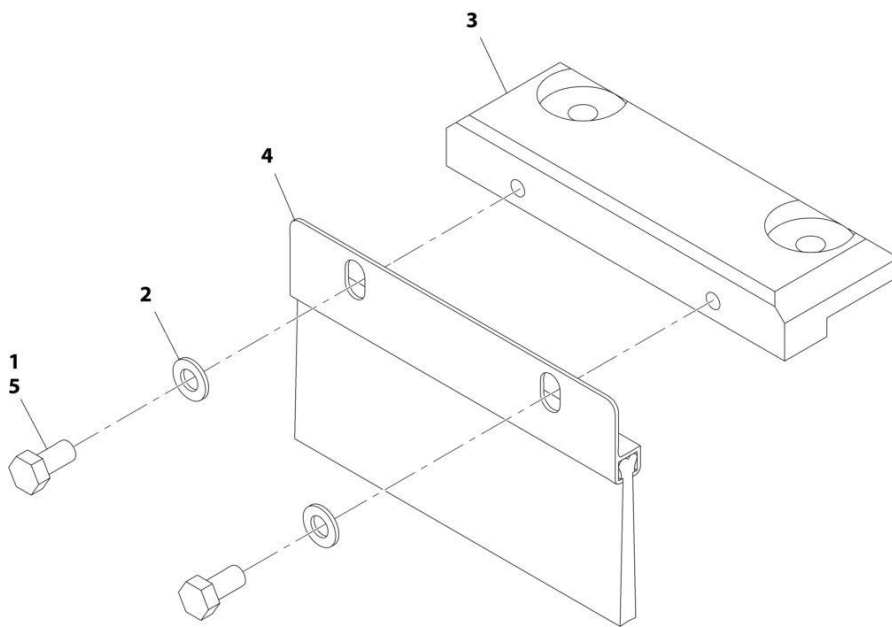
SECTION 2 - BOOM

FIGURE 2-41. BOOM BRUSH BRACKET ASSEMBLY (8) (4017RS)

ITEM	PART NUMBER	QTY	DESCRIPTION	REV
	1001177396	Ref	Boom Brush Bracket Assembly	A
1	0760506	2	Bolt, M5X12	
2	3290505	2	Nut, Lock M5X0.8	
3	4811600	4	Washer, M5	
4	1001177395	1	Seal	
5	1001177397	1	Bracket	
6	1001095650	AR	Compound, Locking	

SECTION 2 - BOOM

FIGURE 2-42. BOOM BRUSH BRACKET ASSEMBLY (9) (4017RS)



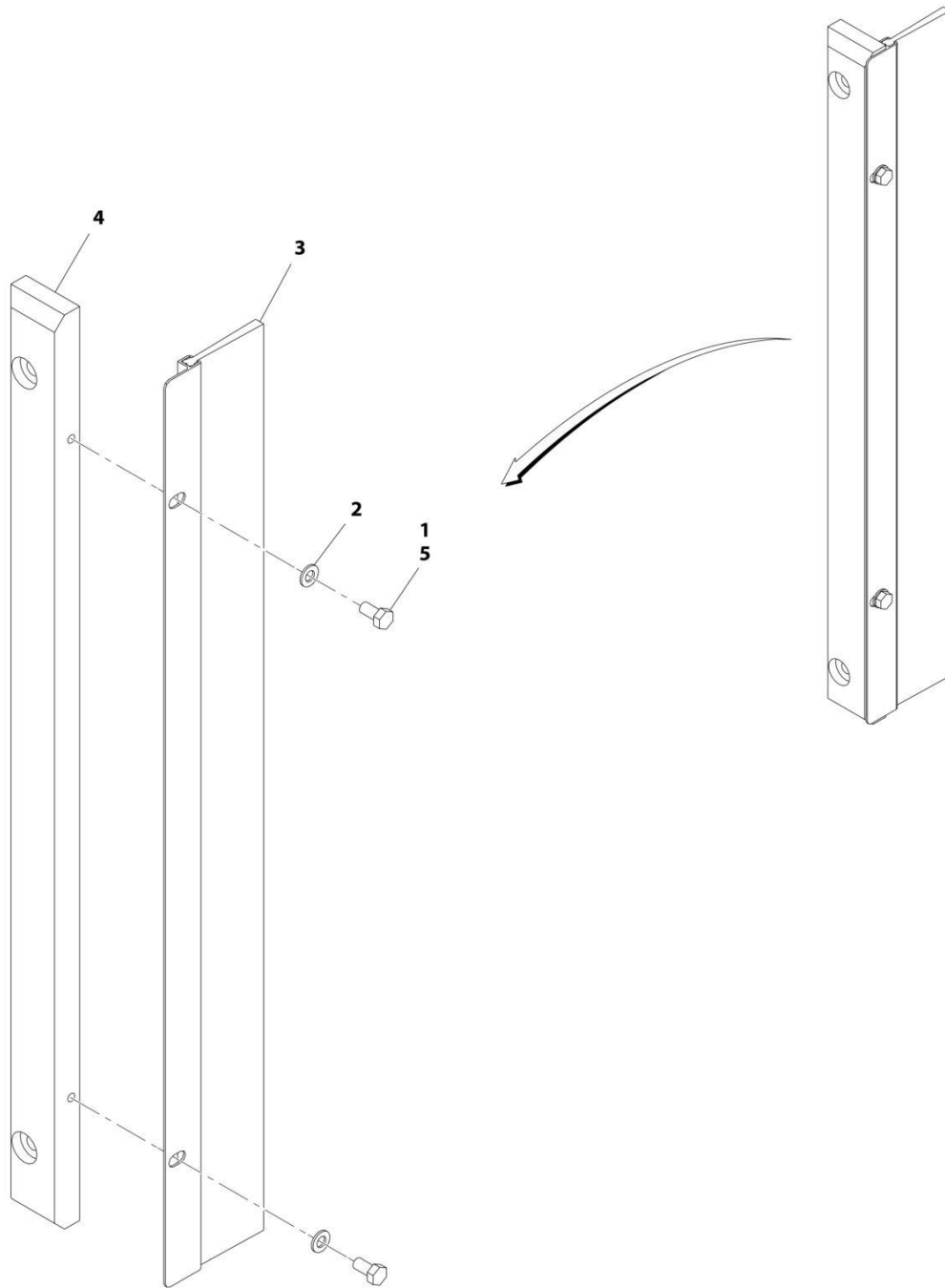
ART_1001177411-A

SECTION 2 - BOOM**FIGURE 2-42. BOOM BRUSH BRACKET ASSEMBLY (9) (4017RS)**

ITEM	PART NUMBER	QTY	DESCRIPTION	REV
	1001177411	Ref	Boom Brush Bracket Assembly	A
1	0760505	2	Bolt, M5X10	
2	4811600	2	Washer, M5	
3	1001177413	1	Bracket	
4	1001177414	1	Seal	
5	1001095650	AR	Compound, Locking	

SECTION 2 - BOOM

FIGURE 2-43. BOOM BRUSH BRACKET ASSEMBLY (10) (4017RS)



ART_1001177439-A

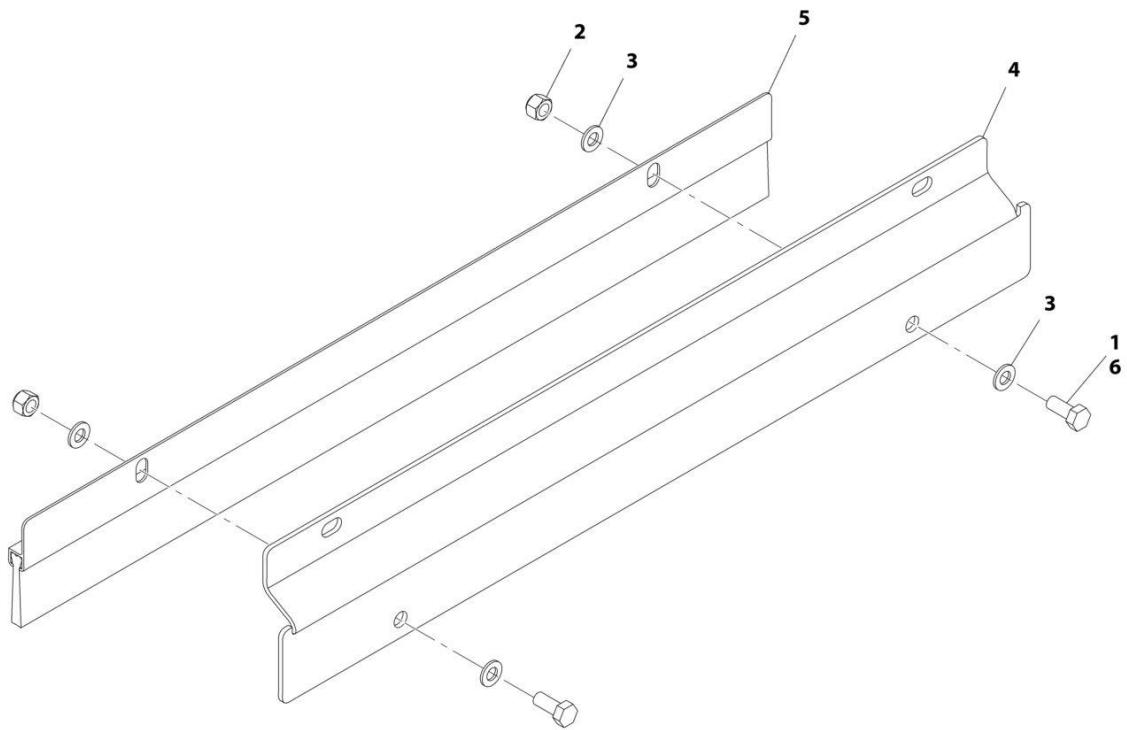
SECTION 2 - BOOM

FIGURE 2-43. BOOM BRUSH BRACKET ASSEMBLY (10) (4017RS)

ITEM	PART NUMBER	QTY	DESCRIPTION	REV
	1001177439	Ref	Boom Brush Bracket Assembly	A
1	0760505	2	Bolt, M5X10	
2	4811600	2	Washer, M5	
3	1001177438	1	Seal	
4	1001177440	1	Bracket	
5	1001095650	AR	Compound, Locking	

SECTION 2 - BOOM

FIGURE 2-44. BOOM BRUSH BRACKET ASSEMBLY (11) (4017RS)



ART_1001177445-A

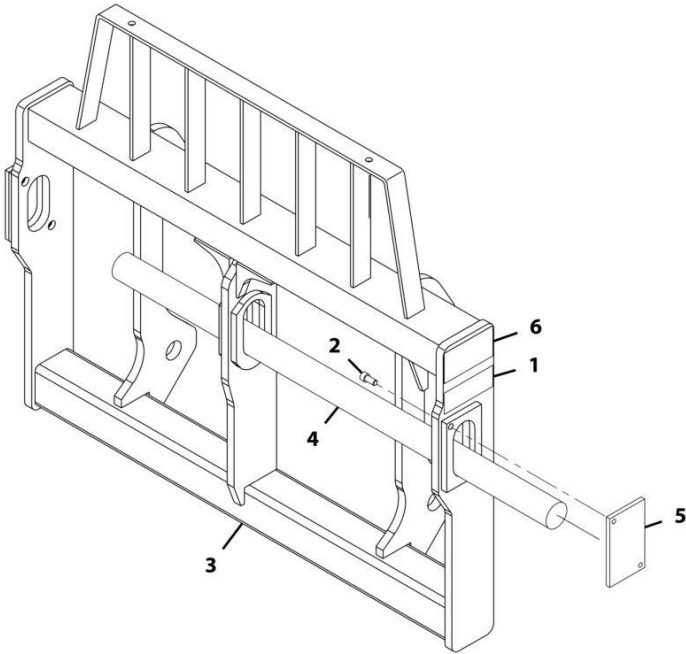
SECTION 2 - BOOM**FIGURE 2-44. BOOM BRUSH BRACKET ASSEMBLY (11) (4017RS)**

ITEM	PART NUMBER	QTY	DESCRIPTION	REV
	1001177445	Ref	Boom Brush Bracket Assembly	A
1	0760506	2	Bolt, M5X12	
2	3290505	2	Nut, Lock M5X0.8	
3	4811600	4	Washer, M5	
4	1001177446	1	Bracket	
5	1001177447	1	Seal	
6	1001095650	AR	Compound, Locking	

SECTION 3 - ATTACHMENTS

SECTION 3 - ATTACHMENTS

FIGURE 3-1. CARRIAGE



ART_1001107333-A

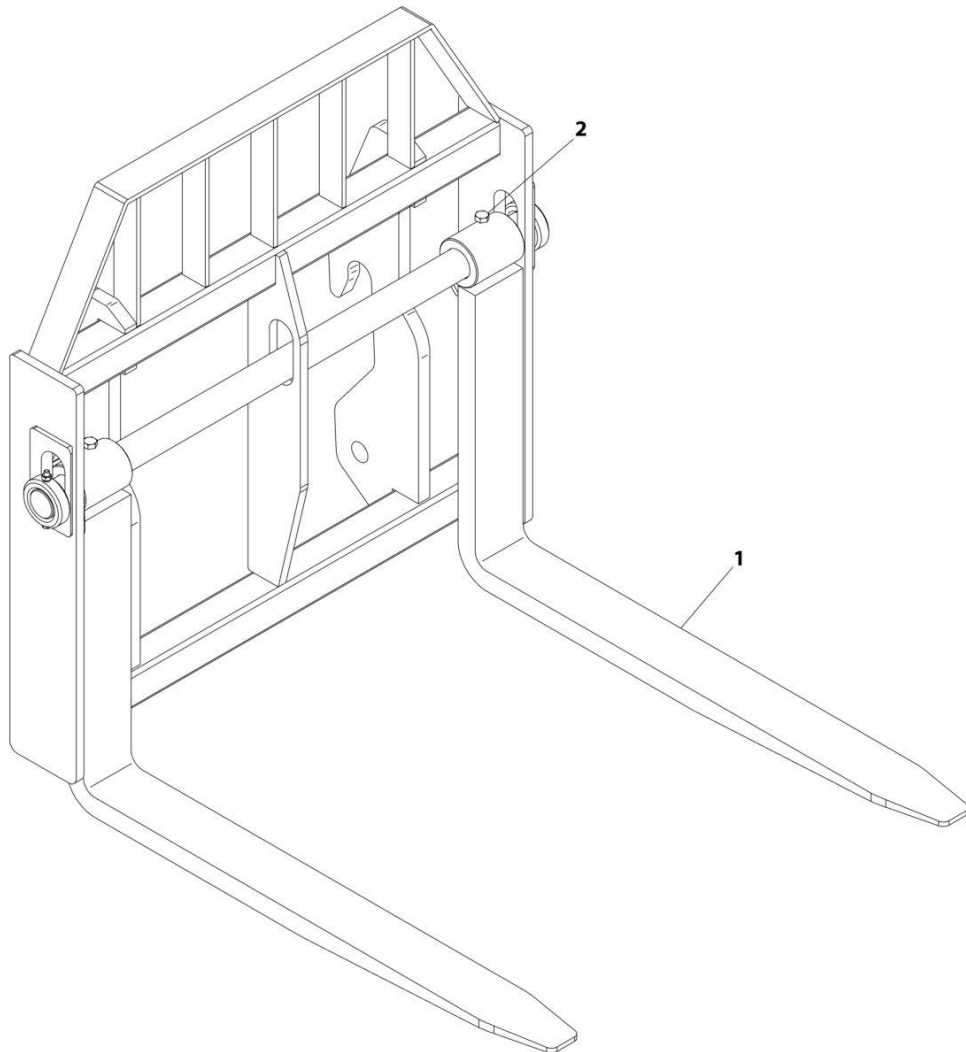
SECTION 3 - ATTACHMENTS

FIGURE 3-1. CARRIAGE

ITEM	PART NUMBER	QTY	DESCRIPTION	REV
	1001107333	1	Carriage Assembly (500mm)	A
1	N.S.S.	1	S/N Plate	
2	4032109	4	Bolt, M12X25	
3	N.S.S.	1	Weldment, Carriage	
4	1001107336	1	Shaft, Carriage	
5	1001107338	2	Cover, Shaft	
6	N.S.S.	1	Name Plate, Carriage	

SECTION 3 - ATTACHMENTS

FIGURE 3-2. FORKS



ART_2340041-C

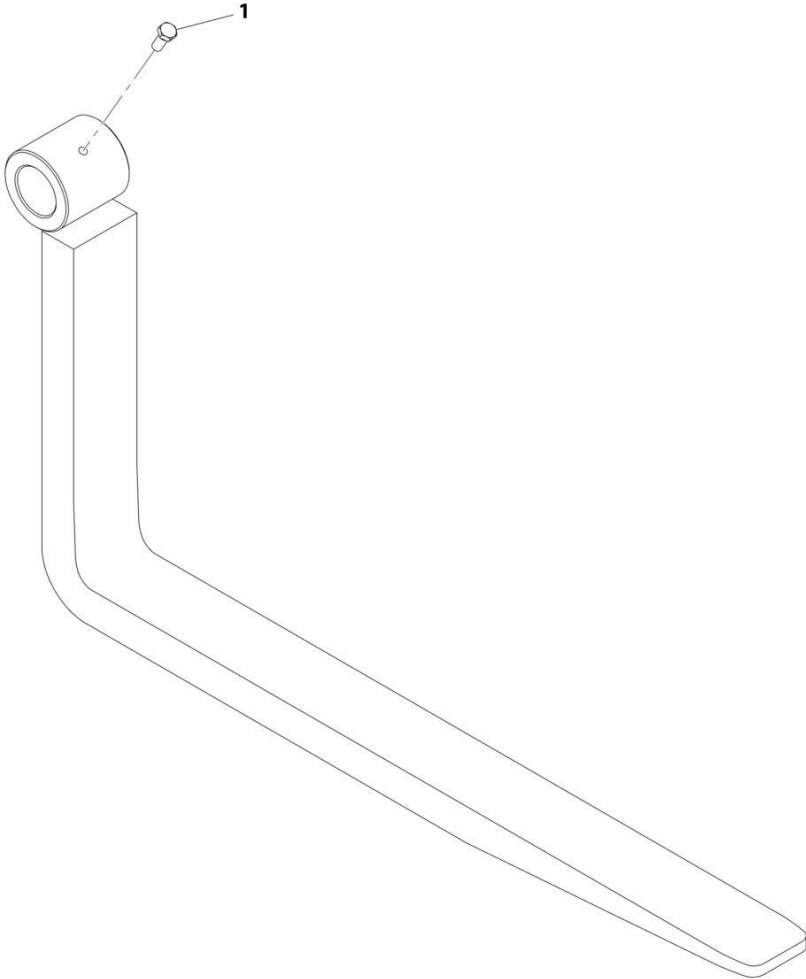
SECTION 3 - ATTACHMENTS

FIGURE 3-2. FORKS

ITEM	PART NUMBER	QTY	DESCRIPTION	REV
1	2340041	1	Pallet Fork Assembly (2000kg), (100X50X1200mm), (sold as pair)	C
2	0761612	2	Bolt, M16X25	
1	2340030	1	Fork Tine Assembly, (Lamy), (4000kg per pair), (100X50X1200mm), (sold as a pair)	D
2	7028628	2	Bolt, M16X30	

SECTION 3 - ATTACHMENTS

FIGURE 3-3. FORKS TINES



ART_1001117945-C

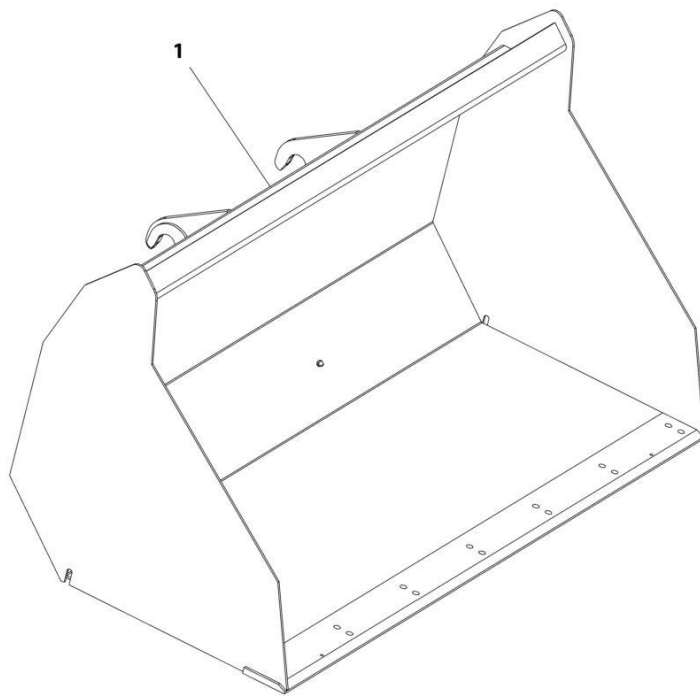
SECTION 3 - ATTACHMENTS

FIGURE 3-3. FORKS TINES

ITEM	PART NUMBER	QTY	DESCRIPTION	REV
1	1001117945 0761612	Ref 2	Forks Tines (2000kg) (120X50X1200mm) (sold as pair) Bolt, M16X25	C

SECTION 3 - ATTACHMENTS

FIGURE 3-4. BUCKET 1.8M³



ART_0930016-C

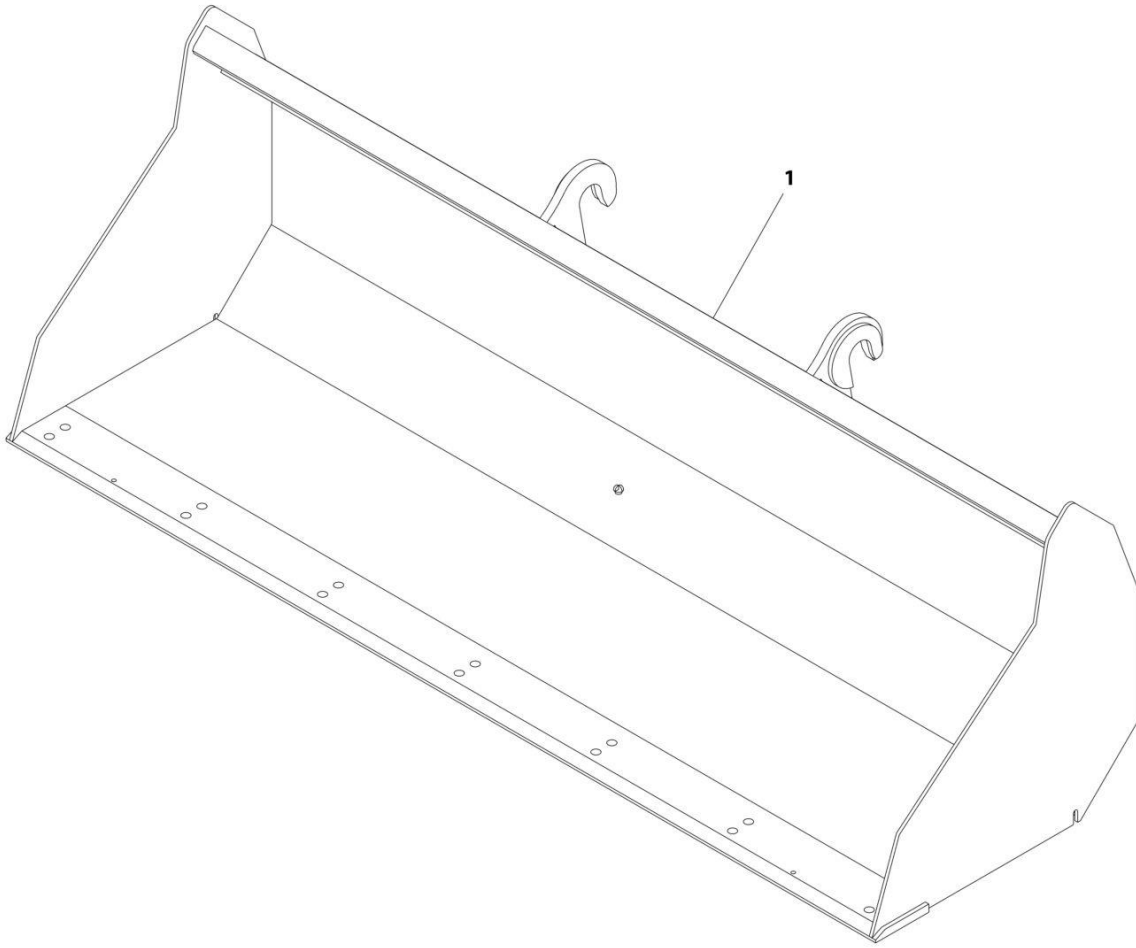
SECTION 3 - ATTACHMENTS

FIGURE 3-4. BUCKET 1.8M³

ITEM	PART NUMBER	QTY	DESCRIPTION	REV
	0930016	1	Bucket, 1.8m ³	C

SECTION 3 - ATTACHMENTS

FIGURE 3-5. BUCKET 0.9M³



ART_0930015-C

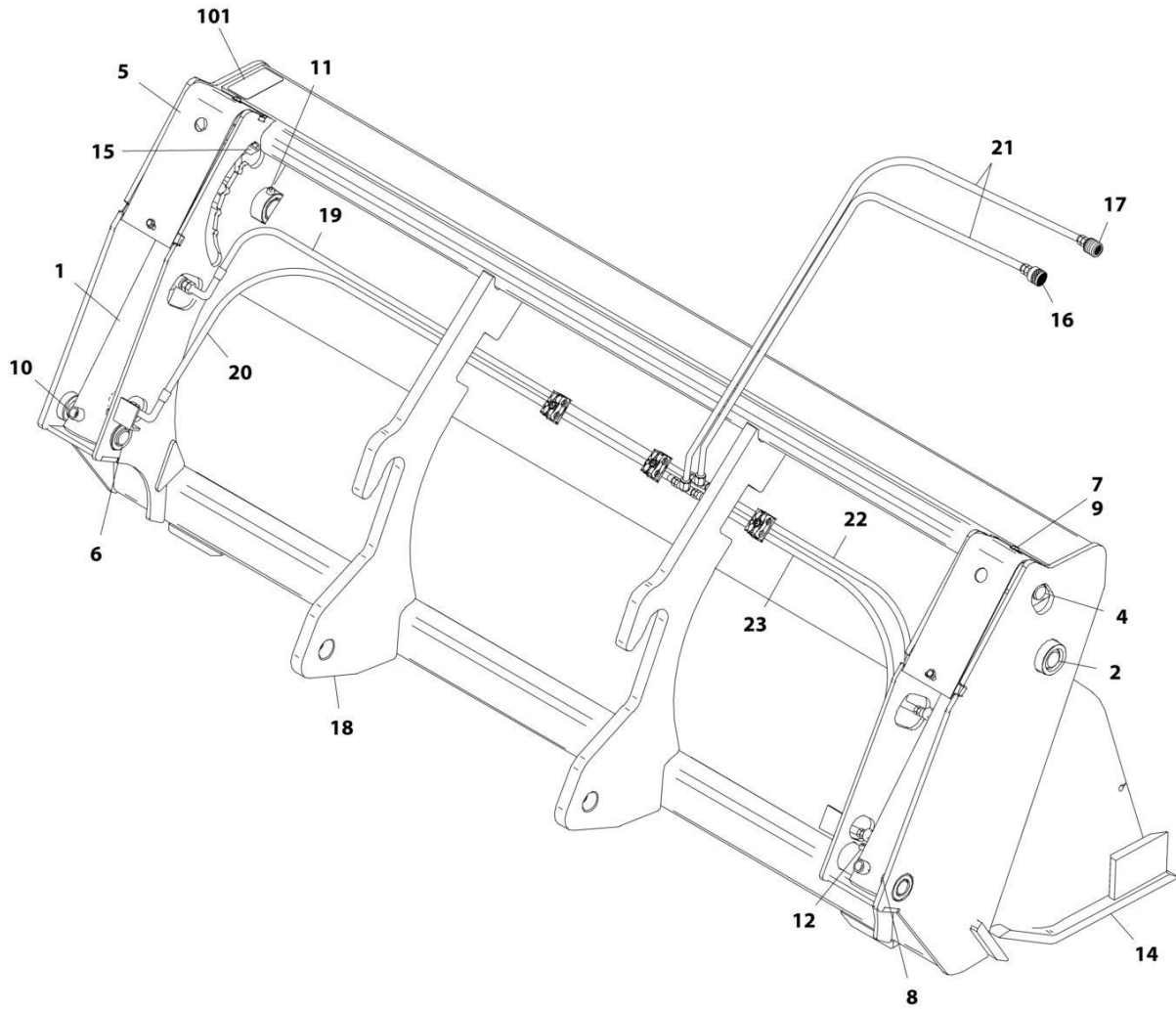
SECTION 3 - ATTACHMENTS

FIGURE 3-5. BUCKET 0.9M³

ITEM	PART NUMBER	QTY	DESCRIPTION	REV
	0930015	Ref	Bucket, 0.9m ³	C

SECTION 3 - ATTACHMENTS

FIGURE 3-6. MULTI-PURPOSE BUCKET (SN 1160007024 through 1160008687)



ART_0930003-G

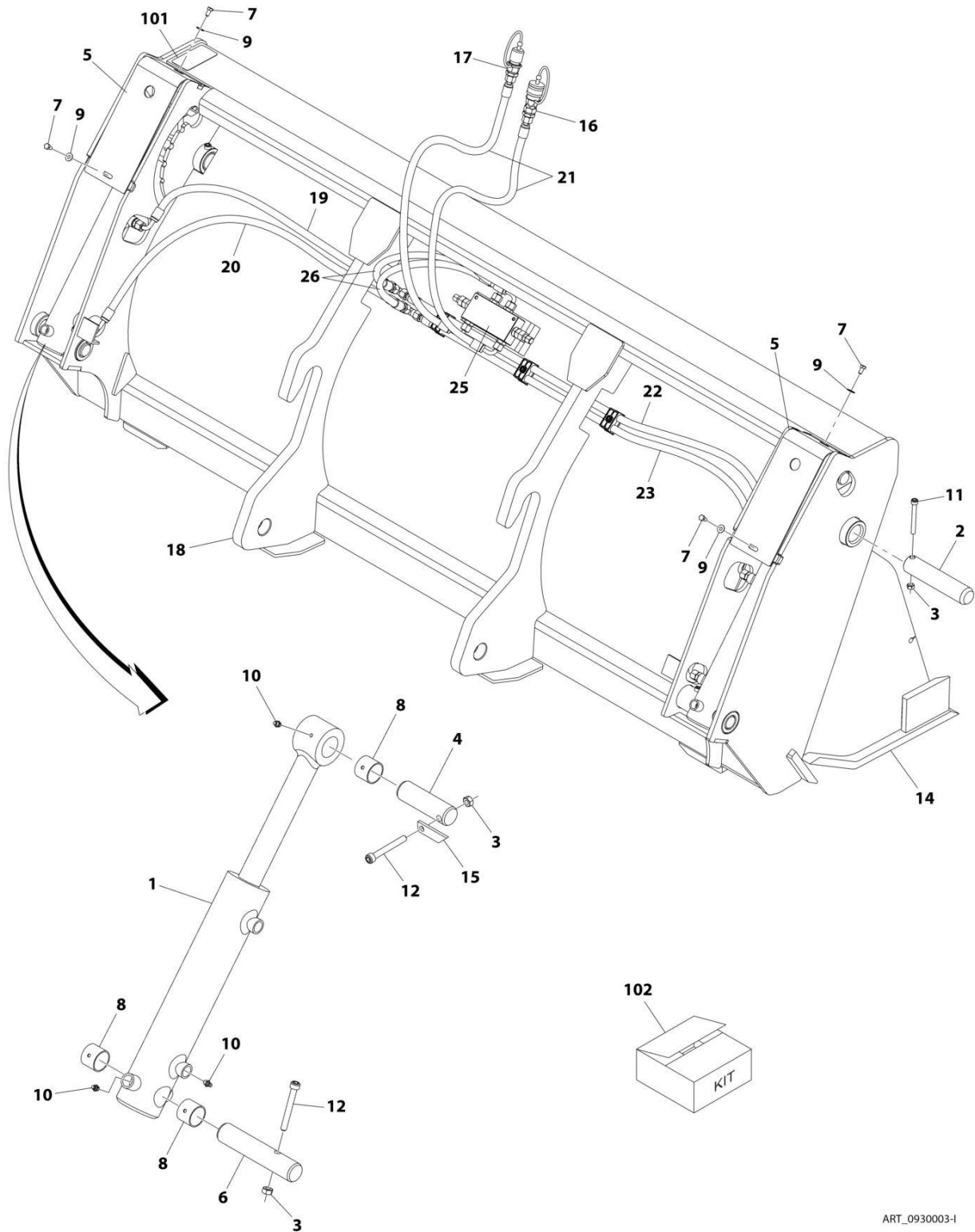
SECTION 3 - ATTACHMENTS

FIGURE 3-6. MULTI-PURPOSE BUCKET (SN 1160007024 through 1160008687)

ITEM	PART NUMBER	QTY	DESCRIPTION	REV
	0930003	1	Multi-Purpose Bucket, 1.0m ³	G
1	7028990	2	Cylinder	
	7028910	AR	Kit, Seal, Cylinder	
2	7028911	2	Pin	
3	7028912	6	Nut (not shown)	
4	7028913	2	Pin	
5	7028914	2	Plate, Protective	
6	7028915	2	Pin	
7	7028916	4	Bolt	
8	7028131	6	Bushing	
9	7028917	4	Washer	
10	7028918	6	Nipple, Grease	
11	7028920	2	Screw	
12	7028919	4	Screw	
14	N.S.S.	1	Weldment	
15	7028923	1	Gauge	
16	1001094555	1	Coupling, Female Quick Disconnect	
17	1001094556	1	Coupling, Male Quick Disconnect	
18	N.S.S.	1	Weldment	
19	7028982	1	Hose	
20	7028983	1	Hose	
21	7028984	2	Hose	
22	7028985	1	Hose	
23	7028991	1	Hose	
101	N.S.S.	1	S/N Plate	

SECTION 3 - ATTACHMENTS

FIGURE 3-7. MULTI-PURPOSE BUCKET (SN 1160008687 through 1160008790)



ART_0930003-1

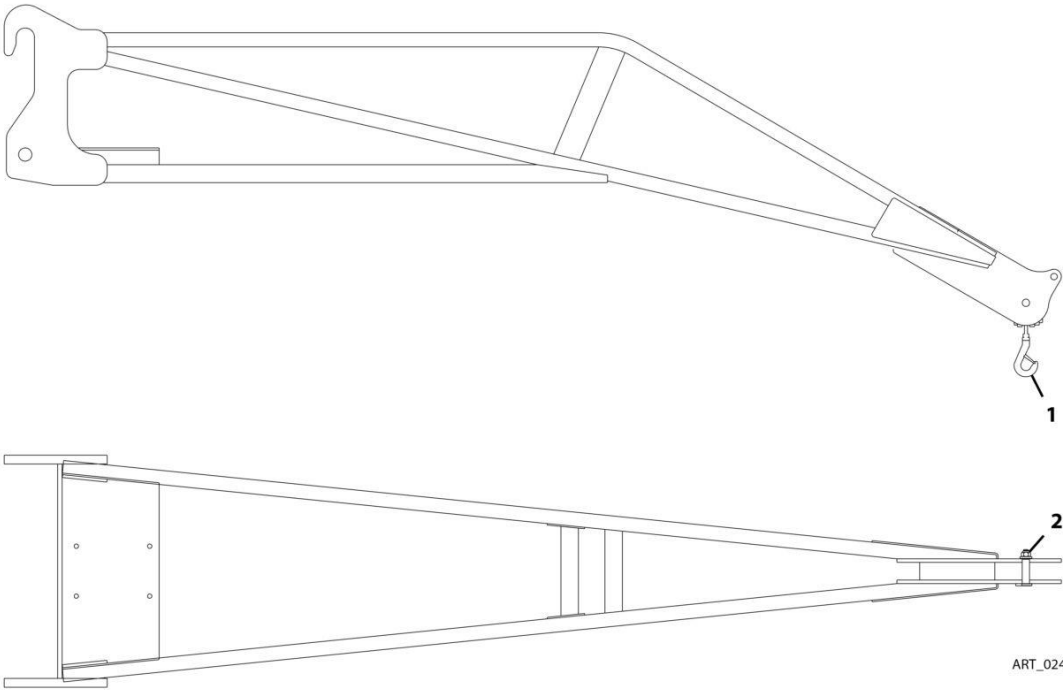
SECTION 3 - ATTACHMENTS

FIGURE 3-7. MULTI-PURPOSE BUCKET (SN 1160008687 through 1160008790)

ITEM	PART NUMBER	QTY	DESCRIPTION	REV
	0930003	1	Multi-Purpose Bucket, 1.0m ³	I
1	7028990	2	Cylinder	
	7028910	AR	Kit, Seal, Cylinder	
2	7028911	2	Pin	
3	7028912	6	Nut	
4	7028913	2	Pin	
5	N.S.S.	2	Plate, Protective	
6	7028915	2	Pin	
7	7028916	4	Bolt	
8	7028131	6	Bushing	
9	7028917	4	Washer	
10	7028918	6	Nipple, Grease	
11	7028920	2	Screw	
12	7028919	4	Screw	
14	N.S.S.	1	Weldment	
15	7028923	1	Gauge	
16	1001094555	1	Coupling, Female Quick Disconnect	
17	1001094556	1	Coupling, Male Quick Disconnect	
18	N.S.S.	1	Weldment	
19	7028982	1	Hose	
20	7028983	1	Hose	
21	7028984	2	Hose	
22	7028995	1	Hose	
23	7028991	1	Hose	
25	70027291	1	Balancing Valve	
26	70029011	2	Hose	
101	N.S.S.	1	S/N Plate	
102	1001097287	1	Quick Disconnect Coupling Kit, (includes items 16, 17 dust cap and dust plug)	

SECTION 3 - ATTACHMENTS

FIGURE 3-8. TRUSS BOOM (1000 KG)



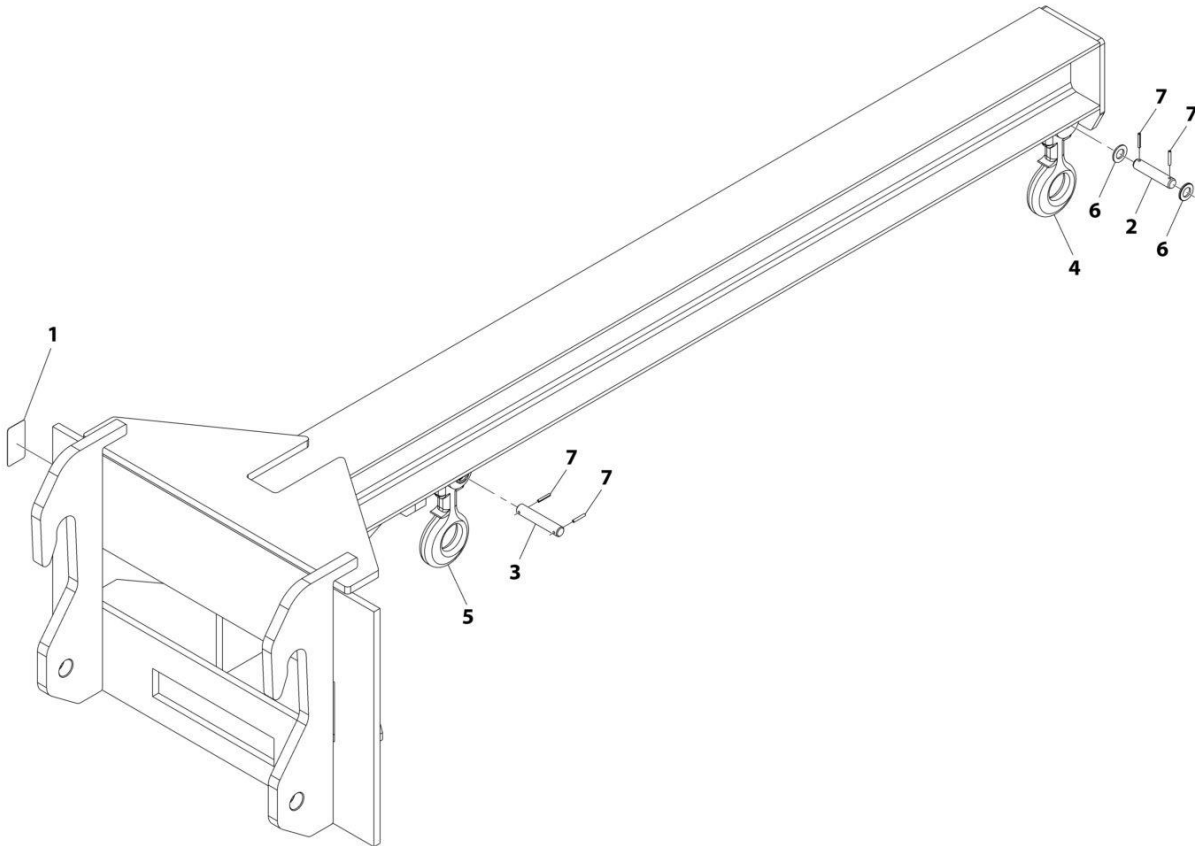
SECTION 3 - ATTACHMENTS

FIGURE 3-8. TRUSS BOOM (1000 KG)

ITEM	PART NUMBER	QTY	DESCRIPTION	REV
	0240063	1	Truss Boom, 1000KG	D
1	70020421	1	Hook	
2	70020422	1	Bolt	

SECTION 3 - ATTACHMENTS

FIGURE 3-9. TRUSS BOOM (4000 KG)



ART_1001223184-B

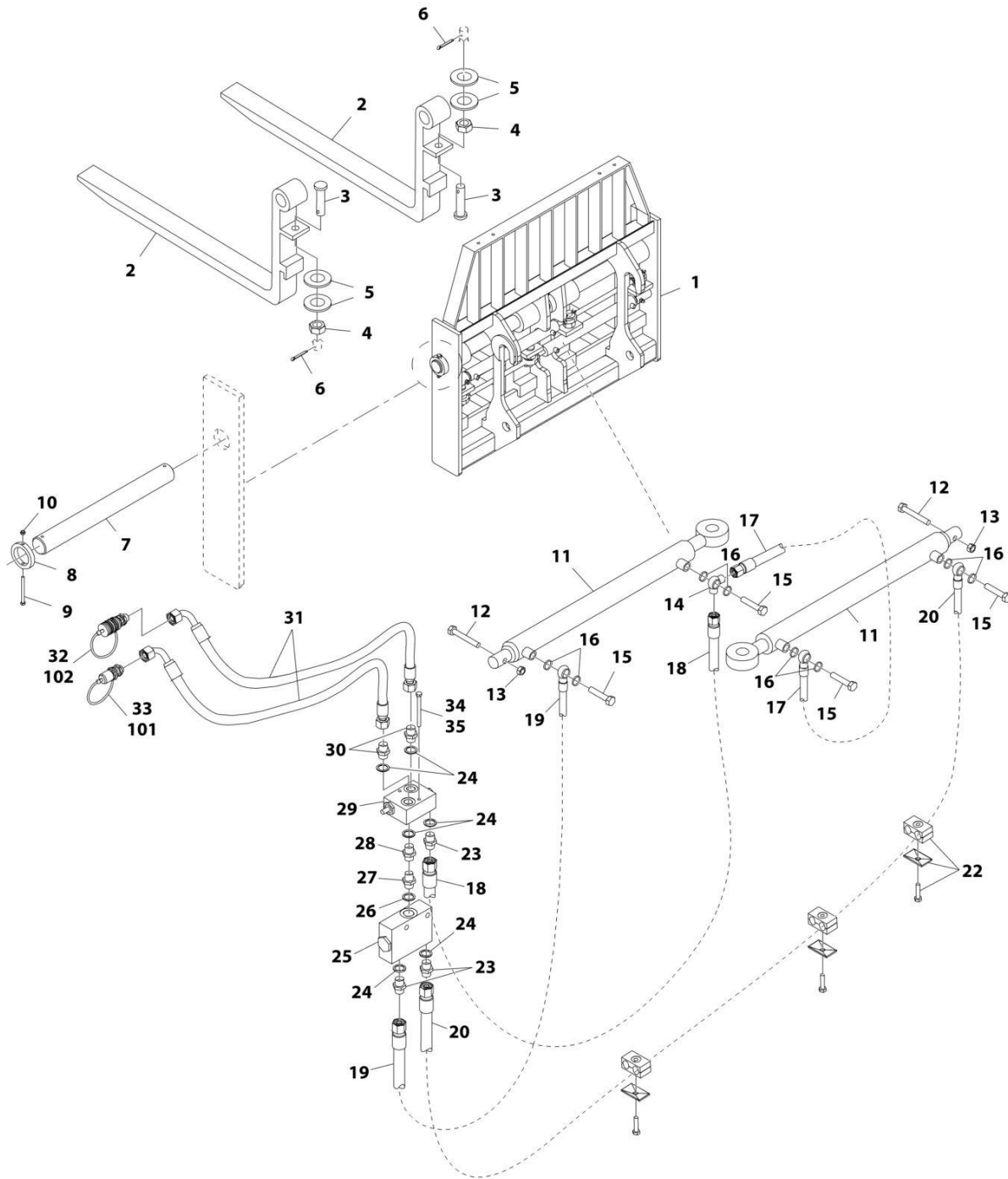
SECTION 3 - ATTACHMENTS

FIGURE 3-9. TRUSS BOOM (4000 KG)

ITEM	PART NUMBER	QTY	DESCRIPTION	REV
	1001223184	Ref	Truss Boom (4000KG)	B
1	N.S.S.	1	S/N Plate	
2	70029263	1	Pin, End Of Truss Boom	
3	70029264	1	Pin, Base Of Truss Boom	
4	70030033	1	Hook, Swivel (Truss End)	
5	70030032	1	Hook, Swivel (Truss Base)	
6	70030034	2	Washer, Flat	
7	70021563	4	Roll Pin	

SECTION 3 - ATTACHMENTS

FIGURE 3-10. INSTALLATION, CARRIAGE FORK POSITIONING



ART_1001091313-C

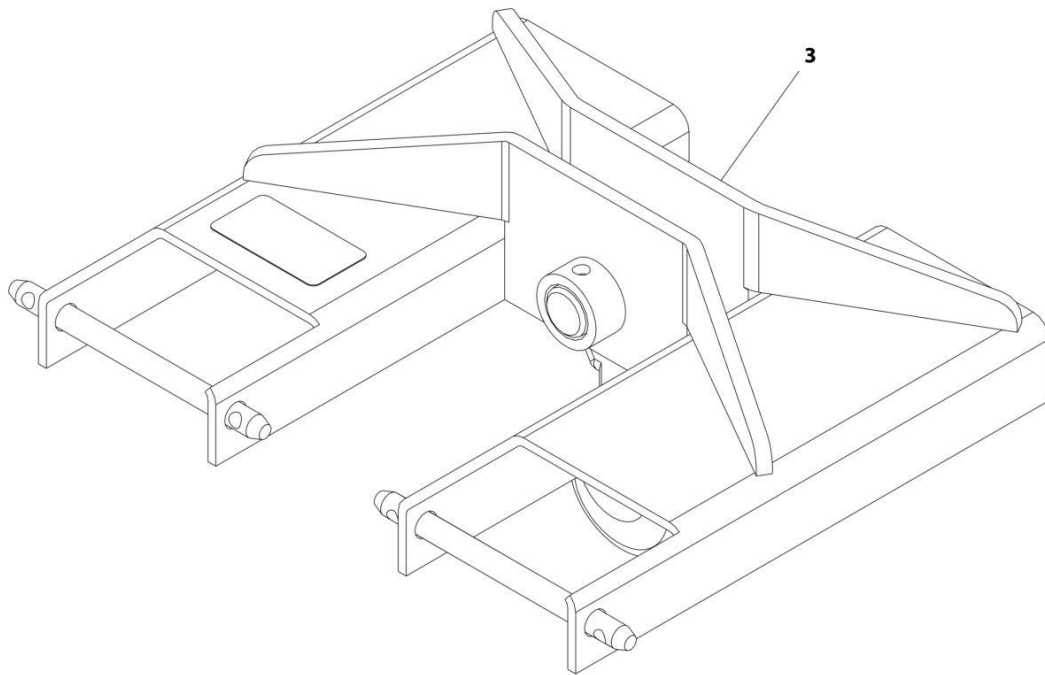
SECTION 3 - ATTACHMENTS

FIGURE 3-10. INSTALLATION, CARRIAGE FORK POSITIONING

ITEM	PART NUMBER	QTY	DESCRIPTION	REV
	1001091313	1	Fork Positioning Carriage W/Forks, (CE - 13M & 17M), (includes items 1 thru 35)	C
1	N.S.S.	1	Weldment	
2	70022922	2	Forks, (100X50X1200), (2000kg per fork)	
3	70021835	2	Rod Pin	
4	70026018	2	Nut, M30X3.5	
5	70028978	4	Washer	
6	70021836	2	Split Pin	
7	70022923	2	Carriage Shaft	
8	70022924	4	Shaft Collar	
9	70028979	4	Bolt	
10	70021241	4	Hex Locknut, M12	
11	70023276	2	Cylinder	
11	70023278	AR	Seal Kit, (use with cylinders marked 1.3351.01C.02.01)	
11	70023277	AR	Seal Kit, (use with cylinders marked 1.3351.01C.02.02)	
13	70028031	2	Locknut	
12	70028028	2	Bolt	
14	70022925	1	Elbow, 90	
15	1001103530	4	Bolt	
16	70020730	8	O-Ring	
17	70021838	1	Hose	
18	70021839	1	Hose	
19	70021840	1	Hose	
20	70021841	1	Hose	
22	1001103533	3	Clamp Set, (includes screw and plate)	
23	70020731	3	Fitting	
24	70022907	6	O-Ring	
25	70021842	1	Counter Valve	
26	70022927	1	O-Ring	
27	70022928	1	Fitting	
28	70022929	1	Fitting	
29	70021843	1	Pressure Valve	
30	70022906	2	Adapter	
31	70022930	2	Pipe	
32	1001094555	1	Female Quick Disconnect Coupling	
33	1001094556	1	Male Quick Disconnect Coupling	
34	70028980	2	Bolt	
35	70022912	2	Nut	
101	1001093826	1	Dust Cap	
102	1001093827	1	Dust Plug	

SECTION 3 - ATTACHMENTS

FIGURE 3-11. INSTALLATION, FORK AND HOOK (3614RS)



ART_1001180971-A

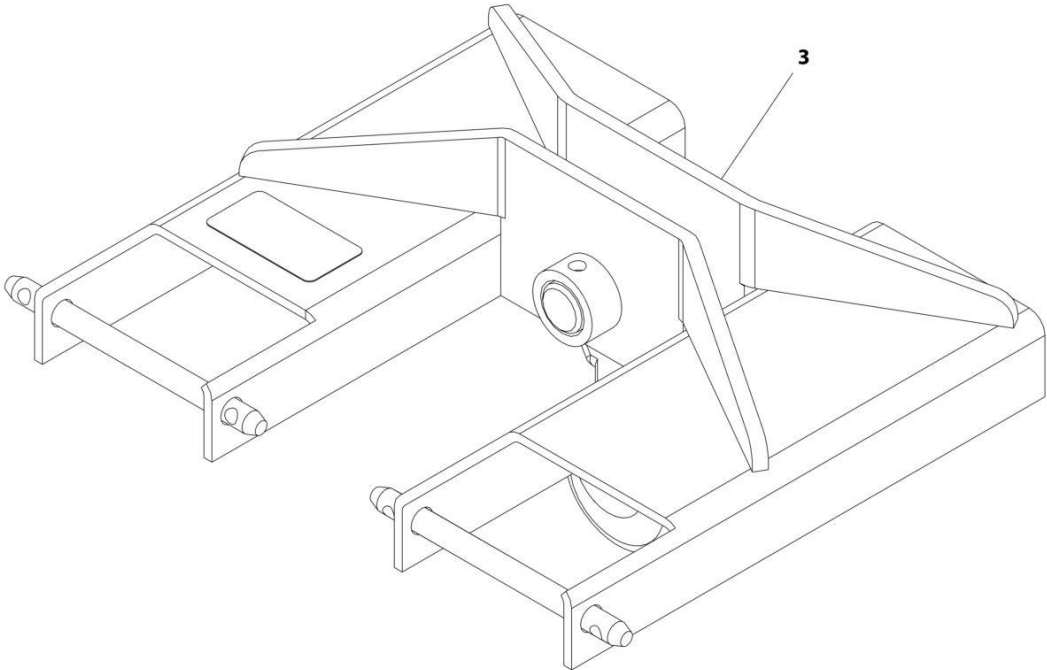
SECTION 3 - ATTACHMENTS

FIGURE 3-11. INSTALLATION, FORK AND HOOK (3614RS)

ITEM	PART NUMBER	QTY	DESCRIPTION	REV
1	1001180971	Ref	Installation, Fork and Hook	A
	1001180963	Ref	Chart, Load Metric Fork Hook (not shown) (See DECALS SECTION for Breakdown)	
2	1001180964	Ref	Chart, Load Metric Fork Hook (Outriggers) (not shown) (See DECALS SECTION for Breakdown)	
3	2700118	Ref	Hook, 4 Ton Fork (See 4 TON FORK HOOK for Breakdown)	

SECTION 3 - ATTACHMENTS

FIGURE 3-12. INSTALLATION, FORK AND HOOK (4017RS)



ART_1001180972-A

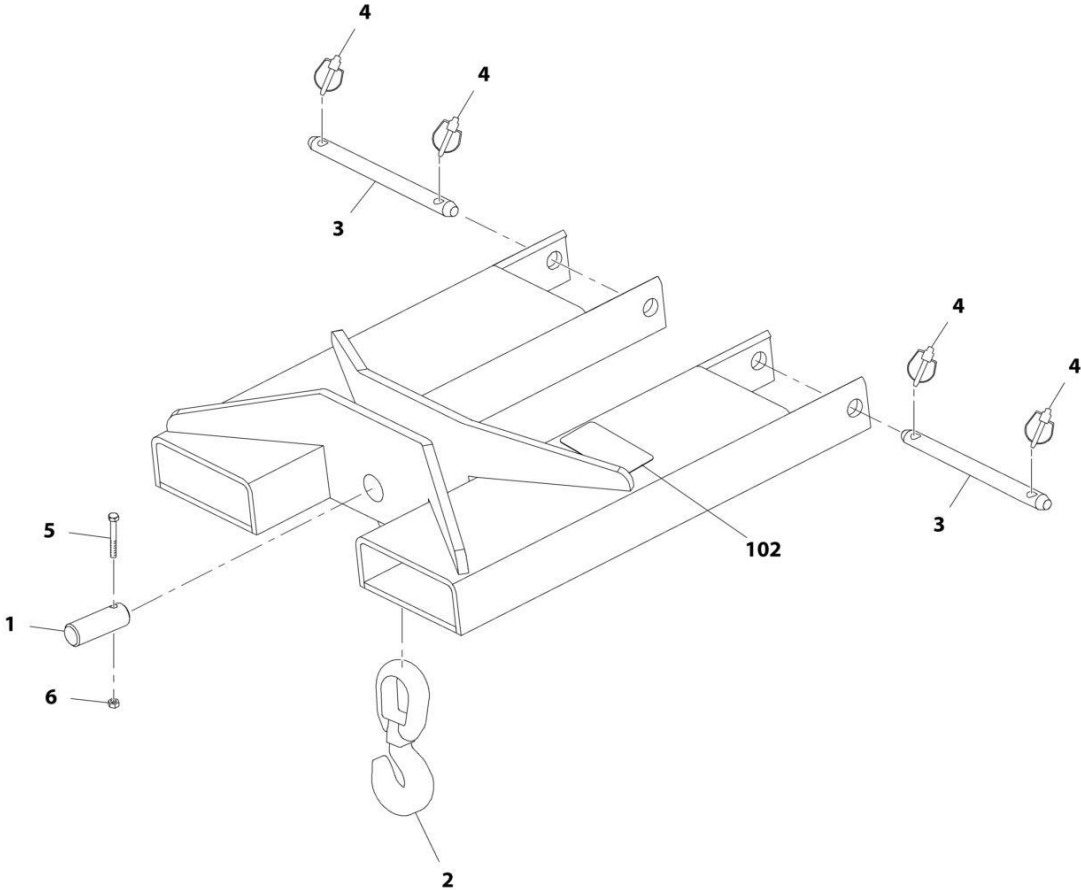
SECTION 3 - ATTACHMENTS

FIGURE 3-12. INSTALLATION, FORK AND HOOK (4017RS)

ITEM	PART NUMBER	QTY	DESCRIPTION	REV
1	1001180972	Ref	Installation, Fork and Hook	A
	1001180965	Ref	Chart, Load Metric Fork Hook (not shown) (See DECALS SECTION for Breakdown)	
2	1001180966	Ref	Chart, Load Metric Fork Hook (Outriggers) (not shown) (See DECALS SECTION for Breakdown)	
3	2700118	Ref	Hook, 4 Ton Fork (See 4 TON FORK HOOK for Breakdown)	

SECTION 3 - ATTACHMENTS

FIGURE 3-13. 4 TON FORK HOOK



ART_2700118-E

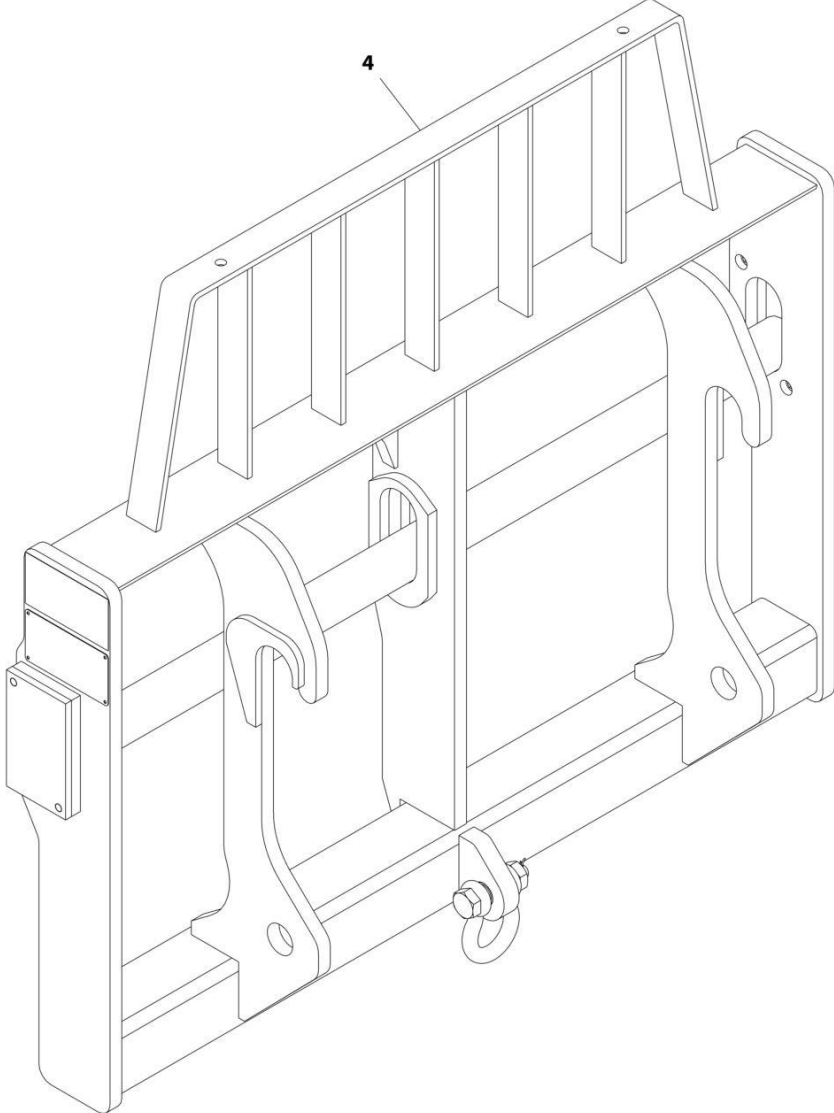
SECTION 3 - ATTACHMENTS

FIGURE 3-13. 4 TON FORK HOOK

ITEM	PART NUMBER	QTY	DESCRIPTION	REV
	2700118	1	4 Ton Fork Hook	C
1	70020201	1	Pin	
2	70020202	1	Hook	
3	70020203	2	Pin	
4	70020204	4	Retaining Ring	
5	70020205	1	Bolt	
6	70020206	1	Self Locking Nut	

SECTION 3 - ATTACHMENTS

FIGURE 3-14. STANDARD CARRIAGE INSTALLATION WITH LIFT LUG (3614RS)



ART_1001184289-A

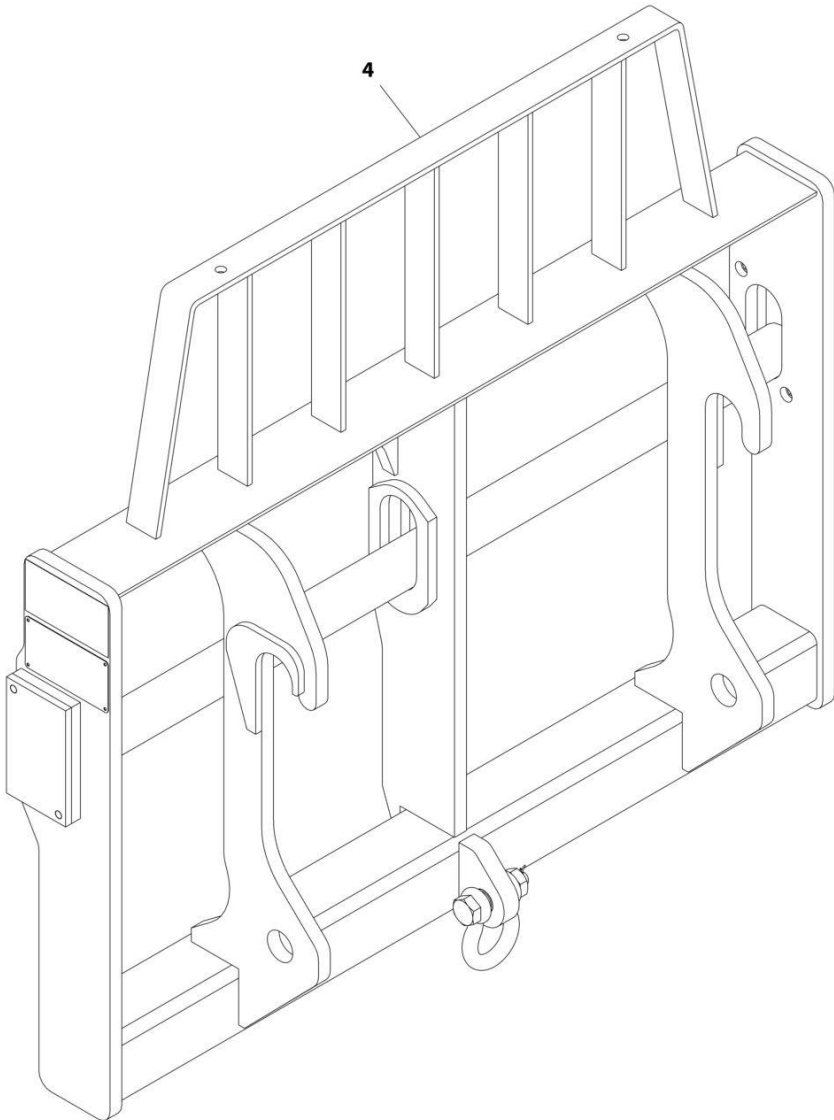
SECTION 3 - ATTACHMENTS

FIGURE 3-14. STANDARD CARRIAGE INSTALLATION WITH LIFT LUG (3614RS)

ITEM	PART NUMBER	QTY	DESCRIPTION	REV
1	1001184289 1001183289	1 Ref	Standard Carriage Installation with Lift Lug (If equipped) Chart, Load Standard Carriage with Lift Lug (not shown) (See DECALS SECTION for Breakdown)	A
2	1001183290	Ref	Chart, Load Standard Carriage with Lift Lug (Outriggers) (not shown) (See DECALS SECTION for Breakdown)	
3	1001185116	Ref	Chart, 4T Fork and Hook Standard Carriage with Lift Lug (Traveling) (not shown) (See DECALS SECTION for Breakdown)	
4	1001181380	1	Carriage, 4T Fork and Hook (See 4T FORK AND HOOK CARRIAGE for Breakdown)	

SECTION 3 - ATTACHMENTS

FIGURE 3-15. STANDARD CARRIAGE INSTALLATION WITH LIFT LUG (4017RS)



ART_1001184290-A

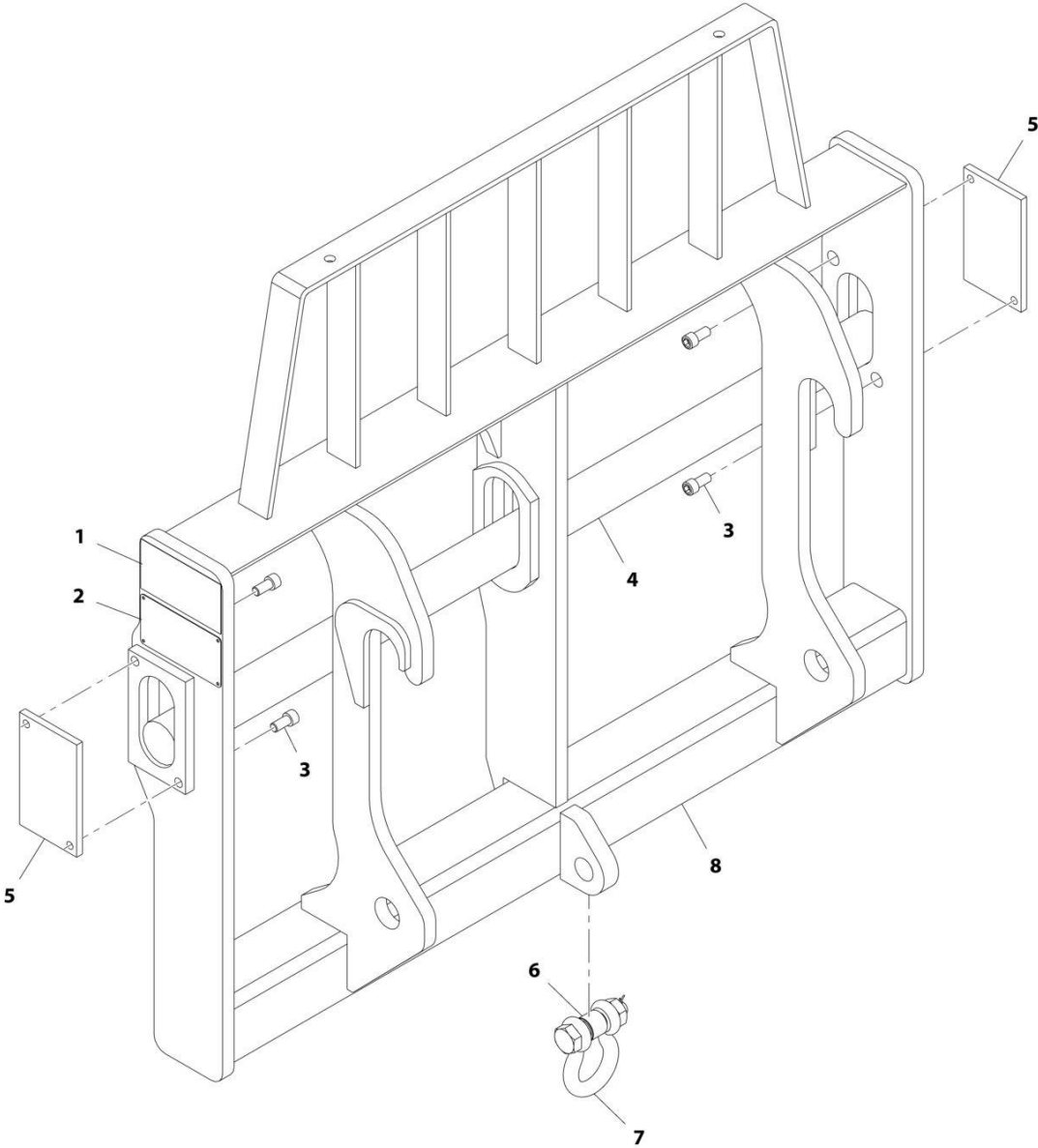
SECTION 3 - ATTACHMENTS

FIGURE 3-15. STANDARD CARRIAGE INSTALLATION WITH LIFT LUG (4017RS)

ITEM	PART NUMBER	QTY	DESCRIPTION	REV
1	1001184290	1	Standard Carriage Installation with Lift Lug (If equipped)	A
	1001183291	Ref	Chart, Load Standard Carriage with Lift Lug (not shown) (See DECALS SECTION for Breakdown)	
2	1001183292	Ref	Chart, Load Standard Carriage with Lift Lug (Outriggers) (not shown) (See DECALS SECTION for Breakdown)	
3	1001185116	Ref	Chart, 4T Fork and Hook Standard Carriage with Lift Lug (Traveling) (not shown) (See DECALS SECTION for Breakdown)	
4	1001181380	1	Carriage, 4T Fork and Hook (See 4T FORK AND HOOK CARRIAGE for Breakdown)	

SECTION 3 - ATTACHMENTS

FIGURE 3-16. 4T FORK AND HOOK CARRIAGE



ART_1001181380-A

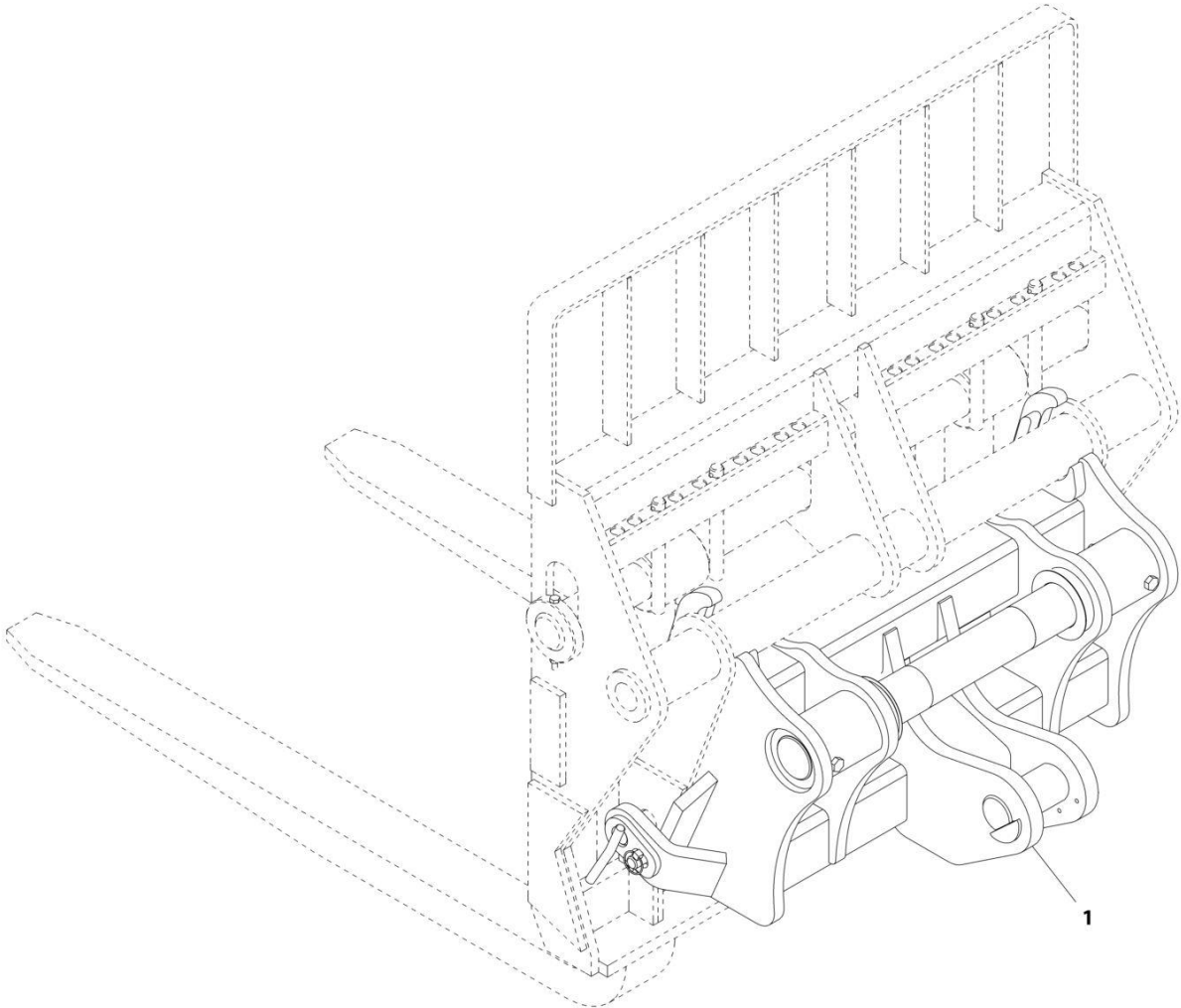
SECTION 3 - ATTACHMENTS

FIGURE 3-16. 4T FORK AND HOOK CARRIAGE

ITEM	PART NUMBER	QTY	DESCRIPTION	REV
	1001181380	1	4T Fork and Hook Carriage	A
1	N.S.S.	1	Name Plate, Carriage	
2	N.S.S.	1	S/N Plate	
3	4032109	4	Bolt, M12X25	
4	1001107336	1	Shaft, Carriage	
5	1001107338	2	Shaft Cover	
6	1001146159	1	Sleeve	
7	1001146160	1	Shackle	
8	N.S.S.	1	Weldment, Carriage	

SECTION 3 - ATTACHMENTS

FIGURE 3-17. MANITOU CARRIAGE INSTALLATION (3614RS)



ART_1001179687-A

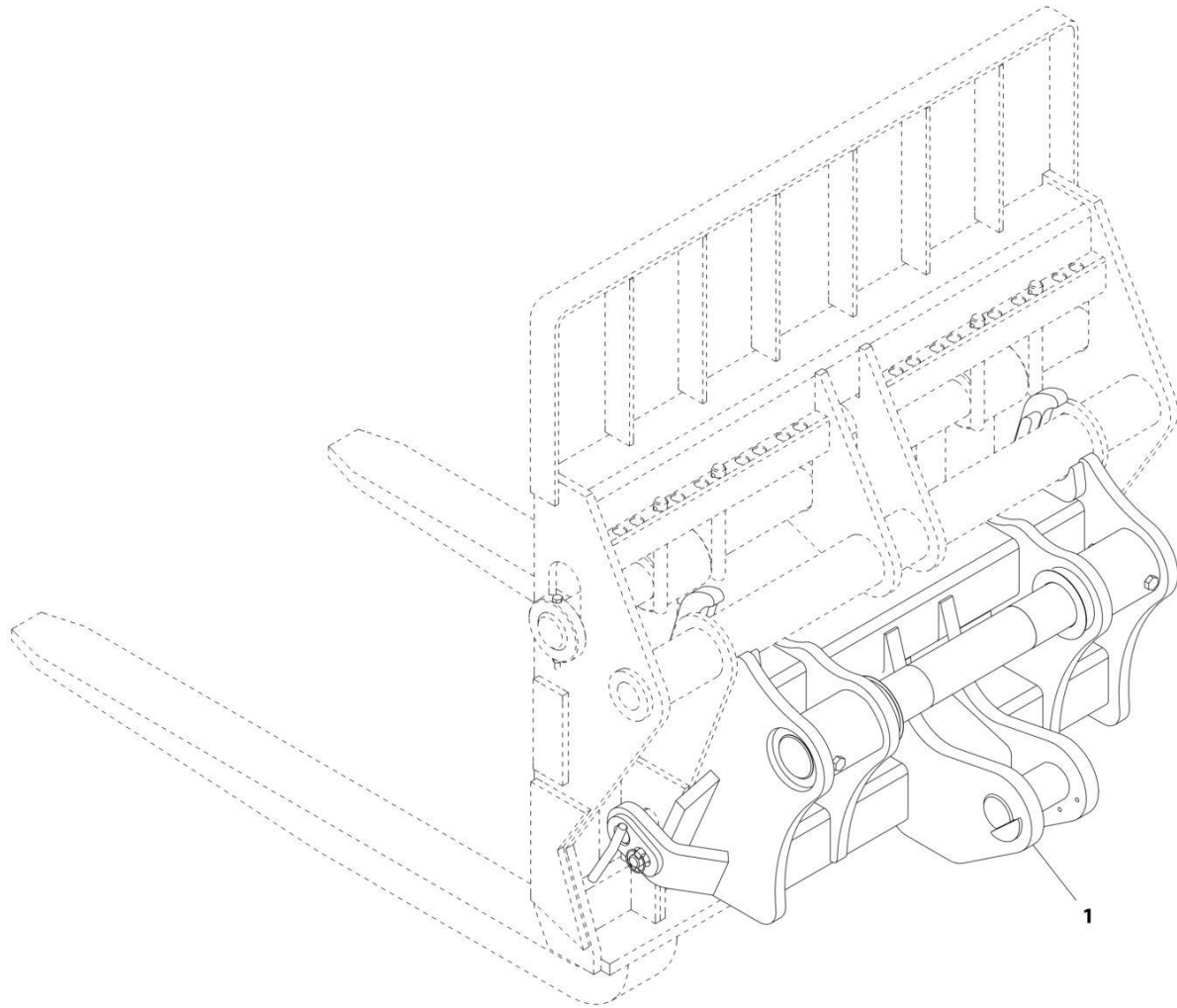
SECTION 3 - ATTACHMENTS

FIGURE 3-17. MANITOU CARRIAGE INSTALLATION (3614RS)

ITEM	PART NUMBER	QTY	DESCRIPTION	REV
1	1001179687	1	Manitou Carriage Installation	A
	1001177868	1	Installation, Manitou Coupler (See MANITOU COUPLER INSTALLATION for Breakdown)	
2	1001179679	Ref	Chart, Load Manitou Carriage (not shown) (See DECALS SECTION for Breakdown)	
3	1001179680	Ref	Chart, Load Manitou Carriage (Outriggers) (not shown) (See DECALS SECTION for Breakdown)	

SECTION 3 - ATTACHMENTS

FIGURE 3-18. MANITOU CARRIAGE INSTALLATION (4017RS)



ART_1001179688-A

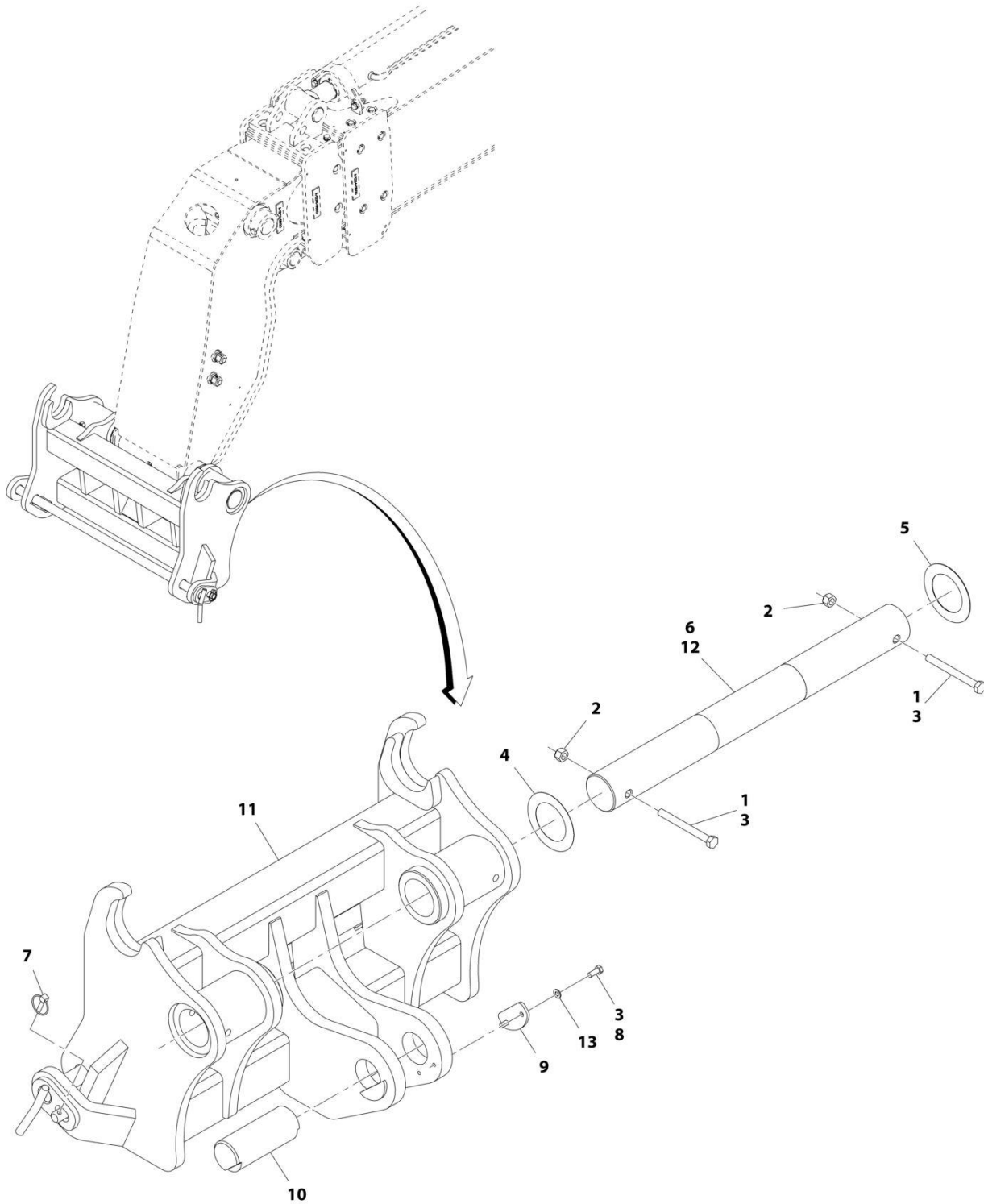
SECTION 3 - ATTACHMENTS

FIGURE 3-18. MANITOU CARRIAGE INSTALLATION (4017RS)

ITEM	PART NUMBER	QTY	DESCRIPTION	REV
1	1001179688	1	Manitou Carriage Installation	A
	1001177868	1	Installation, Manitou Coupler (See MANITOU COUPLER INSTALLATION for Breakdown)	
2	1001179681	Ref	Chart, Load Manitou Carriage (not shown) (See DECALS SECTION for Breakdown)	
3	1001179682	Ref	Chart, Load Manitou Carriage (Outriggers) (not shown) (See DECALS SECTION for Breakdown)	

SECTION 3 - ATTACHMENTS

FIGURE 3-19. MANITOU COUPLER INSTALLATION



ART_1001177868-C

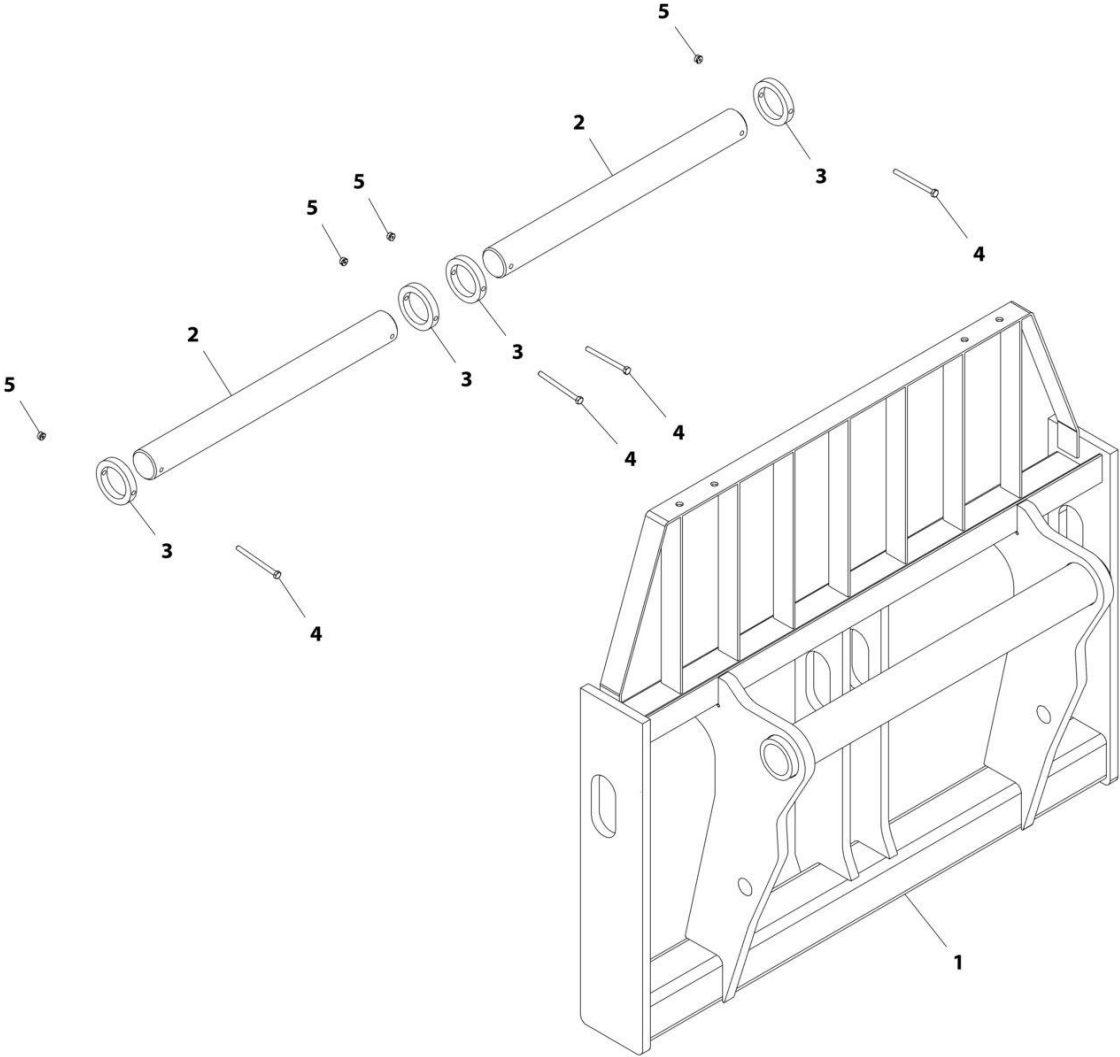
SECTION 3 - ATTACHMENTS

FIGURE 3-19. MANITOU COUPLER INSTALLATION

ITEM	PART NUMBER	QTY	DESCRIPTION	REV
	1001177868	1	Manitou Coupler Installation	C
1	0711229	2	Bolt, M12X120	
2	3291205	2	Nut, Lock, M12X1.75	
3	1001095650	AR	Compound, Locking	
4	1001098146	AR	Shim, 72X110X0.5	
5	1001098147	AR	Shim, 72X110X1.0	
6	1001098457	AR	Cat Multipurpose Grease - NLGI Grade 2	
7	1001104350	1	Pin	
8	0760810	2	Bolt, M8X20	
9	1001192350	1	Plate, Pin Retention	
10	1001147844	1	Pin, Coupler	
11	1001171794	1	Manitou Coupler	
12	1001147843	1	Pin, Coupler	
13	4811900	2	Washer, M8	

SECTION 3 - ATTACHMENTS

FIGURE 3-20. MANITOU CARRIAGE



ART_1001102553-B

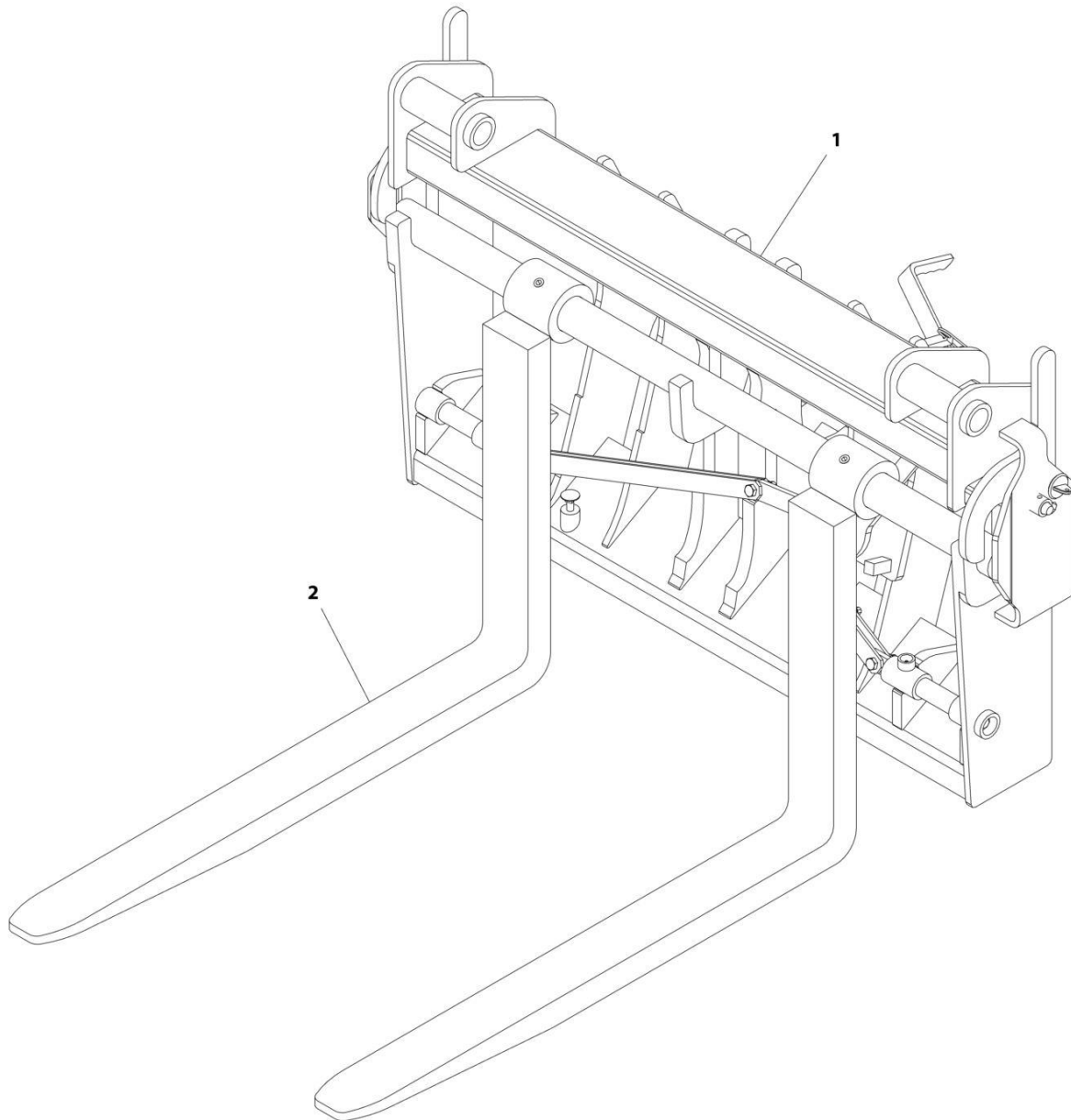
SECTION 3 - ATTACHMENTS

FIGURE 3-20. MANITOU CARRIAGE

ITEM	PART NUMBER	QTY	DESCRIPTION	REV
	1001102553	Ref	Manitou Carriage	B
1	4040283	2	Carriage Shaft	
2	3760508	4	Shaft Collar	
3	0700827	4	Hex HD Capscrew, M8x100	
4	3290805	4	Hex Locknut, M8	

SECTION 3 - ATTACHMENTS

FIGURE 3-21. JCB CARRIAGE INSTALLATION (3614RS)



ART_1001179689-A

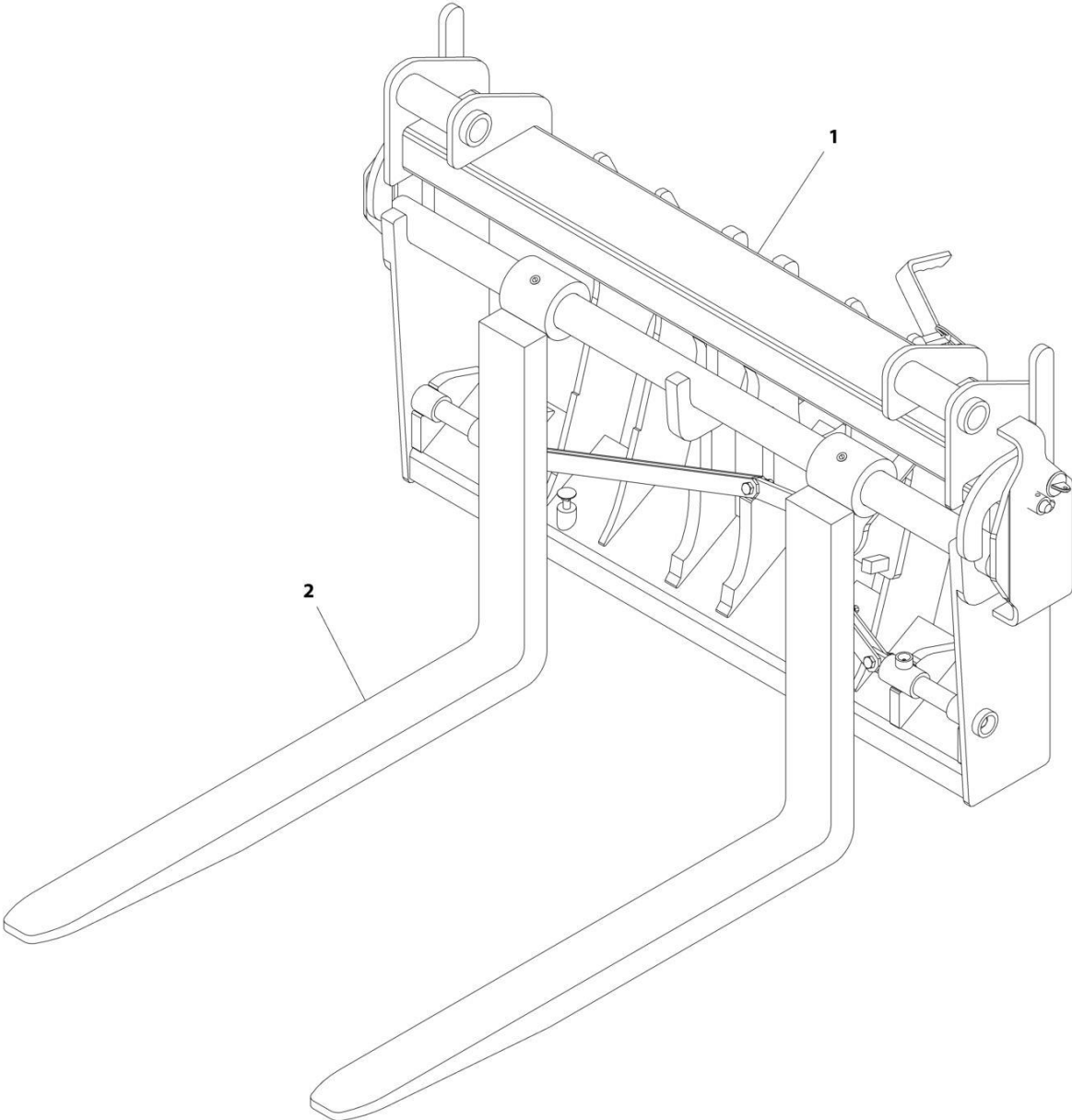
SECTION 3 - ATTACHMENTS

FIGURE 3-21. JCB CARRIAGE INSTALLATION (3614RS)

ITEM	PART NUMBER	QTY	DESCRIPTION	REV
1	1001179689	Ref	JCB Carriage Installation	A
	1001177869	1	Installation, JCB Coupler (See JCB COUPLER INSTALLATION for Breakdown)	
2	1001111758	1	Assembly, JCB Fork (See JCB FORK ASSEMBLY for Breakdown)	
3	1001179683	1	Chart, Load Metric JCB Coupler (not shown) (See DECALS SECTION for Breakdown)	
4	1001179684	1	Chart, Load Metric JCB Coupler (Outriggers) (not shown) (See DECALS SECTION for Breakdown)	

SECTION 3 - ATTACHMENTS

FIGURE 3-22. JCB CARRIAGE INSTALLATION (4017RS)



ART_1001179690-A

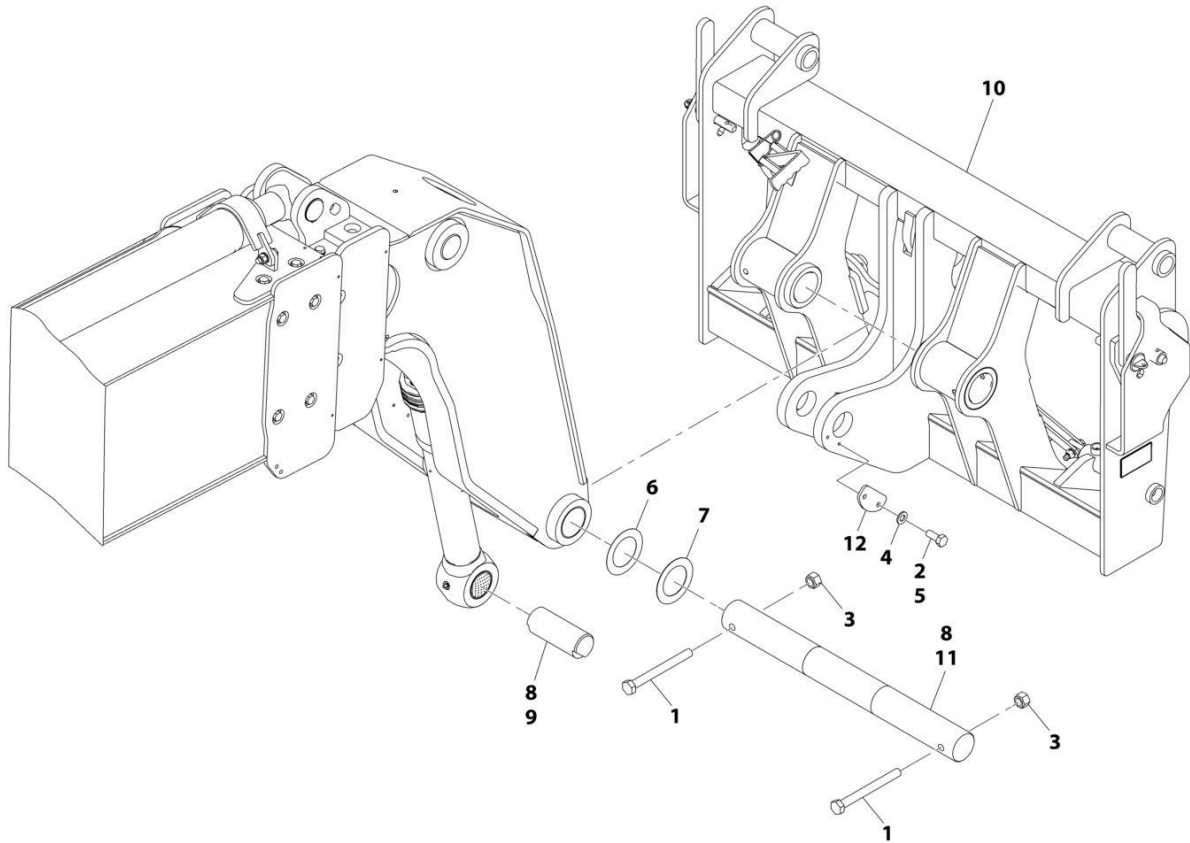
SECTION 3 - ATTACHMENTS

FIGURE 3-22. JCB CARRIAGE INSTALLATION (4017RS)

ITEM	PART NUMBER	QTY	DESCRIPTION	REV
1	1001179690	Ref	JCB Carriage Installation	A
	1001177869	1	Installation, JCB Coupler (See JCB COUPLER INSTALLATION for Breakdown)	
2	1001111758	1	Assembly, JCB Fork (See JCB FORK ASSEMBLY for Breakdown)	
3	1001179685	1	Chart, Load Metric JCB Coupler (not shown) (See DECALS SECTION for Breakdown)	
4	1001179686	1	Chart, Load Metric JCB Coupler (Outriggers) (not shown) (See DECALS SECTION for Breakdown)	

SECTION 3 - ATTACHMENTS

FIGURE 3-23. JCB COUPLER INSTALLATION



ART_1001177869-B

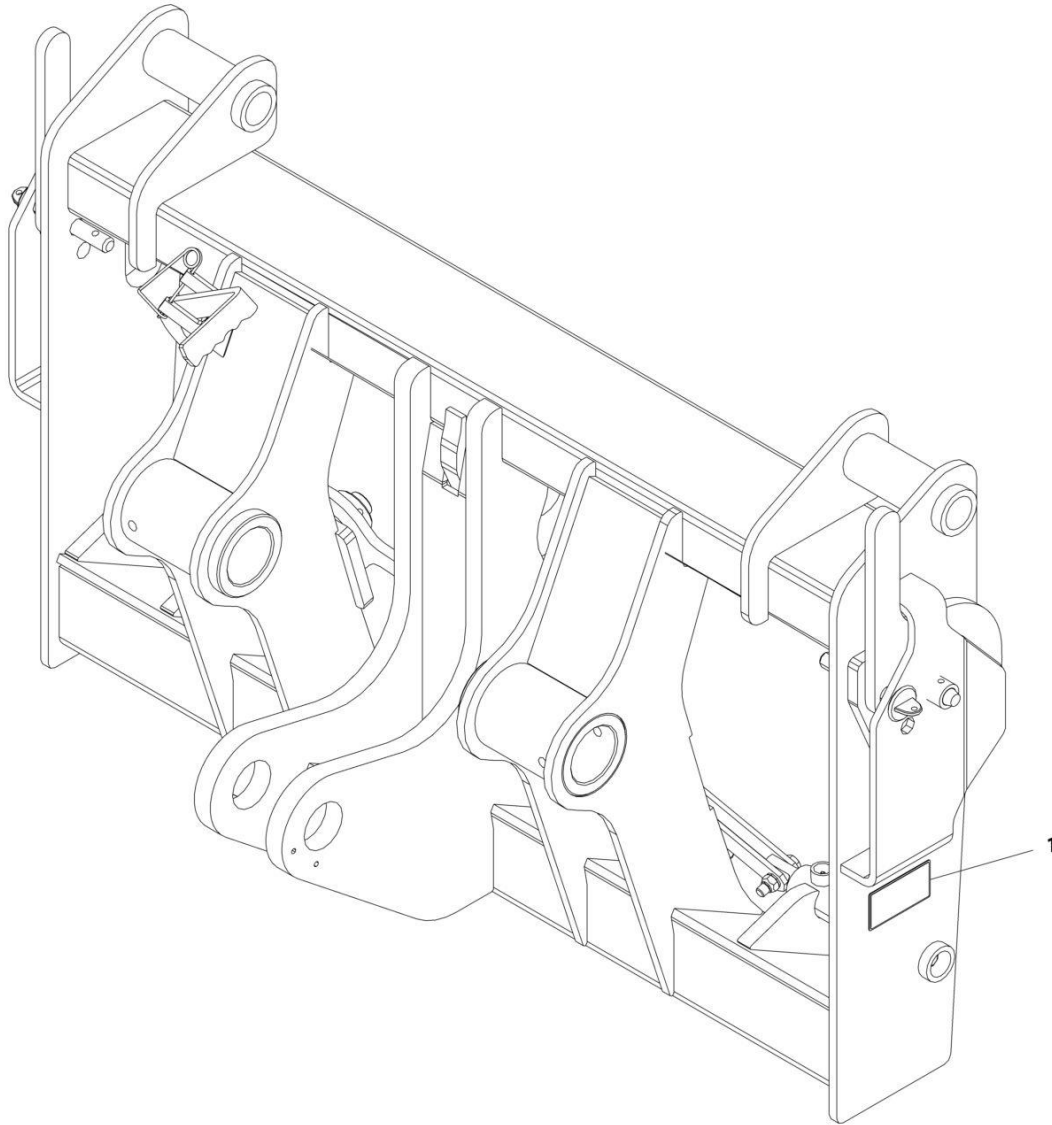
SECTION 3 - ATTACHMENTS

FIGURE 3-23. JCB COUPLER INSTALLATION

ITEM	PART NUMBER	QTY	DESCRIPTION	REV
	1001177869	Ref	JCB Coupler Installation	B
1	0711229	2	Bolt, M12X120	
2	0760810	2	Bolt, M8X20	
3	3291205	2	Nut, Lock M12X1.75	
4	4811900	2	Washer, M8	
5	1001095650	AR	Compound, Locking	
6	1001098146	AR	Shim, 72X110X0.5	
7	1001098147	AR	Shim, 72X110X1.0	
8	1001098457	AR	Lube, Lithium Grease	
9	1001147844	1	Pin	
10	1001199290	1	Coupling, JCB (See JCB COUPLING for Breakdown)	
11	1001147843	1	Pin	
12	1001192350	1	Plate, Pin Retention	

SECTION 3 - ATTACHMENTS

FIGURE 3-24. JCB COUPLING



ART_1001199290-A

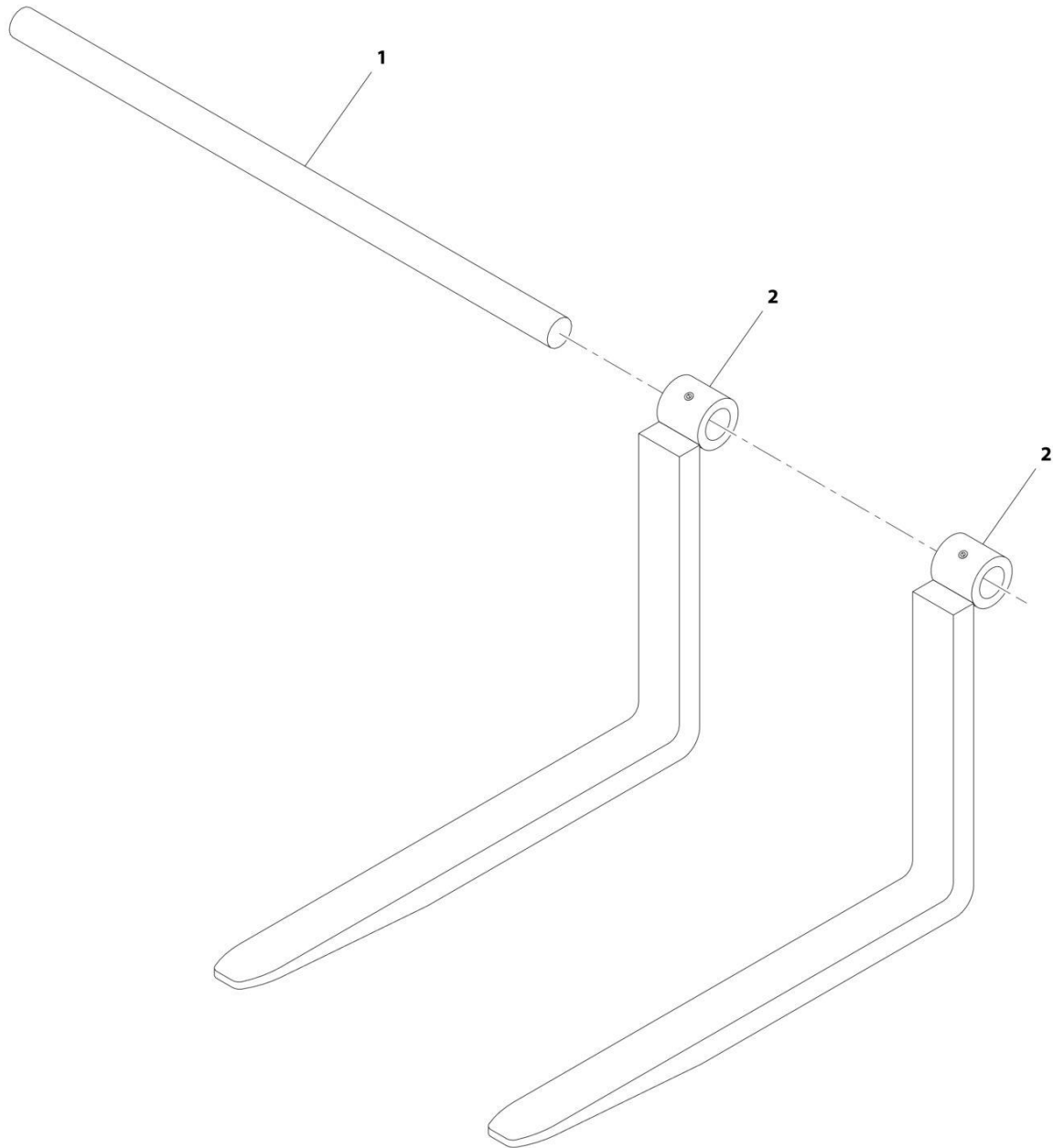
SECTION 3 - ATTACHMENTS

FIGURE 3-24. JCB COUPLING

ITEM	PART NUMBER	QTY	DESCRIPTION	REV
1	1001199290 1001199259	Ref 1	JCB Coupling Decal	A

SECTION 3 - ATTACHMENTS

FIGURE 3-25. JCB FORK ASSEMBLY



ART_1001111758-E

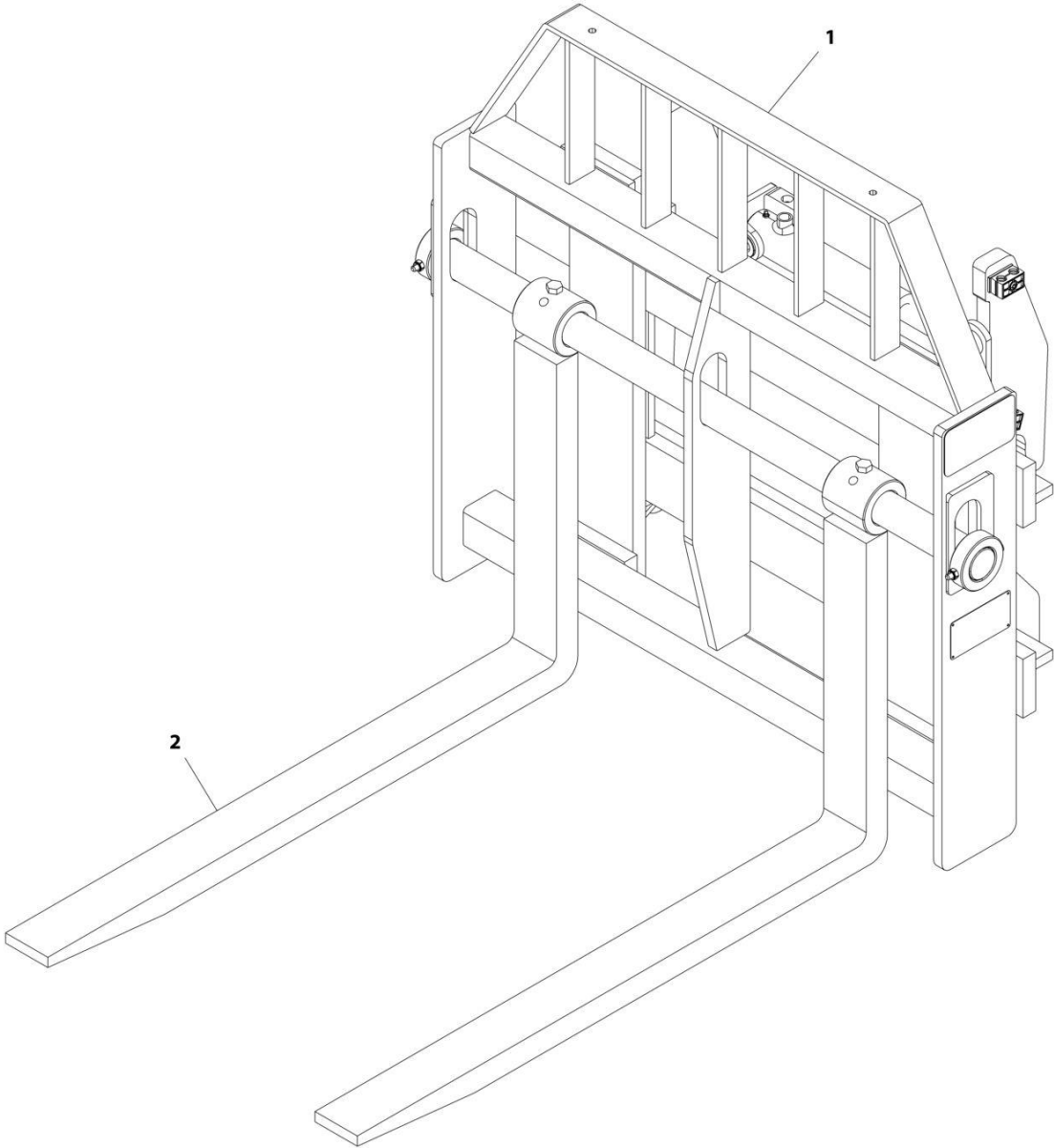
SECTION 3 - ATTACHMENTS

FIGURE 3-25. JCB FORK ASSEMBLY

ITEM	PART NUMBER	QTY	DESCRIPTION	REV
	1001111758	Ref	JCB Fork Assembly	E
1	1001108133	1	Fork Bar	
2	1001111757	2	Fork	

SECTION 3 - ATTACHMENTS

FIGURE 3-26. SIDE SHIFT CARRIAGE INSTALLATION (3614RS)



ART_1001201185-A

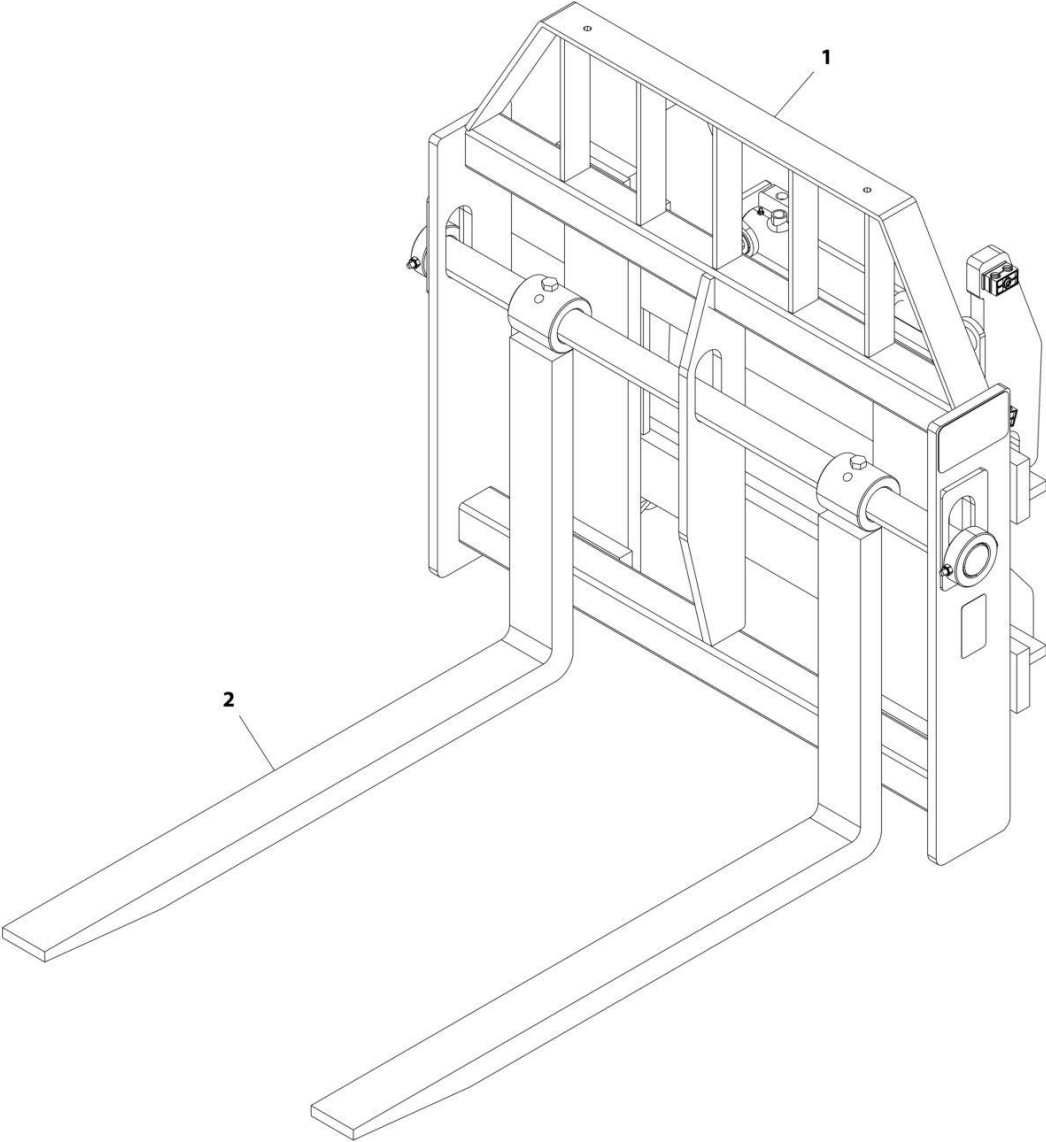
SECTION 3 - ATTACHMENTS

FIGURE 3-26. SIDE SHIFT CARRIAGE INSTALLATION (3614RS)

ITEM	PART NUMBER	QTY	DESCRIPTION	REV
	1001201185	Ref	Side Shift Carriage Installation	A
1	1170002	1	Carriage, Side Shift (See SIDE SHIFT CARRIAGE INSTALLATION - 4000Kg for Breakdown)	
2	2340030	1	Assembly, Fork Tine (See FORKS for Breakdown)	
3	1001201187	1	Chart, Load Metric Side Shift (not shown) (See DECALS SECTION for Breakdown)	
4	1001201188	1	Chart, Load Metric Side Shift (Outriggers) (not shown) (See DECALS SECTION for Breakdown)	

SECTION 3 - ATTACHMENTS

FIGURE 3-27. SIDE SHIFT CARRIAGE INSTALLATION (4017RS)



ART_1001201189-A

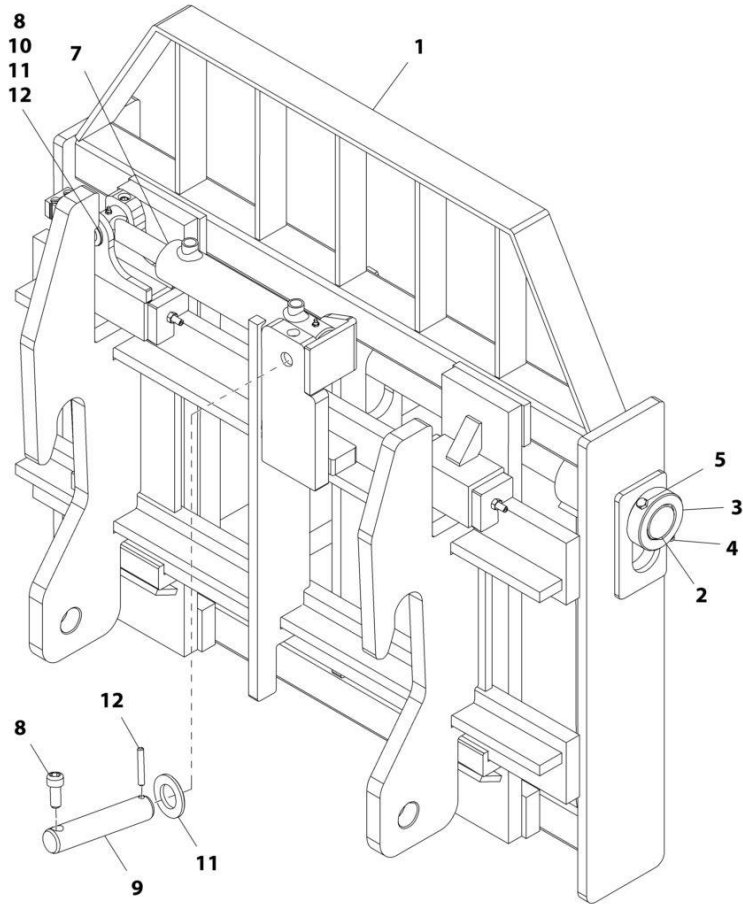
SECTION 3 - ATTACHMENTS

FIGURE 3-27. SIDE SHIFT CARRIAGE INSTALLATION (4017RS)

ITEM	PART NUMBER	QTY	DESCRIPTION	REV
	1001201189	Ref	Side Shift Carriage Installation	A
1	1170002	1	Carriage, Side Shift (See SIDE SHIFT CARRIAGE INSTALLATION - 4000Kg for Breakdown)	
2	2340030	1	Assembly, Fork Tine (See FORKS for Breakdown)	
3	1001201190	1	Chart, Load Metric Side Shift (not shown) (See DECALS SECTION for Breakdown)	
4	1001201191	1	Chart, Load Metric Side Shift (Outriggers) (not shown) (See DECALS SECTION for Breakdown)	

SECTION 3 - ATTACHMENTS

FIGURE 3-28. SIDE SHIFT CARRIAGE ASSEMBLY (SN 1160007024 through 1160008687)



ART_1170002-J

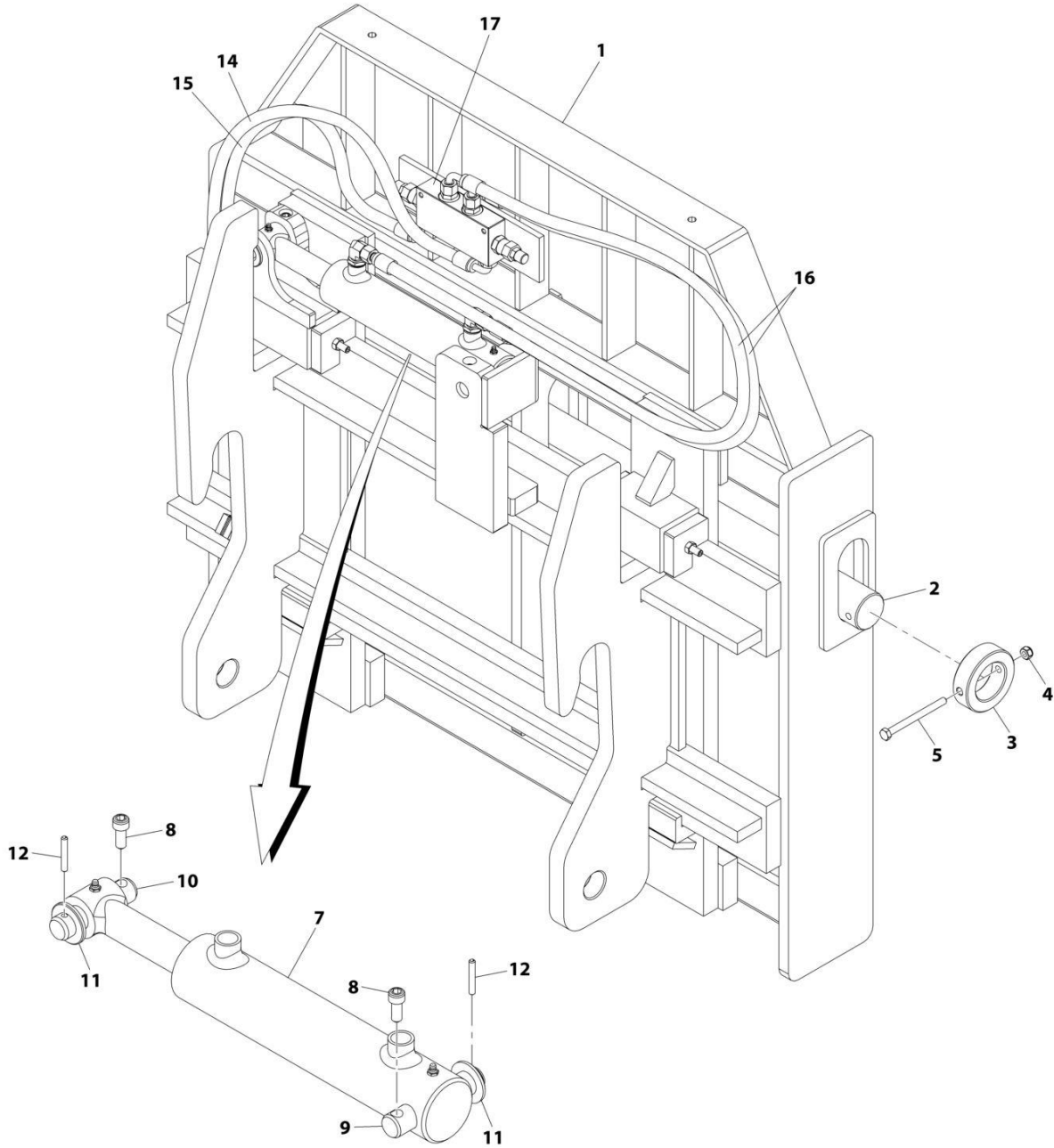
SECTION 3 - ATTACHMENTS

FIGURE 3-28. SIDE SHIFT CARRIAGE ASSEMBLY (SN 1160007024 through 1160008687)

ITEM	PART NUMBER	QTY	DESCRIPTION	REV
	1170002	1	Side Shift Carriage Assembly, (Lamy), (includes items 1 thru 5 & 7 thru 13)	J
1	N.S.S.	1	Carriage Weldment	
2	7028136	1	Fork Pin	
3	7028137	2	Collar	
4	3291005	2	Nut	
5	0701029	2	Capscrew	
7	70021558	1	Cylinder	
8	70021559	2	Bolt	
9	70021560	1	Pin	
10	70021561	1	Pin	
11	70021562	2	Washer	
12	70021563	2	Roll Pin	
13	N.S.S.	1	S/N Plate (not shown)	

SECTION 3 - ATTACHMENTS

FIGURE 3-29. SIDE SHIFT CARRIAGE ASSEMBLY (SN 1160008687 through 1160008790)



ART_1170002-L

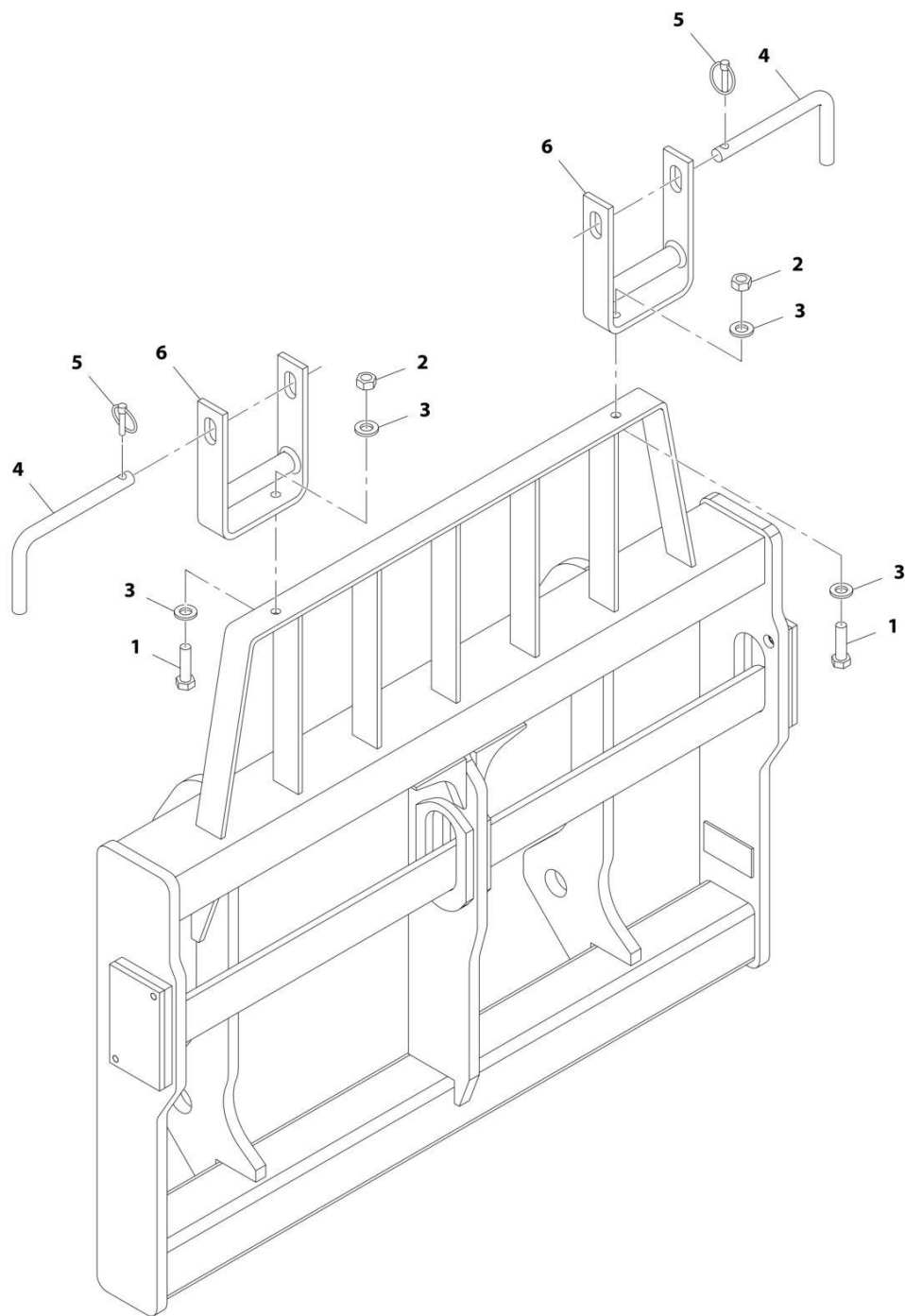
SECTION 3 - ATTACHMENTS

FIGURE 3-29. SIDE SHIFT CARRIAGE ASSEMBLY (SN 1160008687 through 1160008790)

ITEM	PART NUMBER	QTY	DESCRIPTION	REV
	1170002	1	Side Shift Carriage Assembly	L
1	N.S.S.	1	Carriage Weldment	
2	7028136	1	Fork Pin	
3	7028137	2	Collar	
4	3291005	2	Nut	
5	0701029	2	Capscrew	
7	70021558	1	Cylinder	
8	70021559	2	Bolt	
9	70021560	1	Pin	
10	70021561	1	Pin	
11	70021562	2	Washer	
12	70021563	2	Roll Pin	
13	N.S.S.	1	S/N Plate (not shown)	
14	70029011	3	Hose	
15	70029012	1	Hose	
16	70029013	2	Hose	
17	70027291	1	Balancing Valve	

SECTION 3 - ATTACHMENTS

FIGURE 3-30. FORK TRANSPORT LATCH INSTALLATION



ART_1001185346-C

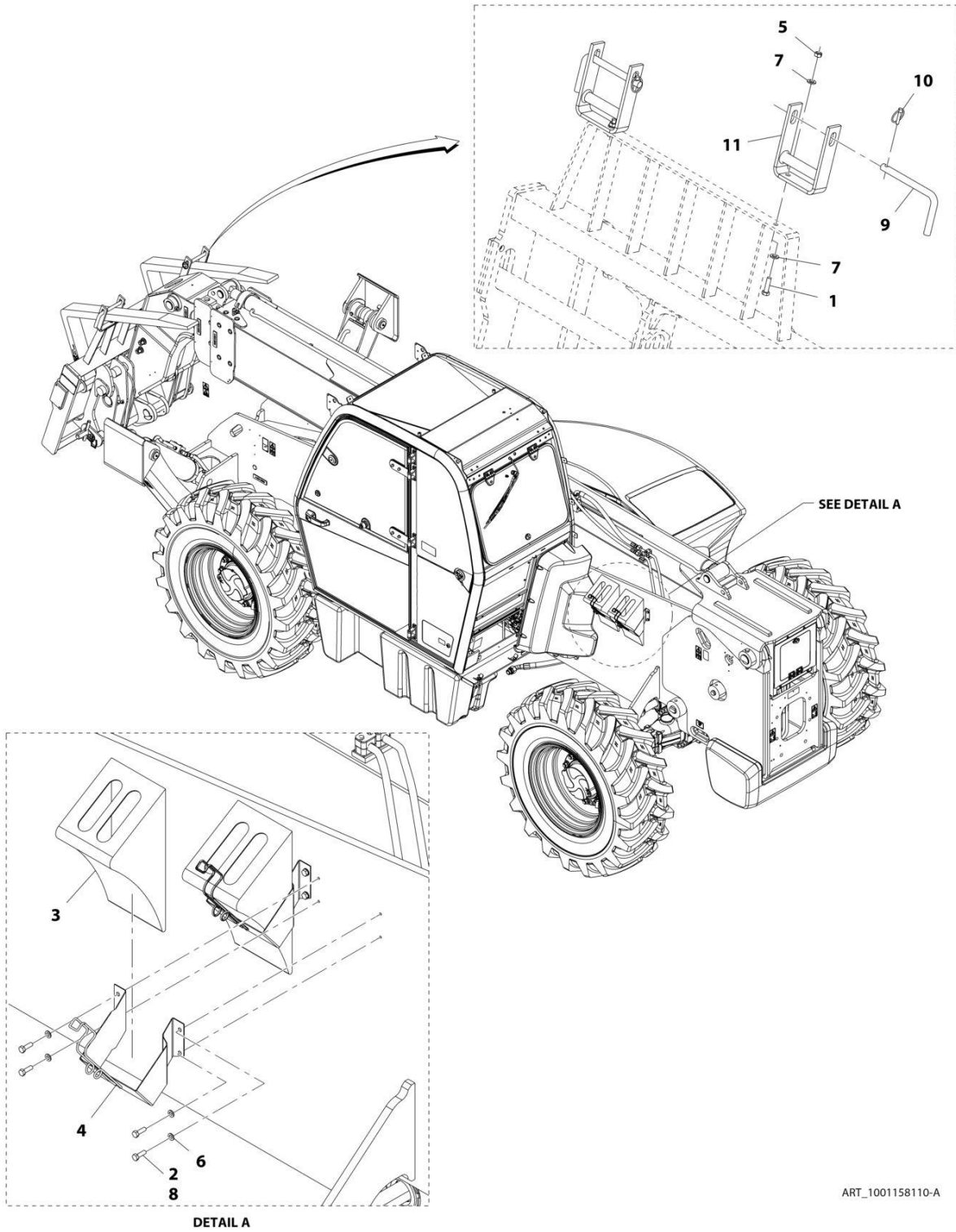
SECTION 3 - ATTACHMENTS

FIGURE 3-30. FORK TRANSPORT LATCH INSTALLATION

ITEM	PART NUMBER	QTY	DESCRIPTION	REV
	1001185346	Ref	Fork Transport Latch Installation (If equipped)	C
1	0701217	2	Bolt, M12X45	
2	3291201	2	Nut, M12X1.75	
3	5241200	4	Washer, M12	
4	1001218462	2	Pin, Carriage Fork Retainer	
5	1001109387	2	Pin, Linch	
6	1001218452	2	Bracket	

SECTION 3 - ATTACHMENTS

FIGURE 3-31. HOMOLOGATION INSTALLATION (GERMANY) (3614RS)



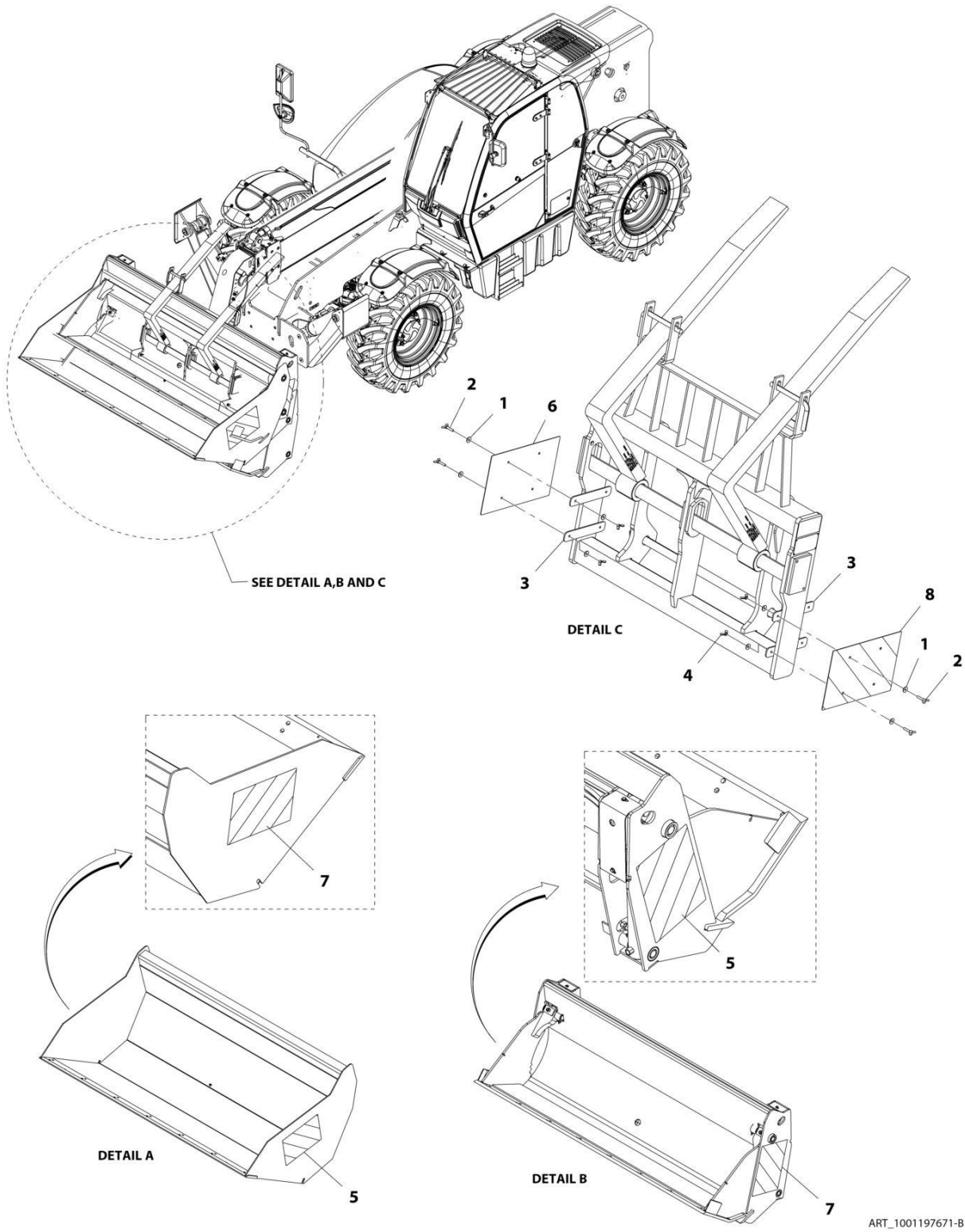
SECTION 3 - ATTACHMENTS

FIGURE 3-31. HOMOLOGATION INSTALLATION (GERMANY) (3614RS)

ITEM	PART NUMBER	QTY	DESCRIPTION	REV
	1001158110	Ref	Homologation Installation (Germany, if equipped)	A
1	0701217	2	Bolt, M12X45	
2	0760812	8	Bolt, M8X25	
3	806253	2	Wedge	
4	806264	2	Holder, Wedge	
5	3291201	2	Nut, M12X1.75	
6	4811900	8	Washer, M8	
7	5241200	4	Washer, M12	
8	1001095650	AR	Compound, Locking	
9	1001100262	2	Pin, Carriage Fork Retainer	
10	1001109387	2	Pin, Linch	
11	1001152259	2	Bracket	

SECTION 3 - ATTACHMENTS

FIGURE 3-32. HOMOLOGATION WARNING PANEL INSTALLATION (GERMANY) (3614RS)



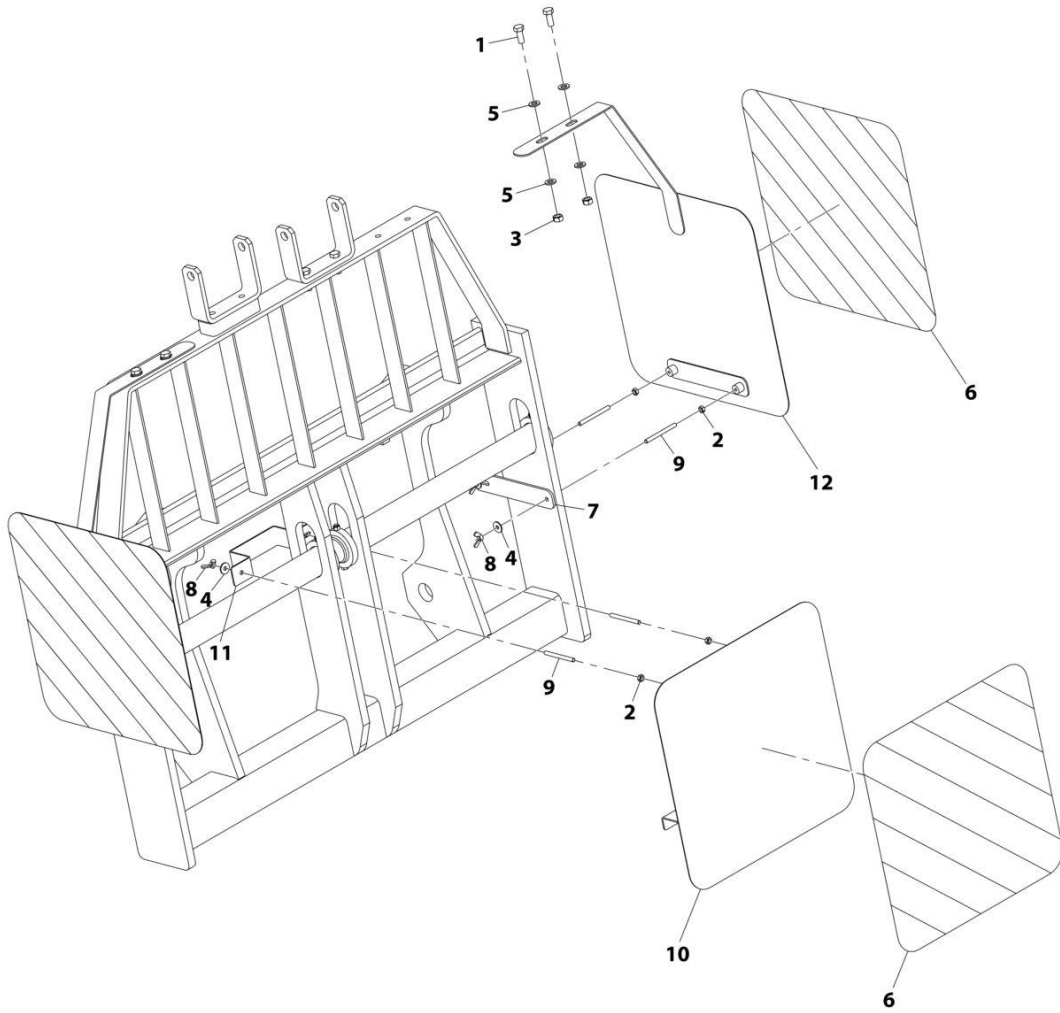
SECTION 3 - ATTACHMENTS

FIGURE 3-32. HOMOLOGATION WARNING PANEL INSTALLATION (GERMANY) (3614RS)

ITEM	PART NUMBER	QTY	DESCRIPTION	REV
	1001197671	Ref	Homologation Warning Installation (Germany, if equipped)	B
1	4811902	16	Washer, M8	
2	1001101458	8	Bolt, M8X40	
3	1001163938	4	Plate, Support	
4	1001164237	8	Nut, Wing M8X1.25	
5	1001197817	2	Film, Safety	
6	1001199861	1	Plate, Warning Panel	
7	1001201195	2	Film, Safety	
8	1001201236	1	Plate, Warning Panel	

SECTION 3 - ATTACHMENTS

FIGURE 3-33. REFLECTIVE PLATES INSTALLATION (FORKS)



ART_1001214454-C

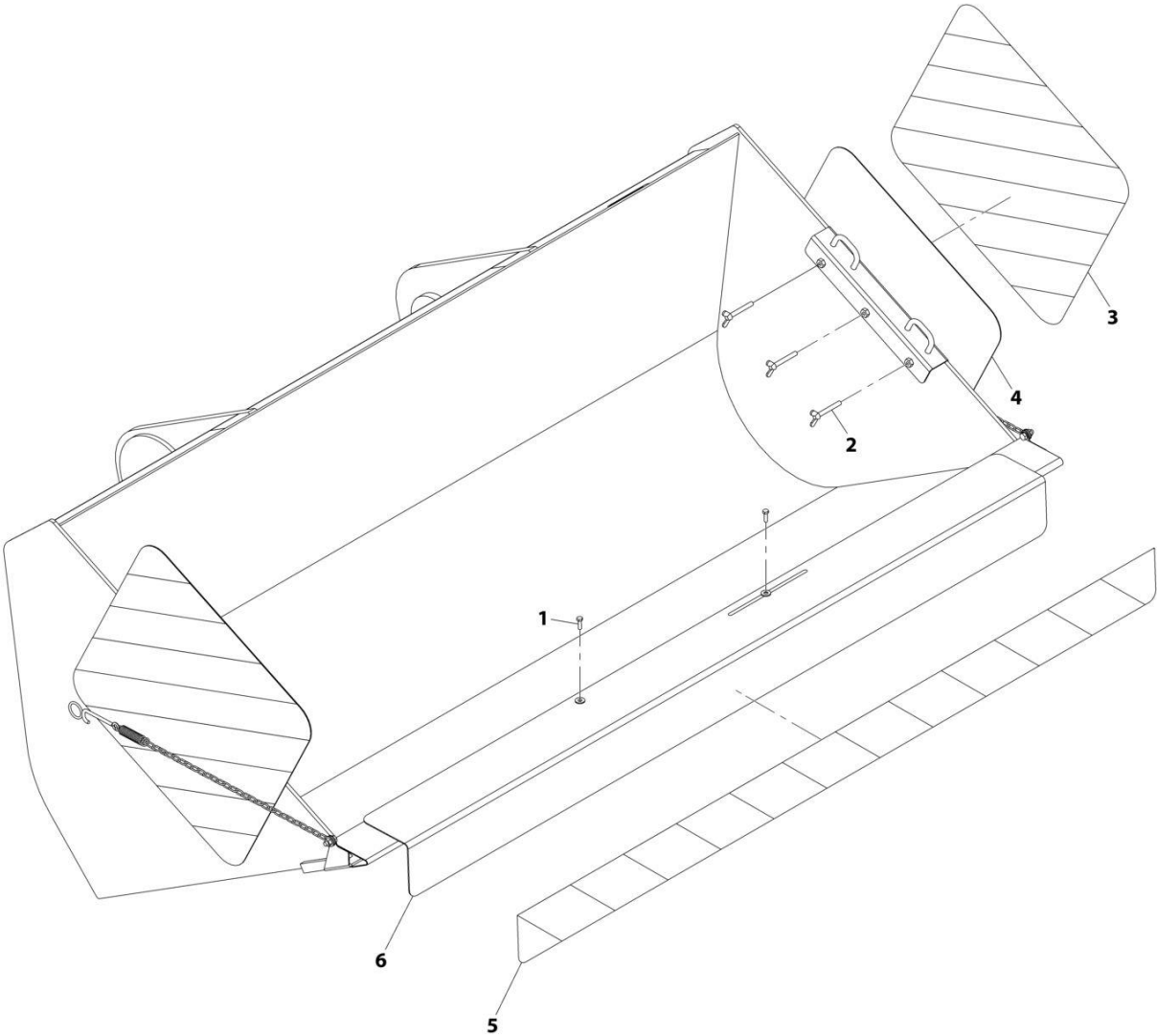
SECTION 3 - ATTACHMENTS

FIGURE 3-33. REFLECTIVE PLATES INSTALLATION (FORKS)

ITEM	PART NUMBER	QTY	DESCRIPTION	REV
	1001214454	Ref	Reflective Plates Installation (Forks)	C
1	0761214	4	Bolt, M12X30	
2	3290801	6	Nut, M8X1.25	
3	3291201	4	Nut, M12X1.75	
4	4811902	6	Washer, M8	
5	4812100	8	Washer, M12	
6	1001162771	3	Safety Film	
7	1001163938	2	Plate	
8	1001164237	6	Nut, M8X1.25	
9	1001164273	6	Stud, M8	
10	1001189707	1	Bracket, Warning Panel	
11	1001189709	1	Bracket, Support	
12	1001195493	2	Bracket, Warning Panel	

SECTION 3 - ATTACHMENTS

FIGURE 3-34. REFLECTIVE PLATES INSTALLATION (BUCKET) (ITALY)



ART_1001188997-A

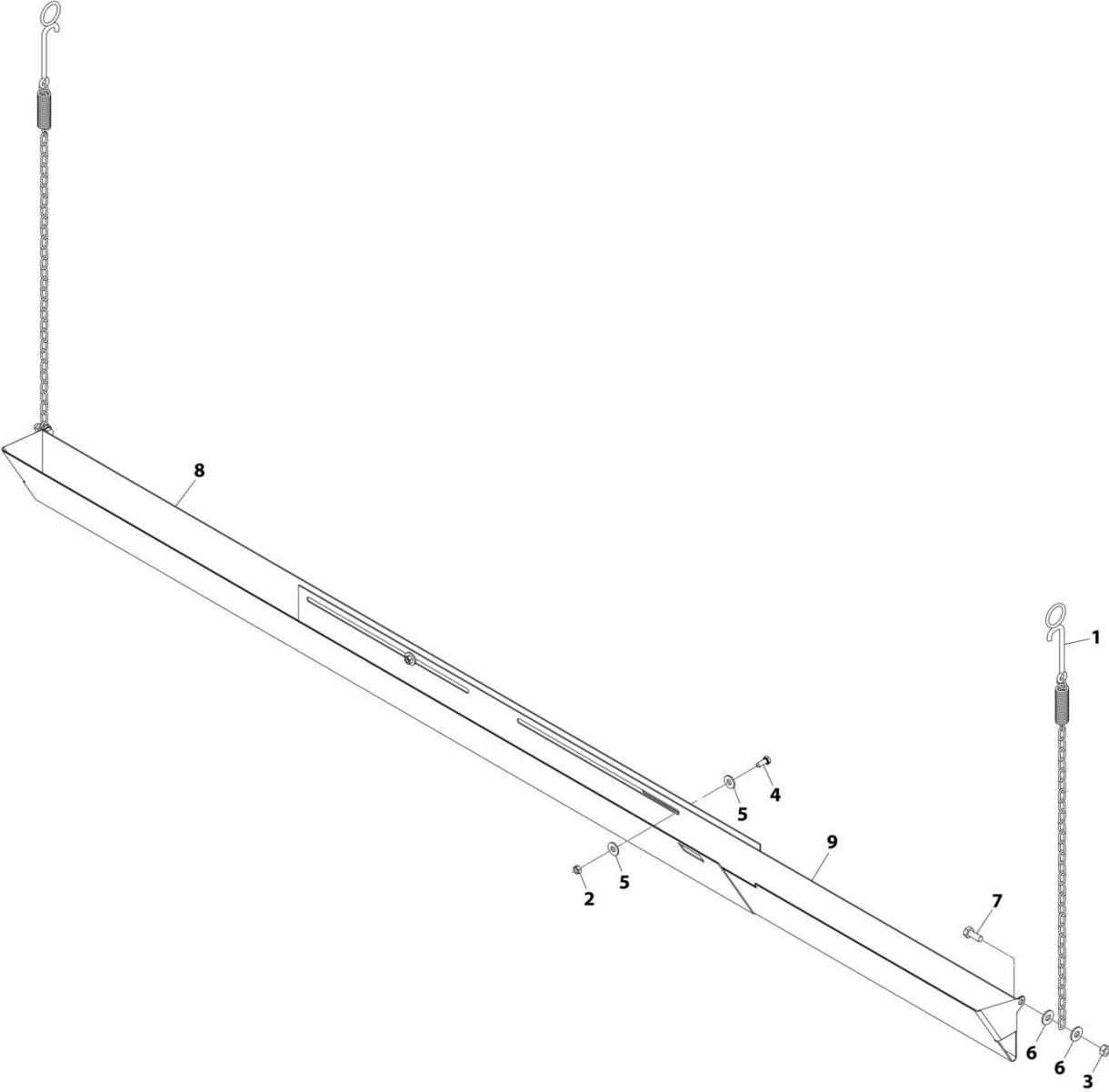
SECTION 3 - ATTACHMENTS

FIGURE 3-34. REFLECTIVE PLATES INSTALLATION (BUCKET) (ITALY)

ITEM	PART NUMBER	QTY	DESCRIPTION	REV
	1001188997	Ref	Reflective Plates Installation (Bucket) (Italy)	A
1	0760610	2	Bolt, M6X20	
2	1001139884	6	Bolt, M8	
3	1001162771	2	Safety Film	
4	1001163625	2	Bracket	
5	1001189705	1	Safety Film	
6	1001189706	1	Bracket	

SECTION 3 - ATTACHMENTS

FIGURE 3-35. BUCKET GUARD ACCESSORY (ITALY)



ART_1001105476-B

SECTION 3 - ATTACHMENTS

FIGURE 3-35. BUCKET GUARD ACCESSORY (ITALY)

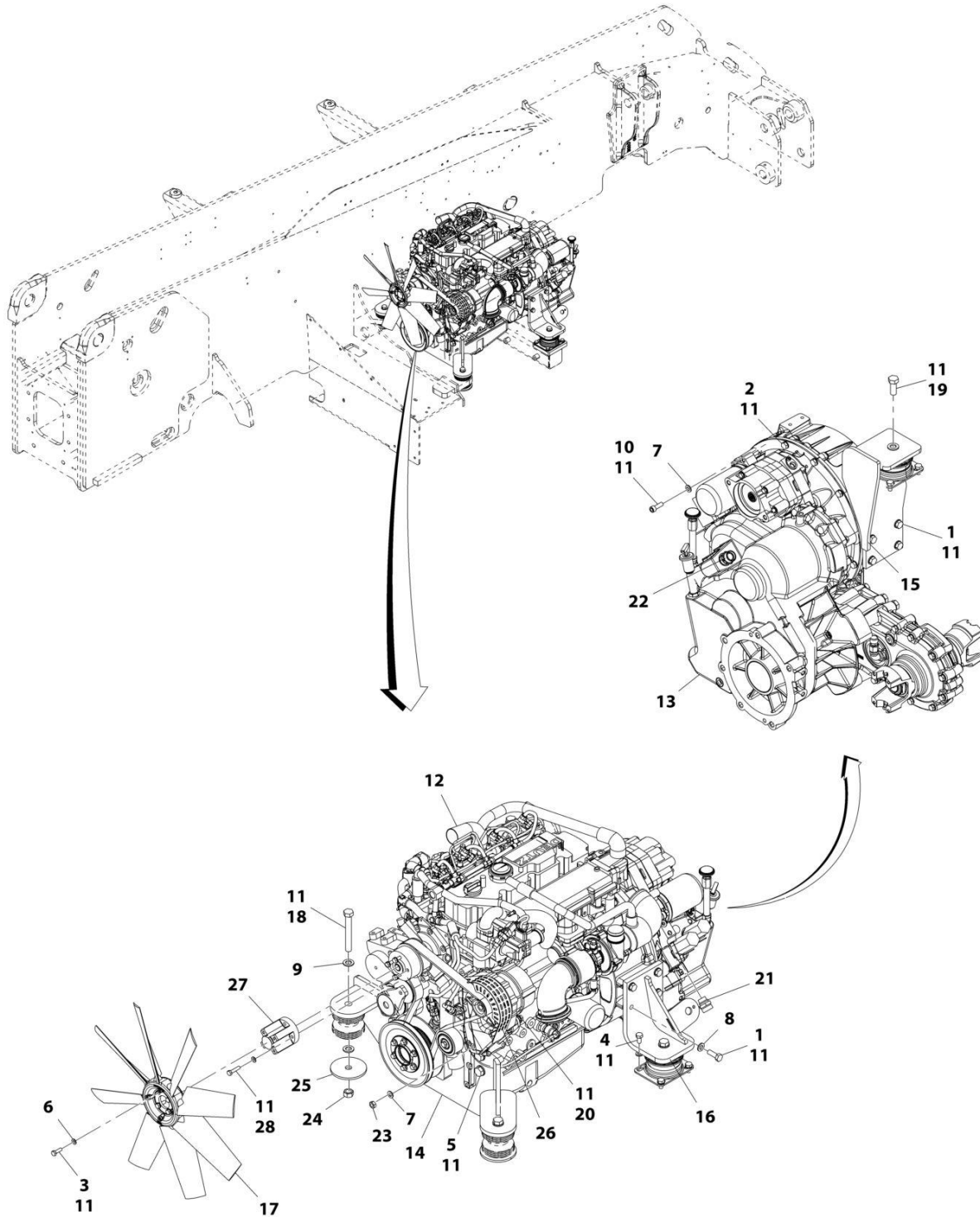
ITEM	PART NUMBER	QTY	DESCRIPTION	REV
	1001105476	Ref	Bucket Guard Accessory (Italy)	B
1	1001003064	2	Retainer	
2	3290601	2	Nut, M6X1	
3	1001008605	2	Nut	
4	8303545	2	Nut, M6X1	
5	10701275	4	Washer	
6	1001008666	4	Washer	
7	0760810	2	Nut, M8X20	
8	1001105474	1	Plate, Bucket Guard Right	
9	1001105475	1	Plate, Bucket Guard Left	

SECTION 4 - ENGINE AND ATTACHING PARTS

SECTION 4 - ENGINE AND ATTACHING PARTS

SECTION 4 - ENGINE AND ATTACHING PARTS

FIGURE 4-1. ENGINE AND TRANSMISSION INSTALLATION (ULS) - 74KW (SN 1160007024 through 1160007354)



ART_1001141038-F

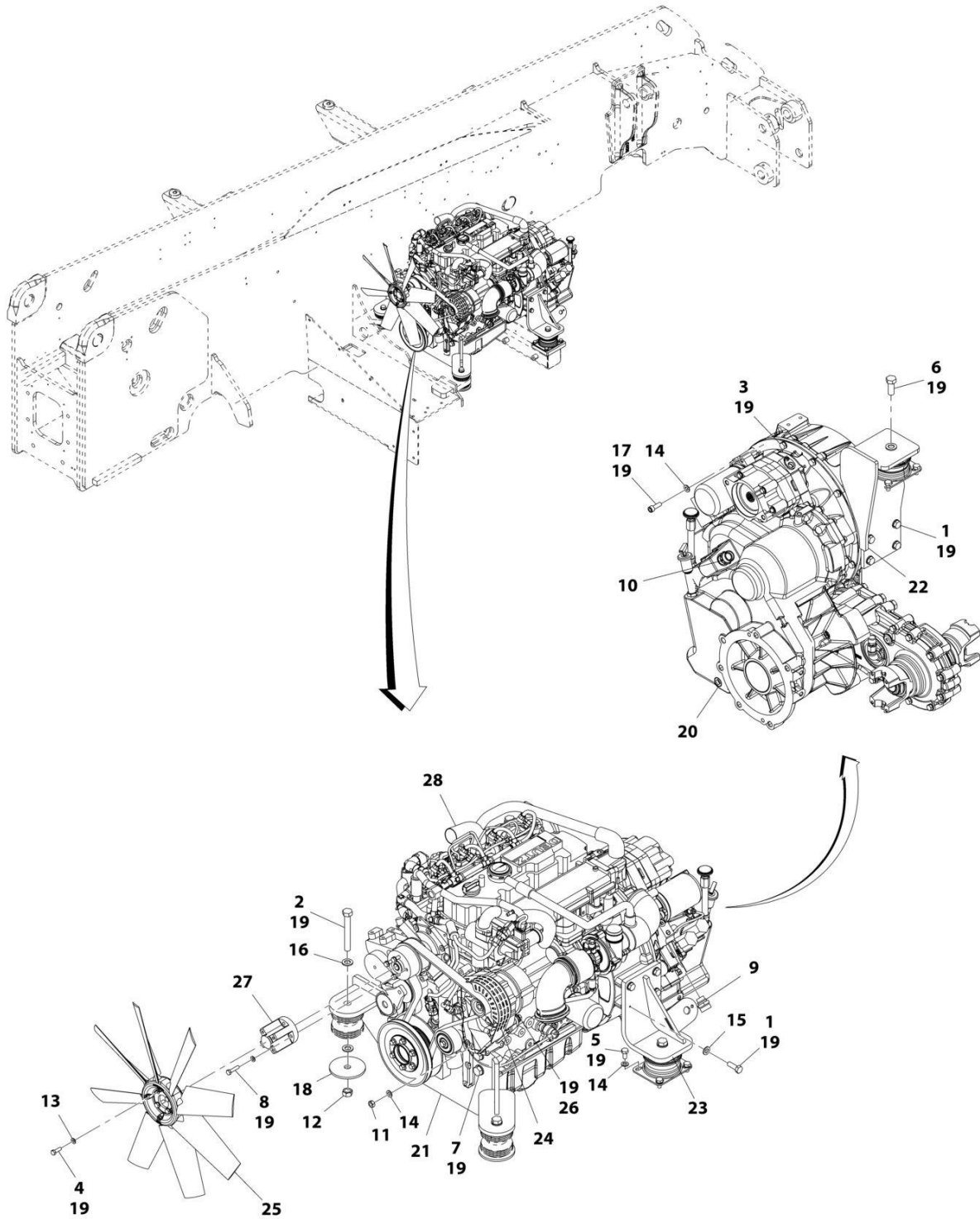
SECTION 4 - ENGINE AND ATTACHING PARTS

FIGURE 4-1. ENGINE AND TRANSMISSION INSTALLATION (ULS) - 74KW (SN 1160007024 through 1160007354)

ITEM	PART NUMBER	QTY	DESCRIPTION	REV
	1001141038	Ref	Engine and Transmission Installation (if equipped with ULS) - 74KW	F
1	0701215	8	Bolt, M12X35	
2	0711014	9	Bolt, M10X30, Grade 10.9	
3	0760812	4	Bolt, M8X25	
4	0761010	8	Bolt, M10X20	
5	0761619	4	Bolt, M16X55	
6	4811900	8	Washer, M8	
7	4812000	19	Washer, M10	
8	4812100	8	Washer, M12	
9	4812300	10	Washer, M16	
10	91513234	1	Bolt, M10X30, Grade 10.9	
11	1001095650	AR	Compound, Locking	
12	1001141035	1	Engine, Deutz TCD 3.6 L4 (FOR ENGINE PARTS INFORMATION REFER TO DEUTZ ENGINE PARTS MANUAL 31211006)	E
13	1001141036	1	Transmission (See DRIVETRAIN SECTION for Breakdown)	
14	1001141093	1	Bracket, Engine Mount	
15	1001141097	1	Bracket, Engine Mount	
16	1001141100	1	Bracket, Engine Mount	
17	1001150752	1	Fan	
18	0701629	2	Bolt, M16X120	
19	0761616	2	Bolt, M16X40	
20	1001152378	1	Bolt, M10X110	
21	2144810	1	Connector	
22	2144811	1	Adapter, Straight	
23	3291001	1	Nut, M10X1.5	
24	3291601	2	Nut, M16X2	
25	1001008506	2	Washer	
26	1001150630	1	Shield, Alternator	
27	1001170311	1	Adapter, Fan	
28	0770815	4	Bolt, M8X35, Grade 10.9	

SECTION 4 - ENGINE AND ATTACHING PARTS

FIGURE 4-2. ENGINE AND TRANSMISSION INSTALLATION (ULS) - 74KW (SN 1160007354 through 1160008518)



ART_1001171220-B

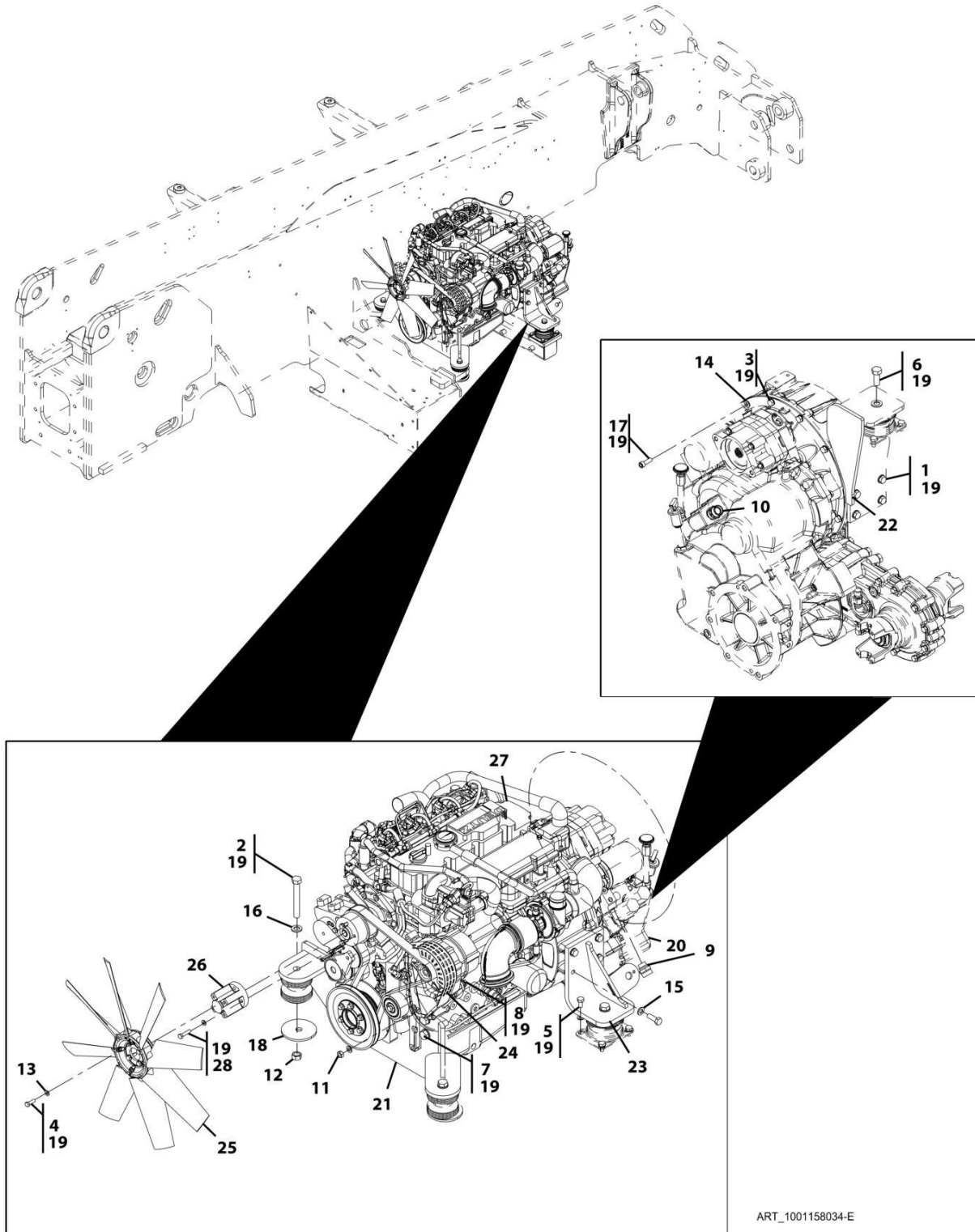
SECTION 4 - ENGINE AND ATTACHING PARTS

FIGURE 4-2. ENGINE AND TRANSMISSION INSTALLATION (ULS) - 74KW (SN 1160007354 through 1160008518)

ITEM	PART NUMBER	QTY	DESCRIPTION	REV
	1001171220	Ref	Engine and Transmission Installation (ULS) - 74KW	B
1	0701215	8	Bolt, M12X35	
2	0701629	2	Bolt, M16X120	
3	0711014	9	Bolt, M10X30, Grade 10.9	
4	0760812	4	Bolt, M8X25	
5	0761010	8	Bolt, M10X20	
6	0761616	2	Bolt, M16X40	
7	0761619	4	Bolt, M16X55	
8	0770815	4	Bolt, M8X35, Grade 10.9	
9	2144810	1	Connector	
10	2144811	1	Adapter, Straight	
11	3291001	1	Nut, M10X1.5	
12	3291601	2	Nut, M16X2	
13	4811900	8	Washer, M8	
14	4812000	19	Washer, M10	
15	4812100	8	Washer, M12	
16	4812300	10	Washer, M16	
17	91513234	1	Bolt, M10X30, Grade 10.9	
18	1001008506	2	Washer	
19	1001095650	AR	Compound, Locking	
20	1001141036	1	Transmission (See DRIVETRAIN SECTION for Breakdown)	
21	1001141093	1	Bracket, Engine Mount	
22	1001141097	1	Bracket, Engine Mount	
23	1001141100	NLA	Bracket, Engine Mount (no longer available, use 1001242118 for replacement)	
23	1001242118	1	Bracket, Engine Mount	
24	1001150630	1	Shield, Alternator	
25	1001150752	1	Fan	
26	1001152378	1	Bolt, M10X110	
27	1001170311	1	Adapter, Fan	
28	1001171222	1	Engine, Deutz TCD 3.6 L4 (FOR ENGINE PARTS INFORMATION REFER TO DEUTZ ENGINE PARTS MANUAL 31211006 AND 31211007)	E

SECTION 4 - ENGINE AND ATTACHING PARTS

FIGURE 4-3. ENGINE AND TRANSMISSION INSTALLATION (LS) - 74KW (SN 1160007024 through 1160007354)



ART_1001158034-E

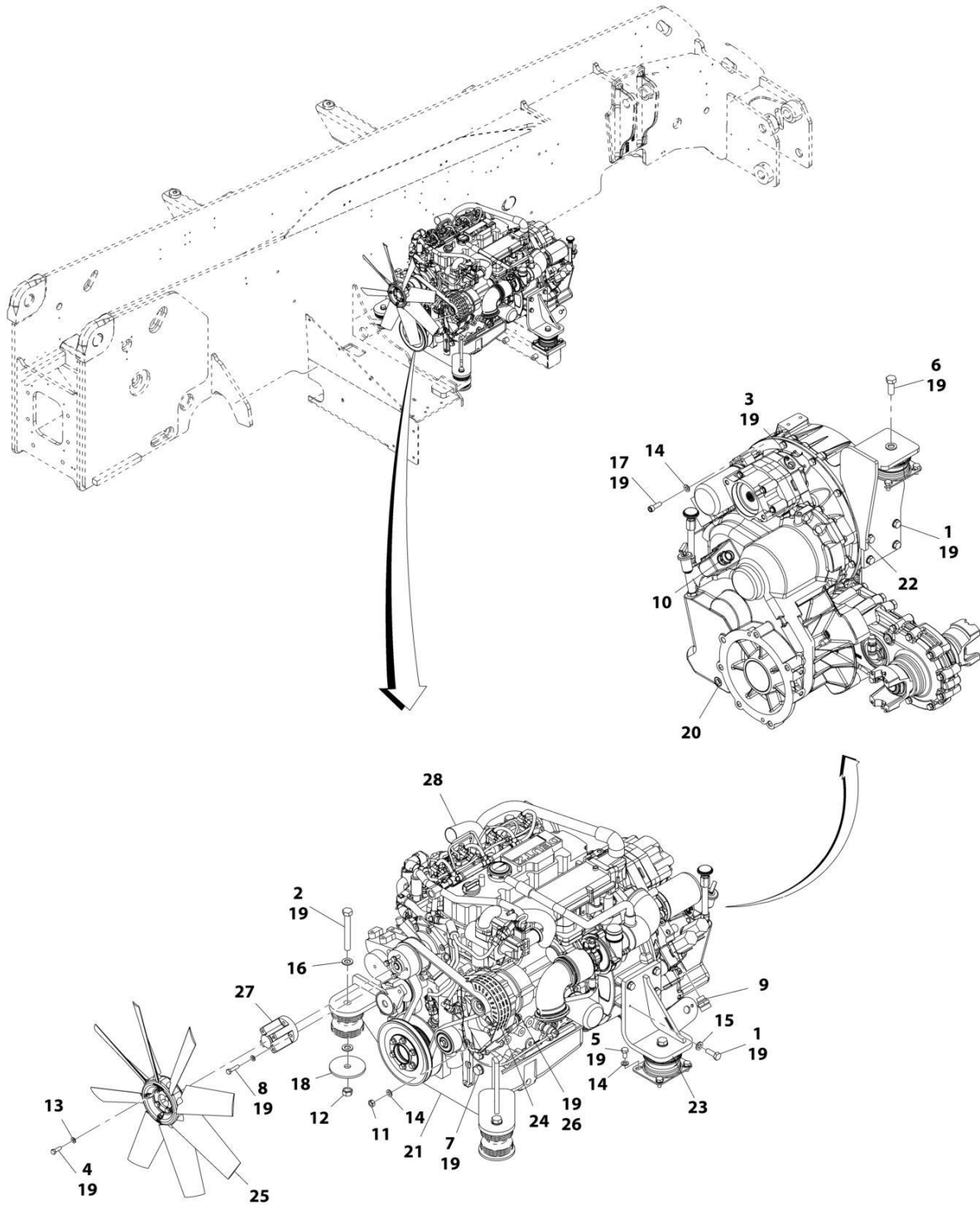
SECTION 4 - ENGINE AND ATTACHING PARTS

FIGURE 4-3. ENGINE AND TRANSMISSION INSTALLATION (LS) - 74KW (SN 1160007024 through 1160007354)

ITEM	PART NUMBER	QTY	DESCRIPTION	REV
	1001158034	Ref	Engine and Transmission Installation (LS) - 74KW	E
1	0701215	8	Bolt, M12X35	
2	0701629	2	Bolt, M16X120	
3	0711014	9	Bolt, M10X30, Grade 10.9	
4	0760812	4	Bolt, M8X25	
5	0761010	8	Bolt, M10X20	
6	0761616	2	Bolt, M16X40	
7	0761619	4	Bolt, M16X55	
8	1001152378	1	Bolt, M10X110	
9	2144810	1	Connector	
10	2144811	1	Adapter, Straight	
11	3291001	1	Nut, M10X1.5	
12	3291601	2	Nut, M16X2	
13	4811900	8	Washer, M8	
14	4812000	19	Washer, M10	
15	4812100	8	Washer, M12	
16	4812300	10	Washer, M16	
17	91513234	1	Bolt, M10X30, Grade 10.9	
18	1001008506	2	Washer	
19	1001095650	AR	Compound, Locking	
20	1001141036	1	Transmission (See DRIVETRAIN SECTION for Breakdown)	
21	1001141093	1	Bracket, Engine Mount	
22	1001141097	1	Bracket, Engine Mount	
23	1001141100	1	Bracket, Engine Mount	
24	1001150630	1	Shield, Alternator	
25	1001150752	1	Fan	
26	1001170311	1	Adapter, Fan	
27	1001158033	1	Engine, Deutz TCD 3.6 L4 (FOR ENGINE PARTS INFORMATION REFER TO DEUTZ ENGINE PARTS MANUAL 31211006)	
28	0770815	4	Bolt, M8X35, Grade 10.9	

SECTION 4 - ENGINE AND ATTACHING PARTS

FIGURE 4-4. ENGINE AND TRANSMISSION INSTALLATION (LS) - 74KW (SN 1160007354 through 1160008518)



ART_1001171221-B

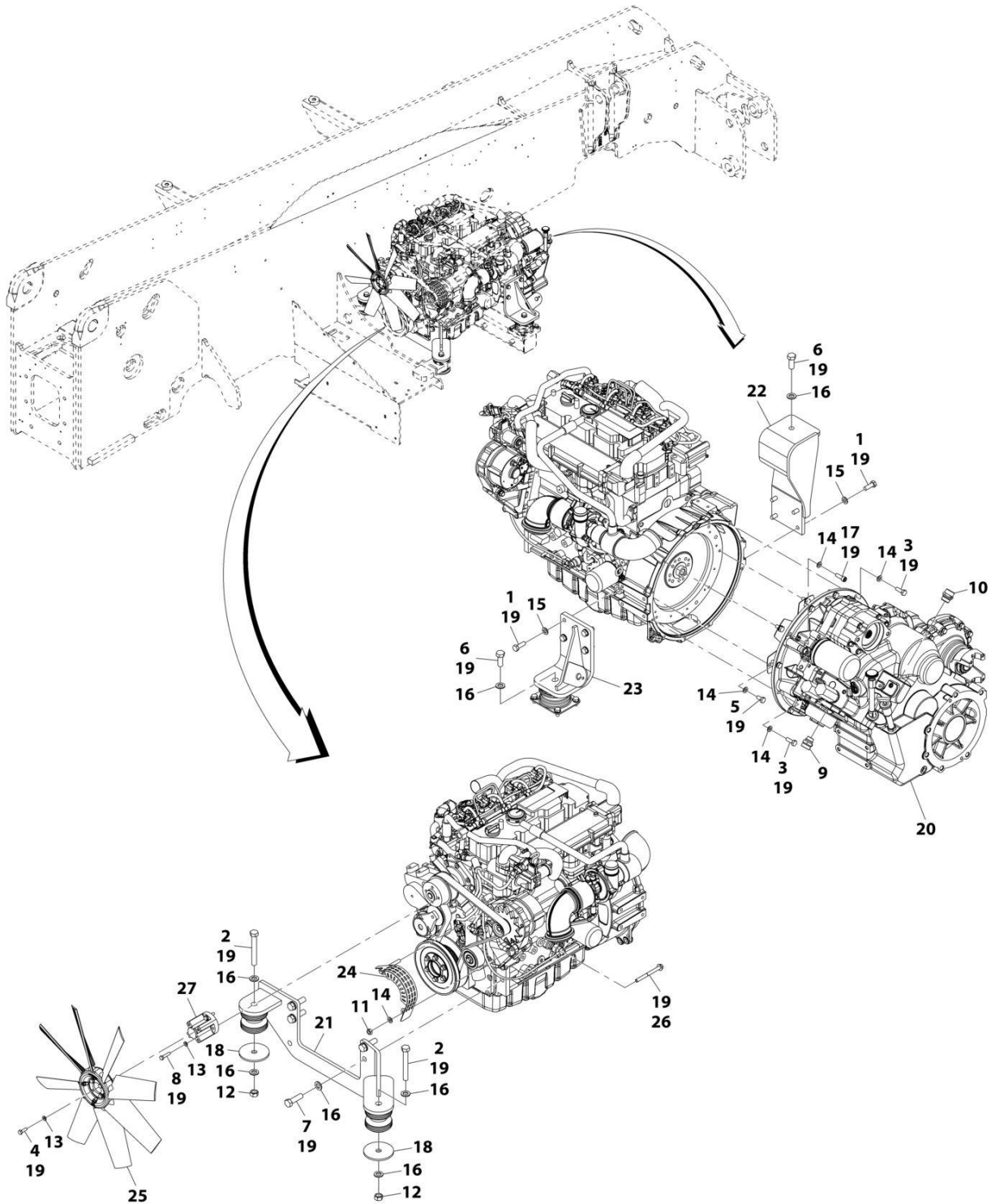
SECTION 4 - ENGINE AND ATTACHING PARTS

FIGURE 4-4. ENGINE AND TRANSMISSION INSTALLATION (LS) - 74KW (SN 1160007354 through 1160008518)

ITEM	PART NUMBER	QTY	DESCRIPTION	REV
	1001171221	Ref	Engine and Transmission Installation (LS) - 74KW	B
1	0701215	8	Bolt, M12X35	
2	0701629	2	Bolt, M16X120	
3	0711014	9	Bolt, M10X30, Grade 10.9	
4	0760812	4	Bolt, M8X25	
5	0761010	8	Bolt, M10X20	
6	0761616	2	Bolt, M16X40	
7	0761619	4	Bolt, M16X55	
8	0770815	4	Bolt, M8X35, Grade 10.9	
9	2144810	1	Connector	
10	2144811	1	Adapter, Straight	
11	3291001	1	Nut, M10X1.5	
12	3291601	2	Nut, M16X2	
13	4811900	8	Washer, M8	
14	4812000	19	Washer, M10	
15	4812100	8	Washer, M12	
16	4812300	10	Washer, M16	
17	91513234	1	Bolt, M10X30, Grade 10.9	
18	1001008506	2	Washer	
19	1001095650	AR	Compound, Locking	
20	1001141036	1	Transmission (See DRIVETRAIN SECTION for Breakdown)	
21	1001141093	1	Bracket, Engine Mount	
22	1001141097	1	Bracket, Engine Mount	
23	1001141100	NLA	Bracket, Engine Mount (no longer available, use 1001242118 for replacement)	
23	1001242118	1	Bracket, Engine Mount	
24	1001150630	1	Shield, Alternator	
25	1001150752	1	Fan	
26	1001152378	1	Bolt, M10X110	
27	1001170311	1	Adapter, Fan	
28	1001171223	1	Engine, Deutz TCD 3.6 L4 (FOR ENGINE PARTS INFORMATION REFER TO DEUTZ ENGINE PARTS MANUAL 31211006 AND 31211007)	D

SECTION 4 - ENGINE AND ATTACHING PARTS

FIGURE 4-5. TRANSMISSION INSTALLATION (ULS) - 74KW (SN 1160008519 through 1160008790)



ART_1001204279-B

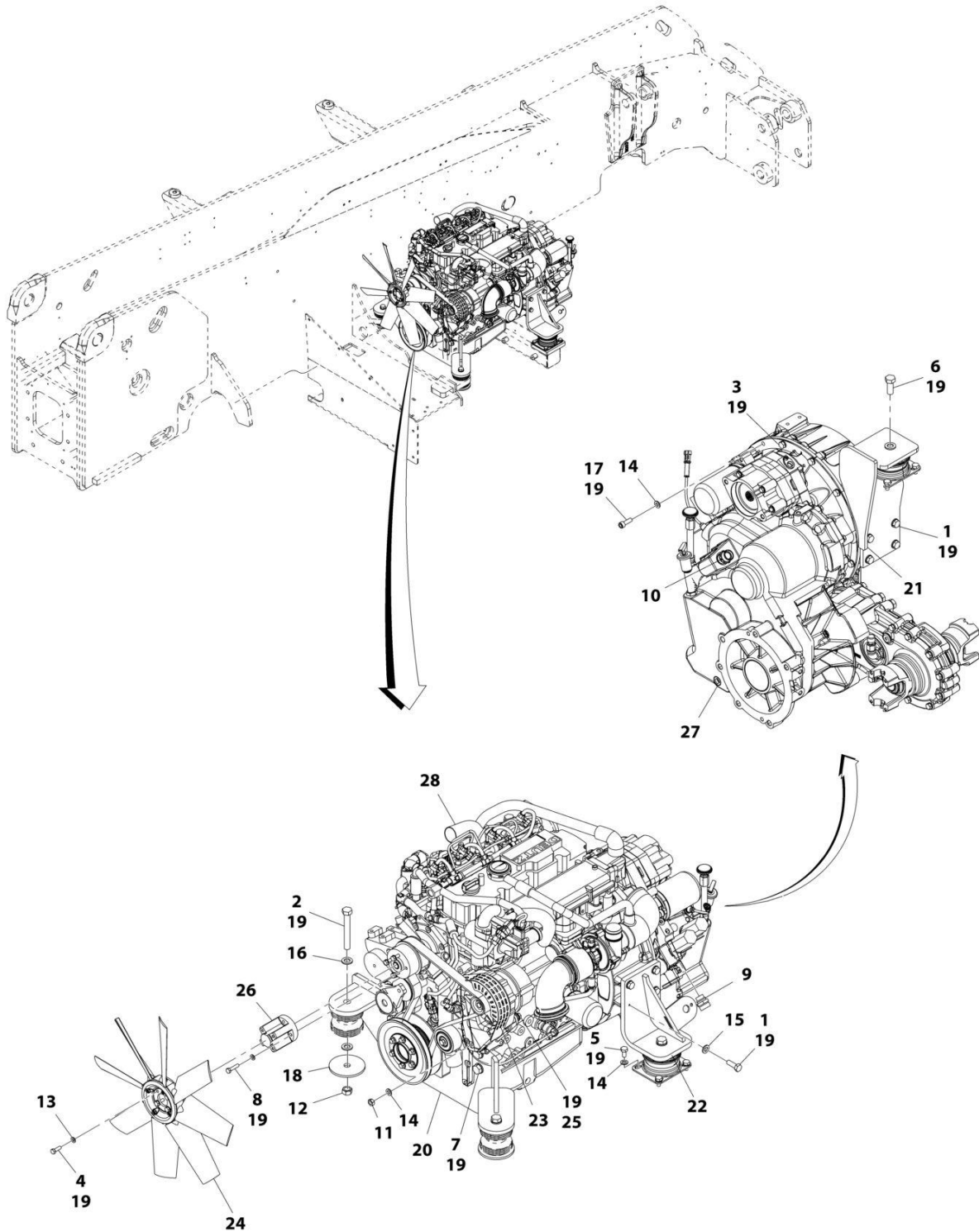
SECTION 4 - ENGINE AND ATTACHING PARTS

FIGURE 4-5. TRANSMISSION INSTALLATION (ULS) - 74KW (SN 1160008519 through 1160008790)

ITEM	PART NUMBER	QTY	DESCRIPTION	REV
	1001204279	Ref	Engine and Transmission Installation (ULS) - 74KW	B
1	0701215	8	Bolt, M12X35	
2	0701629	2	Bolt, M16X120	
3	0711014	9	Bolt, M10X30	
4	0760812	4	Bolt, M8X25	
5	0761010	8	Bolt, M10X20	
6	0761616	2	Bolt, M16X40	
7	0761619	4	Bolt, M16X55	
8	0770815	4	Bolt, M8X35	
9	2144810	1	Connector, Male	
10	2144811	1	Adapter, Straight	
11	3291001	1	Nut, M10X1.5	
12	3291601	2	Nut, M16X2	
13	4811900	8	Washer, M8	
14	4812000	19	Washer, M10	
15	4812100	8	Washer, M12	
16	4812300	10	Washer, M16	
17	91513234	1	Bolt, M10X30, Grade 10.9	
18	1001008506	2	Washer	
19	1001095650	AR	Compound, Locking	
20	1001141036	1	Transmission (See Separate Breakdown in DRIVETRAIN Section)	
21	1001141093	1	Bracket, Engine Mount	
22	1001141097	1	Bracket, Engine Mount	
23	1001141100	NLA	Bracket, Engine Mount (no longer available, use 1001242118 for replacement)	
23	1001242118	1	Bracket, Engine Mount	
24	1001150630	1	Shield, Alternator	
25	1001150752	1	Fan	
26	1001152378	1	Bolt, M10X110	
27	1001170311	1	Adapter, Fan	

SECTION 4 - ENGINE AND ATTACHING PARTS

FIGURE 4-6. ENGINE AND TRANSMISSION INSTALLATION (ULS) - 55KW (SN E16000001 through E160000342, Excluding E160000328, E160000329, E160000330, E160000331, E160000332 and E160000336)



ART_1001191999-C

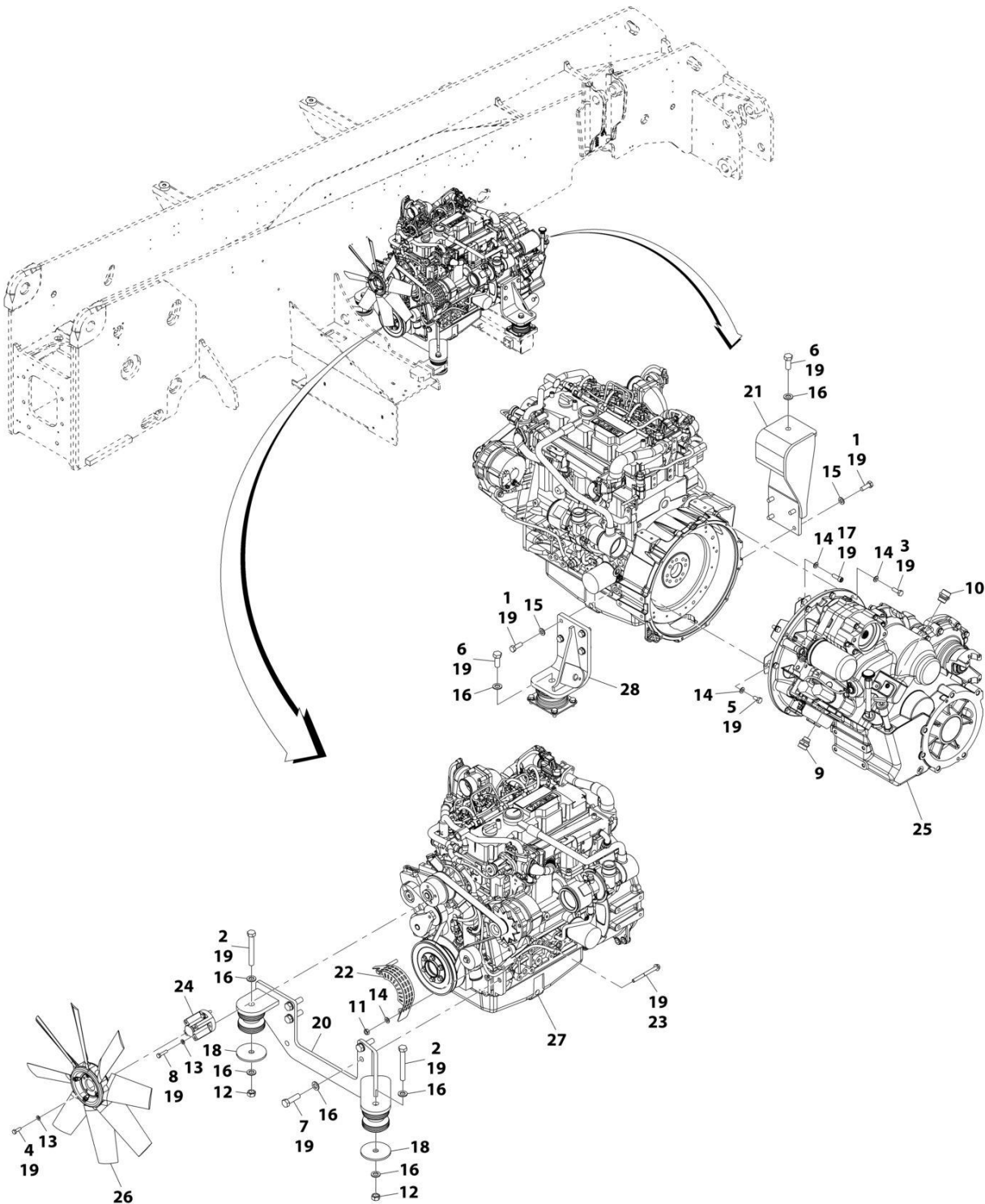
SECTION 4 - ENGINE AND ATTACHING PARTS

FIGURE 4-6. ENGINE AND TRANSMISSION INSTALLATION (ULS) - 55KW (SN E16000001 through E160000342, Excluding E160000328, E160000329, E160000330, E160000331, E160000332 and E160000336)

ITEM	PART NUMBER	QTY	DESCRIPTION	REV
	1001191999	Ref	Engine and Transmission Installation (ULS) - 55KW	C
1	0701215	8	Bolt, M12X35	
2	0701629	2	Bolt, M16X120	
3	0711014	9	Bolt, M10X30	
4	0760812	4	Bolt, M8X25	
5	0761010	8	Bolt, M10X20	
6	0761616	2	Bolt, M16X40	
7	0761619	4	Bolt, M16X55	
8	0770815	4	Bolt, M8X35	
9	2144810	1	Connector, Male	
10	2144811	1	Adapter, Straight	
11	3291001	1	Nut, M10X1.5	
12	3291601	2	Nut, M16X2	
13	4811900	8	Washer, M8	
14	4812000	19	Washer, M10	
15	4812100	8	Washer, M12	
16	4812300	10	Washer, M16	
17	91513234	1	Bolt, M10X30, Grade 10.9	
18	1001008506	2	Washer	
19	1001095650	AR	Compound, Locking	
20	1001141093	1	Bracket, Engine Mount	
21	1001141097	1	Bracket, Engine Mount	
22	1001141100	NLA	Bracket, Engine Mount (no longer available, use 1001242118 for replacement)	
22	1001242118	1	Bracket, Engine Mount	
23	1001150630	1	Shield, Alternator	
24	1001150572	1	Fan (SN 1160007024 through 1160008120, Excluding 1160007977, 1160008000 and 1160008003)	
24	1001204872	1	Fan (SN 1160008120 through 1160008790, Including 1160007977, 1160008000 and 1160008003)	
25	1001152378	1	Bolt, M10X110	
26	1001170311	1	Adapter, Fan	
27	1001192001	1	Assembly, Transmission DANA (See DRIVETRAIN SECTION for Breakdown)	
28	1001192003	1	Engine, DEUTZ 55.4KW TCD3.6L4 (FOR ENGINE PARTS INFORMATION REFER TO DEUTZ ENGINE PARTS MANUAL 31211006)	D

SECTION 4 - ENGINE AND ATTACHING PARTS

FIGURE 4-7. ENGINE AND TRANSMISSION INSTALLATION (ULS) - 55KW (SN E16000342 through E16000496, Including E16000328, E16000329, E16000330, E16000331, E16000332 and E16000336)



ART_1001236919-A

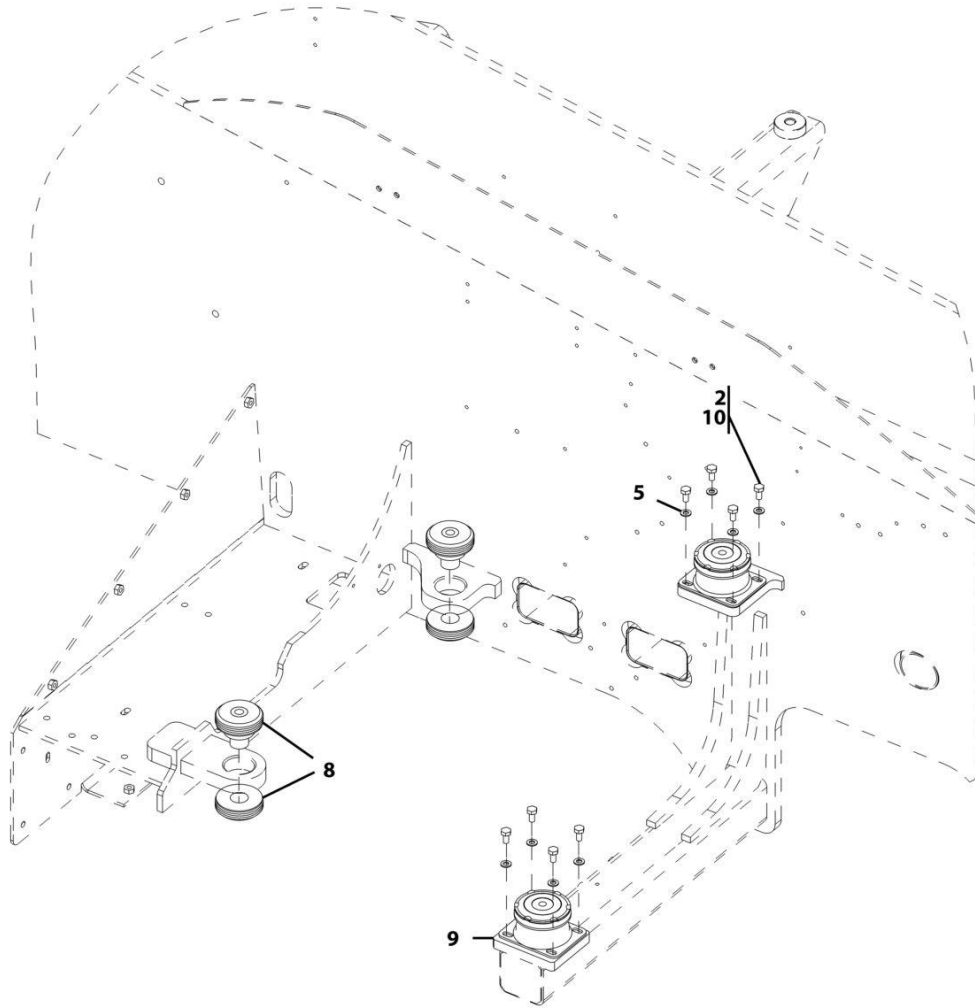
SECTION 4 - ENGINE AND ATTACHING PARTS

FIGURE 4-7. ENGINE AND TRANSMISSION INSTALLATION (ULS) - 55KW (SN E160000342 through E160000496, Including E160000328, E160000329, E160000330, E160000331, E160000332 and E160000336)

ITEM	PART NUMBER	QTY	DESCRIPTION	REV
	1001236919	Ref	Engine and Transmission Installation - 55KW	A
1	0701215	8	Bolt, M12X35	
2	0701629	2	Bolt, M16X120	
3	0711014	9	Bolt, M10X30	
4	0760812	4	Bolt, M8X25	
5	0761010	8	Bolt, M10X20	
6	0761616	2	Bolt, M16X40	
7	0761619	4	Bolt, M16X55	
8	0770815	4	Bolt, M8X35	
9	2144810	1	Connector, Male	
10	2144811	1	Adapter, Straight	
11	3291001	1	Nut, M10X1.5	
12	3291601	2	Nut, M16X2	
13	4811900	8	Washer, M8	
14	4812000	19	Washer, M10	
15	4812100	8	Washer, M12	
16	4812300	10	Washer, M16	
17	91513234	1	Bolt, M10X30, Grade 10.9	
18	1001008506	2	Washer	
19	1001095650	AR	Compound, Locking	
20	1001141093	1	Bracket, Engine Mount	
21	1001141097	1	Bracket, Engine Mount	
22	1001150630	1	Shield, Alternator	
23	1001152378	1	Bolt, M10X110	
24	1001170311	1	Adapter, Fan	
25	1001192001	1	Assembly, Transmission DANA (See Separate Breakdown in DRIVETRAIN Section)	
26	1001204872	1	Fan	
27	1001236164	1	Engine, Deutz 55.4KW TCD3.6 (See Separate Breakdown in this Section)	
28	1001242118	1	Bracket	

SECTION 4 - ENGINE AND ATTACHING PARTS

FIGURE 4-8. ENGINE MOUNTING INSTALLATION



ART_1001141152-C

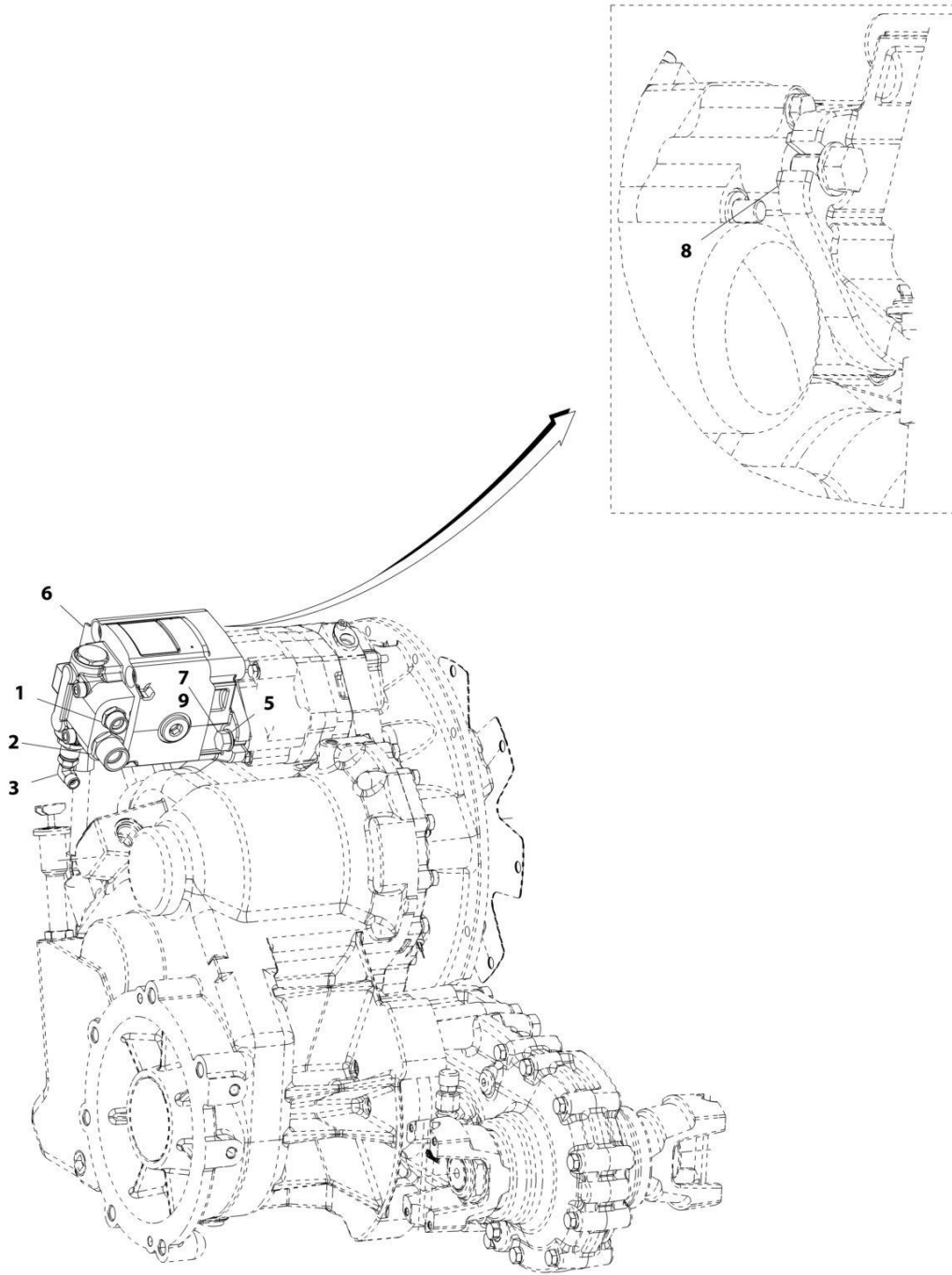
SECTION 4 - ENGINE AND ATTACHING PARTS

FIGURE 4-8. ENGINE MOUNTING INSTALLATION

ITEM	PART NUMBER	QTY	DESCRIPTION	REV
	1001141152	1	Engine Mounting Installation	C
2	0761010	8	Bolt, M10X20	
5	4812000	8	Washer, M10	
8	1001120523	2	Mount, Engine	
9	1001134127	2	Mount, Engine	
10	1001095650	AR	Compound, Locking	

SECTION 4 - ENGINE AND ATTACHING PARTS

FIGURE 4-9. HYDRAULIC PUMP INSTALLATION



ART_1001147693-E

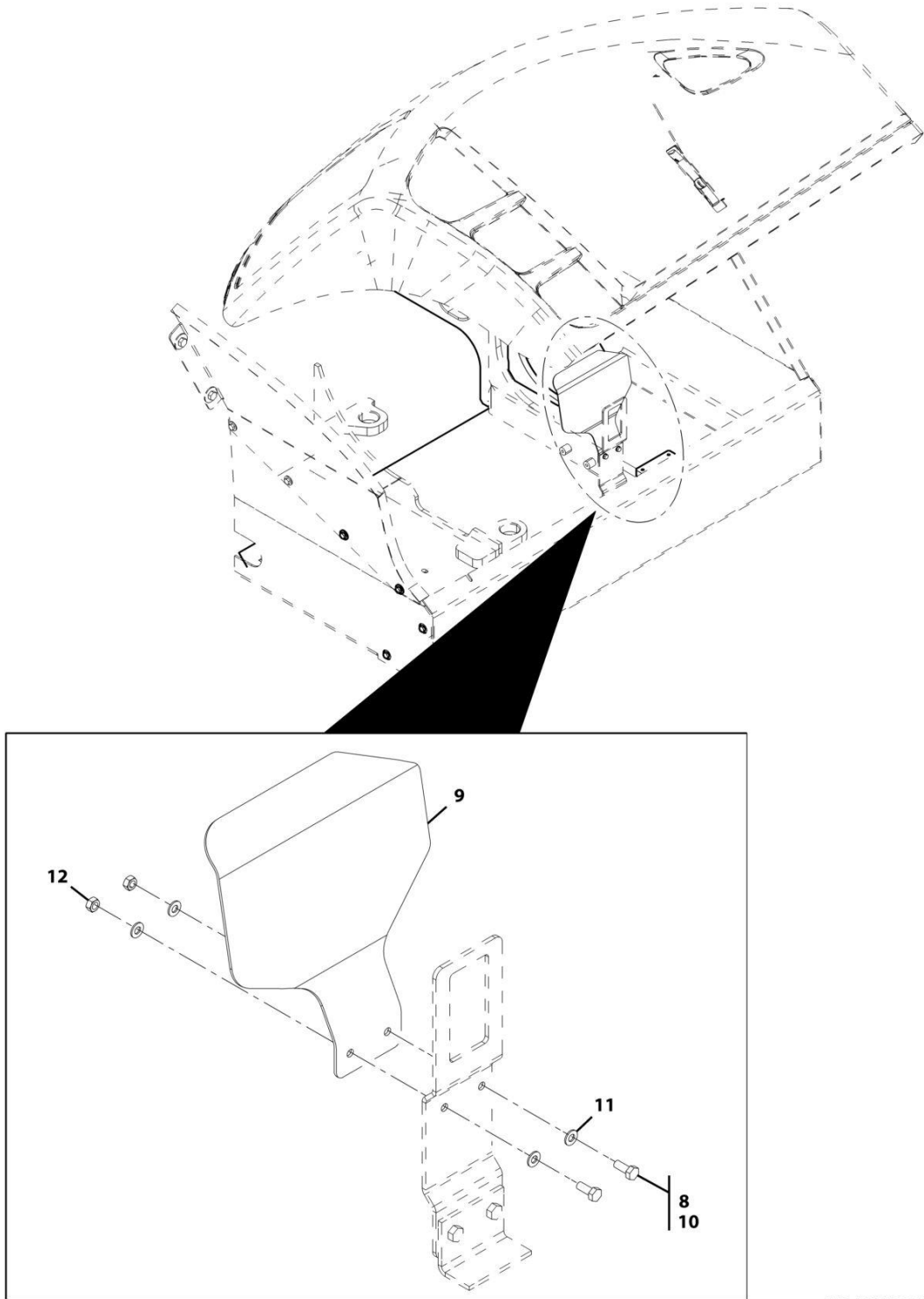
SECTION 4 - ENGINE AND ATTACHING PARTS

FIGURE 4-9. HYDRAULIC PUMP INSTALLATION

ITEM	PART NUMBER	QTY	DESCRIPTION	REV
	1001147693	1	Hydraulic Pump Installation	E
1	2142714	1	Connector	
2	2142735	1	Connector	
3	2143004	1	Fitting, 90 ORFS	
5	4740532	2	Washer	
6	1001142980	1	Pump, Gear (See HYDRAULIC COMPONENTS SECTION for Breakdown)	
7	0681812	2	Bolt, 1/2-13X1-1/2	
8	8526056	AR	Compound, Locking	
9	0100019	AR	Compound, Locking	

SECTION 4 - ENGINE AND ATTACHING PARTS

FIGURE 4-10. TURBO SHIELD INSTALLATION



ART_1001150208-B

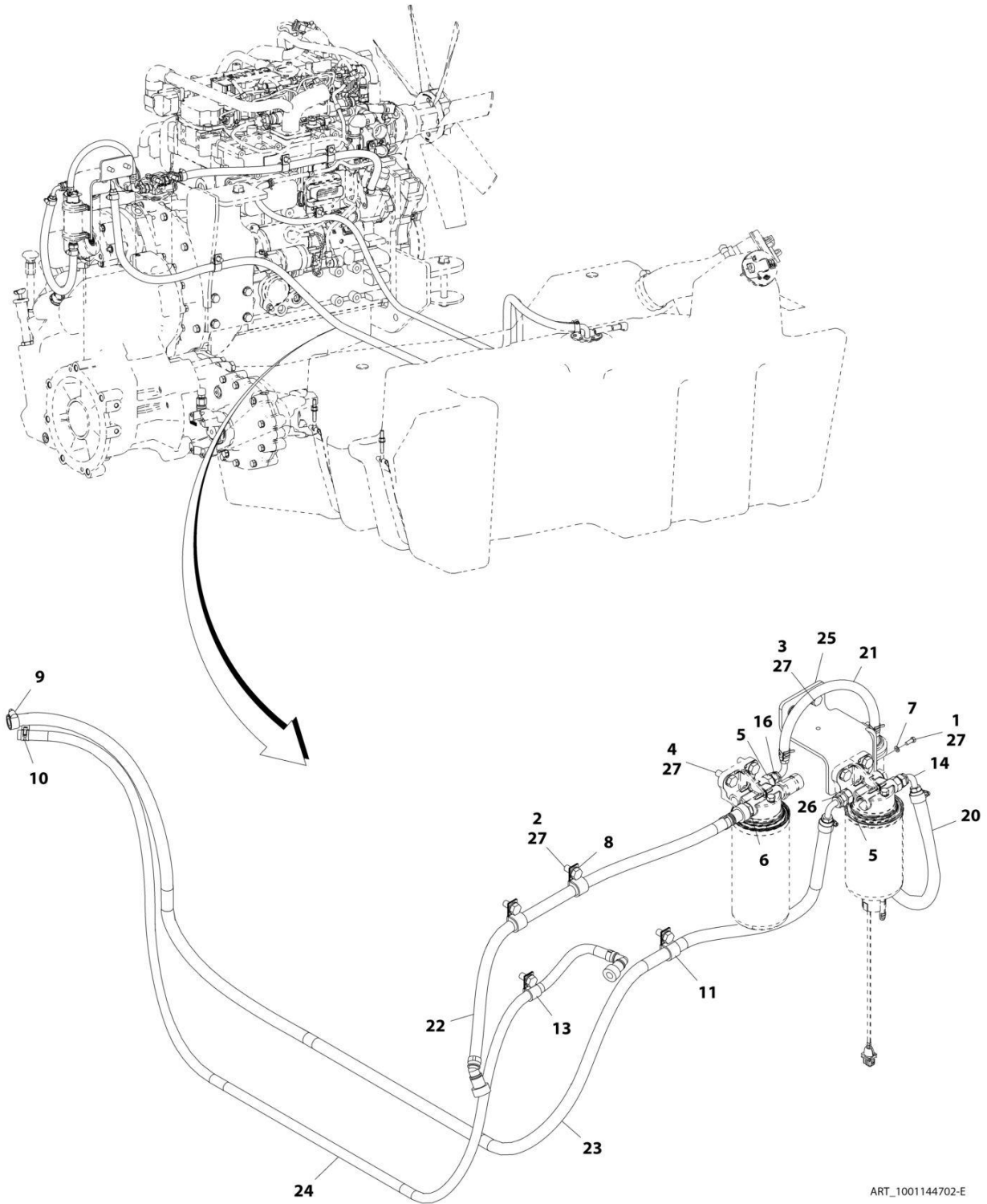
SECTION 4 - ENGINE AND ATTACHING PARTS

FIGURE 4-10. TURBO SHIELD INSTALLATION

ITEM	PART NUMBER	QTY	DESCRIPTION	REV
	1001150208	1	Turbo Shield Installation	B
8	1001095650	AR	Compound, Locking	
9	1001152589	1	Shield, Turbo	
10	0760810	2	Bolt, M8X20	
11	4811900	4	Washer, M8	
12	3290801	2	Nut, M8X1.25	

SECTION 4 - ENGINE AND ATTACHING PARTS

FIGURE 4-11. FUEL LINES INSTALLATION (SN 1160007024 through 1160007354)



ART_1001144702-E

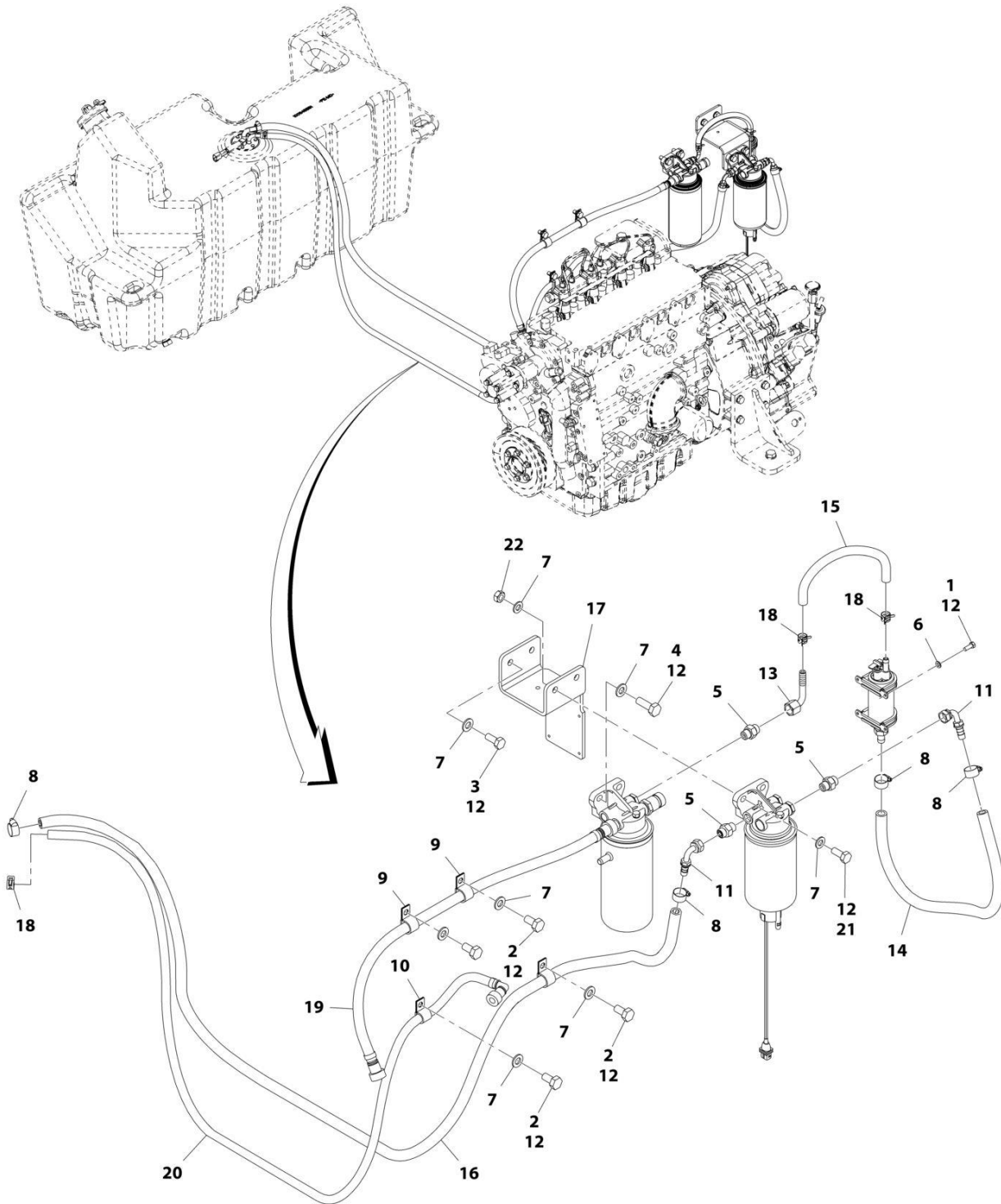
SECTION 4 - ENGINE AND ATTACHING PARTS

FIGURE 4-11. FUEL LINES INSTALLATION (SN 1160007024 through 1160007354)

ITEM	PART NUMBER	QTY	DESCRIPTION	REV
	1001144702	Ref	Fuel Lines Installation	E
1	0700507	4	Bolt, M5X14	
2	0761010	4	Bolt, M10X20	
3	0761012	2	Bolt, M10X25	
4	0761014	4	Bolt, M10X30	
5	2144606	3	Fitting, Straight ORFS	
6	2144610	1	Fitting, Straight ORFS	
7	4811600	4	Washer, M5	
8	4812000	10	Washer, M10	
9	8405006	6	Gear Clamp	
10	1001152729	4	Clamp, Spring Band	
11	1001004144	3	Clip	
13	1001009207	1	Clip	
14	1001095301	2	Fitting, 90 ORFS	
16	1001133793	1	Fitting, 90 ORFS	
20	1001145166	1	Hose	
21	1001145167	1	Hose	
22	1001145168	1	Hose	
23	1001145169	1	Hose	
24	1001145170	1	Hose	
25	1001145529	1	Bracket, Fuel Filter	
26	1001145681	1	Fitting, Straight ORFS	
27	1001095650	AR	Compound, Locking	

SECTION 4 - ENGINE AND ATTACHING PARTS

FIGURE 4-12. FUEL LINES INSTALLATION (SN 1160007354 through 1160008790)



ART_1001171302-G

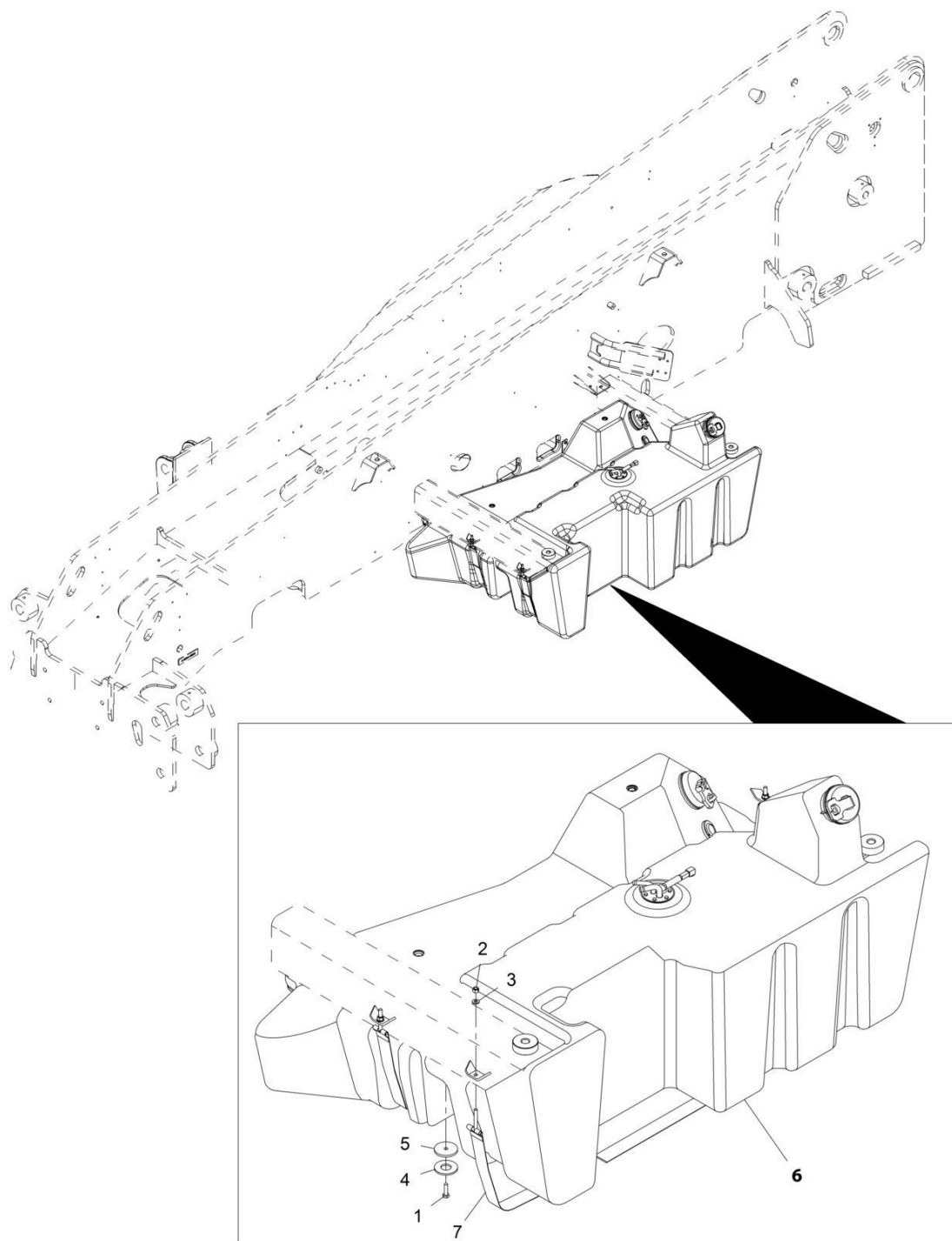
SECTION 4 - ENGINE AND ATTACHING PARTS

FIGURE 4-12. FUEL LINES INSTALLATION (SN 1160007354 through 1160008790)

ITEM	PART NUMBER	QTY	DESCRIPTION	REV
	1001171302	Ref	Fuel Lines Installation	G
1	0700507	4	Bolt, M5X14	
2	0761010	4	Bolt, M10X20	
3	0761012	2	Bolt, M10X25	
4	0761014	2	Bolt, M10X30	
5	2144606	3	Fitting, Straight ORFS	
6	4811600	4	Washer, M5	
7	4812000	12	Washer, M10	
8	8405006	4	Gear Clamp	
9	1001004144	3	Clip	
10	1001009207	1	Clip	
11	1001095301	2	Fitting, 90 ORFS	
12	1001095650	AR	Compound, Locking	
13	1001002852	1	Fitting, 90 ORFS	
14	1001145166	1	Hose	
15	1001177862	1	Hose	
16	1001145169	1	Hose	
17	1001241861	1	Bracket, Fuel Filter	
18	1001195443	1	Clamp	
19	1001171109	1	Hose	
20	1001171110	1	Hose	
21	0761015	2	Bolt, M10X35	
22	3291001	2	Nut, M10X1.5	

SECTION 4 - ENGINE AND ATTACHING PARTS

FIGURE 4-13. FUEL TANK INSTALLATION



ART_1001145061-G

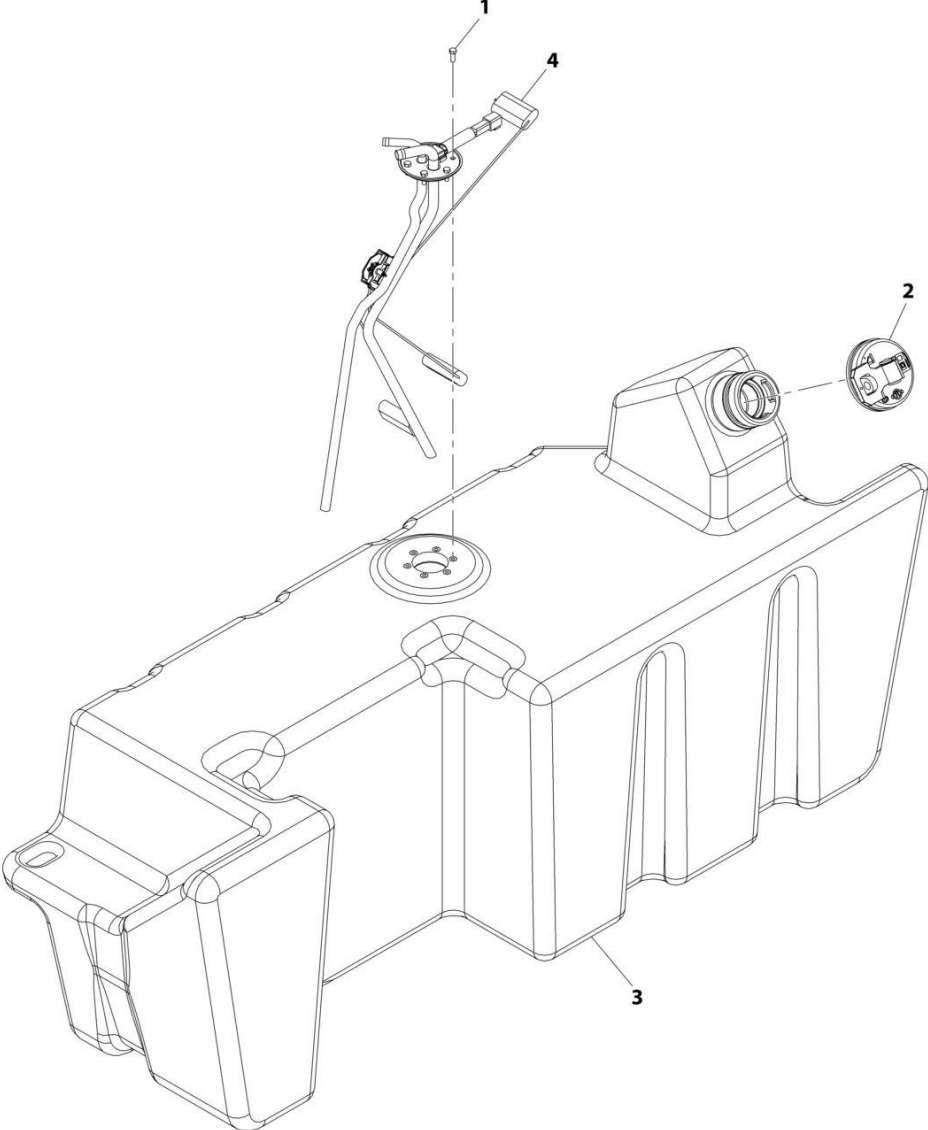
SECTION 4 - ENGINE AND ATTACHING PARTS

FIGURE 4-13. FUEL TANK INSTALLATION

ITEM	PART NUMBER	QTY	DESCRIPTION	REV
	1001145061	Ref	Fuel Tank Installation	G
1	0760814	2	Bolt, M8X30	
2	3290805	2	Nut, Lock M8X1.25	
3	4811900	2	Washer, M8	
4	1001006259	2	Washer	
5	1001166897	2	Washer	
6	1001145549	1	Tank, Fuel (See FUEL TANK for Breakdown)	
7	1001147729	1	Strap, Tank	

SECTION 4 - ENGINE AND ATTACHING PARTS

FIGURE 4-14. FUEL TANK



ART_1001145549-I

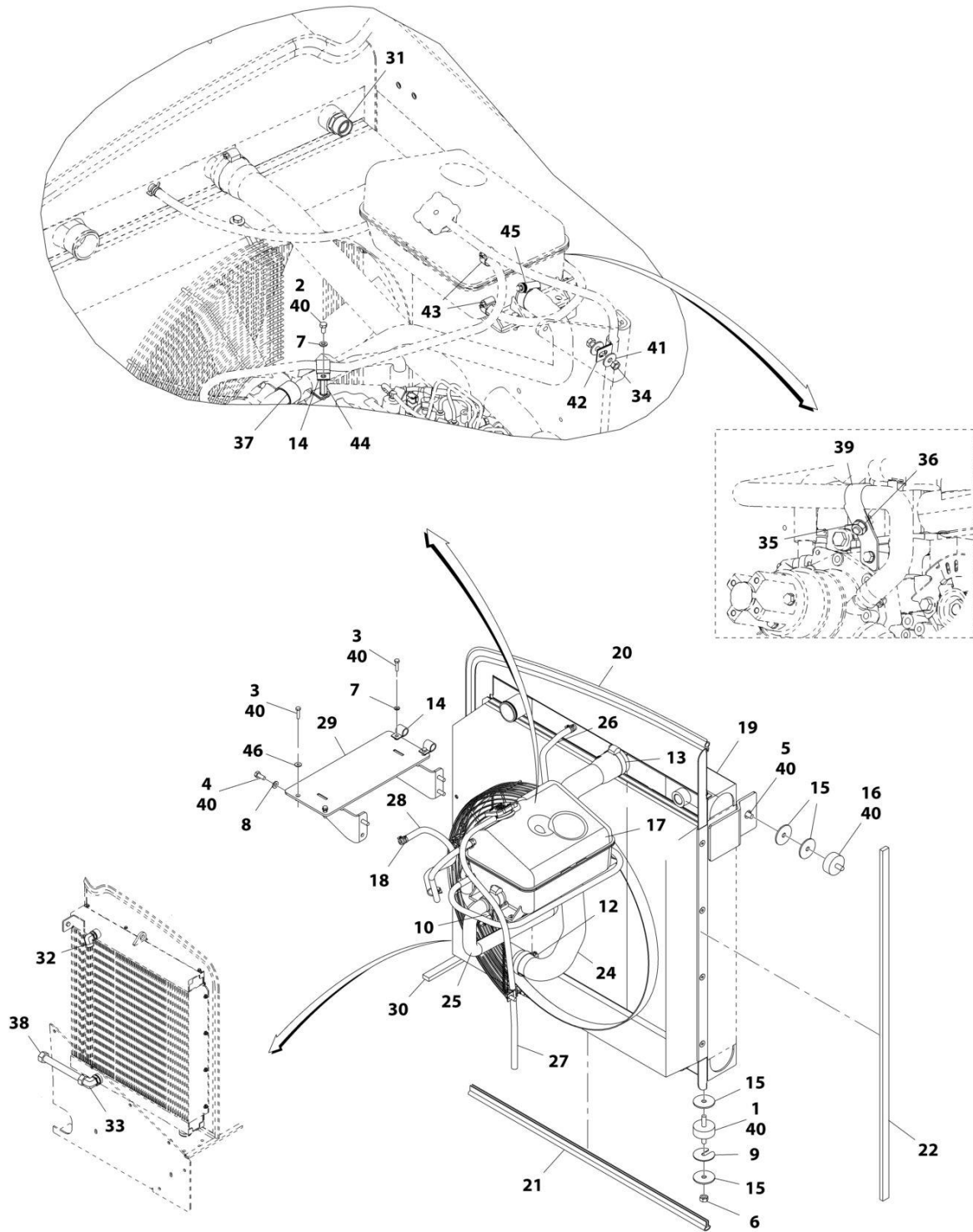
SECTION 4 - ENGINE AND ATTACHING PARTS

FIGURE 4-14. FUEL TANK

ITEM	PART NUMBER	QTY	DESCRIPTION	REV
	1001145549	Ref	Fuel Tank	H
1	0760507	6	Bolt, M5X14	
2	1001142658	1	Cap, Fuel	
3	1001145551	NLA	Tank, Fuel (no longer available, use 1001213084 for replacement)	
3	1001213084	1	Tank, Fuel	
4	1001147737	1	Gauge, Fuel Level	

SECTION 4 - ENGINE AND ATTACHING PARTS

FIGURE 4-15. COOLING SYSTEM INSTALLATION - 74KW



ART_1001141612-F

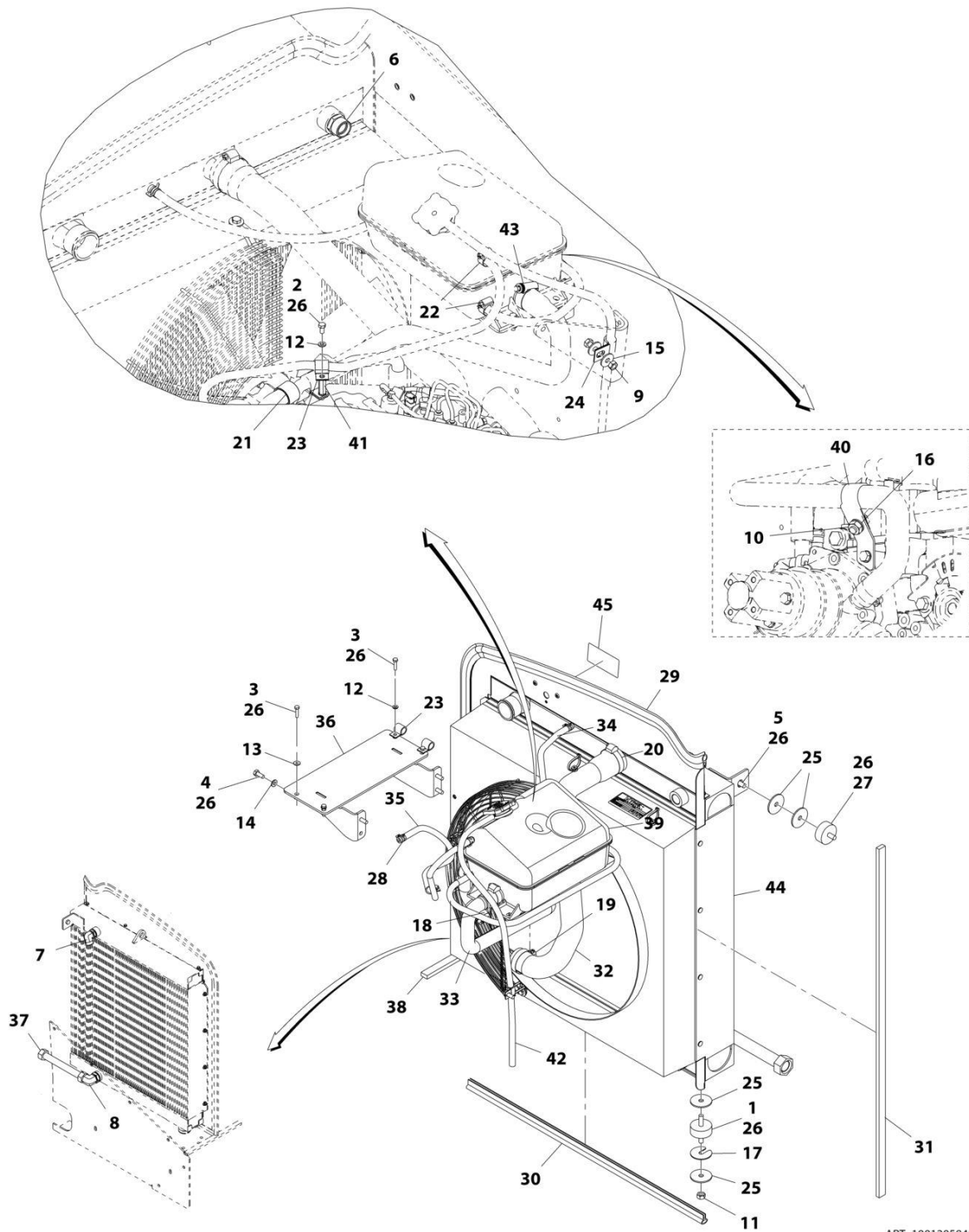
SECTION 4 - ENGINE AND ATTACHING PARTS

FIGURE 4-15. COOLING SYSTEM INSTALLATION - 74KW

ITEM	PART NUMBER	QTY	DESCRIPTION	REV
	1001141612	Ref	Cooling System Installation - 74KW	F
1	429063	2	Pad, Rubber Buffer	
2	0760606	1	Bolt, M6X12	
3	0760612	4	Bolt, M6X25	
4	0760810	6	Bolt, M8X20	
5	0761011	2	Bolt, M10X22	
6	3291007	2	Nut, Lock M10X1.5	
7	4811700	4	Washer, M6	
8	4811900	5	Washer, M8	
9	8005743	2	Washer, Spacer, 10	
10	8405007	1	Gear Clamp, 1.25	
12	8405104	1	Gear Clamp, 2.25	
13	8405201	1	Gear Clamp, 2.5	
14	1001003048	3	Clip	
15	1001091685	7	Washer, Special	
16	1001113669	1	Pad, Rubber Buffer	
17	1001149375	1	Tank, Expansion (See EXPANSION TANK for Breakdown)	
18	1001140296	2	Clamp, Spring Band	
19	1001141611	1	Assembly, Radiator (See RADIATOR ASSEMBLY - 74KW for Breakdown)	
20	1001141615	1	Seal, Edge Trim	
21	1001141616	1	Seal, Edge Trim	
22	1001141617	1	Seal, Baffle	
24	1001142084	1	Hose	
25	1001142085	1	Hose	
26	1001142183	1	Hose	
27	1001178604	1	Hose	
28	1001142185	1	Hose	
29	1001142833	1	Plate, Expansion Tank Support	
30	1001147497	1	Seal, Cooling Pack	
31	2142718	2	Connector	
32	2143009	1	Elbow	
33	2143010	1	Elbow	
34	3290801	1	Nut, M8X1.25	
35	3291001	1	Nut, M10X1.5	
36	4812000	2	Washer, M10	
37	8406302	1	Clamp, Hose	
38	1001146256	1	Tube, Oil Cooling	
39	1001154043	1	Bracket, Retaining	
40	1001095650	AR	Compound, Locking	
41	4811902	2	Washer, M8	
42	1001008721	1	Clip	
43	8410013	2	Gear Clamp, 0.78	
44	1001172192	1	Stud	
45	1001200709	1	Clamp	
46	4811702	1	Washer, M8	

SECTION 4 - ENGINE AND ATTACHING PARTS

FIGURE 4-16. COOLING SYSTEM INSTALLATION - 55KW (SN E16000001 through E16000342, Excluding E16000328, E16000329, E16000330, E16000331, E16000332 and E16000336)



ART_1001205848-B

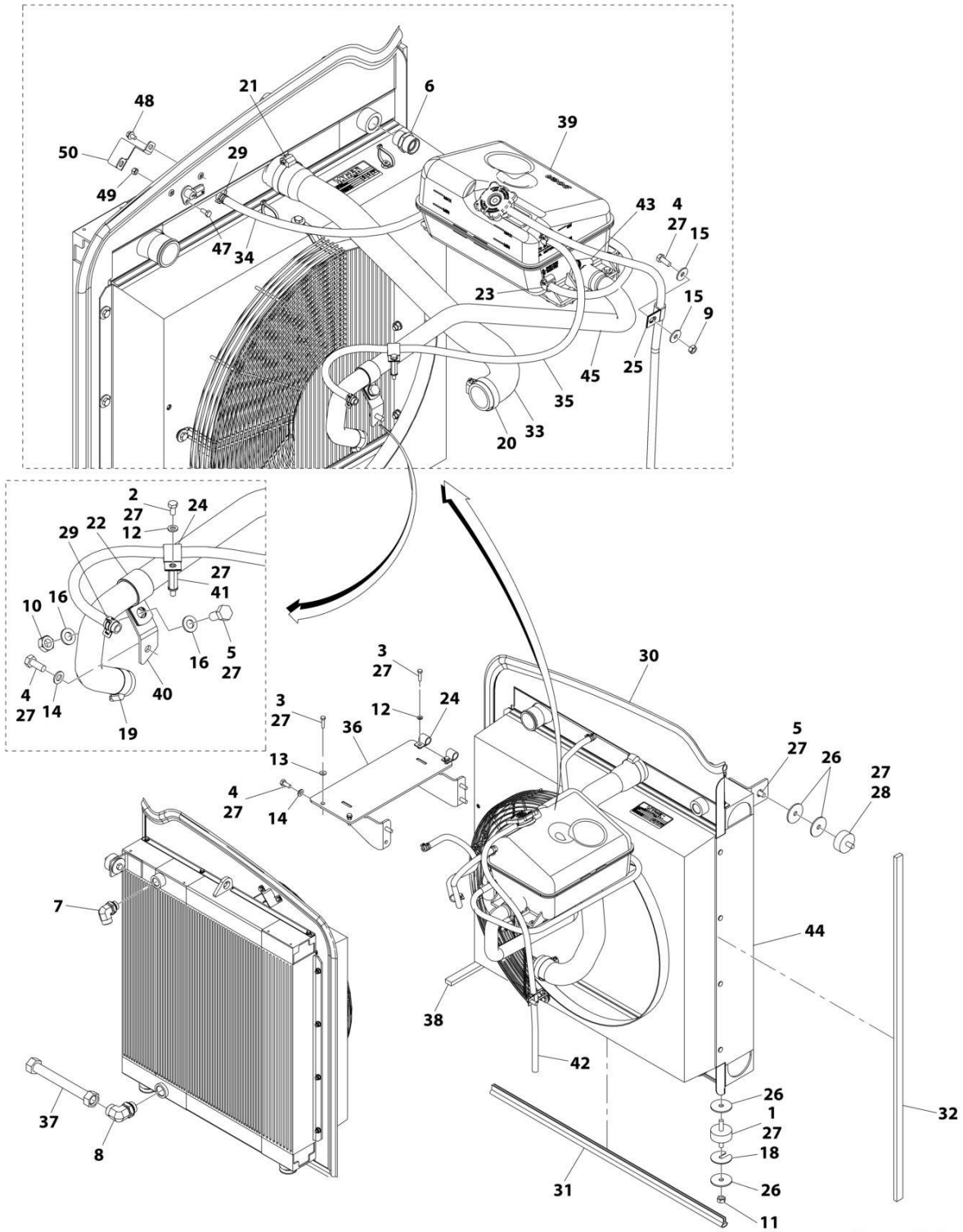
SECTION 4 - ENGINE AND ATTACHING PARTS

FIGURE 4-16. COOLING SYSTEM INSTALLATION - 55KW (SN E160000001 through E160000342, Excluding E160000328, E160000329, E160000330, E160000331, E160000332 and E160000336)

ITEM	PART NUMBER	QTY	DESCRIPTION	REV
	1001205848	Ref	Cooling System Installation - 55KW	A
1	429063	2	Pad, Rubber Buffer	
2	0760606	1	Bolt, M6X12	
3	0760612	4	Bolt, M6X25	
4	0760810	6	Bolt, M8X20	
5	0761011	2	Bolt, M10X22	
6	2142718	2	Connector	
7	2143009	1	Elbow	
8	2143010	1	Elbow	
9	3290801	1	Nut, M8X1.25	
10	3291001	1	Nut, M10X1.5	
11	3291007	2	Nut, Lock M10X1.5	
12	4811700	4	Washer, M6	
13	4811702	2	Washer, M6	
14	4811900	5	Washer, M8	
15	4811902	2	Washer, M8	
16	4812000	1	Washer, M10	
17	8005743	2	Washer, Spacer, 10	
18	8405007	1	Gear Clamp, 1.25	
19	8405104	1	Gear Clamp, 2.25	
20	8405201	1	Gear Clamp, 2.5	
21	8406302	1	Clamp, Hose	
22	8410013	2	Gear Clamp, 0.78	
23	1001003048	3	Clip	
24	1001008721	1	Clip	
25	1001091685	7	Washer, Special	
26	1001095650	AR	Compound, Locking	
27	1001113669	1	Pad, Rubber Buffer	
28	1001140296	2	Clamp, Spring Band	
29	1001141615	1	Seal, Edge Trim	
30	1001141616	1	Seal, Edge Trim	
31	1001141617	1	Seal, Baffle	
32	1001142084	1	Hose	
33	1001142085	1	Hose	
34	1001142183	1	Hose	
35	1001142185	1	Hose	
36	1001142833	1	Plate, Expansion Tank Support	
37	1001146256	1	Tube, Oil Cooling	
38	1001147497	1	Seal, Cooling Pack	
39	1001149375	1	Tank, Expansion (See EXPANSION TANK for Breakdown)	
40	1001154043	1	Bracket, Retaining	
41	1001172192	1	Stud	
42	1001178604	1	Hose	
43	1001200709	1	Clamp	
44	1001205849	1	Assembly, Radiator (See RADIATOR ASSEMBLY - 55KW for Breakdown)	

SECTION 4 - ENGINE AND ATTACHING PARTS

FIGURE 4-17. COOLING SYSTEM INSTALLATION - 55KW (SN E16000342 through E16000496, Including E16000328, E16000329, E16000330, E16000331, E16000332 and E16000336)



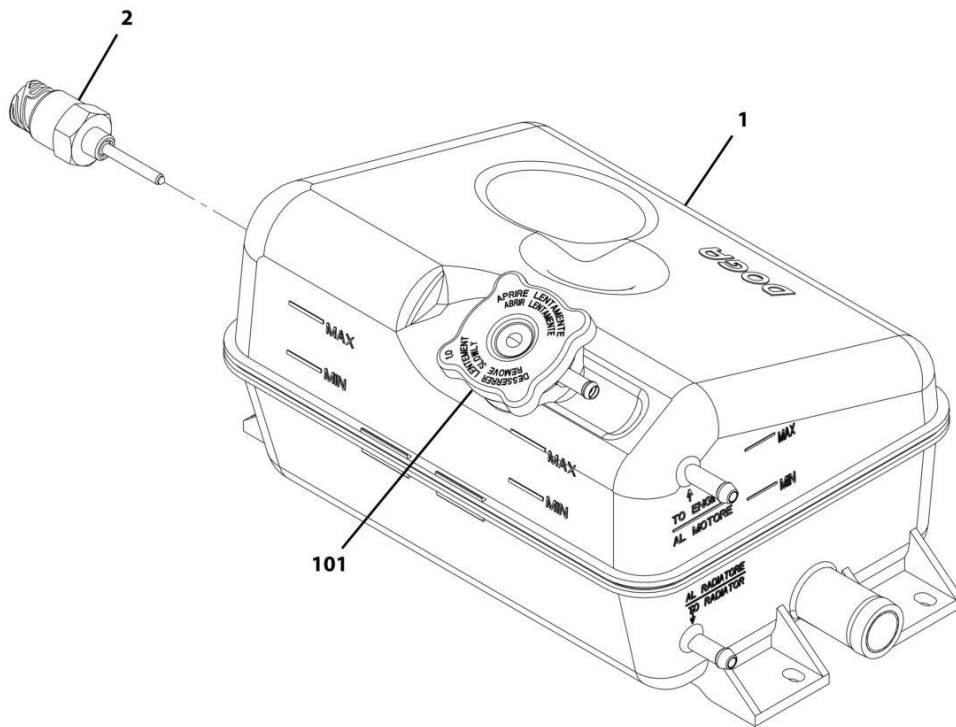
SECTION 4 - ENGINE AND ATTACHING PARTS

FIGURE 4-17. COOLING SYSTEM INSTALLATION - 55KW (SN E160000342 through E160000496, Including E160000328, E160000329, E160000330, E160000331, E160000332 and E160000336)

ITEM	PART NUMBER	QTY	DESCRIPTION	REV
	1001237153	Ref	Cooling System Installation - 55KW	B
1	429063	2	Pad, Rubber Buffer	
2	0760606	1	Bolt, M6X12	
3	0760612	4	Bolt, M6X25	
4	0760810	6	Bolt, M8X20	
5	0761011	2	Bolt, M10X22	
6	2142718	2	Connector	
7	2143009	1	Elbow	
8	2143010	1	Elbow	
9	3290801	1	Nut, M8X1.25	
10	3291001	1	Nut, M10X1.5	
11	3291007	2	Nut, Lock M10X1.5	
12	4811700	4	Washer, M6	
13	4811702	2	Washer, M6	
14	4811900	5	Washer, M8	
15	4811902	2	Washer, M8	
16	4812000	2	Washer, M10	
18	8005743	2	Washer, Spacer, 10	
19	8405007	1	Gear Clamp, 1.25	
20	8405104	1	Gear Clamp, 2.25	
21	8405201	1	Gear Clamp, 2.5	
22	8406302	1	Clamp, Hose	
23	8410013	2	Gear Clamp, 0.78	
24	1001003048	3	Clip	
25	1001008721	1	Clip	
26	1001091685	7	Washer, Special	
27	1001095650	AR	Compound, Locking	
28	1001113669	1	Pad, Rubber Buffer	
29	1001140296	2	Clamp, Spring Band	
30	1001141615	1	Seal, Edge Trim	
31	1001141616	1	Seal, Edge Trim	
32	1001141617	1	Seal, Baffle	
33	1001142084	1	Hose	
34	1001142183	1	Hose	
35	1001142185	1	Hose	
36	1001142833	1	Plate, Expansion Tank Support	
37	1001146256	1	Tube, Oil Cooling	
38	1001147497	1	Seal, Cooling Pack	
39	1001149375	1	Tank, Expansion (See Separate Breakdown in this Section)	
40	1001154043	1	Bracket, Retaining	
41	1001172192	1	Stud	
42	1001178604	1	Hose	
43	1001200709	1	Clamp	
44	1001205849	1	Assembly, Radiator (See Separate Breakdown in this Section)	
45	1001237152	1	Hose	
47	0760607	1	Nut, M6X14	
48	0780605	2	Bolt, M6X1	
49	3290605	1	Nut, M6X1	
50	1001247469	1	Cover	

SECTION 4 - ENGINE AND ATTACHING PARTS

FIGURE 4-18. EXPANSION TANK



ART_1001149375-B

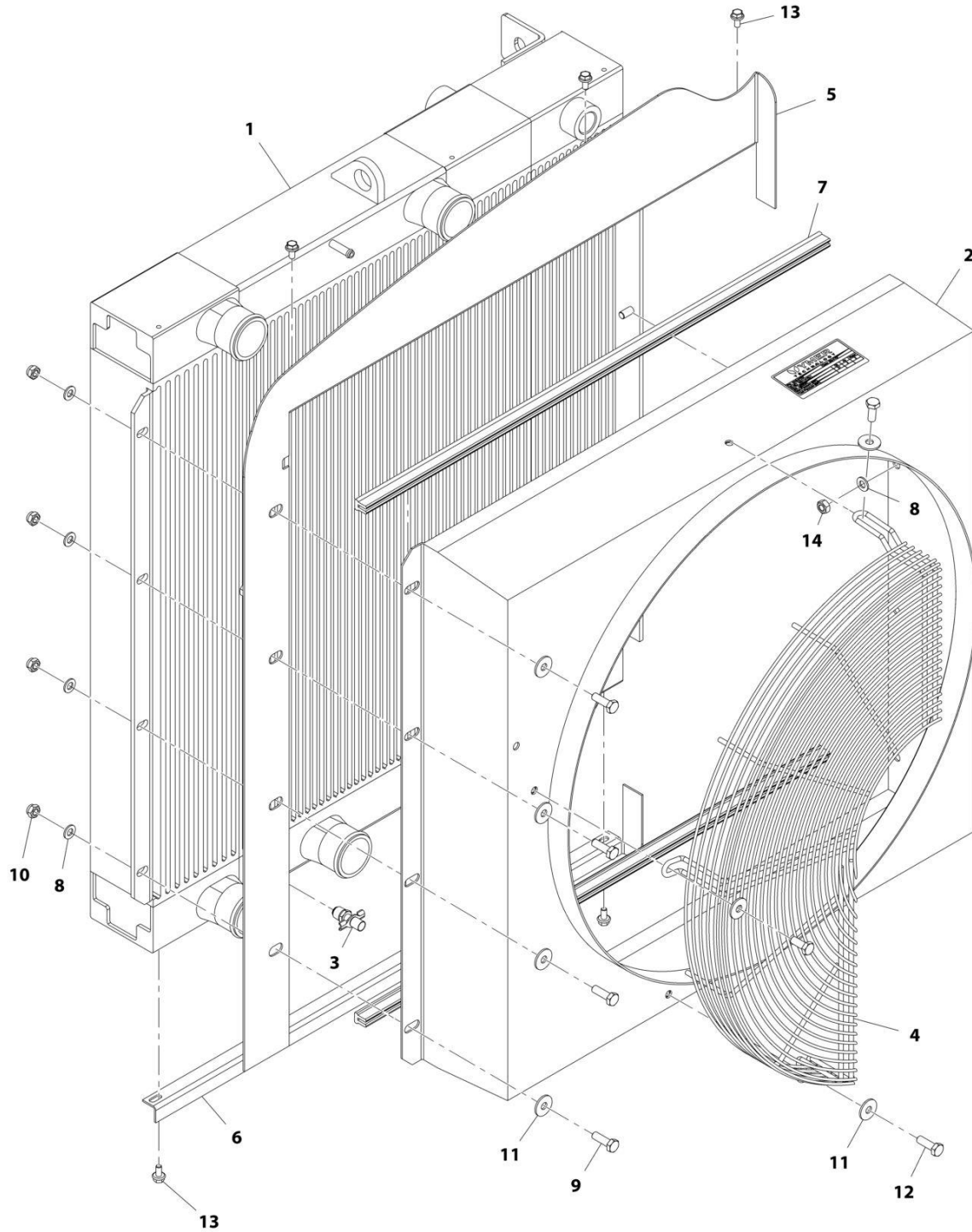
SECTION 4 - ENGINE AND ATTACHING PARTS

FIGURE 4-18. EXPANSION TANK

ITEM	PART NUMBER	QTY	DESCRIPTION	REV
	1001149375	Ref	Expansion Tank	B
1	1001149308	1	Tank, Expansion	
2	1001149376	1	Sensor	
101	70026997	1	Cap	

SECTION 4 - ENGINE AND ATTACHING PARTS

FIGURE 4-19. RADIATOR ASSEMBLY - 74KW



ART_1001141611-G

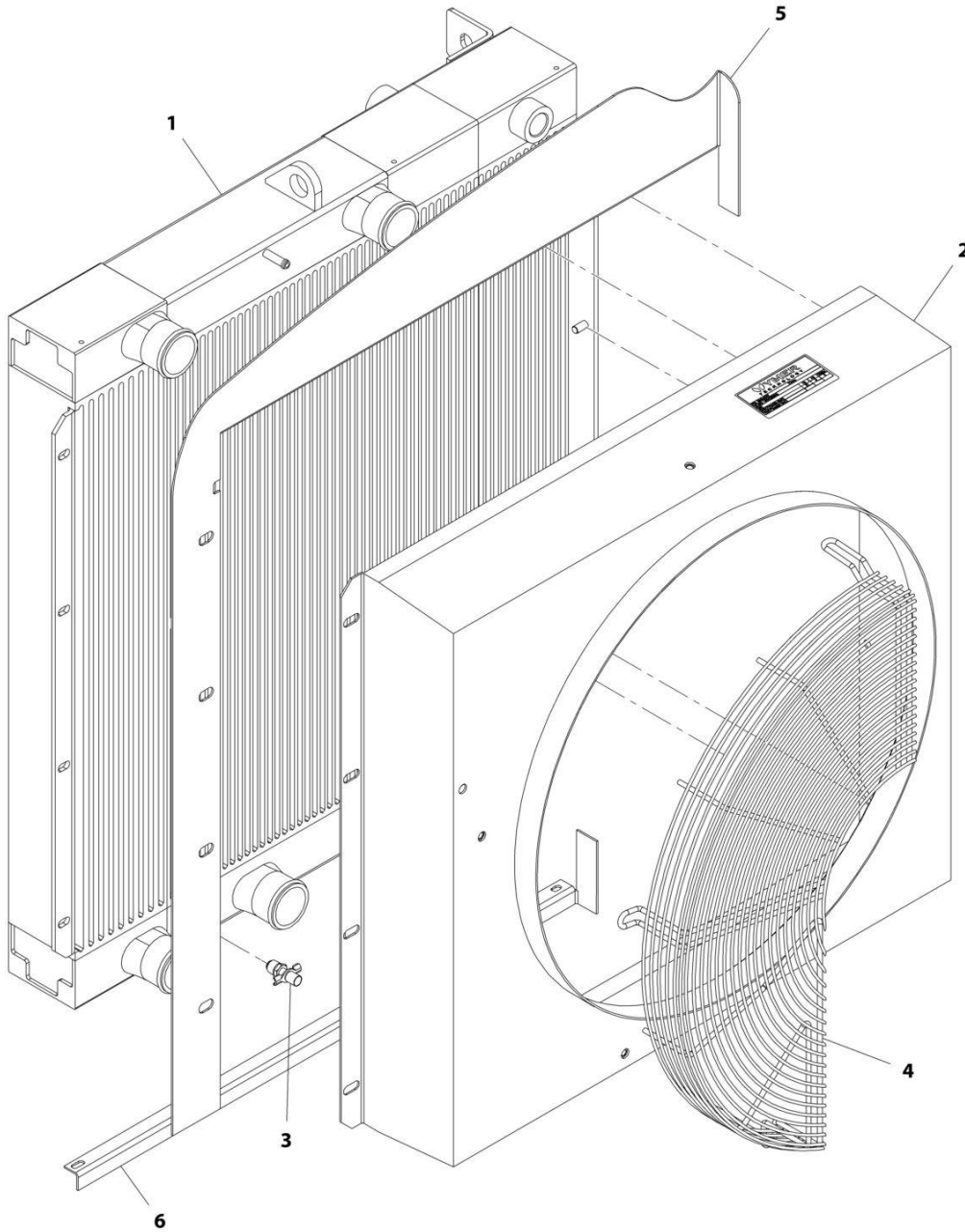
SECTION 4 - ENGINE AND ATTACHING PARTS

FIGURE 4-19. RADIATOR ASSEMBLY - 74KW

ITEM	PART NUMBER	QTY	DESCRIPTION	REV
	1001141611	Ref	Radiator Assembly - 74KW	E
1	70025642	1	Cooler, Radiator	
2	70025643	1	House, Fan	
3	70025644	1	Valve, Drain	
4	70025645	1	Guard, Fan	
5	70025646	1	Plate, Baffle	
6	70025647	1	Plate, Baffle	
7	70022396	2	Seal, Hatch	
8	70025653	8	Washer	
9	70025654	4	Bolt	
10	70025655	4	Nut	
11	70025656	7	Washer	
12	70025657	3	Bolt	
13	70025658	6	Bolt	
14	70025659	4	Nut	

SECTION 4 - ENGINE AND ATTACHING PARTS

FIGURE 4-20. RADIATOR ASSEMBLY - 55KW



ART_1001205849-E

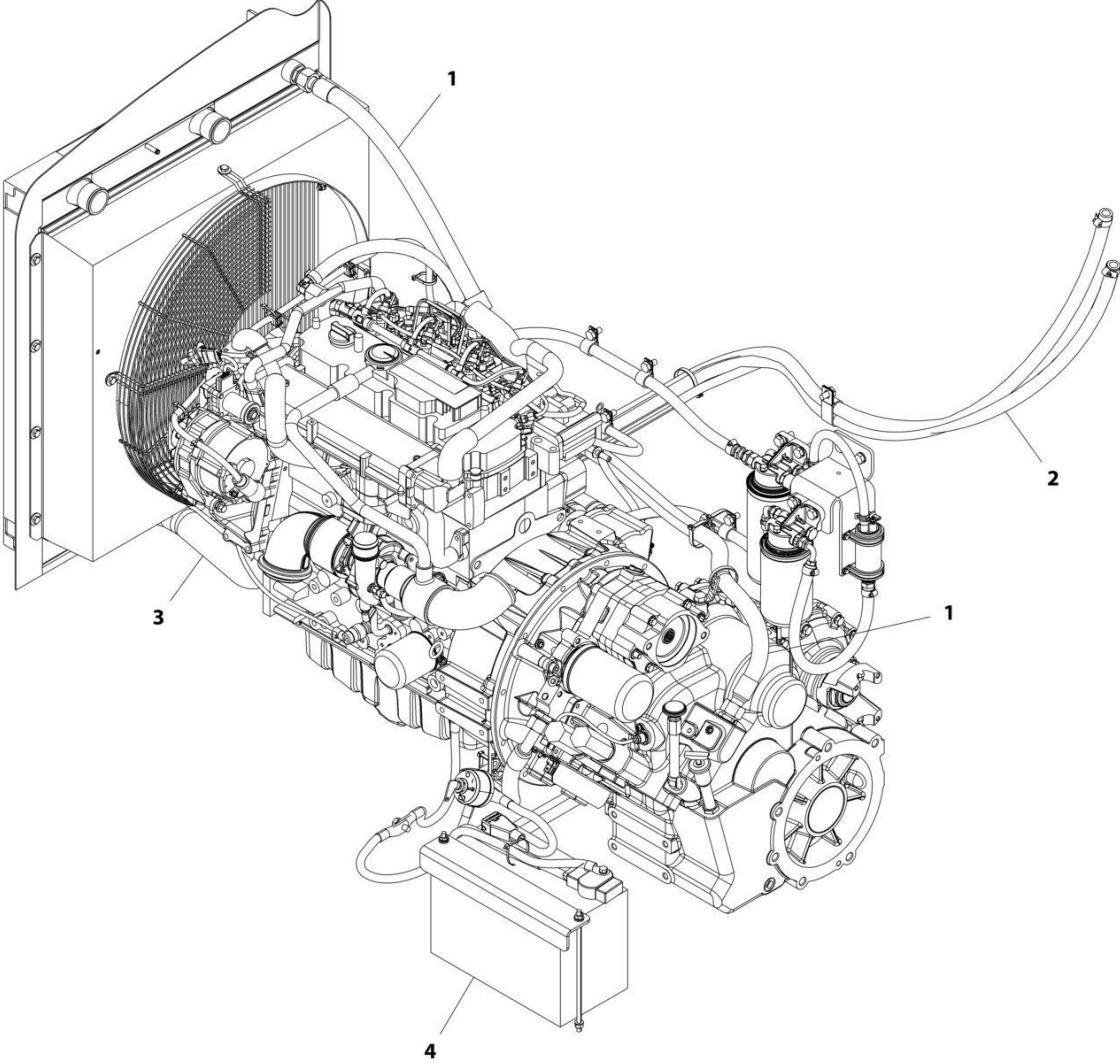
SECTION 4 - ENGINE AND ATTACHING PARTS

FIGURE 4-20. RADIATOR ASSEMBLY - 55KW

ITEM	PART NUMBER	QTY	DESCRIPTION	REV
	1001205849	Ref	Radiator Assembly - 55KW	B
1	70025642	1	Cooler	
2		Ref	Shroud	
3	70025644	1	Drain Valve	
4	70025645	1	Fan Guard	
5	70025647	1	Baffle Plate	
6	70025646	1	Baffle Plate	

SECTION 4 - ENGINE AND ATTACHING PARTS

FIGURE 4-21. RADIATOR LINES INSTALLATION



ART_1001178702-B

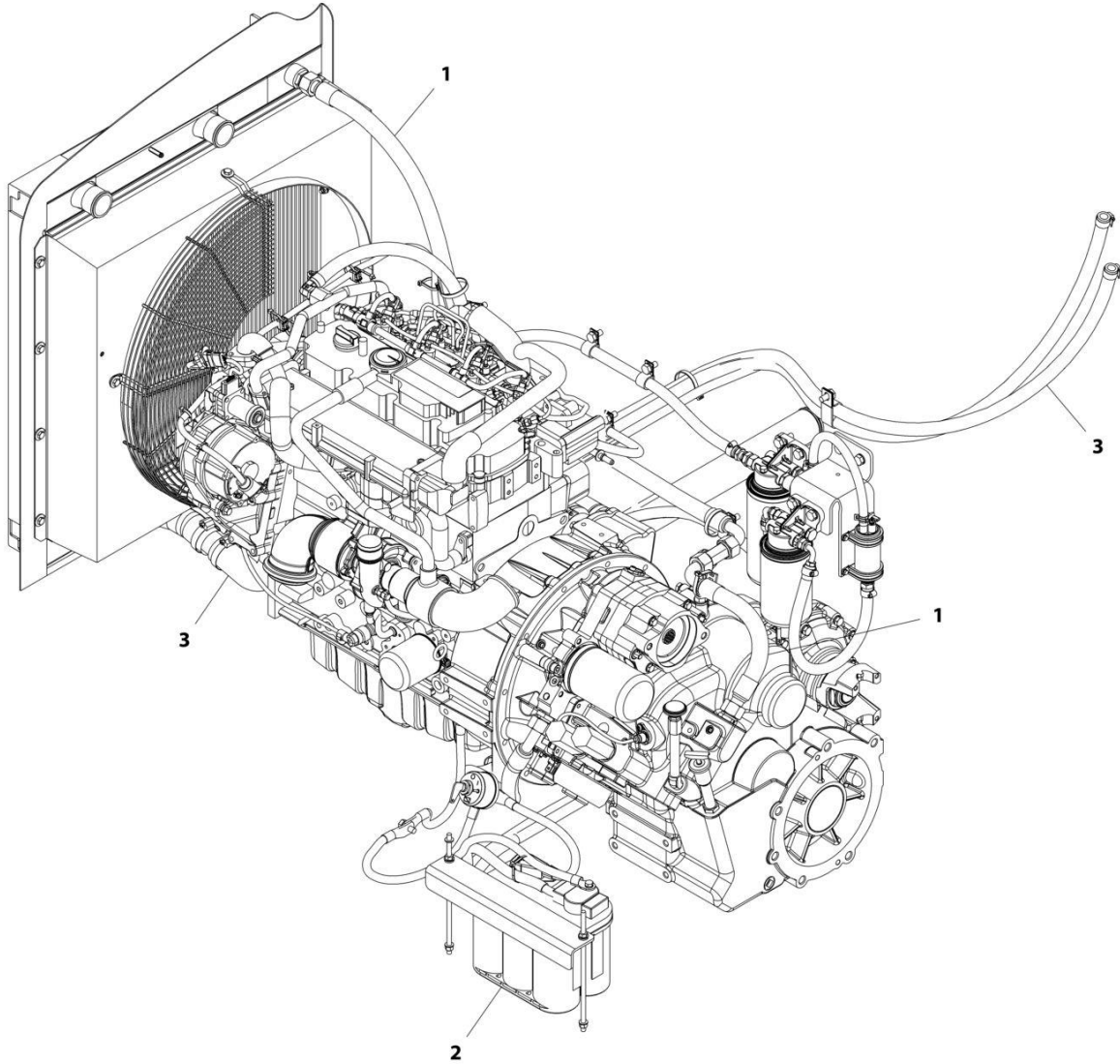
SECTION 4 - ENGINE AND ATTACHING PARTS

FIGURE 4-21. RADIATOR LINES INSTALLATION

ITEM	PART NUMBER	QTY	DESCRIPTION	REV
1	1001178702	Ref	Radiator Lines Installation	B
	1001144787	Ref	Installation, Cooling Transmission (See TRANSMISSION COOLING INSTALLATION for Breakdown)	
2	1001145073	Ref	Installation, Heater Lines (See HEATER LINES INSTALLATION for Breakdown)	
3	1001178605	Ref	Installation, Engine Coolant Hose (See ENGINE COOLANT HOSE INSTALLATION for Breakdown)	
4	1001145531	Ref	Installation, Battery (See Separate Breakdown in ELECTRICAL Section) (SN E16000001 through E160000342, Excluding E160000328, E160000329, E160000330, E160000331, E160000332 and E160000336)	
4	1001239516	Ref	Installation, Battery (See Separate Breakdown in ELECTRICAL Section) (SN E160000342 through E160000496, Including E160000328, E160000329, E160000330, E160000331, E160000332 and E160000336)	

SECTION 4 - ENGINE AND ATTACHING PARTS

FIGURE 4-22. RADIATOR LINES INSTALLATION - ARCTIC



ART_1001160980-B

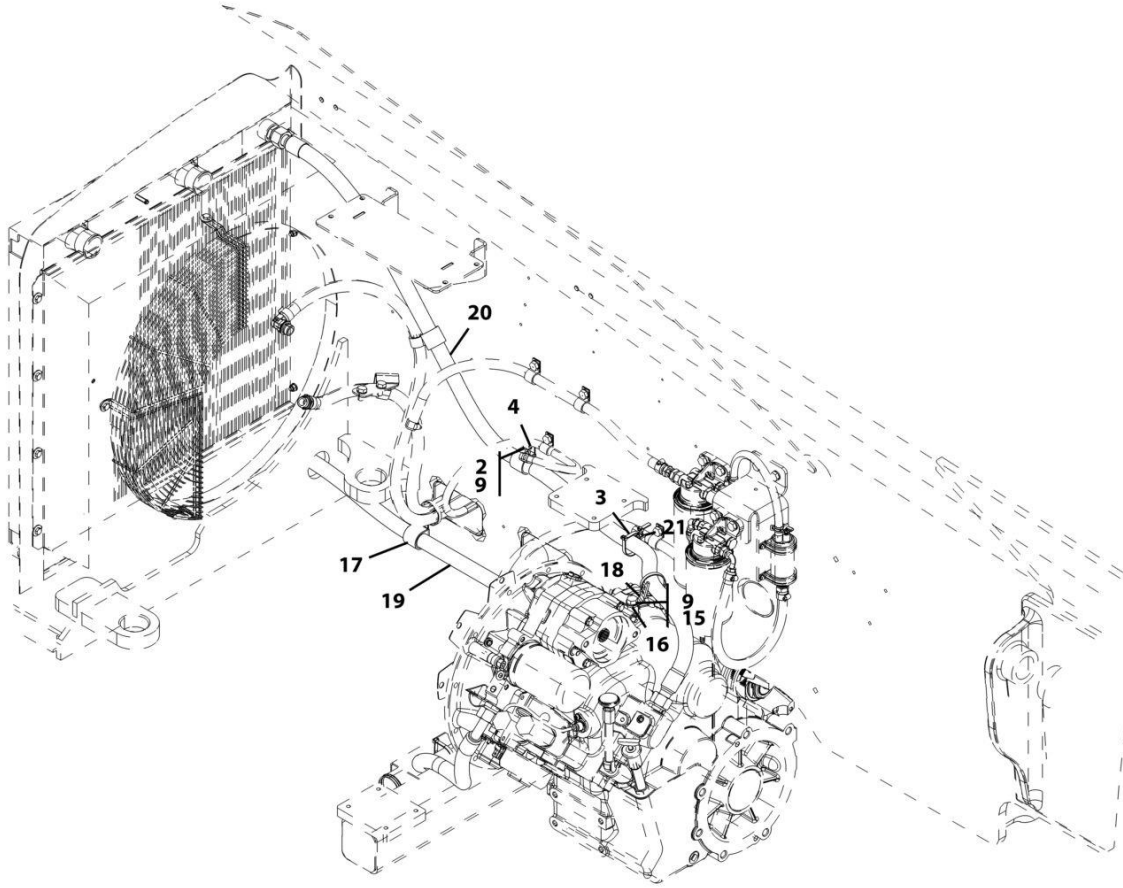
SECTION 4 - ENGINE AND ATTACHING PARTS

FIGURE 4-22. RADIATOR LINES INSTALLATION - ARCTIC

ITEM	PART NUMBER	QTY	DESCRIPTION	REV
1	1001160980	Ref	Radiator Lines Installation - ARCTIC	B
	1001159326	Ref	Installation, Thermal Bypass (See THERMAL BYPASS INSTALLATION - ARCTIC for Breakdown)	
2	1001167211	Ref	Installation, Battery (See Separate Breakdown in ELECTRICAL Section) (SN E16000001 through E160000342, Excluding E160000328, E160000329, E160000330, E160000331, E160000332 and E160000336)	
2	1001246126	Ref	Installation, Battery (See Separate Breakdown in ELECTRICAL Section) (SN E160000342 through E160000496, Including E160000328, E160000329, E160000330, E160000331, E160000332 and E160000336)	
3	1001167591	Ref	Installation, Heater Block (See HEATER BLOCK INSTALLATION - ARCTIC for Breakdown)	

SECTION 4 - ENGINE AND ATTACHING PARTS

FIGURE 4-23. TRANSMISSION COOLING INSTALLATION



ART_1001144787-E

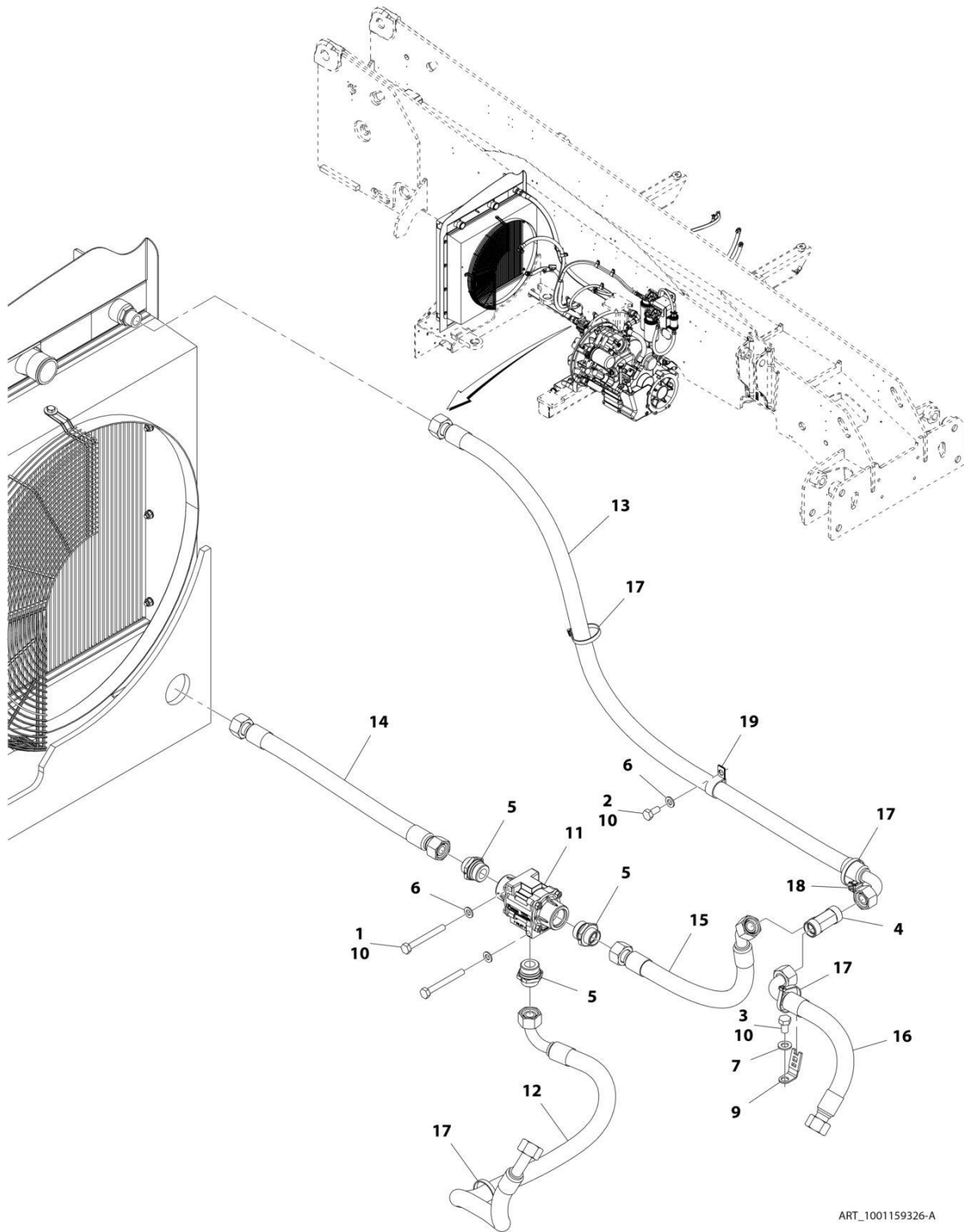
SECTION 4 - ENGINE AND ATTACHING PARTS

FIGURE 4-23. TRANSMISSION COOLING INSTALLATION

ITEM	PART NUMBER	QTY	DESCRIPTION	REV
	1001144787	Ref	Transmission Cooling Installation	E
2	0761011	3	Bolt, M10X22	
3	1062255	4	Tie, Strap	
4	4812000	3	Washer, M10	
9	1001095650	AR	Compound, Locking	
15	0761210	1	Bolt, M12X20	
16	4812100	1	Washer, M12	
17	1001008572	4	Clip	
18	1001025751	1	Clip	
19	1001161471	1	Hose	
20	1001155051	1	Hose	
21	1001004723	1	Saddle	

SECTION 4 - ENGINE AND ATTACHING PARTS

FIGURE 4-24. THERMAL BYPASS INSTALLATION - ARCTIC



ART_1001159326-A

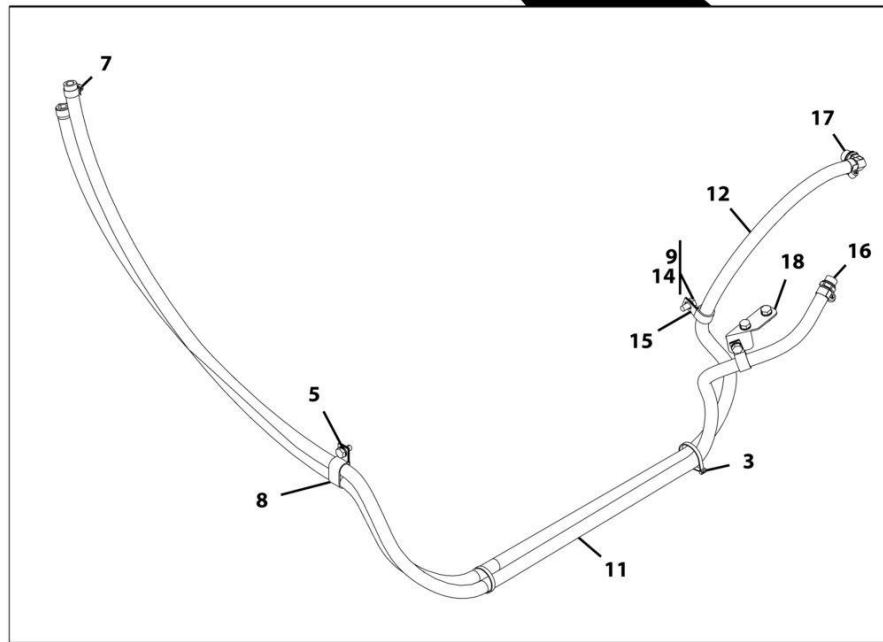
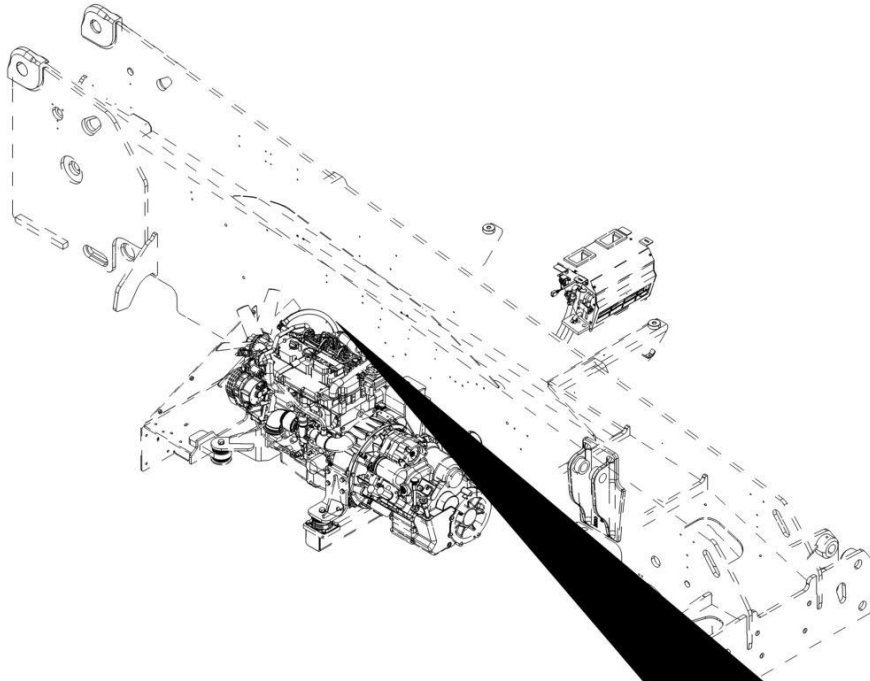
SECTION 4 - ENGINE AND ATTACHING PARTS

FIGURE 4-24. THERMAL BYPASS INSTALLATION - ARCTIC

ITEM	PART NUMBER	QTY	DESCRIPTION	REV
	1001159326	Ref	Thermal Bypass Installation - ARCTIC	A
1	0701026	2	Bolt, M10X90	
2	0761011	1	Bolt, M10X22	
3	0761210	1	Bolt, M12X20	
4	2141912	1	Fitting, Union Tee	
5	2144812	3	Adapter	
6	4812000	3	Washer, M10	
7	4812100	1	Washer, M12	
9	1001025751	1	Clip	
10	1001095650	AR	Compound, Locking	
11	1001119801	1	Valve, Thermal Bypass	
12	1001159327	1	Hose	
13	1001159328	1	Hose	
14	1001159329	1	Hose	
15	1001159330	1	Hose	
16	1001159331	1	Hose	
17	1062255	4	Tie, Strap	
18	1001004723	1	Saddle	
19	1001008572	2	Clip	

SECTION 4 - ENGINE AND ATTACHING PARTS

FIGURE 4-25. HEATER LINES INSTALLATION



ART_1001145073-C

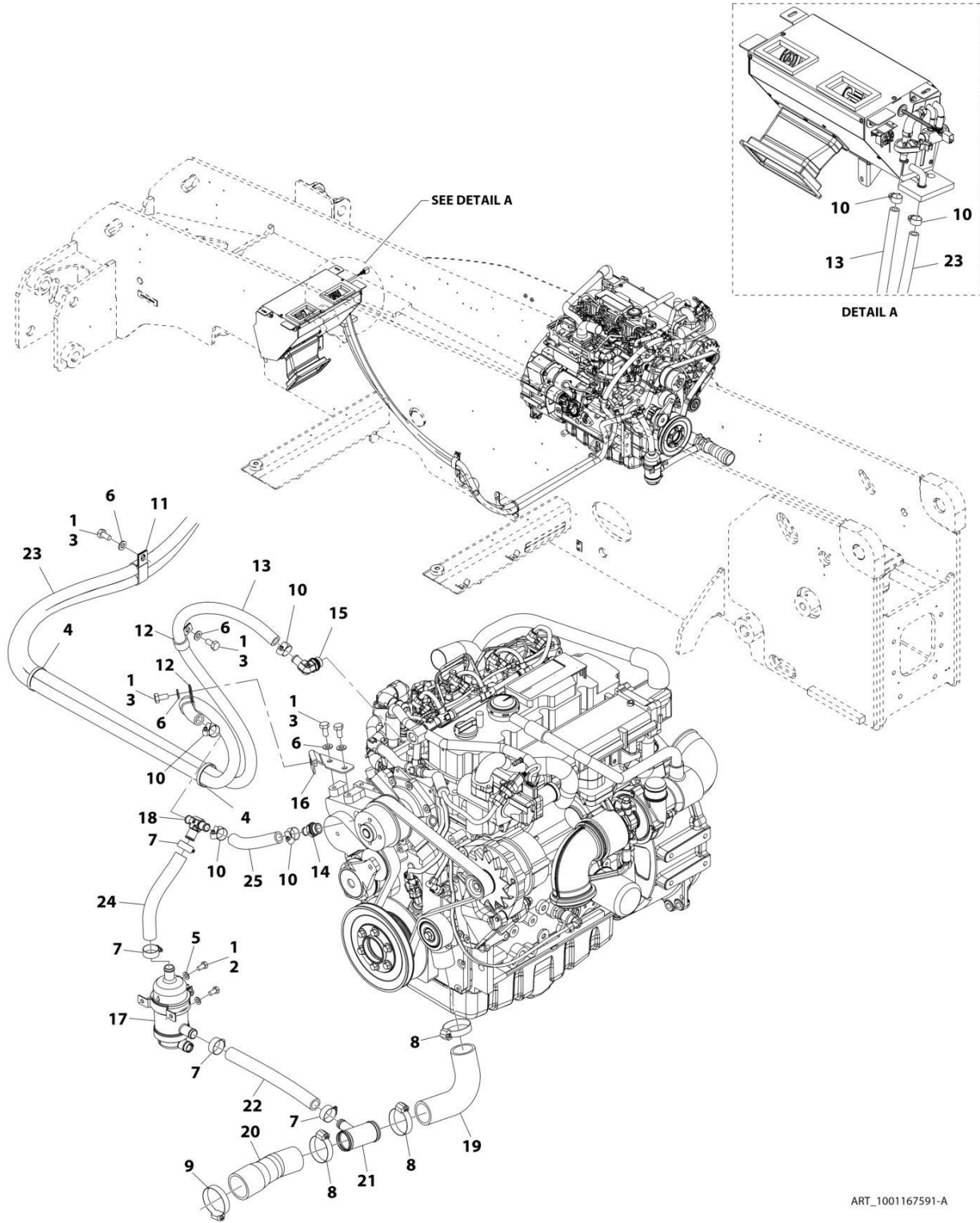
SECTION 4 - ENGINE AND ATTACHING PARTS

FIGURE 4-25. HEATER LINES INSTALLATION

ITEM	PART NUMBER	QTY	DESCRIPTION	REV
	1001145073	Ref	Heater Lines Installation	C
3	1062255	2	Tie, Strap	
5	4812000	5	Washer, M10	
7	1001008609	4	Clamp	
8	1001008720	1	Clip	
9	1001095650	AR	Compound, Locking	
11	1001145071	1	Hose	
12	1001145072	1	Hose	
14	0761010	5	Bolt, M10X20	
15	1001009384	2	Clip	
16	1001154262	1	Adapter	
17	1001154263	1	Adapter	
18	1001155013	1	Bracket, Heater Hose	

SECTION 4 - ENGINE AND ATTACHING PARTS

FIGURE 4-26. HEATER BLOCK INSTALLATION - ARCTIC



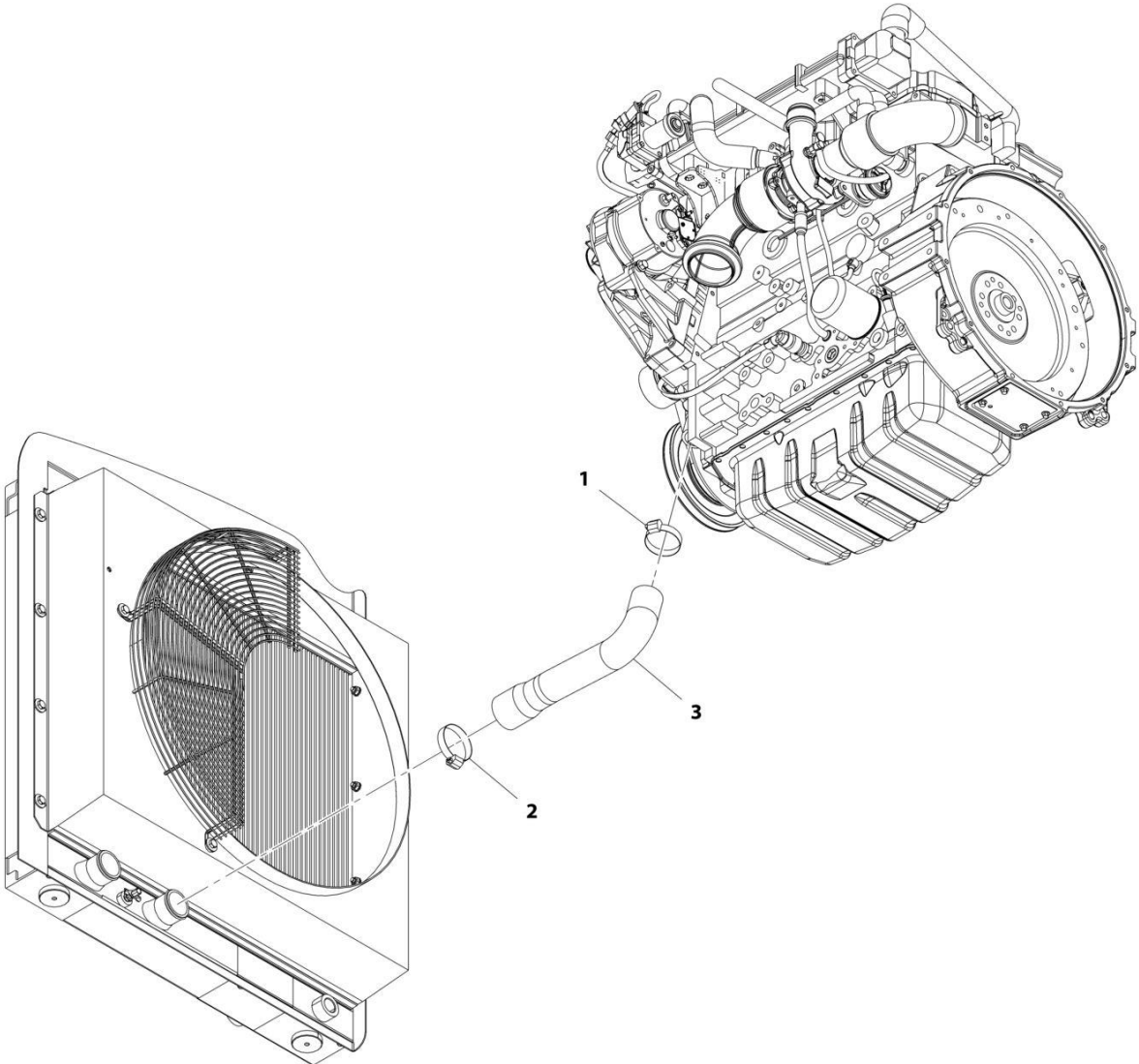
SECTION 4 - ENGINE AND ATTACHING PARTS

FIGURE 4-26. HEATER BLOCK INSTALLATION - ARCTIC

ITEM	PART NUMBER	QTY	DESCRIPTION	REV
	1001167591	Ref	Heater Block Installation - ARCTIC	A
1	1001095650	AR	Compound, Locking	
2	0760808	2	Bolt, M8X16	
3	0761010	5	Bolt, M10X20	
4	1062255	2	Tie, Strap	
5	4811900	2	Washer, M8	
6	4812000	5	Washer, M10	
7	8405007	4	Gear Clamp, 1.25	
8	8405104	3	Gear Clamp, 2.25	
9	8405201	1	Gear Clamp, 2.5	
10	1001008609	6	Clamp	
11	1001008720	1	Clip	
12	1001009384	2	Clip	
13	1001145072	1	Hose	
14	1001154262	1	Adapter	
15	1001154263	1	Adapter	
16	1001155013	1	Bracket, Heater Hose	
17	1001165069	1	Heater, Engine	
18	1001167773	1	Fitting	
19	1001167976	1	Hose	
20	1001167977	1	Hose	
21	1001170437	1	Pipe	
22	1001170489	1	Hose	
23	1001170490	1	Hose	
24	1001170491	1	Hose	
25	1001170492	1	Hose	

SECTION 4 - ENGINE AND ATTACHING PARTS

FIGURE 4-27. ENGINE COOLANT HOSE INSTALLATION



ART_1001178605-A

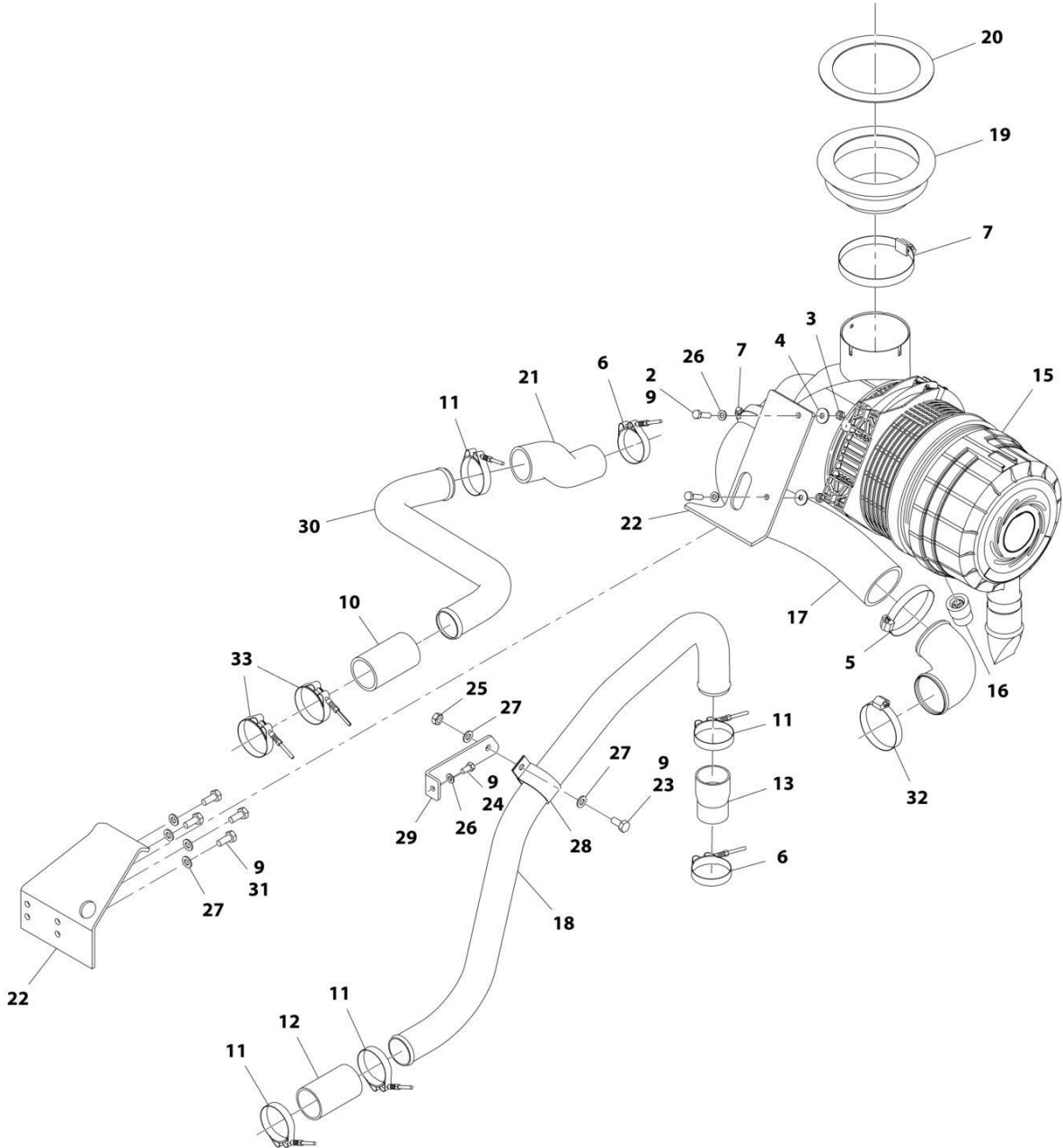
SECTION 4 - ENGINE AND ATTACHING PARTS

FIGURE 4-27. ENGINE COOLANT HOSE INSTALLATION

ITEM	PART NUMBER	QTY	DESCRIPTION	REV
	1001178605	Ref	Engine Coolant Hose Installation	A
1	8405104	1	Gear Clamp, 2.25	
2	8405201	1	Gear Clamp, 2.5	
3	1001142083	1	Hose	

SECTION 4 - ENGINE AND ATTACHING PARTS

FIGURE 4-28. AIR SYSTEM INSTALLATION - 74KW



ART_1001141199-H

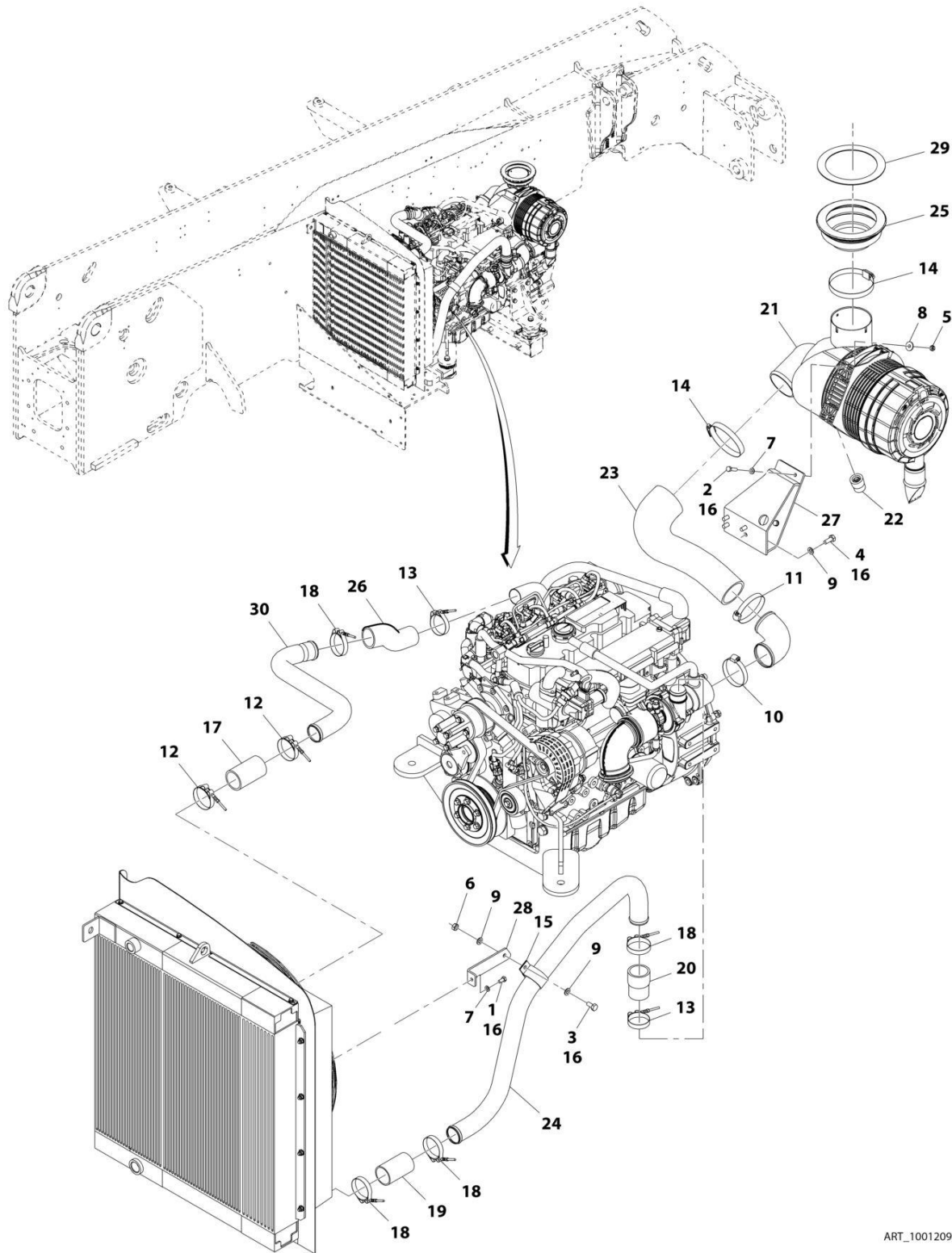
SECTION 4 - ENGINE AND ATTACHING PARTS

FIGURE 4-28. AIR SYSTEM INSTALLATION - 74KW

ITEM	PART NUMBER	QTY	DESCRIPTION	REV
	1001141199	Ref	Air System Installation - 74KW	H
2	0760814	2	Bolt, M8X30	
3	3290801	2	Nut, M8X1.25	
4	4811902	2	Washer, M8	
5	8410011	1	Gear Clamp	
6	1001006072	2	Clamp, Band, T-Bolt	
7	1001009154	1	Clamp, Hose	
9	1001095650	AR	Compound, Locking	
10	1001100117	1	Hose	
11	1001120904	4	Clamp, Band	
12	1001126737	1	Hose	
13	1001131642	1	Pipe, Charge Air Reducer	
15	1001141205	1	Assembly, Air Filter (See AIR FILTER ASSEMBLY for Breakdown)	
16	1001141952	1	Indicator, Restriction	
17	1001143462	1	Hose	
18	1001143463	1	Pipe, Charge Air	
19	1001144016	1	Boot, Air Filter Intake	
20	1001154682	1	Plate, Seal	
21	1001145062	1	Hose	
22	1001145221	1	Bracket, Air Cleaner	
23	0761011	1	Bolt, M10X22	
24	0760808	1	Bolt, M8X16	
25	3291001	1	Nut, M10X1.5	
26	4811900	3	Washer, M8	
27	4812000	6	Washer, M10	
28	1001025902	1	Clip	
29	1001148298	1	Bracket, Support	
30	1001141202	1	Pipe, Charge Air	
31	0761012	4	Bolt, M10X25	
32	8405204	1	Gear Clamp	
33	1001005438	1	Clamp, Band	

SECTION 4 - ENGINE AND ATTACHING PARTS

FIGURE 4-29. AIR SYSTEM INSTALLATION - 55KW (SN E16000001 through E16000342, Excluding E16000328, E16000329, E16000330, E16000331, E16000332 and E16000336)



ART_1001209461-A

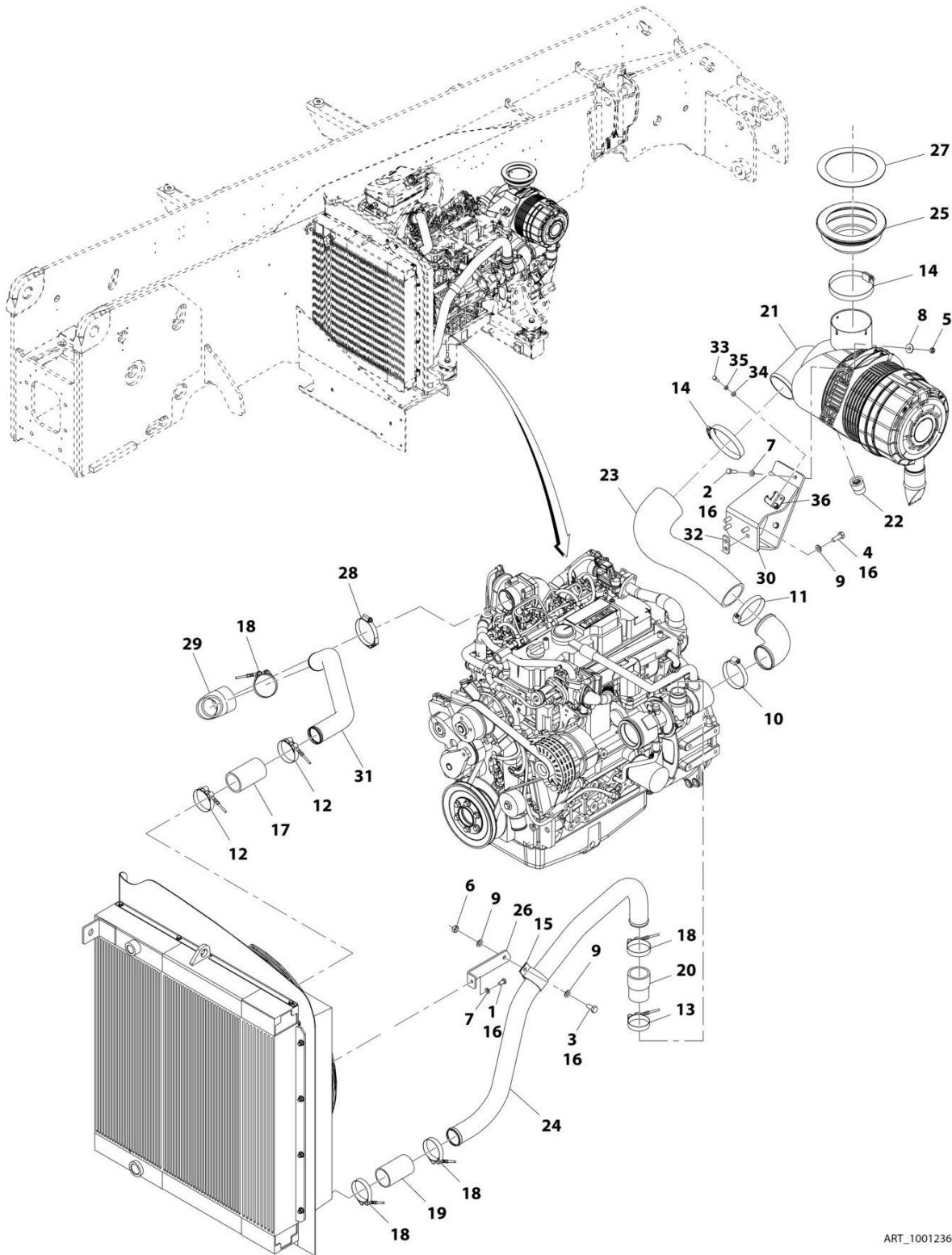
SECTION 4 - ENGINE AND ATTACHING PARTS

FIGURE 4-29. AIR SYSTEM INSTALLATION - 55KW (SN E16000001 through E160000342, Excluding E160000328, E160000329, E160000330, E160000331, E160000332 and E160000336)

ITEM	PART NUMBER	QTY	DESCRIPTION	REV
	1001209461	Ref	Air System Installation - 55KW	A
1	0760808	1	Bolt, M8X16	
2	0760814	2	Bolt, M8X30	
3	0761011	1	Bolt, M10X22	
4	0761012	4	Bolt, M10X25	
5	3290801	2	Nut, M8X1.25	
6	3291001	1	Nut, M10X1.5	
7	4811900	3	Washer, M8	
8	4811902	2	Washer, M8	
9	4812000	6	Washer, M10	
10	8405204	1	Gear Clamp	
11	8410011	1	Gear Clamp	
12	1001005438	2	Clamp, Band	
13	1001006072	2	Clamp, Band, T-Bolt	
14	1001009154	2	Clamp, Hose	
15	1001025902	1	Clip	
16	1001095650	AR	Compound, Locking	
17	1001100117	1	Hose	
18	1001120904	4	Clamp, Band	
19	1001126737	1	Hose	
20	1001131642	1	Pipe, Charge Air Reducer	
21	1001141205	1	Assembly, Air Filter (See AIR FILTER ASSEMBLY for Breakdown)	
22	1001141952	1	Indicator, Restriction	
23	1001143462	1	Hose	
24	1001143463	1	Pipe, Charge Air	
25	1001144016	1	Boot, Air Filter Intake	
26	1001145062	1	Hose	
27	1001145221	1	Bracket, Air Cleaner	
28	1001148298	1	Bracket, Support	
29	1001154682	1	Plate, Seal	
30	1001209460	1	Pipe, Charge Air	

SECTION 4 - ENGINE AND ATTACHING PARTS

FIGURE 4-30. AIR SYSTEM INSTALLATION - 55KW (SN E160000342 through E160000496, Including E160000328, E160000329, E160000330, E160000331, E160000332 and E160000336)



ART_1001236938-B

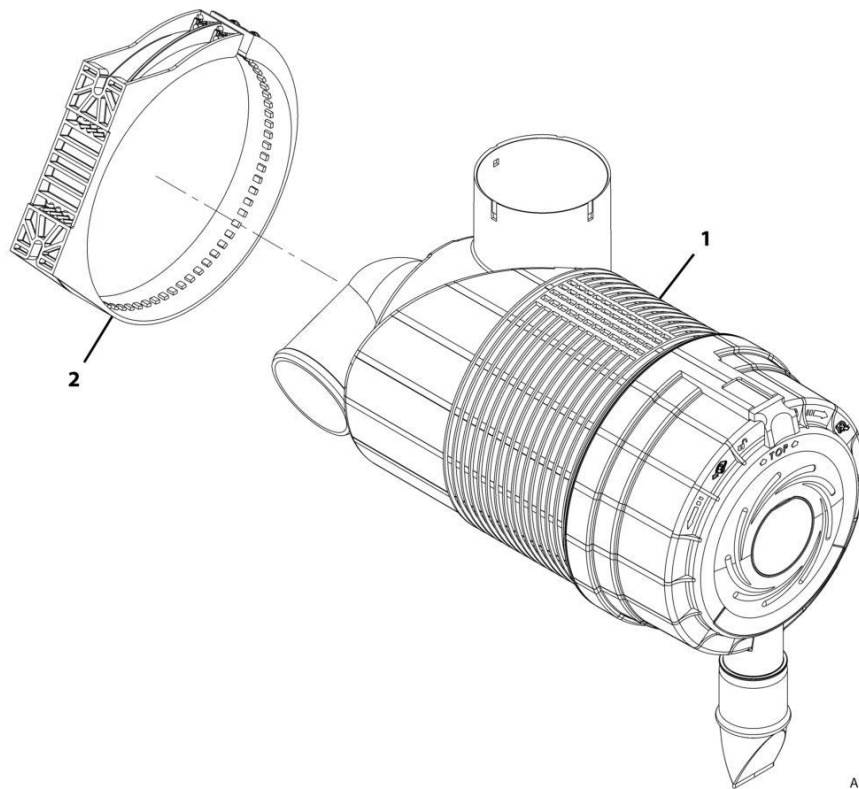
SECTION 4 - ENGINE AND ATTACHING PARTS

FIGURE 4-30. AIR SYSTEM INSTALLATION - 55KW (SN E160000342 through E160000496, Including E160000328, E160000329, E160000330, E160000331, E160000332 and E160000336)

ITEM	PART NUMBER	QTY	DESCRIPTION	REV
	1001236938	Ref	Air System Installation - 55KW	B
1	0760808	1	Bolt, M8X16	
2	0760814	2	Bolt, M8X30	
3	0761011	1	Bolt, M10X22	
4	0771014	4	Bolt, M10X30	
5	3290801	2	Nut, M8X1.25	
6	3291001	1	Nut, M10X1.5	
7	4811900	3	Washer, M8	
8	4811902	2	Washer, M8	
9	4812000	6	Washer, M10	
10	8405204	1	Gear Clamp	
11	8410011	1	Gear Clamp	
12	1001005438	2	Clamp, Band	
13	1001006072	1	Clamp, Band, T-Bolt	
14	1001009154	2	Clamp, Hose	
15	1001025902	1	Clip	
16	1001095650	AR	Compound, Locking	
17	1001100117	1	Hose	
18	1001120904	4	Clamp, Band	
19	1001126737	1	Hose	
20	1001131642	1	Pipe, Charge Air Reducer	
21	1001141205	1	Assembly, Air Filter (See Separate Breakdown in this Section)	
22	1001141952	1	Indicator, Restriction	
23	1001143462	1	Hose	
24	1001143463	1	Pipe, Charge Air	
25	1001144016	1	Boot, Air Filter Intake	
26	1001148298	1	Bracket, Support	
27	1001154682	1	Plate, Seal	
28	1001215022	1	Clamp	
29	1001236931	1	Hose	
30	1001236934	1	Bracket, Air Cleaner	
31	1001236936	1	Pipe, Charge Air	
32	1001237228	1	Plate, Seal	
33	0760610	2	Bolt, M6X20	
34	4811700	2	Washer, M6	
35	4831700	2	Washer, Lock 6	
36	1001236914	1	Bracket	

SECTION 4 - ENGINE AND ATTACHING PARTS

FIGURE 4-31. AIR FILTER ASSEMBLY



ART_1001141205-D

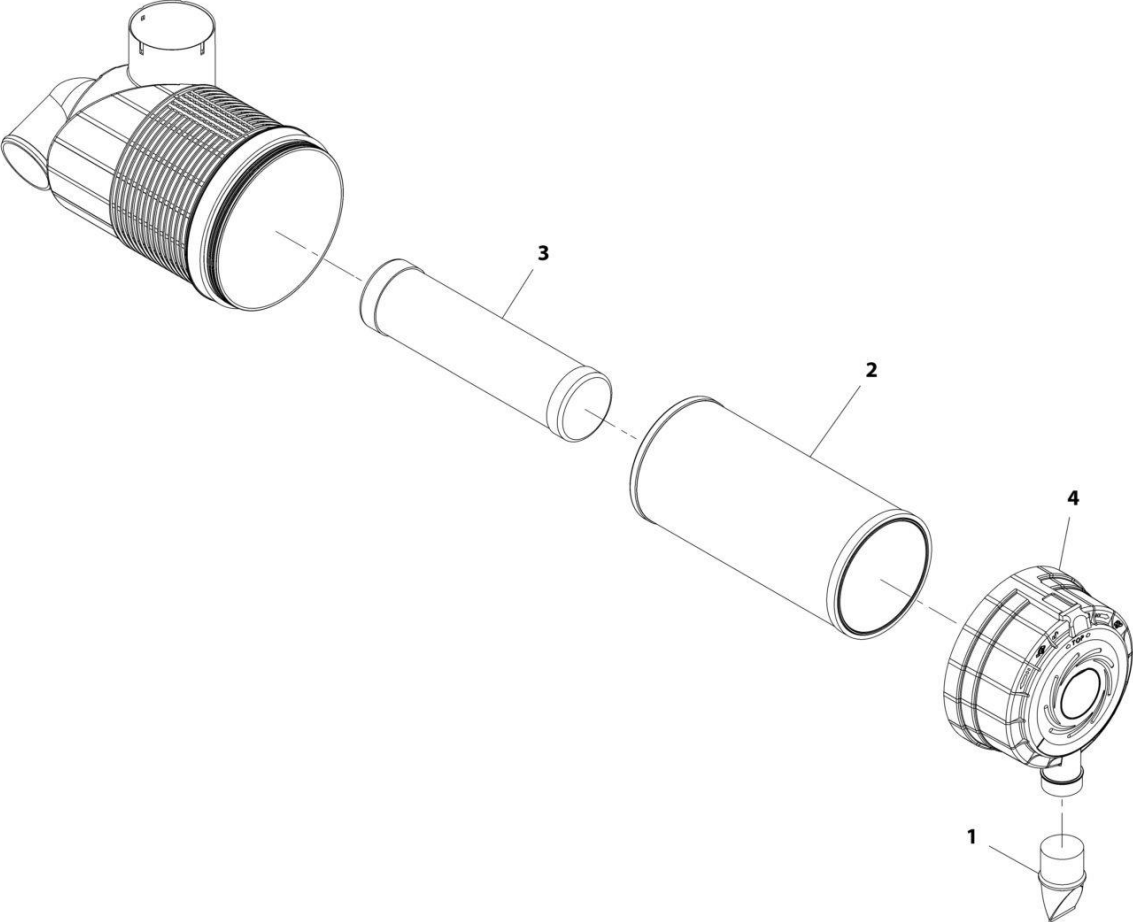
SECTION 4 - ENGINE AND ATTACHING PARTS

FIGURE 4-31. AIR FILTER ASSEMBLY

ITEM	PART NUMBER	QTY	DESCRIPTION	REV
	1001141205	Ref	Air Filter Assembly	D
1	1001143500	1	Filter, Air Intake (See AIR INTAKE FILTER for Breakdown)	
2	1001143745	1	Clamp, Air Filter	

SECTION 4 - ENGINE AND ATTACHING PARTS

FIGURE 4-32. AIR INTAKE FILTER



ART_1001143500-B

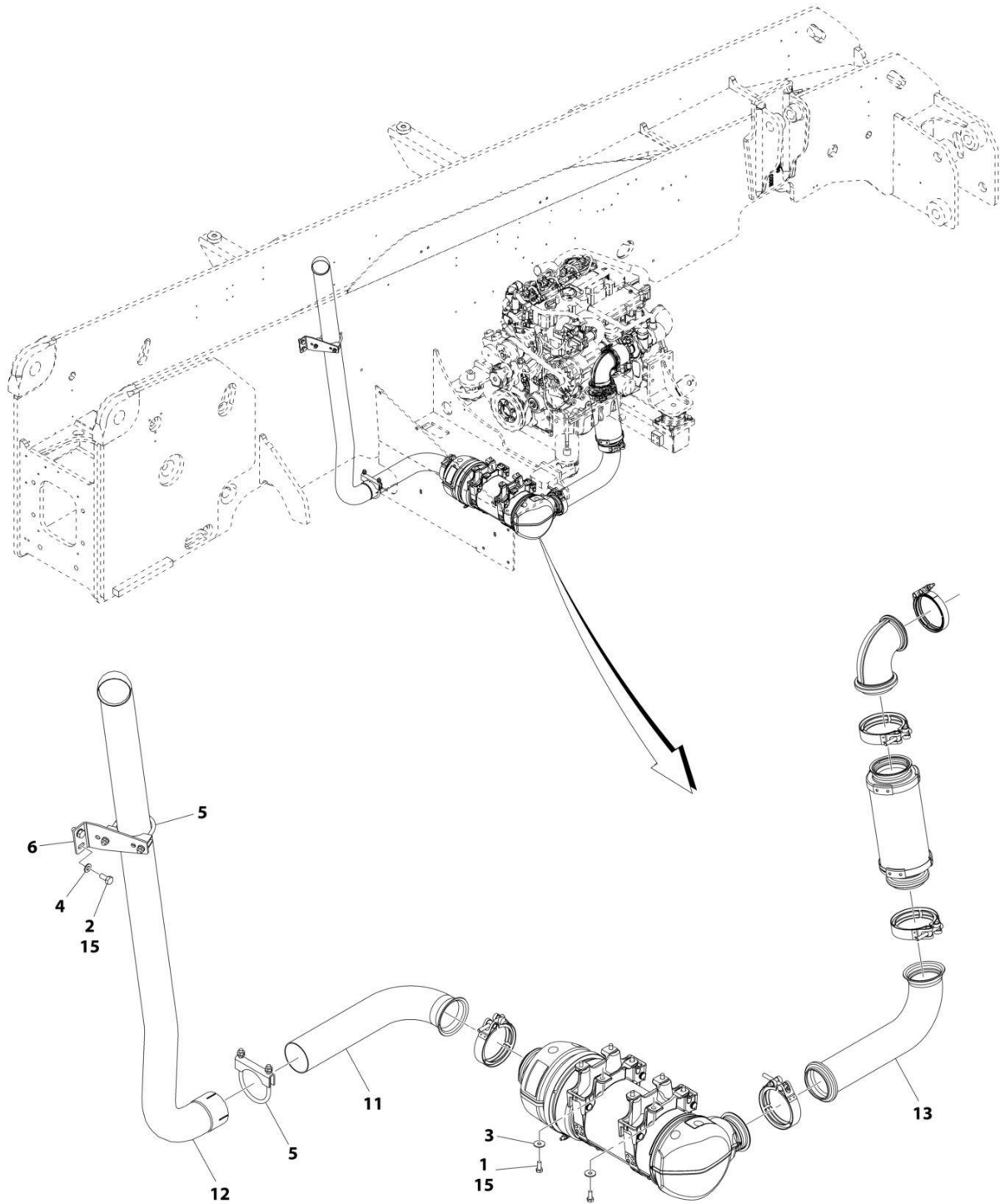
SECTION 4 - ENGINE AND ATTACHING PARTS

FIGURE 4-32. AIR INTAKE FILTER

ITEM	PART NUMBER	QTY	DESCRIPTION	REV
	1001143500	Ref	Air Intake Filter	B
1	80373094	1	Valve, Vacuator	
2	1101312	1	Element, Primary	
3	1101313	1	Element, Safety	
4	1001001408	1	Cover	

SECTION 4 - ENGINE AND ATTACHING PARTS

FIGURE 4-33. EXHAUST SYSTEM INSTALLATION (ULS) - 74KW



ART_1001141387-C

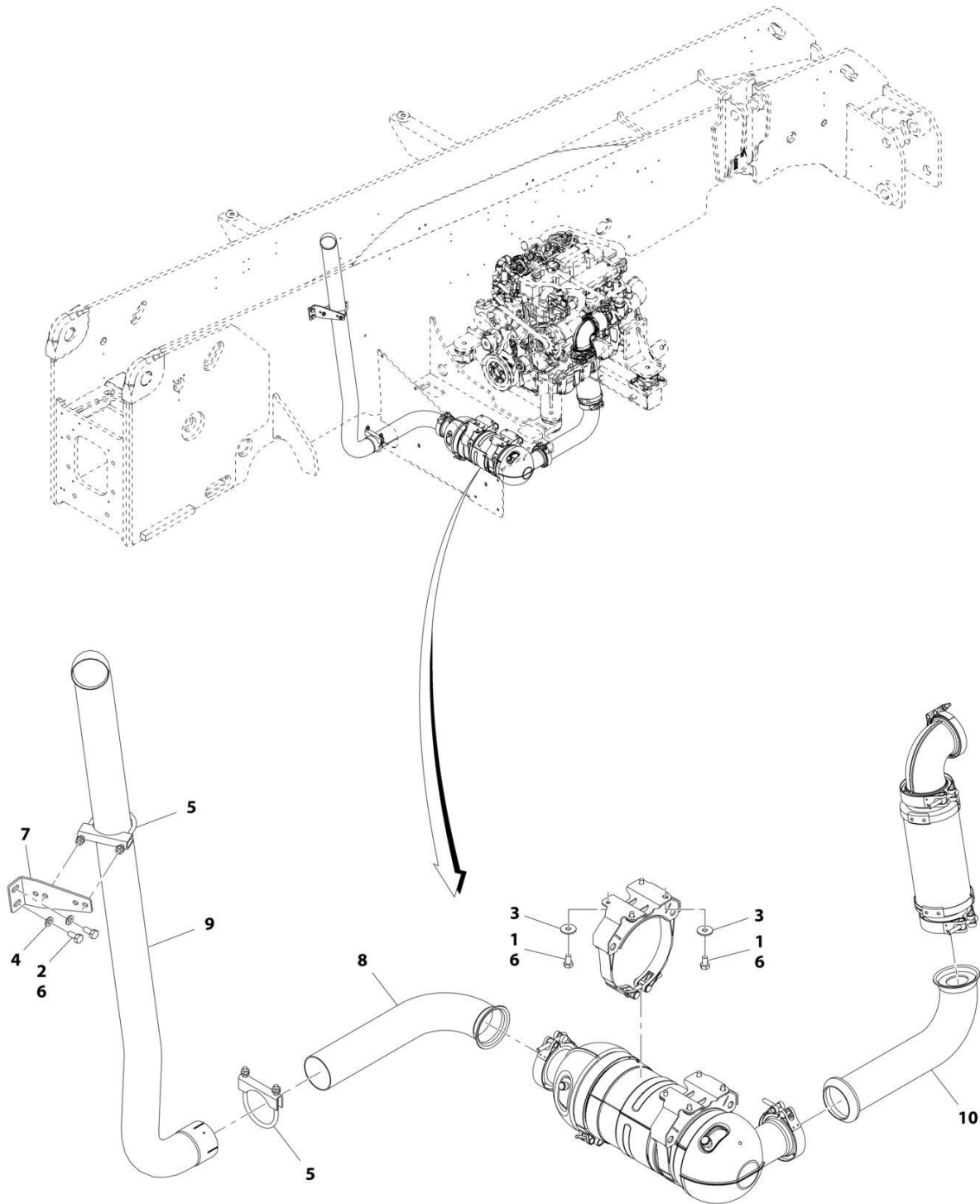
SECTION 4 - ENGINE AND ATTACHING PARTS

FIGURE 4-33. EXHAUST SYSTEM INSTALLATION (ULS) - 74KW

ITEM	PART NUMBER	QTY	DESCRIPTION	REV
	1001141387	Ref	Exhaust System Installation (ULS) - 74KW	C
1	0760810	8	Bolt, M8X20	
2	0761011	2	Bolt, M10X22	
3	4811902	8	Washer, M8	
4	4812000	2	Washer, M10	
5	8275247	2	Clamp, Muffler	
6	1001125286	1	Bracket, Exhaust	
11	1001141390	1	Pipe, Exhaust	
12	1001141391	1	Pipe, Exhaust	
13	1001146709	1	Pipe, Exhaust	
15	1001095650	AR	Compound, Locking	

SECTION 4 - ENGINE AND ATTACHING PARTS

FIGURE 4-34. EXHAUST SYSTEM INSTALLATION (ULS) - 55KW (SN E16000001 through E160000342, Excluding E160000328, E160000329, E160000330, E160000331, E160000332 and E160000336)



ART_1001209008-A

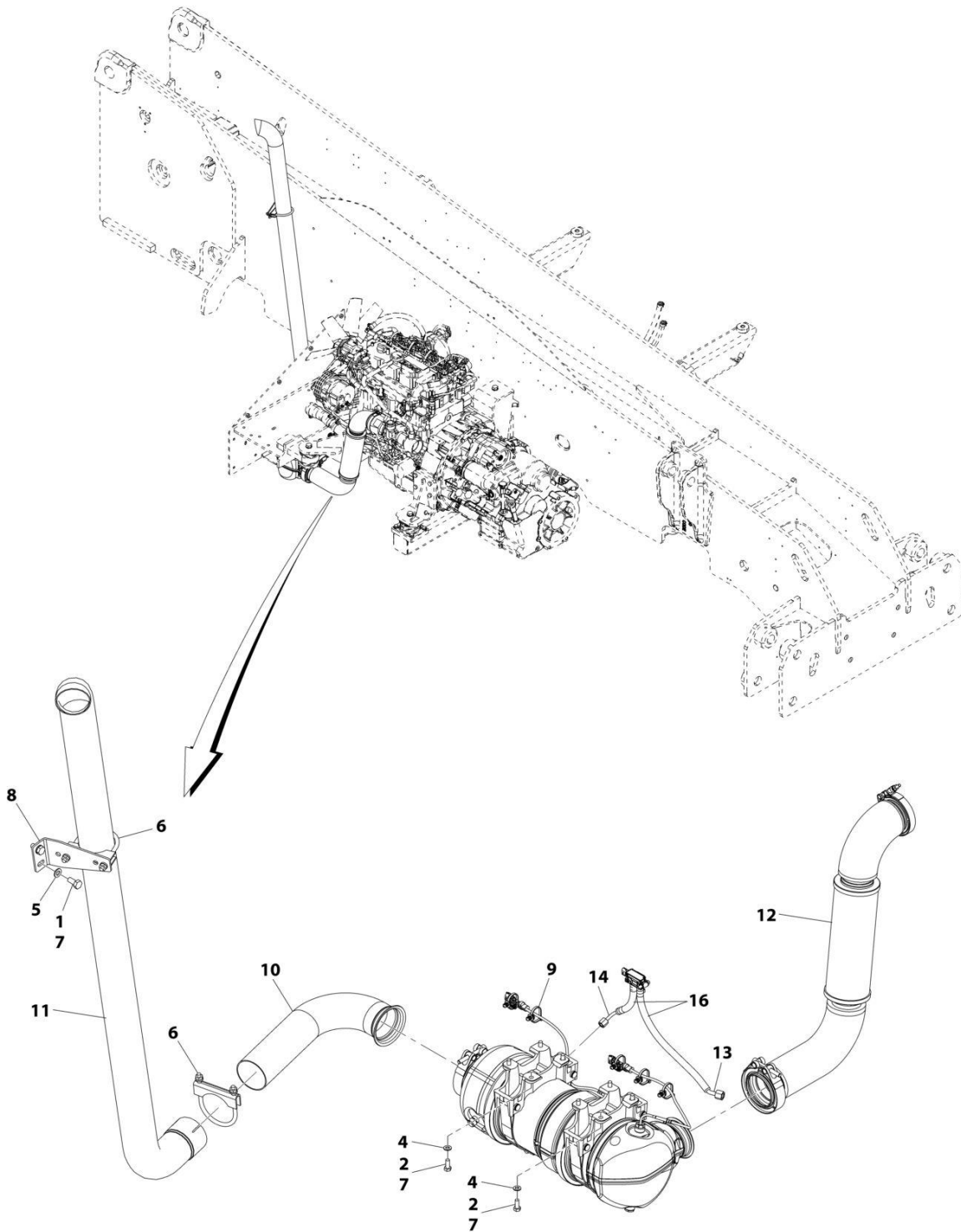
SECTION 4 - ENGINE AND ATTACHING PARTS

FIGURE 4-34. EXHAUST SYSTEM INSTALLATION (ULS) - 55KW (SN E160000001 through E160000342, Excluding E160000328, E160000329, E160000330, E160000331, E160000332 and E160000336)

ITEM	PART NUMBER	QTY	DESCRIPTION	REV
	1001209008	Ref	Exhaust System Installation (ULS) - 55KW	A
1	0760807	8	Bolt, M8X14	
2	0761011	2	Bolt, M10X22	
3	4811902	8	Washer, M8	
4	4812000	2	Washer, M10	
5	8275247	2	Clamp, Muffler	
6	1001095650	AR	Compound, Locking	
7	1001125286	1	Bracket, Exhaust	
8	1001141390	1	Pipe, Exhaust	
9	1001141391	1	Pipe, Exhaust	
10	1001209007	1	Pipe, Exhaust	

SECTION 4 - ENGINE AND ATTACHING PARTS

FIGURE 4-35. EXHAUST SYSTEM INSTALLATION (ULS) - 55KW (SN E16000342 through E16000496, Including E16000328, E16000329, E16000330, E16000331, E16000332 and E16000336)



ART_1001236929-D

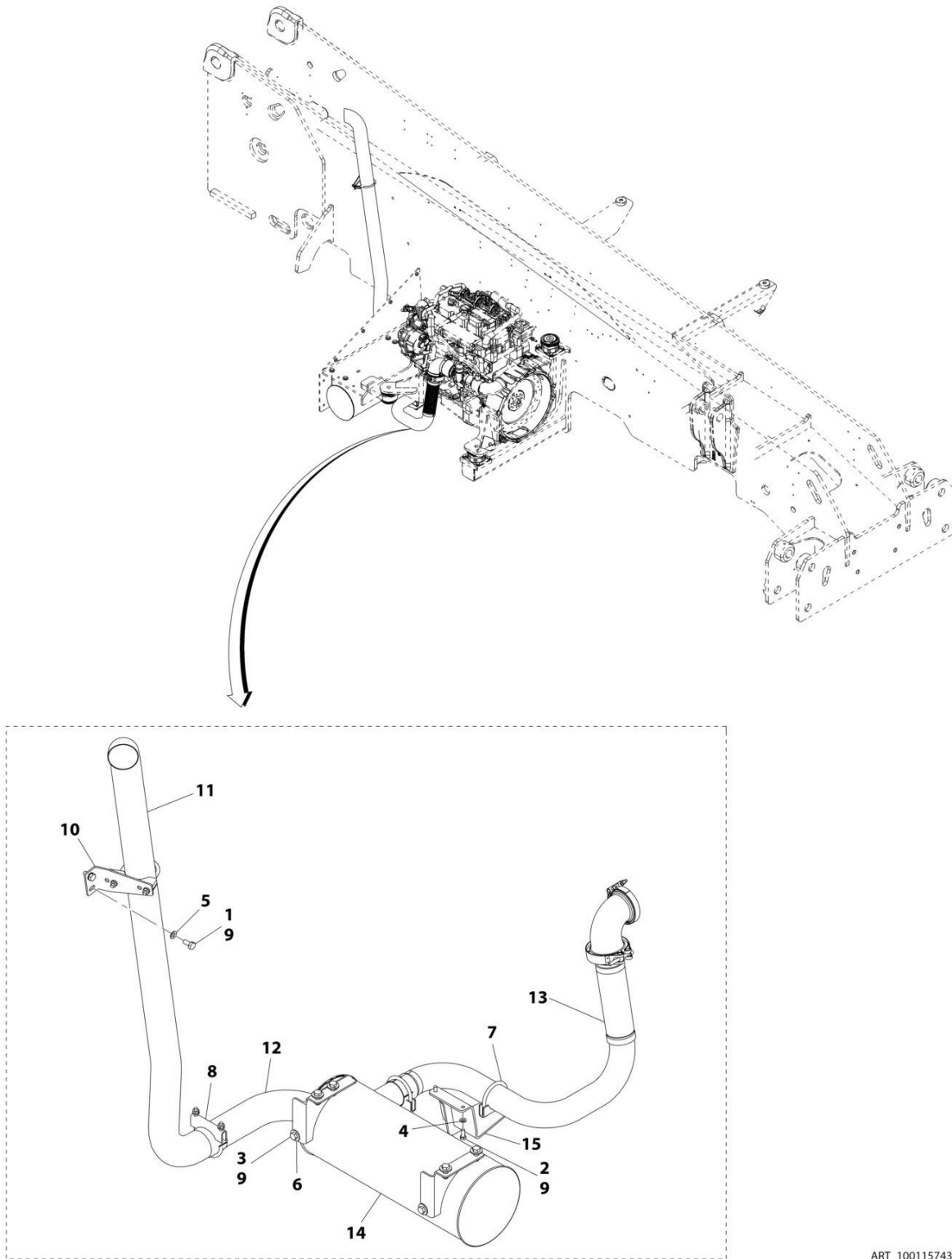
SECTION 4 - ENGINE AND ATTACHING PARTS

FIGURE 4-35. EXHAUST SYSTEM INSTALLATION (ULS) - 55KW (SN E160000342 through E160000496, Including E160000328, E160000329, E160000330, E160000331, E160000332 and E160000336)

ITEM	PART NUMBER	QTY	DESCRIPTION	REV
	1001236929	Ref	Exhaust System Installation (ULS) - 55KW	D
1	0761011	2	Bolt, M10X22	
2	0760810	8	Bolt, M8X20	
4	4811900	2	Washer, M8	
5	4812000	2	Washer, M10	
6	8275247	2	Clamp, Muffler	
7	1001095650	AR	Compound, Locking	
8	1001125286	1	Bracket, Exhaust	
9	1001146588	5	Tie Strap	
10	1001236926	1	Pipe	
11	1001236927	1	Pipe	
12	1001236928	1	Pipe	
13	1001237563	1	Tube	
14	1001246455	1	Tube	
16	1001237571	425 mm	Hose	

SECTION 4 - ENGINE AND ATTACHING PARTS

FIGURE 4-36. EXHAUST SYSTEM INSTALLATION (LS)



ART_1001157438-C

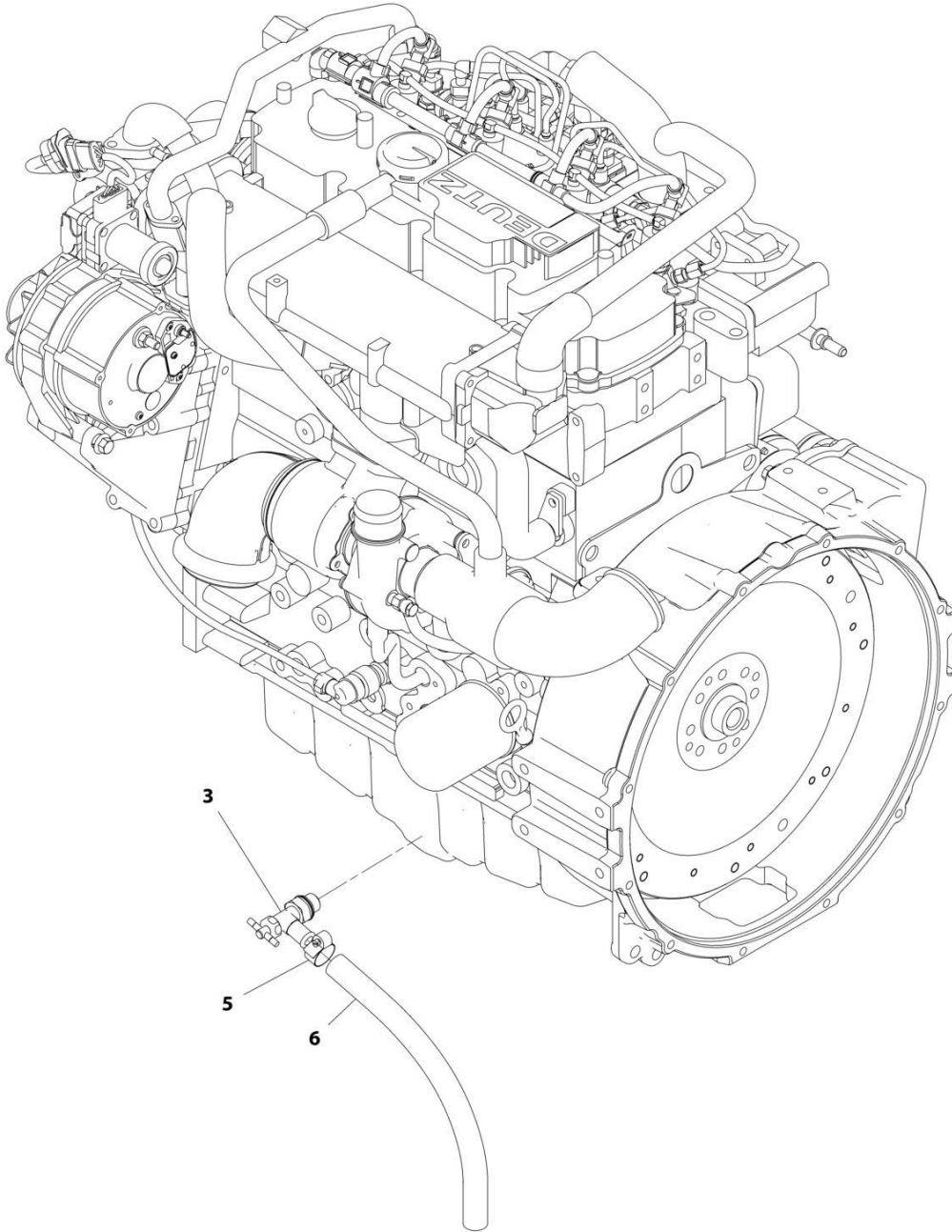
SECTION 4 - ENGINE AND ATTACHING PARTS

FIGURE 4-36. EXHAUST SYSTEM INSTALLATION (LS)

ITEM	PART NUMBER	QTY	DESCRIPTION	REV
	1001157438	Ref	Exhaust System Installation (LS)	C
1	0761011	2	Bolt, M10X22	
2	0760810	2	Bolt, M8X20	
3	0761014	6	Bolt, M10X30	
4	4811900	2	Washer, M8	
5	4812000	2	Washer, M10	
6	4812002	6	Washer, M10	
7	8275212	2	Clamp, Muffler	
8	8275247	3	Clamp, Muffler	
9	1001095650	AR	Compound, Locking	
10	1001125286	1	Bracket, Exhaust	
11	1001141391	1	Pipe, Exhaust	
12	1001157018	1	Pipe, Exhaust	
13	1001157020	1	Pipe, Exhaust, Flexible	
14	1001157409	1	Muffler	
15	1001157434	1	Bracket, Exhaust	

SECTION 4 - ENGINE AND ATTACHING PARTS

FIGURE 4-37. ENGINE OIL DRAIN INSTALLATION



ART_1001169871-C

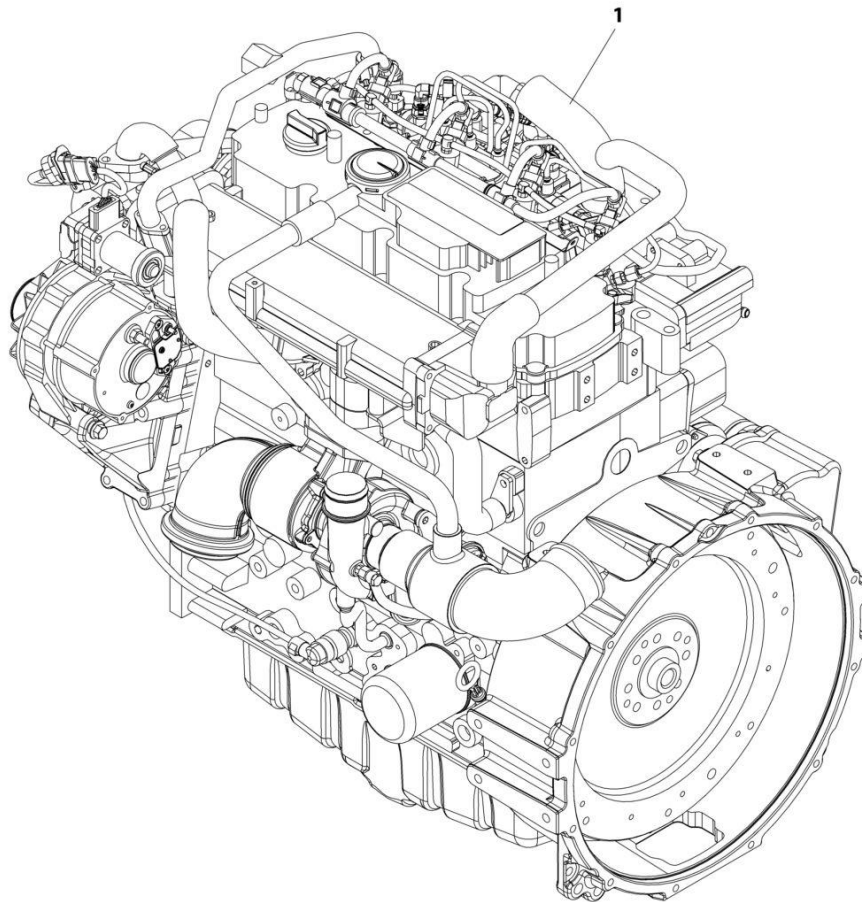
SECTION 4 - ENGINE AND ATTACHING PARTS

FIGURE 4-37. ENGINE OIL DRAIN INSTALLATION

ITEM	PART NUMBER	QTY	DESCRIPTION	REV
	1001169871	Ref	Engine Oil Drain Installation	C
3	1001144669	1	Oil Drain Valve	
5	1001008609	1	Clamp	
6	1001187260	1	Oil Drain Hose	

SECTION 4 - ENGINE AND ATTACHING PARTS

FIGURE 4-38. ENGINE INSTALLATION (SN 1160008519 through 1160008790)



ART_1001203935-A

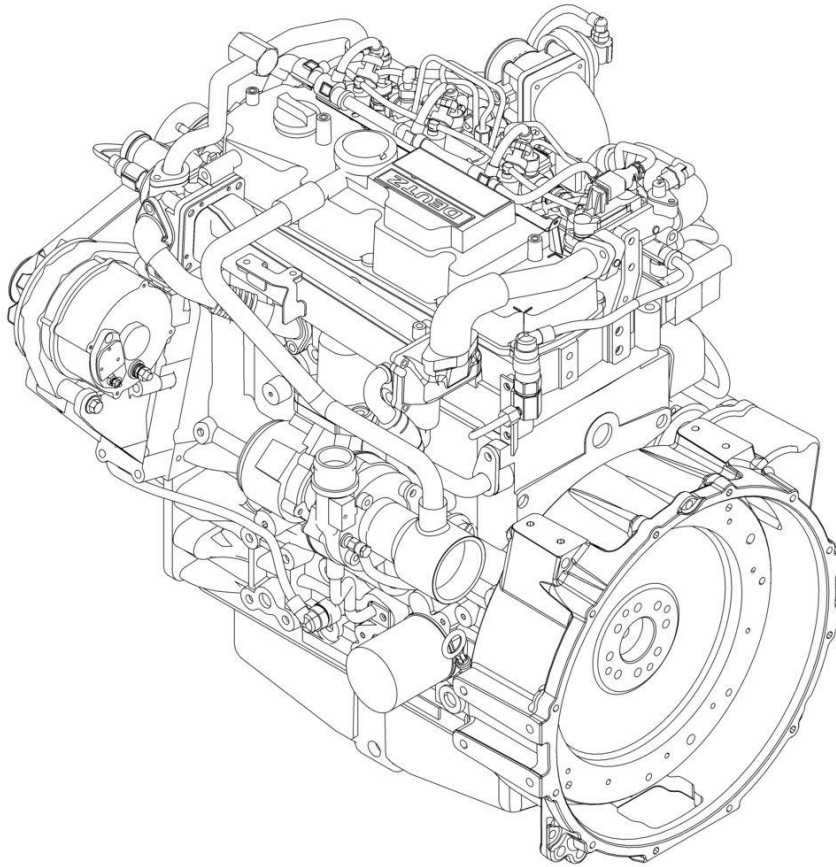
SECTION 4 - ENGINE AND ATTACHING PARTS

FIGURE 4-38. ENGINE INSTALLATION (SN 1160008519 through 1160008790)

ITEM	PART NUMBER	QTY	DESCRIPTION	REV
1	1001203935	Ref	Engine Installation	A
	1001171222L	1	Engine, Deutz TCD 3.6 L4 (FOR ENGINE PARTS INFORMATION REFER TO DEUTZ ENGINE PARTS MANUAL 31211006 & 31211007)	E
2	1001203952	1	Flex Plate, (not shown)	

SECTION 4 - ENGINE AND ATTACHING PARTS

FIGURE 4-39. ENGINE, DEUTZ 55 KW



ART_1001236164-B

SECTION 4 - ENGINE AND ATTACHING PARTS

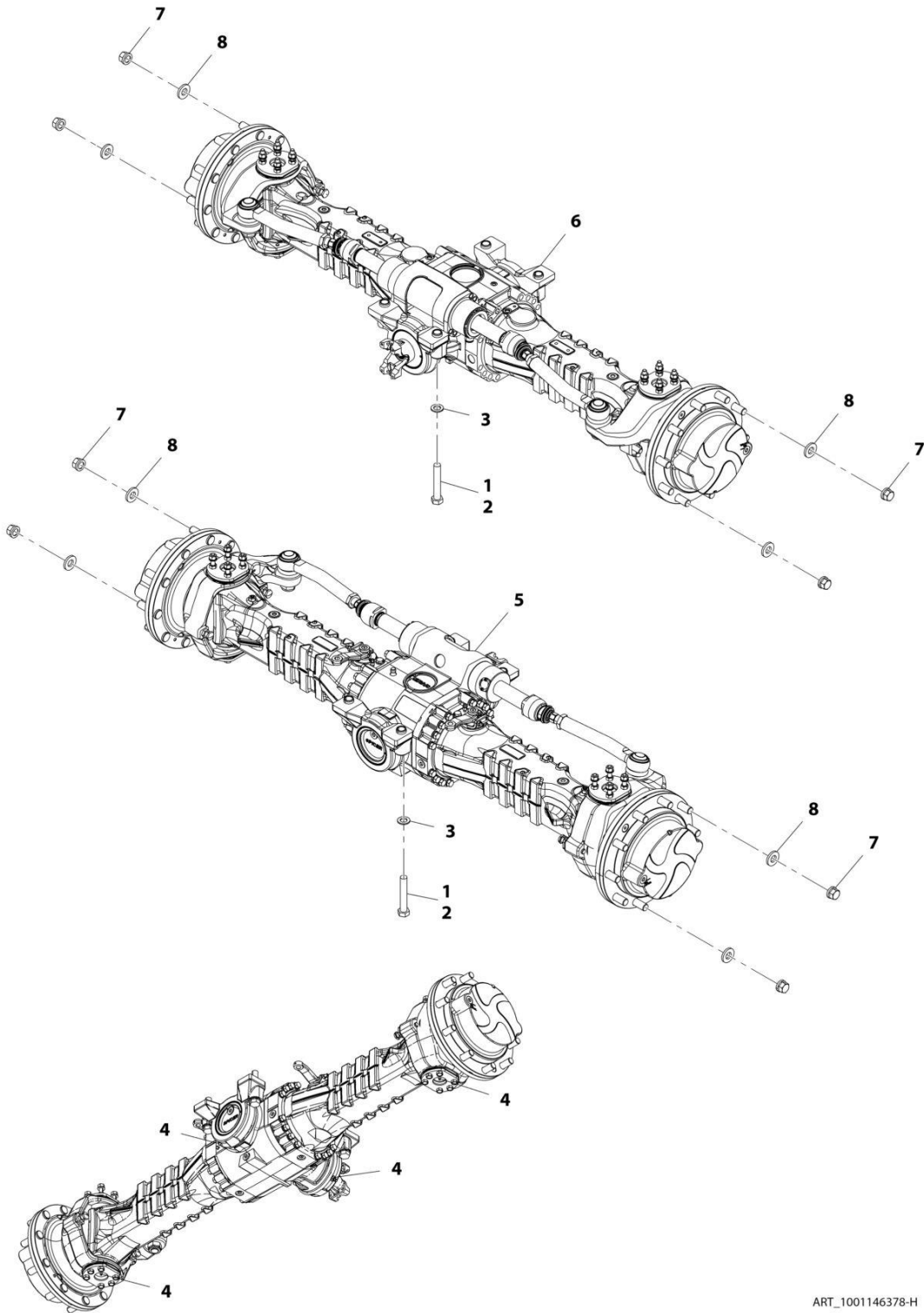
FIGURE 4-39. ENGINE, DEUTZ 55 KW

ITEM	PART NUMBER	QTY	DESCRIPTION	REV
	1001236164	Ref	Deutz Engine 55 KW	B
	70024961	1	Fuel Filter	
	1001225430	1	Fuel Filter	
	70029438	1	Assembly, Flywheel Housing	
	70025765	1	Oil Pan	
	70005941	1	Plug, Oil	
	7020404	1	Washer, Oil Pan	
	70025535	1	Starter	
	70029440	1	Plain Washer	
	70102979	1	Hex Nut	
	7020465	1	Cap, Filler	
	70029435	1	V-Ribbed Belt	
	70025775	1	Belt Pully	
	70029477	1	Fuel Filter	
	1001225432	1	Fuel Filter	
	70025745	1	Dipstick	
	70028850	1	Fuel Filter Plug	
	7016331	1	Spin-On Filter	
	70024483	1	Cylinder Head Gasket	
	70024485	4	Injector, Fuel	
	70026011	1	Pump, Water	
	70024493	1	Gasket	
	70028540	1	Temperature Sensor	
	70028698	1	Turbocharger	
	70024480	1	Gasket	
	70026210	1	Speed Sensor	
	70028764	1	Flywheel	
	70025733	1	V-Belt Pulley, Alternator	

SECTION 5 - DRIVETRAIN

SECTION 5 - DRIVETRAIN

FIGURE 5-1. AXLE INSTALLATION (74KW) (3614RS)



ART_1001146378-H

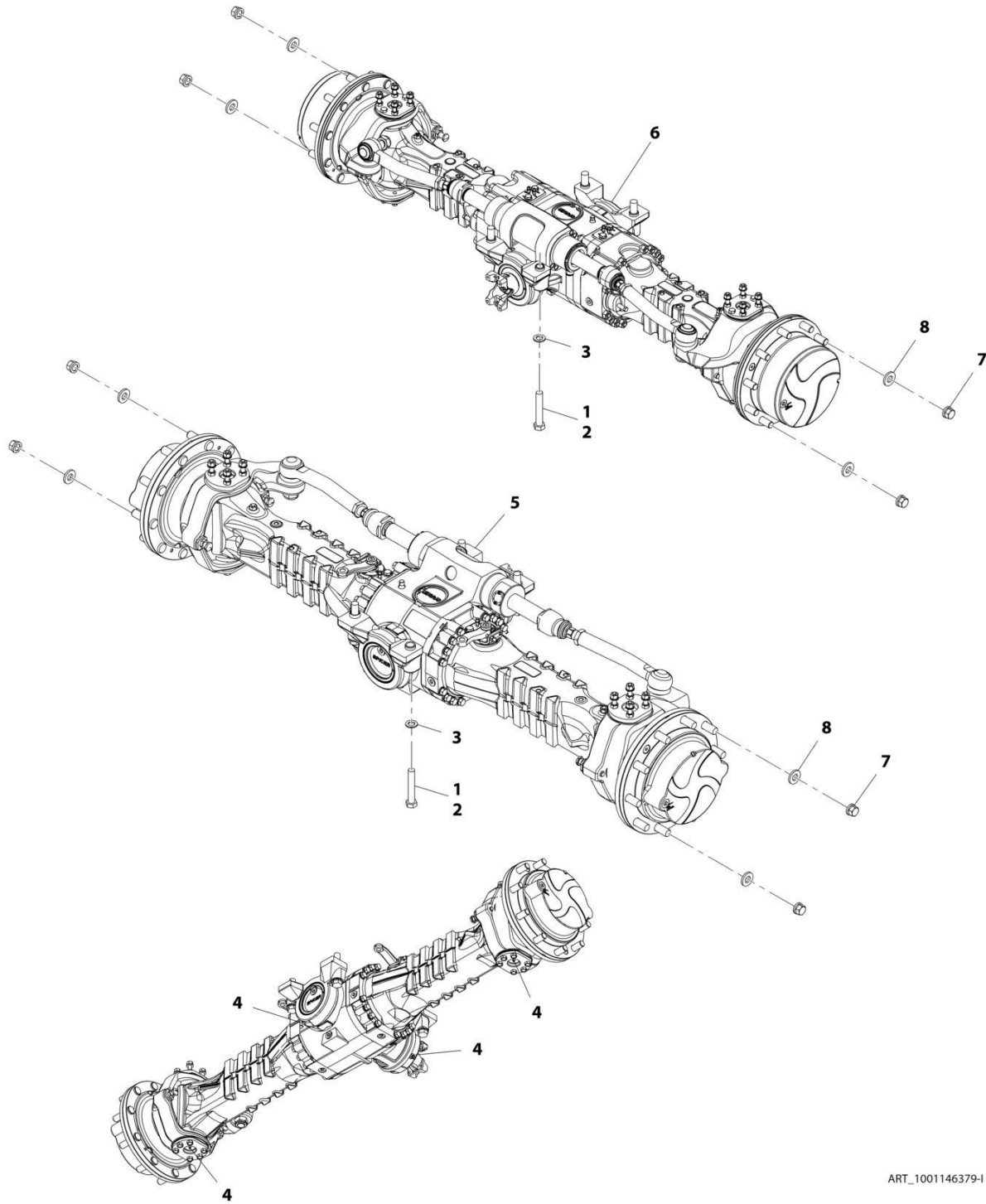
SECTION 5 - DRIVETRAIN

FIGURE 5-1. AXLE INSTALLATION (74KW) (3614RS)

ITEM	PART NUMBER	QTY	DESCRIPTION	REV
	1001146378	Ref	Axle Installation (74KW)	H
1	1001198326	AR	Compound, Locking	
2	0712029	8	Bolt, M20X120	
3	1001197130	8	Washer, M20	
4	1001008462	AR	Lube, Grease	
5	1001135441	1	Axle, Front (See FRONT AXLE for Breakdown)	
6	1001135442	1	Axle, Rear (See REAR AXLE (NO FOAM FILL) for Breakdown)	
7	3300479	40	Nut, Wheel M22X1.5	
8	1001114802	40	Washer	

SECTION 5 - DRIVETRAIN

FIGURE 5-2. AXLE INSTALLATION, (NO FOAM FILL) (74KW) (4017RS)



ART_1001146379-I

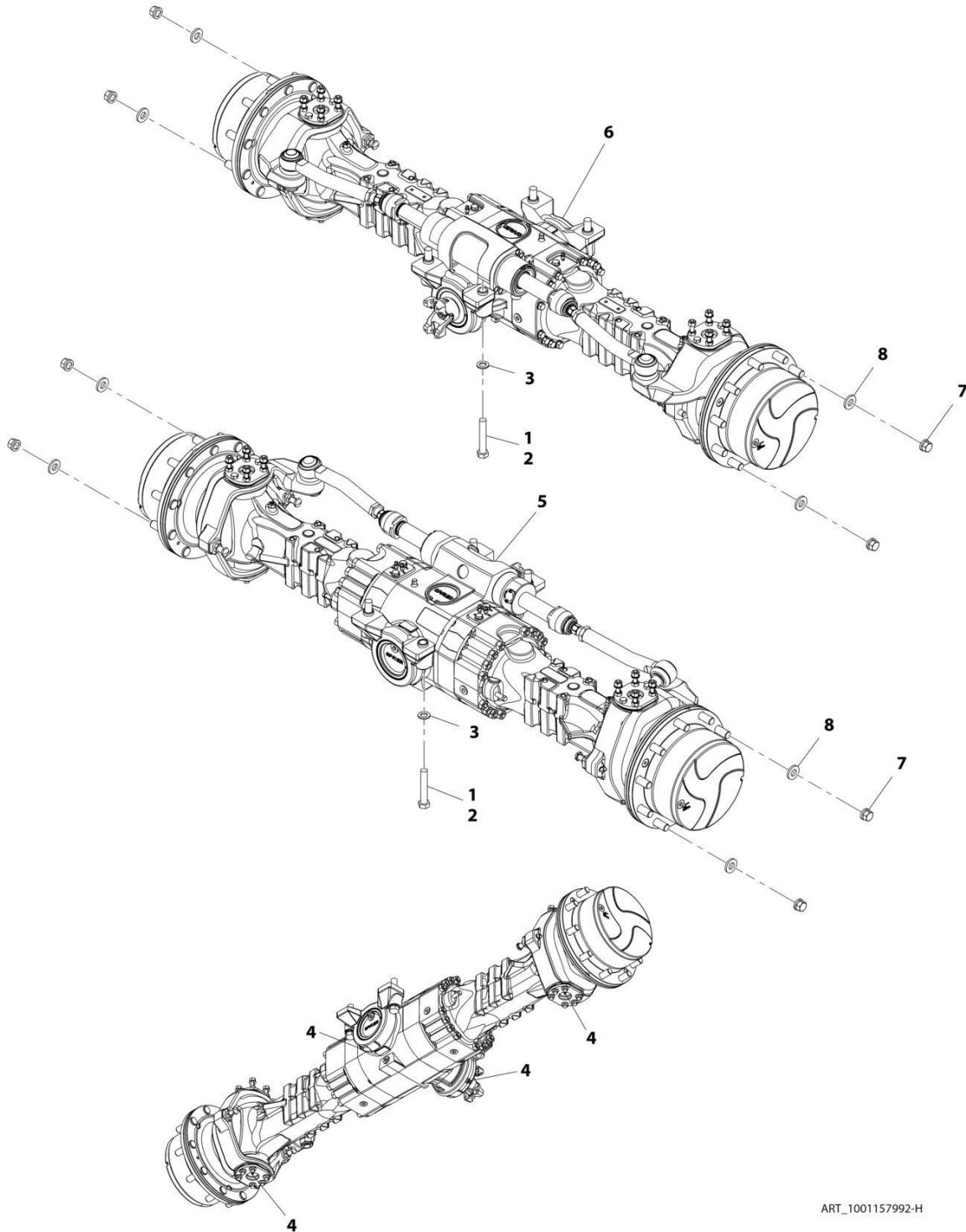
SECTION 5 - DRIVETRAIN

FIGURE 5-2. AXLE INSTALLATION, (NO FOAM FILL) (74KW) (4017RS)

ITEM	PART NUMBER	QTY	DESCRIPTION	REV
	1001146379	Ref	Axle Installation, (No Foam Fill) (74KW) (4017RS)	1
1	1001198326	AR	Compound, Locking	
2	0712029	8	Bolt, M20X120	
3	1001197130	8	Washer, M20	
4	1001008462	AR	Lube, Multipurpose Grease	
5	1001135442	1	Axle, Rear (See REAR AXLE (NO FOAM FILL) for Breakdown)	
6	1001144352	1	Axle, Front (See FRONT AXLE for Breakdown) (SN 1160007024 through 1160007543, Excluding 1160007516 and 1160007537)	
6	1001182621	1	Axle, Front (See FRONT AXLE for Breakdown) (SN 1160007543 through 1160008790, Including 1160007516 and 1160007537)	
7	3300479	40	Nut, Wheel M22X1.5	
8	1001114802	40	Washer	

SECTION 5 - DRIVETRAIN

FIGURE 5-3. AXLE INSTALLATION (FOAM FILL) (74KW) (4017RS)



ART_1001157992-H

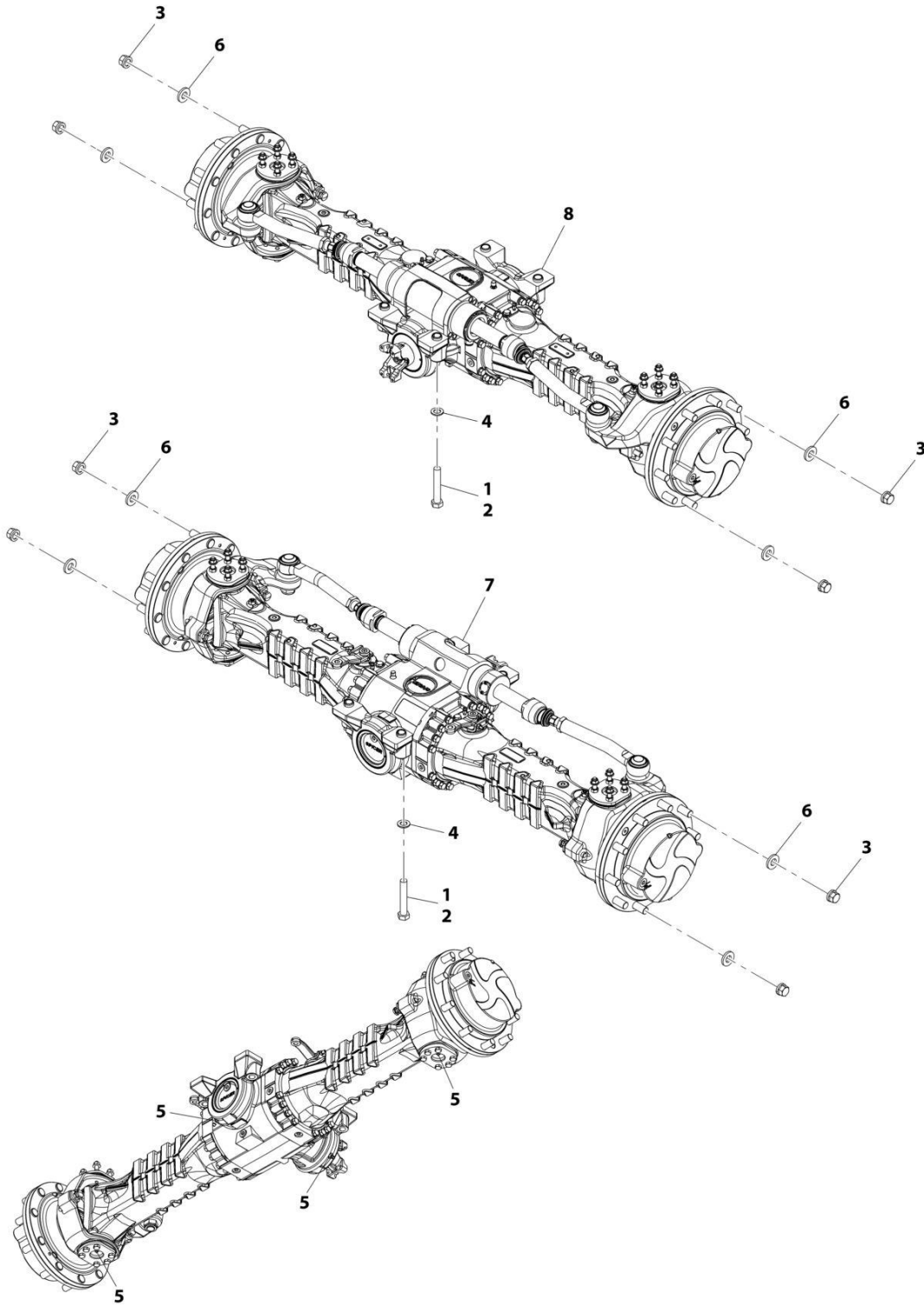
SECTION 5 - DRIVETRAIN

FIGURE 5-3. AXLE INSTALLATION (FOAM FILL) (74KW) (4017RS)

ITEM	PART NUMBER	QTY	DESCRIPTION	REV
	1001157992	1	Axle Installation (Foam Fill) (74KW)	H
1	1001198326	AR	Compound, Locking	
2	0712029	8	Bolt, M20X120	
3	1001197130	8	Washer, M20	
4	1001008462	AR	Lube, Multipurpose Grease	
5	1001144352	1	Axle, Front (See FRONT AXLE for Breakdown) (SN 1160007024 through 1160007543, Excluding 1160007516 and 1160007537)	
5	1001182621	1	Axle, Front (See FRONT AXLE for Breakdown) (SN 1160007543 through 1160008790, Including 1160007516 and 1160007537)	
6	1001151718	1	Axle, Rear (See REAR AXLE (FOAM FILL) for Breakdown) (SN 1160007024 through 1160007543, Excluding 1160007516 and 1160007537)	
6	1001182622	1	Axle, Rear (See REAR AXLE (FOAM FILL) for Breakdown) (SN 1160007543 through 1160008790, Including 1160007516 and 1160007537)	
7	3300479	40	Nut, Wheel M22X1.5	
8	1001114802	40	Washer	

SECTION 5 - DRIVETRAIN

FIGURE 5-4. AXLE INSTALLATION (55KW) (3614RS) (SN E160000342 through E160000496, Including E160000328, E160000329, E160000330, E160000331, E160000332 and E160000336)



ART_1001191921-D

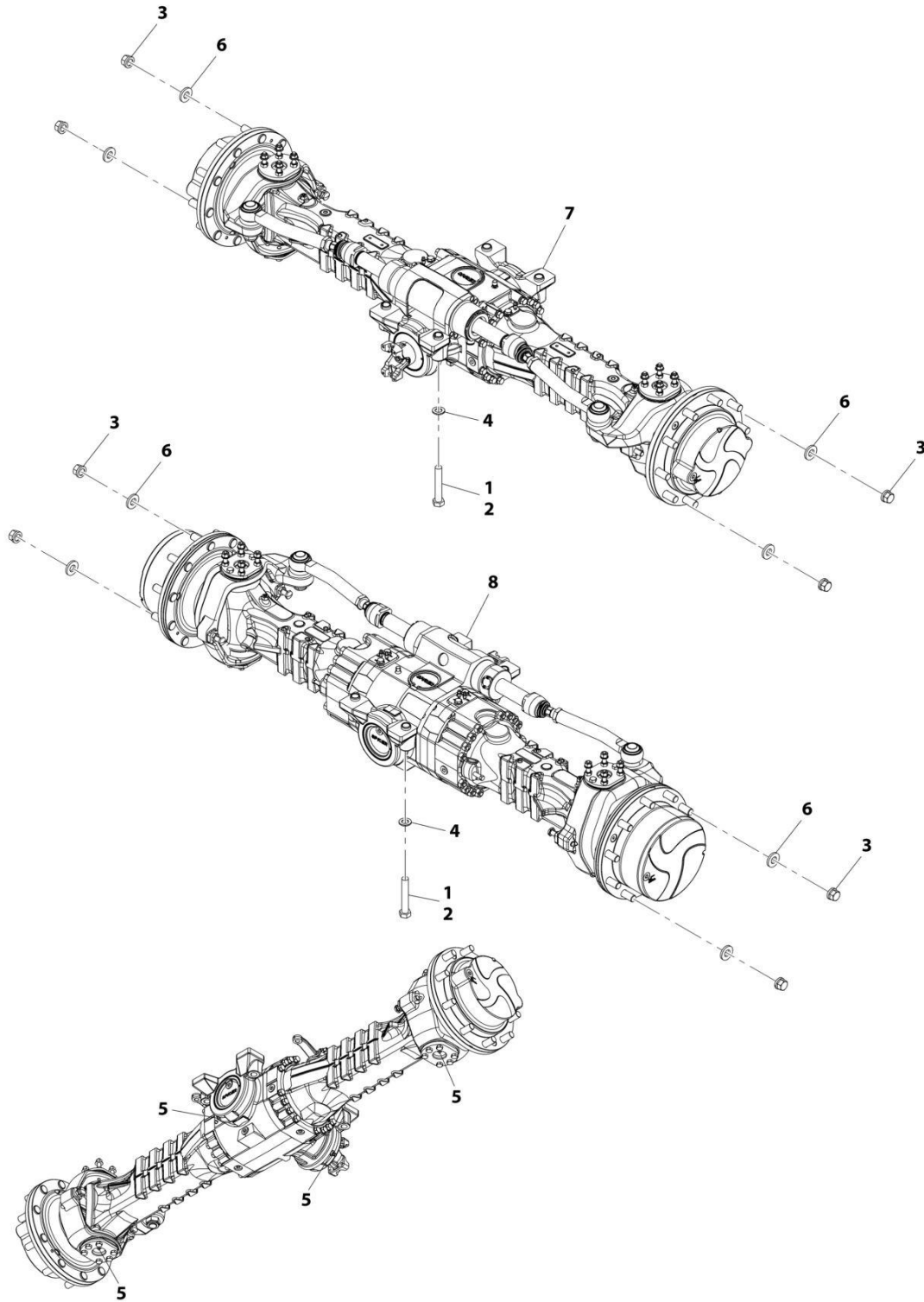
SECTION 5 - DRIVETRAIN

FIGURE 5-4. AXLE INSTALLATION (55KW) (3614RS) (SN E160000342 through E160000496, Including E160000328, E160000329, E160000330, E160000331, E160000332 and E160000336)

ITEM	PART NUMBER	QTY	DESCRIPTION	REV
	1001191921	Ref	Axle Installation (55KW)	D
1	1001198326	AR	Compound, Locking	
2	0712029	8	Bolt, M20X120	
3	3300479	40	Nut, Wheel M22X1.5	
4	1001197130	8	Washer, M20	
5	1001008462	AR	Lube, Grease	
6	1001114802	40	Washer	
7	1001191919	1	Axle, Front (See Separate Breakdown in this Section)	
8	1001191920	1	Axle, Rear (See Separate Breakdown in this Section)	

SECTION 5 - DRIVETRAIN

FIGURE 5-5. AXLE INSTALLATION (55KW) (4017RS) (SN E160000342 through E160000496, Including E160000328, E160000329, E160000330, E160000331, E160000332 and E160000336)



ART_1001191926-D

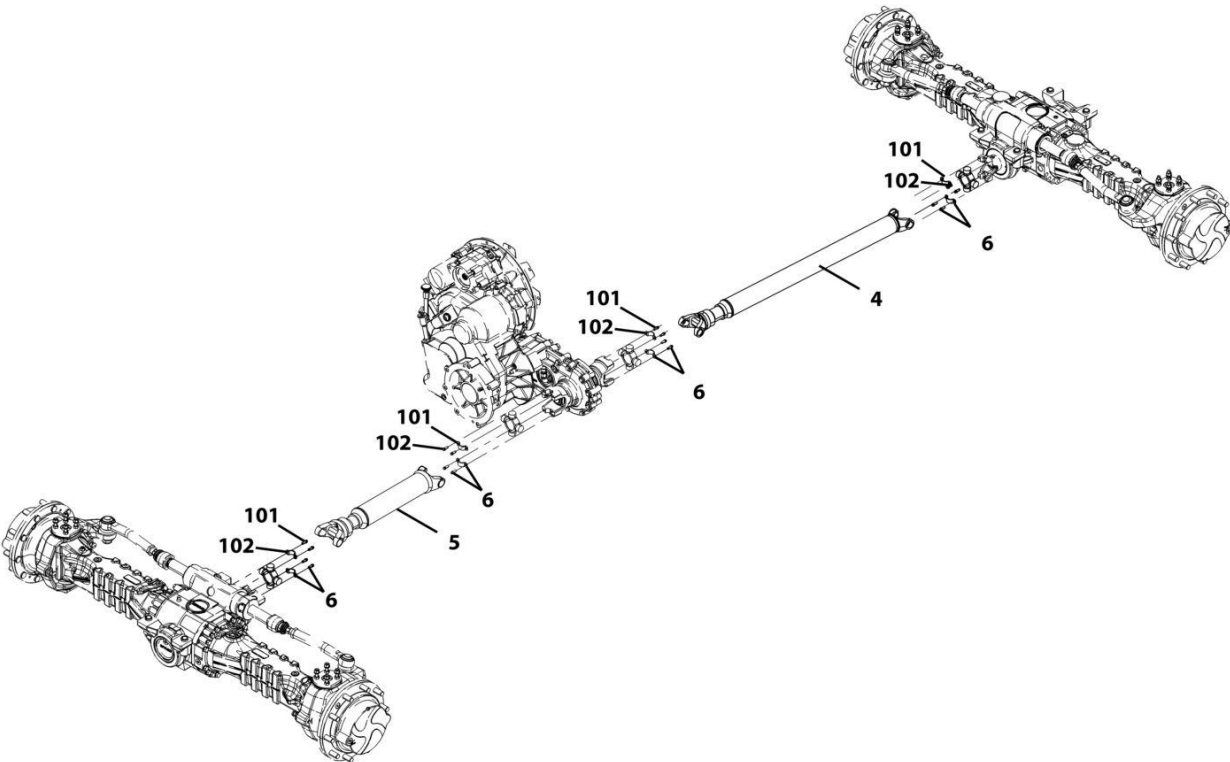
SECTION 5 - DRIVETRAIN

FIGURE 5-5. AXLE INSTALLATION (55KW) (4017RS) (SN E160000342 through E160000496, Including E160000328, E160000329, E160000330, E160000331, E160000332 and E160000336)

ITEM	PART NUMBER	QTY	DESCRIPTION	REV
	1001191926	Ref	Axle Installation (55KW)	D
1	1001198326	AR	Compound, Locking	
2	0712029	8	Bolt, M20X120	
3	3300479	40	Nut, Wheel M22X1.5	
4	1001197130	8	Washer, M20	
5	1001008462	AR	Lube, Grease	
6	1001114802	40	Washer	
7	1001191920	1	Axle, Rear (See Separate Breakdown in this Section)	
8	1001191930	1	Axle, Front (See Separate Breakdown in this Section)	

SECTION 5 - DRIVETRAIN

FIGURE 5-6. DRIVE SHAFT INSTALLATION (3614RS)



ART_1001144458-C

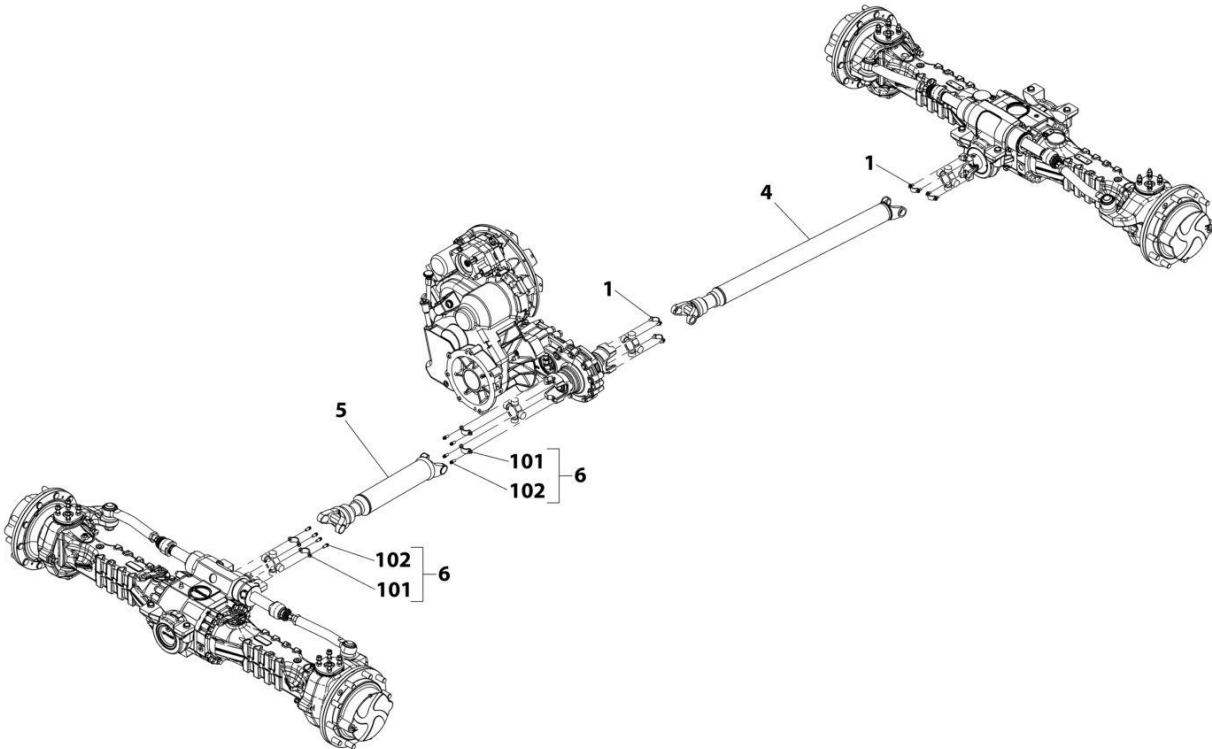
SECTION 5 - DRIVETRAIN

FIGURE 5-6. DRIVE SHAFT INSTALLATION (3614RS)

ITEM	PART NUMBER	QTY	DESCRIPTION	REV
	1001144458	1	Driveshaft Installation	C
1	8005079	4	Clampset	
4	1001145432	1	Shaft, Rear Drive	
4	7029271	2	Cross and Bearing Kit	
5	1001145433	1	Shaft, Front Drive	
5	91474035	2	Cross and Bearing Kit	
6	8880218-OM	2	Kit, Strap (includes items 101 & 102)	
101	8880216-OM	NLA	Strap, (no longer available, use 8880218-OM for replacement)	
102	8880217-OM	NLA	Bolt, Strap 0.375-24X0.75, (no longer available, use 8880218-OM for replacement)	

SECTION 5 - DRIVETRAIN

FIGURE 5-7. DRIVE SHAFT INSTALLATION (4017RS)



ART_1001144459-D

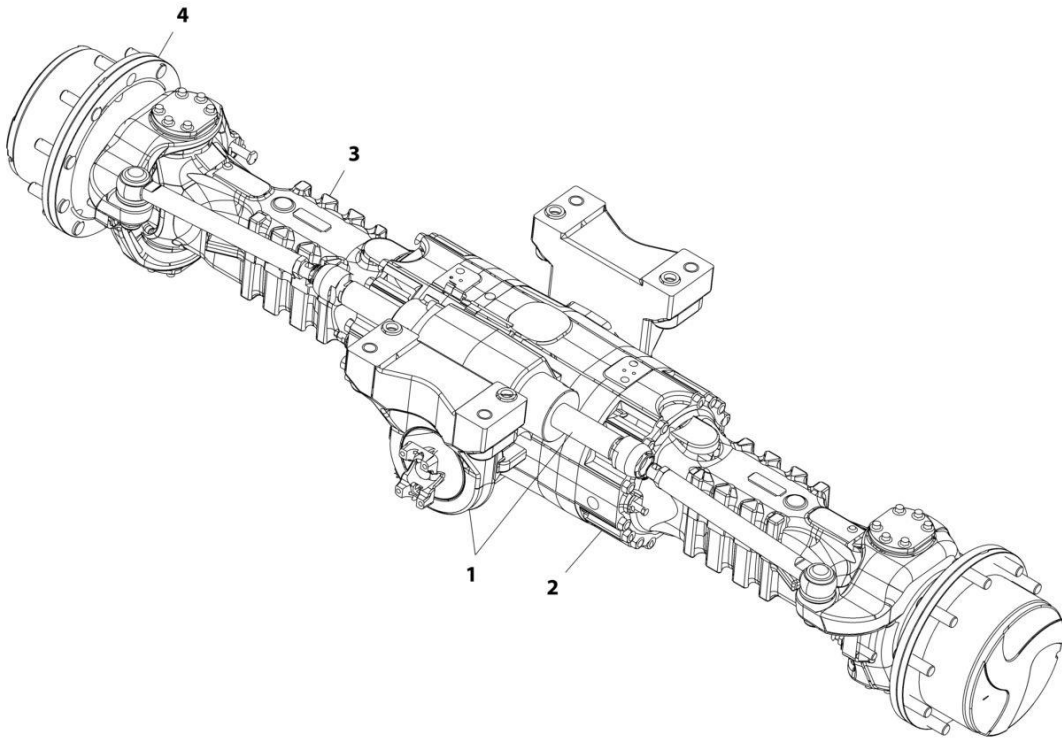
SECTION 5 - DRIVETRAIN

FIGURE 5-7. DRIVE SHAFT INSTALLATION (4017RS)

ITEM	PART NUMBER	QTY	DESCRIPTION	REV
	1001144459	Ref	Driveshaft Installation	D
1	8005079	4	Clampset	
4	1001137323	1	Shaft, Rear Drive	
4	7029271	2	Cross and Bearing Kit	
5	1001146399	1	Shaft, Front Drive	
5	91474035	2	Cross and Bearing Kit	
6	8880218-OM	2	Kit, Strap, (includes items 101 & 102)	
101	8880216-OM	NLA	Strap, (no longer available, use 8880218-OM for replacement)	
102	8880217-OM	NLA	Bolt, Strap 0.375-24x0.75, (no longer available, use 8880218-OM for replacement)	

SECTION 5 - DRIVETRAIN

FIGURE 5-8. FRONT AXLE (3614RS)



ART_1001135441-C

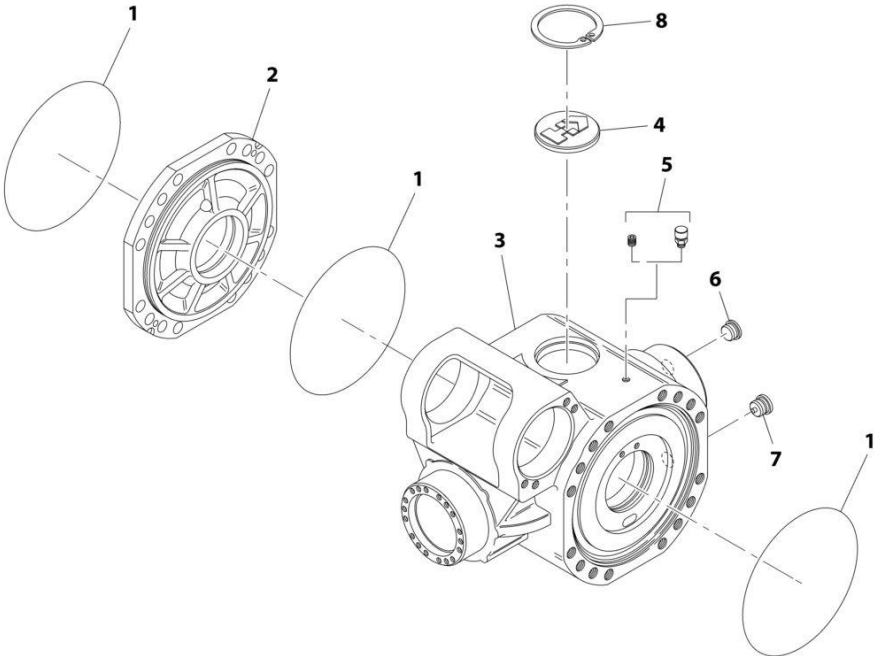
SECTION 5 - DRIVETRAIN

FIGURE 5-8. FRONT AXLE (3614RS)

ITEM	PART NUMBER	QTY	DESCRIPTION	REV
	1001135441	Ref	Front Axle	C
1		Ref	Front Axle, Central Housing (See FRONT AXLE, CENTRAL HOUSING for Breakdown)	
2		Ref	Front Axle, Differential - 3614RS (See FRONT AXLE, DIFFERENTIAL for Breakdown)	
3		Ref	Front Axle, Hub Reduction - 3614RS (See FRONT AXLE, HUB REDUCTION for Breakdown)	
4		Ref	Front Axle, Brakes - 3614RS (See FRONT AXLE, BRAKES for Breakdown)	
5		Ref	Front Axle, Steering - 3614RS (See FRONT AXLE, STEERING for Breakdown)	
6		Ref	Front Axle, Trunion - 3614RS (See FRONT AXLE, TRUNION for Service)	

SECTION 5 - DRIVETRAIN

FIGURE 5-9. FRONT AXLE, CENTRAL HOUSING (3614RS)



ART_1001135441_1-C

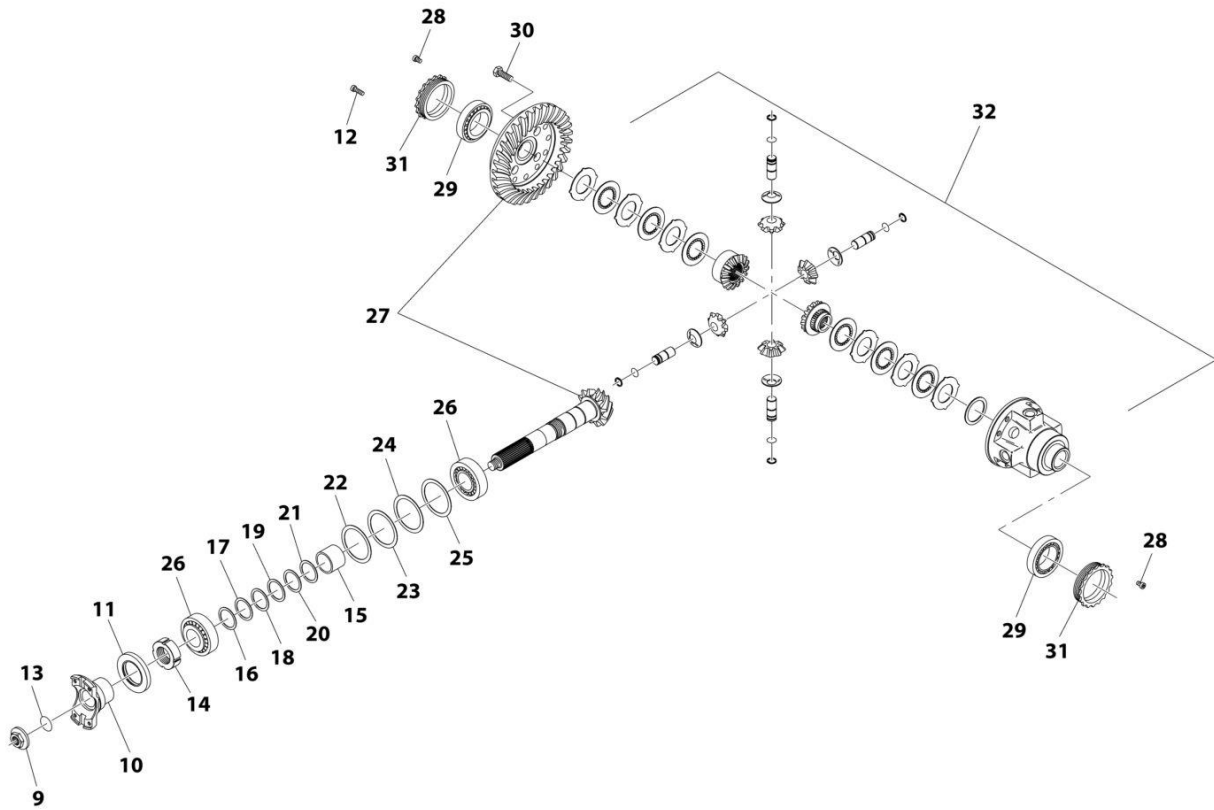
SECTION 5 - DRIVETRAIN

FIGURE 5-9. FRONT AXLE, CENTRAL HOUSING (3614RS)

ITEM	PART NUMBER	QTY	DESCRIPTION	REV
1	91474507	3	O-Ring	
2	70024519	1	Cover	
3	70026977	1	Housing	
4	91514098	1	Plug	
5	91474512	1	Vent	
6	91514188	1	Plug	
7	91474513	1	Plug, Magnet	
8	80204005	1	Circlip	

SECTION 5 - DRIVETRAIN

FIGURE 5-10. FRONT AXLE, DIFFERENTIAL (3614RS)



ART_1001135441_2-C

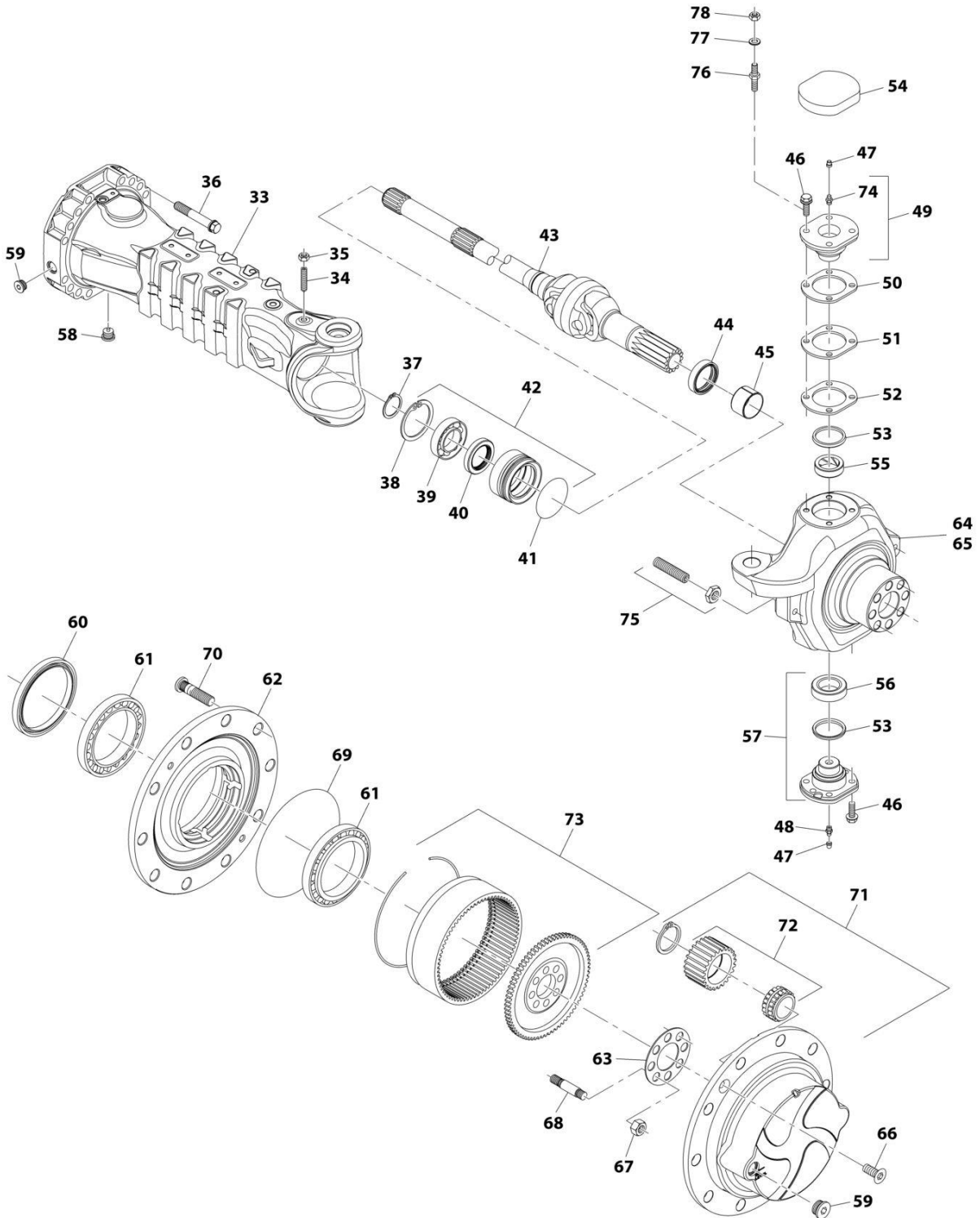
SECTION 5 - DRIVETRAIN

FIGURE 5-10. FRONT AXLE, DIFFERENTIAL (3614RS)

ITEM	PART NUMBER	QTY	DESCRIPTION	REV
9	70026631	1	Nut	
10	70022797	1	Flange	
11	91474532	1	Seal	
12	91474591	4	Bolt	
13	91474529	1	O-Ring	
14	91474533	1	Nut, Ring	
15	91474539	1	Spacer	
16	91474535	1	Shim	
17	91474536	1	Shim	
18	91474537	1	Shim	
19	91474538	1	Shim	
20	70024520	1	Shim	
21	70024521	1	Shim	
22	91474540	1	Shim	
23	91474541	1	Shim	
24	91474542	1	Shim	
25	91474543	1	Shim	
26	3968141	2	Bearing, Taper Roller	
27	70025547	1	Set, Bevel Gear	
28	91514134	2	Bolt	
29	70026031	2	Bearing, Taper Roller	
30	91514123	12	Bolt	
31	91474547	2	Nut, Ring	
32	7028710	1	Differential Kit, (See Separate Breakdown in this Section)	

SECTION 5 - DRIVETRAIN

FIGURE 5-11. FRONT AXLE, HUB REDUCTION (3614RS)



ART_1001135441_3-C

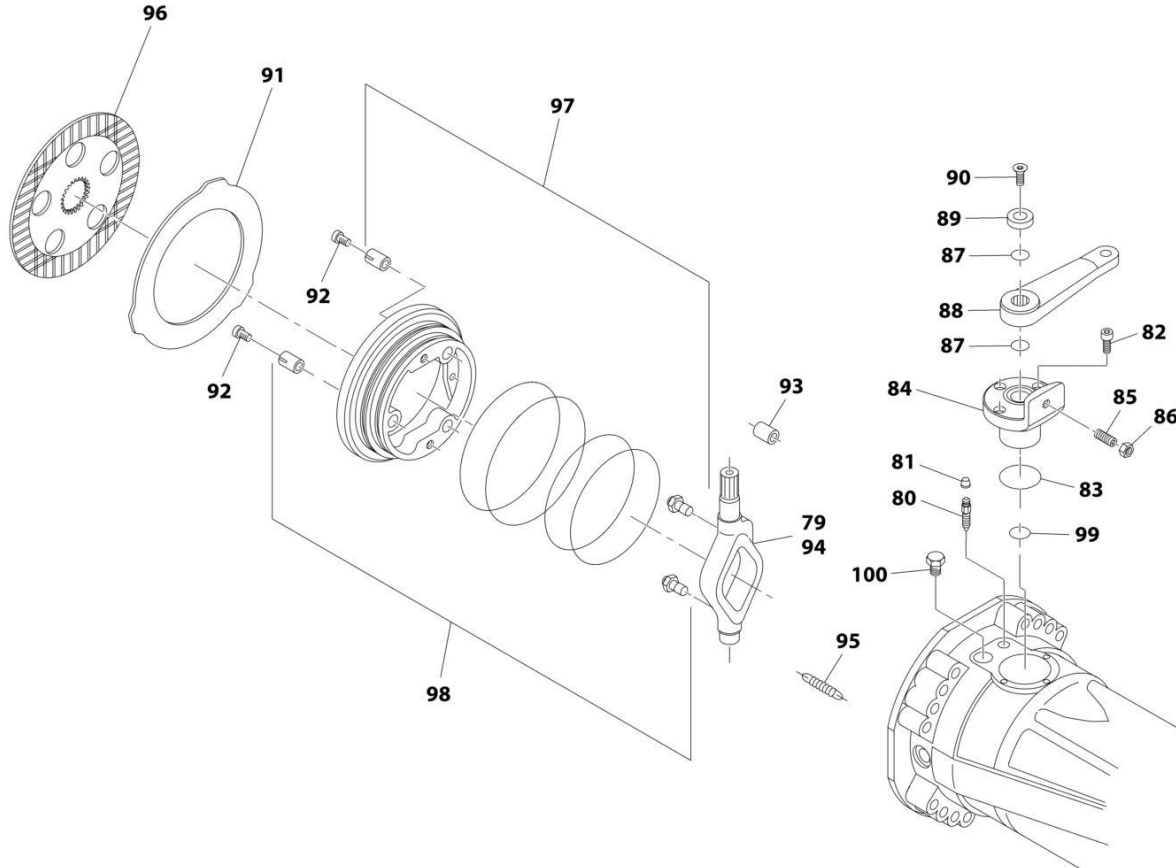
SECTION 5 - DRIVETRAIN

FIGURE 5-11. FRONT AXLE, HUB REDUCTION (3614RS)

ITEM	PART NUMBER	QTY	DESCRIPTION	REV
33	8007758	2	Case, Axle	
34	2400600	2	Bolt	
35	91514082	2	Nut	
36	7029428	32	Bolt	
37	80204071	2	Circlip	
38	80204005	2	Circlip	
39	91514146	2	Bearing, Ball	
40	91514147	2	Seal	
41	91514148	2	O-Ring	
42	91514149	2	Bushing, Reduction	
43	70025928	2	Joint, Double Universal	
44	8007771	2	Seal	
45	8004468	1	Bushing, Thrust	
46	70025562	12	Bolt	
47	80204117	4	Plug	
48	91514099	2	Fitting, Grease	
49	70025567	2	Pin, Pivot	
50	8007779	2	Shim	
51	8007780	2	Shim	
52	8007782	2	Shim	
53	2401043	4	Seal	
54	70025549	2	Cover	
55	70020173	2	Bushing	
56	2401258	2	Bearing	
57	8006605	2	Pin, Pivot	
58	91474513	2	Plug, Magnet	
59	91514188	4	Plug	
60	7029430	2	Seal	
61	3984301	4	Bearing	
62	8005801	2	Wheel Hub	
63	3983731	2	Locking Plate	
64	8007774	1	Steering Case Kit LH	
65	8007777	1	Steering Case Kit RH	
66	91514189	4	Bolt, Countersunk	
67	91474584	16	Nut	
68	70027315	16	Stud	
69	80204002	2	O-Ring	
70	8000877	20	Stud, Wheel	
71	7029431	2	Assembly, Planet Gear Carrier (includes items 35, 36 & 41)	
72	70023900	8	Assembly, Planet Gear and Bearing	
73	7029432	2	Assembly, Ring Gear Support (includes items 33, 34 & 44)	
74	7028115	2	Fitting, Grease	
75	7028733	4	Assembly, Steering Adjust Bolt (includes items 45 & 46)	
76	70025819	8	Stud	
77	91514119	8	Washer	
78	91514120	8	Nut	

SECTION 5 - DRIVETRAIN

FIGURE 5-12. FRONT AXLE, BRAKES (3614RS)



ART_1001135441_4-C

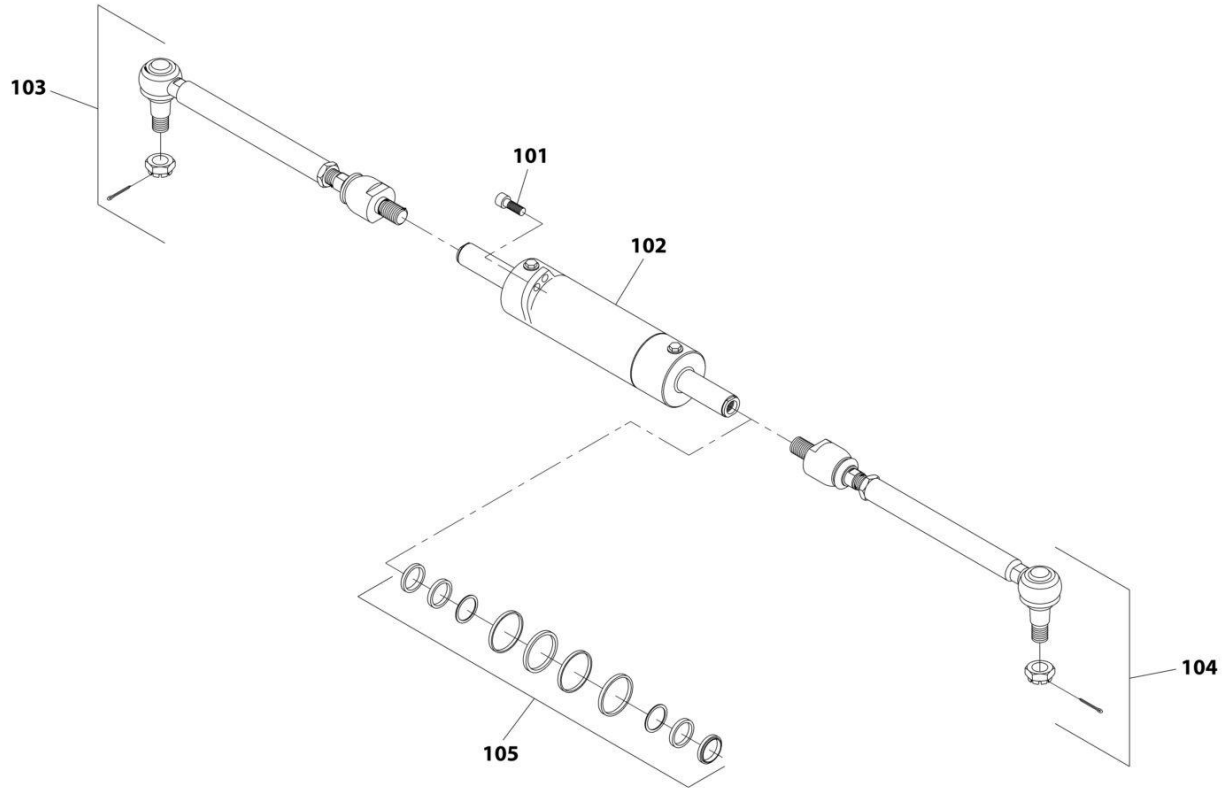
SECTION 5 - DRIVETRAIN

FIGURE 5-12. FRONT AXLE, BRAKES (3614RS)

ITEM	PART NUMBER	QTY	DESCRIPTION	REV
79	8007785	1	Lever, Right	
80	80204281	2	Bolt, Bleeding	
81	80204117	2	Plug	
82	2401736	6	Bolt, Cylinder	
83	3986405	2	O-Ring	
84	70027106	2	Reduction Bushing	
85	8002798	2	Grub Bolt	
86	8008168	2	Nut	
87	7028038	2	O-Ring	
88	70025568	2	Lever	
89	7028039	2	Washer	
90	8008169	2	Bolt, Countersunk	
91	70025823	10	Disc, Intermediate Brake	
92	7029785	6	Bolt, Adjusting	
93	7029433	2	Dowel	
94	8007786	1	Lever	
95	3984425	6	Spring	
96	91474568	8	Disc	
97	70027319	1	Piston Kit (Left Side)	
98	70027318	1	Piston Kit (Right Side)	
99	8007802	2	O-Ring	
100	91514154	2	Bolt	

SECTION 5 - DRIVETRAIN

FIGURE 5-13. FRONT AXLE, STEERING (3614RS)



ART_1001135441_5-C

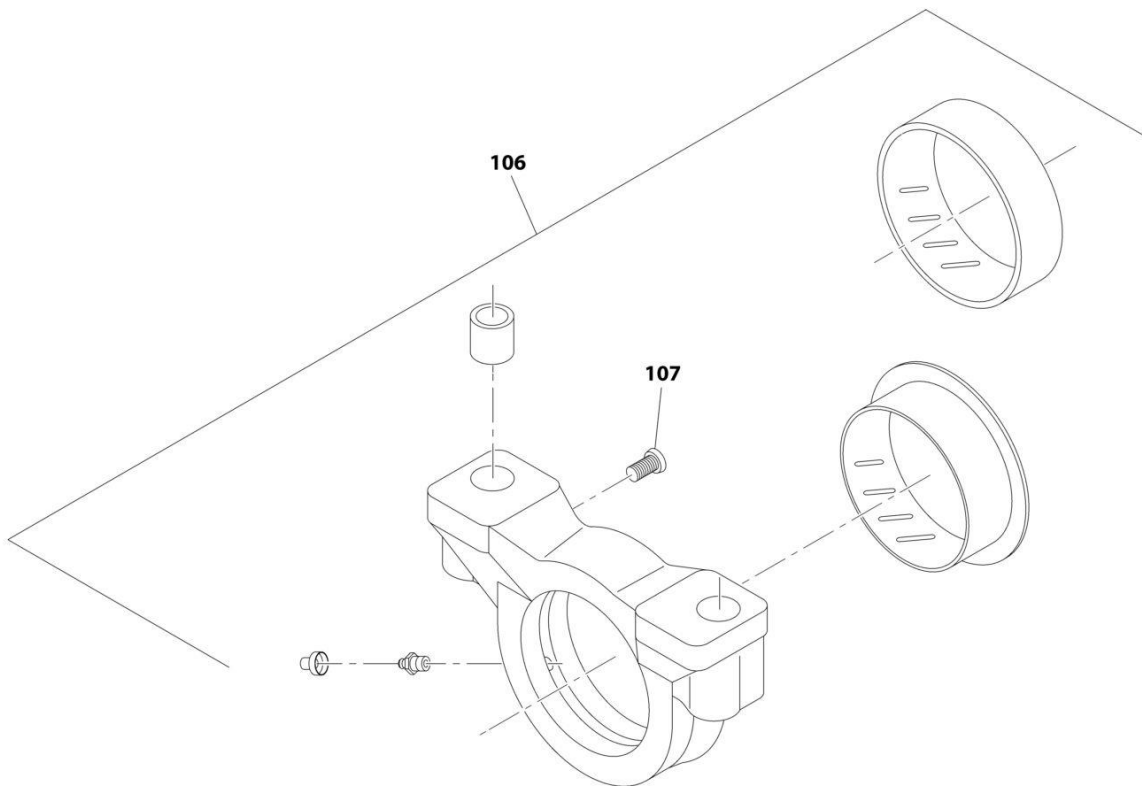
SECTION 5 - DRIVETRAIN

FIGURE 5-13. FRONT AXLE, STEERING (3614RS)

ITEM	PART NUMBER	QTY	DESCRIPTION	REV
101	91474522	4	Bolt	
102	70025566	1	Cylinder	
103	70026752	1	Bar	
103	70022773	1	Nut	
104	70026751	1	Bar	
104	70022773	1	Nut	
105	70025842	1	Seal Kit	

SECTION 5 - DRIVETRAIN

FIGURE 5-14. FRONT AXLE, TRUNION (3614RS)



ART_1001135441_6-C

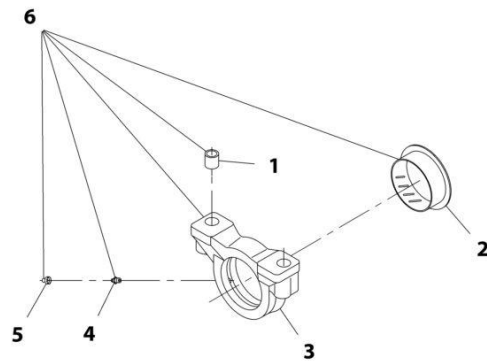
SECTION 5 - DRIVETRAIN

FIGURE 5-14. FRONT AXLE, TRUNION (3614RS)

ITEM	PART NUMBER	QTY	DESCRIPTION	REV
106	70026630	2	Trunion Kit	
107	70025884	2	Bolt	

SECTION 5 - DRIVETRAIN

FIGURE 5-15. FRONT AXLE, TRUNION KIT (3614RS)



ART_1001135441_7-C

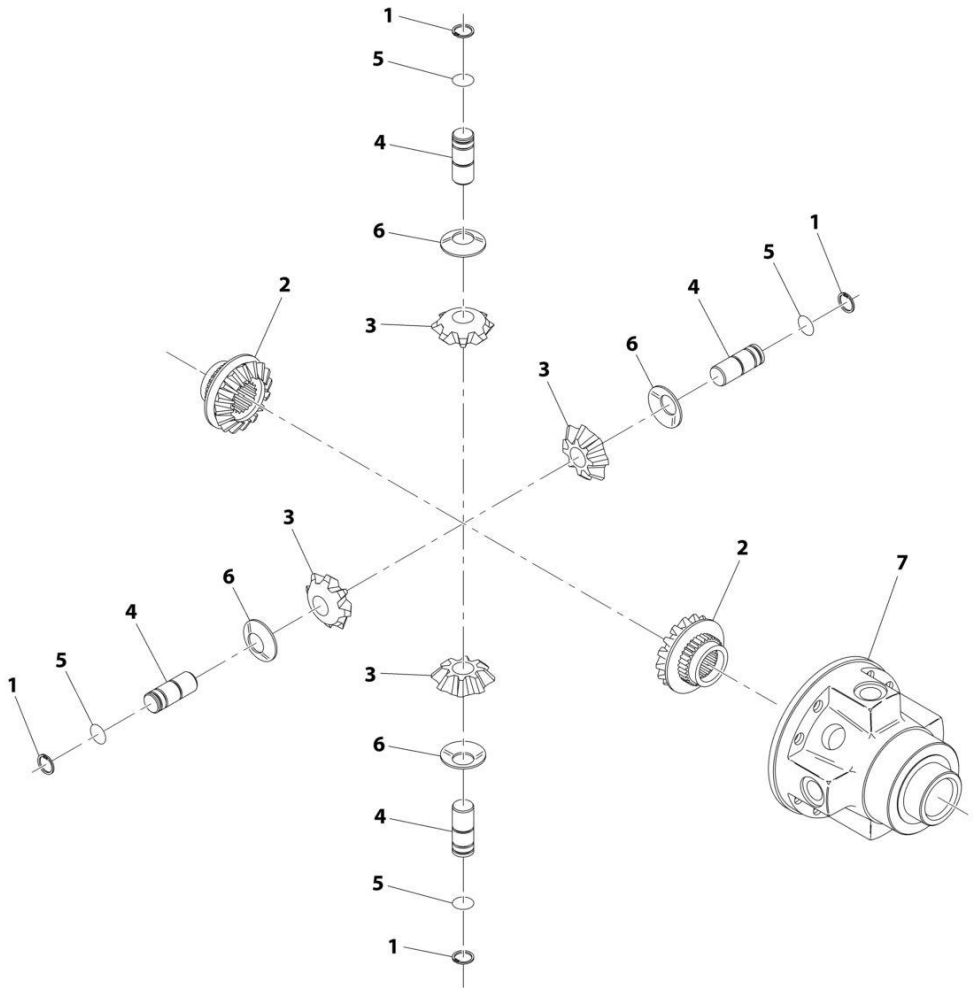
SECTION 5 - DRIVETRAIN

FIGURE 5-15. FRONT AXLE, TRUNION KIT (3614RS)

ITEM	PART NUMBER	QTY	DESCRIPTION	REV
1	91474516	1	Bushing, Reduction	
2	91474515	1	Bushing, Thrust	
3	7028083	1	Support	
4	91514099	1	Fitting, Grease	
5	80204117	1	Plug	
6	7028084	1	Support	

SECTION 5 - DRIVETRAIN

FIGURE 5-16. DIFFERENTIAL KIT



ART_7028710

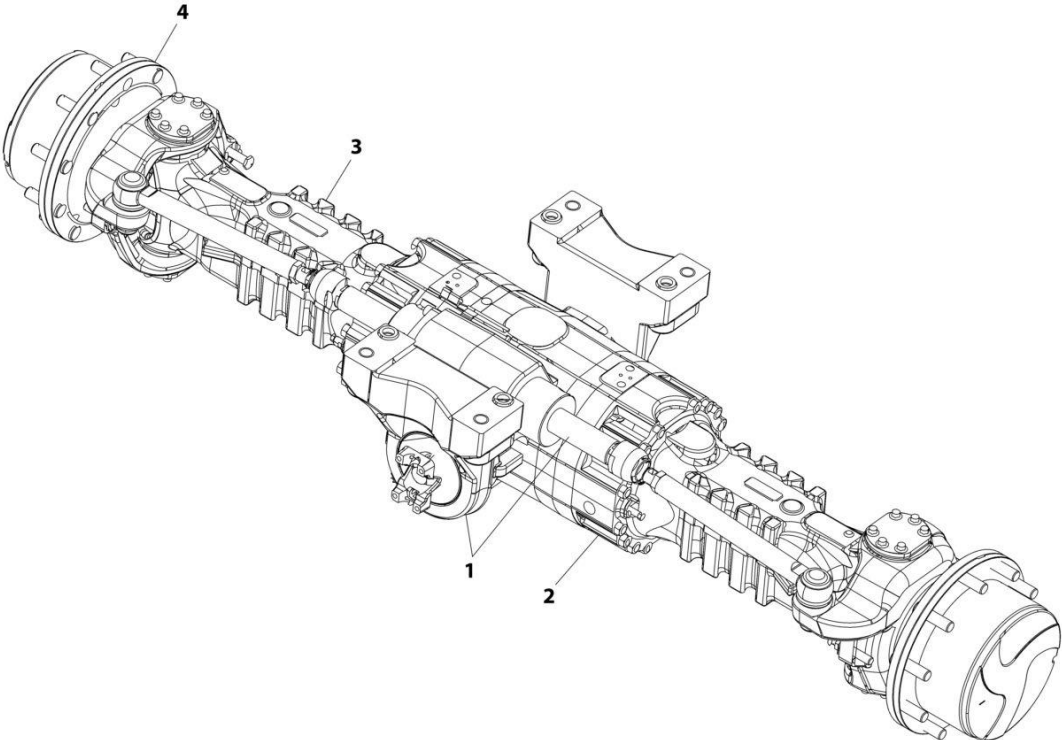
SECTION 5 - DRIVETRAIN

FIGURE 5-16. DIFFERENTIAL KIT

ITEM	PART NUMBER	QTY	DESCRIPTION	REV
	7028710	Ref	Differential Kit	
1	91474550	4	Circlip	
2	91474549	2	Gear, Differential Side	
3	7029129	4	Pinion, Differential	
4	7029131	4	Pin	
5	91474551	4	Circlip	
6	91474553	4	Washer, Friction	
7	8007751	1	Carrier, Differential	

SECTION 5 - DRIVETRAIN

FIGURE 5-17. FRONT AXLE (4017RS) (SN 1160007024 through 1160007543, Excluding 1160007516 and 1160007537)



ART_1001144352-D

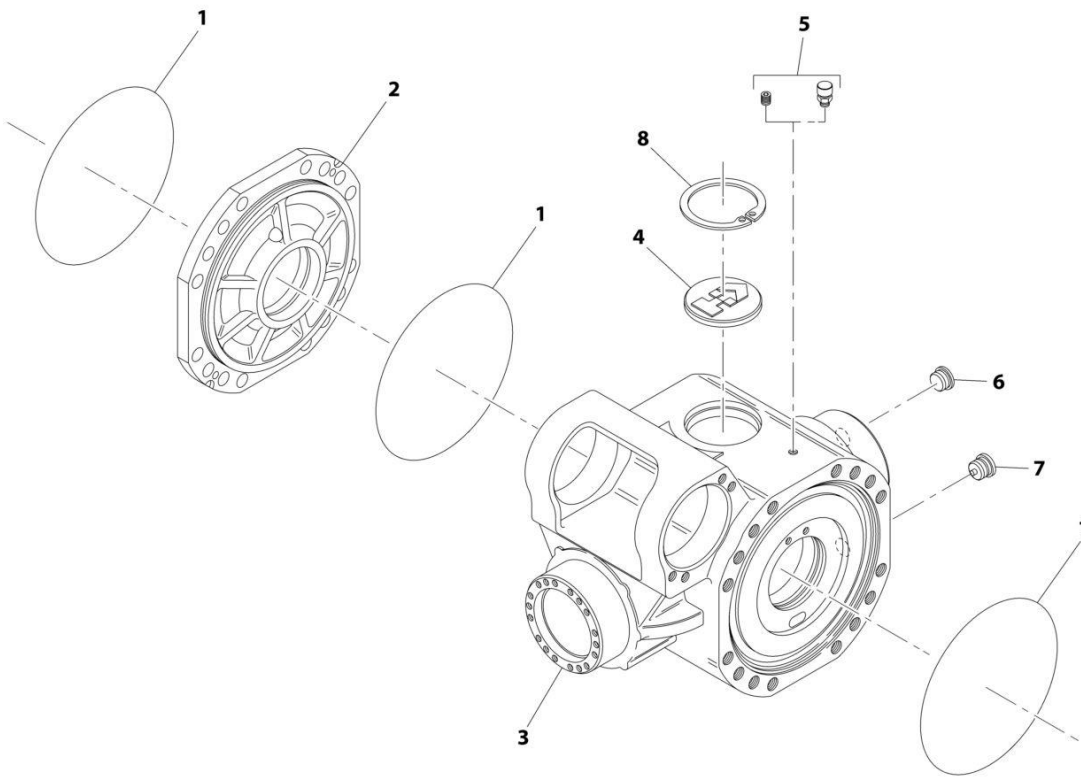
SECTION 5 - DRIVETRAIN

FIGURE 5-17. FRONT AXLE (4017RS) (SN 1160007024 through 1160007543, Excluding 1160007516 and 1160007537)

ITEM	PART NUMBER	QTY	DESCRIPTION	REV
	1001144352	Ref	Front Axle	D
1		Ref	Front Axle, Central Housing (See FRONT AXLE, CENTRAL HOUSING for Breakdown)	
2		Ref	Front Axle, Differential (See FRONT AXLE, DIFFERENTIAL for Breakdown)	
3		Ref	Front Axle, Hub Reduction (See FRONT AXLE, HUB REDUCTION for Breakdown)	
4		Ref	Front Axle, Brakes (See FRONT AXLE, BRAKES for Breakdown)	
5		Ref	Front Axle, Steering (See FRONT AXLE, STEERING for Breakdown) (not shown)	
6		Ref	Front Axle, Trunion (See FRONT AXLE, TRUNION for Breakdown) (not shown)	

SECTION 5 - DRIVETRAIN

FIGURE 5-18. FRONT AXLE, CENTRAL HOUSING (4017RS) (SN 1160007024 through 1160007543, Excluding 1160007516 and 1160007537)



ART_1001144352_1-D

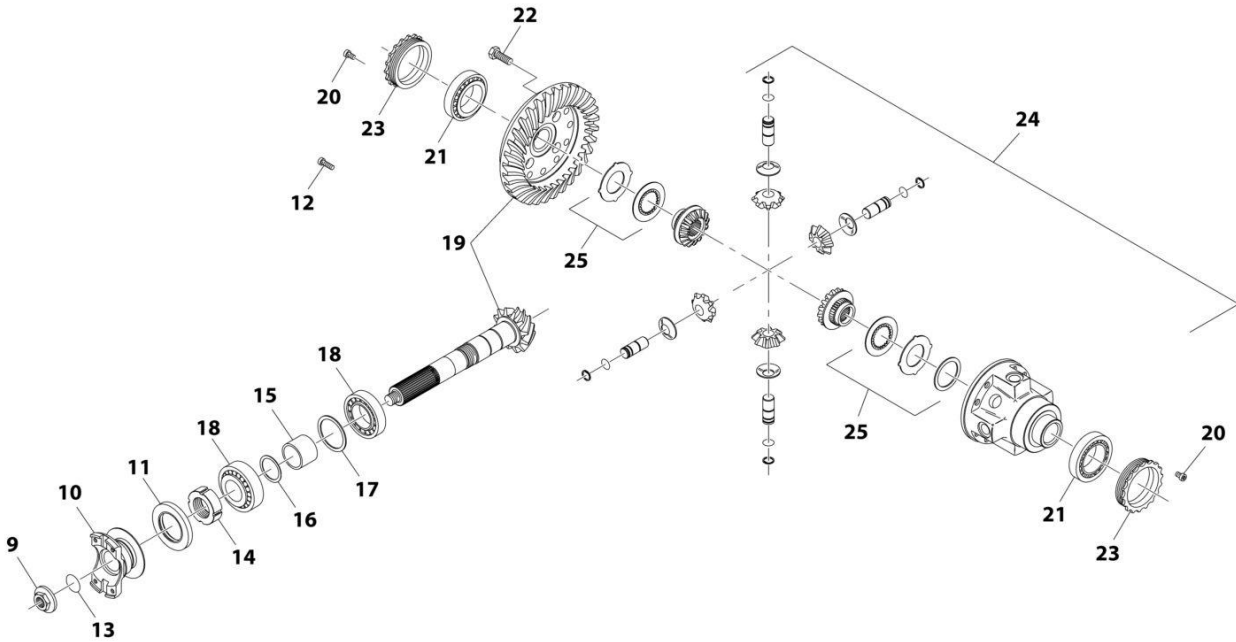
SECTION 5 - DRIVETRAIN

FIGURE 5-18. FRONT AXLE, CENTRAL HOUSING (4017RS) (SN 1160007024 through 1160007543, Excluding 1160007516 and 1160007537)

ITEM	PART NUMBER	QTY	DESCRIPTION	REV
1	91474507	3	O-Ring	
2	70024872	1	Cover	
3	70026977	1	Housing	
4	91514098	1	Plug	
5	91474512	1	Vent	
6	91514188	1	Plug	
7	91474513	1	Plug, Magnet	
8	80204005	1	Circlip	

SECTION 5 - DRIVETRAIN

FIGURE 5-19. FRONT AXLE, DIFFERENTIAL (4017RS) (SN 1160007024 through 1160007543,
Excluding 1160007516 and 1160007537)



ART_1001144352_2-D

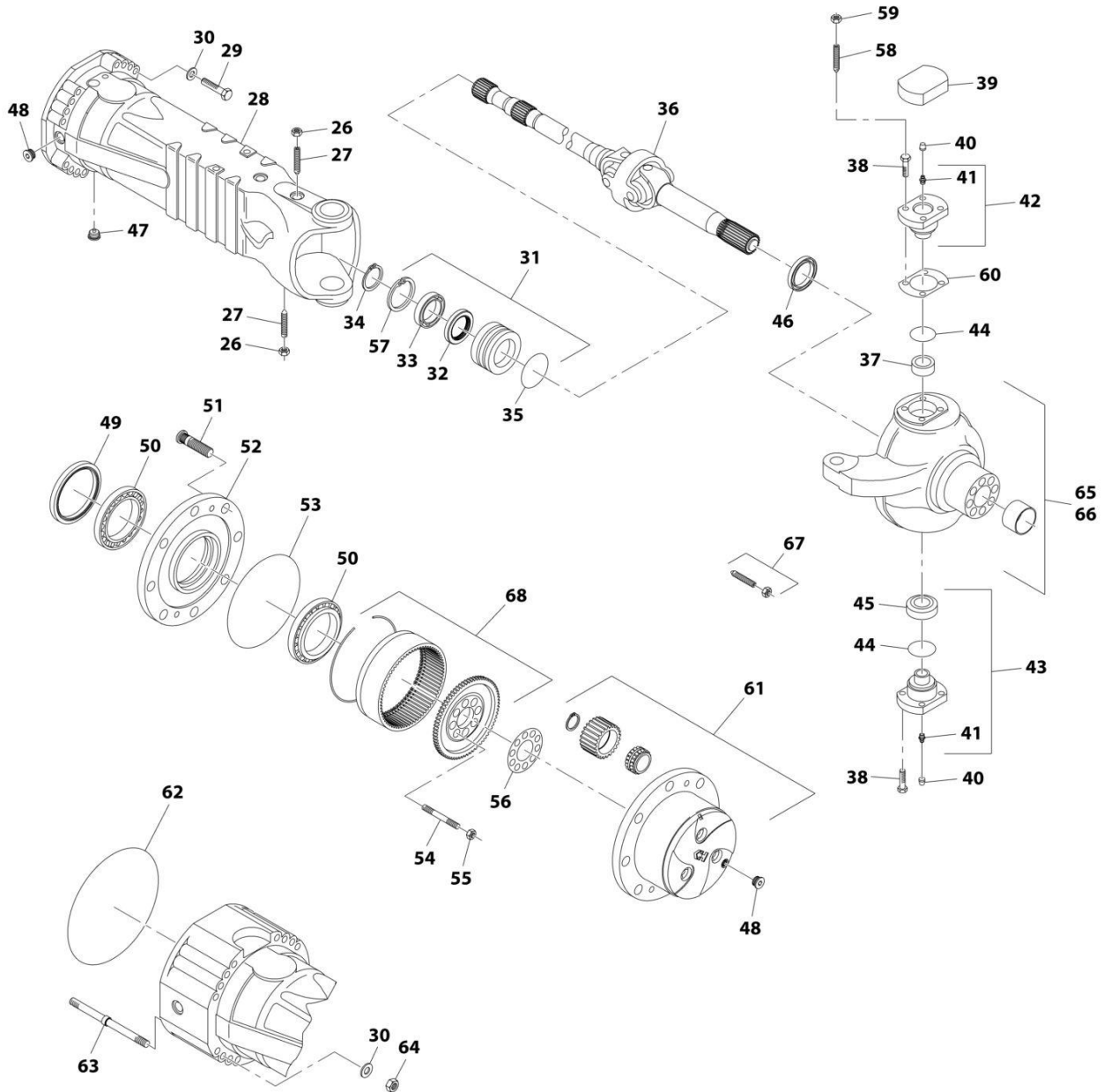
SECTION 5 - DRIVETRAIN

**FIGURE 5-19. FRONT AXLE, DIFFERENTIAL (4017RS) (SN 1160007024 through 1160007543,
Excluding 1160007516 and 1160007537)**

ITEM	PART NUMBER	QTY	DESCRIPTION	REV
9	91474528	1	Nut	
10	7029427	1	Flange	
11	91474532	1	Seal	
12	91474591	4	Bolt	
13	91474529	1	O-Ring	
14	91474533	1	Nut, Ring	
15	91474539	1	Spacer	
16	70025556	1	Shim	
17	70025555	1	Shim	
18	3968141	2	Bearing, Taper Roller	
19	70025547	1	Set, Bevel Gear	
20	91514134	2	Bolt	
21	70028471	2	Bearing, Taper Roller	
22	70025562	12	Bolt	
23	91474547	2	Nut, Ring	
24	7028710	1	Differential Kit, (See Separate Breakdown in this Section)	
25	8007755	2	Disc	

SECTION 5 - DRIVETRAIN

FIGURE 5-20. FRONT AXLE, HUB REDUCTION (4017RS) (SN 1160007024 through 1160007543, Excluding 1160007516 and 1160007537)



ART_12001144352_3-D

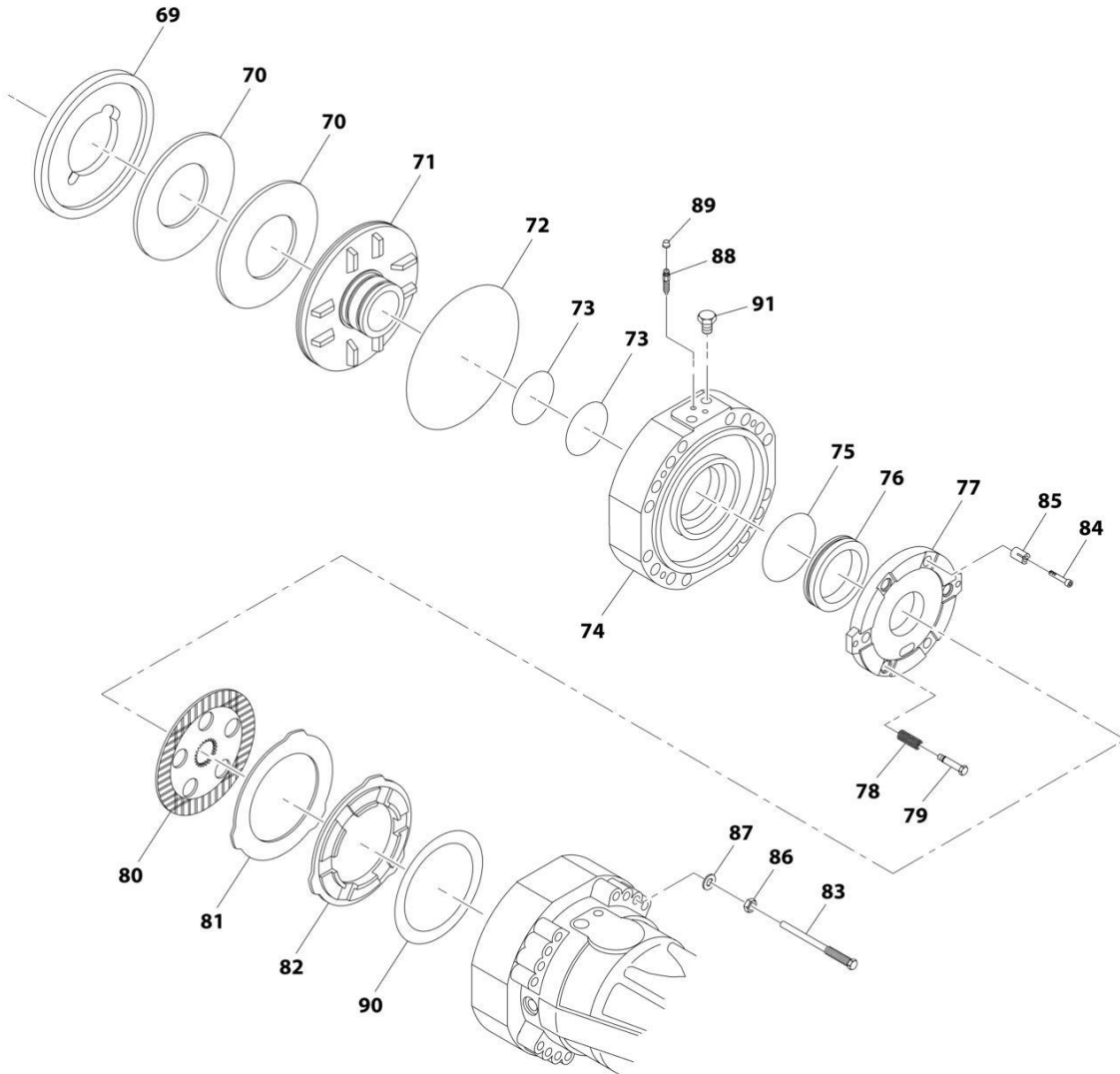
SECTION 5 - DRIVETRAIN

**FIGURE 5-20. FRONT AXLE, HUB REDUCTION (4017RS) (SN 1160007024 through 1160007543,
Excluding 1160007516 and 1160007537)**

ITEM	PART NUMBER	QTY	DESCRIPTION	REV
26	91514082	2	Nut	
27	91514081	2	Bolt	
28	7028711	2	Case, Axle	
29	70025012	24	Bolt	
30	91514084	8	Washer	
31	91514149	2	Bushing, Reduction	
32	91514147	2	Seal	
33	91514146	2	Bearing, Ball	
34	80204071	2	Circlip	
35	91514148	2	O-Ring	
36	70026071	2	Joint, Double Universal	
37	7028714	2	Bushing	
38	70025562	12	Bolt	
39	70028392	2	Cover	
40	80204117	2	Plug	
41	70024881	2	Fitting, Grease	
42	91514112	2	Pin, Pivot	
43	7028715	2	Pin, Pivot	
44	7028716	2	Seal, Dust	
45	91514095	2	Bearing	
46	70025857	2	Seal	
47	91474513	2	Plug, Magnet	
48	91514188	4	Plug	
49	7028721	2	Seal	
50	91474576	4	Bearing	
51	8000744	NLA	Stud, Wheel (Use PN 70030365)	
51	70030365	20	Stud, Wheel	
52	7028722	2	Hub, Wheel	
53	91514181	2	O-Ring	
54	70027315	20	Stud	
55	91474584	20	Nut	
56	91474582	2	Plate, Locking	
57	80204005	2	Circlip	
58	70025819	8	Stud	
59	70027320	8	Nut	
60	91514113	1	Shim	
61	70040710	2	Carrier, Planet Gear	
62	91474507	2	O-Ring	
63	70025014	8	Stud	
64	91514083	32	Nut	
65	7028729	1	Assembly, Steering Case LH	
66	7028730	1	Assembly, Steering Case RH	
67	7028733	4	Bolt, Steering Adjust	
68	70025551	2	Support, Ring Gear	

SECTION 5 - DRIVETRAIN

FIGURE 5-21. FRONT AXLE, BRAKES (4017RS) (SN 1160007024 through 1160007543, Excluding 1160007516 and 1160007537)



ART_1001144352_4-D

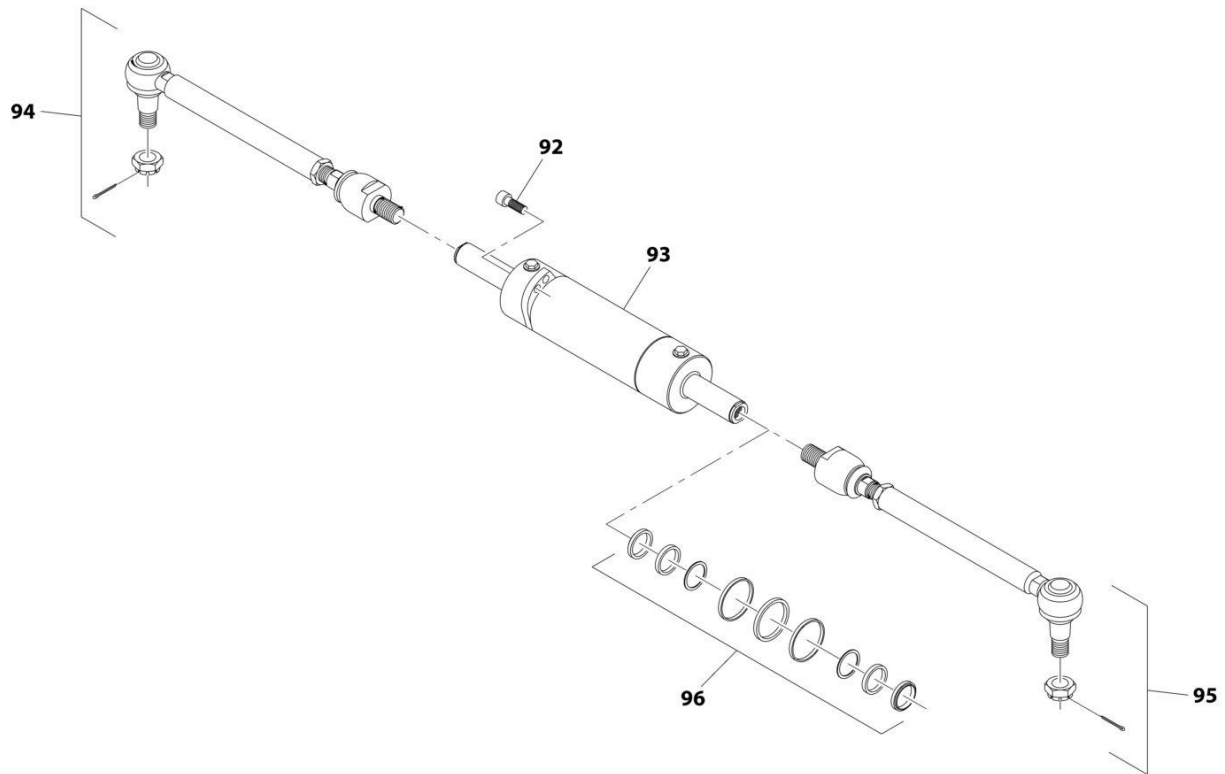
SECTION 5 - DRIVETRAIN

FIGURE 5-21. FRONT AXLE, BRAKES (4017RS) (SN 1160007024 through 1160007543, Excluding 1160007516 and 1160007537)

ITEM	PART NUMBER	QTY	DESCRIPTION	REV
69	7028734	1	Spacer	
70	91474559	4	Spring	
71	91474560	2	Piston	
72	91474561	2	O-Ring	
73	70026262	4	O-Ring	
74	7028735	2	Cover	
75	70026623	2	O-Ring	
76	91474564	2	Piston	
77	91474565	2	Disc, Intermediate Brake	
78	91514159	6	Spring	
79	91514160	6	Adjusting Bolt	
80	91474568	8	Disc	
81	70025823	8	Disc, Intermediate Brake	
82	91474570	2	Spacer	
83	7028736	4	Bolt	
84	7029787	6	Bolt, Adjusting	
85	70027317	6	Spring	
86	80204060	4	Nut	
87	80204108	4	Washer, Lock	
88	80204281	4	Bolt, Bleeding	
89	80204117	4	Plug	
90	70025981	1	Shim	
91	91514154	4	Bolt	

SECTION 5 - DRIVETRAIN

FIGURE 5-22. FRONT AXLE, STEERING (4017RS) (SN 1160007024 through 1160007543, Excluding 1160007516 and 1160007537)



ART_1001144352_5-D

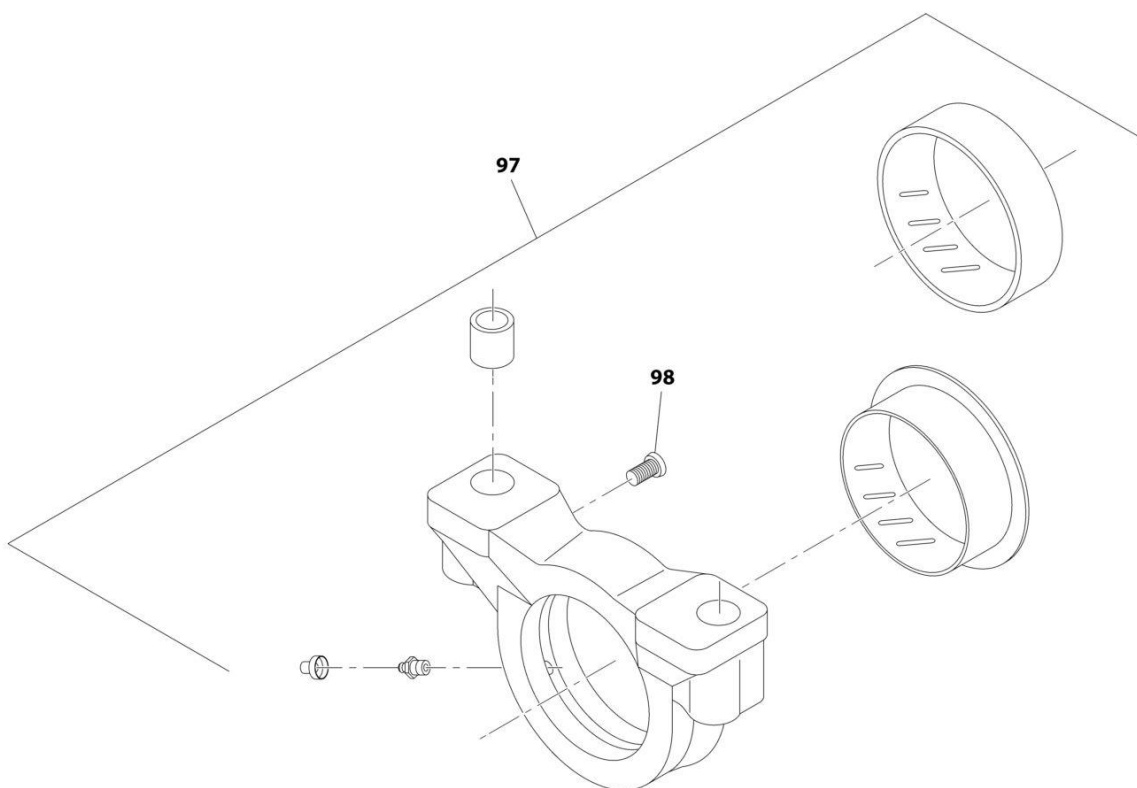
SECTION 5 - DRIVETRAIN

FIGURE 5-22. FRONT AXLE, STEERING (4017RS) (SN 1160007024 through 1160007543, Excluding 1160007516 and 1160007537)

ITEM	PART NUMBER	QTY	DESCRIPTION	REV
92	91474522	4	Bolt	
93	70025566	1	Cylinder	
94	70026752	1	Bar	
94	70022773	1	Nut	
95	70026751	1	Bar	
95	70022773	1	Nut	
96	70025842	1	Seal	

SECTION 5 - DRIVETRAIN

FIGURE 5-23. FRONT AXLE, TRUNION (4017RS) (SN 1160007024 through 1160007543, Excluding 1160007516 and 1160007537)



ART_1001144352_6-D

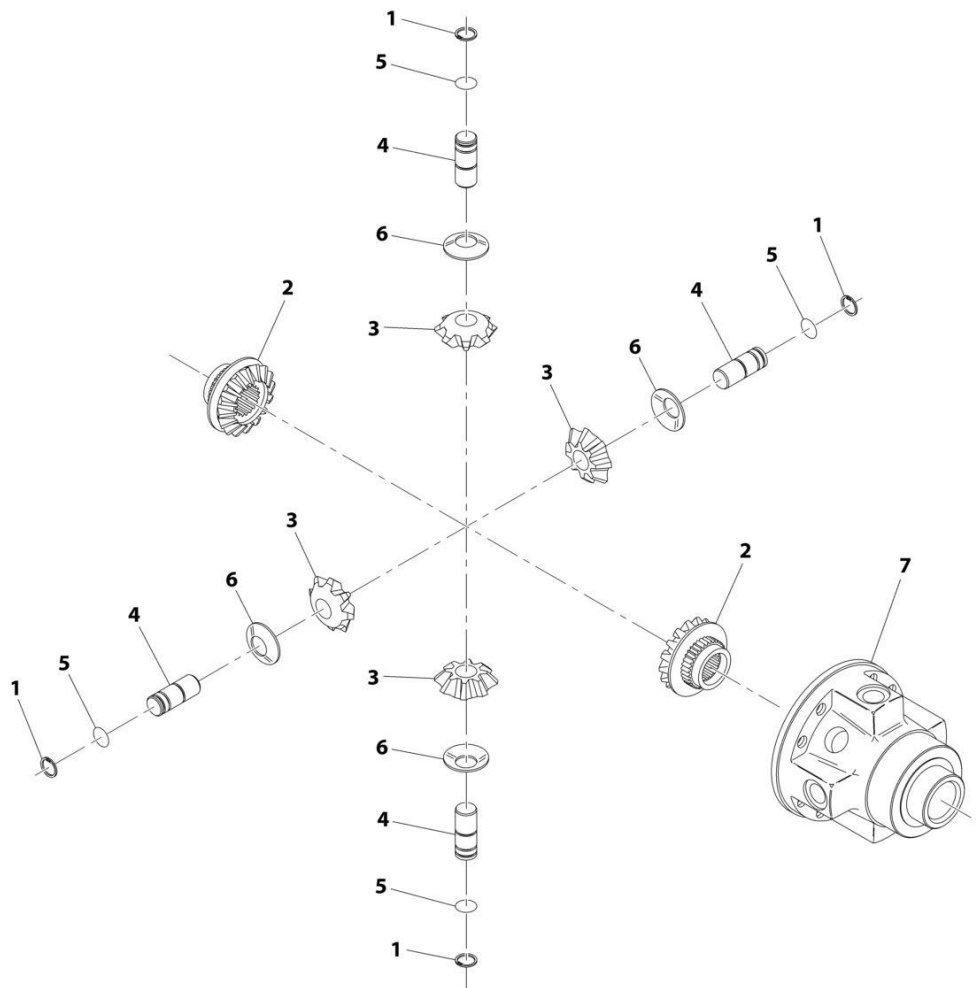
SECTION 5 - DRIVETRAIN

FIGURE 5-23. FRONT AXLE, TRUNION (4017RS) (SN 1160007024 through 1160007543, Excluding 1160007516 and 1160007537)

ITEM	PART NUMBER	QTY	DESCRIPTION	REV
97	70026630	2	Trunion Kit	
98	70025884	2	Bolt	

SECTION 5 - DRIVETRAIN

FIGURE 5-24. DIFFERENTIAL KIT (4017RS) (SN 1160007024 through 1160007543, Including , Excluding 1160007516 and 1160007537)



ART_7028710

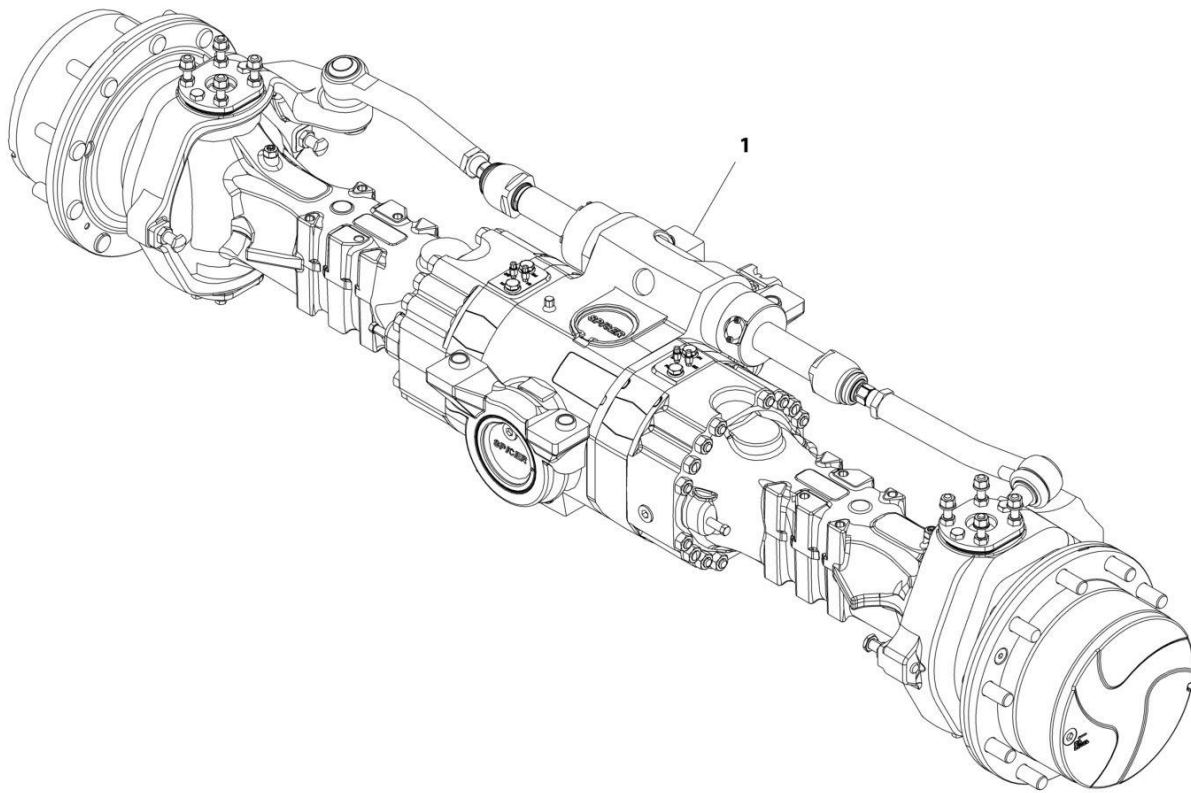
SECTION 5 - DRIVETRAIN

**FIGURE 5-24. DIFFERENTIAL KIT (4017RS) (SN 1160007024 through 1160007543, Including ,
Excluding 1160007516 and 1160007537)**

ITEM	PART NUMBER	QTY	DESCRIPTION	REV
	7028710	Ref	Differential Kit	
1	91474550	4	Circlip	
2	91474549	2	Differential Side Gear	
3	7029129	4	Differential Pinion	
4	7029131	4	Pin	
5	91474551	4	Circlip	
6	91474553	4	Friction Washer	
7	8007751	1	Differential Carrier	

SECTION 5 - DRIVETRAIN

FIGURE 5-25. FRONT AXLE (4017RS) (SN 1160007543 through 1160008790, Including 1160007516 and 1160007537)



ART_1001182621-B

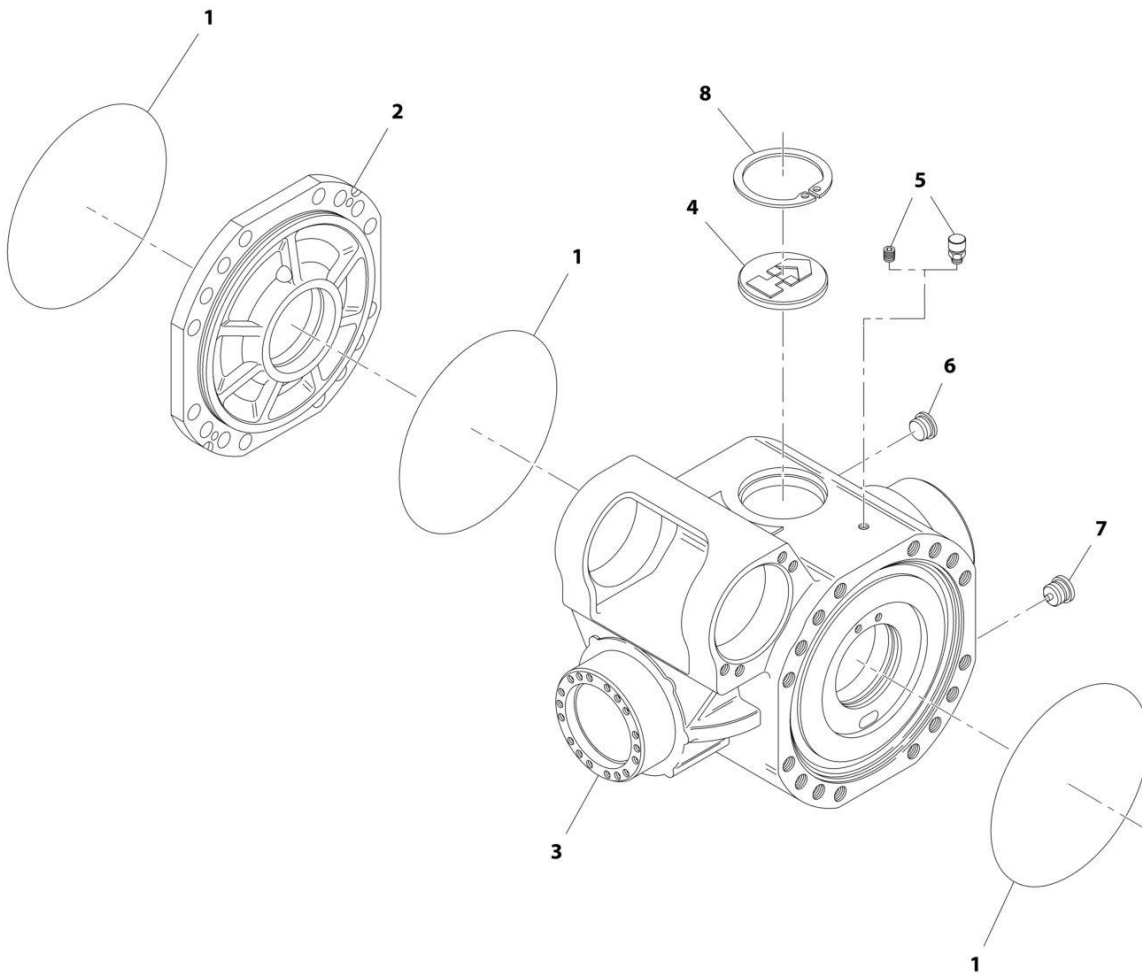
SECTION 5 - DRIVETRAIN

FIGURE 5-25. FRONT AXLE (4017RS) (SN 1160007543 through 1160008790, Including 1160007516 and 1160007537)

ITEM	PART NUMBER	QTY	DESCRIPTION	REV
1	1001182621	Ref	Front Axle	A
		Ref	Front Axle, Central Housing (See Separate Breakdown in this Section)	
		Ref	Front Axle, Differential (See Separate Breakdown in this Section)	
		Ref	Front Axle, Hub Reduction (See Separate Breakdown in this Section)	
		Ref	Front Axle, Brakes (See Separate Breakdown in this Section)	
		Ref	Front Axle, Steering (See Separate Breakdown in this Section)	
6		Ref	Front Axle, Trunion (See Separate Breakdown in this Section)	

SECTION 5 - DRIVETRAIN

FIGURE 5-26. FRONT AXLE, CENTRAL HOUSING (4017RS) (SN 1160007543 through 1160008790, Including 1160007516 and 1160007537)



ART_1001182621_1-B

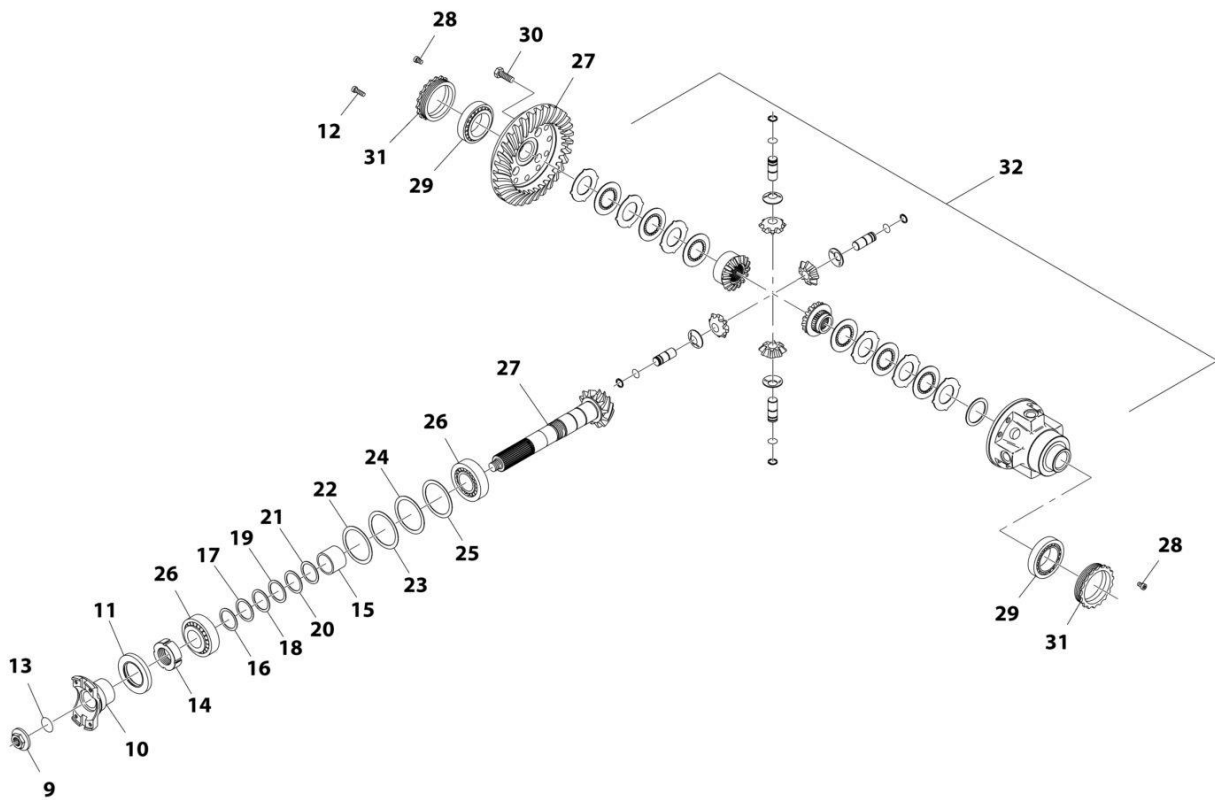
SECTION 5 - DRIVETRAIN

FIGURE 5-26. FRONT AXLE, CENTRAL HOUSING (4017RS) (SN 1160007543 through 1160008790, Including 1160007516 and 1160007537)

ITEM	PART NUMBER	QTY	DESCRIPTION	REV
1	91474507	3	O-Ring	
2	70024872	1	Cover	
3	70026977	1	Housing	
4	91514098	1	Plug	
5	91474512	1	Vent	
6	91514188	1	Plug	
7	91474513	1	Magnetic Plug	
8	80204005	1	Circlip	

SECTION 5 - DRIVETRAIN

FIGURE 5-27. FRONT AXLE, DIFFERENTIAL (4017RS) (SN 1160007543 through 1160008790, Including 1160007516 and 1160007537)



ART_1001182621_2-B

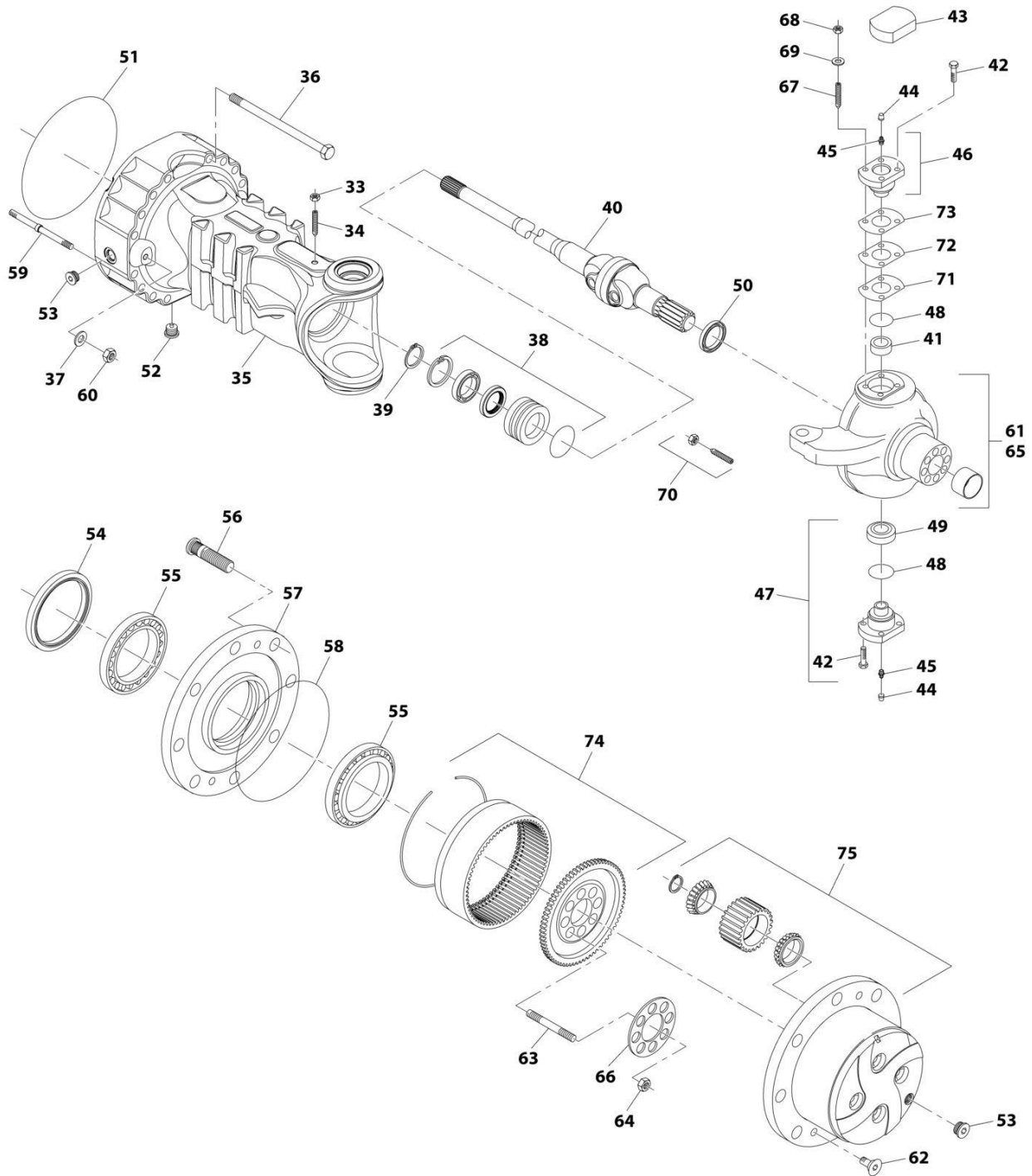
SECTION 5 - DRIVETRAIN

**FIGURE 5-27. FRONT AXLE, DIFFERENTIAL (4017RS) (SN 1160007543 through 1160008790,
Including 1160007516 and 1160007537)**

ITEM	PART NUMBER	QTY	DESCRIPTION	REV
9	70026631	1	Nut	
10	70022797	1	Flange	
11	91474532	1	Seal	
12	91474591	4	Cylinder Bolt	
13	91474529	1	O-Ring	
14	91474533	1	Ring Nut	
15	91474539	1	Spacer	
16	91474535	1	Shim	
17	91474536	1	Shim	
18	91474537	1	Shim	
19	91474538	1	Shim	
20	70024520	1	Shim	
21	70024521	1	Shim	
22	91474540	1	Shim	
23	91474541	1	Shim	
24	91474542	1	Shim	
25	91474543	1	Shim	
26	3968141	2	Taper Roller Bearing	
27	70025547	1	Bevel Gear Set	
28	91514134	2	Bolt	
29	70026031	2	Taper Roller Bearing	
30	91514123	12	Bolt	
31	91474547	2	Ring Nut	
32	7028710	1	Differential Kit (See Separate Breakdown in this Section)	

SECTION 5 - DRIVETRAIN

FIGURE 5-28. FRONT AXLE, HUB REDUCTION (4017RS) (SN 1160007543 through 1160008790, Including 1160007516 and 1160007537)



ART_1001182621_3-B

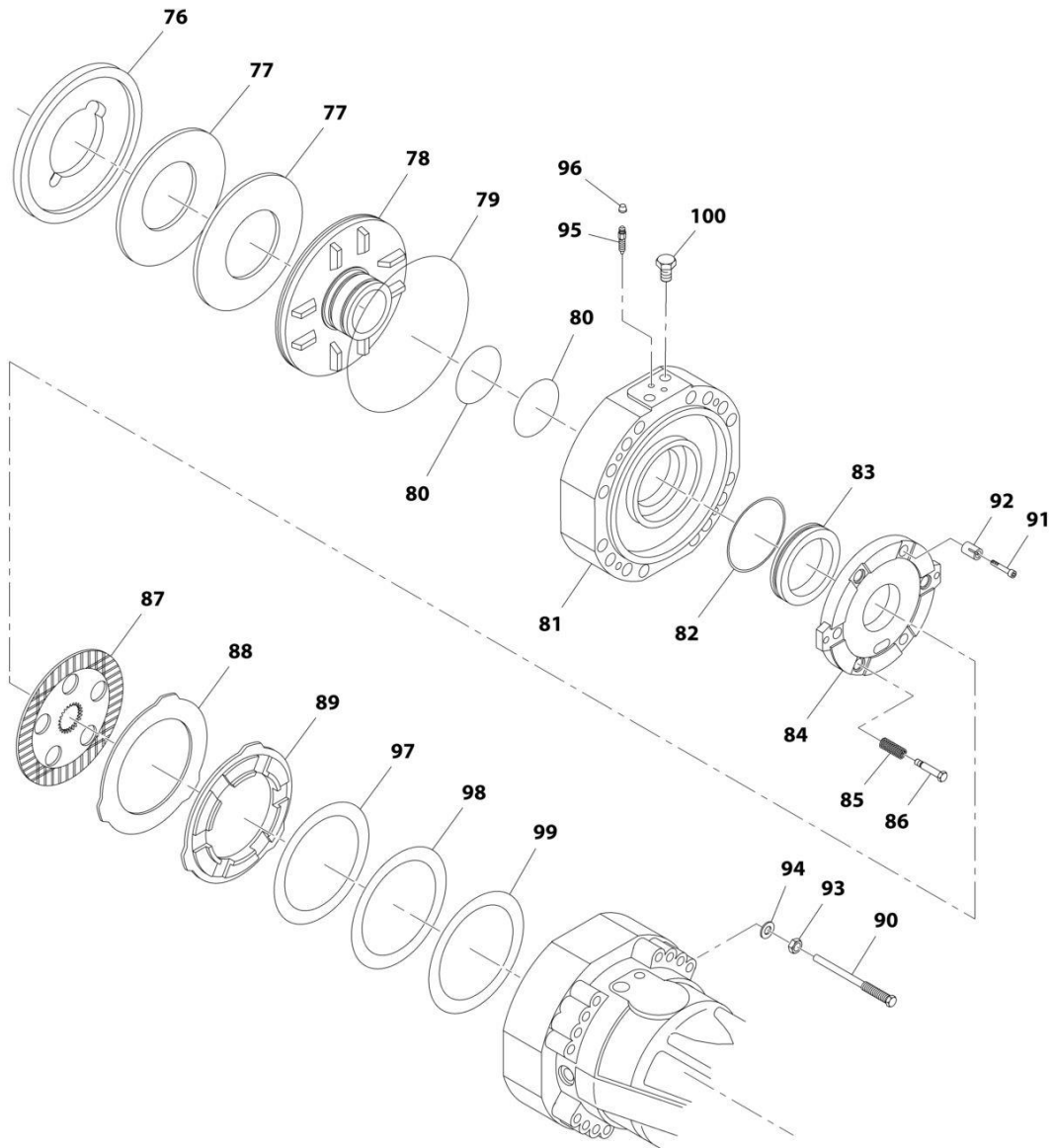
SECTION 5 - DRIVETRAIN

**FIGURE 5-28. FRONT AXLE, HUB REDUCTION (4017RS) (SN 1160007543 through 1160008790,
Including 1160007516 and 1160007537)**

ITEM	PART NUMBER	QTY	DESCRIPTION	REV
33	91514082	2	Nut	
34	91514081	2	Bolt	
35	7028711	2	Axle Case	
36	70025012	24	Bolt	
37	91514084	8	Washer	
38	91514149	2	Reduction Bushing (See Separate Breakdown in this Section)	
39	80204071	2	Circlip	
40	70027143	2	Double Universal Joint	
41	7028714	2	Bushing	
42	70025562	16	Bolt	
43	70025549	2	Cover	
44	80204117	2	Plug	
45	91514099	4	Grease Fitting	
46	91514112	2	Pivot Pin	
47	7028715	2	Pivot Pin	
48	7028716	4	Dust Excluder	
49	91514095	2	Bearing	
50	70026238	2	Seal	
51	91474507	2	O-Ring	
52	91474513	2	Magnetic Plug	
53	91514188	4	Plug	
54	7028721	2	Seal	
55	91474576	4	Bearing	
56	8000877	20	Wheel Stud	
57	7028722	2	Wheel Hub	
58	91514181	2	O-Ring	
59	70025014	8	Stud	
60	91514083	8	Nut	
61	70027144	1	Steering Case Kit LH (See Separate Breakdown in this Section)	
62	91514189	4	Countersunk Bolt	
63	91474583	20	Stud	
64	91474584	20	Nut	
65	70027145	1	Steering Case Kit RH (See Separate Breakdown in this Section)	
66	91474582	2	Locking Plate	
67	70025819	8	Stud	
68	91514120	8	Nut	
69	91514119	8	Washer	
70	7028733	4	Steering Adjust Bolt Kit (See Separate Breakdown in this Section)	
71	91514113	2	Shim	
72	91514114	2	Shim	
73	91514115	2	Shim	
74	70025551	2	Ring Gear Support Kit (See Separate Breakdown in this Section)	
75	70040710	2	Planet Gear Carrier Kit (See Separate Breakdown in this Section)	

SECTION 5 - DRIVETRAIN

FIGURE 5-29. FRONT AXLE, BRAKES (4017RS) (SN 1160007543 through 1160008790, Including 1160007516 and 1160007537)



ART_1001182621_4-B

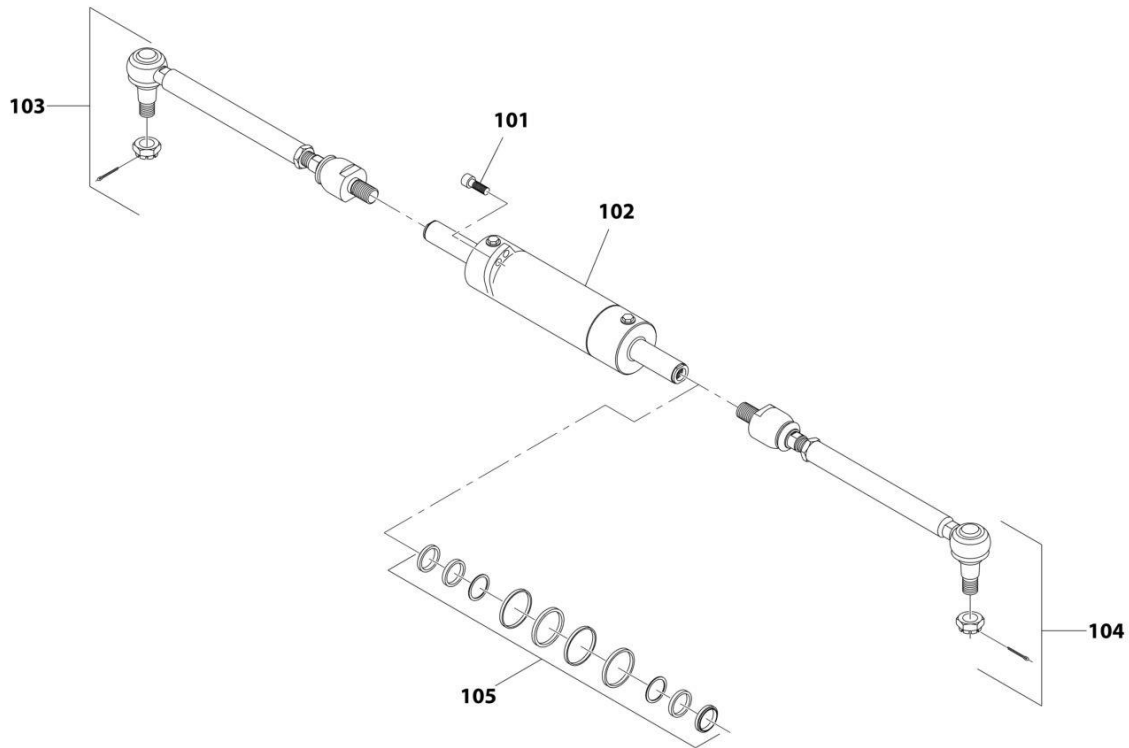
SECTION 5 - DRIVETRAIN

FIGURE 5-29. FRONT AXLE, BRAKES (4017RS) (SN 1160007543 through 1160008790, Including 1160007516 and 1160007537)

ITEM	PART NUMBER	QTY	DESCRIPTION	REV
76	7028734	1	Spacer	
77	91474559	4	Spring	
78	91474560	2	Piston	
79	91474561	2	O-Ring	
80	70026262	4	Seal	
81	7028735	2	Cover	
82	70026623	2	Seal	
83	91474564	2	Piston	
84	91474565	2	Intermediate Brake Disc	
85	91514159	6	Spring	
86	70024210	6	Adjusting Bolt	
87	91474568	8	Disc	
88	70025823	8	Intermediate Brake Disc	
89	91474570	2	Spacer	
90	7028736	4	Bolt	
91	7029787	6	Adjusting Bolt	
92	91514165	6	Spring	
93	80204060	4	Nut	
94	80204108	4	Lock Washer	
95	80204281	4	Bleeding Bolt	
96	80204117	4	Plug	
97	91474571	2	Shim	
98	91474572	2	Shim	
99	91474573	2	Shim	
100	91514154	4	Plug	

SECTION 5 - DRIVETRAIN

FIGURE 5-30. FRONT AXLE, STEERING (4017RS) (SN 1160007543 through 1160008790, Including 1160007516 and 1160007537)



ART_1001182621_5-B

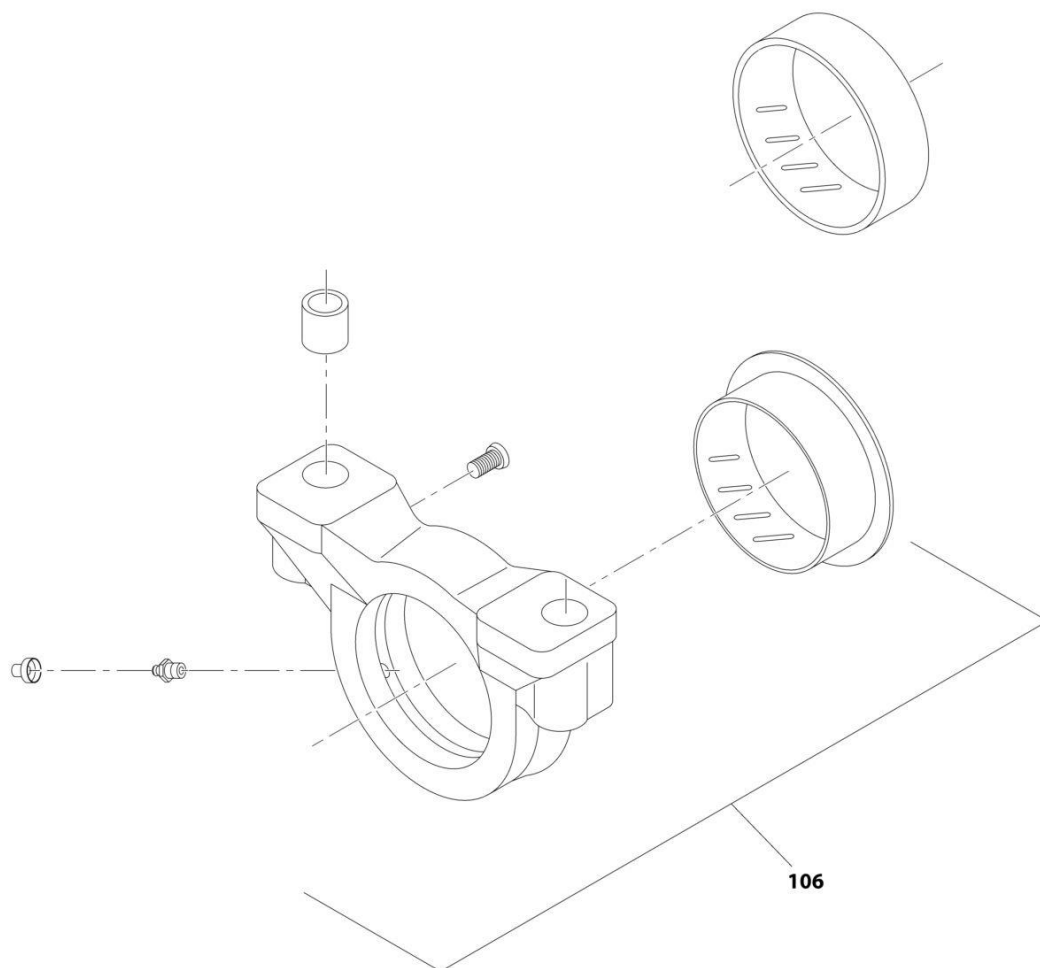
SECTION 5 - DRIVETRAIN

FIGURE 5-30. FRONT AXLE, STEERING (4017RS) (SN 1160007543 through 1160008790, Including 1160007516 and 1160007537)

ITEM	PART NUMBER	QTY	DESCRIPTION	REV
101	91474522	4	Bolt	
102	70025566	1	Cylinder	
103	70026752	1	Bar	
103	70022773	1	Nut	
104	70026751	1	Bar	
104	70022773	1	Nut	
105	70025842	1	Seal Kit	

SECTION 5 - DRIVETRAIN

FIGURE 5-31. FRONT AXLE, TRUNION (4017RS) (SN 1160007543 through 1160008790, Including 1160007516 and 1160007537)



ART_1001182621_6-B

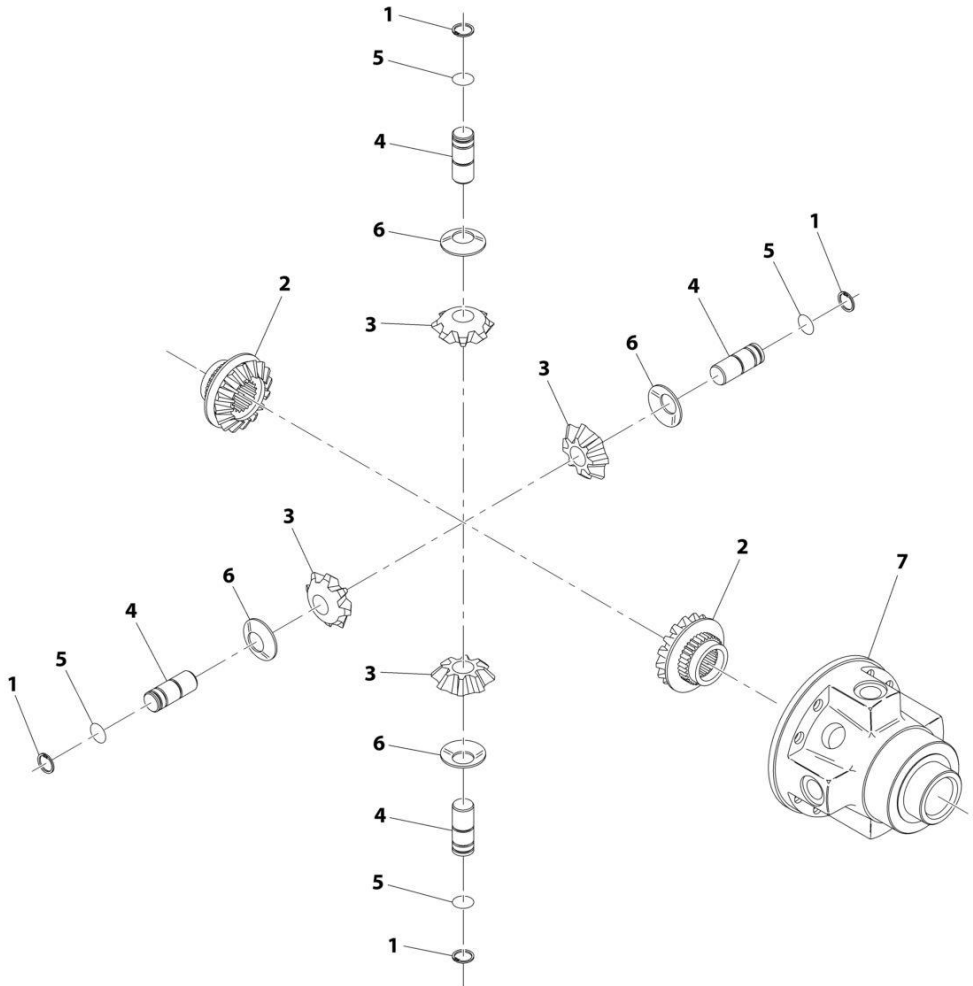
SECTION 5 - DRIVETRAIN

FIGURE 5-31. FRONT AXLE, TRUNION (4017RS) (SN 1160007543 through 1160008790, Including 1160007516 and 1160007537)

ITEM	PART NUMBER	QTY	DESCRIPTION	REV
106	70026630	2	Trunion Kit (See Separate Breakdown in this Section)	

SECTION 5 - DRIVETRAIN

FIGURE 5-32. DIFFERENTIAL KIT (SN 1160007543 through 1160008790, Including 1160007516 and 1160007537)



ART_7028710

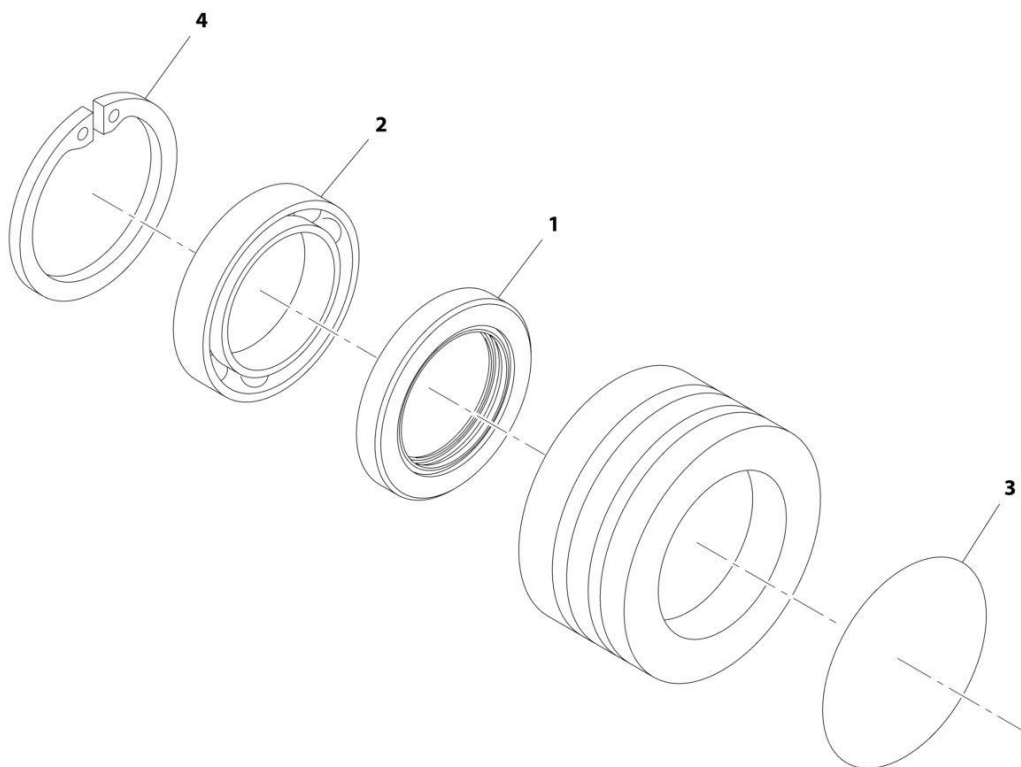
SECTION 5 - DRIVETRAIN

FIGURE 5-32. DIFFERENTIAL KIT (SN 1160007543 through 1160008790, Including 1160007516 and 1160007537)

ITEM	PART NUMBER	QTY	DESCRIPTION	REV
	7028710	Ref	Differential Kit	
1	91474550	4	Circlip	
2	91474549	2	Differential Side Gear	
3	7029129	4	Differential Pinion	
4	7029131	4	Pin	
5	91474551	4	Circlip	
6	91474553	4	Friction Washer	
7	8007751	1	Differential Carrier	

SECTION 5 - DRIVETRAIN

FIGURE 5-33. REDUCTION BUSHING (SN 1160007543 through 1160008790, Including 1160007516 and 1160007537)



ART_1001182621_8-B

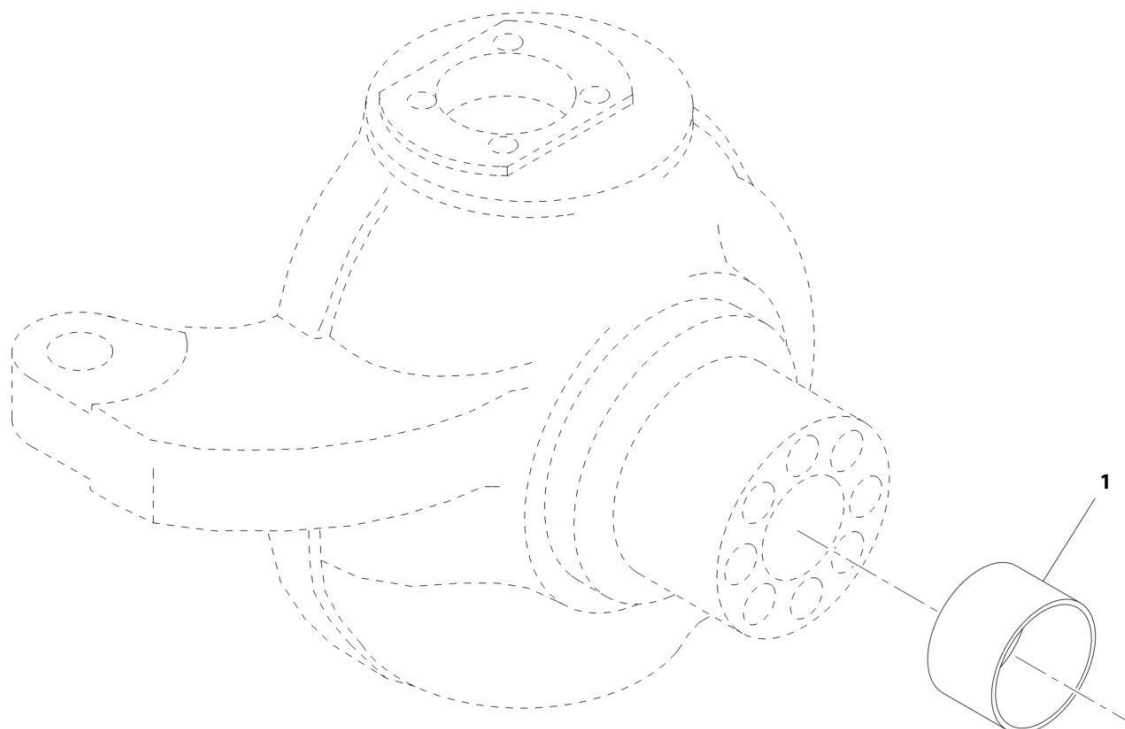
SECTION 5 - DRIVETRAIN

FIGURE 5-33. REDUCTION BUSHING (SN 1160007543 through 1160008790, Including 1160007516 and 1160007537)

ITEM	PART NUMBER	QTY	DESCRIPTION	REV
	91514149	Ref	Reduction Bushing	
1	91514147	2	Seal	
2	91514146	2	Ball Bearing	
3	91514148	2	O-Ring	
4	80204005	2	Circlip	

SECTION 5 - DRIVETRAIN

FIGURE 5-34. STEERING CASE KIT LH (SN 1160007543 through 1160008790, Including 1160007516 and 1160007537)



ART_1001182621_9-B

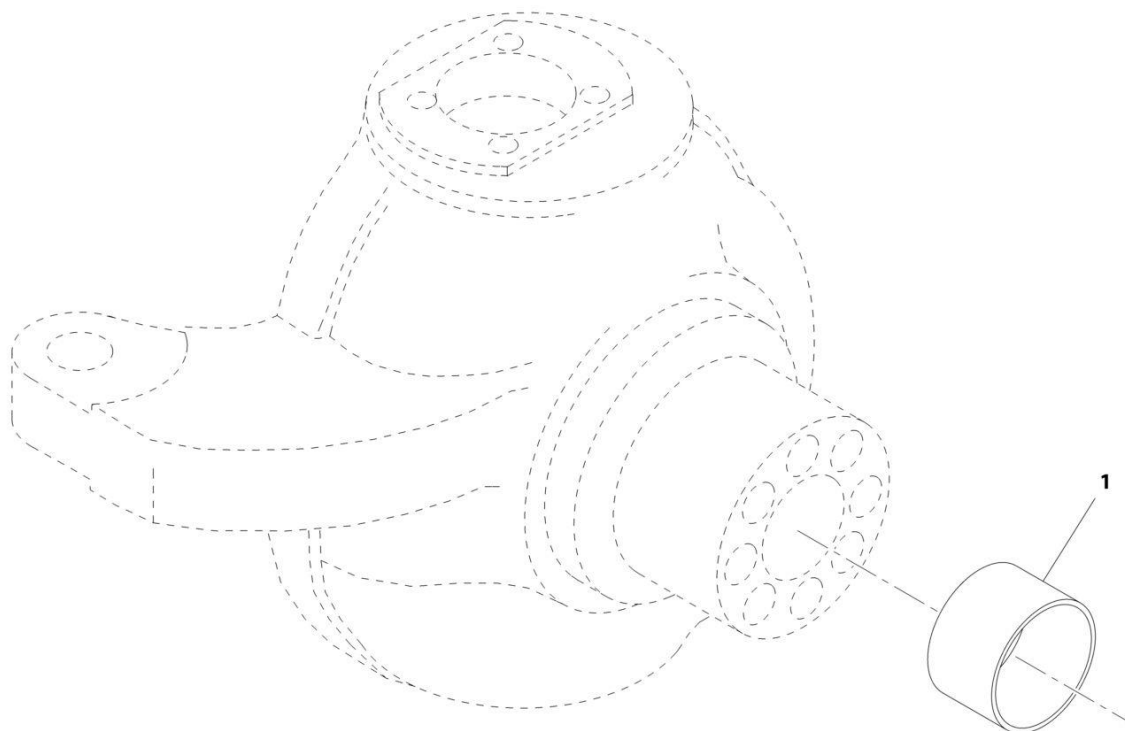
SECTION 5 - DRIVETRAIN

FIGURE 5-34. STEERING CASE KIT LH (SN 1160007543 through 1160008790, Including 1160007516 and 1160007537)

ITEM	PART NUMBER	QTY	DESCRIPTION	REV
1	70027144 91514111	Ref 2	Steering Case Kit LH Thrust Bushing	

SECTION 5 - DRIVETRAIN

FIGURE 5-35. STEERING CASE KIT RH (SN 1160007543 through 1160008790, Including 1160007516 and 1160007537)



ART_1001182621_10-B

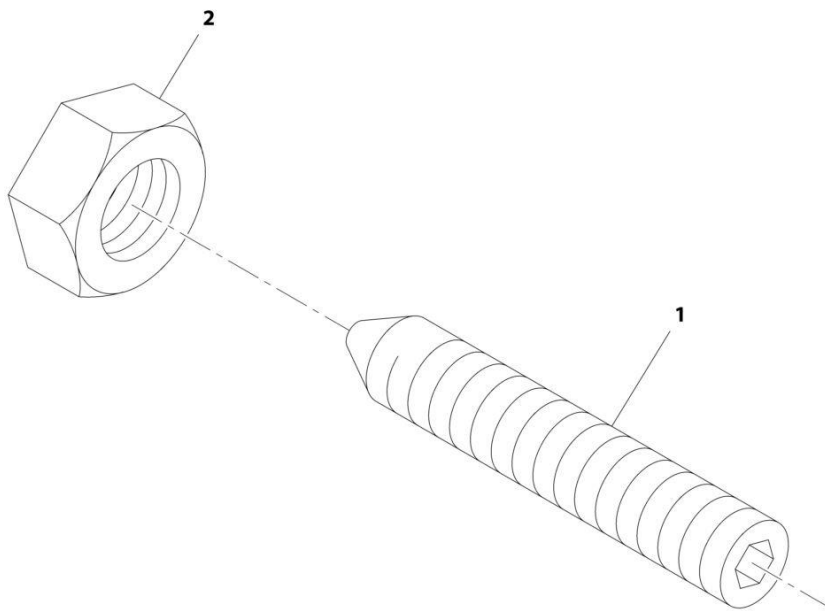
SECTION 5 - DRIVETRAIN

FIGURE 5-35. STEERING CASE KIT RH (SN 1160007543 through 1160008790, Including 1160007516 and 1160007537)

ITEM	PART NUMBER	QTY	DESCRIPTION	REV
1	70027145 91514111	Ref 2	Steering Case Kit RH Thrust Bushing	

SECTION 5 - DRIVETRAIN

FIGURE 5-36. STEERING ADJUST BOLT KIT (SN 1160007543 through 1160008790, Including 1160007516 and 1160007537)



ART_1001182621_11-B

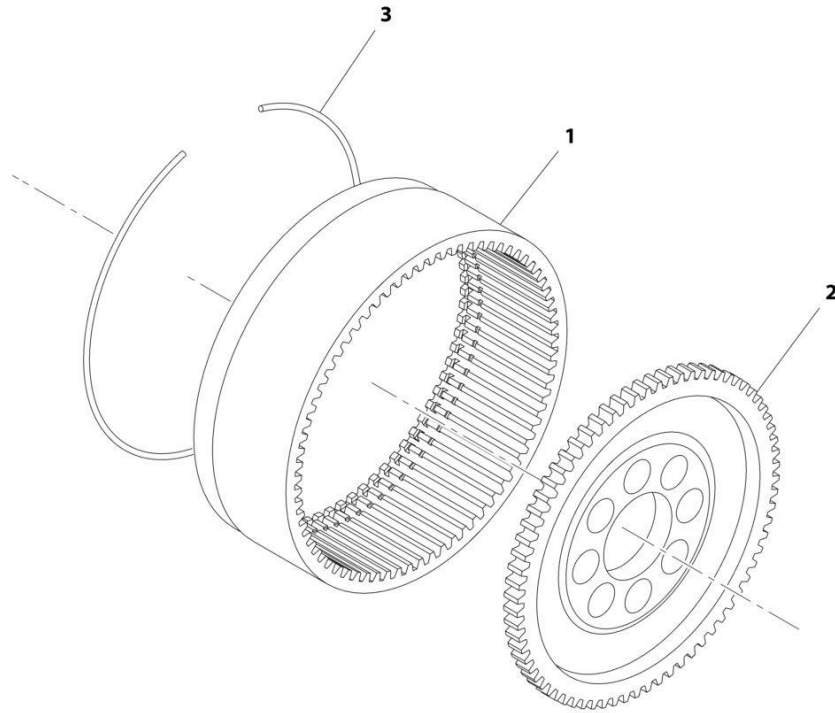
SECTION 5 - DRIVETRAIN

FIGURE 5-36. STEERING ADJUST BOLT KIT (SN 1160007543 through 1160008790, Including 1160007516 and 1160007537)

ITEM	PART NUMBER	QTY	DESCRIPTION	REV
	7028733	Ref	Steering Adjust Bolt Kit	
1	91514117	4	Bolt	
2	80204065	4	Nut	

SECTION 5 - DRIVETRAIN

FIGURE 5-37. RING GEAR SUPPORT KIT (SN 1160007543 through 1160008790, Including 1160007516 and 1160007537)



ART_1001182621_12-B

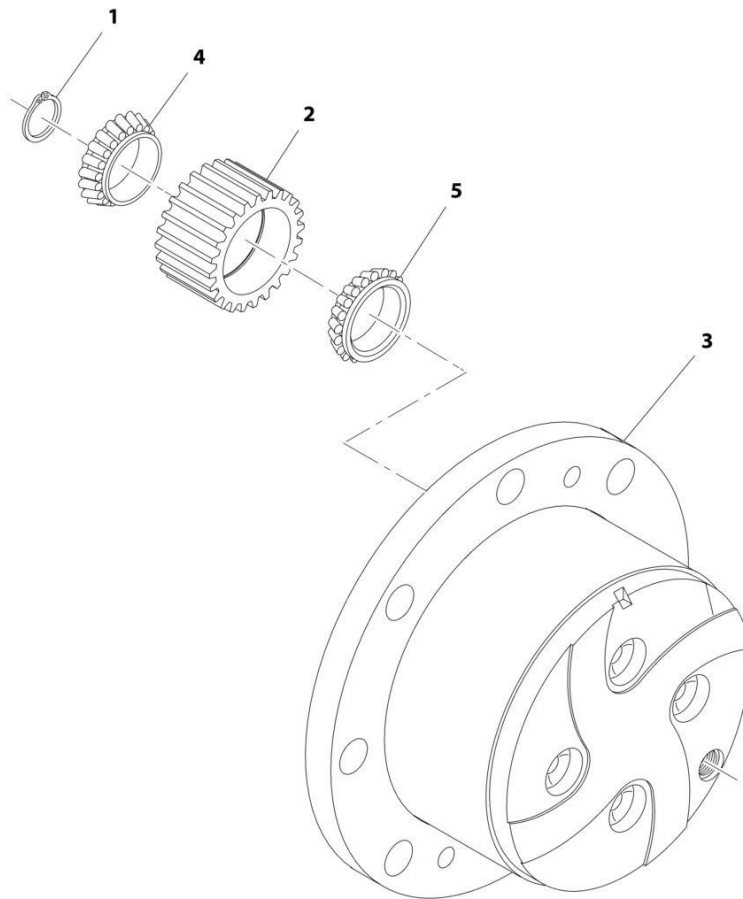
SECTION 5 - DRIVETRAIN

FIGURE 5-37. RING GEAR SUPPORT KIT (SN 1160007543 through 1160008790, Including 1160007516 and 1160007537)

ITEM	PART NUMBER	QTY	DESCRIPTION	REV
	70025551	Ref	Ring Gear Support Kit	
1	70024147	2	Ring Gear	
2	7028723	2	Ring Gear Support	
3	91514175	2	Circlip	

SECTION 5 - DRIVETRAIN

FIGURE 5-38. PLANET GEAR CARRIER KIT (SN 1160007543 through 1160008790, Including 1160007516 and 1160007537)



ART_1001182621_13-B

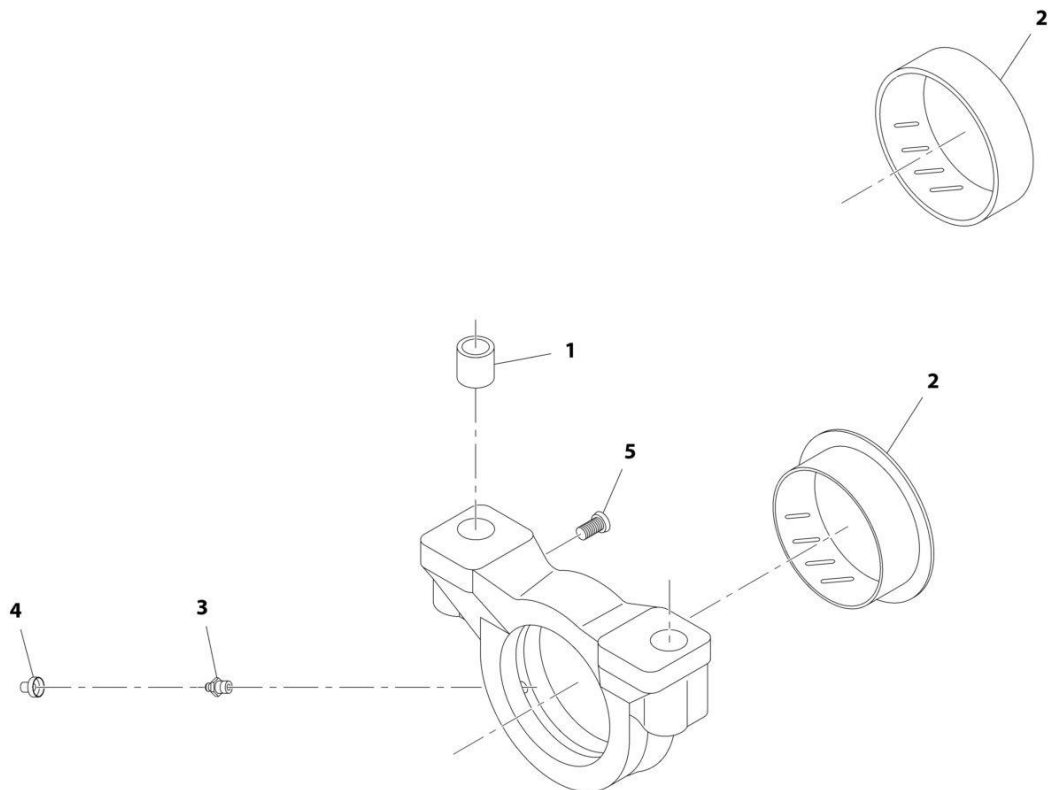
SECTION 5 - DRIVETRAIN

FIGURE 5-38. PLANET GEAR CARRIER KIT (SN 1160007543 through 1160008790, Including 1160007516 and 1160007537)

ITEM	PART NUMBER	QTY	DESCRIPTION	REV
	70040710	Ref	Planet Gear Carrier Kit	
1	7028724	3	Circlip	
2	7028725	6	Differential Pinion	
3	7028726	1	Planet Gear Carrier	
4	7028731	6	Bearing	
5	7028732	NLA	Bearing (Use/Order both PN 70031458 & 70031459 as Replacement)	
5	70031458	6	Bearing	
5	70031459	6	Bearing	

SECTION 5 - DRIVETRAIN

FIGURE 5-39. TRUNION KIT (SN 1160007543 through 1160008790, Including 1160007516 and 1160007537)



ART_1001182621_14-B

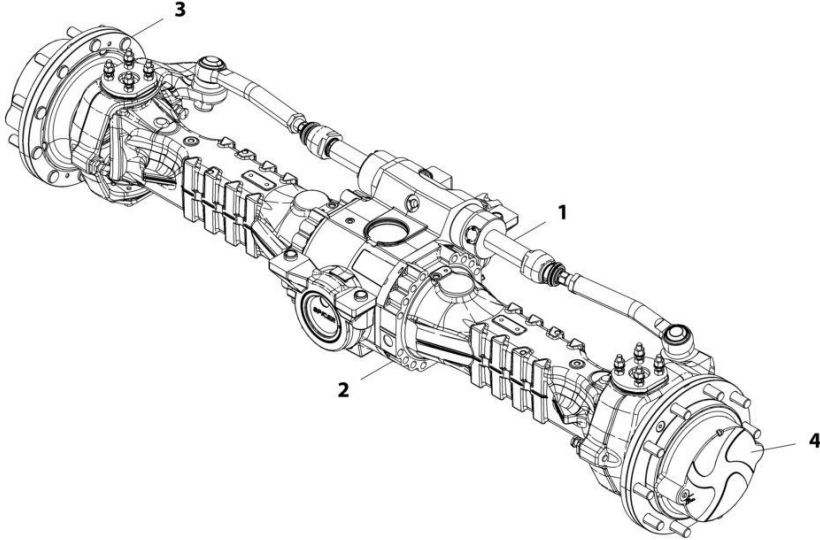
SECTION 5 - DRIVETRAIN

FIGURE 5-39. TRUNION KIT (SN 1160007543 through 1160008790, Including 1160007516 and 1160007537)

ITEM	PART NUMBER	QTY	DESCRIPTION	REV
	70026630	Ref	Trunion Kit	
1	91474516	4	Reduction Bushing	
2	91474515	2	Thrust Bushing	
3	91514099	2	Grease Fitting	
4	80204117	2	Plug	
5	70025884	2	Bolt	

SECTION 5 - DRIVETRAIN

FIGURE 5-40. REAR AXLE (NO FOAM FILL)



ART_1001135442-C

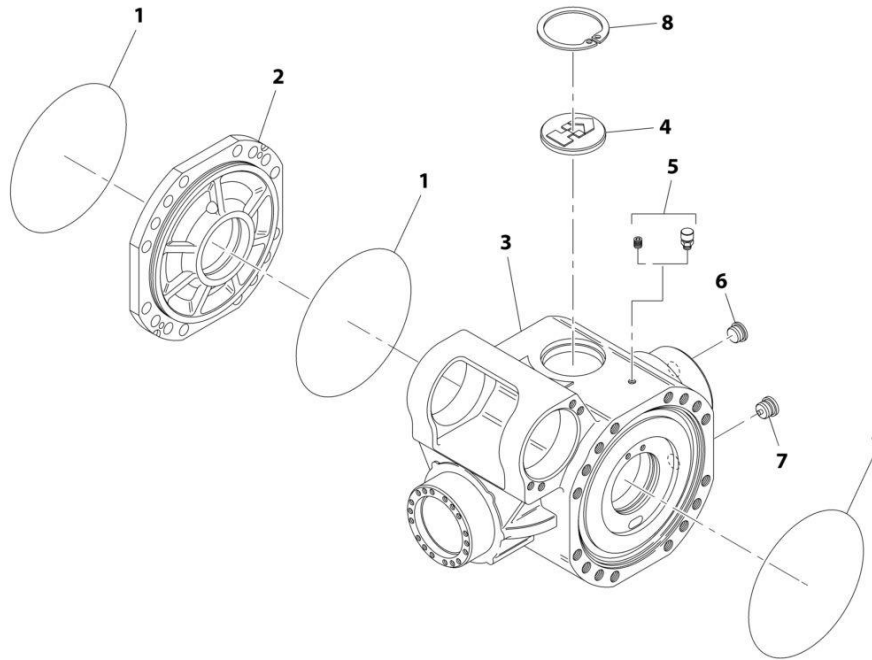
SECTION 5 - DRIVETRAIN

FIGURE 5-40. REAR AXLE (NO FOAM FILL)

ITEM	PART NUMBER	QTY	DESCRIPTION	REV
	1001135442	Ref	Rear Axle (No Foam Fill)	C
1		Ref	Rear Axle, Central Housing (no Foam Fill) (See REAR AXLE, CENTRAL HOUSING (NO FOAM FILL) for Breakdown)	
2		Ref	Rear Axle, Differential (no Foam Fill) (See REAR AXLE, DIFFERENTIAL (NO FOAM FILL) for Breakdown)	
3		Ref	Rear Axle, Hub Reduction (no Foam Fill) (See REAR AXLE, HUB REDUCTION (NO FOAM FILL) for Breakdown)	
4		Ref	Rear Axle, Brakes -(no Foam Fill) (See REAR AXLE, BRAKES (NO FOAM FILL) for Breakdown)	
5		Ref	Rear Axle, Steering (no Foam Fill) (See REAR AXLE, STEERING (NO FOAM FILL) for Breakdown)	
6		Ref	Rear Axle, Trunion (no Foam Fill) (See REAR AXLE, TRUNION (NO FOAM FILL) for Breakdown)	

SECTION 5 - DRIVETRAIN

FIGURE 5-41. REAR AXLE, CENTRAL HOUSING (NO FOAM FILL)



ART_1001135442_1-C

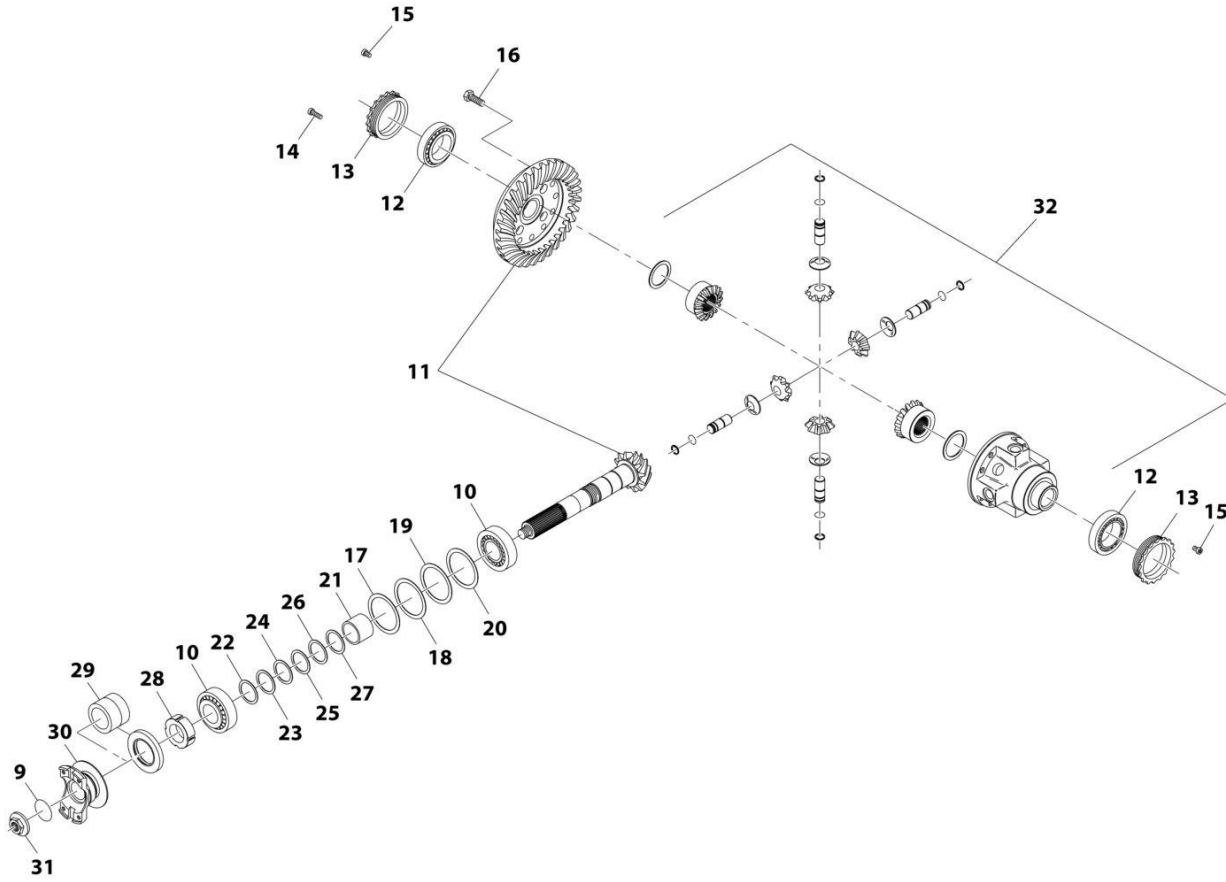
SECTION 5 - DRIVETRAIN

FIGURE 5-41. REAR AXLE, CENTRAL HOUSING (NO FOAM FILL)

ITEM	PART NUMBER	QTY	DESCRIPTION	REV
1	91474507	3	O-Ring	
2	70024519	1	Cover	
3	70026977	1	Housing	
4	91514098	1	Plug	
5	91474512	1	Vent	
6	91514188	1	Plug	
7	91474513	1	Plug, Magnet	
8	80204005	1	Circlip	

SECTION 5 - DRIVETRAIN

FIGURE 5-42. REAR AXLE, DIFFERENTIAL (NO FOAM FILL)



ART_1001135442_2-C

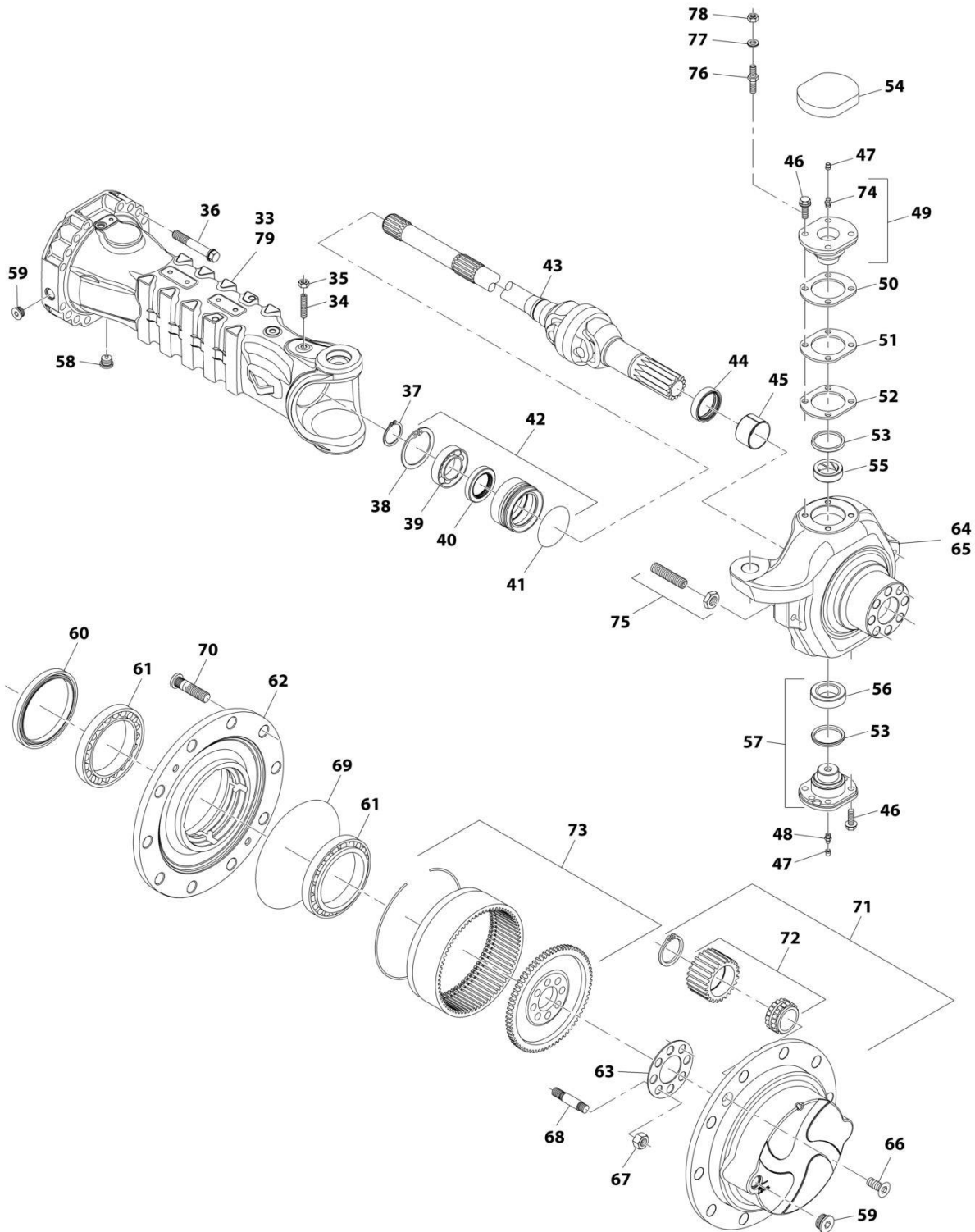
SECTION 5 - DRIVETRAIN

FIGURE 5-42. REAR AXLE, DIFFERENTIAL (NO FOAM FILL)

ITEM	PART NUMBER	QTY	DESCRIPTION	REV
9	91474529	1	O-Ring	
10	3968141	2	Bearing, Taper Roller	
11	70025554	1	Set, Bevel Gear	
12	70026031	2	Taper Roller Bearing	
13	91474547	2	Nut, Ring	
14	91474591	4	Cylinder Bolt	
15	91514134	2	Bolt	
16	91514123	12	Bolt	
17	91474540	1	Shim	
18	91474541	1	Shim	
19	91474542	1	Shim	
20	91474543	1	Shim	
21	91474539	1	Spacer	
22	91474535	1	Shim	
23	91474536	1	Shim	
24	91474537	1	Shim	
25	91474538	1	Shim	
26	70024520	1	Shim	
27	70024521	1	Shim	
28	91474533	1	Nut, Ring	
29	91474532	1	Seal	
30	7029427	1	Flange	
31	70026631	1	Nut	
32	70021140	1	Differential	

SECTION 5 - DRIVETRAIN

FIGURE 5-43. REAR AXLE, HUB REDUCTION (NO FOAM FILL)



ART_1001135442_3-C

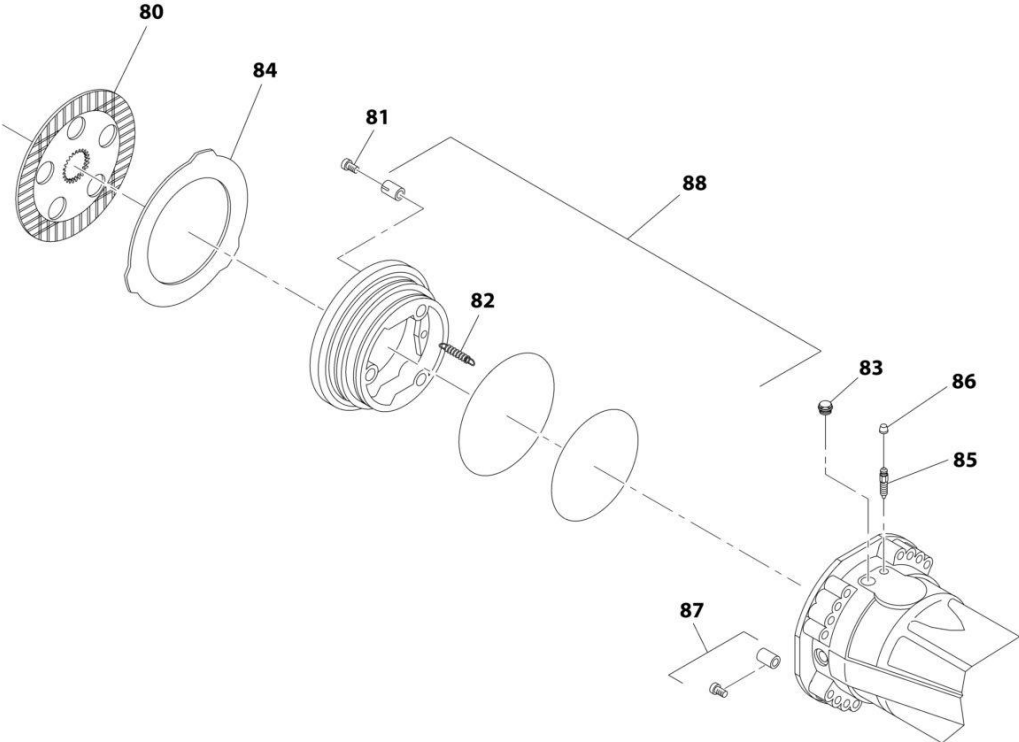
SECTION 5 - DRIVETRAIN

FIGURE 5-43. REAR AXLE, HUB REDUCTION (NO FOAM FILL)

ITEM	PART NUMBER	QTY	DESCRIPTION	REV
33	70025571	1	Case, Axle	
34	2400600	2	Bolt	
35	91514082	2	Nut	
36	7029428	32	Bolt	
37	80204071	2	Circlip	
38	80204005	2	Circlip	
39	91514146	2	Bearing, Ball	
40	91514147	2	Seal	
41	91514148	2	O-Ring	
42	91514149	2	Bushing, Reduction	
43	70025928	2	Joint, Double Universal	
44	8007771	2	Seal	
45	8004468	1	Bushing, Thrust	
46	70025562	12	Bolt	
47	80204117	4	Plug	
48	91514099	2	Fitting, Grease	
49	70025567	2	Pin, Pivot	
50	8007779	2	Shim	
51	8007780	2	Shim	
52	8007782	2	Shim	
53	2401043	4	Seal	
54	70025549	2	Cover	
55	70020173	2	Bushing	
56	2401258	2	Articulation	
57	8006605	2	Pin, Pivot	
58	91474513	2	Plug, Magnet	
59	91514188	4	Plug	
60	7029430	2	Seal	
61	3984301	4	Bearing	
62	8005801	2	Stud, Wheel	
63	3983731	2	Locking Plate	
64	8007774	1	Steering Case Kit LH	
65	8007777	1	Steering Case Kit RH	
66	91514189	4	Bolt, Countersunk	
67	91474584	16	Nut	
68	91474583	16	Stud	
69	80204002	2	O-Ring	
70	8000877	20	Wheel Stud	
71	7029431	2	Planet Gear Carrier Kit	
72	70023900	8	Planet Gear Kit	
73	7029432	2	Ring Gear Support Kit	
74	7028115	2	Fitting, Grease	
75	7028733	4	Steering Adjust Bolt Kit	
76	70025819	8	Stud	
77	91514119	8	Washer	
78	91514120	8	Nut	
79	7028048	1	AXLE CASE	

SECTION 5 - DRIVETRAIN

FIGURE 5-44. REAR AXLE, BRAKES (NO FOAM FILL)



ART_1001135442_4-C

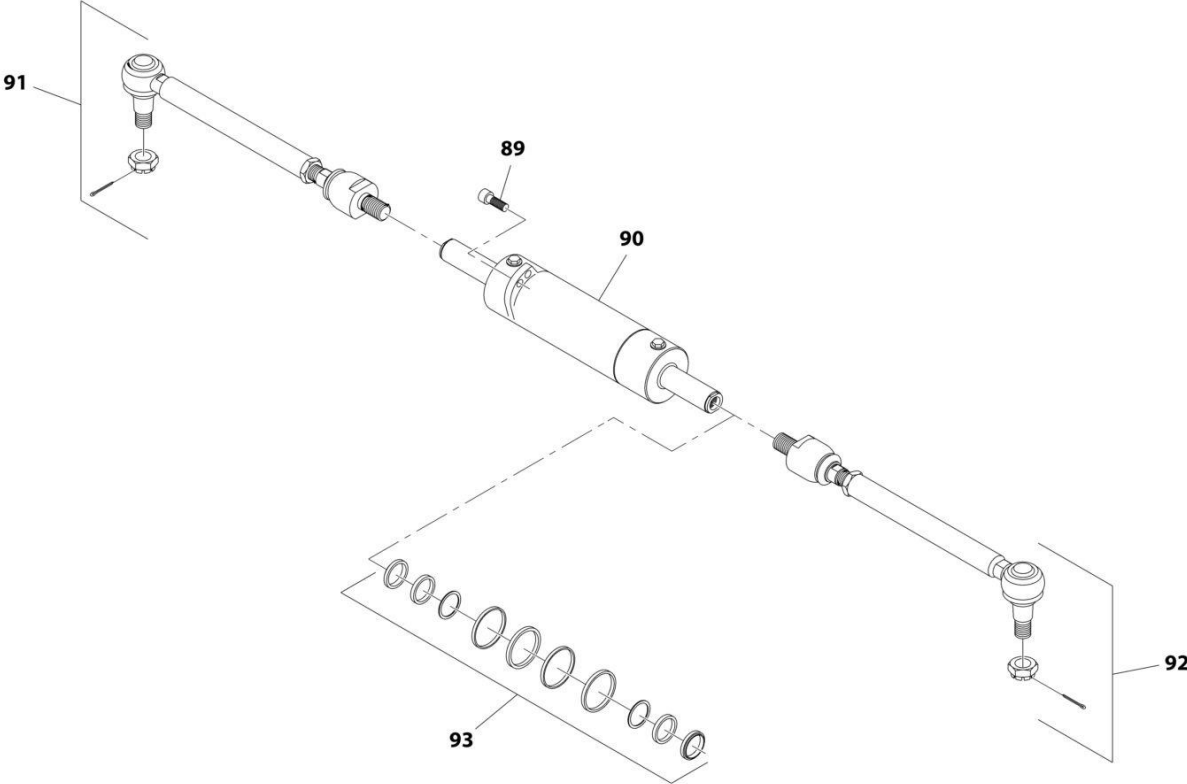
SECTION 5 - DRIVETRAIN

FIGURE 5-44. REAR AXLE, BRAKES (NO FOAM FILL)

ITEM	PART NUMBER	QTY	DESCRIPTION	REV
80	91474568	6	Disc	
81	7029786	6	Bolt, Adjusting	
82	3984425	6	Spring	
83	91514154	2	Bolt	
84	70025823	8	Disc, Intermediate Brake	
85	80204281	2	Bolt, Bleeding	
86	80204117	2	Plug	
87	7029433	2	Dowel	
88	70026823	2	Brakes Piston Kit	

SECTION 5 - DRIVETRAIN

FIGURE 5-45. REAR AXLE, STEERING (NO FOAM FILL)



ART_1001135442_5-C

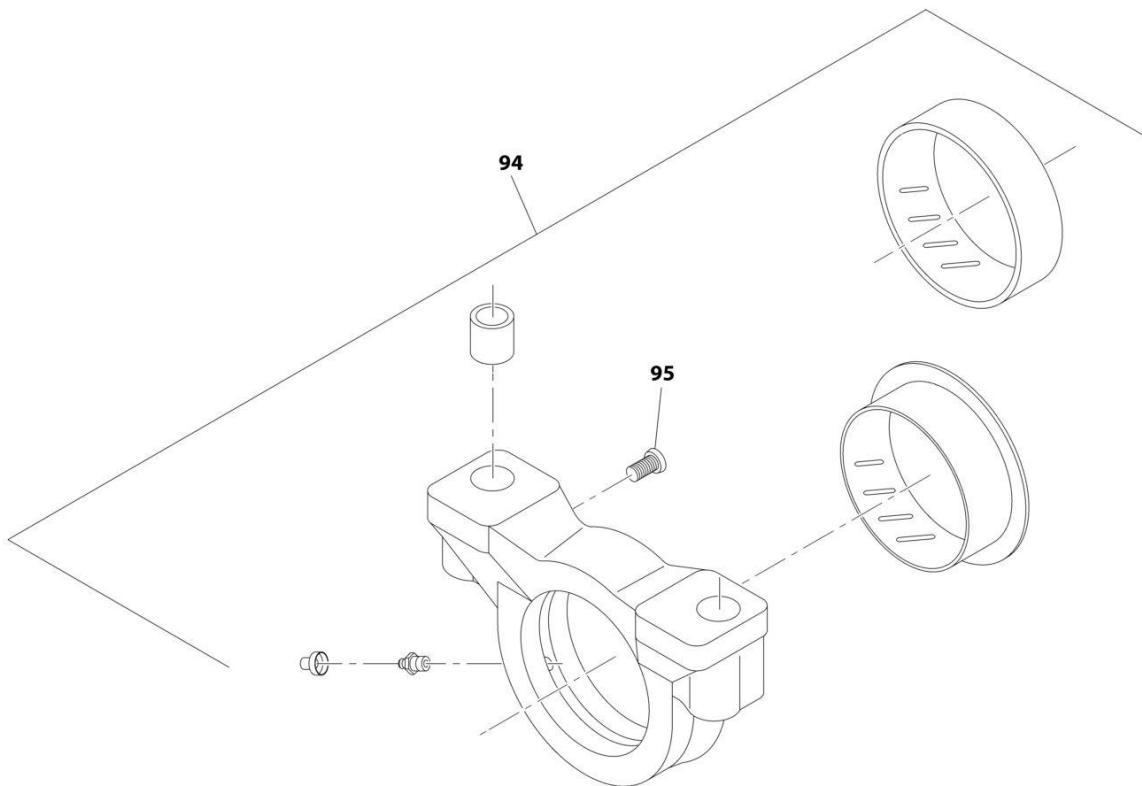
SECTION 5 - DRIVETRAIN

FIGURE 5-45. REAR AXLE, STEERING (NO FOAM FILL)

ITEM	PART NUMBER	QTY	DESCRIPTION	REV
89	91474522	4	Bolt	
90	70025566	1	Cylinder	
91	70026752	1	Bar	
91	70022773	1	Nut	
92	70026751	1	Bar	
92	70022773	1	Nut	
93	70025842	1	Kit, Seal	

SECTION 5 - DRIVETRAIN

FIGURE 5-46. REAR AXLE, TRUNION (NO FOAM FILL) (3614RS)



ART_1001135442_6-C

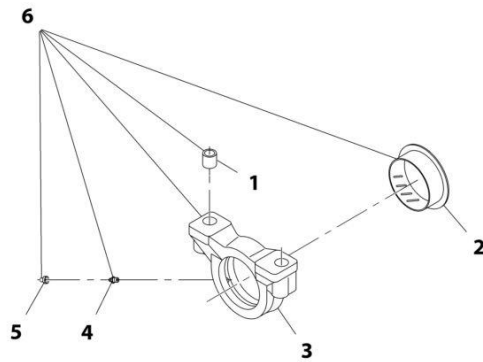
SECTION 5 - DRIVETRAIN

FIGURE 5-46. REAR AXLE, TRUNION (NO FOAM FILL) (3614RS)

ITEM	PART NUMBER	QTY	DESCRIPTION	REV
94	70026630	2	Trunion Kit	
95	70025884	2	Bolt	

SECTION 5 - DRIVETRAIN

FIGURE 5-47. REAR AXLE, TRUNION KIT (NO FOAM FILL)



ART_1001135442_7-C

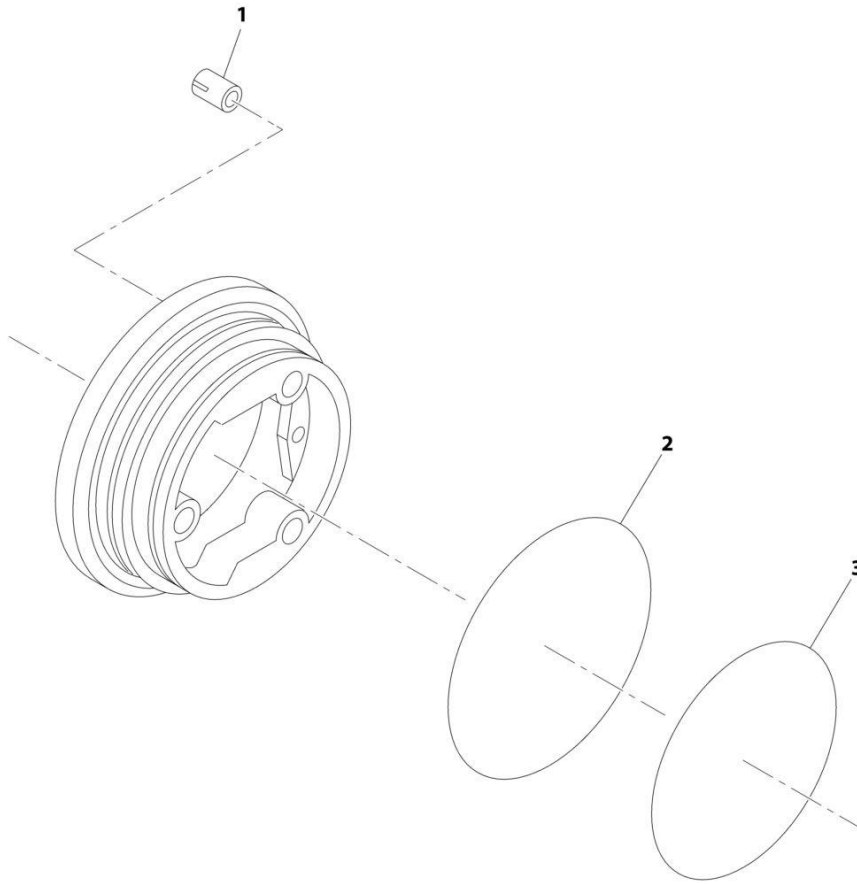
SECTION 5 - DRIVETRAIN

FIGURE 5-47. REAR AXLE, TRUNION KIT (NO FOAM FILL)

ITEM	PART NUMBER	QTY	DESCRIPTION	REV
1	91474516	4	Bushing, Reduction	
2	91474515	2	Bushing, Thrust	
3	7028083	2	Support	
4	91514099	2	Fitting, Grease	
5	80204117	2	Plug	
6	7028084	2	Support	

SECTION 5 - DRIVETRAIN

FIGURE 5-48. PISTON KIT



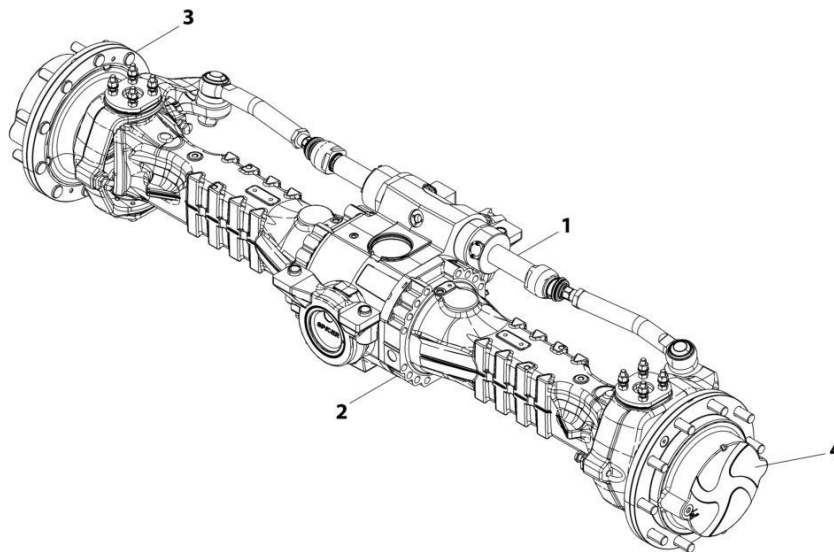
ART_70026823

FIGURE 5-48. PISTON KIT

ITEM	PART NUMBER	QTY	DESCRIPTION	REV
	70026823	Ref	Kit, Piston	
1	91514165	3	Spring	
2	70025821	1	O-Ring	
3	70025822	1	O-Ring	

SECTION 5 - DRIVETRAIN

FIGURE 5-49. REAR AXLE (FOAM FILL) (4017RS) (SN 1160007024 through 1160007543, Excluding 1160007516 and 1160007537)



ART_1001151718-E

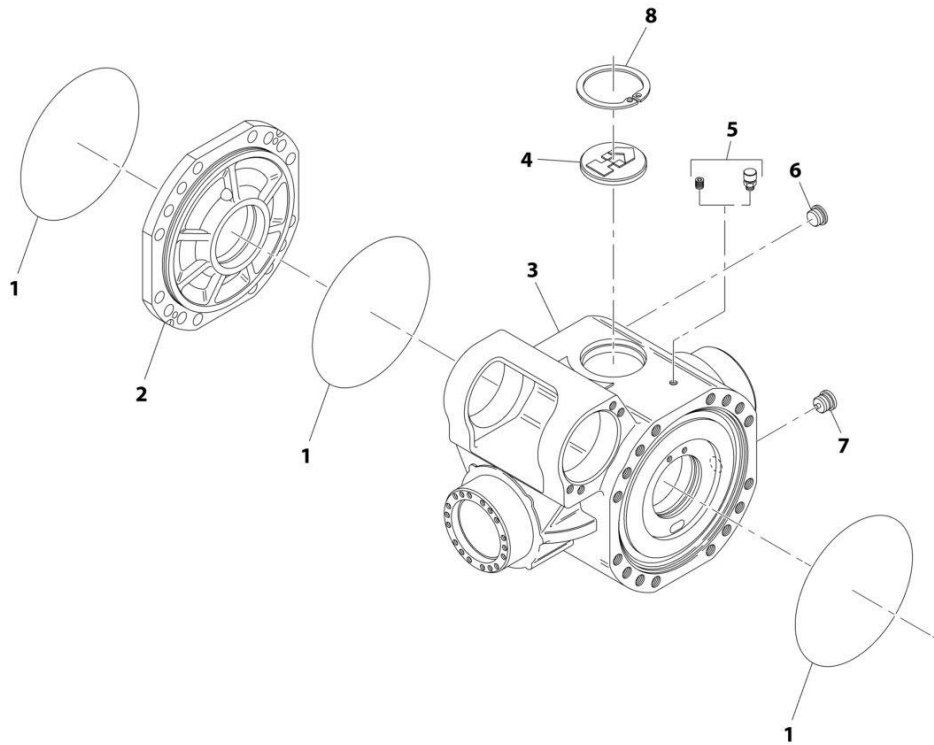
SECTION 5 - DRIVETRAIN

FIGURE 5-49. REAR AXLE (FOAM FILL) (4017RS) (SN 1160007024 through 1160007543, Excluding 1160007516 and 1160007537)

ITEM	PART NUMBER	QTY	DESCRIPTION	REV
	1001151718	Ref	Rear Axle (Foam Fill)	E
1		Ref	Rear Axle, Central housing (Foam Fill) (See REAR AXLE, CENTRAL HOUSING (FOAM FILL) for Breakdown)	
2		Ref	Rear Axle, Differential (Foam Fill) (See REAR AXLE, DIFFERENTIAL (FOAM FILL) for Breakdown)	
3		Ref	Rear Axle, Hub Reduction (Foam Fill) (See REAR AXLE, HUB REDUCTION (FOAM FILL) for Breakdown)	
4		Ref	Rear Axle, Brakes (Foam Fill) (See REAR AXLE, BRAKES (FOAM FILL) for Breakdown)	
5		Ref	Rear Axle, Steering (Foam Fill) (See REAR AXLE, STEERING (FOAM FILL) for Breakdown)	
6		Ref	Rear Axle, Trunion (Foam Fill) (See REAR AXLE, TRUNION (FOAM FILL) for Breakdown)	

SECTION 5 - DRIVETRAIN

FIGURE 5-50. REAR AXLE, CENTRAL HOUSING (FOAM FILL) (4017RS) (SN 1160007024 through 1160007543, Excluding 1160007516 and 1160007537)



ART_1001151718_1-E

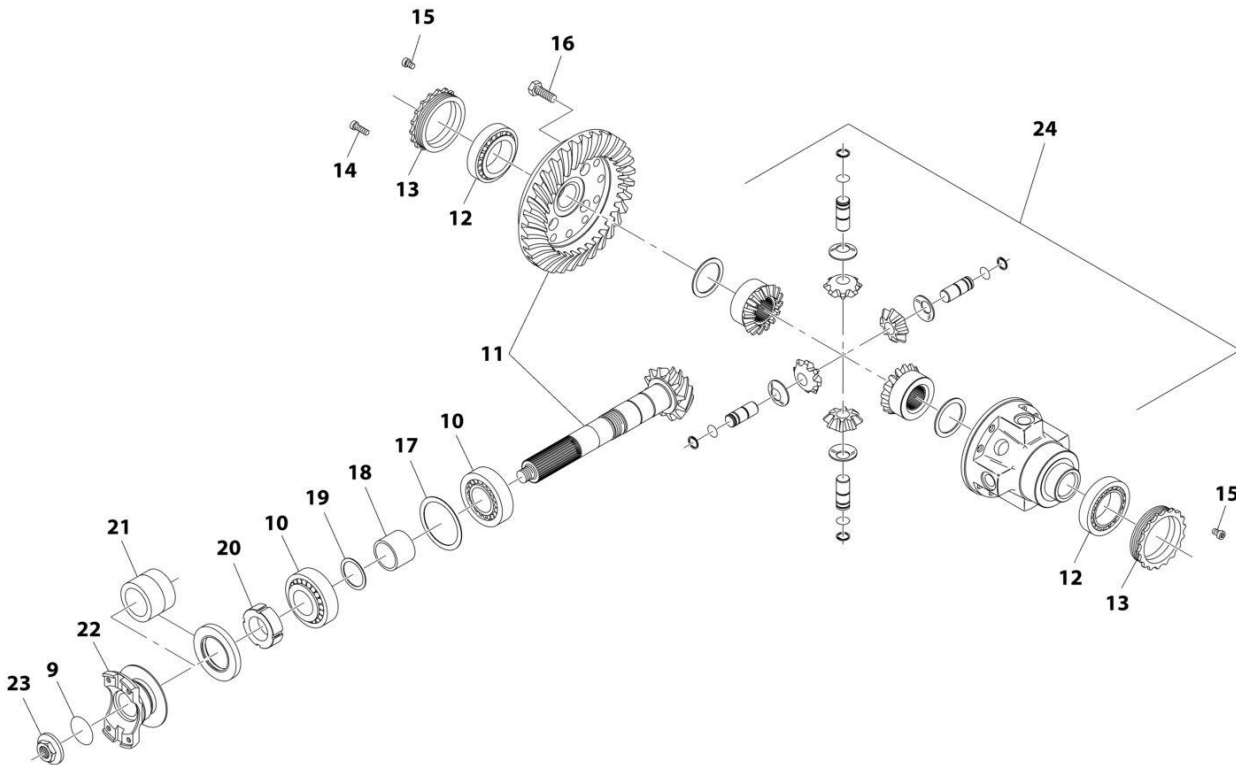
SECTION 5 - DRIVETRAIN

FIGURE 5-50. REAR AXLE, CENTRAL HOUSING (FOAM FILL) (4017RS) (SN 1160007024 through 1160007543, Excluding 1160007516 and 1160007537)

ITEM	PART NUMBER	QTY	DESCRIPTION	REV
1	91474507	3	O-Ring	
2	70024519	1	Cover	
3	70026977	1	Housing	
4	91514098	1	Plug	
5	91474512	1	Vent	
6	91514188	1	Plug	
7	91474513	1	Plug, Magnet	
8	80204005	1	Circlip	

SECTION 5 - DRIVETRAIN

FIGURE 5-51. REAR AXLE, DIFFERENTIAL (FOAM FILL) (4017RS) (SN 1160007024 through 1160007543, Excluding 1160007516 and 1160007537)



ART_1001151718_2-E

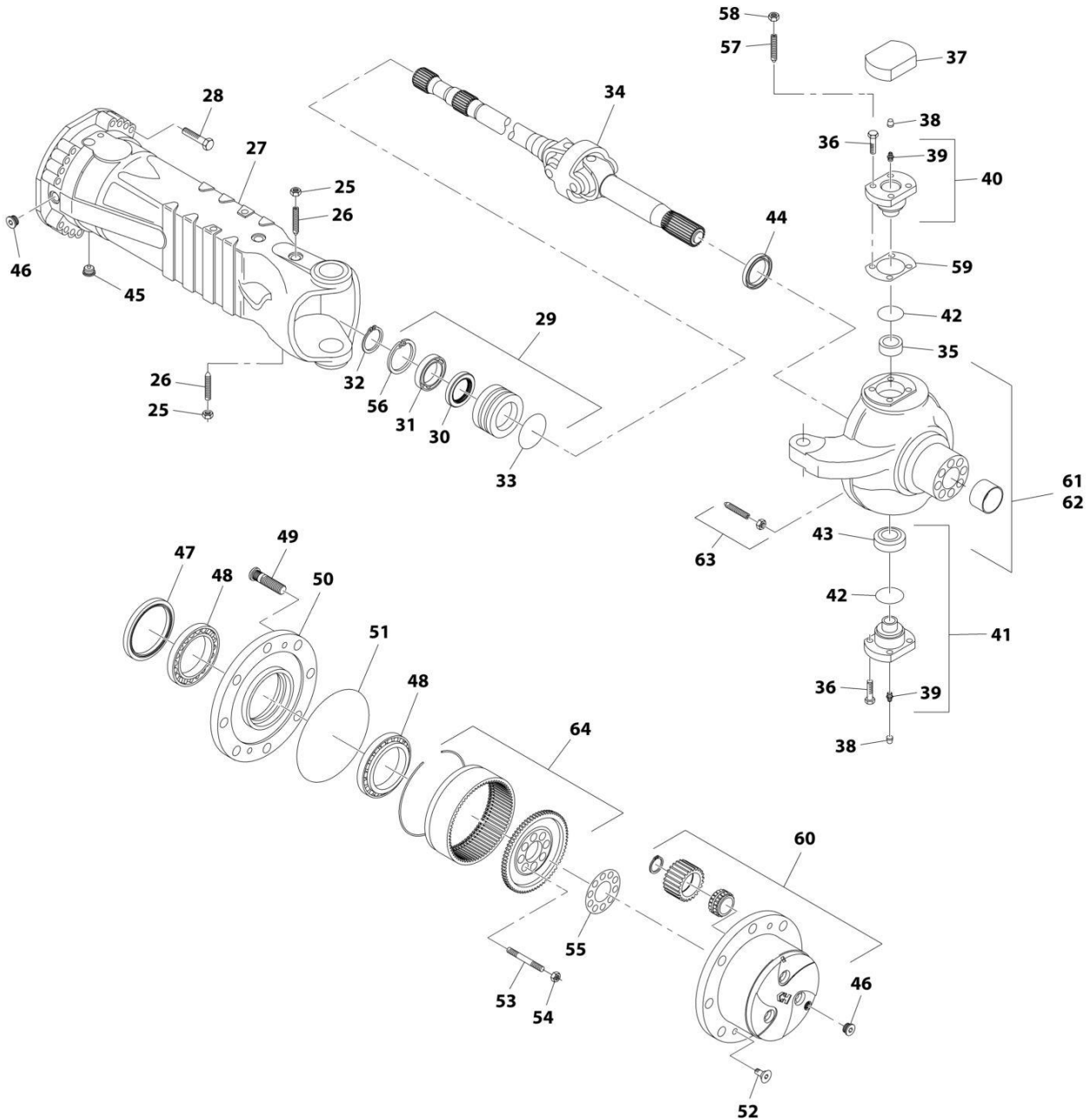
SECTION 5 - DRIVETRAIN

FIGURE 5-51. REAR AXLE, DIFFERENTIAL (FOAM FILL) (4017RS) (SN 1160007024 through 1160007543, Excluding 1160007516 and 1160007537)

ITEM	PART NUMBER	QTY	DESCRIPTION	REV
9	91474529	1	O-Ring	
10	3968141	2	Bearing, Taper Roller	
11	70025554	1	Set, Bevel Gear	
12	70028471	2	Bearing, Taper Roller	
13	91474547	2	Nut, Ring	
14	91474591	4	Bolt	
15	91514134	2	Bolt	
16	70025562	12	Bolt	
17	70025555	1	Kit, Shim	
18	91474539	1	Spacer	
19	70025556	1	Kit, Shim	
20	91474533	1	Nut, Ring	
21	70024522	1	Seal	
22	7029427	1	Flange Plate Kit	
23	70026631	1	Nut	
24	91474596	1	Differential Kit	

SECTION 5 - DRIVETRAIN

FIGURE 5-52. REAR AXLE, HUB REDUCTION (FOAM FILL) (4017RS) (SN 1160007024 through 1160007543, Excluding 1160007516 and 1160007537)



ART_1001151718_3-E

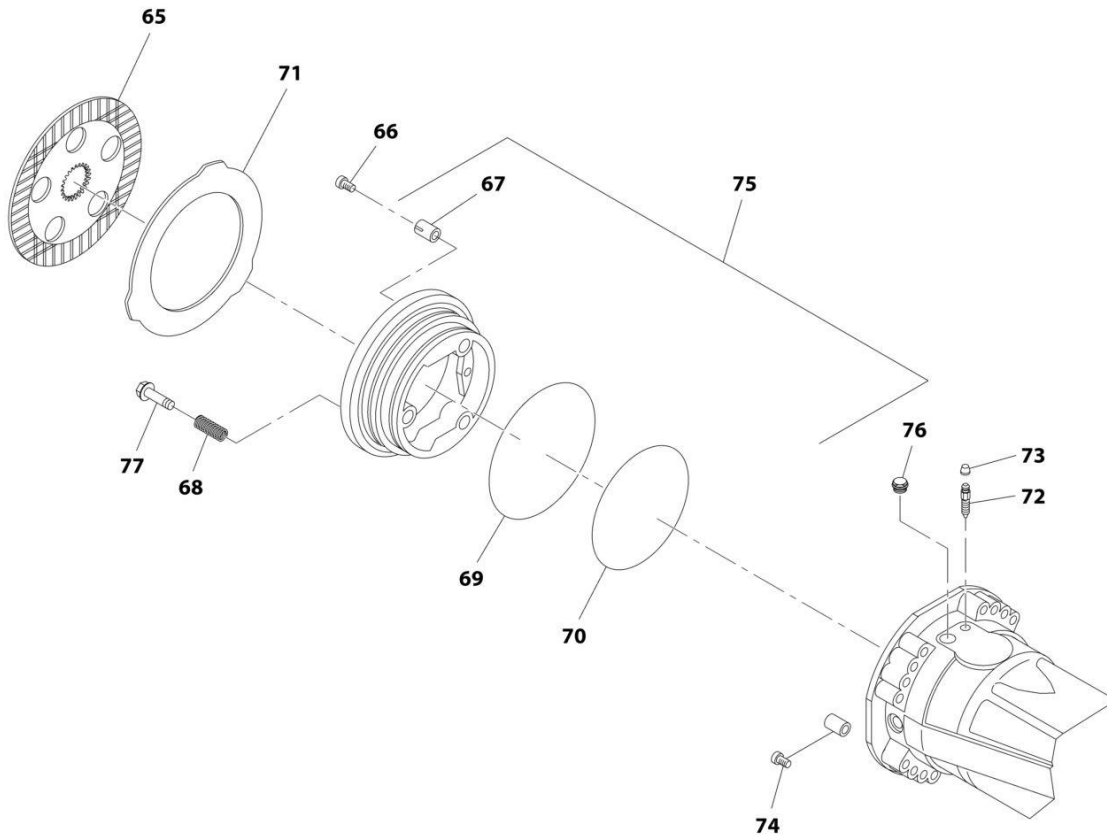
SECTION 5 - DRIVETRAIN

FIGURE 5-52. REAR AXLE, HUB REDUCTION (FOAM FILL) (4017RS) (SN 1160007024 through 1160007543, Excluding 1160007516 and 1160007537)

ITEM	PART NUMBER	QTY	DESCRIPTION	REV
25	91514082	2	Nut	
26	91514081	2	Bolt	
27	70025557	2	Case, Axle	
28	70022799	32	Bolt	
29	91514149	2	Bushing, Reduction	
30	91514147	2	Seal	
31	91514146	2	Bearing, Ball	
32	80204071	2	Circlip	
33	91514148	2	O-Ring	
34	70026071	2	Joint, Double Universal	
35	7028714	2	Bushing	
36	70025562	12	Bolt	
37	70028392	2	Cover	
38	80204117	2	Plug	
39	70024881	2	Fitting, Grease	
40	91514112	2	Pin, Pivot	
41	7028715	2	Pin, Pivot	
42	7028716	2	Seal, Dust	
43	91514095	2	Bearing	
44	70025857	2	Seal	
45	91474513	2	Plug, Magnet	
46	91514188	4	Plug	
47	7028721	2	Seal	
48	91474576	4	Bearing	
49	8000877	20	Stud, Wheel	
50	7028722	2	Hub, Wheel	
51	91514181	2	O-Ring	
52	91514189	4	Bolt, Countersunk	
53	70027315	20	Stud	
54	91474584	20	Nut	
55	91474582	2	Plate, Locking	
56	80204005	2	Circlip	
57	70025819	8	Stud	
58	91514120	8	Nut	
59	70025561	1	Kit, Shim	
60	70040710	1	Carrier, Planet Gear	
61	7028729	1	Case, Steering LH	
62	7028730	1	Case, Steering RH	
63	7028733	4	Bolt, Steering Adjusting	
64	70025551	2	Support, Ring Gear	

SECTION 5 - DRIVETRAIN

FIGURE 5-53. REAR AXLE, BRAKES (FOAM FILL) (4017RS) (SN 1160007024 through 1160007543, Excluding 1160007516 and 1160007537)



ART_1001151718_4-E

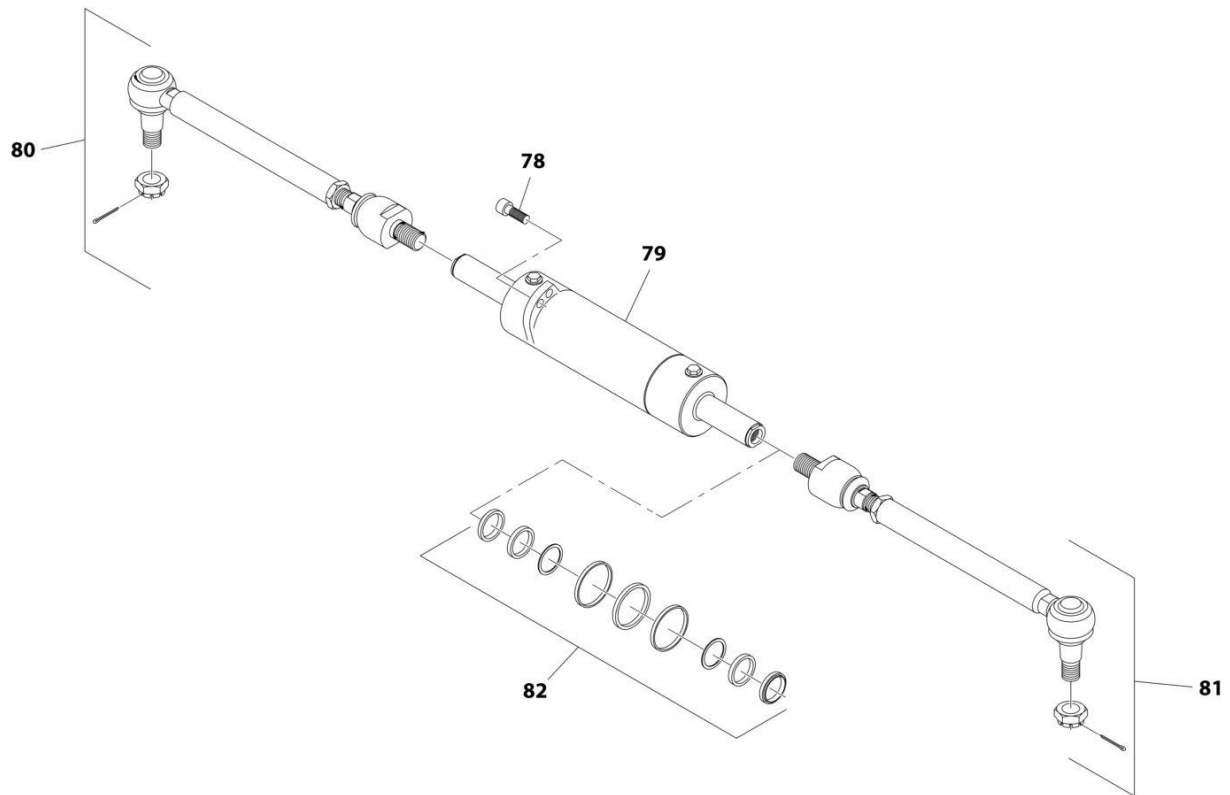
SECTION 5 - DRIVETRAIN

FIGURE 5-53. REAR AXLE, BRAKES (FOAM FILL) (4017RS) (SN 1160007024 through 1160007543, Excluding 1160007516 and 1160007537)

ITEM	PART NUMBER	QTY	DESCRIPTION	REV
65	91474568	6	Disc	
66	7029786	6	Bolt, Adjusting	
67	70027317	6	Spring	
68	91514159	6	Spring	
69	70025821	2	O-Ring	
70	70025822	2	O-Ring	
71	70025823	8	Disc, Intermediate Brake	
72	80204281	2	Bolt, Bleeding	
73	80204117	2	Plug	
74	70021613	2	Pilot Bolt	
75	70027772	2	Piston	
76	91514154	2	Plug	
77	70024210	6	Bolt, Adjusting	

SECTION 5 - DRIVETRAIN

FIGURE 5-54. REAR AXLE, STEERING (FOAM FILL) (4017RS) (SN 1160007024 through 1160007543, Excluding 1160007516 and 1160007537)



ART_1001151718_5-E

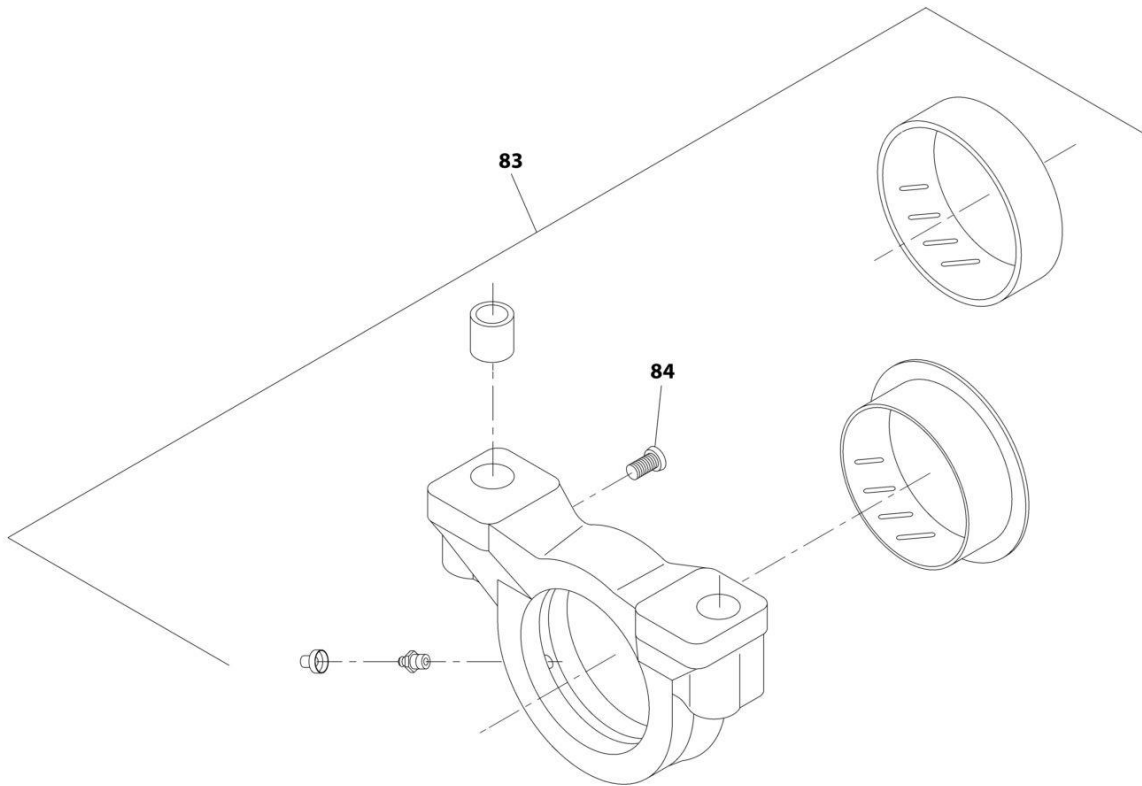
SECTION 5 - DRIVETRAIN

FIGURE 5-54. REAR AXLE, STEERING (FOAM FILL) (4017RS) (SN 1160007024 through 1160007543, Excluding 1160007516 and 1160007537)

ITEM	PART NUMBER	QTY	DESCRIPTION	REV
78	91474522	4	Bolt	
79	70025553	1	Cylinder	
80	8007803	1	Bar	
80	70022773	1	Nut	
81	8007804	1	Bar	
81	70022773	1	Nut	
82	70025842	1	Seal, Kit	

SECTION 5 - DRIVETRAIN

FIGURE 5-55. REAR AXLE, TRUNION (FOAM FILL) (4017RS) (SN 1160007024 through 1160007543,
Excluding 1160007516 and 1160007537)



ART_1001151718_6-E

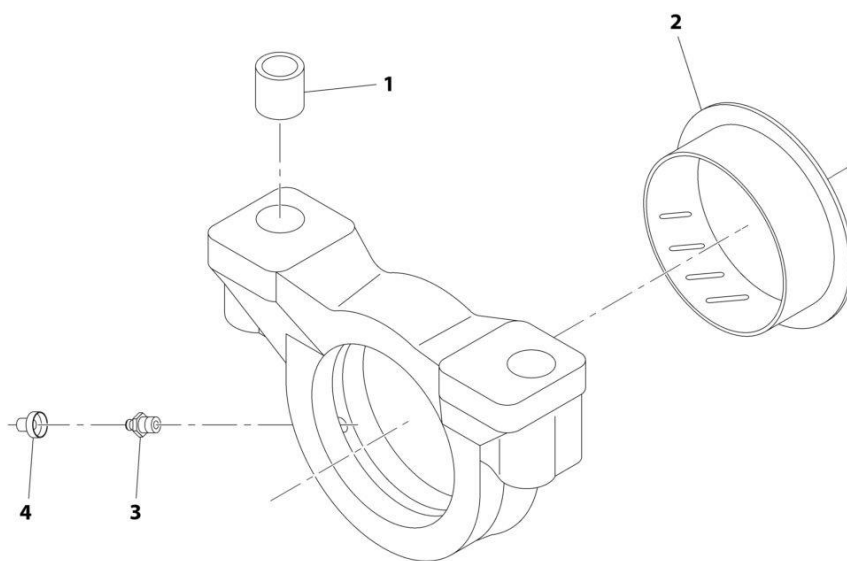
SECTION 5 - DRIVETRAIN

**FIGURE 5-55. REAR AXLE, TRUNION (FOAM FILL) (4017RS) (SN 1160007024 through 1160007543,
Excluding 1160007516 and 1160007537)**

ITEM	PART NUMBER	QTY	DESCRIPTION	REV
83	7028084	2	Support (See Separate Breakdown in this Section)	

SECTION 5 - DRIVETRAIN

FIGURE 5-56. SUPPORT (FOAM FILL) (4017RS) (SN 1160007024 through 1160007543, Excluding 1160007516 and 1160007537)



ART_7028084

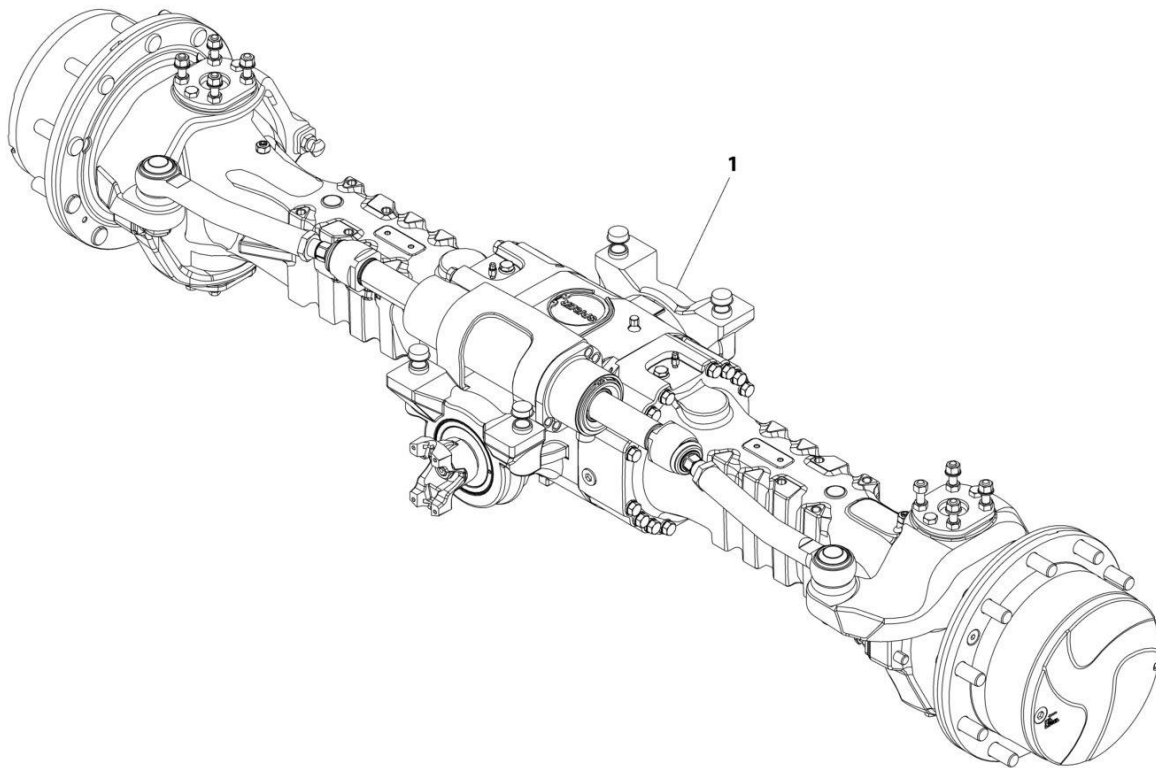
SECTION 5 - DRIVETRAIN

FIGURE 5-56. SUPPORT (FOAM FILL) (4017RS) (SN 1160007024 through 1160007543, Excluding 1160007516 and 1160007537)

ITEM	PART NUMBER	QTY	DESCRIPTION	REV
	7028084	Ref	Support	
1	91474516	4	Bushing, Reduction	
2	91474515	2	Bushing, Thrust	
3	70024881	2	Fitting, Grease	
4	80204117	2	Plug	

SECTION 5 - DRIVETRAIN

FIGURE 5-57. REAR AXLE (FOAM FILL) (4017RS) (SN 1160007543 through 1160008790, Including 1160007516 and 1160007537)



ART_1001182622-B

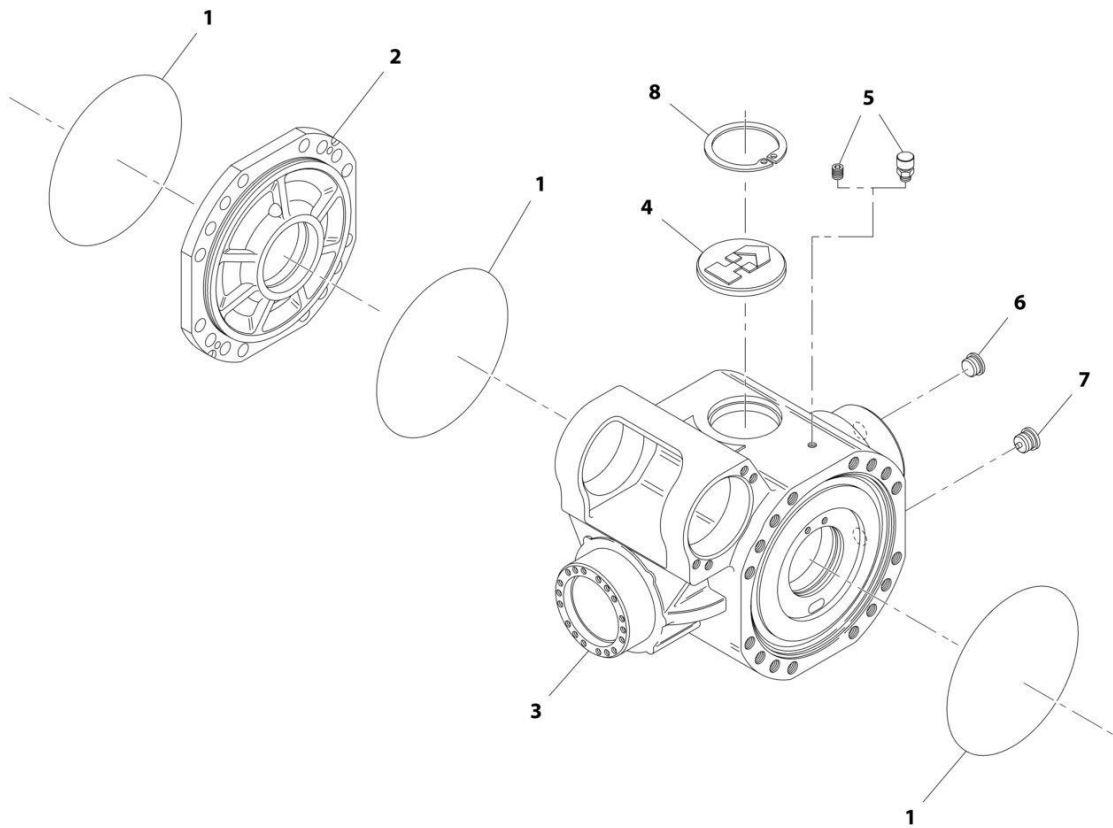
SECTION 5 - DRIVETRAIN

FIGURE 5-57. REAR AXLE (FOAM FILL) (4017RS) (SN 1160007543 through 1160008790, Including 1160007516 and 1160007537)

ITEM	PART NUMBER	QTY	DESCRIPTION	REV
	1001182622	Ref	Rear Axle (Foam Fill)	A
1		Ref	Rear Axle, Central Housing (Foam Fill) (See Separate Breakdown in this Section)	
2		Ref	Rear Axle, Differential (Foam Fill) (See Separate Breakdown in this Section)	
3		Ref	Rear Axle, Hub Reduction (Foam Fill) (See Separate Breakdown in this Section)	
4		Ref	Rear Axle, Brakes (Foam Fill) (See Separate Breakdown in this Section)	
5		Ref	Rear Axle, Steering (Foam Fill) (See Separate Breakdown in this Section)	
6		Ref	Rear Axle, Trunion (Foam Fill) (See Separate Breakdown in this Section)	

SECTION 5 - DRIVETRAIN

FIGURE 5-58. REAR AXLE, CENTRAL HOUSING (FOAM FILL) (4017RS) (SN 1160007543 through 1160008790, Including 1160007516 and 1160007537)



ART_1001182622_1-B

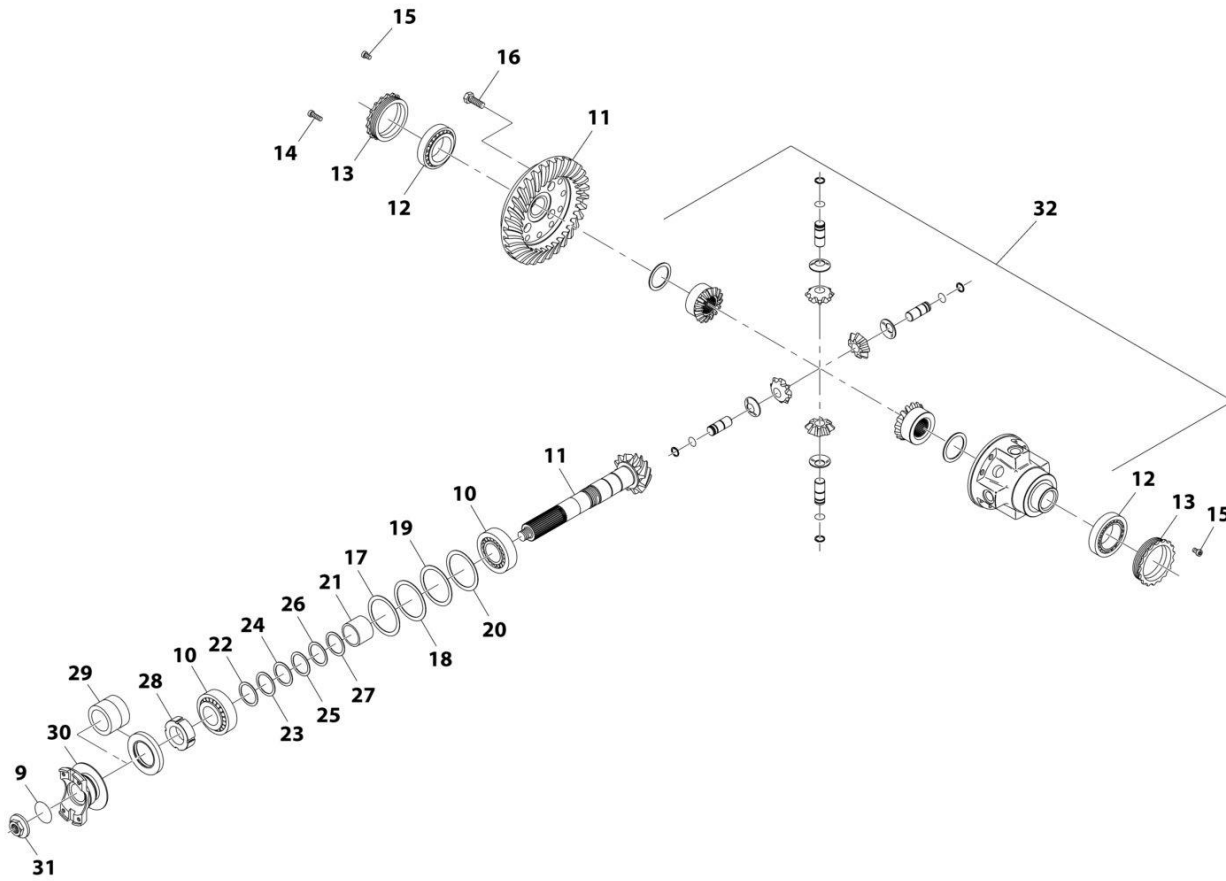
SECTION 5 - DRIVETRAIN

FIGURE 5-58. REAR AXLE, CENTRAL HOUSING (FOAM FILL) (4017RS) (SN 1160007543 through 1160008790, Including 1160007516 and 1160007537)

ITEM	PART NUMBER	QTY	DESCRIPTION	REV
1	91474507	3	O-Ring	
2	70024519	1	Cover	
3	70026977	1	Housing	
4	91514098	1	Plug	
5	91474512	1	Vent	
6	91514188	1	Plug	
7	91474513	1	Magnetic Plug	
9	80204005	1	Circlip	

SECTION 5 - DRIVETRAIN

FIGURE 5-59. REAR AXLE, DIFFERENTIAL (4017RS) (SN 1160007543 through 1160008790, Including 1160007516 and 1160007537)



ART_1001182622_2-B

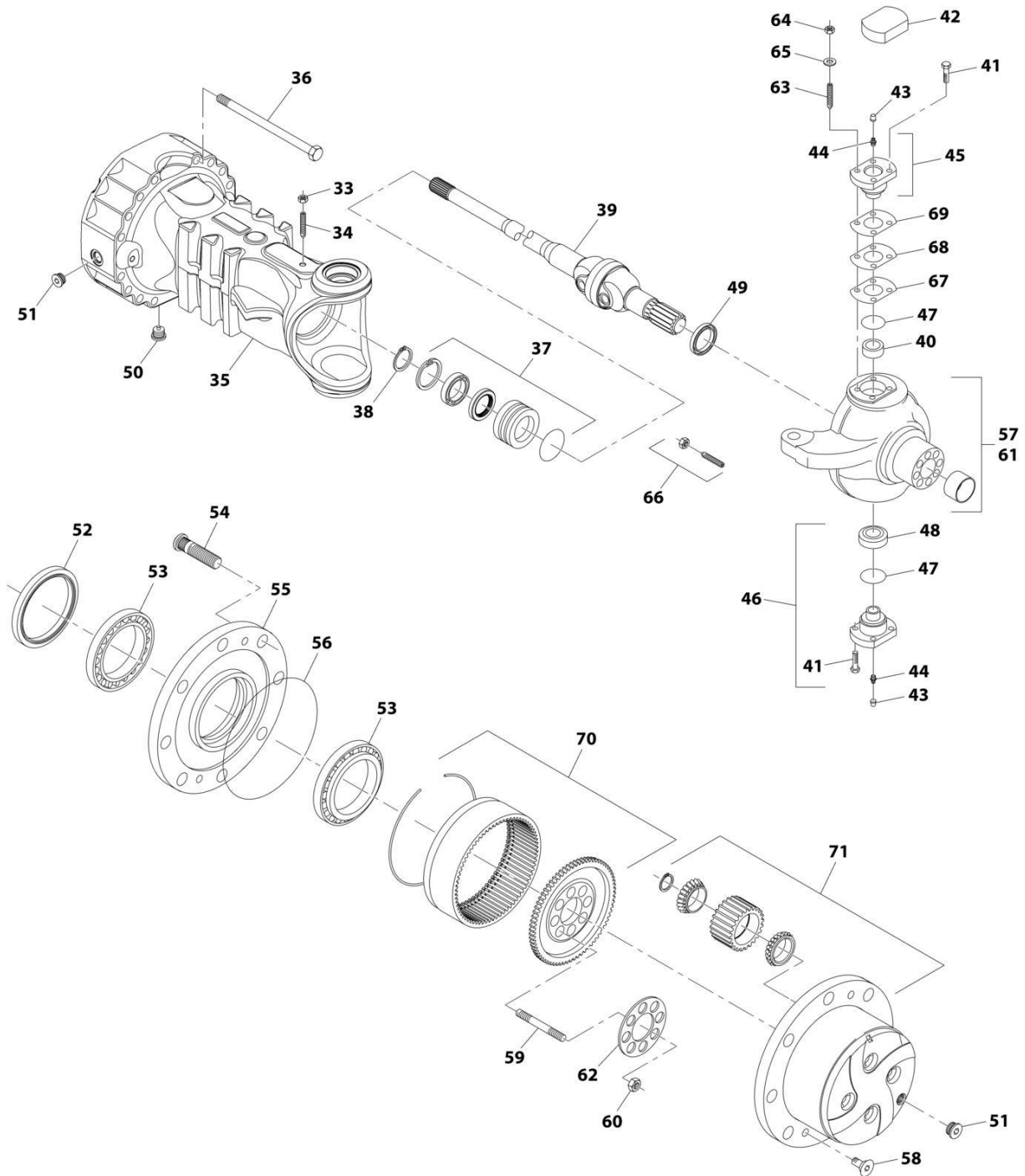
SECTION 5 - DRIVETRAIN

FIGURE 5-59. REAR AXLE, DIFFERENTIAL (4017RS) (SN 1160007543 through 1160008790, Including 1160007516 and 1160007537)

ITEM	PART NUMBER	QTY	DESCRIPTION	REV
9	91474529	1	O-Ring	
10	3968141	2	Taper Roller Bearing	
11	70025554	1	Bevel Gear Set	
12	70026031	2	Taper Roller Bearing	
13	91474547	2	Ring Nut	
14	91474591	4	Cylinder Bolt	
15	91514134	2	Bolt	
16	91514123	12	Bolt	
17	91474540	1	Shim	
18	91474541	1	Shim	
19	91474542	1	Shim	
20	91474543	1	Shim	
21	91474539	1	Spacer	
22	91474535	1	Shim	
23	91474536	1	Shim	
24	91474537	1	Shim	
25	91474538	1	Shim	
26	70024520	1	Shim	
27	70024521	1	Shim	
28	91474533	1	Ring Nut	
29	70024522	1	Seal	
30	7029427	1	Flange	
31	70026631	1	Nut	
32	91474596	1	Differential Kit (See Separate Breakdown in this Section)	

SECTION 5 - DRIVETRAIN

FIGURE 5-60. REAR AXLE, HUB REDUCTION (4017RS) (SN 1160007543 through 1160008790, Including 1160007516 and 1160007537)



ART_1001182622_3-B

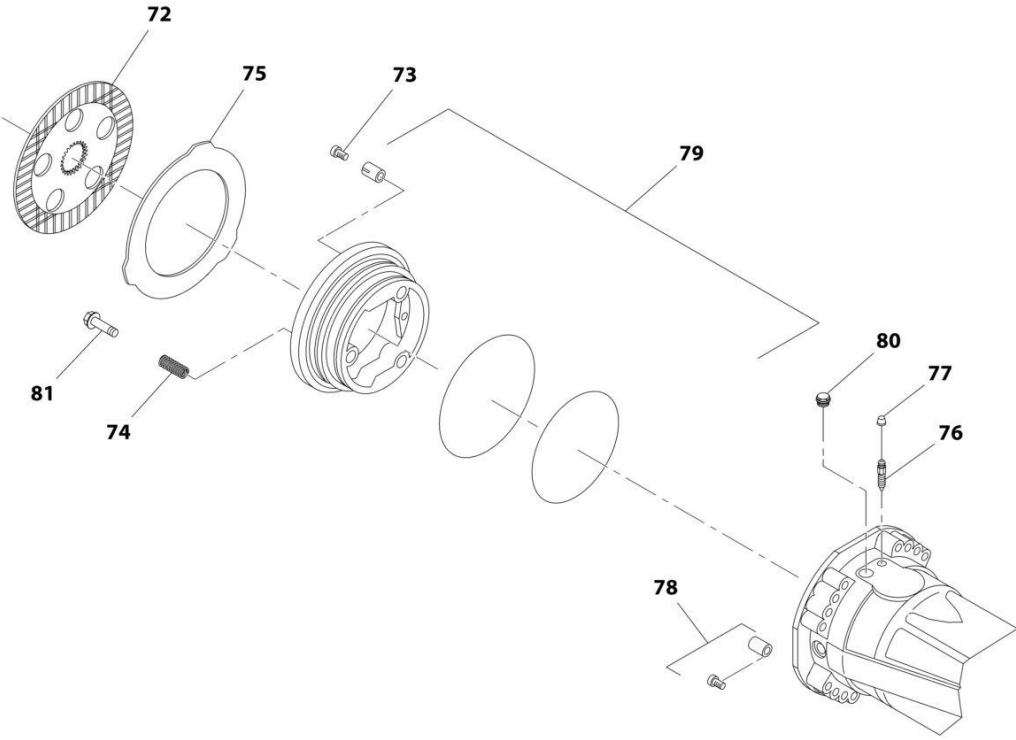
SECTION 5 - DRIVETRAIN

**FIGURE 5-60. REAR AXLE, HUB REDUCTION (4017RS) (SN 1160007543 through 1160008790,
Including 1160007516 and 1160007537)**

ITEM	PART NUMBER	QTY	DESCRIPTION	REV
33	91514082	2	Nut	
34	91514081	2	Bolt	
35	70025557	2	Axle Case	
36	70022799	32	Bolt	
37	91514149	2	Reduction Bushing	
38	80204071	2	Circlip	
39	70027143	2	Double Universal Joint	
40	7028714	2	Bushing	
41	70025562	16	Bolt	
42	70025549	2	Cover	
43	80204117	2	Plug	
44	91514099	4	Grease Fitting	
45	91514112	2	Pivot Pin	
46	7028715	2	Pivot Pin	
47	7028716	4	Dust Excluder	
48	91514095	2	Bearing	
49	70026238	2	Seal	
50	91474513	2	Magnetic Plug	
51	91514188	4	Plug	
52	7028721	2	Seal	
53	91474576	4	Bearing	
54	8000877	20	Wheel Stud	
55	7028722	2	Wheel Hub	
56	91514181	2	O-Ring	
57	70027144	1	Steering Case Kit LH (See Separate Breakdown in this Section)	
58	91514189	4	Countersunk Bolt	
59	91474583	20	Stud	
60	91474584	20	Nut	
61	70027145	1	Steering Case Kit RH (See Separate Breakdown in this Section)	
62	91474582	2	Locking Plate	
63	70025819	8	Stud	
64	91514120	8	Nut	
65	91514119	8	Washer	
66	7028733	4	Steering Adjust Bolt Kit (See Separate Breakdown in this Section)	
67	91514113	2	Shim	
68	91514114	2	Shim	
69	91514115	2	Shim	
70	70025551	2	Ring Gear Support Kit (See Separate Breakdown in this Section)	
71	70040710	2	Planet Gear Carrier Kit (See Separate Breakdown in this Section)	

SECTION 5 - DRIVETRAIN

FIGURE 5-61. REAR AXLE, BRAKES (4017RS) (SN 1160007543 through 1160008790, Including 1160007516 and 1160007537)



ART_1001182622_4-B

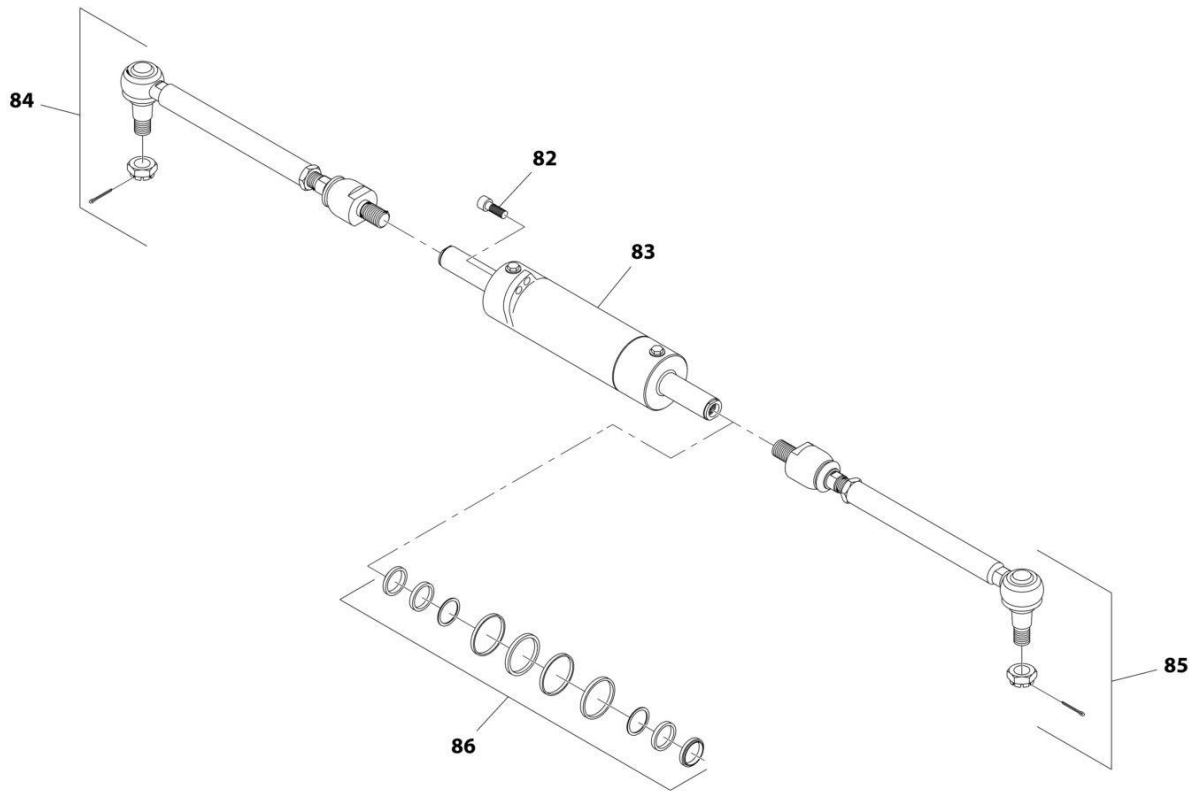
SECTION 5 - DRIVETRAIN

FIGURE 5-61. REAR AXLE, BRAKES (4017RS) (SN 1160007543 through 1160008790, Including 1160007516 and 1160007537)

ITEM	PART NUMBER	QTY	DESCRIPTION	REV
72	91474568	6	Disc	
73	7029786	6	Adjusting Bolt	
74	91514159	6	Spring	
75	70025823	8	Intermediate Brake Disc	
76	2960243	2	Bleeding Bolt	
77	80204117	2	Plug	
78	70021613	2	Pilot Bolt	
79	70025841	2	Piston	
80	91514154	2	Plug	
81	70024210	6	Adjusting Bolt	

SECTION 5 - DRIVETRAIN

FIGURE 5-62. REAR AXLE, STEERING (4017RS) (SN 1160007543 through 1160008790, Including 1160007516 and 1160007537)



ART_1001182622_5-B

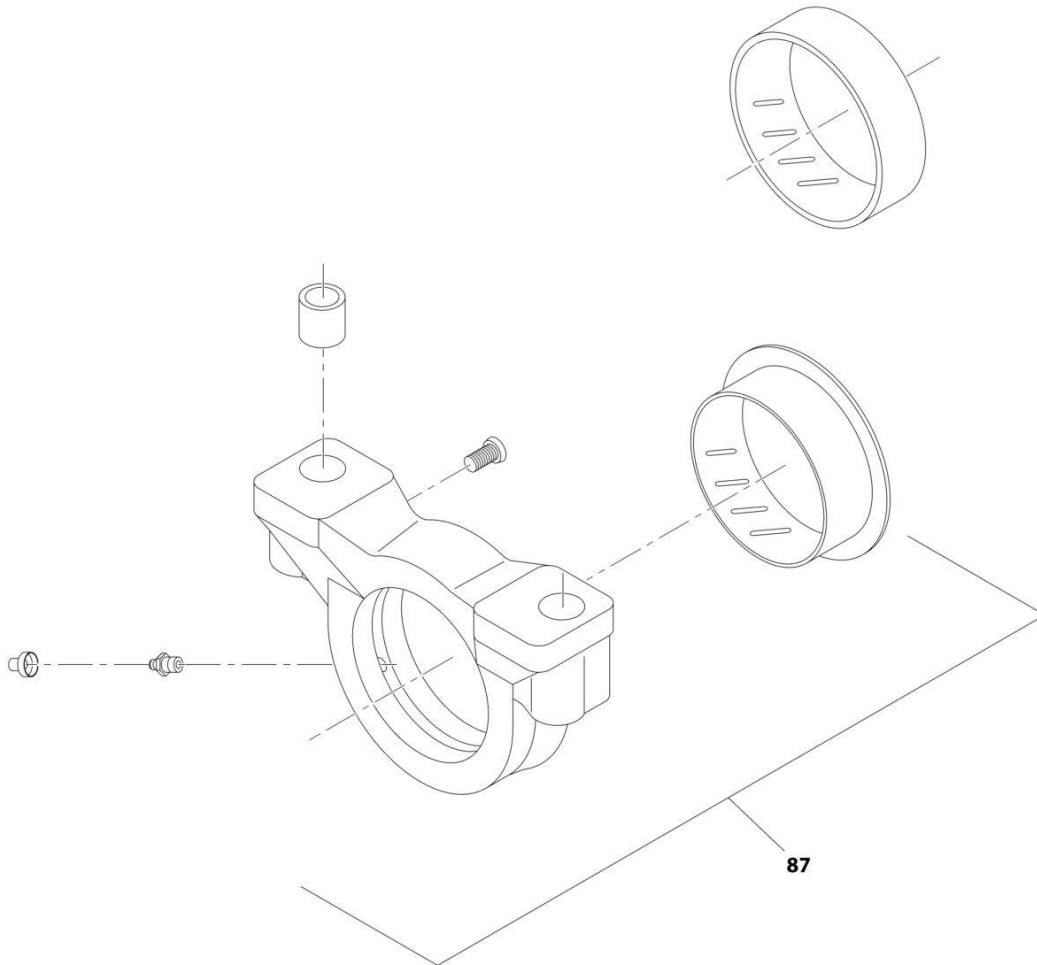
SECTION 5 - DRIVETRAIN

FIGURE 5-62. REAR AXLE, STEERING (4017RS) (SN 1160007543 through 1160008790, Including 1160007516 and 1160007537)

ITEM	PART NUMBER	QTY	DESCRIPTION	REV
82	91474522	4	Bolt	
83	70025566	1	Cylinder	
84	70026752	1	Bar	
84	70022773	1	Nut	
85	70026751	1	Bar	
85	70022773	1	Nut	
86	70025842	1	Seal Kit	

SECTION 5 - DRIVETRAIN

FIGURE 5-63. REAR AXLE, TRUNION (4017RS) (SN 1160007543 through 1160008790, Including 1160007516 and 1160007537)



ART_1001182622_6-B

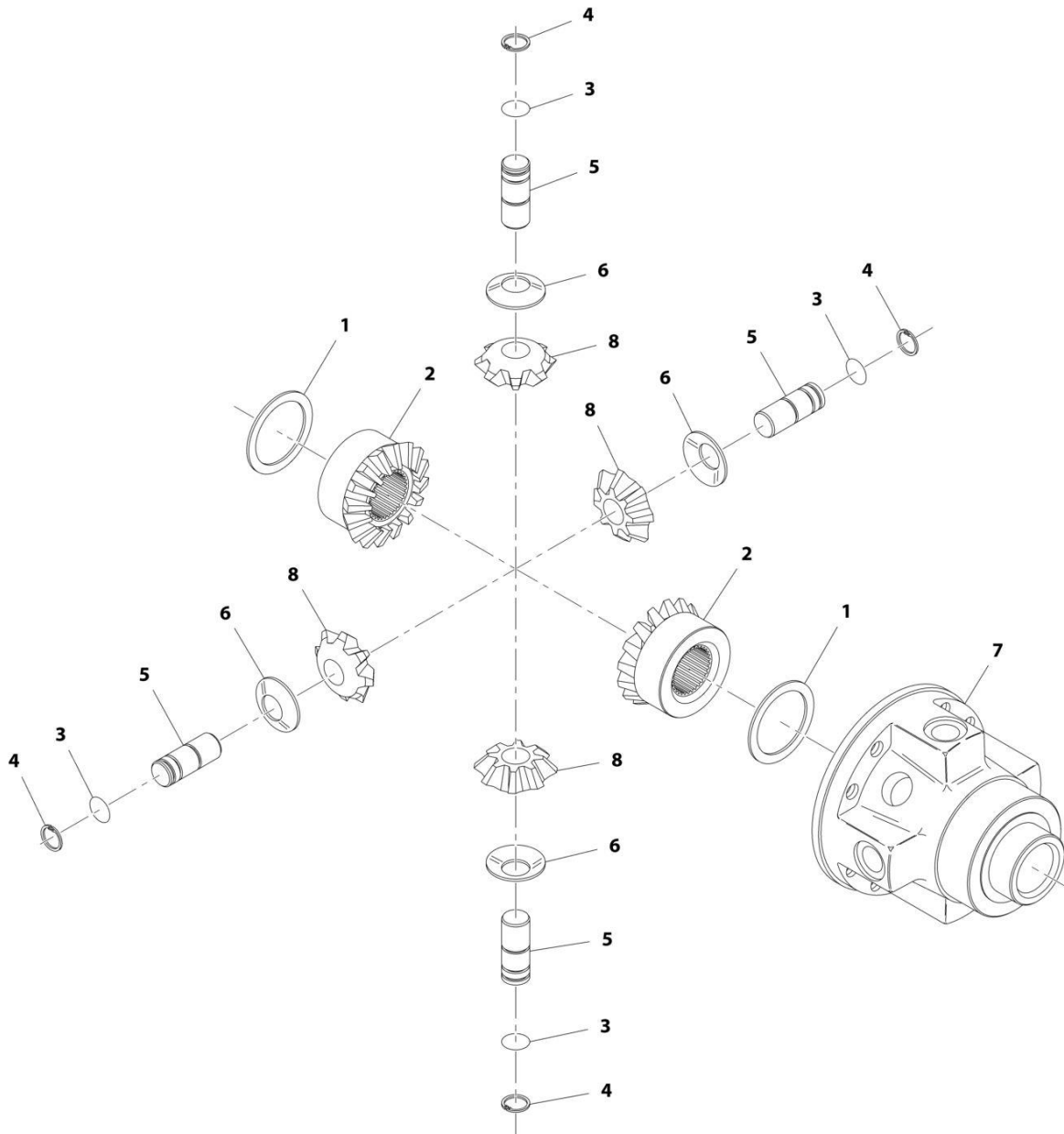
SECTION 5 - DRIVETRAIN

FIGURE 5-63. REAR AXLE, TRUNION (4017RS) (SN 1160007543 through 1160008790, Including 1160007516 and 1160007537)

ITEM	PART NUMBER	QTY	DESCRIPTION	REV
87	70026630	2	Trunion Kit (See Separate Breakdown in this Section)	

SECTION 5 - DRIVETRAIN

FIGURE 5-64. DIFFERENTIAL KIT (4017RS) (SN 1160007543 through 1160008790, Including 1160007516 and 1160007537)



ART_1001182622_7-B

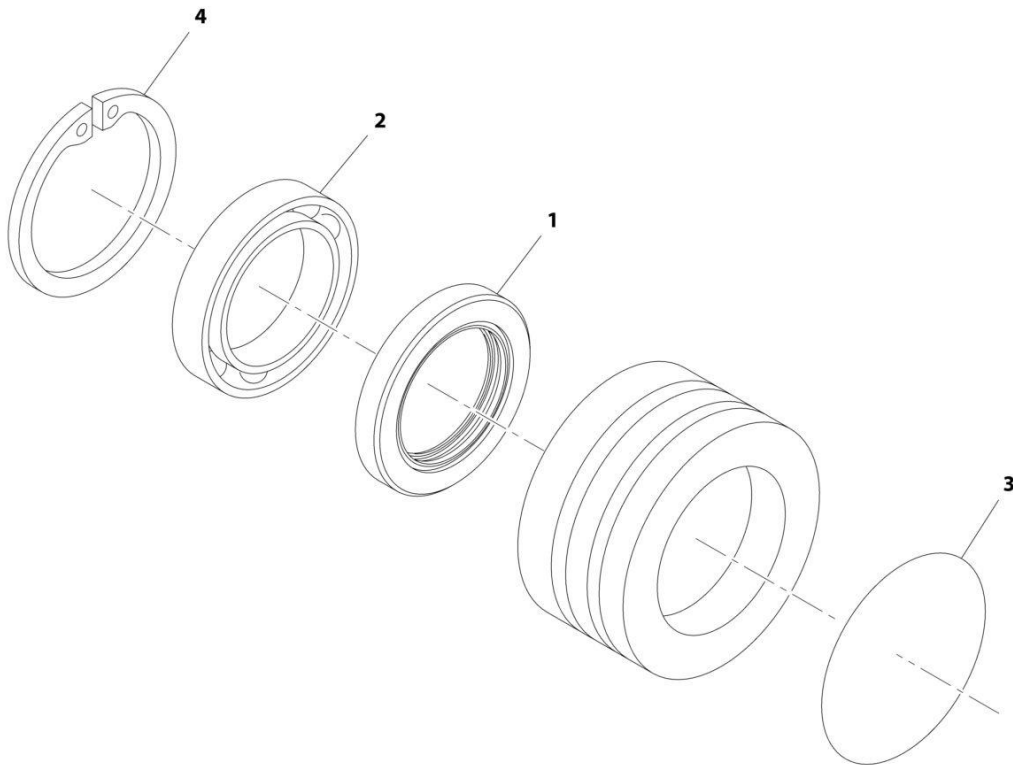
SECTION 5 - DRIVETRAIN

FIGURE 5-64. DIFFERENTIAL KIT (4017RS) (SN 1160007543 through 1160008790, Including 1160007516 and 1160007537)

ITEM	PART NUMBER	QTY	DESCRIPTION	REV
	91474596	Ref	Differential Kit	
1	91474593	2	Friction Washer	
2	91474594	2	Differential Side Gear	
3	91474551	4	Circlip	
4	91474550	4	Circlip	
5	7029131	4	Pin	
6	91474553	4	Friction Washer	
7	91474595	1	Differential Carrier	
8	7029129	4	Differential Pinion	

SECTION 5 - DRIVETRAIN

FIGURE 5-65. REDUCTION BUSHING (4017RS) (SN 1160007543 through 1160008790, Including 1160007516 and 1160007537)



ART_1001182622_8-B

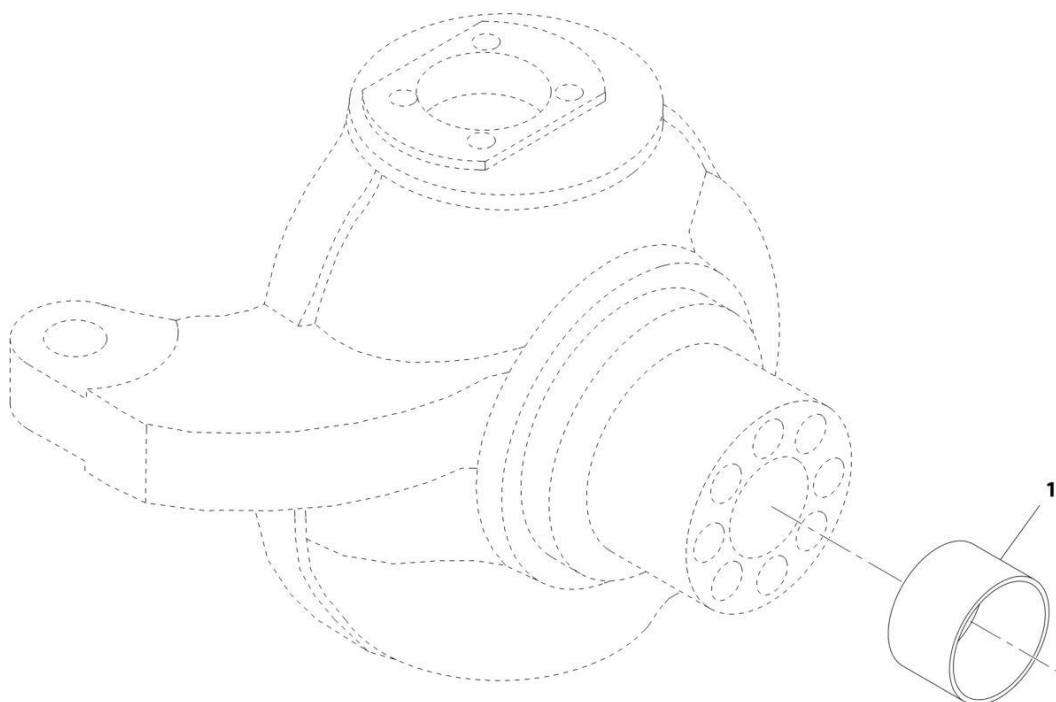
SECTION 5 - DRIVETRAIN

FIGURE 5-65. REDUCTION BUSHING (4017RS) (SN 1160007543 through 1160008790, Including 1160007516 and 1160007537)

ITEM	PART NUMBER	QTY	DESCRIPTION	REV
	91514149	Ref	Reduction Bushing	
1	91514147	2	Seal	
2	91514146	2	Ball Bearing	
3	91514148	2	O-Ring	
4	80204005	2	Circlip	

SECTION 5 - DRIVETRAIN

FIGURE 5-66. STEERING CASE KIT LH (4017RS) (SN 1160007543 through 1160008790, Including 1160007516 and 1160007537)



ART_1001182622_9-B

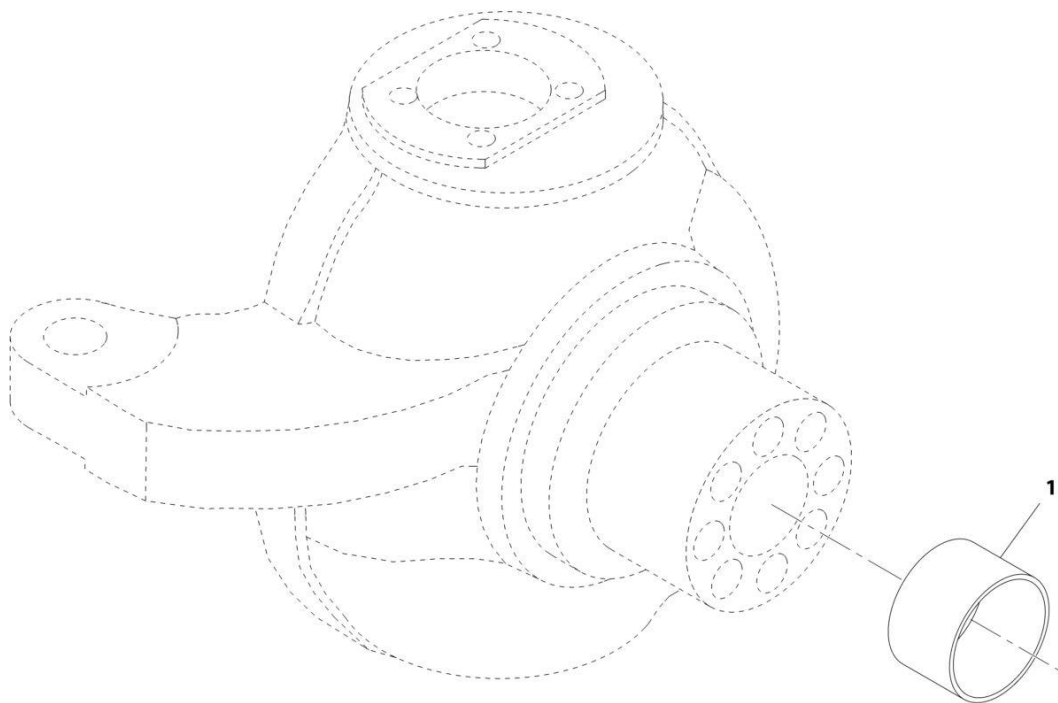
SECTION 5 - DRIVETRAIN

FIGURE 5-66. STEERING CASE KIT LH (4017RS) (SN 1160007543 through 1160008790, Including 1160007516 and 1160007537)

ITEM	PART NUMBER	QTY	DESCRIPTION	REV
1	70027144 91514111	Ref 2	Steering Case Kit LH Thrust Bushing	

SECTION 5 - DRIVETRAIN

FIGURE 5-67. STEERING CASE KIT RH (4017RS) (SN 1160007543 through 1160008790, Including 1160007516 and 1160007537)



ART_1001182622_10-B

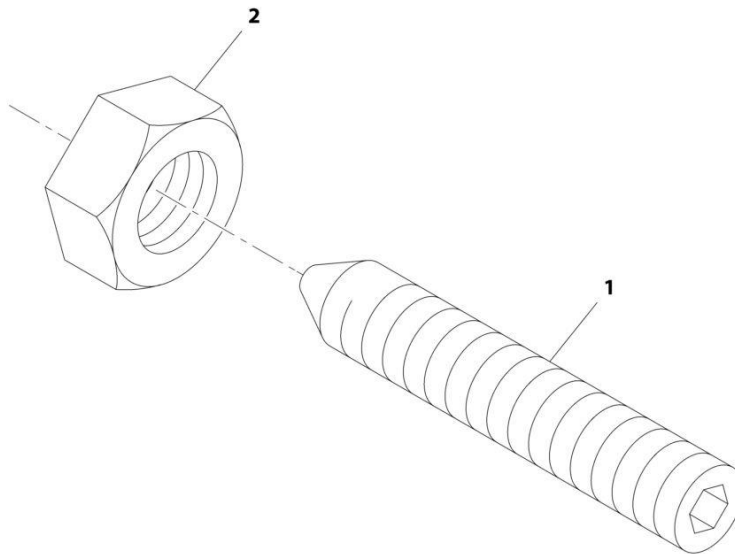
SECTION 5 - DRIVETRAIN

FIGURE 5-67. STEERING CASE KIT RH (4017RS) (SN 1160007543 through 1160008790, Including 1160007516 and 1160007537)

ITEM	PART NUMBER	QTY	DESCRIPTION	REV
1	70027145 91514111	Ref 2	Steering Case Kit RH Thrust Bushing	

SECTION 5 - DRIVETRAIN

**FIGURE 5-68. STEERING ADJUST BOLT KIT (4017RS) (SN 1160007543 through 1160008790,
Including 1160007516 and 1160007537)**



ART_1001182622_11-B

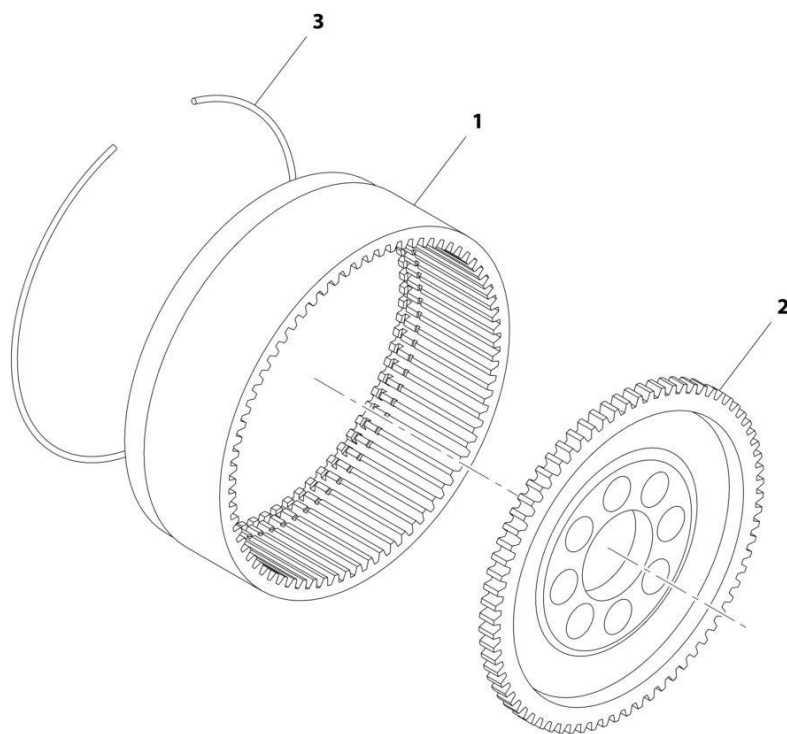
SECTION 5 - DRIVETRAIN

FIGURE 5-68. STEERING ADJUST BOLT KIT (4017RS) (SN 1160007543 through 1160008790, Including 1160007516 and 1160007537)

ITEM	PART NUMBER	QTY	DESCRIPTION	REV
	7028733	Ref	Steering Adjust Bolt Kit	
1	91514117	4	Bolt	
2	80204065	4	Nut	

SECTION 5 - DRIVETRAIN

FIGURE 5-69. RING GEAR SUPPORT KIT (4017RS) (SN 1160007543 through 1160008790, Including 1160007516 and 1160007537)



ART_1001182622_12-B

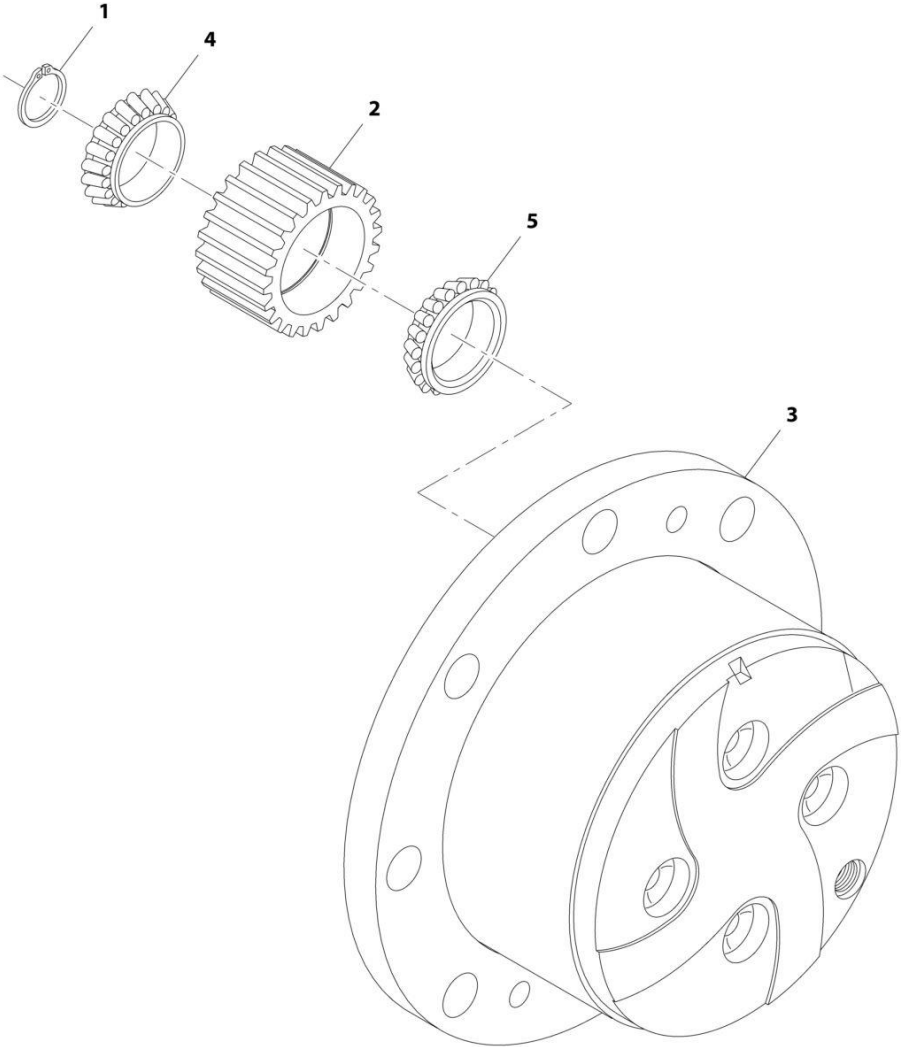
SECTION 5 - DRIVETRAIN

FIGURE 5-69. RING GEAR SUPPORT KIT (4017RS) (SN 1160007543 through 1160008790, Including 1160007516 and 1160007537)

ITEM	PART NUMBER	QTY	DESCRIPTION	REV
	70025551	Ref	Ring Gear Support Kit	
1	70024147	2	Ring Gear	
2	7028723	2	Ring Gear Support	
3	91514175	2	Circlip	

SECTION 5 - DRIVETRAIN

FIGURE 5-70. PLANET GEAR CARRIER KIT (4017RS) (SN 1160007543 through 1160008790, Including 1160007516 and 1160007537)



ART_1001182622_13-B

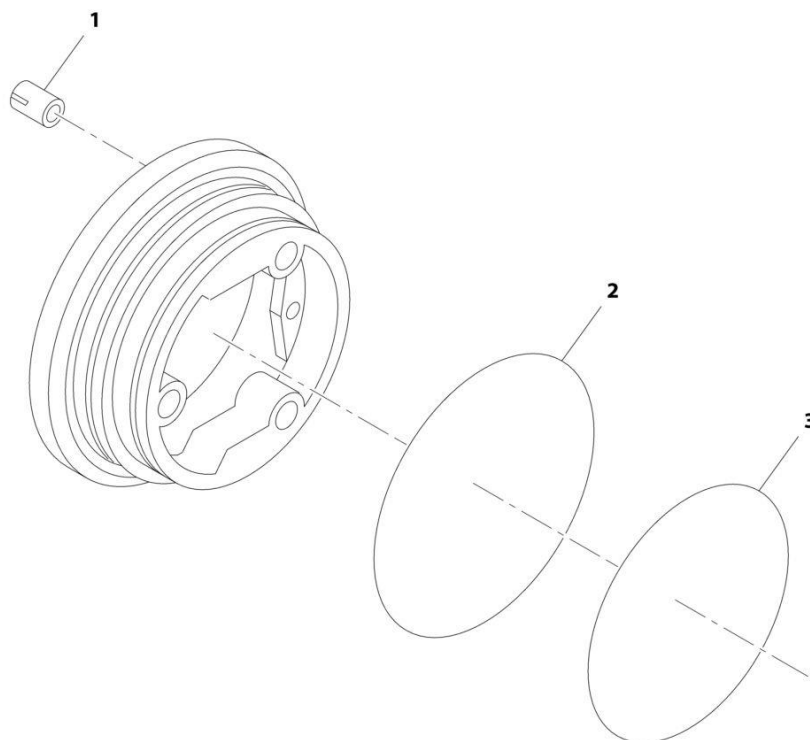
SECTION 5 - DRIVETRAIN

**FIGURE 5-70. PLANET GEAR CARRIER KIT (4017RS) (SN 1160007543 through 1160008790,
Including 1160007516 and 1160007537)**

ITEM	PART NUMBER	QTY	DESCRIPTION	REV
	70040710	Ref	Planet Gear Carrier Kit	
1	7028724	3	Circlip	
2	7028725	6	Differential Pinion	
3	7028726	1	Planet Gear Carrier	
4	7028731	6	Bearing	
5	7028732	6	Bearing	

SECTION 5 - DRIVETRAIN

FIGURE 5-71. PISTON (4017RS) (SN 1160007543 through 1160008790, Including 1160007516 and 1160007537)



ART_1001182622_14-B

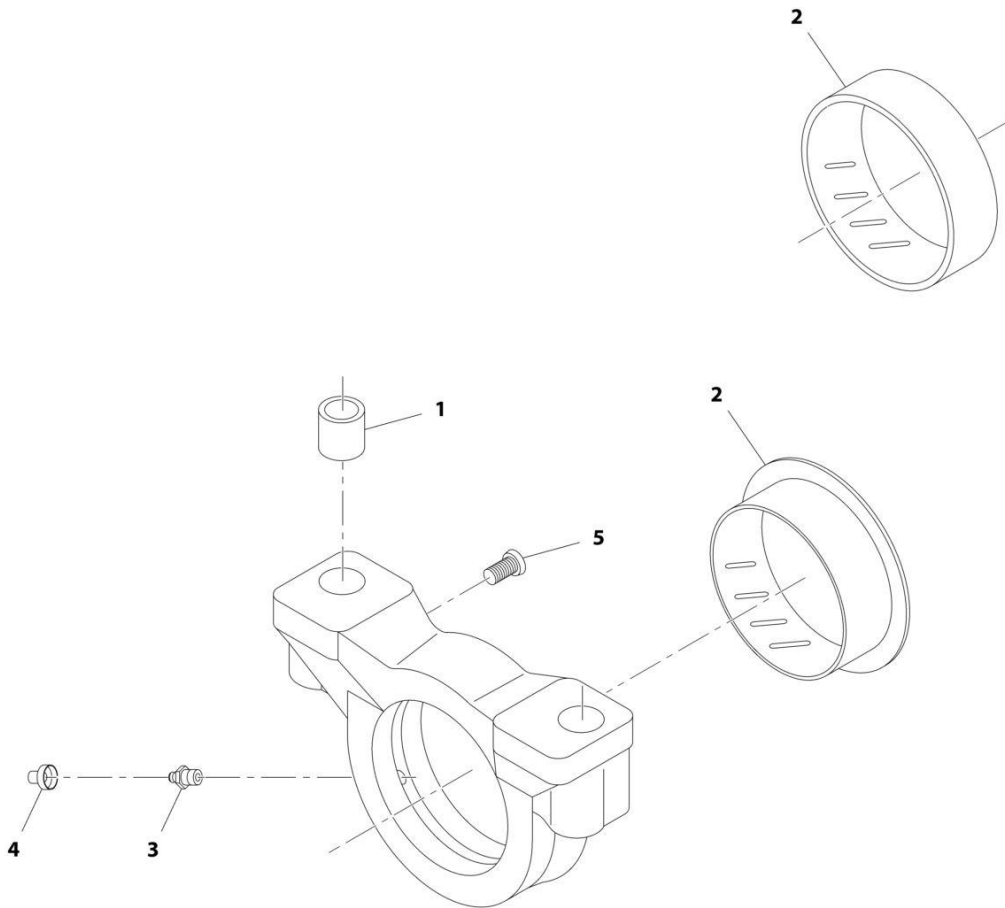
SECTION 5 - DRIVETRAIN

FIGURE 5-71. PISTON (4017RS) (SN 1160007543 through 1160008790, Including 1160007516 and 1160007537)

ITEM	PART NUMBER	QTY	DESCRIPTION	REV
	70025841	Ref	Piston	
1	91514165	6	Spring	
2	70025821	2	O-Ring	
3	70025822	2	O-Ring	

SECTION 5 - DRIVETRAIN

FIGURE 5-72. TRUNION KIT (4017RS) (SN 1160007543 through 1160008790, Including 1160007516 and 1160007537)



ART_1001182622_15-B

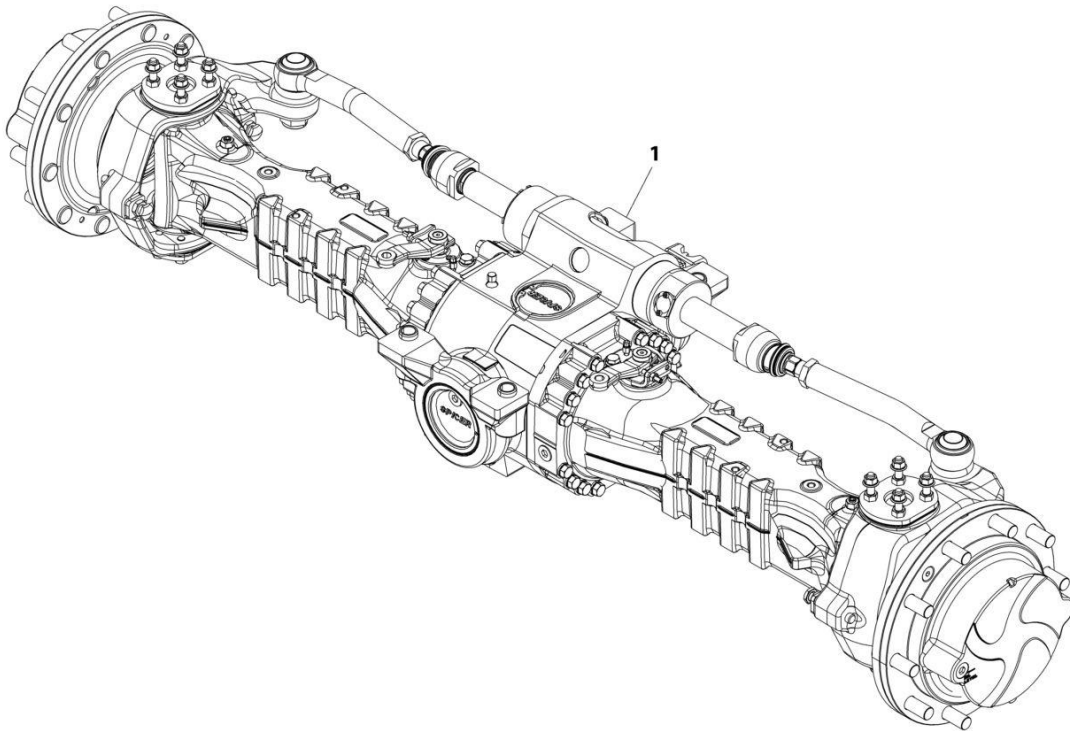
SECTION 5 - DRIVETRAIN

FIGURE 5-72. TRUNION KIT (4017RS) (SN 1160007543 through 1160008790, Including 1160007516 and 1160007537)

ITEM	PART NUMBER	QTY	DESCRIPTION	REV
	70026630	Ref	Trunion Kit	
1	91474516	4	Reduction Bushing	
2	91474515	2	Thrust Bushing	
3	91514099	2	Grease Fitting	
4	80204117	2	Plug	
5	70025884	2	Bolt	

SECTION 5 - DRIVETRAIN

FIGURE 5-73. FRONT AXLE (3614RS) (SN E160000342 through E160000496, Including E160000328, E160000329, E160000330, E160000331, E160000332 and E160000336)



ART_1001191919-C

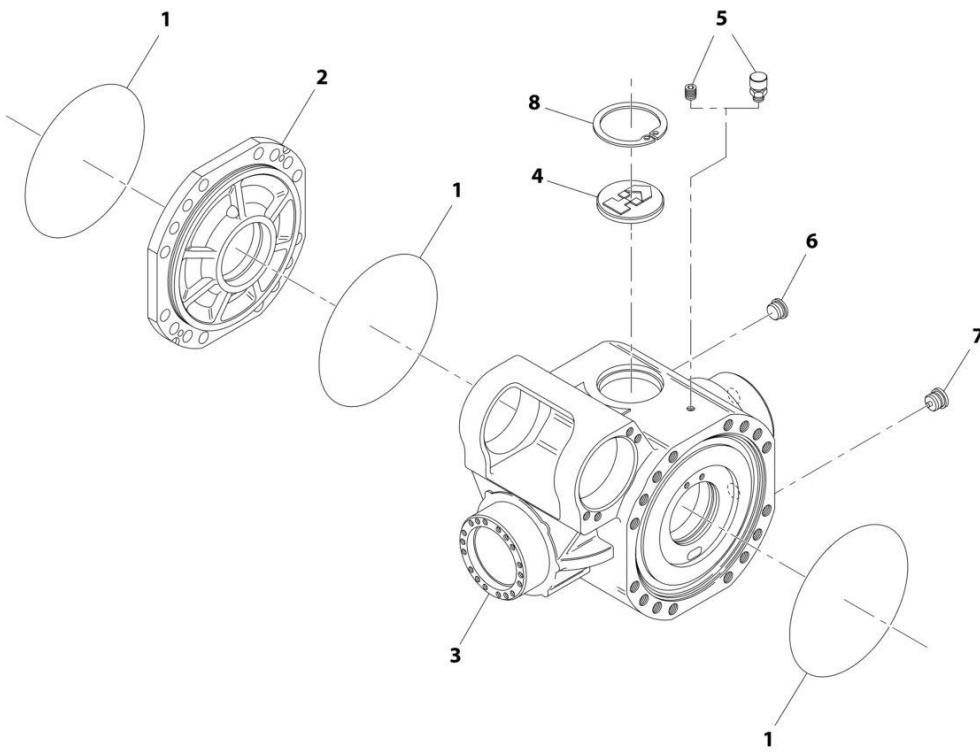
SECTION 5 - DRIVETRAIN

FIGURE 5-73. FRONT AXLE (3614RS) (SN E160000342 through E160000496, Including E160000328, E160000329, E160000330, E160000331, E160000332 and E160000336)

ITEM	PART NUMBER	QTY	DESCRIPTION	REV
	1001191919	Ref	Front Axle	D
		Ref	Front Axle, Central Housing (See Separate Breakdown in this Section)	
		Ref	Front Axle, Differential (See Separate Breakdown in this Section)	
		Ref	Front Axle, Hub Reduction (See Separate Breakdown in this Section)	
		Ref	Front Axle, Brakes (See Separate Breakdown in this Section)	
		Ref	Front Axle, Steering (See Separate Breakdown in this Section) (not shown)	
		Ref	Front Axle, Trunion (See Separate Breakdown in this Section) (not shown)	

SECTION 5 - DRIVETRAIN

FIGURE 5-74. FRONT AXLE, CENTRAL HOUSING (3614RS) (SN E160000342 through E160000496, Including E160000328, E160000329, E160000330, E160000331, E160000332 and E160000336)



ART_1001191919_1-C

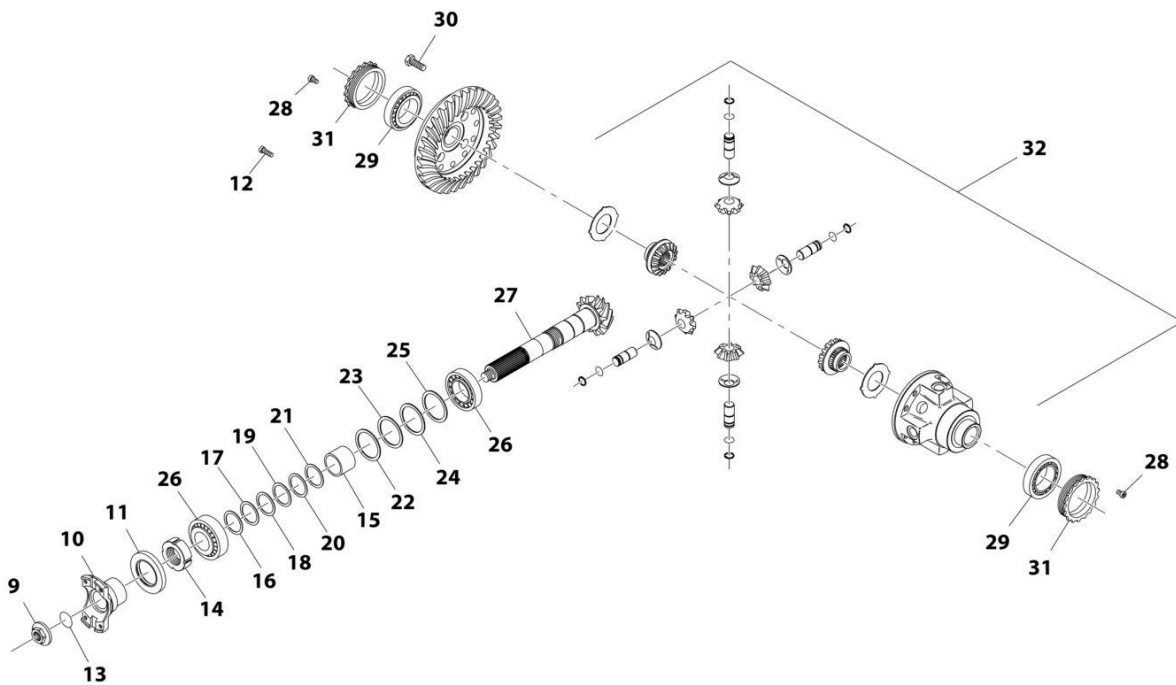
SECTION 5 - DRIVETRAIN

FIGURE 5-74. FRONT AXLE, CENTRAL HOUSING (3614RS) (SN E160000342 through E160000496, Including E160000328, E160000329, E160000330, E160000331, E160000332 and E160000336)

ITEM	PART NUMBER	QTY	DESCRIPTION	REV
1	91474507	3	O-Ring	
2	70024519	1	Cover	
3	70026977	1	Housing	
4	91514098	1	Plug	
5	91474512	1	Vent	
6	91514188	1	Plug	
7	91474513	1	Plug, Magnet	
8	80204005	1	Circlip	

SECTION 5 - DRIVETRAIN

FIGURE 5-75. FRONT AXLE, DIFFERENTIAL (3614RS) (SN E160000342 through E160000496, Including E160000328, E160000329, E160000330, E160000331, E160000332 and E160000336)



ART_1001191919_2-C

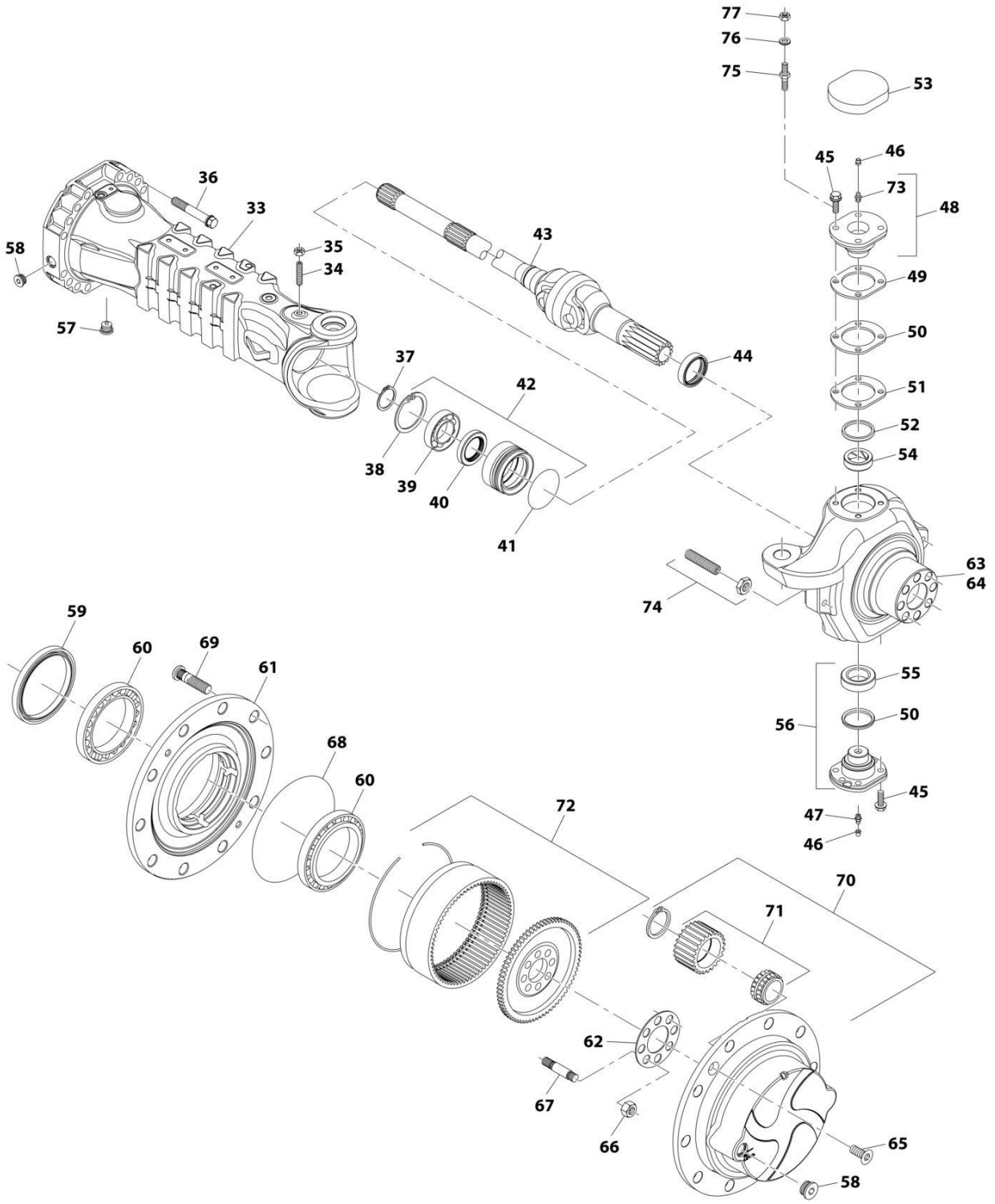
SECTION 5 - DRIVETRAIN

FIGURE 5-75. FRONT AXLE, DIFFERENTIAL (3614RS) (SN E160000342 through E160000496, Including E160000328, E160000329, E160000330, E160000331, E160000332 and E160000336)

ITEM	PART NUMBER	QTY	DESCRIPTION	REV
9	70026631	1	Nut	
10	70022797	1	Flange	
11	91474532	1	Seal	
12	91474591	4	Bolt	
13	91474529	1	O-Ring	
14	91474533	1	Nut, Ring	
15	91474539	1	Spacer	
16	91474535	1	Shim	
17	91474536	1	Shim	
18	91474537	1	Shim	
19	91474538	1	Shim	
20	70024520	1	Shim	
21	70024521	1	Shim	
22	91474540	1	Shim	
23	91474541	1	Shim	
24	91474542	1	Shim	
25	91474543	1	Shim	
26	3968141	2	Bearing, Taper Roller	
27	70027594	1	Set, Bevel Gear	
28	91514134	2	Bolt	
29	70026031	2	Bearing, Taper Roller	
30	91514123	12	Bolt	
31	91474547	2	Nut, Ring	
32	8007751	1	Differential Kit, (See Separate Breakdown in this Section)	

SECTION 5 - DRIVETRAIN

FIGURE 5-76. FRONT AXLE, HUB REDUCTION (3614RS) (SN E160000342 through E160000496, Including E160000328, E160000329, E160000330, E160000331, E160000332 and E160000336)



ART_1001191919_3-C

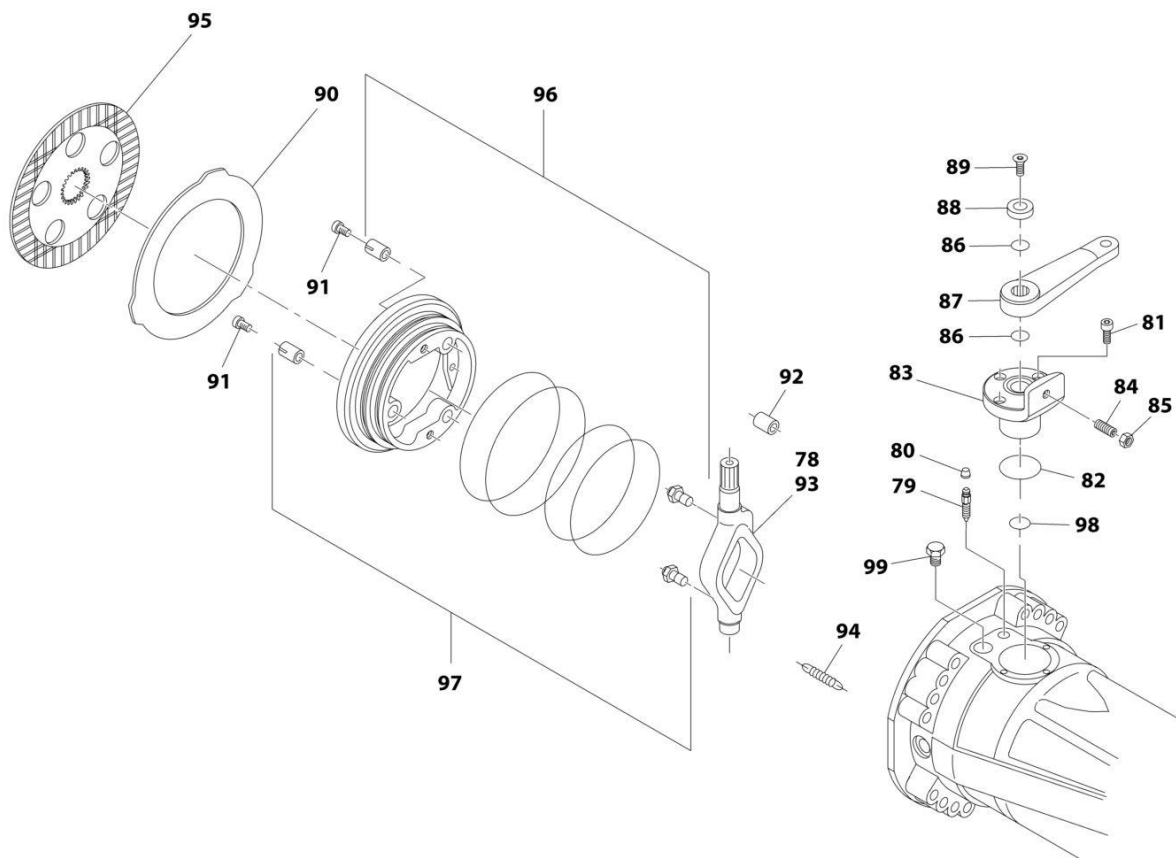
SECTION 5 - DRIVETRAIN

FIGURE 5-76. FRONT AXLE, HUB REDUCTION (3614RS) (SN E160000342 through E160000496, Including E160000328, E160000329, E160000330, E160000331, E160000332 and E160000336)

ITEM	PART NUMBER	QTY	DESCRIPTION	REV
33	8007758	2	Case, Axle	
34	2400600	2	Bolt	
35	91514082	2	Nut	
36	7029428	32	Bolt	
37	80204071	2	Circlip	
38	80204005	2	Circlip	
39	91514146	2	Bearing, Ball	
40	91514147	2	Seal	
41	91514148	2	O-Ring	
42	91514149	2	Bushing, Reduction (See Separate Breakdown in this Section)	
43	70025928	2	Joint, Double Universal	
44	8007771	2	Seal	
45	70025562	12	Bolt	
46	80204117	4	Plug	
47	91514099	2	Fitting, Grease	
48	70025567	2	Pin, Pivot	
49	8007779	2	Shim	
50	8007780	2	Shim	
51	8007782	2	Shim	
52	2401043	4	Seal	
53	70025549	2	Cover	
54	70020173	2	Bushing	
55	2401258	2	Bearing	
56	8006605	2	Pin, Pivot	
57	91474513	2	Plug, Magnet	
58	91514188	4	Plug	
59	7029430	2	Seal	
60	3984301	4	Bearing	
61	8005801	2	Wheel Hub	
62	3983731	2	Locking Plate	
63	8007774	1	Steering Case Kit LH	
64	8007777	1	Steering Case Kit RH	
65	91514189	4	Bolt, Countersunk	
66	91474584	16	Nut	
67	70027315	16	Stud	
68	80204002	2	O-Ring	
69	8000877	20	Stud, Wheel	
70	7029431	2	Assembly, Planet Gear Carrier (See Separate Breakdown in this Section)	
71	70023900	8	Assembly, Planet Gear and Bearing	
72	7029432	2	Assembly, Ring Gear Support (See Separate Breakdown in this Section)	
73	7028115	2	Fitting, Grease	
74	7028733	4	Assembly, Steering Adjust Bolt (See Separate Breakdown in this Section)	
75	70025819	8	Stud	
76	91514119	8	Washer	
77	91514120	8	Nut	

SECTION 5 - DRIVETRAIN

FIGURE 5-77. FRONT AXLE, BRAKES (3614RS) (SN E160000342 through E160000496, Including E160000328, E160000329, E160000330, E160000331, E160000332 and E160000336)



ART_1001191919_4-C

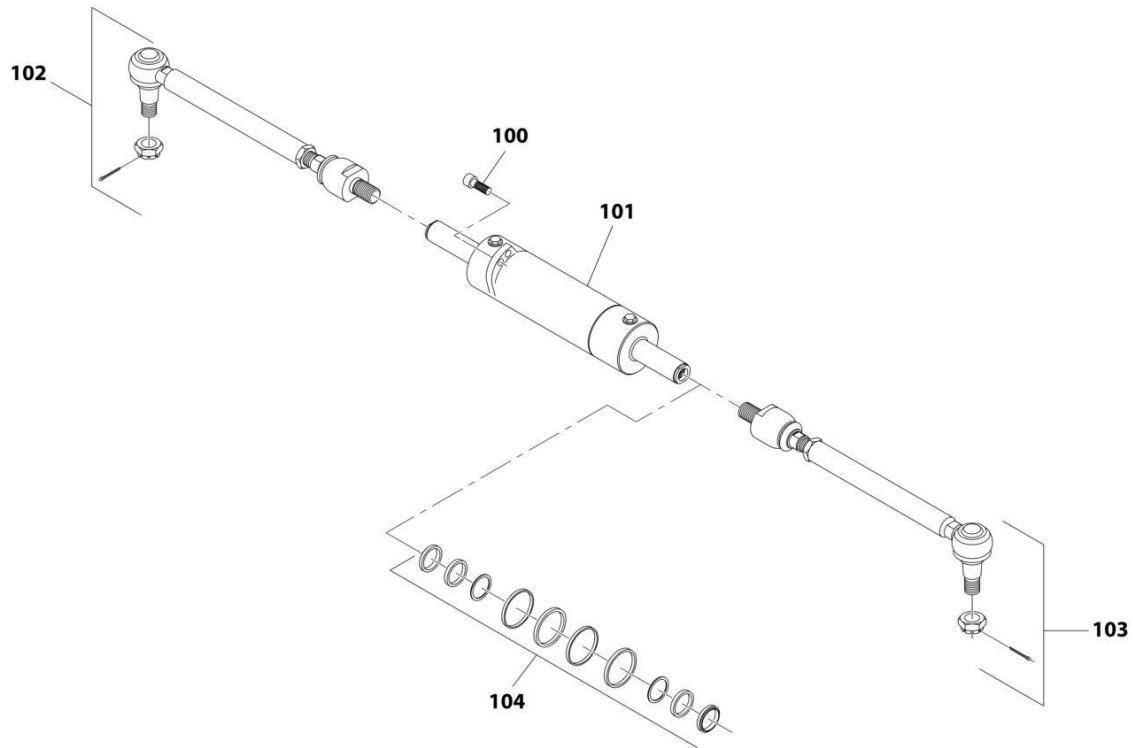
SECTION 5 - DRIVETRAIN

FIGURE 5-77. FRONT AXLE, BRAKES (3614RS) (SN E160000342 through E160000496, Including E160000328, E160000329, E160000330, E160000331, E160000332 and E160000336)

ITEM	PART NUMBER	QTY	DESCRIPTION	REV
78	8007785	1	Lever, Right	
79	80204281	2	Bolt, Bleeding	
80	80204117	2	Plug	
81	2401736	6	Bolt, Cylinder	
82	3986405	2	O-Ring	
83	70027106	2	Reduction Bushing	
84	8002798	2	Grub Bolt	
85	8008168	2	Nut	
86	7028038	2	O-Ring	
87	70025568	2	Lever	
88	7028039	2	Washer	
89	8008169	2	Bolt, Countersunk	
90	70025823	10	Disc, Intermediate Brake	
91	7029785	6	Bolt, Adjusting	
92	7029433	2	Dowel	
93	8007786	1	Lever	
94	3984425	6	Spring	
95	91474568	8	Disc	
96	70026069	1	Kit Piston (See Separate Breakdown in this Section)	
97	70026068	1	Kit Piston (See Separate Breakdown in this Section)	
98	8007802	2	O-Ring	
99	91514154	2	Bolt	

SECTION 5 - DRIVETRAIN

FIGURE 5-78. FRONT AXLE, STEERING (3614RS) (SN E16000342 through E16000496, Including E16000328, E16000329, E16000330, E16000331, E16000332 and E16000336)



ART_1001191919_5-C

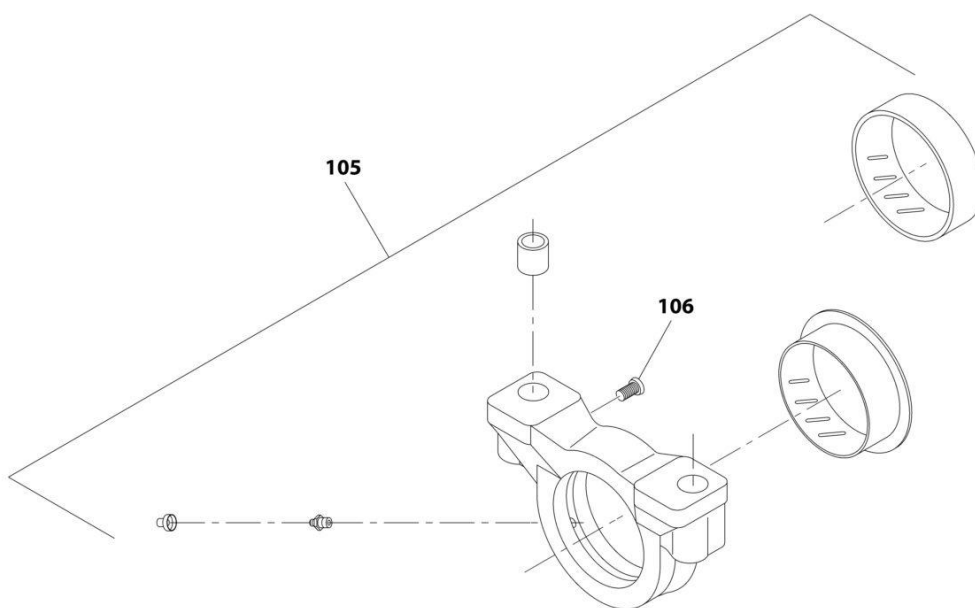
SECTION 5 - DRIVETRAIN

FIGURE 5-78. FRONT AXLE, STEERING (3614RS) (SN E160000342 through E160000496, Including E160000328, E160000329, E160000330, E160000331, E160000332 and E160000336)

ITEM	PART NUMBER	QTY	DESCRIPTION	REV
100	91474522	4	Bolt	
101	70025566	1	Cylinder	
102	70026752	1	Bar	
103	70026751	1	Bar	
104	70025842	1	Seal Kit	

SECTION 5 - DRIVETRAIN

FIGURE 5-79. FRONT AXLE, TRUNION (3614RS) (SN E160000342 through E160000496, Including E160000328, E160000329, E160000330, E160000331, E160000332 and E160000336)



ART_1001191919_6-C

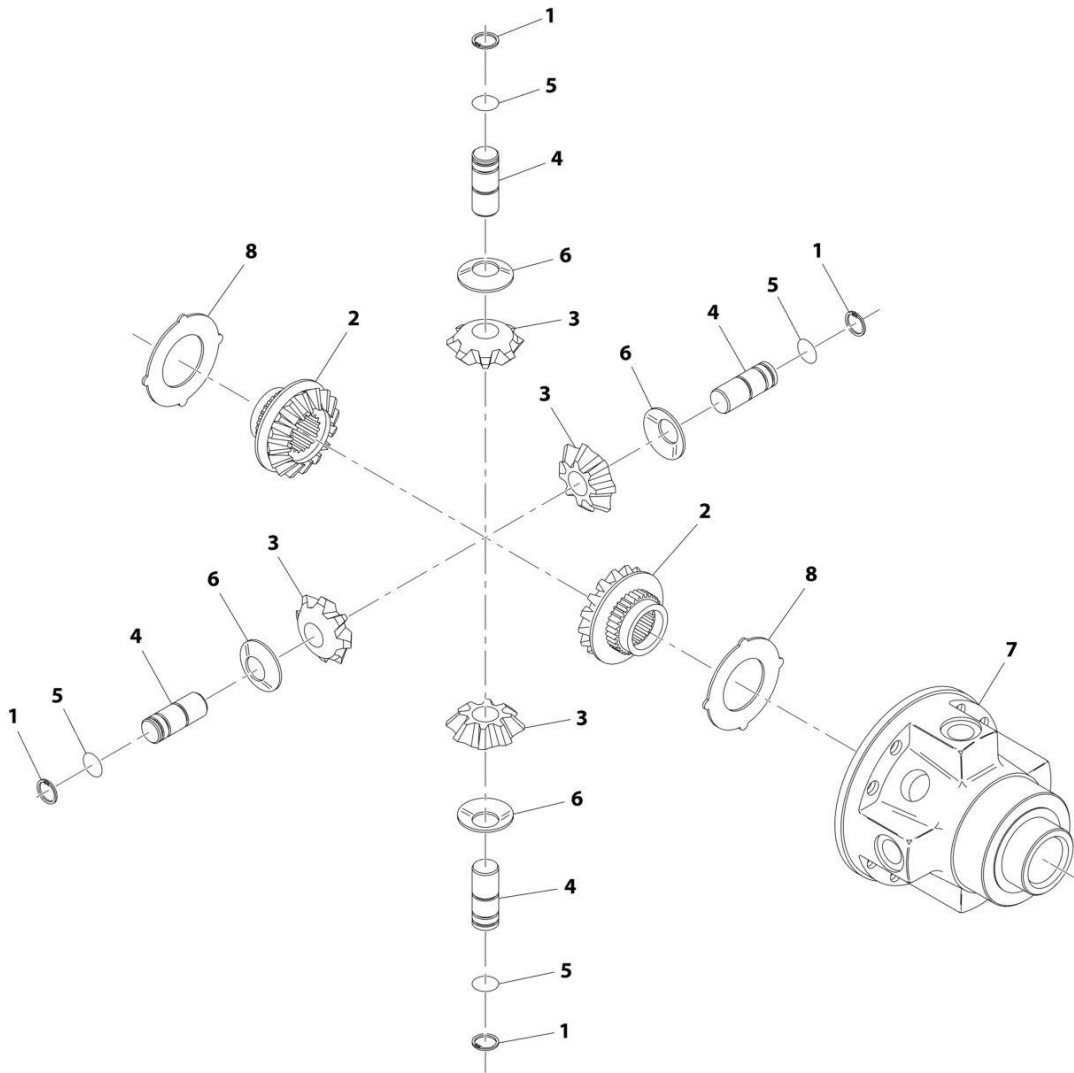
SECTION 5 - DRIVETRAIN

FIGURE 5-79. FRONT AXLE, TRUNION (3614RS) (SN E160000342 through E160000496, Including E160000328, E160000329, E160000330, E160000331, E160000332 and E160000336)

ITEM	PART NUMBER	QTY	DESCRIPTION	REV
105	70026630	1	Trunion Kit (See Separate Breakdown in this Section)	
106	70025884	1	Bolt	

SECTION 5 - DRIVETRAIN

FIGURE 5-80. DIFFERENTIAL KIT



ART_70028940

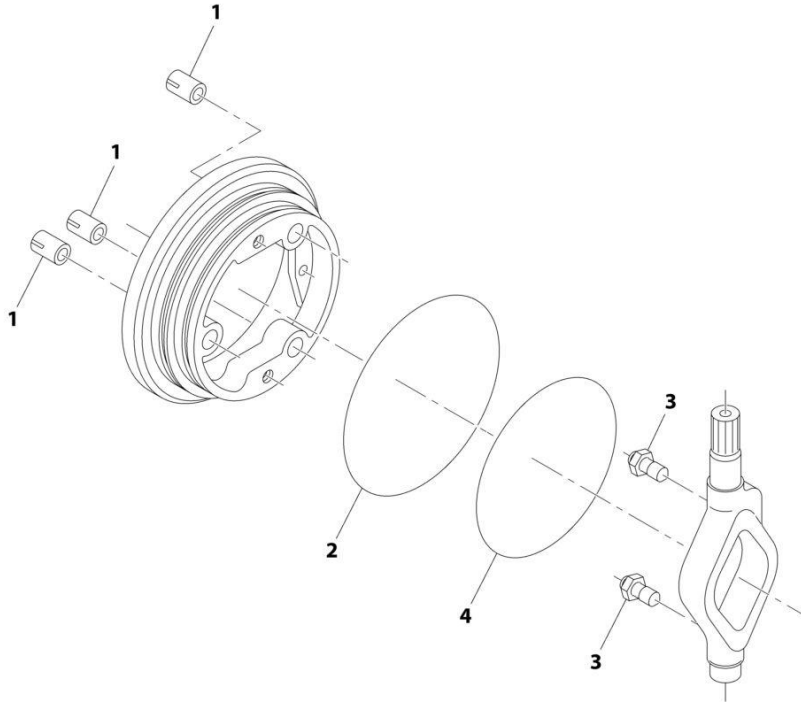
SECTION 5 - DRIVETRAIN

FIGURE 5-80. DIFFERENTIAL KIT

ITEM	PART NUMBER	QTY	DESCRIPTION	REV
	70028940	Ref	Differential Kit	
1	91474550	4	Circlip	
2	91474549	2	Differential Side Gear	
3	7029129	4	Differential Pinion	
4	7029131	4	Pin	
5	91474551	4	Circlip	
6	91474553	4	Friction Washer	
7	8007751	1	Differential Carrier	
8	8007755	2	Differential Disc Kit	

SECTION 5 - DRIVETRAIN

FIGURE 5-81. BRAKES PISTON KIT (LH)



ART_70026069

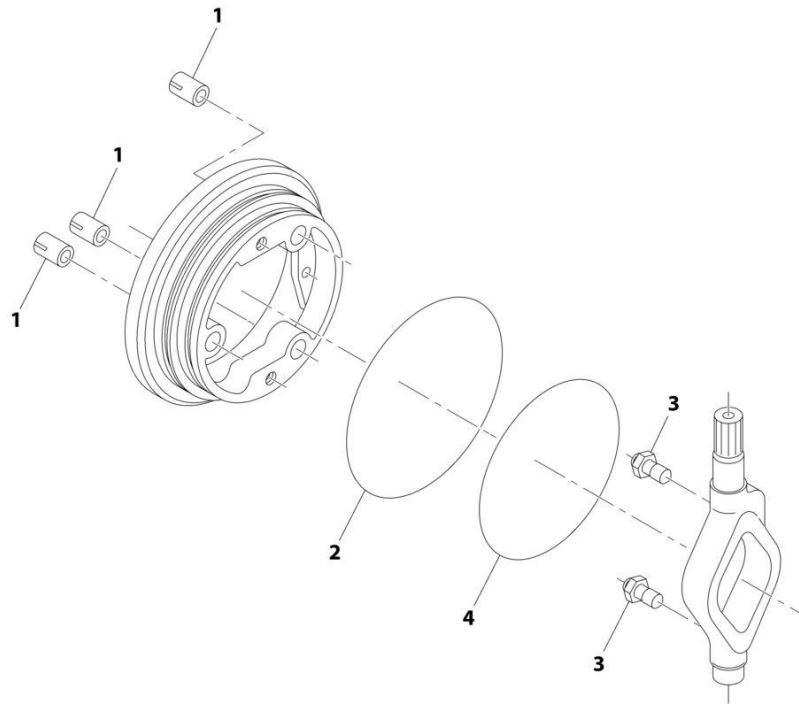
SECTION 5 - DRIVETRAIN

FIGURE 5-81. BRAKES PISTON KIT (LH)

ITEM	PART NUMBER	QTY	DESCRIPTION	REV
	70026069	Ref	Brakes Piston Kit (LH)	
1	91514165	3	Spring	
2	70025821	1	O-Ring	
3	2903197	2	Pusher	
4	70025822	1	O-Ring	

SECTION 5 - DRIVETRAIN

FIGURE 5-82. BRAKES PISTON KIT (RH)



ART_70026068

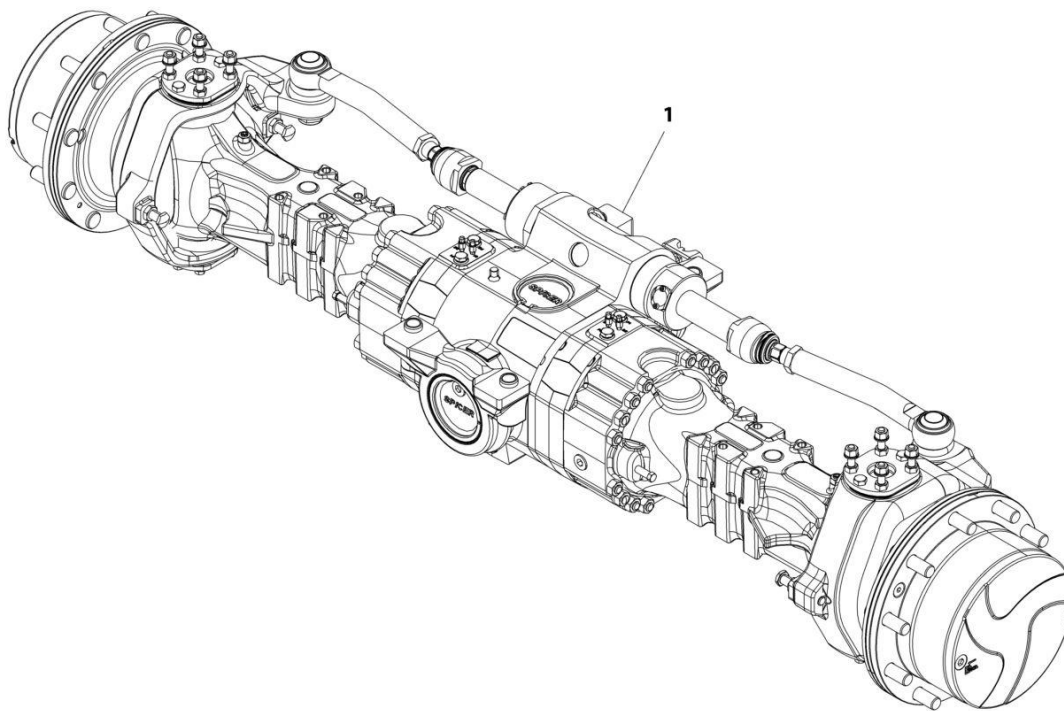
SECTION 5 - DRIVETRAIN

FIGURE 5-82. BRAKES PISTON KIT (RH)

ITEM	PART NUMBER	QTY	DESCRIPTION	REV
	70026068	Ref	Brakes Piston Kit (RH)	
1	91514165	3	Spring	
2	70025821	1	O-Ring	
3	2903197	2	Pusher	
4	70025822	1	O-Ring	

SECTION 5 - DRIVETRAIN

FIGURE 5-83. FRONT AXLE (55KW) (4017RS) (SN E160000342 through E160000496, Including E160000328, E160000329, E160000330, E160000331, E160000332 and E160000336)



ART_1001191930-C

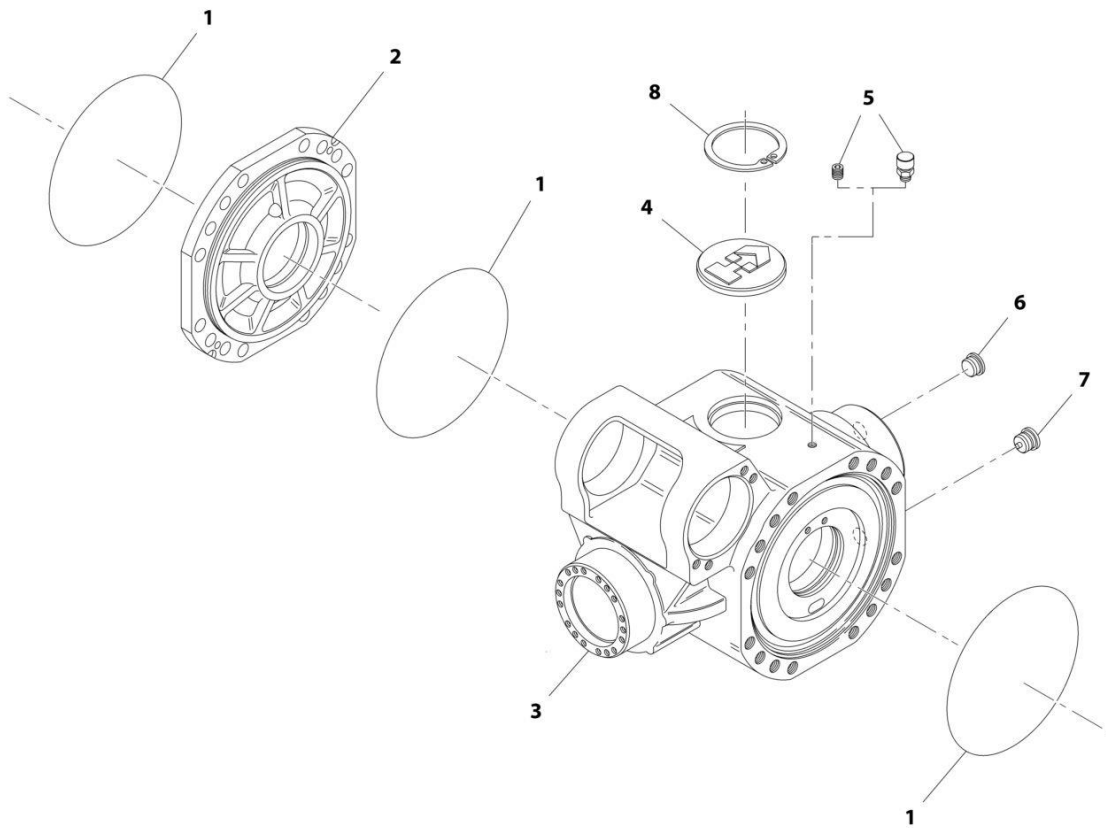
SECTION 5 - DRIVETRAIN

FIGURE 5-83. FRONT AXLE (55KW) (4017RS) (SN E160000342 through E160000496, Including E160000328, E160000329, E160000330, E160000331, E160000332 and E160000336)

ITEM	PART NUMBER	QTY	DESCRIPTION	REV
1	1001191930	Ref	Front Axle	C
		Ref	Front Axle, Central Housing (See Separate Breakdown in this Section)	
		Ref	Front Axle, Differential (See Separate Breakdown in this Section)	
		Ref	Front Axle, Hub Reduction (See Separate Breakdown in this Section)	
		Ref	Front Axle, Brakes (See Separate Breakdown in this Section)	
		Ref	Front Axle, Steering (See Separate Breakdown in this Section) (not shown)	
		Ref	Front Axle, Trunion (See Separate Breakdown in this Section) (not shown)	

SECTION 5 - DRIVETRAIN

FIGURE 5-84. FRONT AXLE, CENTRAL HOUSING (4017RS) (SN E160000342 through E160000496, Including E160000328, E160000329, E160000330, E160000331, E160000332 and E160000336)



ART_1001191930_1-C

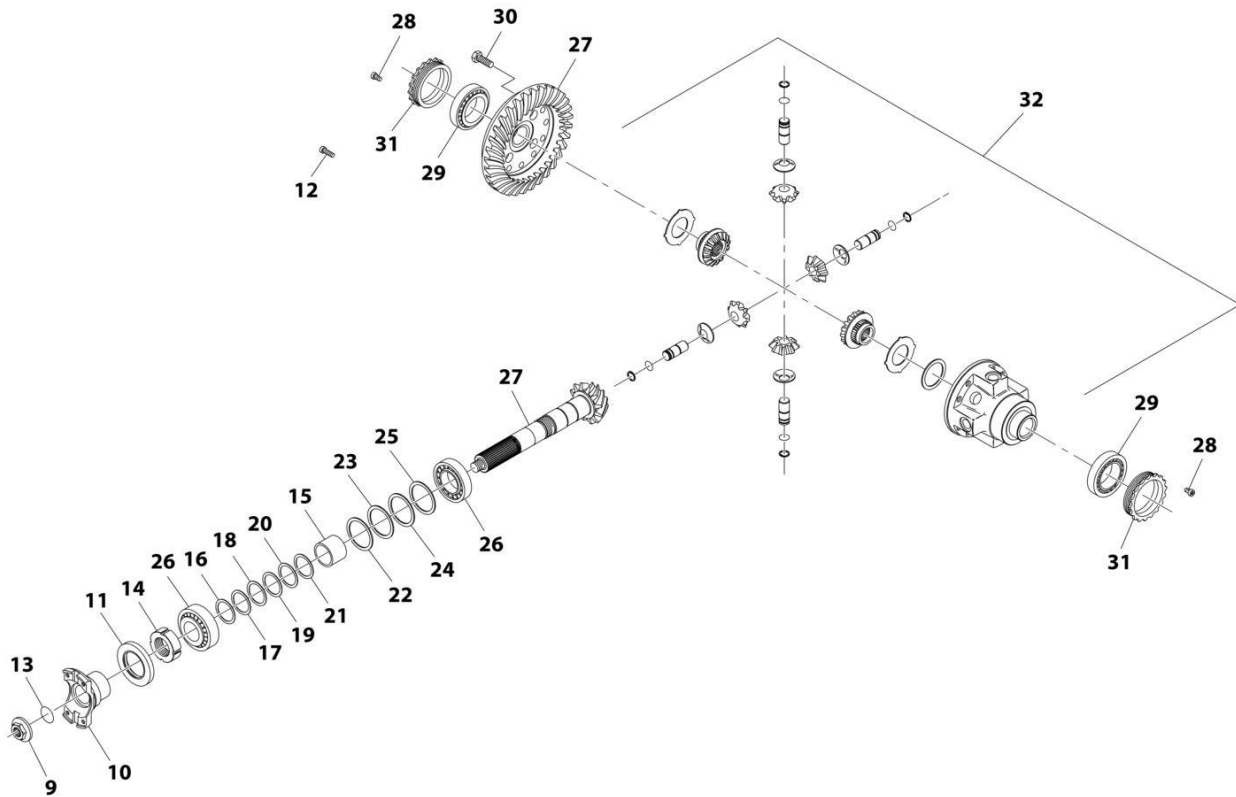
SECTION 5 - DRIVETRAIN

FIGURE 5-84. FRONT AXLE, CENTRAL HOUSING (4017RS) (SN E160000342 through E160000496, Including E160000328, E160000329, E160000330, E160000331, E160000332 and E160000336)

ITEM	PART NUMBER	QTY	DESCRIPTION	REV
	1001191930	Ref	FRONT AXLE, CENTRAL HOUSING	
1	91474507	3	O-Ring	
2	70024872	2	Cover	
3	70026977	1	Housing	
4	91514098	1	Plug	
5	91474512	1	Vent	
6	91514188	1	Plug	
7	91474513	1	Plug, Magnet	
8	80204005	1	Circlip	

SECTION 5 - DRIVETRAIN

FIGURE 5-85. FRONT AXLE, DIFFERENTIAL (4017RS) (SN E160000342 through E160000496, Including E160000328, E160000329, E160000330, E160000331, E160000332 and E160000336)



ART_1001191930_2-C

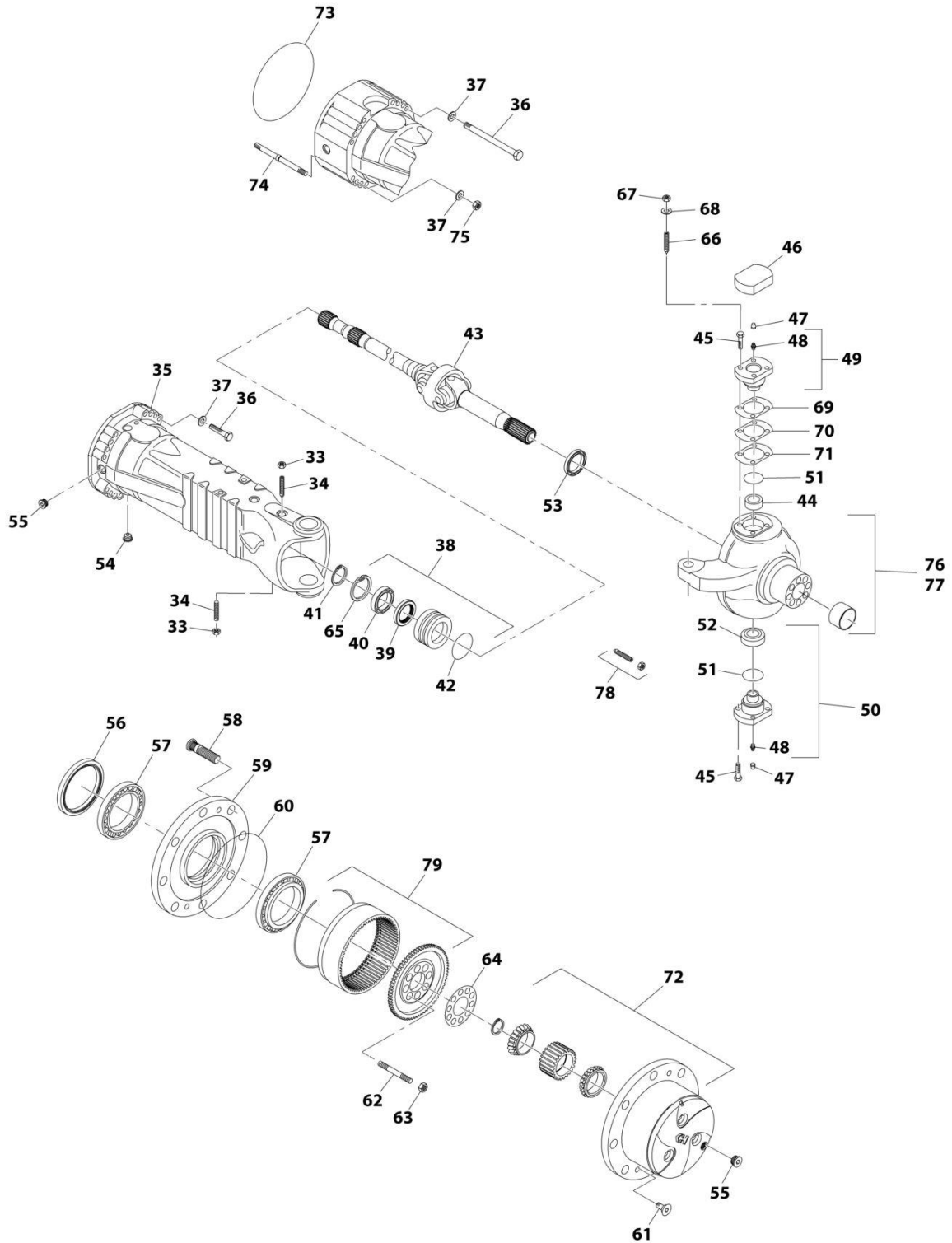
SECTION 5 - DRIVETRAIN

FIGURE 5-85. FRONT AXLE, DIFFERENTIAL (4017RS) (SN E160000342 through E160000496, Including E160000328, E160000329, E160000330, E160000331, E160000332 and E160000336)

ITEM	PART NUMBER	QTY	DESCRIPTION	REV
	1001191930	Ref	FRONT AXLE, DIFFERENTIAL	
9	70026631	1	Nut	
10	70022797	1	Flange	
11	91474532	1	Seal	
12	91474591	4	Cylinder Bolt	
13	91474529	1	O - Ring	
14	91474533	1	Ring Nut	
15	91474539	1	Spacer	
16	91474535	1	Shim	
17	91474536	1	Shim	
18	91474537	1	Shim	
19	91474538	1	Shim	
20	70024520	1	Shim	
21	70024521	1	Shim	
22	91474540	1	Shim	
23	91474541	1	Shim	
24	91474542	1	Shim	
25	91474543	1	Shim	
26	3968141	2	Taper Roller Bearing	
27	70027594	1	Bevel Gear Set	
28	91514134	2	Bolt	
29	70026031	2	Taper Roller Bearing	
30	91514123	12	Bolt	
31	91474547	2	Ring Nut	
32	7028710	1	Differential Kit (See Separate Breakdown in this Section)	

SECTION 5 - DRIVETRAIN

FIGURE 5-86. FRONT AXLE, HUB REDUCTION (4017RS) (SN E160000342 through E160000496, Including E160000328, E160000329, E160000330, E160000331, E160000332 and E160000336)



ART_1001191930_3-C

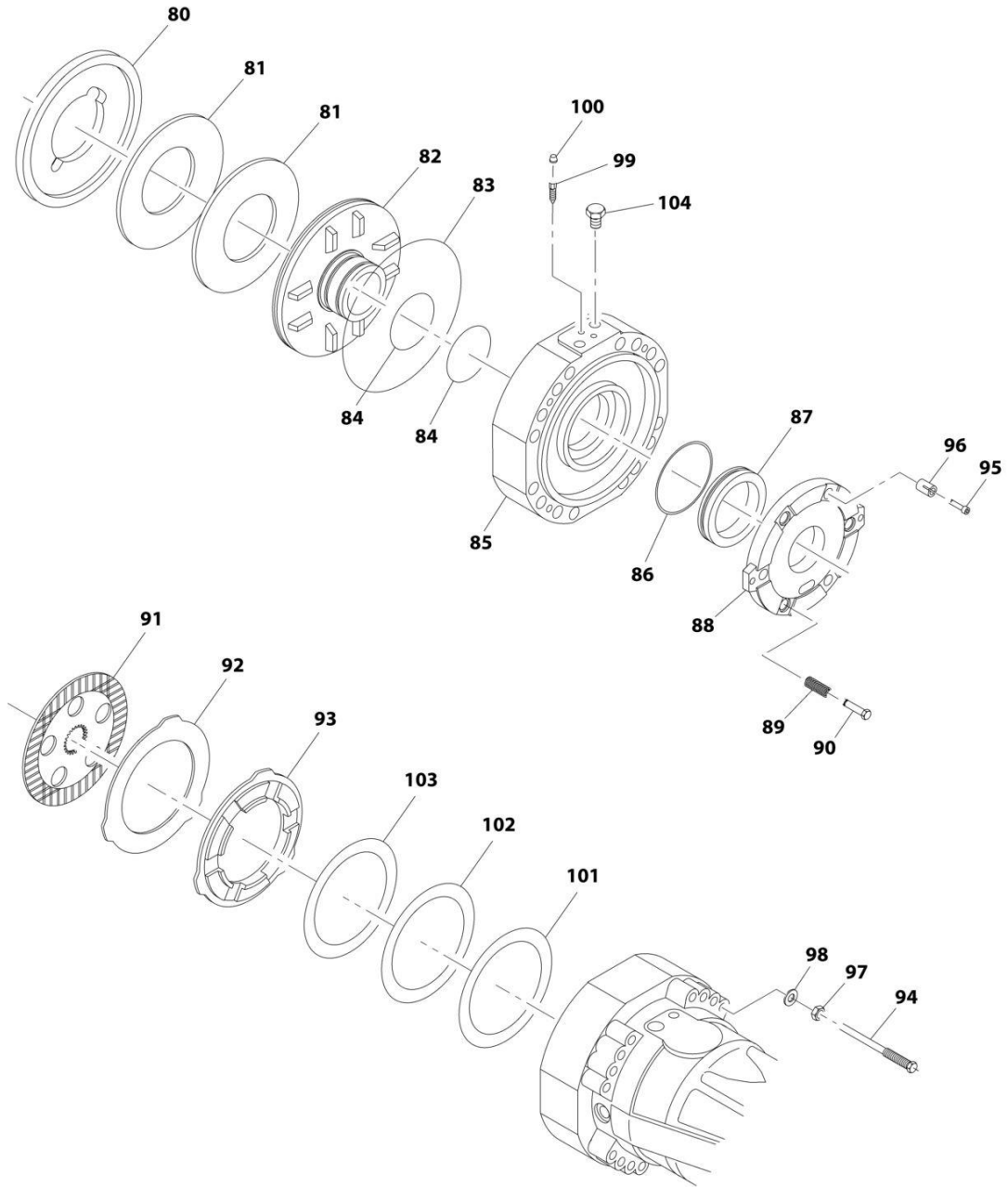
SECTION 5 - DRIVETRAIN

FIGURE 5-86. FRONT AXLE, HUB REDUCTION (4017RS) (SN E160000342 through E160000496, Including E160000328, E160000329, E160000330, E160000331, E160000332 and E160000336)

ITEM	PART NUMBER	QTY	DESCRIPTION	REV
	1001191930	Ref	FRONT AXLE, HUB REDUCTION	
33	91514082	2	Nut	
34	91514081	2	Bolt	
35	7028711	2	Axle Case	
36	70025012	24	Bolt	
37	91514084	8	Washer	
38	91514149	2	Reduction Bushing (See Separate Breakdown in this Section)	
39	91514147	2	Seal	
40	91514146	2	Ball Bearing	
41	80204071	2	Circlip	
42	91514148	2	O-Ring	
43	70026071	2	Double Universal Joint	
44	7028714	2	Bushing	
45	70025562	12	Bolt	
46	70025549	2	Cover	
47	80204117	2	Plug	
48	91514099	2	Grease Fitting	
49	91514112	2	Pivot Pin	
50	7028715	2	Pivot Pin	
51	7028716	2	Dust Excluder	
52	91514095	2	Bearing	
53	70025857	2	Seal	
54	91474513	2	Magnetic Plug	
55	91514188	4	Plug	
56	7028721	2	Seal	
57	91474576	4	Bearing	
58	8000877	20	Wheel Stud	
59	7028722	2	Wheel Hub	
60	91514181	2	O-Ring	
61	91514189	4	Countersunk Bolt	
62	70027315	20	Stud	
63	91474584	20	Nut	
64	91474582	2	Locking Plate	
65	80204005	2	Circlip	
66	70025819	8	Stud	
67	91514120	8	Nut	
68	91514119	8	Washer	
69	91514113	2	Shim	
70	91514114	2	Shim	
71	91514115	2	Shim	
72	70040710	2	Planet Gear Carrier Kit (See Separate Breakdown in this Section)	
73	91474507	2	O-Ring	
74	70025014	8	Stud	
75	91514083	8	Nut	
76	7028729	1	Steering Case Kit LH (See Separate Breakdown in this Section)	
77	7028730	1	Steering Case Kit RH (See Separate Breakdown in this Section)	
78	7028733	4	Steering Adjust Bolt Kit (See Separate Breakdown in this Section)	
79	70025551	2	Ring Gear Support Kit (See Separate Breakdown in this Section)	

SECTION 5 - DRIVETRAIN

FIGURE 5-87. FRONT AXLE, BRAKES (4017RS) (SN E160000342 through E160000496, Including E160000328, E160000329, E160000330, E160000331, E160000332 and E160000336)



ART_1001191930_4-C

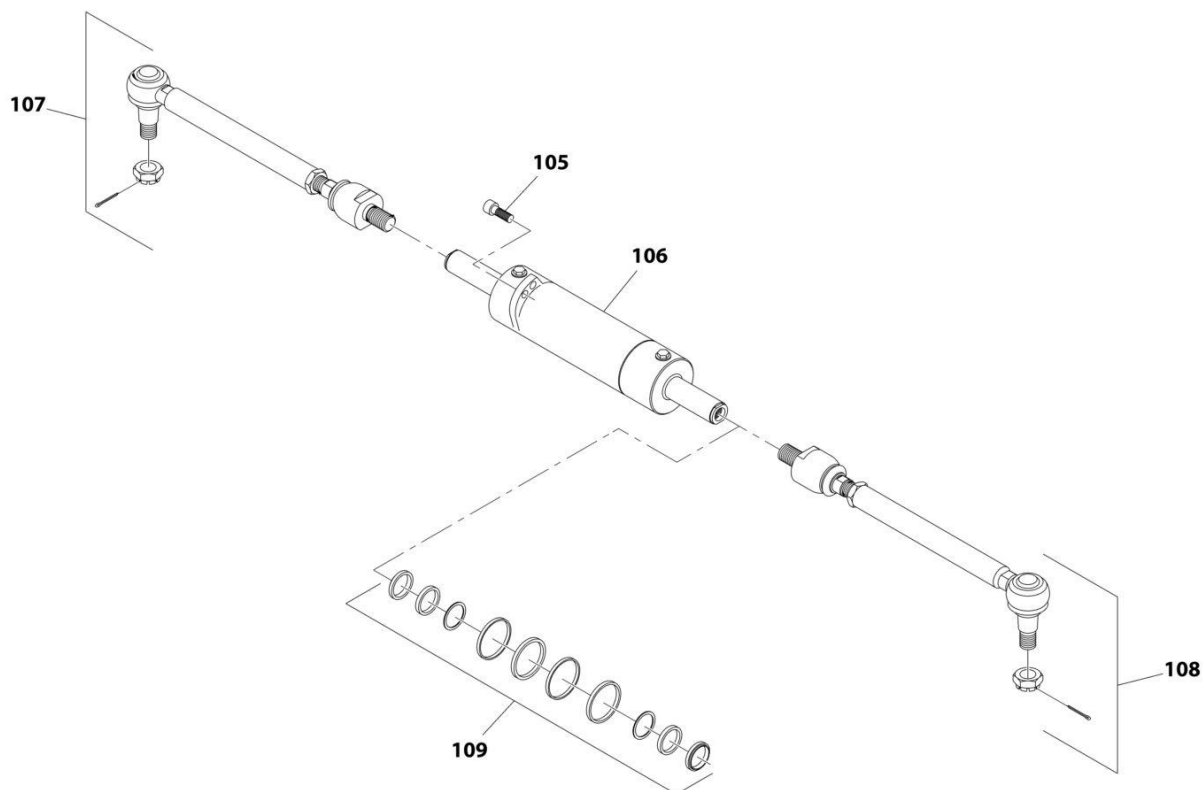
SECTION 5 - DRIVETRAIN

FIGURE 5-87. FRONT AXLE, BRAKES (4017RS) (SN E160000342 through E160000496, Including E160000328, E160000329, E160000330, E160000331, E160000332 and E160000336)

ITEM	PART NUMBER	QTY	DESCRIPTION	REV
	1001191930	Ref	FRONT AXLE, BRAKES	
80	7028734	1	Spacer	
81	91474559	4	Spring	
82	91474560	2	Piston	
83	91474561	2	O-Ring	
84	70026262	4	Seal	
85	7028735	2	Cover	
86	70026623	2	Seal	
87	91474564	2	Piston	
88	91474565	2	Intermediate Brake Disc	
89	91514159	6	Spring	
90	70024210	6	Adjusting Bolt	
91	91474568	8	Disc	
92	70025823	8	Intermediate Brake Disc	
93	91474570	2	Spacer	
94	7028736	4	Bolt	
95	7029787	6	Adjusting Bolt	
96	91514165	6	Spring	
97	80204060	4	Nut	
98	80204108	4	Lock Washer	
99	80204281	4	Bleeding Bolt	
100	80204117	4	Plug	
101	91474571	2	Shim	
102	91474572	2	Shim	
103	91474573	2	Shim	
104	91514154	4	Plug	

SECTION 5 - DRIVETRAIN

FIGURE 5-88. FRONT AXLE, STEERING (4017RS) (SN E16000342 through E16000496, Including E16000328, E16000329, E16000330, E16000331, E16000332 and E16000336)



ART_1001191930_5-C

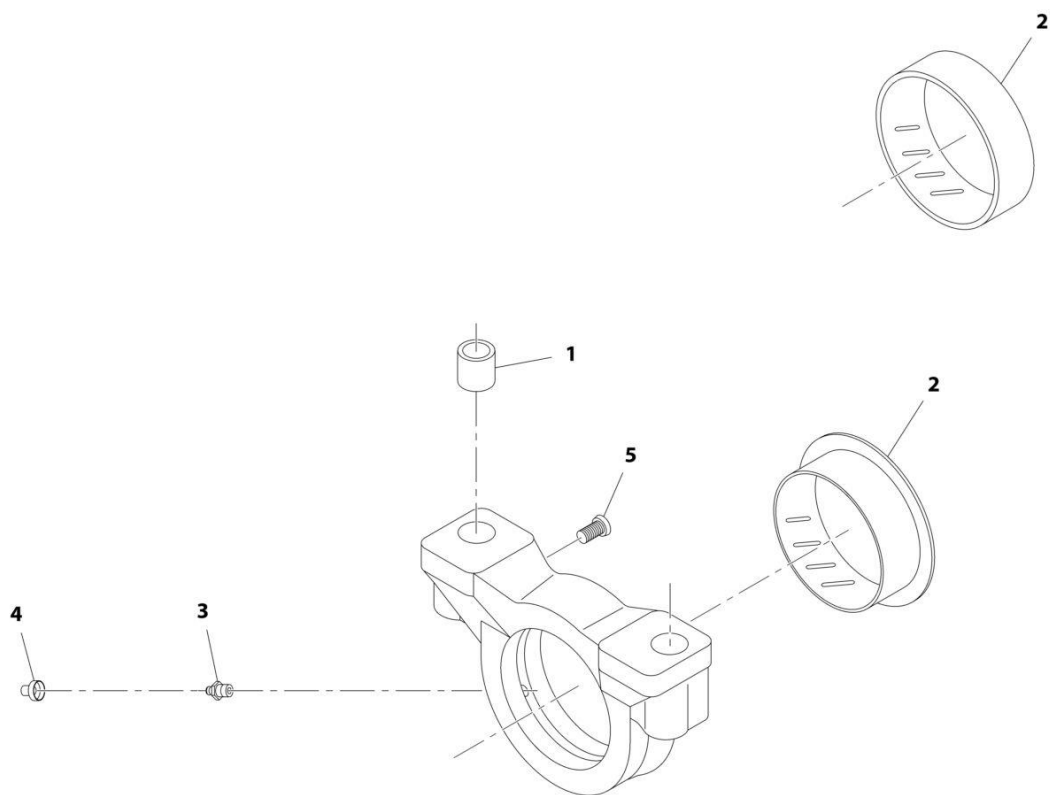
SECTION 5 - DRIVETRAIN

FIGURE 5-88. FRONT AXLE, STEERING (4017RS) (SN E160000342 through E160000496, Including E160000328, E160000329, E160000330, E160000331, E160000332 and E160000336)

ITEM	PART NUMBER	QTY	DESCRIPTION	REV
	1001191930	Ref	FRONT AXLE, STEERING	
105	91474522	4	Bolt	
106	70025566	1	Cylinder	
107	70026752	1	Bar	
108	70026751	1	Bar	
109	70025842	1	Seal Kit	

SECTION 5 - DRIVETRAIN

FIGURE 5-89. FRONT AXLE, TRUNION (4017RS) (SN E160000342 through E160000496, Including E160000328, E160000329, E160000330, E160000331, E160000332 and E160000336)



ART_1001191930_6-C

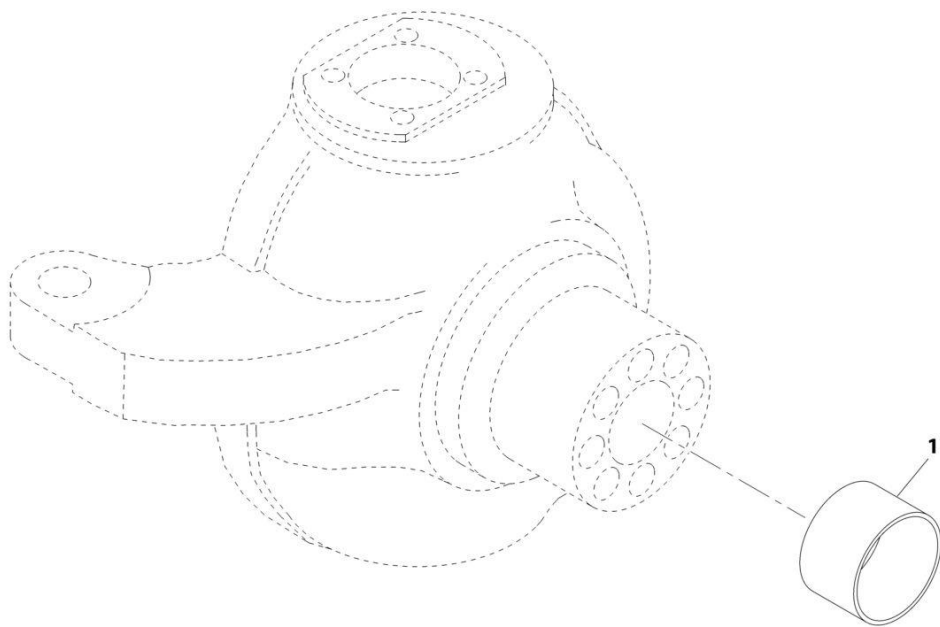
SECTION 5 - DRIVETRAIN

FIGURE 5-89. FRONT AXLE, TRUNION (4017RS) (SN E160000342 through E160000496, Including E160000328, E160000329, E160000330, E160000331, E160000332 and E160000336)

ITEM	PART NUMBER	QTY	DESCRIPTION	REV
	1001191930	Ref	FRONT AXLE, TRUNION	
	70026630	Ref	Trunion Kit	
1	91474516	4	Reduction Bushing	
2	91474515	2	Thrust Bushing	
3	91514099	2	Grease Fitting	
4	80204117	2	Plug	
5	70025884	2	Bolt	

SECTION 5 - DRIVETRAIN

FIGURE 5-90. STEERING CASE KIT (LH)



ART_7028729

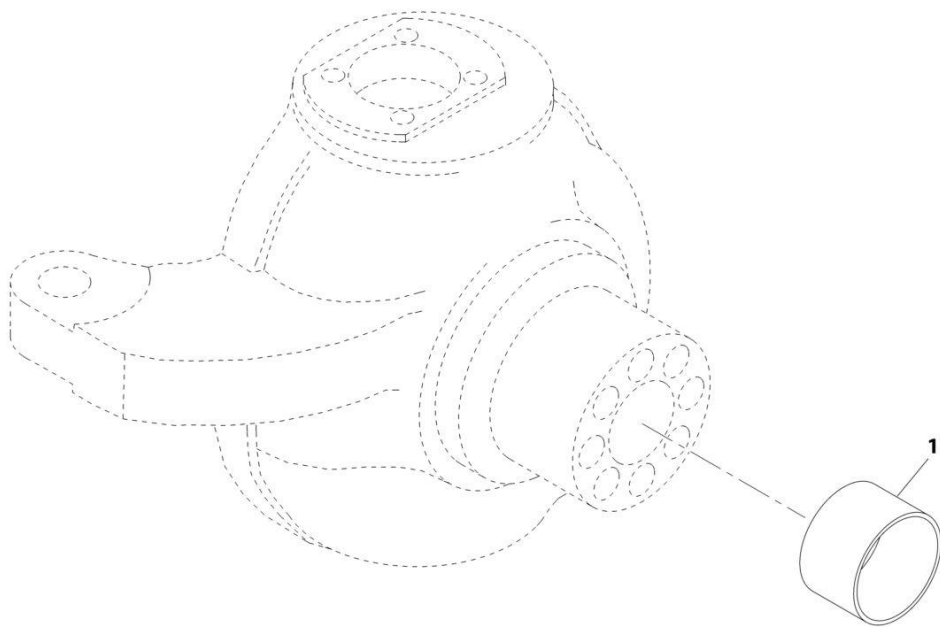
SECTION 5 - DRIVETRAIN

FIGURE 5-90. STEERING CASE KIT (LH)

ITEM	PART NUMBER	QTY	DESCRIPTION	REV
1	7028729 91514111	Ref 1	Steering Case Kit (LH) Thrust Bushing	

SECTION 5 - DRIVETRAIN

FIGURE 5-91. STEERING CASE KIT (RH)



ART_7028730

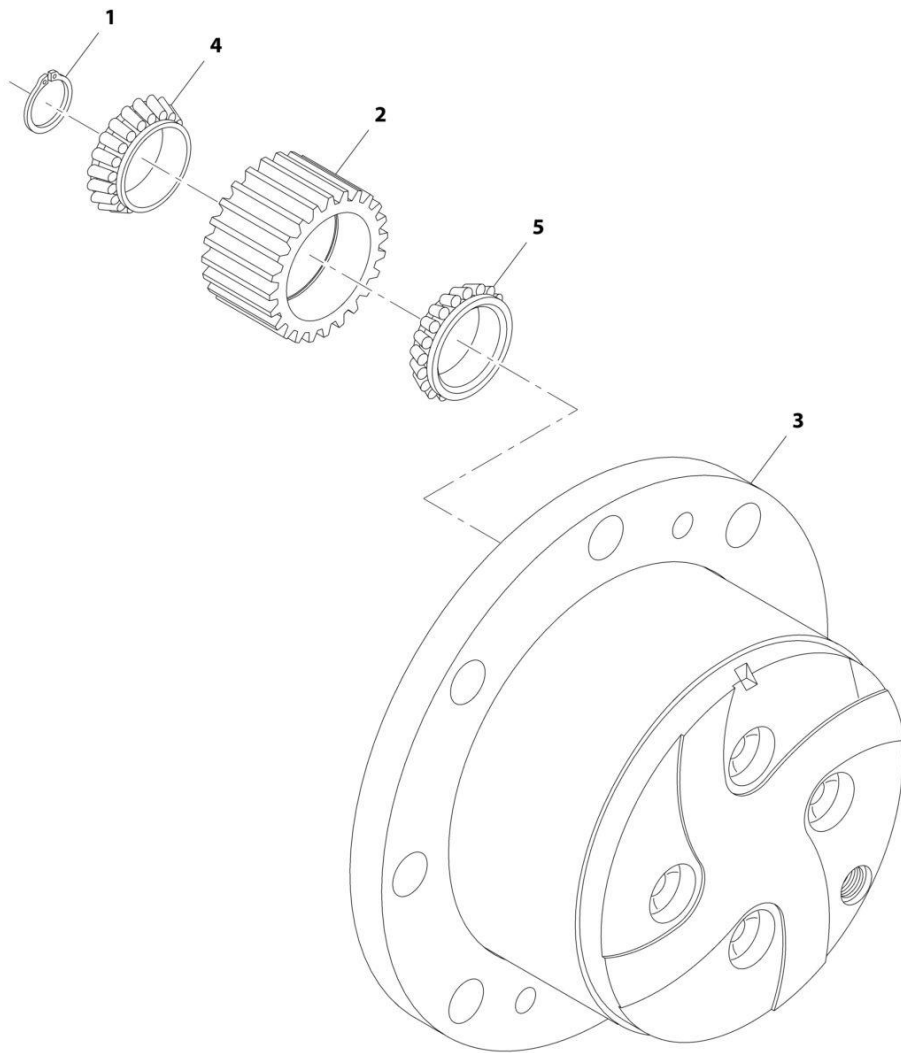
SECTION 5 - DRIVETRAIN

FIGURE 5-91. STEERING CASE KIT (RH)

ITEM	PART NUMBER	QTY	DESCRIPTION	REV
1	7028730 91514111	Ref 1	Steering Case Kit (RH) Thrust Bushing	

SECTION 5 - DRIVETRAIN

FIGURE 5-92. PLANET GEAR CARRIER KIT



ART_70040710

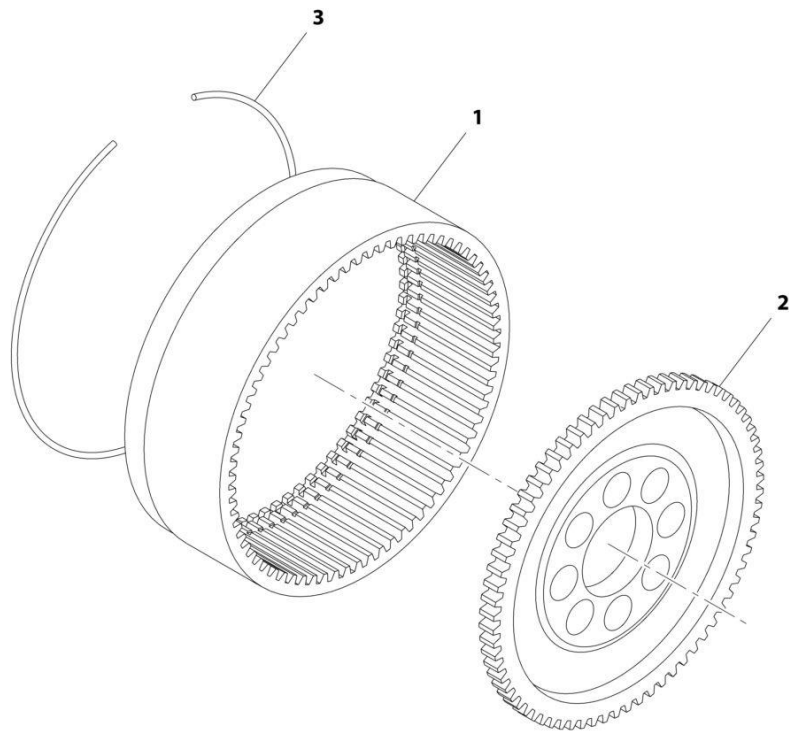
SECTION 5 - DRIVETRAIN

FIGURE 5-92. PLANET GEAR CARRIER KIT

ITEM	PART NUMBER	QTY	DESCRIPTION	REV
	70040710	Ref	Planet Gear Carrier Kit	
1	7028724	3	Circlip	
2	7028725	6	Differential Pinion	
3	7028726	1	Planet Gear Carrier	
4	7028731	6	Bearing	
5	7028732	6	Bearing	

SECTION 5 - DRIVETRAIN

FIGURE 5-93. RING GEAR SUPPORT KIT



ART_70025551

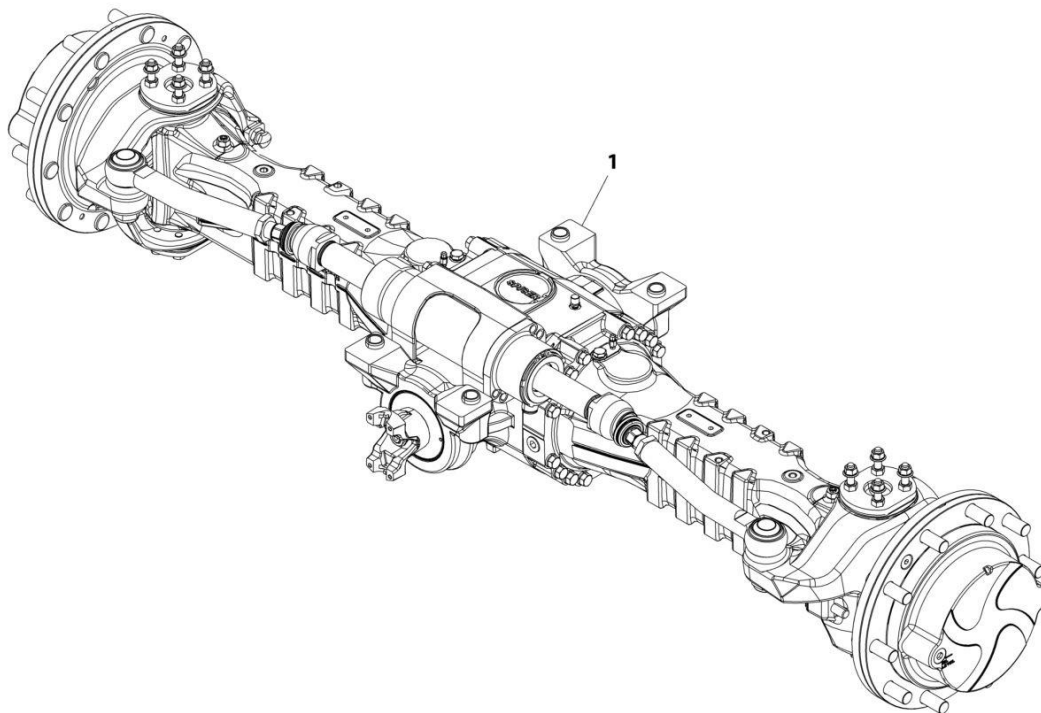
SECTION 5 - DRIVETRAIN

FIGURE 5-93. RING GEAR SUPPORT KIT

ITEM	PART NUMBER	QTY	DESCRIPTION	REV
	70025551	Ref	Ring Gear Support Kit	
1	91474584	20	Nut	
2	70024147	2	Ring Gear	
3	7028723	2	Ring Gear Support	

SECTION 5 - DRIVETRAIN

FIGURE 5-94. REAR AXLE (SN E160000342 through E160000496, Including E160000328, E160000329, E160000330, E160000331, E160000332 and E160000336)



ART_1001191920-C

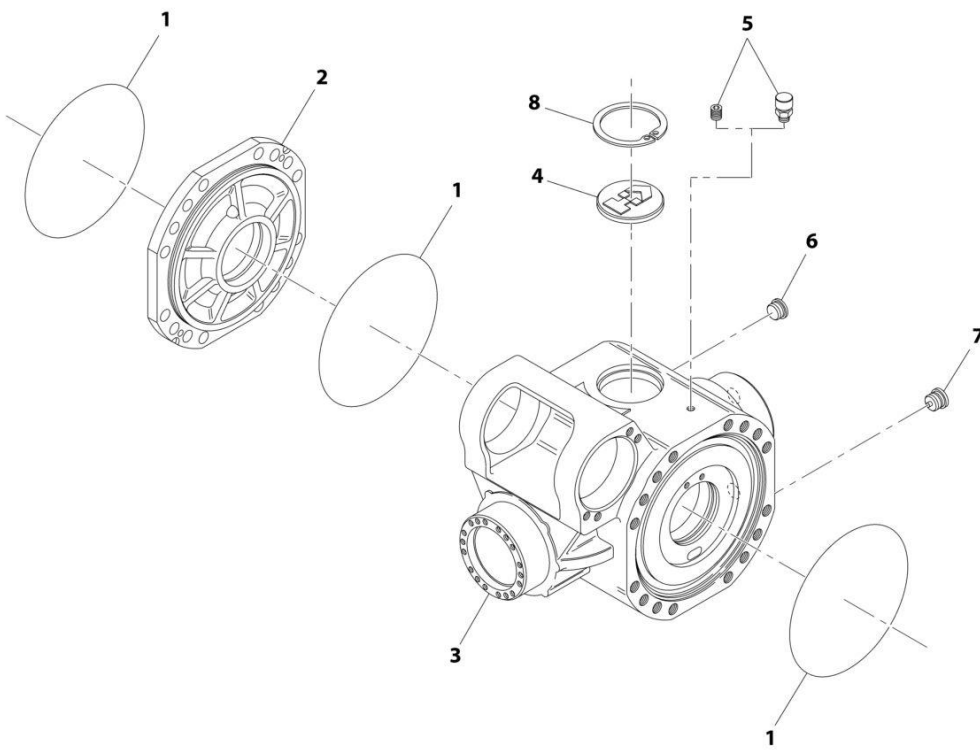
SECTION 5 - DRIVETRAIN

FIGURE 5-94. REAR AXLE (SN E160000342 through E160000496, Including E160000328, E160000329, E160000330, E160000331, E160000332 and E160000336)

ITEM	PART NUMBER	QTY	DESCRIPTION	REV
1	1001191920	Ref	Rear Axle	D
		Ref	Rear Axle, Central Housing (See Separate Breakdown in this Section)	
		Ref	Rear Axle, Differential (See Separate Breakdown in this Section)	
		Ref	Rear Axle, Hub Reduction (See Separate Breakdown in this Section)	
		Ref	Rear Axle, Brakes (See Separate Breakdown in this Section)	
		Ref	Rear Axle, Steering (See Separate Breakdown in this Section) (not shown)	
		Ref	Rear Axle, Trunion (See Separate Breakdown in this Section) (not shown)	

SECTION 5 - DRIVETRAIN

FIGURE 5-95. REAR AXLE, CENTRAL HOUSING (SN E160000342 through E160000496, Including E160000328, E160000329, E160000330, E160000331, E160000332 and E160000336)



ART_1001191920_1-C

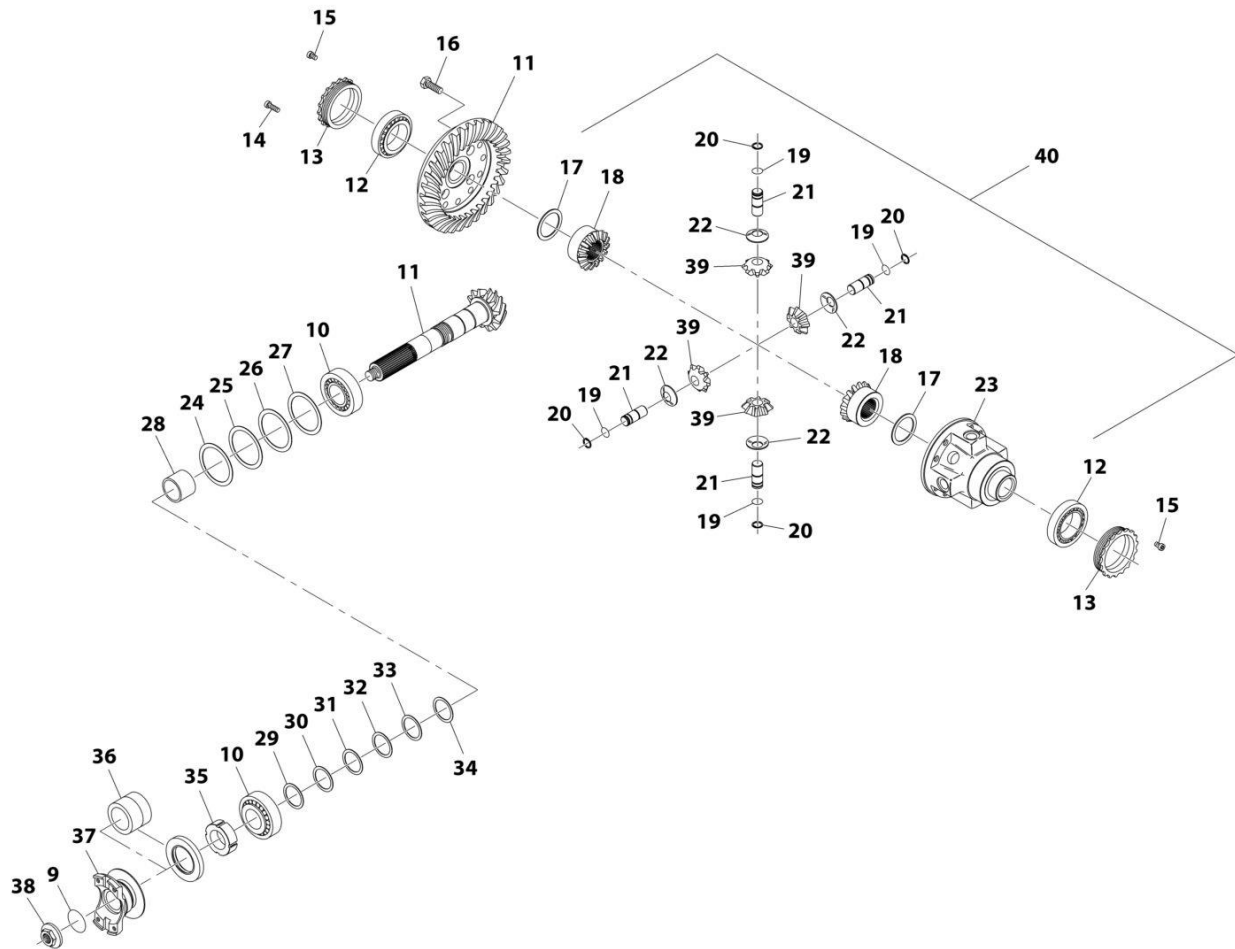
SECTION 5 - DRIVETRAIN

FIGURE 5-95. REAR AXLE, CENTRAL HOUSING (SN E160000342 through E160000496, Including E160000328, E160000329, E160000330, E160000331, E160000332 and E160000336)

ITEM	PART NUMBER	QTY	DESCRIPTION	REV
1	91474507	3	O-Ring	
2	70024519	1	Cover	
3	70026977	1	Housing	
4	91514098	1	Plug	
5	91474512	1	Vent	
6	91514188	1	Plug	
7	91474513	1	Plug, Magnet	
8	80204005	1	Circlip	

SECTION 5 - DRIVETRAIN

FIGURE 5-96. REAR AXLE, DIFFERENTIAL (SN E160000342 through E160000496, Including E160000328, E160000329, E160000330, E160000331, E160000332 and E160000336)



ART_1001191920_2-C

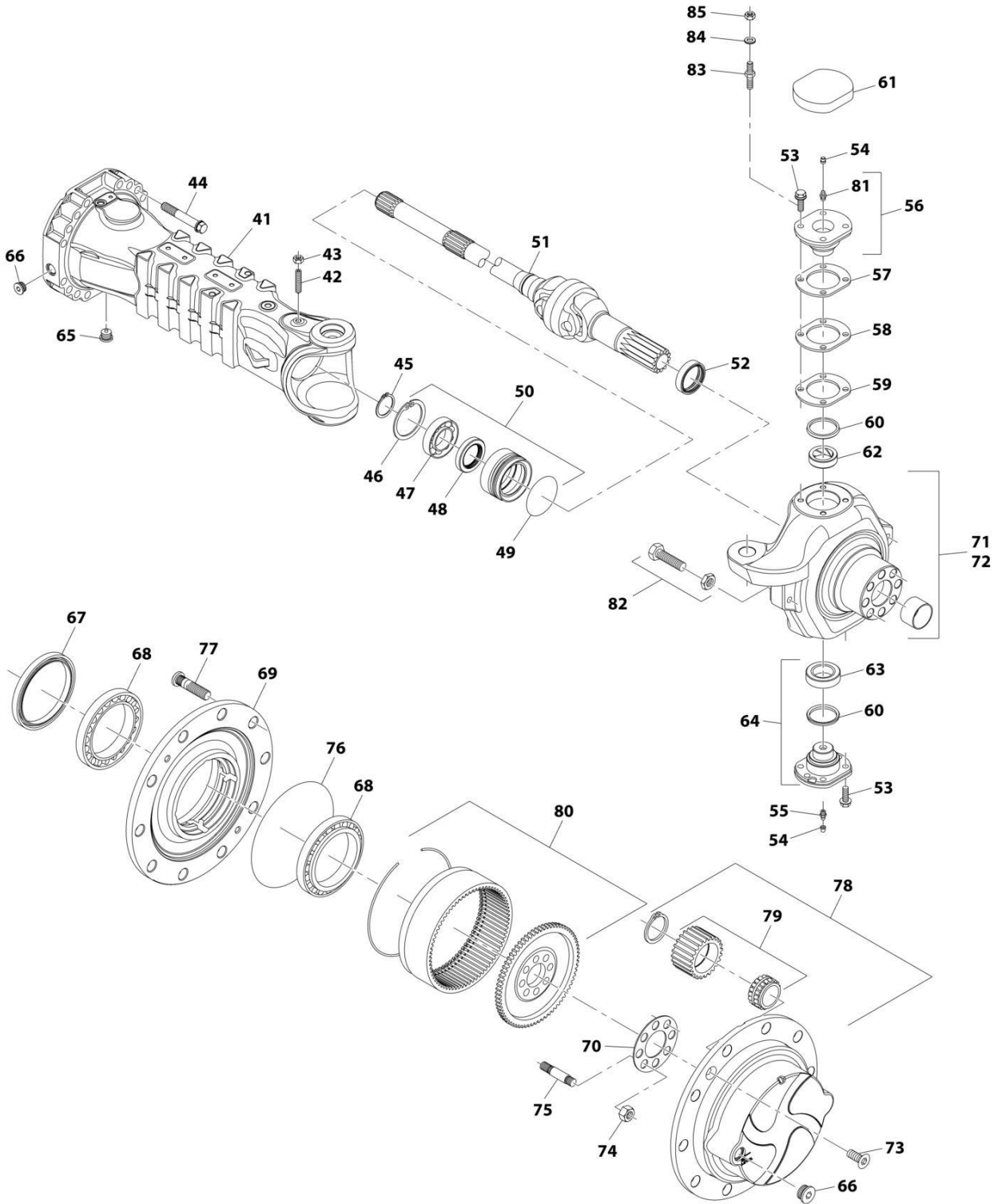
SECTION 5 - DRIVETRAIN

FIGURE 5-96. REAR AXLE, DIFFERENTIAL (SN E160000342 through E160000496, Including E160000328, E160000329, E160000330, E160000331, E160000332 and E160000336)

ITEM	PART NUMBER	QTY	DESCRIPTION	REV
9	91474529	1	O-Ring	
10	3968141	2	Taper Roller Bearing	
11	70027593	1	Bevel Gear Set	
12	70026031	2	Taper Roller Bearing	
13	91474547	2	Ring Nut	
14	91474591	4	Cylinder Bolt	
15	91514134	2	Bolt	
16	91514123	12	Bolt	
17	91474593	2	Friction Washer	
18	70025569	2	Differential Side Gear	
19	91474551	4	Circlip	
20	91474550	4	Circlip	
21	7029131	4	Pin	
22	91474553	4	Friction Washer	
23	91474595	1	Differential Carrier	
24	91474540	1	Shim	
25	91474541	1	Shim	
26	91474542	1	Shim	
27	91474543	1	Shim	
28	91474539	1	Spacer	
29	91474535	1	Shim	
30	91474536	1	Shim	
31	91474537	1	Shim	
32	91474538	1	Shim	
33	70024520	1	Shim	
34	70024521	1	Shim	
35	91474533	1	Ring Nut	
36	91474532	1	Seal	
37	7029427	1	Flange	
38	70026631	1	Nut	
39	70025570	4	Differential Pinion	
40	70021140	1	Differential Kit	

SECTION 5 - DRIVETRAIN

FIGURE 5-97. REAR AXLE, HUB REDUCTION (SN E160000342 through E160000496, Including E160000328, E160000329, E160000330, E160000331, E160000332 and E160000336)



ART_1001191920_3-C

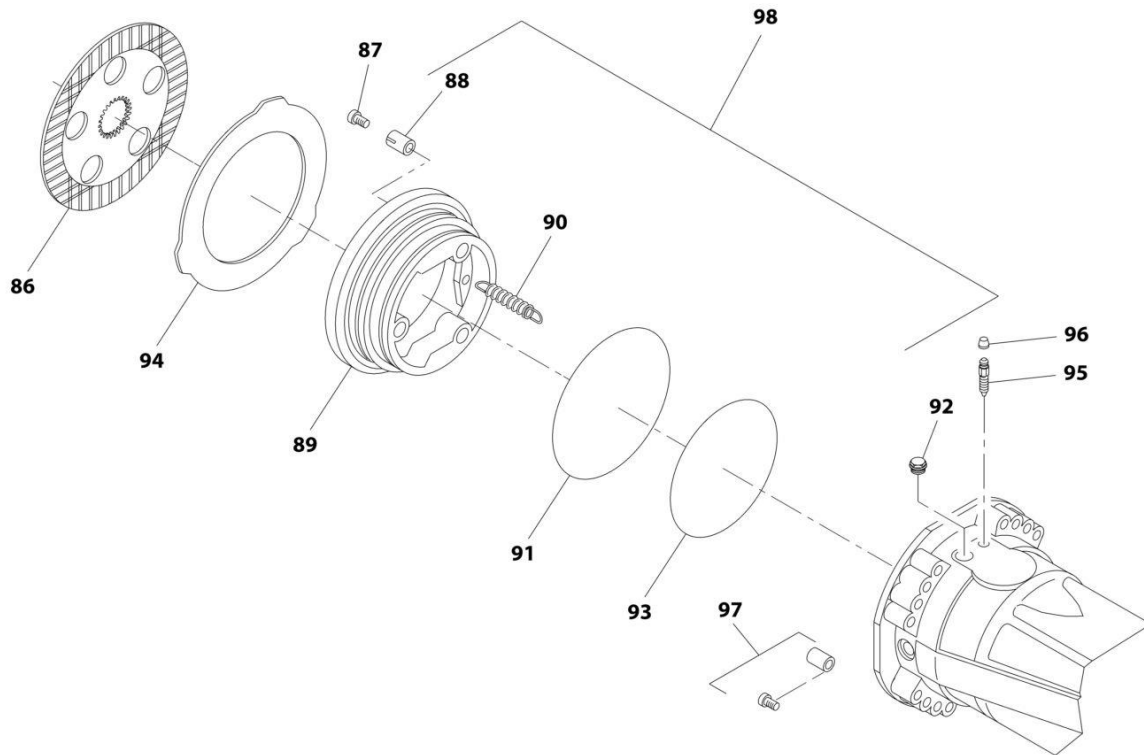
SECTION 5 - DRIVETRAIN

FIGURE 5-97. REAR AXLE, HUB REDUCTION (SN E160000342 through E160000496, Including E160000328, E160000329, E160000330, E160000331, E160000332 and E160000336)

ITEM	PART NUMBER	QTY	DESCRIPTION	REV
41	7028048	2	Axle Case	
42	2400600	2	Bolt	
43	91514082	2	Nut	
44	7029428	32	Bolt	
45	80204071	2	Circlip	
46	80204005	2	Circlip	
47	91514146	2	Ball Bearing	
48	91514147	2	Seal	
49	91514148	2	O-Ring	
50	91514149	2	Reduction Bushing (See Separate Breakdown in this Section)	
51	70025928	1	Double Universal Joint	
52	8007771	2	Seal	
53	70025562	12	Bolt	
54	80204117	4	Plug	
55	91514099	2	Grease Fitting	
56	70025567	2	Pivot Pin	
57	8007779	2	Shim	
58	8007780	2	Shim	
59	8007782	2	Shim	
60	2401043	2	Seal	
61	70025549	2	Cover	
62	70020173	2	Bushing	
63	2401258	2	Bearing	
64	8006605	2	Pivot Pin	
65	91474513	2	Magnetic Plug	
66	91514188	4	Plug	
67	7029430	2	Seal	
68	3984301	4	Bearing	
69	8005801	2	Wheel Hub	
70	3983731	2	Locking Plate	
71	8007774	1	Steering Case Kit (LH) (See Separate Breakdown in this Section)	
72	8007777	1	Steering Case Kit (RH) (See Separate Breakdown in this Section)	
73	91514189	4	Countersunk Bolt	
74	91474584	16	Nut	
75	70027315	16	STUD	
76	80204002	2	O-Ring	
77	8000877	20	Wheel Stud	
78	7029431	2	Planet Gear Carrier Kit (See Separate Breakdown in this Section)	
79	70023900	8	Planet Gear Kit (See Separate Breakdown in this Section)	
80	7029432	2	Ring Gear Support Kit (See Separate Breakdown in this Section)	
81	7028115	2	Grease Fitting	
82	7028733	4	Steering Adjust Bolt Kit (See Separate Breakdown in this Section)	
83	70025819	8	Stud	
84	91514119	8	Washer	
85	91514120	8	Nut	

SECTION 5 - DRIVETRAIN

FIGURE 5-98. REAR AXLE, BRAKES (SN E160000342 through E160000496, Including E160000328, E160000329, E160000330, E160000331, E160000332 and E160000336)



ART_1001191920_4-C

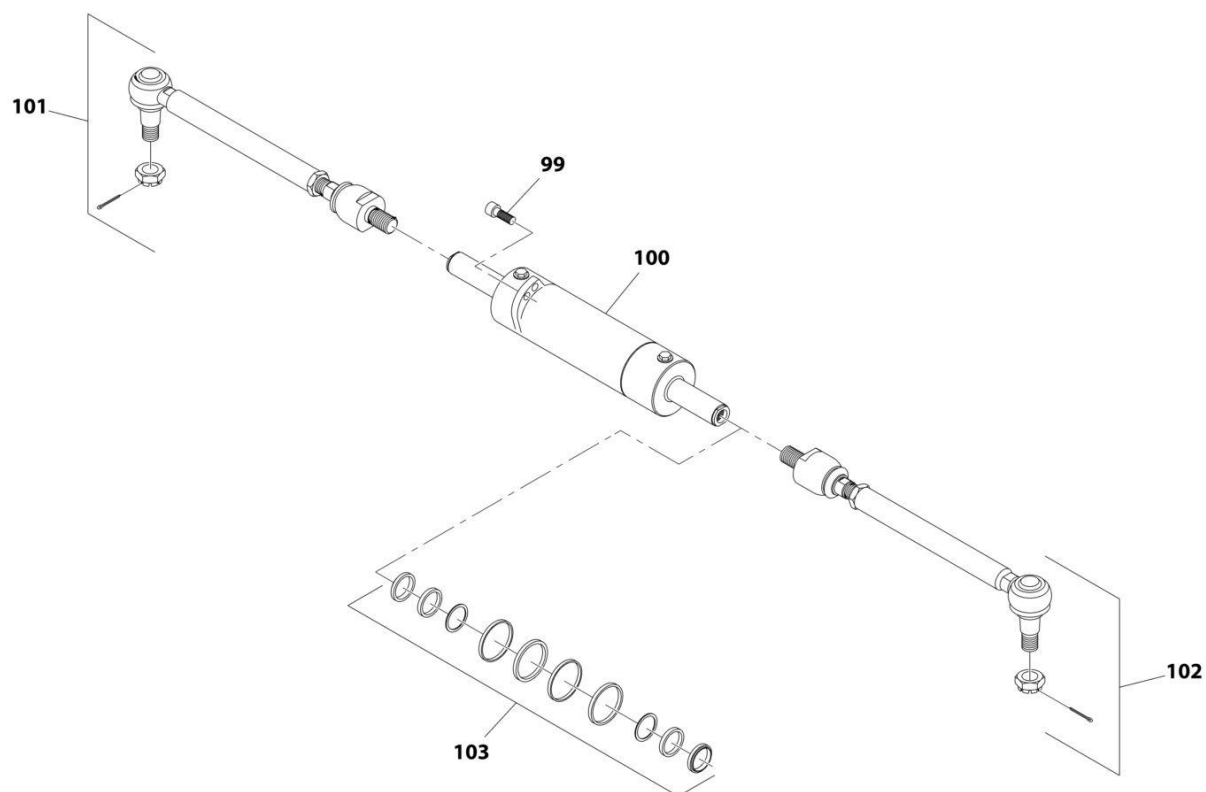
SECTION 5 - DRIVETRAIN

FIGURE 5-98. REAR AXLE, BRAKES (SN E160000342 through E160000496, Including E160000328, E160000329, E160000330, E160000331, E160000332 and E160000336)

ITEM	PART NUMBER	QTY	DESCRIPTION	REV
86	91474568	6	Disc	
87	7029786	6	Adjusting Bolt	
88	91514165	6	Spring	
89	7028053	2	Piston	
90	3984425	6	Spring	
91	70025821	2	O-Ring	
92	91514154	2	Plug	
93	70025822	2	O-Ring	
94	70025823	8	Intermediate Brake Disc	
95	80204281	2	Bleeding Bolt	
96	80204117	2	Plug	
97	7029433	2	Dowel	
98	70026823	2	Brakes Piston Kit (See Separate Breakdown in this Section)	

SECTION 5 - DRIVETRAIN

FIGURE 5-99. REAR AXLE, STEERING (SN E160000342 through E160000496, Including E160000328, E160000329, E160000330, E160000331, E160000332 and E160000336)



ART_1001191920_5-C

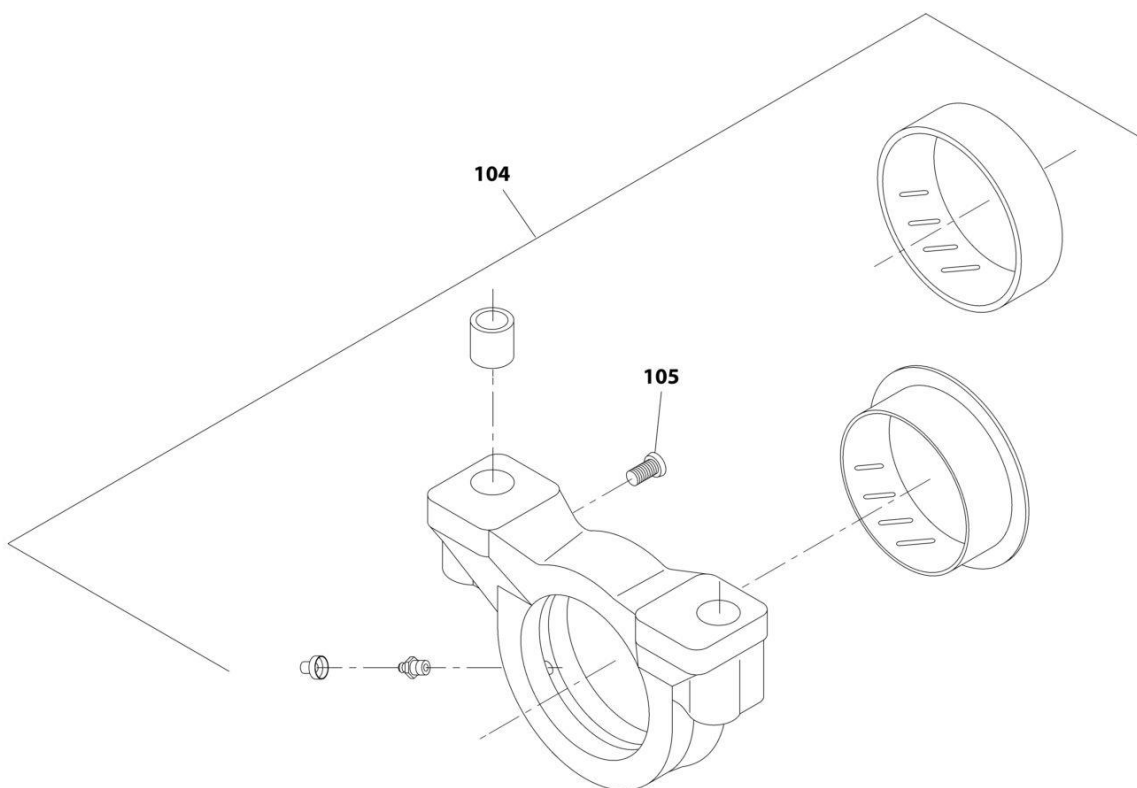
SECTION 5 - DRIVETRAIN

FIGURE 5-99. REAR AXLE, STEERING (SN E160000342 through E160000496, Including E160000328, E160000329, E160000330, E160000331, E160000332 and E160000336)

ITEM	PART NUMBER	QTY	DESCRIPTION	REV
99	91474522	4	Bolt	
100	70025566	1	Cylinder	
101	70026752	1	Bar	
102	70026751	1	Bar	
103	70025842	1	Seal Kit	

SECTION 5 - DRIVETRAIN

FIGURE 5-100. REAR AXLE, TRUNION (SN E160000342 through E160000496, Including E160000328, E160000329, E160000330, E160000331, E160000332 and E160000336)



ART_1001191920_6-C

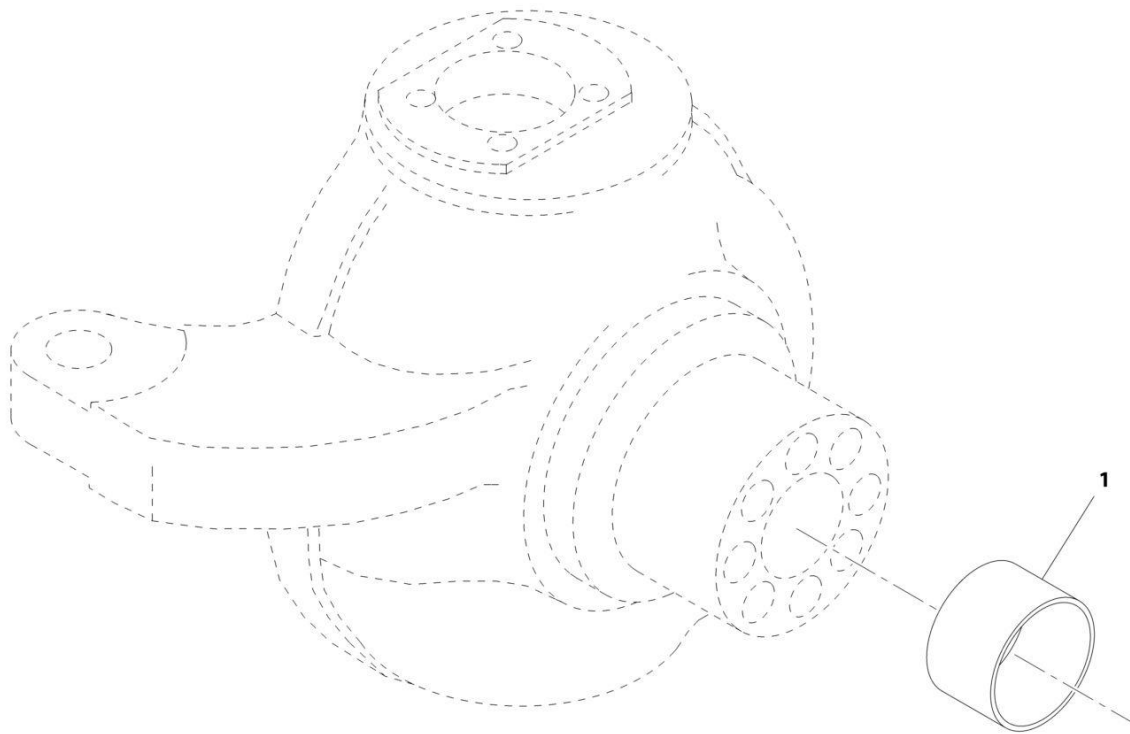
SECTION 5 - DRIVETRAIN

FIGURE 5-100. REAR AXLE, TRUNION (SN E160000342 through E160000496, Including E160000328, E160000329, E160000330, E160000331, E160000332 and E160000336)

ITEM	PART NUMBER	QTY	DESCRIPTION	REV
104	70026630	2	Trunion Kit (See Separate Breakdown in this Section)	
105	70025884	2	Bolt	

SECTION 5 - DRIVETRAIN

FIGURE 5-101. STEERING CASE KIT, (LF, RR)



ART_8007774

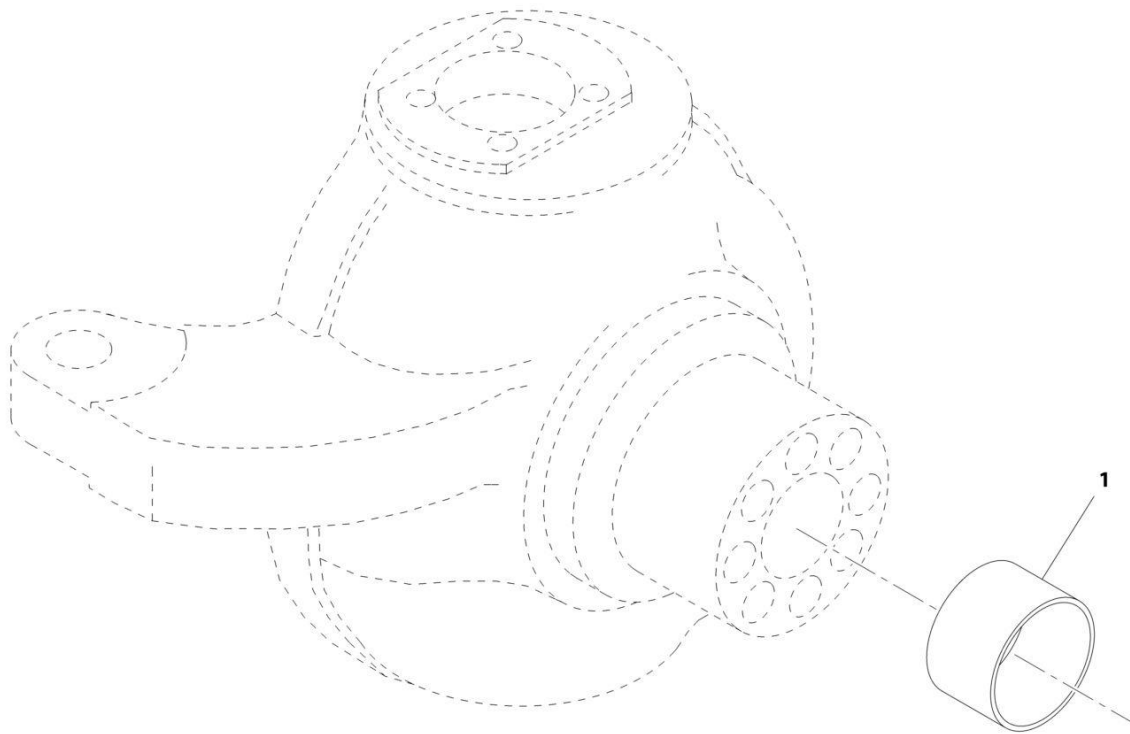
SECTION 5 - DRIVETRAIN

FIGURE 5-101. STEERING CASE KIT, (LF, RR)

ITEM	PART NUMBER	QTY	DESCRIPTION	REV
1	8007774 8004468	Ref 1	Steering Case Kit, (RF, LR) Bushing, Thrust	

SECTION 5 - DRIVETRAIN

FIGURE 5-102. STEERING CASE KIT, (RF, LR)



ART_8007777

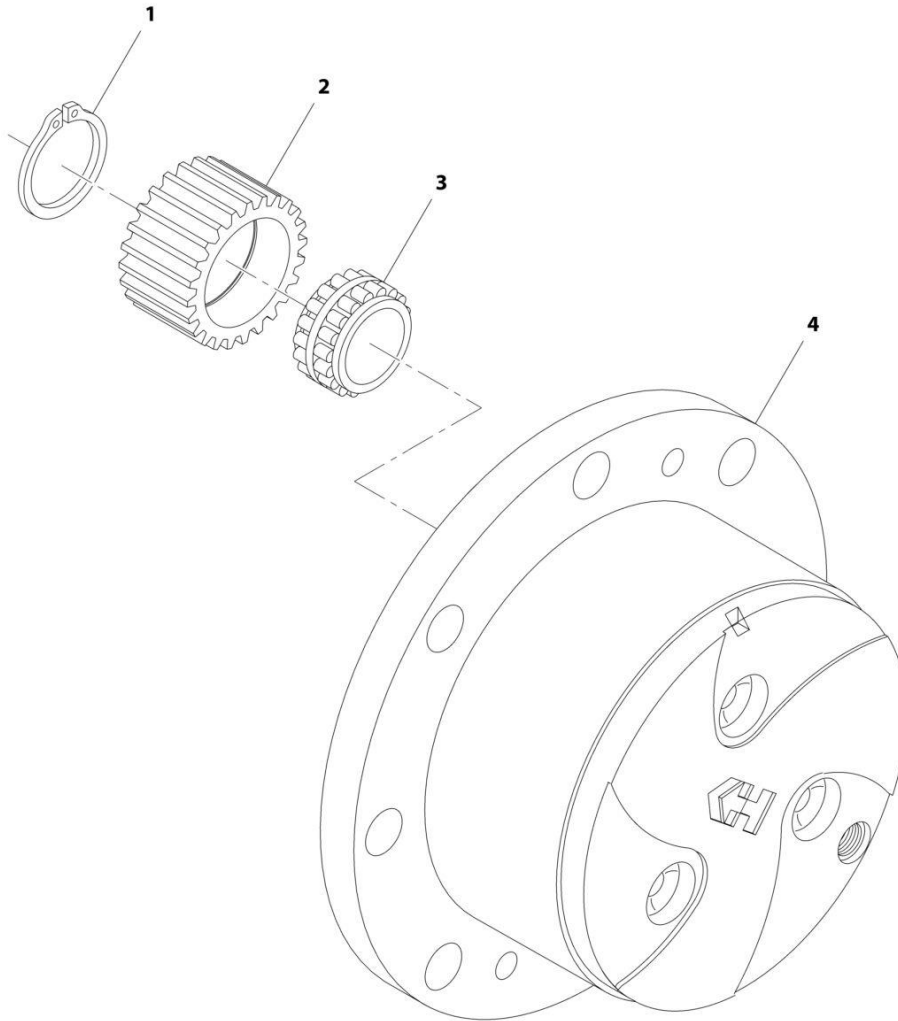
SECTION 5 - DRIVETRAIN

FIGURE 5-102. STEERING CASE KIT, (RF, LR)

ITEM	PART NUMBER	QTY	DESCRIPTION	REV
1	8007777 8004468	Ref 1	Steering Case Kit, (LF, RR) Bushing, Thrust	

SECTION 5 - DRIVETRAIN

FIGURE 5-103. PLANET GEAR CARRIER KIT



ART_7029431

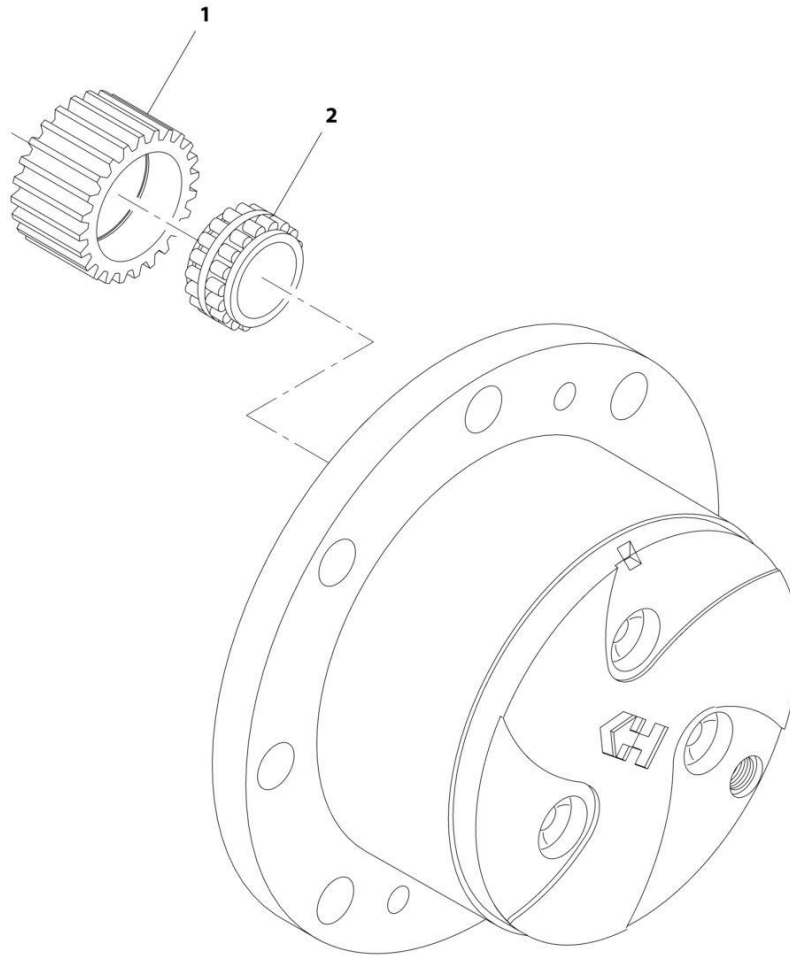
SECTION 5 - DRIVETRAIN

FIGURE 5-103. PLANET GEAR CARRIER KIT

ITEM	PART NUMBER	QTY	DESCRIPTION	REV
	7029431	Ref	Planet Gear Carrier Kit	
1	91474585	4	Circlip	
2	91474586	8	Planet Gear	
3	91474587	8	Bearing	
4	7029286	1	Planet Gear Carrier	

SECTION 5 - DRIVETRAIN

FIGURE 5-104. PLANET GEAR KIT



ART_70023900

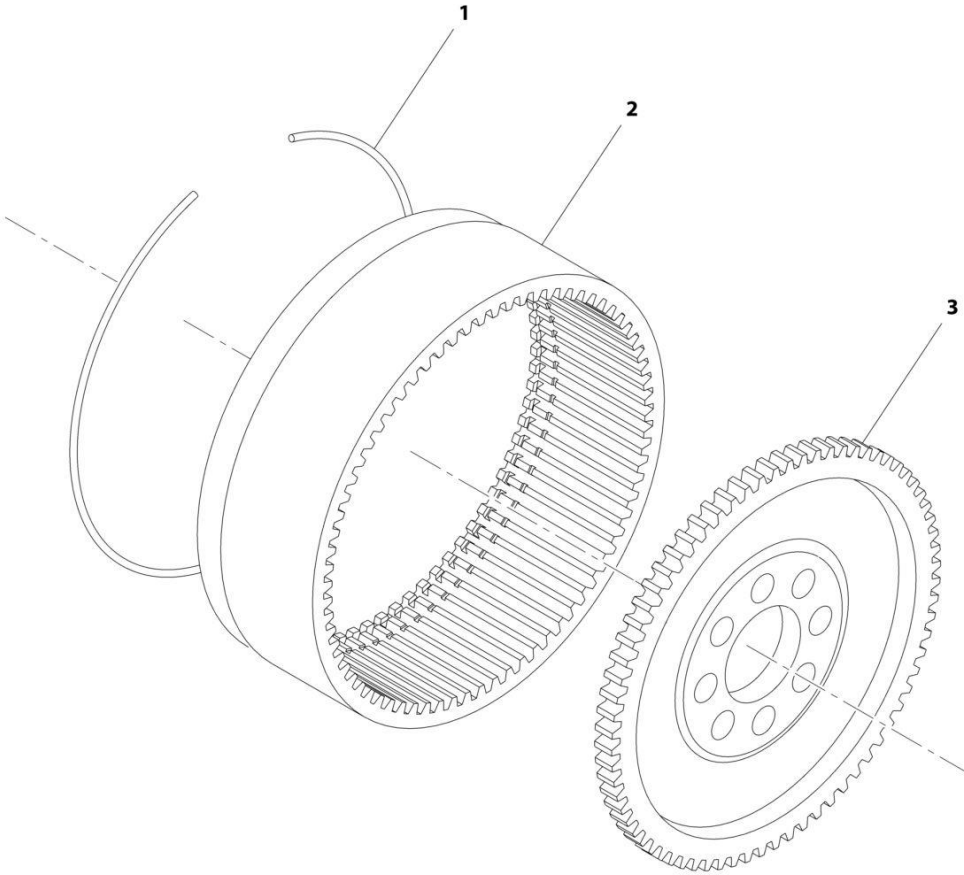
SECTION 5 - DRIVETRAIN

FIGURE 5-104. PLANET GEAR KIT

ITEM	PART NUMBER	QTY	DESCRIPTION	REV
	70023900	Ref	Planet Gear Kit	
1	91474586	8	Planet Gear	
2	91474587	8	Bearing	

SECTION 5 - DRIVETRAIN

FIGURE 5-105. RING GEAR SUPPORT KIT



ART_7029432

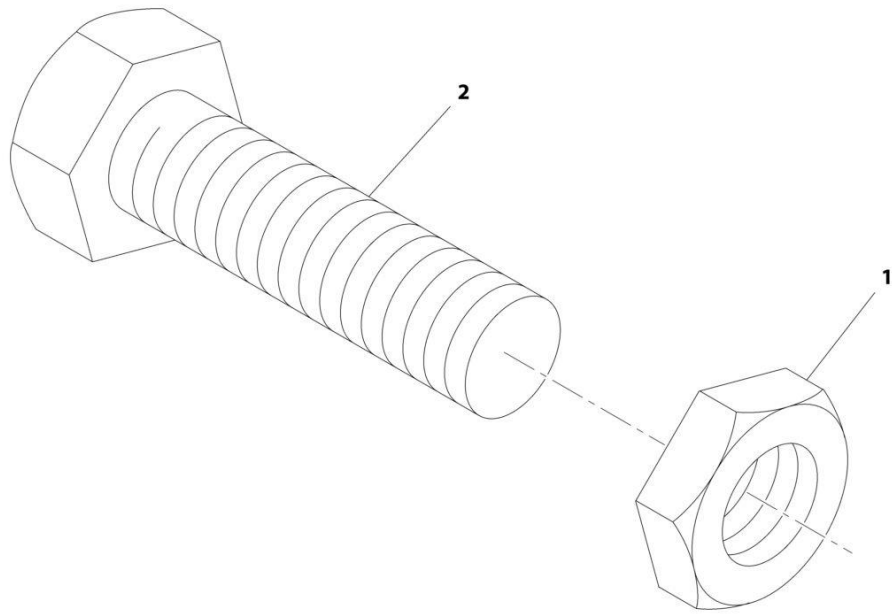
SECTION 5 - DRIVETRAIN

FIGURE 5-105. RING GEAR SUPPORT KIT

ITEM	PART NUMBER	QTY	DESCRIPTION	REV
	7029432	Ref	Ring Gear Support Kit	
1	91474579	1	Circlip	
2	91474580	1	Ring Gear	
3	3983720	1	Ring Gear Support	

SECTION 5 - DRIVETRAIN

FIGURE 5-106. STEERING ADJUST BOLT KIT



ART_7028733

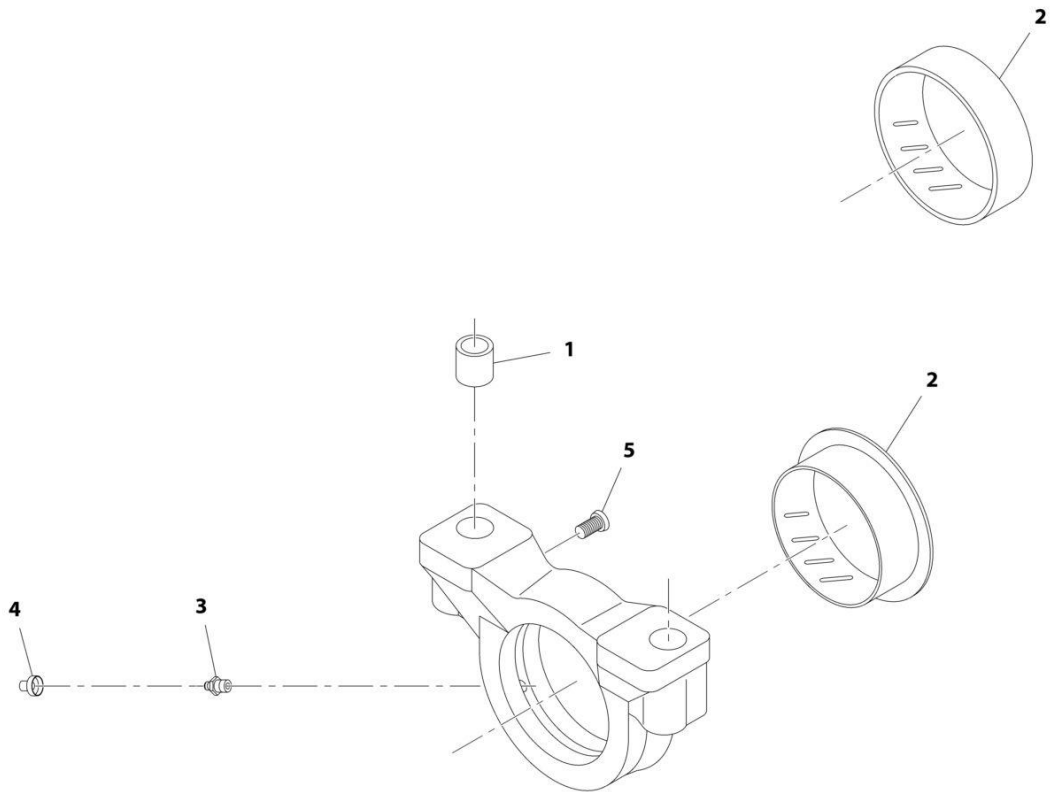
SECTION 5 - DRIVETRAIN

FIGURE 5-106. STEERING ADJUST BOLT KIT

ITEM	PART NUMBER	QTY	DESCRIPTION	REV
	7028733	Ref	Steering Adjust Bolt Kit	
1	80204065	2	Nut	
2	91514117	2	Bolt	

SECTION 5 - DRIVETRAIN

FIGURE 5-107. TRUNION KIT



ART_70026630

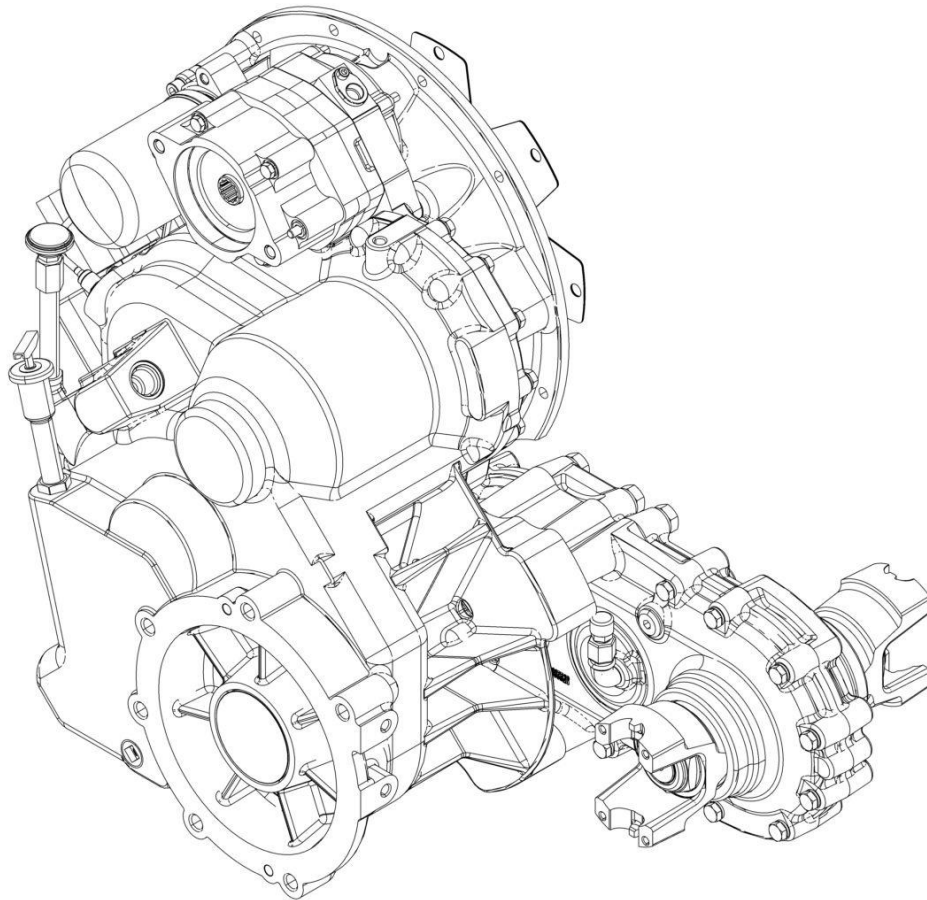
SECTION 5 - DRIVETRAIN

FIGURE 5-107. TRUNION KIT

ITEM	PART NUMBER	QTY	DESCRIPTION	REV
	70026630	Ref	Kit, Trunion	
1	91474516	4	Bushing, Reduction	
2	91474515	2	Bushing, Thrust	
3	91514099	2	Fitting, Grease	
4	80204117	2	Plug	
5	70025884	2	Bolt	

SECTION 5 - DRIVETRAIN

FIGURE 5-108. POWERSHIFT TRANSMISSION



ART_1001141036-B

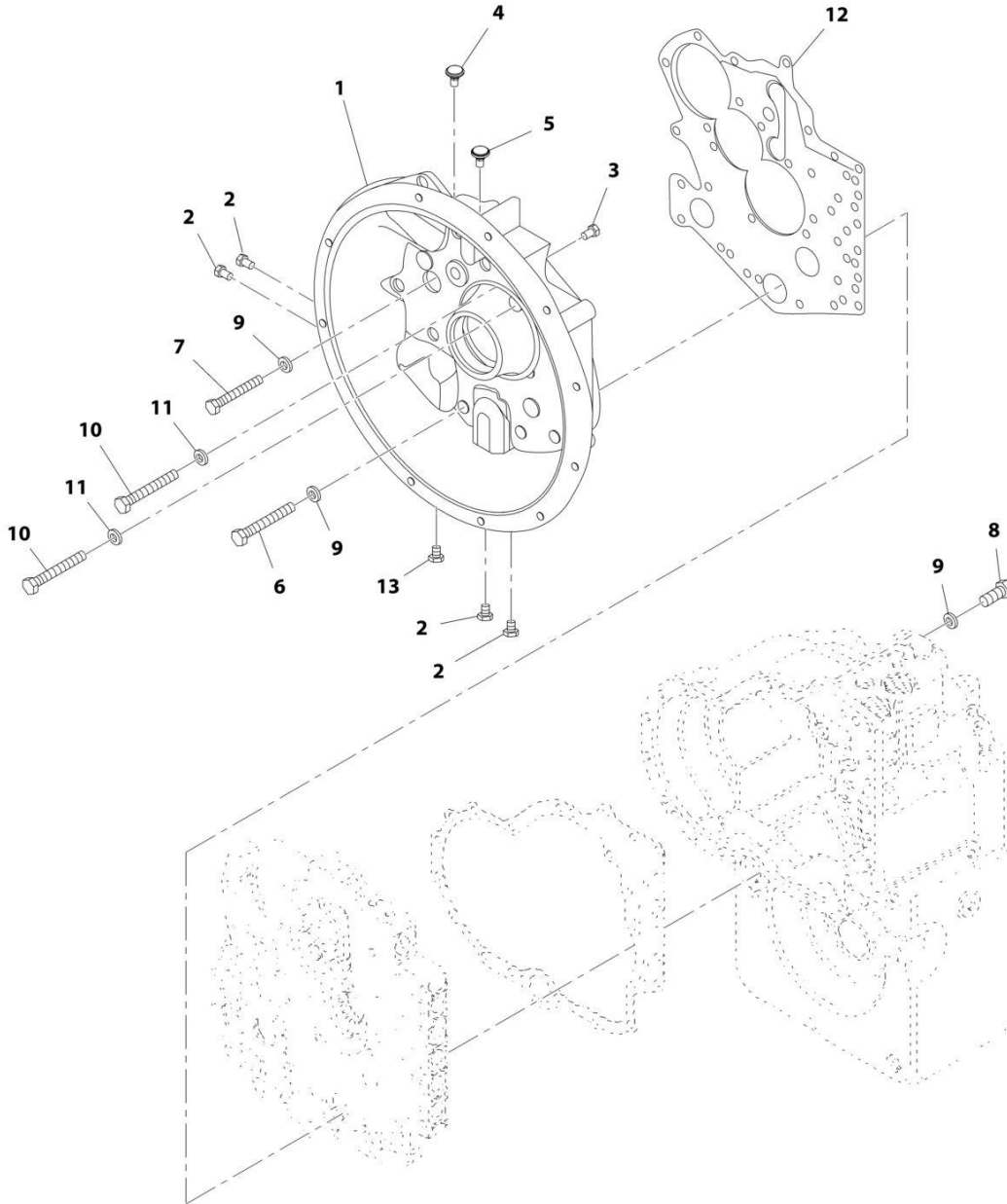
SECTION 5 - DRIVETRAIN

FIGURE 5-108. POWERSHIFT TRANSMISSION

ITEM	PART NUMBER	QTY	DESCRIPTION	REV
	1001141036	Ref	Transmission, Powershift	B
		Ref	Converter Housing (See POWERSHIFT TRANSMISSION, CONVERTER HOUSING for Breakdown)	
		Ref	Transmission Plate (See POWERSHIFT TRANSMISSION, TRANSMISSION PLATE for Breakdown)	
		Ref	Torque Converter (See POWERSHIFT TRANSMISSION, TORQUE CONVERTER for Breakdown)	
		Ref	Gear Group (See POWERSHIFT TRANSMISSION, GEAR GROUP for Breakdown)	
		Ref	Pump Drive (See POWERSHIFT TRANSMISSION, PUMP DRIVE for Breakdown)	
		Ref	Charge Pump (See POWERSHIFT TRANSMISSION, CHARGE PUMP for Breakdown)	
		Ref	Reverse Idler (See POWERSHIFT TRANSMISSION, REVERSE IDLER for Breakdown)	
		Ref	Forward and Reverse Shaft (See POWERSHIFT TRANSMISSION, FORWARD AND REVERSE SHAFT for Breakdown)	
		Ref	3rd Shaft (See POWERSHIFT TRANSMISSION, 3RD SHAFT for Breakdown)	
		Ref	1st & 2nd Shaft (See POWERSHIFT TRANSMISSION, 1ST & 2ND SHAFT for Breakdown)	
		Ref	Output Shaft (See POWERSHIFT TRANSMISSION, OUTPUT SHAFT for Breakdown)	
		Ref	Drop Box (See Powershift Transmission, Drop Box for Breakdown)	
		Ref	Control (See POWERSHIFT TRANSMISSION, CONTROL for Breakdown)	
		Ref	Modulation Valve (See POWERSHIFT TRANSMISSION, MODULATION VALVE for Breakdown)	
		Ref	Drive Plate (See POWERSHIFT TRANSMISSION, DRIVE PLATE for Breakdown)	

SECTION 5 - DRIVETRAIN

FIGURE 5-109. POWERSHIFT TRANSMISSION, CONVERTER HOUSING



ART_1001141036_1-B

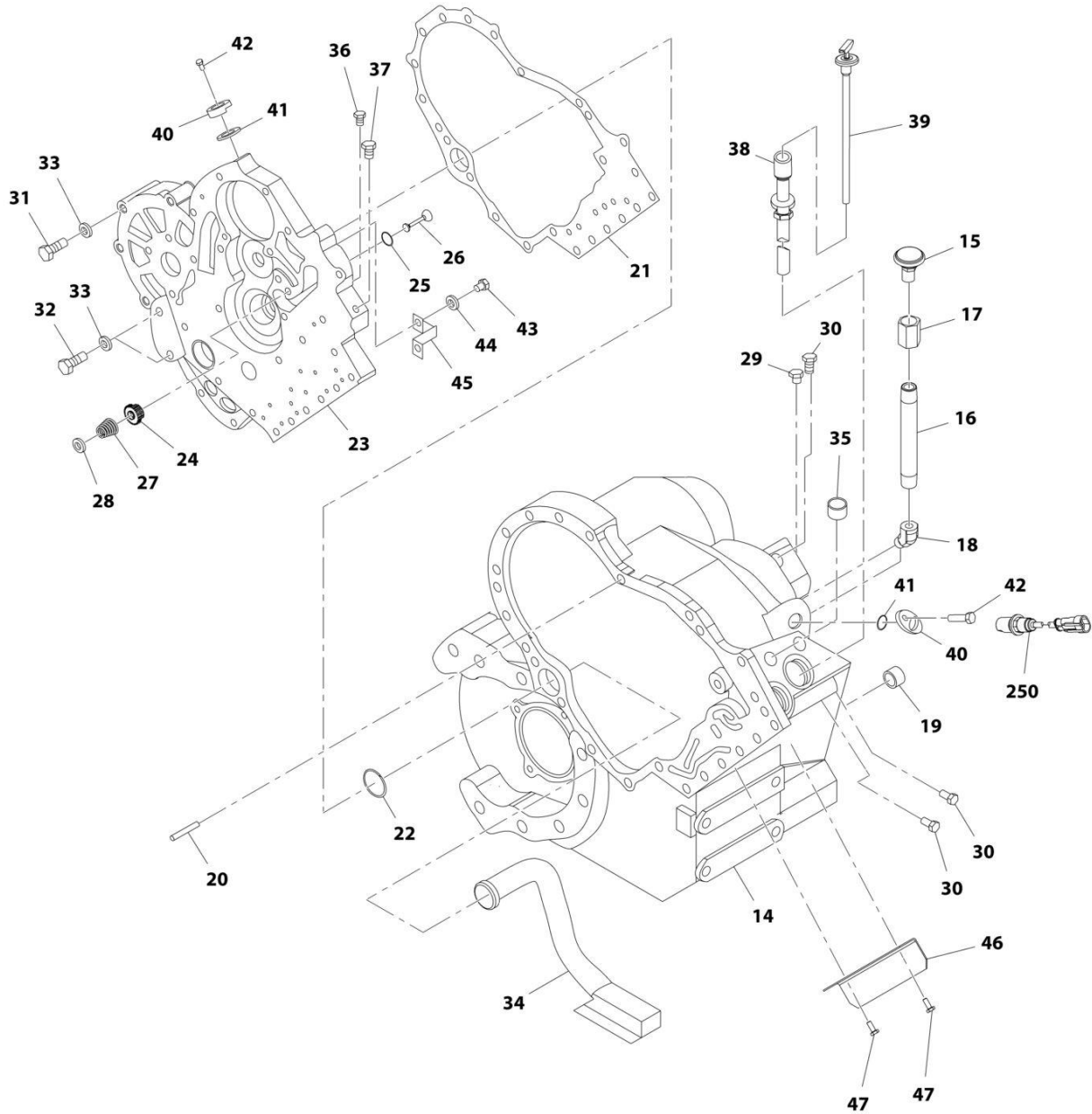
SECTION 5 - DRIVETRAIN

FIGURE 5-109. POWERSHIFT TRANSMISSION, CONVERTER HOUSING

ITEM	PART NUMBER	QTY	DESCRIPTION	REV
1	91474186	1	Housing, Converter	
2	8032526	4	Plug	
3	91474189	1	Plug	
4	8032526	1	Plug	
5	91474192	1	Plug, Check Valve Bore	
6	91474193	6	Screw	
7	91474194	3	Screw	
8	91474195	1	Screw	
9	91474265	10	Lockwasher	
10	91474194	13	Screw	
11	91474265	13	Lockwasher	
12	91474191	1	Gasket	
13	70025574	1	Switch, Temperature	

SECTION 5 - DRIVETRAIN

FIGURE 5-110. POWERSHIFT TRANSMISSION, TRANSMISSION PLATE



ART_1001141036_2-B

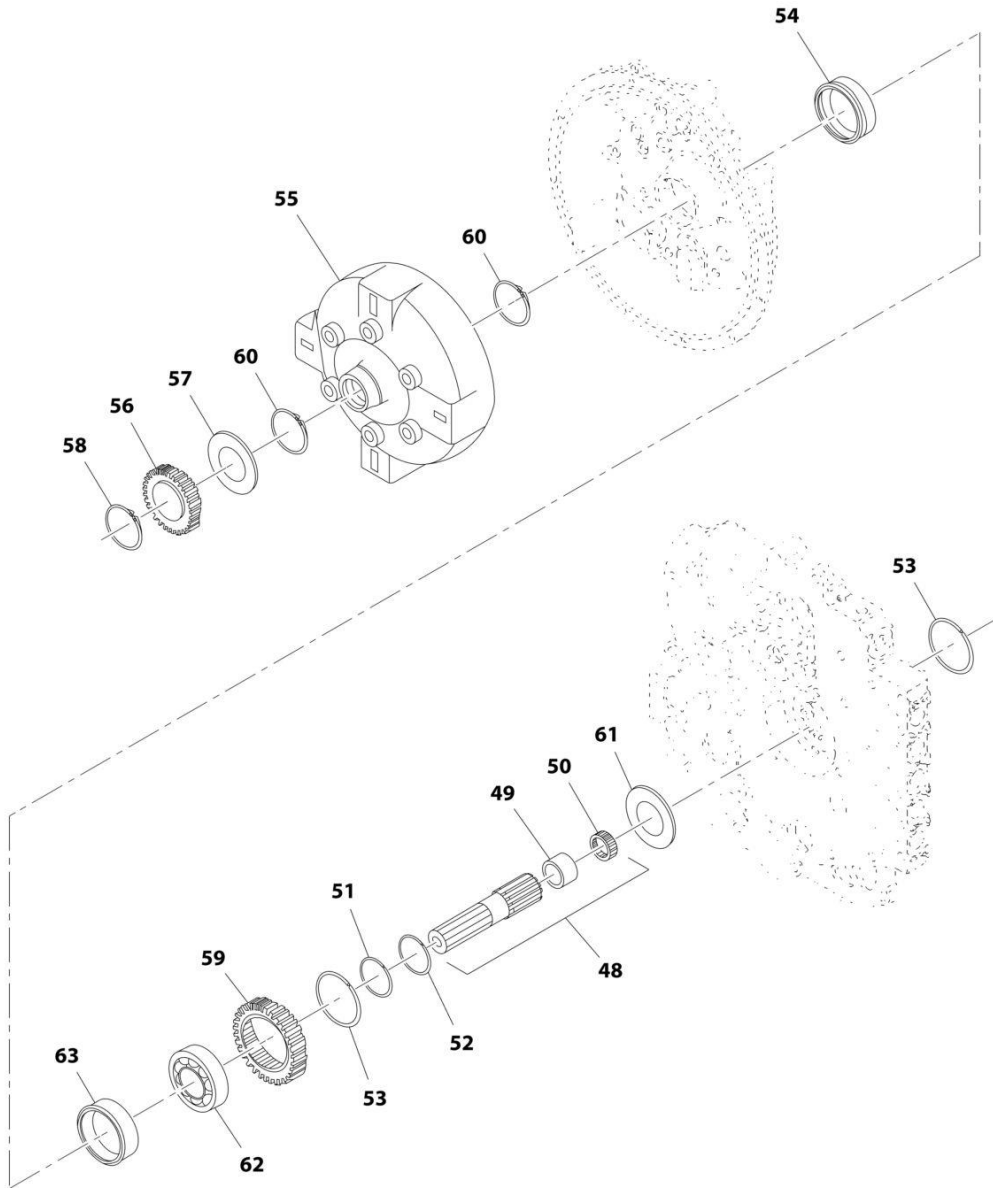
SECTION 5 - DRIVETRAIN

FIGURE 5-110. POWERSHIFT TRANSMISSION, TRANSMISSION PLATE

ITEM	PART NUMBER	QTY	DESCRIPTION	REV
14	70020402	1	Case, Transmission	
15	8032509	1	Breather	
16	7028058	1	Nipple, Pipe	
17	91474198	1	Coupling, Pipe	
18	91474199	1	Fitting, Elbow	
19	77104119	2	Plug, Magnetic Drain	
20	91474200	2	Pin	
21	10868213	1	Gasket	
22	10837074	1	Ring, Oil Supply Tube Seal	
23	7029822	1	Plate, Spacer	
24	8034963	1	Seal, Safety Valve	
25	91474205	1	Ring, Snap	
26	91474206	1	Poppet, Converter Safety Valve	
27	8034962	1	Spring, Converter Safety Valve	
28	8034961	1	Washer, Poppet Retaining	
29	91474189	1	Plug	
30	8032526	3	Plug	
31	91474208	7	Screw	
32	91474209	2	Screw	
33	91474265	9	Lockwasher	
34	91474210	1	Tube, Suction	
35	91474211	1	Filler Plug	
36	91474189	1	Plug	
37	91474192	1	Plug	
38	90204823	1	Tube, Dipstick	
39	70020403	1	Dipstick, Cold Level	
40	91474213	2	Plug	
41	91474214	2	O-Ring	
42	80344940	2	Screw	
43	91474617	2	Capscrew	
44	91474618	2	Washer	
45	70025575	1	Baffle, Safety Valve	
46	70020405	1	Plate, Solenoid Protection	
47	70020406	2	Bolt, M6	
250	70025573	1	Speed Sensor	

SECTION 5 - DRIVETRAIN

FIGURE 5-111. POWERSHIFT TRANSMISSION, TORQUE CONVERTER



ART_1001141036_3-B

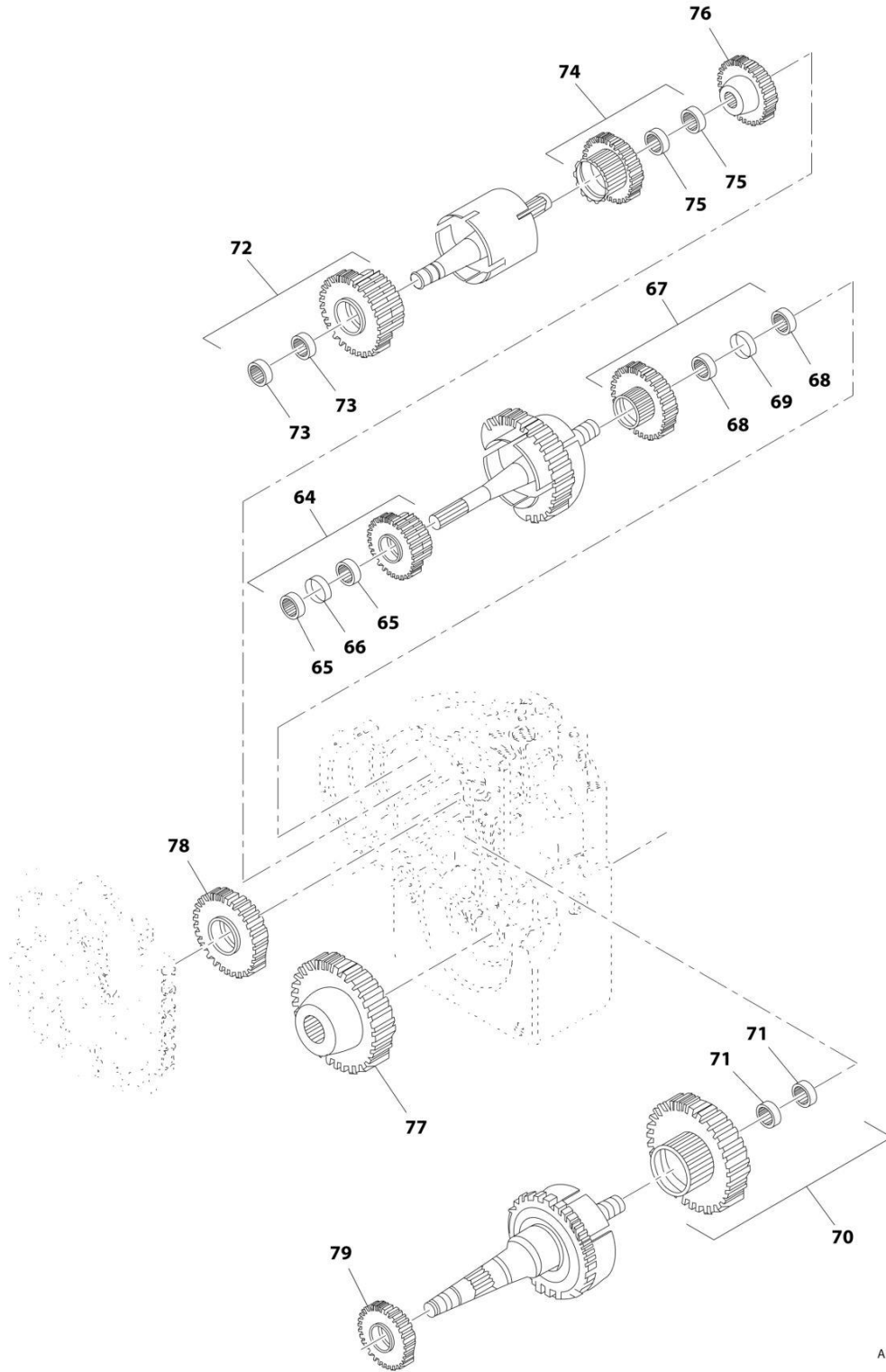
SECTION 5 - DRIVETRAIN

FIGURE 5-111. POWERSHIFT TRANSMISSION, TORQUE CONVERTER

ITEM	PART NUMBER	QTY	DESCRIPTION	REV
48	10868239	1	Support, Stator	
49	91474217	1	Bushing	
50	91474218	1	Bearing	
51	91474219	1	Ring, Stator Support Piston	
52	91474220	1	Expander, Stator Support Piston Ring	
53	91474221	2	Ring, Snap	
54	91474222	1	Seal	
55	91474385	1	Converter, Torque	
56	90204781	1	Plug	
57	77104039	1	O-Ring	
58	77104041	1	Ring, Snap	
59	91474224	1	Gear, Impeller Hub	
60	8034968	2	Ring, Snap	
61	91474226	1	Washer	
62	91474227	1	Bearing	
63	91474228	1	Ring, Oil Distributor	

SECTION 5 - DRIVETRAIN

FIGURE 5-112. POWERSHIFT TRANSMISSION, GEAR GROUP



ART_1001141036_4-B

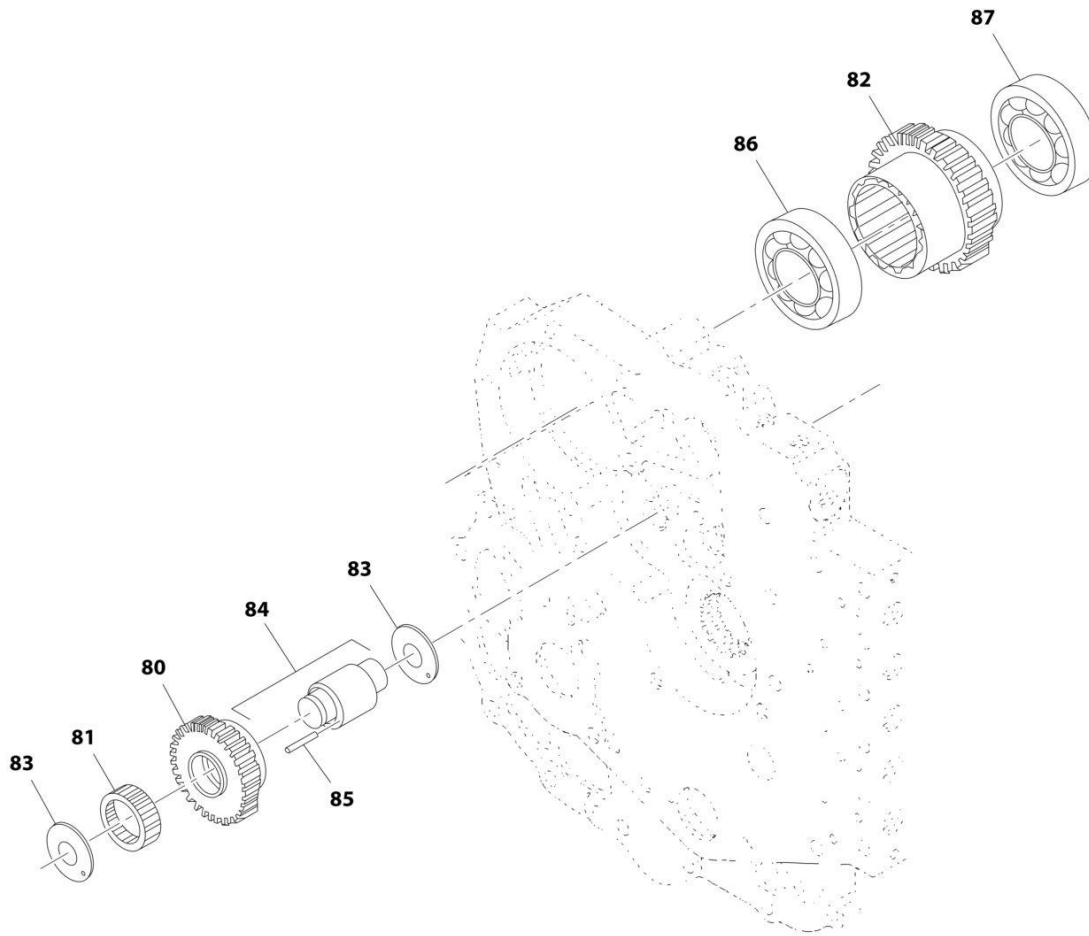
SECTION 5 - DRIVETRAIN

FIGURE 5-112. POWERSHIFT TRANSMISSION, GEAR GROUP

ITEM	PART NUMBER	QTY	DESCRIPTION	REV
64	7028060	1	Assembly, Reverse Gear and Bearing	
65	91474230	2	Needle, Bearing	
66	91474231	1	Spacer	
67	91474232	1	Assembly, Forward Gear and Bearing	
68	91474230	2	Needle, Bearing	
69	91474231	1	Spacer	
70	91474235	1	Gear and Bearing, 3rd Clutch	
71	91474236	2	Needle, Bearing	
72	91474390	1	Gear and Bearing, 1st Clutch	
73	91474230	2	Needle, Bearing	
74	91474392	1	Gear and Bearing, 2nd Clutch	
75	91474230	2	Needle, Bearing	
76	91474233	1	Gear, 3rd Driven	
77	91474234	1	Gear, Output Shaft	
78	91474395	1	Gear, Reverse Idler	
79	91474396	1	Gear, First Drive	

SECTION 5 - DRIVETRAIN

FIGURE 5-113. POWERSHIFT TRANSMISSION, PUMP DRIVE



ART_1001141036_5-B

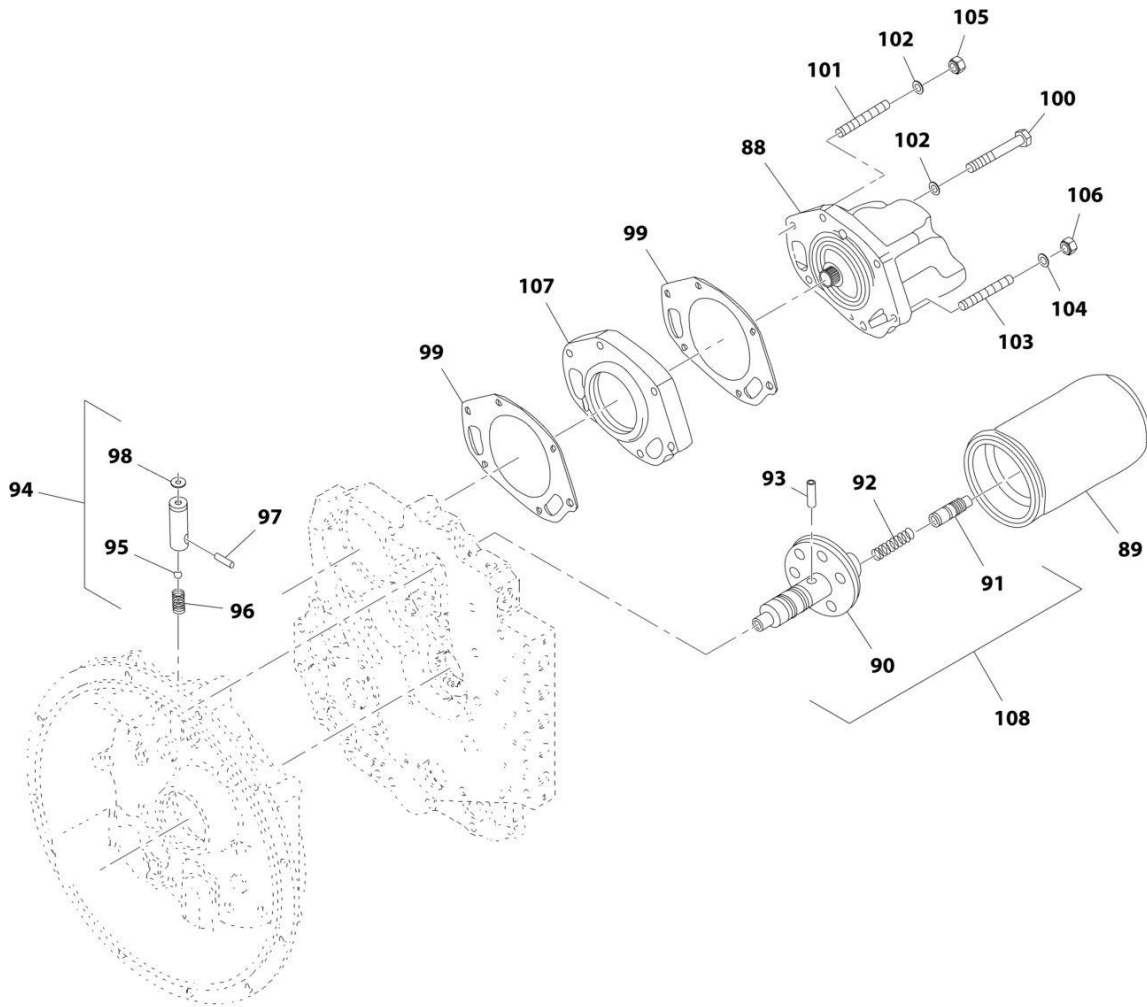
SECTION 5 - DRIVETRAIN

FIGURE 5-113. POWERSHIFT TRANSMISSION, PUMP DRIVE

ITEM	PART NUMBER	QTY	DESCRIPTION	REV
80	91474241	1	Gear, Pump Drive Idler	
81	91474242	1	Bearing, Idler Gear	
82	91474243	1	Gear, Pump Drive	
83	91474244	2	Washer	
84	91474245	1	Assembly, Pump Drive Shaft and Pin	
85	91474246	1	Pin	
86	91474247	1	Bearing	
87	91474248	1	Bearing	

SECTION 5 - DRIVETRAIN

FIGURE 5-114. POWERSHIFT TRANSMISSION, CHARGE PUMP



ART_1001141036_6-B

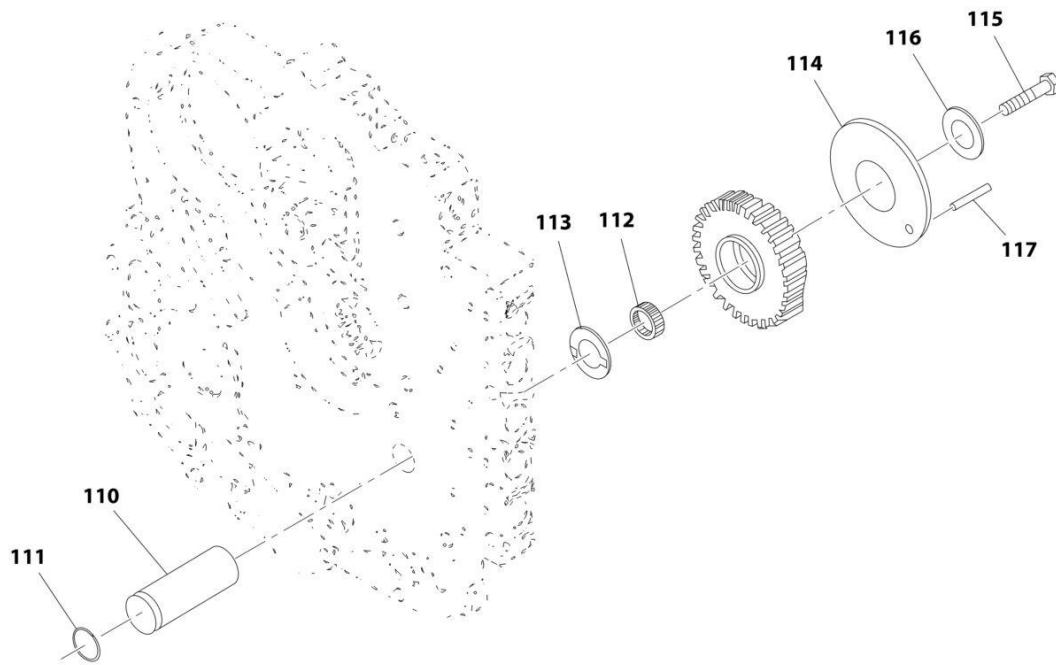
SECTION 5 - DRIVETRAIN

FIGURE 5-114. POWERSHIFT TRANSMISSION, CHARGE PUMP

ITEM	PART NUMBER	QTY	DESCRIPTION	REV
88	70020407	1	Pump, Charge	
89	8008101	1	Filter, Hydraulic Spin	
90	91474251	1	Sleeve, Regulator Valve	
91	91474252	1	Piston, Regulator Valve	
92	91474253	1	Spring, Regulator Valve	
93	91474254	1	Pin	
94	91474255	1	Assembly, Ball Check Valve	
95	91474256	1	Ball	
96	91474257	1	Spring, Check Valve	
97	91474258	1	Pin, Check Valve	
98	91474259	1	O-Ring	
99	10868254	2	Gasket	
100	7028063	4	Screw, Pump Mounting	
101	91474262	1	Stud, Pump Mounting	
102	91474263	5	Lockwasher, Pump Mounting	
103	91474264	1	Stud, Pump Mounting	
104	91474265	1	Lockwasher	
105	91474266	1	Nut	
106	91474274	1	Nut	
107	91474268	1	Adapter, Pump to Plate	
108	91474273	1	Valve, Regulator (includes items 90 thru 93)	
109	91474271	2	Capscrew, (not shown)	

SECTION 5 - DRIVETRAIN

FIGURE 5-115. POWERSHIFT TRANSMISSION, REVERSE IDLER



ART_1001141036_7-B

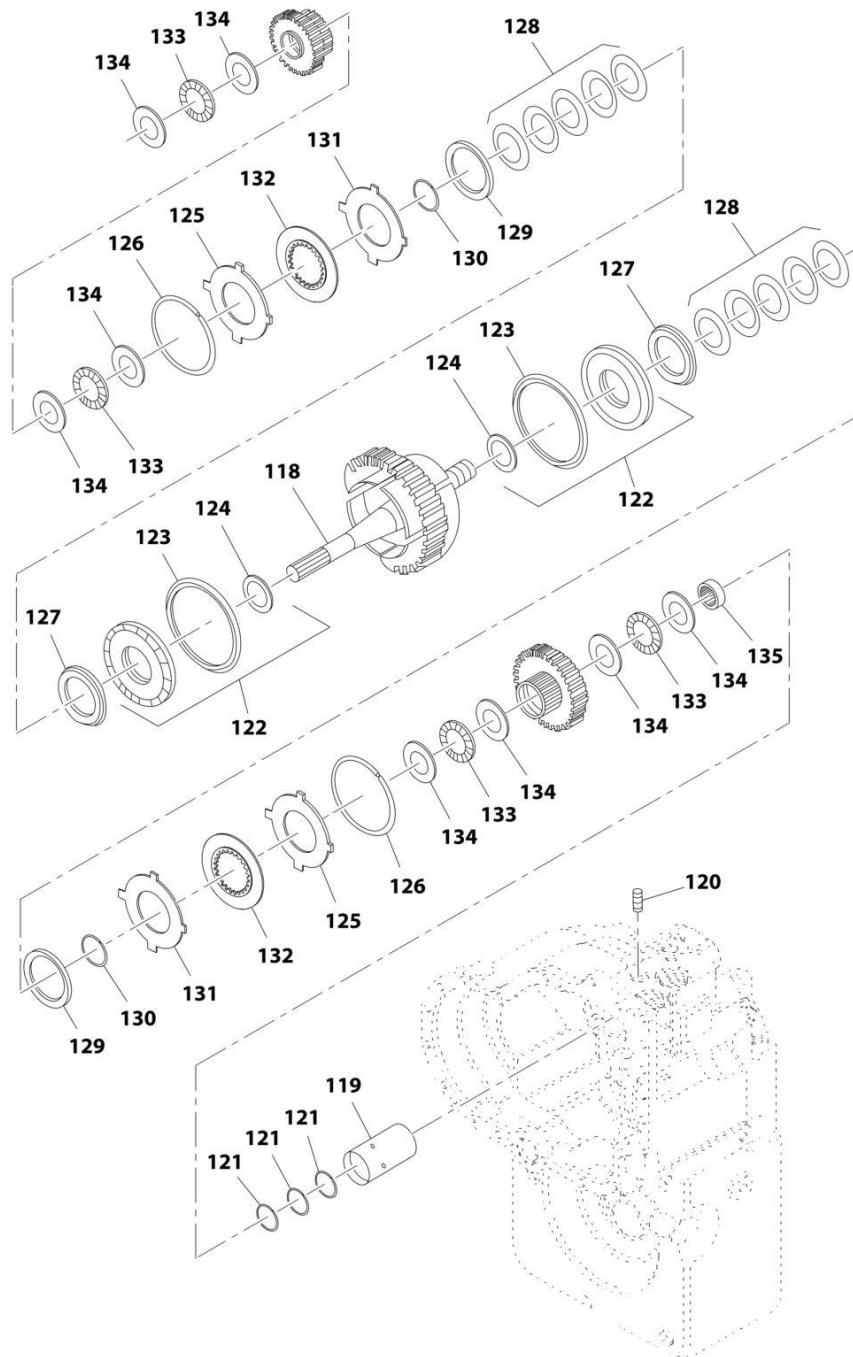
SECTION 5 - DRIVETRAIN

FIGURE 5-115. POWERSHIFT TRANSMISSION, REVERSE IDLER

ITEM	PART NUMBER	QTY	DESCRIPTION	REV
110	91474275	1	Shaft, Idler and Pilot	
111	91474276	1	Ring, Snap	
112	91474277	1	Bearing, Reverse Idler Gear	
113	91474278	1	Washer, Thrust	
114	91474279	1	Plate, End	
115	91474280	1	Capscrew	
116	91474281	1	Washer	
117	91474282	1	Pin, Roll	

SECTION 5 - DRIVETRAIN

FIGURE 5-116. POWERSHIFT TRANSMISSION, FORWARD AND REVERSE SHAFT



ART_1001141036_8-B

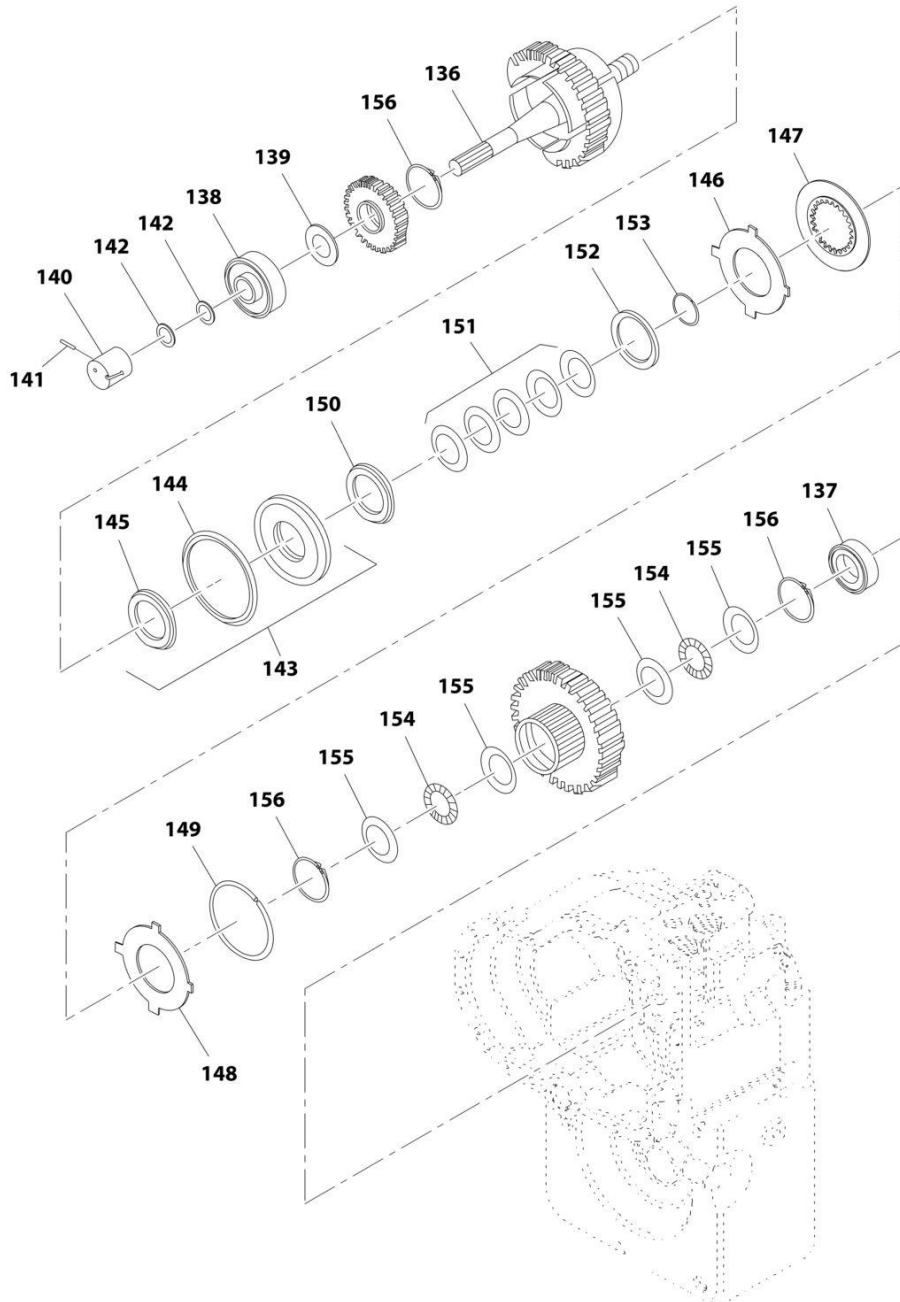
SECTION 5 - DRIVETRAIN

FIGURE 5-116. POWERSHIFT TRANSMISSION, FORWARD AND REVERSE SHAFT

ITEM	PART NUMBER	QTY	DESCRIPTION	REV
118	91474283	1	Assembly, Turbine Shaft, Drum and Plug	
119	91474284	1	Sleeve, Oil Distributor	
120	8035035	1	Screw	
121	10837060	3	Ring	
122	91474287	2	Assembly, Piston and Seal	
123	91474288	2	Seal, Clutch Piston (outer)	
124	91474289	2	Seal, Clutch Piston (inner)	
125	91474290	2	Plate, End	
126	91474309	2	Ring, Snap	
127	1086827	2	Clutch Piston Wear Plate	
128	91474310	2	Disc Spring Assembly (includes 5 washers)	
129	91474294	2	Snap Ring	
130	91474295	2	Snap Ring	
131	91474296	12	Disc, Outer (6 forward, 6 reverse)	
132	91474297	12	Disc, Inner (6 forward, 6 reverse)	
133	91474298	4	Clutch Gear Thrust Bearing	
134	91474299	8	Clutch Gear Thrust Washer	
135	91474300	1	Turbine Shaft Rear Bearing	

SECTION 5 - DRIVETRAIN

FIGURE 5-117. POWERSHIFT TRANSMISSION, 3RD SHAFT



ART_1001141036_9-B

SECTION 5 - DRIVETRAIN

FIGURE 5-117. POWERSHIFT TRANSMISSION, 3RD SHAFT

ITEM	PART NUMBER	QTY	DESCRIPTION	REV
136	91474301	1	Assembly, 3RD Shaft	
137	91474302	1	Bearing, Roller	
138	91474303	1	Assembly, Bearing and Seal	
139	91474304	1	Washer, Bearing Support	
140	91474305	1	Sleeve, Oil Distributor	
141	91474306	1	Screw, Sleeve Retaining	
142	10837060	2	Ring, Piston	
143	91474307	1	Assembly, Piston and Seals	
144	91474288	1	Seal, Clutch Piston (outer)	
145	91474289	1	Seal, Clutch Piston (inner)	
146	91474296	5	Disc, Outer	
147	91474297	5	Disc, Inner	
148	91474290	1	Plate, End	
149	91474309	1	Ring, Snap	
150	10868277	1	Plate, Clutch Piston Wear	
151	91474310	1	Assembly, Disc Spring (includes 5 washers)	
152	91474294	1	Ring, Snap	
153	91474295	1	Ring, Snap	
154	91474311	2	Bearing, Thrust Needle Roller	
155	91474312	4	Washer, Thrust Gear Clutch	
156	91474313	3	Ring, Snap	

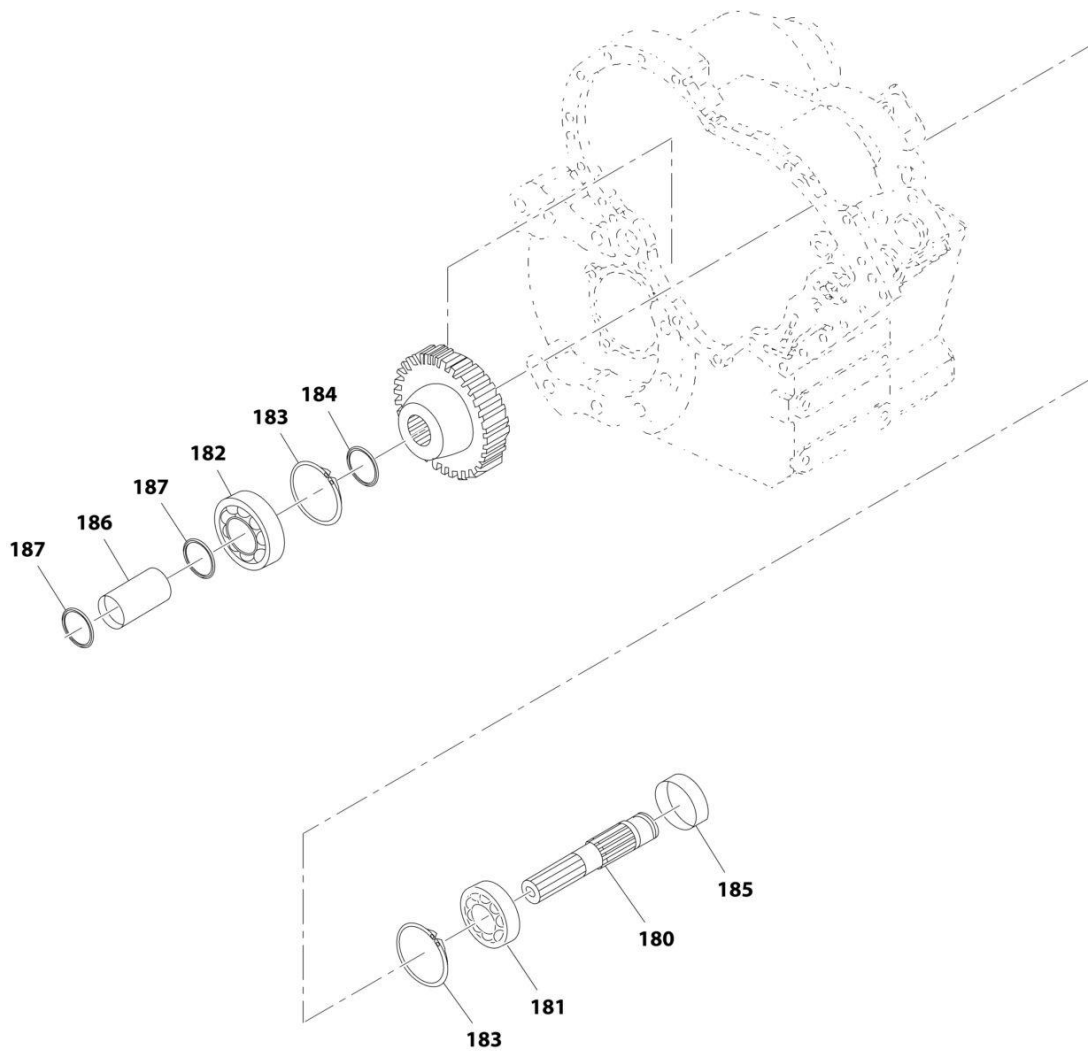
SECTION 5 - DRIVETRAIN

FIGURE 5-118. POWERSHIFT TRANSMISSION, 1ST & 2ND SHAFT

ITEM	PART NUMBER	QTY	DESCRIPTION	REV
157	91474314	1	Assembly, 1st & 2nd Shaft	
158	91474315	1	Bearing, Roller	
159	91474303	1	Assembly, Bearing and Seal	
160	10837060	2	Ring, Piston	
161	91474316	2	Assembly, Piston and Seal	
162	91474288	2	Seal, Clutch Piston (outer)	
163	91474289	2	Seal, Clutch Piston (inner)	
164	91474290	2	Plate, End	
165	91474309	2	Ring, Snap	
166	10868277	2	Plate, Clutch Piston Wear	
167	91474310	1	Assembly, Disc Spring 2nd (includes 5 washers)	
168	91474317	1	Assembly, Disc Spring 1st (includes 7 washers)	
169	91474294	2	Ring, Snap	
170	91474295	2	Ring, Snap	
171	91474298	4	Bearing, Clutch Gear Thrust	
172	91474299	8	Washer Clutch Gear Thrust	
173	91474318	2	Ring, 2nd Clutch Gear Hub Snap	
174	91474319	1	Sleeve, Oil Distributor	
175	91474306	1	Screw, Sleeve Retaining	
176	91474296	10	Disc, Outer (1st)	
177	91474297	10	Disc, Inner (1st)	
178	91474296	5	Disc, Outer (2nd)	
179	91474297	5	Disc, Inner (2nd)	

SECTION 5 - DRIVETRAIN

FIGURE 5-119. POWERSHIFT TRANSMISSION, OUTPUT SHAFT



ART_1001141036_11-B

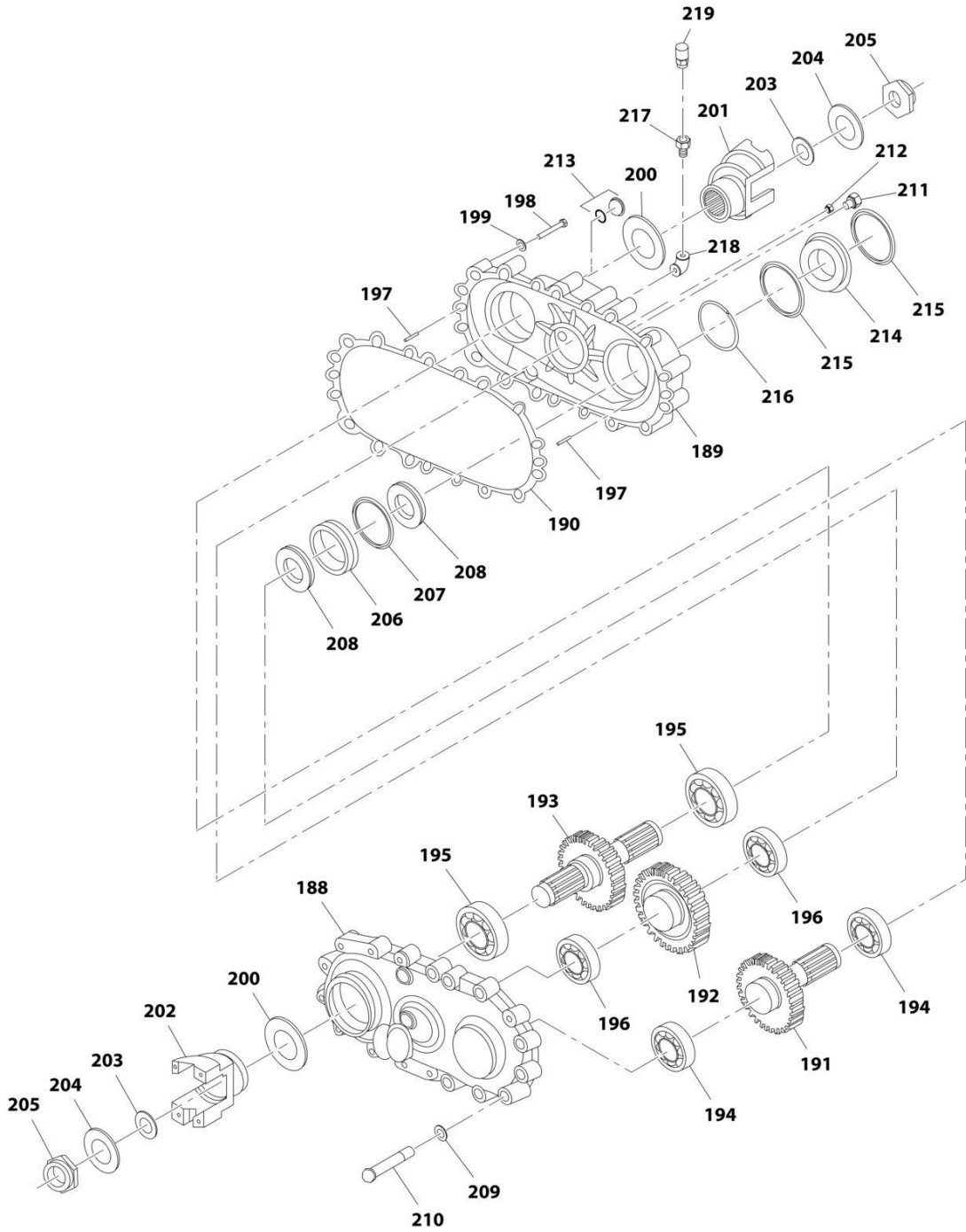
SECTION 5 - DRIVETRAIN

FIGURE 5-119. POWERSHIFT TRANSMISSION, OUTPUT SHAFT

ITEM	PART NUMBER	QTY	DESCRIPTION	REV
180	91474320	1	Shaft, Output	
181	77104140	1	Bearing, Ball	
182	77104081	1	Bearing	
183	91474321	2	Ring, Snap	
184	91474322	1	Ring, Snap	
185	91474323	1	Plug, End	
186	91474324	1	Coupling, Drive	
187	91474313	2	Ring, Snap	

SECTION 5 - DRIVETRAIN

FIGURE 5-120. POWERSHIFT TRANSMISSION, DROP BOX



ART_1001141036_12-B

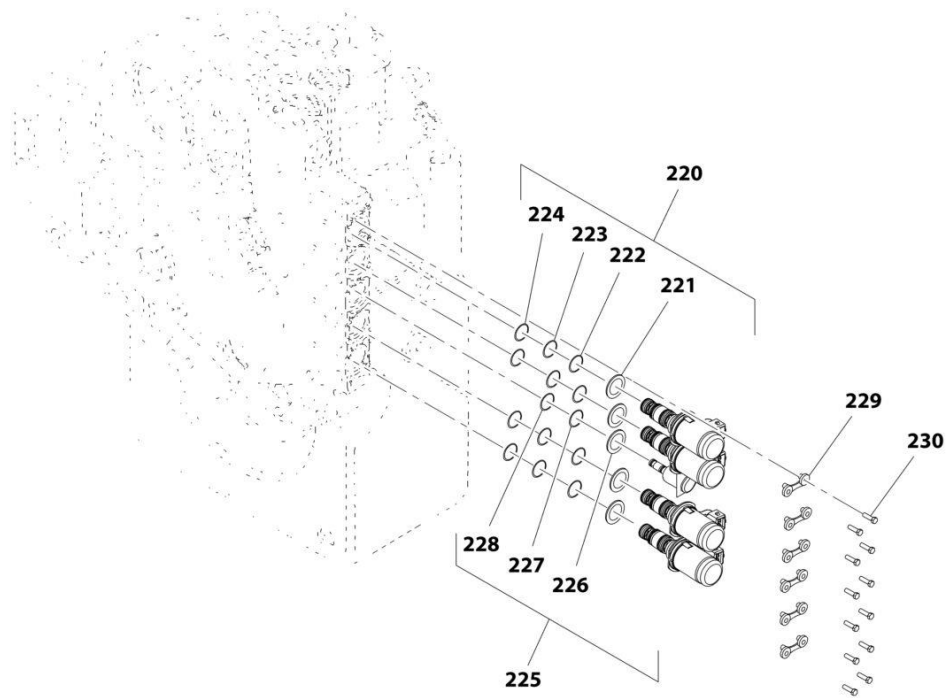
SECTION 5 - DRIVETRAIN

FIGURE 5-120. POWERSHIFT TRANSMISSION, DROP BOX

ITEM	PART NUMBER	QTY	DESCRIPTION	REV
188	91474358	1	Cover, Front Dropbox	
189	91474359	1	Cover, Rear Dropbox	
190	91474360	1	Gasket, Drop Box	
191	91474361	1	Shaft, Input Dropbox	
192	91474362	1	Gear, Idler	
193	91474363	1	Shaft, Input Dropbox	
194	91474364	2	Bearing	
195	91474365	2	Bearing, Rear	
196	91474366	2	Bearing, Roller	
197	91474200	2	Pin	
198	91474209	10	Screw	
199	91474265	10	Lockwasher	
200	91474367	2	Seal, Oil	
201	91474368	1	Flange, Rear	
202	7028086	1	Flange, Front	
203	91474369	2	O-Ring	
204	91474370	2	Washer	
205	91474371	1	Nut, Idler Shaft	
206	91474372	1	Sleeve, Oil Seal	
207	91474373	1	O-Ring	
208	91474374	2	Oil Seal	
209	91474375	1	Lockwasher	
210	91474376	1	Screw	
211	91474377	1	Glass, Oil Level	
212	91474378	1	Plug, Magnetic	
213	91474623	1	Plug	
214	91474381	1	Sleeve, Pilot	
215	91474382	2	O-Ring	
216	91474321	1	Ring, Snap	
217	91474600	1	Adapter	
218	91474383	1	Fitting	
219	91474601	1	Breather	

SECTION 5 - DRIVETRAIN

FIGURE 5-121. POWERSHIFT TRANSMISSION, CONTROL



ART_1001141036_13-B

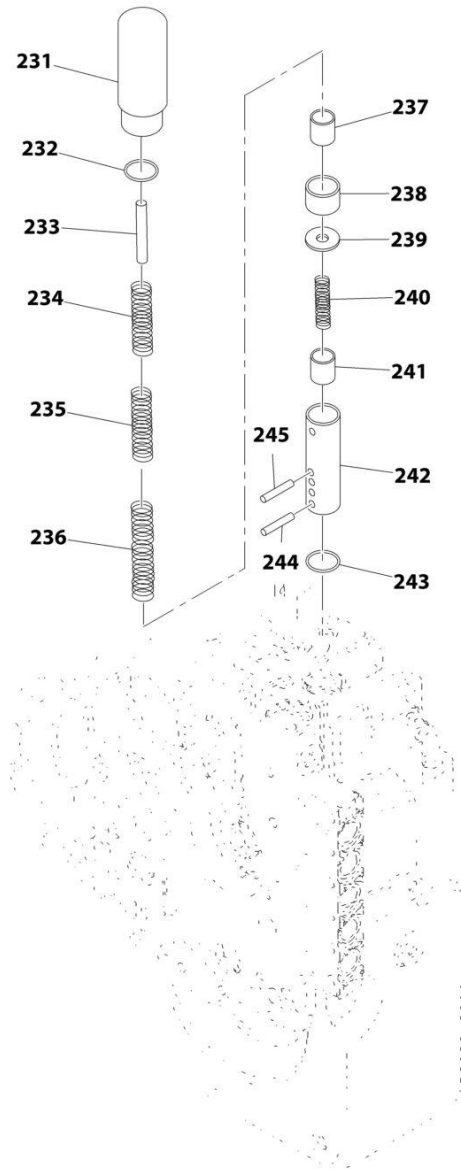
SECTION 5 - DRIVETRAIN

FIGURE 5-121. POWERSHIFT TRANSMISSION, CONTROL

ITEM	PART NUMBER	QTY	DESCRIPTION	REV
220	70025576	4	Solenoid	
221	91514288	4	O-Ring	
222	91514289	4	O-Ring	
223	91514290	4	O-Ring	
224	91514291	4	O-Ring	
225	70299459	1	Plug	
226	70020410	1	O-Ring	
227	91514289	1	O-Ring	
228	91514291	1	O-Ring	
229	91514292	6	Clamp	
230	70020411	12	Screw	

SECTION 5 - DRIVETRAIN

FIGURE 5-122. POWERSHIFT TRANSMISSION, MODULATION VALVE



ART_1001141036_14-B

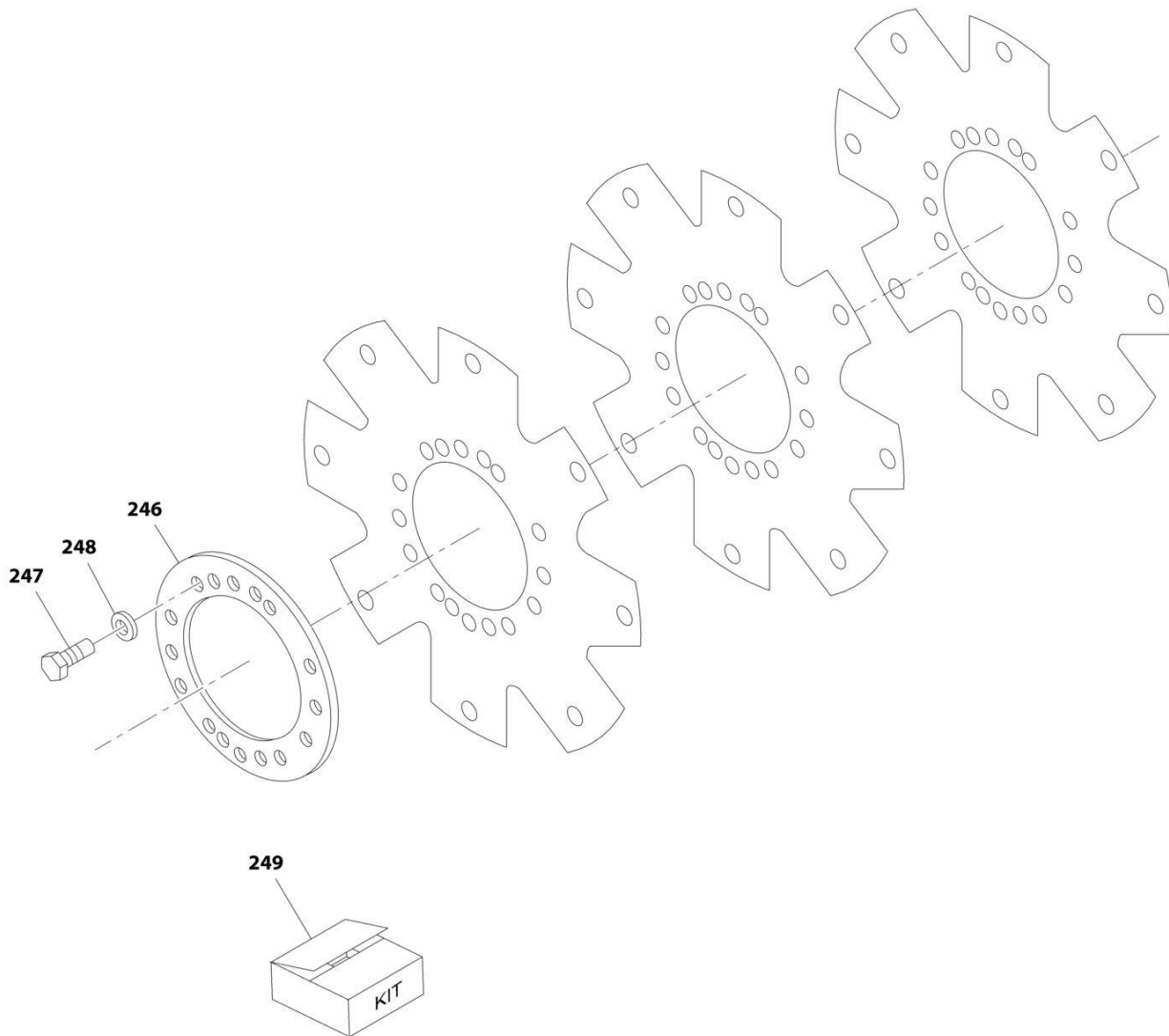
SECTION 5 - DRIVETRAIN

FIGURE 5-122. POWERSHIFT TRANSMISSION, MODULATION VALVE

ITEM	PART NUMBER	QTY	DESCRIPTION	REV
231	91474338	1	Housing, Modulation Valve	
232	91474339	1	O-Ring	
233	91474345	1	Pin	
234	91474340	1	Spring, Inner	
235	91474341	1	Spring, Middle	
236	91474342	1	Spring, Outer	
237	91474346	1	Spool, Accumulator	
238	91474349	1	Retainer, Spring	
239	91474350	1	Spacer	
240	91474348	1	Spring, Modulation Valve	
241	91474347	1	Spool, Regulator	
242	91474343	1	Sleeve, Modulator Valve	
243	91474344	1	O-Ring	
244	91474352	1	Pin, Lower	
245	91474351	1	Pin, Upper	

SECTION 5 - DRIVETRAIN

FIGURE 5-123. POWERSHIFT TRANSMISSION, DRIVE PLATE



ART_1001141036_15-B

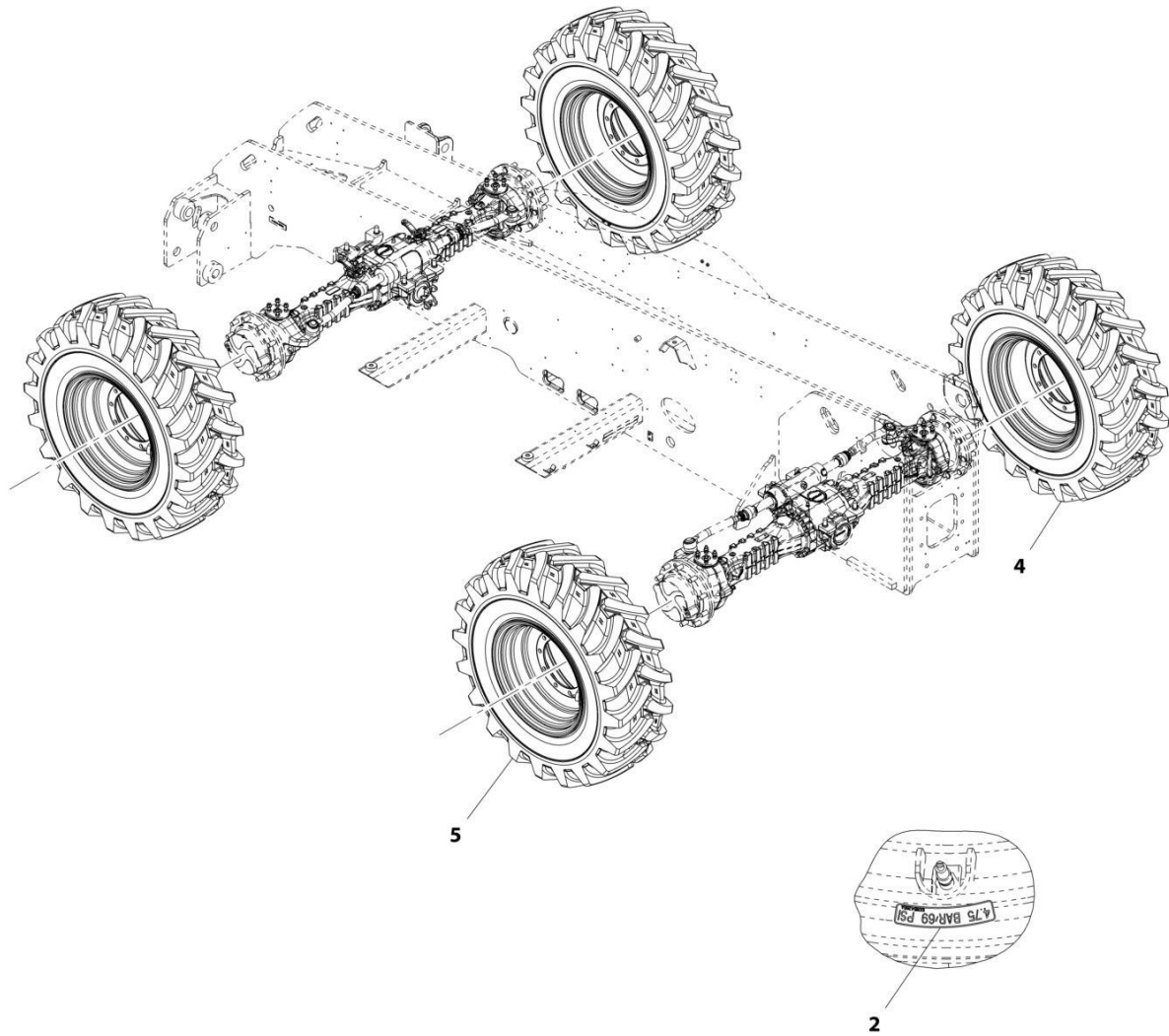
SECTION 5 - DRIVETRAIN

FIGURE 5-123. POWERSHIFT TRANSMISSION, DRIVE PLATE

ITEM	PART NUMBER	QTY	DESCRIPTION	REV
246	77104044	1	Ring, Backing	
247	91474356	6	Capscrew	
248	4761600	6	Washer, Lock	
249	70024222	1	Kit, Drive Plate (includes items 246 thru 248)	

SECTION 5 - DRIVETRAIN

FIGURE 5-124. TIRE WHEEL SET, MITAS 15.5/80-24 (3614RS)



ART_1001145606-F

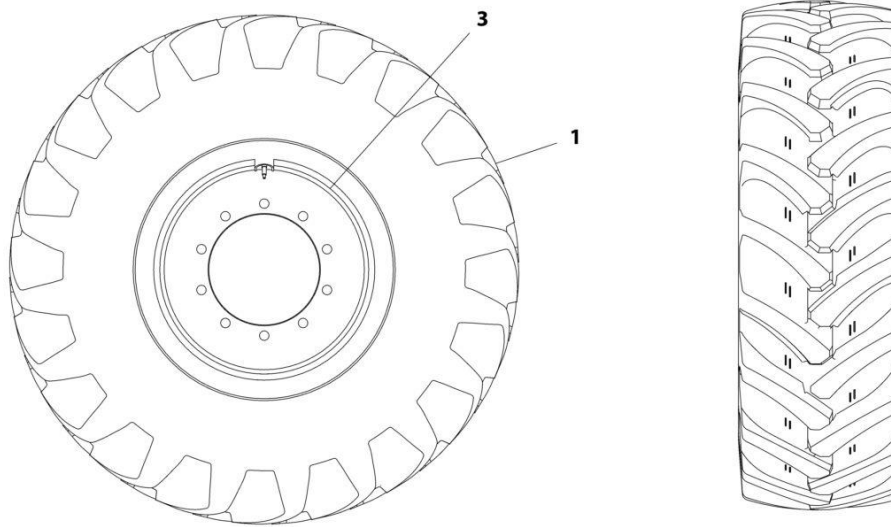
SECTION 5 - DRIVETRAIN

FIGURE 5-124. TIRE WHEEL SET, MITAS 15.5/80-24 (3614RS)

ITEM	PART NUMBER	QTY	DESCRIPTION	REV
	1001145606	Ref	Tire Wheel Set, Mitas 15.5/80-24	F
2	1001154265	4	Label, 4.75 BAR	
4	1001145581	2	Wheel, RH (See RH MITAS WHEEL for Breakdown) (SN 1160007024 through 1160008000)	
4	1001217139	2	Wheel, RH (See RH MITAS WHEEL for Breakdown) (SN 1160008000 through 1160008790)	
5	1001145582	2	Wheel, LH (See LH MITAS WHEEL for Breakdown) (SN 1160007024 through 1160008000)	
5	1001217141	2	Wheel, LH (See LH MITAS WHEEL for Breakdown) (SN 1160008000 through 1160008790)	

SECTION 5 - DRIVETRAIN

FIGURE 5-125. RH MITAS WHEEL (3614RS) (SN 1160007024 through 1160008000)



ART_1001145581-D

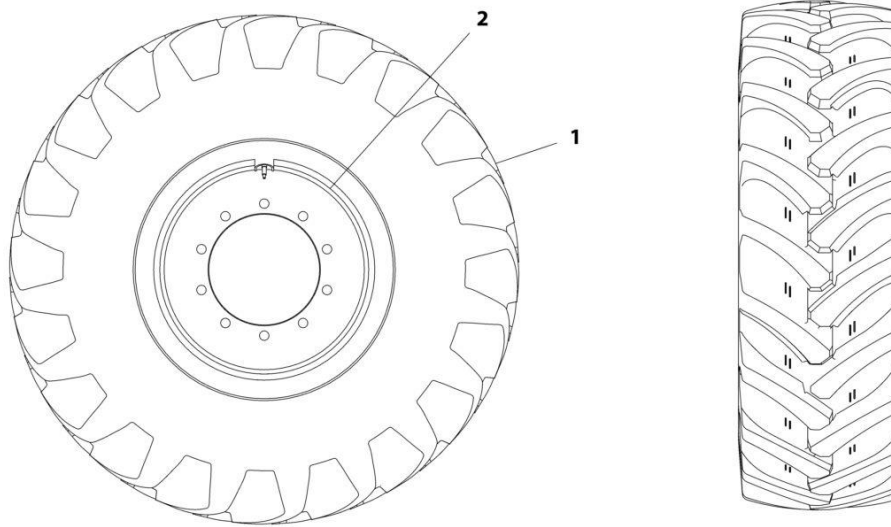
SECTION 5 - DRIVETRAIN

FIGURE 5-125. RH MITAS WHEEL (3614RS) (SN 1160007024 through 1160008000)

ITEM	PART NUMBER	QTY	DESCRIPTION	REV
	1001145581	Ref	Wheel, RH	D
1	1001007846	1	Tire, Mitas 15.5/80-24 16 ply	
3	1001212636	1	RH Rim Assembly, (See Separate Breakdown in this Section)	

SECTION 5 - DRIVETRAIN

FIGURE 5-126. RH MITAS WHEEL (3614RS) (SN 1160008000 through 1160008790)



ART_1001217139-A

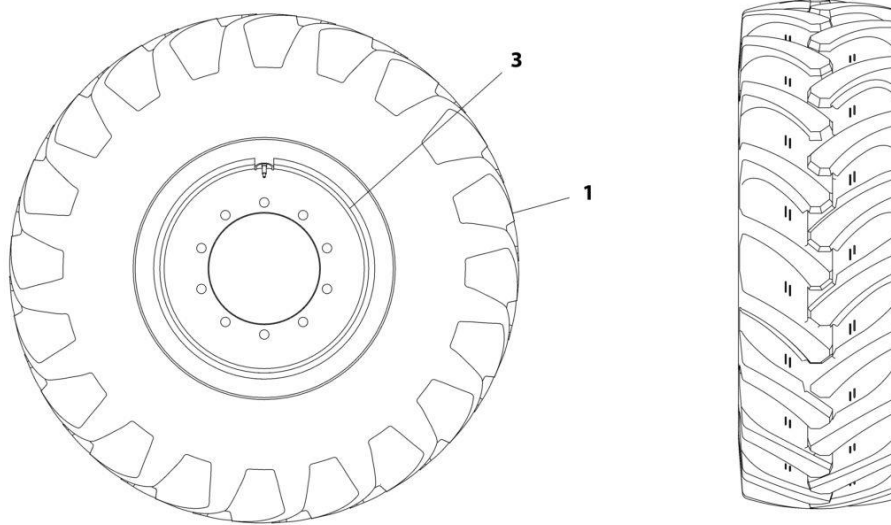
SECTION 5 - DRIVETRAIN

FIGURE 5-126. RH MITAS WHEEL (3614RS) (SN 1160008000 through 1160008790)

ITEM	PART NUMBER	QTY	DESCRIPTION	REV
	1001217139	Ref	Wheel, RH	A
1	1001214479	1	Tire, Mitas 15.5/80-24 16 ply	
2	1001217143	1	RH Rim Assembly, (See Separate Breakdown in this Section)	

SECTION 5 - DRIVETRAIN

FIGURE 5-127. LH MITAS WHEEL (3614RS) (SN 1160007024 through 1160008000)



ART_1001145582-D

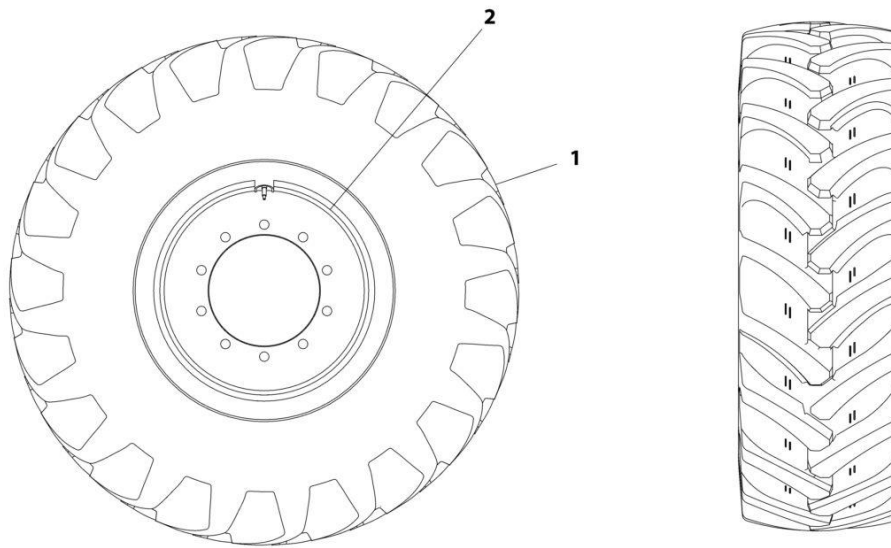
SECTION 5 - DRIVETRAIN

FIGURE 5-127. LH MITAS WHEEL (3614RS) (SN 1160007024 through 1160008000)

ITEM	PART NUMBER	QTY	DESCRIPTION	REV
	1001145582	Ref	Wheel, LH	D
1	1001007846	1	Tire, Mitas 15.5/80-24 16 ply	
3	1001212637	1	LH Rim Assembly, (See Separate Breakdown in this Section)	

SECTION 5 - DRIVETRAIN

FIGURE 5-128. LH MITAS WHEEL (3614RS) (SN 1160008000 through 1160008790)



ART_1001217141-A

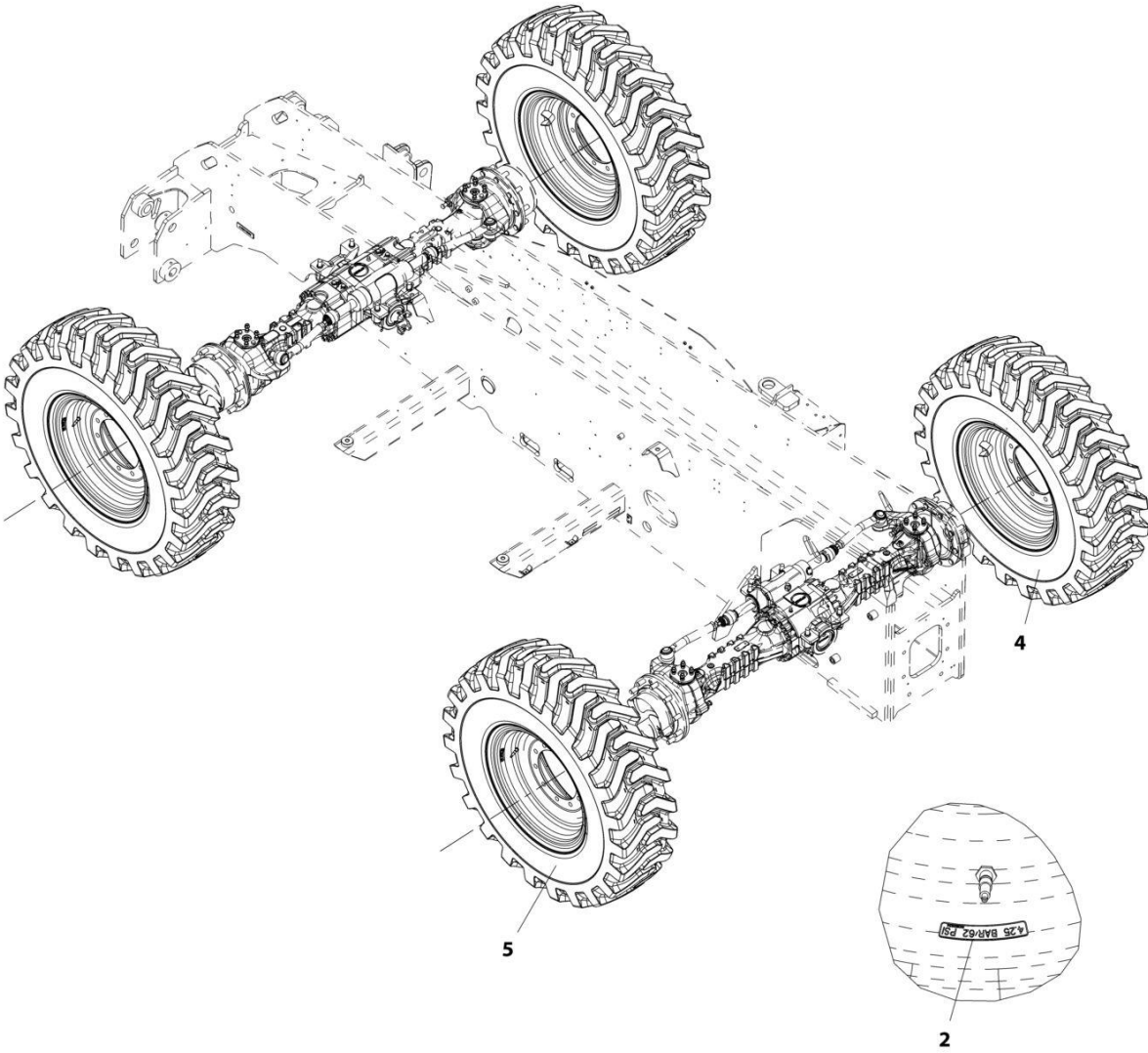
SECTION 5 - DRIVETRAIN

FIGURE 5-128. LH MITAS WHEEL (3614RS) (SN 1160008000 through 1160008790)

ITEM	PART NUMBER	QTY	DESCRIPTION	REV
	1001217141	Ref	Wheel, LH	A
1	1001214479	1	Tire, Mitas 15.5/80-24 16 Ply	
2	1001217145	1	LH Rim Assembly, (See Separate Breakdown in this Section)	

SECTION 5 - DRIVETRAIN

FIGURE 5-129. TIRE WHEEL SET, MITAS 14.00-24 (4017RS)



ART_1001145610-D

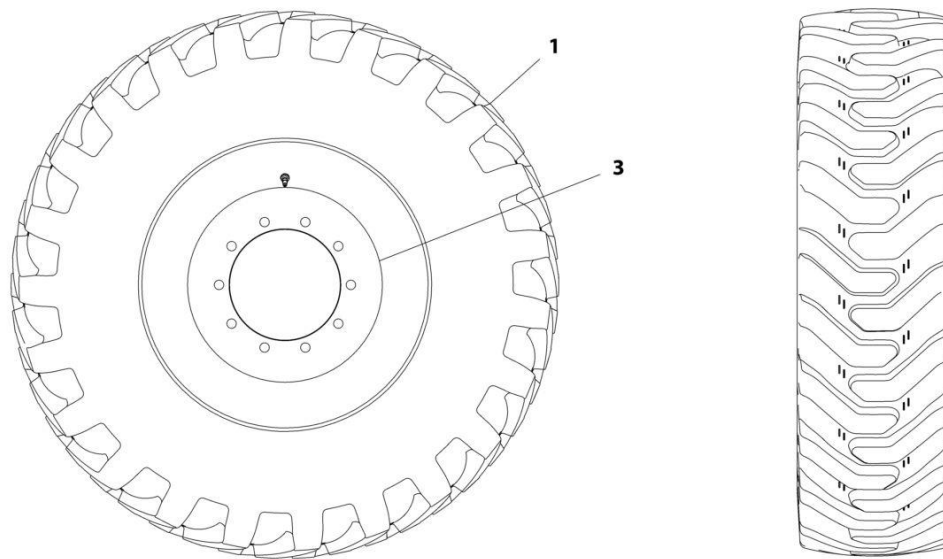
SECTION 5 - DRIVETRAIN

FIGURE 5-129. TIRE WHEEL SET, MITAS 14.00-24 (4017RS)

ITEM	PART NUMBER	QTY	DESCRIPTION	REV
	1001145610	Ref	Tire Wheel Set, Mitas 14.00-24	D
2	1001112924	4	Label, 4.25 Bar	
4	1001145588	2	Wheel, RH (See RH MITAS WHEEL for Breakdown)	
5	1001145589	2	Wheel, LH (See LH MITAS WHEEL for Breakdown)	

SECTION 5 - DRIVETRAIN

FIGURE 5-130. RH MITAS WHEEL (4017RS)



ART_1001145588-C

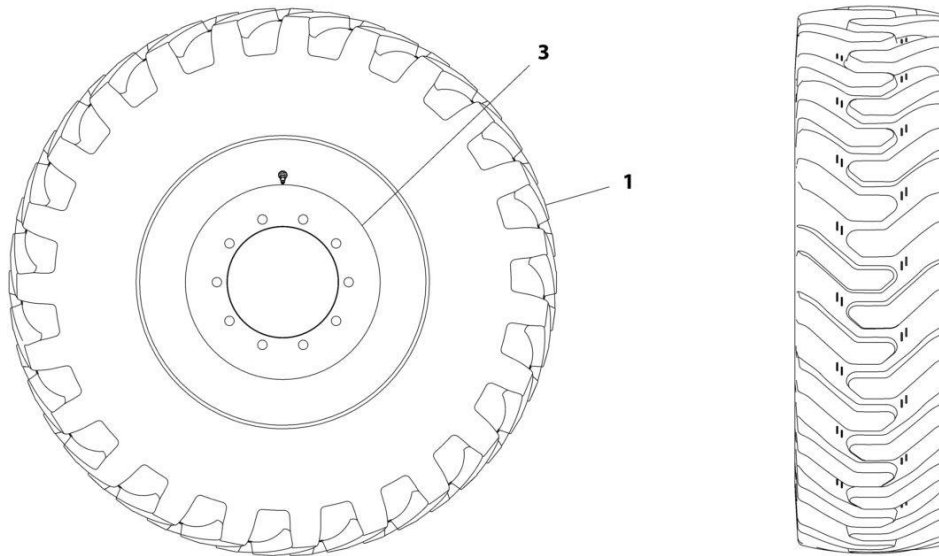
SECTION 5 - DRIVETRAIN

FIGURE 5-130. RH MITAS WHEEL (4017RS)

ITEM	PART NUMBER	QTY	DESCRIPTION	REV
	1001145588	Ref	Wheel, RH Mitas	C
1	1001006814	1	Tire, Mitas 14.00-24 16PLY	
3	1001212643	1	RH Rim Assembly, (See Separate Breakdown in this Section)	

SECTION 5 - DRIVETRAIN

FIGURE 5-131. LH MITAS WHEEL (4017RS)



ART_1001145589-C

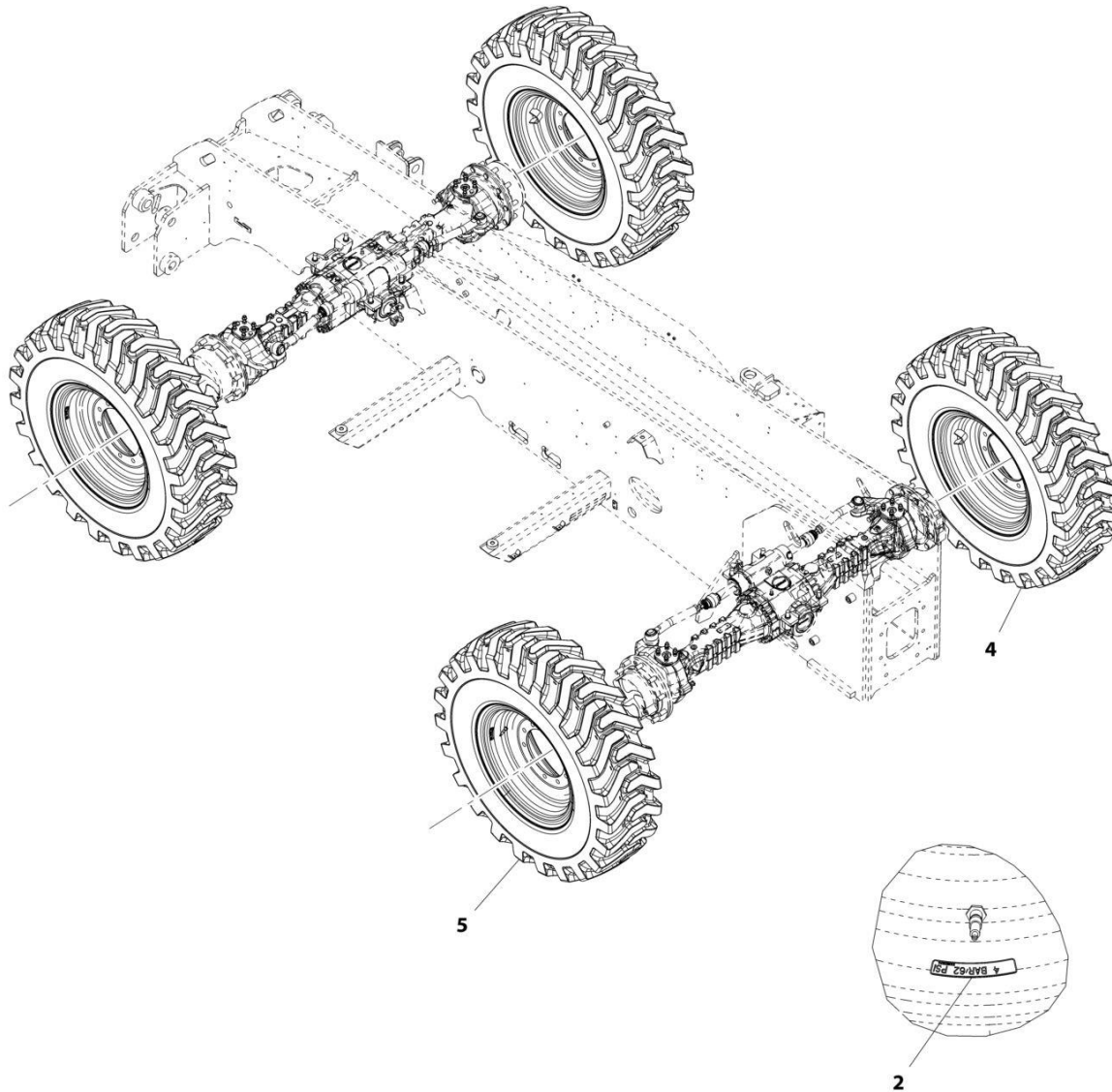
SECTION 5 - DRIVETRAIN

FIGURE 5-131. LH MITAS WHEEL (4017RS)

ITEM	PART NUMBER	QTY	DESCRIPTION	REV
	1001145589	Ref	Wheel, LH Mitas	C
1	1001006814	1	Tire, Mitas 14.00-24 16PLY	
3	1001212644	1	LH Rim Assembly, (See Separate Breakdown in this Section)	

SECTION 5 - DRIVETRAIN

FIGURE 5-132. TIRE WHEEL SET, GOODYEAR 15.5-25 SGL (3614RS)



ART_1001145608-D

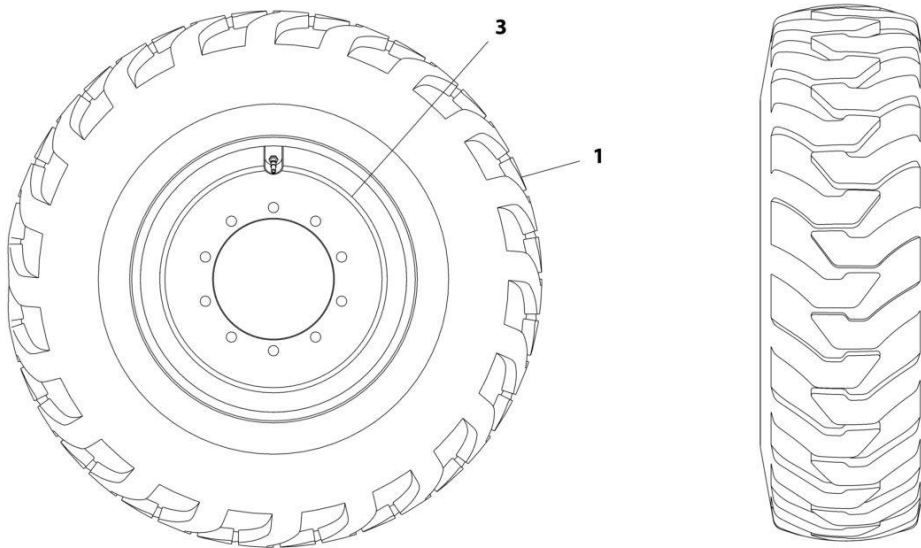
SECTION 5 - DRIVETRAIN

FIGURE 5-132. TIRE WHEEL SET, GOODYEAR 15.5-25 SGL (3614RS)

ITEM	PART NUMBER	QTY	DESCRIPTION	REV
	1001145608	Ref	Tire Wheel Set, Goodyear 15.5-25 SGL	D
2	1001112924	4	Label - 4.0 BAR	
4	1001145585	2	Wheel, RH Goodyear (See RH GOODYEAR WHEEL for Breakdown)	
5	1001145586	2	Wheel, LH Goodyear (See LH GOODYEAR WHEEL for Breakdown)	

SECTION 5 - DRIVETRAIN

FIGURE 5-133. RH GOODYEAR WHEEL (3614RS)



ART_1001145585-C

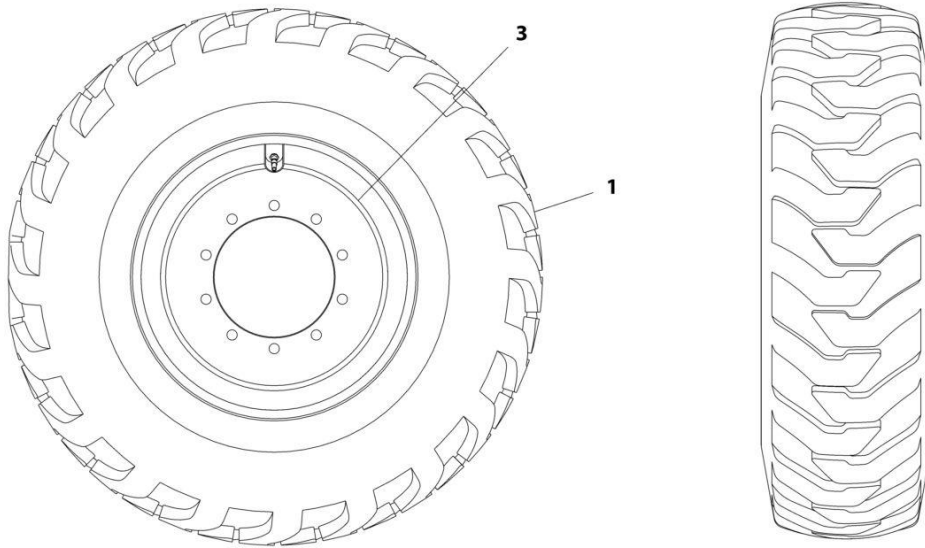
SECTION 5 - DRIVETRAIN

FIGURE 5-133. RH GOODYEAR WHEEL (3614RS)

ITEM	PART NUMBER	QTY	DESCRIPTION	REV
	1001145585	Ref	Goodyear Wheel, RH - 3614RS	C
1	1001003360	1	Tire, Goodyear 15.5x25 12 PLY BIAS L2	
3	1001212640	1	RH Rim Assembly, (See Separate Breakdown in this Section)	

SECTION 5 - DRIVETRAIN

FIGURE 5-134. LH GOODYEAR WHEEL (3614RS)



ART_1001145586-C

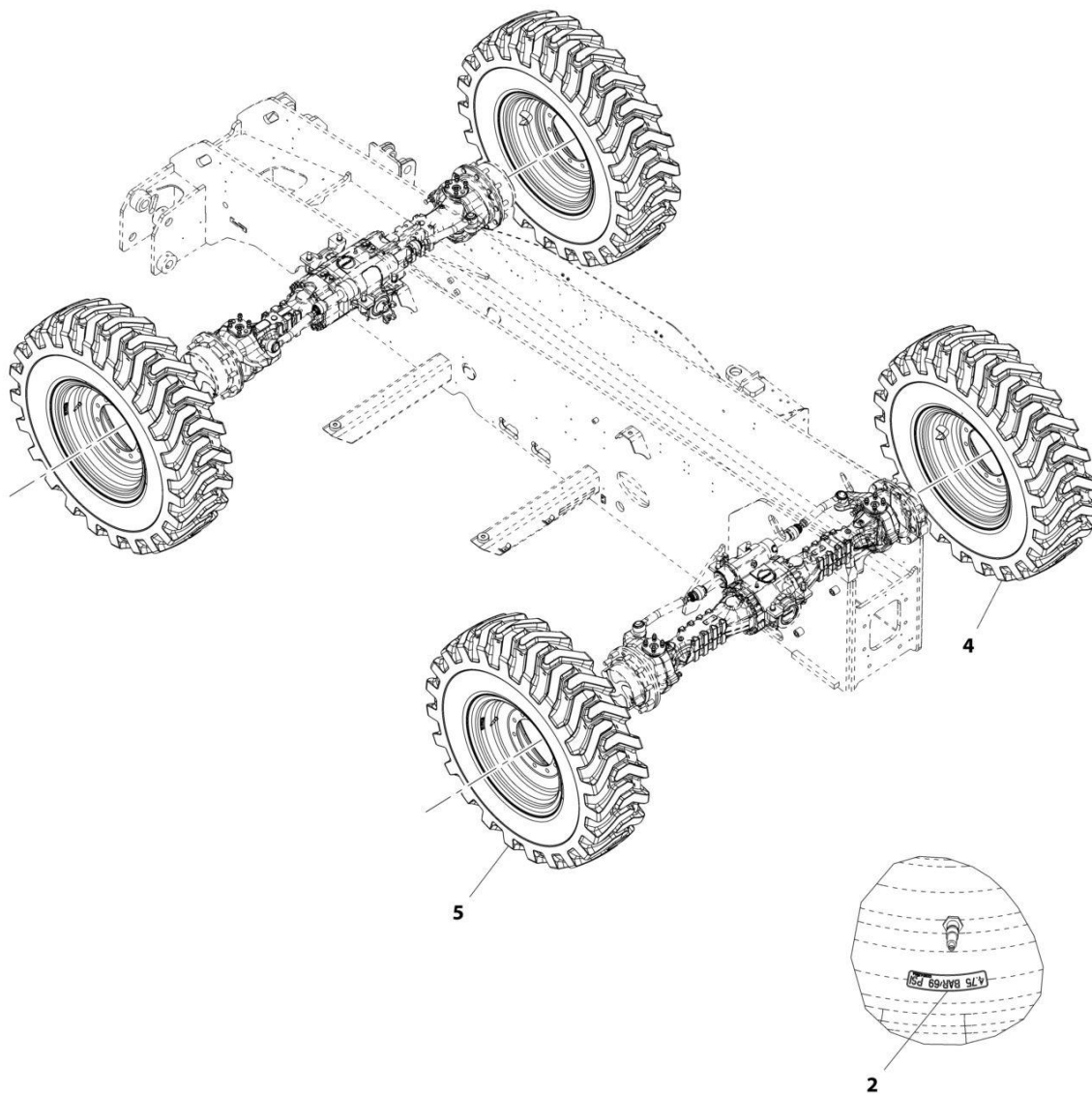
SECTION 5 - DRIVETRAIN

FIGURE 5-134. LH GOODYEAR WHEEL (3614RS)

ITEM	PART NUMBER	QTY	DESCRIPTION	REV
	1001145586	Ref	Goodyear Wheel, LH - 3614RS	C
1	1001003360	1	Tire, Goodyear 15.5x25 12 PLY BIAS L2	
3	1001212641	1	LH Rim Assembly, (See Separate Breakdown in this Section)	

SECTION 5 - DRIVETRAIN

FIGURE 5-135. TIRE WHEEL SET, GOODYEAR 14.00-24 (4017RS)



ART_1001145611-D

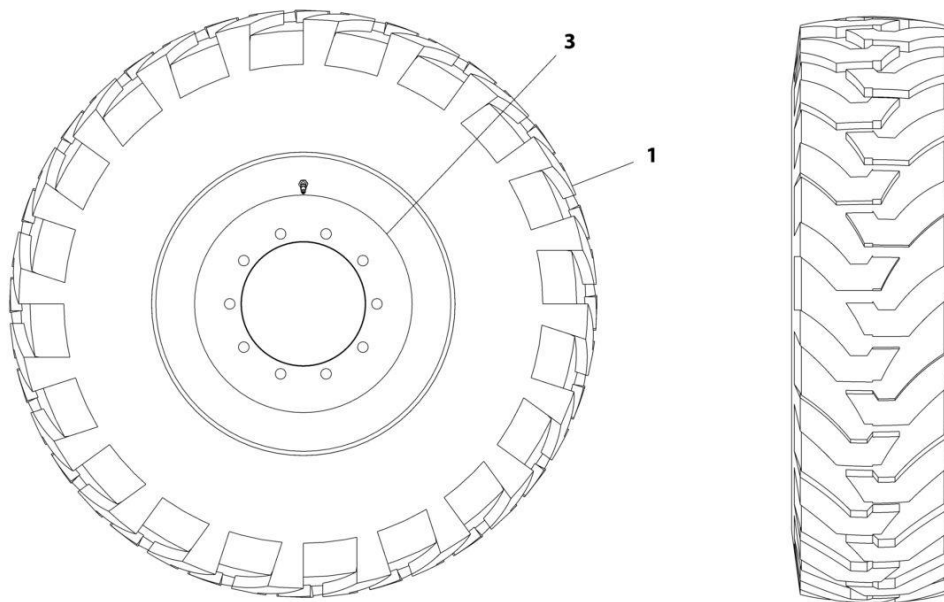
SECTION 5 - DRIVETRAIN

FIGURE 5-135. TIRE WHEEL SET, GOODYEAR 14.00-24 (4017RS)

ITEM	PART NUMBER	QTY	DESCRIPTION	REV
	1001145611	Ref	Tire Wheel Set, Goodyear	D
2	1001154265	1	Label, 4.75 BAR	
4	1001145590	2	Wheel, RH Goodyear (See RH GOODYEAR WHEEL for Breakdown)	
5	1001145591	2	Wheel, LH Goodyear (See LH GOODYEAR WHEEL for Breakdown)	

SECTION 5 - DRIVETRAIN

FIGURE 5-136. RH GOODYEAR WHEEL (4017RS)



ART_1001145590-C

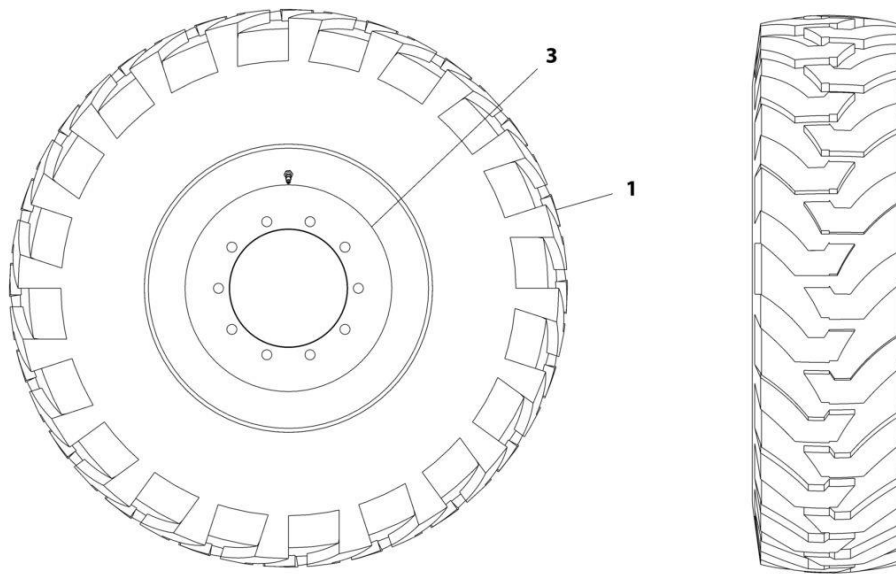
SECTION 5 - DRIVETRAIN

FIGURE 5-136. RH GOODYEAR WHEEL (4017RS)

ITEM	PART NUMBER	QTY	DESCRIPTION	REV
	1001145590	Ref	RH Goodyear Wheel	C
1	1001003334	1	Tire, Goodyear 14.00-24 16PR	
3	1001212645	1	RH Rim Assembly, (See Separate Breakdown in this Section)	

SECTION 5 - DRIVETRAIN

FIGURE 5-137. LH GOODYEAR WHEEL (4017RS)



ART_1001145591-C

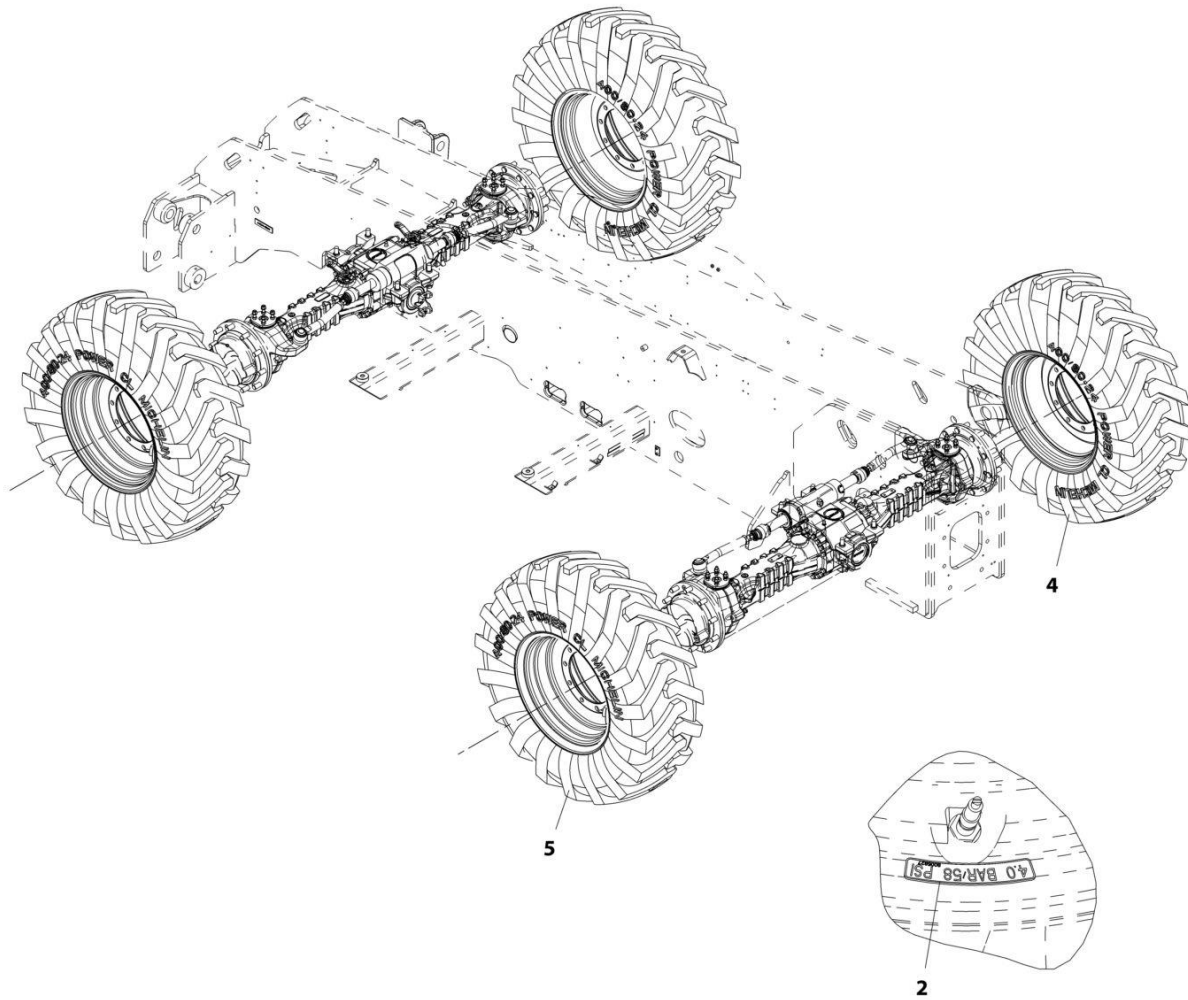
SECTION 5 - DRIVETRAIN

FIGURE 5-137. LH GOODYEAR WHEEL (4017RS)

ITEM	PART NUMBER	QTY	DESCRIPTION	REV
	1001145591	Ref	LH Goodyear Wheel	C
1	1001003334	1	Tire, Goodyear 14.00-24 16PR	
3	1001212646	1	LH Rim Assembly, (See Separate Breakdown in this Section)	

SECTION 5 - DRIVETRAIN

FIGURE 5-138. TIRE WHEEL SET, MICHELIN 400/80-24 POWER CL (3614RS)



ART_1001145607-D

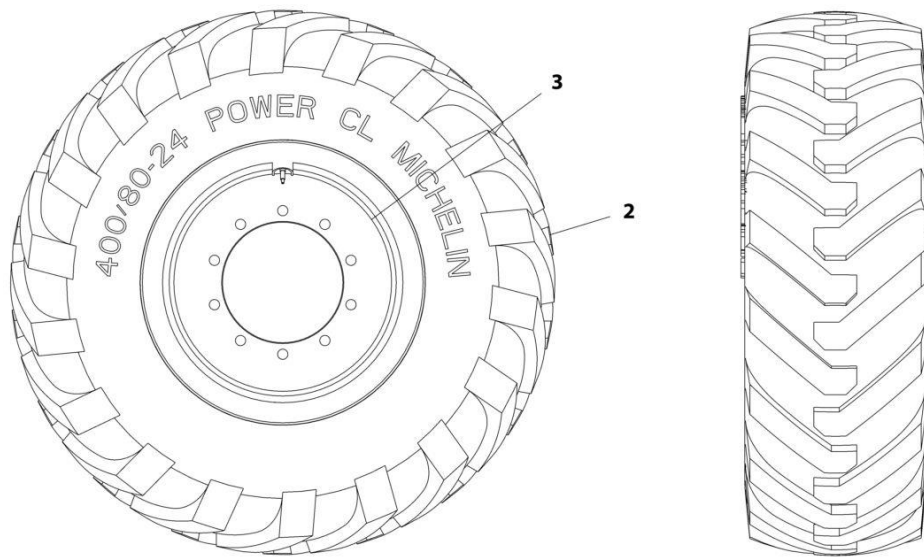
SECTION 5 - DRIVETRAIN

FIGURE 5-138. TIRE WHEEL SET, MICHELIN 400/80-24 POWER CL (3614RS)

ITEM	PART NUMBER	QTY	DESCRIPTION	REV
	1001145607	Ref	Tire Wheel Set, Michelin	D
2	8005827	1	Label, 4.0 BAR	
4	1001145583	2	Wheel, RH (See RH MICHELIN WHEEL - 3614RS for Breakdown)	
5	1001145584	2	Wheel, LH (See LH MICHELIN WHEEL - 3614RS for Breakdown)	

SECTION 5 - DRIVETRAIN

FIGURE 5-139. RH MICHELIN WHEEL (3614RS)



ART_1001145583-D

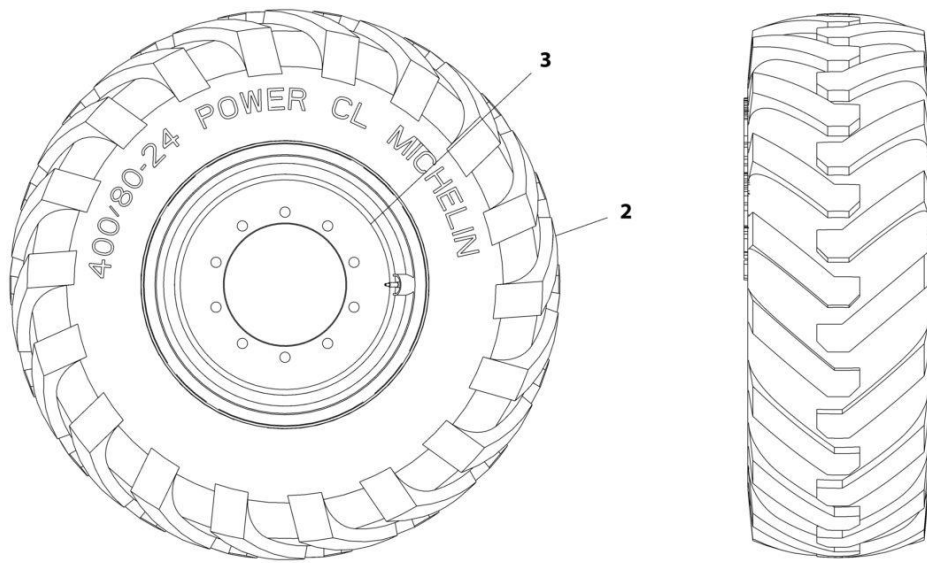
SECTION 5 - DRIVETRAIN

FIGURE 5-139. RH MICHELIN WHEEL (3614RS)

ITEM	PART NUMBER	QTY	DESCRIPTION	REV
	1001145583	Ref	Michelin Wheel, RH	D
2	1001099204	1	Tire, Michelin 400/80 - 24 POWER CL	
3	1001212638	1	RH Rim Assembly, (See Separate Breakdown in this Section)	

SECTION 5 - DRIVETRAIN

FIGURE 5-140. LH MICHELIN WHEEL (3614RS)



ART_1001145584-D

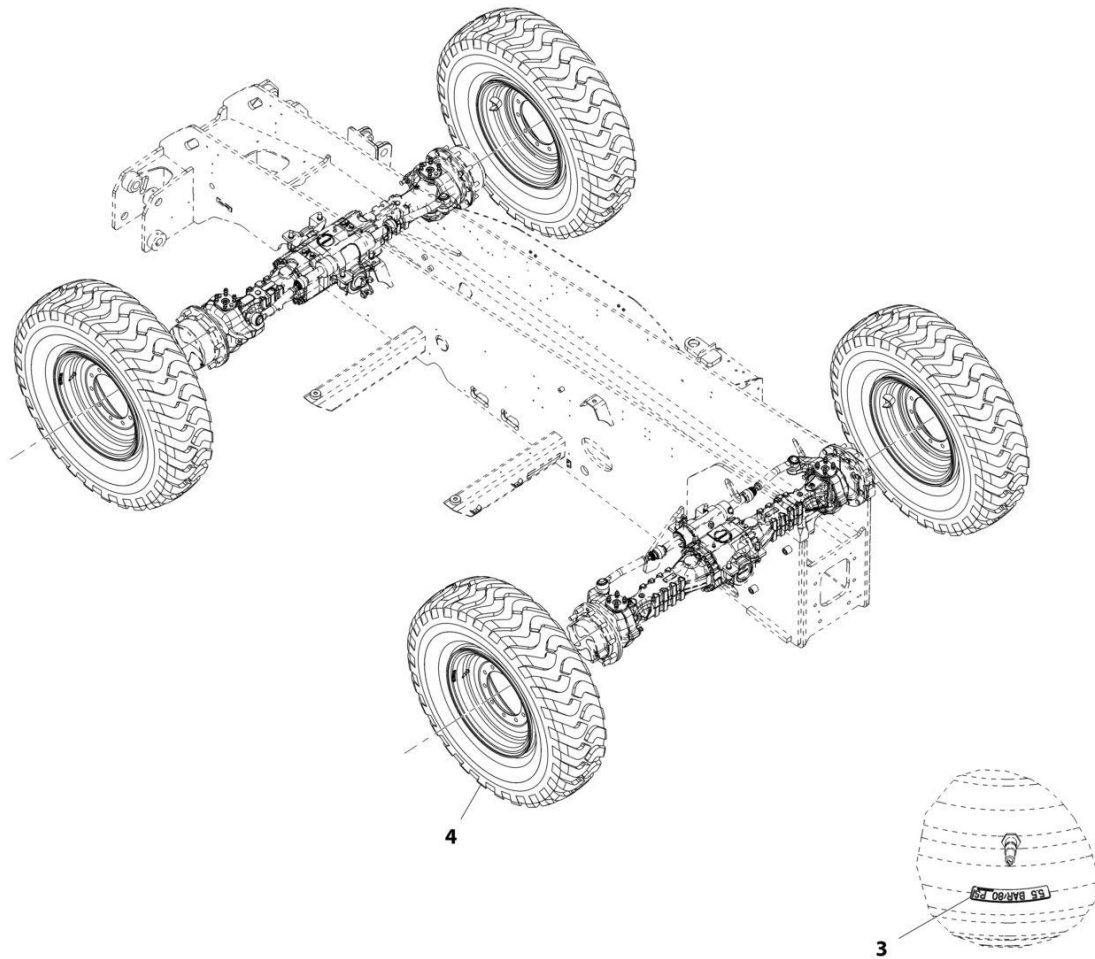
SECTION 5 - DRIVETRAIN

FIGURE 5-140. LH MICHELIN WHEEL (3614RS)

ITEM	PART NUMBER	QTY	DESCRIPTION	REV
	1001145584	Ref	Michelin Wheel, LH	D
2	1001099204	1	Tire, Michelin 400/80 - 24 POWER CL	
3	1001212639	1	LH Rim Assembly, (See Separate Breakdown in this Section)	

SECTION 5 - DRIVETRAIN

FIGURE 5-141. TIRE WHEEL SET, MICHELIN (4017RS)



ART_1001169888-B

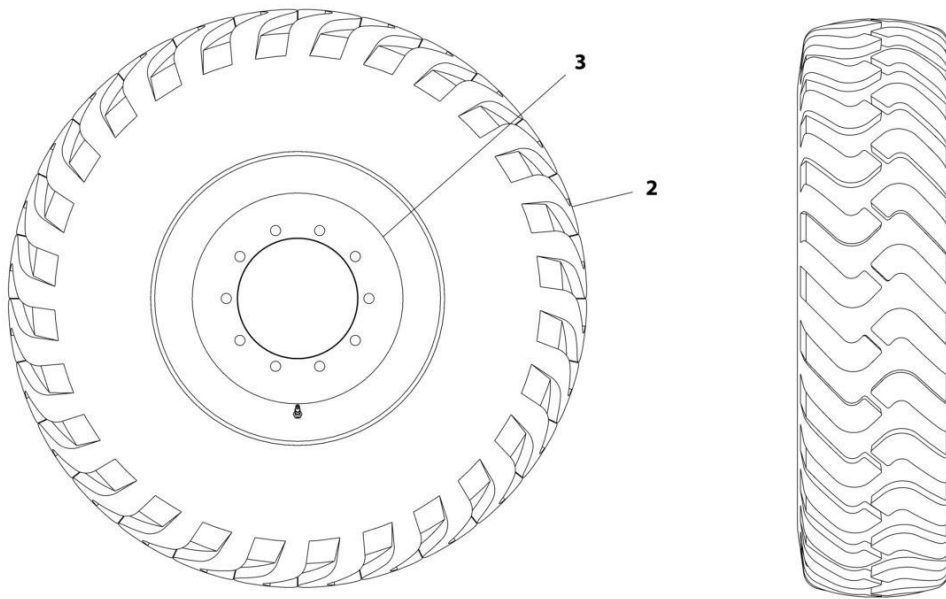
SECTION 5 - DRIVETRAIN

FIGURE 5-141. TIRE WHEEL SET, MICHELIN (4017RS)

ITEM	PART NUMBER	QTY	DESCRIPTION	REV
	1001169888	Ref	Tire Wheel Set, Michelin - 4017RS	B
3	1001128006	4	Label, 5.5 BAR	
4	1001168391	4	Wheel, Michelin (See MICHELIN WHEEL - 4017RS for Breakdown)	

SECTION 5 - DRIVETRAIN

FIGURE 5-142. MICHELIN WHEEL (4017RS)



ART_1001168391-B

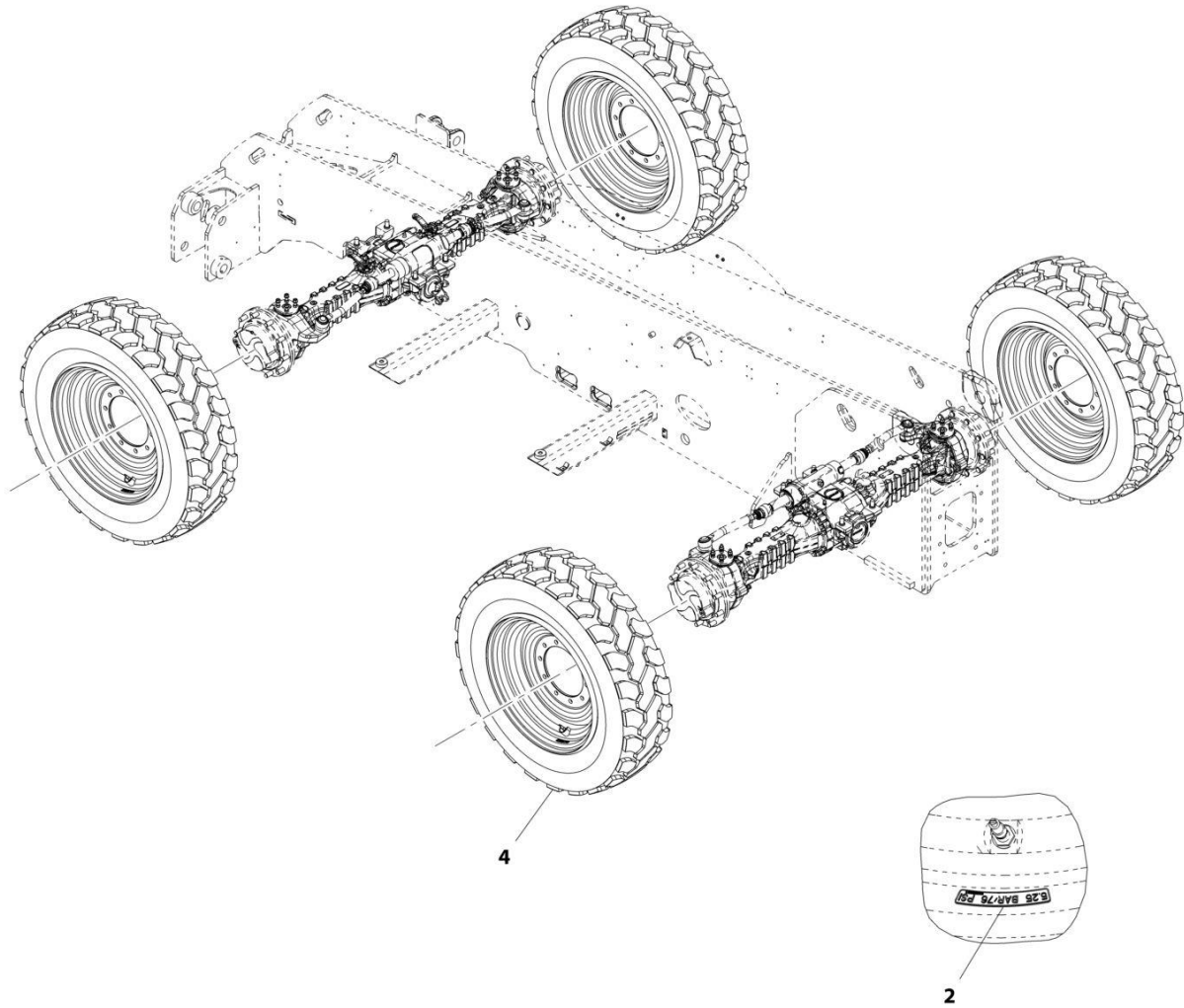
SECTION 5 - DRIVETRAIN

FIGURE 5-142. MICHELIN WHEEL (4017RS)

ITEM	PART NUMBER	QTY	DESCRIPTION	REV
	1001168391	Ref	Michelin Wheel - 4017RS	B
2	1001154316	1	Tire, Michelin 14.00X24XGL A2 L2 TG	
3	1001212652	1	Rim Assembly, (See Separate Breakdown in this Section)	

SECTION 5 - DRIVETRAIN

FIGURE 5-143. TIRE WHEEL SET, FIRESTONE 370/75-28 (3614RS)



ART_1001145609-D

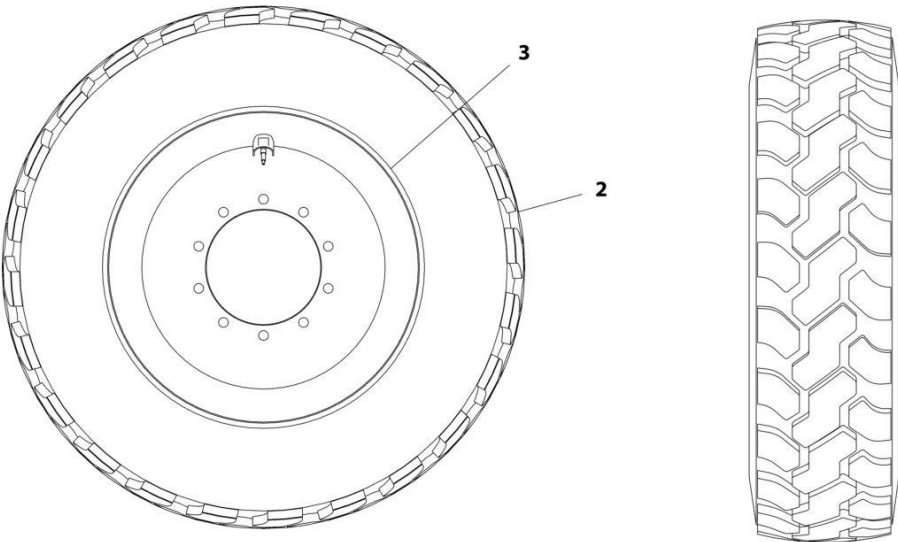
SECTION 5 - DRIVETRAIN

FIGURE 5-143. TIRE WHEEL SET, FIRESTONE 370/75-28 (3614RS)

ITEM	PART NUMBER	QTY	DESCRIPTION	REV
	1001145609	Ref	Tire Wheel Set, Firestone 370/75-28	D
2	1001112923	4	Label 5.25 Bar	
4	1001145587	4	Wheel (See FIRESTONE WHEEL for Breakdown)	

SECTION 5 - DRIVETRAIN

FIGURE 5-144. FIRESTONE WHEEL (3614RS)



ART_1001145587-C

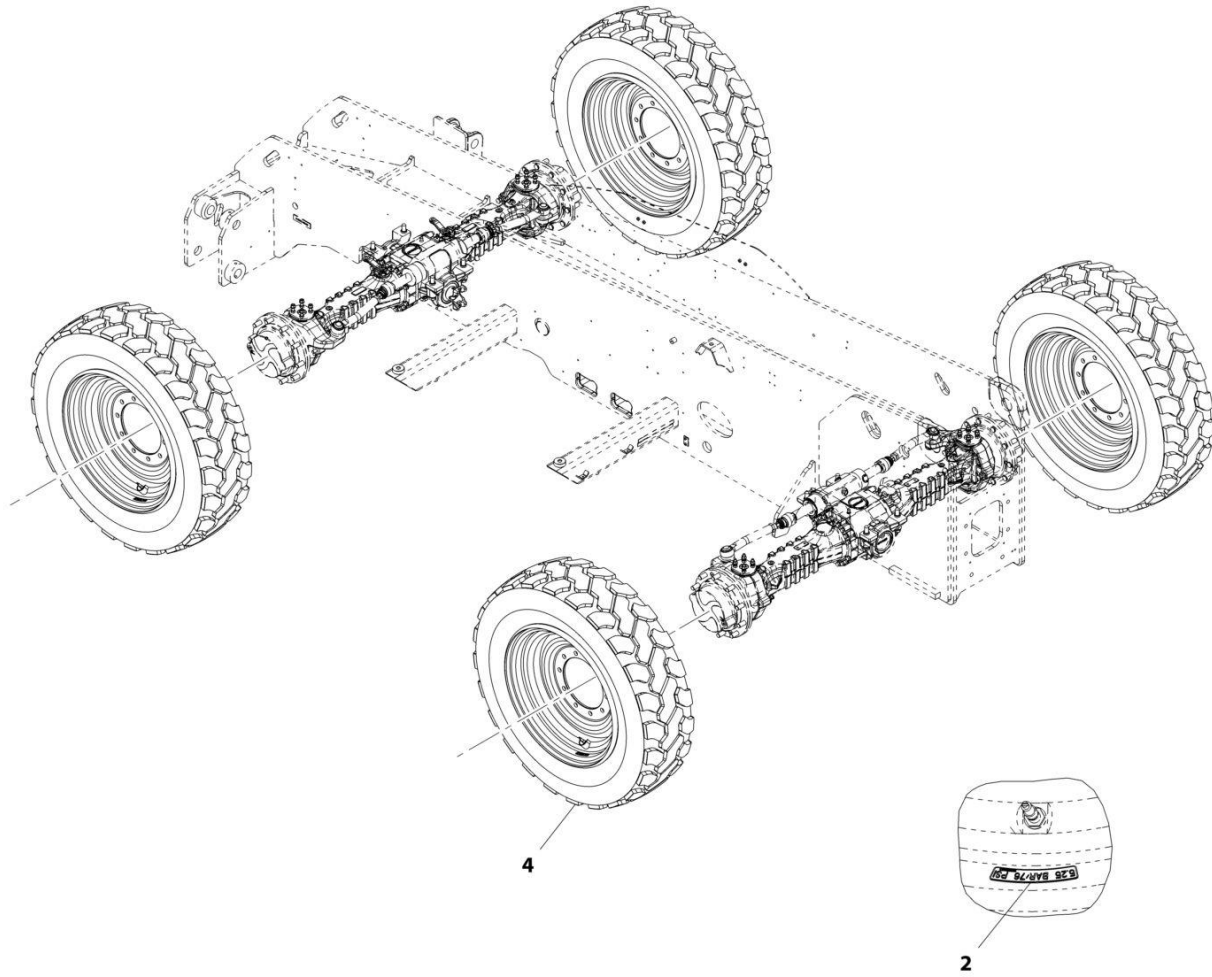
SECTION 5 - DRIVETRAIN

FIGURE 5-144. FIRESTONE WHEEL (3614RS)

ITEM	PART NUMBER	QTY	DESCRIPTION	REV
	1001145587	Ref	Wheel, Firestone	C
2	1001100284	1	Tire, Firestone 370/75-28	
3	1001212642	1	Rim Assembly, (See Separate Breakdown in this Section)	

SECTION 5 - DRIVETRAIN

FIGURE 5-145. TIRE WHEEL SET, FIRESTONE 400/75-28 16 PLY (4017RS)



ART_1001145612-D

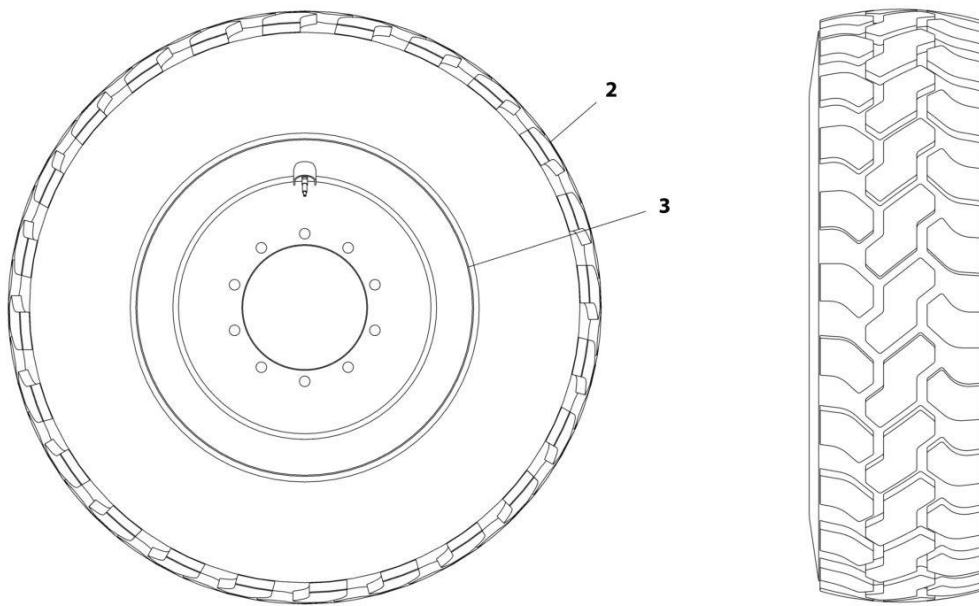
SECTION 5 - DRIVETRAIN

FIGURE 5-145. TIRE WHEEL SET, FIRESTONE 400/75-28 16 PLY (4017RS)

ITEM	PART NUMBER	QTY	DESCRIPTION	REV
	1001145612	Ref	Tire Wheel Set, Firestone 400/75-28 16 PLY	D
2	1001112923	4	Label, 5.25 Bar	
4	1001145592	4	Wheel (See FIRESTONE WHEEL for Breakdown)	

SECTION 5 - DRIVETRAIN

FIGURE 5-146. FIRESTONE WHEEL (4017RS)



ART_1001145592-C

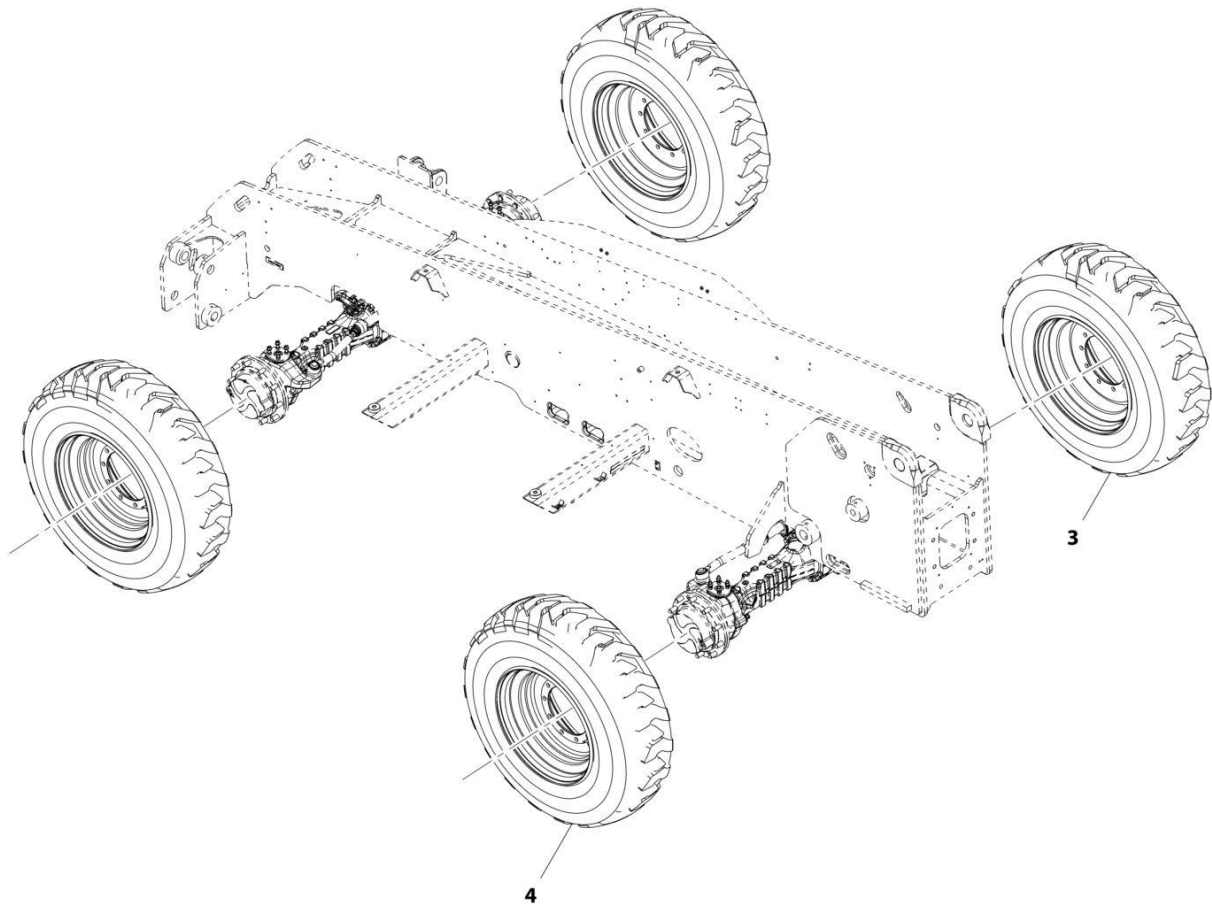
SECTION 5 - DRIVETRAIN

FIGURE 5-146. FIRESTONE WHEEL (4017RS)

ITEM	PART NUMBER	QTY	DESCRIPTION	REV
	1001145592	Ref	Wheel, Firestone	C
2	1001120179	1	Tire, Firestone 400/75D-28	
3	1001212647	1	Rim Assembly, (See Separate Breakdown in this Section)	

SECTION 5 - DRIVETRAIN

FIGURE 5-147. FOAM FILLED WHEEL SET (3614RS)



ART_1001151868-B

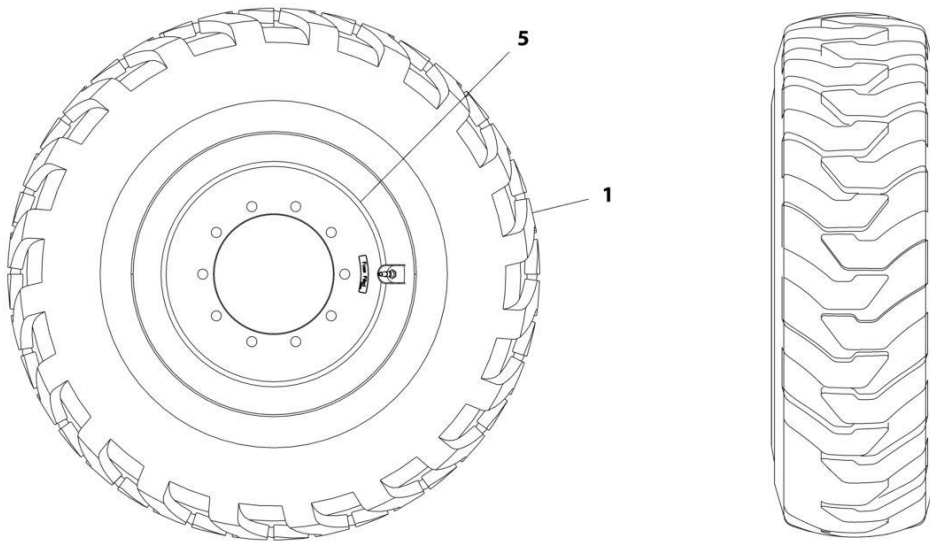
SECTION 5 - DRIVETRAIN

FIGURE 5-147. FOAM FILLED WHEEL SET (3614RS)

ITEM	PART NUMBER	QTY	DESCRIPTION	REV
	1001151868	Ref	Foam Filled Wheel Set	B
3	1001149356	2	Wheel, Foam RH (See RH FOAM WHEEL for Breakdown)	
4	1001149357	2	Wheel, Foam LH (See LH FOAM WHEEL for Breakdown)	

SECTION 5 - DRIVETRAIN

FIGURE 5-148. RH FOAM WHEEL (3614RS)



ART_1001149356-B

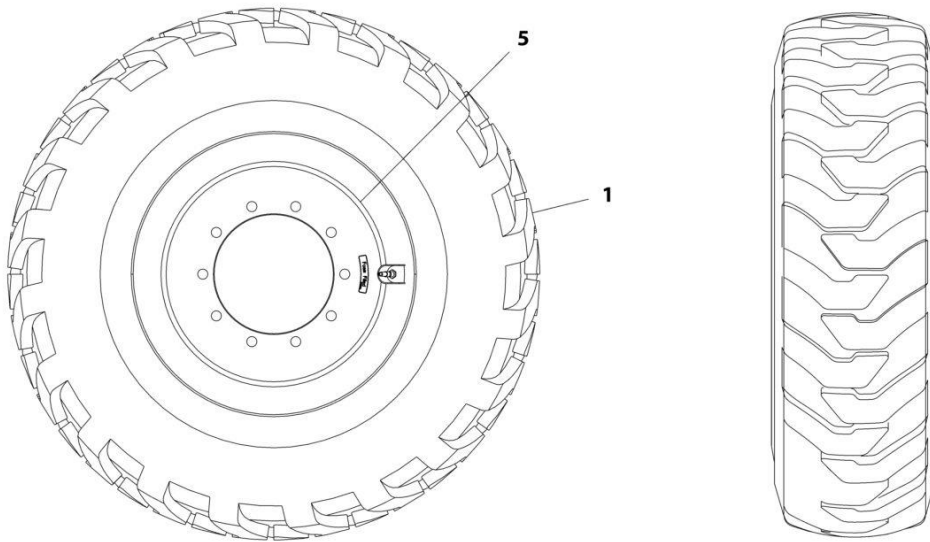
SECTION 5 - DRIVETRAIN

FIGURE 5-148. RH FOAM WHEEL (3614RS)

ITEM	PART NUMBER	QTY	DESCRIPTION	REV
	1001149356	Ref	Foam Wheel, RH	B
1	1001003360	1	Tire, 15.5X25 12 PLY BIAS L2	
5	1001212648	1	RH Rim Assembly, (See Separate Breakdown in this Section)	

SECTION 5 - DRIVETRAIN

FIGURE 5-149. LH FOAM WHEEL (3614RS)



ART_1001149357-B

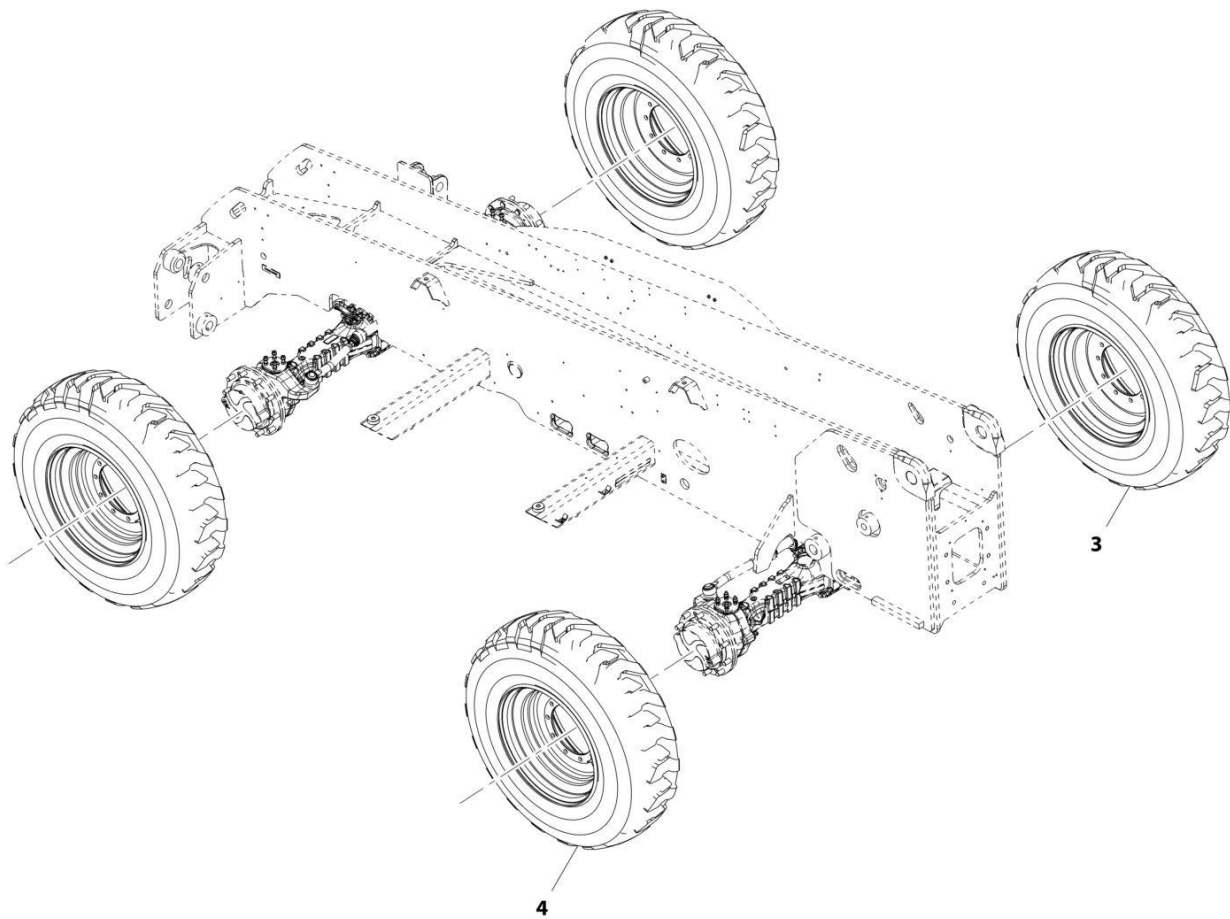
SECTION 5 - DRIVETRAIN

FIGURE 5-149. LH FOAM WHEEL (3614RS)

ITEM	PART NUMBER	QTY	DESCRIPTION	REV
	1001149357	Ref	Foam Wheel, LH	B
1	1001003360	1	Tire, 15.5X25 12 PLY BIAS L2	
5	1001212649	1	LH Rim Assembly, (See Separate Breakdown in this Section)	

SECTION 5 - DRIVETRAIN

FIGURE 5-150. FOAM FILLED WHEEL SET (4017RS)



ART_1001152829-B

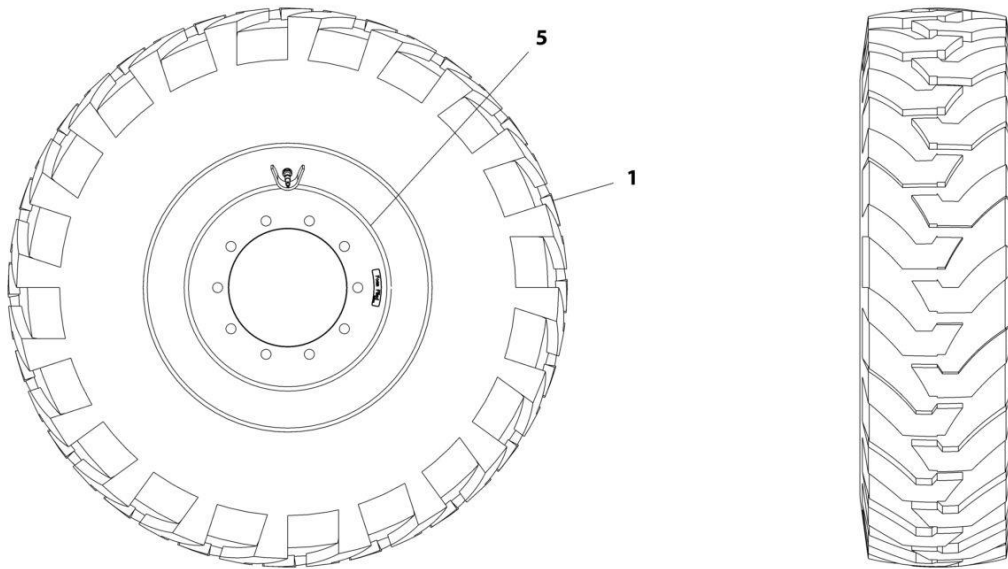
SECTION 5 - DRIVETRAIN

FIGURE 5-150. FOAM FILLED WHEEL SET (4017RS)

ITEM	PART NUMBER	QTY	DESCRIPTION	REV
	1001152829	Ref	Foam Filled Wheel Set	B
3	1001149361	2	Wheel, Foam RH (See RH FOAM WHEEL for Breakdown)	
4	1001149362	2	Wheel, Foam LH (See LH FOAM WHEEL for Breakdown)	

SECTION 5 - DRIVETRAIN

FIGURE 5-151. RH FOAM WHEEL (4017RS)



ART_1001149361-B

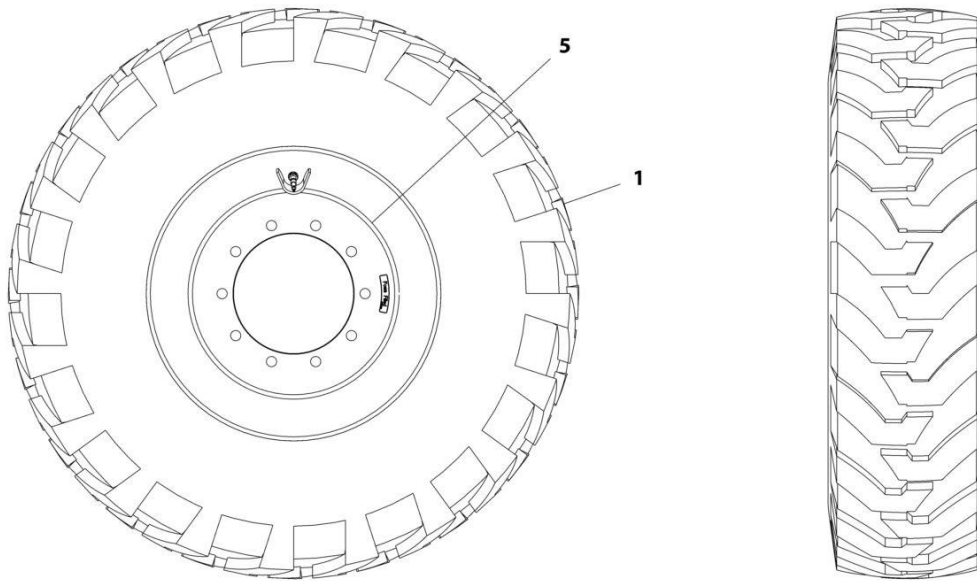
SECTION 5 - DRIVETRAIN

FIGURE 5-151. RH FOAM WHEEL (4017RS)

ITEM	PART NUMBER	QTY	DESCRIPTION	REV
	1001149361	Ref	Foam Wheel, RH	B
1	1001003334	1	Tire, RH 14.00-24 16PR	
5	1001212650	1	RH Rim Assembly, (See Separate Breakdown in this Section)	

SECTION 5 - DRIVETRAIN

FIGURE 5-152. LH FOAM WHEEL (4017RS)



ART_1001149362-B

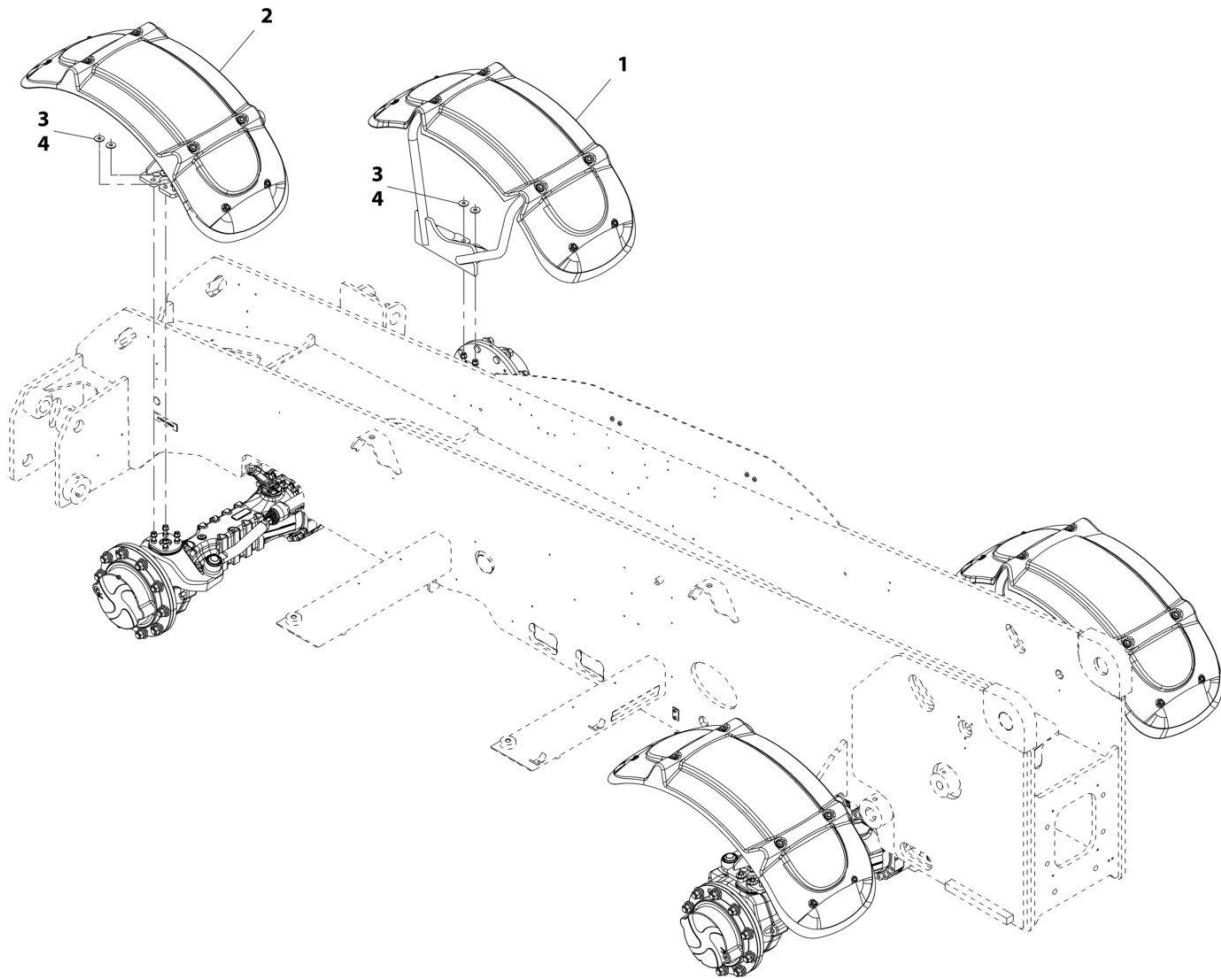
SECTION 5 - DRIVETRAIN

FIGURE 5-152. LH FOAM WHEEL (4017RS)

ITEM	PART NUMBER	QTY	DESCRIPTION	REV
	1001149362	Ref	Foam Wheel, LH	B
1	1001003334	1	Tire, 14.00-24 16PR	
5	1001212651	1	LH Rim Assembly, (See Separate Breakdown in this Section)	

SECTION 5 - DRIVETRAIN

FIGURE 5-153. FENDER INSTALLATION (3614RS)



ART_1001144109-D

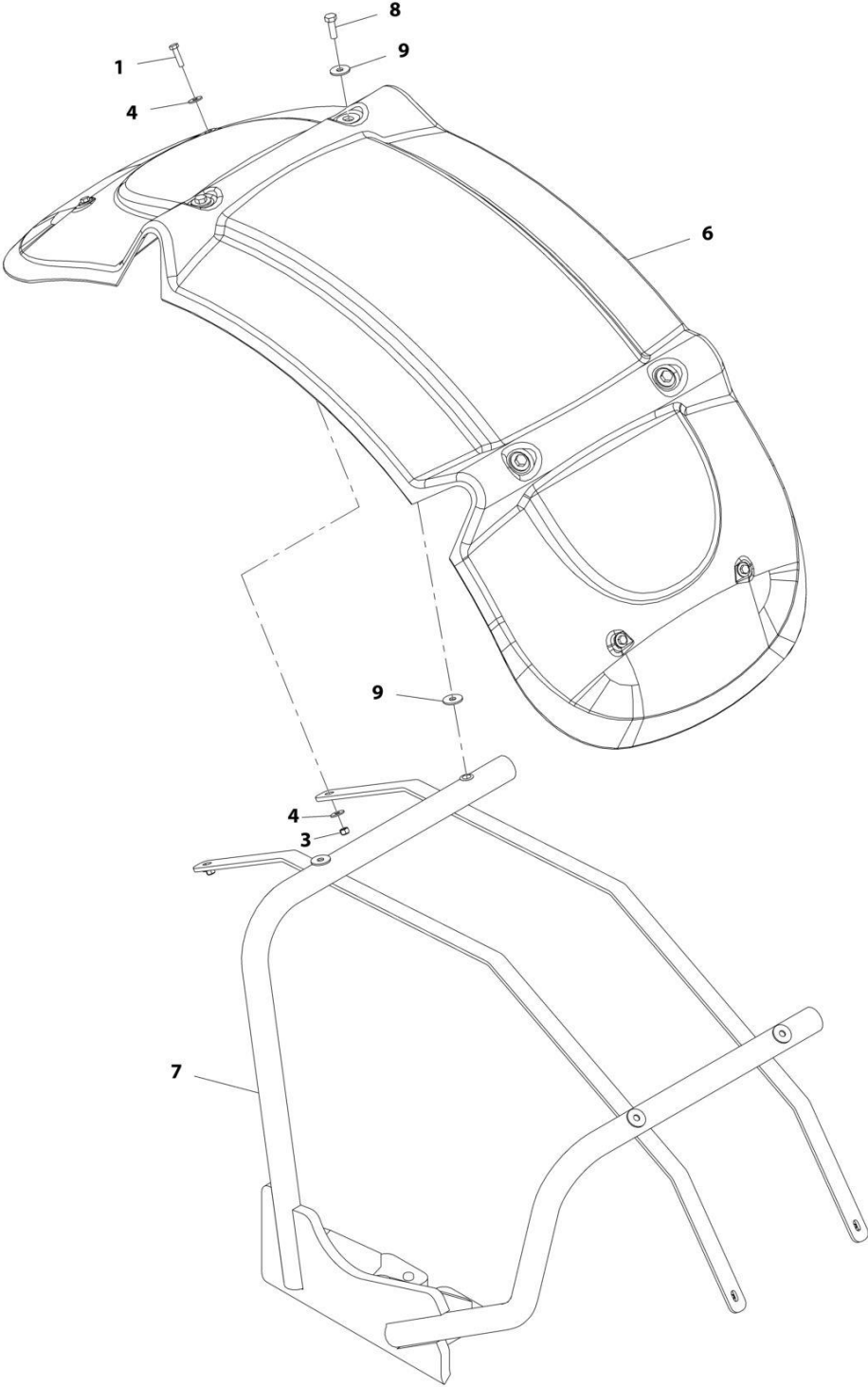
SECTION 5 - DRIVETRAIN

FIGURE 5-153. FENDER INSTALLATION (3614RS)

ITEM	PART NUMBER	QTY	DESCRIPTION	REV
	1001144109	Ref	Fender Installation	D
1	1001144404	2	Assembly, RH Fender (See RH FENDER ASSEMBLY for Breakdown)	
2	1001144405	2	Assembly, LH Fender (See LH FENDER ASSEMBLY for Breakdown)	
3	1001095650	AR	Compound, Locking	
4	4812102	16	Washer, M12	

SECTION 5 - DRIVETRAIN

FIGURE 5-154. RH FENDER ASSEMBLY (3614RS)



ART_1001144404-F

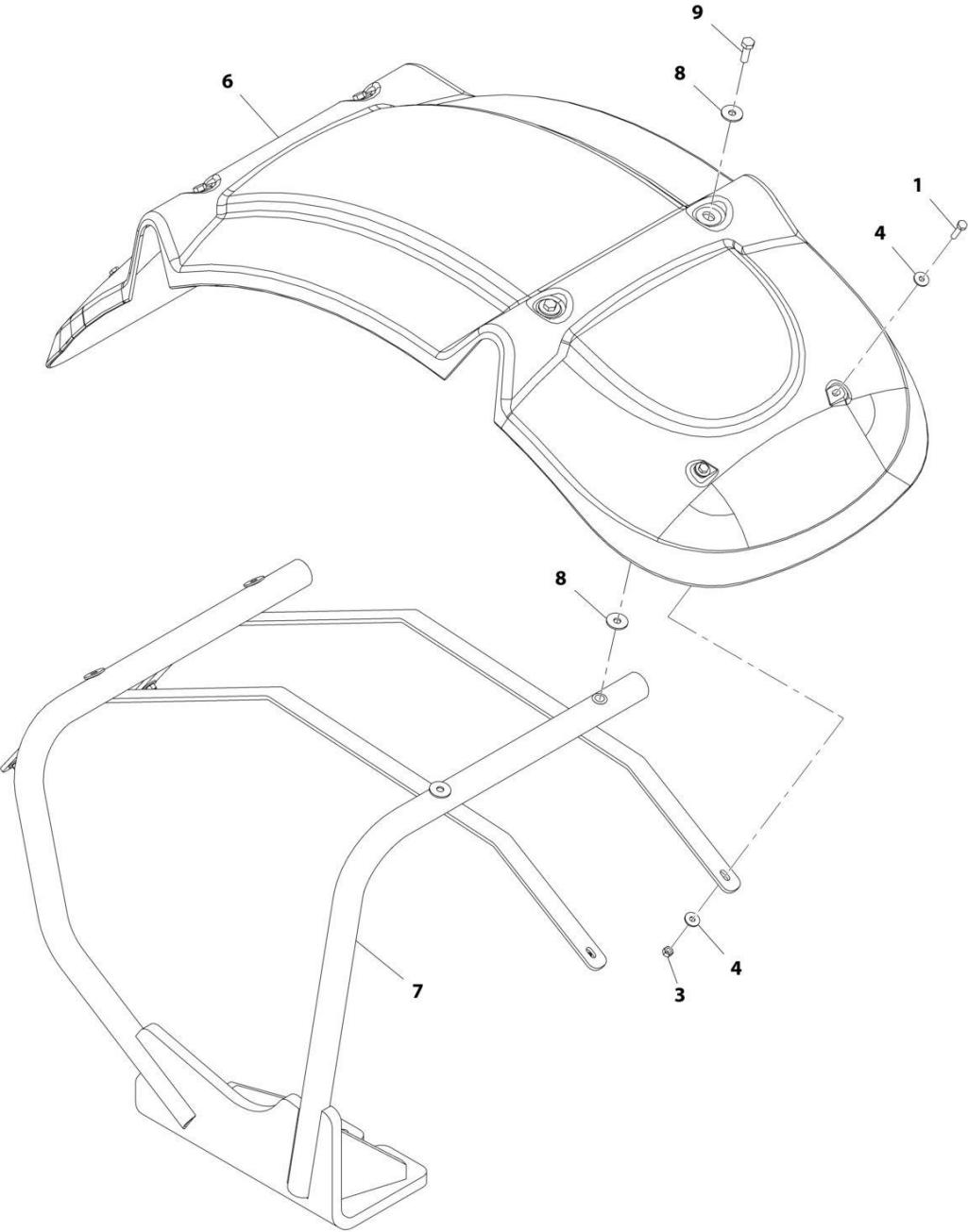
SECTION 5 - DRIVETRAIN

FIGURE 5-154. RH FENDER ASSEMBLY (3614RS)

ITEM	PART NUMBER	QTY	DESCRIPTION	REV
	1001144404	Ref	RH Fender Assembly	E
1	0760612	4	Bolt, M6X25	
3	3290605	4	Nut, M6X1	
4	4811702	8	Washer, M6	
6	1001100845	1	Fender	
7	1001165650	1	Bracket	
8	0760812	4	Bolt, M8X25	
9	4811902	8	Washer, M8	

SECTION 5 - DRIVETRAIN

FIGURE 5-155. LH FENDER ASSEMBLY (3614RS)



ART_1001144405-F

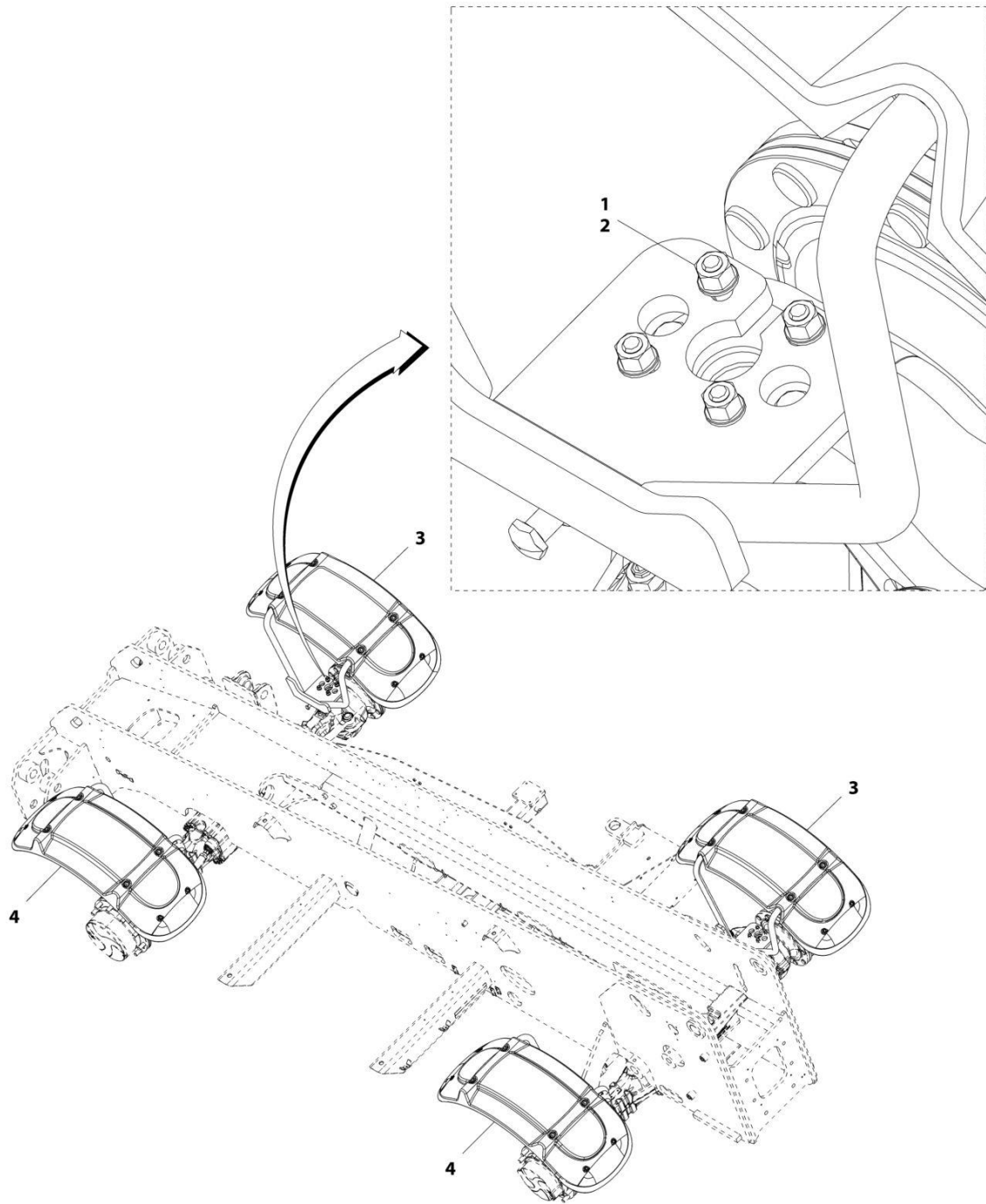
SECTION 5 - DRIVETRAIN

FIGURE 5-155. LH FENDER ASSEMBLY (3614RS)

ITEM	PART NUMBER	QTY	DESCRIPTION	REV
	1001144405	Ref	LH Fender Assembly	E
1	0760612	4	Bolt, M6X25	
3	3290605	4	Nut, M6X1	
4	4811702	8	Washer, M6	
6	1001100845	1	Fender	
7	1001164992	1	Bracket	
8	4811902	8	Washer, M8	
9	0760812	4	Bolt, M8X25	

SECTION 5 - DRIVETRAIN

FIGURE 5-156. FENDER INSTALLATION (4017RS)



ART_1001145414-A

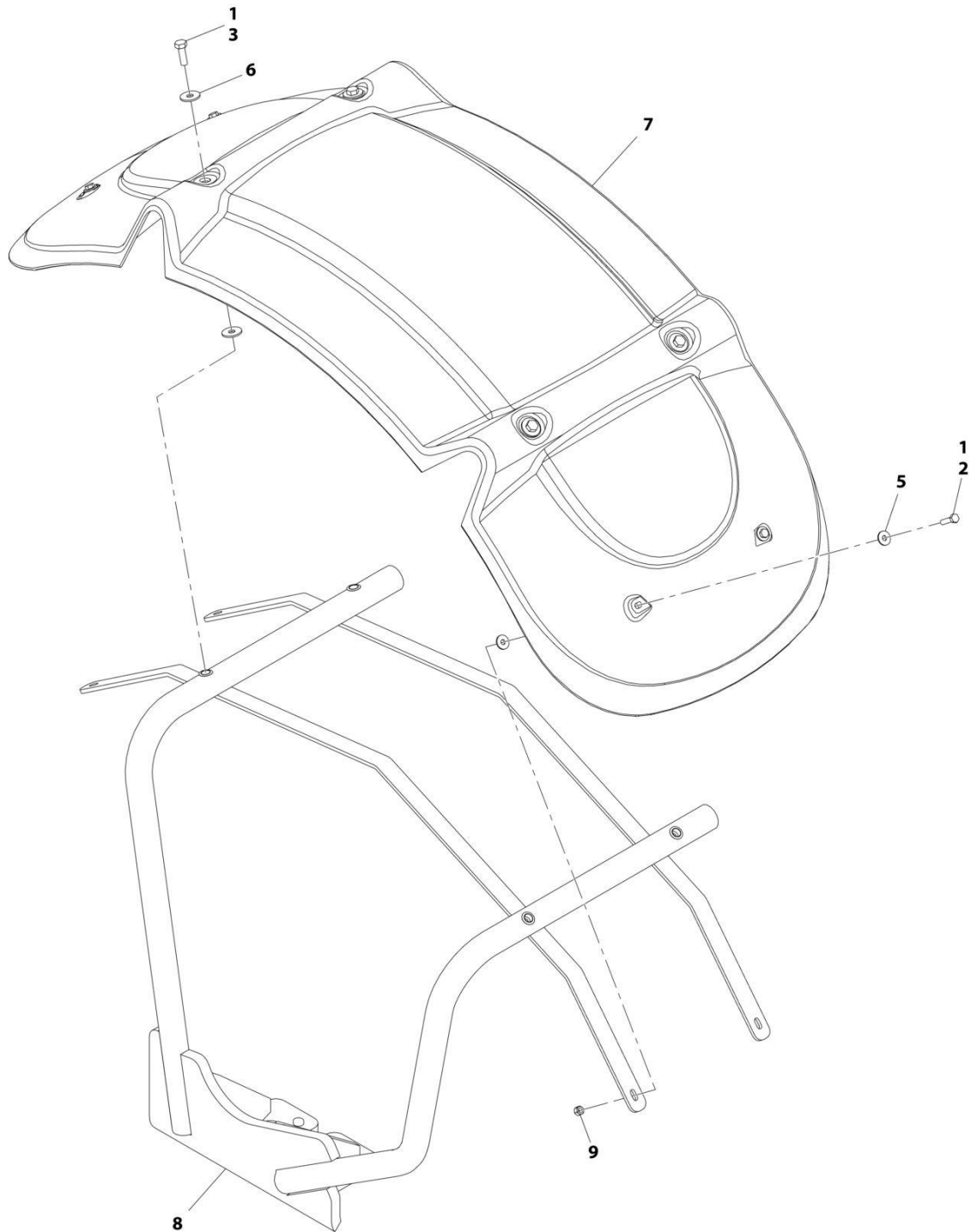
SECTION 5 - DRIVETRAIN

FIGURE 5-156. FENDER INSTALLATION (4017RS)

ITEM	PART NUMBER	QTY	DESCRIPTION	REV
	1001145414	Ref	Fender Installation	A
1	4812102	16	Washer, M12	
2	1001095650	AR	Compound, Locking	
3	1001151628	2	Assembly, RH Fender (See RH FENDER ASSEMBLY for Breakdown)	
4	1001153185	2	Assembly, LH Fender (See LH FENDER ASSEMBLY for Breakdown)	

SECTION 5 - DRIVETRAIN

FIGURE 5-157. RH FENDER ASSEMBLY (4017RS)



ART_1001151628-E

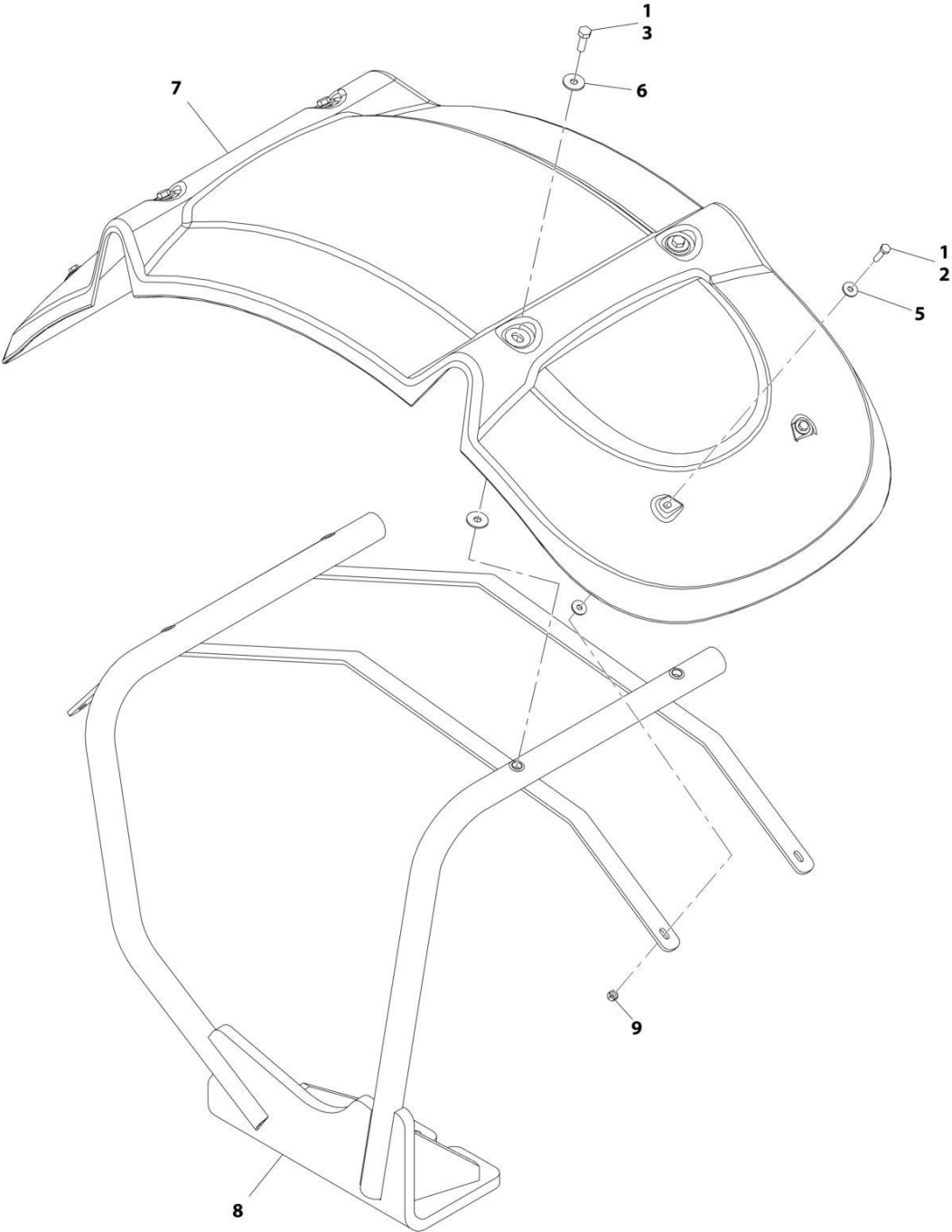
SECTION 5 - DRIVETRAIN

FIGURE 5-157. RH FENDER ASSEMBLY (4017RS)

ITEM	PART NUMBER	QTY	DESCRIPTION	REV
	1001151628	Ref	RH Fender Assembly	E
1	1001095650	AR	Compound, Locking	
2	0760612	4	Bolt, M6X25	
3	0760812	4	Bolt, M8X25	
5	4811702	8	Washer, M6	
6	4811902	8	Washer, M8	
7	1001100845	1	Fender	
8	1001164599	1	Bracket	
9	3290605	4	Nut, M6X1	

SECTION 5 - DRIVETRAIN

FIGURE 5-158. LH FENDER ASSEMBLY (4017RS)



ART_1001153185-E

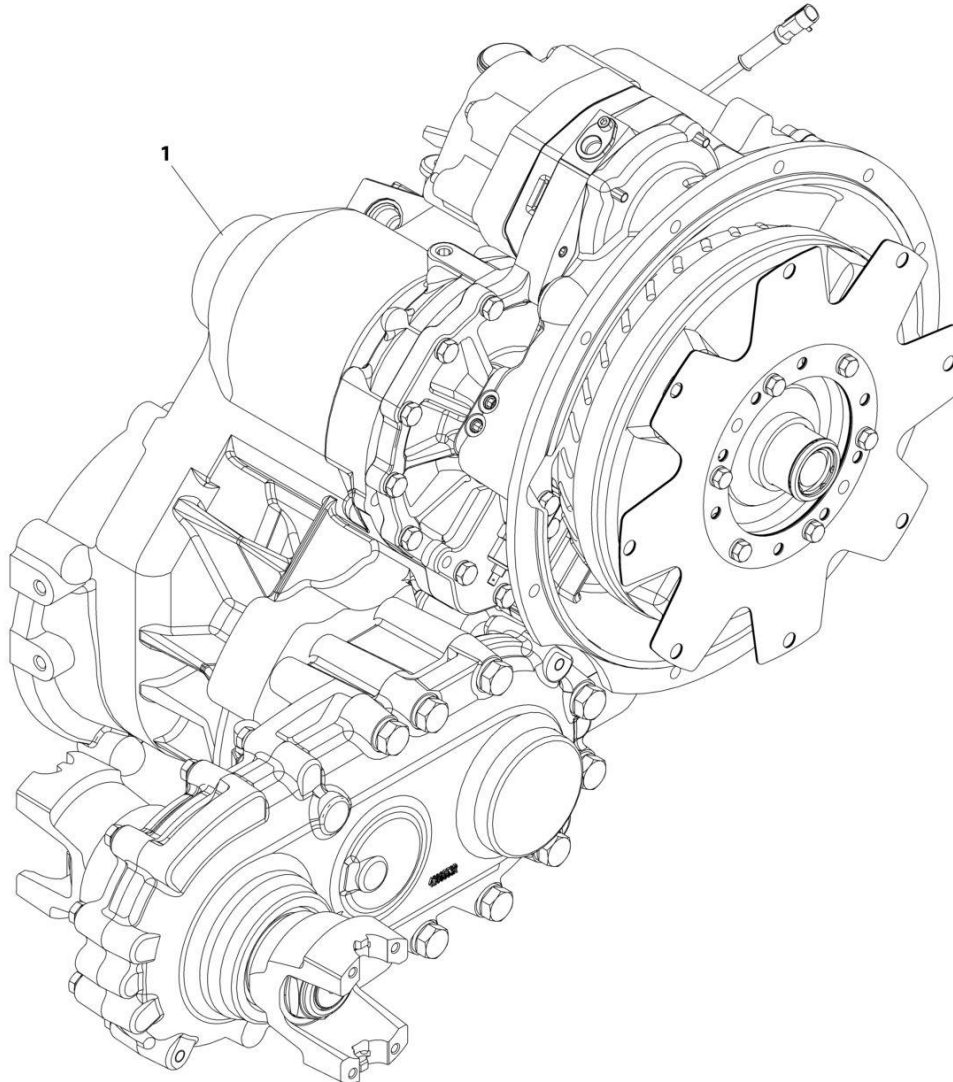
SECTION 5 - DRIVETRAIN

FIGURE 5-158. LH FENDER ASSEMBLY (4017RS)

ITEM	PART NUMBER	QTY	DESCRIPTION	REV
	1001153185	Ref	LH Fender Assembly	E
1	1001095650	AR	Compound, Locking	
2	0760612	4	Bolt, M6X25	
3	0760812	4	Bolt, M8X25	
5	4811702	8	Washer, M6	
6	4811902	8	Washer, M8	
7	1001100845	1	Fender	
8	1001167093	1	Bracket	
9	3290605	4	Nut, M6X1	

SECTION 5 - DRIVETRAIN

FIGURE 5-159. POWERSHIFT TRANSMISSION



ART_1001192001-C

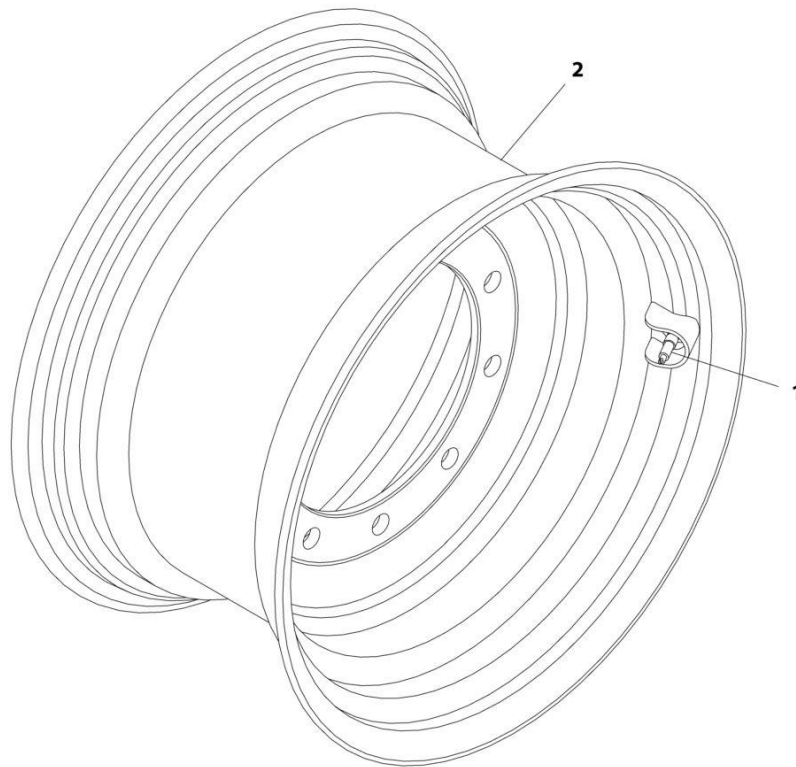
SECTION 5 - DRIVETRAIN

FIGURE 5-159. POWERSHIFT TRANSMISSION

ITEM	PART NUMBER	QTY	DESCRIPTION	REV
	1001192001	Ref	Powershift Transmission	A

SECTION 5 - DRIVETRAIN

FIGURE 5-160. RH MITAS RIM ASSEMBLY (3614RS)



ART_1001212636-A

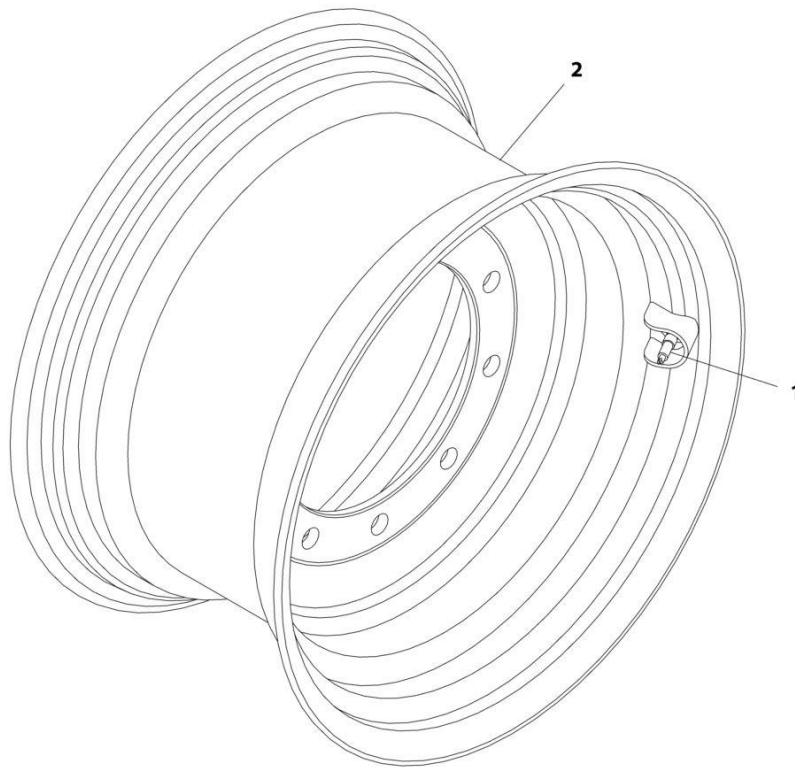
SECTION 5 - DRIVETRAIN

FIGURE 5-160. RH MITAS RIM ASSEMBLY (3614RS)

ITEM	PART NUMBER	QTY	DESCRIPTION	REV
	1001212636	Ref	RH Rim Assembly (SN 1160007024 through 1160008000)	A
	1001217143	Ref	RH Rim Assembly (SN 1160008000 through 1160008790)	B
1	1001008719	1	Valve	
2	1001142382J	1	Rim, (DW14LX24)	

SECTION 5 - DRIVETRAIN

FIGURE 5-161. LH MITAS RIM ASSEMBLY (3614RS)



ART_1001212637-A

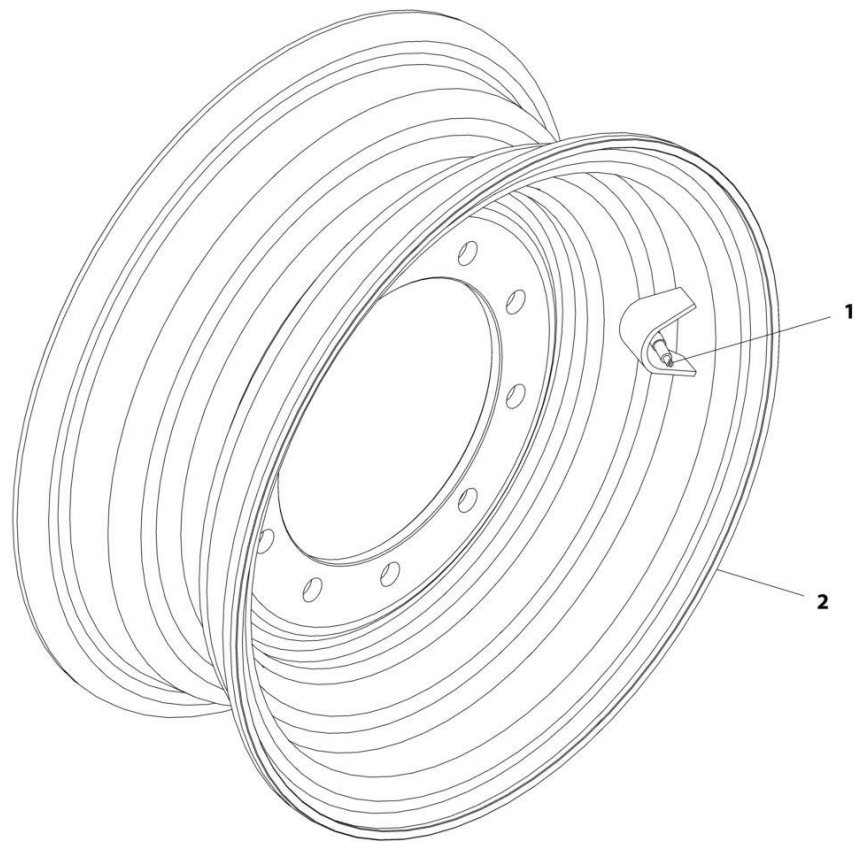
SECTION 5 - DRIVETRAIN

FIGURE 5-161. LH MITAS RIM ASSEMBLY (3614RS)

ITEM	PART NUMBER	QTY	DESCRIPTION	REV
	1001212637	Ref	LH Rim Assembly (SN 1160007024 through 1160008000)	A
	1001217145	Ref	LH Rim Assembly (SN 1160008000 through 1160008790)	B
1	1001008719	1	Valve	
2	1001142382J	1	Rim, (DW14LX24)	

SECTION 5 - DRIVETRAIN

FIGURE 5-162. RH MITAS RIM ASSEMBLY (4017RS)



ART_1001212643-B

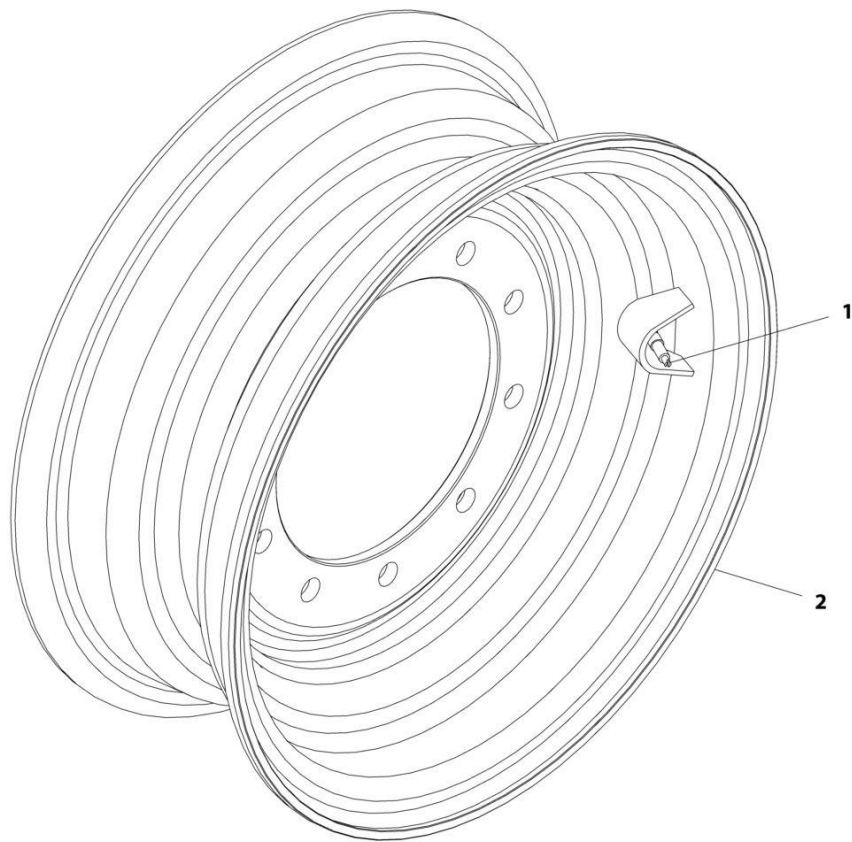
SECTION 5 - DRIVETRAIN

FIGURE 5-162. RH MITAS RIM ASSEMBLY (4017RS)

ITEM	PART NUMBER	QTY	DESCRIPTION	REV
	1001212643	Ref	RH Rim Assembly	B
1	1001008719	1	Valve	
2	1001142382J	1	Rim, (24X9)	

SECTION 5 - DRIVETRAIN

FIGURE 5-163. LH MITAS RIM ASSEMBLY (4017RS)



ART_1001212644-B

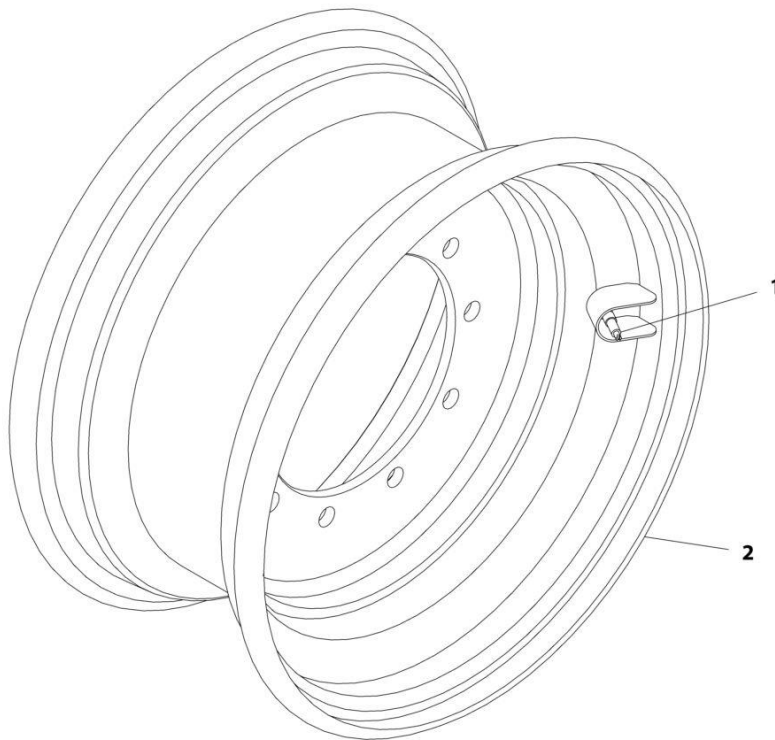
SECTION 5 - DRIVETRAIN

FIGURE 5-163. LH MITAS RIM ASSEMBLY (4017RS)

ITEM	PART NUMBER	QTY	DESCRIPTION	REV
	1001212644	Ref	LH Rim Assembly	B
1	1001008719	1	Valve	
2	1001142383J	1	Rim, (24X9)	

SECTION 5 - DRIVETRAIN

FIGURE 5-164. RH GOODYEAR RIM ASSEMBLY (3614RS)



ART_1001212640-B

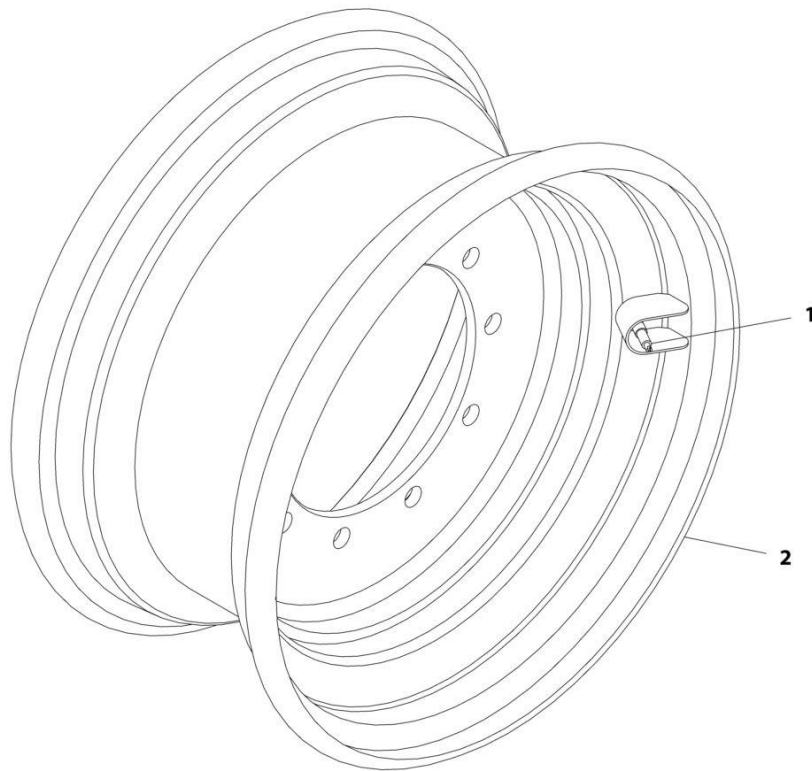
SECTION 5 - DRIVETRAIN

FIGURE 5-164. RH GOODYEAR RIM ASSEMBLY (3614RS)

ITEM	PART NUMBER	QTY	DESCRIPTION	REV
	1001212640	Ref	RH Rim Assembly	B
1	1001008719	1	Valve	
2	1001145380J	1	Rim, (12.00/1.3x25)	

SECTION 5 - DRIVETRAIN

FIGURE 5-165. LH GOODYEAR RIM ASSEMBLY (3614RS)



ART_1001212641-B

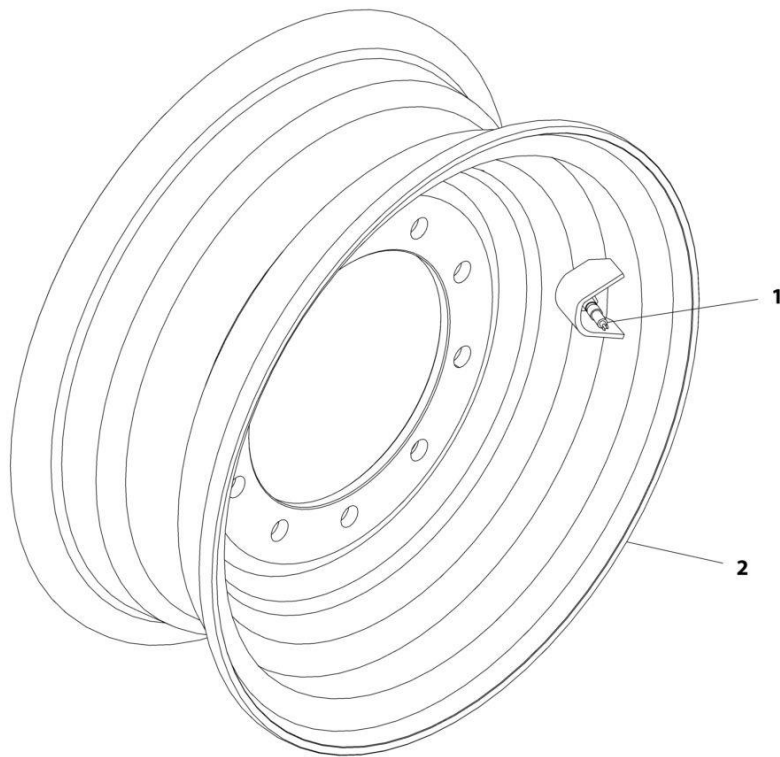
SECTION 5 - DRIVETRAIN

FIGURE 5-165. LH GOODYEAR RIM ASSEMBLY (3614RS)

ITEM	PART NUMBER	QTY	DESCRIPTION	REV
	1001212641	Ref	LH Rim Assembly	B
1	1001008719	1	Valve	
2	1001145380J	1	Rim, (12.00/1.3x25)	

SECTION 5 - DRIVETRAIN

FIGURE 5-166. RH GOODYEAR RIM ASSEMBLY (4017RS)



ART_1001212645-B

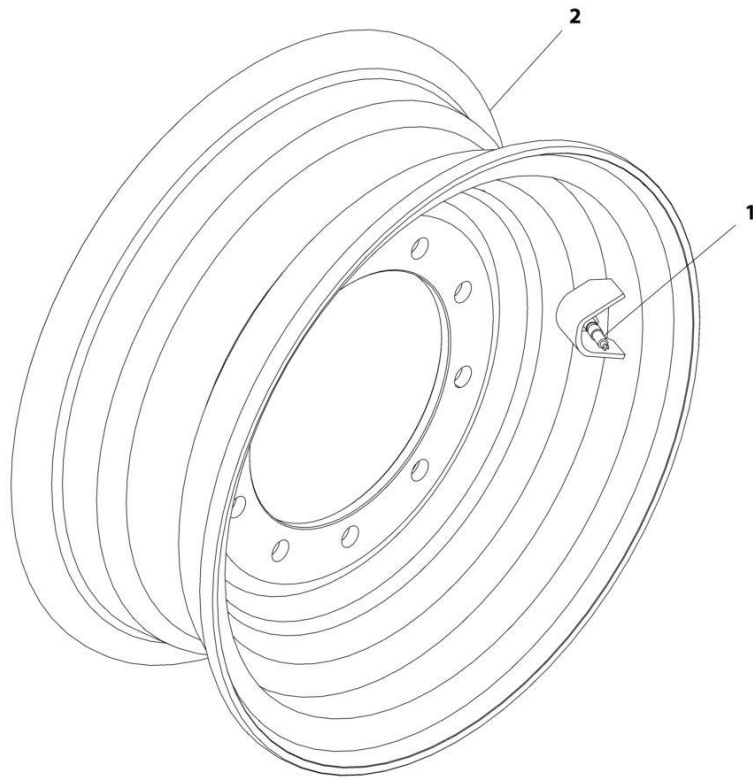
SECTION 5 - DRIVETRAIN

FIGURE 5-166. RH GOODYEAR RIM ASSEMBLY (4017RS)

ITEM	PART NUMBER	QTY	DESCRIPTION	REV
	1001212645	Ref	RH Rim Assembly	B
1	1001008719	1	Valve	
2	1001142383J	1	Rim, (24X9)	

SECTION 5 - DRIVETRAIN

FIGURE 5-167. LH GOODYEAR RIM ASSEMBLY (4017RS)



ART_1001212646-B

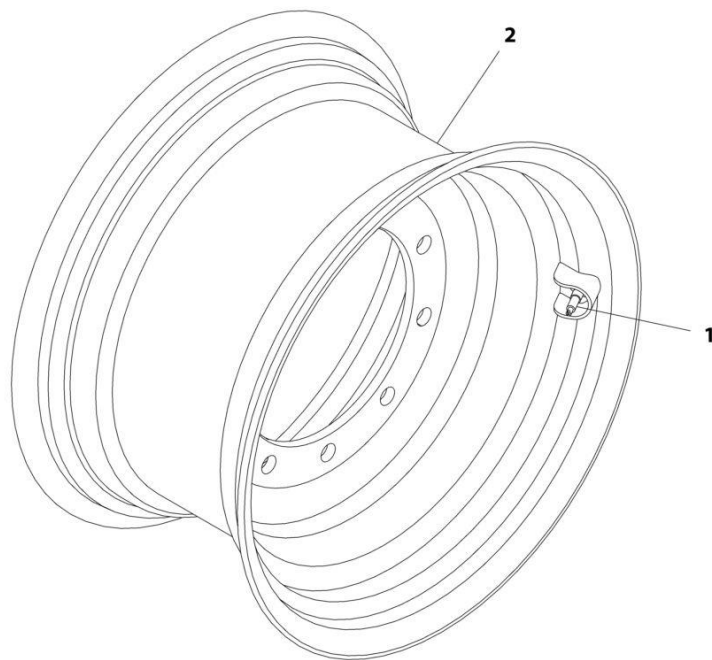
SECTION 5 - DRIVETRAIN

FIGURE 5-167. LH GOODYEAR RIM ASSEMBLY (4017RS)

ITEM	PART NUMBER	QTY	DESCRIPTION	REV
	1001212646	Ref	LH Rim Assembly	B
1	1001008719	1	Valve	
2	1001142383J	1	Rim, (24X9)	

SECTION 5 - DRIVETRAIN

FIGURE 5-168. RH MICHELIN RIM ASSEMBLY (3614RS)



ART_1001212638-B

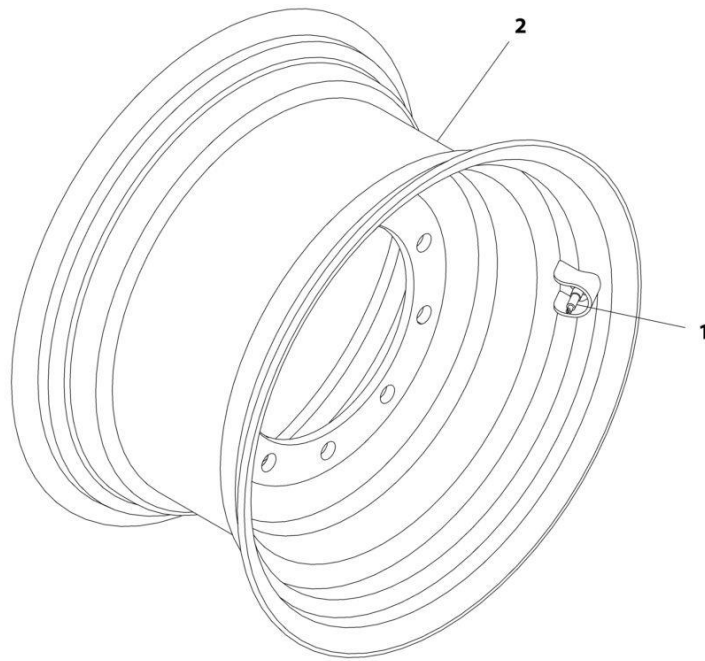
SECTION 5 - DRIVETRAIN

FIGURE 5-168. RH MICHELIN RIM ASSEMBLY (3614RS)

ITEM	PART NUMBER	QTY	DESCRIPTION	REV
	1001212638	Ref	RH Rim Assembly	B
1	1001008719	1	Valve	
2	1001142382J	1	Rim, (DW14L X 24)	

SECTION 5 - DRIVETRAIN

FIGURE 5-169. LH MICHELIN RIM ASSEMBLY (3614RS)



ART_1001212639-B

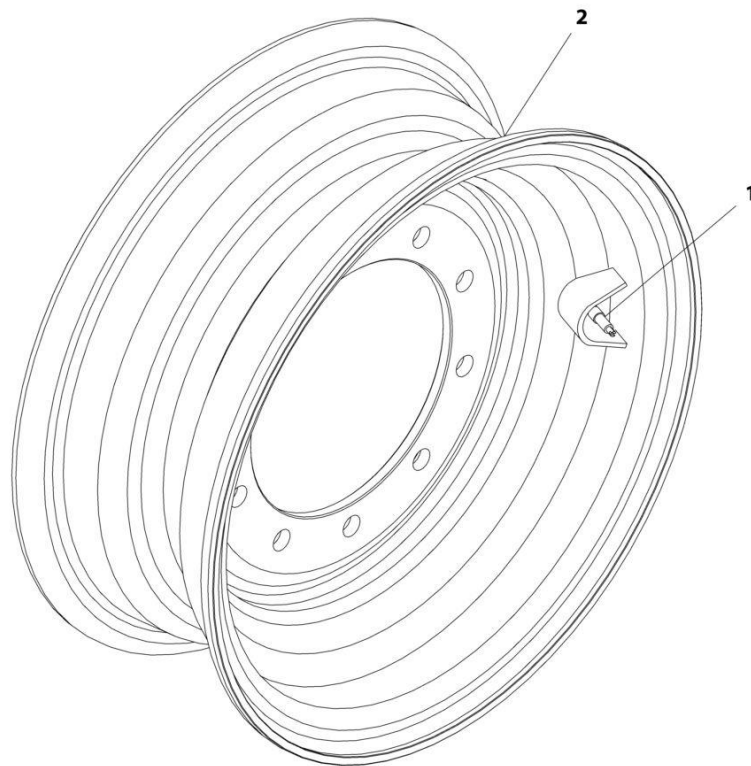
SECTION 5 - DRIVETRAIN

FIGURE 5-169. LH MICHELIN RIM ASSEMBLY (3614RS)

ITEM	PART NUMBER	QTY	DESCRIPTION	REV
	1001212639	Ref	LH Rim Assembly	B
1	1001008719	1	Valve	
2	1001142382J	1	Rim, (DW14LX24)	

SECTION 5 - DRIVETRAIN

FIGURE 5-170. RH/LH MICHELIN RIM ASSEMBLY (4017RS)



ART_1001212652-B

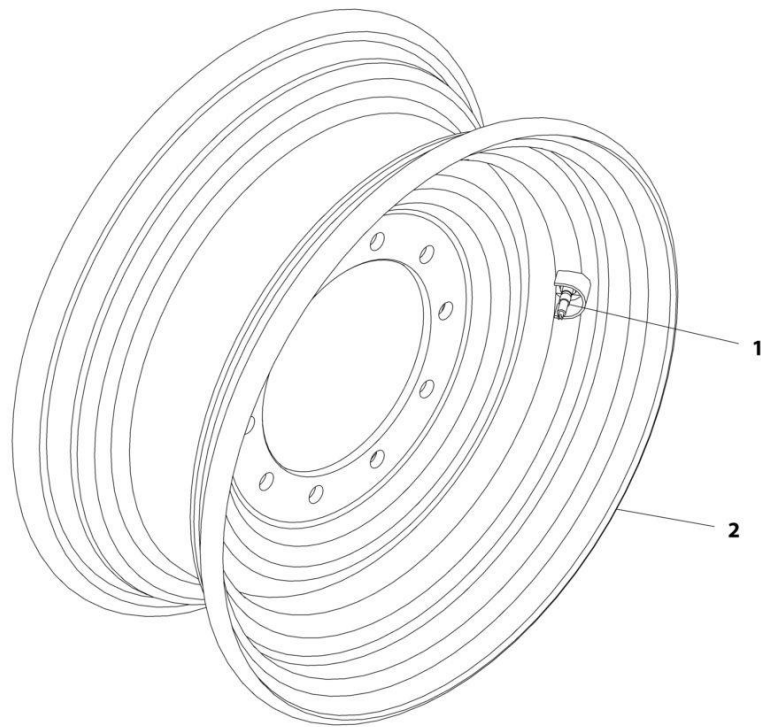
SECTION 5 - DRIVETRAIN

FIGURE 5-170. RH/LH MICHELIN RIM ASSEMBLY (4017RS)

ITEM	PART NUMBER	QTY	DESCRIPTION	REV
	1001212652	Ref	RH/LH Rim Assembly	B
1	1001008719	1	Valve	
2	1001142383J	1	Rim, (24X9)	

SECTION 5 - DRIVETRAIN

FIGURE 5-171. FIRESTONE RIM ASSEMBLY (3614RS)



ART_1001212642-A

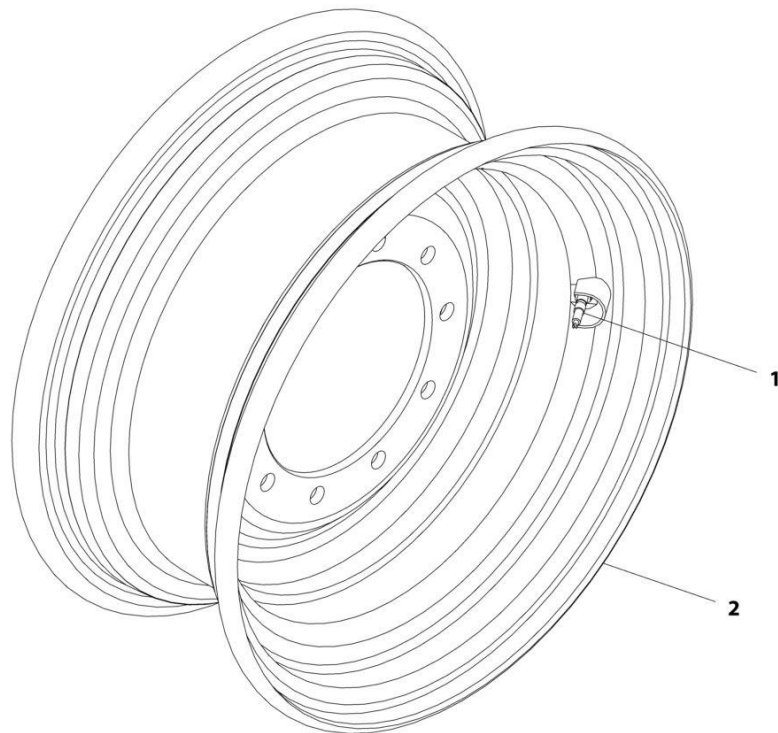
SECTION 5 - DRIVETRAIN

FIGURE 5-171. FIRESTONE RIM ASSEMBLY (3614RS)

ITEM	PART NUMBER	QTY	DESCRIPTION	REV
1	1001212642	Ref	Rim Assembly	A
2	1001008719	1	Valve	
2	1001144744J	1	Rim, (28X11.00 W/ .219OS)	

SECTION 5 - DRIVETRAIN

FIGURE 5-172. FIRESTONE RIM ASSEMBLY (4017RS)



ART_1001212647-A

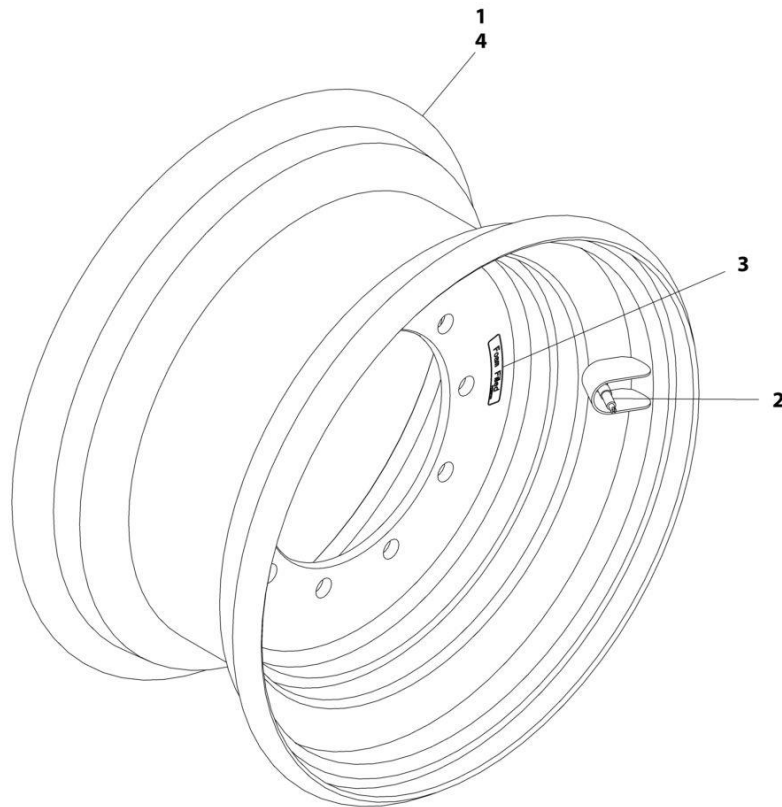
SECTION 5 - DRIVETRAIN

FIGURE 5-172. FIRESTONE RIM ASSEMBLY (4017RS)

ITEM	PART NUMBER	QTY	DESCRIPTION	REV
	1001212647	Ref	Rim Assembly	A
1	1001008719	1	Valve	
2	1001144745J	1	Rim, (28X12. 00 W/ 0.75 OS)	

SECTION 5 - DRIVETRAIN

FIGURE 5-173. RH FOAM RIM ASSEMBLY (3614RS)



ART_1001212648-B

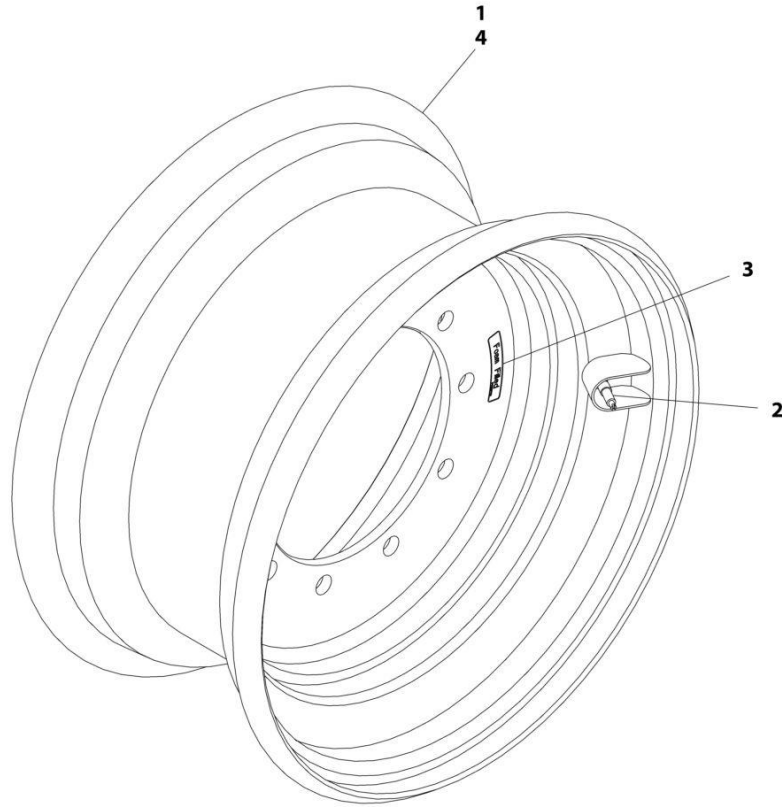
SECTION 5 - DRIVETRAIN

FIGURE 5-173. RH FOAM RIM ASSEMBLY (3614RS)

ITEM	PART NUMBER	QTY	DESCRIPTION	REV
	1001212648	Ref	RH Rim Assembly	B
1	1001004771	186 kg	Filler-Urethane	
2	1001008719	1	Valve	
3	1001152079	1	Label	
4	1001145380J	1	Rim, (12.00 /1.3X25)	

SECTION 5 - DRIVETRAIN

FIGURE 5-174. LH FOAM RIM ASSEMBLY (3614RS)



ART_1001212649-B

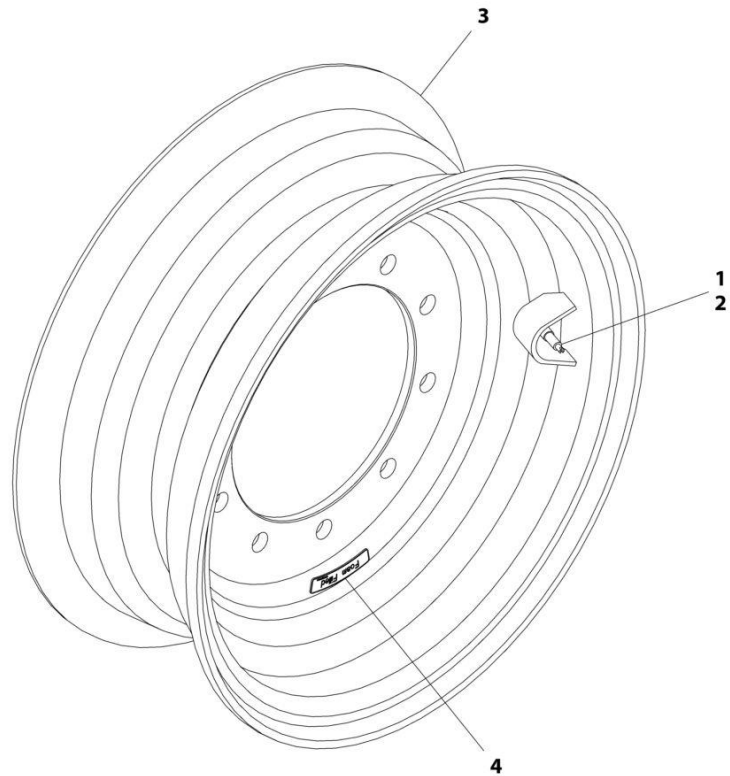
SECTION 5 - DRIVETRAIN

FIGURE 5-174. LH FOAM RIM ASSEMBLY (3614RS)

ITEM	PART NUMBER	QTY	DESCRIPTION	REV
	1001212649	Ref	LH Rim Assembly	B
1	1001004771	186 kg	Filler-Urethane	
2	1001008719	1	Valve	
3	1001152079	1	Label	
4	1001145380J	1	Rim, (12.00/1.3X25)	

SECTION 5 - DRIVETRAIN

FIGURE 5-175. RH FOAM RIM ASSEMBLY (4017RS)



ART_1001212650-B

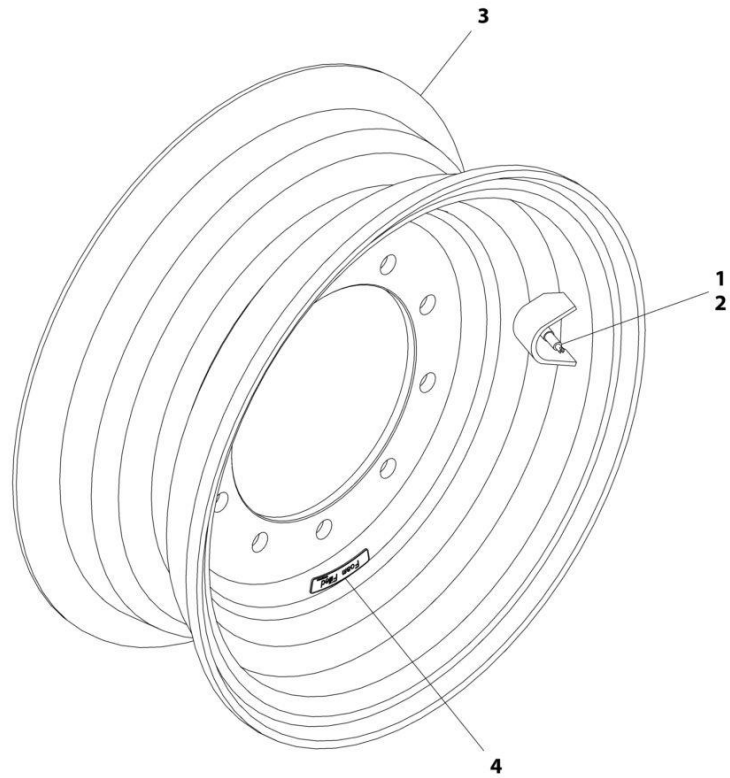
SECTION 5 - DRIVETRAIN

FIGURE 5-175. RH FOAM RIM ASSEMBLY (4017RS)

ITEM	PART NUMBER	QTY	DESCRIPTION	REV
	1001212650	Ref	RH Rim Assembly	B
1	1001004771	245 kg	Filler-Urethane	
2	1001008719	1	Valve	
3	1001142383J	1	Rim, (24X9)	
4	1001152079	1	Label	

SECTION 5 - DRIVETRAIN

FIGURE 5-176. LH FOAM RIM ASSEMBLY (4017RS)



ART_1001212651-B

SECTION 5 - DRIVETRAIN

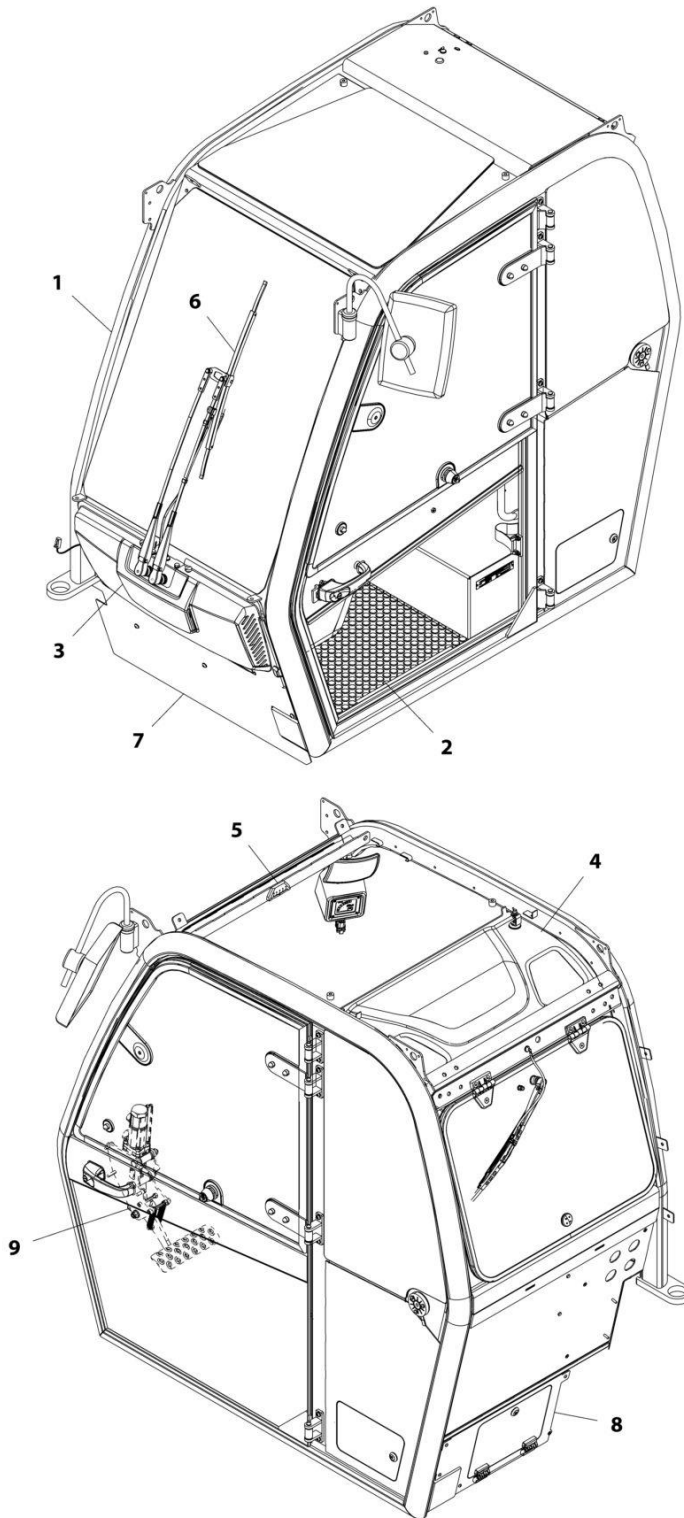
FIGURE 5-176. LH FOAM RIM ASSEMBLY (4017RS)

ITEM	PART NUMBER	QTY	DESCRIPTION	REV
	1001212651	Ref	LH Rim Assembly	B
1	1001004771	245 kg	Filler-Urethane	
2	1001008719	1	Valve	
3	1001142383J	1	Rim, (24X9)	
4	1001152079	1	Label	

SECTION 6 - CAB

SECTION 6 - CAB

FIGURE 6-1. CAB INSTALLATION (FNR LEVER) (SN E16000001 through E16000141, Excluding E160000120, E160000126, 1160008774, 1160008775 and 1160008777)



ART_1001137630-C

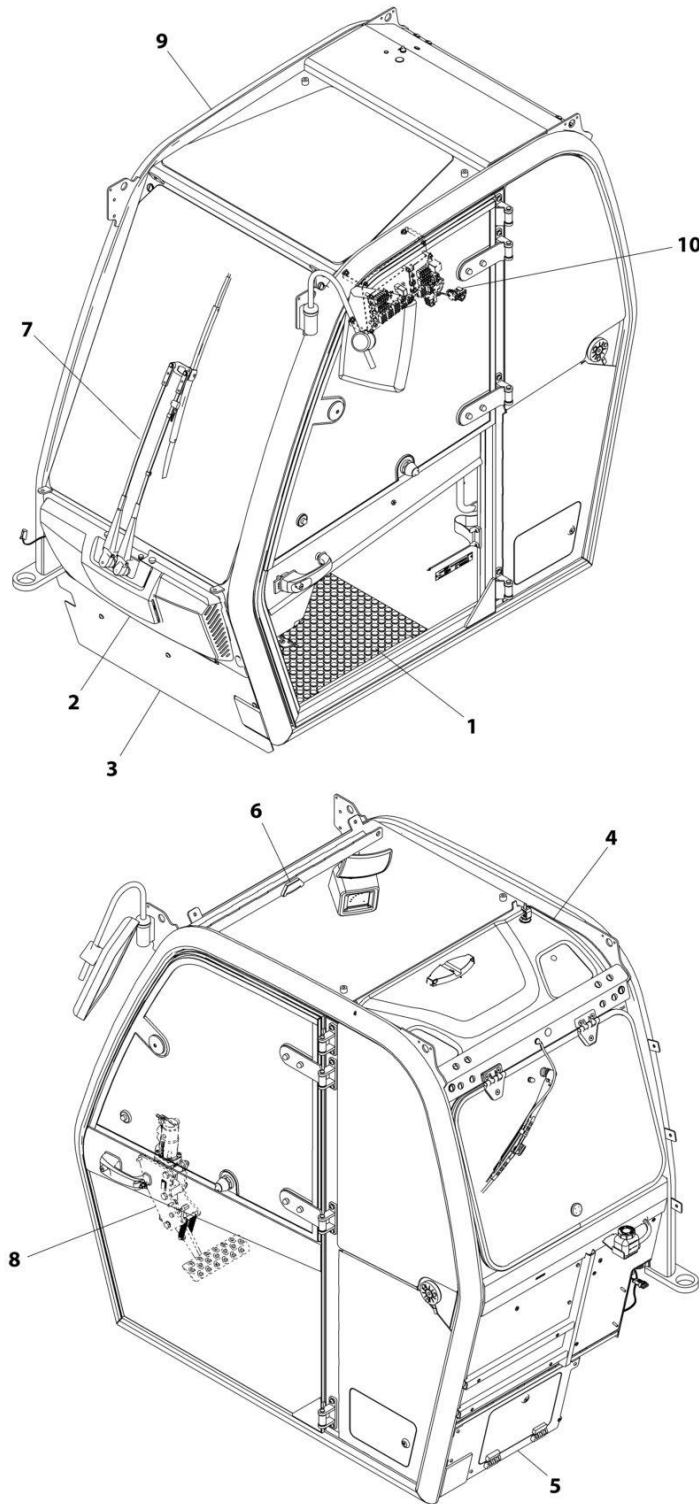
SECTION 6 - CAB

FIGURE 6-1. CAB INSTALLATION (FNR LEVER) (SN E160000001 through E160000141, Excluding E160000120, E160000126, 1160008774, 1160008775 and 1160008777)

ITEM	PART NUMBER	QTY	DESCRIPTION	REV
	1001137630	Ref	Cab Installation (FNR Lever)	C
1	1001137631	Ref	Cab (FNR Lever), (See CAB (FNR LEVER) for Breakdown)	
2	1001139746	1	Mat, Floor	
3	1001142194	Ref	Assembly, Front Cover (See FRONT COVER ASSEMBLY for Breakdown)	
4	1001146587	Ref	Installation, Headliner (See HEADLINER INSTALLATION for Breakdown)	
5	1001006269	1	Indicator, Level	
6	1001168812	Ref	Installation, Front Wiper (See FRONT WIPER INSTALLATION for Breakdown)	
7	1001142968	Ref	Installation, Front Panel (See FRONT PANEL INSTALLATION for Breakdown)	
8	1001148112	Ref	Installation, Cover Panel (See COVER PANEL INSTALLATION for Breakdown)	
9	1001139977	Ref	Installation, Brake Pedal (See CONTROLS SECTION for Breakdown)	

SECTION 6 - CAB

FIGURE 6-2. CAB INSTALLATION (FNR LEVER) (SN E160000141 through E160000341, Including E160000120, E160000126, 1160008774, 1160008775 and 1160008777, Excluding E160000328, E160000329, E160000330, E160000331, E160000332 and E160000336)



ART_1001241944-B

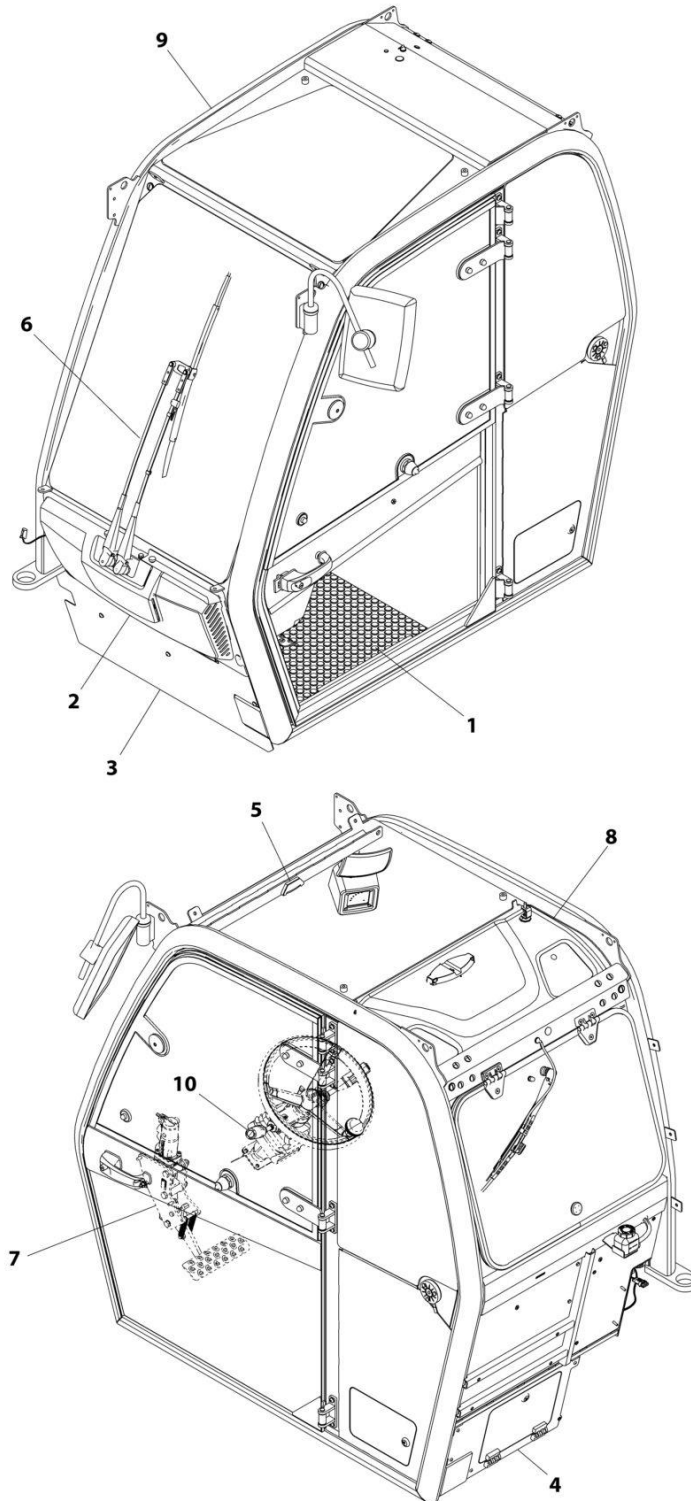
SECTION 6 - CAB

FIGURE 6-2. CAB INSTALLATION (FNR LEVER) (SN E160000141 through E160000341, Including E160000120, E160000126, 1160008774, 1160008775 and 1160008777, Excluding E160000328, E160000329, E160000330, E160000331, E160000332 and E160000336)

ITEM	PART NUMBER	QTY	DESCRIPTION	REV
	1001241944	Ref	Cab Installation (FNR Lever)	B
1	1001139746	1	Floor Mat	
2	1001142194	Ref	Assembly, Front Cover (See Separate Breakdown in this Section)	
3	1001142968	Ref	Installation, Front Panel (See Separate Breakdown in this Section)	
4	1001237156	Ref	Installation, Headliner (See Separate Breakdown in this Section)	
5	1001148112	Ref	Installation, Cover Panel (See Separate Breakdown in this Section)	
6	8466306	1	Indicator, Level	
7	1001168812	Ref	Installation, Front Wiper (See Separate Breakdown in this Section)	
8	1001206068	Ref	Installation, Brake Pedal (See Separate Breakdown in CONTROL SECTION)	
9	1001241942	Ref	Cab (FNR Lever) (See Separate Breakdown in this Section)	
10	1001250717	Ref	Installation, Worklight Jumper (See Separate Breakdown in ELECTRICAL SECTION)	

SECTION 6 - CAB

FIGURE 6-3. CAB INSTALLATION (FNR LEVER) (SN E16000342 through E16000496, Including E16000328, E16000329, E16000330, E16000331, E16000332 and E16000336)



ART_1001241971-B

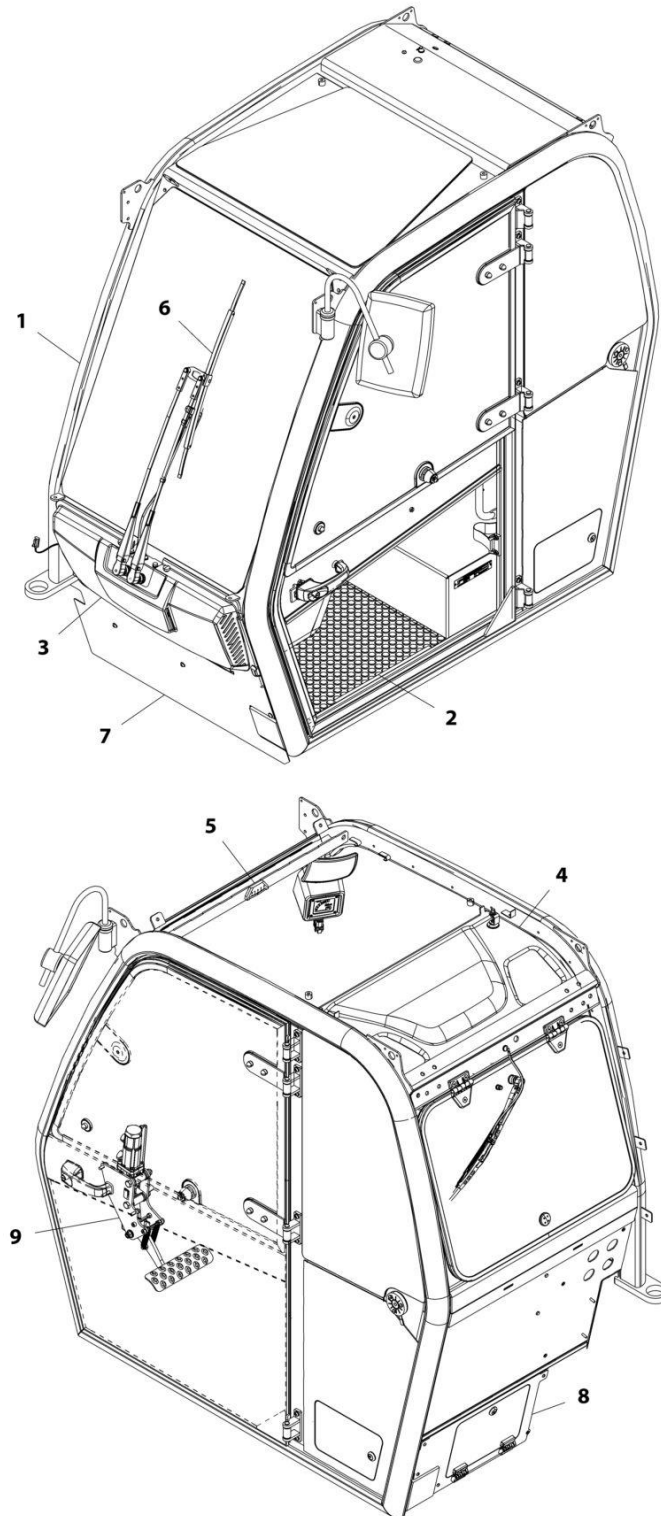
SECTION 6 - CAB

FIGURE 6-3. CAB INSTALLATION (FNR LEVER) (SN E160000342 through E160000496, Including E160000328, E160000329, E160000330, E160000331, E160000332 and E160000336)

ITEM	PART NUMBER	QTY	DESCRIPTION	REV
	1001241971	Ref	Cab Installation (FNR Lever)	B
1	1001139746	1	Mat, Floor	
2	1001142194	Ref	Assembly, Front Cover (See Separate Breakdown in this Section)	
3	1001142968	Ref	Installation, Front Panel (See Separate Breakdown in this Section)	
4	1001148112	Ref	Installation, Cover Panel (See Separate Breakdown in this Section)	
5	8466306	1	Indicator, Level	
6	1001168812	Ref	Installation, Front Wiper (See Separate Breakdown in this Section)	
7	1001206068	Ref	Installation, Brake Pedal (See Separate Breakdown in CONTROLS Section)	
8	1001237156	Ref	Installation, Headliner (See Separate Breakdown in this Section)	
9	1001241968	Ref	Cab (See Separate Breakdown in this Section)	
10	1001248291	Ref	Installation, Steering Column Switch (See Separate Breakdown in CONTROLS Section)	

SECTION 6 - CAB

FIGURE 6-4. CAB INSTALLATION (NO FNR LEVER) (SN E16000001 through E16000141, Excluding E16000120, E16000126, 1160008774, 1160008775 and 1160008777)



ART_1001144264-C

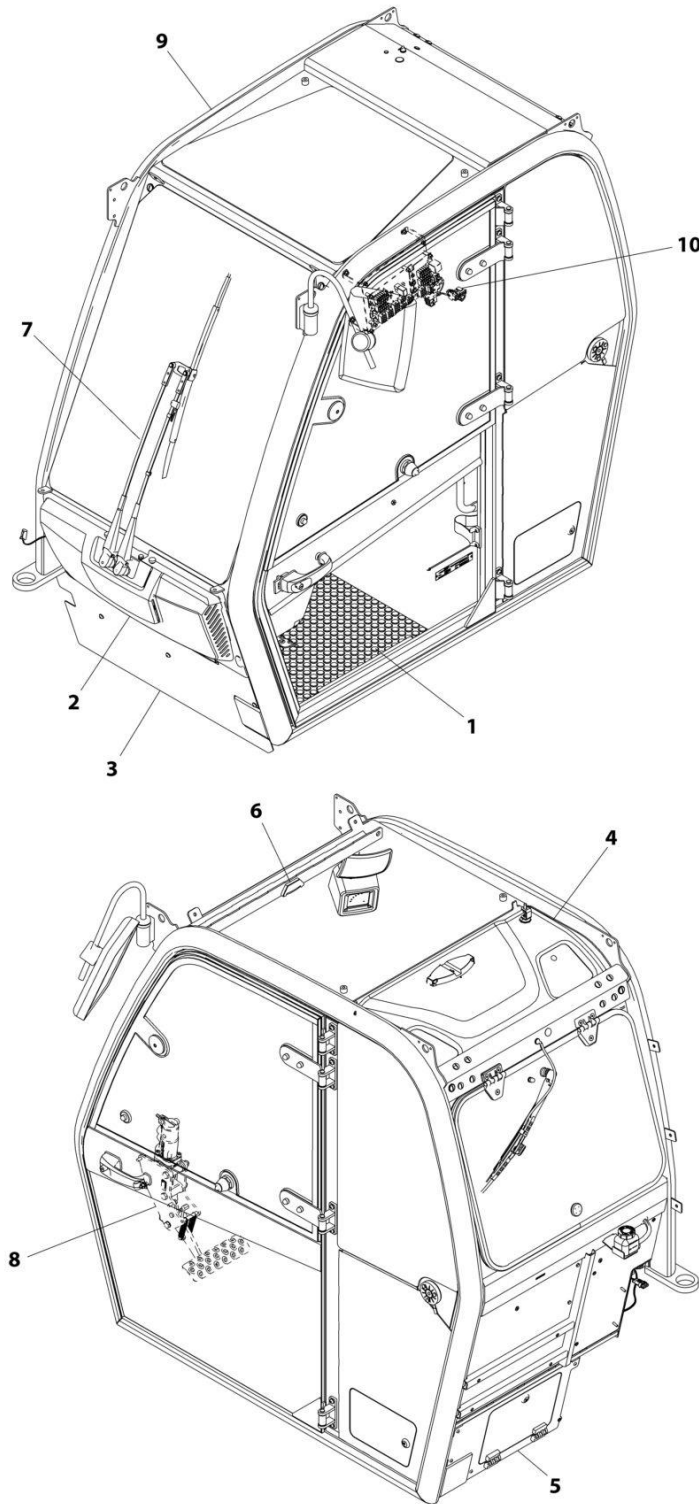
SECTION 6 - CAB

FIGURE 6-4. CAB INSTALLATION (NO FNR LEVER) (SN E16000001 through E160000141, Excluding E160000120, E160000126, 1160008774, 1160008775 and 1160008777)

ITEM	PART NUMBER	QTY	DESCRIPTION	REV
	1001144264	Ref	Cab Installation (no FNR Lever)	C
1	1001146748	Ref	Cab (no FNR Lever), (See CAB (NO FNR LEVER) for Breakdown)	
2	1001139746	1	Mat, Floor	
3	1001142194	Ref	Assembly, Front Cover (See FRONT COVER ASSEMBLY for Breakdown)	
4	1001146587	Ref	Installation, Headliner (See HEADLINER INSTALLATION for Breakdown)	
5	1001006269	1	Indicator, Level	
6	1001168812	Ref	Installation, Front Wiper (See FRONT WIPER INSTALLATION for Breakdown)	
7	1001142968	Ref	Installation, Front Panel (See FRONT PANEL INSTALLATION for Breakdown)	
8	1001148112	Ref	Installation, Cover Panel (See COVER PANEL INSTALLATION for Breakdown)	
9	1001139977	Ref	Installation, Brake Pedal (See CONTROLS SECTION for Breakdown)	

SECTION 6 - CAB

FIGURE 6-5. CAB INSTALLATION (NO FNR LEVER) (SN E160000141 through E160000341, Including E160000120, E160000126, 1160008774, 1160008775 and 1160008777, Excluding E160000328, E160000329, E160000330, E160000331, E160000332 and E160000336)



ART_1001241945-B

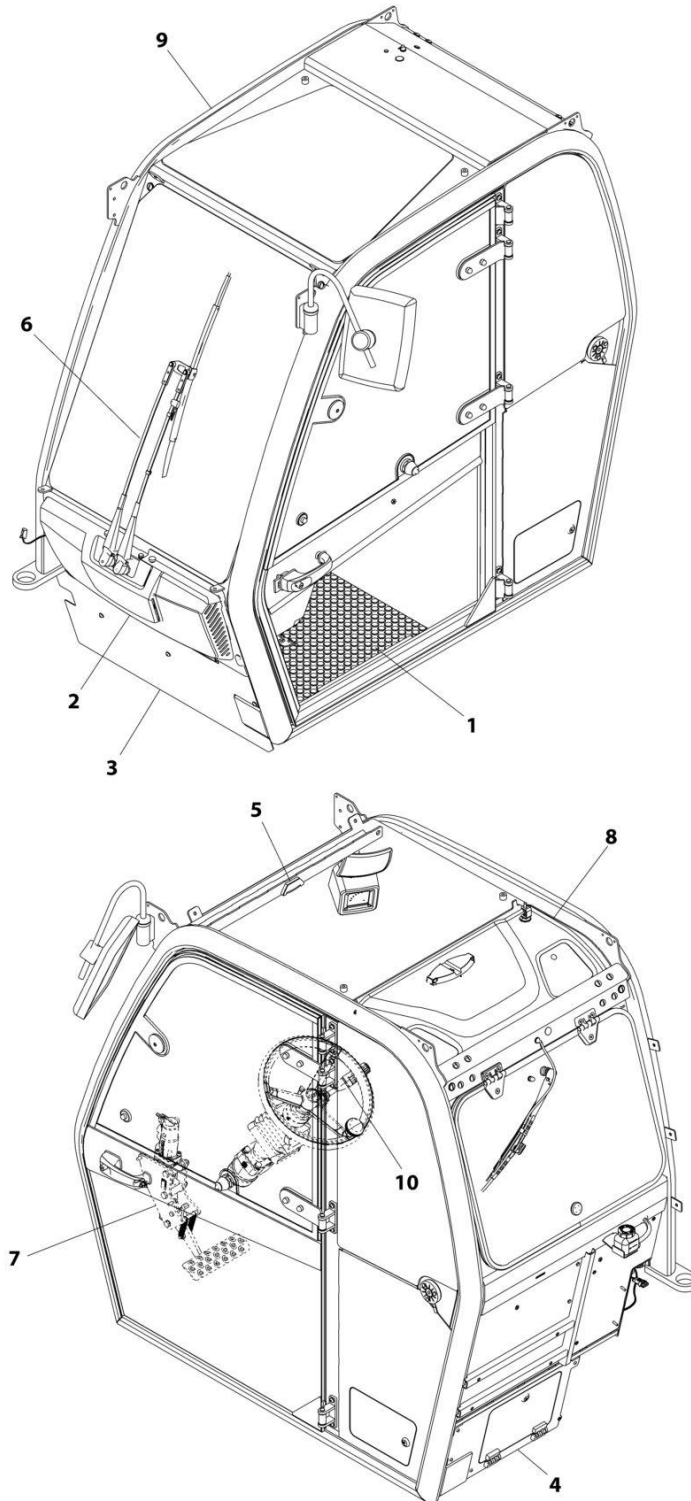
SECTION 6 - CAB

FIGURE 6-5. CAB INSTALLATION (NO FNR LEVER) (SN E160000141 through E160000341, Including E160000120, E160000126, 1160008774, 1160008775 and 1160008777, Excluding E160000328, E160000329, E160000330, E160000331, E160000332 and E160000336)

ITEM	PART NUMBER	QTY	DESCRIPTION	REV
	1001241945	Ref	Cab Installation (No FNR Lever)	B
1	1001139746	1	Mat, Floor	
2	1001142194	Ref	Assembly, Front Cover (See FRONT COVER ASSEMBLY for Breakdown)	
3	1001142968	Ref	Installation, Front Panel (See FRONT PANEL INSTALLATION for Breakdown)	
4	1001237156	Ref	Installation, Headliner (See HEADLINER INSTALLATION for Breakdown)	
5	1001148112	Ref	Installation, Cover Panel (See COVER PANEL INSTALLATION for Breakdown)	
6	8466306	1	Indicator, Level	
7	1001168812	Ref	Installation, Front Wiper (See FRONT WIPER INSTALLATION for Breakdown)	
8	1001206068	Ref	Installation, Brake Pedal (See CONTROLS SECTION for Breakdown)	
9	1001241943	Ref	Cab (no FNR Lever), (See CAB (NO FNR LEVER) for Breakdown)	
10	1001250717	Ref	Installation, Worklight Jumper (See Separate Breakdown in Electrical Section)	

SECTION 6 - CAB

FIGURE 6-6. CAB INSTALLATION (NO FNR LEVER) (SN E160000342 through E160000496, Including E160000328, E160000329, E160000330, E160000331, E160000332 and E160000336)



ART_1001241972-B

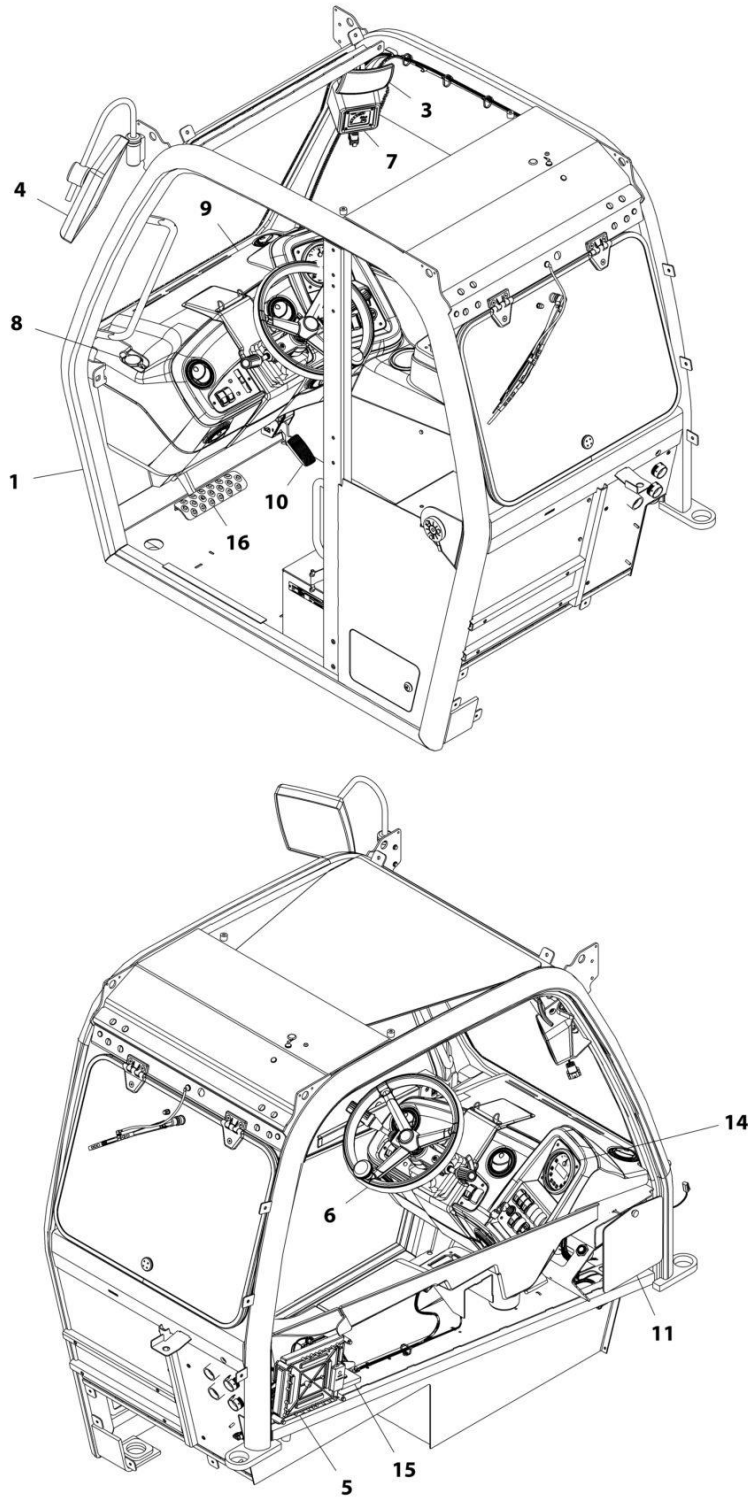
SECTION 6 - CAB

FIGURE 6-6. CAB INSTALLATION (NO FNR LEVER) (SN E160000342 through E160000496, Including E160000328, E160000329, E160000330, E160000331, E160000332 and E160000336)

ITEM	PART NUMBER	QTY	DESCRIPTION	REV
	1001241972	Ref	Cab Installation (No FNR Lever)	B
1	1001139746	1	Mat, Floor	
2	1001142194	Ref	Assembly, Front Cover (See Separate Breakdown in this Section)	
3	1001142968	Ref	Installation, Front Panel (See Separate Breakdown in this Section)	
4	1001148112	Ref	Installation, Cover Panel (See Separate Breakdown in this Section)	
5	8466306	1	Indicator, Level	
6	1001168812	Ref	Installation, Front Wiper (See Separate Breakdown in this Section)	
7	1001206068	Ref	Installation, Brake Pedal (See Separate Breakdown in CONTROLS Section)	
8	1001237156	Ref	Installation, Headliner (See Separate Breakdown in this Section)	
9	1001241968	Ref	Cab (See Separate Breakdown in this Section)	
10	1001248290	Ref	Installation, Steering Column Switch (See Separate Breakdown in CONTROLS Section)	

SECTION 6 - CAB

FIGURE 6-7. CAB (FNR LEVER) (SN E16000001 through E16000141, Excluding E16000120, E16000126, 1160008774, 1160008775 and 1160008777)



ART_1001137631-X

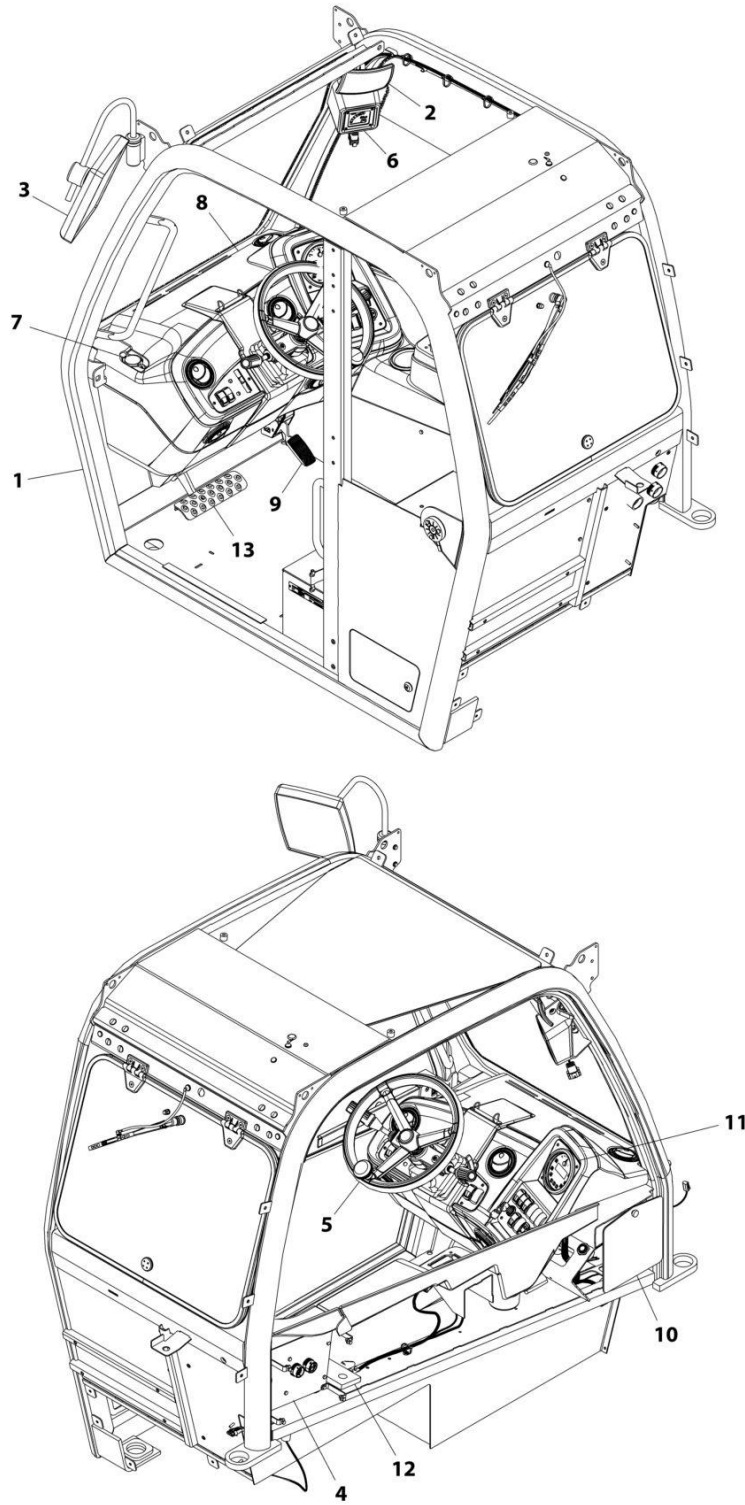
SECTION 6 - CAB

FIGURE 6-7. CAB (FNR LEVER) (SN E16000001 through E160000141, Excluding E160000120, E160000126, 1160008774, 1160008775 and 1160008777)

ITEM	PART NUMBER	QTY	DESCRIPTION	REV
	1001137631	1	Cab (FNR Lever)	X
1	1001137632	Ref	Assembly, Cab (See CAB ASSEMBLY for Breakdown) (SN E16000001 through E160000141, Excluding E160000120, E160000126, 1160008774, 1160008775 and 1160008777)	
1	1001242555	Ref	Assembly, Cab (See CAB ASSEMBLY for Breakdown) (SN E160000141 through E160000496, Including E160000120, E160000126, 1160008774, 1160008775 and 1160008777)	
3	1001139724	Ref	Mirror, Interior (See INTERIOR MIRROR for Breakdown)	
4	1001139220	Ref	Installation, Mirror (See MIRROR INSTALLATION for Breakdown)	
5	1001138199	Ref	Installation, Cab Wiring (See ELECTRICAL SECTION for Breakdown)	
6	1001139769	Ref	Installation, Steering Column (See CONTROLS SECTION for Breakdown)	
7	1001145867	Ref	Installation, LSI (See ELECTRICAL SECTION for Breakdown)	
8	1001141155	Ref	Installation, Front Wiper (See FRONT WIPER INSTALLATION for Breakdown)	
9	1001142093	Ref	Installation, Trim (See TRIM INSTALLATION for Breakdown)	
10	1001145317	Ref	Installation, Accelerator Pedal (See CONTROLS SECTION for Breakdown)	
11	1001148508	Ref	Installation, Cover Panel (See COVER PANEL INSTALLATION for Breakdown)	
14	1001148541	Ref	Installation, Dash Electrics (See ELECTRICAL SECTION for Breakdown)	
15	1001163111	Ref	Installation, Gasket (See GASKET INSTALLATION for Breakdown)	
16	1001185594	Ref	Installation, Brake Pedal Prep (See CONTROLS SECTION for Breakdown)	

SECTION 6 - CAB

FIGURE 6-8. CAB (FNR LEVER) (SN E160000141 through E160000341, Including E160000120, E160000126, 1160008774, 1160008775 and 1160008777, Excluding E160000328, E160000329, E160000330, E160000331, E160000332 and E160000336)



ART_1001241942-C

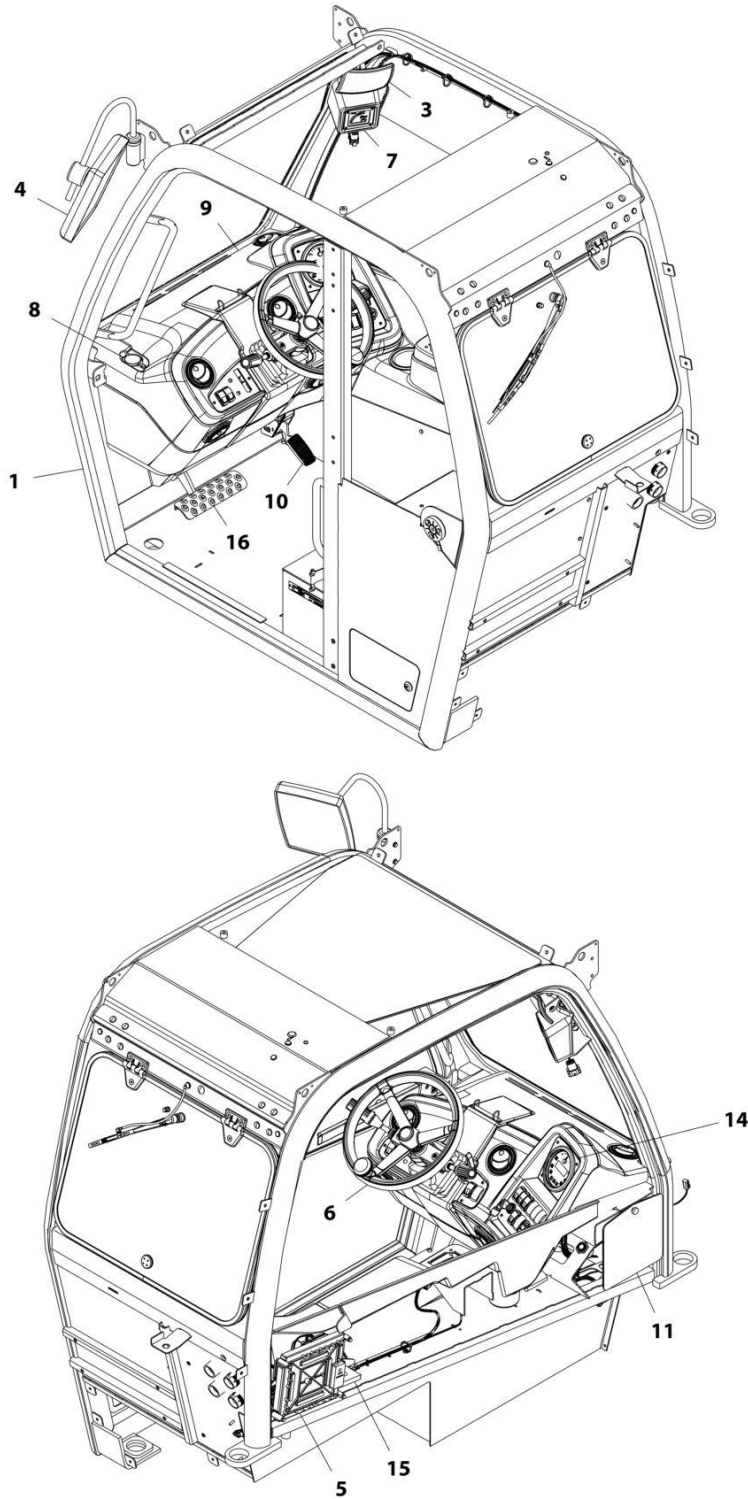
SECTION 6 - CAB

FIGURE 6-8. CAB (FNR LEVER) (SN E160000141 through E160000341, Including E160000120, E160000126, 1160008774, 1160008775 and 1160008777, Excluding E160000328, E160000329, E160000330, E160000331, E160000332 and E160000336)

ITEM	PART NUMBER	QTY	DESCRIPTION	REV
	1001241942	Ref	Cab (FNR Lever)	C
1	1001242555	Ref	Assembly, Cab (See Separate Breakdown in this Section)	
2	1001139724	Ref	Mirror, Interior (See Separate Breakdown in this Section)	
3	1001139220	Ref	Installation, Mirror (See Separate Breakdown in this Section)	
4	1001237861	Ref	Installation, Cab Wiring (See Separate Breakdown in Electrical Section)	
5	1001212939	Ref	Installation, Steering Column (See Separate Breakdown in Controls Section)	
6	1001145867	Ref	Installation, LSI (See Separate Breakdown in Electrical Section)	
7	1001141155	Ref	Installation, Front Wiper (See Separate Breakdown in this Section)	
8	1001241676	Ref	Installation, Trim (See Separate Breakdown in this Section)	
9	1001145317	Ref	Installation, Accelerator Pedal (See Separate Breakdown in Controls Section)	
10	1001148508	Ref	Installation, Cover Panel (See Separate Breakdown in this Section)	
11	1001241832	Ref	Installation, Dash Electrical (See Separate Breakdown in Electrical Section)	
12	1001163111	Ref	Installation, Gasket (See Separate Breakdown in this Section)	
13	1001211860	Ref	Installation, Brake Pedal (See Separate Breakdown in Controls Section)	

SECTION 6 - CAB

FIGURE 6-9. CAB (NO FNR LEVER) (SN E16000001 through E16000141, Excluding E16000120, E16000126, 1160008774, 1160008775 and 1160008777)



ART_1001146748-X

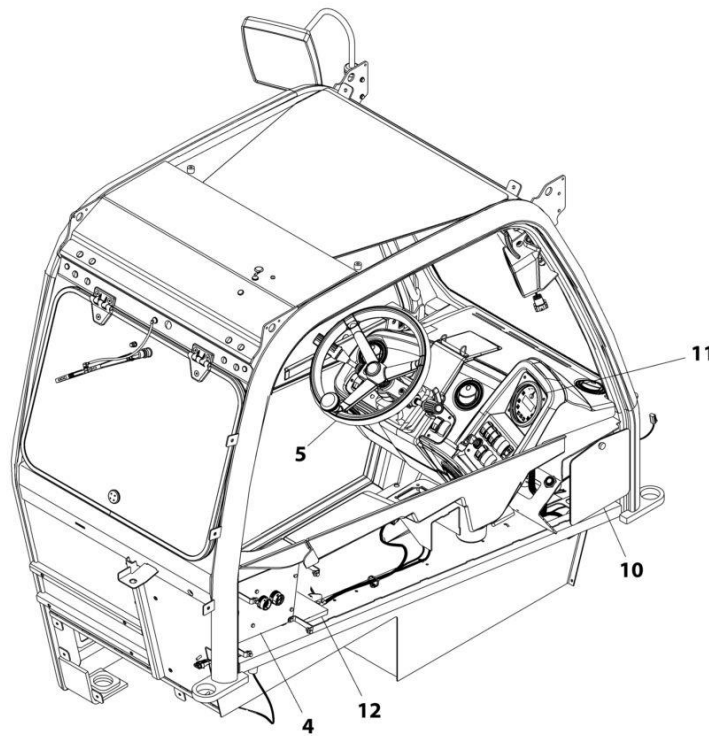
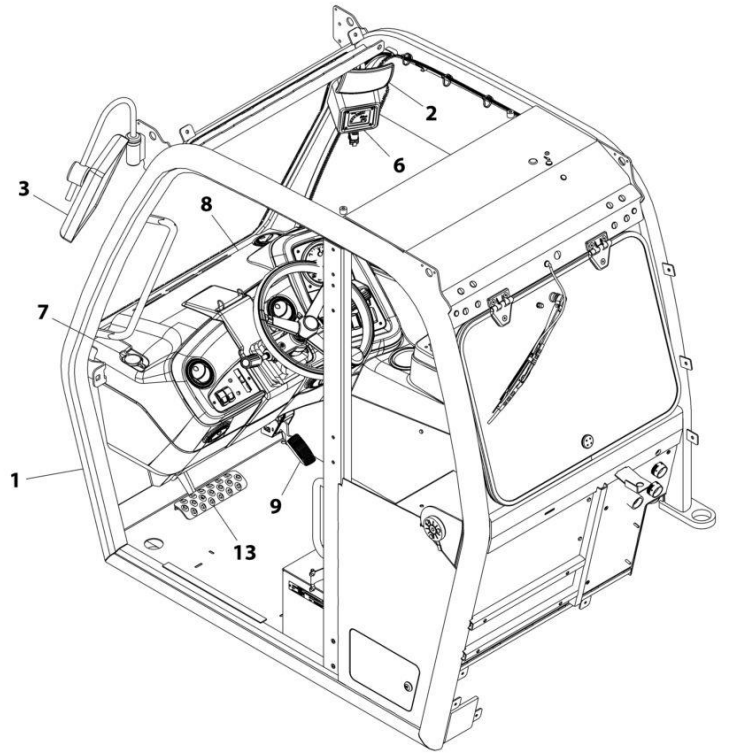
SECTION 6 - CAB

FIGURE 6-9. CAB (NO FNR LEVER) (SN E160000001 through E160000141, Excluding E160000120, E160000126, 1160008774, 1160008775 and 1160008777)

ITEM	PART NUMBER	QTY	DESCRIPTION	REV
	1001146748	1	Cab (No FNR Lever)	X
1	1001137632	Ref	Assembly, Cab (See CAB ASSEMBLY for Breakdown)	
3	1001139724	Ref	Mirror, Interior (See INTERIOR MIRROR for Breakdown)	
4	1001139220	Ref	Installation, Mirror (See MIRROR INSTALLATION for Breakdown)	
5	1001138199	Ref	Installation, Cab Wiring (See ELECTRICAL SECTION for Breakdown)	
6	1001146584	Ref	Installation, Steering Column (See CONTROLS SECTION for Breakdown)	
7	1001145867	Ref	Installation, LSI (See ELECTRICAL SECTION for Breakdown)	
8	1001141155	Ref	Installation, Front Wiper (See FRONT WIPER INSTALLATION for Breakdown)	
9	1001142093	Ref	Installation, Trim (See TRIM INSTALLATION for Breakdown)	
10	1001145317	Ref	Installation, Accelerator Pedal (See CONTROLS SECTION for Breakdown)	
11	1001148508	Ref	Installation, Cover Panel (See COVER PANEL INSTALLATION for Breakdown)	
14	1001148541	Ref	Installation, Dash Electrics (See ELECTRICAL SECTION for Breakdown)	
15	1001163111	Ref	Installation, Gasket (See GASKET INSTALLATION for Breakdown)	
16	1001185594	Ref	Installation, Brake Pedal Prep, (See CONTROLS SECTION for Breakdown)	

SECTION 6 - CAB

FIGURE 6-10. CAB (NO FNR LEVER) (SN E160000141 through E160000341, Including E160000120, E160000126, 1160008774, 1160008775 and 1160008777, Excluding E160000328, E160000329, E160000330, E160000331, E160000332 and E160000336)



ART_1001241943-C

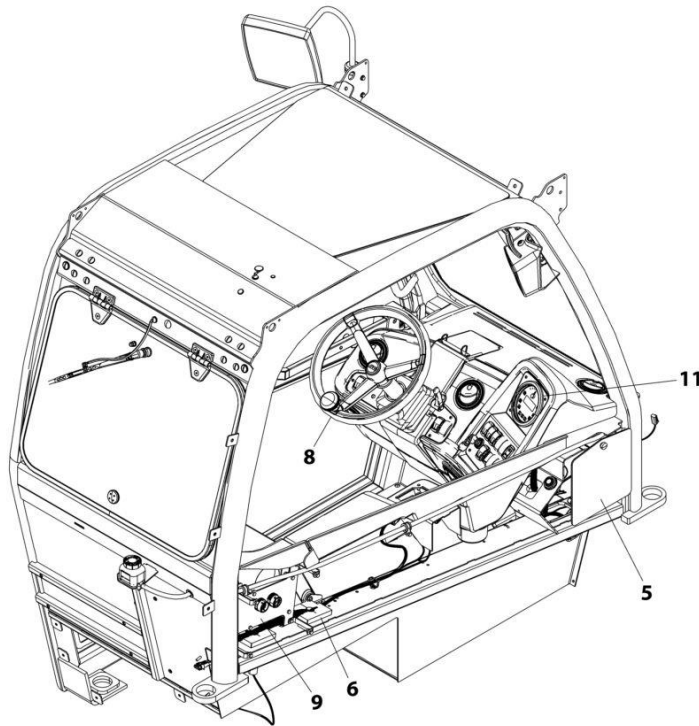
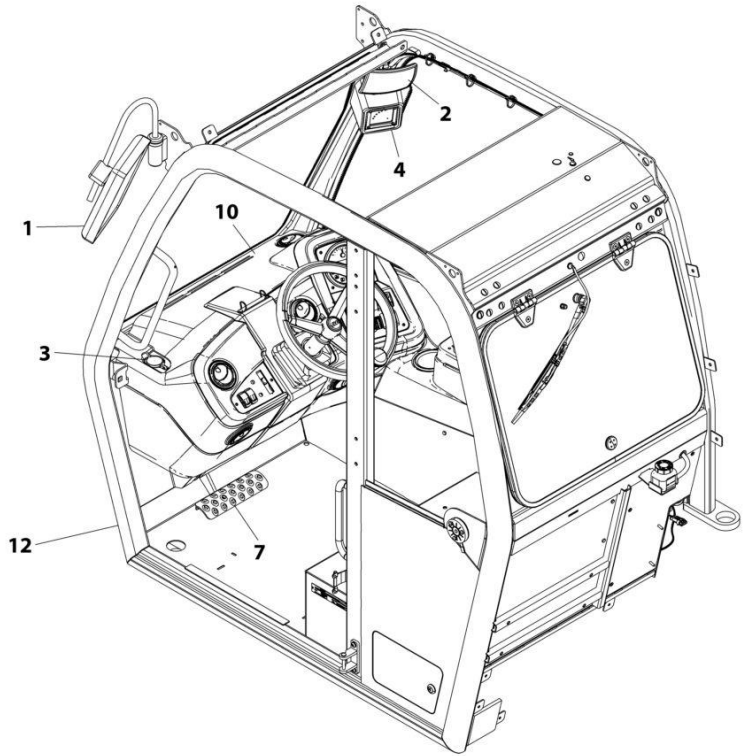
SECTION 6 - CAB

FIGURE 6-10. CAB (NO FNR LEVER) (SN E160000141 through E160000341, Including E160000120, E160000126, 1160008774, 1160008775 and 1160008777, Excluding E160000328, E160000329, E160000330, E160000331, E160000332 and E160000336)

ITEM	PART NUMBER	QTY	DESCRIPTION	REV
	1001241943	Ref	Cab (No FNR Lever)	C
1	1001242555	Ref	Assembly, Cab (See Separate Breakdown in this Section)	
2	1001139724	Ref	Mirror, Interior (See Separate Breakdown in this Section)	
3	1001139220	Ref	Installation, Mirror (See Separate Breakdown in this Section)	
4	1001237861	Ref	Installation, Cab Wiring (See Separate Breakdown in Electrical Section)	
5	1001212940	Ref	Installation, Steering Column (See Separate Breakdown in Controls Section)	
6	1001145867	Ref	Installation, LSI (See Separate Breakdown in Electrical Section)	
7	1001141155	Ref	Installation, Front Wiper (See Separate Breakdown in this Section)	
8	1001241676	Ref	Installation, Trim (See Separate Breakdown in this Section)	
9	1001145317	Ref	Installation, Accelerator Pedal (See Separate Breakdown in Controls Section)	
10	1001148508	Ref	Installation, Cover Panel (See Separate Breakdown in this Section)	
11	1001241832	Ref	Installation, Dash Electrical (See Separate Breakdown in Electrical Section)	
12	1001163111	Ref	Installation, Gasket (See Separate Breakdown in this Section)	
13	1001211860	Ref	Installation, Brake Pedal (See Separate Breakdown in Controls Section)	

SECTION 6 - CAB

FIGURE 6-11. CAB (SN E160000342 through E160000496, Including E160000328, E160000329, E160000330, E160000331, E160000332 and E160000336)



ART_1001241968-E

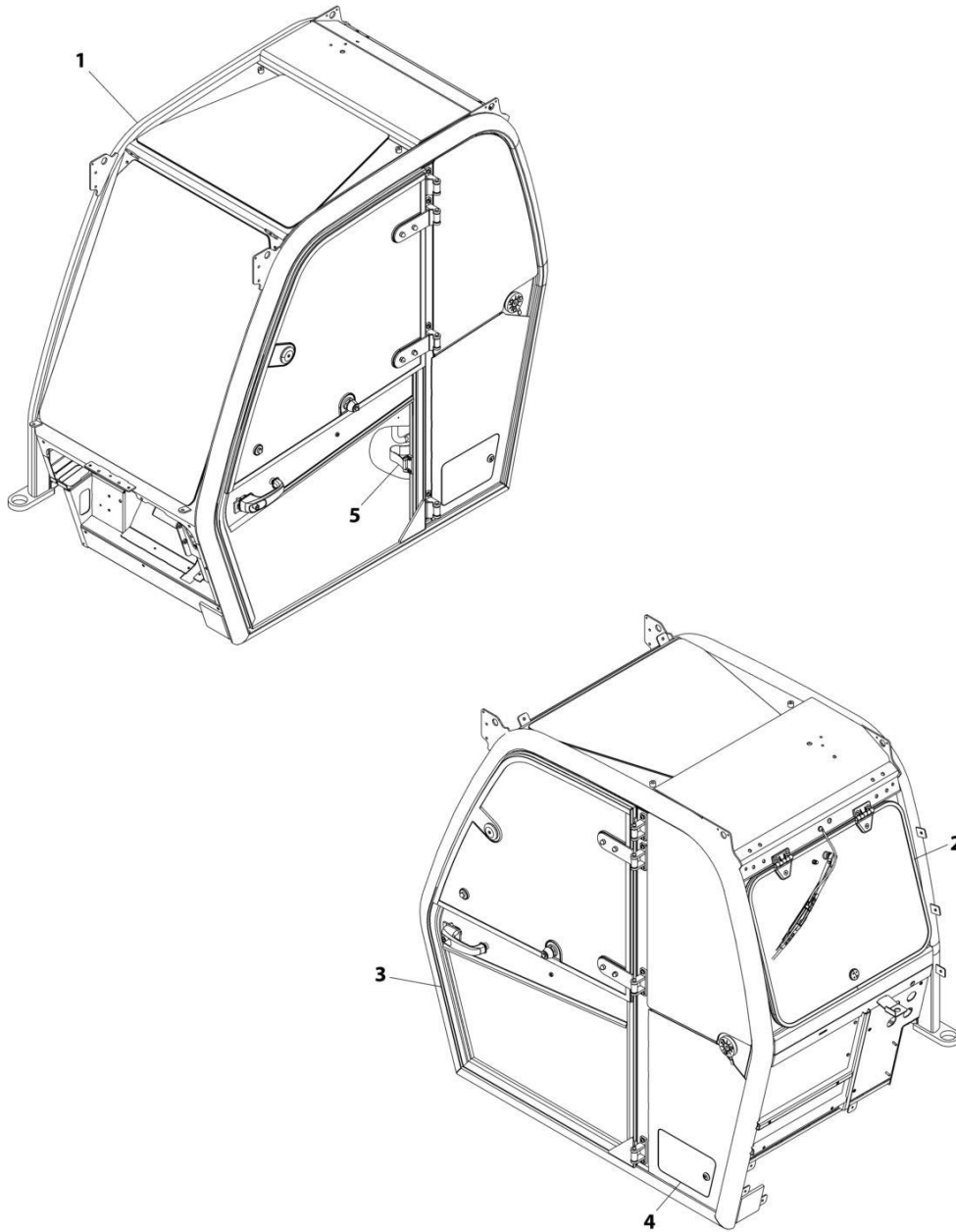
SECTION 6 - CAB

FIGURE 6-11. CAB (SN E160000342 through E160000496, Including E160000328, E160000329, E160000330, E160000331, E160000332 and E160000336)

ITEM	PART NUMBER	QTY	DESCRIPTION	REV
	1001241968	Ref	Cab Assembly	G
1	1001139220	Ref	Installation, Mirror (See Separate Breakdown in this Section)	
2	1001139724	Ref	Mirror, Interior (See Separate Breakdown in this Section)	
3	1001141155	Ref	Installation, Front Wiper (See Separate Breakdown in this Section)	
4	1001145867	Ref	Installation, LSI (See Separate Breakdown in ELECTRICAL Section)	
5	1001148508	Ref	Installation, Cover Panel (See Separate Breakdown in this Section)	
6	1001163111	Ref	Installation, Gasket (See Separate Breakdown in this Section)	
7	1001211860	Ref	Installation, Brake Pedal (See Separate Breakdown in CONTROLS Section)	
8	1001248293	Ref	Installation, Steering Column (See Separate Breakdown in CONTROLS Section)	
9	1001248752	Ref	Installation, Cab Electrical (See Separate Breakdown in ELECTRICAL Section)	
10	1001249676	Ref	Installation, Trim (See Separate Breakdown in this Section)	
11	1001241832	Ref	Installation, Dash Electrical (See Separate Breakdown in ELECTRICAL Section)	
12	1001242555	Ref	Assembly, Cab (See Separate Breakdown in this Section)	

SECTION 6 - CAB

FIGURE 6-12. CAB ASSEMBLY (SN E16000001 through E16000141, Excluding E16000120, E16000126, 1160008774, 1160008775 and 1160008777)



ART_1001137632-Q

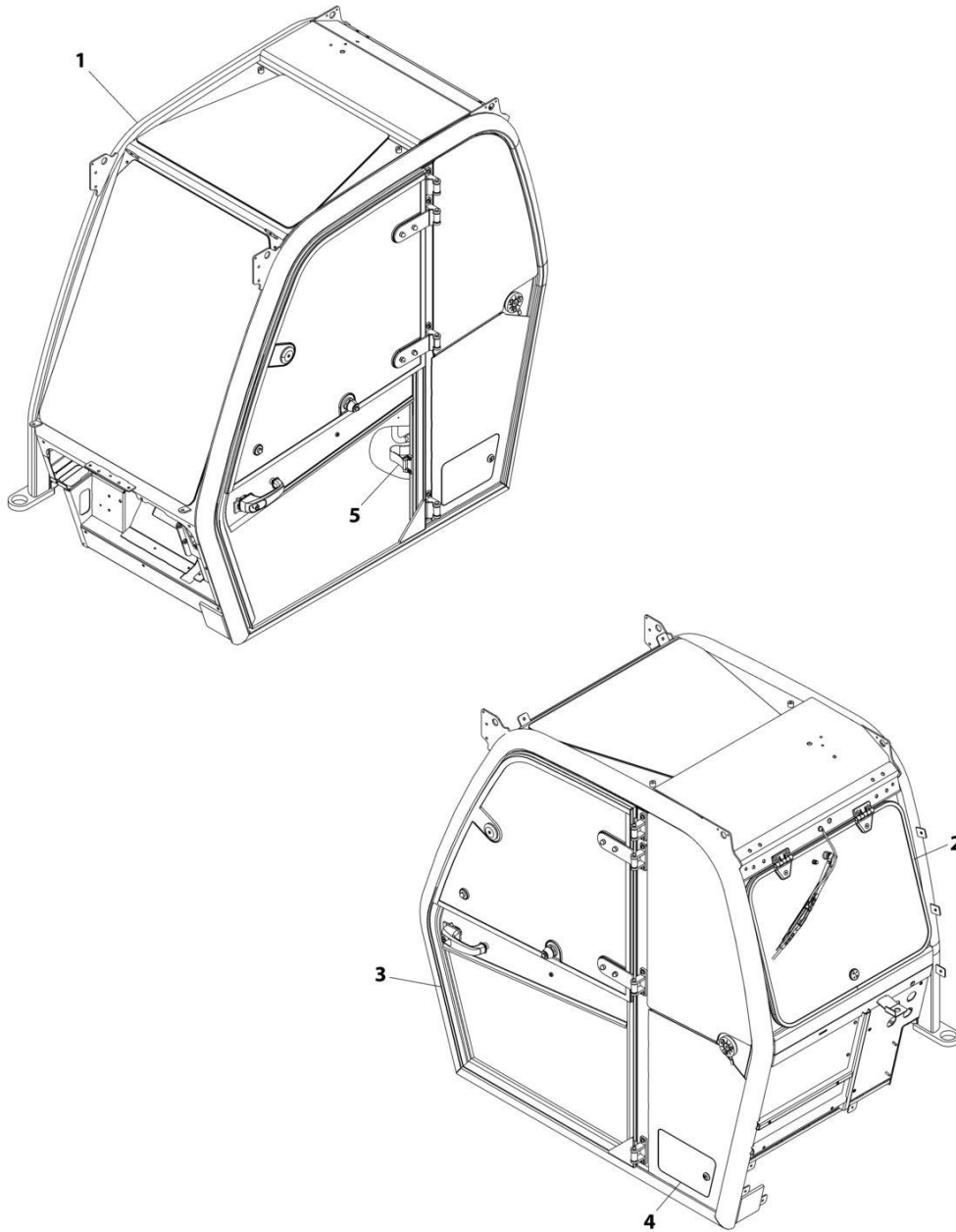
SECTION 6 - CAB

FIGURE 6-12. CAB ASSEMBLY (SN E16000001 through E16000141, Excluding E16000120, E16000126, 1160008774, 1160008775 and 1160008777)

ITEM	PART NUMBER	QTY	DESCRIPTION	REV
	1001137632	1	Cab Assembly	Q
1	1001137633	1	Cab (See CAB for Breakdown)	
2	1001139569	1	Installation, Rear Window (See REAR WINDOW INSTALLATION for Breakdown)	
3	1001142189	1	Installation, Cab Door (See CAB DOOR INSTALLATION for Breakdown)	
4	1001142190	1	Installation, Fuel Door (See FUEL DOOR INSTALLATION for Breakdown)	
5	1001142712	1	Installation, Door Strap (See DOOR STRAP INSTALLATION for Breakdown)	

SECTION 6 - CAB

FIGURE 6-13. CAB ASSEMBLY (SN E160000141 through E160000496, Including E160000120, E160000126, 1160008774, 1160008775 and 1160008777)



ART_1001242555-B

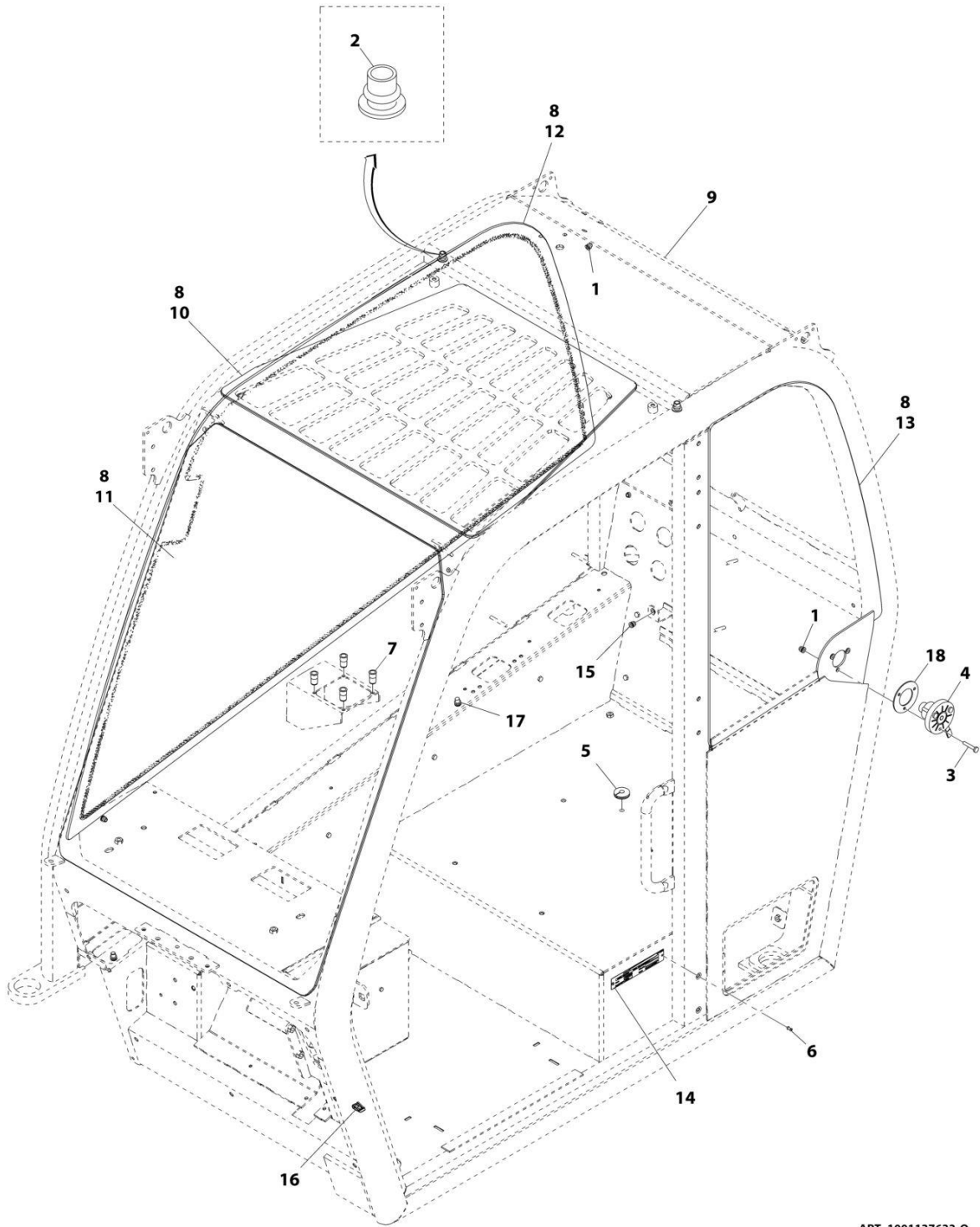
SECTION 6 - CAB

FIGURE 6-13. CAB ASSEMBLY (SN E160000141 through E160000496, Including E160000120, E160000126, 1160008774, 1160008775 and 1160008777)

ITEM	PART NUMBER	QTY	DESCRIPTION	REV
	1001242555	Ref	Cab Group	B
1	1001137633	1	Cab (See Separate Breakdown in this Section)	
2	1001139569	1	Installation, Rear Window (See Separate Breakdown in this Section)	
3	1001142189	1	Installation, Cab Door (See Separate Breakdown in this Section)	
4	1001142190	1	Installation, Fuel Door (See Separate Breakdown in this Section)	
5	1001142712	1	Installation, Door Strap (See Separate Breakdown in this Section)	

SECTION 6 - CAB

FIGURE 6-14. CAB



ART_1001137633-Q

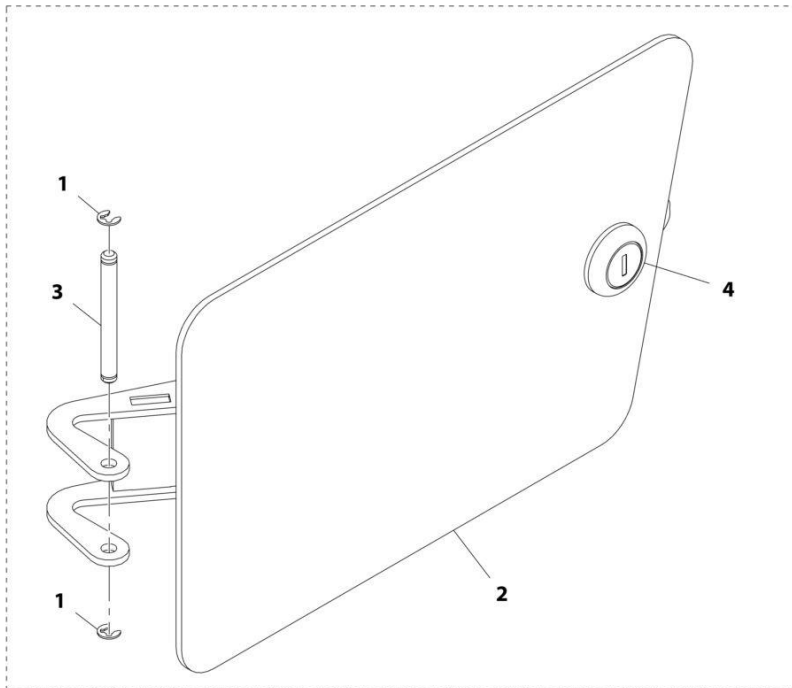
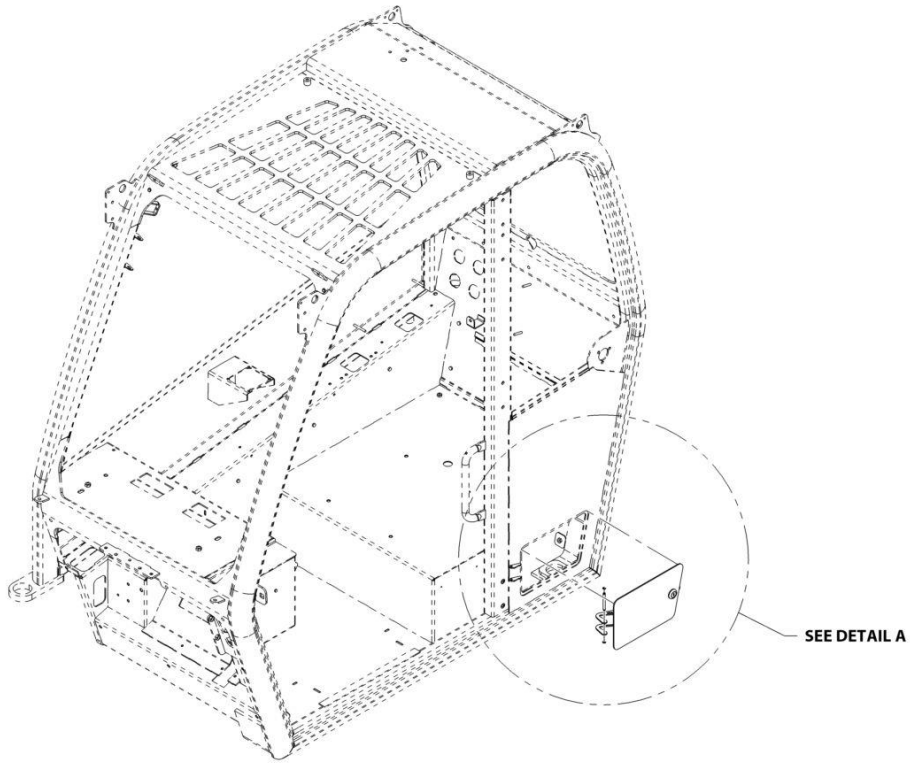
SECTION 6 - CAB

FIGURE 6-14. CAB

ITEM	PART NUMBER	QTY	DESCRIPTION	REV
	1001137633	1	Cab	P
1	2080087	9	Rivnut, M8X1.25	
2	2080088	2	Rivnut, M8X1.25	
3	4010615	3	Screw, M6X35	
4	1001002958	1	Retainer, Hold Open Door	
5	1001008469	1	Grommet	
6	1001099170	2	Rivet, 4MM	
7	1001100691	4	Nut	
8	1001111317	AR	Adhesive, Window Sealant	
9	N.S.S.	1	Weldment, Cab	
10	1001139465	1	Glass, Roof	
11	1001139466	1	Glass, Window	
12	1001139467	1	Glass, RH Screen	
13	1001139468	1	Glass, LH Screen	
14	N.S.S.	1	Plate, Serial Number	
15	2080086	4	Rivnut, M6X1	
16	8305919	3	Nut, M6	
17	1001167028	3	Rivnut, M6X1.00	
18	1001169810	1	Grommet	

SECTION 6 - CAB

FIGURE 6-15. FUEL DOOR INSTALLATION



DETAIL A

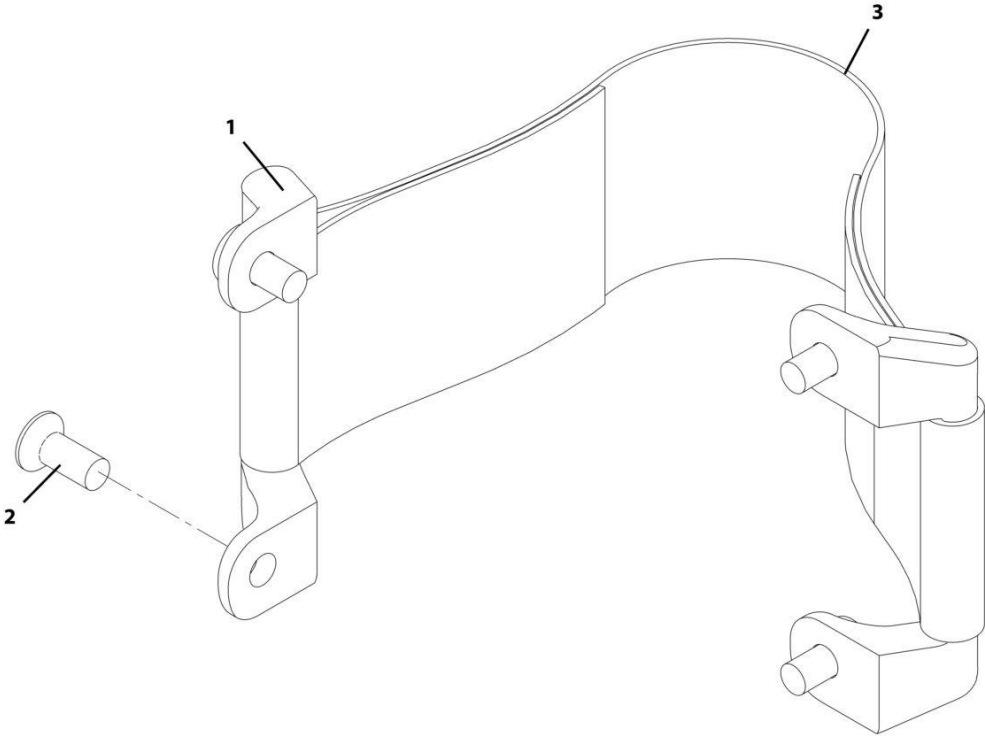
ART_1001142190-F

FIGURE 6-15. FUEL DOOR INSTALLATION

ITEM	PART NUMBER	QTY	DESCRIPTION	REV
	1001142190	Ref	Fuel Door Installation	F
1	1001163909	2	Clip	
2	1001141853J	1	Plate	
3	1001163627	1	Pin	
4	1001142782	1	Lock	

SECTION 6 - CAB

FIGURE 6-16. DOOR STRAP INSTALLATION



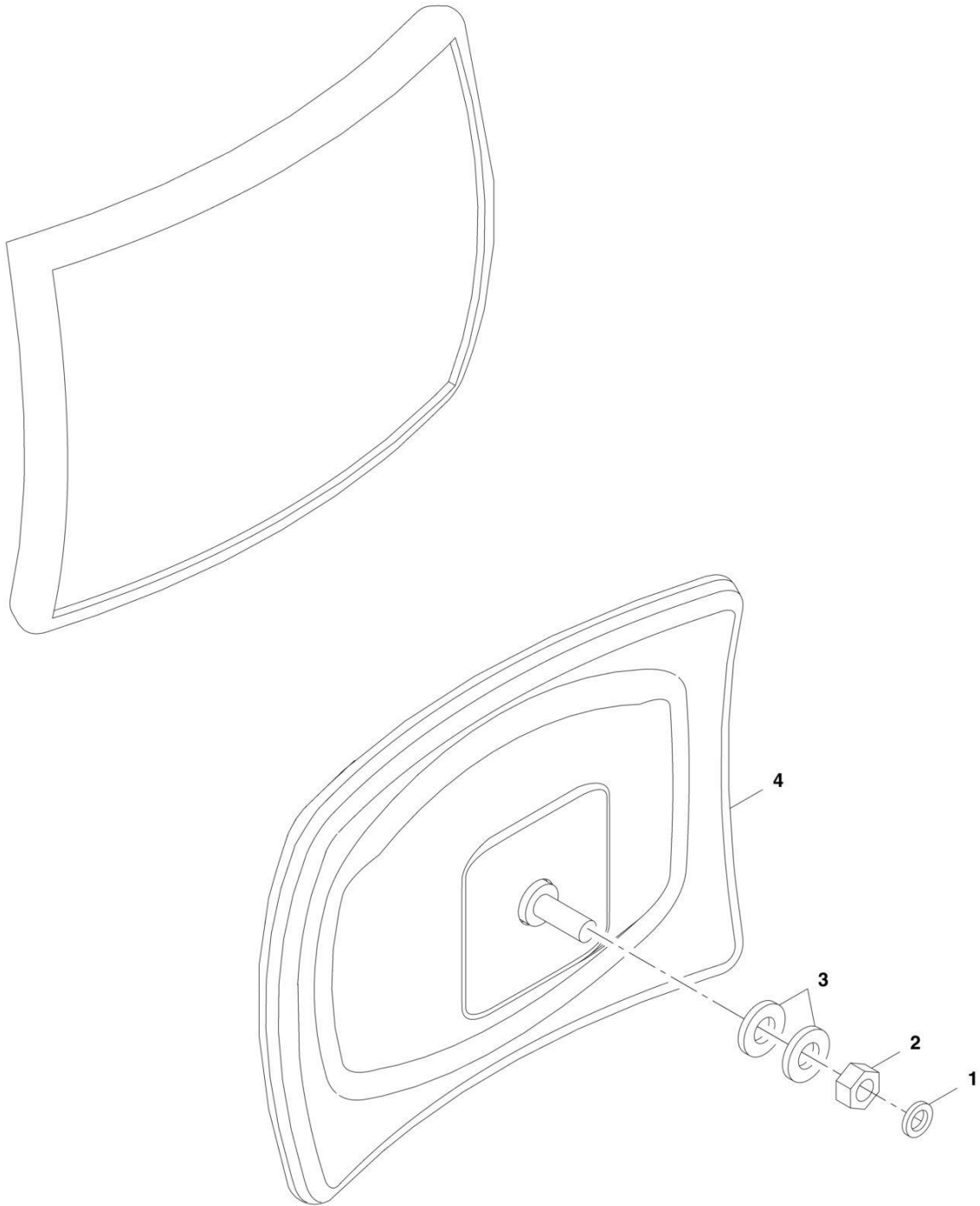
ART_1001142712-D

FIGURE 6-16. DOOR STRAP INSTALLATION

ITEM	PART NUMBER	QTY	DESCRIPTION	REV
	1001142712	Ref	Door Strap Installation	D
1	8001332	NLA	Bracket, Strap Holder (no longer available, use 1001230163 for replacement)	
1	1001230163	2	Bracket, Strap Holder	
2	1001133089	4	Screw, M5X12	
3	1001142675	1	Strap, Door Hold Open	

SECTION 6 - CAB

FIGURE 6-17. INTERIOR MIRROR



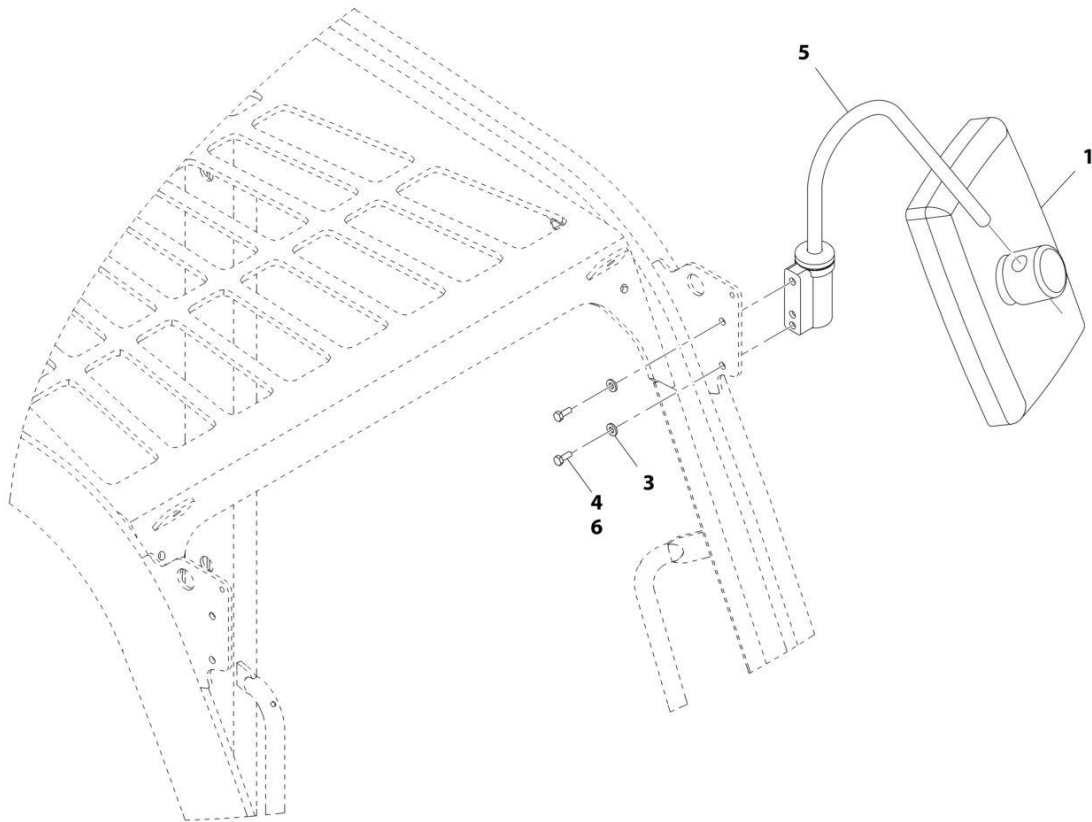
ART_1001007641-B

FIGURE 6-17. INTERIOR MIRROR

ITEM	PART NUMBER	QTY	DESCRIPTION	REV
	1001007641	1	Mirror, Interior	B
1	1001008475	1	Washer, Lock 12	
2	1001008604	1	Nut	
3	1001009124	2	Washer	
4	1001010839	1	MIRROR	

SECTION 6 - CAB

FIGURE 6-18. MIRROR INSTALLATION



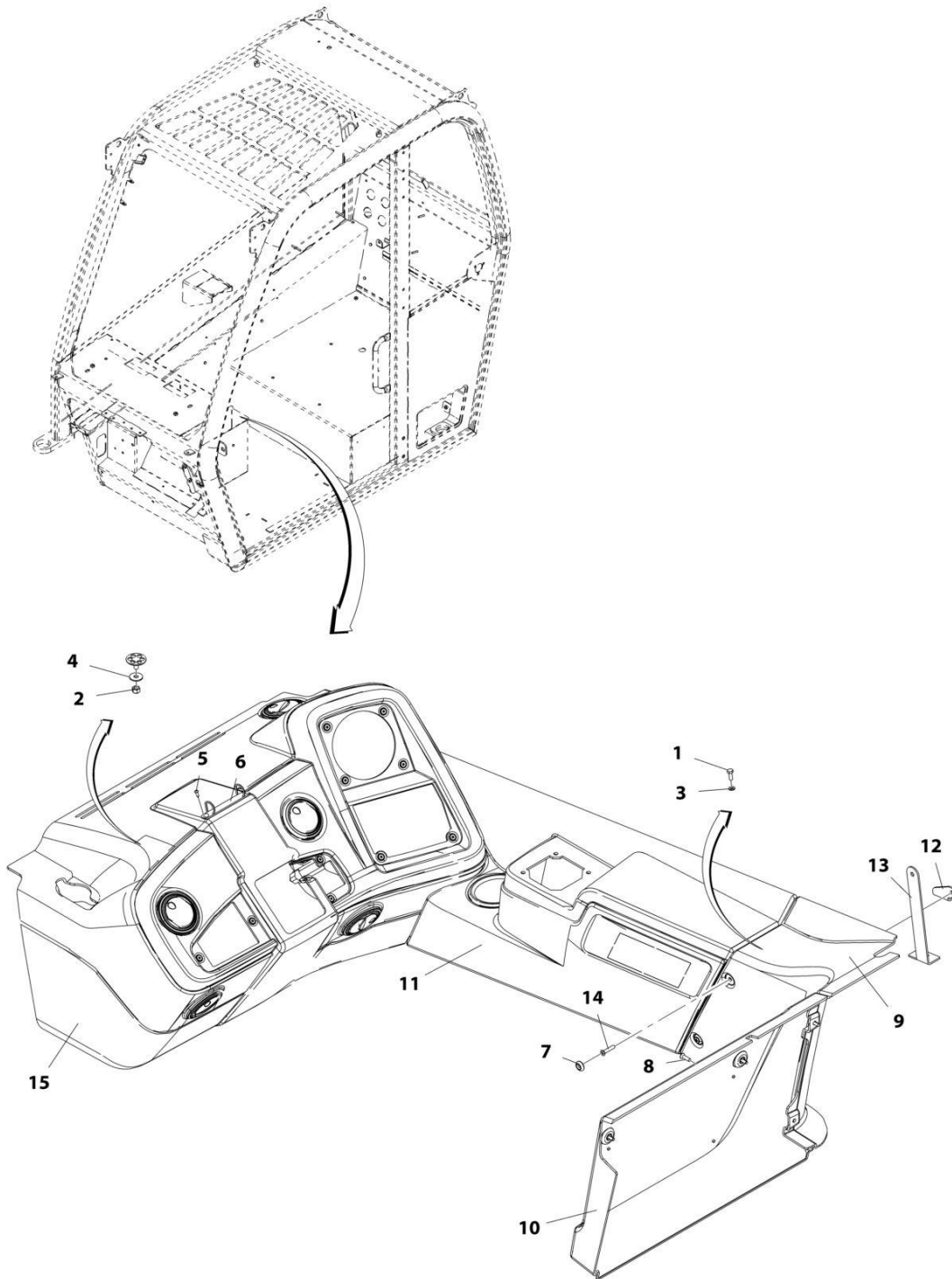
ART_1001139220-E

FIGURE 6-18. MIRROR INSTALLATION

ITEM	PART NUMBER	QTY	DESCRIPTION	REV
	1001139220	Ref	Mirror Installation	E
1	1001142726	1	Mirror, Convex	
3	1001009124	2	Washer	
4	1001095650	AR	Compound, Locking	
5	1001142727	1	Bracket, Cab Mirror	
6	1001008608	2	Bolt	

SECTION 6 - CAB

FIGURE 6-19. TRIM INSTALLATION (SN E16000001 through E16000141, Excluding E16000120, E16000126, 1160008774, 1160008775 and 1160008777)



ART_1001142093-G

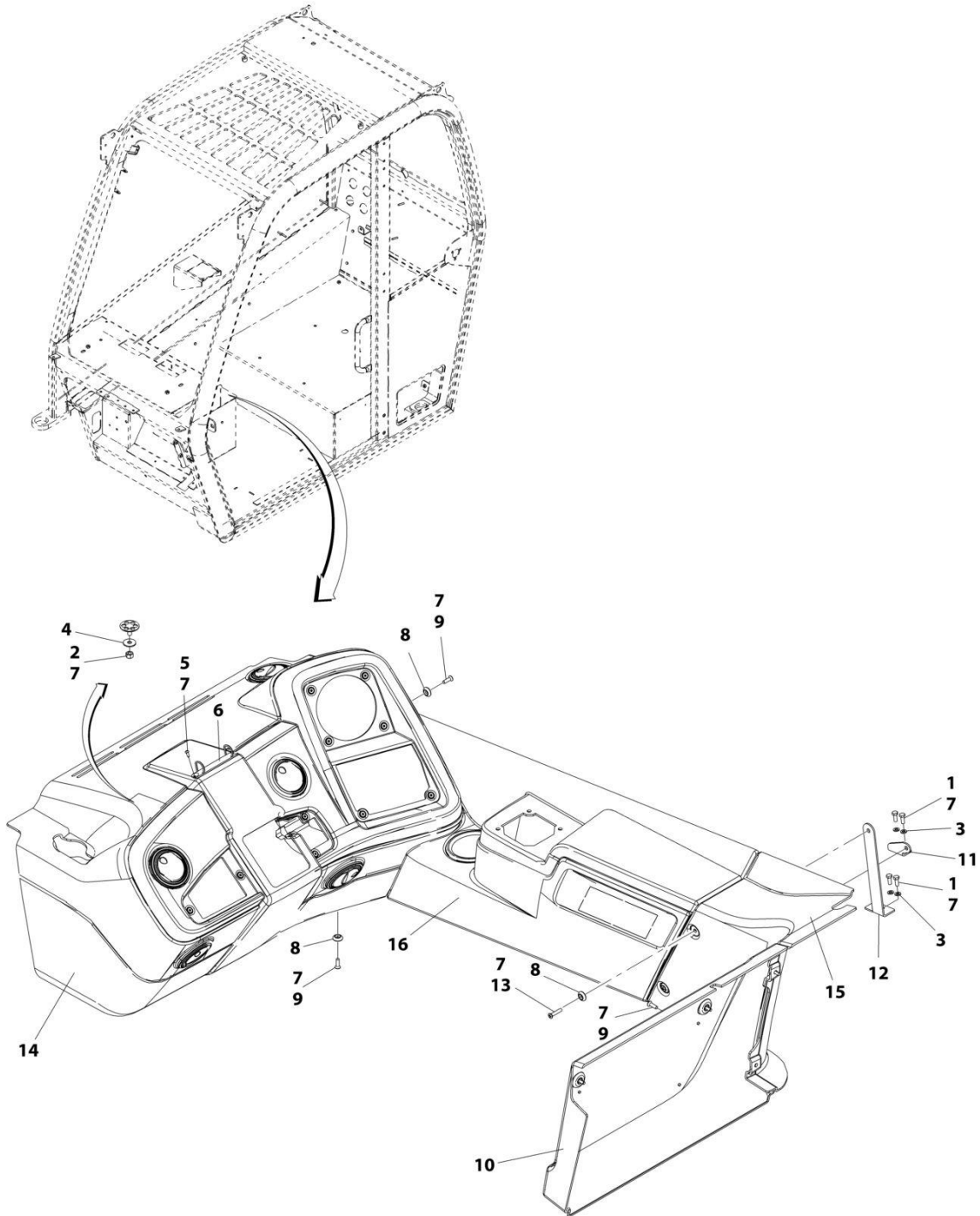
SECTION 6 - CAB

FIGURE 6-19. TRIM INSTALLATION (SN E160000001 through E160000141, Excluding E160000120, E160000126, 1160008774, 1160008775 and 1160008777)

ITEM	PART NUMBER	QTY	DESCRIPTION	REV
	1001142093	Ref	TRIM INSTALLATION	G
1	0760608	4	Bolt M6 X 16	
2	3290805	2	Nut M8	
3	4811700	4	Washer M6	
4	4811902	2	Washer M8	
5	7029486	2	Screw	
6	1001005960	1	Holder	
7	1001098150	9	Washer, Nylon M6	
8	1001132564	7	Screw M6 X 20	
9	1001185731	1	Cover, Side-Rear	
10	1001147459	1	Rear Panel Assembly (See Separate Breakdown in this Section)	
11	1001185730	1	Cover, Side-Rear	
12	1001148598	1	Plate	
13	1001148836	1	Plate	
14	1001149125	2	Screw M6 X 30	
15	1001149277	1	Dash Cover Assembly (See Separate Breakdown in this Section)	

SECTION 6 - CAB

FIGURE 6-20. TRIM INSTALLATION (SN E160000141 through E160000341, Including E160000120, E160000126, 1160008774, 1160008775 and 1160008777, Excluding E160000328, E160000329, E160000330, E160000331, E160000332 and E160000336)



ART_1001241676-A

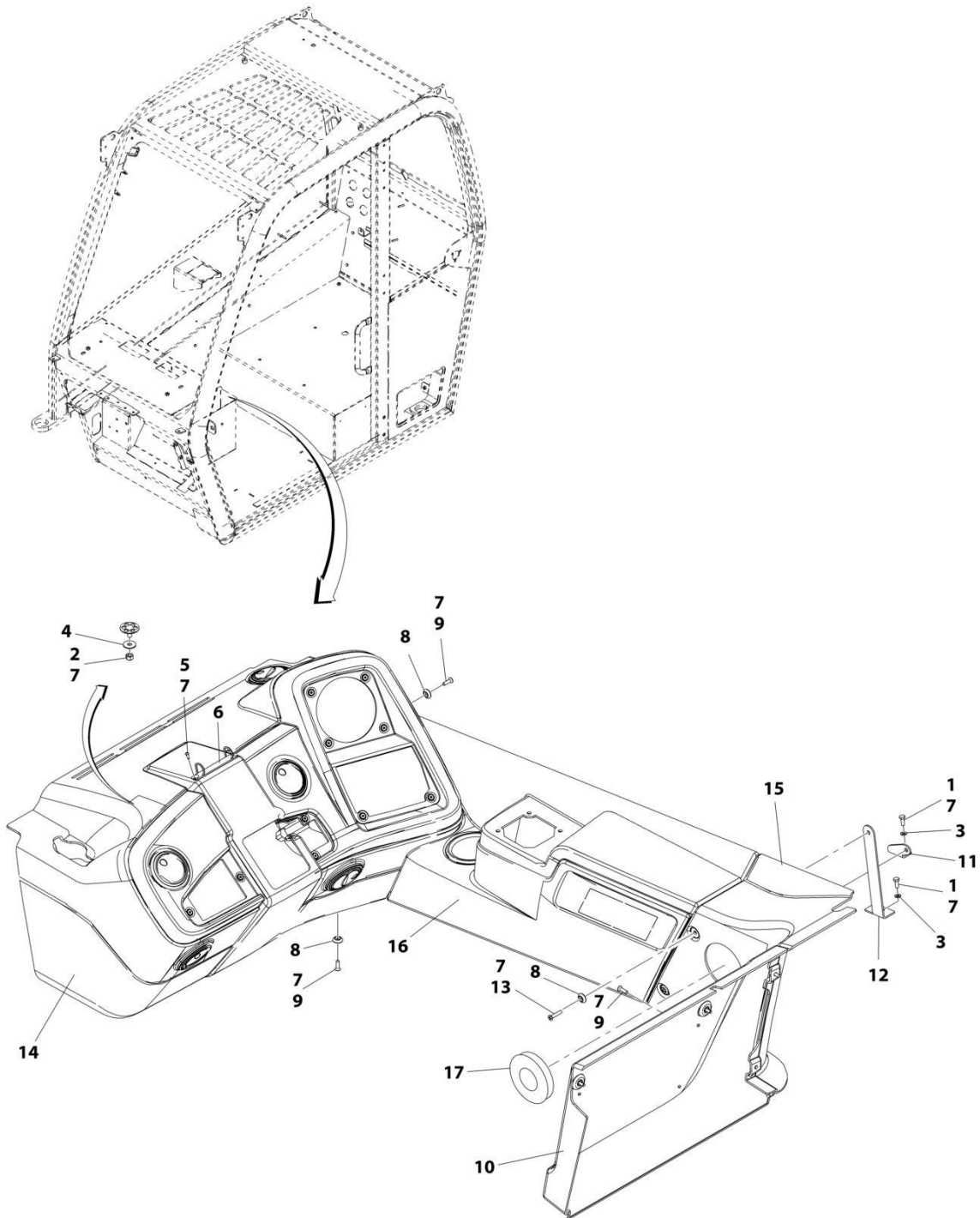
SECTION 6 - CAB

FIGURE 6-20. TRIM INSTALLATION (SN E160000141 through E160000341, Including E160000120, E160000126, 1160008774, 1160008775 and 1160008777, Excluding E160000328, E160000329, E160000330, E160000331, E160000332 and E160000336)

ITEM	PART NUMBER	QTY	DESCRIPTION	REV
	1001241676	Ref	TRIM INSTALLATION	A
1	0760608	4	Bolt M6 X 16	
2	3290805	2	Nut M8	
3	4811700	4	Washer M6	
4	4811902	2	Washer M8	
5	7029486	2	Screw	
6	1001005960	1	Holder	
7	1001095650	AR	Compound, Locking	
8	1001098150	9	Washer, Nylon M6	
9	1001132564	7	Screw M 6X 20	
10	1001147459	1	Rear Panel Assembly (See Separate Breakdown in this Section)	
11	1001148598	1	Plate	
12	1001148836	1	Plate	
13	1001149125	2	Screw M6 X 30	
14	1001149277	1	Dash Cover Assembly (See Separate Breakdown in this Section)	
15	1001185731	1	Cover, Side-Rear	
16	1001241563	1	Cover, Side-Rear	

SECTION 6 - CAB

FIGURE 6-21. TRIM INSTALLATION (SN E16000342 through E16000496, Including E16000328, E16000329, E16000330, E16000331, E16000332 and E16000336)



ART_1001249676-A

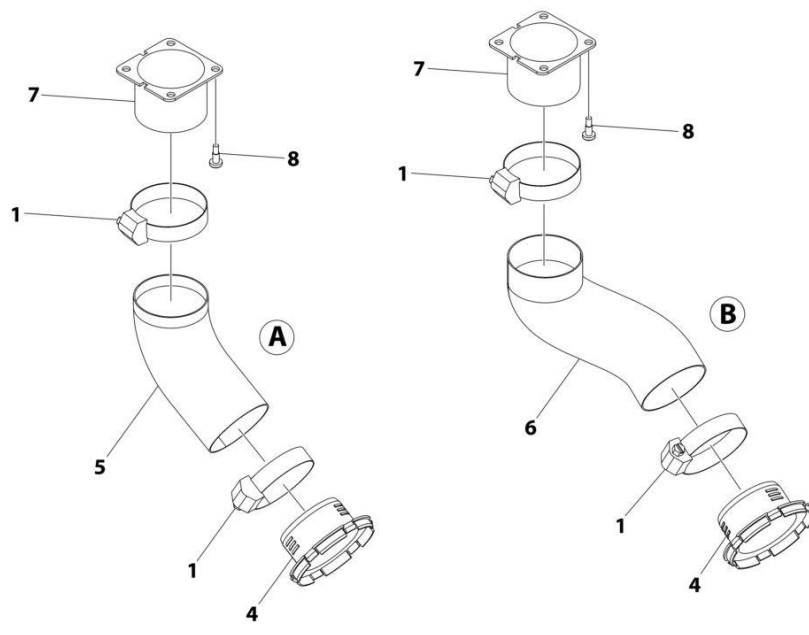
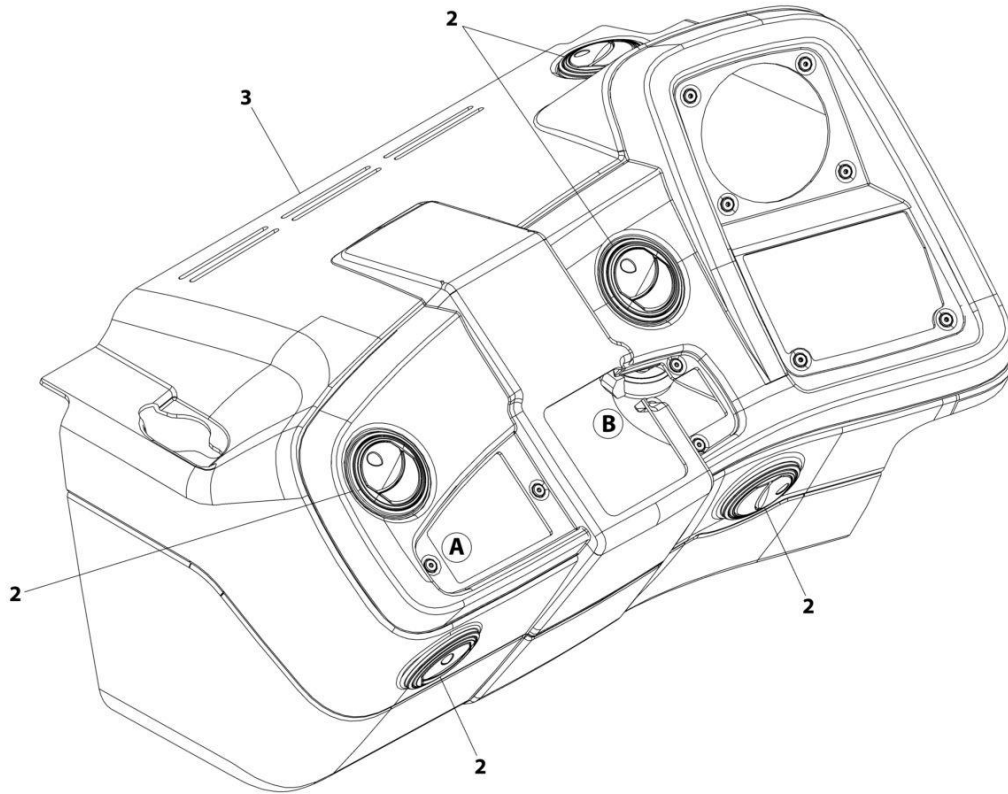
SECTION 6 - CAB

FIGURE 6-21. TRIM INSTALLATION (SN E160000342 through E160000496, Including E160000328, E160000329, E160000330, E160000331, E160000332 and E160000336)

ITEM	PART NUMBER	QTY	DESCRIPTION	REV
	1001249676	Ref	TRIM INSTALLATION	A
1	0760608	4	Bolt M6 X 16	
2	3290805	2	Nut M8	
3	4811700	4	Washer M6	
4	4811902	2	Washer M8	
5	7029486	2	Screw	
6	1001005960	1	Holder	
7	1001095650	AR	Compound, Locking	
8	1001098150	9	Washer, Nylon M6	
9	1001132564	7	Screw M6 X 20	
10	1001147459	1	Rear Panel Assembly (See Separate Breakdown in this Section)	
11	1001148598	1	Plate	
12	1001148836	1	Plate	
13	1001149125	2	Screw M6 X 30	
14	1001149277	1	Dash Cover Assembly (See Separate Breakdown in this Section)	
15	1001249262	1	Cover, Side-Rear	
16	1001241563	1	Cover, Side-Rear	
17	1120601	1	Cap, Plug	

SECTION 6 - CAB

FIGURE 6-22. DASH COVER ASSEMBLY



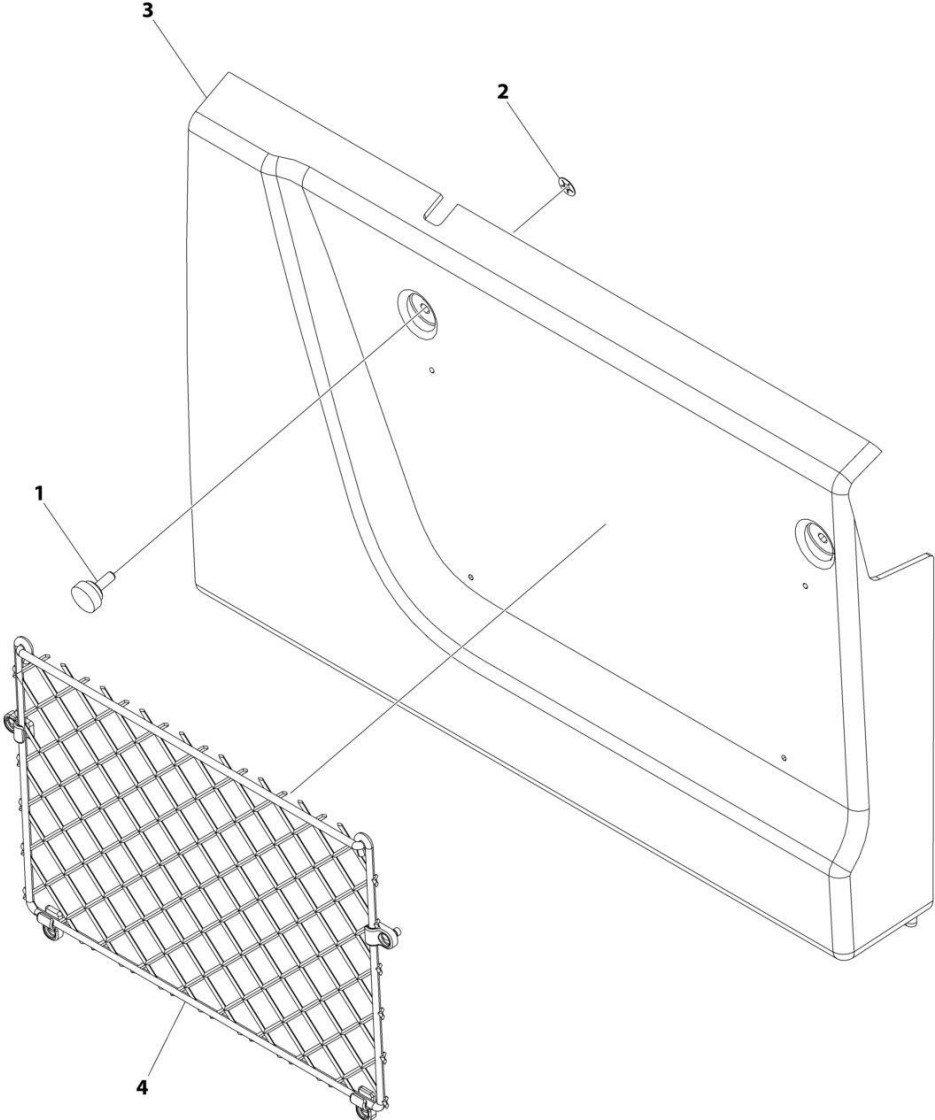
ART_1001149277

FIGURE 6-22. DASH COVER ASSEMBLY

ITEM	PART NUMBER	QTY	DESCRIPTION	REV
	1001149277	Ref	DASH COVER ASSEMBLY	D
1	8405201	4	Clamp	
2	1001147449	5	Vent	
3	1001185732	1	Cover, Dash	
4	1001149278	2	Connector, Vent	
5	1001149282	1	Hose	
6	1001149422	1	Hose	
7	1001091537	2	Fitting	
8	1001145218	8	Screw M4.8 x 16	

SECTION 6 - CAB

FIGURE 6-23. REAR PANEL ASSEMBLY



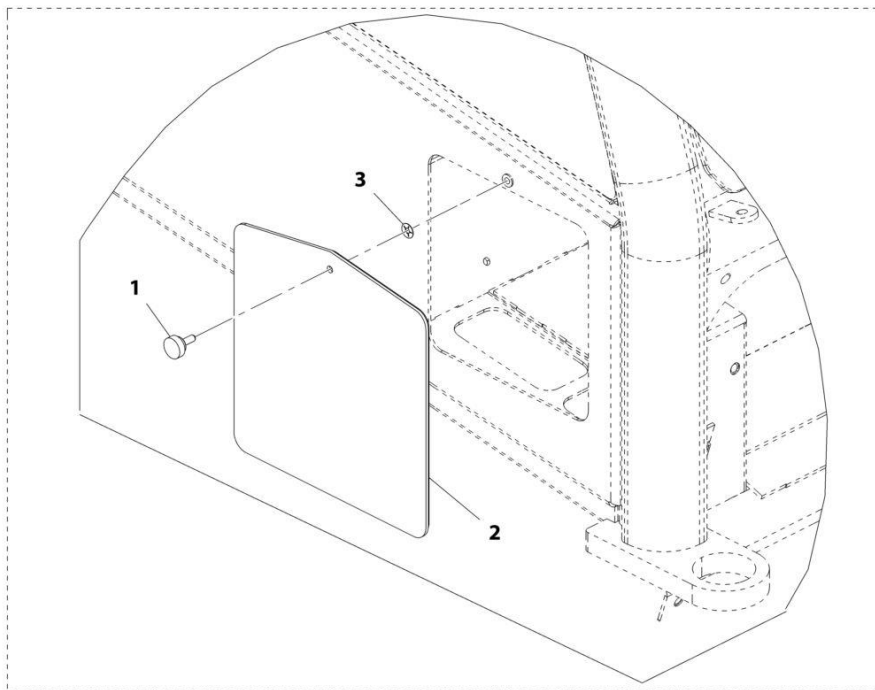
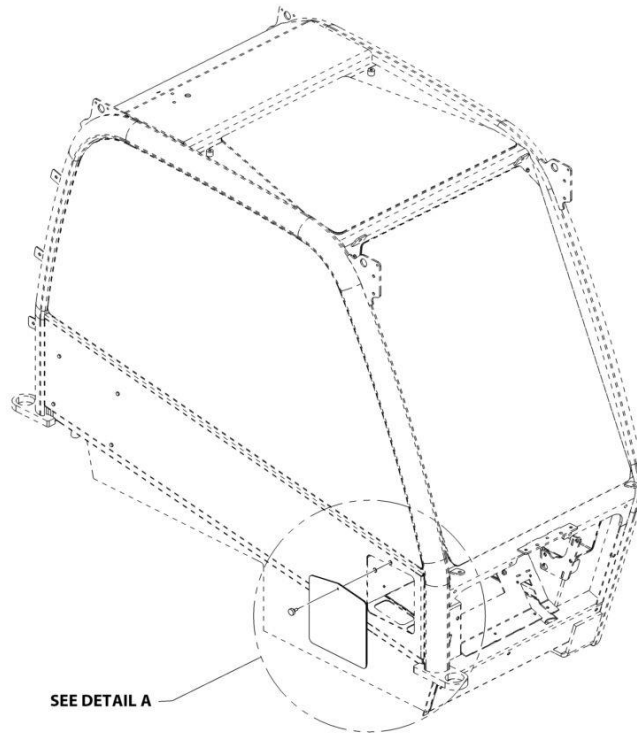
ART_1001147459

FIGURE 6-23. REAR PANEL ASSEMBLY

ITEM	PART NUMBER	QTY	DESCRIPTION	REV
	1001147459	Ref	REAR PANEL ASSEMBLY	B
1	2080092	2	Screw M6 x 16	
2	1001148557	2	Washer	
3	1001185728	1	Panel	
4	1001149013	1	Net	

SECTION 6 - CAB

FIGURE 6-24. COVER PANEL INSTALLATION



DETAIL A

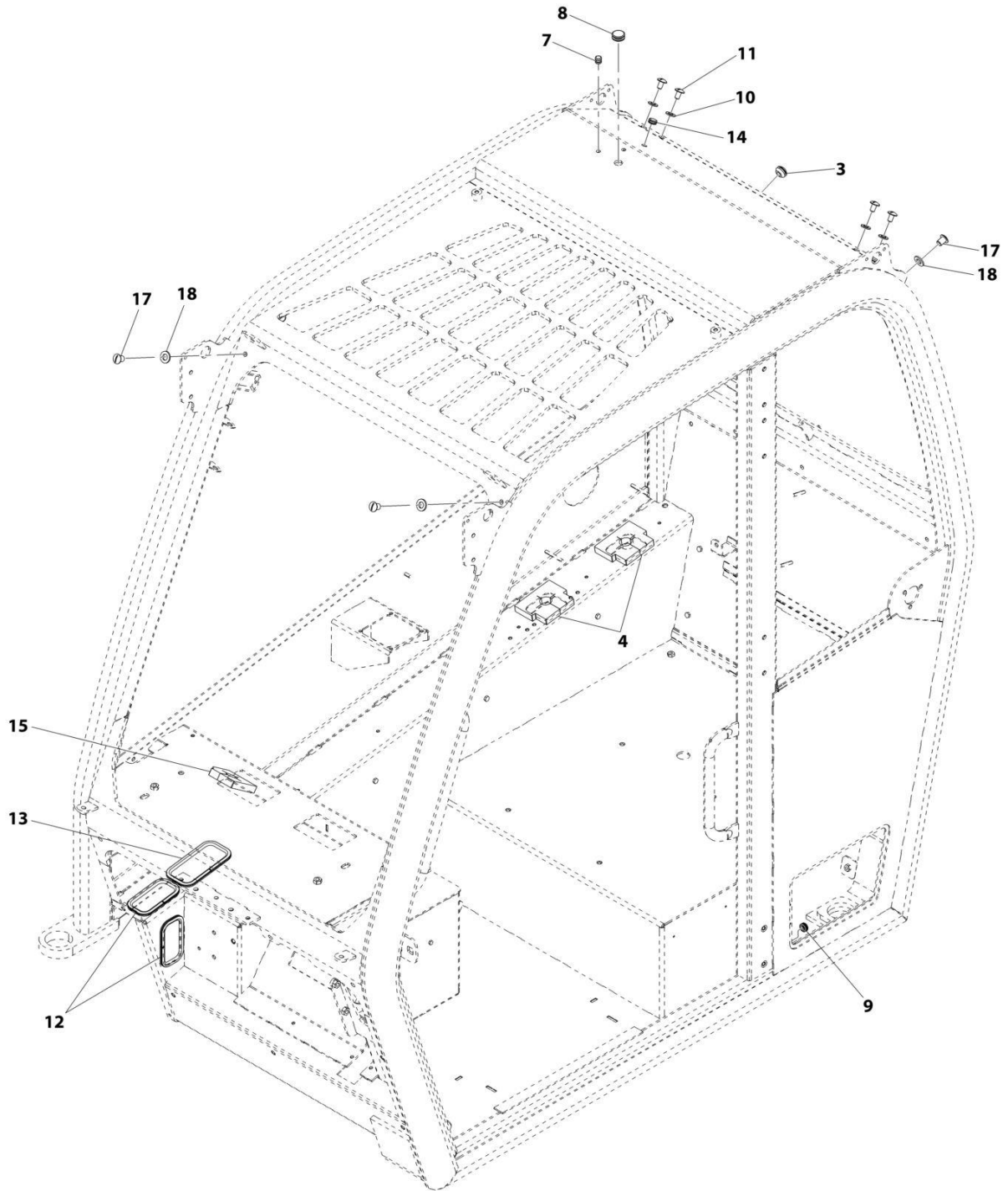
ART_1001148508-D

FIGURE 6-24. COVER PANEL INSTALLATION

ITEM	PART NUMBER	QTY	DESCRIPTION	REV
	1001148508	Ref	Cover Panel Installation	D
1	2080092	1	Screw, Thumb M6X16	
2	1001148510	1	Plate, Cover	
3	1001148557	1	Washer, Star	

SECTION 6 - CAB

FIGURE 6-25. GASKET INSTALLATION



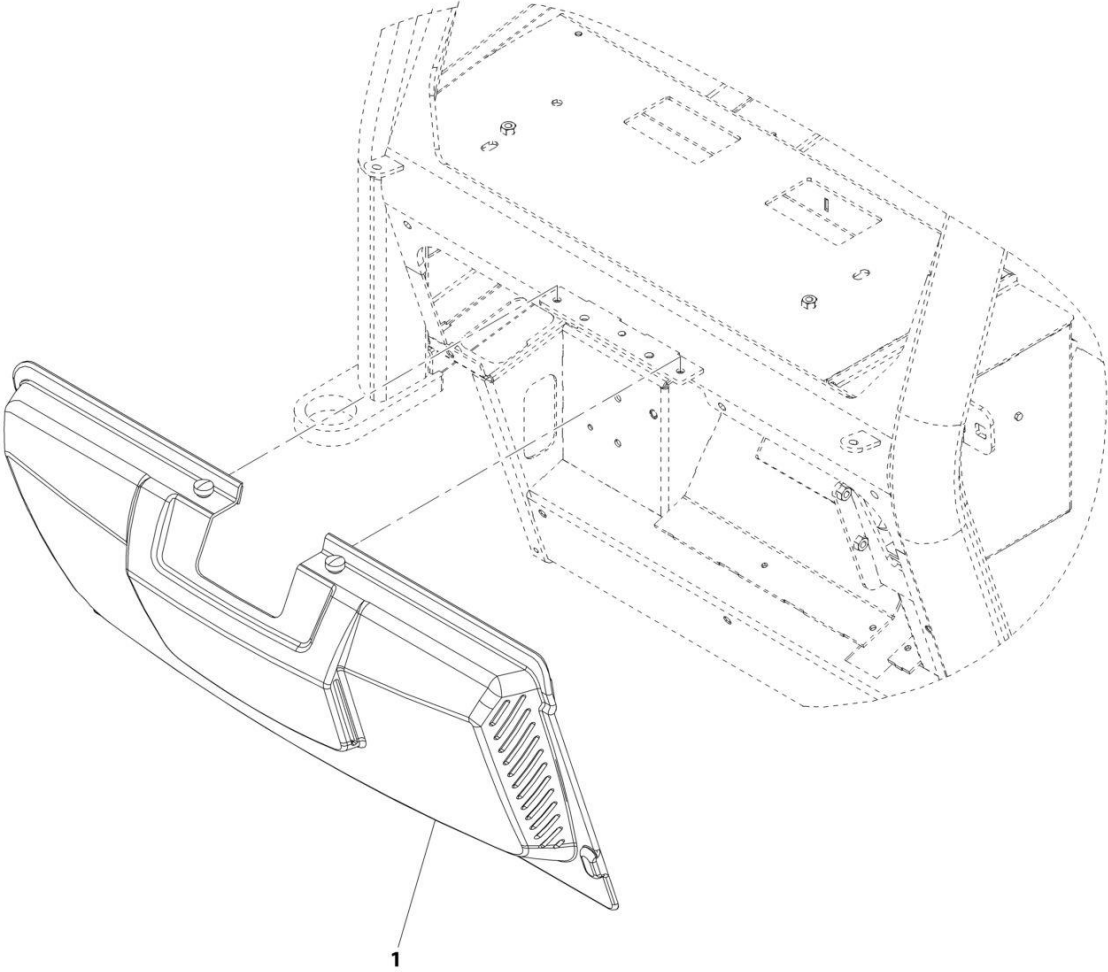
ART_1001163111-D

FIGURE 6-25. GASKET INSTALLATION

ITEM	PART NUMBER	QTY	DESCRIPTION	REV
	1001163111	Ref	Gasket Installation	C
3	1001143200	1	Cap	
4	1001163076	2	Seal, Gasket	
7	1001176272	2	Cap	
8	1001176273	1	Cap	
9	1001176323	1	Cap	
10	1001176340	8	Washer	
11	1001176341	8	Screw	
12	1001176324	2	Seal	
13	1001176325	1	Seal	
14	1001176626	1	Cap	
15	1001176695	1	Seal, Gasket	
16	1001176854	4	Cap	

SECTION 6 - CAB

FIGURE 6-26. FRONT COVER INSTALLATION



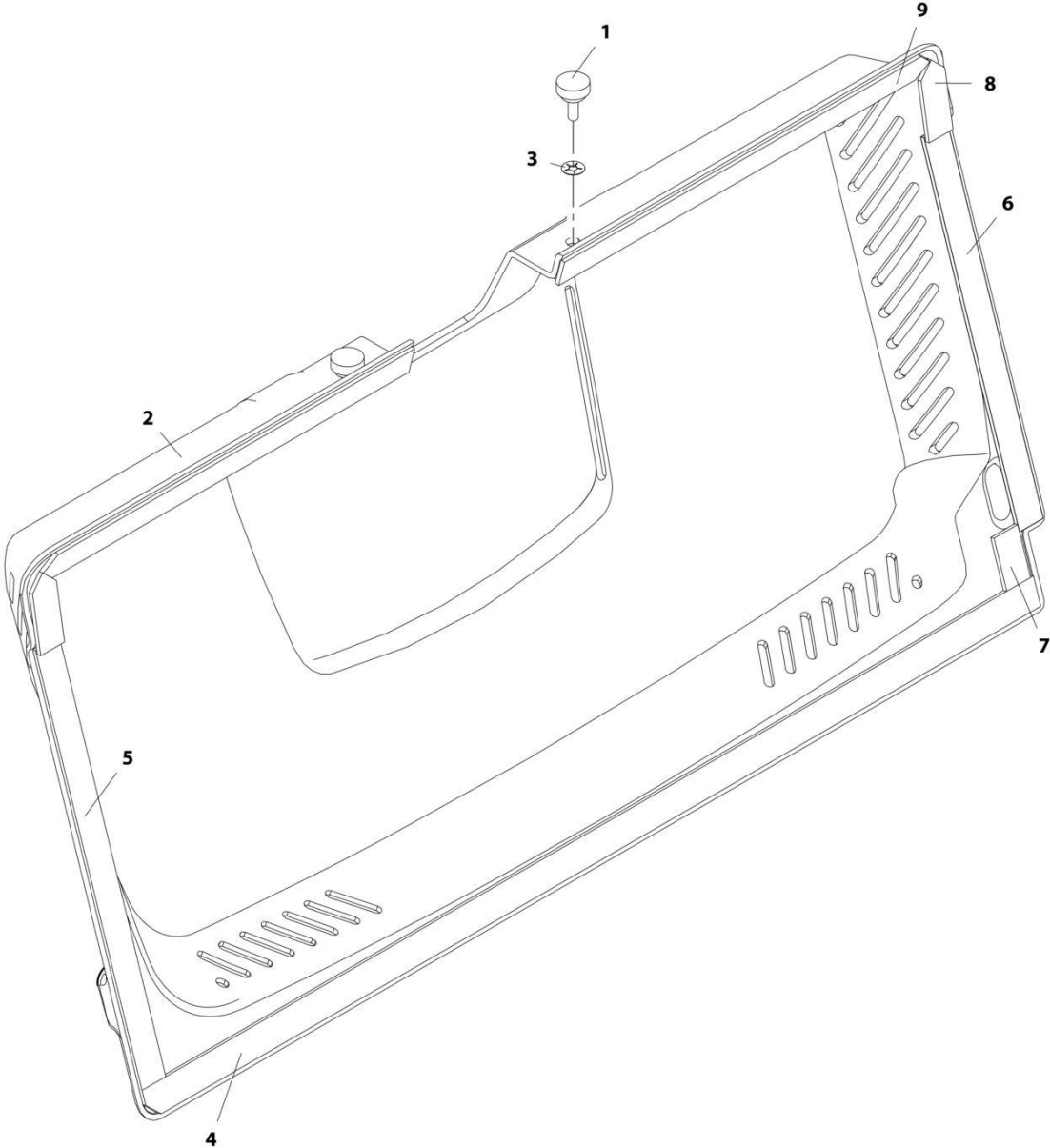
ART_1001142194-B

FIGURE 6-26. FRONT COVER INSTALLATION

ITEM	PART NUMBER	QTY	DESCRIPTION	REV
1	1001142194 1001149136	Ref 1	Front Cover Installation Front Cover Assembly (See Separate Breakdown in this Section)	B

SECTION 6 - CAB

FIGURE 6-27. FRONT COVER ASSEMBLY



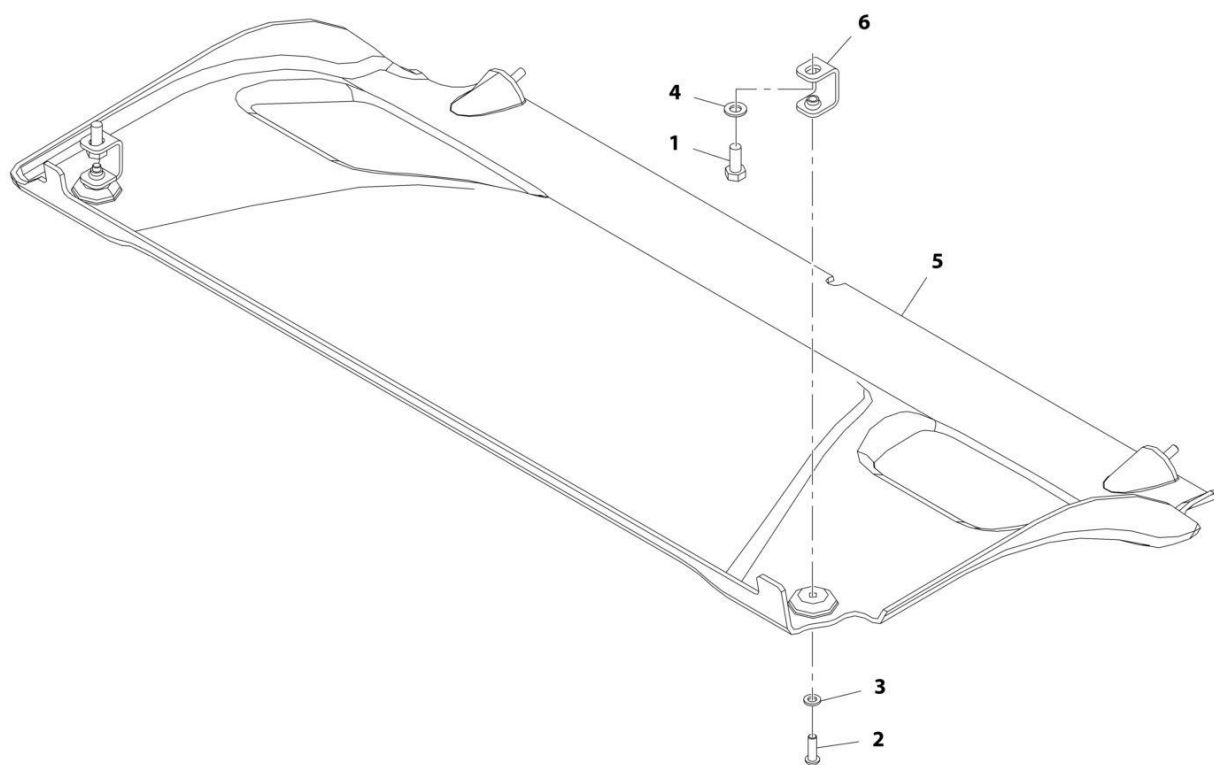
ART_1001149136-A

FIGURE 6-27. FRONT COVER ASSEMBLY

ITEM	PART NUMBER	QTY	DESCRIPTION	REV
	1001149136	1	Front Cover	A
1	2080092	2	Screw, Thumb M5X20	
2	1001147465	1	Cover, Front Panel	
3	1001148557	2	Washer, Star	
4	1001149112	1	Seal	
5	1001149113	1	Seal	
6	1001149114	1	Seal	
7	1001149115	1	Seal	
8	1001149116	2	Seal	
9	1001149117	2	Seal	

SECTION 6 - CAB

FIGURE 6-28. HEADLINER INSTALLATION (SN E160000001 through E160000141, Excluding E160000120, E160000126, 1160008774, 1160008775 and 1160008777)



ART_1001146587-D

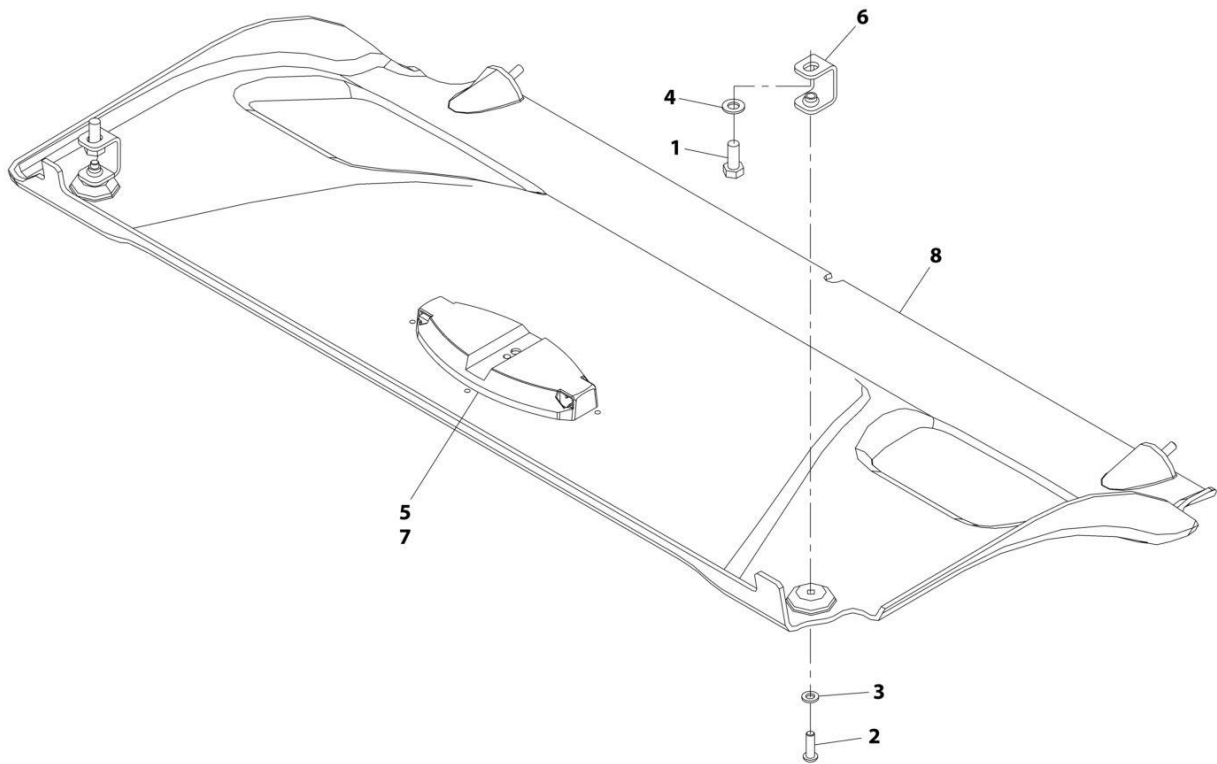
SECTION 6 - CAB

FIGURE 6-28. HEADLINER INSTALLATION (SN E16000001 through E160000141, Excluding E160000120, E160000126, 1160008774, 1160008775 and 1160008777)

ITEM	PART NUMBER	QTY	DESCRIPTION	REV
	1001146587	Ref	Headliner Installation	D
1	0760810	2	Bolt, M8X20	
2	3900364	4	Bolt, M6X20	
3	4811700	4	Washer, M6	
4	4811900	2	Washer, M8	
5	1001185729	1	Cover, Headliner	
6	1001148886	2	Bracket, Headliner Support	

SECTION 6 - CAB

FIGURE 6-29. HEADLINER INSTALLATION (SN E160000141 through E160000496, Including E160000120, E160000126, 1160008774, 1160008775 and 1160008777)



ART_1001237156-A

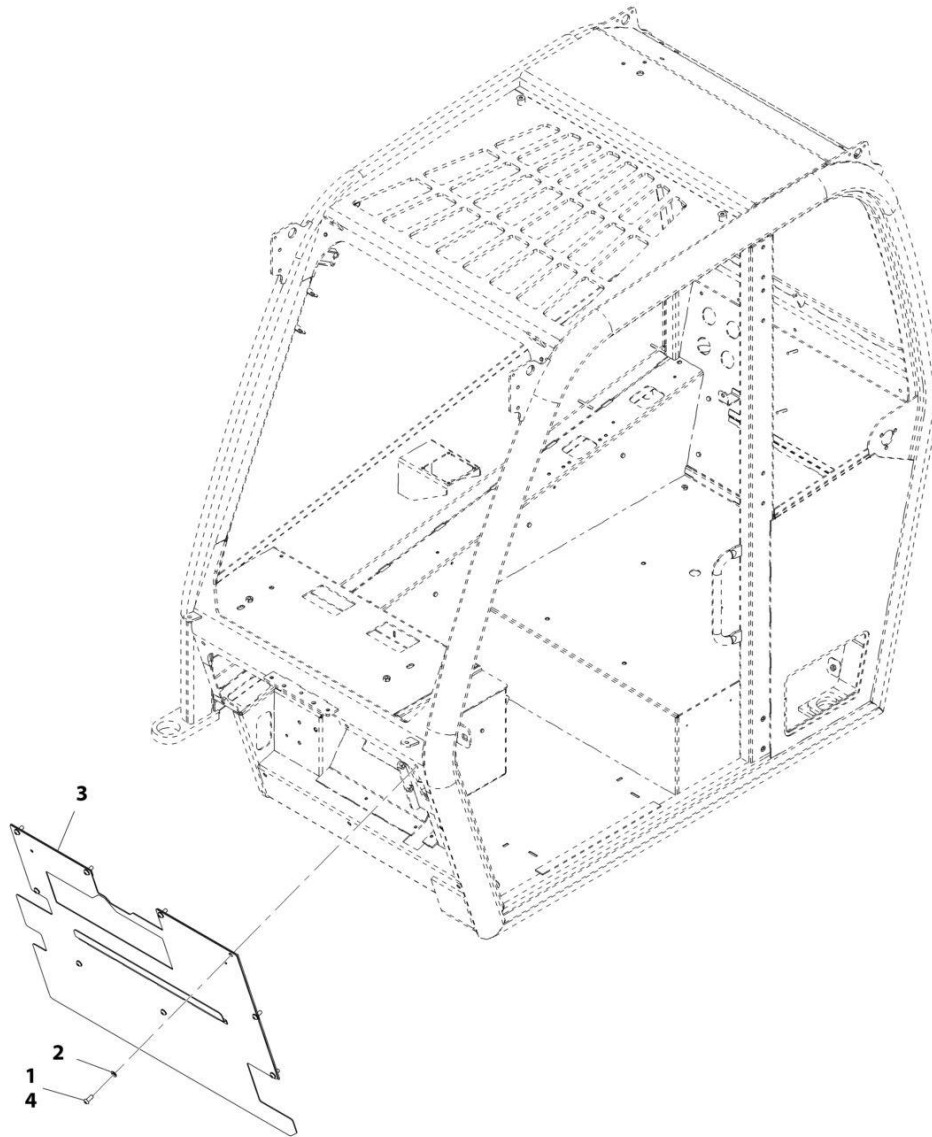
SECTION 6 - CAB

FIGURE 6-29. HEADLINER INSTALLATION (SN E160000141 through E160000496, Including E160000120, E160000126, 1160008774, 1160008775 and 1160008777)

ITEM	PART NUMBER	QTY	DESCRIPTION	REV
	1001237156	Ref	Headliner Installation	A
1	0760810	2	Bolt, M8X20	
2	3900364	4	Bolt, M6X20	
3	4811700	4	Washer, M6	
4	4811900	2	Washer, M8	
5	7029486	4	Bolt	
6	1001148886	2	Bracket, Headliner Support	
7	1001167015	1	Lamp	
8	1001237154	1	Cover, Headliner	

SECTION 6 - CAB

FIGURE 6-30. FRONT PANEL INSTALLATION



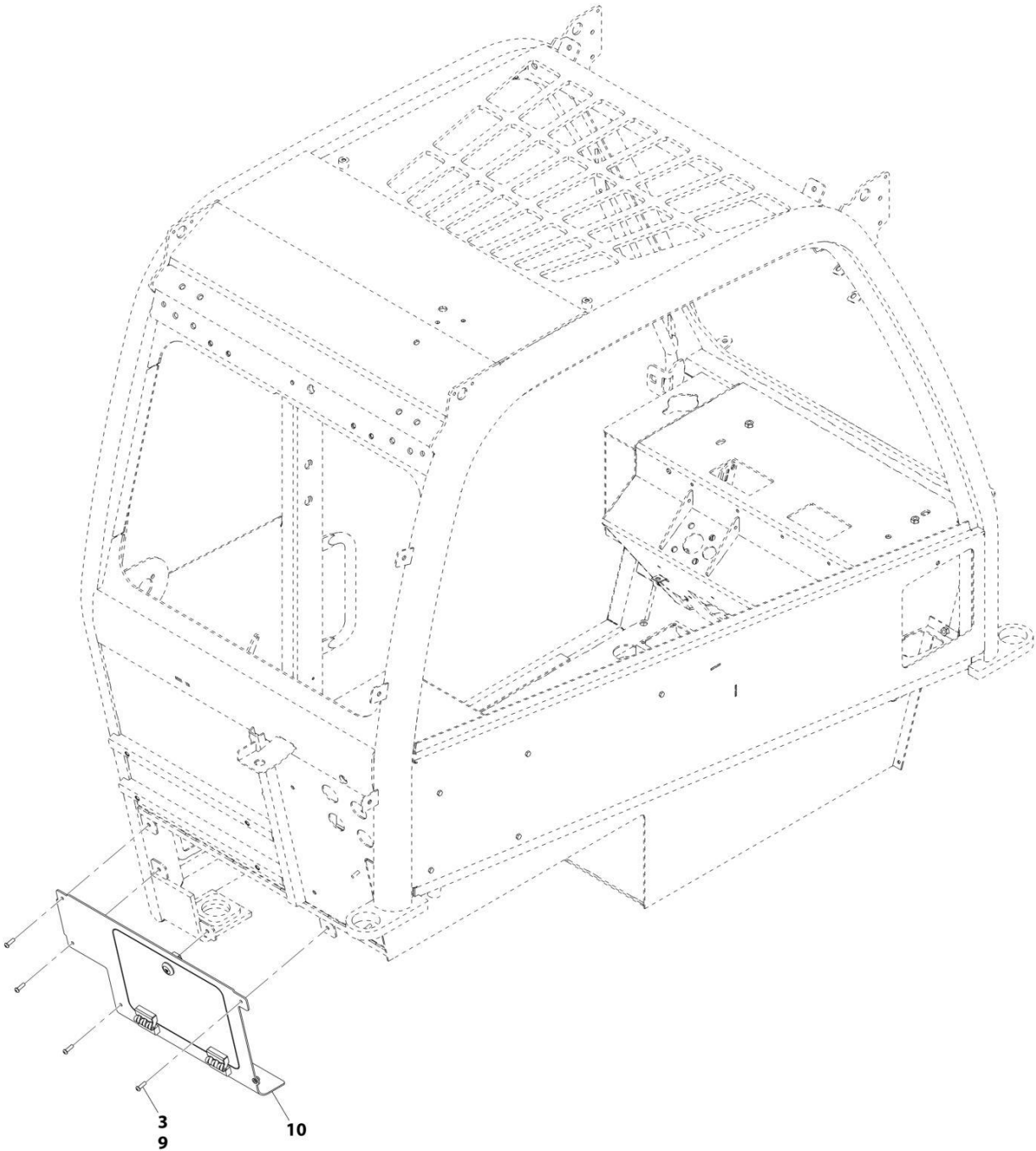
ART_1001142968-F

FIGURE 6-30. FRONT PANEL INSTALLATION

ITEM	PART NUMBER	QTY	DESCRIPTION	REV
	1001142968	Ref	Front Panel Installation	F
1	0630612	9	Bolt, M8X20	
2	4811900	9	Washer, M8	
3	1001149584	1	Plate	
4	1001095650	AR	Compound, Locking	

SECTION 6 - CAB

FIGURE 6-31. REAR COVER PANEL INSTALLATION



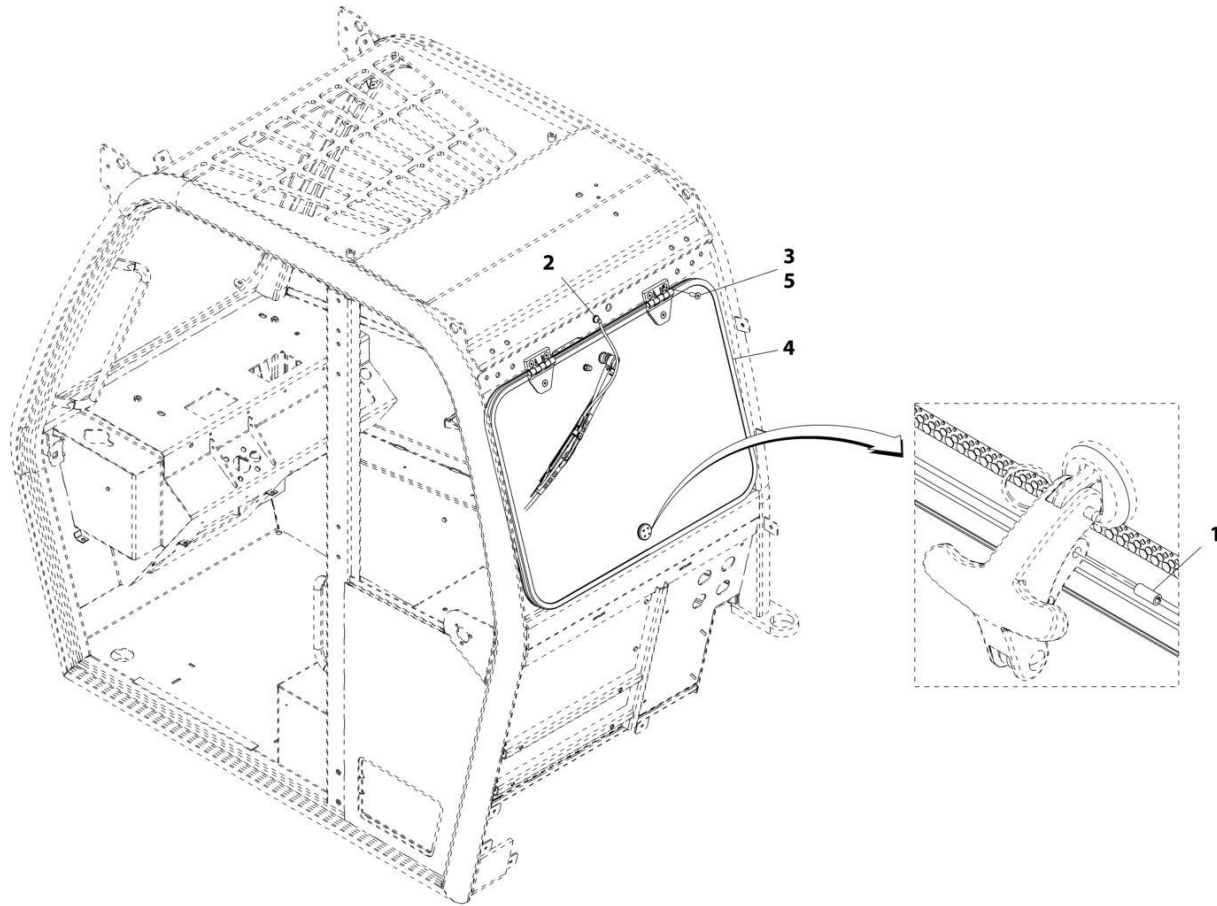
ART_1001148112-F

FIGURE 6-31. REAR COVER PANEL INSTALLATION

ITEM	PART NUMBER	QTY	DESCRIPTION	REV
	1001148112	Ref	Rear Cover Panel Installation	F
3	3900364	4	Bolt, M6X20	
9	1001095650	AR	Compound, Locking	
10	1001177380	1	Panel, Rear Cover	

SECTION 6 - CAB

FIGURE 6-32. REAR WINDOW INSTALLATION



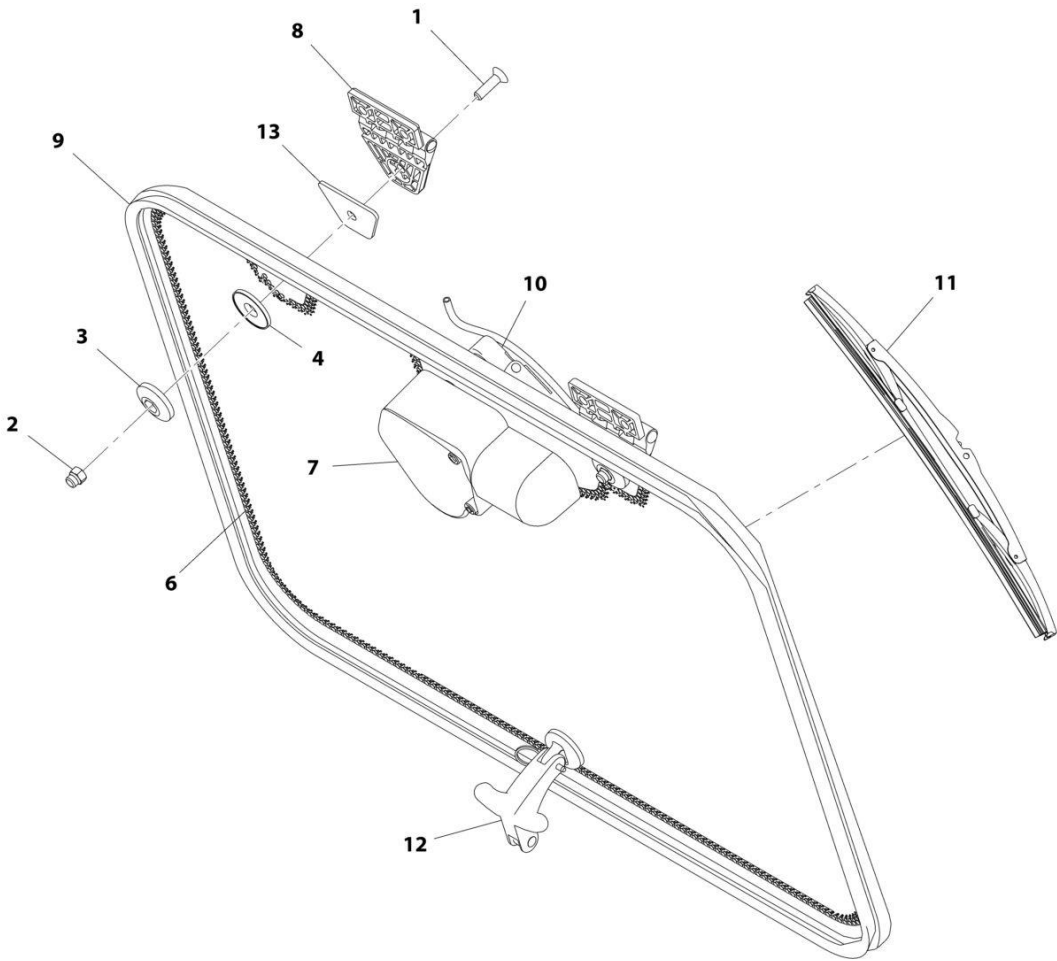
ART_1001139569-K

FIGURE 6-32. REAR WINDOW INSTALLATION

ITEM	PART NUMBER	QTY	DESCRIPTION	REV
	1001139569	Ref	Rear Window Installation	K
1	1001003043	1	Pin, Spring	
2	1001090343	1	Connector	
3	1001097586	4	Bolt, M8-1.25X25	
4	1001139570	1	Window, Rear (See REAR WINDOW for Breakdown)	
5	1001095650	AR	Compound, Locking	

SECTION 6 - CAB

FIGURE 6-33. REAR WINDOW



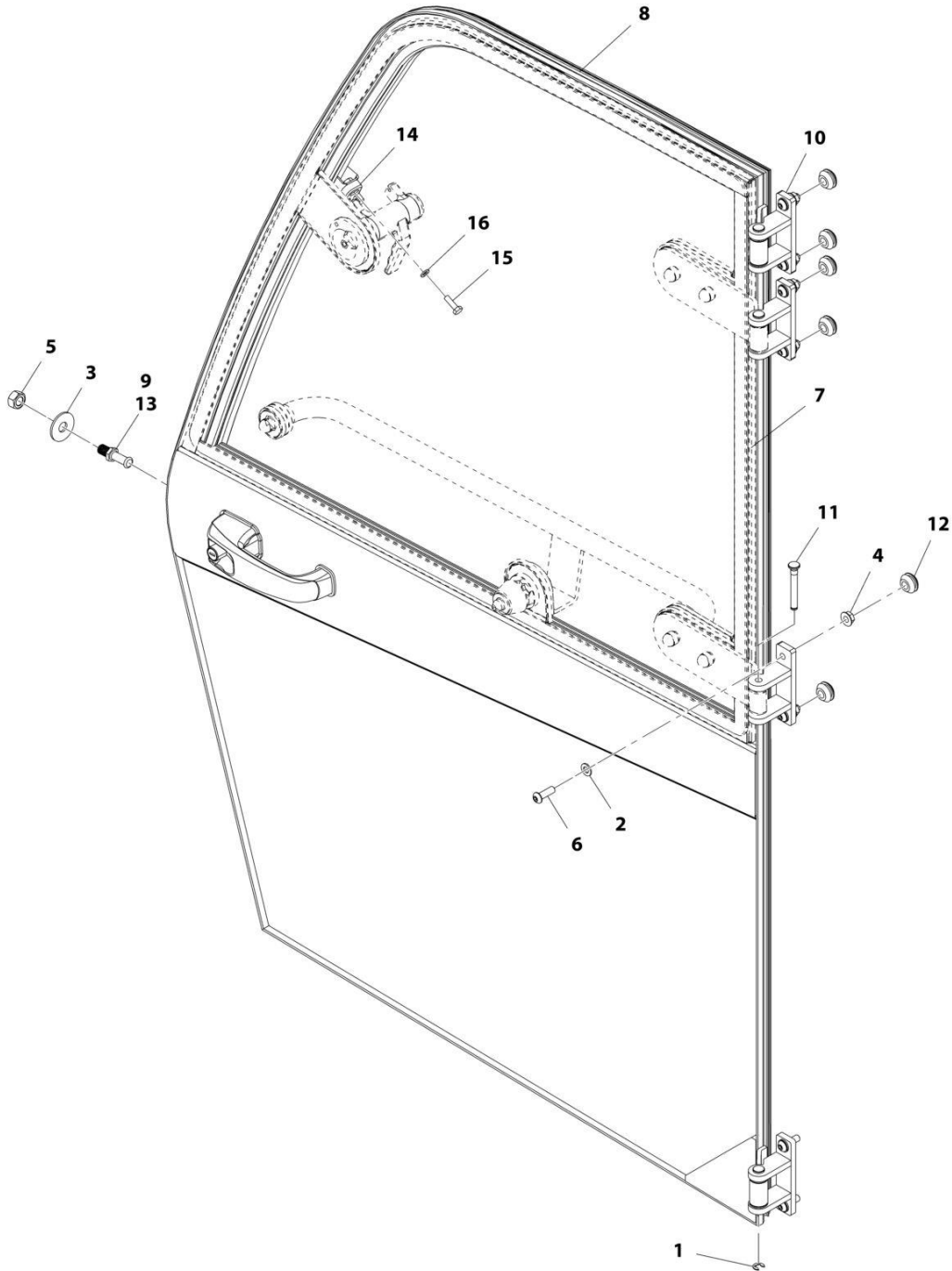
ART_1001139570-J

FIGURE 6-33. REAR WINDOW

ITEM	PART NUMBER	QTY	DESCRIPTION	REV
	1001139570	Ref	Window, Rear	J
1	2080078	2	Fastener, M8X30	
2	3290806	2	Nut, M8X1.25	
3	8000759	2	Spacer	
4	8004398	2	Spacer	
6	1001139469	1	Glass, Rear Window	
7	1001139552	1	Motor, Rear Wiper	
8	1001139568	2	Hinge	
9	1001139576	1	Seal	
10	1001141312	1	Arm, Rear Window Wiper	
11	4807718	1	Blade, Wiper	
12	1001005368	1	Latch, Window	
13	1001181411	2	Gasket, Rear Window Hinge	

SECTION 6 - CAB

FIGURE 6-34. CAB DOOR INSTALLATION



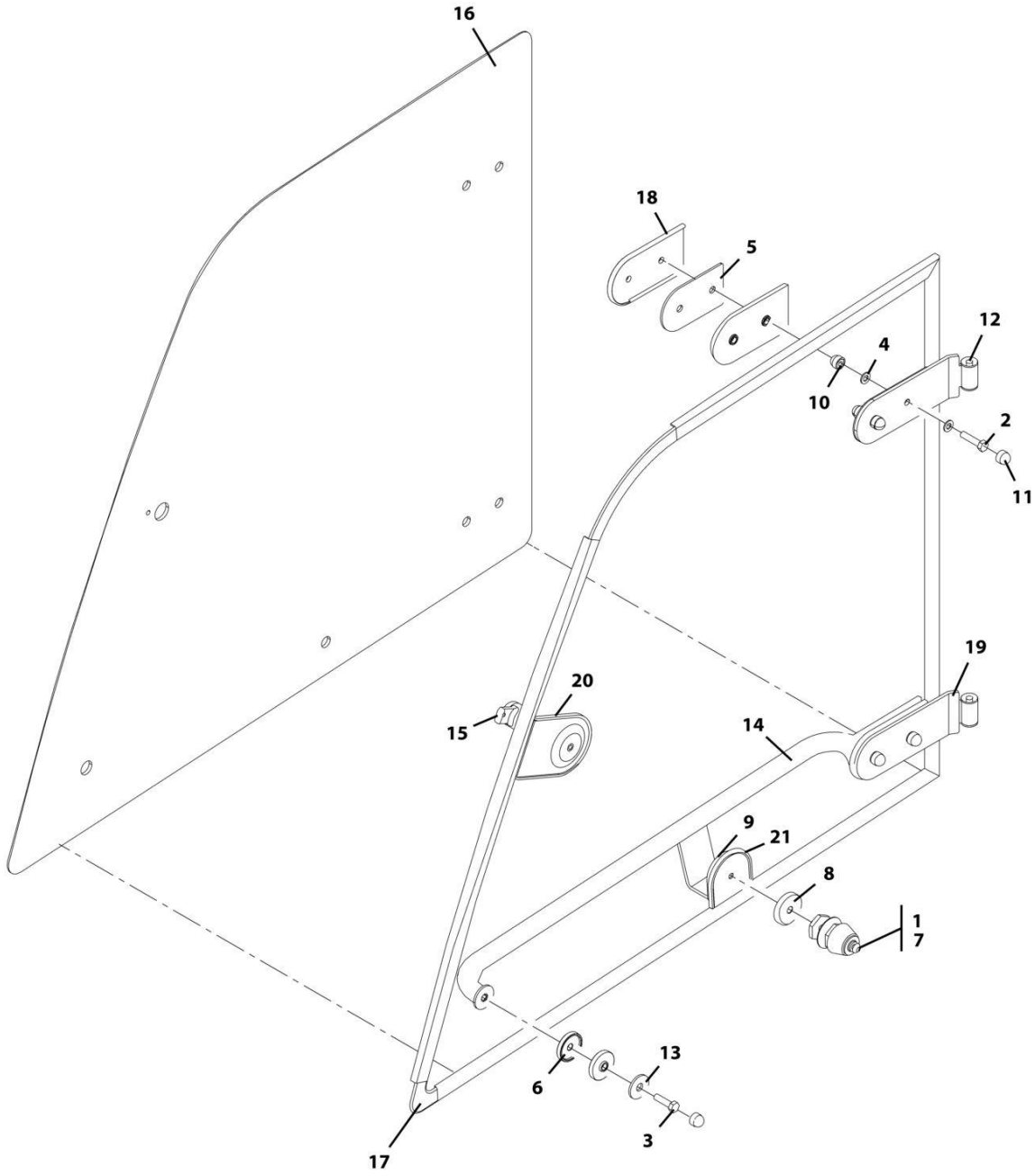
ART_1001142189-N

FIGURE 6-34. CAB DOOR INSTALLATION

ITEM	PART NUMBER	QTY	DESCRIPTION	REV
	1001142189	Ref	Cab Door Installation	N
1	0498748	4	Washer, Lock	
2	4811900	8	Washer, M8	
3	4812102	1	Washer, M12	
4	5220800	6	Nut, Ripp M8	
5	3300497	1	Nut, Ripp M12	
6	8310643	8	Bolt, M8-1.25x25	
7	1001168824	1	Installation, Window (See WINDOW INSTALLATION for Breakdown) (SN 1160007024 through 1160007423, Excluding 1160007354, 1160007357 and 1160007359)	
7	1001178671	1	Installation, Window (See WINDOW INSTALLATION for Breakdown) (SN 1160007423 through 1160008790, Including 1160007354, 1160007357 and 1160007359)	
8	1001142252	1	Door Cab (See CAB DOOR for Breakdown)	
9	1001142667	1	Bolt, Door Striker	
10	1001142840J	4	Plate, Hinge	
11	1001143130	4	Pin, Hinge	
12	1001143200	6	Cap	
13	1001095650	AR	Compound, Locking	
14	1001165276	1	Latch, Striker Plate Window	
15	0760610	2	Bolt, M6X20	
16	4811700	2	Washer, M6	

SECTION 6 - CAB

FIGURE 6-35. WINDOW INSTALLATION



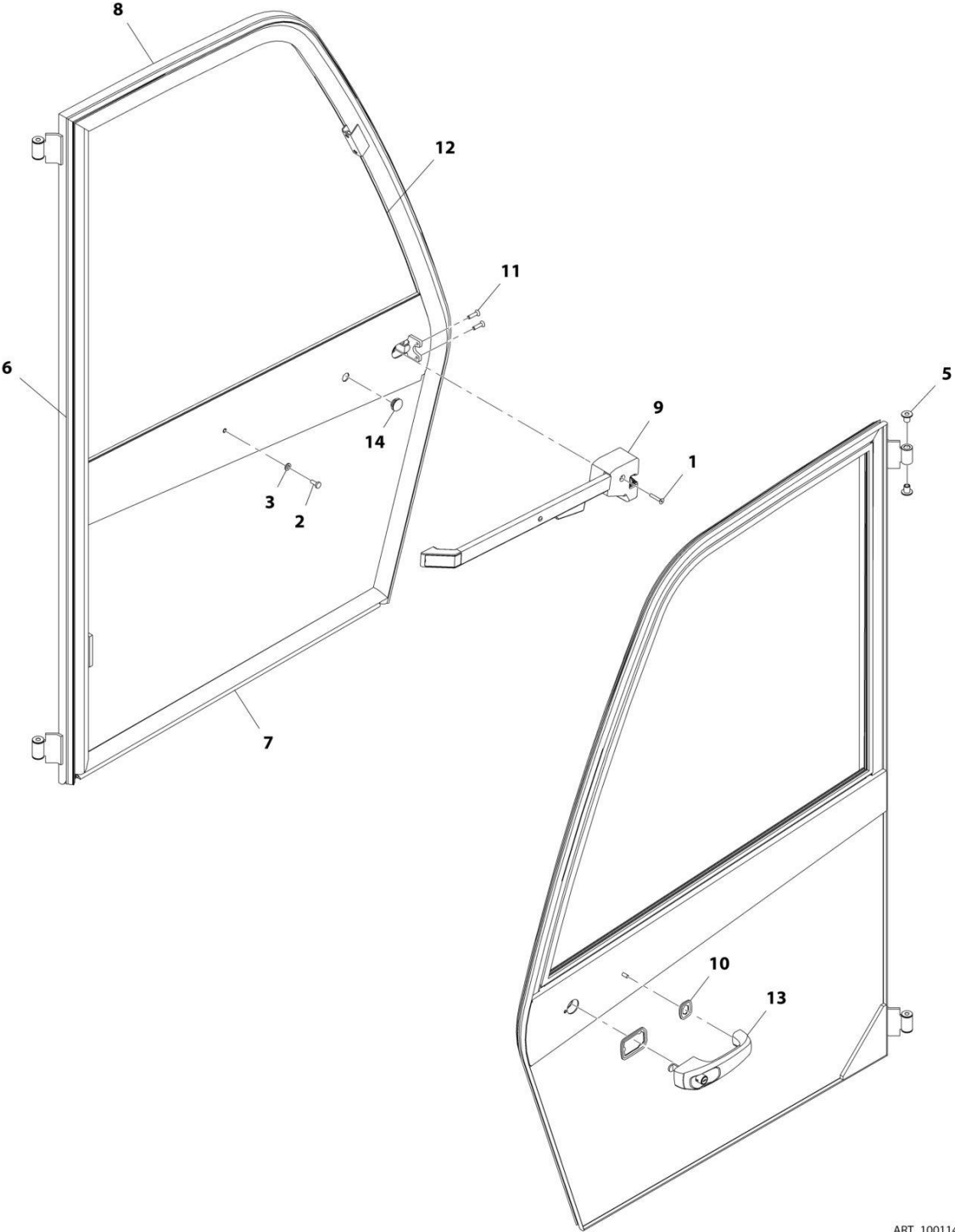
ART_1001168824-B

FIGURE 6-35. WINDOW INSTALLATION

ITEM	PART NUMBER	QTY	DESCRIPTION	REV
	1001168824	Ref	Window Installation (Includes item 1 thru 21), (SN 1160007024 through 1160007423, Excluding 1160007354, 1160007357 and 1160007359)	B
	1001178671	Ref	Window Installation (Includes item 1 thru 22) (SN 1160007423 through 1160008790, Including 1160007354, 1160007357 and 1160007359)	E
1	1001095650	AR	Compound, Locking	
2	0700815	4	Bolt, M8X35	
3	0760814	1	Bolt, M8X30	
4	4811900	7	Washer, M8	
5	1001002947	1	Mount, Hinge	
6	1001002953	2	Mount, Rubber	
7	1001002955	1	Latch, Striker	
8	1001002956	1	Washer	
9	1001002957	1	Mount, Latch	
10	1001008857	3	Nut, Lock	
11	1001096365	8	Cap, M8	
12	1001107192	4	Sleeve, Hinge	
13	1001141246	1	Mount, Handle	
14	1001142210	1	Handle	
15	1001165275	1	Latch, Window	
16	1001168453	1	Window	
17	1001168455	1	Frame, Cab Window (SN 1160007024 through 1160007423, Excluding 1160007354, 1160007357 and 1160007359)	
17	1001178603	1	Frame, Cab Window, (SN 1160007423 through 1160008790, Including 1160007354, 1160007357 and 1160007359)	
18	1001168705	4	Mount, Hinge (SN 1160007024 through 1160007423, Excluding 1160007354, 1160007357 and 1160007359)	
18	1001168705	2	Mount, Hinge, (SN 1160007423 through 1160008790, Including 1160007354, 1160007357 and 1160007359)	
18	1001002946	2	Mount, Hinge, (SN 1160007423 through 1160008790, Including 1160007354, 1160007357 and 1160007359)	
19	1001168826	2	Hinge (SN 1160007024 through 1160007423, Including , Excluding 1160007354, 1160007357 and 1160007359)	
19	1001178723	2	Hinge (SN 1160007423 through 1160008790, Including 1160007354, 1160007357 and 1160007359)	
20	1001168829	1	Seal	
21	1001169787	1	Seal	
22	1001168447	1	Plate, (not shown) (SN 1160007423 through 1160008790, Including 1160007354, 1160007357 and 1160007359))	

SECTION 6 - CAB

FIGURE 6-36. CAB DOOR



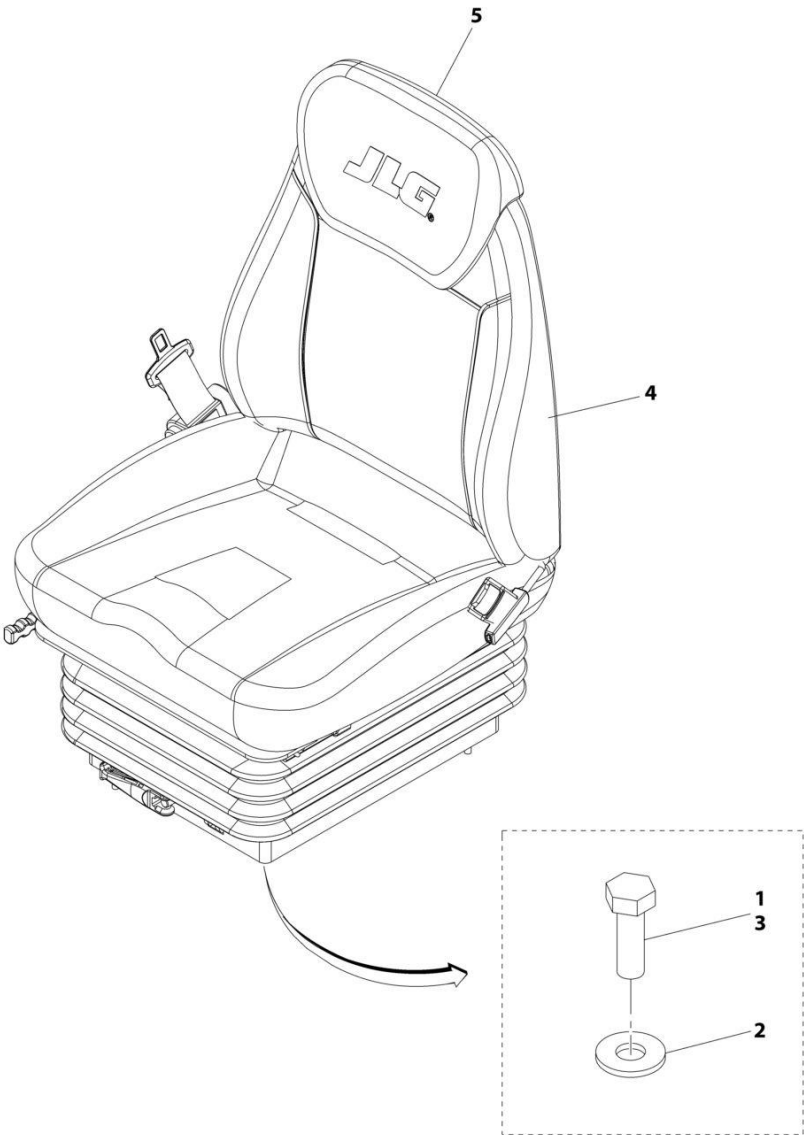
ART_1001142252-H

FIGURE 6-36. CAB DOOR

ITEM	PART NUMBER	QTY	DESCRIPTION	REV
	1001142252	1	Door Assembly	H
1	1001174157	1	Screw, M5	
2	4010608	3	Screw, M6X16	
3	4811700	3	Washer, M6	
5	1001107192	4	Sleeve, Hinge	
6	1001002961	1	Seal	
7	1001002963	1	Seal	
8	1001142193J	1	Frame, Cab Door	
9	1001142496	1	Handrail, Interior	
10	1001142618	1	Seal	
11	3900379	2	Screw, M6-1.00x25	
12	1001142720	1	Seal	
13	1001142732	1	Handle, Push Button	
14	1001143200	1	Cap	

SECTION 6 - CAB

FIGURE 6-37. VINYL SEAT INSTALLATION



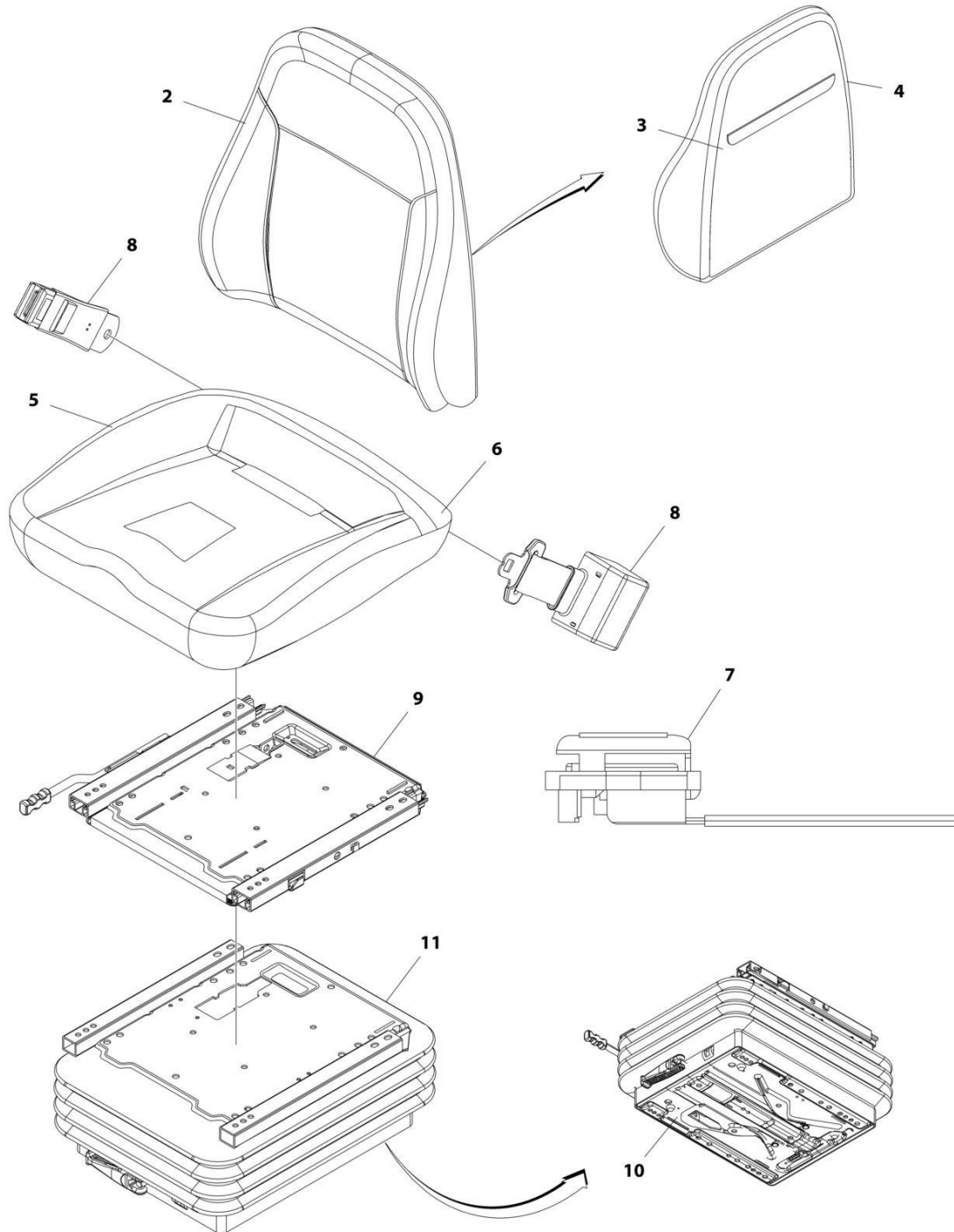
ART_1001144399-D

FIGURE 6-37. VINYL SEAT INSTALLATION

ITEM	PART NUMBER	QTY	DESCRIPTION	REV
	1001144399	Ref	Vinyl Seat Installation	C
1	1001095650	AR	Compound, Locking	
2	1001008666	4	Washer	
3	1001009136	4	Bolt	
4	1001150293	1	Vinyl Seat (See VINYL SEAT for Breakdown)	
5	1001150303	1	Headrest, Vinyl	

SECTION 6 - CAB

FIGURE 6-38. VINYL SEAT



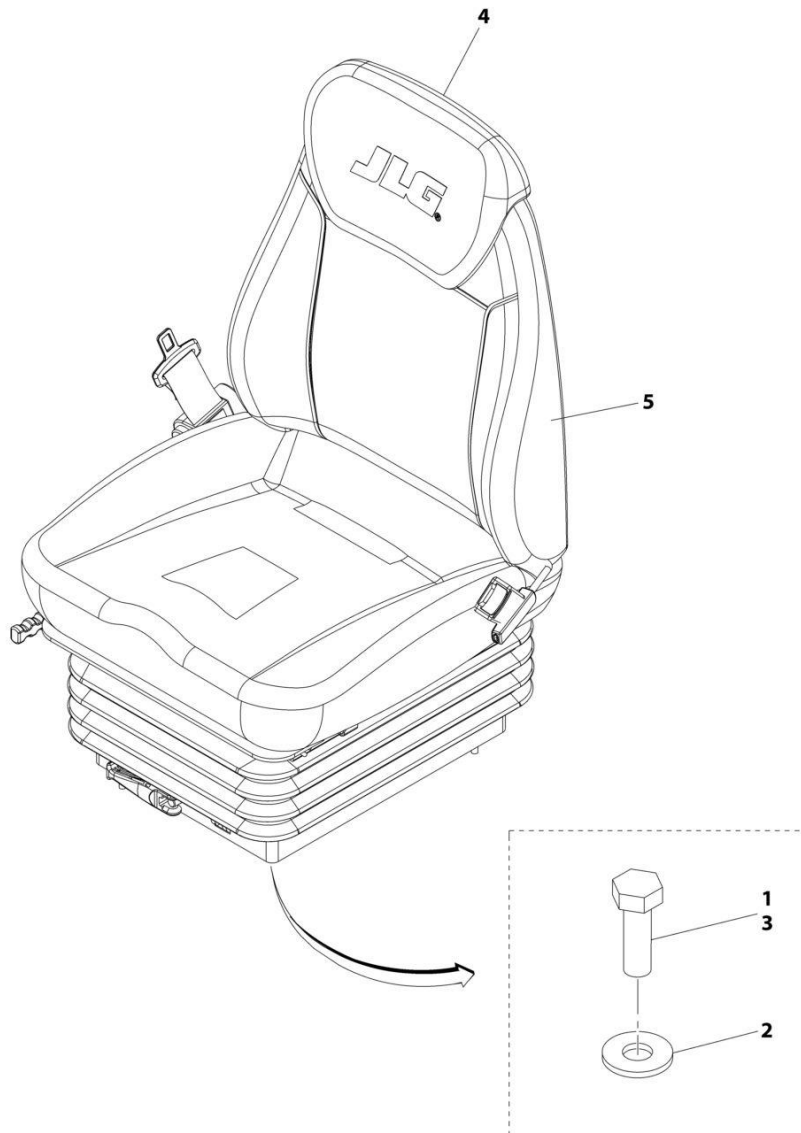
ART_1001150293

FIGURE 6-38. VINYL SEAT

ITEM	PART NUMBER	QTY	DESCRIPTION	REV
	1001150293	Ref	Vinyl Seat	E
2	70022517	1	Seat, Upper	
3	70025482	1	Cover, Back	
4	70025483	1	Foam, Back	
5	70025484	1	Cover, Seat	
6	70025485	1	Foam, Seat	
7	70025486	1	Switch, Contact	
8	7029767	1	Belt, Seat	
9	70021252	1	Rail, Slide	
10	70021251	1	Unit, Suspension	
11	70022034	1	Cover, Rubber	

SECTION 6 - CAB

FIGURE 6-39. CLOTH SEAT INSTALLATION



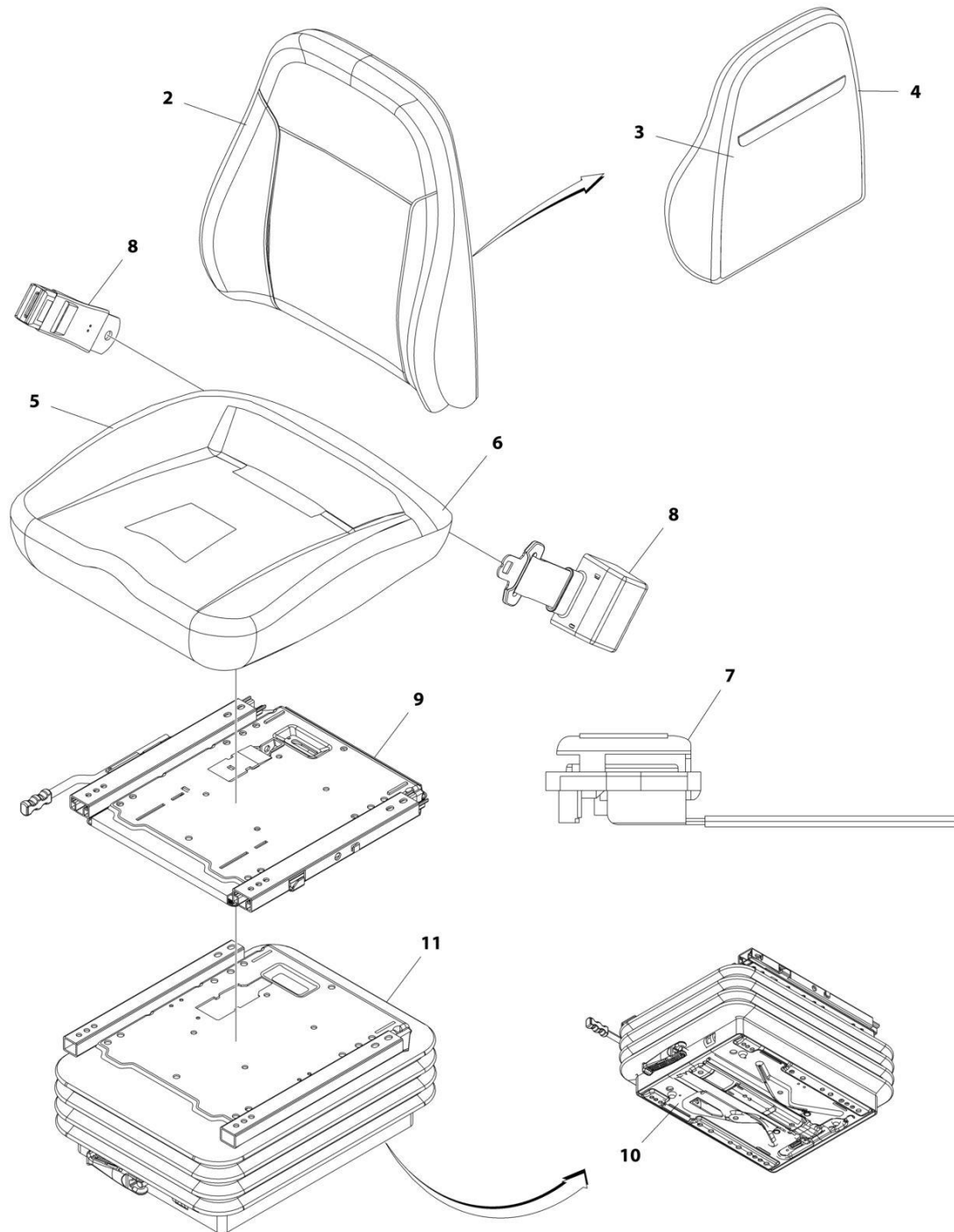
ART_1001144400-D

FIGURE 6-39. CLOTH SEAT INSTALLATION

ITEM	PART NUMBER	QTY	DESCRIPTION	REV
	1001144400	Ref	Cloth Seat Installation	C
1	1001095650	AR	Compound, Locking	
2	1001008666	4	Washer	
3	1001009136	4	Bolt	
4	1001119467	1	Headrest, Cloth	
5	1001150294	1	Seat, Cloth (See CLOTH SEAT for Breakdown)	

SECTION 6 - CAB

FIGURE 6-40. CLOTH SEAT



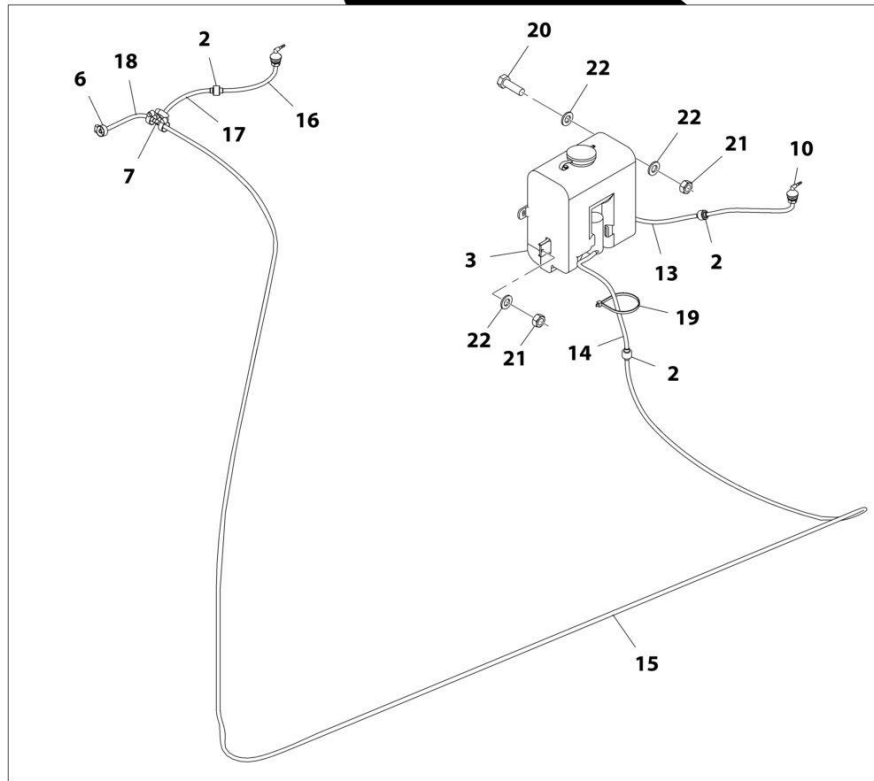
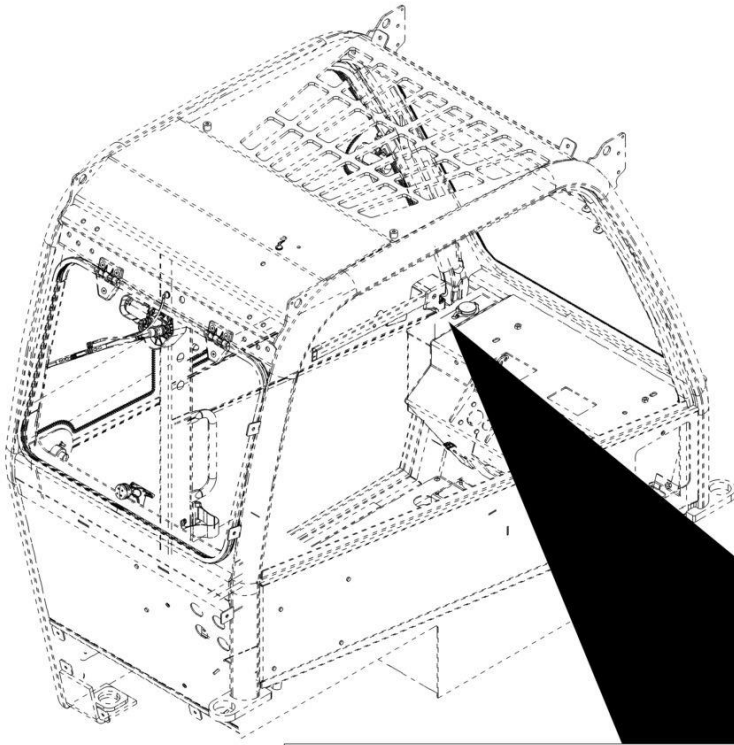
ART_1001150294

FIGURE 6-40. CLOTH SEAT

ITEM	PART NUMBER	QTY	DESCRIPTION	REV
	1001150294	1	Cloth Seat	E
2	70025489	1	Fabric, Upper Seat	
3	70025490	1	Cover, Back	
4	70025483	1	Foam, Back	
5	70025491	1	Cover, Seat	
6	70025485	1	Foam, Seat	
7	70025486	1	Switch, Contact	
8	7029767	1	Belt, Seat	
9	70021252	1	Rail, Slide	
10	70021251	1	Unit, Suspension	
11	70022034	1	Cover, Rubber	

SECTION 6 - CAB

FIGURE 6-41. FRONT WIPER INSTALLATION



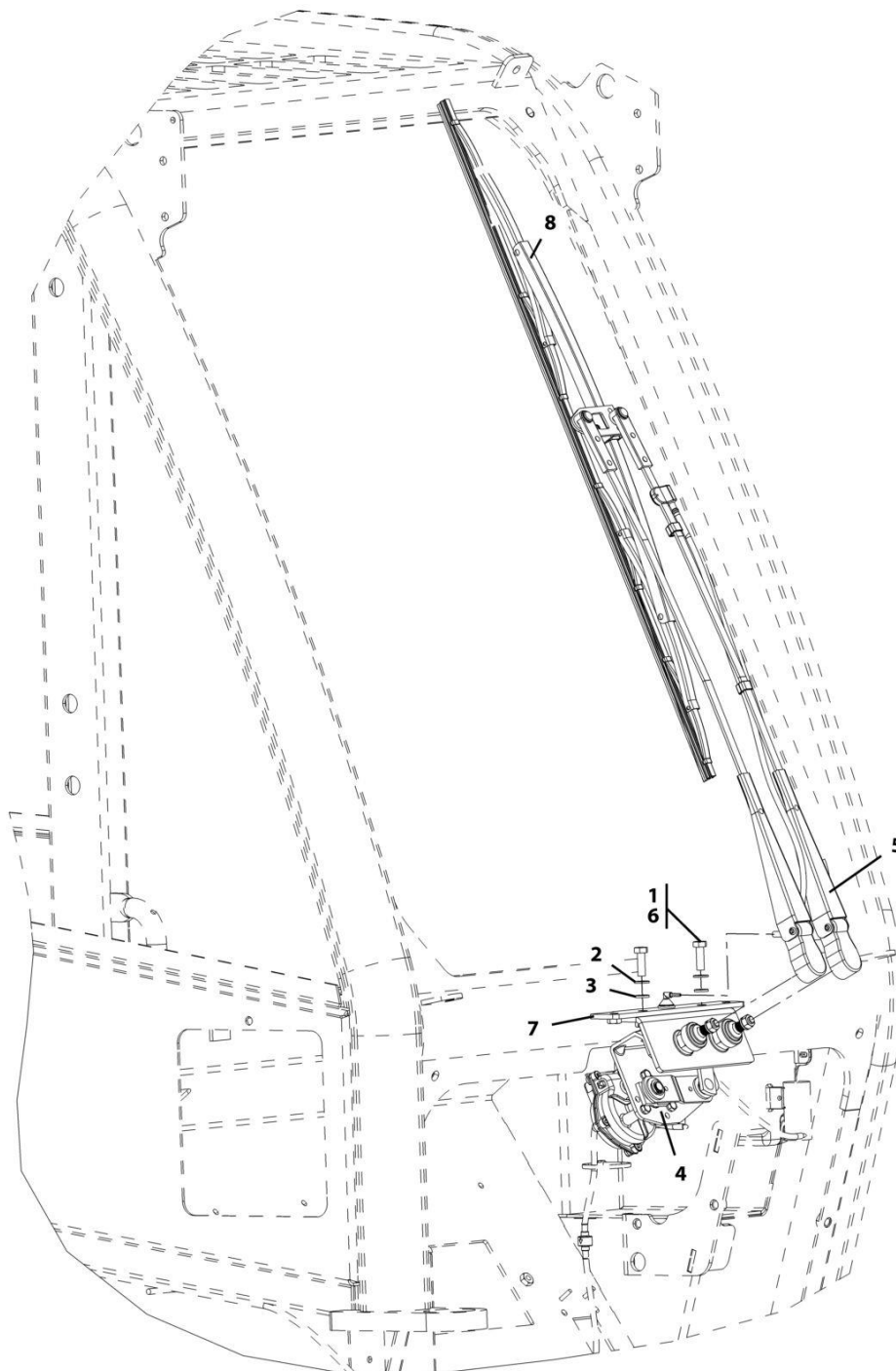
ART_1001141155-G

FIGURE 6-41. FRONT WIPER INSTALLATION

ITEM	PART NUMBER	QTY	DESCRIPTION	REV
	1001141155	Ref	Front Wiper Installation	G
2	1366865	3	Valve, Check	
3	4400493	1	Tank, Washer	
6	1001004141	4	Clamp, Hose	
7	1001008742	1	Coupling, Tee	
10	1001090343	2	Connector	
13	1001145143	2	Hose	
14	1001145144	1	Hose	
15	1001145145	1	Hose	
16	1001145146	1	Hose	
17	1001145614	1	Hose	
18	1001145615	1	Hose	
19	1001008559	1	Strap, Cable	
20	0760508	1	Bolt, M5X16	
21	3290501	2	Hex Nut, M8x0.8	
22	4811600	3	Washer, 5mm	

SECTION 6 - CAB

FIGURE 6-42. FRONT WIPER INSTALLATION



ART_1001168812-A

FIGURE 6-42. FRONT WIPER INSTALLATION

ITEM	PART NUMBER	QTY	DESCRIPTION	REV
	1001168812	Ref	Front Wiper Installation	A
1	0760812	2	Bolt, M8x25	
2	4811900	2	Washer, M8	
3	4831900	2	Lockwasher, Spring M8	
4	1001090336	1	Motor, Front Wiper	
5	1001090340	1	Arm, Front Wiper	
6	1001095650	AR	Compound, Locking	
7	1001141242	1	Plate	
8	1001141281	1	Blade, Wiper	

SECTION 6 - CAB

FIGURE 6-43. ROOF WIPER INSTALLATION

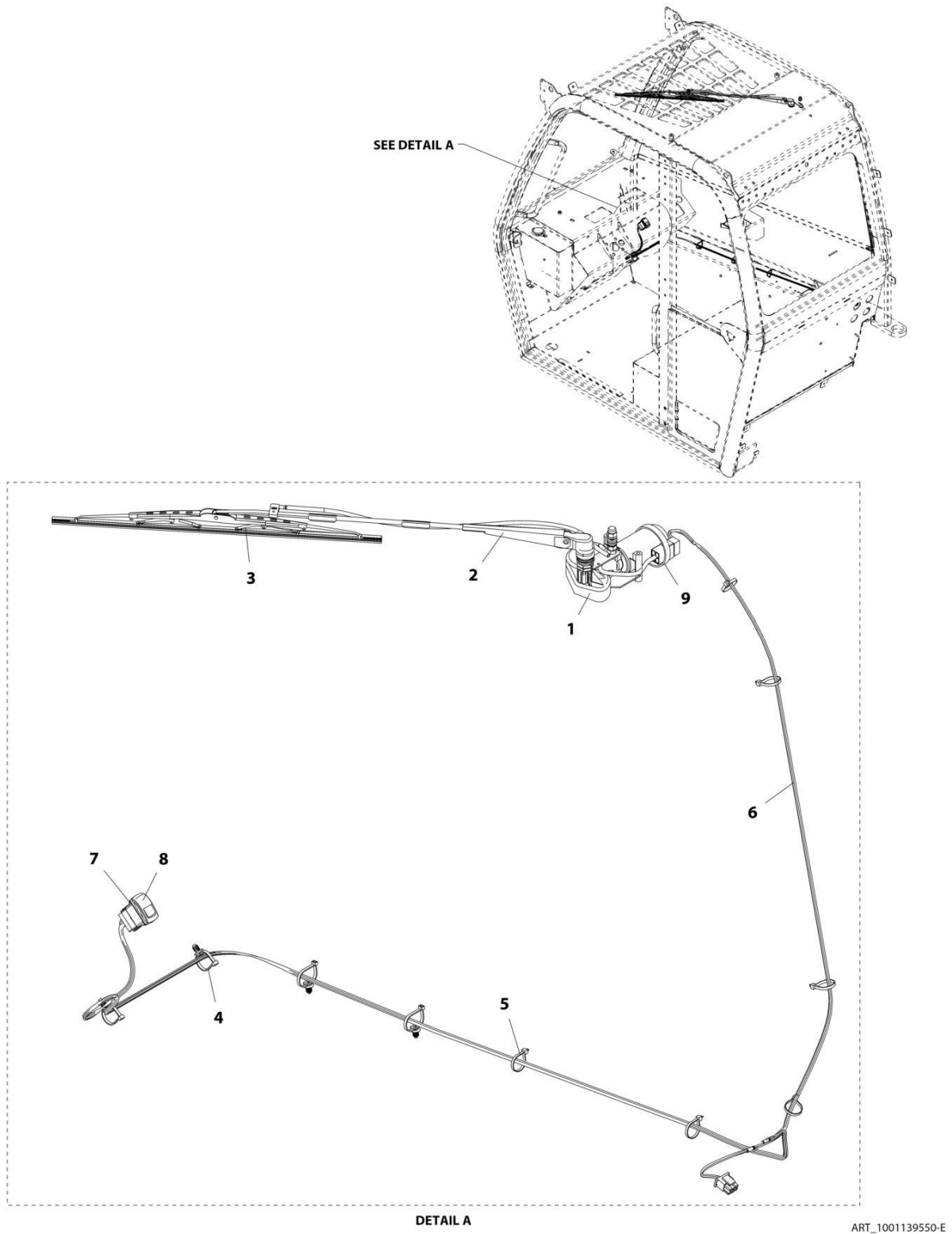
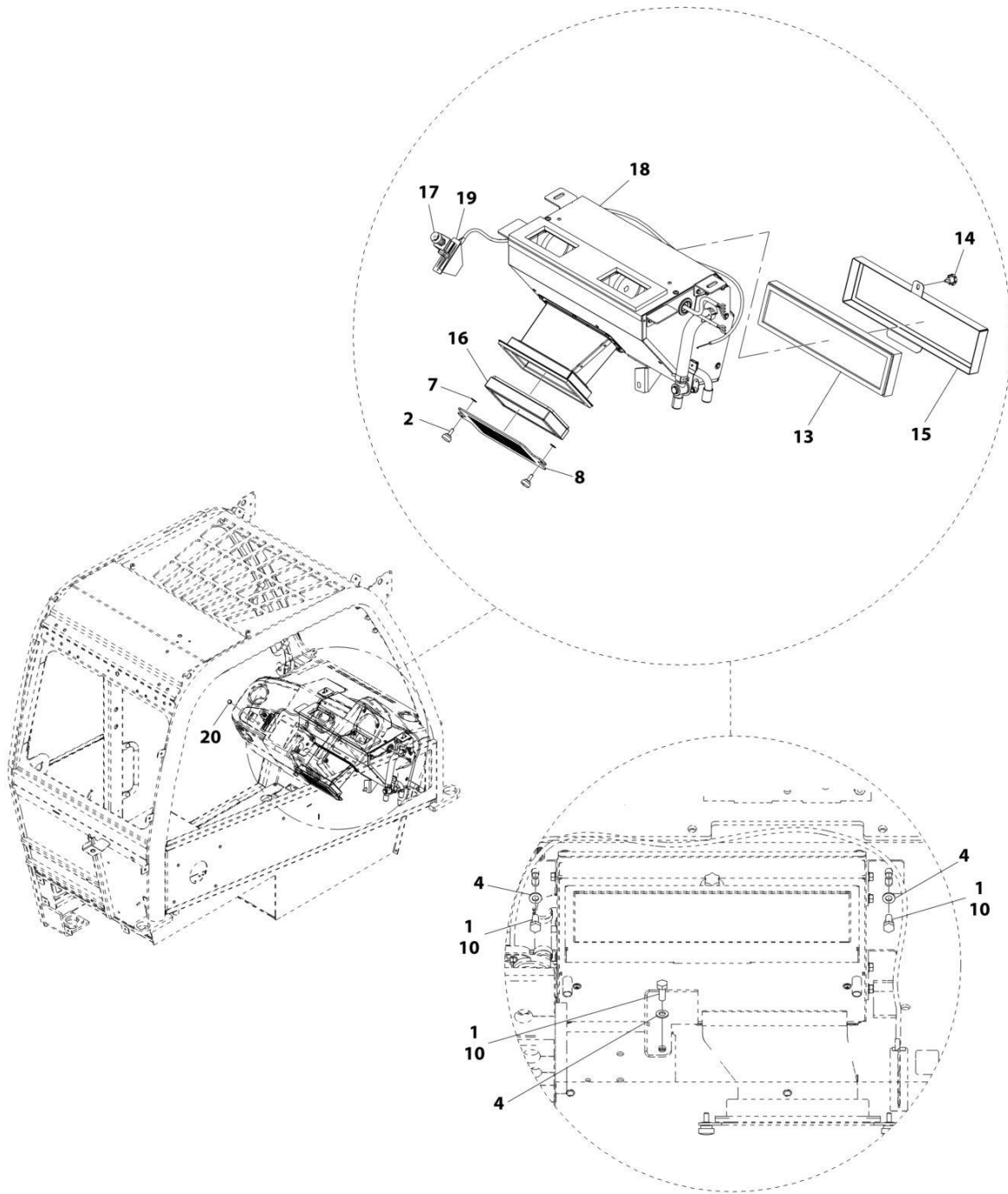


FIGURE 6-43. ROOF WIPER INSTALLATION

ITEM	PART NUMBER	QTY	DESCRIPTION	REV
	1001139550	Ref	Roof Wiper Installation	E
1	1001139551	1	Motor, Roof Wiper	
2	1001141311	1	Arm, Roof Wiper	
3	1001141313	1	Blade, Roof Wiper	
4	1001004720	4	Strap, Cable	
5	1001008559	6	Strap, Cable	
6	1001146677	1	Harness, Roof Wiper (See ELECTRICAL SECTION for Breakdown)	
7	1001146729	1	Switch, Wiper	
8	1001149967	1	Switch, Wiper	
9	1062255	1	Strap, Cable	

SECTION 6 - CAB

FIGURE 6-44. HEATER INSTALLATION



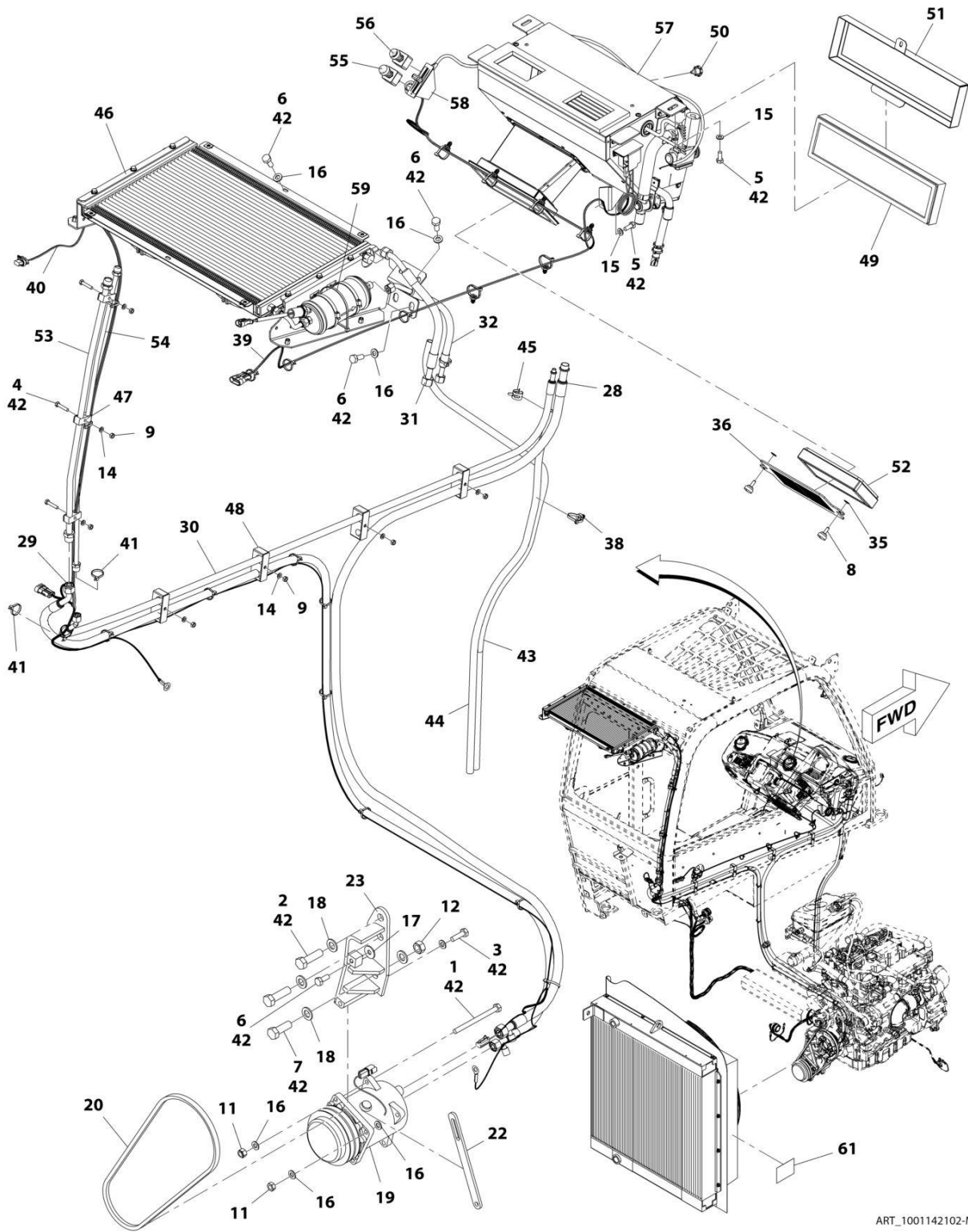
ART_1001144263-G

FIGURE 6-44. HEATER INSTALLATION

ITEM	PART NUMBER	QTY	DESCRIPTION	REV
	1001144263	Ref	Heater Installation	F
1	0760810	3	Bolt, M8X20	
2	2080092	2	Screw, Thumb	
3	1001148415	1	Plate, HAC Control, (not shown)	
4	4811900	3	Washer, M8	
7	1001148557	2	Washer, Star	
8	1001148619	1	Plate, Recirculation Grill	
10	1001095650	AR	Compound, Locking	
13	1001147752	1	Filter, Air	
14	1001147753	1	Latch, Filter Knob	
15	1001147754	1	Frame, Filter	
16	1001147755	1	Filter, Recirculation Air	
17	1001148556	1	Control, Fan Speed	
18	1001149216	1	Heater Unit Without A/C (See HEATER (No A/C) for Breakdown)	
19	1001150125	1	Control, Heater	
20	1001181502	1	Plug Cap	

SECTION 6 - CAB

FIGURE 6-45. AIR CONDITIONING INSTALLATION



ART_1001142102-M

FIGURE 6-45. AIR CONDITIONING INSTALLATION

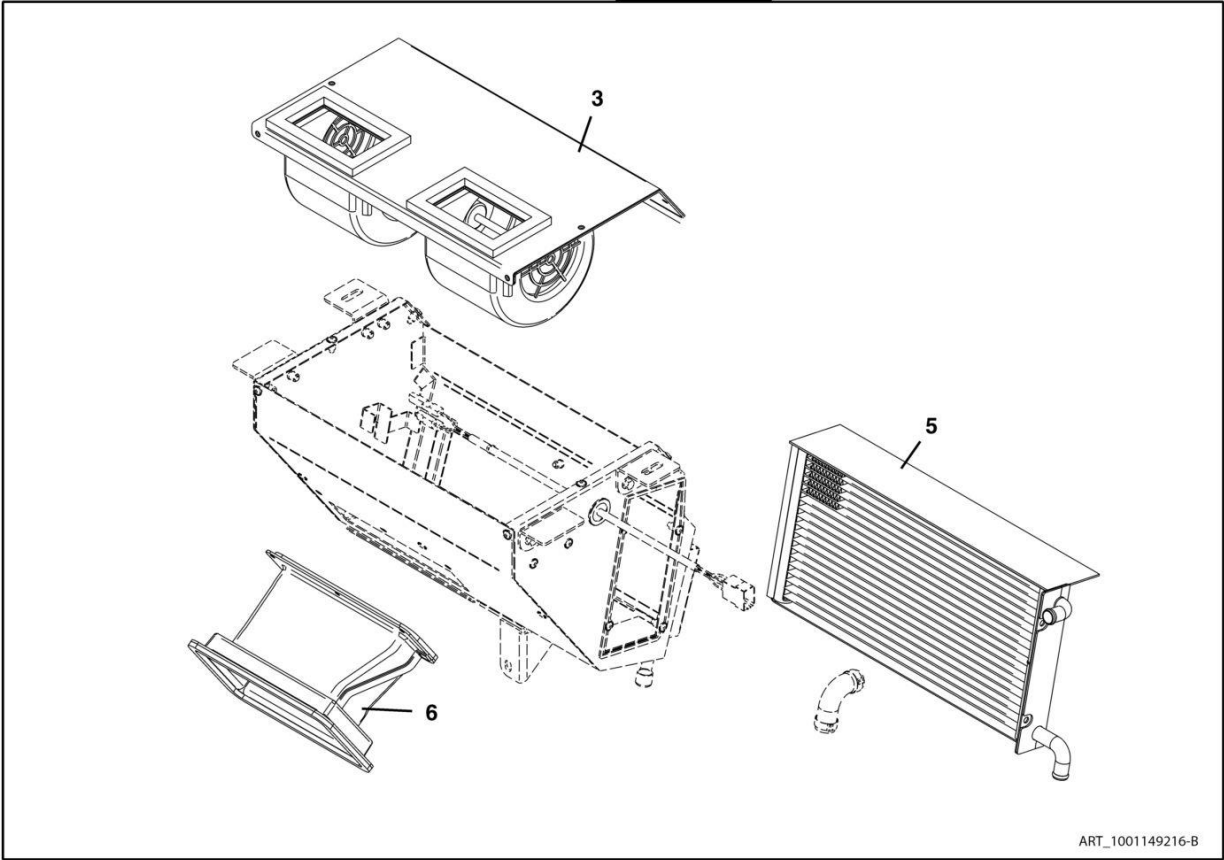
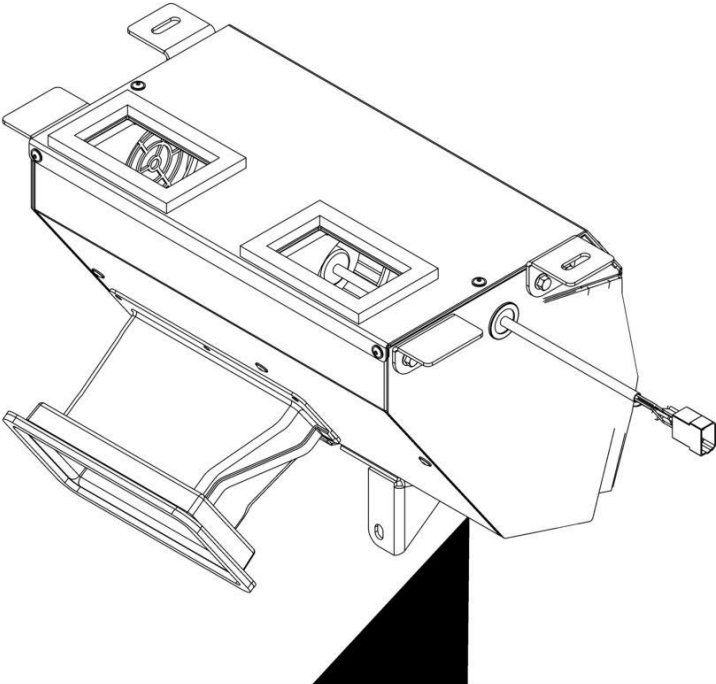
ITEM	PART NUMBER	QTY	DESCRIPTION	REV
	1001142102	Ref	Air Conditioning Installation	L
1	0711030	1	Bolt, M10x130 GR10.9	
2	0761619	2	Bolt, M16X55	
3	0711016	1	Bolt, M10X40	
4	0760614	3	Bolt, M6X30	
5	0760810	3	Bolt, M8X20	
6	0761012	9	Bolt, M10X25	
7	0761617	1	Bolt, M16X45	
8	2080092	2	Screw, Thumb	
9	3290601	7	Nut, M6X1	
11	3291005	2	Nut, Lock M10X1.5	
12	3291601	1	Nut, M16X2	
14	4811700	7	Washer, M6	
15	4811900	3	Washer, M8	
16	4812000	12	Washer, M10	
17	4812002	1	Washer, M10	
18	4812300	4	Washer, M16	
19	1001119220	1	Compressor	
20	1001134759	1	Belt, Compressor	
22	1001145491	1	Plate, Compressor Tension Arm	
23	1001145492	1	Bracket, Compressor	
28	1001148470	1	Hose	
29	1001148471	1	Hose	
30	1001148472	1	Hose	
31	1001148473	1	Hose	
32	1001148474	1	Hose	
35	1001148557	2	Washer, Star	
36	1001148619	1	Plate, Recirculation Grill	
38	1001004720	7	Strap, Cable	
39	1001168704	1	Harness, Air Conditioning Cab (See Separate Breakdown in ELECTRICAL SECTION) (SN E160000001 through E160000141, Excluding 1160008774, 1160008775, 1160008777, E160000120 and E160000126)	
39	1001244134	1	Harness, Air Conditioning Cab (See Separate Breakdown in ELECTRICAL SECTION) (SN E160000141 through E160000496, Including 1160008774, 1160008775, 1160008777 and E160000120)	
40	1001151260	1	Harness, Air Conditioning Chassis (See ELECTRICAL SECTION for Breakdown)	
41	1001008559	17	Strap, Cable	
42	1001095650	AR	Locking Compound	
43	1001152353	1	Hose	
44	1001152354	1	Hose	
45	1001152729	2	Clamp, Springband	
46	1001142103	1	Condenser	
47	1001145539	3	Support, Pipe	
48	1001145540	4	Support, Pipe	
49	1001147752	1	Filter, Air	
50	1001147753	1	Knob, Filter Latch	
51	1001147754	1	Frame, Filter	
52	1001147755	1	Filter, Recirculation Air	

SECTION 6 - CAB

ITEM	PART NUMBER	QTY	DESCRIPTION	REV
53	1001148475	1	Pipe	
54	1001148476	1	Pipe	
55	1001148555	1	Control, Heater/AC	
56	1001148556	1	Control, Fan Speed	
57	1001149215	1	Heater (A/C) (See HEATER (A/C) for Details)	
58	1001150125	1	Control, Heater	
59	1062255	1	Wrap, Tie	
61	1001198720	NLA	Decal, A/C Installation (no longer available, use 1001227093 for replacement)	
61	1001227093	1	Decal, A/C Installation	

SECTION 6 - CAB

FIGURE 6-46. HEATER (NO A/C)



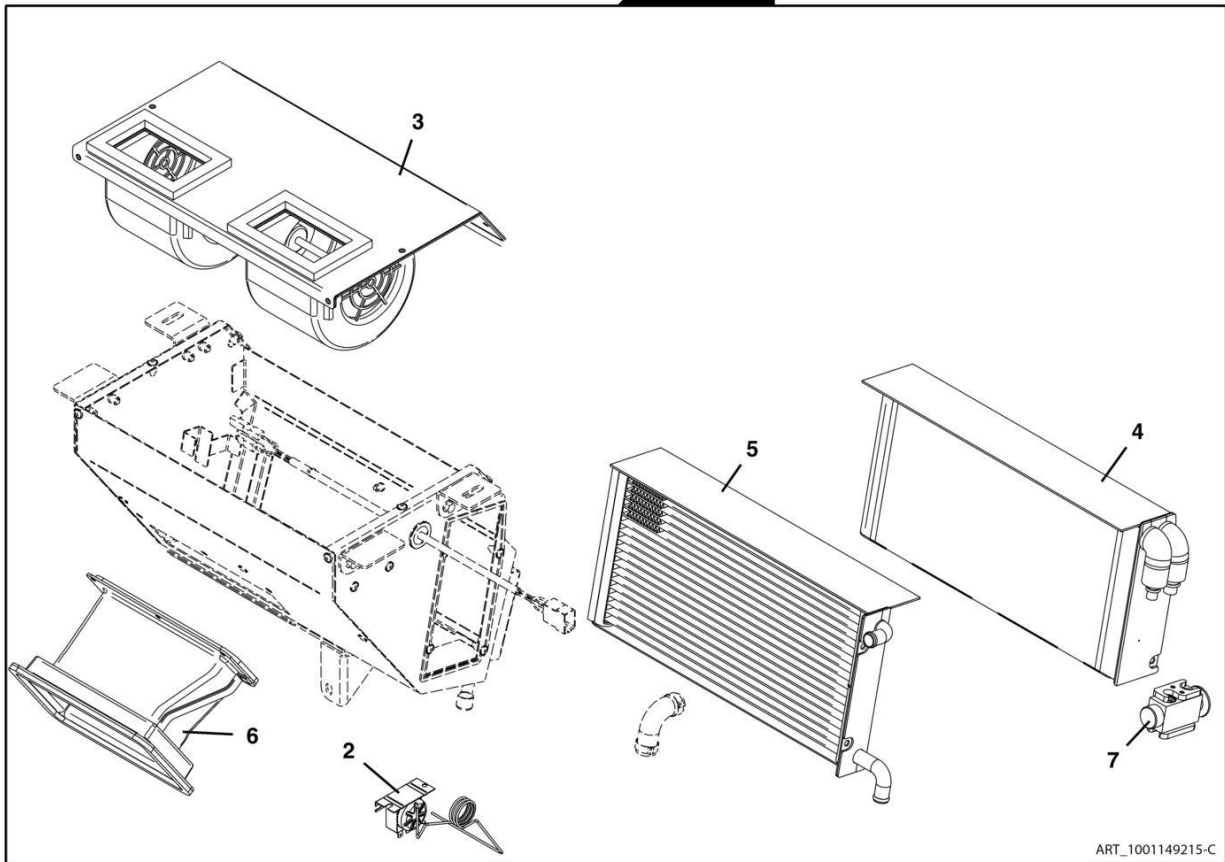
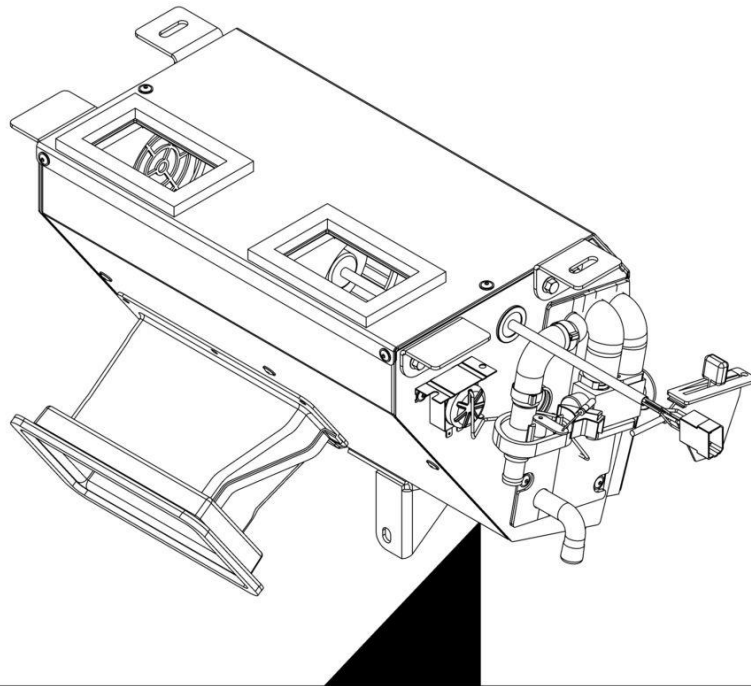
ART_1001149216-B

FIGURE 6-46. HEATER (NO A/C)

ITEM	PART NUMBER	QTY	DESCRIPTION	REV
	1001149216	1	Heater (No A/C)	B
3	70025808	1	Fan, Centrifugal Electric	
5	70025805	1	Heater	
6	70025806	1	Duct, Air	

SECTION 6 - CAB

FIGURE 6-47. HEATER (A/C)



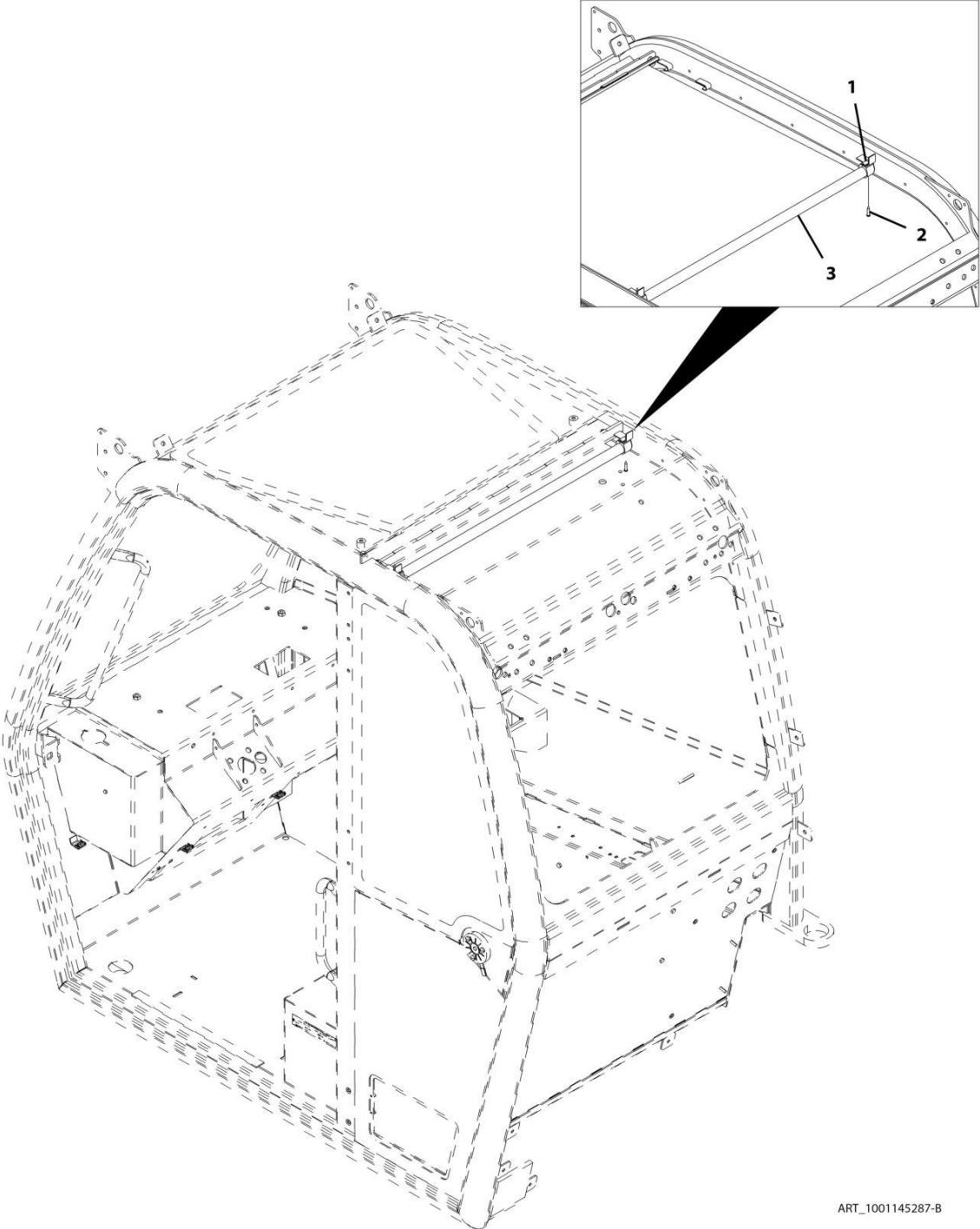
ART_1001149215-C

FIGURE 6-47. HEATER (A/C)

ITEM	PART NUMBER	QTY	DESCRIPTION	REV
	1001149215	1	Heater (A/C)	C
2	70025803	1	Thermostat	
3	70025808	1	Fan, Centrifugal Electric	
4	70025804	1	Evaporator	
5	70025805	1	Heater	
6	70025806	1	Duct, Air	
7	70025807	1	Valve, Expansion	

SECTION 6 - CAB

FIGURE 6-48. CAB SCREEN (GP) SUN BLIND



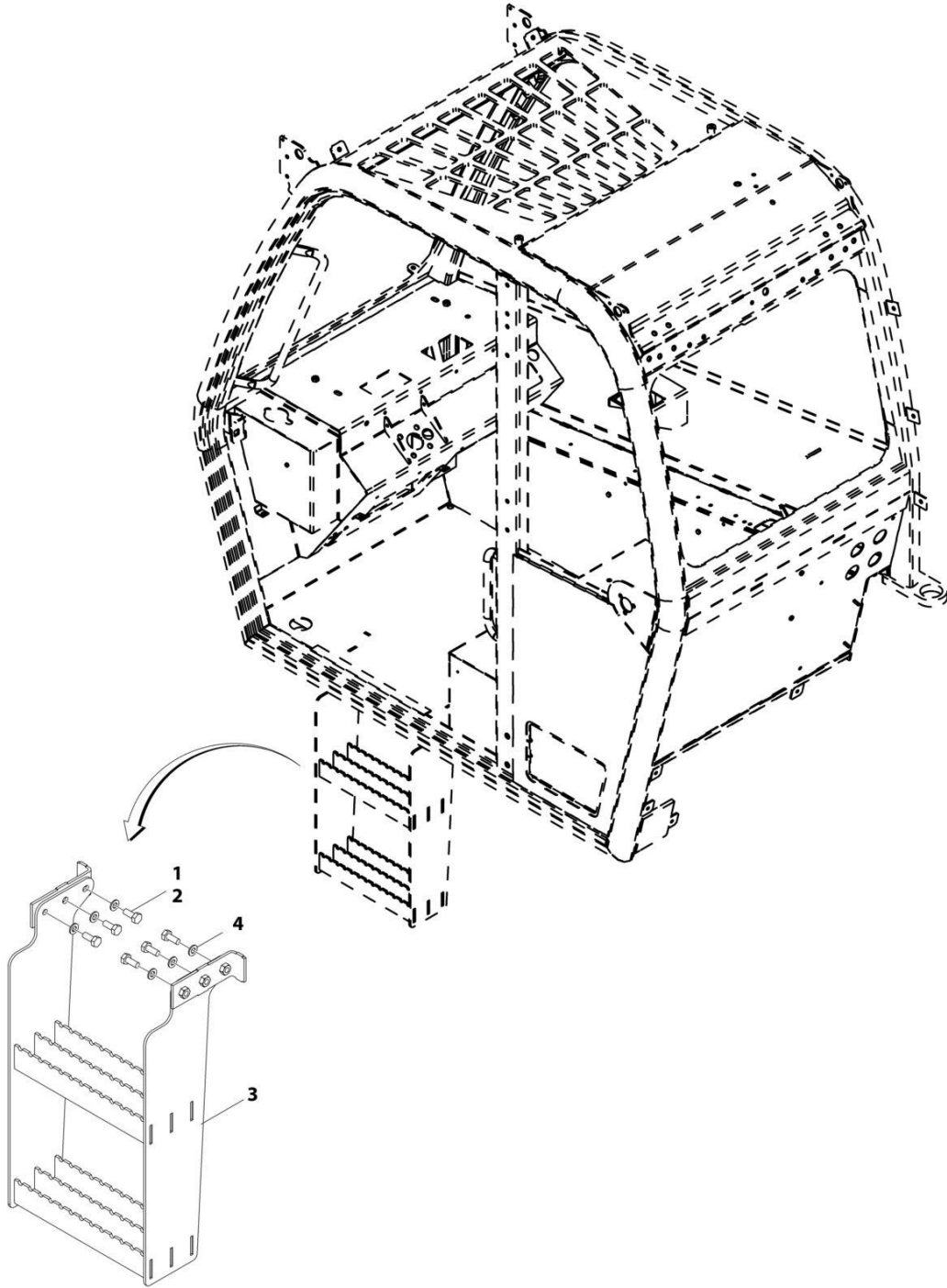
ART_1001145287-B

FIGURE 6-48. CAB SCREEN (GP) SUN BLIND

ITEM	PART NUMBER	QTY	DESCRIPTION	REV
	1001145287	Ref	Cab Screen (GP) Sun Blind	B
1	1001111076	2	Nut, Spire	
2	1001111147	2	Self Tapping Screw	
3	1001145288	1	Cab Screen Blind	

SECTION 6 - CAB

FIGURE 6-49. STEP INSTALLATION



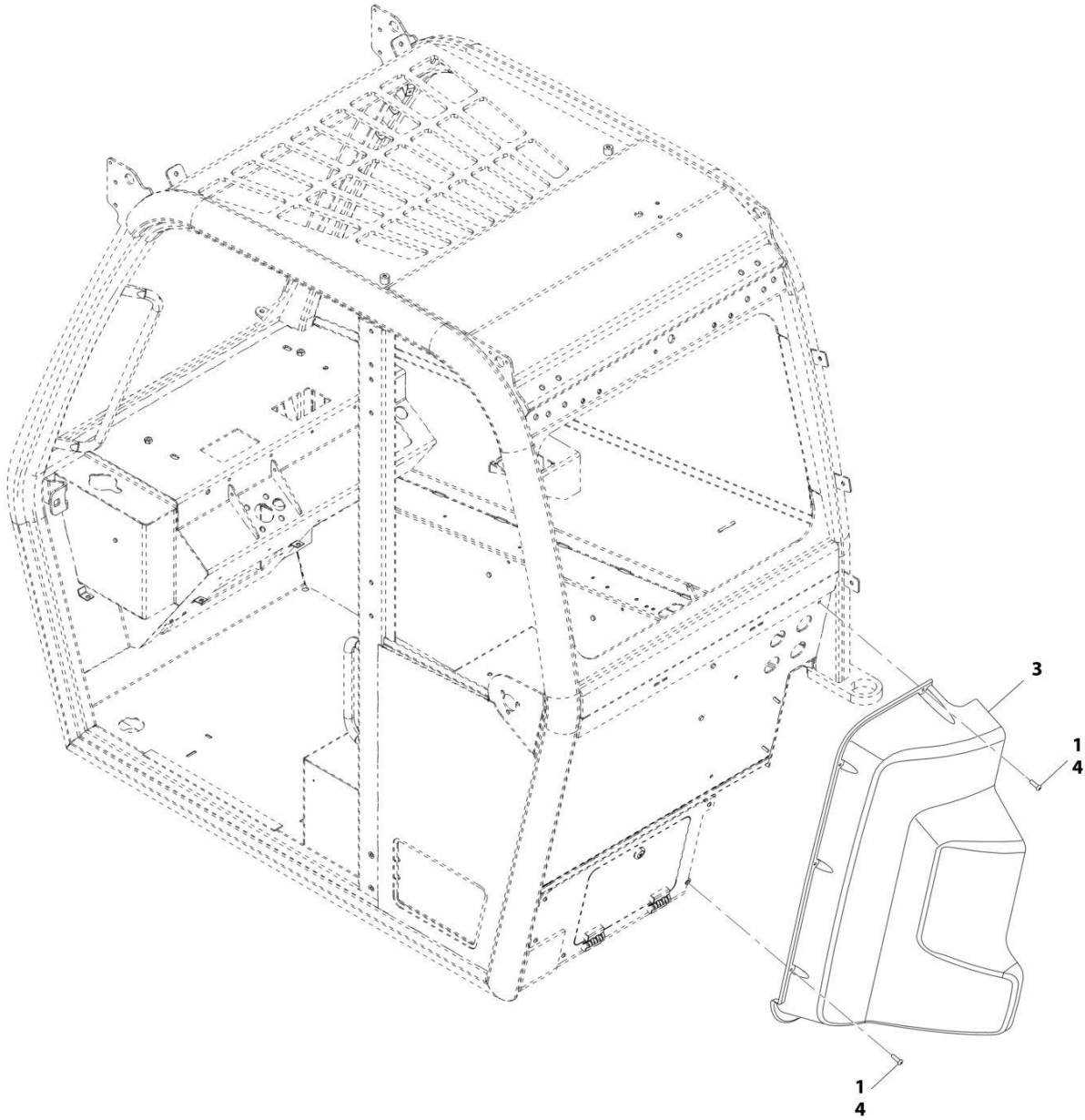
ART_1001144260-E

FIGURE 6-49. STEP INSTALLATION

ITEM	PART NUMBER	QTY	DESCRIPTION	REV
	1001144260	Ref	Step Installation	E
1	1001095650	AR	Compound, Locking	
2	0761012	6	Screw, M10 X 25LG	
3	1001144242	1	Bracket, Step	
4	4812000	6	Washer, 10mm	

SECTION 6 - CAB

FIGURE 6-50. HYDRAULIC COVER INSTALLATION



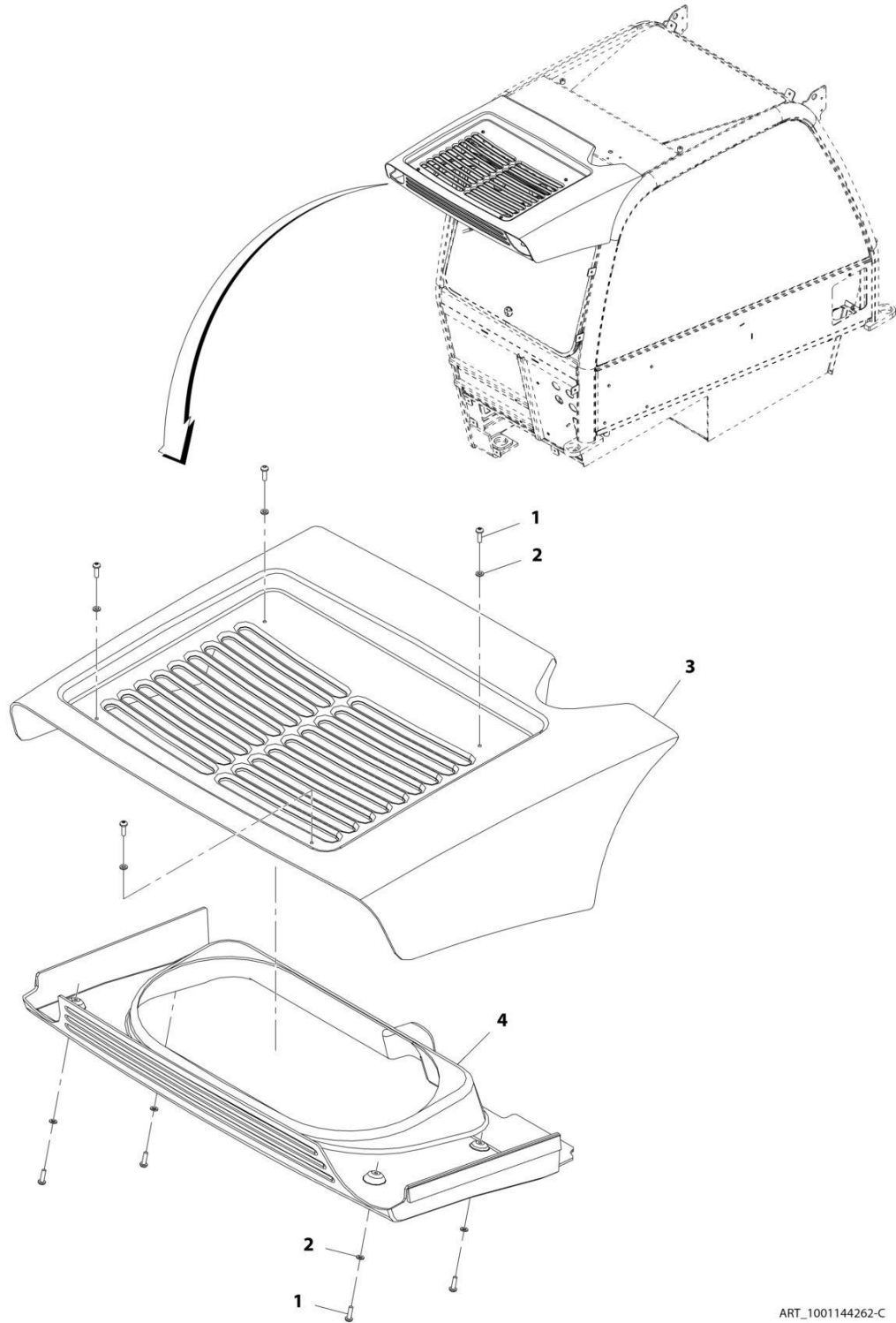
ART_1001144261-D

FIGURE 6-50. HYDRAULIC COVER INSTALLATION

ITEM	PART NUMBER	QTY	DESCRIPTION	REV
	1001144261	Ref	Hydraulic Cover Installation	D
1	3900364	4	Bolt, M6X20	
3	1001147463	1	Cover, Rear Hydraulic	
4	1001095650	AR	Compound, Locking	

SECTION 6 - CAB

FIGURE 6-51. A/C CONDENSER COVER INSTALLATION



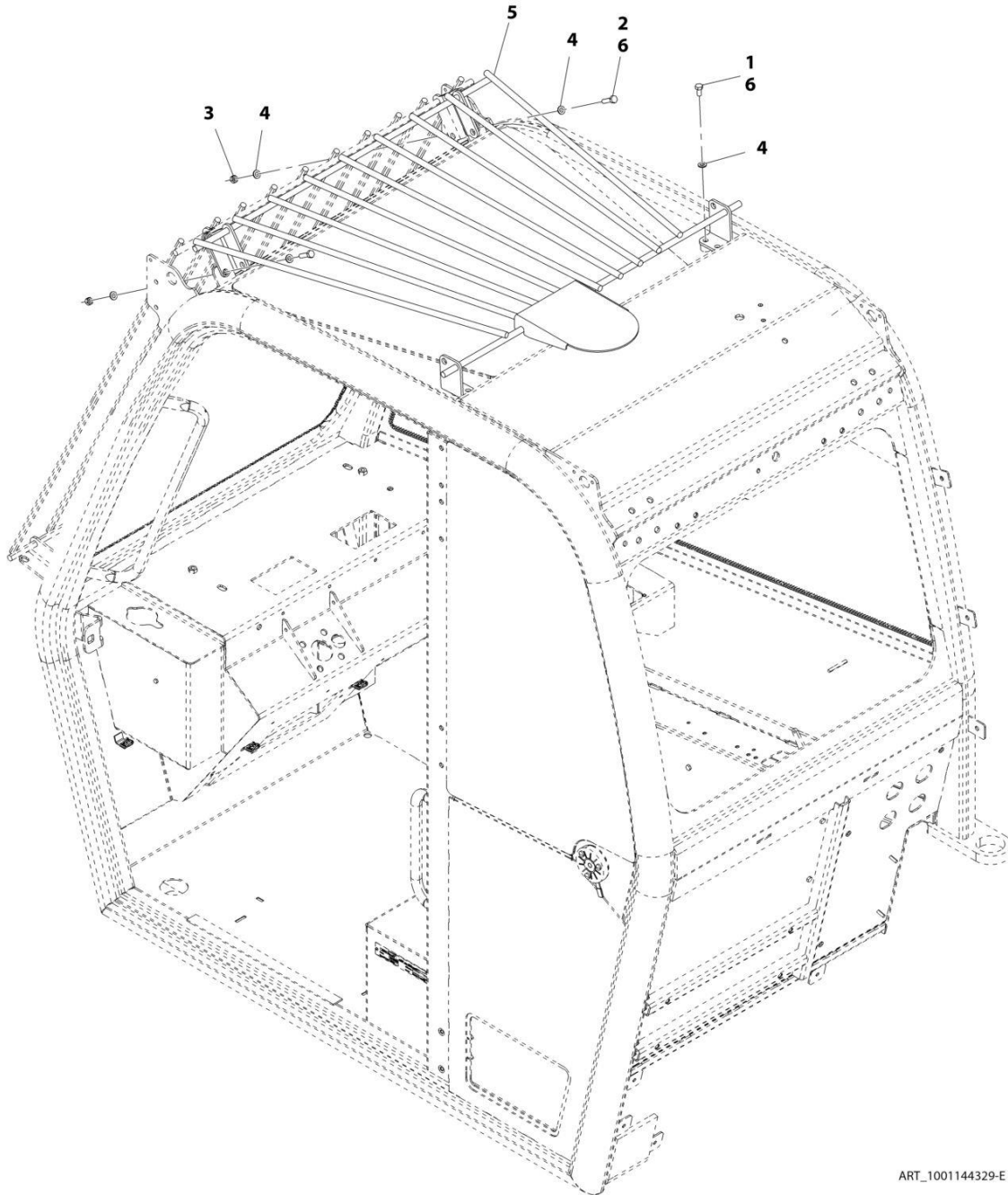
ART_1001144262-C

FIGURE 6-51. A/C CONDENSER COVER INSTALLATION

ITEM	PART NUMBER	QTY	DESCRIPTION	REV
	1001144262	1	A/C Condenser Cover Installation	C
1	4191708	8	Screw, M6 X 20LG	
2	4811700	8	Washer, M6	
3	1001147461	1	Cover, Condenser Upper	
4	1001147462	1	Cover, Condenser Lower	

SECTION 6 - CAB

FIGURE 6-52. TOP SCREEN GUARD INSTALLATION



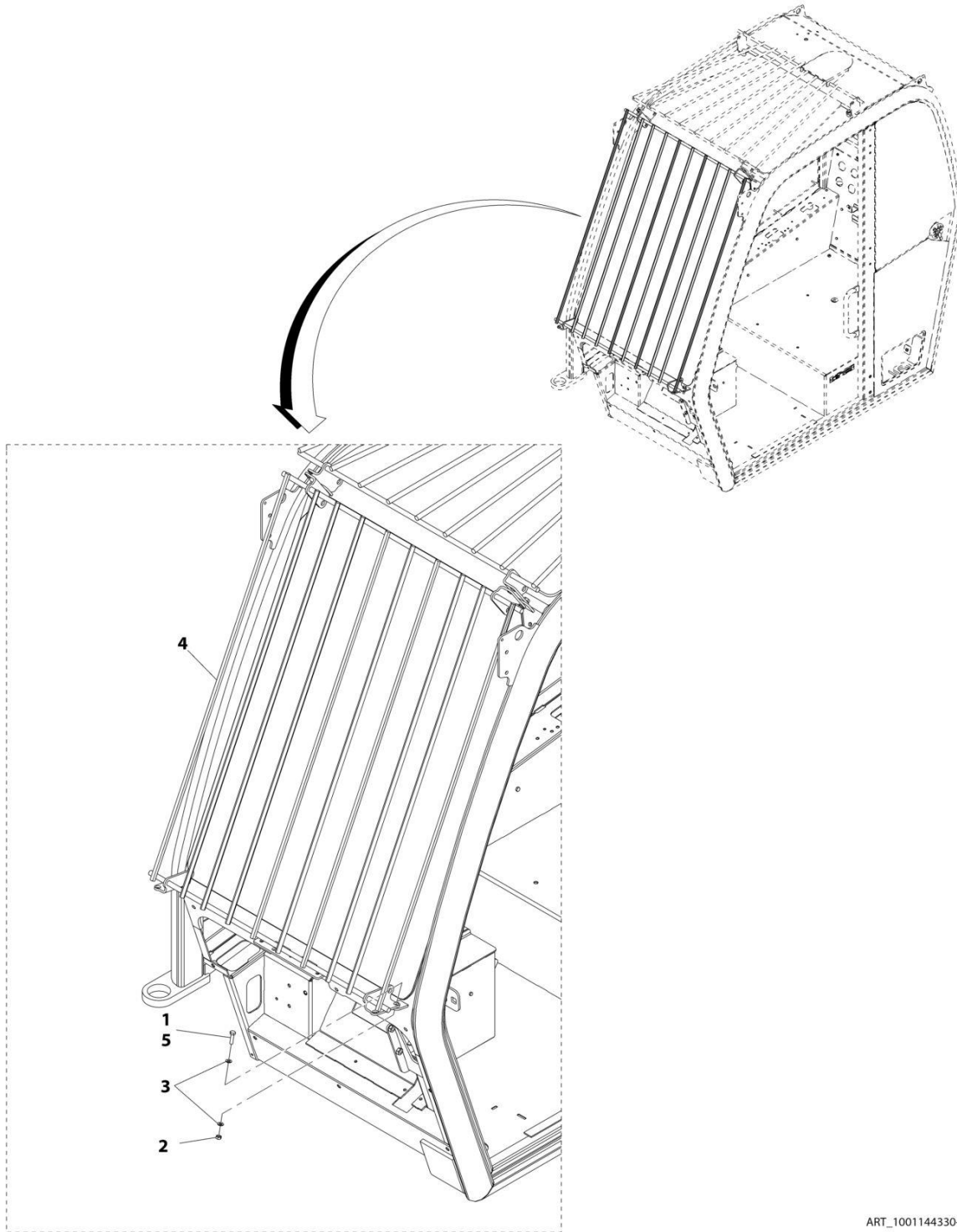
ART_1001144329-E

FIGURE 6-52. TOP SCREEN GUARD INSTALLATION

ITEM	PART NUMBER	QTY	DESCRIPTION	REV
	1001144329	Ref	Top Screen Guard Installation	E
1	0760808	2	Bolt, M8X16	
2	0760814	2	Bolt, M8X30	
3	3290801	2	Nut, M8X1.25	
4	4811900	6	Washer, M8	
5	1001187321	1	Top Screen Guard	
6	1001095650	AR	Compound Locking	

SECTION 6 - CAB

FIGURE 6-53. FRONT SCREEN GUARD INSTALLATION



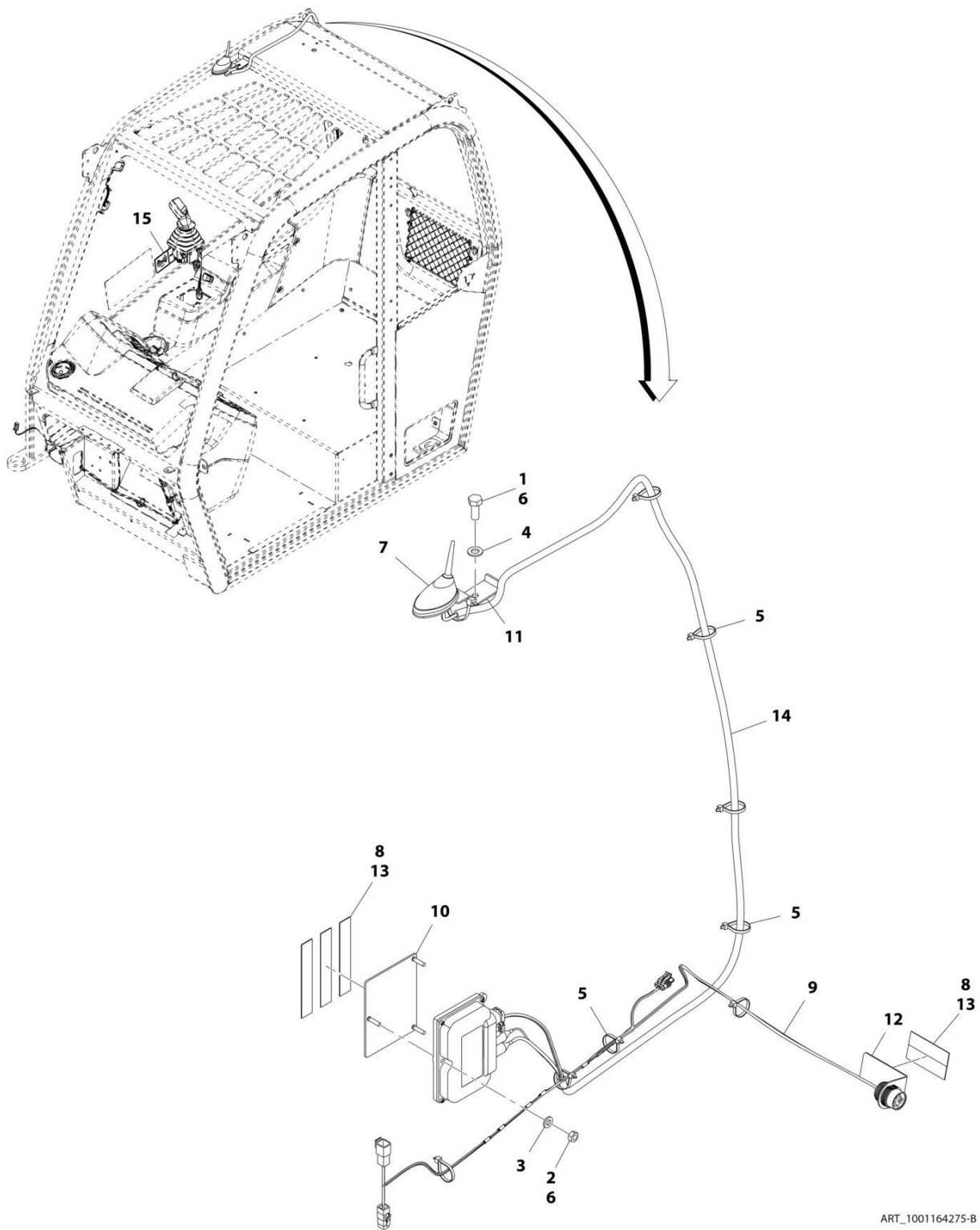
ART_1001144330-E

FIGURE 6-53. FRONT SCREEN GUARD INSTALLATION

ITEM	PART NUMBER	QTY	DESCRIPTION	REV
	1001144330	Ref	Front Screen Guard Installation	E
1	0760814	2	Bolt, M8X30	
2	3290801	2	Nut, M8X1.25	
3	4811900	4	Washer, M8	
4	1001144332	1	Front Screen Guard	
5	1001095650	AR	Compound Locking	

SECTION 6 - CAB

FIGURE 6-54. CLEARSKY INSTALLATION



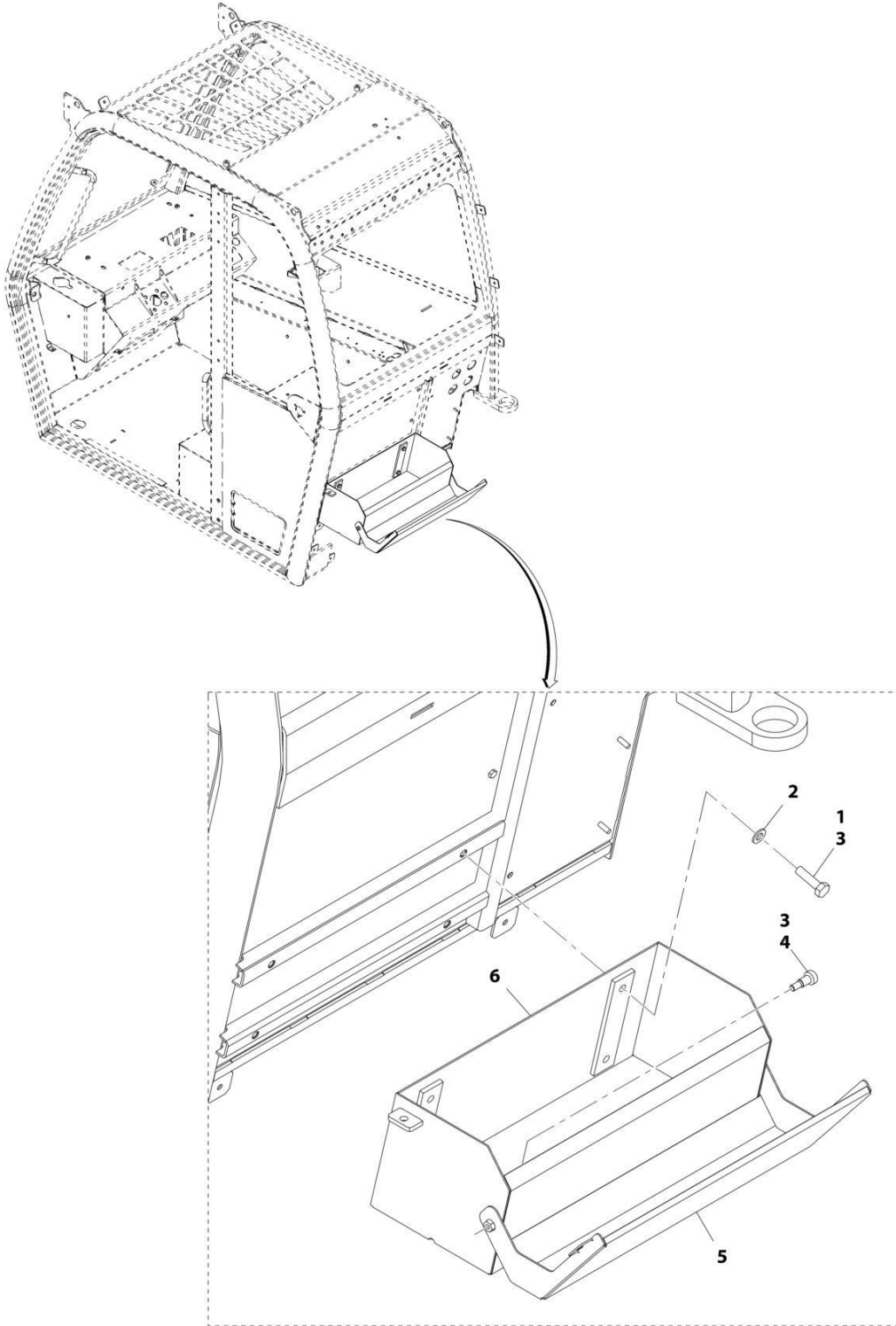
ART_1001164275-B

FIGURE 6-54. CLEARSKY INSTALLATION

ITEM	PART NUMBER	QTY	DESCRIPTION	REV
	1001164275	Ref	Installation, ClearSky	B
1	0760810	1	Bolt, M8X20	
2	3290601	3	Nut, M6X1	
3	4811700	3	Washer, M6	
4	4811900	1	Washer, M8	
5	1001008559	9	Strap, Cable	
6	1001095650	AR	Compound, Locking	
7	1001102831	1	Controller, Telematics CE	
8	1001125465	AR	Compound, Locking	
9	1001164274	1	Harness, Clearsky (See ELECTRICAL SECTION for Breakdown)	
10	1001164388	1	Bracket, Clearsky Module	
11	1001164390	1	Bracket, Clearsky ANT	
12	1001164391	1	Bracket, Clearsky DIAG CONN	
13	1001165978	0.63 m	Tape, 3M	
14	1001166282	1	Conduit	
15	1001120989	1	Decal, Radio Frequency	

SECTION 6 - CAB

FIGURE 6-55. TOOLBOX INSTALLATION



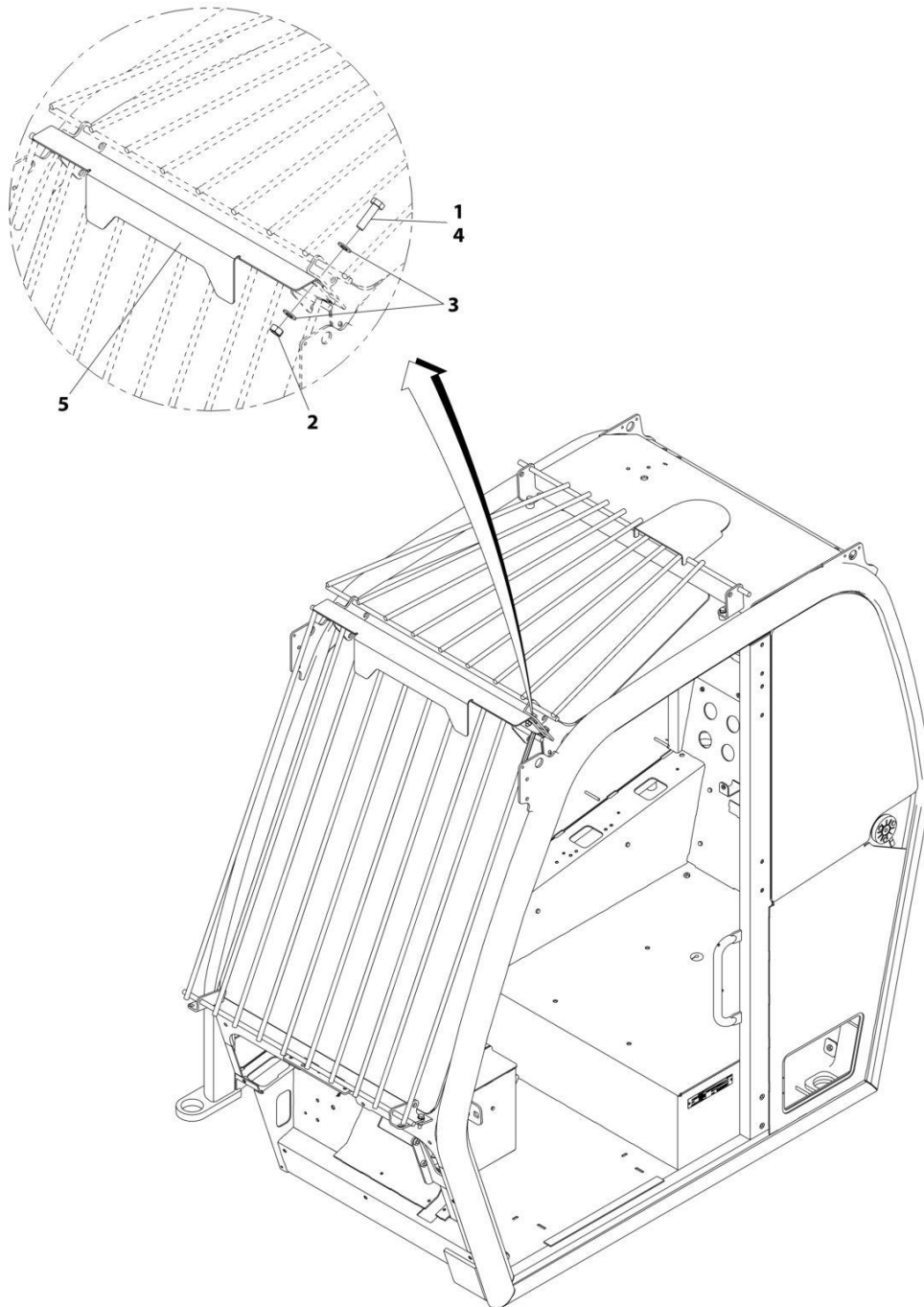
ART_1001177537-A

FIGURE 6-55. TOOLBOX INSTALLATION

ITEM	PART NUMBER	QTY	DESCRIPTION	REV
	1001177537	Ref	Toolbox Installation	A
1	0760814	4	Bolt, M8X30	
2	4811900	4	Washer, M8	
3	1001095650	AR	Compound Locking	
4	1001101999	2	Screw, M8X12	
5	1001177676J	1	Toolbox Lid	
6	1001177678J	1	Toolbox Body	

SECTION 6 - CAB

FIGURE 6-56. FRONT LICENSE PLATE INSTALLATION



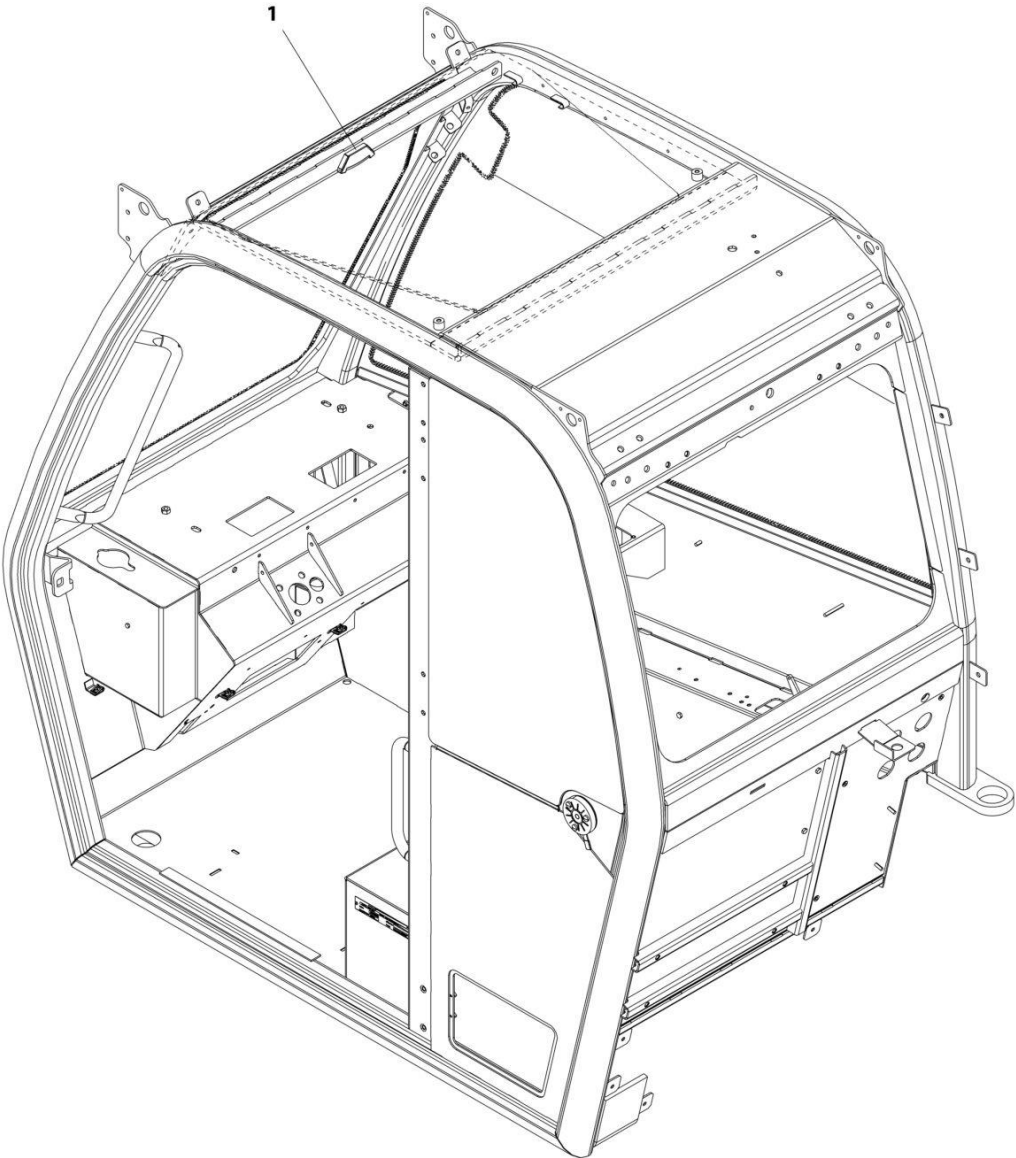
ART_1001202230-A

FIGURE 6-56. FRONT LICENSE PLATE INSTALLATION

ITEM	PART NUMBER	QTY	DESCRIPTION	REV
	1001202230	Ref	Front License Plate Installation	A
1	0760812	2	Bolt, M8X25	
2	3290801	2	Nut, M8X1.25	
3	4811900	4	Washer, M8	
4	1001095650	AR	Compound, Locking	
5	1001202231	1	Bracket	

SECTION 6 - CAB

FIGURE 6-57. LEVEL INDICATOR INSTALLATION



ART_1001166926-B

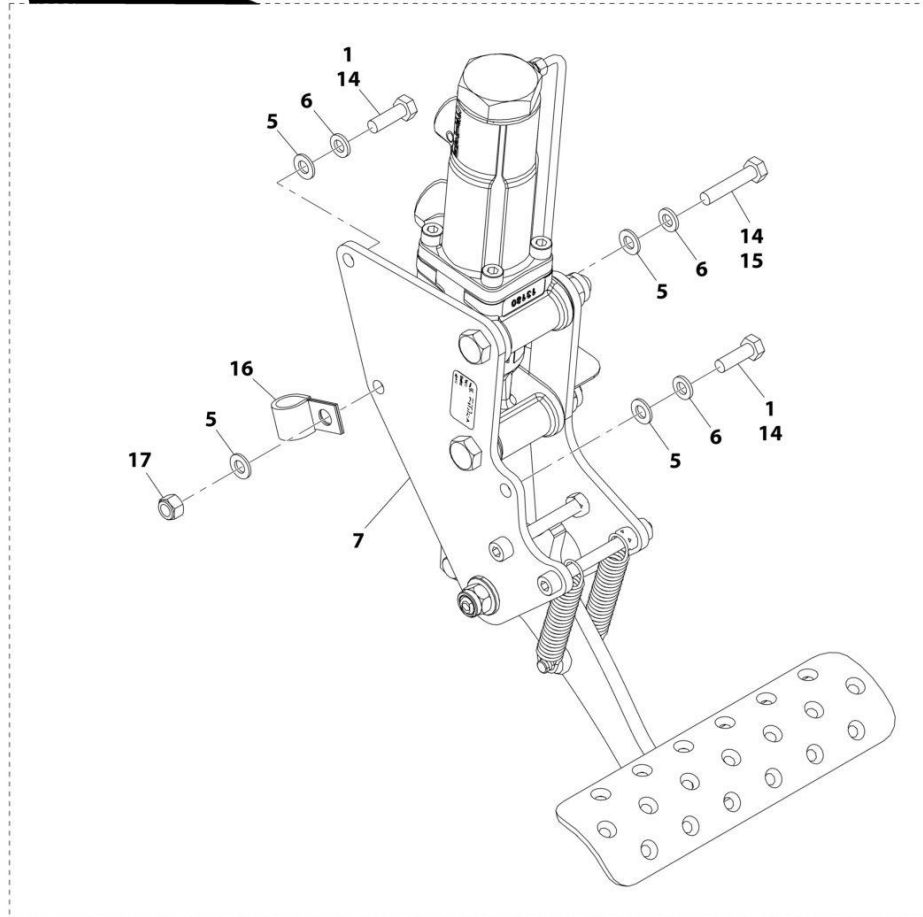
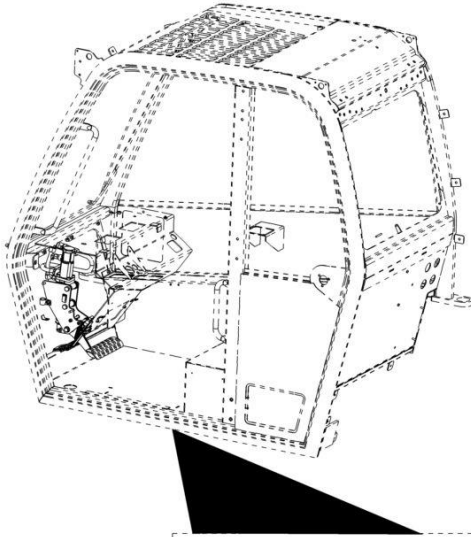
FIGURE 6-57. LEVEL INDICATOR INSTALLATION

ITEM	PART NUMBER	QTY	DESCRIPTION	REV
1	1001166926 8466306	Ref 1	Level Indicator Installation Gage, Tilt Angle	B

SECTION 7 - CONTROLS

SECTION 7 - CONTROLS

FIGURE 7-1. BRAKE PEDAL INSTALLATION (SN E16000001 through E16000141, Excluding E16000120, E16000126, 1160008774, 1160008775 and 1160008777)



ART_1001139977-G

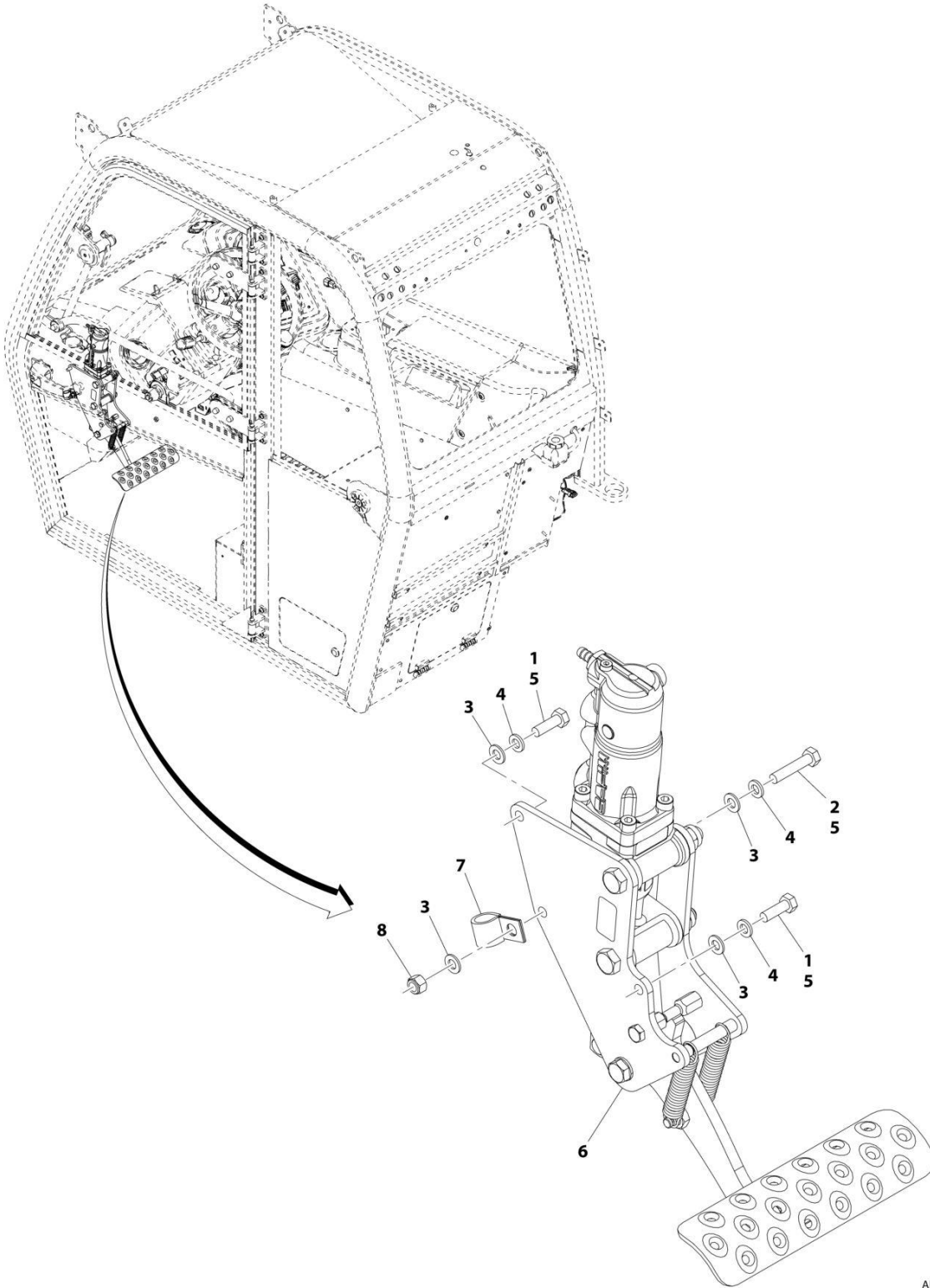
SECTION 7 - CONTROLS

FIGURE 7-1. BRAKE PEDAL INSTALLATION (SN E160000001 through E160000141, Excluding E160000120, E160000126, 1160008774, 1160008775 and 1160008777)

ITEM	PART NUMBER	QTY	DESCRIPTION	REV
	1001139977	Ref	Brake Pedal Installation	G
1	0760812	2	Bolt, M8X25	
5	4811900	4	Washer, M8	
6	4831900	3	Washer, Lock 8	
7	1001166869	1	Assembly, Brake Pedal (See BRAKE PEDAL ASSEMBLY for Breakdown) (SN 1160007024 through 1160007473)	
7	1001181742	1	Assembly, Brake Pedal (See BRAKE PEDAL ASSEMBLY for Breakdown) (SN 1160007473 through 1160008790)	
14	1001095650	AR	Compound, Locking	
15	0760816	1	Bolt, M8X40	
16	1001009207	1	Clip	
17	3290805	1	Nut, Lock M8X1.25	

SECTION 7 - CONTROLS

FIGURE 7-2. BRAKE PEDAL INSTALLATION (SN E160000141 through E160000496, Including E160000120, E160000126, 1160008774, 1160008775 and 1160008777)



ART_1001206068-B

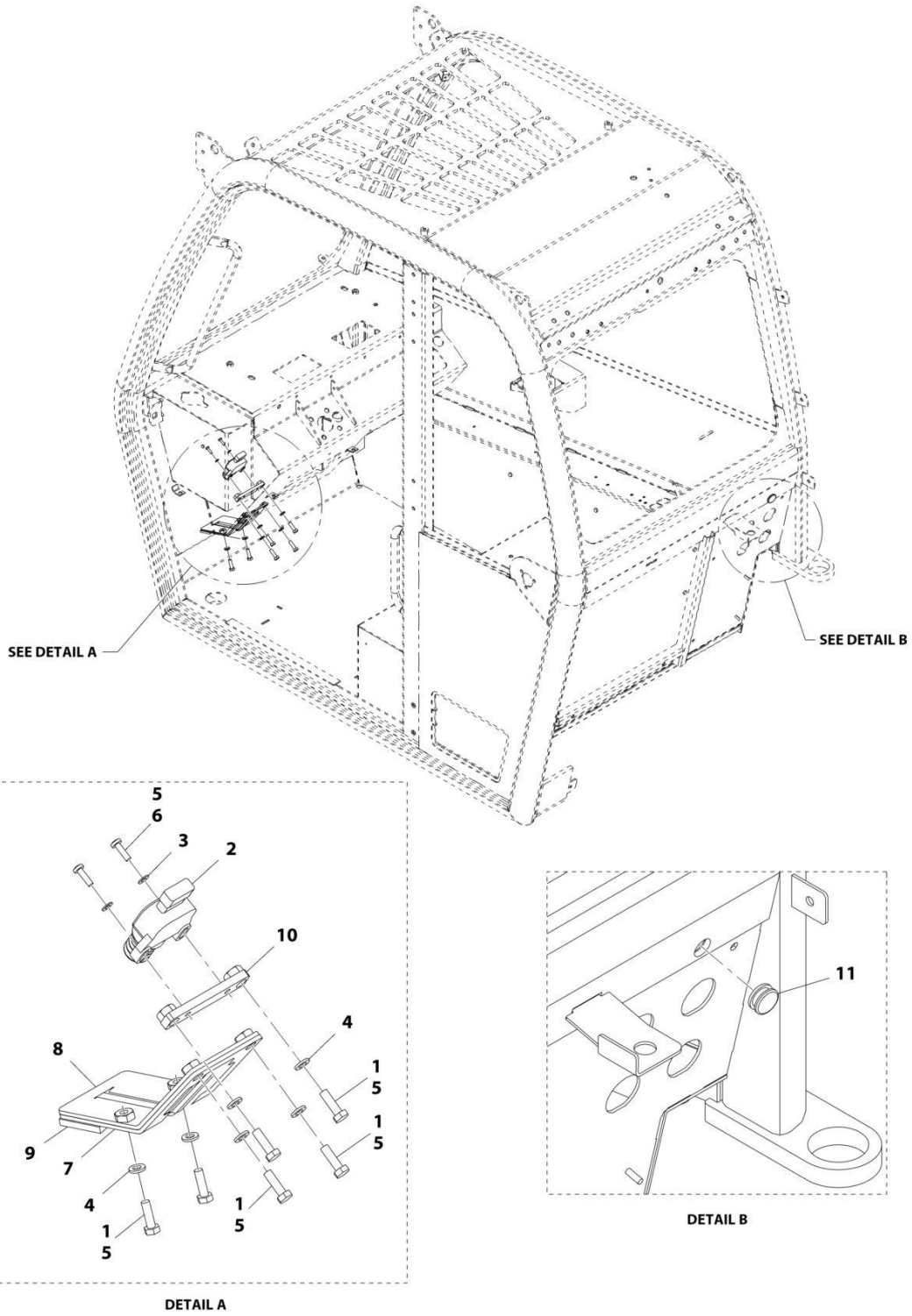
SECTION 7 - CONTROLS

FIGURE 7-2. BRAKE PEDAL INSTALLATION (SN E160000141 through E160000496, Including E160000120, E160000126, 1160008774, 1160008775 and 1160008777)

ITEM	PART NUMBER	QTY	DESCRIPTION	REV
	1001206068	Ref	Brake Pedal Installation	B
1	0760812	2	Bolt, M8X25	
2	0760816	1	Bolt, M8X40	
3	4811900	4	Washer, M8	
4	4831900	3	Washer, Lock M8	
5	1001095650	AR	Compound, Locking	
6	1001206067	1	Assembly, Brake Pedal (See Separate Breakdown in this Section)	
7	1001009207	1	Clip	
8	3290805	1	Nut, Lock M8X1.25	

SECTION 7 - CONTROLS

FIGURE 7-3. BRAKE PEDAL INSTALLATION (SN E16000001 through E16000141, Excluding E16000120, E16000126, 1160008774, 1160008775 and 1160008777)



ART_1001185594-C

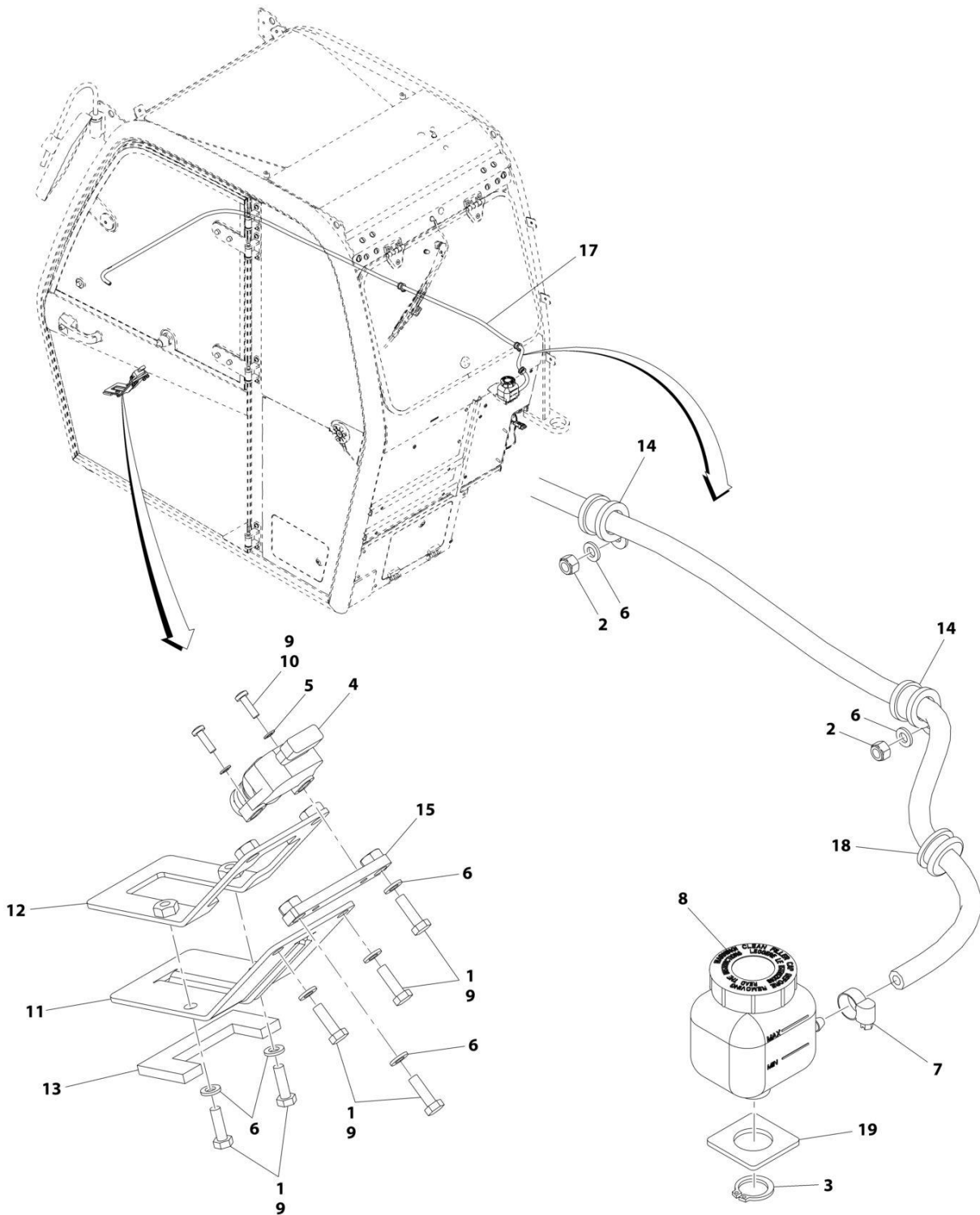
SECTION 7 - CONTROLS

FIGURE 7-3. BRAKE PEDAL INSTALLATION (SN E160000001 through E160000141, Excluding E160000120, E160000126, 1160008774, 1160008775 and 1160008777)

ITEM	PART NUMBER	QTY	DESCRIPTION	REV
	1001185594	Ref	Brake Pedal Installation Prep	C
1	0760610	6	Bolt, M6X20	
2	4360658	1	Switch, Brake Light	
3	4811400	2	Washer, M4	
4	4811700	6	Washer, M6	
5	1001095650	AR	Compound, Locking	
6	1001101540	2	Screw, M4X14	
7	1001149490	1	Seal, Brake Pedal Gasket	
8	1001149538	1	Plate Clamp	
9	1001149552	1	Seal	
10	1001175842	1	Plate	
11	1001213461	1	Plug	

SECTION 7 - CONTROLS

FIGURE 7-4. BRAKE PEDAL INSTALLATION (SN E160000141 through E160000496, Including E160000120, E160000126, 1160008774, 1160008775 and 1160008777)



ART_1001211860-C

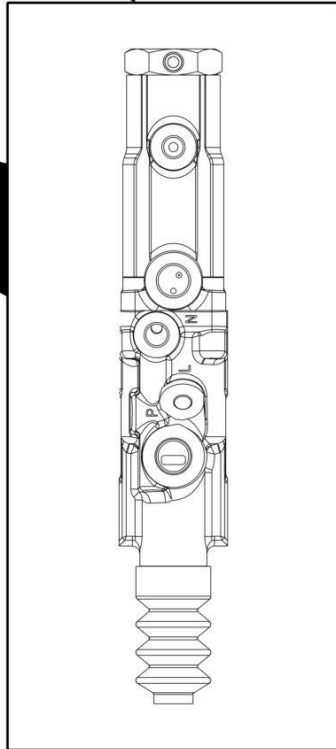
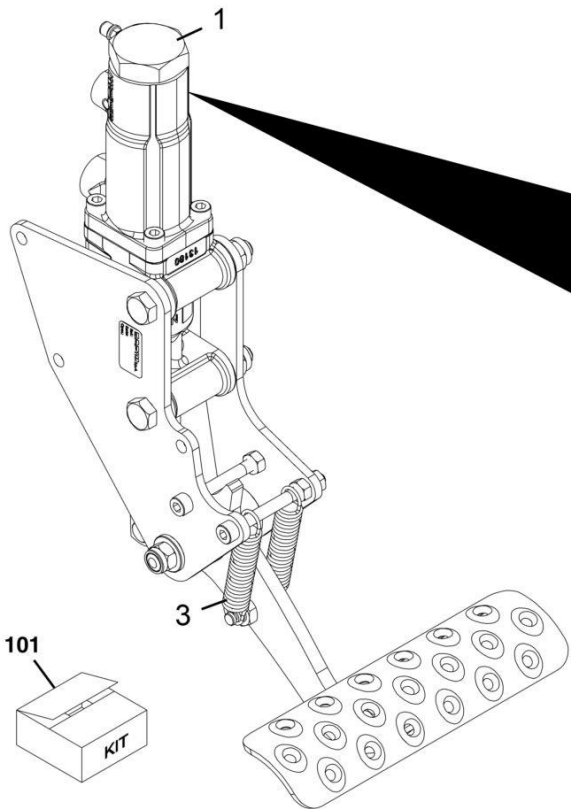
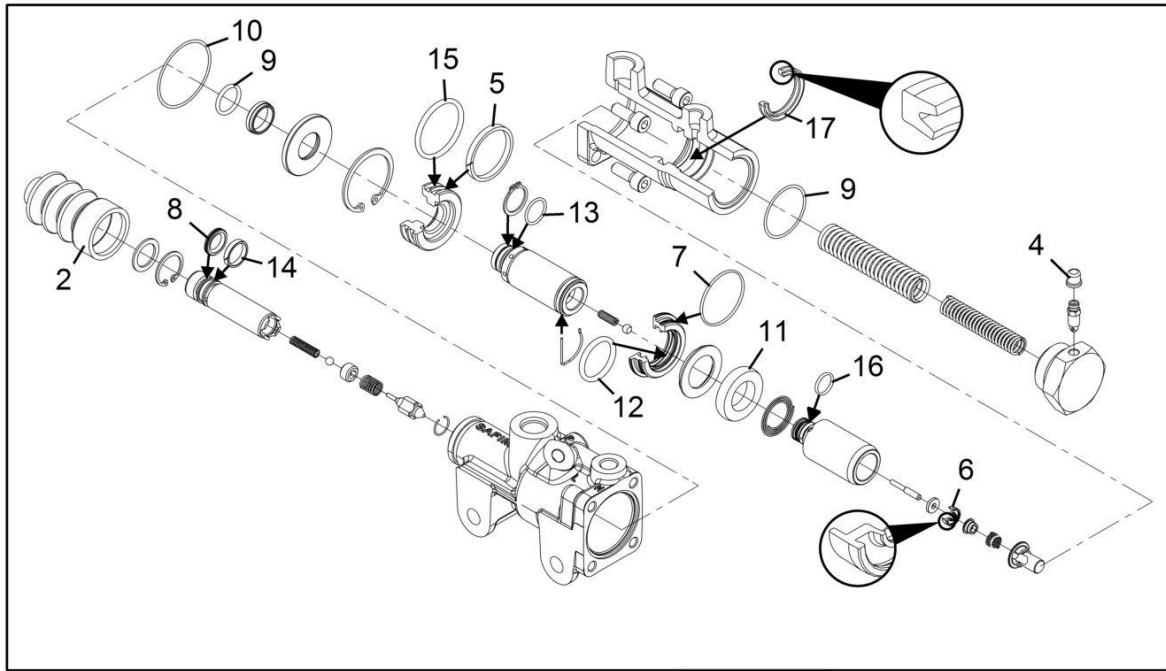
SECTION 7 - CONTROLS

FIGURE 7-4. BRAKE PEDAL INSTALLATION (SN E160000141 through E160000496, Including E160000120, E160000126, 1160008774, 1160008775 and 1160008777)

ITEM	PART NUMBER	QTY	DESCRIPTION	REV
	1001211860	Ref	Brake Pedal Installation	C
1	0760610	6	Bolt, M6X20	
2	3290605	2	Nut, M6X1	
3	3760348	1	Retaining Ring	
4	4360658	1	Switch, Brake Light	
5	4811400	2	Washer, M4	
6	4811700	8	Washer, M6	
7	8405009	1	Gear Clamp	
8	1001214220	1	Brake Reservoir	
9	1001095650	AR	Compound, Locking	
10	1001101540	2	Screw, M4X14	
11	1001149490	1	Seal, Brake Pedal Gasket	
12	1001149538	1	Plate Clamp	
13	1001149552	1	Seal	
14	1001170231	2	P-Clip M6X15	
15	1001175842	1	Plate	
17	1001211318	1	Hose	
18	1001213460	1	Plug	
19	1001213841	1	Seal	

SECTION 7 - CONTROLS

FIGURE 7-5. BRAKE PEDAL ASSEMBLY (SN E16000001 through E16000141, Excluding E16000120, E16000126, 1160008774, 1160008775 and 1160008777)



ART_1001166869-B

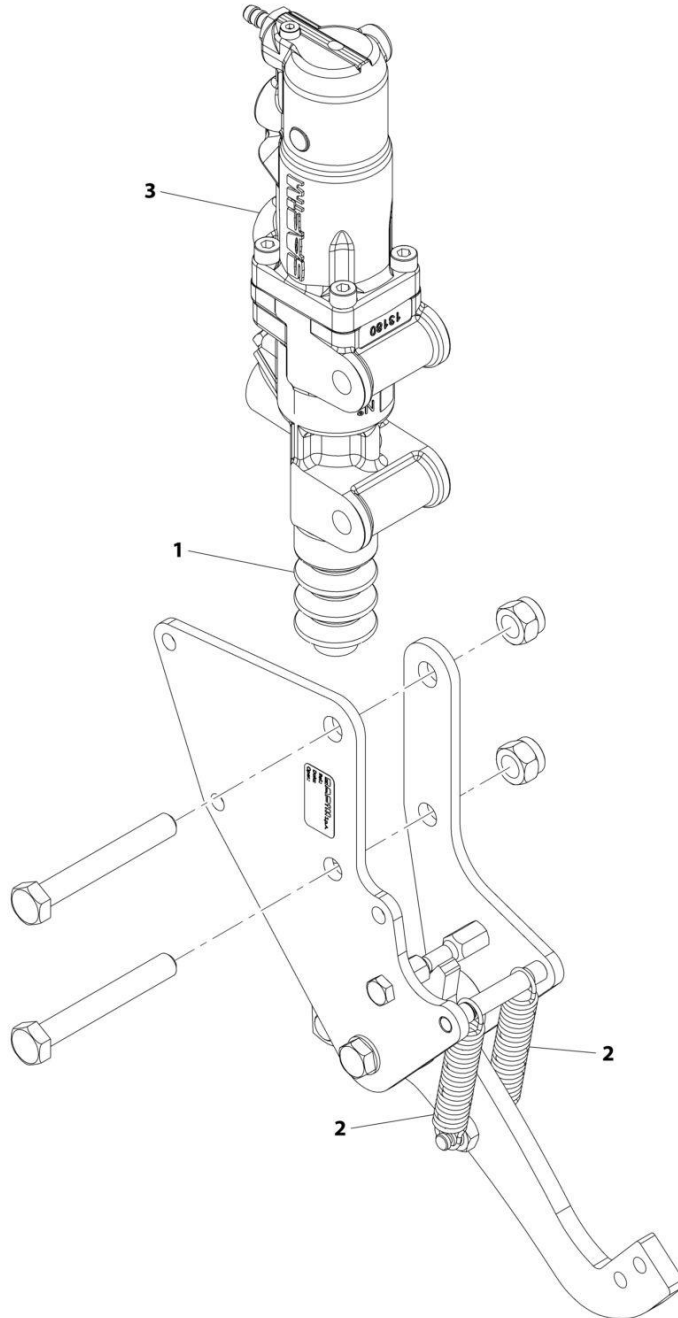
SECTION 7 - CONTROLS

FIGURE 7-5. BRAKE PEDAL ASSEMBLY (SN E160000001 through E160000141, Excluding E160000120, E160000126, 1160008774, 1160008775 and 1160008777)

ITEM	PART NUMBER	QTY	DESCRIPTION	REV
	1001166869	Ref	Brake Pedal Assembly	B
	1001181742	1	Brake Pedal Assembly (SN 1160007473 through 1160008790)	A
1	70025858	1	Cylinder, Master	
2	70025859	1	Cover, Dust	
3	70025860	1	Spring, Return	
4	70025861	1	Cover, Bleeding Screw Dust	
5	Kit	1	Ring, Retaining	
6	Kit	1	Lip Gasket	
7	Kit	1	O-ring	
8	Kit	1	Seal, Special	
9	Kit	1	O-ring	
10	Kit	1	O-ring	
11	Kit	1	Gasket, Rectangular Section	
12	Kit	1	O-ring	
13	Kit	1	O-ring	
14	Kit	1	Ring, Retaining	
15	Kit	1	O-ring	
16	Kit	1	O-ring	
17	Kit	1	Gasket, Lip	
101	70025862	1	Kit, Master Cylinder Seal (includes items 5 thru 17)	

SECTION 7 - CONTROLS

FIGURE 7-6. BRAKE PEDAL ASSEMBLY (SN E160000141 through E160000496, Including E160000120, E160000126, 1160008774, 1160008775 and 1160008777)



ART_1001206067-C

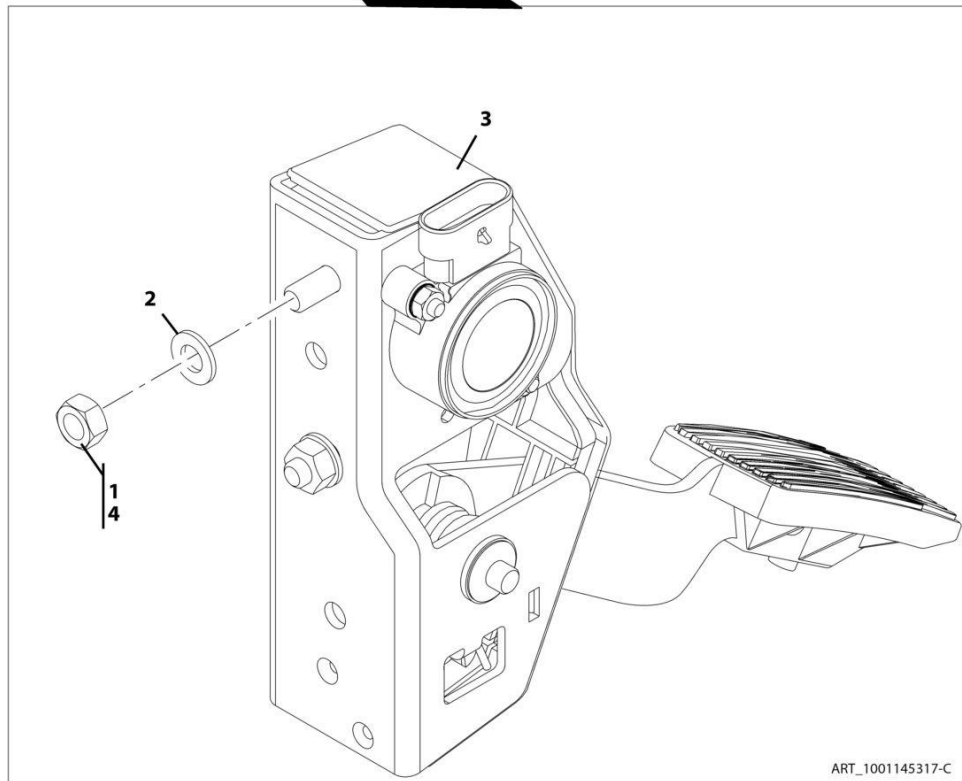
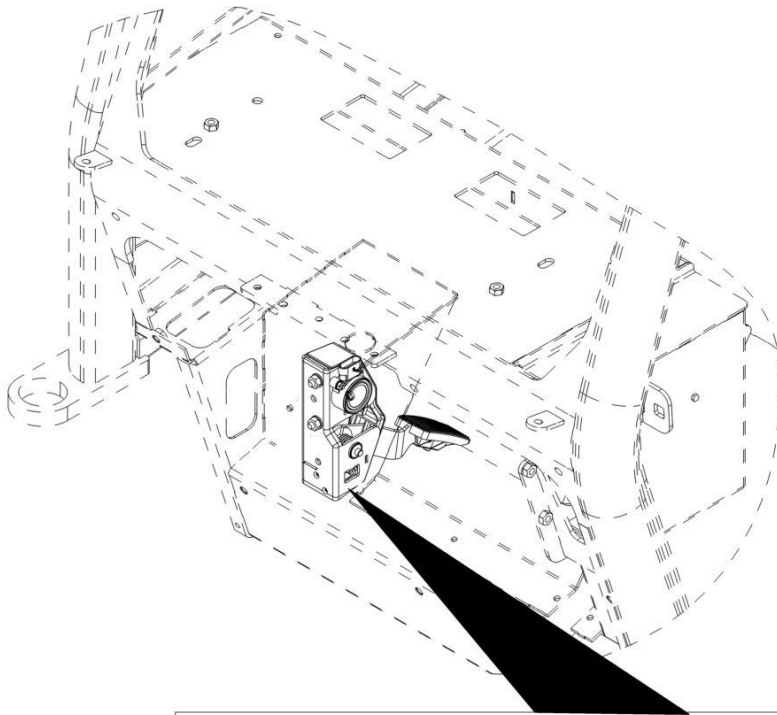
SECTION 7 - CONTROLS

FIGURE 7-6. BRAKE PEDAL ASSEMBLY (SN E160000141 through E160000496, Including E160000120, E160000126, 1160008774, 1160008775 and 1160008777)

ITEM	PART NUMBER	QTY	DESCRIPTION	REV
	1001206067	Ref	Brake Pedal Assembly	C
1	70025859	1	Dust Cover	
2	70025860	2	Return Spring	
3	N.S.S.	1	Master Cylinder	

SECTION 7 - CONTROLS

FIGURE 7-7. ACCELERATOR PEDAL INSTALLATION (SN E16000001 through E160000342, Excluding E160000328, E160000329, E160000330, E160000331, E160000332 and E160000336)



ART_1001145317-C

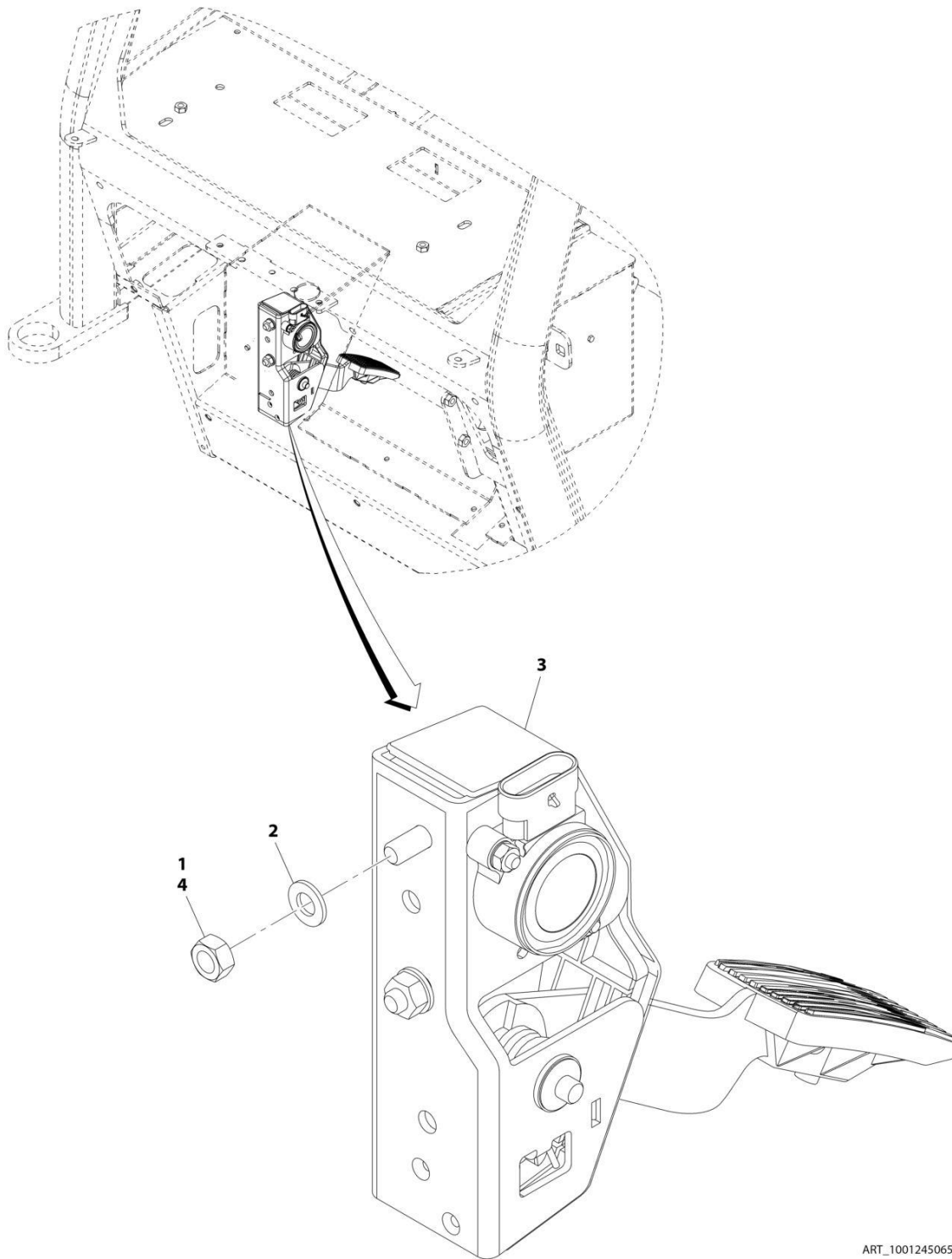
SECTION 7 - CONTROLS

FIGURE 7-7. ACCELERATOR PEDAL INSTALLATION (SN E160000001 through E160000342, Excluding E160000328, E160000329, E160000330, E160000331, E160000332 and E160000336)

ITEM	PART NUMBER	QTY	DESCRIPTION	REV
	1001145317	Ref	Accelerator Pedal Installation	C
1	3290801	2	Nut, M8X1.25	
2	4811900	2	Washer, M8	
3	1001145316	1	Assembly, Accelerator Pedal (See ACCELERATOR PEDAL for Breakdown)	
4	1001095650	AR	Compound, Locking	

SECTION 7 - CONTROLS

FIGURE 7-8. ACCELERATOR PEDAL INSTALLATION (SN E160000342 through E160000496, Including E160000328, E160000329, E160000330, E160000331, E160000332 and E160000336)



ART_1001245065-B

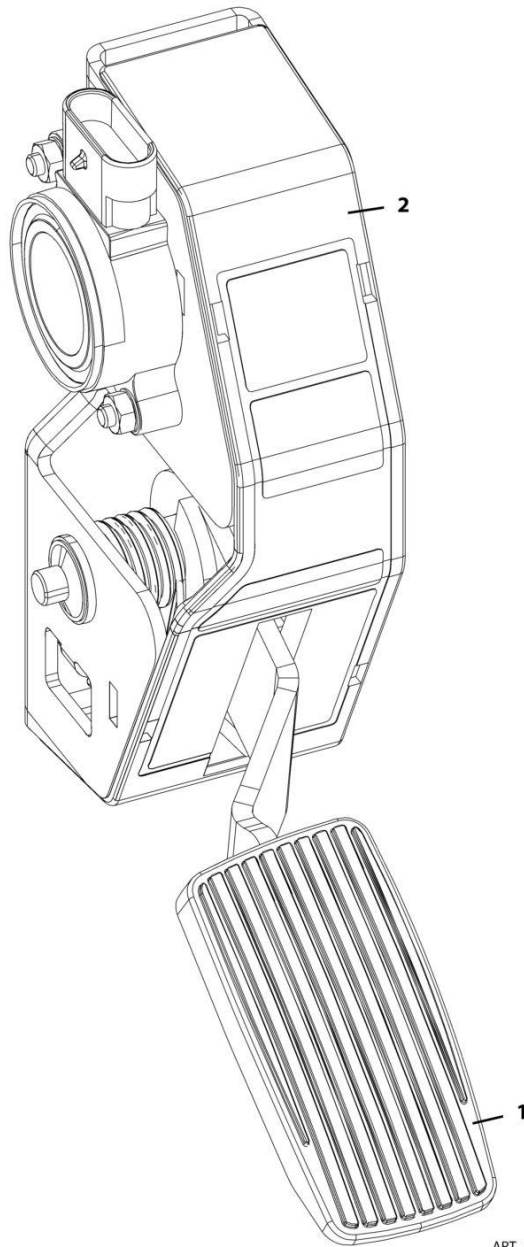
SECTION 7 - CONTROLS

FIGURE 7-8. ACCELERATOR PEDAL INSTALLATION (SN E160000342 through E160000496, Including E160000328, E160000329, E160000330, E160000331, E160000332 and E160000336)

ITEM	PART NUMBER	QTY	DESCRIPTION	REV
	1001245065	Ref	Accelerator Pedal Installation	B
1	3290801	2	Nut, M8X1.25	
2	4811900	2	Washer, M8	
3	1001159028	1	Assembly, Accelerator Pedal (See Separate Breakdown in this Section)	
4	1001095650	AR	Compound, Locking	

SECTION 7 - CONTROLS

FIGURE 7-9. ACCELERATOR PEDAL (SN E16000001 through E16000342, Excluding E16000328, E16000329, E16000330, E16000331, E16000332 and E16000336)



ART_1001145316-B

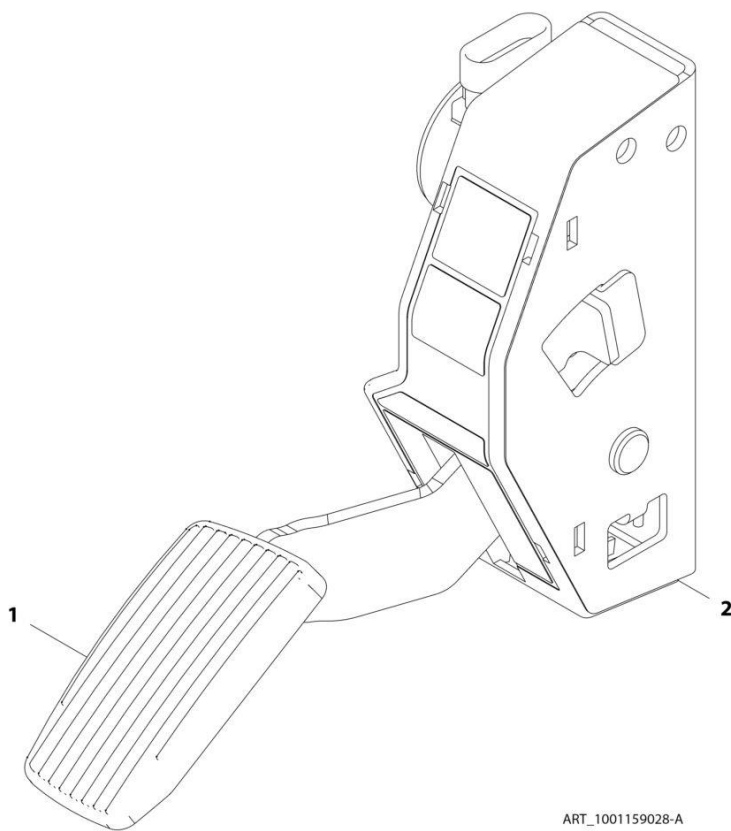
SECTION 7 - CONTROLS

FIGURE 7-9. ACCELERATOR PEDAL (SN E16000001 through E160000342, Excluding E160000328, E160000329, E160000330, E160000331, E160000332 and E160000336)

ITEM	PART NUMBER	QTY	DESCRIPTION	REV
	1001145316	Ref	Accelerator Pedal	B
1	70025816	1	Pad, Rubber	
2	70025817	1	Cover, Rubber	

SECTION 7 - CONTROLS

FIGURE 7-10. ACCELERATOR PEDAL (SN E160000342 through E160000496, Including E160000328, E160000329, E160000330, E160000331, E160000332 and E160000336)



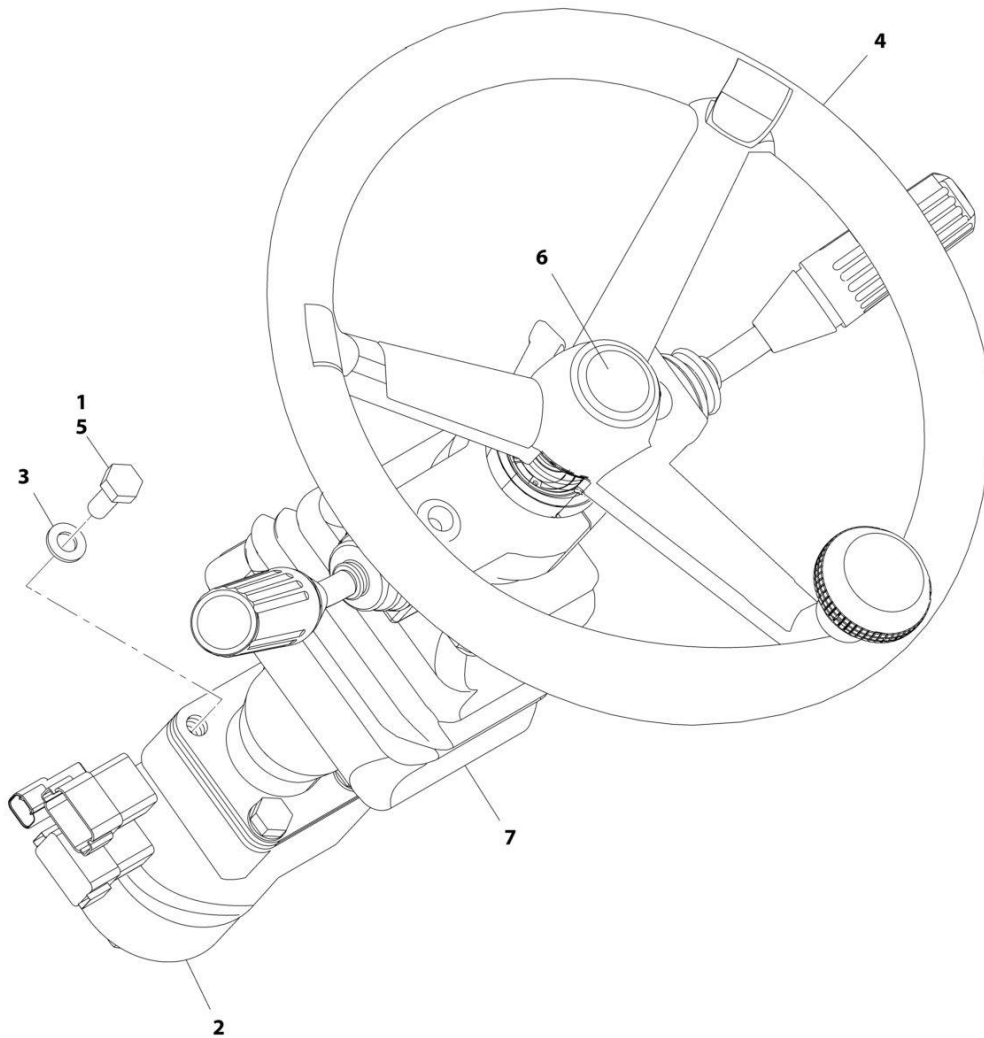
SECTION 7 - CONTROLS

FIGURE 7-10. ACCELERATOR PEDAL (SN E160000342 through E160000496, Including E160000328, E160000329, E160000330, E160000331, E160000332 and E160000336)

ITEM	PART NUMBER	QTY	DESCRIPTION	REV
	1001159028	Ref	Accelerator Pedal	A
1	70025816	1	Pad, Rubber	
2	70025817	1	Cover, Rubber	

SECTION 7 - CONTROLS

FIGURE 7-11. STEER COLUMN INSTALLATION (FNR LEVER) (SN E16000001 through E160000141, Excluding E160000120, E160000126, 1160008774, 1160008775 and 1160008777)



ART_1001139769-B

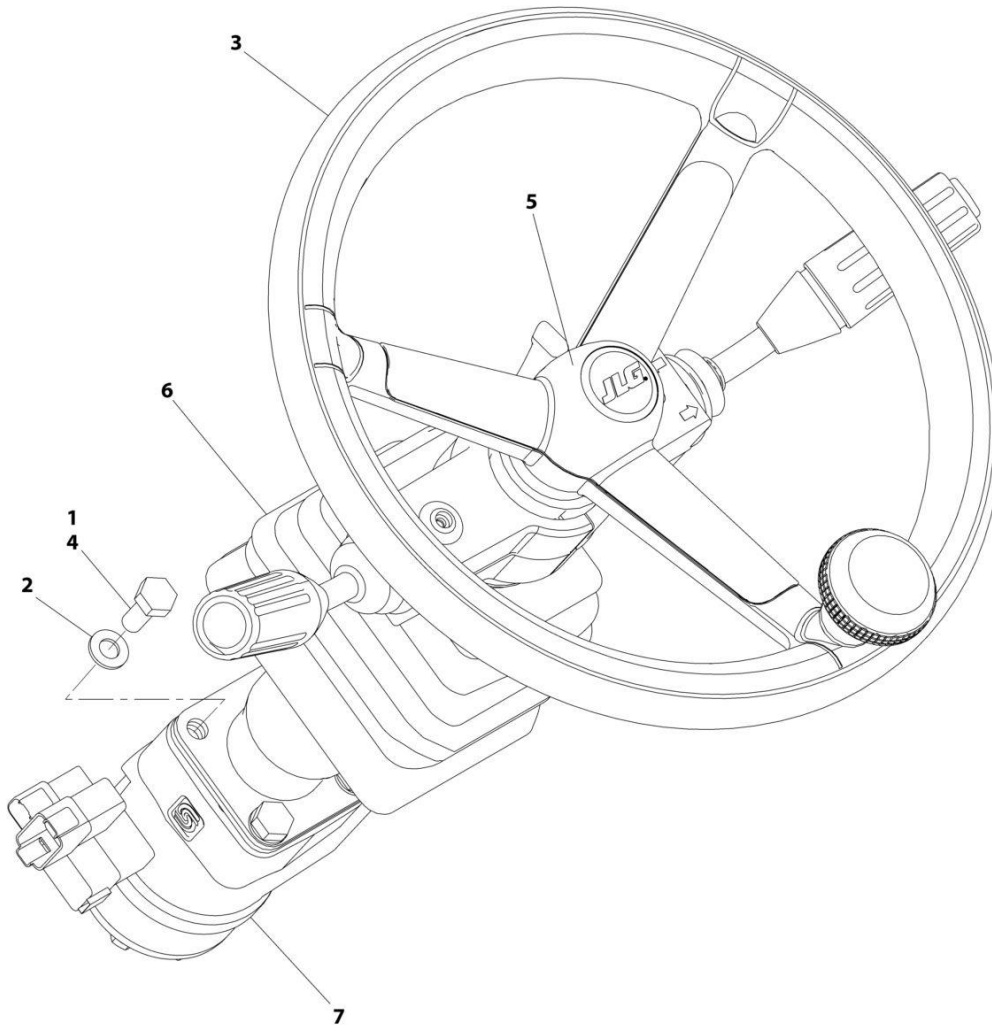
SECTION 7 - CONTROLS

FIGURE 7-11. STEER COLUMN INSTALLATION (FNR LEVER) (SN E16000001 through E160000141, Excluding E160000120, E160000126, 1160008774, 1160008775 and 1160008777)

ITEM	PART NUMBER	QTY	DESCRIPTION	REV
	1001139769	Ref	Steering Column Install (FNR Lever)	B
1	0761012	4	Bolt, M10X25	
2	4641521	1	Valve, Steering	
3	4812000	4	Washer, M10	
4	1001091033	1	Wheel, Steering (See STEERING WHEEL for Breakdown)	
5	1001095650	AR	Compound, Locking	
6	1001135838	1	Insert, Steering Wheel (JLG)	
7	1001143430	1	Column, Steering (See STEERING COLUMN (FNR LEVER) for Breakdown)	

SECTION 7 - CONTROLS

FIGURE 7-12. STEER COLUMN INSTALLATION (FNR LEVER) (SN E160000141 through E160000341, Except SN E160000328 through E160000332, Including E160000120, E160000126, 1160008774, 1160008775 and 1160008777, Excluding E160000336)



ART_1001212939-B

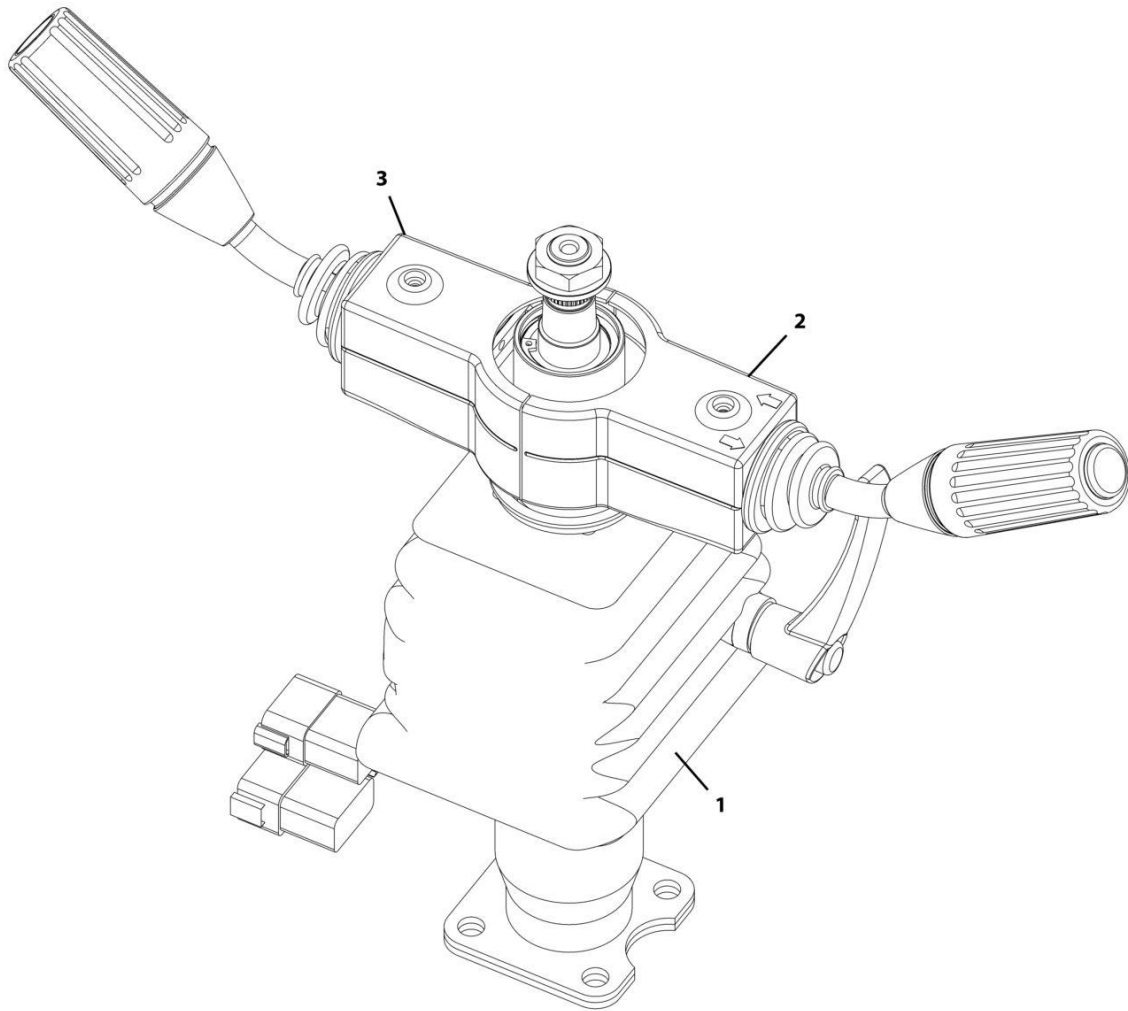
SECTION 7 - CONTROLS

FIGURE 7-12. STEER COLUMN INSTALLATION (FNR LEVER) (SN E160000141 through E160000341, Except SN E160000328 through E160000332, Including E160000120, E160000126, 1160008774, 1160008775 and 1160008777, Excluding E160000336)

ITEM	PART NUMBER	QTY	DESCRIPTION	REV
	1001212939	Ref	Steering Column Install (FNR Lever)	B
1	0761012	4	Bolt, M10X25	
2	4812000	4	Washer, M10	
3	1001091033	1	Wheel, Steering (See Separate Breakdown in this Section)	
4	1001095650	AR	Compound, Locking	
5	1001135838	1	Insert, Steering Wheel (JLG)	
6	1001143430	1	Column, Steering (See Separate Breakdown in this Section)	
7	1001219396	1	Valve, Steering	

SECTION 7 - CONTROLS

FIGURE 7-13. STEERING COLUMN (FNR LEVER) (SN E160000001 through E160000342, Excluding E160000328, E160000329, E160000330, E160000331, E160000332 and E160000336)



ART_1001143430-A

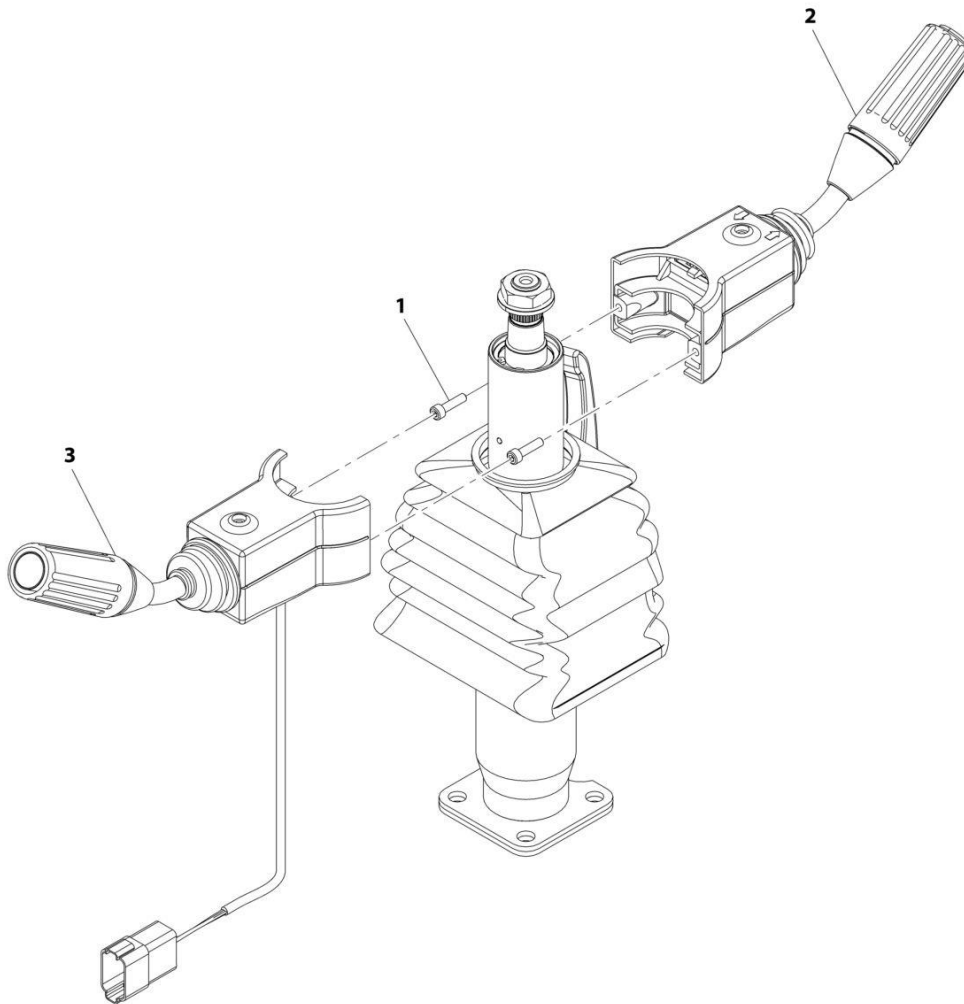
SECTION 7 - CONTROLS

FIGURE 7-13. STEERING COLUMN (FNR LEVER) (SN E16000001 through E160000342, Excluding E160000328, E160000329, E160000330, E160000331, E160000332 and E160000336)

ITEM	PART NUMBER	QTY	DESCRIPTION	REV
	1001143430	1	Steering Column (FNR Lever)	A
1	1001143432	1	Column, Steering	
2	1001145021	1	Switch, Turn-Wiper	
3	1001145022	1	Switch, FNR	

SECTION 7 - CONTROLS

FIGURE 7-14. STEERING COLUMN SWITCH (FNR LEVER) (SN E160000342 through E160000496, Including E160000328, E160000329, E160000330, E160000331, E160000332 and E160000336)



ART_1001248291-A

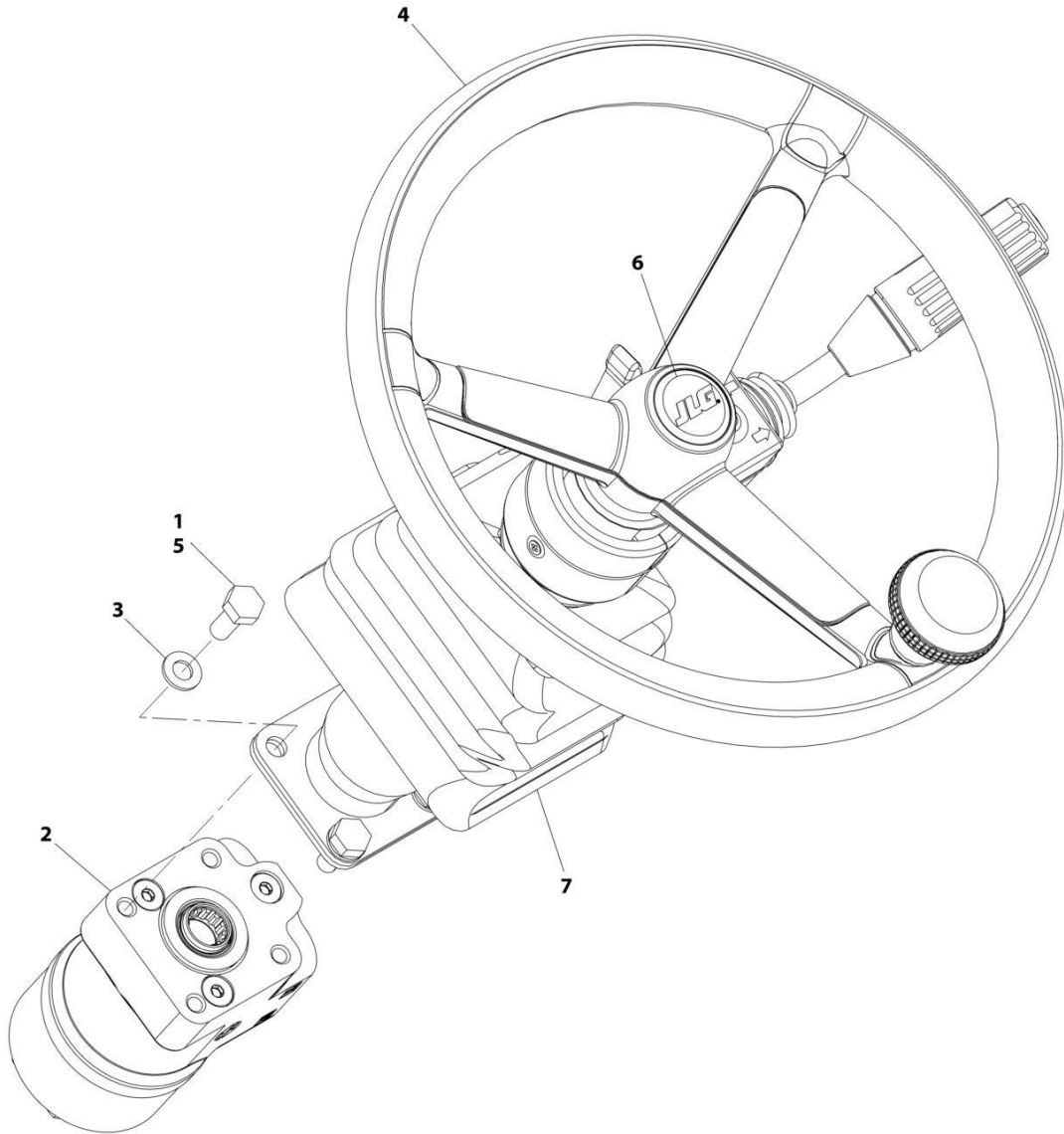
SECTION 7 - CONTROLS

FIGURE 7-14. STEERING COLUMN SWITCH (FNR LEVER) (SN E160000342 through E160000496, Including E160000328, E160000329, E160000330, E160000331, E160000332 and E160000336)

ITEM	PART NUMBER	QTY	DESCRIPTION	REV
	1001248291	Ref	Steering Column Switch (FNR Lever)	A
1	4031608	1	Bolt, M5X20	
2	1001145021	1	Switch, Turn-Wiper	
3	1001145022	1	Switch, FNR	

SECTION 7 - CONTROLS

FIGURE 7-15. STEERING COLUMN INSTALLATION (NO FNR LEVER) (SN E16000001 through E160000141, Excluding E160000120, E160000126, 1160008774, 1160008775 and 1160008777)



ART_1001146584-C

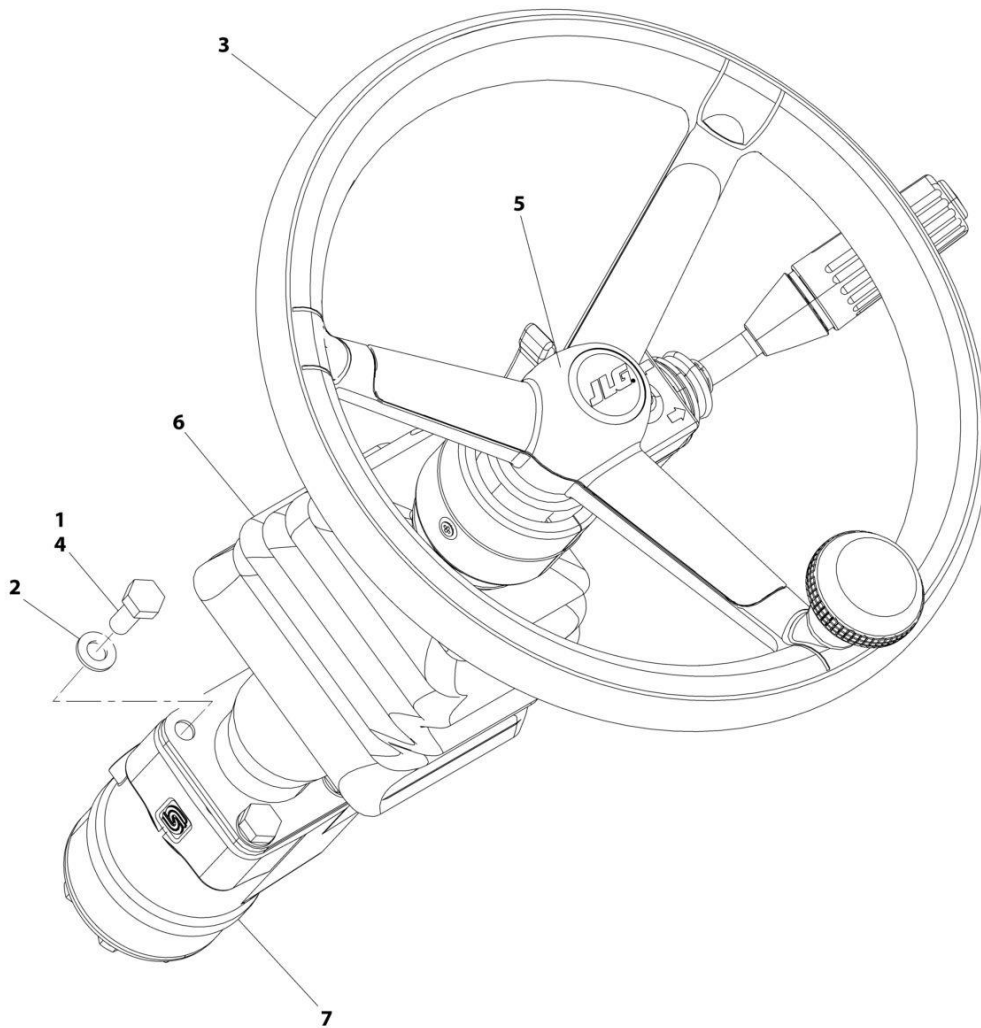
SECTION 7 - CONTROLS

FIGURE 7-15. STEERING COLUMN INSTALLATION (NO FNR LEVER) (SN E16000001 through E160000141, Excluding E160000120, E160000126, 1160008774, 1160008775 and 1160008777)

ITEM	PART NUMBER	QTY	DESCRIPTION	REV
	1001146584	Ref	Steering Column Installation (No FNR Lever)	C
1	0761012	4	Bolt, M10X25	
2	4641521	1	Valve, Steering	
3	4812000	4	Washer, M10	
4	1001091033	1	Wheel, Steering (See STEERING WHEEL for Breakdown)	
5	1001095650	1	Compound, Locking	
6	1001135838	1	Insert, Steering Wheel (JLG)	
7	1001146898	1	Column, Steering (See STEERING COLUMN (NO FNR LEVER) for Breakdown)	

SECTION 7 - CONTROLS

FIGURE 7-16. STEERING COLUMN INSTALLATION (NO FNR LEVER) (SN E160000141 through E160000341, Except SN E160000328 through E160000332, Including E160000120, E160000126, 1160008774, 1160008775 and 1160008777, Excluding E160000336)



ART_1001212940-B

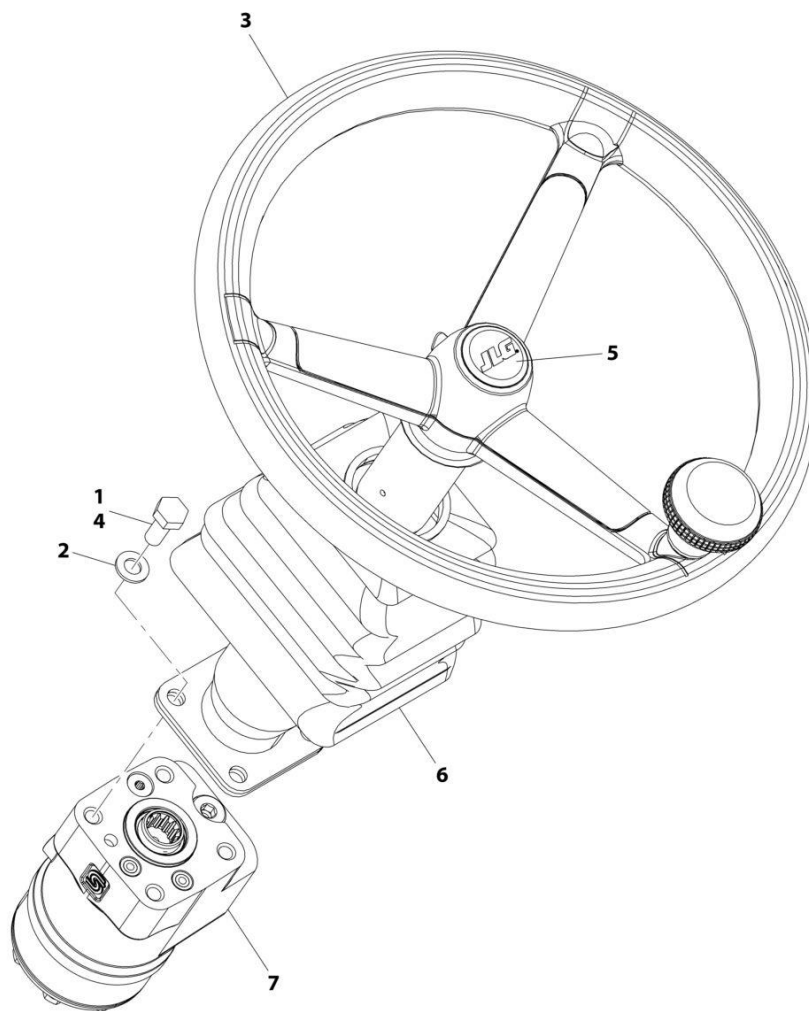
SECTION 7 - CONTROLS

FIGURE 7-16. STEERING COLUMN INSTALLATION (NO FNR LEVER) (SN E160000141 through E160000341, Except SN E160000328 through E160000332, Including E160000120, E160000126, 1160008774, 1160008775 and 1160008777, Excluding E160000336)

ITEM	PART NUMBER	QTY	DESCRIPTION	REV
	1001212940	Ref	Steering Column Installation (No FNR Lever)	B
1	0761012	4	Bolt, M10X25	
2	4812000	4	Washer, M10	
3	1001091033	1	Wheel, Steering (See Separate Breakdown in this Section)	
4	1001095650	1	Compound, Locking	
5	1001135838	1	Insert, Steering Wheel (JLG)	
6	1001146898	1	Column, Steering (See Separate Breakdown in this Section)	
7	1001219396	1	Valve, Steering	

SECTION 7 - CONTROLS

FIGURE 7-17. STEERING COLUMN INSTALLATION (SN E160000342 through E160000496, Including E160000328, E160000329, E160000330, E160000331, E160000332 and E160000336)



ART_1001248293-A

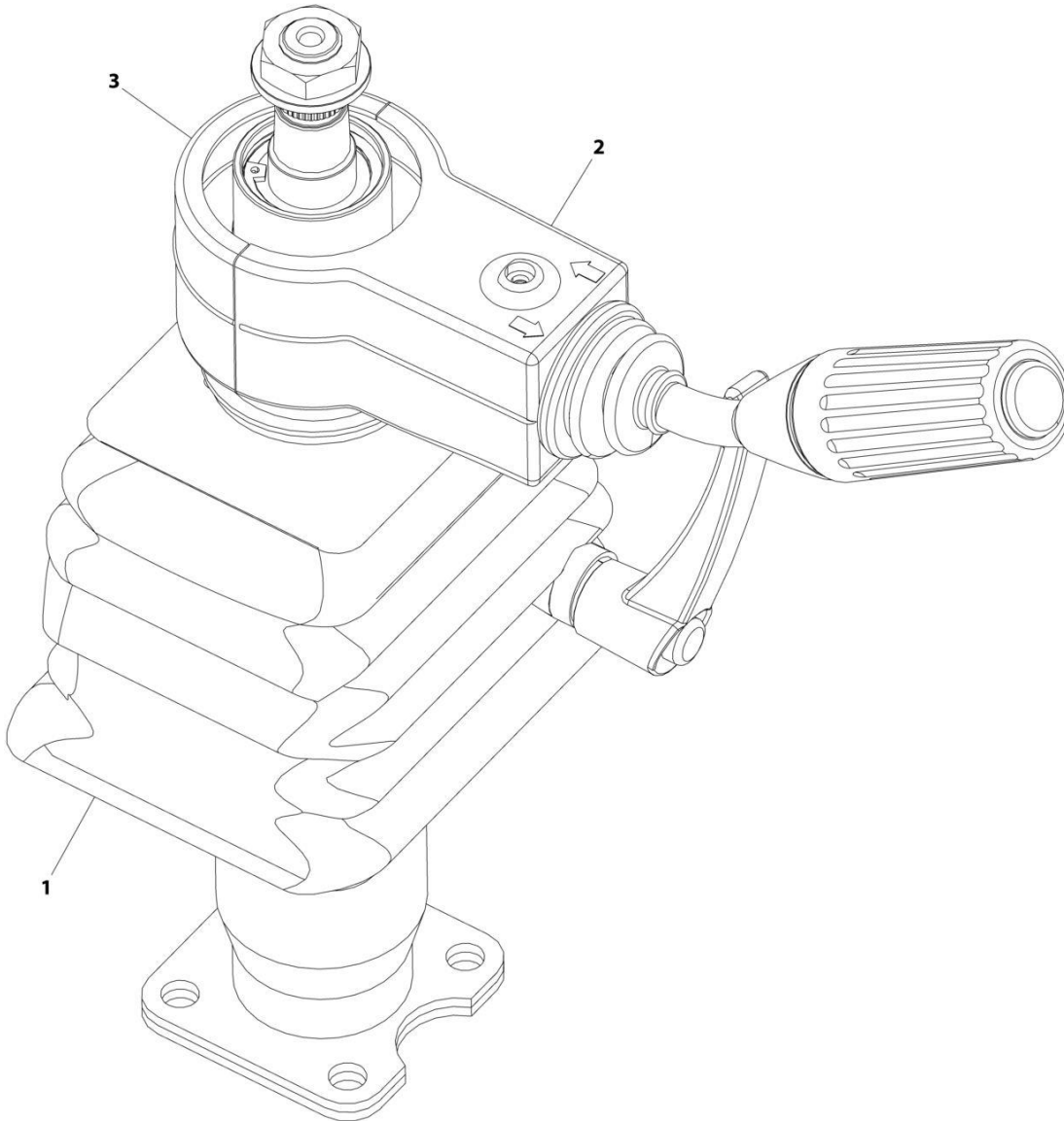
SECTION 7 - CONTROLS

FIGURE 7-17. STEERING COLUMN INSTALLATION (SN E160000342 through E160000496, Including E160000328, E160000329, E160000330, E160000331, E160000332 and E160000336)

ITEM	PART NUMBER	QTY	DESCRIPTION	REV
	1001248293	Ref	Steering Column Installation	A
1	0761012	4	Bolt, M10X25	
2	4812000	4	Washer, M10	
3	1001091033	1	Wheel, Steering (See Separate Breakdown in this Section)	
4	1001095650	AR	Compound, Locking	
5	1001135838	1	Insert, Steering Wheel (JLG)	
6	1001143432	1	Column, Steering	
7	1001219396	1	Valve, Steering	

SECTION 7 - CONTROLS

FIGURE 7-18. STEERING COLUMN (NO FNR LEVER) (SN E16000001 through E160000342, Except SN E160000328 through E160000332, Excluding E160000336)



ART_1001146898-B

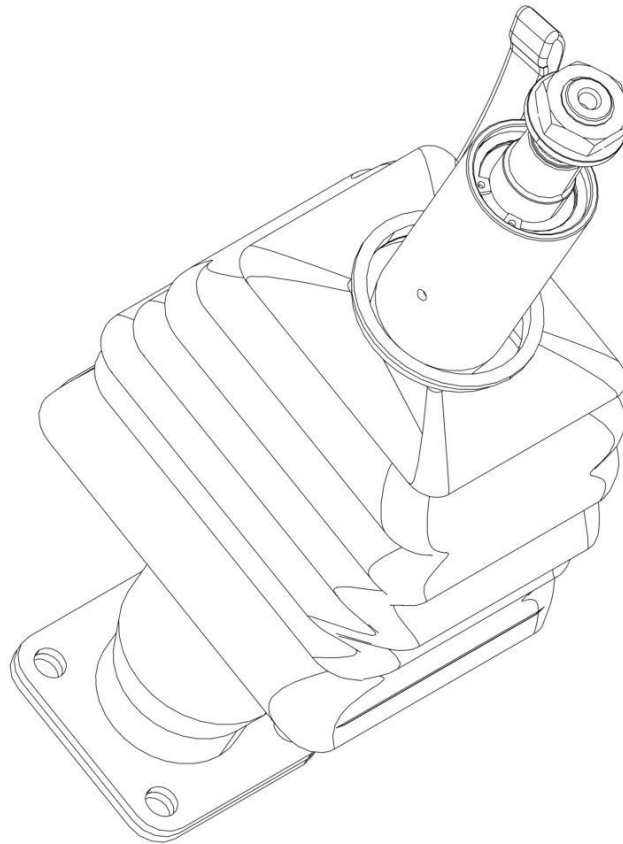
SECTION 7 - CONTROLS

FIGURE 7-18. STEERING COLUMN (NO FNR LEVER) (SN E16000001 through E160000342, Except SN E160000328 through E160000332, Excluding E160000336)

ITEM	PART NUMBER	QTY	DESCRIPTION	REV
	1001146898	Ref	Steering Column (No FNR Lever)	B
1	1001143432	1	Column, Steering	
2	1001145021	1	Switch, Turn Wiper	
3	1001146949	1	Clamp	

SECTION 7 - CONTROLS

FIGURE 7-19. STEERING COLUMN (SN E16000342 through E16000496, Including E16000328, E16000329, E16000330, E16000331, E16000332 and E16000336)



ART_1001143432-A

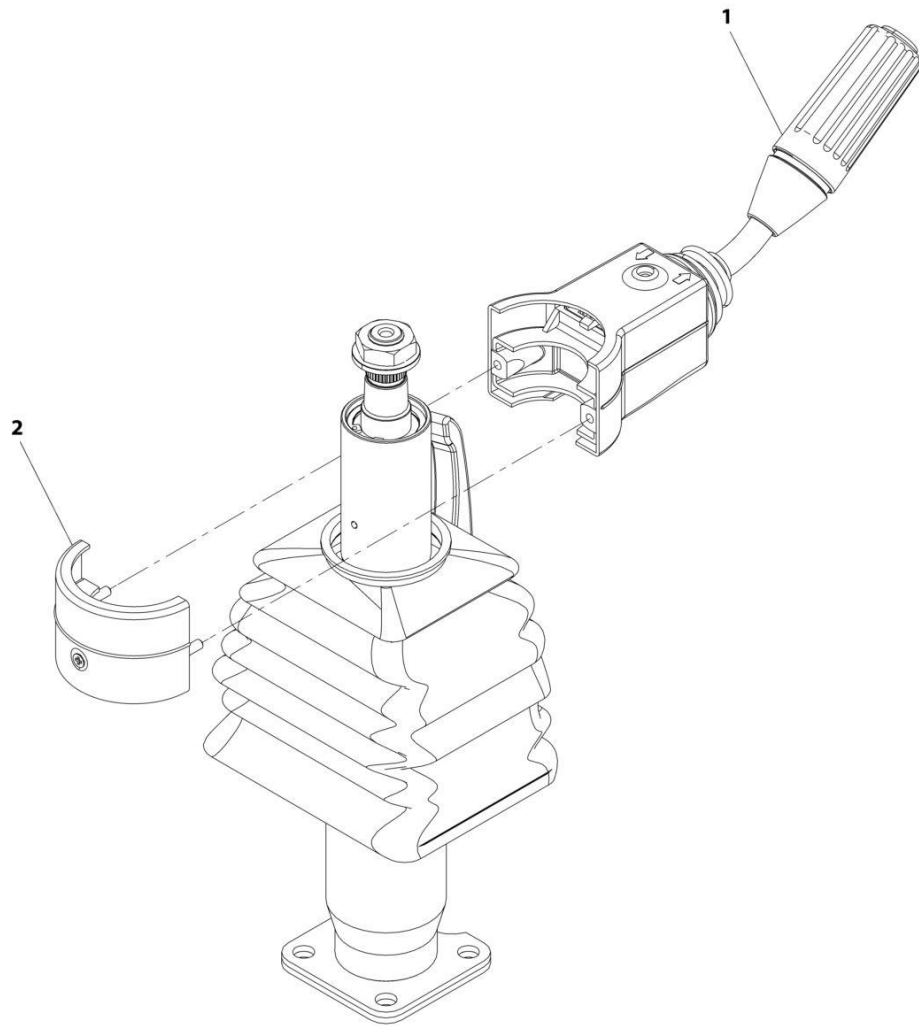
SECTION 7 - CONTROLS

FIGURE 7-19. STEERING COLUMN (SN E160000342 through E160000496, Including E160000328, E160000329, E160000330, E160000331, E160000332 and E160000336)

ITEM	PART NUMBER	QTY	DESCRIPTION	REV
	1001143432	Ref	Steering Column	A

SECTION 7 - CONTROLS

FIGURE 7-20. STEERING COLUMN SWITCH (NO FNR LEVER)



ART_1001248290-A

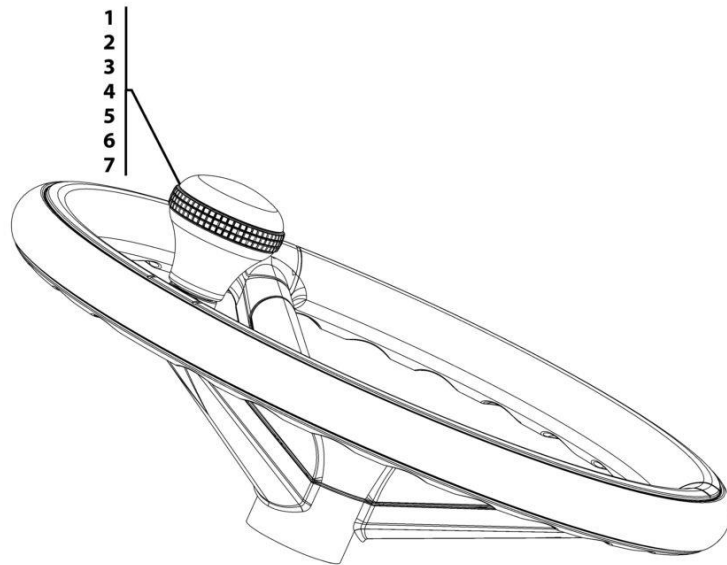
SECTION 7 - CONTROLS

FIGURE 7-20. STEERING COLUMN SWITCH (NO FNR LEVER)

ITEM	PART NUMBER	QTY	DESCRIPTION	REV
	1001248290	Ref	Steering Column Switch (No FNR Lever)	A
1	1001145021	1	Switch, Turn-Wiper	
2	1001146949	1	Clamp	

SECTION 7 - CONTROLS

FIGURE 7-21. STEERING WHEEL



ART_1001091033-A

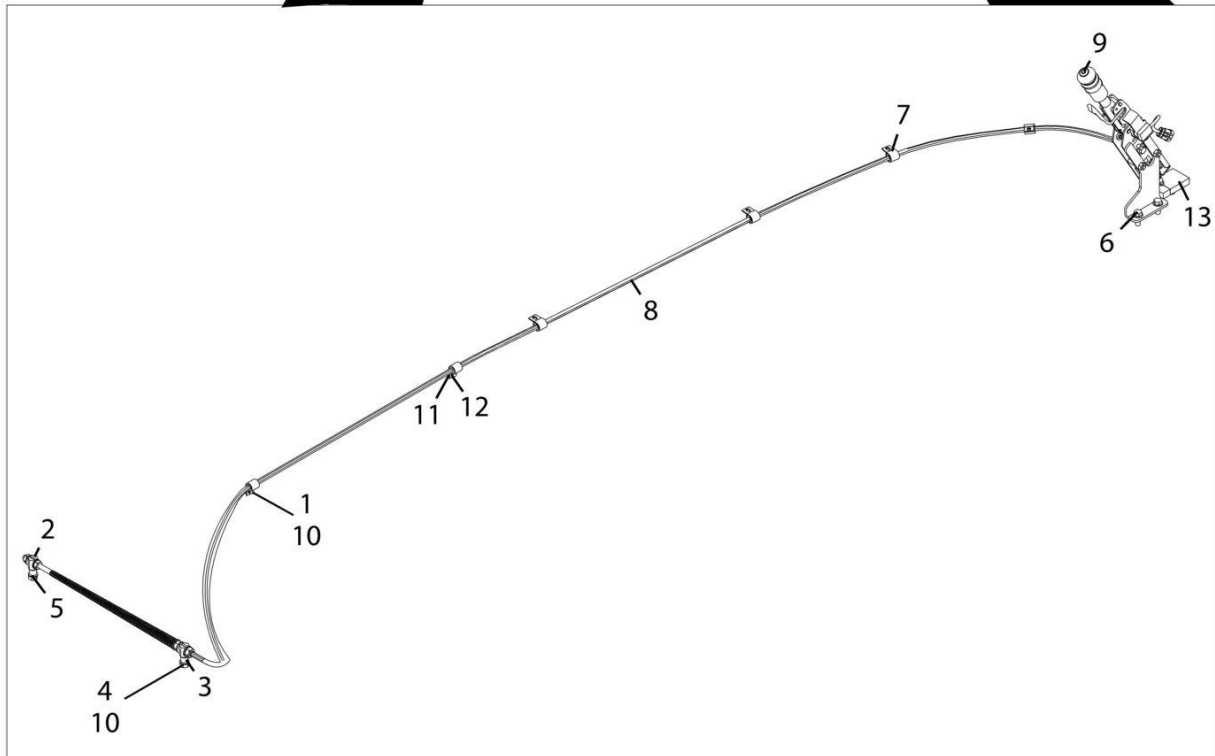
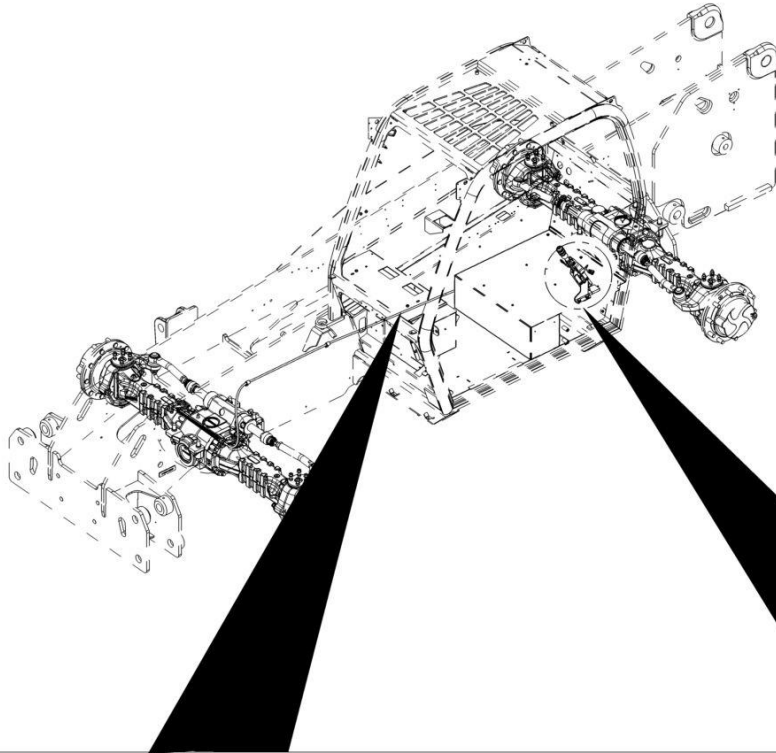
SECTION 7 - CONTROLS

FIGURE 7-21. STEERING WHEEL

ITEM	PART NUMBER	QTY	DESCRIPTION	REV
	1001091033	Ref	Steering Wheel	A
1	70020783	1	Cap	
2	70020793	1	Bellow	
3	70020785	1	Base	
4	70020786	1	Washer	
5	70020787	1	Bolt	
6	70020788	1	Washer	
7	70020789	1	Nut	

SECTION 7 - CONTROLS

FIGURE 7-22. MECHANICAL HANDBRAKE INSTALLATION (3614RS)



ART_1001139854-F

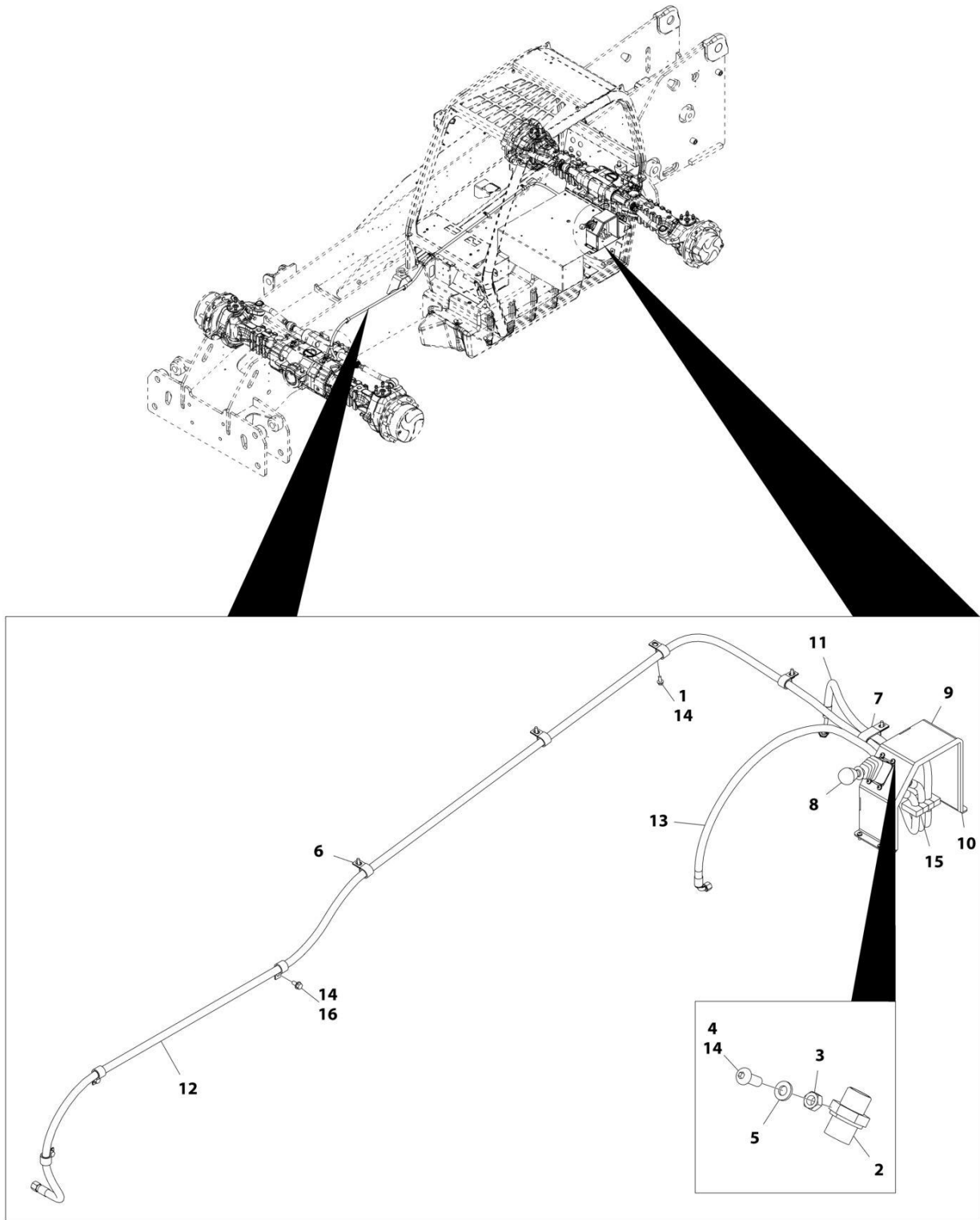
SECTION 7 - CONTROLS

FIGURE 7-22. MECHANICAL HANDBRAKE INSTALLATION (3614RS)

ITEM	PART NUMBER	QTY	DESCRIPTION	REV
	1001139854	Ref	Mechanical Park Brake Installation	F
1	0760606	2	Bolt, M6X12	
2	2454999	2	Bolt, M10X55	
3	2905871	2	Bushing	
4	3291007	2	Nut, Lock M10X1.5	
5	4812000	2	Washer, M10	
6	5201012	2	Bolt, Ripp M10X25	
7	1001003048	2	Clip	
8	1001179729	1	Cable, Parkbrake	
9	1001179730	1	Handbrake	
10	1001095650	AR	Locking Compound	
11	1001007321	2	Washer	
12	4811700	2	Washer, M6	
13	1001163078	1	Gasket	

SECTION 7 - CONTROLS

FIGURE 7-23. HYDRAULIC HANDBRAKE INSTALLATION (4017RS)



ART_1001139923-H

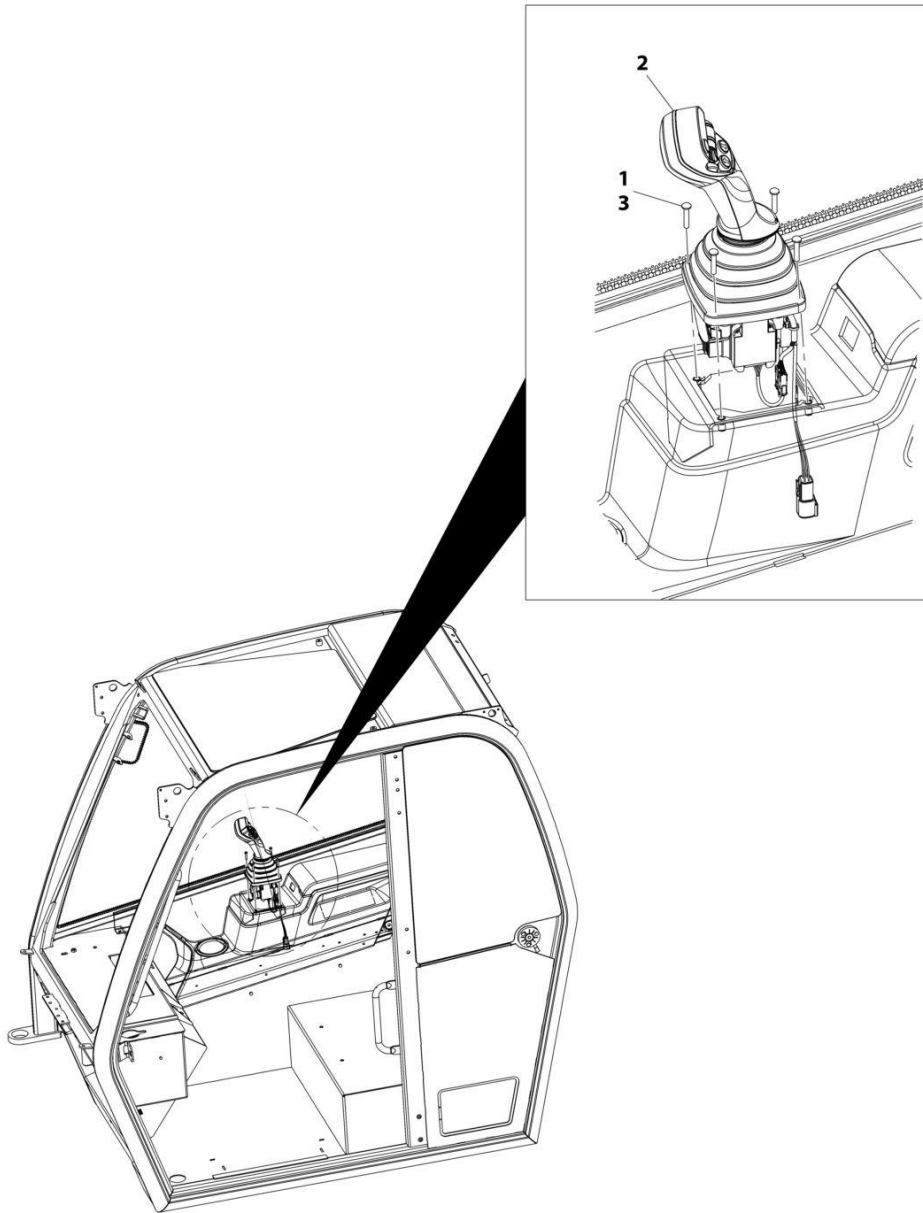
SECTION 7 - CONTROLS

FIGURE 7-23. HYDRAULIC HANDBRAKE INSTALLATION (4017RS)

ITEM	PART NUMBER	QTY	DESCRIPTION	REV
	1001139923	Ref	Hydraulic Handbrake Installation	H
1	5250608	5	Bolt, M6X16	
2	2142709	3	Fitting	
3	3290601	4	Nut, M6X1	
4	3900357	8	Capscrew, M6X16	
5	4831700	8	Washer, Lock 6	
6	1001004144	7	Clip	
7	1001008720	1	Clip	
8	1001098153	1	Handbrake, (See Separate Breakdown in HYDRAULIC COMPONENT Section)	
9	1001146148	1	Parkbrake Panel	
10	1001146156	1	Seal	
11	1001148636	1	Hose	
12	1001148637	1	Hose	
13	1001148638	1	Hose	
14	1001095650	AR	Locking Compound	
15	1001163077	1	Gasket	
16	5250808	3	Bolt, M8X16	

SECTION 7 - CONTROLS

FIGURE 7-24. JOYSTICK INSTALLATION (FNR LEVER) (SN E16000001 through E160000342, Excluding E160000328, E160000329, E160000330, E160000331, E160000332 and E160000336)



ART_1001146667-D

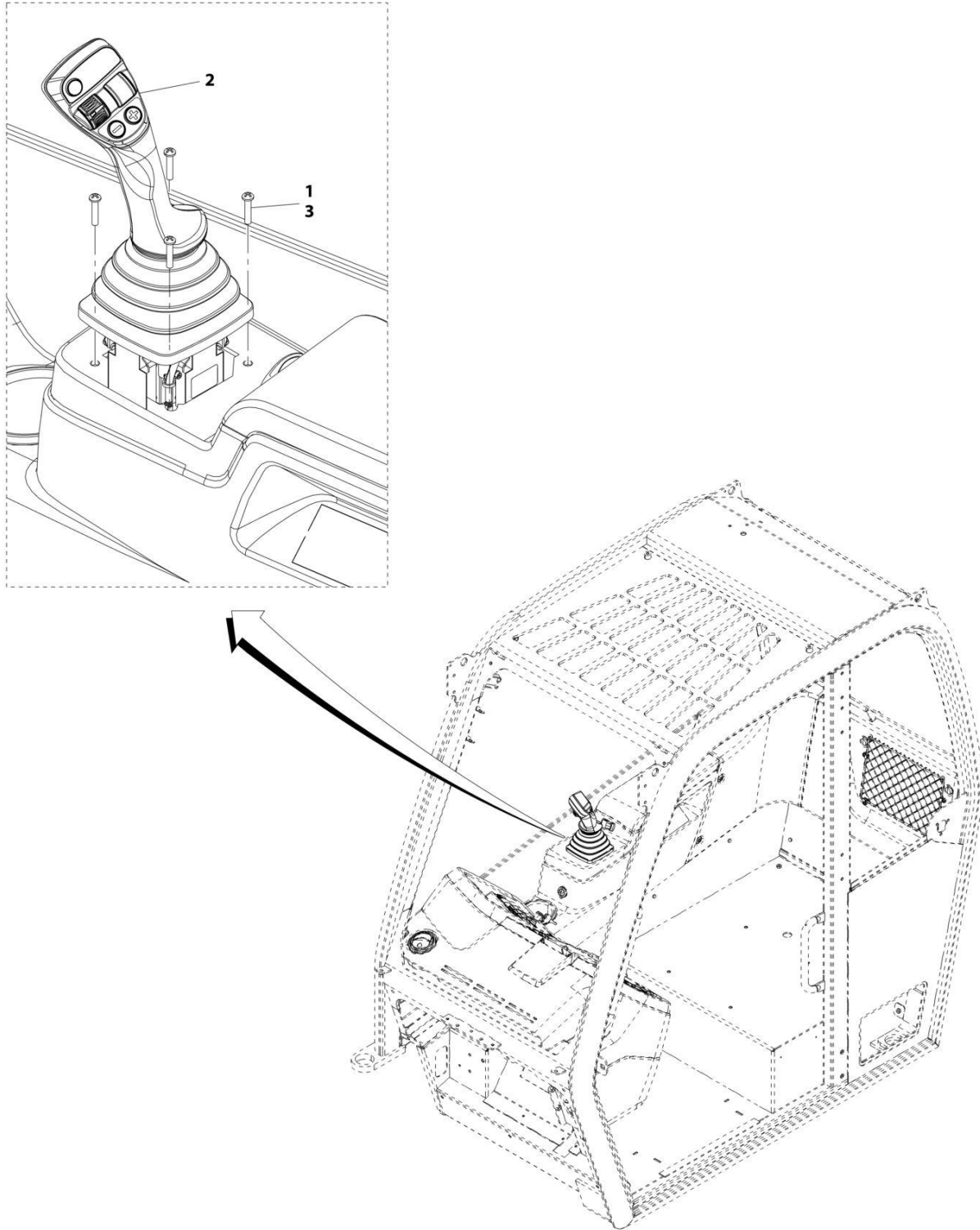
SECTION 7 - CONTROLS

FIGURE 7-24. JOYSTICK INSTALLATION (FNR LEVER) (SN E16000001 through E160000342, Excluding E160000328, E160000329, E160000330, E160000331, E160000332 and E160000336)

ITEM	PART NUMBER	QTY	DESCRIPTION	REV
	1001146667	Ref	Joystick Installation (FNR Lever)	D
1	1001103984	4	Bolt, M5X25	
2		Ref	Joystick (FNR Lever) (See Separate Breakdown in this Section)	
3	1001095650	AR	Compound, Locking	

SECTION 7 - CONTROLS

FIGURE 7-25. JOYSTICK INSTALLATION (FNR LEVER) (SN E160000342 through E160000496, Including E160000328, E160000329, E160000330, E160000331, E160000332 and E160000336)



ART_1001218270-B

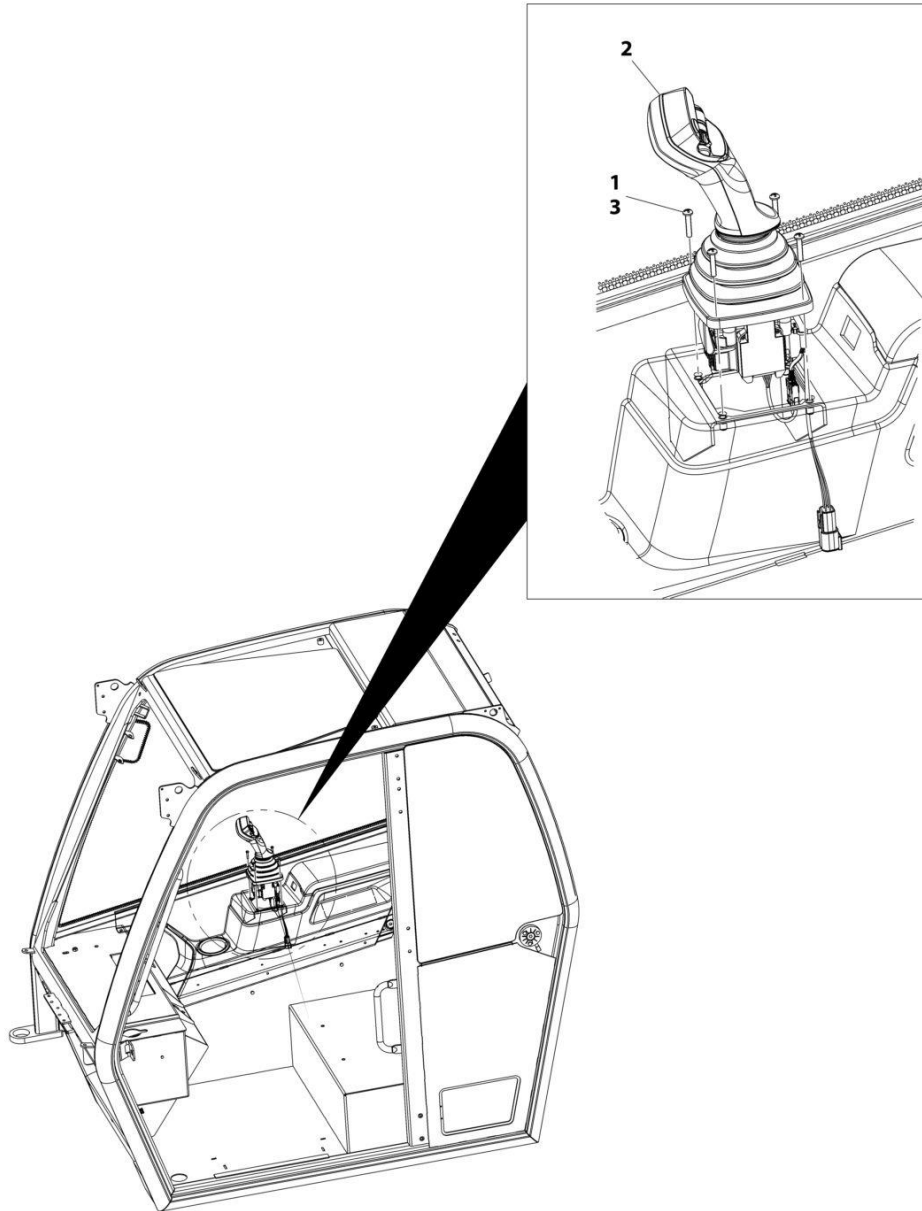
SECTION 7 - CONTROLS

FIGURE 7-25. JOYSTICK INSTALLATION (FNR LEVER) (SN E160000342 through E160000496, Including E160000328, E160000329, E160000330, E160000331, E160000332 and E160000336)

ITEM	PART NUMBER	QTY	DESCRIPTION	REV
	1001218270	Ref	Joystick Installation (FNR Lever)	B
1	1001103984	4	Bolt, M5X25	
2	1001222599	1	Joystick (FNR Lever) (See Separate Breakdown in this Section)	
3	1001095650	AR	Compound, Locking	

SECTION 7 - CONTROLS

FIGURE 7-26. JOYSTICK INSTALLATION (NO FNR LEVER)



ART_100114666-D

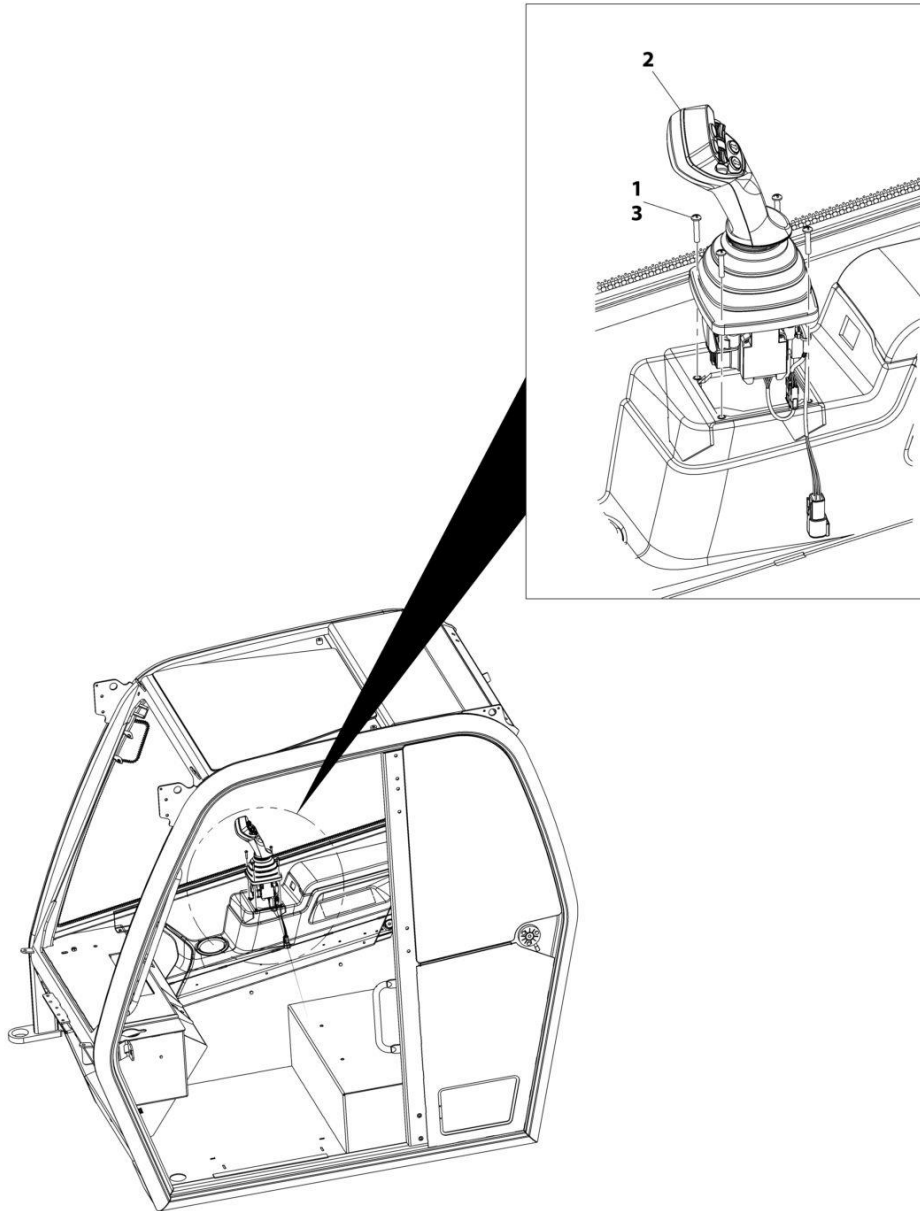
SECTION 7 - CONTROLS

FIGURE 7-26. JOYSTICK INSTALLATION (NO FNR LEVER)

ITEM	PART NUMBER	QTY	DESCRIPTION	REV
	1001146666	Ref	Joystick Installation (No FNR Lever)	D
1	1001103984	4	Bolt, M5X25	
2		Ref	Joystick (no FNR Lever) (See Separate Breakdown in this Section)	
3	1001095650	AR	Compound, Locking	

SECTION 7 - CONTROLS

FIGURE 7-27. JOYSTICK INSTALLATION (AUX, FNR LEVER) (SN E16000001 through E160000342, Excluding E160000328, E160000329, E160000330, E160000331, E160000332 and E160000336)



ART_1001146669-D

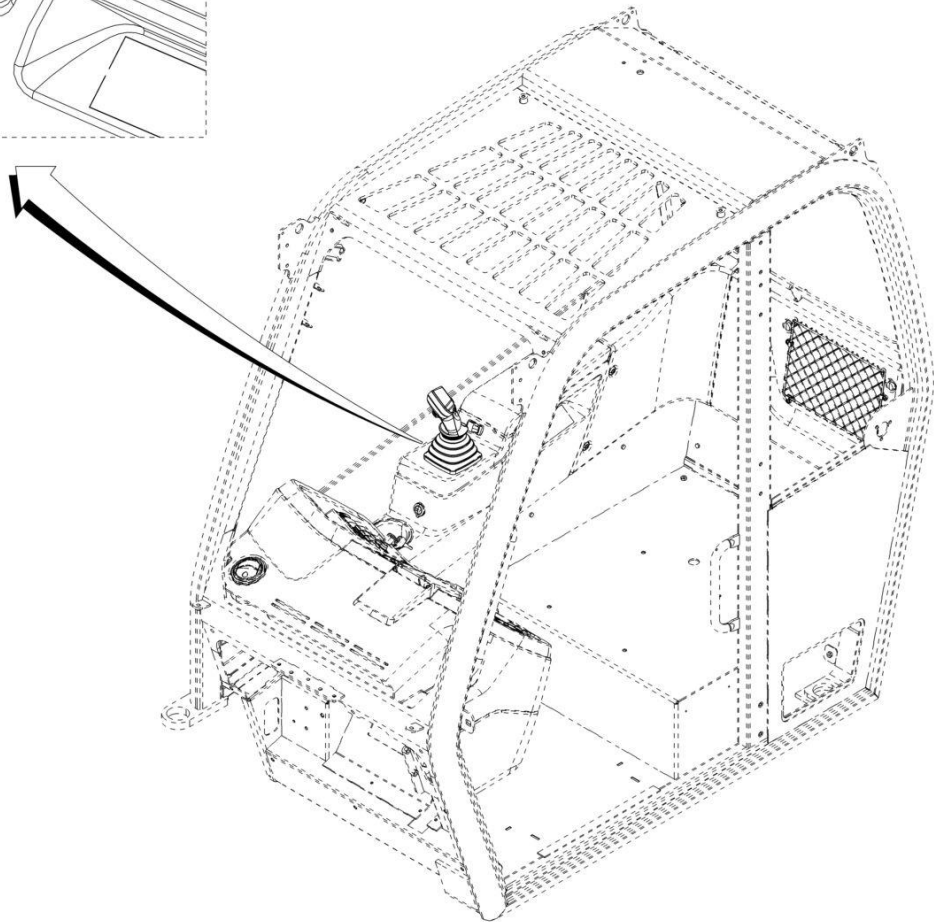
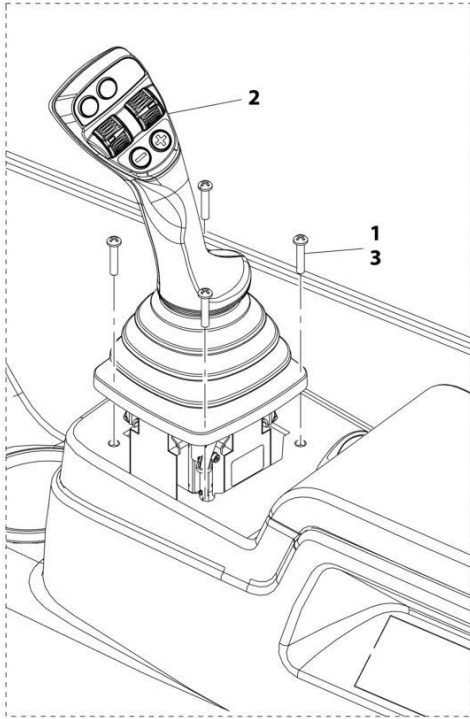
SECTION 7 - CONTROLS

FIGURE 7-27. JOYSTICK INSTALLATION (AUX, FNR LEVER) (SN E16000001 through E160000342, Excluding E160000328, E160000329, E160000330, E160000331, E160000332 and E160000336)

ITEM	PART NUMBER	QTY	DESCRIPTION	REV
	1001146669	Ref	Joystick Installation (AUX, FNR Lever)	D
1	1001103984	4	Bolt, M5X25	
2		Ref	Joystick (AUX, FNR Lever) (See Separate Breakdown in this Section)	
3	1001095650	AR	Compound, Locking	

SECTION 7 - CONTROLS

FIGURE 7-28. JOYSTICK INSTALLATION (AUX,FNR LEVER) (SN E160000342 through E160000496, Including E160000328, E160000329, E160000330, E160000331, E160000332 and E160000336)



ART_1001218271-B

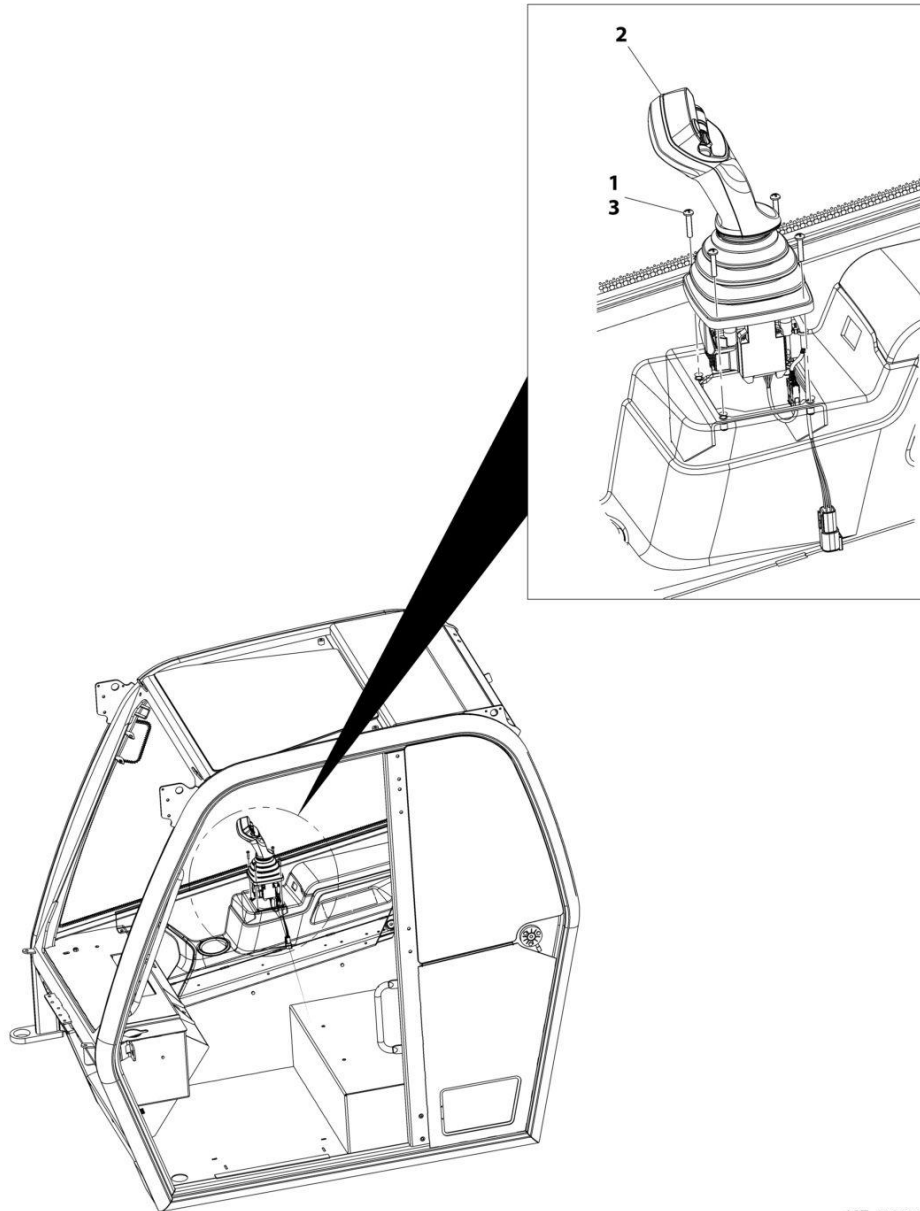
SECTION 7 - CONTROLS

FIGURE 7-28. JOYSTICK INSTALLATION (AUX,FNR LEVER) (SN E160000342 through E160000496, Including E160000328, E160000329, E160000330, E160000331, E160000332 and E160000336)

ITEM	PART NUMBER	QTY	DESCRIPTION	REV
	1001218271	Ref	Joystick Installation (Aux, FNR Lever)	B
1	1001103984	4	Bolt, M5X25	
2	1001222600	1	Joystick (AUX, FNR Lever) (See Separate Breakdown in this Section)	
3	1001095650	AR	Compound, Locking	

SECTION 7 - CONTROLS

FIGURE 7-29. JOYSTICK INSTALLATION (AUX, NO FNR LEVER)



ART_1001146668-D

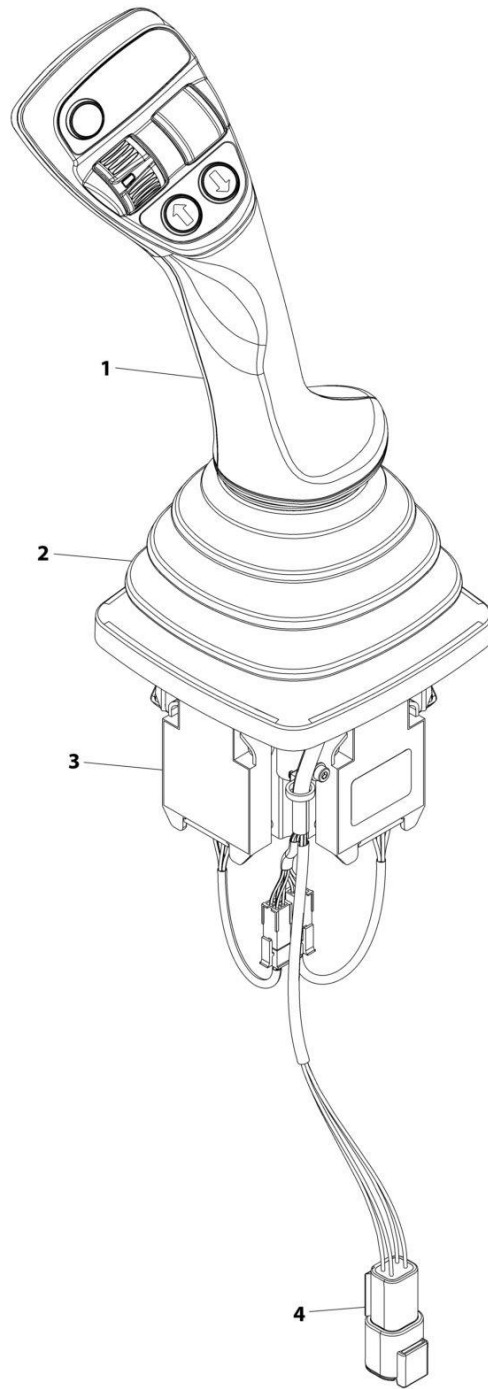
SECTION 7 - CONTROLS

FIGURE 7-29. JOYSTICK INSTALLATION (AUX, NO FNR LEVER)

ITEM	PART NUMBER	QTY	DESCRIPTION	REV
1	1001146668	Ref	Joystick Installation (Aux, No FNR Lever)	D
2	1001103984	4	Bolt, M5X25	
3	1001095650	AR	Joystick (AUX, no FNR Lever) (See Separate Breakdown in this Section)	
			Compound, Locking	

SECTION 7 - CONTROLS

FIGURE 7-30. JOYSTICK (FNR LEVER)



ART_1001146641-E

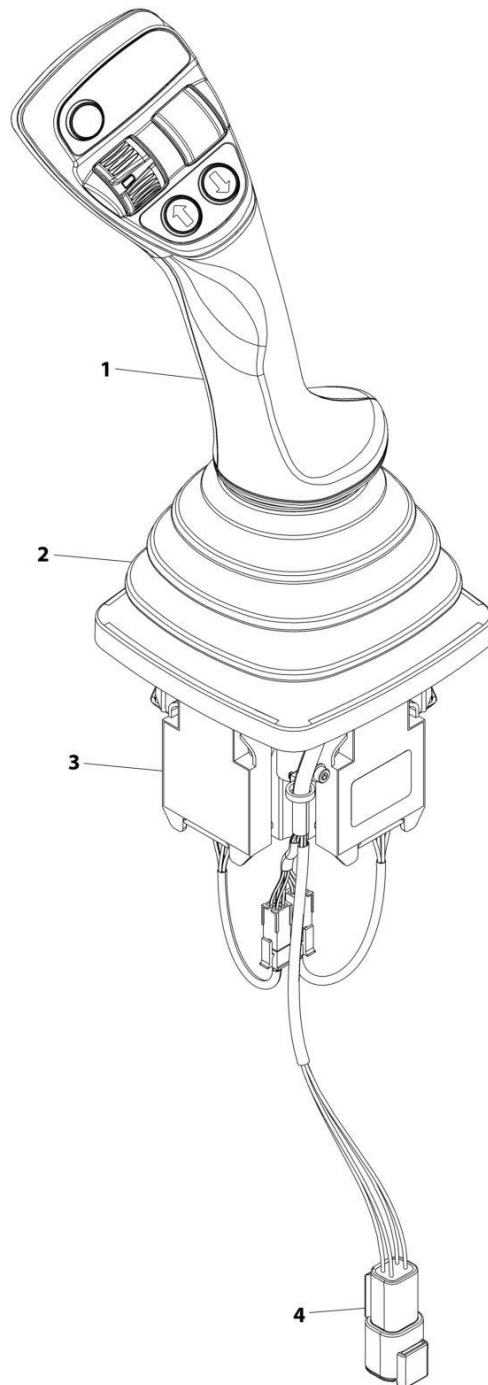
SECTION 7 - CONTROLS

FIGURE 7-30. JOYSTICK (FNR LEVER)

ITEM	PART NUMBER	QTY	DESCRIPTION	REV
	1001146641	NLA	Electric Joystick, (FNR Lever), (no longer available, use 1001222596 for replacement)	E
1	70025846	1	Lever, Multi-Function	
2	70025844	1	Gaiter	
3	70025845	1	Base, Joystick (includes connector)	
4	1001126007	1	Connector	

SECTION 7 - CONTROLS

FIGURE 7-31. JOYSTICK, (FNR LEVER) (SN E16000001 through E160000342, Excluding E160000328, E160000329, E160000330, E160000331, E160000332 and E160000336)



ART_1001222596-A

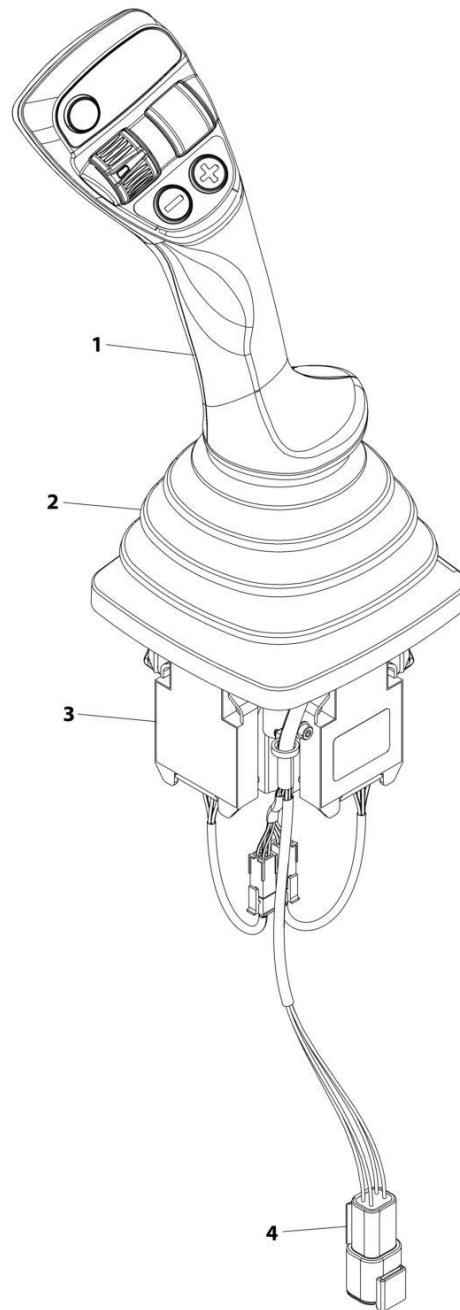
SECTION 7 - CONTROLS

FIGURE 7-31. JOYSTICK, (FNR LEVER) (SN E160000001 through E160000342, Excluding E160000328, E160000329, E160000330, E160000331, E160000332 and E160000336)

ITEM	PART NUMBER	QTY	DESCRIPTION	REV
	1001222596	Ref	Electric Joystick, (FNR Lever)	A
1	70025846	1	Lever, Multi-Function	
2	70025844	1	Gaiter	
3	70025845	1	Base, Joystick (includes connector)	
4	1001126007	1	Connector	

SECTION 7 - CONTROLS

FIGURE 7-32. ELECTRIC JOYSTICK, (FNR LEVER) (SN E160000342 through E160000496, Including E160000328, E160000329, E160000330, E160000331, E160000332 and E160000336)



ART_1001222599-A

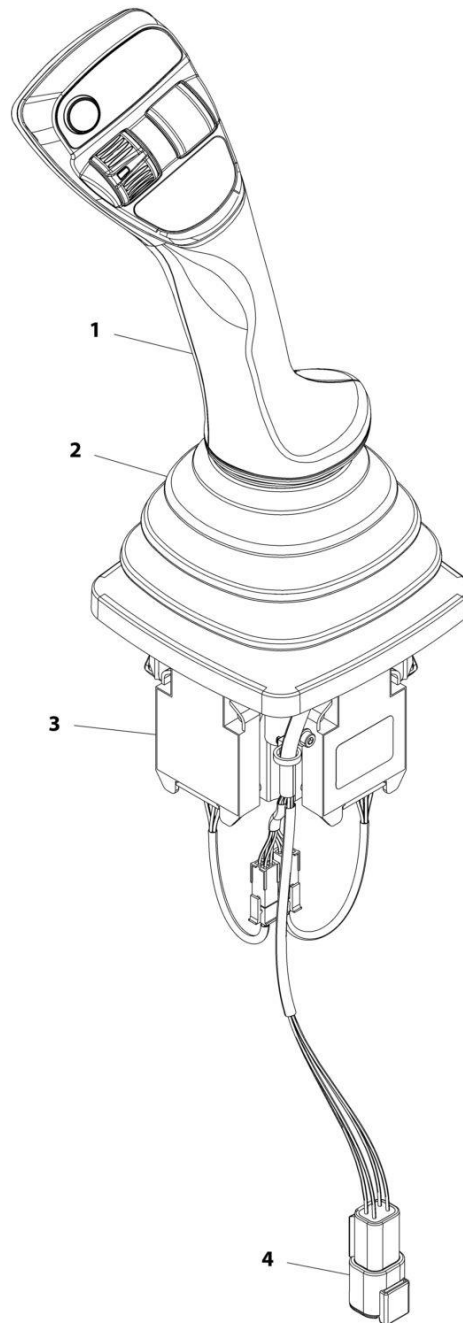
SECTION 7 - CONTROLS

FIGURE 7-32. ELECTRIC JOYSTICK, (FNR LEVER) (SN E16000342 through E16000496, Including E16000328, E16000329, E16000330, E16000331, E16000332 and E16000336)

ITEM	PART NUMBER	QTY	DESCRIPTION	REV
	1001222599	Ref	Electric Joystick, (FNR Lever)	A
1	70028851	1	Lever, Multi-Function	
2	70025844	1	Gaiter	
3	70025845	1	Base, Joystick (includes connector)	
4	1001126007	1	Connector	

SECTION 7 - CONTROLS

FIGURE 7-33. JOYSTICK (NO FNR LEVER)



ART_1001146640-E

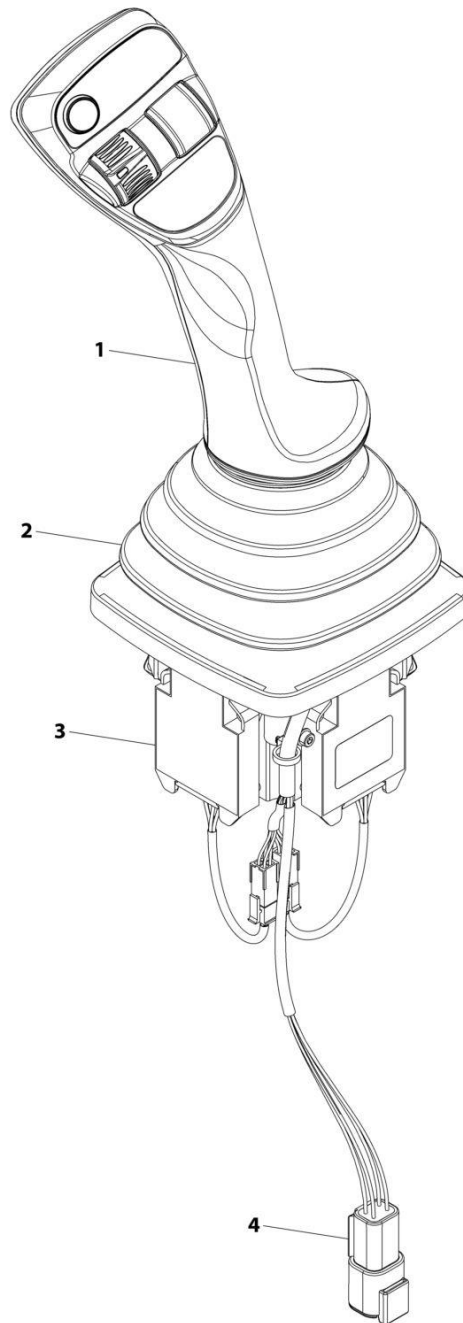
SECTION 7 - CONTROLS

FIGURE 7-33. JOYSTICK (NO FNR LEVER)

ITEM	PART NUMBER	QTY	DESCRIPTION	REV
	1001146640	NLA	Electric Joystick, (No FNR Lever), (no longer available, use 1001222595 for replacement)	E
1	70025843	1	Lever, Multi-Function	
2	70025844	1	Gaiter	
3	70025845	1	Base, Joystick (includes connector)	
4	1001126007	1	Connector	

SECTION 7 - CONTROLS

FIGURE 7-34. JOYSTICK, (NO FNR LEVER)



ART_1001222595-A

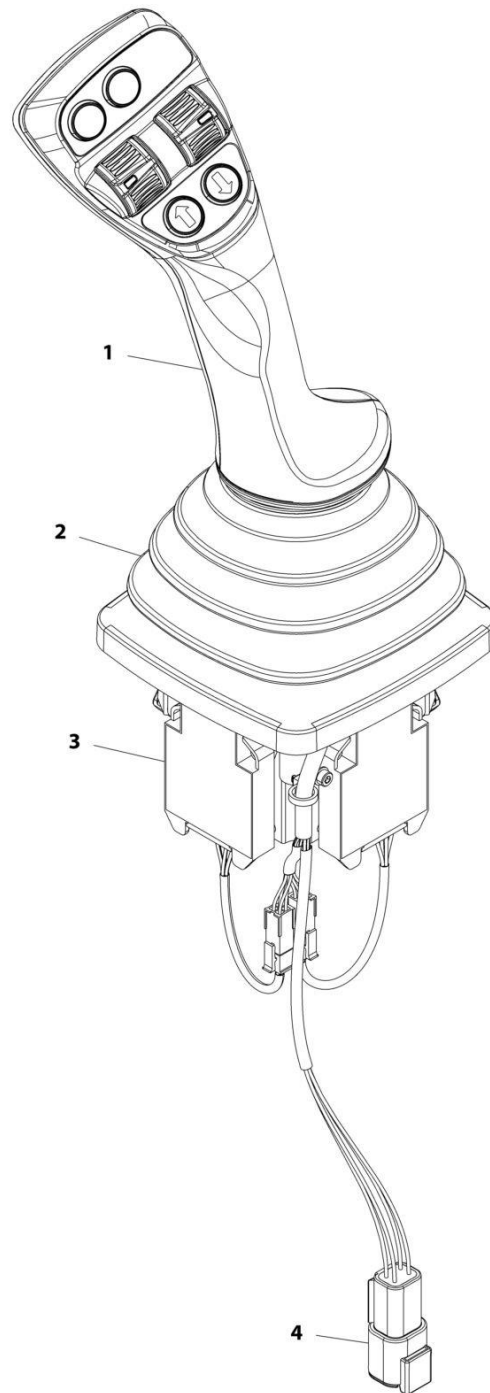
SECTION 7 - CONTROLS

FIGURE 7-34. JOYSTICK, (NO FNR LEVER)

ITEM	PART NUMBER	QTY	DESCRIPTION	REV
	1001222595	Ref	Electric Joystick, (No FNR Lever)	A
1	70025843	1	Lever, Multi-Function	
2	70025844	1	Gaiter	
3	70025845	1	Base, Joystick (includes connector)	
4	1001126007	1	Connector	

SECTION 7 - CONTROLS

FIGURE 7-35. JOYSTICK (AUX, FNR LEVER)



ART_1001146643-E

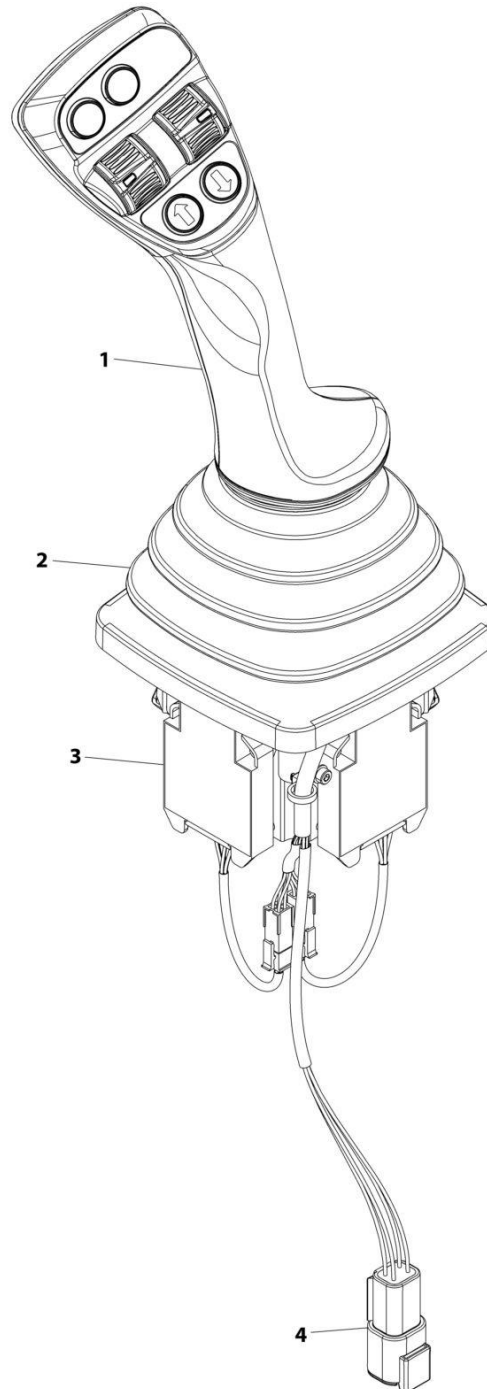
SECTION 7 - CONTROLS

FIGURE 7-35. JOYSTICK (AUX, FNR LEVER)

ITEM	PART NUMBER	QTY	DESCRIPTION	REV
	1001146643	NLA	Electric Joystick, (AUX, FNR Lever), (no longer available, use 1001222598 for replacement)	E
1	70025848	1	Lever, Multi-Function	
2	70025844	1	Gaiter	
3	70025845	1	Base, Joystick (includes connector)	
4	1001126007	1	Connector	

SECTION 7 - CONTROLS

FIGURE 7-36. JOYSTICK, (AUX, FNR LEVER) (SN E16000001 through E16000342, Excluding E16000328, E16000329, E16000330, E16000331, E16000332 and E16000336)



ART_1001222598-A

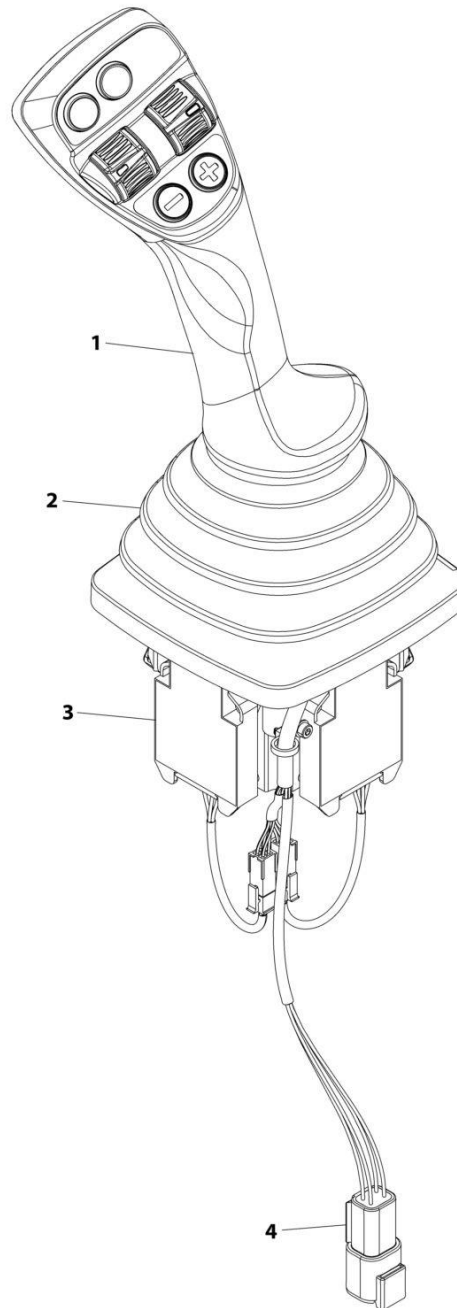
SECTION 7 - CONTROLS

FIGURE 7-36. JOYSTICK, (AUX, FNR LEVER) (SN E16000001 through E160000342, Excluding E160000328, E160000329, E160000330, E160000331, E160000332 and E160000336)

ITEM	PART NUMBER	QTY	DESCRIPTION	REV
	1001222598	Ref	Electric Joystick, (AUX, FNR Lever)	A
1	70025848	1	Lever, Multi-Function	
2	70025844	1	Gaiter	
3	70025845	1	Base, Joystick (includes connector)	
4	1001126007	1	Connector	

SECTION 7 - CONTROLS

FIGURE 7-37. ELECTRIC JOYSTICK, (FNR LEVER) (SN E160000342 through E160000496, Including E160000328, E160000329, E160000330, E160000331, E160000332 and E160000336)



ART_1001222600-A

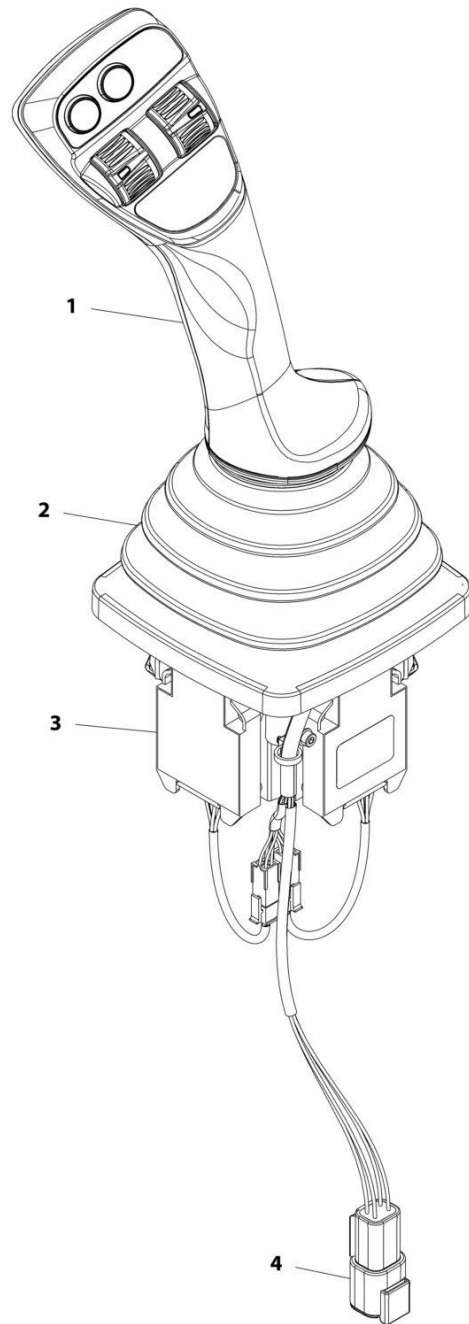
SECTION 7 - CONTROLS

FIGURE 7-37. ELECTRIC JOYSTICK, (FNR LEVER) (SN E160000342 through E160000496, Including E160000328, E160000329, E160000330, E160000331, E160000332 and E160000336)

ITEM	PART NUMBER	QTY	DESCRIPTION	REV
	1001222600	Ref	Electric Joystick, (FNR Lever)	A
1	70028852	1	Lever, Multi-Function	
2	70025844	1	Gaiter	
3	70025845	1	Base, Joystick (includes connector)	
4	1001126007	1	Connector	

SECTION 7 - CONTROLS

FIGURE 7-38. JOYSTICK (AUX, NO FNR LEVER)



ART_1001146642-E

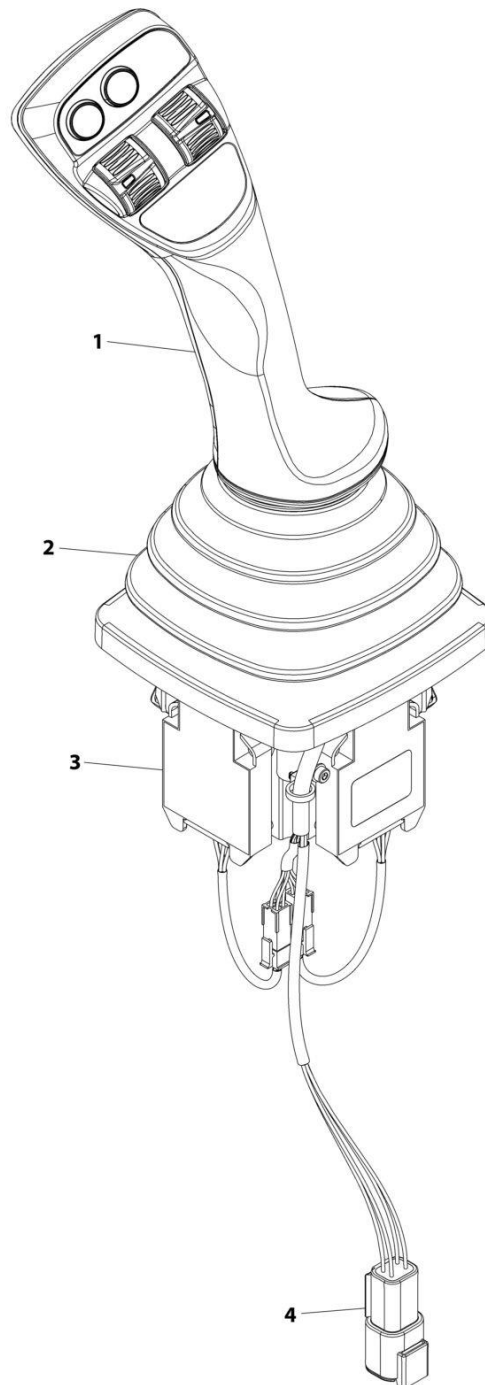
SECTION 7 - CONTROLS

FIGURE 7-38. JOYSTICK (AUX, NO FNR LEVER)

ITEM	PART NUMBER	QTY	DESCRIPTION	REV
	1001146642	NLA	Electric Joystick, (AUX, No FNR Lever), (no longer available, use 1001222597 for replacement)	E
1	70025847	1	Lever, Multi-Function	
2	70025844	1	Gaiter	
3	70025845	1	Base, Joystick (includes connector)	
4	1001126007	1	Connector	

SECTION 7 - CONTROLS

FIGURE 7-39. JOYSTICK, (AUX, NO FNR LEVER)



ART_1001222597-A

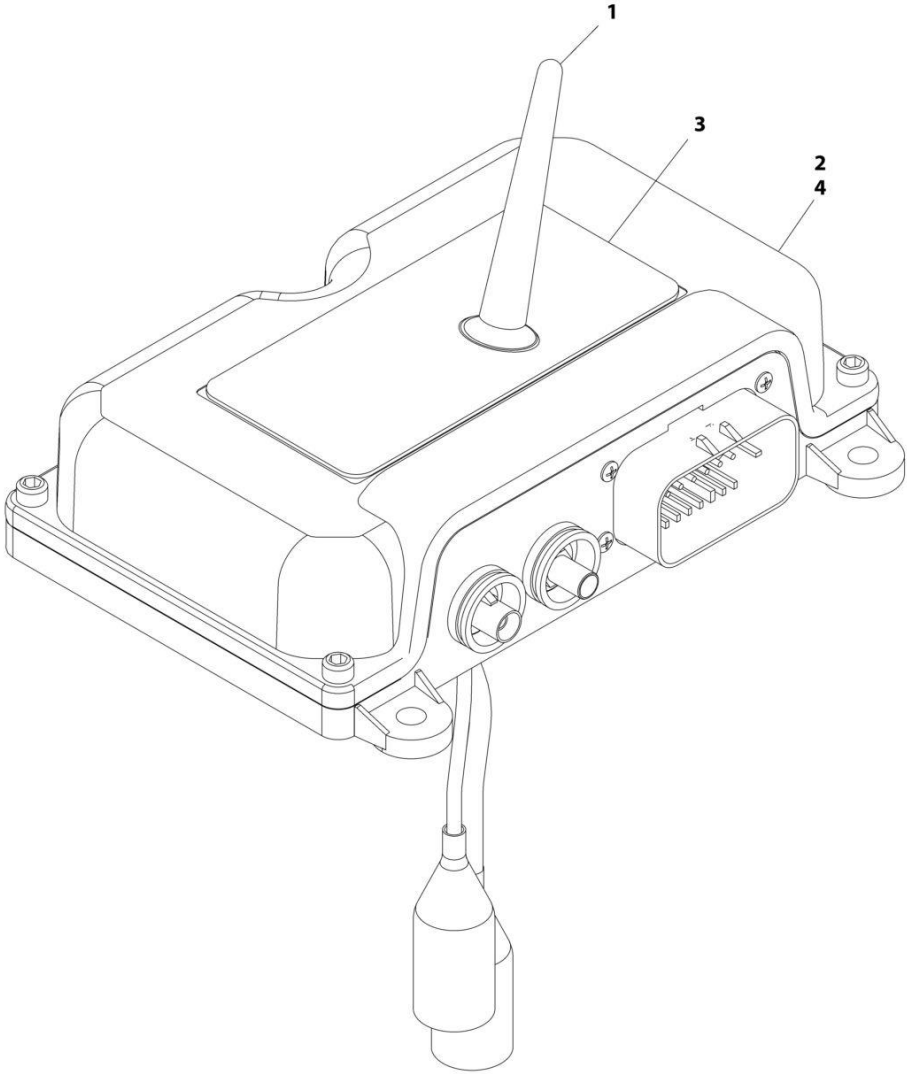
SECTION 7 - CONTROLS

FIGURE 7-39. JOYSTICK, (AUX, NO FNR LEVER)

ITEM	PART NUMBER	QTY	DESCRIPTION	REV
	1001222597	Ref	Electric Joystick, (AUX, No FNR Lever)	A
1	70025847	1	Lever, Multi-Function	
2	70025844	1	Gaiter	
3	70025845	1	Base, Joystick (includes connector)	
4	1001126007	1	Connector	

SECTION 7 - CONTROLS

FIGURE 7-40. CLEARSKY TELEMATICS CONTROLLER



ART_1001102831-G

SECTION 7 - CONTROLS

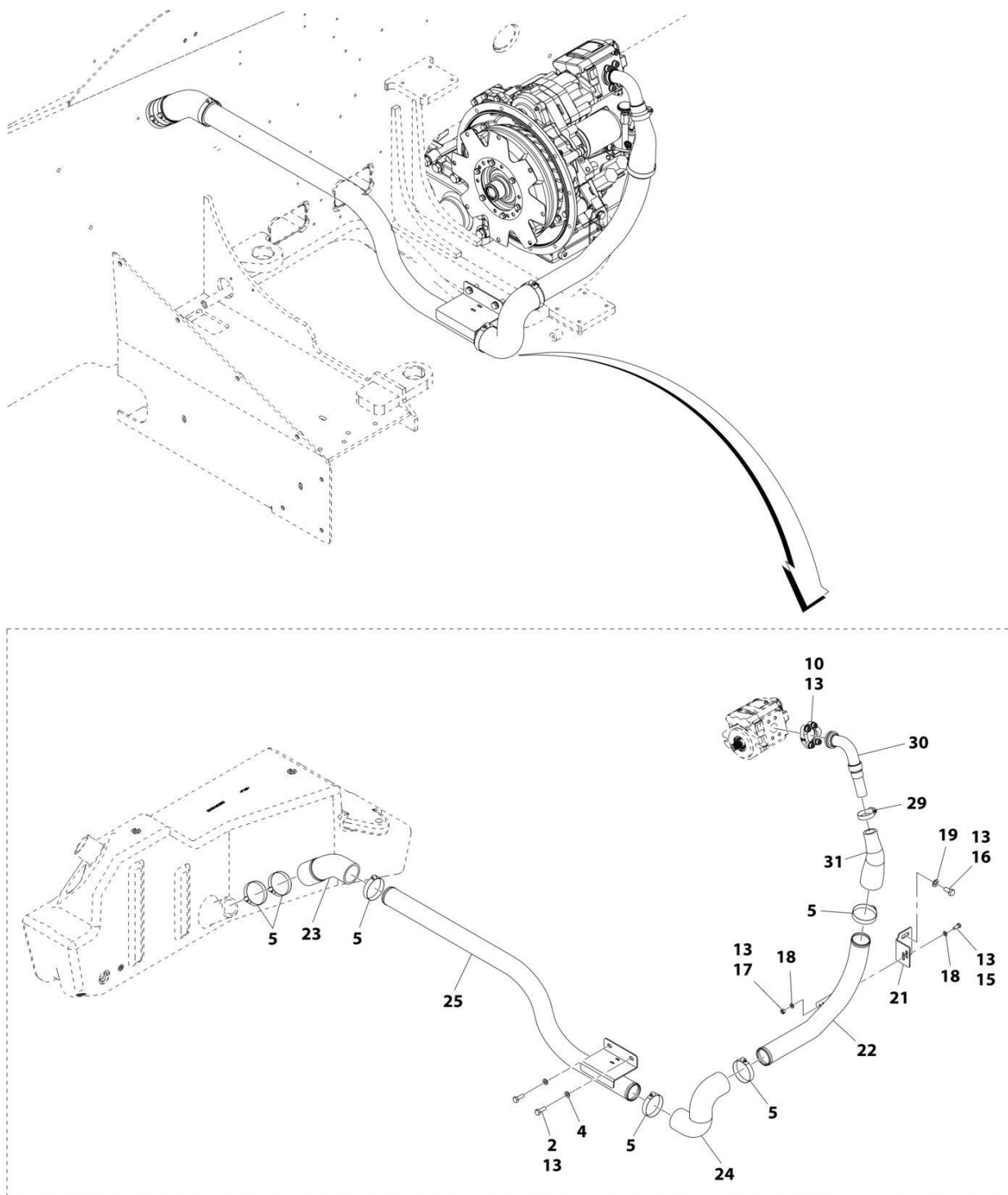
FIGURE 7-40. CLEARSKY TELEMATICS CONTROLLER

ITEM	PART NUMBER	QTY	DESCRIPTION	REV
	1001102831	Ref	Clearsky Telematics Controller	G
1	1001100443	1	Antenna	
2	1001140321	1	Software	
3	1001140322	1	Decal	
4	1001144406	1	Controller	

SECTION 8 - HYDRAULIC CIRCUITS

SECTION 8 - HYDRAULIC CIRCUITS

FIGURE 8-1. SUPPLY LINES INSTALLATION (3614RS)



ART_1001147676-I

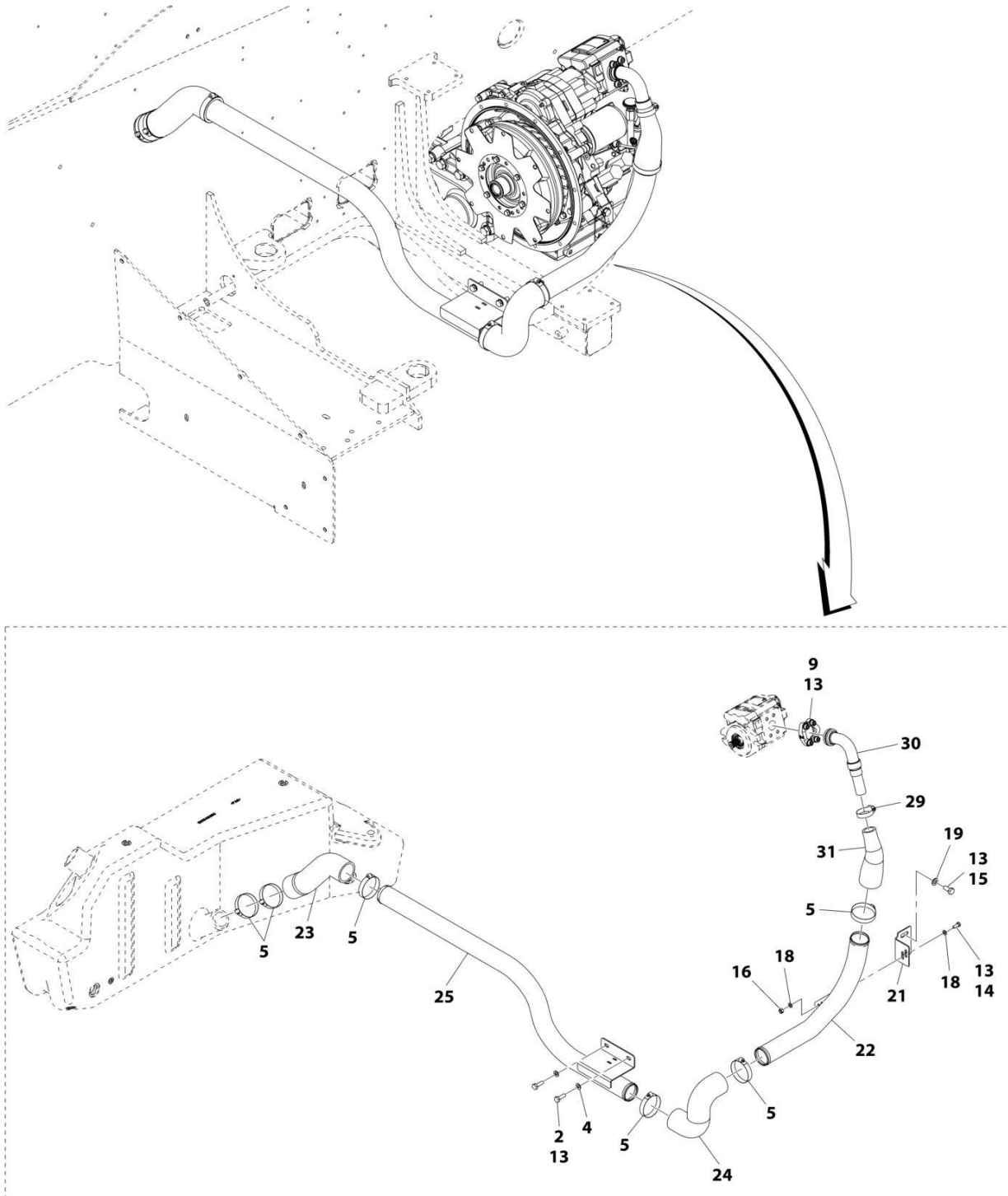
SECTION 8 - HYDRAULIC CIRCUITS

FIGURE 8-1. SUPPLY LINES INSTALLATION (3614RS)

ITEM	PART NUMBER	QTY	DESCRIPTION	REV
	1001147676	Ref	Supply Lines Installation	H
2	0761014	2	Bolt, M10X30	
4	4812000	2	Washer, M10	
5	1001008673	6	Clamp, Hose	
10	1001147801	1	Clamp, Split Flange Halve	
13	1001095650	AR	Compound, Locking	
15	0760810	2	Bolt, M8X20	
16	0761212	2	Bolt, M12X25	
17	3290805	2	Nut, Lock M8X1.25	
18	4811900	4	Washer, M8	
19	4812100	2	Washer, M12	
21	1001152673	1	Bracket, Suction Pipe	
22	1001159683	1	Pipe, Suction	
23	1001152684	1	Hose	
24	1001159685	1	Hose	
25	1001152689	1	Pipe, Suction	
29	8405103	1	Clamp, Hose	
30	1001176622	1	Flange, Adapter	
31	1001173259	1	Hose	

SECTION 8 - HYDRAULIC CIRCUITS

FIGURE 8-2. SUPPLY LINES INSTALLATION (4017RS)



ART_1001148128-H

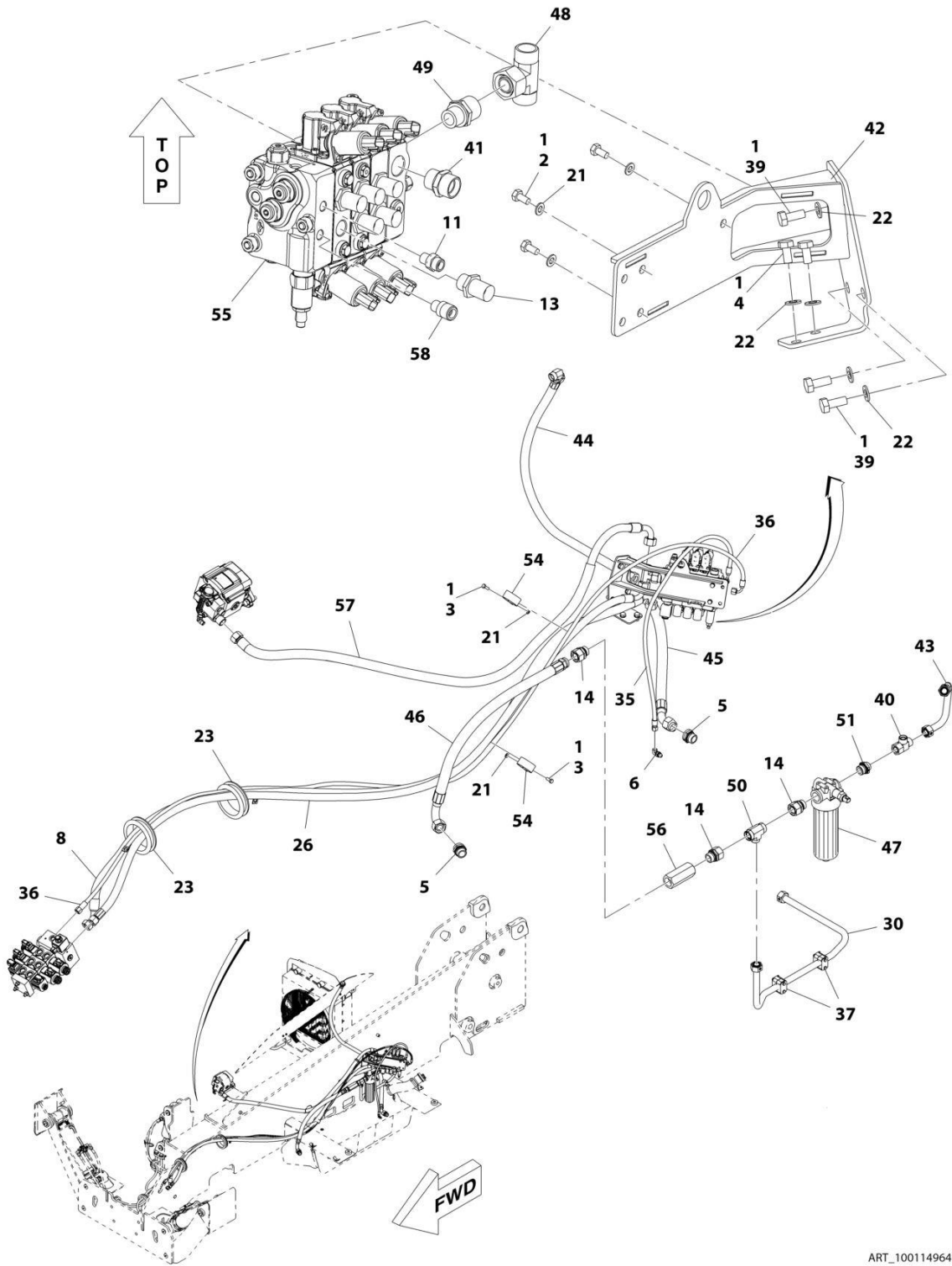
SECTION 8 - HYDRAULIC CIRCUITS

FIGURE 8-2. SUPPLY LINES INSTALLATION (4017RS)

ITEM	PART NUMBER	QTY	DESCRIPTION	REV
	1001148128	Ref	Supply Lines Installation	G
2	0761014	2	Bolt, M10X30	
4	4812000	2	Washer, M10	
5	1001008673	6	Clamp, Hose	
9	1001147801	1	Clamp, Split Flange Halve	
13	1001095650	AR	Compound, Locking	
14	0760810	2	Bolt, M8X20	
15	0761212	2	Bolt, M12X25	
16	3290805	2	Nut, Lock M8X1.25	
18	4811900	4	Washer, M8	
19	4812100	2	Washer, M12	
21	1001152673	1	Bracket, Suction Pipe	
22	1001159683	1	Pipe, Suction	
23	1001177716	1	Hose	
24	1001159685	1	Hose	
25	1001152689	1	Pipe, Suction	
29	8405103	1	Clamp, Hose	
30	1001176622	1	Flange, Adapter	
31	1001173259	1	Hose	

SECTION 8 - HYDRAULIC CIRCUITS

FIGURE 8-3. PUMP LINES INSTALLATION (NO AUXILIARY HYDRAULICS) (3614RS)



ART_1001149647-L

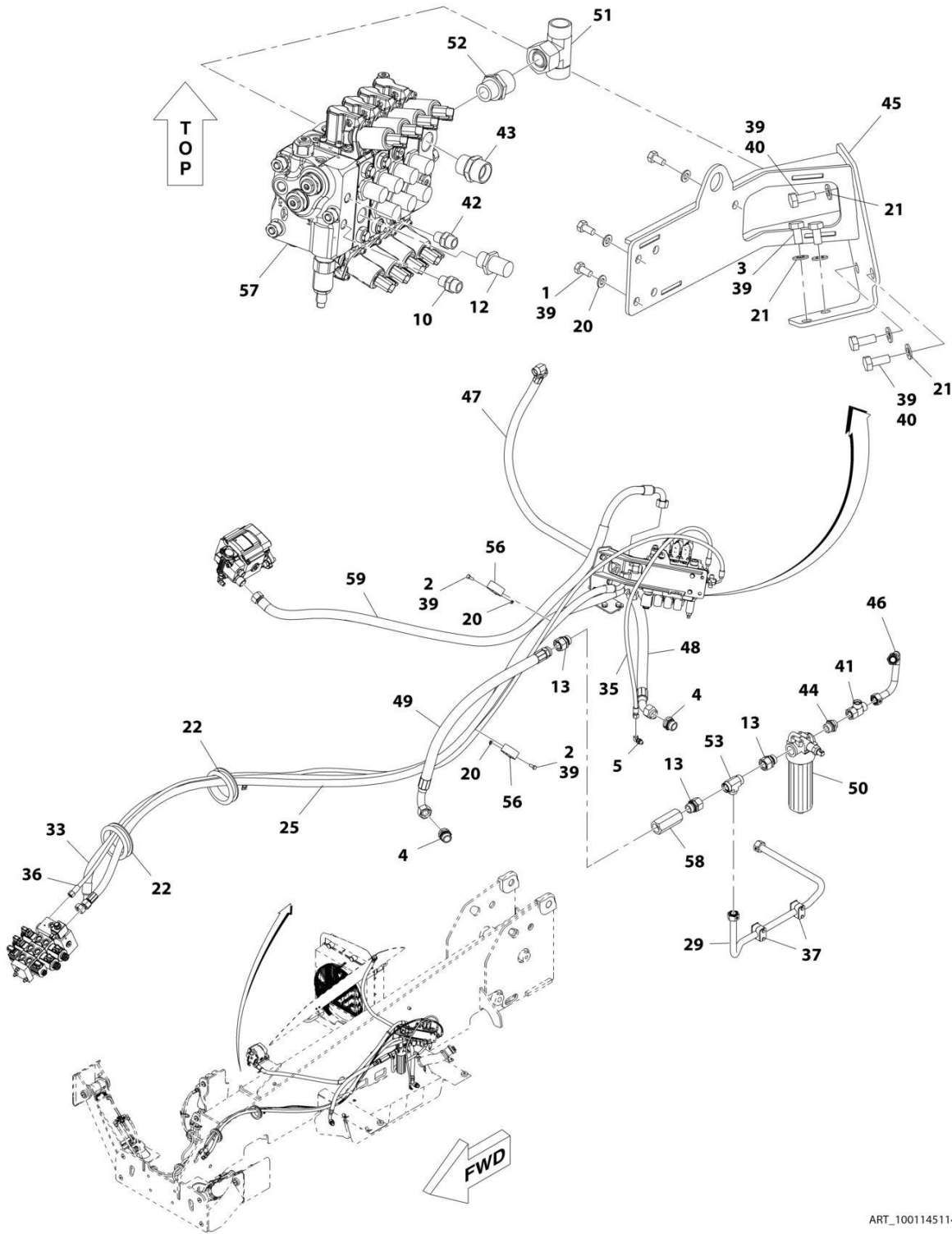
SECTION 8 - HYDRAULIC CIRCUITS

FIGURE 8-3. PUMP LINES INSTALLATION (NO AUXILIARY HYDRAULICS) (3614RS)

ITEM	PART NUMBER	QTY	DESCRIPTION	REV
	1001149647	Ref	Pump Lines Installation (no auxiliary hydraulics)	L
1	1001095650	AR	Compound, Locking	
2	0760808	3	Bolt, M8X16	
3	0760810	2	Bolt, M8X20	
4	0761010	2	Bolt, M10X20	
5	2140211	2	Adapter	
6	2140406	1	Fitting	
8	1001165561	1	Hose	
11	2142706	1	Connector	
13	2142733	6	Connector	
14	2142808	3	Adapter	
21	4811900	5	Washer, M8	
22	4812000	5	Washer, M10	
23	1001003439	2	Grommet	
26	1001148552	1	Hose	
30	1001146145	1	Tube, Oil Cooling	
35	1001147135	1	Hose	
36	1001148553	1	Hose	
37	1001148382	2	Clamp, Tube	
39	0701012	3	Bolt, M10X25	
40	2142207	1	Fitting, Swivel Run Tee	
41	2142718	1	Connector	
42	1001188875	1	Plate	
43	1001202335	1	Tube	
44	1001154645	1	Hose	
45	1001154646	1	Hose	
46	1001154647	1	Hose	
47	1001175757	1	Filter, Hydraulic Oil (See HYDRAULIC COMPONENTS SECTION for Breakdown)	
48	2142117	1	Fitting, Swivel Branch Tee	
49	2142735	1	Connector	
50	1001162929	1	Adapter	
51	2142748	1	Connector	
54	1001008667	2	Clip	
55	1001173148	1	Valve, Main Control (no auxiliary hydraulics) (See HYDRAULIC COMPONENTS SECTION for Breakdown)	
56	1001173742	1	Valve, Bypass	
57	1001174417	1	Hose	
58	2142708	1	Connector	

SECTION 8 - HYDRAULIC CIRCUITS

FIGURE 8-4. PUMP LINES INSTALLATION (AUXILIARY HYDRAULICS) (3614RS)



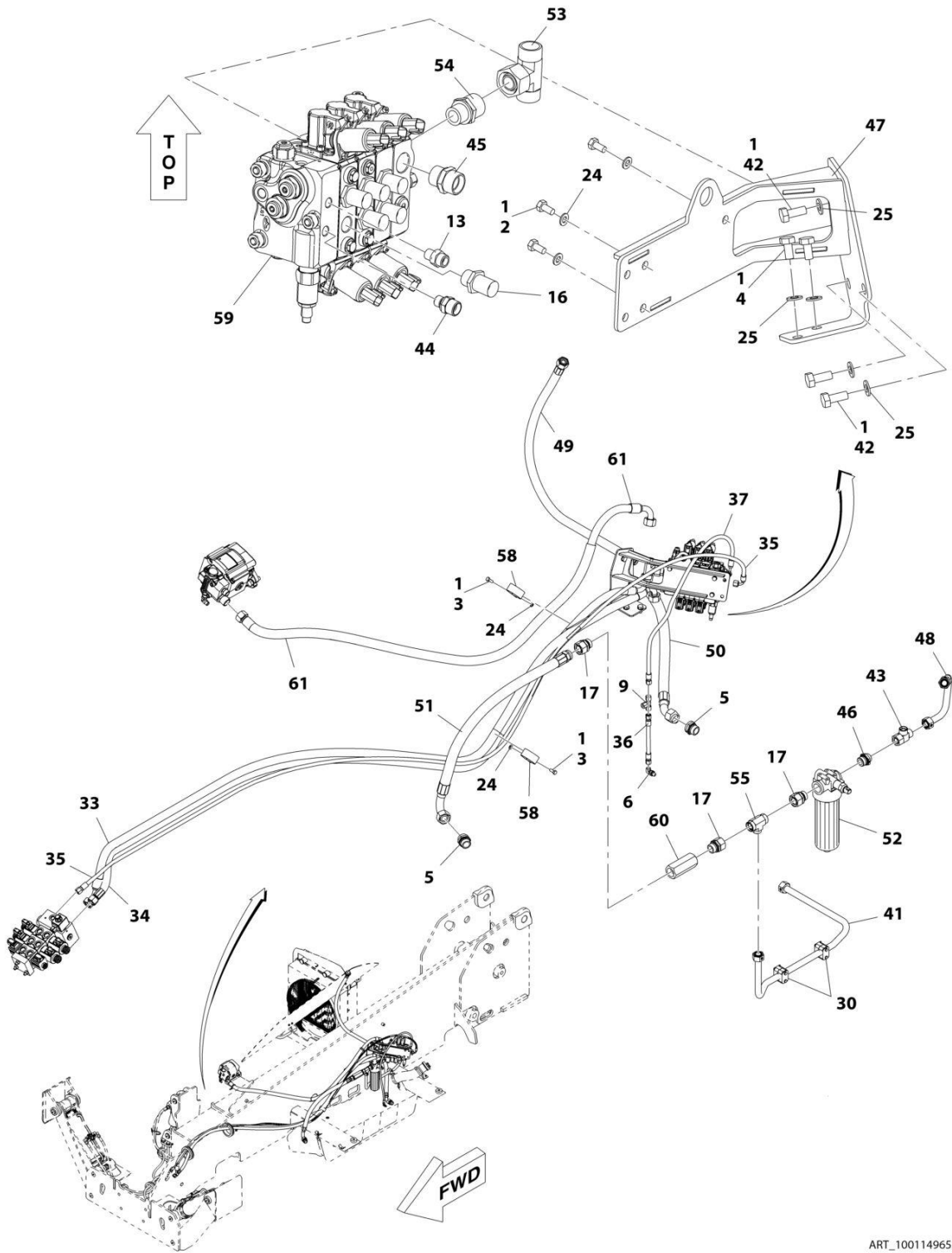
SECTION 8 - HYDRAULIC CIRCUITS

FIGURE 8-4. PUMP LINES INSTALLATION (AUXILIARY HYDRAULICS) (3614RS)

ITEM	PART NUMBER	QTY	DESCRIPTION	REV
	1001145114	Ref	Pump Lines Installation - 3614RS (auxiliary hydraulics)	M
1	0760808	3	Bolt, M8X16	
2	0760810	2	Bolt, M8X20	
3	0761010	2	Bolt, M10X20	
4	2140211	2	Adapter	
5	2140406	1	Fitting	
10	2142706	1	Connector	
12	2142733	8	Connector	
13	2142808	3	Adapter	
20	4811900	5	Washer, M8	
21	4812000	5	Washer, M10	
22	1001003439	2	Grommet	
25	1001148552	1	Hose	
29	1001146145	1	Tube, Oil Cooling	
33	1001165561	1	Hose	
35	1001147135	1	Hose	
36	1001148553	1	Hose	
37	1001148382	2	Clamp, Tube	
39	1001095650	AR	Compound, Locking	
40	0701012	3	Bolt, M10X25	
41	2142207	1	Fitting, Swivel Run Tee	
42	2142708	1	Connector	
43	2142718	1	Connector	
44	2142748	1	Connector	
45	1001188875	1	Plate	
46	1001202335	1	Tube	
47	1001154645	1	Hose	
48	1001154646	1	Hose	
49	1001154647	1	Hose	
50	1001175757	1	Filter, Hydraulic Oil (See HYDRAULIC COMPONENTS SECTION for Breakdown)	
51	2142117	1	Fitting, Swivel Branch Tee	
52	2142735	1	Connector	
53	1001162929	1	Adapter	
56	1001008667	2	Clip	
57	1001173147	1	Valve, Main Control (auxiliary hydraulics) (See HYDRAULIC COMPONENTS SECTION for Breakdown)	
58	1001173742	1	Valve, Bypass	
59	1001174417	1	Hose	

SECTION 8 - HYDRAULIC CIRCUITS

FIGURE 8-5. PUMP LINES INSTALLATION (NO AUXILIARY HYDRAULICS) (4017RS)



ART_1001149651-K

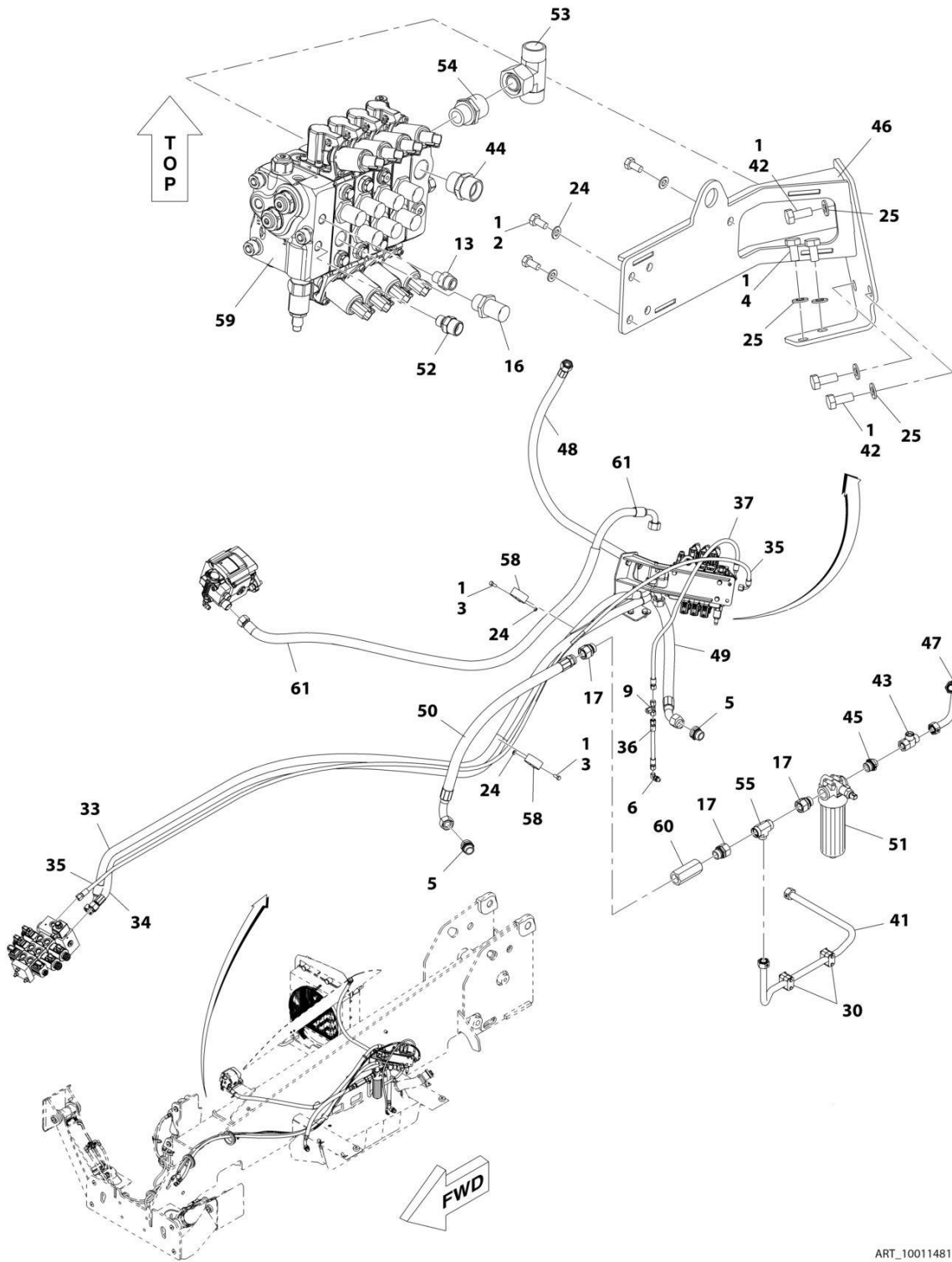
SECTION 8 - HYDRAULIC CIRCUITS

FIGURE 8-5. PUMP LINES INSTALLATION (NO AUXILIARY HYDRAULICS) (4017RS)

ITEM	PART NUMBER	QTY	DESCRIPTION	REV
	1001149651	Ref	Pump Lines Installation (no auxiliary hydraulics)	K
1	1001095650	AR	Compound, Locking	
2	0760808	3	Bolt, M8X16	
3	0760810	2	Bolt, M8X20	
4	0761010	2	Bolt, M10X20	
5	2140211	2	Adapter	
6	2140406	1	Fitting	
9	2141907	1	Fitting, Union Tee	
13	2142706	1	Connector	
16	2142733	6	Connector	
17	2142808	3	Adapter	
24	4811900	5	Washer, M8	
25	4812000	5	Washer, M10	
30	1001148382	2	Clamp, Tube	
33	1001165561	1	Hose	
34	1001148552	1	Hose	
35	1001148553	1	Hose	
36	1001148658	1	Hose	
37	1001148659	1	Hose	
41	1001189192	1	Pipe, Oil Cooling	
42	0701012	3	Bolt, M10X25	
43	2142207	1	Fitting, Swivel Run Tee	
44	2142711	1	Connector	
45	2142718	1	Connector	
46	2142748	1	Connector	
47	1001188875	1	Plate	
48	1001202335	1	Tube	
49	1001154645	1	Hose	
50	1001154646	1	Hose	
51	1001154647	1	Hose	
52	1001175757	1	Filter, Hydraulic Oil (See HYDRAULIC COMPONENTS SECTION for Breakdown)	
53	2142117	1	Fitting, Swivel Branch Tee	
54	2142735	1	Connector	
55	1001162929	1	Adapter	
58	1001008667	2	Clip	
59	1001173148	1	Valve, Main Control (no auxiliary hydraulics) (See HYDRAULIC COMPONENTS SECTION for Breakdown)	
60	1001173742	1	Valve, Bypass	
61	1001174417	1	Hose	

SECTION 8 - HYDRAULIC CIRCUITS

FIGURE 8-6. PUMP LINES INSTALLATION (AUXILIARY HYDRAULICS) (4017RS)



ART_1001148132-K

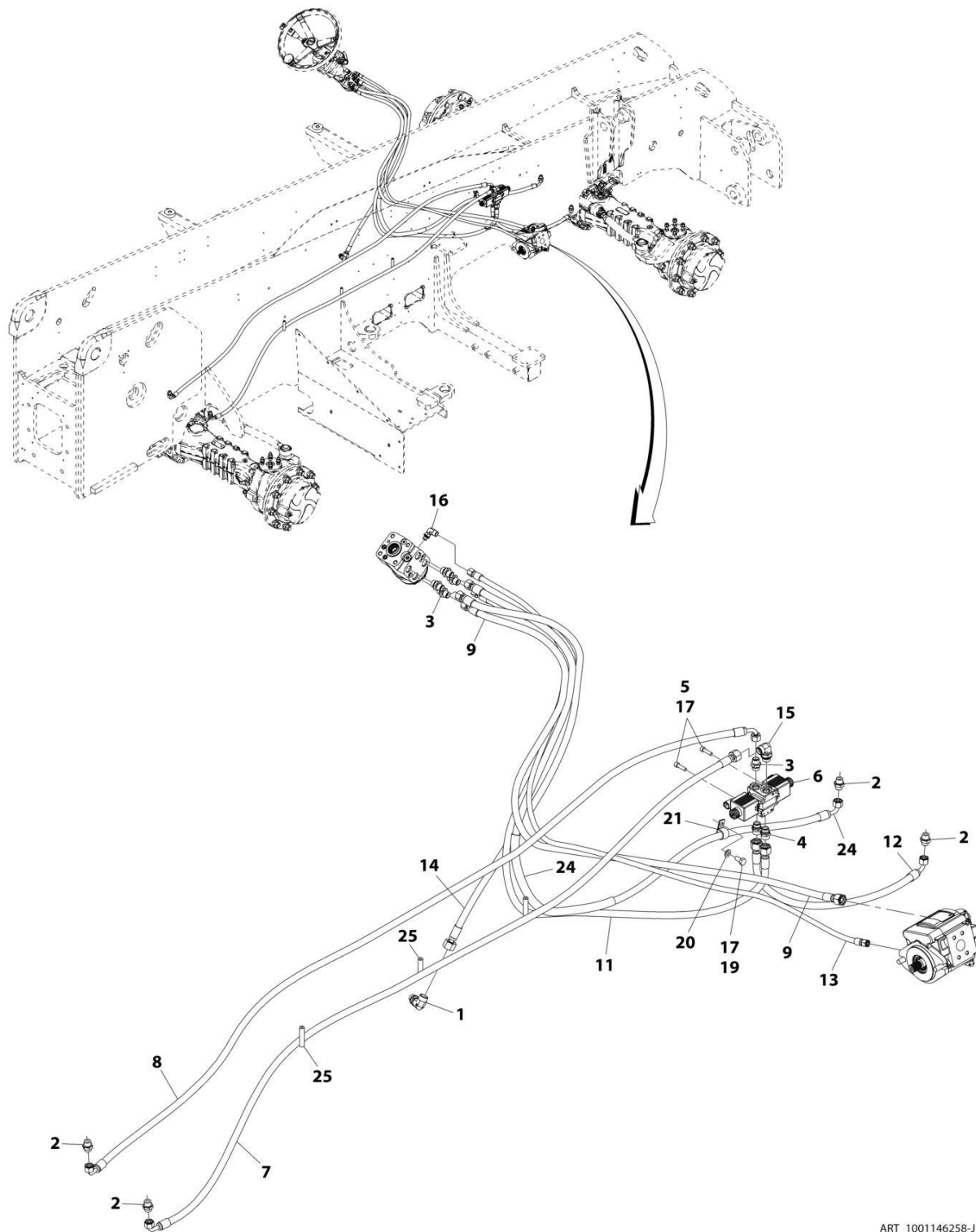
SECTION 8 - HYDRAULIC CIRCUITS

FIGURE 8-6. PUMP LINES INSTALLATION (AUXILIARY HYDRAULICS) (4017RS)

ITEM	PART NUMBER	QTY	DESCRIPTION	REV
	1001148132	Ref	Pump Lines Installation (auxiliary hydraulics)	K
1	1001095650	AR	Compound, Locking	
2	0760808	3	Bolt, M8X16	
3	0760810	2	Bolt, M8X20	
4	0761010	2	Bolt, M10X20	
5	2140211	2	Adapter	
6	2140406	1	Fitting	
9	2141907	1	Fitting, Union Tee	
13	2142706	1	Connector	
16	2142733	8	Connector	
17	2142808	3	Adapter	
24	4811900	5	Washer, M8	
25	4812000	5	Washer, M10	
30	1001148382	2	Clamp, Tube	
33	1001165561	1	Hose	
34	1001148552	1	Hose	
35	1001148553	1	Hose	
36	1001148658	1	Hose	
37	1001148659	1	Hose	
41	1001189192	1	Pipe, Oil Cooling	
42	0701012	3	Bolt, M10X25	
43	2142207	1	Fitting, Swivel Run Tee	
44	2142718	1	Connector	
45	2142748	1	Connector	
46	1001188875	1	Plate	
47	1001202335	1	Tube	
48	1001154645	1	Hose	
49	1001154646	1	Hose	
50	1001154647	1	Hose	
51	1001175757	1	Filter, Hydraulic Oil (See HYDRAULIC COMPONENTS SECTION for Breakdown)	
52	2142711	1	Connector	
53	2142117	1	Fitting, Swivel Branch Tee	
54	2142735	1	Connector	
55	1001162929	1	Adapter	
58	1001008667	2	Clip	
59	1001173147	1	Valve, main Control (no auxiliary hydraulics) (See HYDRAULIC COMPONENTS SECTION for Breakdown)	
60	1001173742	1	Valve, Bypass	
61	1001174417	1	Hose	

SECTION 8 - HYDRAULIC CIRCUITS

FIGURE 8-7. STEERING INSTALLATION (3614RS)



ART_1001146258-J

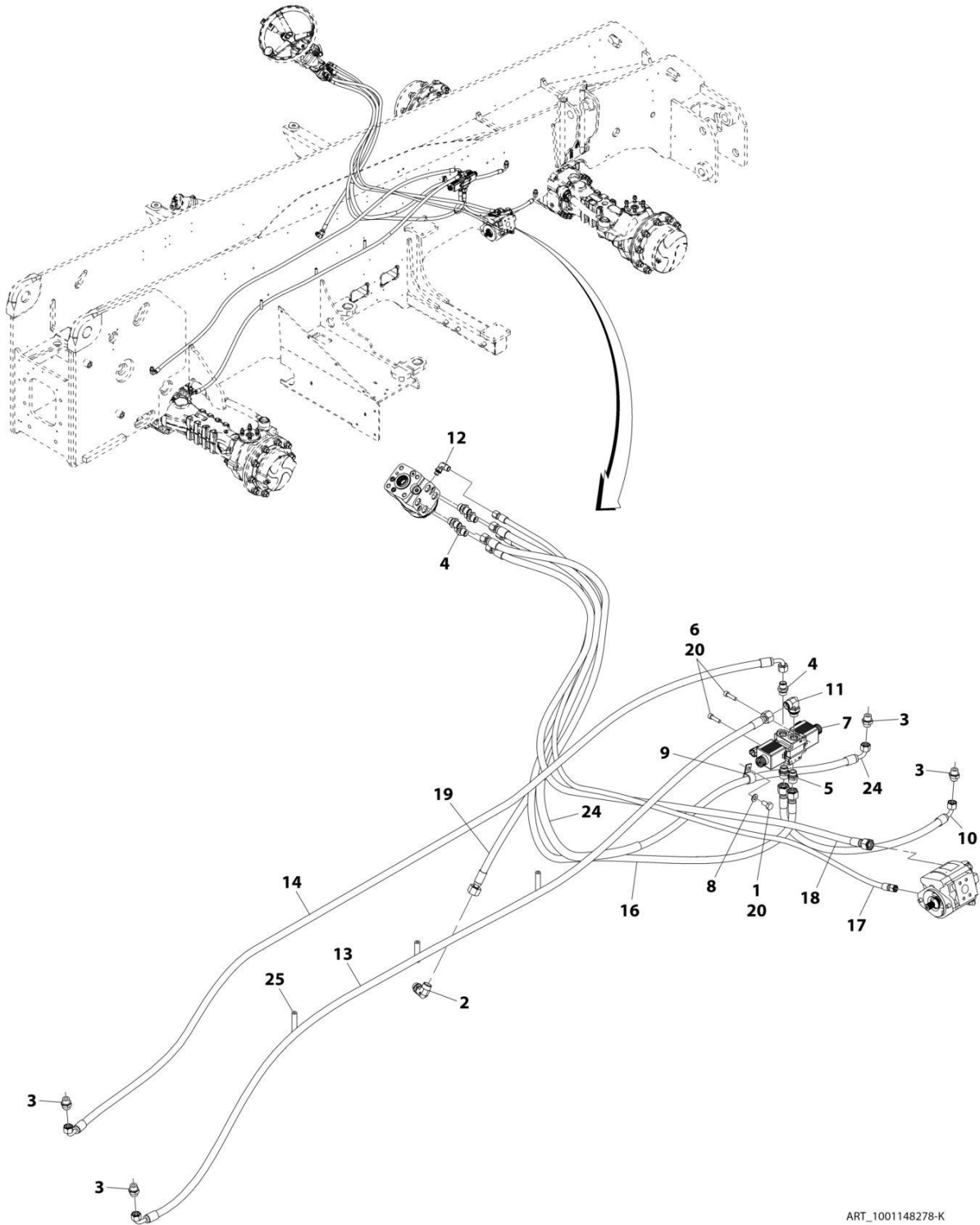
SECTION 8 - HYDRAULIC CIRCUITS

FIGURE 8-7. STEERING INSTALLATION (3614RS)

ITEM	PART NUMBER	QTY	DESCRIPTION	REV
	1001146258	Ref	Steering Installation	J
1	2140409	1	Fitting	
2	2140805	4	Connector	
3	2144804	5	Connector	
4	2144806	2	Connector	
5	4031910	2	Bolt, M8X30	
6	1001153748	1	Valve, Steering Select (See HYDRAULIC COMPONENTS SECTION for Breakdown)	
7	1001145672	1	Hose	
8	1001145680	1	Hose	
9	1001145738	1	Hose	
11	1001145857	1	Hose	
12	1001145866	1	Hose	
13	1001145873	1	Hose	
14	1001145998	1	Hose	
15	1001147517	1	Adapter	
16	1001147518	1	Adapter	
17	1001095650	AR	Compound, Locking	
19	0761010	1	Bolt, M10X20	
20	4812000	1	Washer, M10	
21	1001004144	1	Clip	
24	1001174471	1	Hose	
25	1001165274	3	Hose, Bulk	

SECTION 8 - HYDRAULIC CIRCUITS

FIGURE 8-8. STEERING INSTALLATION (4017RS)



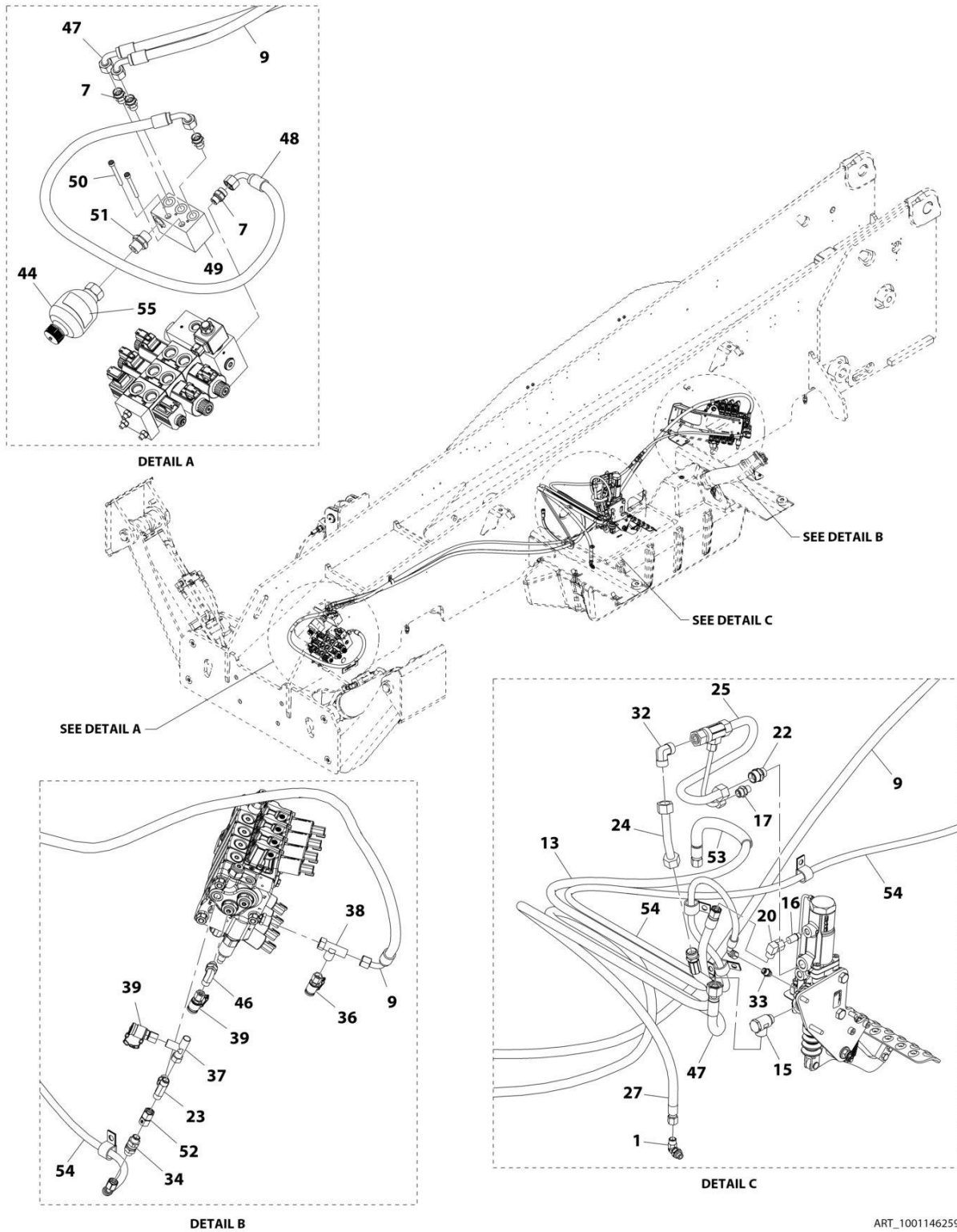
SECTION 8 - HYDRAULIC CIRCUITS

FIGURE 8-8. STEERING INSTALLATION (4017RS)

ITEM	PART NUMBER	QTY	DESCRIPTION	REV
	1001148278	Ref	Steering Installation	K
1	0761010	1	Bolt, M10X20	
2	2140409	1	Fitting	
3	2140805	4	Connector	
4	2144804	5	Connector	
5	2144806	2	Connector	
6	4031910	2	Bolt, M8X30	
7	1001153748	1	Valve, Steering Select (See HYDRAULIC COMPONENTS SECTION for Breakdown)	
8	4812000	1	Washer, M10	
9	1001004144	1	Clip	
10	1001145866	1	Hose	
11	1001147517	1	Adapter	
12	1001147518	1	Adapter	
13	1001148284	1	Hose	
14	1001165662	1	Hose	
16	1001145857	1	Hose	
17	1001145873	1	Hose	
18	1001145738	1	Hose	
19	1001145998	1	Hose	
20	1001095650	AR	Compound, Locking	
24	1001174472	1	Hose	
25	1001165274	3	Hose, Bulk	

SECTION 8 - HYDRAULIC CIRCUITS

FIGURE 8-9. UPPER BRAKE LINES INSTALLATION (3614RS) (SN 1160007024 through 1160008232)



ART_1001146259-N

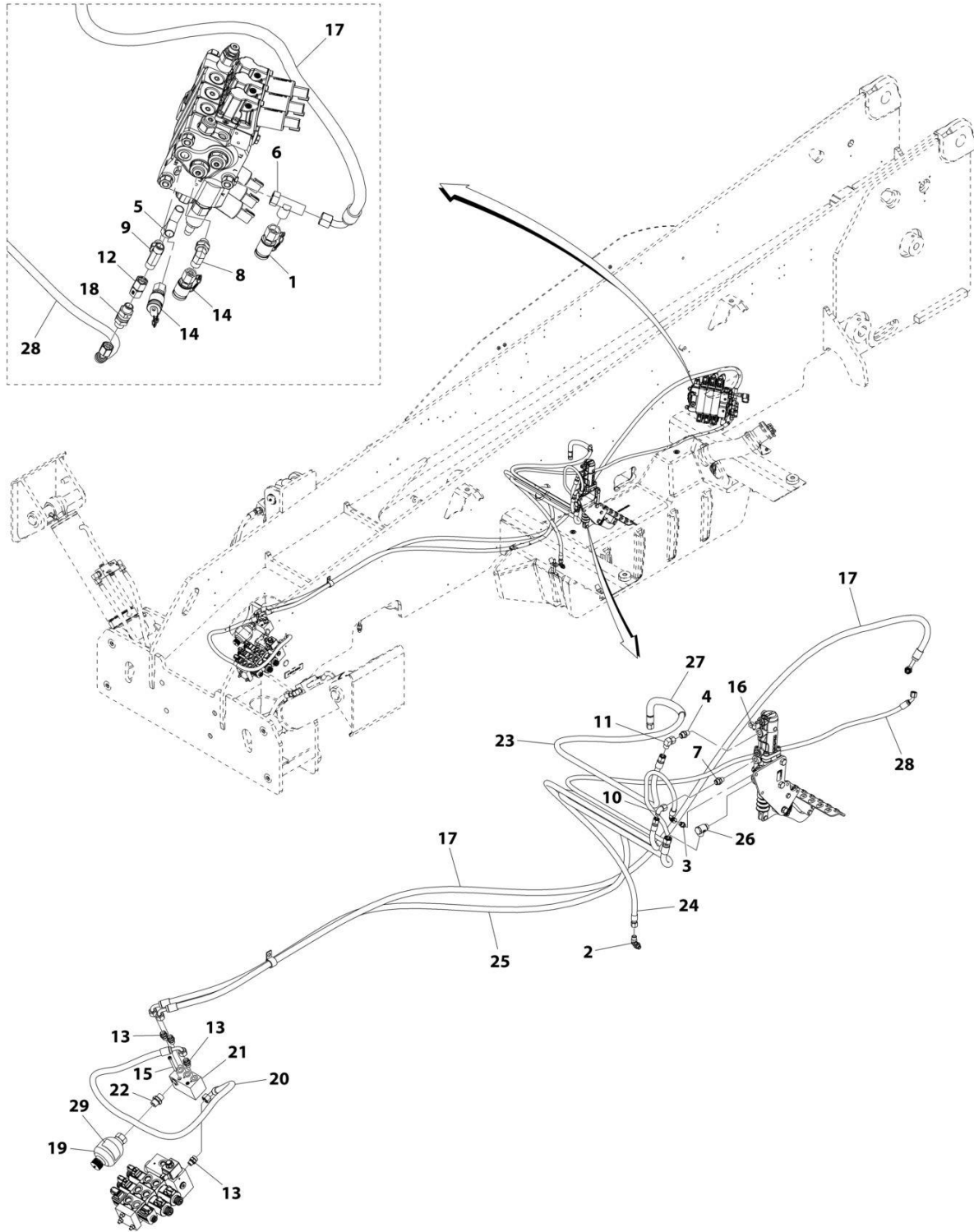
SECTION 8 - HYDRAULIC CIRCUITS

FIGURE 8-9. UPPER BRAKE LINES INSTALLATION (3614RS) (SN 1160007024 through 1160008232)

ITEM	PART NUMBER	QTY	DESCRIPTION	REV
	1001146259	Ref	Upper Brake Lines Installation	N
1	2140406	1	Fitting	
7	2144803	4	Connector	
9	1001146129	1	Hose	
13	1001205594	1	Hose	
15	1001162578	1	Adapter	
16	2140825	1	Connector	
17	2142706	1	Connector	
20	2143403	1	Fitting	
22	2140807	1	Connector	
23	2143102	1	Fitting, Branch Tee	
24	1001161129	1	Tube	
25	1001161130	1	Tube	
27	1001161267	1	Hose	
32	1001161474	1	Fitting	
33	2140801	1	Connector	
34	1001169139	1	Adapter	
36	1616551	1	Fitting	
37	2142202	1	Fitting, Swivel Run Tee	
38	2142203	1	Fitting, Swivel Run Tee	
39	2988632	2	Fitting	
44	1001173418	1	Brake, Pressure Damper	
46	2143004	1	Fitting, 90 ORFS	
47	1001178161	1	Hose	
48	1001178162	1	Hose	
49	1001178407	1	Manifold, Brake Damper	
50	4031716	2	Bolt, M6X60	
51	1001179926	1	Adapter	
52	2143602	1	Fitting	
53	1001207170	1	Conduit	
54	1001211609	1	Hose	
55	1001247708	1	Decal, Stored Energy	

SECTION 8 - HYDRAULIC CIRCUITS

FIGURE 8-10. UPPER BRAKE LINES INSTALLATION (3614RS) (SN 1160008232 through 1160008790)



ART_1001211447-E

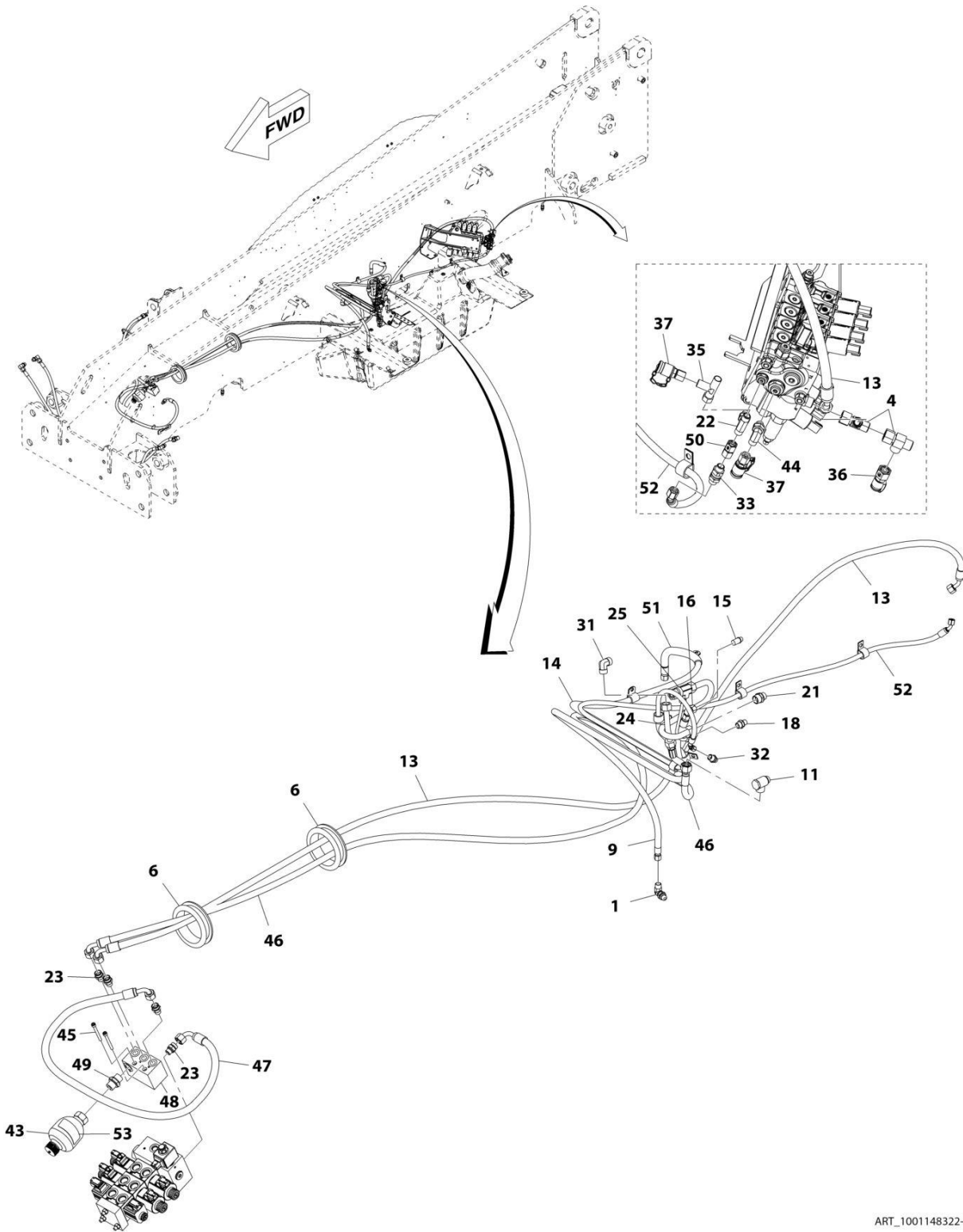
SECTION 8 - HYDRAULIC CIRCUITS

FIGURE 8-10. UPPER BRAKE LINES INSTALLATION (3614RS) (SN 1160008232 through 1160008790)

ITEM	PART NUMBER	QTY	DESCRIPTION	REV
	1001211447	Ref	Upper Brake Lines Installation	E
1	1616551	1	Fitting	
2	2140406	1	Fitting	
3	2140801	1	Connector	
4	2140803	1	Connector	
5	2142202	1	Fitting, Swivel Run Tee	
6	2142203	1	Fitting, Swivel Run Tee	
7	2142706	1	Connector	
8	2143004	1	Fitting, 90 ORFS	
9	2143102	1	Fitting, Branch Tee	
10	2143402	1	Fitting	
11	2143403	1	Fitting	
12	2143602	1	Fitting	
13	2144803	4	Connector	
14	2988632	2	Fitting	
15	4031716	2	Bolt, M6X60	
16	8405009	1	Gear Clamp	
17	1001146129	1	Hose	
18	1001169139	1	Adapter	
19	1001173418	1	Brake, Pressure Damper	
20	1001178162	1	Hose	
21	1001178407	1	Manifold, Brake Damper	
22	1001179926	1	Adapter	
23	1001205594	1	Hose	
24	1001206583	1	Hose	
25	1001206584	1	Hose	
26	1001206592	1	Adapter	
27	1001207170	1	Conduit	
28	1001211609	1	Hose	
29	1001247708	1	Decal, Stored Energy	

SECTION 8 - HYDRAULIC CIRCUITS

FIGURE 8-11. UPPER BRAKE LINES INSTALLATION (4017RS) (SN 1160007024 through 1160008232)



ART_1001148322-M

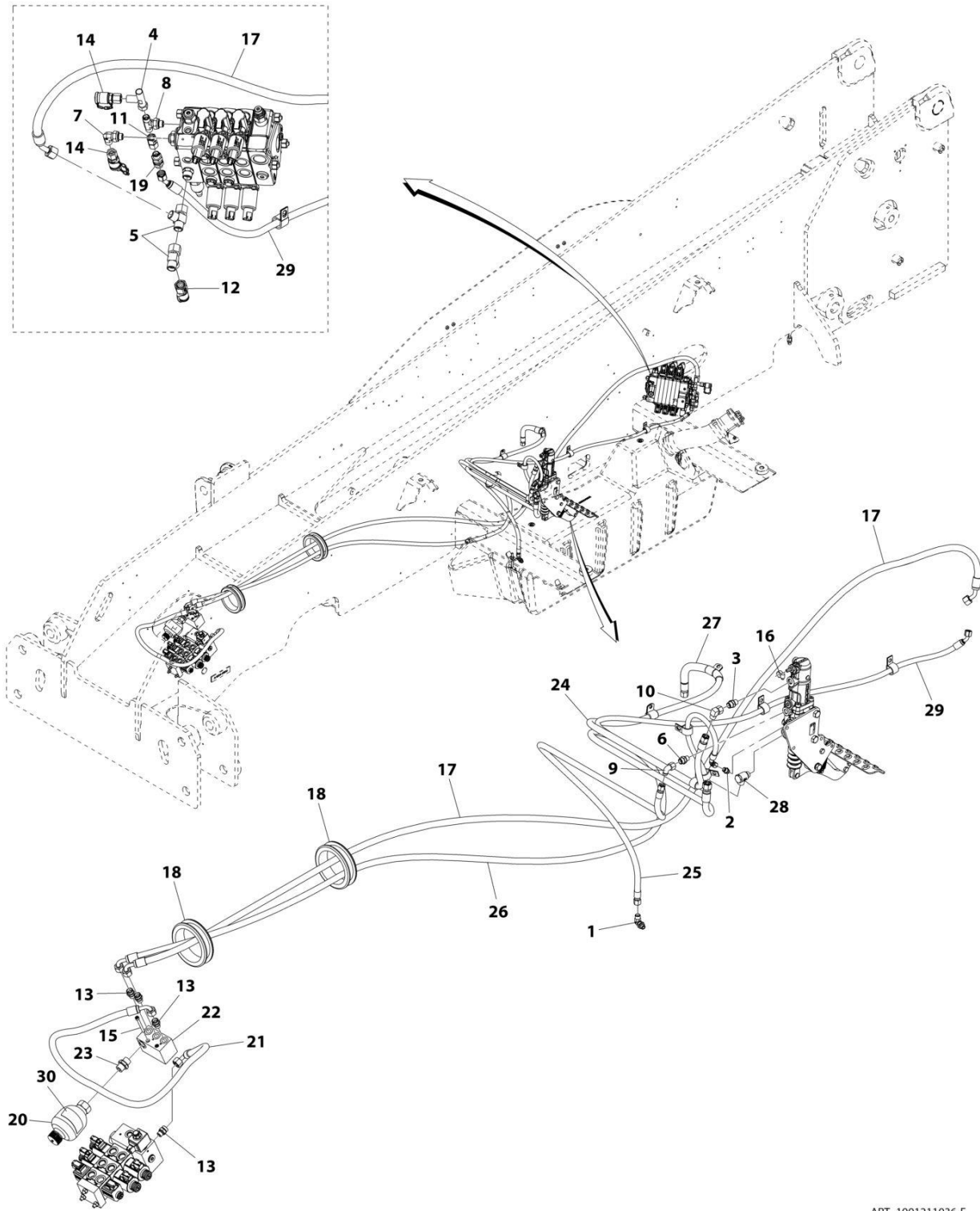
SECTION 8 - HYDRAULIC CIRCUITS

FIGURE 8-11. UPPER BRAKE LINES INSTALLATION (4017RS) (SN 1160007024 through 1160008232)

ITEM	PART NUMBER	QTY	DESCRIPTION	REV
	1001148322	Ref	Upper Brake Lines Installation	M
1	2140406	1	Fitting	
4	2142204	2	Fitting, Swivel Run Tee	
6	1001003439	2	Grommet	
9	1001161267	1	Hose	
11	1001162578	1	Adapter	
13	1001148320	1	Hose	
14	1001205594	1	Hose	
15	2140825	1	Connector	
16	2143403	1	Fitting	
18	2142706	1	Connector	
21	2140807	1	Connector	
22	2143102	1	Fitting, Branch Tee	
23	2144803	4	Connector	
24	1001161129	1	Tube	
25	1001161130	1	Tube	
31	1001161474	1	Fitting	
32	2140801	1	Connector	
33	1001169139	1	Adapter	
35	2142202	1	Fitting, Swivel Run Tee	
36	2144104	1	Fitting	
37	2988632	2	Fitting	
43	1001173418	1	Brake, Pressure Damper	
44	2143004	1	Fitting, 90 ORFS	
45	4031716	2	Bolt, M6X60	
46	1001182912	1	Hose	
47	1001178162	1	Hose	
48	1001178407	1	Manifold, Brake Damper	
49	1001179926	1	Adapter	
50	2143602	1	Fitting	
51	1001207170	1	Conduit	
52	1001211609	1	Hose	
53	1001247708	1	Decal, Stored Energy	

SECTION 8 - HYDRAULIC CIRCUITS

FIGURE 8-12. UPPER BRAKE LINES INSTALLATION (4017RS) (SN 1160008232 through 1160008790)



ART_1001211036-F

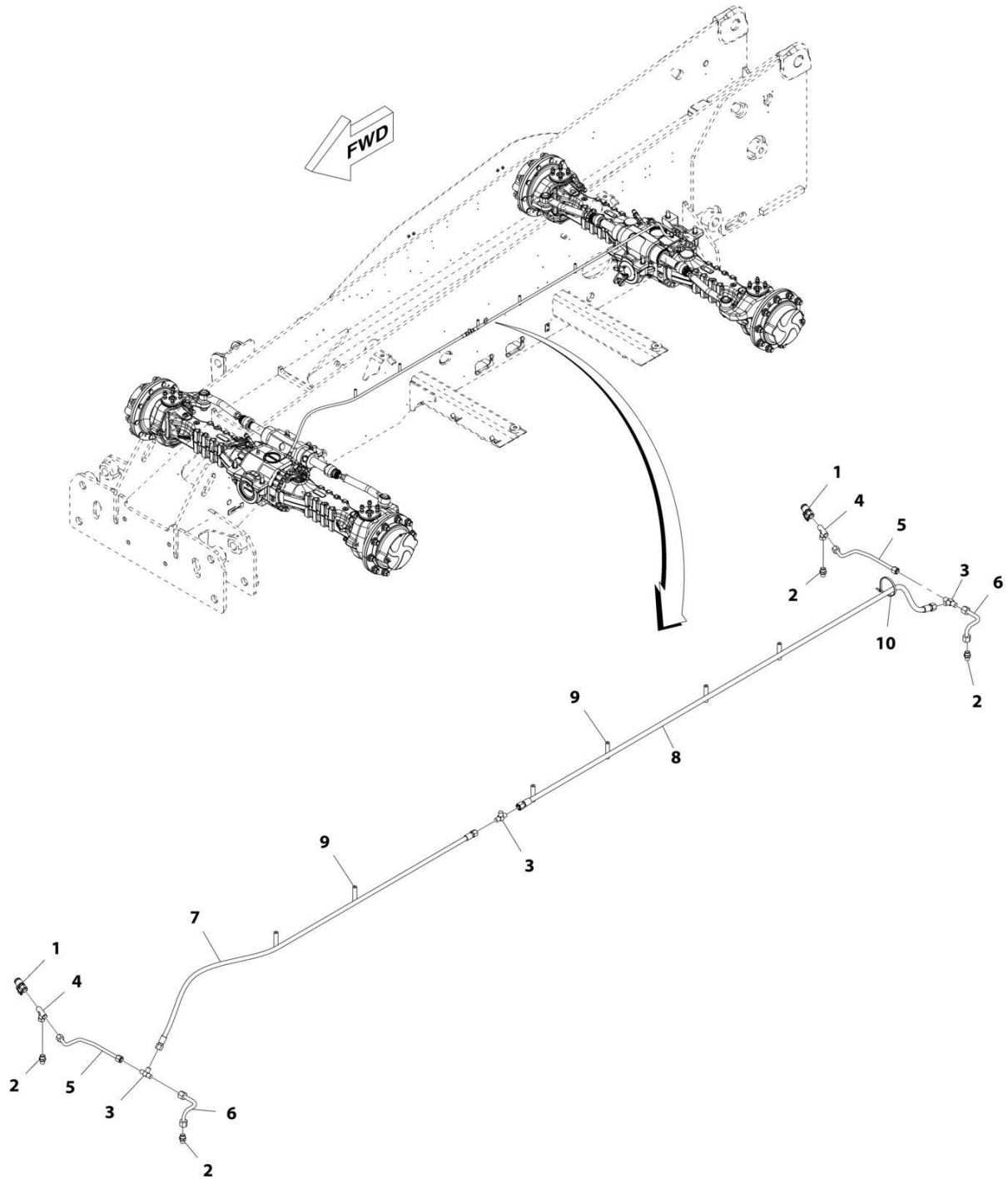
SECTION 8 - HYDRAULIC CIRCUITS

FIGURE 8-12. UPPER BRAKE LINES INSTALLATION (4017RS) (SN 1160008232 through 1160008790)

ITEM	PART NUMBER	QTY	DESCRIPTION	REV
	1001211036	Ref	Upper Brake Lines Installation	F
1	2140406	1	Fitting	
2	2140801	1	Connector	
3	2140803	1	Connector	
4	2142202	1	Fitting, Swivel Run Tee	
5	2142204	2	Fitting, Swivel Run Tee	
6	2142706	1	Connector	
7	2143004	1	Fitting, 90 ORFS	
8	2143102	1	Fitting, Branch Tee	
9	2143402	1	Fitting	
10	2143403	1	Fitting	
11	2143602	1	Fitting	
12	2144104	1	Fitting	
13	2144803	4	Connector	
14	2988632	2	Fitting	
15	4031716	2	Bolt, M6X60	
16	8405009	1	Gear Clamp	
17	1001148320	1	Hose	
18	1001003439	2	Grommet	
19	1001169139	1	Adapter	
20	1001173418	1	Brake, Pressure Damper	
21	1001178162	1	Hose	
22	1001178407	1	Manifold, Brake Damper	
23	1001179926	1	Adapter	
24	1001205594	1	Hose	
25	1001206583	1	Hose	
26	1001206584	1	Hose	
27	1001207170	1	Conduit	
28	1001206592	1	Adapter	
29	1001211609	1	Hose	
30	1001247708	1	Decal, Stored Energy	

SECTION 8 - HYDRAULIC CIRCUITS

FIGURE 8-13. LOWER BRAKE LINES INSTALLATION (3614RS)



ART_1001147022-G

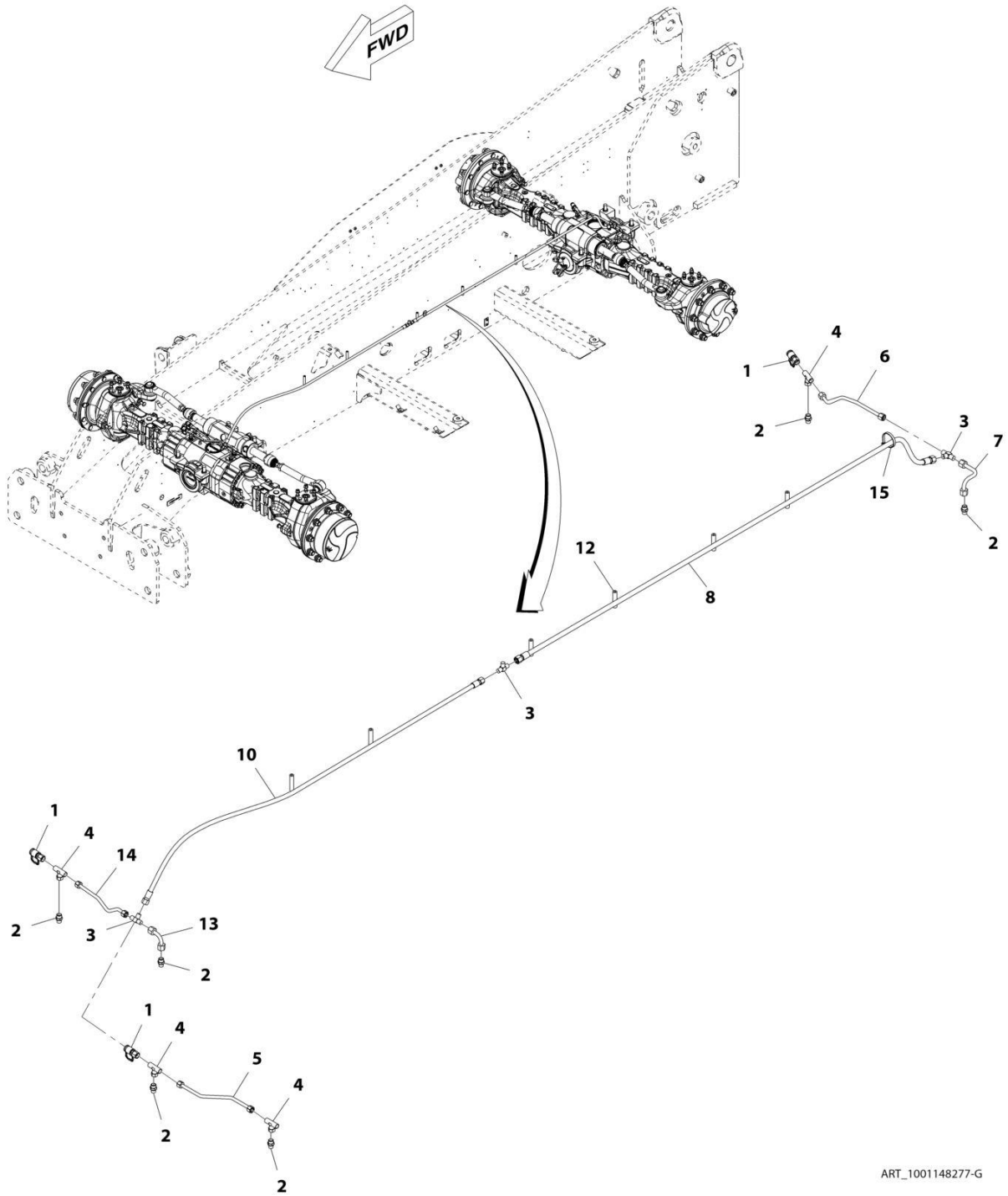
SECTION 8 - HYDRAULIC CIRCUITS

FIGURE 8-13. LOWER BRAKE LINES INSTALLATION (3614RS)

ITEM	PART NUMBER	QTY	DESCRIPTION	REV
	1001147022	Ref	Lower Brake Lines Installation	G
1	1616551	2	Fitting	
2	2140206	4	Connector	
3	2141908	3	Fitting, Union Tee	
4	2142103	2	Fitting, Swivel Branch Tee	
5	8002323	2	Pipe	
6	1001147021	2	Pipe	
7	1001211328	1	Hose	
8	1001205591	1	Hose	
9	1001165274	6	Hose	
10	1062255	1	Tie, Strap	

SECTION 8 - HYDRAULIC CIRCUITS

FIGURE 8-14. LOWER BRAKE LINES INSTALLATION (4017RS)



ART_1001148277-G

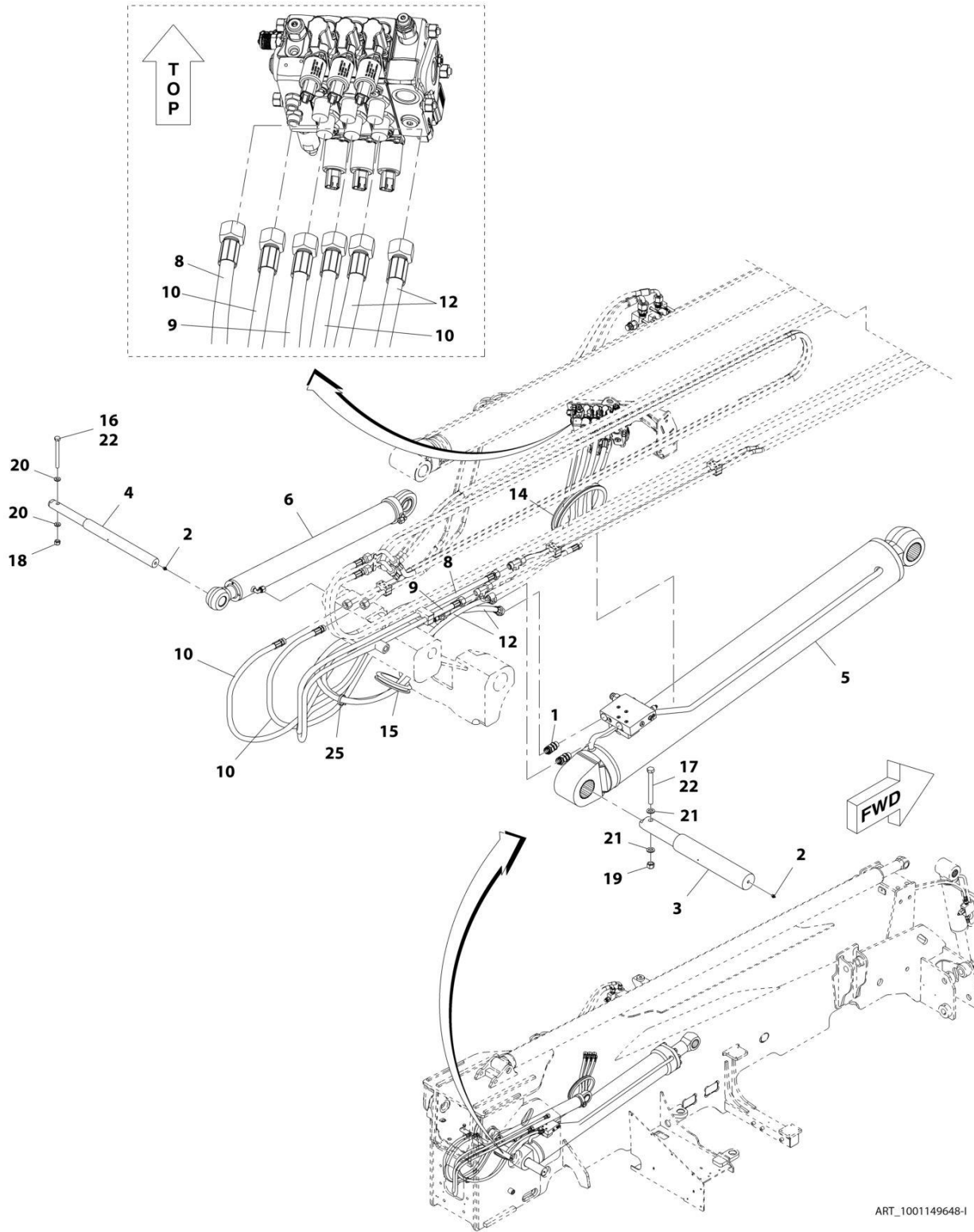
SECTION 8 - HYDRAULIC CIRCUITS

FIGURE 8-14. LOWER BRAKE LINES INSTALLATION (4017RS)

ITEM	PART NUMBER	QTY	DESCRIPTION	REV
	1001148277	Ref	Lower Brake Lines Installation	G
1	1616551	3	Fitting	
2	2140206	6	Connector	
3	2141908	3	Fitting, Union Tee	
4	2142103	4	Fitting, Swivel Branch Tee	
5	3460380	1	Pipe	
6	8002323	1	Pipe	
7	1001147021	1	Pipe	
8	1001205591	1	Hose	
10	1001205593	1	Hose	
12	1001165274	6	Hose	
13	1001171759	1	Pipe	
14	1001171760	1	Pipe	
15	1062255	1	Tie, Strap	

SECTION 8 - HYDRAULIC CIRCUITS

FIGURE 8-15. IMPLEMENT LINES INSTALLATION (NO AUX HYDRAULICS) (3614RS)



ART_1001149648-I

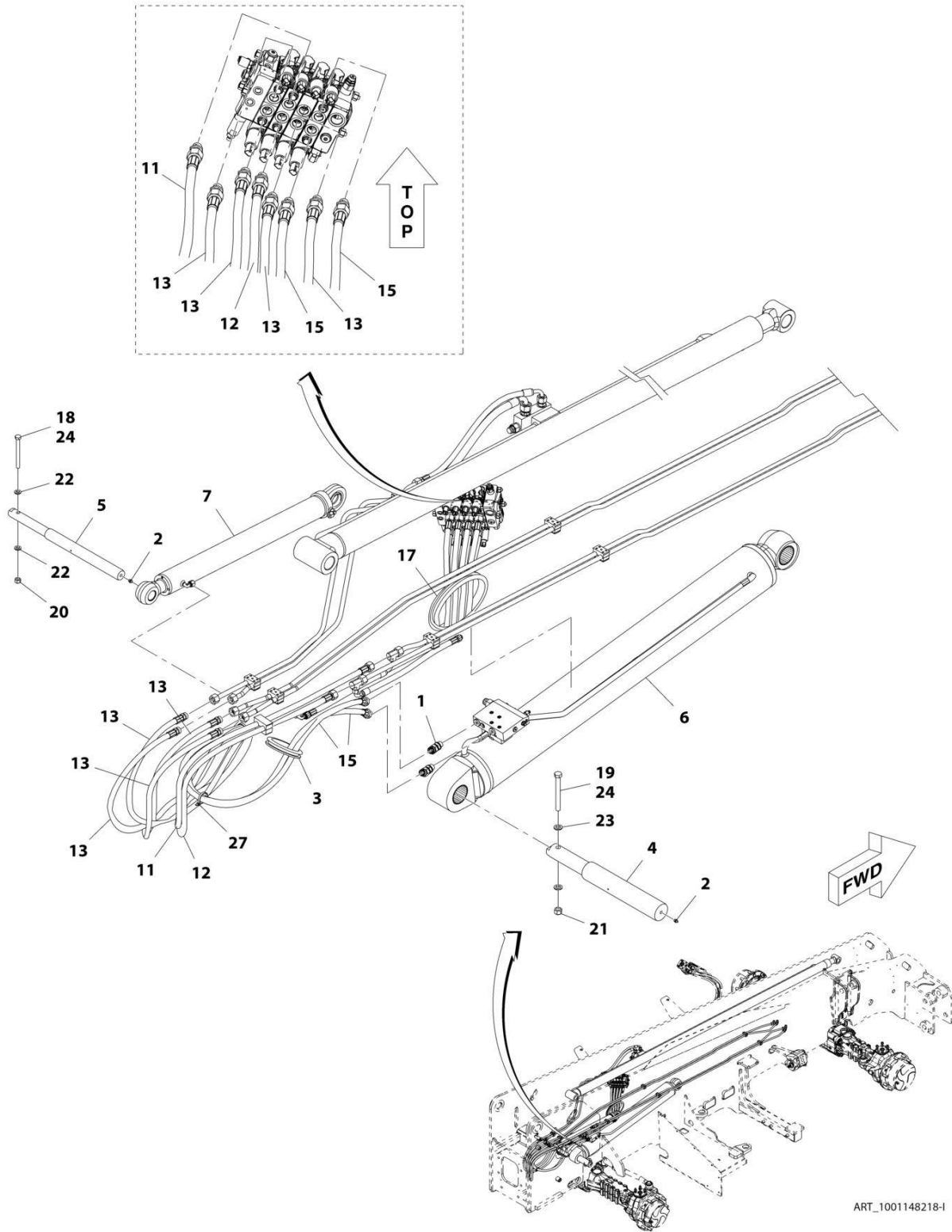
SECTION 8 - HYDRAULIC CIRCUITS

FIGURE 8-15. IMPLEMENT LINES INSTALLATION (NO AUX HYDRAULICS) (3614RS)

ITEM	PART NUMBER	QTY	DESCRIPTION	REV
	1001149648	Ref	Implement Lines Installation (no auxiliary hydraulics)	1
1	2142915	2	Adapter	
2	2160016	2	Fitting, Grease	
3	1001168803	1	Pin, Lift Cylinder	
4	1001168811	1	Pin, Compensation Cylinder	
5	1001144190	1	Cylinder, Lift (See HYDRAULIC COMPONENTS SECTION for Breakdown) (SN 1160007024 through 1160007517)	
5	1001184284	1	Cylinder, Lift (See HYDRAULIC COMPONENTS SECTION for Breakdown) (SN 1160007517 through 1160008790)	
6	1001144203	1	Cylinder, Compensation (See HYDRAULIC COMPONENTS SECTION for Breakdown)	
8	1001174300	1	Hose	
9	1001174308	1	Hose	
10	1001174305	2	Hose	
12	1001174302	2	Hose	
14	1001147871	1	Grommet	
15	1001178081	1	Channel, Trim	
16	0701230	1	Bolt, M12X130	
17	0701632	1	Bolt, M16X150	
18	3291205	1	Nut, Lock, M12X1.75	
19	3291605	1	Nut, Lock, M16X2	
20	4812100	2	Washer, M12	
21	4812300	2	Washer, M16	
22	1001095650	AR	Compound, Locking	
25	1062255	2	Tie, Strap	

SECTION 8 - HYDRAULIC CIRCUITS

FIGURE 8-16. IMPLEMENT LINES INSTALLATION (AUX HYDRAULICS) (3614RS)



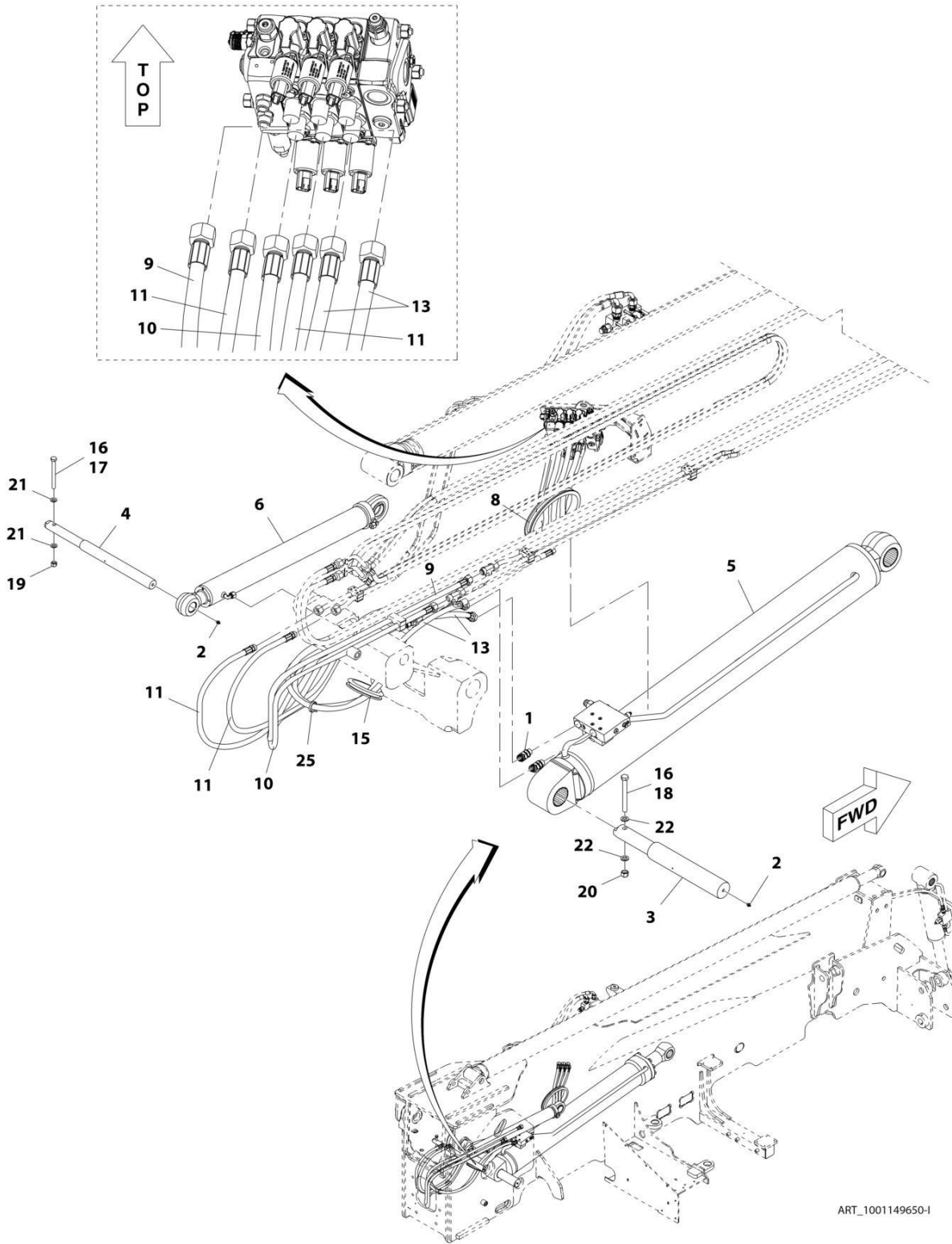
SECTION 8 - HYDRAULIC CIRCUITS

FIGURE 8-16. IMPLEMENT LINES INSTALLATION (AUX HYDRAULICS) (3614RS)

ITEM	PART NUMBER	QTY	DESCRIPTION	REV
	1001148218	Ref	Implement Lines Installation (auxiliary hydraulics)	1
1	2142915	2	Adapter	
2	2160016	2	Fitting, Grease	
3	1001178081	1	Channel, Trim	
4	1001168803	1	Pin, Lift Cylinder	
5	1001168811	1	Pin, Compensation Cylinder	
6	1001144190	1	Cylinder, Lift (See HYDRAULIC COMPONENTS SECTION for Breakdown) (SN 1160007024 through 1160007517)	
6	1001184284	1	Cylinder, Lift (See HYDRAULIC COMPONENTS SECTION for Breakdown) (SN 1160007517 through 1160008790)	
7	1001144203	1	Cylinder, Compensation (See HYDRAULIC COMPONENTS SECTION for Breakdown)	
11	1001174300	1	Hose	
12	1001174308	1	Hose	
13	1001174305	4	Hose	
15	1001174302	2	Hose	
17	1001147871	1	Grommet	
18	0701230	1	Bolt, M12X130	
19	0701632	1	Bolt, M16X150	
20	3291205	1	Nut, Lock, M12X1.75	
21	3291605	1	Nut, Lock, M16X2	
22	4812100	2	Washer, M12	
23	4812300	2	Washer, M16	
24	1001095650	AR	Compound, Locking	
27	1062255	2	Tie, Strap	

SECTION 8 - HYDRAULIC CIRCUITS

FIGURE 8-17. IMPLEMENT LINES INSTALLATION (NO AUX HYDRAULICS) (4017RS)



ART_1001149650-1

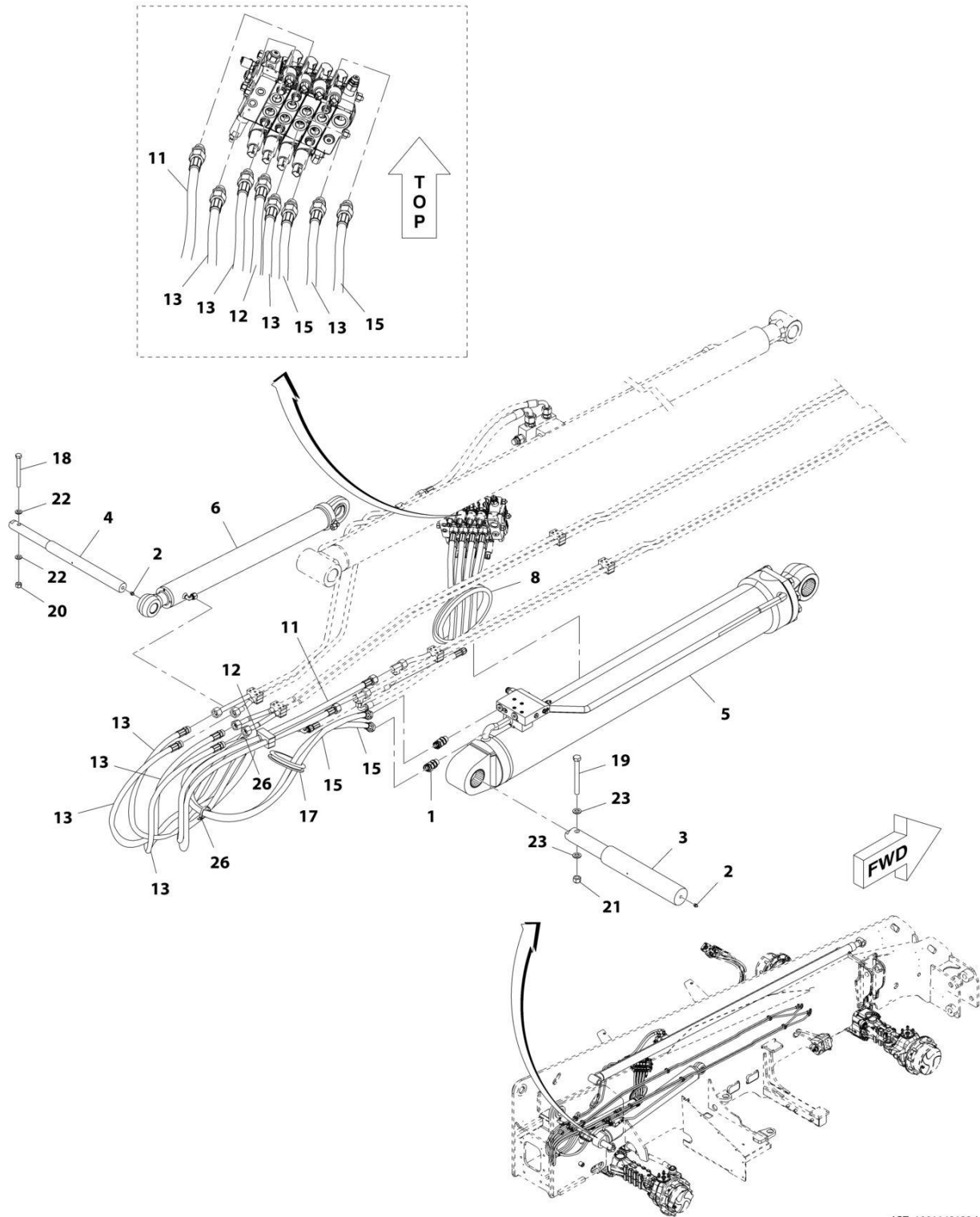
SECTION 8 - HYDRAULIC CIRCUITS

FIGURE 8-17. IMPLEMENT LINES INSTALLATION (NO AUX HYDRAULICS) (4017RS)

ITEM	PART NUMBER	QTY	DESCRIPTION	REV
	1001149650	Ref	Implement Lines Installation (no auxiliary hydraulics)	1
1	2142915	2	Adapter	
2	2160016	2	Fitting, Grease	
3	1001168803	1	Pin, Lift Cylinder	
4	1001168811	1	Pin, Compensation Cylinder	
5	1001144194	1	Cylinder, Lift (See HYDRAULIC COMPONENTS SECTION for Breakdown) (SN 1160007024 through 1160007492)	
5	1001184285	1	Cylinder, Lift (See HYDRAULIC COMPONENTS SECTION for Breakdown) (SN 1160007492 through 1160008790)	
6	1001144203	1	Cylinder, Compensation (See HYDRAULIC COMPONENTS SECTION for Breakdown)	
8	1001147871	1	Grommet	
9	1001174300	1	Hose	
10	1001174308	1	Hose	
11	1001174305	2	Hose	
13	1001174302	2	Hose	
15	1001178081	1	Channel, Trim	
16	1001095650	AR	Compound, Locking	
17	0701230	1	Bolt, M12X130	
18	0701632	1	Bolt, M16X150	
19	3291205	1	Nut, Lock, M12X1.75	
20	3291605	1	Nut, Lock, M16X2	
21	4812100	2	Washer, M12	
22	4812300	2	Washer, M16	
25	1062255	2	Tie, Strap	

SECTION 8 - HYDRAULIC CIRCUITS

FIGURE 8-18. IMPLEMENT LINES INSTALLATION (AUX HYDRAULICS) (4017RS)



ART_1001148133-I

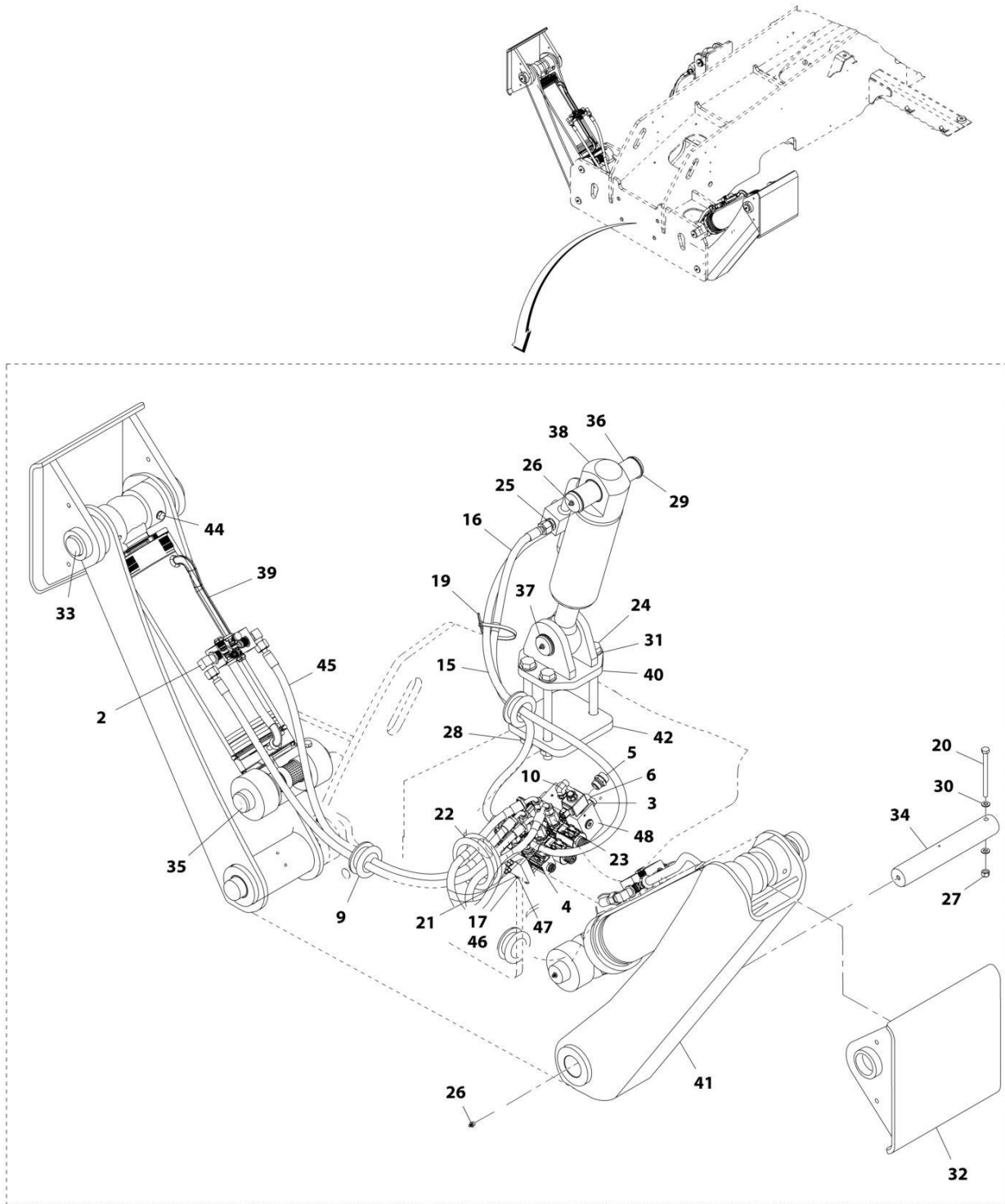
SECTION 8 - HYDRAULIC CIRCUITS

FIGURE 8-18. IMPLEMENT LINES INSTALLATION (AUX HYDRAULICS) (4017RS)

ITEM	PART NUMBER	QTY	DESCRIPTION	REV
	1001148133	Ref	Implement Lines Installation (auxiliary hydraulics)	1
1	2142915	2	Adapter	
2	2160016	2	Fitting, Grease	
3	1001168803	1	Pin, Lift Cylinder	
4	1001168811	1	Pin, Compensation Cylinder	
5	1001144194	1	Cylinder, Lift (See HYDRAULIC COMPONENTS SECTION for Breakdown) (SN 1160007024 through 1160007492)	
5	1001184285	1	Cylinder, Lift (See HYDRAULIC COMPONENTS SECTION for Breakdown) (SN 1160007492 through 1160008790)	
6	1001144203	1	Cylinder, Compensation (See HYDRAULIC COMPONENTS SECTION for Breakdown)	
8	1001147871	1	Grommet	
11	1001174300	1	Hose	
12	1001174308	1	Hose	
13	1001174305	4	Hose	
15	1001174302	2	Hose	
17	1001178081	1	Channel, Trim	
18	0701230	1	Bolt, M12X130	
19	0701632	1	Bolt, M16X150	
20	3291205	1	Nut, Lock, M12X1.75	
21	3291605	1	Nut, Lock, M16X2	
22	4812100	2	Washer, M12	
23	4812300	2	Washer, M16	
26	1062255	2	Tie, Strap	

SECTION 8 - HYDRAULIC CIRCUITS

FIGURE 8-19. LEVELING AND OUTRIGGERS INSTALLATION (3614RS)



ART_1001146341-K

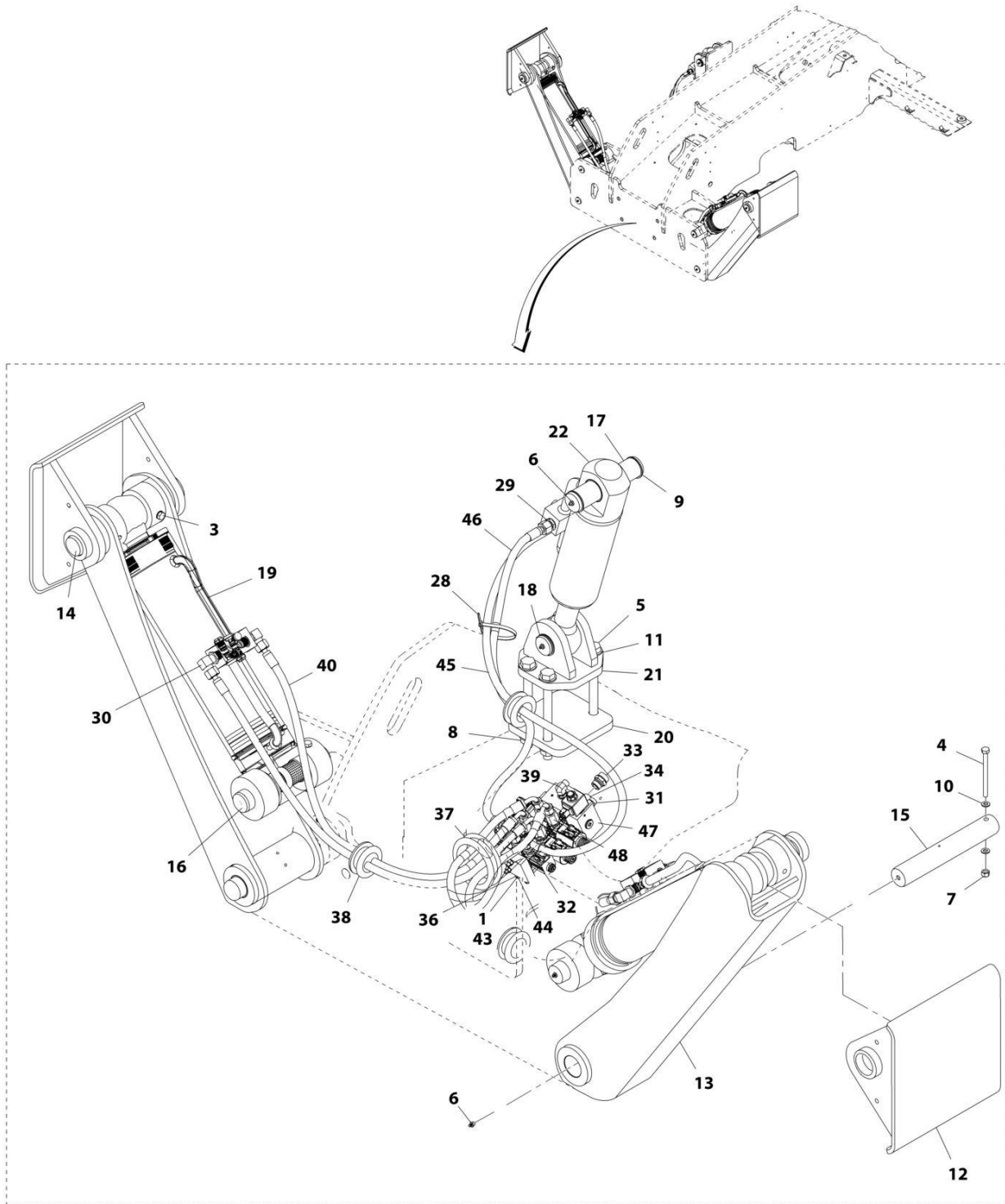
SECTION 8 - HYDRAULIC CIRCUITS

FIGURE 8-19. LEVELING AND OUTRIGGERS INSTALLATION (3614RS)

ITEM	PART NUMBER	QTY	DESCRIPTION	REV
	1001146341	Ref	Leveling and Outriggers Installation	K
2	2143007	5	Fitting	
3	2144803	1	Connector	
4	2144804	2	Connector	
5	2144809	1	Connector	
6	2144823	1	Connector	
9	1001028308	3	Grommet	
10	1001092584	1	Adapter	
15	1001146293	1	Hose	
16	1001146294	1	Hose	
17	1001095650	AR	Compound, Locking	
19	1062255	1	Tie, Strap	
20	0701030	4	Bolt, M10X130	
21	4811700	4	Washer, M6	
22	1001003439	1	Grommet	
23	1001155345	4	Fitting	
24	0712040	4	Bolt, M20X230, Grade 10.9	
25	2142715	1	Connector	
26	2160016	8	Fitting, Grease	
27	3291005	6	Nut, Lock, M10X1.5	
28	3332011	4	Nut, M20X2.5	
29	3760493	4	Ring, Retaining	
30	4812000	12	Washer, M10	
31	5242000	8	Washer, M20	
32	1001169243	2	Weldment, Outrigger Pad	
33	1001099913	2	Pin, Outrigger Cylinder	
34	1001204281	2	Pin, Outrigger Leg	
35	1001204282	2	Pin, Outrigger Cylinder	
36	1001165447	1	Pin, Frame Level	
37	1001143832	1	Pin, Frame Level Rod	
38	1001144202	1	Cylinder, Frame Level (See HYDRAULIC COMPONENTS SECTION for Breakdown) (SN 1160007024 through 1160008262)	
38	1001146580	1	Cylinder, Frame Level (See HYDRAULIC COMPONENTS SECTION for Breakdown) (SN 1160008262 through 1160008790)	
39	1001144215	2	Cylinder, Outrigger (See HYDRAULIC COMPONENTS SECTION for Breakdown)	
40	1001145151	1	Bracket	
41	1001145267	2	Assembly, Outrigger Leg (See OUTRIGGER LEG ASSEMBLY for Breakdown)	
42	1001148835	1	Plate	
44	0701029	2	Bolt, M10X120	
45	1001183066	4	Hose	
46	3290601	4	Nut, M6X1	
47	1001175962	4	Stud, M6X30	
48	1001173880	1	Valve, Outrigger (See HYDRAULIC COMPONENTS SECTION for Breakdown)	

SECTION 8 - HYDRAULIC CIRCUITS

FIGURE 8-20. LEVELING AND OUTRIGGERS INSTALLATION (4017RS)



ART_1001148129-K

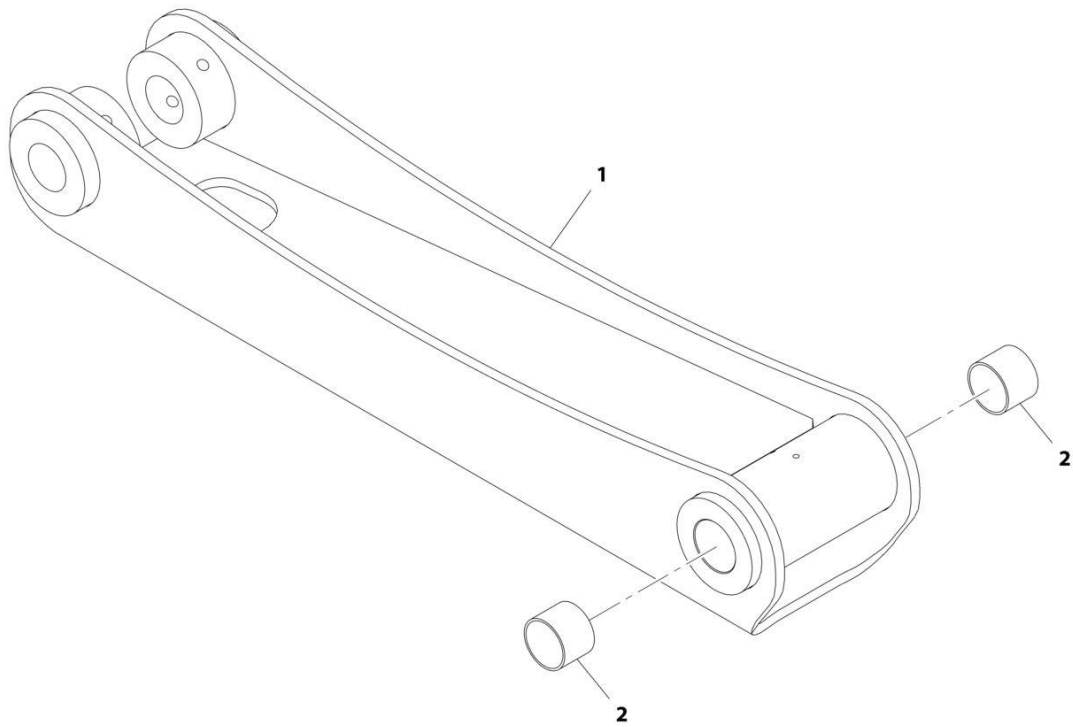
SECTION 8 - HYDRAULIC CIRCUITS

FIGURE 8-20. LEVELING AND OUTRIGGERS INSTALLATION (4017RS)

ITEM	PART NUMBER	QTY	DESCRIPTION	REV
	1001148129	Ref	Leveling and Outriggers Installation - 4017RS	K
1	1001095650	AR	Compound, Locking	
3	0701029	2	Bolt, M10X120	
4	0701030	4	Bolt, M10X130	
5	0712042	4	Bolt, M20X250, Grade 10.9	
6	2160016	8	Fitting, Grease	
7	3291005	6	Nut, Lock, M10X1.5	
8	3332011	4	Nut, M20X2.5	
9	3760493	4	Ring, Retaining	
10	4812000	12	Washer, M10	
11	5242000	8	Washer, M20	
12	1001169243	2	Weldment, Outrigger Pad	
13	1001145267	2	Assembly, Outrigger Leg (See OUTRIGGER LEG ASSEMBLY for Breakdown)	
14	1001099913	2	Pin, Outrigger Cylinder	
15	1001204281	2	Pin, Outrigger Leg	
16	1001204282	2	Pin, Outrigger Cylinder	
17	1001165447	1	Pin, Frame Level	
18	1001143832	1	Pin, Frame Level Rod	
19	1001144215	2	Cylinder, Outrigger (See HYDRAULIC COMPONENTS SECTION for Breakdown)	
20	1001148835	1	Plate	
21	1001145151	1	Bracket	
22	1001146580	1	Cylinder, Frame Level (See HYDRAULIC COMPONENTS SECTION for Breakdown)	
28	1062255	1	Tie, Strap	
29	2142715	1	Connector	
30	2143007	5	Fitting	
31	2144803	1	Connector	
32	2144804	2	Connector	
33	2144809	1	Connector	
34	2144823	1	Connector	
36	4811700	4	Washer, M6	
37	1001003439	1	Grommet	
38	1001028308	3	Grommet	
39	1001092584	1	Adapter	
40	1001183067	4	Hose	
43	3290601	4	Nut, M6X1	
44	1001175962	4	Stud, M6X40	
45	1001146293	1	Hose	
46	1001146294	1	Hose	
47	1001173880	1	Valve, Outrigger (See HYDRAULIC COMPONENTS SECTION for Breakdown)	
48	1001155345	4	Fitting	

SECTION 8 - HYDRAULIC CIRCUITS

FIGURE 8-21. OUTRIGGER LEG ASSEMBLY



ART_1001145267-B

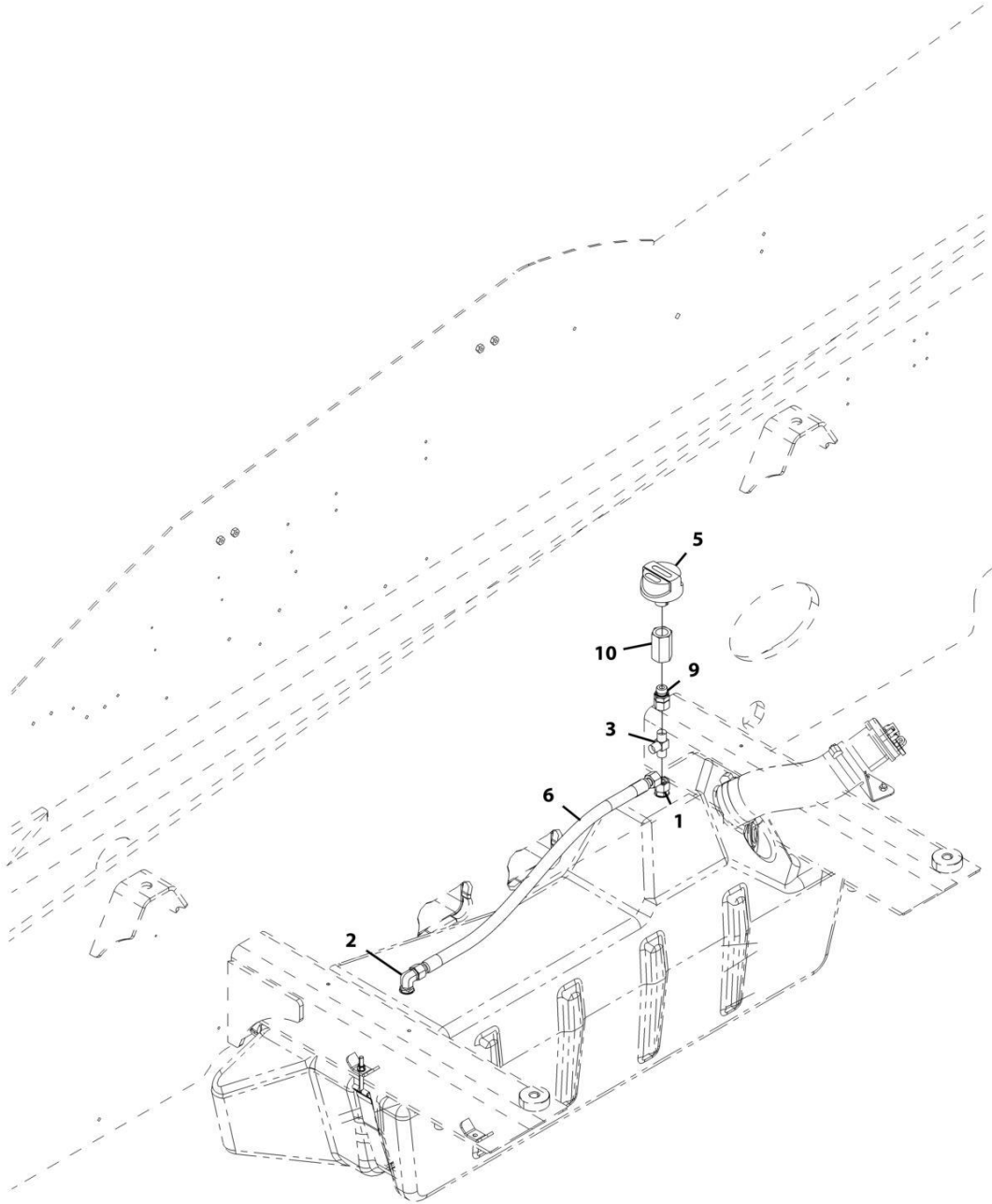
SECTION 8 - HYDRAULIC CIRCUITS

FIGURE 8-21. OUTRIGGER LEG ASSEMBLY

ITEM	PART NUMBER	QTY	DESCRIPTION	REV
	1001145267	Ref	Outrigger Leg Assembly	B
1	1001002579J	1	Outrigger Leg	
2	1001092542	2	Bearing	

SECTION 8 - HYDRAULIC CIRCUITS

FIGURE 8-22. BREATHER INSTALLATION



ART_1001152156-D

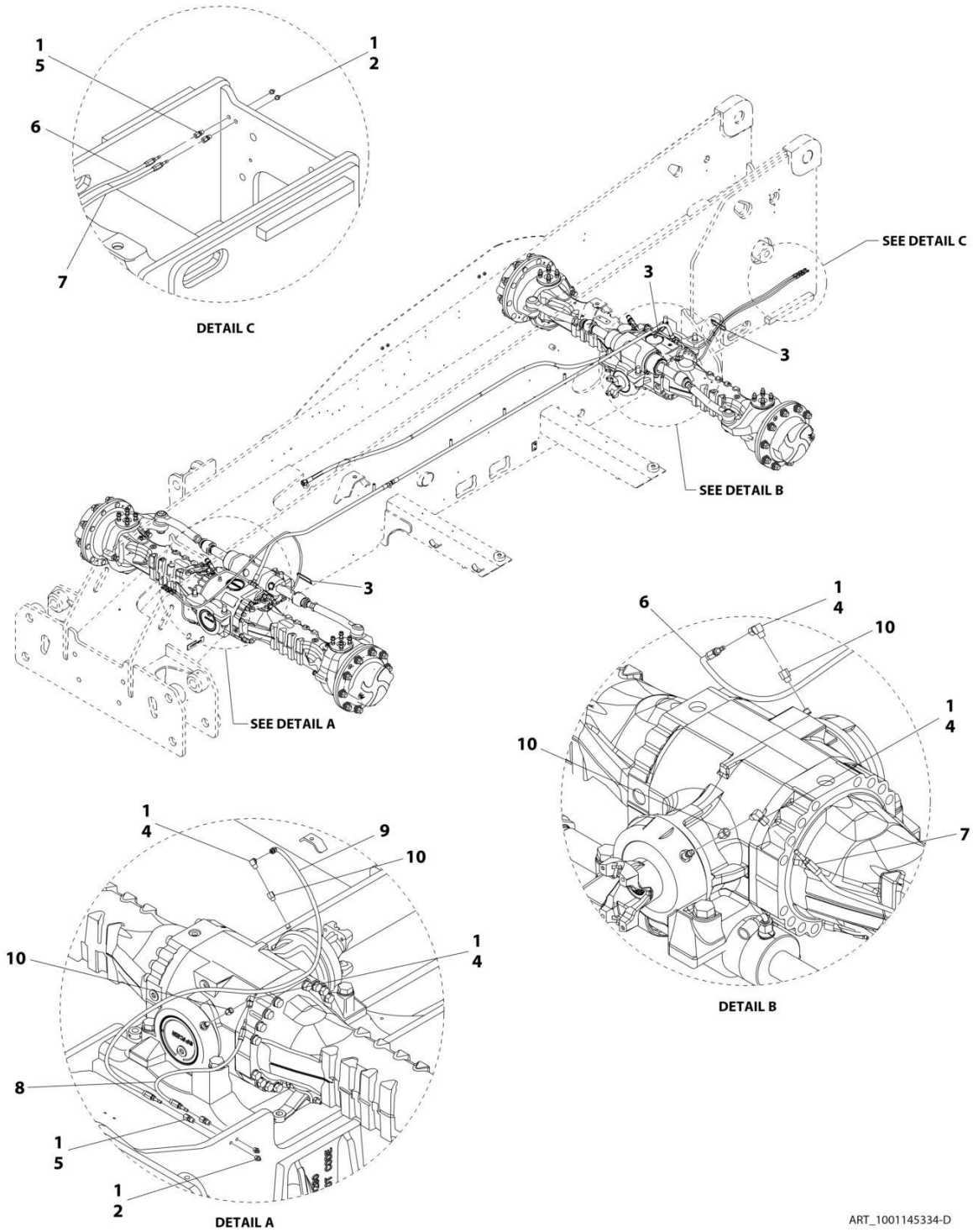
SECTION 8 - HYDRAULIC CIRCUITS

FIGURE 8-22. BREATHER INSTALLATION

ITEM	PART NUMBER	QTY	DESCRIPTION	REV
	1001152156	Ref	Breather Installation	D
1	1001166861	1	Adapter	
2	2140409	1	Fitting	
3	2141910	1	Fitting, Union Tee	
5	1001147134	1	Filter, Breather, Hydraulic	
6	1001166866	1	Hose	
9	1001166860	1	Adapter	
10	1001166863	1	Adapter	

SECTION 8 - HYDRAULIC CIRCUITS

FIGURE 8-23. REMOTE GREASE SYSTEM INSTALLATION



ART_1001145334-D

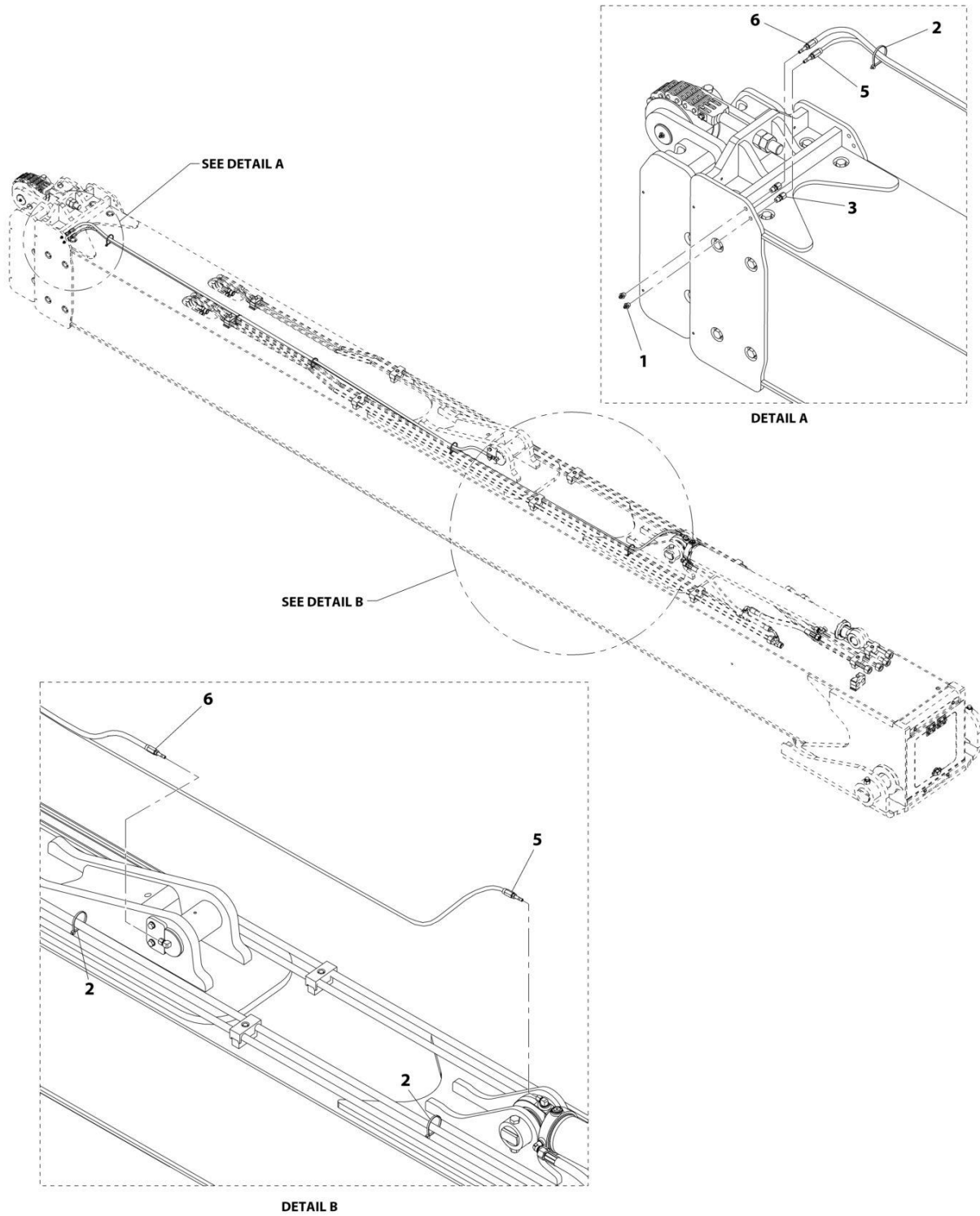
SECTION 8 - HYDRAULIC CIRCUITS

FIGURE 8-23. REMOTE GREASE SYSTEM INSTALLATION

ITEM	PART NUMBER	QTY	DESCRIPTION	REV
	1001145334	Ref	Remote Grease System Installation (If equipped)	D
1	1001095650	AR	Compound, Locking	
2	2160016	4	Fitting	
3	1001008559	3	Strap	
4	1001164053	4	Fitting	
5	1001101563	4	Fitting	
6	1001177126	1	Hose	
7	1001177127	1	Hose	
8	1001147330	1	Hose	
9	1001147331	1	Hose	
10	1001164054	4	Fitting	

SECTION 8 - HYDRAULIC CIRCUITS

FIGURE 8-24. BOOM REMOTE GREASE INSTALLATION (3614RS)



ART_1001183554-B

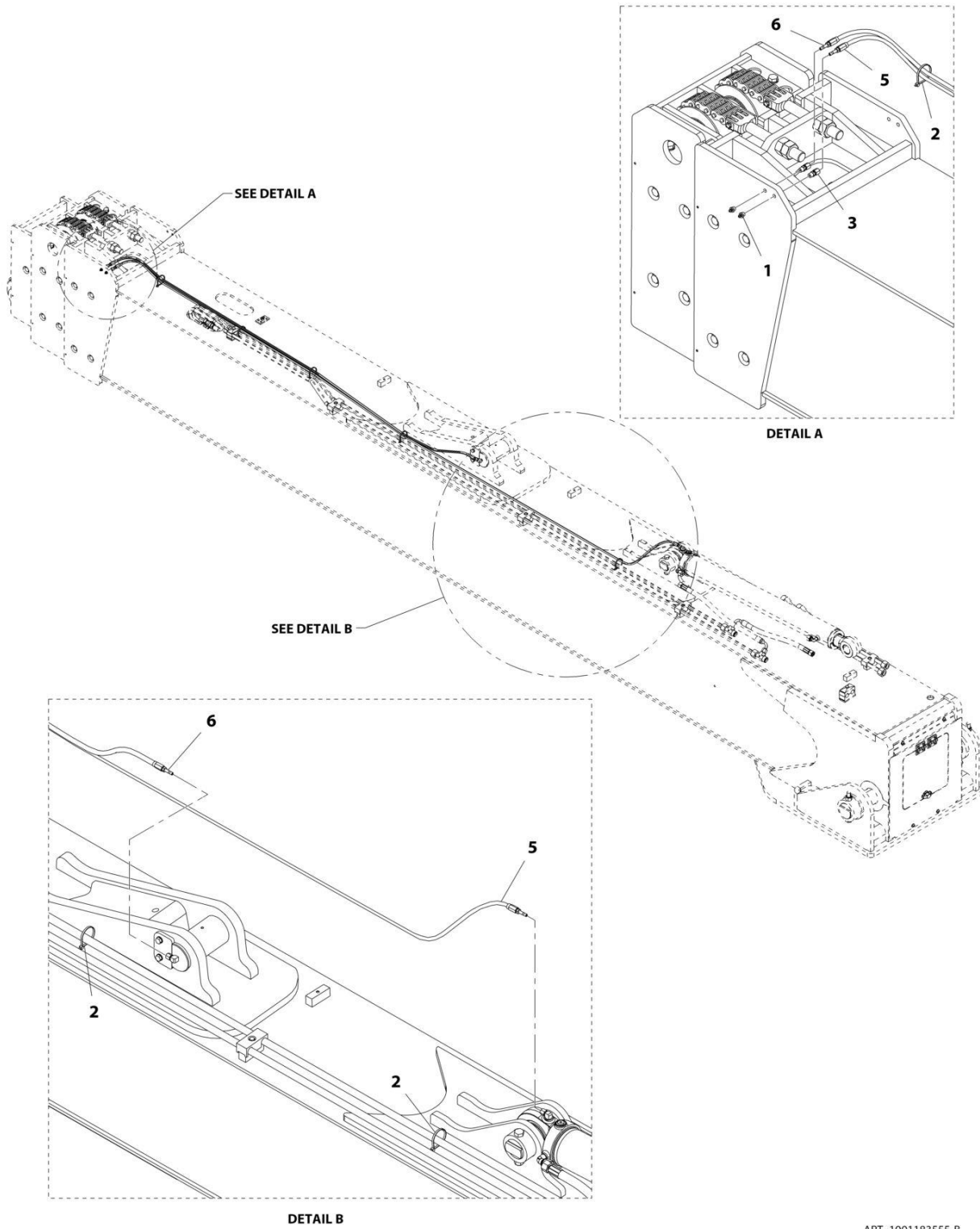
SECTION 8 - HYDRAULIC CIRCUITS

FIGURE 8-24. BOOM REMOTE GREASE INSTALLATION (3614RS)

ITEM	PART NUMBER	QTY	DESCRIPTION	REV
	1001183554	Ref	Boom Remote Grease Installation (If equipped)	A
1	2160016	2	Fitting, Grease	
2	1001008559	5	Strap, Cable	
3	1001101563	2	Adapter, Straight	
4	1001164053	2	Fitting, Elbow	
5	1001183558	1	Hose	
6	1001183559	1	Hose	

SECTION 8 - HYDRAULIC CIRCUITS

FIGURE 8-25. BOOM REMOTE GREASE INSTALLATION (4017RS)



ART_1001183555-B

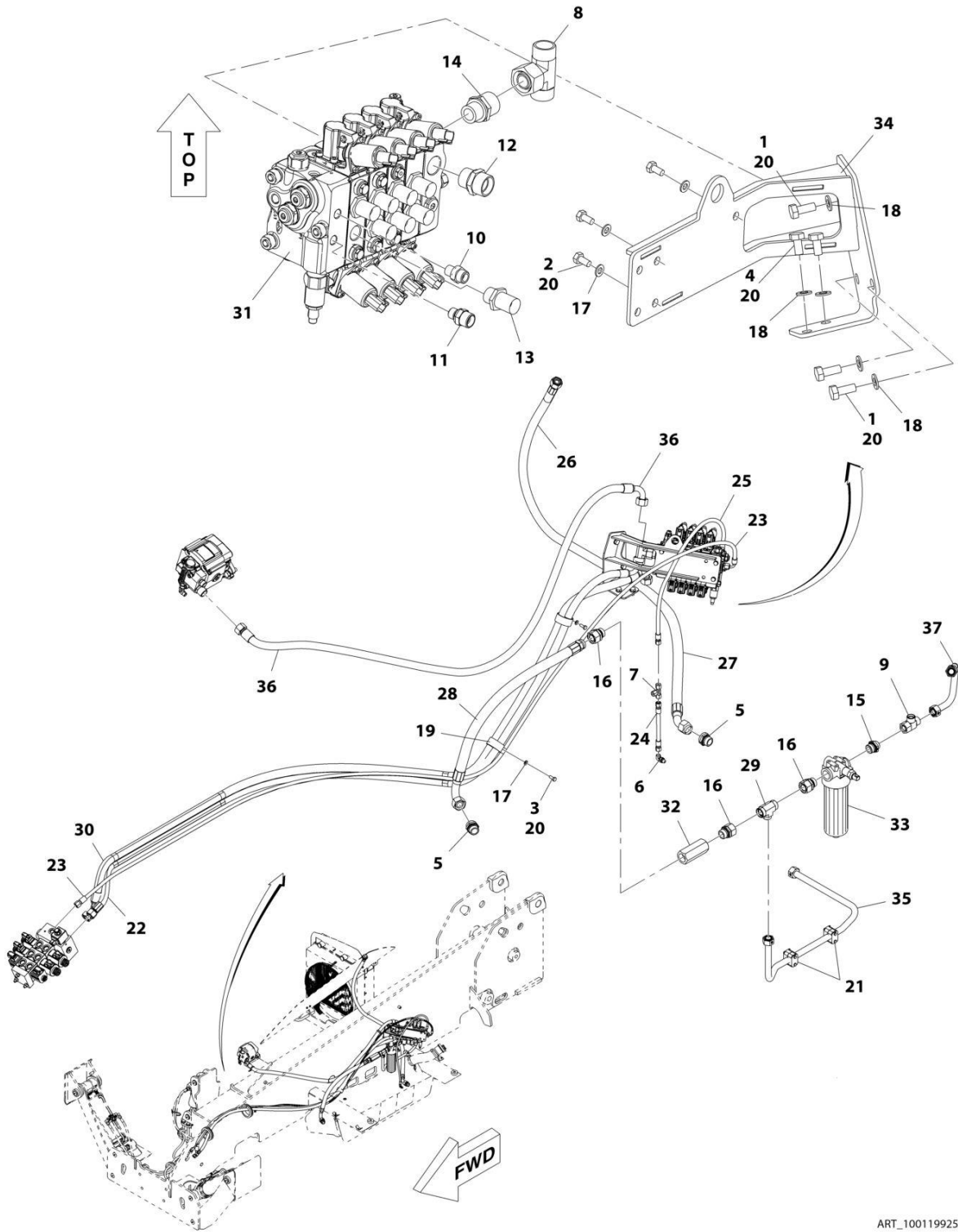
SECTION 8 - HYDRAULIC CIRCUITS

FIGURE 8-25. BOOM REMOTE GREASE INSTALLATION (4017RS)

ITEM	PART NUMBER	QTY	DESCRIPTION	REV
	1001183555	Ref	Boom Remote Grease Installation (If equipped)	A
1	2160016	2	Fitting, Grease	
2	1001008559	5	Strap, Cable	
3	1001101563	2	Adapter, Straight	
4	1001164053	2	Fitting, Elbow	
5	1001183556	1	Hose	
6	1001183557	1	Hose	

SECTION 8 - HYDRAULIC CIRCUITS

FIGURE 8-26. 17M PUMP LINES AUXILIARY INSTALLATION (HIGH VIS CAB)



ART_1001199256-A

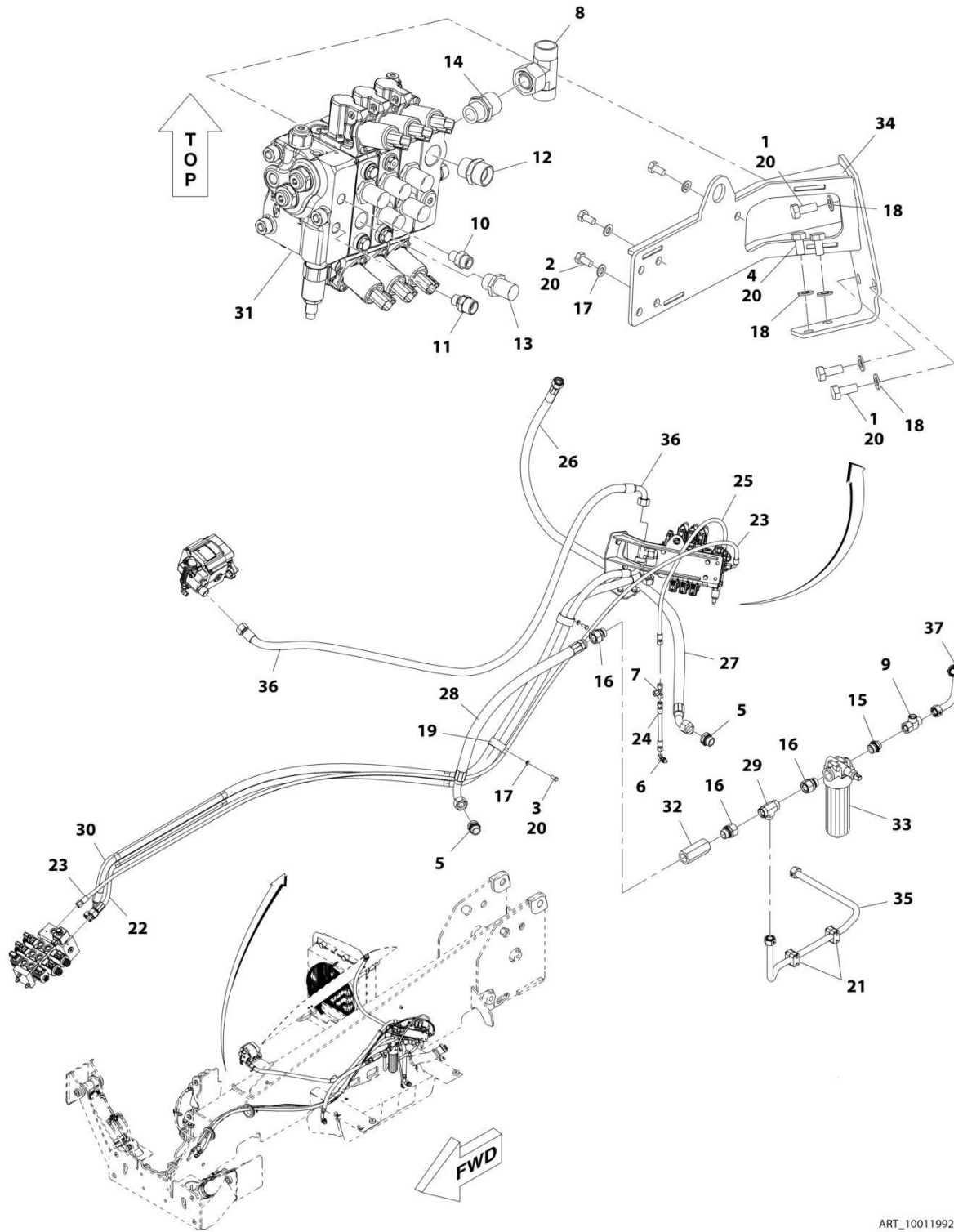
SECTION 8 - HYDRAULIC CIRCUITS

FIGURE 8-26. 17M PUMP LINES AUXILIARY INSTALLATION (HIGH VIS CAB)

ITEM	PART NUMBER	QTY	DESCRIPTION	REV
	1001199256	Ref	17M Pump Lines Aux Installation (High Vis Cab)	A
1	0701012	3	Bolt, M10X25	
2	0760808	3	Bolt, M8X16	
3	0760810	2	Bolt, M8X20	
4	0761010	2	Bolt, M10X20	
5	2140211	2	Adapter	
6	2140406	1	Fitting	
7	2141907	1	Fitting, Union Tee	
8	2142117	1	Fitting, Swivel Branch Tee	
9	2142207	1	Fitting, Swivel Run Tee	
10	2142706	1	Connector	
11	2142711	1	Connector	
12	2142718	1	Connector	
13	2142733	8	Connector	
14	2142735	1	Connector	
15	2142748	1	Connector	
16	2142808	3	Adapter	
17	4811900	5	Washer, M8	
18	4812000	5	Washer, M10	
19	1001008667	2	Clip	
20	1001095650	AR	Compound, Locking	
21	1001148382	2	Clamp, Tube	
22	1001148552	1	Hose	
23	1001148553	1	Hose	
24	1001148658	1	Hose	
25	1001148659	1	Hose	
26	1001154645	1	Hose	
27	1001154646	1	Hose	
28	1001154647	1	Hose	
29	1001162929	1	Adapter	
30	1001165561	1	Hose	
31	1001173147	1	Main Control Valve (See HYDRAULIC COMPONENTS SECTION for Breakdown)	
32	1001173742	1	Valve, Bypass	
33	1001175757	1	Filter, Hydraulic Oil (See HYDRAULIC COMPONENTS SECTION for Breakdown)	
34	1001188875	1	Plate	
35	1001199166	1	Pipe, Oil Cooling	
36	1001199402	1	Hose	
37	1001202335	1	Tube	

SECTION 8 - HYDRAULIC CIRCUITS

FIGURE 8-27. 17M PUMP LINES NO AUXILIARY INSTALLATION (HIGH VIS CAB)



ART_1001199254-A

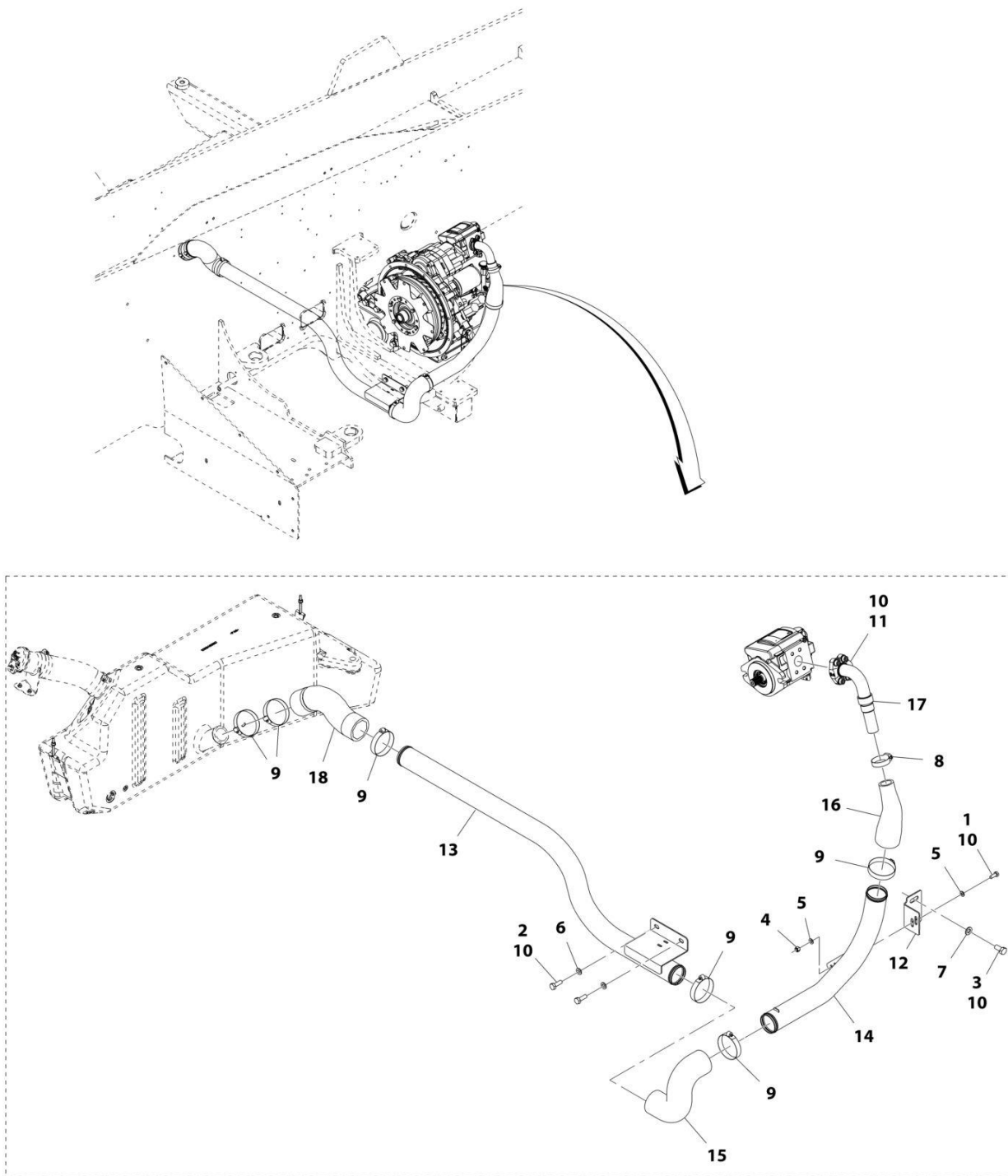
SECTION 8 - HYDRAULIC CIRCUITS

FIGURE 8-27. 17M PUMP LINES NO AUXILIARY INSTALLATION (HIGH VIS CAB)

ITEM	PART NUMBER	QTY	DESCRIPTION	REV
	1001199254	Ref	17M Pump Lines No Aux Installation (High Vis Cab)	A
1	0701012	3	Bolt, M10X25	
2	0760808	3	Bolt, M8X16	
3	0760810	2	Bolt, M8X20	
4	0761010	2	Bolt, M10X20	
5	2140211	2	Adapter	
6	2140406	1	Fitting	
7	2141907	1	Fitting, Union Tee	
8	2142117	1	Fitting, Swivel Branch Tee	
9	2142207	1	Fitting, Swivel Run Tee	
10	2142706	1	Connector	
11	2142711	1	Connector	
12	2142718	1	Connector	
13	2142733	6	Connector	
14	2142735	1	Connector	
15	2142748	1	Connector	
16	2142808	3	Adapter	
17	4811900	5	Washer, M8	
18	4812000	5	Washer, M10	
19	1001008667	2	Clip	
20	1001095650	AR	Compound, Locking	
21	1001148382	1	Clamp, Tube	
22	1001148552	1	Hose	
23	1001148553	1	Hose	
24	1001148658	1	Hose	
25	1001148659	1	Hose	
26	1001154645	1	Hose	
27	1001154646	1	Hose	
28	1001154647	1	Hose	
29	1001162929	1	Adapter	
30	1001165561	1	Hose	
31	1001173148	1	Main Control Valve (See HYDRAULIC COMPONENTS SECTION for Breakdown)	
32	1001173742	1	Valve, Bypass	
33	1001175757	1	Filter, Hydraulic Oil (See HYDRAULIC COMPONENT SECTION for Breakdown)	
34	1001188875	1	Plate	
35	1001199166	1	Pipe, Oil Cooling	
36	1001199402	1	Hose	
37	1001202335	1	Tube	

SECTION 8 - HYDRAULIC CIRCUITS

FIGURE 8-28. 17M SUCTION LINES INSTALLATION (HIGH VIS CAB)



ART_1001200110-B

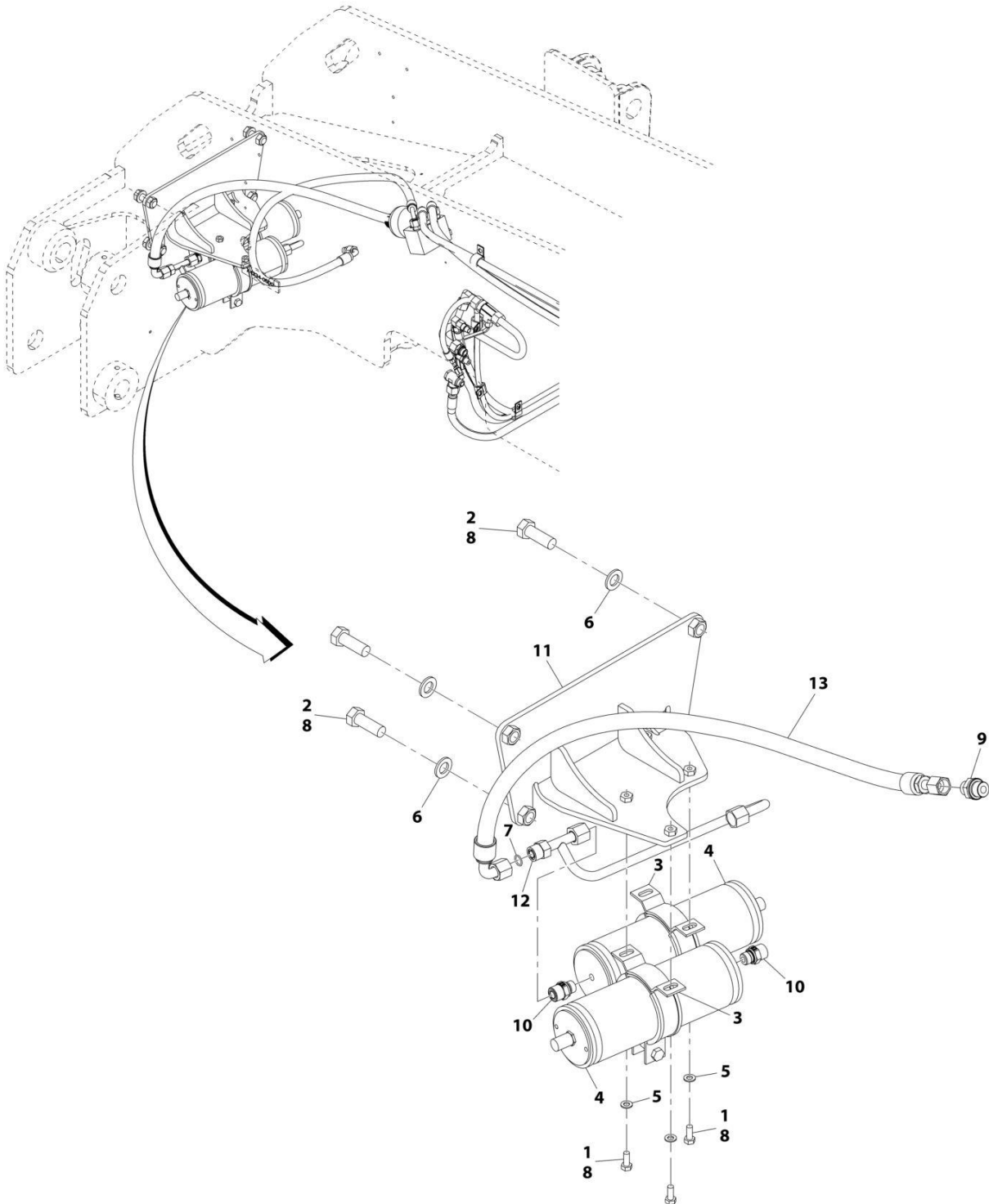
SECTION 8 - HYDRAULIC CIRCUITS

FIGURE 8-28. 17M SUCTION LINES INSTALLATION (HIGH VIS CAB)

ITEM	PART NUMBER	QTY	DESCRIPTION	REV
	1001200110	Ref	17M Suction Lines Installation (High Vis Cab)	A
1	0760810	2	Bolt, M8X20	
2	0761014	2	Bolt, M10X30	
3	0761212	2	Bolt, M12X25	
4	3290805	2	Nut, Lock M8X1.25	
5	4811900	4	Washer, M8	
6	4812000	2	Washer, M10	
7	4812100	2	Washer, M12	
8	8405103	1	Clamp, Hose	
9	1001008673	6	Clamp, Hose	
10	1001095650	AR	Compound, Locking	
11	1001147801	1	Clamp, Split Flange Halve	
12	1001152673	1	Bracket, Suction Pipe	
13	1001152689	1	Pipe, Suction	
14	1001159683	1	Pipe, Suction	
15	1001159685	1	Hose	
16	1001173259	1	Hose	
17	1001176622	1	Adapter	
18	1001199581	1	Hose	

SECTION 8 - HYDRAULIC CIRCUITS

FIGURE 8-29. BRAKE DAMPER INSTALLATION (ITALY)



ART_1001206675-A

SECTION 8 - HYDRAULIC CIRCUITS

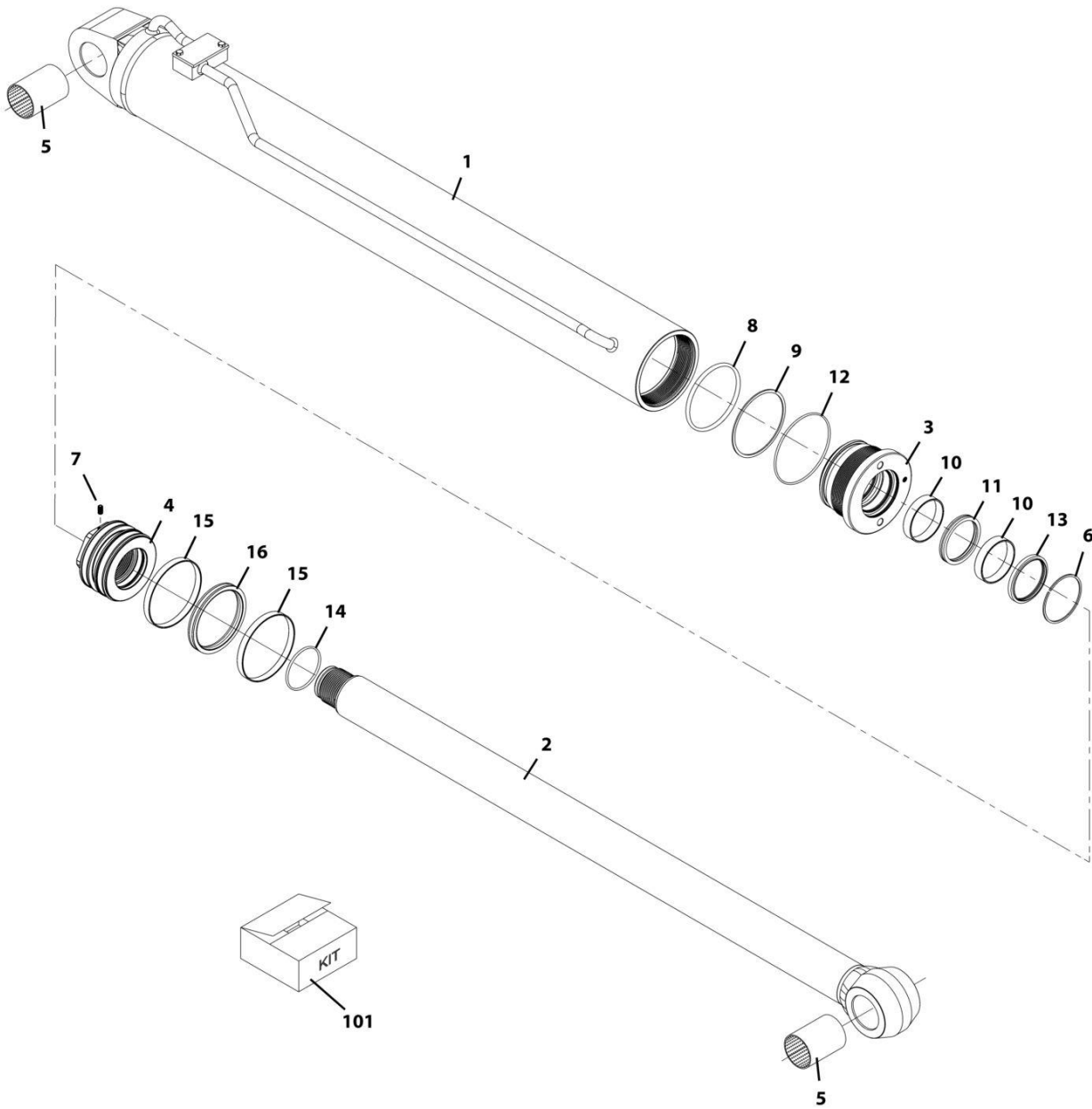
FIGURE 8-29. BRAKE DAMPER INSTALLATION (ITALY)

ITEM	PART NUMBER	QTY	DESCRIPTION	REV
	1001206675	Ref	Brake Damper Installation (Italy)	A
1	0760810	4	Bolt, M8X20	
2	0761617	4	Bolt, M16X45	
3	4341078	2	Accumulator Hanger	
4	4400474	2	Tank, Hydraulic Accumulator	
5	4811900	4	Washer, M8	
6	4812300	4	Washer, M16	
7	1001008805	1	Seal	
8	1001095650	AR	Compound, Locking	
9	1001121127	1	Adapter	
10	1001177730	2	Adapter	
11	1001210391	1	Bracket	
12	1001210412	1	Hose	
13	1001210514	1	Hose	

SECTION 9 - HYDRAULIC COMPONENTS

SECTION 9 - HYDRAULIC COMPONENTS

FIGURE 9-1. LIFT CYLINDER (3614RS) (SN 1160007024 through 1160007517)



ART_1001144190-C

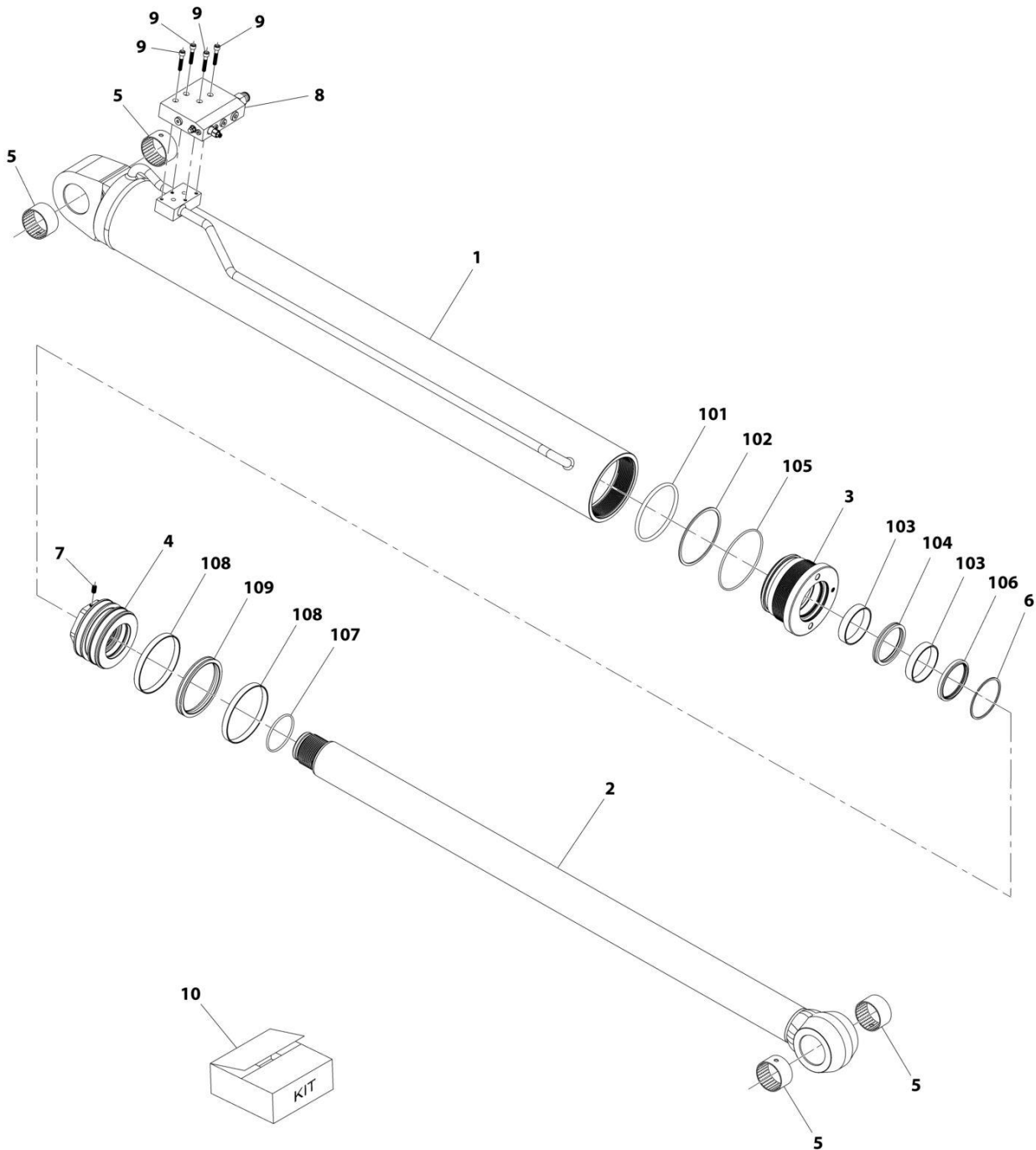
SECTION 9 - HYDRAULIC COMPONENTS

FIGURE 9-1. LIFT CYLINDER (3614RS) (SN 1160007024 through 1160007517)

ITEM	PART NUMBER	QTY	DESCRIPTION	REV
	1001144190	Ref	Lift Cylinder	C
1	70025577	1	Assembly, Barrel	
2	70025578	1	Assembly, Rod	
3	70025579	1	Gland	
4	70025580	1	Head, Piston	
5	70025581	2	Bushing	
6	70000699	1	Ring, Snap	
7	70025582	1	Screw, Locking	
8	Kit	1	O-Ring	
9	Kit	1	Ring, Back-Up	
10	Kit	2	Ring, Rod Bearing	
11	Kit	1	Seal, Rod	
12	Kit	1	O-Ring	
13	Kit	1	Seal, Wiper	
14	Kit	1	O-Ring	
15	Kit	2	Ring, Piston Bearing	
16	Kit	1	Seal, Piston	
101	70025583	1	Kit, Seal (includes items 8 thru 16)	

SECTION 9 - HYDRAULIC COMPONENTS

FIGURE 9-2. LIFT CYLINDER (3614RS) (SN 1160007517 through 1160008790)



ART_1001184284-B

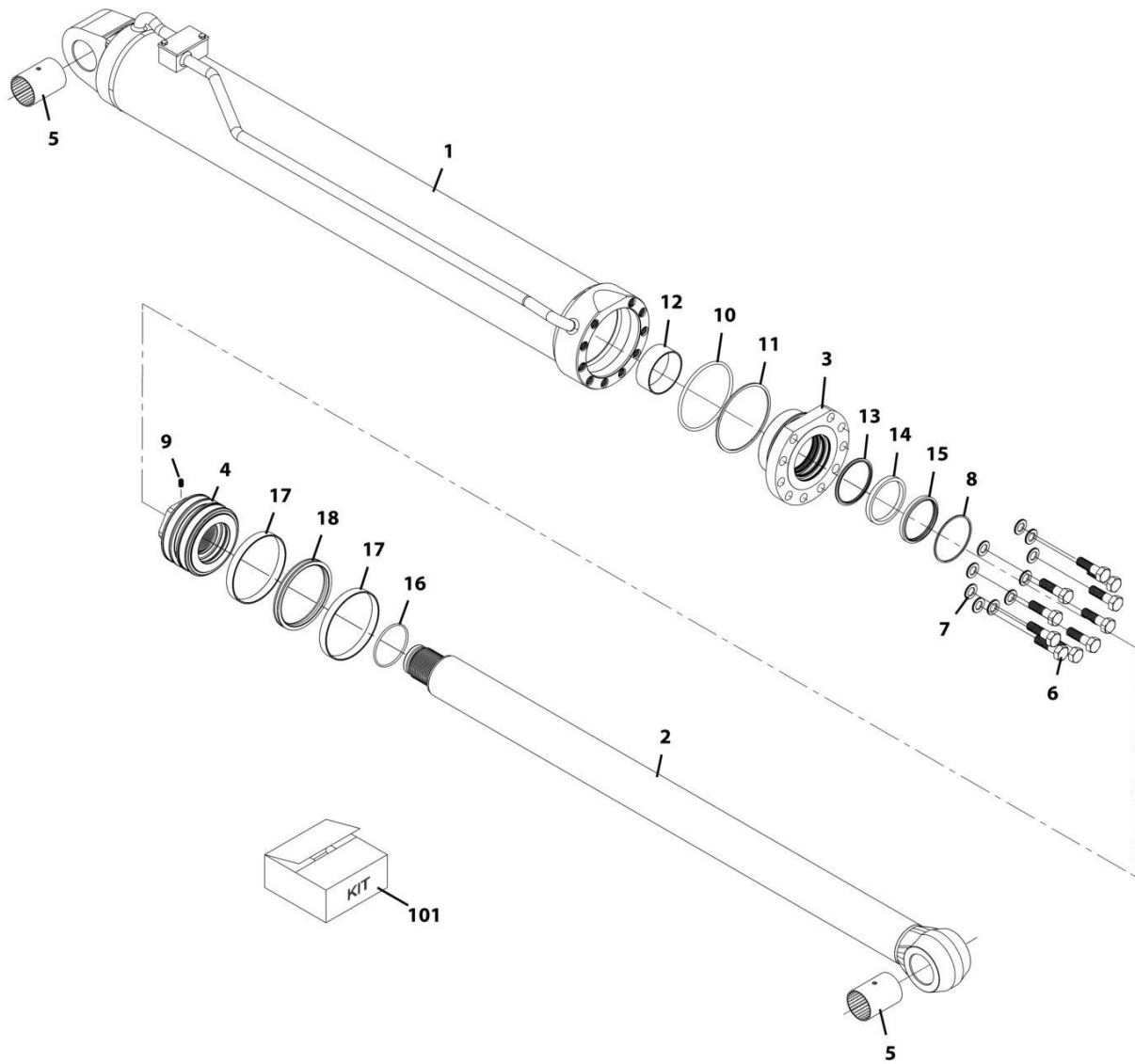
SECTION 9 - HYDRAULIC COMPONENTS

FIGURE 9-2. LIFT CYLINDER (3614RS) (SN 1160007517 through 1160008790)

ITEM	PART NUMBER	QTY	DESCRIPTION	REV
	1001184284	Ref	Lift Cylinder	B
1	70027047	1	Assembly, Barrel	
2	70027048	1	Assembly, Rod	
3	70025579	1	Gland	
4	70025580	1	Head, Piston	
5	70026960	4	Bushing	
6	70000699	1	Ring, Snap	
7	70025582	1	Screw, Locking	
8	70026961	1	Valve, Manifold	
9	70029966	4	Capscrew	
10	70025583	1	Kit, Seal (includes items 101 thru 109)	
101	Kit	1	O-Ring	
102	Kit	1	Ring, Back-Up	
103	Kit	1	Ring, Rod Bearing	
104	Kit	1	Seal, Rod	
105	Kit	1	O-Ring	
106	Kit	1	Seal, Wiper	
107	Kit	1	O-Ring	
108	Kit	2	Ring, Piston Bearing	
109	Kit	1	Seal, Piston	

SECTION 9 - HYDRAULIC COMPONENTS

FIGURE 9-3. LIFT CYLINDER (4017RS) (SN 1160007024 through 1160007492)



ART_1001144194-E

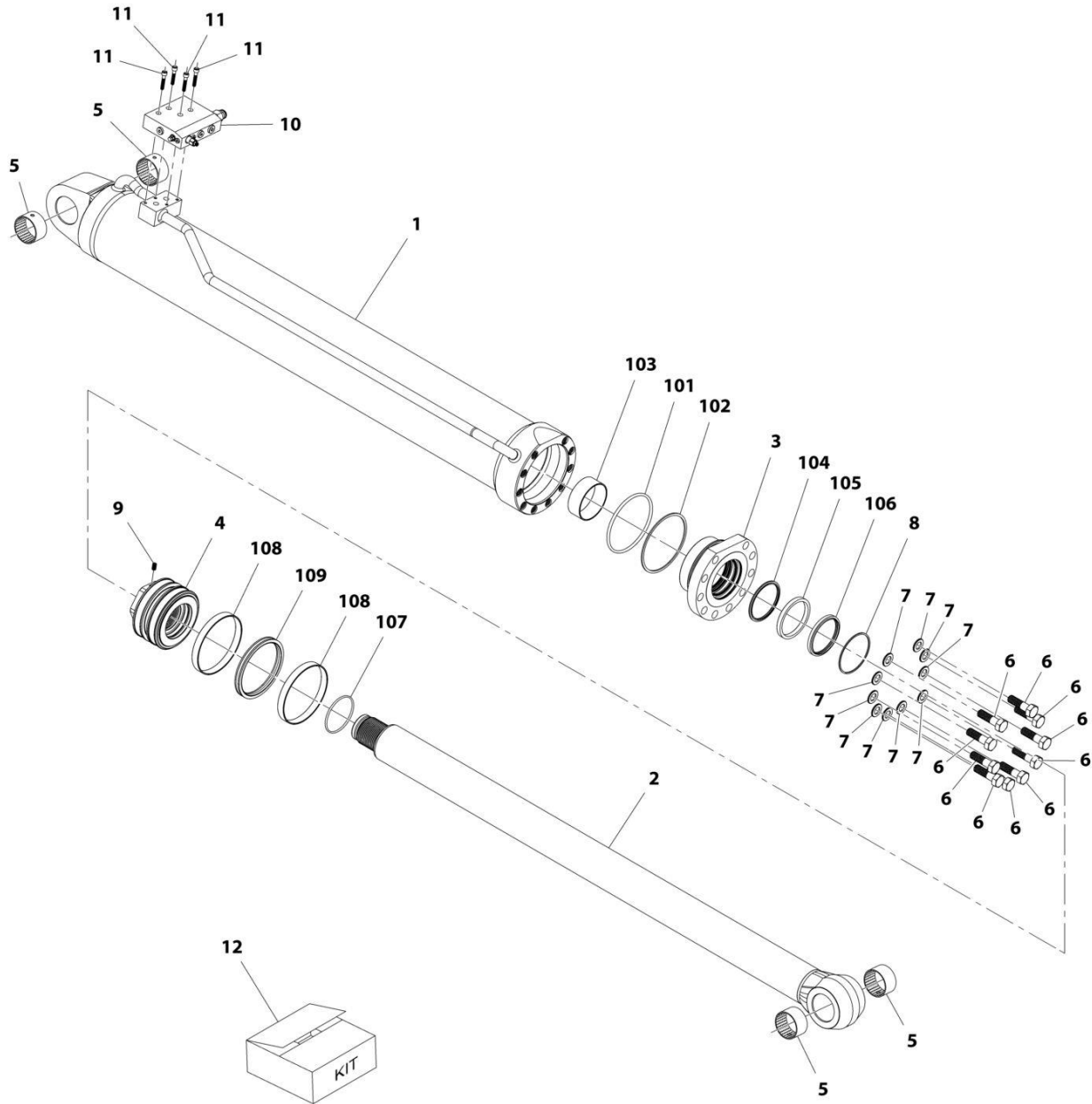
SECTION 9 - HYDRAULIC COMPONENTS

FIGURE 9-3. LIFT CYLINDER (4017RS) (SN 1160007024 through 1160007492)

ITEM	PART NUMBER	QTY	DESCRIPTION	REV
	1001144194	Ref	Lift Cylinder	E
1	70025584	1	Assembly, Barrel	
2	70025585	1	Assembly, Rod	
3	70025586	1	Gland	
4	70025587	1	Head, Piston	
5	70025581	2	Bushing	
6	70025588	10	Bolt	
7	70025589	10	Washer	
8	70025590	1	Ring, Snap	
9	70025582	1	Screw, Locking	
10	Kit	1	O-Ring	
11	Kit	1	Ring, Back-Up	
12	Kit	1	Ring, Rod Bearing	
13	Kit	1	Seal, Rod	
14	Kit	1	Seal, Rod	
15	Kit	1	Seal, Wiper	
16	Kit	1	O-Ring	
17	Kit	2	Ring, Piston Bearing	
18	Kit	1	Seal, Piston	
101	70025591	1	Kit, Seal (includes items 10 thru 18)	

SECTION 9 - HYDRAULIC COMPONENTS

FIGURE 9-4. LIFT CYLINDER (4017RS) (SN 1160007492 through 1160008790)



ART_1001184285-B

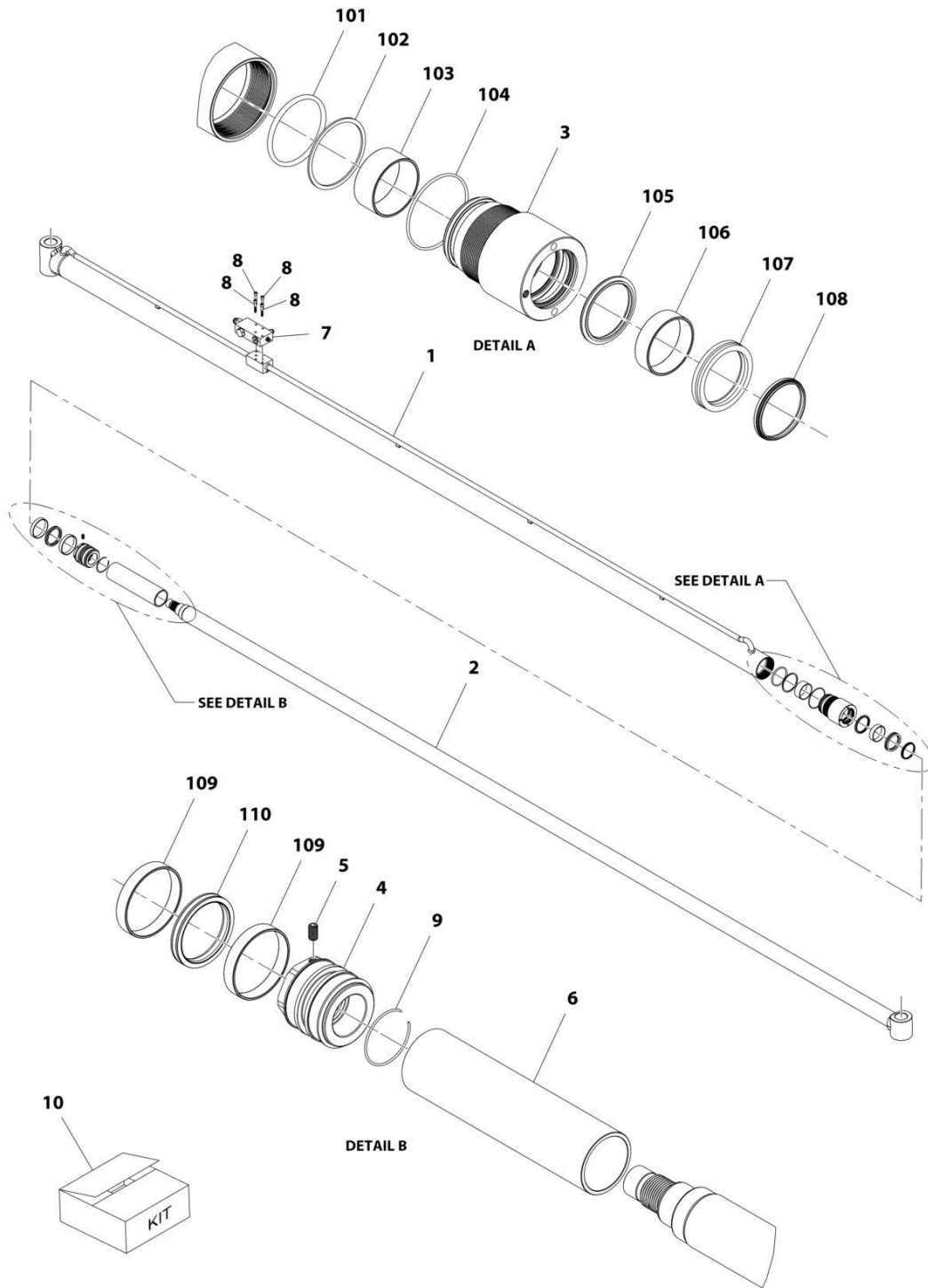
SECTION 9 - HYDRAULIC COMPONENTS

FIGURE 9-4. LIFT CYLINDER (4017RS) (SN 1160007492 through 1160008790)

ITEM	PART NUMBER	QTY	DESCRIPTION	REV
	1001184285	Ref	Lift Cylinder	B
1	70026958	1	Assembly, Barrel	
2	70026959	1	Assembly, Rod	
3	70025586	1	Gland	
4	70025587	1	Head, Piston	
5	70026960	4	Bushing	
6	70025588	10	Bolt	
7	70025589	10	Washer	
8	70025590	1	Ring, Snap	
9	70025582	1	Screw, Locking	
10	70026961	1	Valve, Manifold	
11	70029966	4	Capscrew	
12	70025591	1	Kit, Seal (includes items 101 thru 109)	
101	Kit	1	O-Ring	
102	Kit	1	Ring, Back-Up	
103	Kit	1	Ring, Rod Bearing	
104	Kit	1	Seal, Rod	
105	Kit	1	Seal, Rod	
106	Kit	1	Seal, Wiper	
107	Kit	1	O-Ring	
108	Kit	2	Ring, Piston Bearing	
109	Kit	1	Seal, Piston	

SECTION 9 - HYDRAULIC COMPONENTS

FIGURE 9-5. EXTEND/RETRACT CYLINDER (3614RS)



ART_1001144195-F

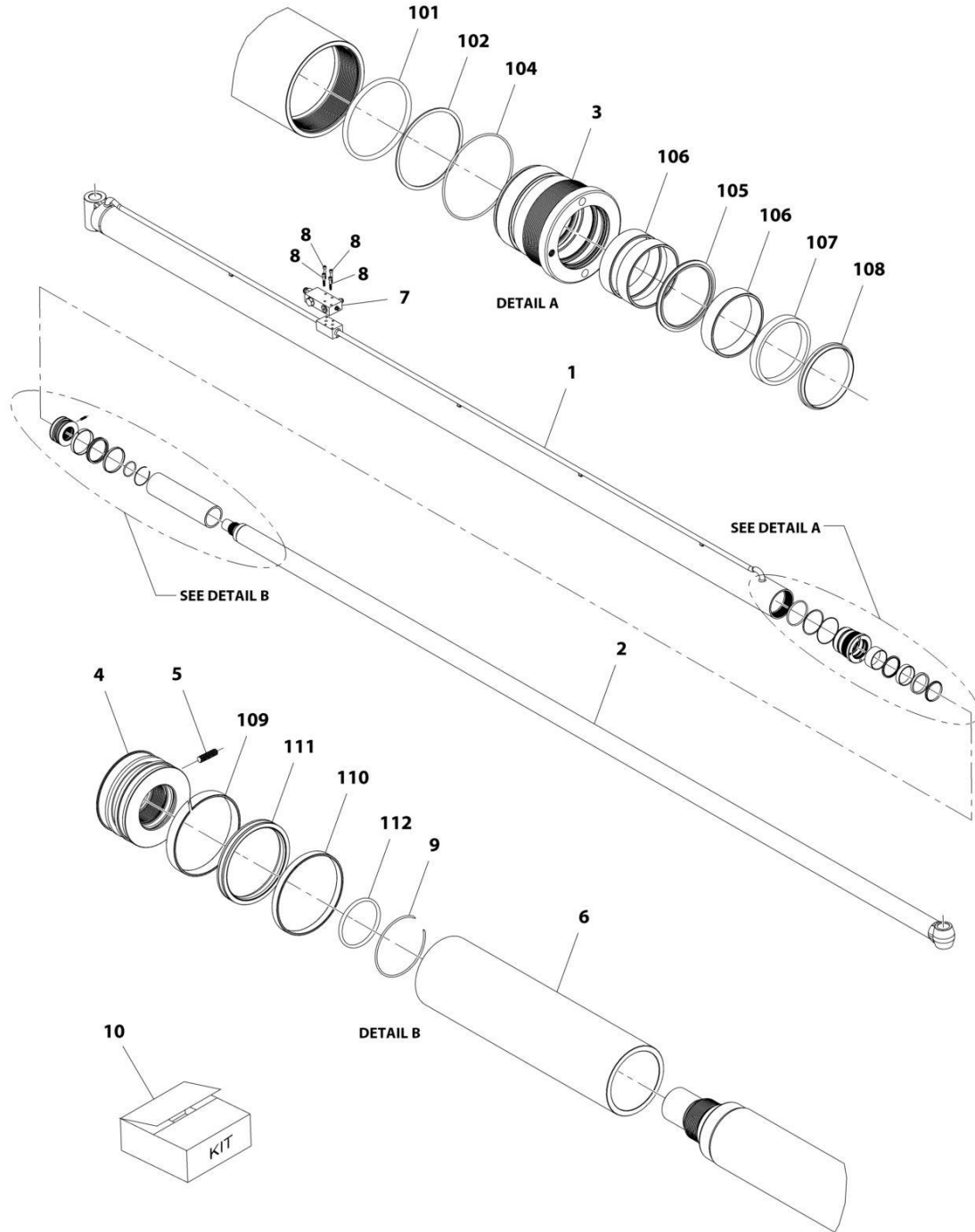
SECTION 9 - HYDRAULIC COMPONENTS

FIGURE 9-5. EXTEND/RETRACT CYLINDER (3614RS)

ITEM	PART NUMBER	QTY	DESCRIPTION	REV
	1001144195	Ref	Extend/Retract Cylinder	F
1	70025592	1	Assembly, Barrel	
2	70025593	1	Assembly, Rod	
3	70025594	1	Gland	
4	70027058	1	Head, Piston	
5	70025582	1	Screw, Locking	
6	70027059	1	Spacer	
7	1001168597	1	Valve Manifold	
8	70027051	4	Capscrew	
9	70027052	1	Wire Ring	
10	70025597	1	Kit, Seal (includes items 101 thru 110)	
101	Kit	1	O-Ring	
102	Kit	1	Ring, Back-Up	
103	Kit	1	Ring, Rod Bearing	
104	Kit	1	O-Ring	
105	Kit	1	Seal, Rod	
106	Kit	1	Ring, Rod Bearing	
107	Kit	1	Seal, Rod	
108	Kit	1	Seal, Wiper	
109	Kit	2	Ring, Piston Bearing	
110	Kit	1	Seal, Piston	

SECTION 9 - HYDRAULIC COMPONENTS

FIGURE 9-6. EXTEND/RETRACT CYLINDER (4017RS)



ART_1001146579-E

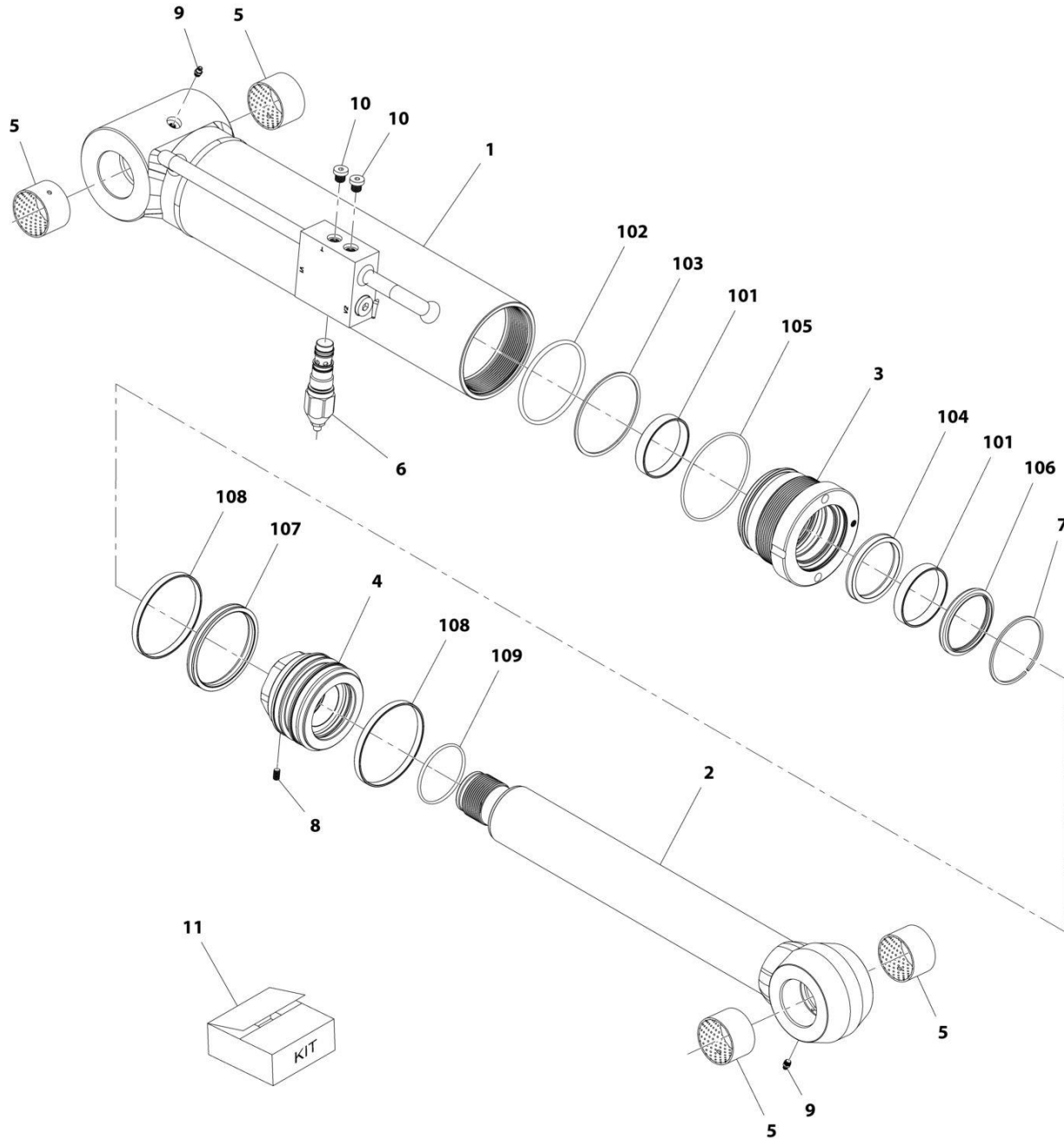
SECTION 9 - HYDRAULIC COMPONENTS

FIGURE 9-6. EXTEND/RETRACT CYLINDER (4017RS)

ITEM	PART NUMBER	QTY	DESCRIPTION	REV
	1001146579	Ref	Extend/Retract Cylinder	E
1	70025629	1	Assembly, Barrel	
2	70025630	1	Assembly, Rod	
3	70025631	1	Gland	
4	70025632	1	Head, Piston	
5	70025633	1	Screw, Locking	
6	70027060	1	Spacer	
7	1001168597	1	Valve Manifold	
8	70027051	4	Capscrew	
9	70027053	1	Wire, Ring	
10	70025635	1	Kit, Seal (includes items 101 thru 112)	
101	Kit	1	O-Ring	
102	Kit	1	Ring, Back-Up	
104	Kit	1	O-Ring	
105	Kit	1	Seal, Rod	
106	Kit	3	Ring, Rod Bearing	
107	Kit	1	Seal, Rod	
108	Kit	1	Seal, Wiper	
109	Kit	1	Ring, Piston Bearing	
110	Kit	1	Ring, Piston Bearing	
111	Kit	1	Seal, Piston	
112	Kit	1	O-Ring	

SECTION 9 - HYDRAULIC COMPONENTS

FIGURE 9-7. TILT CYLINDER (SN 1160007024 through 1160007470)



ART_1001144198-C

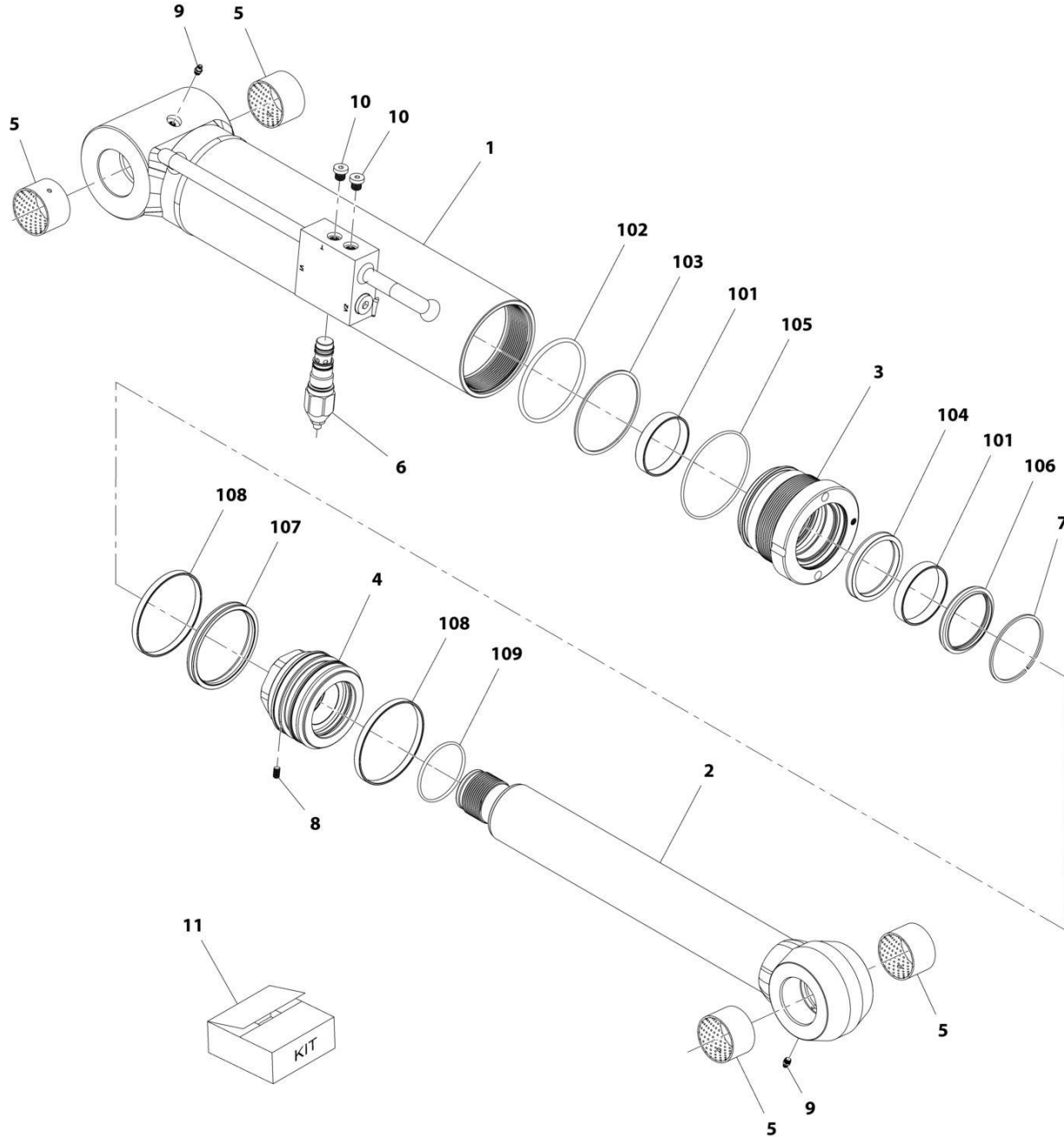
SECTION 9 - HYDRAULIC COMPONENTS

FIGURE 9-7. TILT CYLINDER (SN 1160007024 through 1160007470)

ITEM	PART NUMBER	QTY	DESCRIPTION	REV
	1001144198	Ref	Tilt Cylinder	C
1	70025598	1	Assembly, Barrel	
2	70025599	1	Assembly, Rod	
3	70025600	1	Gland	
4	70025601	1	Head, Piston	
5	70025602	4	Bushing	
6	70025603	1	Valve, Counterbalance	
7	70025604	1	Ring, Snap	
8	70025605	1	Screw, Locking	
9	70025606	2	Nipple, Grease	
10	70024262	2	Plug	
11	70025943	1	Kit, Seal (includes items 101 thru 109)	
101	Kit	2	Ring, Rod Bearing	
102	Kit	1	O-Ring	
103	Kit	1	Ring, Back-Up	
104	Kit	1	Seal, Rod	
105	Kit	1	O-Ring	
106	Kit	1	Seal, Wiper	
107	Kit	1	Seal, Piston	
108	Kit	2	Ring, Piston Bearing	
109	Kit	1	O-Ring	

SECTION 9 - HYDRAULIC COMPONENTS

FIGURE 9-8. TILT CYLINDER (SN 1160007470 through 1160008790)



ART_1001174556-A

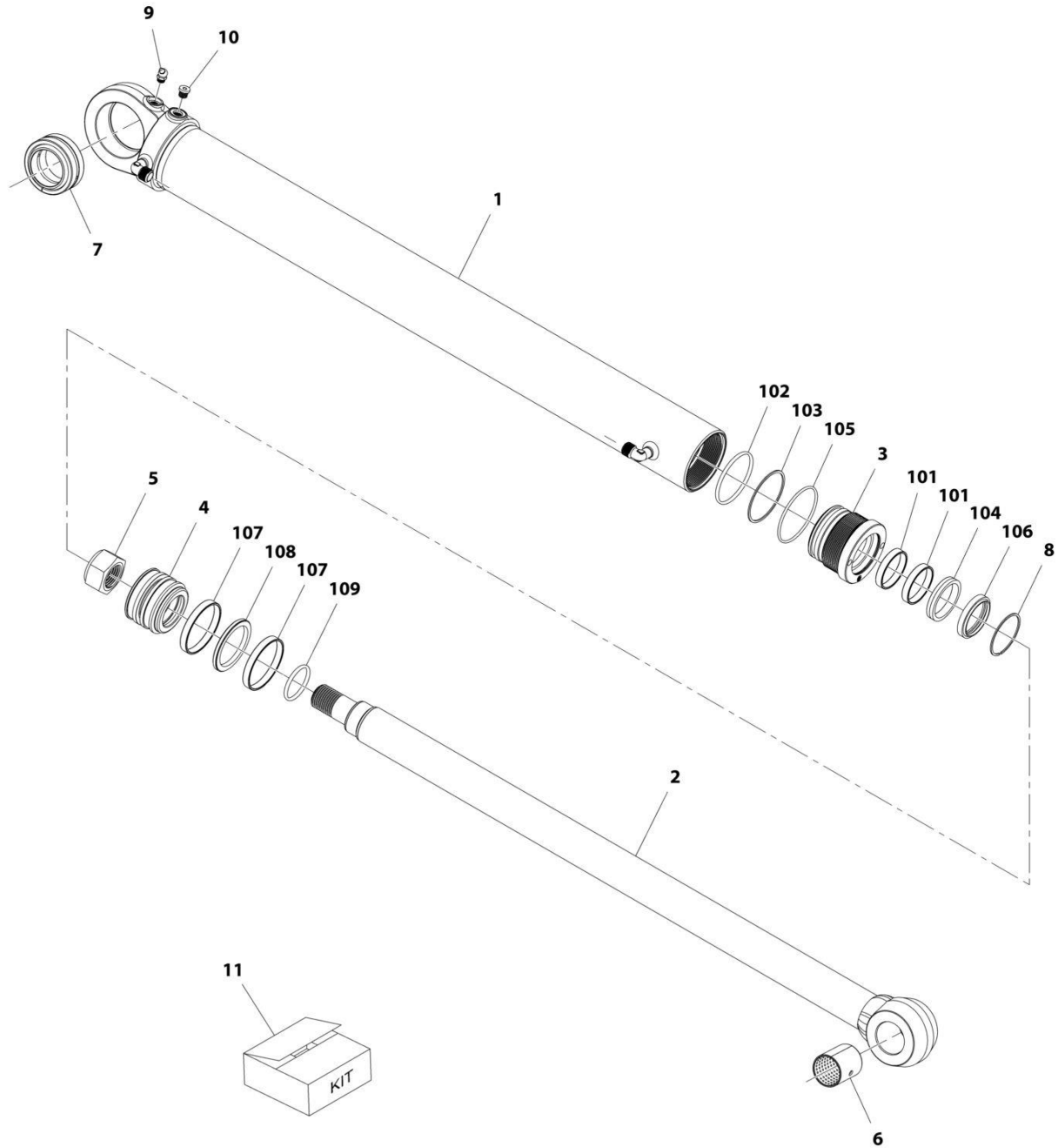
SECTION 9 - HYDRAULIC COMPONENTS

FIGURE 9-8. TILT CYLINDER (SN 1160007470 through 1160008790)

ITEM	PART NUMBER	QTY	DESCRIPTION	REV
	1001174556	Ref	Tilt Cylinder	A
1	70027049	1	Assembly, Barrel	
2	70027050	1	Assembly, Rod	
3	70025600	1	Gland	
4	70025601	1	Head, Piston	
5	70025602	4	Bushing	
6	70027063	1	Counterbalance Valve	
7	70025604	1	Ring, Snap	
8	70025605	1	Screw, Locking	
9	70025606	2	Grease, Nipple	
10	70024262	2	Plug, Blanking	
11	70025943	1	Kit, Seal (includes items 101 thru 109)	
101	Kit	2	Ring, Rod Bearing	
102	Kit	1	O-Ring	
103	Kit	1	Ring, Back-Up	
104	Kit	1	Seal, Rod	
105	Kit	1	O-Ring	
106	Kit	1	Seal, Wiper	
107	Kit	1	Seal, Piston	
108	Kit	2	Ring, Piston Bearing	
109	Kit	1	O-Ring	

SECTION 9 - HYDRAULIC COMPONENTS

FIGURE 9-9. COMPENSATION CYLINDER



ART_1001144203-D

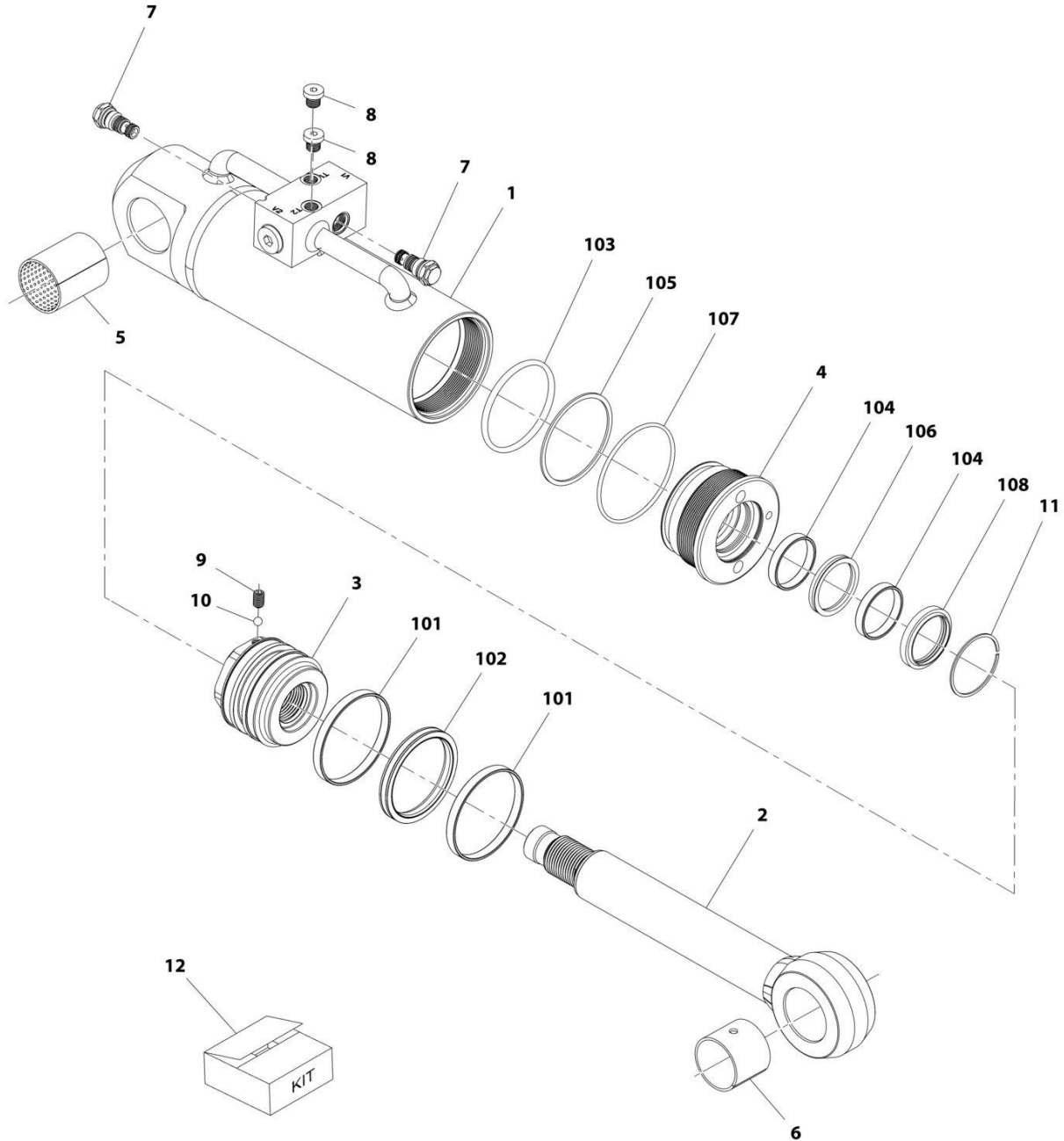
SECTION 9 - HYDRAULIC COMPONENTS

FIGURE 9-9. COMPENSATION CYLINDER

ITEM	PART NUMBER	QTY	DESCRIPTION	REV
	1001144203	Ref	Compensation Cylinder	D
1	70025616	1	Assembly, Barrel	
2	70025617	1	Assembly, Rod	
3	70004132	1	Gland	
4	70020606	1	Head, Piston	
5	70023100	1	Nut	
6	70021497	1	Bushing	
7	70021498	1	Bearing, Spherical	
8	70002219	1	Ring, Snap	
9	70025618	1	Nipple, Grease	
10	70025619	1	Plug	
11	70025620	1	Kit, Seal (includes items 101 thru 109)	
101	Kit	2	Ring, Rod Bearing	
102	Kit	1	O-Ring	
103	Kit	1	Ring, Back-Up	
104	Kit	1	Seal, Rod	
105	Kit	1	O-Ring	
106	Kit	1	Seal, Wiper	
107	Kit	2	Ring, Piston Bearing	
108	Kit	1	Seal, Piston	
109	Kit	1	O-Ring	

SECTION 9 - HYDRAULIC COMPONENTS

FIGURE 9-10. FRAME LEVEL CYLINDER (3614RS)



ART_1001144202-E

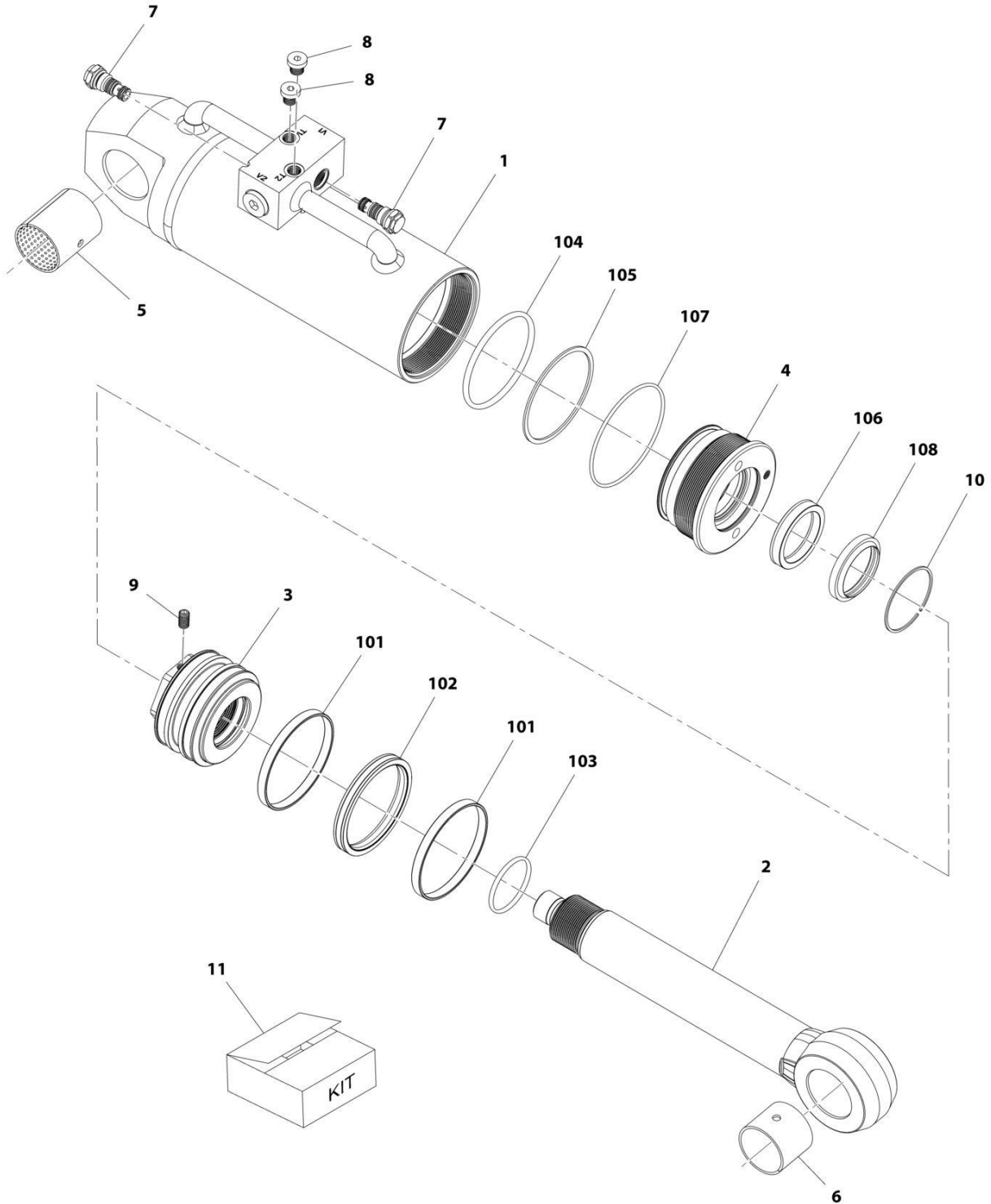
SECTION 9 - HYDRAULIC COMPONENTS

FIGURE 9-10. FRAME LEVEL CYLINDER (3614RS)

ITEM	PART NUMBER	QTY	DESCRIPTION	REV
	1001144202	Ref	Frame Level Cylinder	E
1	70025607	1	Assembly, Barrel	
2	70025608	1	Assembly, Rod	
3	70025609	1	Head, Piston	
4	70022810	1	Gland	
5	70027056	1	Bushing	
6	70027057	1	Bushing	
7	70025612	2	Valve, Check	
8	70024262	2	Plug	
9	70025613	1	Screw, Locking	
10	70025614	1	Bearing	
11	70023101	1	Ring, Snap	
12	70025615	1	Kit, Seal (includes items 101 thru 108)	
101	Kit	2	Ring, Piston Bearing	
102	Kit	1	Seal, Piston	
103	Kit	1	O-Ring	
104	Kit	2	Ring, Rod Bearing	
105	Kit	1	Ring, Back-Up	
106	Kit	1	Seal, Rod	
107	Kit	1	O-Ring	
108	Kit	1	Seal, Wiper	

SECTION 9 - HYDRAULIC COMPONENTS

FIGURE 9-11. FRAME LEVEL CYLINDER (3614RS,4017RS)



ART_1001146580-E

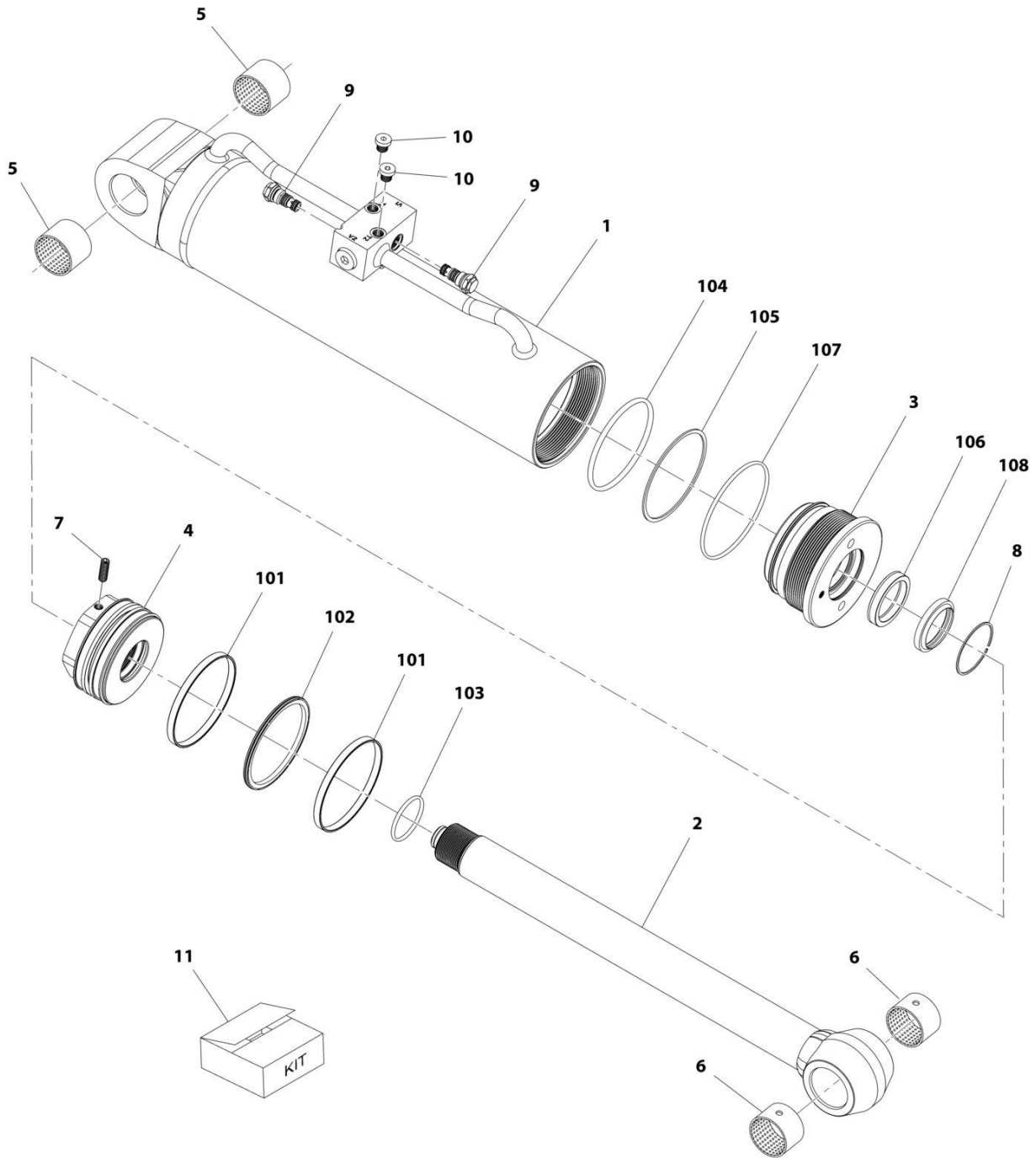
SECTION 9 - HYDRAULIC COMPONENTS

FIGURE 9-11. FRAME LEVEL CYLINDER (3614RS,4017RS)

ITEM	PART NUMBER	QTY	DESCRIPTION	REV
1	70025636	1	Assembly, Barrel	
2	70025637	1	Assembly, Rod	
3	70025638	1	Head, Piston	
4	70025639	1	Gland	
5	70027056	1	Bushing	
6	70027057	1	Bushing	
7	70025612	2	Valve, Check	
8	70024262	2	Plug	
9	70025582	1	Screw, Locking	
10	70025627	1	Ring, Snap	
11	70025640	1	Kit, Seal (includes items 101 thru 108)	
101	Kit	2	Ring, Piston Bearing	
102	Kit	1	Seal, Piston	
103	Kit	1	O-Ring	
104	Kit	1	O-Ring	
105	Kit	1	Ring, Back-Up	
106	Kit	1	Seal, Rod	
107	Kit	1	O-Ring	
108	Kit	1	Seal, Wiper	

SECTION 9 - HYDRAULIC COMPONENTS

FIGURE 9-12. OUTRIGGER CYLINDER



ART_1001144215-E

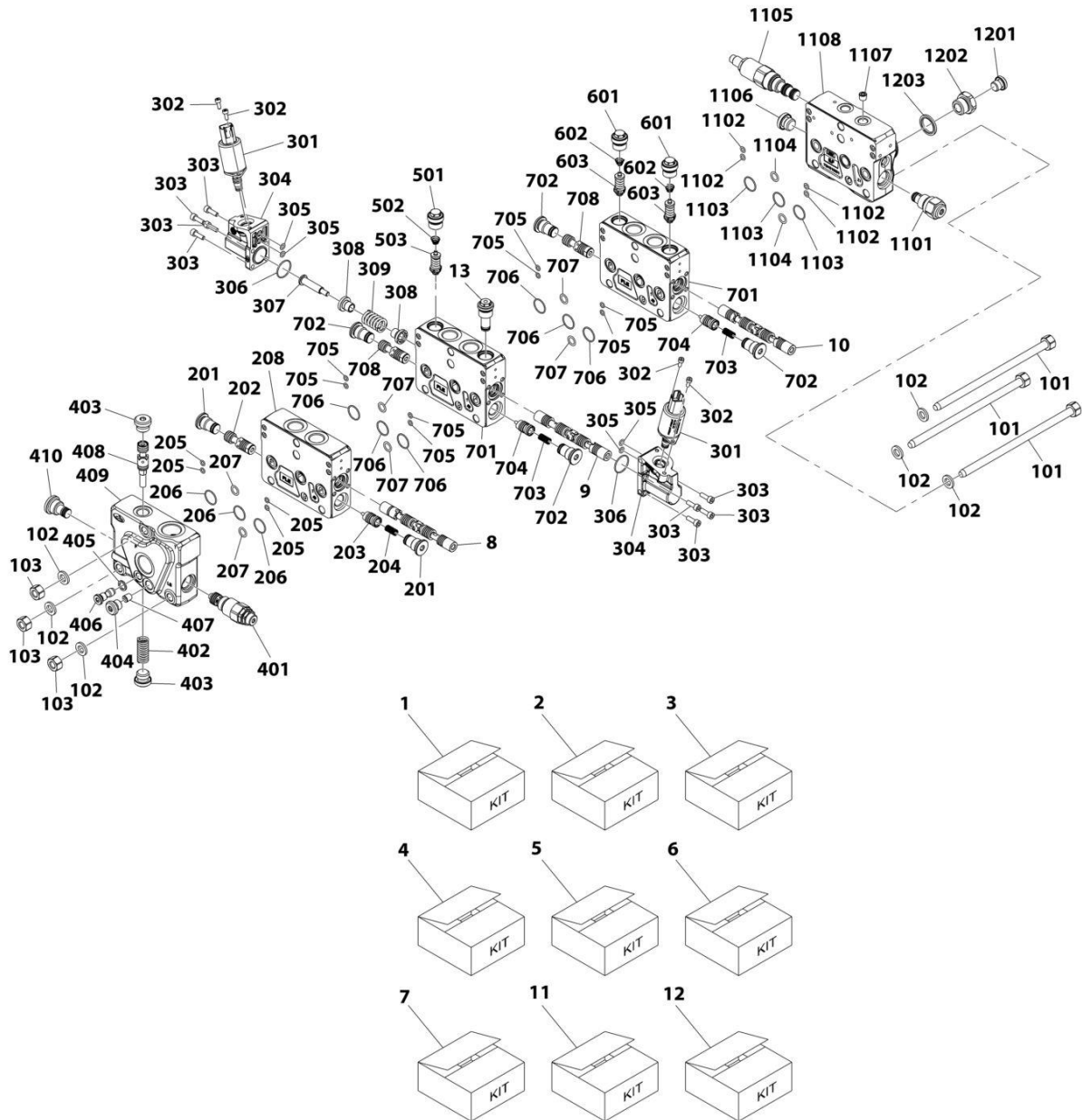
SECTION 9 - HYDRAULIC COMPONENTS

FIGURE 9-12. OUTRIGGER CYLINDER

ITEM	PART NUMBER	QTY	DESCRIPTION	REV
	1001144215	Ref	Outrigger Cylinder	E
1	70025621	1	Assembly, Barrel	
2	70025622	1	Assembly, Rod	
3	70025623	1	Gland	
4	70025624	1	Head, Piston	
5	70025625	2	Bushing	
6	70027055	2	Bushing	
7	70025626	1	Screw, Locking	
8	70025627	1	Ring, Snap	
9	70025612	2	Valve, Check	
10	70024262	2	Plug	
11	70025628	1	Kit, Seal (includes items 101 thru 108)	
101	Kit	2	Ring, Piston Bearing	
102	Kit	1	Seal, Piston	
103	Kit	1	O-Ring	
104	Kit	1	O-Ring	
105	Kit	1	Ring, Back-Up	
106	Kit	1	Seal, Rod	
107	Kit	1	O-Ring	
108	Kit	1	Seal, Wiper	

SECTION 9 - HYDRAULIC COMPONENTS

FIGURE 9-13. MAIN CONTROL VALVE (NO AUXILIARY HYDRAULICS)



ART_1001173148-B

SECTION 9 - HYDRAULIC COMPONENTS

FIGURE 9-13. MAIN CONTROL VALVE (NO AUXILIARY HYDRAULICS)

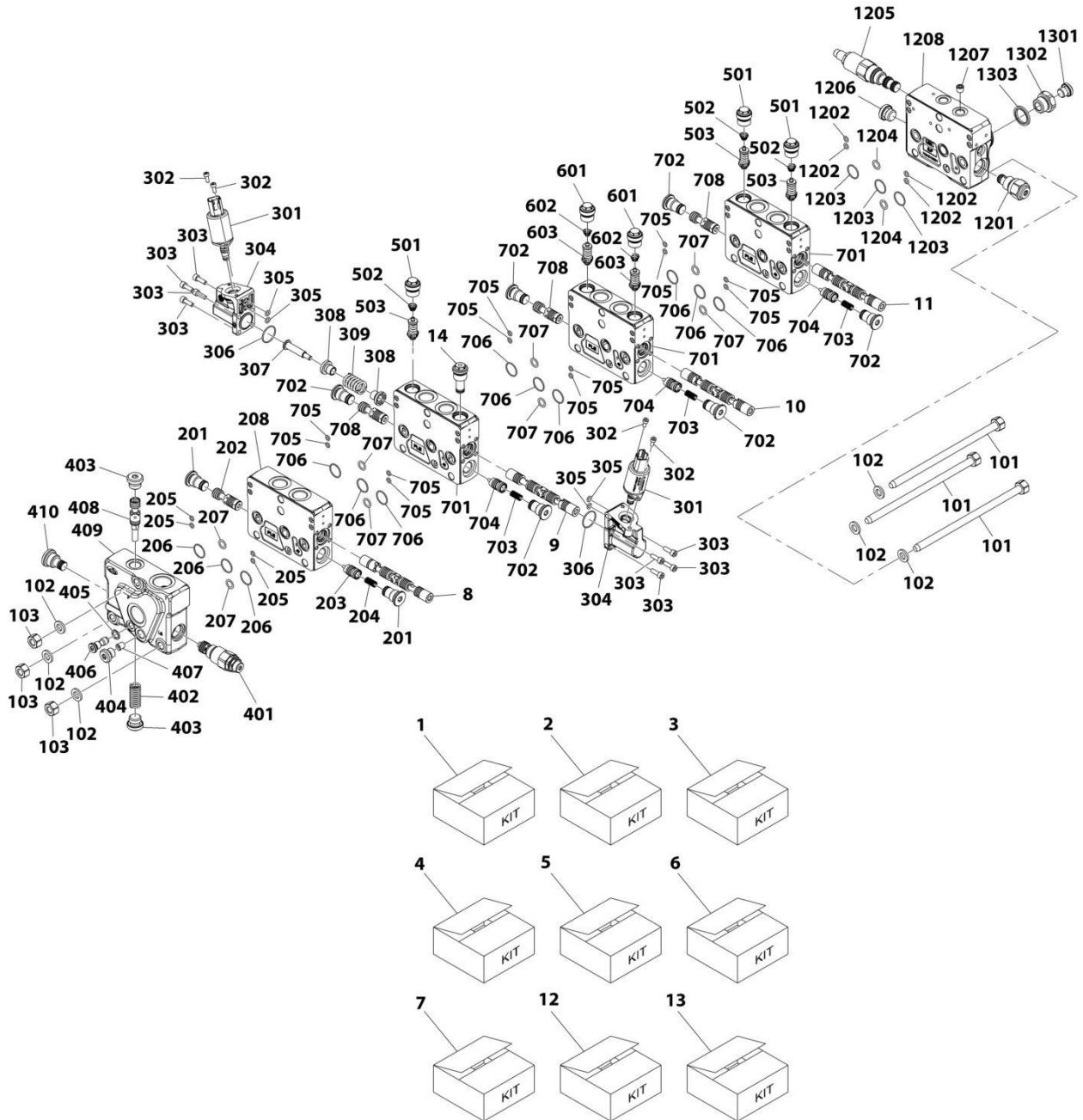
ITEM	PART NUMBER	QTY	DESCRIPTION	REV
	1001173148	Ref	Main Control Valve (no auxiliary hydraulics)	B
1	70025825	1	Tie Rod Kit (includes items 101 thru 103)	
2	70025826	1	Section Kit without Port Relief Cavity (includes items 201 thru 208)	
3	70025827	3	Electro-Hydraulic Kit (includes items 301 thru 309)	
4	70025829	1	Main Relief Valve Kit (includes items 401 thru 410)	
5	70025830	1	Port Relief Kit (includes items 501 thru 503)	
6	70025831	2	Port Relief Kit (includes items 601 thru 603)	
7	70025832	2	Section Kit with Port Relief Cavity (includes items 701 thru 708)	
8	70025833	1	Lift Spool	
9	70025834	1	Tele Spool	
10	70025835	1	Spool	
11	70025836	1	Bleed Valve Kit (includes items 1101 thru 1108)	
12	70025839	1	Pressure Gauge Connection Kit (includes items 1201 thru 1203)	
13	70025837	1	Plug	
101	Kit	3	Tie Rod	
102	Kit	6	Elastic Washer	
103	Kit	3	Nut	
201	Kit	2	Compensator Plug	
202	Kit	1	Compensator Spool	
203	Kit	1	Selector Spool	
204	Kit	1	Spring	
205	Kit	4	O-Ring	
206	Kit	3	O-Ring	
207	Kit	1	O-Ring	
208	Kit	1	Working Section	
301	70025828	2	Solenoid Valve (may be ordered separately)	
302	Kit	4	Screw	
303	Kit	8	Screw	
304	Kit	2	Cylinder	
305	Kit	4	O-Ring	
306	Kit	2	O-Ring	
307	Kit	1	Pin	
308	Kit	2	Bushing	
309	Kit	1	Spring	
401	Kit	1	Valve	
402	Kit	1	Spring	
403	Kit	2	Plug	
404	Kit	1	Plug	
405	Kit	1	Washer	
406	Kit	1	Plug	
407	Kit	1	Plug	
408	Kit	1	Compensator Spool	
409	Kit	1	Inlet Section	
410	Kit	1	Plug	
501	Kit	1	Plug	
502	Kit	1	Spring	
503	Kit	1	Valve	
601	Kit	1	Plug	
602	Kit	1	Spring	
603	Kit	1	Valve	

SECTION 9 - HYDRAULIC COMPONENTS

ITEM	PART NUMBER	QTY	DESCRIPTION	REV
701	Kit	1	Working Section	
702	Kit	2	Compensator Plug	
703	Kit	1	Spring	
704	Kit	1	Selector Spool	
705	Kit	4	O-Ring	
706	Kit	3	O-Ring	
707	Kit	1	O-Ring	
708	Kit	1	Compensator Spool	
1101	Kit	1	Flow Regulator	
1102	Kit	4	O-Ring	
1103	Kit	3	O-Ring	
1104	Kit	1	O-Ring	
1105	Kit	1	Valve	
1106	Kit	1	Plug	
1107	Kit	1	Plug	
1108	Kit	1	Outlet Cover	
1201	Kit	1	Plug	
1202	Kit	1	Joint	
1203	Kit	1	Washer	

SECTION 9 - HYDRAULIC COMPONENTS

FIGURE 9-14. MAIN CONTROL VALVE (AUXILIARY HYDRAULICS)



ART_1001173147-B

SECTION 9 - HYDRAULIC COMPONENTS

FIGURE 9-14. MAIN CONTROL VALVE (AUXILIARY HYDRAULICS)

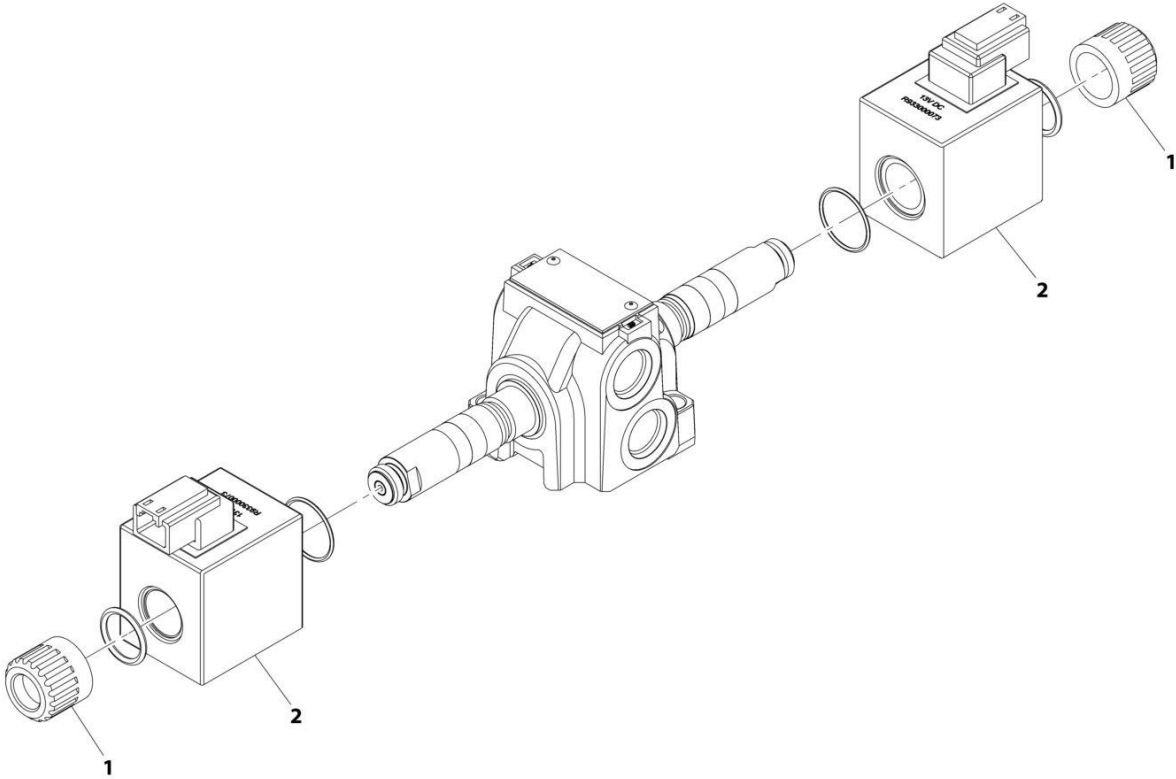
ITEM	PART NUMBER	QTY	DESCRIPTION	REV
	1001173147	Ref	Main Control Valve (auxiliary hydraulics)	B
1	70025840	1	Tie Rod Kit (includes items 101 thru 103)	
2	70025826	1	Kit, Section, without Port Relief Cavity (includes items 201 thru 208)	
3	70025827	4	Electro-Hydraulic Kit (includes items 301 thru 309)	
4	70025829	1	Main Relief Valve Kit (includes items 401 thru 410)	
5	70025830	3	Port Relief Kit (includes items 501 thru 503)	
6	70025831	2	Port Relief Kit (includes items 601 thru 603)	
7	70025832	3	Section Kit with Port Relief Cavity (includes items 701 thru 708)	
8	70025833	1	Lift Spool	
9	70025834	1	Tele Spool	
10	70025835	1	Spool	
11	70025838	1	Spool	
12	70025836	1	Bleed Valve Kit (includes items 1201 thru 1208)	
13	70025839	1	Pressure Gauge Connection Kit (includes items 1301 thru 1303)	
14	70025837	1	Plug	
101	Kit	3	Tie Rod	
102	Kit	6	Elastic Washer	
103	Kit	3	Nut	
201	Kit	2	Compensator Plug	
202	Kit	1	Compensator Spool	
203	Kit	1	Selector Spool	
204	Kit	1	Spring	
205	Kit	4	O-Ring	
206	Kit	3	O-Ring	
207	Kit	1	O-Ring	
208	Kit	1	Working Selection	
301	70025828	2	Solenoid Valve (may be ordered separately)	
302	Kit	4	Screw	
303	Kit	8	Screw	
304	Kit	2	Cylinder	
305	Kit	4	O-Ring	
306	Kit	2	O-Ring	
307	Kit	1	Pin	
308	Kit	2	Bushing	
309	Kit	1	Spring	
401	Kit	1	Valve	
402	Kit	1	Spring	
403	Kit	2	Plug	
404	Kit	1	Plug	
405	Kit	1	Washer	
406	Kit	1	Plug	
407	Kit	1	Plug	
408	Kit	1	Compensator Spool	
409	Kit	1	Inlet Section	
410	Kit	1	Plug	
501	Kit	1	Plug	
502	Kit	1	Spring	
503	Kit	1	Valve	
601	Kit	1	Plug	

SECTION 9 - HYDRAULIC COMPONENTS

ITEM	PART NUMBER	QTY	DESCRIPTION	REV
602	Kit	1	Spring	
603	Kit	1	Valve	
701	Kit	1	Working Section	
702	Kit	2	Compensator Plug	
703	Kit	1	Spring	
704	Kit	1	Selector Spool	
705	Kit	4	O-Ring	
706	Kit	3	O-Ring	
707	Kit	1	O-Ring	
708	Kit	1	Compensator Spool	
1201	Kit	1	Flow Regulator	
1202	Kit	4	O-Ring	
1203	Kit	3	O-Ring	
1204	Kit	1	O-Ring	
1205	Kit	1	Valve	
1206	Kit	1	Plug	
1207	Kit	1	plug	
1208	Kit	1	Outlet Cover	
1301	Kit	1	Plug	
1302	Kit	1	Joint	
1303	Kit	1	Washer	

SECTION 9 - HYDRAULIC COMPONENTS

FIGURE 9-15. STEERING SELECT VALVE



ART_1001153748-C

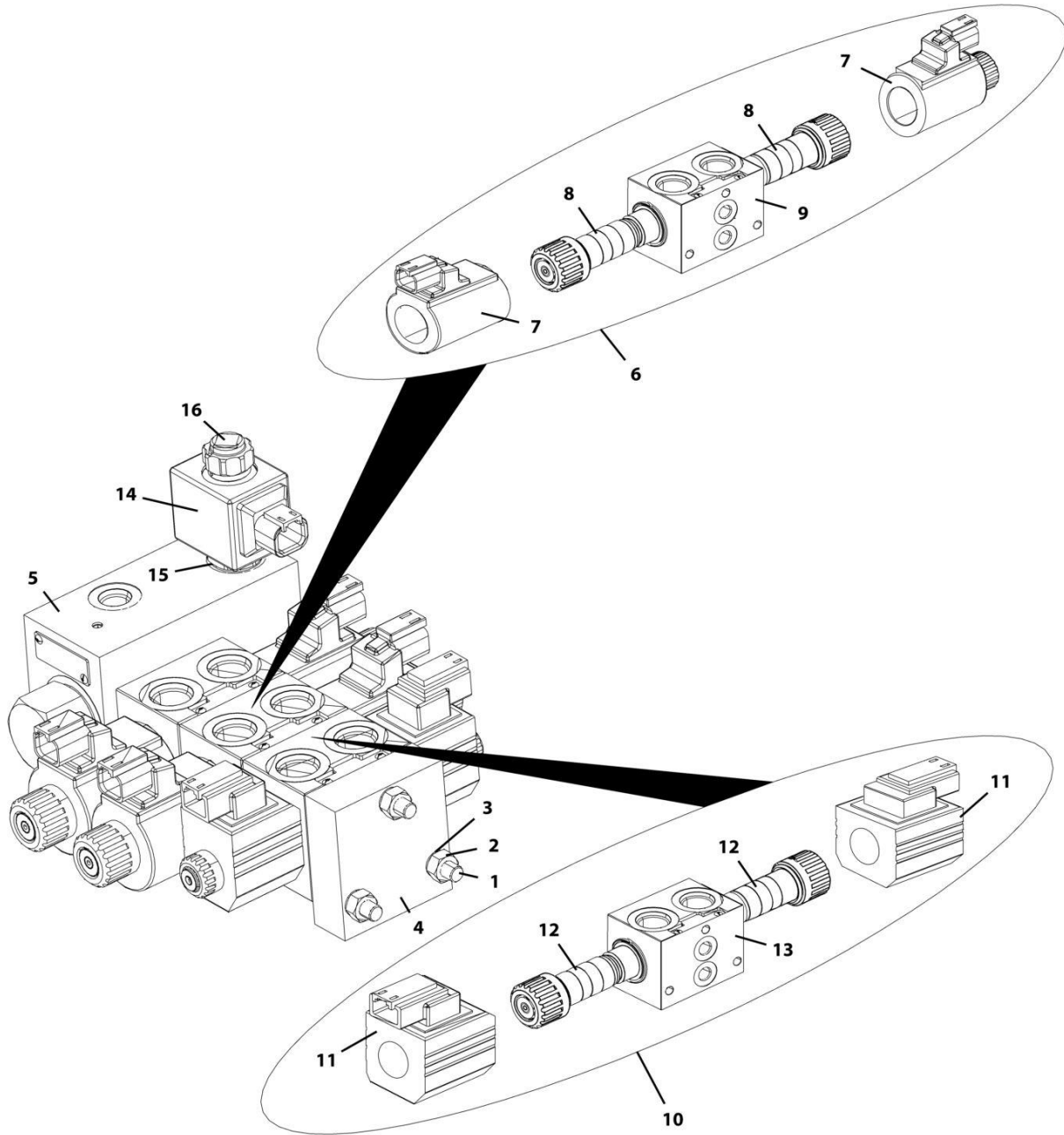
SECTION 9 - HYDRAULIC COMPONENTS

FIGURE 9-15. STEERING SELECT VALVE

ITEM	PART NUMBER	QTY	DESCRIPTION	REV
	1001153748	Ref	Steering Select Valve	C
1	70020867	2	Kit, Retainer, W/Seals	
2	70026582	2	Coil	

SECTION 9 - HYDRAULIC COMPONENTS

FIGURE 9-16. OUTRIGGER VALVE



ART_4641516-B

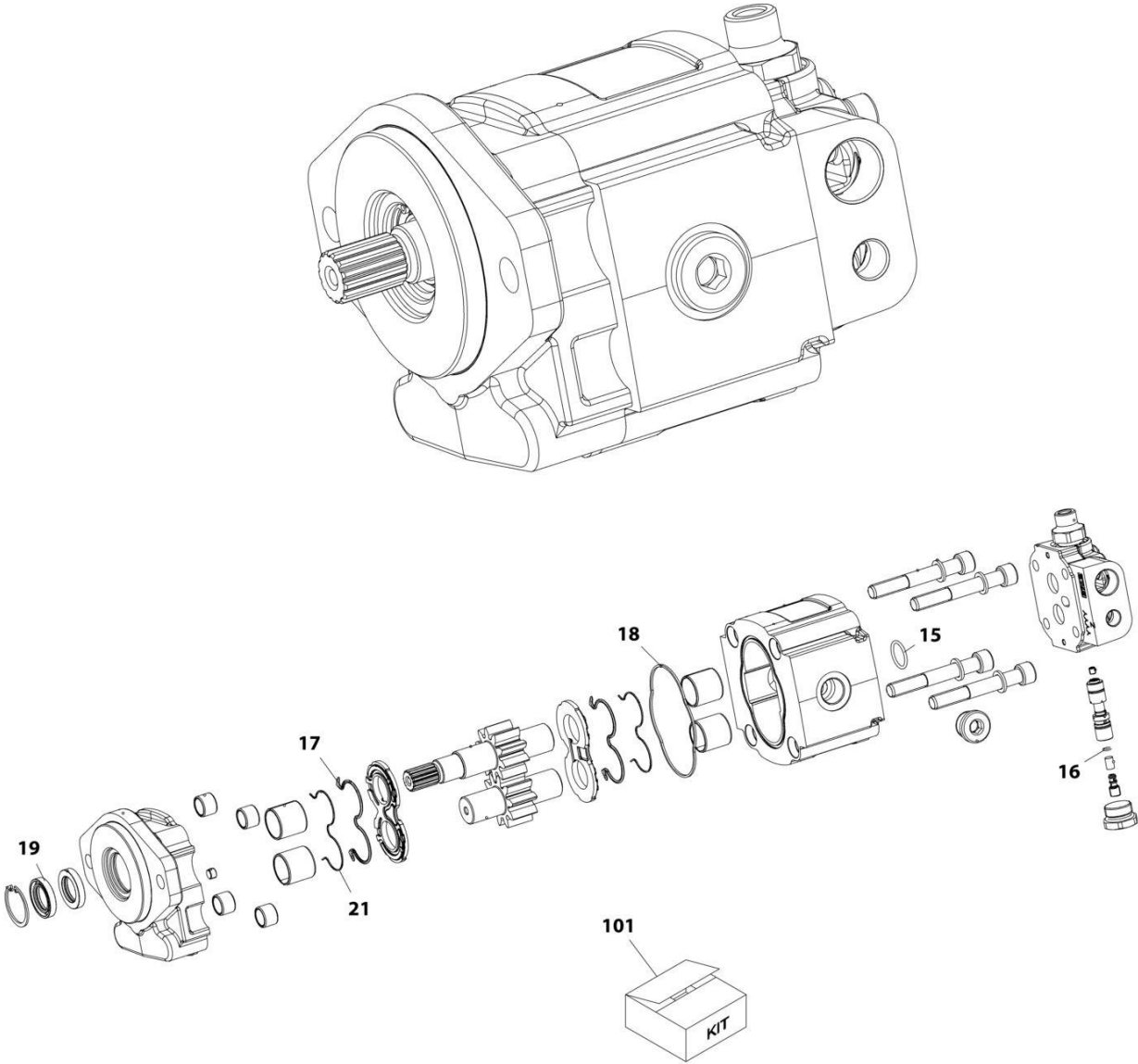
SECTION 9 - HYDRAULIC COMPONENTS

FIGURE 9-16. OUTRIGGER VALVE

ITEM	PART NUMBER	QTY	DESCRIPTION	REV
	4641516	Ref	Outrigger Valve	B
1	70021211	3	Bolt, M8X185	
2	70021212	3	Nut, M8	
3	70021201	3	Washer, M8	
4	70021205	1	Cover	
5	70021215	1	Body, Inlet	
6	70021214	2	Assembly, Outrigger Section	
7	70020868	2	Coil	
8	70020867	2	Kit, Retainer, w/Seals	
9	70021218	1	Section, Valve	
10	70021213	1	Assembly, Frame Level Section	
11	70021208	2	Coil	
12	70021209	2	Kit, Retainer, w/Seals	
13	70021219	1	Section, Valve	
14	70022147	1	Coil	
15	70023327	1	Solenoid	
16	70023326	1	Orifice, 1	

SECTION 9 - HYDRAULIC COMPONENTS

FIGURE 9-17. GEAR PUMP



ART_1001142980-D

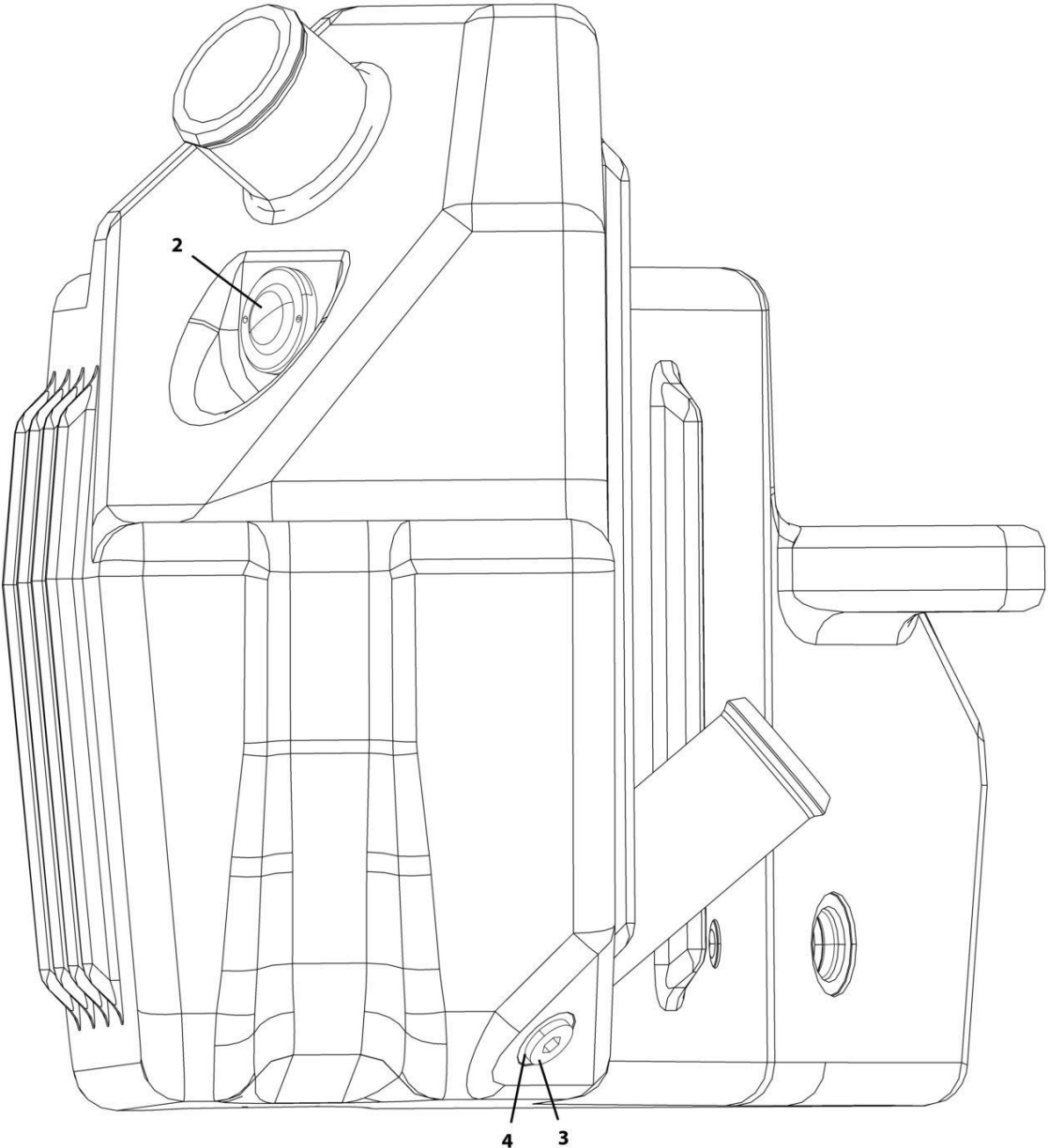
SECTION 9 - HYDRAULIC COMPONENTS

FIGURE 9-17. GEAR PUMP

ITEM	PART NUMBER	QTY	DESCRIPTION	REV
	1001142980	Ref	Gear Pump	D
15	Kit	3	O-Ring	
16	Kit	1	O-Ring	
17	Kit	2	Seal	
18	Kit	1	Seal	
19	Kit	2	Seal, Shaft	
21	Kit	2	Ring, Anti-Extrusion	
101	70024631	1	Kit, Seal (includes items 15 thru 21)	

SECTION 9 - HYDRAULIC COMPONENTS

FIGURE 9-18. HYDRAULIC TANK



ART_1001146380-E

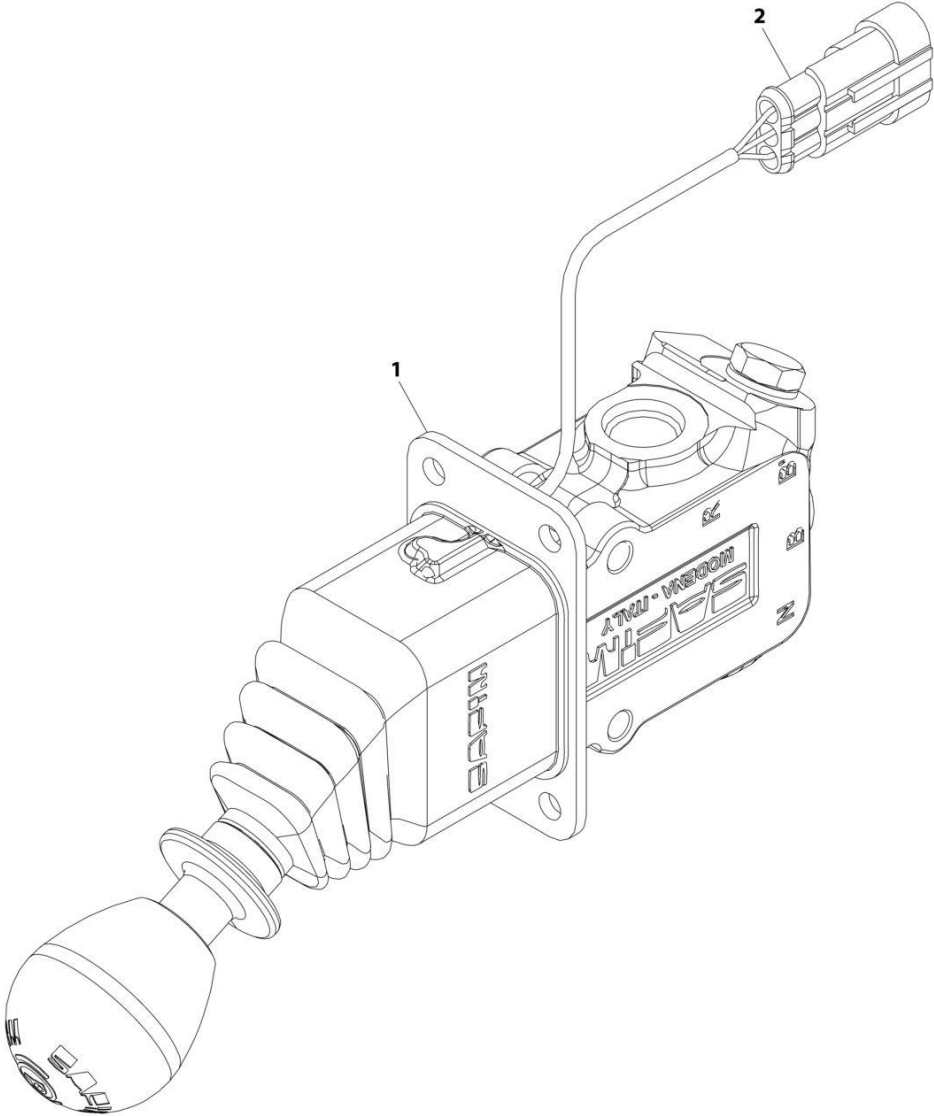
SECTION 9 - HYDRAULIC COMPONENTS

FIGURE 9-18. HYDRAULIC TANK

ITEM	PART NUMBER	QTY	DESCRIPTION	REV
	1001146380	Ref	Hydraulic Tank	E
2	70025812	1	Gauge, Sight	
3	70025813	1	Plug, Drain	
4	N.S.S.	1	O-Ring	

SECTION 9 - HYDRAULIC COMPONENTS

FIGURE 9-19. HYDRAULIC PARK BRAKE RELEASE VALVE (4017RS)



ART_1001098153-D

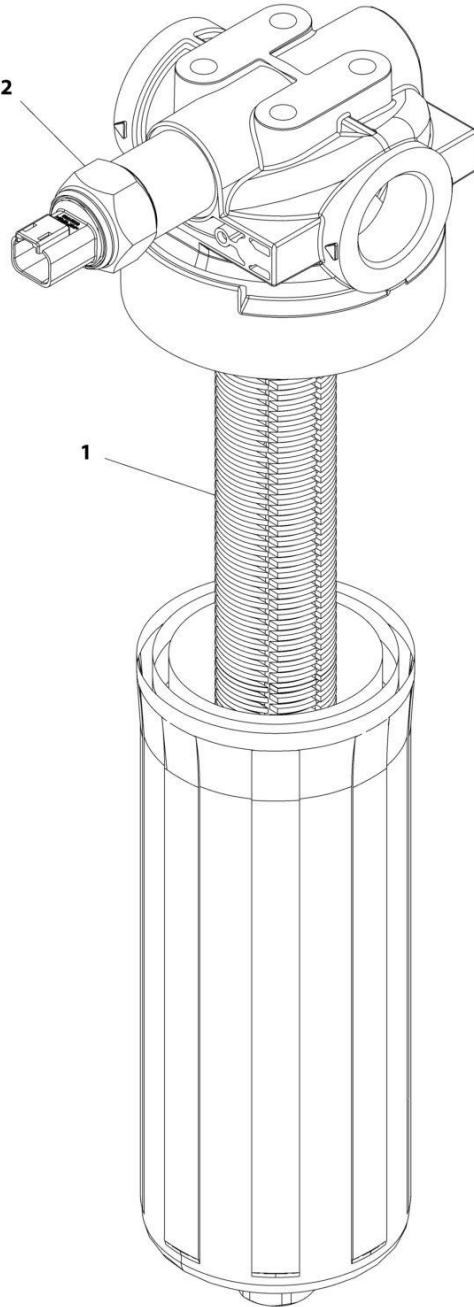
SECTION 9 - HYDRAULIC COMPONENTS

FIGURE 9-19. HYDRAULIC PARK BRAKE RELEASE VALVE (4017RS)

ITEM	PART NUMBER	QTY	DESCRIPTION	REV
	1001098153	Ref	Hydraulic Park Brake Release Valve	D
1	70020922	1	Kit, Seal	
2	70022847	1	Kit, Microswitch	

SECTION 9 - HYDRAULIC COMPONENTS

FIGURE 9-20. HYDRAULIC OIL FILTER



ART_1001175757-A

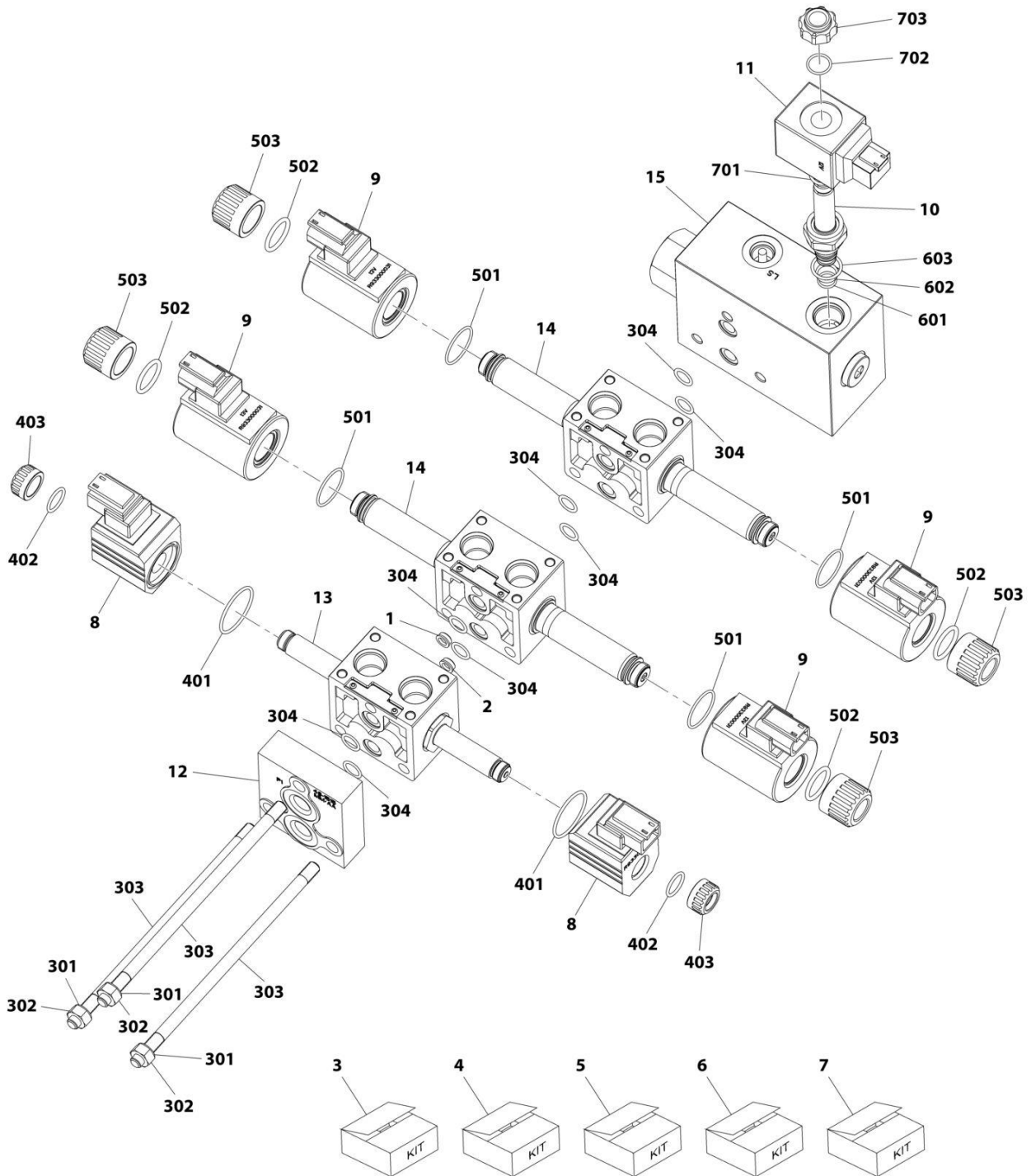
SECTION 9 - HYDRAULIC COMPONENTS

FIGURE 9-20. HYDRAULIC OIL FILTER

ITEM	PART NUMBER	QTY	DESCRIPTION	REV
	1001146076	NLA	Hydraulic Oil Filter, (no longer available, use 1001175757 for replacement or items 1 & 2 for service)	B
	1001175757	Ref	Hydraulic Oil Filter	A
1	70025811	1	Element, Filter	
2	70025863	1	Indicator, Clogging	

SECTION 9 - HYDRAULIC COMPONENTS

FIGURE 9-21. OUTRIGGER VALVE



ART_1001173880-C

SECTION 9 - HYDRAULIC COMPONENTS

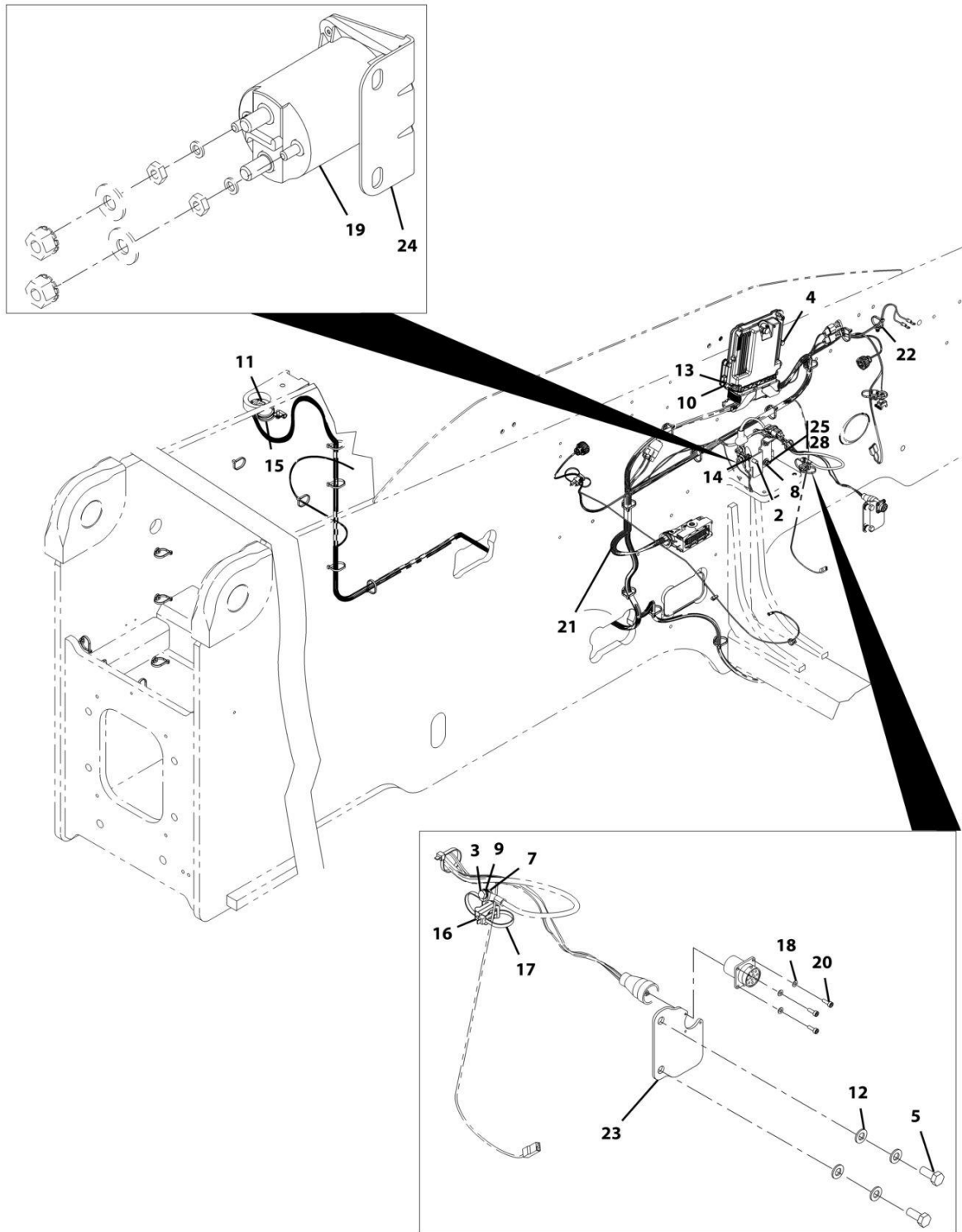
FIGURE 9-21. OUTRIGGER VALVE

ITEM	PART NUMBER	QTY	DESCRIPTION	REV
	1001173880	Ref	Outrigger Valve	B
1	70028242	1	Orifice	
2	70028243	1	Orifice	
3	70027284	1	Bolt and Seal Kit (includes items 301 thru 304)	
4	70021209	2	Retainer Kit W/Seals (includes items 401 thru 403)	
5	70020867	4	Retainer Kit W/Seals (includes items 501 thru 503)	
6	70027286	1	Seal Kit (includes items 601 thru 603)	
7	70027285	1	Coil Nut Kit (includes items 701 thru 703)	
8	70021208	2	Coil	
9	70020868	4	Coil	
10	70023327	1	Cartridge Valve	
11	70022147	2	Coil	
12	70004667	1	Cover Plate	
13	70021213	1	Section	
14	70026568	2	Section	
15	70021215	1	Inlet	
301	Kit	3	Toothed Lockwasher	
302	70026570	3	Hexagon Nut	
303	70026569	3	Tie Rod	
304	Kit	8	O-Ring	
401	Kit	2	O-Ring	
402	Kit	2	O-Ring	
403	Kit	2	Coil Nut M13X1	
501	Kit	4	O-Ring	
502	Kit	4	O-Ring	
503	Kit	4	Coil Nut M13X1	
601	Kit	1	O-Ring	
602	Kit	1	O-Ring	
603	Kit	1	O-Ring	
701	Kit	1	O-Ring	
702	70006246	1	O-Ring	
703	70004654	1	Coil Nut	

SECTION 10 - ELECTRICAL

SECTION 10 - ELECTRICAL

FIGURE 10-1. ENGINE ELECTRICAL INSTALLATION - 74 KW (SN E16000001 through E16000141, Excluding E16000120, E16000126, 1160008774, 1160008775 and 1160008777)



ART_1001146645-E

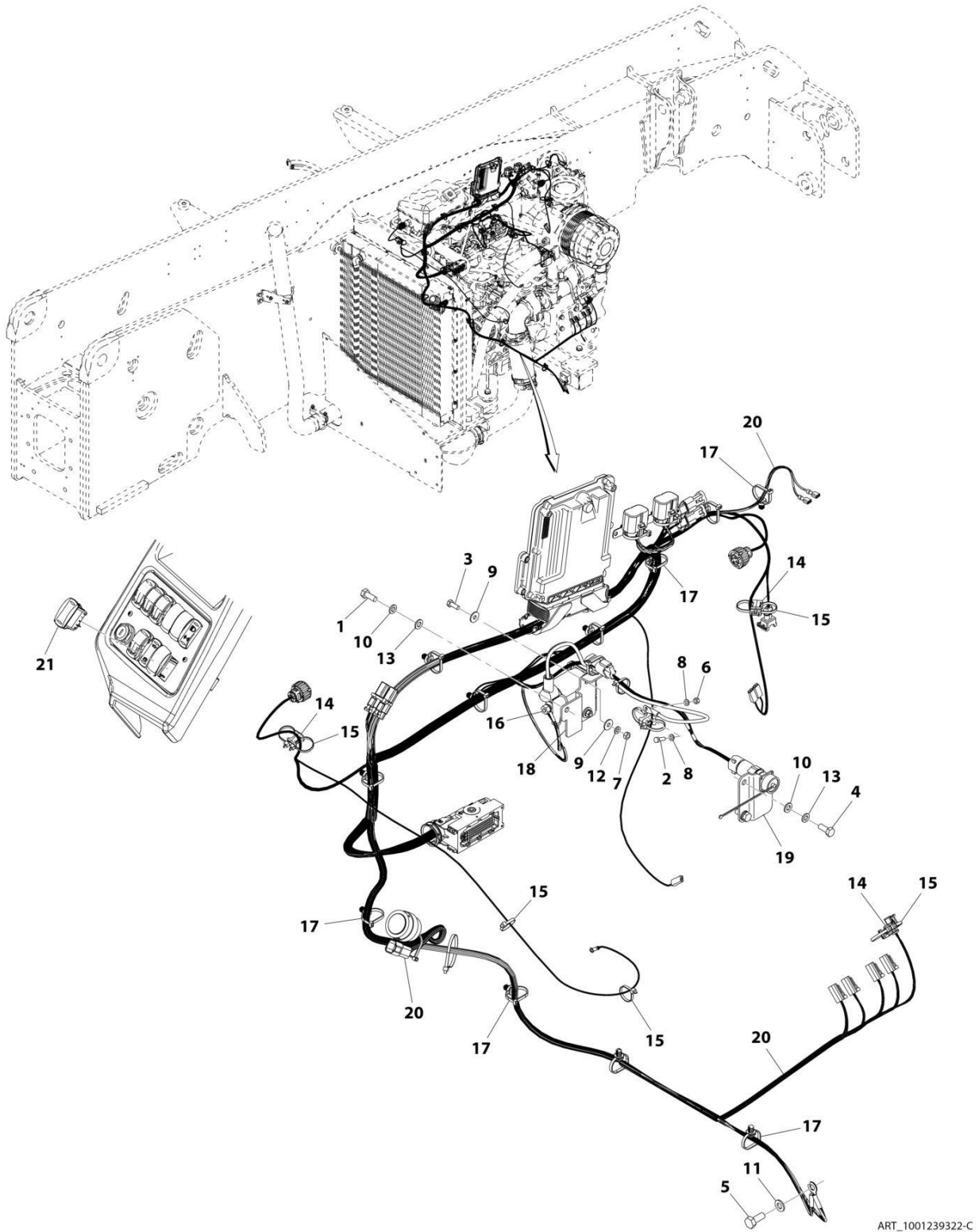
SECTION 10 - ELECTRICAL

**FIGURE 10-1. ENGINE ELECTRICAL INSTALLATION - 74 KW (SN E160000001 through E160000141,
Excluding E160000120, E160000126, 1160008774, 1160008775 and 1160008777)**

ITEM	PART NUMBER	QTY	DESCRIPTION	REV
	1001146645	Ref	Engine Electrical Installation	E
2	0700810	1	Bolt, M8X20	
3	0760508	1	Bolt, M5X16	
4	0760614	4	Bolt, M6X30	
5	0760810	2	Bolt, M8X20	
7	3290505	1	Nut, Lock M5X0.8	
8	3290601	2	Nut, M6X1	
9	4811600	2	Washer, M5	
10	4811700	4	Washer, M6	
11	4811702	4	Washer, M6	
12	4811900	3	Washer, M8	
13	4831700	6	Washer, Lock 6	
14	4831900	3	Washer, Lock 8	
15	1001162863	2	Clip	
16	1001004723	4	Saddle	
17	1001008559	11	Strap, Cable	
18	1001110544	3	Washer, M3	
19	1001117308	1	Relay, 200 Amp (See 200 AMP RELAY for Breakdown)	
20	4031205	3	Bolt, M3X10	
21	1001145550	Ref	Harness, Engine (See ENGINE HARNESS for Breakdown)	
22	1001146588	14	Strap, Cable	
23	1001166850	1	Bracket, Diagnostic Connector	
24	1001147799	1	Bracket, Glow Plug Relay	
25	0760608	2	Bolt, M6X16	
28	1001095650	AR	Compound, Locking	

SECTION 10 - ELECTRICAL

FIGURE 10-2. ENGINE ELECTRICAL INSTALLATION - 74 KW (SN E160000141 through E160000496, Including E160000120, E160000126, 1160008774, 1160008775 and 1160008777)



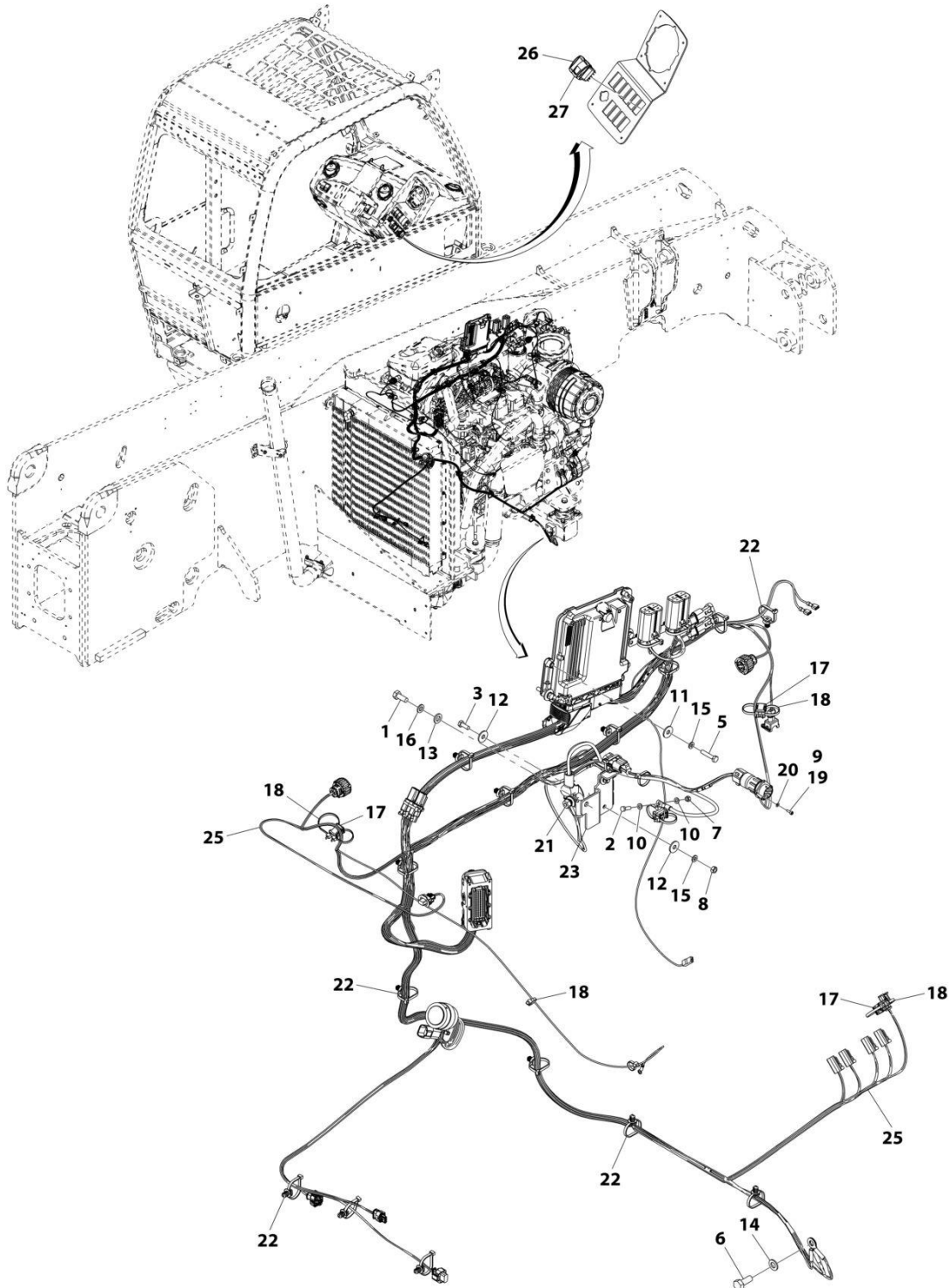
SECTION 10 - ELECTRICAL

FIGURE 10-2. ENGINE ELECTRICAL INSTALLATION - 74 KW (SN E160000141 through E160000496, Including E160000120, E160000126, 1160008774, 1160008775 and 1160008777)

ITEM	PART NUMBER	QTY	DESCRIPTION	REV
	1001239322	Ref	Engine Electrical Installation - 74KW	C
1	0700810	1	Bolt, M8X20	
2	0760508	1	Bolt, M5X16	
3	0760608	2	Bolt, M6X16	
4	0760810	2	Bolt, M8X20	
5	0761012	1	Bolt, M10X25	
6	3290505	1	Nut, Lock M5X0.8	
7	3290601	2	Nut, M6X1	
8	4811600	2	Washer, M5	
9	4811702	4	Washer, M6	
10	4811900	3	Washer, M8	
11	4812000	1	Washer, M10	
12	4831700	2	Washer, Lock M6	
13	4831900	3	Washer, Lock M8	
14	1001004723	4	Saddle	
15	1001008559	13	Strap, Cable	
16	1001117308	1	Relay, 200 Amp (See Separate Breakdown in this Section)	
17	1001146588	15	Strap, Cable	
18	1001147799	1	Bracket, Glow Plug Relay	
19	1001166850	1	Bracket, Diagnostic Connector	
20	1001238822	1	Harness, Engine (See Separate Breakdown in this Section)	
21	1001241810	1	Lamp, Aux Indicator	

SECTION 10 - ELECTRICAL

FIGURE 10-3. ENGINE ELECTRICAL INSTALLATION - 55 KW



ART_1001236915-B

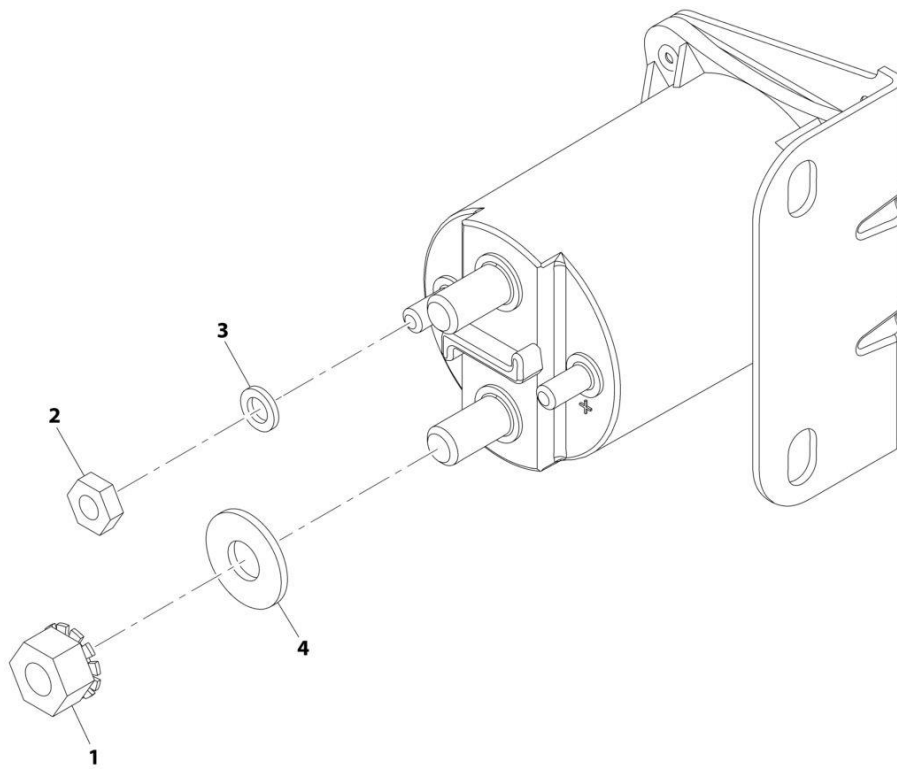
SECTION 10 - ELECTRICAL

FIGURE 10-3. ENGINE ELECTRICAL INSTALLATION - 55 KW

ITEM	PART NUMBER	QTY	DESCRIPTION	REV
	1001236915	Ref	Engine Electrical Installation - 55KW	B
1	0700810	1	Bolt, M8X20	
2	0760508	1	Bolt, M5X16	
3	0760608	2	Bolt, M6X16	
5	0760614	4	Bolt, M6X30	
6	0761012	1	Bolt, M10X25	
7	3290505	1	Nut, Lock M5X0.8	
8	3290601	2	Nut, M6X1	
9	4031205	3	Bolt, M3X10	
10	4811600	2	Washer, M5	
11	4811700	4	Washer, M6	
12	4811702	4	Washer, M6	
13	4811900	1	Washer, M8	
14	4812000	1	Washer, M10	
15	4831700	6	Washer, Lock M6	
16	4831900	1	Washer, Lock M8	
17	1001004723	4	Saddle	
18	1001008559	11	Strap, Cable	
19	1001095650	AR	Compound, Locking	
20	1001110544	3	Washer, M3	
21	1001117308	1	Relay, 200 Amp (See Separate Breakdown in this Section)	
22	1001146588	15	Strap, Cable	
23	1001147799	1	Bracket, Glow Plug Relay	
25	1001238823	1	Harness, Engine (See Separate Breakdown in this Section)	
26	1001241811	1	Lamp	
27	1001241813	1	Switch	

SECTION 10 - ELECTRICAL

FIGURE 10-4. 200 AMP RELAY



ART_1001117308-C

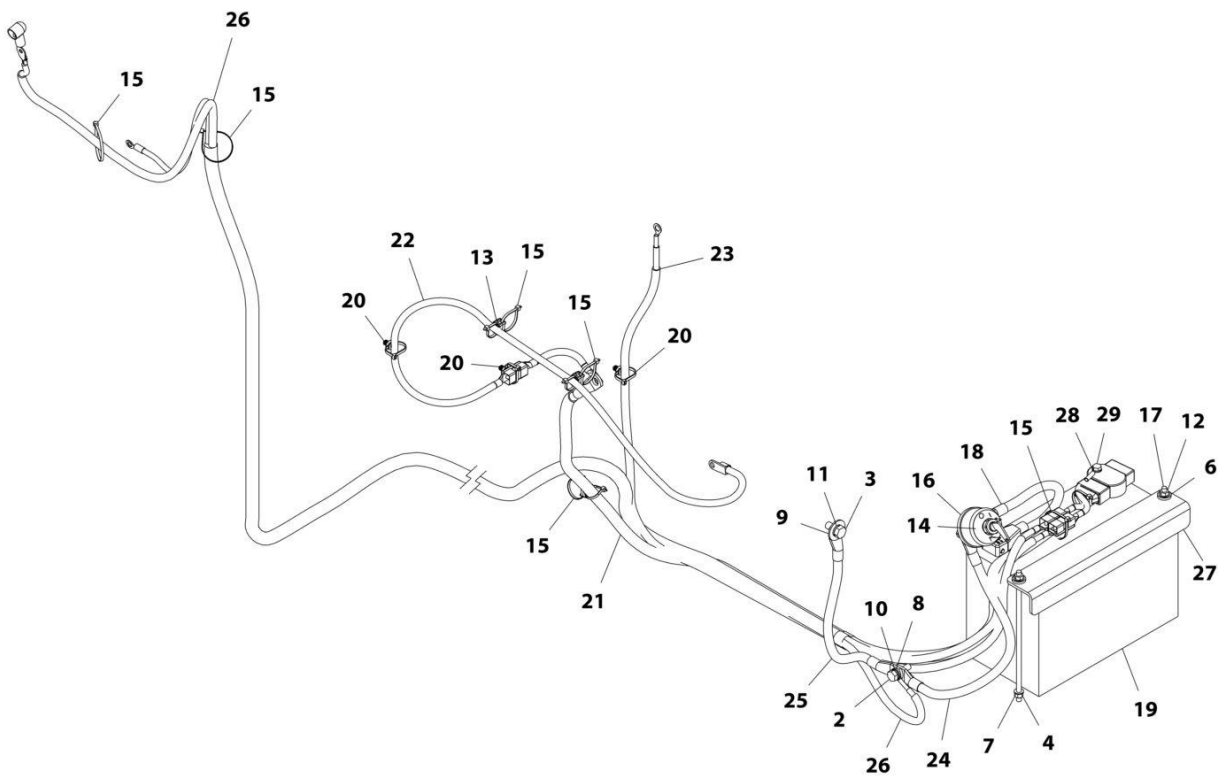
SECTION 10 - ELECTRICAL

FIGURE 10-4. 200 AMP RELAY

ITEM	PART NUMBER	QTY	DESCRIPTION	REV
	1001117308	Ref	200 Amp Relay	B
1	3300220	2	Nut, Washer	
2	3321001	2	Nut	
3	4761000	2	Washer, Lock	
4	1001111424	2	Washer	

SECTION 10 - ELECTRICAL

FIGURE 10-5. BATTERY INSTALLATION (SN E16000001 through E16000342, Excluding E16000328, E16000329, E16000330, E16000331, E16000332 and E16000336)



ART_1001145531-G

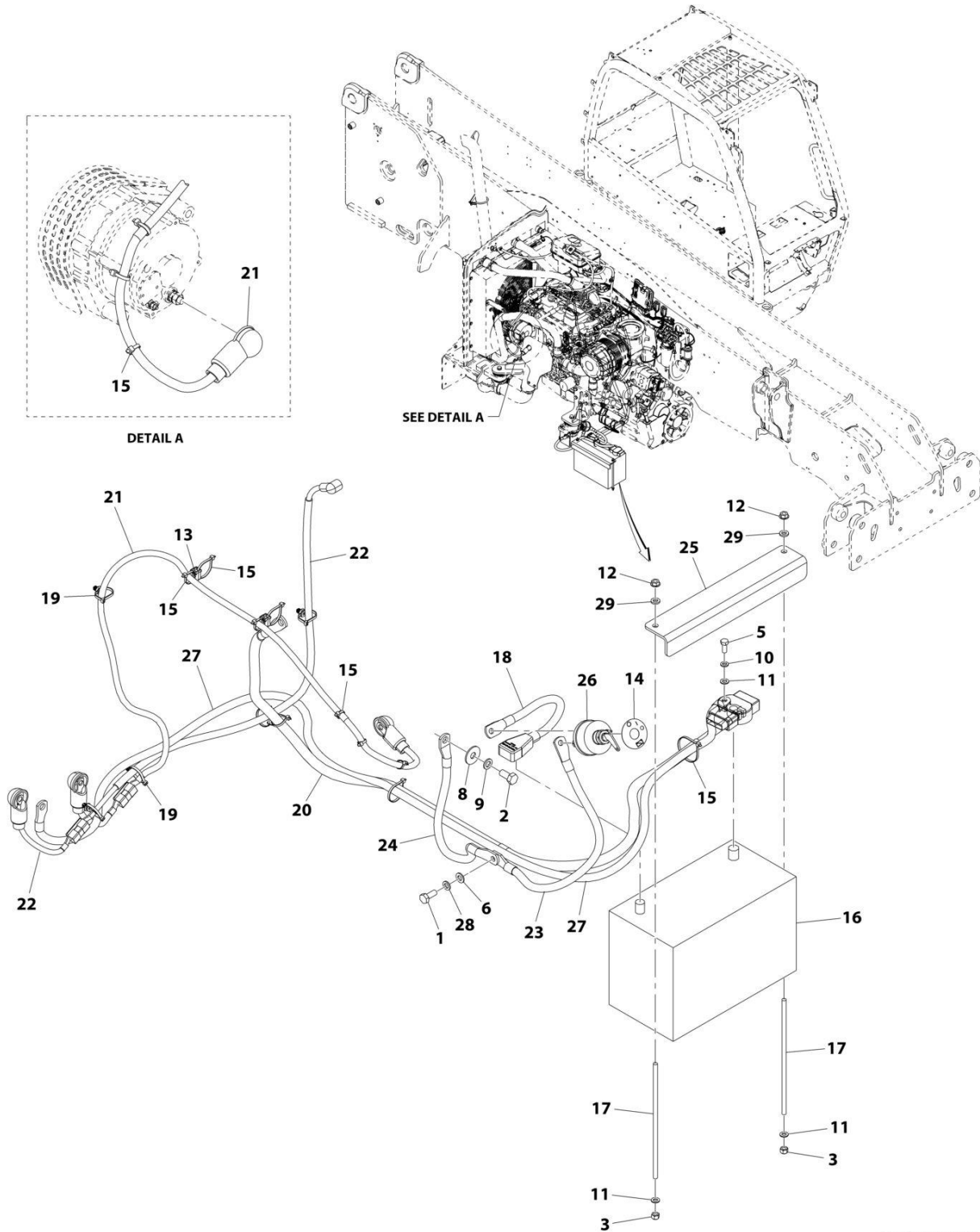
SECTION 10 - ELECTRICAL

FIGURE 10-5. BATTERY INSTALLATION (SN E16000001 through E160000342, Excluding E160000328, E160000329, E160000330, E160000331, E160000332 and E160000336)

ITEM	PART NUMBER	QTY	DESCRIPTION	REV
	1001145531	Ref	Battery Installation	G
2	0761015	1	Bolt, M10X35	
3	0761212	1	Bolt, M12X25	
4	3290805	2	Nut, Lock M8X1.25	
6	5240800	2	Washer, M8	
7	4811900	3	Washer, M8	
8	4812000	1	Washer, M10	
9	4812102	1	Washer, M12	
10	4832000	1	Washer, Lock 10	
11	4832100	1	Washer, Lock 12	
12	5220800	2	Nut, Ripp 8	
13	1001004723	3	Saddle	
14	1001008540	1	Plate	
15	1001008559	11	Strap, Cable	
16	1001192142	1	Switch, Disconnect	
17	1001099701	2	Rod, M8X1.25	
18	1001121265	1	Cable, Battery, Negative to Isolator	
19	1001009339	1	Battery	
20	1001146588	3	Strap, Cable	
21	1001147793	1	Cable, Battery, Positive to Starter	
22	1001147794	1	Cable, Alternator to Starter	
23	1001147795	1	Cable, Glow Plug Power	
24	1001147796	1	Cable, Isolator to Frame	
25	1001147797	1	Cable, Frame to Engine	
26	1001147800	1	Harness, Cab Power (See CAB POWER HARNESS for Breakdown)	
27	1001166851	1	Bracket, Battery Clamp	
28	4831900	1	Washer, Lock 8	
29	0760810	1	Bolt, M8X20	

SECTION 10 - ELECTRICAL

FIGURE 10-6. BATTERY INSTALLATION (SN E16000342 through E16000496, Including E16000328, E16000329, E16000330, E16000331, E16000332 and E16000336)



ART_1001239516-D

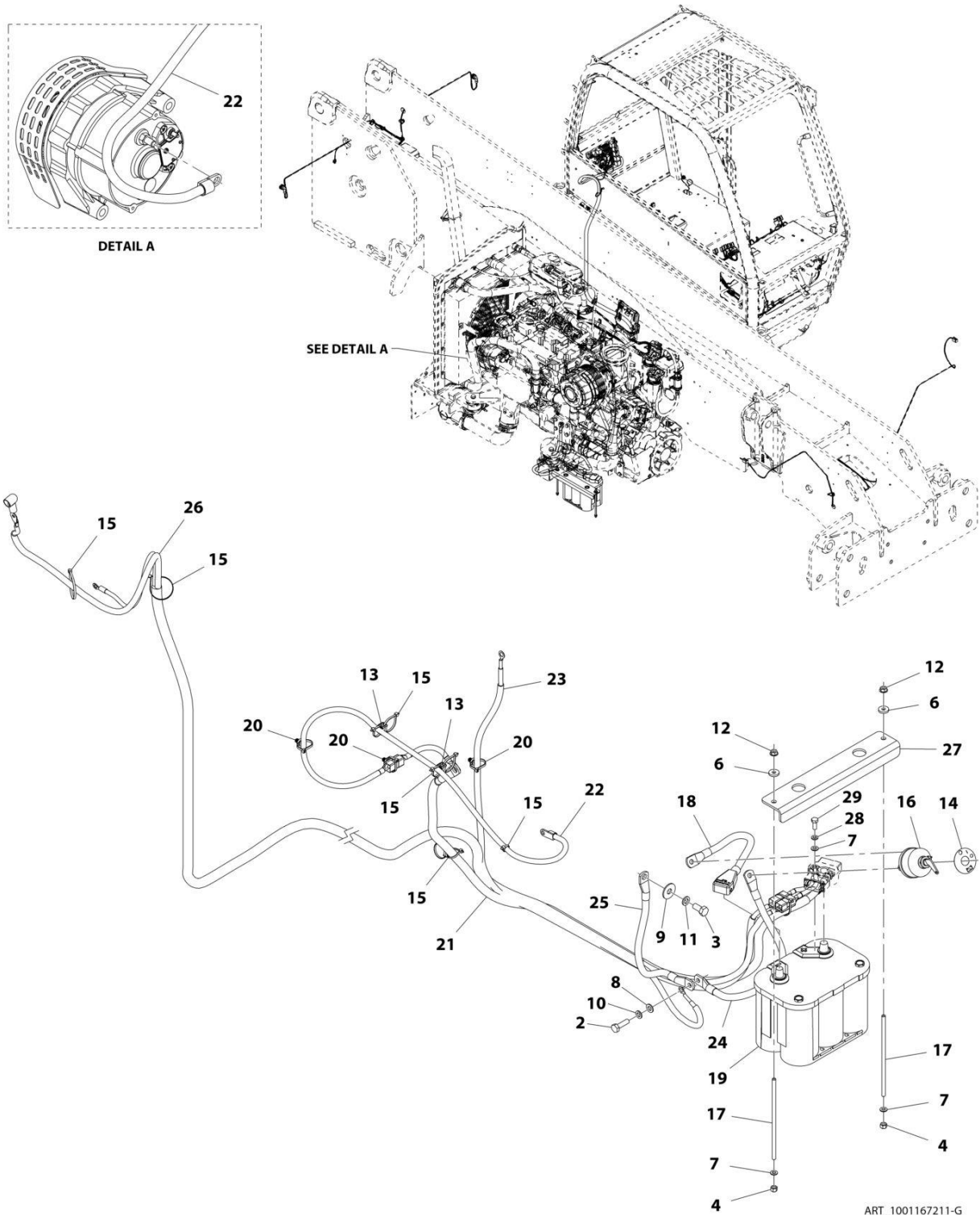
SECTION 10 - ELECTRICAL

FIGURE 10-6. BATTERY INSTALLATION (SN E160000342 through E160000496, Including E160000328, E160000329, E160000330, E160000331, E160000332 and E160000336)

ITEM	PART NUMBER	QTY	DESCRIPTION	REV
	1001239516	Ref	Battery Installation	D
1	0761012	1	Bolt, M10X25	
2	0761212	1	Bolt, M12X25	
3	3290805	2	Nut, Lock M8X1.25	
5	0760810	1	Bolt, M8X20	
6	4812000	1	Washer, M10	
8	4812102	1	Washer, M12	
9	4832100	1	Washer, Lock 12	
10	4831900	1	Washer, Lock 8	
11	4811900	3	Washer, M8	
12	5220800	2	Nut, Ripp 8	
13	1001004723	3	Saddle	
14	1001008540	1	Plate	
15	1001008559	11	Strap, Cable	
16	1001009339	1	Battery	
17	1001099701	2	Rod, M8X1.25	
18	1001121265	1	Cable, Battery, Negative to Isolator	
19	1001146588	4	Strap, Cable	
20	1001147793	1	Cable, Battery, Positive to Starter	
21	1001248379	1	Cable, Alternator to Starter	
22	1001248380	1	Cable, Glow Plug Power	
23	1001147796	1	Cable, Isolator to Frame	
24	1001147797	1	Cable, Frame to Engine	
25	1001166851	1	Bracket, Battery Clamp	
26	1001192142	1	Switch, Disconnect	
27	1001239533	1	Harness, Cab Power	
28	4832000	1	Washer, Lock 10	
29	5240800	2	Washer, M8	

SECTION 10 - ELECTRICAL

FIGURE 10-7. BATTERY INSTALLATION - ARCTIC (SN E16000001 through E16000342, Excluding E16000328, E16000329, E16000330, E16000331, E16000332 and E16000336)



ART_1001167211-G

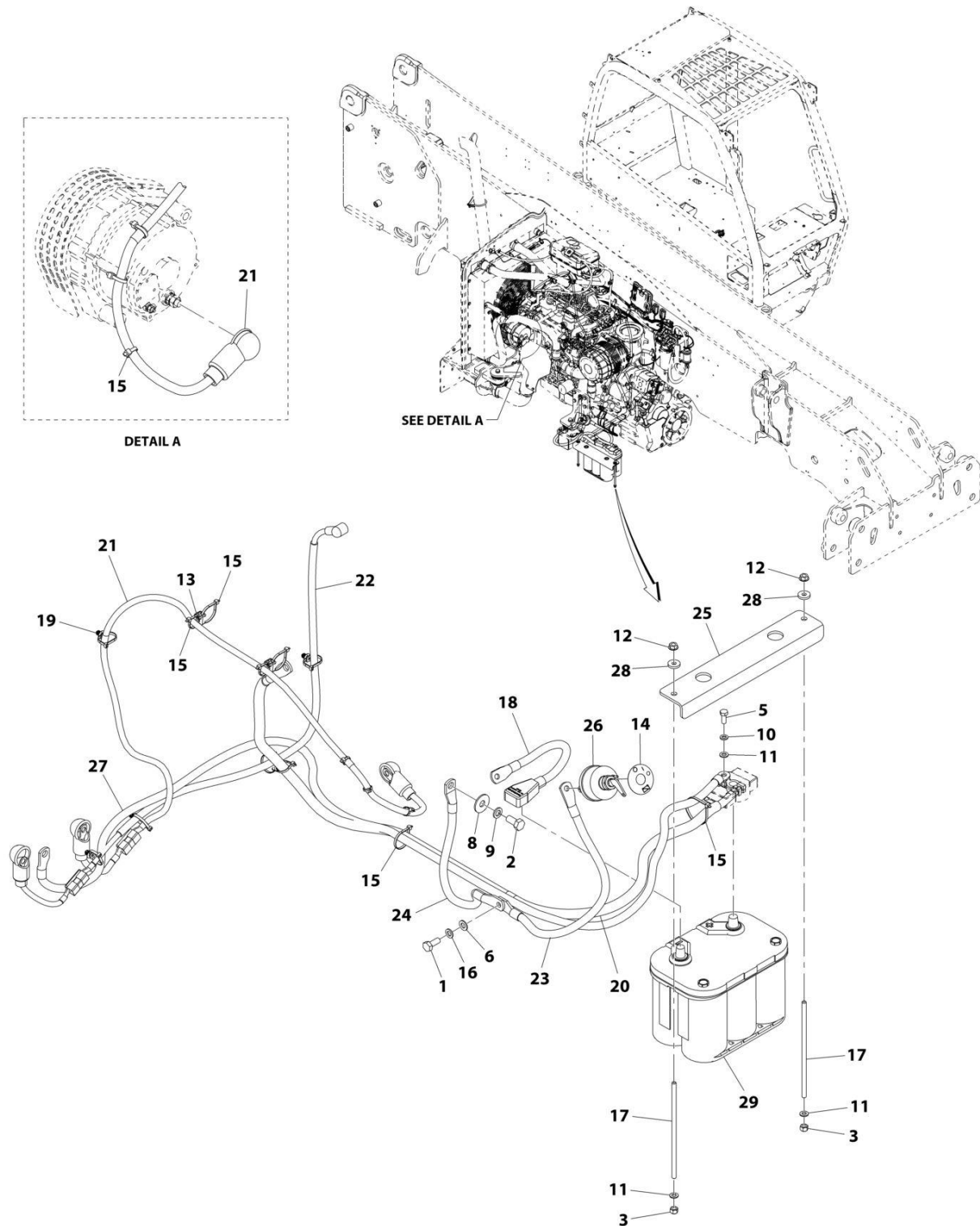
SECTION 10 - ELECTRICAL

FIGURE 10-7. BATTERY INSTALLATION - ARCTIC (SN E16000001 through E16000342, Excluding E160000328, E160000329, E160000330, E160000331, E160000332 and E160000336)

ITEM	PART NUMBER	QTY	DESCRIPTION	REV
	1001167211	Ref	Battery Installation - ARCTIC	G
2	0761015	1	Bolt, M10X35	
3	0761212	1	Bolt, M12X25	
4	3290805	2	Nut, Lock M8X1.25	
6	5240800	2	Washer, M8	
7	4811900	3	Washer, M8	
8	4812000	1	Washer, M10	
9	4812102	1	Washer, M12	
10	4832000	1	Washer, Lock 10	
11	4832100	1	Washer, Lock 12	
12	5220800	2	Nut, Ripp 8	
13	1001004723	3	Saddle	
14	1001008540	1	Plate	
15	1001008559	11	Strap, Cable	
16	1001192142	1	Switch, Disconnect	
17	1001167261	2	Rod	
18	1001121265	1	Cable, Battery, Negative to Isolator	
19	1001167212	1	Battery	
20	1001146588	3	Strap, Cable	
21	1001147793	1	Cable, Battery, Positive to Starter	
22	1001147794	1	Cable, Alternator to Starter	
23	1001147795	1	Cable, Glow Plug Power	
24	1001147796	1	Cable, Isolator to Frame	
25	1001147797	1	Cable, Frame to Engine	
26	1001147800	1	Harness, Cab Power (See CAB POWER HARNESS for Breakdown)	
27	1001167257	1	Bracket, Battery Clamp	
28	4831900	1	Washer, Lock 8	
29	0760810	1	Bolt, M8X20	

SECTION 10 - ELECTRICAL

FIGURE 10-8. BATTERY INSTALLATION - ARCTIC (SN E160000342 through E160000496, Including E160000328, E160000329, E160000330, E160000331, E160000332 and E160000336)



ART_1001246126-E

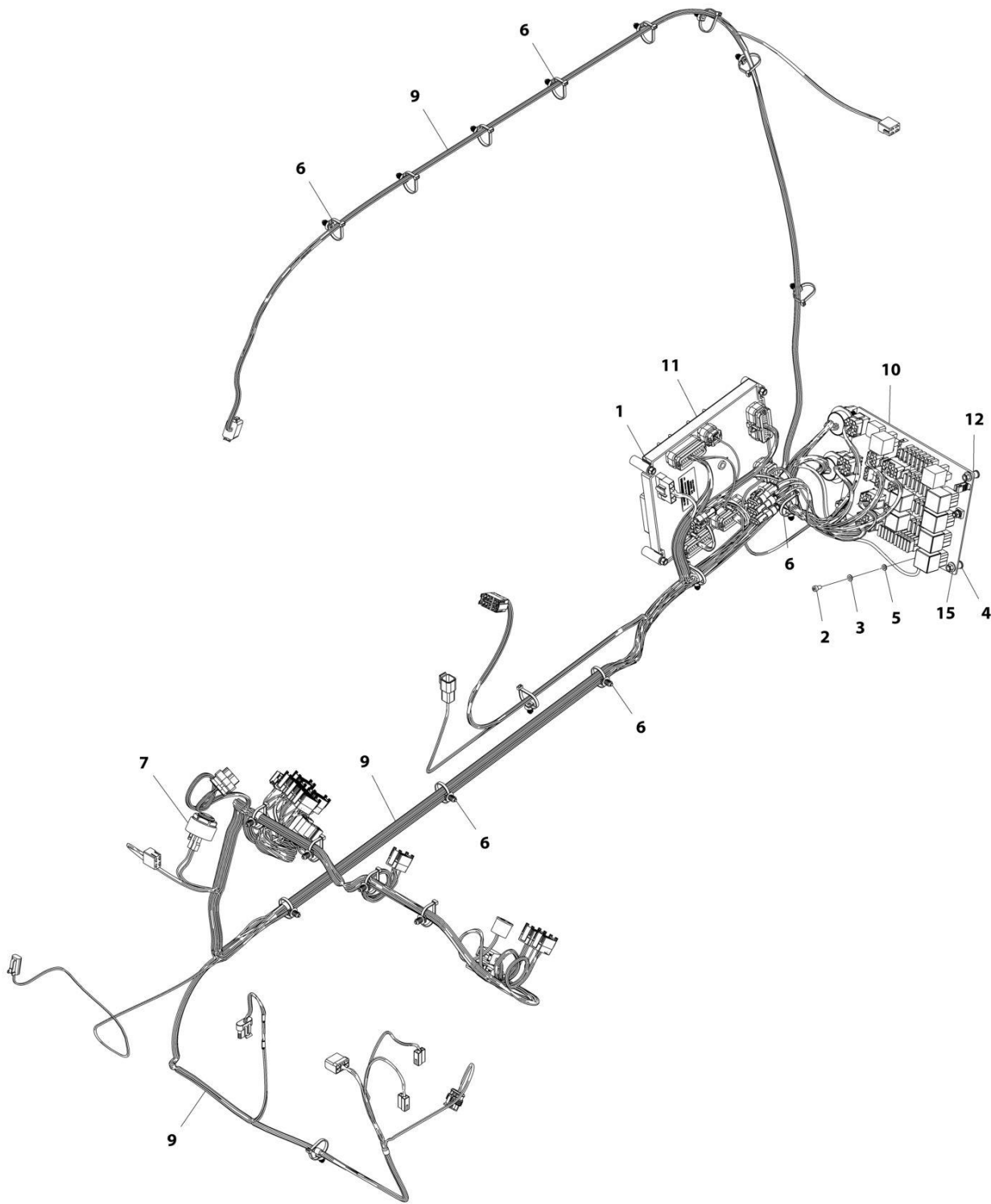
SECTION 10 - ELECTRICAL

FIGURE 10-8. BATTERY INSTALLATION - ARCTIC (SN E160000342 through E160000496, Including E160000328, E160000329, E160000330, E160000331, E160000332 and E160000336)

ITEM	PART NUMBER	QTY	DESCRIPTION	REV
	1001246126	Ref	Battery Installation - ARCTIC	E
1	0761012	1	Bolt, M10X25	
2	0761212	1	Bolt, M12X25	
3	3290805	2	Nut, M8X1.25	
5	0760810	1	Bolt, M8X20	
6	4812000	1	Washer, M10	
8	4812102	1	Washer, M12	
9	4832100	1	Washer, Lock 12	
10	4831900	1	Washer, Lock 8	
11	4811900	3	Washer, M8	
12	5220800	2	Nut, Ripp 8	
13	1001004723	3	Saddle	
14	1001008540	1	Plate	
15	1001008559	12	Strap, Cable	
16	4832000	1	Washer M10	
17	1001167261	2	Rod, M8X1.25	
18	1001121265	1	Cable, Battery, Negative to Isolator	
19	1001146588	4	Strap, Cable	
20	1001147793	1	Cable, Battery, Positive to Starter	
21	1001248379	1	Cable, Alternator to Starter	
22	1001248380	1	Cable, Glow Plug Power	
23	1001147796	1	Cable, Isolator to Frame	
24	1001147797	1	Cable, Frame to Engine	
25	1001167257	1	Bracket, Battery Clamp	
26	1001192142	1	Switch, Disconnect	
27	1001239533	1	Harness, Cab Power	
28	4740557	2	Washer, M8	
29	1001167212	1	Battery	

SECTION 10 - ELECTRICAL

FIGURE 10-9. CAB ELECTRICAL INSTALLATION (SN E16000001 through E16000141, Excluding E16000120, E16000126, 1160008774, 1160008775 and 1160008777)



ART_1001138199-R

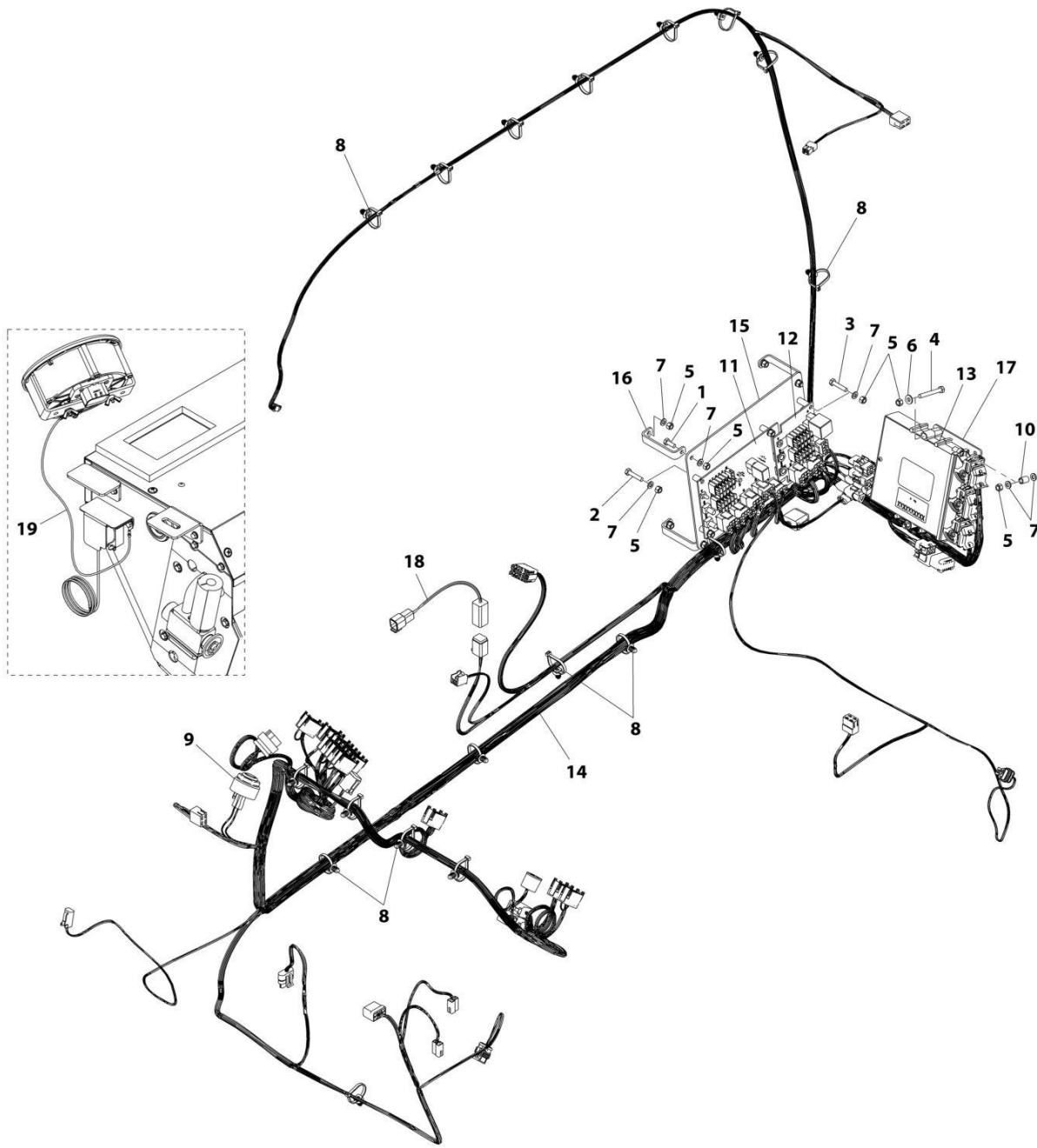
SECTION 10 - ELECTRICAL

FIGURE 10-9. CAB ELECTRICAL INSTALLATION (SN E16000001 through E160000141, Excluding E160000120, E160000126, 1160008774, 1160008775 and 1160008777)

ITEM	PART NUMBER	QTY	DESCRIPTION	REV
	1001138199	Ref	Cab Electrical Installation	R
1	3290605	6	Nut, Lock M6X1	
2	4031605	1	Bolt, M5X10	
3	4811600	1	Washer, M5	
4	4811700	6	Washer, M6	
5	4831600	1	Washer, Lock 5	
6	1001004720	19	Strap, Cable	
7	1001091751	1	Alarm, Buzzer	
9	1001143948	1	Harness, Cab (See CAB HARNESS for Breakdown) (SN 1160007024 through 1160007232, Excluding 1160007172, 1160007176, 1160007198 and 1160007201)	
9	1001172542	1	Harness, Cab (See CAB HARNESS for Breakdown) (SN 1160007232 through 1160008790, Including 1160007172, 1160007176, 1160007198 and 1160007201)	
10	1001146507	Ref	Assembly, PCB Electrical (See PCB ELECTRICAL ASSEMBLY for Breakdown)	
11	1001146681	1	Control, UGM (See UGM CONTROL for Breakdown)	
12	1001150278	2	Mount, Spacer M6X15	
15	4740563	2	Washer	

SECTION 10 - ELECTRICAL

FIGURE 10-10. CAB ELECTRICAL INSTALLATION (SN E160000141 through E160000341, Including E160000120, E160000126, 1160008774, 1160008775 and 1160008777, Excluding E160000328, E160000329, E160000330, E160000331, E160000332 and E160000336)



ART_1001237861-C

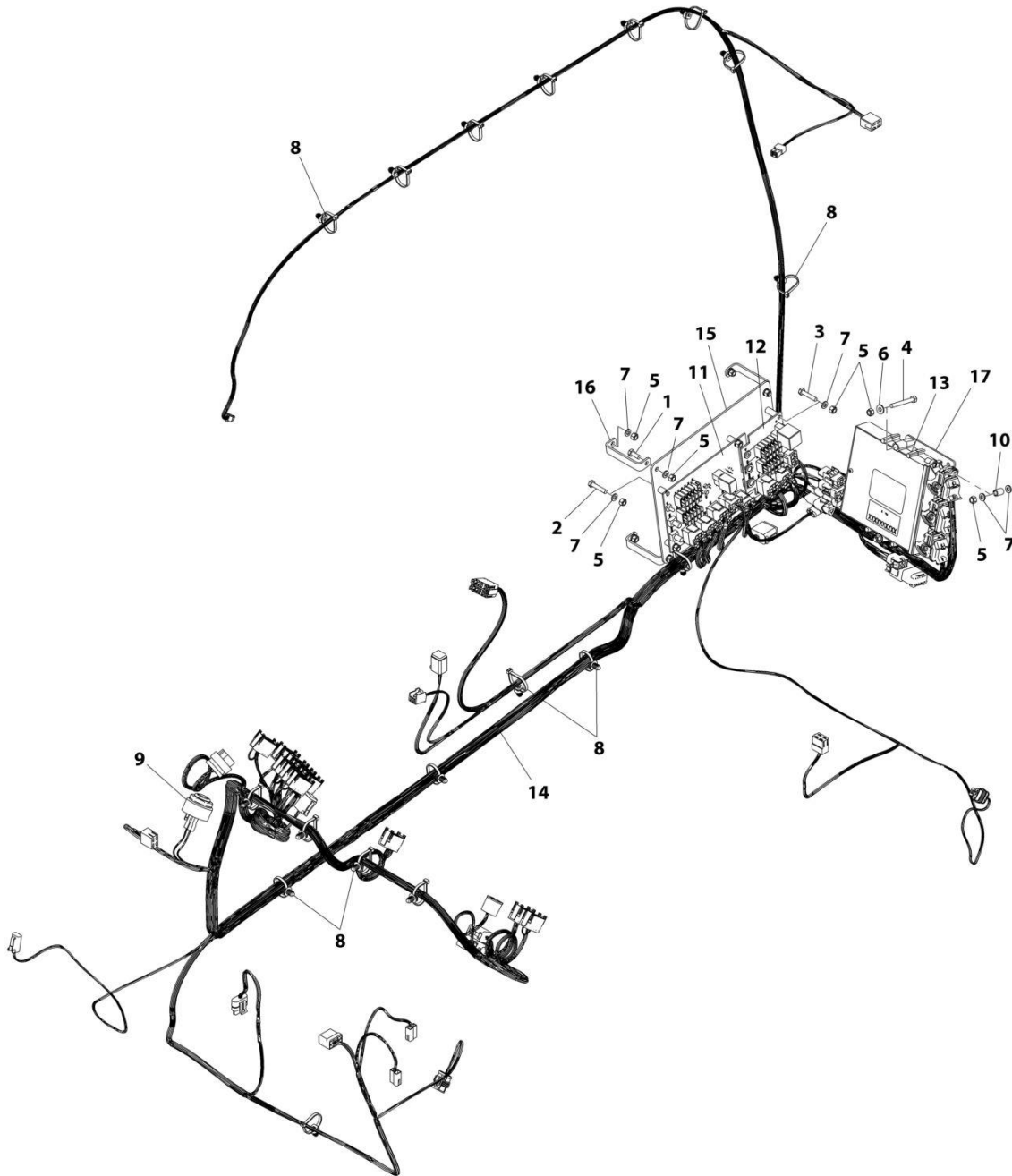
SECTION 10 - ELECTRICAL

FIGURE 10-10. CAB ELECTRICAL INSTALLATION (SN E160000141 through E160000341, Including E160000120, E160000126, 1160008774, 1160008775 and 1160008777, Excluding E160000328, E160000329, E160000330, E160000331, E160000332 and E160000336)

ITEM	PART NUMBER	QTY	DESCRIPTION	REV
	1001237861	Ref	Cab Electrical Installation	C
1	0700608	4	Bolt, M6X16	
2	0700614	4	Bolt, M6X30	
3	0700616	2	Bolt, M6X40	
4	0760618	2	Bolt, M6X50	
5	3290605	18	Nut, Lock M6X1	
6	4740563	2	Washer	
7	4811700	18	Washer, M6	
8	1001004720	19	Strap, Cable	
9	1001091751	1	Alarm, Buzzer	
10	1001150278	2	Mount, Spacer M6X15	
11	1001161769	1	Assembly, Standard Board	
12	1001161770	1	Assembly, OPTI Board	
13	1001209578	1	Control, TMH Cab Module	
14	1001237509	1	Harness, Cab Roadrunner (See Separate Breakdown in this Section)	
15	1001237792	1	Plate	
16	1001237793	4	Plate	
17	1001237794	1	Plate	
18	1001245322	1	Harness, Joystick Jumper (See Separate Breakdown in this Section)	
19	1001247418	1	Wire, Gauge Case	

SECTION 10 - ELECTRICAL

FIGURE 10-11. CAB ELECTRICAL INSTALLATION (SN E160000342 through E160000496, Including E160000328, E160000329, E160000330, E160000331, E160000332 and E160000336)



ART_1001248752-D

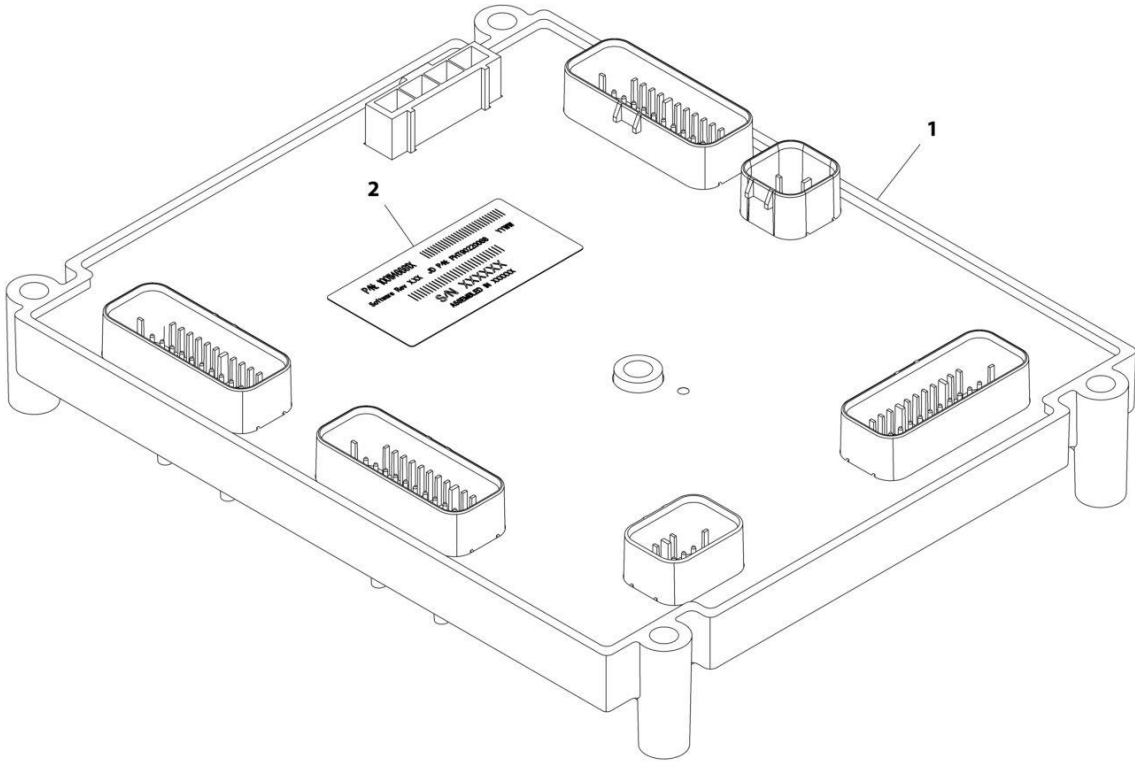
SECTION 10 - ELECTRICAL

FIGURE 10-11. CAB ELECTRICAL INSTALLATION (SN E160000342 through E160000496, Including E160000328, E160000329, E160000330, E160000331, E160000332 and E160000336)

ITEM	PART NUMBER	QTY	DESCRIPTION	REV
	1001248752	Ref	Cab Electrical Installation	D
1	0700608	4	Bolt, M6X16	
2	0700614	4	Bolt, M6X30	
3	0700616	2	Bolt, M6X40	
4	0760618	2	Bolt, M6X50	
5	3290605	18	Nut, Lock M6X1	
6	4740563	2	Washer	
7	4811700	18	Washer, M6	
8	1001004720	19	Strap, Cable	
9	1001091751	1	Alarm, Buzzer	
10	1001150278	2	Mount, Spacer M6X15	
11	1001161769	1	Assembly, Standard Board	
12	1001161770	1	Assembly, OPTI Board	
13	1001209578	1	Control, TMH Cab Module	
14	1001248005	1	Harness, Cab Roadrunner (See Separate Breakdown in this Section)	
15	1001249047	1	Plate	
16	1001237793	4	Plate	
17	1001237794	1	Plate	

SECTION 10 - ELECTRICAL

FIGURE 10-12. UGM CONTROL



ART_1001146681-M

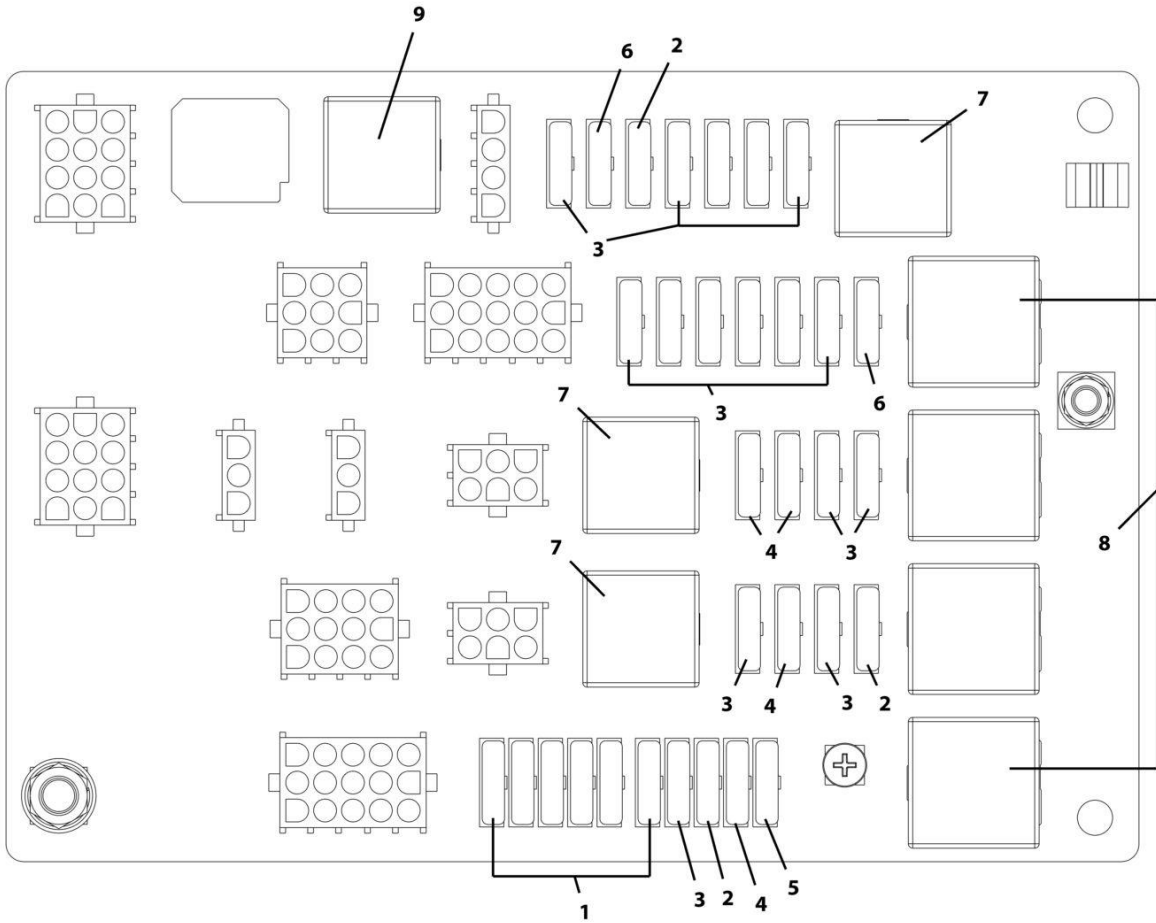
SECTION 10 - ELECTRICAL

FIGURE 10-12. UGM CONTROL

ITEM	PART NUMBER	QTY	DESCRIPTION	REV
	1001146681	Ref	UGM Control	M
1	1001146682	1	PC Board, UGM (See PC BOARD for Breakdown)	
2	1001147338	1	Decal, UGM	
3	1001147339	1	Software, UGM (not shown)	

SECTION 10 - ELECTRICAL

FIGURE 10-13. PCB ELECTRICAL ASSEMBLY



ART_1001146507-D

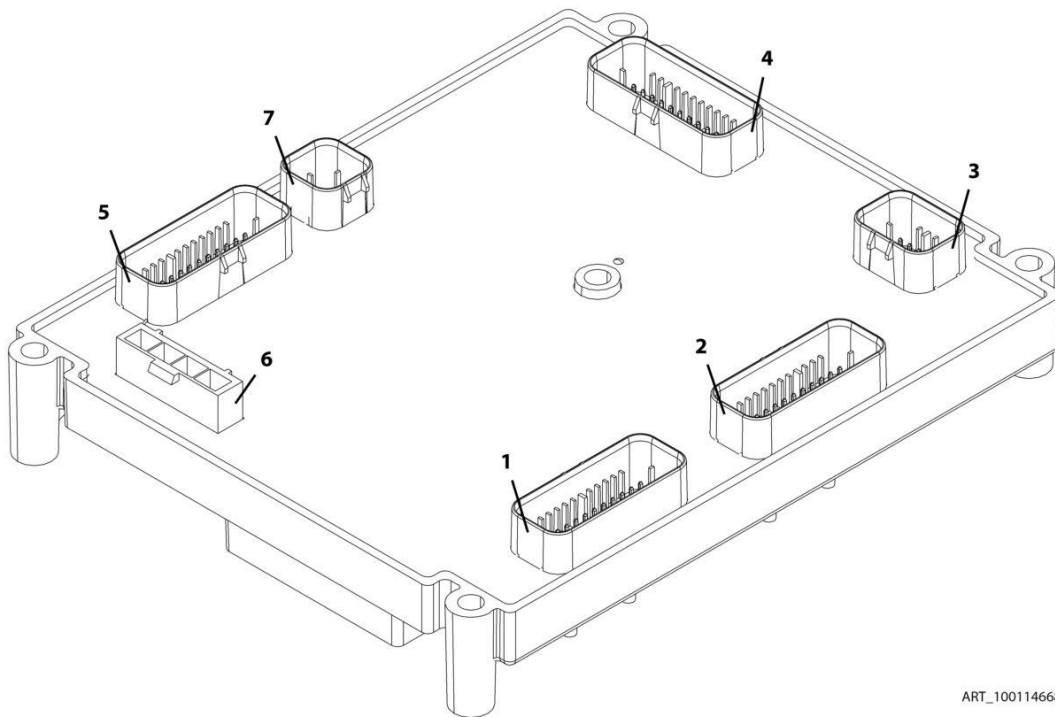
SECTION 10 - ELECTRICAL

FIGURE 10-13. PCB ELECTRICAL ASSEMBLY

ITEM	PART NUMBER	QTY	DESCRIPTION	REV
	1001146507	Ref	PCB Electrical Assembly	D
1	8229233	6	Fuse, ATO, 7.5 Amp	
2	8229234	3	Fuse, ATO, 10 Amp	
3	8229237	16	Fuse, ATO, 15 Amp	
4	8229235	4	Fuse, ATO, 20 Amp	
5	8229262	1	Fuse, ATO, 25 Amp	
6	8229236	2	Fuse, ATO, 30 Amp	
7	8225119	3	Relay, Mini	
8	1001175594	4	Relay, Maxi	
9	1001175595	1	Relay, Flasher	

SECTION 10 - ELECTRICAL

FIGURE 10-14. PC BOARD



ART_1001146682-C

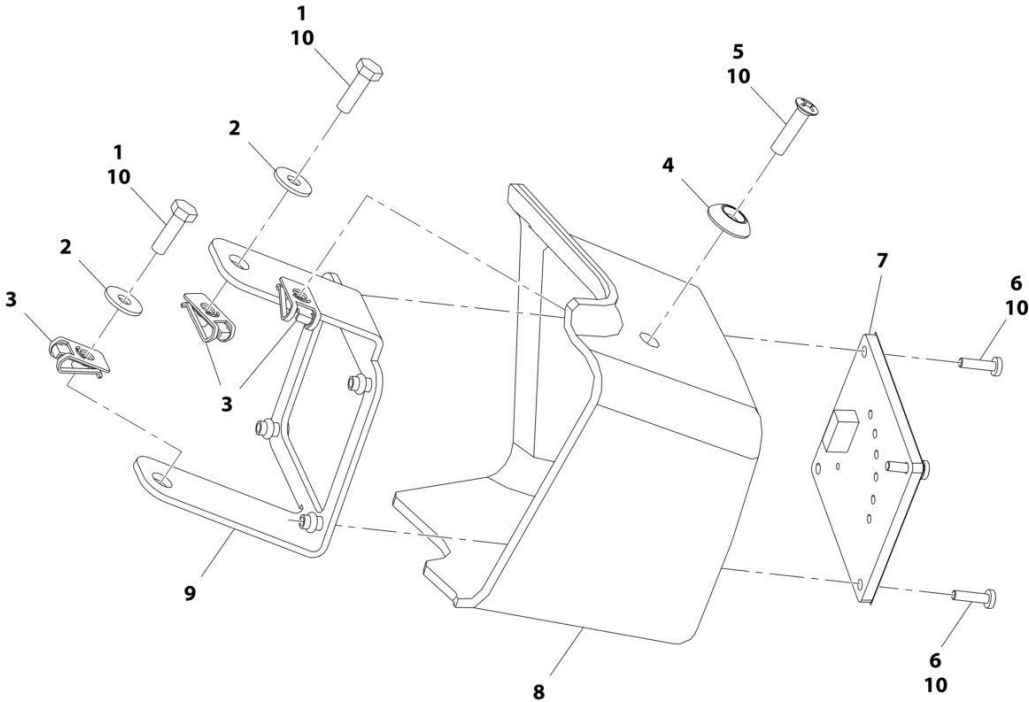
SECTION 10 - ELECTRICAL

FIGURE 10-14. PC BOARD

ITEM	PART NUMBER	QTY	DESCRIPTION	REV
	1001146682	Ref	PC Board	C
1	4460871	1	Contact	
	4460905	1	Plug	
2	4460871	1	Contact	
	4460905	1	Plug	
3	4460871	1	Contact	
	4460905	1	Plug	
4	4460871	1	Contact	
	4460905	1	Plug	
5	4460871	1	Contact	
	4460905	1	Plug	
6	4460887	1	Contact	
7	4460871	1	Contact	
	4460905	1	Plug	

SECTION 10 - ELECTRICAL

FIGURE 10-15. LSI INSTALLATION



ART_1001145867-I

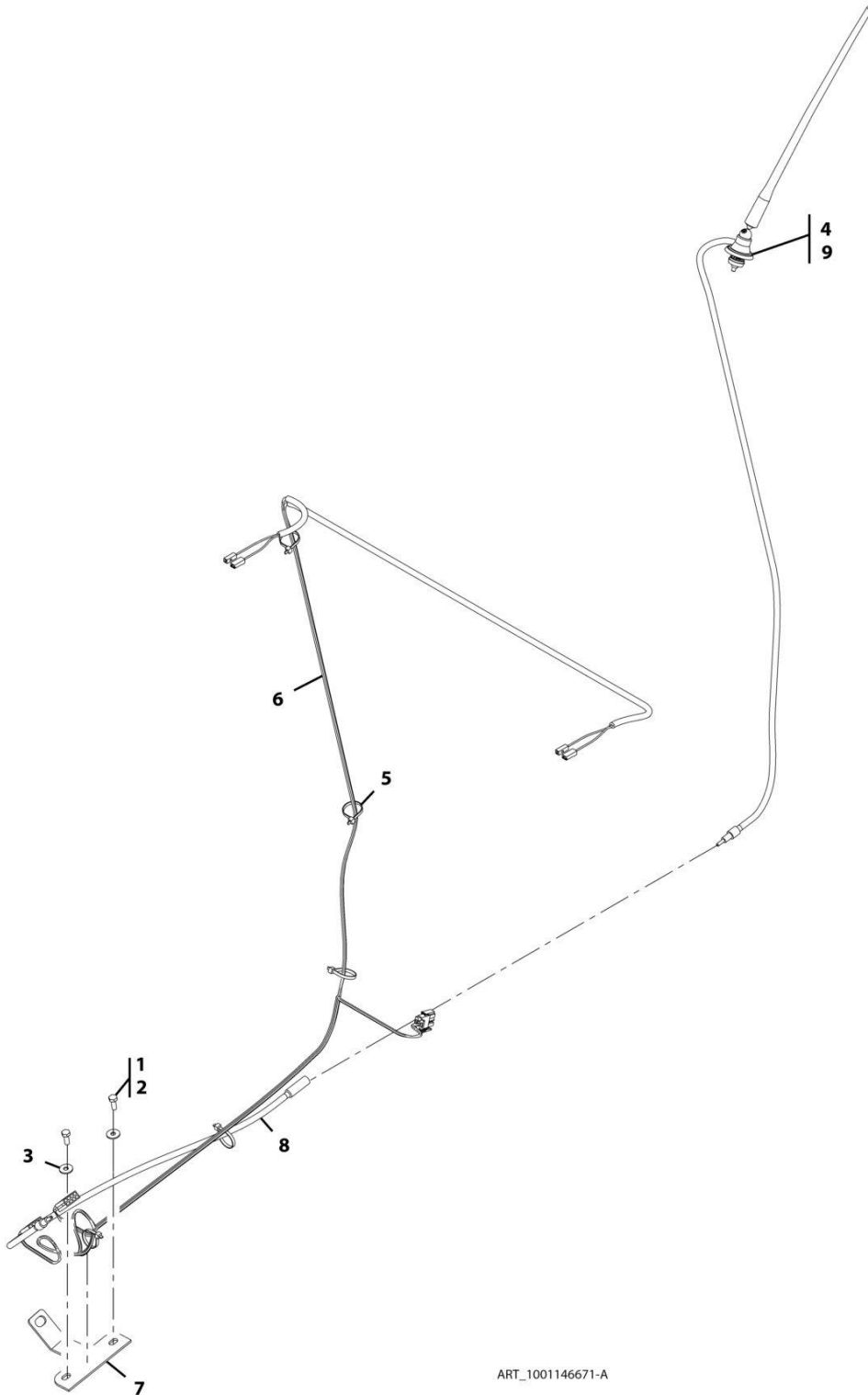
SECTION 10 - ELECTRICAL

FIGURE 10-15. LSI INSTALLATION

ITEM	PART NUMBER	QTY	DESCRIPTION	REV
	1001145867	Ref	LSI Installation	I
1	0760610	2	Bolt, M6X20	
2	4811702	2	Washer, M6	
3	8305919	3	Nut, Retainer M6X1	
4	1001098150	1	Washer, M6	
5	1001098151	1	Screw, M6X25	
6	1001126837	4	Screw, M4X16	
7	1001192979	1	LSI Display Electrical Assembly (SN E160000001 through E160000141, Excluding E160000120, E160000126, 1160008774, 1160008775 and 1160008777)	
	4460931	1	Connector	
	80604024	1	Lock, Wedge	
	4460464	1	Terminal	
7	1001243216	1	LSI Display Electrical Assembly (SN E160000141 through E160000496, Including E160000120, E160000126, 1160008774, 1160008775 and 1160008777)	
8	1001185733	1	Cover, LSI External	
9	1001145869	1	Bracket, LSI Display Support	
10	1001095650	AR	Compound, Locking	

SECTION 10 - ELECTRICAL

FIGURE 10-16. RADIO INSTALLATION (SN E16000001 through E16000141, Excluding 1160008774, 1160008775, 1160008777, E160000120 and E160000126)



ART_1001146671-A

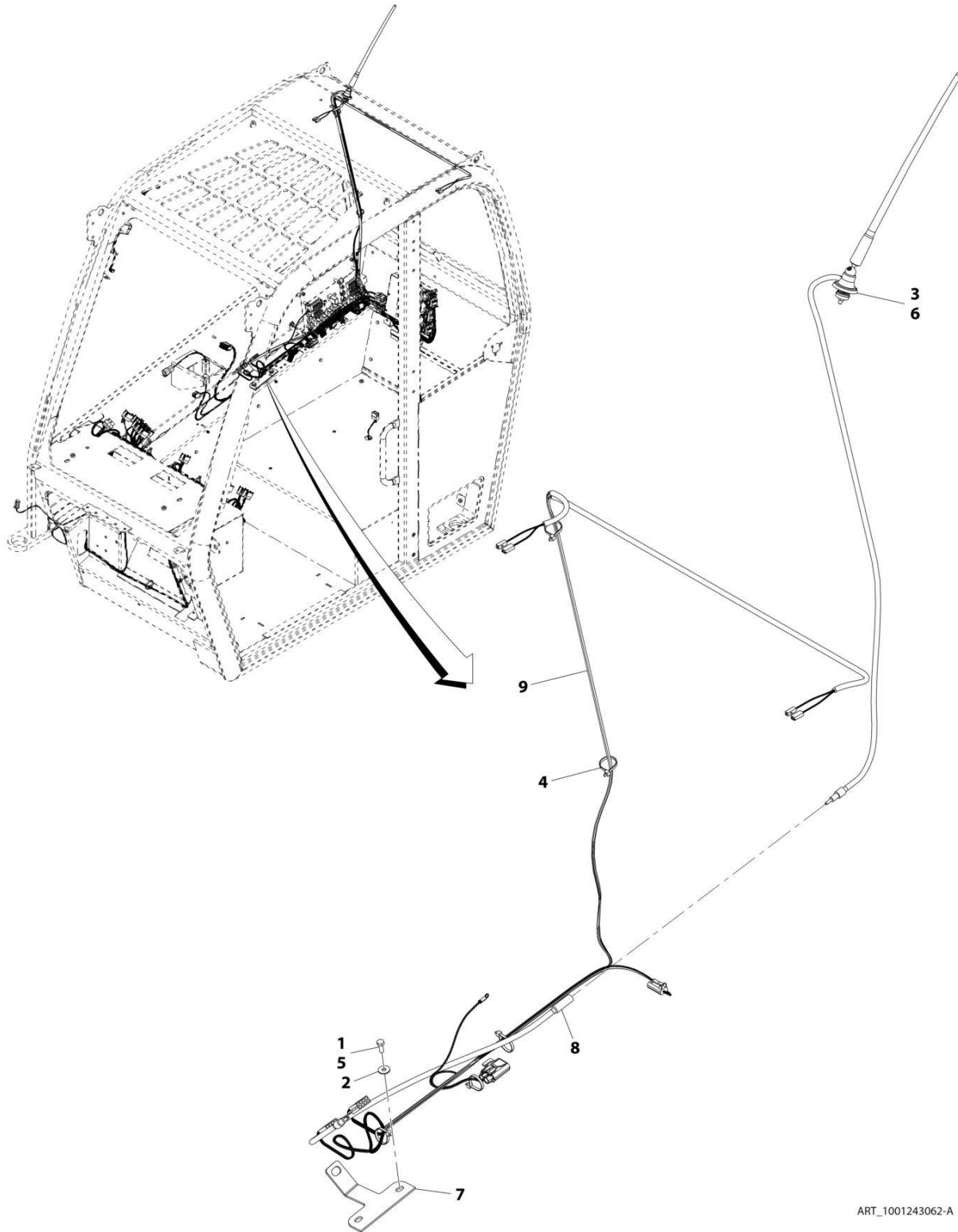
SECTION 10 - ELECTRICAL

FIGURE 10-16. RADIO INSTALLATION (SN E160000001 through E160000141, Excluding 1160008774, 1160008775, 1160008777, E160000120 and E160000126)

ITEM	PART NUMBER	QTY	DESCRIPTION	REV
	1001146671	Ref	Radio Installation	A
1	1001095650	AR	Compound, Locking	
2	0760608	2	Bolt, M6X16	
3	4811702	2	Washer, M6	
4	8005901	1	Antenna	
5	1001008559	5	Strap, Cable	
6	1001146672	1	Harness, Radio (See RADIO HARNESS for Breakdown)	
7	1001148596	1	Plate, Support	
8	1001152010	1	Cable, Antenna	
9	1001116128	AR	Sealant, Polysiloxane	

SECTION 10 - ELECTRICAL

FIGURE 10-17. RADIO INSTALLATION (SN E160000141 through E160000496, Including 1160008774, 1160008775, 1160008777, E160000120 and E160000126)



ART_1001243062-A

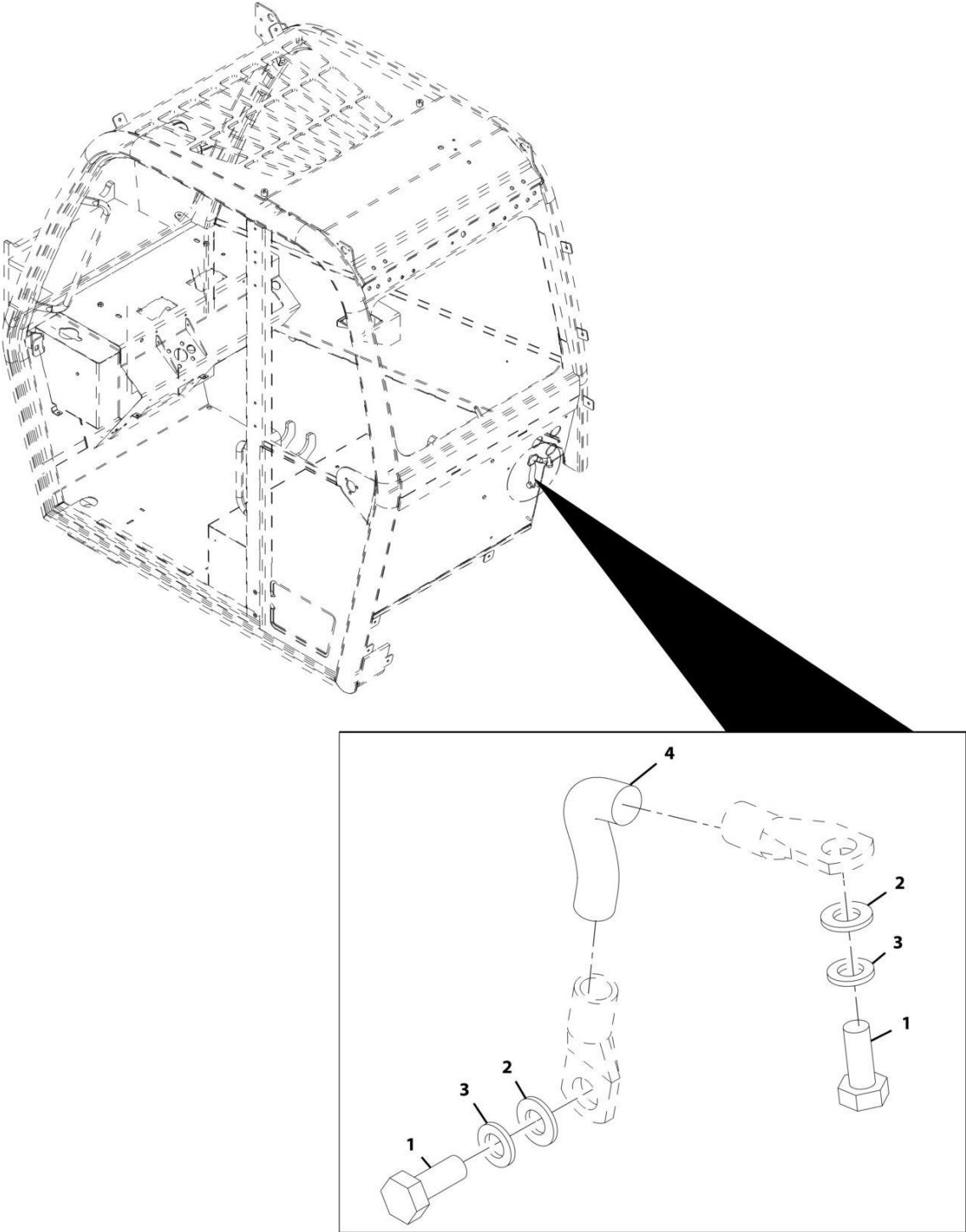
SECTION 10 - ELECTRICAL

FIGURE 10-17. RADIO INSTALLATION (SN E160000141 through E160000496, Including 1160008774, 1160008775, 1160008777, E160000120 and E160000126)

ITEM	PART NUMBER	QTY	DESCRIPTION	REV
	1001243062	Ref	Radio Installation	A
1	0760608	2	Bolt, M6X16	
2	4811702	2	Washer, M6	
3	8005901	1	Antenna	
4	1001008559	5	Strap, Cable	
5	1001095650	AR	Compound, Locking	
6	1001116128	AR	Sealant, Polysiloxane	
7	1001148596	1	Plate, Support	
8	1001152010	1	Cable, Antenna	
9	1001243059	1	Harness, Radio (See Separate Breakdown in this Section)	

SECTION 10 - ELECTRICAL

FIGURE 10-18. CAB EARTH INSTALLATION



ART_1001150453-B

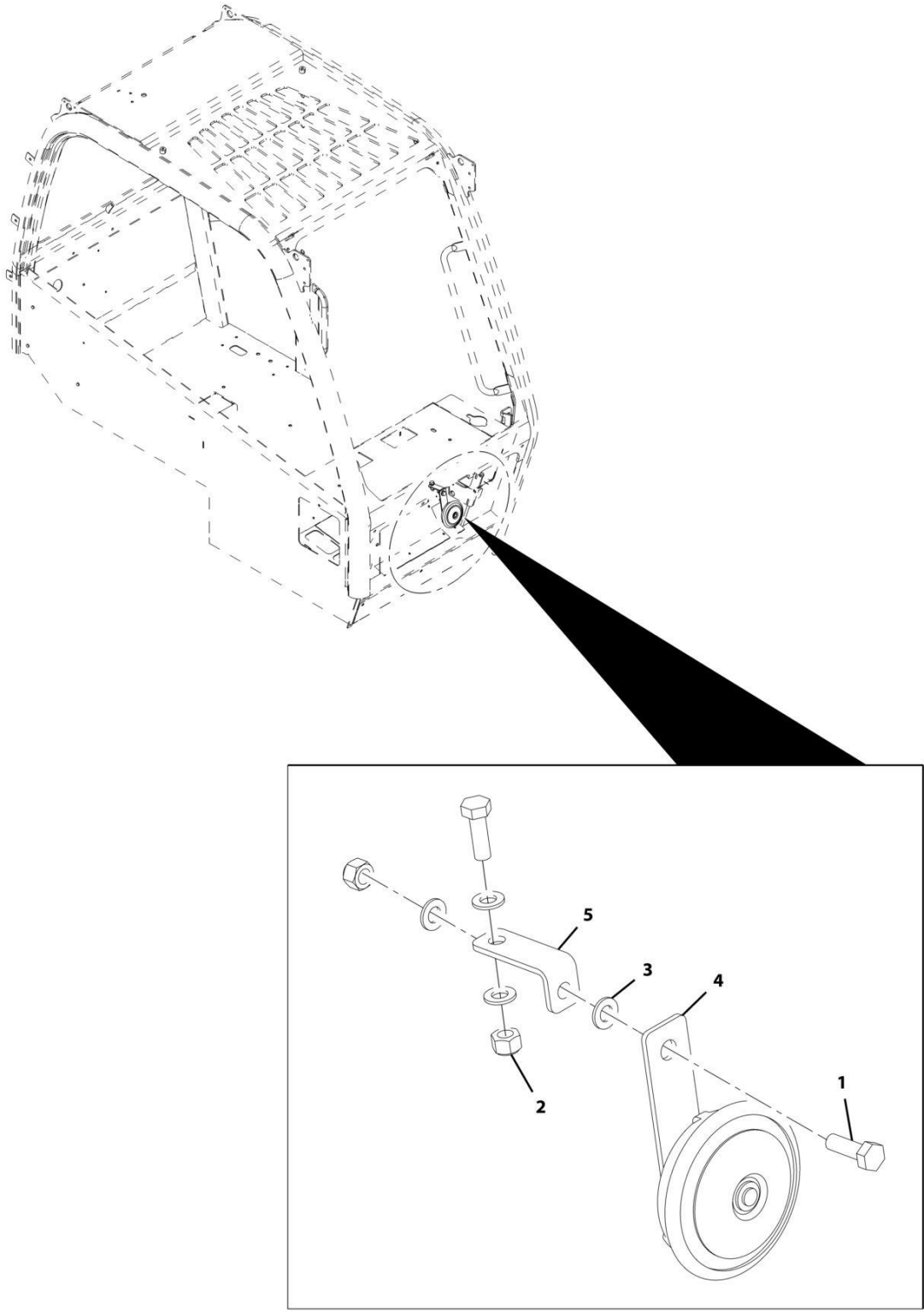
SECTION 10 - ELECTRICAL

FIGURE 10-18. CAB EARTH INSTALLATION

ITEM	PART NUMBER	QTY	DESCRIPTION	REV
	1001150453	Ref	Cab Earth Installation	B
1	0761012	2	Bolt, M10X25	
2	4812000	2	Washer, M10	
3	4832000	2	Washer, Lock 10	
4	1001009038	1	Cable, Cab Earth	

SECTION 10 - ELECTRICAL

FIGURE 10-19. HORN INSTALLATION



ART_1001157519-A

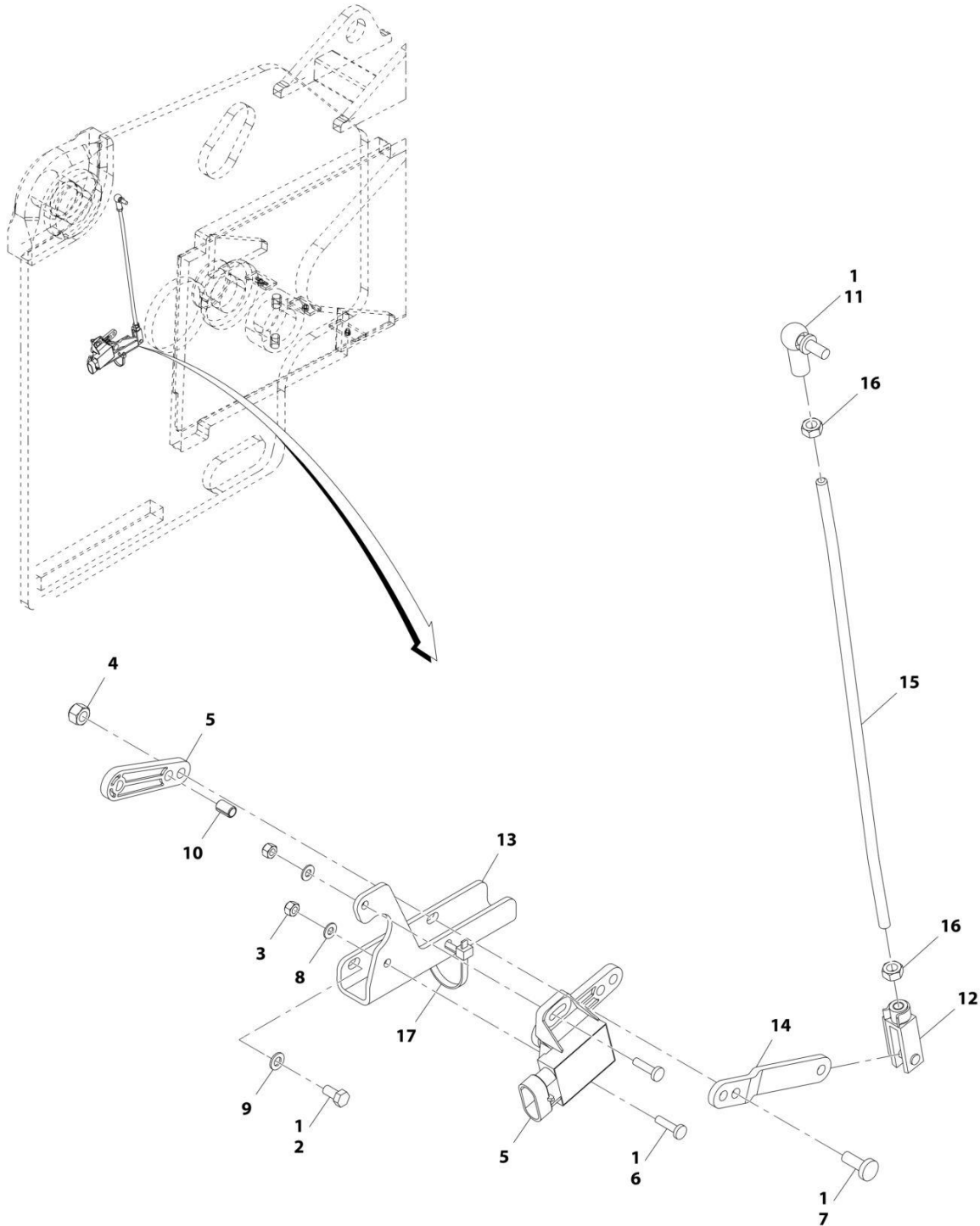
SECTION 10 - ELECTRICAL

FIGURE 10-19. HORN INSTALLATION

ITEM	PART NUMBER	QTY	DESCRIPTION	REV
	1001157519	Ref	Horn Installation	A
1	0760812	2	Bolt, M8X25	
2	3290805	2	Nut, Lock M8X1.25	
3	4811900	4	Washer, M8	
4	1001003596	1	Horn	
5	1001104437	1	Bracket, Horn Mount	

SECTION 10 - ELECTRICAL

FIGURE 10-20. BOOM ANGLE SENSOR INSTALLATION (3614RS) (SN 1160007024 through 1160007423, Including 1160007354, 1160007357 and 1160007359)



ART_1001149708-F

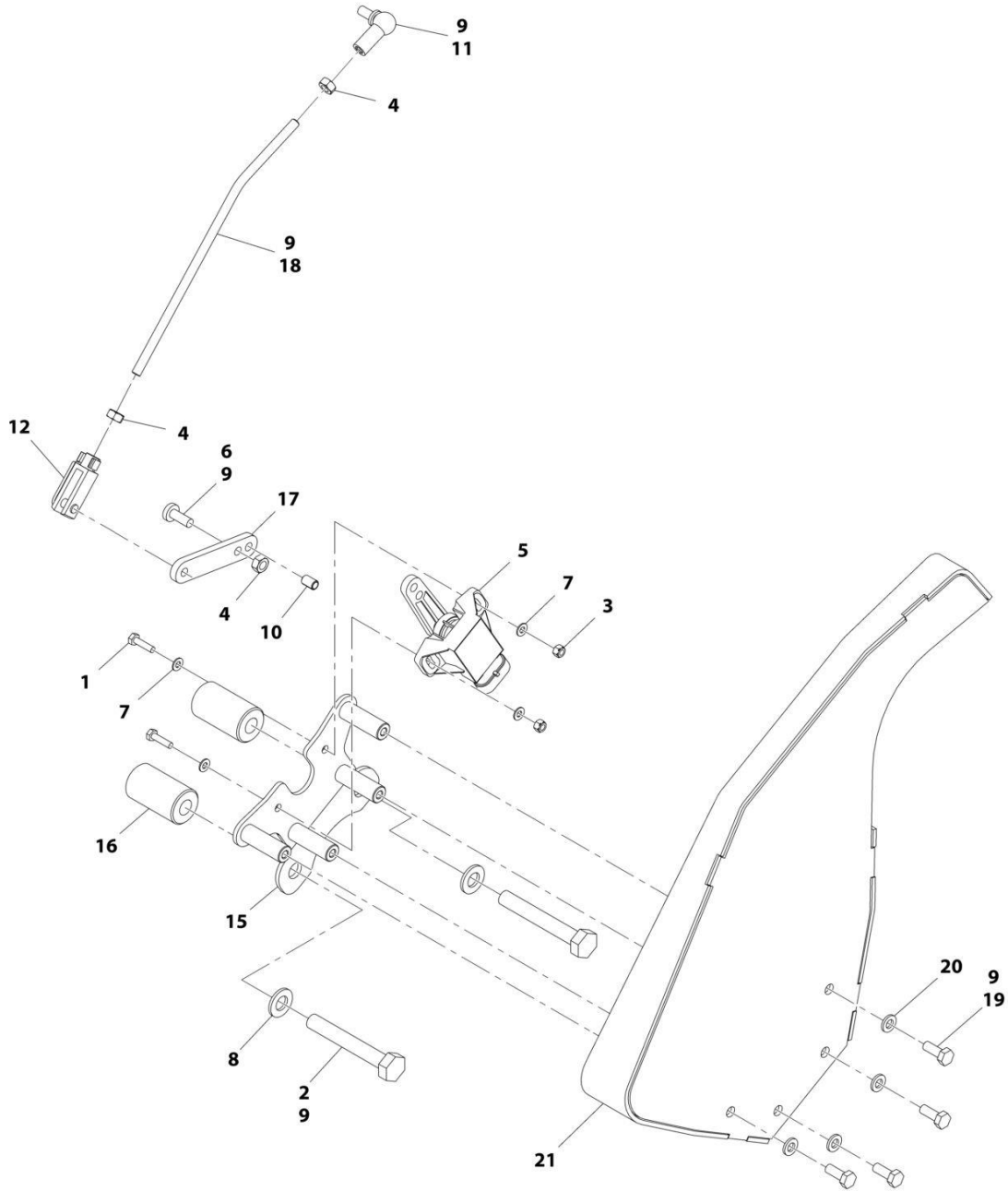
SECTION 10 - ELECTRICAL

FIGURE 10-20. BOOM ANGLE SENSOR INSTALLATION (3614RS) (SN 1160007024 through 1160007423, Including 1160007354, 1160007357 and 1160007359)

ITEM	PART NUMBER	QTY	DESCRIPTION	REV
	1001149708	Ref	Boom Angle Sensor Installation (Including 1160007354, 1160007357 and 1160007359)	F
1	1001095650	AR	Compound, Locking	
2	0760505	2	Bolt, M5X10	
3	3290405	2	Nut, Lock M4X0.7	
4	3290605	1	Nut, Lock M6X1	
5	4000015	1	Sensor, Angle	
6	4010408	2	Screw, M4X16	
7	4010608	1	Screw, M6X16	
8	4811400	2	Washer, M4	
9	4811600	2	Washer, M5	
10	1001103156	1	Pin, Roll M6.4X10	
11	1001103300	1	Ball Joint, M6X25	
12	1001134274	1	Clevis	
13	1001172019	1	Bracket, Angle Sensor	
14	1001172482	1	Bracket, Angle Sensor Arm	
15	1001172483	1	Rod, Angle Sensor Actuator	
16	3290601	2	Nut, M6X1	
17	1001008559	1	Strap, Cable	

SECTION 10 - ELECTRICAL

FIGURE 10-21. BOOM ANGLE SENSOR INSTALLATION (3614RS) (SN 1160007423 through 1160008790, Excluding 1160007354, 1160007357 and 1160007459)



ART_1001178265-B

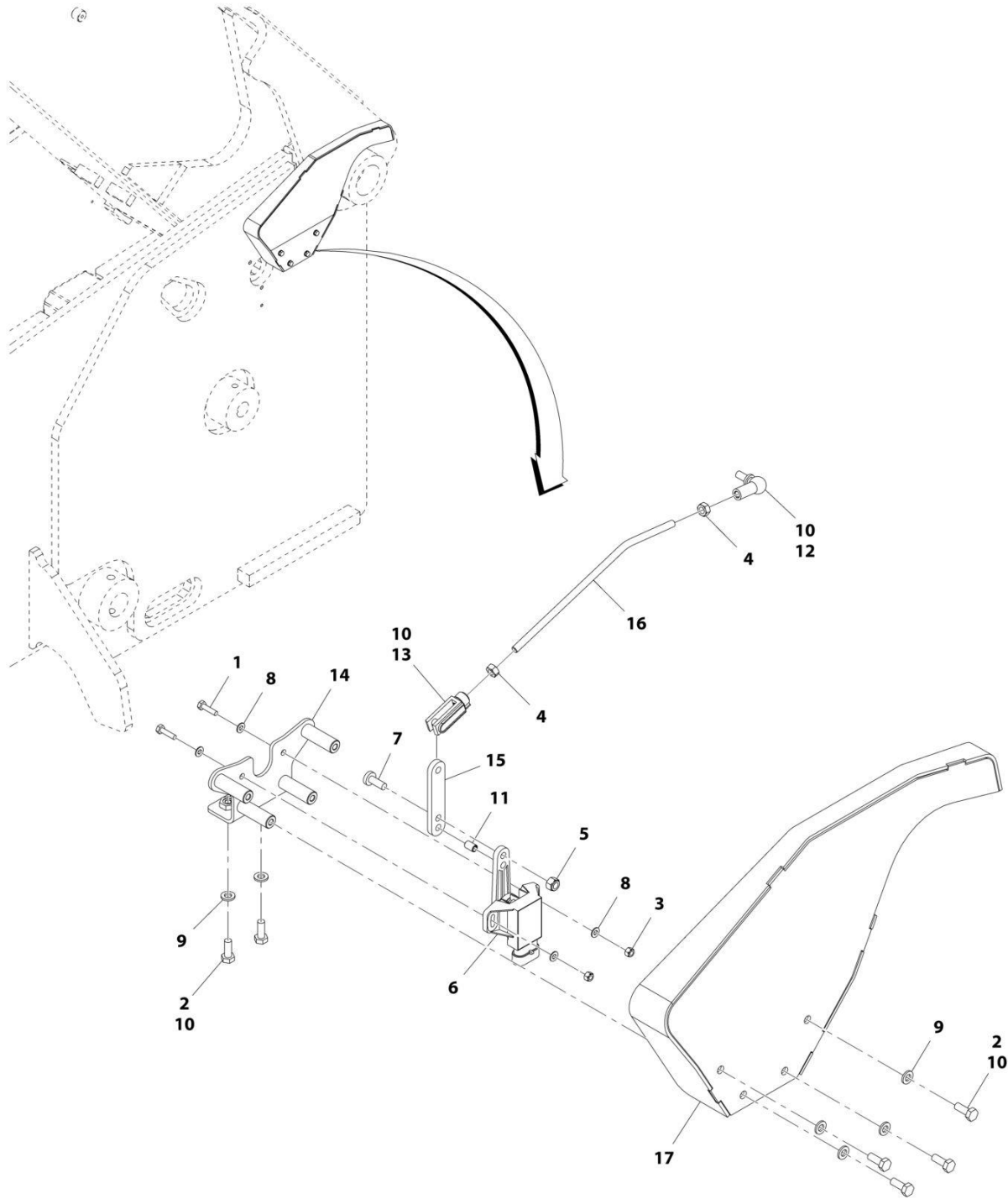
SECTION 10 - ELECTRICAL

FIGURE 10-21. BOOM ANGLE SENSOR INSTALLATION (3614RS) (SN 1160007423 through 1160008790, Excluding 1160007354, 1160007357 and 1160007459)

ITEM	PART NUMBER	QTY	DESCRIPTION	REV
	1001178265	Ref	Boom Angle Sensor Installation (Excluding 1160007354, 1160007357 and 1160007459)	B
1	0700408	2	Bolt, M4X16	
2	0701022	2	Bolt, M10X70	
3	3290405	2	Nut, Lock M4X0.7	
4	3290601	3	Nut, M6X1	
5	4000015	1	Sensor, Angle	
6	4010608	1	Screw, M6X16	
7	4811400	4	Washer, M4	
8	4812000	2	Washer, M10	
9	1001095650	AR	Compound, Locking	
10	1001103156	1	Pin, Roll M6.4X10	
11	1001103300	1	Ball Joint, M6X25	
12	1001134274	1	Clevis	
15	1001182321	1	Bracket, Angle Sensor	
16	1001166513	2	Shim, Boom Angle Sensor	
17	1001172744	1	Plate, Angle Sensor	
18	1001178522	1	Rod, Boom Angle Sensor	
19	0760608	4	Bolt, M6X16	
20	4811700	4	Washer, M6	
21	1001182185	1	Shield, Angle sensor	

SECTION 10 - ELECTRICAL

FIGURE 10-22. BOOM ANGLE SENSOR INSTALLATION, (WITH FOLDING LIGHTS) (3614RS)



ART_1001178716-B

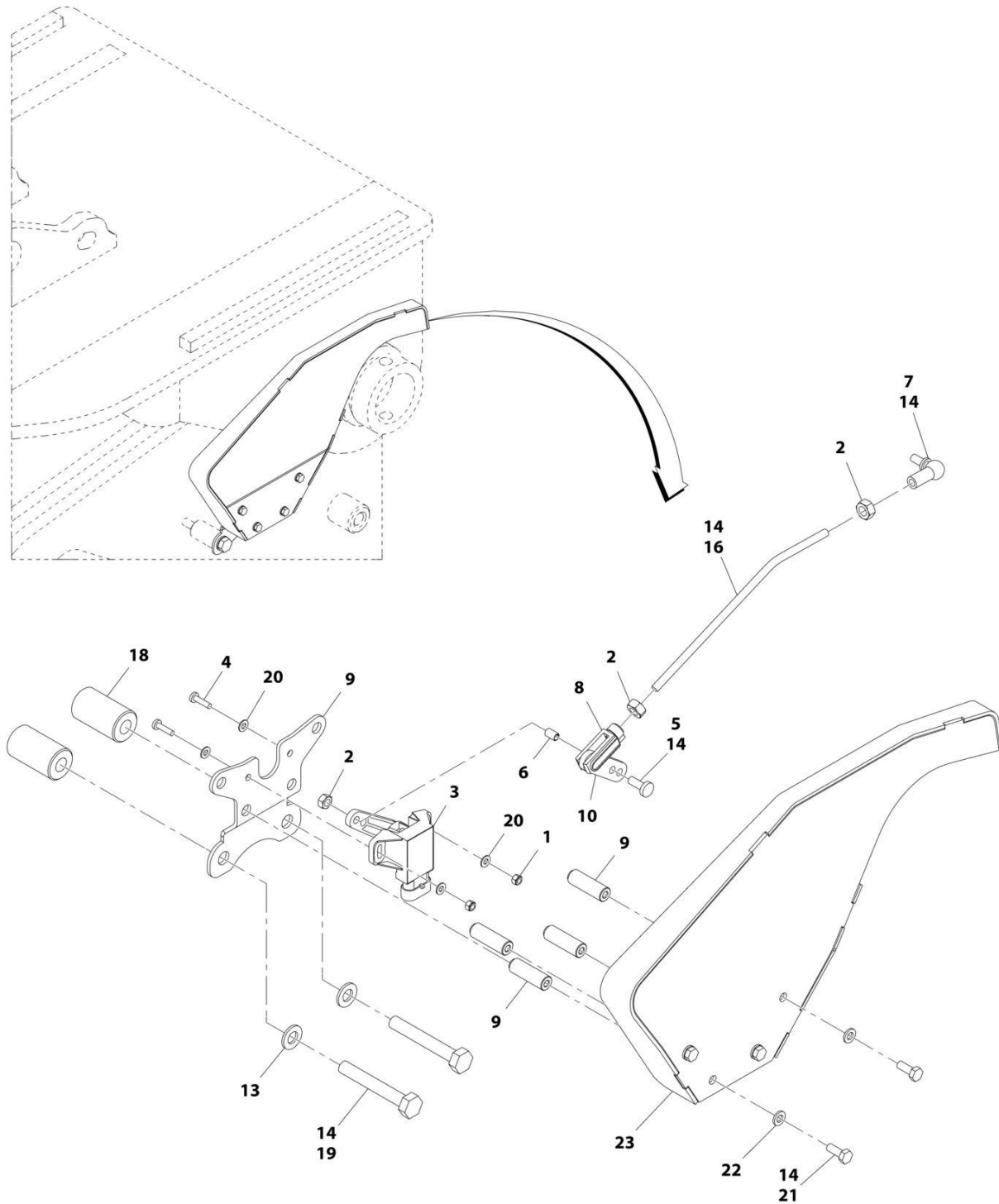
SECTION 10 - ELECTRICAL

FIGURE 10-22. BOOM ANGLE SENSOR INSTALLATION, (WITH FOLDING LIGHTS) (3614RS)

ITEM	PART NUMBER	QTY	DESCRIPTION	REV
	1001178716	Ref	Boom Angle Sensor Installation, (with Folding Lights) (if equipped)	B
1	0700408	2	Bolt, M4X16	
2	0760608	6	Bolt, M6X16	
3	3290405	2	Nut, Lock M4X0.7	
4	3290601	2	Nut, M6X1	
5	3290605	1	Nut, Lock M6X1	
6	4000015	1	Sensor, Angle	
7	4010608	1	Screw, M6X16	
8	4811400	4	Washer, M4	
9	4811700	6	Washer, M6	
10	1001095650	AR	Compound, Locking	
11	1001103156	1	Pin, Roll M6.4X10	
12	1001103300	1	Ball Joint, M6X25	
13	1001134274	1	Clevis	
14	1001182466	1	Bracket, Angle Sensor	
15	1001172744	1	Plate, Extension, Angle Sensor	
16	1001178522	1	Rod, Boom Angle Sensor	
17	1001182185	1	Shield, Angle Sensor	

SECTION 10 - ELECTRICAL

FIGURE 10-23. BOOM ANGLE SENSOR INSTALLATION (4017RS)



ART_1001148599-H

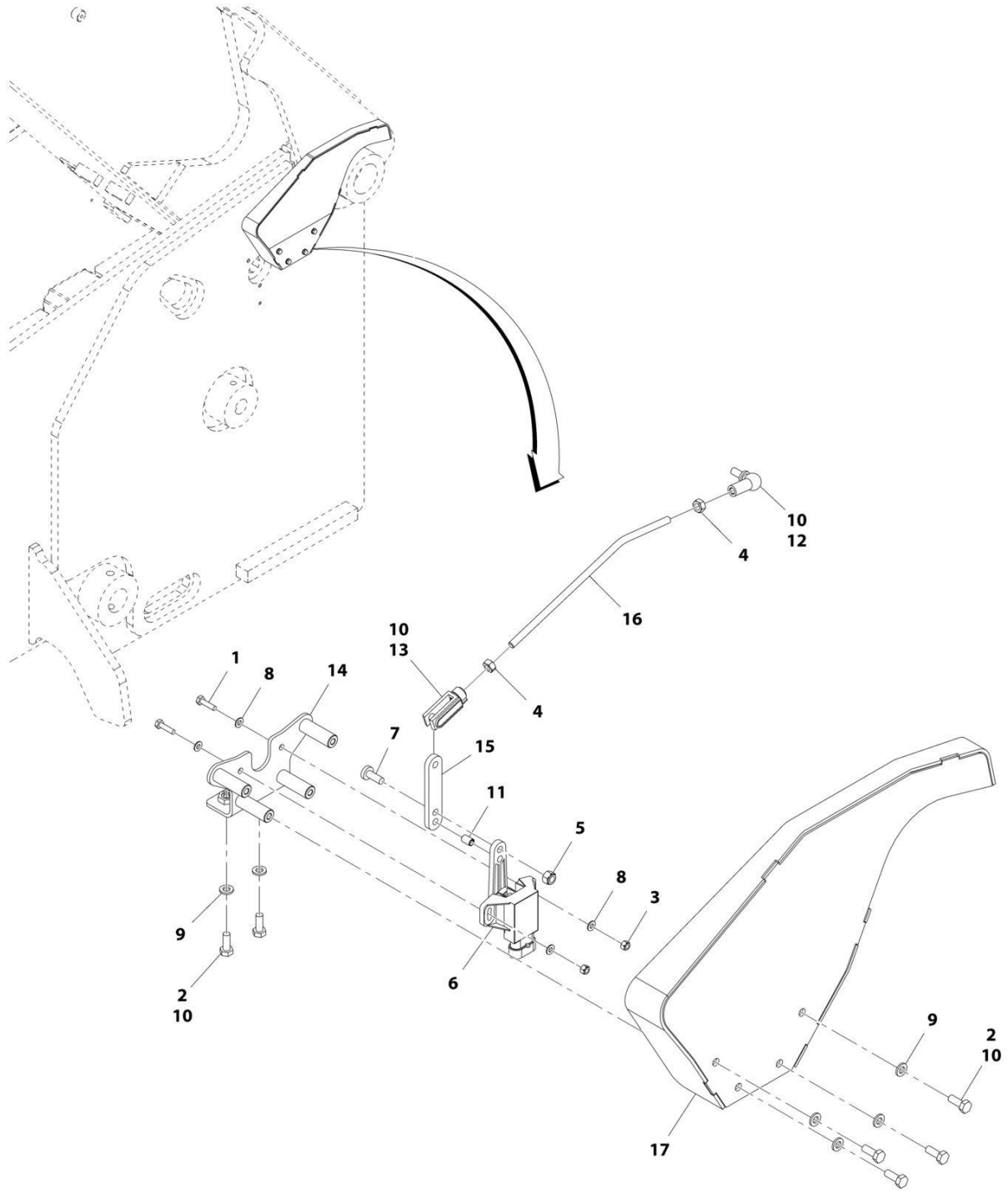
SECTION 10 - ELECTRICAL

FIGURE 10-23. BOOM ANGLE SENSOR INSTALLATION (4017RS)

ITEM	PART NUMBER	QTY	DESCRIPTION	REV
	1001148599	Ref	Boom Angle Sensor Installation (if equipped)	H
1	3290405	2	Nut, Lock M4X0.7	
2	3290601	3	Nut, M6X1	
3	4000015	1	Sensor, Angle	
4	0700408	2	Screw, M4X16	
5	4010608	1	Screw, M6X16	
6	1001103156	1	Pin, Roll M6.4X10	
7	1001103300	1	Ball Joint, M6X25	
8	1001134274	1	Clevis	
9	1001182321	1	Bracket, Boom Angle Sensor	
10	1001172744	1	Link, Boom Angle Sensor	
13	4812000	2	Washer, M10	
14	1001095650	AR	Compound, Locking	
16	1001178522	1	Rod, Boom Angle Sensor	
18	1001166513	2	Shim, Boom Angle Sensor	
19	0701022	2	Bolt, M10X70	
20	4811400	4	Washer, M4	
21	0760608	4	Bolt, M6X16	
22	4811700	4	Washer, M6	
23	1001182336	1	Shield, Angle Sensor	

SECTION 10 - ELECTRICAL

FIGURE 10-24. BOOM ANGLE SENSOR INSTALLATION, (WITH FOLDING LIGHTS) (4017RS)



ART_1001178717-B

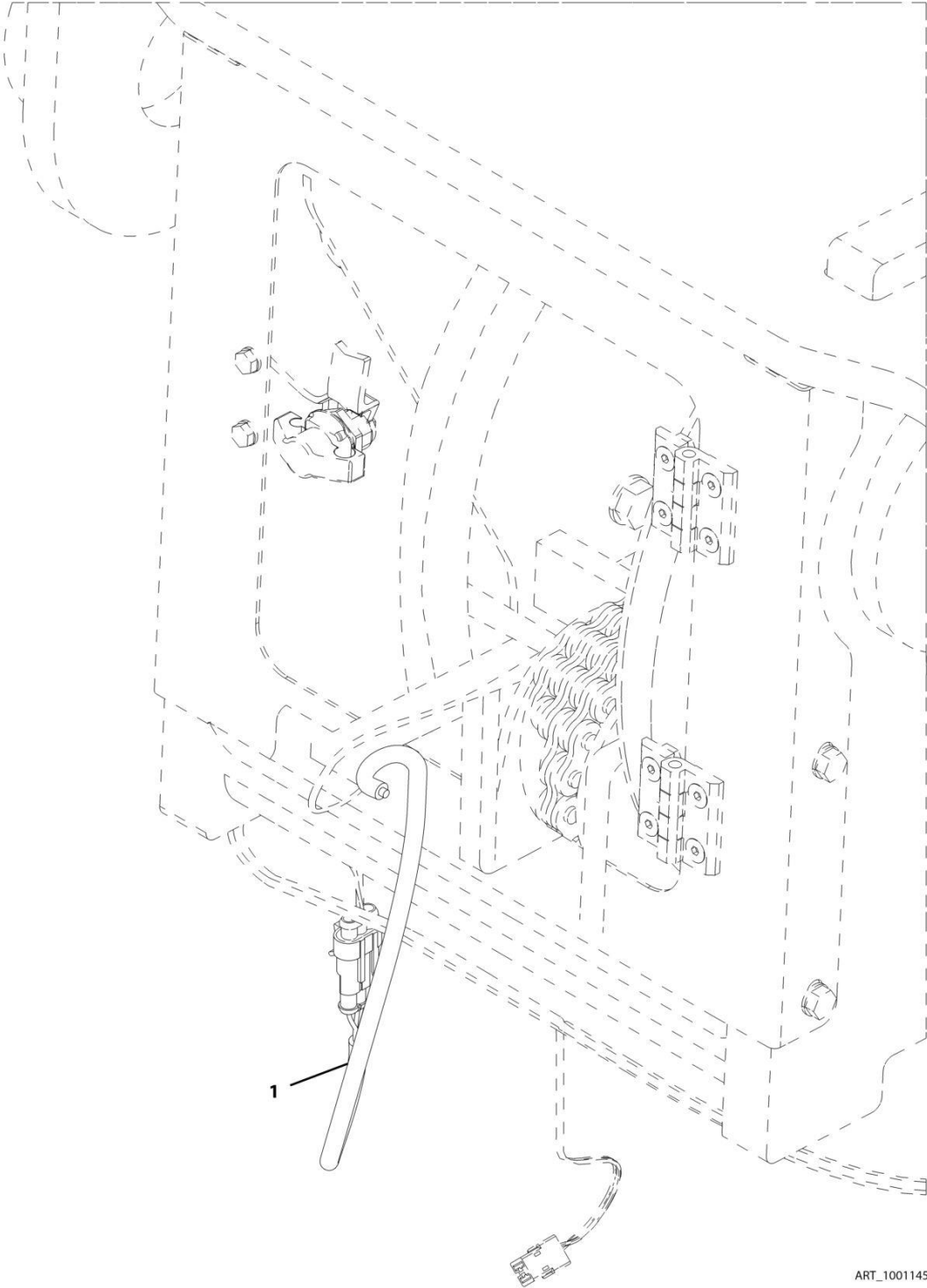
SECTION 10 - ELECTRICAL

FIGURE 10-24. BOOM ANGLE SENSOR INSTALLATION, (WITH FOLDING LIGHTS) (4017RS)

ITEM	PART NUMBER	QTY	DESCRIPTION	REV
	1001178717	Ref	Boom Angle Sensor Installation, (with Folding Lights) (if equipped)	B
1	0700408	2	Bolt, M4X16	
2	0760608	6	Bolt, M6X16	
3	3290405	2	Nut, Lock M4X0.7	
4	3290601	2	Nut, M6X1	
5	3290605	1	Nut, Lock M6X1	
6	4000015	1	Sensor, Angle	
7	4010608	1	Screw, M6X16	
8	4811400	4	Washer, M4	
9	4811700	6	Washer, M6	
10	1001095650	AR	Compound, Locking	
11	1001103156	1	Pin, Roll M6.4X10	
12	1001103300	1	Ball Joint, M6X25	
13	1001134274	1	Clevis	
14	1001182466	1	Bracket, Angle Sensor	
15	1001172744	1	Plate, Extension, Angle Sensor	
16	1001178522	1	Rod, Boom Angle Sensor	
17	1001182336	1	Shield, Angle Sensor	

SECTION 10 - ELECTRICAL

FIGURE 10-25. BOOM RETRACT SENSOR INSTALLATION (3614RS)



ART_1001145613-A

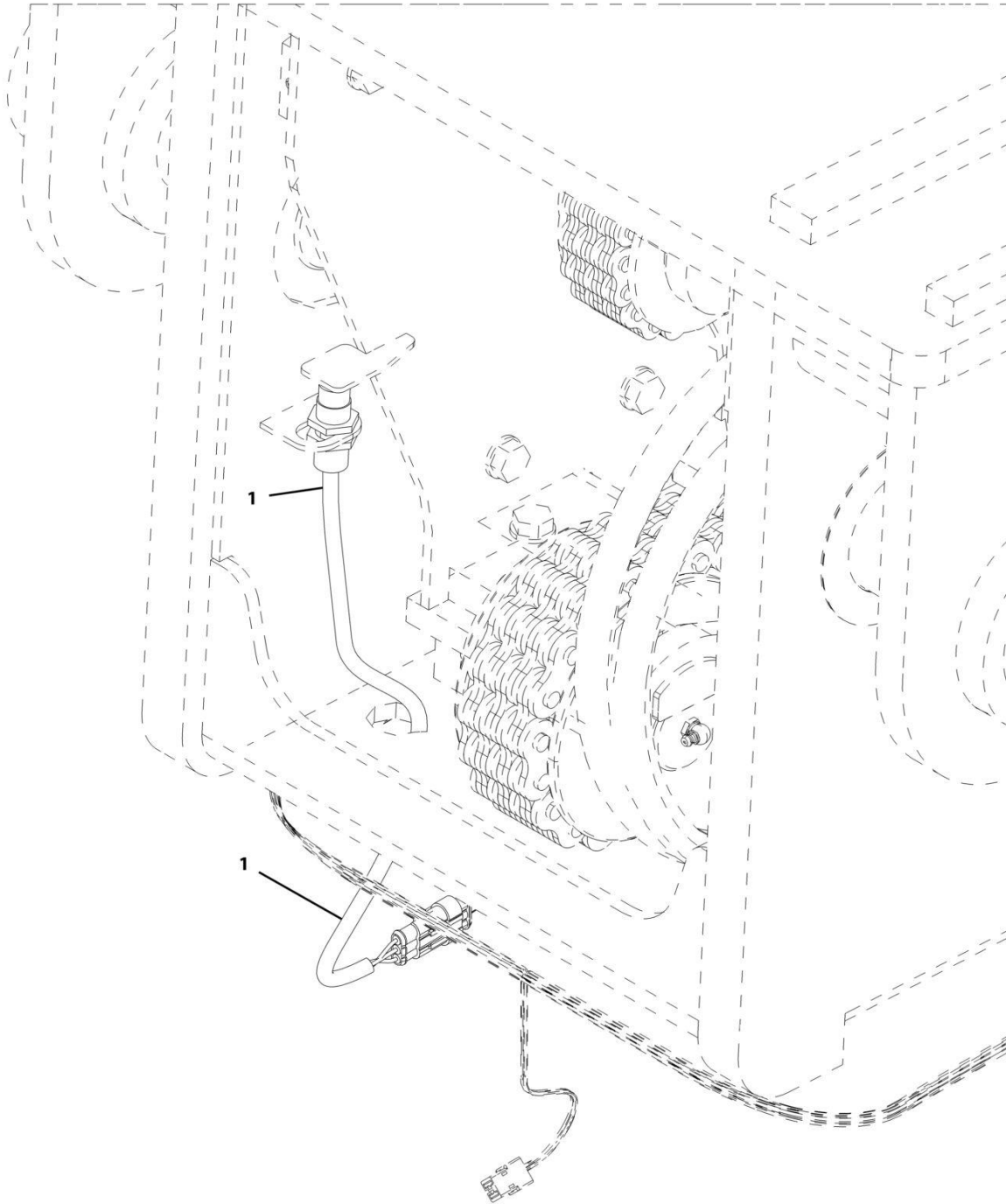
SECTION 10 - ELECTRICAL

FIGURE 10-25. BOOM RETRACT SENSOR INSTALLATION (3614RS)

ITEM	PART NUMBER	QTY	DESCRIPTION	REV
1	1001145613 4000017	Ref 1	Boom Retract Sensor Installation Switch, Proximity	A

SECTION 10 - ELECTRICAL

FIGURE 10-26. BOOM RETRACT SENSOR INSTALLATION (4017RS)



ART_1001148600-A

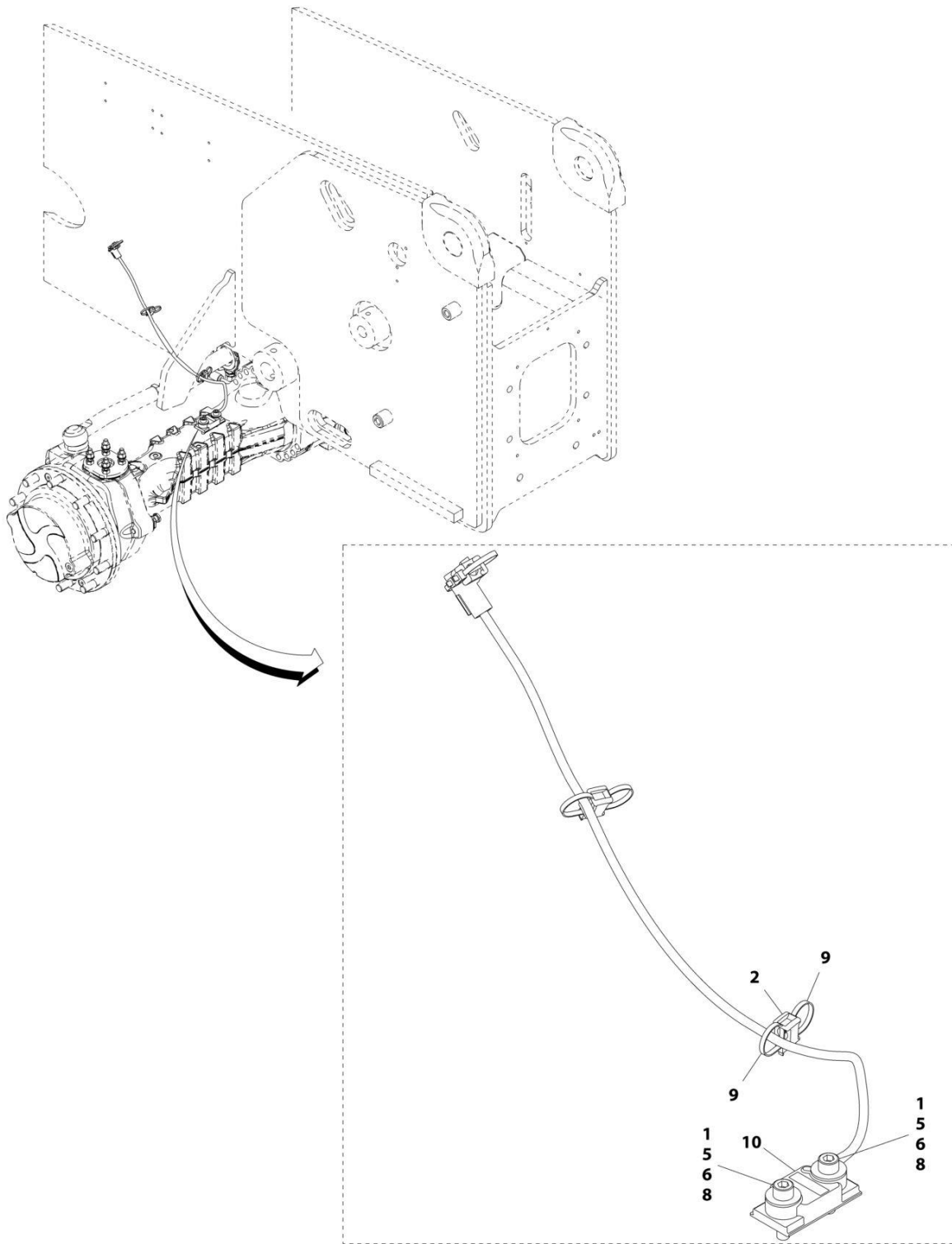
SECTION 10 - ELECTRICAL

FIGURE 10-26. BOOM RETRACT SENSOR INSTALLATION (4017RS)

ITEM	PART NUMBER	QTY	DESCRIPTION	REV
1	1001148600 4000017	Ref 1	Boom Retract Sensor Installation Switch, Proximity	A

SECTION 10 - ELECTRICAL

FIGURE 10-27. LSI SENSOR INSTALLATION



ART_1001151969-D

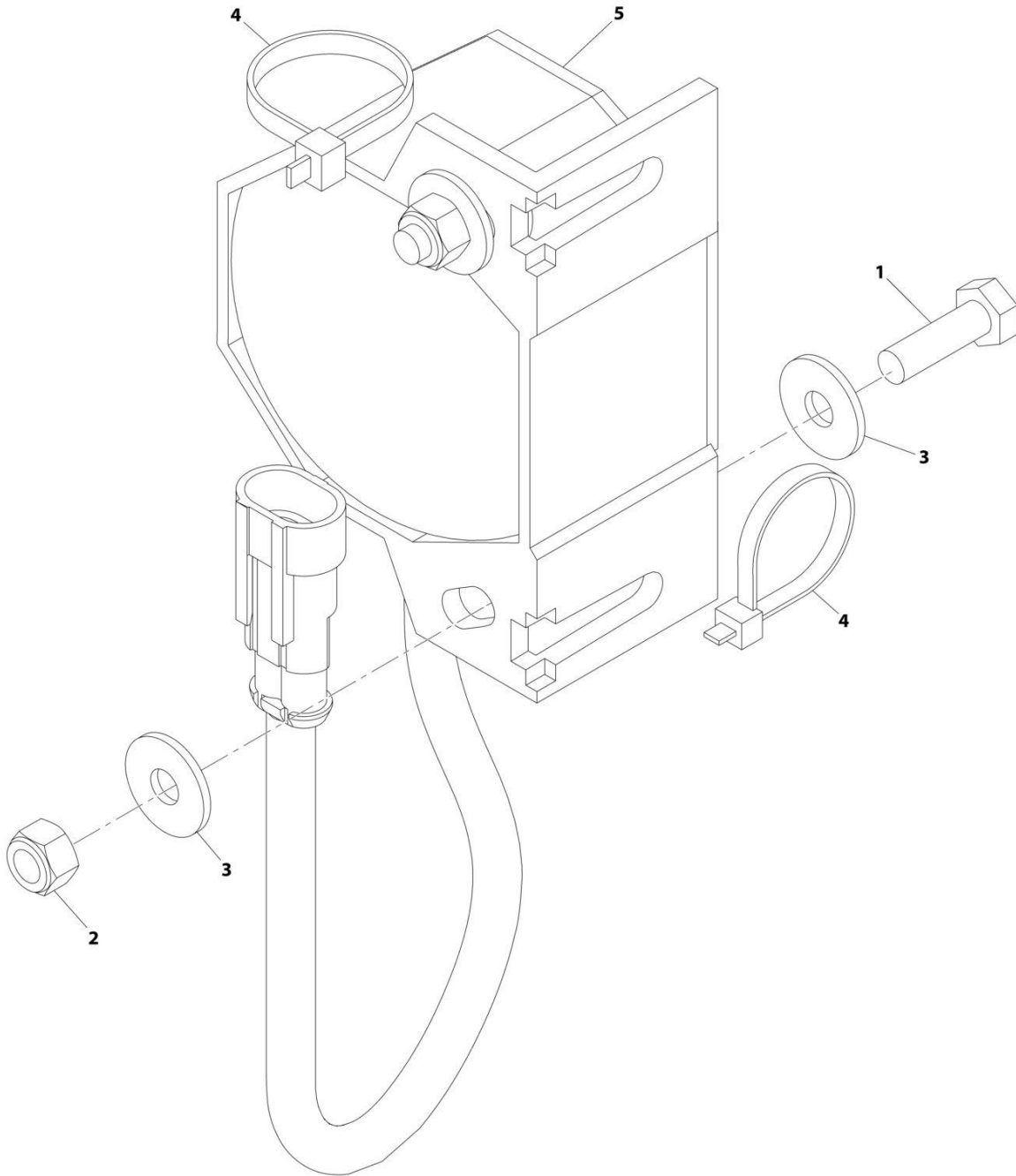
SECTION 10 - ELECTRICAL

FIGURE 10-27. LSI SENSOR INSTALLATION

ITEM	PART NUMBER	QTY	DESCRIPTION	REV
	1001151969	Ref	LSI Sensor Installation	D
1	5272012	2	Bolt, M10X40	
2	1001004723	3	Saddle	
5	1001116128	AR	Sealant, Polysiloxane	
6	1001125465	AR	Compound, Locking	
8	1001129425	AR	Compound, Locking	
9	1001008559	6	Strap, Cable	
10	1001160730	1	Sensor, Rear Axle LSI	

SECTION 10 - ELECTRICAL

FIGURE 10-28. BACK-UP ALARM INSTALLATION (SN 1160007024 through 01160007442)



ART_1001155812-D

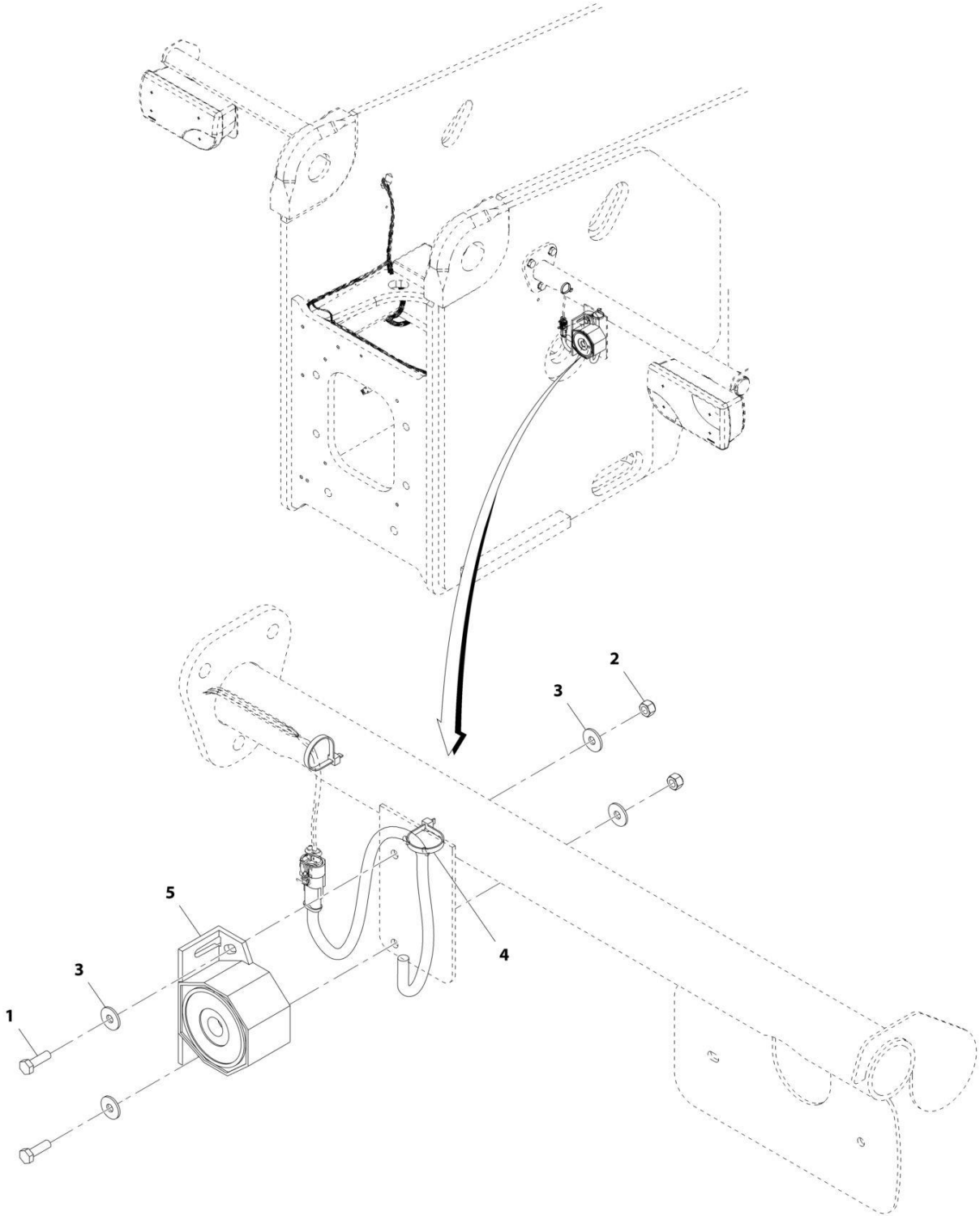
SECTION 10 - ELECTRICAL

FIGURE 10-28. BACK-UP ALARM INSTALLATION (SN 1160007024 through 01160007442)

ITEM	PART NUMBER	QTY	DESCRIPTION	REV
	1001155812	1	Back-Up Alarm Installation	D
1	0760610	2	Bolt, M6X20	
2	3290605	2	Nut, Lock M6X1	
3	4811702	4	Washer, M6	
4	1001008559	2	Strap, Cable	
5	1001101808	1	Alarm, Back-Up	

SECTION 10 - ELECTRICAL

FIGURE 10-29. BACK-UP ALARM INSTALLATION (WHITE NOISE)



ART_1001165829-B

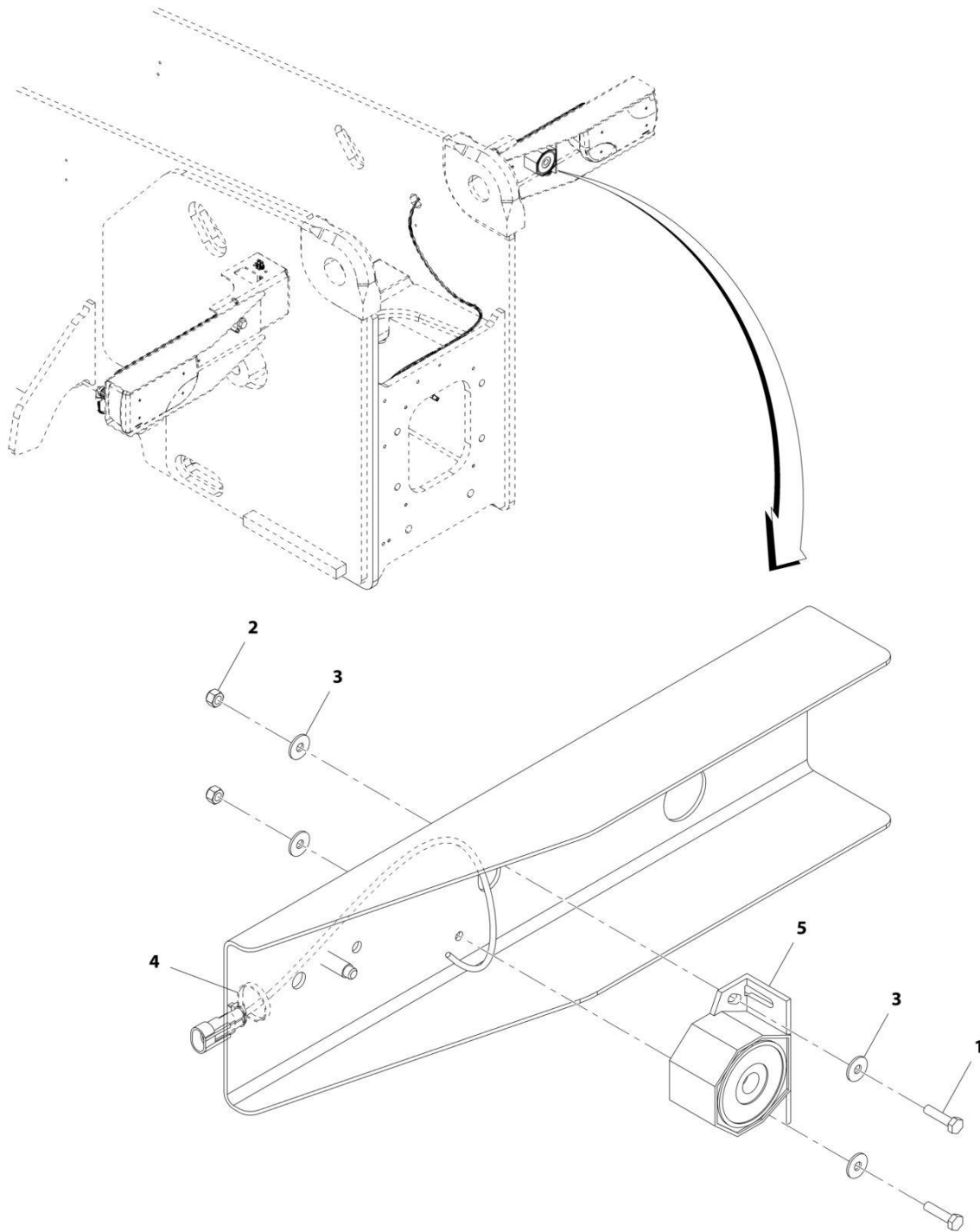
SECTION 10 - ELECTRICAL

FIGURE 10-29. BACK-UP ALARM INSTALLATION (WHITE NOISE)

ITEM	PART NUMBER	QTY	DESCRIPTION	REV
	1001165829	Ref	Back-up Alarm Installation (White Noise) (If equipped)	B
1	0760610	2	Bolt, M6X20	
2	3290605	2	Nut, Lock M6X1	
3	4811702	4	Washer, M6	
4	1001008559	2	Strap, Cable	
5	1001165827	1	Alarm, Reverse White Nose	

SECTION 10 - ELECTRICAL

FIGURE 10-30. BACK-UP ALARM INSTALLATION (FOLDING LIGHTS)



ART_1001178739-B

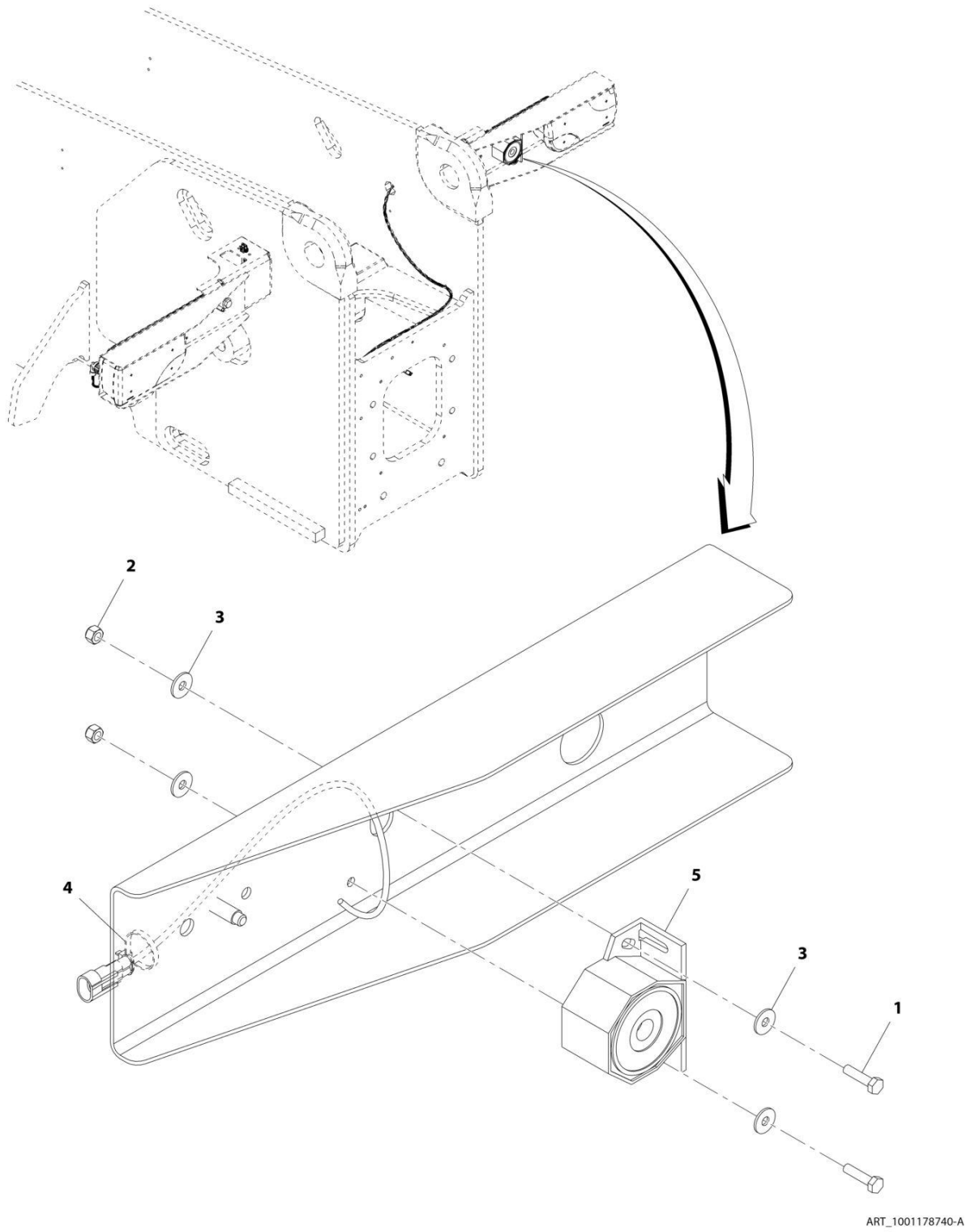
SECTION 10 - ELECTRICAL

FIGURE 10-30. BACK-UP ALARM INSTALLATION (FOLDING LIGHTS)

ITEM	PART NUMBER	QTY	DESCRIPTION	REV
	1001178739	Ref	Back-Up Alarm Installation (Folding Lights) (If equipped)	B
1	0760612	2	Bolt, M6X25	
2	3290605	2	Nut, Lock M6X1	
3	4811702	4	Washer, M6	
4	1001008559	1	Strap, Cable	
5	1001101808	1	Alarm, Reverse	

SECTION 10 - ELECTRICAL

FIGURE 10-31. BACK-UP ALARM INSTALLATION (FOLDING LIGHTS AND WHITE NOISE)



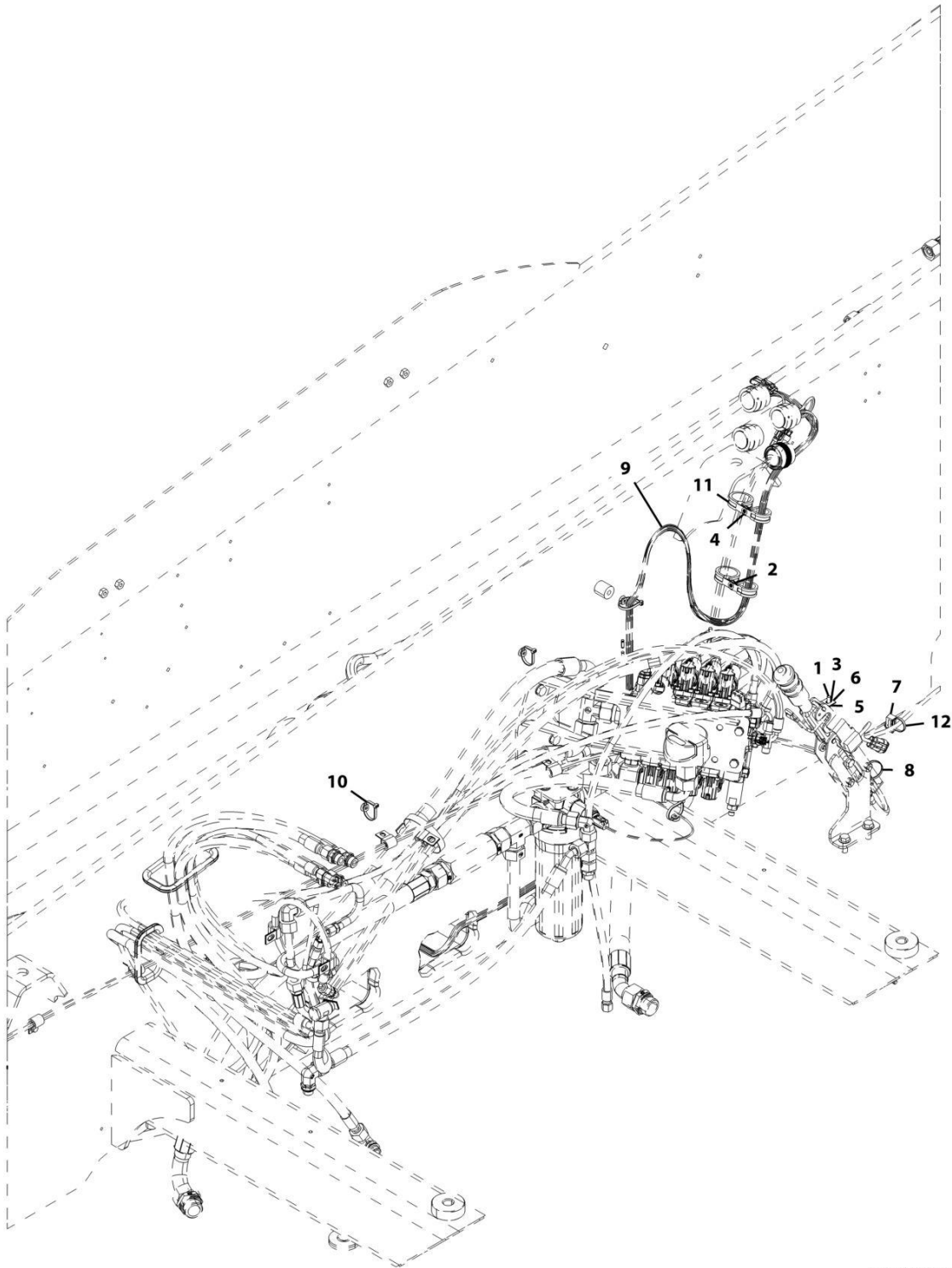
SECTION 10 - ELECTRICAL

FIGURE 10-31. BACK-UP ALARM INSTALLATION (FOLDING LIGHTS AND WHITE NOISE)

ITEM	PART NUMBER	QTY	DESCRIPTION	REV
	1001178740	Ref	Back-Up Alarm Installation, (Folding Lights and White Noise) (If equipped)	A
1	0760612	2	Bolt, M6X25	
2	3290605	2	Nut, Lock M6X1	
3	4811702	4	Washer, M6	
4	1001008559	1	Strap, Cable	
5	1001165827	1	Alarm, Reverse, White Noise	

SECTION 10 - ELECTRICAL

FIGURE 10-32. CHASSIS HARNESS INSTALLATION (3614RS) (SN E16000001 through E16000141, Excluding E16000120, E16000126, 1160008774, 1160008775 and 1160008777)



ART_1001146586-C

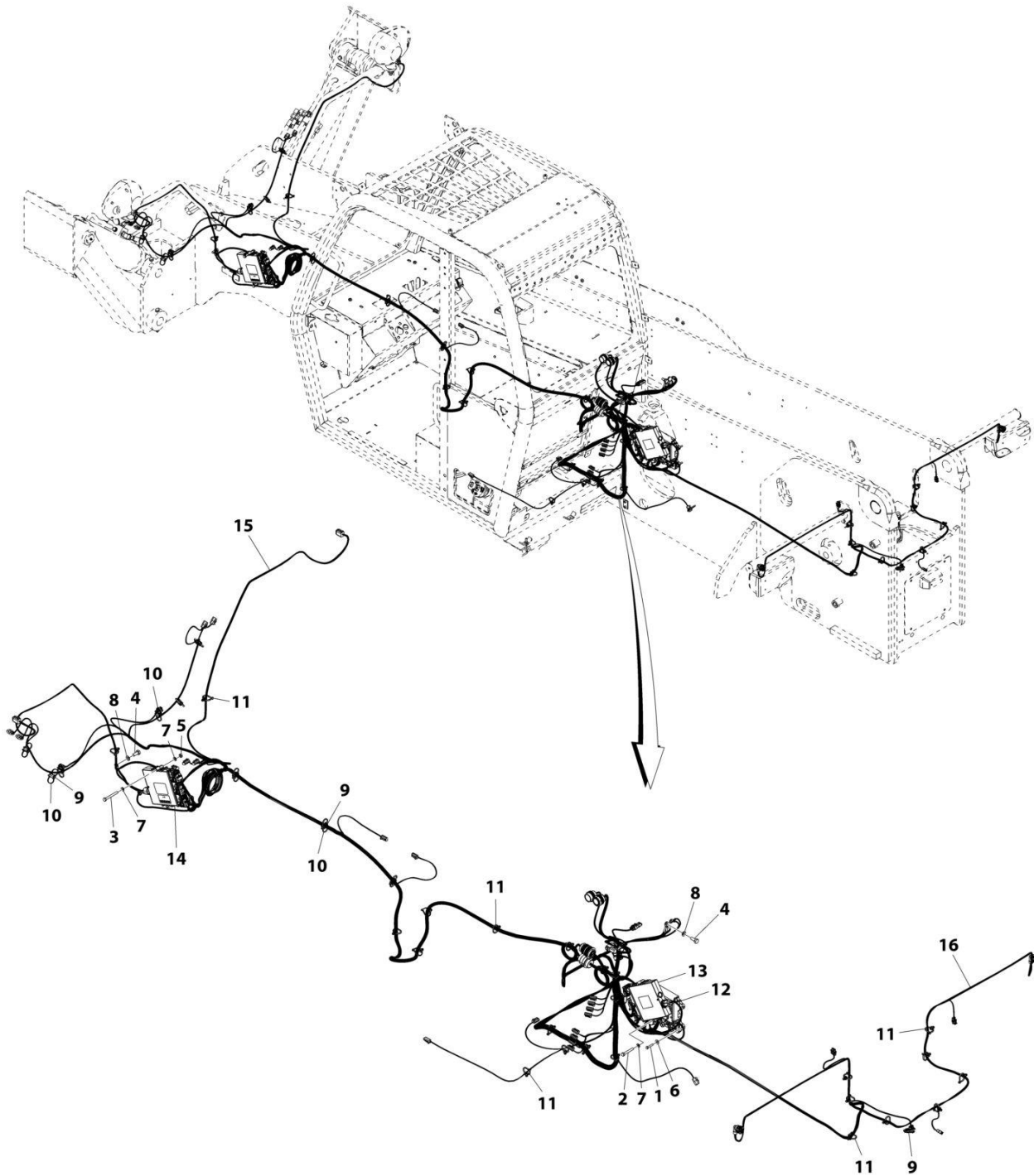
SECTION 10 - ELECTRICAL

FIGURE 10-32. CHASSIS HARNESS INSTALLATION (3614RS) (SN E16000001 through E160000141, Excluding E160000120, E160000126, 1160008774, 1160008775 and 1160008777)

ITEM	PART NUMBER	QTY	DESCRIPTION	REV
	1001146586	Ref	Chassis Harness Installation	C
1	0760608	2	Bolt, M6X16	
2	3290605	2	Nut, Lock M6X1	
3	4811700	2	Washer, M6	
4	4811702	2	Washer, M6	
5	4831700	2	Washer, Lock 6	
6	1001003044	2	Clip	
7	1001004723	3	Saddle	
8	1001008559	6	Strap, Cable	
9	1001146585	1	Harness, Chassis (See CHASSIS HARNESS for Breakdown)	
10	1001146588	19	Strap, Cable	
11	1001162849	2	Clip	
12	1001008559	1	Strap, Cable	

SECTION 10 - ELECTRICAL

FIGURE 10-33. CHASSIS HARNESS INSTALLATION (3614RS) (SN E160000141 through E160000496, Including E160000120, E160000126, 1160008774, 1160008775 and 1160008777)



ART_1001239320-E

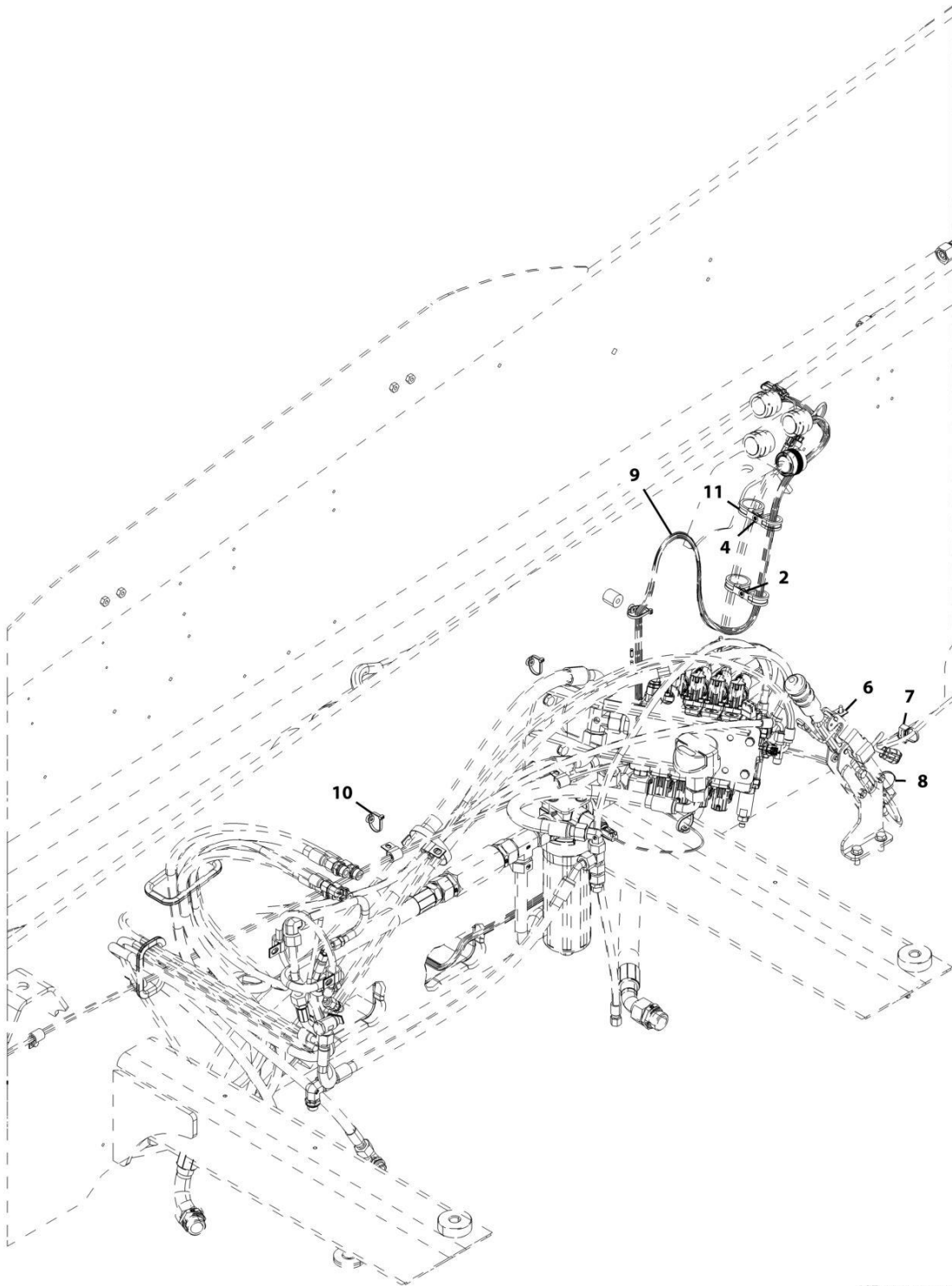
SECTION 10 - ELECTRICAL

FIGURE 10-33. CHASSIS HARNESS INSTALLATION (3614RS) (SN E160000141 through E160000496, Including E160000120, E160000126, 1160008774, 1160008775 and 1160008777)

ITEM	PART NUMBER	QTY	DESCRIPTION	REV
	1001239320	Ref	Chassis Harness Installation	E
1	0700614	4	Bolt, M6X30	
2	0700819	2	Bolt, M8X55	
3	0700822	2	Bolt, M8X70	
4	0761012	2	Bolt, M10X25	
5	3290801	2	Bolt, M8X1.25	
6	4811702	4	Washer, M6	
7	4811900	6	Washer, M8	
8	4812000	2	Washer, M10	
9	1001004723	10	Saddle	
10	1001008559	20	Strap, Cable	
11	1001146588	27	Strap, Cable	
12	1001164402	1	Power Dist Box	
13	1001209576	1	Rear Frame Module	
14	1001209577	1	Front Frame Module	
15	1001237510	1	Harness, Front Frame RR (See Separate Breakdown in this Section)	
16	1001238729	1	Harness, Rear Frame RR (See Separate Breakdown in this Section)	

SECTION 10 - ELECTRICAL

FIGURE 10-34. CHASSIS HARNESS INSTALLATION (4017RS) (SN E16000001 through E16000141, Excluding E16000120, E16000126, 1160008774, 1160008775 and 1160008777)



ART_1001146900-C

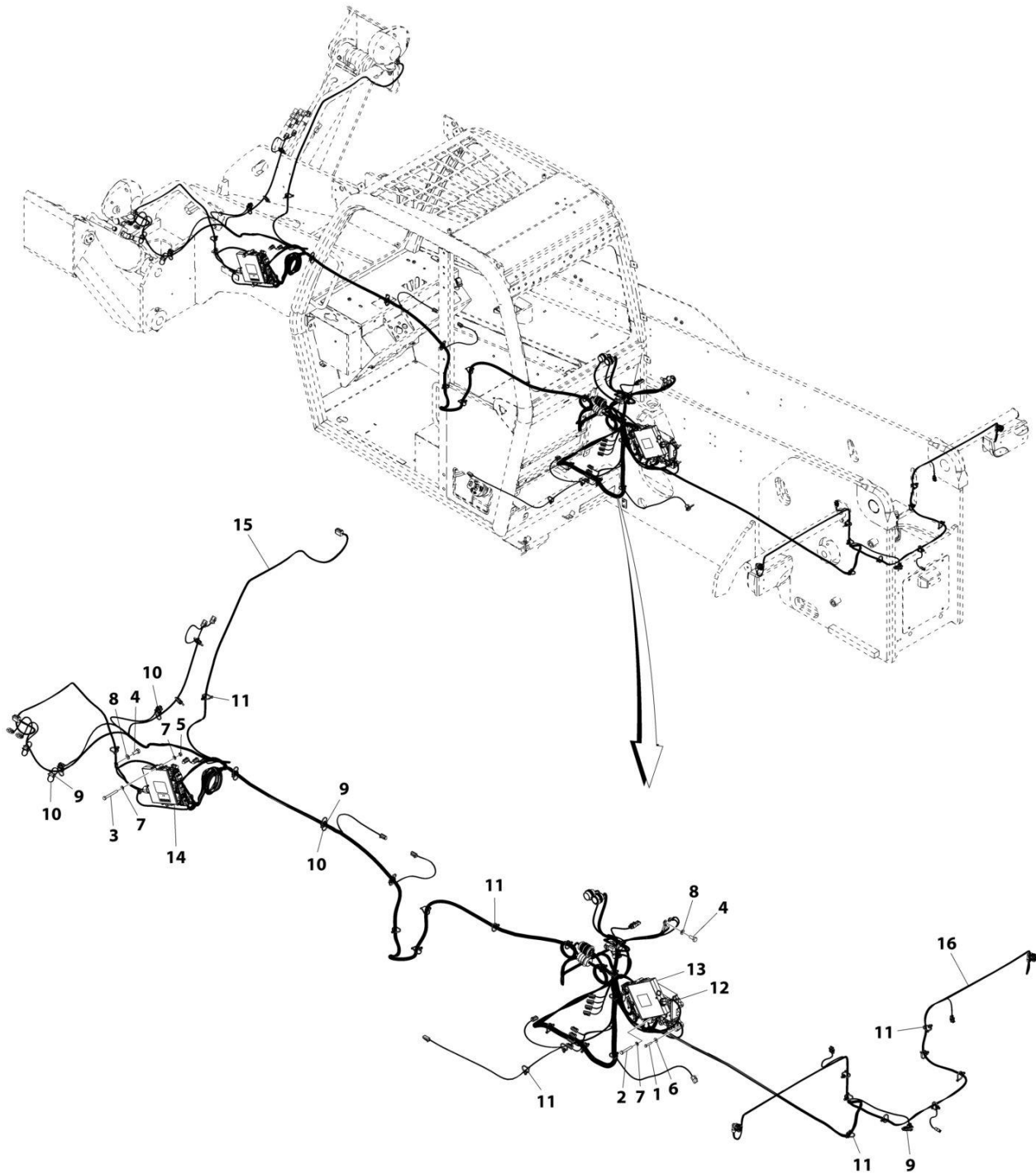
SECTION 10 - ELECTRICAL

FIGURE 10-34. CHASSIS HARNESS INSTALLATION (4017RS) (SN E16000001 through E160000141, Excluding E160000120, E160000126, 1160008774, 1160008775 and 1160008777)

ITEM	PART NUMBER	QTY	DESCRIPTION	REV
	1001146900	Ref	Chassis Harness Installation	C
2	3290605	2	Nut, Lock M6X1	
4	4811702	2	Washer, M6	
6	1001003044	2	Clip	
7	1001004723	3	Saddle	
8	1001008559	6	Strap, Cable	
9	1001146585	1	Harness, Chassis (See CHASSIS HARNESS for Breakdown)	
10	1001146588	20	Strap, Cable	
11	1001162849	2	Clip	

SECTION 10 - ELECTRICAL

FIGURE 10-35. CHASSIS HARNESS INSTALLATION (4017RS) (SN E160000141 through E160000496, Including E160000120, E160000126, 1160008774, 1160008775 and 1160008777)



ART_1001239321-E

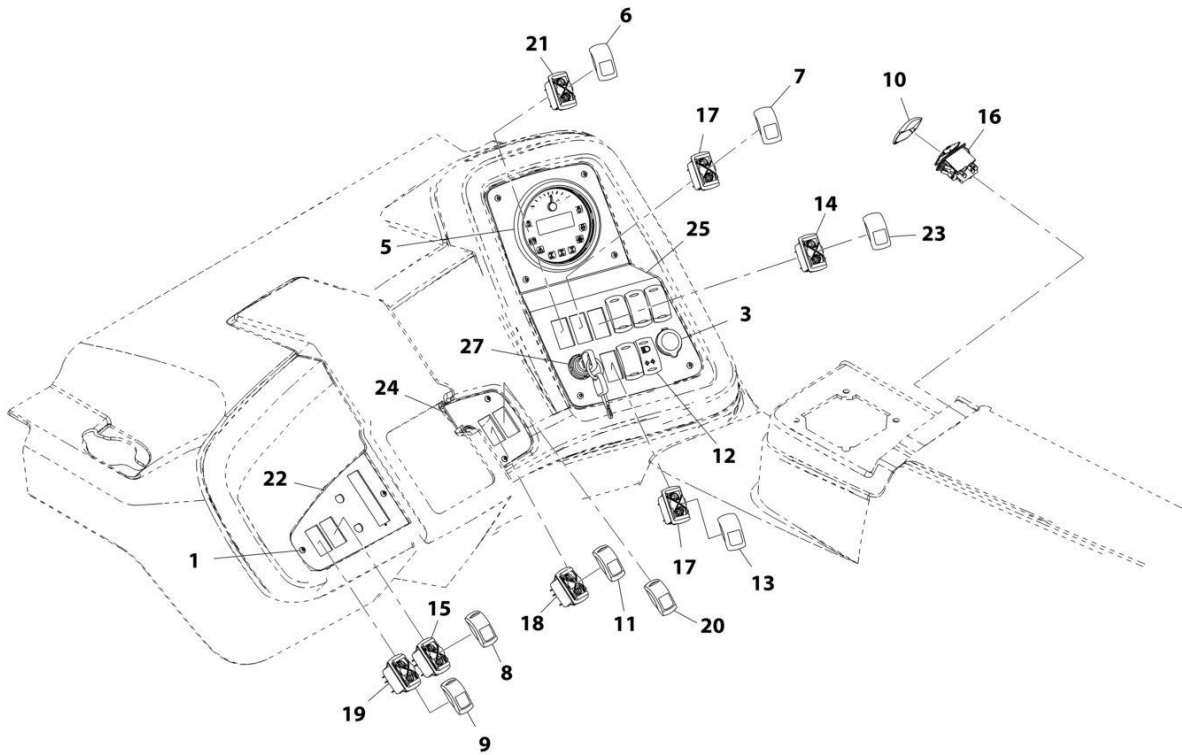
SECTION 10 - ELECTRICAL

FIGURE 10-35. CHASSIS HARNESS INSTALLATION (4017RS) (SN E160000141 through E160000496, Including E160000120, E160000126, 1160008774, 1160008775 and 1160008777)

ITEM	PART NUMBER	QTY	DESCRIPTION	REV
	1001239321	Ref	Chassis Harness Installation	E
1	0700614	4	Bolt, M6X30	
2	0700819	2	Bolt, M8X55	
3	0700822	2	Bolt, M8X70	
4	0761012	2	Bolt, M10X25	
5	3290801	2	Bolt, M8X1.25	
6	4811702	4	Washer, M6	
7	4811900	6	Washer, M8	
8	4812000	2	Washer, M10	
9	1001004723	10	Saddle	
10	1001008559	21	Strap, Cable	
11	1001146588	28	Strap, Cable	
12	1001164402	1	Power Dist Box	
13	1001209576	1	Rear Frame Module	
14	1001209577	1	Front Frame Module	
15	1001237510	1	Harness, Front Frame (See Separate Breakdown in this Section)	
16	1001238729	1	Harness, Rear Frame (See Separate Breakdown in this Section)	

SECTION 10 - ELECTRICAL

FIGURE 10-36. DASH ELECTRICAL INSTALLATION (SN E16000001 through E16000141, Excluding E16000120, E16000126, 1160008774, 1160008775 and 1160008777)



ART_1001148541-J

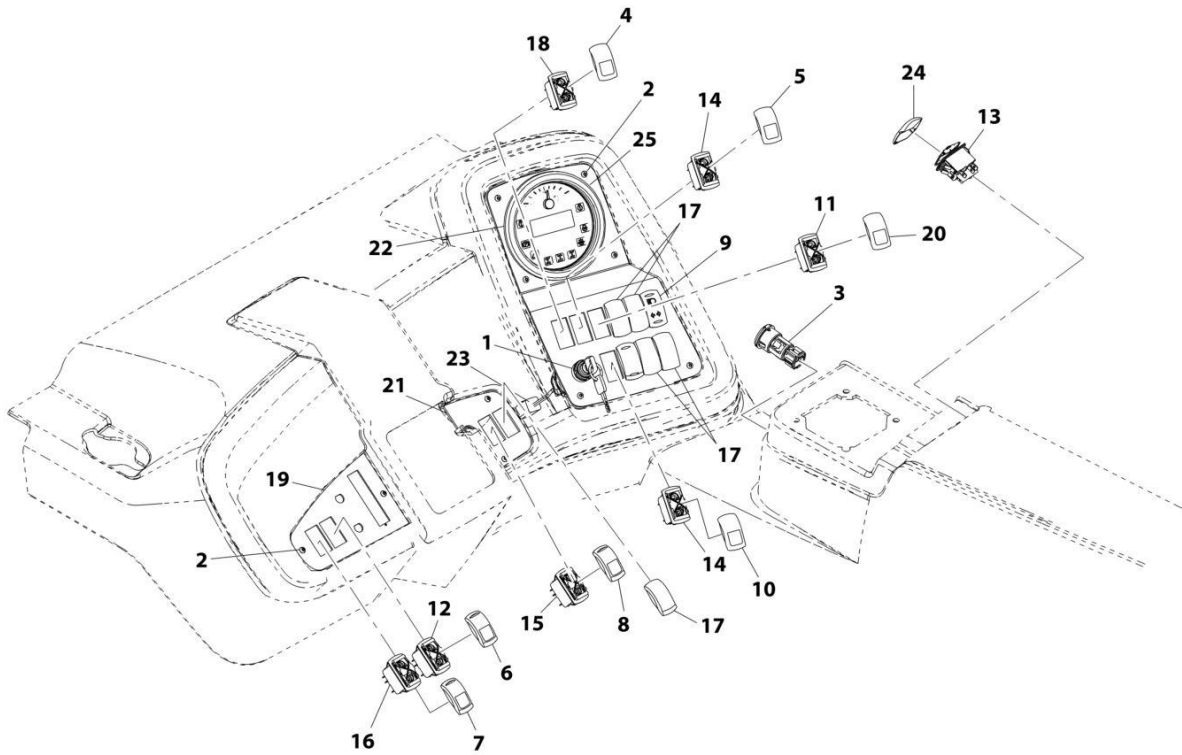
SECTION 10 - ELECTRICAL

FIGURE 10-36. DASH ELECTRICAL INSTALLATION (SN E16000001 through E160000141, Excluding E160000120, E160000126, 1160008774, 1160008775 and 1160008777)

ITEM	PART NUMBER	QTY	DESCRIPTION	REV
	1001148541	Ref	Dash Electrical Installation	J
1	1001047064	10	Screw, M4X15	
3	1001095804	1	Connector, 12V Power Socket	
5	1001150292	1	Gauge, Canbus	
6	1001145252	1	Switch, Rocker, Hazards	
7	1001145253	1	Switch, Rocker, Driving Lights	
8	1001145257	1	Switch, Rocker, LSI Override	
9	1001145258	1	Switch, Rocker, Joystick Override	
10	1001145259	1	Switch, Rocker, Frame Level	
11	1001145260	1	Switch, Rocker, Rear Wiper	
12	1001145265	1	Lamp, High Beam and Indicators	
13	1001145266	1	Switch, Rocker, Steer Select	
14	1001146725	1	Switch, SPST	
15	1001146726	1	Switch, SPST(M)	
16	1001146727	1	Switch, SPDT(M)	
17	1001146728	2	Switch, DP3T	
18	1001146729	1	Switch, DP3T(M)	
19	1001146730	1	Switch, DPDT	
20	1001147344	5	Switch, Blank	
21	1001147451	1	Switch, DPDT	
22	1001148415	1	Plate, HAC Control	
23	1001148916	1	Switch, Rocker, Fog Lights	
24	1001149141	1	Plate, Switch	
25	1001149142	1	Plate, Switch	
27	4360657	1	Switch, Ignition	
	70021220	1	Key	

SECTION 10 - ELECTRICAL

FIGURE 10-37. DASH ELECTRICAL INSTALLATION (SN E160000141 through E160000496, Including E160000120, E160000126, 1160008774, 1160008775 and 1160008777)



ART_1001241832-A

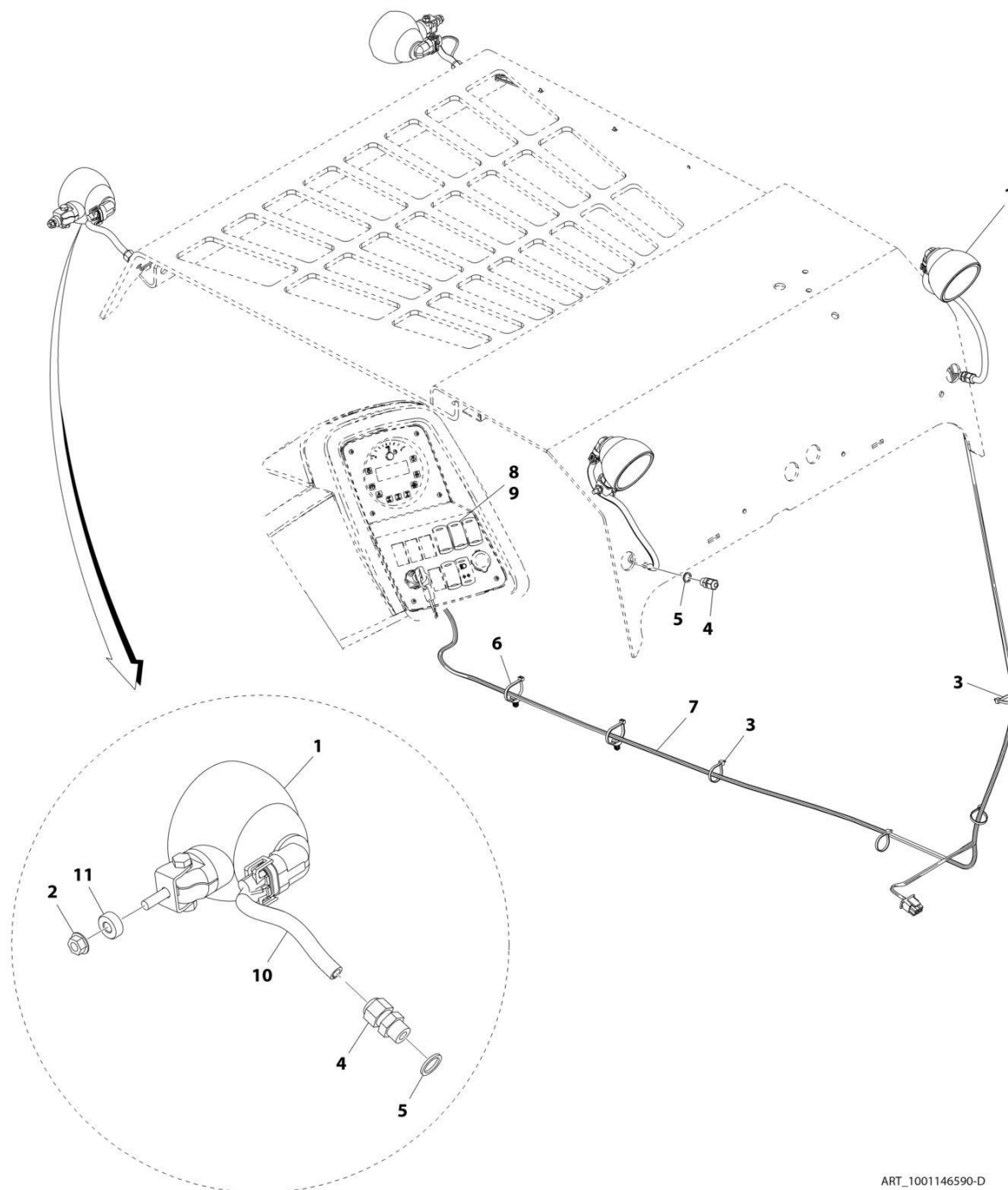
SECTION 10 - ELECTRICAL

FIGURE 10-37. DASH ELECTRICAL INSTALLATION (SN E160000141 through E160000496, Including E160000120, E160000126, 1160008774, 1160008775 and 1160008777)

ITEM	PART NUMBER	QTY	DESCRIPTION	REV
	1001241832	Ref	Dash Electrical Installation	A
1	4360657	1	Switch, Ignition	
1	70007289	1	Key, Ignition	
2	1001047064	10	Screw, M4X15	
3	1001095804	1	Connector, 12V Power Socket	
4	1001145252	1	Switch, Rocker, Hazards	
5	1001145253	1	Switch, Rocker, Driving Lights	
6	1001145257	1	Switch, Rocker, LSI Override	
7	1001145258	1	Switch, Rocker, Joystick Override	
8	1001145260	1	Switch, Rocker, Rear Wiper	
9	1001145265	1	Lamp, High Beam and Indicators	
10	1001145266	1	Switch, Rocker, Steer Select	
11	1001146725	1	Switch, SPST	
12	1001146726	1	Switch, SPST(M)	
13	1001146727	1	Switch, SPDT(M)	
14	1001146728	2	Switch, DP3T	
15	1001146729	1	Switch, DP3T(M)	
16	1001146730	1	Switch, DPDT	
17	1001147344	5	Switch, Blank	
18	1001147451	1	Switch, DPDT	
19	1001148415	1	Plate, HAC Control	
20	1001148916	1	Switch, Rocker, Fog Lights	
21	1001149141	1	Plate, Switch	
22	1001150292	1	Gauge, Canbus	
23	1001223968	1	Key Harness	
24	1001239912	1	Switch, Rocker	
25	1001239949	1	Plate, Switch	

SECTION 10 - ELECTRICAL

FIGURE 10-38. CAB WORKLIGHTS INSTALLATION (NO HAC)



ART_1001146590-D

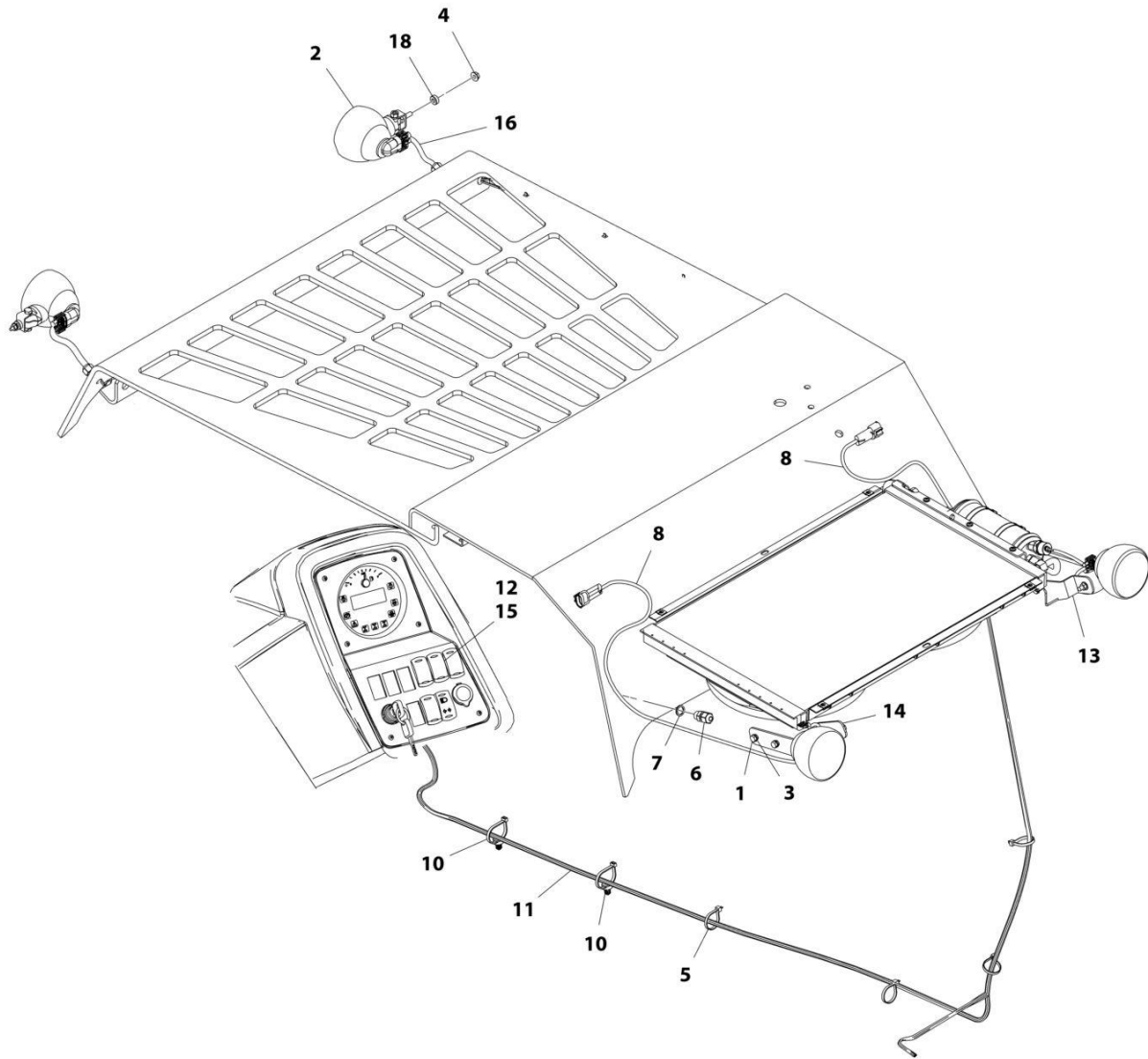
SECTION 10 - ELECTRICAL

FIGURE 10-38. CAB WORKLIGHTS INSTALLATION (NO HAC)

ITEM	PART NUMBER	QTY	DESCRIPTION	REV
	1001146590	Ref	Cab Worklights Installation (no HAC)	D
1	2920206	4	Worklight	
	70020796	1	Bulb, 12V-50W	
2	5220600	4	Nut, Ripp 6	
3	1001008559	13	Strap, Cable	
4	1001121675	4	Grommet, Cable Gland	
5	1001121707	4	Seal, Cable Gland	
6	1001146588	2	Strap, Cable	
7	1001146673	1	Harness, Worklights (See WORKLIGHTS HARNESS for Breakdown)	
8	1001146728	1	Switch, DP3T	
9	1001149968	1	Switch, Rocker, Worklights	
10	1001189744	820 mm	Conduit	
11	1001194187	2	Sleeve, Spacer	

SECTION 10 - ELECTRICAL

FIGURE 10-39. CAB WORKLIGHTS INSTALLATION (HAC)



ART_1001146592-D

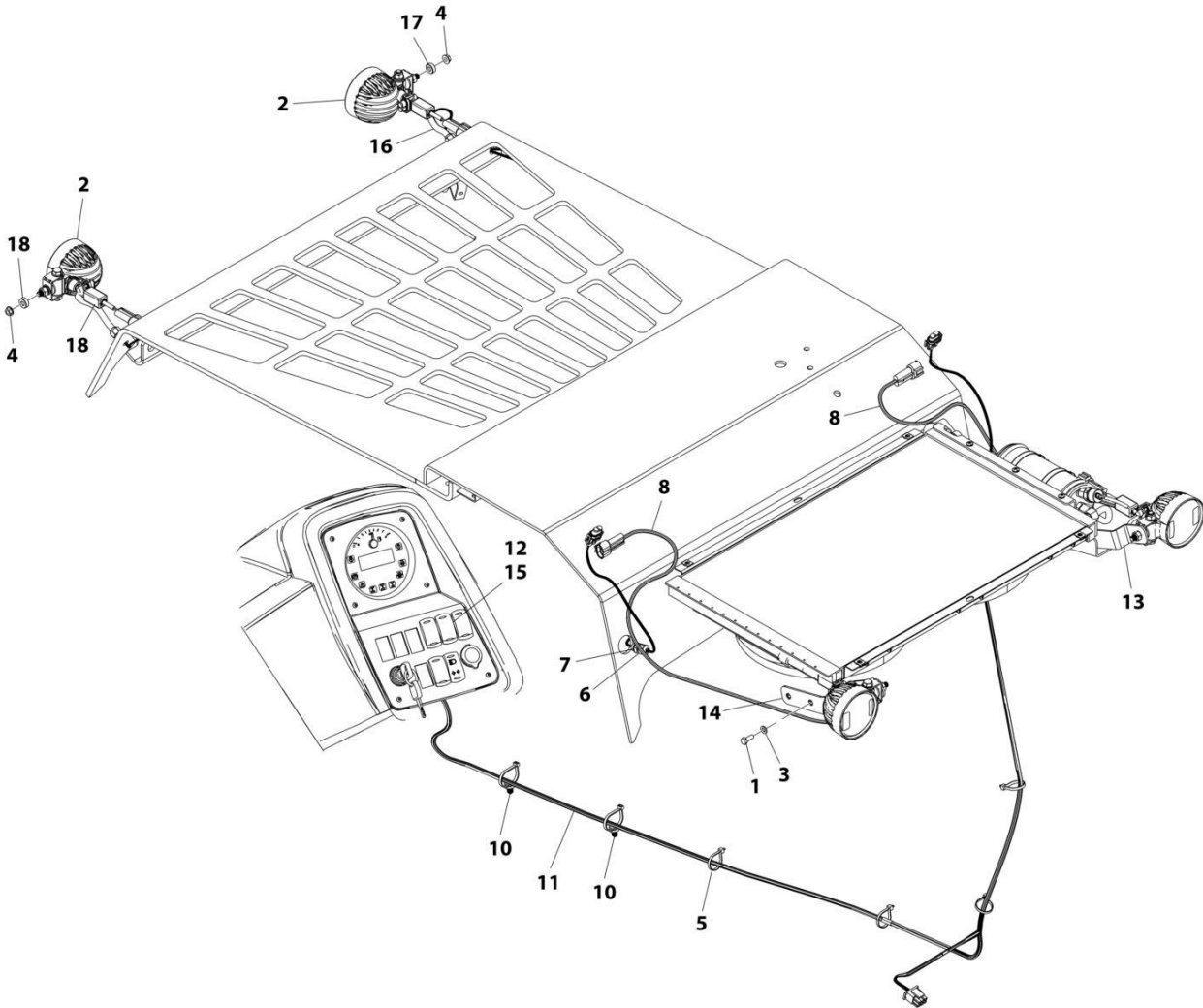
SECTION 10 - ELECTRICAL

FIGURE 10-39. CAB WORKLIGHTS INSTALLATION (HAC)

ITEM	PART NUMBER	QTY	DESCRIPTION	REV
	1001146592	Ref	Cab Worklights Installation (HAC)	D
1	0700608	4	Bolt, M6X16	
2	2920206	4	Worklight	
	70020796	1	Bulb, 12V-50W	
3	4811700	4	Washer, M6	
4	5220600	4	Nut, Ripp 6	
5	1001008559	11	Strap, Cable	
6	1001121675	4	Grommet, Cable Gland	
7	1001121707	4	Seal, Cable Gland	
8	1001133224	2	Harness, Light Extension (See LIGHT EXTENSION HARNESS for Breakdown)	
10	1001146588	2	Strap, Cable	
11	1001146673	1	Harness, Worklights (See WORKLIGHTS HARNESS for Breakdown)	
12	1001146728	1	Switch, DP3T	
13	1001148521	1	Plate, Support	
14	1001148522	1	Plate, Support	
15	1001149968	1	Switch, Rocker, Worklights	
16	1001189744	260 mm	Conduit, Split Poly	
18	1001194187	2	Sleeve, Spacer	

SECTION 10 - ELECTRICAL

FIGURE 10-40. LED CAB WORKLIGHTS INSTALLATION



ART_1001232996-B

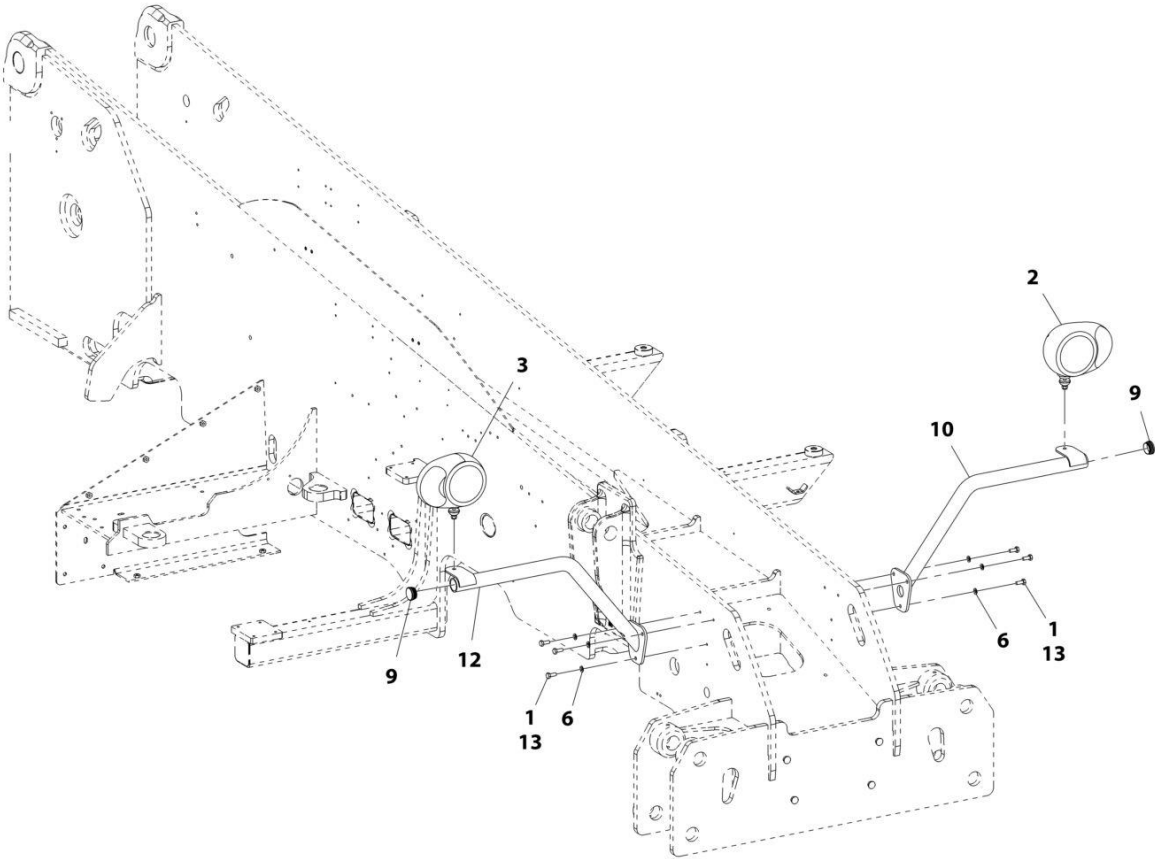
SECTION 10 - ELECTRICAL

FIGURE 10-40. LED CAB WORKLIGHTS INSTALLATION

ITEM	PART NUMBER	QTY	DESCRIPTION	REV
	1001232996	Ref	LED Cab Worklights Installation	B
1	0700608	4	Bolt, M6X16	
2	1001203640	4	Worklight	
3	4811700	4	Washer, M6	
4	5220600	4	Nut, Ripp 6	
5	1001008559	11	Strap, Cable	
6	1001121675	4	Grommet, Cable Gland	
7	1001121707	4	Seal, Cable Gland	
8	1001133224	2	Harness, Light Extension (See Separate Breakdown in this Section)	
10	1001146588	2	Strap, Cable	
11	1001146673	1	Harness, Worklights (See Separate Breakdown in this Section)	
12	1001146728	1	Switch, DP3T	
13	1001148521	1	Plate, Support	
14	1001148522	1	Plate, Support	
15	1001149968	1	Switch, Rocker, Worklights	
16	1001189744	260 mm	Conduit, Split Poly	
17	1001194187	2	Sleeve, Spacer	
18	1001228989	4	Harness, Ferrite	

SECTION 10 - ELECTRICAL

FIGURE 10-41. DRIVING LIGHTS INSTALLATION (GERMANY AND CE)



ART_1001146491-E

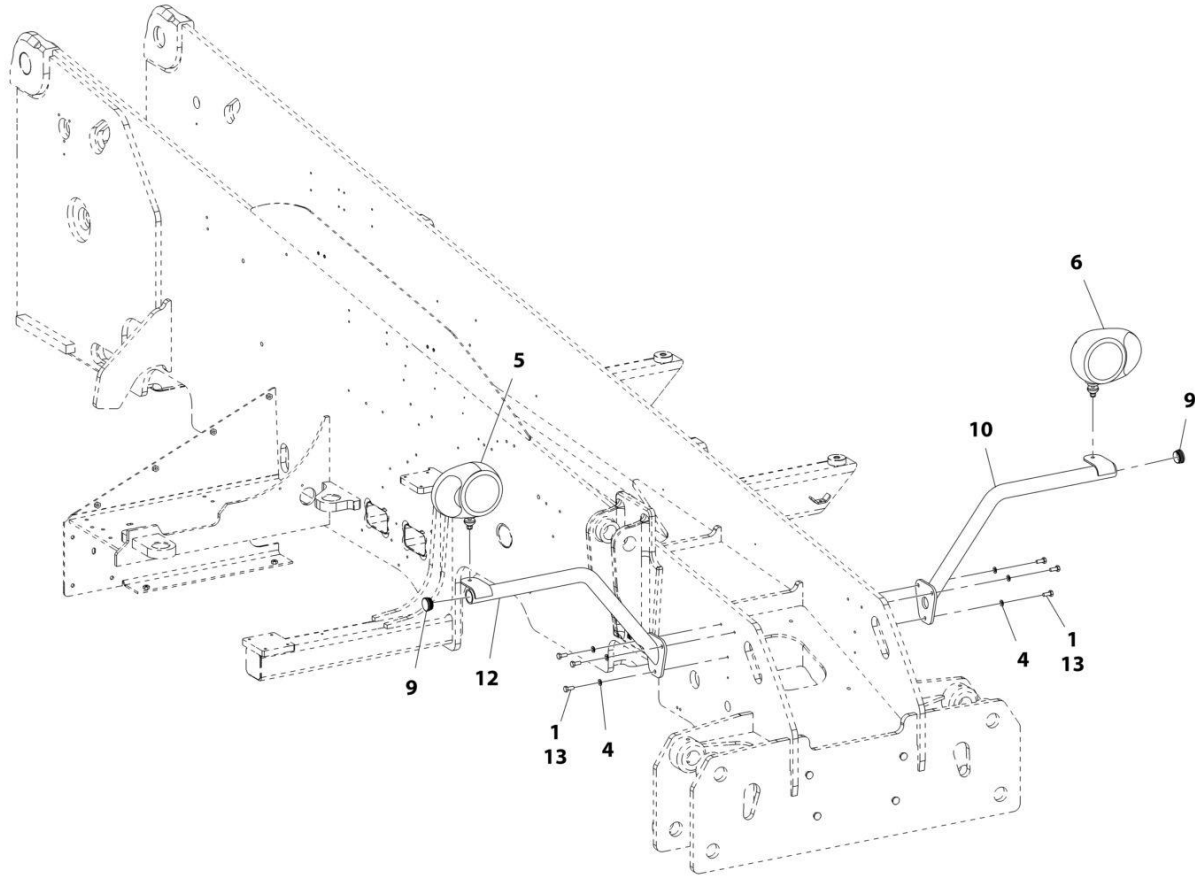
SECTION 10 - ELECTRICAL

FIGURE 10-41. DRIVING LIGHTS INSTALLATION (GERMANY AND CE)

ITEM	PART NUMBER	QTY	DESCRIPTION	REV
	1001146491	Ref	Driving Lights Installation (Germany and CE)	E
1	0761012	6	Bolt, M10X25	
2	2920207	1	Driving Light, LH	
	7029969	1	Bulb, 4W	
	7029970	1	Bulb, 55W	
	7029971	1	Bulb, 21W	
3	2920208	1	Driving Light, RH	
	7029969	1	Bulb, 4W	
	7029970	1	Bulb, 55W	
	7029971	1	Bulb, 21W	
6	4812000	6	Washer, M10	
9	1001096913	2	Cap, Lamp Bracket	
10	1001144434	1	Bracket, Light	
12	1001145235	1	Bracket, Light	
13	1001095650	AR	Compound, Locking	

SECTION 10 - ELECTRICAL

FIGURE 10-42. DRIVING LIGHTS INSTALLATION (UK/IRELAND)



ART_1001144110-E

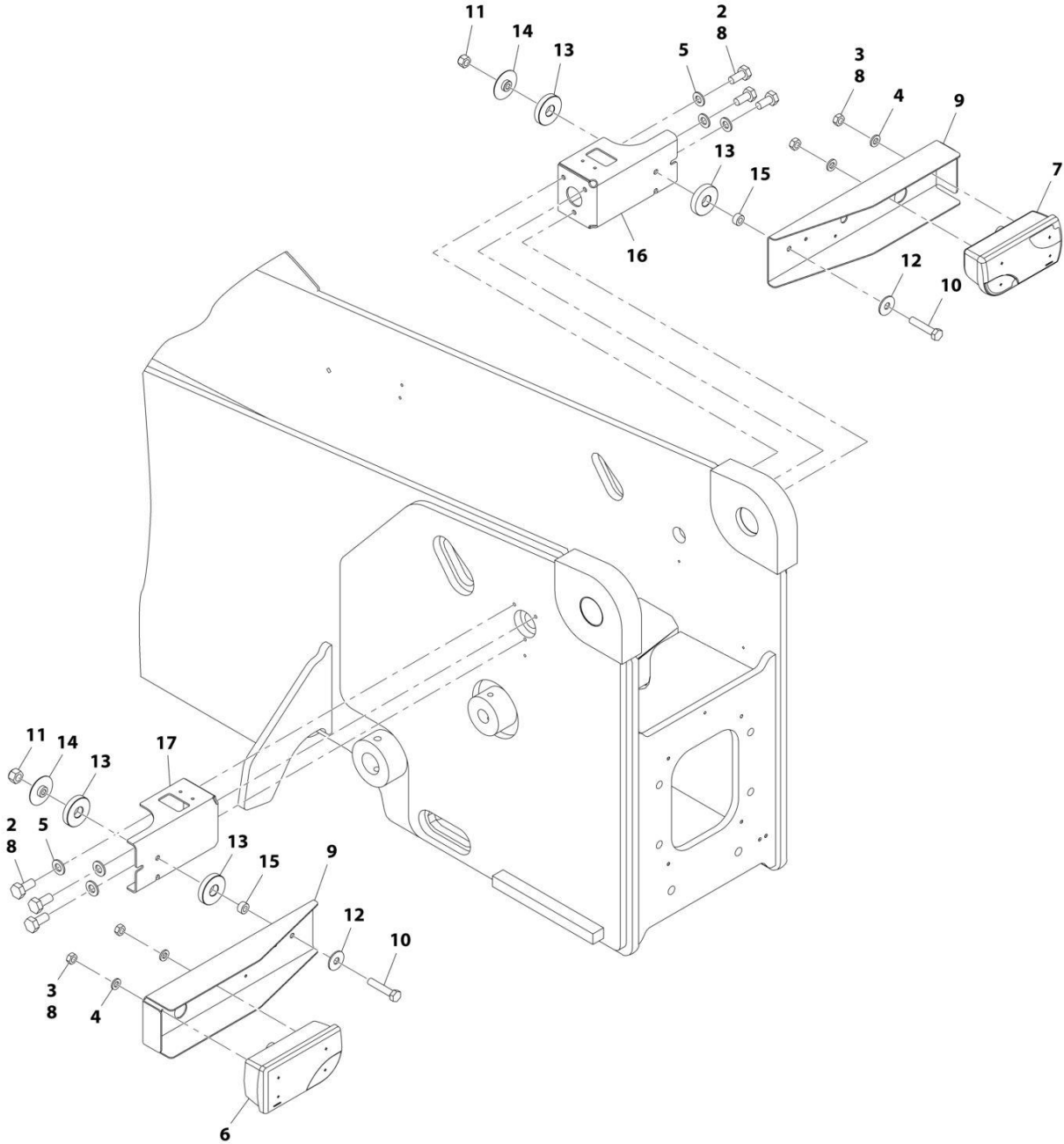
SECTION 10 - ELECTRICAL

FIGURE 10-42. DRIVING LIGHTS INSTALLATION (UK/IRELAND)

ITEM	PART NUMBER	QTY	DESCRIPTION	REV
	1001144110	Ref	Driving Lights Installation (UK/Ireland)	E
1	0761012	6	Bolt, M10X25	
4	4812000	6	Washer, M10	
5	1001002778	1	Driving Light, RH	
	7029969	1	Bulb, 4W	
	7029970	1	Bulb, 55W	
	7029971	1	Bulb, 21W	
6	1001002779	1	Driving Light, LH	
	7029969	1	Bulb, 4W	
	7029970	1	Bulb, 55W	
	7029971	1	Bulb, 21W	
9	1001096913	2	Cap, Lamp Bracket	
10	1001144434	1	Bracket, Light	
12	1001145235	1	Bracket, Light	
13	1001095650	AR	Compound, Locking	

SECTION 10 - ELECTRICAL

FIGURE 10-43. REAR LIGHTS INSTALLATION



ART_1001171225-D

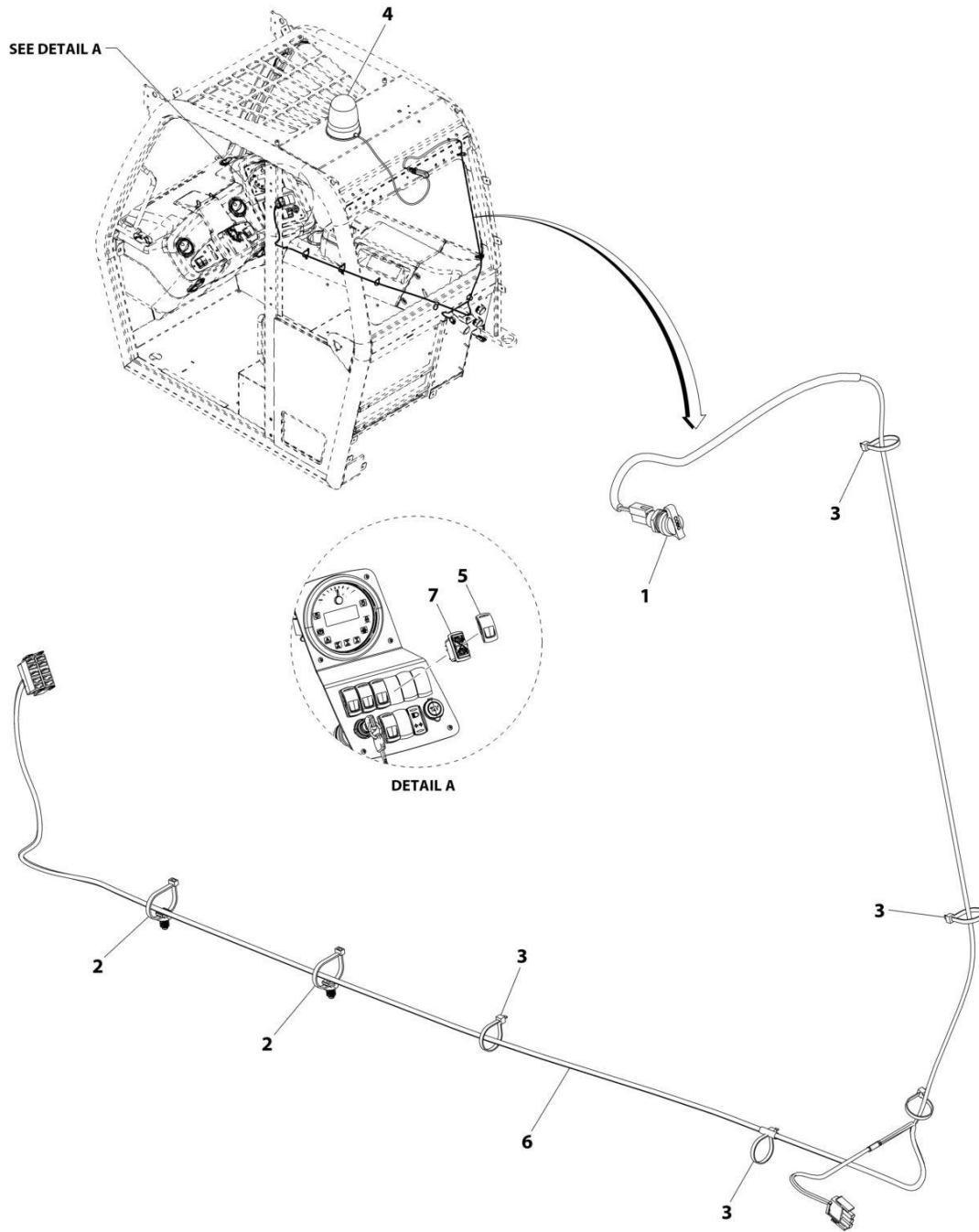
SECTION 10 - ELECTRICAL

FIGURE 10-43. REAR LIGHTS INSTALLATION

ITEM	PART NUMBER	QTY	DESCRIPTION	REV
	1001171225	Ref	Rear Lights Installation	D
2	0761011	6	Bolt, M10X32	
3	3290601	4	Nut, M6X1	
4	4811700	4	Washer, M6	
5	4812000	6	Washer, M10	
6	1001091715	1	Lamp, Rear, LH	
7	1001091716	1	Lamp, Rear, RH	
8	1001095650	AR	Compound, Locking	
9	1001186687	2	Bracket	
10	0701220	2	Bolt, M12X60	
11	3291205	2	Nut, Lock, M12X1.75	
12	4812102	2	Washer, M12	
13	8000565	4	Washer	
14	1001182490	2	Washer	
15	1001182495	2	Washer	
16	1001182999	1	Bracket	
17	1001183089	1	Bracket	

SECTION 10 - ELECTRICAL

FIGURE 10-44. BEACON INSTALLATION



ART_1001146674-C

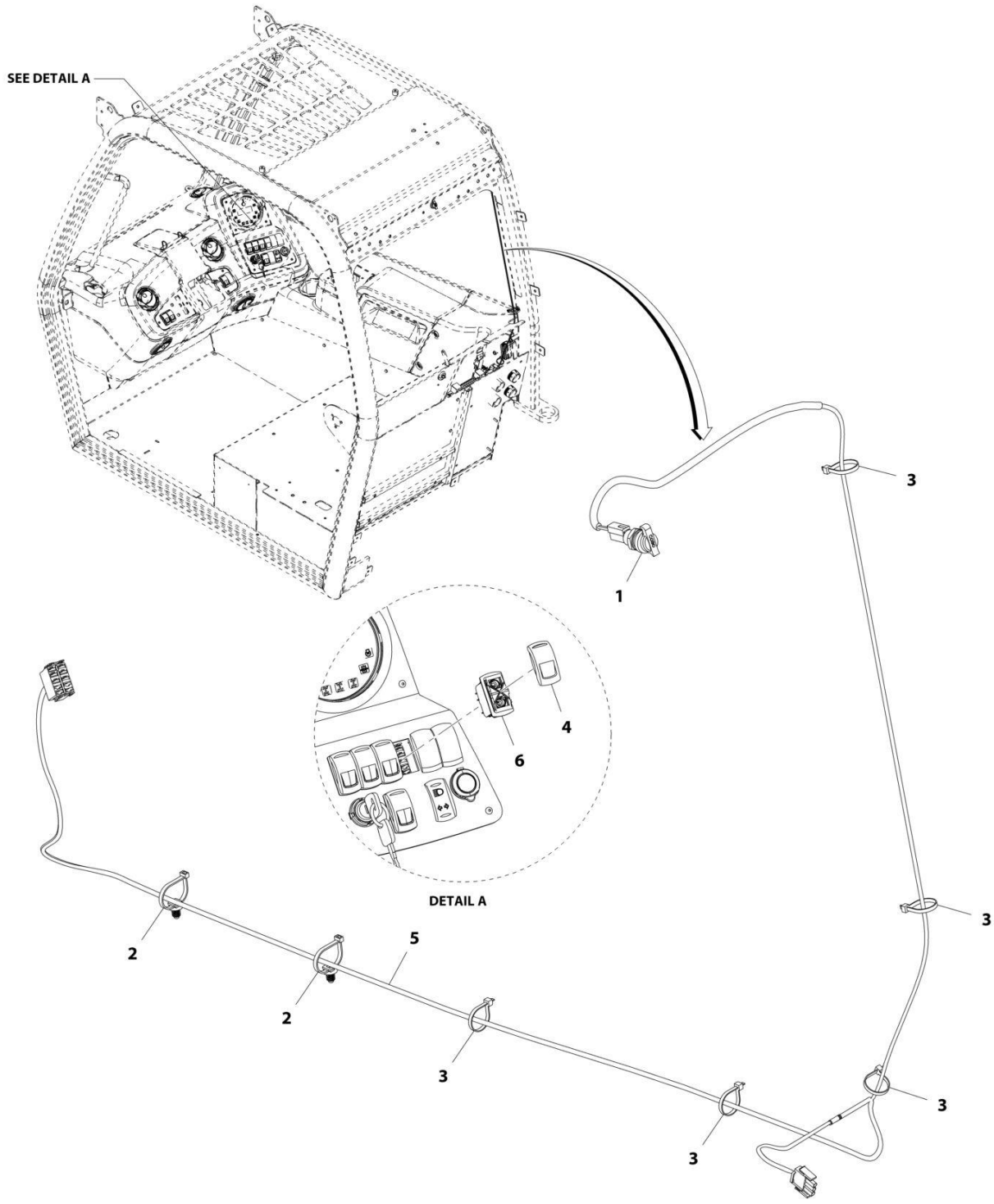
SECTION 10 - ELECTRICAL

FIGURE 10-44. BEACON INSTALLATION

ITEM	PART NUMBER	QTY	DESCRIPTION	REV
	1001146674	Ref	Beacon Installation	B
1	4461174	1	Terminal, 12V Power Supply	
2	1001004720	2	Strap, Cable	
3	1001008559	5	Strap, Cable	
4	1001091573	1	Beacon	
	70020186	1	Bulb	
5	1001145263	1	Switch, Rocker, Beacon	
6	1001146676	1	Harness, Beacon (See BEACON HARNESS for Breakdown)	
7	1001146725	1	Switch, SPST	

SECTION 10 - ELECTRICAL

FIGURE 10-45. BEACON READY INSTALLATION



ART_1001190133-A

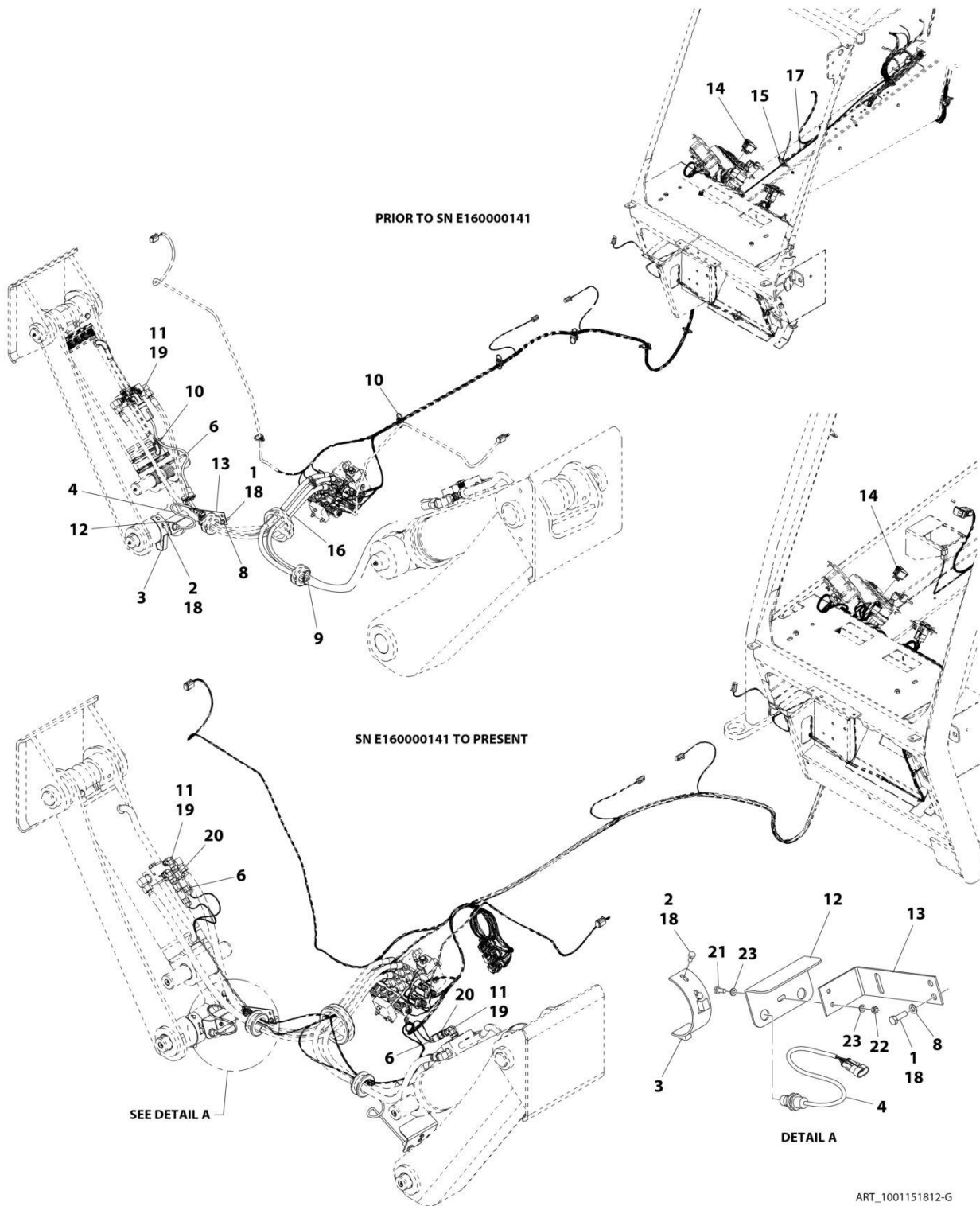
SECTION 10 - ELECTRICAL

FIGURE 10-45. BEACON READY INSTALLATION

ITEM	PART NUMBER	QTY	DESCRIPTION	REV
	1001190133	Ref	Beacon Ready Installation	A
1	4461174	1	Terminal, 12V Power Supply	
2	1001004720	2	Strap, Cable	
3	1001008559	5	Strap, Cable	
4	1001145263	1	Switch, Rocker, Beacon	
5	1001146676	1	Harness, Beacon (See BEACON HARNESS for Breakdown)	
6	1001146725	1	Switch, SPST	

SECTION 10 - ELECTRICAL

FIGURE 10-46. OUTRIGGERS DEPLOYED INSTALLATION (4017RS)



SECTION 10 - ELECTRICAL

FIGURE 10-46. OUTRIGGERS DEPLOYED INSTALLATION (4017RS)

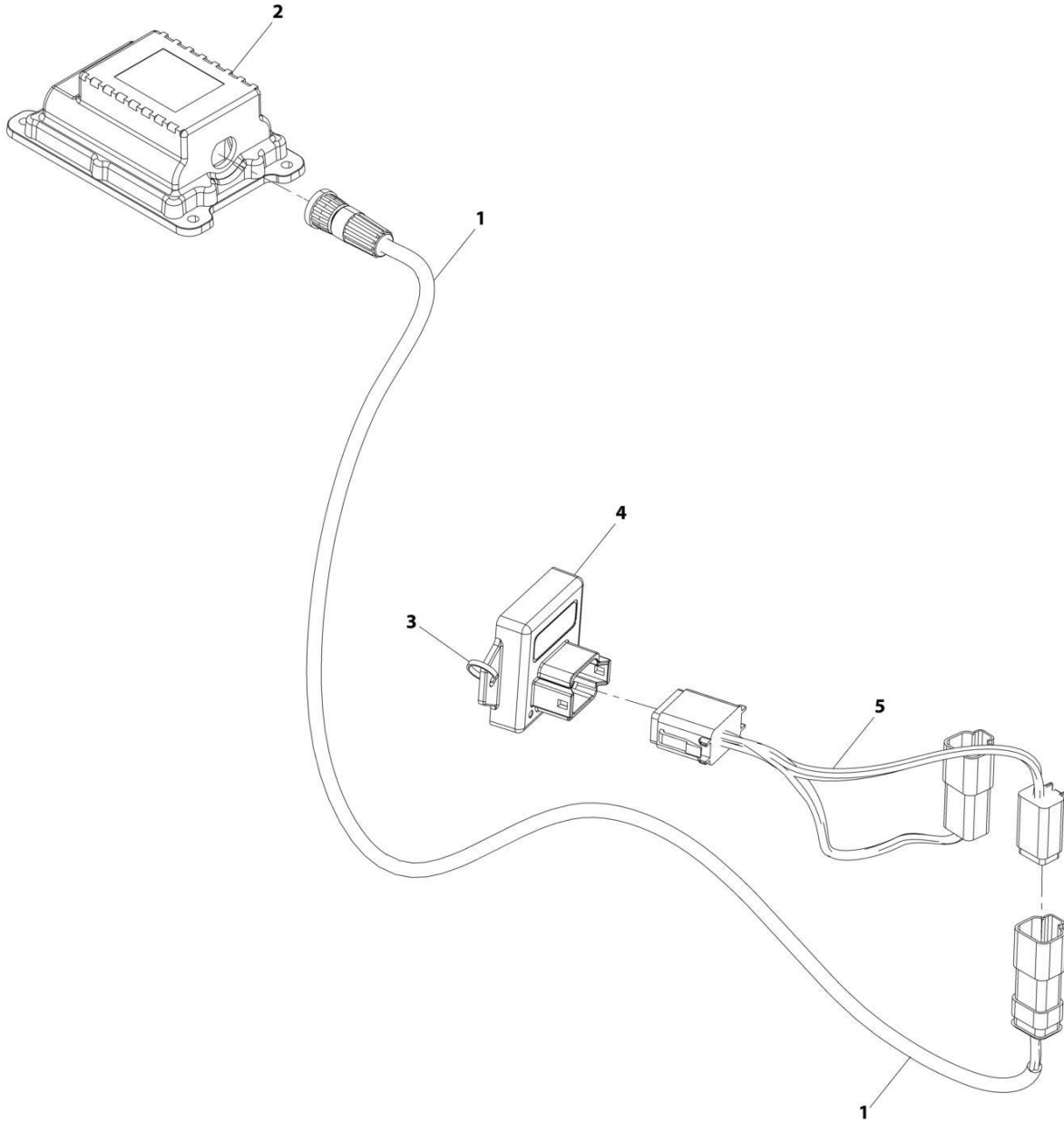
ITEM	PART NUMBER	QTY	DESCRIPTION	REV
	1001151812	Ref	Outriggers Deployed Installation	G
1	0760812	4	Bolt, M8X25	
2	0760606	4	Bolt, M6X12	
3	0903342	2	Bracket (SN E16000001 through E160000141, Excluding 1160008774, 1160008775, 1160008777, E160000120 and E160000126)	
3	1001238844	2	Bracket (SN E160000141 through E160000496, Including 1160008774, 1160008775, 1160008777, E160000120 and E160000126)	
4	4000017	2	Switch, Proximity	
6	4360661	2	Switch, Pressure (SN E160000001 through E160000141, Excluding 1160008774, 1160008775, 1160008777, E160000120 and E160000126)	
6	1001199043	2	Switch, Pressure (SN E160000141 through E160000496, Including 1160008774, 1160008775, 1160008777, E160000120 and E160000126)	
8	4811900	4	Washer, M8	
9	1001004723	7	Saddle (SN E160000001 through E160000141, Excluding 1160008774, 1160008775, 1160008777, E160000120 and E160000126)	
10	1001008559	28	Strap, Cable (SN E160000001 through E160000141, Excluding 1160008774, 1160008775, 1160008777, E160000120 and E160000126)	
11	1001159078	2	Adapter (SN E160000001 through E160000141, Excluding 1160008774, 1160008775, 1160008777, E160000120 and E160000126)	
11	1001184365	2	Adapter (SN E160000141 through E160000496, Including 1160008774, 1160008775, 1160008777, E160000120 and E160000126)	
12	1001106884	2	Plate, Switch Cover (SN E160000001 through E160000141, Excluding 1160008774, 1160008775, 1160008777, E160000120 and E160000126)	
12	1001244647	2	Plate, Switch Cover (SN E160000141 through E160000496, Including 1160008774, 1160008775, 1160008777, E160000120 and E160000126)	
13	1001107004	2	Bracket, Proximity Support (SN E160000001 through E160000141, Excluding 1160008774, 1160008775, 1160008777, E160000120 and E160000126)	
13	1001244645	2	Bracket, Proximity Support (SN E160000141 through E160000496, Including 1160008774, 1160008775, 1160008777, E160000120 and E160000126)	
14	1001145264	1	Lamp, Outriggers Deployed (SN E160000001 through E160000141, Excluding 1160008774, 1160008775, 1160008777, E160000120 and E160000126)	
14	1001241809	1	Lamp, Outriggers Deployed (SN E160000141 through E160000496, Including 1160008774, 1160008775, 1160008777, E160000120 and E160000126)	
15	1001146588	2	Strap, Cable (SN E160000001 through E160000141, Excluding 1160008774, 1160008775, 1160008777, E160000120 and E160000126)	
16	1001151810	1	Harness, Chassis, Outriggers Deployed (See OUTRIGGERS DEPLOYED CHASSIS HARNESS - 4017RS for Breakdown) (SN 1160007024 through 1160007172)	
16	1001172310	1	Harness, Chassis, Outriggers Deployed (See OUTRIGGERS DEPLOYED CHASSIS HARNESS - 4017RS for Breakdown) (SN E160000001 through E160000141, Excluding 1160008774, 1160008775, 1160008777, E160000120 and E160000126)	

SECTION 10 - ELECTRICAL

ITEM	PART NUMBER	QTY	DESCRIPTION	REV
17	1001151811	1	Harness, Cab, Outriggers Deployed (See OUTRIGGERS DEPLOYED CAB HARNESS - 4017RS for Breakdown) (SN E16000001 through E160000141, Excluding 1160008774, 1160008775, 1160008777, E160000120 and E160000126)	
18	1001095650	AR	Compound, Locking	
19	1001166431	AR	Compound, Locking	
20	1001217078	4	Adapter (SN E160000141 through E160000496, Including 1160008774, 1160008775, 1160008777, E160000120 and E160000126)	
21	0700608	4	Bolt, M6X16 (SN E160000141 through E160000496, Including 1160008774, 1160008775, 1160008777, E160000120 and E160000126)	
22	3290601	4	Nut, M6X1 (SN E160000141 through E160000496, Including 1160008774, 1160008775, 1160008777, E160000120 and E160000126)	
23	4811700	8	Washer, M6 (SN E160000141 through E160000496, Including 1160008774, 1160008775, 1160008777, E160000120 and E160000126)	

SECTION 10 - ELECTRICAL

FIGURE 10-47. CLEARSKY INSTALLATION 3-WIRE (CE)



ART_1001233237

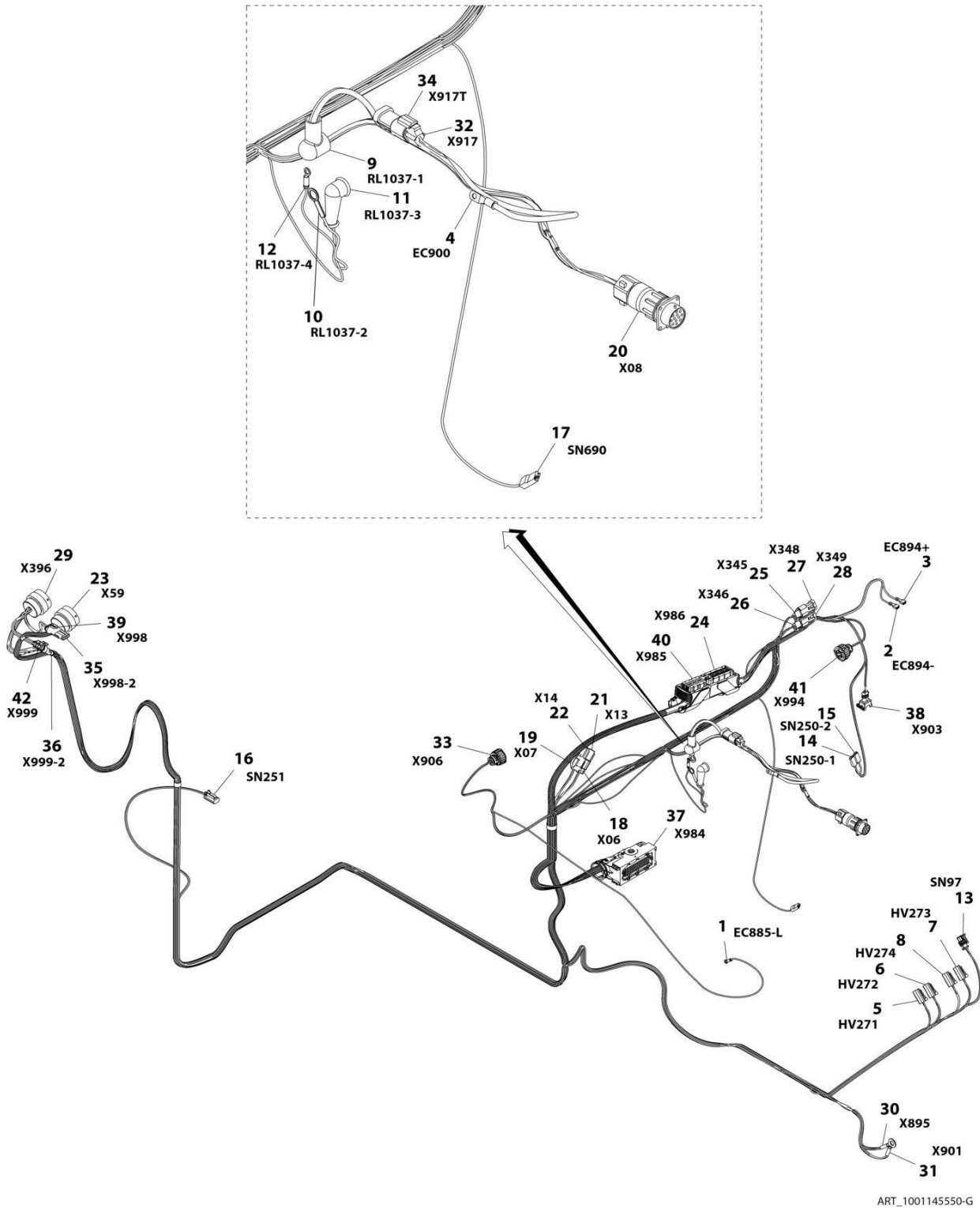
SECTION 10 - ELECTRICAL

FIGURE 10-47. CLEARSKY INSTALLATION 3-WIRE (CE)

ITEM	PART NUMBER	QTY	DESCRIPTION	REV
	1001233237	Ref	Clearsky Installation 3-Wire (CE)	E
1	1001227066	1	Telematics Harness (See Separate Breakdown in this Section)	
2	1001233236	1	Module, 3W TCU	
3	4240032	AR	Tie Strap	
4	1001262960	1	Voltage Regulator	
5	1001262963	1	Harness, Xirgo Jumper	

SECTION 10 - ELECTRICAL

FIGURE 10-48. ENGINE HARNESS (SN E160000001 through E160000141, Excluding E160000120, E160000126, 1160008774, 1160008775 and 1160008777)



ART_1001145550-G

SECTION 10 - ELECTRICAL

FIGURE 10-48. ENGINE HARNESS (SN E16000001 through E160000141, Excluding E160000120, E160000126, 1160008774, 1160008775 and 1160008777)

ITEM	PART NUMBER	QTY	DESCRIPTION	REV
	1001145550	Ref	Engine Harness	G
1	4460247	1	Terminal, Ring	
2	8220051	1	Terminal, Ring	
3	8220051	1	Terminal, Ring	
4	1001138592	1	Terminal, Ring	
5	4460891	1	Connector	
	80604018	1	Lock, Wedge	
	1001116692	2	Terminal, Socket	
6	4460891	1	Connector	
	80604018	1	Lock, Wedge	
	1001116692	2	Terminal, Socket	
7	4460891	1	Connector	
	80604018	1	Lock, Wedge	
	1001116692	2	Terminal, Socket	
8	4460891	1	Connector	
	80604018	1	Lock, Wedge	
	1001116692	2	Terminal, Socket	
9	8220115	1	Terminal, Ring	
	1001139217	1	Boot	
10	4460256	1	Terminal, Ring	
11	4460042	1	Terminal, Ring	
	1001139219	1	Boot	
12	4460247	1	Terminal, Ring	
13	4461118	1	Connector	
	1001116697	2	Terminal	
	1001104498	2	Seal	
14	1001116995	1	Connector	
	1001236622	1	Terminal	
15	1001116995	1	Connector	
	1001118379	2	Terminal	
16	4460891	1	Connector	
	80604018	1	Lock, Wedge	
	1001116692	2	Terminal, Socket	
17	1001116995	1	Connector	
	1001118379	1	Terminal	
18	4460891	1	Connector	
	80604018	1	Lock, Wedge	
	4460944	2	Terminal, Socket	
19	4460891	1	Connector	
	80604018	1	Lock, Wedge	
	4460944	2	Terminal, Socket	
20	1001138155	1	Connector	
	1001134351	1	Cap	
	1001134581	1	Shroud	
	4461071	6	Terminal, Socket	
21	4460897	1	Connector	
	80604017	1	Lock, Wedge	
22	4460897	1	Connector	
	80604017	1	Lock, Wedge	

SECTION 10 - ELECTRICAL

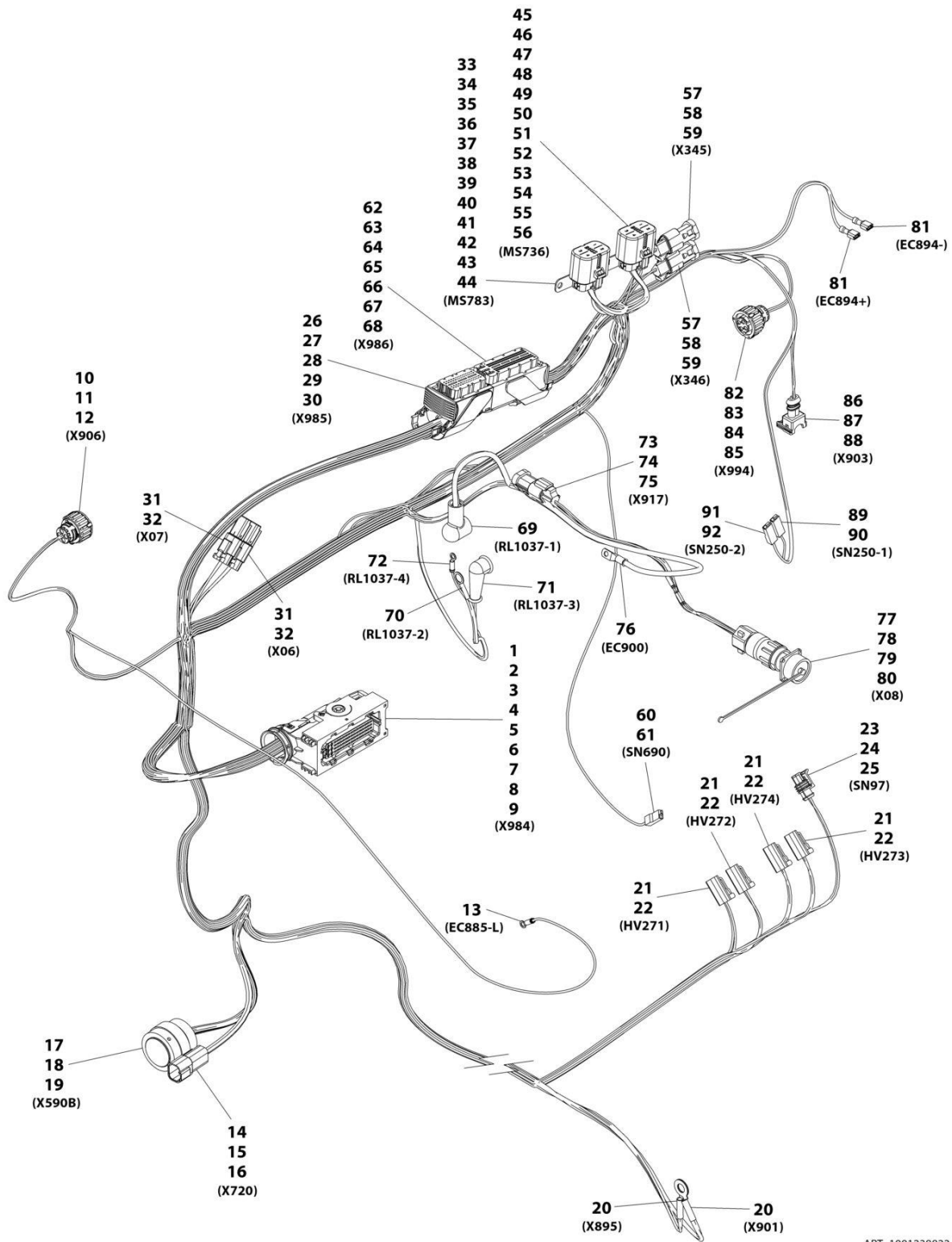
ITEM	PART NUMBER	QTY	DESCRIPTION	REV
23	1001147923	1	Connector	
	4460465	19	Terminal, Socket	
	4460466	4	Terminal, Plug	
24	1001126349	1	Connector	
	1001126352	6	Terminal	
	1001126353	6	Terminal, Seal	
	1001126357	2	Terminal, Cavity Plug	
	1001126356	59	Terminal, Cavity Plug	
	1001126384	25	Terminal	
	1001126351	2	Terminal	
25	4461095	1	Connector, Plug	
	70021825	1	Lock, Wedge	
	4460944	2	Terminal, Socket	
	4460466	1	Terminal, Plug	
26	4461095	1	Connector, Plug	
	70021825	1	Lock, Wedge	
	4460944	2	Terminal, Socket	
	4460466	1	Terminal, Plug	
27	4461070	1	Connector	
28	4461070	1	Connector	
29	1001146685	1	Connector	
	1001116686	1	Terminal, Plug	
	4460465	12	Terminal, Socket	
	4460509	1	Terminal	
30	1001117110	1	Terminal, Ring	
31	1001117108	1	Terminal, Ring	
32	4461095	1	Connector, Plug	
	4460465	2	Terminal, Socket	
	4460466	1	Terminal, Plug	
33	1001133714	1	Connector, Plug	
	1001133715	3	Terminal	
	1001135650	3	Seal, Wire	
	1001135651	1	Terminal, Cavity Plug	
34	4461070	1	Connector	
35	4461119	1	Connector	
	1001116698	3	Terminal, Cavity Plug	
36	1001103013	1	Connector	
	1001116698	4	Terminal, Cavity Plug	
37	1001126362	1	Connector	
	1001126363	24	Terminal	
	1001126364	24	Terminal, Seal Plug	
	1001126391	22	Terminal, Cavity Plug	
	1001126392	10	Terminal	
	1001126393	10	Terminal, Cavity Plug	
	4461008	4	Terminal, Cavity Plug	
	1001126365	2	Terminal	
	4461054	2	Seal, Wire	
	38	1001116983	1	Connector
1001166707		2	Terminal	
1001137578		2	Seal, Wire	
39	4461262	1	Connector	

SECTION 10 - ELECTRICAL

ITEM	PART NUMBER	QTY	DESCRIPTION	REV
40	1001116697	3	Terminal	
	1001116763	3	Terminal, Seal	
	1001126360	1	Connector	
	1001126357	11	Terminal, Cavity Plug	
	1001126351	13	Terminal	
	1001126356	19	Terminal, Cavity Plug	
	1001126384	17	Terminal	
41	1001133714	1	Connector	
	1001133715	3	Terminal	
	1001135651	1	Terminal, Cavity Plug	
42	1001135650	3	Seal, Wire	
	1001103012	1	Connector	
	1001116697	4	Terminal	
	1001116763	4	Terminal, Seal	

SECTION 10 - ELECTRICAL

FIGURE 10-49. ENGINE HARNESS (SN E160000141 through E160000341, Including E160000120, E160000126, 1160008774, 1160008775 and 1160008777, Excluding E160000328, E160000329, E160000330, E160000331, E160000332 and E160000336)



ART_1001238822-D

SECTION 10 - ELECTRICAL

FIGURE 10-49. ENGINE HARNESS (SN E160000141 through E160000341, Including E160000120, E160000126, 1160008774, 1160008775 and 1160008777, Excluding E160000328, E160000329, E160000330, E160000331, E160000332 and E160000336)

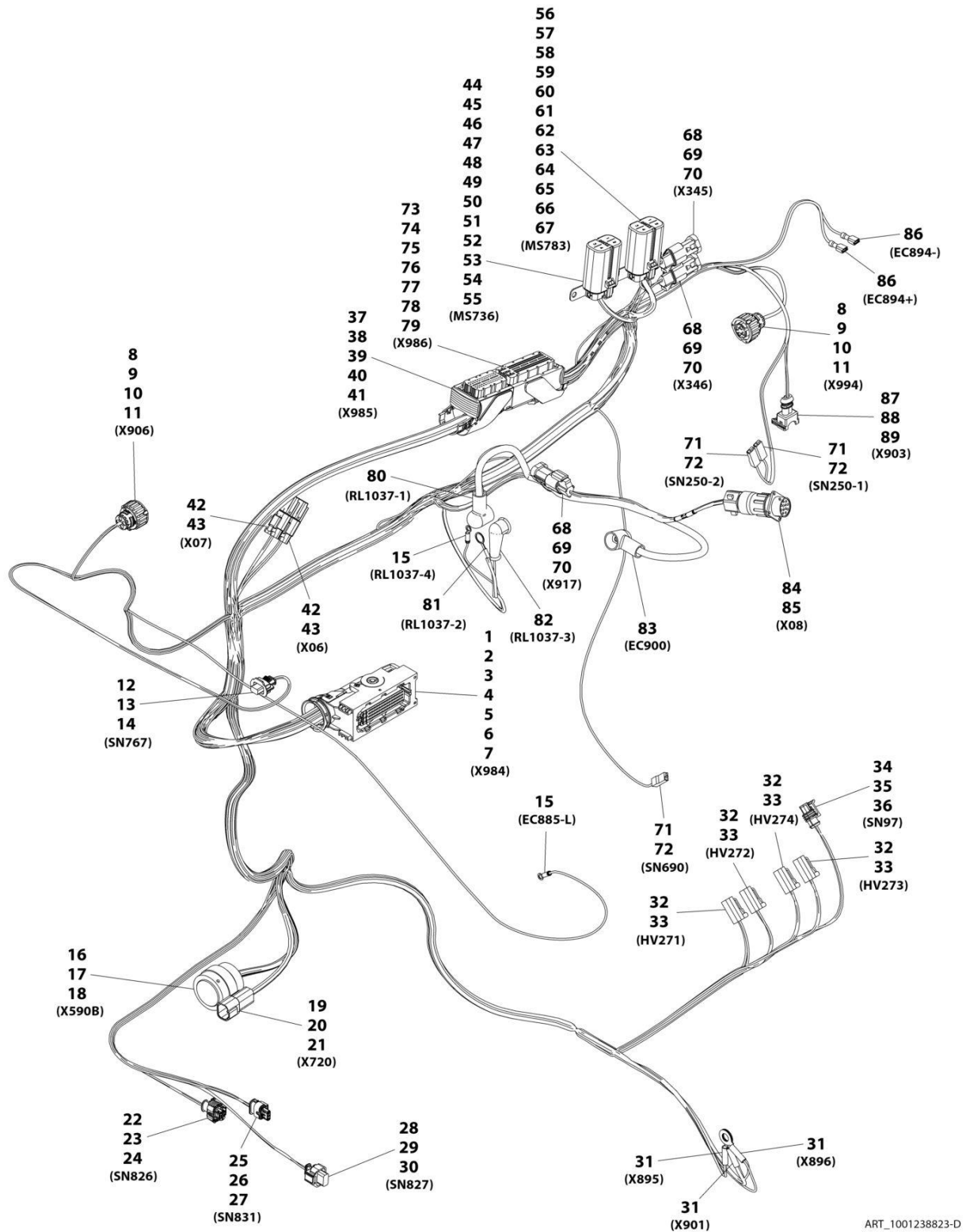
ITEM	PART NUMBER	QTY	DESCRIPTION	REV
	1001238822	Ref	Engine Harness	D
1	1001126362	1	Connector	
2	1001126363	24	Terminal	
3	1001126364	24	Terminal	
4	1001126391	22	Terminal	
5	1001126392	10	Terminal	
6	1001126393	10	Terminal	
7	4461008	4	Terminal	
8	1001126365	2	Terminal	
9	4461054	2	Terminal	
10	1001133714	1	Connector	
11	1001133715	3	Terminal	
12	1001135651	1	Terminal	
13	4460247	1	Connector	
14	1001116811	1	Connector	
15	4460508	3	Terminal	
16	4460466	1	Terminal	
17	1001147923	1	Connector	
18	4460465	15	Terminal	
19	4460466	8	Terminal	
20	1001117110	1	Connector	
21	4460891	1	Connector	
22	1001116692	2	Terminal	
23	4461118	1	Connector	
24	1001116697	2	Terminal	
25	1001104498	2	Terminal	
26	1001126360	1	Connector	
27	1001126357	10	Terminal	
28	1001126351	13	Terminal	
29	1001126356	20	Terminal	
30	1001126384	17	Terminal	
31	4460891	1	Connector	
32	4460944	2	Terminal	
33	80484081	1	Connector	
34	1001129286	1	Terminal	
35	1001184548	1	Bracket	
36	8229247	1	Fuse	
37	1001242866	1	Relay	
38	4460748	2	Terminal	
39	8220125	4	Terminal	
40	4460789	4	Terminal	
41	1001116747	1	Terminal	
42	4460458	1	Terminal	
43	1001116728	1	Terminal	
44	1001175265	1	Terminal	
45	80484081	1	Connector	
46	1001129286	1	Terminal	
47	1001184548	1	Bracket	

SECTION 10 - ELECTRICAL

ITEM	PART NUMBER	QTY	DESCRIPTION	REV
48	1001129285	1	Diode	
49	8229242	1	Fuse	
50	8229244	1	Fuse	
51	1001116728	3	Terminal	
52	1001116747	3	Terminal	
53	8220125	2	Terminal	
54	1001175265	3	Terminal	
55	4460458	3	Terminal	
56	4460789	2	Terminal	
57	4461095	1	Connector	
58	4460944	2	Terminal	
59	4460466	1	Terminal	
60	1001116995	1	Connector	
61	1001118379	1	Terminal	
62	1001126349	1	Connector	
63	1001126352	6	Terminal	
64	1001126353	6	Terminal	
65	1001126357	2	Terminal	
66	1001126356	60	Terminal	
67	1001126384	24	Terminal	
68	1001126351	2	Terminal	
69	8220115	1	Connector	
70	4460256	1	Connector	
71	4460042	1	Connector	
72	4460247	1	Connector	
73	4461095	1	Connector	
74	4460465	2	Terminal	
75	4460466	1	Terminal	
76	1001138592	1	Connector	
77	1001138155	1	Connector	
78	1001134581	1	Terminal	
79	1001134351	1	Terminal	
80	4461071	7	Terminal	
81	8220051	1	Connector	
82	1001133714	1	Connector	
83	1001133715	3	Terminal	
84	1001135650	3	Terminal	
85	1001135651	1	Terminal	
86	1001116983	1	Connector	
87	1001166707	2	Terminal	
88	1001137578	2	Terminal	
89	1001116995	1	Connector	
90	1001236622	1	Terminal	
91	1001116995	1	Connector	
92	1001118379	1	Terminal	

SECTION 10 - ELECTRICAL

FIGURE 10-50. ENGINE HARNESS (SN E160000342 through E160000496, Including E160000328, E160000329, E160000330, E160000331, E160000332 and E160000336)



ART_1001238823-D

SECTION 10 - ELECTRICAL

FIGURE 10-50. ENGINE HARNESS (SN E160000342 through E160000496, Including E160000328, E160000329, E160000330, E160000331, E160000332 and E160000336)

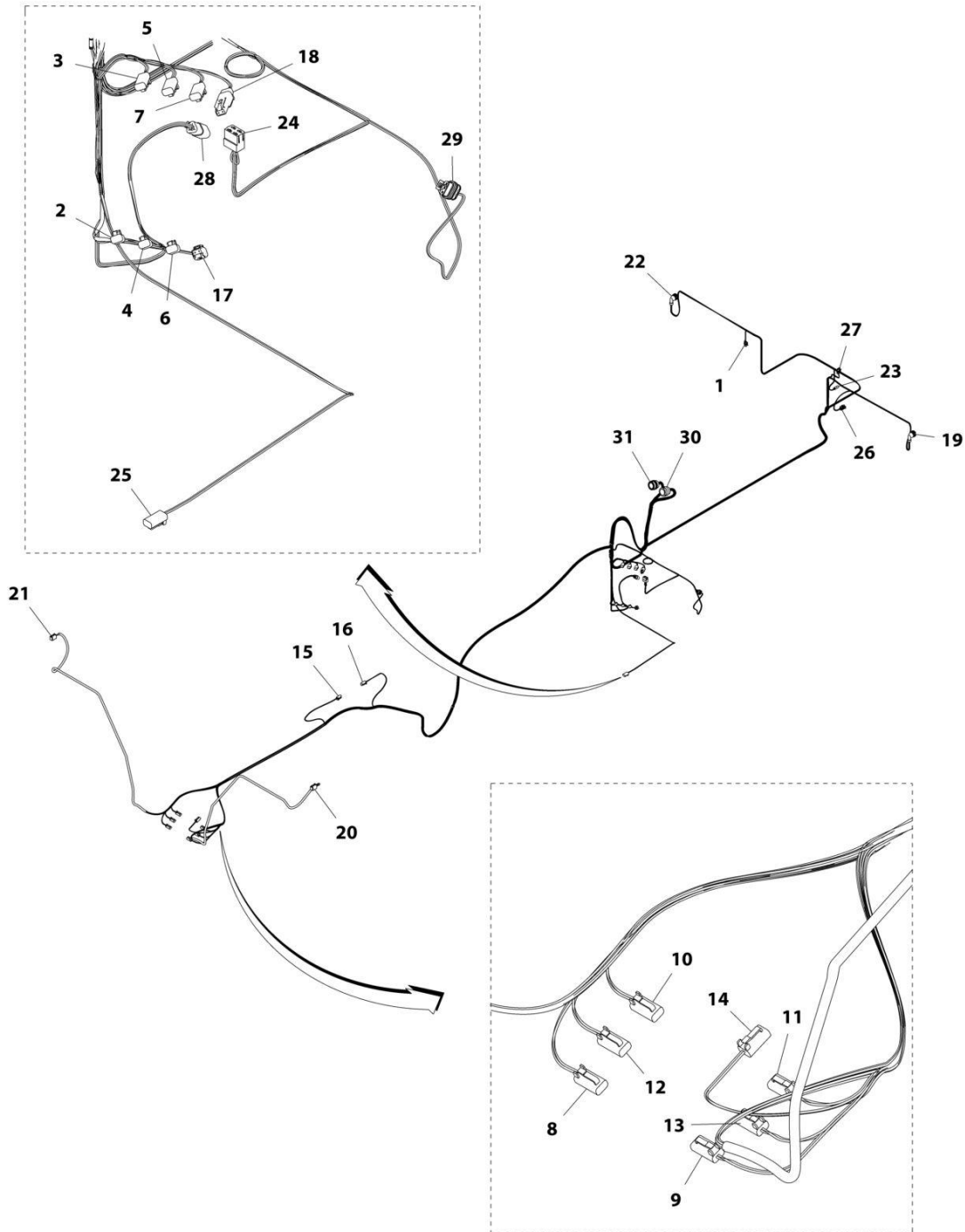
ITEM	PART NUMBER	QTY	DESCRIPTION	REV
	1001238823	Ref	Engine Harness	D
8	1001133714	2	Connector	
9	1001133715	3	Terminal	
10	1001135650	3	Seal	
11	1001135651	1	Terminal	
12	1001167674	1	Connector	
13	1001126484	2	Terminal	
14	1001126485	2	Seal	
15	4460247	2	Connector	
16	1001147923	1	Connector	
17	4460465	15	Terminal	
18	4460466	8	Terminal	
19	1001116811	1	Connector	
20	4460508	3	Terminal	
21	4460466	1	Terminal	
22	1001239733	1	Connector	
23	1001126484	2	Terminal	
24	1001126485	2	Seal	
25	1001247948	1	Connector	
26	1001247955	3	Terminal	
27	1001247969	3	Seal	
28	1001167679	1	Connector	
29	1001126484	2	Terminal	
30	1001126485	2	Seal	
31	1001117110	1	Terminal Ring	
32	4460891	4	Connector	
33	1001116692	2	Terminal	
34	4461118	1	Connector	
35	1001116697	2	Terminal	
36	1001104498	2	Seal	
37	1001126360	1	Connector	
38	1001126357	11	Terminal	
39	1001126351	13	Terminal	
40	1001126356	10	Terminal	
41	1001126384	26	Terminal	
42	4460891	4	Connector	
43	4460465	2	Terminal	
44	80484081	1	Connector	
45	1001129286	1	Terminal	
46	1001184548	1	Bracket	
47	1001129285	1	Diode	
48	8229242	1	Fuse	
49	8229244	1	Fuse	
50	1001116728	3	Terminal	
51	1001175265	3	Seal	
52	1001116747	3	Terminal	
53	4460458	3	Seal	
54	8220125	2	Terminal	
55	4460789	2	Seal	

SECTION 10 - ELECTRICAL

ITEM	PART NUMBER	QTY	DESCRIPTION	REV
56	80484081	1	Connector	
57	1001129286	1	Terminal	
58	1001184548	1	Bracket	
59	8229247	1	Fuse	
60	1001242866	1	Relay	
61	4460748	2	Terminal	
62	8220125	3	Terminal	
63	4460789	3	Seal	
64	1001116747	1	Terminal	
65	4460458	1	Seal	
66	4460746	2	Terminal	
67	8220079	2	Seal	
68	4461095	3	Connector	
69	4460944	2	Terminal	
70	4460466	1	Terminal	
71	1001116995	3	Connector	
72	1001118379	1	Terminal	
73	1001126349	1	Connector	
74	1001126352	6	Terminal	
75	1001126353	6	Seal	
76	1001126357	2	Terminal	
77	1001126356	49	Terminal	
78	1001126384	34	Terminal	
79	1001126351	3	Terminal	
80	1001117112	1	Connector	
81	4460019	1	Connector	
82	4460042	1	Connector	
83	1001148375	1	Connector	
84	1001138155	1	Connector	
85	4461071	6	Terminal	
86	8220051	2	Connector	
87	1001116983	1	Connector	
88	1001116710	2	Terminal	
89	1001137578	2	Seal	
90	1001126362	1	Connector	
91	1001126363	34	Terminal	
92	1001126364	34	Seal	
93	1001126391	10	Terminal	
94	1001126392	12	Terminal	
95	1001126393	12	Seal	
96	4461008	4	Terminal	
97	1001167632	2	Terminal	
98	1001137578	2	Seal	
99	1001187078	1	Terminal Ring	

SECTION 10 - ELECTRICAL

FIGURE 10-51. CHASSIS HARNESS (SN E16000001 through E16000141, Excluding E16000120, E16000126, 1160008774, 1160008775 and 1160008777)



ART_1001146585-E

SECTION 10 - ELECTRICAL

FIGURE 10-51. CHASSIS HARNESS (SN E16000001 through E16000141, Excluding E16000120, E16000126, 1160008774, 1160008775 and 1160008777)

ITEM	PART NUMBER	QTY	DESCRIPTION	REV
	1001146585	Ref	Chassis Harness	E
1	4461118	1	Connector	
	1001116697	2	Terminal	
	1001104498	2	Seal	
2	4460891	1	Connector	
	80604018	1	Lock, Wedge	
	4460465	2	Terminal, Socket	
3	4460891	1	Connector	
	80604018	1	Lock, Wedge	
	4460465	2	Terminal, Socket	
4	4460891	1	Connector	
	80604018	1	Lock, Wedge	
	4460465	2	Terminal, Socket	
5	4460891	1	Connector	
	80604018	1	Lock, Wedge	
	4460465	2	Terminal, Socket	
6	4460891	1	Connector	
	80604018	1	Lock, Wedge	
	4460465	2	Terminal, Socket	
7	4460891	1	Connector	
	80604018	1	Lock, Wedge	
	4460465	2	Terminal, Socket	
8	4460891	1	Connector	
	80604018	1	Lock, Wedge	
	4460465	2	Terminal, Socket	
9	4460891	1	Connector	
	80604018	1	Lock, Wedge	
	4460465	2	Terminal, Socket	
10	4460891	1	Connector	
	80604018	1	Lock, Wedge	
	4460465	2	Terminal, Socket	
11	4460891	1	Connector	
	80604018	1	Lock, Wedge	
	4460465	2	Terminal, Socket	
12	4460891	1	Connector	
	80604018	1	Lock, Wedge	
	4460465	2	Terminal, Socket	
13	4460891	1	Connector	
	80604018	1	Lock, Wedge	
	4460465	2	Terminal, Socket	
14	4460891	1	Connector	
	80604018	1	Lock, Wedge	
	4460465	2	Terminal, Socket	
15	4460891	1	Connector	
	80604018	1	Lock, Wedge	
	4460465	2	Terminal, Socket	
16	4460891	1	Connector	
	80604018	1	Lock, Wedge	
	4460465	2	Terminal, Socket	

SECTION 10 - ELECTRICAL

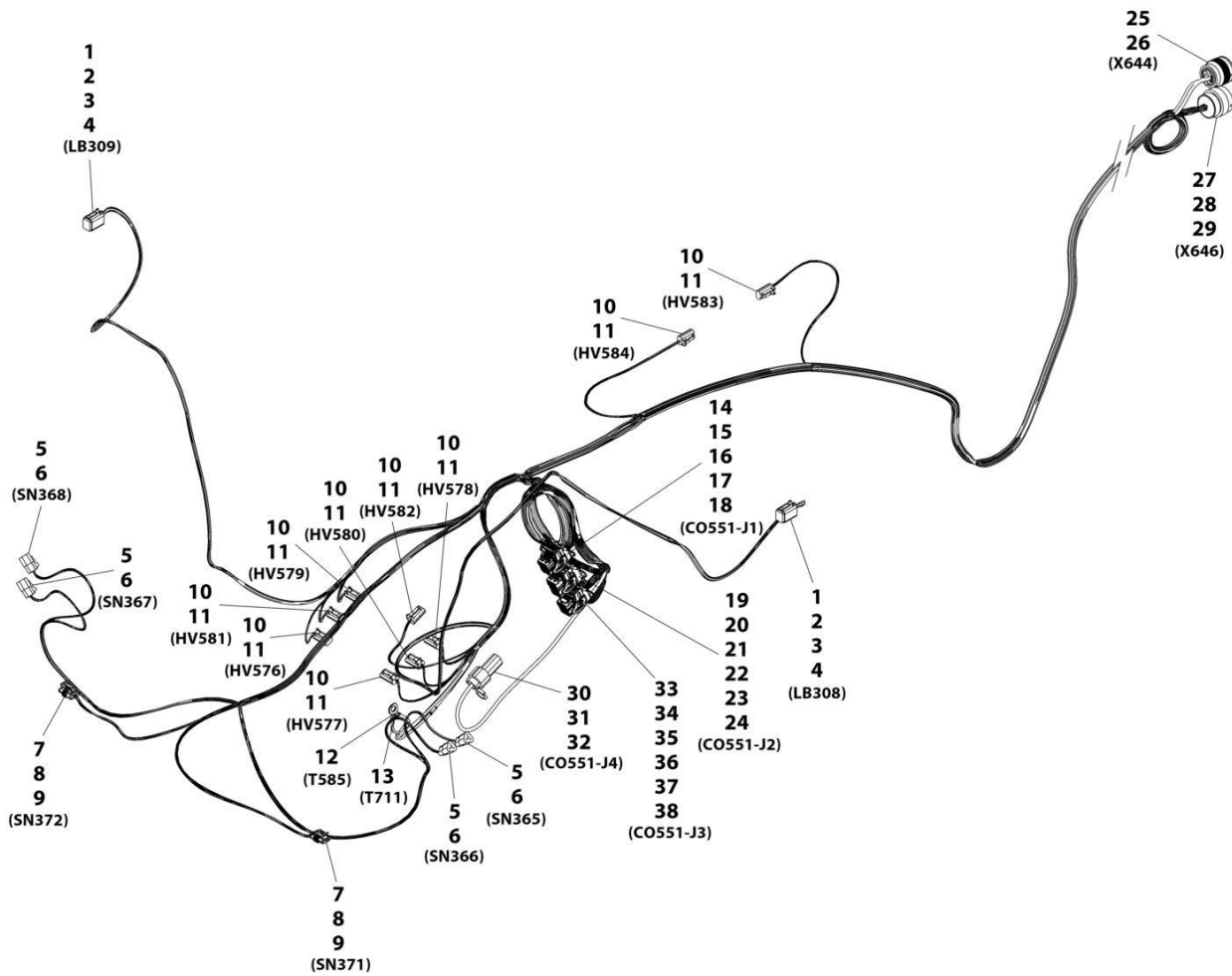
ITEM	PART NUMBER	QTY	DESCRIPTION	REV
17	4460891	1	Connector	
	80604018	1	Lock, Wedge	
	4460897	1	Connector	
	80604017	1	Lock, Wedge	
	4460466	2	Terminal, Plug	
	4460465	2	Terminal, Socket	
18	4460891	1	Connector	
	80604018	1	Lock, Wedge	
	4460897	1	Connector	
	80604017	1	Lock, Wedge	
	4460466	2	Terminal, Plug	
	4460465	2	Terminal, Socket	
19	1001116996	1	Connector	
	1001118392	1	Terminal	
	4461054	1	Seal, Wire	
	1001118393	5	Terminal	
	1001137578	5	Seal, Wire	
	4461008	1	Terminal, Cavity Plug	
20	4460894	1	Connector, Plug	
	80604023	1	Lock, Wedge	
	70020801	1	Boot	
	4460465	5	Terminal, Socket	
	4460466	1	Terminal, Plug	
	21	4460894	1	Connector, Plug
80604023		1	Lock, Wedge	
70020801		1	Boot	
4460465		5	Terminal, Socket	
4460466		1	Terminal, Plug	
22		1001116996	1	Connector
	1001118392	1	Terminal	
	4461054	1	Seal, Wire	
	1001118393	5	Terminal	
	1001137578	5	Seal, Wire	
	4461008	1	Terminal, Cavity Plug	
23	1001117133	1	Connector	
	1001104519	2	Terminal	
24	1001116986	1	Connector	
	1001104519	6	Terminal	
25	4460891	1	Connector	
	80604018	1	Lock, Wedge	
	4460465	2	Terminal, Socket	
26	4461262	1	Connector	
	1001116697	3	Terminal	
	1001104498	3	Seal	
27	4461262	1	Connector	
	1001116697	3	Terminal	
	1001104498	3	Seal	
28	4460539	1	Connector, Plug	
	77363244	1	Lock, Wedge	
	4460465	3	Terminal, Socket	
29	4461262	1	Connector	

SECTION 10 - ELECTRICAL

ITEM	PART NUMBER	QTY	DESCRIPTION	REV
30	1001116697	2	Terminal	
	1001104498	2	Seal	
	1001116698	1	Terminal, Cavity Plug	
	1001116921	1	Connector	
	4460465	27	Terminal, Socket	
31	4460466	4	Terminal, Plug	
	1001121960	1	Connector, Plug	
	4460464	30	Terminal	
	4460466	1	Terminal, Plug	

SECTION 10 - ELECTRICAL

FIGURE 10-52. FRONT FRAME HARNESS (SN E160000141 through E160000496, Including E160000120, E160000126, 1160008774, 1160008775 and 1160008777)



ART_1001237510-E

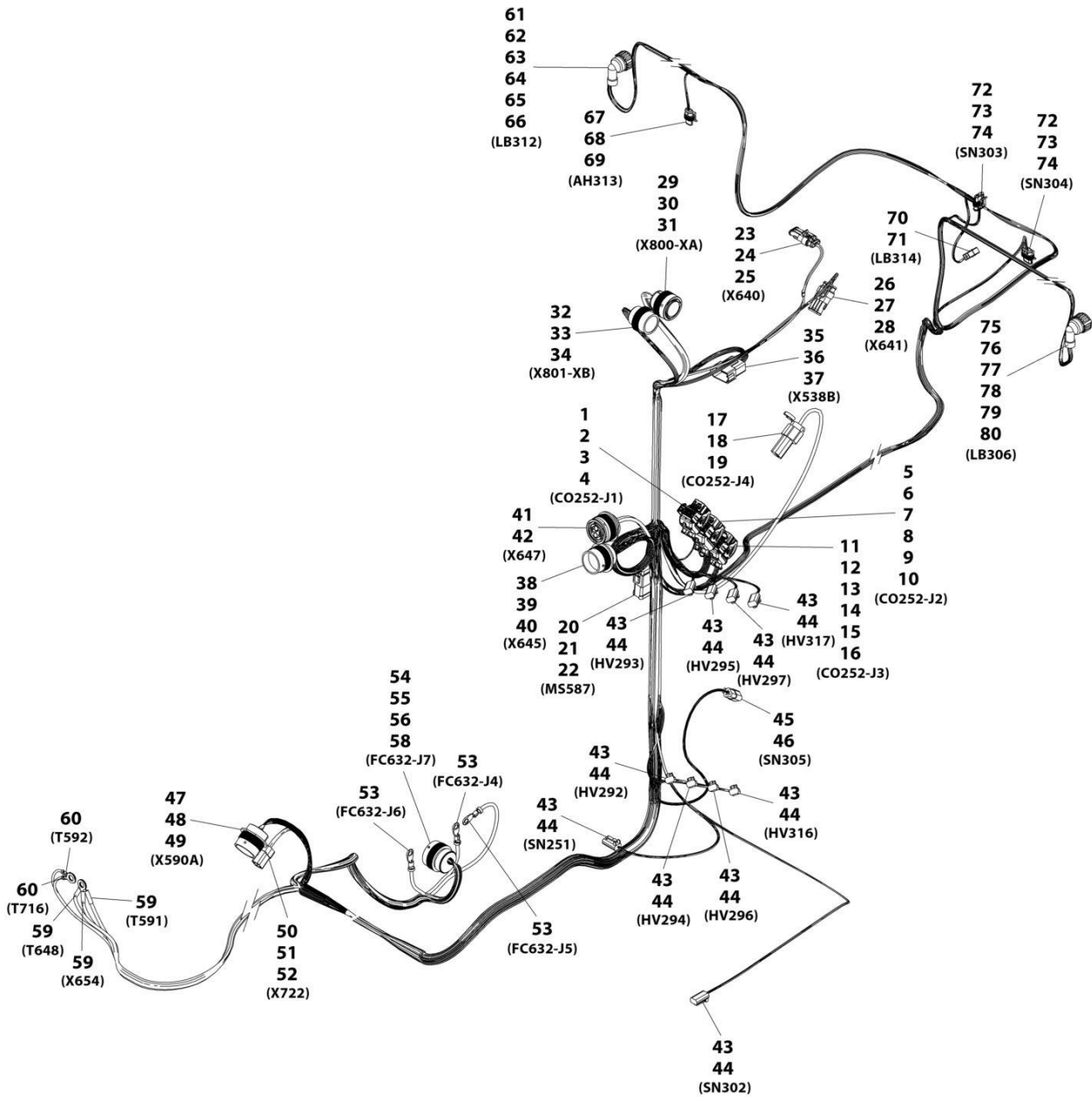
SECTION 10 - ELECTRICAL

FIGURE 10-52. FRONT FRAME HARNESS (SN E160000141 through E160000496, Including E160000120, E160000126, 1160008774, 1160008775 and 1160008777)

ITEM	PART NUMBER	QTY	DESCRIPTION	REV
	1001237510	Ref	Front Frame Harness	E
1	4460894	1	Connector	
2	4460942	1	Terminal	
3	4460465	4	Terminal	
4	4460466	1	Terminal	
5	4460539	1	Connector	
6	4460465	3	Terminal	
7	4461262	1	Connector	
8	1001116697	3	Terminal	
9	1001104498	3	Terminal	
10	4460891	1	Connector	
11	4460465	2	Terminal	
12	1001187079	1	Connector	
13	1001187080	1	Connector	
14	1001161957	1	Connector	
15	1001161095	14	Terminal	
16	1001161100	11	Terminal	
17	1001161101	5	Terminal	
18	1001161099	2	Terminal	
19	1001161963	1	Connector	
20	1001161095	18	Terminal	
21	1001161100	22	Terminal	
22	1001161099	3	Terminal	
23	1001161101	3	Terminal	
24	1001161098	2	Terminal	
25	1001165310	1	Connector	
26	91013192	2	Terminal	
27	1001147923	1	Connector	
28	4460465	21	Terminal	
29	4460466	2	Terminal	
30	1001160509	1	Connector	
31	1001160510	1	Terminal	
32	1001175266	1	Terminal	
33	1001160509	1	Connector	
34	1001161095	13	Terminal	
35	1001161100	11	Terminal	
36	1001161099	4	Terminal	
37	1001161098	3	Terminal	
38	1001161101	1	Terminal	

SECTION 10 - ELECTRICAL

FIGURE 10-53. REAR FRAME HARNESS (SN E160000141 through E160000496, Including E160000120, E160000126, 1160008774, 1160008775 and 1160008777)



ART_1001238729-F

SECTION 10 - ELECTRICAL

FIGURE 10-53. REAR FRAME HARNESS (SN E160000141 through E160000496, Including E160000120, E160000126, 1160008774, 1160008775 and 1160008777)

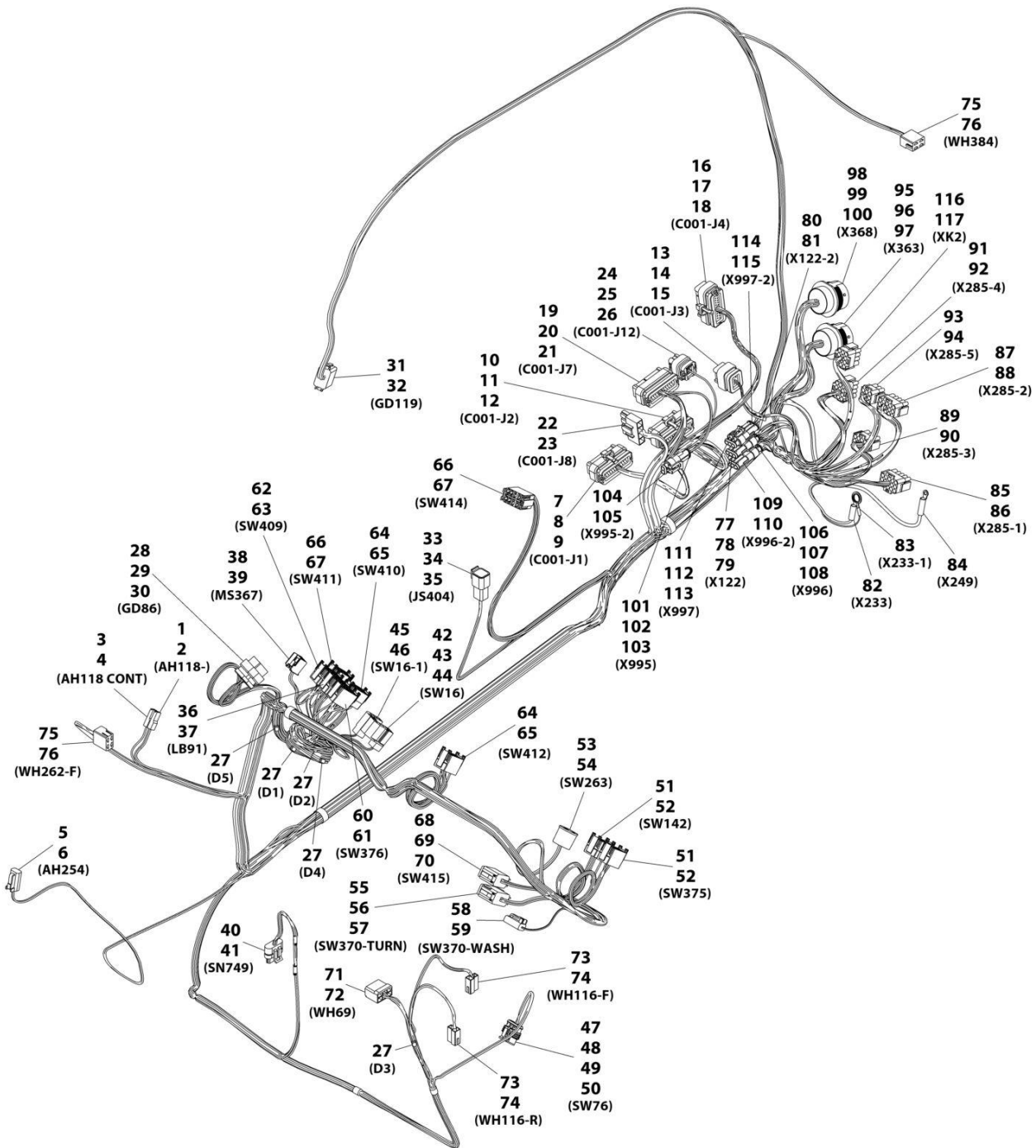
ITEM	PART NUMBER	QTY	DESCRIPTION	REV
	1001238729	Ref	Rear Frame Harness	F
1	1001161957	1	Connector	
2	1001161095	1	Terminal	
3	1001161100	23	Terminal	
4	1001161101	8	Terminal	
5	1001161963	1	Connector	
6	1001161095	22	Terminal	
7	1001161100	18	Terminal	
8	1001161099	4	Terminal	
9	1001161101	2	Terminal	
10	1001161098	2	Terminal	
11	1001160500	1	Connector	
12	1001161100	20	Terminal	
13	1001161095	4	Terminal	
14	1001161098	6	Terminal	
15	1001161099	1	Terminal	
16	1001161101	1	Terminal	
17	1001160509	1	Connector	
18	1001160510	1	Terminal	
19	1001175266	1	Terminal	
20	4460933	1	Connector	
21	4460466	6	Terminal	
22	4460465	6	Terminal	
23	4461262	1	Connector	
24	1001116697	3	Terminal	
25	1001104498	3	Terminal	
26	1001103012	1	Connector	
27	1001116697	4	Terminal	
28	1001104498	4	Terminal	
29	1001118323	1	Connector	
30	4460942	4	Terminal	
31	91013192	2	Terminal	
32	4461015	1	Connector	
33	4460465	7	Terminal	
34	4460466	7	Terminal	
35	4460970	1	Connector	
36	4460464	11	Terminal	
37	4460466	1	Terminal	
38	1001148106	1	Connector	
39	4460464	21	Terminal	
40	4460466	2	Terminal	
41	1001165311	1	Connector	
42	91013191	2	Terminal	
43	4460891	10	Connector	
44	4460465	20	Terminal	
45	4460539	1	Connector	
46	4460465	3	Terminal	
47	1001148106	1	Connector	
48	4460464	15	Terminal	

SECTION 10 - ELECTRICAL

ITEM	PART NUMBER	QTY	DESCRIPTION	REV
49	4460466	8	Terminal	
50	1001116810	1	Connector	
51	4460509	3	Terminal	
52	4460466	1	Terminal	
53	1001187075	3	Connector	
54	1001165309	1	Connector	
55	4460466	5	Terminal	
56	4460465	7	Terminal	
58	4460509	7	Terminal	
59	1001117108	3	Connector	
60	1001187079	2	Connector	
61	1001116996	1	Connector	
62	1001118392	1	Terminal	
63	4461054	1	Terminal	
64	1001118393	5	Terminal	
65	1001137578	5	Terminal	
66	4461008	1	Terminal	
67	4461118	1	Connector	
68	1001116697	2	Terminal	
69	1001104498	2	Terminal	
70	1001117133	1	Connector	
71	1001104519	2	Terminal	
72	4461262	1	Connector	
73	1001116697	3	Terminal	
74	1001104498	3	Terminal	
75	1001116996	1	Connector	
76	1001118392	1	Terminal	
77	4461054	1	Terminal	
78	1001118393	5	Terminal	
79	1001137578	5	Terminal	
80	4461008	1	Terminal	

SECTION 10 - ELECTRICAL

FIGURE 10-54. CAB HARNESS (SN 1160007024 through 1160007172, Excluding 1160007172, 1160007176, 1160007198 and 1160007201)



ART_1001143948-G

SECTION 10 - ELECTRICAL

FIGURE 10-54. CAB HARNESS (SN 1160007024 through 1160007172, Excluding 1160007172, 1160007176, 1160007198 and 1160007201)

ITEM	PART NUMBER	QTY	DESCRIPTION	REV
	1001143948	Ref	Cab Harness	G
1	1001116995	1	Connector	
	1001118379	2	Terminal	
2	1001116995	1	Connector	
	1001118379	1	Terminal	
3	4460891	1	Connector	
	80604018	1	Lock, Wedge	
	1001116692	2	Terminal, Socket	
4	4460874	1	Connector	
	4460871	10	Terminal, Socket	
	4460905	25	Terminal, Cavity Plug	
5	4460872	1	Connector	
	4460905	9	Terminal, Cavity Plug	
	4460871	5	Terminal, Socket	
6	1001113961	1	Connector	
	4460871	1	Terminal, Socket	
	4460905	7	Terminal, Cavity Plug	
7	4460875	1	Connector	
	4460905	14	Terminal, Cavity Plug	
	4460871	21	Terminal, Socket	
8	4460876	1	Connector	
	4460905	22	Terminal, Cavity Plug	
	4460871	13	Terminal, Socket	
9	4460873	1	Connector	
	4460905	23	Terminal, Cavity Plug	
	4460871	12	Terminal, Socket	
10	4460878	1	Connector	
	4460887	2	Terminal	
11	3990010	1	Diode	
12	3990010	1	Diode	
13	3990010	1	Diode	
14	3990010	1	Diode	
15	3990010	1	Diode	
16	4460872	1	Connector	
	4460871	9	Terminal, Socket	
	4460905	5	Terminal, Cavity Plug	
17	4460930	1	Connector, Plug	
	80604025	1	Lock, Wedge	
	1001098570	1	Magnet	
	1001116692	8	Terminal, Socket	
18	4461217	1	Connector	
	70020823	1	Lock, Wedge	
	1001126010	4	Terminal, Pin	
	4460518	2	Terminal, Plug	
19	1001145234	1	Connector	
	1001104519	6	Terminal	
20	1001118684	1	Connector	
	1001116754	1	Terminal	
21	1001117064	NLA	Connector, (no longer available, use 1001230931 for replacement)	

SECTION 10 - ELECTRICAL

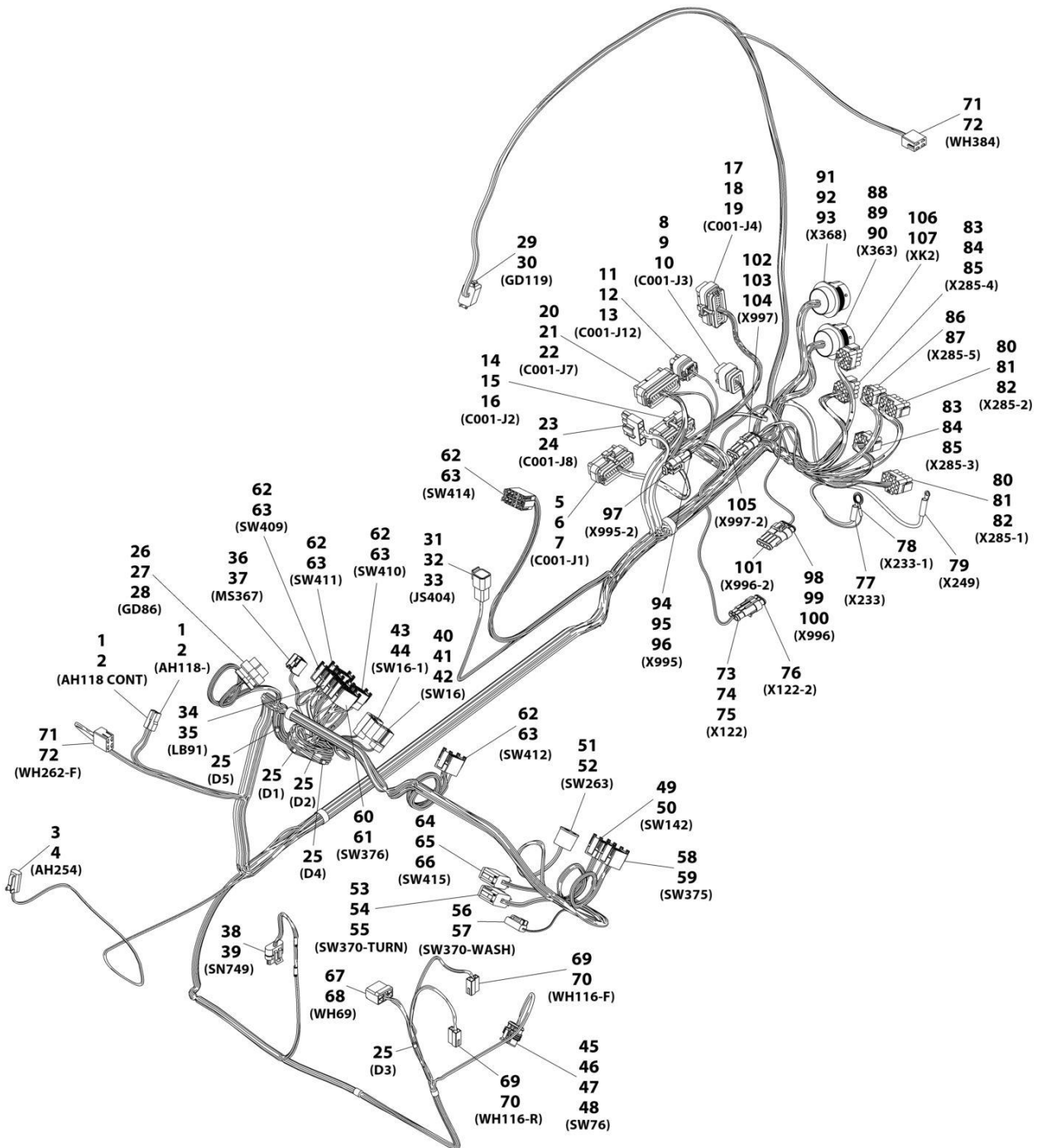
ITEM	PART NUMBER	QTY	DESCRIPTION	REV
	1001230931	1	Connector	
	91554014	NLA	Terminal, (no longer available, use 1001116748 for replacement)	
	1001116748	6	Terminal	
22	1001118685	1	Connector	
	1001104519	1	Terminal	
	1001118383	1	Terminal	
23	1001117121	1	Connector	
	1001104519	2	Terminal	
24	1001103012	1	Connector	
	1001116698	2	Terminal, Cavity Plug	
	1001116697	2	Terminal	
	1001104498	2	Seal	
25	1001145234	1	Connector	
	1001104519	8	Terminal	
26	1001153337	1	Connector	
	1001104519	4	Terminal	
27	4460933	1	Connector, Plug	
	80604016	1	Lock, Wedge	
	1001116692	10	Terminal, Socket	
	4460466	2	Terminal, Plug	
28	4460891	1	Connector	
	80604018	1	Lock, Wedge	
	1001116692	2	Terminal, Socket	
29	1001145234	1	Connector	
	1001104519	7	Terminal	
30	1001145234	1	Connector	
	1001104519	13	Terminal	
31	1001145234	1	Connector	
	1001104519	6	Terminal	
32	1001145234	1	Connector	
	1001104519	12	Terminal	
33	1001145234	1	Connector	
	1001104519	8	Terminal	
34	1001145234	1	Connector	
	1001104519	11	Terminal	
35	1001145234	1	Connector	
	1001104519	8	Terminal	
36	4460930	1	Connector, Plug	
	80604025	1	Lock, Wedge	
	1001116692	7	Terminal, Socket	
	4460466	1	Terminal, Plug	
37	1001116997	1	Connector	
	1001104519	5	Terminal	
38	4460994	1	Connector	
	1001104519	3	Terminal	
39	4460994	1	Connector	
	1001104519	3	Terminal	
40	1001116986	1	Connector	
	1001104519	4	Terminal	
41	1001116986	1	Connector	
	1001104519	4	Terminal	

SECTION 10 - ELECTRICAL

ITEM	PART NUMBER	QTY	DESCRIPTION	REV
42	4461119	1	Connector	
	1001104497	3	Terminal, Pin	
	1001104498	3	Seal	
43	4461262	1	Connector	
	1001116698	3	Terminal, Cavity Plug	
44	8220164	1	Terminal, Ring	
45	4460703	1	Terminal, Ring	
46	8220022	1	Terminal, Ring	
47	4460434	1	Connector	
	4460268	13	Terminal, Socket	
48	4460434	1	Connector	
	1001118378	11	Terminal	
49	4460343	1	Connector	
	4460268	12	Terminal, Socket	
50	4460343	1	Connector	
	1001118378	11	Terminal	
51	4460265	1	Connector, Plug	
	4460268	7	Terminal, Socket	
52	1001121961	1	Connector, Plug	
	4460265	30	Connector, Plug	
	4460266	1	Connector	
53	1001148106	1	Connector	
	4460464	19	Terminal	
	4460466	4	Terminal, Plug	
54	4461227	1	Connector	
	1001104497	2	Terminal, Pin	
	1001104498	2	Seal	
55	4461118	1	Connector	
	1001116698	2	Terminal, Cavity Plug	
56	1001103012	1	Connector	
	1001116697	4	Terminal	
	1001104498	4	Seal	
57	1001103013	1	Connector	
	1001116698	4	Terminal, Cavity Plug	
58	4461262	1	Connector	
	1001116697	3	Terminal	
	1001104498	3	Seal	
59	4461119	1	Connector	
	1001116698	3	Terminal, Cavity Plug	
60	4460343	1	Connector	
	4460268	7	Terminal, Socket	

SECTION 10 - ELECTRICAL

FIGURE 10-55. CAB HARNESS (SN E16000001 through E16000141, Excluding E16000120, E16000126, 1160008774, 1160008775 and 1160008777)



ART_1001172542-D

SECTION 10 - ELECTRICAL

FIGURE 10-55. CAB HARNESS (SN E16000001 through E160000141, Excluding E160000120, E160000126, 1160008774, 1160008775 and 1160008777)

ITEM	PART NUMBER	QTY	DESCRIPTION	REV
	1001172542	Ref	Cab Harness	D
1	1001116995	1	Connector	
2	1001118379	3	Terminal	
3	4460891	1	Connector	
4	1001116692	2	Terminal	
5	4460874	1	Connector	
6	4460871	10	Terminal	
7	4460905	25	Terminal	
8	4460872	1	Connector	
9	4460905	9	Plug	
10	4460871	5	Terminal	
11	1001113961	1	Connector	
12	4460871	1	Terminal	
13	4460905	7	Plug	
14	4460875	1	Connector	
15	4460905	14	Plug	
16	4460871	21	Terminal	
17	4460876	1	Connector	
18	4460905	22	Plug	
19	4460871	13	Terminal	
20	4460873	1	Connector	
21	4460905	23	Plug	
22	4460871	12	Terminal	
23	4460878	1	Connector	
24	1001237383	2	Terminal	
25	3990010	5	Connector	
26	4460872	1	Connector	
27	4460871	9	Terminal	
28	4460905	5	Plug	
29	4460930	1	Connector	
30	1001116692	8	Terminal	
31	4461217	1	Connector	
32	1001126010	4	Terminal	
33	4460518	2	Plug	
34	1001145234	1	Connector	
35	1001104519	5	Terminal	
36	1001118684	1	Connector	
37	1001116754	2	Terminal	
38	1001230931	1	Connector	
39	1001116748	6	Terminal	
40	1001118685	1	Connector	
41	1001104519	1	Terminal	
42	1001118383	1	Terminal	
43	1001117121	1	Connector	
44	1001104519	2	Terminal	
45	1001103012	1	Connector	
46	1001116698	2	Plug	
47	1001116697	2	Terminal	
48	1001104498	2	Seal	

SECTION 10 - ELECTRICAL

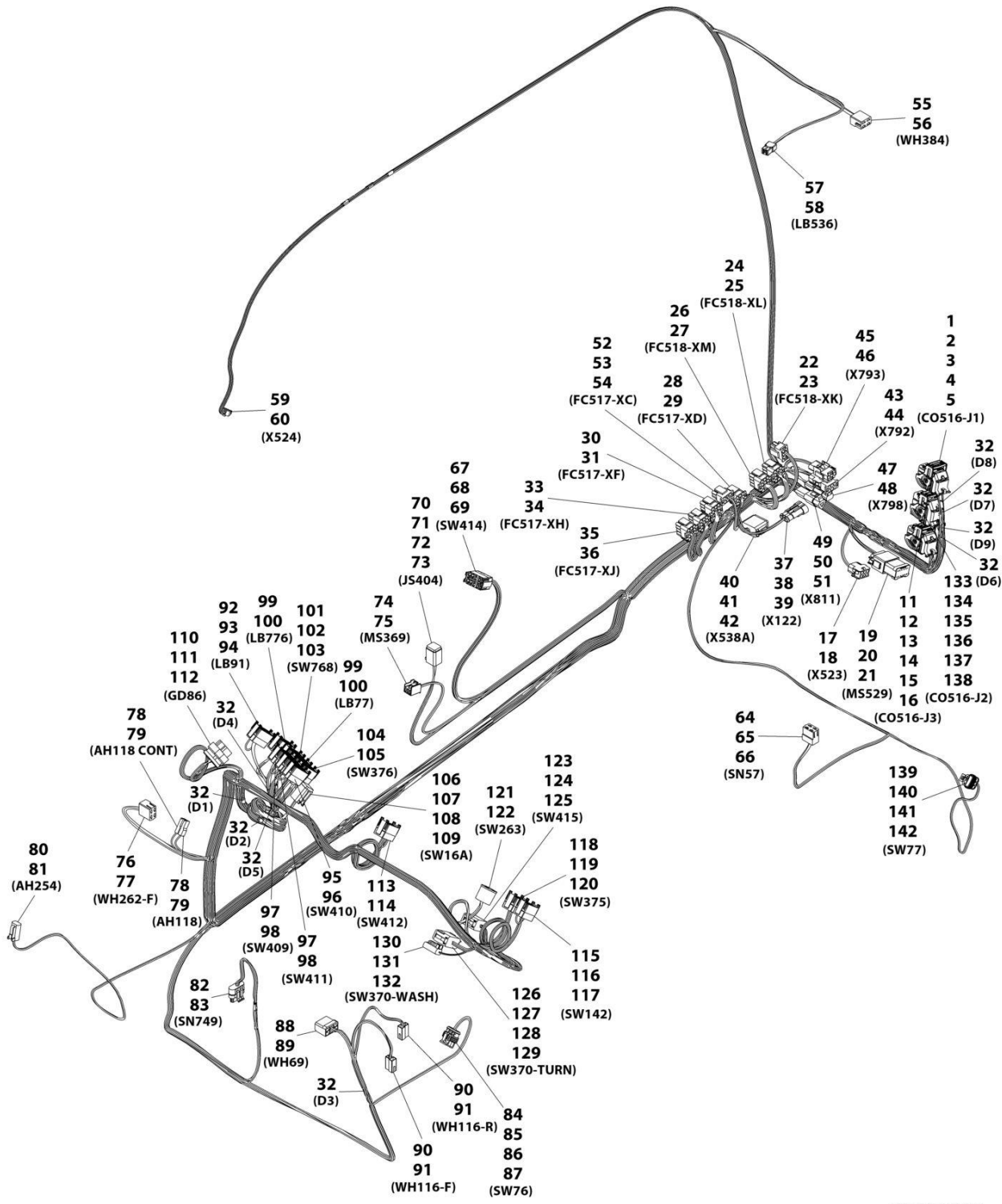
ITEM	PART NUMBER	QTY	DESCRIPTION	REV
49	1001145234	1	Connector	
50	1001104519	8	Terminal	
51	1001153337	1	Connector	
52	1001104519	4	Terminal	
53	4460933	1	Connector	
54	1001116692	10	Terminal	
55	4460466	2	Terminal	
56	4460891	1	Connector	
57	1001116692	2	Terminal	
58	1001145234	1	Connector	
59	1001104519	7	Terminal	
60	1001145234	1	Connector	
61	1001104519	13	Terminal	
62	1001145234	1	Connector	
63	1001104519	47	Terminal	
64	4460930	1	Connector	
65	1001116692	7	Terminal	
66	4460466	1	Terminal	
67	1001116997	1	Connector	
68	1001104519	5	Terminal	
69	4460994	1	Connector	
70	1001104519	6	Terminal	
71	1001116986	1	Connector	
72	1001104519	8	Terminal	
73	4461119	1	Connector	
74	1001104497	3	Terminal	
75	1001104498	3	Seal	
76	4461262	1	Connector	
77	8220164	1	Connector	
78	4460703	1	Connector	
79	8220022	1	Connector	
80	4460434	1	Connector	
81	4460268	13	Terminal	
82	1001118378	11	Terminal	
83	4460343	1	Connector	
84	4460268	12	Terminal	
85	1001118378	12	Terminal	
86	4460265	1	Connector	
87	4460268	7	Terminal	
88	1001121961	1	Connector	
89	4460465	30	Terminal	
90	4460466	1	Terminal	
91	1001148106	1	Connector	
92	4460464	19	Terminal	
93	4460466	4	Terminal	
94	4461227	1	Connector	
95	1001104497	2	Terminal	
96	1001104498	2	Seal	
97	4461118	1	Connector	
98	1001103012	1	Connector	
99	1001116697	4	Terminal	

SECTION 10 - ELECTRICAL

ITEM	PART NUMBER	QTY	DESCRIPTION	REV
100	1001104498	4	Seal	
101	1001103013	1	Connector	
102	4461262	1	Connector	
103	1001116697	3	Terminal	
104	1001104498	3	Seal	
105	4461119	1	Connector	
106	4460343	1	Connector	
107	4460268	7	Terminal	

SECTION 10 - ELECTRICAL

FIGURE 10-56. CAB HARNESS (SN E160000141 through E160000341, Including E160000120, E160000126, 1160008774, 1160008775 and 1160008777, Excluding E160000328, E160000329, E160000330, E160000331, E160000332 and E160000336)



ART_1001237509-F

SECTION 10 - ELECTRICAL

FIGURE 10-56. CAB HARNESS (SN E160000141 through E160000341, Including E160000120, E160000126, 1160008774, 1160008775 and 1160008777, Excluding E160000328, E160000329, E160000330, E160000331, E160000332 and E160000336)

ITEM	PART NUMBER	QTY	DESCRIPTION	REV
	1001237509	Ref	Cab Harness	F
1	1001160497	1	Connector	
2	1001161100	11	Terminal	
3	1001161095	13	Terminal	
4	1001161098	7	Terminal	
5	1001161101	1	Terminal	
11	1001161960	1	Connector	
12	1001161100	11	Terminal	
13	1001161097	6	Terminal	
14	1001161095	7	Terminal	
15	1001161098	1	Terminal	
16	1001161101	7	Terminal	
17	4460224	1	Connector	
18	4460267	4	Terminal	
19	4460933	1	Connector	
20	4460465	8	Terminal	
21	4460466	4	Terminal	
22	4460225	1	Connector	
23	4460267	4	Terminal	
24	4460343	1	Connector	
25	4460268	7	Terminal	
26	4460343	1	Connector	
27	4460267	7	Terminal	
28	4460265	1	Connector	
29	4460268	6	Terminal	
30	4460434	1	Connector	
31	4460268	12	Terminal	
32	3990010	5	Connector	
33	4460343	1	Connector	
34	4460268	9	Terminal	
35	4460343	1	Connector	
36	4460267	12	Terminal	
37	4461119	1	Connector	
38	1001104497	3	Terminal	
39	1001104498	3	Terminal	
40	4460933	1	Connector	
41	4460465	11	Terminal	
42	4460466	1	Terminal	
43	4460224	1	Connector	
44	4460268	5	Terminal	
45	4460445	1	Connector	
46	4460268	4	Terminal	
47	4460897	1	Connector	
48	4460941	2	Terminal	
49	4460536	1	Connector	
50	4460464	2	Terminal	
51	4460466	1	Terminal	
52	4460225	1	Connector	

SECTION 10 - ELECTRICAL

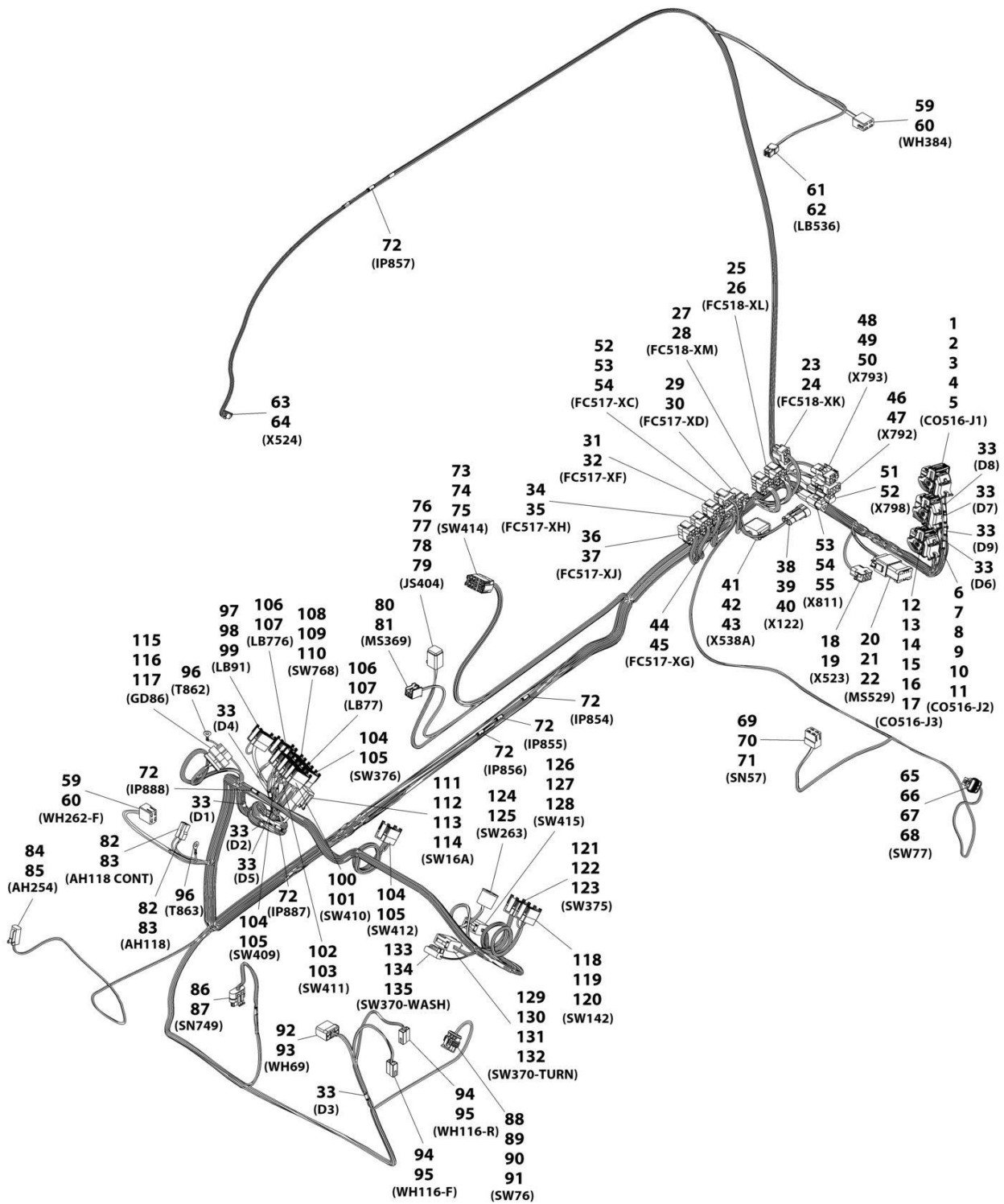
ITEM	PART NUMBER	QTY	DESCRIPTION	REV
53	1001116698	4	Terminal	
54	4460267	2	Terminal	
55	1001116986	1	Connector	
56	1001104519	4	Terminal	
57	1001116991	1	Connector	
58	1001118384	2	Terminal	
59	1001150735	1	Connector	
60	1001150737	8	Terminal	
64	1001116986	1	Connector	
65	1001104519	5	Terminal	
66	1001223455	1	Terminal	
67	1001145234	1	Connector	
68	1001223455	2	Terminal	
69	1001104519	6	Terminal	
70	4460894	1	Connector	
71	4460465	3	Terminal	
72	4460466	1	Terminal	
73	4460944	2	Terminal	
74	1001118684	1	Connector	
75	1001116754	2	Terminal	
76	1001116986	1	Connector	
77	1001104519	4	Terminal	
78	1001116995	2	Connector	
79	1001118379	2	Terminal	
80	4460891	1	Connector	
81	4460465	2	Terminal	
82	1001230931	1	Connector	
83	1001116748	6	Terminal	
84	1001103012	1	Connector	
85	1001116698	2	Terminal	
86	1001116697	2	Terminal	
87	1001104498	2	Terminal	
88	1001116997	1	Connector	
89	1001104519	5	Terminal	
90	4460994	2	Connector	
91	1001104519	6	Terminal	
92	1001145234	1	Connector	
93	1001223455	1	Terminal	
94	1001104519	5	Terminal	
95	1001145234	1	Connector	
96	1001104519	14	Terminal	
97	1001145234	2	Connector	
98	1001104519	20	Terminal	
99	1001145234	2	Connector	
100	1001104519	8	Terminal	
101	1001145234	1	Connector	
102	1001223455	3	Terminal	
103	1001104519	3	Terminal	
104	1001145234	1	Connector	
105	1001104519	11	Terminal	
106	4460894	1	Connector	

SECTION 10 - ELECTRICAL

ITEM	PART NUMBER	QTY	DESCRIPTION	REV
107	4460942	2	Terminal	
108	4460465	1	Terminal	
109	4460466	3	Terminal	
110	4460872	1	Connector	
111	4460871	7	Terminal	
112	4460905	7	Terminal	
113	1001145234	1	Connector	
114	1001104519	11	Terminal	
115	1001145234	1	Connector	
116	1001104519	8	Terminal	
117	1001223455	3	Terminal	
118	1001145234	1	Connector	
119	1001223455	1	Terminal	
120	1001104519	6	Terminal	
121	1001153337	1	Connector	
122	1001104519	4	Terminal	
123	4460930	1	Connector	
124	4460465	7	Terminal	
125	4460466	1	Terminal	
126	4460933	1	Connector	
127	4460942	5	Terminal	
128	4460465	5	Terminal	
129	4460466	2	Terminal	
130	4460891	1	Connector	
131	4460942	1	Terminal	
132	4460462	1	Terminal	
133	1001160501	1	Connector	
134	1001161095	15	Terminal	
135	1001161100	25	Terminal	
136	1001161098	5	Terminal	
137	1001161099	2	Terminal	
138	1001161101	1	Terminal	
139	4461262	1	Connector	
140	1001107854	2	Terminal	
141	1001116698	1	Terminal	
142	1001104498	2	Seal	

SECTION 10 - ELECTRICAL

FIGURE 10-57. CAB HARNESS (SN E16000342 through E16000496, Including E16000328, E16000329, E16000330, E16000331, E16000332 and E16000336)



ART_1001248005-C

SECTION 10 - ELECTRICAL

FIGURE 10-57. CAB HARNESS (SN E160000342 through E160000496, Including E160000328, E160000329, E160000330, E160000331, E160000332 and E160000336)

ITEM	PART NUMBER	QTY	DESCRIPTION	REV
	1001248005	Ref	Cab Harness	C
1	1001160497	1	Connector	
2	1001161095	13	Terminal	
3	1001161098	7	Terminal	
4	1001161100	11	Terminal	
5	1001161101	1	Terminal	
6	1001160501	1	Connector	
7	1001161095	15	Terminal	
8	1001161098	6	Terminal	
9	1001161099	1	Terminal	
10	1001161100	25	Terminal	
11	1001161101	1	Terminal	
12	1001161960	1	Connector	
13	1001161095	7	Terminal	
14	1001161097	6	Terminal	
15	1001161098	1	Terminal	
16	1001161100	11	Terminal	
17	1001161101	7	Terminal	
18	4460224	1	Connector	
19	4460267	4	Terminal	
20	4460933	1	Connector	
21	4460465	8	Terminal	
22	4460466	4	Terminal	
23	4460225	1	Connector	
24	4460267	4	Terminal	
25	4460343	1	Connector	
26	4460268	7	Terminal	
27	4460343	1	Connector	
28	4460267	7	Terminal	
29	4460265	1	Connector	
30	4460268	6	Terminal	
31	4460434	1	Connector	
32	4460268	12	Terminal	
33	3990010	1	Connector	
34	4460343	1	Connector	
35	4460268	9	Terminal	
36	4460343	1	Connector	
37	4460267	12	Terminal	
38	4461119	1	Connector	
39	1001104497	3	Terminal	
40	1001104498	3	Seal	
41	4460933	1	Connector	
42	4460465	11	Terminal	
43	4460466	1	Terminal	
44	4460225	1	Connector	
45	4460267	2	Terminal	
46	4460224	1	Connector	
47	4460268	5	Terminal	
48	4460445	1	Connector	

SECTION 10 - ELECTRICAL

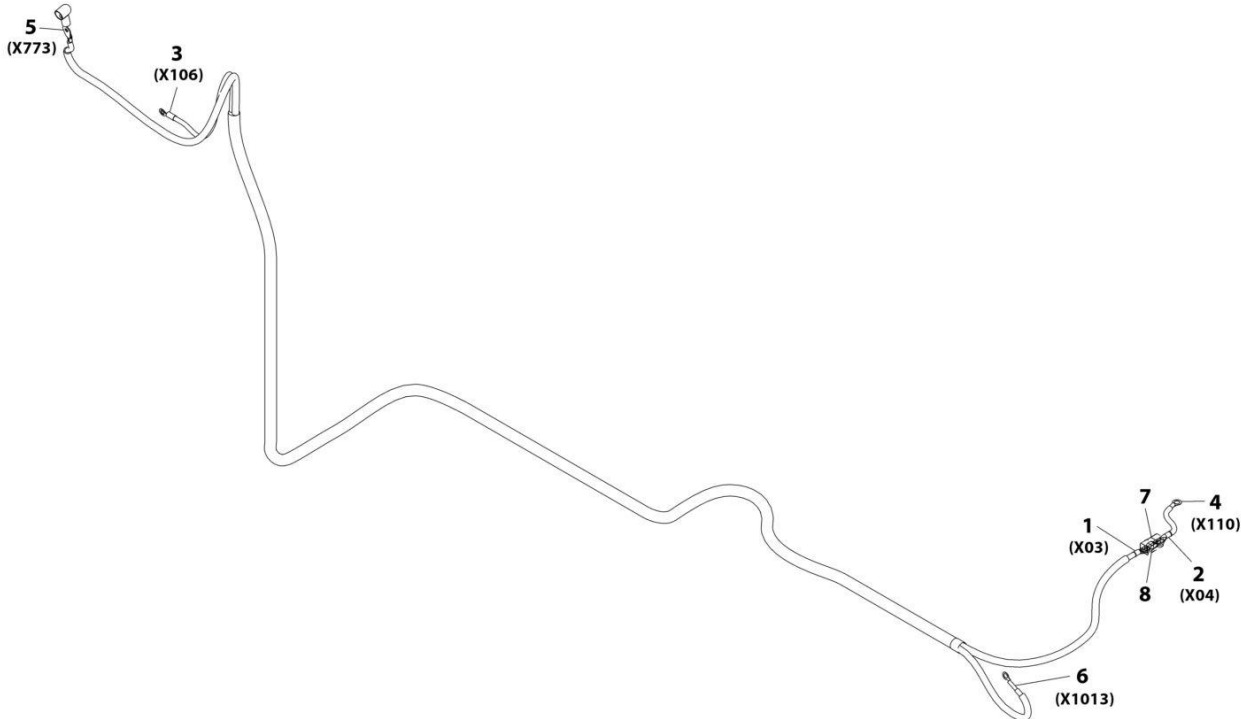
ITEM	PART NUMBER	QTY	DESCRIPTION	REV
49	4460326	1	Terminal	
50	4460268	4	Terminal	
51	4460897	1	Connector	
52	4460941	2	Terminal	
53	4460536	1	Connector	
54	4460464	2	Terminal	
55	4460466	1	Terminal	
56	4460225	1	Connector	
57	4460267	2	Terminal	
58	1001116698	4	Terminal	
59	1001116986	1	Connector	
60	1001104519	4	Terminal	
61	1001116991	1	Connector	
62	1001118384	2	Terminal	
63	1001150735	1	Connector	
64	1001150737	8	Terminal	
65	4461262	1	Connector	
66	1001107854	2	Terminal	
67	1001116698	1	Terminal	
68	1001114498	2	Seal	
69	1001116986	1	Connector	
70	1001104519	5	Terminal	
71	1001223455	1	Terminal	
72	260173	1	Connector	
73	1001145234	1	Connector	
74	1001223455	2	Terminal	
75	1001104519	6	Terminal	
76	4460894	1	Connector	
77	4460465	3	Terminal	
78	4460466	1	Terminal	
79	4460944	2	Terminal	
80	1001118684	1	Connector	
81	1001116754	2	Terminal	
82	1001116995	1	Connector	
83	1001118379	1	Terminal	
84	4460891	1	Connector	
85	4460465	2	Terminal	
86	1001230931	1	Connector	
87	1001116748	6	Terminal	
88	1001103012	1	Connector	
89	1001116698	2	Terminal	
90	1001116697	2	Terminal	
91	1001104498	2	Seal	
92	1001116997	1	Connector	
93	1001104519	5	Terminal	
94	4460994	1	Connector	
95	1001104519	3	Terminal	
96	1001187070	1	Terminal	
97	1001145234	1	Connector	
98	1001223455	1	Terminal	
99	1001104519	5	Terminal	

SECTION 10 - ELECTRICAL

ITEM	PART NUMBER	QTY	DESCRIPTION	REV
100	1001145234	1	Connector	
101	1001104519	10	Terminal	
102	1001145234	1	Connector	
103	1001104519	9	Terminal	
104	1001145234	1	Connector	
105	1001104519	11	Terminal	
106	1001145234	1	Connector	
107	1001104519	4	Terminal	
108	1001145234	1	Connector	
109	1001223455	3	Terminal	
110	1001104519	3	Terminal	
111	4460894	1	Connector	
112	4460465	1	Terminal	
113	4460466	3	Terminal	
114	4460942	2	Terminal	
115	4460872	1	Connector	
116	4460871	7	Terminal	
117	4460905	7	Terminal	
118	1001145234	1	Connector	
119	1001223455	3	Terminal	
120	1001104519	8	Terminal	
121	1001145234	1	Connector	
122	1001223455	1	Terminal	
123	1001104519	6	Terminal	
124	1001153337	1	Connector	
125	1001104519	4	Terminal	
126	4460930	1	Connector	
127	4460465	7	Terminal	
128	4460466	1	Terminal	
129	4460933	1	Connector	
130	4460942	5	Terminal	
131	4460465	5	Terminal	
132	4460466	2	Terminal	
133	4460891	1	Connector	
134	4460942	1	Terminal	
135	4460465	1	Terminal	

SECTION 10 - ELECTRICAL

FIGURE 10-58. CAB POWER HARNESS (SN E16000001 through E160000342, Excluding E160000328, E160000329, E160000330, E160000331, E160000332 and E160000336)



ART_1001147800-D

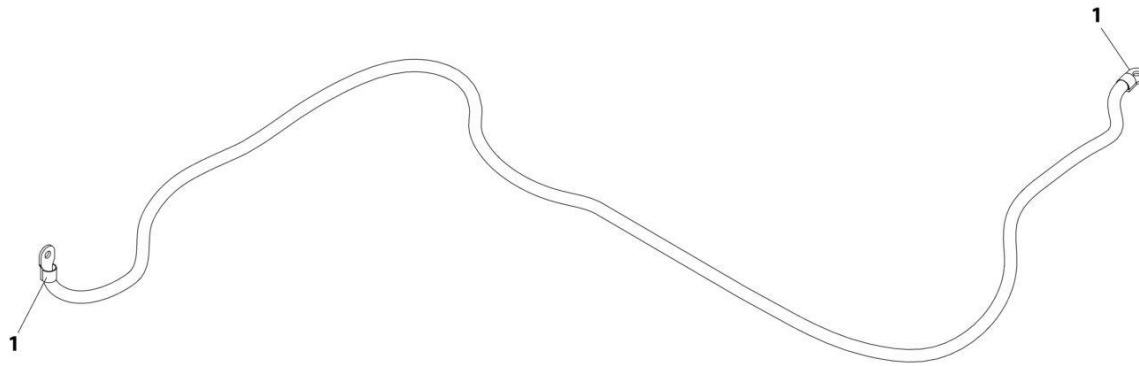
SECTION 10 - ELECTRICAL

FIGURE 10-58. CAB POWER HARNESS (SN E16000001 through E160000342, Excluding E160000328, E160000329, E160000330, E160000331, E160000332 and E160000336)

ITEM	PART NUMBER	QTY	DESCRIPTION	REV
	1001147800	Ref	Cab Power Harness	D
1	1001148375	1	Terminal, Ring	
2	1001148375	1	Terminal, Ring	
3	8220115	1	Terminal, Ring	
4	1001117112	1	Terminal, Ring	
5	1001125479	1	Terminal, Ring	
6	1001117109	1	Terminal, Ring	
7	1001125389	1	Fuse Holder	
8	1001125388	1	Fuse, 150 Amp	

SECTION 10 - ELECTRICAL

FIGURE 10-59. CAB POWER HARNESS (SN E160000342 through E160000496, Including E160000328, E160000329, E160000330, E160000331, E160000332 and E160000336)



ART_1001239533-B

SECTION 10 - ELECTRICAL

FIGURE 10-59. CAB POWER HARNESS (SN E160000342 through E160000496, Including E160000328, E160000329, E160000330, E160000331, E160000332 and E160000336)

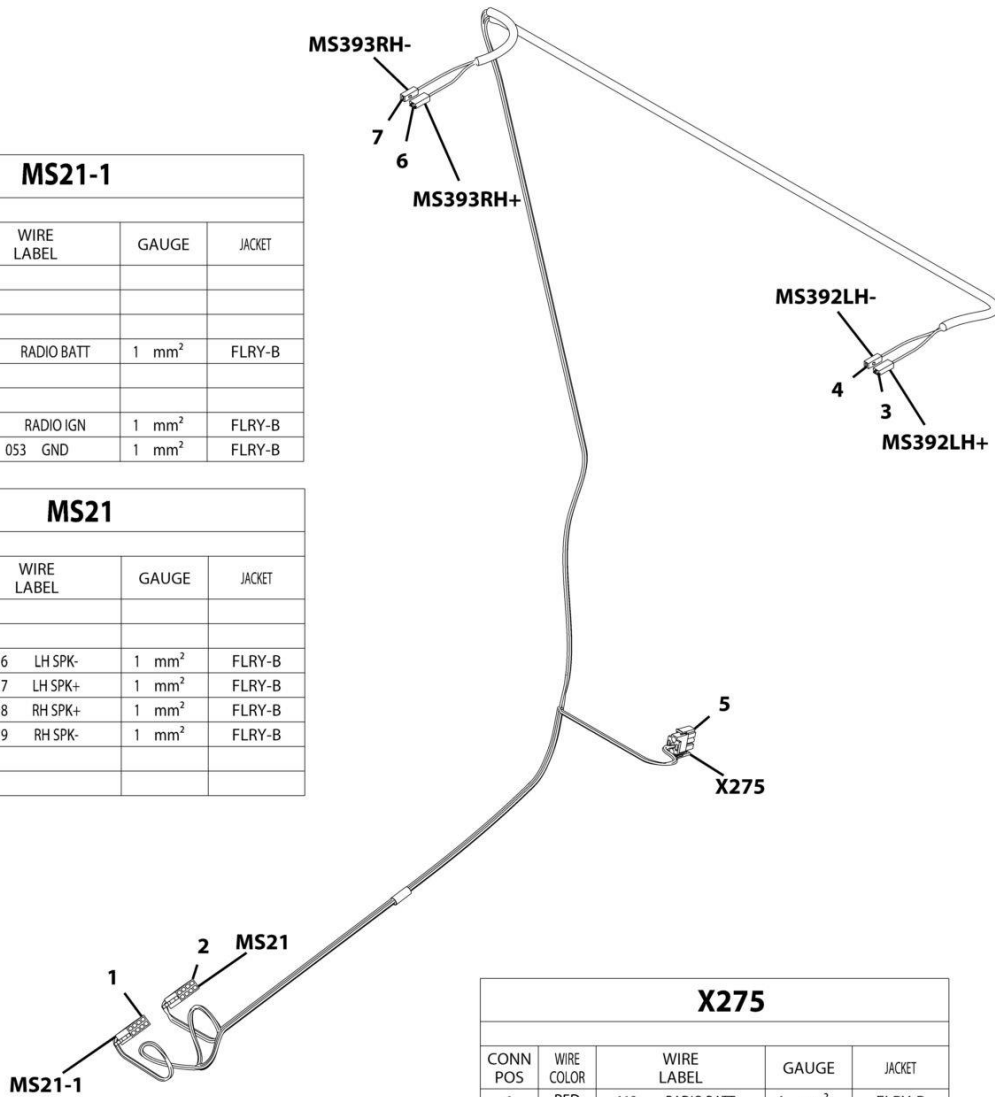
ITEM	PART NUMBER	QTY	DESCRIPTION	REV
1	1001239533	Ref	Cab Power Harness	B
	4461270	2	Terminal Ring	

SECTION 10 - ELECTRICAL

FIGURE 10-60. RADIO HARNESS (SN E16000001 through E16000141, Excluding 1160008774, 1160008775, 1160008777, E16000120 and E16000126)

MS21-1				
CONN POS	WIRE COLOR	WIRE LABEL	GAUGE	JACKET
1				
2				
3				
4	RED	112 RADIO BATT	1 mm ²	FLRY-B
5				
6				
7	YEL	224 RADIO IGN	1 mm ²	FLRY-B
8	BLK	053 GND	1 mm ²	FLRY-B

MS21				
CONN POS	WIRE COLOR	WIRE LABEL	GAUGE	JACKET
1				
2				
3	WHT	616 LH SPK-	1 mm ²	FLRY-B
4	WHT	617 LH SPK+	1 mm ²	FLRY-B
5	WHT	618 RH SPK+	1 mm ²	FLRY-B
6	WHT	619 RH SPK-	1 mm ²	FLRY-B
7				
8				



X275				
CONN POS	WIRE COLOR	WIRE LABEL	GAUGE	JACKET
1	RED	112 RADIO BATT	1 mm ²	FLRY-B
2	YEL	224 RADIO IGN	1 mm ²	FLRY-B
3	BLK	053 GND	1 mm ²	FLRY-B

MS392LH+				
CONN POS	WIRE COLOR	WIRE LABEL	GAUGE	JACKET
1	WHT	617 LH SPK+	1 mm ²	FLRY-B

MS393RH+				
CONN POS	WIRE COLOR	WIRE LABEL	GAUGE	JACKET
1	WHT	618 RH SPK+	1 mm ²	FLRY-B

MS392LH-				
CONN POS	WIRE COLOR	WIRE LABEL	GAUGE	JACKET
1	WHT	616 LH SPK-	1 mm ²	FLRY-B

MS393RH-				
CONN POS	WIRE COLOR	WIRE LABEL	GAUGE	JACKET
1	WHT	619 RH SPK-	1 mm ²	FLRY-B

ART_1001146672-B

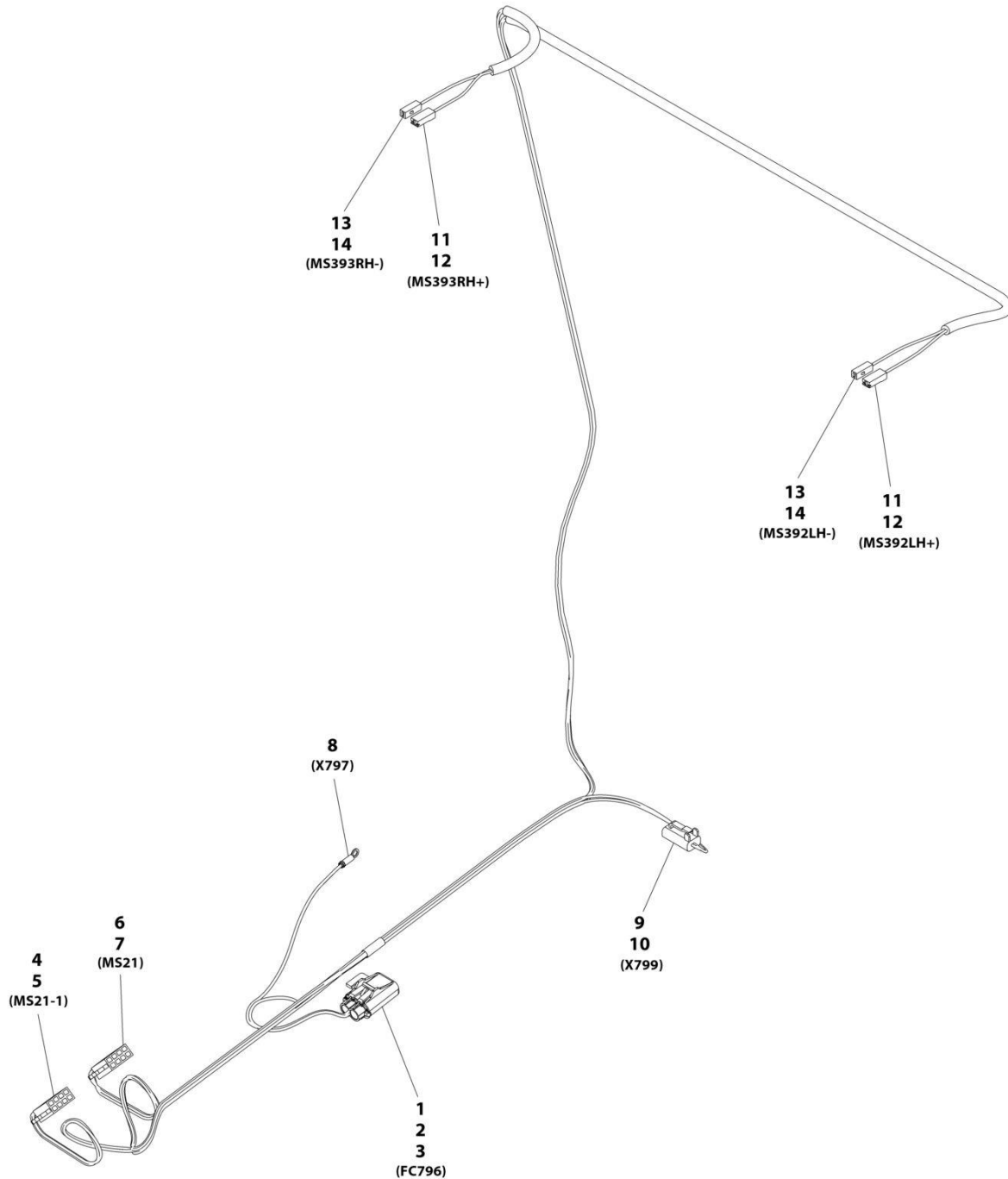
SECTION 10 - ELECTRICAL

FIGURE 10-60. RADIO HARNESS (SN E16000001 through E160000141, Excluding 1160008774, 1160008775, 1160008777, E160000120 and E160000126)

ITEM	PART NUMBER	QTY	DESCRIPTION	REV
	1001146672	Ref	Radio Harness	B
1	1001116985	1	Connector	
	1001118386	3	Terminal	
2	1001116984	1	Connector	
	1001118386	4	Terminal	
3	1001117002	1	Connector	
	1001116705	1	Terminal	
4	1001116998	1	Connector	
	1001116715	1	Terminal	
5	4460326	1	Connector	
6	1001117002	1	Connector	
	1001116705	1	Terminal	
7	1001116998	1	Connector	
	1001116715	1	Terminal	

SECTION 10 - ELECTRICAL

FIGURE 10-61. RADIO HARNESS (SN E160000141 through E160000496, Including 1160008774, 1160008775, 1160008777, E160000120 and E160000126)



ART_1001243059-A

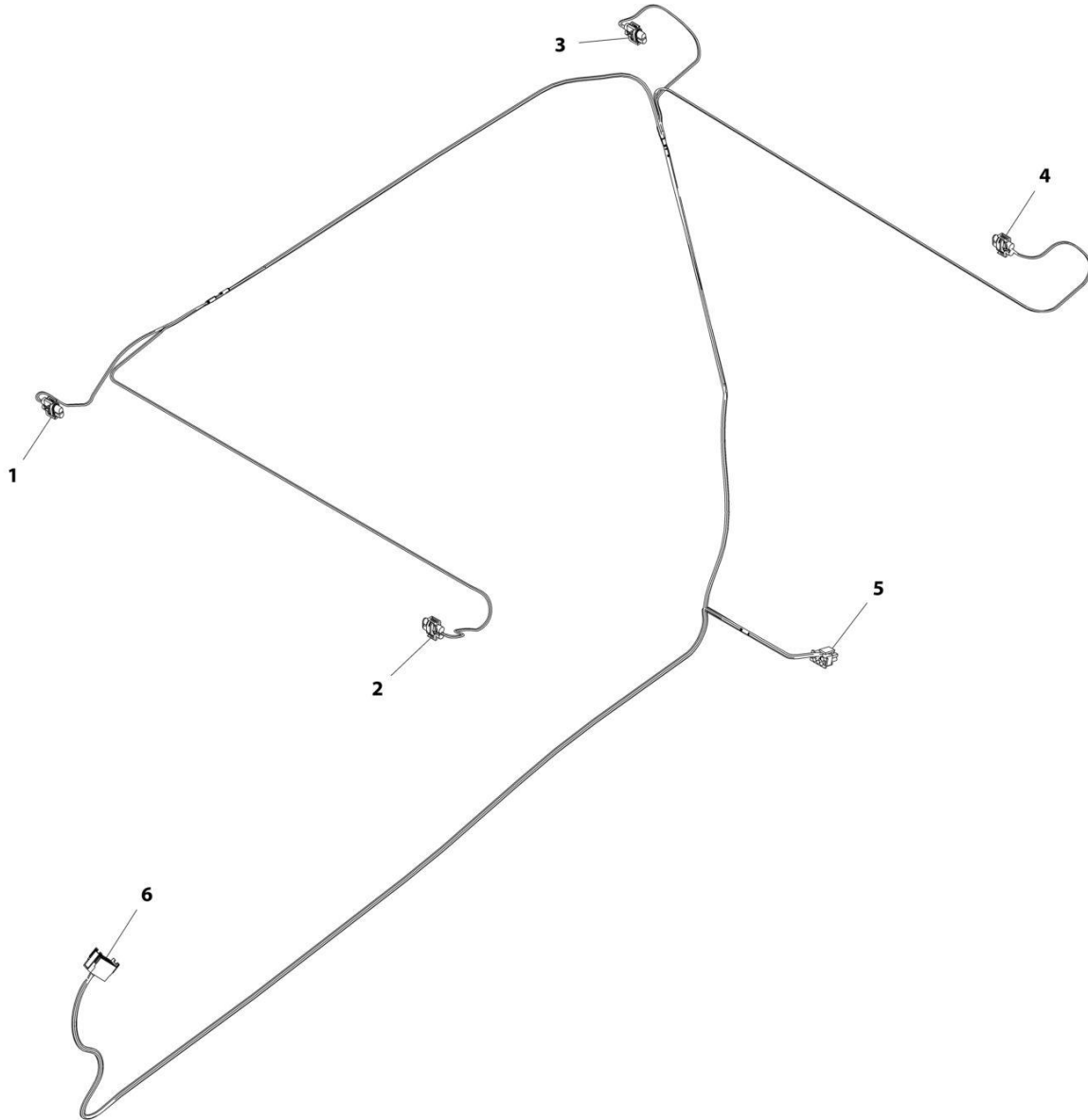
SECTION 10 - ELECTRICAL

FIGURE 10-61. RADIO HARNESS (SN E160000141 through E160000496, Including 1160008774, 1160008775, 1160008777, E160000120 and E160000126)

ITEM	PART NUMBER	QTY	DESCRIPTION	REV
	1001243059	Ref	Radio Harness	A
1	1001231397	1	Connector	
2	1001231399	2	Terminal	
3	1001231404	2	Seal	
4	1001116985	1	Connector	
5	1001118386	3	Terminal	
6	1001116984	1	Connector	
7	1001118386	4	Terminal	
8	4460247	1	Terminal Ring	
9	4460891	1	Connector	
10	4460942	2	Terminal	
11	1001117002	1	Connector	
12	1001116705	1	Terminal	
13	1001117002	1	Connector	
14	1001116705	1	Terminal	
15	1001116998	1	Connector	
16	1001116715	1	Terminal	
17	1001116998	1	Connector	
18	1001116715	1	Terminal	

SECTION 10 - ELECTRICAL

FIGURE 10-62. WORKLIGHTS HARNESS



ART_1001146673-C

SECTION 10 - ELECTRICAL

FIGURE 10-62. WORKLIGHTS HARNESS

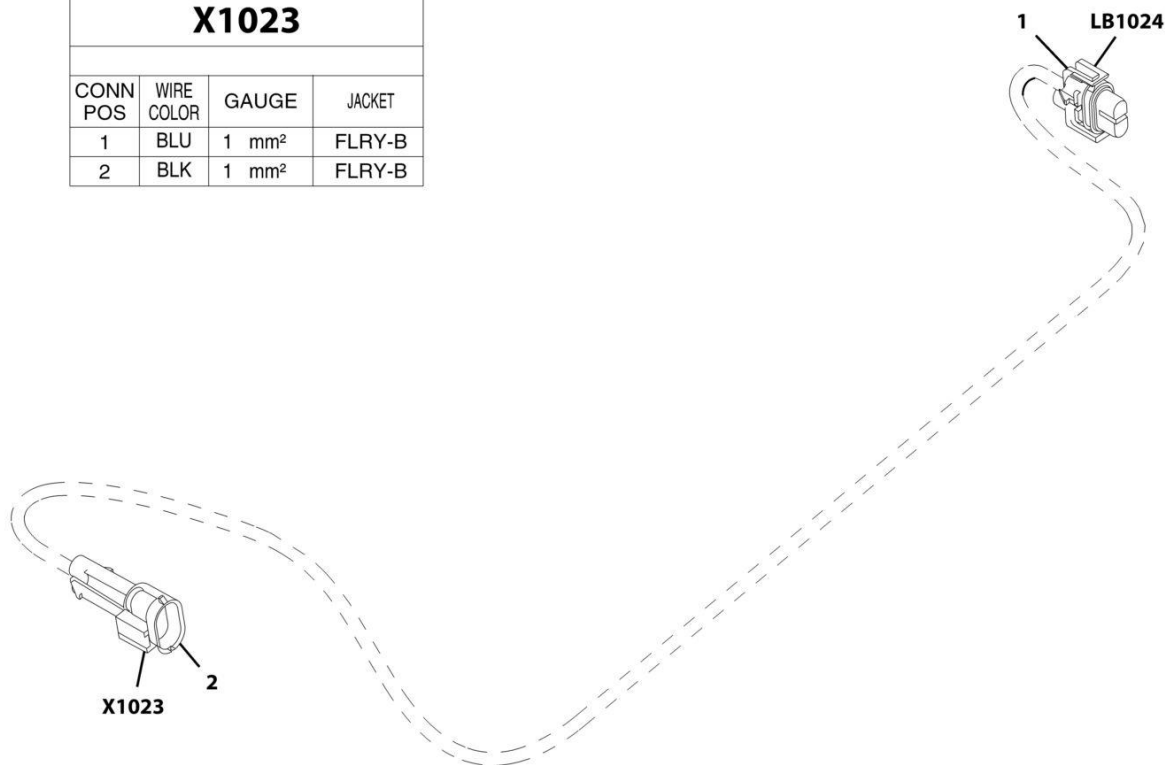
ITEM	PART NUMBER	QTY	DESCRIPTION	REV
	1001146673	Ref	Worklights Harness	C
1	4461115	1	Connector	
	4460746	2	Terminal	
	4460458	2	Seal	
2	4461115	1	Connector	
	4460746	2	Terminal	
	4460458	2	Seal	
3	4461115	1	Connector	
	4460746	2	Terminal	
	4460458	2	Seal	
4	4461115	1	Connector	
	4460746	2	Terminal	
	4460458	2	Seal	
5	4460225	1	Connector	
	1001118378	5	Terminal	
6	1001145234	1	Connector	
	1001104519	6	Terminal	

SECTION 10 - ELECTRICAL

FIGURE 10-63. LIGHT EXTENSION HARNESS

LB1024			
CONN POS	WIRE COLOR	GAUGE	JACKET
1	BLU	1 mm ²	FLRY-B
2	BLK	1 mm ²	FLRY-B

X1023			
CONN POS	WIRE COLOR	GAUGE	JACKET
1	BLU	1 mm ²	FLRY-B
2	BLK	1 mm ²	FLRY-B



ART_1001133224-A

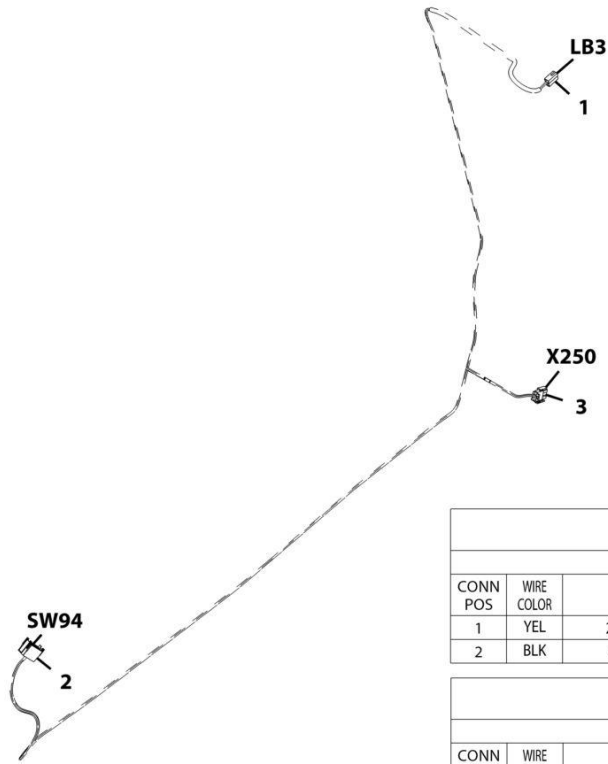
SECTION 10 - ELECTRICAL

FIGURE 10-63. LIGHT EXTENSION HARNESS

ITEM	PART NUMBER	QTY	DESCRIPTION	REV
1	1001133224	Ref	Light Extension Harness	A
	4461115	1	Connector	
	1001116728	2	Terminal	
2	4460458	2	Seal	
	1001133213	1	Connector	
	1001116745	2	Terminal	
	4460458	2	Seal	

SECTION 10 - ELECTRICAL

FIGURE 10-64. BEACON HARNESS



LB84					
CONN POS	WIRE COLOR	WIRE LABEL	GAUGE	JACKET	TO
1	YEL	220 KEY 1	1.5 mm ²	FLRY-B	SW94 (1)
2	BLK	053-1 GND	1.5 mm ²	FLRY-B	S99 (2)

SW94					
CONN POS	WIRE COLOR	WIRE LABEL	GAUGE	JACKET	TO
1	YEL	220 KEY 1	1.5 mm ²	FLRY-B	LB83 (1)
2	YEL	219 OPT PWR 1	1.5 mm ²	FLRY-B	X250 (1)
3					
4					
5					
6					
7	BLK	053-2 GND	1 mm ²	FLRY-B	S99 (2)
8	WHT	427 SW LT	1 mm ²	FLRY-B	X250 (3)
9					
10					

X250					
CONN POS	WIRE COLOR	WIRE LABEL	GAUGE	JACKET	TO
1	YEL	219 OPT PWR 1	1.5 mm ²	FLRY-B	SW94 (2)
2	BLK	053 GND	1.5 mm ²	FLRY-B	S99 (1)
3	WHT	427 SW LT	1 mm ²	FLRY-B	SW94 (8)

ART_1001146676-C

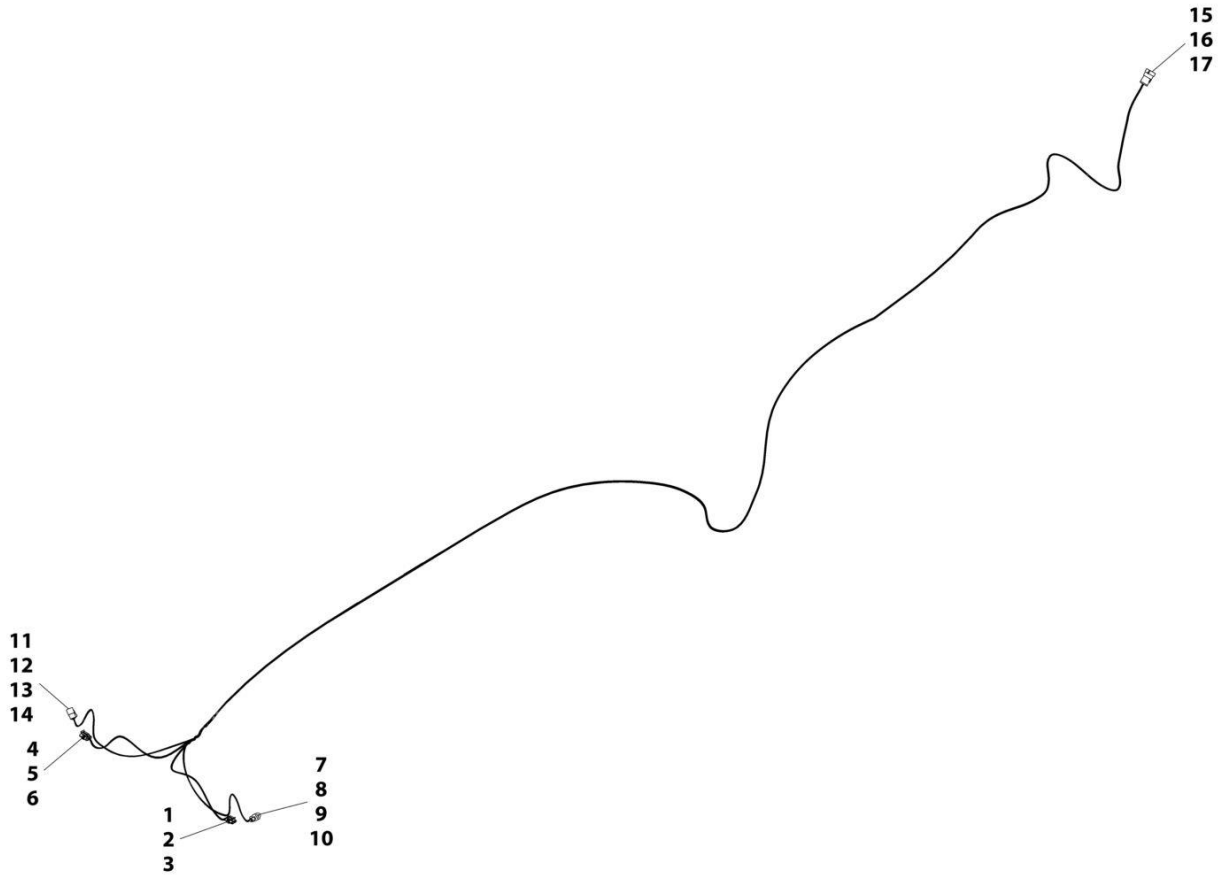
SECTION 10 - ELECTRICAL

FIGURE 10-64. BEACON HARNESS

ITEM	PART NUMBER	QTY	DESCRIPTION	REV
	1001146676	Ref	Beacon Harness	C
1	4460994	1	Connector	
1	1001116720	2	Terminal	
2	1001145234	1	Connector	
2	1001104519	4	Terminal	
3	4460326	1	Connector	
3	1001118378	3	Terminal	

SECTION 10 - ELECTRICAL

FIGURE 10-65. OUTRIGGERS DEPLOYED CHASSIS HARNESS (4017RS) (SN 1160007024 through 1160007172)



ART_1001151810-D

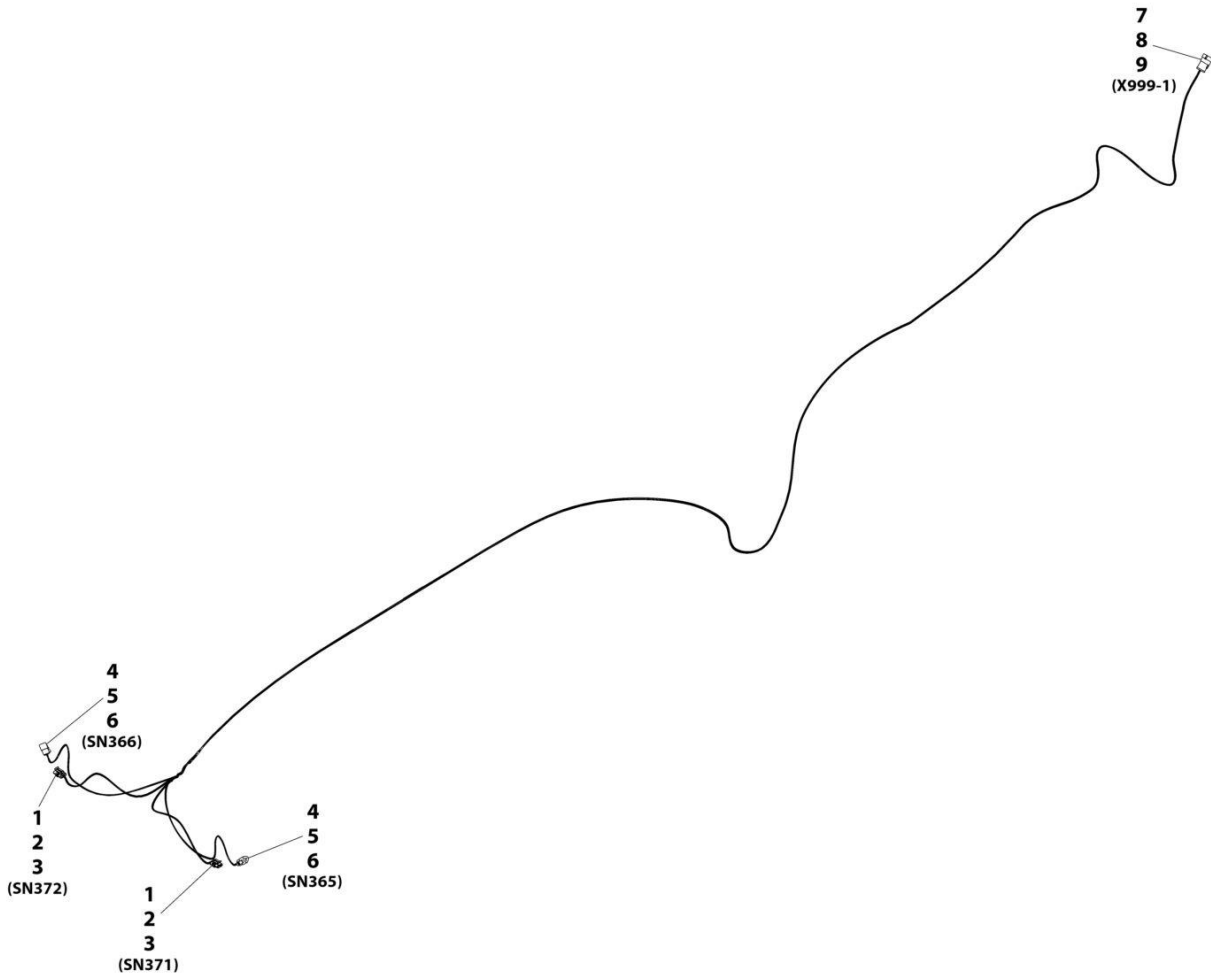
SECTION 10 - ELECTRICAL

FIGURE 10-65. OUTRIGGERS DEPLOYED CHASSIS HARNESS (4017RS) (SN 1160007024 through 1160007172)

ITEM	PART NUMBER	QTY	DESCRIPTION	REV
	1001151810	Ref	Outriggers Deployed Chassis Harness	D
1	4461262	1	Connector	
2	1001116697	3	Terminal	
3	1001104498	3	Seal	
4	4461262	1	Connector	
5	1001116697	3	Terminal	
6	1001104498	3	Seal	
7	4460539	1	Connector	
8	77363244	1	Lock, Wedge	
9	4460465	2	Terminal	
10	4460466	1	Plug	
11	4460539	1	Connector	
12	77363244	1	Lock, Wedge	
13	4460465	2	Terminal	
14	4460466	1	Plug	
15	1001103013	1	Connector	
16	1001104497	4	Terminal	
17	1001104498	4	Seal	

SECTION 10 - ELECTRICAL

FIGURE 10-66. OUTRIGGERS DEPLOYED INSTALLATION (4017RS) (SN 1160007172 through 1160008790)



ART_1001172310-A

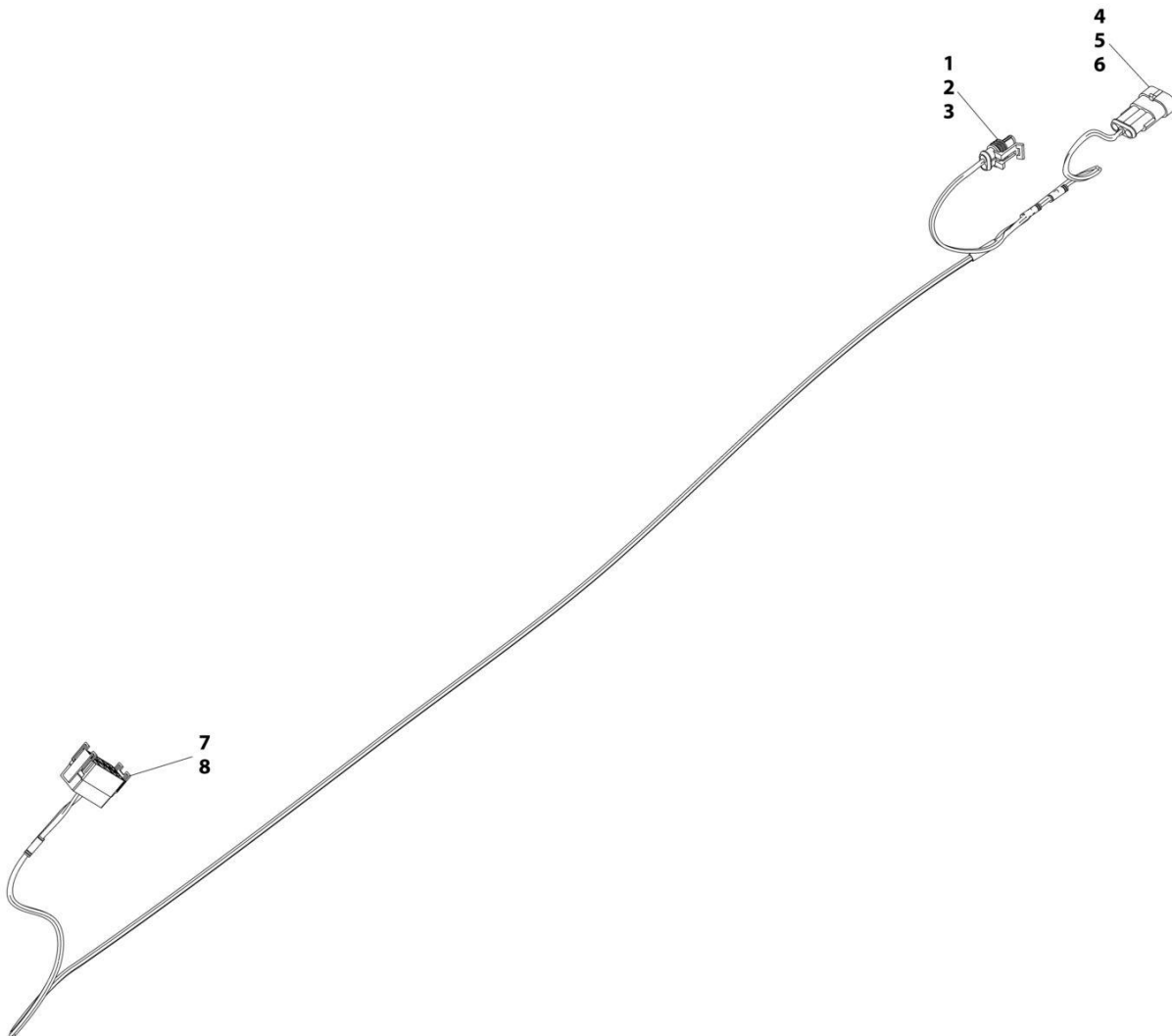
SECTION 10 - ELECTRICAL

FIGURE 10-66. OUTRIGGERS DEPLOYED INSTALLATION (4017RS) (SN 1160007172 through 1160008790)

ITEM	PART NUMBER	QTY	DESCRIPTION	REV
	1001172310	Ref	Outriggers Deployed Chassis Harness	A
1	4461262	1	Connector	
2	1001116697	3	Terminal	
3	1001104498	3	Seal	
4	4461262	1	Connector	
5	1001116697	3	Terminal	
6	1001104498	3	Seal	
7	4460539	1	Connector	
8	77363244	1	Lock, Wedge	
9	4460465	2	Terminal	
10	4460466	1	Plug	
11	4460539	1	Connector	
12	77363244	1	Lock, Wedge	
13	4460465	2	Terminal	
14	4460466	1	Plug	
15	1001103013	1	Connector	
16	1001104497	4	Terminal	
17	1001104498	4	Seal	

SECTION 10 - ELECTRICAL

FIGURE 10-67. OUTRIGGERS DEPLOYED CAB HARNESS (4017RS)



ART_1001151811-C

SECTION 10 - ELECTRICAL

FIGURE 10-67. OUTRIGGERS DEPLOYED CAB HARNESS (4017RS)

ITEM	PART NUMBER	QTY	DESCRIPTION	REV
	1001151811	Ref	Outriggers Deployed Cab Harness	C
1	4461118	1	Connector	
2	1001116697	2	Terminal	
3	1001104498	2	Seal	
4	4461119	1	Connector	
5	1001104497	3	Terminal	
6	1001104498	3	Seal	
7	1001145234	1	Connector	
8	1001104519	4	Terminal	

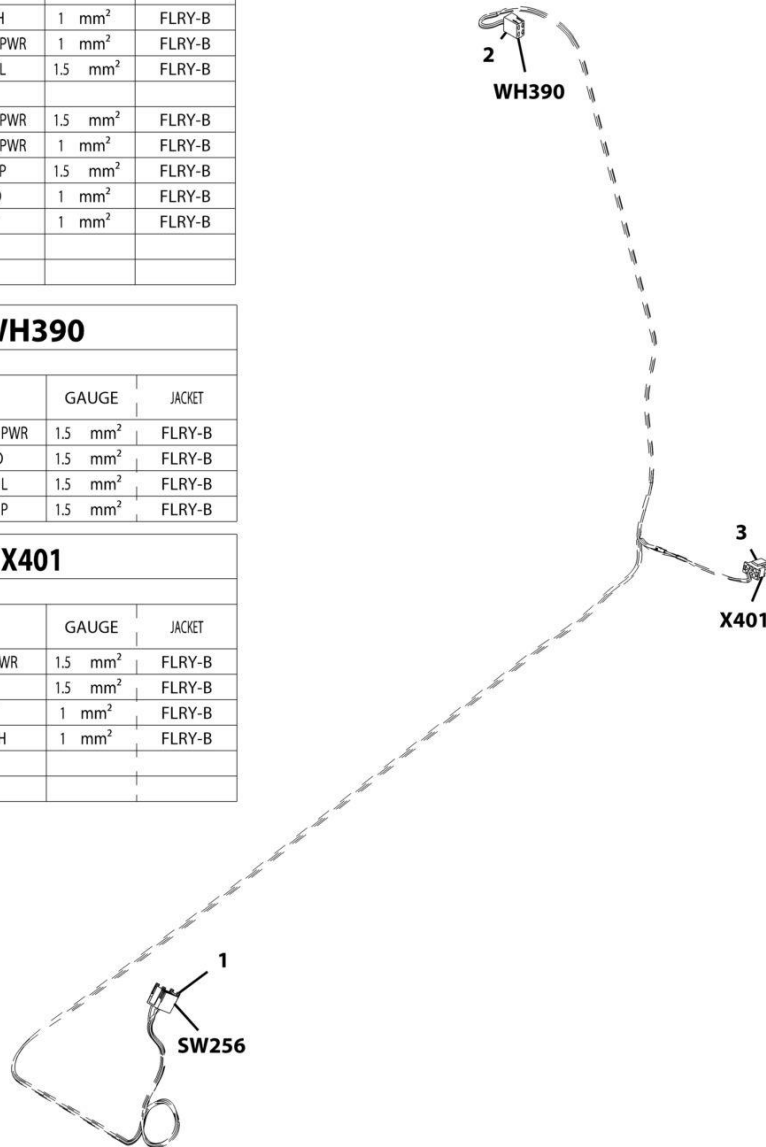
SECTION 10 - ELECTRICAL

FIGURE 10-68. ROOF WIPER HARNESS

SW256				
CONN POS	WIRE COLOR	WIRE LABEL	GAUGE	JACKET
1	WHT	622 RF WASH	1 mm ²	FLRY-B
2	YEL	222-3 RF WIPE PWR	1 mm ²	FLRY-B
2	WHT	620 RF WIPE L	1.5 mm ²	FLRY-B
3				
4	YEL	222-2 RF WIPE PWR	1.5 mm ²	FLRY-B
5	YEL	222-3 RF WIPE PWR	1 mm ²	FLRY-B
6	WHT	621 RF WIPE P	1.5 mm ²	FLRY-B
7	BLK	055-2 GND	1 mm ²	FLRY-B
8	WHT	428 SW LT	1 mm ²	FLRY-B
9				
10				

WH390				
CONN POS	WIRE COLOR	WIRE LABEL	GAUGE	JACKET
1	YEL	222-1 RF WIPE PWR	1.5 mm ²	FLRY-B
2	BLK	055-1 GND	1.5 mm ²	FLRY-B
3	WHT	620 RF WIPE L	1.5 mm ²	FLRY-B
4	WHT	621 RF WIPE P	1.5 mm ²	FLRY-B

X401				
CONN POS	WIRE COLOR	WIRE LABEL	GAUGE	JACKET
1	YEL	222 RF WIPE PWR	1.5 mm ²	FLRY-B
2	BLK	055 GND	1.5 mm ²	FLRY-B
3	WHT	428 SW LT	1 mm ²	FLRY-B
4	WHT	622 RF WASH	1 mm ²	FLRY-B
5				
6				



ART_1001146677-B

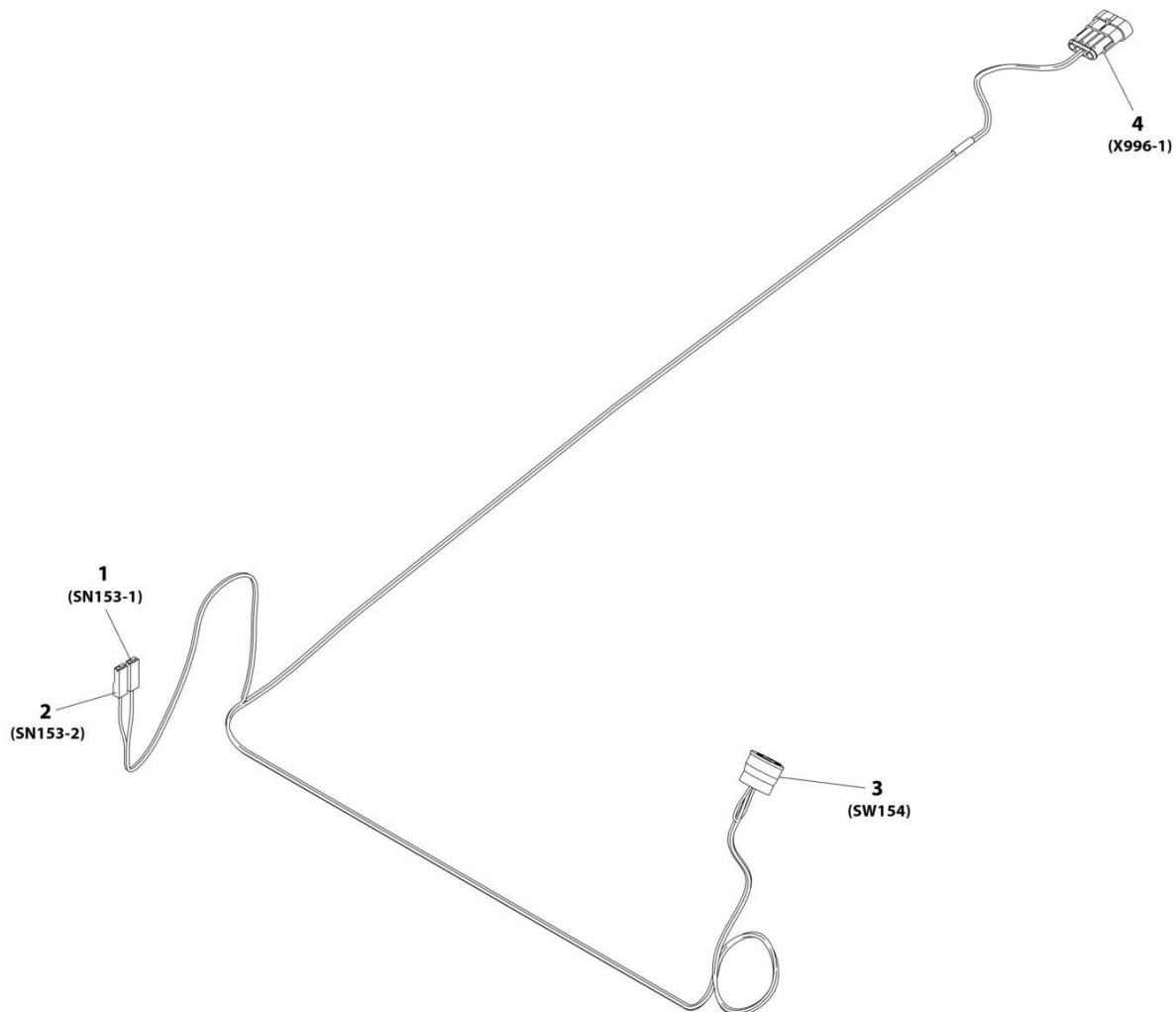
SECTION 10 - ELECTRICAL

FIGURE 10-68. ROOF WIPER HARNESS

ITEM	PART NUMBER	QTY	DESCRIPTION	REV
1	1001146677	Ref	Roof Wiper Harness	B
	1001145234	1	Connector	
	1001104519	8	Terminal	
2	1001116986	1	Connector	
	1001104519	4	Terminal	
3	4460225	1	Connector	
	4460268	4	Terminal	

SECTION 10 - ELECTRICAL

FIGURE 10-69. HAC CAB HARNESS (SN E16000001 through E16000141, Excluding 1160008774, 1160008775, 1160008777, E160000120 and E160000126)



ART_1001168704-B

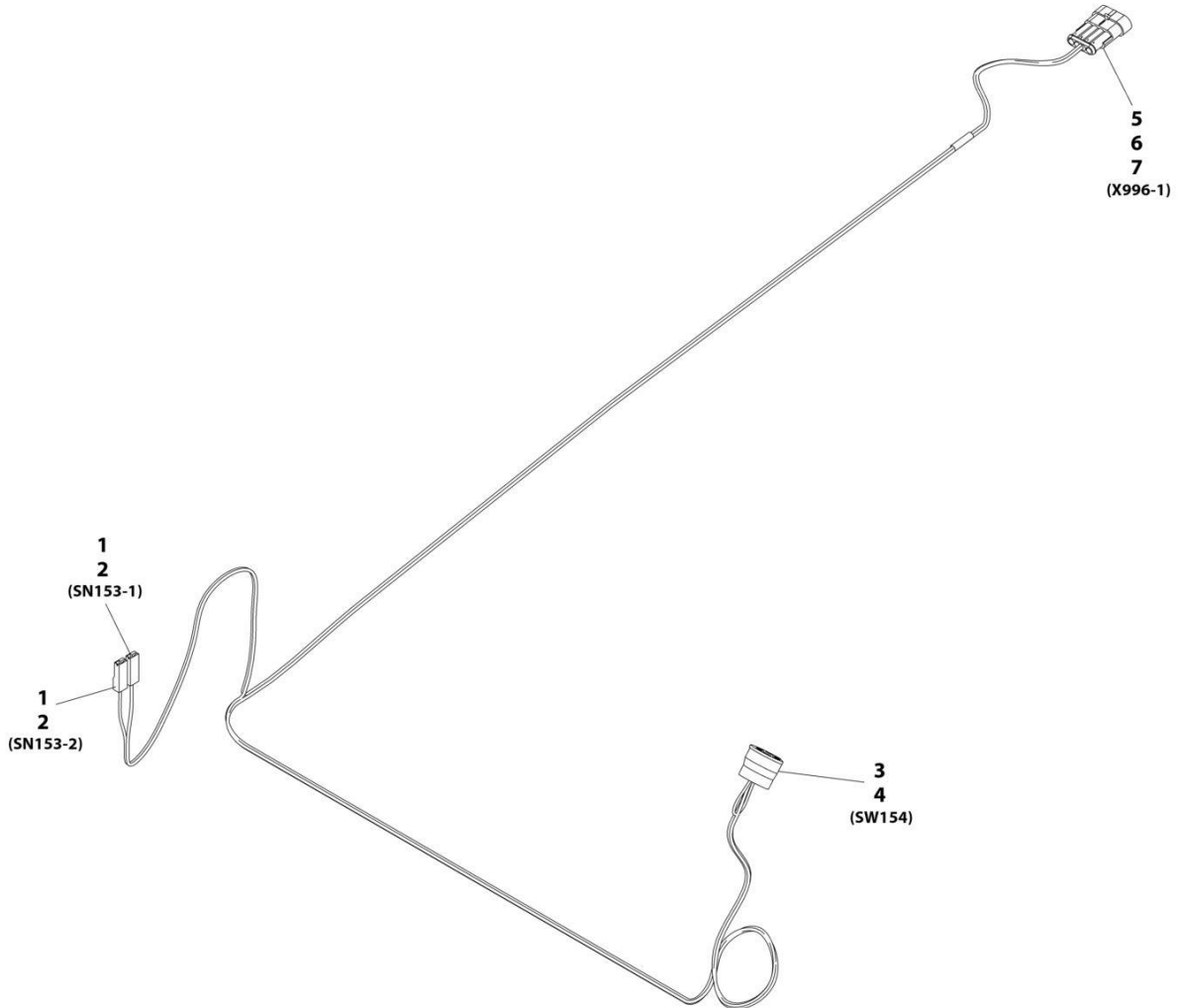
SECTION 10 - ELECTRICAL

FIGURE 10-69. HAC CAB HARNESS (SN E16000001 through E160000141, Excluding 1160008774, 1160008775, 1160008777, E160000120 and E160000126)

ITEM	PART NUMBER	QTY	DESCRIPTION	REV
	1001168704	Ref	HAC Cab Harness	B
1	1001116995	1	Connector	
	1001118379	1	Terminal	
2	1001116995	1	Connector	
	1001118379	1	Terminal	
3	1001153338	1	Connector	
	1001104519	5	Terminal	
4	1001103013	1	Connector	
	1001104497	4	Terminal	

SECTION 10 - ELECTRICAL

FIGURE 10-70. HAC CAB HARNESS (SN E160000141 through E160000496, Including 1160008774, 1160008775, 1160008777, E160000120 and E160000126)



ART_1001244134-A

SECTION 10 - ELECTRICAL

FIGURE 10-70. HAC CAB HARNESS (SN E160000141 through E160000496, Including 1160008774, 1160008775, 1160008777, E160000120 and E160000126)

ITEM	PART NUMBER	QTY	DESCRIPTION	REV
	1001244134	Ref	HAC Cab Harness	A
1	1001116995	1	Connector	
2	1001118379	1	Terminal	
3	1001116995	1	Connector	
4	1001118379	1	Terminal	
5	1001153338	1	Connector	
6	1001104519	4	Terminal	
7	1001103013	1	Connector	
8	1001104497	3	Terminal	
9	1001116698	1	Plug	

SECTION 10 - ELECTRICAL

FIGURE 10-71. HAC CHASSIS HARNESS

SN252				
CONN POS	WIRE COLOR	WIRE LABEL	GAUGE	JACKET
1	WHT	613-1 AC PRESS	1 mm ²	FLRY-B
2	WHT	614 AC COMP	1 mm ²	FLRY-B

WH753-1				
CONN POS	WIRE COLOR	WIRE LABEL	GAUGE	JACKET
A	BLK	058 GND	1.5 mm ²	FLRY-B
B	WHT	615-3 COND FAN	1.5 mm ²	FLRY-B

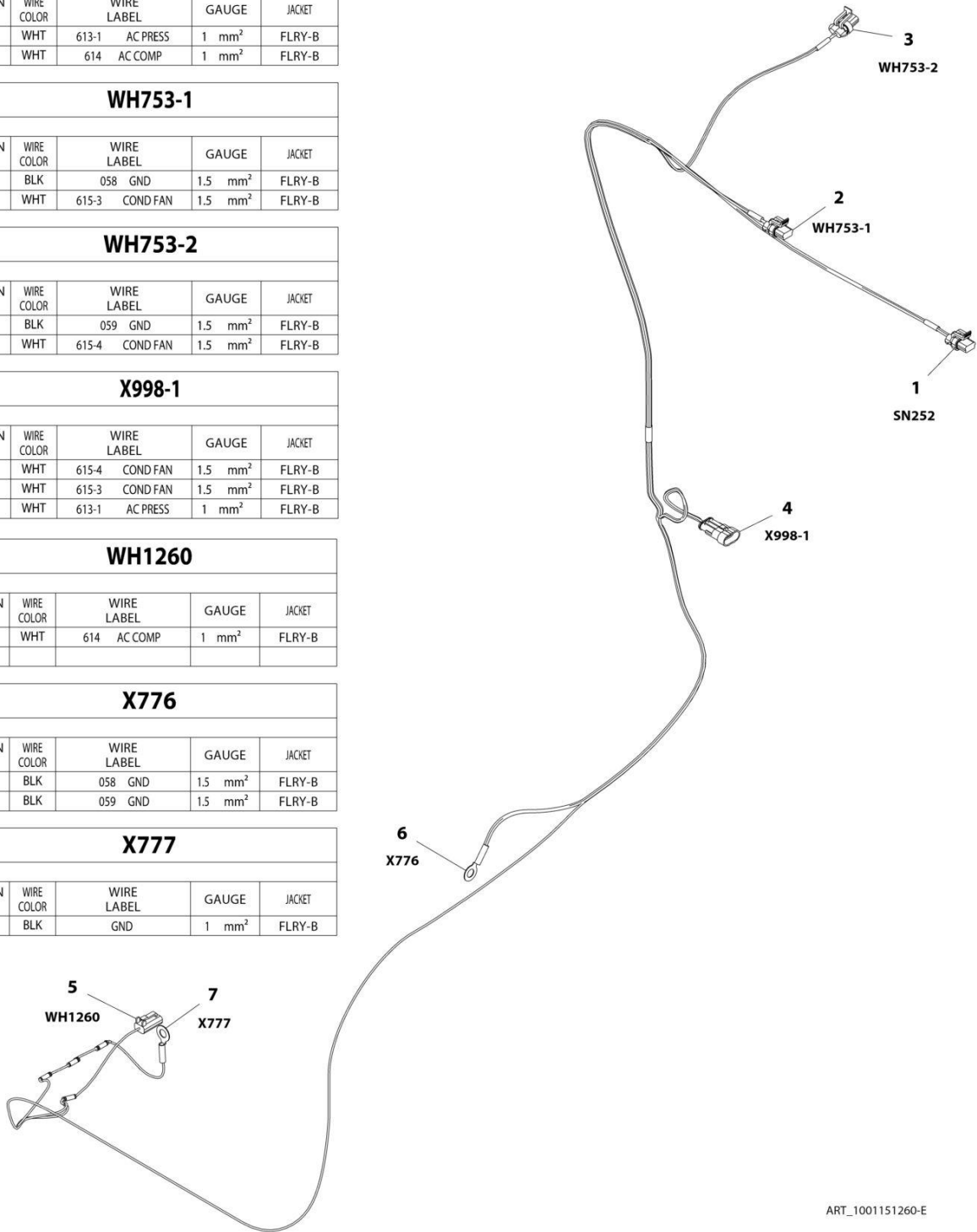
WH753-2				
CONN POS	WIRE COLOR	WIRE LABEL	GAUGE	JACKET
A	BLK	059 GND	1.5 mm ²	FLRY-B
B	WHT	615-4 COND FAN	1.5 mm ²	FLRY-B

X998-1				
CONN POS	WIRE COLOR	WIRE LABEL	GAUGE	JACKET
1	WHT	615-4 COND FAN	1.5 mm ²	FLRY-B
2	WHT	615-3 COND FAN	1.5 mm ²	FLRY-B
3	WHT	613-1 AC PRESS	1 mm ²	FLRY-B

WH1260				
CONN POS	WIRE COLOR	WIRE LABEL	GAUGE	JACKET
1	WHT	614 AC COMP	1 mm ²	FLRY-B
2				

X776				
CONN POS	WIRE COLOR	WIRE LABEL	GAUGE	JACKET
1	BLK	058 GND	1.5 mm ²	FLRY-B
1	BLK	059 GND	1.5 mm ²	FLRY-B

X777				
CONN POS	WIRE COLOR	WIRE LABEL	GAUGE	JACKET
1	BLK	GND	1 mm ²	FLRY-B



ART_1001151260-E

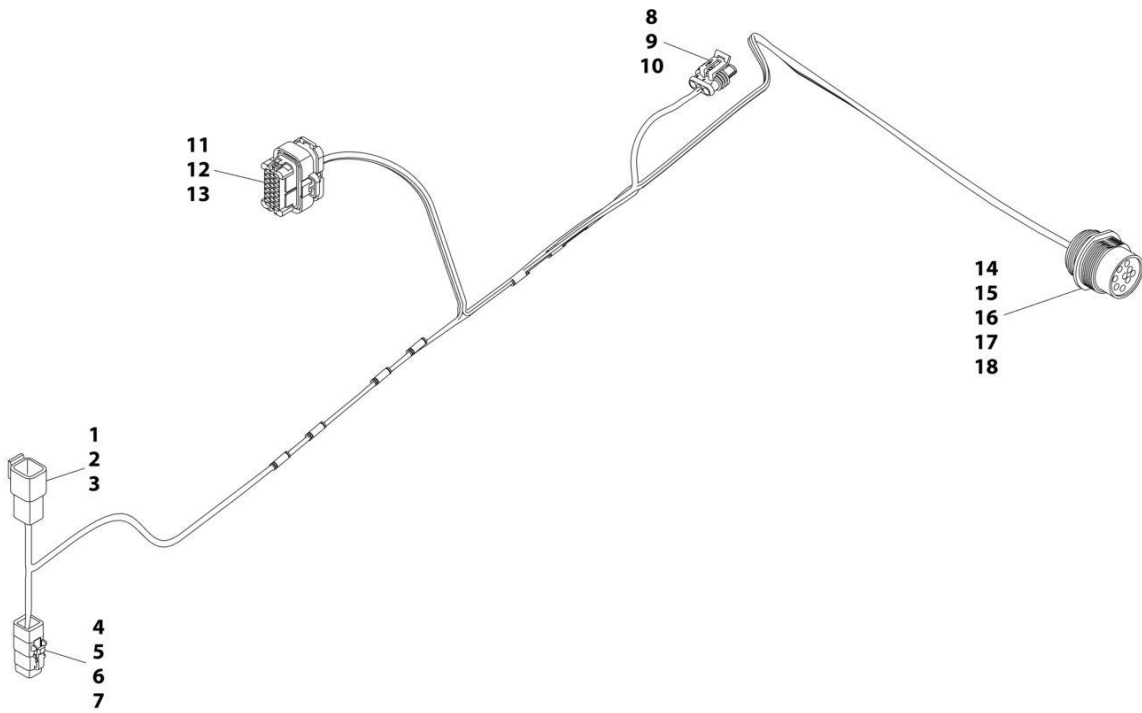
SECTION 10 - ELECTRICAL

FIGURE 10-71. HAC CHASSIS HARNESS

ITEM	PART NUMBER	QTY	DESCRIPTION	REV
	1001151260	Ref	HAC Chassis Harness	E
1	1001117021	1	Connector	
	1001116728	2	Terminal	
	4460458	2	Seal	
2	1001117021	1	Connector	
	1001234800	2	Terminal	
	4460458	2	Seal	
3	1001117021	1	Connector	
	1001234800	2	Terminal	
	4460458	2	Seal	
4	4461119	1	Connector	
	1001104497	3	Terminal	
	1001104498	3	Seal	
5	4460891	1	Connector	
	80604018	1	Lock, Wedge	
	4460465	1	Terminal	
	4460466	1	Plug	
6	1001117110	1	Terminal, Ring	
7	4460722	1	Terminal, Ring	

SECTION 10 - ELECTRICAL

FIGURE 10-72. CLEARSKY HARNESS



ART_1001164274-A

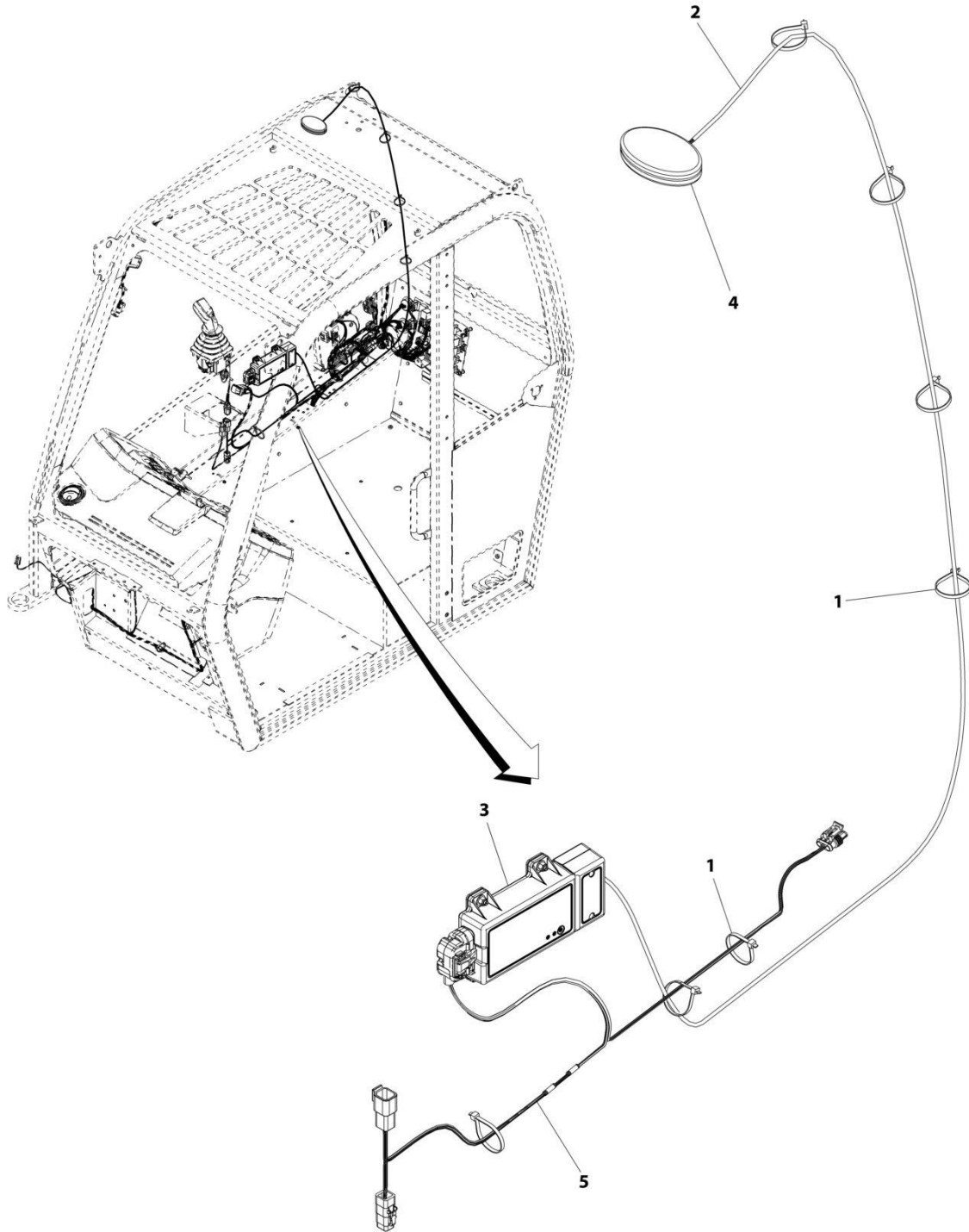
SECTION 10 - ELECTRICAL

FIGURE 10-72. CLEARSKY HARNESS

ITEM	PART NUMBER	QTY	DESCRIPTION	REV
	1001164274	Ref	Clearsky Harness	A
1	4461217	1	Connector	
2	1001119620	4	Terminal	
3	4460518	2	Plug	
4	1001126007	1	Connector	
5	7346000239	1	Lock, Connector	
6	1001119619	4	Terminal	
7	4460518	2	Plug	
8	4461262	1	Connector	
9	1001116697	3	Terminal	
10	1001104498	3	Plug	
11	1001116994	1	Connector	
12	4460871	5	Terminal	
13	4460905	18	Plug	
14	1001112612	1	Connector	
15	4460464	5	Terminal	
16	4460466	4	Plug	
17	1001125785	1	Nut, Lock	
18	1001125784	1	Washer, Lock	

SECTION 10 - ELECTRICAL

FIGURE 10-73. CLEARSKY CANBUS INSTALLATION (CE) (SN E16000001 through E16000141, Excluding 1160008774, 1160008775, 1160008777, E160000120 and E160000126)



ART_1001239083-A

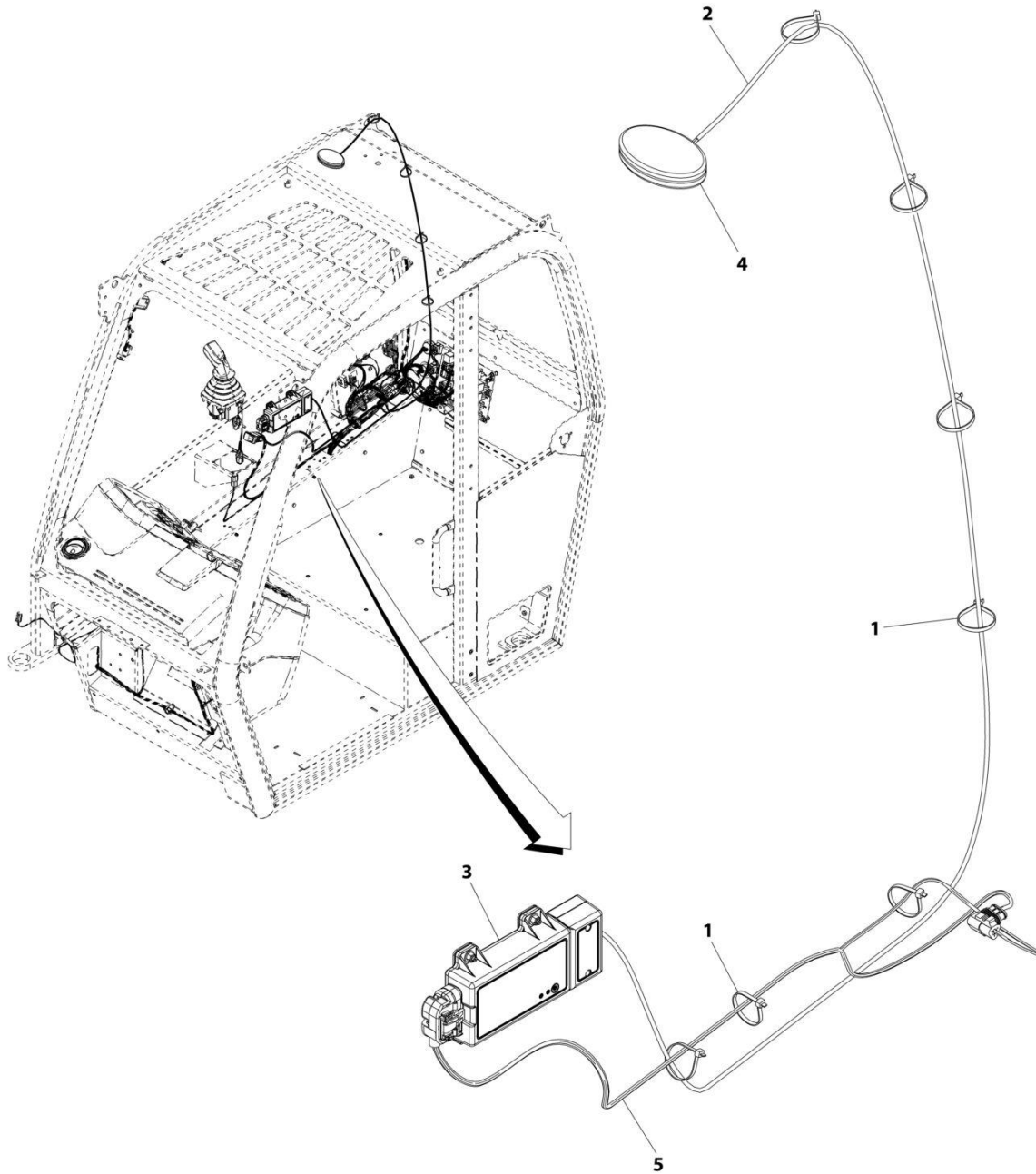
SECTION 10 - ELECTRICAL

FIGURE 10-73. CLEARSKY CANBUS INSTALLATION (CE) (SN E160000001 through E160000141, Excluding 1160008774, 1160008775, 1160008777, E160000120 and E160000126)

ITEM	PART NUMBER	QTY	DESCRIPTION	REV
	1001239083	Ref	Clearsky Canbus Installation (CE)	A
1	1001008559	8	Strap-Cable	
2	1001166282	1	Conduit	
3	1001228954	1	Module	
4	1001236144	1	Antenna	
5	1001239082	1	Clearsky Harness (See Separate Breakdown in this Section)	

SECTION 10 - ELECTRICAL

FIGURE 10-74. CLEARSKY CANBUS INSTALLATION (CE) (SN E160000141 through E160000496, Including 1160008774, 1160008775, 1160008777, E160000120 and E160000126)



ART_1001243061-C

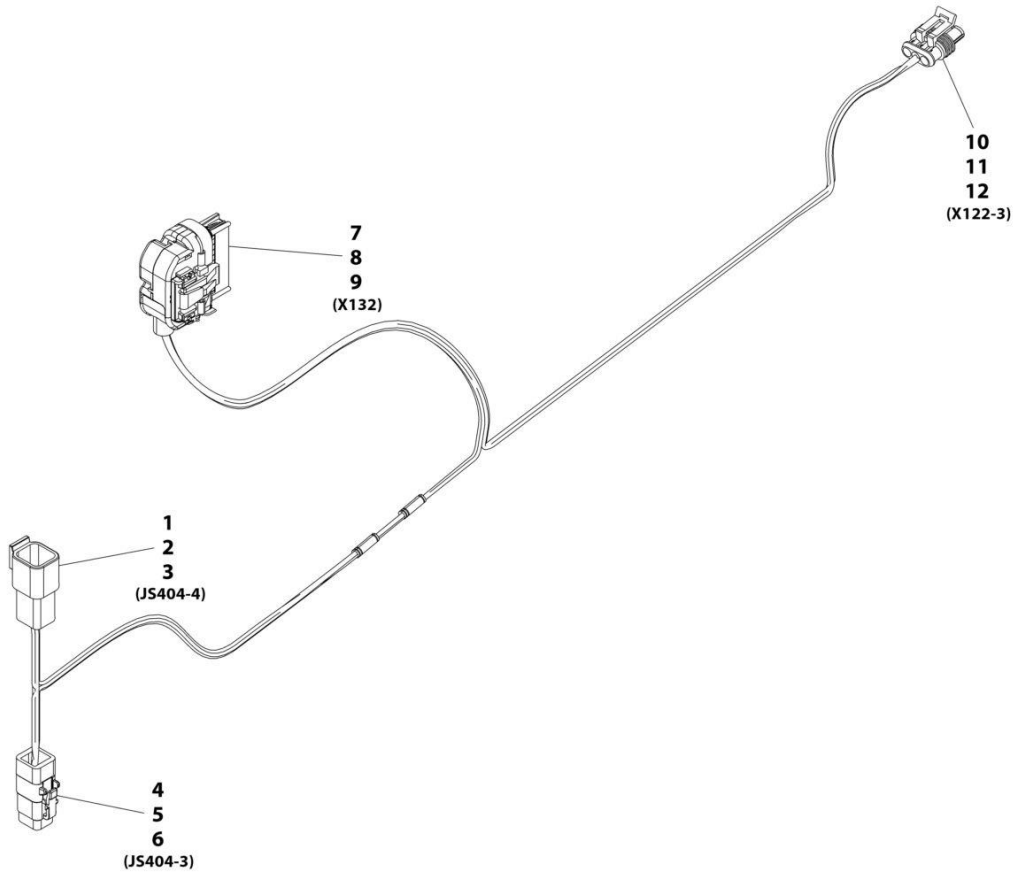
SECTION 10 - ELECTRICAL

FIGURE 10-74. CLEARSKY CANBUS INSTALLATION (CE) (SN E160000141 through E160000496, Including 1160008774, 1160008775, 1160008777, E160000120 and E160000126)

ITEM	PART NUMBER	QTY	DESCRIPTION	REV
	1001243061	Ref	Clearsky Canbus Installation (CE)	C
1	1001008559	7	Strap-Cable	
2	1001166282	1	Conduit	
3	1001239194	1	Module	
4	1001236144	1	Antenna	
5	1001243058	1	Clearsky Harness (See Separate Breakdown in this Section)	

SECTION 10 - ELECTRICAL

FIGURE 10-75. CLEARSKY HARNESS (SN E16000001 through E160000141, Excluding 1160008774, 1160008775, 1160008777, E160000120 and E160000126)



ART_1001239082-A

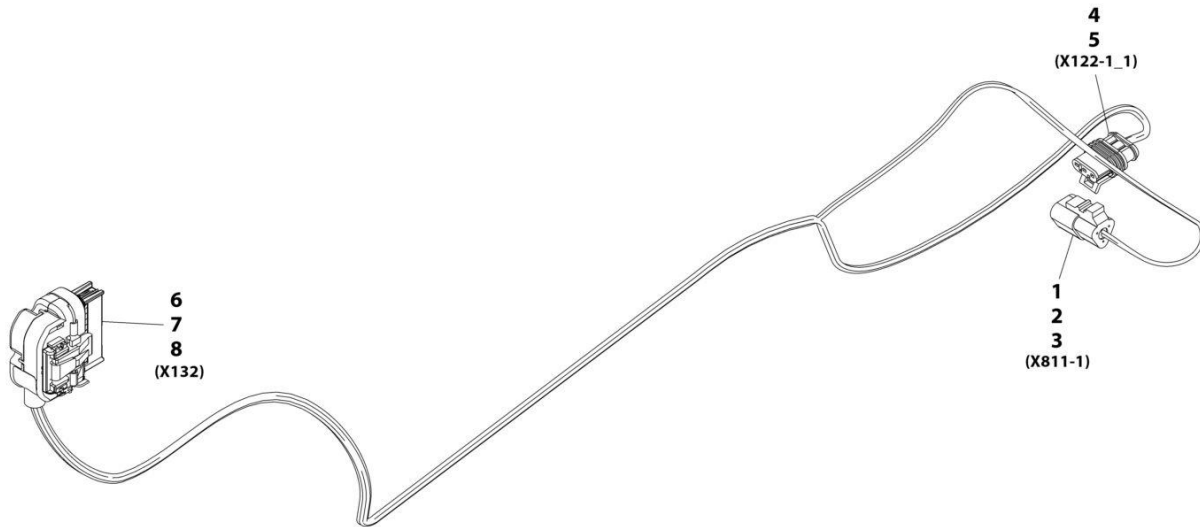
SECTION 10 - ELECTRICAL

FIGURE 10-75. CLEARSKY HARNESS (SN E16000001 through E160000141, Excluding 1160008774, 1160008775, 1160008777, E160000120 and E160000126)

ITEM	PART NUMBER	QTY	DESCRIPTION	REV
	1001239082	Ref	Clearsky Harness	A
1	1001126007	1	Connector	
2	1001119619	4	Terminal	
3	4460518	2	Plug	
4	4461217	1	Connector	
5	1001119620	4	Terminal	
6	4460518	2	Plug	
7	1001226636	1	Connector	
8	1001116731	19	Plug	
9	1001226637	5	Terminal	
10	4461262	1	Connector	
11	1001116697	3	Terminal	
12	1001104498	3	Seal	

SECTION 10 - ELECTRICAL

FIGURE 10-76. CLEARSKY HARNESS (SN E160000141 through E160000496, Including 1160008774, 1160008775, 1160008777, E160000120 and E160000126)



ART_1001243058-A

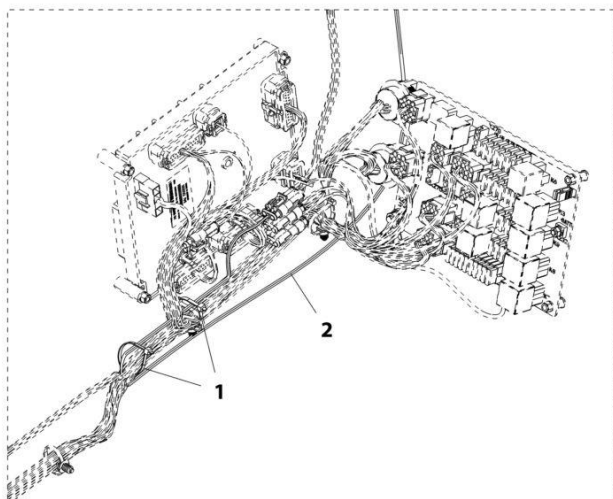
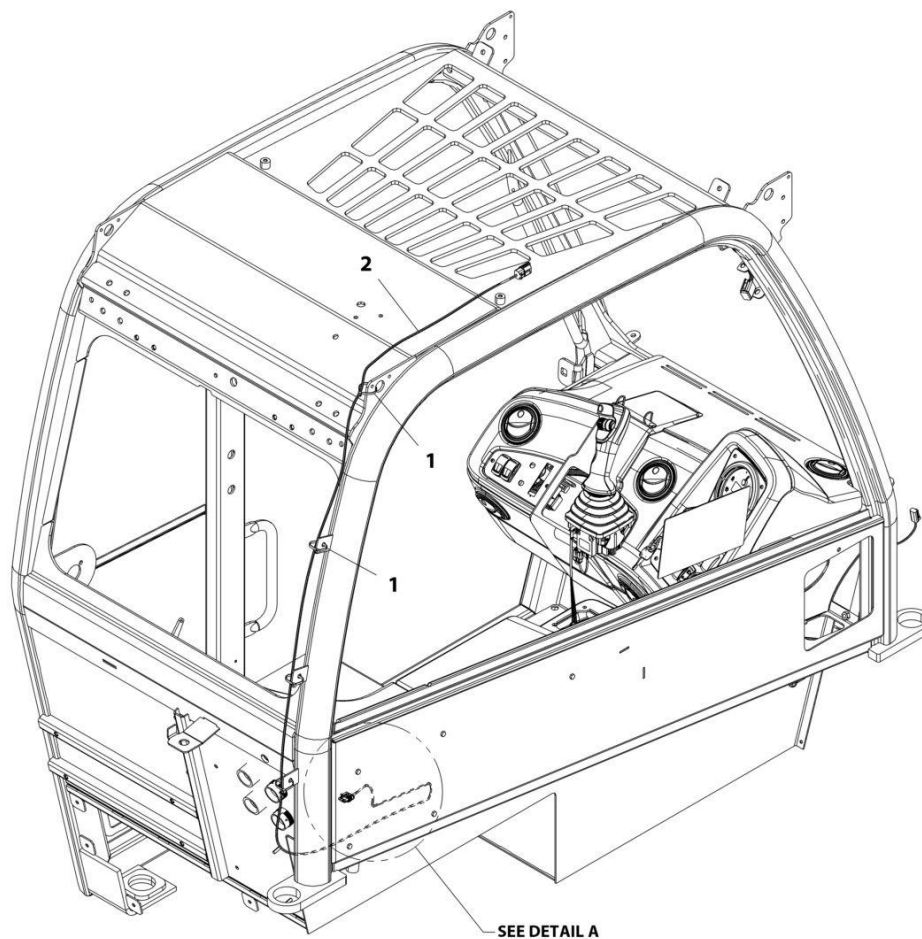
SECTION 10 - ELECTRICAL

FIGURE 10-76. CLEARSKY HARNESS (SN E160000141 through E160000496, Including 1160008774, 1160008775, 1160008777, E160000120 and E160000126)

ITEM	PART NUMBER	QTY	DESCRIPTION	REV
	1001243058	Ref	Clearsky Harness	A
1	4460539	1	Connector	
2	4460465	2	Terminal	
3	4460466	1	Terminal	
4	4461262	1	Connector	
5	1001166818	3	Terminal	
6	1001226636	1	Connector	
7	1001226637	5	Terminal	
8	1001116731	19	Terminal	

SECTION 10 - ELECTRICAL

FIGURE 10-77. UNIVERSAL TELEMATICS INSTALLATION



DETAIL A

ART_1001205597-A

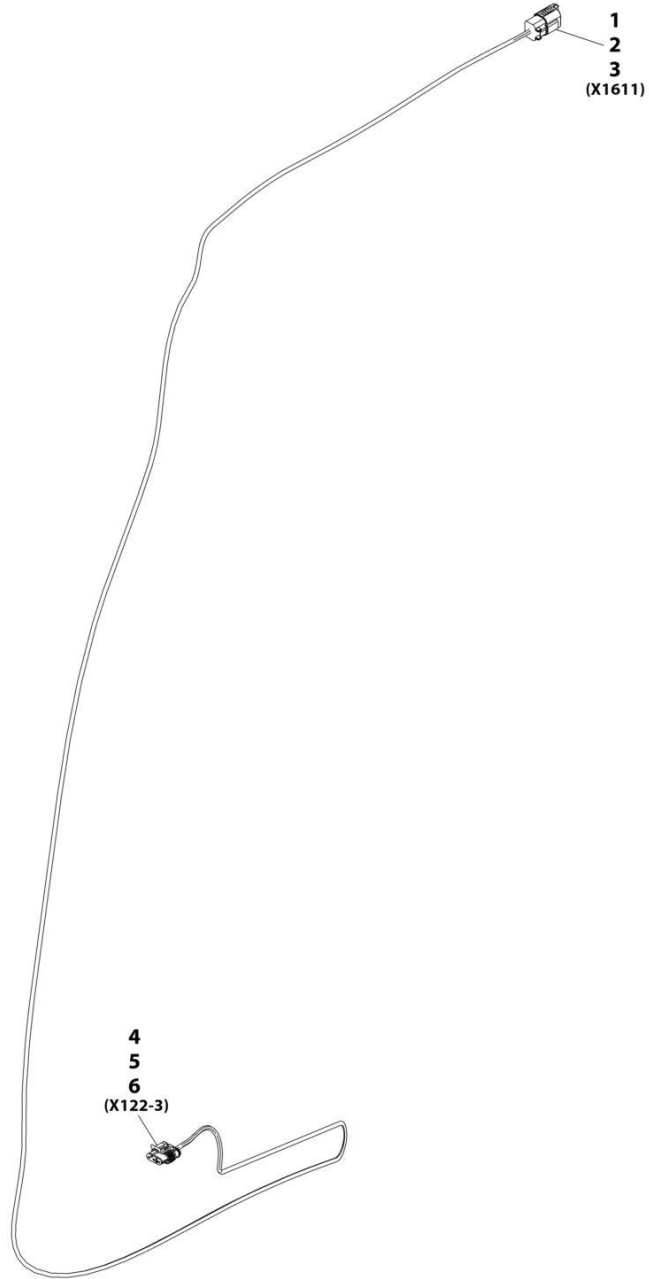
SECTION 10 - ELECTRICAL

FIGURE 10-77. UNIVERSAL TELEMATICS INSTALLATION

ITEM	PART NUMBER	QTY	DESCRIPTION	REV
1	1001205597	Ref	Universal Telematics Installation (if equipped)	A
	1001008559	6	Strap, Cable	
2	1001205596	1	Harness, Universal Telematics (See UNIVERSAL TELEMATICS HARNESS for Breakdown)	

SECTION 10 - ELECTRICAL

FIGURE 10-78. UNIVERSAL TELEMATICS HARNESS



ART_1001205596-A

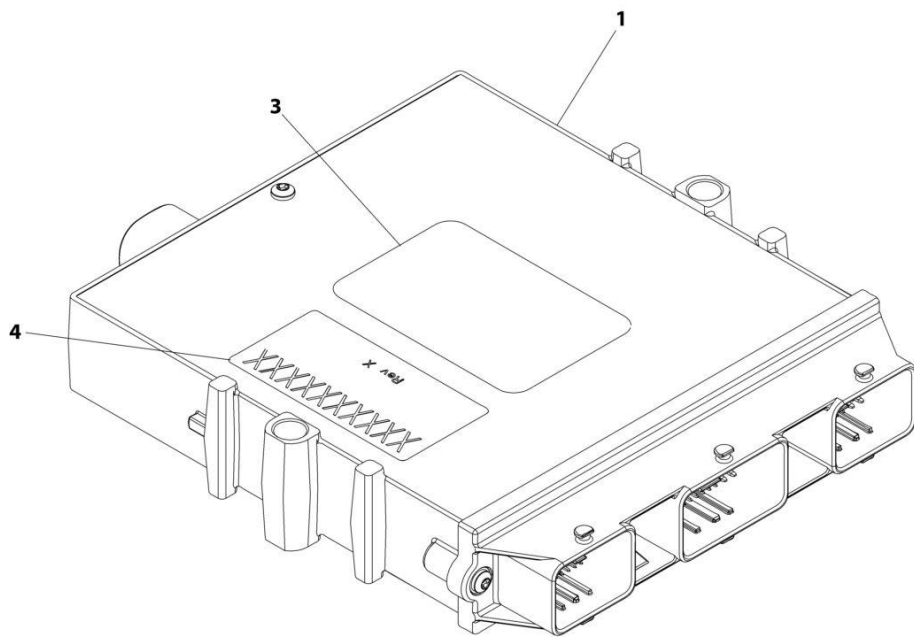
SECTION 10 - ELECTRICAL

FIGURE 10-78. UNIVERSAL TELEMATICS HARNESS

ITEM	PART NUMBER	QTY	DESCRIPTION	REV
	1001205596	Ref	Universal Telematics Harness	A
1	4460884	1	Connector	
2	4460465	3	Terminal	
3	4460466	1	Plug	
4	80604021	1	Lock, Wedge	
5	1001192401	1	Cap Dust	
6	4461262	1	Connector	
7	1001116697	3	Terminal	
8	1001104498	3	Plug	

SECTION 10 - ELECTRICAL

FIGURE 10-79. REAR FRAME MODULE



ART_1001209576-M

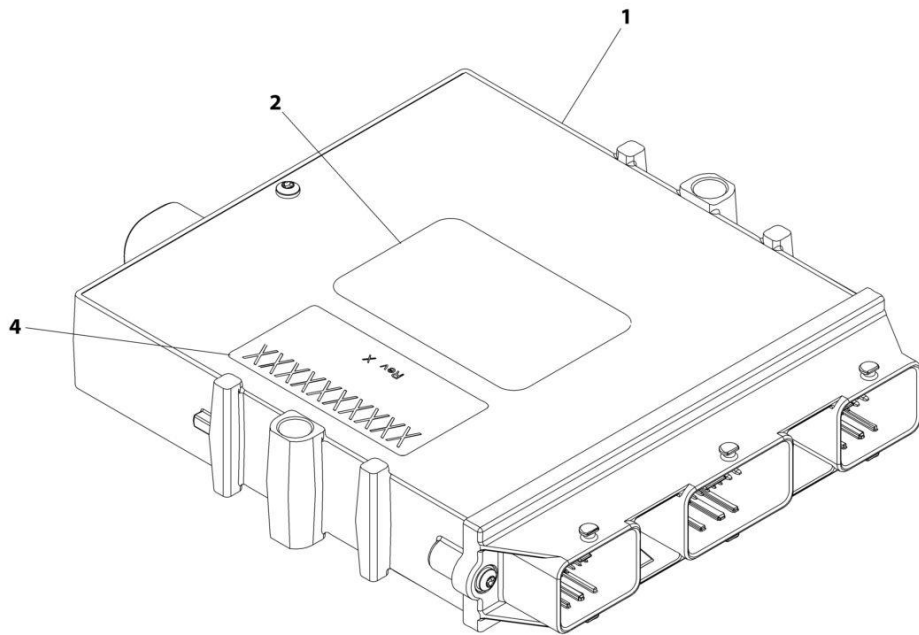
SECTION 10 - ELECTRICAL

FIGURE 10-79. REAR FRAME MODULE

ITEM	PART NUMBER	QTY	DESCRIPTION	REV
	1001209576	Ref	Rear Frame Module	M
1	1001162250	1	PC Board	
2	1001209580	1	Software, Rear Frame Module	
3	1001162248	1	Label, Generic Control Module	
4	1001202061	1	Decal, Control Module	

SECTION 10 - ELECTRICAL

FIGURE 10-80. FRONT FRAME MODULE



ART_1001209577-M

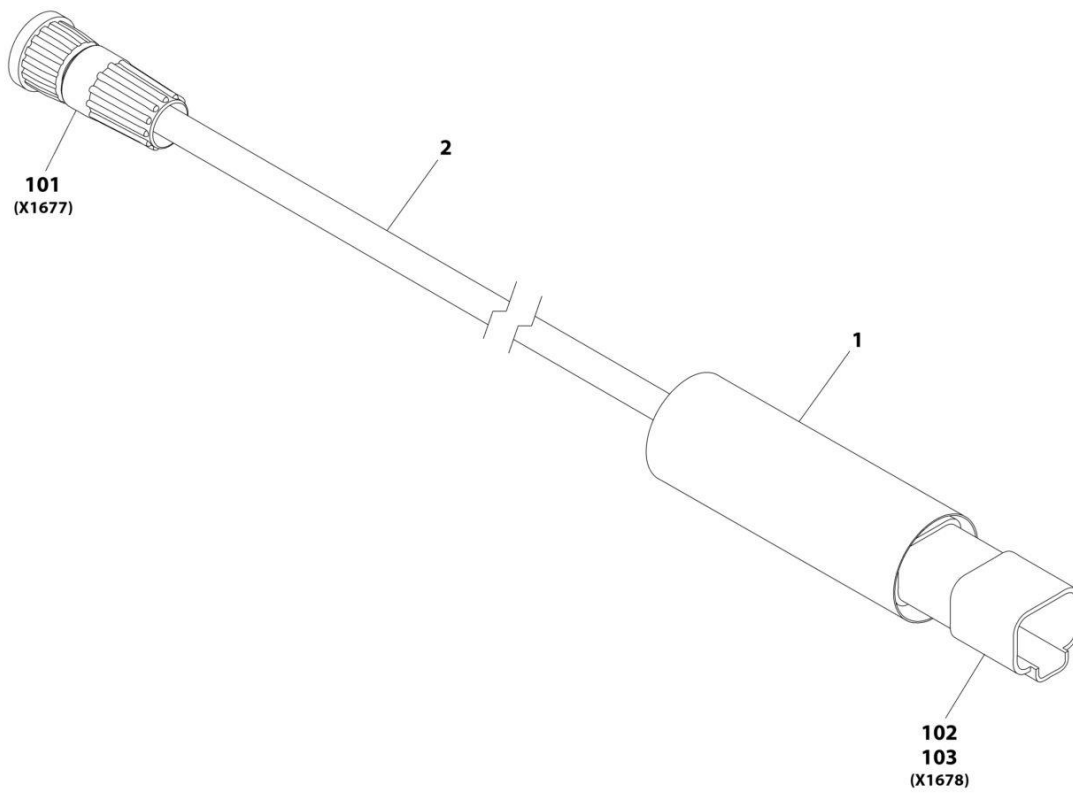
SECTION 10 - ELECTRICAL

FIGURE 10-80. FRONT FRAME MODULE

ITEM	PART NUMBER	QTY	DESCRIPTION	REV
	1001209577	Ref	Front Frame Module	M
1	1001162250	1	PC Board	
2	1001162248	1	Label, Generic Control Module	
3	1001209579	1	Software, Rear Frame Module	
4	1001202061	1	Decal, Control Module	

SECTION 10 - ELECTRICAL

FIGURE 10-81. TELEMATICS HARNESS



ART_1001227066-A

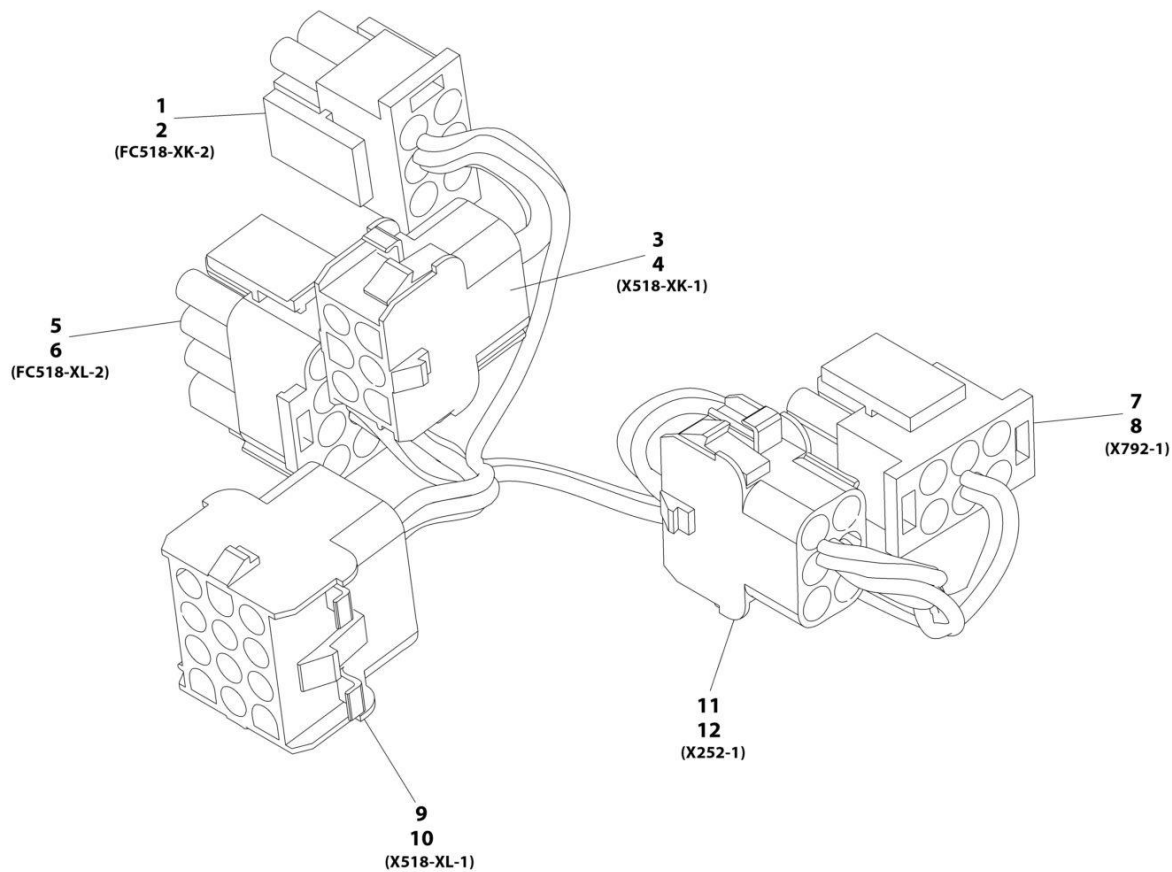
SECTION 10 - ELECTRICAL

FIGURE 10-81. TELEMATICS HARNESS

ITEM	PART NUMBER	QTY	DESCRIPTION	REV
	1001227066	Ref	CLEARSKY TELEMATICS HARNESS	A
1	1001226400	0.33 ft	Insulate, Heat Shrink	
2	1001227068	3.3 ft	Cable	
101	1001227266	1	Connector	
102	1001129407	1	Connector	
103	4460464	4	Terminal	

SECTION 10 - ELECTRICAL

FIGURE 10-82. WORKLIGHTS JUMPER HARNESS



ART_1001250544-B

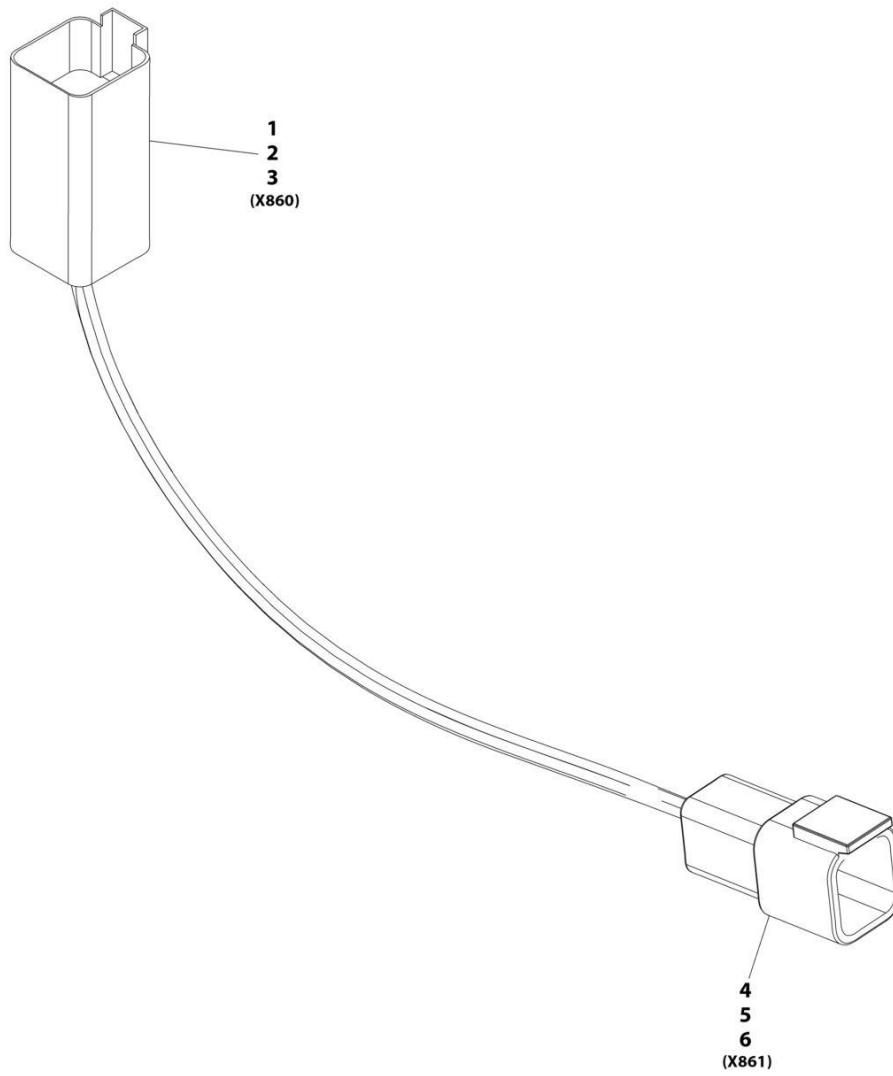
SECTION 10 - ELECTRICAL

FIGURE 10-82. WORKLIGHTS JUMPER HARNESS

ITEM	PART NUMBER	QTY	DESCRIPTION	REV
	1001250544	Ref	Worklight Jumper Harness	B
1	4460225	1	Connector	
2	4460267	5	Terminal	
3	4460224	1	Connector	
4	4460268	4	Terminal	
5	4460343	1	Connector	
6	4460268	6	Terminal	
7	4460225	1	Connector	
8	4460267	3	Terminal	
9	4460367	1	Connector	
10	4460267	5	Terminal	
11	4460224	1	Connector	
12	4460268	5	Terminal	

SECTION 10 - ELECTRICAL

FIGURE 10-83. JOYSTICK JUMPER HARNESS



ART_1001245322-A

SECTION 10 - ELECTRICAL

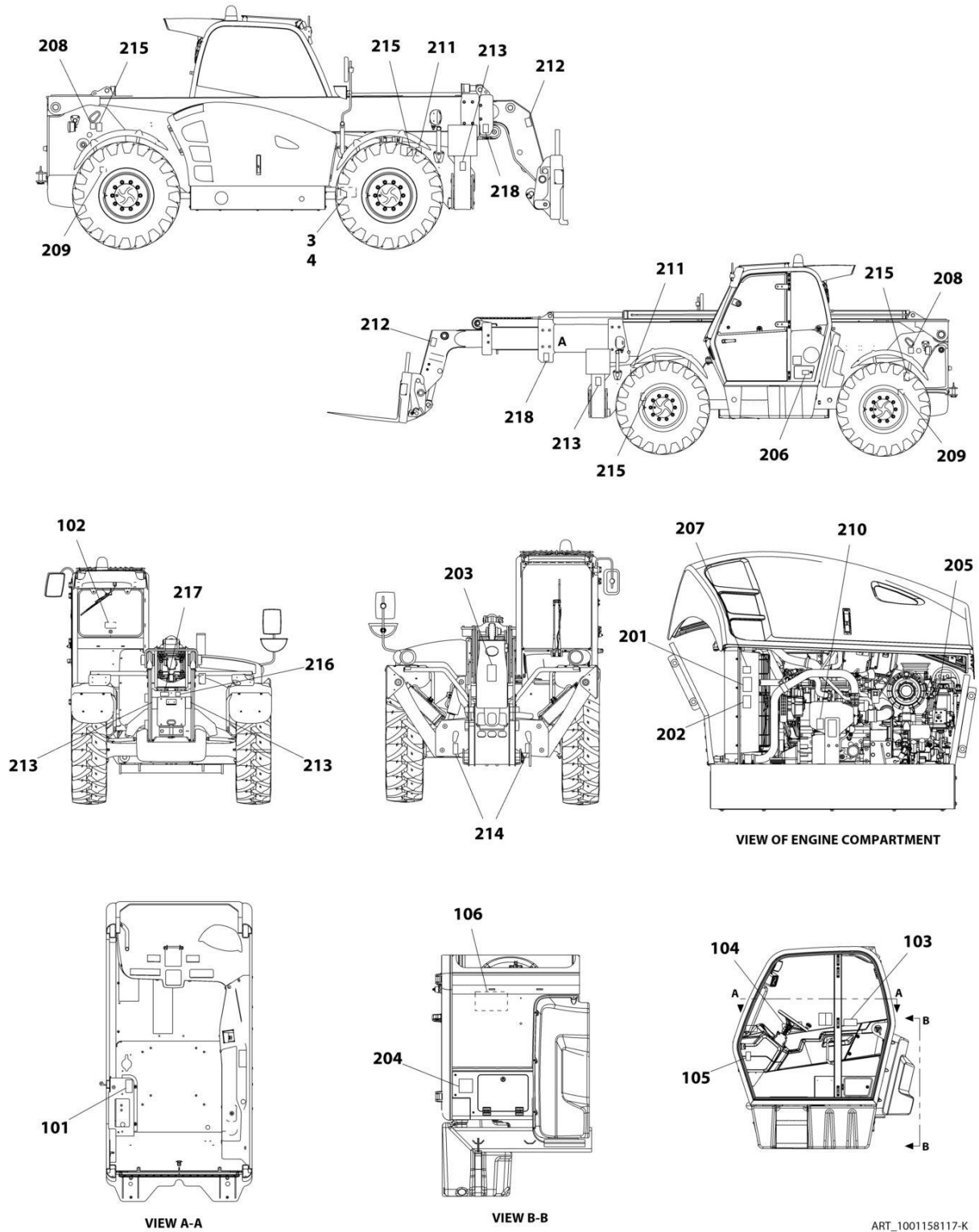
FIGURE 10-83. JOYSTICK JUMPER HARNESS

ITEM	PART NUMBER	QTY	DESCRIPTION	REV
	1001245322	Ref	Joystick Jumper Harness	A
1	4460899	1	Connector	
2	4460464	4	Terminal	
3	4460466	2	Terminal	
4	4461217	1	Connector	
5	1001126010	4	Terminal	
6	4460518	2	Terminal	

SECTION 11 - DECALS

SECTION 11 - DECALS

FIGURE 11-1. DECAL LOCATION INSTALLATION (ULS) (SN E160000001 through E160000191)



ART_1001158117-K

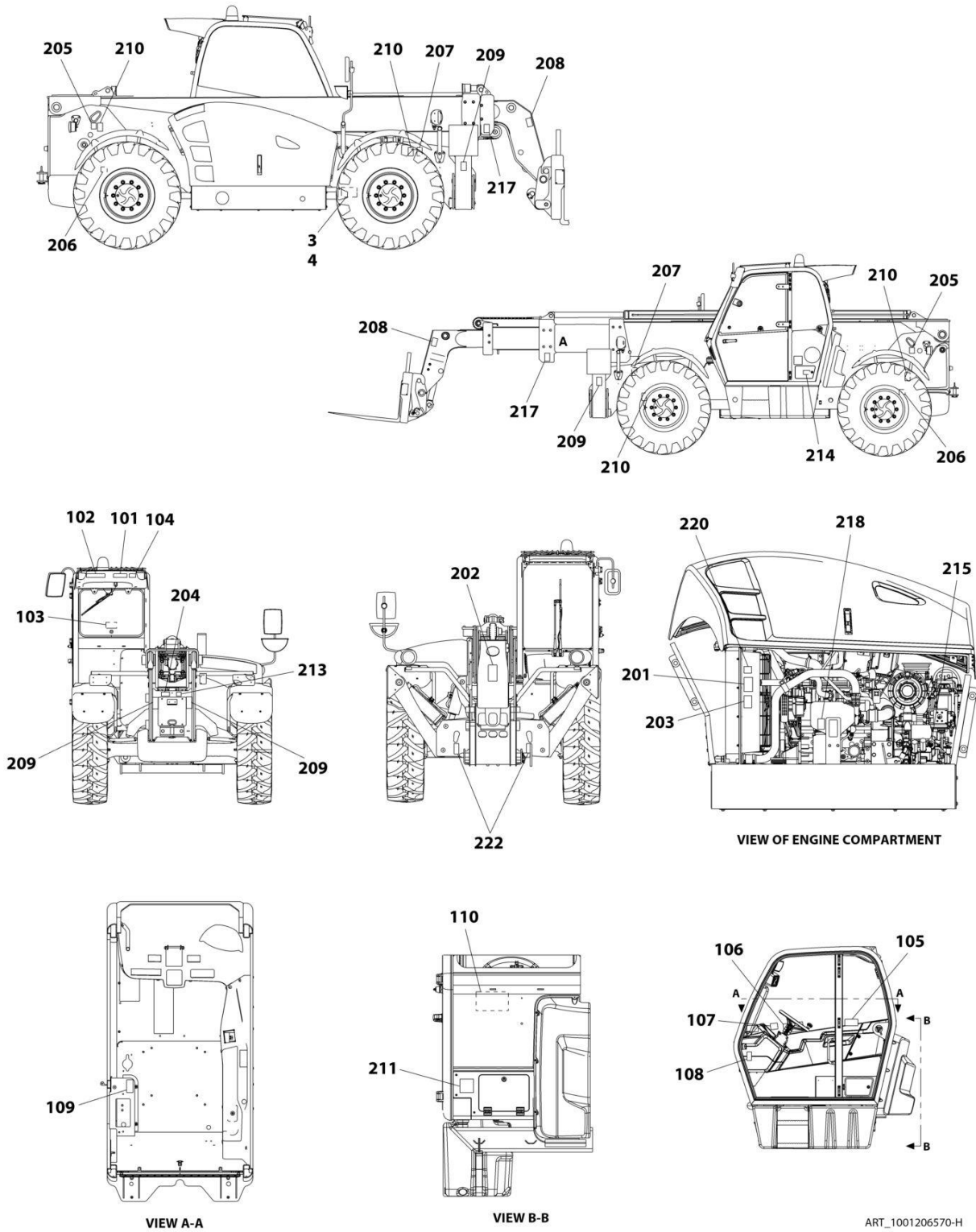
SECTION 11 - DECALS

FIGURE 11-1. DECAL LOCATION INSTALLATION (ULS) (SN E160000001 through E160000191)

ITEM	PART NUMBER	QTY	DESCRIPTION	REV
	1001158117	Ref	Decal Location Installation (ULS)	K
3	1001009178	4	Tack, Metal	
4	N.S.S.	1	Nameplate, Serial Number	
101	1706209	1	Decal, Park Brake	
102	8005870	1	Decal, Emergency Exit	
103	1001092878	1	Decal, No Riders (ISO)	
104	1001101895	1	Decal, Cab Warning	
105	8005670	1	Decal, Read Operators Manual Instructions	
106	1001158300	1	Decal, Fuse	
201	1706098	1	Decal, Warning Ether Start	
202	1706285	1	Decal, Moving Parts (ISO)	
203	8006038	1	Decal, No Riders Warning	
204	1001094708	1	Decal, Hydraulic Oil	
205	1001139164	1	Decal, Battery Warning	
206	1001139654	1	Decal, Ultra Low Sulphur Fuel	
207	AU2105	1	Decal, No Karcher	
208	8005616	2	Decal, Lifting Point	
209	8005617	2	Decal, Tie Down Point	
210	8005670	1	Decal, Read Operators Manual Instructions	
211	8005671	2	Decal, Cylinder Lock Warning	
212	8005675	2	Decal, Watch for Raised Boom Warning	
213	8006612	4	Decal, Stay Clear of Swing Area	
214	1001100957	2	Decal, Lift/Tie Down Point	
215	8008657	4	Decal, Set Brake Lever Warning	
216	1001104319	1	Decal, Chain Roller Greasing Point	
217	1001158844	1	Decal, Hand Crushing Hazard	
218	1001168718	2	Decal, Chain Drive Entanglement Hazard	

SECTION 11 - DECALS

FIGURE 11-2. DECAL LOCATION INSTALLATION (ULS) (SN E160000191 through E160000496)



ART_1001206570-H

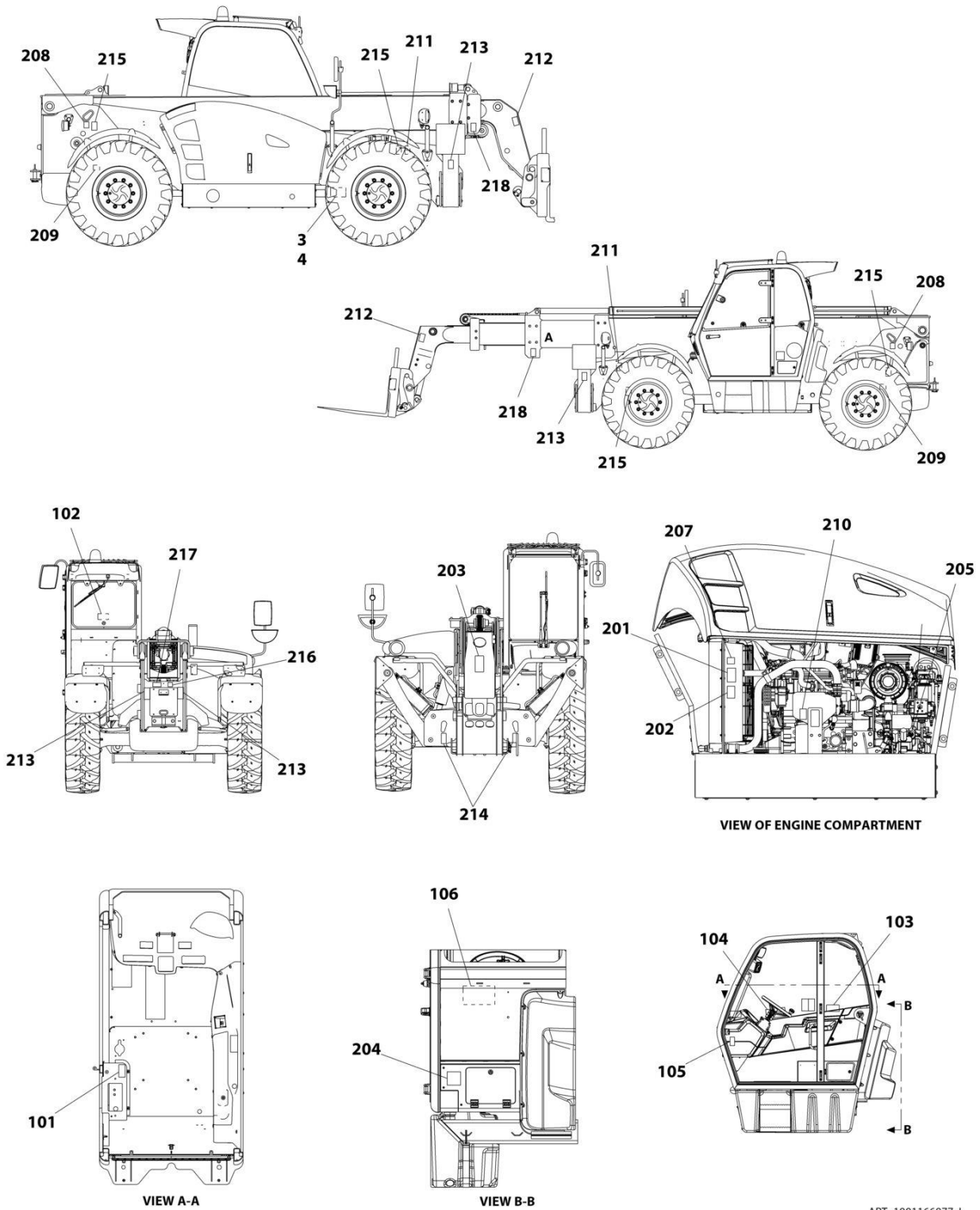
SECTION 11 - DECALS

FIGURE 11-2. DECAL LOCATION INSTALLATION (ULS) (SN E160000191 through E160000496)

ITEM	PART NUMBER	QTY	DESCRIPTION	REV
	1001206570	Ref	Decal Location Installation (ULS)	H
3	1001009178	4	Tack, Metal	
4	N.S.S.	1	S/N Plate	
101	1706284	1	Decal, Electrocution Hazard (ISO)	
102	1706288	1	Decal, Tipover Warning (ISO)	
103	8005870	1	Decal, Emergency Exit	
104	1001092877	1	Decal, Crush Hazard Warning (ISO)	
105	1001092878	1	Decal, No Riders	
106	1001101895	1	Decal, Warning-Cab	
107	1001172035	1	Decal, No Weld Or Drill	
108	1001189154	1	Decal, Read Operators Manual	
109	1001214206	1	Decal, Park Brake	
110	1001250530	1	Decal, Fuse	
201	1706098	1	Decal, Warning Ether Start	
202	1001223875	1	Decal, No Standing on Forks	
203	1706285	1	Decal, Moving Parts (ISO)	
204	1706292	1	Decal, Pinch Point (ISO)	
205	8005616	4	Decal, Lifting Point	
206	8005617	4	Decal, Tie Down Point	
207	8005671	2	Decal, Cylinder Lock Warning	
208	8005675	2	Decal, Watch for Raised Boom Warning	
209	8006612	4	Decal, Stay Clear of Swing Area	
210	8008657	4	Decal, Set Brake Lever Warning	
211	1001094708	4	Decal, Hydraulic Oil	
213	1001104319	1	Decal, Chain Roller Greasing Point	
214	1001130323	1	Decal, Oil Level	
215	1001139164	1	Decal, Battery Warning	
217	1001168718	2	Decal, Chain Drive Entanglement Hazard	
218	1001189154	1	Decal, Read Operators Manual	
220	AU2105	1	Decal, No Karcher	
222	1001241674	4	Decal, Retrieval Point	

SECTION 11 - DECALS

FIGURE 11-3. DECAL LOCATION INSTALLATION (LS) (SN E16000001 through E160000191)



ART_1001166077-J

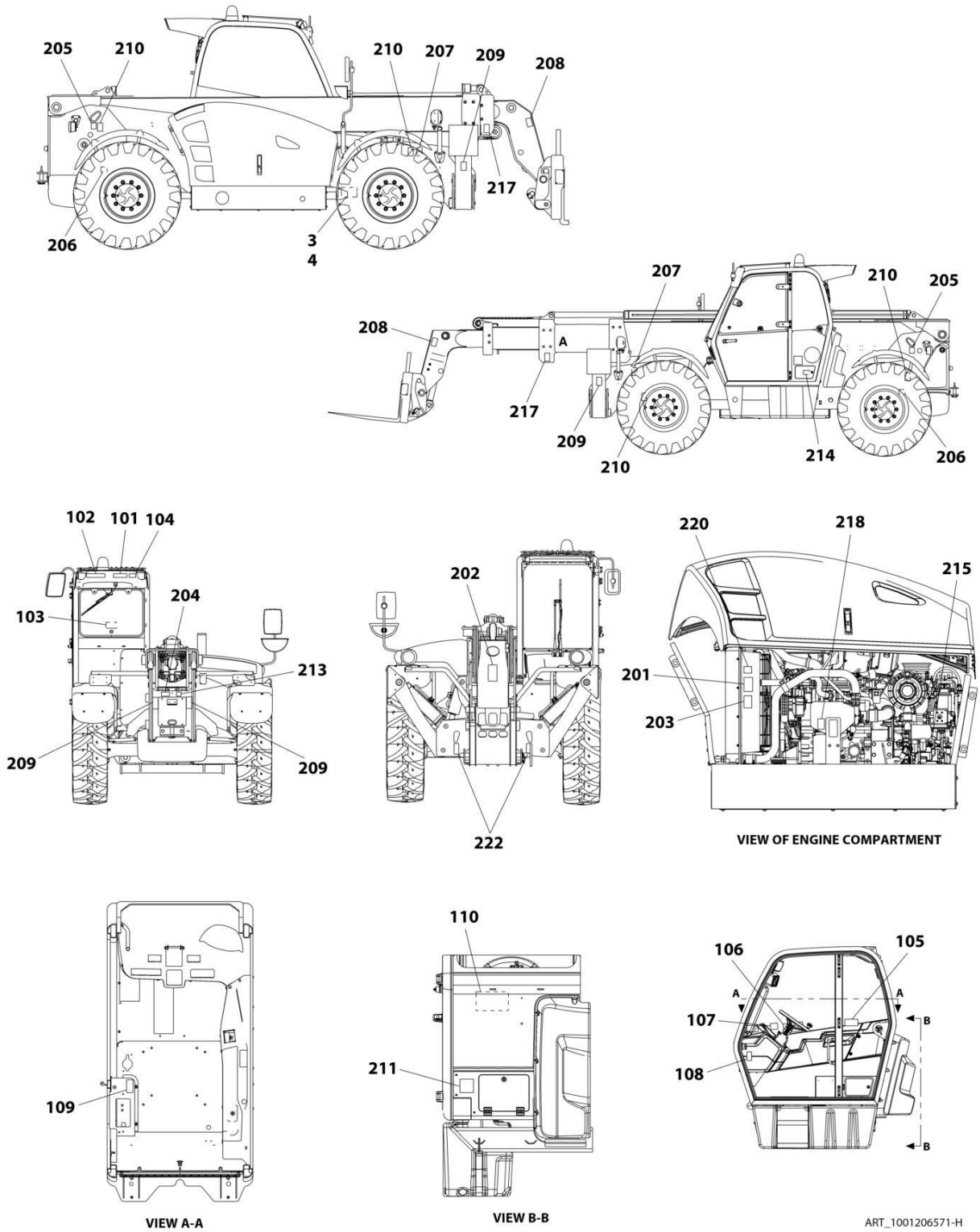
SECTION 11 - DECALS

FIGURE 11-3. DECAL LOCATION INSTALLATION (LS) (SN E160000001 through E160000191)

ITEM	PART NUMBER	QTY	DESCRIPTION	REV
	1001166077	Ref	Decal Location Installation (LS)	J
3	1001009178	4	Tack, Metal	
4	N.S.S.	1	Nameplate, Serial Number	
101	1706209	1	Decal, Park Brake	
102	8005870	1	Decal, Emergency Exit	
103	1001092878	1	Decal, No Riders (ISO)	
104	1001101895	1	Decal, Cab Warning	
105	8005670	1	Decal, Read Operators Manual Instruction	
106	1001158300	1	Decal, Fuse	
201	1706098	1	Decal, Warning Ether Start	
202	1706285	1	Decal, Moving Parts (ISO)	
203	8006038	1	Decal, No Riders Warning	
204	1001094708	1	Decal, Hydraulic Oil	
205	1001139164	1	Decal, Battery Warning	
207	AU2105	1	Decal, No Karcher	
208	8005616	2	Decal, Lifting Point	
209	8005617	2	Decal, Tie Down Point	
210	8005670	1	Decal, Read Operators Manual Instruction	
211	8005671	2	Decal, Cylinder Lock Warning	
212	8005675	2	Decal, Watch for Raised Boom Warning	
213	8006612	4	Decal, Stay Clear of Swing Area Warning	
214	1001100957	2	Decal, Lift/Tie Down Point	
215	8008657	4	Decal, Set Brake Lever	
216	1001104319	1	Decal, Chain Roller Greasing Point	
217	1001158844	1	Decal, Hand Crushing Hazard	
218	1001168718	2	Decal, Chain Drive Entanglement Hazard	

SECTION 11 - DECALS

FIGURE 11-4. DECAL LOCATION INSTALLATION (LS) (SN E160000191 through E160000496)



ART_1001206571-H

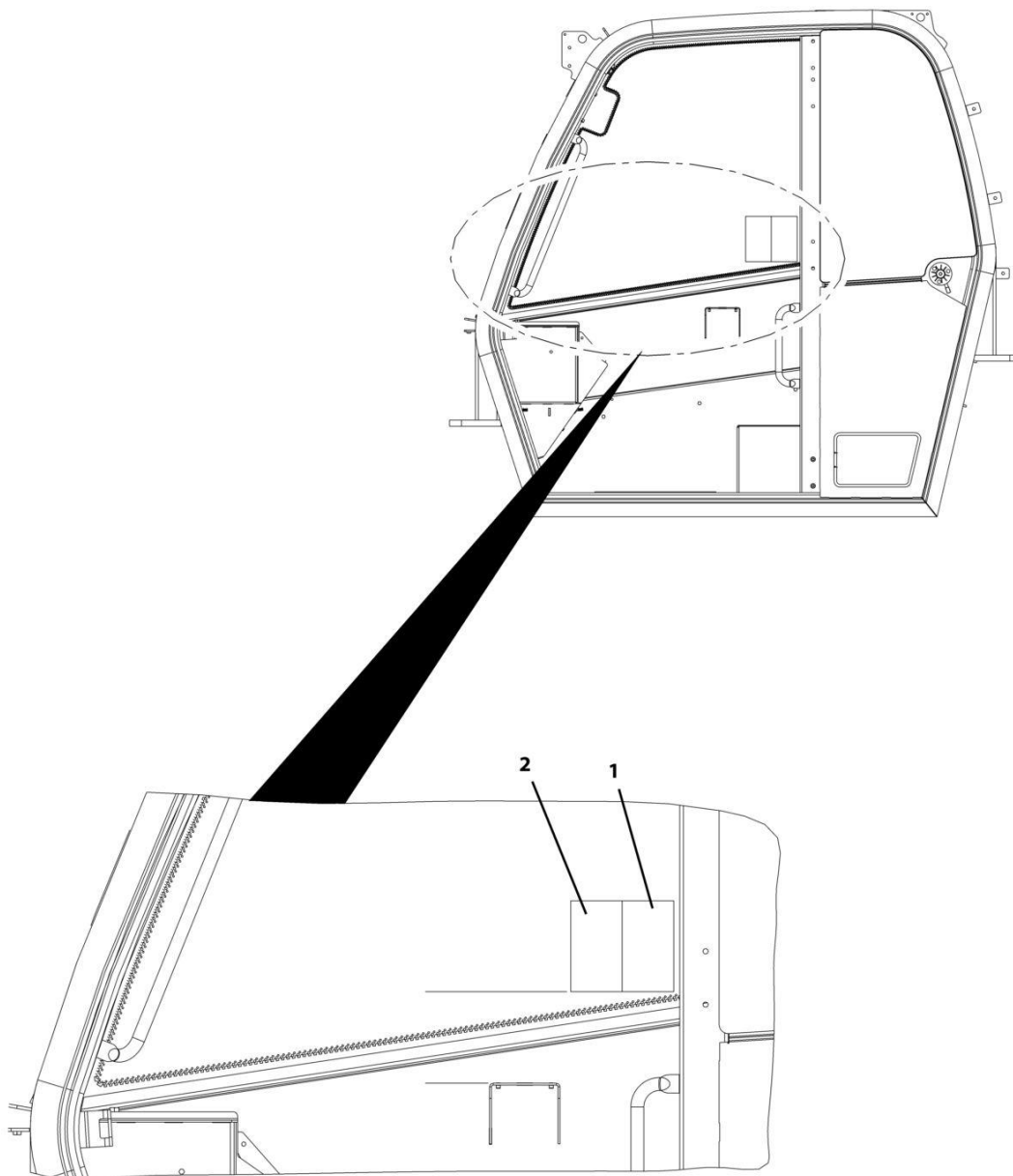
SECTION 11 - DECALS

FIGURE 11-4. DECAL LOCATION INSTALLATION (LS) (SN E160000191 through E160000496)

ITEM	PART NUMBER	QTY	DESCRIPTION	REV
	1001206571	Ref	Decal Location Installation (LS)	H
3	1001009178	4	Tack, Metal	
4	N.S.S.	1	S/N Plate	
101	1706284	1	Decal, Electrocution Hazard (ISO)	
102	1706288	1	Decal, Tipover Warning (ISO)	
103	8005870	1	Decal, Emergency Exit	
104	1001092877	1	Decal, Crush Hazard Warning (ISO)	
105	1001092878	1	Decal, No Riders (ISO)	
106	1001101895	1	Decal, Cab Warning	
107	1001172035	1	Decal, No Weld Or Drill	
108	1001189154	1	Decal, Read Operators Manual	
109	1001214206	1	Decal, Park Brake	
110	1001250530	1	Decal, Fuse	
201	1706098	1	Decal, Warning Ether Start	
202	1001223875	1	Decal, No Standing on Forks	
203	1706285	1	Decal, Moving Parts (ISO)	
204	1706292	1	Decal, Pinch Point (ISO)	
205	8005616	4	Decal, Lifting Point	
206	8005617	4	Decal, Tie Down Point	
207	8005671	2	Decal, Cylinder Lock Warning	
208	8005675	2	Decal, Watch for Raised Boom Warning	
209	8006612	4	Decal, Stay Clear of Swing Area Warning	
210	8008657	4	Decal, Set Brake Lever	
211	1001094708	4	Decal, Hydraulic Oil	
213	1001104319	1	Decal, Chain Roller Greasing Point	
214	1001130323	1	Decal, Oil Level	
215	1001139164	1	Decal, Battery Warning	
217	1001168718	2	Decal, Chain Drive Entanglement Hazard	
218	1001189154	1	Decal, Read Operators Manual	
220	AU2105	1	Decal, No Karcher	
222	1001241674	4	DECAL,RETRIEVAL POINT	

SECTION 11 - DECALS

FIGURE 11-5. JOYSTICK DECAL INSTALLATION, BUCKET (SN 1160007024 through 1160008269, Excluding 1160008192 and 1160008201)



ART_1001145654-A

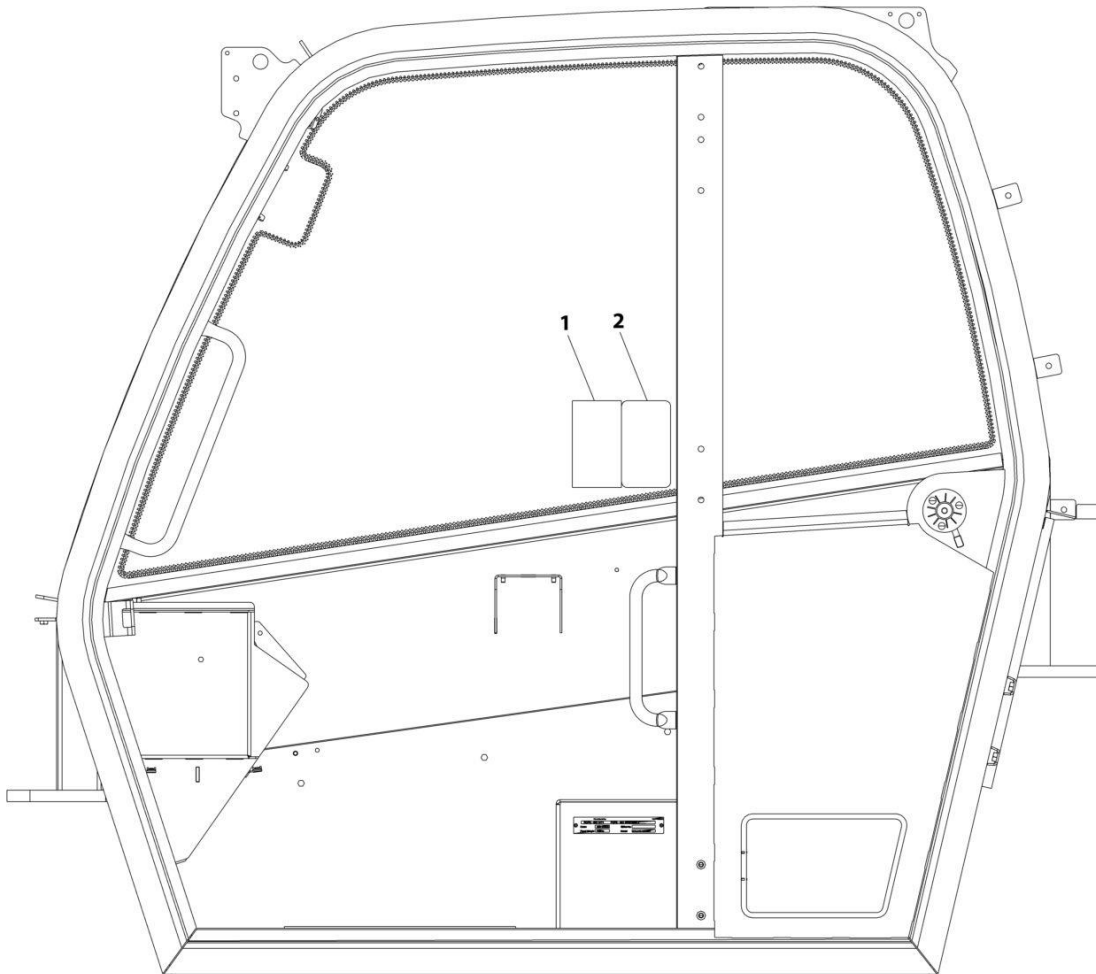
SECTION 11 - DECALS

**FIGURE 11-5. JOYSTICK DECAL INSTALLATION, BUCKET (SN 1160007024 through 1160008269,
Excluding 1160008192 and 1160008201)**

ITEM	PART NUMBER	QTY	DESCRIPTION	REV
	1001145654	Ref	Joystick Decal Installation, Bucket	A
1	1001158303	1	Decal, Loader Joystick	
2	1001158309	1	Decal, Joystick Stabilizers	

SECTION 11 - DECALS

FIGURE 11-6. JOYSTICK DECAL INSTALLATION, BUCKET (SN 1160008269 through 1160008790, Including 1160008192 and 1160008201)



ART_1001218296-B

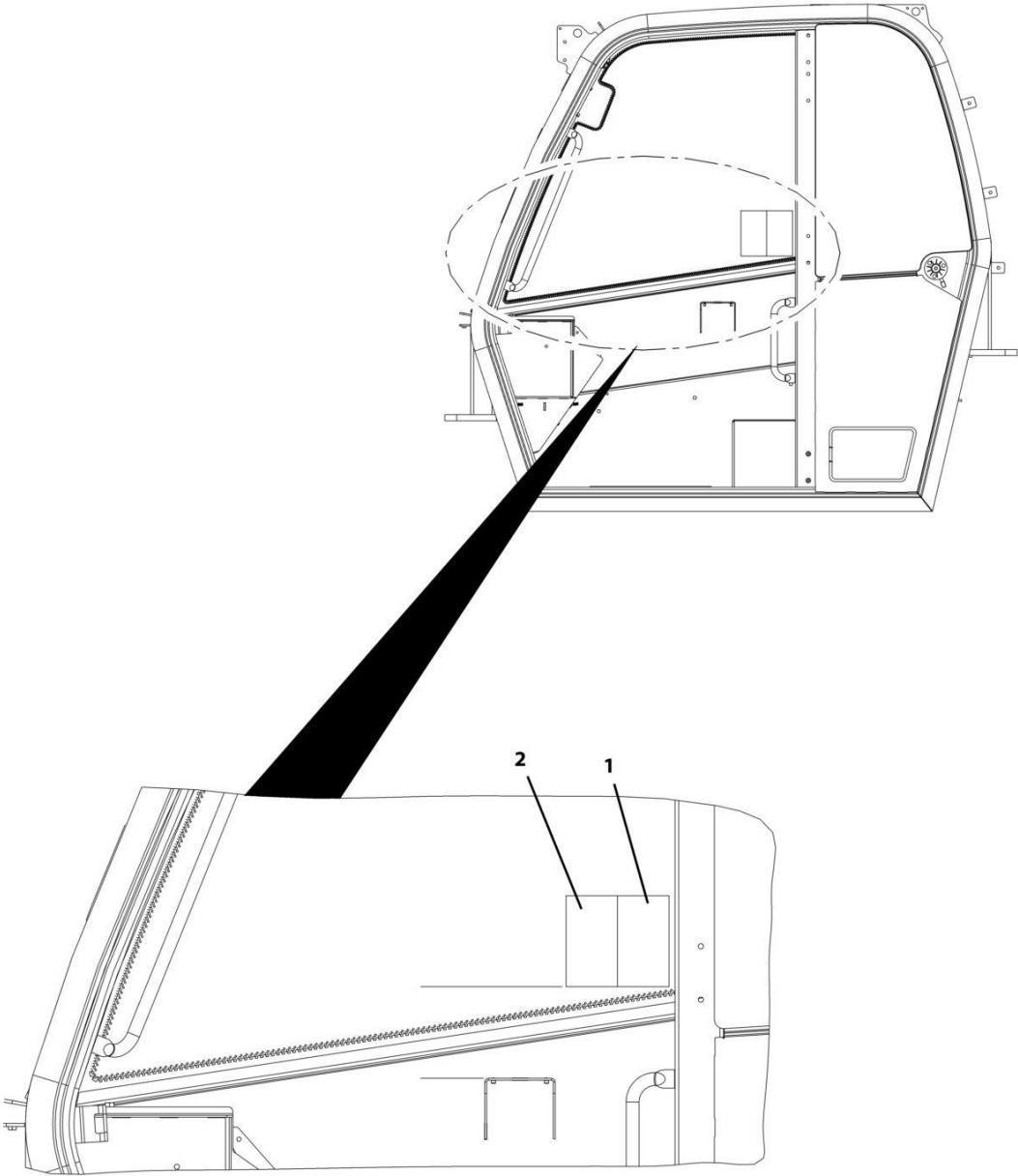
SECTION 11 - DECALS

FIGURE 11-6. JOYSTICK DECAL INSTALLATION, BUCKET (SN 1160008269 through 1160008790, Including 1160008192 and 1160008201)

ITEM	PART NUMBER	QTY	DESCRIPTION	REV
	1001218296	Ref	Joystick Decal Installation, Bucket	B
1	1001158309	1	Decal, Joystick Stabilizers	
2	1001241951	1	Decal, Loader Joystick	

SECTION 11 - DECALS

FIGURE 11-7. JOYSTICK DECAL INSTALLATION, FORK (SN 1160007024 through 1160008269, Excluding 1160008192 and 1160008201)



ART_1001145655-B

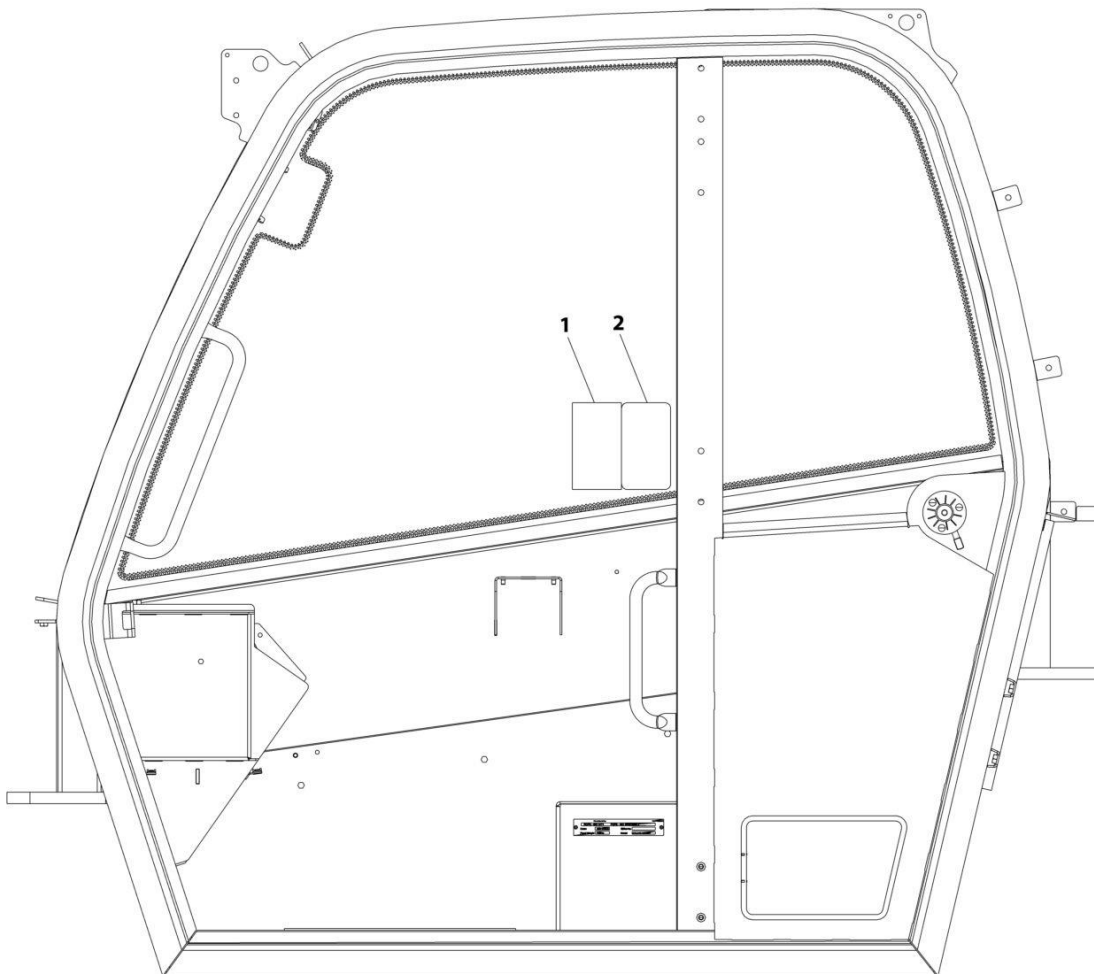
SECTION 11 - DECALS

**FIGURE 11-7. JOYSTICK DECAL INSTALLATION, FORK (SN 1160007024 through 1160008269,
Excluding 1160008192 and 1160008201)**

ITEM	PART NUMBER	QTY	DESCRIPTION	REV
	1001145655	Ref	Joystick Decal Installation, Fork	B
1	1001158309	1	Decal, Joystick Stabilizers	
2	1001172172	1	Decal, Joystick	

SECTION 11 - DECALS

FIGURE 11-8. JOYSTICK DECAL INSTALLATION, FORK (SN 1160008269 through 1160008790, Including 1160008192 and 1160008201)



ART_1001218295-B

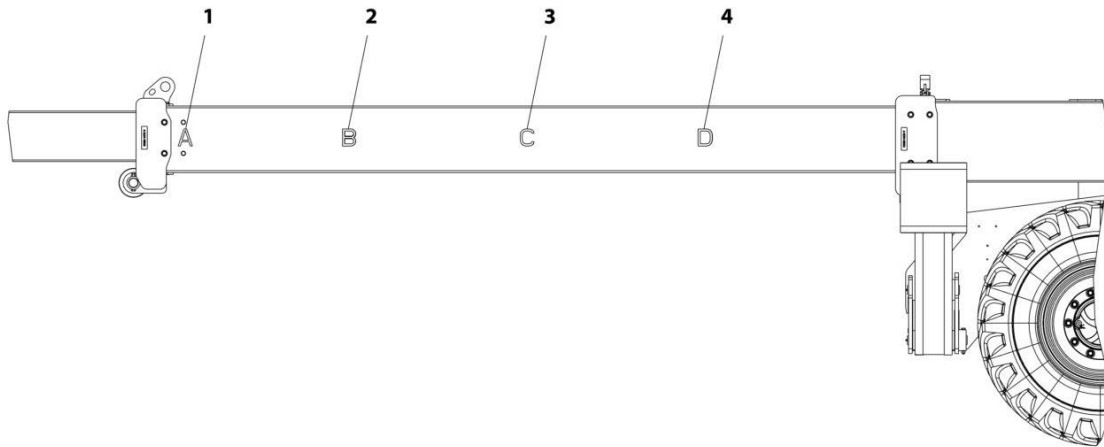
SECTION 11 - DECALS

**FIGURE 11-8. JOYSTICK DECAL INSTALLATION, FORK (SN 1160008269 through 1160008790,
Including 1160008192 and 1160008201)**

ITEM	PART NUMBER	QTY	DESCRIPTION	REV
	1001218295	Ref	Joystick Decal Installation, Fork	B
1	1001158309	1	Decal, Joystick Stabilizers	
2	1001241952	1	Decal, Joystick	

SECTION 11 - DECALS

FIGURE 11-9. BOOM DECAL INSTALLATION



ART_1001171798-A

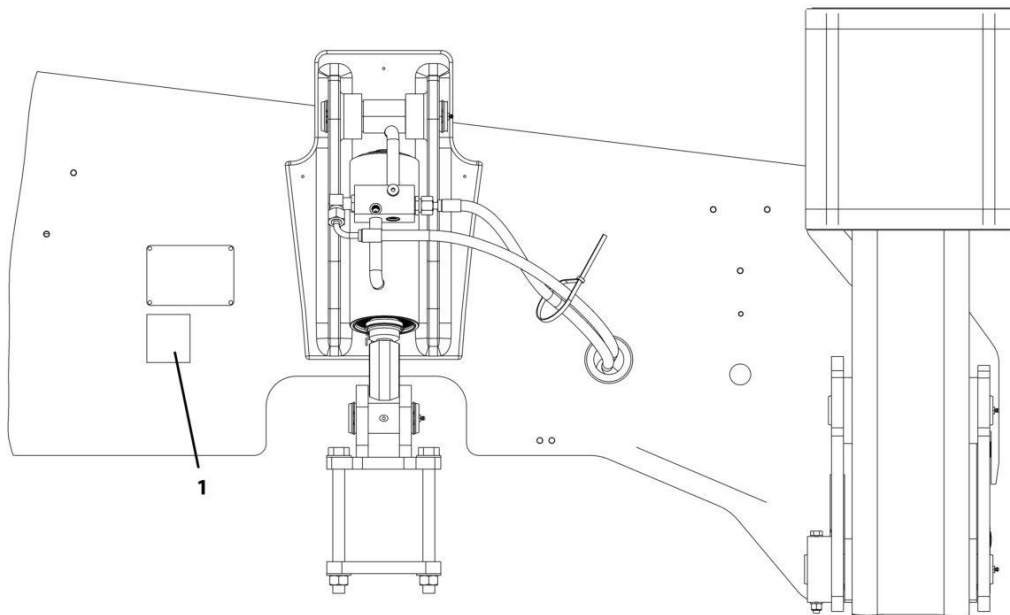
SECTION 11 - DECALS

FIGURE 11-9. BOOM DECAL INSTALLATION

ITEM	PART NUMBER	QTY	DESCRIPTION	REV
	1001171798	Ref	Boom Decal Installation	A
1	1706753	1	Decal, A	
2	1706754	1	Decal, B	
3	1706755	1	Decal, C	
4	1706756	1	Decal, D	

SECTION 11 - DECALS

FIGURE 11-10. DECAL INSTALLATION, RUSSIA



ART_1001145656-A

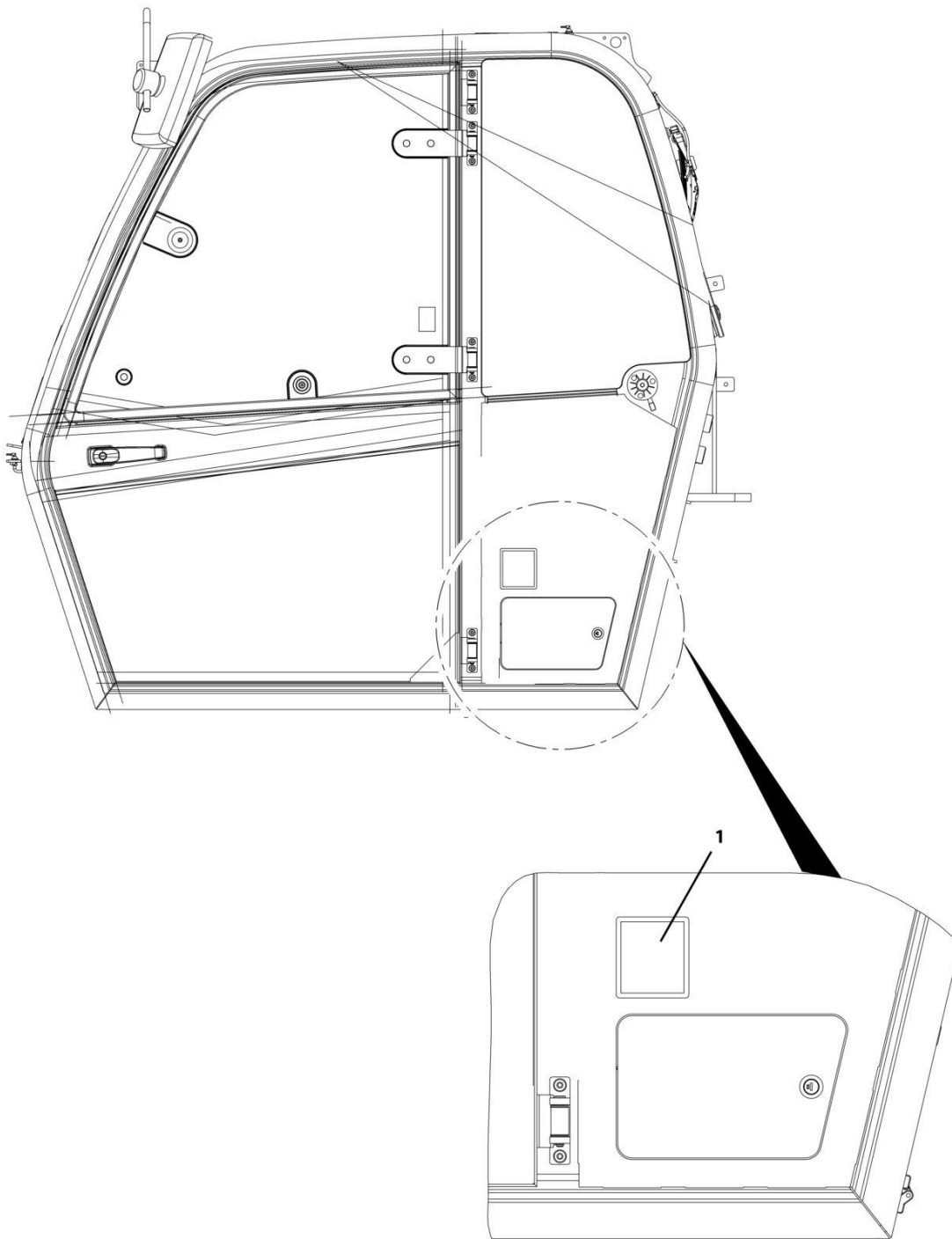
SECTION 11 - DECALS

FIGURE 11-10. DECAL INSTALLATION, RUSSIA

ITEM	PART NUMBER	QTY	DESCRIPTION	REV
1	1001145656	Ref	Decal installation, Russia	A
	1001121555	1	Decal, PCT Russia	

SECTION 11 - DECALS

FIGURE 11-11. SOUND PLATE INSTALLATION, 74KW (106DB)



ART_1001145659-A

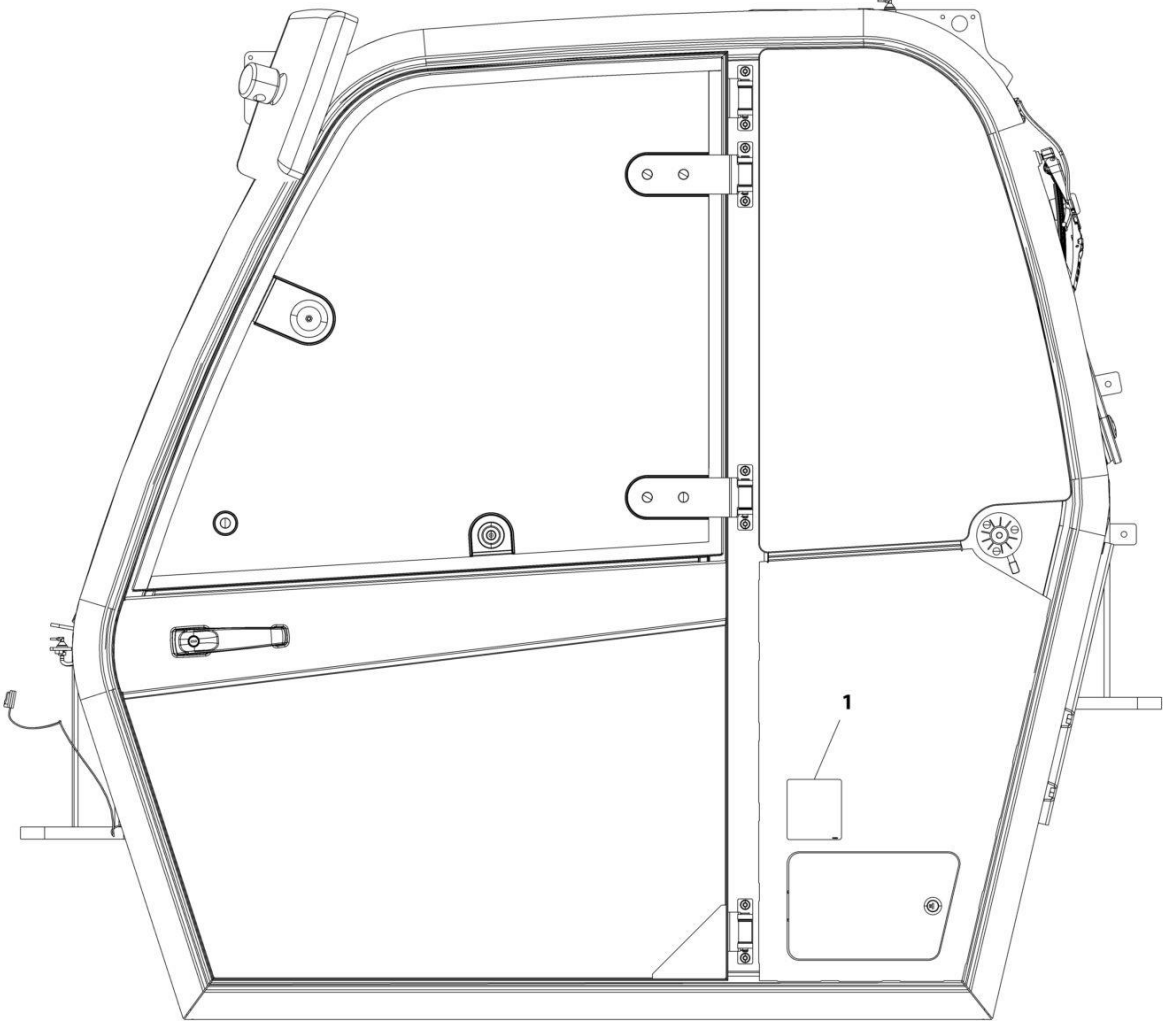
SECTION 11 - DECALS

FIGURE 11-11. SOUND PLATE INSTALLATION, 74KW (106DB)

ITEM	PART NUMBER	QTY	DESCRIPTION	REV
1	1001145659 1705980	Ref 1	Sound Plate Installation, 74KW (106dB) Decal, Acoustic Power 106db	A

SECTION 11 - DECALS

FIGURE 11-12. SOUND PLATE INSTALLATION, 55KW (104DB)



ART_1001191880-A

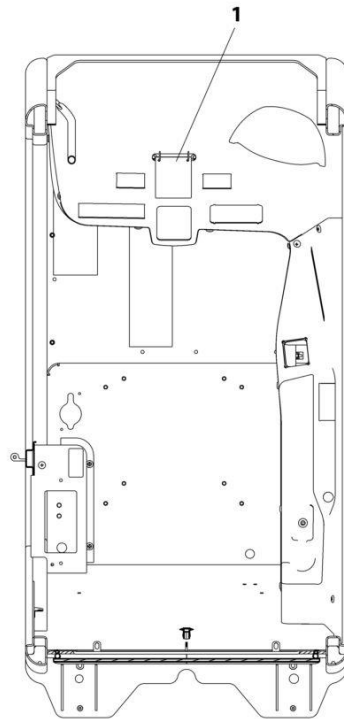
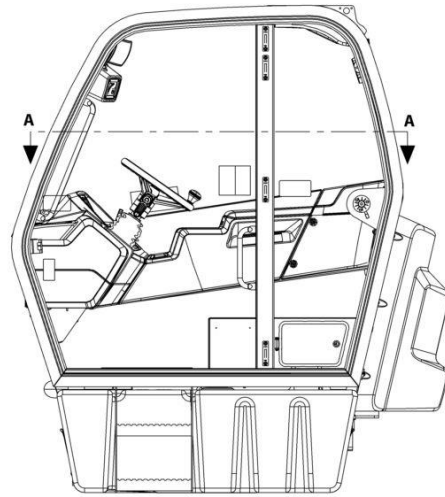
SECTION 11 - DECALS

FIGURE 11-12. SOUND PLATE INSTALLATION, 55KW (104DB)

ITEM	PART NUMBER	QTY	DESCRIPTION	REV
1	1001191880 8007508	Ref 1	Sound Plate Installation, 55KW (104dB) Decal, Acoustic Power 104dB	A

SECTION 11 - DECALS

FIGURE 11-13. LOAD CHART (3614RS)



VIEW A-A

ART_1001160227-D

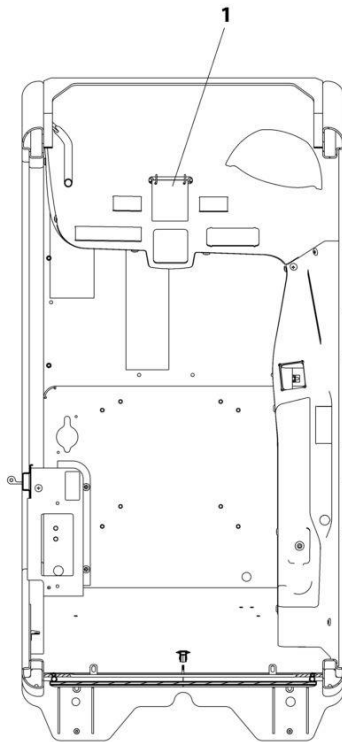
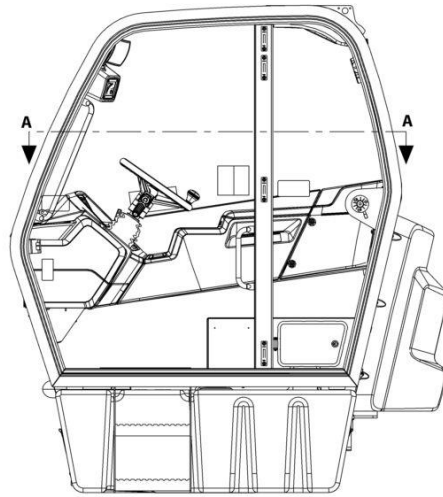
SECTION 11 - DECALS

FIGURE 11-13. LOAD CHART (3614RS)

ITEM	PART NUMBER	QTY	DESCRIPTION	REV
1	1001160227	1	Load Chart	B
101	1001183289	1	Chart, Load Standard Carriage with Lift Lug (not shown)	
102	1001183290	1	Chart, Load Standard Carriage with Lift Lug (Outriggers) (not shown)	
103	1001185116	1	Chart, 4T Fork and Hook Standard Carriage with Lift Lug (Traveling) (not shown)	
202	1001179679	1	Chart, Load Manitou Carriage (not shown)	
203	1001179680	1	Chart, Load Manitou Carriage (Outriggers) (not shown)	
301	1001180963	1	Chart, Load Metric Fork Hook (not shown)	
302	1001180964	1	Chart, Load Metric Fork Hook (Outriggers) (not shown)	
403	1001179683	1	Chart, Load Metric JCB Coupler (not shown)	
404	1001179684	1	Chart, Load Metric JCB Coupler (Outriggers) (not shown)	
503	1001201187	1	Chart, Load Metric Side Shift (not shown)	
504	1001201188	1	Chart, Load Metric Side Shift Stab (Outriggers) (not shown)	
602	1001175218	1	Chart, Load Metric Fork Positioning (not shown)	
603	1001175219	1	Chart, Load Metric Fork Positioning Stab (not shown)	
701	1001225859	1	Chart, Load Metric Truss Boom (4000KG) (not shown)	
702	1001225860	1	Chart, Load Metric Truss Boom Stab (4000KG) (not shown)	

SECTION 11 - DECALS

FIGURE 11-14. LOAD CHART (4017RS)



VIEW A-A

ART_1001163802-E

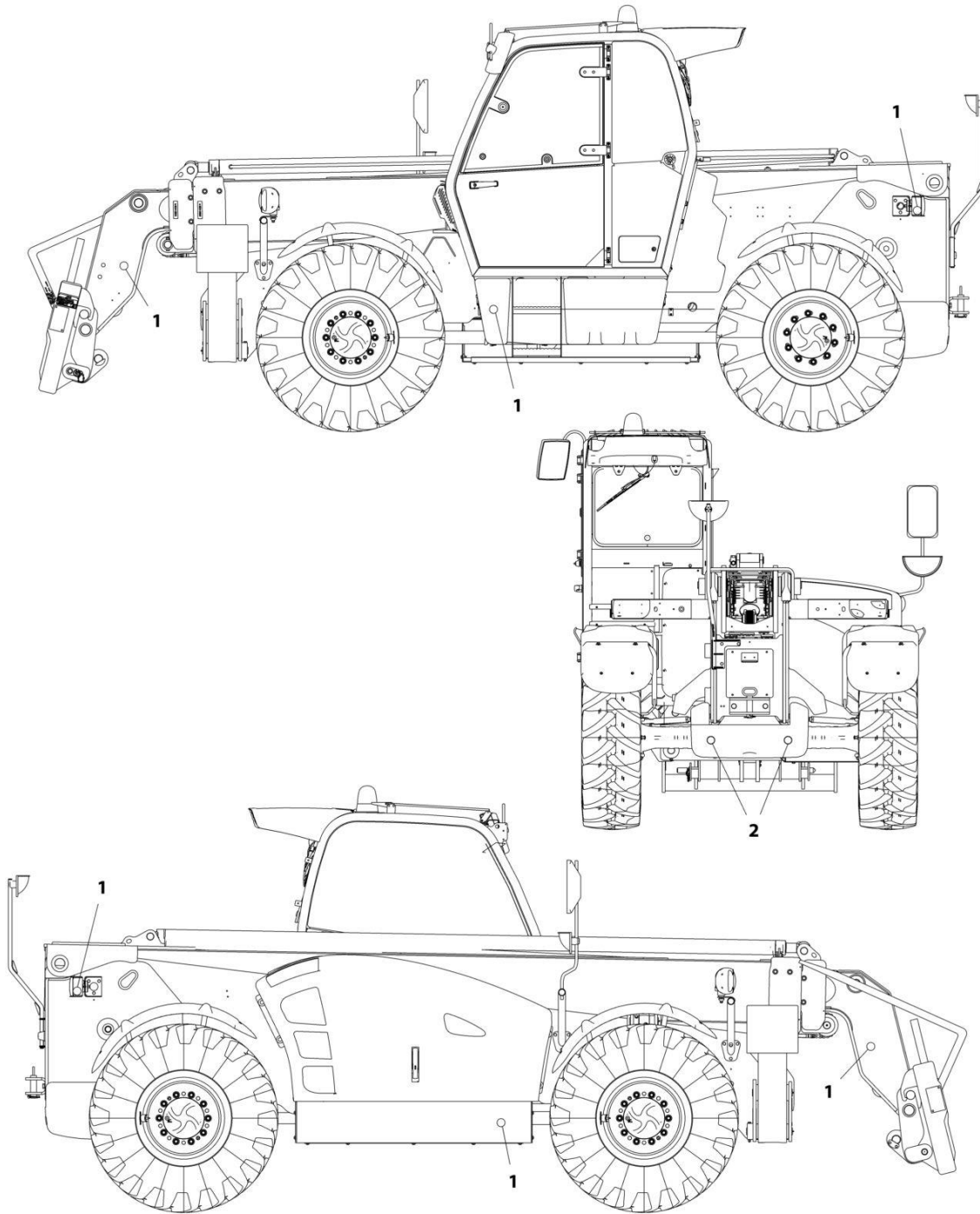
SECTION 11 - DECALS

FIGURE 11-14. LOAD CHART (4017RS)

ITEM	PART NUMBER	QTY	DESCRIPTION	REV
1	1001163802	1	Load Chart	B
101	1001183291	1	Chart, Load Standard Carriage with Lift Lug (not shown)	
102	1001183292	1	Chart, Load Standard Carriage with Lift Lug (Outriggers) (not shown)	
103	1001185116	1	Chart, 4T Fork and Hook Standard Carriage with Lift Lug (Traveling) (not shown)	
202	1001179681	1	Chart, Load Manitou Carriage (not shown)	
203	1001179682	1	Chart, Load Manitou Carriage (Outriggers) (not shown)	
301	1001180965	1	Chart, Load Metric Fork Hook (not shown)	
302	1001180966	1	Chart, Load Metric Fork Hook (Outriggers) (not shown)	
403	1001179685	1	Chart, Load Metric JCB Coupler (not shown)	
404	1001179686	1	Chart, Load Metric JCB Coupler (Outriggers) (not shown)	
503	1001201190	1	Chart, Load Metric Side Shift (not shown)	
504	1001201191	1	Chart, Load Metric Side Shift Stab (Outriggers) (not shown)	
602	1001175220	1	Chart, Load Metric Fork Positioning (not shown)	
603	1001175221	1	Chart, Load Metric Fork Positioning Stab (not shown)	
701	1001225861	1	Chart, Load Metric Truss Boom (4000KG) (not shown)	
702	1001225862	1	Chart, Load Metric Truss Boom Stab (4000KG) (not shown)	

SECTION 11 - DECALS

FIGURE 11-15. REFLECTOR INSTALLATION



ART_1001145660-F

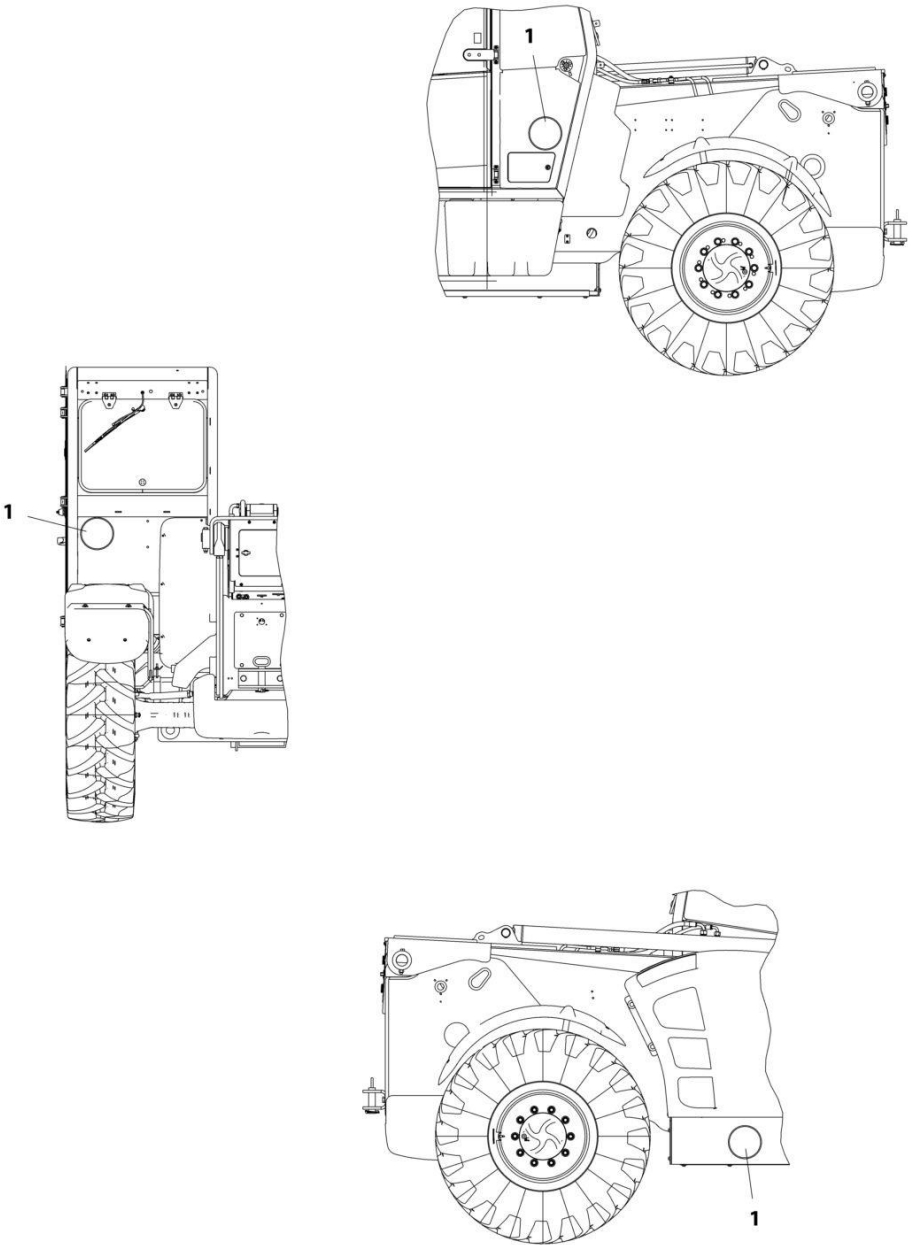
SECTION 11 - DECALS

FIGURE 11-15. REFLECTOR INSTALLATION

ITEM	PART NUMBER	QTY	DESCRIPTION	REV
	1001145660	Ref	Reflector Installation	F
1	3700016	6	Reflector, Rear	
2	3700015	2	Reflector, Rear	

SECTION 11 - DECALS

FIGURE 11-16. 25KPH SPEED DECAL INSTALLATION



ART_1001171700-C

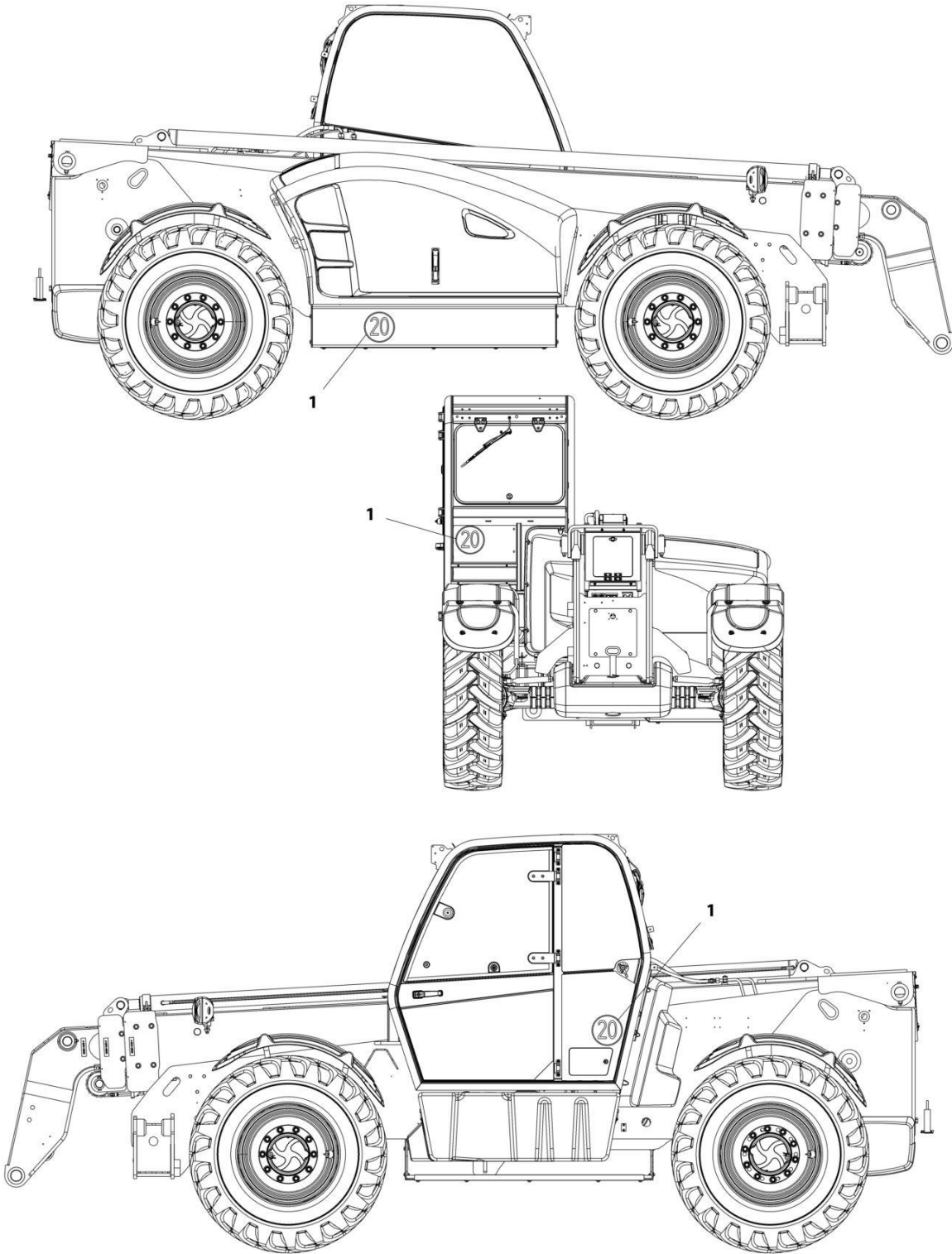
SECTION 11 - DECALS

FIGURE 11-16. 25KPH SPEED DECAL INSTALLATION

ITEM	PART NUMBER	QTY	DESCRIPTION	REV
1	1001171700 1001153442	Ref 3	25KPH Decals Installation (France) Decal, 25KPH	C

SECTION 11 - DECALS

FIGURE 11-17. 20KPH SPEED DECAL INSTALLATION (GERMANY) (3614RS)



ART_1001158111-A

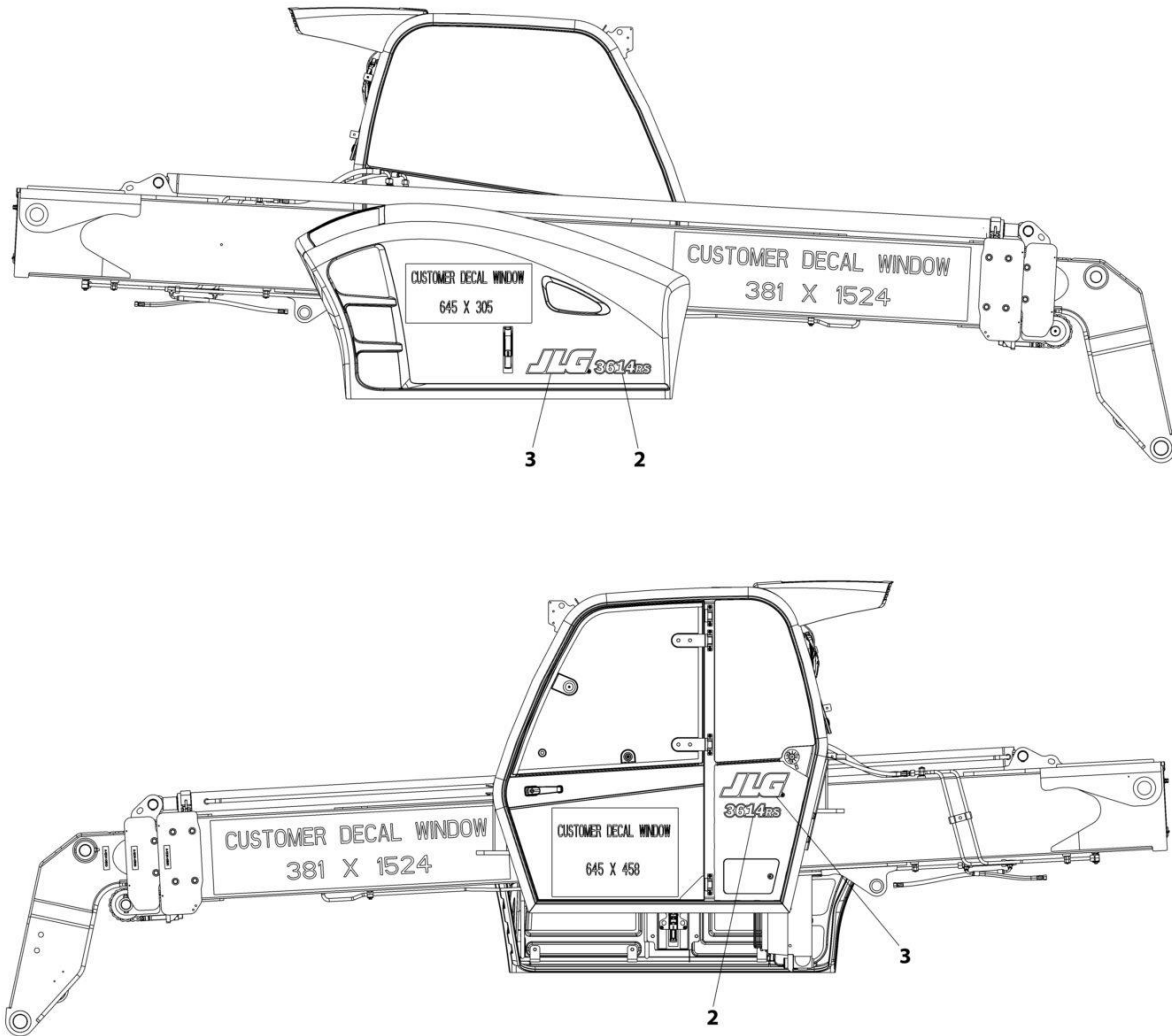
SECTION 11 - DECALS

FIGURE 11-17. 20KPH SPEED DECAL INSTALLATION (GERMANY) (3614RS)

ITEM	PART NUMBER	QTY	DESCRIPTION	REV
1	1001158111 2603207	Ref 1	20KPH Decals Installation (Germany, if equipped) Decal, 20KPH	A

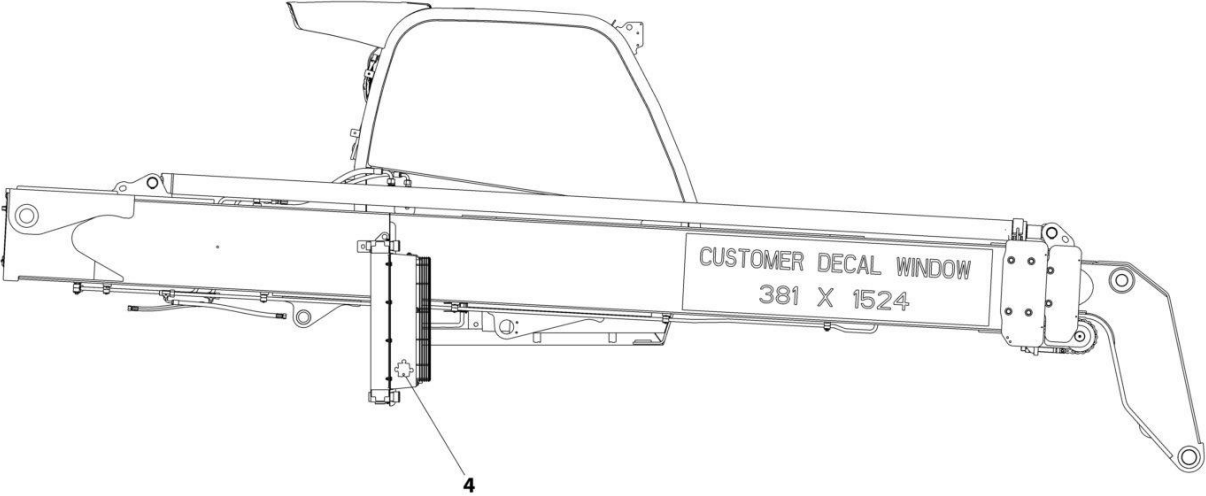
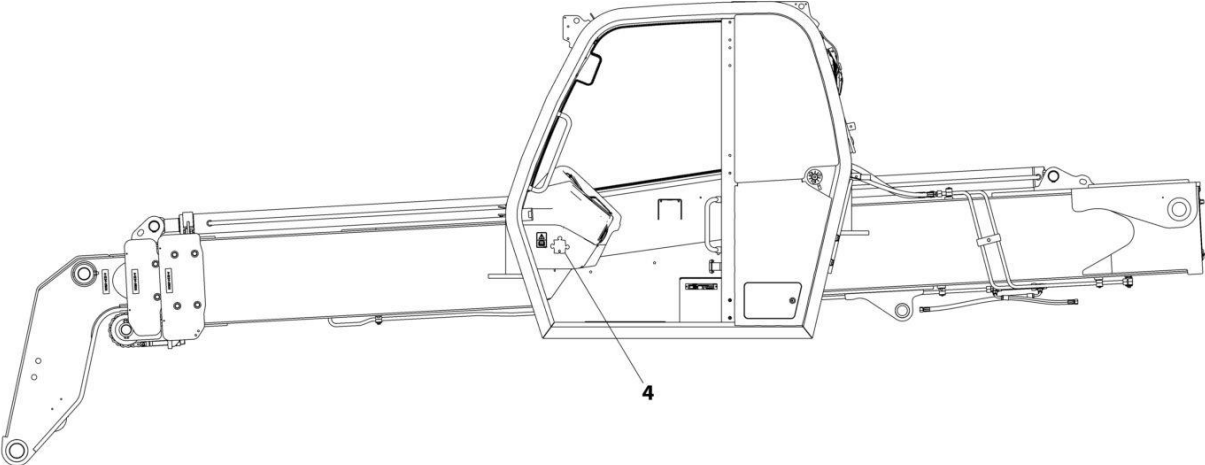
SECTION 11 - DECALS

FIGURE 11-18. JLG DECAL INSTALLATION (3614RS)



ART_1001160051_1-D

SECTION 11 - DECALS



ART_1001160051_2-D

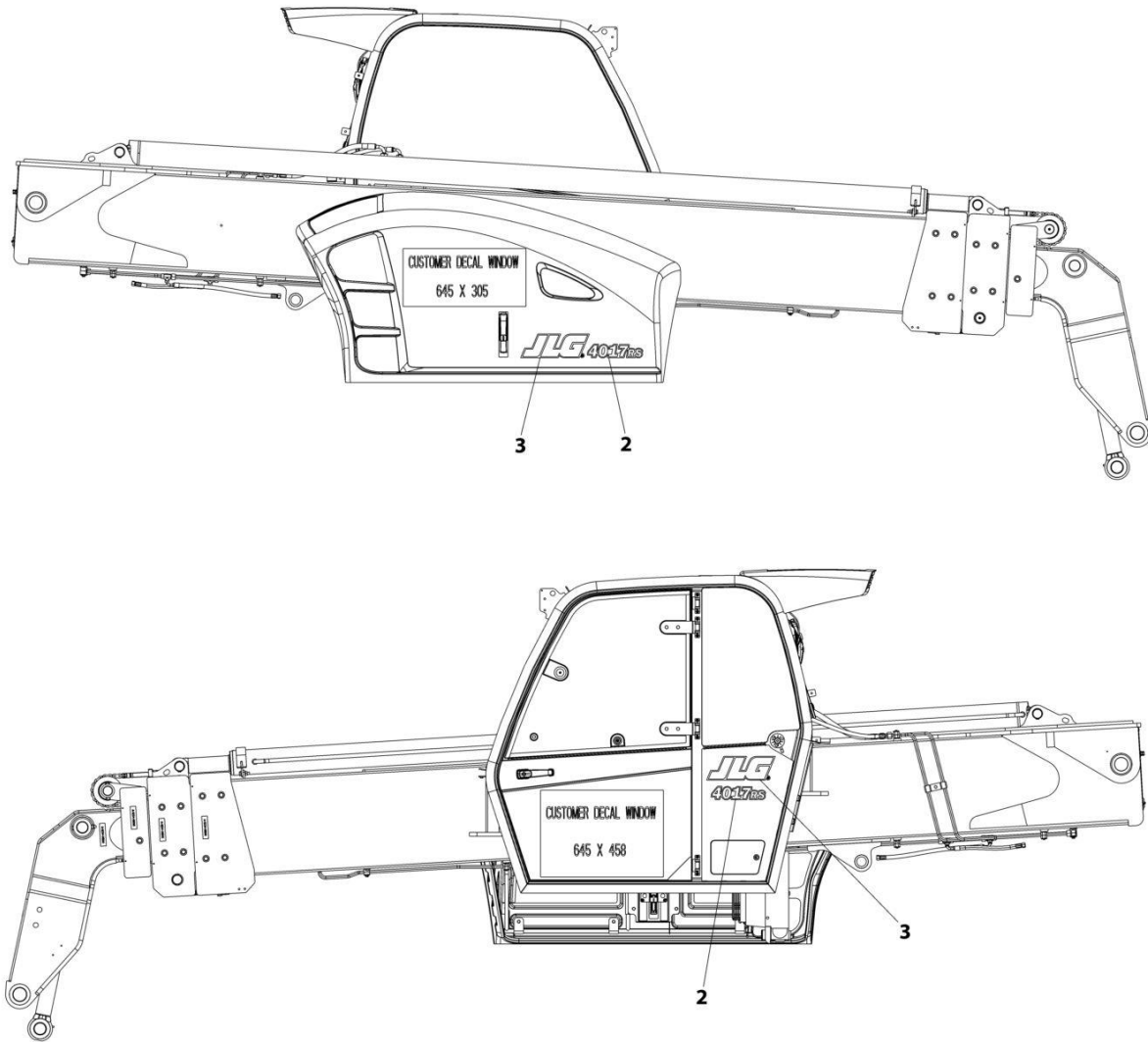
SECTION 11 - DECALS

FIGURE 11-18. JLG DECAL INSTALLATION (3614RS)

ITEM	PART NUMBER	QTY	DESCRIPTION	REV
	1001160051	Ref	JLG Decal Installation	C
2	1001159729	2	Decal, Model	
3	1001160775	2	Decal, JLG	
4	1001165280	2	Decal, Ground Support	

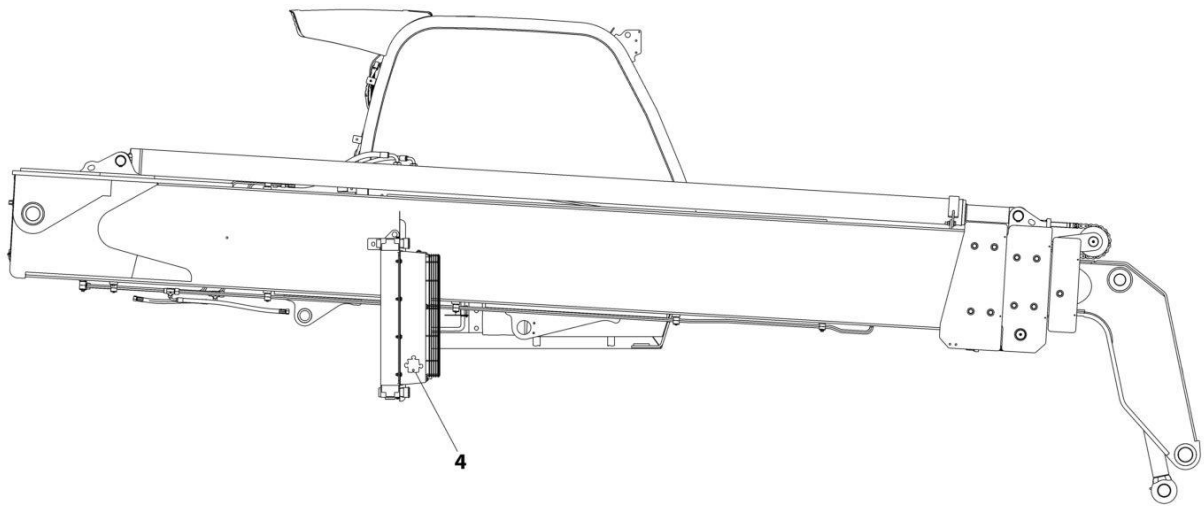
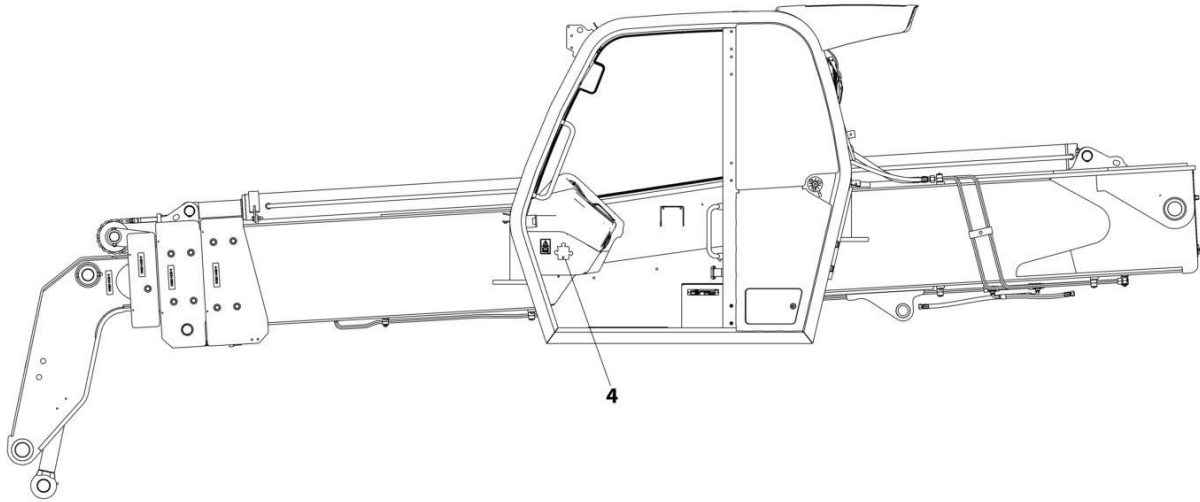
SECTION 11 - DECALS

FIGURE 11-19. JLG DECAL INSTALLATION (4017RS)



ART_1001160052_1-D

SECTION 11 - DECALS



ART_1001160052_2-D

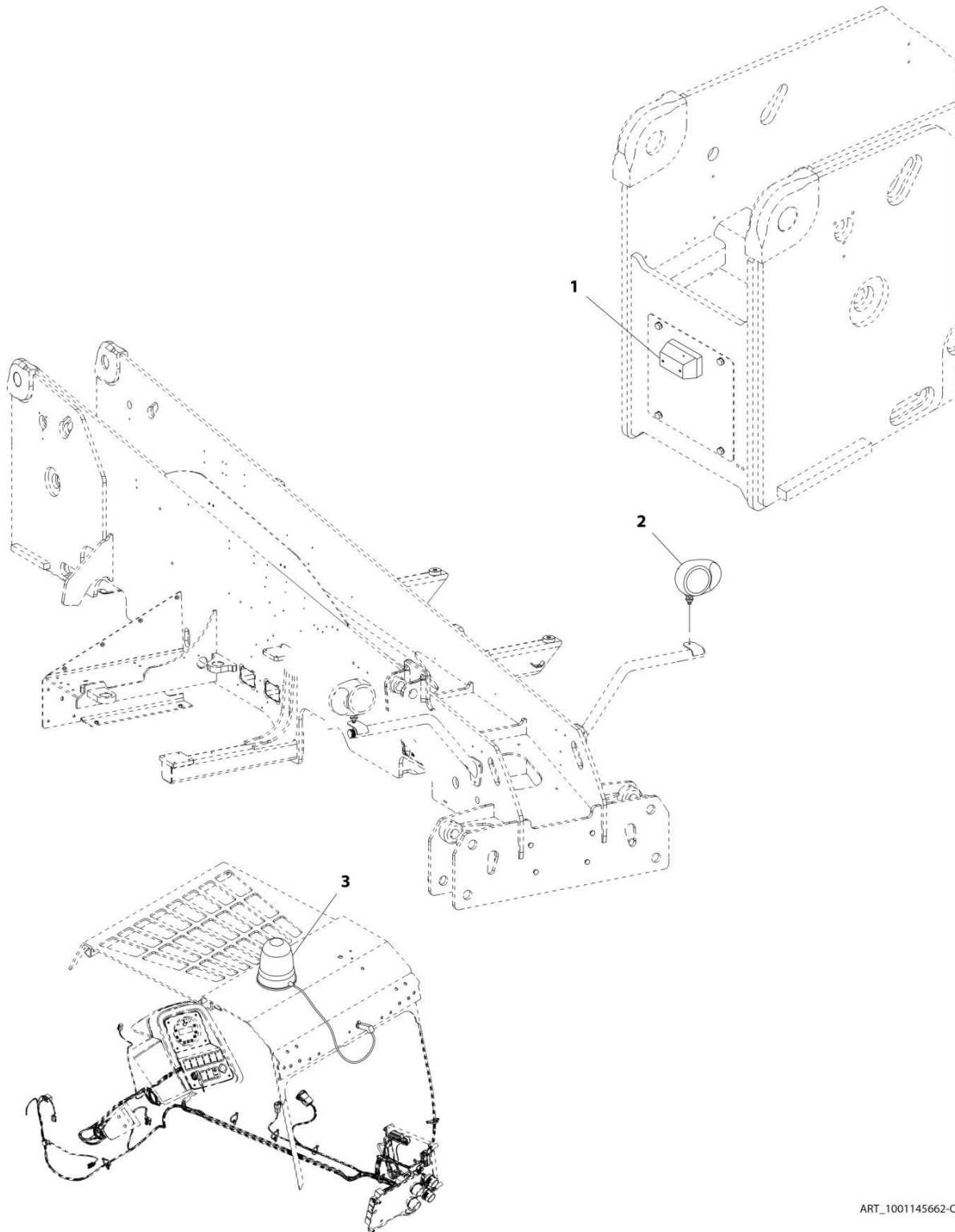
SECTION 11 - DECALS

FIGURE 11-19. JLG DECAL INSTALLATION (4017RS)

ITEM	PART NUMBER	QTY	DESCRIPTION	REV
	1001160052	Ref	JLG Decal Installation	C
2	1001160049	2	Decal, Model	
3	1001160775	2	Decal, JLG	
4	1001165280	2	Decal, Ground Support	

SECTION 11 - DECALS

FIGURE 11-20. CONSTRUCTION INSTALLATION (UK/IRELAND)



ART_1001145662-C

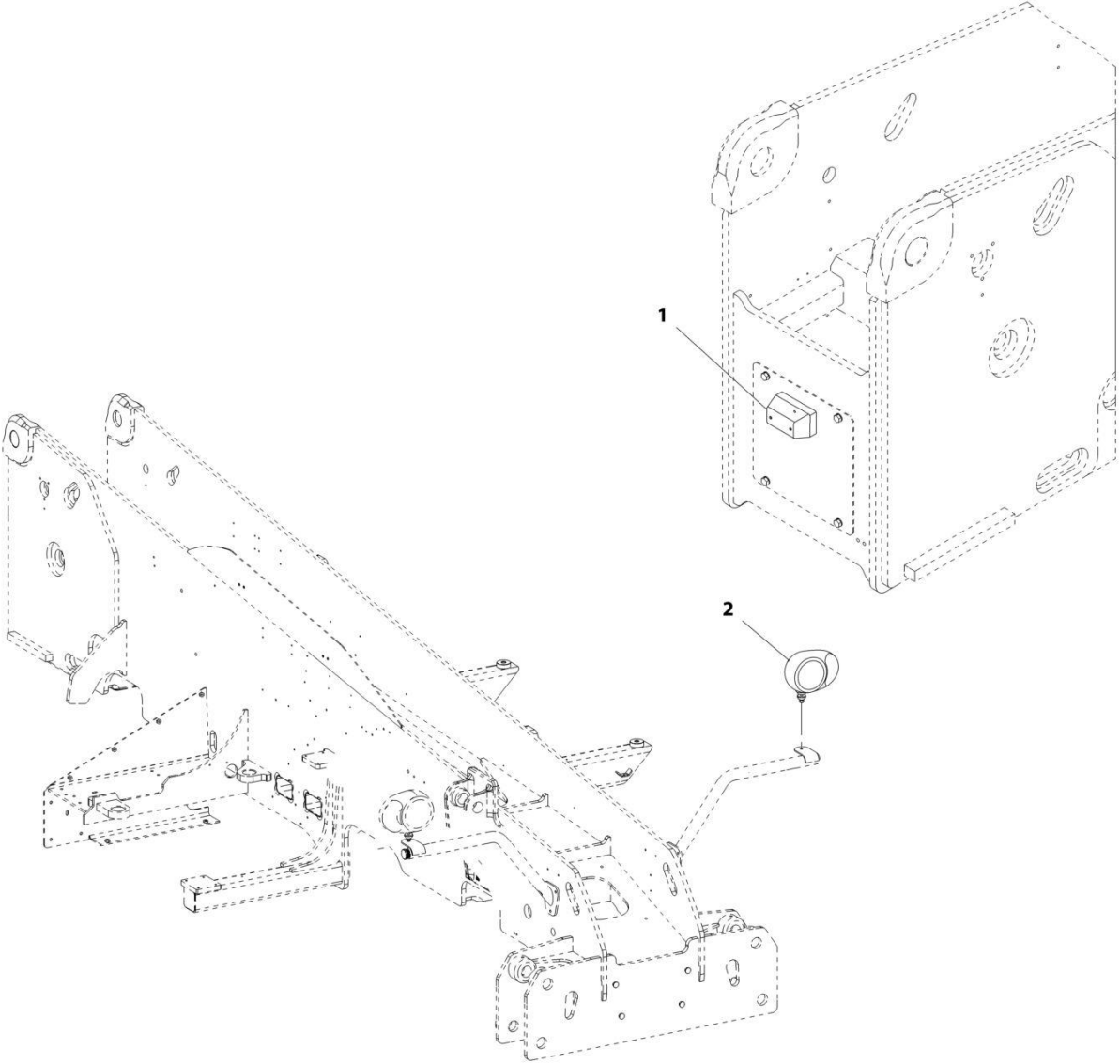
SECTION 11 - DECALS

FIGURE 11-20. CONSTRUCTION INSTALLATION (UK/IRELAND)

ITEM	PART NUMBER	QTY	DESCRIPTION	REV
1	1001145662	Ref	Construction Installation (UK/Ireland)	C
	1001143959	Ref	License Plate Installation (See FRAME AND ATTACHING PARTS SECTION for Breakdown)	C
2	1001144110	Ref	Driving Lights Installation (See ELECTRICAL SECTION for Breakdown)	E
3	1001146674	Ref	Beacon Installation (See ELECTRICAL SECTION for Breakdown)	B

SECTION 11 - DECALS

FIGURE 11-21. CONSTRUCTION INSTALLATION (CE)



ART_1001145663-C

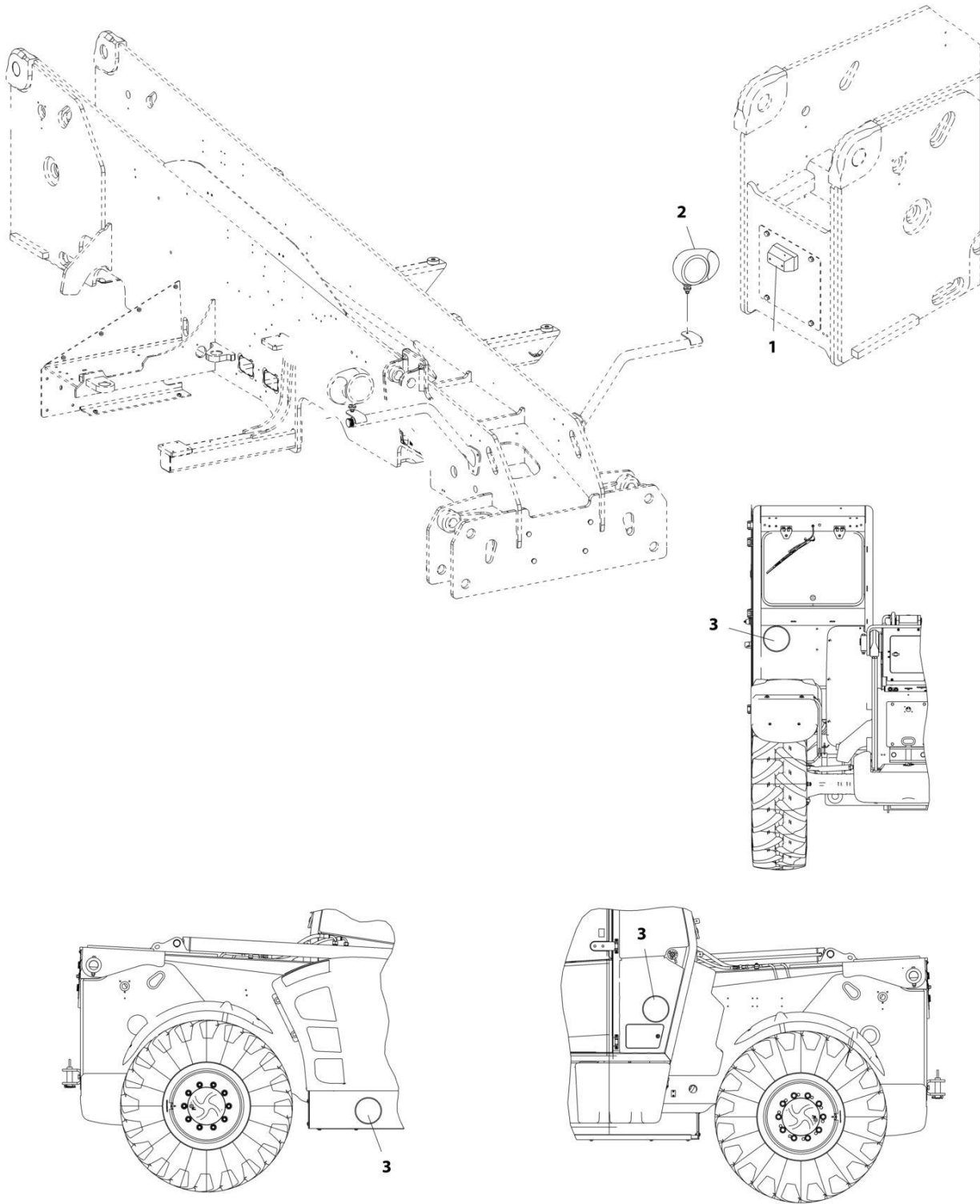
SECTION 11 - DECALS

FIGURE 11-21. CONSTRUCTION INSTALLATION (CE)

ITEM	PART NUMBER	QTY	DESCRIPTION	REV
1	1001145663	Ref	Construction Installation (CE)	C
	1001143959	Ref	License Plate Installation (See FRAME AND ATTACHING PARTS SECTION for Breakdown)	C
2	1001146491	Ref	Driving Lights Installation (See ELECTRICAL SECTION for Breakdown)	E

SECTION 11 - DECALS

FIGURE 11-22. CONSTRUCTION INSTALLATION (FRANCE)



ART_1001171699-C

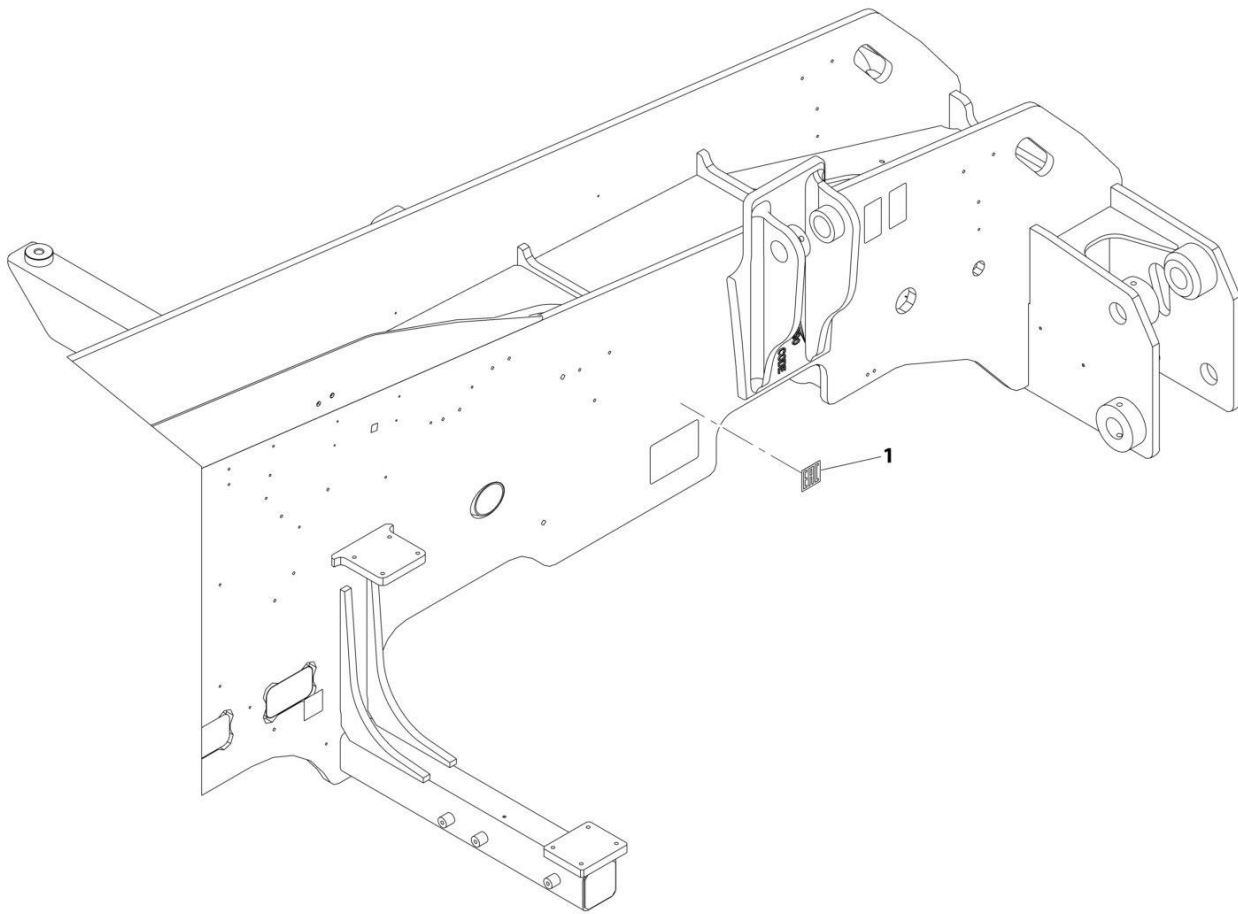
SECTION 11 - DECALS

FIGURE 11-22. CONSTRUCTION INSTALLATION (FRANCE)

ITEM	PART NUMBER	QTY	DESCRIPTION	REV
1	1001171699	Ref	Construction Installation (France)	C
	1001146491	Ref	Driving Lights Installation (See ELECTRICAL SECTION for Breakdown)	E
2	1001143959	Ref	License Plate Installation (See FRAME AND ATTACHING PARTS SECTION for Breakdown)	C
3	1001171700	Ref	25KPH Speed Decal Installation (See 25KPH SPEED DECAL INSTALLATION for Breakdown)	C

SECTION 11 - DECALS

FIGURE 11-23. EAC DECAL INSTALLATION



ART_1001173936-A

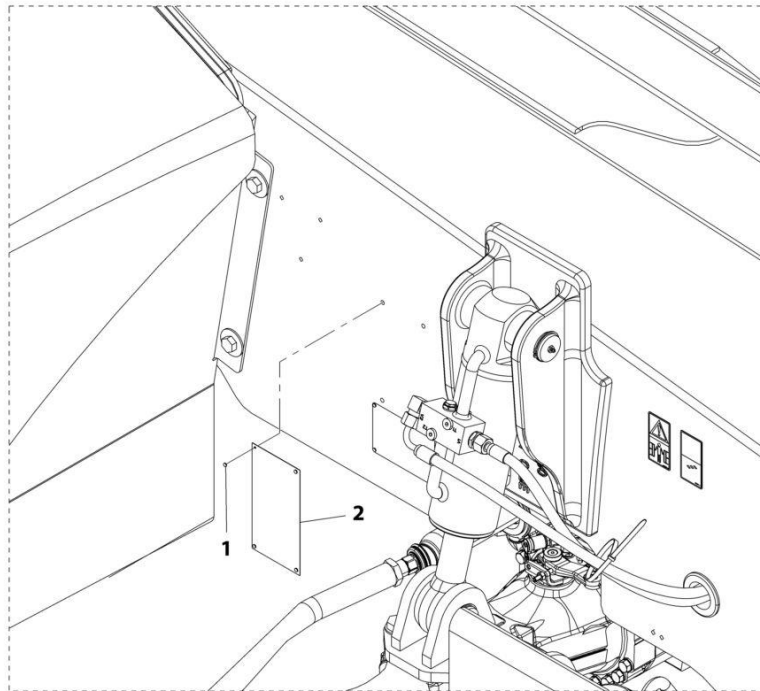
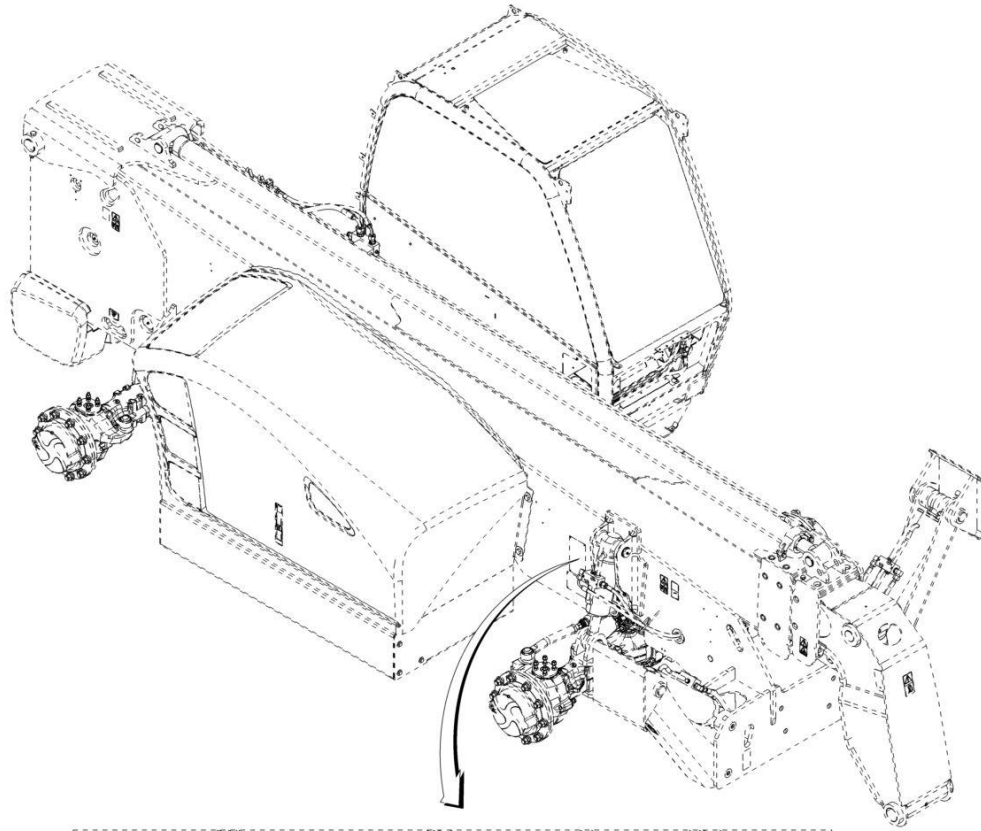
SECTION 11 - DECALS

FIGURE 11-23. EAC DECAL INSTALLATION

ITEM	PART NUMBER	QTY	DESCRIPTION	REV
1	1001173936 1001173703	Ref 1	EAC Decal Installation Decal, EAC	A

SECTION 11 - DECALS

FIGURE 11-24. HOMOLOGATION PLATE INSTALLATION (GERMANY) (3614RS)



ART_1001158112-B

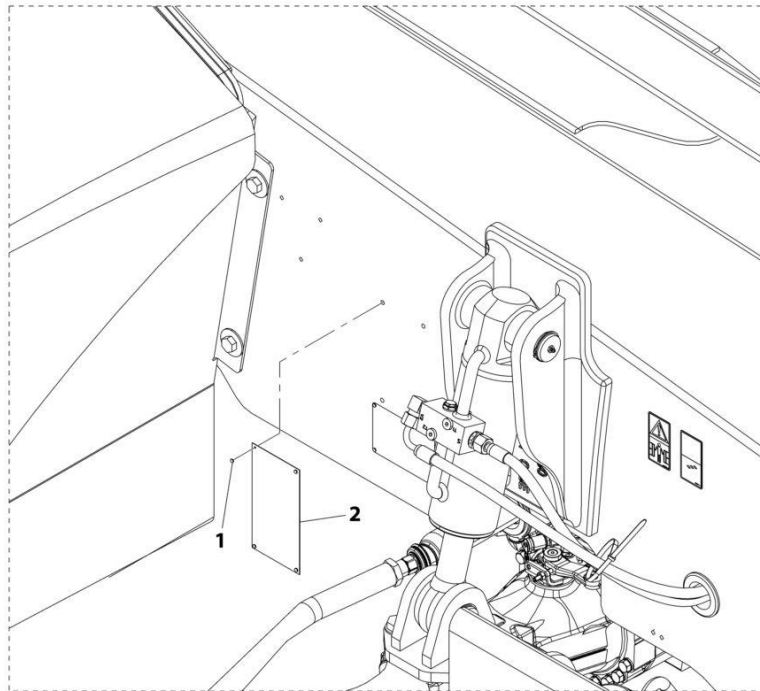
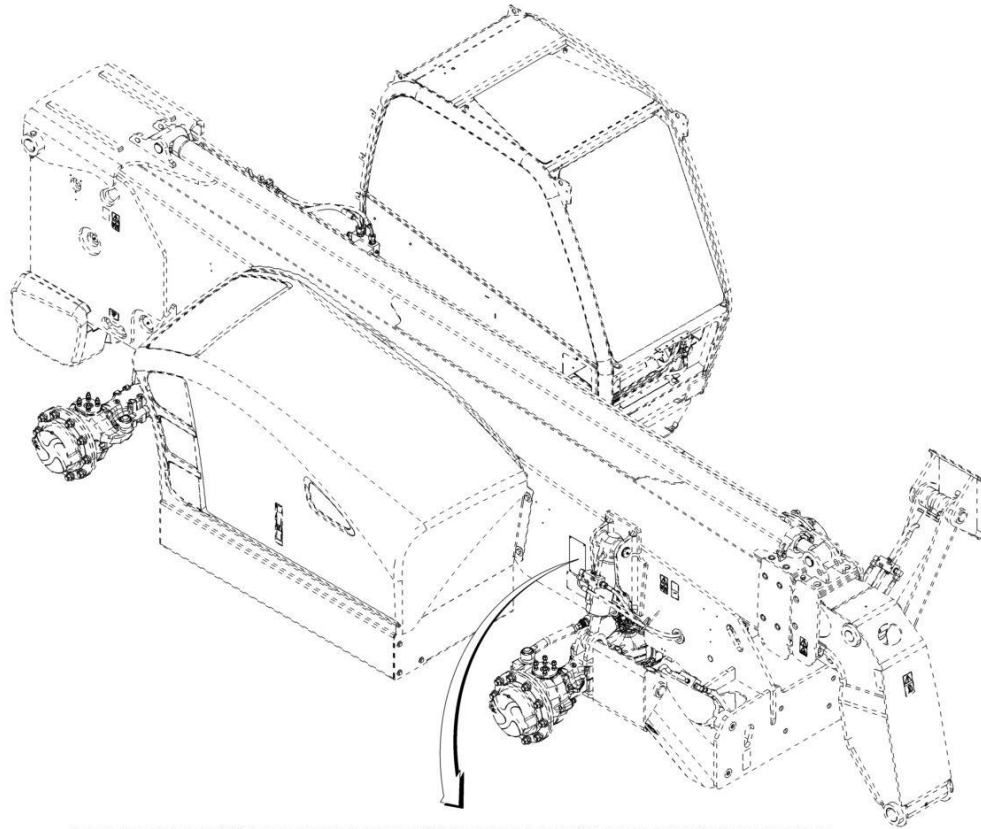
SECTION 11 - DECALS

FIGURE 11-24. HOMOLOGATION PLATE INSTALLATION (GERMANY) (3614RS)

ITEM	PART NUMBER	QTY	DESCRIPTION	REV
	1001158112	Ref	Homologation Plate Installation (Germany, if equipped)	B
1	1001009178	4	Tack, Metal	
2	1001138051	1	Plate, Homologation (SN 1160007024 through 1160007561)	
2	1001232659	1	Plate, Homologation (SN 1160007561 through 1160008790)	

SECTION 11 - DECALS

FIGURE 11-25. HOMOLOGATION PLATE INSTALLATION (SPAIN)



ART_1001214568-B

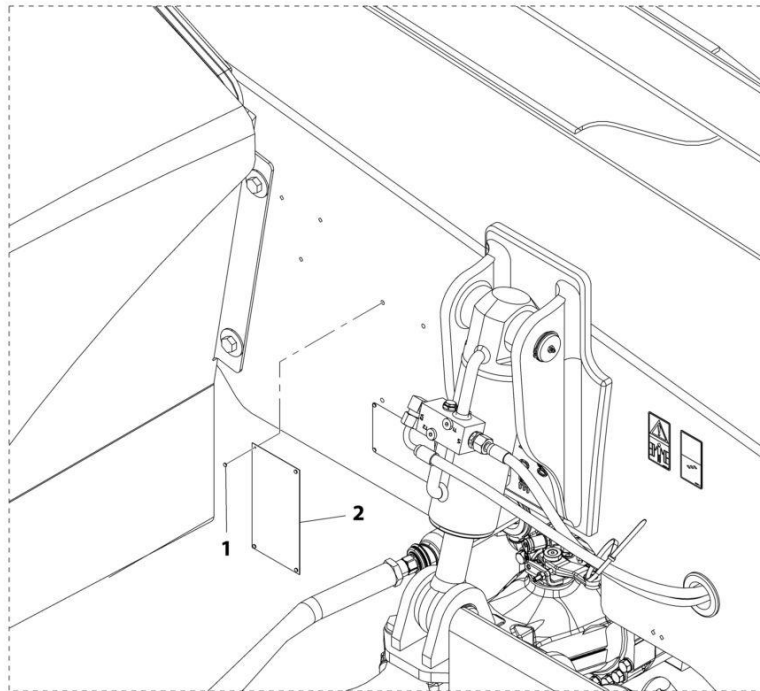
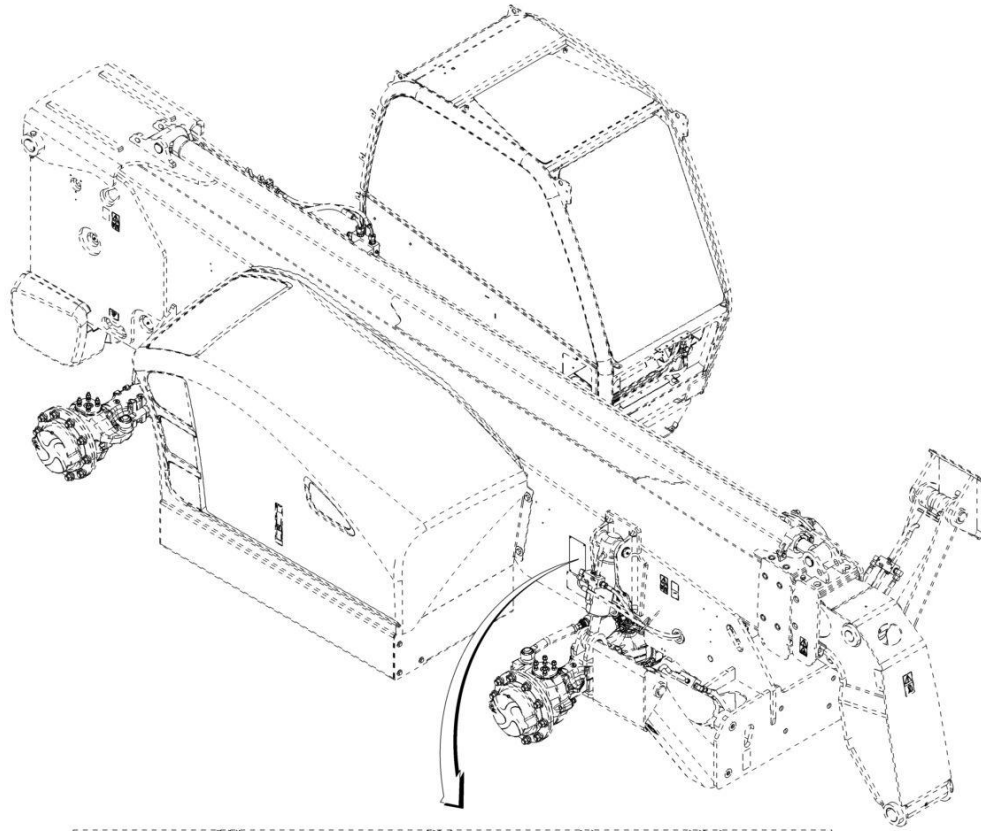
SECTION 11 - DECALS

FIGURE 11-25. HOMOLOGATION PLATE INSTALLATION (SPAIN)

ITEM	PART NUMBER	QTY	DESCRIPTION	REV
1	1001214568	Ref	Homologation Plate Installation (Spain, if equipped)	B
	1001009178	4	Tack, Metal	
	1001138051	1	Plate, Homologation	

SECTION 11 - DECALS

FIGURE 11-26. HOMOLOGATION PLATE INSTALLATION (BELGIUM)



ART_1001215415-A

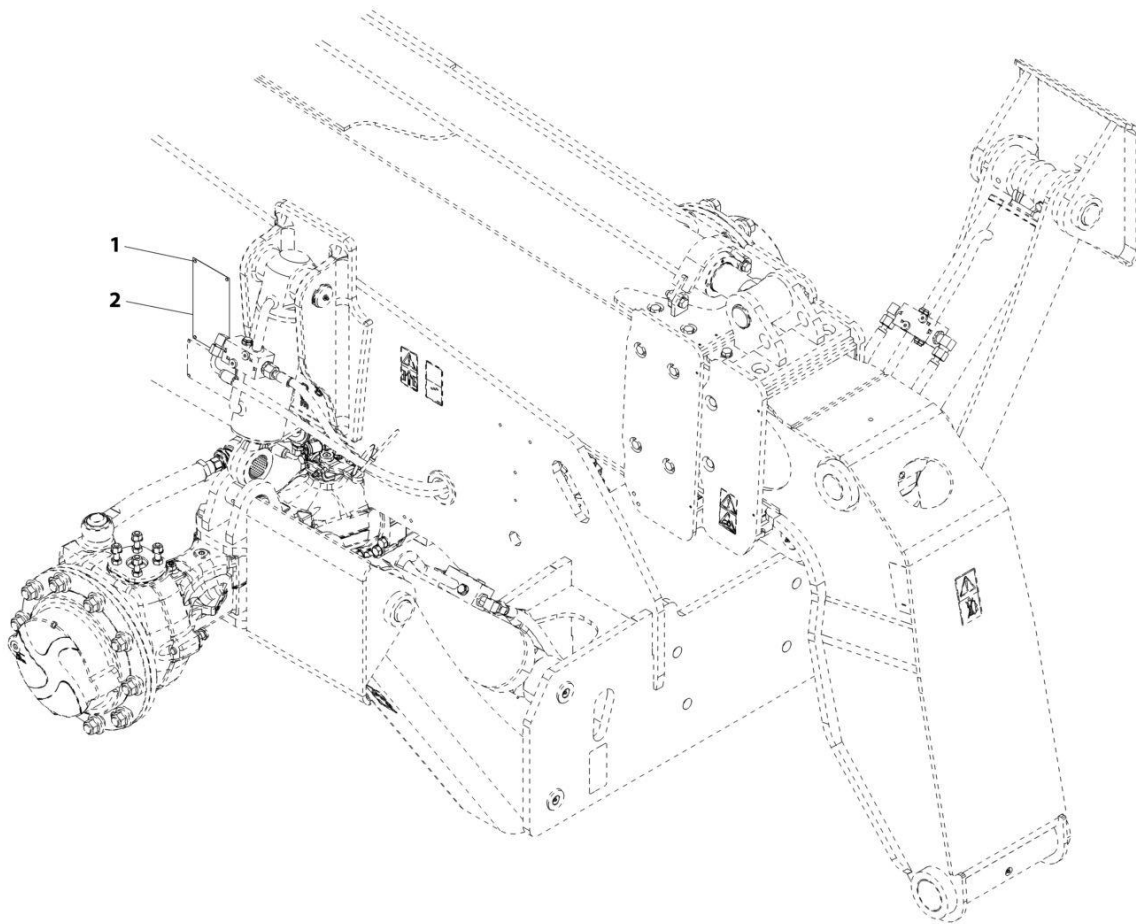
SECTION 11 - DECALS

FIGURE 11-26. HOMOLOGATION PLATE INSTALLATION (BELGIUM)

ITEM	PART NUMBER	QTY	DESCRIPTION	REV
1	1001215415	Ref	Homologation Plate Installation - (Belgium, if equipped)	A
	1001009178	4	Tack, Metal	
	1001138051	1	Plate, Homologation	

SECTION 11 - DECALS

FIGURE 11-27. HOMOLOGATION PLATE INSTALLATION (ITALY)



ART_1001210231-A

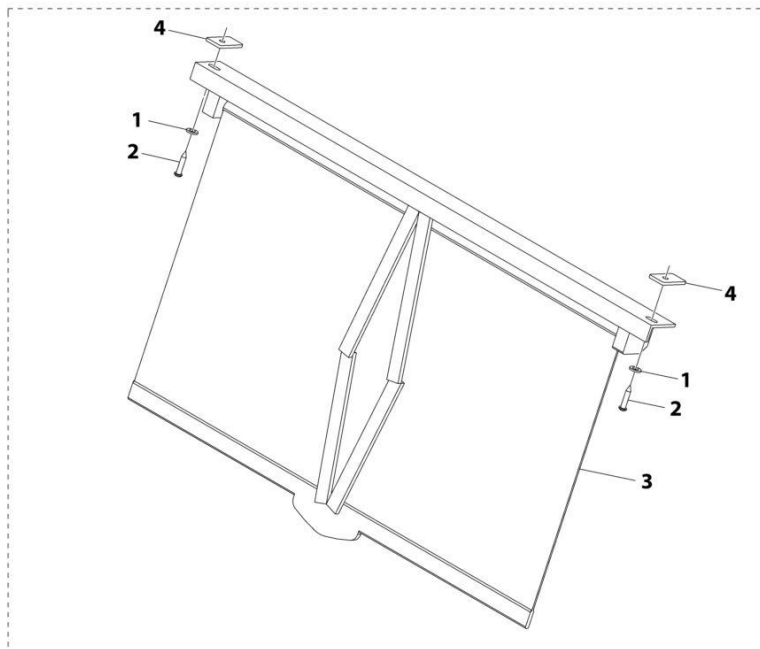
SECTION 11 - DECALS

FIGURE 11-27. HOMOLOGATION PLATE INSTALLATION (ITALY)

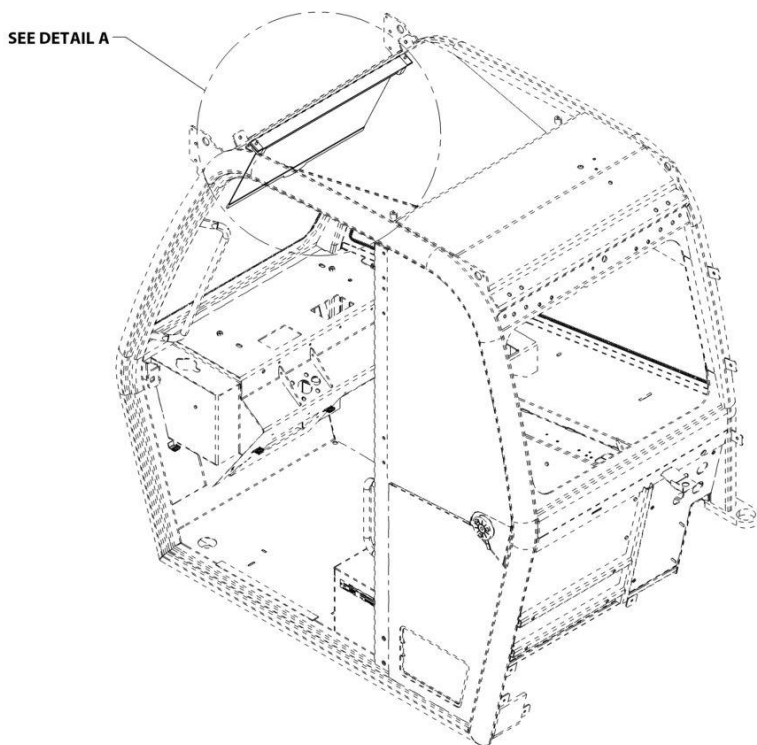
ITEM	PART NUMBER	QTY	DESCRIPTION	REV
	1001210231	Ref	Homologation Plate Installation (Italy)	A
1	N.S.S.	4	Tack, Metal	
2	1001138051	1	Plate, Homologation	

SECTION 11 - DECALS

FIGURE 11-28. SUNVISOR INSTALLATION (GERMANY) (3614RS)



DETAIL A



ART_1001214963-A

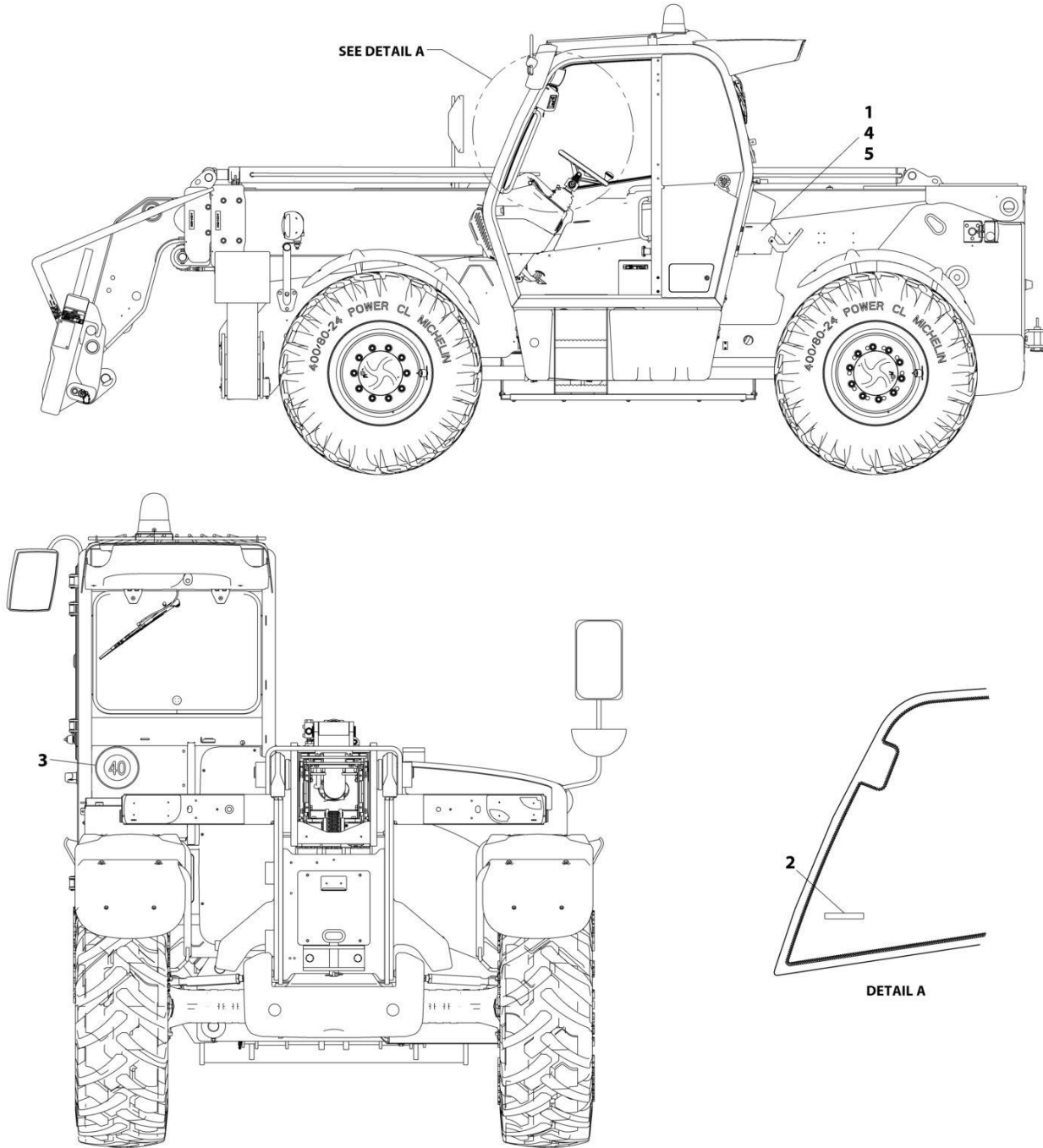
SECTION 11 - DECALS

FIGURE 11-28. SUNVISOR INSTALLATION (GERMANY) (3614RS)

ITEM	PART NUMBER	QTY	DESCRIPTION	REV
	1001214963	Ref	Sunvisor Installation (Germany)	A
1	4811700	2	Washer, M6	
2	1001111147	2	Self Tapping Screw	
3	1001214964	1	Sunvisor	
4	1001215506	2	Support, Plate	

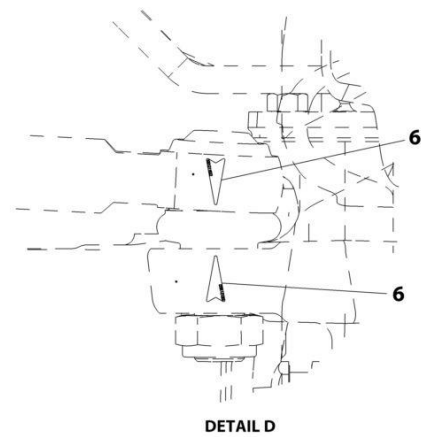
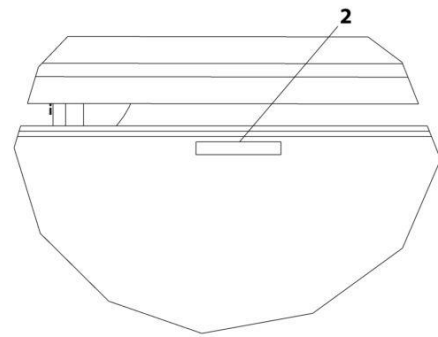
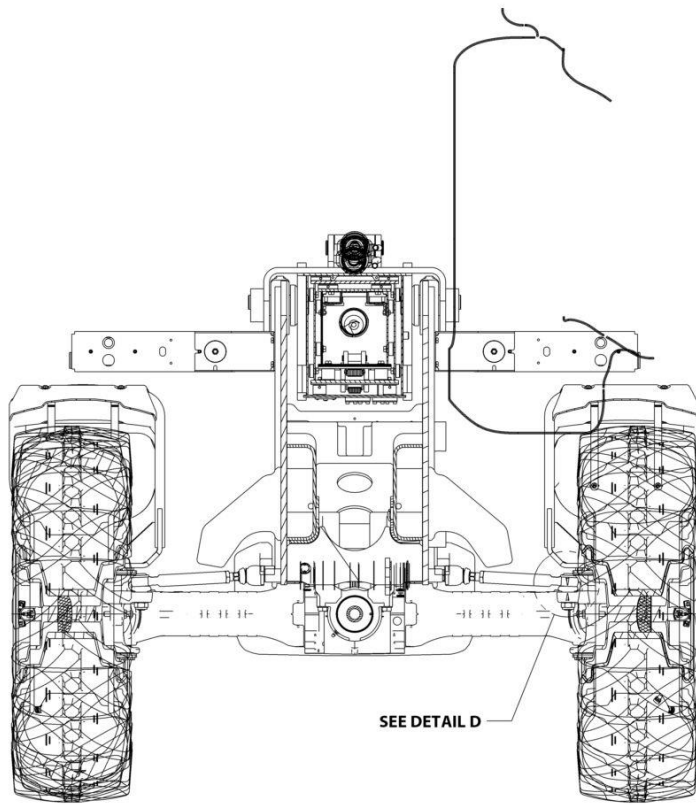
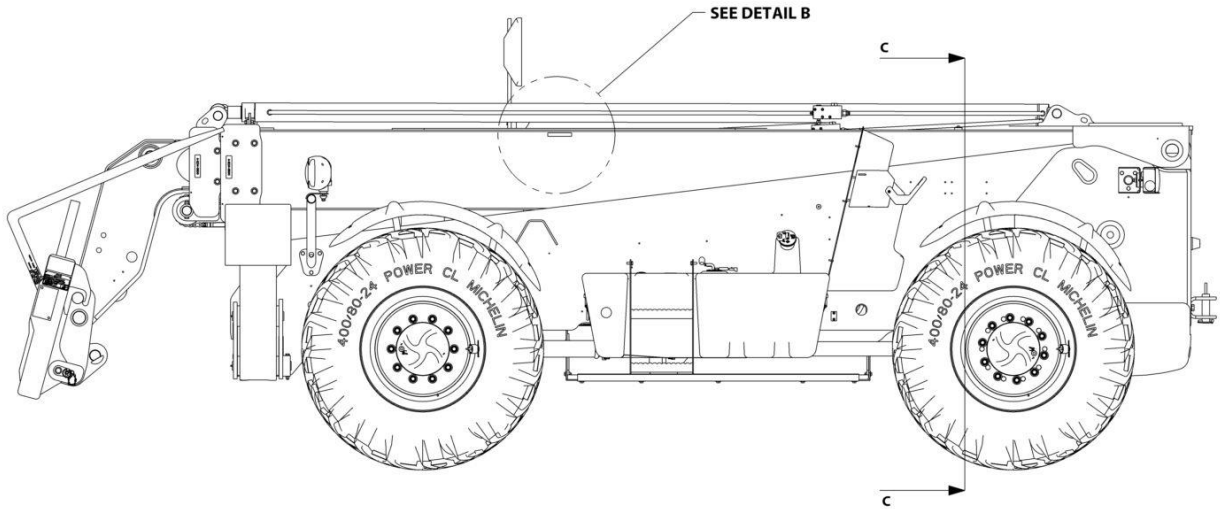
SECTION 11 - DECALS

FIGURE 11-29. DECAL HOMOLOGATION INSTALLATION (ITALY)



ART_1001210286_1-A

SECTION 11 - DECALS



ART_1001210286_2-A

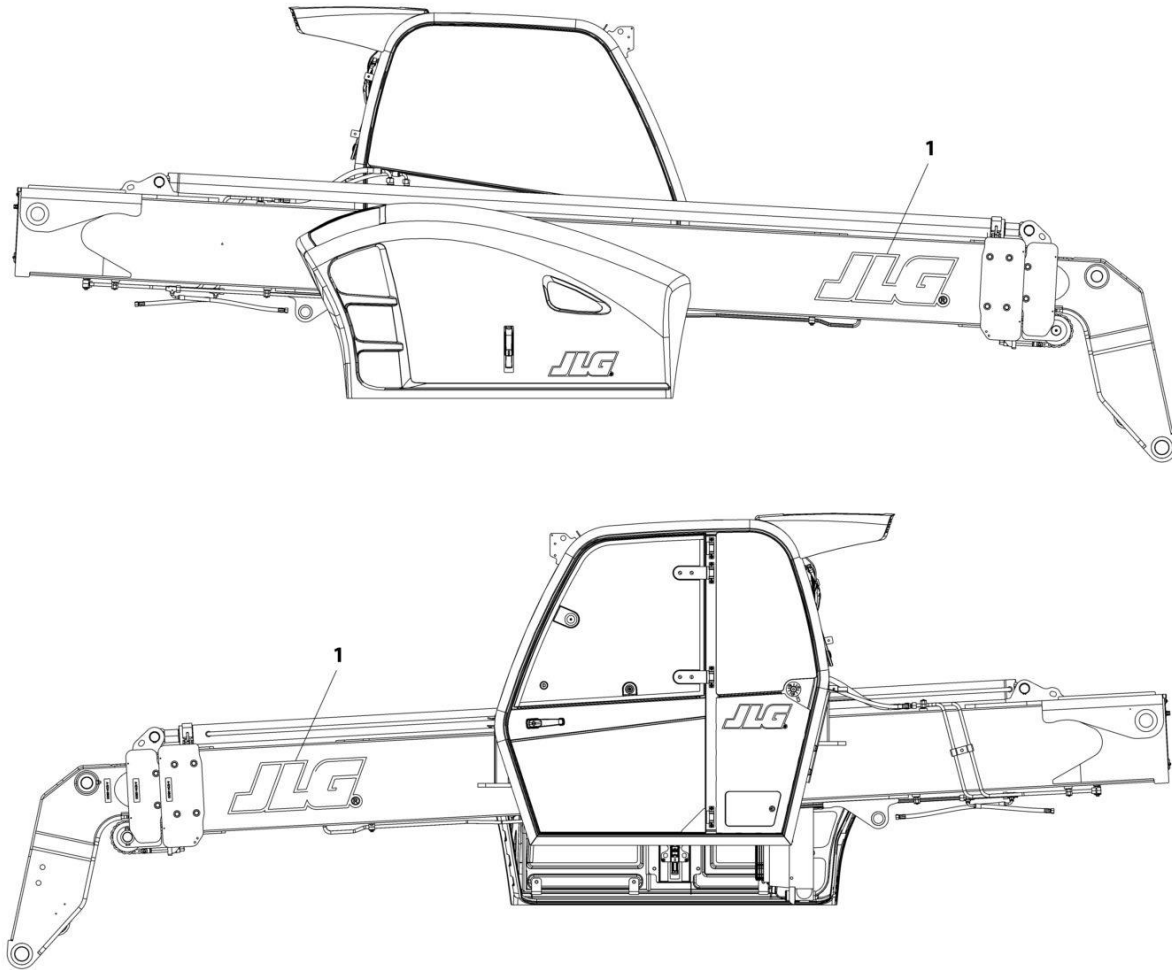
SECTION 11 - DECALS

FIGURE 11-29. DECAL HOMOLOGATION INSTALLATION (ITALY)

ITEM	PART NUMBER	QTY	DESCRIPTION	REV
	1001210286	Ref	Decal Homologation Installation (Italy)	A
1	1001008559	1	Tie Strap	
2	1001129842	2	Decal, Attachment Height	
3	1001189317	1	Decal, Speed 40KPH	
4	1001207541	1	Tool, Spanner Combination M14 AF	
5	1001207542	1	Tool, Spanner Combination M19	
6	1001211622	2	Decal, Alignment	

SECTION 11 - DECALS

FIGURE 11-30. DECAL BOOM INSTALLATION



ART_1001219806-A

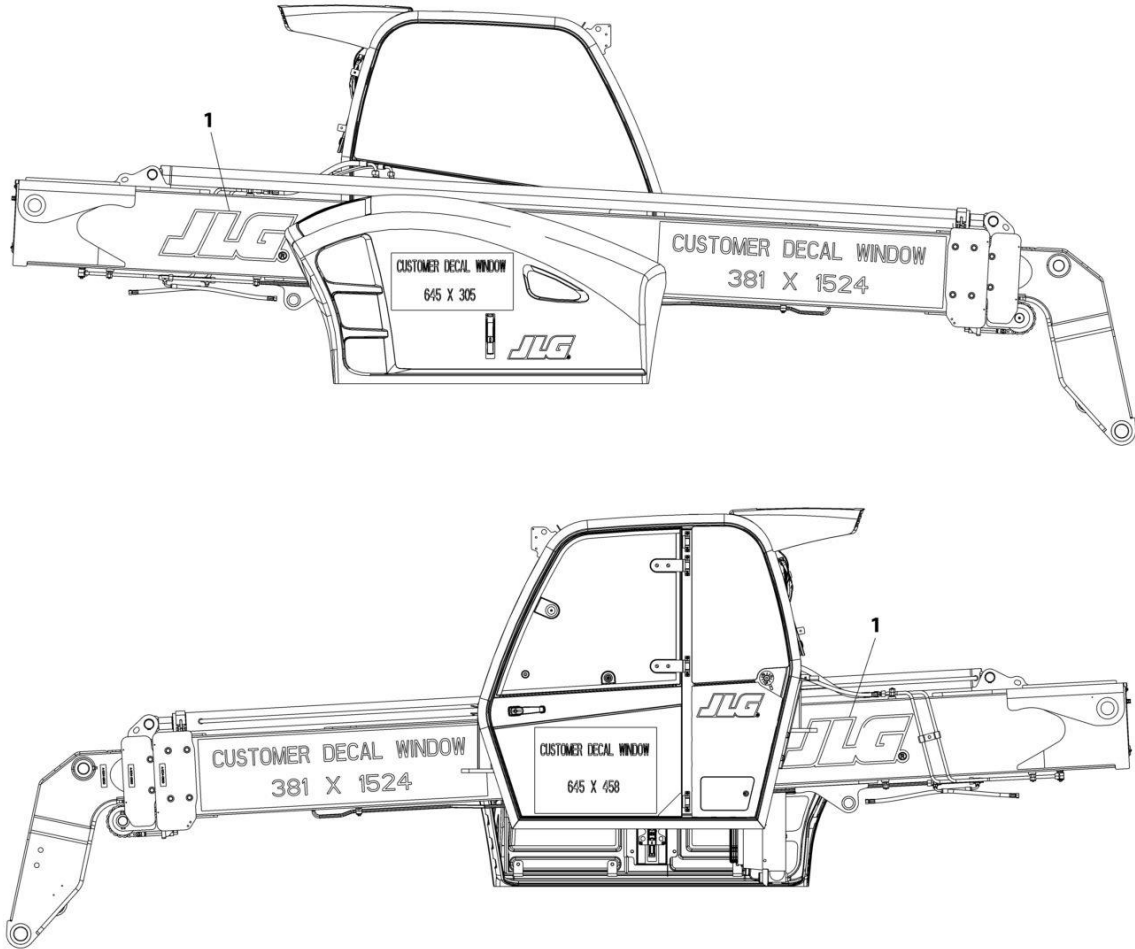
SECTION 11 - DECALS

FIGURE 11-30. DECAL BOOM INSTALLATION

ITEM	PART NUMBER	QTY	DESCRIPTION	REV
1	1001219806	Ref	Decal Boom Installation	A
	1001159728	2	Decal, JLG Logo	

SECTION 11 - DECALS

FIGURE 11-31. DECAL BOOM INSTALLATION WITH CUSTOMER WINDOW



ART_1001219805-A

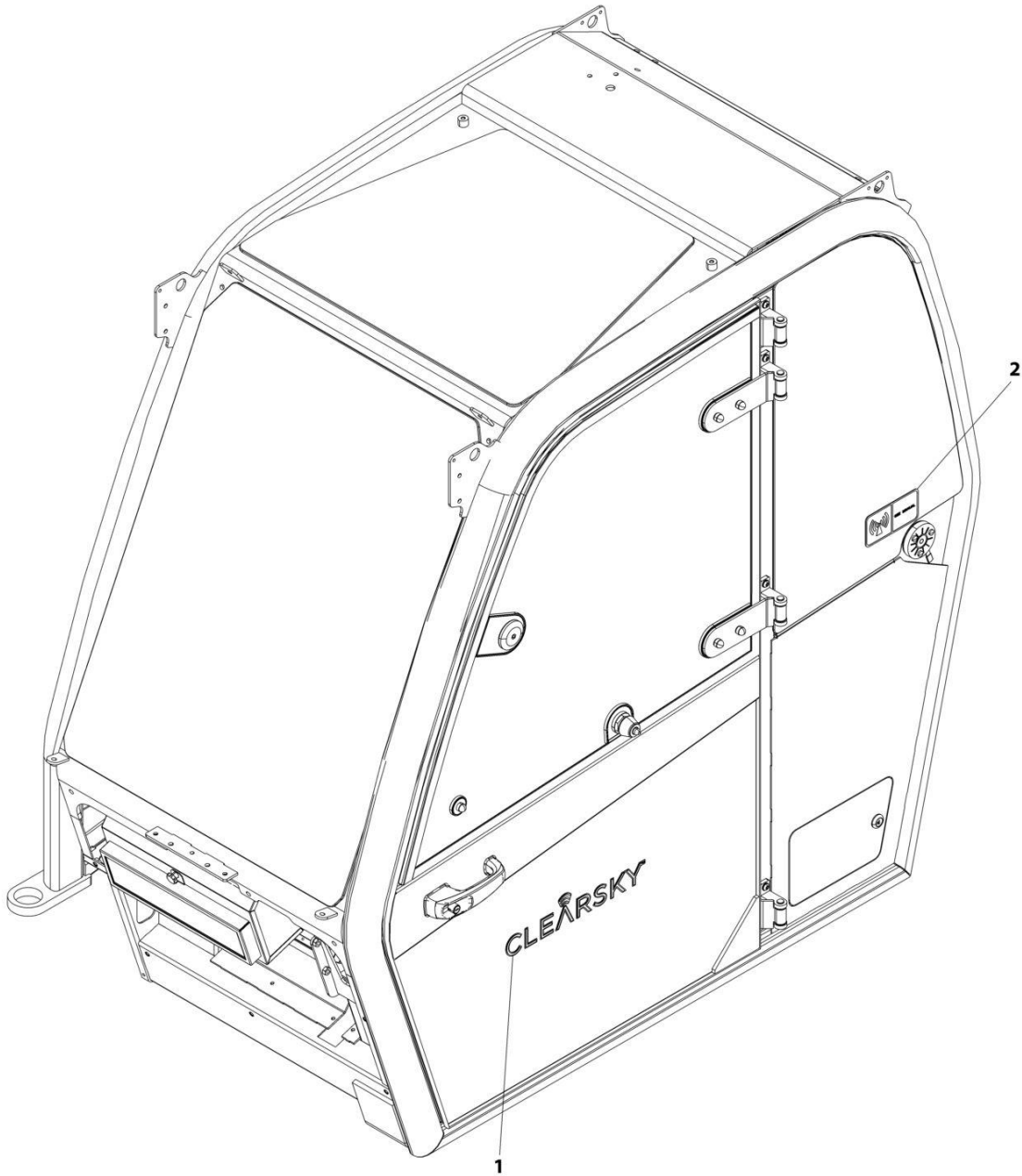
SECTION 11 - DECALS

FIGURE 11-31. DECAL BOOM INSTALLATION WITH CUSTOMER WINDOW

ITEM	PART NUMBER	QTY	DESCRIPTION	REV
1	1001219805	Ref	Decal Boom Installation with Customer Window	A
	1001159728	2	Decal, JLG Logo	

SECTION 11 - DECALS

FIGURE 11-32. CLEARSKY DECAL INSTALLATION



ART_1001239324-A

SECTION 11 - DECALS

FIGURE 11-32. CLEARSKY DECAL INSTALLATION

ITEM	PART NUMBER	QTY	DESCRIPTION	REV
	1001239324	Ref	Clearsky Decal Installation	A
1	1001116208	1	Decal, Clearsky	
2	1001120989	1	Decal, Radio Frequency	

SECTION 12 - RECOMMENDED SPARE PARTS

SECTION 12 - RECOMMENDED SPARE PARTS

SECTION 12 - RECOMMENDED SPARE PARTS

FIGURE 12-1. RECOMMENDED SPARE PARTS

ITEM	PART NUMBER	QTY	DESCRIPTION	REV
		Ref	Boom	
	1001152477	1	Hose (3614RS) (SN 1160007024 through 1160007979, Excluding 1160007924, 1160007926, 1160007937, 1160007941 and 1160007946)	
	1001180501	1	Hose (3614RS) (SN 1160007979 through 1160008790, Including 1160007924, 1160007926, 1160007937, 1160007941 and 1160007946)	
	1001154616	1	Hose (auxiliary hydraulics) (3614RS) (SN 1160007024 through 1160007979, Excluding 1160007924, 1160007926, 1160007937, 1160007941 and 1160007946)	
	1001180502	1	Hose (auxiliary hydraulics) (3614RS) (SN 1160007979 through 1160008790, Including 1160007924, 1160007926, 1160007937, 1160007941 and 1160007946)	
	1001166932	1	Hose	
	1001166931	1	Hose	
	1001168924	1	Hose (3614RS)	
	1001168925	1	Hose (3614RS)	
	1001168957	1	Hose (4017RS)	
	1001168958	1	Hose (4017RS)	
	1001180512	1	Hose (4017RS)	
	1001191367	1	Hose (4017RS)	
	1001191363	1	Hose (auxiliary hydraulics) (4017RS)	
	1001147657	24	Pad	
	1001147668	4	Pad	
	1001147670	2	Pad (3614RS)	
	1001147730	4	Pad	
	1001148103	4	Pad	
	1001148101	4	Pad (4017RS)	
	1001148100	6	Pad (4017RS)	
	1001148105	2	Pad (4017RS)	
	1001147914	2	Pad, Hose Support (4017RS)	
	1001166995	2	Pad, Hose Tray (4017RS)	
	1001149327	2	Pad, Spacer (4017RS)	
	1001169049	2	Shim, 0.5	
	1001169048	2	Shim, 1	
	1001155958	AR	Shim, 3	
	1001155959	AR	Shim, 2	
	1001155960	AR	Shim, 1	
	1001147731	AR	Shim, 1X45X185	
	1001154174	AR	Shim, 0.5X45X185	
	1001147802	AR	Shim, 1X45X185	
	1001148147	AR	Shim, 1X67.5X185	
	1001154176	AR	Shim, 0.5X67.5X185	
	1001098146	AR	Shim, 72X110X0.5	
	1001098147	AR	Shim, 72X110X1.0	
	1001147843	1	Pin, Coupler	
	1001147844	1	Pin, Coupler	
		Ref	Engine	
	1101312	1	Element, Primary	

SECTION 12 - RECOMMENDED SPARE PARTS

ITEM	PART NUMBER	QTY	DESCRIPTION	REV
	1101313	1	Element, Safety	
	1001142658	1	Cap, Fuel	
	1001150752	1	Fan	
	1001134759	1	Belt, Compressor	
		Ref	Drivetrain	
	91474250	1	Filter, Hydraulic Spin	
	8005079	4	Clampset	
	3300479	40	Nut, Wheel M22X1.5	
	1001146640	1	Joystick, Electric (no FNR Lever)	
	1001146641	1	Joystick, Electric (FNR Lever)	
	1001146642	1	Joystick, Electric (AUX, no FNR Lever)	
	1001146643	1	Joystick, Electric (AUX, FNR Lever)	
		Ref	Hydraulic System	
	70025583	1	Kit, Seal, Lift Cylinder (3614RS)	
	70025591	1	Kit, Seal, Lift Cylinder (4017RS)	
	70025597	1	Kit, Seal, Extend/Retract Cylinder (3614RS)	
	70025635	1	Kit, Seal, Extend/Retract Cylinder (4017RS)	
	70025583	1	Kit, Seal, Tilt Cylinder	
	70025620	1	Kit, Seal, Compensation Cylinder	
	70025615	1	Kit, Seal, Frame Level Cylinder (3614RS)	
	70025640	1	Kit, Seal, Frame Level Cylinder (4017RS)	
	70025628	1	Kit, Seal, Outrigger Cylinder	
	1001153748	1	Steering Select Valve	
	70024631	1	Kit, Seal, Gear Pump	
	1001142659	1	Cap, Hydraulic	
	70025812	1	Gauge, Sight	
	70020922	1	Kit, Seal, Hydraulic Park Brake Release Valve	
		Ref	Electrical	
	1001139779	1	Battery	
	1001003596	1	Horn	
	1001101808	1	Alarm, Back-Up	
	70020796	4	Bulb, Cab Worklights	
	7029969	2	Bulb, Driving Lights	
	7029970	1	Bulb, Driving Lights	
	7029971	4	Bulb, Driving Lights	
	70021341	2	Bulb, Driving Lights	
	70021340	2	Bulb, Driving Lights	
	70020186	1	Bulb, Beacon Light	
	70021341	1	Bulb, License Plate Light	
		Ref	Miscellaneous	
	4807718	1	Blade, Wiper, Rear Window	
	1001141281	1	Blade, Front Wiper	
	1001141313	1	Blade, Roof Wiper	
	70021220	1	Key	
	1001145650	1	Container, Manual Storage Bag JLG	
	1001152477	1	Hose (3614RS) (SN 1160007024 through 1160007979, Excluding 1160007924, 1160007926, 1160007937, 1160007941 and 1160007946)	

SECTION 12 - RECOMMENDED SPARE PARTS

ITEM	PART NUMBER	QTY	DESCRIPTION	REV
	1001180501	1	Hose (3614RS) (SN 1160007979 through 1160008790, Including 1160007924, 1160007926, 1160007937, 1160007941 and 1160007946)	
	1001154616	1	Hose (auxiliary hydraulics), (3614RS) (SN 1160007024 through 1160007979, Excluding 1160007924, 1160007926, 1160007937, 1160007941 and 1160007946)	
	1001180502	1	Hose (auxiliary hydraulics) (3614RS) (SN 1160007979 through 1160008790, Including 1160007924, 1160007926, 1160007937, 1160007941 and 1160007946)	

SECTION 12 - RECOMMENDED SPARE PARTS

PART NUMBER INDEX

SECTION 12 - RECOMMENDED SPARE PARTS

0100019	265	0760606 277, 279, 281, 843,	0771212 119, 121, 123, 125,	1001008559.. 763, 767, 771,
0240063	191	1081	127, 129, 131	791, 927, 929, 931, 991,
0498748	749	0760607..... 281	0771217	993, 995, 999, 1001,
0630612	741	0760608.. 43, 719, 721, 723,121	1003, 1005, 1021, 1023,
0681812	265	991, 993, 995, 1021,	0780605	1029, 1043, 1045, 1047,
0700408 ..1031, 1033, 1035,		1023, 1031, 1033, 1035,281	1049, 1051, 1053, 1055,
1037		1037, 1053	0780608	1057, 1059, 1065, 1067,
0700507	135, 269, 271	0760610 77, 97, 101, 133,1081	1069, 1077, 1079, 1081,
0700510	149, 151	243, 307, 749, 805, 807,	0930003	1155, 1157, 1163, 1240
0700608 ..1009, 1011, 1067,		1019, 1045, 1047187, 189	1001008572..... 293, 295
1069, 1082		0760612 277, 279, 281, 635,	0930015	1001008604..... 715
0700610	127	637, 641, 643, 1049, 1051185	1001008605..... 245
0700614 ..1009, 1011, 1055,		0760614..... 771, 991, 995	0930016	1001008608..... 717
1059		0760618..... 1009, 1011311	1001008609... 297, 299, 321
0700616	1009, 1011	0760807..... 315	1001001408	1001008666... 245, 755, 759
0700810 137, 139, 141, 143,		0760808 131, 299, 303, 305,311	1001008667.. 887, 889, 891,
145, 991, 993, 995		307, 787, 887, 889, 891,	1001002579J.....	893, 933, 935
0700814	85, 87, 89, 91	893, 933, 935923	1001008673... 883, 885, 937
0700815	751	0760810 127, 135, 213, 221,	1001002778	1001008719.. 647, 649, 651,
0700819	1055, 1059	245, 267, 277, 279, 281,1073	653, 655, 657, 659, 661,
0700822	1055, 1059	313, 317, 319, 737, 739,	1001002779	663, 665, 667, 669, 671,
0700827	215	769, 771, 791, 883, 885,1073	673, 675, 677, 679
0701010	49	887, 889, 891, 893, 933,	1001002852	1001008720... 297, 299, 845
0701012 887, 889, 891, 893,		935, 937, 939, 991, 993,271	1001008721 ... 277, 279, 281
933, 935		999, 1001, 1003, 1005	1001002946	1001008742..... 763
0701013	97, 101	0760812 43, 55, 69, 71, 237,751	1001008805..... 939
0701022	1031, 1035	249, 251, 253, 255, 257,	1001002947	1001008857..... 751
0701026	295	259, 261, 635, 637, 641,751	1001009038..... 1025
0701029 ..231, 233, 919, 921		643, 765, 795, 801, 803,	1001002956	1001009062..... 51
0701030	919, 921	1027, 1081751	1001009094..... 75
0701215 249, 251, 253, 255,		0760814.. 77, 273, 303, 305,	1001002957	1001009095..... 75
257, 259, 261		307, 751, 787, 789, 793709	1001009124..... 715, 717
0701217	235, 237	0760816..... 801, 803	1001002958	1001009136..... 755, 759
0701220	1075	0761010 69, 71, 249, 251,	1001002961	1001009146..... 57, 59
0701226	123	253, 255, 257, 259, 261,753	1001009154... 303, 305, 307
0701230 ..911, 913, 915, 917		263, 269, 271, 297, 299,	1001002963	1001009178..... 1179, 1181,
0701629 249, 251, 253, 255,		887, 889, 891, 893, 895,745	1183, 1185, 1229, 1231,
257, 259, 261		897, 933, 935	1001003043	1233
0701631	87	0761011 277, 279, 281, 293,1053, 1057	1001009207.. 269, 271, 801,
0701632 ..911, 913, 915, 917		295, 303, 305, 307, 313,	1001003044	803
0711014 249, 251, 253, 255,		315, 317, 319, 1075277, 279, 281,	1001009339..... 999, 1001
257, 259, 261		0761012..... 43, 45, 47, 269,	843	1001009384..... 297, 299
0711016	771	271, 303, 305, 771, 781,	1001003064	1001010838..... 51
0711030	771	821, 823, 829, 831, 833,245	1001010839..... 715
0711214 123, 125, 127, 129,		993, 995, 1001, 1005,	1001003334 ..599, 601, 629,	1001025751..... 293, 295
131		1025, 1055, 1059, 1071,	631	1001025902... 303, 305, 307
0711215	123, 129	1073	1001003360 ..593, 595, 623,	1001028308..... 919, 921
0711216	125, 129	0761014.. 43, 269, 271, 319,	625	1001047064..... 1061, 1063
0711217	119	883, 885, 937	1001003439 ..887, 889, 903,	1001090150..... 97, 101, 127
0711224	125	0761015..... 271, 999, 1003	905, 919, 921	1001090336..... 765
0711225 85, 87, 89, 91, 125,		0761210..... 293, 295	1001003596 1027, 1251	1001090340..... 765
129		0761212 883, 885, 937, 999,	1001004141	1001090343..... 745, 763
0711226	125	1001, 1003, 1005763	1001091033.. 821, 823, 829,
0711229	93, 95, 97, 101,	0761214..... 53, 241	1001004144 ..269, 271, 845,	831, 833, 841
135, 213, 221		0761612..... 179, 181	895, 897	1001091126.. 25, 27, 29, 31,
0711631	85, 89, 91	0761614..... 43	1001004470 767, 771, 1007,	33, 35, 37, 39, 41
0712024	59	0761616 249, 251, 253, 255,	1009, 1011, 1077, 1079	1001091313..... 195
0712029 329, 331, 333, 335,		257, 259, 261	1001004723 ..293, 295, 991,	1001091537..... 725
337		0761617..... 771, 939	993, 995, 999, 1001,	1001091573..... 1077
0712040	57, 59, 919	0761619 249, 251, 253, 255,	1003, 1005, 1043, 1053,	1001091685... 277, 279, 281
0712042	921	257, 259, 261, 771	1055, 1057, 1059, 1081	1001091715..... 1075
0760505 153, 155, 161, 163,		0770815 249, 251, 253, 255,	1001004771 ..673, 675, 677,	1001091716..... 1075
169, 171, 1029		257, 259, 261	679	1001091751..... 1007, 1009,
0760506 149, 151, 153, 155,		0771014..... 307	1001005134	1011
157, 159, 165, 167, 173		0771210 119, 121, 123, 125,75	1001092256..... 43
0760507	275	127, 129, 131	1001005267	1001092542..... 923
0760508 .763, 991, 993, 995		0771211..... 119, 127747	1001092584..... 919, 921
			1001005438 ...303, 305, 307	
			1001005960 ...719, 721, 723	
			1001006072 ...303, 305, 307	
			1001006259	
		77, 273	
			1001006269	
		683, 689	
			1001006814	
		587, 589	
			1001007321	
		843	
			1001007641	
		715	
			1001007846	
		577, 581	
			1001008436 ...45, 47, 49, 51	
			1001008462 ..329, 331, 333,	
			335, 337	
			1001008469	
		709	
			1001008475	
		51, 715	
			1001008506 ..249, 251, 253,	
			255, 257, 259, 261	
			1001008540	
		999, 1001,	
			1003, 1005	

SECTION 12 - RECOMMENDED SPARE PARTS

1001092877..... 1181, 1185	1001100845...635, 637, 641, 643	1001111757.....225	10011171101088, 1091, 1095, 1151
1001092878..... 1179, 1181, 1183, 1185	1001100957.....1179, 1183	1001111758... 217, 219, 225	10011171121096, 1125
1001093826..... 195	1001101041..... 147	1001112130J 69, 71	10011171211110, 1113
1001093827..... 195	1001101042..... 147	1001112612..... 1153	10011171331100, 1106
1001094555... 187, 189, 195	1001101458.....53, 239	1001112923..... 613, 617	1001117308 ..991, 993, 995, 997
1001094556... 187, 189, 195	1001101540.....805, 807	1001112924..... 585, 591	1001117945181
1001094708..... 1179, 1181, 1183, 1185	1001101563...927, 929, 931	1001113669... 277, 279, 281	10011183231105
1001095301..... 269, 271	1001101628..... 53	1001113961 1109, 1113	10011183781111, 1114, 1133, 1137
1001095650..43, 45, 47, 49, 53, 57, 59, 73, 77, 85, 87, 89, 91, 93, 95, 97, 101, 115, 117, 119, 121, 123, 125, 127, 129, 131, 135, 143, 145, 153, 155, 157, 159, 161, 163, 165, 167, 169, 171, 173, 213, 221, 237, 249, 251, 253, 255, 257, 259, 261, 263, 267, 269, 271, 277, 279, 281, 293, 295, 297, 299, 303, 305, 307, 313, 315, 317, 319, 633, 639, 641, 643, 717, 721, 723, 741, 743, 745, 749, 751, 755, 759, 765, 769, 771, 781, 783, 787, 789, 791, 793, 795, 801, 803, 805, 807, 813, 815, 821, 823, 829, 831, 833, 843, 845, 847, 849, 851, 853, 855, 857, 883, 885, 887, 889, 891, 893, 895, 897, 911, 913, 915, 919, 921, 927, 933, 935, 937, 939, 991, 995, 1019, 1021, 1023, 1029, 1031, 1033, 1035, 1037, 1071, 1073, 1075, 1082	1001101808.....1045, 1049, 1251	1001114802... 329, 331, 333, 335, 337	10011183791087, 1092, 1096, 1109, 1113, 1118, 1122, 1147, 1149
1001095804..... 1061, 1063	1001101895.....1179, 1181, 1183, 1185	1001116128..... 1021, 1023, 1043	10011183831110, 1113
1001096365..... 751	1001101999..... 793	1001116208..... 1247	10011183841118, 1122
1001096913.... 45, 47, 1071, 1073	1001102157..... 79	1001116686..... 1088	10011183861129, 1131
1001096914..... 59	1001102553..... 215	1001116692..... 1087, 1091, 1095, 1109, 1110, 1113, 1114	10011183921100, 1106
1001097287..... 189	1001102831.....791, 879	1001116697..... 1087, 1089, 1091, 1095, 1099, 1100, 1101, 1103, 1105, 1106, 1110, 1111, 1113, 1114, 1115, 1118, 1122, 1139, 1141, 1143, 1153, 1159, 1165	10011183931100, 1106
1001097586..... 745	1001103012.....1089, 1105, 1110, 1111, 1113, 1114, 1118, 1122	1001116698..... 1088, 1101, 1110, 1111, 1113, 1118, 1119, 1122, 1149	10011186841109, 1113, 1118, 1122
1001098146.. 135, 213, 221, 1250	1001103013.....1088, 1111, 1115, 1139, 1141, 1147, 1149	1001116705..... 1129, 1131	10011186851110, 1113
1001098147.. 135, 213, 221, 1250	1001103156.....1029, 1031, 1033, 1035, 1037	1001116710..... 1096	1001119220771
1001098150.. 719, 721, 723, 1019	1001103300.....1029, 1031, 1033, 1035, 1037	1001116715..... 1129, 1131	1001119467759
1001098151..... 1019	1001103530..... 195	1001116720..... 1137	10011196191153, 1159
1001098153..... 845, 983	1001103533..... 195	1001116728..... 1091, 1092, 1095, 1135, 1151	10011196201153, 1159
1001098457.. 85, 87, 89, 91, 93, 95, 97, 101, 123, 125, 129, 135, 213, 221	1001103984...847, 849, 851, 853, 855, 857	1001116731..... 1159, 1161	1001119801295
1001098570..... 1109	1001104319.....1179, 1181, 1183, 1185	1001116745..... 1135	1001120179619
1001099170..... 709	1001104350..... 213	1001116747..... 1091, 1092, 1095, 1096	1001120523263
1001099204..... 605, 607	1001104437..... 1027	1001116748..... 1110, 1113, 1118, 1122	1001120904 ...303, 305, 307
1001099701..... 999, 1001	1001104497.....1111, 1114, 1117, 1121, 1139, 1141, 1143, 1147, 1149, 1151	1001116754..... 1109, 1113, 1118, 1122	1001120989791, 1247
1001099913..... 919, 921	1001104498.....1087, 1091, 1095, 1099, 1100, 1101, 1103, 1105, 1106, 1110, 1111, 1113, 1114, 1115, 1117, 1118, 1119, 1121, 1122, 1139, 1141, 1143, 1151, 1153, 1159, 1165	1001116763..... 1089	100112127939
1001100117... 303, 305, 307	1001104519.....1100, 1106, 1109, 1110, 1113, 1114, 1118, 1119, 1122, 1123, 1133, 1137, 1143, 1145, 1147, 1149	1001116763..... 1089	1001121265999, 1001, 1003, 1005
1001100262..... 237	1001105474..... 245	1001116770..... 1091, 1092, 1095, 1096	10011215551197
1001100284..... 615	1001105475..... 245	1001116771..... 1135	10011216751065, 1067, 1069
1001100443..... 879	1001106884..... 1081	1001116774..... 1091, 1092, 1095, 1096	10011217071065, 1067, 1069
1001100691..... 709	1001107004..... 1081	1001116775..... 1110, 1113, 1114, 1118, 1122, 1145	10011219601101
	1001107192.....751, 753	1001116776..... 1109, 1113, 1118, 1122	10011219611111, 1114
	1001107333..... 177	1001116777..... 1089, 1092, 1096	1001125117 ..119, 121, 123, 125, 127, 129, 131
	1001107336.....177, 207	1001116778..... 1100, 1110, 1114, 1118, 1122, 1145	1001125286 ..313, 315, 317, 319
	1001107338.....177, 207	1001116779..... 1110, 1113, 1118, 1122	10011253881125
	1001107854.....1119, 1122	1001116780..... 1109, 1113, 1118, 1122	10011253891125
	1001108133..... 225	1001116781..... 1129, 1131	1001125465791, 1043
	1001109387.....235, 237	1001116782..... 1088, 1092, 1096	10011254791125
	1001110544.....991, 995	1001116783..... 1088, 1092, 1096	10011257841153
	1001111076..... 779	1001116784..... 1100, 1110, 1114, 1118, 1122, 1145	10011257851153
	1001111147.....779, 1237	1001116785..... 1118, 1122	1001126007 ..859, 861, 863, 875, 877, 1153, 1159
	1001111317..... 709	1001116786..... 1110, 1114, 1118, 1122	10011260101109, 1113, 1175
	1001111424..... 997	1001116787..... 1129, 1131	10011263491088, 1092, 1096
		1001116788..... 1129, 1131	10011263511088, 1089, 1091, 1092, 1095, 1096
		1001117002..... 1129, 1131	10011263521088, 1092, 1096
		1001117021..... 1151	10011263531088, 1092, 1096
		1001117064..... 1109	10011263561088, 1089, 1091, 1092, 1095, 1096
		1001117108..... 1088, 1106	
		1001117109..... 1125	

SECTION 12 - RECOMMENDED SPARE PARTS

1001126357.....1088, 1089, 1091, 1092, 1095, 1096	1001138155 1087, 1092, 1096	1001141617 ...277, 279, 281	1001144195... 137, 139, 951
1001126360.....1089, 1091, 1095	1001138199 . 695, 699, 1007	1001141853J.....711	100114419893, 95, 141, 955
1001126362.....1088, 1091, 1096	1001138592 1087, 1092	1001141952 ...303, 305, 307	1001144202..... 919, 961
1001126363.....1088, 1091, 1096	1001139164 1179, 1181, 1183, 1185	1001142083301	1001144203.. 911, 913, 915, 917, 959
1001126364.....1088, 1091, 1096	1001139217 1087	1001142084 ...277, 279, 281	1001144215... 919, 921, 965
1001126365.....1088, 1091	1001139219 1087	1001142085277, 279	1001144218..... 97, 101, 129
1001126384.....1088, 1089, 1091, 1092, 1095, 1096	1001139220.. 695, 697, 699, 701, 703, 717	1001142093 ...695, 699, 719	1001144242..... 781
1001126391.....1088, 1091, 1096	1001139272J 69, 71	1001142102771	1001144244..... 97, 101, 131
1001126392.....1088, 1091, 1096	1001139465 709	1001142103771	1001144245..... 131
1001126393.....1088, 1091, 1096	1001139466 709	1001142183 ...277, 279, 281	1001144260..... 781
1001126484..... 1095	1001139467 709	1001142185 ...277, 279, 281	1001144261..... 783
1001126485..... 1095	1001139468 709	1001142189 ...705, 707, 749	1001144262..... 785
1001126737...303, 305, 307	1001139469 747	1001142190 ...705, 707, 711	1001144263..... 769
1001126837..... 1019	1001139550 767	1001142193J.....753	1001144264..... 689
1001128006..... 609	1001139551 767	1001142194 ..683, 685, 687, 689, 691, 693, 733	1001144329..... 787
1001129285.....1092, 1095	1001139552 747	1001142210751	1001144330..... 789
1001129286.....1091, 1095, 1096	1001139568 747	1001142252749, 753	1001144332..... 789
1001129407..... 1171	1001139569... 705, 707, 745	1001142382J.647, 649, 651, 663, 665	1001144352... 331, 333, 361
1001129425..... 1043	1001139570 745, 747	1001142383J.653, 659, 661, 667, 677, 679	1001144399..... 755
1001129842..... 1240	1001139576 747	10011424296753	1001144400..... 759
1001130323.....1181, 1185	1001139654 1179	1001142618753	1001144404..... 633, 635
1001131642...303, 305, 307	1001139724.. 695, 697, 699, 701, 703	1001142658275, 1251	1001144405..... 633, 637
1001132564...719, 721, 723	1001139746.. 683, 685, 687, 689, 691, 693	100114265977, 1251	1001144406..... 879
1001132873..... 61	1001139769 695, 821	1001142667749	1001144430..... 45, 47
1001133089..... 713	1001139779 1251	1001142675713	1001144434..... 1071, 1073
1001133213..... 1135	1001139854 843	1001142712 ...705, 707, 713	1001144458..... 339
1001133224.....1067, 1069, 1135	1001139884 243	1001142720753	1001144459..... 341
1001133714.....1088, 1089, 1091, 1092, 1095	1001139923 845	100114272447	1001144669..... 321
1001133715.....1088, 1089, 1091, 1092, 1095	1001139977 ... 683, 689, 801	1001142726717	1001144686..... 89, 101
1001133793..... 269	1001140296... 277, 279, 281	1001142727717	1001144702..... 269
1001134127..... 263	1001140321 879	1001142732753	1001144713..... 97, 101, 105
1001134274.....1029, 1031, 1033, 1035, 1037	1001140322 879	1001142782711	1001144744J 669
1001134351.....1087, 1092	1001141035249	1001142833 ...277, 279, 281	1001144745J 671
1001134581.....1087, 1092	1001141036.. 249, 251, 253, 255, 257, 543	1001142840J.....749	1001144747 85, 93
1001134759.....771, 1251	1001141038249	1001142968 ..683, 685, 687, 689, 691, 693, 741	1001144758..... 97, 101, 111
1001135441..... 329, 343	1001141093.. 249, 251, 253, 255, 257, 259, 261	1001142980265, 979	1001144771..... 97, 101, 113
1001135442...329, 331, 407	1001141097.. 249, 251, 253, 255, 257, 259, 261	1001143130749	1001144780..... 97, 101, 107
1001135650.....1088, 1089, 1092, 1095	1001141100.. 249, 251, 253, 255, 257, 259	100114314693, 95, 119	1001144787 289, 293
1001135651.....1088, 1089, 1091, 1092, 1095	1001141152263	1001143200 ...731, 749, 753	1001145021.. 825, 827, 835, 839
1001135838...821, 823, 829, 831, 833	1001141155.. 695, 697, 699, 701, 703, 763	100114335293, 95, 123	1001145022..... 825, 827
1001137323..... 341	1001141199 303	1001143354123	1001145060..... 77
1001137578.....1088, 1092, 1096, 1100, 1106	1001141202303	100114340093, 95, 127	1001145061..... 273
1001137630..... 683	1001141205.. 303, 305, 307, 309	1001143401127	1001145062..... 303, 305
1001137631..... 683, 695	1001141242 765	1001143430 ...821, 823, 825	1001145071..... 297
1001137632...695, 699, 705	1001141246 751	1001143432 ..825, 833, 835, 837	1001145072..... 297, 299
1001137633...705, 707, 709	1001141281 765, 1251	1001143462 ...303, 305, 307	1001145073..... 289, 297
1001138051.....1229, 1231, 1233, 1235	1001141311 767	1001143463 ...303, 305, 307	1001145114..... 889
	1001141312 747	1001143500309, 311	1001145143..... 763
	1001141313 767, 1251	1001143745309	1001145144..... 763
	1001141387 313	1001143832919, 921	1001145145..... 763
	1001141390..... 313, 315	10011439481007, 1109	1001145146..... 763
	1001141391... 313, 315, 319	1001143959 73, 1221, 1223, 1225	1001145151..... 919, 921
	1001141611 277, 285	1001144016 ...303, 305, 307	1001145166..... 269, 271
	1001141612 277	1001144109633	1001145167..... 269
	1001141615... 277, 279, 281	1001144110 1073, 1221	1001145168..... 269
	1001141616... 277, 279, 281	100114411145	1001145169..... 269, 271
		100114415897, 101, 121	1001145170..... 269
		100114418197, 101, 125	1001145218..... 725
		1001144182125	1001145221..... 303, 305
		1001144190 ...911, 913, 943	1001145229..... 141
		1001144194 ...915, 917, 947	1001145234..... 1109, 1110, 1113, 1114, 1118, 1119, 1122, 1123, 1133, 1137, 1143, 1145
			1001145235..... 1071, 1073

SECTION 12 - RECOMMENDED SPARE PARTS

1001145252..... 1061, 1063	1001145660..... 1207	1001146681..... 1007, 1013	1001147793.....999, 1001,
1001145253..... 1061, 1063	1001145662..... 1221	1001146682..... 1013, 1017	1003, 1005
1001145257..... 1061, 1063	1001145663..... 1223	1001146685..... 1088	1001147794.....999, 1003
1001145258..... 1061, 1063	1001145672..... 895	1001146709..... 313	1001147795.....999, 1003
1001145259..... 1061	1001145680..... 895	1001146725..... 1061, 1063,	1001147796.....999, 1001,
1001145260..... 1061, 1063	1001145681..... 269	1077, 1079	1003, 1005
1001145263..... 1077, 1079	1001145738.....895, 897	1001146726..... 1061, 1063	1001147797.....999, 1001,
1001145264..... 1081	1001145857.....895, 897	1001146727..... 1061, 1063	1003, 1005
1001145265..... 1061, 1063	1001145866.....895, 897	1001146728..... 1061, 1063,	1001147799...991, 993, 995
1001145266..... 1061, 1063	1001145867...695, 697, 699,	1065, 1067, 1069	1001147800999, 1003, 1125
1001145267...919, 921, 923	701, 703, 1019	1001146729767, 1061, 1063	1001147801...883, 885, 937
1001145287..... 779	1001145869..... 1019	1001146730..... 1061, 1063	1001147802 .123, 125, 1250
1001145288..... 779	1001145873.....895, 897	1001146748..... 689, 699	1001147808.....103, 127
1001145307..... 43	1001145998.....895, 897	1001146898... 829, 831, 835	1001147839..... 93, 95, 109
1001145313..... 43	1001146014..... 25	1001146900..... 1057	1001147843 ..135, 213, 221,
1001145316..... 813, 817	1001146017..... 35	1001146949..... 835, 839	1250
1001145317..695, 697, 699,	1001146076..... 985	1001147021..... 907, 909	1001147844 ..135, 213, 221,
701, 813	1001146129.....899, 901	1001147022..... 907	1250
1001145332..... 75	1001146145.....887, 889	1001147134..... 925	1001147871 ..911, 913, 915,
1001145333..... 69	1001146148..... 845	1001147135..... 887, 889	917
1001145334..... 927	1001146156..... 845	1001147330..... 927	1001147894.....97
1001145380J.655, 657, 673,	1001146159..... 207	1001147331..... 927	1001147899.....97, 101
675	1001146160..... 207	1001147338..... 1013	1001147902.....131
1001145381..... 43	1001146256...277, 279, 281	1001147339..... 1013	1001147914.....131, 1250
1001145414..... 639	1001146258..... 895	1001147344..... 1061, 1063	1001147923..... 1088, 1091,
1001145432..... 339	1001146259..... 899	1001147449..... 725	1095, 1103
1001145433..... 339	1001146293.....919, 921	1001147451..... 1061, 1063	1001148100 .129, 131, 1250
1001145437..... 141	1001146294.....919, 921	1001147459.. 719, 721, 723,	1001148101..... 125, 1250
1001145491..... 771	1001146341..... 919	727	1001148103 ..123, 125, 127,
1001145492..... 771	1001146378..... 329	1001147461..... 785	131, 1250
1001145529..... 269	1001146379..... 331	1001147462..... 785	1001148105.....129, 1250
1001145531..... 289, 999	1001146380.....77, 981	1001147463..... 783	1001148106..... 1105, 1111,
1001145539..... 771	1001146399..... 341	1001147465..... 735	1114
1001145540..... 771	1001146491.....1071, 1223,	1001147497... 277, 279, 281	1001148112 ..683, 685, 687,
1001145545..... 57	1225	1001147517..... 895, 897	689, 691, 693, 743
1001145546..... 59	1001146507.....1007, 1015	1001147518..... 895, 897	1001148123J.....57, 59
1001145549..... 273, 275	1001146579.....141, 953	1001147527 .93, 95, 97, 101	1001148124J.....59
1001145550..... 991, 1087	1001146580.....919, 921	1001147562..... 123, 129	1001148125J.....59
1001145551..... 275	1001146584.....699, 829	1001147595..... 123, 129	1001148128.....885
1001145552..... 135	1001146585.....1053, 1057,	1001147596.93, 95, 97, 101	1001148129.....921
1001145581..... 575, 577	1099	1001147597.93, 95, 97, 101	1001148132.....893
1001145582..... 575, 581	1001146586..... 1053	1001147601..... 125	1001148133.....917
1001145583..... 603, 605	1001146587...683, 689, 737	1001147602..... 125	1001148147 ..123, 125, 127,
1001145584..... 603, 607	1001146588...317, 991, 993,	1001147622..... 93, 137	129, 131, 1250
1001145585..... 591, 593	995, 999, 1001, 1003,	1001147623..... 111	1001148218.....913
1001145586..... 591, 595	1005, 1053, 1055, 1057,	1001147640..... 97, 101	1001148277.....909
1001145587..... 613, 615	1059, 1065, 1067, 1069,	1001147641..... 109, 113	1001148278.....897
1001145588..... 585, 587	1081	1001147657.. 119, 121, 123,	1001148284.....897
1001145589..... 585, 589	1001146590..... 1065	125, 127, 129, 131, 1250	1001148298 ...303, 305, 307
1001145590..... 597, 599	1001146592..... 1067	1001147668.. 119, 121, 127,	1001148304.....141
1001145591..... 597, 601	1001146640.....865, 1251	1250	1001148305.....141
1001145592..... 617, 619	1001146641.....859, 1251	1001147670..... 123, 1250	1001148317 ..103, 105, 107,
1001145606..... 575	1001146642.....875, 1251	1001147676..... 883	111
1001145607..... 603	1001146643.....869, 1251	1001147693..... 265	1001148320.....903, 905
1001145608..... 591	1001146645..... 991	1001147695... 103, 105, 107	1001148322.....903
1001145609..... 613	1001146666..... 851	1001147729..... 77, 273	1001148371 ...137, 139, 141
1001145610..... 585	1001146667..... 847	1001147730.. 123, 125, 129,	1001148372 ..137, 139, 141,
1001145611..... 597	1001146668..... 857	1250	145
1001145612..... 617	1001146669..... 853	1001147731.. 119, 121, 123,	1001148375.....1096, 1125
1001145613..... 1039	1001146671..... 1021	125, 127, 129, 131, 1250	1001148382 ..887, 889, 891,
1001145614..... 763	1001146672.....1021, 1129	1001147737..... 275	893, 933, 935
1001145615..... 763	1001146673.....1065, 1067,	1001147739..... 109, 113	1001148415769, 1061, 1063
1001145650..... 1251	1069, 1133	1001147752..... 769, 771	1001148470.....771
1001145654..... 1187	1001146674.....1077, 1221	1001147753..... 769, 771	1001148471.....771
1001145655..... 1191	1001146676.....1077, 1079,	1001147754..... 769, 771	1001148472.....771
1001145656..... 1197	1137	1001147755..... 769, 771	1001148473.....771
1001145659..... 1199	1001146677.....767, 1145		1001148474.....771

SECTION 12 - RECOMMENDED SPARE PARTS

1001148475..... 772	1001149376.....283	1001152673 ...883, 885, 937	1001159028..... 815, 819
1001148476..... 772	1001149422..... 725	1001152684883	1001159078..... 1081
1001148508...695, 697, 699, 701, 703, 729	1001149490..... 805, 807	1001152689 ...883, 885, 937	1001159326..... 291, 295
1001148510..... 729	1001149536..... 141, 143	1001152729269, 771	1001159327..... 295
1001148521.....1067, 1069	1001149538..... 805, 807	1001152829627	1001159328..... 295
1001148522.....1067, 1069	1001149547 91, 97	1001153185639, 643	1001159329..... 295
1001148523..... 87, 95	1001149552..... 805, 807	10011533371110, 1114, 1119, 1123	1001159330..... 295
1001148541...695, 699, 1061	1001149555..93, 95, 97, 101	10011533381147, 1149	1001159331..... 295
1001148552...887, 889, 891, 893, 933, 935	1001149581..93, 95, 97, 101	10011534421209	1001159683... 883, 885, 937
1001148553...887, 889, 891, 893, 933, 935	1001149584741	100115361387	1001159685... 883, 885, 937
1001148555..... 772	1001149647887	100115361485	1001159728..... 1243, 1245
1001148556..... 769, 772	1001149648911	1001153748 ..895, 897, 975, 1251	1001159729..... 1214
1001148557...727, 729, 735, 769, 771	1001149650915	1001153960 ...123, 125, 129	1001160049..... 1218
1001148596.....1021, 1023	1001149651891	100115401789	1001160051..... 1214
1001148598...719, 721, 723	1001149652 95, 139	100115401891	1001160052..... 1218
1001148599..... 1035	1001149653 97, 101, 141	1001154043 ...277, 279, 281	1001160227..... 1203
1001148600..... 1041	1001149699 109, 113	1001154043 ...277, 279, 281	1001160497..... 1117, 1121
1001148619..... 769, 771	1001149708 1029	1001154174 ..119, 121, 123, 125, 127, 129, 131, 1250	1001160500..... 1105
1001148636..... 845	1001149923 135	1001154176 ..123, 125, 127, 129, 131, 1250	1001160501..... 1119, 1121
1001148637..... 845	1001149967767	1001154262297, 299	1001160509..... 1103, 1105
1001148638..... 845	1001149968 1065, 1067, 1069	1001154263297, 299	1001160510..... 1103, 1105
1001148658...891, 893, 933, 935	1001150125769, 772	1001154265575, 597	1001160730..... 1043
1001148659...891, 893, 933, 935	1001150144 43, 61	1001154316611	1001160775..... 1214, 1218
1001148835..... 919, 921	1001150208267	1001154616 ..93, 1250, 1252	1001160980..... 291
1001148836...719, 721, 723	1001150278 1007, 1009, 1011	1001154645 ..887, 889, 891, 893, 933, 935	1001161015..... 121
1001148886..... 737, 739	1001150292 1061, 1063	1001154646 ..887, 889, 891, 893, 933, 935	1001161095..... 1103, 1105, 1117, 1119, 1121
1001148916.....1061, 1063	1001150293 755, 757	1001154647 ..887, 889, 891, 893, 933, 935	1001161097..... 1117, 1121
1001149013..... 727	1001150294 759, 761	1001154682 ...303, 305, 307	1001161098..... 1103, 1105, 1117, 1119, 1121
1001149046..... 43	1001150303755	100115468843	1001161099..... 1103, 1105, 1119, 1121
1001149112..... 735	1001150306 45, 47	1001155013297, 299	1001161100..... 1103, 1105, 1117, 1119, 1121
1001149113..... 735	1001150350 71	1001155051293	1001161101..... 1103, 1105, 1117, 1119, 1121
1001149114..... 735	1001150453 1025	1001155054919, 921	1001161129..... 899, 903
1001149115..... 735	1001150572259	1001155345919, 921	1001161130..... 899, 903
1001149116..... 735	1001150624 43	100115548377	1001161267..... 899, 903
1001149117..... 735	1001150630..249, 251, 253, 255, 257, 259, 261	100115580597, 101	1001161471..... 293
1001149125...719, 721, 723	1001150735 1118, 1122	10011558121045	1001161474..... 899, 903
1001149130..... 143	1001150737 1118, 1122	1001155958 ..85, 87, 89, 91, 1250	1001161769..... 1009, 1011
1001149132..... 143	1001150752..249, 251, 253, 255, 257, 1251	1001155959 ..85, 87, 89, 91, 1250	1001161770..... 1009, 1011
1001149133..... 97, 145	1001151044 75	1001155960 ..85, 87, 89, 91, 1250	1001161951..... 93, 95, 115
1001149136..... 733, 735	1001151260 771, 1151	100115694797, 101, 127	1001161957..... 1103, 1105
1001149141.....1061, 1063	100115159177	1001157018319	1001161960..... 1117, 1121
1001149142..... 1061	1001151628 639, 641	1001157020319	1001161963..... 1103, 1105
1001149156..... 109, 113	1001151718 333, 425	1001157409319	1001162246..... 115, 117
1001149163...103, 105, 107, 111	1001151810 1081, 1139	1001157434319	1001162248..... 1167, 1169
1001149164...103, 105, 107, 111	1001151811 1082, 1143	1001157438319	1001162250..... 1167, 1169
1001149215..... 772, 777	1001151812 1081	10011575191027	1001162364J 115
1001149216..... 769, 775	1001151868 621	100115786855	1001162375..... 115, 117
1001149277...719, 721, 723, 725	1001151879 97, 101, 133	1001157992333	1001162578..... 899, 903
1001149278..... 725	1001151969 1043	1001158033253	1001162636..... 135
1001149282..... 725	1001152010 1021, 1023	1001158034253	1001162657..... 115
1001149308..... 283	1001152079 ..673, 675, 677, 679	1001158110237	1001162771..... 241, 243
1001149327..... 129, 1250	1001152156925	10011581111211	1001162775..... 63
1001149356..... 621, 623	1001152188 127	10011581121229	1001162776..... 63
1001149357..... 621, 625	1001152259237	10011581171179	1001162778..... 63, 65, 67
1001149361..... 627, 629	1001152330 127	1001158300 1179, 1183	1001162779..... 63, 65, 67
1001149362..... 627, 631	1001152353771	10011583031187	1001162780..... 63, 65
1001149375...277, 279, 281, 283	1001152354771	10011583091187, 1189, 1191, 1193	1001162849..... 1053, 1057
	1001152378..249, 251, 253, 255, 257, 259, 261	1001158844 1179, 1183	1001162852... 137, 139, 141
	100115247793, 95, 1250, 1251		1001162863..... 991
	1001152589267		1001162872..... 63, 65, 67
			1001162929.. 887, 889, 891, 893, 933, 935

SECTION 12 - RECOMMENDED SPARE PARTS

1001163076.....731	1001167211.....291, 1003	1001171225.....1075	1001175842.....805, 807
1001163077.....845	1001167212.....1003, 1005	1001171302.....271	1001175962.....919, 921
1001163078.....843	1001167257.....1003, 1005	1001171699.....1225	1001176272.....731
1001163111..695, 697, 699, 701, 703, 731	1001167261.....1003, 1005	1001171700.....1209, 1225	1001176273.....731
1001163539.....133	1001167288.....43	1001171759.....909	1001176323.....731
1001163625.....243	1001167591.....291, 299	1001171760.....909	1001176324.....731
1001163627.....711	1001167632.....1096	1001171794.....213	1001176325.....731
1001163802.....1205	1001167674.....1095	1001171798..123, 125, 1195	1001176340.....731
1001163909.....711	1001167679.....1095	1001172019.....1029	1001176341.....731
1001163938.....239, 241	1001167773.....299	1001172035.....1181, 1185	1001176622...883, 885, 937
1001164018.....53	1001167976.....299	1001172106.....147	1001176626.....731
1001164053...927, 929, 931	1001167977.....299	1001172172.....1191	1001176695.....731
1001164054.....927	1001168391.....609, 611	1001172192...277, 279, 281	1001176714.....153
1001164211.....53	1001168447.....751	1001172206.....119	1001176763.....153, 155
1001164237.....239, 241	1001168453.....751	1001172263J.....115	1001176768.....153
1001164273.....241	1001168455.....751	1001172289.....115	1001176773...153, 155, 157
1001164274.....791, 1153	1001168549.....85, 87	1001172310.....1081, 1141	1001176776...149, 151, 153
1001164275.....791	1001168593.....89, 91	1001172482.....1029	1001176791.....155
1001164388.....791	1001168597...141, 951, 953	1001172483.....1029	1001176798.....155
1001164390.....791	1001168704.....771, 1147	1001172542.....1007, 1113	1001176803...149, 151, 155
1001164391.....791	1001168705.....751	1001172744.....1031, 1033, 1035, 1037	1001176854.....731
1001164402.....1055, 1059	1001168718.....1179, 1181, 1183, 1185	1001173147..889, 893, 933, 971	1001176903...149, 151, 157
1001164599.....641	1001168803...911, 913, 915, 917	1001173148..887, 891, 935, 967	1001176904.....157
1001164726.....115, 117	1001168811...911, 913, 915, 917	1001173259...883, 885, 937	1001176944.....149, 159
1001164992.....637	1001168812...683, 685, 687, 689, 691, 693, 765	1001173418..899, 901, 903, 905	1001177122.....133
1001165069.....299	1001168824.....749, 751	1001173703.....1227	1001177126.....927
1001165274..895, 897, 907, 909	1001168826.....751	1001173742..887, 889, 891, 893, 933, 935	1001177127.....927
1001165275.....751	1001168829.....751	1001173880...919, 921, 987	1001177265.....159
1001165276.....749	1001168924...137, 139, 141, 1250	1001173936.....1227	1001177266.....159
1001165280.....1214, 1218	1001168925.....1250	1001174034.....97, 101	1001177274.....149, 161
1001165309.....1106	1001168957.....1250	1001174036.....97, 101	1001177275.....161
1001165310.....1103	1001168958.....1250	1001174042.....98, 101	1001177276.....161
1001165311.....1105	1001169040...85, 87, 89, 91	1001174157.....753	1001177319.....163
1001165447.....919, 921	1001169048...85, 87, 89, 91, 1250	1001174300..911, 913, 915, 917	1001177320...149, 151, 163
1001165561..887, 889, 891, 893, 933, 935	1001169049...85, 87, 89, 91, 1250	1001174302..911, 913, 915, 917	1001177321.....163
1001165650.....635	1001169068...85, 87, 89, 91	1001174305..911, 913, 915, 917	1001177342.....151, 165
1001165662.....897	1001169139...899, 901, 903, 905	1001174308..911, 913, 915, 917	1001177343.....165
1001165827.....1047, 1051	1001169243.....919, 921	1001174417..887, 889, 891, 893	1001177344.....165
1001165829.....1047	1001169787.....751	1001174471.....895	1001177380.....743
1001165887....97, 101, 117	1001169810.....709	1001174472.....897	1001177395.....167
1001165978.....791	1001169871.....321	1001174556.....141, 957	1001177396.....151, 167
1001166077.....1183	1001169888.....609	1001174625.....133	1001177397.....167
1001166282791, 1155, 1157	1001170231.....807	1001174627.....133	1001177411.....151, 169
1001166431.....1082	1001170311...249, 251, 253, 255, 257, 259, 261	1001175165J.....115, 117	1001177413.....169
1001166513.....1031, 1035	1001170437.....299	1001175218.....1203	1001177438.....171
1001166707.....1088, 1092	1001170489.....299	1001175219.....1203	1001177439.....151, 171
1001166818.....1161	1001170490.....299	1001175220.....1205	1001177440.....171
1001166850.....991, 993	1001170491.....299	1001175221.....1205	1001177445.....151, 173
1001166851.....999, 1001	1001170492.....299	1001175234J.....117	1001177446.....173
1001166860.....925	1001170802.....143	1001175265.....1091, 1092, 1095	1001177447.....173
1001166861.....925	1001171098.....47	1001175266.....1103, 1105	1001177531.....151
1001166863.....925	1001171109.....271	1001175475.....98	1001177532.....149
1001166866.....925	1001171110.....271	1001175594.....1015	1001177537.....793
1001166869.....801, 809	1001171220.....251	1001175595.....1015	1001177676J.....793
1001166897.....77, 273	1001171221.....255	1001175757..887, 889, 891, 893, 933, 935, 985	1001177678J.....793
1001166926.....797	1001171222.....251		1001177678.....793
1001166931..137, 139, 141, 1250	1001171222L.....323		1001177716.....885
1001166932..137, 139, 141, 1250	1001171223.....255		1001177730.....939
1001166995.....133, 1250			1001177862.....271
1001167015.....739			1001177868...209, 211, 213
1001167028.....709			1001177869...217, 219, 221
1001167093.....643			1001178081..911, 913, 915, 917

SECTION 12 - RECOMMENDED SPARE PARTS

1001178265..... 1031	1001182912..... 903	1001191930 ..337, 493, 495, 497, 499, 501, 503, 505	1001206068.. 685, 687, 691, 693, 803
1001178407...899, 901, 903, 905	1001182999..... 1075	1001191999.....259	1001206570..... 1181
1001178522.....1031, 1033, 1035, 1037	1001183066..... 919	1001192001 ...259, 261, 645	1001206571..... 1185
1001178603..... 751	1001183067..... 921	1001192003.....259	1001206583..... 901, 905
1001178604....277, 279, 281	1001183089..... 1075	1001192142999, 1001, 1003, 1005	1001206584..... 901, 905
1001178605..... 289, 301	1001183289..... 203, 1203	1001192350 ...135, 213, 221	1001206592..... 901, 905
1001178671..... 749, 751	1001183290..... 203, 1203	10011924011165	1001206675..... 939
1001178702..... 289	1001183291..... 205, 1205	1001192534129	1001207170.. 899, 901, 903, 905
1001178716..... 1033	1001183554..... 929	1001192566J.....121	1001207541..... 1240
1001178717..... 1037	1001183555..... 931	1001192599J.....119	1001207542..... 1240
1001178723..... 751	1001183556..... 931	10011929791019	1001209007..... 315
1001178739..... 1049	1001183557..... 931	10011941871065, 1067, 1069	1001209008..... 315
1001178740..... 1051	1001183558..... 929	1001195443271	1001209460..... 305
1001179679.....209, 1203	1001183559..... 929	1001195493241	1001209576..... 1055, 1059, 1167
1001179680.....209, 1203	1001184284... 911, 913, 945	1001197130 ..329, 331, 333, 335, 337	1001209577..... 1055, 1059, 1169
1001179681.....211, 1205	1001184285... 915, 917, 949	1001197671239	1001209578..... 1009, 1011
1001179682.....211, 1205	1001184289..... 203	1001197817239	1001209579..... 1169
1001179683.....217, 1203	1001184290..... 205	1001198326 ..329, 331, 333, 335, 337	1001209580..... 1167
1001179684.....217, 1203	1001184365 1081	1001198720772	1001210231..... 1235
1001179685.....219, 1205	1001184548..... 1091, 1095, 1096	10011990431081	1001210286..... 1240
1001179686.....219, 1205	1001184996... 85, 87, 89, 91	1001199166933, 935	1001210391..... 939
1001179687..... 209	1001185116 203, 205, 1203, 1205	1001199254935	1001210412..... 939
1001179688..... 211	1001185346..... 235	1001199256933	1001210514..... 939
1001179689..... 217	1001185594... 695, 699, 805	1001199259223	1001211036..... 905
1001179690..... 219	1001185728 727	1001199290221, 223	1001211318..... 807
1001179729..... 843	1001185729..... 737	1001199402933, 935	1001211328..... 907
1001179730..... 843	1001185730..... 719	1001199581937	1001211353.. 137, 139, 141, 145
1001179926...899, 901, 903, 905	1001185731 719, 721	100119969931	1001211447..... 901
1001179944..... 43	1001185732 725	1001199861239	1001211609.. 899, 901, 903, 905
1001179993..... 49	1001185733..... 1019	1001200110937	1001211622..... 1240
1001179994..... 49	1001186405 141	1001200709 ...277, 279, 281	1001211860.. 697, 701, 703, 807
1001180495..... 137, 139	1001186406 141	1001201043147	1001212636..... 577, 647
1001180496..... 137, 139	1001186687..... 1075	1001201185227	1001212637..... 581, 649
1001180499..... 137, 145	1001187070..... 1122	1001201187227, 1203	1001212638..... 605, 663
1001180500..... 137, 145	1001187075..... 1106	1001201188227, 1203	1001212639..... 607, 665
1001180501....93, 95, 1250, 1252	1001187078 1096	1001201189229	1001212640..... 593, 655
1001180502..93, 1250, 1252	1001187079..... 1103, 1106	1001201190229, 1205	1001212641..... 595, 657
1001180503..... 137, 139	1001187080..... 1103	1001201191229, 1205	1001212642..... 615, 669
1001180504..... 137, 139	1001187260 321	1001201195239	1001212643..... 587, 651
1001180506...137, 139, 141	1001187321 787	1001201236239	1001212644..... 589, 653
1001180507..... 141	1001188875.. 887, 889, 891, 893, 933, 935	1001202061 1167, 1169	1001212645..... 599, 659
1001180508..... 141	1001188997..... 243	1001202230795	1001212646..... 601, 661
1001180512..143, 145, 1250	1001189154..... 1181, 1185	1001202231795	1001212647..... 619, 671
1001180582J..... 43	1001189192..... 891, 893	1001202335 ..887, 889, 891, 893, 933, 935	1001212648..... 623, 673
1001180728..... 61	1001189317..... 1240	10012036401069	1001212649..... 625, 675
1001180963.....197, 1203	1001189705..... 243	1001203935323	1001212650..... 629, 677
1001180964.....197, 1203	1001189706..... 243	1001204279257	1001212651..... 631, 679
1001180965.....199, 1205	1001189707..... 241	1001204281919, 921	1001212652..... 611, 667
1001180966.....199, 1205	1001189709..... 241	1001204282919, 921	1001212659..... 697, 823
1001180971..... 197	1001189744..... 1065, 1067, 1069	1001204872259, 261	1001212940..... 701, 831
1001180972..... 199	1001189881 143	1001205591907, 909	1001213084..... 275
1001181380...203, 205, 207	1001189953 145	1001205593909	1001213460..... 807
1001181411..... 747	1001189957J 115	1001205594 ..899, 901, 903, 905	1001213461..... 805
1001181502..... 769	1001190133 1079	1001205596 1163, 1165	1001213841..... 807
1001181742..... 801, 809	1001191363..... 145, 1250	10012055971163	1001214206..... 1181, 1185
1001182185.....1031, 1033	1001191367..... 143, 1250	1001205848279	1001214220..... 807
1001182321.....1031, 1035	1001191880..... 1201	1001205849 ...279, 281, 287	1001214454..... 241
1001182336.....1035, 1037	1001191919..... 335, 473	1001206067803, 811	1001214479..... 579, 583
1001182466.....1033, 1037	1001191920... 335, 337, 515		1001214568..... 1231
1001182490..... 1075	1001191921..... 335		
1001182495..... 1075	1001191926..... 337		

SECTION 12 - RECOMMENDED SPARE PARTS

1001214963.....	1237	1001236928.....	317	1001241968... 687, 693, 703	1706285 .. 1179, 1181, 1183,
1001214964.....	1237	1001236929.....	317	1001241971.....	1185
1001215022.....	307	1001236931.....	307	1001241972.....	1706288..... 1181, 1185
1001215331.....	65, 67	1001236934.....	307	1001242118.. 251, 255, 257,	1706292..... 1181, 1185
1001215415.....	1233	1001236936.....	307	259, 261	1706753..... 1195
1001215506.....	1237	1001236938.....	307	1001242555.. 695, 697, 701,	1706754..... 1195
1001215649.....	65, 67	1001237046.....	43	703, 707	1706755..... 1195
1001216730.....	65	1001237050.....	29	1001242866..... 1091, 1096	1706756..... 1195
1001217078.....	1082	1001237053.....	39	1001243058..... 1157, 1161	2080078..... 747
1001217139.....	575, 579	1001237152.....	281	1001243059..... 1023, 1131	2080086..... 709
1001217141.....	575, 583	1001237153.....	281	1001243061..... 1157	2080087..... 709
1001217143.....	579, 647	1001237154.....	739	1001243062..... 1023	2080088..... 709
1001217145.....	583, 649	1001237156.. 685, 687, 691,		1001243216..... 1019	2080092 727, 729, 735, 769,
1001218270.....	849	693, 739		1001244134..... 771, 1149	771
1001218271.....	855	1001237228.....	307	1001244645..... 1081	2140206..... 907, 909
1001218295.....	1193	1001237383.....	1113	1001244647..... 1081	2140211 887, 889, 891, 893,
1001218296.....	1189	1001237489.....	75	1001245065..... 815	933, 935
1001218452.....	235	1001237509..... 1009, 1117		1001245322..... 1009, 1175	2140406 887, 889, 891, 893,
1001218462.....	235	1001237510..... 1055, 1059,		1001246126..... 291, 1005	899, 901, 903, 905, 933,
1001219396... 823, 831, 833		1103		1001246455..... 317	935
1001219805.....	1245	1001237563.....	317	1001247418..... 1009	2140409..... 895, 897, 925
1001219806.....	1243	1001237571.....	317	1001247469..... 281	2140801 . 899, 901, 903, 905
1001222595.....	867	1001237578.....	41	1001247526..... 67	2140803..... 901, 905
1001222596.....	861	1001237792.....	1009	1001247708.. 899, 901, 903,	2140805..... 895, 897
1001222597.....	877	1001237793..... 1009, 1011		905	2140807..... 899, 903
1001222598.....	871	1001237794..... 1009, 1011		1001247948..... 1095	2140825..... 899, 903
1001222599.....	849, 863	1001237861.. 697, 701, 1009		1001247955..... 1095	2141907 . 891, 893, 933, 935
1001222600.....	855, 873	1001238729..... 1055, 1059,		1001247969..... 1095	2141908..... 907, 909
1001223184.....	193	1105		1001248005..... 1011, 1121	2141910..... 925
1001223455..... 1118, 1119,		1001238822..... 993, 1091		1001248290..... 693, 839	2141912..... 295
1122, 1123		1001238823..... 995, 1095		1001248291..... 687, 827	2142103..... 907, 909
1001223875..... 1181, 1185		1001238844..... 1081		1001248293..... 703, 833	2142117 887, 889, 891, 893,
1001223968.....	1063	1001238877..... 75, 81		1001248379..... 1001, 1005	933, 935
1001225430.....	325	1001238915..... 81		1001248380..... 1001, 1005	2142202 . 899, 901, 903, 905
1001225432.....	325	1001238919..... 81		1001248752..... 703, 1011	2142203..... 899, 901
1001225859.....	1203	1001239082..... 1155, 1159		1001249047..... 1011	2142204..... 903, 905
1001225860.....	1203	1001239083..... 1155		1001249262..... 723	2142207 887, 889, 891, 893,
1001225861.....	1205	1001239194..... 1157		1001249676..... 703, 723	933, 935
1001225862.....	1205	1001239320..... 1055		1001250530..... 1181, 1185	2142516..... 93, 145
1001226400.....	1171	1001239321..... 1059		1001250544..... 1173	2142706 887, 889, 891, 893,
1001226636..... 1159, 1161		1001239322..... 993		1001250717..... 685, 691	899, 901, 903, 905, 933,
1001226637..... 1159, 1161		1001239324..... 1247		1001262960..... 1085	935
1001227066..... 1085, 1171		1001239516..... 289, 1001		1001262963..... 1085	2142708..... 887, 889
1001227068..... 1171		1001239533..... 1001, 1005,		1062255 293, 295, 297, 299,	2142709..... 845
1001227093..... 772		1127		767, 772, 907, 909, 911,	2142711 . 891, 893, 933, 935
1001227266..... 1171		1001239733..... 1095		913, 915, 917, 919, 921	2142714..... 265
1001228954..... 1155		1001239912..... 1063		10701275..... 245	2142715..... 919, 921
1001228989..... 1069		1001239949..... 1063		10837060..... 559, 561, 563	2142718 277, 279, 281, 887,
1001230163..... 713		1001241563..... 721, 723		10837074..... 547	889, 891, 893, 933, 935
1001230931..... 1110, 1113,		1001241674.. 75, 1181, 1185		10868213..... 547	2142733 887, 889, 891, 893,
1118, 1122		1001241676... 697, 701, 721		10868239..... 549	933, 935
1001231397..... 1131		1001241809..... 1081		10868254..... 555	2142735 265, 887, 889, 891,
1001231399..... 1131		1001241810..... 993		1086827..... 559	893, 933, 935
1001231404..... 1131		1001241811..... 995		10868277..... 561, 563	2142748 887, 889, 891, 893,
1001232659..... 1229		1001241813..... 995		1101312..... 311, 1250	933, 935
1001232996..... 1069		1001241832.. 697, 701, 703,		1101313..... 311, 1251	2142808 887, 889, 891, 893,
1001233236..... 1085		1063		1120592..... 49	933, 935
1001233237..... 1085		1001241861..... 271		1120601..... 723	2142816..... 93, 95, 141
1001234800..... 1151		1001241916..... 27		1170002. 227, 229, 231, 233	2142915 . 911, 913, 915, 917
1001236144..... 1155, 1157		1001241918..... 37		1366865..... 763	2143004 265, 899, 901, 903,
1001236164..... 261, 325		1001241920..... 33		1616551. 899, 901, 907, 909	905
1001236622..... 1087, 1092		1001241942..... 685, 697		1705980..... 1199	2143007..... 919, 921
1001236914..... 307		1001241943..... 691, 701		1706098.. 1179, 1181, 1183,	2143009..... 277, 279, 281
1001236915..... 995		1001241944..... 685		1185	2143010..... 277, 279, 281
1001236919..... 261		1001241945..... 691		1706209..... 1179, 1183	2143102 . 899, 901, 903, 905
1001236926..... 317		1001241951..... 1189		1706284..... 1181, 1185	2143316..... 93, 145
1001236927..... 317		1001241952..... 1193			2143402..... 901, 905

SECTION 12 - RECOMMENDED SPARE PARTS

2143403 .899, 901, 903, 905	3291001..43, 249, 251, 253,	43606571061, 1063	4460876..... 1109, 1113
2143602 .899, 901, 903, 905	255, 257, 259, 261, 271,	4360658805, 807	4460878..... 1109, 1113
2143616 145, 147	277, 279, 281, 303, 305,	43606611081	4460884..... 1165
2144104 903, 905	307	4400474939	4460887..... 1017, 1109
2144606 269, 271	3291005 231, 233, 771, 919,	4400493763	4460891.. 1087, 1091, 1095,
2144610 269	921	44600191096	1099, 1100, 1103, 1105,
2144803 899, 901, 903, 905,	3291007. 277, 279, 281, 843	4460042 ...1087, 1092, 1096	1109, 1110, 1113, 1114,
919, 921	3291201..53, 121, 235, 237,	4460224 ...1117, 1121, 1173	1118, 1119, 1122, 1123,
2144804 .895, 897, 919, 921	241	4460225 ..1117, 1121, 1122,	1131, 1151
2144806 895, 897	3291205..85, 87, 89, 91, 93,	1133, 1145, 1173	4460894.. 1100, 1103, 1118,
2144809 919, 921	95, 97, 101, 119, 123,	4460247 ..1087, 1091, 1092,	1122, 1123
2144810 249, 251, 253, 255,	129, 135, 213, 221, 911,	1095, 1131	4460897.. 1087, 1100, 1117,
257, 259, 261	913, 915, 917, 1075	44602561087, 1092	1122
2144811 249, 251, 253, 255,	3291601 249, 251, 253, 255,	4460265 ..1111, 1114, 1117,	4460899..... 1175
257, 259, 261	257, 259, 261, 771	1121	4460905.. 1017, 1109, 1113,
2144812 295	3291605 85, 87, 89, 91, 911,	44602661111	1119, 1123, 1153
2144823 137, 139, 141, 919,	913, 915, 917	4460267 ..1117, 1118, 1121,	4460930.. 1109, 1110, 1113,
921	3300220..... 997	1122, 1173	1114, 1119, 1123
2144826137, 139, 141	3300479 329, 331, 333, 335,	4460268 ..1111, 1114, 1115,	4460931..... 1019
2160016 85, 87, 89, 91, 123,	337, 1251	1117, 1121, 1122, 1145,	4460933.. 1105, 1110, 1114,
125, 127, 129, 131, 911,	3300497..... 749	1173	1117, 1119, 1121, 1123
913, 915, 917, 919, 921,	3321001..... 997	4460326 ...1122, 1129, 1137	4460941..... 1117, 1122
927, 929, 931	3332011..57, 59, 93, 95, 97,	4460343 ..1111, 1114, 1115,	4460942.. 1103, 1105, 1119,
2160018123, 125, 129	101, 919, 921	1117, 1121, 1173	1123, 1131
2340030179, 227, 229	3332411..... 93, 95, 97, 101	44603671173	4460944.. 1087, 1088, 1091,
2340041 179	3460380..... 909	4460434 ..1111, 1114, 1117,	1092, 1096, 1118, 1122
2400600 .349, 413, 479, 521	3700015..... 1207	1121	4460970..... 1105
2401043 .349, 413, 479, 521	3700016..... 1207	44604451117, 1121	4460994.. 1110, 1114, 1118,
2401258 .349, 413, 479, 521	3760348..... 807	4460458 ..1091, 1092, 1095,	1122, 1137
2401736 351, 481	3760493..... 93, 95, 97, 101,	1096, 1133, 1135, 1151	4461008.. 1088, 1091, 1096,
2454999 843	919, 921	44604621119	1100, 1106
260173 1122	3760508..... 215	4460464 ..1019, 1101, 1105,	4461015..... 1105
2603207 1211	3900357..... 845	1111, 1114, 1117, 1122,	4461054.. 1088, 1091, 1100,
2700118197, 199, 201	3900362..... 123, 129	1153, 1171, 1175	1106
2903197 489, 491	3900364. 737, 739, 743, 783	4460465 ..1088, 1091, 1092,	4461070..... 1088
2905871 843	3900379..... 753	1095, 1099, 1100, 1101,	4461071... 1087, 1092, 1096
2920204 73	3968141 347, 365, 381, 411,	1103, 1105, 1106, 1114,	4461095... 1088, 1092, 1096
29202061065, 1067	429, 445, 477, 497, 519	1117, 1118, 1119, 1121,	4461115..... 1133, 1135
2920207 1071	3983720.....537	1122, 1123, 1139, 1141,	4461118.. 1087, 1091, 1095,
2920208 1071	3983731. 349, 413, 479, 521	1151, 1161, 1165	1099, 1106, 1111, 1114,
2960243 449	3984301. 349, 413, 479, 521	4460466 ..1088, 1091, 1092,	1143
2988632 .899, 901, 903, 905	3984425. 351, 415, 481, 523	1095, 1096, 1100, 1101,	4461119.. 1088, 1111, 1114,
3020040 93, 95, 97, 101	3986405..... 351, 481	1103, 1105, 1106, 1110,	1115, 1117, 1121, 1143,
3290405 ..1029, 1031, 1033,	3990010.. 1109, 1113, 1117,	1111, 1114, 1117, 1118,	1151
1035, 1037	1121	1119, 1121, 1122, 1123,	4461174..... 1077, 1079
3290501 73, 763	4000015 ..1029, 1031, 1033,	1139, 1141, 1151, 1153,	4461217.. 1109, 1113, 1153,
3290505 153, 155, 157, 159,	1035, 1037	1161, 1165, 1175	1159, 1175
165, 167, 173, 991, 993,	4000017... 1039, 1041, 1081	44605081091, 1095	4461227..... 1111, 1114
995	4010408..... 1029	44605091088, 1106	4461262.. 1088, 1100, 1103,
3290601 245, 771, 791, 845,	4010608.... 753, 1029, 1031,	4460518 ..1109, 1113, 1153,	1105, 1106, 1111, 1114,
919, 921, 991, 993, 995,	1033, 1035, 1037	1159, 1175	1115, 1119, 1122, 1139,
1029, 1031, 1033, 1035,	4010615..... 709	44605361117, 1122	1141, 1153, 1159, 1161,
1037, 1075, 1082	4031205..... 991, 995	4460539 ..1100, 1103, 1105,	1165
3290605 133, 281, 635, 637,	4031605..... 1007	1139, 1141, 1161	4461270..... 1127
641, 643, 807, 1007,	4031608..... 827	4460703 1111, 1114	4641516..... 977
1009, 1011, 1029, 1033,	4031707..... 131	44607221151	4641521..... 821, 829
1037, 1045, 1047, 1049,	4031708..... 133	44607461096, 1133	4740532..... 265
1051, 1053, 1057	4031716..97, 101, 899, 901,	44607481091, 1096	4740557..... 1005
3290801 ..43, 241, 267, 277,	903, 905	4460789 ..1091, 1092, 1095,	4740563... 1007, 1009, 1011
279, 281, 303, 305, 307,	4031910..... 895, 897	1096	4761000..... 997
787, 789, 795, 813, 815,	4031914..... 141	4460871 ..1017, 1109, 1113,	4761600..... 573
1055, 1059	4032109..... 177, 207	1119, 1123, 1153	4806433..... 43
3290805 ..77, 215, 273, 719,	4040283..... 215	4460872 ..1109, 1113, 1119,	4807718..... 747, 1251
721, 723, 801, 803, 883,	4191708..... 785	1123	4811400..... 805, 807, 1029,
885, 937, 999, 1001,	4240032..... 1085	44608731109, 1113	1031, 1033, 1035, 1037
1003, 1005, 1027	429063 277, 279, 281	44608741109, 1113	4811600.. 73, 149, 151, 153,
3290806 747	4341078..... 939	44608751109, 1113	155, 157, 159, 161, 163,

SECTION 12 - RECOMMENDED SPARE PARTS

165, 167, 169, 171, 173, 269, 271, 763, 991, 993, 995, 1007, 1029	4831900 137, 139, 141, 765, 801, 803, 991, 993, 995, 999, 1001, 1003, 1005	70021215 977, 987	70024519 345, 409, 427, 443, 475, 517
4811700 43, 77, 97, 101, 115, 133, 277, 279, 281, 307, 719, 721, 723, 737, 739, 749, 753, 771, 785, 791, 805, 807, 843, 919, 921, 991, 995, 1007, 1009, 1011, 1031, 1033, 1035, 1037, 1053, 1067, 1069, 1075, 1082, 1237	4832000 97, 101, 999, 1001, 1003, 1005, 1025	70021218 977	70024520 347, 381, 411, 445, 477, 497, 519
4811702 127, 133, 277, 279, 281, 635, 637, 641, 643, 991, 993, 995, 1019, 1021, 1023, 1045, 1047, 1049, 1051, 1053, 1055, 1057, 1059	4832100 999, 1001, 1003, 1005	70021219 977	70024521 347, 381, 411, 445, 477, 497, 519
4811900 .. 55, 77, 85, 87, 89, 91, 115, 117, 135, 143, 145, 213, 221, 237, 249, 251, 253, 255, 257, 259, 261, 267, 273, 277, 279, 281, 299, 303, 305, 307, 317, 319, 737, 739, 741, 749, 751, 765, 769, 771, 787, 789, 791, 793, 795, 801, 803, 813, 815, 883, 885, 887, 889, 891, 893, 933, 935, 937, 939, 991, 993, 995, 999, 1001, 1003, 1005, 1027, 1055, 1059, 1081	5201012 843	70021251 757, 761	70024522 429, 445
4811902 43, 69, 71, 127, 131, 239, 241, 277, 279, 281, 303, 305, 307, 313, 315, 635, 637, 641, 643, 719, 721, 723	5220600 ... 1065, 1067, 1069	70021252 757, 761	70024631 979, 1251
4812000 .. 45, 47, 49, 69, 71, 97, 101, 249, 251, 253, 255, 257, 259, 261, 263, 269, 271, 277, 279, 281, 293, 295, 297, 299, 303, 305, 307, 313, 315, 317, 319, 771, 781, 821, 823, 829, 831, 833, 843, 883, 885, 887, 889, 891, 893, 895, 897, 919, 921, 933, 935, 937, 993, 995, 999, 1001, 1003, 1005, 1025, 1031, 1035, 1055, 1059, 1071, 1073, 1075	5220800 749, 999, 1001, 1003, 1005	70021340 1251	70024872 363, 379, 495
4812002 43, 319, 771	5240800 999, 1001, 1003	70021497 959	70024881 367, 431, 439
4812100 119, 125, 241, 249, 251, 253, 255, 257, 259, 261, 293, 295, 883, 885, 911, 913, 915, 917, 937	5241200 235, 237	70021498 959	70024961 325
4812102 633, 639, 749, 999, 1001, 1003, 1005, 1075	5242000 919, 921	70021558 231, 233	70025012 367, 383, 499
4812300 249, 251, 253, 255, 257, 259, 261, 771, 911, 913, 915, 917, 939	5250608 845	70021559 231, 233	70025014 367, 383, 499
4812500 93, 95, 98, 101	5250808 845	70021560 231, 233	70025482 757
4812700 93, 95, 98, 101, 145	5272012 1043	70021562 231, 233	70025483 757, 761
4831600 1007	70000699 943, 945	70021563 193, 231, 233	70025484 757, 761
4831700 .. 97, 101, 133, 307, 845, 991, 993, 995, 1053	70002219 959	70021613 433, 449	70025485 757, 761
	70004132 959	70021825 1088	70025486 757, 761
	70004654 987	70021835 195	70025489 761
	70004667 987	70021836 195	70025490 761
	70005941 325	70021838 195	70025491 761
	70006246 987	70021839 195	70025535 325
	70007289 1063	70021840 195	70025547 347, 365, 381
	70020173 349, 413, 479, 521	70021841 195	70025549 349, 383, 413, 447, 479, 499, 521
	70020186 1077, 1251	70021842 195	70025551 367, 383, 401, 431, 447, 465, 499, 513
	70020201 201	70021843 195	70025553 435
	70020202 201	70022034 757, 761	70025554 411, 429, 445
	70020203 201	70022147 977, 987	70025555 365, 429
	70020204 201	70022396 285	70025556 365, 429
	70020205 201	70022517 757	70025557 431, 447
	70020206 201	70022773 353, 371, 387, 417, 435, 451	70025561 431
	70020402 547	70022797 347, 381, 477, 497	70025562 349, 365, 367, 383, 413, 429, 431, 447, 479, 499, 521
	70020403 547	70022799 431, 447	70025566 353, 371, 387, 417, 451, 483, 503, 525
	70020405 547	70022810 961	70025567 349, 413, 479, 521
	70020406 547	70022847 983	70025568 351, 481
	70020407 555	70022906 195	70025569 519
	70020410 569	70022907 195	70025570 519
	70020411 569	70022912 195	70025571 413
	70020421 191	70022922 195	70025573 547
	70020422 191	70022923 195	70025574 545
	70020606 959	70022924 195	70025575 547
	70020730 195	70022925 195	70025576 569
	70020731 195	70022927 195	70025577 943
	70020783 841	70022928 195	70025578 943
	70020785 841	70022929 195	70025579 943, 945
	70020786 841	70022930 195	70025580 943, 945
	70020787 841	70023100 959	70025581 943, 947
	70020788 841	70023101 961	70025582 943, 945, 947, 949, 951, 963
	70020789 841	70023276 195	70025583 943, 945, 1251
	70020793 841	70023277 195	70025584 947
	70020796 .. 1065, 1067, 1251	70023278 195	70025585 947
	70020801 1100	70023326 977	70025586 947, 949
	70020823 1109	70023327 977, 987	70025587 947, 949
	70020867 975, 977, 987	70023900 349, 413, 479, 521, 535	70025588 947, 949
	70020868 977, 987	70024147 401, 465, 513	70025589 947, 949
	70020922 983, 1251	70024210 385, 433, 449, 501	70025590 947, 949
	70021140 411, 519	70024222 573	70025591 947, 1251
	70021201 977	70024262 955, 957, 961, 963, 965	70025592 951
	70021205 977	70024480 325	70025593 951
	70021208 977, 987	70024483 325	70025594 951
	70021209 977, 987	70024485 325	70025597 951, 1251
	70021211 977	70024493 325	
	70021212 977		
	70021213 977, 987		
	70021214 977		

SECTION 12 - RECOMMENDED SPARE PARTS

70025598.....	955	70025816.....	817, 819	70026570.....	987	70028979.....	195
70025599.....	955	70025817.....	817, 819	70026582.....	975	70028980.....	195
70025600.....	955, 957	70025819.....	349, 367, 383, 413, 431, 447, 479, 499, 521	70026623.....	369, 385, 501	70029011.....	189, 233
70025601.....	955, 957	70025821.....	423, 433, 469, 489, 491, 523	70026630.....	355, 373, 389, 405, 419, 453, 471, 485, 505, 527, 541	70029012.....	233
70025602.....	955, 957	70025822.....	423, 433, 469, 489, 491, 523	70026631.....	347, 381, 411, 429, 445, 477, 497, 519	70029013.....	233
70025603.....	955	70025823.....	351, 369, 385, 415, 433, 449, 481, 501, 523	70026744.....	61	70029263.....	193
70025604.....	955, 957	70025825.....	967	70026751.....	353, 371, 387, 417, 451, 483, 503, 525	70029264.....	193
70025605.....	955, 957	70025826.....	967, 971	70026752.....	353, 371, 387, 417, 451, 483, 503, 525	70029435.....	325
70025606.....	955, 957	70025827.....	967, 971	70026823.....	415, 423, 523	70029438.....	325
70025607.....	961	70025828.....	967, 971	70026958.....	949	70029440.....	325
70025608.....	961	70025829.....	967, 971	70026959.....	949	70029477.....	325
70025609.....	961	70025830.....	967, 971	70026960.....	945, 949	70029966.....	945, 949
70025612.....	961, 963, 965	70025831.....	967, 971	70026961.....	945, 949	70030032.....	193
70025613.....	961	70025832.....	967, 971	70026977.....	345, 363, 379, 409, 427, 443, 475, 495, 517	70030033.....	193
70025614.....	961	70025833.....	967, 971	70026997.....	283	70030034.....	193
70025615.....	961, 1251	70025834.....	967, 971	70027047.....	945	70030365.....	367
70025616.....	959	70025835.....	967, 971	70027048.....	945	70031458.....	403
70025617.....	959	70025836.....	967, 971	70027049.....	957	70031459.....	403
70025618.....	959	70025837.....	967, 971	70027050.....	957	70040710.....	367, 383, 403, 431, 447, 467, 499, 511
70025619.....	959	70025838.....	971	70027051.....	951, 953	70102979.....	325
70025620.....	959, 1251	70025839.....	967, 971	70027052.....	951	7016331.....	325
70025621.....	965	70025840.....	971	70027053.....	953	7020404.....	325
70025622.....	965	70025841.....	449, 469	70027055.....	965	7020465.....	325
70025623.....	965	70025842.....	353, 371, 387, 417, 435, 451, 483, 503, 525	70027056.....	961, 963	7028038.....	351, 481
70025624.....	965	70025843.....	865, 867	70027057.....	961, 963	7028039.....	351, 481
70025625.....	965	70025844.....	859, 861, 863, 865, 867, 869, 871, 873, 875, 877	70027058.....	951	7028048.....	413, 521
70025626.....	965	70025845.....	859, 861, 863, 865, 867, 869, 871, 873, 875, 877	70027059.....	951	7028053.....	523
70025627.....	963, 965	70025846.....	859, 861	70027060.....	953	7028058.....	547
70025628.....	965, 1251	70025847.....	875, 877	70027063.....	957	7028060.....	551
70025629.....	953	70025848.....	869, 871	70027106.....	351, 481	7028063.....	555
70025630.....	953	70025857.....	367, 431, 499	70027143.....	383, 447	7028083.....	357, 421
70025631.....	953	70025858.....	809	70027144.....	383, 395, 447, 459	7028084.....	357, 421, 437, 439
70025632.....	953	70025859.....	809, 811	70027145.....	383, 397, 447, 461	7028086.....	567
70025633.....	953	70025860.....	809, 811	70027284.....	987	7028115.....	349, 413, 479, 521
70025635.....	953, 1251	70025861.....	809	70027285.....	987	7028131.....	187, 189
70025636.....	963	70025862.....	809	70027286.....	987	7028136.....	231, 233
70025637.....	963	70025863.....	985	70027291.....	189, 233	7028137.....	231, 233
70025638.....	963	70025884.....	355, 373, 405, 419, 471, 485, 505, 527, 541	70027315.....	349, 367, 431, 479, 499, 521	7028628.....	179
70025639.....	963	70025928.....	349, 413, 479, 521	70027317.....	369, 433	7028710.....	347, 359, 365, 375, 381, 391, 497
70025640.....	963, 1251	70025943.....	955, 957	70027318.....	351	7028711.....	367, 383, 499
70025642.....	285, 287	70025981.....	369	70027319.....	351	7028714.....	367, 383, 431, 447, 499
70025643.....	285	70026011.....	325	70027320.....	367	7028715.....	367, 383, 431, 447, 499
70025644.....	285, 287	70026018.....	195	70027593.....	519	7028716.....	367, 383, 431, 447, 499
70025645.....	285, 287	70026031.....	347, 381, 411, 445, 477, 497, 519	70027594.....	477, 497	7028723.....	401, 465, 513
70025646.....	285, 287	70026068.....	481, 491	70027772.....	433	7028724.....	403, 467, 511
70025647.....	285, 287	70026069.....	481, 489	70028028.....	195	7028725.....	403, 467, 511
70025649.....	61	70026071.....	367, 431, 499	70028031.....	195	7028726.....	403, 467, 511
70025653.....	285	70026210.....	325	70028242.....	987	7028729.....	367, 431, 499, 507
70025654.....	285	70026238.....	383, 447	70028243.....	987	7028730.....	367, 431, 499, 509
70025655.....	285	70026262.....	369, 385, 501	70028392.....	367, 431	7028731.....	403, 467, 511
70025656.....	285	70026568.....	987	70028471.....	365, 429	7028732.....	403, 467, 511
70025657.....	285	70026569.....	987	70028540.....	325	7028733.....	349, 367, 383, 399, 413, 431, 447, 463, 479, 499, 521, 539
70025658.....	285			70028698.....	325	7028734.....	369, 385, 501
70025659.....	285			70028764.....	325	7028735.....	369, 385, 501
70025733.....	325			70028850.....	325	7028736.....	369, 385, 501
70025745.....	325			70028851.....	863	7028910.....	187, 189
70025765.....	325			70028852.....	873		
70025775.....	325			70028940.....	487		
70025803.....	777			70028978.....	195		
70025804.....	777						
70025805.....	775, 777						
70025806.....	775, 777						
70025807.....	777						
70025808.....	775, 777						
70025811.....	985						
70025812.....	981, 1251						
70025813.....	981						

SECTION 12 - RECOMMENDED SPARE PARTS

7028911	187, 189	8005617	1179, 1181, 1183, 1185	8035035	559	91474199	547
7028912	187, 189	8005670	1179, 1183	80373094	311	91474200	547, 567
7028913	187, 189	8005671	1179, 1181, 1183, 1185	80484081	1091, 1095, 1096	91474205	547
7028914	187	8005675	1179, 1181, 1183, 1185	80604016	1110	91474206	547
7028915	187, 189	8005743	277, 279, 281	80604017	1087, 1100	91474208	547
7028916	187, 189	8005801	349, 413, 479, 521	80604018	1087, 1099, 1100, 1109, 1110, 1151	91474209	547, 567
7028917	187, 189	8005827	603	80604021	1165	91474210	547
7028918	187, 189	8005870	1179, 1181, 1183, 1185	80604023	1100	91474211	547
7028919	187, 189	8005901	1021, 1023	80604024	1019	91474213	547
7028920	187, 189	8006038	1179, 1183	80604025	1109, 1110	91474214	547
7028923	187, 189	8006105	115, 117	806253	55, 237	91474217	549
7028982	187, 189	8006605	349, 413, 479, 521	806264	55, 237	91474218	549
7028983	187, 189	8006612	1179, 1181, 1183, 1185	8220022	1111, 1114	91474219	549
7028984	187, 189	8007508	1201	8220051	1087, 1092, 1096	91474220	549
7028985	187	8007751	359, 375, 391, 477, 487	8220079	1096	91474222	549
7028990	187, 189	8007755	365, 487	8220115	1087, 1092, 1125	91474224	549
7028991	187, 189	8007758	349, 479	8220125	1091, 1092, 1095, 1096	91474226	549
7028995	189	8007771	349, 413, 479, 521	8220164	1111, 1114	91474227	549
7029129	359, 375, 391, 455, 487	8007774	349, 413, 479, 521, 529	8225119	1015	91474228	549
7029131	359, 375, 391, 455, 487, 519	8007777	349, 413, 479, 521, 531	8229233	1015	91474230	551
7029271	339, 341	8007779	349, 413, 479, 521	8229234	1015	91474231	551
7029286	533	8007780	349, 413, 479, 521	8229235	1015	91474232	551
7029427	365, 411, 429, 445, 519	8007782	349, 413, 479, 521	8229236	1015	91474233	551
7029428	349, 413, 479, 521	8007785	351, 481	8229237	1015	91474234	551
7029430	349, 413, 479, 521	8007786	351, 481	8229242	1092, 1095	91474235	551
7029431	349, 413, 479, 521, 533	8007802	351, 481	8229244	1092, 1095	91474236	551
7029432	349, 413, 479, 521, 537	8007803	435	8229247	1091, 1096	91474241	553
7029433	351, 415, 481, 523	8007804	435	8229262	1015	91474242	553
7029486	719, 721, 723, 739	8008101	555	8275212	319	91474243	553
7029767	757, 761	8008168	351, 481	8275247	313, 315, 317, 319	91474244	553
7029785	351, 481	8008169	351, 481	8303545	245	91474245	553
7029786	415, 433, 449, 523	8008657	1179, 1181, 1183, 1185	8305919	709, 1019	91474246	553
7029787	369, 385, 501	80204002	349, 413, 479, 521	8310643	749	91474247	553
7029822	547	80204005	345, 349, 363, 367, 379, 393, 409, 413, 427, 431, 443, 457, 475, 479, 495, 499, 517, 521	8342813	79	91474248	553
70299459	569	80204060	369, 385, 501	8405006	269, 271	91474250	1251
7029969	1071, 1073, 1251	80204065	399, 463, 539	8405007	277, 279, 281, 299	91474251	555
7029970	1071, 1073, 1251	80204071	349, 367, 383, 413, 431, 447, 479, 499, 521	8405009	807, 901, 905	91474252	555
7029971	1071, 1073, 1251	80204108	369, 385, 501	8405103	883, 885, 937	91474253	555
7114032	123, 125, 129	80204117	349, 351, 357, 367, 369, 383, 385, 405, 413, 415, 421, 431, 433, 439, 447, 449, 471, 479, 481, 499, 501, 505, 521, 523, 541	8405104	277, 279, 281, 299, 301	91474254	555
7117502	123, 125, 129	8032509	547	8405201	277, 279, 281, 299, 301, 725	91474255	555
7138986	123, 129	8032526	545, 547	8405204	303, 305, 307	91474256	555
7346000239	1153	80344940	547	8406302	277, 279, 281	91474257	555
77104039	549	8034961	547	8410011	77, 303, 305, 307	91474258	555
77104041	549	8034962	547	8410013	277, 279, 281	91474259	555
77104044	573	8034963	547	8466306	685, 687, 691, 693, 797	91474265	545, 547, 555, 567
77104081	565	8034968	549	8526056	265	91474266	555
77104119	547			8880216-OM	339, 341	91474268	555
77104140	565			8880217-OM	339, 341	91474271	555
77363244	1100, 1139, 1141			8880218-OM	339, 341	91474273	555
8000565	1075			90204781	549	91474274	555
8000744	367			90204823	547	91474275	557
8000759	747			91013191	1105	91474276	557
8000877	349, 383, 413, 431, 447, 479, 499, 521			91013192	1103, 1105	91474277	557
8001332	713			91474035	339, 341	91474278	557
8002323	907, 909			91474186	545	91474279	557
8002798	351, 481			91474189	545, 547	91474280	557
8004398	747			91474191	545	91474281	557
8004468	349, 413, 529, 531			91474192	545, 547	91474282	557
8005079	339, 341, 1251			91474193	545	91474283	559
8005616	1179, 1181, 1183, 1185			91474194	545	91474284	559
				91474195	545	91474287	559
				91474198	547	91474288	559, 561, 563
						91474289	559, 561, 563

SECTION 12 - RECOMMENDED SPARE PARTS

91474290.....559, 561, 563	91474371.....567	91474543347, 381, 411, 445, 477, 497, 519	91514098..... 345, 363, 379, 409, 427, 443, 475, 495, 517
91474294.....559, 561, 563	91474372.....567	91474547347, 365, 381, 411, 429, 445, 477, 497, 519	91514099..... 349, 357, 383, 405, 413, 421, 447, 471, 479, 499, 505, 521, 541
91474295.....559, 561, 563	91474373.....567	91474550359, 375, 391, 455, 487, 519	91514111..... 395, 397, 459, 461, 507, 509
91474296.....559, 561, 563	91474374.....567	91474551359, 375, 391, 455, 487, 519	91514112..... 367, 383, 431, 447, 499
91474297.....559, 561, 563	91474375.....567	91474553359, 375, 391, 455, 487, 519	91514113367, 383, 447, 499
91474298..... 559, 563	91474376.....567	91474559369, 385, 501	91514114..... 383, 447, 499
91474299..... 559, 563	91474377.....567	91474560369, 385, 501	91514115..... 383, 447, 499
91474300..... 559	91474378.....567	91474561369, 385, 501	91514117..... 399, 463, 539
91474301..... 561	91474381.....567	91474564369, 385, 501	91514119..... 349, 383, 413, 447, 479, 499, 521
91474302..... 561	91474382.....567	91474565369, 385, 501	91514120..... 349, 383, 413, 431, 447, 479, 499, 521
91474303..... 561, 563	91474383.....567	91474568351, 369, 385, 415, 433, 449, 481, 501, 523	91514123..... 347, 381, 411, 445, 477, 497, 519
91474304..... 561	91474385.....549	91474570369, 385, 501	91514134..... 347, 365, 381, 411, 429, 445, 477, 497, 519
91474305..... 561	91474390.....551	91474571385, 501	91514146..... 349, 367, 393, 413, 431, 457, 479, 499, 521
91474306..... 561, 563	91474392.....551	91474572385, 501	91514147..... 349, 367, 393, 413, 431, 457, 479, 499, 521
91474307..... 561	91474395.....551	91474573385, 501	91514148..... 349, 367, 393, 413, 431, 457, 479, 499, 521
91474309.....559, 561, 563	91474396.....551	91474576367, 383, 431, 447, 499	91514149..... 349, 367, 383, 393, 413, 431, 447, 457, 479, 499, 521
91474310.....559, 561, 563	91474507 345, 363, 367, 379, 383, 409, 427, 443, 475, 495, 499, 517	91474579537	91514154..... 351, 369, 385, 415, 433, 449, 481, 501, 523
91474311..... 561	91474512 345, 363, 379, 409, 427, 443, 475, 495, 517	91474580537	91514159..... 369, 385, 433, 449, 501
91474312..... 561	91474513 345, 349, 363, 367, 379, 383, 409, 413, 427, 431, 443, 447, 475, 479, 495, 499, 517, 521	91474582367, 383, 431, 447, 499	91514160..... 369
91474313..... 561, 565	91474515 357, 405, 421, 439, 471, 505, 541	91474583383, 413, 447	91514165..... 385, 423, 469, 489, 491, 501, 523
91474314..... 563	91474516 357, 405, 421, 439, 471, 505, 541	91474584349, 367, 383, 413, 431, 447, 479, 499, 513, 521	91514175..... 401, 465
91474315..... 563	91474522 353, 371, 387, 417, 435, 451, 483, 503, 525	91474585533	91514181..... 367, 383, 431, 447, 499
91474316..... 563	91474528365	91474586533, 535	91514188..... 345, 349, 363, 367, 379, 383, 409, 413, 427, 431, 443, 447, 475, 479, 495, 499, 517, 521
91474317..... 563	91474529 347, 365, 381, 411, 429, 445, 477, 497, 519	91474587533, 535	91514189..... 349, 383, 413, 431, 447, 479, 499, 521
91474318..... 563	91474532 347, 365, 381, 411, 477, 497, 519	91474588347, 365, 381, 411, 429, 445, 477, 497, 519	91514288..... 569
91474319..... 563	91474533 347, 365, 381, 411, 429, 445, 477, 497, 519	91474591347, 365, 381, 411, 429, 445, 477, 497, 519	91514289..... 569
91474320..... 565	91474535 347, 381, 411, 445, 477, 497, 519	91474593455, 519	91514290..... 569
91474321..... 565, 567	91474536 347, 381, 411, 445, 477, 497, 519	91474594455	91514291..... 569
91474322..... 565	91474537 347, 381, 411, 445, 477, 497, 519	91474595455, 519	91514292..... 569
91474324..... 565	91474538 347, 381, 411, 445, 477, 497, 519	91474596429, 445, 455	91554014..... 1110
91474325..... 565	91474539 347, 365, 381, 411, 429, 445, 477, 497, 519	91474600567	AU2105.. 1179, 1181, 1183, 1185
91474326..... 565	91474540 347, 381, 411, 445, 477, 497, 519	91474601567	
91474327..... 565	91474541 347, 381, 411, 445, 477, 497, 519	91474617547	
91474328..... 565	91474542 347, 381, 411, 445, 477, 497, 519	91474618547	
91474329..... 565	91474543 347, 381, 411, 445, 477, 497, 519	91474623567	
91474330..... 565	91474544 347, 381, 411, 445, 477, 497, 519	91513234249, 251, 253, 255, 257, 259, 261	
91474331..... 565	91474545 347, 381, 411, 445, 477, 497, 519	91514081367, 383, 431, 447, 499	
91474332..... 565	91474546 347, 381, 411, 445, 477, 497, 519	91514082349, 367, 383, 413, 431, 447, 479, 499, 521	
91474333..... 565	91474547 347, 381, 411, 445, 477, 497, 519	91514083367, 383, 499	
91474334..... 565	91474548 347, 381, 411, 445, 477, 497, 519	91514084367, 383, 499	
91474335..... 565	91474549 347, 381, 411, 445, 477, 497, 519	91514095367, 383, 431, 447, 499	
91474336..... 565	91474550 347, 381, 411, 445, 477, 497, 519		
91474337..... 565	91474551 347, 381, 411, 445, 477, 497, 519		
91474338..... 565	91474552 347, 381, 411, 445, 477, 497, 519		
91474339..... 565	91474553 347, 381, 411, 445, 477, 497, 519		
91474340..... 565	91474554 347, 381, 411, 445, 477, 497, 519		
91474341..... 565	91474555 347, 381, 411, 445, 477, 497, 519		
91474342..... 565	91474556 347, 381, 411, 445, 477, 497, 519		
91474343..... 565	91474557 347, 381, 411, 445, 477, 497, 519		
91474344..... 565	91474558 347, 381, 411, 445, 477, 497, 519		
91474345..... 565	91474559 347, 381, 411, 445, 477, 497, 519		
91474346..... 565	91474560 347, 381, 411, 445, 477, 497, 519		
91474347..... 565	91474561 347, 381, 411, 445, 477, 497, 519		
91474348..... 565	91474562 347, 381, 411, 445, 477, 497, 519		
91474349..... 565	91474563 347, 381, 411, 445, 477, 497, 519		
91474350..... 565	91474564 347, 381, 411, 445, 477, 497, 519		
91474351..... 565	91474565 347, 381, 411, 445, 477, 497, 519		
91474352..... 565	91474566 347, 381, 411, 445, 477, 497, 519		
91474353..... 565	91474567 347, 381, 411, 445, 477, 497, 519		
91474354..... 565	91474568 347, 381, 411, 445, 477, 497, 519		
91474355..... 565	91474569 347, 381, 411, 445, 477, 497, 519		
91474356..... 565	91474570 347, 381, 411, 445, 477, 497, 519		
91474357..... 565	91474571 347, 381, 411, 445, 477, 497, 519		
91474358..... 565	91474572 347, 381, 411, 445, 477, 497, 519		
91474359..... 565	91474573 347, 381, 411, 445, 477, 497, 519		
91474360..... 565	91474574 347, 381, 411, 445, 477, 497, 519		
91474361..... 565	91474575 347, 381, 411, 445, 477, 497, 519		
91474362..... 565	91474576 347, 381, 411, 445, 477, 497, 519		
91474363..... 565	91474577 347, 381, 411, 445, 477, 497, 519		
91474364..... 565	91474578 347, 381, 411, 445, 477, 497, 519		
91474365..... 565	91474579 347, 381, 411, 445, 477, 497, 519		
91474366..... 565	91474580 347, 381, 411, 445, 477, 497, 519		
91474367..... 565	91474581 347, 381, 411, 445, 477, 497, 519		
91474368..... 565	91474582 347, 381, 411, 445, 477, 497, 519		
91474369..... 565	91474583 347, 381, 411, 445, 477, 497, 519		
91474370..... 565	91474584 347, 381, 411, 445, 477, 497, 519		



31200939



An Oshkosh Corporation Company

Corporate Office
JLG Industries, Inc.
1 JLG Drive
McConnellsburg, PA 17233-9533 USA
☎ (717) 485-5161 (Corporate)
☎ (877) 554-5438 (Customer Support)
☎ (717) 485-6417

Visit our website for JLG Worldwide Locations.
www.jlg.com