



Illustrated Parts Manual

Models

G5-18A

SN 0160091004 to 0160100938
Including 0160088263 & 0160088264
and Excluding 0160091013 through 0160091021

P/N
31211319

March 26, 2021 - Rev D



EFFECTIVITY PAGE

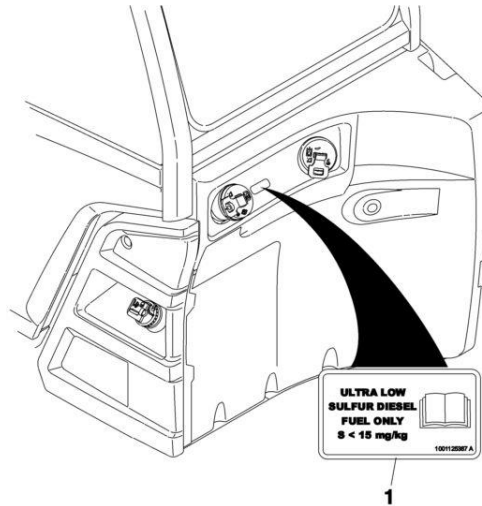
August 31, 2018 - A - Original Issue of Manual

January 18, 2019 - B - Revised Rev 1

May 21, 2020 - C - Revised Rev 1

March 26, 2021 - D - Revised Rev 1

Machine Configuration



Two configurations of each machine are included in this manual. Determine if machine is equipped with Ultra Low Sulfur Fuel Decal (1).

If equipped with the Ultra Low Sulfur decal, all specific references to this machine configuration will be referred to as Ultra Low Sulfur (ULS) from this point forward.

If not equipped with the Ultra Low Sulfur decal, all specific references to this machine configuration will be referred to as Low Sulfur (LS) from this point forward.

GENERAL INFORMATION

SECTION 9 - HYRAULIC COMPONENTS (PRIOR TO SN XXXXXXXXX)
FIGURE 9-3 EXTEND/RETRACT CYLINDER - XXXXX

MODEL XXXXXXXXX

SECTION 9 - HYRAULIC COMPONENTS (PRIOR TO SN XXXXXXXXX)
FIGURE 9-3 EXTEND/RETRACT CYLINDER - XXXXX

ITEM	PART NUMBER	QTY	DESCRIPTION	REV
1	1001144195	1	Extend/Retract Cylinder - XXXXX	E
2	70025592	1	Assembly, Barrel	
3	70025593	1	Assembly, Rod	
4	70025594	1	Gland	
5	70025595	1	Head, Piston	
6	70025596	1	Screw, Locking	
7	70025596	1	Spacer	
8	Kit	1	O-Ring	
9	Kit	1	Ring, Back-Up	
10	Kit	1	Ring, Rod Bearing	
11	Kit	1	O-Ring	
12	Kit	1	Seal, Rod	
13	Kit	1	Ring, Rod Bearing	
14	Kit	1	Seal, Rod	
15	Kit	1	Seal, Wiper	
16	Kit	2	Ring, Piston Bearing	
17	Kit	1	Seal, Piston	
17	Kit	2	O-Ring	
101	70025597	1	Kit, Seal (includes items 7 thru 17)	

MODEL XXXXXXXXX

1) MACHINE IDENTIFICATION

Machines are identified by model and in some cases a combination of models, serial number (SN) or regional standard (e.g. ANSI, CE, CSA, AUS). Components may also be identified by SN or manufacturer. Common components that may be identified by these characteristics are attachments, engine, transmission and hydraulic components.

2) PARTS MANUAL ORGANIZATION

Product information in this manual is organized under section titles. Frame, Engine and Electrical are a few examples. Each section is organized by Figure and page number. The information within the Figure is then organized by item number, part number, description and corresponding illustration(s).

3) TABLE OF CONTENTS (NOT SHOWN)

A table of contents (TOC) is found toward the beginning of the manual. Figure number, description and page number are provided for quick reference to the page containing the related information.

4) RECOMMENDED SPARE PARTS (NOT SHOWN)

The Recommended Spare Parts List, located near the end of the manual, reference most frequently used maintenance parts.

5) PART NUMBER INDEX (NOT SHOWN)

A numerical index listing all part numbers and the corresponding page number(s) appears at the back of the manual.

6) NON-SERVICED PARTS

In some instances, it is necessary to display non-serviced parts, assemblies or installations. In the case of assemblies and installations there will be a Ref in the QTY column and a note after the item description stating what is available for service within. In the case of parts that are not available for service within assemblies or components, there will be a NSS (Not Sold Separately) listed in the part number column of the manual.

7) PARTS LIST ITEM NUMBERS

Numbers shown in the item column correspond to numbers used in the associated illustration(s). Item numbers which are missing from sequence and are not shown in the illustration(s) are not used on that page.

8) INDENTED PARTS DESCRIPTION

An indented part description is included in the item under which it is indented.

9) ABBREVIATION AND SYMBOLS

AC.....Alternating Current
A/C.....Air Conditioning
ADE.....Advanced Design Electronics
AG.....Agriculture
AMP.....Amperage
ANSI.....American National Standards Institute
AR.....As Required
ASSY.....Assembly
AUS.....Australia
AUX.....Auxiliary
AWG.....American Wire Gauge
CAC.....Charge Air Cooler
CE.....European Conformity
CM.....Centimeter
CONST.....Construction
CSA.....Canadian Standards Association
DEF.....Diesel Exhaust Fluid
DIA.....Diameter
DC.....Direct Current
DTZ.....Decentralized Transmission Zeros
ECU.....Electronic Control Unit
EMS.....Emergency Stop
FNR.....Forward Neutral Reverse
FT.....Foot
GA.....Gauge
GR.....Grade
HBP.....High Boom Pivot
HHP.....High Horse Power
HOC.....Hydraulic Oil Cooler
HRC.....High Rated Countries
HVAC.....Heating Ventilating, and Air Conditioning
ID.....Inside Diameter
IN.....Inch
ISO.....International Organization for Standards
ITSDF...Industrial Truck Standards Development Foundation
JIC.....Joint Industry Council
KG.....Kilogram
KW.....Kilowatt
L.....Liter
LB.....Pound
LBP.....Low Boom Pivot

LCD.....Liquid Crystal Display
LED.....Light Emitting Diode
LH.....Left Hand
LHD.....Left Hand Drive
LHP.....Low Horse Power
LMIS.....Load Management Indicator System
LRC.....Low Rated Countries
LS.....Low Sulfur
LSI.....Load Stability Indicator
LSS.....Load Sensing System
M³.....Cubic Meter
MA.....Milliamp
M(m).....Metric/Meter
MM.....Millimeter
N.....Newton
NACD.....North America Construction Division
NLA.....No Longer Available
NSS.....Not Sold Separately
OD.....Outside Diameter
ORB.....O-Ring Boss
ORFS.....O-Ring Face Seal
OZ.....Ounce
PR.....Ply Rating
QT.....Quart
QTY.....Quantity
REF.....Reference
REV.....Revision
RH.....Right Hand
RHD.....Right Hand Drive
RHCO.....Remote Hydraulic Oil Cooler
RUS.....Russia
SAE.....Society of Automotive Engineers
SAHR.....Spring Applied Hydraulically Released
SN.....Serial Number
SPD.....Speed
TLU.....Torque Look Up
UGM.....Universal Ground Module
V.....Volts
W.....Watts
#.....Number

10) ILLUSTRATION REFERENCE LETTERS

When necessary, illustrations may contain reference letters that are intended to track information from one point to another in the illustration such as harnesses and hoses or any other information that has been separated in the illustration.

Note: Due to continuous product improvements, JLG Industries, Inc. reserves the right to make specification changes without prior notification. Contact JLG Industries, Inc. for updated information.

TABLE OF CONTENTS

SECTION 1 - FRAME AND ATTACHING PARTS.....	13
FIGURE 1-1. FRAME WELDMENT.....	14
FIGURE 1-2. HOODS INSTALLATION.....	16
FIGURE 1-3. HOOD ASSEMBLY.....	18
FIGURE 1-4. PAD LOCK.....	20
FIGURE 1-5. COUNTERWEIGHT INSTALLATION.....	22
FIGURE 1-6. TANK INSTALLATION.....	24
FIGURE 1-7. OIL TANK.....	26
FIGURE 1-8. FUEL TANK ASSEMBLY.....	28
FIGURE 1-9. FUEL CAP INSTALLATION.....	30
FIGURE 1-10. MIRROR INSTALLATION.....	32
FIGURE 1-11. REAR CONVEX MIRROR INSTALLATION.....	34
FIGURE 1-12. MIRROR ASSEMBLY (CONVEX).....	36
FIGURE 1-13. WHEEL CHOCKS.....	38
FIGURE 1-14. BATTERY COVER INSTALLATION.....	40
FIGURE 1-15. REAR COVER PLATE INSTALLATION, (NO HITCH).....	42
FIGURE 1-16. HITCH INSTALLATION, MECHANICAL.....	44
FIGURE 1-17. HITCH INSTALLATION, MECHANICAL, AUTOMATIC.....	46
FIGURE 1-18. HITCH INSTALLATION.....	48
FIGURE 1-19. HITCH INSTALLATION - EEC.....	50
FIGURE 1-20. HITCH ASSEMBLY (FIXED).....	52
FIGURE 1-21. HITCH INSTALLATION - CUNA-C.....	54
FIGURE 1-22. HITCH ASSEMBLY (CUNA-C).....	56
FIGURE 1-23. LICENSE HOLDER INSTALLATION, SMALL.....	58
FIGURE 1-24. LICENSE HOLDER INSTALLATION, LARGE.....	60
FIGURE 1-25. LIFT CYLINDER PROP SUPPORT.....	62
SECTION 2 - BOOM.....	65
FIGURE 2-1. BOOM ASSEMBLY INSTALLATION, STD W/AUX.....	66
FIGURE 2-2. BOOM ASSEMBLY INSTALLATION, W/AUX FOR QS.....	68
FIGURE 2-3. BOOM INSTALLATION, W/O AUX.....	70
FIGURE 2-4. BOOM W/O AUXILIARY HYDRAULIC INSTALLATION.....	72
FIGURE 2-5. COUPLER INSTALLATION (MANUAL).....	76
FIGURE 2-6. COUPLER INSTALLATION (HYDRAULIC).....	78
FIGURE 2-7. FORK LOCKING CYLINDER KIT.....	80
FIGURE 2-8. COUPLER INSTALLATION, UNIVERSAL (MANUAL).....	82
FIGURE 2-9. UNIVERSAL QUICK COUPLER ASSEMBLY.....	84
FIGURE 2-10. BOOM SIDE COVER INSTALLATION.....	86
FIGURE 2-11. BOOM BRUSHES INSTALLATION.....	88
SECTION 3 - ATTACHMENTS.....	91
FIGURE 3-1. CARRIAGE ASSEMBLY, (50INCH/1270MM).....	92
FIGURE 3-2. CARRIAGE ASSEMBLY, UNIVERSAL QUICK ATTACH, (48IN/1219.2MM).....	94
FIGURE 3-3. CARRIAGE, SIDE TILT, (48IN).....	96
FIGURE 3-4. CARRIAGE, SIDE TILT, UNIVERSAL QUICK ATTACH, (48IN).....	98
FIGURE 3-5. CARRIAGE, SIDE SHIFT, UNIVERSAL QUICK ATTACH, (48IN).....	100
FIGURE 3-6. LIGHT MATERIAL BUCKET, (72INCH) (1.0 YD ³ /0.76 M ³).....	102
FIGURE 3-7. LIGHT MATERIAL BUCKET, (72INCH) (1.7 YD ³ /1.29 M ³).....	104
FIGURE 3-8. MULTI-PURPOSE GRAPPLE BUCKET (1850MM) (ANSI - JLG).....	106
FIGURE 3-9. UNIVERSAL HITCH ATTACHMENT.....	108
FIGURE 3-10. BLOCKING FORK (50X50X1220).....	110
FIGURE 3-11. PALLET FORK (2X4X48).....	112
FIGURE 3-12. LUMBER FORK (40X150X1540).....	114
FIGURE 3-13. FORK MOUNTED HOOK (4 TON).....	116
FIGURE 3-14. BOLT-ON EDGE ASSEMBLY, 72".....	118
FIGURE 3-15. HYDRAULIC QUICK SWITCH INSTALLATION.....	120
FIGURE 3-16. QUICK SWITCH ASSEMBLY.....	122
FIGURE 3-17. BLOCK VALVE ASSEMBLY.....	124
SECTION 4 - ENGINE AND ATTACHING PARTS.....	127
FIGURE 4-1. ENGINE INSTALLATION.....	128
FIGURE 4-2. ENGINE MOUNT INSTALLATION.....	130

TABLE OF CONTENTS

FIGURE 4-3. ENGINE MOUNT INSTALLATION, (HEATER)	132
FIGURE 4-4. ENGINE MOUNT INSTALLATION, (HEATER & A/C)	134
FIGURE 4-5. ENGINE (55.4KW - ULS).....	136
FIGURE 4-6. ENGINE (55.4KW - LS)	138
FIGURE 4-7. FAN INSTALLATION	140
FIGURE 4-8. FAN INSTALLATION, REVERSING	142
FIGURE 4-9. RADIATOR INSTALLATION.....	144
FIGURE 4-10. RADIATOR LOWER HOSE ASSEMBLY.....	146
FIGURE 4-11. AIR CLEANER INSTALLATION	148
FIGURE 4-12. AIR CLEANER ASSEMBLY	150
FIGURE 4-13. RAIN CAP.....	152
FIGURE 4-14. PRECLEANER	154
FIGURE 4-15. EXHAUST INSTALLATION (ULS).....	156
FIGURE 4-16. EXHAUST INSTALLATION (LS)	158
FIGURE 4-17. HYDROSTATIC DRIVE PUMP ASSEMBLY	160
FIGURE 4-18. HEATER LINES INSTALLATION	162
FIGURE 4-19. LUBRICITY DOSER INSTALLATION (MIRROR).....	164
FIGURE 4-20. LUBRICITY DOSER INSTALLATION (LIGHT & MIRROR).....	166
FIGURE 4-21. AIR SHUT OFF VALVE INSTALLATION.....	168
SECTION 5 - DRIVE TRAIN	171
FIGURE 5-1. DRIVETRAIN INSTALLATION	172
FIGURE 5-2. FRONT AXLE ASSEMBLY	174
FIGURE 5-3. FRONT AXLE	176
FIGURE 5-4. FRONT AXLE, CENTRAL HOUSING.....	178
FIGURE 5-5. FRONT AXLE, DIFFERENTIAL.....	180
FIGURE 5-6. FRONT AXLE, HUB REDUCTION	184
FIGURE 5-7. FRONT AXLE, BRAKES.....	188
FIGURE 5-8. FRONT AXLE, STEERING.....	190
FIGURE 5-9. REAR AXLE ASSEMBLY	192
FIGURE 5-10. REAR AXLE	194
FIGURE 5-11. REAR AXLE, CENTRAL HOUSING	196
FIGURE 5-12. REAR AXLE, DIFFERENTIAL.....	198
FIGURE 5-13. REAR AXLE, HUB REDUCTION.....	200
FIGURE 5-14. REAR AXLE, STEERING	204
FIGURE 5-15. REAR AXLE, TRUNION	206
FIGURE 5-16. DIFFERENTIAL KIT.....	208
FIGURE 5-17. STEERING CASE KIT (LF/RR)	210
FIGURE 5-18. STEERING CASE KIT (RF/LR)	212
FIGURE 5-19. RING GEAR SUPPORT KIT.....	214
FIGURE 5-20. PLANET GEAR CARRIER KIT.....	216
FIGURE 5-21. TIRE/WHEEL SET, CAMSO (AIR 12-16.5 - 12 PLY)	218
FIGURE 5-22. RIGHT TIRE/WHEEL ASSEMBLY, CAMSO (AIR 12-16.5 - 12 PLY).....	220
FIGURE 5-23. LEFT TIRE/WHEEL ASSEMBLY, CAMSO (AIR 12-16.5 - 12 PLY)	222
FIGURE 5-24. TIRE/WHEEL SET, FIRESTONE (AIR 12-16.5 - 12 PLY).....	224
FIGURE 5-25. RIGHT TIRE/WHEEL ASSEMBLY, FIRESTONE (AIR 12-16.5 - 12 PLY).....	226
FIGURE 5-26. LEFT TIRE/WHEEL ASSEMBLY, FIRESTONE (AIR 12-16.5 - 12 PLY).....	228
FIGURE 5-27. TIRE/WHEEL SET (AIR 14-17.5 - 12 PLY)	230
FIGURE 5-28. RIGHT TIRE/WHEEL ASSEMBLY (AIR 12-16.5 - 12 PLY).....	232
FIGURE 5-29. LEFT TIRE/WHEEL ASSEMBLY (AIR 12-16.5 - 12 PLY)	234
FIGURE 5-30. TIRE/WHEEL SET, CAMSO (FOAM 12-16.5 - 12 PLY).....	236
FIGURE 5-31. TIRE/WHEEL SET, FIRESTONE (FOAM 12-16.5 - 12 PLY).....	238
FIGURE 5-32. TIRE/WHEEL SET (FOAM 14-17.5, FOAM).....	240
FIGURE 5-33. TIRE/WHEEL SET (SOLID 33X12-20 - NM)	242
FIGURE 5-34. TIRE/WHEEL SET, AG (AIR 10.5-18 - 16 PR)	244
FIGURE 5-35. RIGHT TIRE/WHEEL ASSEMBLY, AG (AIR 10.5-18 - 16 PR).....	246
FIGURE 5-36. LEFT TIRE/WHEEL ASSEMBLY, AG (AIR 10.5-18 - 16 PR).....	248
FIGURE 5-37. FENDER INSTALLATION	250
FIGURE 5-38. FENDER ASSEMBLY.....	252
SECTION 6 - CAB	255
FIGURE 6-1. CAB INSTALLATION.....	256
FIGURE 6-2. OPEN CAB INSTALLATION (ANSI - FIXED STEERING).....	258
FIGURE 6-3. OPEN CAB INSTALLATION (ANSI - TILT STEERING)	260
FIGURE 6-4. ENCLOSED CAB INSTALLATION (ANSI - TILT STEERING) (HEAT).....	262

TABLE OF CONTENTS

FIGURE 6-5. ENCLOSED CAB INSTALLATION (ANSI - TILT STEERING) (HEAT & A/C)	264
FIGURE 6-6. ENCLOSED CAB INSTALLATION (LSI - TILT STEERING) (HEAT)	266
FIGURE 6-7. ENCLOSED CAB INSTALLATION (LSI - TILT STEERING) (HEAT & A/C)	268
FIGURE 6-8. CAB COMMON INSTALLATION	270
FIGURE 6-9. CAB COMMON COMPONENTS, ENCLOSED	274
FIGURE 6-10. CAB GLASS INSTALLATION, OPEN	276
FIGURE 6-11. CAB GLASS INSTALLATION, ENCLOSED	278
FIGURE 6-12. REAR WINDOW ASSEMBLY	280
FIGURE 6-13. DOOR ASSEMBLY INSTALLATION	282
FIGURE 6-14. JLG COMMON INSTALLATION	284
FIGURE 6-15. SEAT RISER COVER INSTALLATION	286
FIGURE 6-16. SEAT RISER COVER INSTALLATION, HVAC	288
FIGURE 6-17. OPEN CAB COMMON COMPONENTS INSTALLATION	290
FIGURE 6-18. DASH INSTALLATION, OPEN CAB	292
FIGURE 6-19. DASH INSTALLATION, ENCLOSED CAB	294
FIGURE 6-20. RIGHT SIDE CONSOLE	296
FIGURE 6-21. NA COMMON INSTALLATION	298
FIGURE 6-22. NA COMMON COMPONENTS INSTALLATION (LSI)	300
FIGURE 6-23. FRONT WIPER ASSEMBLY	302
FIGURE 6-24. WASHER TANK W/PUMP INSTALLATION	304
FIGURE 6-25. ROOF/REAR WIPER INSTALLATION	306
FIGURE 6-26. AUX WIPER ASSEMBLY	308
FIGURE 6-27. SEAT	310
FIGURE 6-28. SEAT, LSI	312
FIGURE 6-29. SEAT BELT INSTALLATION (3 INCH)	314
FIGURE 6-30. SEAT BELT INSTALLATION, LSI (3 INCH)	316
FIGURE 6-31. CONTROL COVER INSTALLATION	318
FIGURE 6-32. HEATER INSTALLATION (CAB PARTS)	320
FIGURE 6-33. HEATER AND A/C INSTALLATION (CAB PARTS)	322
FIGURE 6-34. HEATER ASSEMBLY, 3 SPEED	324
FIGURE 6-35. HEATER AND A/C ASSEMBLY, 3 SPEED	326
FIGURE 6-36. HEATER	328
FIGURE 6-37. HEATER AND A/C	330
FIGURE 6-38. A/C KIT	332
FIGURE 6-39. A/C CONDENSER INSTALLATION	334
FIGURE 6-40. CONDENSER	336
FIGURE 6-41. OVERHEAD CONSOLE INSTALLATION	338
FIGURE 6-42. OVERHEAD CONSOLE INSTALLATION (OPEN)	340
FIGURE 6-43. FRONT FOPS INSTALLATION	342
FIGURE 6-44. OVERHEAD CONSOLE INSTALLATION (LSI)	344
FIGURE 6-45. RADIO READY PACKAGE INSTALLATION	346
FIGURE 6-46. FLOOR MAT INSTALLATION	348
FIGURE 6-47. CAB FENDER INSTALLATION	350
FIGURE 6-48. CAB GUARD INSTALLATION (TOP)	352
FIGURE 6-49. CAB GUARD INSTALLATION (FRONT)	354
FIGURE 6-50. REAR WINDOW ENTRY KIT INSTALLATION (ANSI)	356
FIGURE 6-51. REAR WINDOW ENTRY KIT INSTALLATION (ENGLISH/FRENCH)	358
FIGURE 6-52. REAR WINDOW ENTRY KIT INSTALLATION (ISO)	360
FIGURE 6-53. FIRE EXTINGUISHER INSTALLATION	362
FIGURE 6-54. WASHER FLUID TANK ASSEMBLY	364
FIGURE 6-55. EMERGENCY ENTRY/EXIT WINDOW	366
SECTION 7 - CONTROLS	369
FIGURE 7-1. ACCELERATOR PEDAL ASSEMBLY	370
FIGURE 7-2. ACCELERATOR PEDAL	372
FIGURE 7-3. BRAKE PEDAL INSTALLATION	374
FIGURE 7-4. MASTER CYLINDER VALVE ASSEMBLY	376
FIGURE 7-5. PARK BRAKE VALVE INSTALLATION	378
FIGURE 7-6. PARK BRAKE VALVE INSTALLATION (EURO)	380
FIGURE 7-7. PARK BRAKE VALVE ASSEMBLY	382
FIGURE 7-8. PARK BRAKE VALVE ASSEMBLY (EURO)	384
FIGURE 7-9. FIXED STEERING COLUMN INSTALLATION	386
FIGURE 7-10. FIXED STEERING COLUMN	388
FIGURE 7-11. TILT STEERING COLUMN INSTALLATION	390
FIGURE 7-12. TILT STEERING COLUMN	392
FIGURE 7-13. HYDRAULIC CONTROLLER ASSEMBLY	394

TABLE OF CONTENTS

FIGURE 7-14. HEATER CONTROL SWITCH	396
FIGURE 7-15. HVAC CONTROL SWITCH	398
FIGURE 7-16. BOOM JOYSTICK	400
SECTION 8 - HYDRAULIC CIRCUITS	403
FIGURE 8-1. VALVE INSTALLATION (ANSI)	404
FIGURE 8-2. VALVE INSTALLATION (CE)	406
FIGURE 8-3. PILOT SELECT VALVE ASSEMBLY (ANSI)	408
FIGURE 8-4. PILOT SELECT VALVE ASSEMBLY (CE)	410
FIGURE 8-5. PILOT SELECT VALVE (ANSI)	412
FIGURE 8-6. PILOT SELECT VALVE (CE)	414
FIGURE 8-7. HYDRAULIC VALVE INSTALLATION	416
FIGURE 8-8. STEERING SELECT VALVE ASSEMBLY	418
FIGURE 8-9. MAIN CONTROL VALVE ASSEMBLY	420
FIGURE 8-10. PRIORITY VALVE ASSEMBLY	422
FIGURE 8-11. BRAKE VALVE ASSEMBLY	424
FIGURE 8-12. BOOM HYDRAULIC INSTALLATION	426
FIGURE 8-13. BOOM HYDRAULIC INSTALLATION, W/QS	428
FIGURE 8-14. REMOTE GREASE INSTALLATION	430
FIGURE 8-15. FRAME HYDRAULIC HOSE INSTALLATION	432
FIGURE 8-16. HYDRAULIC HOSE INSTALLATION (ANSI)	434
FIGURE 8-17. HYDRAULIC HOSE INSTALLATION (CE)	436
FIGURE 8-18. STEERING VALVE ASSEMBLY	438
FIGURE 8-19. CAB HYDRAULICS INSTALLATION, (ANSI)	440
FIGURE 8-20. CAB HYDRAULICS INSTALLATION (LSI)	442
FIGURE 8-21. IMPLEMENT PUMP FILTER ASSEMBLY	444
FIGURE 8-22. HYDRAULIC FILTER ASSEMBLY	446
FIGURE 8-23. HYDRAULIC TANK BREATHER INSTALLATION	448
FIGURE 8-24. HYDRAULIC TANK BREATHER INSTALLTION (A/C)	450
FIGURE 8-25. REAR HYDRAULIC OUTLET INSTALLATION	452
FIGURE 8-26. REAR DIVERTER VALVE ASSEMBLY	454
FIGURE 8-27. DIVERTOR VALVE	456
FIGURE 8-28. BOOM AUX HOSE INSTALLATION	458
SECTION 9 - HYDRAULIC COMPONENTS	461
FIGURE 9-1. BOOM CYLINDER INSTALLATION, ANSI	462
FIGURE 9-2. BOOM CYLINDER INSTALLATION, CE	464
FIGURE 9-3. LIFT CYLINDER, ANSI	466
FIGURE 9-4. LIFT CYLINDER ASSEMBLY, CE	468
FIGURE 9-5. LIFT CYLINDER, CE	470
FIGURE 9-6. COMPENSATION CYLINDER	472
FIGURE 9-7. EXTEND/RETRACT CYLINDER	474
FIGURE 9-8. TILT CYLINDER	476
FIGURE 9-9. HYDROSTATIC MOTOR	478
FIGURE 9-10. HYDROSTATIC PUMP	480
FIGURE 9-11. GEAR PUMP	482
FIGURE 9-12. FAN MOTOR	484
FIGURE 9-13. FAN MOTOR, REVERSING	486
FIGURE 9-14. PARK BRAKE RELEASE VALVE	488
FIGURE 9-15. HYDRAULIC PARK BRAKE RELEASE VALVE	490
FIGURE 9-16. STEERING SELECT VALVE	492
FIGURE 9-17. MAIN CONTROL VALVE (W/AUX)	494
FIGURE 9-18. BRAKE MASTER CYLINDER VALVE	496
FIGURE 9-19. DIVERTOR VALVE	498
FIGURE 9-20. SIDE TILT CARRIAGE CYLINDER	500
FIGURE 9-21. UNIVERSAL SIDE SHIFT CYLINDER	502
FIGURE 9-22. FORK LOCKING CYLINDER	504
FIGURE 9-23. AIR SHUT OFF VALVE	506
SECTION 10 - ELECTRICAL	509
FIGURE 10-1. MAIN ELECTRICAL INSTALLATION	510
FIGURE 10-2. FRAME OPTIONS HARNESS INSTALLATION	512
FIGURE 10-3. FRAME OPTIONS HARNESS INSTALLATION (ANSI)	514
FIGURE 10-4. FRAME OPTIONS HARNESS INSTALLATION (CE)	516

TABLE OF CONTENTS

FIGURE 10-5. BLOCK HEATER INSTALLATION (ANSI)	518
FIGURE 10-6. BLOCK HEATER INSTALLATION (CE).....	520
FIGURE 10-7. BLOCK HEATER INSTALLATION (115V) (LS)	522
FIGURE 10-8. SPEED SENSOR JUMPER HARNESS.....	524
FIGURE 10-9. BATTERY INSTALLATION.....	526
FIGURE 10-10. BATTERY DISCONNECT SWITCH INSTALLATION	528
FIGURE 10-11. START SWITCH JUMPER HARNESS	530
FIGURE 10-12. JUMPER HARNESS	532
FIGURE 10-13. ROAD LIGHT INSTALLATION (ANSI).....	534
FIGURE 10-14. ROAD LIGHT INSTALLATION (LSI).....	536
FIGURE 10-15. ROAD LIGHT INSTALLATION (LH DIP).....	538
FIGURE 10-16. WORK LIGHT INSTALLATION.....	540
FIGURE 10-17. WORK LIGHT INSTALLATION (OPEN CAB)	542
FIGURE 10-18. BOOM WORK LIGHT	544
FIGURE 10-19. BEACON INSTALLATION	546
FIGURE 10-20. BEACON INSTALLATION (OPEN CAB).....	548
FIGURE 10-21. REVERSE SENSING SYSTEM INSTALLATION.....	550
FIGURE 10-22. CLEARSKY INSTALLATION	552
FIGURE 10-23. TELEMATICS, CUSTOMER-SUPPLIED	554
FIGURE 10-24. BOOM SENSOR INSTALLATION.....	556
FIGURE 10-25. BOOM SENSOR ASSEMBLY INSTALLATION	558
FIGURE 10-26. ENGINE HARNESS	560
FIGURE 10-27. BOOM AUX HARNESS	564
FIGURE 10-28. CAB HARNESS	566
FIGURE 10-29. CAB ROOF HARNESS	572
FIGURE 10-30. FRAME HARNESS	574
FIGURE 10-31. FRAME BASE JUMPER HARNESS	578
FIGURE 10-32. FUNCTION JUMPER HARNESS.....	580
FIGURE 10-33. FRAME OPTION HARNESS	582
FIGURE 10-34. TELEMATICS GATEWAY HARNESS	586
FIGURE 10-35. REVERSE SENSOR HARNESS.....	588
FIGURE 10-36. TELEMATICS READY HARNESS.....	590
FIGURE 10-37. CLEARSKY HARNESS.....	592
FIGURE 10-38. CLEARSKY INSTALLATION 3-WIRE (ANSI)	594
FIGURE 10-39. BOOM SENSOR HARNESS.....	596
FIGURE 10-40. OPEN CAB WORKLIGHT HARNESS.....	598
FIGURE 10-41. CAB WORKLIGHT HARNESS.....	600
FIGURE 10-42. BOOM WORKLIGHT JUMPER HARNESS (LONG)	602
FIGURE 10-43. PROXIMITY SENSOR HARNESS.....	604
FIGURE 10-44. BOOM WORKLIGHT JUMPER HARNESS (SHORT).....	606
FIGURE 10-45. BOOM WORKLIGHTS HARNESS.....	608
FIGURE 10-46. CONDENSOR FAN HARNESS	610
FIGURE 10-47. MODE SELECT HARNESS	612
FIGURE 10-48. TRAILER PLUG INSTALLATION (7 PIN)	614
FIGURE 10-49. ELECTRICAL HARNESS CAPS INSTALLATION.....	616
FIGURE 10-50. TELEMATICS HARNESS	618
FIGURE 10-51. RH TAIL LIGHT INSTALLATION	620
FIGURE 10-52. LH TAIL LIGHT INSTALLATION.....	622
FIGURE 10-53. LH DRIVE LIGHT INSTALLATION.....	624
FIGURE 10-54. JUMPER HARNESS	626
FIGURE 10-55. GATEWAY CONTROLLER.....	628
FIGURE 10-56. HARNESS, POSI AIR SHUT OFF, SC CAB	630
FIGURE 10-57. HARNESS, POSI AIR SHUTOFF, SC FRAME.....	632
FIGURE 10-58. VALVE JUMPER HARNESS	636
SECTION 11 - DECALS.....	639
FIGURE 11-1. DECAL INSTALLATION.....	640
FIGURE 11-2. DECAL INSTALLATION, (ANSI).....	642
FIGURE 11-3. DECAL INSTALLATION, (ISO)	646
FIGURE 11-4. DECAL INSTALLATION (ENGLISH/FRENCH).....	650
FIGURE 11-5. LOAD CHART MOUNT	654
FIGURE 11-6. CAPACITY CHART	656
FIGURE 11-7. CAPACITY CHART (UNIVERSAL QUICK SWITCH).....	658
FIGURE 11-8. CAPACITY CHART - METRIC.....	660
FIGURE 11-9. CAPACITY CHART (UNIVERSAL QUICK SWITCH - METRIC).....	662
FIGURE 11-10. MACHINE DECAL (ULS - ANSI).....	664

TABLE OF CONTENTS

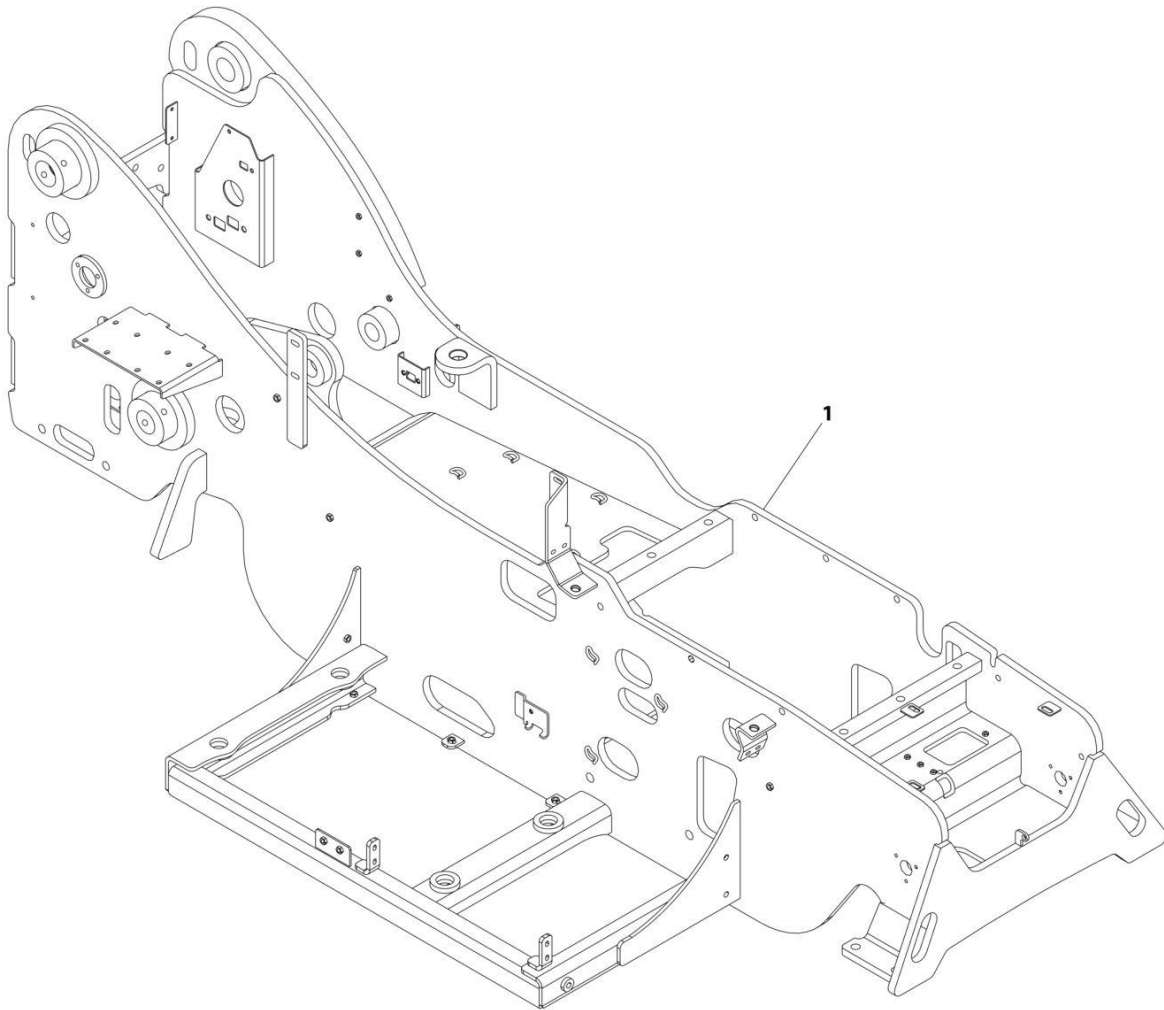
FIGURE 11-11. MACHINE DECAL (ULS - ISO)	666
FIGURE 11-12. MACHINE DECAL (ULS - ENGLISH/FRENCH)	668
FIGURE 11-13. MACHINE DECAL (LS)	670
FIGURE 11-14. REVERSE SENSOR SYSTEM DECAL (ENGLISH).....	672
FIGURE 11-15. REVERSE SENSING SYSTEM DECAL, (ENGLISH/FRENCH).....	674
FIGURE 11-16. REVERSE SENSING SYSTEM DECAL (ISO)	676
FIGURE 11-17. CLEARSKY DECAL INSTALLATION	678
SECTION 12 - RECOMMENDED SPARE PARTS	681
FIGURE 12-1. RECOMENDED SPARE PARTS.....	682
PART NUMBER INDEX.....	685

SECTION 1 - FRAME AND ATTACHING PARTS

SECTION 1 - FRAME AND ATTACHING PARTS

SECTION 1 - FRAME AND ATTACHING PARTS

FIGURE 1-1. FRAME WELDMENT



ART_1001232716J-A

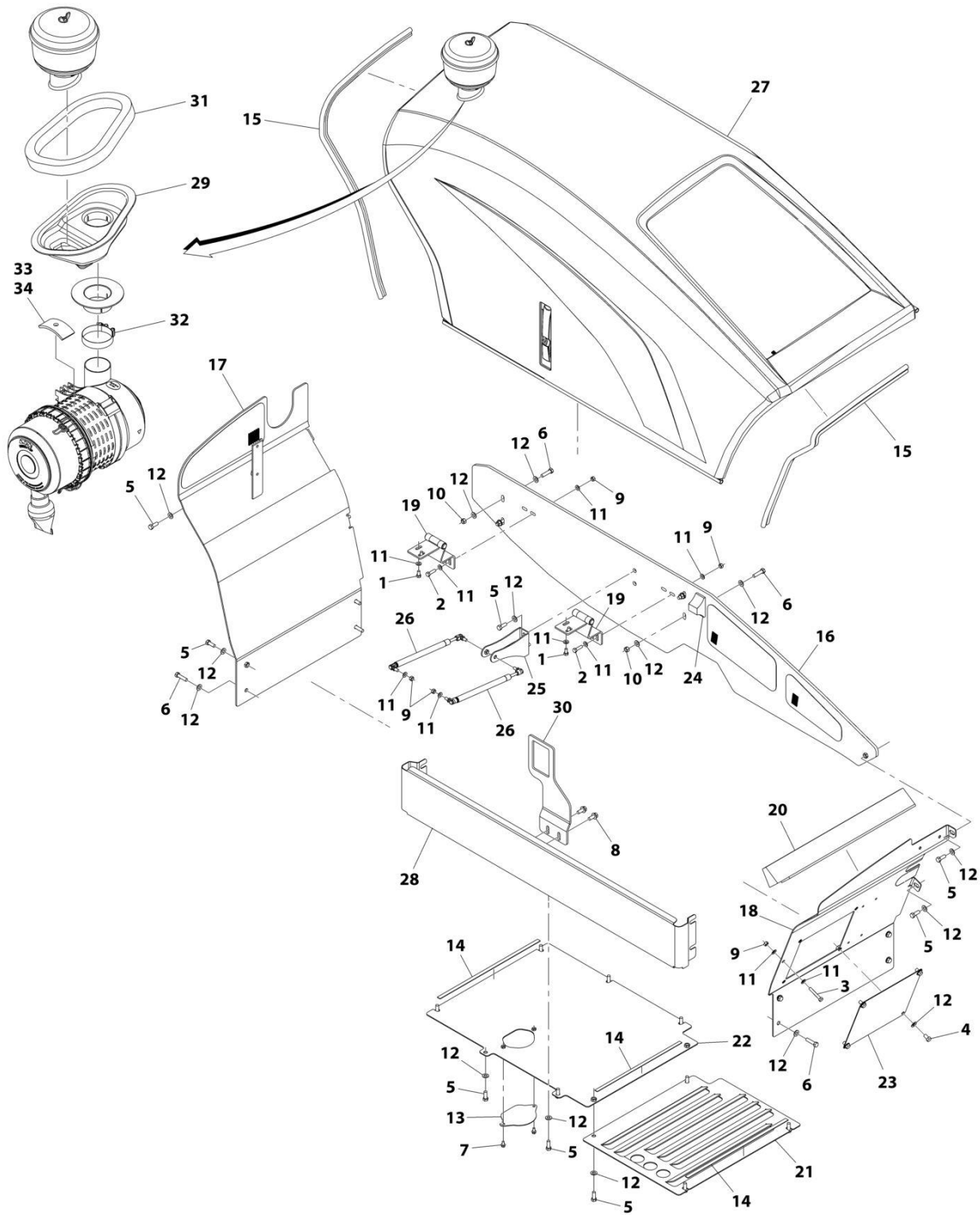
SECTION 1 - FRAME AND ATTACHING PARTS

FIGURE 1-1. FRAME WELDMENT

ITEM	PART NUMBER	QTY	DESCRIPTION	REV
1	1001232716J	1	Frame Weldment	A

SECTION 1 - FRAME AND ATTACHING PARTS

FIGURE 1-2. HOODS INSTALLATION



ART_1001190762-C

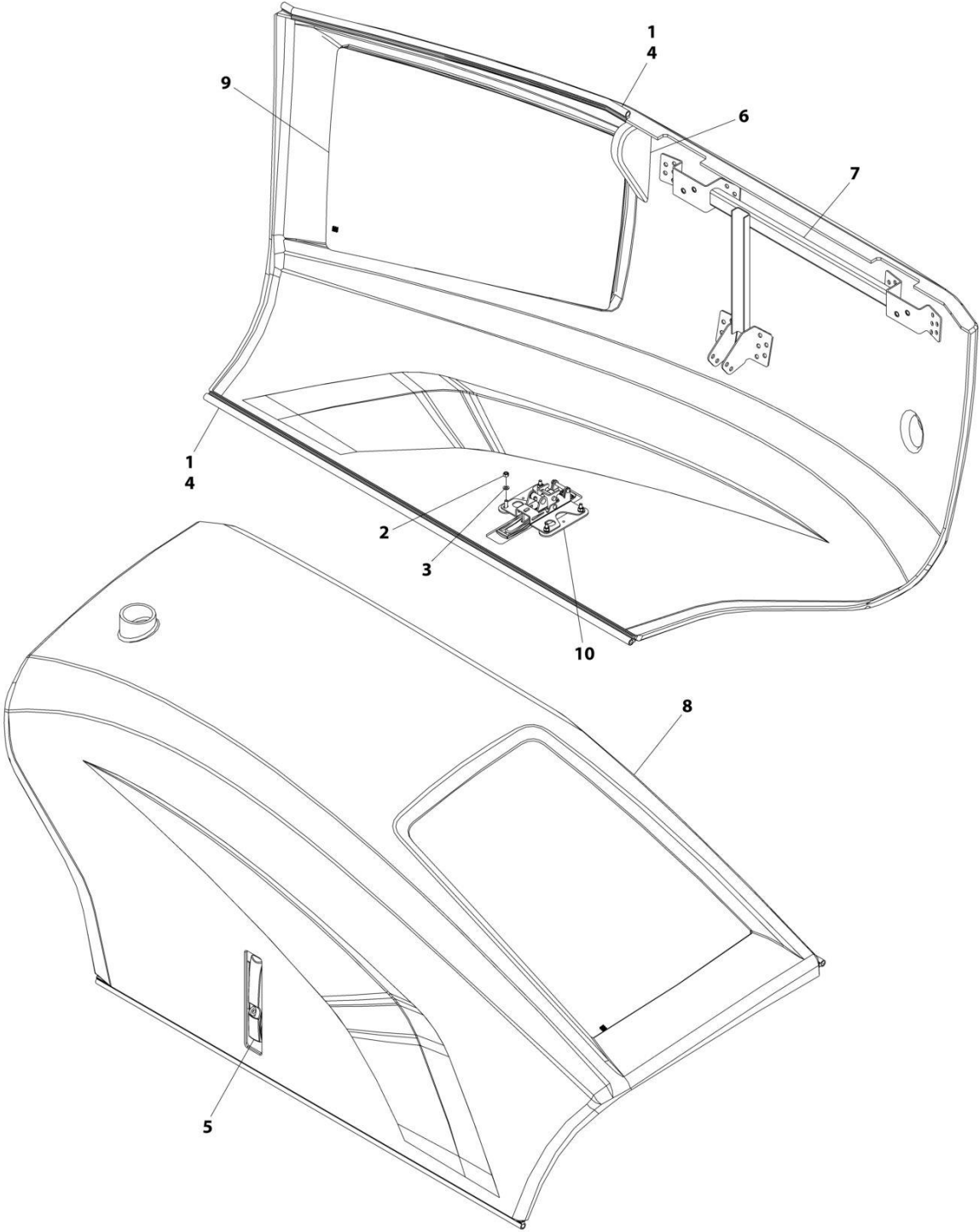
SECTION 1 - FRAME AND ATTACHING PARTS

FIGURE 1-2. HOODS INSTALLATION

ITEM	PART NUMBER	QTY	DESCRIPTION	REV
	1001190762	Ref	HOODS INSTALLATION	C
1	0641505	4	Bolt 5/16 x 5/8	
2	0641509	4	Bolt 5/16 x 1-1/8	
3	0641516	1	Bolt 5/16 x 2	
4	0641605	4	Bolt 3/8 x 5/8	
5	0641608	21	Bolt 3/8 x 1	
6	0641612	8	Bolt 3/8 x 1-1/2	
7	0791404	2	Screw 1/4 x 1/2	
8	0791607	2	Screw 3/8 x 7/8	
9	3271501	7	Nut 5/16	
10	3271601	4	Nut 3/8	
11	4711500	16	Washer 5/16	
12	4711600	37	Washer 3/8	
13	1001081299K	1	Fuel Filter Access Panel	
14	1001090344	1320 mm	Neoprene Tape, 1/16X1/2	
15	1001097160	1980 mm	Self-Gripping Bulb Seal	
16	1001142265	1	Hood Hinge Mount Weldment Plate	
17	1001197401	1	Rear Fender Weldment Panel	
18	1001142267	1	Front Fender Weldment Panel	
19	1001143142	2	Hood Hinge	
20	1001144369	1	Foam Gasket Seal	
21	1001149810	1	Belly Pan Plate	
22	1001149811	1	Belly Pan Weldment Plate	
23	1001156315	1	Cover Plate	
24	1001158318	1	Foam Gasket Seal	
25	1001158428	1	Gas Spring Weldment Mount	
26	1001160078	2	Gas Spring	
27	1001190743	1	Hood Assembly (See Separate Breakdown in this Section)	
28	1001190788	1	Side Skirt Panel	
29	1001191640	1	Air Intake Channel	
30	1001191820	1	Latch Catch Bracket	
31	1001192255	1	Air Intake Seal	
32	90028488	1	T-Bolt Clamp	
33	0100081	AR	Adhesive	
34	3340943	1	Pad, Rubber	

SECTION 1 - FRAME AND ATTACHING PARTS

FIGURE 1-3. HOOD ASSEMBLY



ART_1001190743-E

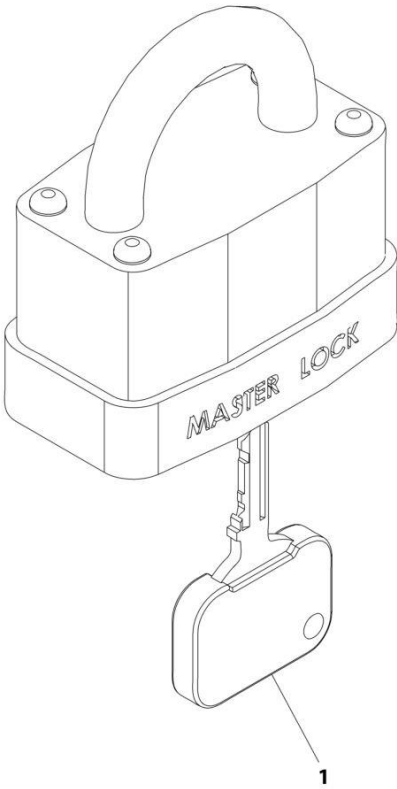
SECTION 1 - FRAME AND ATTACHING PARTS

FIGURE 1-3. HOOD ASSEMBLY

ITEM	PART NUMBER	QTY	DESCRIPTION	REV
	1001190743	Ref	Hood Assembly	E
1	0100090	AR	Adhesive	
2	3290605	4	Hex Locknut, M6X1	
3	4811700	4	Washer, M6	
4	1001097159	2110 mm	Self-Gripping Bulb Seal	
5	1001132168	1	Compression Latch	
6	1001193423	1	Air Dam Seal	
7	1001190728	1	Hinge And Gas Spring Mount	
8	1001190754	1	Hood	
9	1001191643	1	Cooler Vent	
10	1001192022	2	Support, Latch	

SECTION 1 - FRAME AND ATTACHING PARTS

FIGURE 1-4. PAD LOCK



ART_1001102157-A

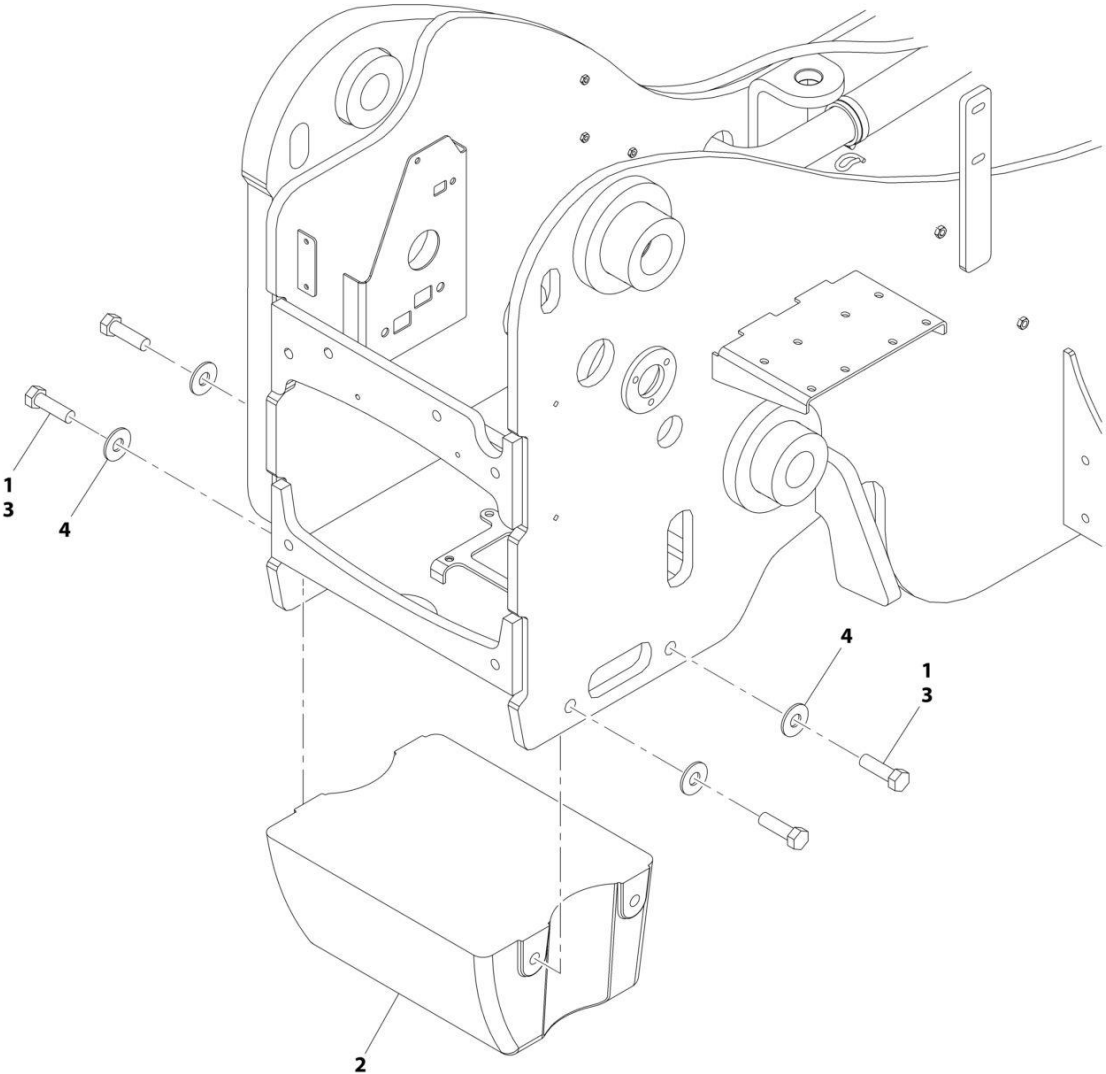
SECTION 1 - FRAME AND ATTACHING PARTS

FIGURE 1-4. PAD LOCK

ITEM	PART NUMBER	QTY	DESCRIPTION	REV
1	1001102157 8342813	Ref 1	Pad Lock Key	A

SECTION 1 - FRAME AND ATTACHING PARTS

FIGURE 1-5. COUNTERWEIGHT INSTALLATION



ART_1001201083-C

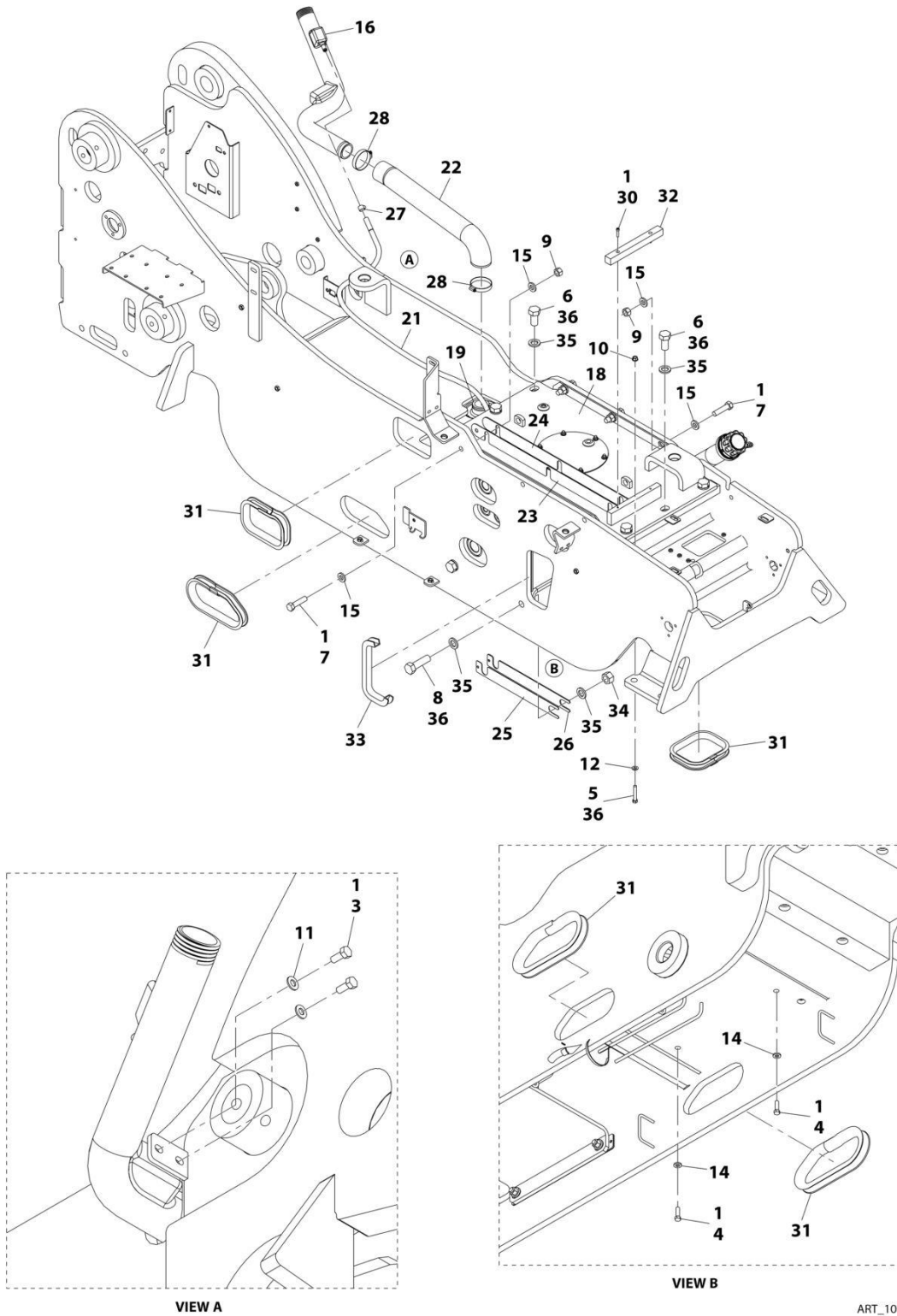
SECTION 1 - FRAME AND ATTACHING PARTS

FIGURE 1-5. COUNTERWEIGHT INSTALLATION

ITEM	PART NUMBER	QTY	DESCRIPTION	REV
	1001201083	Ref	Counterweight Installation	C
1	0100019	AR	Loctite 271	
2	1001080861	1	Counterweight, 460 LB/209 KG	
3	0682220	4	Hex HD Capscrew, 3/4-10X2-1/2, GR8	
4	4752200	4	Washer, 3/4	

SECTION 1 - FRAME AND ATTACHING PARTS

FIGURE 1-6. TANK INSTALLATION



ART_1001193316-H

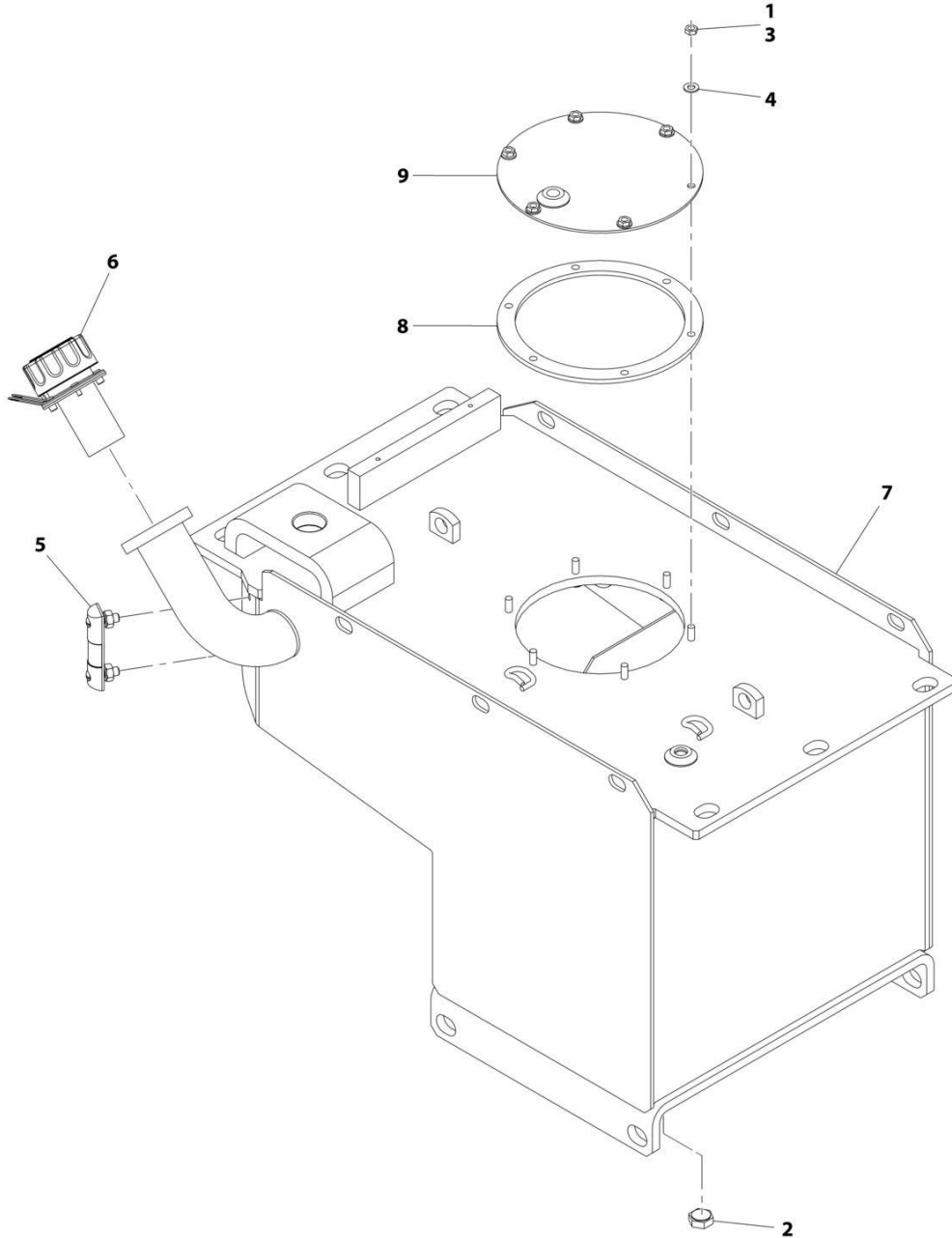
SECTION 1 - FRAME AND ATTACHING PARTS

FIGURE 1-6. TANK INSTALLATION

ITEM	PART NUMBER	QTY	DESCRIPTION	REV
	1001193316	Ref	TANK INSTALLATION	H
1	0100011	AR	Compound, Locking	
3	0641506	2	Bolt 5/16 x 3/4	
4	0641610	3	Bolt 3/8 x 1-1/4	
5	0630399	1	Tap Bolt	
6	0682414	6	Bolt 7/8 x 1-3/4	
7	0692020	6	Bolt 3/8 x 2-1/2	
8	0682424	4	Bolt 7/8 x 3	
9	3282001	6	Nut 5/8	
10	3311608	1	Nut 3/8	
11	4711500	2	Washer 5/16	
12	4711600	1	Washer 3/8	
14	4891600	3	Washer 3/8	
15	4892000	12	Washer 5/8	
16	1001080573	1	Fuel Nozzle Tube	
18	1001193351	1	Oil Tank (See Separate Breakdown in this Section)	
19	1001194100	1	Fuel Tank (See Separate Breakdown in this Section)	
21	1001148483	1	Fuel Tank Vent	
22	1001198730	1	Fuel Fill Pipe	
23	1001200682	AR	Shim, 1.5mm	
24	1001200683	AR	Shim, 3mm	
25	1001200684	AR	Shim, 1.5mm	
26	1001200685	AR	Shim, 3mm	
27	8405006	2	Gear Clamp	
28	86883327	2	Clamp, Hose	
30	3931416	2	Screw 1/4 x 1	
31	1001142680	2100 mm	Conduit	
32	1001200925	1	Pad	
33	1001081364	2	Grommet	
34	3272401	4	Nut 7/8	
35	4892400	14	Washer 7/8	
36	0100019	AR	Adhesive	

SECTION 1 - FRAME AND ATTACHING PARTS

FIGURE 1-7. OIL TANK



ART_1001193351-E

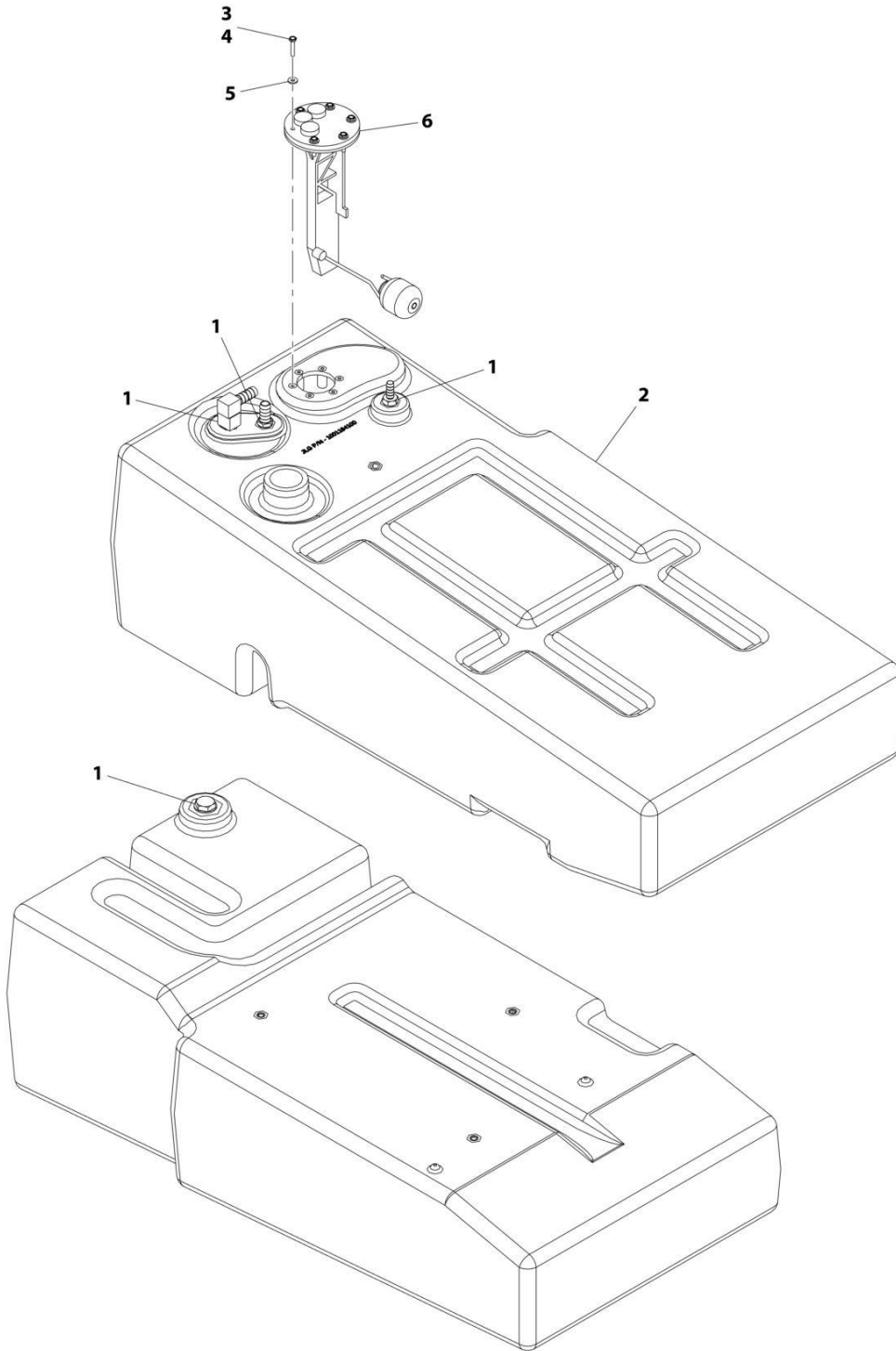
SECTION 1 - FRAME AND ATTACHING PARTS

FIGURE 1-7. OIL TANK

ITEM	PART NUMBER	QTY	DESCRIPTION	REV
	1001193351	Ref	Oil Tank	E
1	0100011	AR	Compound, Locking	
2	2220239	1	Adapter, Plug	
3	3311502	6	Nut 5/8	
4	4711500	6	Washer 5/16	
5	91563136	1	Oil Level Indicator	
6	1001187150	1	Lockable Hydraulic Filler Cap	
7	1001193470	1	Oil Tank Weldment	
8	1001193473	1	Gasket	
9	1001195884	1	Tank Access Cover	

SECTION 1 - FRAME AND ATTACHING PARTS

FIGURE 1-8. FUEL TANK ASSEMBLY



ART_1001194100-E

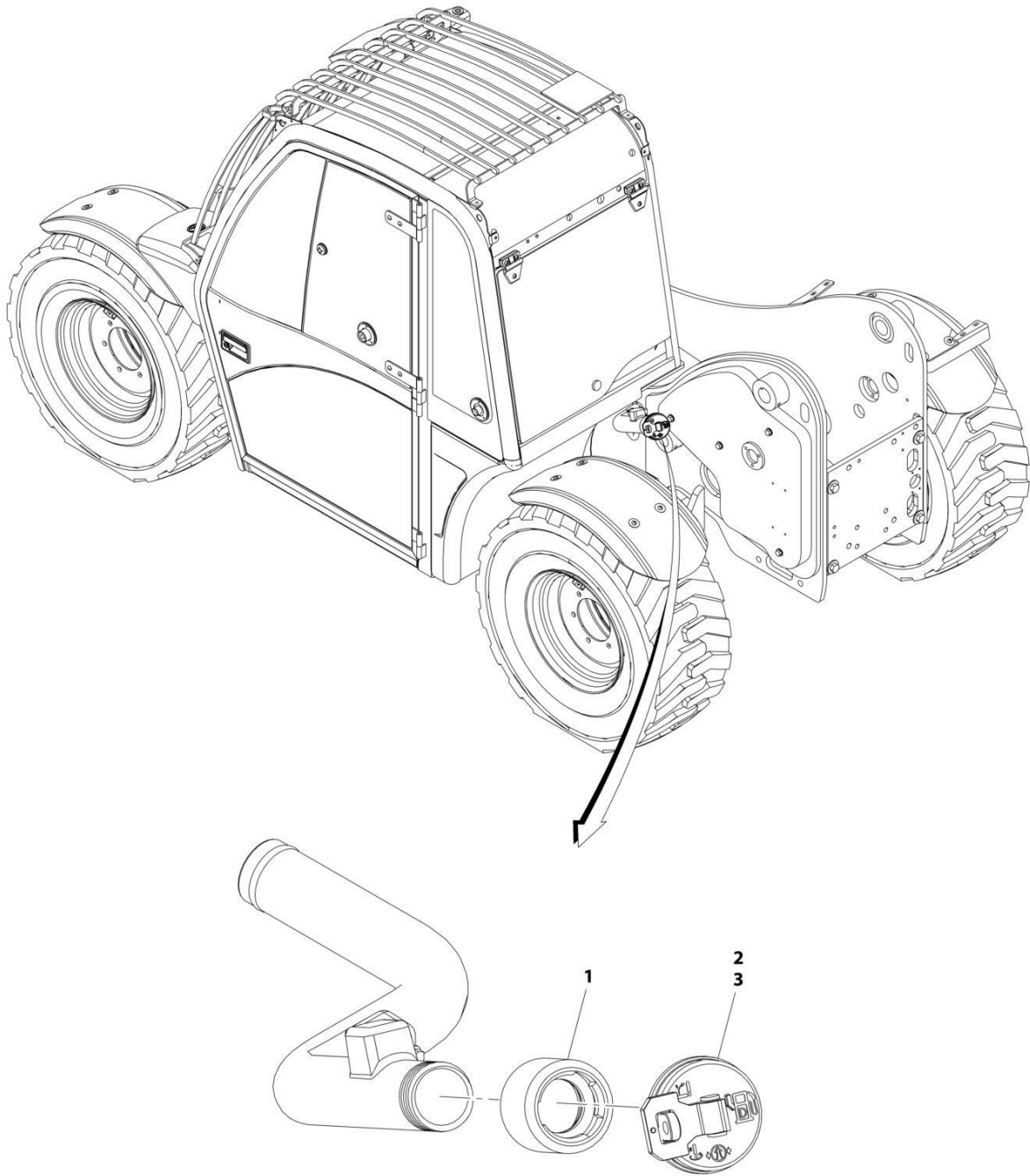
SECTION 1 - FRAME AND ATTACHING PARTS

FIGURE 1-8. FUEL TANK ASSEMBLY

ITEM	PART NUMBER	QTY	DESCRIPTION	REV
	1001194100	Ref	Fuel Tank Assembly	E
1	0100020	AR	Compound, Locking	
2	1001194099	1	Fuel Tank	
3	0100035	AR	Compound, Locking	
4	0720606	6	Hex HD Bolt	
5	4750600	6	Washer M6	
6	1001197965	1	Fuel Level Sensor	

SECTION 1 - FRAME AND ATTACHING PARTS

FIGURE 1-9. FUEL CAP INSTALLATION



ART_1001080571-B

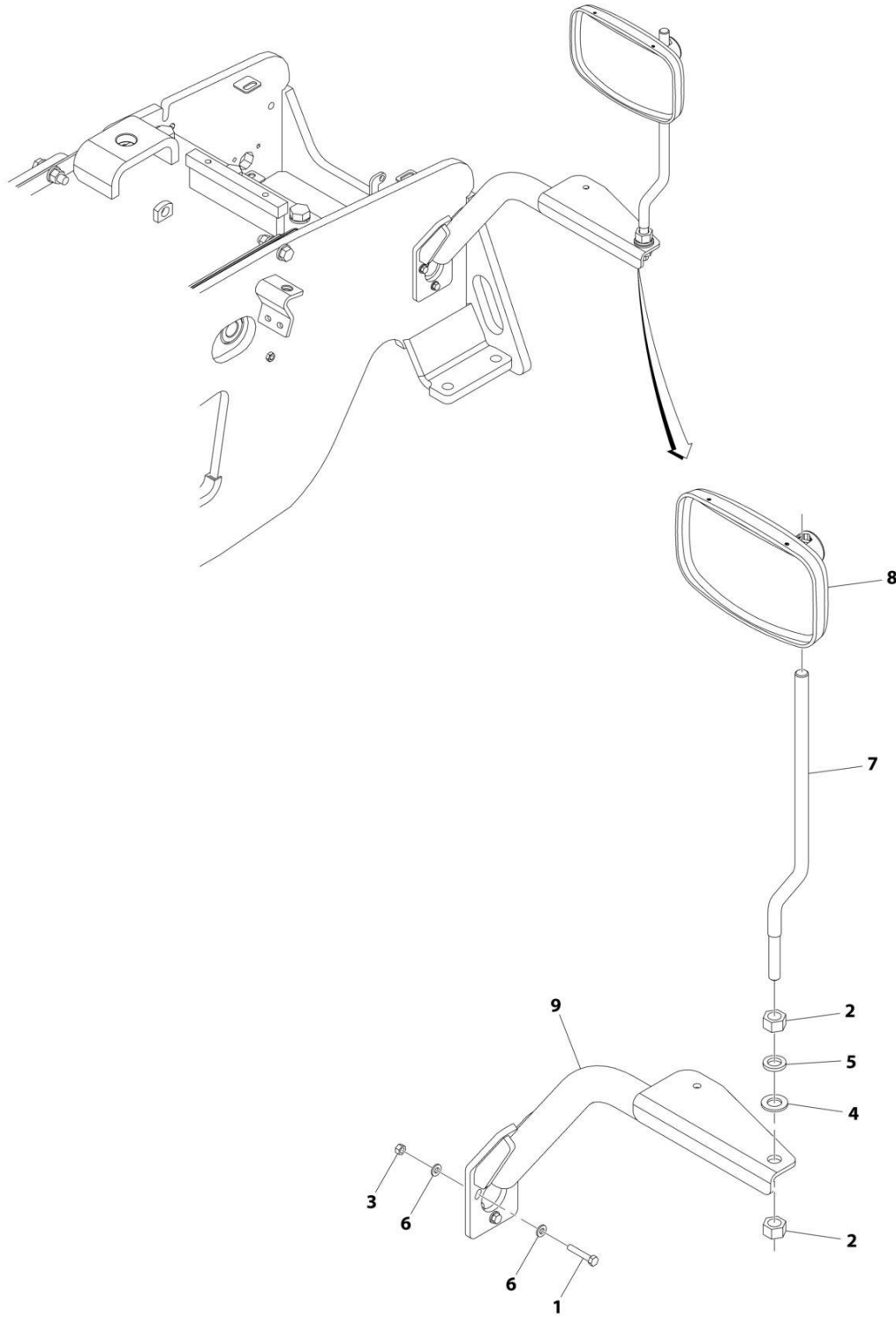
SECTION 1 - FRAME AND ATTACHING PARTS

FIGURE 1-9. FUEL CAP INSTALLATION

ITEM	PART NUMBER	QTY	DESCRIPTION	REV
	1001080571	Ref	FUEL CAP INSTALLATION	B
1	1001001422	1	Filler Neck Tank Adapter	
2	1001080707	1	Diesel Fuel Locking Cap	
3	0100093	AR	Compound, Locking	

SECTION 1 - FRAME AND ATTACHING PARTS

FIGURE 1-10. MIRROR INSTALLATION



ART_1001200928-B

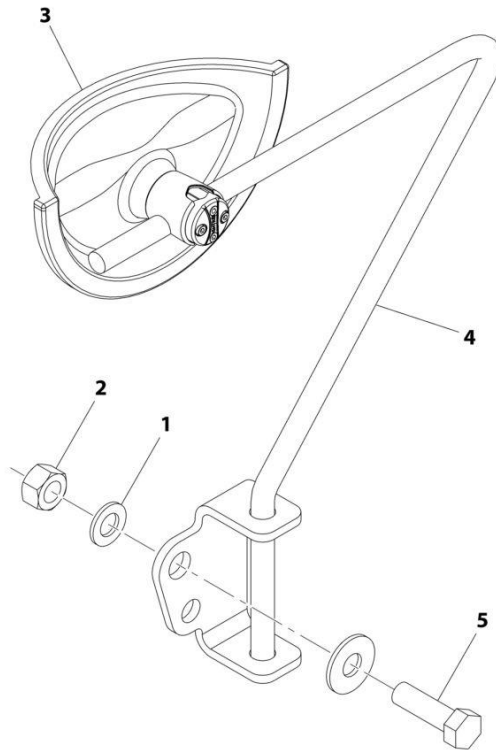
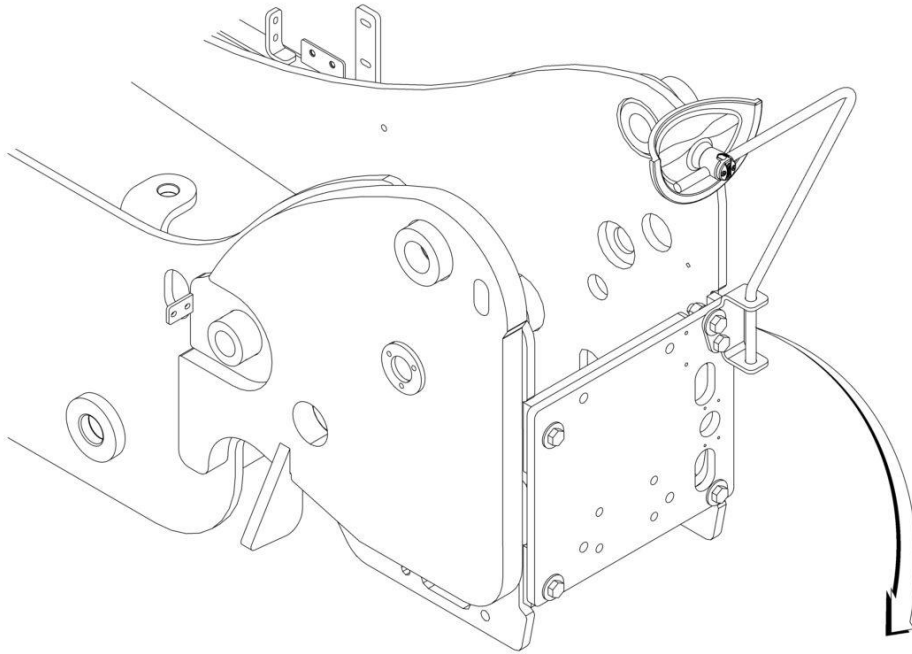
SECTION 1 - FRAME AND ATTACHING PARTS

FIGURE 1-10. MIRROR INSTALLATION

ITEM	PART NUMBER	QTY	DESCRIPTION	REV
	1001200928	Ref	Mirror Installaton	B
1	0641514	3	Hex HD Capscrew, 5/16-18X1-3/4, GR5	
2	3272201	2	Hex Nut, 3/4-10, GR8	
3	3311505	3	Locknut, 5/16-18	
4	4712200	1	Washer, 3/4	
5	4762200	1	Lockwasher, 3/4	
6	4891500	6	Washer, 5/16	
7	1001144474	1	Mirror Bracket	
8	1001191635	1	Mirror Assembly	
9	1001190639	1	Headlight Bracket	

SECTION 1 - FRAME AND ATTACHING PARTS

FIGURE 1-11. REAR CONVEX MIRROR INSTALLATION



ART_1001200851-C

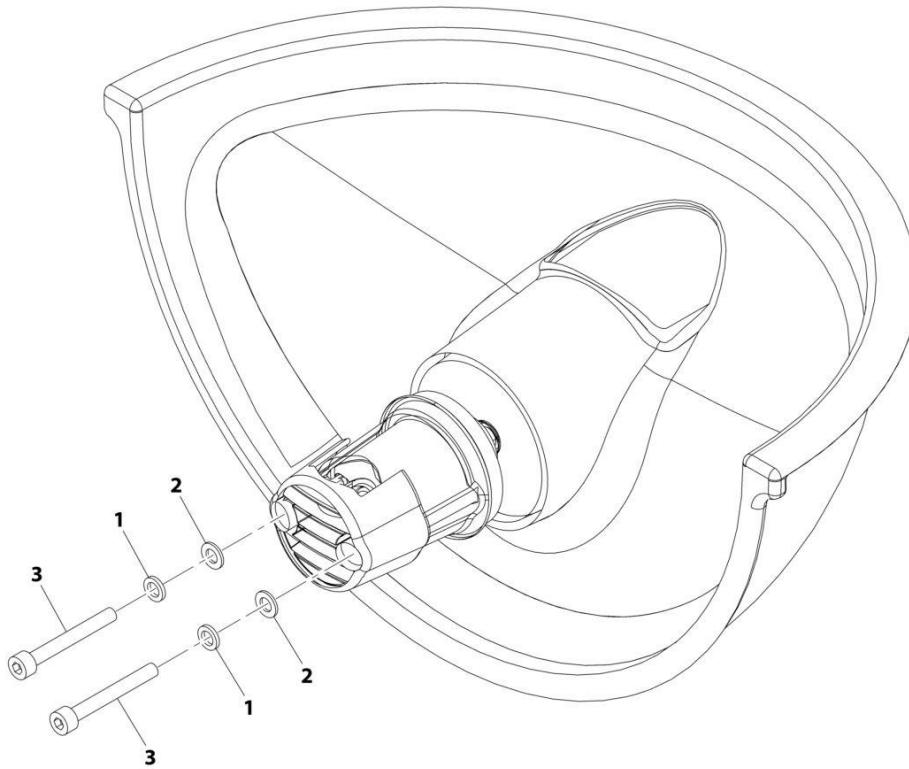
SECTION 1 - FRAME AND ATTACHING PARTS

FIGURE 1-11. REAR CONVEX MIRROR INSTALLATION

ITEM	PART NUMBER	QTY	DESCRIPTION	REV
	1001200851	Ref	Rear Convex Mirror Installation	C
1	4712200	1	Washer, 3/4	
2	88501012	1	Hex Nut, 3/4-10	
3	1001008436	1	Mirror Assembly (See Separate Breakdown in this Section)	
4	1001208759	1	Rear Mount Mirror Bar	
5	0682220	1	Hex HD Capscrew, 3/4-10X2-1/2, GR8	

SECTION 1 - FRAME AND ATTACHING PARTS

FIGURE 1-12. MIRROR ASSEMBLY (CONVEX)



ART_1001008436-D

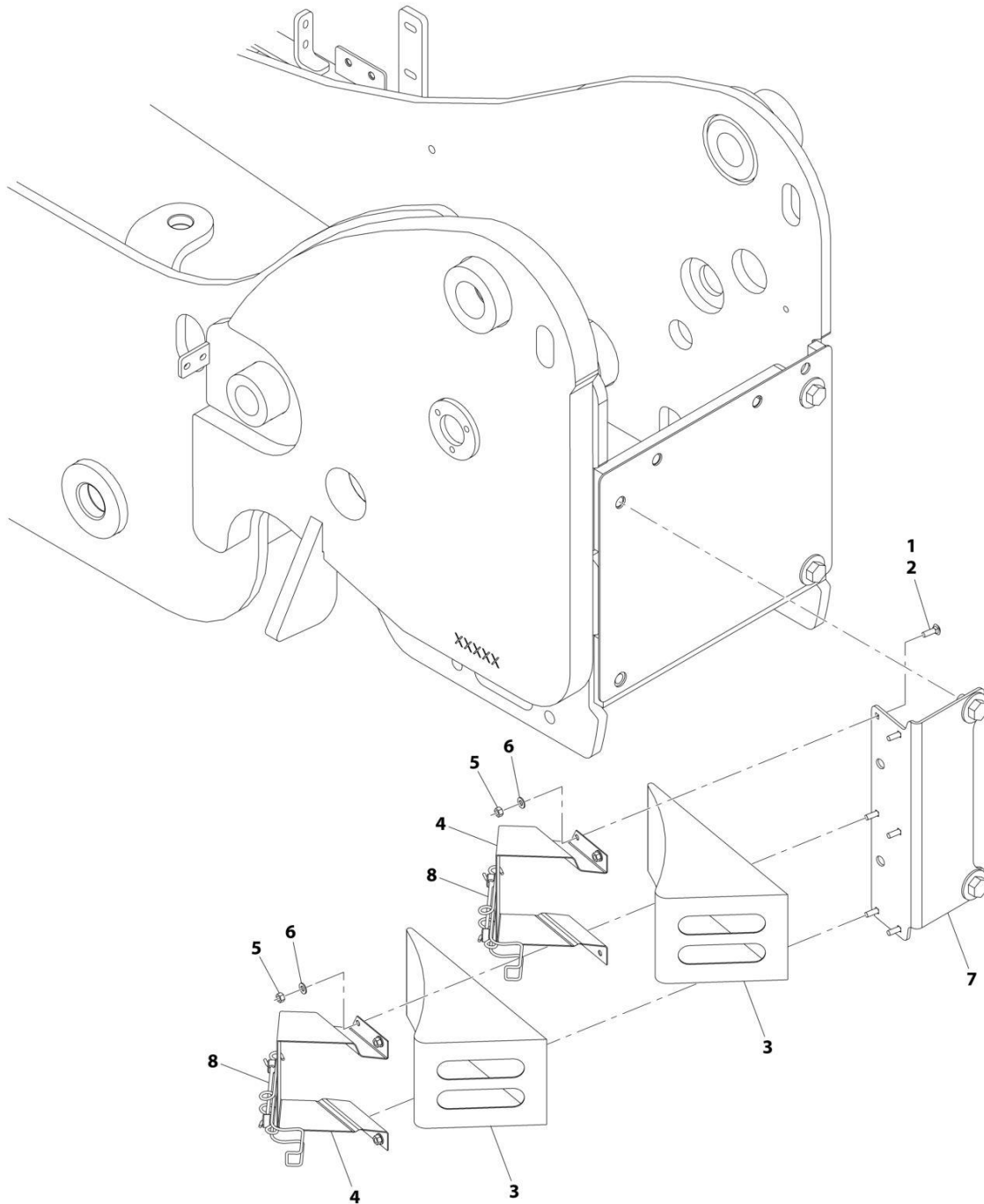
SECTION 1 - FRAME AND ATTACHING PARTS

FIGURE 1-12. MIRROR ASSEMBLY (CONVEX)

ITEM	PART NUMBER	QTY	DESCRIPTION	REV
	1001008436	Ref	Mirror Assembly (Convex)	D
1	1001008475	2	Washer, Lock	
2	1001009062	2	Washer	
3	1001010838	2	Bolt	

SECTION 1 - FRAME AND ATTACHING PARTS

FIGURE 1-13. WHEEL CHOCKS



ART_1001201527-B

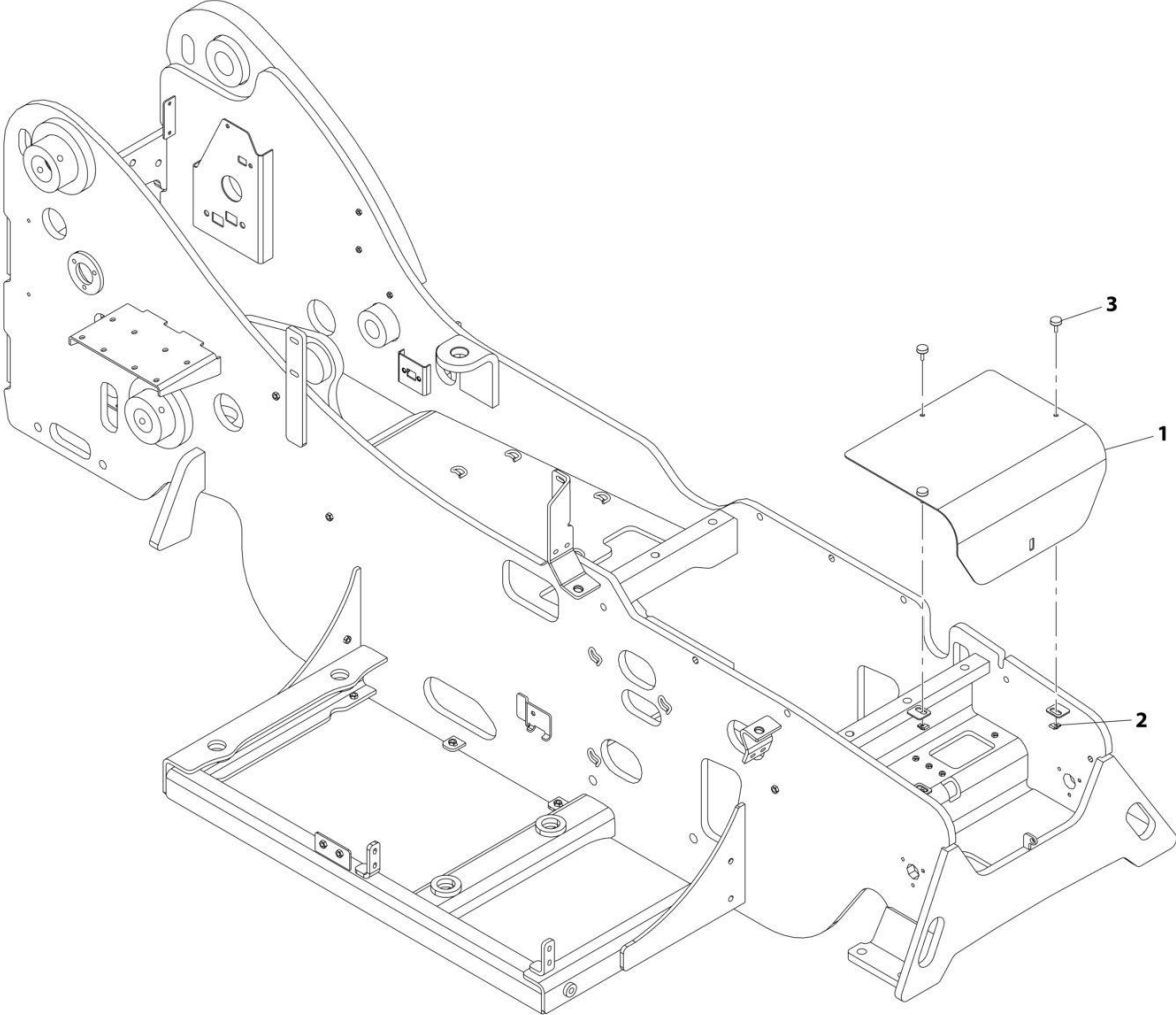
SECTION 1 - FRAME AND ATTACHING PARTS

FIGURE 1-13. WHEEL CHOCKS

ITEM	PART NUMBER	QTY	DESCRIPTION	REV
	1001201527	Ref	WHEEL CHOCKS	B
1	0100011	AR	Compound, Locking	
2	0630383	6	Bolt, Carriage	
3	806253	2	Wedge Assembly	
4	806264	2	Wedge Holder	
5	3311501	6	Nut 5/16	
6	4711500	6	Washer 5/16	
7	1001201526	1	Wheel Chock Mounting	
8	1060628	2	Tie Down Cable	

SECTION 1 - FRAME AND ATTACHING PARTS

FIGURE 1-14. BATTERY COVER INSTALLATION



ART_1001200247-B

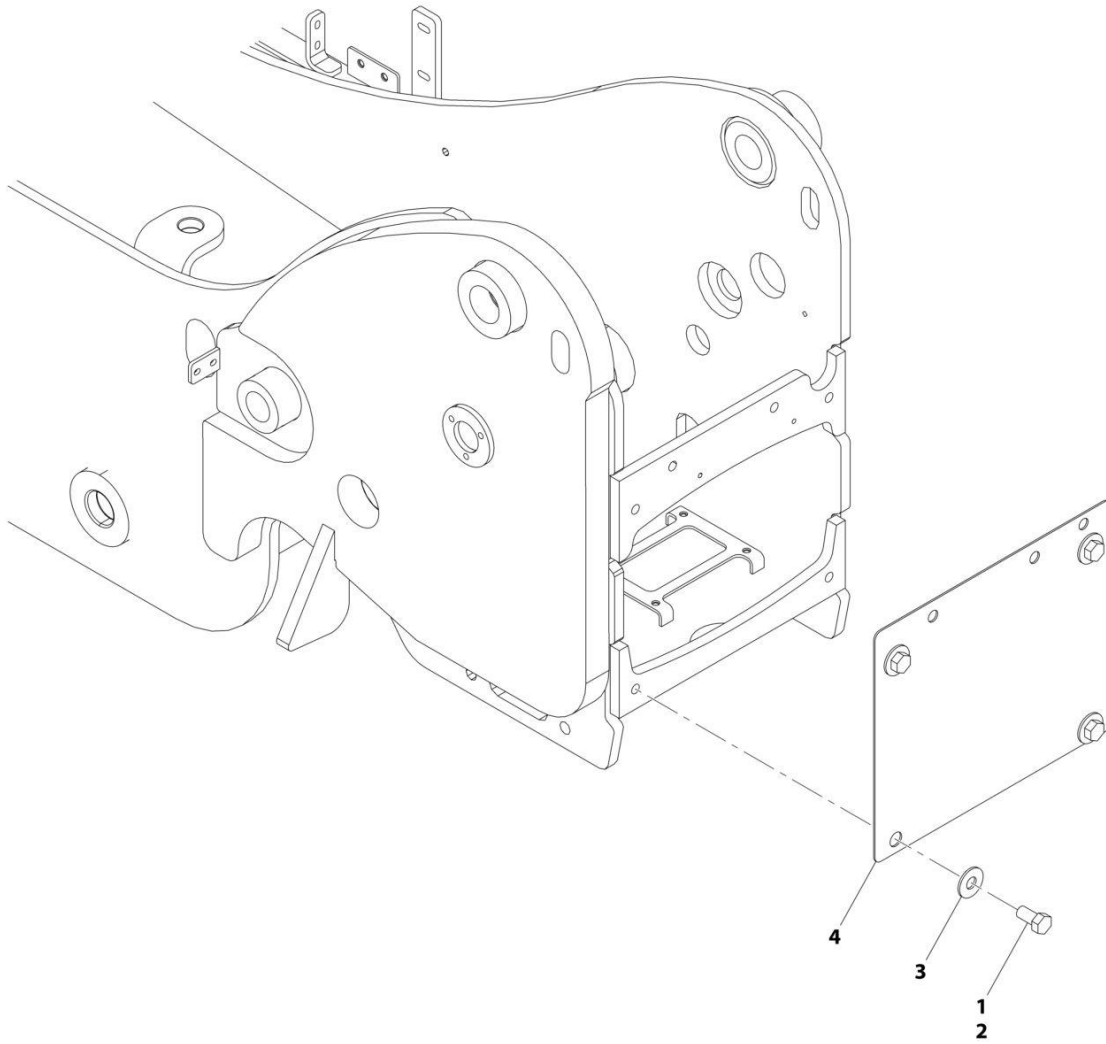
SECTION 1 - FRAME AND ATTACHING PARTS

FIGURE 1-14. BATTERY COVER INSTALLATION

ITEM	PART NUMBER	QTY	DESCRIPTION	REV
	1001200247	Ref	Battery Cover Installation	B
1	1001198349	1	Battery Cover	
2	1001130220	3	Tinnerman Nut, M6	
3	1001151183	3	Thumb Screw, M6-1X25.4	

SECTION 1 - FRAME AND ATTACHING PARTS

FIGURE 1-15. REAR COVER PLATE INSTALLATION, (NO HITCH)



ART_1001200598-D

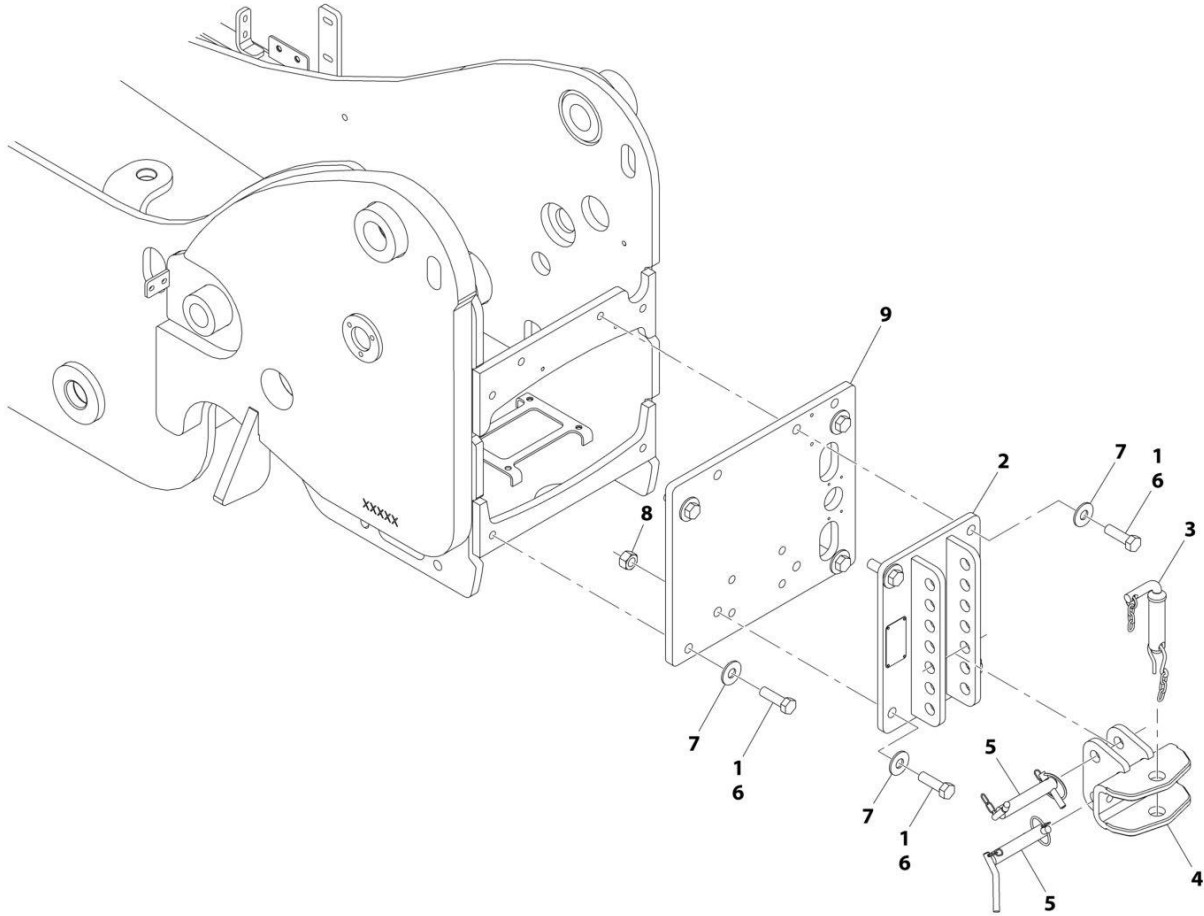
SECTION 1 - FRAME AND ATTACHING PARTS

FIGURE 1-15. REAR COVER PLATE INSTALLATION, (NO HITCH)

ITEM	PART NUMBER	QTY	DESCRIPTION	REV
	1001200598	Ref	Rear Cover Plate Installation, (No Hitch)	D
1	0100011	AR	Compound, Locking	
2	0642212	4	Capscrew 3/4 x 1-1/2	
3	4752200	4	Washer 3/4	
4	1001197490	1	Plate, Rear	

SECTION 1 - FRAME AND ATTACHING PARTS

FIGURE 1-16. HITCH INSTALLATION, MECHANICAL



ART_1001200599-B

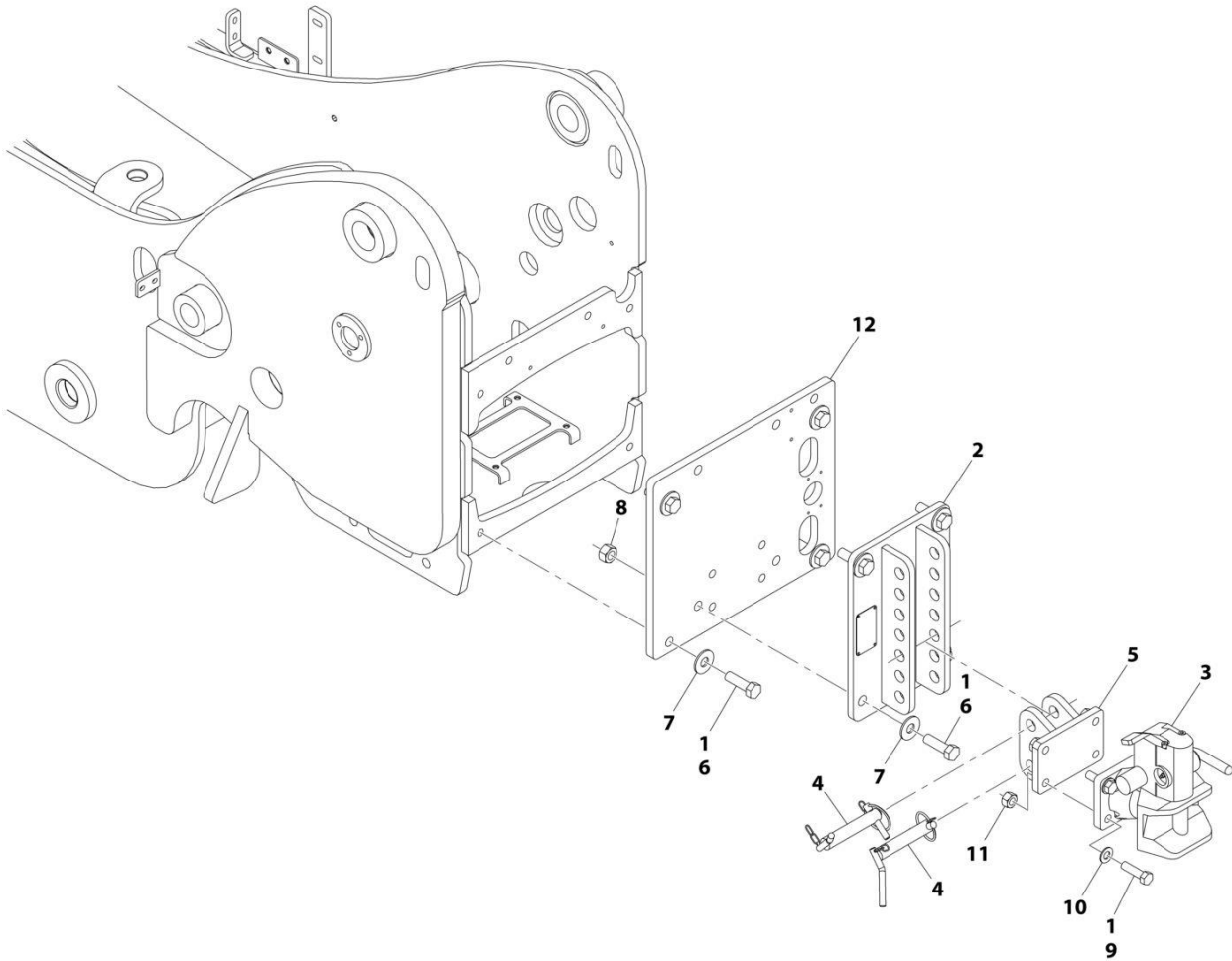
SECTION 1 - FRAME AND ATTACHING PARTS

FIGURE 1-16. HITCH INSTALLATION, MECHANICAL

ITEM	PART NUMBER	QTY	DESCRIPTION	REV
	1001200599	Ref	Hitch Installation, Mechanical	B
1	0100011	AR	Compound, Locking	
2	0903083	1	Hitch Mounting Bracket	
3	3944574	1	Hitch Pin	
4	8010200	1	Hitch	
5	8010204	2	Hitch Mounting Pin	
6	0682220	8	Capscrew 3/4 x 2-1/2	
7	4752200	8	Washer 3/4	
8	88501012	2	Nut 3/4	
9	1001200378	1	Plate, Rear Hitch Mount	

SECTION 1 - FRAME AND ATTACHING PARTS

FIGURE 1-17. HITCH INSTALLATION, MECHANICAL, AUTOMATIC



ART_1001200600-B

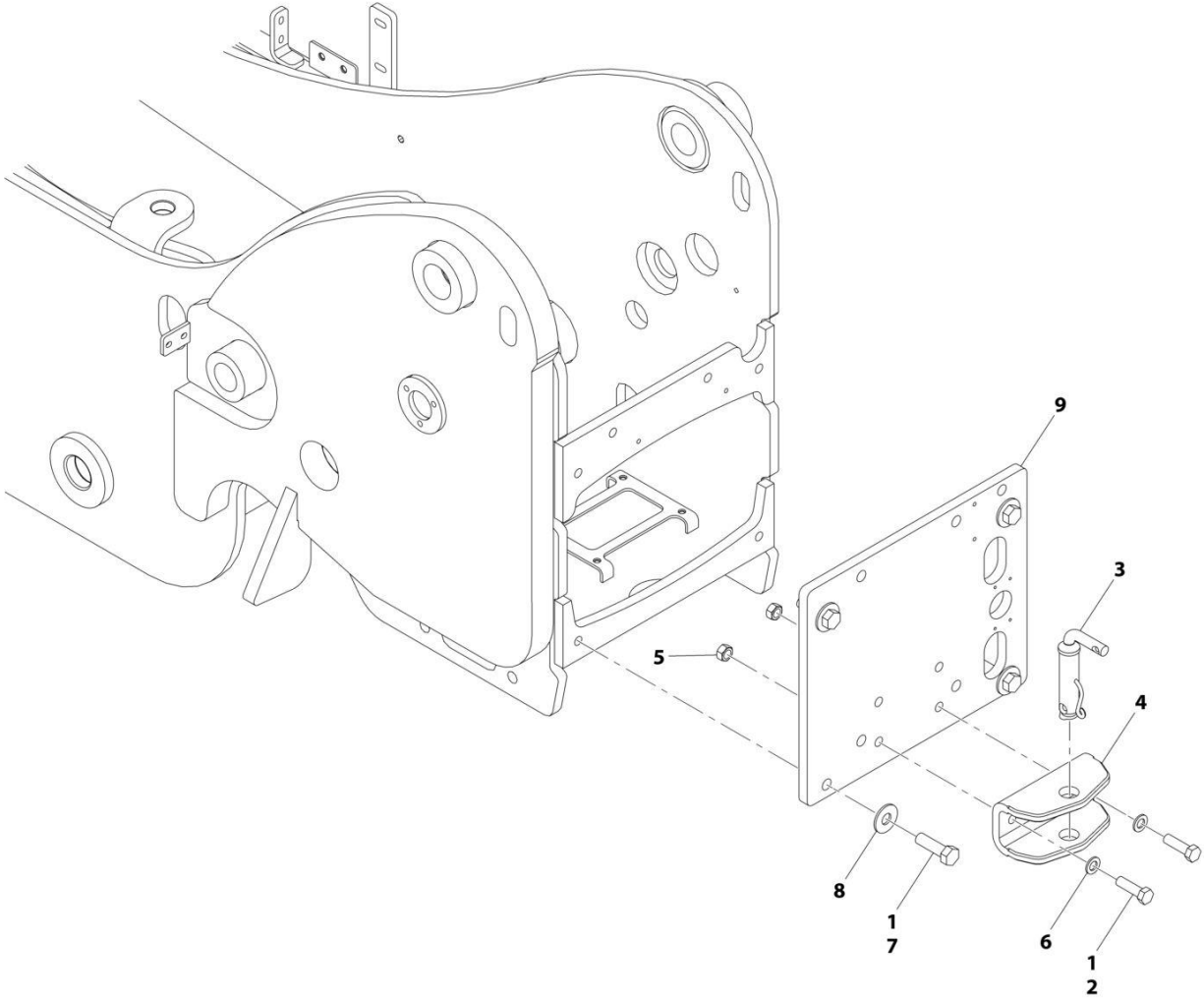
SECTION 1 - FRAME AND ATTACHING PARTS

FIGURE 1-17. HITCH INSTALLATION, MECHANICAL, AUTOMATIC

ITEM	PART NUMBER	QTY	DESCRIPTION	REV
	1001200600	Ref	Hitch Install, Mechanical, Automatic	B
1	0100011	AR	Compound, Locking	
2	0903083	1	Hitch Mounting Bracket	
3	8002789	1	Automatic Hitch	
4	8010204	2	Hitch Mounting Pin	
5	8010234	1	Hitch Adapter	
6	0682220	8	Capscrew 3/4 x 2-1/2	
7	4752200	8	Washer 3/4	
8	88501012	2	Nut 3/4	
9	0682018	4	Capscrew 5/8 x 2-1/4	
10	4712000	4	Washer 5/8	
11	88501010	4	Nut 5/8	
12	1001200378	1	Plate, Rear Hitch Mount	

SECTION 1 - FRAME AND ATTACHING PARTS

FIGURE 1-18. HITCH INSTALLATION



ART_1001200601-B

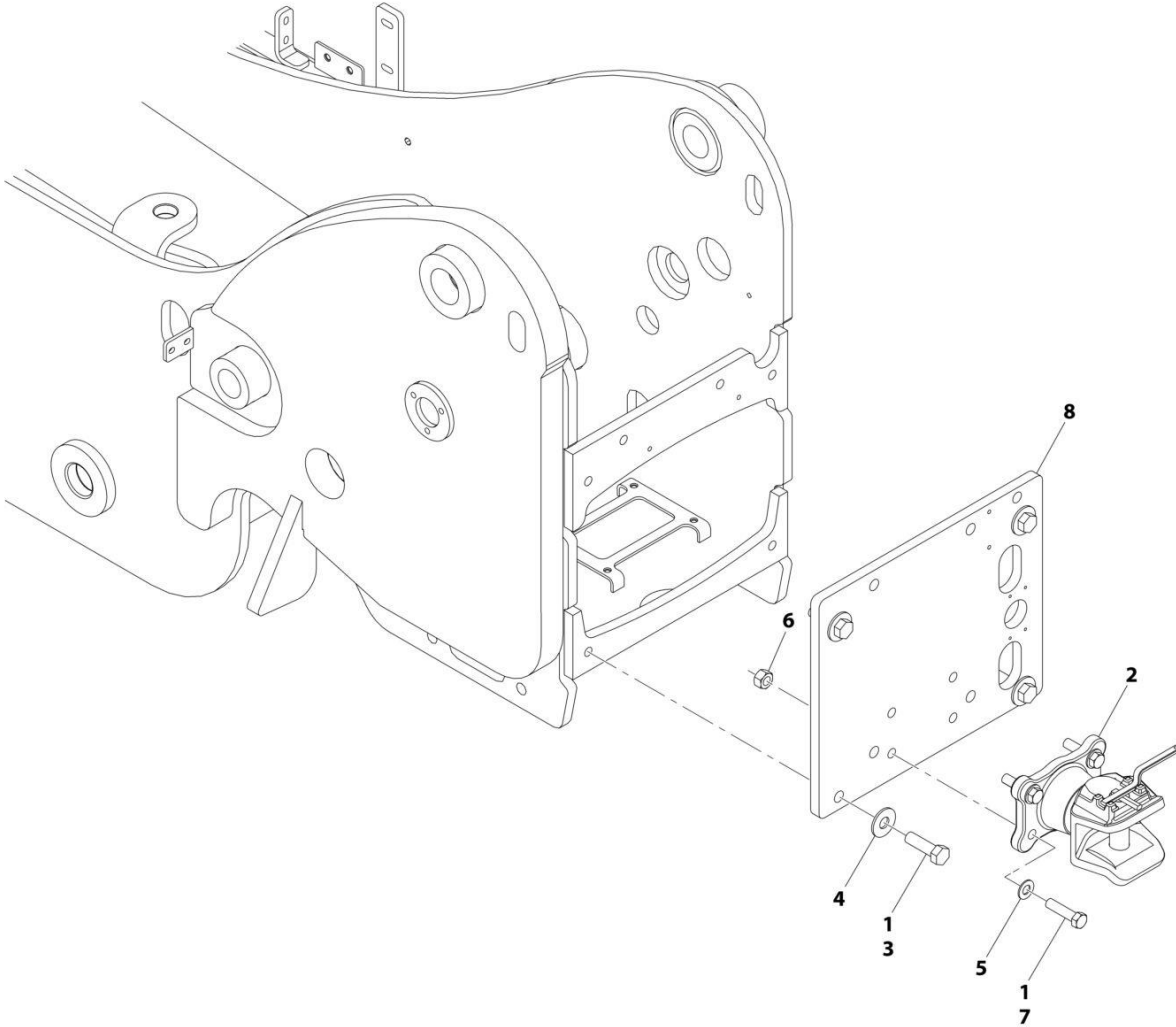
SECTION 1 - FRAME AND ATTACHING PARTS

FIGURE 1-18. HITCH INSTALLATION

ITEM	PART NUMBER	QTY	DESCRIPTION	REV
	1001200601	Ref	HITCH INSTALLATION	B
1	0100011	AR	Compound, Locking	
2	0771619	2	Capscrew M16 x 55	
3	3944574	1	Hitch Pin	
4	4804533	1	Hitch	
5	4805921	2	Nut M16	
6	4812300	2	Washer M16	
7	0682220	4	Capscrew 3/4 x 2-1/2	
8	4752200	4	Washer 3/4	
9	1001200378	1	Plate, Rear Hitch Mount	

SECTION 1 - FRAME AND ATTACHING PARTS

FIGURE 1-19. HITCH INSTALLATION - EEC



ART_1001200602-B

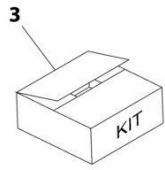
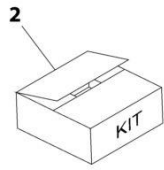
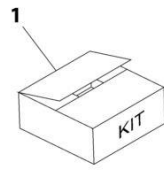
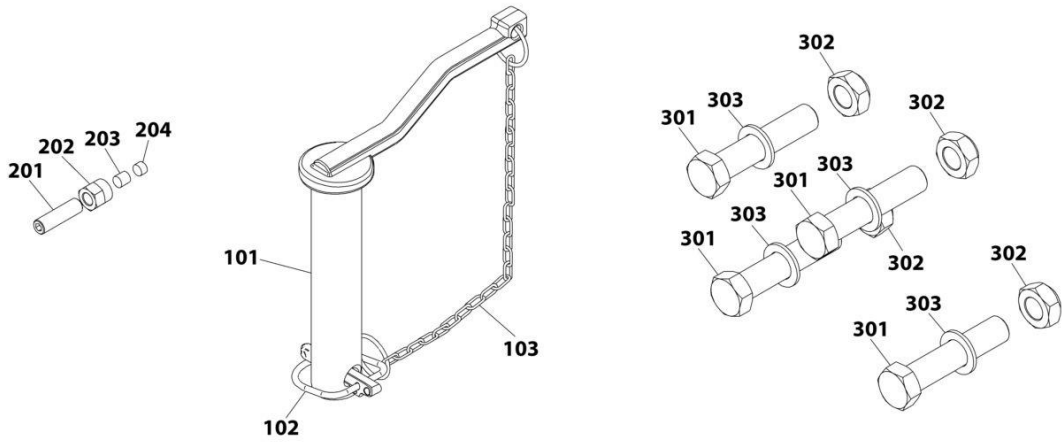
SECTION 1 - FRAME AND ATTACHING PARTS

FIGURE 1-19. HITCH INSTALLATION - EEC

ITEM	PART NUMBER	QTY	DESCRIPTION	REV
	1001200602	Ref	Hitch Installation - EEC	B
1	0100011	AR	Compound, Locking	
2	1001110849	1	Hitch Assembly, (EEC) (See Separate Breakdown in this Section)	
3	0682220	4	Capscrew 3/4 x 2-1/2	
4	4752200	4	Washer 3/4	
5	4712000	4	Washer 5/8	
6	88501010	4	Nut 5/8	
7	83201102	4	Capscrew 5/8 x 2-1/2	
8	1001200378	1	Plate, Rear Hitch Mount	

SECTION 1 - FRAME AND ATTACHING PARTS

FIGURE 1-20. HITCH ASSEMBLY (FIXED)



ART_1001110849-B

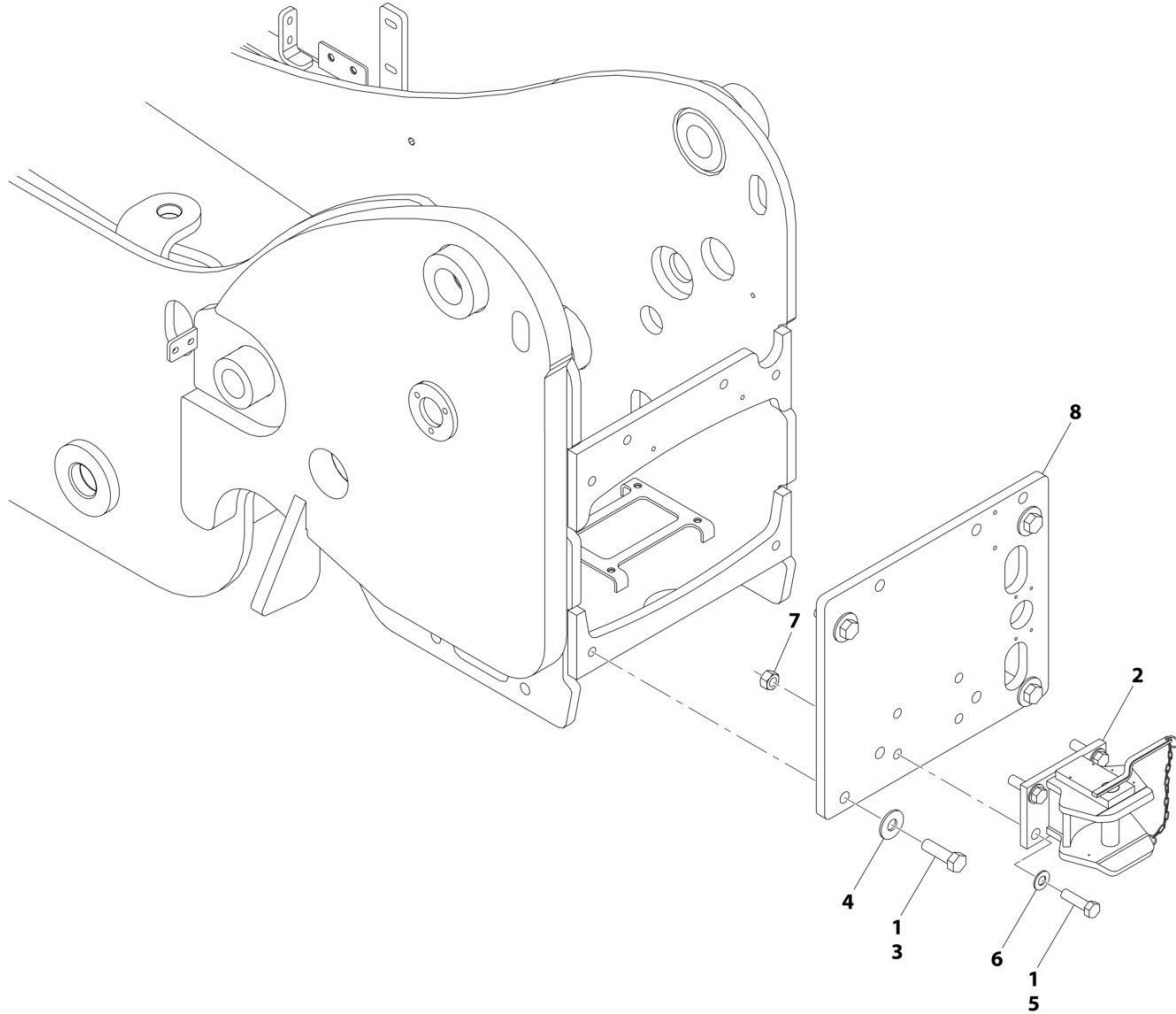
SECTION 1 - FRAME AND ATTACHING PARTS

FIGURE 1-20. HITCH ASSEMBLY (FIXED)

ITEM	PART NUMBER	QTY	DESCRIPTION	REV
	1001110849	Ref	Hitch Assembly (Fixed)	B
1	70027178	1	Kit, Towing Pin (includes items 101 thru 103)	
2	70027176	1	Kit, Friction (includes items 201 thru 204)	
3	70027177	1	Kit, Screws (includes items 301 thru 303)	
101	Kit	1	Pin	
102	Kit	1	Chain, Safety	
103	Kit	1	Pin, Safety	
201	Kit	1	Screw, M16X80	
202	Kit	1	Nut, M10	
203	Kit	1	Insert	
204	Kit	1	Insert	
301	Kit	4	Screw, M16X80	
302	Kit	4	Nut, M16	
303	Kit	4	Washer	

SECTION 1 - FRAME AND ATTACHING PARTS

FIGURE 1-21. HITCH INSTALLATION - CUNA-C



ART_1001200603-B

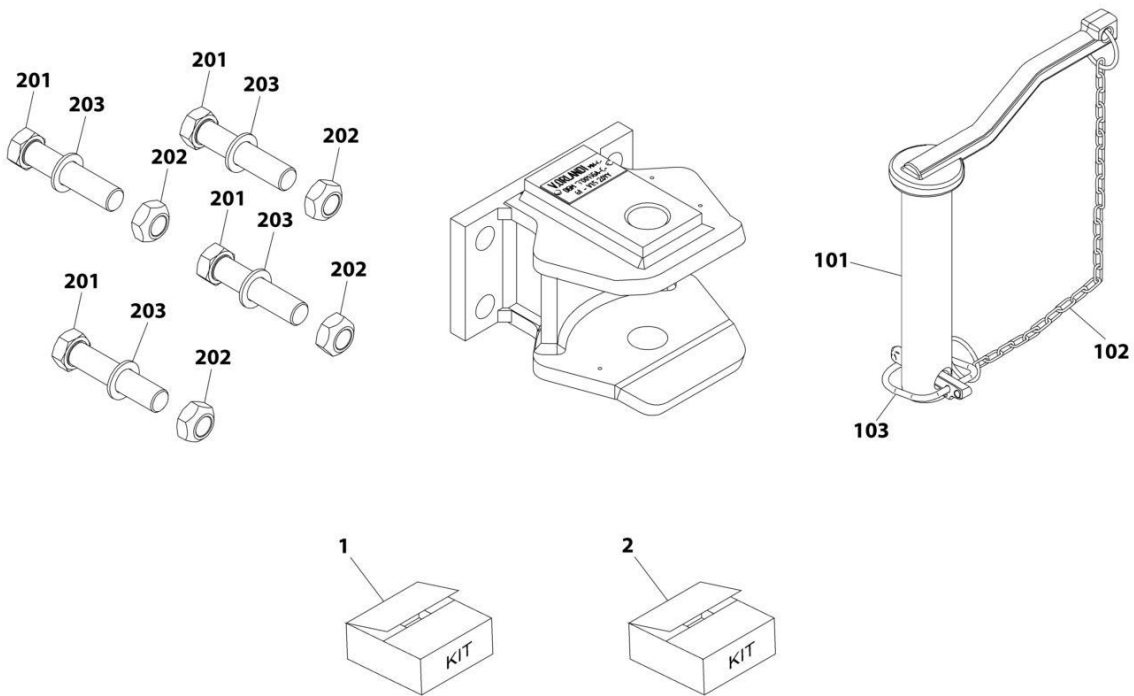
SECTION 1 - FRAME AND ATTACHING PARTS

FIGURE 1-21. HITCH INSTALLATION - CUNA-C

ITEM	PART NUMBER	QTY	DESCRIPTION	REV
	1001200603	Ref	Hitch Installation - Cuna-C	B
1	0100011	1	Compound, Locking	
2	2620052	1	Hitch, 6M TON, (CUNA-C), (See Separate Breakdown in this Section)	
3	0682220	1	Capscrew 3/4 x 2-1/2	
4	4752200	1	Washer 3/4	
5	0682018	1	Capscrew 5/8 x 2-1/4	
6	4712000	1	Washer 5/8	
7	88501010	1	Nut 5/8	
8	1001200378	1	Plate, Rear Hitch Mount	

SECTION 1 - FRAME AND ATTACHING PARTS

FIGURE 1-22. HITCH ASSEMBLY (CUNA-C)



ART_2620052-A

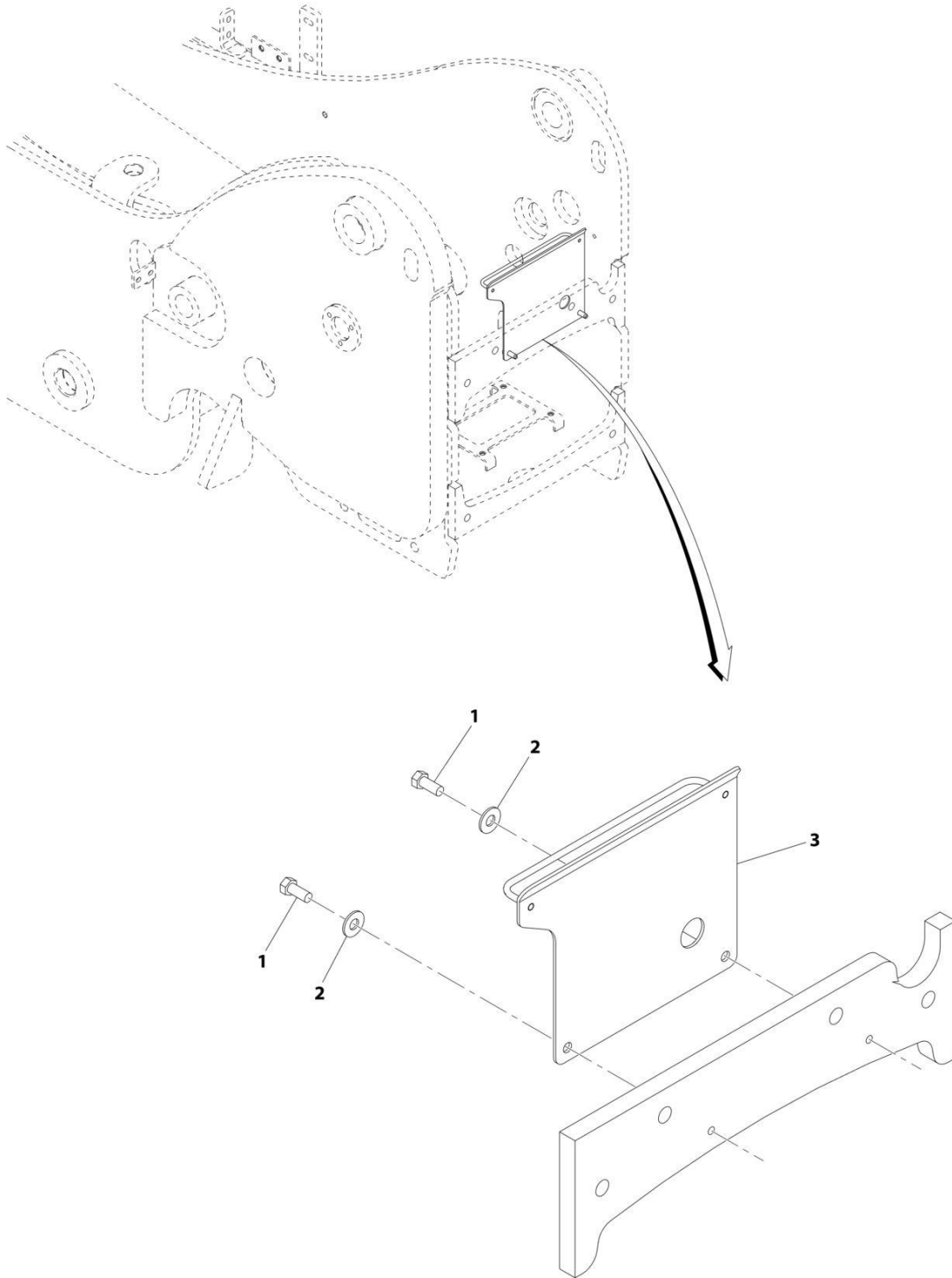
SECTION 1 - FRAME AND ATTACHING PARTS

FIGURE 1-22. HITCH ASSEMBLY (CUNA-C)

ITEM	PART NUMBER	QTY	DESCRIPTION	REV
	2620052	1	Hitch Assembly, (CUNA-C)	A
1	70022818	1	Towing Pin Kit, (Includes Items 101 thru 103)	
101	Kit	1	Pin	
102	Kit	1	Safety Chain	
103	Kit	1	Safety Pin	
2	70027176	1	Screw Kit, (Includes Items 201 thru 203)	
201	Kit	4	Screw, M16X80	
202	Kit	4	Nut, M16	
203	Kit	4	Washer	

SECTION 1 - FRAME AND ATTACHING PARTS

FIGURE 1-23. LICENSE HOLDER INSTALLATION, SMALL



ART_1001233572-B

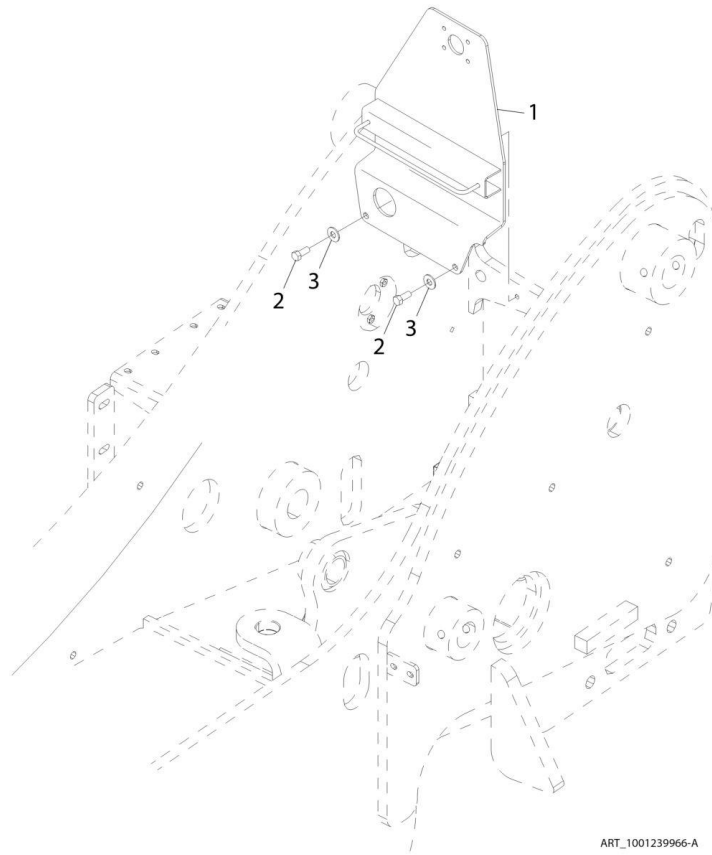
SECTION 1 - FRAME AND ATTACHING PARTS

FIGURE 1-23. LICENSE HOLDER INSTALLATION, SMALL

ITEM	PART NUMBER	QTY	DESCRIPTION	REV
	1001233572	Ref	License Holder Installation, Small	B
1	0641607	2	Hex HD Capscrew, 3/8-16X7/8, GR5	
2	4751600	2	Washer, 3/8	
3	1001232719	1	Support, Boom Hose Guide	

SECTION 1 - FRAME AND ATTACHING PARTS

FIGURE 1-24. LICENSE HOLDER INSTALLATION, LARGE



ART_1001239966-A

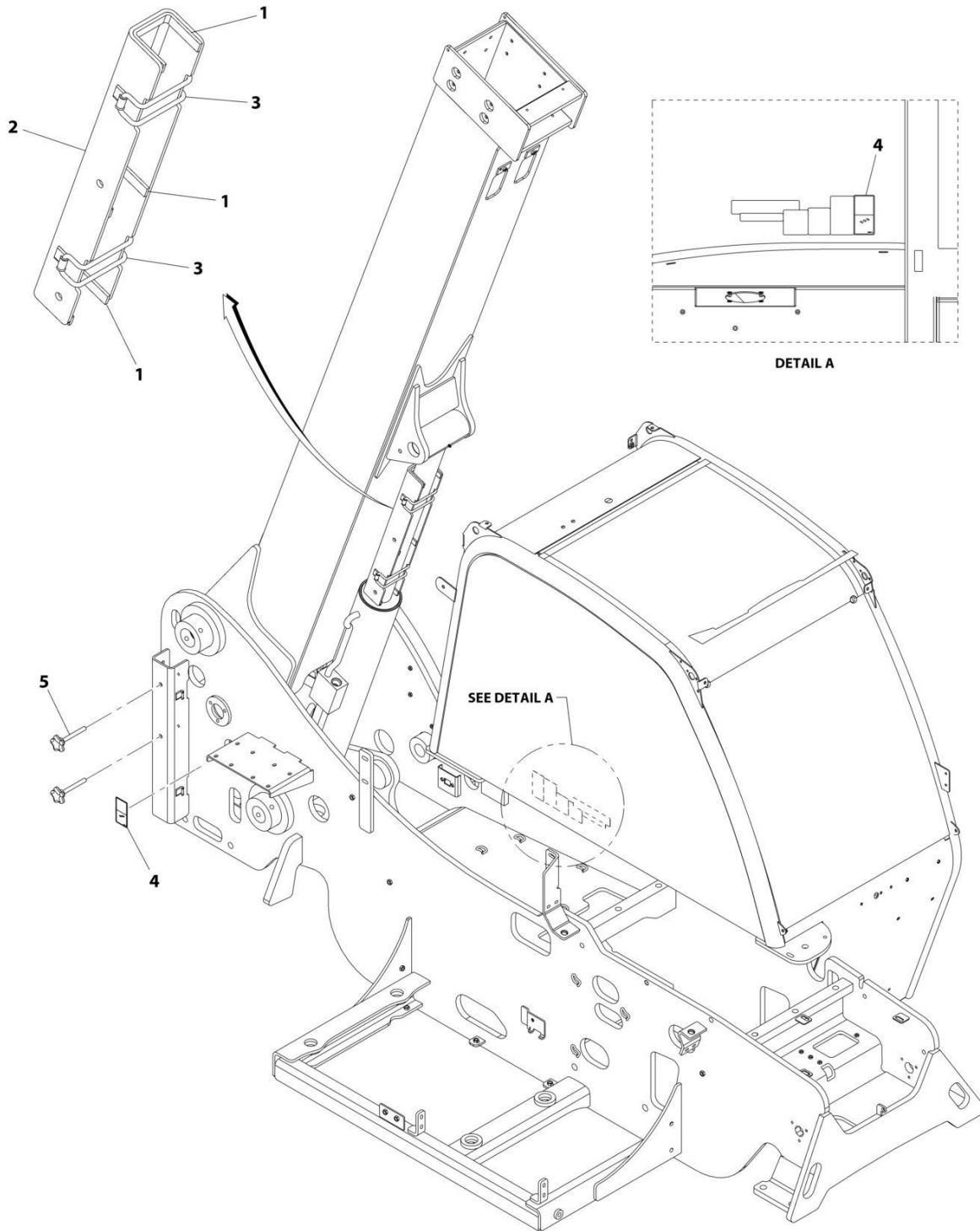
SECTION 1 - FRAME AND ATTACHING PARTS

FIGURE 1-24. LICENSE HOLDER INSTALLATION, LARGE

ITEM	PART NUMBER	QTY	DESCRIPTION	REV
	1001239966	Ref	License Holder Installation	A
1	1001239965	1	Hose Clamp Support	
2	0641607	2	Bolt, 3/8-16X7/8	
3	4751600	2	Washer, 3/8	

SECTION 1 - FRAME AND ATTACHING PARTS

FIGURE 1-25. LIFT CYLINDER PROP SUPPORT



ART_1001201659-A

SECTION 1 - FRAME AND ATTACHING PARTS

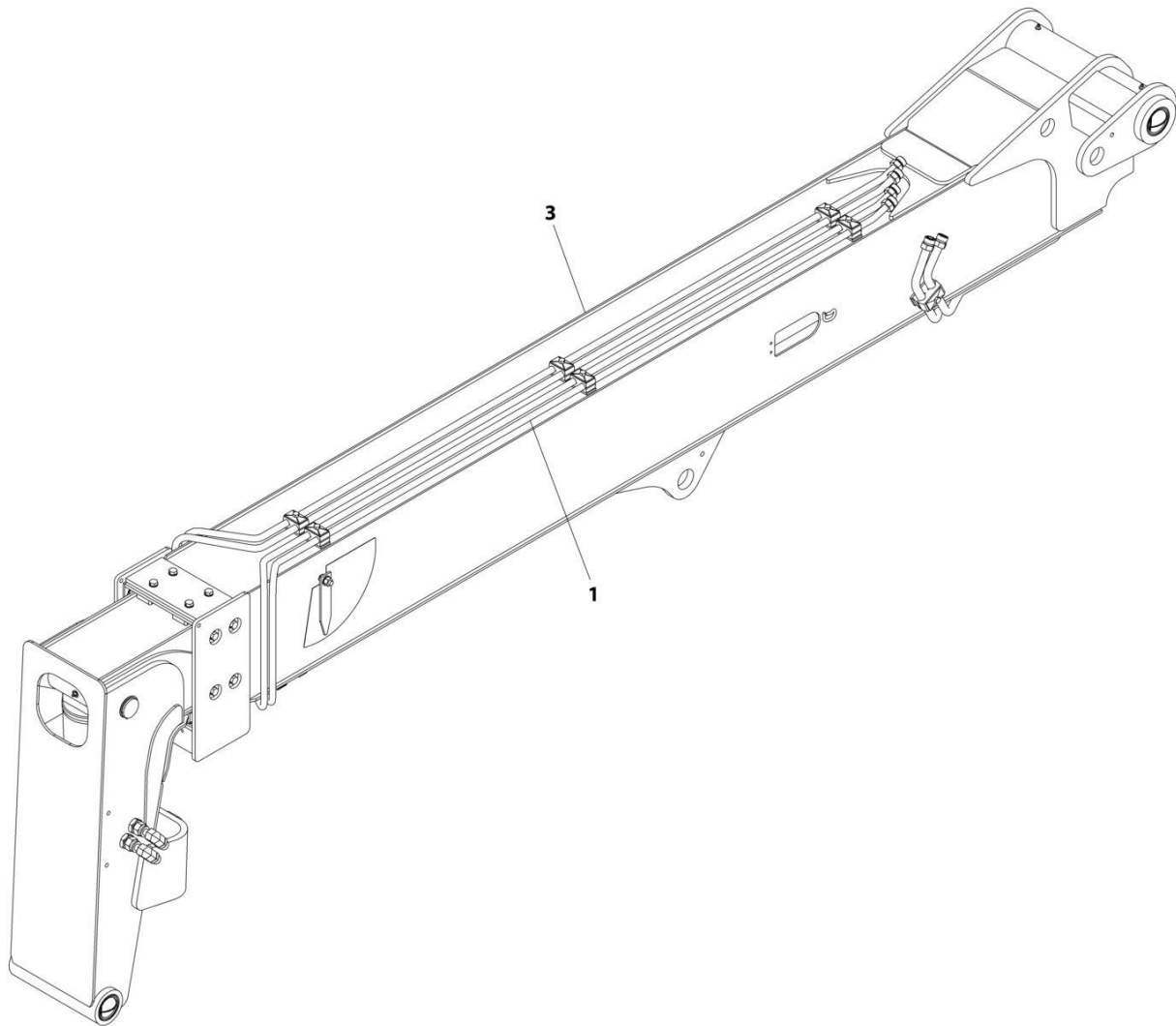
FIGURE 1-25. LIFT CYLINDER PROP SUPPORT

ITEM	PART NUMBER	QTY	DESCRIPTION	REV
	1001201659	Ref	Lift Cylinder Lock Installation	A
1	909304	640 mm	Rubber Profile, 18X5mm	
2	1271599	1	Lift Cylinder Lock Weldment	
3	1784861	2	O-Ring	
4	8005671	2	Cylinder Lock Warning Decal	
5	1001099887	2	Handle Screw, 12X103mm	

SECTION 2 - BOOM

SECTION 2 - BOOM

FIGURE 2-1. BOOM ASSEMBLY INSTALLATION, STD W/AUX



ART_1001233661-B

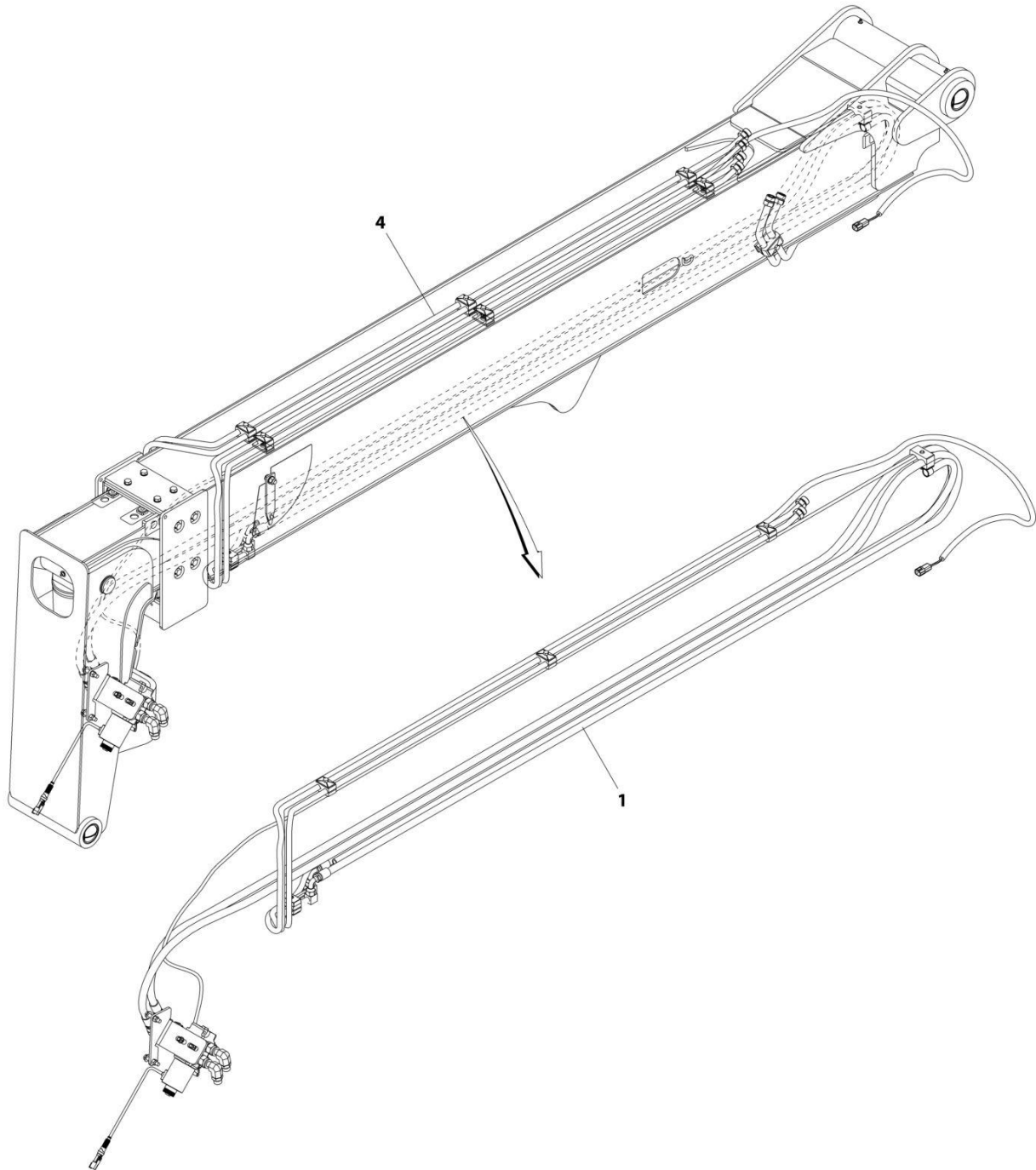
SECTION 2 - BOOM

FIGURE 2-1. BOOM ASSEMBLY INSTALLATION, STD W/AUX

ITEM	PART NUMBER	QTY	DESCRIPTION	REV
1	1001233661	Ref	Boom Assembly Installation, STD W/AUX	B
	1001237192	Ref	Installation, Standard Auxiliary Hydraulics (See Separate Breakdown in HYDRAULIC CIRCUITS Section)	
3	1001233660	Ref	Installation, Boom W/O Auxiliary (See Separate Breakdown in this Section)	

SECTION 2 - BOOM

FIGURE 2-2. BOOM ASSEMBLY INSTALLATION, W/AUX FOR QS



ART_1001233662-B

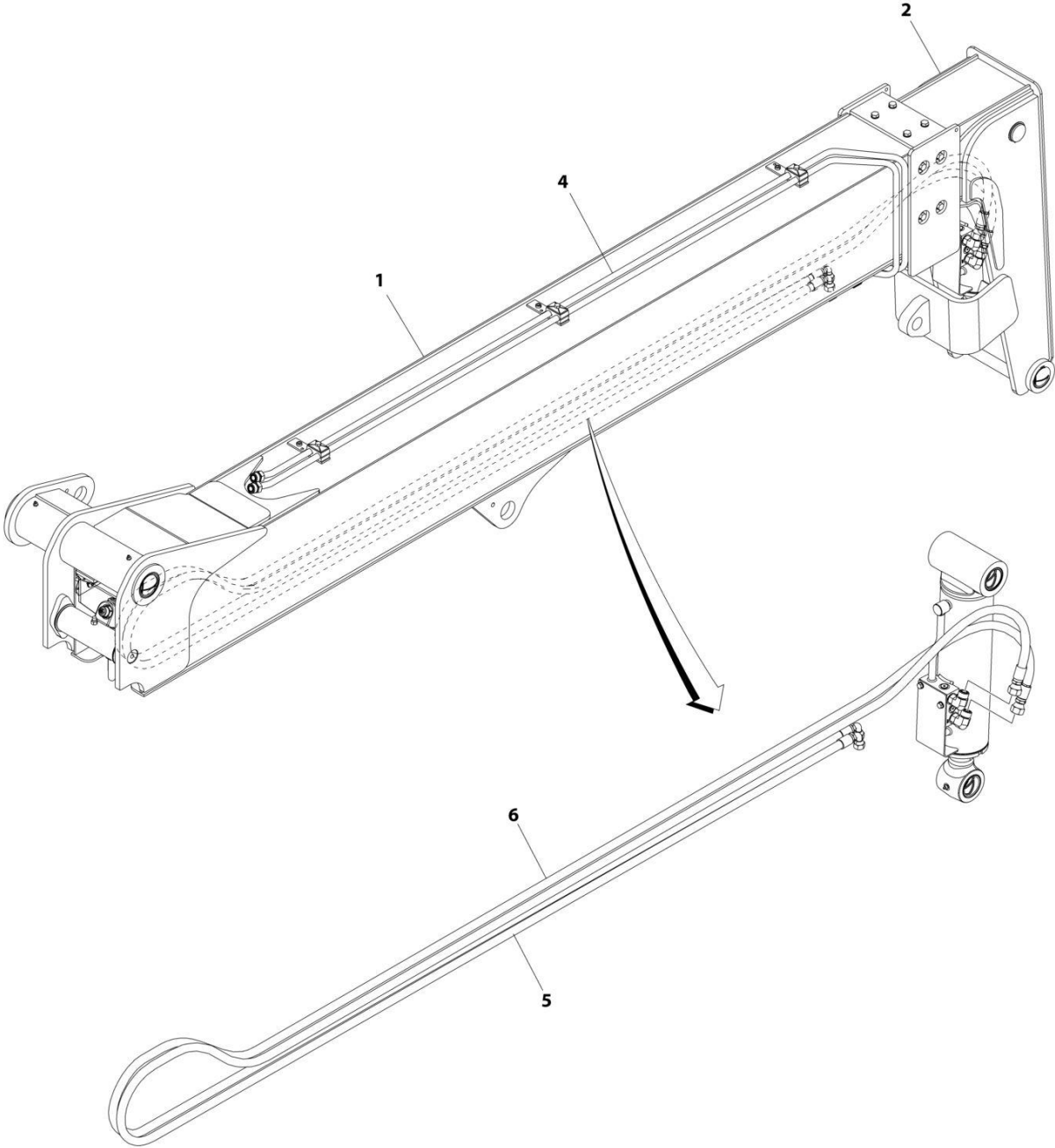
SECTION 2 - BOOM

FIGURE 2-2. BOOM ASSEMBLY INSTALLATION, W/AUX FOR QS

ITEM	PART NUMBER	QTY	DESCRIPTION	REV
1	1001233662	Ref	Boom Assembly Installation, W/AUX for QS	B
	1001237214	Ref	Installation, Auxiliary Hydraulics W/Quick Switch (See Separate Breakdown in HYDRAULIC CIRCUITS Section)	
4	1001233660	Ref	Installation, Boom W/O Auxiliary Assembly (See Separate Breakdown in this Section)	

SECTION 2 - BOOM

FIGURE 2-3. BOOM INSTALLATION, W/O AUX



ART_1001233660-B

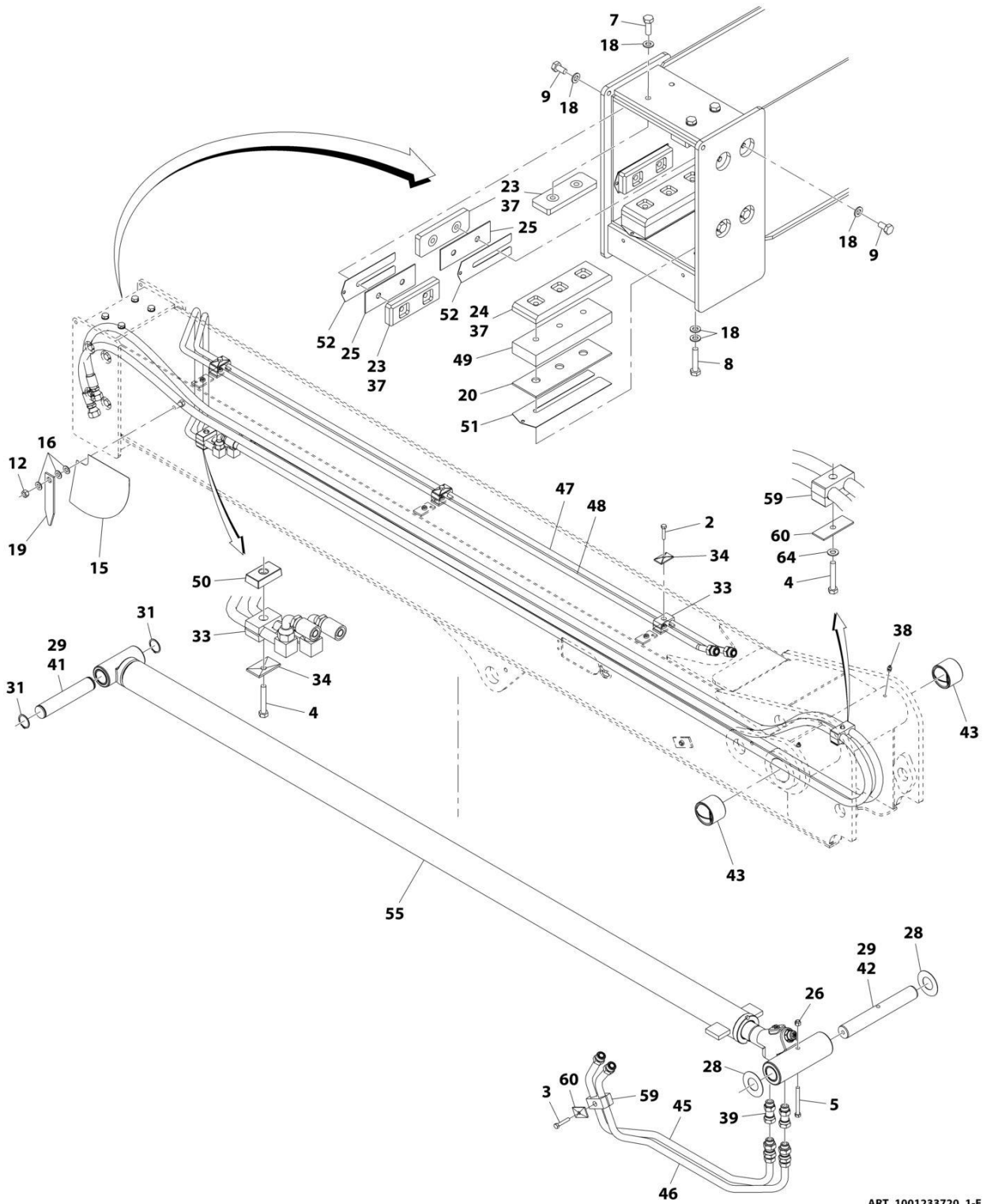
SECTION 2 - BOOM

FIGURE 2-3. BOOM INSTALLATION, W/O AUX

ITEM	PART NUMBER	QTY	DESCRIPTION	REV
	1001233660	Ref	Boom Assembly Installation, W/O Auxiliary	B
1	1001130338	1	First Boom Section	
2	1001228447	1	Second Boom Section	
4	1001233720	Ref	Installation, Boom Assembly (See Separate Breakdown in this Section)	
5	1001236782	1	Hose	
6	1001236783	1	Hose	

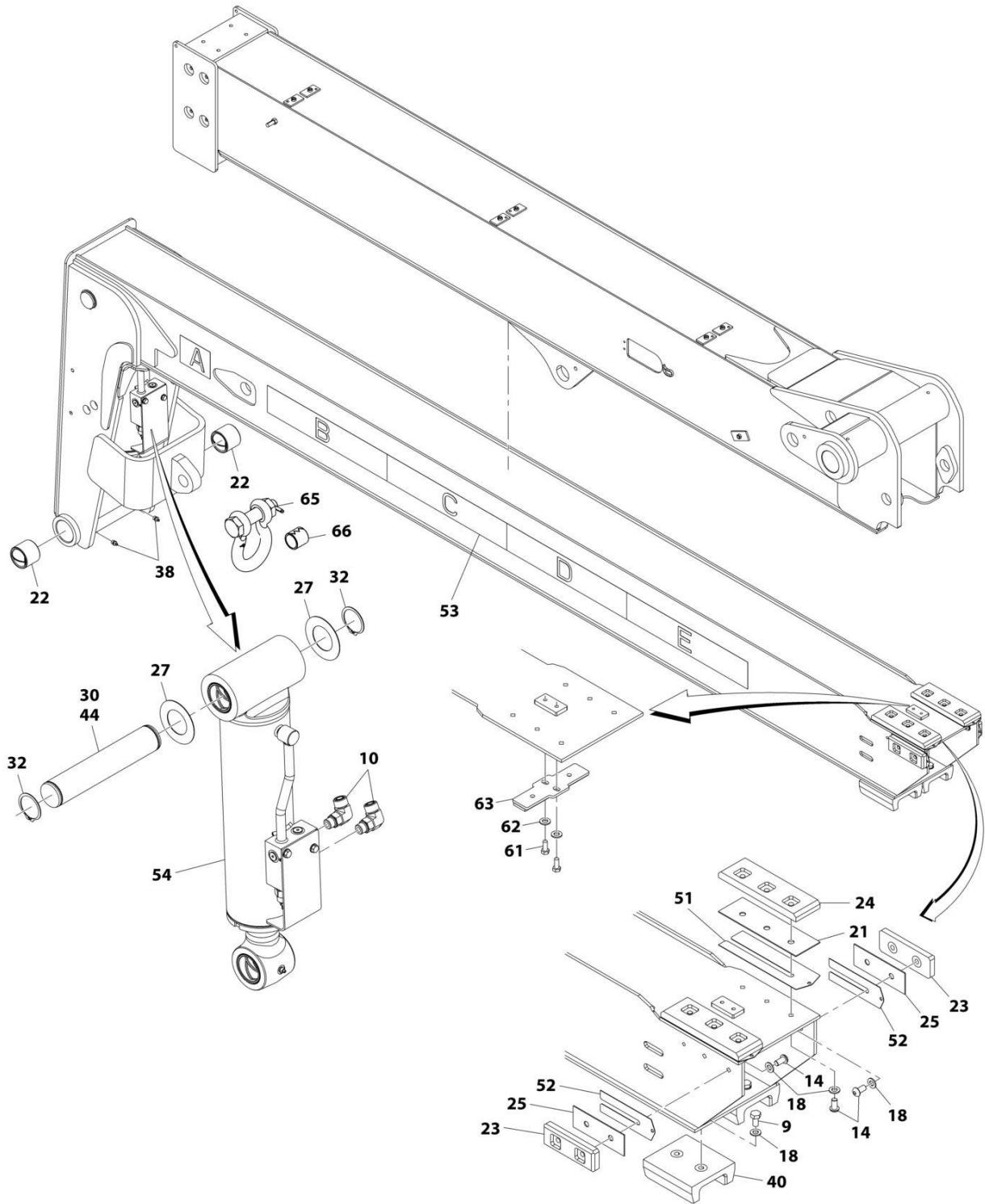
SECTION 2 - BOOM

FIGURE 2-4. BOOM W/O AUXILIARY HYDRAULIC INSTALLATION



ART_1001233720_1-E

SECTION 2 - BOOM



ART_1001233720_2-E

SECTION 2 - BOOM

FIGURE 2-4. BOOM W/O AUXILIARY HYDRAULIC INSTALLATION

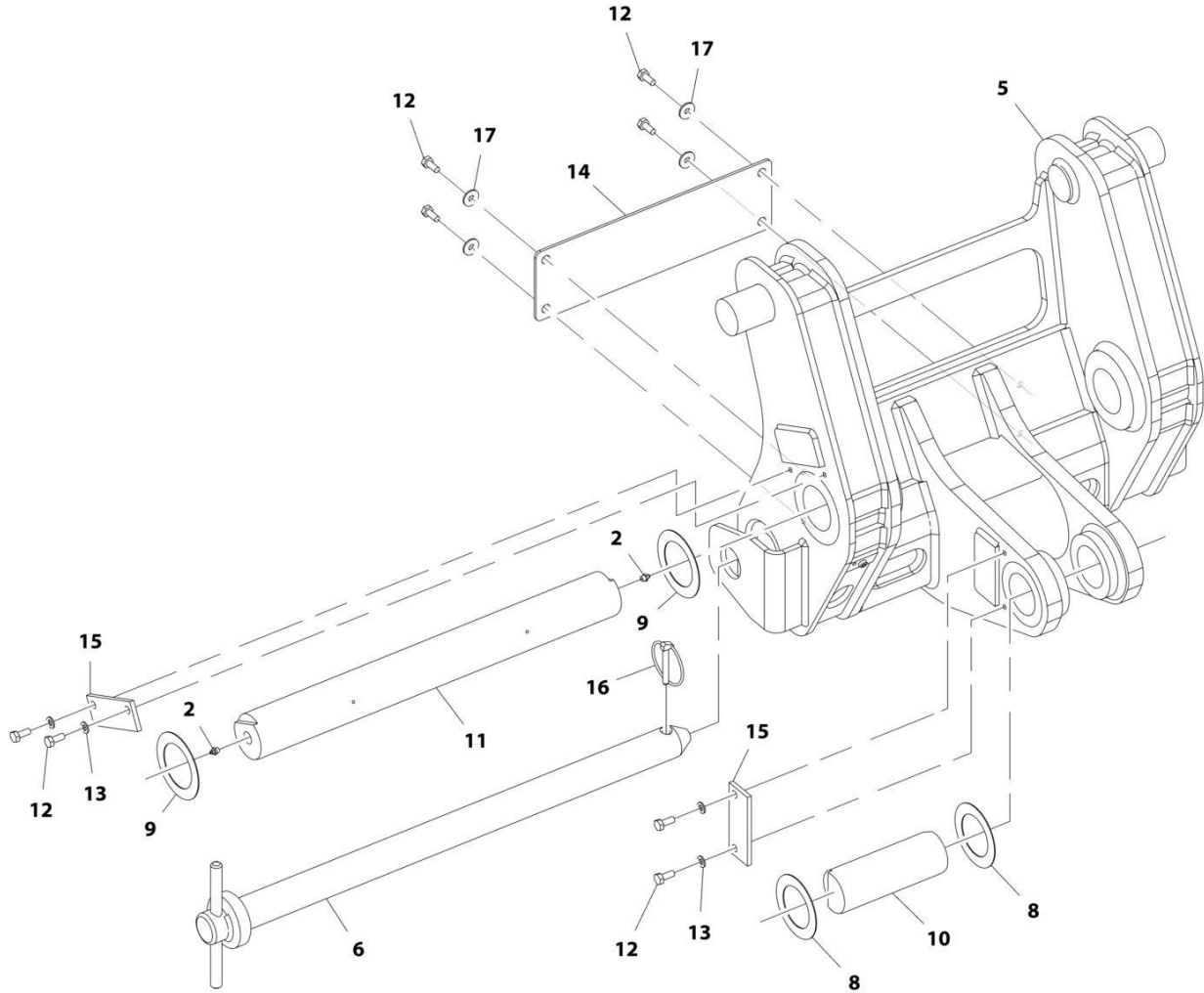
ITEM	PART NUMBER	QTY	DESCRIPTION	REV
	1001233720	Ref	Boom W/O Auxiliary Hydraulic Installation	E
2	0641512	3	Hex HD Capscrew, 5/16-18X1-1/2, GR5	
3	0641514	1	Hex HD Capscrew, 5/16-18X1-3/4, GR5	
4	0641516	2	Hex HD Capscrew, 5/16-18X2, GR5	
5	0641628	1	Hex HD Capscrew, 3/8-16X3-1/2, GR5	
7	0701014	4	Bolt, M10X30	
8	0701018	6	Hex HD Capscrew, M10X50, GR8.8	
9	0761010	12	Hex HD Capscrew, M10X20, GR8.8	
10	2131008	2	Fitting, 90 ORFS	
12	3311705	1	Locknut, 7/16-14	
14	3900393	10	Button HD Capscrew, M10-1.5X20	
15	4105262	1	Boom Angle Decal	
16	4711700	3	Flat Washer, 7/16	
18	4812000	38	Washer, M10	
19	7075611	1	Boom Angle Indicator	
20	7082362	AR	Spacer	
21	7126182	AR	Spacer	
22	7126662	2	Chain Sheave Bushing	
23	7300032	8	Wear Pad	
24	7300034	4	Wear Pad	
25	7300518	AR	Spacer, 1.90mm	
26	8305645	1	Hex Locknut, 3/8-16	
27	8307904	AR	Shim Washer, 2X0.048X3	
28	8310160	AR	Shim Washer, 1.50X0.048X3.00	
29	8522012	AR	Anti-Seize Lube	
30	8522031	AR	Multi-Purpose Grease	
31	8642207	2	Retaining Ring, 1.50	
32	8642224	2	Retaining Ring, 2.00	
33	8769122	4	Clamp Set, 5/8 Dia	
34	8769123	4	Twin Cover Plate	
37	14404793	AR	Mystik Tetrimoly Grease	
38	88671001	4	Straight Lube Fitting, 1/8	
39	1001001556	2	Fitting, Straight ORFS	
40	1001080050	2	Wear Pad Channel Assy	
41	1001080116	1	Base Pin	
42	1001080117	1	Rod Pin	
43	1001080124	2	Bushing	
44	1001080152	1	Base Pin	
45	1001080203	1	Tube Assy	
46	1001080204	1	Tube Assy	
47	1001080205	1	Tube Assy	
48	1001080206	1	Tube Assy	
49	1001080391	2	Wear Pad Spacer	
50	1001080394	1	Twin Line Clamp Spacer	
51	1001096584	AR	Shim	
52	1001096585	AR	Shim	
53	1001099783	1	Boom Extend Decal	
54	1001200581	1	Cylinder, Tilt (See Separate Breakdown in Hydraulic Components Section)	
55	1001201668	1	Cylinder, Extend/Retract (See Separate Breakdown in	

SECTION 2 - BOOM

ITEM	PART NUMBER	QTY	DESCRIPTION	REV
			HYDRAULIC COMPONENT Section)	
59	77133136	2	Set Clamp	
60	77133137	2	Cover Plate	
61	0760810	2	Hex HD Capscrew, M8X20, GR8.8	
62	4811900	2	Washer, M8	
63	1001238317	1	Bracket	
64	4711500	1	Washer, 5/16	
65	1001204045	1	Clevis	
66	1001204047	1	Sleeve	

SECTION 2 - BOOM

FIGURE 2-5. COUPLER INSTALLATION (MANUAL)



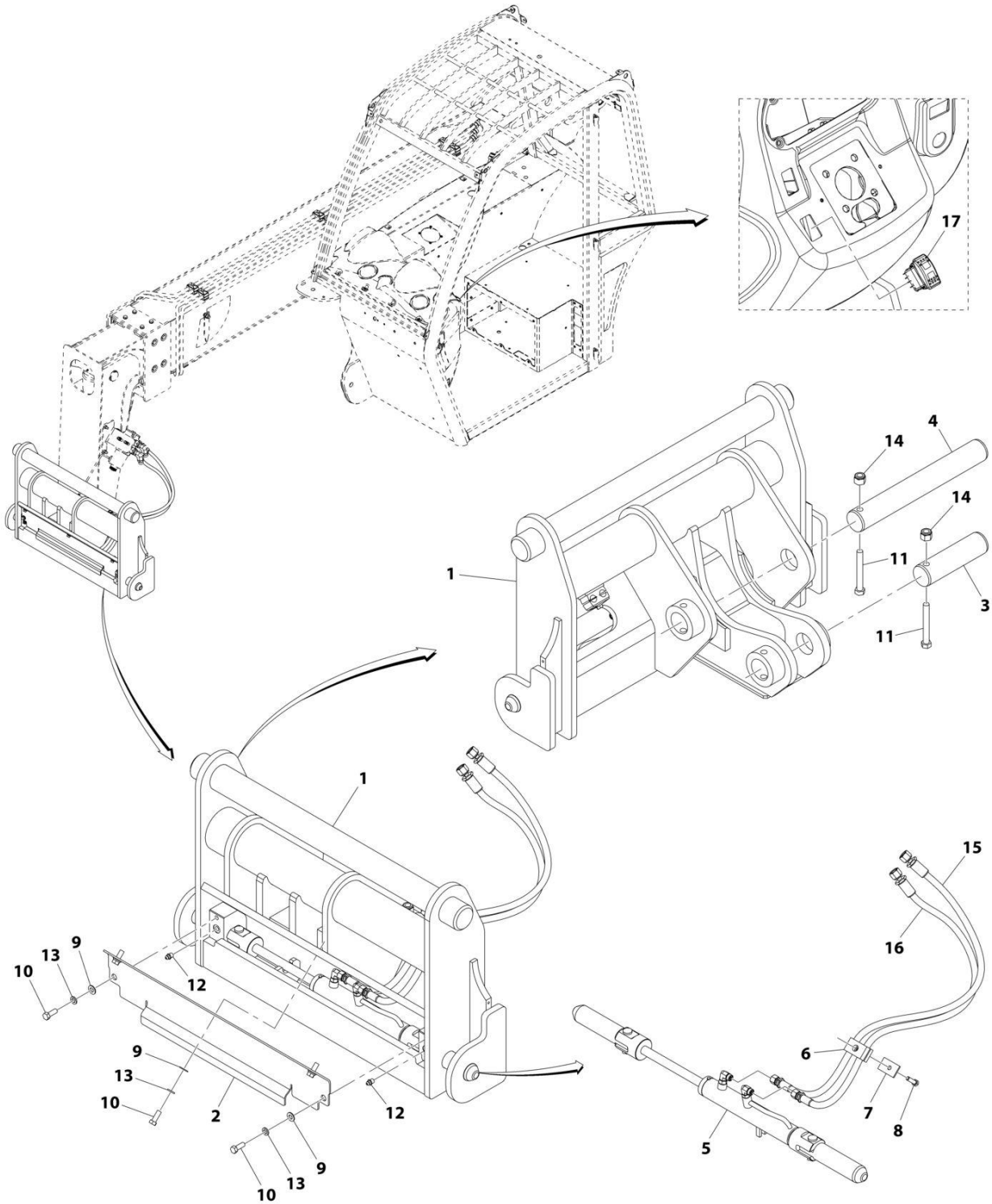
ART_1001174104-G

FIGURE 2-5. COUPLER INSTALLATION (MANUAL)

ITEM	PART NUMBER	QTY	DESCRIPTION	REV
	1001174104	Ref	Coupler Installation (Manual)	G
2	2160016	2	Fitting, Grease	
5	1001187820	1	Coupling, Manual	
6	1001187821	1	Pin	
8	1001187847	AR	Shim	
9	1001187848	AR	Shim	
10	1001190250	1	Pin, Tilt	
11	1001190264	1	Pin	
12	0761012	8	Bolt, M10X25	
13	4812000	4	Washer, M10	
14	1001200393	1	Plate, Front Cover	
15	1001210326	2	Plate	
16	1001003803	1	Pin	
17	4812002	4	Washer, M10	

SECTION 2 - BOOM

FIGURE 2-6. COUPLER INSTALLATION (HYDRAULIC)



ART_1001097255-G

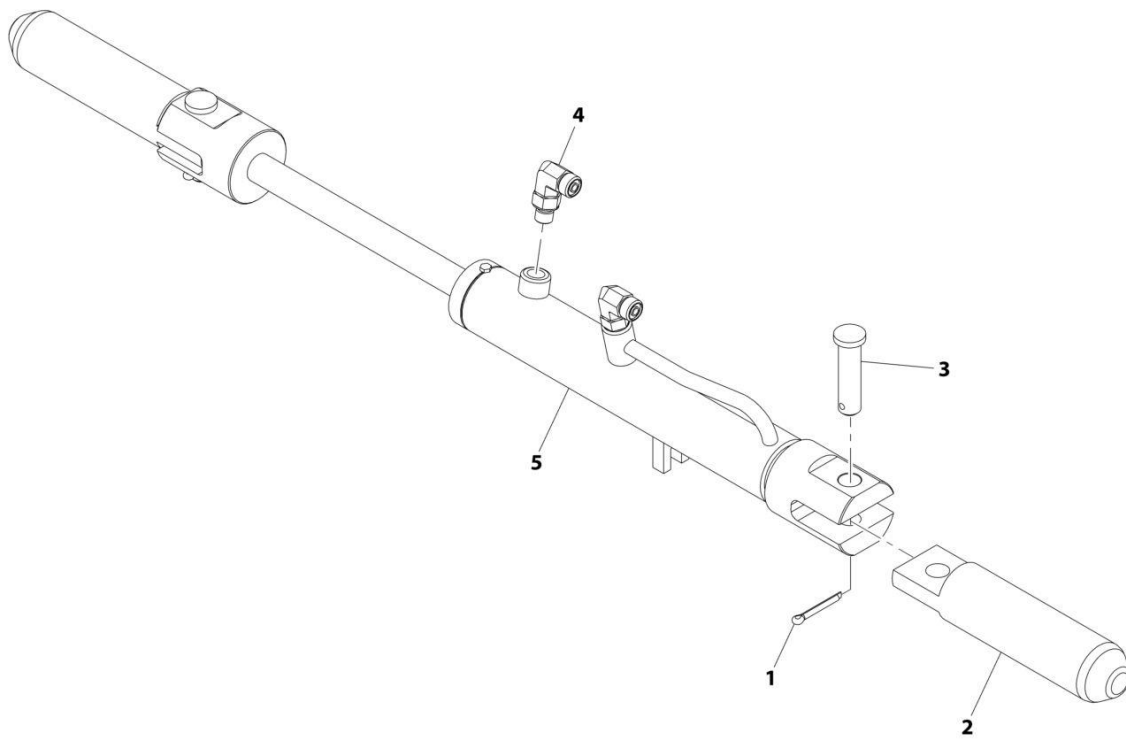
SECTION 2 - BOOM

FIGURE 2-6. COUPLER INSTALLATION (HYDRAULIC)

ITEM	PART NUMBER	QTY	DESCRIPTION	REV
	1001097255	Ref	Coupler Installation (Hydraulic)	G
1	1001097252	1	Hydraulic Quick Coupler Weldment	
2	1001097628	1	Cover Plate	
3	1001097728	1	Fork Cylinder Rod Pin	
4	1001097729	1	Quick Coupler Pivot Pin	
5	1001080333	Ref	Fork Locking Cylinder Kit, (See Separate Breakdown in this Section)	
6	8769122	1	Twin Clamp Set	
7	8769123	1	Twin Cover Plate	
8	8303739	1	Hex HD Capscrew, 5/16-18X1-1/4	
9	4711600	5	Flat Washer, 3/8	
10	0641608	5	Hex HD Capscrew, 3/8-16X1, GR5	
11	0681832	2	Hex HD Capscrew, 1/2-13X4, GR8	
12	2160002	2	Grease Fitting	
13	4761600	5	Lockwasher, 3/8	
14	88521208	2	Locknut, 1/2-13	
15	1001080565	1	Hose Assy	
16	1001096730	1	Hose Assy	
17	1001080375	Ref	Quick Coupler Switch	

SECTION 2 - BOOM

FIGURE 2-7. FORK LOCKING CYLINDER KIT



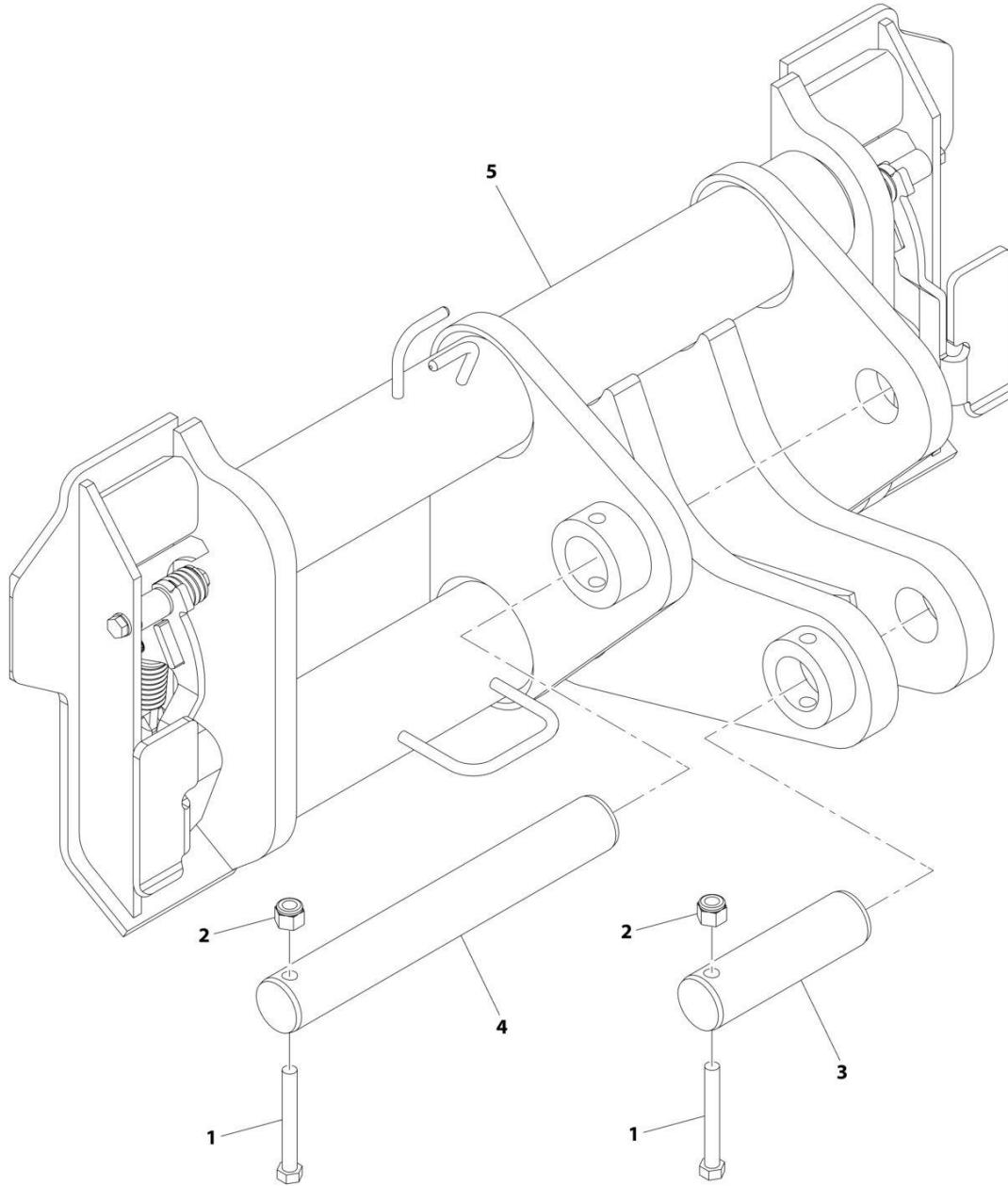
ART_1001080333-C

FIGURE 2-7. FORK LOCKING CYLINDER KIT

ITEM	PART NUMBER	QTY	DESCRIPTION	REV
	1001080333	Ref	Fork Locking Cylinder Kit	C
1	3391410	2	Split Pin	
2	8001888	2	Pin	
3	8002110	2	Clevis Pin	
4	2130404	2	Elbow, 90	
5	1001080334	Ref	Hydraulic Quick Coupler Cylinder, (See Separate Breakdown in HYDRAULIC COMPONENTS Section)	

SECTION 2 - BOOM

FIGURE 2-8. COUPLER INSTALLATION, UNIVERSAL (MANUAL)



ART_1001101185-C

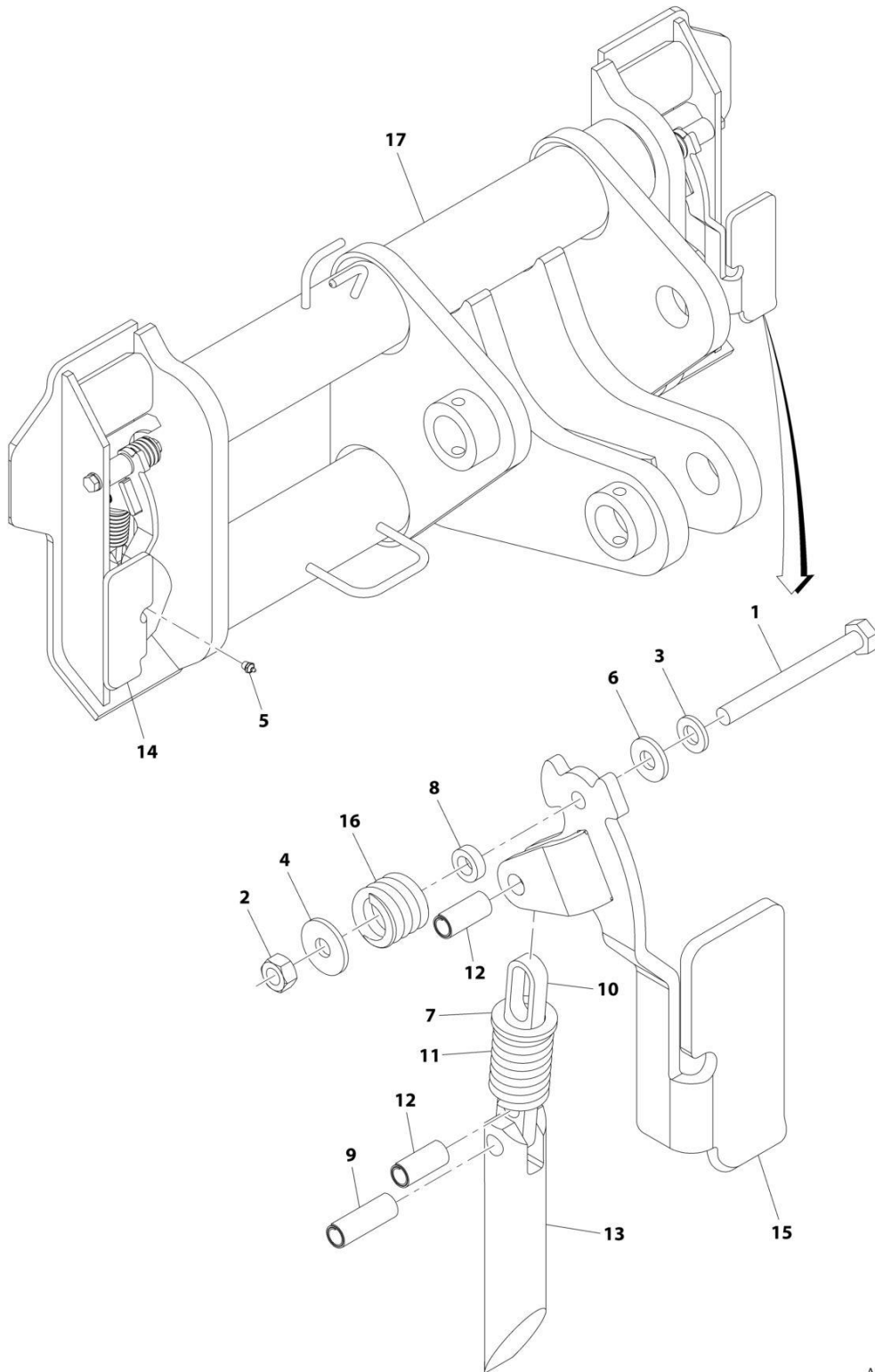
SECTION 2 - BOOM

FIGURE 2-8. COUPLER INSTALLATION, UNIVERSAL (MANUAL)

ITEM	PART NUMBER	QTY	DESCRIPTION	REV
	1001101185	Ref	Coupler Installation, Universal (Manual)	C
1	0681832	2	Hex HD Capscrew, 1/2-13X4, GR8	
2	88521208	2	Locknut, 1/2-13	
3	1001097728	1	Fork Cylinder Rod Pin	
4	1001097729	1	Universal Quick Coupler Pivot Pin	
5	1001117498	Ref	Universal Quick Coupler Assembly (See Separate Breakdown in this Section)	

SECTION 2 - BOOM

FIGURE 2-9. UNIVERSAL QUICK COUPLER ASSEMBLY



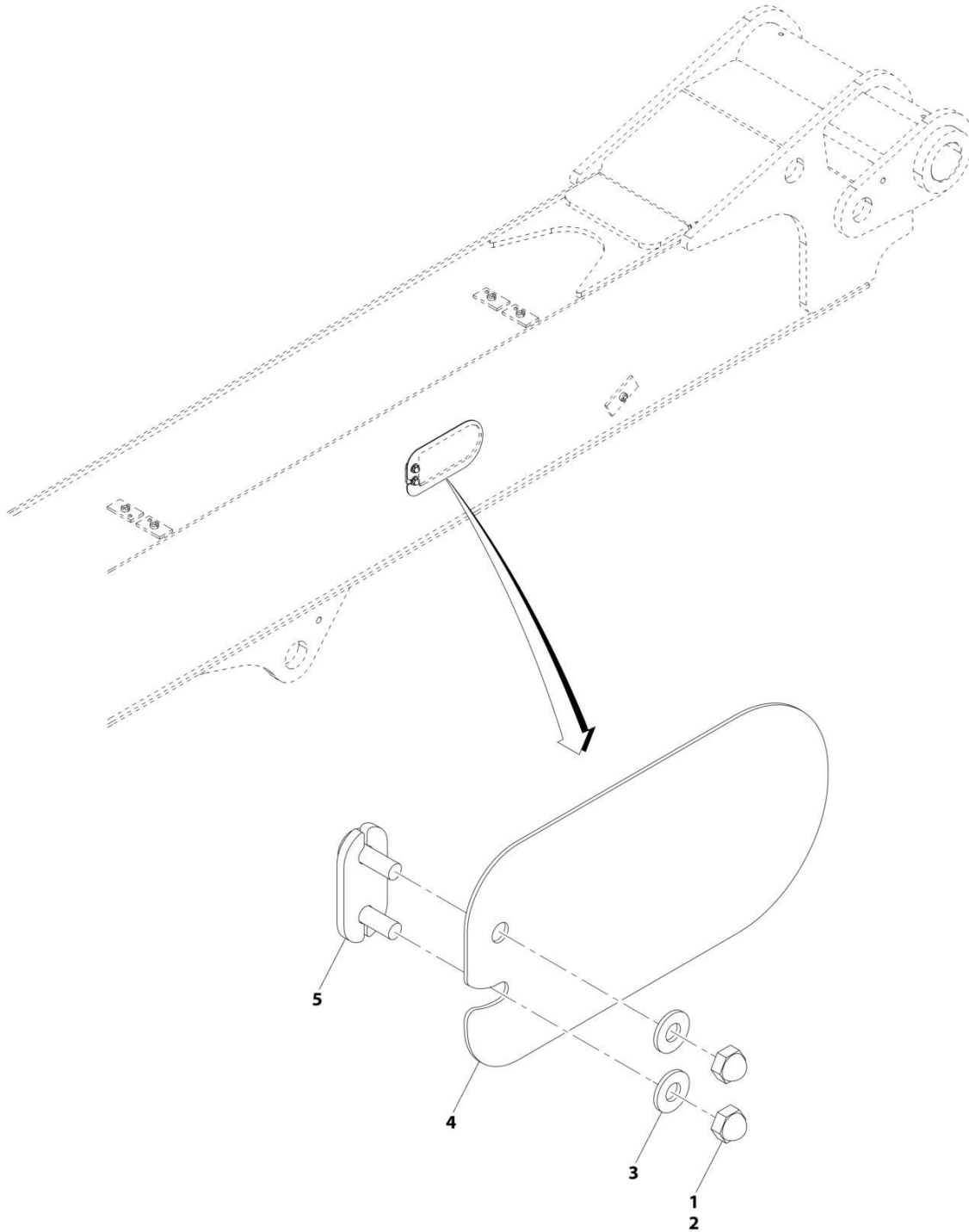
ART_1001117498-C

FIGURE 2-9. UNIVERSAL QUICK COUPLER ASSEMBLY

ITEM	PART NUMBER	QTY	DESCRIPTION	REV
	1001117498	Ref	Universal Quick Coupler Assembly, (if ordering for the first time, refer to Decals Section for the appropriate capacity chart)	C
1	0701027	2	Hex HD Capscrew	
2	3291007	2	Hex Locknut, M10X1.5, Gr8	
3	5241000	2	Washer, 10mm	
4	1001003299	2	Washer	
5	1001008479	2	Grease Fitting	
6	1001008979	2	Washer	
7	1001009094	2	Washer	
8	1001055652	2	Washer	
9	1001061633	2	Spring Pin	
10	1001061659	2	Plate	
11	1001061660	2	Spring	
12	1001061662	4	Spring Pin	
13	1001061891	2	Pin	
14	1001061892	1	LH Handle	
15	1001061893	1	RH Handle	
16	1001062117	2	Spring	
17	N.S.S.	1	Universal Quick Coupler Weldment	

SECTION 2 - BOOM

FIGURE 2-10. BOOM SIDE COVER INSTALLATION



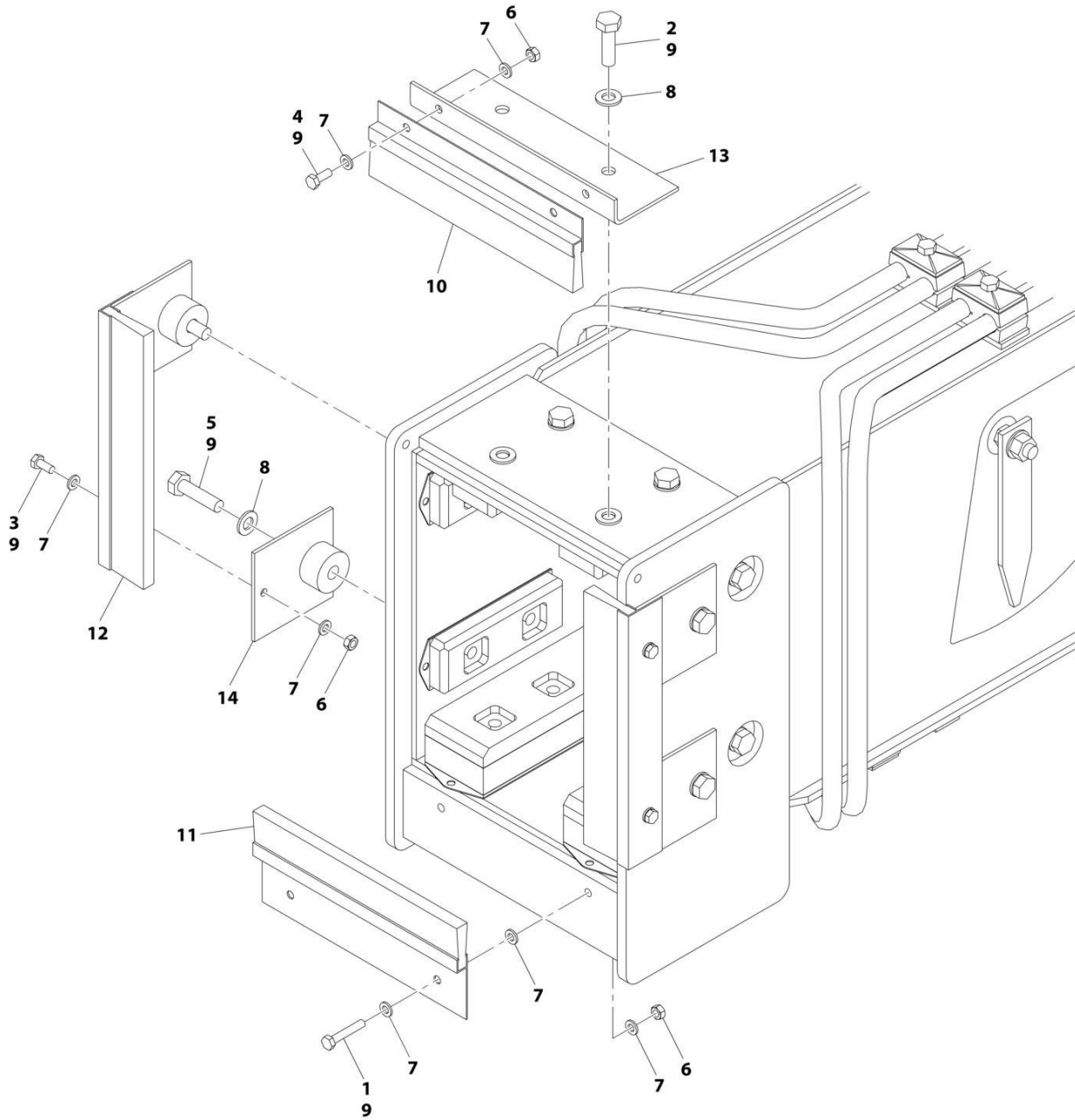
ART_1001139177-C

FIGURE 2-10. BOOM SIDE COVER INSTALLATION

ITEM	PART NUMBER	QTY	DESCRIPTION	REV
	1001139177	Ref	Boom Side Cover Installation	C
1	0100011	AR	Compound, Locking	
2	3300430	2	Acorn Nut, 1/4-20	
3	4711400	2	Washer, 1/4	
4	1001139042	1	Boom Side Cover Panel	
5	1001139043	1	Cover Retainer Screw	

SECTION 2 - BOOM

FIGURE 2-11. BOOM BRUSHES INSTALLATION



ART_1001146888-B

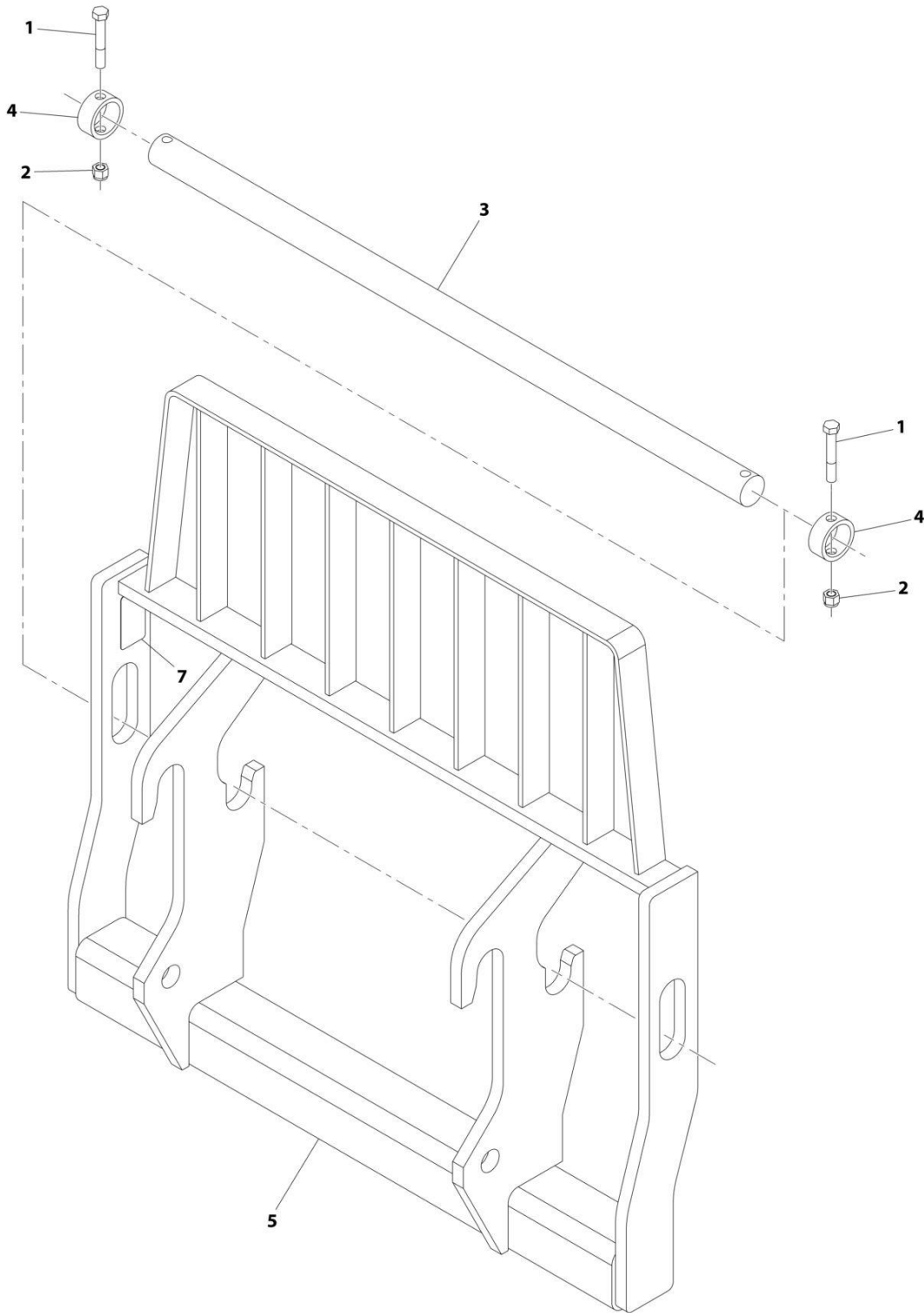
FIGURE 2-11. BOOM BRUSHES INSTALLATION

ITEM	PART NUMBER	QTY	DESCRIPTION	REV
	1001146888	Ref	Boom Brushes Installation	B
1	0700615	2	Hex HD Capscrew, M6X35, GR8.8	
2	0701015	2	Hex HD Capscrew, M10X35, GR8.8	
3	0760607	4	Hex HD Capscrew, M6X14, GR8.8	
4	0760608	2	Hex HD Capscrew, M6X16, GR8.8	
5	0761016	4	Hex HD Capscrew, M10X40, GR8.	
6	3290601	8	Hex Nut, M6X1	
7	4811700	18	Washer, M6	
8	4812000	6	Washer, M10	
9	1001095650	AR	Compound, Locking	
10	1001146830	1	Brush Seal, Boom Top	
11	1001146831	1	Brush Seal, Boom Bottom	
12	1001146832	2	Brush Seal, Boom Side	
13	1001146887	1	Stiffener Bar	
14	1001153277	4	Side Boom Brush Plate	

SECTION 3 - ATTACHMENTS

SECTION 3 - ATTACHMENTS

FIGURE 3-1. CARRIAGE ASSEMBLY, (50INCH/1270MM)



ART_1001104435-E

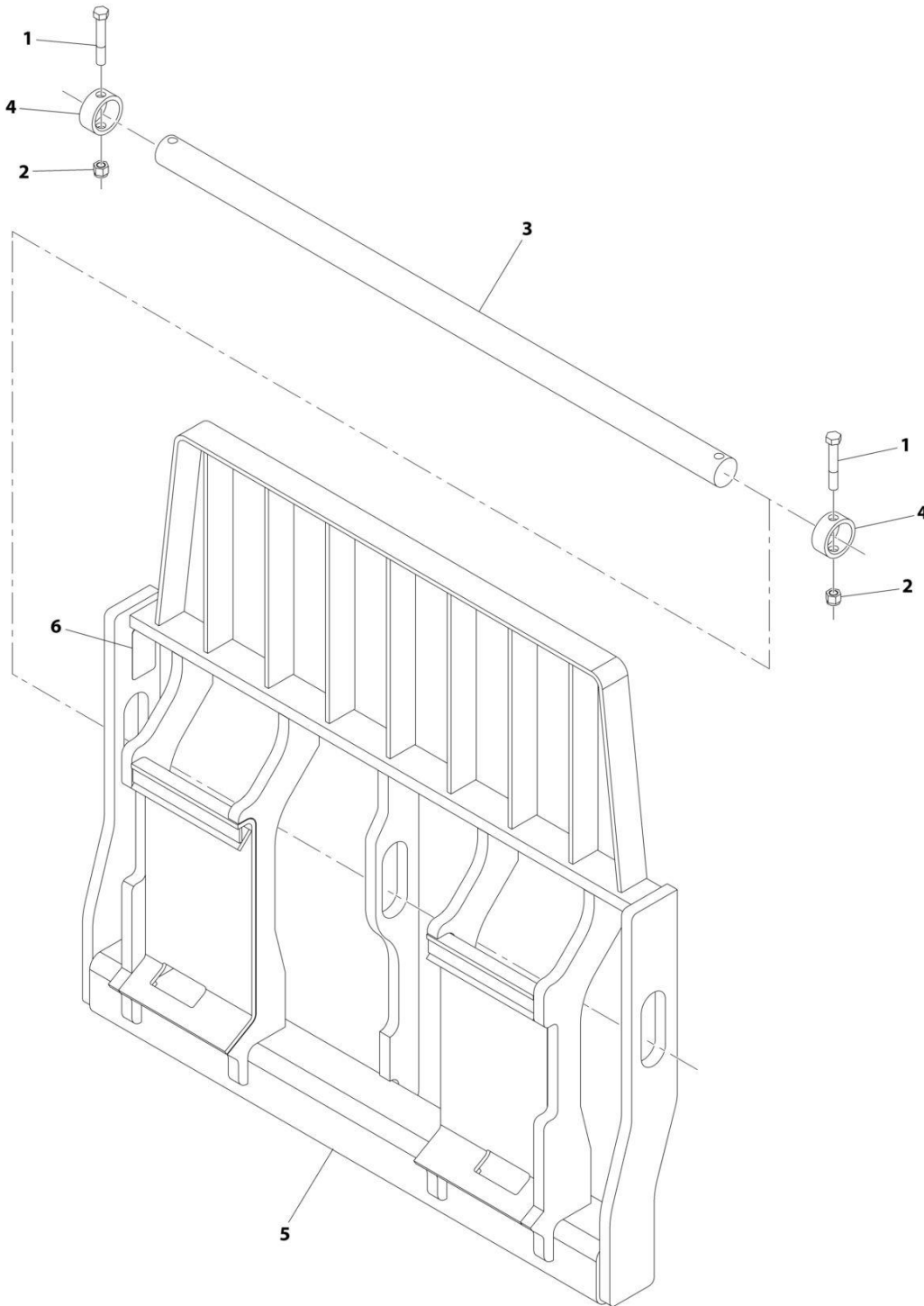
SECTION 3 - ATTACHMENTS

FIGURE 3-1. CARRIAGE ASSEMBLY, (50INCH/1270MM)

ITEM	PART NUMBER	QTY	DESCRIPTION	REV
	1001104435	Ref	Carriage Assembly, (50Inch/1270mm)	H
1	0642032	2	Hex HD Capscrew, 5/8-11X4	
2	3300240	2	Locknut, 5/8-11	
3	3423275	1	Fork Pin	
4	90200003	2	Collar	
5	N.S.S.	1	Carriage Weldment	
7	N.S.S.	1	S/N Plate	

SECTION 3 - ATTACHMENTS

FIGURE 3-2. CARRIAGE ASSEMBLY, UNIVERSAL QUICK ATTACH, (48IN/1219.2MM)



ART_1001113038-D

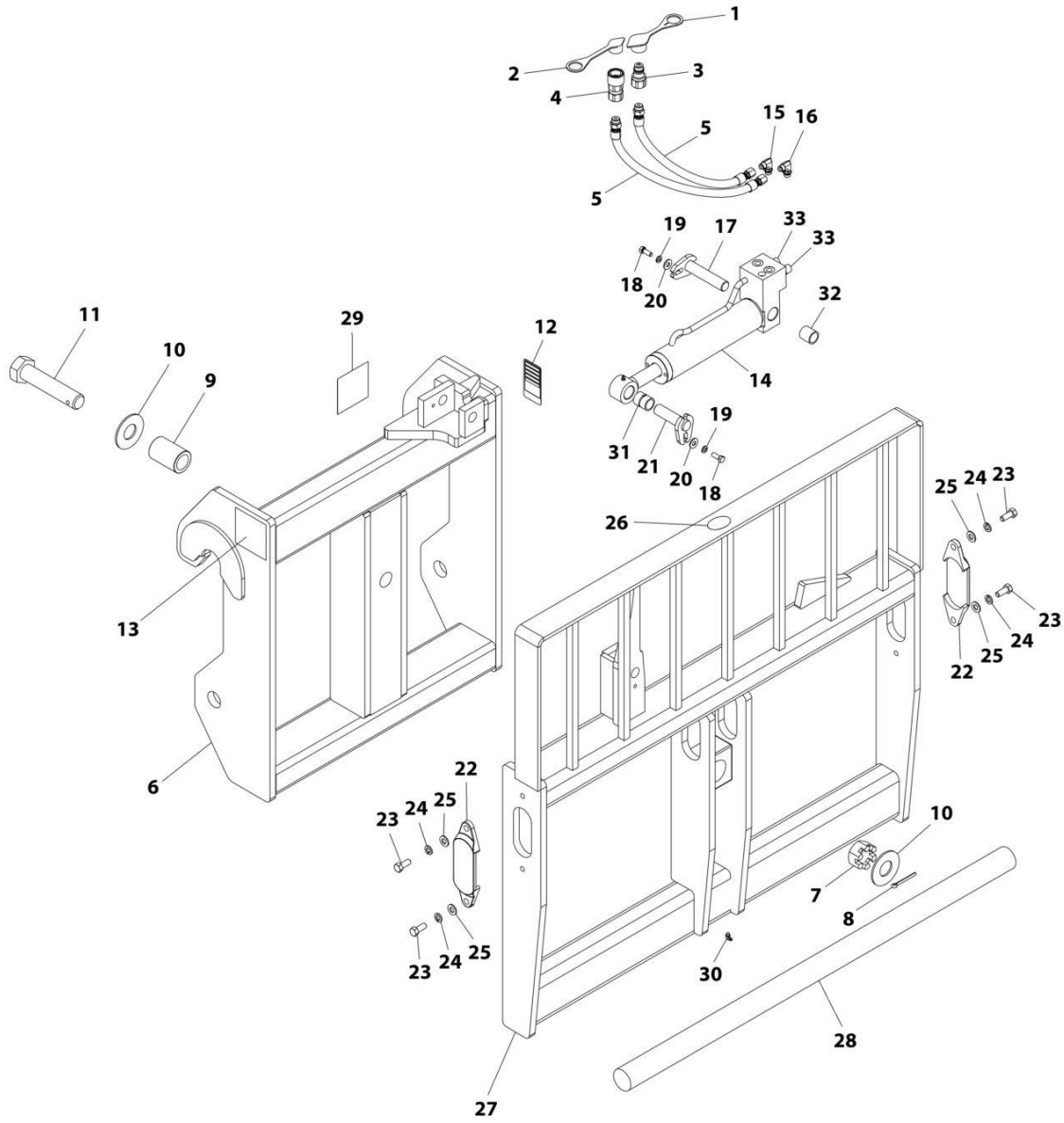
SECTION 3 - ATTACHMENTS

FIGURE 3-2. CARRIAGE ASSEMBLY, UNIVERSAL QUICK ATTACH, (48IN/1219.2MM)

ITEM	PART NUMBER	QTY	DESCRIPTION	REV
	1001113038	Ref	Carriage Assembly, Universal Quick Attach, (48Inch/1219.2mm)	D
1	0642032	2	Hex HD Capscrew, 5/8-11X4, GR5	
2	3300240	2	Locknut, 5/8-11	
3	3423275	1	Fork Pin	
4	90200003	2	Collar	
5	N.S.S.	1	Carriage Weldment	
6	N.S.S.	1	S/N Plate	

SECTION 3 - ATTACHMENTS

FIGURE 3-3. CARRIAGE, SIDE TILT, (48IN)



ART_1001102331-G

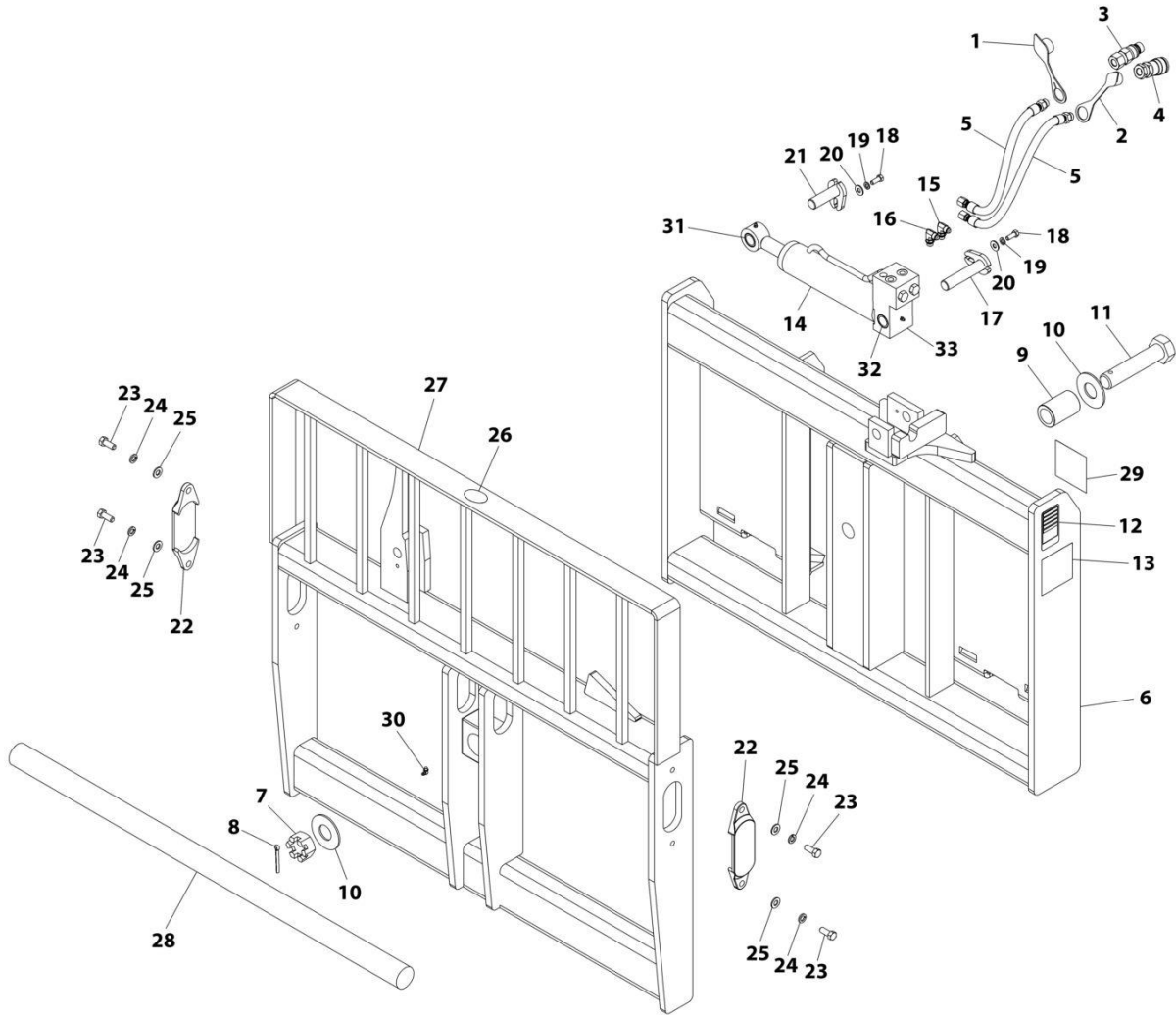
SECTION 3 - ATTACHMENTS

FIGURE 3-3. CARRIAGE, SIDE TILT, (48IN)

ITEM	PART NUMBER	QTY	DESCRIPTION	REV
	1001102331	Ref	Carriage, Side Tilt (48in)	1
1	1001003475	1	Dust Cap, Male	
2	1001003474	1	Plug, Dust, Female	
3	7029692	1	Hydraulic Couplier, Male	
4	70021342	1	Hydraulic Couplier, Female	
5	70021343	2	Hose	
6	N.S.S.	1	Rear Frame Weldment	
7	7029713	1	Nut	
8	7029700	1	Pin, Cotter	
9	70021345	1	Spacer	
10	70021346	2	Washer	
11	70021347	1	Bolt	
12	N.S.S.	1	Serial Tag	
13	90554017	1	Decal	
14	70021363	1	Cylinder Assembly (See Separate Breakdown in HYDRAULIC COMPONENTS Section)	
15	90554065	1	Hydraulic Fitting	
16	7029705	1	Hydraulic Fitting	
17	70021348	1	Pin	
18	70021349	2	Bolt	
19	90554042	2	Washer, Lock	
20	70021350	2	Washer	
21	70021351	1	Pin	
22	7029690	2	Fork Pin Retainer	
23	7029691	4	Bolt	
24	90554020	4	Washer, Lock	
25	70021338	4	Washer	
26	90554016	1	Decal	
27	N.S.S.	1	Front Frame	
28	70022105	1	Fork Pin	
29	7029711	1	Decal	
30	70022106	1	Zerk, Grease	
31	70021447	1	Bushing	
32	70021448	2	Bushing	
33	70021464	2	Valve	

SECTION 3 - ATTACHMENTS

FIGURE 3-4. CARRIAGE, SIDE TILT, UNIVERSAL QUICK ATTACH, (48IN)



ART_1001104009-G

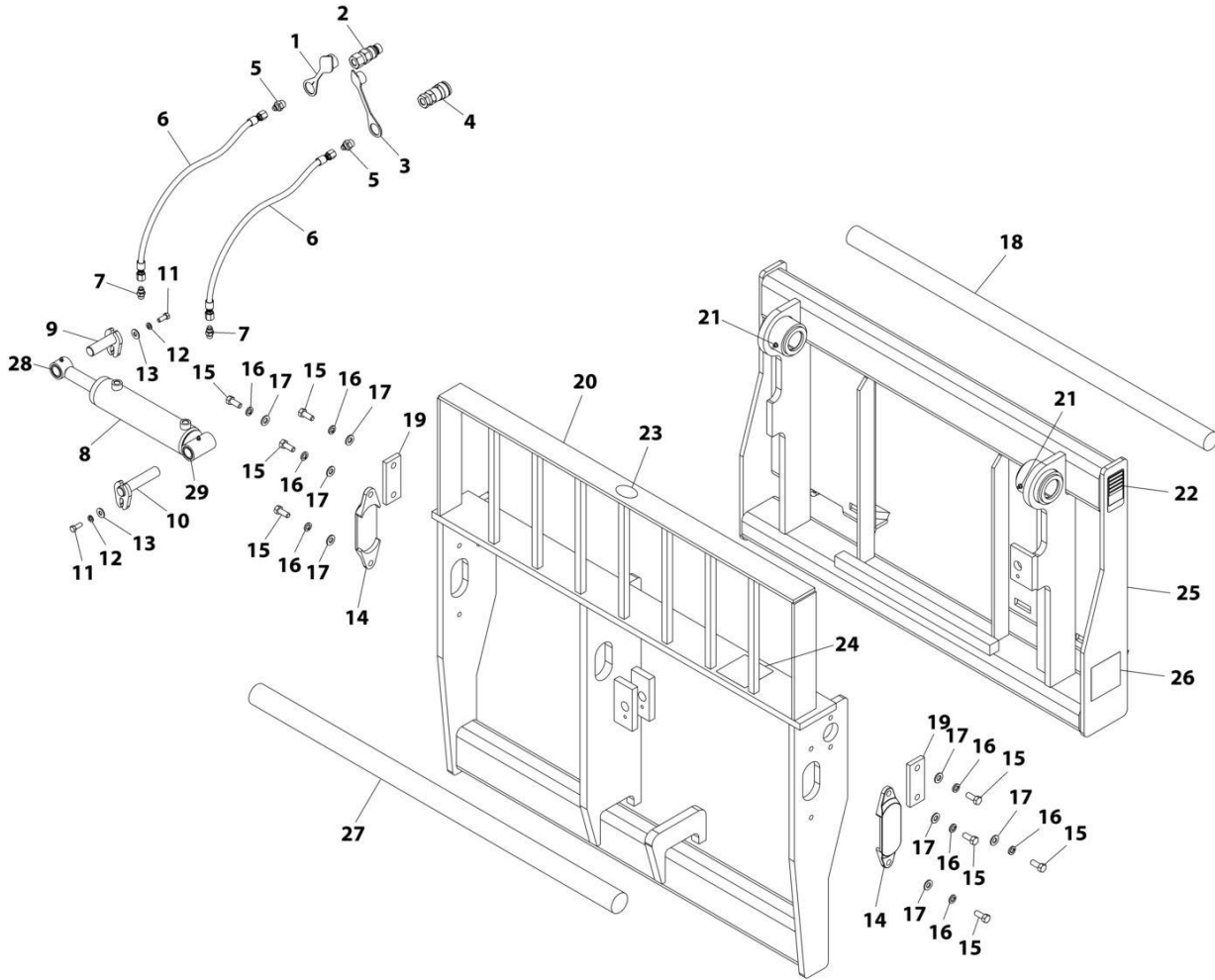
SECTION 3 - ATTACHMENTS

FIGURE 3-4. CARRIAGE, SIDE TILT, UNIVERSAL QUICK ATTACH, (48IN)

ITEM	PART NUMBER	QTY	DESCRIPTION	REV
	1001104009	Ref	Carriage, Side Tilt, Universal Quick Attach (48in)	1
1	70022097	1	Dust Cap, Male	
2	70022102	1	Plug, Dust, Female	
3	70022103	1	Hydraulic Couplier, Male	
4	70022104	1	Hydraulic Couplier, Female	
5	70021343	2	Hose	
6	N.S.S.	1	Rear Frame Weldment	
7	7029713	1	Nut	
8	7029700	1	Pin, Cotter	
9	70021345	1	Spacer	
10	70021346	2	Washer	
11	70021347	1	Bolt	
12	N.S.S.	1	Serial Tag	
13	90554017	1	Decal	
14	70021363	1	Cylinder Assembly (See Separate Breakdown in HYDRAULIC COMPONENTS Section)	
15	90554065	1	Hydraulic Fitting	
16	7029705	1	Hydraulic Fitting	
17	70021348	1	Pin	
18	70021349	2	Bolt	
19	90554042	2	Washer, Lock	
20	70021350	2	Washer	
21	70021351	1	Pin	
22	7029690	2	Fork Pin Retainer	
23	7029691	4	Bolt	
24	90554020	4	Washer, Lock	
25	70021338	4	Washer	
26	90554016	1	Decal	
27	N.S.S.	1	Front Frame	
28	70022105	1	Fork Pin	
29	7029711	1	Decal	
30	70022106	1	Zerk, Grease	
31	70021447	1	Bushing	
32	70021448	2	Bushing	
33	70021464	2	Valve	

SECTION 3 - ATTACHMENTS

FIGURE 3-5. CARRIAGE, SIDE SHIFT, UNIVERSAL QUICK ATTACH, (48IN)



ART_1001104025-G

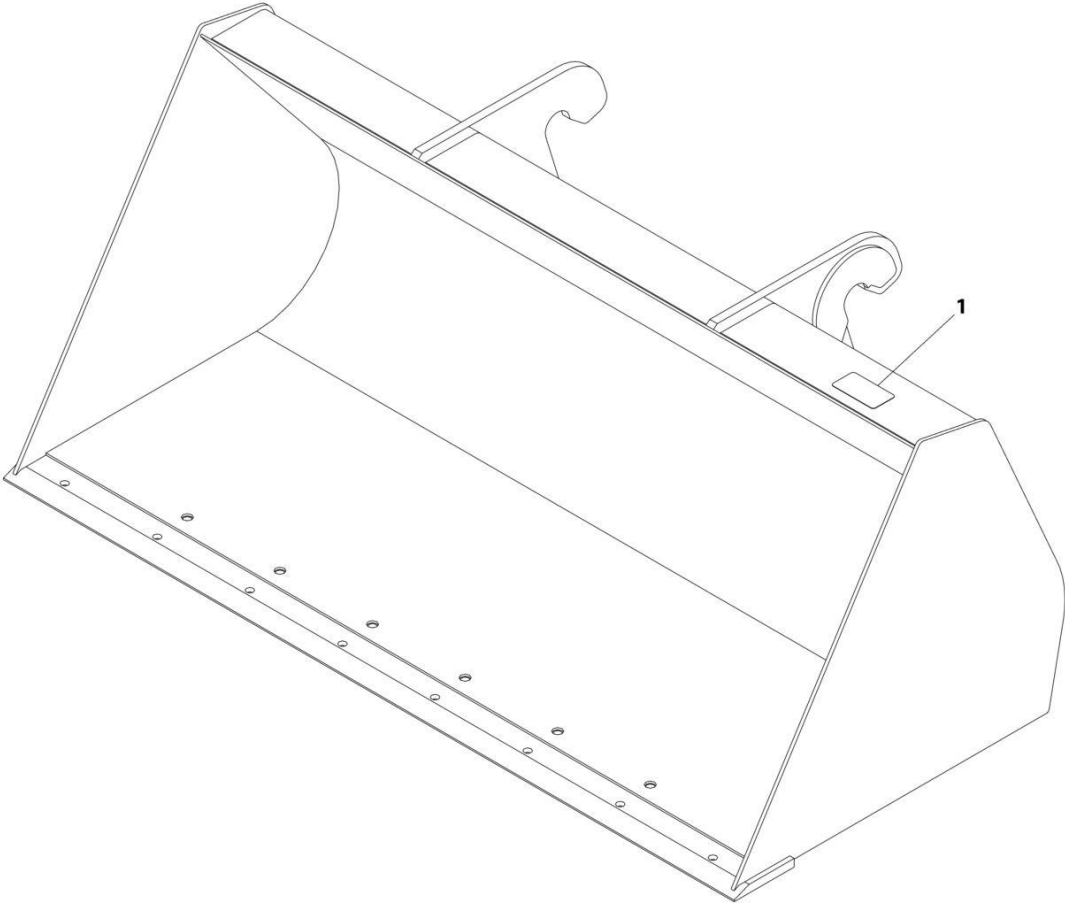
SECTION 3 - ATTACHMENTS

FIGURE 3-5. CARRIAGE, SIDE SHIFT, UNIVERSAL QUICK ATTACH, (48IN)

ITEM	PART NUMBER	QTY	DESCRIPTION	REV
	1001104025	Ref	Carriage, Side Shift, Universal Quick Attach (48in)	I
1	70022097	1	Dust Cap, Male	
2	70022103	1	Hydraulic Couplier, Male	
3	70022102	1	Plug, Dust, Female	
4	70022104	1	Hydraulic Couplier, Female	
5	70021397	2	Hydraulic Fitting	
6	70022107	2	Hose	
7	70021415	2	Hydraulic Fitting	
8	70022108	1	Cylinder Assembly (See Separate Breakdown in HYDRAULIC COMPONENTS Section)	
9	70021351	1	Pin	
10	70022110	1	Pin	
11	70021349	2	Bolt	
12	90554042	2	Washer, Lock	
13	70021350	2	Washer	
14	7029690	2	Fork Pin Retainer	
15	70027989	8	Bolt	
16	90554020	8	Washer, Lock	
17	70021338	4	Washer	
18	70022111	1	Fork Pin	
19	70022112	2	Pin Retainer Bar	
20	N.S.S.	1	Front Frame	
21	7029714	2	Zerk, Grease	
22	N.S.S.	1	Serial Tag	
23	70050641	1	Decal	
24	7029711	1	Decal	
25	N.S.S.	1	Rear Frame	
26	90554017	2	Decal	
27	70022105	1	Fork Pin	
28	70021447	1	Bushing	
29	70021448	2	Bushing	

SECTION 3 - ATTACHMENTS

FIGURE 3-6. LIGHT MATERIAL BUCKET, (72INCH) (1.0 YD³/0.76 M³)



ART_1001102324-F

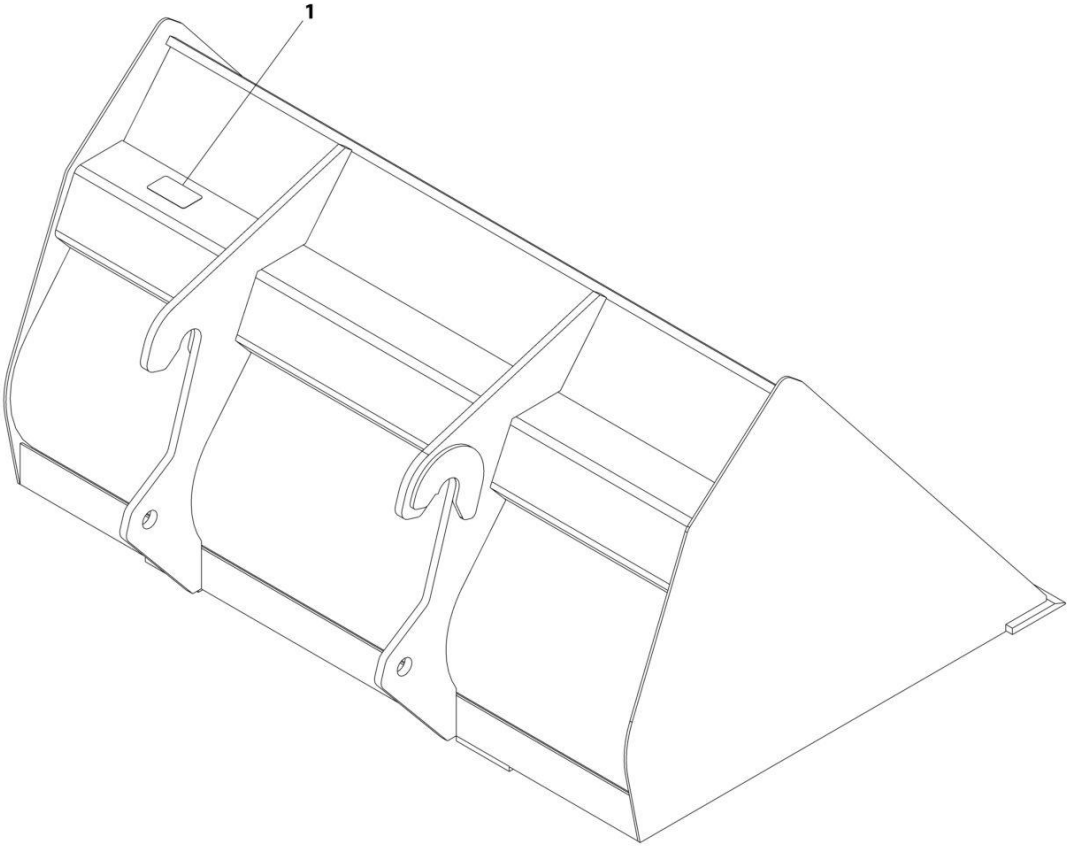
SECTION 3 - ATTACHMENTS

FIGURE 3-6. LIGHT MATERIAL BUCKET, (72INCH) (1.0 YD³/0.76 M³)

ITEM	PART NUMBER	QTY	DESCRIPTION	REV
	1001102324	Ref	Light Material Bucket (72Inch) (1.0 yd ³ /0.76 m ³)	I
	N.S.S.	1	S/N Plate	

SECTION 3 - ATTACHMENTS

FIGURE 3-7. LIGHT MATERIAL BUCKET, (72INCH) (1.7 YD³/1.29 M³)



ART_1001102323-F

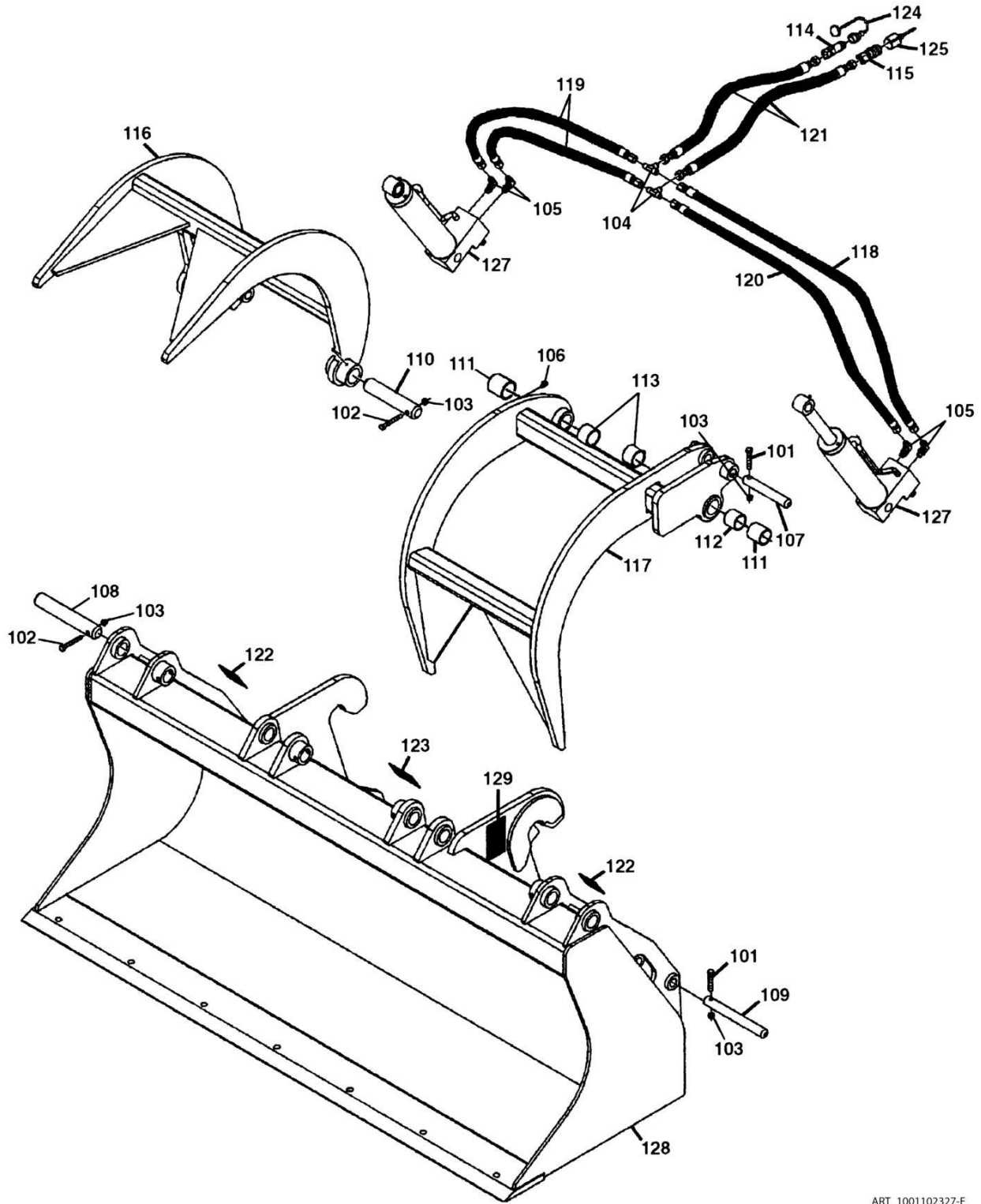
SECTION 3 - ATTACHMENTS

FIGURE 3-7. LIGHT MATERIAL BUCKET, (72INCH) (1.7 YD³/1.29 M³)

ITEM	PART NUMBER	QTY	DESCRIPTION	REV
1	1001102323 N.S.S.	Ref 1	Light Material Bucket (72Inch) (1.7 yd ³ /1.29 m ³) S/N Plate	I

SECTION 3 - ATTACHMENTS

FIGURE 3-8. MULTI-PURPOSE GRAPPLE BUCKET (1850MM) (ANSI - JLG)



ART_1001102327-E

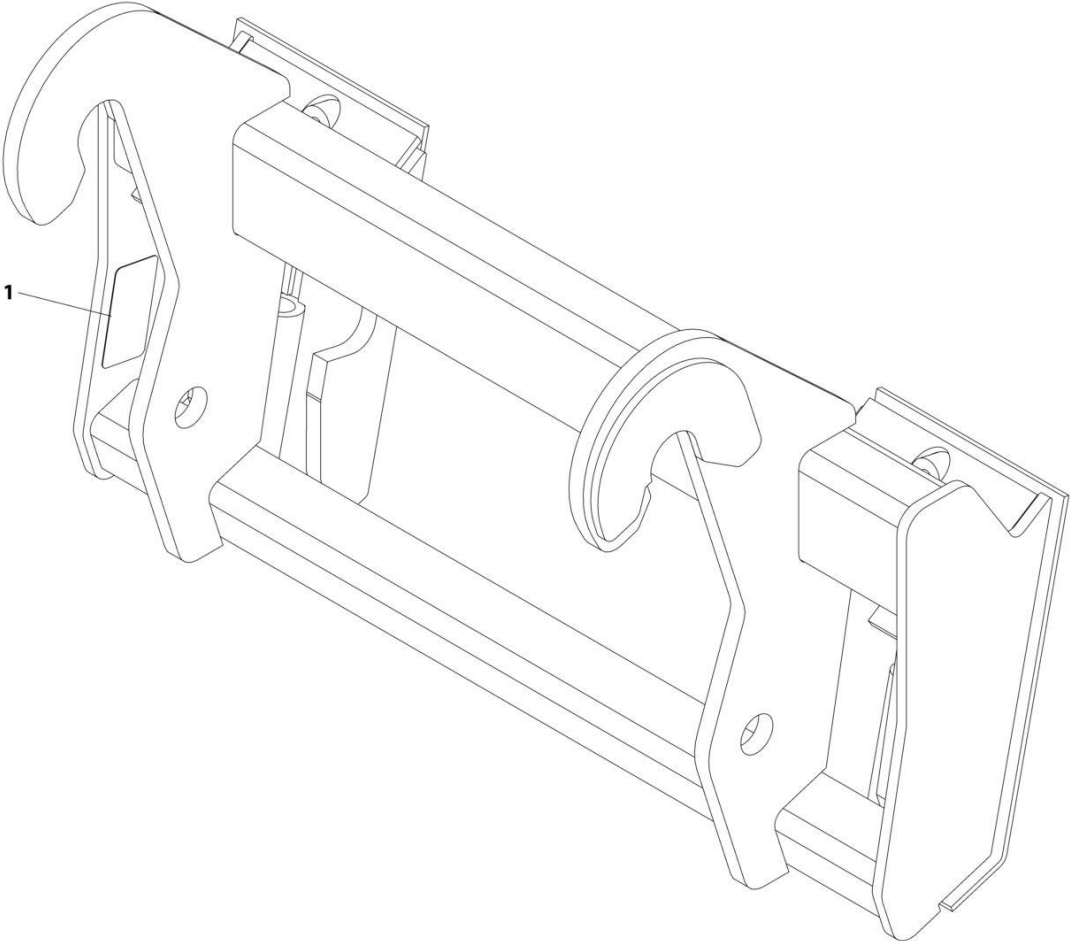
SECTION 3 - ATTACHMENTS

FIGURE 3-8. MULTI-PURPOSE GRAPPLE BUCKET (1850MM) (ANSI - JLG)

ITEM	PART NUMBER	QTY	DESCRIPTION	REV
	1001102327	1	Multi-Purpose Grapple Bucket (1850mm) (ANSI - JLG)	G
101	70021399	4	Screw	
102	70021366	4	Screw	
103	70021367	8	Nut	
104	70020562	2	Fitting, Tee	
105	90554065	4	Fitting, 90	
106	7029714	4	Fitting, Grease	
107	70021364	2	Pin	
108	70021361	2	Pin	
109	70021365	2	Pin	
110	70021362	2	Pin	
111	70021360	4	Bushing	
112	70021359	2	Spacer	
113	70021358	4	Bushing	
114	7029692	1	Fitting, Straight	
115	70021342	1	Fitting, Straight	
116	70021356	1	Grapple Hook, RH	
117	70021357	1	Grapple Hook, LH	
118	70020560	1	Hose	
119	70021368	2	Hose	
120	70021370	1	Hose	
121	70021369	2	Hose	
122	90554017	2	Decal, Pinch Point	
123	7029711	1	Decal, High Pressure	
124	90554062	1	Cap, Dust	
125	90554076	1	Plug, Dust	
126	70021387	4	Clamp (not shown)	
127	70021363	2	Cylinder, Multi-Purpose Grapple Bucket (1850mm) (See Separate Breakdown in Hydraulic Components Section)	
128	N.S.S.	1	Bucket, Grapple	
129	N.S.S.	1	Plate, Serial Number	

SECTION 3 - ATTACHMENTS

FIGURE 3-9. UNIVERSAL HITCH ATTACHMENT



ART_1001102332-E

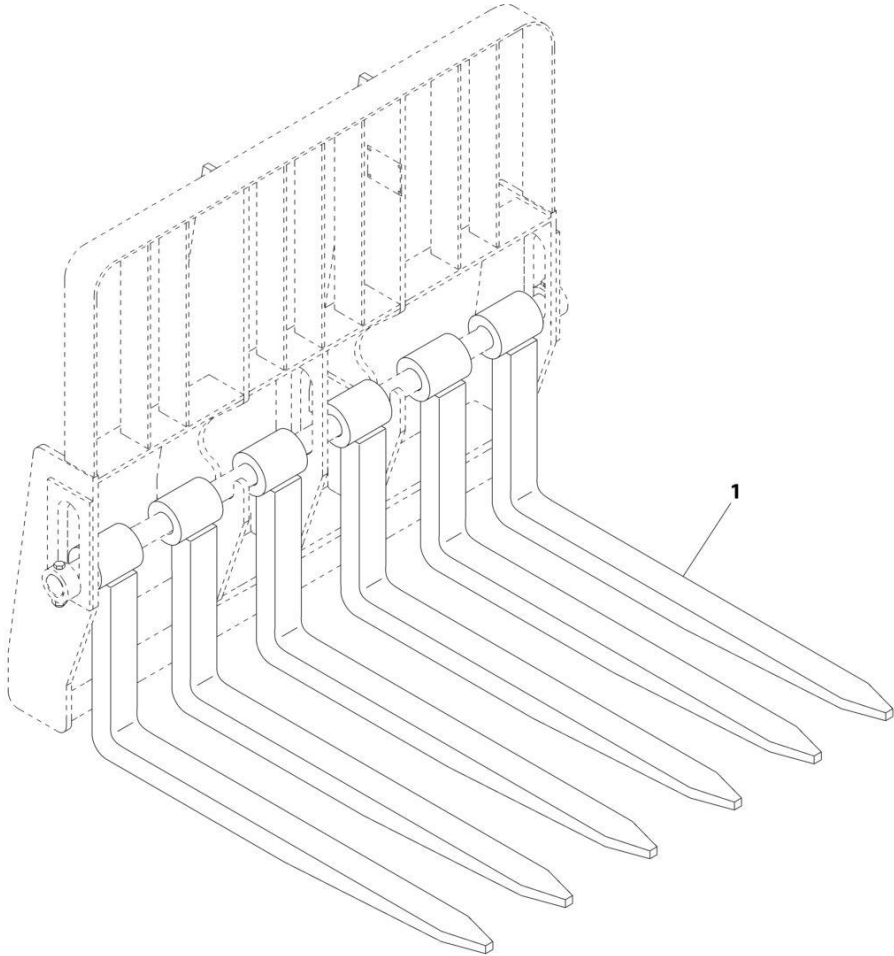
SECTION 3 - ATTACHMENTS

FIGURE 3-9. UNIVERSAL HITCH ATTACHMENT

ITEM	PART NUMBER	QTY	DESCRIPTION	REV
1	1001102332 N.S.S.	Ref 1	Universal Hitch Attachment S/N Plate	E

SECTION 3 - ATTACHMENTS

FIGURE 3-10. BLOCKING FORK (50X50X1220)



ART_2340037

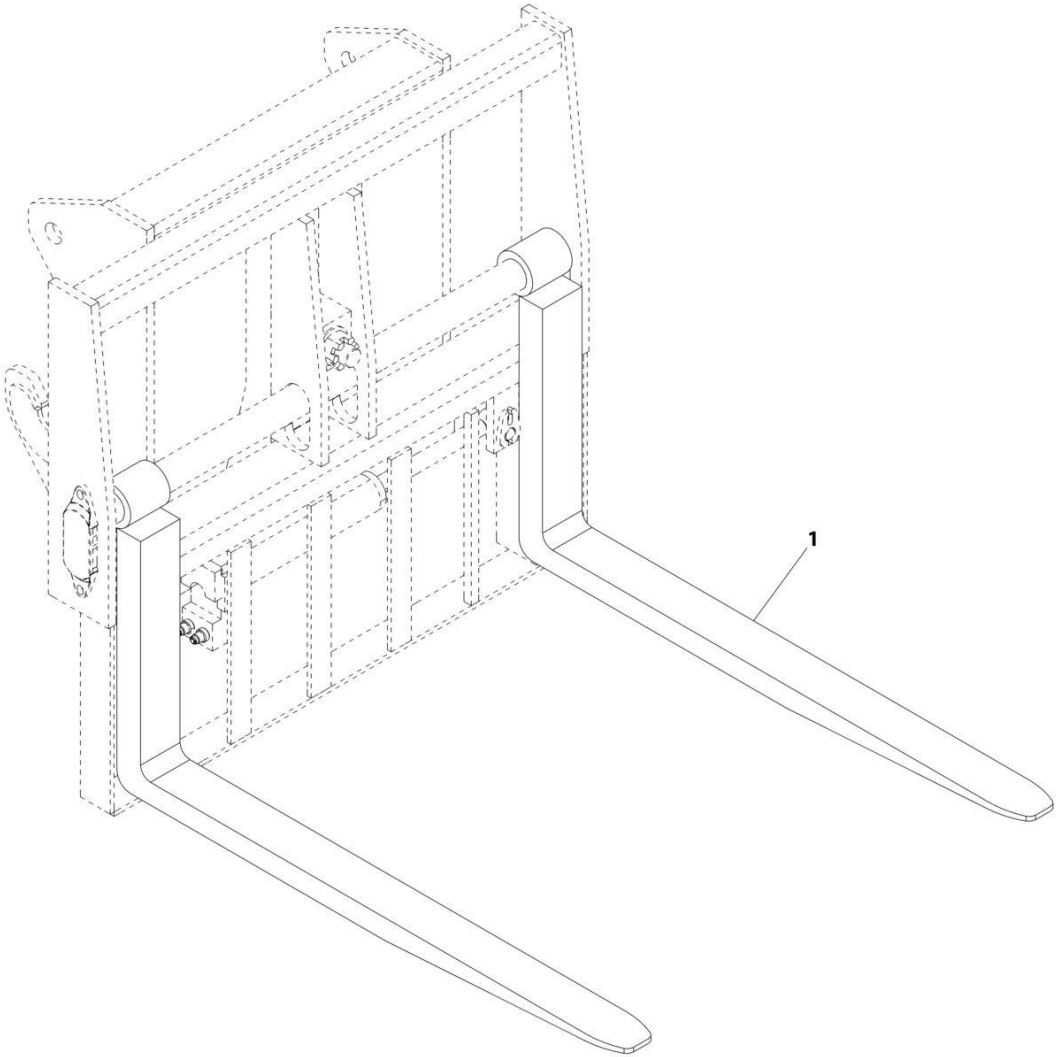
SECTION 3 - ATTACHMENTS

FIGURE 3-10. BLOCKING FORK (50X50X1220)

ITEM	PART NUMBER	QTY	DESCRIPTION	REV
1	2340037	1	Cubing Fork (2.00X2X48)	A
	Note	Ref	FORKS RATED LESS THAN THE ATTACHMENT OR MACHINE'S CAPACITY DECREASES CAPACITY OF THE ATTACHMENT OR MACHINE TO THAT OF THE FORKS. FORKS RATED MORE THAN THE ATTACHMENT OR MACHINE'S CAPACITY DO NOT INCREASE ATTACHMENT OR MACHINE'S CAPACITY.	
	Note	Ref	PLEASE CONSULT JLG PARTS DEPARTMENT TO DETERMINE THE CORRECT FORKS APPLICABLE TO YOUR SPECIFIC CARRIASE ASSEMBLY AND APPLICATION.	

SECTION 3 - ATTACHMENTS

FIGURE 3-11. PALLET FORK (2X4X48)



ART_1001099458-C

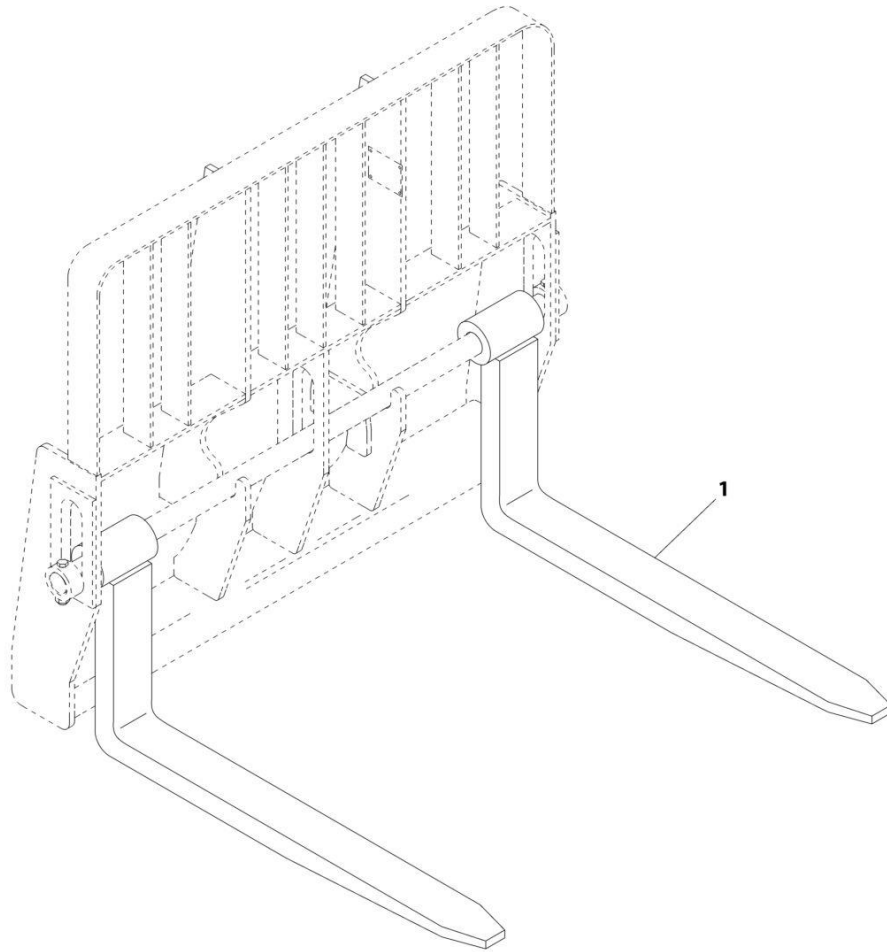
SECTION 3 - ATTACHMENTS

FIGURE 3-11. PALLET FORK (2X4X48)

ITEM	PART NUMBER	QTY	DESCRIPTION	REV
1	1001099458	Ref	Pallet Fork (2X4X48)	C
	Note	Ref	FORKS RATED LESS THAN THE ATTACHMENT OR MACHINE'S CAPACITY DECREASES CAPACITY OF THE ATTACHMENT OR MACHINE TO THAT OF THE FORKS. FORKS RATED MORE THAN THE ATTACHMENT OR MACHINE'S CAPACITY DO NOT INCREASE ATTACHMENT OR MACHINE'S CAPACITY.	
	Note	Ref	PLEASE CONSULT JLG PARTS DEPARTMENT TO DETERMINE THE CORRECT FORKS APPLICABLE TO YOUR SPECIFIC CARRIAGE ASSEMBLY AND APPLICATION.	

SECTION 3 - ATTACHMENTS

FIGURE 3-12. LUMBER FORK (40X150X1540)



ART_1001099457-C

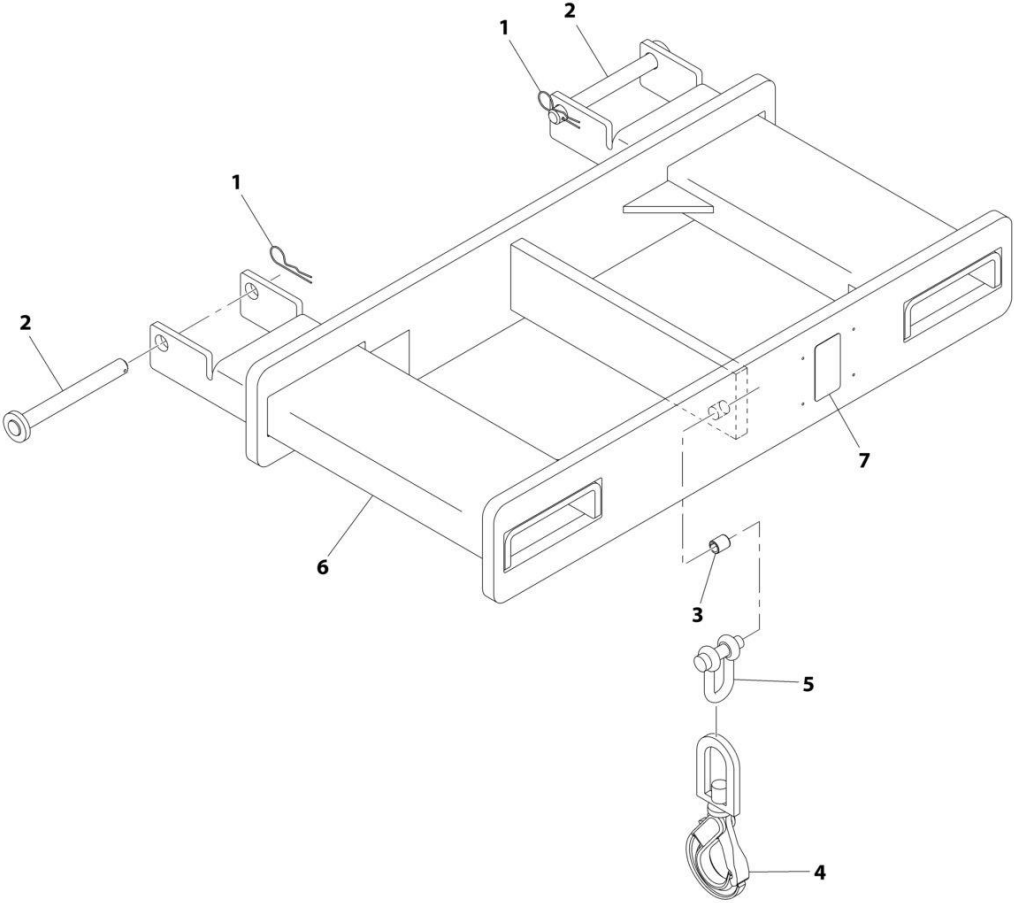
SECTION 3 - ATTACHMENTS

FIGURE 3-12. LUMBER FORK (40X150X1540)

ITEM	PART NUMBER	QTY	DESCRIPTION	REV
1	1001099457	2	Lumber Fork (1.5X6X60)	C
	Note	Ref	FORKS RATED LESS THAN THE ATTACHMENT OR MACHINE'S CAPACITY DECREASES CAPACITY OF THE ATTACHMENT OR MACHINE TO THAT OF THE FORKS. FORKS RATED MORE THAN THE ATTACHMENT OR MACHINE'S CAPACITY DO NOT INCREASE ATTACHMENT OR MACHINE'S CAPACITY.	
	Note	Ref	PLEASE CONSULT JLG PARTS DEPARTMENT TO DETERMINE THE CORRECT FORKS APPLICABLE TO YOUR SPECIFIC CARRIAGE ASSEMBLY AND APPLICATION.	

SECTION 3 - ATTACHMENTS

FIGURE 3-13. FORK MOUNTED HOOK (4 TON)



ART_1001097205-I

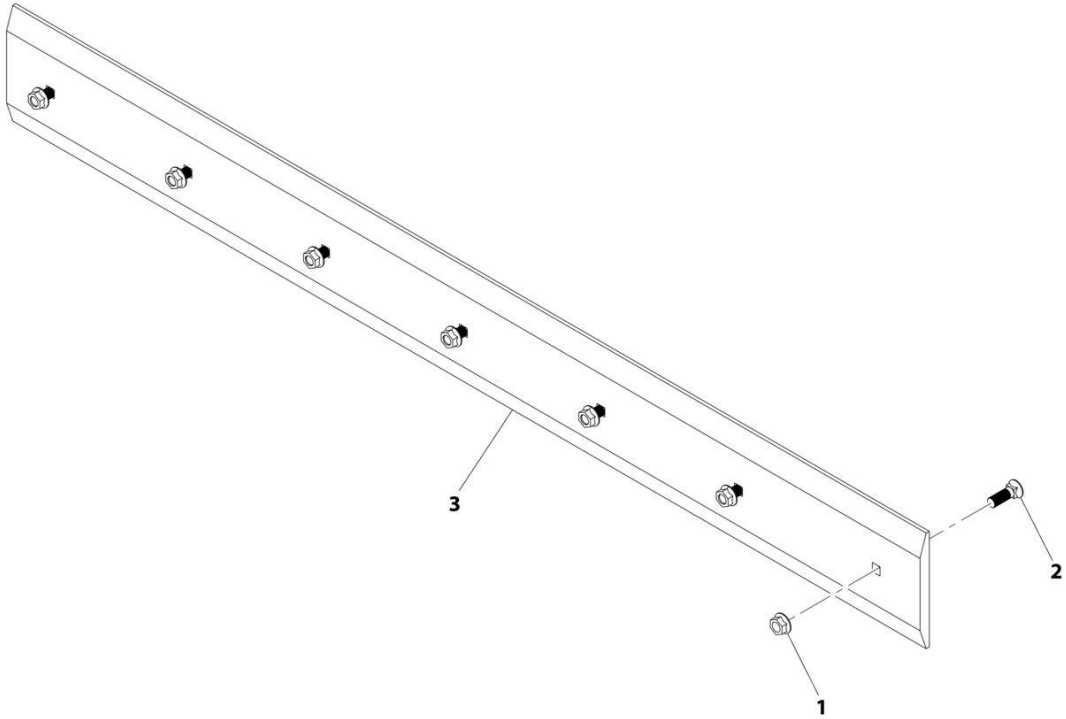
SECTION 3 - ATTACHMENTS

FIGURE 3-13. FORK MOUNTED HOOK (4 TON)

ITEM	PART NUMBER	QTY	DESCRIPTION	REV
	1001097205	Ref	Fork Mounted Hook (4 Ton)	J
1	7029520	2	Pin, Cotter	
2	1001093171	2	Pin	
3	70020555	1	Bushing	
4	90554080	1	Hook	
5	7029521	1	Shackle	
6	See Note	NSS	Frame, Hook (Note: Purchase Complete Assembly)	
7	See Note	NSS	S/N Plate (Note: Stamped Part - Not Available for Purchase)	

SECTION 3 - ATTACHMENTS

FIGURE 3-14. BOLT-ON EDGE ASSEMBLY, 72"



ART_1001162898 -A

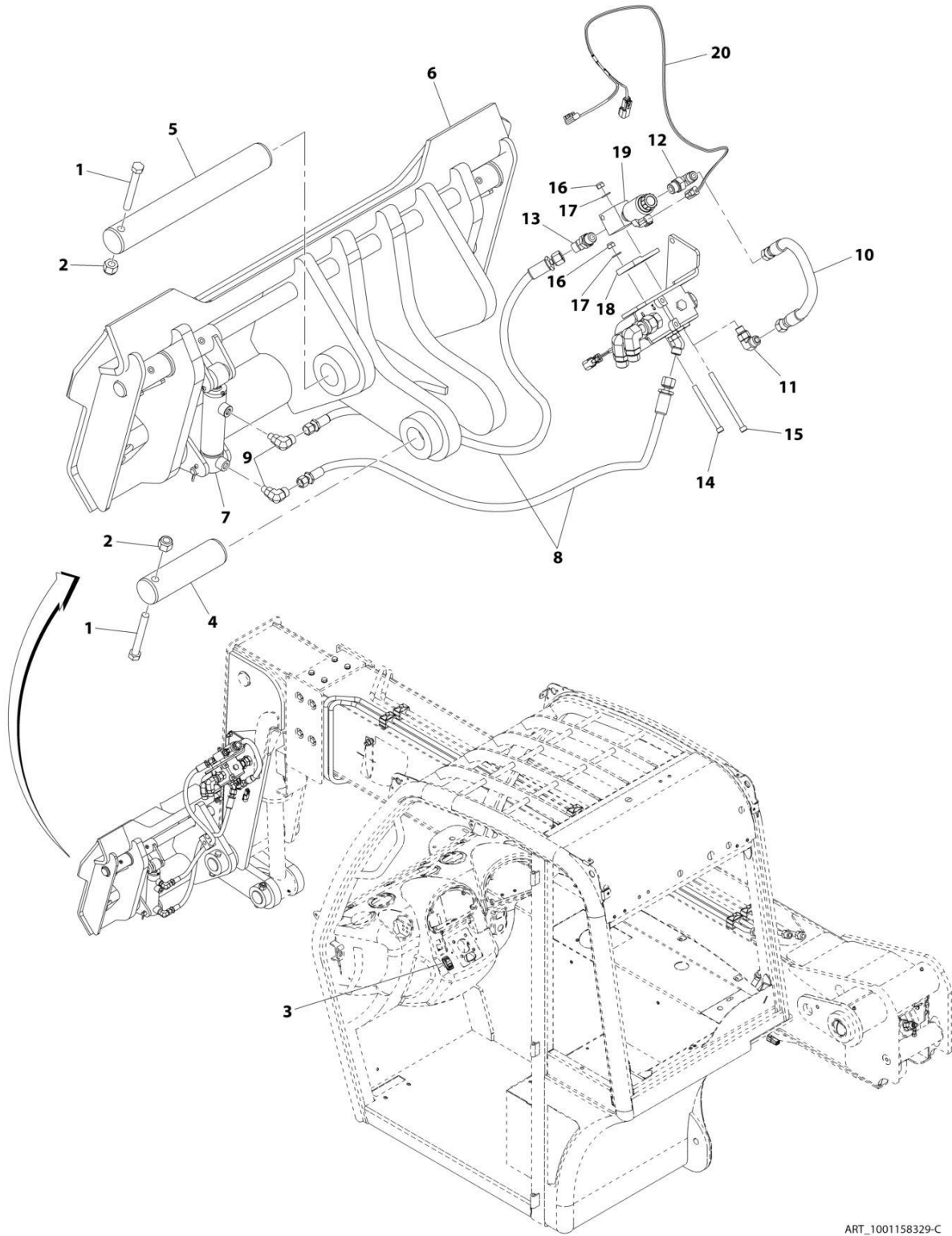
SECTION 3 - ATTACHMENTS

FIGURE 3-14. BOLT-ON EDGE ASSEMBLY, 72"

ITEM	PART NUMBER	QTY	DESCRIPTION	REV
1	1001162898	1	Bolt-On Edge Assembly, 72"	A

SECTION 3 - ATTACHMENTS

FIGURE 3-15. HYDRAULIC QUICK SWITCH INSTALLATION



ART_1001158329-C

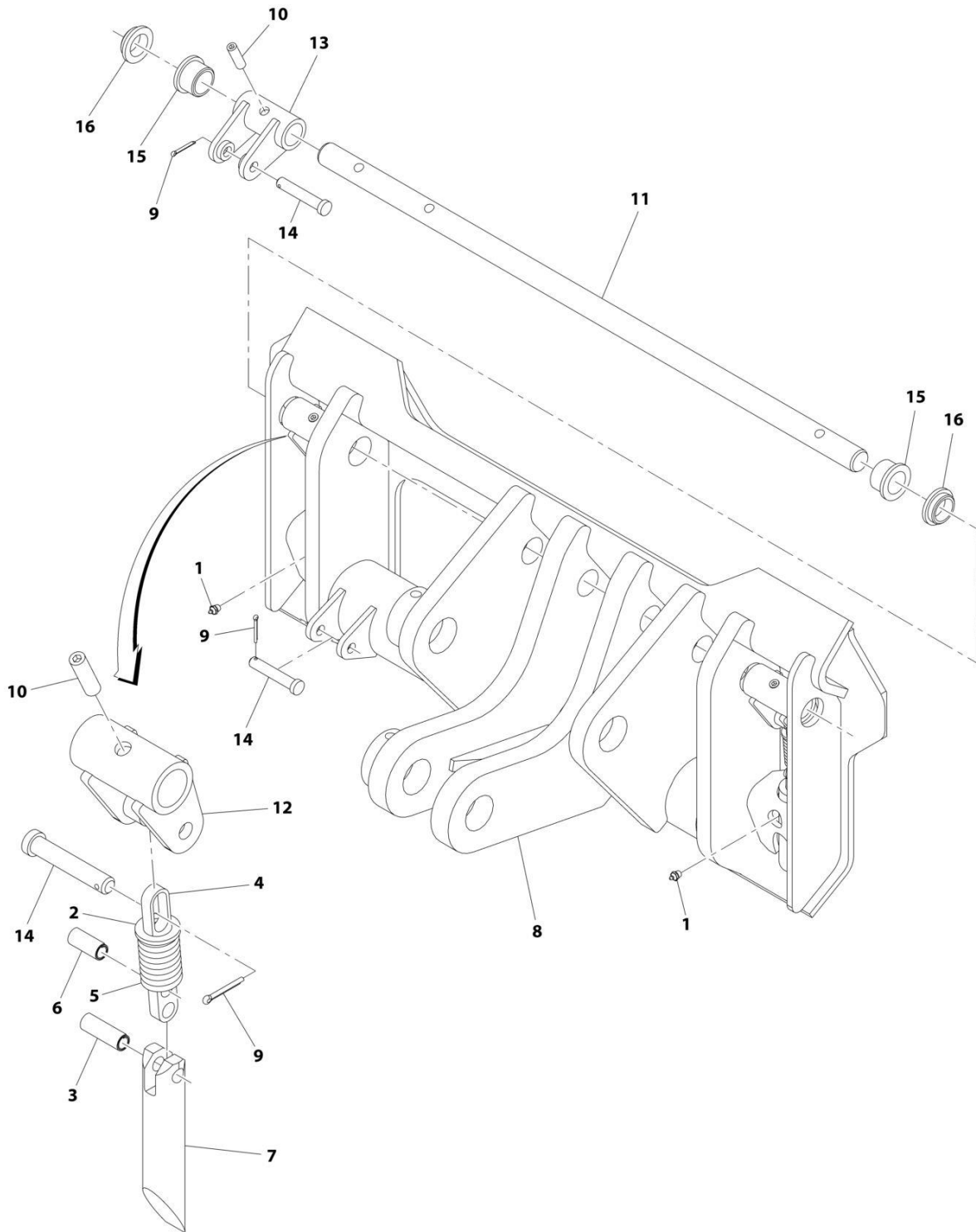
SECTION 3 - ATTACHMENTS

FIGURE 3-15. HYDRAULIC QUICK SWITCH INSTALLATION

ITEM	PART NUMBER	QTY	DESCRIPTION	REV
	1001158329	Ref	Installtion, Hydraulic Quick Switch	C
1	0641832	2	Bolt, 1/2-13X4	
2	88521208	2	Nut, Lock 1/2-13	
3	1001080375	1	Switch	
4	1001097728	1	Pin, Fork	
5	1001097729	1	Pin, Pivot	
6	1001158352	1	Assembly, Quick Switch (See Separate Breakdown in this Section)	
7	1001160926	1	Cylinder, Fork Locking	
8	1001161759	2 in	Hose	
9	2130604	2	Fitting, 90	
10	1001137106	1	Hose	
11	2130606	1	Fitting, 90	
12	2130608	1	Fitting, 90	
13	2150608	1	Fitting	
14	3931556	1	Socket Screw, 5-16-18X3-1/2	
15	3931572	1	Socket Screw, 5-16X4.50	
16	8305626	2	Nut, Lock .312-18	
17	8307106	2	Washer, .312	
18	1001207768	1	Bracket, Valve	
19	1001207926	1	Assembly, Valve Block (See Separate Breakdown in Hydraulic Components Section)	
20	1001209009	1	Harness, Valve Jumper (See Separate Breakdown in Electrical Components Section)	

SECTION 3 - ATTACHMENTS

FIGURE 3-16. QUICK SWITCH ASSEMBLY



ART_1001158352-D

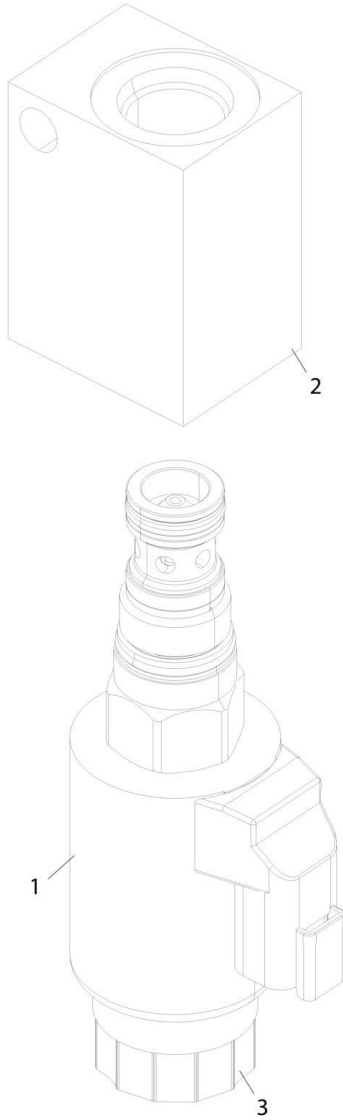
SECTION 3 - ATTACHMENTS

FIGURE 3-16. QUICK SWITCH ASSEMBLY

ITEM	PART NUMBER	QTY	DESCRIPTION	REV
	1001158352	Ref	Quick Switch Assembly	D
1	1001008479	2	Grease Fitting	
2	1001009094	2	Washer	
3	1001061633	2	Spring Pin	
4	1001178059	2	Plate, Quick Switch	
5	1001061660	2	Spring	
6	1001061662	2	Spring Pin	
7	1001061891	2	Pin	
8	N.S.S.	1	Weldment, Quick Switch	
9	3391410	4	Split Pin	
10	3951814	3	Setscrew .50-13X1.75	
11	1001158330	1	Rod, Quick Switch	
12	1001158331	2	Support, Quick Switch Link	
13	1001158336	1	Support, Quick Switch Cylinder	
14	1001161604	4	Lock Pin	
15	1001161606	2	Bushing	
16	1001161607	2	Bushing	

SECTION 3 - ATTACHMENTS

FIGURE 3-17. BLOCK VALVE ASSEMBLY



ART_1001207926-A

SECTION 3 - ATTACHMENTS

FIGURE 3-17. BLOCK VALVE ASSEMBLY

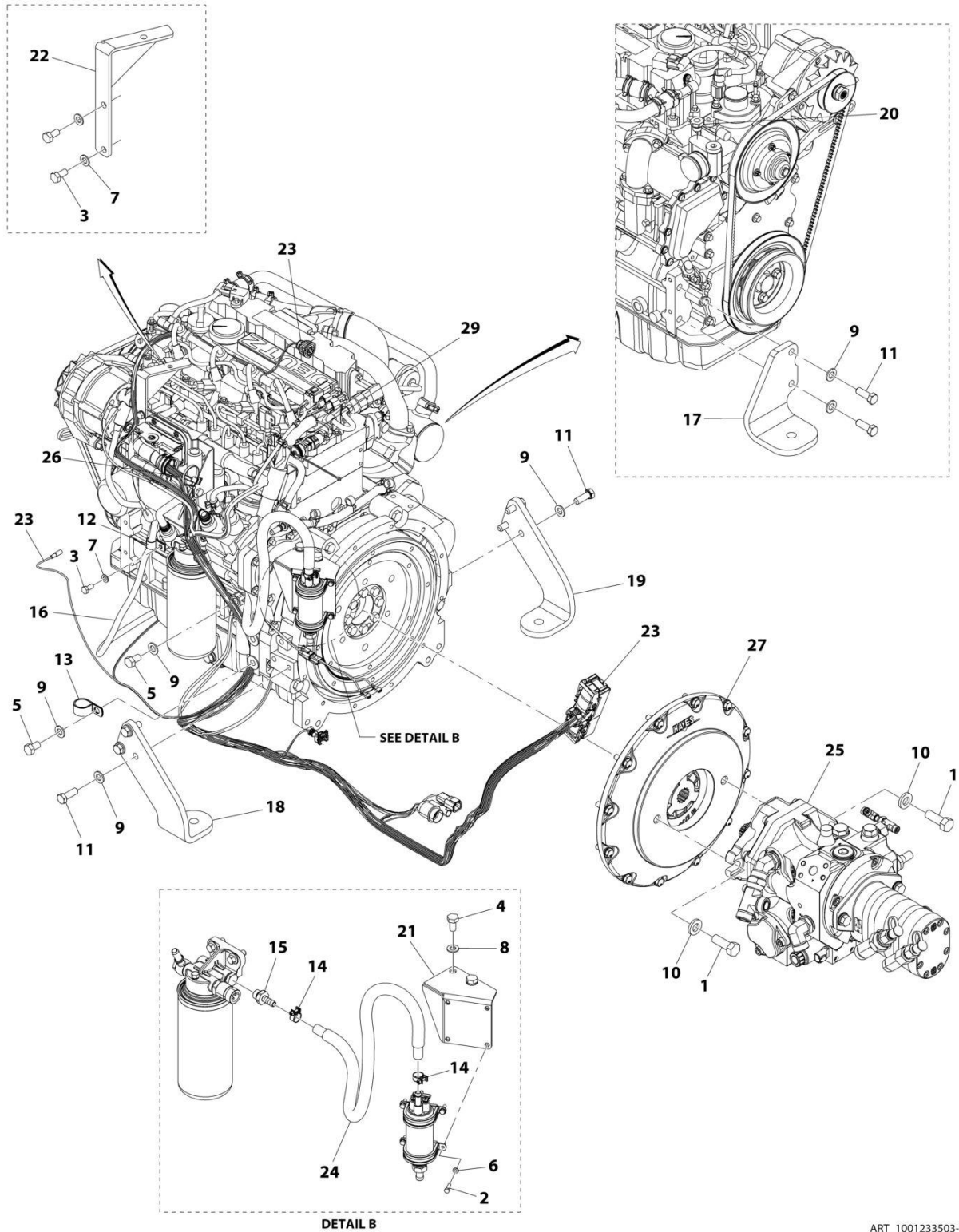
ITEM	PART NUMBER	QTY	DESCRIPTION	REV
	1001207926	Ref	Valve Block Assembly	A
1	1001207923	1	Coil	
2	1001207924	1	Manifold	
3	1001207925	1	Vale, Poppet	

SECTION 4 - ENGINE AND ATTACHING PARTS

SECTION 4 - ENGINE AND ATTACHING PARTS

SECTION 4 - ENGINE AND ATTACHING PARTS

FIGURE 4-1. ENGINE INSTALLATION



ART_1001233503-C

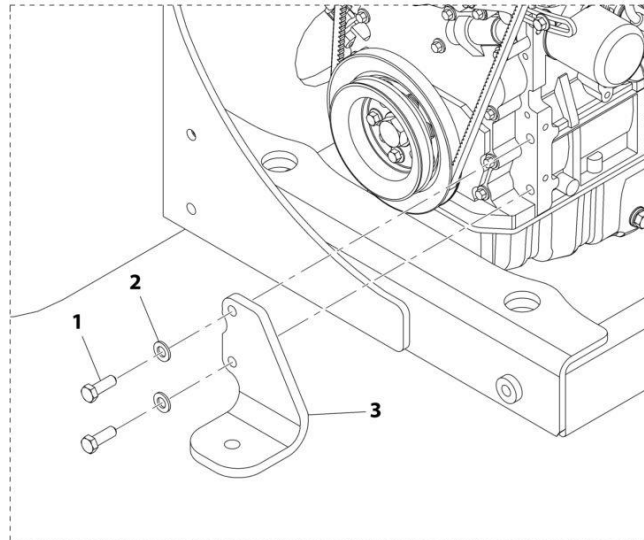
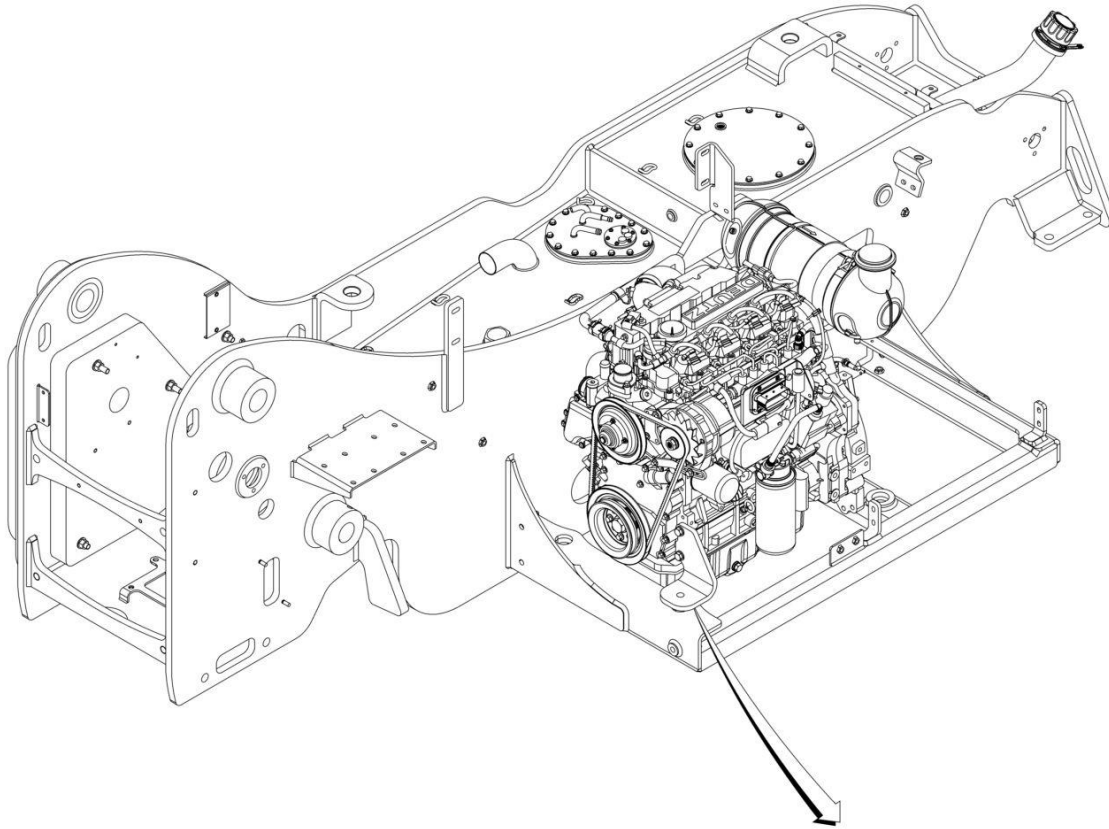
SECTION 4 - ENGINE AND ATTACHING PARTS

FIGURE 4-1. ENGINE INSTALLATION

ITEM	PART NUMBER	QTY	DESCRIPTION	REV
	1001233503	Ref	Engine Installation	C
1	0642014	2	Hex HD Capscrew, 5/8-11X1-3/4, GR5	
2	0760508	4	Hex HD Capscrew, M5X16, GR8.8	
3	0760808	3	Hex HD Capscrew, M8X16, GR8.8	
4	0761010	2	Hex HD Capscrew, M10X20, GR8.8	
5	0761210	2	Hex HD Capscrew, M12X20, GR8.8	
6	4811600	4	Washer, M5	
7	4811900	3	Washer, M8	
8	4812000	2	Washer, M10	
9	4812100	10	Washer, M12	
10	4892000	2	Washer, 5/8	
11	8310297	8	Hex HD Capscrew, M12X35, GR10.9	
12	8406112	1	Clip	
13	80673023	1	Clip	
14	1001136975	2	Fuel Hose Clamp	
15	1001141717	1	Hose Barb Fitting	
16	1001142242	1	150 AMP Link Harness	
17	1001143641	1	Engine Support	
18	1001143642	1	Engine Support	
19	1001143643	1	Engine Support	
20	1001143801	1	Plug, M16X1.5	
21	1001143839	1	Pump Bracket	
22	1001149828	1	Hose Support Plate	
23	1001156229	1	Engine Harness, (See Separate Breakdown in ELECTRICAL Section)	
24	1001165200	1	Fuel Supply Engine Hose	
25	1001190821	1	Pump, (See Separate Breakdown in this Section)	
26	1001228975	1	Clip, Tie Strap	
27	1001233451	1	Coupling Assembly	
29	1001247559	3	Rivet, Plastic	

SECTION 4 - ENGINE AND ATTACHING PARTS

FIGURE 4-2. ENGINE MOUNT INSTALLATION



ART_1001143678-C

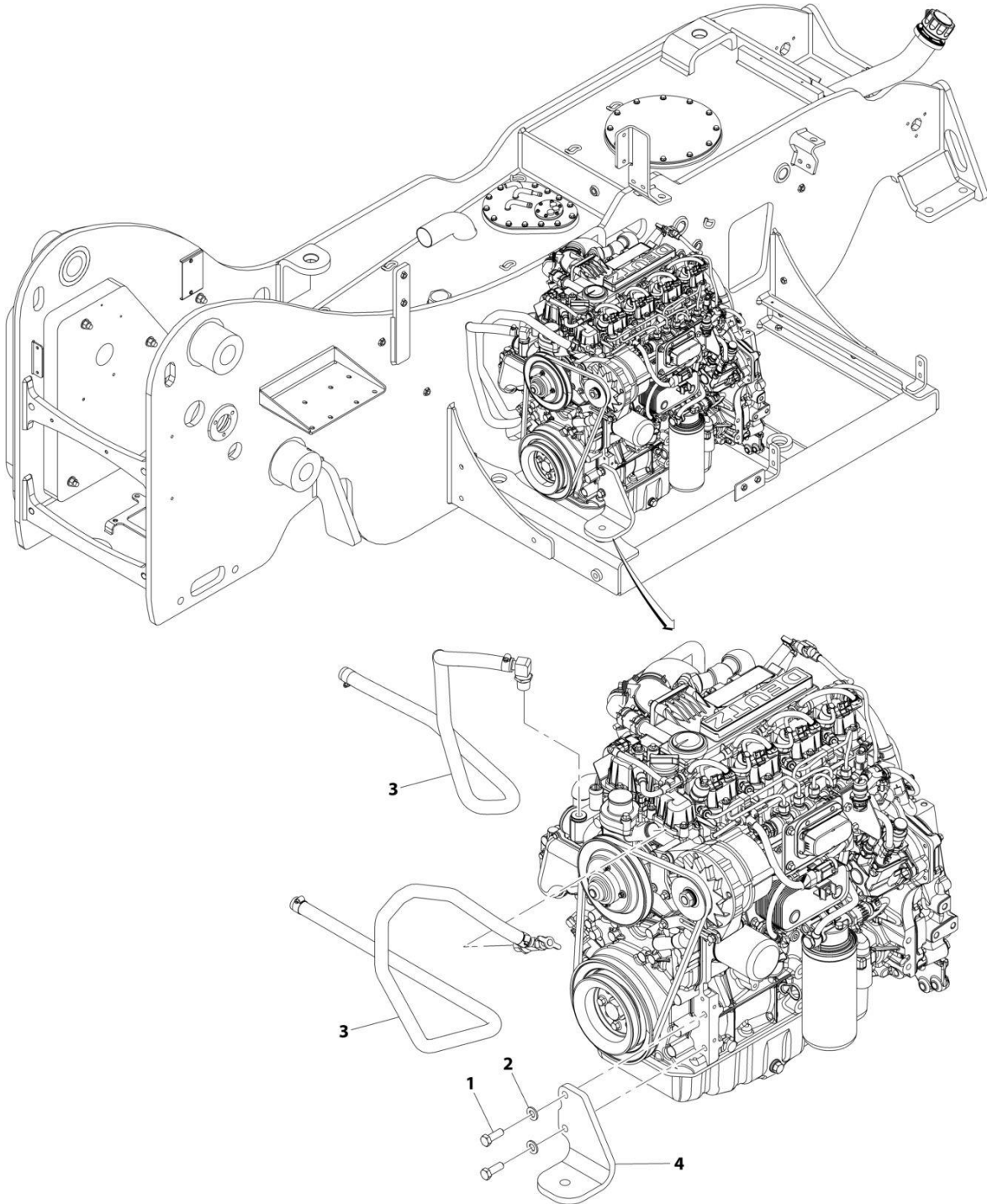
SECTION 4 - ENGINE AND ATTACHING PARTS

FIGURE 4-2. ENGINE MOUNT INSTALLATION

ITEM	PART NUMBER	QTY	DESCRIPTION	REV
	1001143678	Ref	Engine Mount Installation	C
1	8310297	2	Hex HD Capscrew, M12X35, GR10.9	
2	4812100	2	Washer, M12	
3	1001143640	1	Engine Support	

SECTION 4 - ENGINE AND ATTACHING PARTS

FIGURE 4-3. ENGINE MOUNT INSTALLATION, (HEATER)



ART_1001143677-C

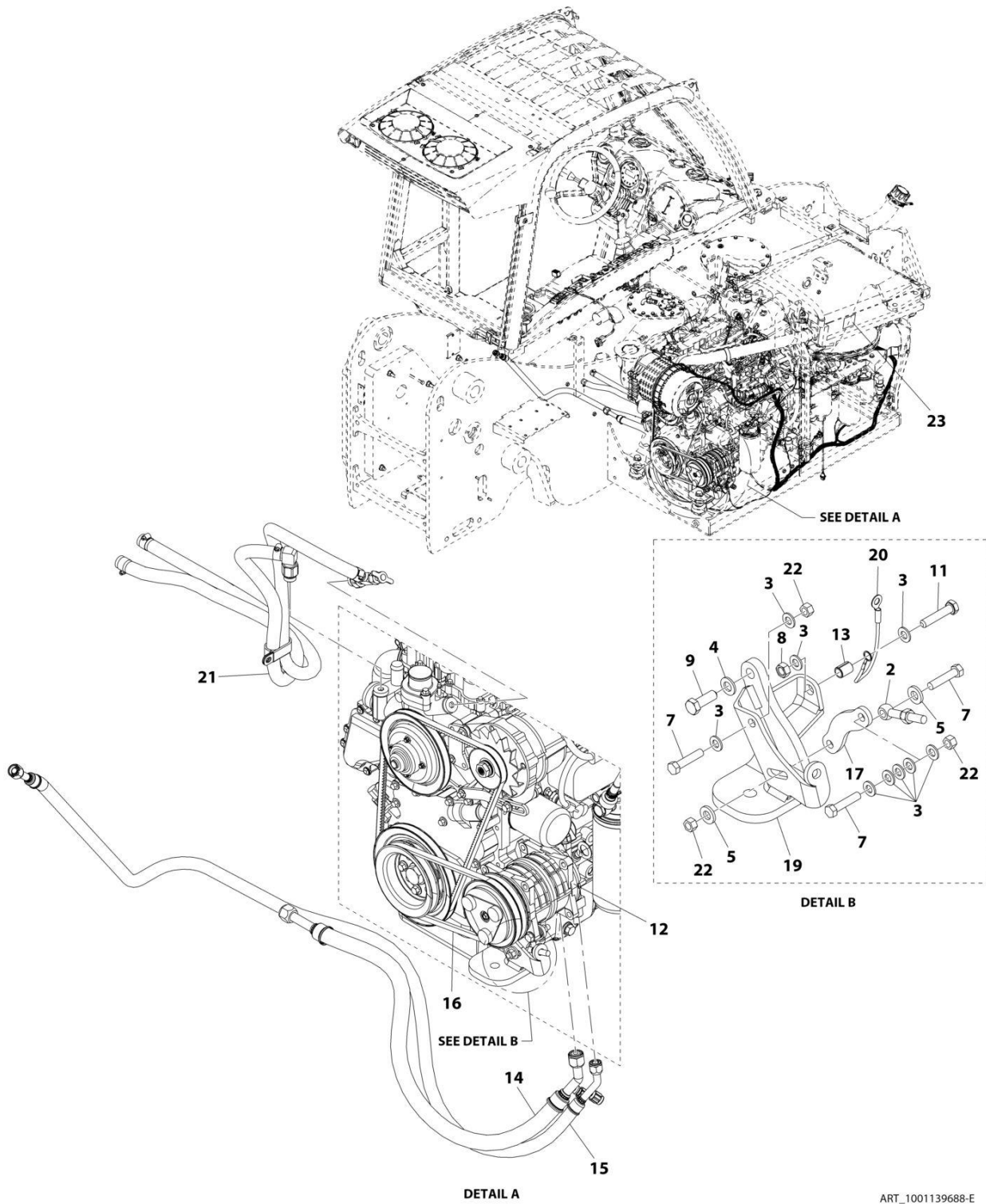
SECTION 4 - ENGINE AND ATTACHING PARTS

FIGURE 4-3. ENGINE MOUNT INSTALLATION, (HEATER)

ITEM	PART NUMBER	QTY	DESCRIPTION	REV
	1001143677	Ref	Engine Mount Installation, (Heater)	C
1	8310297	2	Hex HD Capscrew, M12X35, GR10.9	
2	4812100	2	Washer, M12	
3	1001139684	1	Heater Lines Installation (See Separate Breakdown in this Section)	
4	1001143640	1	Engine Support	

SECTION 4 - ENGINE AND ATTACHING PARTS

FIGURE 4-4. ENGINE MOUNT INSTALLATION, (HEATER & A/C)



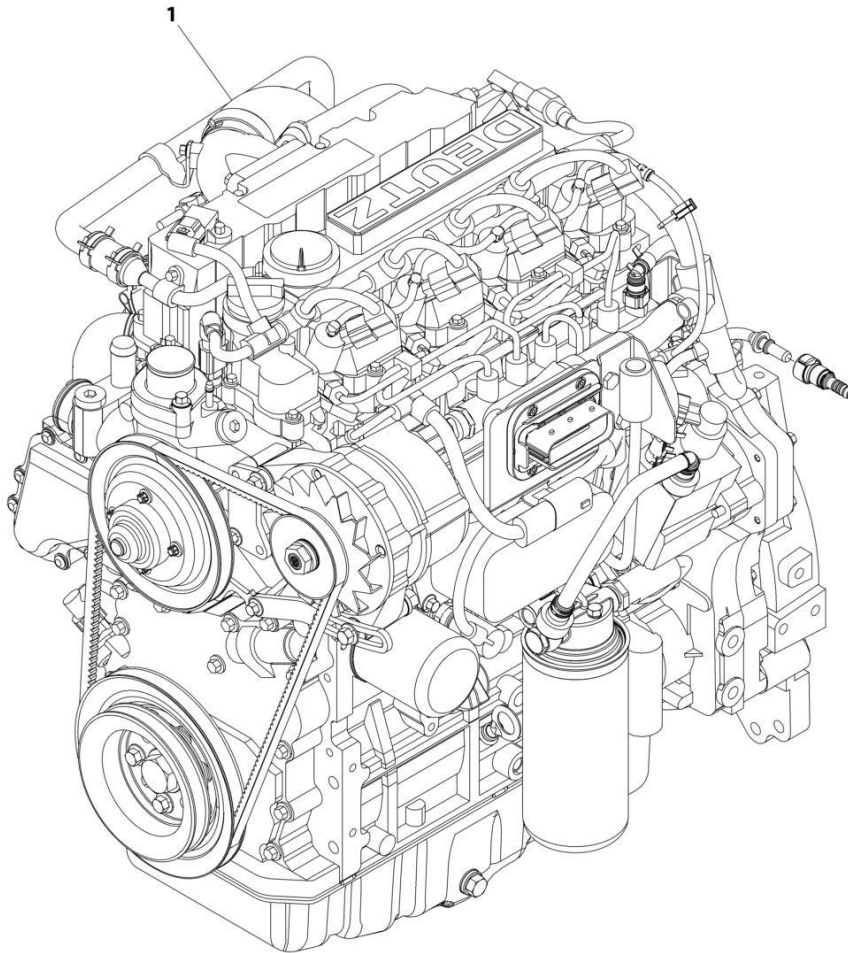
SECTION 4 - ENGINE AND ATTACHING PARTS

FIGURE 4-4. ENGINE MOUNT INSTALLATION, (HEATER & A/C)

ITEM	PART NUMBER	QTY	DESCRIPTION	REV
	1001139688	Ref	Engine Mount Installation, (Heater & A/C)	E
2	1001156849	1	Rod Assembly W/Locknut	
3	4812000	9	Washer, M10	
4	4812100	2	Washer, M12	
5	4891700	2	Washer, 7/16	
7	0681614	3	Hex HD Capscrew, 3/8-16X1-3/4	
8	8305038	1	Hex Nut, M10X1.5	
9	8310297	2	Hex HD Capscrew, M12X35, GR10.9	
11	8310748	1	Hex HD Capscrew, M10X50, GR8.8	
12	1001080789	1	A/C Compressor Pump	
13	1001131818	1	Sleeve, Split Bushing	
14	1001143815	1	Hose Assembly, Compressor To Evaporator	
15	1001143816	1	Hose Assembly, Compressor To Condenser	
16	1001144359	1	Belt	
17	1001144373	1	Tension Arm Plate	
19	1001144378	1	Engine/AC Mount Support	
20	1001147071	1	A/C Ground Harness	
21	1001139684	1	Heater Lines Installation (See Separate Breakdown in this Section)	
22	3271601	3	Hex Nut, 3/8-16, GR8	
23	1001227091	1	Decal, A/C Installation	

SECTION 4 - ENGINE AND ATTACHING PARTS

FIGURE 4-5. ENGINE (55.4KW - ULS)



ART_1001136095-F

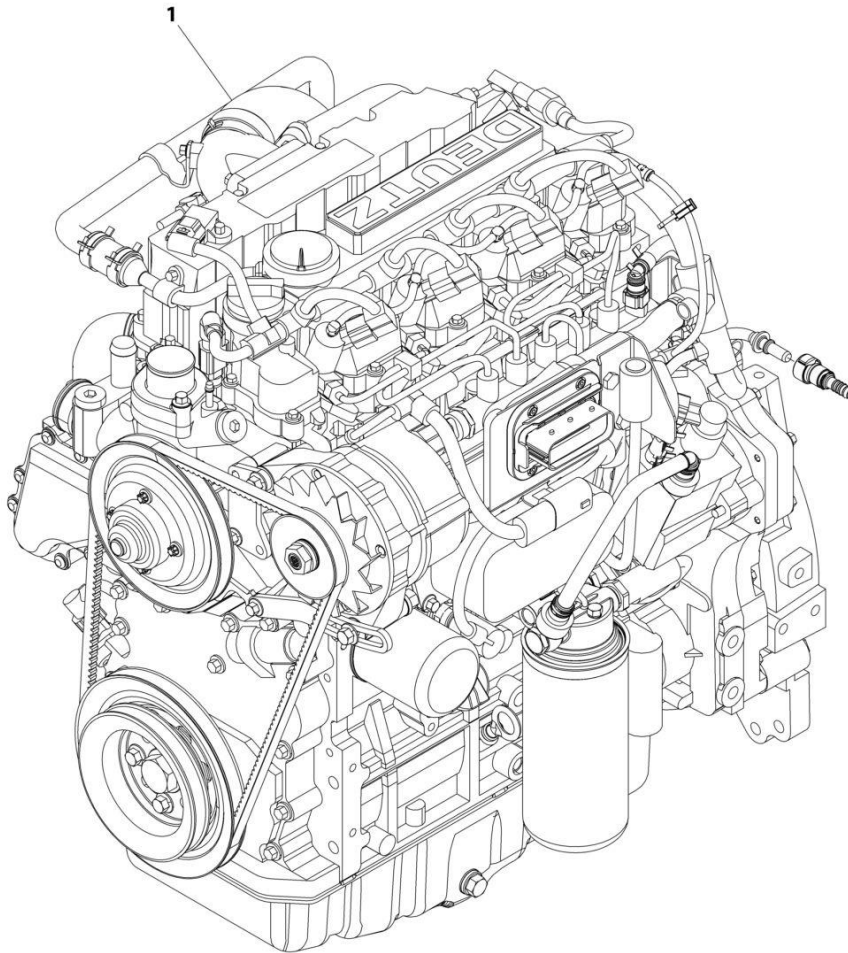
SECTION 4 - ENGINE AND ATTACHING PARTS

FIGURE 4-5. ENGINE (55.4KW - ULS)

ITEM	PART NUMBER	QTY	DESCRIPTION	REV
1	1001136095	Ref	Engine (55.4KW - ULS)	F

SECTION 4 - ENGINE AND ATTACHING PARTS

FIGURE 4-6. ENGINE (55.4KW - LS)



ART_1001139668-F

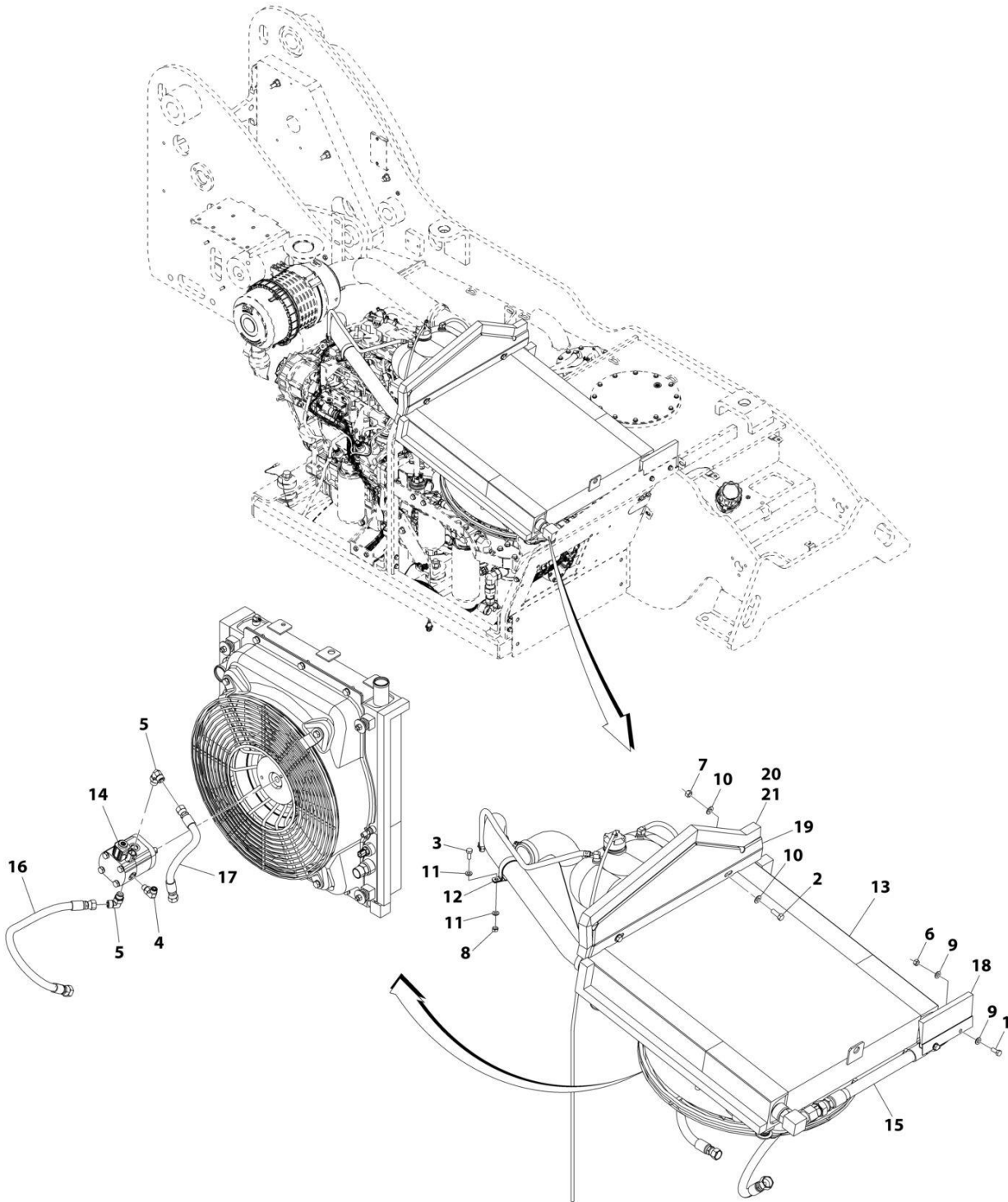
SECTION 4 - ENGINE AND ATTACHING PARTS

FIGURE 4-6. ENGINE (55.4KW - LS)

ITEM	PART NUMBER	QTY	DESCRIPTION	REV
1	1001139668	Ref	Engine (55.4KW - LS)	F

SECTION 4 - ENGINE AND ATTACHING PARTS

FIGURE 4-7. FAN INSTALLATION



ART_1001192128-D

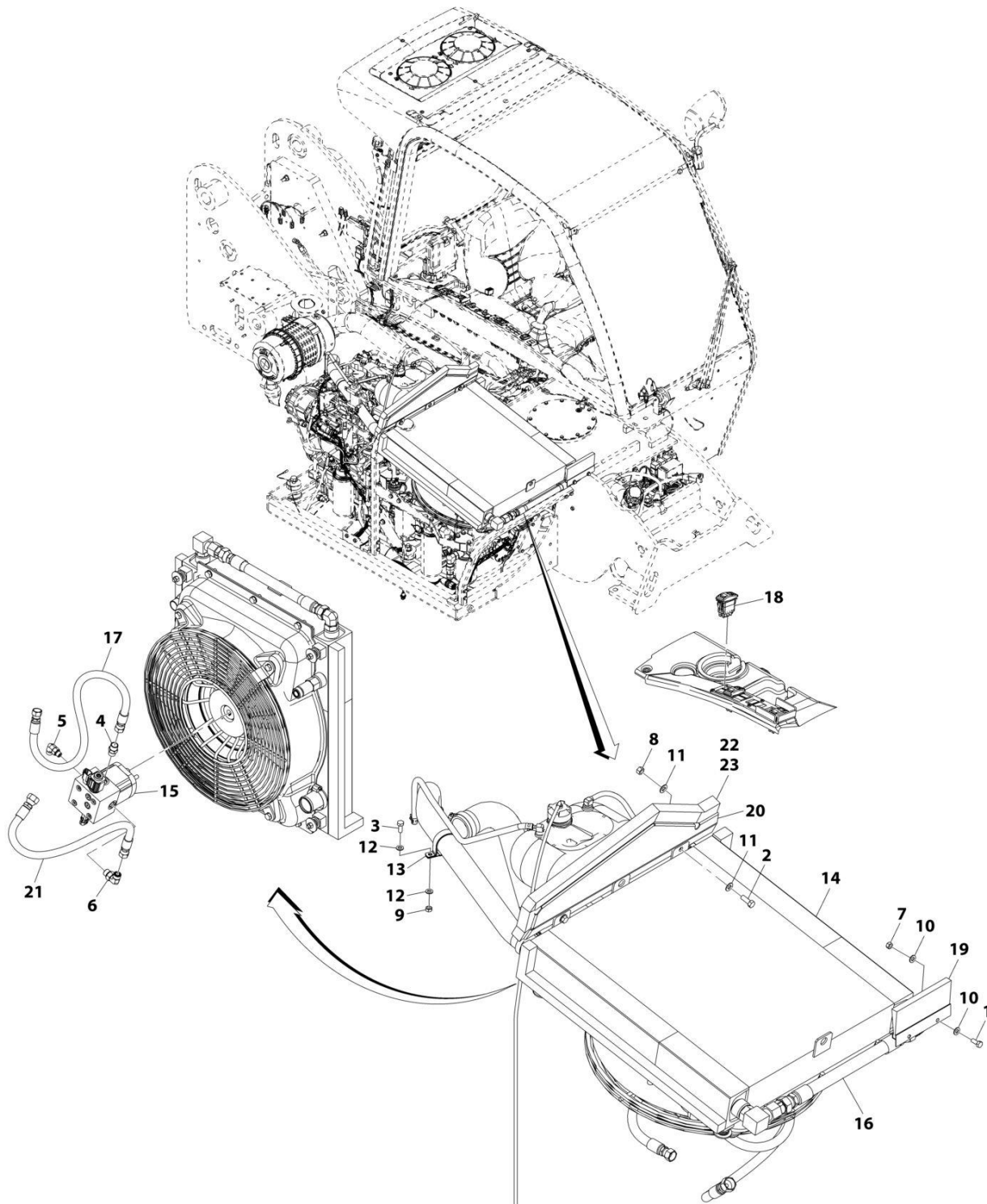
SECTION 4 - ENGINE AND ATTACHING PARTS

FIGURE 4-7. FAN INSTALLATION

ITEM	PART NUMBER	QTY	DESCRIPTION	REV
	1001192128	Ref	FAN INSTALLATION	D
1	0681506	2	Bolt 5/16 x 3/4	
2	0681608	2	Bolt 3/8 x 1 Grade 8	
3	0760810	1	Bolt M8 x 20	
4	2130606	1	Adapter, 90	
5	2130808	2	Adapter, 90	
6	3271501	2	Nut 5/16	
7	3271601	2	Nut 3/8	
8	3290801	1	Nut M8 x 1.25	
9	4711500	4	Washer 5/16	
10	4711600	4	Washer 3/8	
11	4811900	2	Washer M8	
12	8410001	1	Hose Clamp	
13	1001138877	1	Radiator Installation (See Separate Breakdown in this Section)	
14	1001141779	1	Fan Motor, Variable (See Separate Breakdown in HYDRAULIC COMPONENTS Section)	
15	1001143041	1	Hose Assembly	
16	1001144692	1	Hose Assembly	
17	1001144693	1	Hose Assembly	
18	1001145710	1	Brush Seal	
19	1001191830	1	Air Dam Plate	
20	1001192256	1	Seal	
21	0100081	AR	Adhesive	

SECTION 4 - ENGINE AND ATTACHING PARTS

FIGURE 4-8. FAN INSTALLATION, REVERSING



ART_1001192129-D

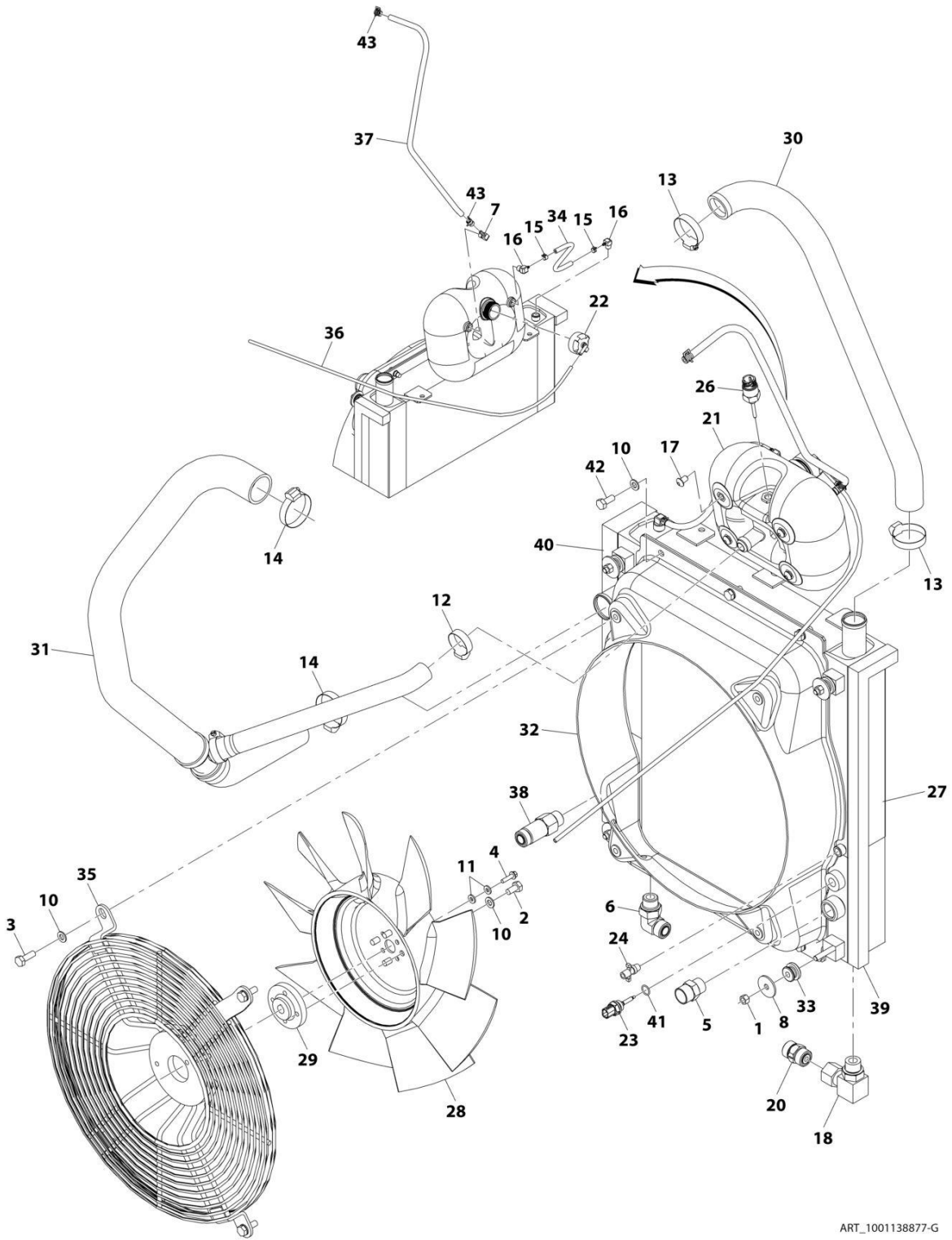
SECTION 4 - ENGINE AND ATTACHING PARTS

FIGURE 4-8. FAN INSTALLATION, REVERSING

ITEM	PART NUMBER	QTY	DESCRIPTION	REV
	1001192129	Ref	FAN INSTALLATION, REVERSING	D
1	0681506	2	Bolt 5/16 x 3/4	
2	0681608	2	Bolt 3/8 x 1 Grade 8	
3	0760810	1	Bolt M8 x 20	
4	2110808	1	Adapter, Straight	
5	2130606	1	Adapter 90	
6	2130808	1	Adapter 90	
7	3271501	2	Nut 5/16-18	
8	3271601	2	Nut 3/8	
9	3290801	1	Nut M8	
10	4711500	4	Washer 5/6	
11	4711600	4	Washer 3/8	
12	4811900	2	Washer M8	
13	8410001	1	Hose Clamp	
14	1001138877	1	Radiator Installation (See Separate Breakdown in this Section)	
15	1001141780	1	Fan Motor, Variable, Reversing (See Separate Breakdown in HYDRAULIC COMPONENTS Section)	
16	1001143041	1	Hose Assembly	
17	1001144695	1	Hose Assembly	
18	1001145204	1	Reverse Fan Switch	
19	1001145710	1	Brush Seal	
20	1001191830	1	Air Dam Plate	
21	1001144694	1	Hose Assembly	
22	1001192256	1	Seal	
23	0100081	AR	Adhesive	

SECTION 4 - ENGINE AND ATTACHING PARTS

FIGURE 4-9. RADIATOR INSTALLATION



ART_1001138877-G

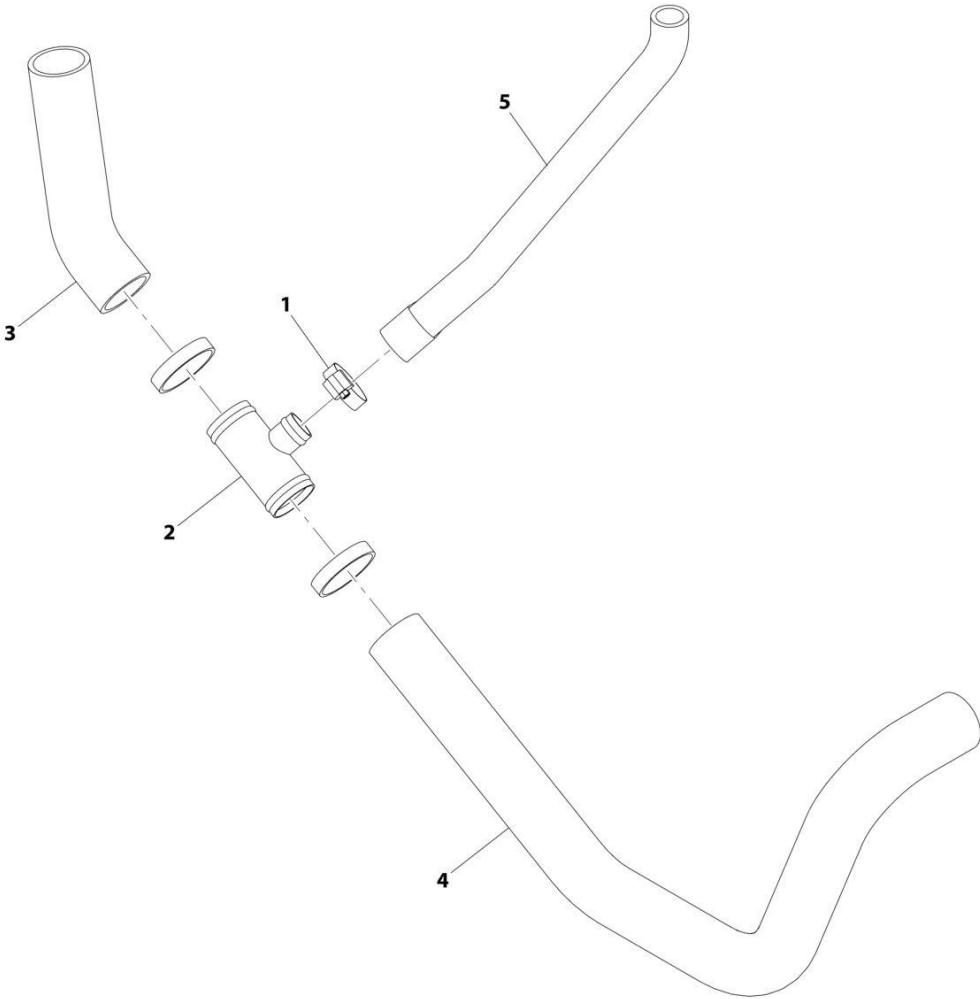
SECTION 4 - ENGINE AND ATTACHING PARTS

FIGURE 4-9. RADIATOR INSTALLATION

ITEM	PART NUMBER	QTY	DESCRIPTION	REV
	1001138877	Ref	Radiator Installation	G
1	3271601	4	Hex Nut, 3/8-16	
2	0761010	4	Hex HD Capscrew, M10X20, GR8.8	
3	0761014	4	Hex HD Capscrew, M10X30, GR8.8	
4	0811408	1	Screw, 1/4-20X1	
5	2111212	1	Adapter, Straight	
6	2131212	1	Adapter, 90	
7	8420227	1	Hose Barb Elbow, 90	
8	4740281	4	Special Washer	
10	4812000	14	Washer M10	
11	4891400	2	Washer, 1/4	
12	8405102	1	Gear Clamp, 1.75	
13	8405104	2	Gear Clamp, 2.25	
14	8405201	2	Gear Clamp, 2.50	
15	1001157075	2	Hose Clamp	
16	8420236	2	Hose Barb Elbow, 90	
17	88261026	4	Button HD Capscrew, 3/8-16X5/8	
18	1001003680	1	Adapter, 90	
20	1001127967	1	Check Valve	
21	1001128144	1	Coolant Tank	
22	1001136834	1	Deaeration Tank Cap	
23	1001128478	1	Temperature Sensor	
24	8904001	1	External Seal, Drain Cock	
26	1001138827	1	Coolant Level Sensor	
27	1001138888	1	Water/Oil Radiator	
28	1001148423	1	Fan, 20in, 9 Blade	
29	1001145871	1	Adapter, Fan	
30	1001141786	1	Radiator Inlet Hose	
31	1001141787	1	Lower Radiator Hose Assembly (See Separate Breakdown in this Section)	
32	1001141796	1	Fan Shroud	
33	1001141801	4	Mounting Pad	
34	1001141834	1	Radiator Vent Hose, 3/16	
35	1001141881	1	Fan Guard Grill	
36	1001141896	1	Coolant Overflow Hose	
37	1001141944	1	Engine Vent Hose	
38	2170112	1	Adapter, Straight	
39	1001144367	1	Foam Gasket Seal	
40	1001144368	1	Foam Gasket Seal	
41	1001009163	1	Seal	
42	0761012	6	Hex HD Capscrew, M10X25, GR8.8	
43	1001156087	2	Hose Clamp	

SECTION 4 - ENGINE AND ATTACHING PARTS

FIGURE 4-10. RADIATOR LOWER HOSE ASSEMBLY



ART_1001141787-D

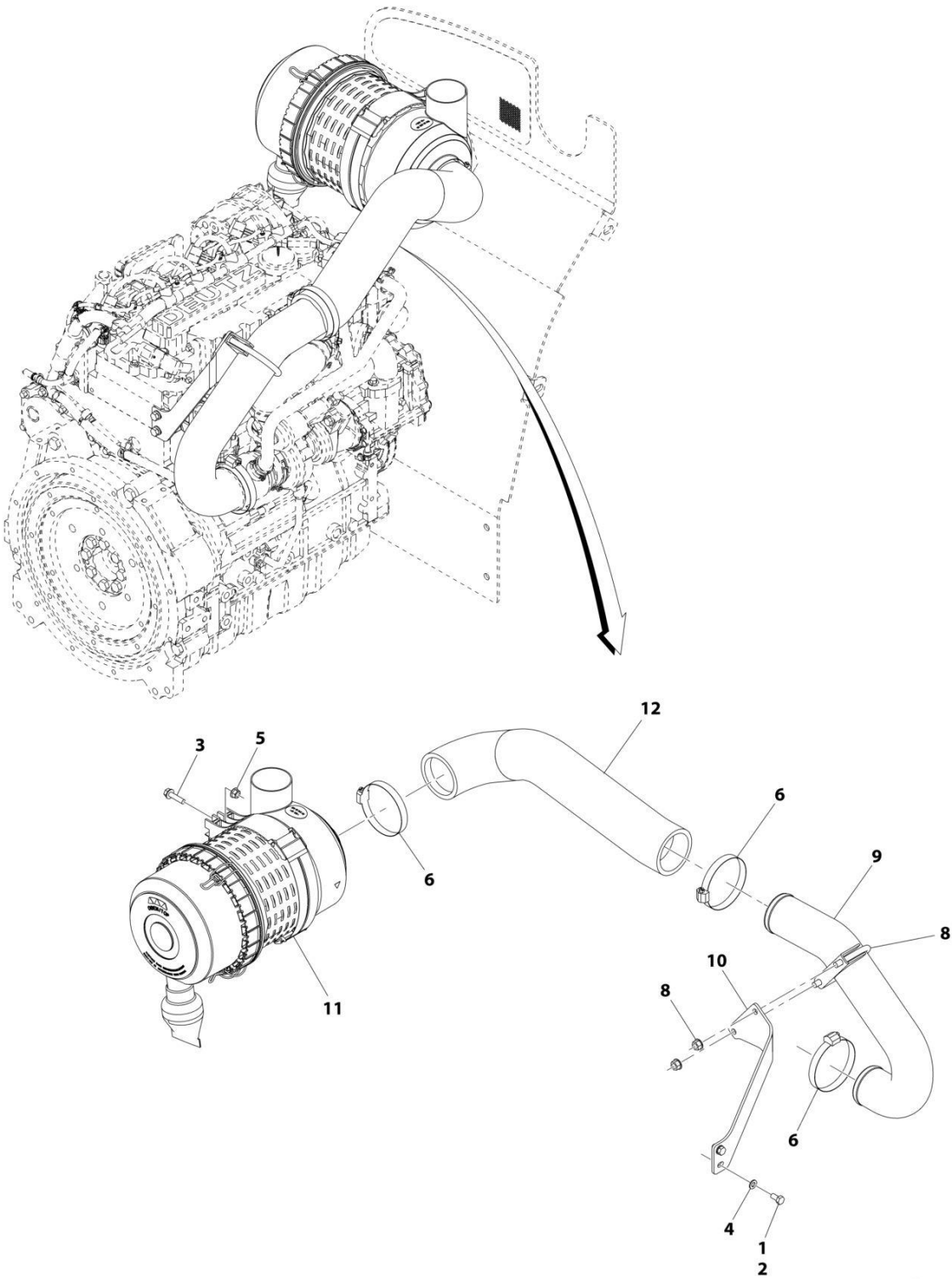
SECTION 4 - ENGINE AND ATTACHING PARTS

FIGURE 4-10. RADIATOR LOWER HOSE ASSEMBLY

ITEM	PART NUMBER	QTY	DESCRIPTION	REV
	1001141787	Ref	Radiator Lower Hose Assembly	D
1	8405102	1	Gear Clamp, 1.75	
2	1001121514	1	Tee Pipe	
3	1001141788	1	Water Inlet Hose	
4	1001141789	1	Radiator Outlet Hose	
5	1001141791	1	Surge Tank Return Hose	

SECTION 4 - ENGINE AND ATTACHING PARTS

FIGURE 4-11. AIR CLEANER INSTALLATION



ART_1001193752-B

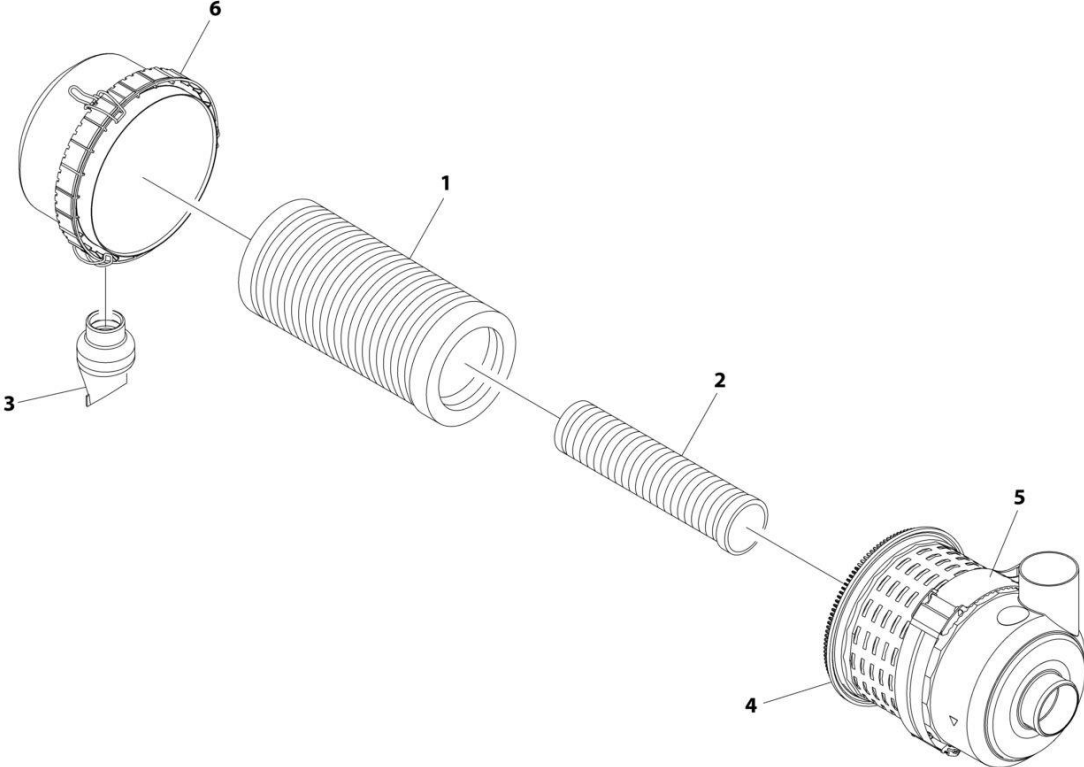
SECTION 4 - ENGINE AND ATTACHING PARTS

FIGURE 4-11. AIR CLEANER INSTALLATION

ITEM	PART NUMBER	QTY	DESCRIPTION	REV
	1001193752	Ref	Air Cleaner Installation	B
1	0100011	AR	Compound, Locking	
2	0760808	2	Bolt M8 x 16	
3	0811510	2	Bolt 5/16 x 1-1/4	
4	4811900	2	Washer M8	
5	8310420	2	Nut, Flange 5/16	
6	8410011	3	Clamp	
8	1001101451	1	Clamp, Muffler	
9	1001139155	1	Tube	
10	1001141310	1	Bracket	
11	1001142259	1	Air Cleaner Assembly (See Separate Breakdown in this Section)	
12	1001143201	1	Hose, Intake	

SECTION 4 - ENGINE AND ATTACHING PARTS

FIGURE 4-12. AIR CLEANER ASSEMBLY



ART_1001142259_D

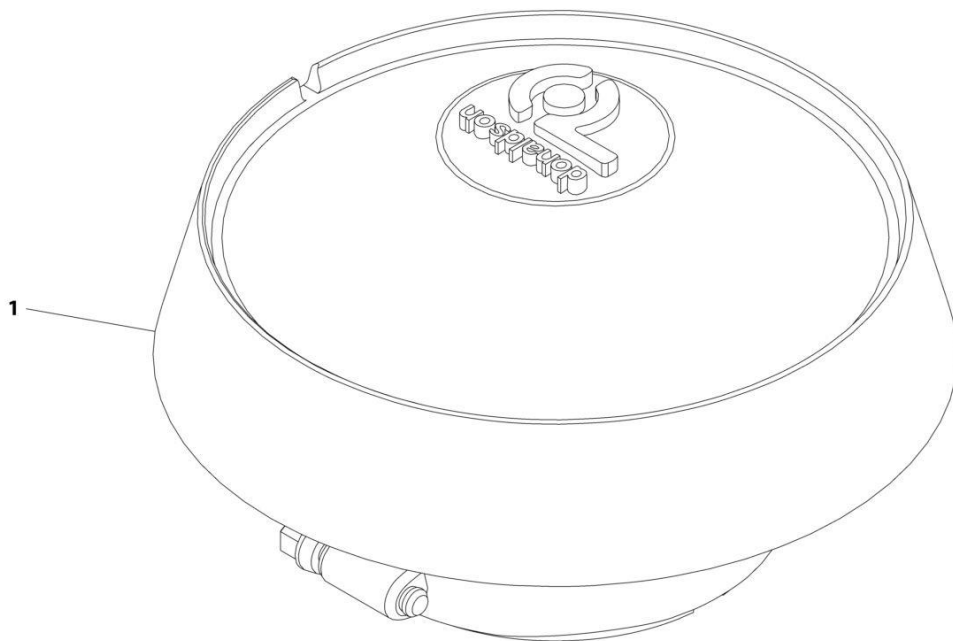
SECTION 4 - ENGINE AND ATTACHING PARTS

FIGURE 4-12. AIR CLEANER ASSEMBLY

ITEM	PART NUMBER	QTY	DESCRIPTION	REV
	1001142259	Ref	AIR CLEANER ASSEMBLY	D
1	70024190	1	Main Air Element	
2	70024191	1	Secondary Air Element	
3	70025249	1	Dust Valve	
4	70030962	1	Filter Housing (Includes Item 6)	
5	70030963	1	Bracket	
6	See Note	NSS	Cover with Clips (Note: Purchase Item 4)	

SECTION 4 - ENGINE AND ATTACHING PARTS

FIGURE 4-13. RAIN CAP



ART_1001144015-A

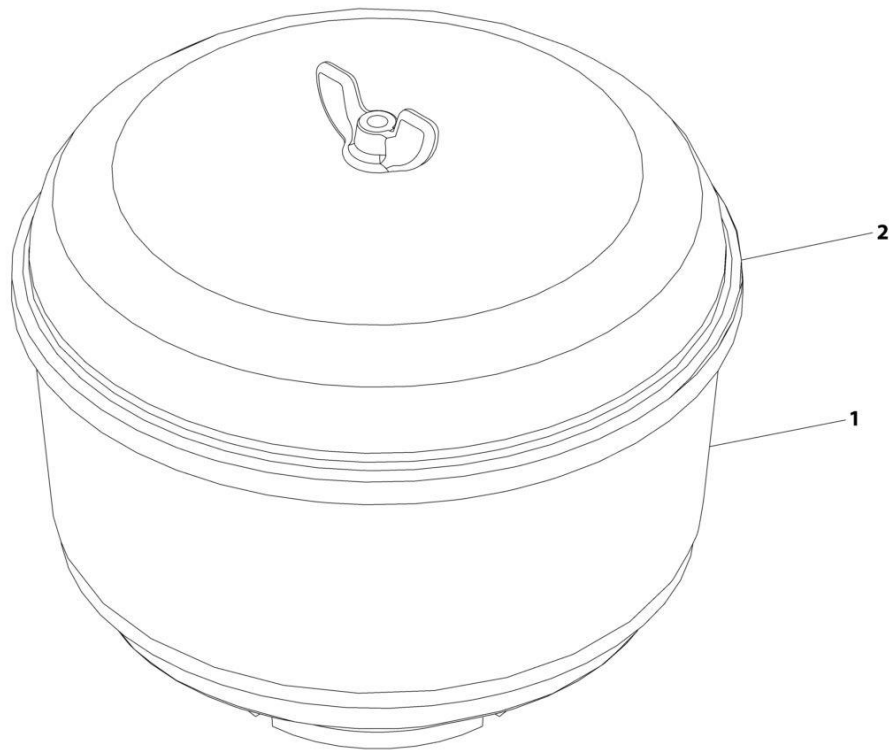
SECTION 4 - ENGINE AND ATTACHING PARTS

FIGURE 4-13. RAIN CAP

ITEM	PART NUMBER	QTY	DESCRIPTION	REV
1	1001144015	Ref	Rain Cap	A

SECTION 4 - ENGINE AND ATTACHING PARTS

FIGURE 4-14. PRECLEANER



ART_1001062773-B

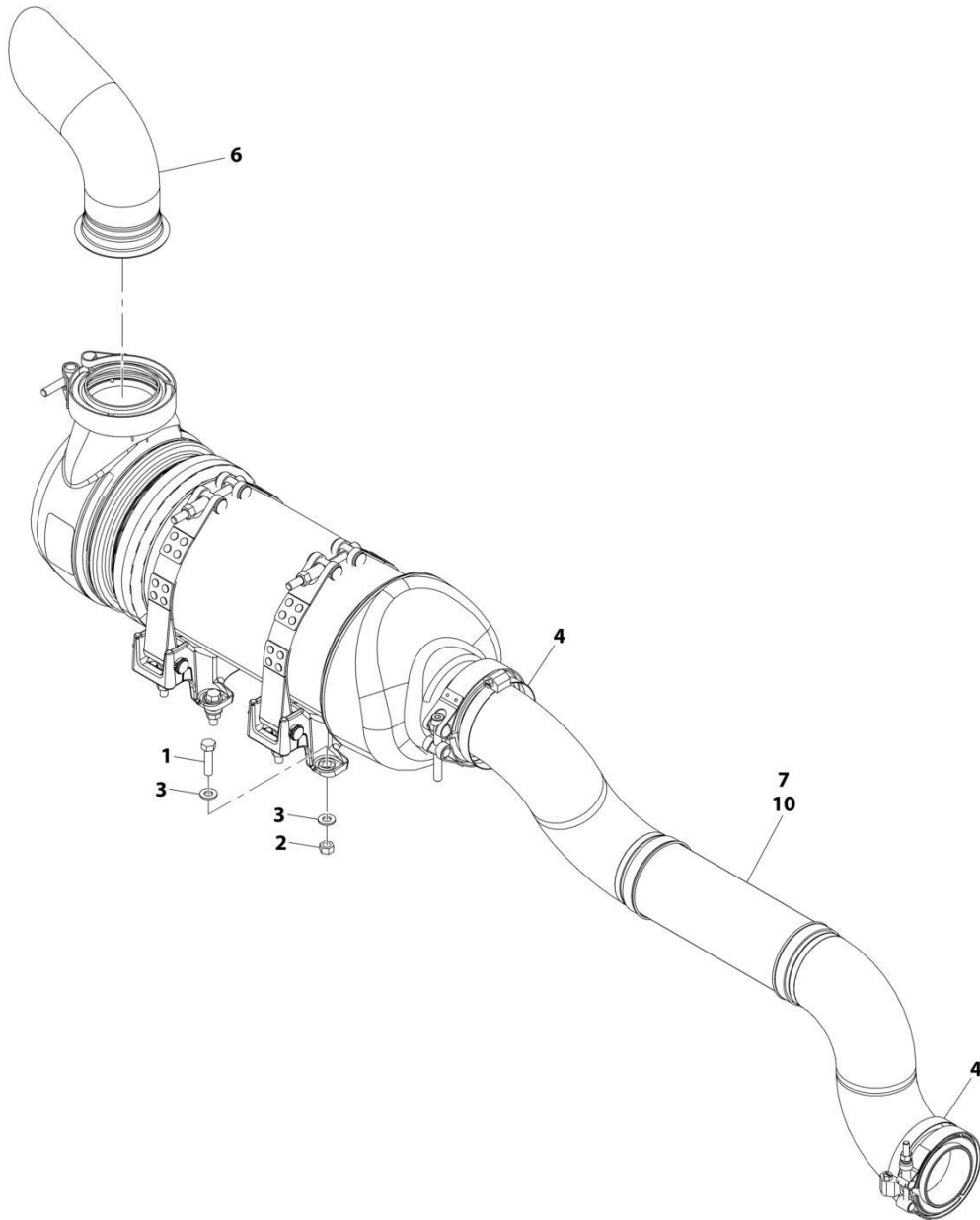
SECTION 4 - ENGINE AND ATTACHING PARTS

FIGURE 4-14. PRECLEANER

ITEM	PART NUMBER	QTY	DESCRIPTION	REV
	1001062773	Ref	Precleaner	B
1	70027591	1	Bowl	
2	70027592	1	Cover	

SECTION 4 - ENGINE AND ATTACHING PARTS

FIGURE 4-15. EXHAUST INSTALLATION (ULS)



ART_1001139681-D

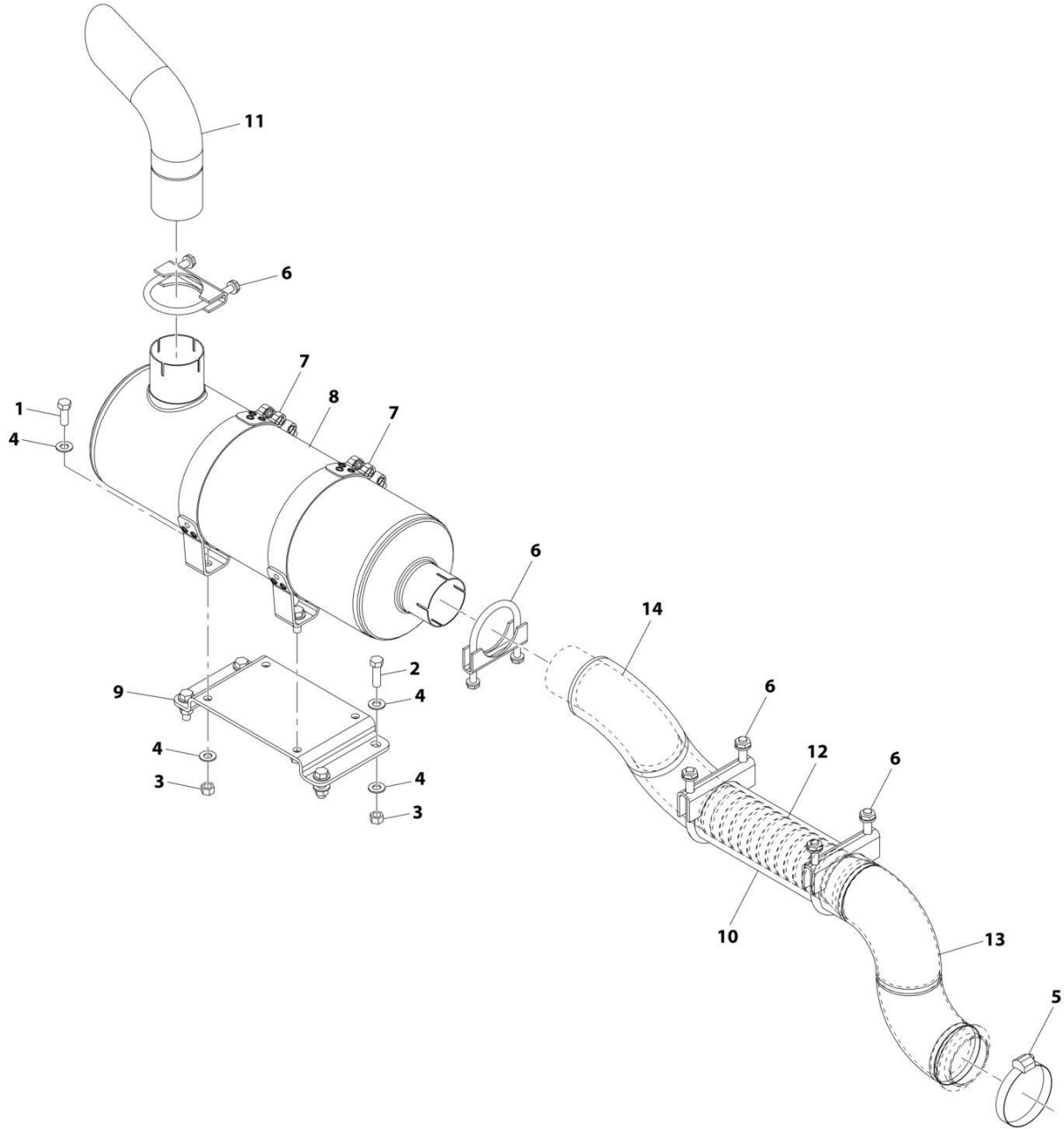
SECTION 4 - ENGINE AND ATTACHING PARTS

FIGURE 4-15. EXHAUST INSTALLATION (ULS)

ITEM	PART NUMBER	QTY	DESCRIPTION	REV
	1001139681	Ref	Exhaust Installation (ULS)	D
1	0681510	8	Hex HD Capscrew, 5/16-18X1 1/4 LG	
2	3271501	8	Hex Nut, 5/16-18	
3	4711500	16	Washer, 5/16	
4	8410011	2	Gear Clamp, 3.25	
6	1001141551	1	Exhaust Elbow Pipe	
7	1001143216	1	Exhaust Pipe	
10	1001143304	1	Thermal Sock Insulate	

SECTION 4 - ENGINE AND ATTACHING PARTS

FIGURE 4-16. EXHAUST INSTALLATION (LS)



ART_1001139682-C

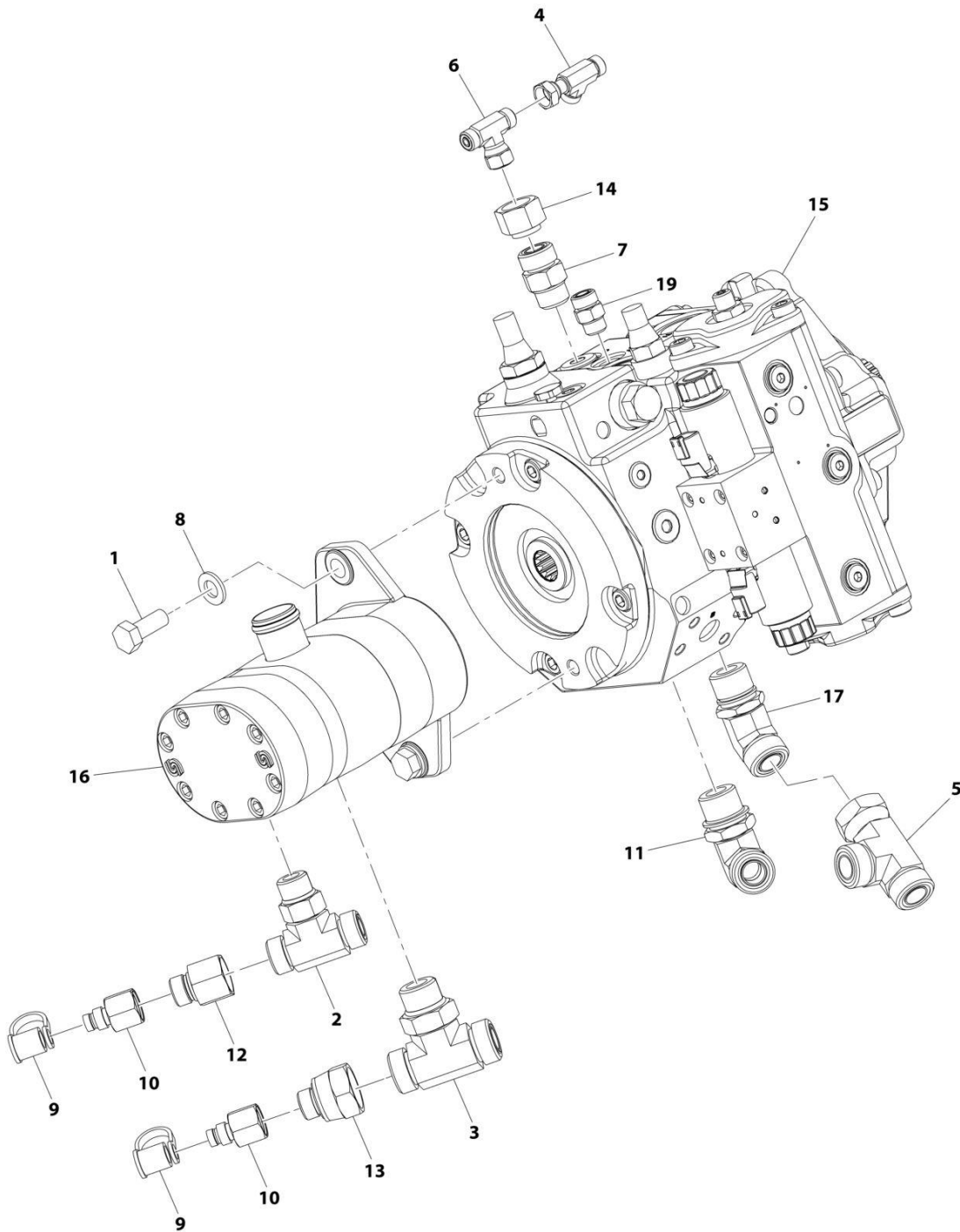
SECTION 4 - ENGINE AND ATTACHING PARTS

FIGURE 4-16. EXHAUST INSTALLATION (LS)

ITEM	PART NUMBER	QTY	DESCRIPTION	REV
	1001139682	Ref	Exhaust Installation (LS)	C
1	0681608	4	Hex HD Capscrew, 3/8-16X1	
2	0681610	4	Hex HD Capscrew, 3/8-16X1-1/4	
3	3271601	8	Hex Nut, 3/8-16, GR8	
4	4711600	16	Washer, 3/8	
5	8405204	1	Gear Clamp, 3.25	
6	8275212	4	Muffler Clamp	
7	1001119727	2	Muffler Clamp	
8	1001140671	1	Muffler	
9	1001141019	1	Support Plate	
10	1001143304	1	Thermal Sock Insulate	
11	1001153410	1	Exhaust Elbow Pipe	
12	1001153411	1	Flex Tube	
13	1001153412	1	Exhaust Pipe	
14	1001153413	1	Exhaust Pipe	

SECTION 4 - ENGINE AND ATTACHING PARTS

FIGURE 4-17. HYDROSTATIC DRIVE PUMP ASSEMBLY



ART_1001190821-C

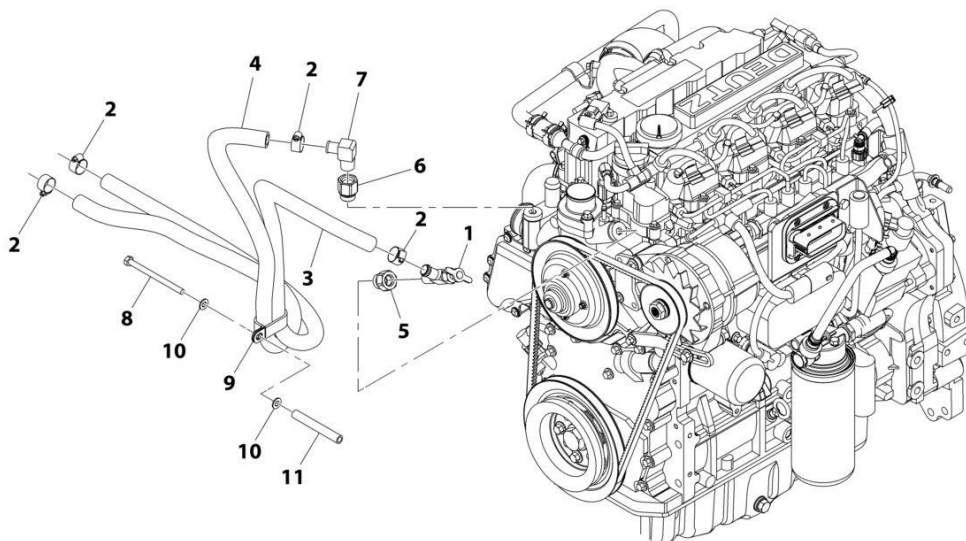
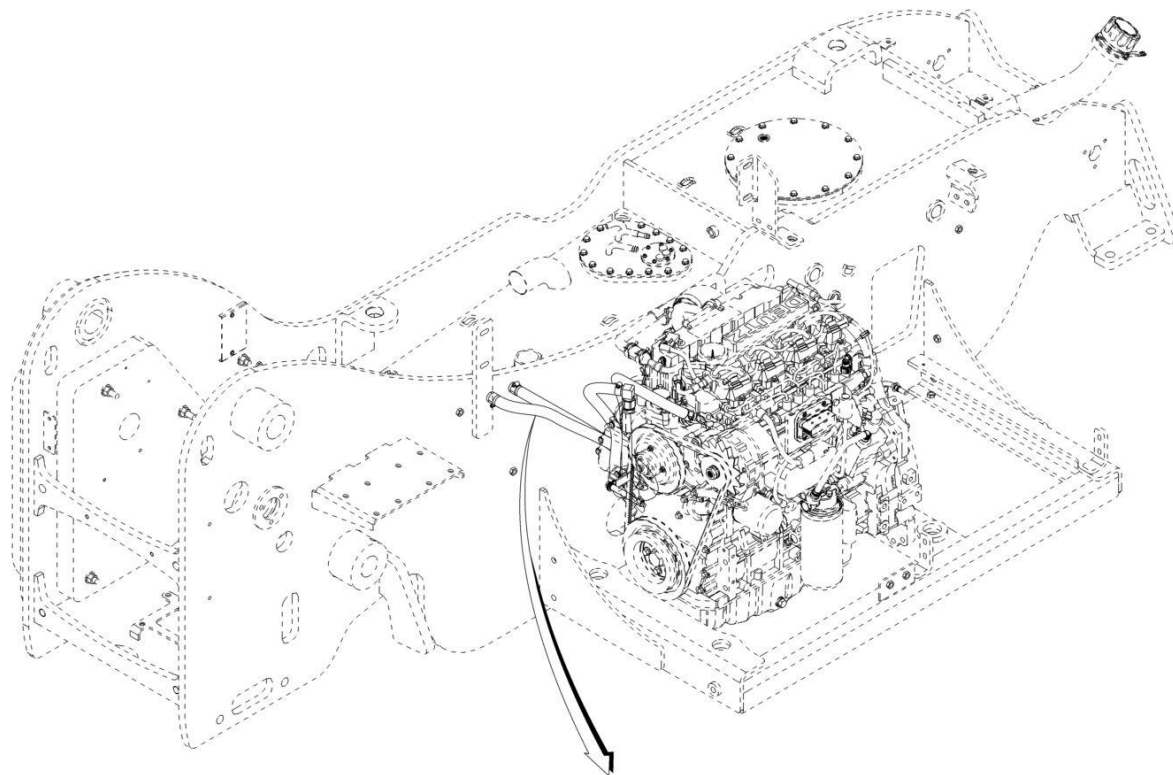
SECTION 4 - ENGINE AND ATTACHING PARTS

FIGURE 4-17. HYDROSTATIC DRIVE PUMP ASSEMBLY

ITEM	PART NUMBER	QTY	DESCRIPTION	REV
	1001190821	Ref	Hydrostatic Drive Pump Assembly	C
1	0761214	2	Bolt M12X30	
2	2170410	1	Fitting, Tee	
3	2170412	1	Fitting, Tee ORFS/ORF/ORB	
4	2170704	1	Fitting, Tee	
5	2170712	1	Fitting, Tee ORFS/ORFS/ORFS	
6	2170804	1	Fitting, Tee	
7	2221257	1	Fitting, Straight FSORFS/ORFS	
8	4812100	2	Washer M12	
9	8430032	2	Dust Cap	
10	8430082	2	Fitting, Diagnostic	
11	8770248	1	Fitting, 90	
12	8770296	1	Fitting, Straight FSORFS/ORFS	
13	88662480	1	Fitting	
14	1001119721	1	Fitting, Straight FSORFS/ORFS	
15	1001138887	1	Pump Assembly - Hydrostatic Drive (See Separate Breakdown in HYDRAULIC COMPONENTS Section)	
16	1001139997	1	Pump Assembly - Gear (See Separate Breakdown in HYDRAULIC COMPONENTS Section)	
17	1001151264	1	Fitting, 45 ORFS/MST	
19	2144611	1	Fitting, Straight ORFS	

SECTION 4 - ENGINE AND ATTACHING PARTS

FIGURE 4-18. HEATER LINES INSTALLATION



ART_1001139684-C

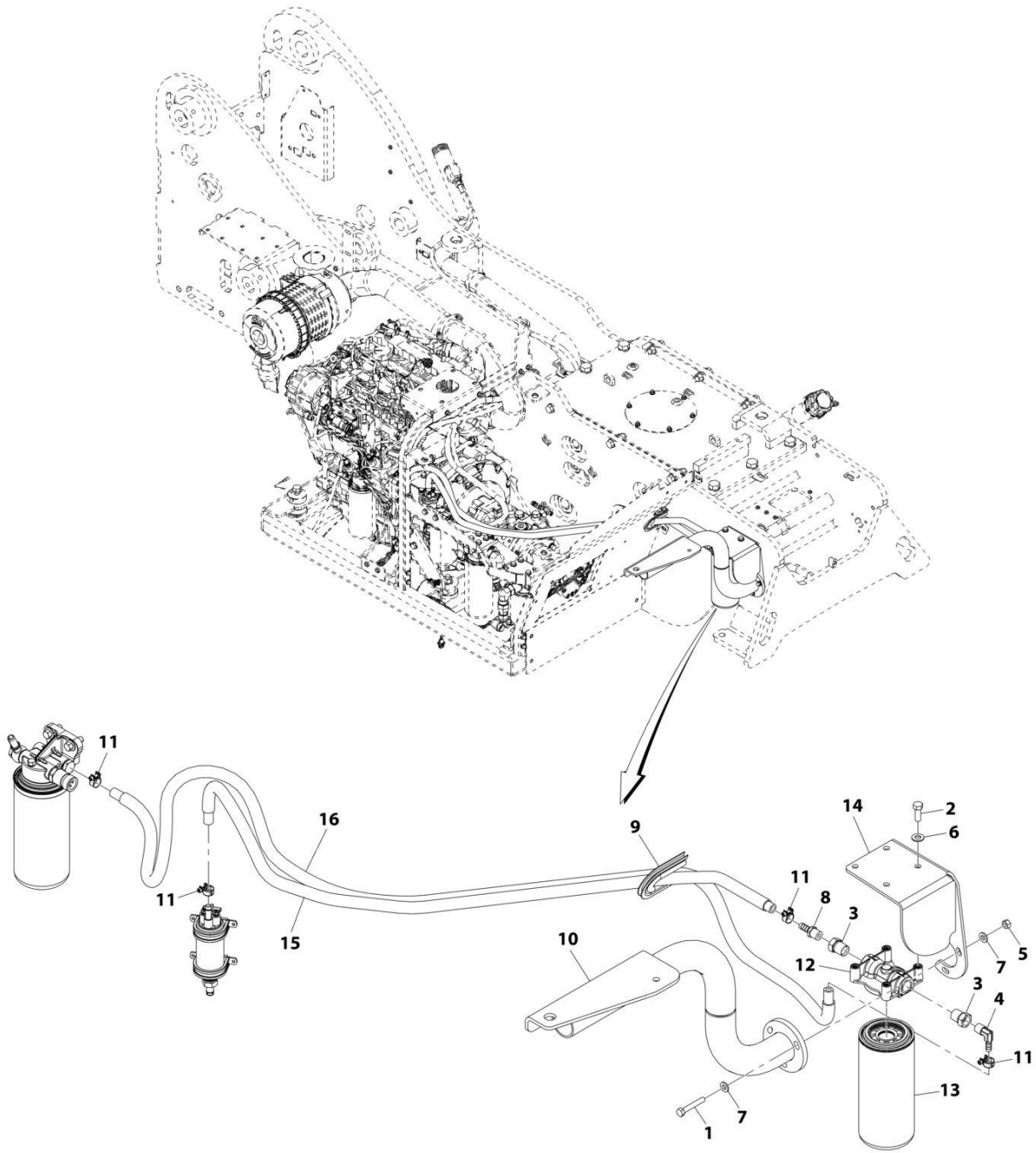
SECTION 4 - ENGINE AND ATTACHING PARTS

FIGURE 4-18. HEATER LINES INSTALLATION

ITEM	PART NUMBER	QTY	DESCRIPTION	REV
	1001139684	Ref	Heater Lines Installation	C
1	8360005	1	Shut-Off Valve	
2	8410009	4	Gear Clamp	
3	1001143254	1	Cab Heater Hose	
4	1001143255	1	Cab Heater Hose	
5	1001143467	1	Straight Adapter	
6	1001143468	1	Straight Adapter	
7	84712749	1	Brass Elbow	
8	0760828	1	Hex HD Capscrew, M8X110, GR8.8	
9	1321716	1	Clamp	
10	8307222	2	Plain Washer, M8	
11	1001157088	1	Sleeve	

SECTION 4 - ENGINE AND ATTACHING PARTS

FIGURE 4-19. LUBRICITY DOSER INSTALLATION (MIRROR)



ART_1001201538-A

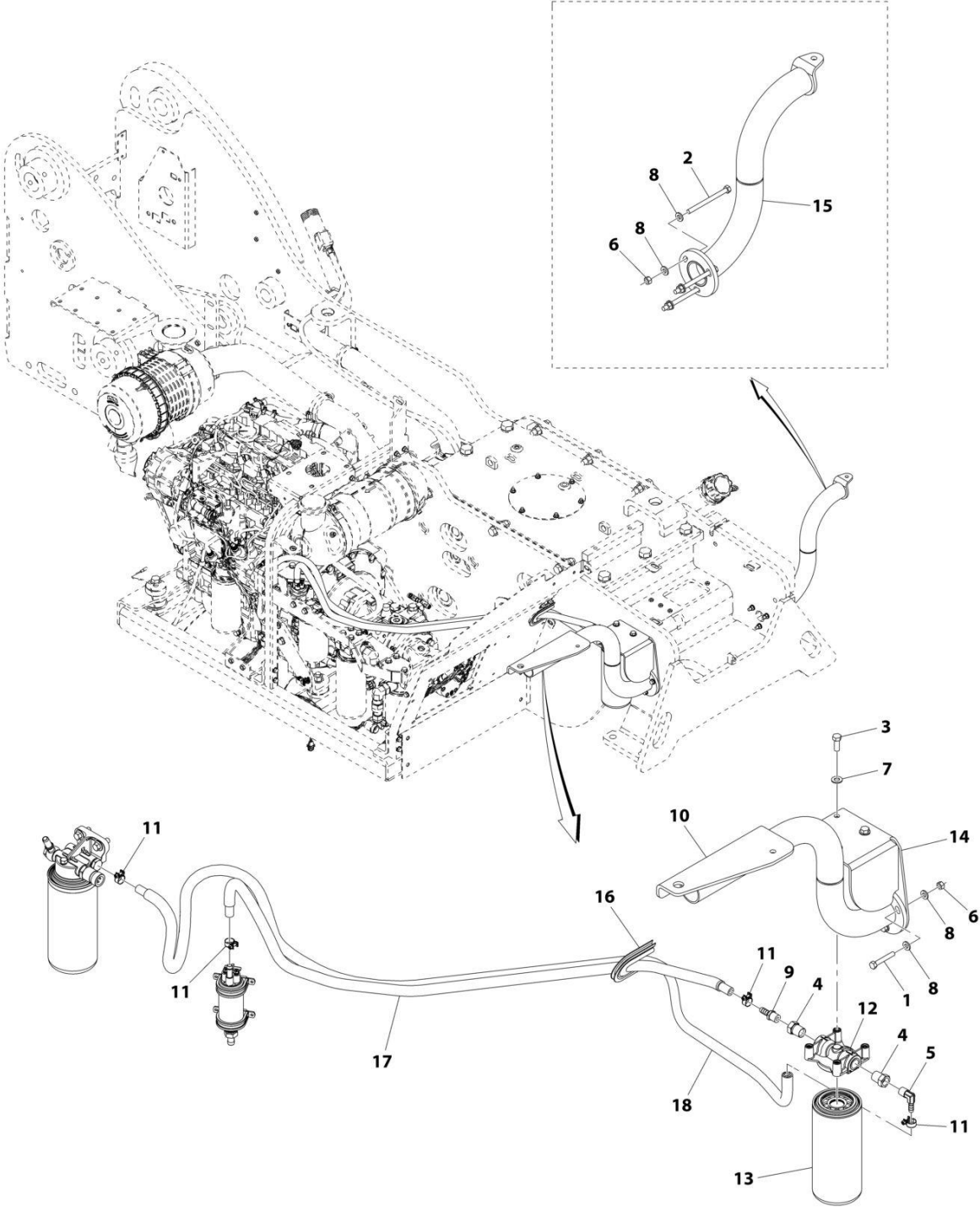
SECTION 4 - ENGINE AND ATTACHING PARTS

FIGURE 4-19. LUBRICITY DOSER INSTALLATION (MIRROR)

ITEM	PART NUMBER	QTY	DESCRIPTION	REV
	1001201538	Ref	LUBRICITY DOSER INSTALLATION (MIRROR)	A
1	0641516	3	Bolt 5/16 x 2	
2	0681608	4	Bolt 3/8 x 1	
3	2220251	2	Adapter, Straight	
4	2220313	1	Barb Fitting, 90	
5	3311505	3	Nut 5/16	
6	4711600	4	Washer 3/8	
7	4891500	6	Washer 5/16	
8	8430068	1	Hose Barb Coupling	
9	1001097160	6 in	Self-Gripping Bulb Seal	
10	1001133822	1	Bracket Headlight	
11	1001136975	4	Fuel Hose Clamp	
12	1001141287	1	Lubricity Doser Mount	
13	1001141591	1	Lubricity Doser Element Filter	
14	1001146575	1	Doser Bracket	
15	1001165202	1	Engine Fuel Supply Hose	
16	1001165203	1	Engine Fuel Supply Hose	

SECTION 4 - ENGINE AND ATTACHING PARTS

FIGURE 4-20. LUBRICITY DOSER INSTALLATION (LIGHT & MIRROR)



ART_1001213994-A

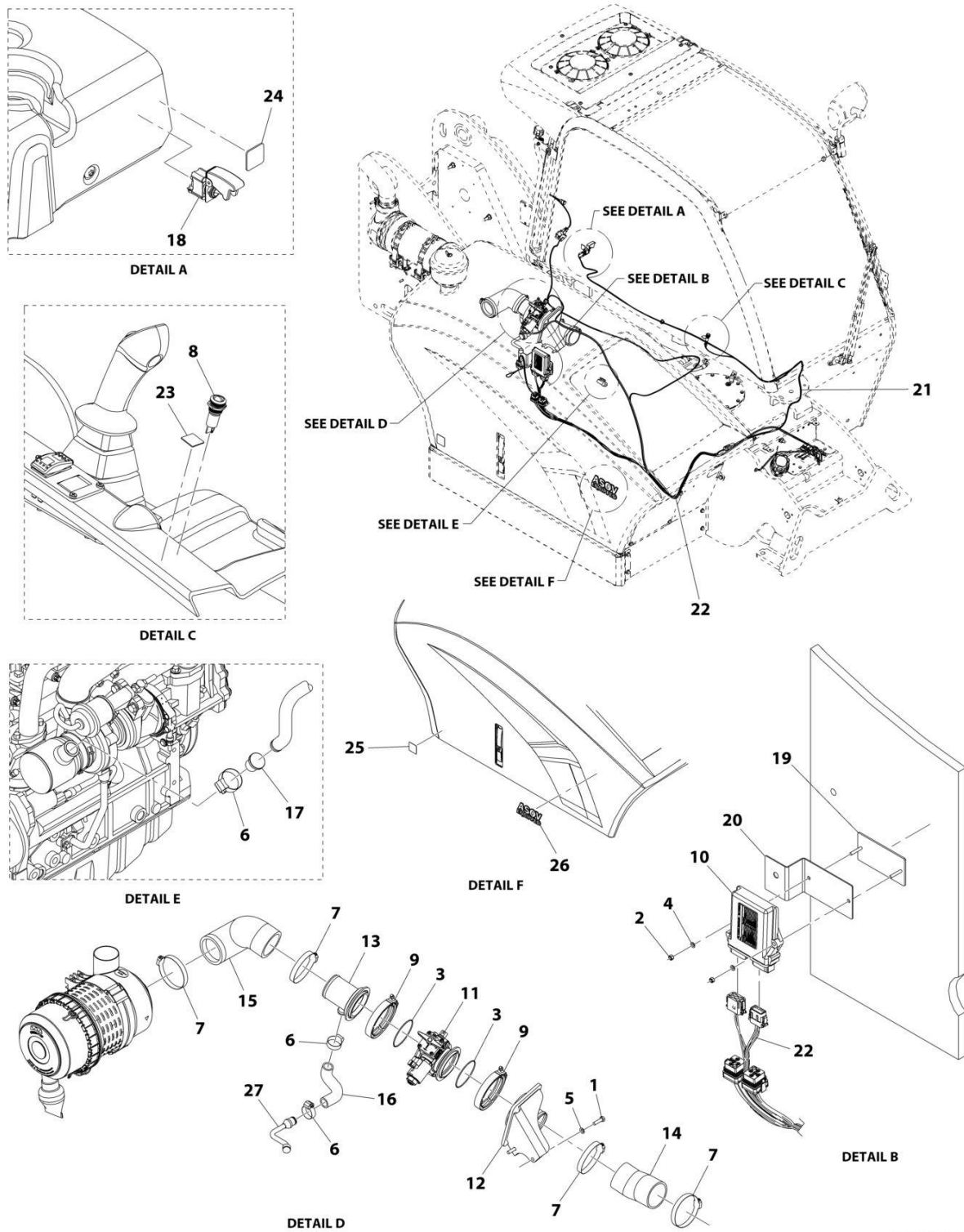
SECTION 4 - ENGINE AND ATTACHING PARTS

FIGURE 4-20. LUBRICITY DOSER INSTALLATION (LIGHT & MIRROR)

ITEM	PART NUMBER	QTY	DESCRIPTION	REV
	1001213994	Ref	Lubricity Doser Installation (Light & Mirror)	A
1	0641516	3	Hex HD Capscrew, 5/16-18X2	
2	0641532	3	Hex HD Capscrew, 5/16-18X4	
3	0681608	4	Hex HD Capscrew, 3/8-16X1	
4	2220251	2	Adapter, Straight	
5	2220313	1	Barb Fitting, 90	
6	3311505	6	Hex Locknut, 5/16-18, GR2	
7	4711600	4	Plain Washer, 3/8	
8	4891500	12	Hardened Washer, 5/16	
9	8430068	1	Hose Barb Coupling	
10	1001133822	1	Bracket Headlight	
11	1001136975	4	Fuel Hose Clamp	
12	1001141287	1	Lubricity Doser Mount	
13	1001141591	1	Lubricity Doser Element Filter	
14	1001146575	1	Doser Bracket	
15	1001213955	1	Bracket Headlight Mount	
16	1001097160	6 in	Self-Gripping Bulb Seal	
17	1001165202	1	Engine Fuel Supply Hose	
18	1001165203	1	Engine Fuel Supply Hose	

SECTION 4 - ENGINE AND ATTACHING PARTS

FIGURE 4-21. AIR SHUT OFF VALVE INSTALLATION



ART_1001204679-B

SECTION 4 - ENGINE AND ATTACHING PARTS

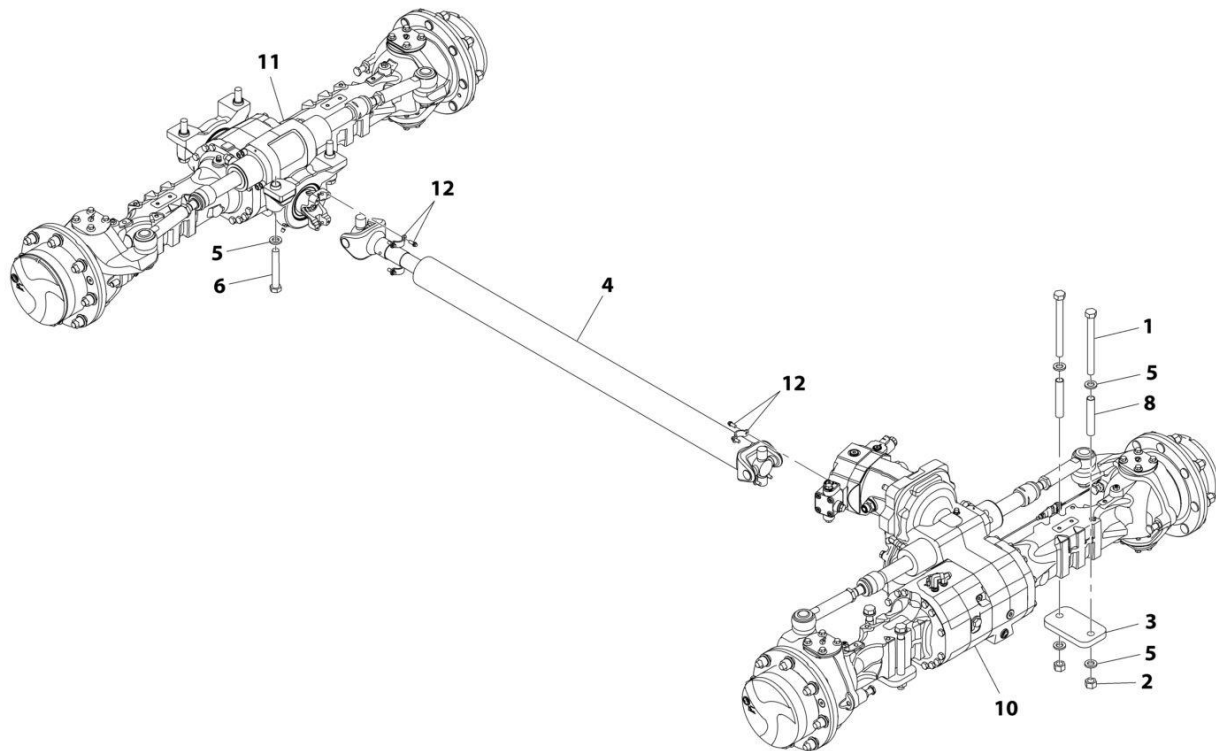
FIGURE 4-21. AIR SHUT OFF VALVE INSTALLATION

ITEM	PART NUMBER	QTY	DESCRIPTION	REV
	1001204679	Ref	Air Shut Off Valve Installation	B
1	0760814	2	BOLT, M8X30	
2	3290505	2	HEX LOCKNUT, M5X8	
3	3790152	2	O-RING	
4	4811600	2	WASHER, M5	
5	4811900	2	WASHER, M8	
6	8405101	3	GEAR CLAMP	
7	8410011	4	GEAR CLAMP	
8	1001239539	1	LAMP, LED INDICATOR	
9	1001202247	2	CLAMP	
10	1001203181	1	CONTROL ACCESSORY	
11	1001204032	1	VALVE, AIR SHUT OFF (See Separate Breakdown in Hydraulic Components Section)	
12	1001204674	1	BRACKET	
13	1001204676	1	ADAPTER	
14	1001204677	1	HOSE, ASO VALVE	
15	1001204678	1	HOSE, AIR INTAKE	
16	1001205397	1	HOSE, CRANKCASE BREATHER	
17	1001206603	1	PLUG	
18	1001215941	1	SWITCH	
19	1001219082	1	BRACKET	
20	1001230503	1	PLATE	
21	1001233213	1	HARNESS, POSI AIR SHUT OFF VALVE (See Separate Breakdown in Electrical Section)	
22	1001233235	1	HARNESS, POSI AIR SHUT OFF VALVE FRAME (See Separate Breakdown in Electrical Section)	
23	1001227077	1	DECAL	
24	1001227964	1	DECAL	
25	1001228273	1	DECAL	
26	1001228643	1	DECAL	
27	1001233784	1	PIPE	

SECTION 5 - DRIVE TRAIN

SECTION 5 - DRIVE TRAIN

FIGURE 5-1. DRIVETRAIN INSTALLATION



ART_1001233725-C

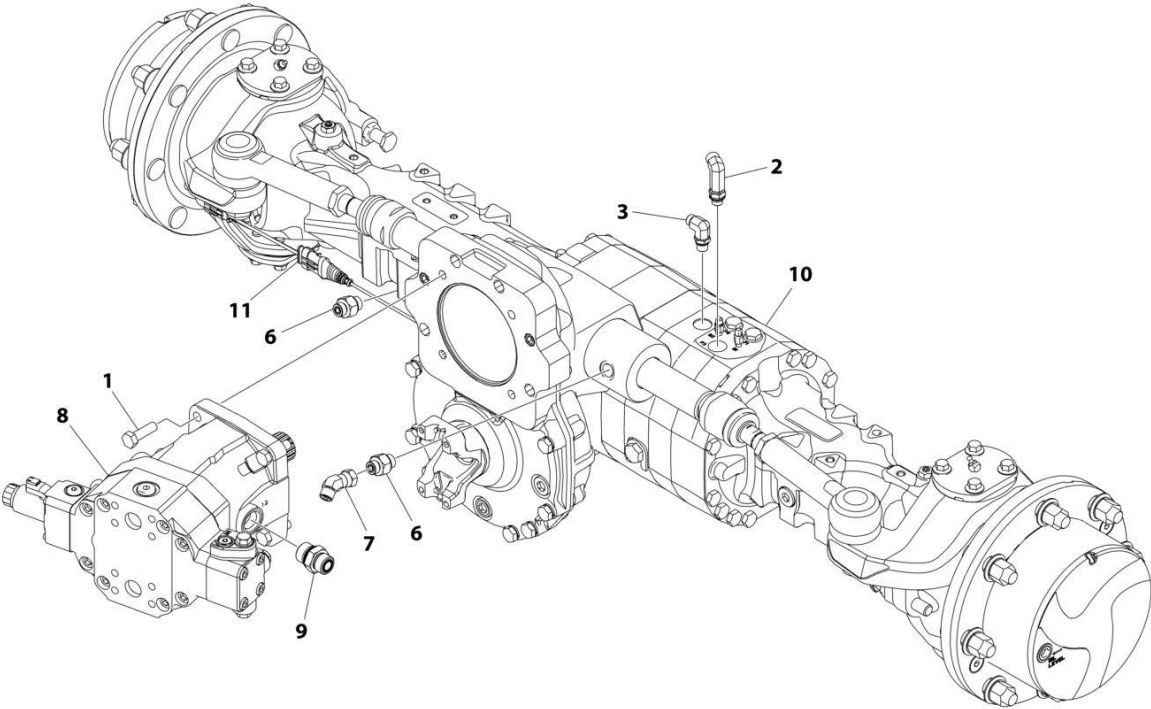
SECTION 5 - DRIVE TRAIN

FIGURE 5-1. DRIVETRAIN INSTALLATION

ITEM	PART NUMBER	QTY	DESCRIPTION	REV
	1001233725	Ref	Drive Train Installation	C
1	0682264	4	Hex HD Capscrew, 3/4-10X8, GR8	
2	3272201	4	Hex Nut, 3/4-10, GR8	
3	3576766	2	Mounting Plate	
4	4040291	1	Drive Shaft	
5	4892200	12	Washer, 3/4	
6	91403412	4	Hex HD Capscrew, 3/4-10X5, GR8	
8	1001081071	4	Front Axle Mount Sleeve	
10	1001233723	1	Front Axle Assembly (See Separate Breakdown in this Section)	
11	1001233724	1	Rear Axle Assembly (See Separate Breakdown in this Section)	
12	8880219-OM	2	Strap Kit	
12	8880221	4	Screw	
12	8880220	2	Strap	

SECTION 5 - DRIVE TRAIN

FIGURE 5-2. FRONT AXLE ASSEMBLY



ART_1001233723

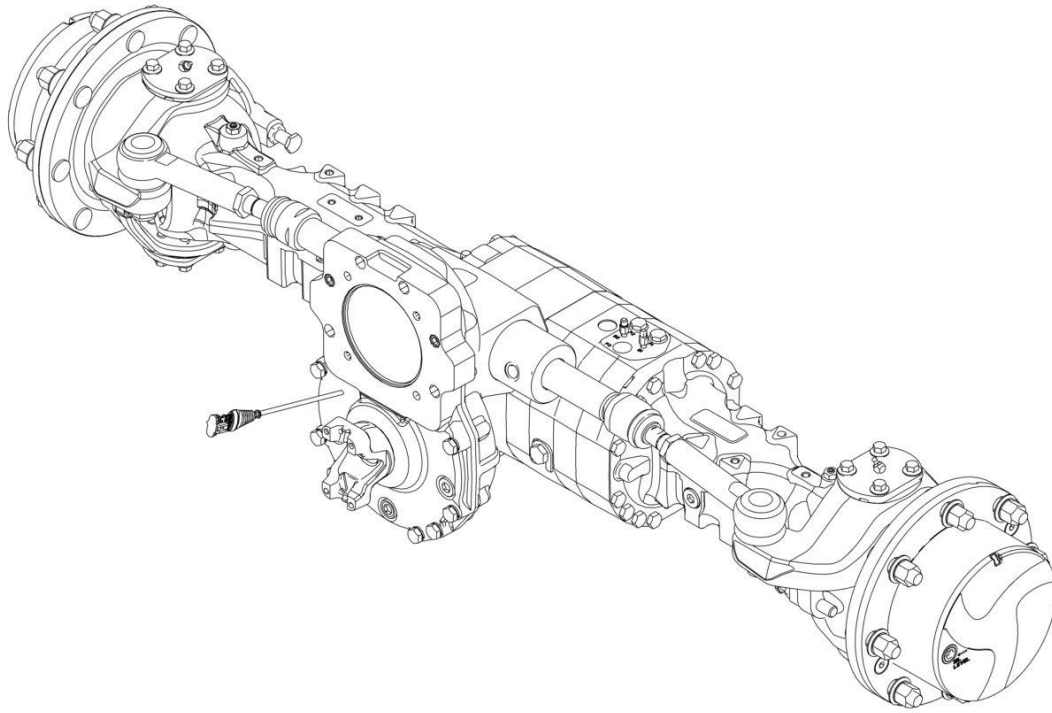
SECTION 5 - DRIVE TRAIN

FIGURE 5-2. FRONT AXLE ASSEMBLY

ITEM	PART NUMBER	QTY	DESCRIPTION	REV
	1001233723	Ref	FRONT AXLE ASSEMBLY	F
1	0761216	4	Bolt M12 x 40	
2	2221285	1	Elbow, 90	
3	8770241	1	Elbow, 90	
6	1001081333	2	Fitting, Straight	
7	1001105990	1	Fitting, 45	
8	1001138823	1	Hydrostatic Motor (See Separate Breakdown in HYDRAULIC COMPONENTS Section)	
9	1001144255	1	Fitting, Straight	
10	1007367100	1	Front Axle (See Separate Breakdown in this Section)	
11	1001234992	1	Speed Sensor Jumper Harness (See Separate Breakdown in ELECTRICAL Section)	

SECTION 5 - DRIVE TRAIN

FIGURE 5-3. FRONT AXLE



ART_1007367100

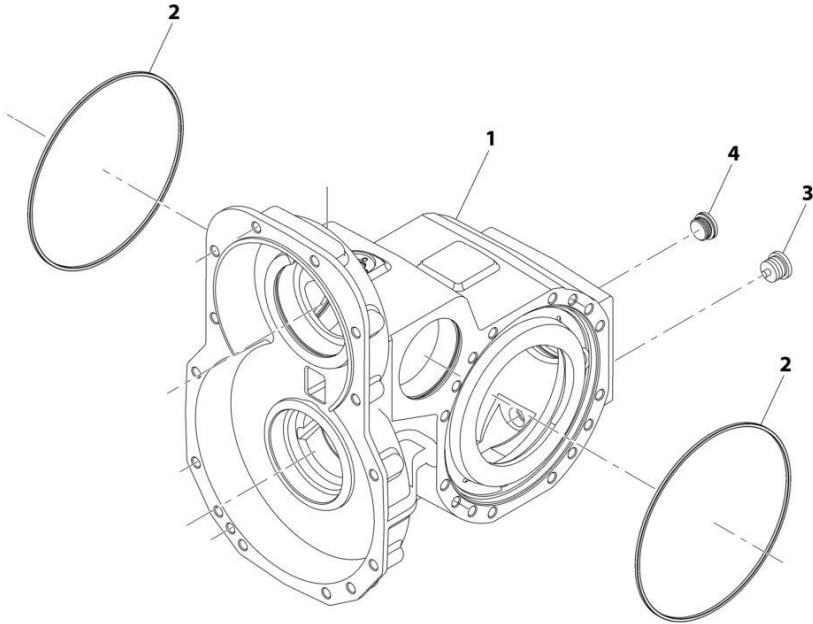
SECTION 5 - DRIVE TRAIN

FIGURE 5-3. FRONT AXLE

ITEM	PART NUMBER	QTY	DESCRIPTION	REV
	1007367100	Ref	Front Axle	G
		Ref	Front Axle, Central Housing (See Separate Breakdown in this Section)	
		Ref	Front Axle, Differential (See Separate Breakdown in this Section)	
		Ref	Front Axle, Hub Reduction (See Separate Breakdown in this Section)	
		Ref	Front Axle, Brakes (See Separate Breakdown in this Section)	
		Ref	Front Axle, Steering (See Separate Breakdown in this Section)	

SECTION 5 - DRIVE TRAIN

FIGURE 5-4. FRONT AXLE, CENTRAL HOUSING



ART_1007367100_1-F

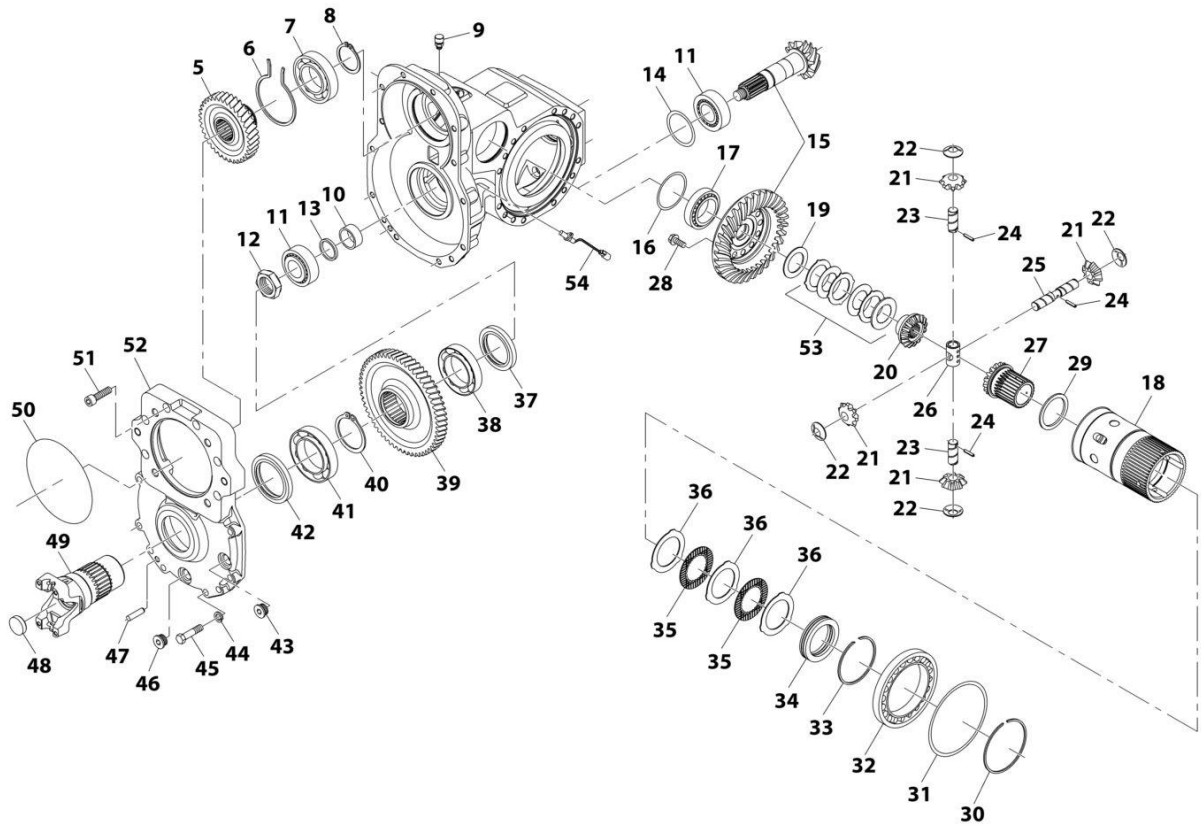
SECTION 5 - DRIVE TRAIN

FIGURE 5-4. FRONT AXLE, CENTRAL HOUSING

ITEM	PART NUMBER	QTY	DESCRIPTION	REV
	1007367100	Ref	FRONT AXLE, CENTRAL HOUSING	G
1	70029265	1	Housing	
2	70021147	2	O-Ring	
3	7028706	1	Magnetic Plug	
4	91514188	1	Plug With Seal Washer	

SECTION 5 - DRIVE TRAIN

FIGURE 5-5. FRONT AXLE, DIFFERENTIAL



ART_1007367100_2-F

SECTION 5 - DRIVE TRAIN

FIGURE 5-5. FRONT AXLE, DIFFERENTIAL

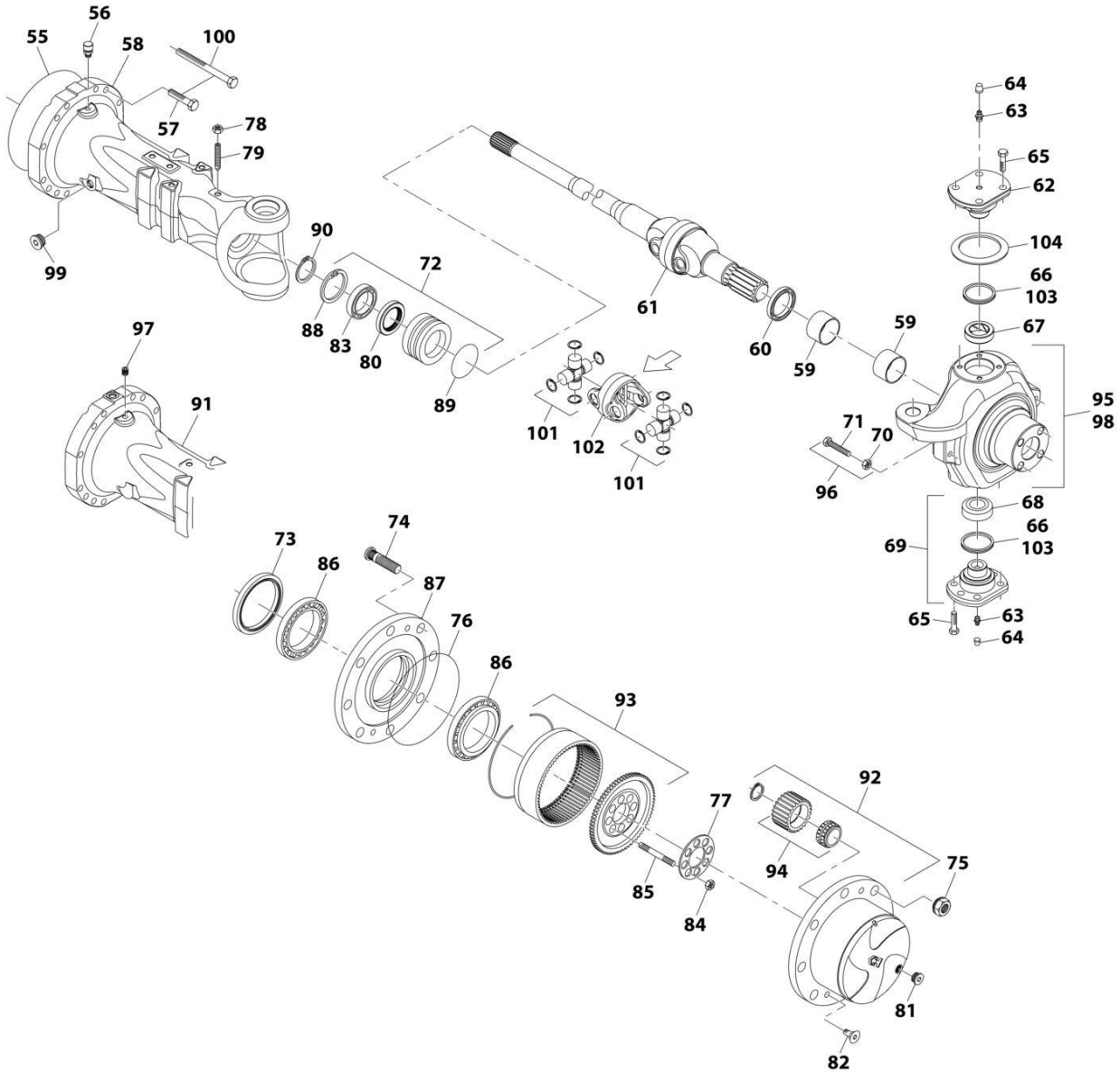
ITEM	PART NUMBER	QTY	DESCRIPTION	REV
	1007367100	Ref	FRONT AXLE, DIFFERENTIAL	G
5	70024863	1	Gear	
6	70020230	1	Circlip	
7	70020231	1	Ball Bearing	
8	70020232	1	Circlip	
9	91474512	1	Plug	
10	70024864	1	Spacer	
11	70020234	2	Bearing	
12	70020235	1	Ring Nut	
13	70024927	1	Shim Kit	
14	70024866	1	Shim Kit	
15	70029266	1	Bevel Gear Set	
16	70024929	1	Shim Kit	
17	70020240	1	Tapered Roller Bearing	
18	70021939	1	Differential Carrier	
19	70029267	1	Friction Washer	
20	70020243	1	Differential Side Gear	
21	70020244	4	Differential Pinion	
22	70020245	4	Friction Washer	
23	70021929	2	Pin	
24	70020247	3	Dowel	
25	70021928	1	Pin	
26	70020249	1	Shaft Retainer	
27	70020250	1	Differential Side Gear	
28	70020251	12	Bolt	
29	70020252	1	Friction Washer	
30	70020253	1	Circlip	
31	70027859	1	Shim Kit	
32	3984301	1	Bearing	
33	70020255	1	Circlip	
34	70020256	1	Bearing	
35	70020257	7	Clutch Disc	
36	70020258	8	Intermediate Clutch	
37	70020259	1	Seal	
38	70020260	1	Ball Bearing	
39	70020261	1	Gear	
40	70020262	1	Circlip	
41	80204178	1	Ball Bearing	
42	70020263	1	Seal	
43	70028389	1	Plug	
44	80204147	8	Spring Washer	
45	70024873	8	Bolt	
46	70028388	1	Plug	
47	70020265	1	Dowel	
48	70020266	1	Plug	
49	70020267	1	Flange	
50	70024874	1	O-Ring	
51	70020269	6	Cylinder Bolt	
52	70024875	1	Cover	
53	70020271	1	Clutch Disc	

SECTION 5 - DRIVE TRAIN

ITEM	PART NUMBER	QTY	DESCRIPTION	REV
54	70029268	1	Speed Sensor	

SECTION 5 - DRIVE TRAIN

FIGURE 5-6. FRONT AXLE, HUB REDUCTION



ART_1007367100_3-F

SECTION 5 - DRIVE TRAIN

FIGURE 5-6. FRONT AXLE, HUB REDUCTION

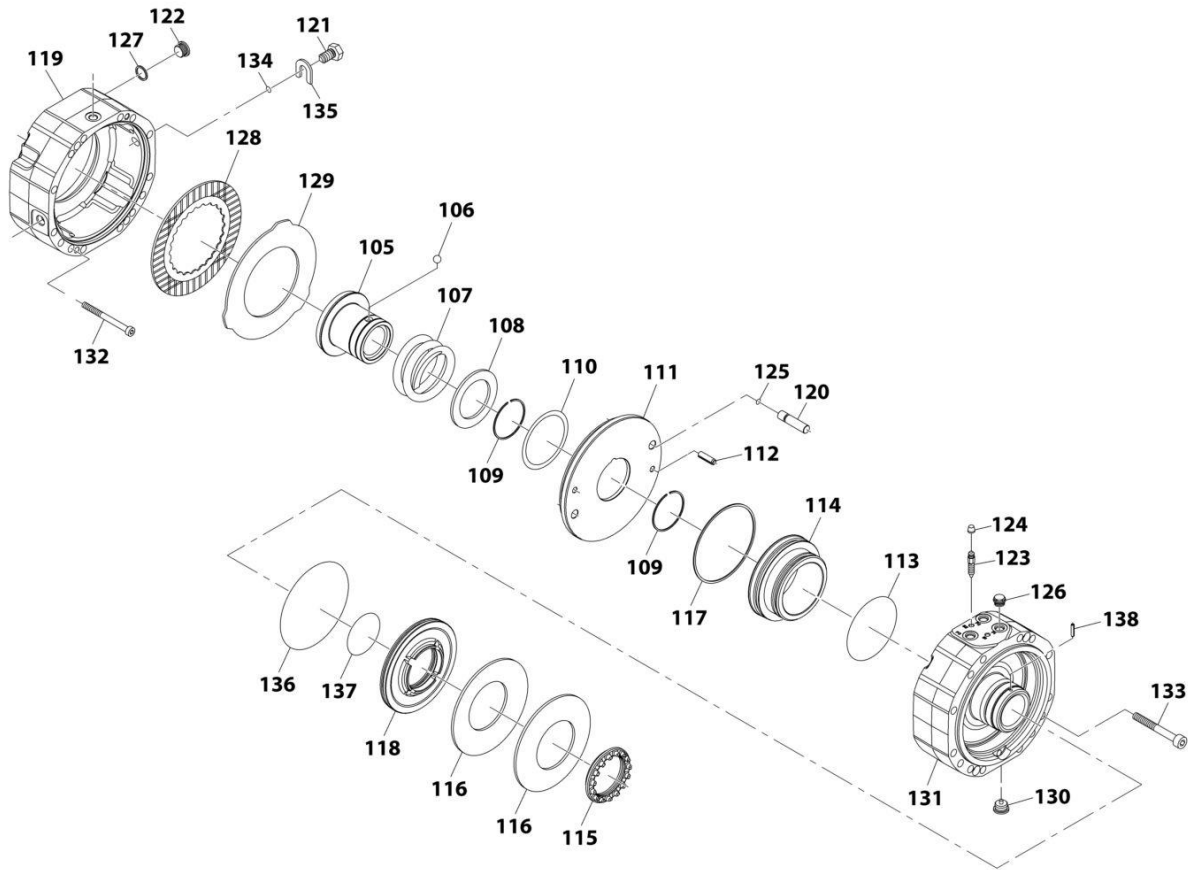
ITEM	PART NUMBER	QTY	DESCRIPTION	REV
	1007367100	Ref	FRONT AXLE, HUB REDUCTION	G
55	70021147	2	O-Ring	
56	91474512	1	Vent	
57	70024878	14	Bolt	
58	70029269	1	Axle Case	
59	70021150	2	Thrust Bushing	
60	70021151	2	Seal	
61	70029270	2	Universal Joint & Shaft	
62	70029271	2	Pivot Pin	
63	70024881	4	Grease Fitting	
64	80204117	4	Plug	
65	70025562	20	Bolt	
66	70021155	2	Seal	
67	70029272	2	Reduction Bushing	
68	70029273	2	Articulation	
69	70029274	2	Pivot Pin	
70	80204065	4	Nut	
71	91514117	4	Bolt	
72	70029275	2	Reduction Bushing	
73	70029276	2	Seal	
74	70024883	16	Wheel Stud	
75	70026875	NLA	Nut (No Longer Available, Use Item 70030769)	
75	70030769	16	Nut	
76	91474507	2	O-Ring	
77	3983731	2	Locking Plate	
78	80204172	2	Nut	
79	70029277	2	Bolt	
80	70029278	2	Seal	
81	7028706	2	Magnetic Plug	
82	91514189	4	Countersunk Bolt	
83	70029279	2	Bearing	
84	91474584	8	Nut	
85	70027315	8	Stud	
86	3984301	4	Bearing	
87	70029280	2	Wheel Hub	
88	70029281	2	Circlip	
89	70029282	2	O-Ring	
90	70029283	2	Circlip	
91	70029284	1	Axle Case	
92	70029285	2	Planet Gear Carrier Kit (See Separate Breakdown in this Section)	
93	7029432	2	Ring Gear Support Kit (See Separate Breakdown in this Section)	
94	70027114	6	Planet Gear Kit	
95	70029286	1	Steering Case Kit (LF, RR) (See Separate Breakdown in this Section)	
96	7028733	4	Steering Adjust Bolt Kit	
97	80204012	1	Plug	
98	70029287	1	Steering Case Kit (RF, LR) (See Separate Breakdown in this Section)	
99	91514188	1	Plug W/ Sealing Washer	
100	70029288	14	Hex Bolt	

SECTION 5 - DRIVE TRAIN

ITEM	PART NUMBER	QTY	DESCRIPTION	REV
101	70029289	2	Joint Cross	
102	70029290	1	Joint Center Section	
103	70029291	2	Dust Excluder	
104	70029292	4	Spring	

SECTION 5 - DRIVE TRAIN

FIGURE 5-7. FRONT AXLE, BRAKES



ART_1007367100_4-F

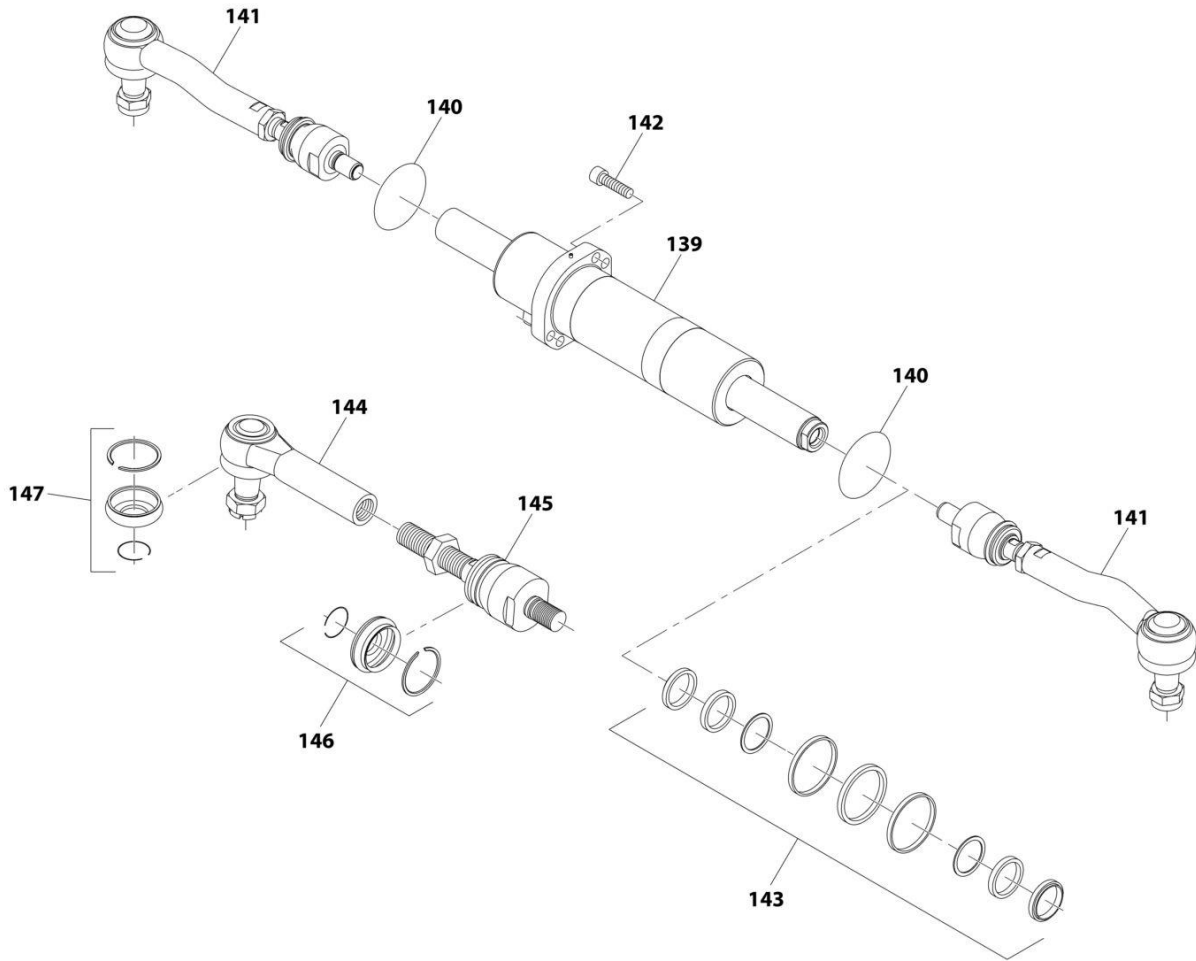
SECTION 5 - DRIVE TRAIN

FIGURE 5-7. FRONT AXLE, BRAKES

ITEM	PART NUMBER	QTY	DESCRIPTION	REV
	1007367100	Ref	FRONT AXLE, BRAKES	G
105	70021942	1	Reduction Bushing	
106	70020276	2	Detend Ball	
107	70020285	1	Spring	
108	70021941	1	Spacer	
109	70020284	2	Circlip	
110	70027862	1	Shim Kit	
111	70021940	1	Intermediate Brake Disc	
112	70029293	2	Roll Pin	
113	70028884	1	O-Ring, Anti-Twist	
114	70020280	1	Piston	
115	70020296	1	Ring Nut	
116	70020295	2	Spring	
117	70026263	1	Seal	
118	70024897	1	Piston	
119	70029294	1	Steering Axle Housing	
120	70020291	3	Pin	
121	70020297	2	Bolt	
122	70029295	1	Plug	
123	80204281	2	Bleeding Bolt	
124	80204117	2	Plug	
125	70020290	3	O-Ring	
126	70020282	1	Plug	
127	70029296	1	Washer	
128	70020273	6	Brake Disc	
129	70024528	6	Disc, Intermediate Brake	
130	7028706	1	Magnetic Plug	
131	70029297	1	Steering Axle Housing	
132	70029298	2	Cylinder Bolt	
133	70029299	3	Cylinder Bolt	
134	80204111	2	O-Ring	
135	70020298	2	Spacer	
136	70020292	1	O-Ring	
137	70020293	1	O-Ring	
138	70020247	1	Dowel	

SECTION 5 - DRIVE TRAIN

FIGURE 5-8. FRONT AXLE, STEERING



ART_1007367100_5-F

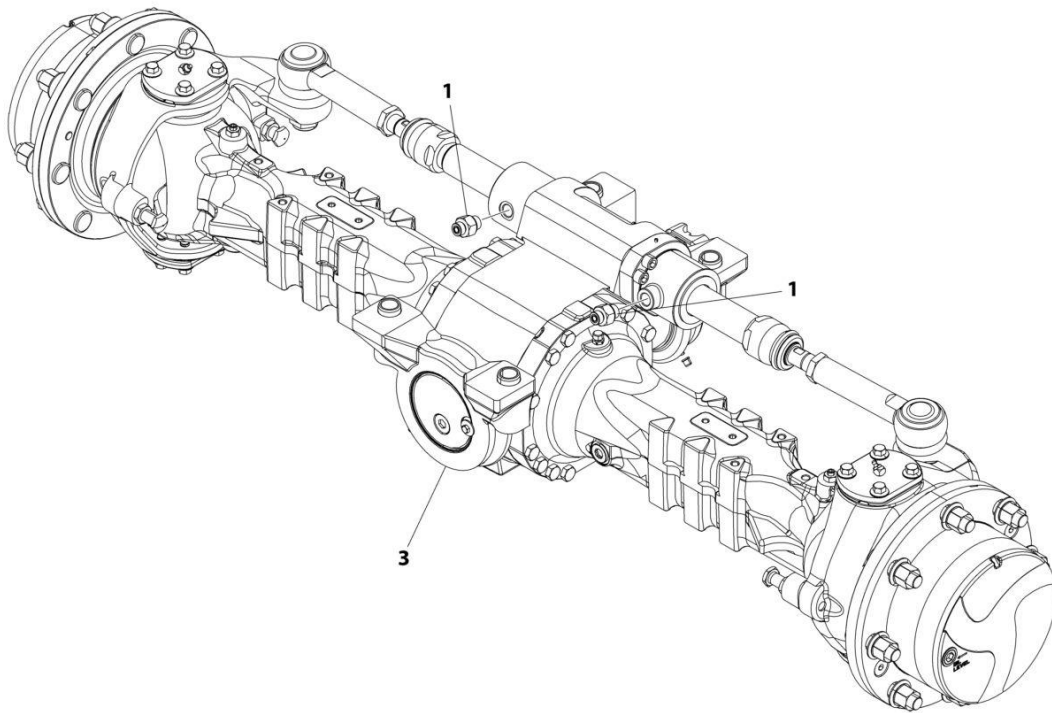
SECTION 5 - DRIVE TRAIN

FIGURE 5-8. FRONT AXLE, STEERING

ITEM	PART NUMBER	QTY	DESCRIPTION	REV
	1007367100	Ref	FRONT AXLE, STEERING	G
139	70023035	1	Steer Cylinder	
140	70020301	2	O-Ring	
141	70020302	2	Tie Rod	
142	70020269	4	Cylinder Bolt	
143	70023036	1	Seal Kit, Steer Cylinder	
144	70029300	1	Joint, 90 Degree	
145	70029301	1	Axle Joint	
146	70027866	1	Rubber Boot and Locking Ring Kit	
147	70027865	1	Rubber Boot and Locking Ring Kit	

SECTION 5 - DRIVE TRAIN

FIGURE 5-9. REAR AXLE ASSEMBLY



ART_1001233724

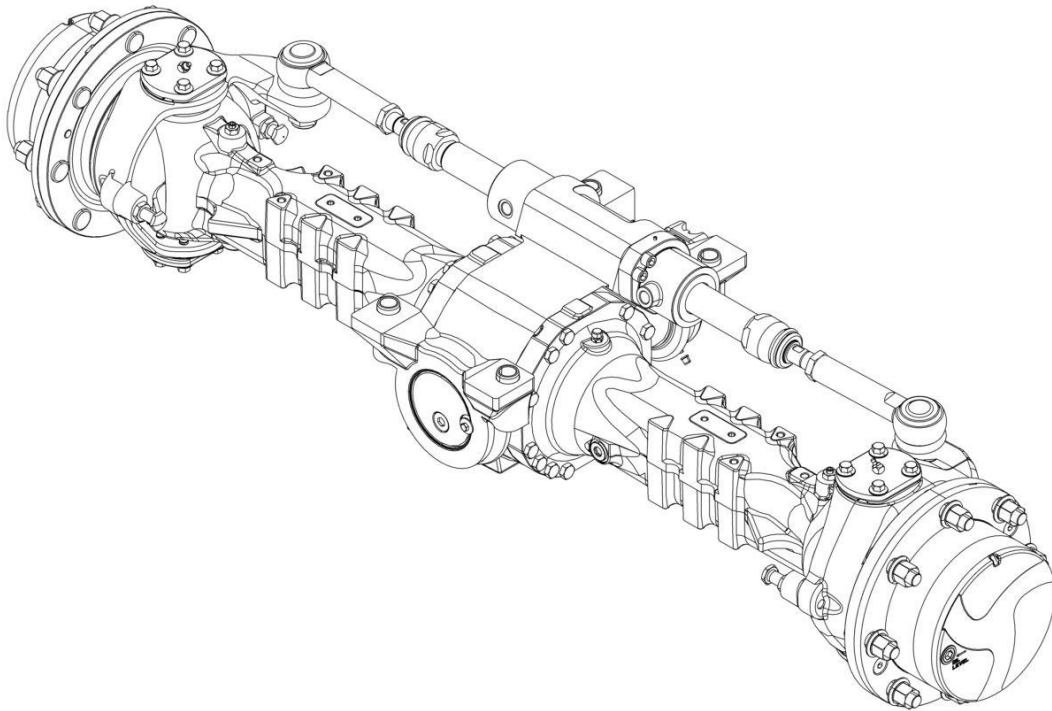
SECTION 5 - DRIVE TRAIN

FIGURE 5-9. REAR AXLE ASSEMBLY

ITEM	PART NUMBER	QTY	DESCRIPTION	REV
1	1001233724	Ref	Rear Axle Assembly	C
	1001081333	2	Fitting	
3	1007367300	1	Rear Axle (See Separate Breakdown in this Section)	

SECTION 5 - DRIVE TRAIN

FIGURE 5-10. REAR AXLE



ART_1007367300

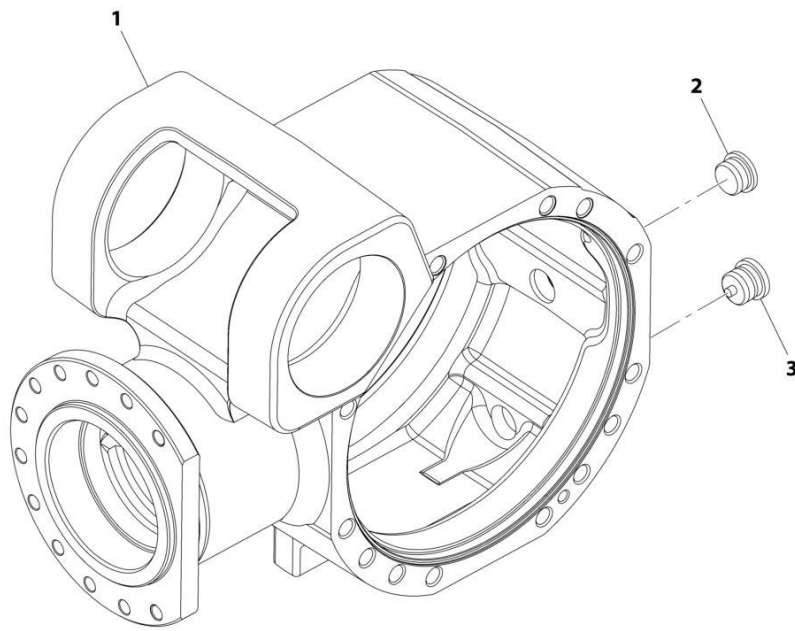
SECTION 5 - DRIVE TRAIN

FIGURE 5-10. REAR AXLE

ITEM	PART NUMBER	QTY	DESCRIPTION	REV
	1007367300	Ref	Rear Axle	F
		Ref	Rear Axle, Central Housing (See Separate Breakdown in this Section)	
		Ref	Rear Axle, Differential (See Separate Breakdown in this Section)	
		Ref	Rear Axle, Hub Reduction (See Separate Breakdown in this Section)	
		Ref	Rear Axle, Steering (See Separate Breakdown in this Section)	
		Ref	Rear Axle, Trunion (See Separate Breakdown in this Section)	

SECTION 5 - DRIVE TRAIN

FIGURE 5-11. REAR AXLE, CENTRAL HOUSING



ART_1007367300_1-E

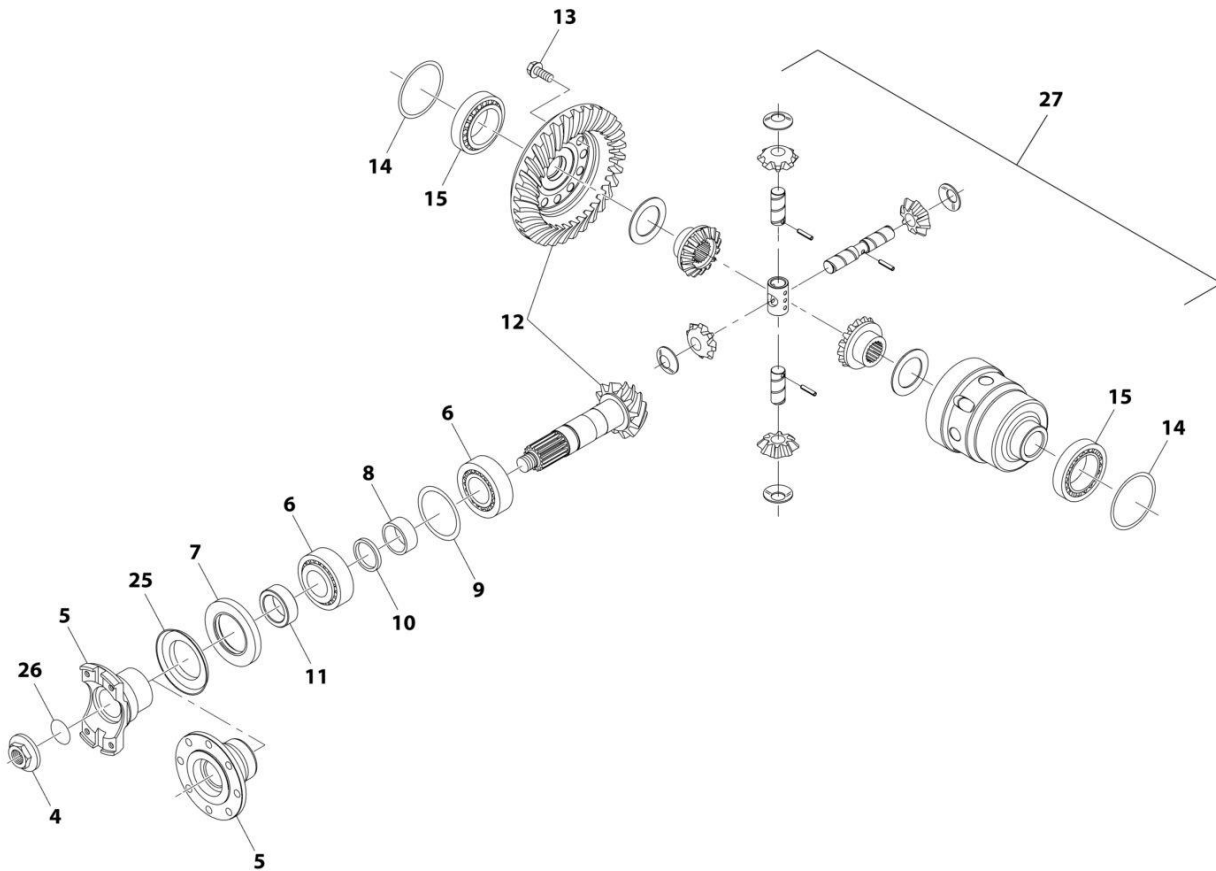
SECTION 5 - DRIVE TRAIN

FIGURE 5-11. REAR AXLE, CENTRAL HOUSING

ITEM	PART NUMBER	QTY	DESCRIPTION	REV
	1007367300	Ref	REAR AXLE, CENTRAL HOUSING	F
1	70029265	1	Housing	
2	91514188	1	Plug	
3	7028706	1	Magnetic Plug	

SECTION 5 - DRIVE TRAIN

FIGURE 5-12. REAR AXLE, DIFFERENTIAL



ART_1007367300_2-E

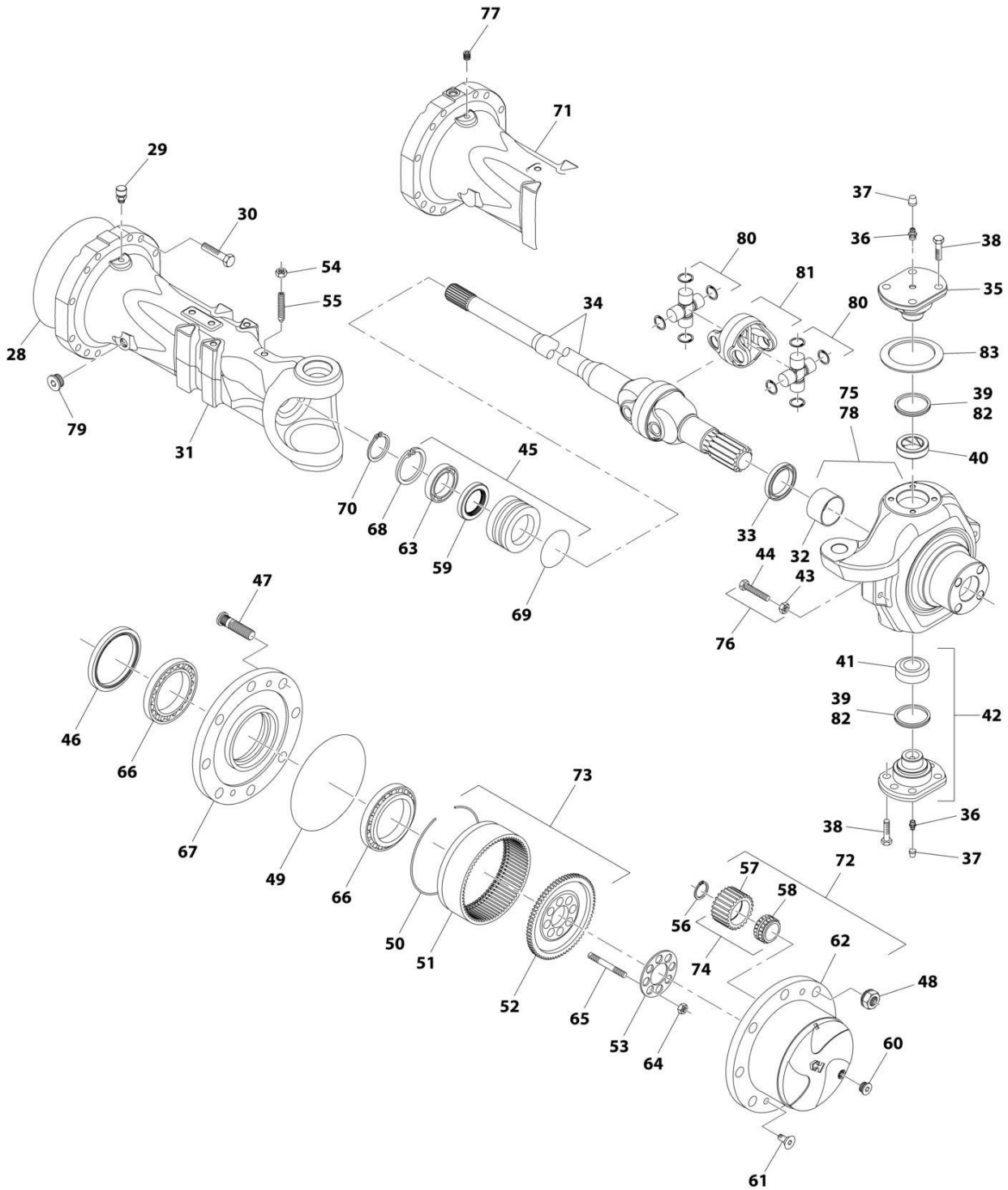
SECTION 5 - DRIVE TRAIN

FIGURE 5-12. REAR AXLE, DIFFERENTIAL

ITEM	PART NUMBER	QTY	DESCRIPTION	REV
	1007367300	Ref	REAR AXLE, DIFFERENTIAL	F
4	80204213	1	Nut	
5	70020288	1	Flange	
6	70020234	2	Bearing	
7	91474532	1	Seal	
8	70020233	1	Spacer	
9	70024866	1	Shim Kit	
10	70024927	1	Shim Kit	
11	70020303	1	Spacer	
12	70029302	1	Bevel Gear Set	
13	70020251	12	Bolt	
14	70024929	1	Shim Kit	
15	70020240	2	Tapered Roller Bearing	
25	70021076	1	Cover Plate	
26	70021196	1	O-Ring	
27	70029303	1	Differential Kit (See Separate Breakdown in this Section)	

SECTION 5 - DRIVE TRAIN

FIGURE 5-13. REAR AXLE, HUB REDUCTION



ART_1007367300_3-E

SECTION 5 - DRIVE TRAIN

FIGURE 5-13. REAR AXLE, HUB REDUCTION

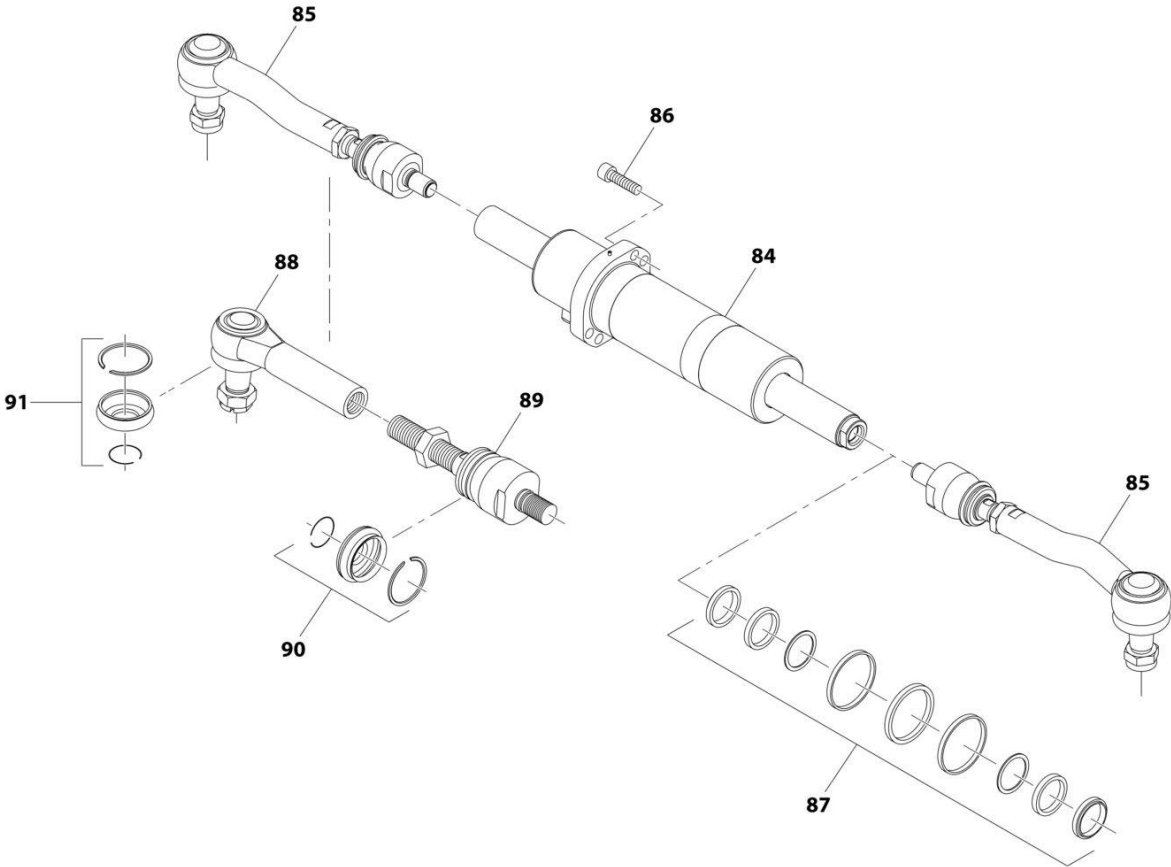
ITEM	PART NUMBER	QTY	DESCRIPTION	REV
	1007367300	Ref	REAR AXLE, HUB REDUCTION	F
28	70021147	2	O-Ring	
29	91474512	1	Breather	
30	70024878	28	Bolt	
31	70029304	1	Axle Case	
32	70021150	2	Bushing	
33	70021151	2	Seal	
34	70029270	2	Universal Joint and Shaft	
35	70029271	2	Pivot Pin	
36	70024881	4	Grease Fitting	
37	80204117	4	Plug	
38	70025562	20	Bolt	
39	70021155	2	Seal	
40	70029272	2	Reduction Bushing	
41	70029273	2	Articulation	
42	70029274	2	Pivot Pin	
43	80204065	4	Nut	
44	91514117	4	Bolt	
45	70029275	2	Reduction Bushing	
46	70029276	2	Seal	
47	70024883	16	Wheel Stud	
48	70026875	NLA	Nut (No Longer Available, Use Item 70030769)	
48	70030769	16	Nut	
49	91474507	2	O-Ring	
50	91474579	2	Circlip	
51	91474580	2	Ring Gear	
52	3983720	2	Ring Gear Support	
53	3983731	2	Locking Plate	
54	80204172	2	Nut	
55	70029277	2	Bolt	
56	91474585	3	Circlip	
57	70028473	6	Planet Gear	
58	70028474	6	Bearing	
59	70029278	2	Seal	
60	7028706	2	Magnetic Plug	
61	91514189	4	Bolt, Countersunk	
62	70024888	1	Plant Gear Carrier	
63	70029279	2	Bearing	
64	91474584	8	Nut	
65	70027315	8	Stud	
66	70030251	4	Bearing	
67	70029280	2	Wheel Hub	
68	70029281	2	Circlip	
69	70029282	2	O-Ring	
70	70029283	2	Circlip	
71	70029284	1	Axle Case	
72	70029285	2	Planet Gear Carrier Kit (See Separate Breakdown in this Section)	
73	7029432	2	Ring Gear Support Assembly (See Separate Breakdown in this Section)	
74	70027114	6	Kit, Planet Gear	

SECTION 5 - DRIVE TRAIN

ITEM	PART NUMBER	QTY	DESCRIPTION	REV
75	70029286	1	Steering Case Kit (LF, RR) (See Separate Breakdown in this Section)	
76	7028733	4	Steering Adjust Bolt Kit	
77	80204012	1	Plug	
78	70029287	1	Steering Case Kit (RF, LR) (See Separate Breakdown in this Section)	
79	70028389	1	Plug	
80	70029289	2	Joint Cross	
81	70029290	1	Joint Center Section	
82	70029291	2	Dust Excluder	
83	70029292	4	Spring	

SECTION 5 - DRIVE TRAIN

FIGURE 5-14. REAR AXLE, STEERING



ART_1007367300_4-E

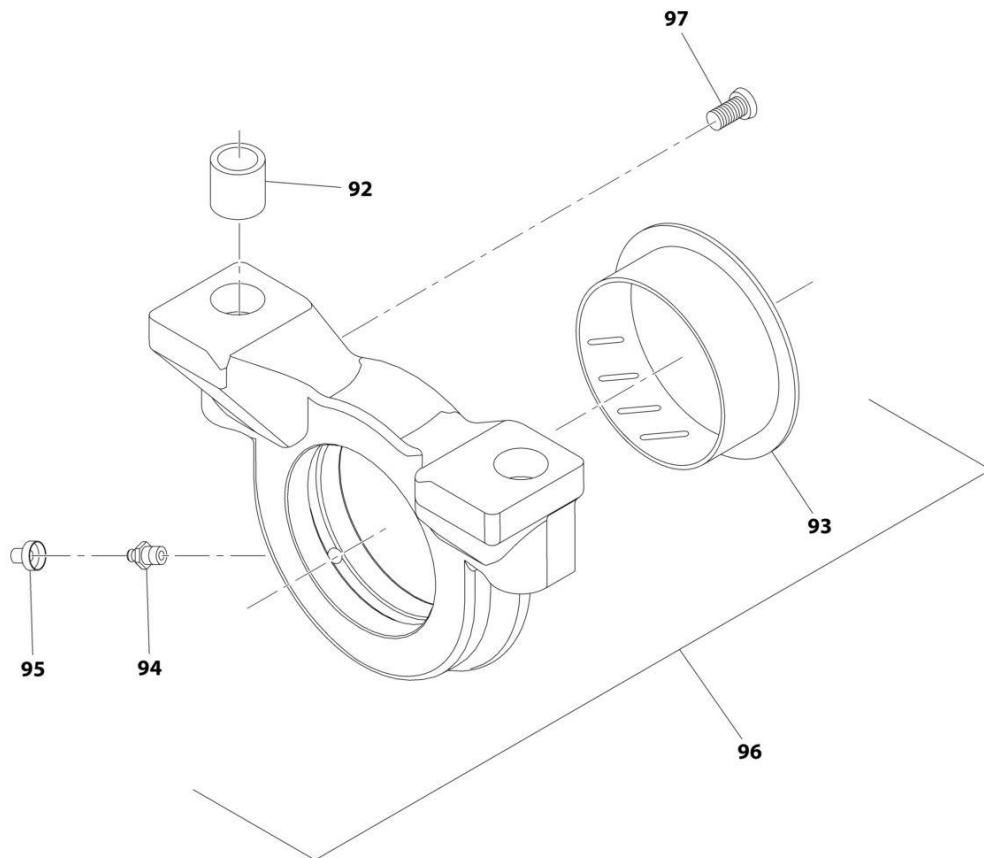
SECTION 5 - DRIVE TRAIN

FIGURE 5-14. REAR AXLE, STEERING

ITEM	PART NUMBER	QTY	DESCRIPTION	REV
	1007367300	Ref	REAR AXLE, STEERING	F
84	70023035	1	Steer Cylinder	
85	70020302	2	Tie Rod	
86	70020269	4	Cylinder Bolt	
87	70023036	1	Seal Kit, Steer Cylinder	
88	70029300	1	Joint, 90 Degree	
89	70029301	1	Axle Joint	
90	70027866	1	Rubber Boot and Locking Ring Kit	
91	70027865	1	Rubber Boot and Locking Ring Kit	

SECTION 5 - DRIVE TRAIN

FIGURE 5-15. REAR AXLE, TRUNION



ART_1007367300_5-E

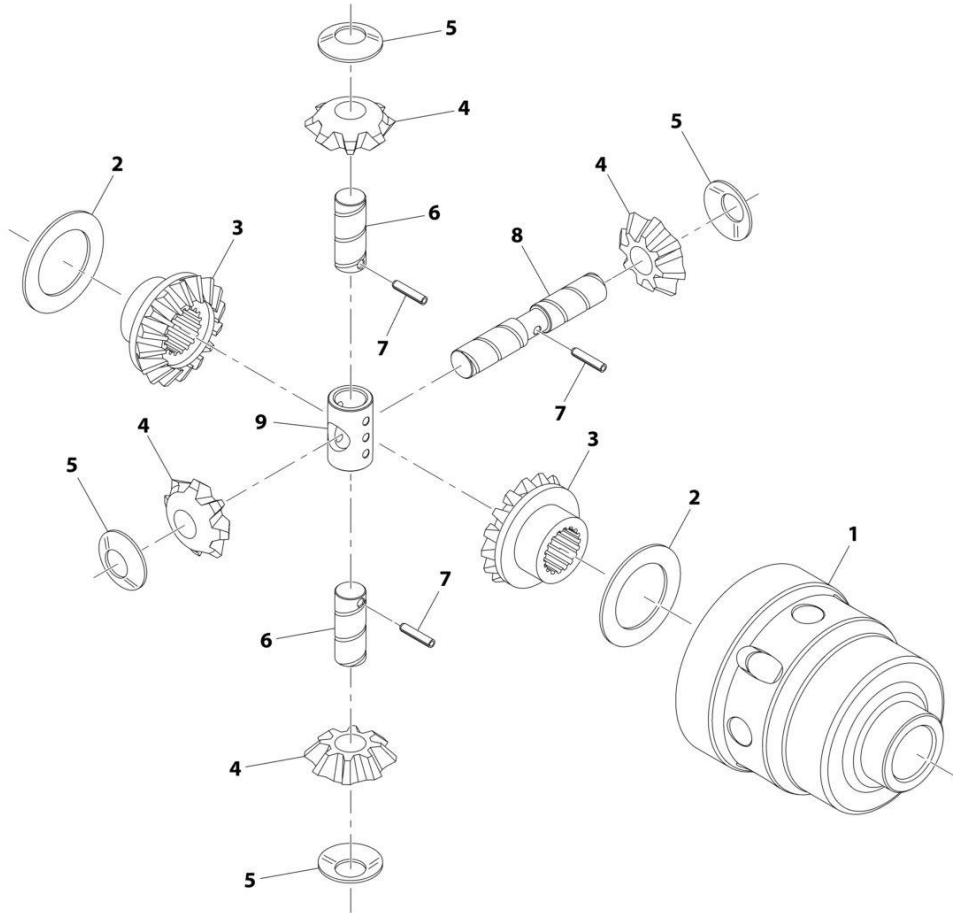
SECTION 5 - DRIVE TRAIN

FIGURE 5-15. REAR AXLE, TRUNION

ITEM	PART NUMBER	QTY	DESCRIPTION	REV
	1007367300	Ref	REAR AXLE, TRUNION	F
92	91474516	4	Reduction Bushing	
93	70021198	2	Thrust Bushing	
94	70024881	2	Fitting, Grease	
95	80204117	2	Plug	
96	70021200	2	Support Assembly	
97	70028535	2	Bolt	

SECTION 5 - DRIVE TRAIN

FIGURE 5-16. DIFFERENTIAL KIT



ART_70029303

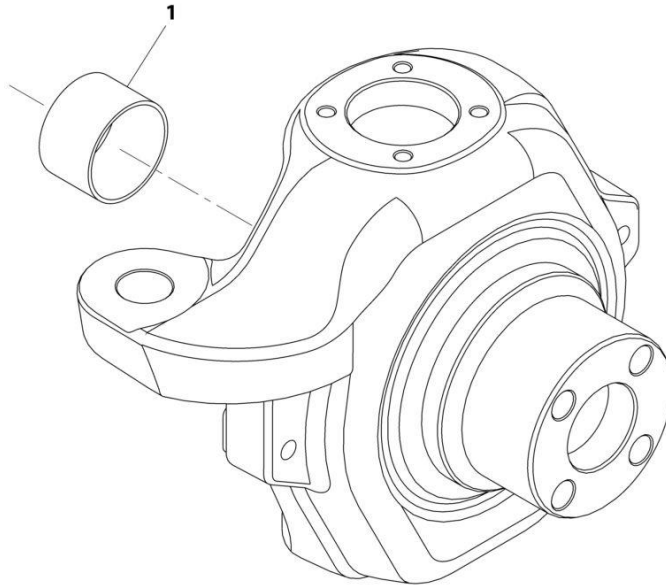
SECTION 5 - DRIVE TRAIN

FIGURE 5-16. DIFFERENTIAL KIT

ITEM	PART NUMBER	QTY	DESCRIPTION	REV
	70029303	Ref	Differential Kit	
1	70020346	1	Differential Carrier	
2	70029267	2	Friction Washer	
3	70021221	2	Differential Side Gear	
4	70020244	4	Differential Pinion	
5	70020245	4	Friction Washer	
6	70021929	2	Pin	
7	70020247	3	Dowel	
8	70021928	1	Pin	
9	70020249	1	Shaft Retainer	

SECTION 5 - DRIVE TRAIN

FIGURE 5-17. STEERING CASE KIT (LF/RR)



ART_70029286

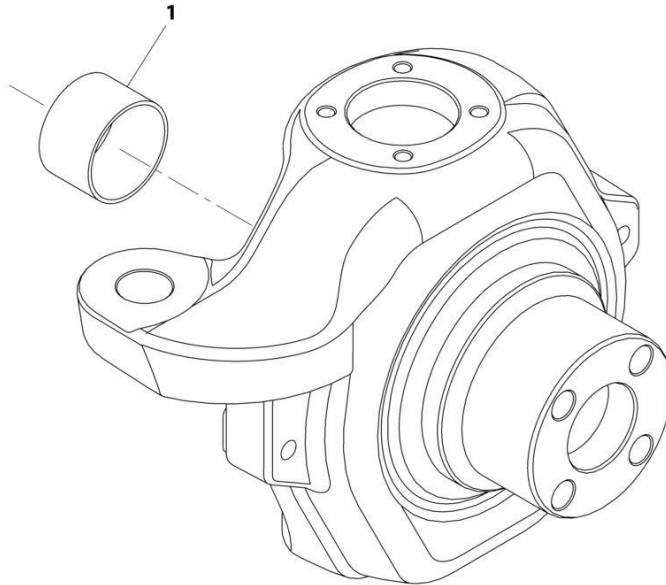
SECTION 5 - DRIVE TRAIN

FIGURE 5-17. STEERING CASE KIT (LF/RR)

ITEM	PART NUMBER	QTY	DESCRIPTION	REV
1	70029286	Ref	Steering Case Kit (LF, RR)	
	70021150	2	Thrust Bushing	

SECTION 5 - DRIVE TRAIN

FIGURE 5-18. STEERING CASE KIT (RF/LR)



ART_70029287

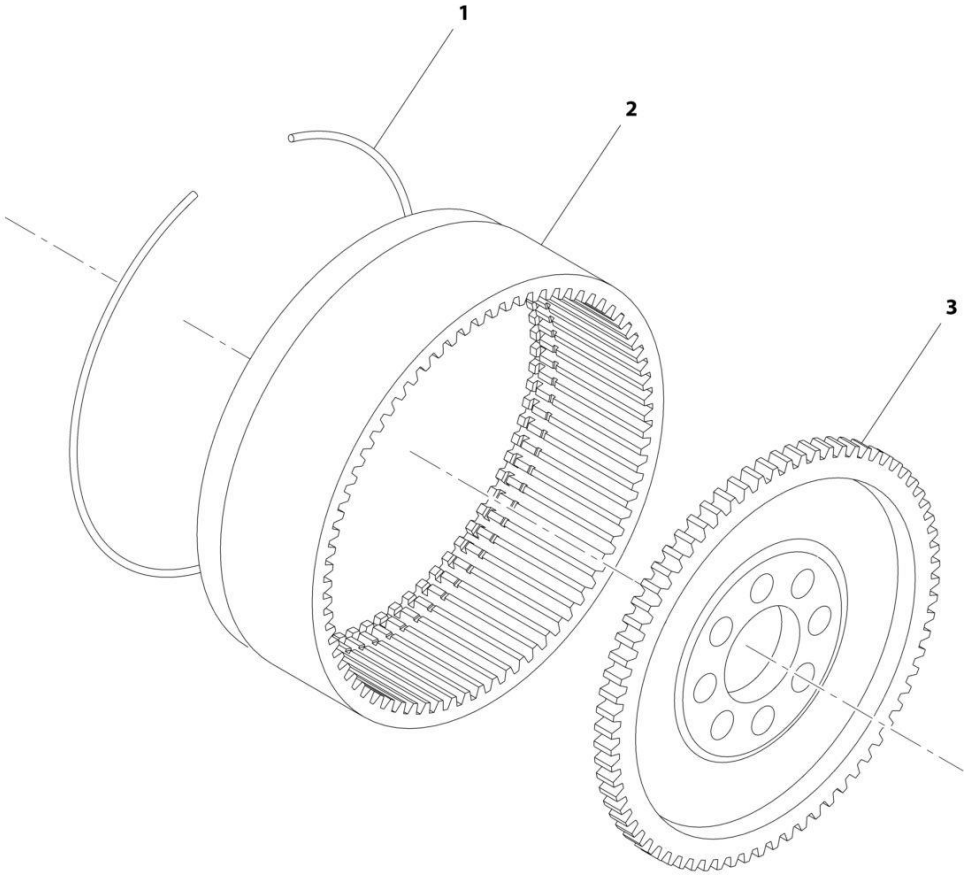
SECTION 5 - DRIVE TRAIN

FIGURE 5-18. STEERING CASE KIT (RF/LR)

ITEM	PART NUMBER	QTY	DESCRIPTION	REV
1	70029287	Ref	Steering Case Kit (RF, LR)	
	70021150	2	Thrust Bushing	

SECTION 5 - DRIVE TRAIN

FIGURE 5-19. RING GEAR SUPPORT KIT



ART_7029432

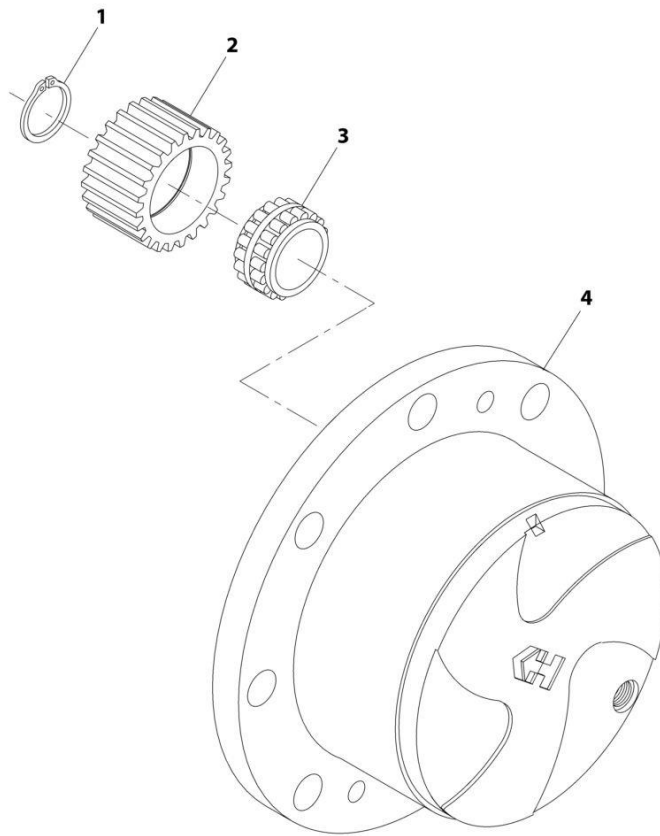
SECTION 5 - DRIVE TRAIN

FIGURE 5-19. RING GEAR SUPPORT KIT

ITEM	PART NUMBER	QTY	DESCRIPTION	REV
	7029432	Ref	Ring Gear Support Kit	
1	91474579	1	Circlip	
2	91474580	1	Ring Gear	
3	3983720	1	Ring Gear Support	

SECTION 5 - DRIVE TRAIN

FIGURE 5-20. PLANET GEAR CARRIER KIT



ART_70029285

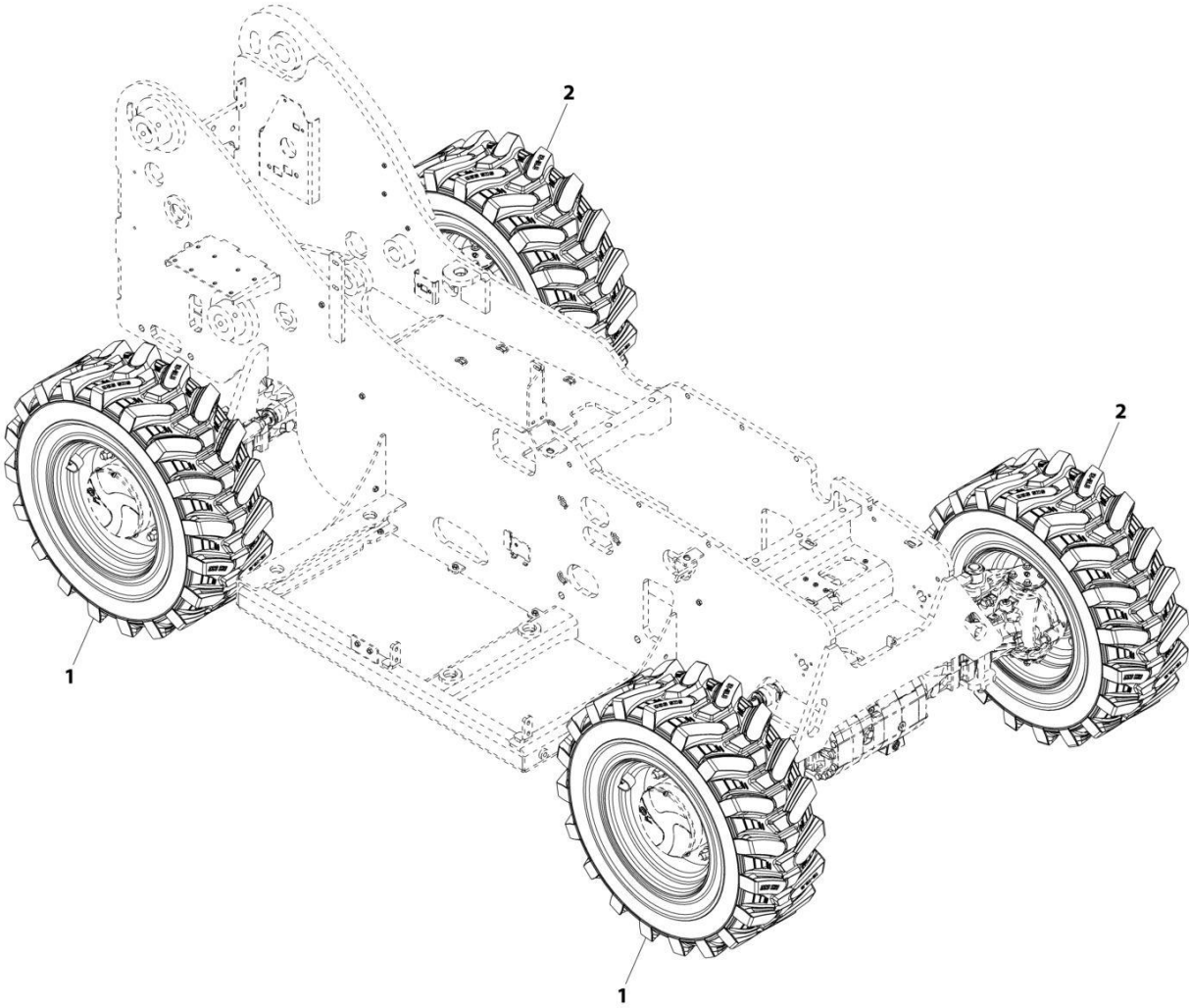
SECTION 5 - DRIVE TRAIN

FIGURE 5-20. PLANET GEAR CARRIER KIT

ITEM	PART NUMBER	QTY	DESCRIPTION	REV
	70029285	Ref	Planet Gear Carrier Kit	
1	91474585	3	Circlip	
2	70028473	6	Planet Gear	
3	70028474	6	Bearing	
4	70024888	1	Planet Gear Carrier	

SECTION 5 - DRIVE TRAIN

FIGURE 5-21. TIRE/WHEEL SET, CAMSO (AIR 12-16.5 - 12 PLY)



ART_1001236316-A

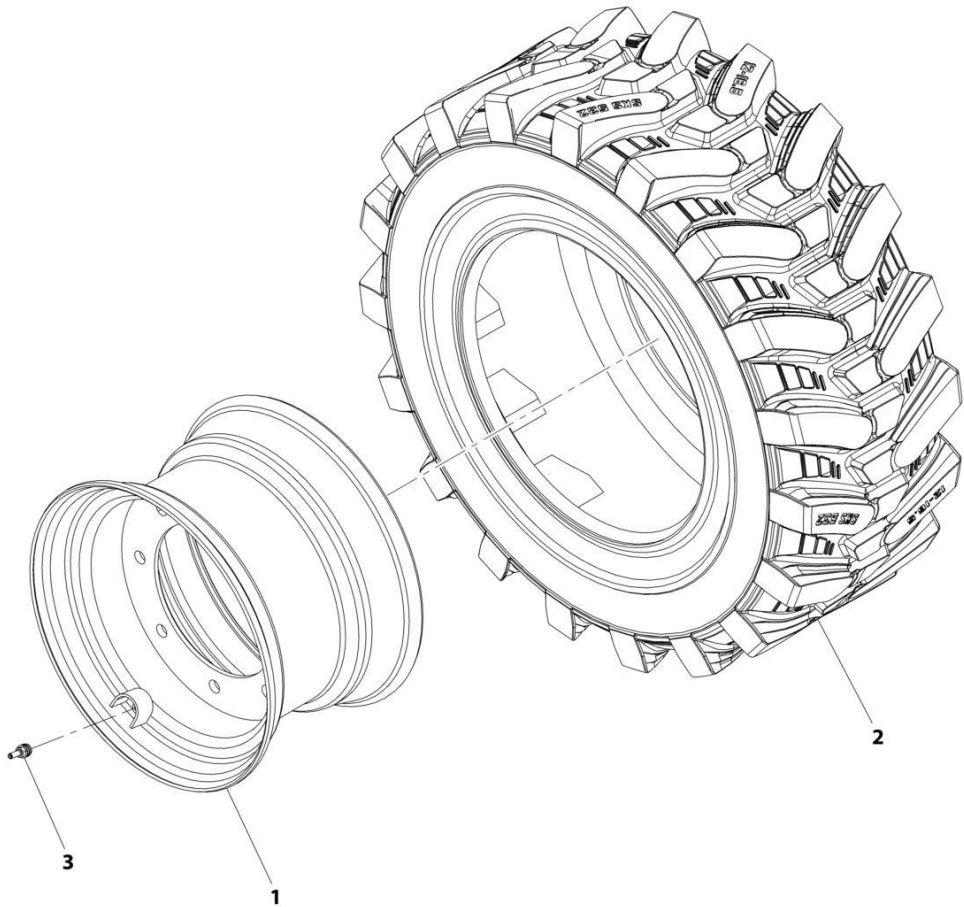
SECTION 5 - DRIVE TRAIN

FIGURE 5-21. TIRE/WHEEL SET, CAMSO (AIR 12-16.5 - 12 PLY)

ITEM	PART NUMBER	QTY	DESCRIPTION	REV
1	1001236316	Ref	Tire/Wheel Set, Camso (Air 12-16.5 - 12 PLY)	A
	1001236666	2	Right Tire/Wheel Assembly, Camso (Air 12-16.5 - 12 Ply) (See Separate Breakdown in this Section)	
2	1001236667	2	Left Tire/Wheel Assembly, Camso (Air 12-16.5 - 12 Ply) (See Separate Breakdown in this Section)	

SECTION 5 - DRIVE TRAIN

FIGURE 5-22. RIGHT TIRE/WHEEL ASSEMBLY, CAMSO (AIR 12-16.5 - 12 PLY)



ART_1001236666-A

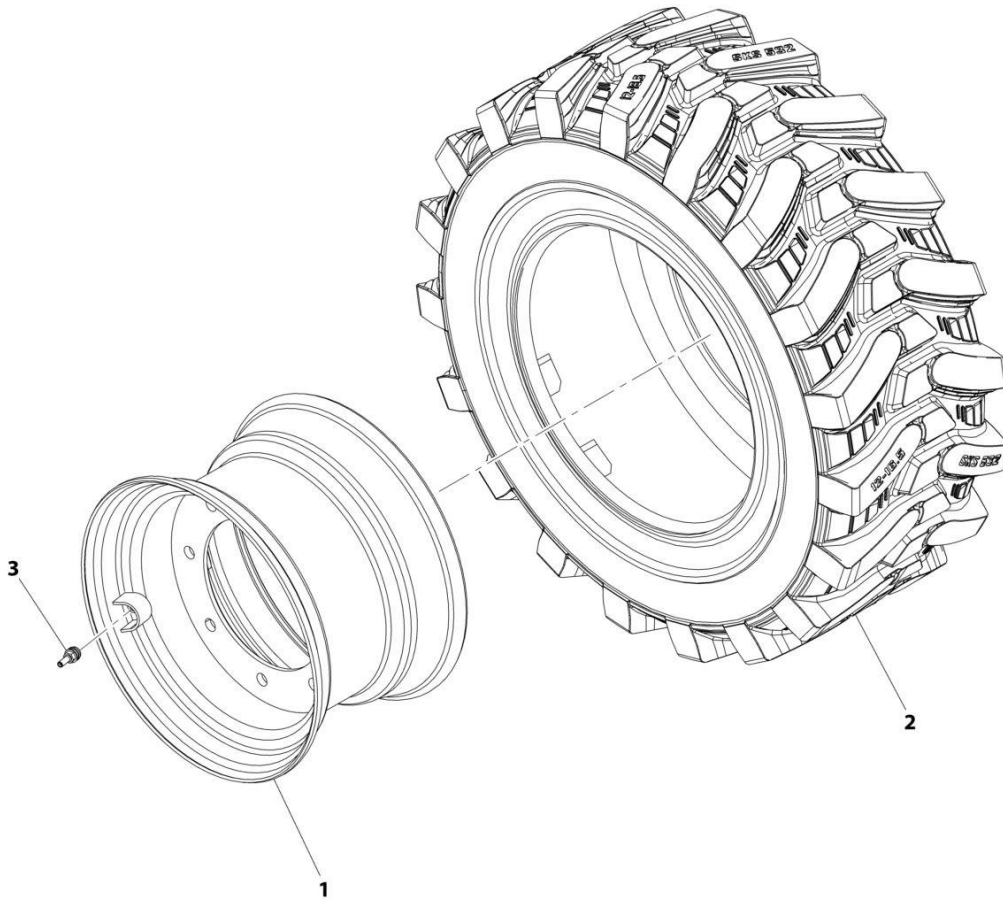
SECTION 5 - DRIVE TRAIN

FIGURE 5-22. RIGHT TIRE/WHEEL ASSEMBLY, CAMSO (AIR 12-16.5 - 12 PLY)

ITEM	PART NUMBER	QTY	DESCRIPTION	REV
	1001236666	Ref	Right Tire/Wheel Assembly, Camso (Air 12-16.5 - 12 PLY)	A
1	1001139975	1	Wheel, 16.5X9.75	
2	1001232351	1	Tire, 12-16.5 - 12 Ply	
3	4640163	1	Tire Valve	

SECTION 5 - DRIVE TRAIN

FIGURE 5-23. LEFT TIRE/WHEEL ASSEMBLY, CAMSO (AIR 12-16.5 - 12 PLY)



ART_1001236667-A

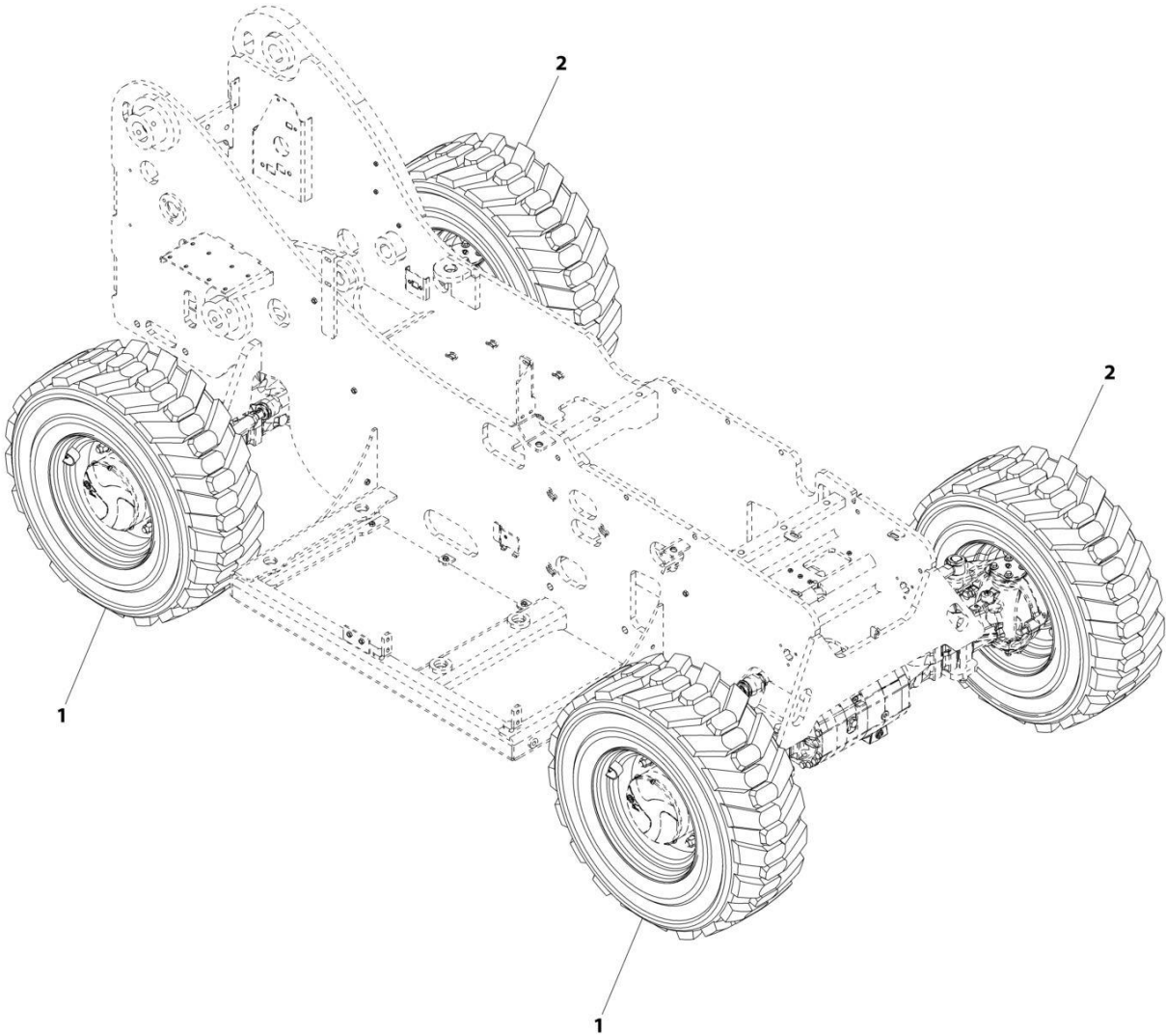
SECTION 5 - DRIVE TRAIN

FIGURE 5-23. LEFT TIRE/WHEEL ASSEMBLY, CAMSO (AIR 12-16.5 - 12 PLY)

ITEM	PART NUMBER	QTY	DESCRIPTION	REV
	1001236667	Ref	Left Tire/Wheel Assembly, Camso (Air 12-16.5 - 12 PLY)	A
1	1001139975	1	Wheel, 16.5X9.75	
2	1001232351	1	Tire, 12-16.5 - 12 Ply	
3	4640163	1	Tire Valve	

SECTION 5 - DRIVE TRAIN

FIGURE 5-24. TIRE/WHEEL SET, FIRESTONE (AIR 12-16.5 - 12 PLY)



ART_1001236320-A

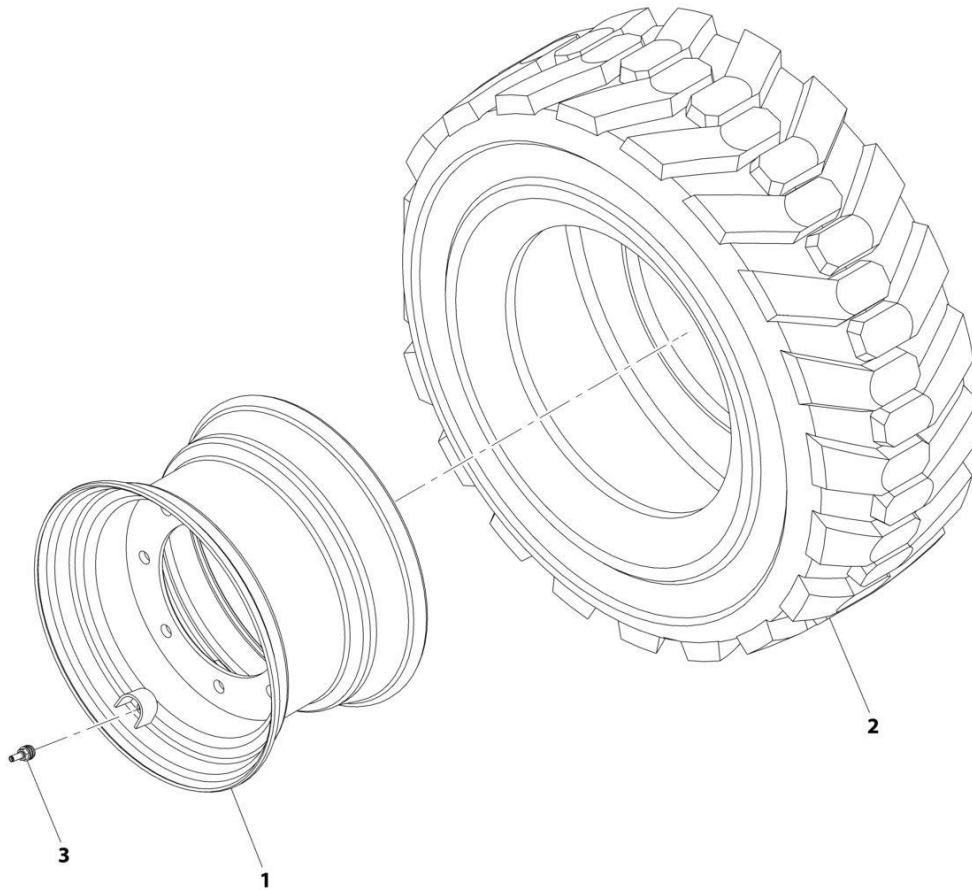
SECTION 5 - DRIVE TRAIN

FIGURE 5-24. TIRE/WHEEL SET, FIRESTONE (AIR 12-16.5 - 12 PLY)

ITEM	PART NUMBER	QTY	DESCRIPTION	REV
1	1001236320	Ref	Tire/Wheel Set, Firestone (Air 12-16.5 - 12 PLY)	A
	1001140684	2	Right Tire/Wheel Assembly, Firestone (Air 12-16.5 - 12 Ply) (See Separate Breakdown in this Section)	
2	1001140698	2	Left Tire/Wheel Assembly, Firestone (Air 12-16.5 - 12 Ply) (See Separate Breakdown in this Section)	

SECTION 5 - DRIVE TRAIN

FIGURE 5-25. RIGHT TIRE/WHEEL ASSEMBLY, FIRESTONE (AIR 12-16.5 - 12 PLY)



ART_1001140684-E

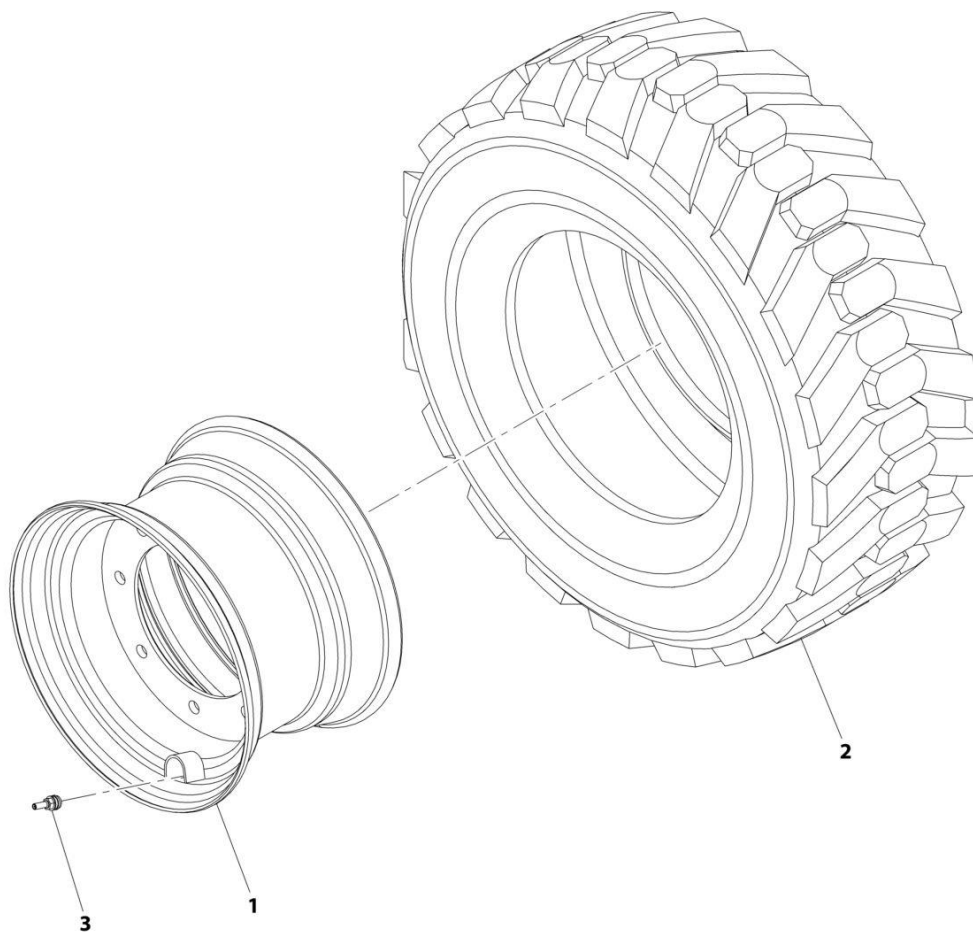
SECTION 5 - DRIVE TRAIN

FIGURE 5-25. RIGHT TIRE/WHEEL ASSEMBLY, FIRESTONE (AIR 12-16.5 - 12 PLY)

ITEM	PART NUMBER	QTY	DESCRIPTION	REV
	1001140684	Ref	Right Tire/Wheel Assembly, Firestone (Air 12-16.5 - 12 PLY)	E
1	1001139975	1	Wheel, 16.5X9.75	
2	1001081222	1	Tire, 12-16.5 NHS	
3	4640163	1	Tire Valve	

SECTION 5 - DRIVE TRAIN

FIGURE 5-26. LEFT TIRE/WHEEL ASSEMBLY, FIRESTONE (AIR 12-16.5 - 12 PLY)



ART_1001140698-F

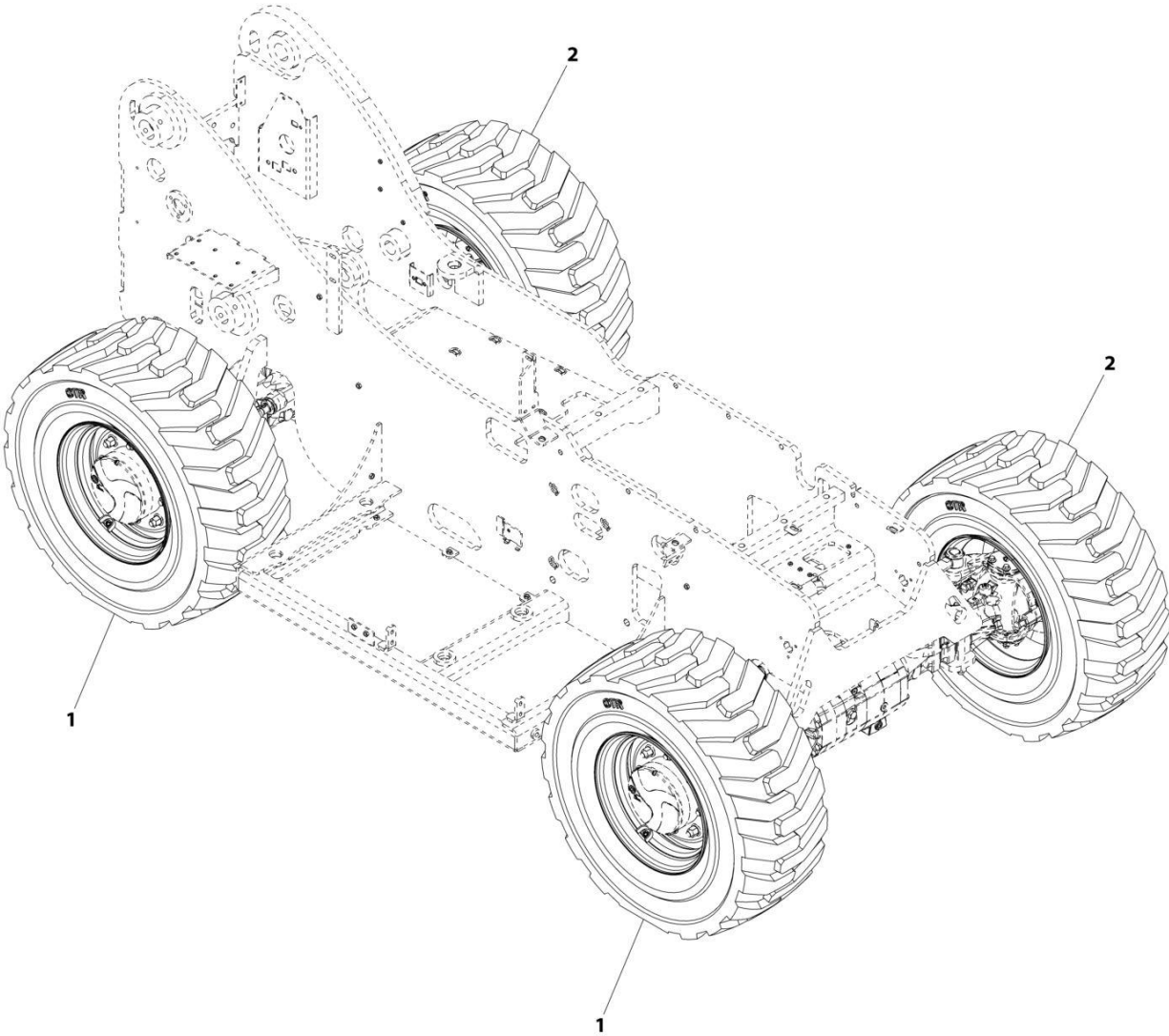
SECTION 5 - DRIVE TRAIN

FIGURE 5-26. LEFT TIRE/WHEEL ASSEMBLY, FIRESTONE (AIR 12-16.5 - 12 PLY)

ITEM	PART NUMBER	QTY	DESCRIPTION	REV
	1001140698	Ref	Left Tire/Wheel Assembly, Firestone (Air 12-16.5 - 12 PLY)	F
1	1001139975	1	Wheel, 16.5X9.75	
2	1001081222	1	Tire, 12-16.5 NHS	
3	4640163	1	Tire Valve	

SECTION 5 - DRIVE TRAIN

FIGURE 5-27. TIRE/WHEEL SET (AIR 14-17.5 - 12 PLY)



ART_1001236317-A

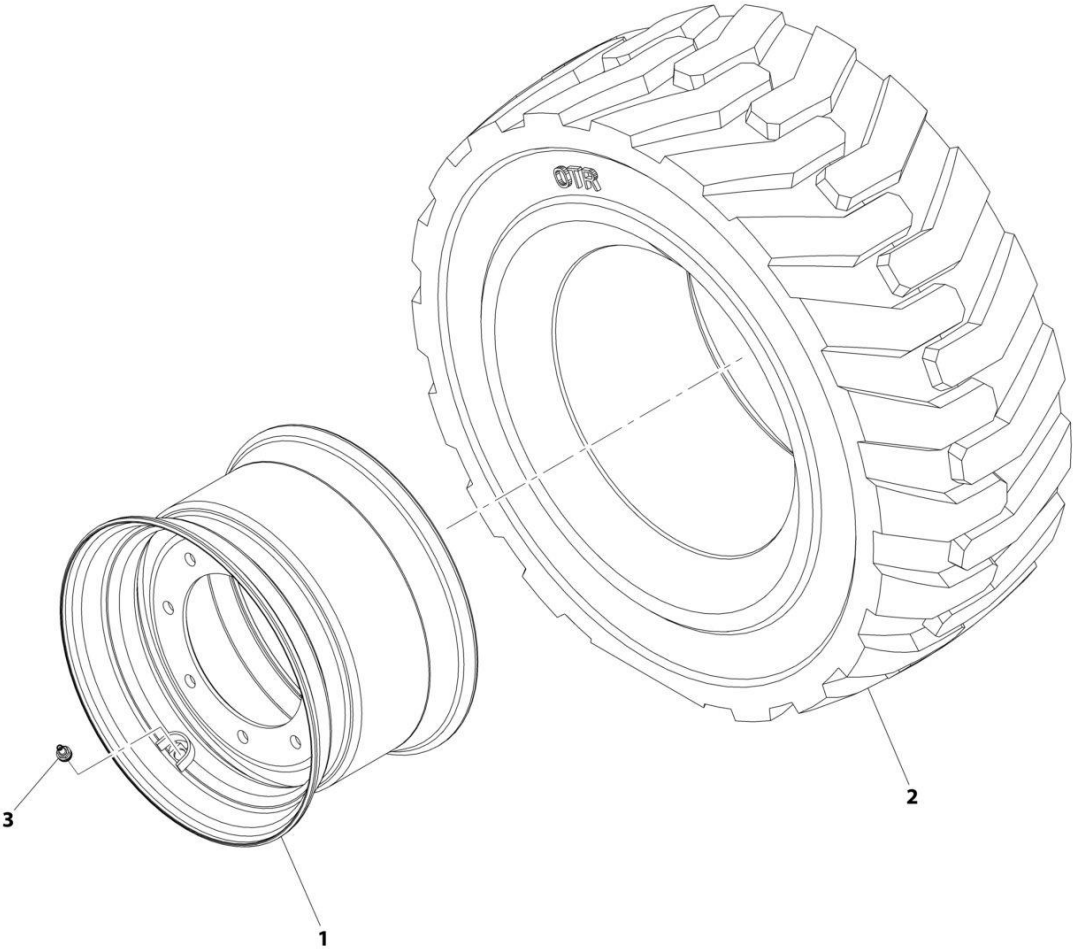
SECTION 5 - DRIVE TRAIN

FIGURE 5-27. TIRE/WHEEL SET (AIR 14-17.5 - 12 PLY)

ITEM	PART NUMBER	QTY	DESCRIPTION	REV
1	1001236317	Ref	Tire/Wheel Set (Air 14-17.5 - 12 PLY)	A
	1001140686	2	Right Tire/Wheel Assembly (Air 12-16.5 - 12 Ply) (See Separate Breakdown in this Section)	
2	1001140700	2	Left Tire/Wheel Assembly (Air 12-16.5 - 12 Ply) (See Separate Breakdown in this Section)	

SECTION 5 - DRIVE TRAIN

FIGURE 5-28. RIGHT TIRE/WHEEL ASSEMBLY (AIR 12-16.5 - 12 PLY)



ART_1001140686-F

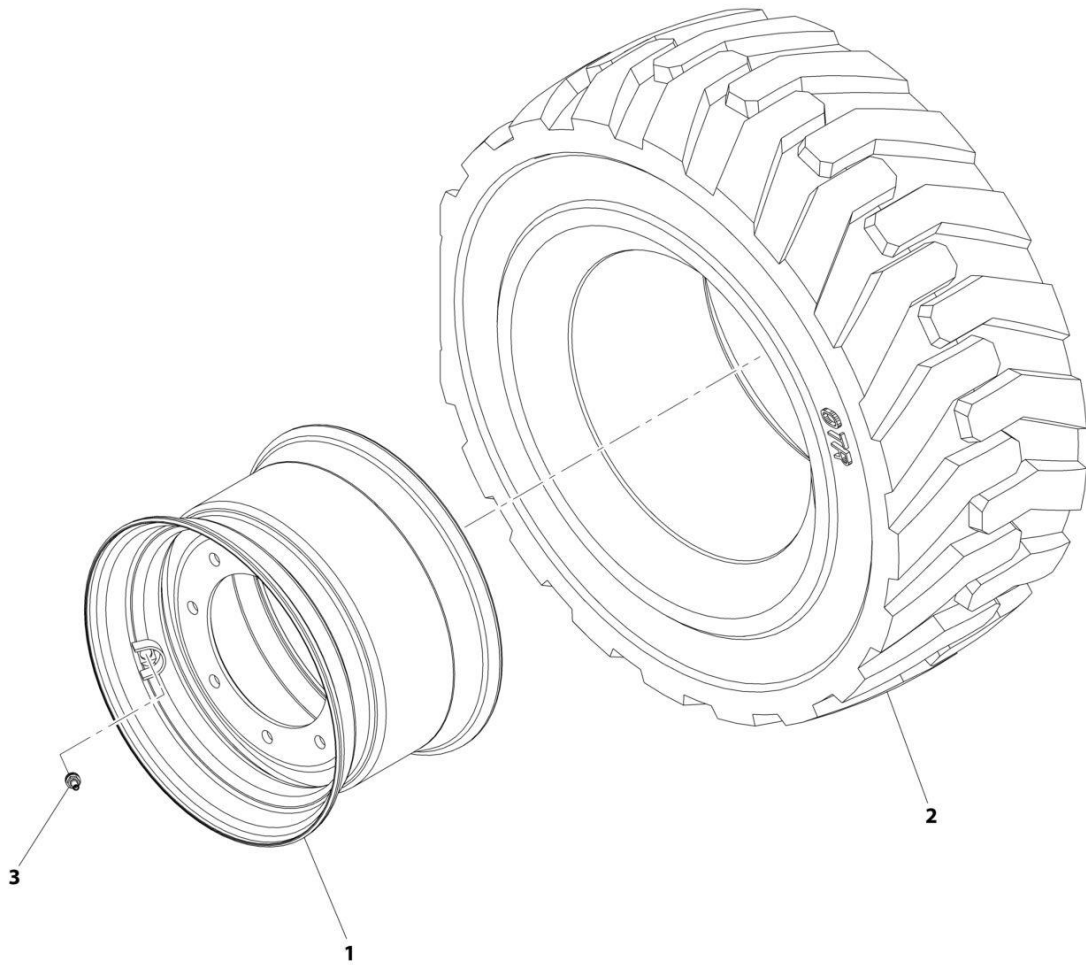
SECTION 5 - DRIVE TRAIN

FIGURE 5-28. RIGHT TIRE/WHEEL ASSEMBLY (AIR 12-16.5 - 12 PLY)

ITEM	PART NUMBER	QTY	DESCRIPTION	REV
	1001140686	Ref	Right Tire/Wheel Assembly (Air 12-16.5 - 12 PLY)	F
1	1001139974	1	Wheel, 17.5X10.5	
2	4520259	1	Tire, 14X17.5	
3	4640163	1	Tire Valve	

SECTION 5 - DRIVE TRAIN

FIGURE 5-29. LEFT TIRE/WHEEL ASSEMBLY (AIR 12-16.5 - 12 PLY)



ART_1001140700-F

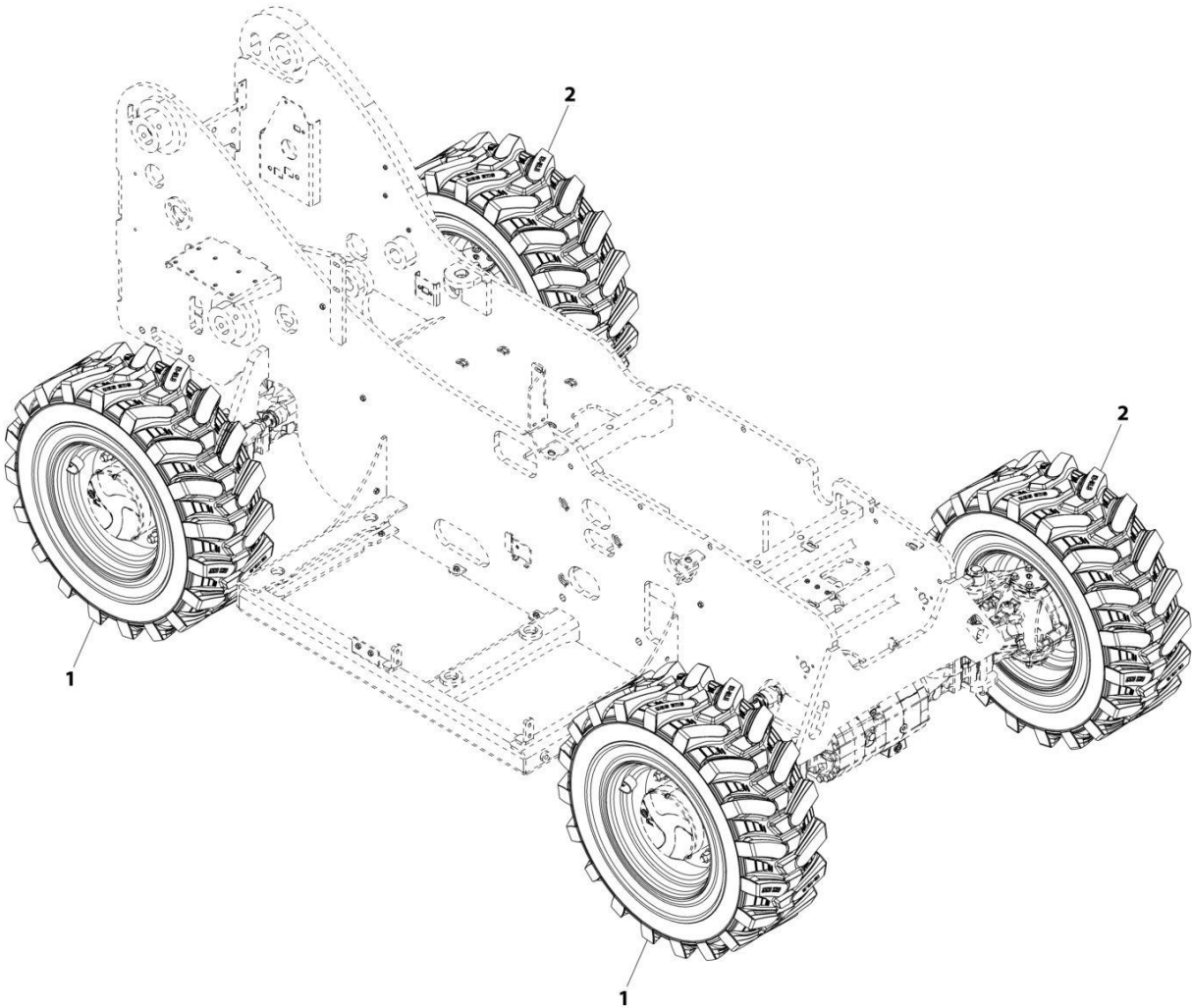
SECTION 5 - DRIVE TRAIN

FIGURE 5-29. LEFT TIRE/WHEEL ASSEMBLY (AIR 12-16.5 - 12 PLY)

ITEM	PART NUMBER	QTY	DESCRIPTION	REV
	1001140700	Ref	Left Tire/Wheel Assembly (Air 12-16.5 - 12 PLY)	F
1	1001139974	1	Wheel, 16.5X9.75	
2	4520259	1	Tire, 14X17.5	
3	4640163	1	Tire Valve	

SECTION 5 - DRIVE TRAIN

FIGURE 5-30. TIRE/WHEEL SET, CAMSO (FOAM 12-16.5 - 12 PLY)



ART_1001236319-A

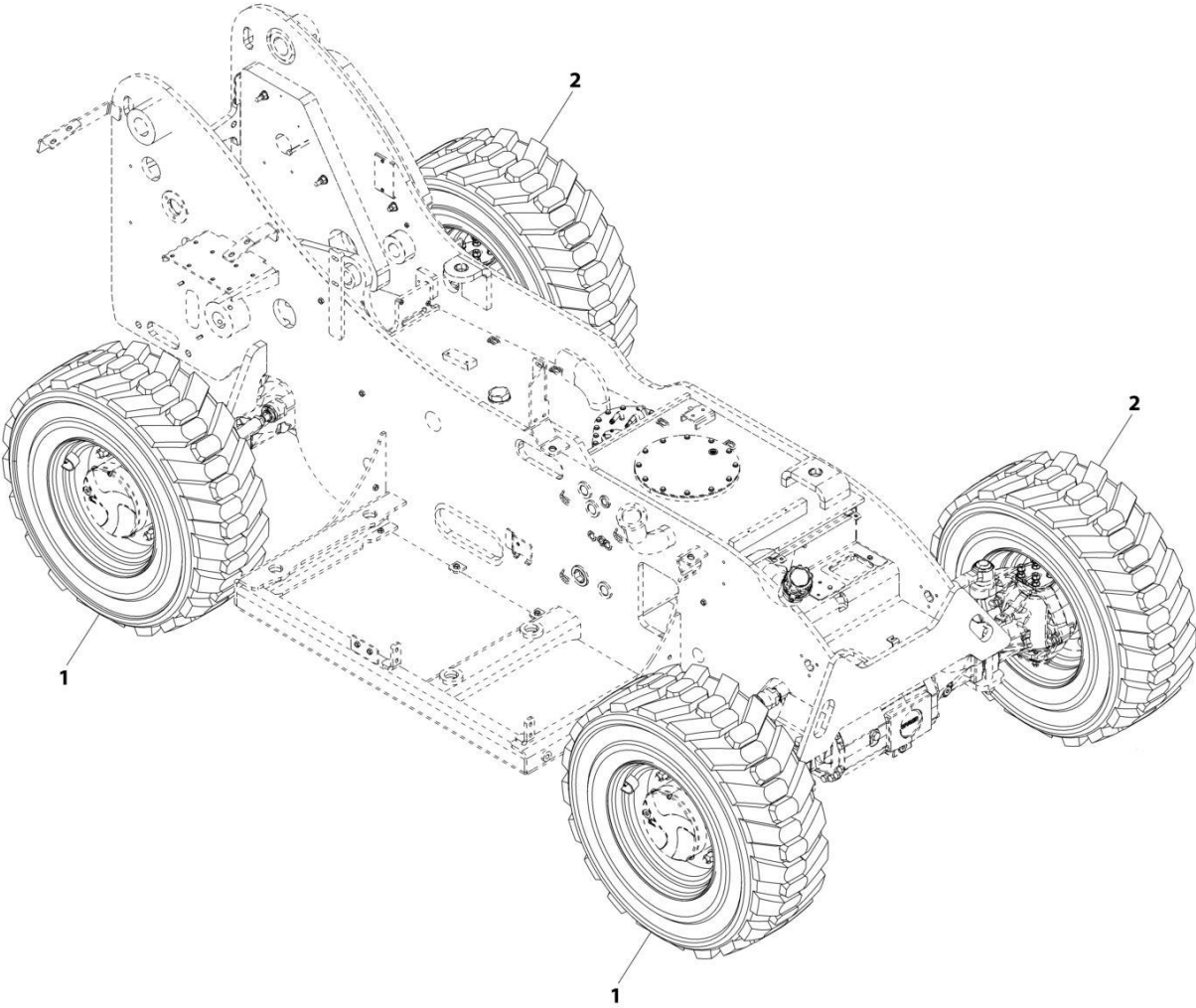
SECTION 5 - DRIVE TRAIN

FIGURE 5-30. TIRE/WHEEL SET, CAMSO (FOAM 12-16.5 - 12 PLY)

ITEM	PART NUMBER	QTY	DESCRIPTION	REV
	1001236319	Ref	Tire/Wheel Set, Camso (Foam 12-16.5 - 12 PLY)	A
1	1001236668	2	Wheel and Tire Assembly, Right, 12-16.5, Foam	
2	1001236669	2	Wheel and Tire Assembly, Left, 12-16.5, Foam	

SECTION 5 - DRIVE TRAIN

FIGURE 5-31. TIRE/WHEEL SET, FIRESTONE (FOAM 12-16.5 - 12 PLY)



ART_1001141323-A

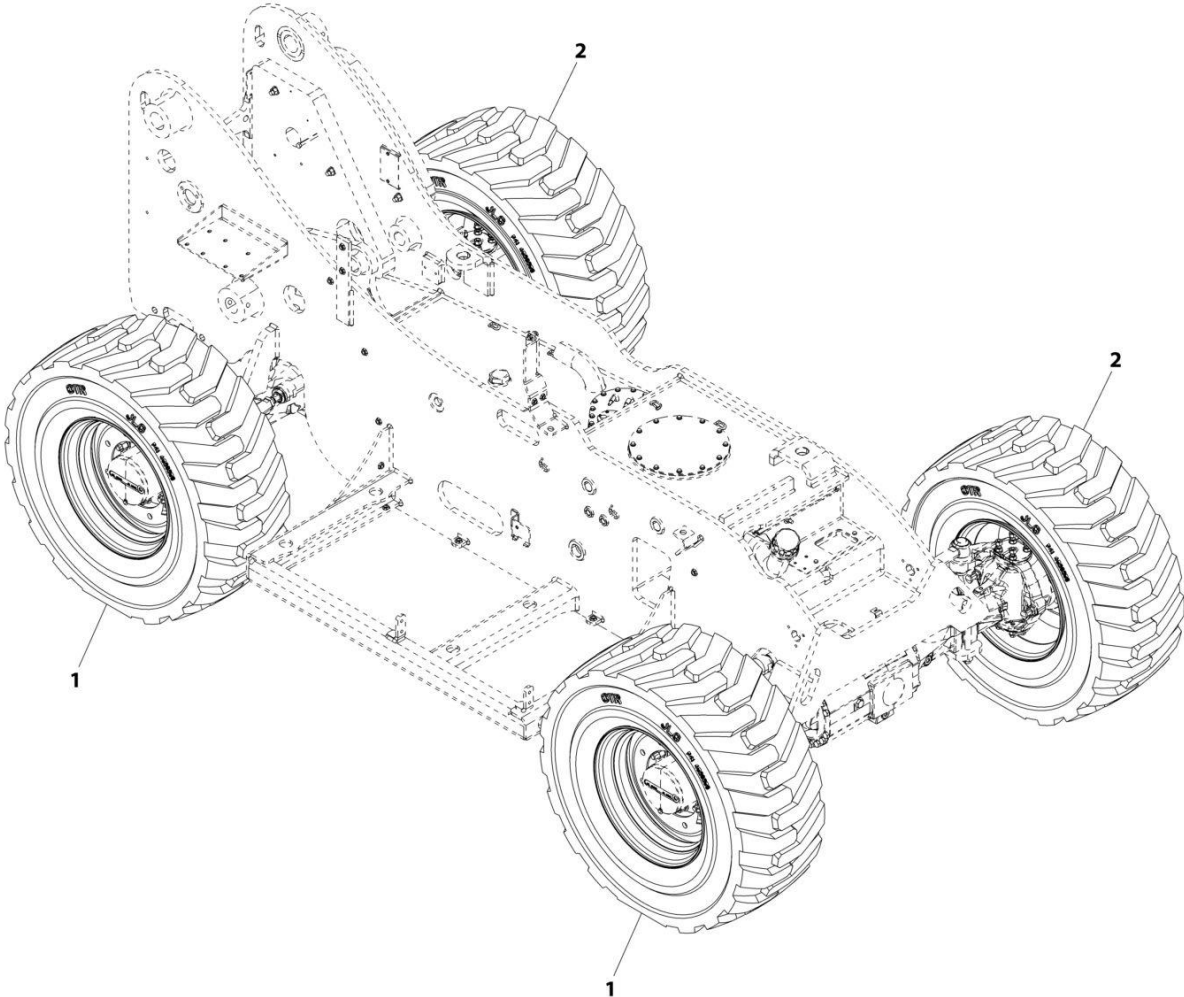
SECTION 5 - DRIVE TRAIN

FIGURE 5-31. TIRE/WHEEL SET, FIRESTONE (FOAM 12-16.5 - 12 PLY)

ITEM	PART NUMBER	QTY	DESCRIPTION	REV
	1001141323	Ref	Tire/Wheel Set, Firestone (Foam 12-16.5 - 12 PLY)	A
1	1001140701	2	Wheel and Tire Assembly, Right, 12-16.5, Foam	
2	1001140702	2	Wheel and Tire Assembly, Left, 12-16.5, Foam	

SECTION 5 - DRIVE TRAIN

FIGURE 5-32. TIRE/WHEEL SET (FOAM 14-17.5, FOAM)



ART_1001141324-A

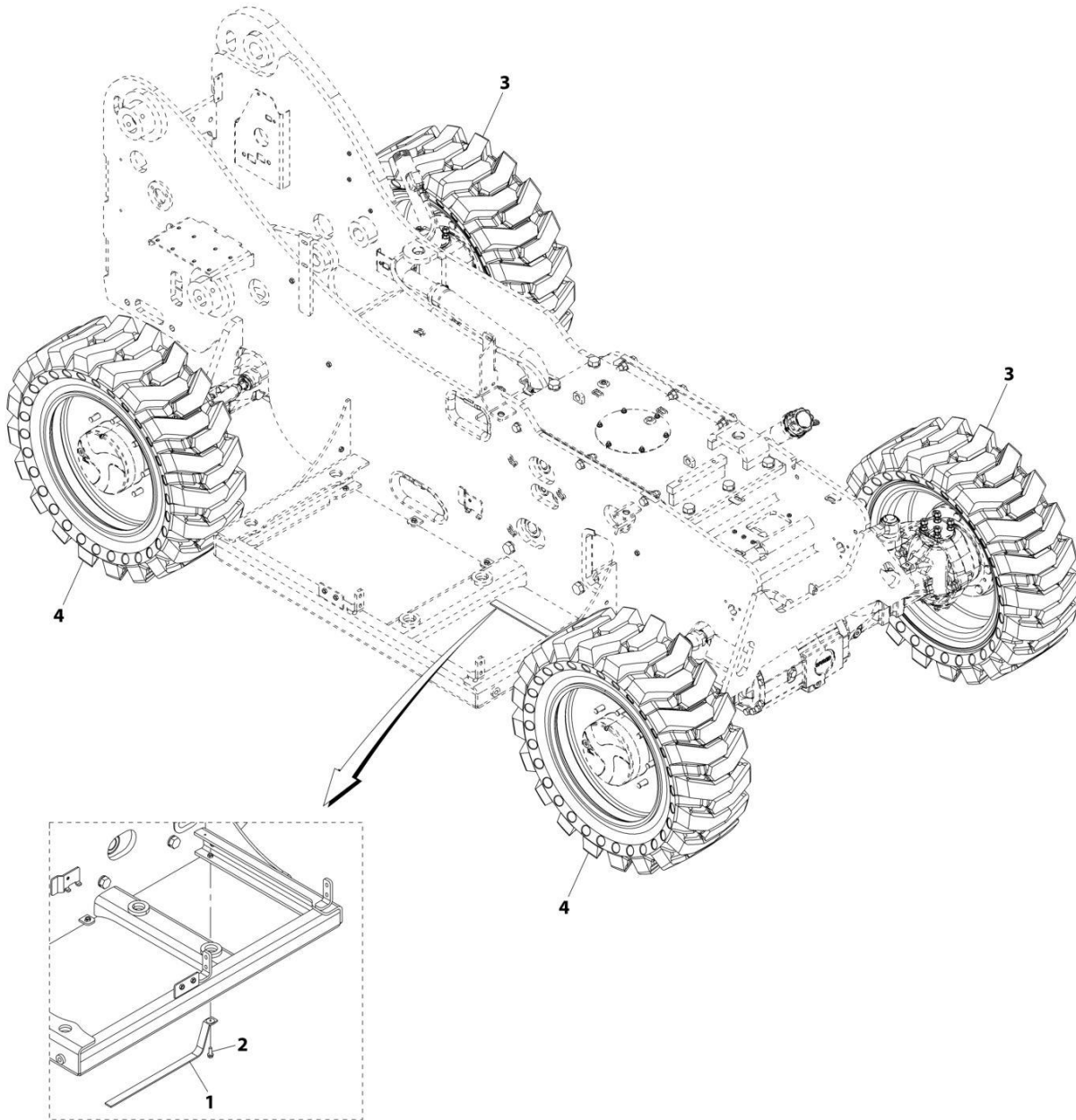
SECTION 5 - DRIVE TRAIN

FIGURE 5-32. TIRE/WHEEL SET (FOAM 14-17.5, FOAM)

ITEM	PART NUMBER	QTY	DESCRIPTION	REV
	1001141324	Ref	Tire/Wheel Set (Foam 12-16.5 - 14 PLY)	A
1	1001140703	2	Wheel and Tire Assembly, Right, 14-17.5, Foam	
2	1001140704	2	Wheel and Tire Assembly, Left, 14-17.5, Foam	

SECTION 5 - DRIVE TRAIN

FIGURE 5-33. TIRE/WHEEL SET (SOLID 33X12-20 - NM)



ART_1001200945-A

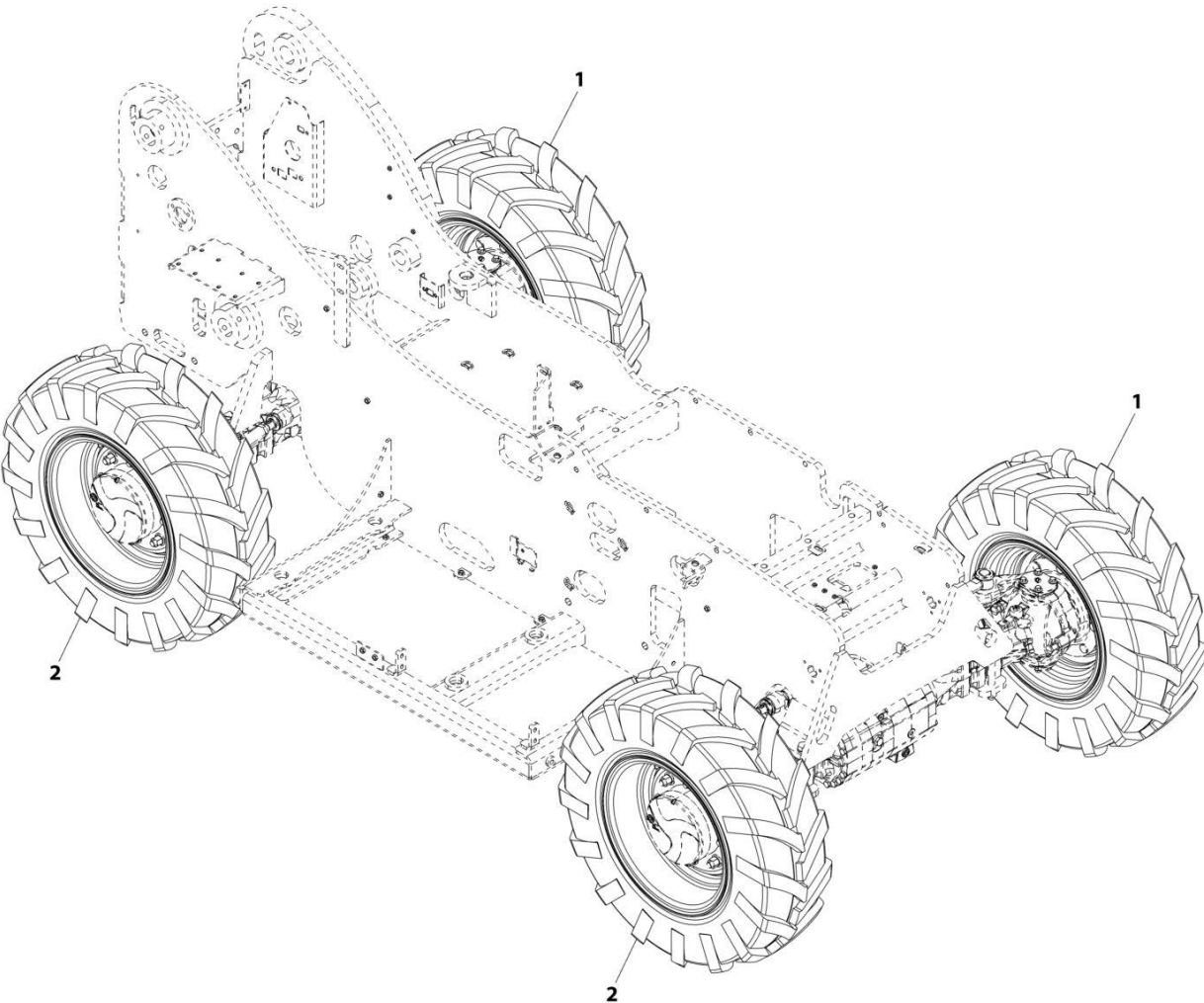
SECTION 5 - DRIVE TRAIN

FIGURE 5-33. TIRE/WHEEL SET (SOLID 33X12-20 - NM)

ITEM	PART NUMBER	QTY	DESCRIPTION	REV
	1001200945	Ref	Tire/Wheel Set (Solid 33X12-20 - NM)	A
1	4240084	1	Anti-Static Strap	
2	1001115871	1	Bolt, 1X0.375-16	
3	1001200796	2	Wheel and Tire Assembly, Left, Non-Marking	
4	1001200797	2	Wheel and Tire Assembly, Right, Non-Marking	

SECTION 5 - DRIVE TRAIN

FIGURE 5-34. TIRE/WHEEL SET, AG (AIR 10.5-18 - 16 PR)



ART_1001236321-A

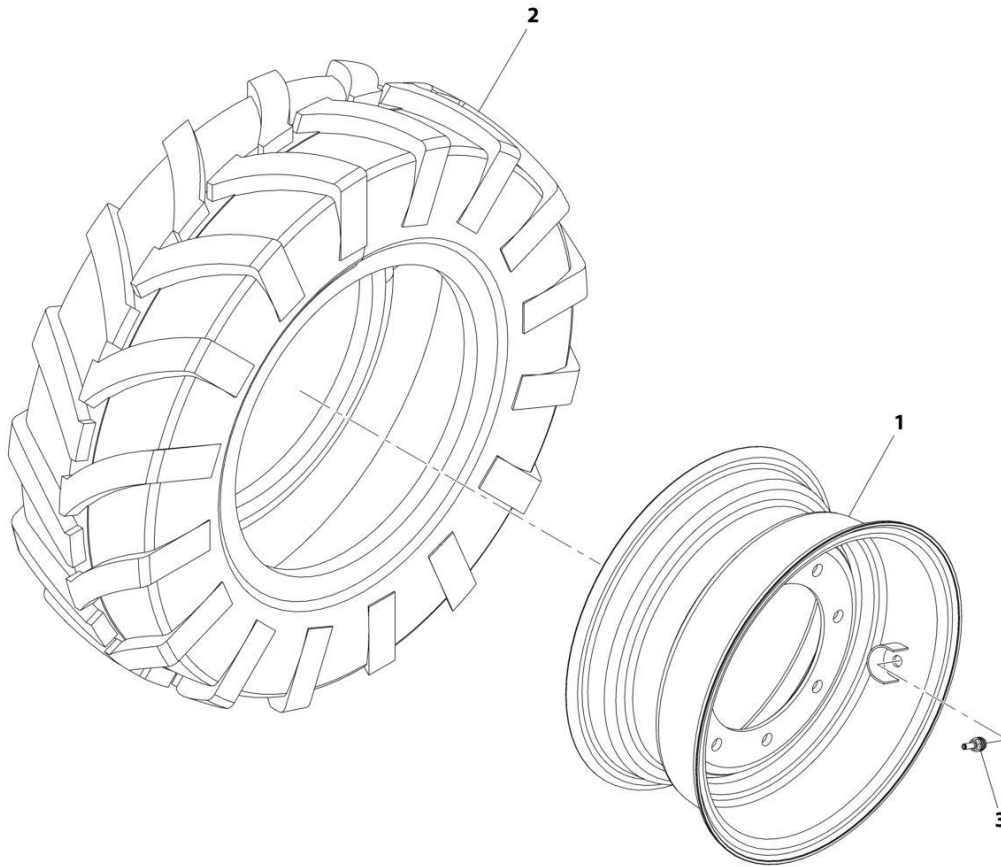
SECTION 5 - DRIVE TRAIN

FIGURE 5-34. TIRE/WHEEL SET, AG (AIR 10.5-18 - 16 PR)

ITEM	PART NUMBER	QTY	DESCRIPTION	REV
1	1001236321	Ref	Tire/Wheel Set, AG (Air 10.5-18 - 16 PR)	A
	1001143671	2	Right Tire/Wheel Assembly, AG (Air 10.5-18 - 16 PR) (See Separate Breakdown in this Section)	
2	1001143689	2	Left Tire/Wheel Assembly, AG (Air 10.5-18 - 16 PR) (See Separate Breakdown in this Section)	

SECTION 5 - DRIVE TRAIN

FIGURE 5-35. RIGHT TIRE/WHEEL ASSEMBLY, AG (AIR 10.5-18 - 16 PR)



ART_1001143671-E

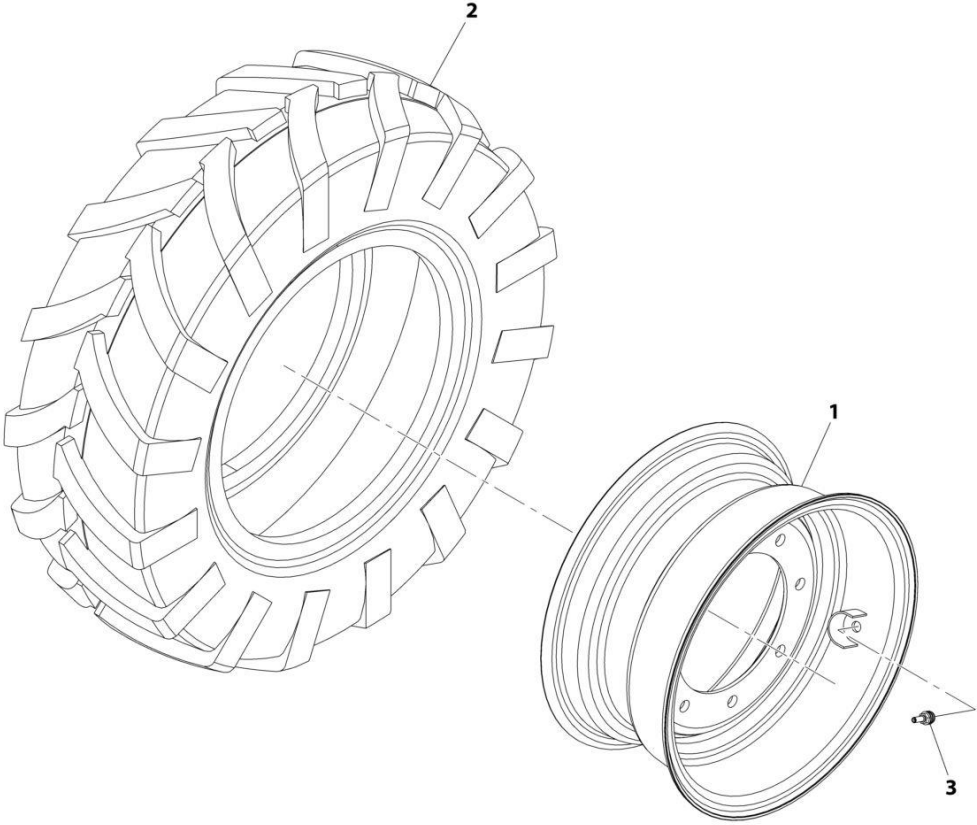
SECTION 5 - DRIVE TRAIN

FIGURE 5-35. RIGHT TIRE/WHEEL ASSEMBLY, AG (AIR 10.5-18 - 16 PR)

ITEM	PART NUMBER	QTY	DESCRIPTION	REV
	1001143671	Ref	Right Tire/Wheel Assembly, AG (Air 10.5-18 - 16 PR)	E
1	1001142101	1	Wheel, 18X9	
2	1001154229	1	Tire, 10.5X18	
3	4640163	1	Tire Valve	

SECTION 5 - DRIVE TRAIN

FIGURE 5-36. LEFT TIRE/WHEEL ASSEMBLY, AG (AIR 10.5-18 - 16 PR)



ART_1001143689-E

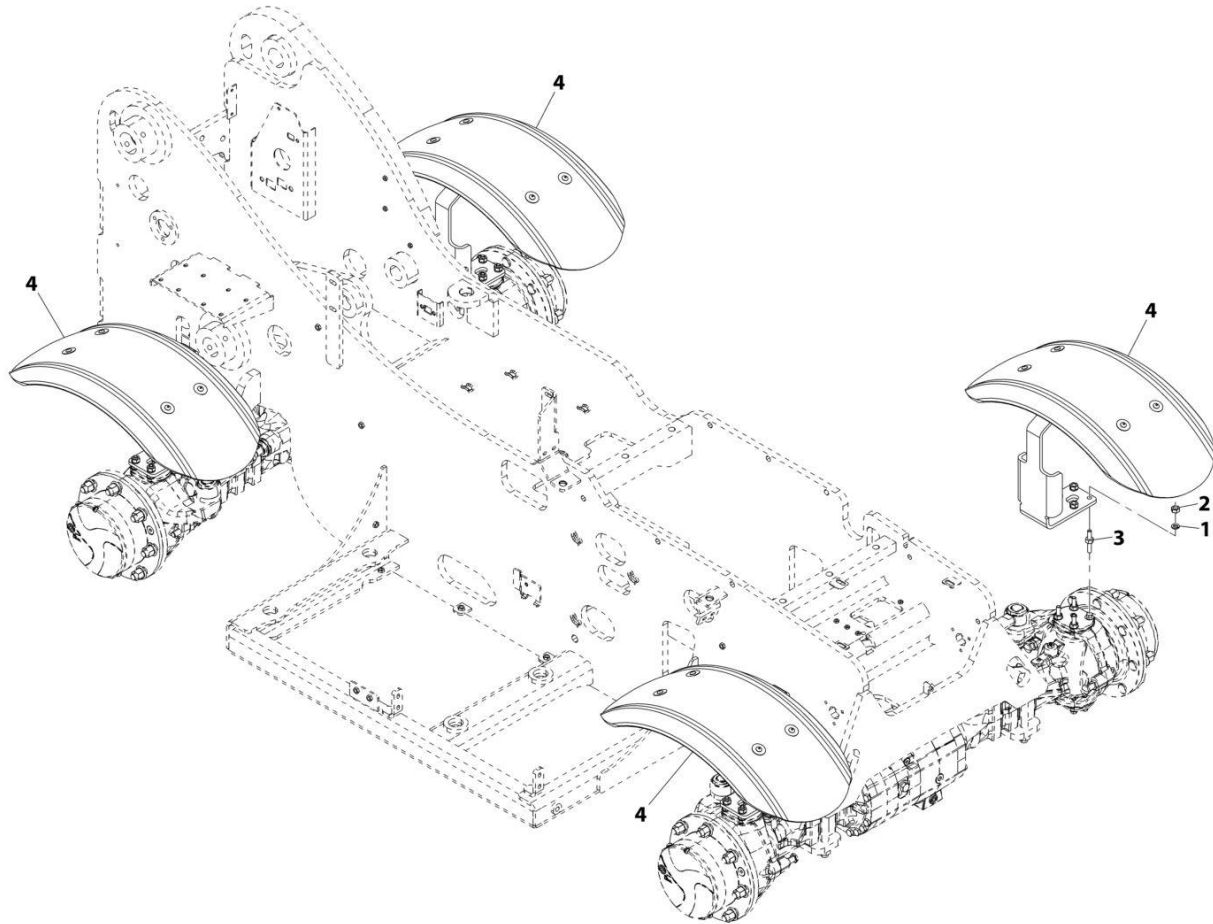
SECTION 5 - DRIVE TRAIN

FIGURE 5-36. LEFT TIRE/WHEEL ASSEMBLY, AG (AIR 10.5-18 - 16 PR)

ITEM	PART NUMBER	QTY	DESCRIPTION	REV
	1001143689	Ref	Left Tire/Wheel Assembly, AG (Air 10.5-18 - 16 PR)	E
1	1001142101	1	Wheel, 18X9	
2	1001154229	1	Tire, 10.5X18	
3	4640163	1	Tire Valve	

SECTION 5 - DRIVE TRAIN

FIGURE 5-37. FENDER INSTALLATION



ART_1001235015-A

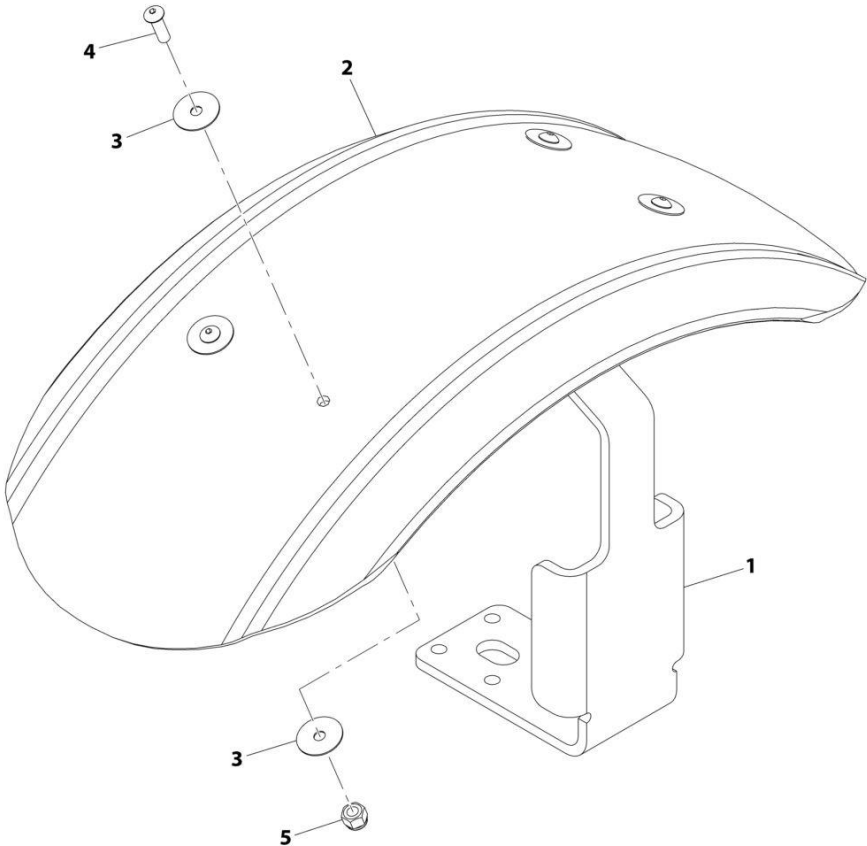
SECTION 5 - DRIVE TRAIN

FIGURE 5-37. FENDER INSTALLATION

ITEM	PART NUMBER	QTY	DESCRIPTION	REV
	1001235015	Ref	Fender Installation	A
1	83191010	16	Lockwasher, M12	
2	91513266	16	Nut, M12X1-1/4	
3	91514118	16	Stud	
4	1001235014	4	Fender Assembly (See Separate Breakdown in this Section)	

SECTION 5 - DRIVE TRAIN

FIGURE 5-38. FENDER ASSEMBLY



ART_1001235014-A

SECTION 5 - DRIVE TRAIN

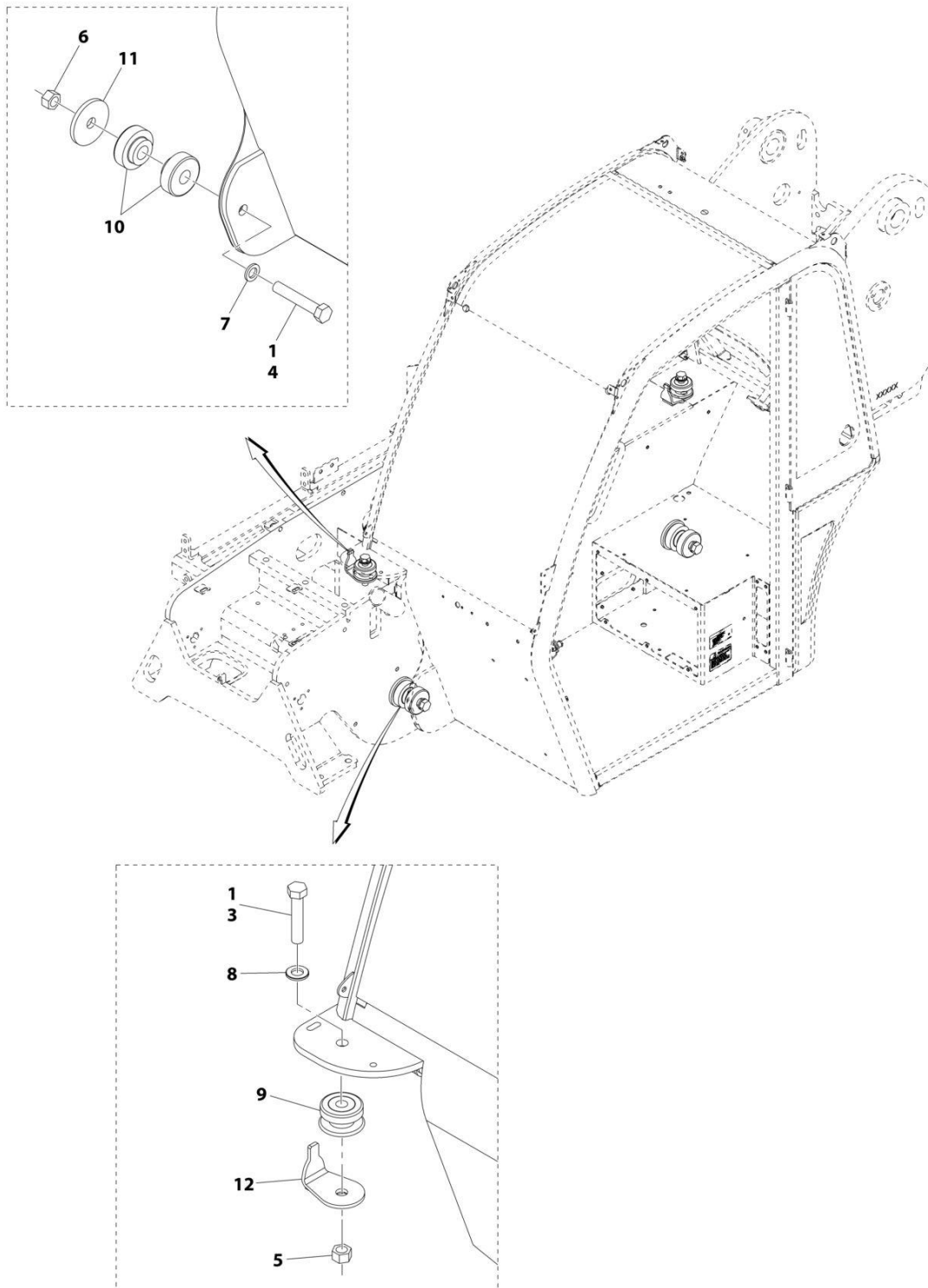
FIGURE 5-38. FENDER ASSEMBLY

ITEM	PART NUMBER	QTY	DESCRIPTION	REV
	1001235014	Ref	Fender Assembly	A
1	1001234973	1	Fender Mount	
2	1001080212	1	Wheel Fender	
3	8310246	8	Fender Washer, 3/8X0.048X1-1/2	
4	88261030	4	Socket HD Capscrew, 3/8-16X1-1/4	
5	88521206	4	Locknut, 3/8-16	

SECTION 6 - CAB

SECTION 6 - CAB

FIGURE 6-1. CAB INSTALLATION



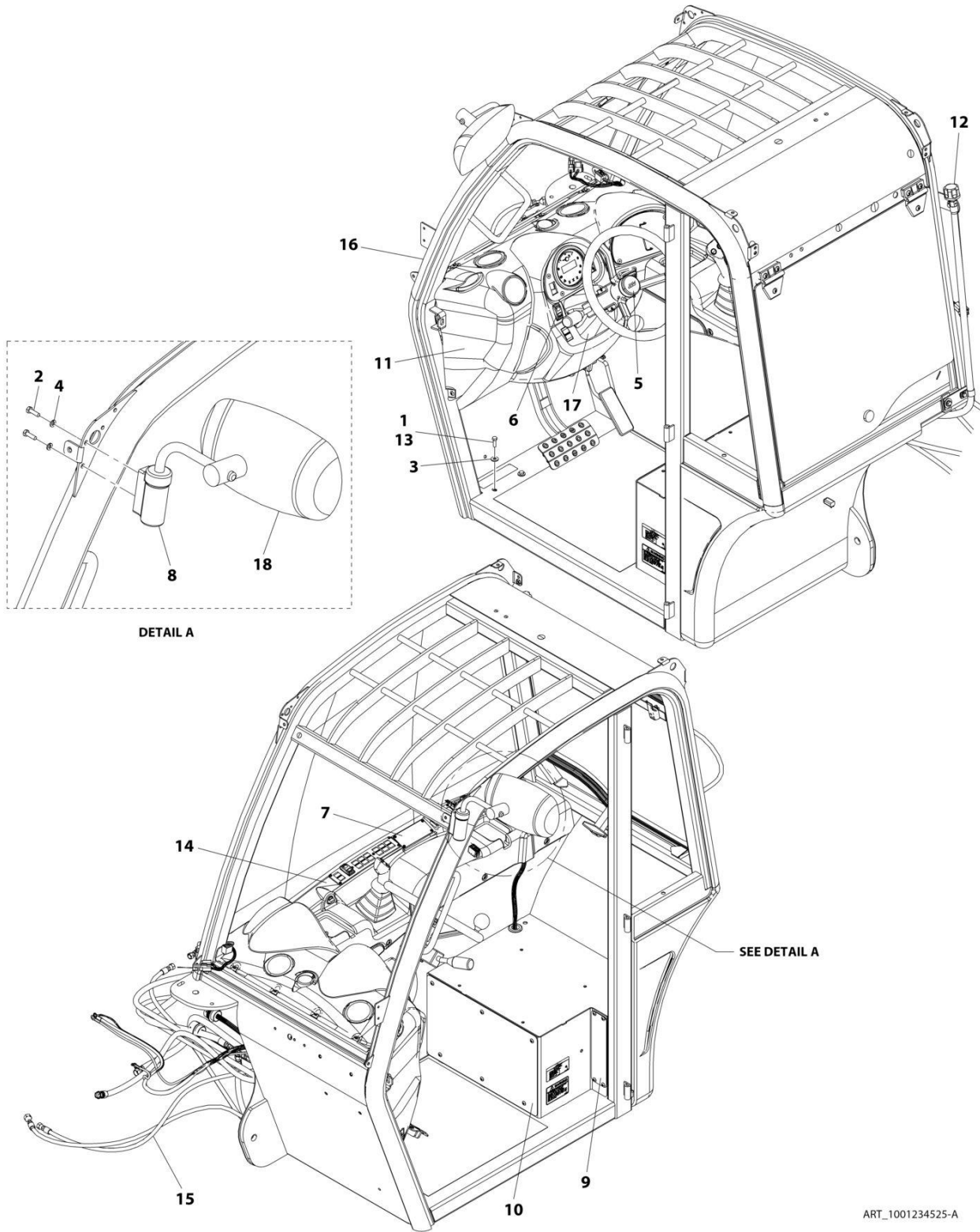
ART_1001210402-B

FIGURE 6-1. CAB INSTALLATION

ITEM	PART NUMBER	QTY	DESCRIPTION	REV
	1001210402	Ref	Cab Installation	B
1	0100019	AR	Compound, Locking	
3	0682230	2	Hex HD Capscrew, 3/4-10X3-3/4, GR8	
4	0682440	2	Hex HD Capscrew, 7/8-9X5, GR8	
5	3272201	2	Hex Nut, 3/4-10, GR8	
6	3272401	2	Hex Nut, 7/8-9, GR8	
7	4892400	2	Washer, 7/8	
8	90027473	2	Washer, 3/4	
9	91403097	2	Center Bonded Mount	
10	91403153	4	Shock Mount	
11	91403217	2	Rebound Washer	
12	1001080992	2	Washer	

SECTION 6 - CAB

FIGURE 6-2. OPEN CAB INSTALLATION (ANSI - FIXED STEERING)



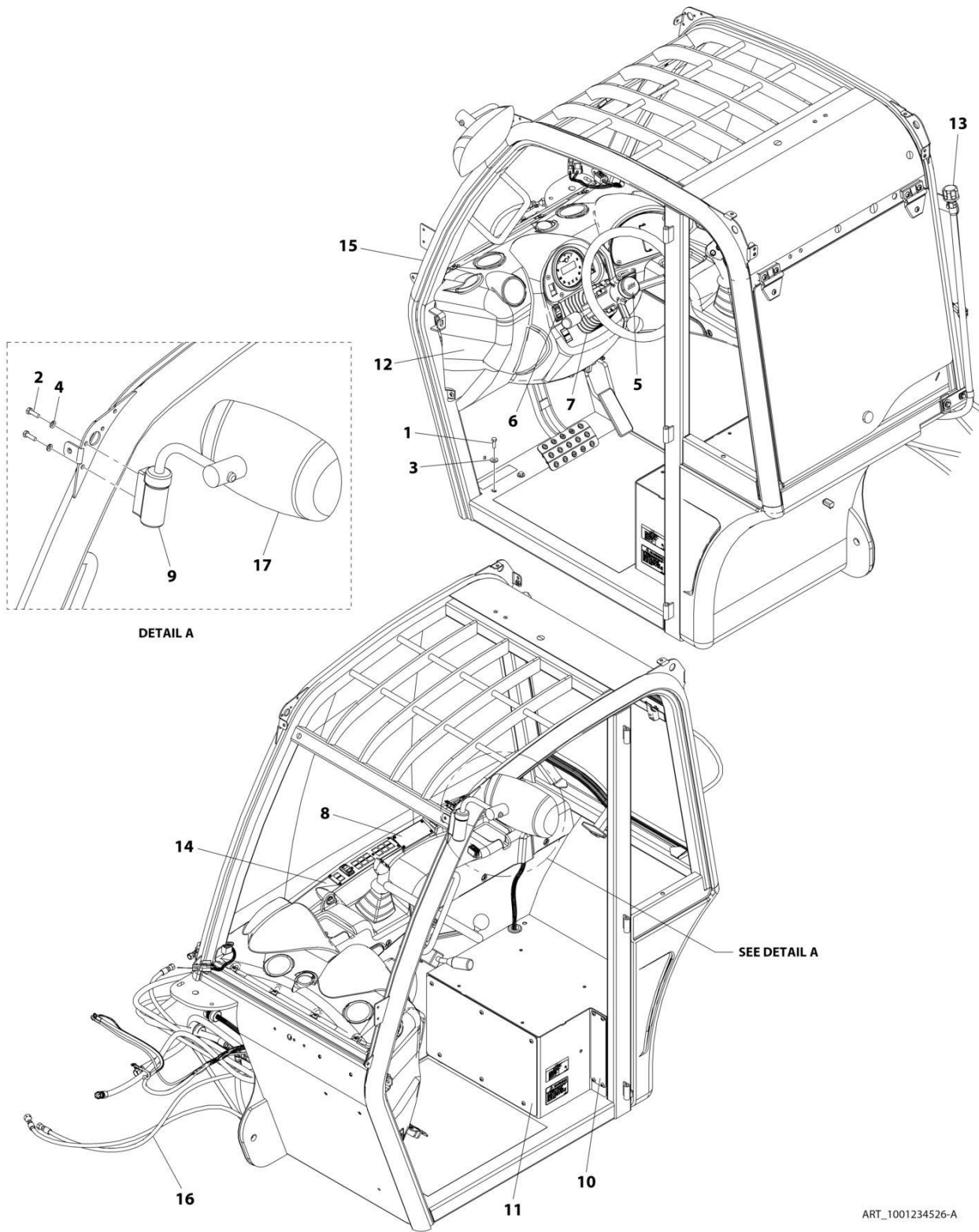
ART_1001234525-A

FIGURE 6-2. OPEN CAB INSTALLATION (ANSI - FIXED STEERING)

ITEM	PART NUMBER	QTY	DESCRIPTION	REV
	1001234525	Ref	Open Cab Installation (ANSI - Fixed Steering)	A
1	0641508	4	Hex HD Capscrew, 5/16-18X1, GR5	
2	0700610	2	Hex HD Capscrew, M6X20, GR8.8	
3	4751500	4	Washer, 5/16	
4	8307024	2	Washer, M6	
5	1001080742	Ref	Installation, JLG Common (See Separate Breakdown in this Section)	
6	1001080744	Ref	Installation, NA Common (See Separate Breakdown in this Section)	
7	1001080876	Ref	Installation, Control Cover (See Separate Breakdown in this Section)	
8	1001114675	1	Mirror Arm	
9	1001137600	Ref	Installation, Park Brake Valve (See Separate Breakdown in Control Section)	
10	1001137623	Ref	Installation, Seat Riser Cover (See Separate Breakdown in this Section)	
11	1001138582	Ref	Installation, Open Cab Common Components (See Separate Breakdown in this Section)	
12	1001182755	Ref	Installation, Hydraulic Tank Breather (See Separate Breakdown in Hydraulic Circuits Section)	
13	0100011	AR	Compound, Locking	
14	1001202007	Ref	Installation, Cab Common (See Separate Breakdown in this Section)	
15	1001235716	Ref	Installation, Cab Hydraulics (ANSI) (See Separate Breakdown in Hydraulic Circuits Section)	
16	1001208616	Ref	Installation, Open Cab Glass (See Separate Breakdown in this Section)	
17	1001221303	Ref	Installation, Fixed Steering Column (See Separate Breakdown in Control Section)	
18	8866514	1	Convex Mirror	

SECTION 6 - CAB

FIGURE 6-3. OPEN CAB INSTALLATION (ANSI - TILT STEERING)



ART_1001234526-A

FIGURE 6-3. OPEN CAB INSTALLATION (ANSI - TILT STEERING)

ITEM	PART NUMBER	QTY	DESCRIPTION	REV
	1001234526	Ref	Open Cab Installation (ANSI - Tilt Steering)	A
1	0641508	4	Hex HD Capscrew, 5/16-18X1, GR5	
2	0700610	2	Hex HD Capscrew, M6X20, GR8.8	
3	4751500	4	Washer, 5/16	
4	8307024	2	Washer, M6	
5	1001080742	Ref	Installation, JLG Common (See Separate Breakdown in this Section)	
6	1001080744	Ref	Installation, NA Common (See Separate Breakdown in this Section)	
7	1001080809	Ref	Installation, Tilt Steering Column (See Separate Breakdown in Control Section)	
8	1001080876	Ref	Installation, Control Cover (See Separate Breakdown in this Section)	
9	1001114675	1	Mirror Arm	
10	1001137600	Ref	Installation, Park Brake Valve (See Separate Breakdown in Control Section)	
11	1001137623	Ref	Installation, Seat Riser Cover (See Separate Breakdown in this Section)	
12	1001138582	Ref	Installation, Open Cab Common Components (See Separate Breakdown in this Section)	
13	1001182755	Ref	Installation, Hydraulic Tank Breather (See Separate Breakdown in Hydraulic Circuits Section)	
14	1001202007	Ref	Installation, Cab Common (See Separate Breakdown in this Section)	
15	1001208616	Ref	Installation, Open Cab Glass (See Separate Breakdown in this Section)	
16	1001235716	Ref	Installation, Cab Hydraulics (ANSI) (See Separate Breakdown in Hydraulic Circuits Section)	
17	8866514	1	Convex Mirror	

SECTION 6 - CAB

FIGURE 6-4. ENCLOSED CAB INSTALLATION (ANSI - TILT STEERING) (HEAT)

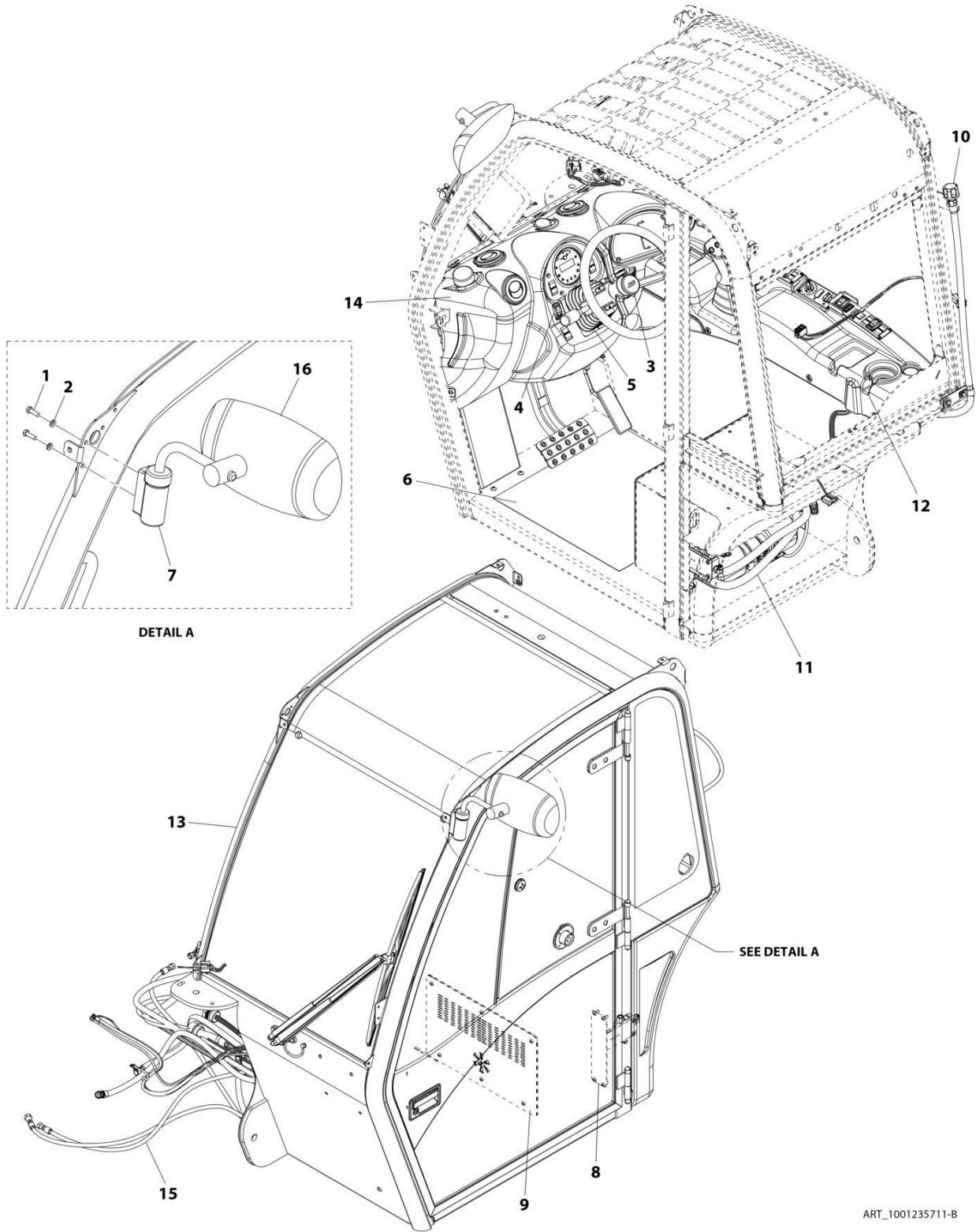
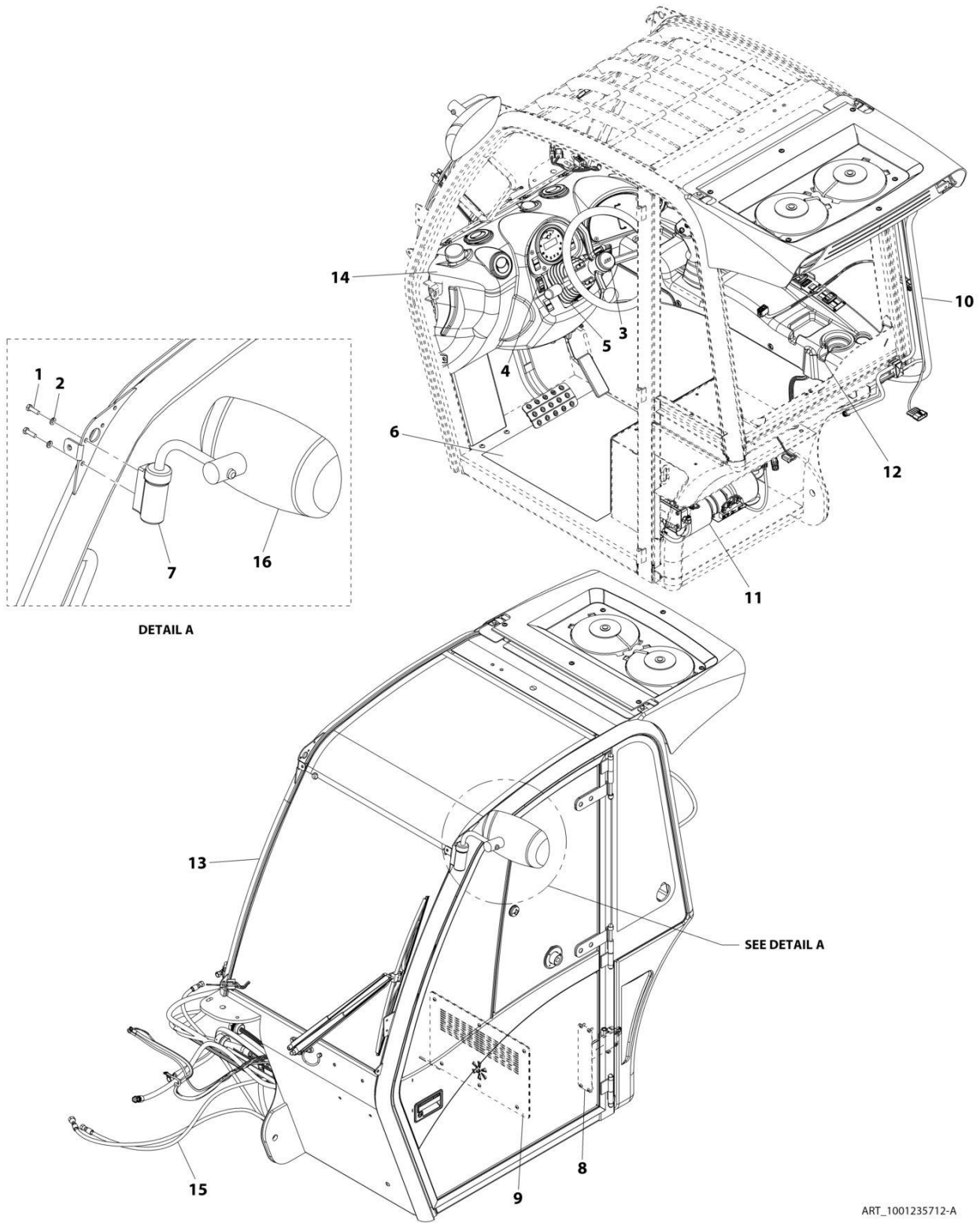


FIGURE 6-4. ENCLOSED CAB INSTALLATION (ANSI - TILT STEERING) (HEAT)

ITEM	PART NUMBER	QTY	DESCRIPTION	REV
	1001235711	Ref	Enclosed Cab Installation (ANSI - Tilt Steering) (Heat)	B
1	0700610	2	Hex HD Capscrew, M6X20, GR8.8	
2	8307024	2	Washer, M6	
3	1001080742	Ref	Installation, JLG Common (See Separate Breakdown in this Section)	
4	1001080744	Ref	Installation, NA Common (See Separate Breakdown in this Section)	
5	1001080809	Ref	Installation, Tilt Steering Column (See Separate Breakdown in Control Section)	
6	1001080847	1	Floor Skid Strip	
7	1001114675	1	Mirror Arm	
8	1001137600	Ref	Installation, Park Brake Valve (See Separate Breakdown in Control Section)	
9	1001137621	Ref	Installation, Seat Riser Cover HVAC (See Separate Breakdown in this Section)	
10	1001182755	Ref	Installation, Hydraulic Tank Breather (See Separate Breakdown in Hydraulic Circuits Section)	
11	1001193943	Ref	Installation, Heater (cab parts) (See Separate Breakdown in this Section)	
12	1001202007	Ref	Installation, Cab Common (See Separate Breakdown in this Section)	
13	1001208617	Ref	Installation, Enclosed Cab Glass (See Separate Breakdown in this Section)	
14	1001213757	Ref	Installation, Enclosed Cab Common Components (See Separate Breakdown in this Section)	
15	1001235716	Ref	Installation, Cab Hydraulics (ANSI) (See Separate Breakdown in Hydraulic Circuits Section)	
16	8866514	1	Mirror Head, Convex	

SECTION 6 - CAB

FIGURE 6-5. ENCLOSED CAB INSTALLATION (ANSI - TILT STEERING) (HEAT & A/C)



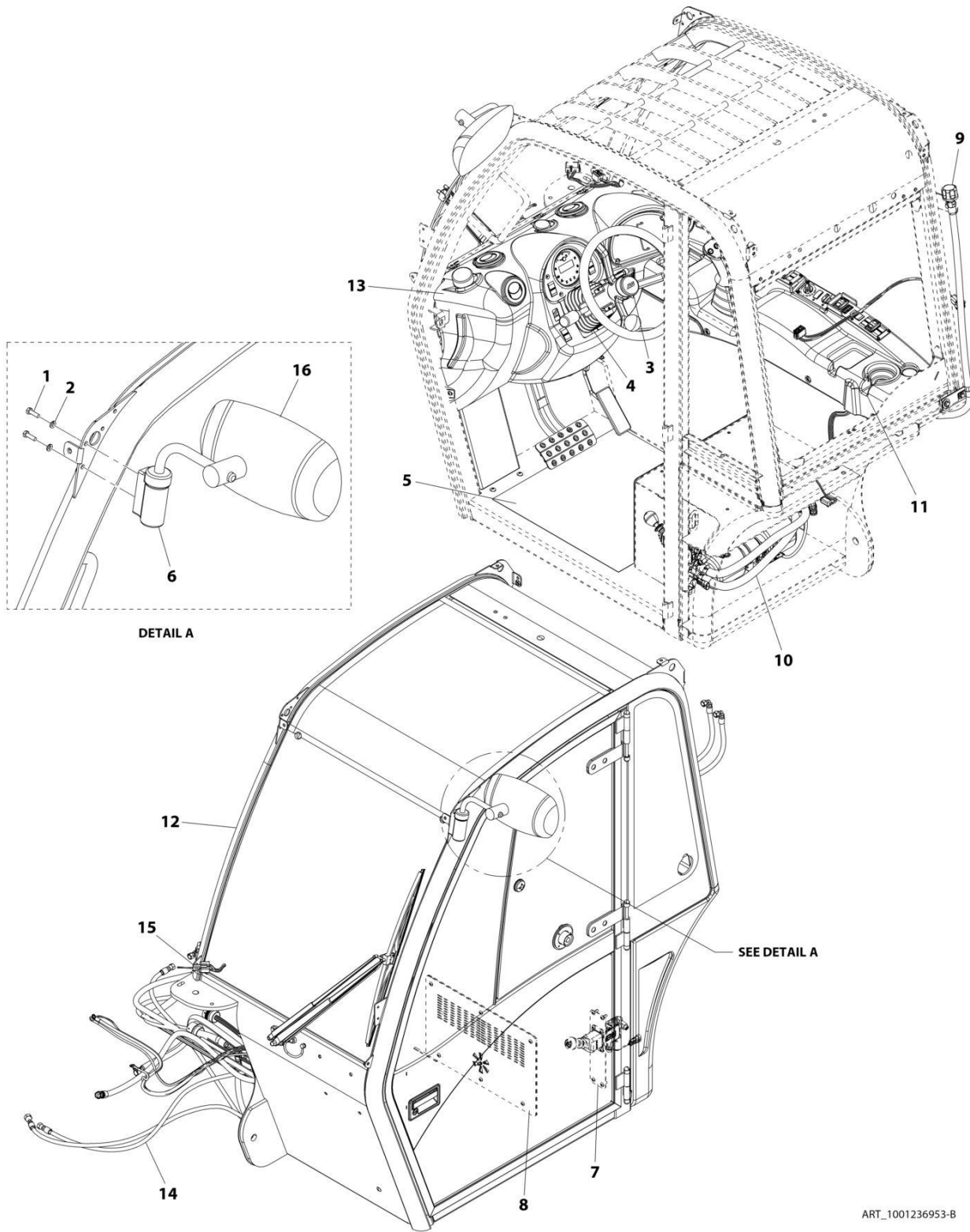
SECTION 6 - CAB

FIGURE 6-5. ENCLOSED CAB INSTALLATION (ANSI - TILT STEERING) (HEAT & A/C)

ITEM	PART NUMBER	QTY	DESCRIPTION	REV
	1001235712	Ref	Enclosed Cab Installation (ANSI - Tilt Steering) (Heat & A/C)	A
1	0700610	2	Hex HD Capscrew, M6X20, GR8.8	
2	8307024	2	Washer, M6	
3	1001080742	Ref	Installation, JLG Common (See Separate Breakdown in this Section)	
4	1001080744	Ref	Installation, NA Common (See Separate Breakdown in this Section)	
5	1001080809	Ref	Installation, Tilt Steering Column (See Separate Breakdown in Control Section)	
6	1001080847	1	Floor Skid Strip	
7	1001114675	1	Mirror Arm	
8	1001137600	Ref	Installation, Park Brake Valve (See Separate Breakdown in Control Section)	
9	1001137621	Ref	Installation, Seat Riser Cover HVAC (See Separate Breakdown in this Section)	
10	1001186376	Ref	Installation, Hydraulic Tank Breather (See Separate Breakdown in Hydraulic Circuits Section)	
11	1001193443	Ref	Installation, Heater and A/C (Cab Parts) (See Separate Breakdown in this Section)	
12	1001202007	Ref	Installation, Cab Common (See Separate Breakdown in this Section)	
13	1001208617	Ref	Installation, Enclosed Cab Glass (See Separate Breakdown in this Section)	
14	1001213757	Ref	Installation, Enclosed Cab Common Components (See Separate Breakdown in this Section)	
15	1001235716	Ref	Installation, Cab Hydraulics (ANSI) (See Separate Breakdown in Hydraulic Circuits Section)	
16	8866514	1	Convex Mirror	

SECTION 6 - CAB

FIGURE 6-6. ENCLOSED CAB INSTALLATION (LSI - TILT STEERING) (HEAT)



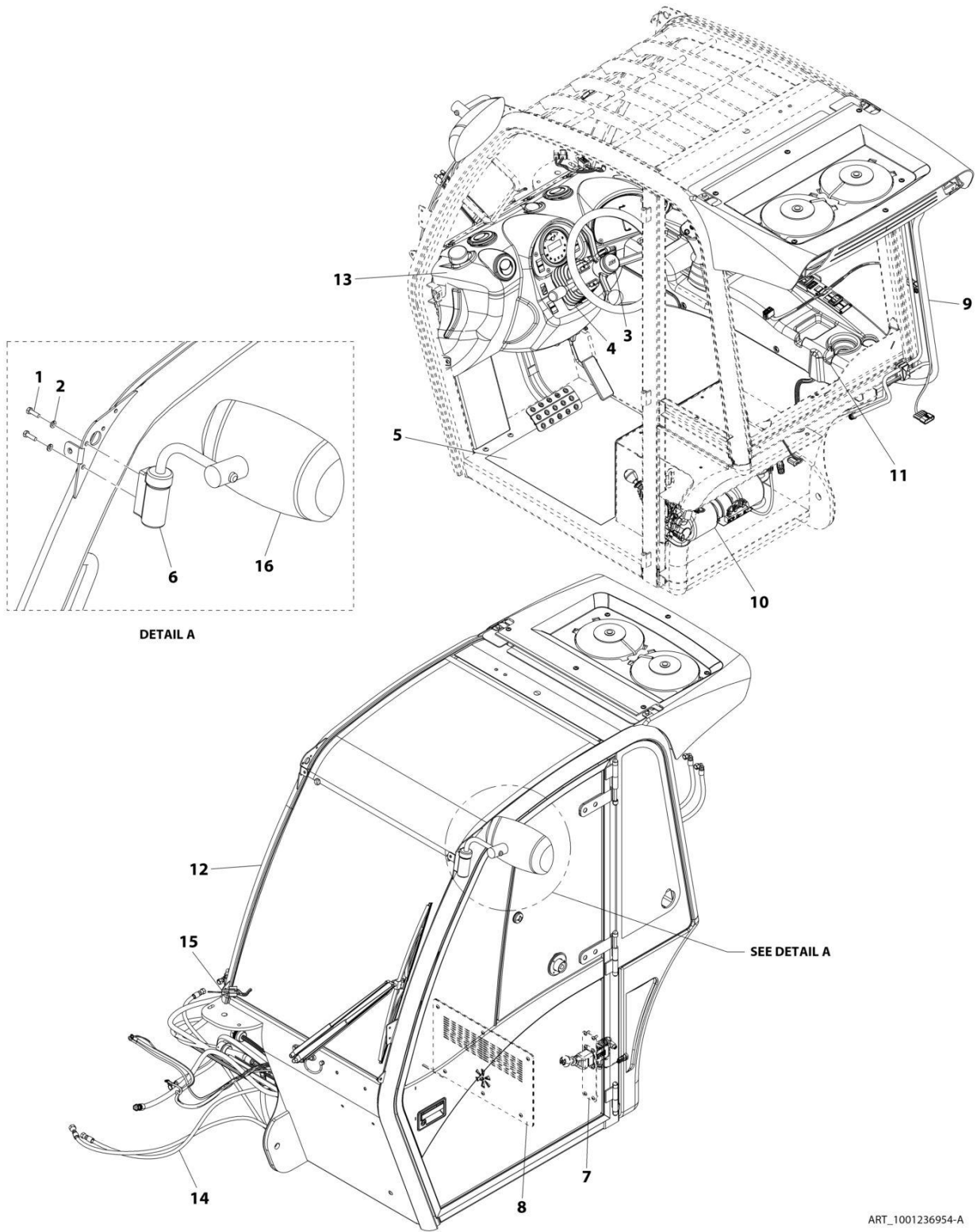
SECTION 6 - CAB

FIGURE 6-6. ENCLOSED CAB INSTALLATION (LSI - TILT STEERING) (HEAT)

ITEM	PART NUMBER	QTY	DESCRIPTION	REV
	1001236953	Ref	Enclosed Cab Installation (LSI - Tilt Steering) (Heat)	B
1	0700610	2	Hex HD Capscrew, M6X20, GR8.8	
2	8307024	2	Washer, M6	
3	1001080742	Ref	Installation, JLG Common (See Separate Breakdown in this Section)	
4	1001080809	Ref	Installation, Tilt Steering Column (See Separate Breakdown in Control Section)	
5	1001080847	1	Floor Skid Strip	
6	1001114675	1	Mirror Arm	
7	1001137602	Ref	Installation, Park Brake Valve (Euro) (See Separate Breakdown in Control Section)	
8	1001137621	Ref	Installation, Seat Riser Cover HVAC (See Separate Breakdown in this Section)	
9	1001182755	Ref	Installation, Hydraulic Tank Breather (See Separate Breakdown in Hydraulic Circuits Section)	
10	1001193943	Ref	Installation, Heater (cab parts) (See Separate Breakdown in this Section)	
11	1001202007	Ref	Installation, Cab Common (See Separate Breakdown in this Section)	
12	1001208617	Ref	Installation, Enclosed Cab Glass (See Separate Breakdown in this Section)	
13	1001213757	Ref	Installation, Enclosed Cab Common Components (See Separate Breakdown in this Section)	
14	1001236957	Ref	Installation, Cab Hydraulics (LSI) (See Separate Breakdown in Hydraulic Circuits Section)	
15	1001236959	Ref	Installation, NA Common Components (LSI) (See Separate Breakdown in this Section)	
16	8866514	1	Mirror Head, Convex	

SECTION 6 - CAB

FIGURE 6-7. ENCLOSED CAB INSTALLATION (LSI - TILT STEERING) (HEAT & A/C)



ART_1001236954-A

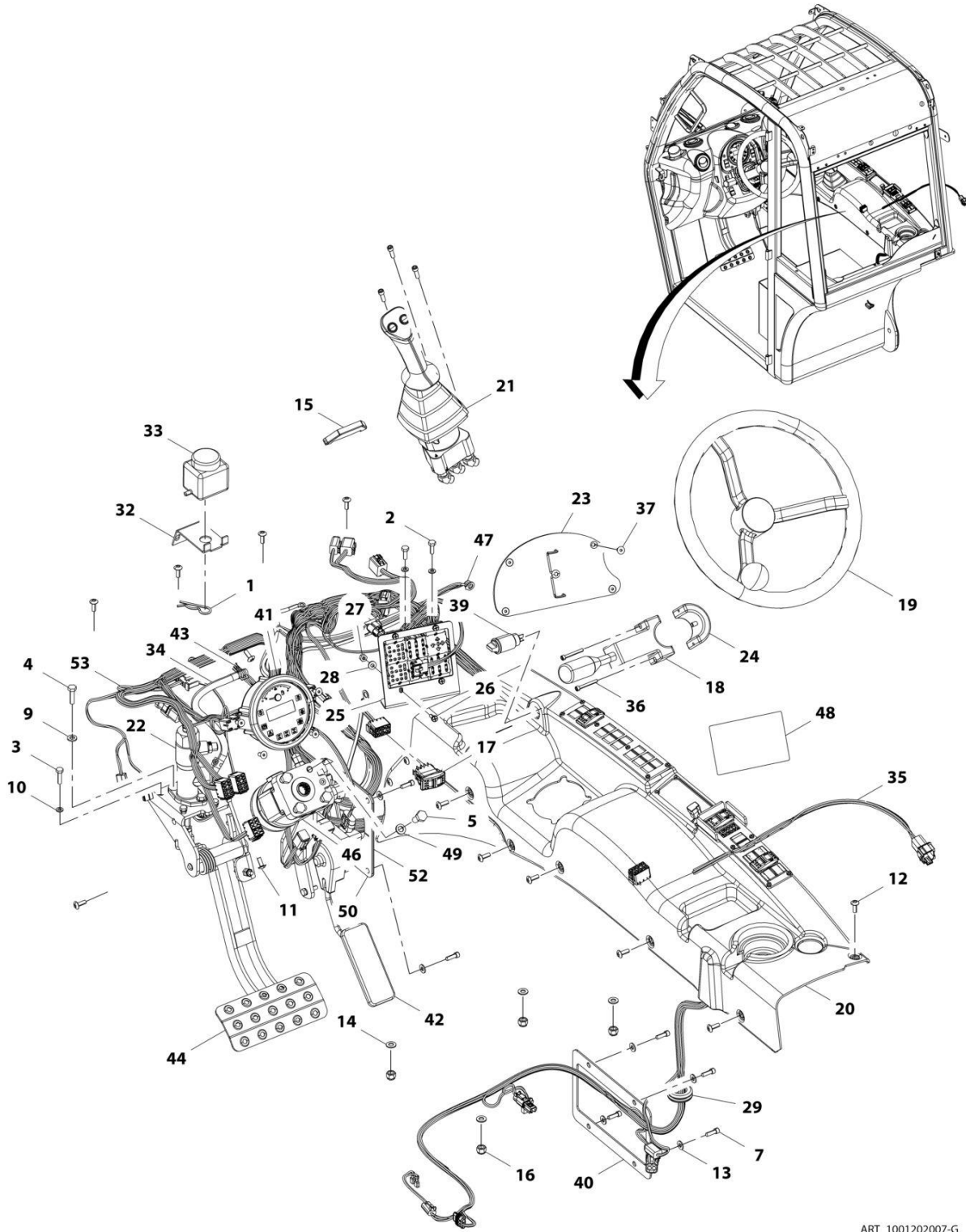
SECTION 6 - CAB

FIGURE 6-7. ENCLOSED CAB INSTALLATION (LSI - TILT STEERING) (HEAT & A/C)

ITEM	PART NUMBER	QTY	DESCRIPTION	REV
	1001236954	Ref	Enclosed Cab Installation (LSI - Tilt Steering) (Heat & A/C)	A
1	0700610	2	Hex HD Capscrew, M6X20, GR8.8	
2	8307024	2	Washer, M6	
3	1001080742	Ref	Installation, JLG Common (See Separate Breakdown in this Section)	
4	1001080809	Ref	Installation, Tilt Steering Column (See Separate Breakdown in Control Section)	
5	1001080847	1	Floor Skid Strip	
6	1001114675	1	Mirror Arm	
7	1001137602	Ref	Installation, Park Brake Valve (Euro) (See Separate Breakdown in Control Section)	
8	1001137621	Ref	Installation, Seat Riser Cover HVAC (See Separate Breakdown in this Section)	
9	1001186376	Ref	Installation, Hydraulic Tank Breather (See Separate Breakdown in Hydraulic Circuits Section)	
10	1001193443	Ref	Installation, Heater and A/C (Cab Parts) (See Separate Breakdown in this Section)	
11	1001202007	Ref	Installation, Cab Common (See Separate Breakdown in this Section)	
12	1001208617	Ref	Installation, Enclosed Cab Glass (See Separate Breakdown in this Section)	
13	1001213757	Ref	Installation, Enclosed Cab Common Components (See Separate Breakdown in this Section)	
14	1001236957	Ref	Installation, Cab Hydraulics (LSI) (See Separate Breakdown in Hydraulic Circuits Section)	
15	1001236959	Ref	Installation, NA Common Components (LSI) (See Separate Breakdown in this Section)	
16	8866514	1	Convex Mirror	

SECTION 6 - CAB

FIGURE 6-8. CAB COMMON INSTALLATION



ART_1001202007-G

FIGURE 6-8. CAB COMMON INSTALLATION

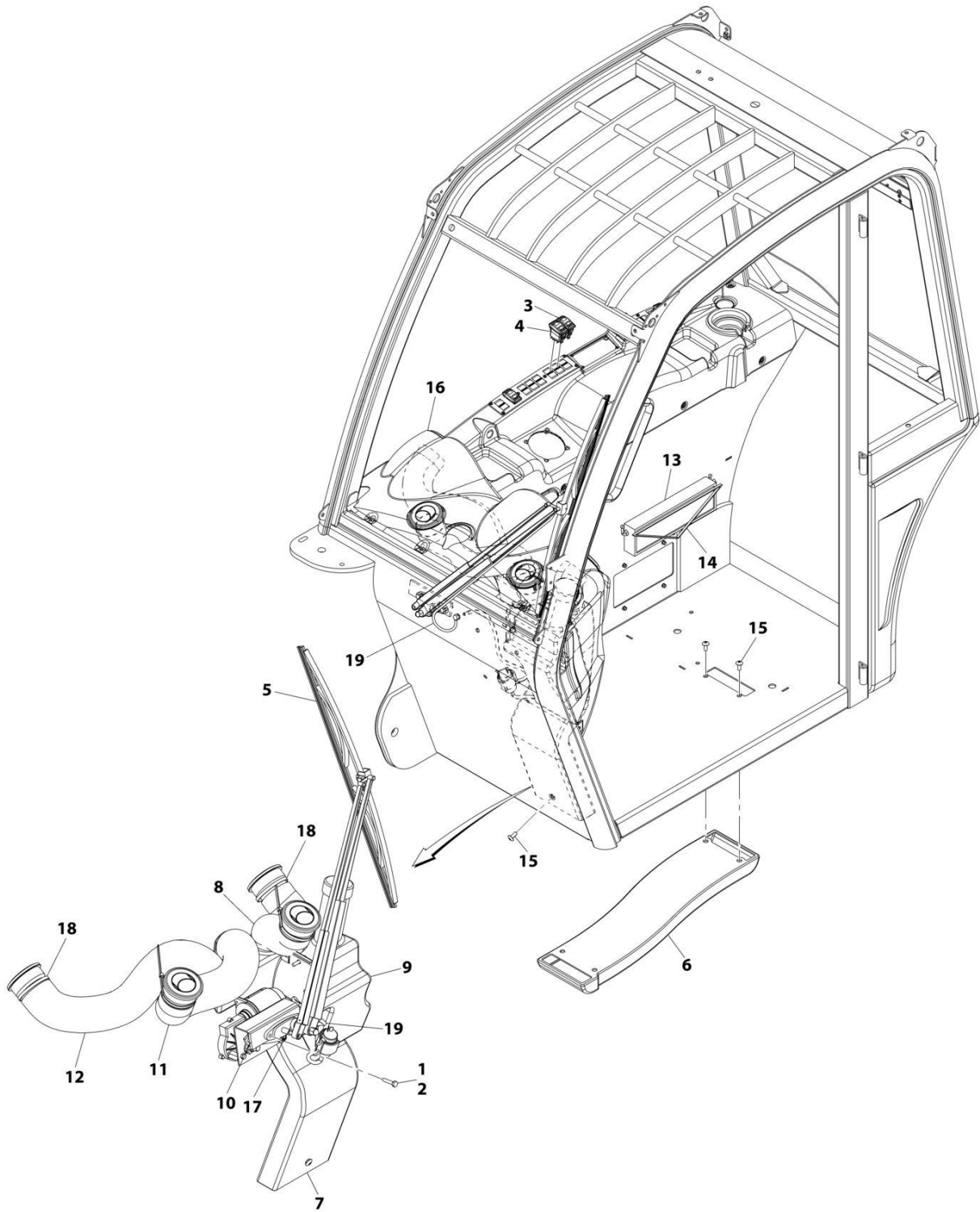
ITEM	PART NUMBER	QTY	DESCRIPTION	REV
	1001202007	Ref	Cab Common Installation	G
1	80325	1	Pin	
2	0641406	2	Bolt, 1/4-20X3/4	
3	0641408	7	Bolt, 1/4-20X1	
4	0641508	2	Bolt, 5/16-18X1	
5	0761012	4	Bolt, M10X25	
7	3931412	12	Screw	
9	4711500	2	Washer, 5/16	
10	4761400	9	Washer, Lock 1/4	
11	8035487	1	Screw	
12	8303034	15	Screw	
13	8307109	8	Washer	
14	8310053	4	Washer	
15	8466306	1	Gage, Tilt Angle	
16	88521205	4	Nut, Lock	
17	1001080371	1	Switch	
18	1001080380	1	Switch	
19	1001080462	1	Wheel, Steering	
20	1001080493	1	Console	
21	1001080500	1	Assembly, Hydraulic Controller (See Separate Breakdown in Controls Section)	
22	1001080559	1	Assembly, Master Cylinder Valve (See Separate Breakdown in Controls Section)	
23	1001239184	1	Chart, Load	
24	1001080900	1	Clamp	
25	1001080983	1	Bracket	
26	1001080986	4	Screw	
27	1001080987	4	Nut	
28	1001080988	4	Washer	
29	1001081049	1	Grommet	
32	1001081151	1	Bracket	
33	1001081152	1	Reservoir, Brake	
34	1001081153	1	Hose	
35	1001098235	1	Harness, Mode Select (See Separate Breakdown in Electrical Section)	
36	1001108079	2	Screw	
37	1001108194	8	Screw	
39	1001114867	1	Screw	
40	1001117158	1	Plate	
41	1001137657	1	Guage	
42	1001138639	1	Assembly, Accelerator Pedal (See Separate Breakdown in Controls Section)	
43	1001156087	2	Clamp	
44	1001189734	1	Installation, Brake Pedal (See Separate Breakdown in Controls Section)	
46	1001202006	1	Assembly, Steering Valve (See Separate Breakdown in Hydraulic Components Section)	
47	1001080418	1	Harness	
48	1001156577	1	Decal, Fuse	
49	4832000	1	Washer, Lock M10	
50	1001207837	1	Panel	

SECTION 6 - CAB

ITEM	PART NUMBER	QTY	DESCRIPTION	REV
52	1001208119	1	Plate	
53	1001208593	1	Harness, Cab (See Separate Breakdown in Electrical Section)	

SECTION 6 - CAB

FIGURE 6-9. CAB COMMON COMPONENTS, ENCLOSED



ART_1001213757-B

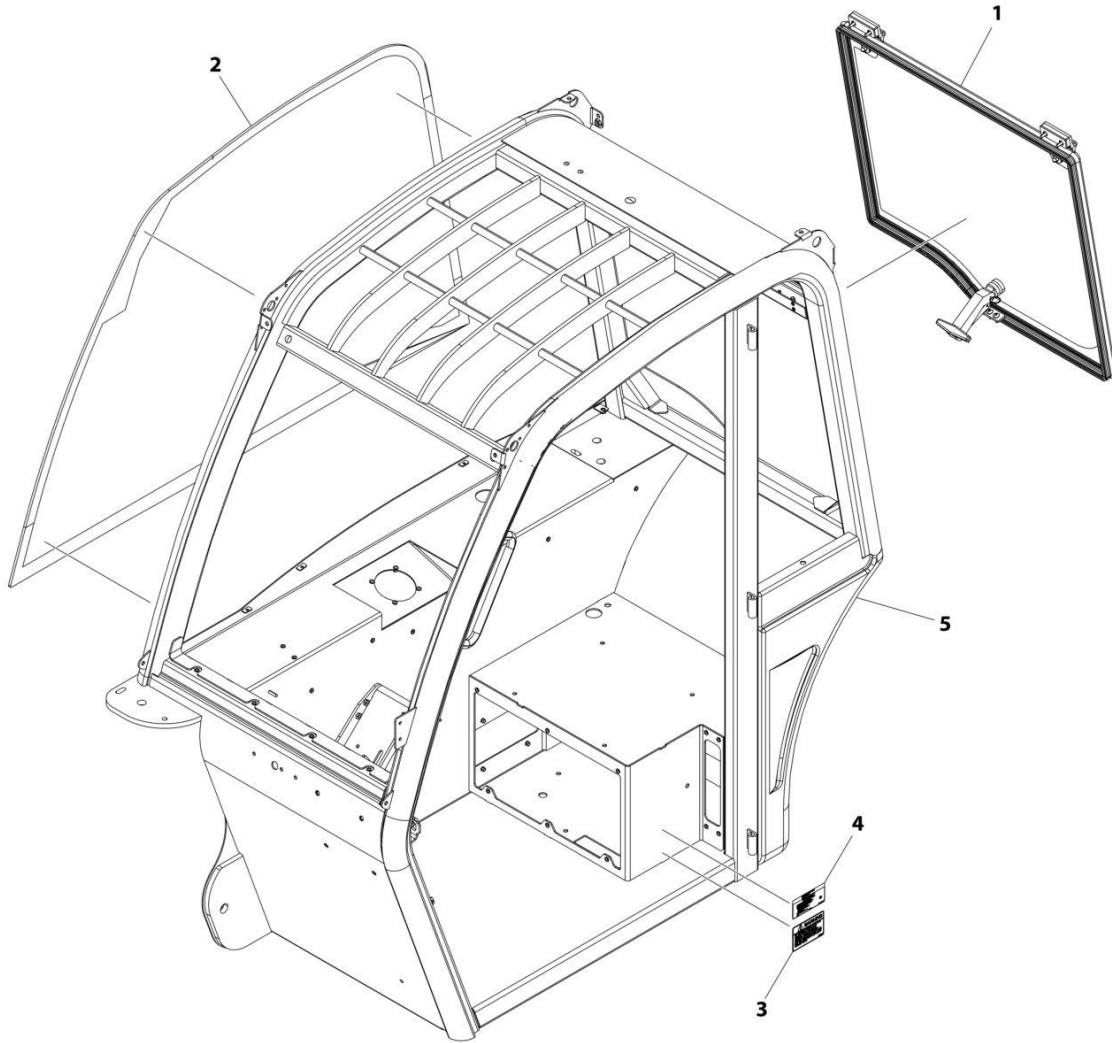
SECTION 6 - CAB

FIGURE 6-9. CAB COMMON COMPONENTS, ENCLOSED

ITEM	PART NUMBER	QTY	DESCRIPTION	REV
	1001213757	Ref	Cab Common Components, Enclosed	B
1	0100011	AR	Compound, Locking	
2	0651410	2	Hex HD Capscrew, 1/4-28X1-1/4	
3	1001080367	1	Front Windshield Washer Switch	
4	1001080368	1	Front Wiper Switch	
5	1001080499	1	Assembly, Front Wiper (See Separate Breakdown in this Section)	
6	1001080862	1	Lower Duct	
7	1001080863	1	Front Duct	
8	1001080931	2	Duct Hose	
9	1001080933	1	Installation, Washer Tank W/Pump (See Separate Breakdown in this Section)	
10	1001081306	1	Front Wiper Spacer	
11	1001081331	1	Duct Hose	
12	1001081332	1	Duct Hose	
13	1001081375	1	Cab Air Filter	
14	1001081376	1	Cab Air Filter Seal Ring	
15	1001108196	6	Screw	
16	1001137943	1	Installation, Dash Enclosed Cab (See Separate Breakdown in this Section)	
17	1001189653	1	Spacer	
18	01043892	8	Tie wrap	
19	82033997	408 mm	Window Washer Hose	

SECTION 6 - CAB

FIGURE 6-10. CAB GLASS INSTALLATION, OPEN



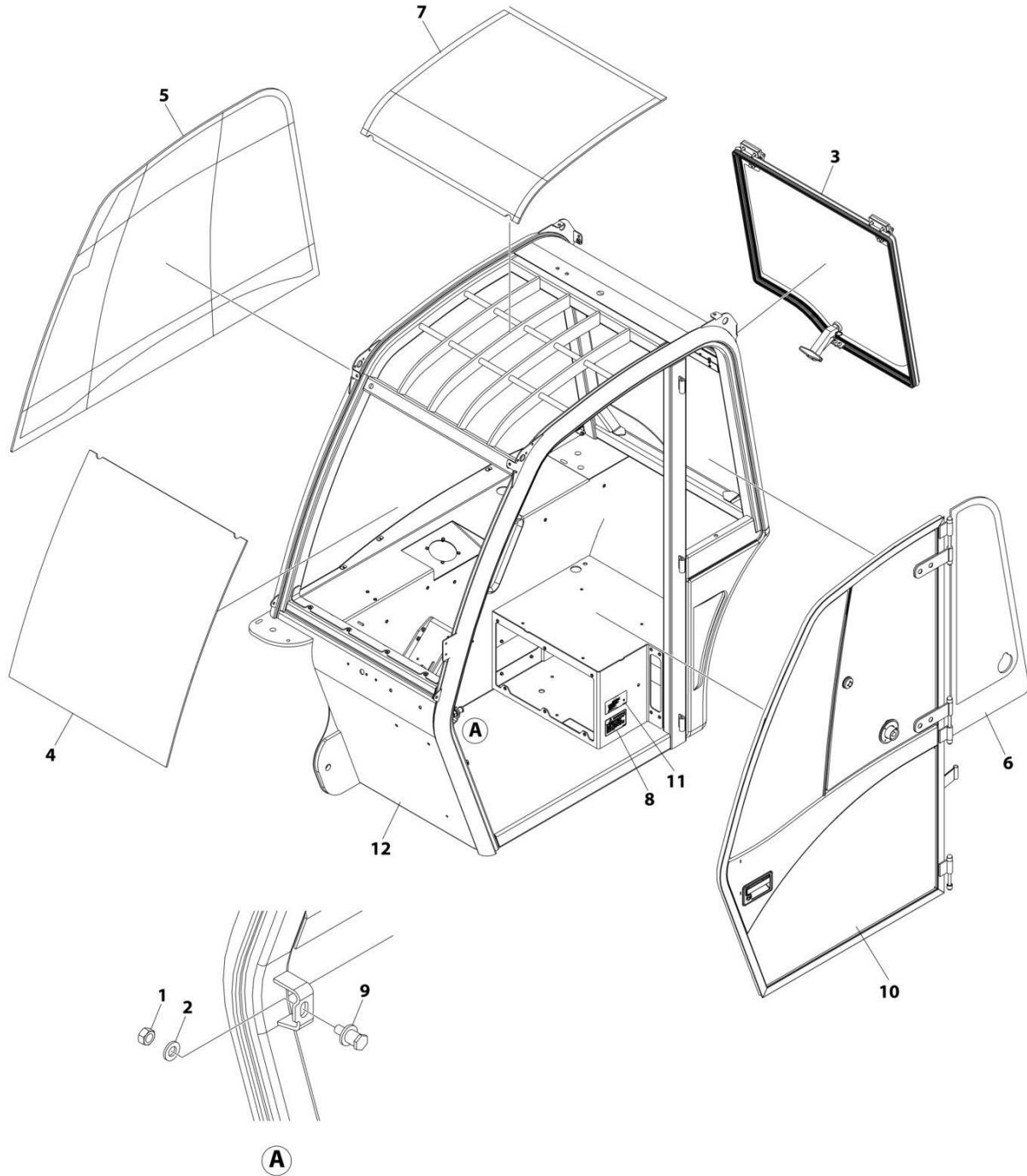
ART_1001208616_G

FIGURE 6-10. CAB GLASS INSTALLATION, OPEN

ITEM	PART NUMBER	QTY	DESCRIPTION	REV
	1001208616	Ref	Cab Glass Installation, Open	G
1	1001080796	1	Assembly, Rear Window (See Separate Breakdown in this Section)	
2	1001080798	1	Window, Right Side	
3	1001109365	1	Decal, ROPS Warning	
4	N.S.S.	1	SN Plate	
5	N.S.S.	1	Cab Weldment	

SECTION 6 - CAB

FIGURE 6-11. CAB GLASS INSTALLATION, ENCLOSED



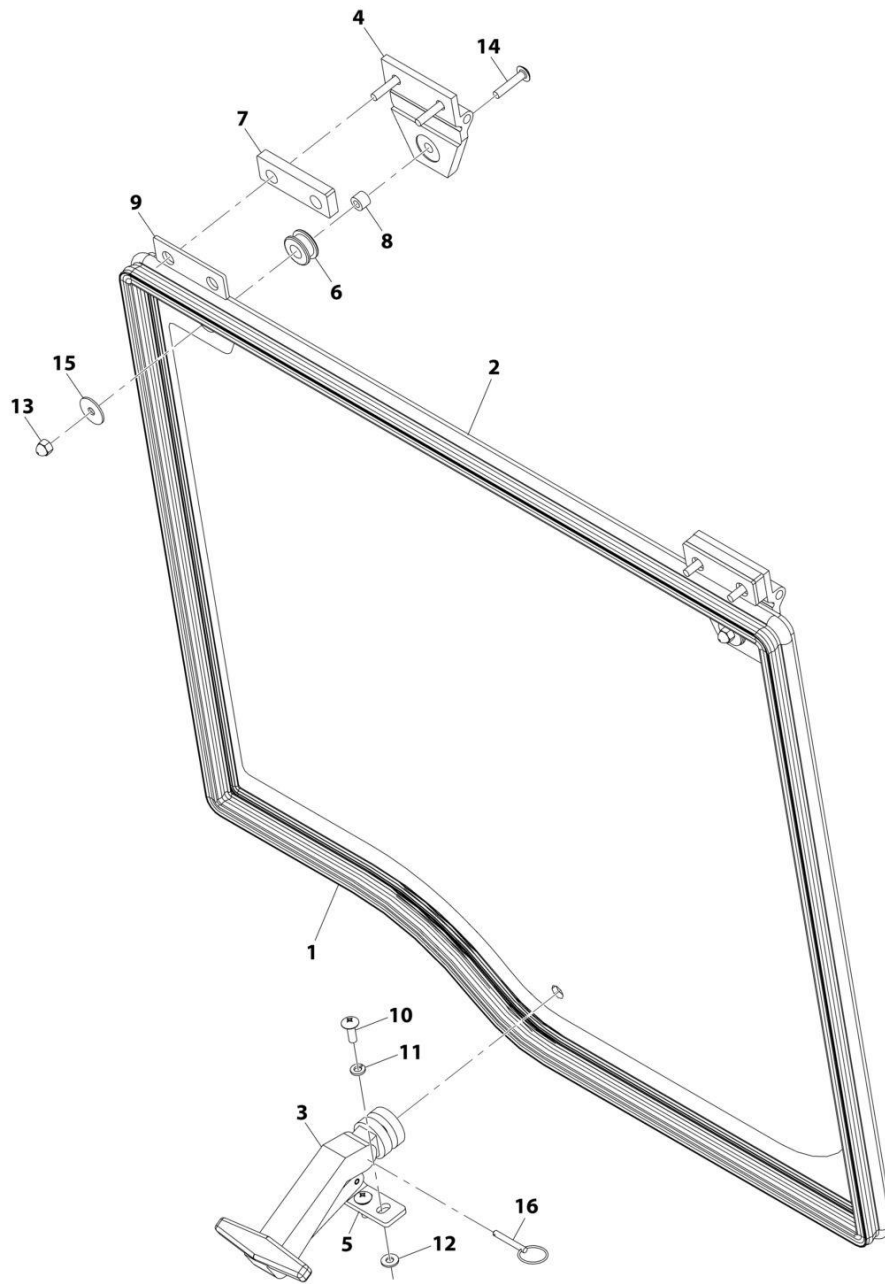
ART_1001208617_G

FIGURE 6-11. CAB GLASS INSTALLATION, ENCLOSED

ITEM	PART NUMBER	QTY	DESCRIPTION	REV
	1001208617	Ref	CAB GLASS INSTALLATION, ENCLOSED	G
1	3291201	1	Nut M12	
2	1001009126	1	Washer	
3	1001080796	1	Rear Window Assembly (See Separate Breakdown in this Section)	
4	1001080797	1	Front Glass	
5	1001080798	1	Right Side Glass	
6	1001080801	1	Left Rear Glass	
7	1001080821	1	Skylight Glass	
8	1001109365	1	ROPS Warning Decal	
9	1001109478	1	Striker Latch	
10	1001150596	1	Installation, Door Assembly (See Separate Breakdown in this Section)	
11	N.S.S.	1	SN Plate	
12	N.S.S.	1	Cab Weldment	

SECTION 6 - CAB

FIGURE 6-12. REAR WINDOW ASSEMBLY



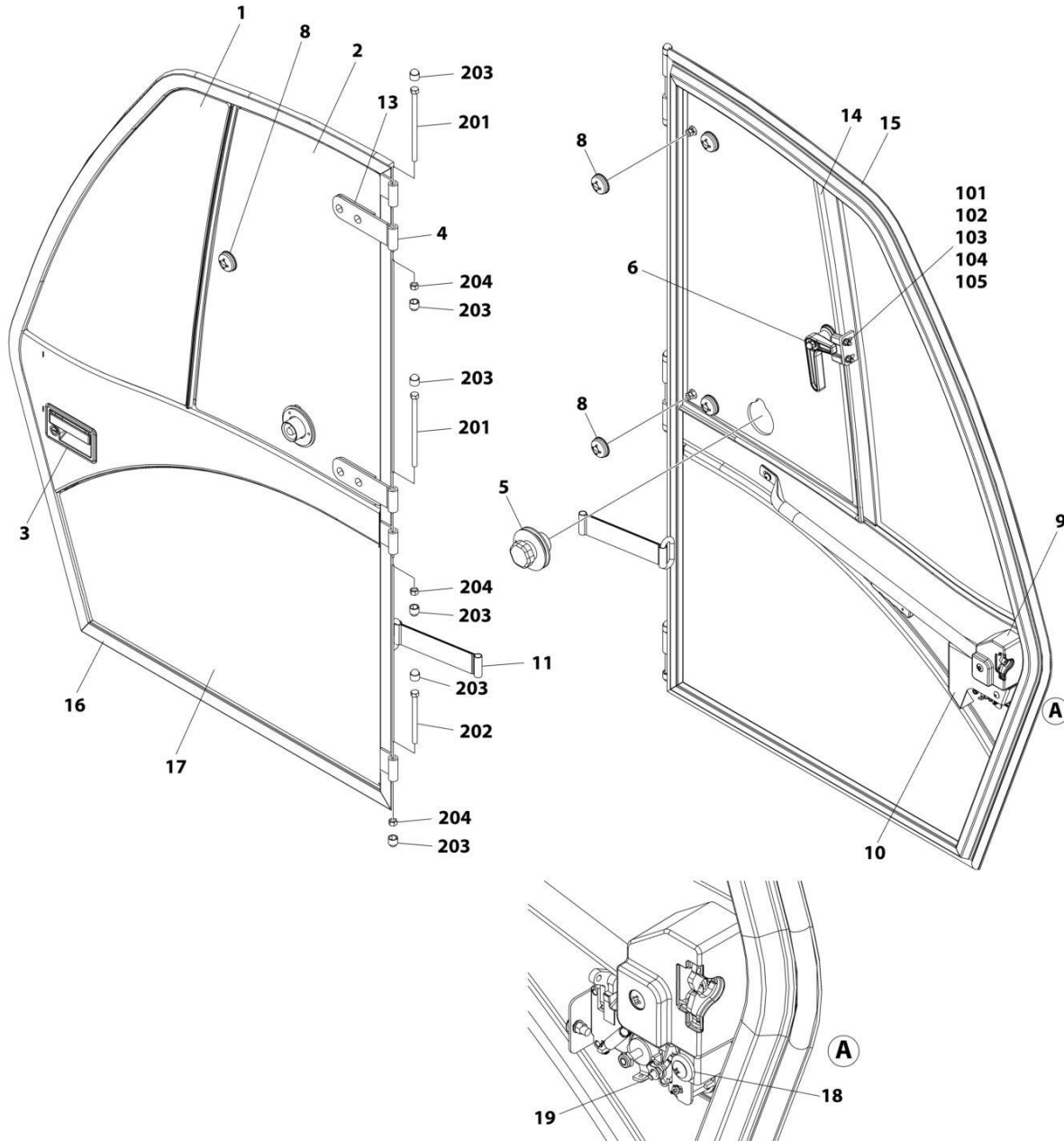
ART_1001080796-G

FIGURE 6-12. REAR WINDOW ASSEMBLY

ITEM	PART NUMBER	QTY	DESCRIPTION	REV
	1001080796	Ref	Rear Window Assembly	G
1	1001107997	1	Window Rear Seal	
2	1001080926	1	Rear Hinged Glass	
3	1001081280	1	T-Style Hold Open	
4	1001081281	2	Plastic Hinge	
5	1001081282	1	Rear Window Latch Bracket	
6	1001081283	2	Grommet	
7	1001081284	2	Hinge Seal	
8	1001081285	2	Bushing	
9	1001081289	2	Hinge Mounting Pad	
10	1001108161	2	Truss HD Screw, 1/4-20X3/4	
11	1001108547	2	Lockwasher, 1/4	
12	1001108548	2	Washer, 1/4	
13	1001108549	2	Nut, 1/4-20	
14	1001110067	6	Torx Screw, 1/4-20X1-1/4	
15	1001108552	2	Flat Washer, 1/4	
16	1001109417	1	Detent Ring Pin	

SECTION 6 - CAB

FIGURE 6-13. DOOR ASSEMBLY INSTALLATION



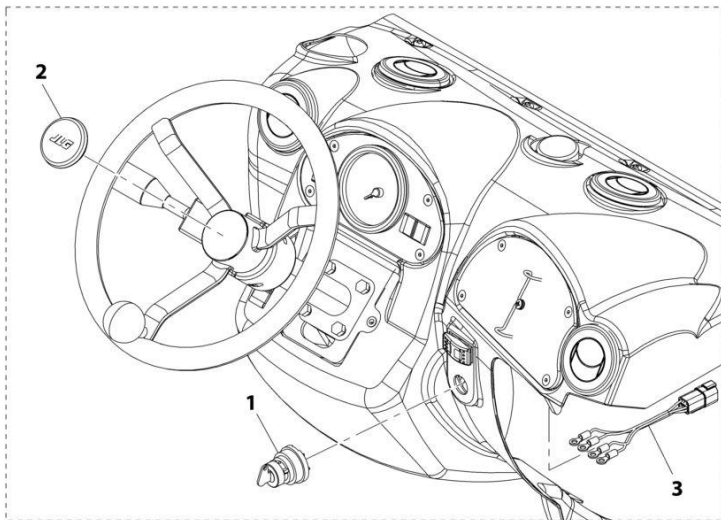
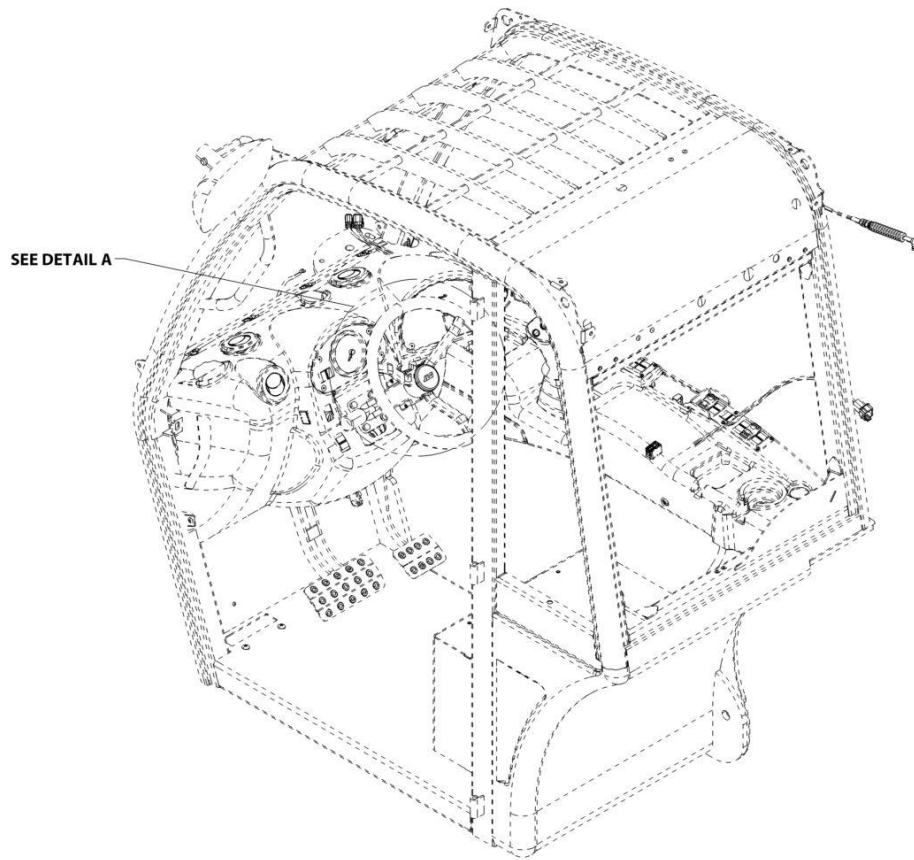
ART_1001150596

FIGURE 6-13. DOOR ASSEMBLY INSTALLATION

ITEM	PART NUMBER	QTY	DESCRIPTION	REV
	1001150596	Ref	DOOR ASSEMBLY INSTALLATION	E
1	1001081235	1	Fixed Door Glass	
2	1001081236	1	Hinged Door Glass	
3	1001081241	1	Latch, Paddle W/Key	
3	8342813	1	Key, (Set of Two)	
4	1001081242	2	Hinge	
5	1001081243	1	Window Lock Latch	
6	1001081244	1	Window Latch (Use with Hardware 101-105)	
8	1001081246	5	Window Cap	
9	1001081247	1	Door Handle	
10	1001081248	1	Door Latch Cover	
11	1001081249	1	Door Restraint Strap	
13	1001081266	2	Spacer	
14	1001081268	1	Hinged Glass Seal	
15	1001081314	1	Door Seal	
16	1001080867JO	1	Door Frame	
17	1001081239	1	Cab Door Panel	
18	1001165585	1	Flat Washer	
19	91404309	1	Connecting Rod	
101	70021079	2	Bolt M6	
102	70021082	2	Nut M6	
103	80364037	1	Washer	
104	70021090	1	Seal	
105	70021095	1	Bolt M8 x 65	
201	8036064	2	Bolt 3/8 x 6-1/2	
202	80364005	1	Bolt 3/8 x 5	
203	1001182663	6	Cap	
204	8035632	3	Nut 3/8	

SECTION 6 - CAB

FIGURE 6-14. JLG COMMON INSTALLATION



DETAIL A

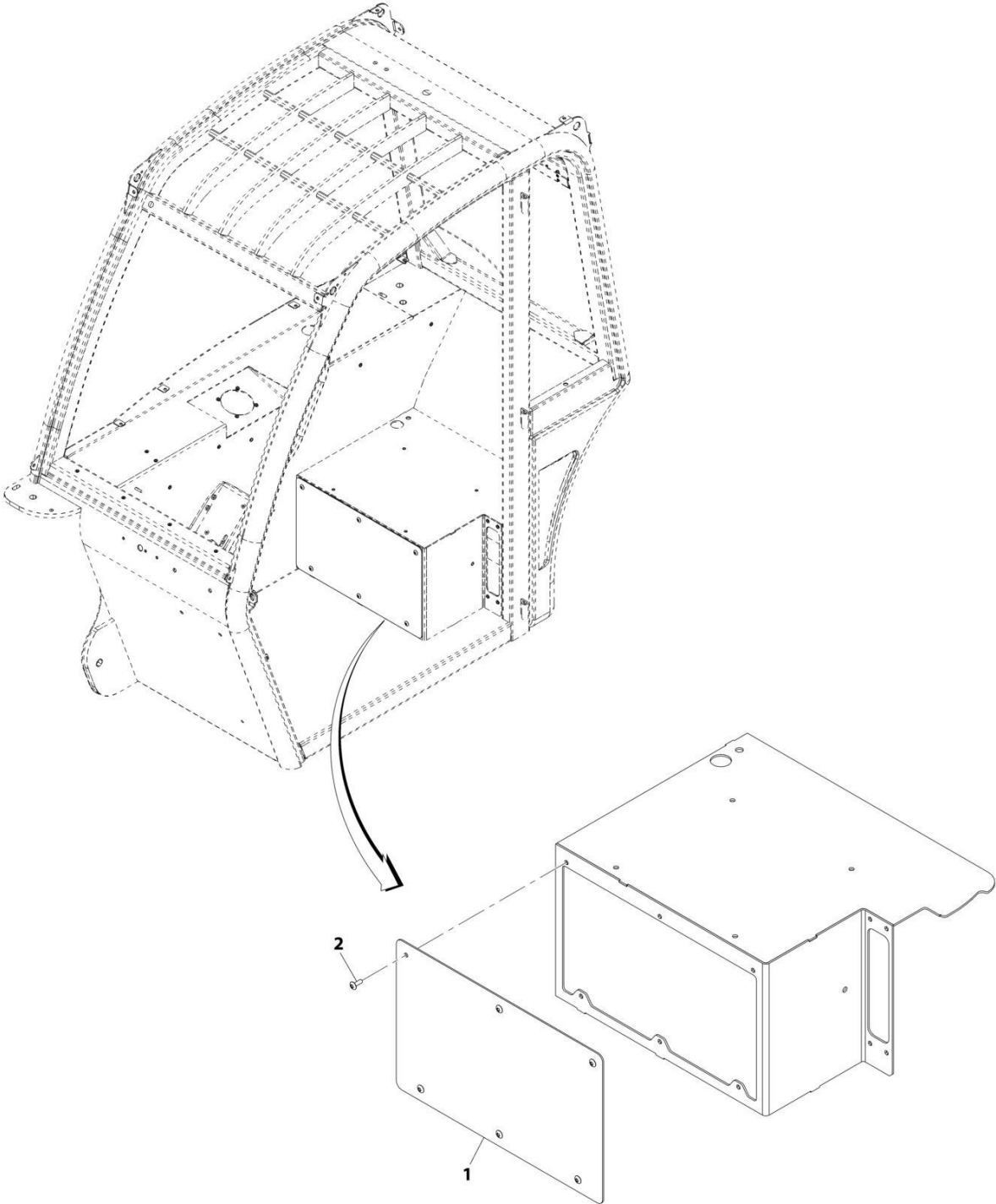
ART_1001080742-B

FIGURE 6-14. JLG COMMON INSTALLATION

ITEM	PART NUMBER	QTY	DESCRIPTION	REV
	1001080742	Ref	JLG COMMON INSTALLATION	C
1	1001080379	1	Ignition Switch	
1	70020621	1	Key, Ignition	
2	1001080463	1	Center Cap	
3	1001100053	1	Start Switch Jumper Harness (See Separate Breakdown in ELECTRICAL Section)	
4	1001285715	1	Beacon Switch	

SECTION 6 - CAB

FIGURE 6-15. SEAT RISER COVER INSTALLATION



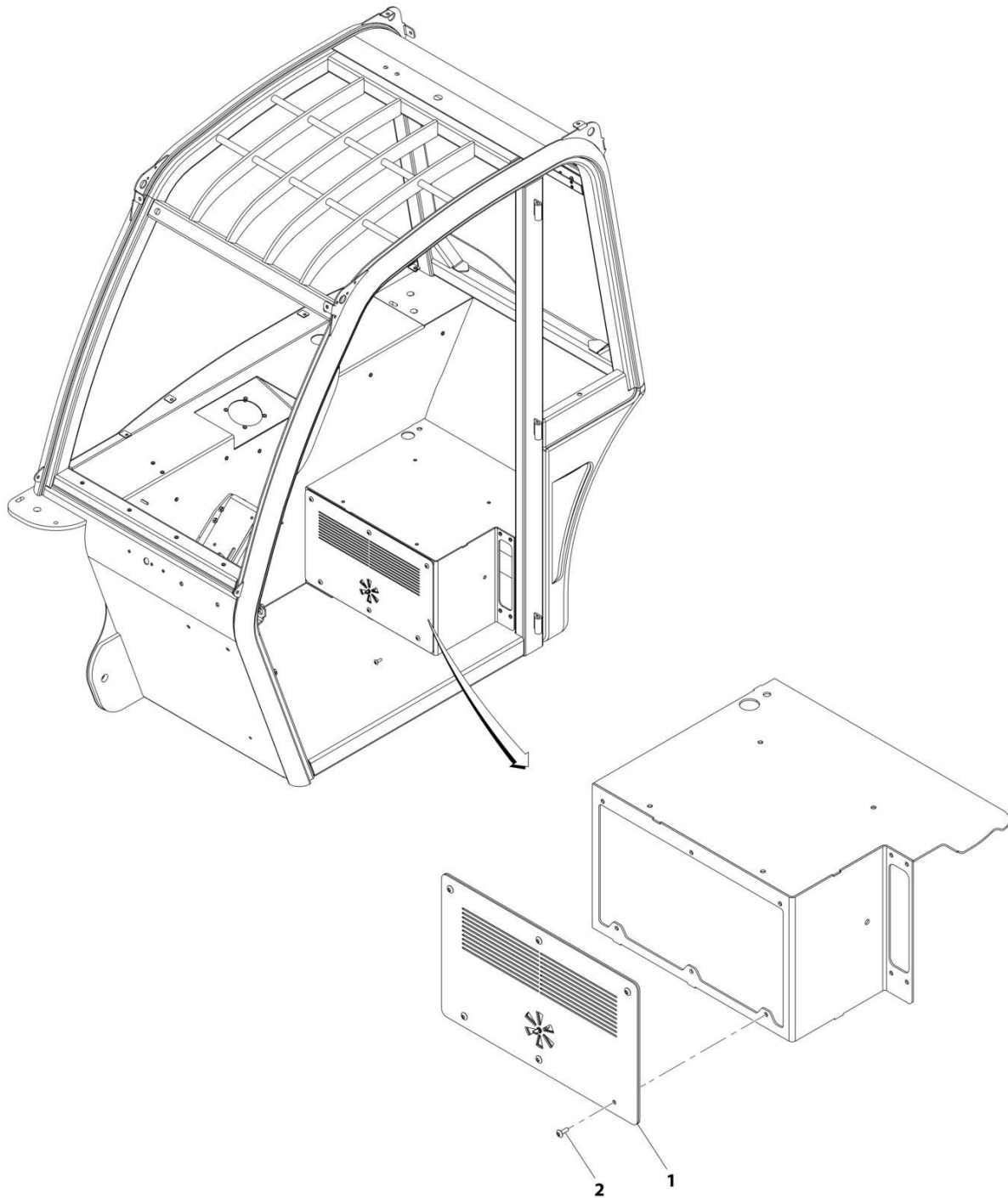
ART_1001137623-B

FIGURE 6-15. SEAT RISER COVER INSTALLATION

ITEM	PART NUMBER	QTY	DESCRIPTION	REV
	1001137623	Ref	Seat Riser Cover Installation	B
1	1001137574	1	Panel	
2	8303034	6	Screw	

SECTION 6 - CAB

FIGURE 6-16. SEAT RISER COVER INSTALLATION, HVAC



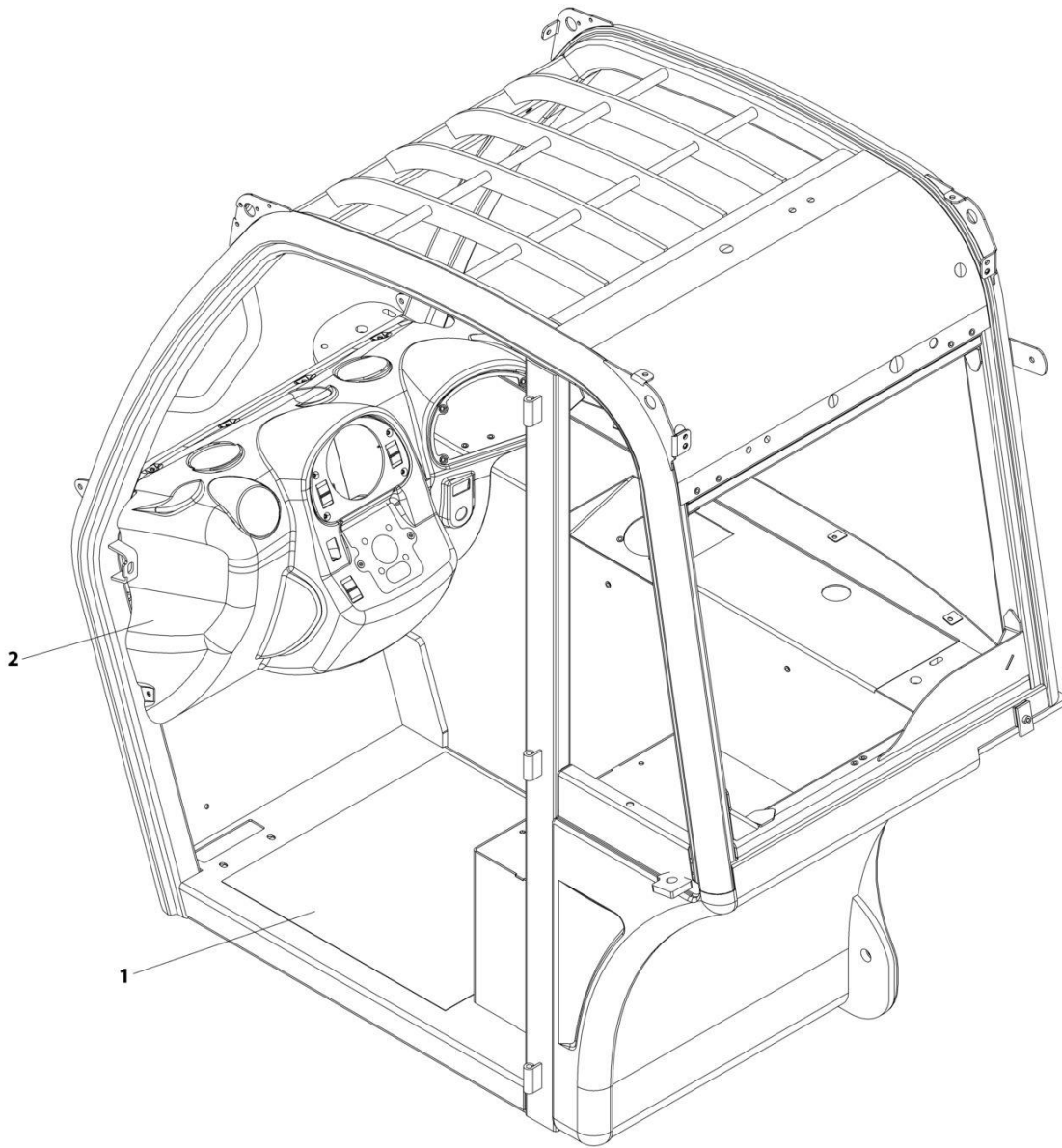
ART_1001137621-C

FIGURE 6-16. SEAT RISER COVER INSTALLATION, HVAC

ITEM	PART NUMBER	QTY	DESCRIPTION	REV
	1001137621	Ref	Seat Riser Cover Installation, HVAC	C
1	1001189948	1	HAVC Cover Panel	
2	8303034	6	Screw, 1/4-20X3/4	

SECTION 6 - CAB

FIGURE 6-17. OPEN CAB COMMON COMPONENTS INSTALLATION



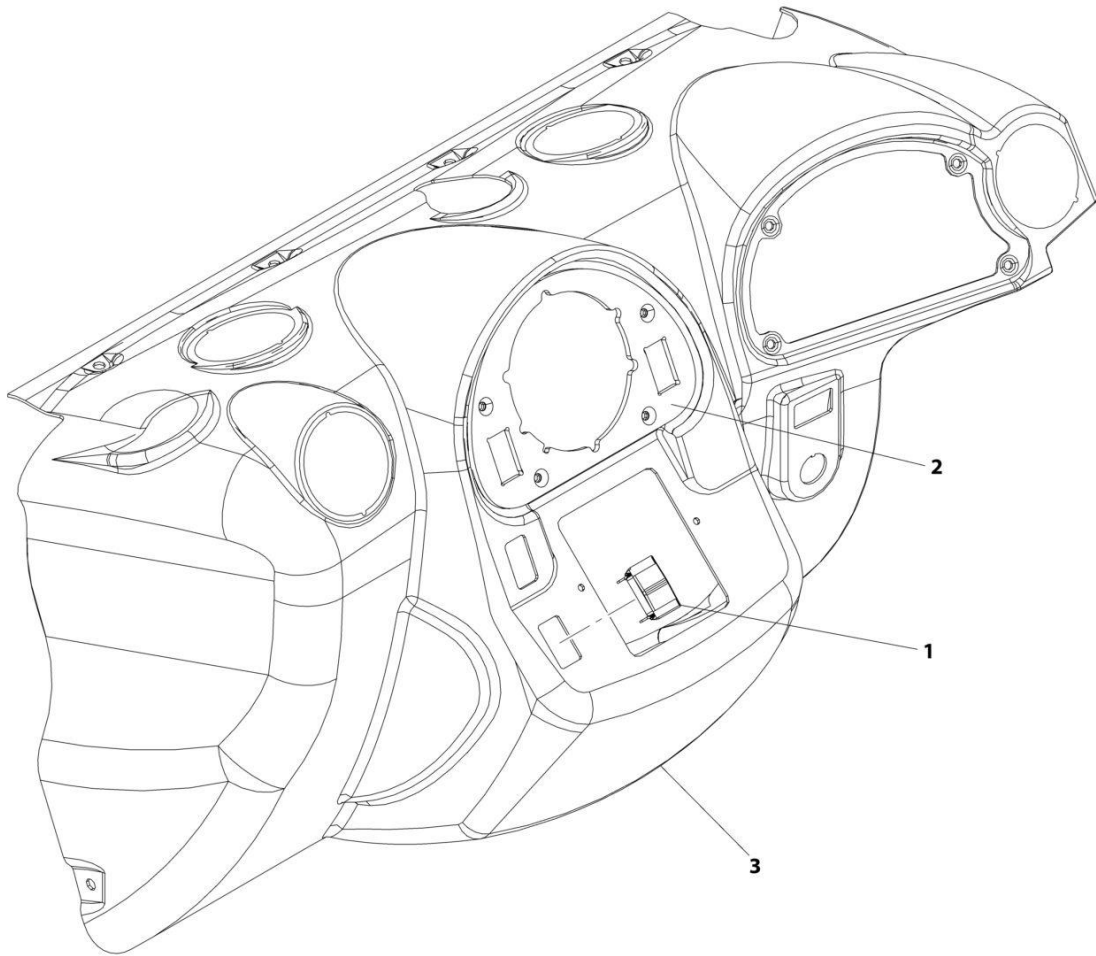
ART_1001138582-A

FIGURE 6-17. OPEN CAB COMMON COMPONENTS INSTALLATION

ITEM	PART NUMBER	QTY	DESCRIPTION	REV
	1001138582	Ref	Open Cab Common Components Installation	A
1	1001080847	1	Skid, Floor	
2	1001139481	1	Installation, Open Cab Dash (See Separate Breakdown in this Section)	

SECTION 6 - CAB

FIGURE 6-18. DASH INSTALLATION, OPEN CAB



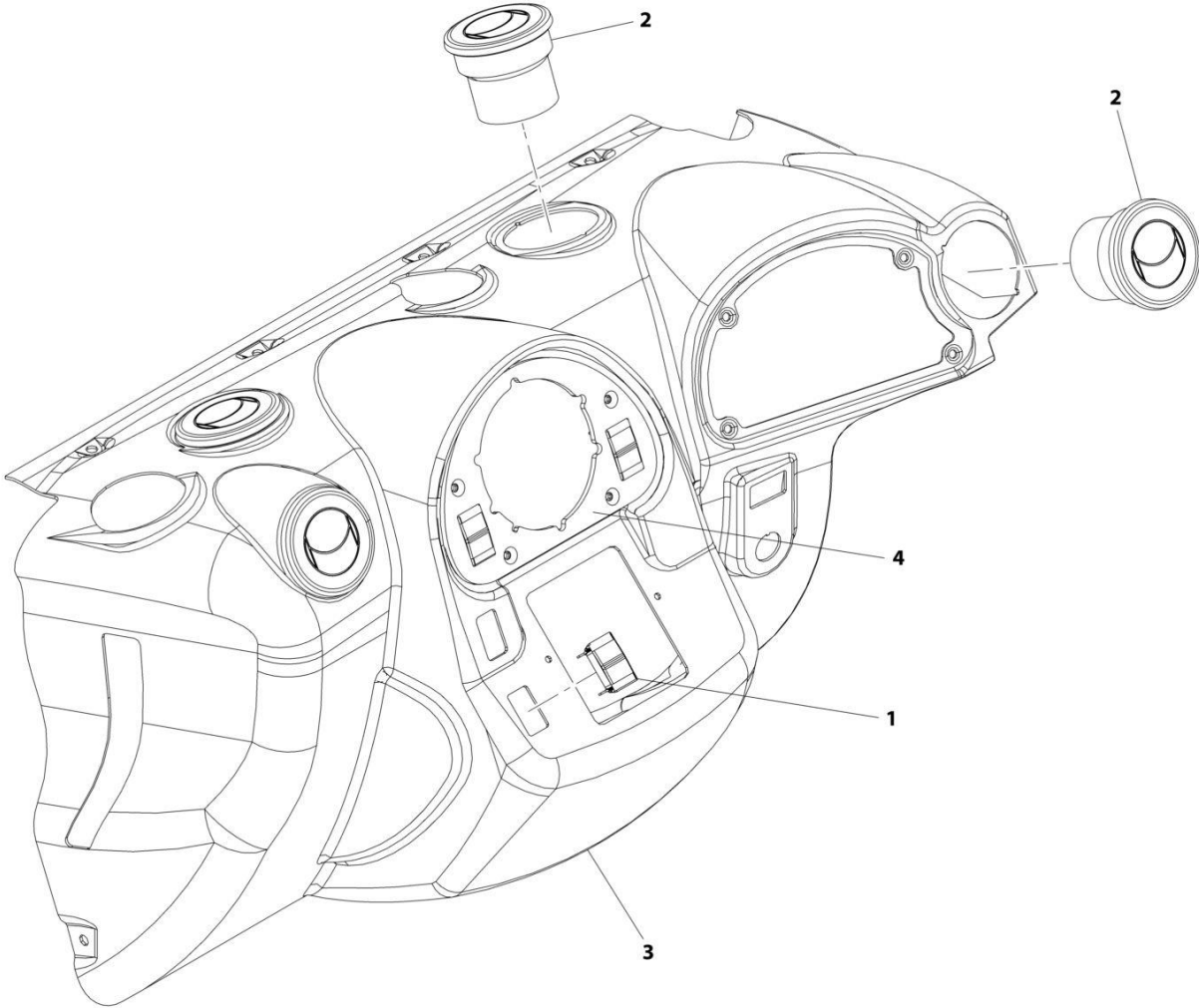
ART_1001139481-C

FIGURE 6-18. DASH INSTALLATION, OPEN CAB

ITEM	PART NUMBER	QTY	DESCRIPTION	REV
	1001139481	Ref	Dash Installation, Open Cab	C
1	1001080494	1	Switch Cover	
2	1001137985	1	Dash Mount	
3	1001153624	1	Cab Dash Cover	

SECTION 6 - CAB

FIGURE 6-19. DASH INSTALLATION, ENCLOSED CAB



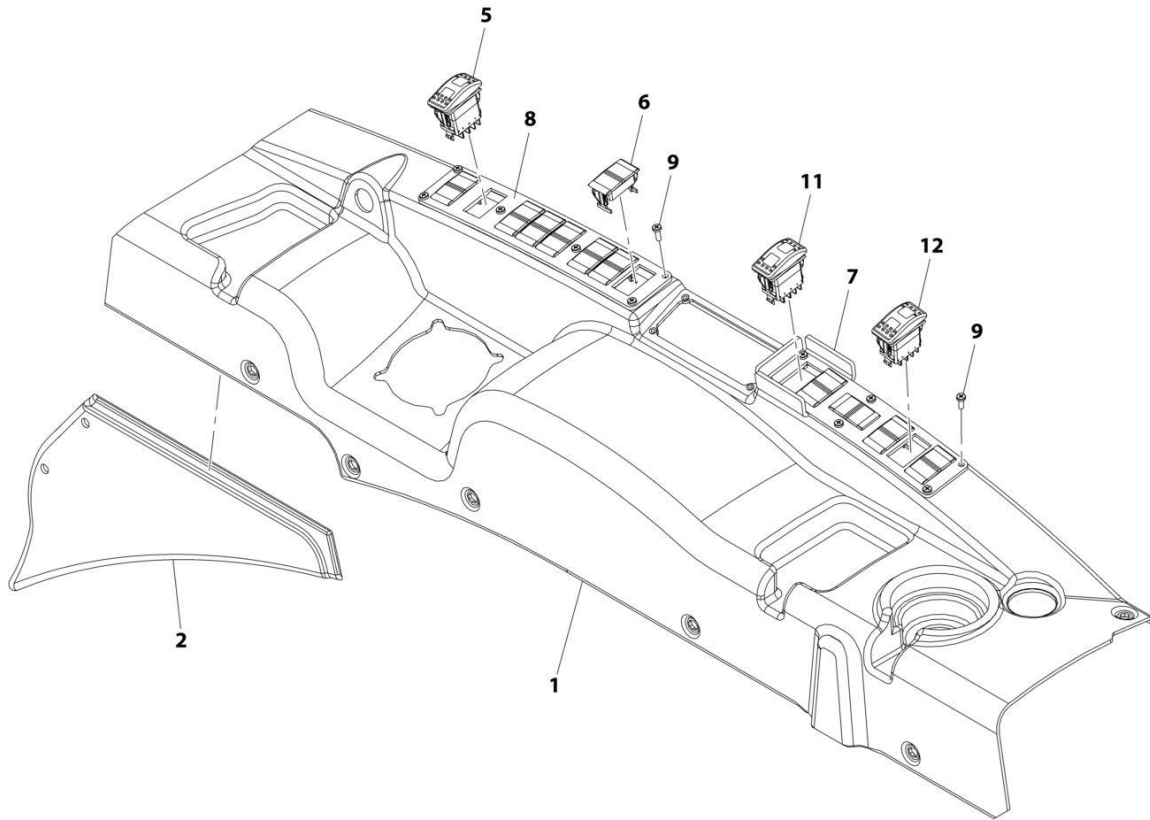
ART_1001137943-C

FIGURE 6-19. DASH INSTALLATION, ENCLOSED CAB

ITEM	PART NUMBER	QTY	DESCRIPTION	REV
	1001137943	Ref	Dash Installation, Enclosed Cab	C
1	1001080494	3	Cover Switch	
2	1001080848	4	Directional Vent	
3	1001153625	1	Cab Dash	
4	1001137985	1	Dash Mount	

SECTION 6 - CAB

FIGURE 6-20. RIGHT SIDE CONSOLE



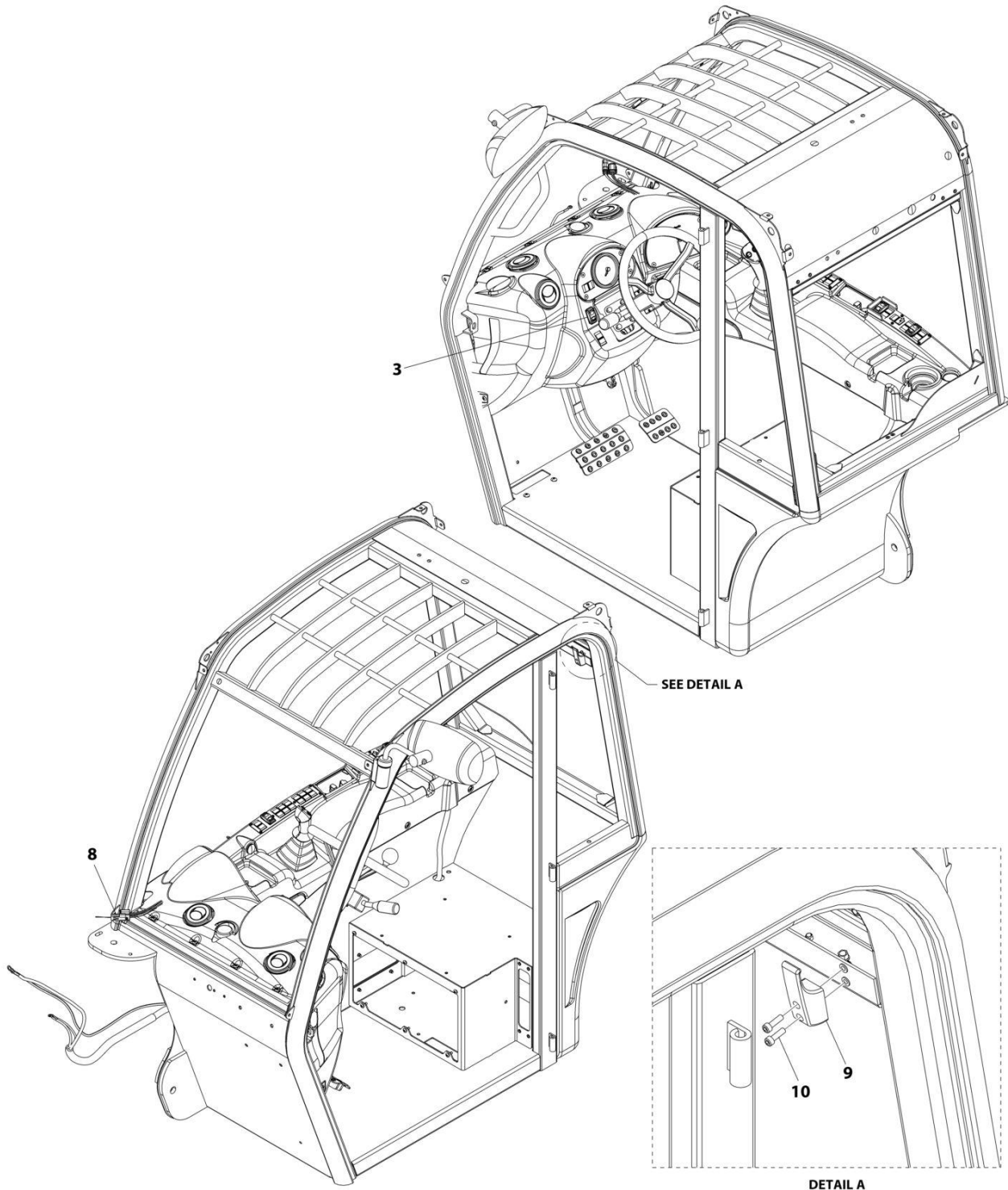
ART_1001080493-J

FIGURE 6-20. RIGHT SIDE CONSOLE

ITEM	PART NUMBER	QTY	DESCRIPTION	REV
	1001080493	Ref	Right Side Console	J
1	1001153627	1	Console	
2	1001153626	1	Lower Plastic Console	
5	1001080378	1	Steer Select Switch	
6	1001080494	11	Switch Cover	
7	1001080969	1	Switch Mount Panel, Six Gang	
8	1001080970	1	Switch Mount Panel, Eight Gang	
9	1001139011	12	Pan HD Screw, #8-32	
11	1001080978	1	Lift/Loader Joystick Pattern Switch	
12	1001104654	1	Auxiliary Hydraulics Pressure Relief Switch	

SECTION 6 - CAB

FIGURE 6-21. NA COMMON INSTALLATION



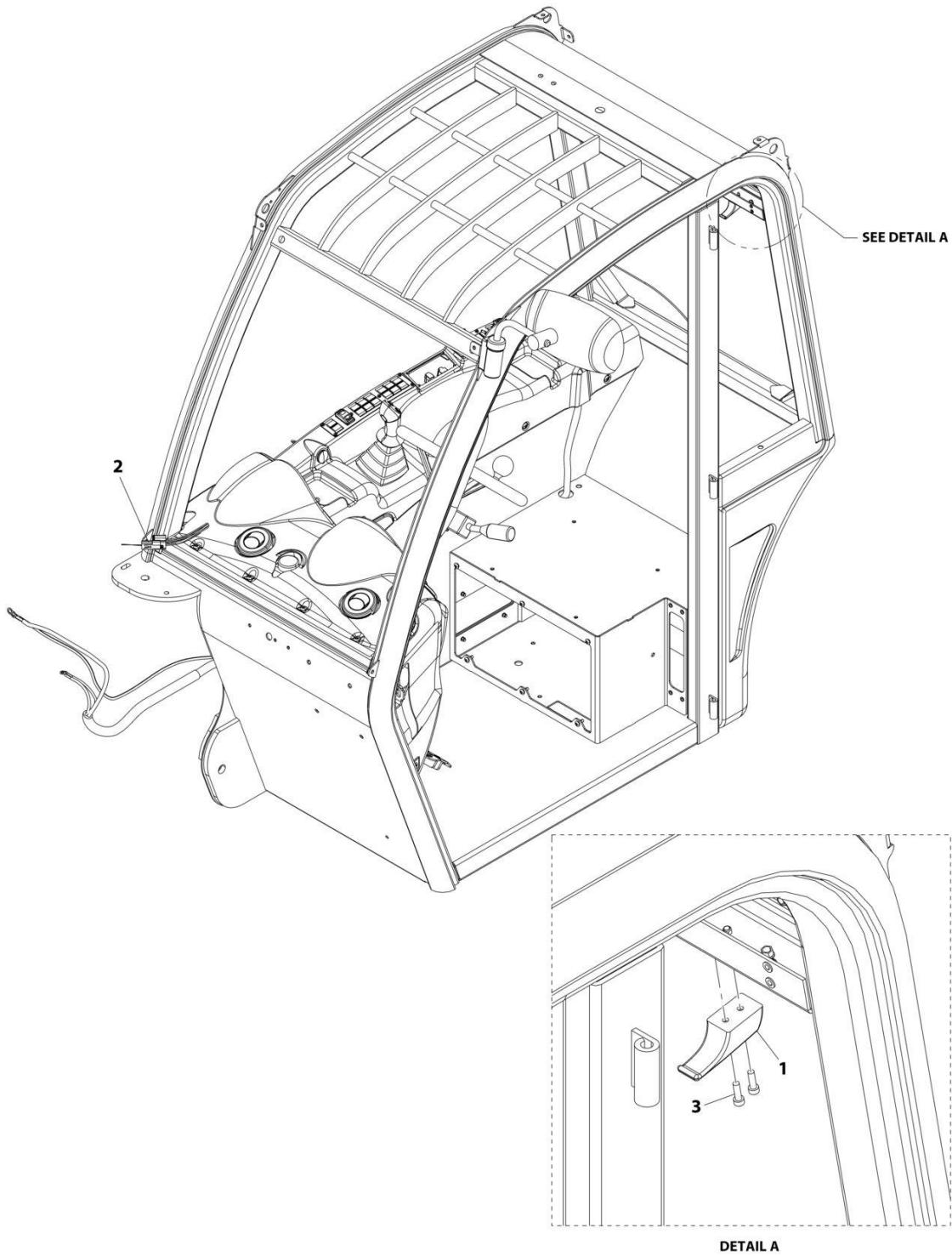
ART_1001080744-G

FIGURE 6-21. NA COMMON INSTALLATION

ITEM	PART NUMBER	QTY	DESCRIPTION	REV
	1001080744	Ref	NA COMMON INSTALLATION	G
3	1001080374	1	Switch	
8	1001100966	1	Jumper Harness (See Separate Breakdown in ELECTRICAL Section)	
9	1001080953	1	Hook	
10	3931010	2	Screw	

SECTION 6 - CAB

FIGURE 6-22. NA COMMON COMPONENTS INSTALLATION (LSI)



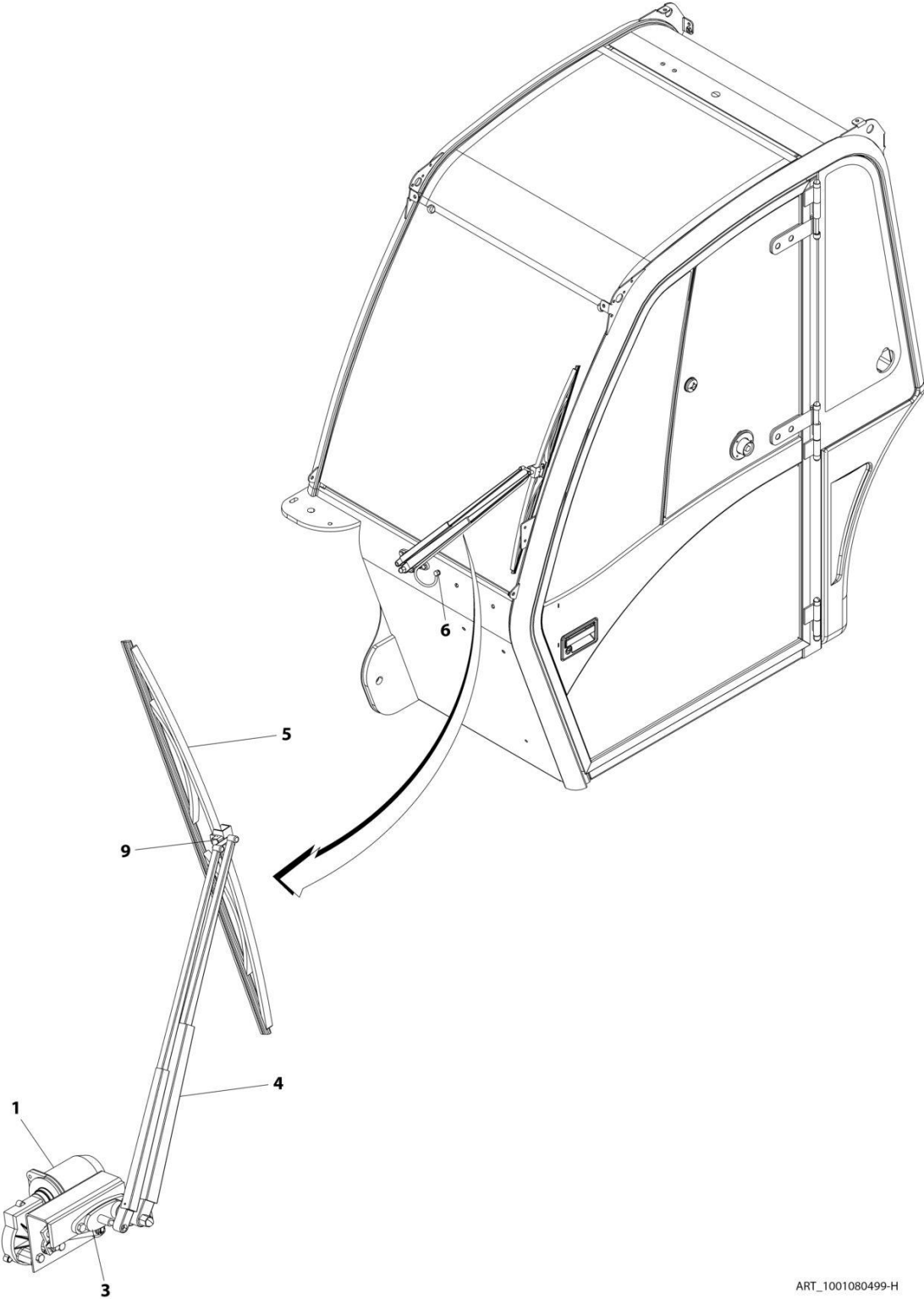
ART_1001236959-A

FIGURE 6-22. NA COMMON COMPONENTS INSTALLATION (LSI)

ITEM	PART NUMBER	QTY	DESCRIPTION	REV
	1001236959	Ref	NA COMMON COMPONENTS INSTALLATION (LSI)	A
1	1001080953	1	Hook	
2	1001100966	1	Jumper Harness (See Separate Breakdown in ELECTRICAL Section)	
3	1001108155	2	Bolt 10 x 5/8	

SECTION 6 - CAB

FIGURE 6-23. FRONT WIPER ASSEMBLY



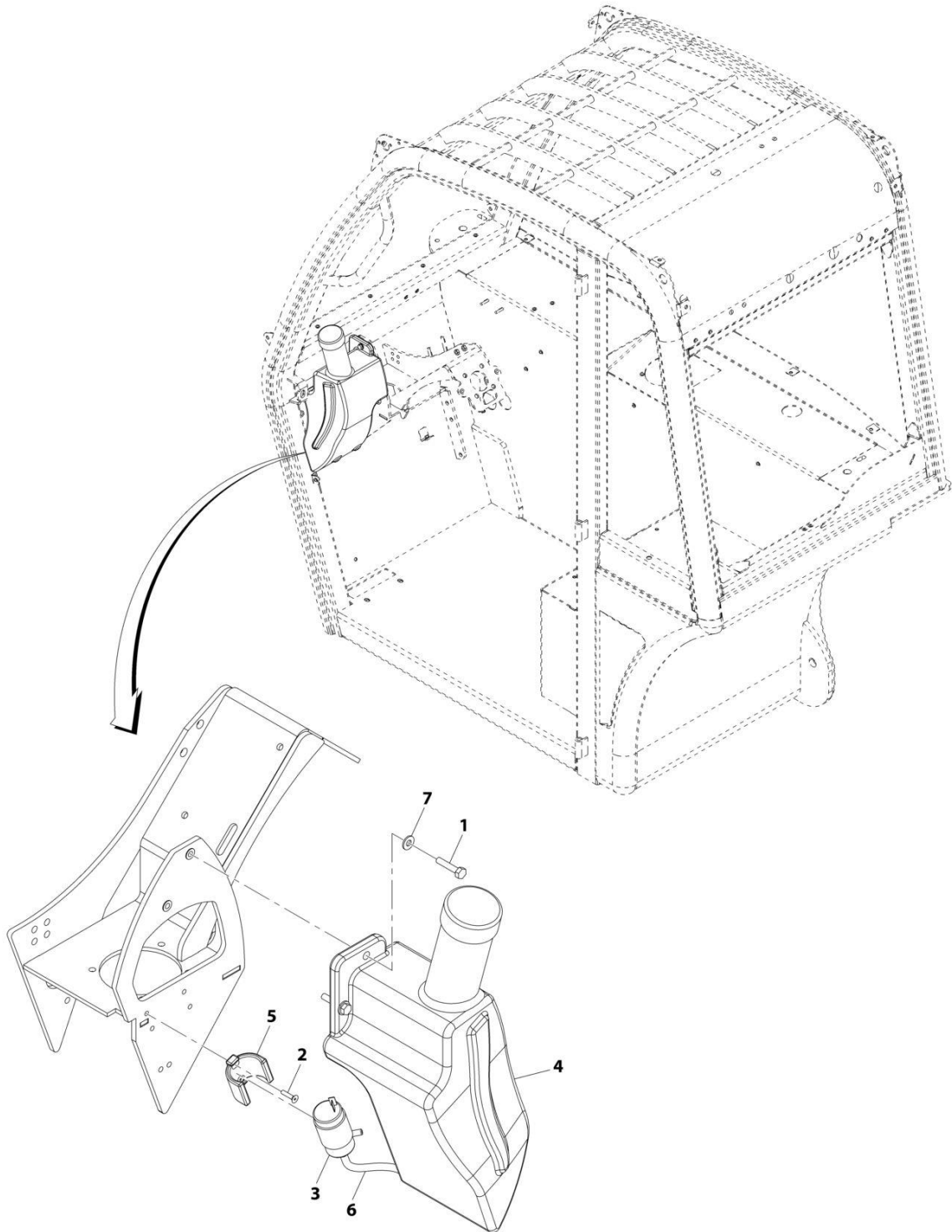
ART_1001080499-H

FIGURE 6-23. FRONT WIPER ASSEMBLY

ITEM	PART NUMBER	QTY	DESCRIPTION	REV
	1001080499	Ref	Front Wiper Asssembly	H
1	1001080383	1	Front Wiper Motor	
3	1001081307	1	Adapter Kit	
4	1001081308	1	Wiper Arm	
5	1001081309	1	Wiper Blade	
6	1001081310	1	Wet Arm Adaptor	
9	1001081311	1	Wet Arm Kit	

SECTION 6 - CAB

FIGURE 6-24. WASHER TANK W/PUMP INSTALLATION



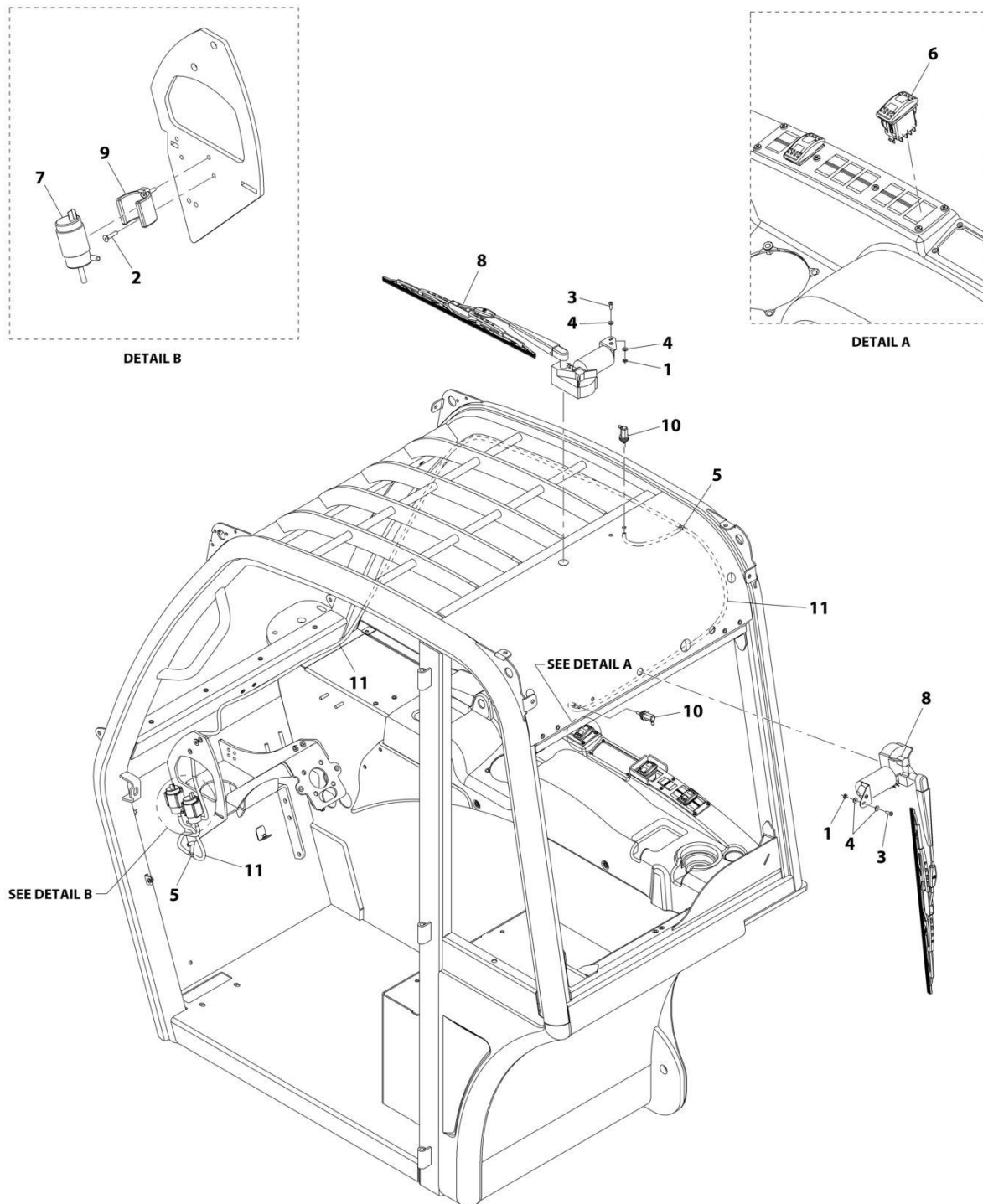
ART_1001080933-E

FIGURE 6-24. WASHER TANK W/PUMP INSTALLATION

ITEM	PART NUMBER	QTY	DESCRIPTION	REV
	1001080933	Ref	Washer Tank W/Pump Installation	E
1	0641410	2	Hex HD Capscrew, 1/4-20X1-1/4	
2	3900302	2	Stainless Steel Screw, #8	
3	1001080382	1	Washer Pump	
4	1001080824	1	Washer Fluid Tank Assembly (See Separate Breakdown in this Section)	
5	1001080932	1	Washer Pump Clamp	
6	82033997	5 in	Window Washer Hose	
7	4711400	2	Washer, 1/4	

SECTION 6 - CAB

FIGURE 6-25. ROOF/REAR WIPER INSTALLATION



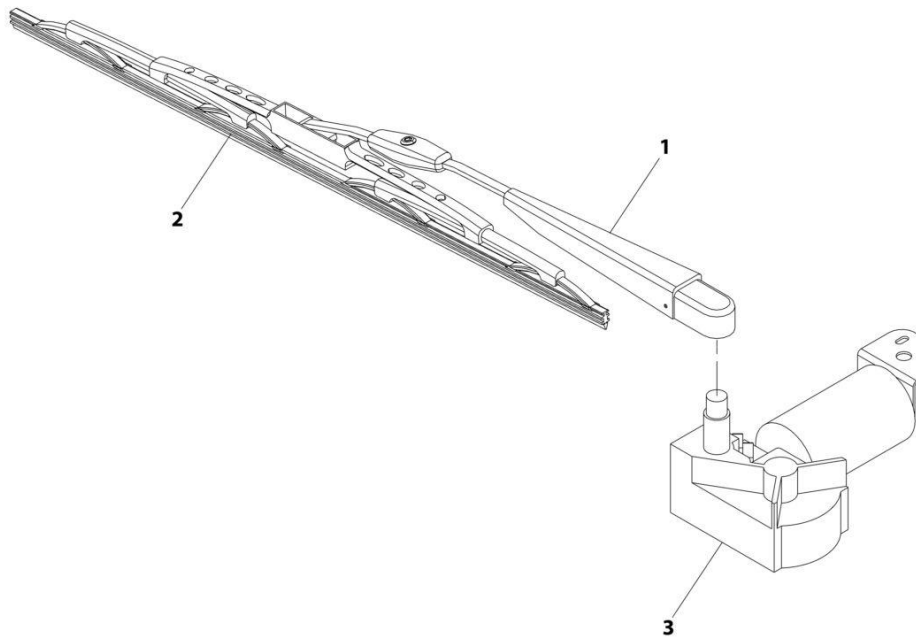
ART_1001080877-H

FIGURE 6-25. ROOF/REAR WIPER INSTALLATION

ITEM	PART NUMBER	QTY	DESCRIPTION	REV
	1001080877	Ref	Roof/Rear Wiper Installation	H
1	8305002	2	Nut, M10	
2	3900302	2	Socket HD Capscrew, GR8	
3	1001197099	2	Screw	
4	4740120	4	Nylon Washer	
5	1001008742	2	Tee Coupling	
6	1001080377	1	Rear/Roof Wiper Switch	
7	1001080382	1	Windshield Washer Pump	
8	1001179547	2	AUX Wiper Assembly (See Separate Breakdown in this Section)	
9	1001080932	1	Washer Pump Clamp	
10	1001080985	2	Spray Nozzle	
11	82033997	157 in	Hose	

SECTION 6 - CAB

FIGURE 6-26. AUX WIPER ASSEMBLY



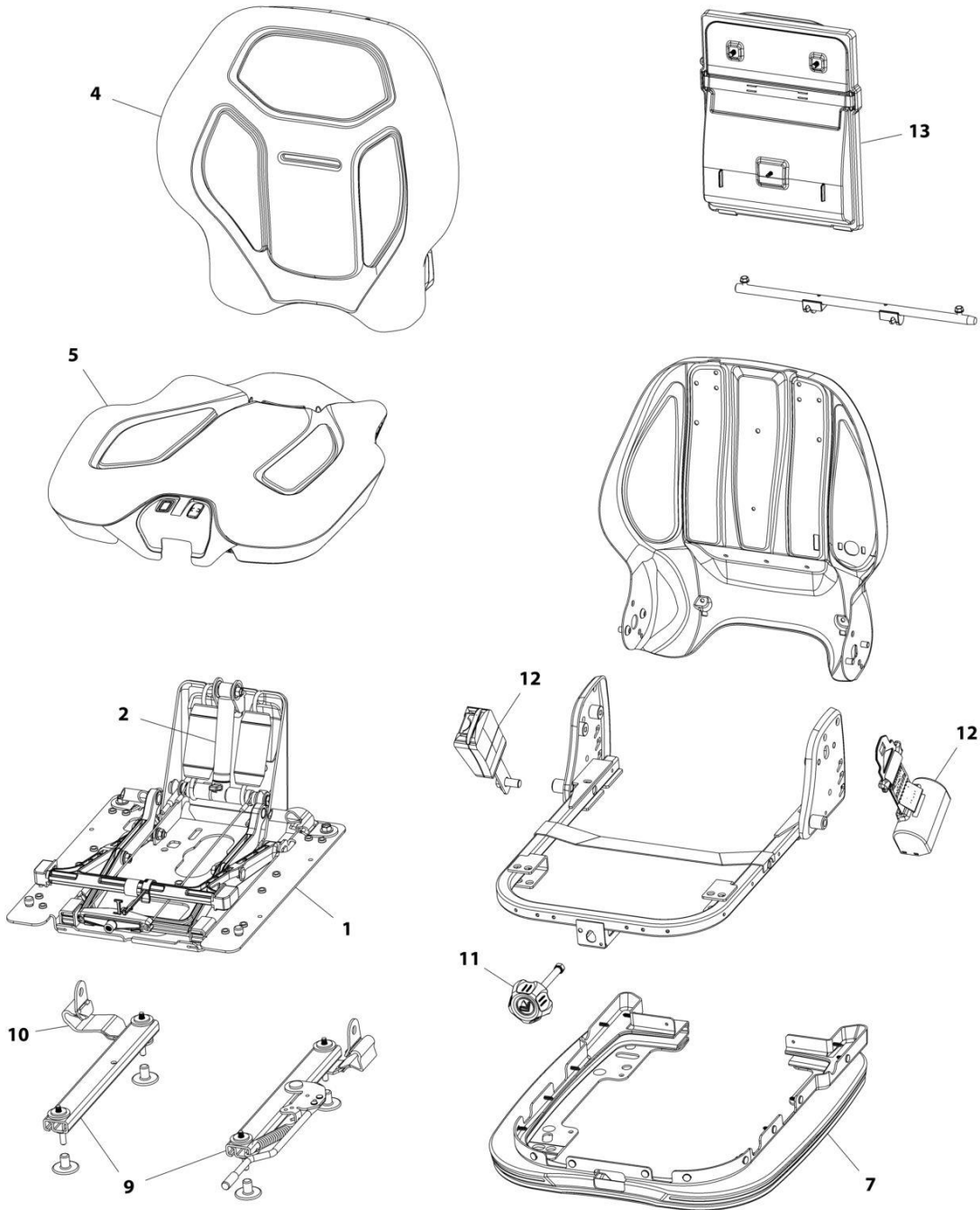
ART_1001179547-A

FIGURE 6-26. AUX WIPER ASSEMBLY

ITEM	PART NUMBER	QTY	DESCRIPTION	REV
	1001179547	Ref	AUX Wiper Assembly	A
1	1001179495	1	Wiper Link Assembly	
2	1001179496	1	Wiper	
3	1001179832	1	Motor	

SECTION 6 - CAB

FIGURE 6-27. SEAT



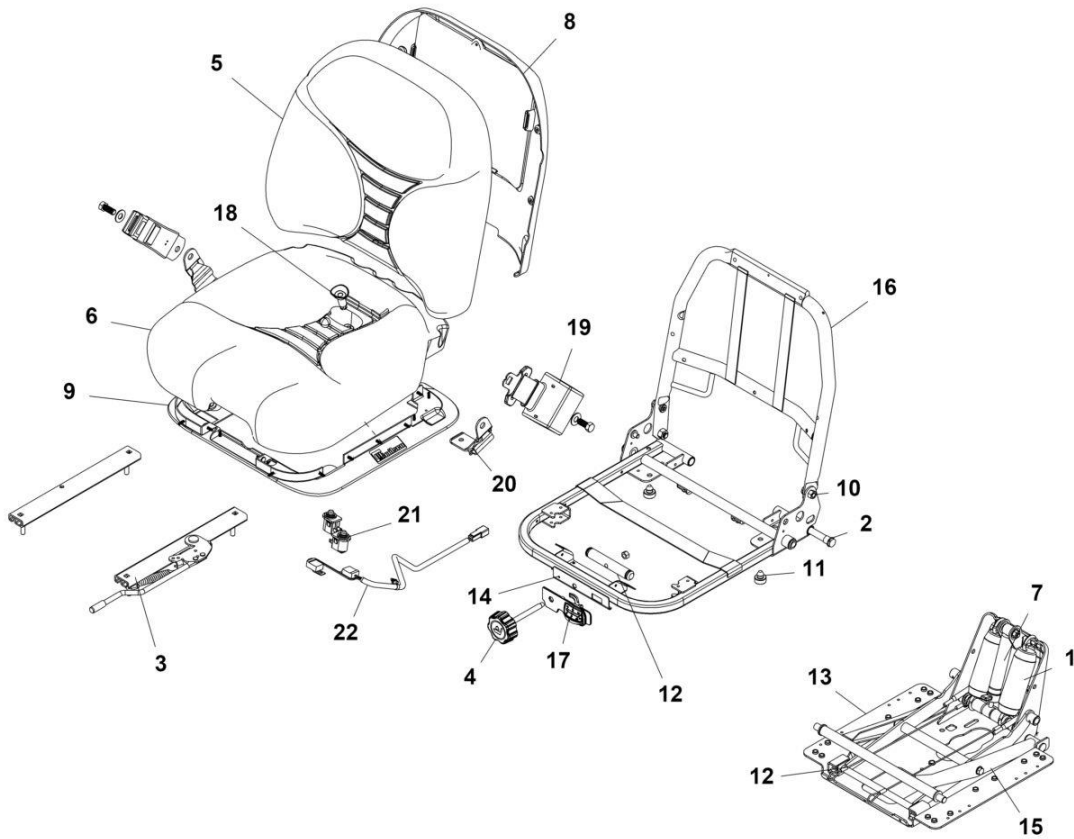
ART_1001197027-D

FIGURE 6-27. SEAT

ITEM	PART NUMBER	QTY	DESCRIPTION	REV
	1001197027	Ref	Seat	E
1	70027024	1	Suspension Assembly Kit	
2	70027025	1	Spring Saddle Assembly Kit	
4	70027026	1	Back Cushion Kit	
5	70027028	1	Seat Cushion Assembly Kit	
7	70027030	1	Boot Kit	
9	7026798	1	Adjuster Kit	
10	70027032	1	Tether Strap	
11	70027033	1	Weight Adjust Knob Kit	
12	70027034	2	Seat Belt Kit	
13	70027035	1	Document Box Kit	

SECTION 6 - CAB

FIGURE 6-28. SEAT, LSI



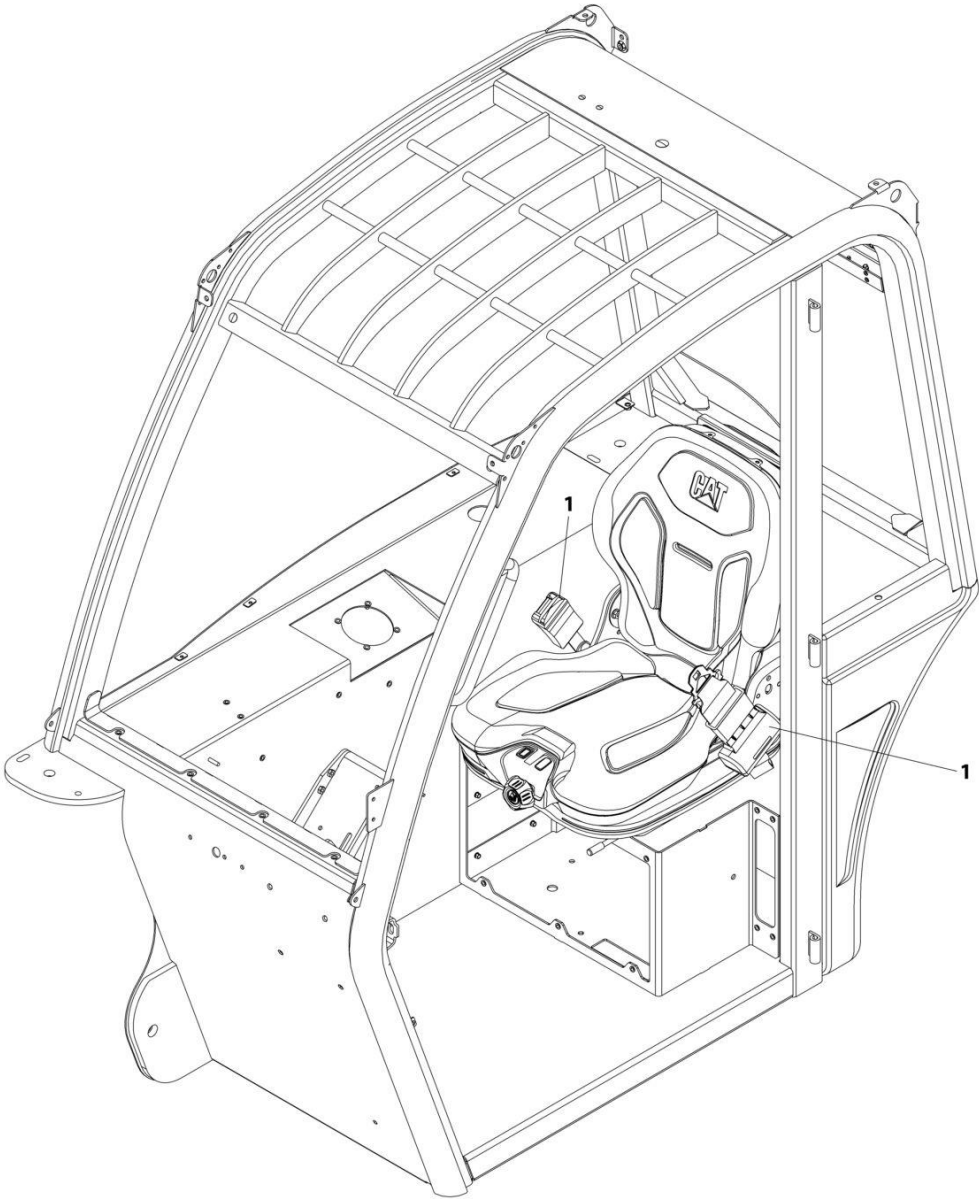
ART_1001142055

FIGURE 6-28. SEAT, LSI

ITEM	PART NUMBER	QTY	DESCRIPTION	REV
	1001142055	Ref	Seat, LSI	D
1	7026798	1	Slide Kit	
2	7026799	1	Knob Kit	
3	7026900	1	Back Cushion Kit	
4	7026901	1	Seat Cushion Kit	
5	7026905	1	Seat Belt Kit	
6	7026906	1	Tether Kit	
7	7026902	1	Back Panel Kit	
8	70023040	1	Shock Absorber Kit, (Not Shown), (Includes One Shock Absorber, Two Shock Pins And Two Hex Nuts)	
9	70023041	1	Spring and Saddle Kit, (Not Shown)	

SECTION 6 - CAB

FIGURE 6-29. SEAT BELT INSTALLATION (3 INCH)



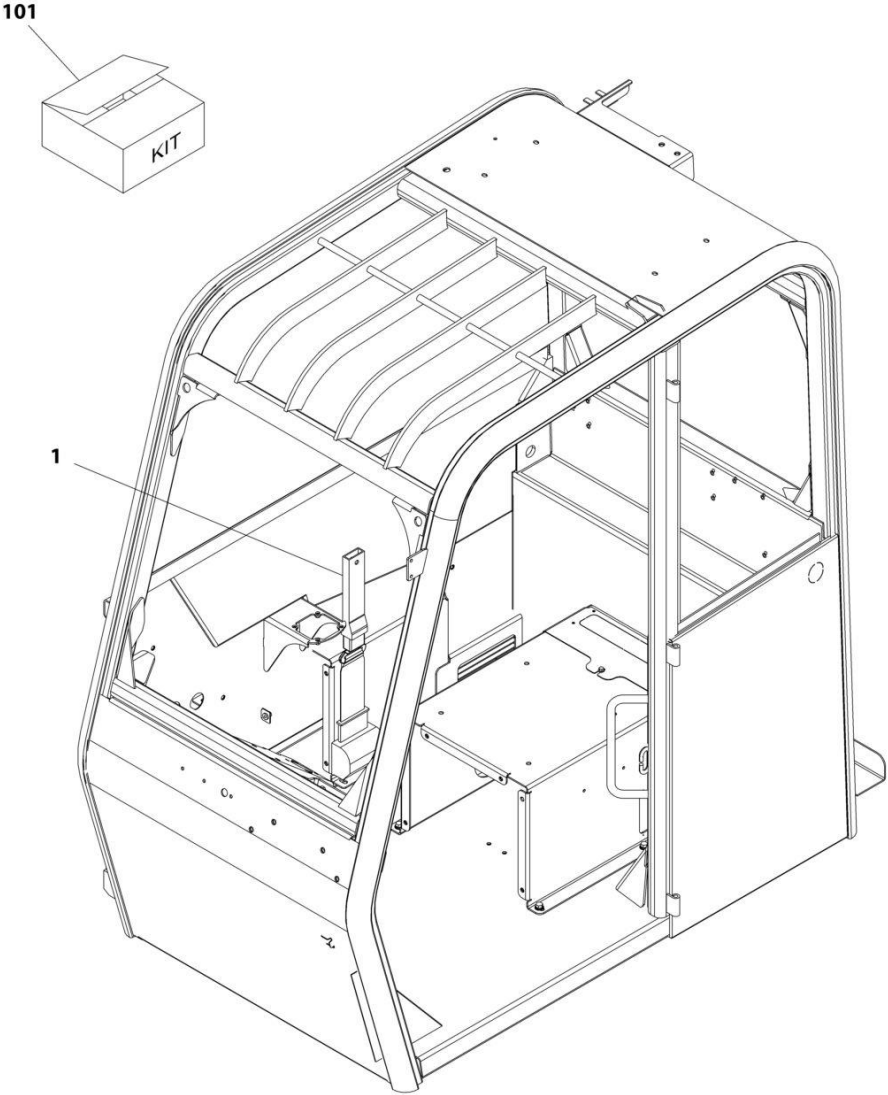
ART_1001233666-A

FIGURE 6-29. SEAT BELT INSTALLATION (3 INCH)

ITEM	PART NUMBER	QTY	DESCRIPTION	REV
1	1001233666 1001215778	Ref 1	Seat Belt Installation (3 Inch) Seat Belt	A

SECTION 6 - CAB

FIGURE 6-30. SEAT BELT INSTALLATION, LSI (3 INCH)



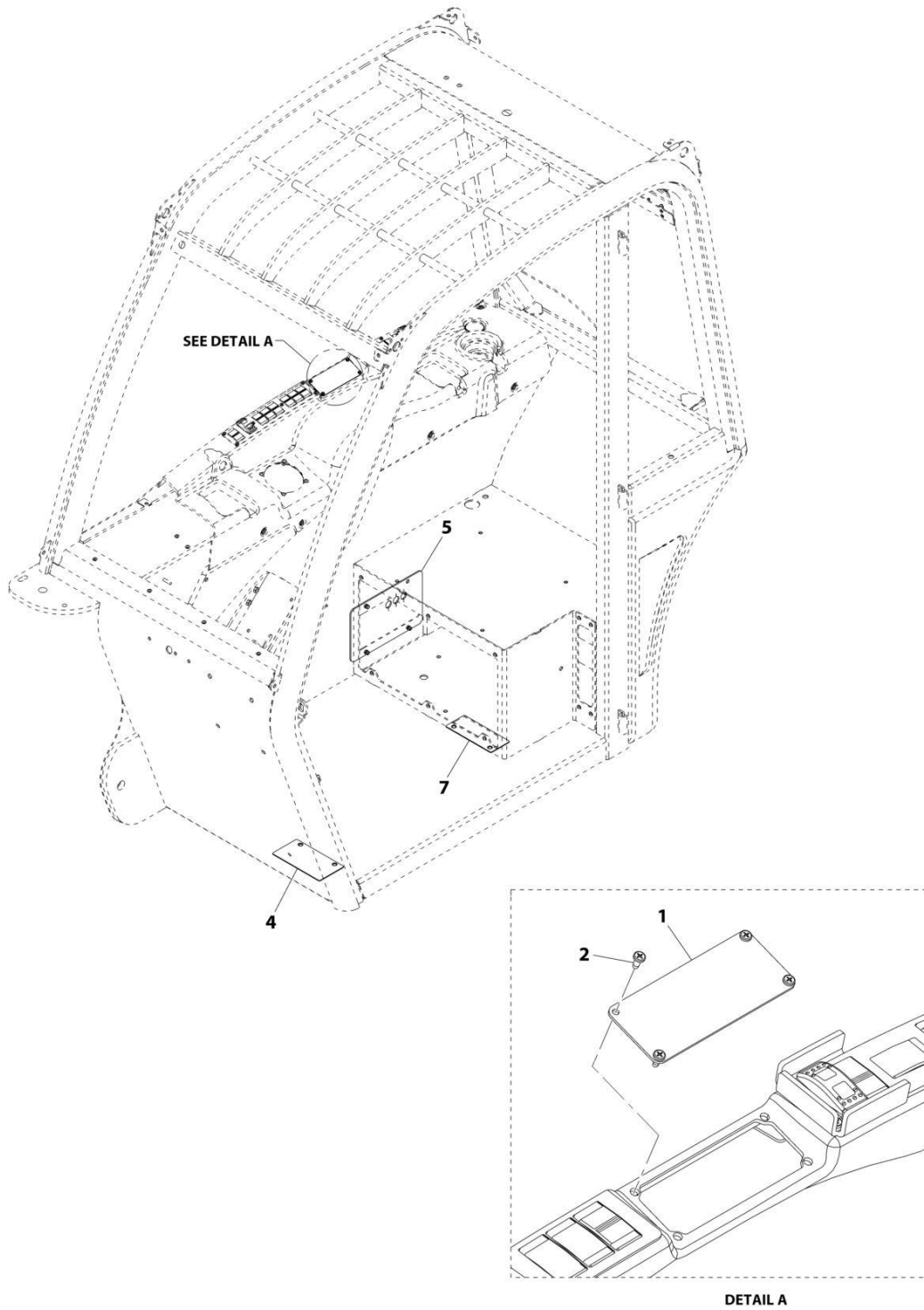
ART_91565064-A

FIGURE 6-30. SEAT BELT INSTALLATION, LSI (3 INCH)

ITEM	PART NUMBER	QTY	DESCRIPTION	REV
1	91565064	Ref	Seat Belt Installation, LSI (3 Inch)	A
	91563164	NLA	Seat Belt (no longer available, use 70023139 for replacement)	
101	70023139	1	Kit, 3 Inch Seat Belt (includes female and retractor ends)	

SECTION 6 - CAB

FIGURE 6-31. CONTROL COVER INSTALLATION



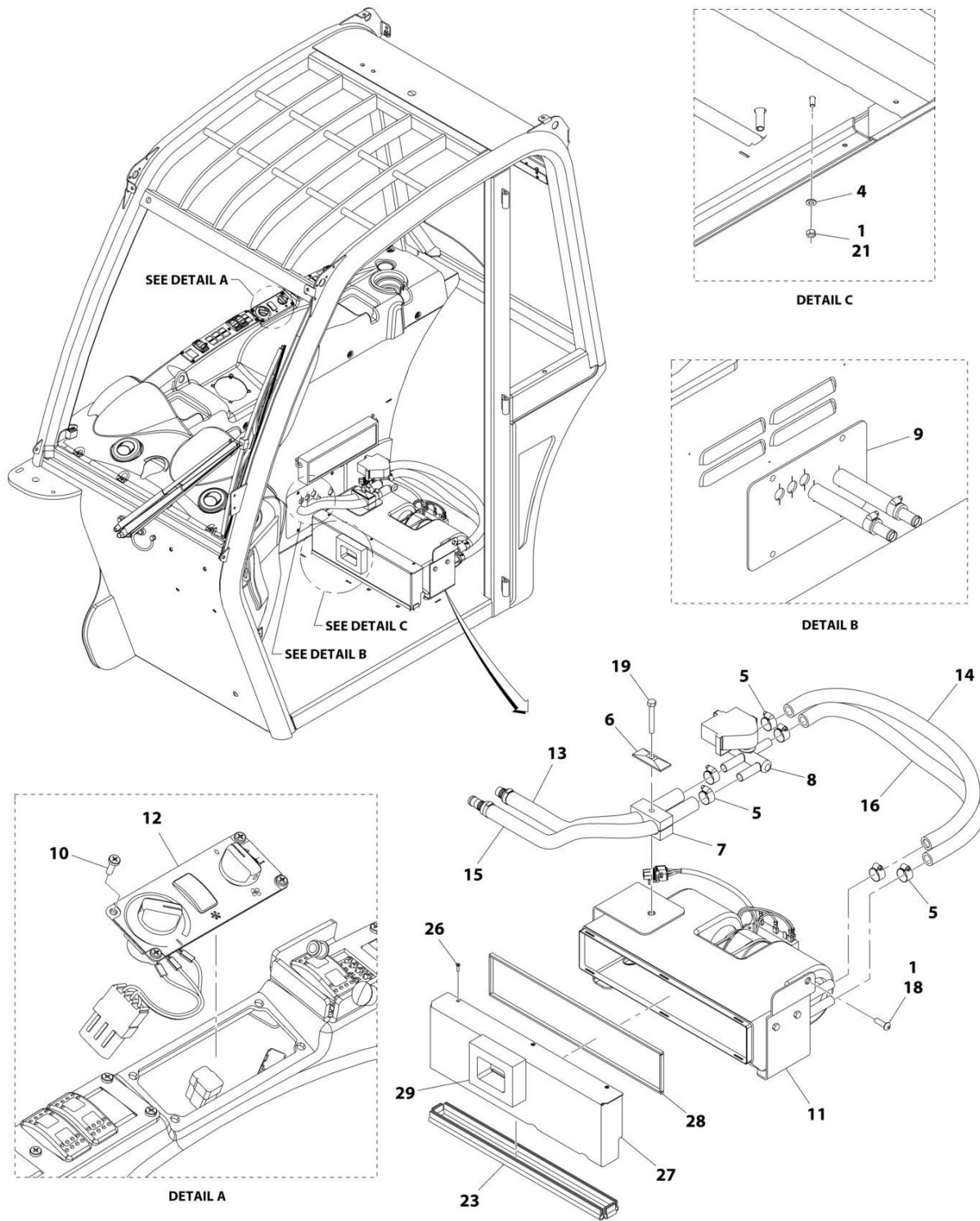
ART_1001080876-H

FIGURE 6-31. CONTROL COVER INSTALLATION

ITEM	PART NUMBER	QTY	DESCRIPTION	REV
	1001080876	Ref	Control Cover Installation	H
1	1001080852	1	Heater Control Cover	
2	1001137454	4	Pan HD Screw	
4	1001080974	1	Ductwork Panel	
5	1001080975	1	Parking Brake Release Valve Only Panel	
7	1001081023	1	Ductwork Panel	

SECTION 6 - CAB

FIGURE 6-32. HEATER INSTALLATION (CAB PARTS)



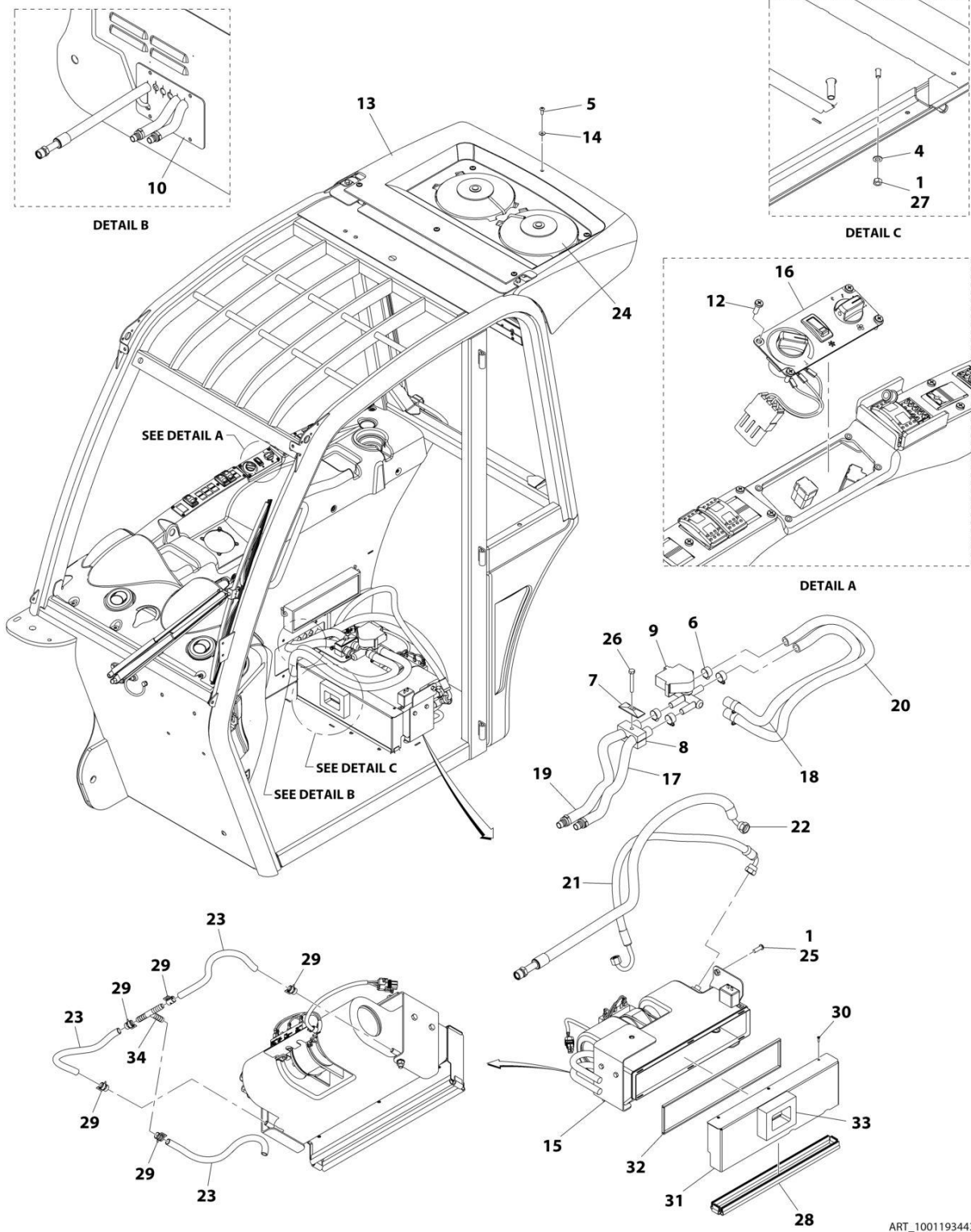
ART_1001193943-E

FIGURE 6-32. HEATER INSTALLATION (CAB PARTS)

ITEM	PART NUMBER	QTY	DESCRIPTION	REV
	1001193943	Ref	Heater Installation (cab parts)	E
1	0100011	AR	Compound, Locking	
4	4811900	1	Washer, M8	
5	8410009	6	Gear Clamp	
6	77133137	1	Cover Plate	
7	77133279	1	Clamp	
8	80383231	1	Water Heater Valve	
9	1001080976	1	Parking Brake Release Valve And Heater Panel	
10	1001137454	4	Pan HD Screw	
11	1001193805	1	Assembly, Heater 3 Speed (See Separate Breakdown in this Section)	
12	1001193945	1	Heater Control Switch (See Separate Breakdown in Control Section)	
13	1001193973	1	Hose	
14	1001193974	1	Hose	
15	1001193975	1	Hose	
16	1001193976	1	Hose	
18	0630468	1	Hex HD Capscrew, 5/16-18X2, GR5	
19	0641518	1	Hex HD Capscrew, 5/16-18X2-1/4, GR5	
21	3311501	1	Hex Nut, 5/16-18, GR2	
23	1001110433	856 mm	Seal	
26	91413036	1	Screw, M6X12	
27	1001202939	1	Duct	
28	1001113047	970 mm	Adhesive Seal	
29	1001209966	1	Seal, Duct	

SECTION 6 - CAB

FIGURE 6-33. HEATER AND A/C INSTALLATION (CAB PARTS)



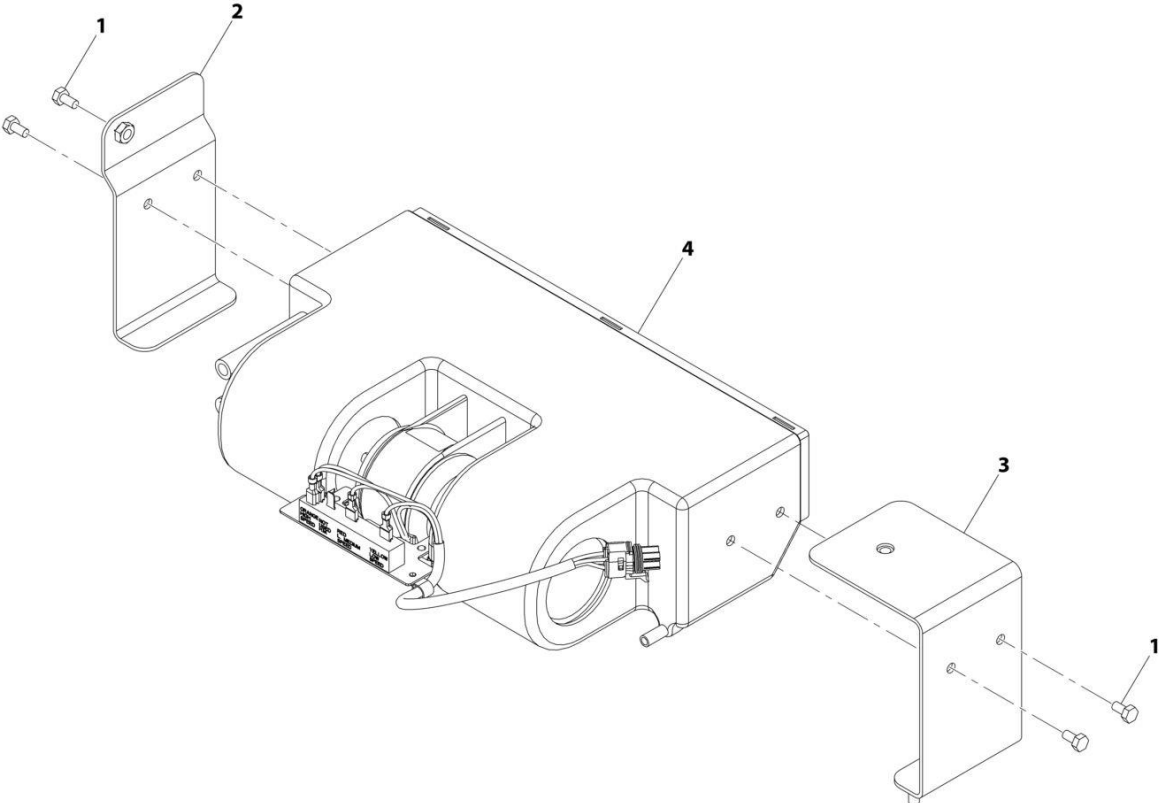
ART_1001193443-E

FIGURE 6-33. HEATER AND A/C INSTALLATION (CAB PARTS)

ITEM	PART NUMBER	QTY	DESCRIPTION	REV
	1001193443	Ref	Heater and A/C Installation (cab parts)	E
1	0100011	AR	Compound, Locking	
4	4811900	1	Washer M8	
5	8303034	6	Screw 1/4 x 3/4	
6	8410009	6	Gear Clamp	
7	77133137	1	Cover Plate	
8	77133279	1	Clamp	
9	80383231	1	Water Heater Valve	
10	1001220705	1	Parking Brake Release Valve, Heater and AC Panel	
12	1001139011	4	Pan HD Screw	
13	1001139801	1	Cover	
14	1001150509	6	Washer	
15	1001193432	1	Assembly, Heater and A/C, 3 Speed (See Separate Breakdown in This Section)	
16	1001193501	1	HVAC Control Switch (See Separate Breakdown in Control Section)	
17	1001193720	1	Hose	
18	1001193721	1	Hose	
19	1001193723	1	Hose	
20	1001193725	1	Hose	
21	1001193761	1	Hose	
22	1001193762	1	Hose	
23	1001195447	809 mm	Hose	
24	1001202352	1	AC Condenser Installation (See Separate Breakdown in this Section)	
25	0630468	1	Capscrew 5/16 x 1	
26	0641518	1	Capscrew 5/16 x 2-1/4	
27	3311501	1	Nut 5/16	
28	1001110433	856 mm	Seal	
29	1001156087	5	Gear Clamp	
30	91413036	6	Screw M6 x 12	
31	1001202939	1	Duct	
32	1001113047	970 mm	Adhesive Seal	
33	1001209966	1	Seal, Duct	
34	1001172953	1	Union Tee	

SECTION 6 - CAB

FIGURE 6-34. HEATER ASSEMBLY, 3 SPEED



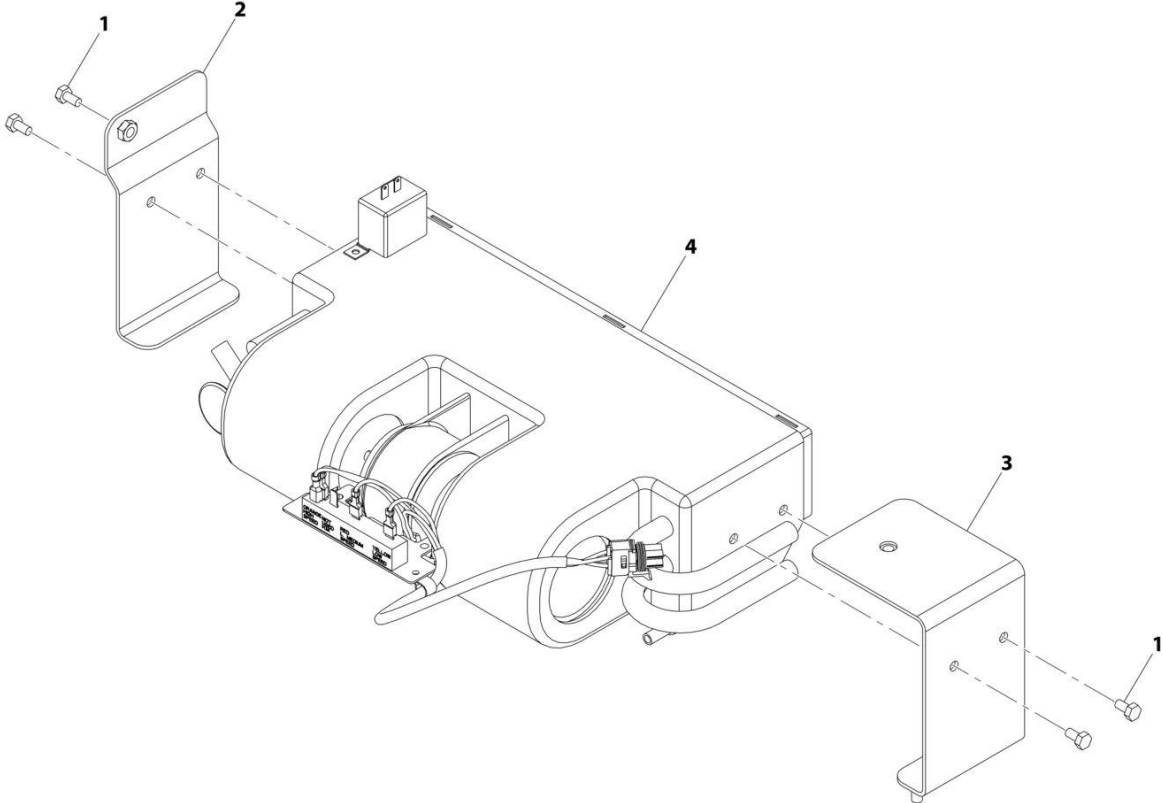
ART_1001193805-C

FIGURE 6-34. HEATER ASSEMBLY, 3 SPEED

ITEM	PART NUMBER	QTY	DESCRIPTION	REV
	1001193805	Ref	Heater Assembly, 3 Speed	C
1	0641404	4	Hex HD Capscrew, 1/4-20X1/2, GR5	
2	1001193528	1	Bracket	
3	1001193529	1	Bracket	
4	1001195348	1	Heater Assembly (See Separate breakdown in this Section)	

SECTION 6 - CAB

FIGURE 6-35. HEATER AND A/C ASSEMBLY, 3 SPEED



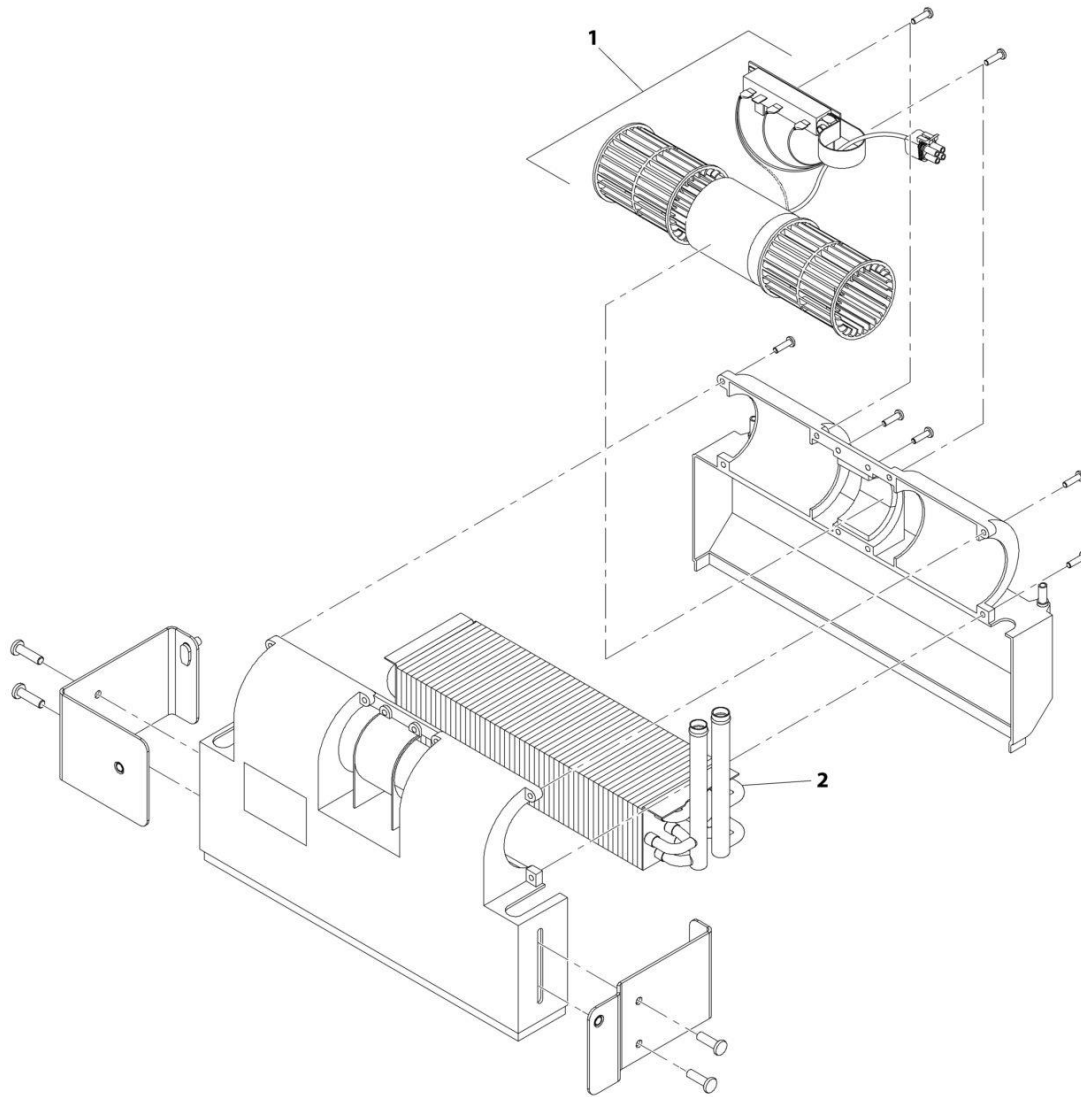
ART_1001193432-C

FIGURE 6-35. HEATER AND A/C ASSEMBLY, 3 SPEED

ITEM	PART NUMBER	QTY	DESCRIPTION	REV
	1001193432	Ref	Heater and A/C Assembly, 3 Speed	C
1	0641404	4	Hex HD Capscrew, 1/4-20X1/2, GR5	
2	1001193528	1	Bracket	
3	1001193529	1	Bracket	
4	1001195347	1	Assembly, Heater and A/C (See Separate breakdown in this Section)	

SECTION 6 - CAB

FIGURE 6-36. HEATER



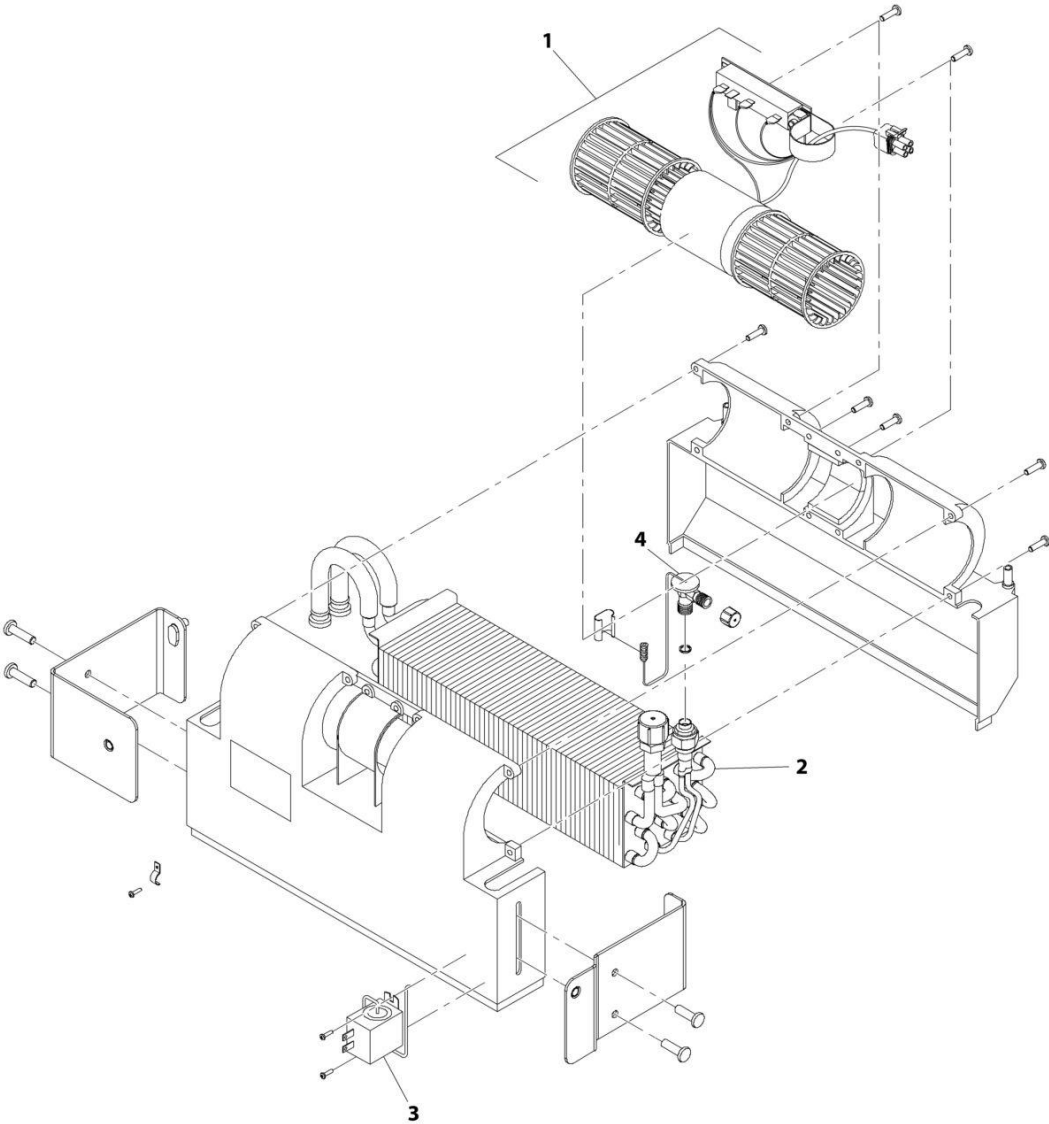
ART_1001195348-C

FIGURE 6-36. HEATER

ITEM	PART NUMBER	QTY	DESCRIPTION	REV
	1001195348	Ref	Heater	C
1	70022805	1	Blower Motor	
2	70025925	1	Heater Coil	

SECTION 6 - CAB

FIGURE 6-37. HEATER AND A/C



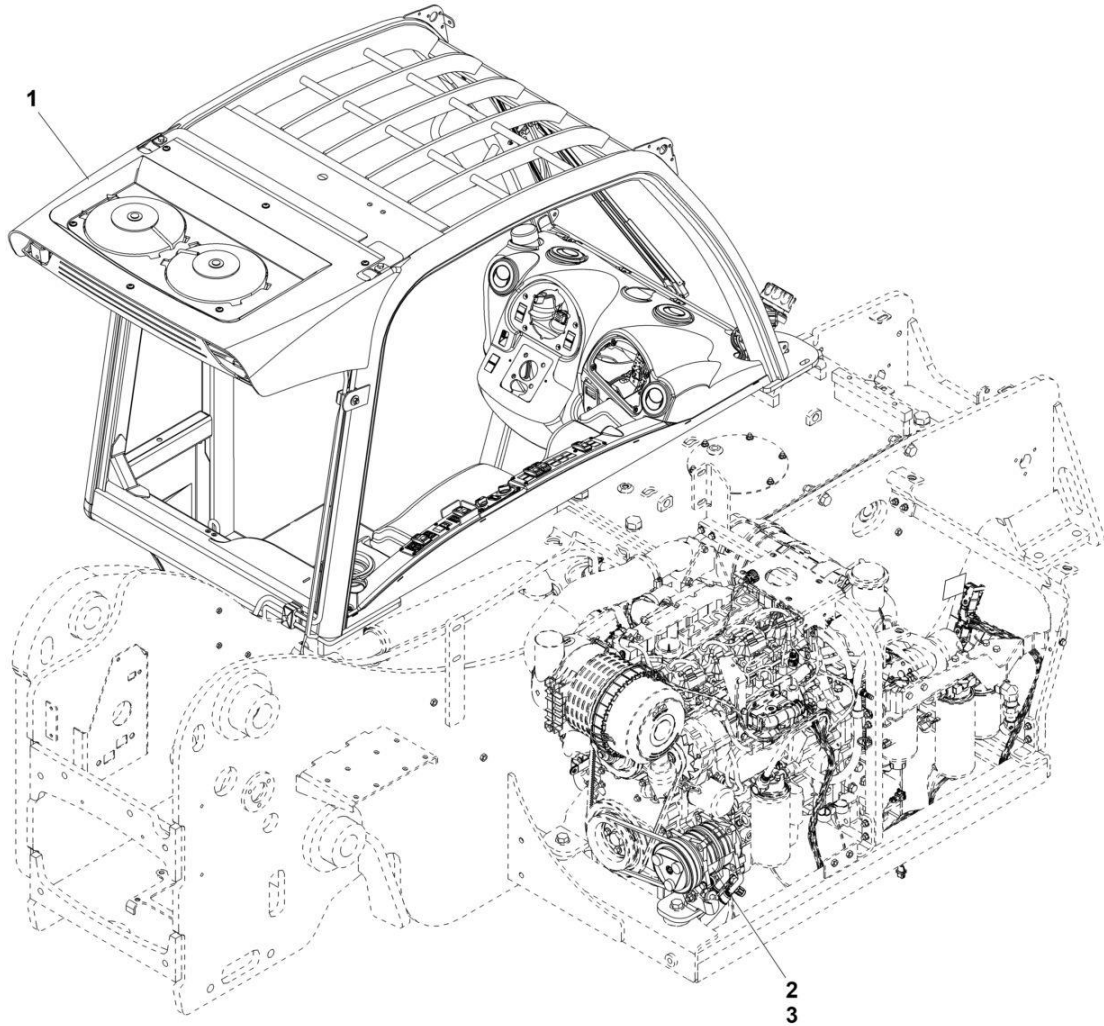
ART_1001195347-C

FIGURE 6-37. HEATER AND A/C

ITEM	PART NUMBER	QTY	DESCRIPTION	REV
	1001195347	Ref	Heater and A/C	C
1	70022805	1	Blower Motor	
2	70027632	1	Coil	
3	70024386	1	Thermostat	
4	91514272	1	Expansion Valve	

SECTION 6 - CAB

FIGURE 6-38. A/C KIT



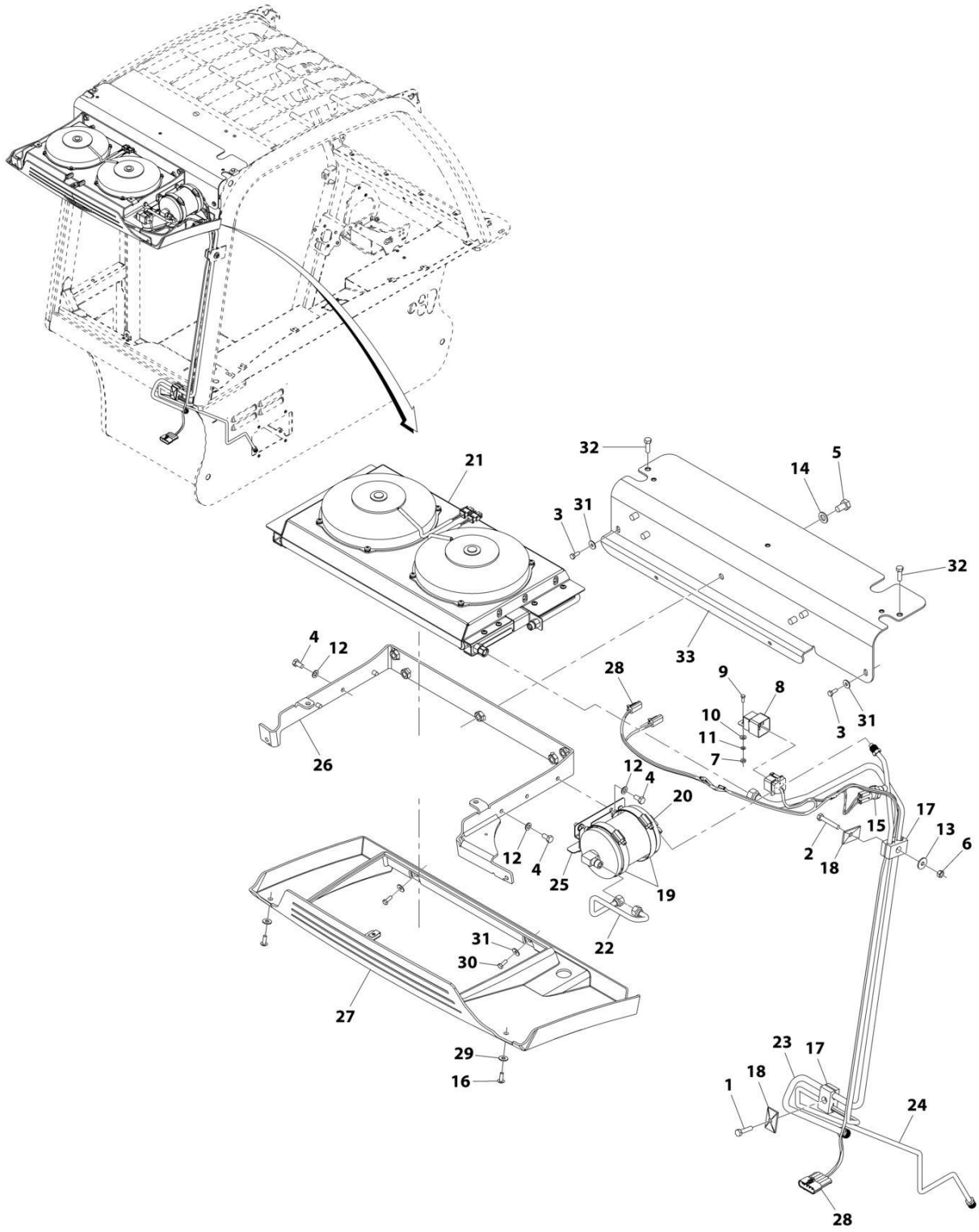
ART_1001202502

FIGURE 6-38. A/C KIT

ITEM	PART NUMBER	QTY	DESCRIPTION	REV
	1001202502	Ref	A/C KIT	B
1	1001193443	1	Installation, Heater and A/C (cab parts) (See Separate Breakdown in this Section)	
2	1001139688	1	Installation, A/C System (See Separate Breakdown in ENGINE AND ATTACHING PARTS Section)	
3	2300037	AR	Fluid, Refrigerant R-134a	

SECTION 6 - CAB

FIGURE 6-39. A/C CONDENSER INSTALLATION



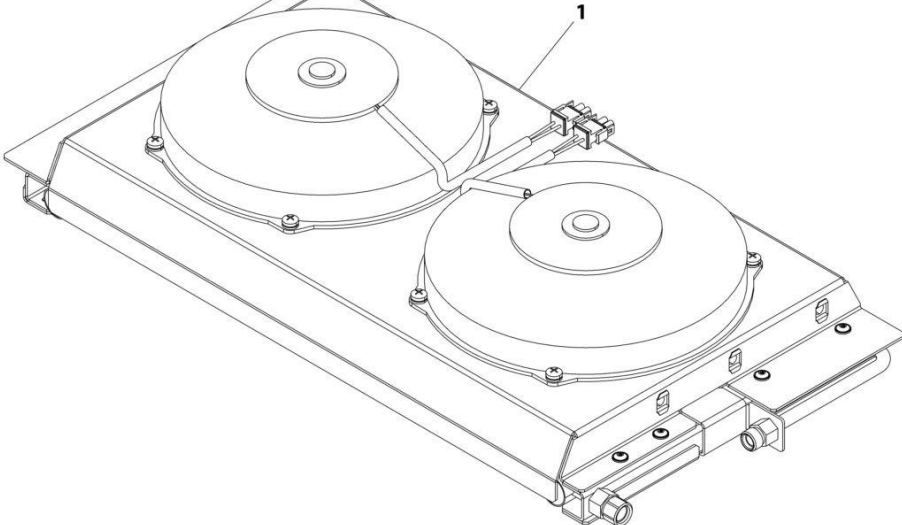
ART_1001202352-A

FIGURE 6-39. A/C CONDENSER INSTALLATION

ITEM	PART NUMBER	QTY	DESCRIPTION	REV
	1001202352	Ref	A/C Condenser Installation	A
1	0700815	1	Hex HD Capscrew, M8X35, GR8.8	
2	0700818	1	Hex HD Capscrew, M8X50, GR8.8	
3	0760608	2	Hex HD Capscrew, M6X16, GR8.8	
4	0760808	6	Hex HD Capscrew, M8X16, GR8.8	
5	0761210	5	Hex HD Capscrew, M12x20, GR8.8	
6	3290801	1	Hex Nut, M8X1.25	
7	3311001	1	Hex Nut	
8	3740080	1	Weather Proof Relay	
9	3900306	1	Hex HD Screw	
10	4711000	1	Washer	
11	4771000	1	Star Washer	
12	4811900	6	Washer, M8	
13	4811902	1	Washer, M8	
14	4812100	5	Washer, M12	
15	8223531	1	A/C Pressure Switch	
16	8303034	2	Truss HD Screw, 1/4-20X0.75	
17	8750042	2	Clamp Set	
18	8769123	2	Cover Plate	
19	10719267	2	Clamp	
20	1001126841	1	A/C Receiver Drier	
21	1001138262	1	A/C Condenser (See Separate Breakdown in this Section)	
22	1001138264	1	Condenser Outlet Tube	
23	1001138265	1	Condenser Supply Tube	
24	1001138266	1	Drier Outlet Tube	
25	1001138269	1	Drier Mount Bracket	
26	1001138345	1	Condenser Mount Bracket	
27	1001139803	1	Condenser Bottom Cover	
28	1001142236	1	Harness, Condenser Fan (See Separate Breakdown in Electrical Section)	
29	1001150479	2	Washer	
30	1001150508	2	Bolt, M6x18, GR8.8	
31	1001150509	4	Washer	
32	1001151088	2	Bolt, 5/16-18X1, GR5	
33	1001138263K	1	A/C Mount Bracket	

SECTION 6 - CAB

FIGURE 6-40. CONDENSER



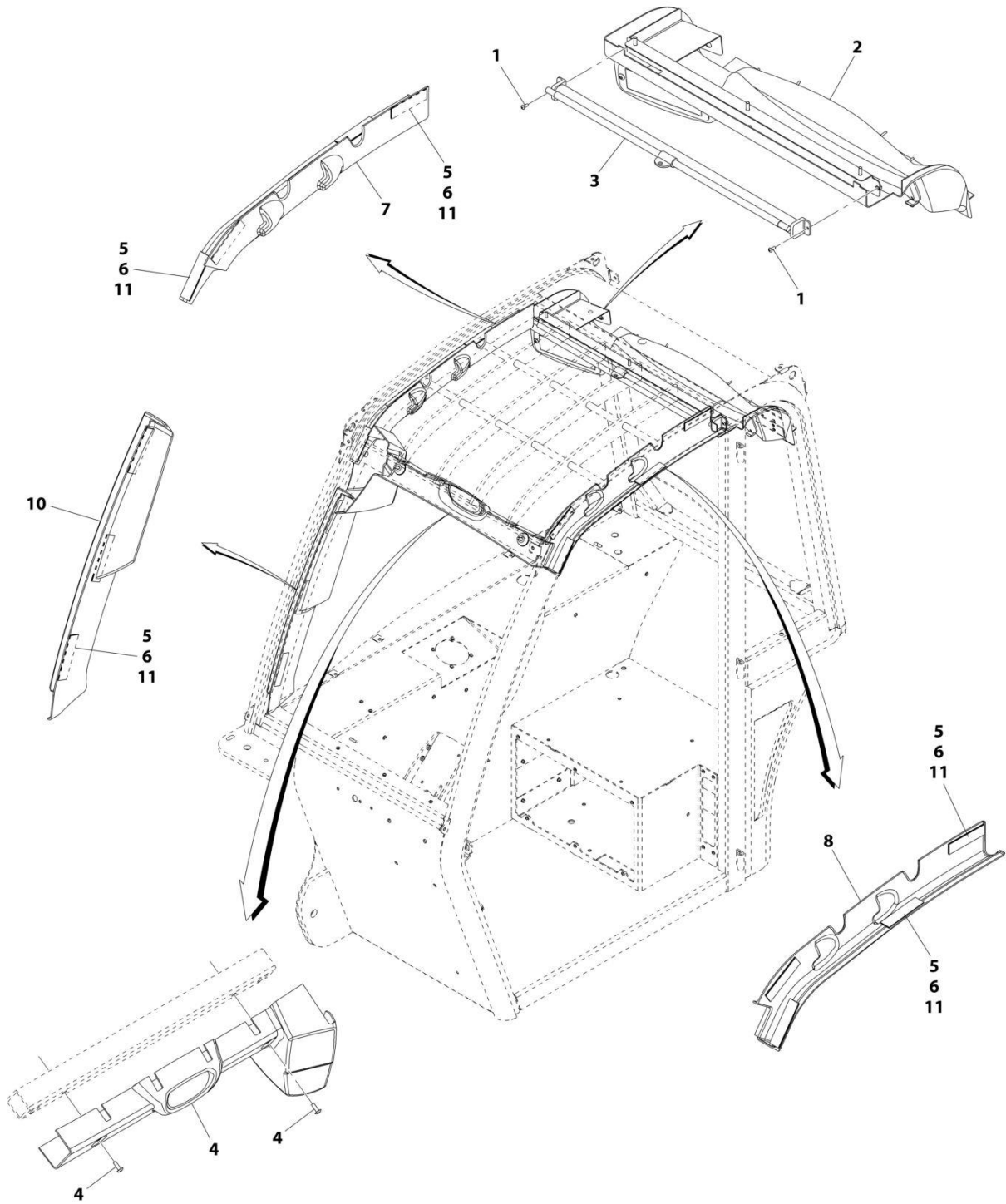
ART_1001138262-B

FIGURE 6-40. CONDENSER

ITEM	PART NUMBER	QTY	DESCRIPTION	REV
	1001138262	Ref	Condenser	B

SECTION 6 - CAB

FIGURE 6-41. OVERHEAD CONSOLE INSTALLATION



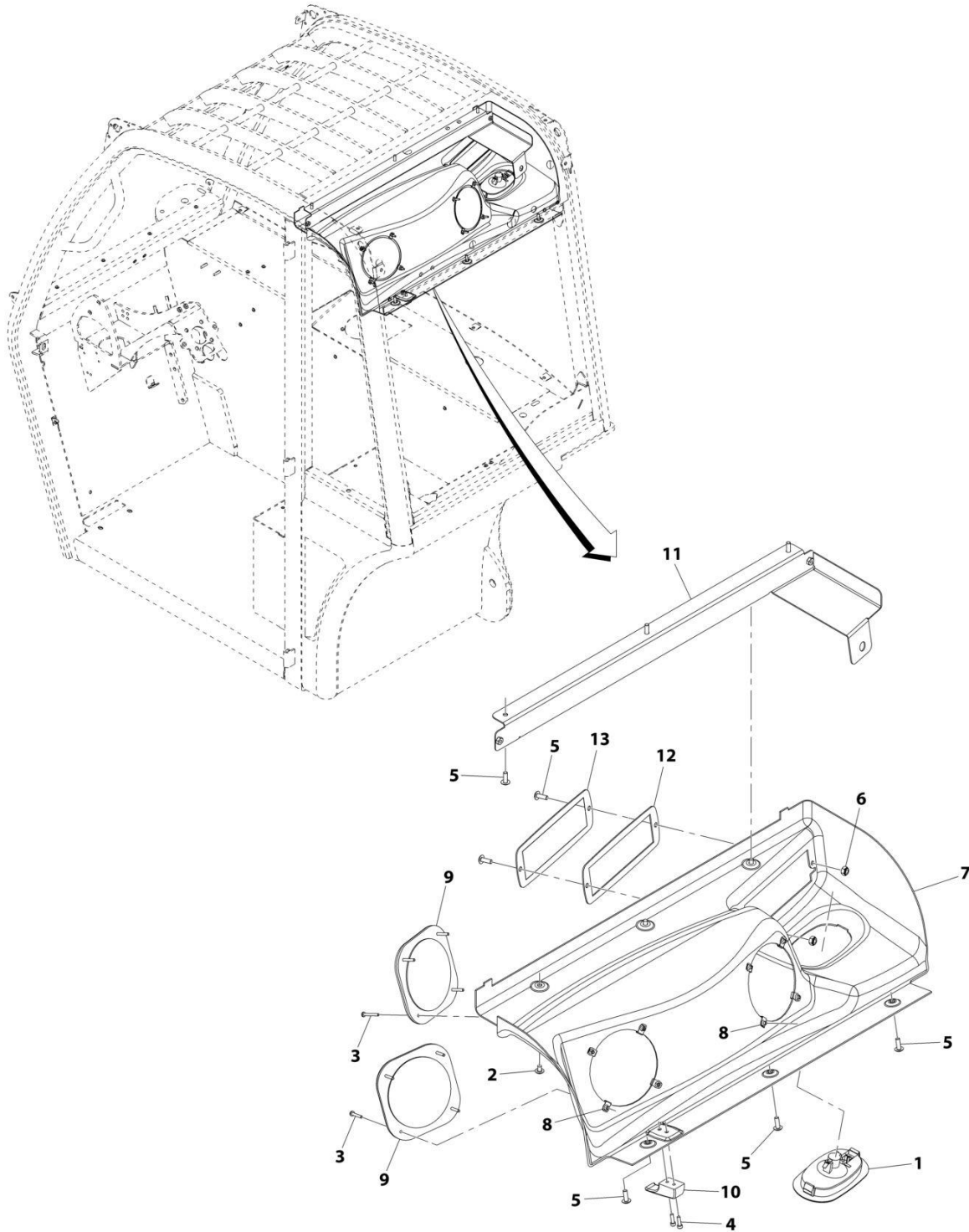
ART_1001081187-G

FIGURE 6-41. OVERHEAD CONSOLE INSTALLATION

ITEM	PART NUMBER	QTY	DESCRIPTION	REV
	1001081187	Ref	Overhead Console Installation	G
1	0630464	2	Button HD Screw, #10 x 1/2	
2	1001080945	1	Installation, Overhead Console (Open) (See Separate Breakdown in this Section)	
3	1001080952	1	Visor	
4	1001080957	1	Installation, Front FOPS (See Separate Breakdown in this Section)	
5	1001081161	11	Hook 1in Wide Tape	
6	1001081163	11	Loop 1in Wide Tape	
7	1001153634	1	In-Board ROPS Bar Cover	
8	1001153635	1	Out-Board ROPS Bar Cover	
10	1001153631	1	A-Pillar Cover	
11	1001112058	AR	Adhesive Strip	

SECTION 6 - CAB

FIGURE 6-42. OVERHEAD CONSOLE INSTALLATION (OPEN)



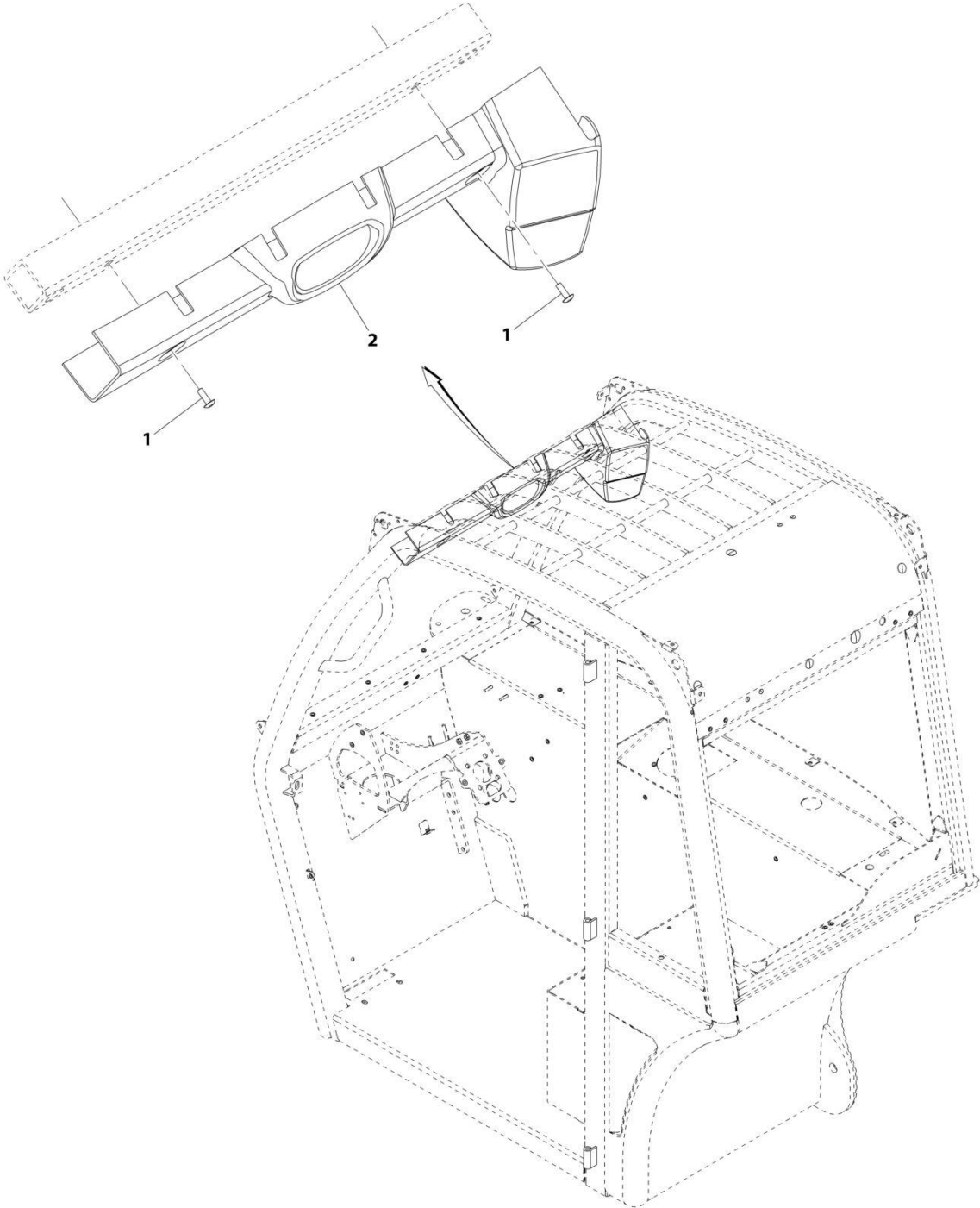
ART_1001080945-H

FIGURE 6-42. OVERHEAD CONSOLE INSTALLATION (OPEN)

ITEM	PART NUMBER	QTY	DESCRIPTION	REV
	1001080945	Ref	Overhead Console Installation (Open)	H
1	2920209	1	Dome Light Lamp	
1	70020795	1	Light Bulb	
2	1001108078	3	Truss HD Screw, 1/4-20X3/8	
3	1001108152	8	Screw, M4X30	
4	1001108155	2	Socket HD Capscrew, 10-24X5/8	
5	8303034	8	Truss HD Screw, 1/4-20X3/4	
6	88521304	2	Hex Locknut, 1/4-20	
7	1001080866	1	Overhead Console Cover	
8	1001080947	8	Nut, M4	
9	1001080951	2	Speaker Cover	
10	1001080953	1	Hook	
11	1001080954	1	Visor Mount Bracket	
12	1001080955	1	Radio Mount Plate	
13	1001080960	1	Radio Mount Outer Plate	

SECTION 6 - CAB

FIGURE 6-43. FRONT FOPS INSTALLATION



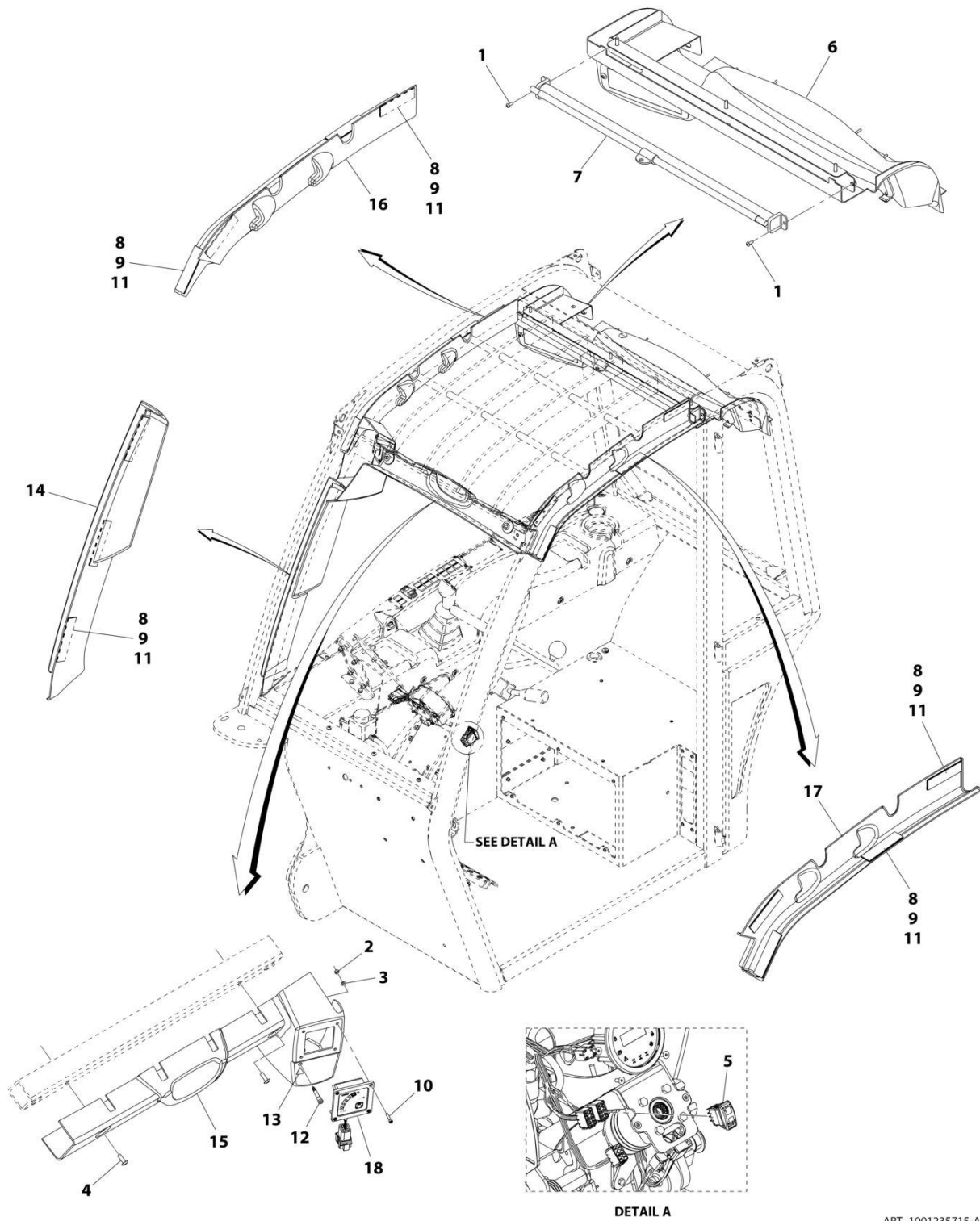
ART_1001080957-F

FIGURE 6-43. FRONT FOPS INSTALLATION

ITEM	PART NUMBER	QTY	DESCRIPTION	REV
	1001080957	Ref	Front FOPS Installation	F
1	8303034	2	Truss HD Screw, 1/4-20X3/4	
2	1001153630	1	Front FOPS Bar Cover	

SECTION 6 - CAB

FIGURE 6-44. OVERHEAD CONSOLE INSTALLATION (LSI)



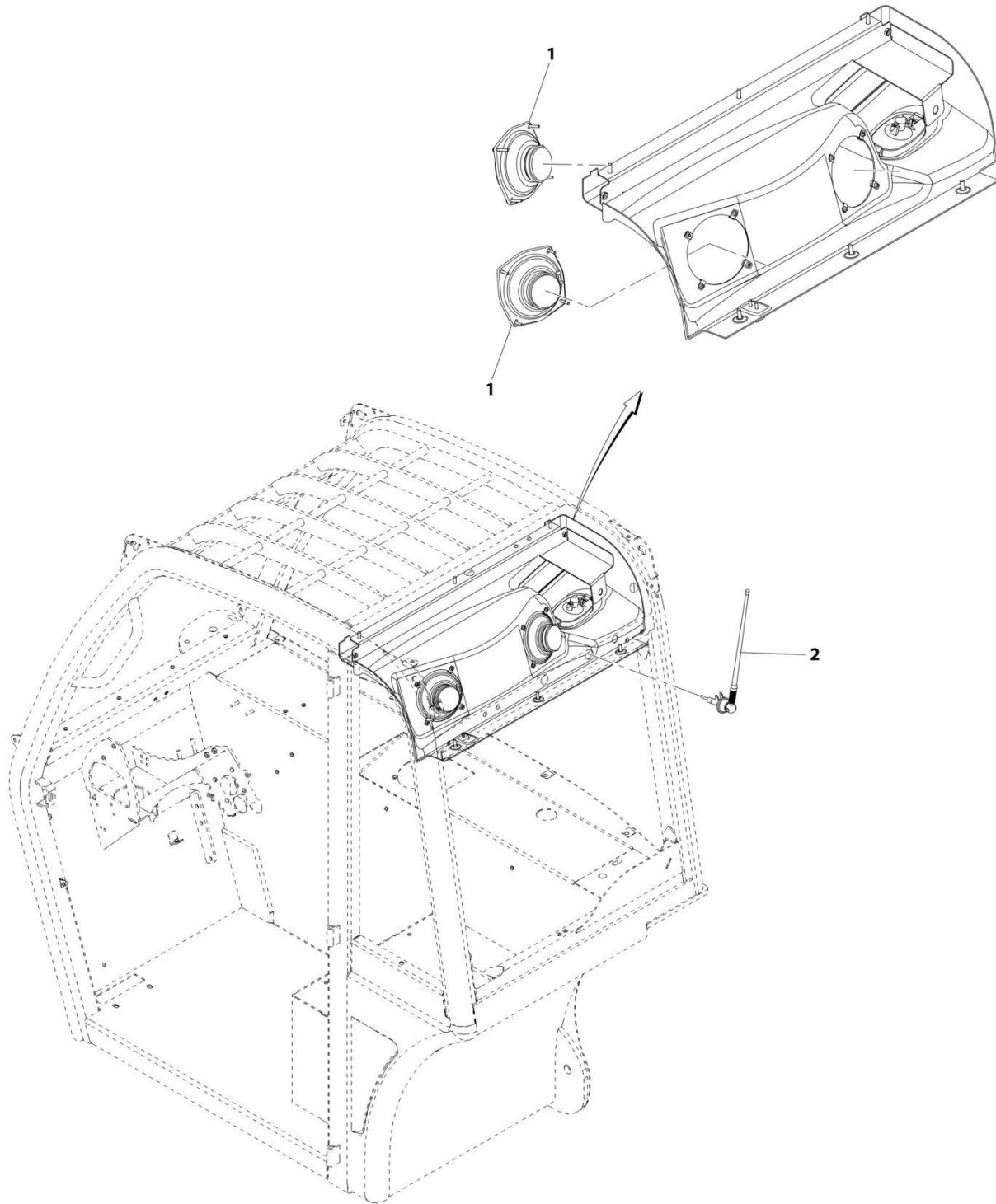
ART_1001235715-A

FIGURE 6-44. OVERHEAD CONSOLE INSTALLATION (LSI)

ITEM	PART NUMBER	QTY	DESCRIPTION	REV
	1001235715	Ref	Overhead Console Installation (LSI)	A
1	0630464	2	Button HD Screw, #10 x 1/2	
2	3290405	4	Hex Locknut, M4	
3	4811400	4	Washer, M4	
4	8303034	2	Screw, 1/4 x 3/4	
5	1001080373	1	LMI Override Switch	
6	1001080945	1	Installation, Overhead Console (See Separate Breakdown in this Section)	
7	1001080952	1	Visor	
8	1001081161	11	Hook 1in Wide Tape	
9	1001081163	11	Loop 1in Wide Tape	
10	1001110269	4	Screw, M4X20	
11	1001112058	AR	Adhesive Strip	
12	1001127397	1	LSI Light	
13	1001127546	1	LSI Decal	
14	1001153631	1	A-Pillar Cover	
15	1001153633	1	Front ROPS Bar Cover	
16	1001153634	1	In-Board ROPS Bar Cover	
17	1001153635	1	Out-Board ROPS Bar Cover	
18	1001192979	1	LSI Display	

SECTION 6 - CAB

FIGURE 6-45. RADIO READY PACKAGE INSTALLATION



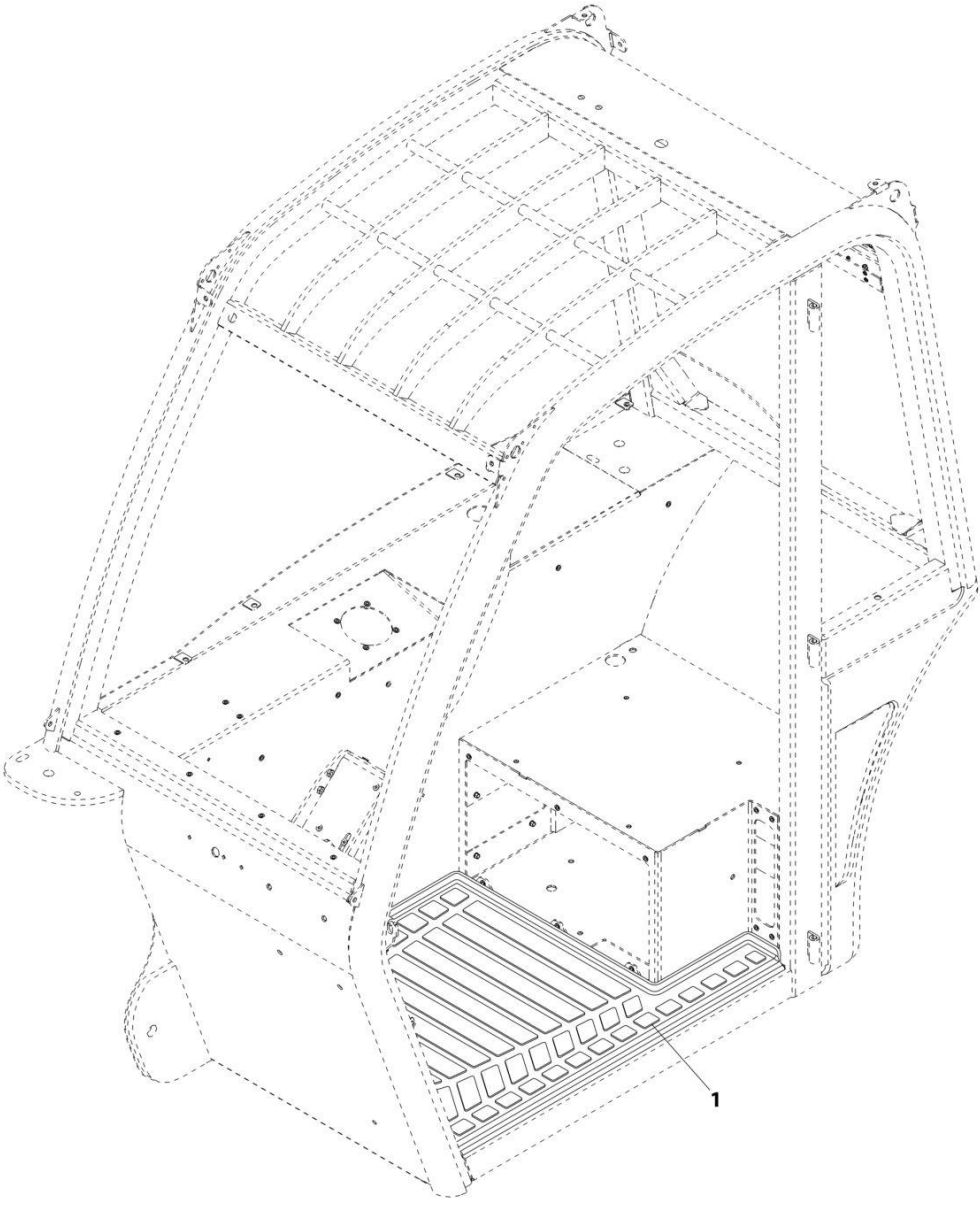
ART_1001080844-B

FIGURE 6-45. RADIO READY PACKAGE INSTALLATION

ITEM	PART NUMBER	QTY	DESCRIPTION	REV
	1001080844	Ref	Radio Ready Package Installation	B
1	1001080956	2	Speaker	
2	1001080959	1	Antenna	

SECTION 6 - CAB

FIGURE 6-46. FLOOR MAT INSTALLATION



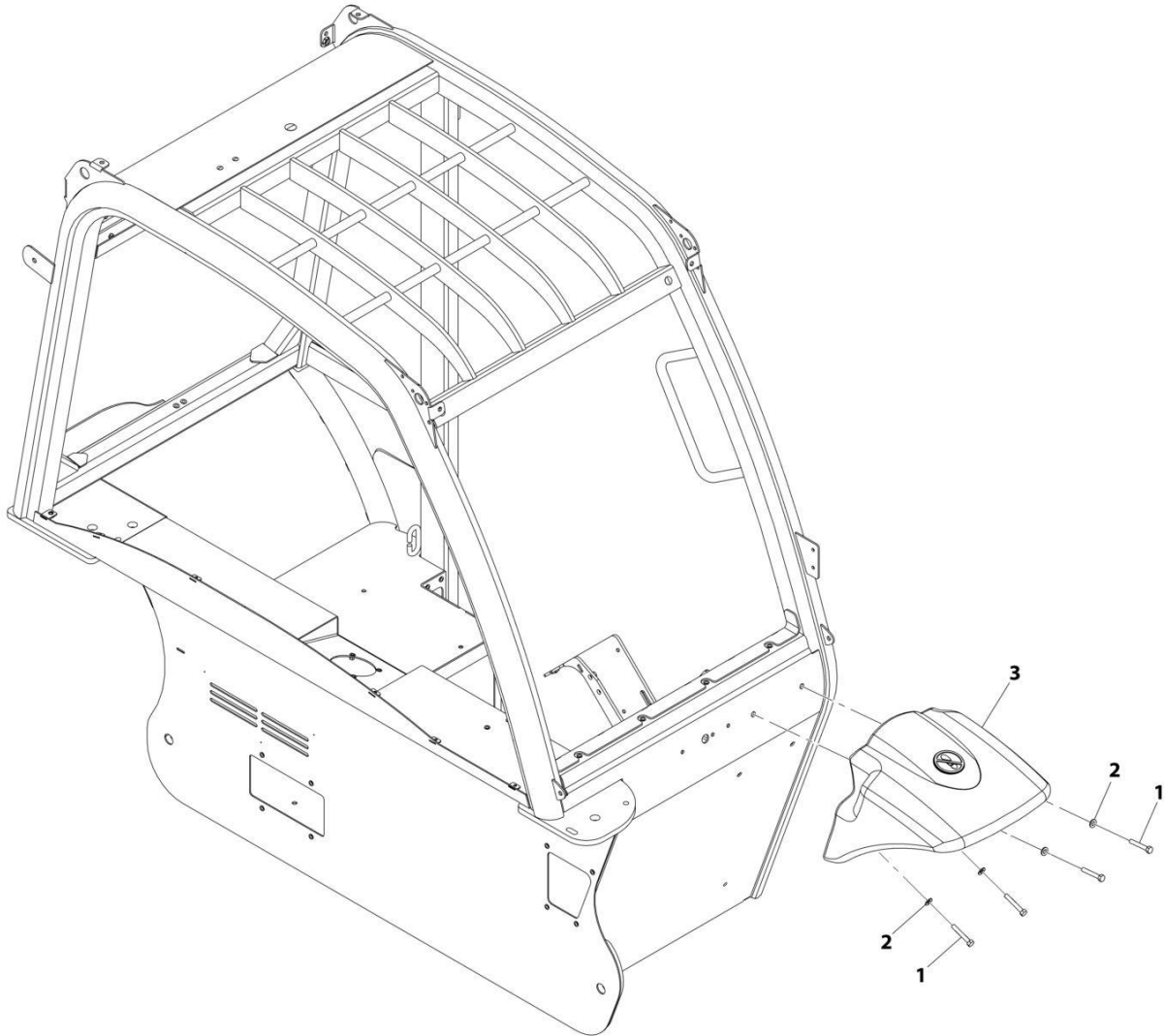
ART_1001080893-B

FIGURE 6-46. FLOOR MAT INSTALLATION

ITEM	PART NUMBER	QTY	DESCRIPTION	REV
1	1001080893 1001080822	Ref 1	Floor Mat Installation Floor, Cover	B

SECTION 6 - CAB

FIGURE 6-47. CAB FENDER INSTALLATION



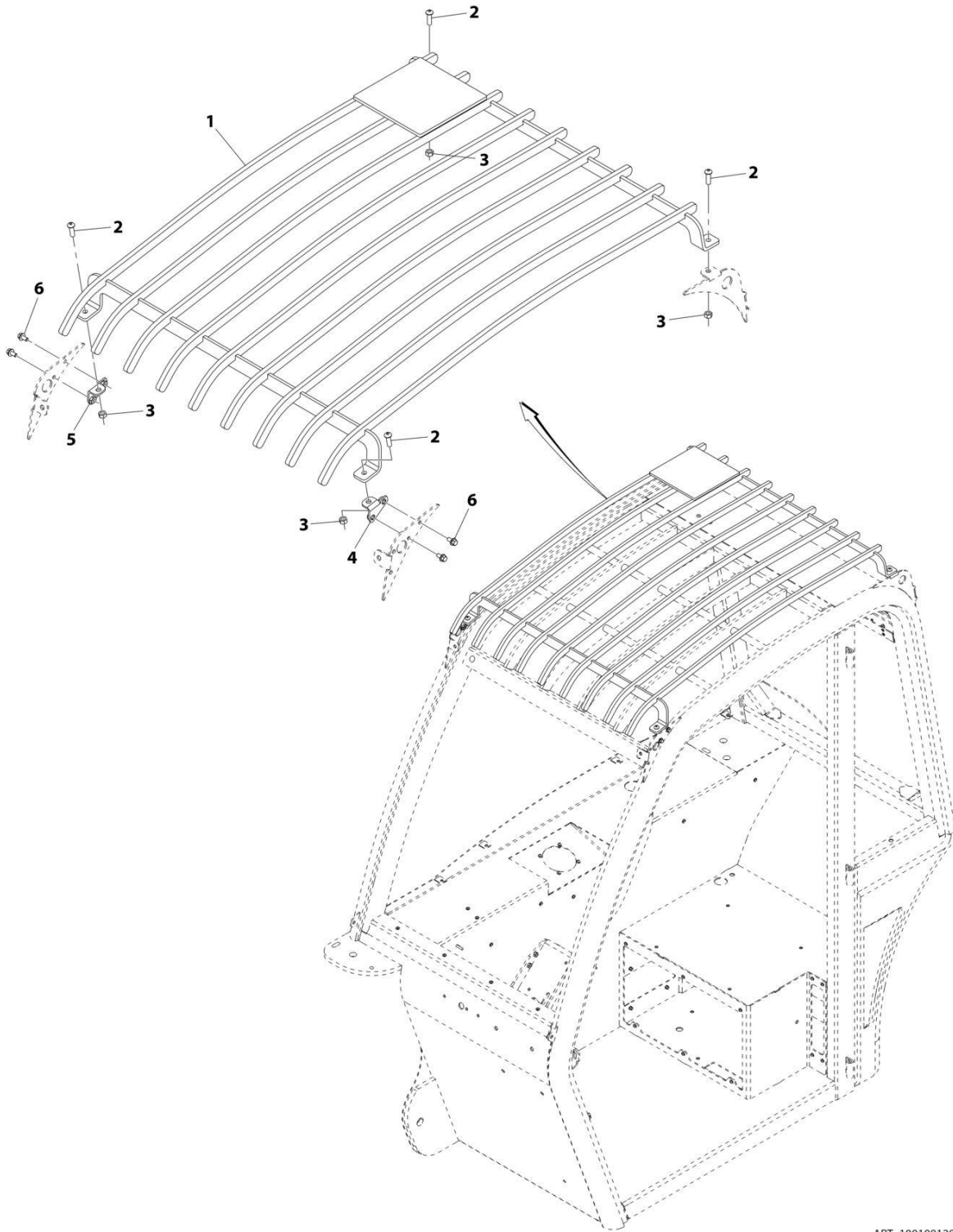
ART_1001097640-C

FIGURE 6-47. CAB FENDER INSTALLATION

ITEM	PART NUMBER	QTY	DESCRIPTION	REV
	1001097640	Ref	Cab Fender Installation	C
1	0641516	4	Hex HD Capscrew, 5/16-18X2	
2	4711500	4	Washer, 5/16	
3	1001080891	1	Front Fender	

SECTION 6 - CAB

FIGURE 6-48. CAB GUARD INSTALLATION (TOP)



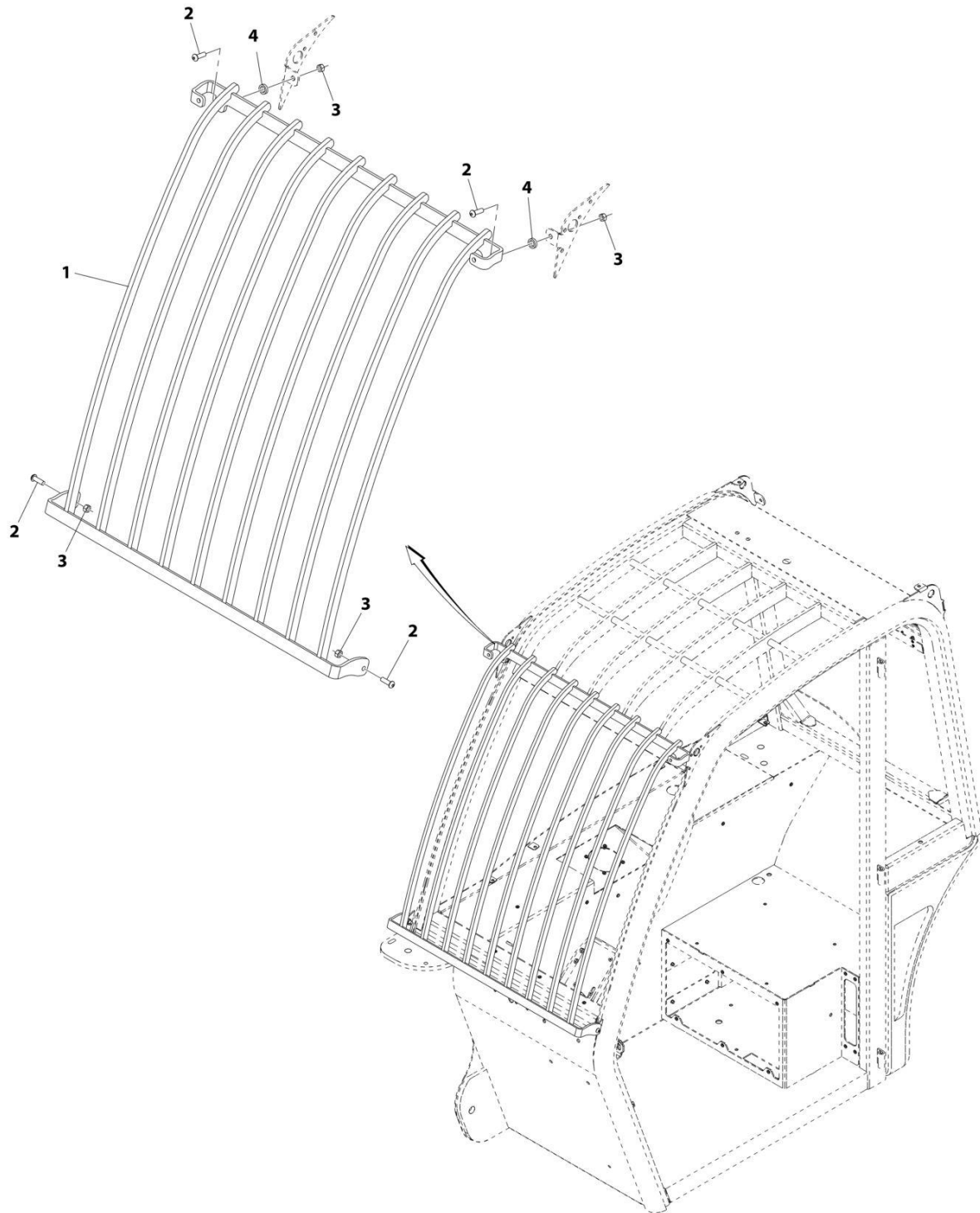
ART_1001081286-F

FIGURE 6-48. CAB GUARD INSTALLATION (TOP)

ITEM	PART NUMBER	QTY	DESCRIPTION	REV
	1001081286	Ref	Cab Guard Installation (Top)	F
1	1001189739	1	Upper Brick Guard	
2	0630468	4	Button HD Capscrew, 5/16-18X1	
3	1001108115	4	Hex Locknut, 5/16, GR8	
4	1001081296	1	Left Brick Guard Weldment	
5	1001081298	1	Right Brick Guard Weldment	
6	1001108242	4	Screw, 1/4-20X1/2, GR5	

SECTION 6 - CAB

FIGURE 6-49. CAB GUARD INSTALLATION (FRONT)



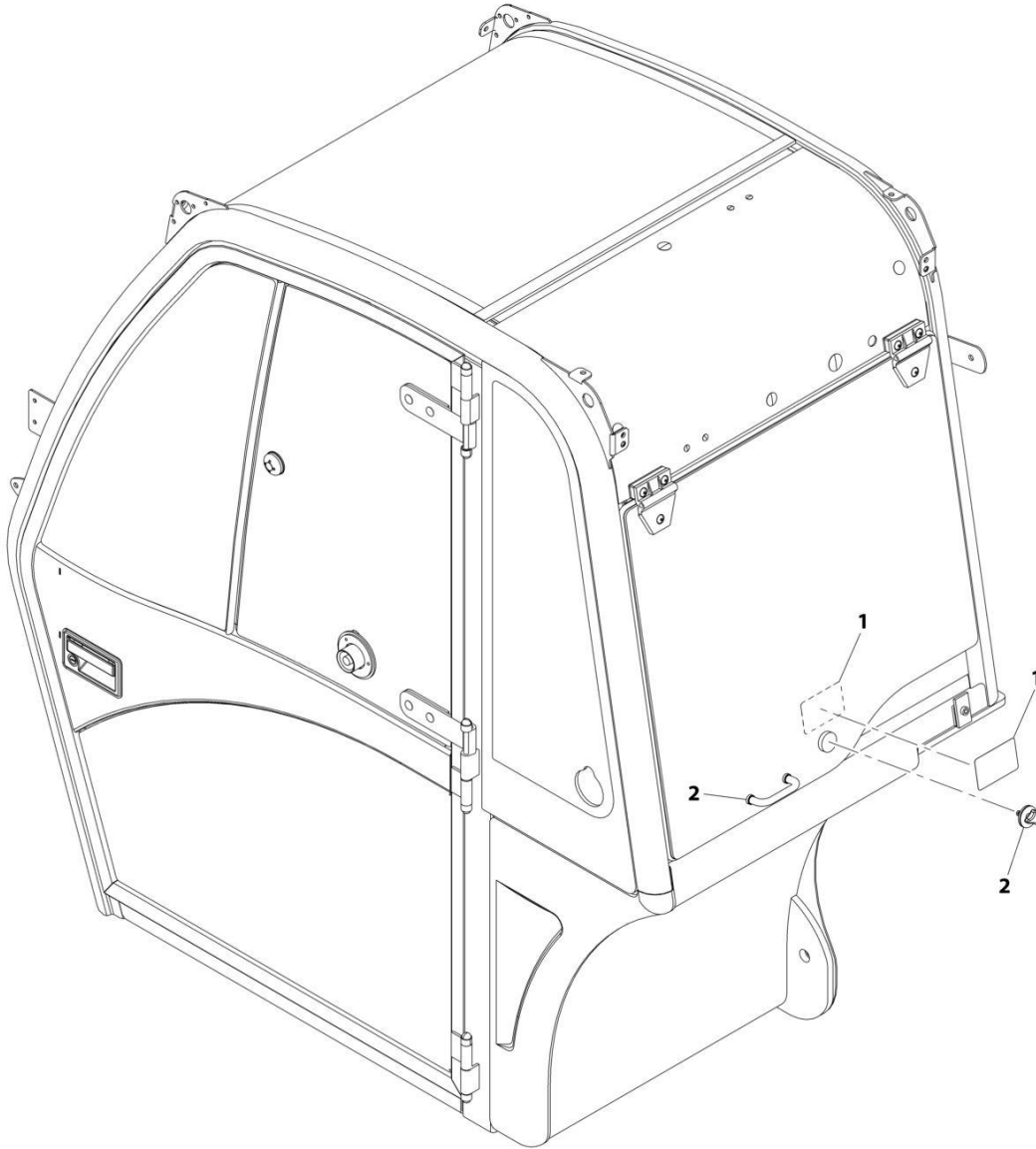
ART_1001081287-E

FIGURE 6-49. CAB GUARD INSTALLATION (FRONT)

ITEM	PART NUMBER	QTY	DESCRIPTION	REV
	1001081287	Ref	Cab Guard Installation (Front)	E
1	1001189753	1	Lower Brick Guard Shield	
2	0630468	4	Button HD Capscrew, 5/16-18X1	
3	1001108115	4	Hex Locknut, 5/16, GR8	
4	1001138703	2	Brick Guard Spacer	

SECTION 6 - CAB

FIGURE 6-50. REAR WINDOW ENTRY KIT INSTALLATION (ANSI)



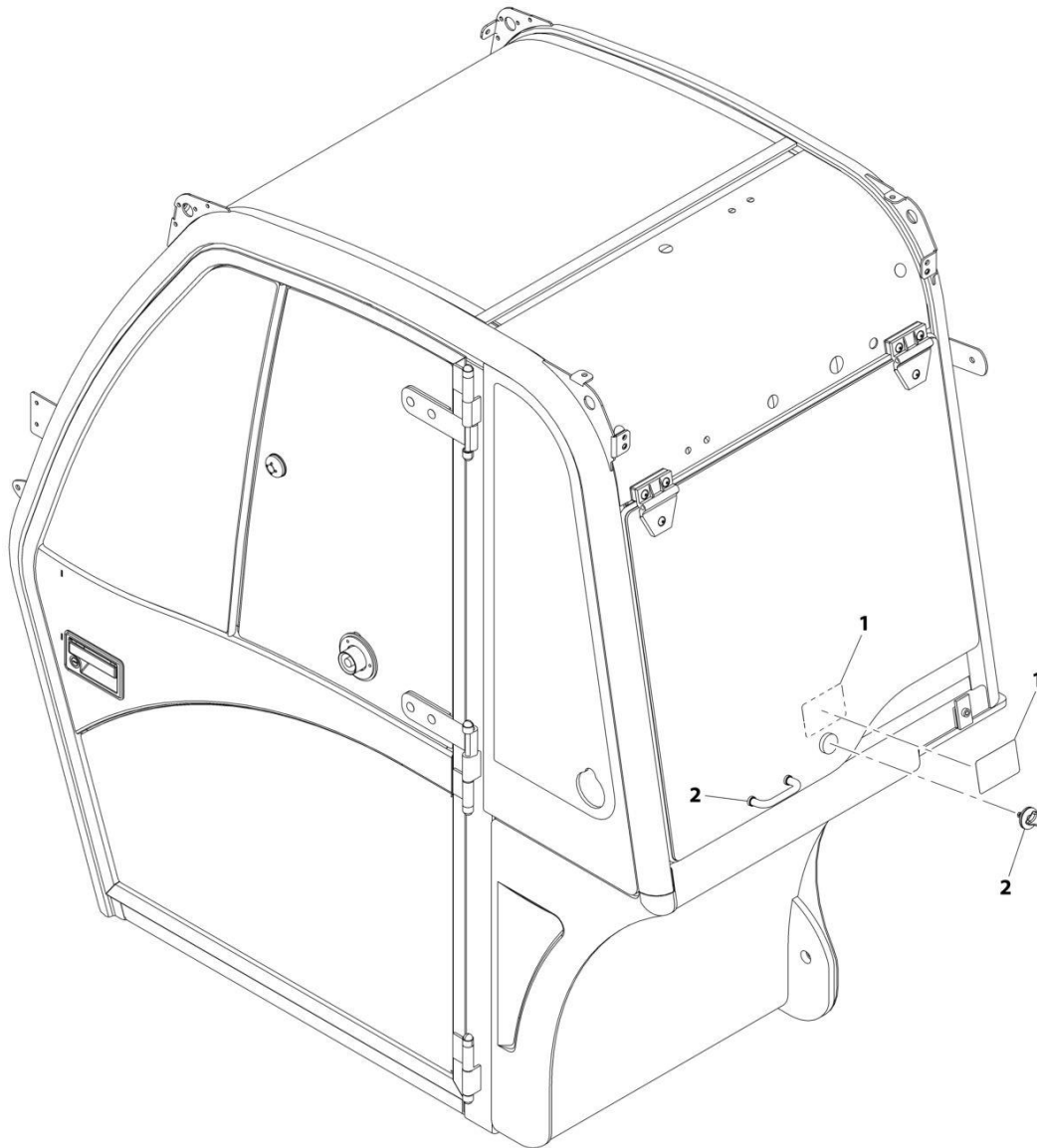
ART_1001162813-A

FIGURE 6-50. REAR WINDOW ENTRY KIT INSTALLATION (ANSI)

ITEM	PART NUMBER	QTY	DESCRIPTION	REV
	1001162813	Ref	Rear Window Entry Kit Installation (ANSI)	A
1	1001162814	2	Rear Window Exit Decal	
2	1001177469	1	Emergency Entry/Exit Window (See Separate Breakdown in this Section)	

SECTION 6 - CAB

FIGURE 6-51. REAR WINDOW ENTRY KIT INSTALLATION (ENGLISH/FRENCH)



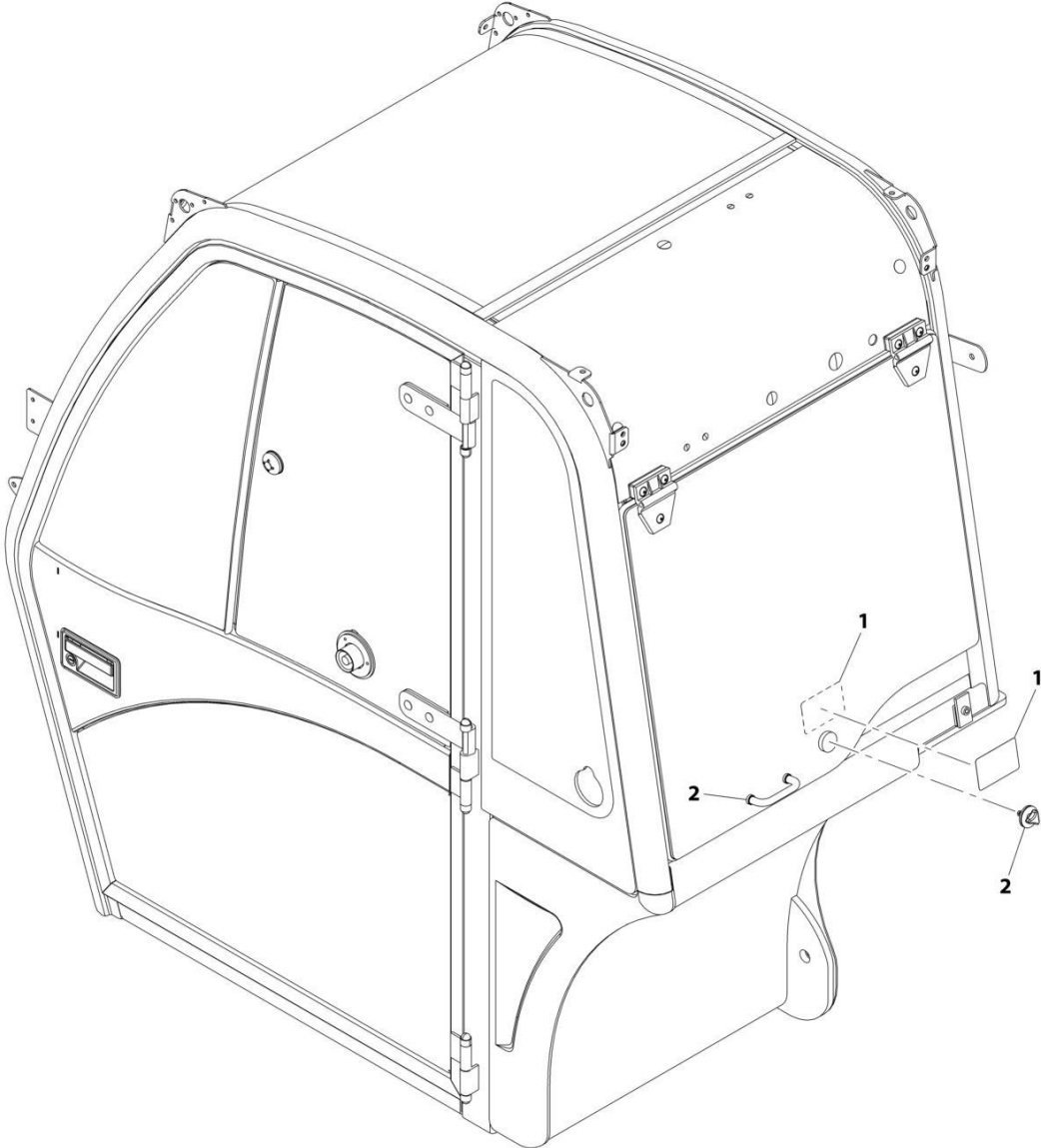
ART_1001177470-A

FIGURE 6-51. REAR WINDOW ENTRY KIT INSTALLATION (ENGLISH/FRENCH)

ITEM	PART NUMBER	QTY	DESCRIPTION	REV
	1001177470	Ref	Rear Window Entry Kit Installation (English/French)	A
1	1001162815	2	Rear Window Exit Decal	
2	1001177469	1	Emergency Entry/Exit Window (See Separate Breakdown in This Section)	

SECTION 6 - CAB

FIGURE 6-52. REAR WINDOW ENTRY KIT INSTALLATION (ISO)



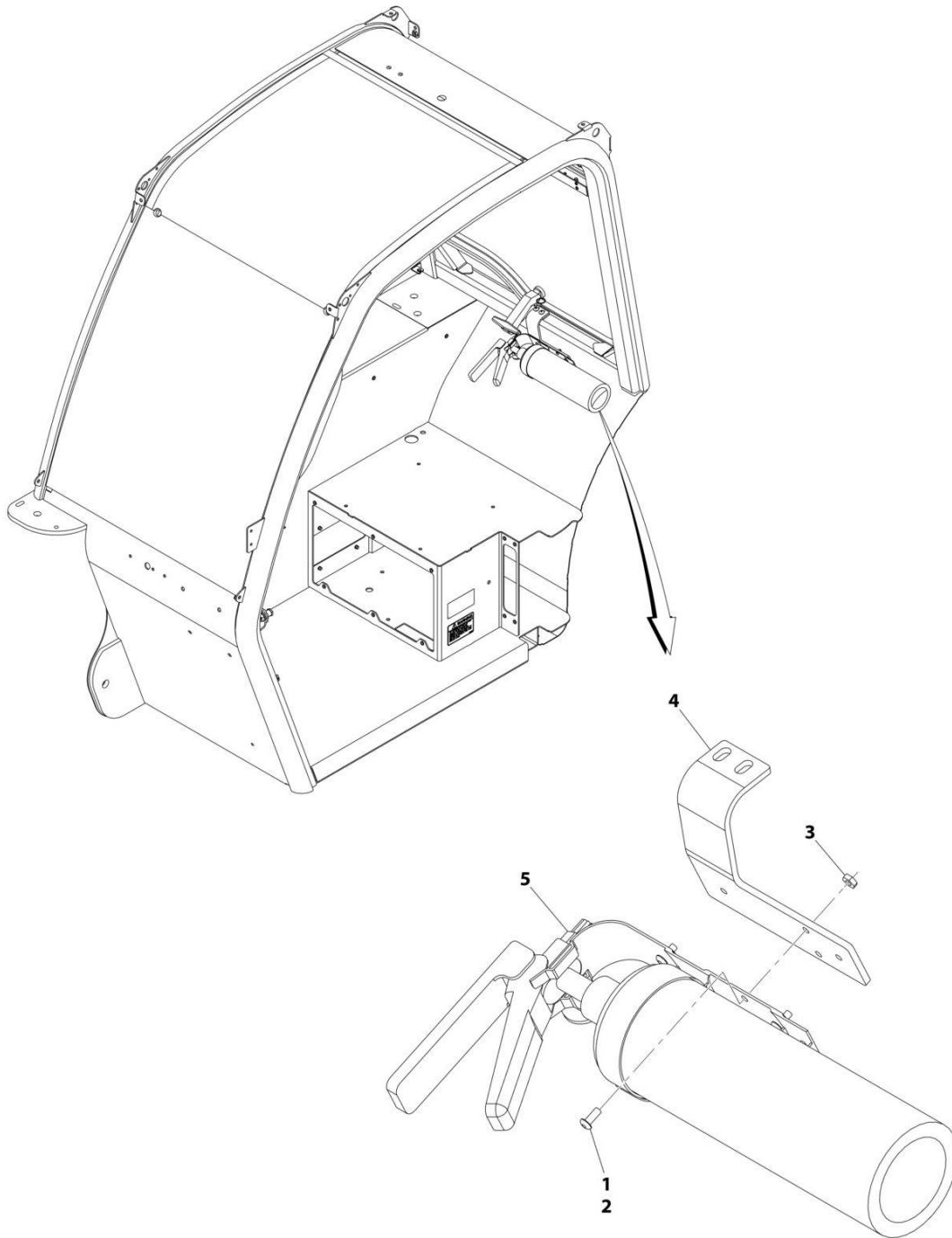
ART_1001177471-A

FIGURE 6-52. REAR WINDOW ENTRY KIT INSTALLATION (ISO)

ITEM	PART NUMBER	QTY	DESCRIPTION	REV
	1001177471	Ref	Rear Window Entry Kit Installation (ISO)	A
1	1001162816	2	Rear Window Exit Decal	
2	1001177469	1	Emergency Entry/Exit Window (See Separate Breakdown in This Section)	

SECTION 6 - CAB

FIGURE 6-53. FIRE EXTINGUISHER INSTALLATION



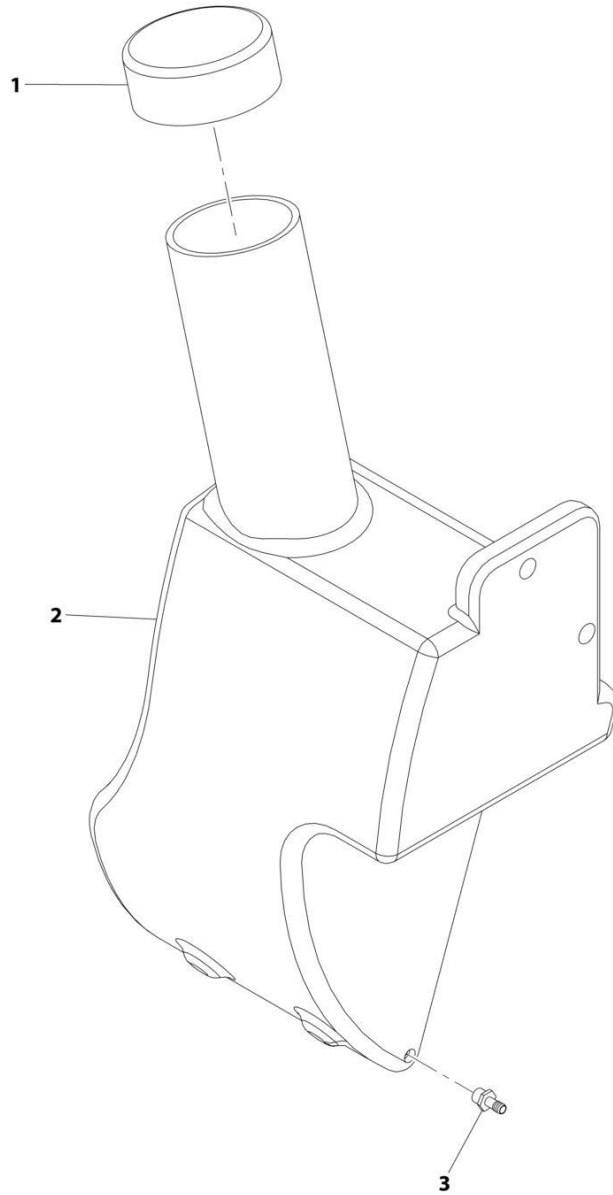
ART_1001162487-A

FIGURE 6-53. FIRE EXTINGUISHER INSTALLATION

ITEM	PART NUMBER	QTY	DESCRIPTION	REV
	1001162487	Ref	Fire Extinguisher Installation	A
1	0100011	AR	Compound, Locking	
2	0630464	4	Screw 10 x 1/2	
3	3311005	4	Nut 10	
4	1001162486	1	Bracket	
5	1001099699	1	Fire Extinguisher	

SECTION 6 - CAB

FIGURE 6-54. WASHER FLUID TANK ASSEMBLY



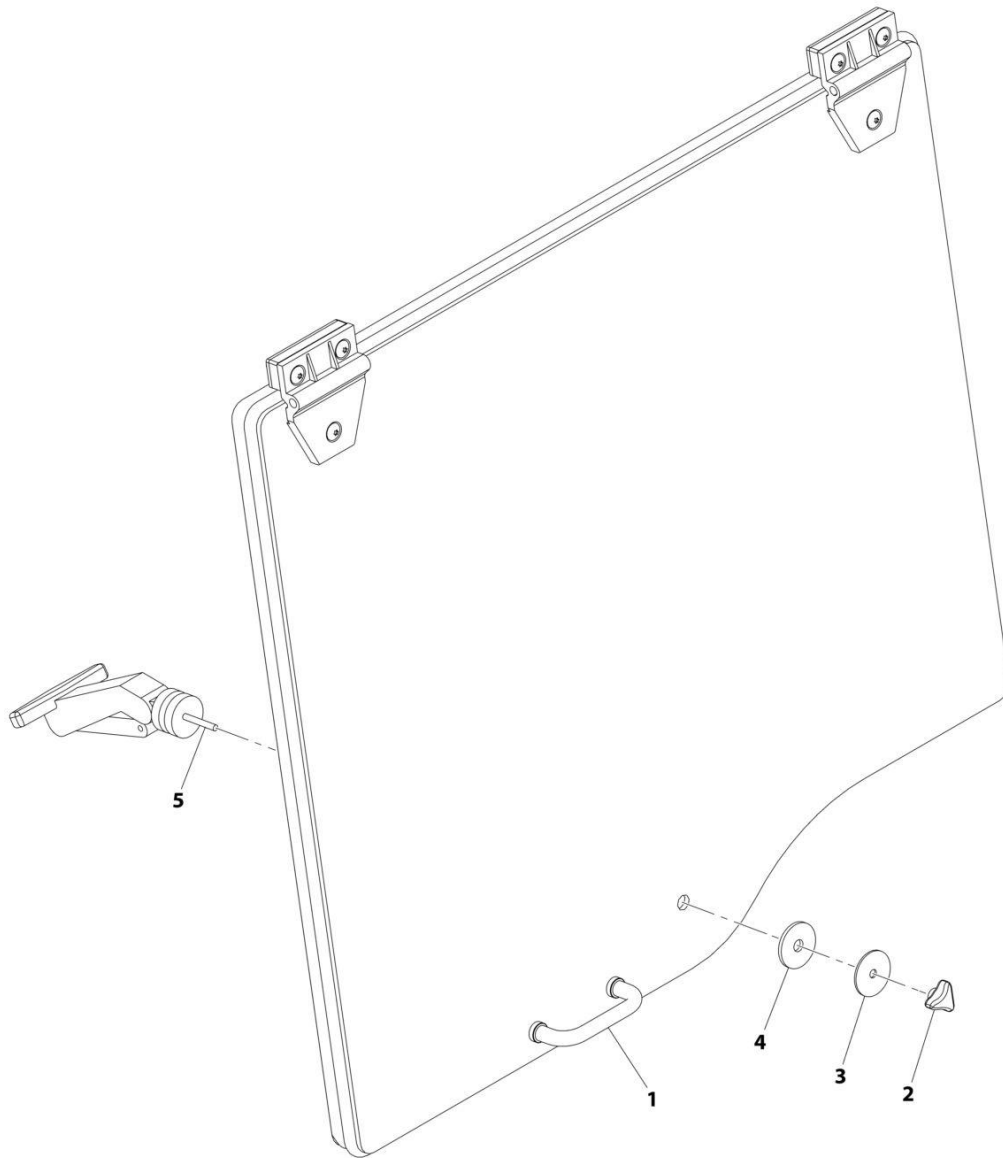
ART_1001080824-C

FIGURE 6-54. WASHER FLUID TANK ASSEMBLY

ITEM	PART NUMBER	QTY	DESCRIPTION	REV
	1001080824	Ref	Washer Fluid Tank Assembly	C
1	1001080872	1	Cap	
2	1001097319	1	Washer Fluid Tank	
3	1001081234	1	Fitting	

SECTION 6 - CAB

FIGURE 6-55. EMERGENCY ENTRY/EXIT WINDOW



ART_1001177469-A

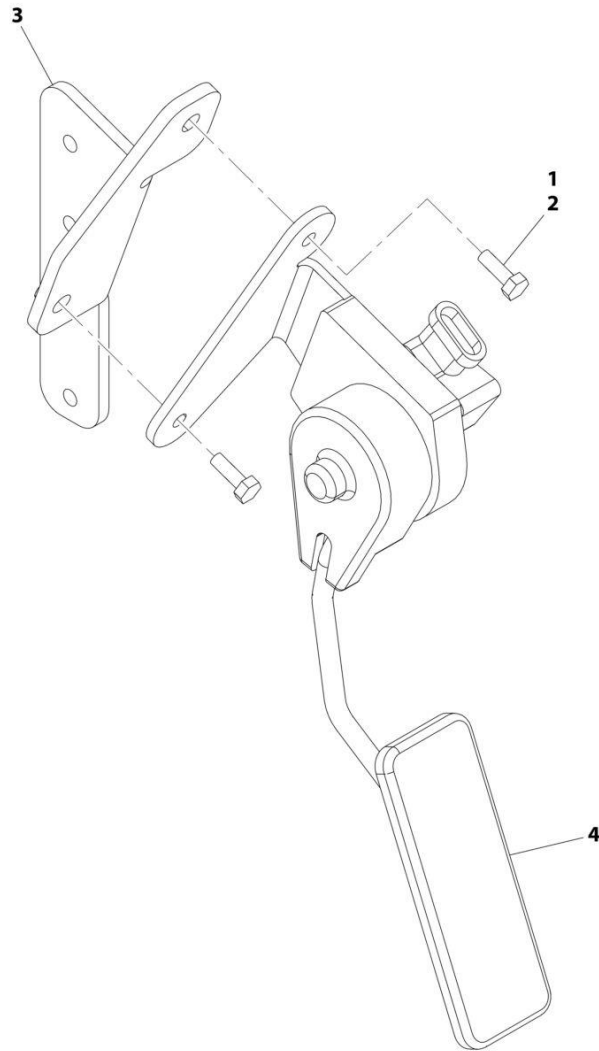
FIGURE 6-55. EMERGENCY ENTRY/EXIT WINDOW

ITEM	PART NUMBER	QTY	DESCRIPTION	REV
	1001177469	Ref	Emergency Entry/Exit Window	A
1	1001162829	1	Rear Window Entry Handle	
2	1001162830	1	Rear Window Entry Knob	
3	1001177636	1	Flat Washer	
4	1001177640	1	Washer, M10	
5	1001178811	1	Bolt	

SECTION 7 - CONTROLS

SECTION 7 - CONTROLS

FIGURE 7-1. ACCELERATOR PEDAL ASSEMBLY



ART_1001138639-C

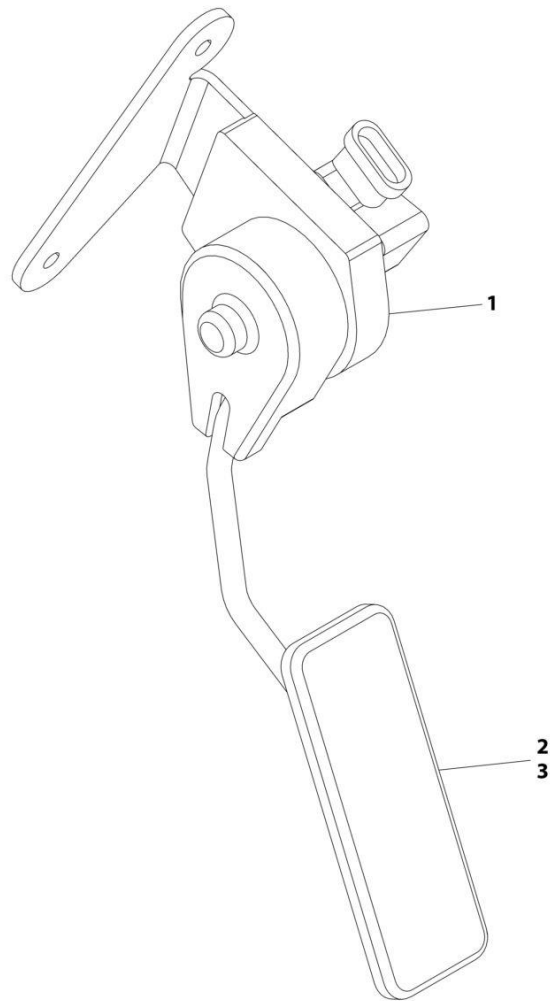
SECTION 7 - CONTROLS

FIGURE 7-1. ACCELERATOR PEDAL ASSEMBLY

ITEM	PART NUMBER	QTY	DESCRIPTION	REV
	1001138639	Ref	Accelerator Pedal Assembly	C
1	0100011	AR	Compound, Locking	
2	0641406	2	Bolt, 1/4-20X3/4	
3	1001138003	1	Bracket	
4	80383410	1	Accelerator Pedal (See Separate Breakdown this Section)	

SECTION 7 - CONTROLS

FIGURE 7-2. ACCELERATOR PEDAL



ART_80383410-A

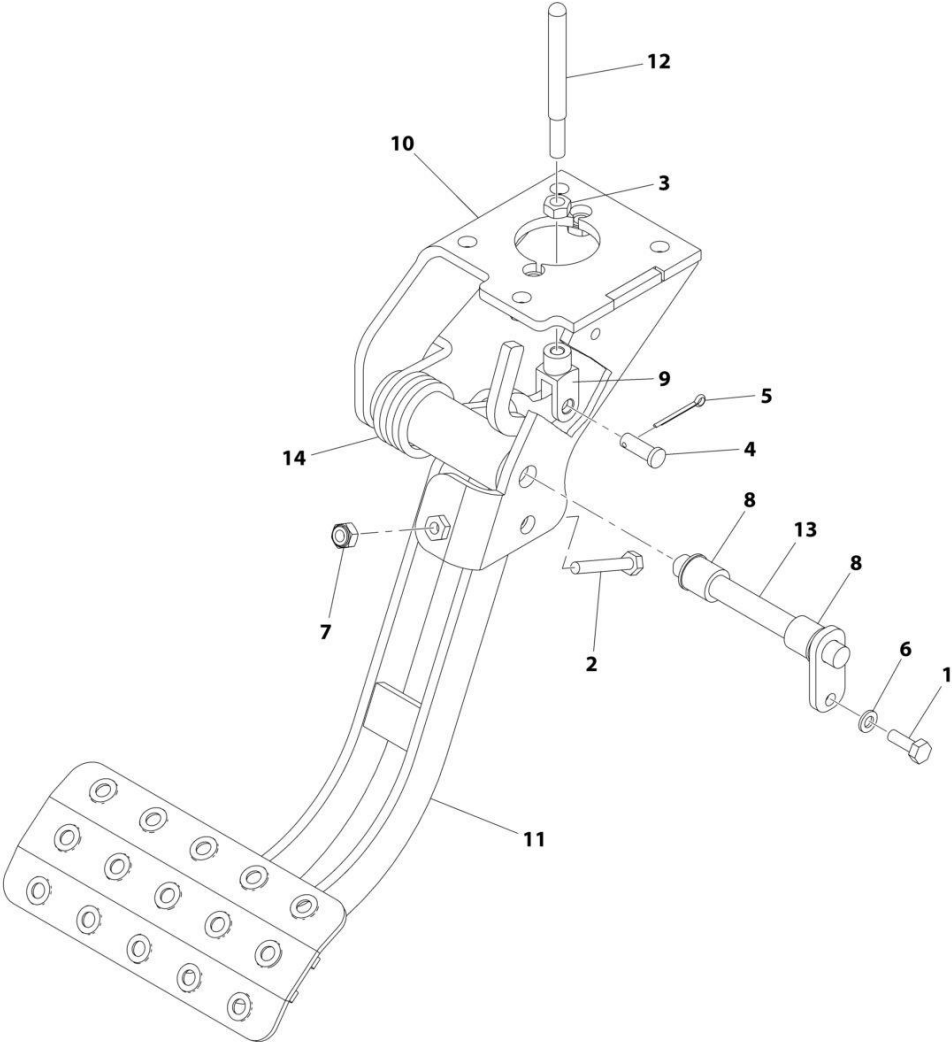
SECTION 7 - CONTROLS

FIGURE 7-2. ACCELERATOR PEDAL

ITEM	PART NUMBER	QTY	DESCRIPTION	REV
	80383410	Ref	Accelerator Pedal	A
1	70020551	1	Sensor Kit	
2	70023325	1	Pedal Kit	
3	7026481	1	Arm, Pedal	

SECTION 7 - CONTROLS

FIGURE 7-3. BRAKE PEDAL INSTALLATION



ART_1001189734-C

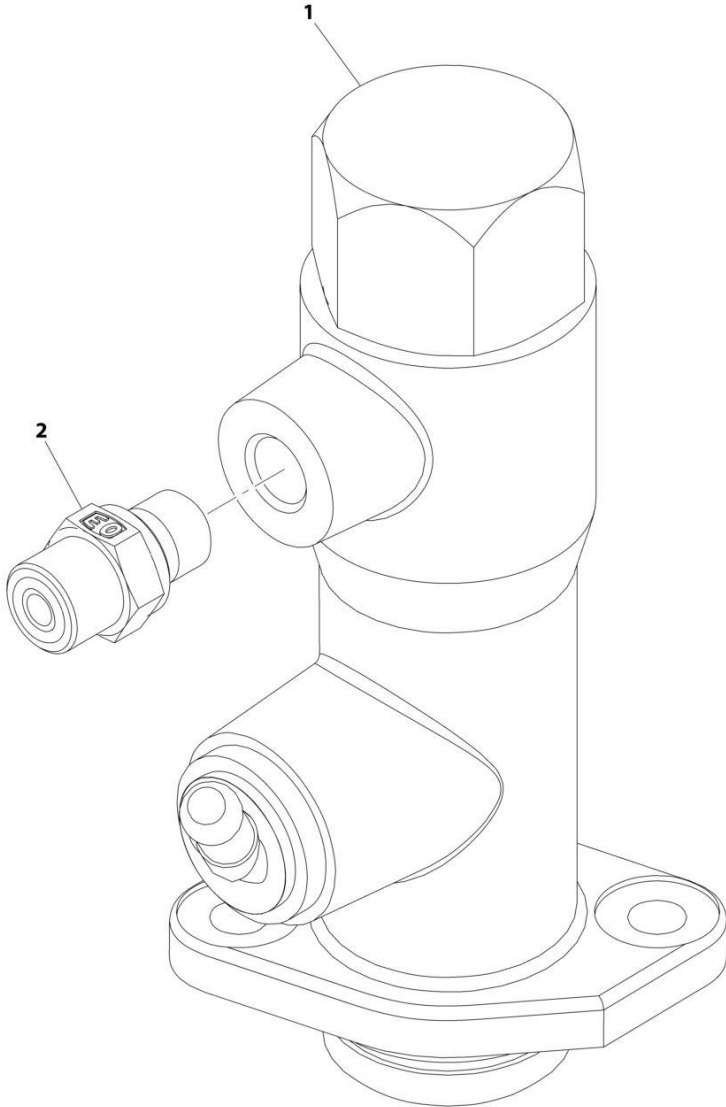
SECTION 7 - CONTROLS

FIGURE 7-3. BRAKE PEDAL INSTALLATION

ITEM	PART NUMBER	QTY	DESCRIPTION	REV
	1001189734	Ref	Brake Pedal Installation	C
1	0641406	1	Hex HD Capscrew, 1/4-20X3/4, GR5	
2	0681414	1	Hex HD Cap Screw, 1/4-20X1 3/4, GR8	
3	3290801	1	Nut, M8X1.25	
4	3430507	1	Clevis Pin	
5	3450304	1	Cotter Pin	
6	4761400	1	Lockwasher, 1/4	
7	88521304	1	Hex Locknut, 1/4-20	
8	1001189738	2	Bearing	
9	1001189743	1	Universal Clevis Yoke	
10	1001189745	1	Brake Support Mount	
11	1001189803	1	Brake Weldment Lever	
12	1001189839	1	Brake Push Rod	
13	1001189850	1	Brake Shaft Pin	
14	1001189733	1	Brake Spring	

SECTION 7 - CONTROLS

FIGURE 7-4. MASTER CYLINDER VALVE ASSEMBLY



ART_1001080559-C

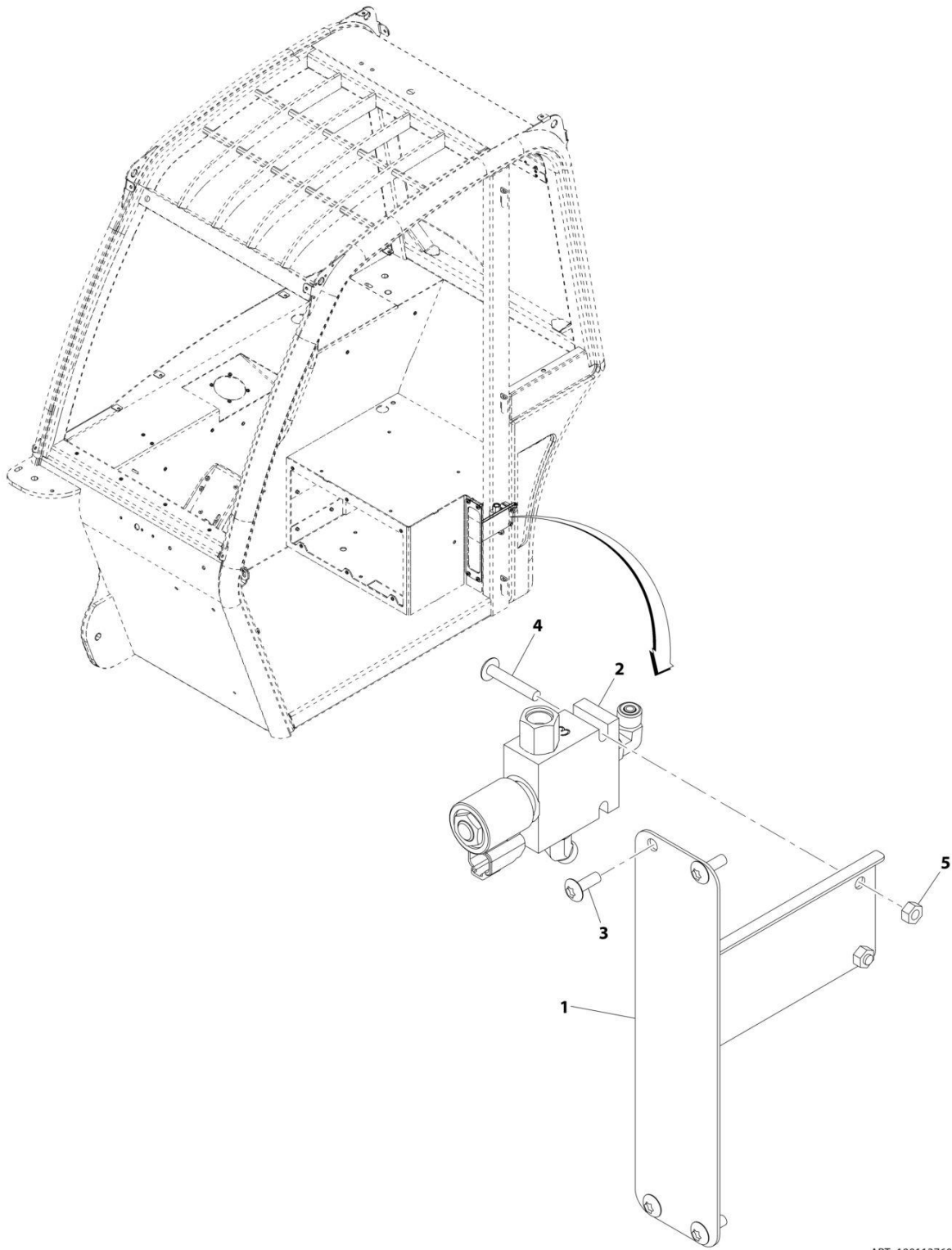
SECTION 7 - CONTROLS

FIGURE 7-4. MASTER CYLINDER VALVE ASSEMBLY

ITEM	PART NUMBER	QTY	DESCRIPTION	REV
1	1001080559	Ref	Master Cylinder Valve Assembly	C
	1001080262	1	Brake Master Cylinder Valve, (See Separate Breakdown in Hydraulic Components Section)	
2	2145004	1	Straight Fitting	

SECTION 7 - CONTROLS

FIGURE 7-5. PARK BRAKE VALVE INSTALLATION



ART_1001137600-C

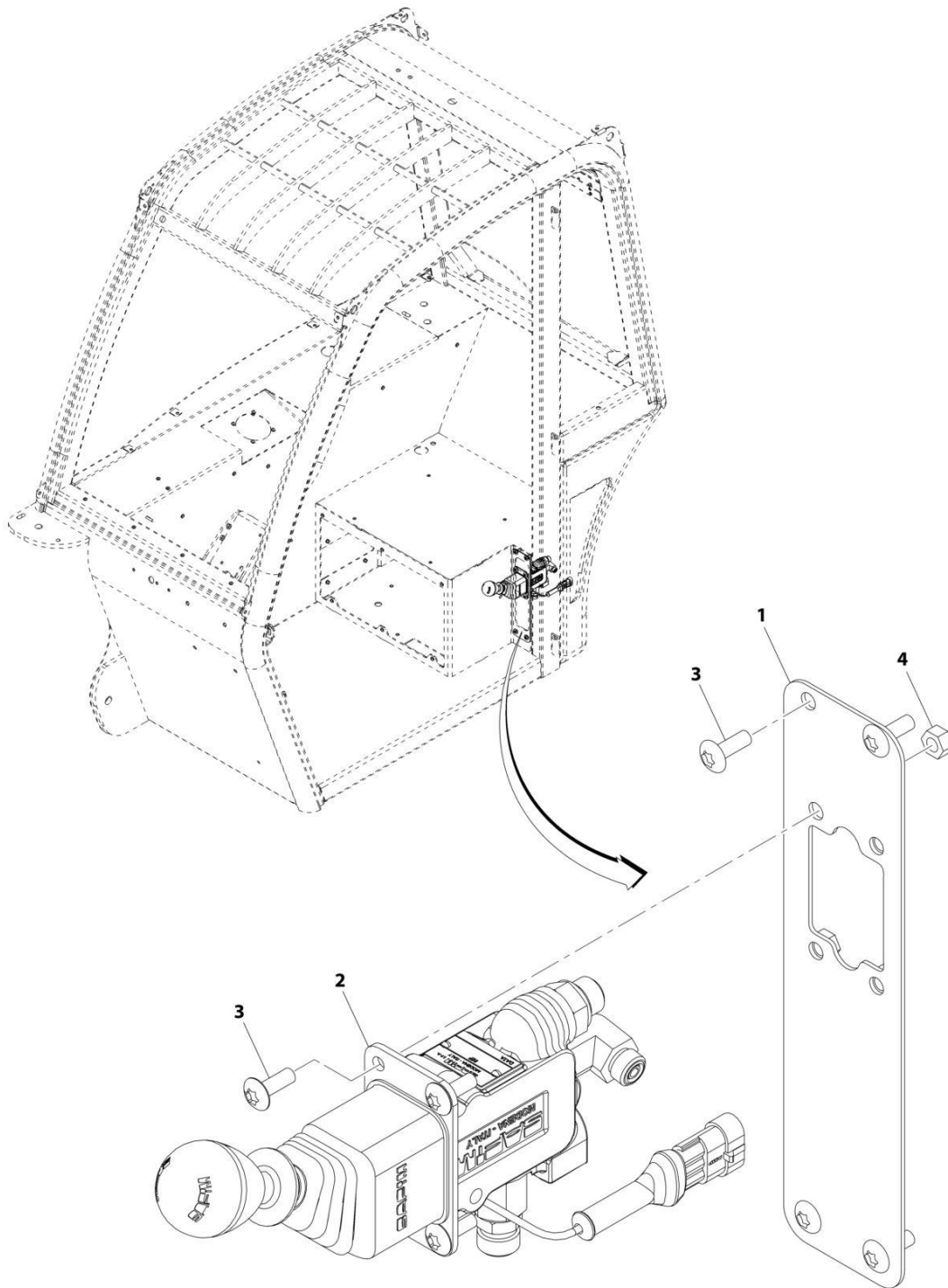
SECTION 7 - CONTROLS

FIGURE 7-5. PARK BRAKE VALVE INSTALLATION

ITEM	PART NUMBER	QTY	DESCRIPTION	REV
	1001137600	Ref	Park Brake Valve Installation	D
1	1001188496	1	Bracket	
2	1001080567	1	Assembly, Park Brake Valve (See Separate Breakdown in Hydraulic Circuits Section)	
3	8303034	4	Screw	
4	101977201	2	Screw	
5	3311405	2	Nut, Lock 1/4-20	

SECTION 7 - CONTROLS

FIGURE 7-6. PARK BRAKE VALVE INSTALLATION (EURO)



ART_1001137602-B

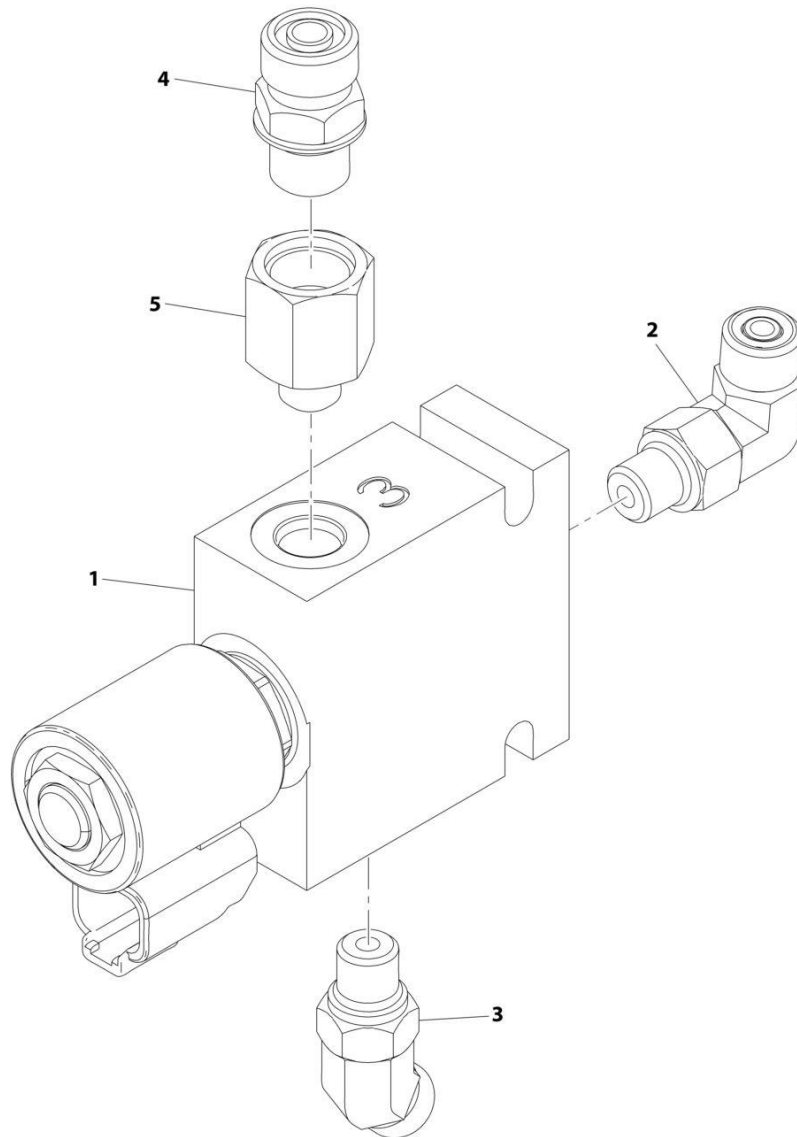
SECTION 7 - CONTROLS

FIGURE 7-6. PARK BRAKE VALVE INSTALLATION (EURO)

ITEM	PART NUMBER	QTY	DESCRIPTION	REV
	1001137602	Ref	Park Brake Valve Installation (Euro)	B
1	1001137998	1	Park Brake Valve Bracket	
2	1001080968	1	Park Brake Valve Assembly (Euro) (See Separate Breakdown this Section)	
3	8303034	8	Screw, 1/4-20X0.75	
4	3271405	4	Hex Locknut, 1/4-20, GR8	

SECTION 7 - CONTROLS

FIGURE 7-7. PARK BRAKE VALVE ASSEMBLY



ART_1001080567-A

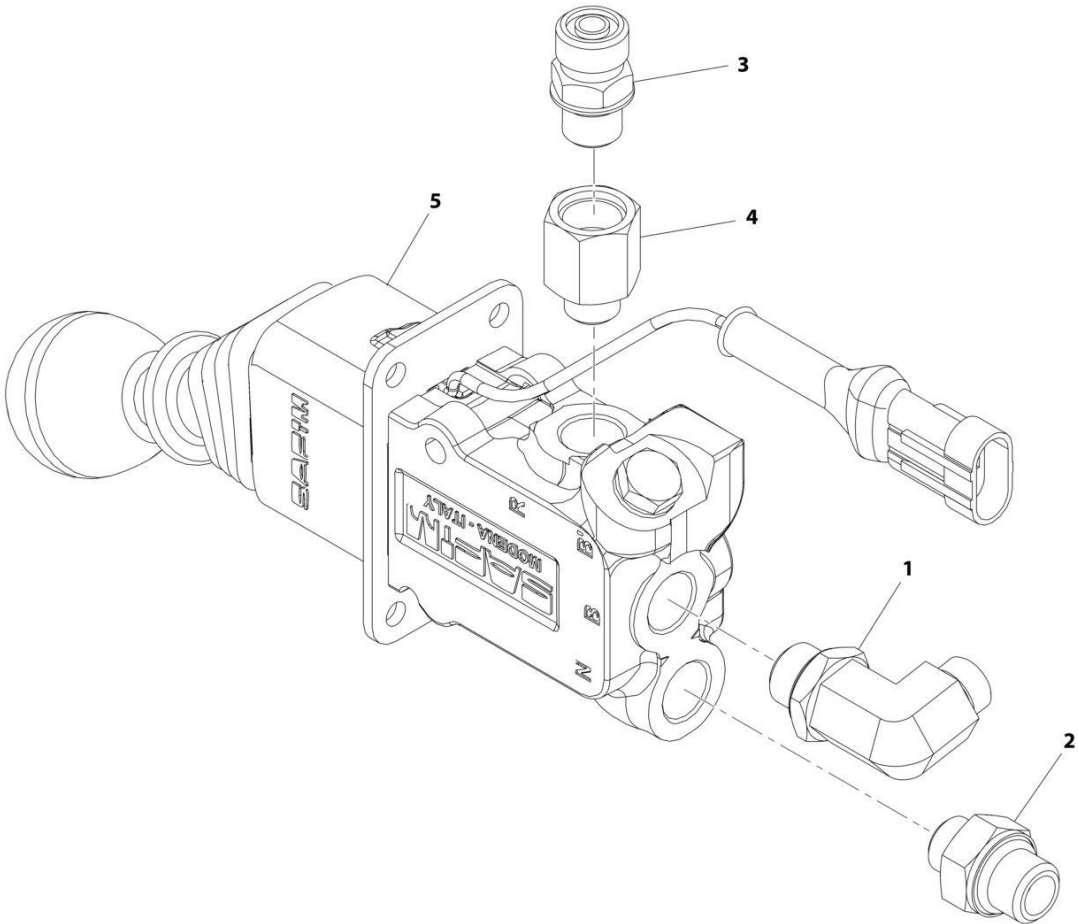
SECTION 7 - CONTROLS

FIGURE 7-7. PARK BRAKE VALVE ASSEMBLY

ITEM	PART NUMBER	QTY	DESCRIPTION	REV
1	1001080567	Ref	Park Brake Valve Assembly	B
	1001292174	1	Valve, Park Brake Release (See Separate Breakdown in Hydraulic Components Section)	
2	2130406	1	Fitting, 90 ORFS	
3	2150406	1	Fitting, 90 ORFS	
4	80333184	1	Fitting, Straight	

SECTION 7 - CONTROLS

FIGURE 7-8. PARK BRAKE VALVE ASSEMBLY (EURO)



ART_1001080968-B

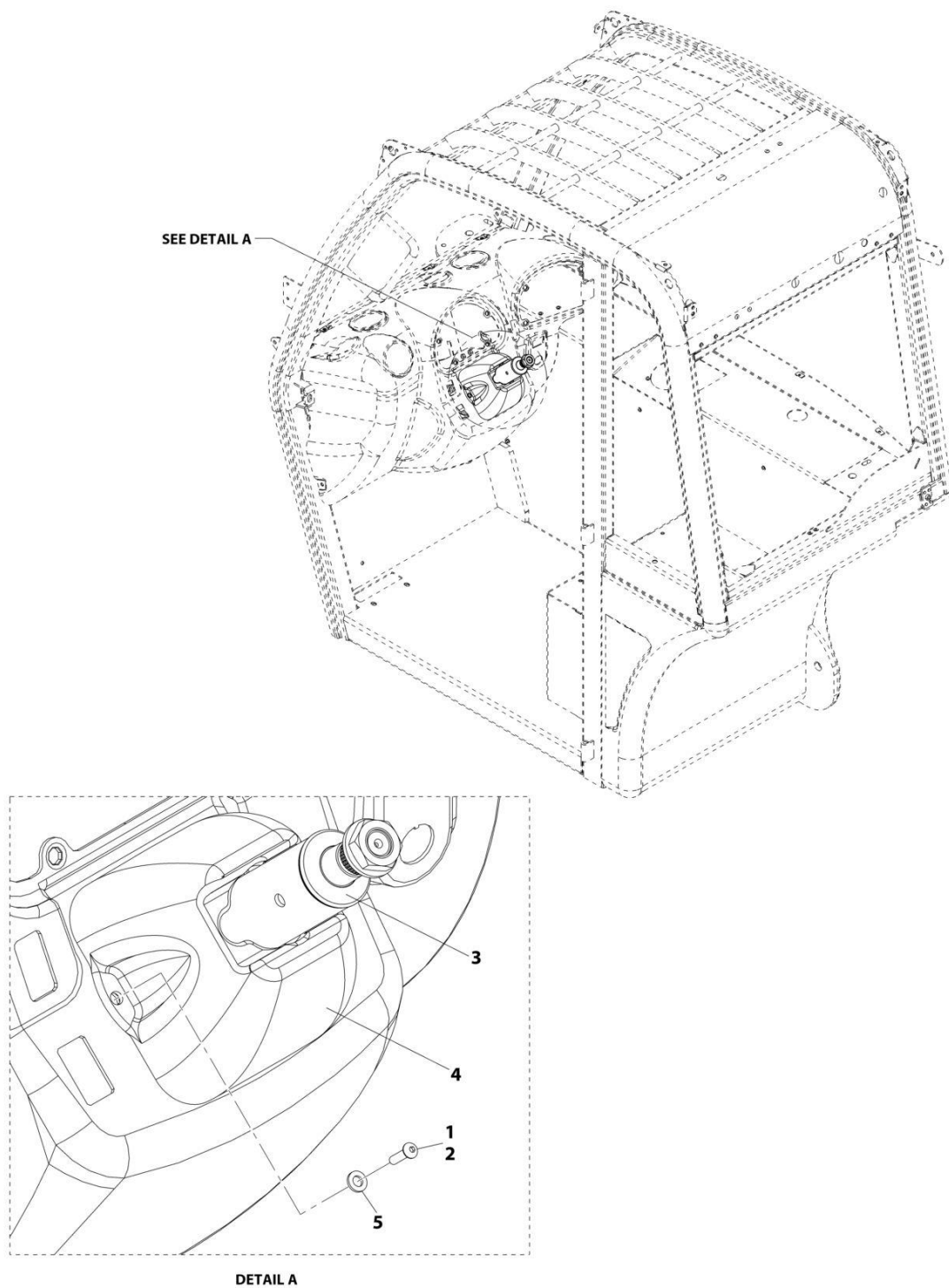
SECTION 7 - CONTROLS

FIGURE 7-8. PARK BRAKE VALVE ASSEMBLY (EURO)

ITEM	PART NUMBER	QTY	DESCRIPTION	REV
	1001080968	Ref	Park Brake Valve Assembly (Euro)	B
1	80233256	1	Elbow, 90	
2	80233257	1	Adapter, Connector	
3	80333184	1	Check Fitting	
4	1001098069	1	Fitting	
5	1001098153	1	Valve, Park Brake Release (Euro) (See Separate Breakdown in Hydraulic Components Section)	

SECTION 7 - CONTROLS

FIGURE 7-9. FIXED STEERING COLUMN INSTALLATION



ART_1001221303-A

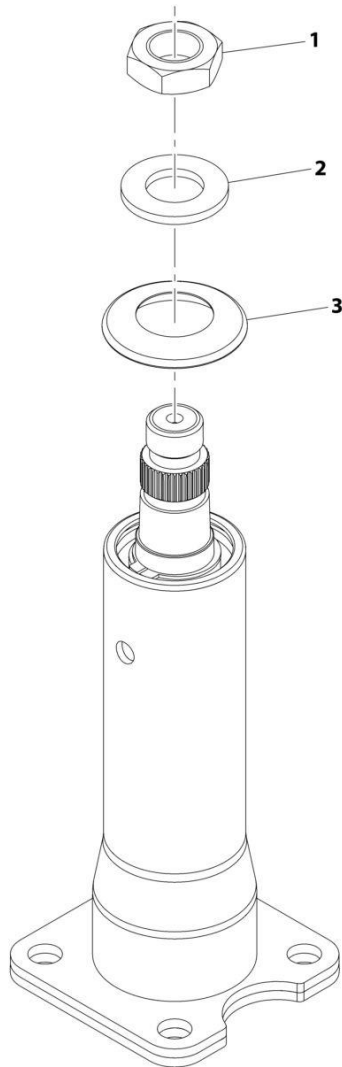
SECTION 7 - CONTROLS

FIGURE 7-9. FIXED STEERING COLUMN INSTALLATION

ITEM	PART NUMBER	QTY	DESCRIPTION	REV
	1001221303	Ref	Fixed Steering Column Installation	A
1	0100035	AR	Compound, Locking	
2	0630518	2	Screw	
3	1001081223	1	Fixed Steering Column (See Separate Breakdown in this Section)	
4	1001153629	1	Steering Column Boot	
5	4811700001	2	Washer M6	

SECTION 7 - CONTROLS

FIGURE 7-10. FIXED STEERING COLUMN



ART_1001081223-D

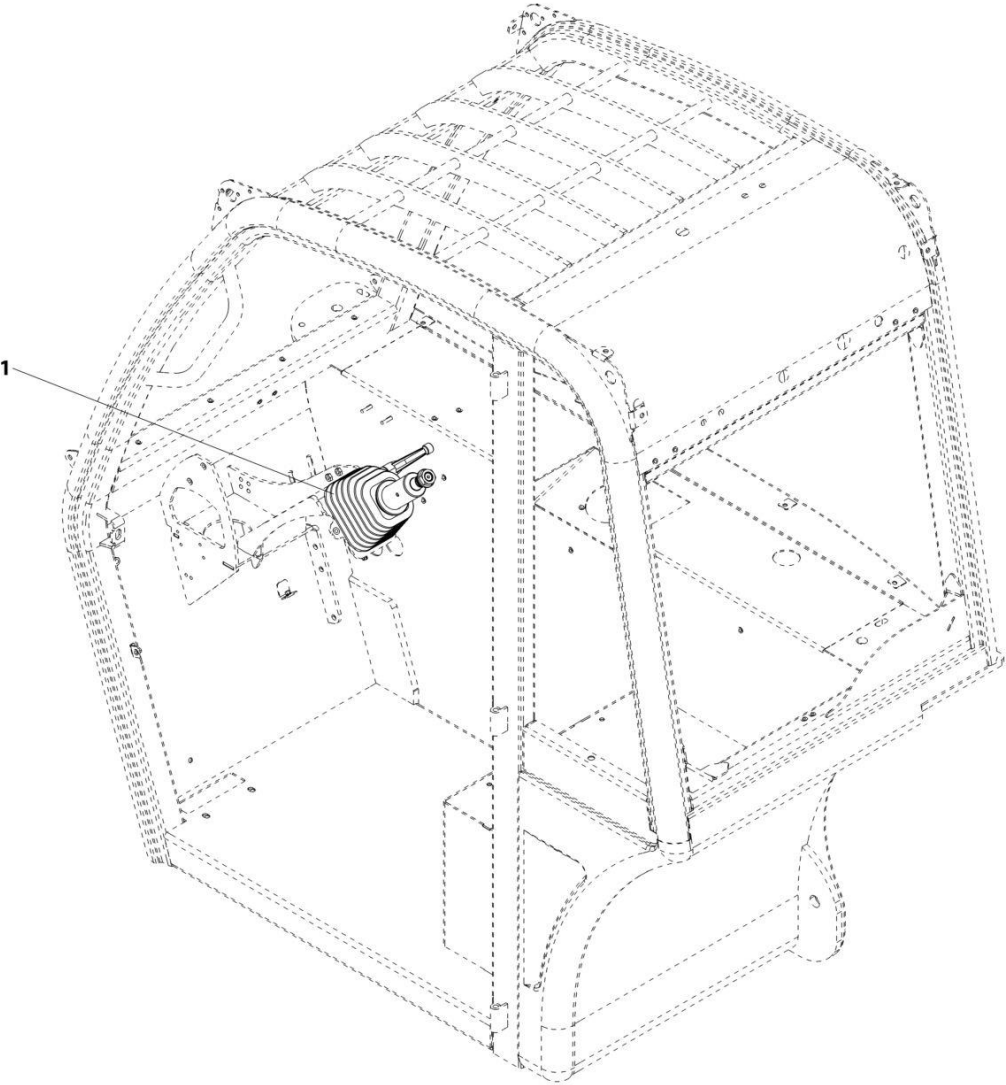
SECTION 7 - CONTROLS

FIGURE 7-10. FIXED STEERING COLUMN

ITEM	PART NUMBER	QTY	DESCRIPTION	REV
	1001081223	Ref	Fixed Steering Column	E
1	70020923	1	Nut, M18X.5	
2	70020924	1	Washer	
3	70020925	1	Rubber Cap	

SECTION 7 - CONTROLS

FIGURE 7-11. TILT STEERING COLUMN INSTALLATION



ART_1001080809-A

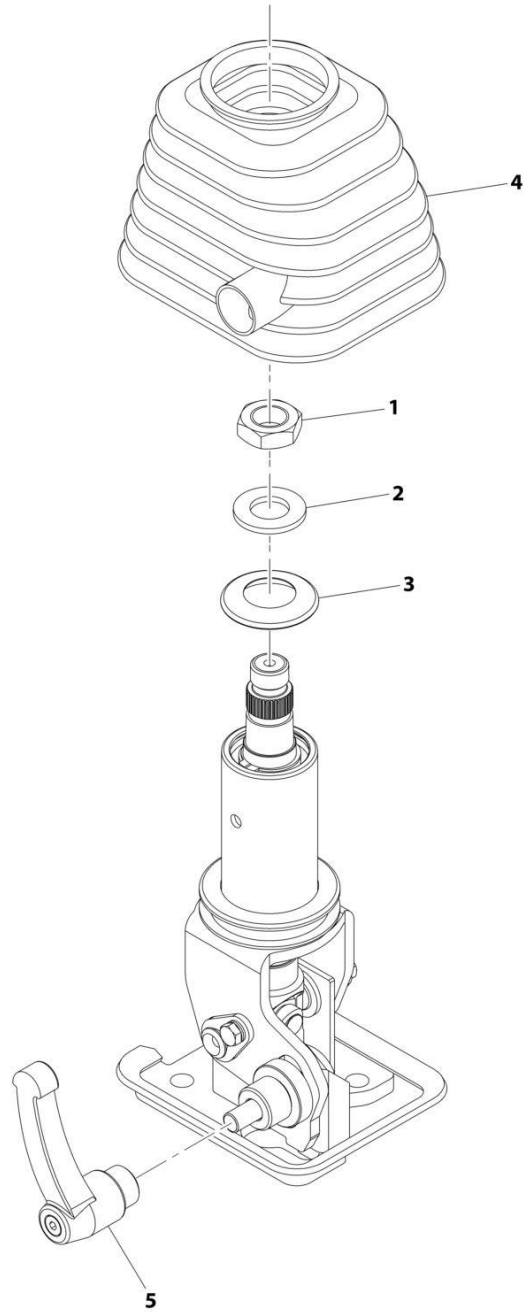
SECTION 7 - CONTROLS

FIGURE 7-11. TILT STEERING COLUMN INSTALLATION

ITEM	PART NUMBER	QTY	DESCRIPTION	REV
1	1001080809	Ref	Tilt Steering Column Installation	A
	1001080826	1	Tilt Steering Column (See Separate Breakdown in this Section)	

SECTION 7 - CONTROLS

FIGURE 7-12. TILT STEERING COLUMN



ART_1001080826-F

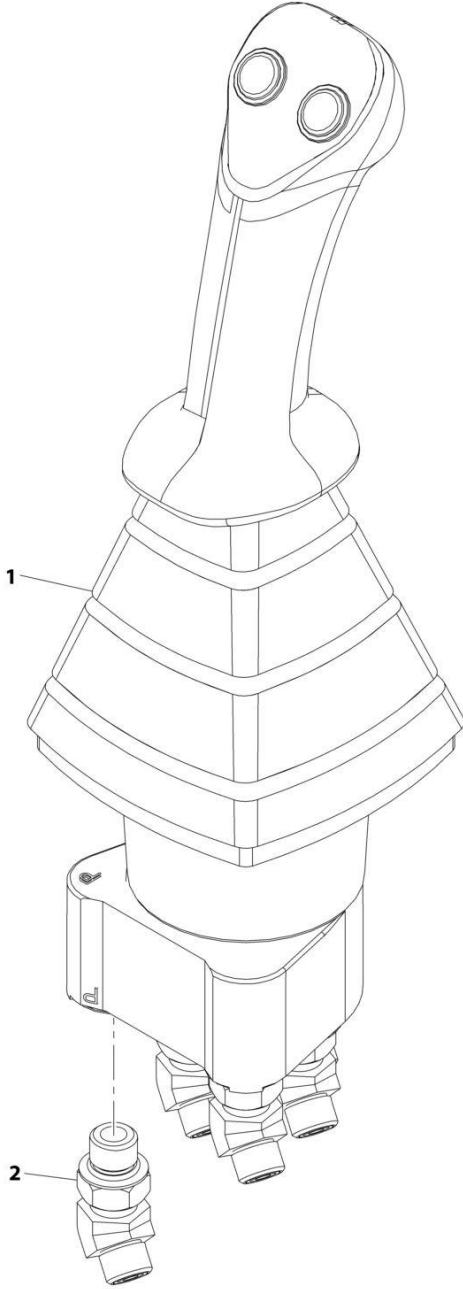
SECTION 7 - CONTROLS

FIGURE 7-12. TILT STEERING COLUMN

ITEM	PART NUMBER	QTY	DESCRIPTION	REV
	1001080826	Ref	Tilt Steering Column	F
1	70020923	1	Nut, M18-1-1/2	
2	70020924	1	Washer	
3	70020925	1	Rubber Cap	
4	70020926	1	Bellows	
5	70020927	1	Locking Handle	

SECTION 7 - CONTROLS

FIGURE 7-13. HYDRAULIC CONTROLLER ASSEMBLY



ART_1001080500-D

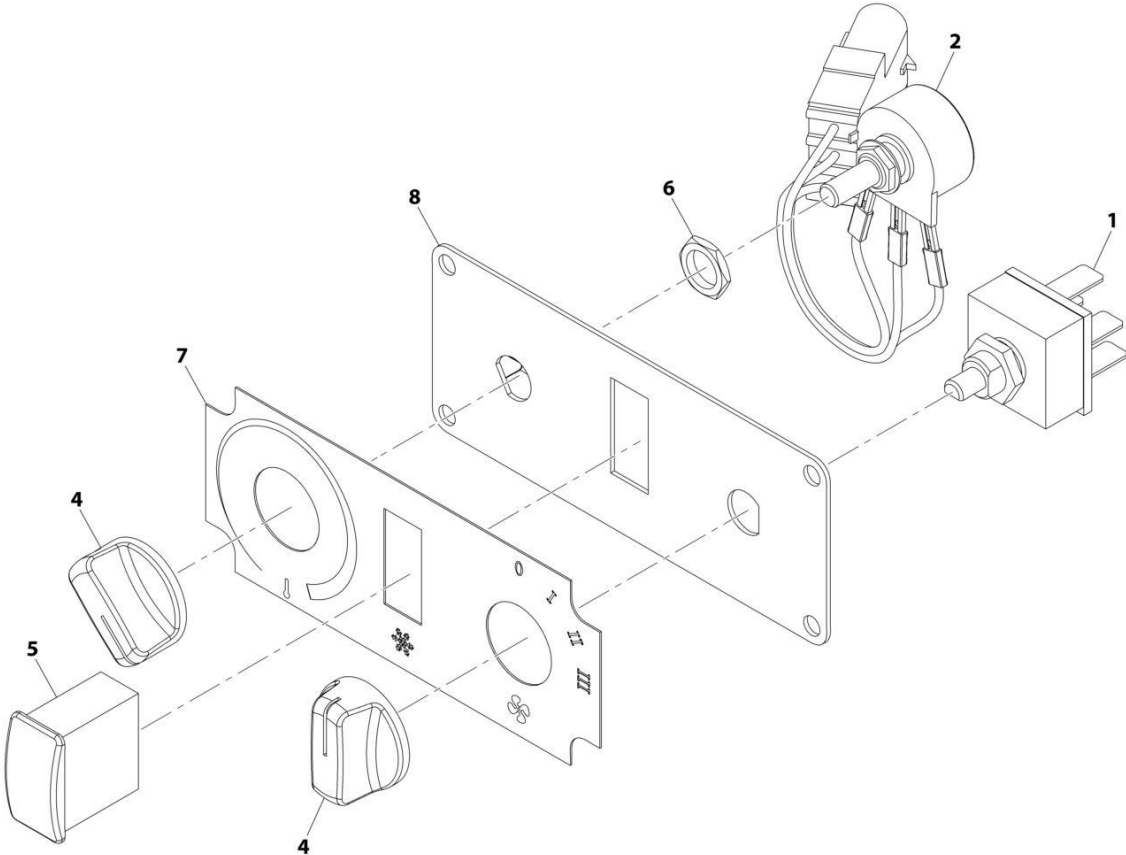
SECTION 7 - CONTROLS

FIGURE 7-13. HYDRAULIC CONTROLLER ASSEMBLY

ITEM	PART NUMBER	QTY	DESCRIPTION	REV
	1001080500	1	Hydraulic Controller Assembly	D
1	1001080256	1	Joystick (See Separate Breakdown in this Section)	
2	2150406	1	Fitting, 45 ORFS	

SECTION 7 - CONTROLS

FIGURE 7-14. HEATER CONTROL SWITCH



ART_1001193945-D

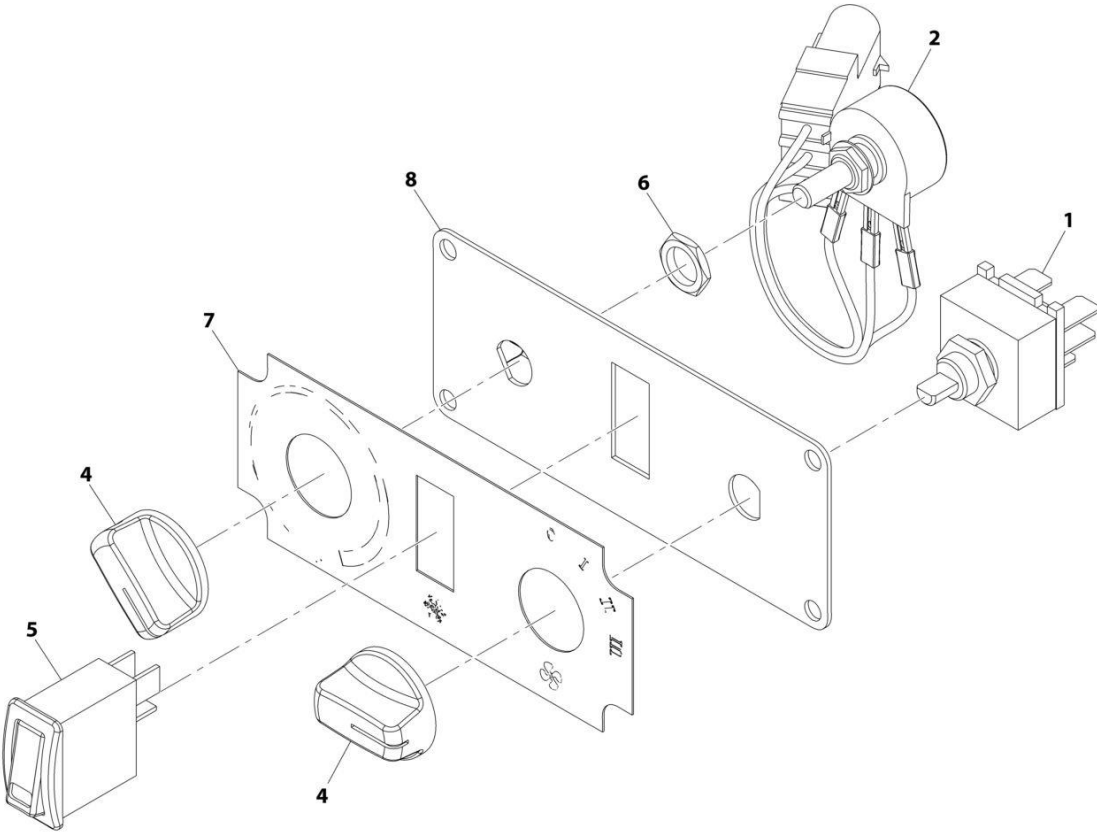
SECTION 7 - CONTROLS

FIGURE 7-14. HEATER CONTROL SWITCH

ITEM	PART NUMBER	QTY	DESCRIPTION	REV
	1001193945	Ref	Heater Control Switch	D
1	1001204362	1	Switch, Blower	
2	1001151643	1	Potentiometer	
4	1001204360	2	Positioning Knob	
5	1001204363	1	Rocker Switch	
6	1001204464	1	Jam Nut	
7	1001204469	1	Decal, Switch Panel	
8	1001204470	1	Plate, Switch Panel	

SECTION 7 - CONTROLS

FIGURE 7-15. HVAC CONTROL SWITCH



ART_1001193501-D

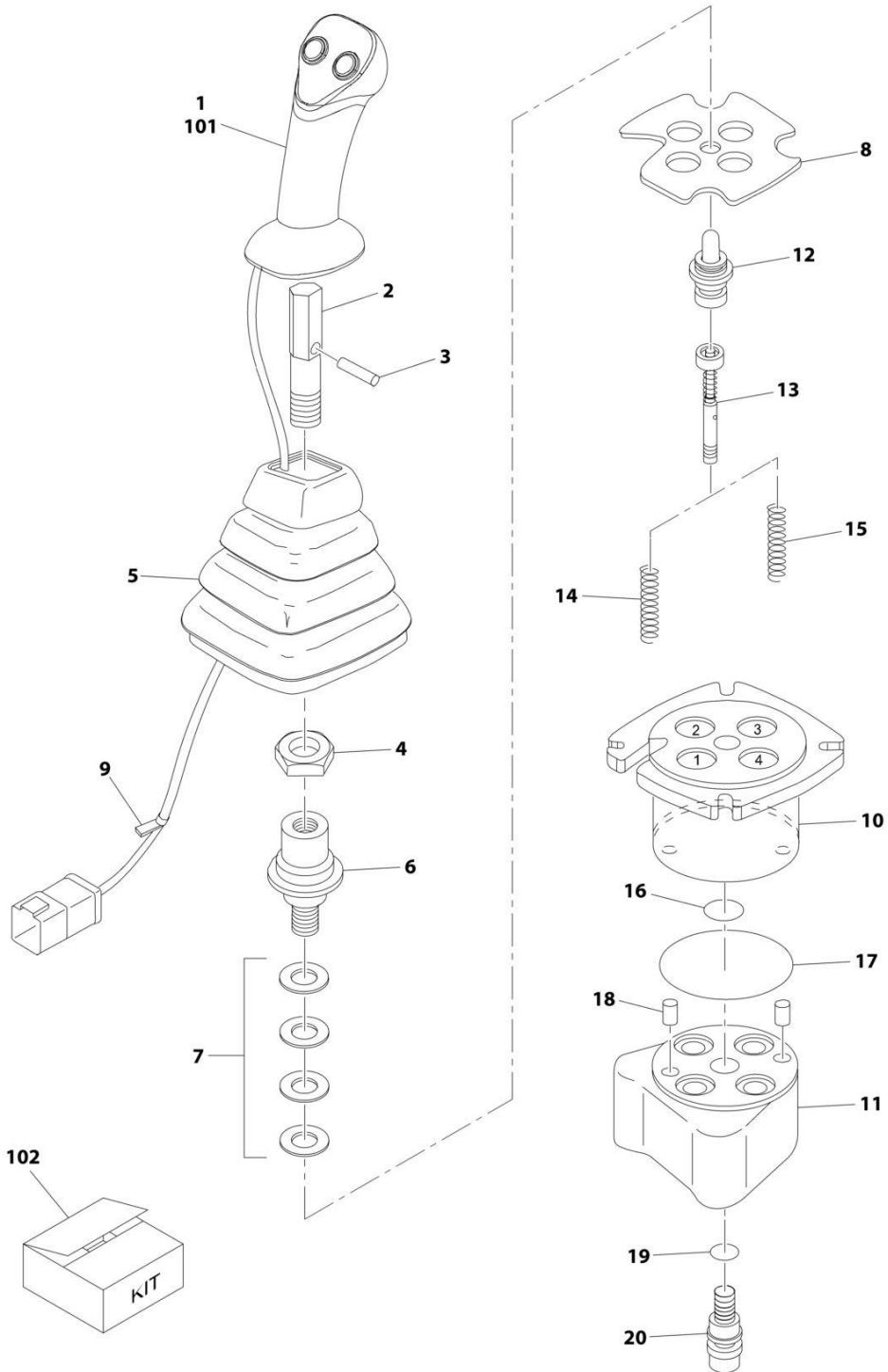
SECTION 7 - CONTROLS

FIGURE 7-15. HVAC CONTROL SWITCH

ITEM	PART NUMBER	QTY	DESCRIPTION	REV
	1001193501	Ref	HVAC Control Switch	D
1	1001204362	1	Switch, Blower	
2	1001151643	1	Potentiometer	
4	1001204360	2	Positioning Knob	
5	1001204385	1	Rocker Switch	
6	1001204464	1	Jam Nut	
7	1001204469	1	Decal, Switch Panel	
8	1001204470	1	Plate, Switch Panel	

SECTION 7 - CONTROLS

FIGURE 7-16. BOOM JOYSTICK



ART_1001080256-D

SECTION 7 - CONTROLS

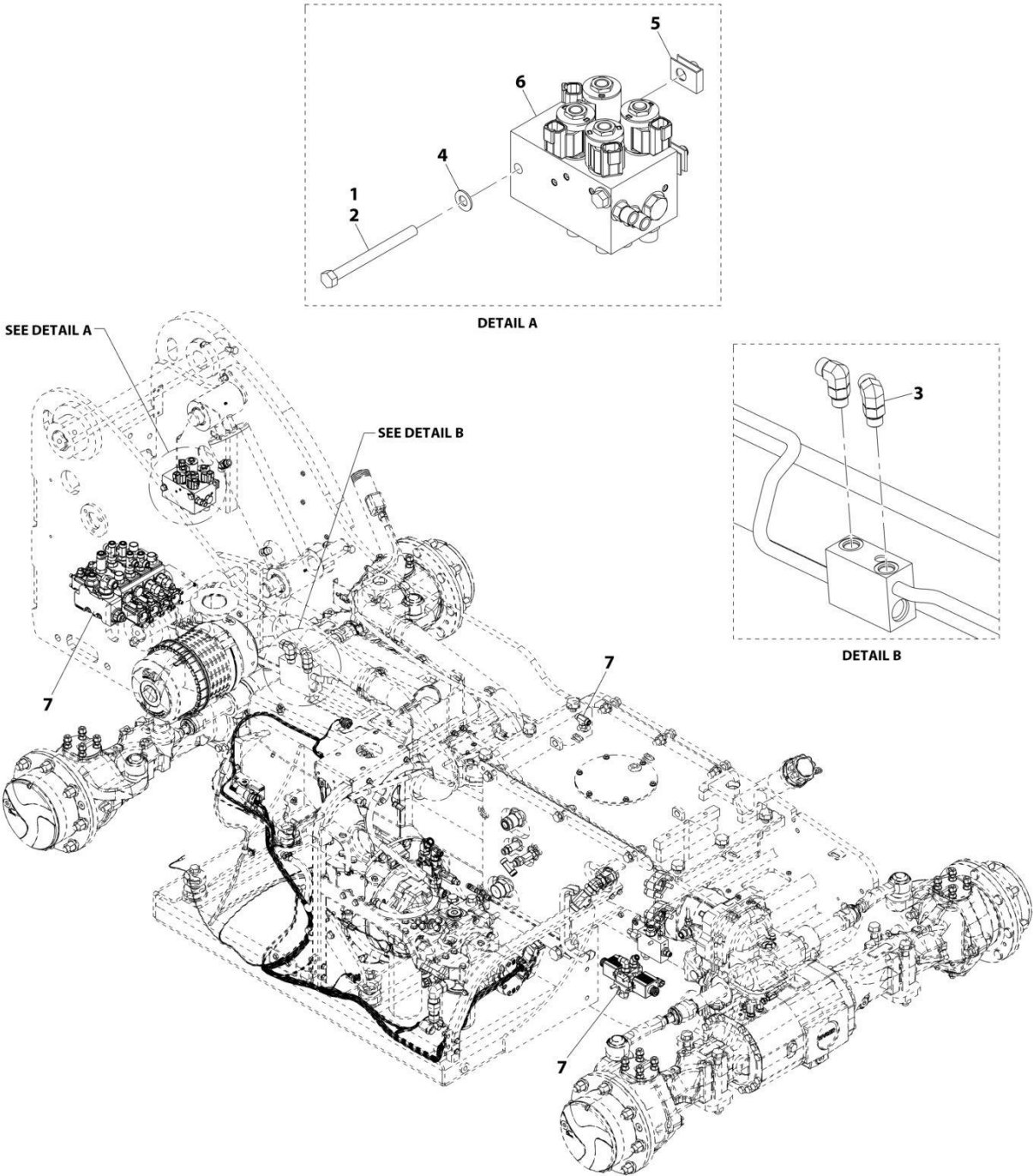
FIGURE 7-16. BOOM JOYSTICK

ITEM	PART NUMBER	QTY	DESCRIPTION	REV
	1001080256	Ref	Boom Joystick	D
1	70020769	1	Handle Assembly	
2	70020770	1	Straight Lever Kit	
3	N.S.S.	1	Straight Lever	
4	N.S.S.	1	Hex Nut	
5	70020771	1	Rubber Boot	
6	80264138	1	Cardan Kit	
7	N.S.S.	AR	Shim	
8	91404013	1	Retaining Plate	
9	80264139	1	Grommet Kit	
10	91404016	1	Upper Body	
11	N.S.S.	1	Lower Body	
12	91304025	2	Plunger And Guide Kit	
13	91514224	4	Regulating Unit	
14	91504028	1	Return Spring	
15	91504029	1	Return Spring	
16	Kit	1	O-Ring	
17	Kit	1	O-Ring	
18	Kit	2	Dowel Pin	
19	Kit	1	O-Ring	
20	Kit	1	Screw Assembly	
101	3931412	4	Socket HD Screw, 1/4-20X3/4	
102	91404326	1	Seal Kit, (Includes Items 16 Thru 20)	

SECTION 8 - HYDRAULIC CIRCUITS

SECTION 8 - HYDRAULIC CIRCUITS

FIGURE 8-1. VALVE INSTALLATION (ANSI)



ART_1001190784-D

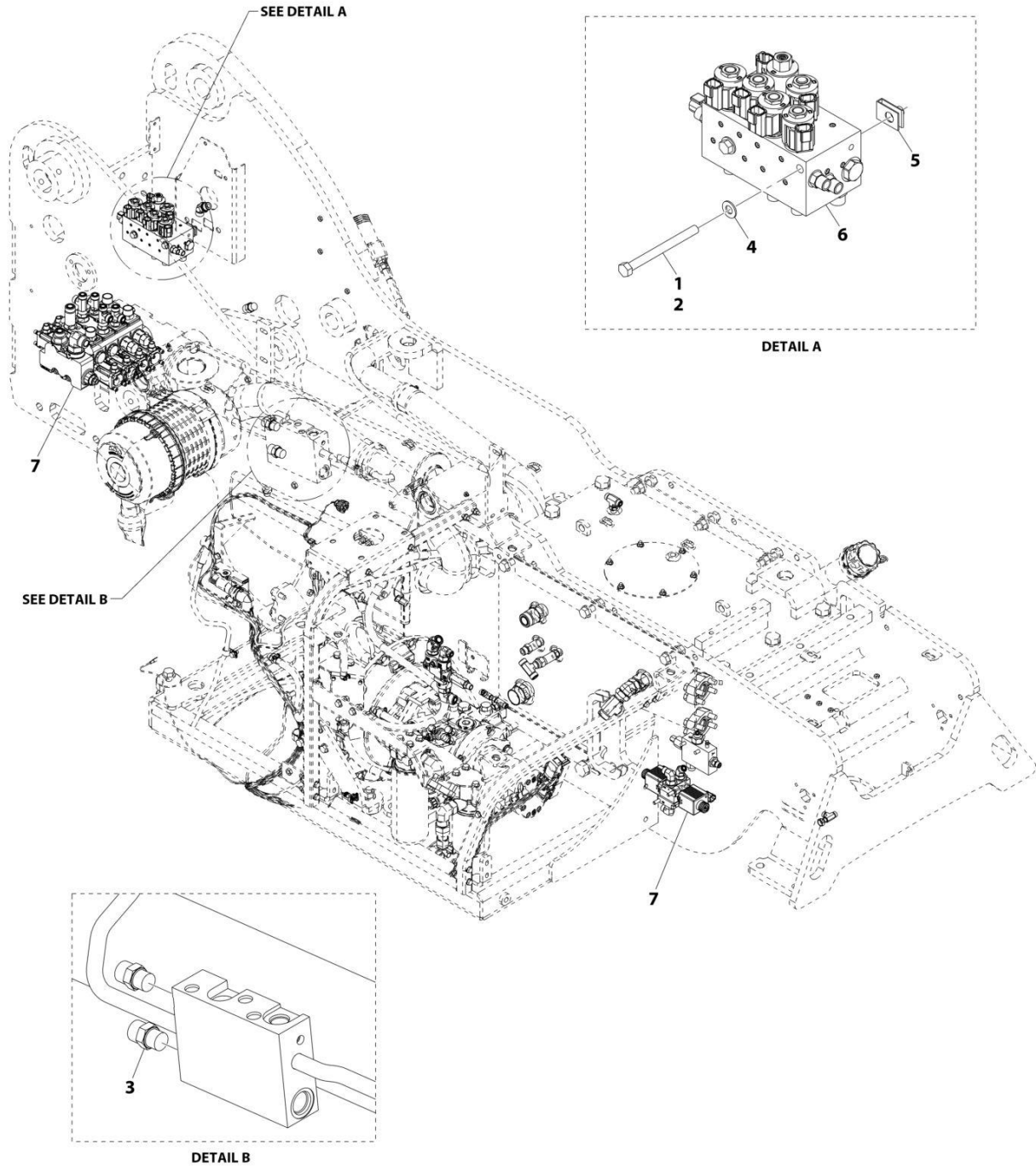
SECTION 8 - HYDRAULIC CIRCUITS

FIGURE 8-1. VALVE INSTALLATION (ANSI)

ITEM	PART NUMBER	QTY	DESCRIPTION	REV
	1001190784	Ref	Valve Installation (ANSI)	D
1	0100011	AR	Compound, Locking	
2	0641634	2	Capscrew 3/8 x 4-1/4	
3	2131010	2	Elbow, 90	
4	4711600	2	Washer 3/8	
5	88662523	2	Tinnerman Nut	
6	1001131099	1	Assembly, Pilot Select Valve (ANSI) (See Separate Breakdown in this Section)	
7	1001190692	1	Installation, Hydraulic Valve (See Separate Breakdown in this Section)	

SECTION 8 - HYDRAULIC CIRCUITS

FIGURE 8-2. VALVE INSTALLATION (CE)



ART_1001190694-D

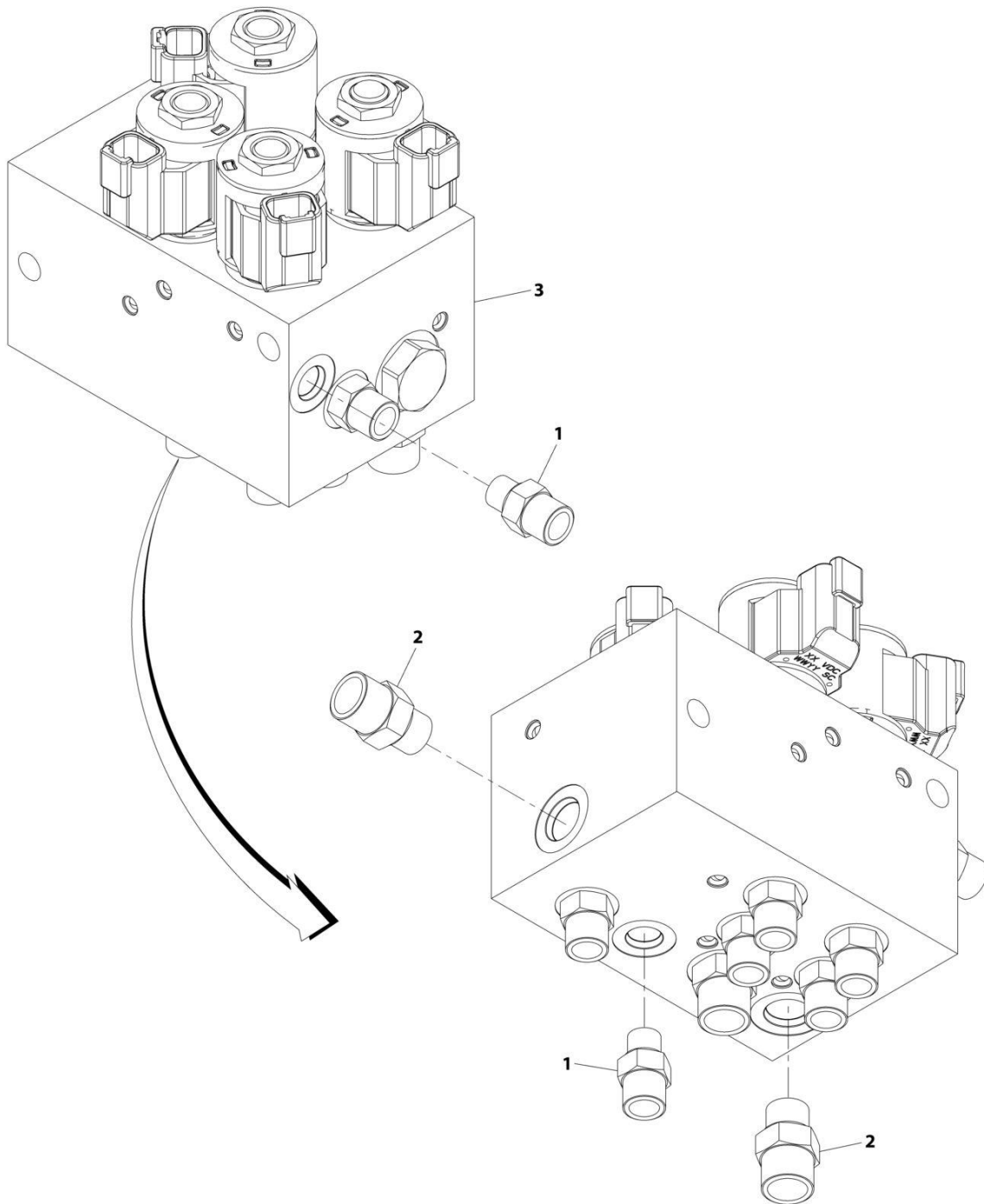
SECTION 8 - HYDRAULIC CIRCUITS

FIGURE 8-2. VALVE INSTALLATION (CE)

ITEM	PART NUMBER	QTY	DESCRIPTION	REV
	1001190694	Ref	Valve Installation (CE)	D
1	0100011	AR	Compound, Locking	
2	0641634	2	Capscrew 3/8 x 4-1/4	
3	2111010	2	Adapter	
4	4711600	2	Washer 3/8	
5	88662523	2	Tinnerman Nut	
6	1001131098	1	Assembly, Pilot Select Valve (CE) (See Separate Breakdown in this Section)	
7	1001190692	1	Installation, Hydraulic Valve (See Separate Breakdown in this Section)	

SECTION 8 - HYDRAULIC CIRCUITS

FIGURE 8-3. PILOT SELECT VALVE ASSEMBLY (ANSI)



ART_1001131099-A

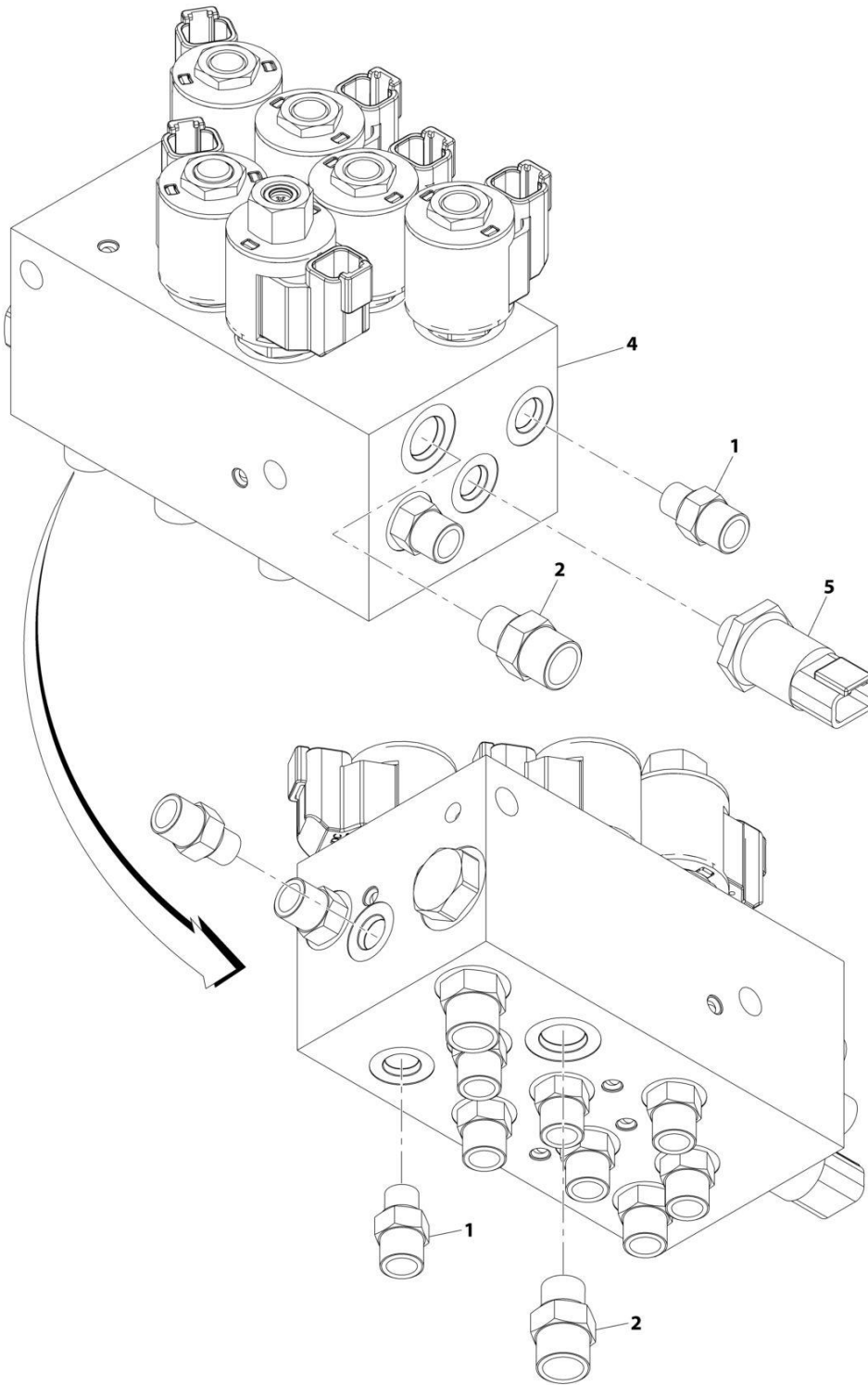
SECTION 8 - HYDRAULIC CIRCUITS

FIGURE 8-3. PILOT SELECT VALVE ASSEMBLY (ANSI)

ITEM	PART NUMBER	QTY	DESCRIPTION	REV
	1001131099	Ref	Pilot Select Valve Assembly (ANSI)	A
1	2110404	8	Adapter, Connector	
2	2110606	3	Adapter, Connector	
3	1001130178	1	Pilot Select Valve (ANSI) (See Separate Breakdown in this Section)	

SECTION 8 - HYDRAULIC CIRCUITS

FIGURE 8-4. PILOT SELECT VALVE ASSEMBLY (CE)



ART_1001131098-B

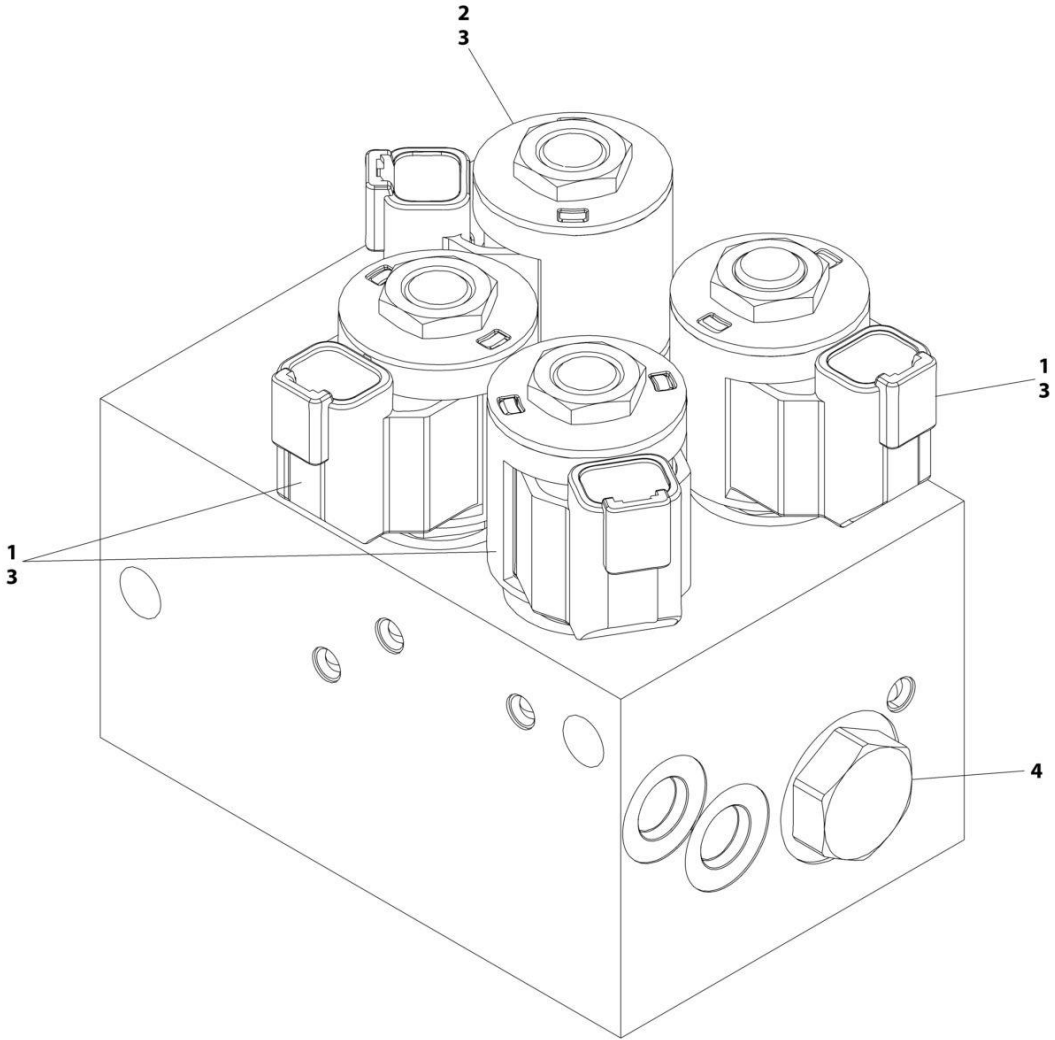
SECTION 8 - HYDRAULIC CIRCUITS

FIGURE 8-4. PILOT SELECT VALVE ASSEMBLY (CE)

ITEM	PART NUMBER	QTY	DESCRIPTION	REV
	1001131098	Ref	Pilot Select Valve Assembly (CE)	B
1	2110404	12	Straight Fitting	
2	2110606	3	Straight Fitting	
4	1001132342	1	Valve, Pilot Select (CE) (See Separate Breakdown in this Section)	
5	1001132795	1	Pressure Sensor	

SECTION 8 - HYDRAULIC CIRCUITS

FIGURE 8-5. PILOT SELECT VALVE (ANSI)



ART_1001130178-A

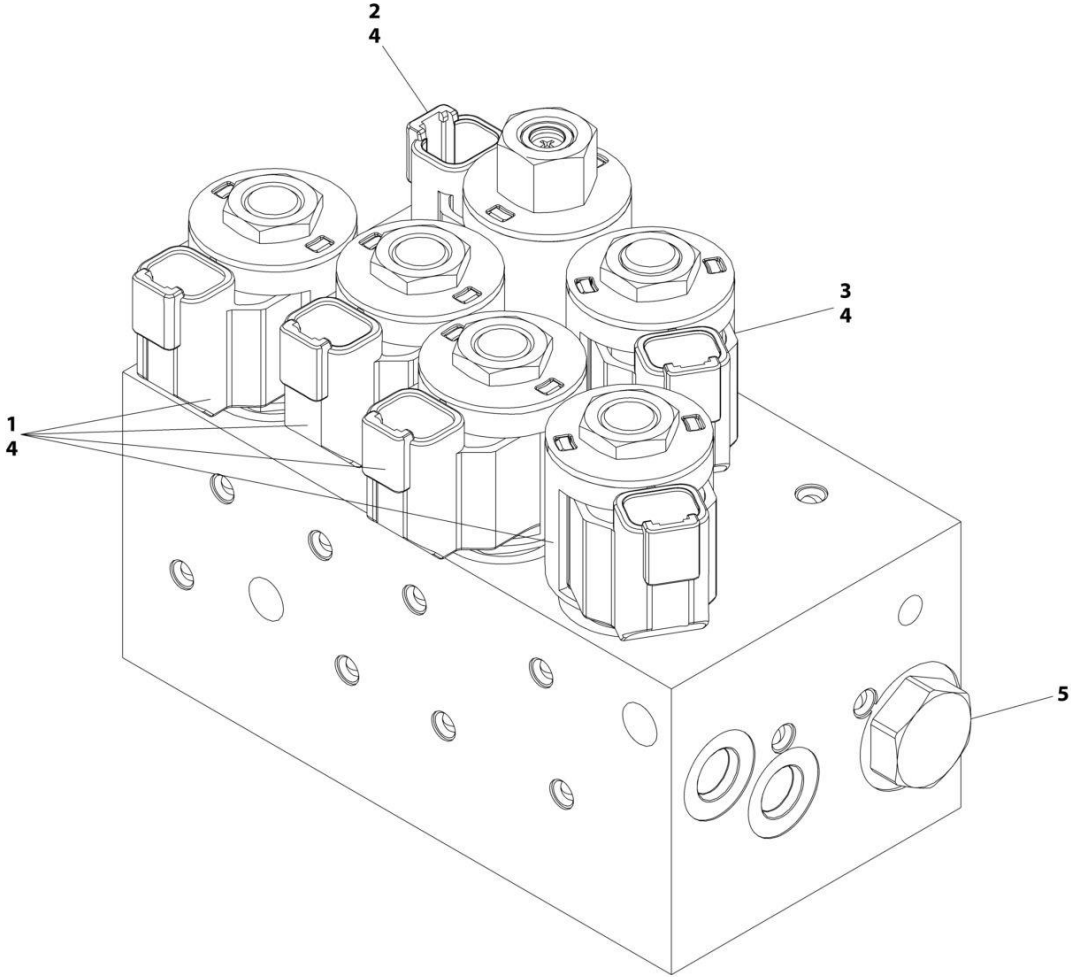
SECTION 8 - HYDRAULIC CIRCUITS

FIGURE 8-5. PILOT SELECT VALVE (ANSI)

ITEM	PART NUMBER	QTY	DESCRIPTION	REV
	1001130178	Ref	Pilot Select Valve (ANSI)	A
1	1101244	3	Directional Valve	
1	8033761	3	Seal Kit	
2	70023946	1	Directional Valve	
3	70002386	4	Coil	
4	10837580	1	Load Sense Check Valve	
4	7010543	1	Seal Kit	

SECTION 8 - HYDRAULIC CIRCUITS

FIGURE 8-6. PILOT SELECT VALVE (CE)



ART_1001132342-A

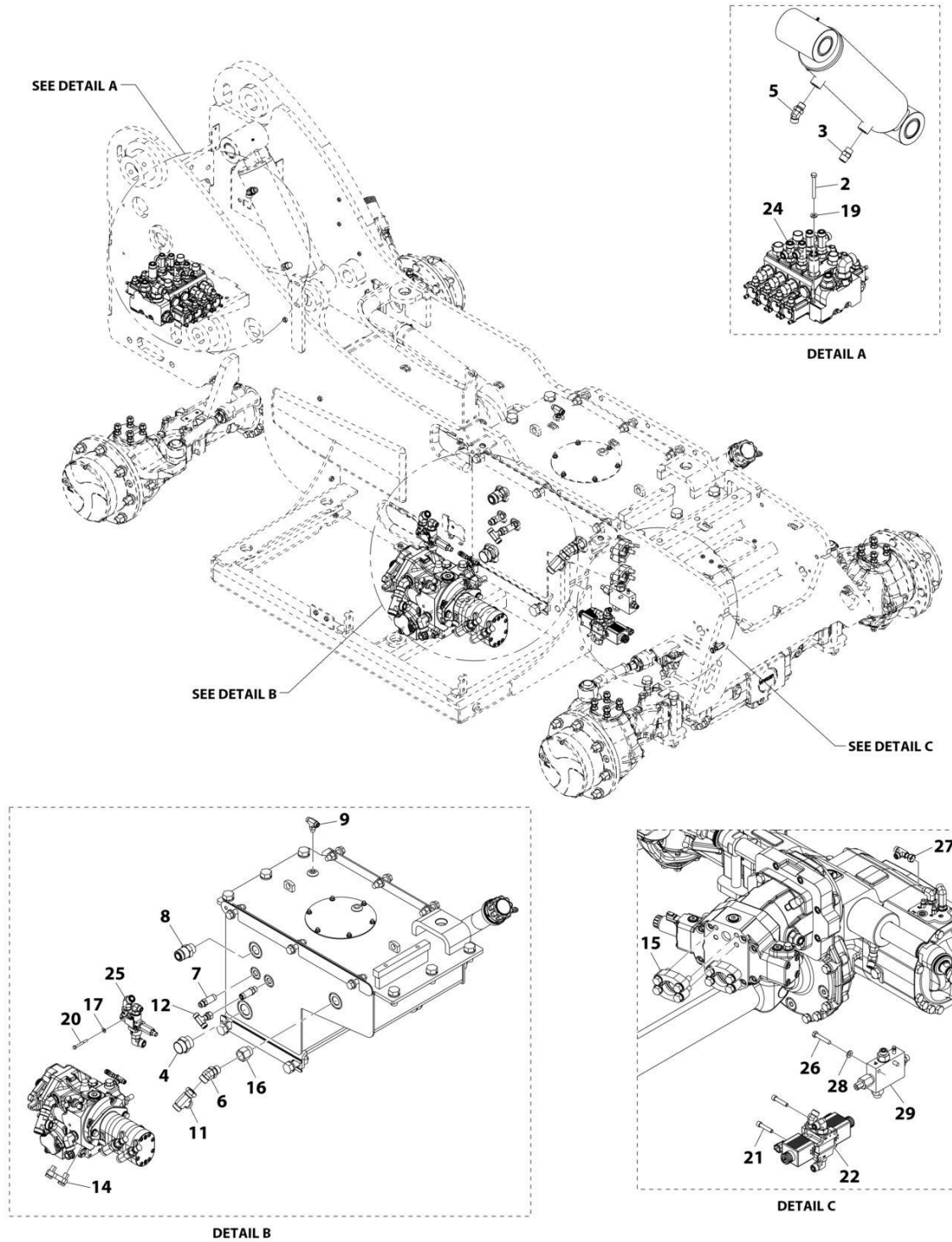
SECTION 8 - HYDRAULIC CIRCUITS

FIGURE 8-6. PILOT SELECT VALVE (CE)

ITEM	PART NUMBER	QTY	DESCRIPTION	REV
	1001132342	Ref	Pilot Select Valve (CE)	A
1	1101244	4	Directional Valve	
1	8033761	4	Seal Kit	
2	70023945	1	Proportional Valve	
3	70023946	1	Directional Valve	
4	70002386	6	Coil	
5	10837580	1	Load Sense Check Valve	
5	7010543	1	Seal Kit	
6	70002064	1	Orifice, 0.047 In	

SECTION 8 - HYDRAULIC CIRCUITS

FIGURE 8-7. HYDRAULIC VALVE INSTALLATION



ART_1001190692-D

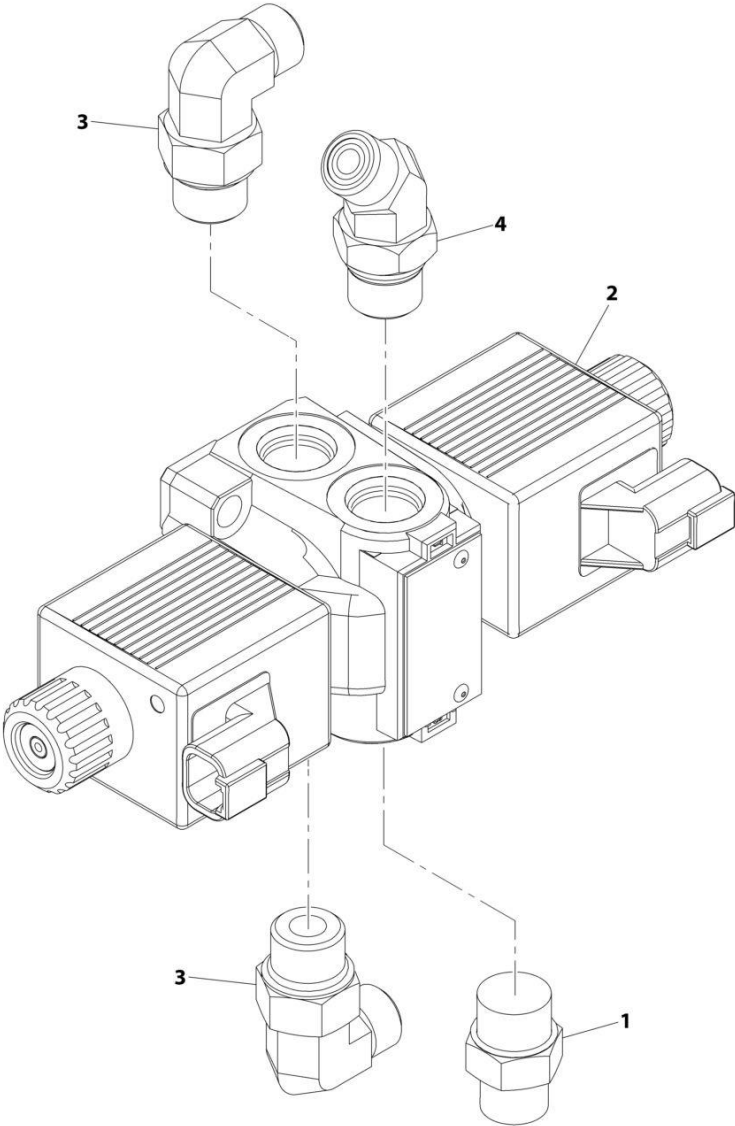
SECTION 8 - HYDRAULIC CIRCUITS

FIGURE 8-7. HYDRAULIC VALVE INSTALLATION

ITEM	PART NUMBER	QTY	DESCRIPTION	REV
	1001190692	Ref	Hydraulic Valve Installation	D
2	0641522	3	Hex HD Capscrew, 5/16-18X2-3/4, GR5	
3	2110808	1	Adapter	
4	2112020	1	Adapter	
5	2150808	1	Adapter	
6	2151212	1	Adapter, 45	
7	2170108	2	Adapter, Connector	
8	1001208854	1	Adapter, Connector	
9	2170406	1	Adapter, Run Tee	
11	2170712	1	Adapter, Run Tee	
12	2170808	1	Adapter, Branch Tee	
14	2171712	2	Flange Kit	
15	2171716	2	Flange Kit	
16	2220550	1	Adapter, Connector	
17	4711400	1	Washer, 1/4	
19	4891500	3	Washer, 5/16	
20	8303114	1	Hex HD Capscrew, 0.250-20X2.250, GR5	
21	88212229	2	Socket Hd Capscrew, 5/16-18X1-1/2	
22	1001080243	1	Assembly, Steering Select Valve (See Separate Breakdown in this Section)	
24	1001132338	1	Assembly, Main Control Valve (See Separate Breakdown in this Section)	
25	1001142155	1	Assembly, Priority Valve (See Separate Breakdown in this Section)	
26	0641514	2	Hex HD Capscrew, 5/16-18X1-3/4, GR5	
27	2170704	1	Swivel Tee	
28	4711500	2	Washer, 5/16	
29	1001080399	1	Assembly, Brake Valve (See Separate Breakdown in this Section)	

SECTION 8 - HYDRAULIC CIRCUITS

FIGURE 8-8. STEERING SELECT VALVE ASSEMBLY



ART_1001080243-F

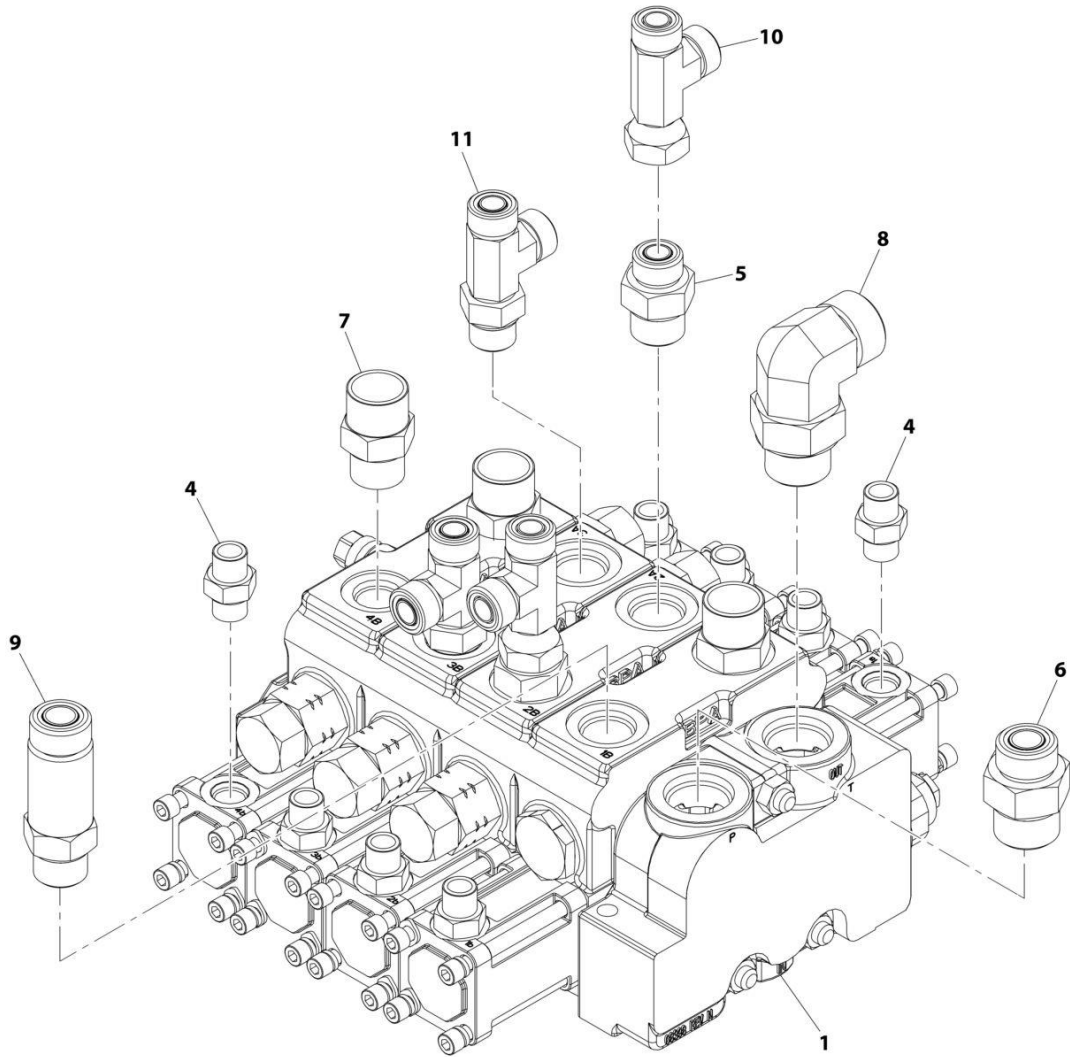
SECTION 8 - HYDRAULIC CIRCUITS

FIGURE 8-8. STEERING SELECT VALVE ASSEMBLY

ITEM	PART NUMBER	QTY	DESCRIPTION	REV
	1001080243	Ref	Steering Select Valve Assembly	F
1	2110608	1	Adapter	
2	1001153748	1	Steering Select Valve (See Separate Breakdown in Hydraulic Component Section)	
3	2130608	2	Adapter, 90	
4	2150608	1	Adapter, 45	

SECTION 8 - HYDRAULIC CIRCUITS

FIGURE 8-9. MAIN CONTROL VALVE ASSEMBLY



ART_1001132338-D

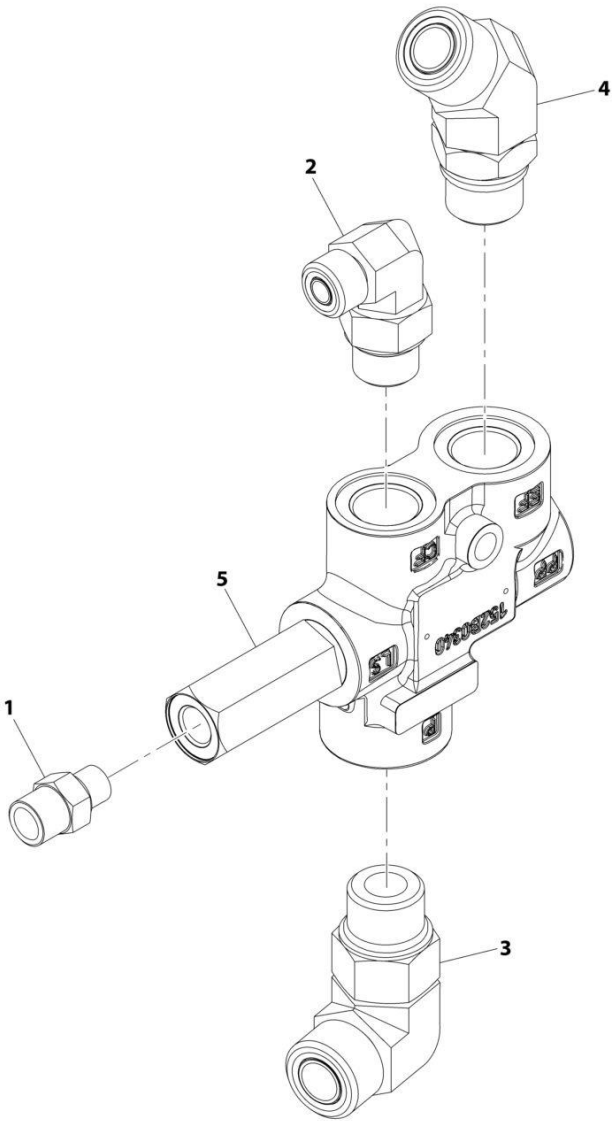
SECTION 8 - HYDRAULIC CIRCUITS

FIGURE 8-9. MAIN CONTROL VALVE ASSEMBLY

ITEM	PART NUMBER	QTY	DESCRIPTION	REV
	1001132338	Ref	Main Control Valve Assembly	D
1	1001080176	1	Valve, Main Control (W/Aux) (See Separate Breakdown in Hydraulic Component Section)	
4	2110406	8	Straight Fitting	
5	2110810	2	Adapter	
6	2111012	1	Adapter, Connector	
7	2111010	3	Adapter	
8	2131212	1	Adapter, 90	
9	2170110	1	Straight Fitting	
10	2170708	2	Swivel Tee	
11	2170308	2	Tee Fitting	

SECTION 8 - HYDRAULIC CIRCUITS

FIGURE 8-10. PRIORITY VALVE ASSEMBLY



ART_1001142155-A

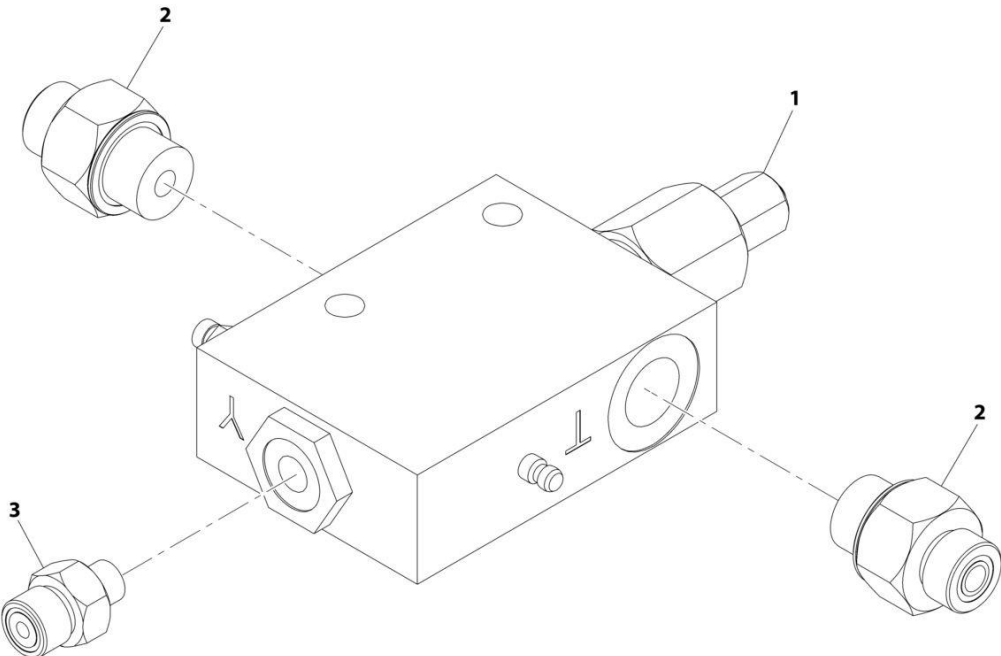
SECTION 8 - HYDRAULIC CIRCUITS

FIGURE 8-10. PRIORITY VALVE ASSEMBLY

ITEM	PART NUMBER	QTY	DESCRIPTION	REV
	1001142155	Ref	Priority Valve Assembly	A
1	2110404	1	Adapter, Connector	
2	2130608	1	Adapter, 90	
3	2131010	1	Adapter, 90	
4	2151010	1	Adapter, 45	
5	1001080143	1	Priority Valve	

SECTION 8 - HYDRAULIC CIRCUITS

FIGURE 8-11. BRAKE VALVE ASSEMBLY



ART_1001080399-D

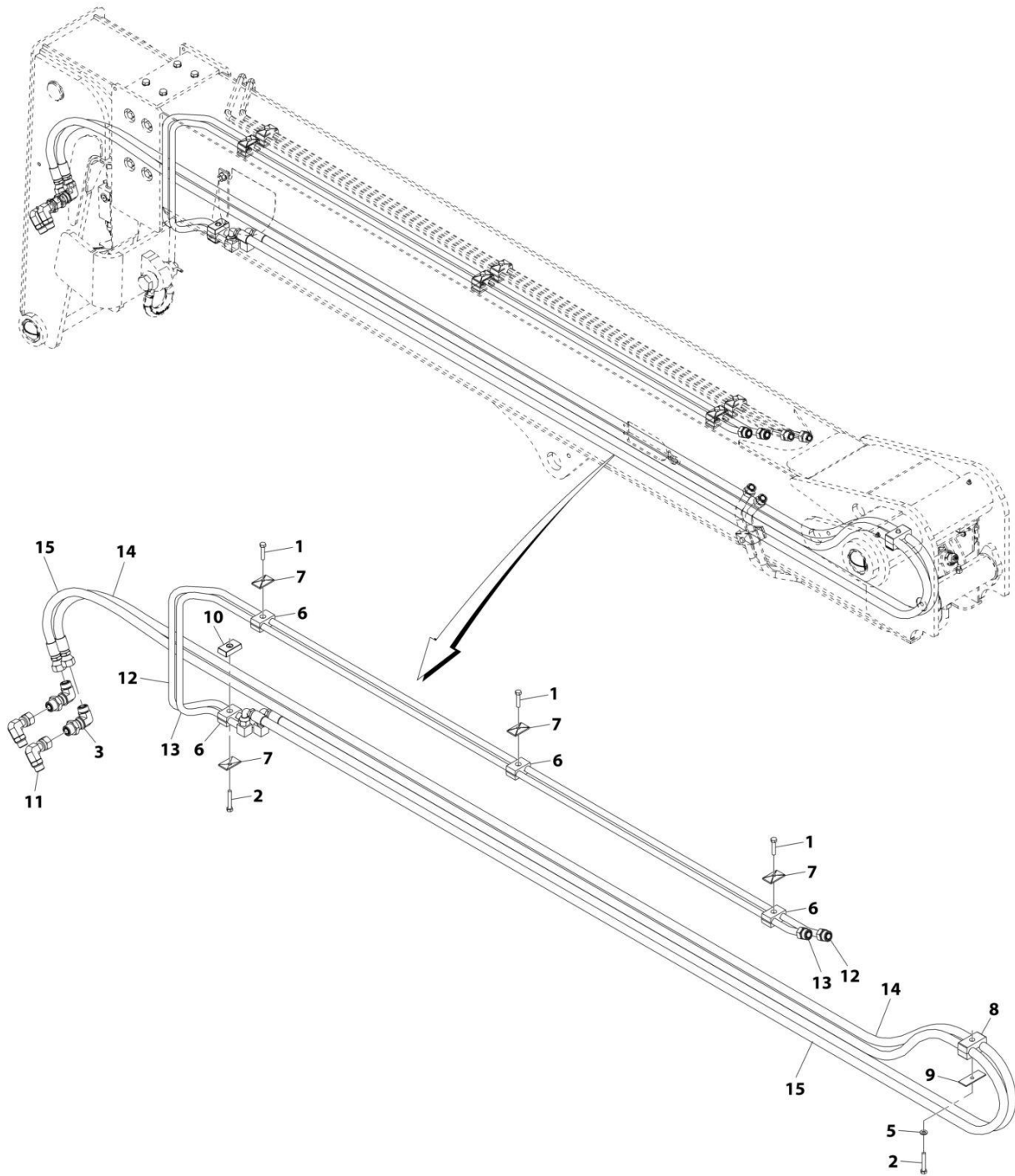
SECTION 8 - HYDRAULIC CIRCUITS

FIGURE 8-11. BRAKE VALVE ASSEMBLY

ITEM	PART NUMBER	QTY	DESCRIPTION	REV
	1001080399	Ref	Brake Valve Assembly	D
1	4641474	1	Brake Valve	
2	1001081333	2	Fitting	
3	1001081334	1	Fitting	

SECTION 8 - HYDRAULIC CIRCUITS

FIGURE 8-12. BOOM HYDRAULIC INSTALLATION



ART_1001237192-B

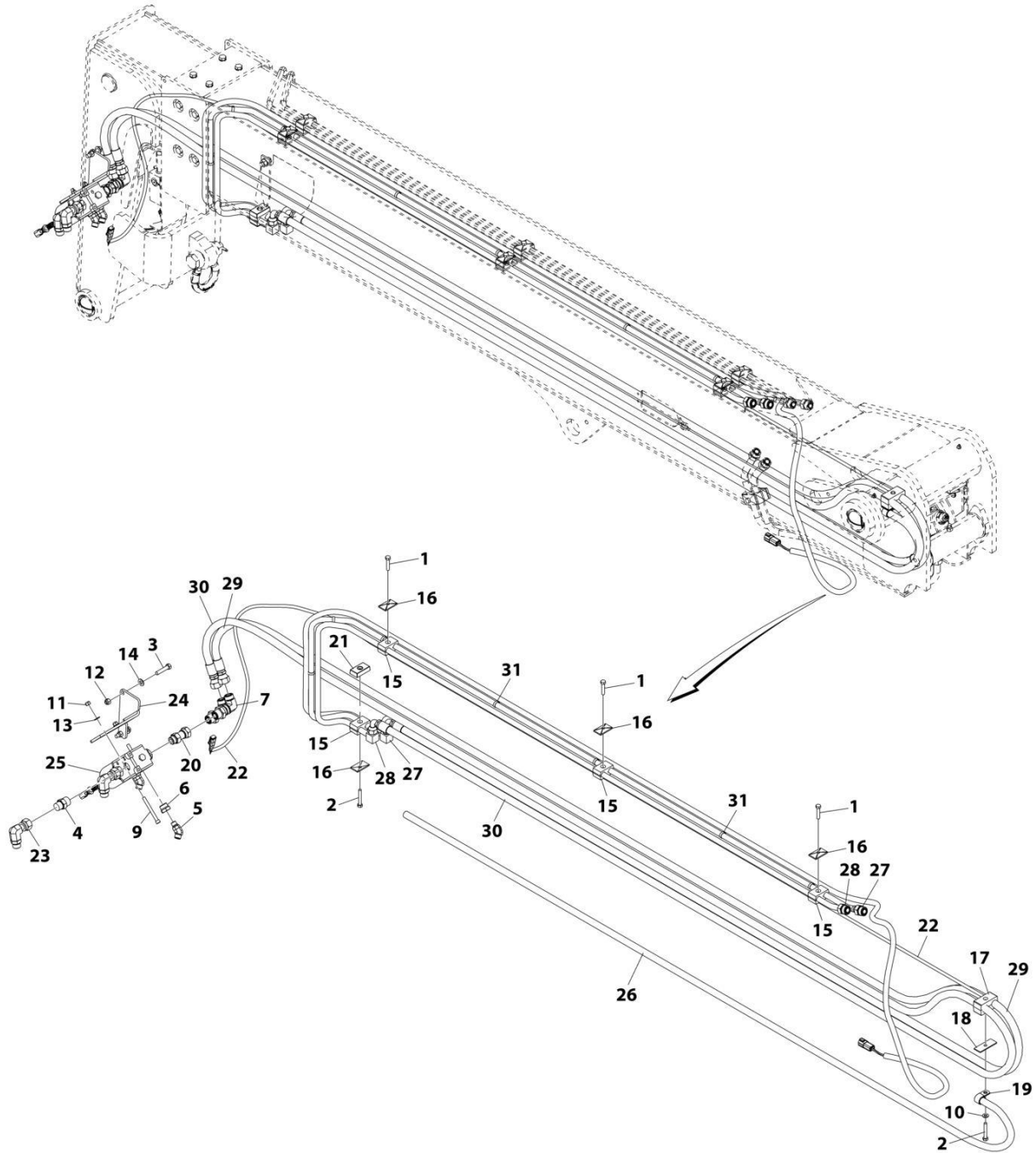
SECTION 8 - HYDRAULIC CIRCUITS

FIGURE 8-12. BOOM HYDRAULIC INSTALLATION

ITEM	PART NUMBER	QTY	DESCRIPTION	REV
	1001237192	Ref	Boom Hydraulic Installation	B
1	0641512	3	Hex HD Capscrew, 5/16-18X1-1/2, GR5	
2	0641516	2	Hex HD Capscrew, 5/16-18X2, GR5	
3	2221290	2	Elbow, 90	
5	4711500	1	Washer, 5/16	
6	8769122	4	Twin Clamp Set	
7	8769123	4	Twin Cover Plate	
8	77133136	1	Clamp	
9	77133137	1	Cover Plate	
10	1001080394	1	Twin Spacer	
11	1001090103	2	Fitting	
12	1001080207	1	Tube Assembly	
13	1001080208	1	Tube Assembly	
14	1001236782	1	Hose	
15	1001236783	1	Hose	

SECTION 8 - HYDRAULIC CIRCUITS

FIGURE 8-13. BOOM HYDRAULIC INSTALLATION, W/QS



ART_1001237214-B

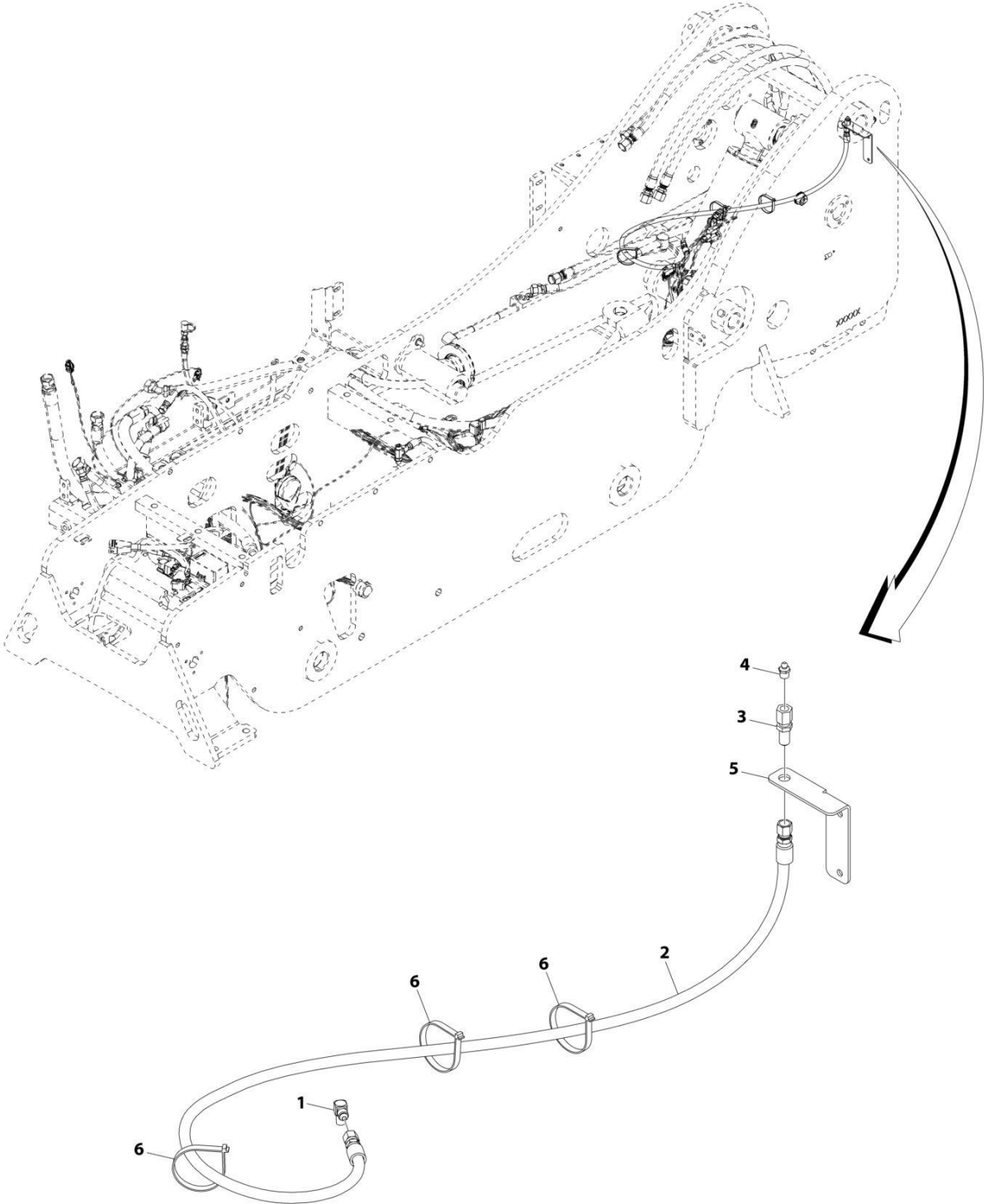
SECTION 8 - HYDRAULIC CIRCUITS

FIGURE 8-13. BOOM HYDRAULIC INSTALLATION, W/QS

ITEM	PART NUMBER	QTY	DESCRIPTION	REV
	1001237214	Ref	Boom Hydraulic Installation, W/QS	B
1	0641512	3	Hex HD Capscrew, 5/16-18X1-1/2, GR5	
2	0641516	2	Hex HD Capscrew, 5/16-18X2, GR5	
3	0641614	2	Hex HD Capscrew, 3/8-16X1-3/4, GR5	
4	2111010	2	Adapter	
5	2150606	2	Elbow, 45	
6	2220218	2	Adapter	
7	2221290	2	Elbow, 90	
9	3931548	2	Socket HD Capscrew, 5/16-18X3	
10	4711500	1	Washer, 5/16	
11	8305626	2	Hex Locknut, 5/16	
12	8305645	2	Hex Locknut, 3/8-16	
13	8307106	2	Plain Washer, 5/16	
14	8307110	2	Washer, 3/8	
15	8769122	4	Clamp Set	
16	8769123	4	Cover Plate	
17	77133136	1	Clamp Set	
18	77133137	1	Cover Plate	
19	91043147	1	Clamp	
20	1001001556	2	Adapter	
21	1001080394	1	Twin Line Clamp Spacer	
22	1001080397	1	Boom Aux Harness (See Separate Breakdown in Electrical Section)	
23	1001090103	2	Fitting	
24	1001100916	1	Bracket	
25	1001104477	1	Valve Divertor (See Separate Breakdown in this Section)	
26	1001232722	1	Hose	
27	1001080207	1	Tube Assembly	
28	1001080208	1	Tube Assembly	
29	1001236782	1	Hose	
30	1001236783	1	Hose	
31	90027187	AR	Cable Tie Strap	

SECTION 8 - HYDRAULIC CIRCUITS

FIGURE 8-14. REMOTE GREASE INSTALLATION



ART_1001236788-B

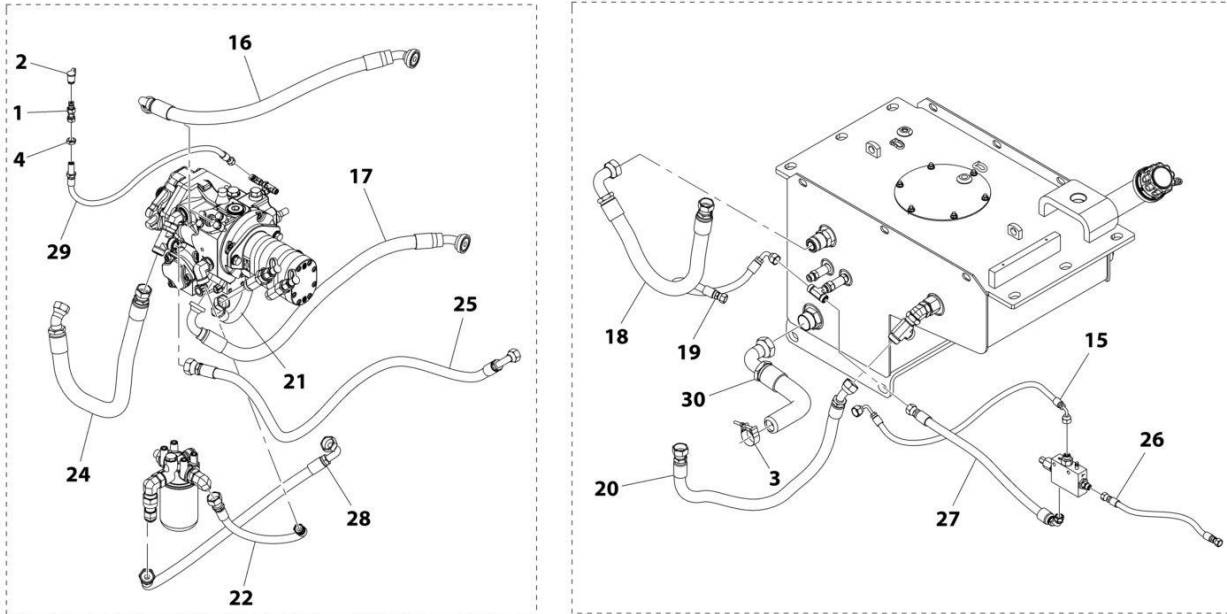
SECTION 8 - HYDRAULIC CIRCUITS

FIGURE 8-14. REMOTE GREASE INSTALLATION

ITEM	PART NUMBER	QTY	DESCRIPTION	REV
	1001236788	Ref	Remote Grease Installation	B
1	2220612	1	Elbow, 90	
2	1001081413	1	Hose Assembly	
3	80623016	1	Adapter	
4	8520001	1	Fitting	
5	1001236787	1	Bracket	
6	8584003	3	Cable Tie	

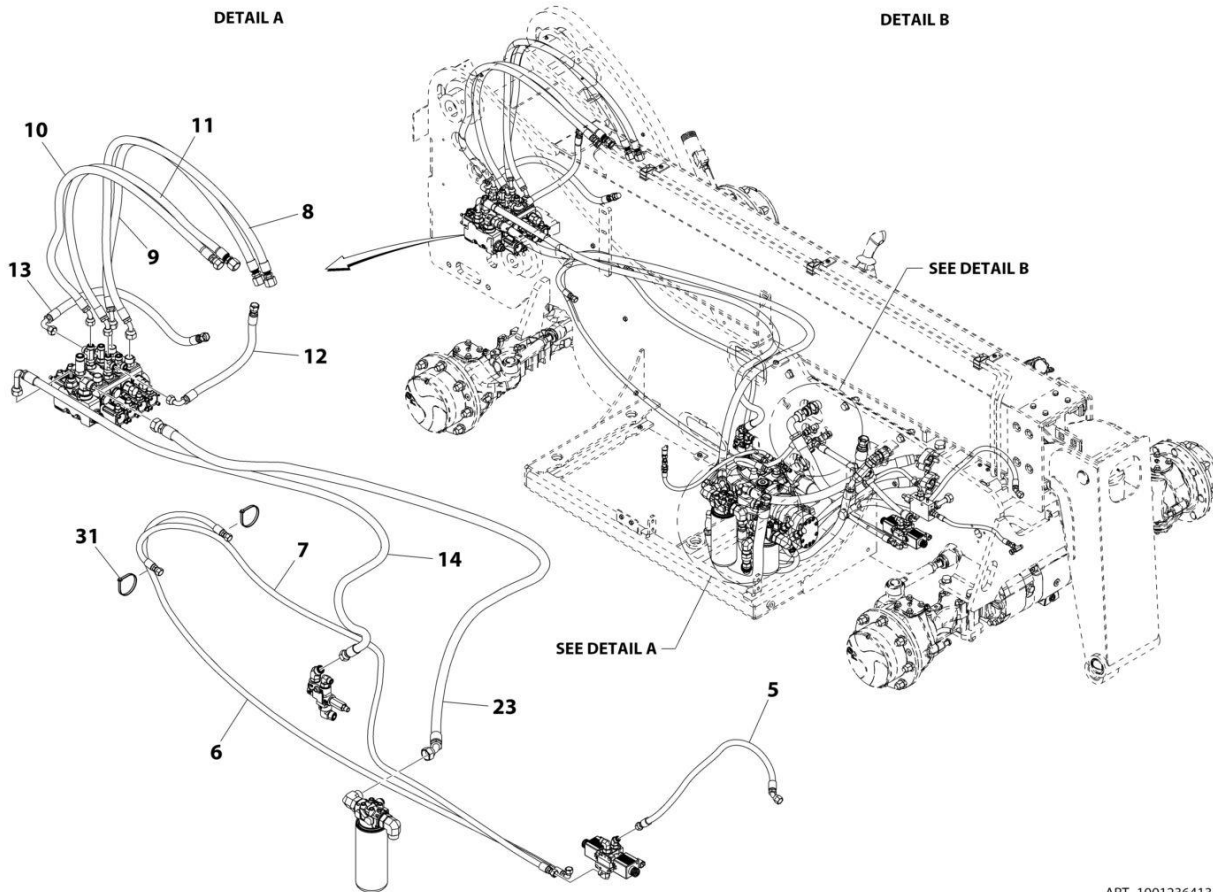
SECTION 8 - HYDRAULIC CIRCUITS

FIGURE 8-15. FRAME HYDRAULIC HOSE INSTALLATION



DETAIL A

DETAIL B



ART_1001236413-B

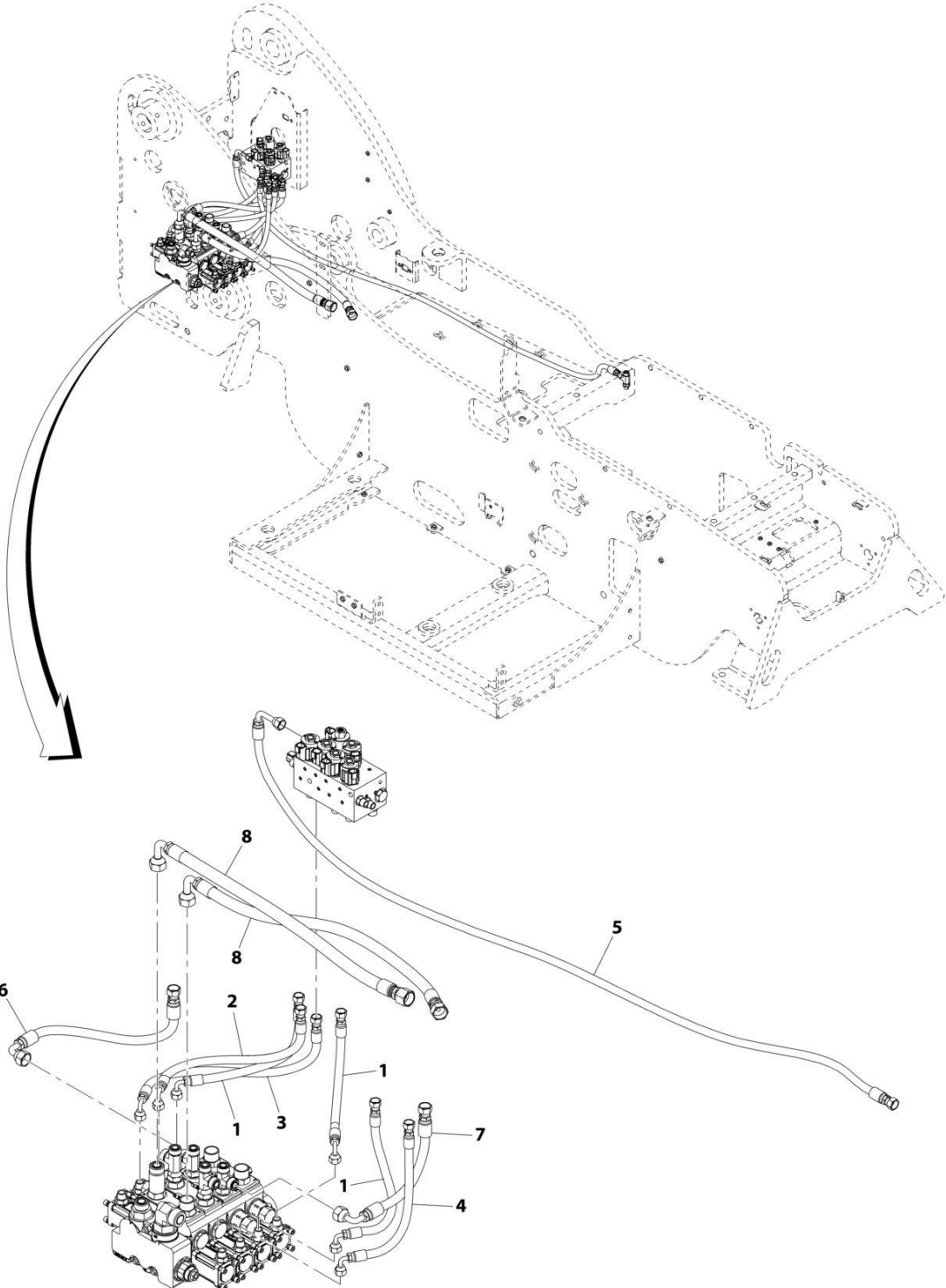
SECTION 8 - HYDRAULIC CIRCUITS

FIGURE 8-15. FRAME HYDRAULIC HOSE INSTALLATION

ITEM	PART NUMBER	QTY	DESCRIPTION	REV
	1001236413	Ref	Frame Hydraulic Hose Installation	B
1	2221229	1	Adapter, Diagnostic Nipple	
2	8430032	1	Dust Cap	
3	80633030	1	Clamp	
4	88662482	1	Locknut	
5	1001236418	1	Hose Assembly	
6	1001236419	1	Hose Assembly	
7	1001236420	1	Hose Assembly	
8	1001080293	1	Hose Assembly	
9	1001080309	1	Hose Assembly	
10	1001080437	1 in	Hose Assembly	
11	1001080438	1 in	Hose Assembly	
12	1001081347	1	Hose Assembly	
13	1001081348	1	Hose Assembly	
14	1001144697	1	Hose Assembly	
15	1001144763	1	Hose Assembly	
16	1001144749	1	Hose Assembly	
17	1001144750	1	Hose Assembly	
18	1001144751	1	Hose Assembly	
19	1001144753	1	Hose Assembly	
20	1001144754	1	Hose Assembly	
21	1001144755	1	Hose Assembly	
22	1001144757	1	Hose Assembly	
23	1001144759	1	Hose Assembly	
24	1001144760	1	Hose Assembly	
25	1001144761	1	Hose Assembly	
26	1001144764	1	Hose Assembly	
27	1001144737	1	Hose Assembly	
28	1001151288	1	Hose Assembly	
29	1001152967	1	Hose Assembly	
30	1001202141	1	Hose Assembly	
31	4240099	2	Strap, Tie	

SECTION 8 - HYDRAULIC CIRCUITS

FIGURE 8-16. HYDRAULIC HOSE INSTALLATION (ANSI)



ART_1001200567-B

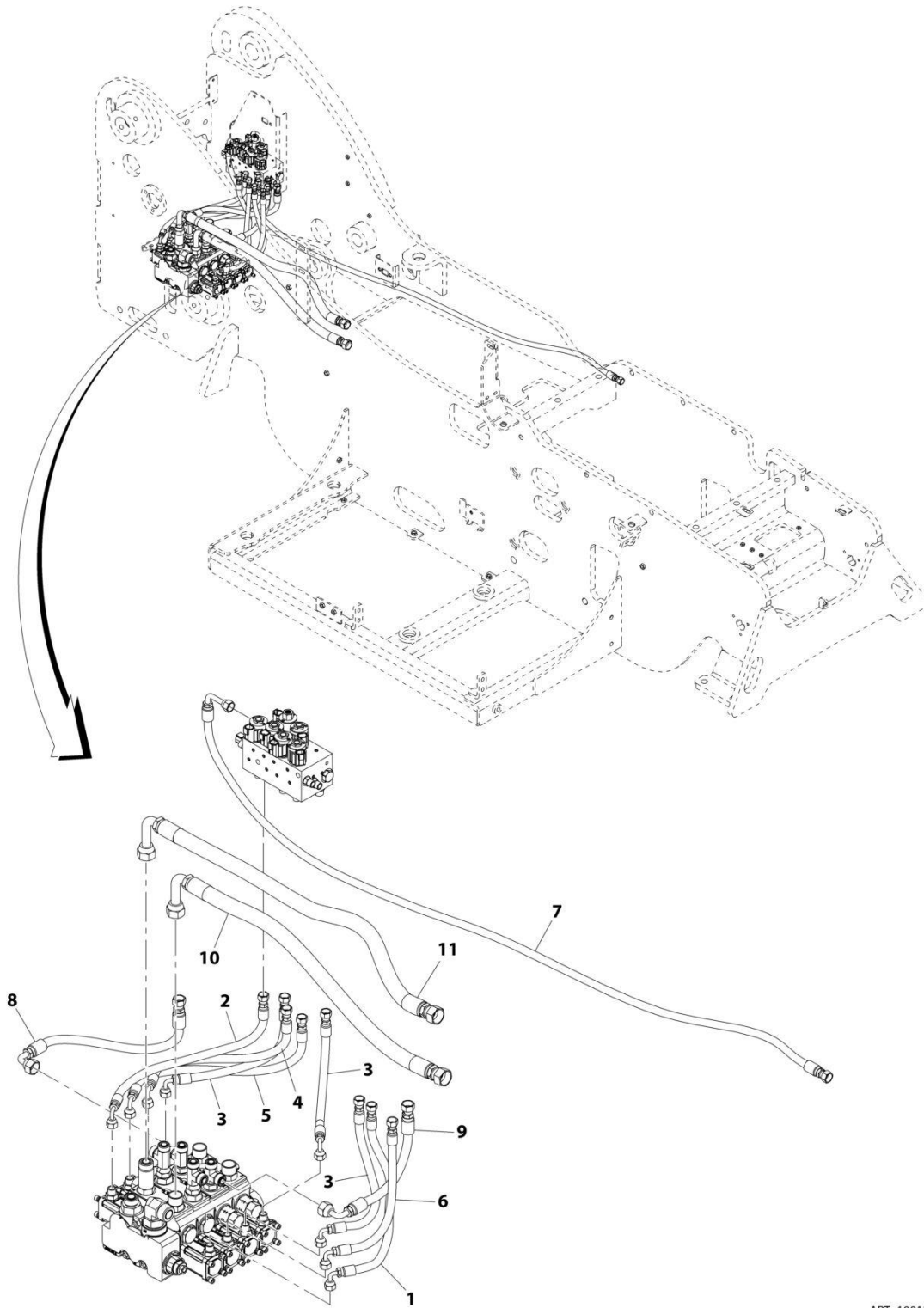
SECTION 8 - HYDRAULIC CIRCUITS

FIGURE 8-16. HYDRAULIC HOSE INSTALLATION (ANSI)

ITEM	PART NUMBER	QTY	DESCRIPTION	REV
	1001200567	Ref	Hydraulic Hose Installation (ANSI)	B
1	1001129889	3	Hose Assembly	
2	1001129891	1	Hose Assembly	
3	1001129893	1	Hose Assembly	
4	1001129894	1	Hose Assembly	
5	1001209089	1	Hose Assembly	
6	1001129925	1	Hose Assembly	
7	1001129926	1	Hose Assembly	
8	1001080279	2	Hose Assembly	

SECTION 8 - HYDRAULIC CIRCUITS

FIGURE 8-17. HYDRAULIC HOSE INSTALLATION (CE)



ART_1001201117-B

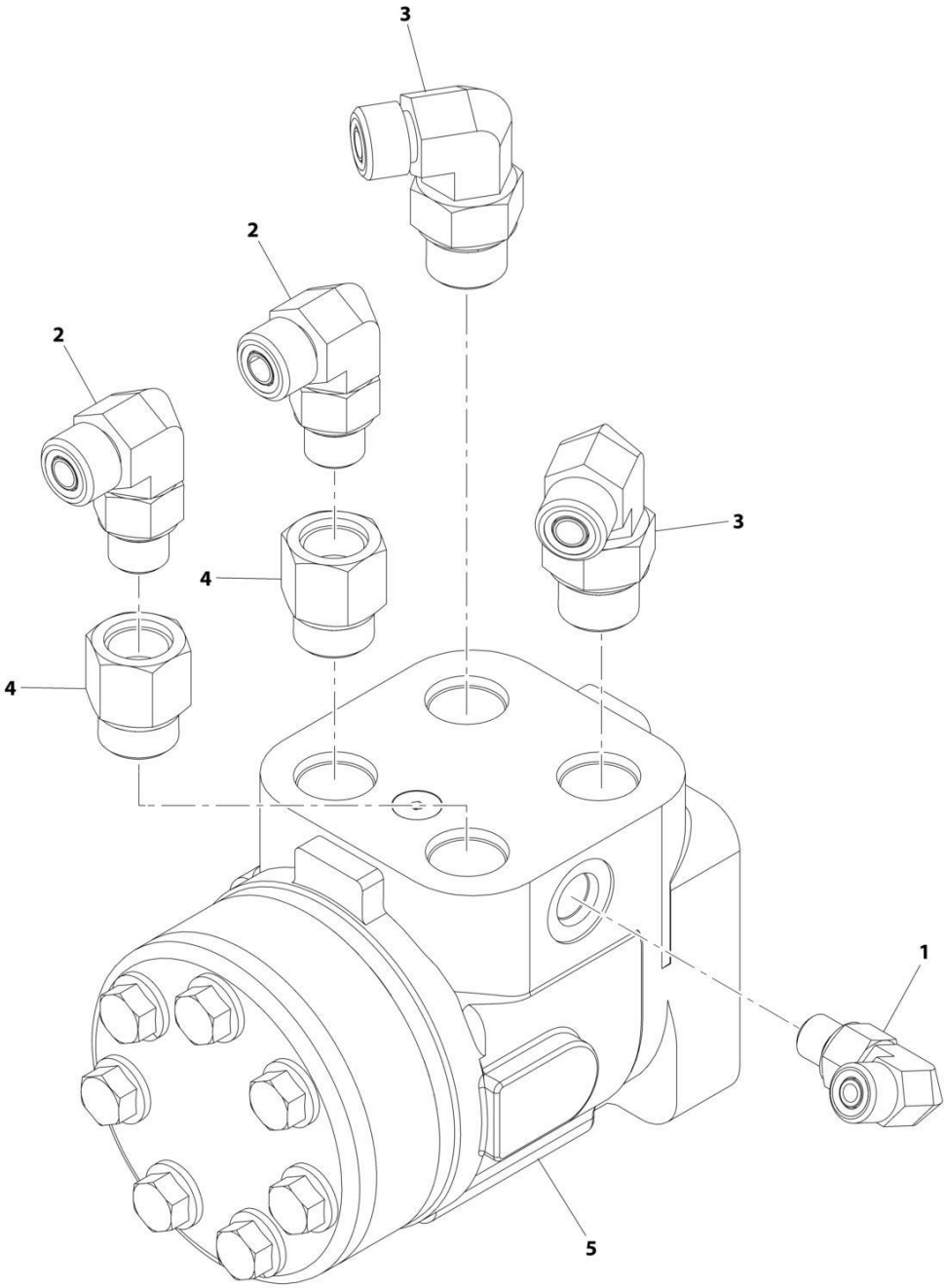
SECTION 8 - HYDRAULIC CIRCUITS

FIGURE 8-17. HYDRAULIC HOSE INSTALLATION (CE)

ITEM	PART NUMBER	QTY	DESCRIPTION	REV
	1001201117	Ref	Hydraulic Hose Installation (CE)	B
1	1001129887	1	Hose Assembly	
2	1001129888	1	Hose Assembly	
3	1001129889	3	Hose Assembly	
4	1001129891	1	Hose Assembly	
5	1001129893	1	Hose Assembly	
6	1001129894	1	Hose Assembly	
7	1001209089	1	Hose Assembly	
8	1001129925	1	Hose Assembly	
9	1001129926	1	Hose Assembly	
10	1001132411	1	Hose Assembly	
11	1001132412	1	Hose Assembly	

SECTION 8 - HYDRAULIC CIRCUITS

FIGURE 8-18. STEERING VALVE ASSEMBLY



ART_1001202006-A

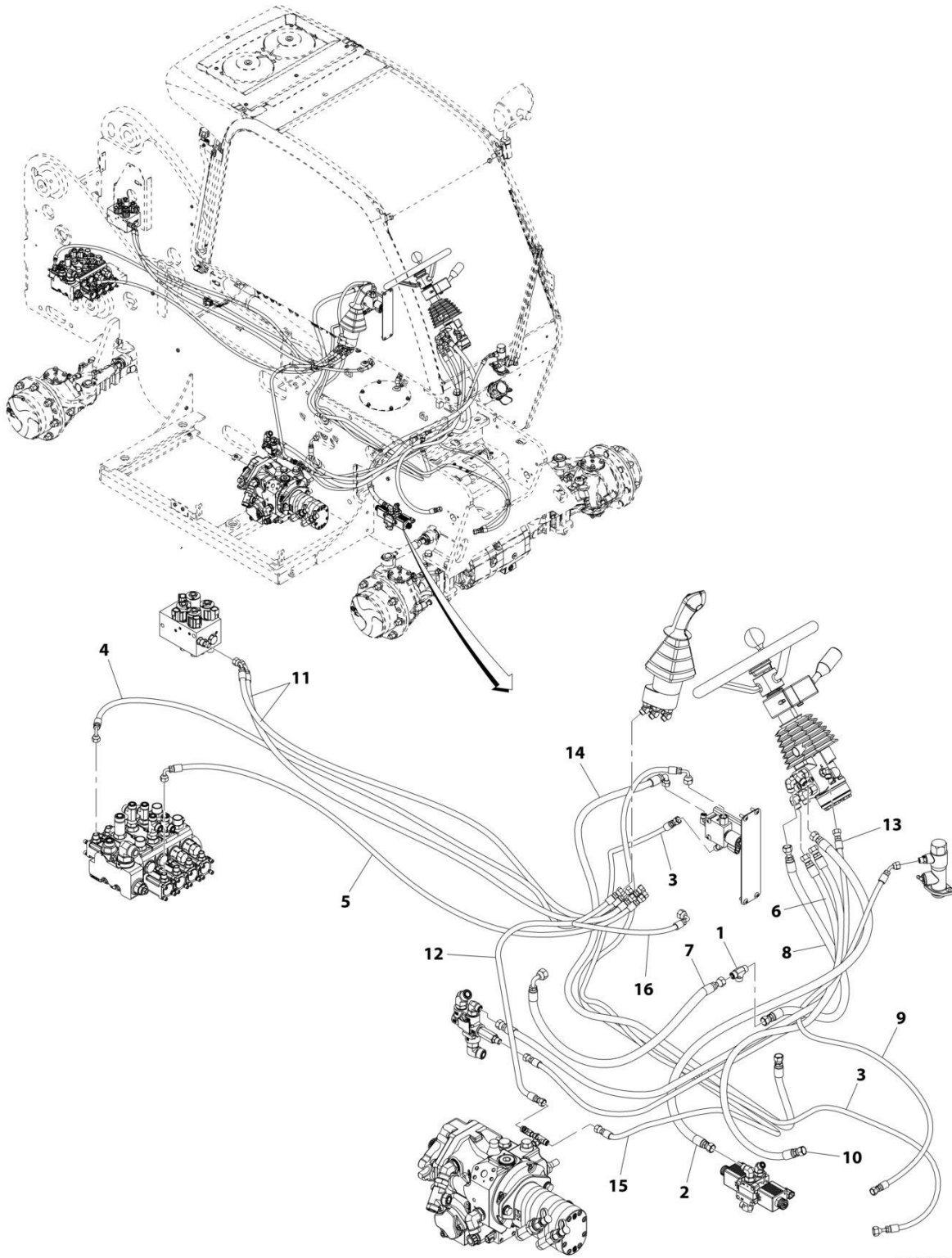
SECTION 8 - HYDRAULIC CIRCUITS

FIGURE 8-18. STEERING VALVE ASSEMBLY

ITEM	PART NUMBER	QTY	DESCRIPTION	REV
	1001202006	Ref	Steering Valve Assembly	A
1	2130404	1	Adapter, 90	
2	2130606	2	Adapter, 90	
3	2130608	2	Adapter, 90	
4	2220591	2	Adapter, Connector	
5	1001194017	1	Orbital Steering Valve	

SECTION 8 - HYDRAULIC CIRCUITS

FIGURE 8-19. CAB HYDRAULICS INSTALLATION, (ANSI)



ART_1001235716-A

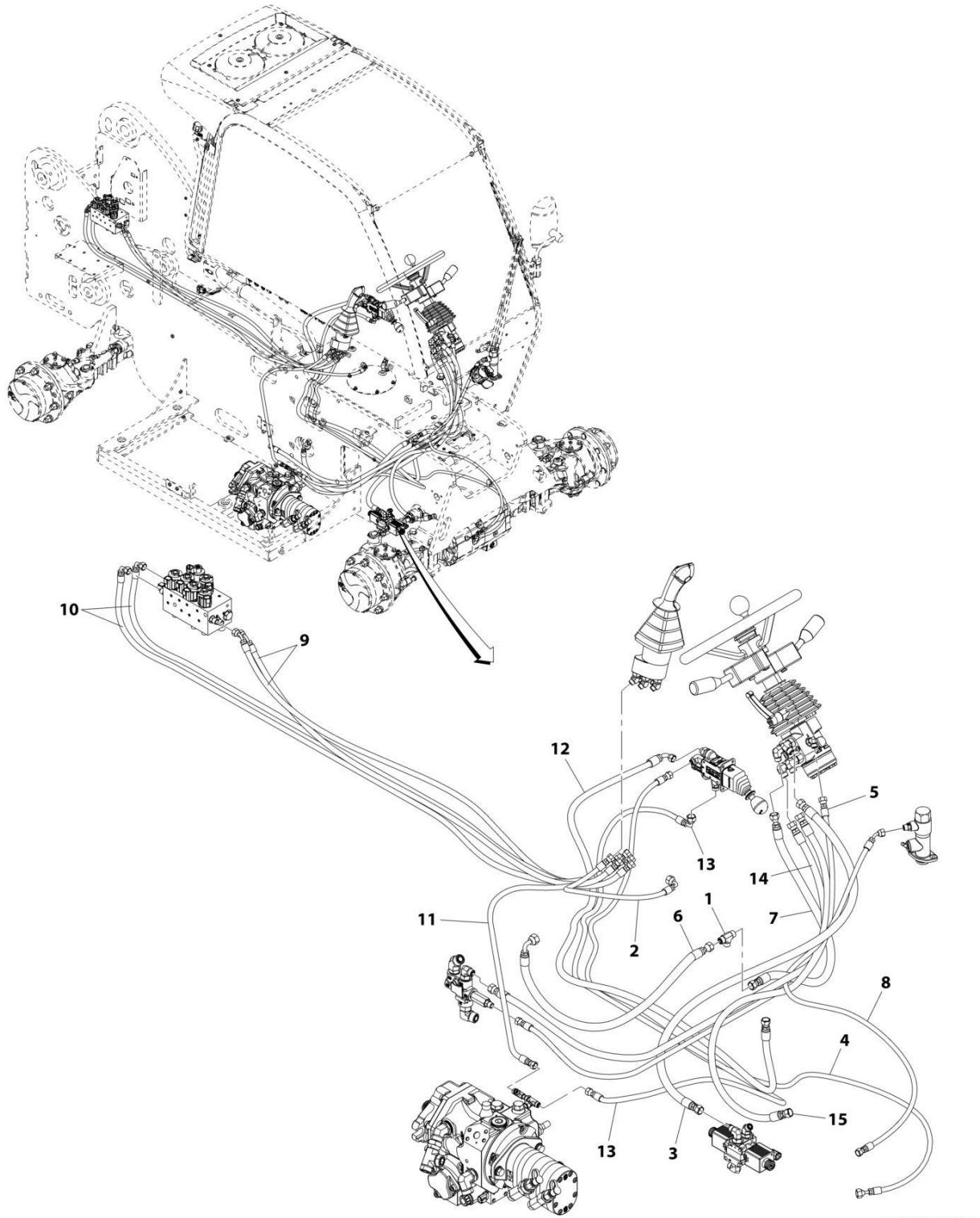
SECTION 8 - HYDRAULIC CIRCUITS

FIGURE 8-19. CAB HYDRAULICS INSTALLATION, (ANSI)

ITEM	PART NUMBER	QTY	DESCRIPTION	REV
	1001235716	Ref	Cab Hydraulics Installation, (ANSI)	A
1	2170506	1	Adapter, Run Tee	
2	1001080250	1	Hose Assembly	
3	1001080251	1	Hose Assembly	
4	1001080265	1	Hose Assembly	
5	1001080266	1	Hose Assembly	
6	1001209063	1	Hose Assembly	
7	1001080585	1	Hose Assembly	
8	1001080586	1	Hose Assembly	
9	1001106622	1	Hose Assembly	
10	1001236417	1	Hose Assembly	
11	1001129895	2	Hose Assembly	
12	1001144756	1	Hose Assembly	
13	1001080356	1	Hose Assembly	
14	1001145224	1	Hose Assembly	
15	1001145225	1	Hose Assembly	
16	1001202297	1	Hose Assembly	

SECTION 8 - HYDRAULIC CIRCUITS

FIGURE 8-20. CAB HYDRAULICS INSTALLATION (LSI)



ART_1001236957-B

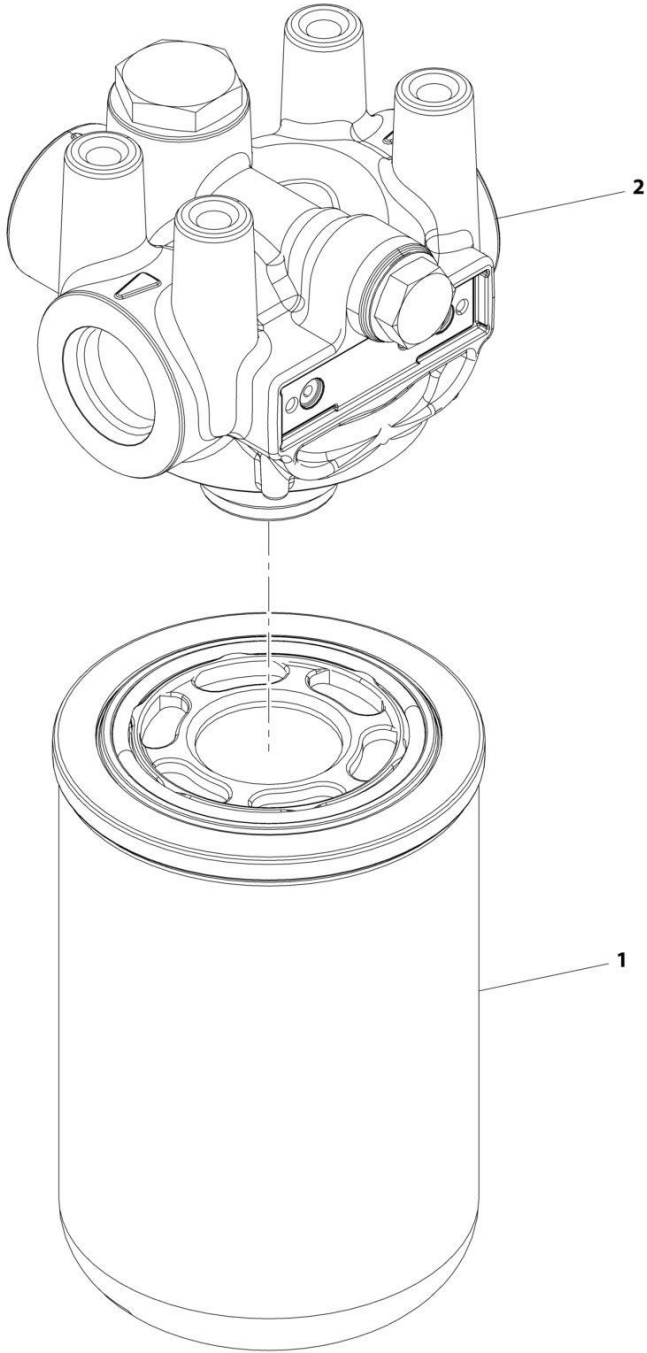
SECTION 8 - HYDRAULIC CIRCUITS

FIGURE 8-20. CAB HYDRAULICS INSTALLATION (LSI)

ITEM	PART NUMBER	QTY	DESCRIPTION	REV
	1001236957	Ref	Cab Hydraulics Installation (LSI)	B
1	2170506	1	Adapter, Run Tee	
2	1001202297	1	Hose Assembly	
3	1001080250	1	Hose Assembly	
4	1001080251	1	Hose Assembly	
5	1001080356	1	Hose Assembly	
6	1001080585	1	Hose Assembly	
7	1001080586	1	Hose Assembly	
8	1001106622	1	Hose Assembly	
9	1001129895	2	Hose Assembly	
10	1001129898	2	Hose Assembly	
11	1001144756	1	Hose Assembly	
12	1001145224	1	Hose Assembly	
13	1001145225	1	Hose Assembly	
14	1001209063	1	Hose Assembly	
15	1001236417	1	Hose Assembly	

SECTION 8 - HYDRAULIC CIRCUITS

FIGURE 8-21. IMPLEMENT PUMP FILTER ASSEMBLY



ART_1001141976-A

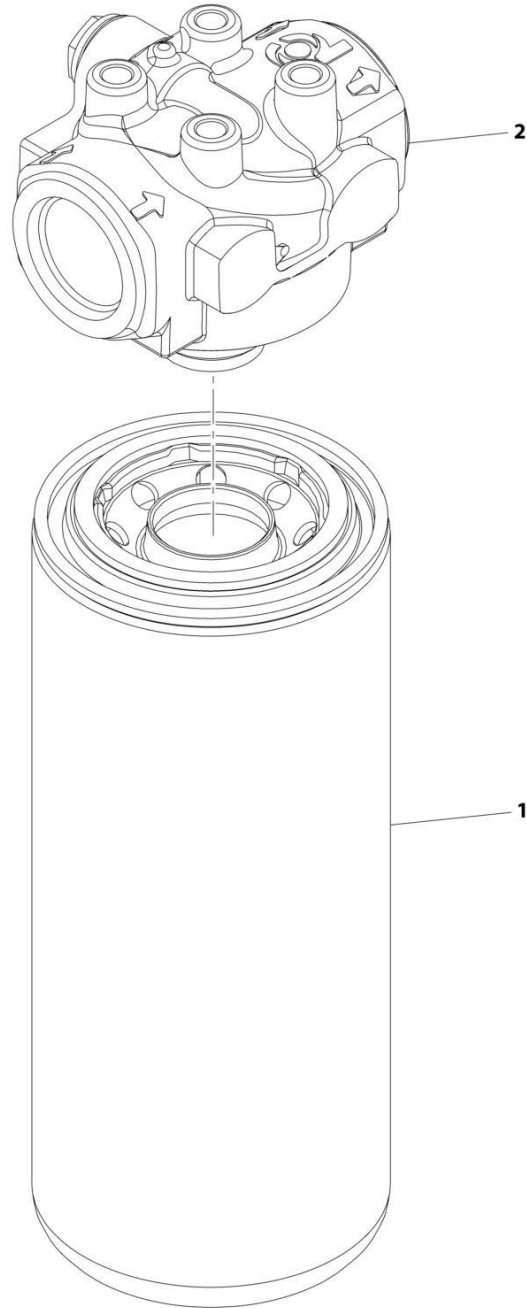
SECTION 8 - HYDRAULIC CIRCUITS

FIGURE 8-21. IMPLEMENT PUMP FILTER ASSEMBLY

ITEM	PART NUMBER	QTY	DESCRIPTION	REV
	1001141976	Ref	Implement Pump Filter Assembly	A
1	1001141461	1	Filter	
2	1001141462	1	Pump, Filter	

SECTION 8 - HYDRAULIC CIRCUITS

FIGURE 8-22. HYDRAULIC FILTER ASSEMBLY



ART_1001141975-A

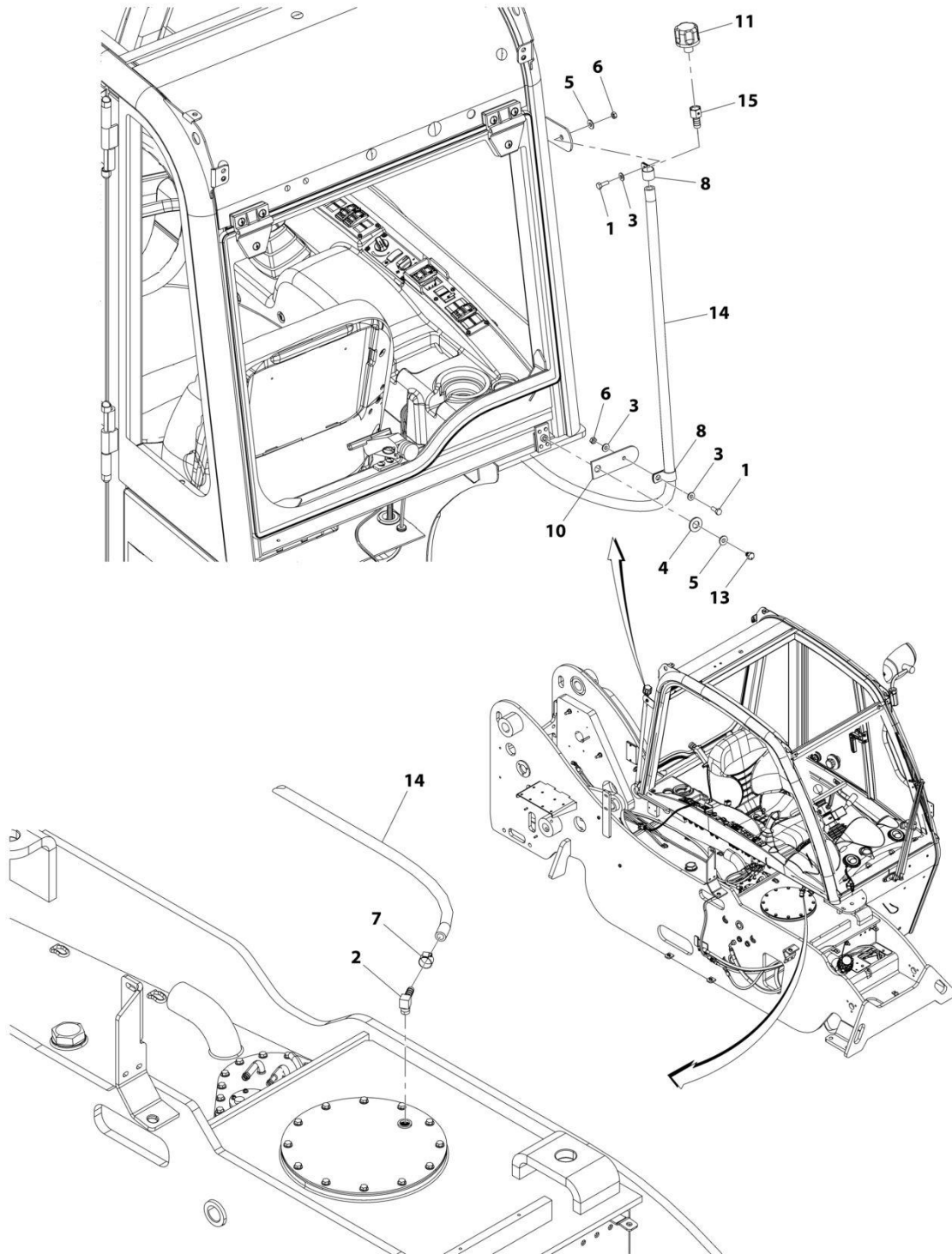
SECTION 8 - HYDRAULIC CIRCUITS

FIGURE 8-22. HYDRAULIC FILTER ASSEMBLY

ITEM	PART NUMBER	QTY	DESCRIPTION	REV
	1001141975	Ref	Hydraulic Filter Assembly	A
1	1001141459	1	Hydraulic Oil Filter Element	
2	1001141460	1	Head Filter	

SECTION 8 - HYDRAULIC CIRCUITS

FIGURE 8-23. HYDRAULIC TANK BREATHER INSTALLATION



ART_1001182755-C

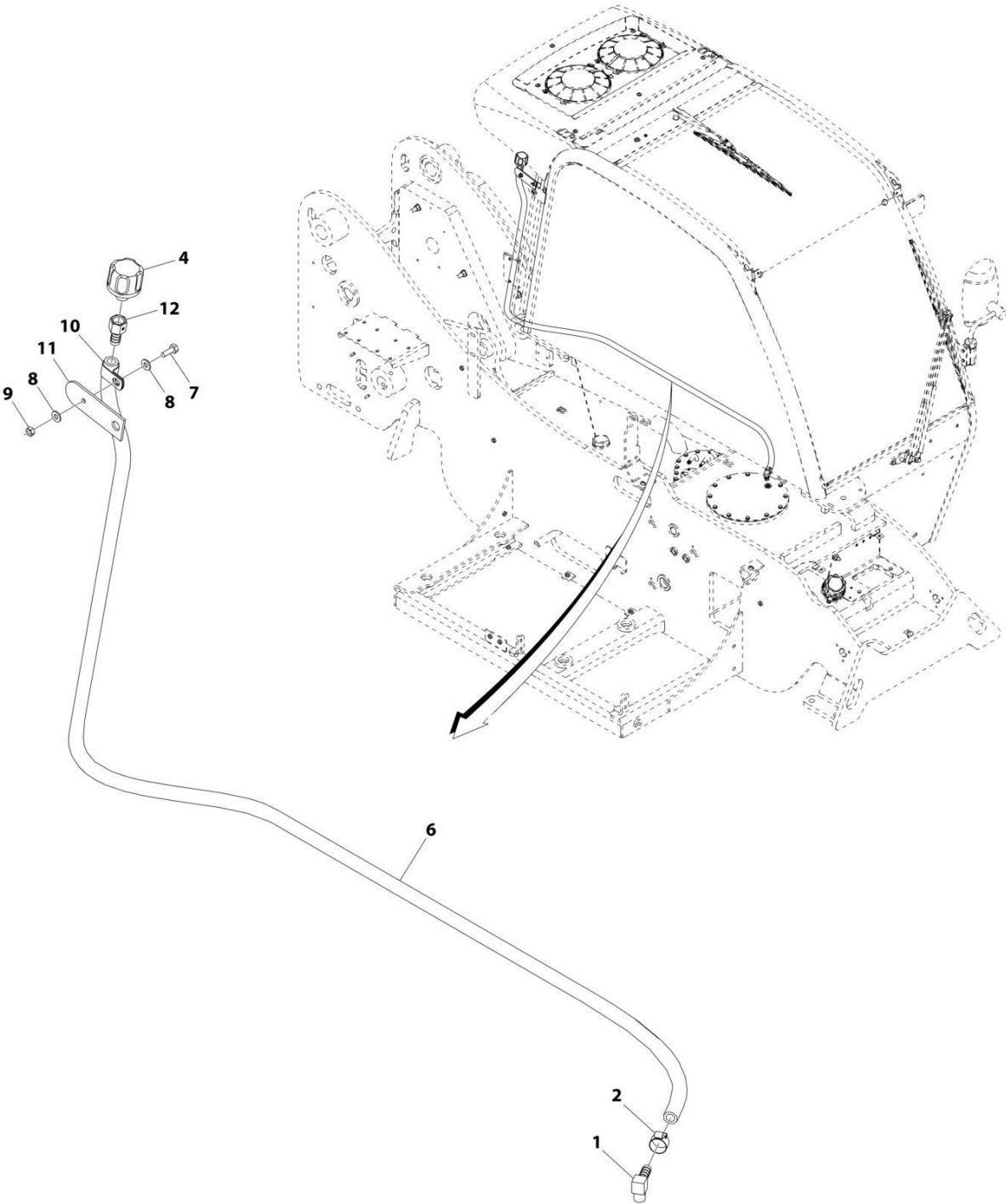
SECTION 8 - HYDRAULIC CIRCUITS

FIGURE 8-23. HYDRAULIC TANK BREATHER INSTALLATION

ITEM	PART NUMBER	QTY	DESCRIPTION	REV
	1001182755	Ref	Hydraulic Tank Breather Installation	C
1	0641406	2	Bolt, 1/4-20X3/4	
2	2221198	1	Fitting, 90	
3	4711400	3	Washer, 1/4	
4	4711900	1	Washer, 9/16	
5	4751400	2	Washer, 1/4	
6	8305004	2	Nut	
7	8405006	1	Clamp, Gear	
8	8406102	2	Clip	
10	1001182224	1	Bracket	
11	1001185024	1	Filter, Hydraulic Breather	
13	1001196601	1	Bolt	
14	1001154405	7	Hose	
15	1001232888	1	Fitting, Straight	

SECTION 8 - HYDRAULIC CIRCUITS

FIGURE 8-24. HYDRAULIC TANK BREATHER INSTALLTION (A/C)



ART_1001186376-B

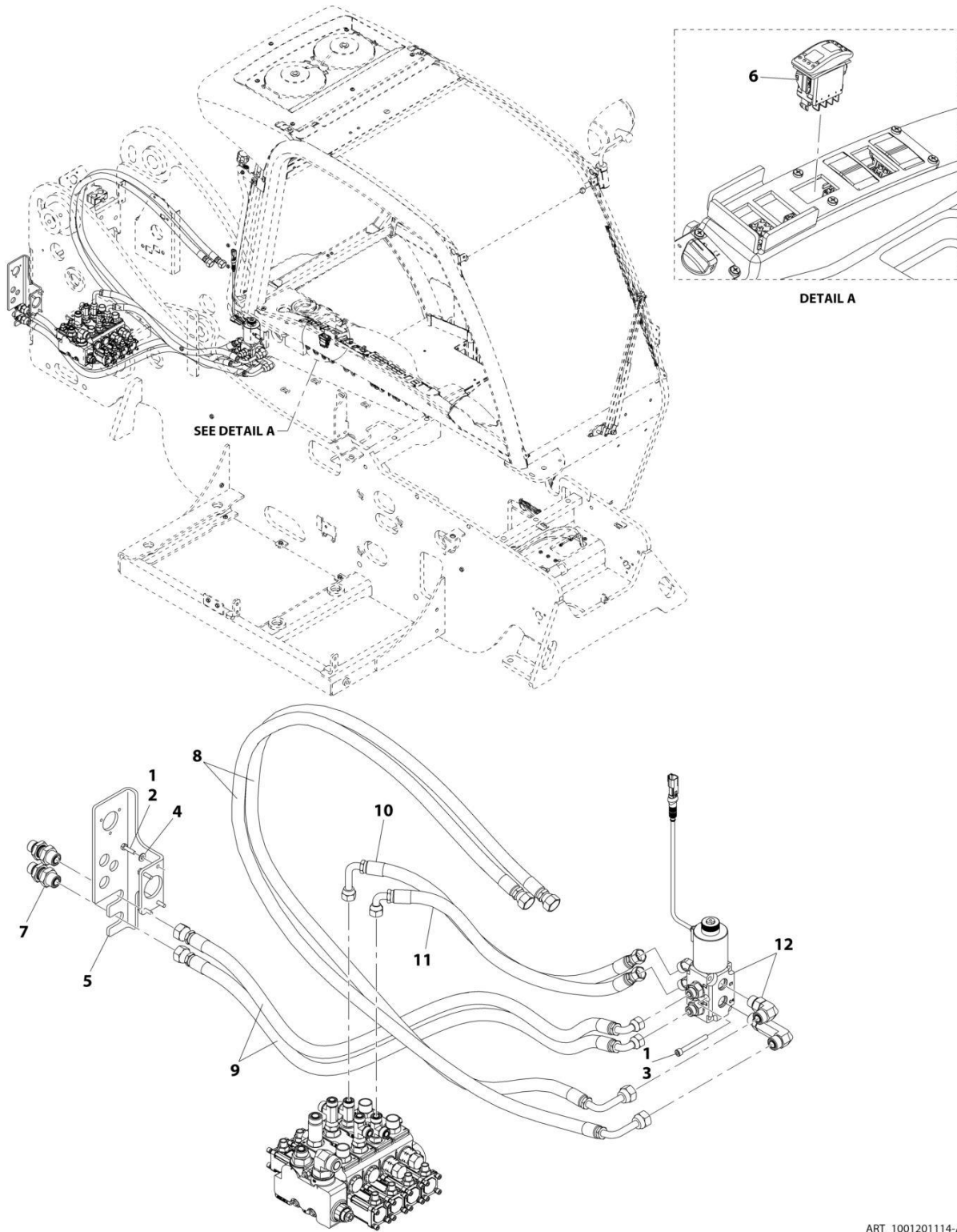
SECTION 8 - HYDRAULIC CIRCUITS

FIGURE 8-24. HYDRAULIC TANK BREATHER INSTALLTION (A/C)

ITEM	PART NUMBER	QTY	DESCRIPTION	REV
	1001186376	Ref	Hydraulic Tank Breather installtion (A/C)	B
1	2221198	1	Barbed Fitting, 90	
2	8405006	1	Gear Clamp	
4	1001185024	1	Air Breather	
6	1001154405	7	Fuel Line Hose, 1/2 In	
7	0641406	1	Hex HD Cap Screw, 1/4-20X3/4	
8	4711400	2	Narrow Washer, 1/4	
9	8305004	1	Hex Nut	
10	8406102	1	Wire Clip	
11	1001182224	1	Tank Breather Hose Bracket	
12	1001232888	1	Fitting	

SECTION 8 - HYDRAULIC CIRCUITS

FIGURE 8-25. REAR HYDRAULIC OUTLET INSTALLATION



ART_1001201114-A

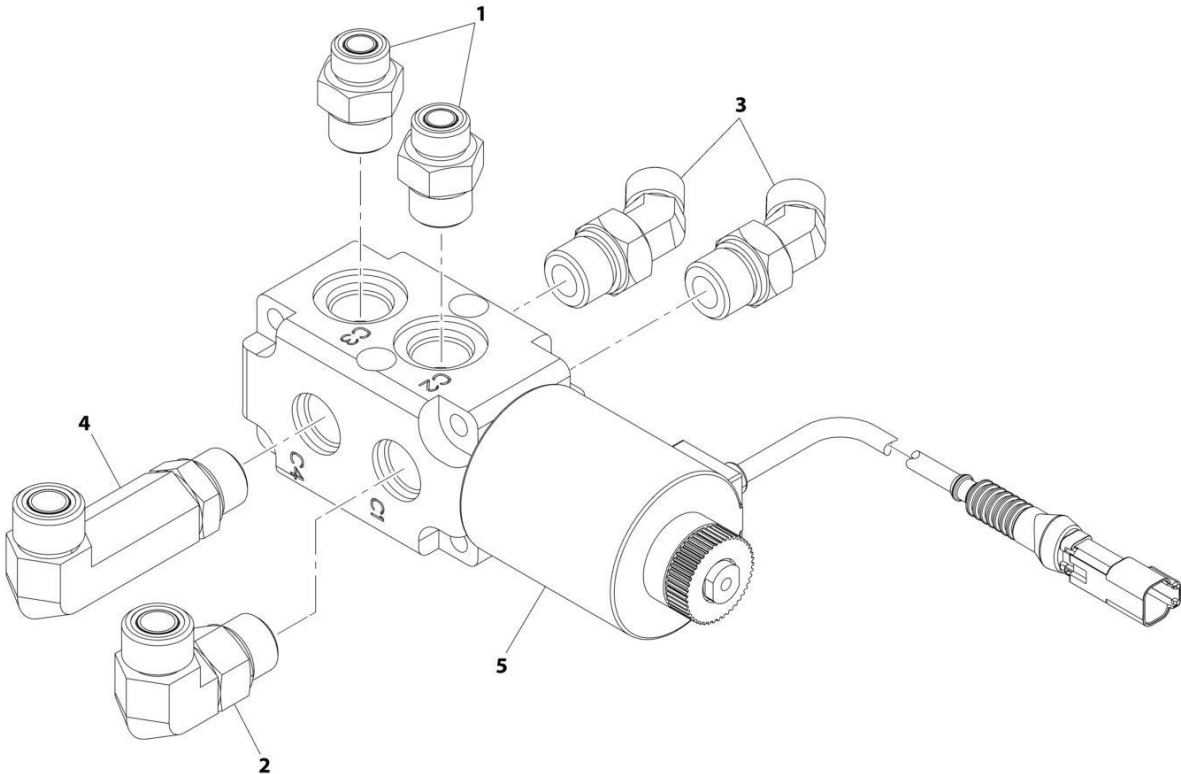
SECTION 8 - HYDRAULIC CIRCUITS

FIGURE 8-25. REAR HYDRAULIC OUTLET INSTALLATION

ITEM	PART NUMBER	QTY	DESCRIPTION	REV
	1001201114	Ref	REAR HYDRAULIC OUTLET INSTALLATION	A
1	0100011	AR	Compound, Locking	
2	0641408	4	Capscrew 1/4 x 1	
3	4031918	2	Bolt M8 x 70	
4	4711400	4	Washer 1/4	
5	1001080240	1	Trailer Hitch Bracket	
6	1001080364	1	Front/Rear Auxiliary Hydraulic Switch	
7	1001101235	2	Adapter	
8	1001135799	2	Hose Assembly	
9	1001135801	2	Hose Assembly	
10	1001135803	1	Hose Assembly	
11	1001135805	1	Hose Assembly	
12	1001135807	1	Assembly, Rear Diverter Valve (See Separate Breakdown in this Section)	

SECTION 8 - HYDRAULIC CIRCUITS

FIGURE 8-26. REAR DIVERTER VALVE ASSEMBLY



ART_1001135807-A

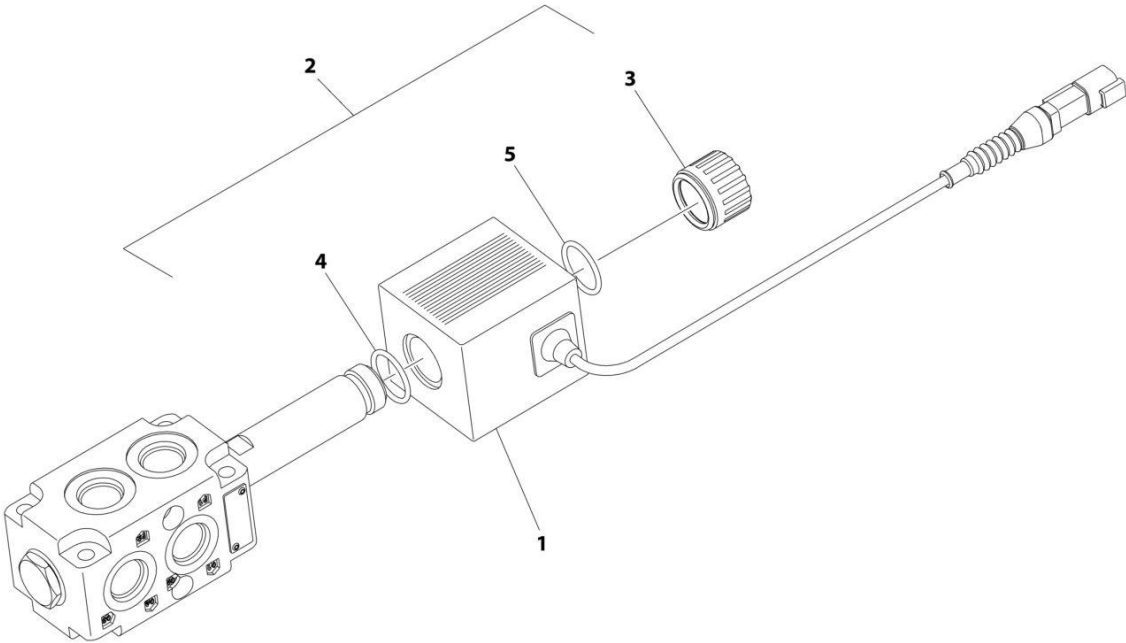
SECTION 8 - HYDRAULIC CIRCUITS

FIGURE 8-26. REAR DIVERTER VALVE ASSEMBLY

ITEM	PART NUMBER	QTY	DESCRIPTION	REV
	1001135807	Ref	Rear Diverter Valve Assembly	A
1	2110810	2	Adapter	
2	2131010	1	Adapter, 90	
3	2150810	2	Adapter, 45	
4	2170210	1	Adapter, 90	
5	1001104477	1	Diverter Valve (See Separate Breakdown in this Section)	

SECTION 8 - HYDRAULIC CIRCUITS

FIGURE 8-27. DIVERTOR VALVE



ART_1001104477

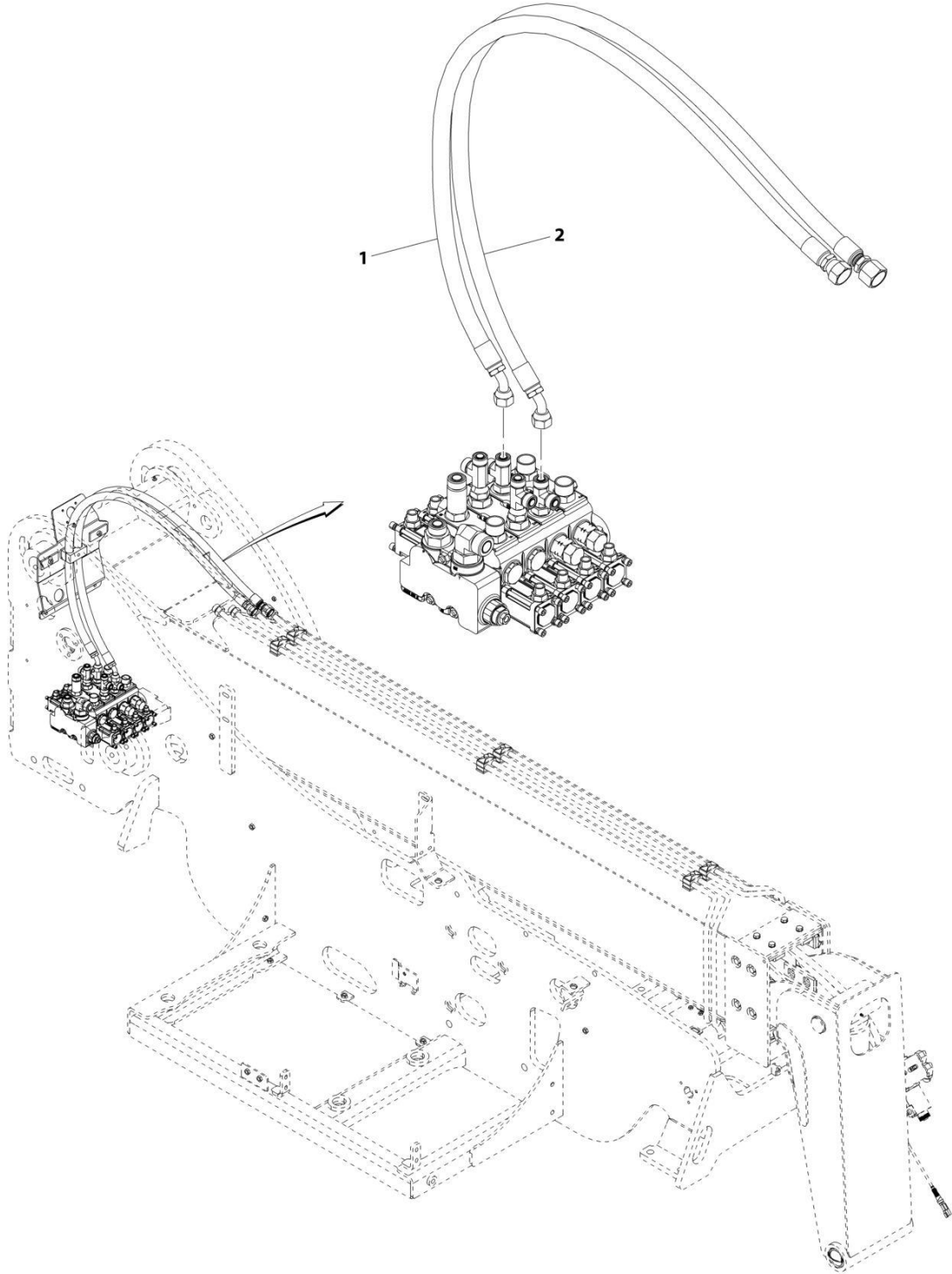
SECTION 8 - HYDRAULIC CIRCUITS

FIGURE 8-27. DIVERTOR VALVE

ITEM	PART NUMBER	QTY	DESCRIPTION	REV
	1001104477	Ref	DIVERTOR VALVE	D
1	70020764	1	Coil	
2	70021531	1	Retainer Kit (Includes Items 3-5)	
3	Kit	1	Nut	
4	Kit	1	O-Ring	
5	Kit	1	O-Ring	

SECTION 8 - HYDRAULIC CIRCUITS

FIGURE 8-28. BOOM AUX HOSE INSTALLATION



ART_1001201115-A

SECTION 8 - HYDRAULIC CIRCUITS

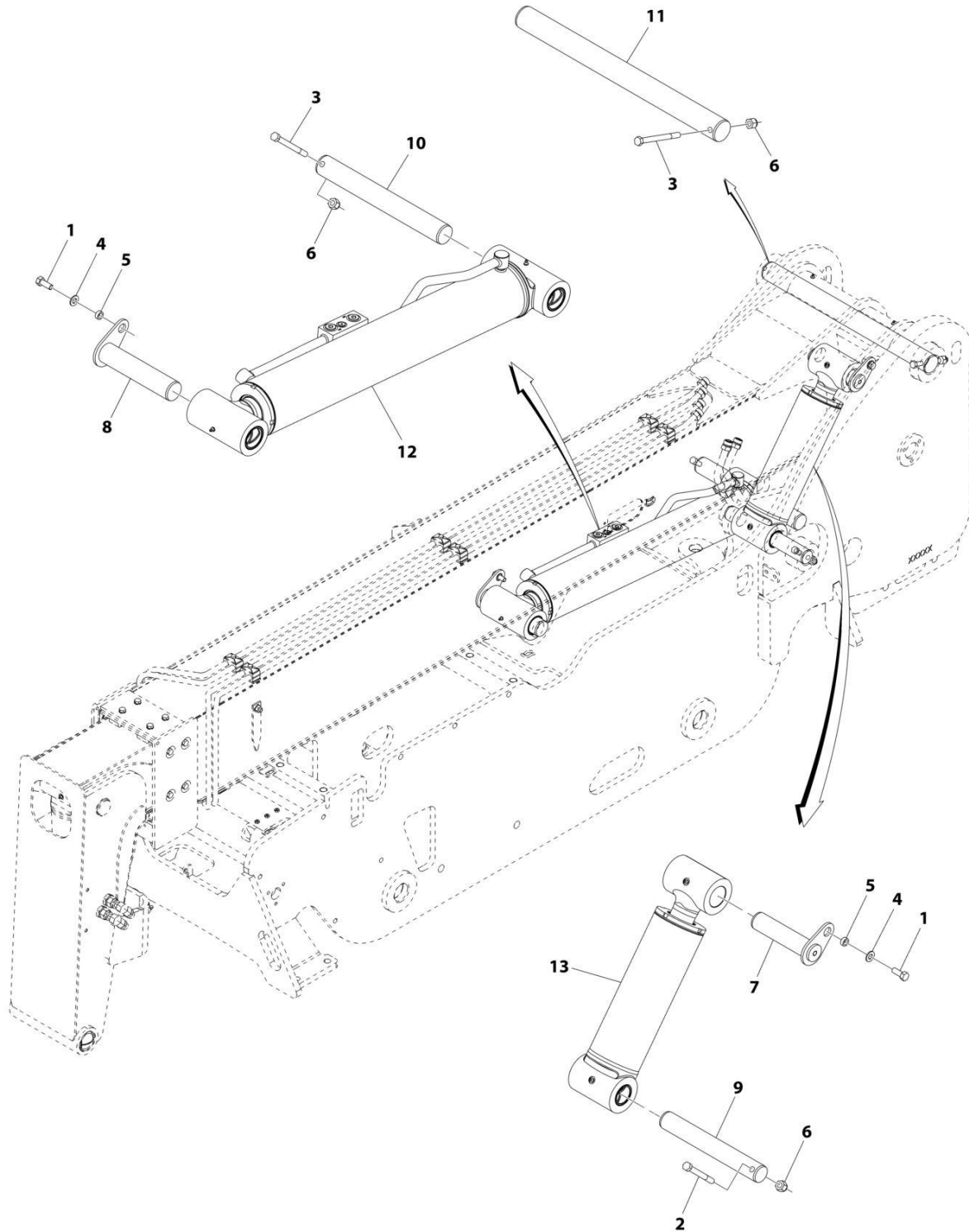
FIGURE 8-28. BOOM AUX HOSE INSTALLATION

ITEM	PART NUMBER	QTY	DESCRIPTION	REV
	1001201115	Ref	Boom Aux Hose Installation	A
1	1001080294	1	Hose Assembly	
2	1001080308	1	Hose Assembly	

SECTION 9 - HYDRAULIC COMPONENTS

SECTION 9 - HYDRAULIC COMPONENTS

FIGURE 9-1. BOOM CYLINDER INSTALLATION, ANSI



ART_1001204854-B

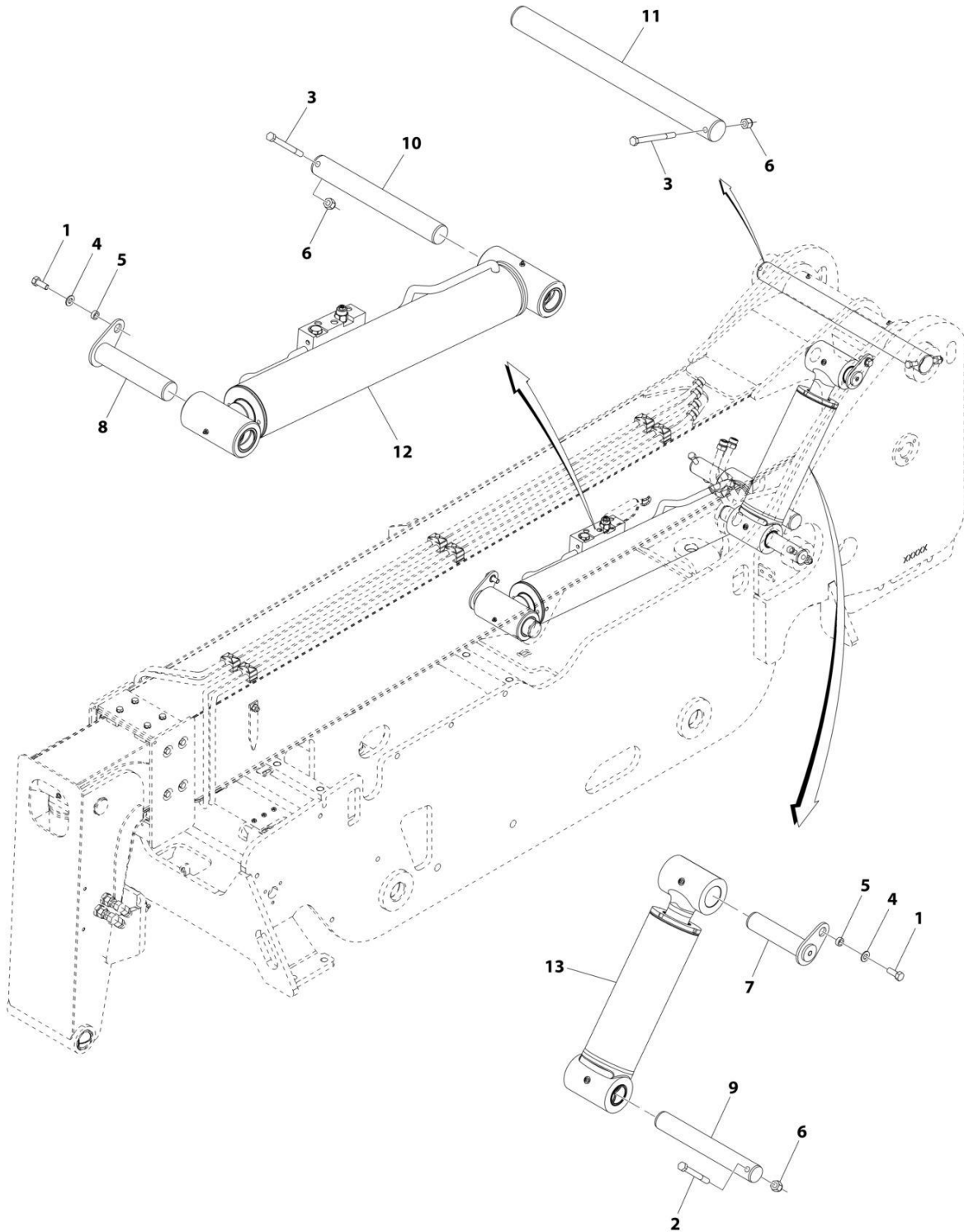
SECTION 9 - HYDRAULIC COMPONENTS

FIGURE 9-1. BOOM CYLINDER INSTALLATION, ANSI

ITEM	PART NUMBER	QTY	DESCRIPTION	REV
	1001204854	Ref	Boom Cylinder Installation (ANSI)	B
1	0641810	2	Hex HD Capscrew, 1/2-13X5/4	
2	0681836	1	Hex HD Capscrew, 1/2-13X9/2	
3	0681844	2	Hex HD Capscrew, 1/2-13X11/2	
4	4711800	2	Plain Washer, 1/2	
5	7139886	2	Pin Retention Spacer	
6	88521208	3	Locknut, 1/2-13	
7	1001080154	1	Cylinder Rod Pin	
8	1001080155	1	Cylinder Rod Pin	
9	1001080312	1	Cylinder Base Pin	
10	1001080313	1	Cylinder Base Pin	
11	1001080314	1	Boom Pivot Pin	
12	1001225578	1	Lift Cylinder (See Separate Breakdown in this Section)	
13	1001200580	1	Compensation Cylinder (See Separate Breakdown in this Section)	

SECTION 9 - HYDRAULIC COMPONENTS

FIGURE 9-2. BOOM CYLINDER INSTALLATION, CE



ART_1001204856-A

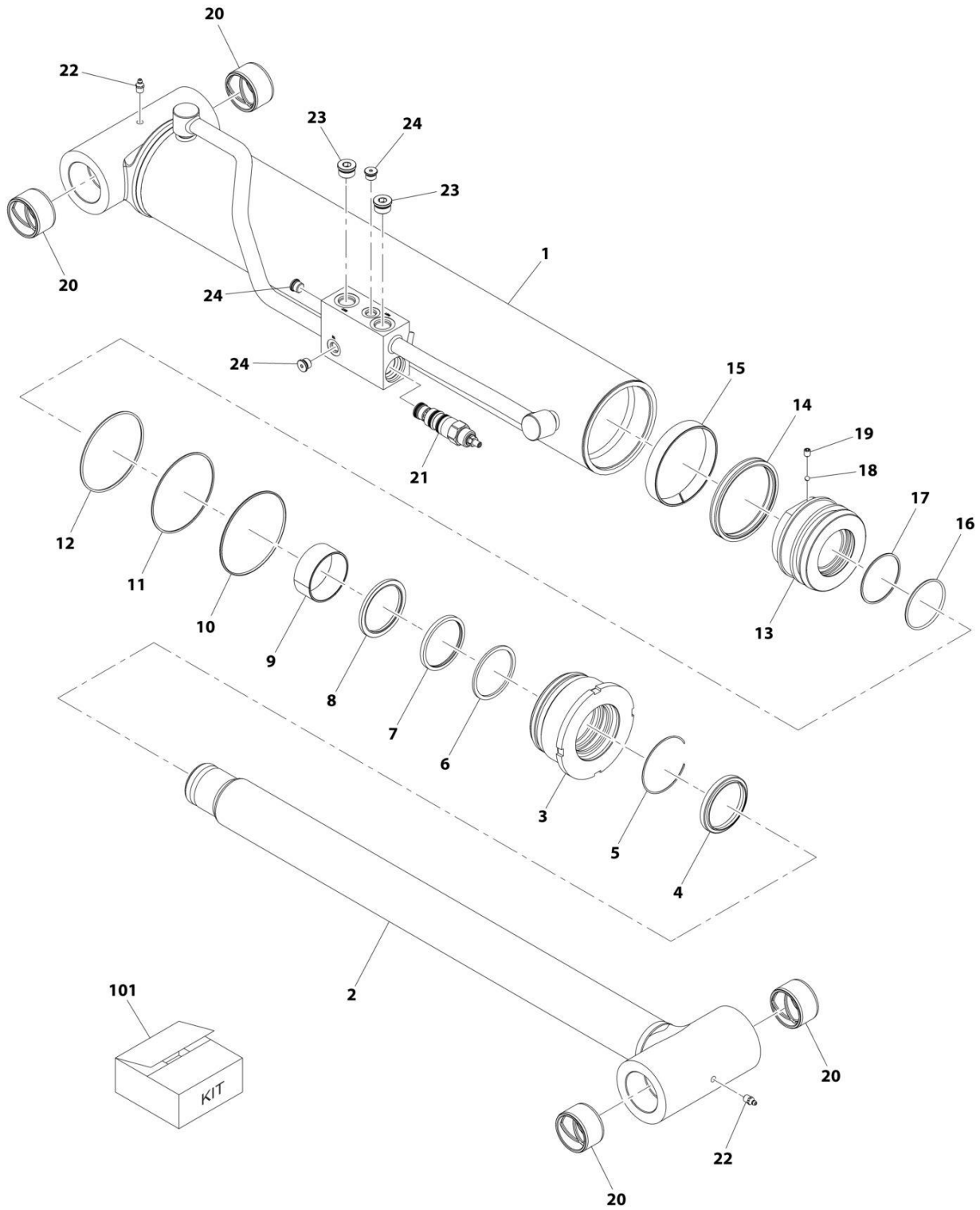
SECTION 9 - HYDRAULIC COMPONENTS

FIGURE 9-2. BOOM CYLINDER INSTALLATION, CE

ITEM	PART NUMBER	QTY	DESCRIPTION	REV
	1001204856	Ref	Boom Cylinder Installation (CE)	A
1	0641810	2	Hex HD Capscrew, 1/2-13X5/4	
2	0681836	1	Hex HD Capscrew, 1/2-13X9/2	
3	0681844	2	Hex HD Capscrew, 1/2-13X11/2	
4	4711800	2	Plain Washer, 1/2	
5	7139886	2	Pin Retention Spacer	
6	88521208	3	Locknut, 1/2-13	
7	1001080154	1	Cylinder Rod Pin	
8	1001080155	1	Cylinder Rod Pin	
9	1001080312	1	Cylinder Base Pin	
10	1001080313	1	Cylinder Base Pin	
11	1001080314	1	Boom Pivot Pin	
12	1001132210	1	Lift Cylinder Assembly (See Separate Breakdown in this Section)	
13	1001200580	1	Compensation Cylinder (See Separate Breakdown in this Section)	

SECTION 9 - HYDRAULIC COMPONENTS

FIGURE 9-3. LIFT CYLINDER, ANSI



ART_1001225578-B

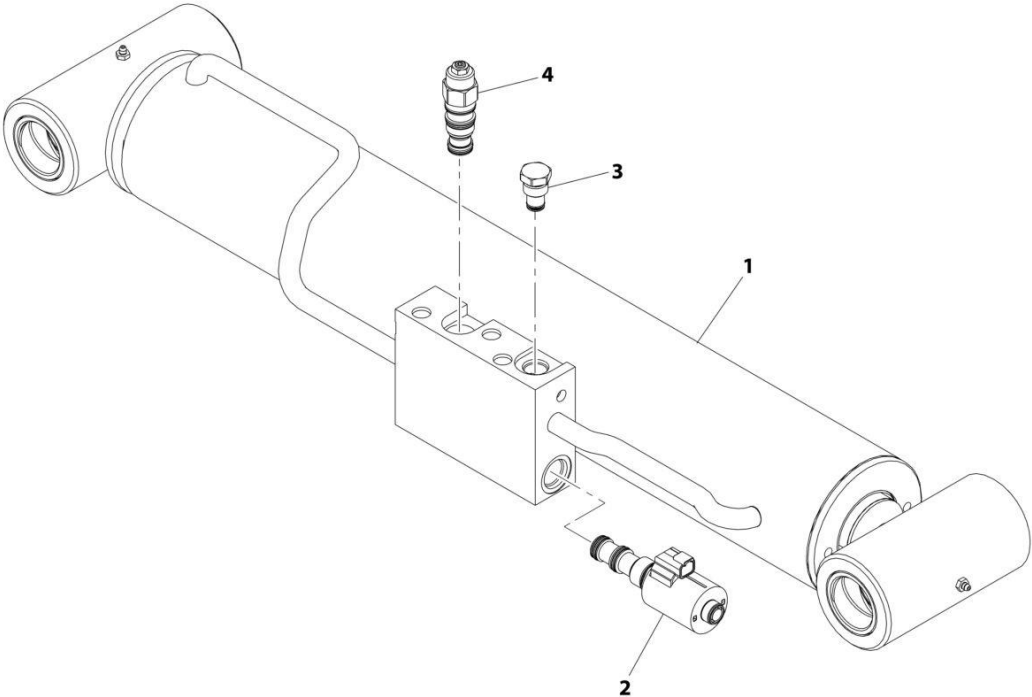
SECTION 9 - HYDRAULIC COMPONENTS

FIGURE 9-3. LIFT CYLINDER, ANSI

ITEM	PART NUMBER	QTY	DESCRIPTION	REV
	1001225578	Ref	Lift Cylinder, ANSI	B
		Ref	Note: Original Cylinder May Have Been Replaced with Service Replacement. Identify PN Stamped on Cylinder Before Ordering Parts.	
1	70027260	1	Tube Assembly	
2	70027261	1	Rod Assembly	
3	70027256	1	Gland	
4	Kit	1	Dust Wiper	
5	70027259	1	Retain Ring	
6	Kit	1	Rod Seal	
7	Kit	1	Back-Up Ring	
8	Kit	1	Buffer Ring	
9	Kit	1	Dry Bearing	
10	Kit	1	O-Ring	
11	Kit	1	Back-Up Ring	
12	Kit	1	O-Ring	
13	70027257	1	Piston	
14	Kit	1	Piston Seal	
15	Kit	1	Wear Ring	
16	Kit	1	O-Ring	
17	Kit	1	Back-Up Ring	
18	70022564	1	Steel Ball	
19	70023369	1	Set Screw	
20	70027251	4	Bushing	
21	70028856	1	Counterbalance Valve	
22	70026308	2	Grease Nipple	
23	70005433	2	Hex Plug	
24	2220885	3	Hex Plug	
101	70027262	1	Seal Kit (includes items 4, 6 thru 12, 14 thru 17)	

SECTION 9 - HYDRAULIC COMPONENTS

FIGURE 9-4. LIFT CYLINDER ASSEMBLY, CE



ART_1001132210-A

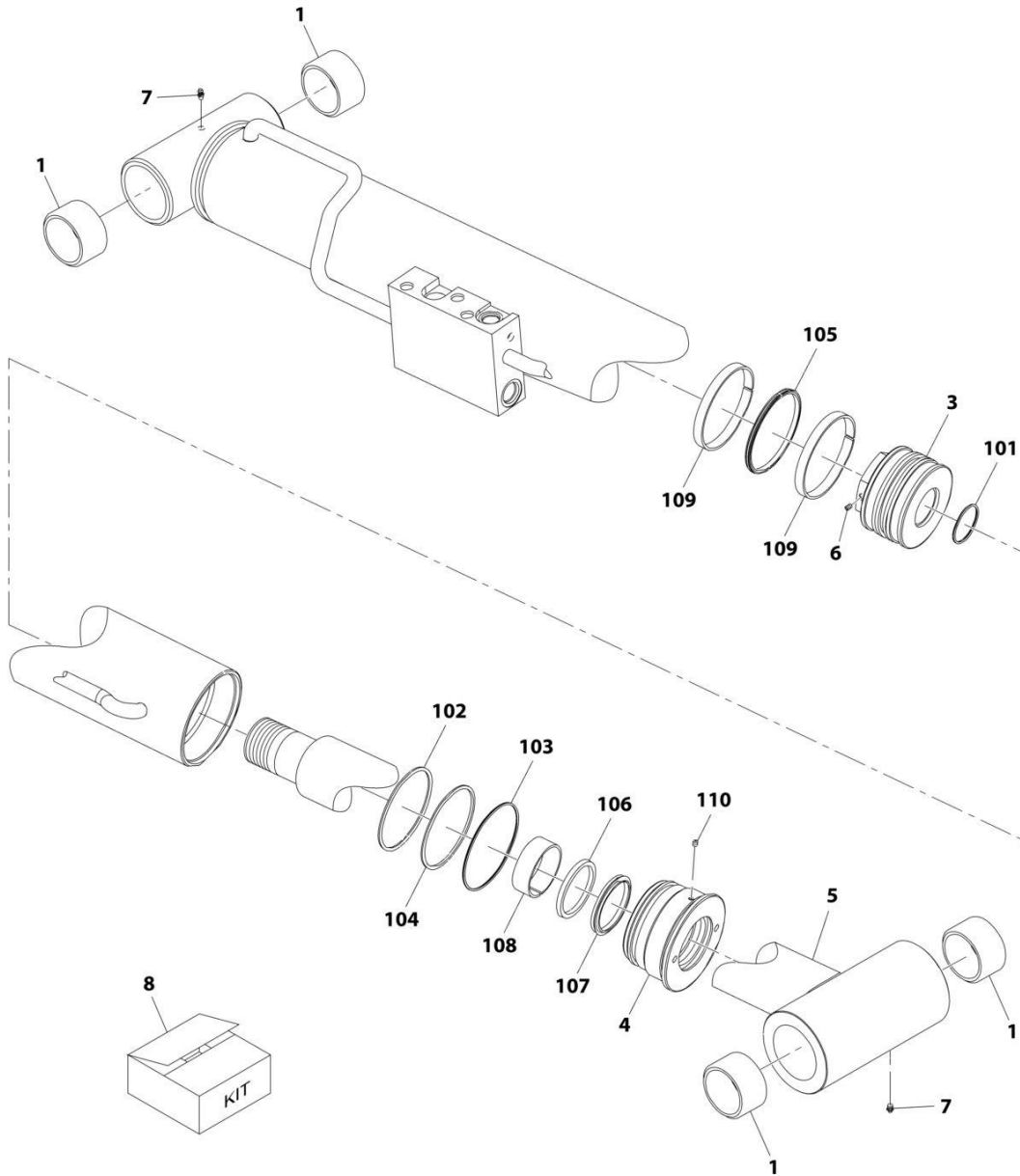
SECTION 9 - HYDRAULIC COMPONENTS

FIGURE 9-4. LIFT CYLINDER ASSEMBLY, CE

ITEM	PART NUMBER	QTY	DESCRIPTION	REV
	1001132210	Ref	Lift Cylinder Assembly, CE	A
1	1001132161	1	Lift Cylinder, CE (See Separate Breakdown in this Section)	
2	1001132207	1	Flow Control Valve	
3	1001132208	1	Check Valve	
4	1001132209	1	Counterbalance Valve	

SECTION 9 - HYDRAULIC COMPONENTS

FIGURE 9-5. LIFT CYLINDER, CE



ART_1001132161-A

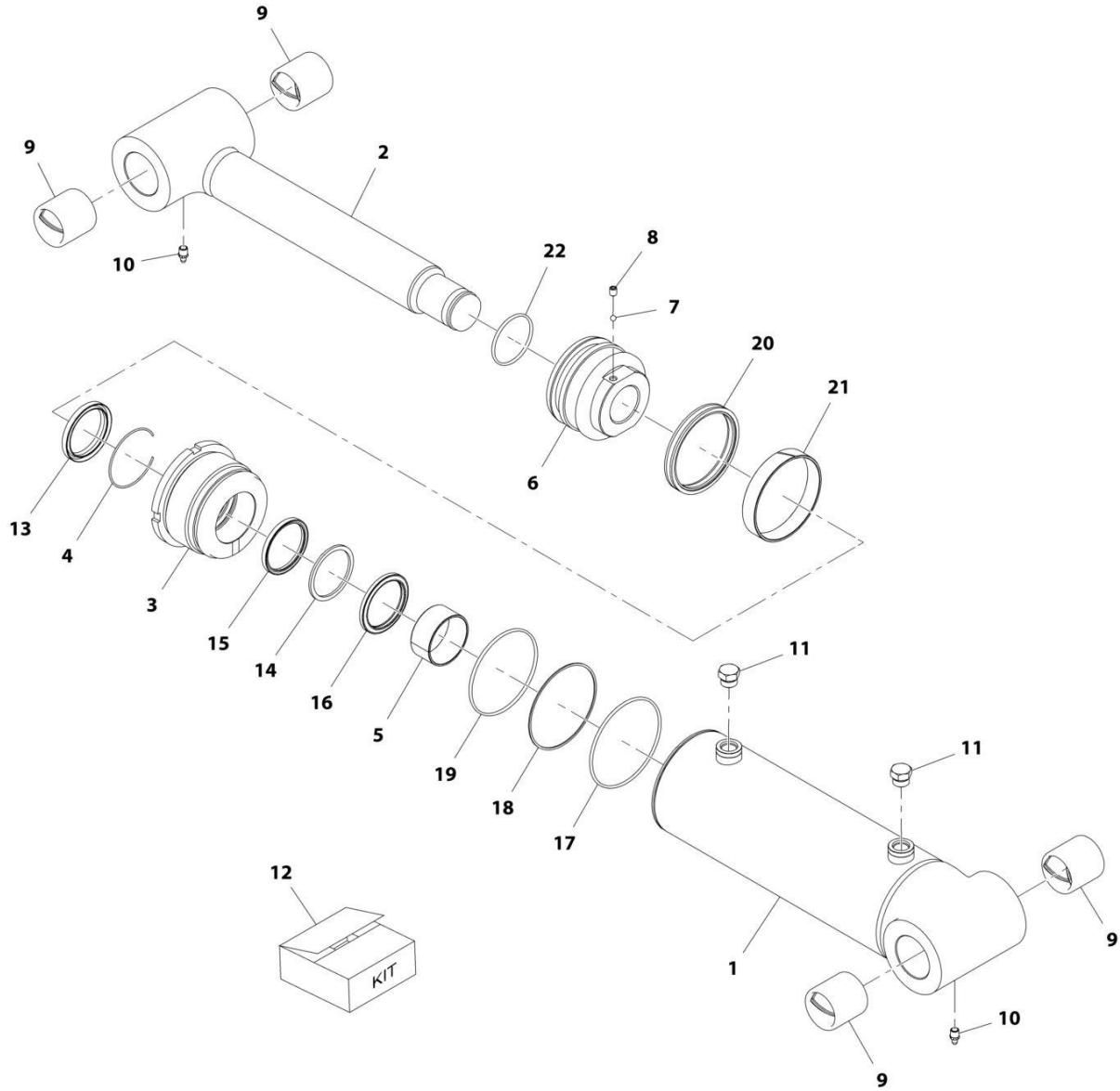
SECTION 9 - HYDRAULIC COMPONENTS

FIGURE 9-5. LIFT CYLINDER, CE

ITEM	PART NUMBER	QTY	DESCRIPTION	REV
	1001132161	Ref	Lift Cylinder, CE	A
		Ref	Note: Original Cylinder May Have Been Replaced with Service Replacement. Identify PN Stamped on Cylinder Before Ordering Parts.	
1	70020370	4	Bushing	
3	70020372	1	Piston	
4	70020373	1	Head Gland	
5	70023974	1	Cylinder Rod	
6	8036629	3	Set Screw	
7	70020375	2	Grease Fitting	
8	70020377	1	Seal Kit	
101	Kit	1	O-Ring	
102	Kit	1	O-Ring	
103	Kit	1	O-Ring	
104	Kit	1	Backup Ring	
105	Kit	1	Piston Seal	
106	Kit	1	Rod Seal	
107	Kit	1	Rod Wiper	
108	Kit	1	Wearband	
109	Kit	2	Wearband	
110	Kit	2	Locking Insert	

SECTION 9 - HYDRAULIC COMPONENTS

FIGURE 9-6. COMPENSATION CYLINDER



ART_1001200580-B

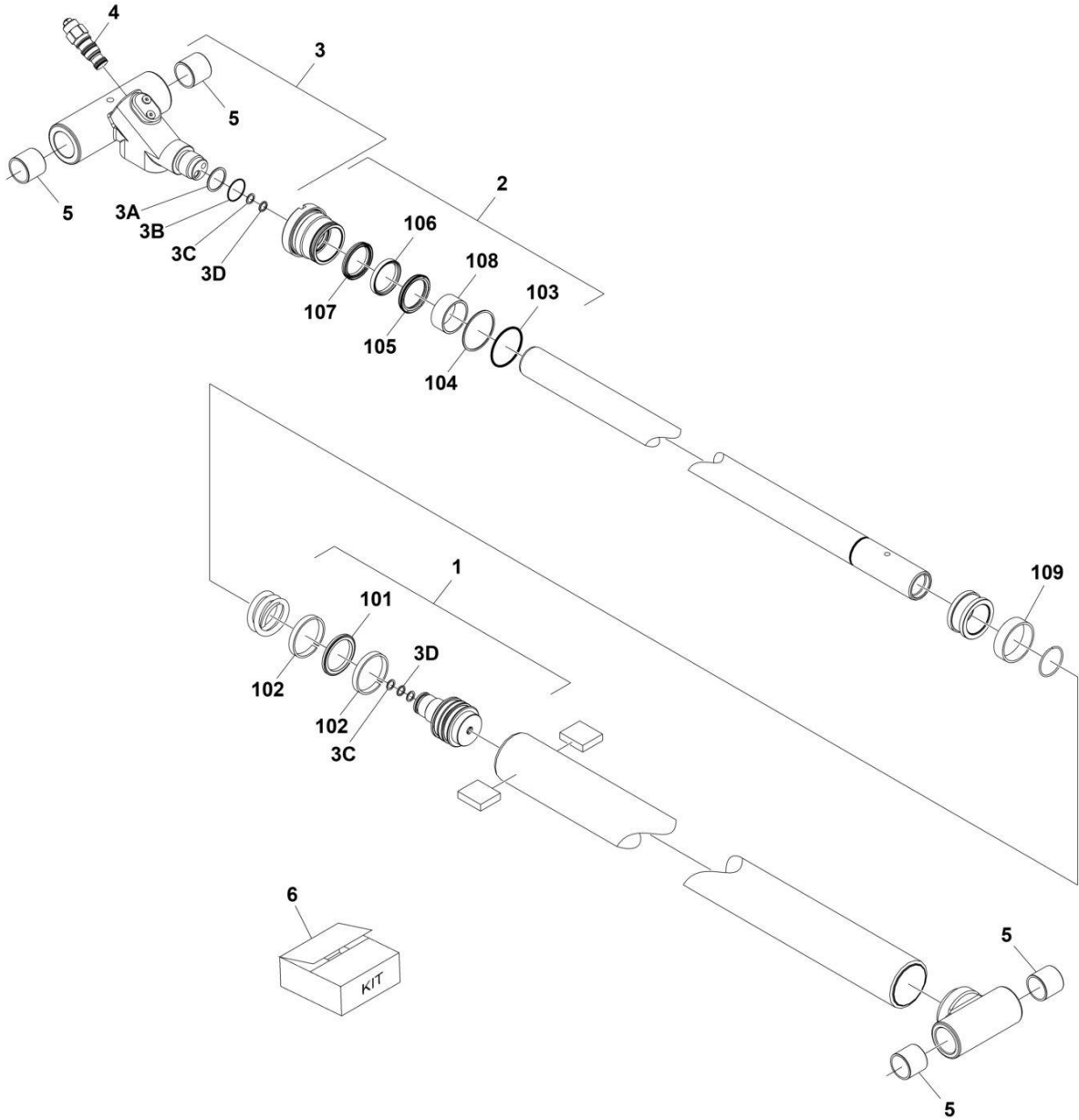
SECTION 9 - HYDRAULIC COMPONENTS

FIGURE 9-6. COMPENSATION CYLINDER

ITEM	PART NUMBER	QTY	DESCRIPTION	REV
	1001200580	Ref	Compensation Cylinder	B
		Ref	Note: Original Cylinder May Have Been Replaced with Service Replacement. Identify PN Stamped on Cylinder Before Ordering Parts.	
1	70027246	1	Barrel Assembly	
2	70027247	1	Rod Assembly	
3	70027242	1	Gland	
4	70027244	1	Retain Ring	
5	70004637	1	Dry Bearing	
6	70027243	1	Piston	
7	70022564	1	Steel Ball	
8	70023369	1	Set Screw	
9	70027245	4	Bush	
10	70026308	2	Grease Nipple	
11	70023372	2	Hex Plug	
12	70027248	1	Seal Kit, (includes items 13 thru 22)	
13	Kit	1	Dust Wiper	
14	Kit	1	Rod Seal	
15	Kit	1	Back Up Ring	
16	Kit	1	Buffer Ring	
17	Kit	1	O-Ring	
18	Kit	1	Back Up Ring	
19	Kit	1	O-Ring	
20	Kit	1	Piston Seal	
21	Kit	1	Wear Ring	
22	Kit	1	O-Ring	

SECTION 9 - HYDRAULIC COMPONENTS

FIGURE 9-7. EXTEND/RETRACT CYLINDER



ART_1001201668

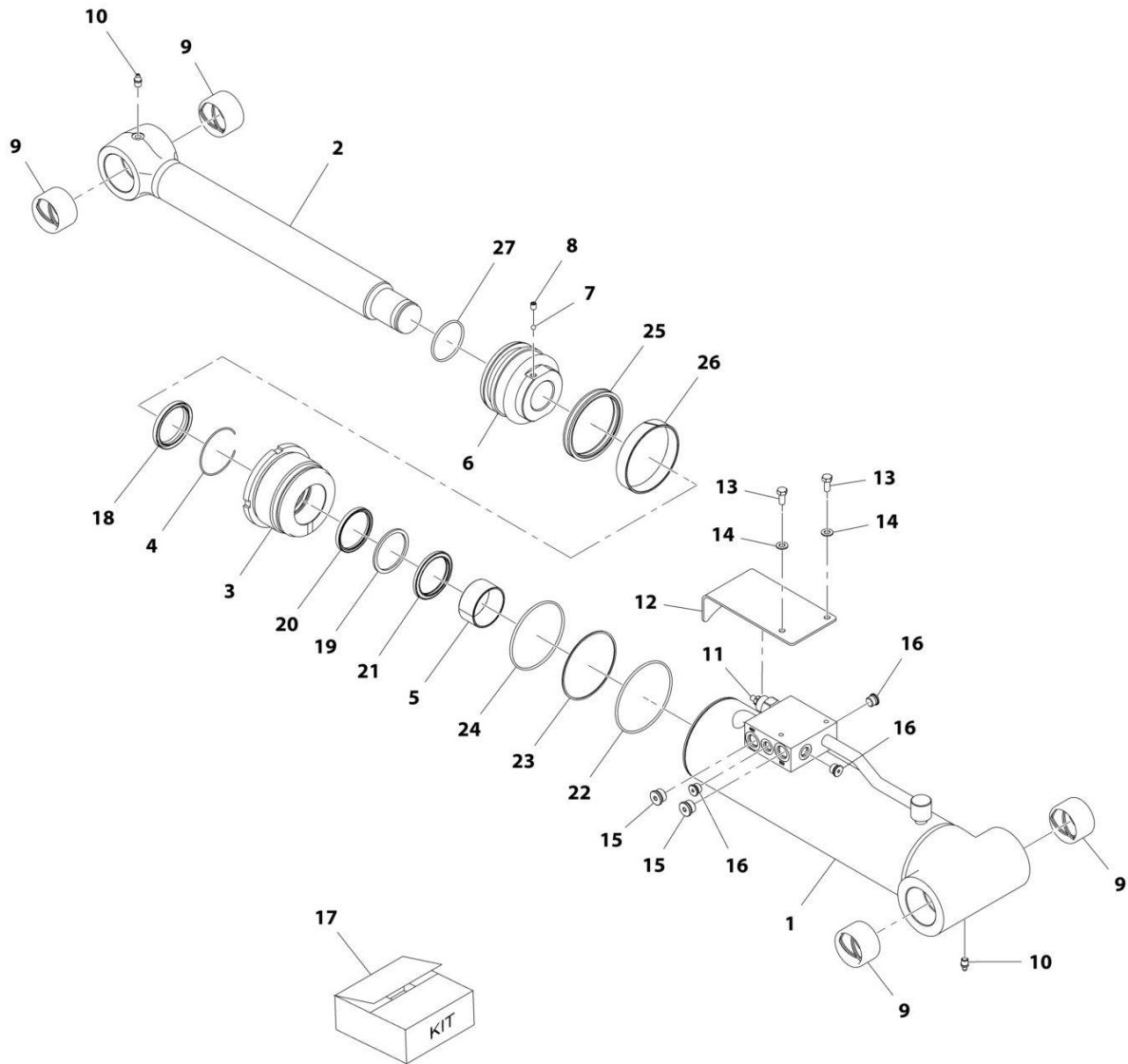
SECTION 9 - HYDRAULIC COMPONENTS

FIGURE 9-7. EXTEND/RETRACT CYLINDER

ITEM	PART NUMBER	QTY	DESCRIPTION	REV
	1001201668	Ref	Extend/Retract Cylinder	C
		Ref	Note: Original Cylinder May Have Been Replaced with Service Replacement. Identify PN Stamped on Cylinder Before Ordering Parts.	
1	70027610	1	Piston Assembly, (Includes Items 101 & 102)	
2	70027611	1	Retainer Assembly, (Includes Items 103-108)	
3	70027612	1	Rod Assembly	
3A	70030368	1	Ring, Back up	
3B	70030369	1	O-Ring	
3C	70030370	1	O-Ring	
3D	70030371	1	Ring, Back up	
4	70020376	1	Counter Balance Valve	
5	70029975	4	Bearing	
6	70027638	1	Seal Kit, (Includes Items 101-109)	
101	Kit	1	Piston Seal	
102	Kit	2	Wear Ring	
103	Kit	1	O-Ring	
104	Kit	1	Back Up Ring	
105	Kit	1	Buffer Ring	
106	Kit	1	Rod Seal	
107	Kit	1	Wiper	
108	Kit	1	Bushing	
109	Kit	1	Wear Ring	

SECTION 9 - HYDRAULIC COMPONENTS

FIGURE 9-8. TILT CYLINDER



ART_1001200581-B

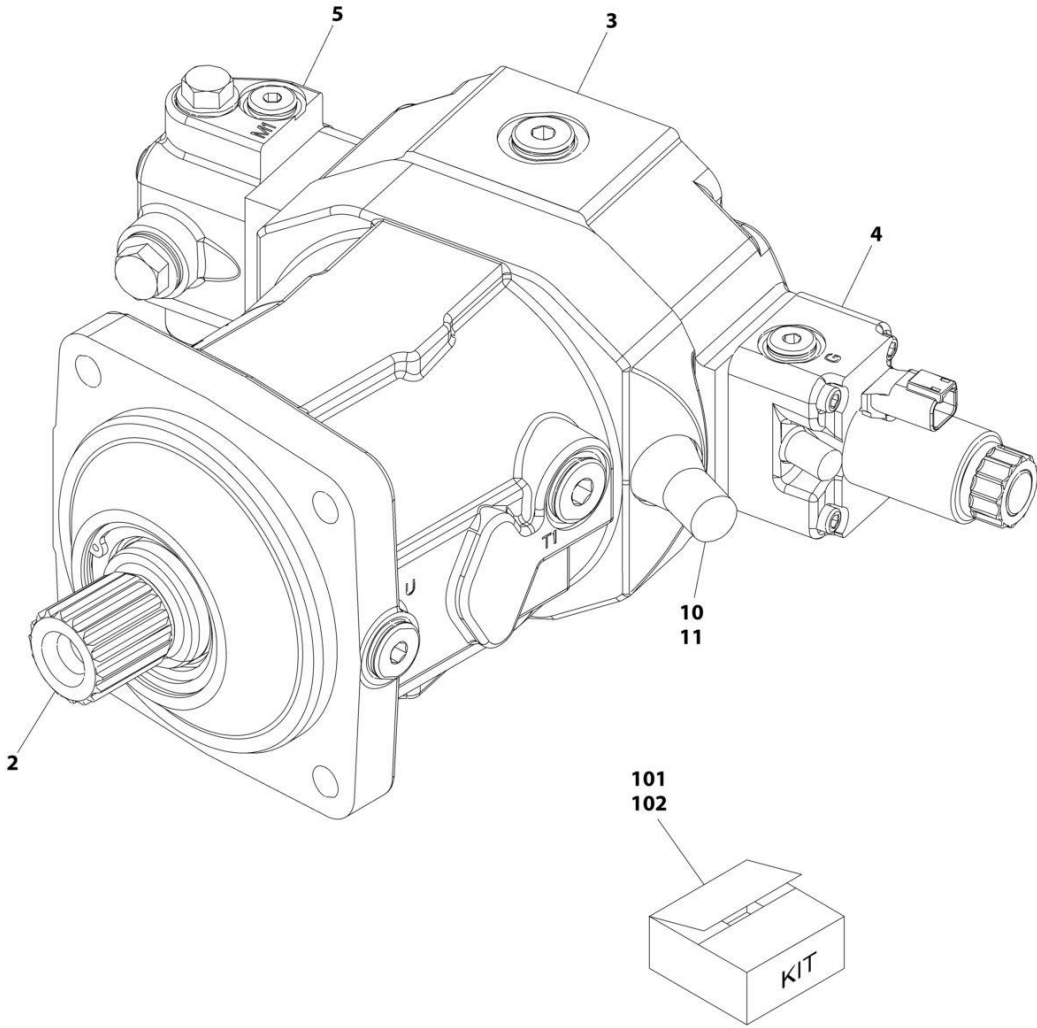
SECTION 9 - HYDRAULIC COMPONENTS

FIGURE 9-8. TILT CYLINDER

ITEM	PART NUMBER	QTY	DESCRIPTION	REV
	1001200581	Ref	Tilt Cylinder	B
		Ref	Note: Original Cylinder May Have Been Replaced with Service Replacement. Identify PN Stamped on Cylinder Before Ordering Parts.	
1	70027252	1	Barrel Assembly	
2	70027253	1	Rod Assembly	
3	70027242	1	Gland	
4	70027244	1	Retain Ring	
5	70004637	1	Dry Bearing	
6	70027243	1	Piston	
7	70022564	1	Steel Ball	
8	70023369	1	Set Screw	
9	70027251	4	Bush	
10	70026308	2	Grease Nipple	
11	1001189888	1	Counter Balance Valve	
12	70027254	1	Cover	
13	70027249	2	Hex Bolt	
14	70027250	2	Washer	
15	70023373	2	Hex Socket Plug	
16	70023371	3	Hex Socket Plug	
17	70027255	1	Seal Kit	
18	Kit	1	Dust Wiper	
19	Kit	1	Rod Seal	
20	Kit	1	Back Up Ring	
21	Kit	1	Buffer Ring	
22	Kit	1	O-Ring	
23	Kit	1	Back Up Ring	
24	Kit	1	O-Ring	
25	Kit	1	Piston Seal	
26	Kit	1	Wear Ring	
27	Kit	1	O-Ring	

SECTION 9 - HYDRAULIC COMPONENTS

FIGURE 9-9. HYDROSTATIC MOTOR



ART_1001138823

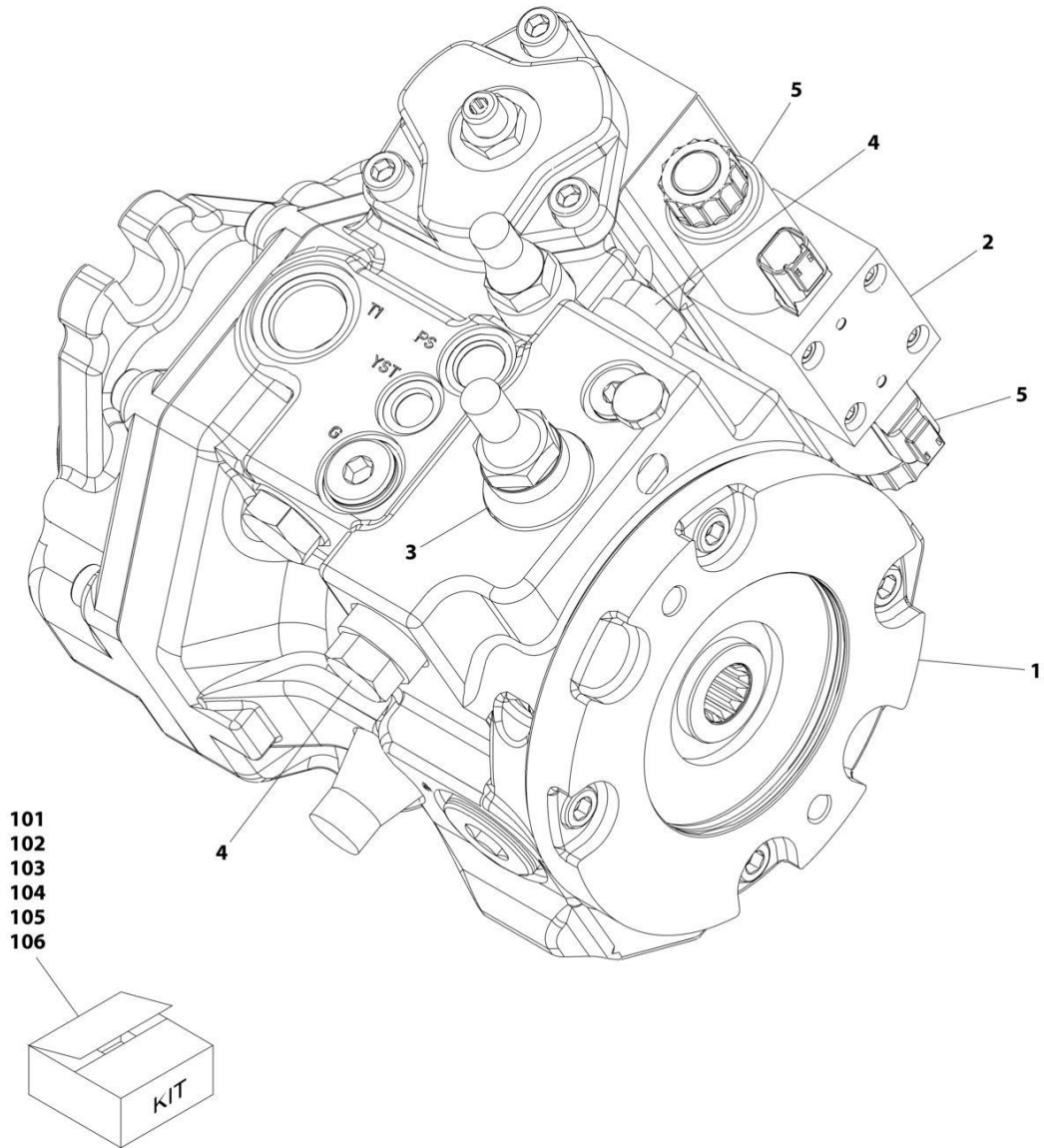
SECTION 9 - HYDRAULIC COMPONENTS

FIGURE 9-9. HYDROSTATIC MOTOR

ITEM	PART NUMBER	QTY	DESCRIPTION	REV
	1001138823	Ref	HYDROSTATIC MOTOR	C
2	70024933	1	Rotary Group	
3	70024934	1	Port Plate W/Accessories	
4	70024935	1	Control Part	
5	70024936	1	Flushing Valve W/Orifice	
10	70024938	1	Threaded Pin	
11	80334492	1	Sealing Nut	
101	70024939	1	Seal Kit	
102	70024937	1	Seal Kit, Rotary Group	

SECTION 9 - HYDRAULIC COMPONENTS

FIGURE 9-10. HYDROSTATIC PUMP



ART_100113887-C

SECTION 9 - HYDRAULIC COMPONENTS

FIGURE 9-10. HYDROSTATIC PUMP

ITEM	PART NUMBER	QTY	DESCRIPTION	REV
	1001138887	Ref	Hydrostatic Pump	C
1	70024940	1	Charge Pump	
2	70024941	1	Control Module	
3	70024942	1	Control Cartridge W/Orifice	
4	70024945	2	Pressure Relief Valve	
5	70022726	2	Control Solenoid	
101	70024943	1	Seal Kit, (Includes Items 103 Thru 106)	
102	70024944	1	Seal Kit, Rotary Group, (Shaft Seal And Retaining Ring)	
103	70024947	1	Shaft Seal Kit	
104	70024948	1	Pump Seal Kit	
105	70024949	1	Charge Pump Seal Kit	
106	70024950	1	Control Seal Kit	

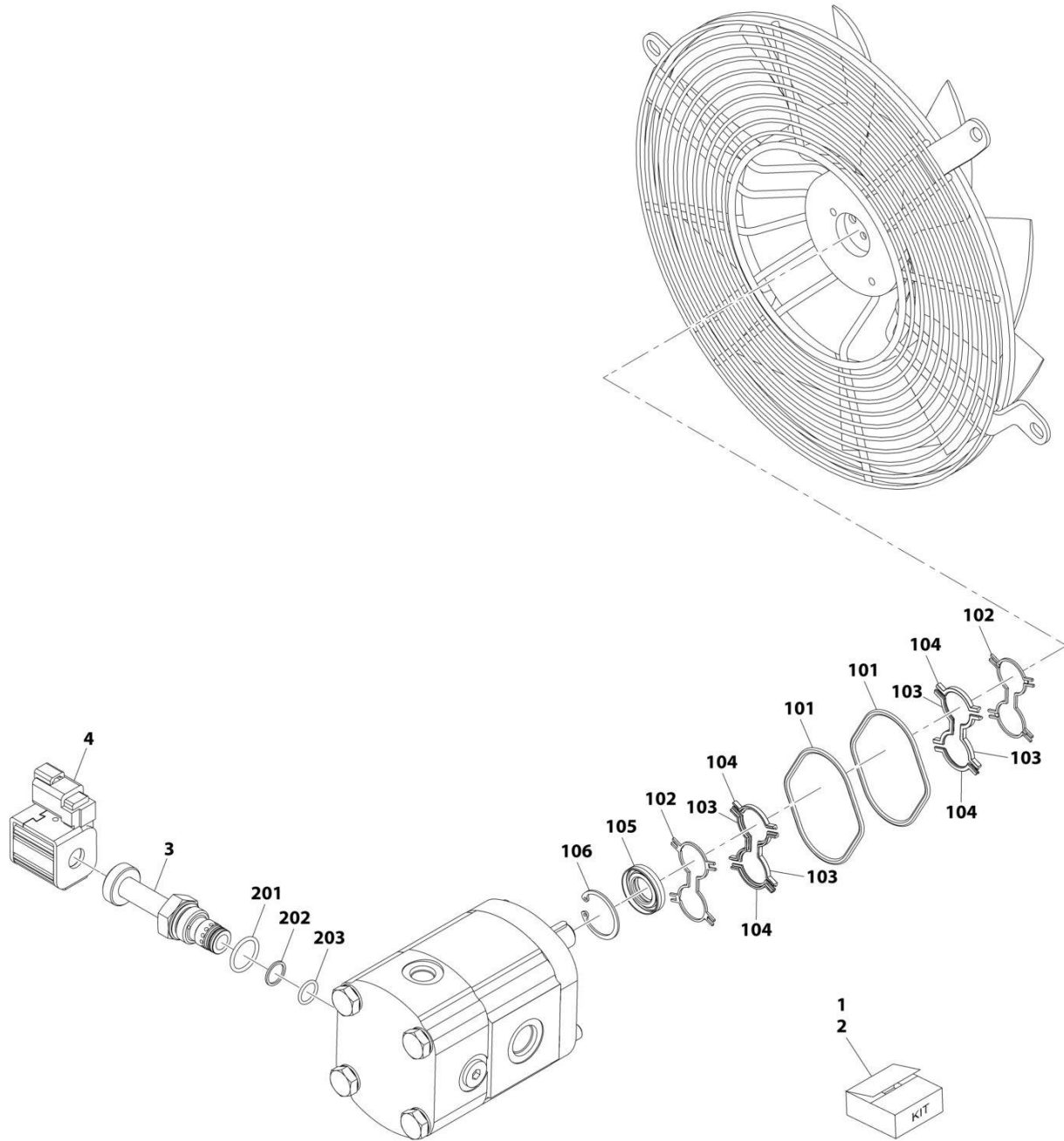
SECTION 9 - HYDRAULIC COMPONENTS

FIGURE 9-11. GEAR PUMP

ITEM	PART NUMBER	QTY	DESCRIPTION	REV
	1001139997	Ref	Gear Pump	B
1	70024951	1	Shaft Seal Kit	
2	70024952	1	Unit Seal Kit, (includes items 201 thru 204)	
201	Kit	1	Shaft Seal	
202	Kit	2	Pre-Load Seal	
203	Kit	2	Load Seal	
204	Kit	4	Sealing Ring	
3	70024953	1	Minor Repair Kit, (includes items 301 thru 305)	
301	Kit	1	Shaft Seal	
302	Kit	2	Pre-Load Seal	
303	Kit	2	Load Seal	
304	Kit	4	Sealing Ring	
305	Kit	4	Wear Plates	

SECTION 9 - HYDRAULIC COMPONENTS

FIGURE 9-12. FAN MOTOR



ART_1001141779-C

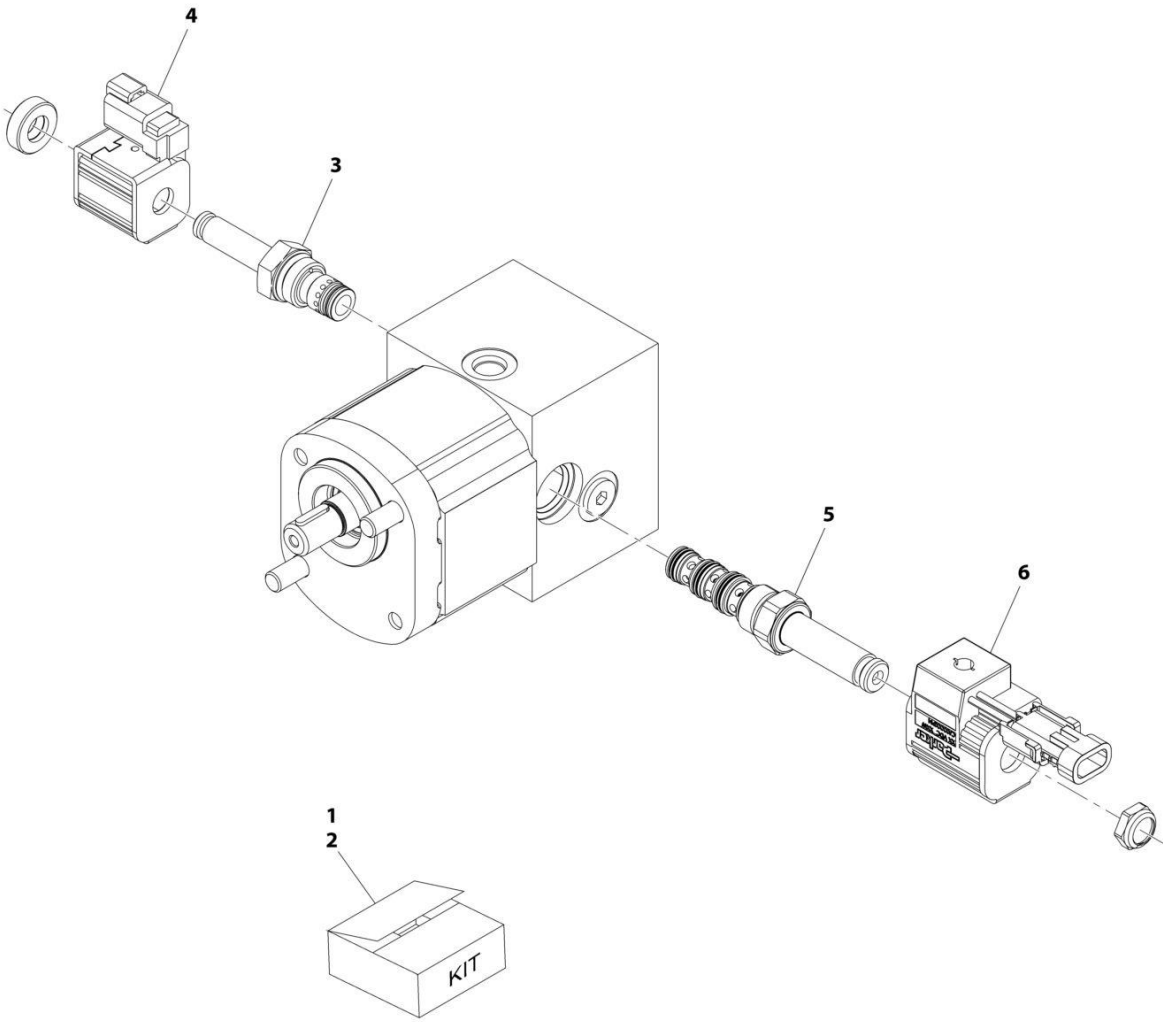
SECTION 9 - HYDRAULIC COMPONENTS

FIGURE 9-12. FAN MOTOR

ITEM	PART NUMBER	QTY	DESCRIPTION	REV
	1001141779	Ref	Fan Motor	C
1	70027400	1	Motor Seal Kit	
101	Kit	2	Seal	
102	Kit	2	Seal	
103	Kit	4	Seal	
104	Kit	4	Seal	
105	Kit	1	Seal	
106	Kit	1	Snap Ring	
2	70027401	1	Valve Seal Kit	
201	Kit	1	Seal	
202	Kit	1	Back-Up Ring	
203	Kit	1	Seal	
3	70027556	1	Proportional Valve	
4	70027557	1	Valve Coil	

SECTION 9 - HYDRAULIC COMPONENTS

FIGURE 9-13. FAN MOTOR, REVERSING



ART_1001141780-C

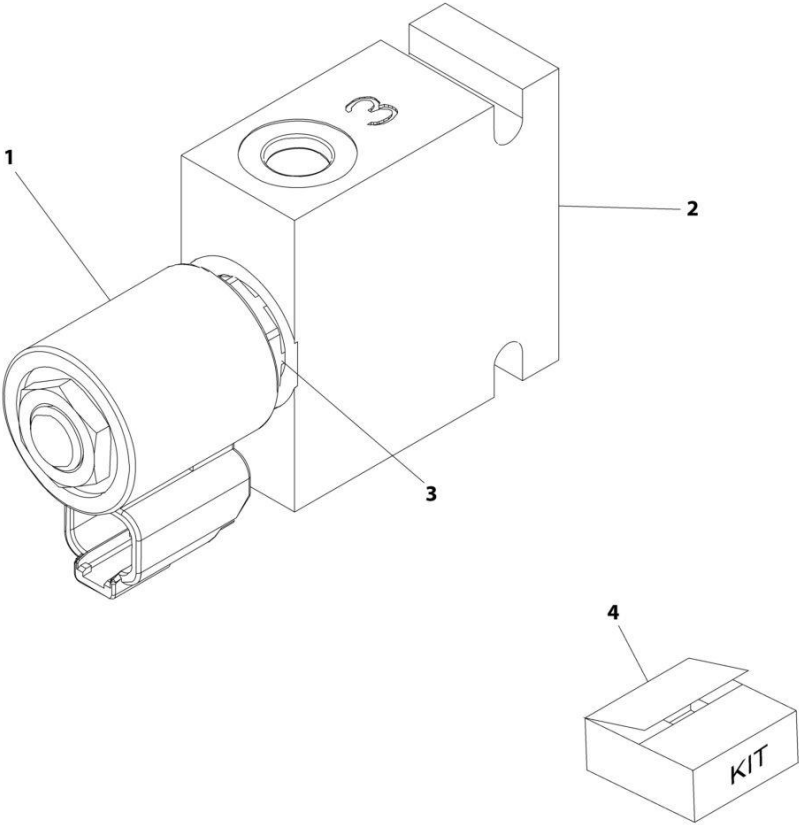
SECTION 9 - HYDRAULIC COMPONENTS

FIGURE 9-13. FAN MOTOR, REVERSING

ITEM	PART NUMBER	QTY	DESCRIPTION	REV
1	1001141780	Ref	Fan Motor	C
	70027400	1	Seal Kit, Motor	
	Kit	2	Seal	
	Kit	2	Seal	
	Kit	4	Seal	
	Kit	4	Seal	
	Kit	1	Seal	
	Kit	1	Snap Ring	
	2	70028239	1	
Kit		1	Seal, O-R	
Kit		1	Seal, O-R	
Kit		1	Seal, O-R	
Kit		1	Seal, O-R	
Kit		2	Seal, Bk-Up	
Kit		2	Seal, Bk-Up	
Kit		2	Seal, Bk-Up	
3	70027556	1	Proportional Valve	
4	70027557	1	Valve Coil	
5	70028240	1	Reversing Valve	
6	70028241	1	Valve Coil	

SECTION 9 - HYDRAULIC COMPONENTS

FIGURE 9-14. PARK BRAKE RELEASE VALVE



ART_1001080359-B

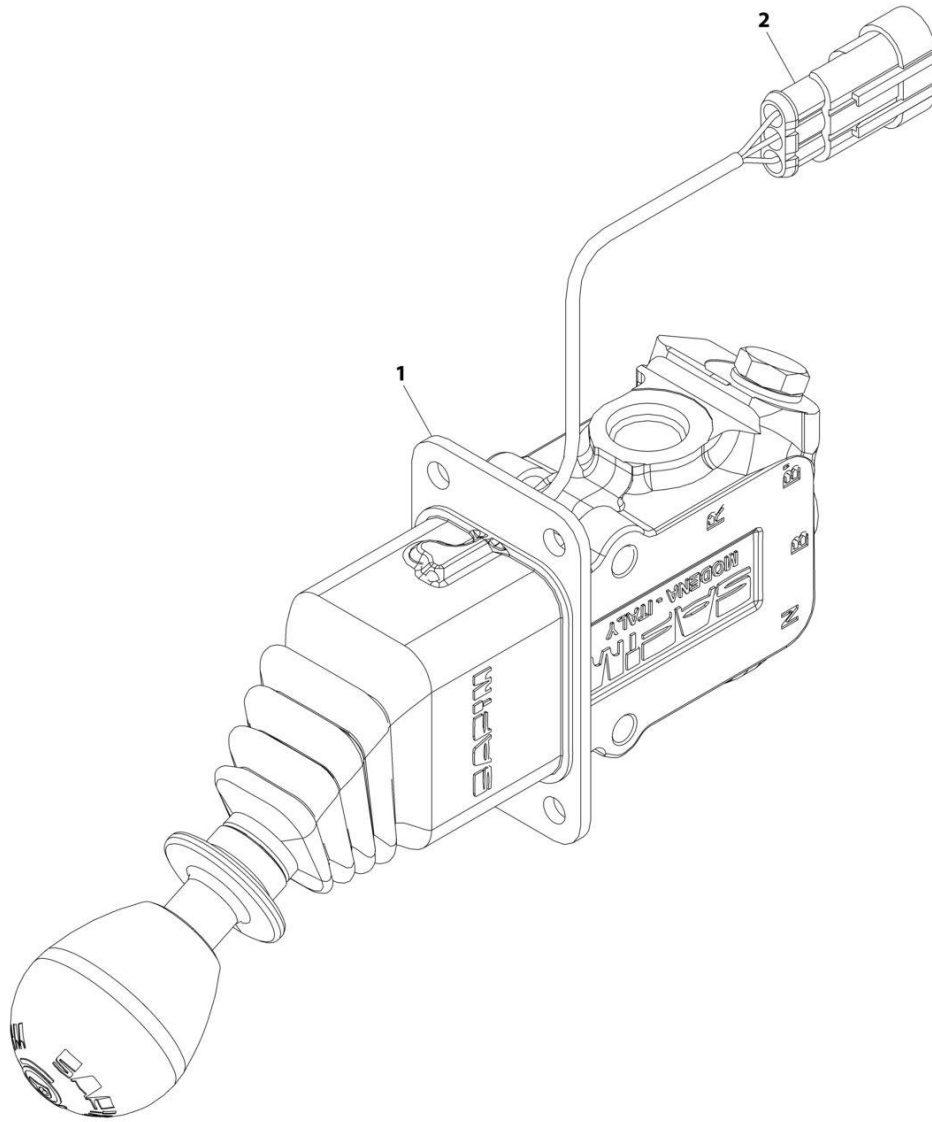
SECTION 9 - HYDRAULIC COMPONENTS

FIGURE 9-14. PARK BRAKE RELEASE VALVE

ITEM	PART NUMBER	QTY	DESCRIPTION	REV
	1001080359	Ref	Park Brake Release Valve	B
1	7012941	1	Cartridge	
2	70020871	1	Body	
3	7024872	1	Coil	
4	7010543	1	Seal Kit	

SECTION 9 - HYDRAULIC COMPONENTS

FIGURE 9-15. HYDRAULIC PARK BRAKE RELEASE VALVE



ART_1001098153-D

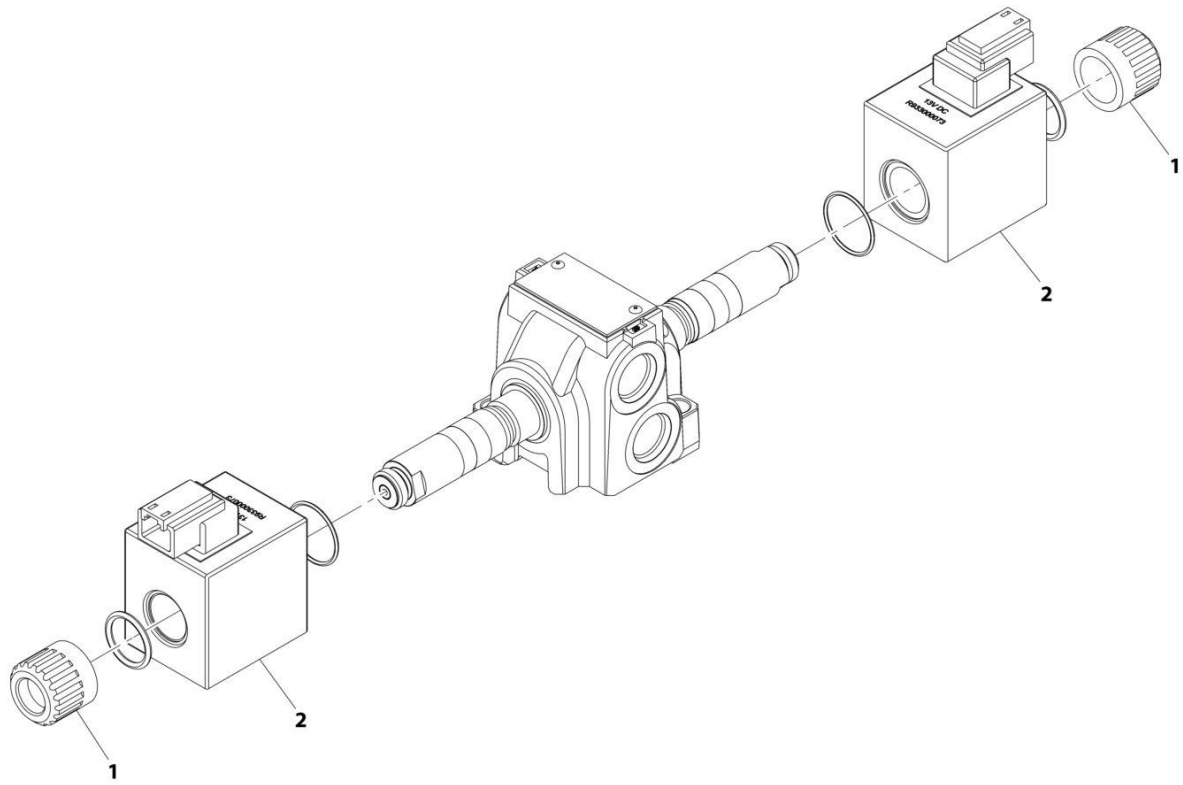
SECTION 9 - HYDRAULIC COMPONENTS

FIGURE 9-15. HYDRAULIC PARK BRAKE RELEASE VALVE

ITEM	PART NUMBER	QTY	DESCRIPTION	REV
	1001098153	Ref	Hydraulic Park Brake Release Valve	D
1	70020922	1	Kit, Seal	
2	70022847	1	Kit, Microswitch	

SECTION 9 - HYDRAULIC COMPONENTS

FIGURE 9-16. STEERING SELECT VALVE



ART_1001153748-C

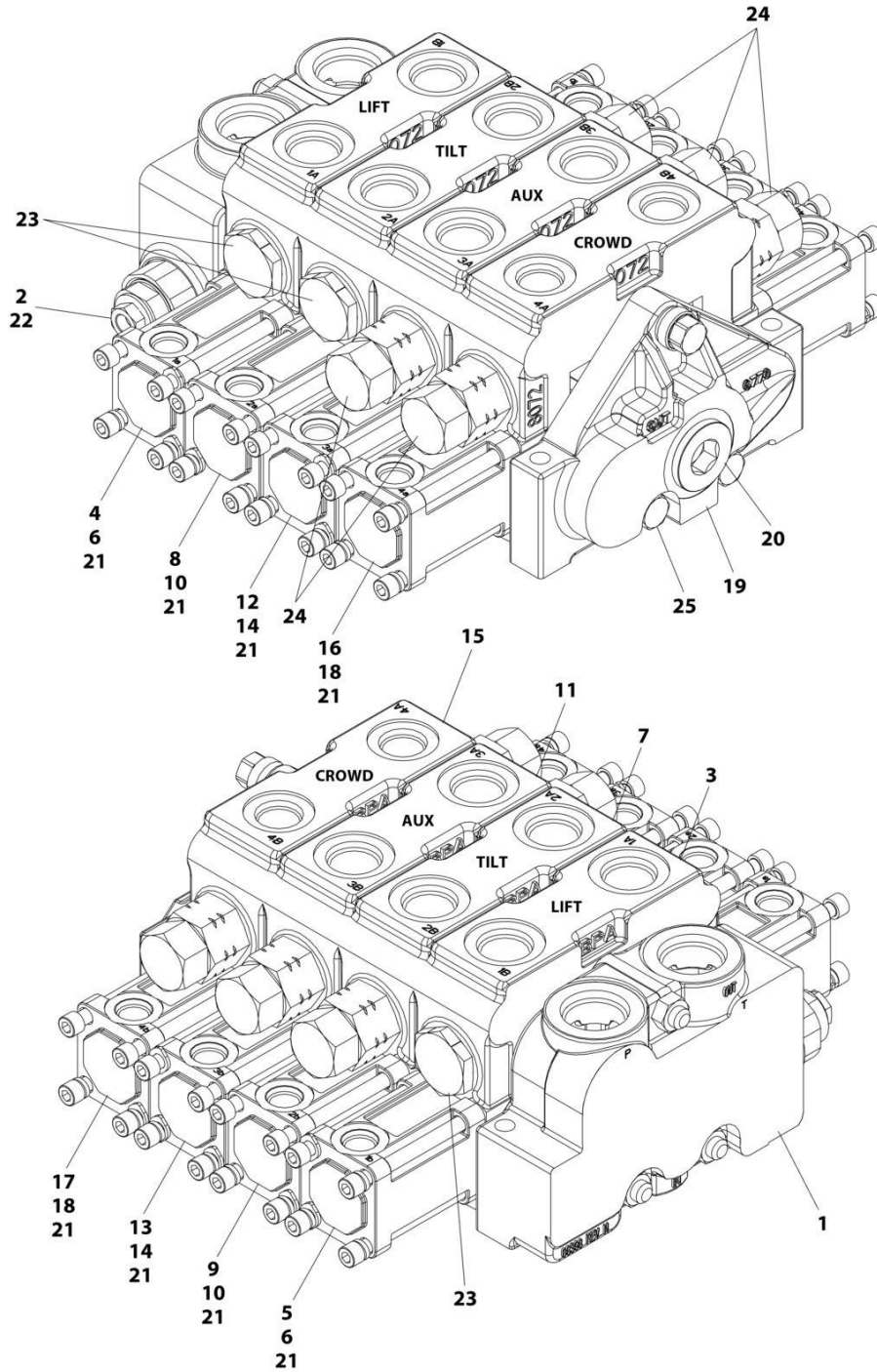
SECTION 9 - HYDRAULIC COMPONENTS

FIGURE 9-16. STEERING SELECT VALVE

ITEM	PART NUMBER	QTY	DESCRIPTION	REV
	1001153748	Ref	Steering Select Valve	C
1	70020867	2	Nut, Coil	
2	70026582	2	Coil	

SECTION 9 - HYDRAULIC COMPONENTS

FIGURE 9-17. MAIN CONTROL VALVE (W/AUX)



ART_1001080176

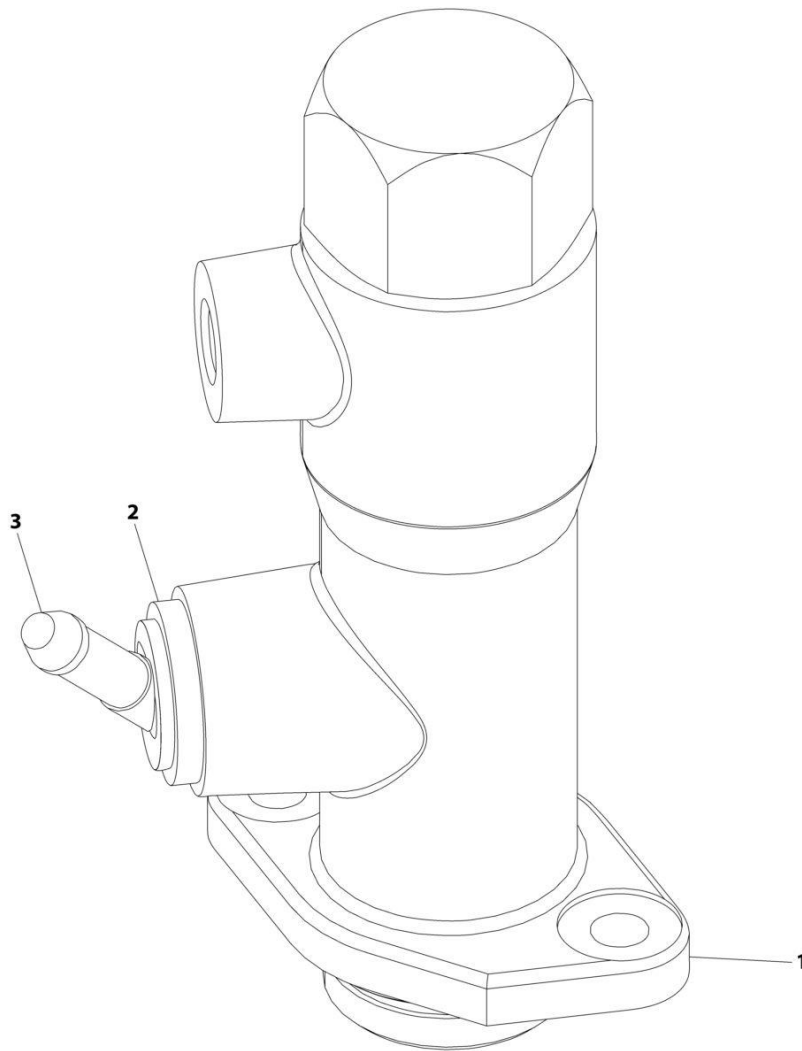
SECTION 9 - HYDRAULIC COMPONENTS

FIGURE 9-17. MAIN CONTROL VALVE (W/AUX)

ITEM	PART NUMBER	QTY	DESCRIPTION	REV
	1001080176	Ref	MAIN CONTROL VALVE (W/AUX)	D
1	91084008	1	Inlet Assembly	
2	91084009	1	Main Relief Valve, 3000PSI	
3	91404182	1	Lift Valve Section	
4	91094023	1	Hydraulic Remote Positioner, A End	
5	91094024	1	Hydraulic Remote Positioner, B End	
6	91084010	2	Load Check Plug	
7	70020718	1	Tilt Valve Section Assembly	
8	91094023	1	Hydraulic Remote Positioner, A End	
9	91094024	1	Hydraulic Remote Positioner, B End	
10	70021352	2	Relief Cartridge, 3800PSI 10GPM	
11	70020719	1	Auxiliary Valve Section Assembly	
12	91094023	1	Hydraulic Remote Positioner, A End	
13	91094024	1	Hydraulic Remote Positioner, B End	
14	70021352	2	Relief Cartridge, 3800PSI 10GPM	
15	91404186	1	Crowd Valve Section Assembly	
16	91094023	1	Hydraulic Remote Positioner, A End	
17	91094024	1	Hydraulic Remote Positioner, B End	
18	91404189	1	Relief Valve	
19	91084278	1	Outlet Assembly	
20	91084279	1	Plug	
21	91084233	8	Seal, Positioner	
22	70020716	1	Seal Kit - Main Relief	
23	7029865	3	Seal Kit - Transition Check	
24	70020717	5	Seal Kit - RC Relief	
25	91084019	1	Bolt Assembly	

SECTION 9 - HYDRAULIC COMPONENTS

FIGURE 9-18. BRAKE MASTER CYLINDER VALVE



ART_1001080262-C

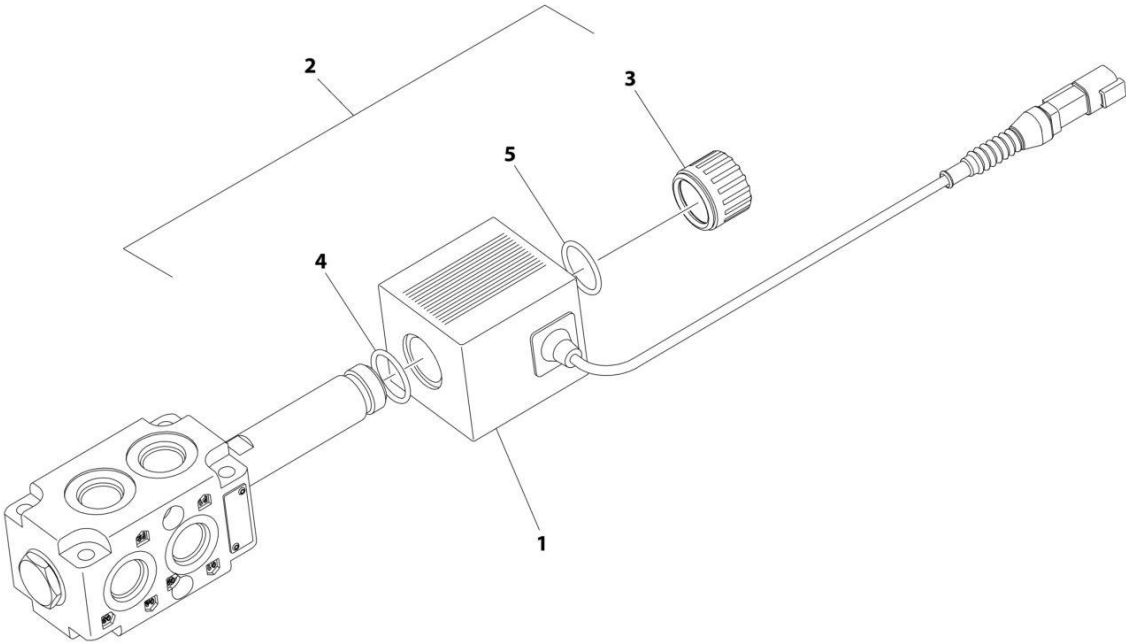
SECTION 9 - HYDRAULIC COMPONENTS

FIGURE 9-18. BRAKE MASTER CYLINDER VALVE

ITEM	PART NUMBER	QTY	DESCRIPTION	REV
	1001080262	Ref	Brake Master Cylinder Valve	C
1	70020919	1	Seal Kit	
2	70020920	1	Rubber Boot	
3	70021475	1	Fitting	

SECTION 9 - HYDRAULIC COMPONENTS

FIGURE 9-19. DIVERTOR VALVE



ART_1001104477

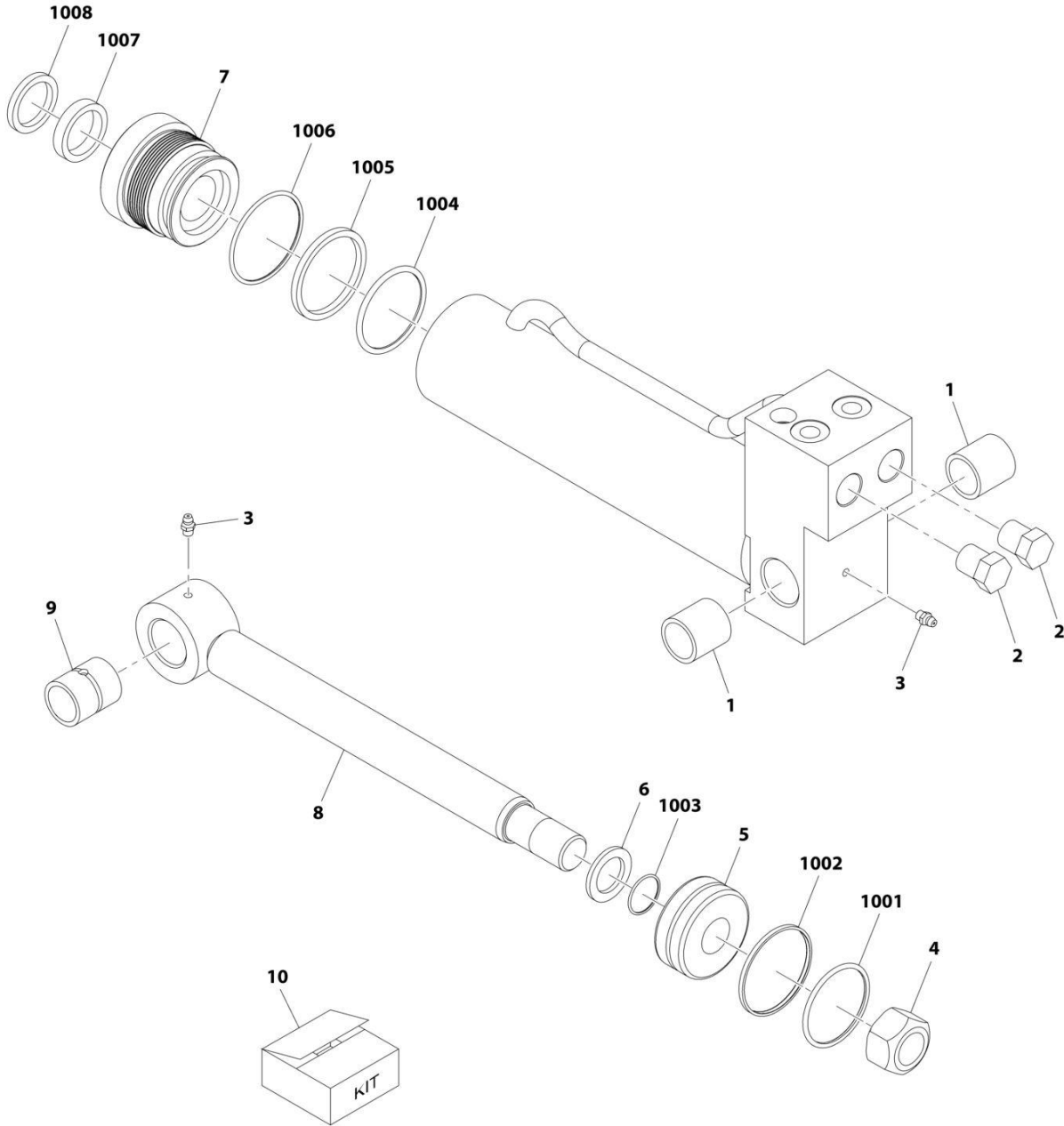
SECTION 9 - HYDRAULIC COMPONENTS

FIGURE 9-19. DIVERTOR VALVE

ITEM	PART NUMBER	QTY	DESCRIPTION	REV
	1001104477	Ref	DIVERTOR VALVE	D
1	70020764	1	Coil	
2	70021531	1	Retainer Kit (Includes Items 3-5)	
3	Kit	1	Nut	
4	Kit	1	O-Ring	
5	Kit	1	O-Ring	

SECTION 9 - HYDRAULIC COMPONENTS

FIGURE 9-20. SIDE TILT CARRIAGE CYLINDER



ART_70021363-A

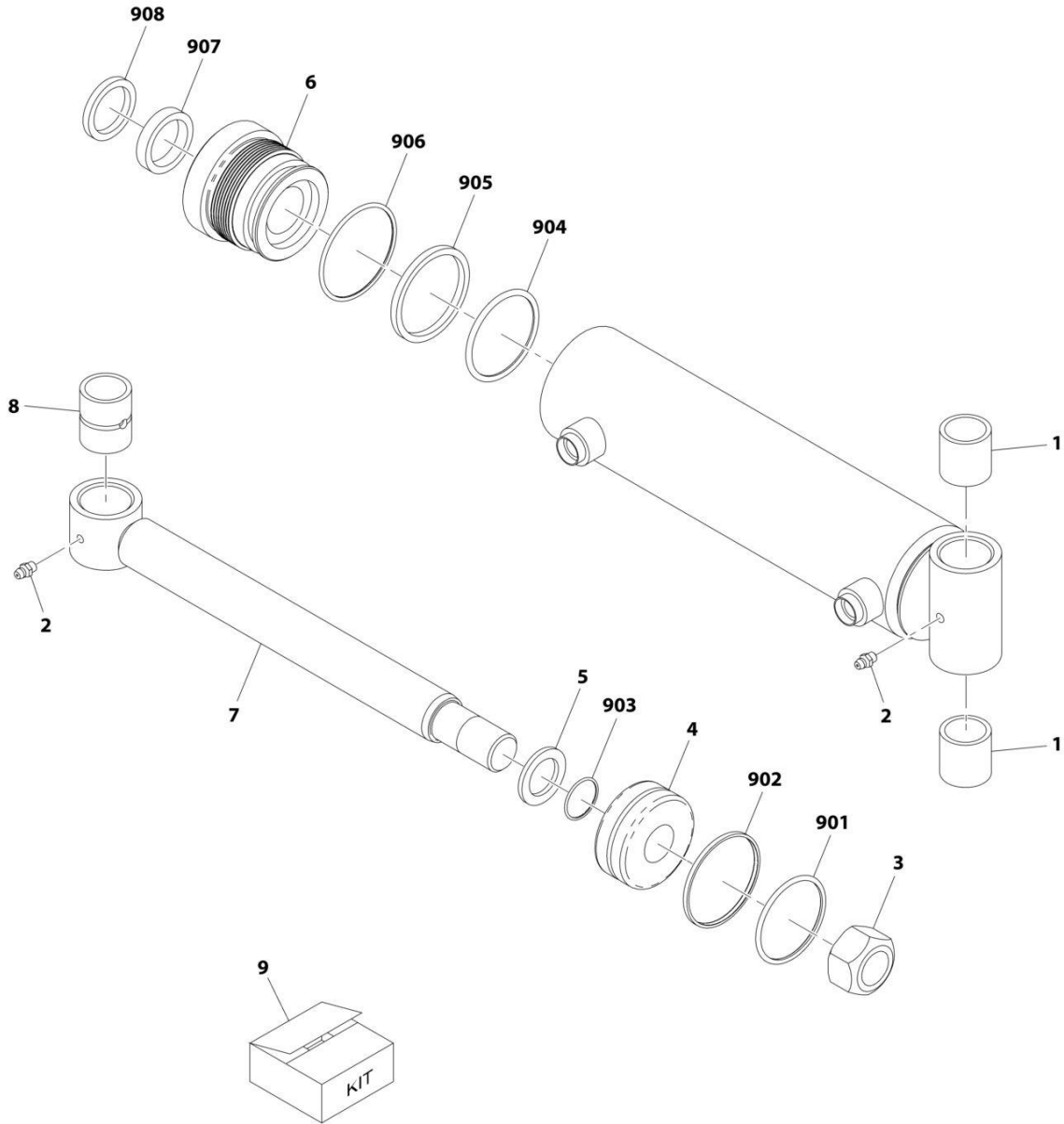
SECTION 9 - HYDRAULIC COMPONENTS

FIGURE 9-20. SIDE TILT CARRIAGE CYLINDER

ITEM	PART NUMBER	QTY	DESCRIPTION	REV
	70021363	Ref	Side Tilt Carriage Cylinder	A
		Ref	Note: Original Cylinder May Have Been Replaced with Service Replacement. Identify PN Stamped on Cylinder Before Ordering Parts.	
1	70021448	2	Bushing	
2	70021464	2	Valve Cartridge	
3	90554045	2	Grease Fitting	
4	70021440	1	Nut	
5	70021451	1	Piston	
6	70021444	1	Washer	
7	70021446	1	Gland	
8	70029441	1	Rod	
9	70021447	1	Bushing	
10	70021452	1	Seal Kit, (includes items 1001 thru 1008)	
1001	Kit	1	Piston Ring	
1002	Kit	1	O-Ring	
1003	Kit	1	O-Ring	
1004	Kit	1	O-Ring	
1005	Kit	1	Back-Up Ring	
1006	Kit	1	O-Ring	
1007	Kit	1	Polypak, Type B	
1008	Kit	1	Rod Wiper	

SECTION 9 - HYDRAULIC COMPONENTS

FIGURE 9-21. UNIVERSAL SIDE SHIFT CYLINDER



ART_70022108-A

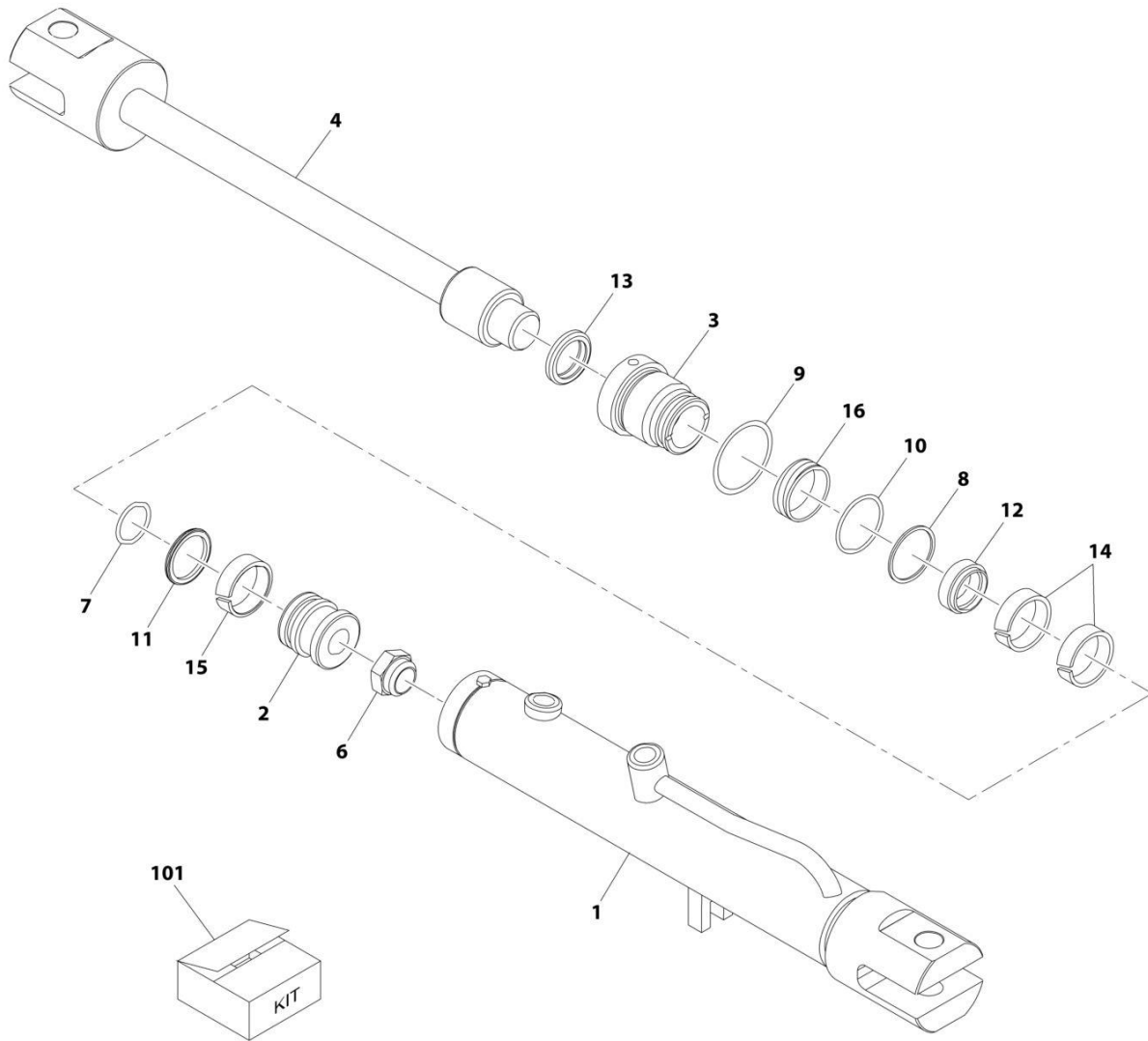
SECTION 9 - HYDRAULIC COMPONENTS

FIGURE 9-21. UNIVERSAL SIDE SHIFT CYLINDER

ITEM	PART NUMBER	QTY	DESCRIPTION	REV
	70022108	Ref	Universal Side Shift Cylinder	A
		Ref	Note: Original Cylinder May Have Been Replaced with Service Replacement. Identify PN Stamped on Cylinder Before Ordering Parts.	
1	70021448	2	Bushing	
2	90554045	2	Grease Fitting	
3	70021440	1	Nut	
4	70021451	1	Piston	
5	70021444	1	Washer	
6	70021446	1	Gland	
7	70021462	1	Rod	
8	70021447	1	Bushing	
9	70021452	1	Seal Kit, (includes items 901 thru 908)	
901	Kit	1	O-Ring	
902	Kit	1	Back-up O-Ring	
903	Kit	1	O-Ring	
904	Kit	1	O-Ring	
905	Kit	1	O-Ring	
906	Kit	1	Seal	
907	Kit	1	O-Ring	
908	Kit	1	Seal	

SECTION 9 - HYDRAULIC COMPONENTS

FIGURE 9-22. FORK LOCKING CYLINDER



ART_1001080334-D

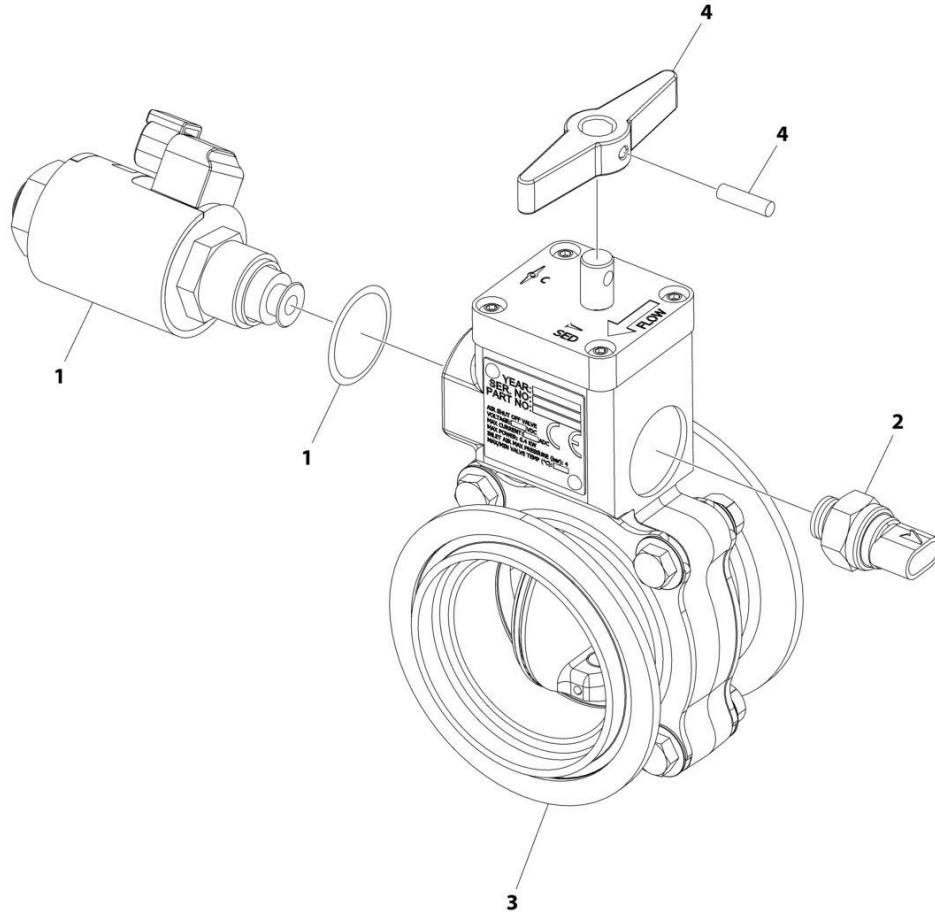
SECTION 9 - HYDRAULIC COMPONENTS

FIGURE 9-22. FORK LOCKING CYLINDER

ITEM	PART NUMBER	QTY	DESCRIPTION	REV
	1001080334	Ref	Fork Locking Cylinder	D
		Ref	Note: Original Cylinder May Have Been Replaced with Service Replacement. Identify PN Stamped on Cylinder Before Ordering Parts.	
1	70021270	1	Case Assembly	
2	70021271	1	Piston	
3	70021272	1	Head Gland	
4	70021273	1	Rod	
6	70021275	1	Locknut	
7	Kit	1	O-Ring	
8	Kit	1	O-Ring	
9	Kit	1	O-Ring	
10	Kit	1	Back-Up Ring	
11	Kit	1	Diso-Pac	
12	Kit	1	Deep Z-Seal	
13	Kit	1	Rod Wiper	
14	Kit	2	Precision Wearband	
15	Kit	1	Precision Wearband	
16	Kit	1	Locking Insert	
101	70021276	1	Seal Kit, (includes items 7 thru 16)	

SECTION 9 - HYDRAULIC COMPONENTS

FIGURE 9-23. AIR SHUT OFF VALVE



ART_1001204032_C

SECTION 9 - HYDRAULIC COMPONENTS

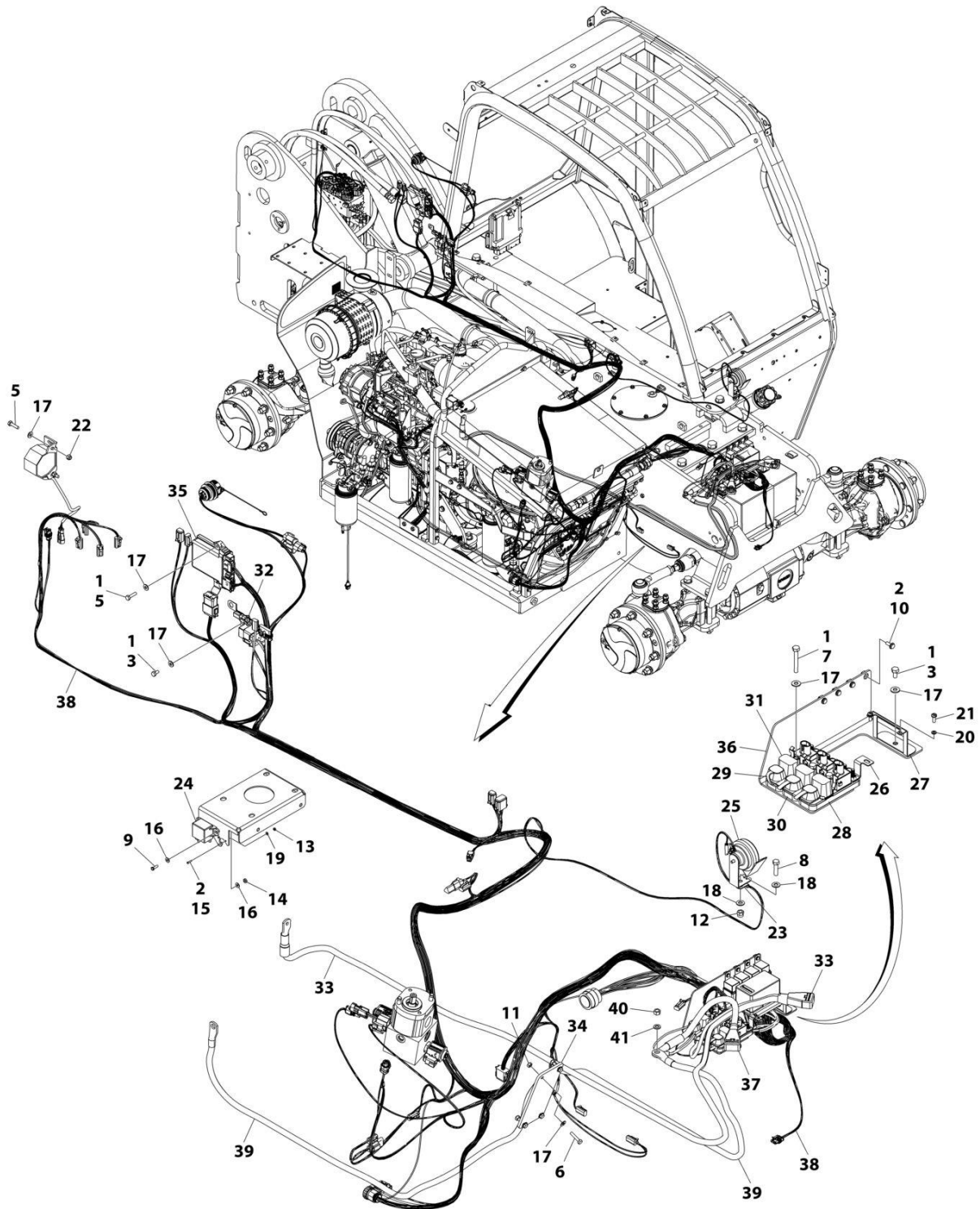
FIGURE 9-23. AIR SHUT OFF VALVE

ITEM	PART NUMBER	QTY	DESCRIPTION	REV
	1001204032	Ref	Air Shut Off Valve	C
1	70028514	1	Kit, Solenoid 12V (Includes Solenoid, Coil, O-Ring)	
2	70028515	1	Kit, Switch (Includes Ball Switch & O-Ring)	
3	70028516	1	Kit, Flange and Hardware (Includes Flanges (Male & Female) & Mounting Hardware)	
4	70028517	1	Kit, Handle (Includes Handle & Pin)	

SECTION 10 - ELECTRICAL

SECTION 10 - ELECTRICAL

FIGURE 10-1. MAIN ELECTRICAL INSTALLATION



ART_1001200612

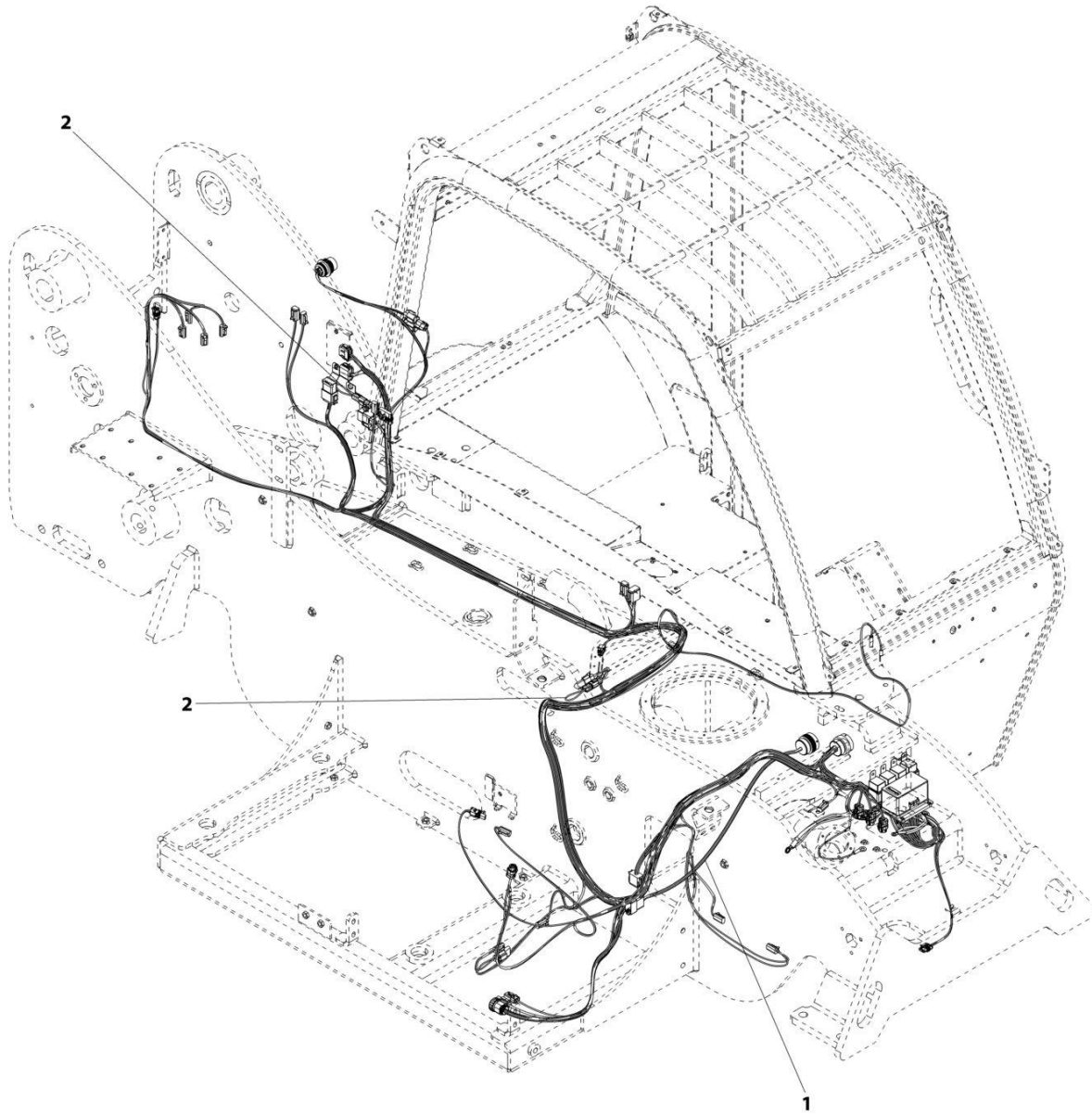
SECTION 10 - ELECTRICAL

FIGURE 10-1. MAIN ELECTRICAL INSTALLATION

ITEM	PART NUMBER	QTY	DESCRIPTION	REV
	1001200612	Ref	MAIN ELECTRICAL INSTALLATION	G
1	0100011	AR	Compound, Locking	
2	0100035	AR	Compound, Locking	
3	0641404	2	Bolt 1/4 x 1/2	
5	0641408	4	Bolt 1/4 x 1	
6	0641410	4	Bolt 1/4 x 1-1/4	
7	0641415	3	Bolt 1/4 x 1-7/8	
8	0641611	1	Bolt 3/8 x 1-3/8	
9	0721005	2	Screw	
10	0791004	4	Screw	
11	3271405	4	Nut 1/4	
12	3300143	1	Nut 3/8	
13	3310401	3	Nut 4	
14	3311001	2	Nut 10	
15	3910408	3	Screw 4 x 1/2	
16	4711000	4	Washer	
17	4711400	13	Washer 1/4	
18	4711600	2	Washer 3/8	
19	4750400	3	Washer #4	
20	4761000	2	Washer	
21	8303839	2	Screw #10 x 1/2	
22	8305624	2	Nut	
23	8406003	1	Clip	
24	77383377	1	Starter Relay	
25	91143357	1	Horn	
26	1001080409	1	Bus Bar	
27	1001080410	1	Bracket	
28	1001080424	1	Yellow Power Module Relay	
29	1001092585	1	Bus Bar Insulator	
30	1001127589	1	Red Power Module Relay	
31	1001141066	1	Green Power Module Relay	
32	1001141581	1	Connector Mount	
33	1001149466	1	Positive Battery Cable	
34	1001156314	1	Plate	
35	1001196254	1	Control Module	
36	1001201252	1	Mount, Electrical Components	
37	1001080619	1	Negative Battery Cable	
38	1001275270	1	Frame Harness, (See Separate Breakdown in this Section)	
39	1001209102	1	Ground Cable	
40	3271601	1	Nut 3/8	
41	4761600	1	Washer 3/8	

SECTION 10 - ELECTRICAL

FIGURE 10-2. FRAME OPTIONS HARNESS INSTALLATION



ART_1001143556-C

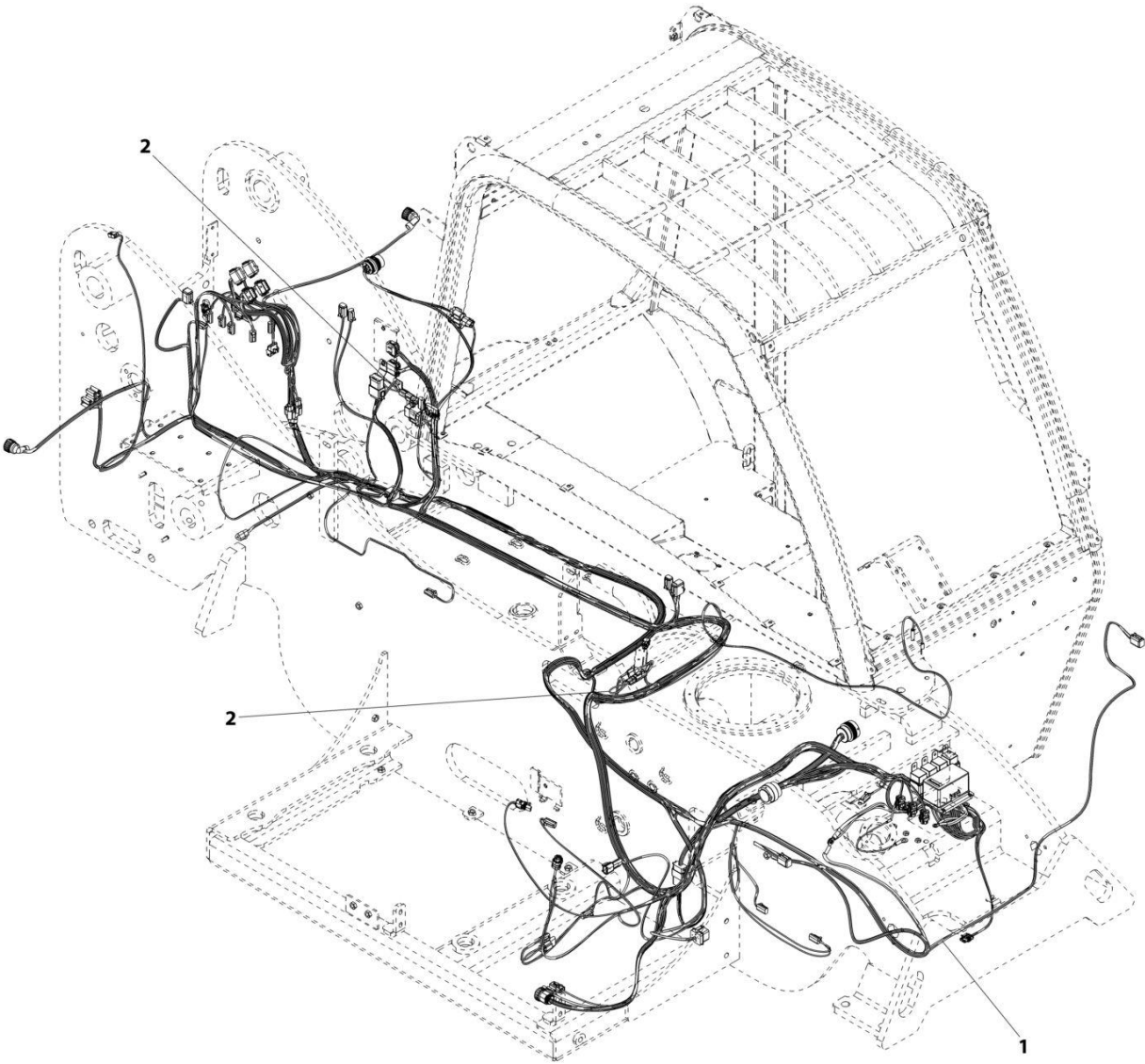
SECTION 10 - ELECTRICAL

FIGURE 10-2. FRAME OPTIONS HARNESS INSTALLATION

ITEM	PART NUMBER	QTY	DESCRIPTION	REV
1	1001143556	Ref	Frame Options Harness Installation	C
	1001142011	1	Frame Base Jumper Harness (See Separate Breakdown in this Section)	
2	1001122280	2	Function Jumper Harness (See Separate Breakdown in this Section)	

SECTION 10 - ELECTRICAL

FIGURE 10-3. FRAME OPTIONS HARNESS INSTALLATION (ANSI)



ART_1001143552-C

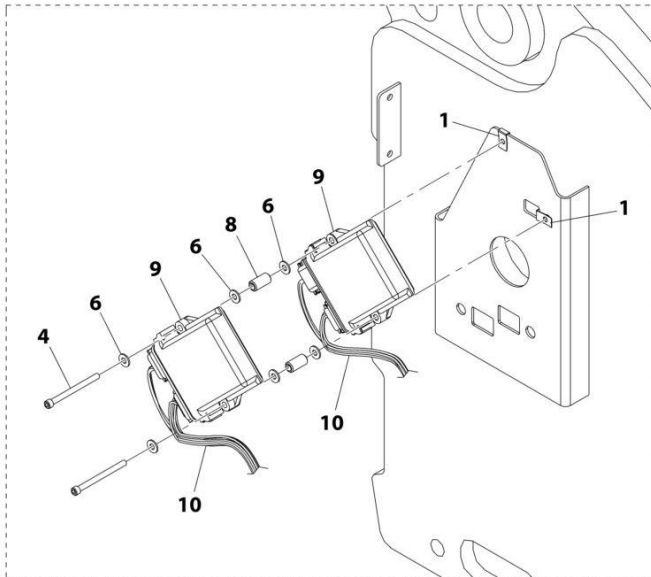
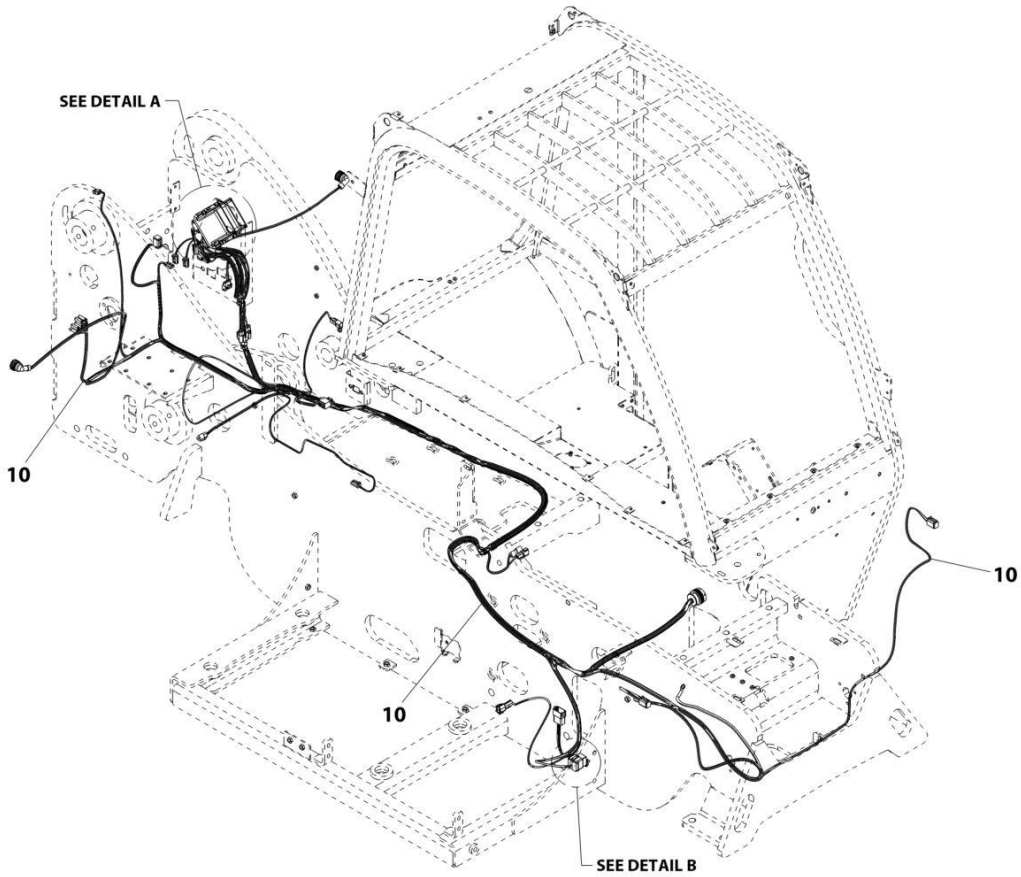
SECTION 10 - ELECTRICAL

FIGURE 10-3. FRAME OPTIONS HARNESS INSTALLATION (ANSI)

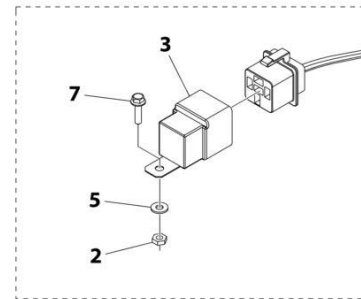
ITEM	PART NUMBER	QTY	DESCRIPTION	REV
	1001143552	Ref	FRAME OPTIONS HARNESS INSTALLATION	C
1	1001140635	1	Frame Option Harness (See Separate Breakdown in this Section)	
2	1001122280	2	Function Jumper Harness (See Separate Breakdown in this Section)	

SECTION 10 - ELECTRICAL

FIGURE 10-4. FRAME OPTIONS HARNESS INSTALLATION (CE)



DETAIL A



DETAIL B

ART_1001209103-B

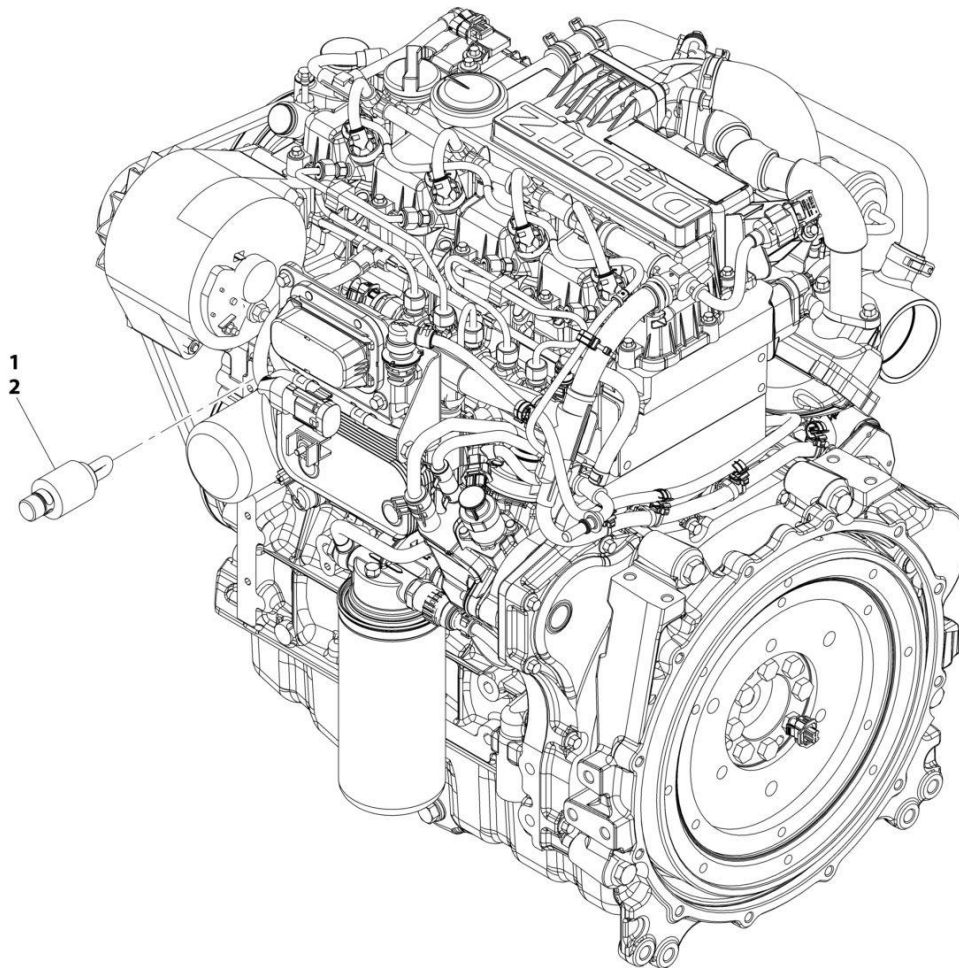
SECTION 10 - ELECTRICAL

FIGURE 10-4. FRAME OPTIONS HARNESS INSTALLATION (CE)

ITEM	PART NUMBER	QTY	DESCRIPTION	REV
	1001209103	Ref	Frame Options Harness Installation (CE)	B
1	3300454	2	Special Nut	
2	3311001	1	Hex Nut, 10-24, GR2	
3	3740080	1	Weather Proof Relay	
4	3931448	2	Socket HD Capscrew, 1/4-20X3	
5	4711000	1	Washer, #10	
6	4711400	6	Washer, 1/4	
7	77143016	1	Screw, #10-24X3/4	
8	88631566	2	Roll Pin	
9	1001226247	2	LSI Module	
10	1001140635	1	Frame Option Harness (See Separate Breakdown in this Section)	

SECTION 10 - ELECTRICAL

FIGURE 10-5. BLOCK HEATER INSTALLATION (ANSI)



ART_1001139683-B

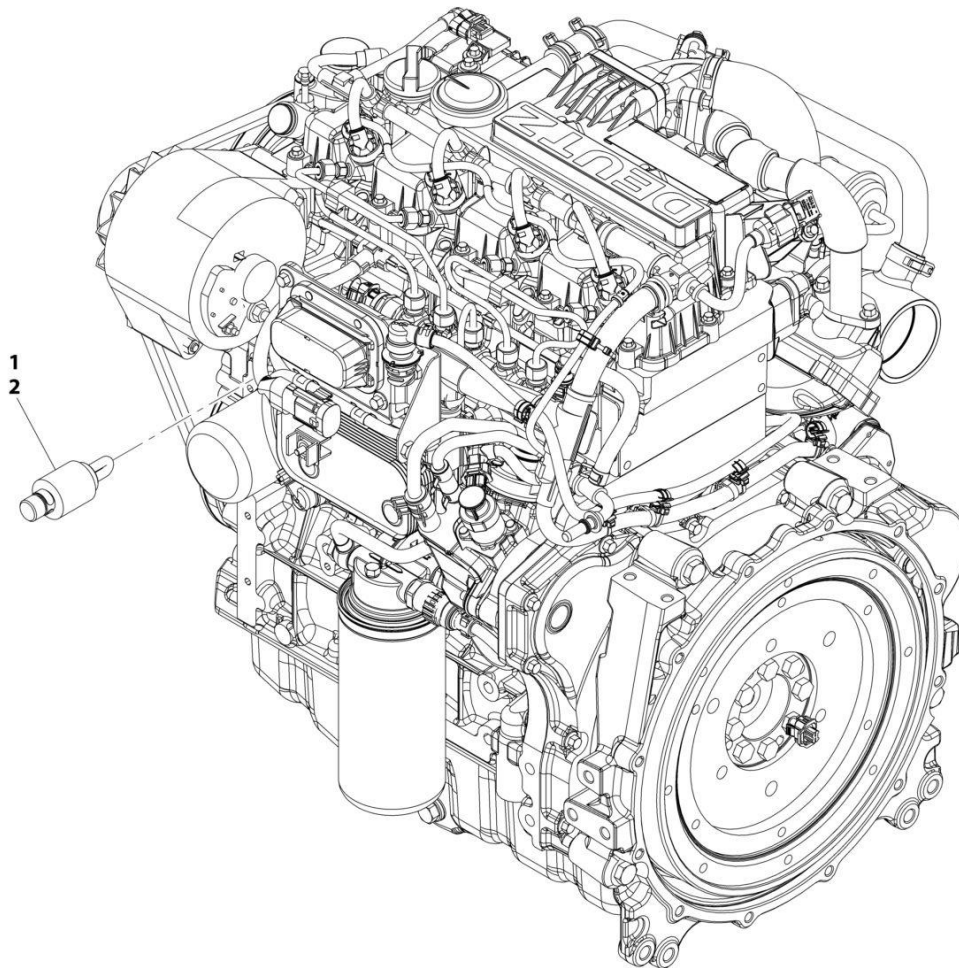
SECTION 10 - ELECTRICAL

FIGURE 10-5. BLOCK HEATER INSTALLATION (ANSI)

ITEM	PART NUMBER	QTY	DESCRIPTION	REV
1	1001139683	Ref	LOCK HEATER INSTALLATION	B
	1001095650	AR	Compound, Locking	
	1001140312	1	Block Heater	

SECTION 10 - ELECTRICAL

FIGURE 10-6. BLOCK HEATER INSTALLATION (CE)



ART_1001159207-A

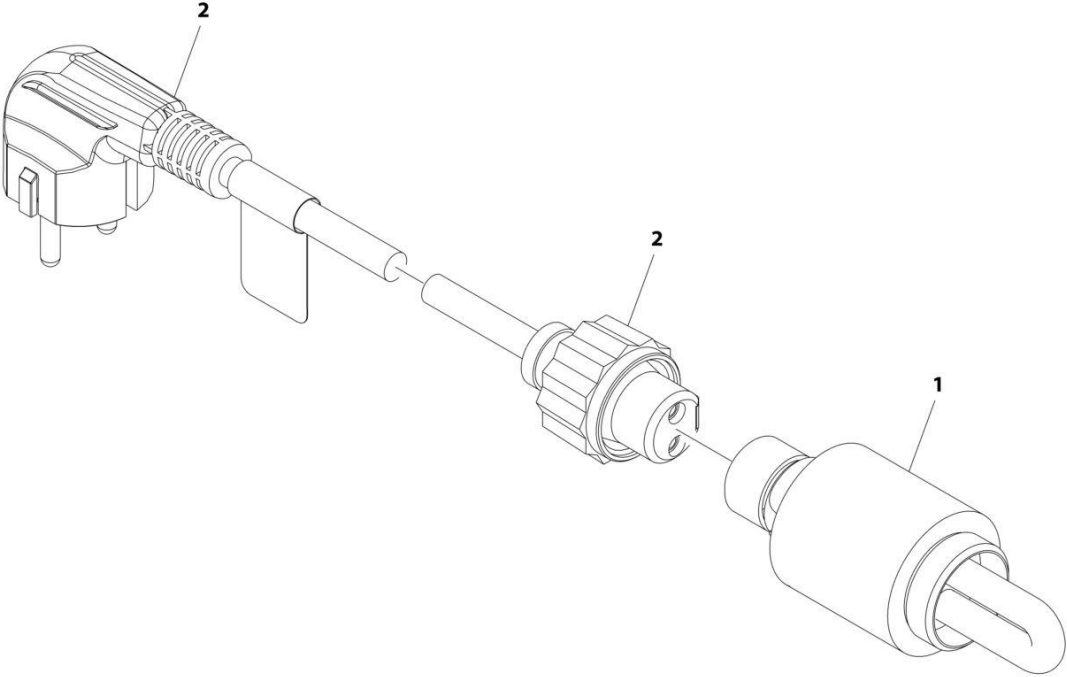
SECTION 10 - ELECTRICAL

FIGURE 10-6. BLOCK HEATER INSTALLATION (CE)

ITEM	PART NUMBER	QTY	DESCRIPTION	REV
1	1001159207	Ref	Block Heater Installation (CE)	A
	1001095650	AR	Locking Compound	
2	1001159206	1	Block Heater (See Separate Breakdown in this Section)	

SECTION 10 - ELECTRICAL

FIGURE 10-7. BLOCK HEATER INSTALLATION (115V) (LS)



ART_1001159206

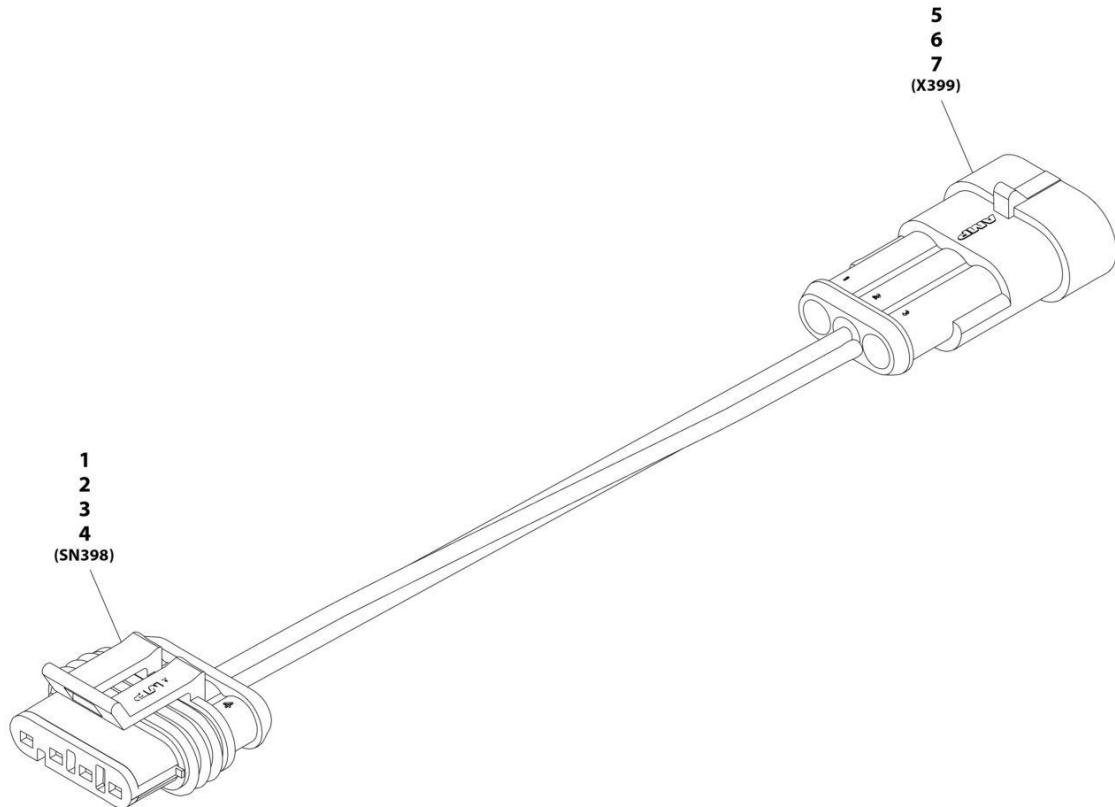
SECTION 10 - ELECTRICAL

FIGURE 10-7. BLOCK HEATER INSTALLATION (115V) (LS)

ITEM	PART NUMBER	QTY	DESCRIPTION	REV
	1001159206	Ref	Block Heater Installation (115V) (LS)	B
1	1001159204	1	Block Heater	
2	1001159205	1	Cable	

SECTION 10 - ELECTRICAL

FIGURE 10-8. SPEED SENSOR JUMPER HARNESS



ART_1001234992-B

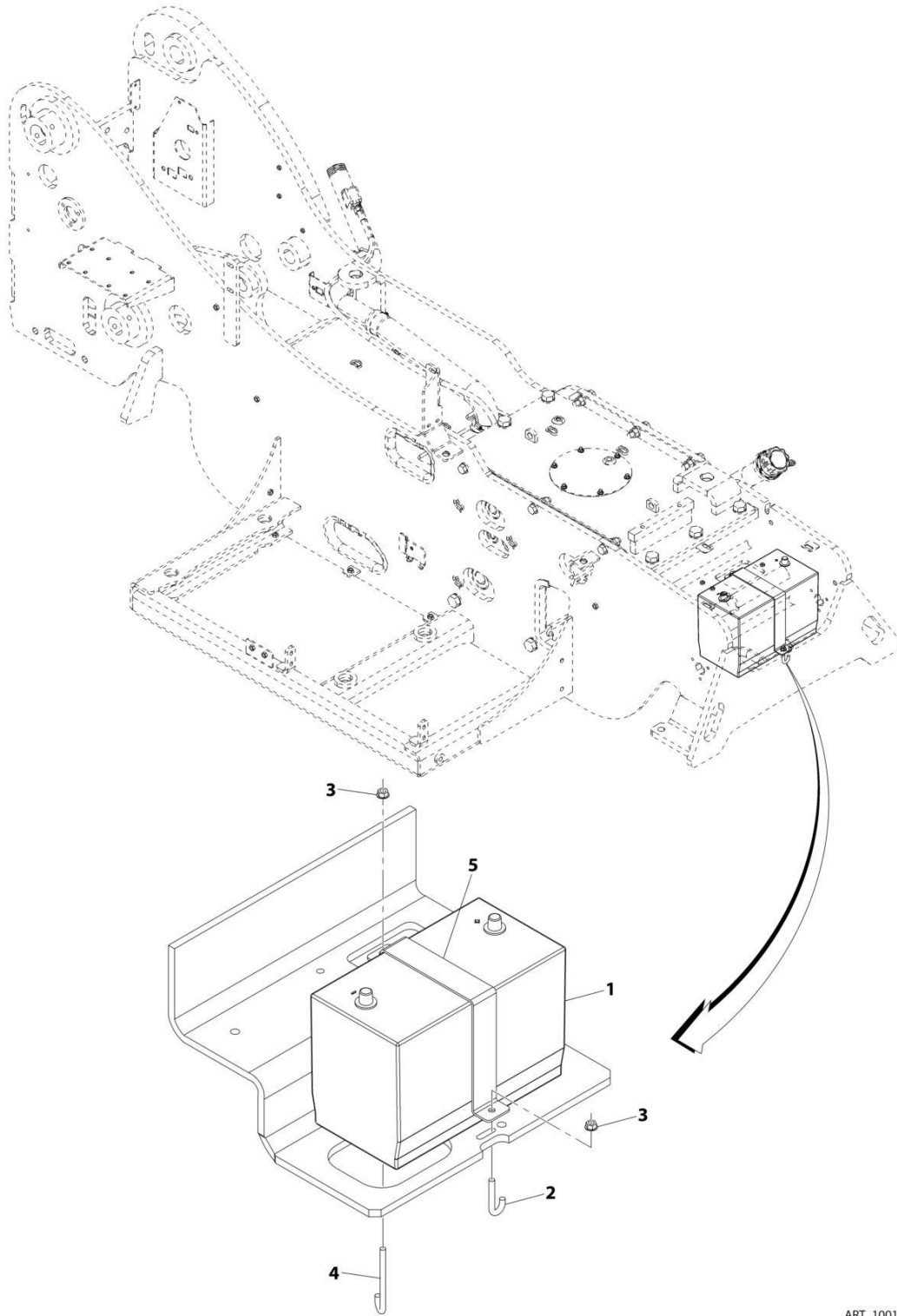
SECTION 10 - ELECTRICAL

FIGURE 10-8. SPEED SENSOR JUMPER HARNESS

ITEM	PART NUMBER	QTY	DESCRIPTION	REV
	1001234992	Ref	Speed Sensor Jumper Harness	B
1	1001103012	1	Connector	
2	1001107854	3	Terminal	
3	1001116698	1	Plug	
4	1001104498	3	Seal	
5	4461119	1	Connector	
6	1001104497	3	Terminal	
7	1001104498	3	Seal	

SECTION 10 - ELECTRICAL

FIGURE 10-9. BATTERY INSTALLATION



ART_1001200613-A

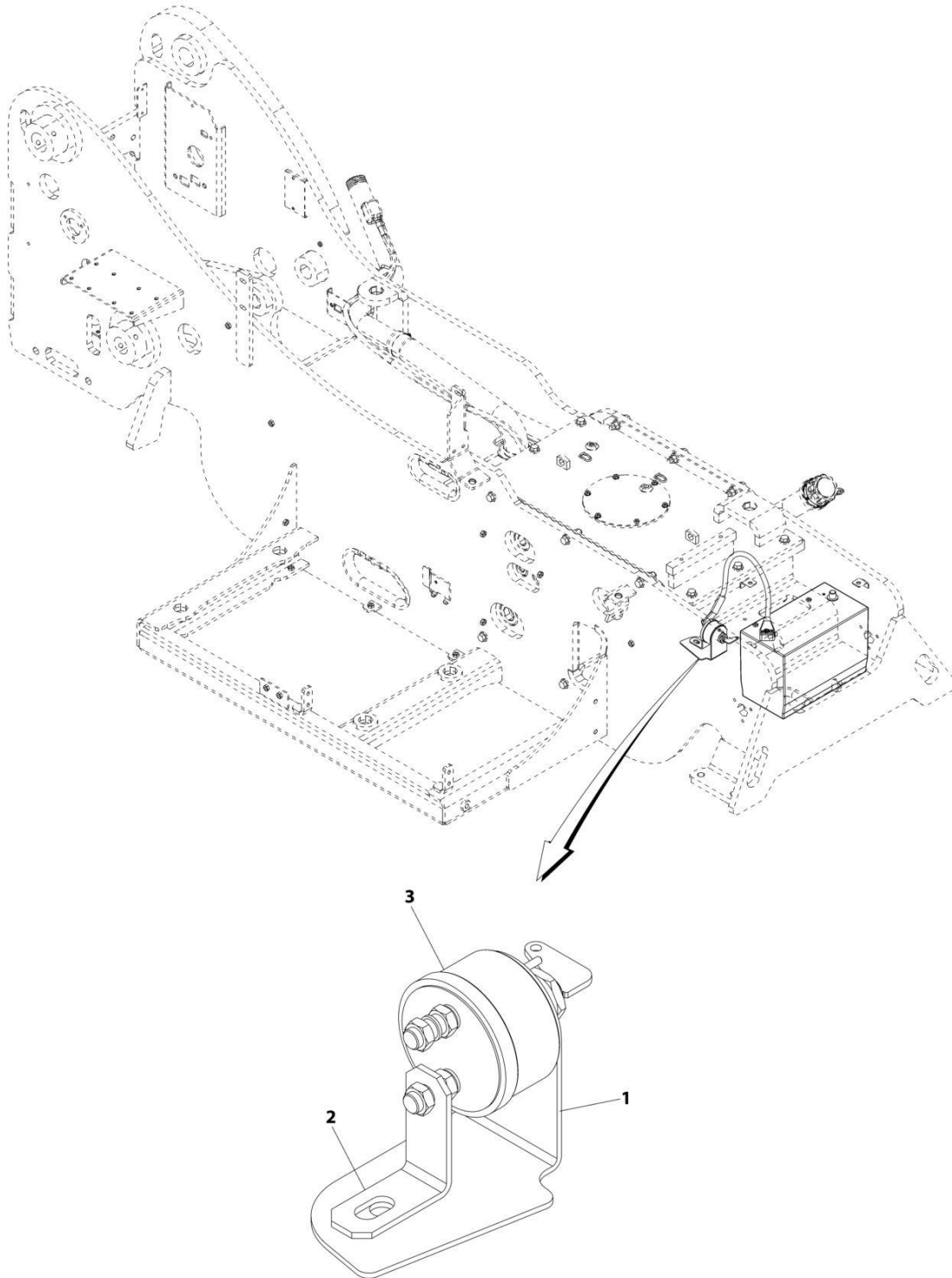
SECTION 10 - ELECTRICAL

FIGURE 10-9. BATTERY INSTALLATION

ITEM	PART NUMBER	QTY	DESCRIPTION	REV
	1001200613	Ref	Battery Installation	A
1	0400075	1	12V Battery	
2	0630455	1	J-Bolt	
3	3311508	2	Hex Nut, 5/16-18	
4	1001081123	1	J-Bolt	
5	1001112697	1	Plate	

SECTION 10 - ELECTRICAL

FIGURE 10-10. BATTERY DISCONNECT SWITCH INSTALLATION



ART_1001201826-A

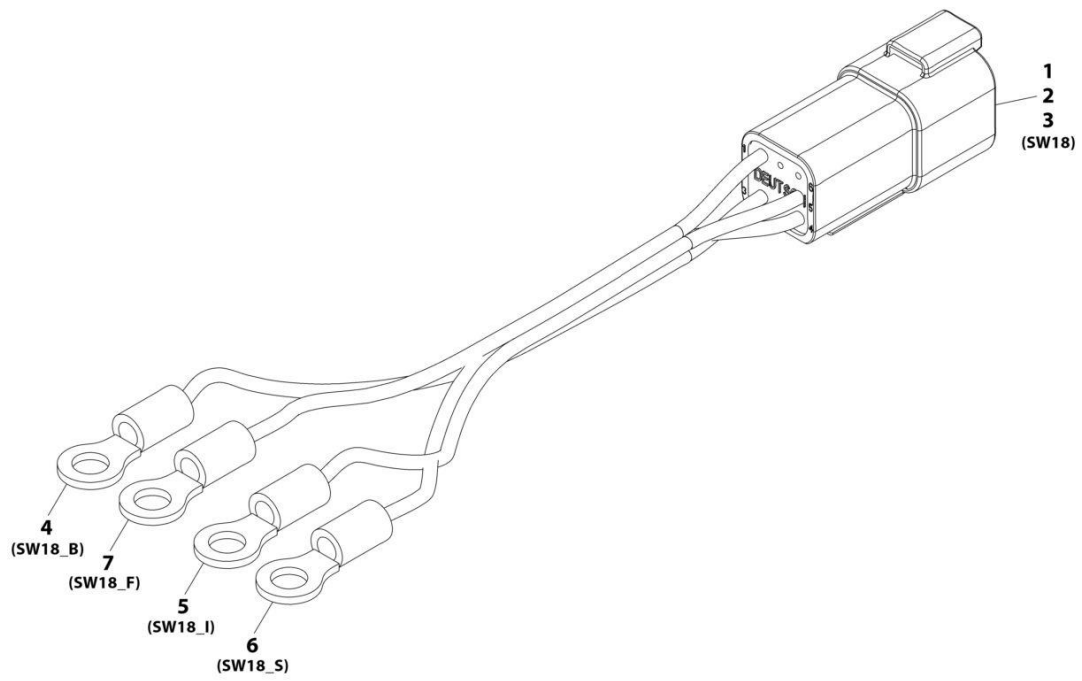
SECTION 10 - ELECTRICAL

FIGURE 10-10. BATTERY DISCONNECT SWITCH INSTALLATION

ITEM	PART NUMBER	QTY	DESCRIPTION	REV
	1001201826	Ref	Battery Disconnect Switch Installation	A
1	1001135845	1	Bracket	
2	1001135846	1	Bar	
3	1001192142	1	Switch	

SECTION 10 - ELECTRICAL

FIGURE 10-11. START SWITCH JUMPER HARNESS



ART_1001100053-B

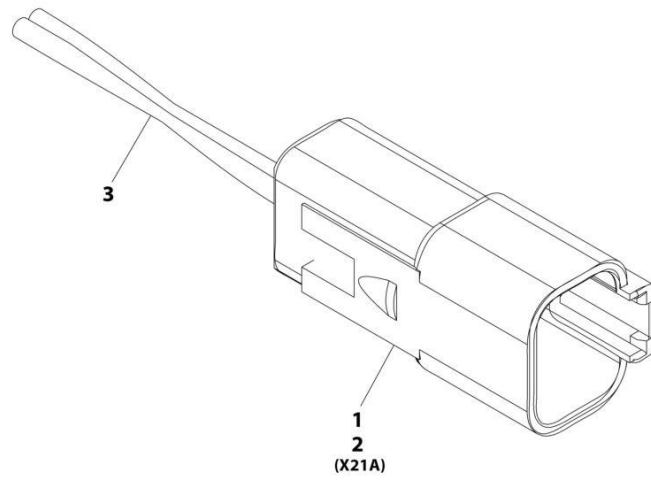
SECTION 10 - ELECTRICAL

FIGURE 10-11. START SWITCH JUMPER HARNESS

ITEM	PART NUMBER	QTY	DESCRIPTION	REV
	1001100053	Ref	Start Switch Jumper Harness	B
1	4460899	1	Connector	
2	4460464	4	Terminal	
3	4460466	2	Terminal	
4	4460042	1	Terminal Ring	
5	4460042	1	Terminal Ring	
6	4460042	1	Terminal Ring	
7	4460042	1	Terminal Ring	

SECTION 10 - ELECTRICAL

FIGURE 10-12. JUMPER HARNESS



ART_1001100966-B

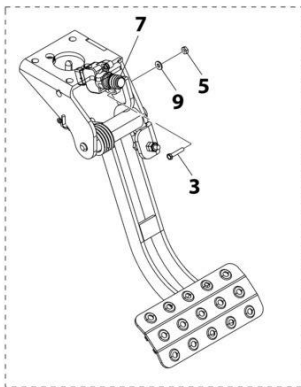
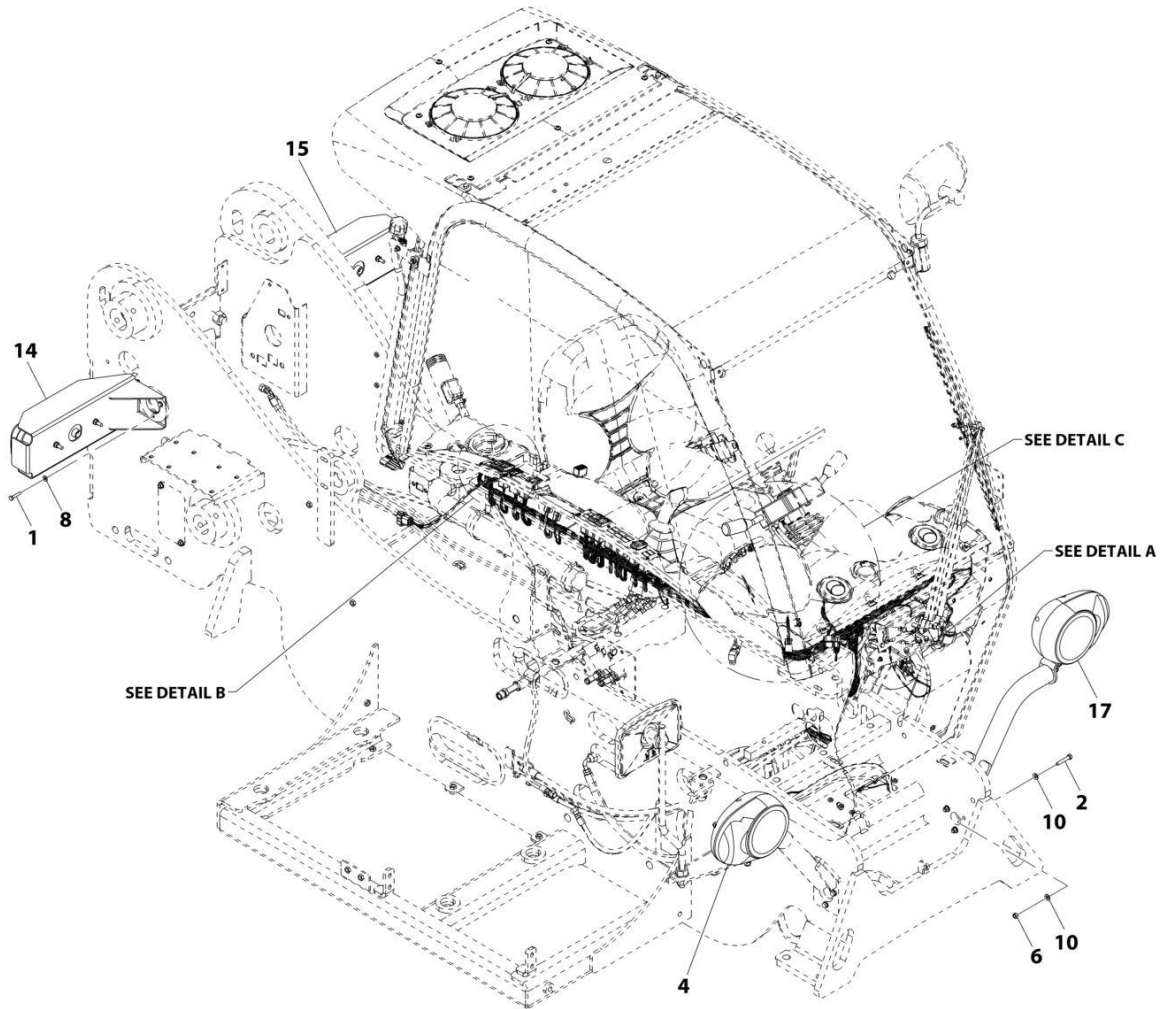
SECTION 10 - ELECTRICAL

FIGURE 10-12. JUMPER HARNESS

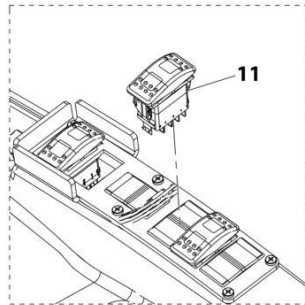
ITEM	PART NUMBER	QTY	DESCRIPTION	REV
	1001100966	Ref	Jumper Harness	B
1	4460464	4	Terminal	
2	4460932	1	Connector	
3	4920017	0.5 ft	Wire	

SECTION 10 - ELECTRICAL

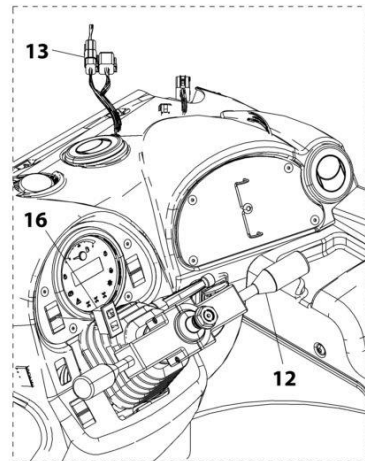
FIGURE 10-13. ROAD LIGHT INSTALLATION (ANSI)



DETAIL A



DETAIL B



DETAIL C

ART_1001233633-B

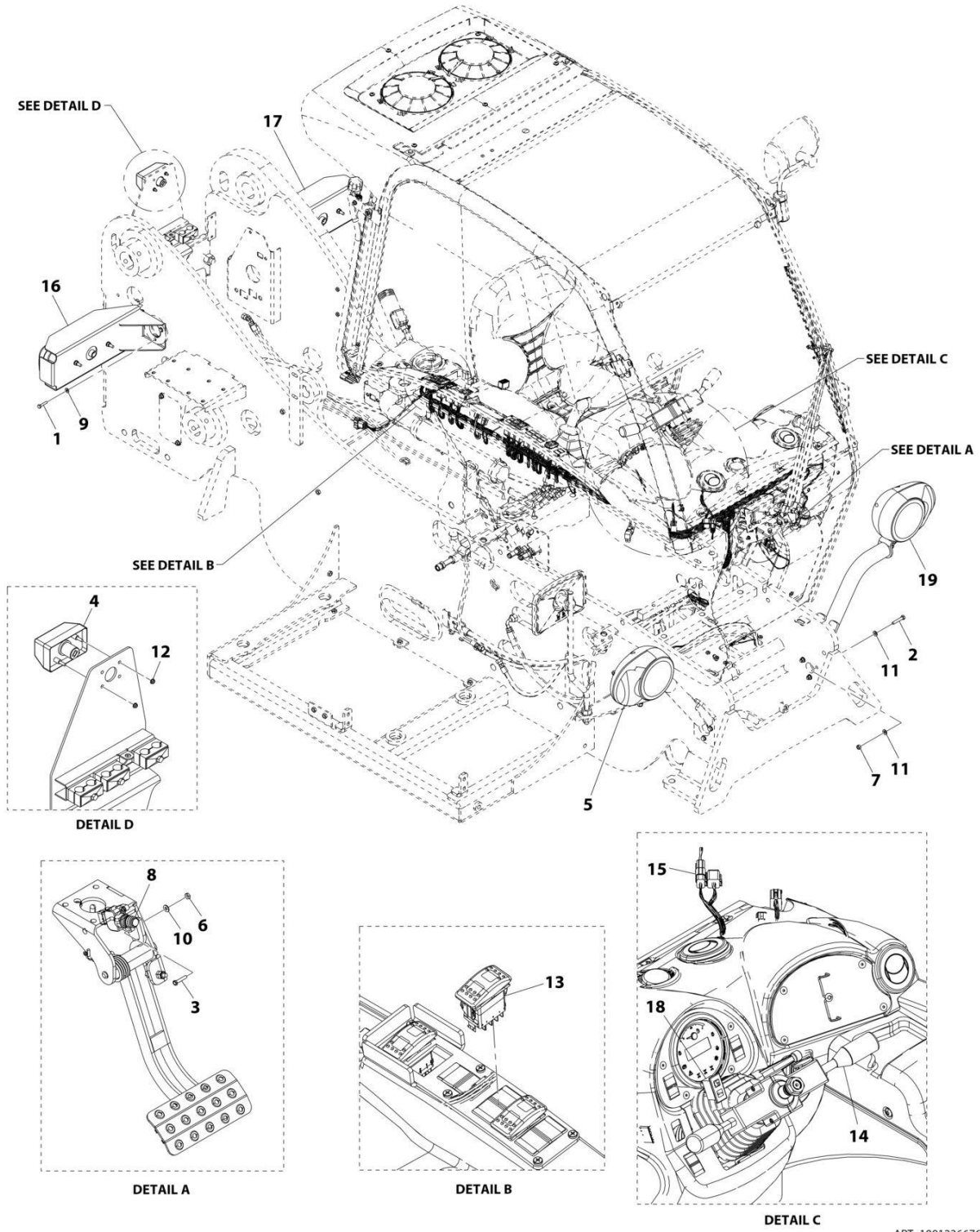
SECTION 10 - ELECTRICAL

FIGURE 10-13. ROAD LIGHT INSTALLATION (ANSI)

ITEM	PART NUMBER	QTY	DESCRIPTION	REV
	1001233633	Ref	Road Light Installation (ANSI)	B
1	0641410	6	Hex HD Capscrew, 1/4-20X1-1/4, GR5	
2	0641514	3	Hex HD Capscrew, 5/16-18X1-3/4, GR5	
3	0721008	2	Screw, 10-24X1	
4	2920208	1	RH Drive Light	
5	3311005	2	Hex Locknut	
6	3311505	3	Hex Locknut, 5/16-18, GR2	
7	4360658	1	Brake Light Switch	
8	4711400	6	Washer, 1/4	
9	4751000	2	Washer, M10	
10	4891500	6	Washer, 5/16	
11	1001080370	1	Hazard Light Switch	
12	1001080381	1	Turn Signal-Headlight Switch	
13	1001100965	1	Jumper Harness (See Separate Breakdown in this Section)	
14	1001101533	1	RH Tail Light Installation (See Separate Breakdown in this Section)	
15	1001101534	1	LH Tail Light Installation (See Separate Breakdown in this Section)	
16	1001139937	1	Turn/High Beam Indicator	
17	1001190709	1	LH Drive Light Installation (See Separate Breakdown in this Section)	

SECTION 10 - ELECTRICAL

FIGURE 10-14. ROAD LIGHT INSTALLATION (LSI)



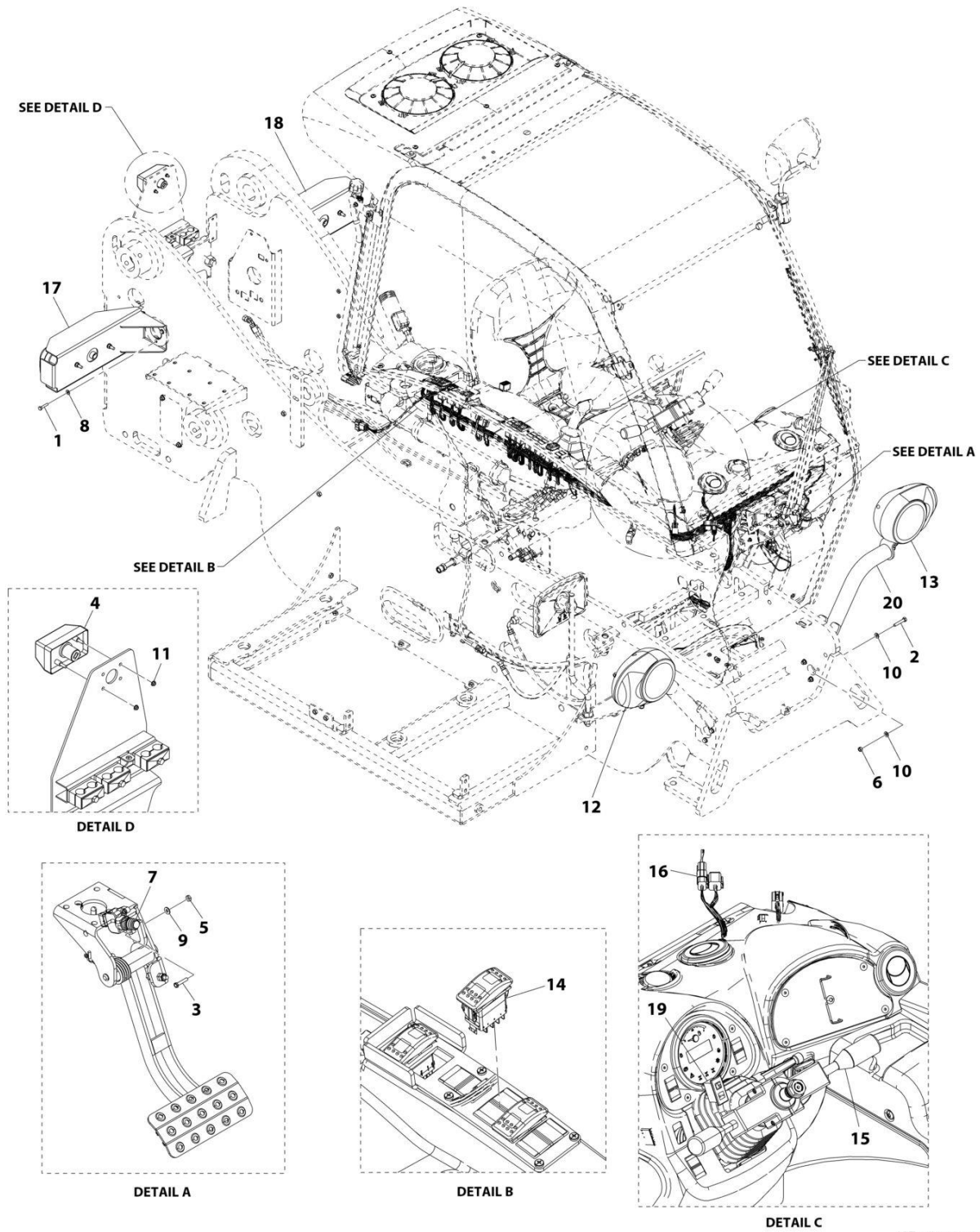
SECTION 10 - ELECTRICAL

FIGURE 10-14. ROAD LIGHT INSTALLATION (LSI)

ITEM	PART NUMBER	QTY	DESCRIPTION	REV
	1001236676	Ref	Road Light Installation (LSI)	A
1	0641410	6	Hex HD Capscrew, 1/4-20X1-1/4, GR5	
2	0641514	3	Hex HD Capscrew, 5/16-18X1-3/4, GR5	
3	0721008	2	Screw, #10-24X1	
4	2920204	1	License Plate Light	
5	2920208	1	RH Drive Light	
6	3311005	2	Hex Locknut	
7	3311505	3	Hex Locknut, 5/16-18, GR2	
8	4360658	1	Brake Light Switch	
9	4711400	6	Washer, 1/4	
10	4751000	2	Washer, M10	
11	4891500	6	Washer, 5/16	
12	5220500	2	Ripp Nut, M5	
13	1001080370	1	Hazard Light Switch	
14	1001080381	1	Turn Signal-Headlight Switch	
15	1001100965	1	Jumper Harness (See Separate Breakdown in this Section)	
16	1001101533	1	RH Tail Light Installation (See Separate Breakdown in this Section)	
17	1001101534	1	LH Tail Light Installation (See Separate Breakdown in this Section)	
18	1001139937	1	Turn/High Beam Indicator	
19	1001190709	1	LH Drive Light Installation (See Separate Breakdown in this Section)	

SECTION 10 - ELECTRICAL

FIGURE 10-15. ROAD LIGHT INSTALLATION (LH DIP)



ART_1001236678-A

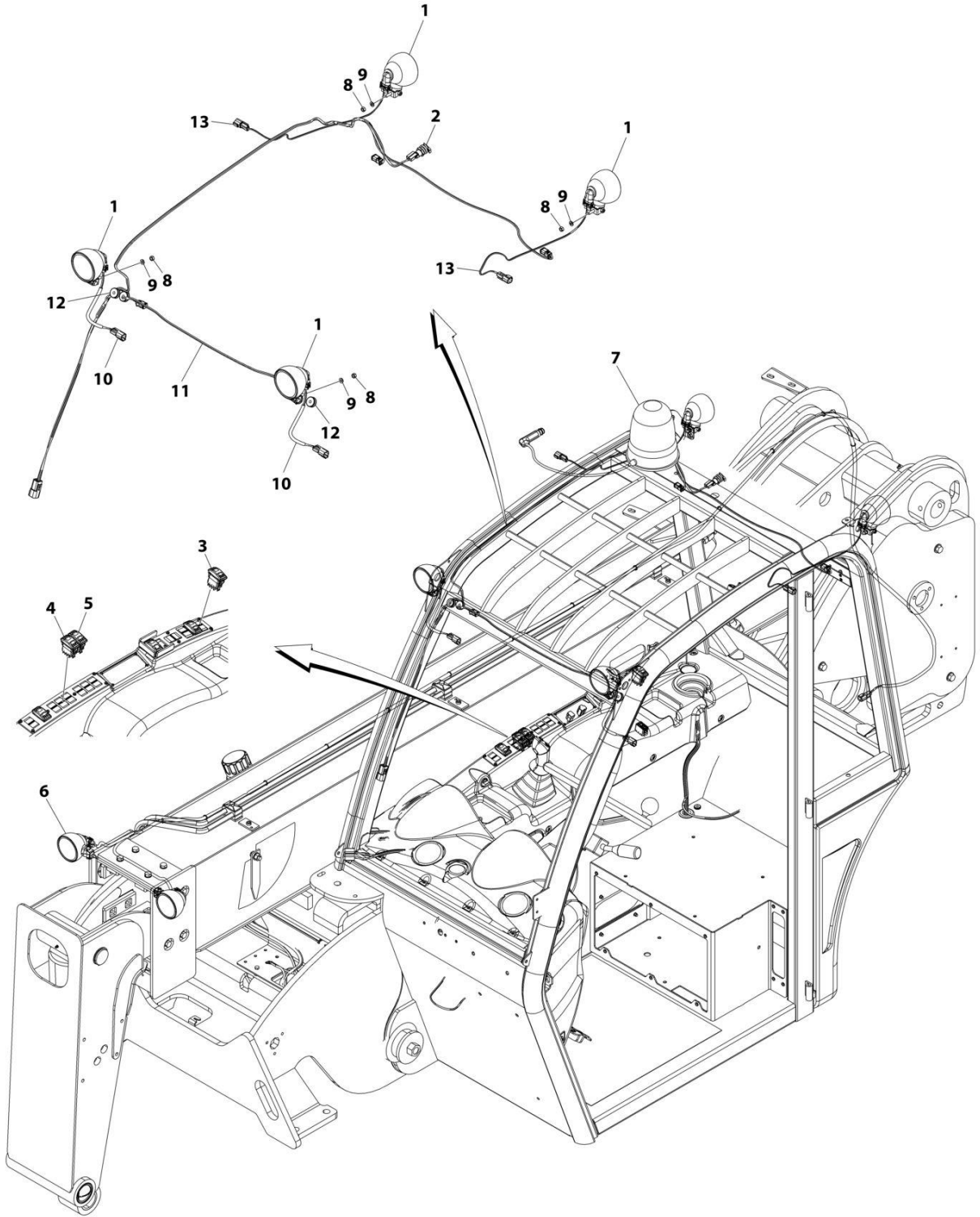
SECTION 10 - ELECTRICAL

FIGURE 10-15. ROAD LIGHT INSTALLATION (LH DIP)

ITEM	PART NUMBER	QTY	DESCRIPTION	REV
	1001236678	Ref	Road Light Installation (LH Dip)	A
1	0641410	6	Hex HD Capscrew, 1/4-20X1-1/4, GR5	
2	0641514	3	Hex HD Capscrew, 5/16-18X1-3/4, GR5,	
3	0721008	2	Screw, #10-24X1	
4	2920204	1	License Plate Light	
5	3311005	2	Hex Locknut	
6	3311505	3	Hex Locknut, 5/16-18, GR2	
7	4360658	1	Brake Light Switch	
8	4711400	6	Washer, 1/4	
9	4751000	2	Washer, M10	
10	4891500	6	Washer, 5/16	
11	5220500	2	Ripp Nut, M5	
12	1001002778	1	RH Drive Light	
13	1001002779	1	LH Drive Light	
14	1001080370	1	Hazard Light Switch	
15	1001080381	1	Turn Signal-Headlight Switch	
16	1001100965	1	Jumper Harness (See Separate Breakdown in this Section)	
17	1001101533	1	RH Tail Light Installation (See Separate Breakdown in this Section)	
18	1001101534	1	LH Tail Light Installation (See Separate Breakdown in this Section)	
19	1001139937	1	Turn/High Beam Indicator	
20	1001190640	1	Bracket	

SECTION 10 - ELECTRICAL

FIGURE 10-16. WORK LIGHT INSTALLATION



ART_1001143558

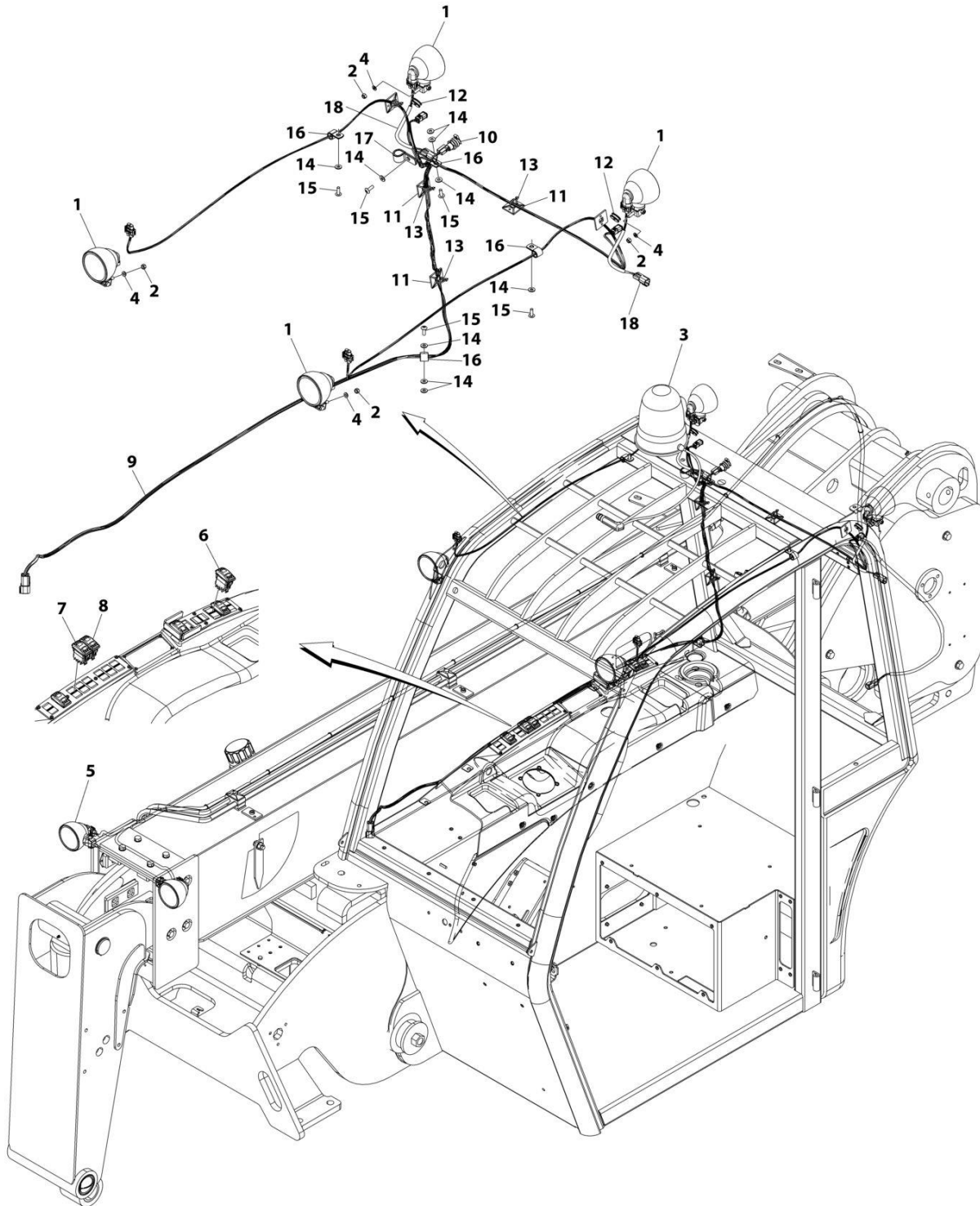
SECTION 10 - ELECTRICAL

FIGURE 10-16. WORK LIGHT INSTALLATION

ITEM	PART NUMBER	QTY	DESCRIPTION	REV
	1001143558	Ref	WORK LIGHT INSTALLATION	B
1	2920206	4	Worklight	
2	4461174	1	12V Terminal	
3	1001080365	1	Beacon Light Switch	
4	1001080369	1	Front Work Light Switch	
5	1001080376	1	Rear Work Light Switch	
6	1001080669	1	Boom Work Light, (See Separate Breakdown in this Section)	
7	1001217623	1	Beacon Light	
8	1001108127	4	Nut M6 x 1	
9	1001108129	4	Washer M6	
10	1001109565	2	Boom Worklight Jumper Harness (Short) (See Separate Breakdown in ELECTRICAL Section)	
11	1001109566	1	Proximity Sensor Harness (See Separate Breakdown in ELECTRICAL Section)	
12	1001111341	4	Grommet	
13	1001142981	2	Boom Worklight Jumper Harness (Long) (See Separate Breakdown in ELECTRICAL Section)	

SECTION 10 - ELECTRICAL

FIGURE 10-17. WORK LIGHT INSTALLATION (OPEN CAB)



ART_1001113154

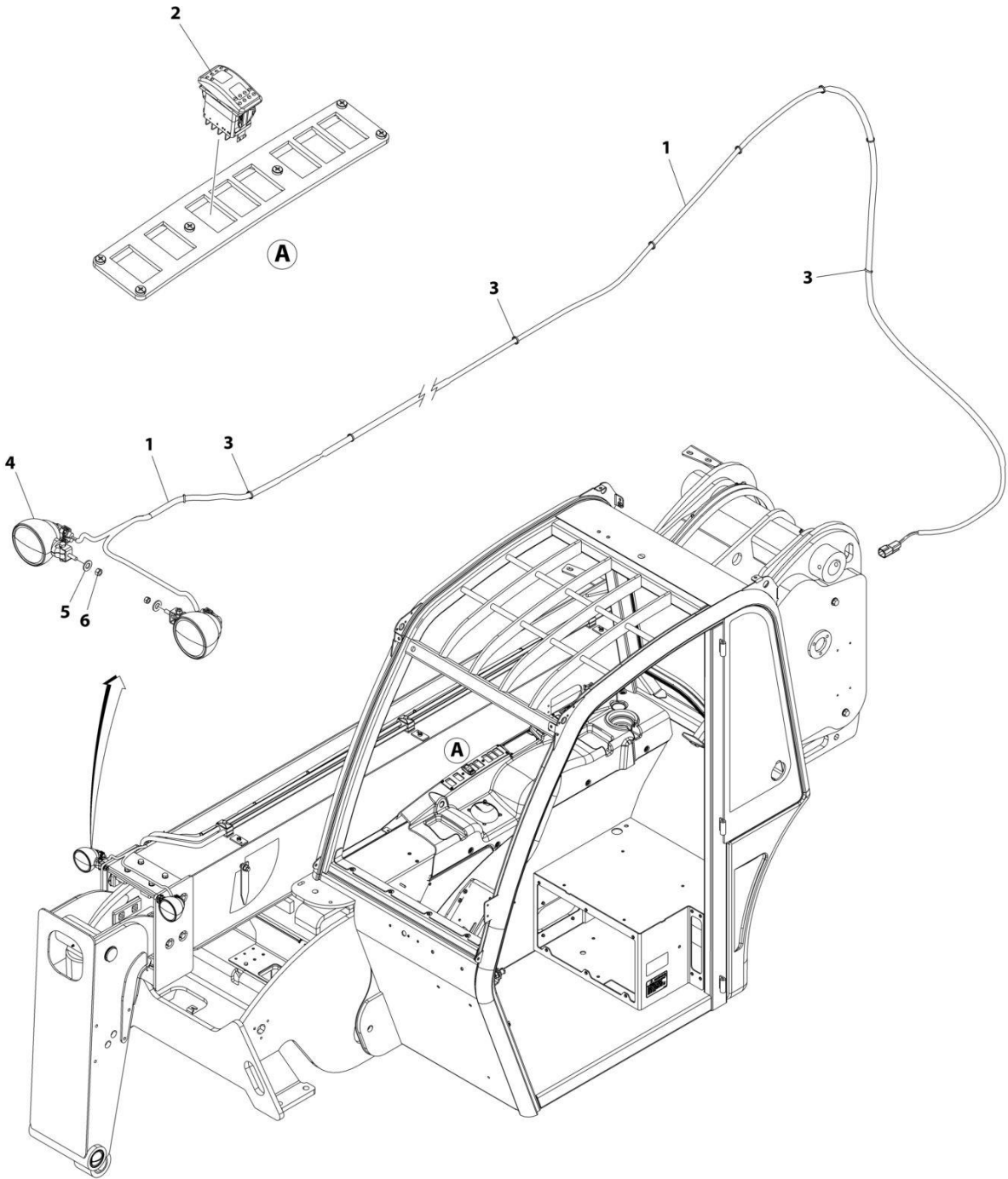
SECTION 10 - ELECTRICAL

FIGURE 10-17. WORK LIGHT INSTALLATION (OPEN CAB)

ITEM	PART NUMBER	QTY	DESCRIPTION	REV
	1001113154	Ref	WORK LIGHT INSTALLATION (OPEN CAB)	C
1	2920206	4	Worklight	
2	3290605	4	Nut M6 x 1	
3	1001217623	1	Beacon Light	
4	4811700	4	Washer	
5	1001080669	1	Boom Work Light (See Separate Breakdown in this Section)	
6	1001080365	1	Beacon Light Switch	
7	1001080369	1	Front Work Light Switch	
8	1001080376	1	Rear Work Light Switch	
9	1001111156	1	Cab Worklight Harness (See Separate Breakdown in this Section)	
10	4461174	1	12V Terminal	
11	4460488	5	Mounting Base	
12	1001111341	2	Grommet	
13	8881802	9	Tie Strap	
14	4711400	9	Washer 1/4	
15	8303034	5	Screw 1/4 x 3/4	
16	85941016	4	1/2In Clamp	
17	85941017	1	P-Clamp	
18	1001109565	2	Boom Worklight Jumper Harness (Short) (See Separate Breakdown in ELECTRICAL Section)	

SECTION 10 - ELECTRICAL

FIGURE 10-18. BOOM WORK LIGHT



ART_1001080669

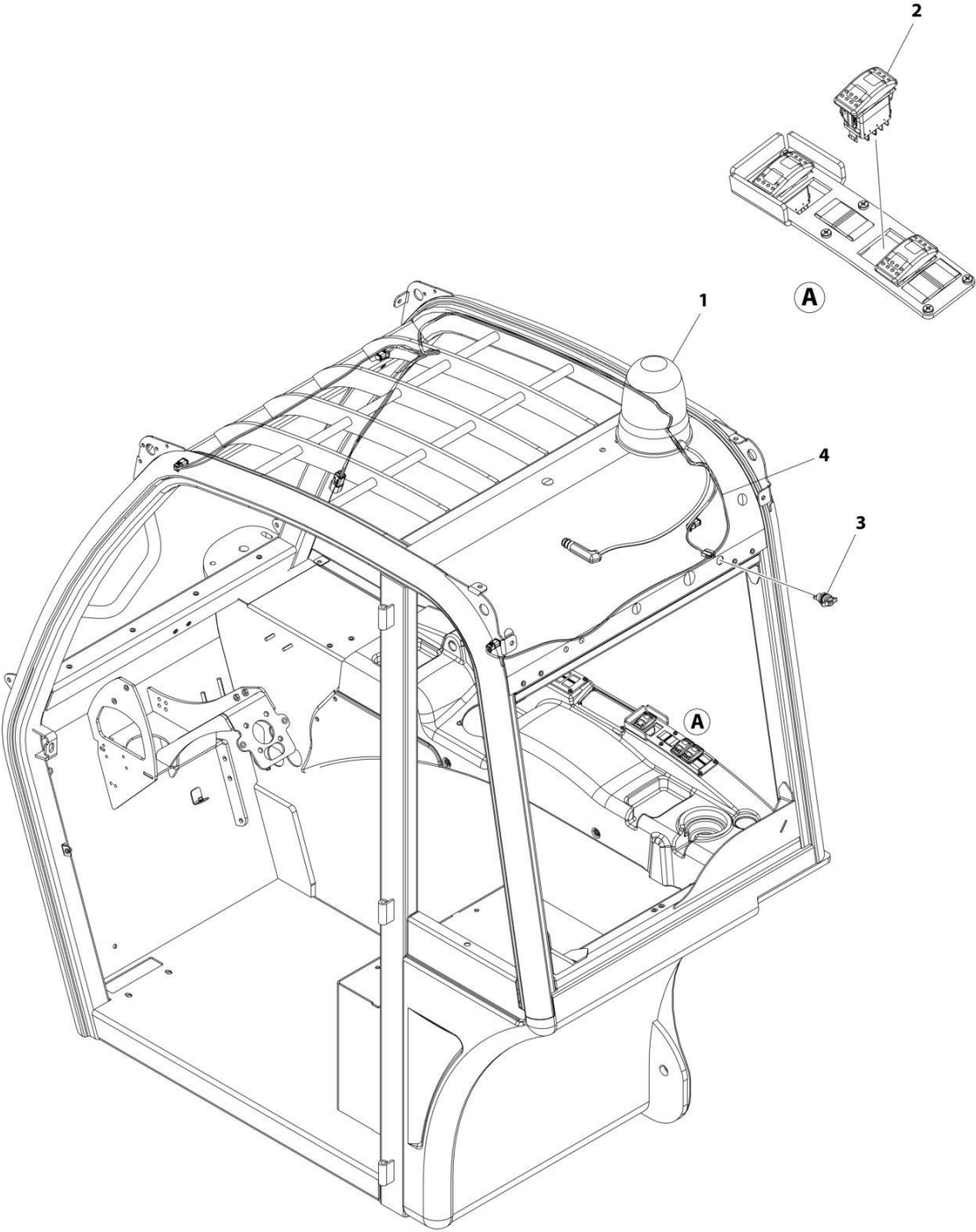
SECTION 10 - ELECTRICAL

FIGURE 10-18. BOOM WORK LIGHT

ITEM	PART NUMBER	QTY	DESCRIPTION	REV
	1001080669	Ref	BOOM WORK LIGHT	D
1	1001080656	1	Boom Worklights Harness (See Separate Breakdown in this Section)	
2	1001080366	1	Boom Work Light Switch	
3	4240032	14	Tie Strap	
4	2920206	2	Worklight	
5	4831700	2	Washer	
6	3290601	2	Nut M6 x 1	

SECTION 10 - ELECTRICAL

FIGURE 10-19. BEACON INSTALLATION



ART_1001103139

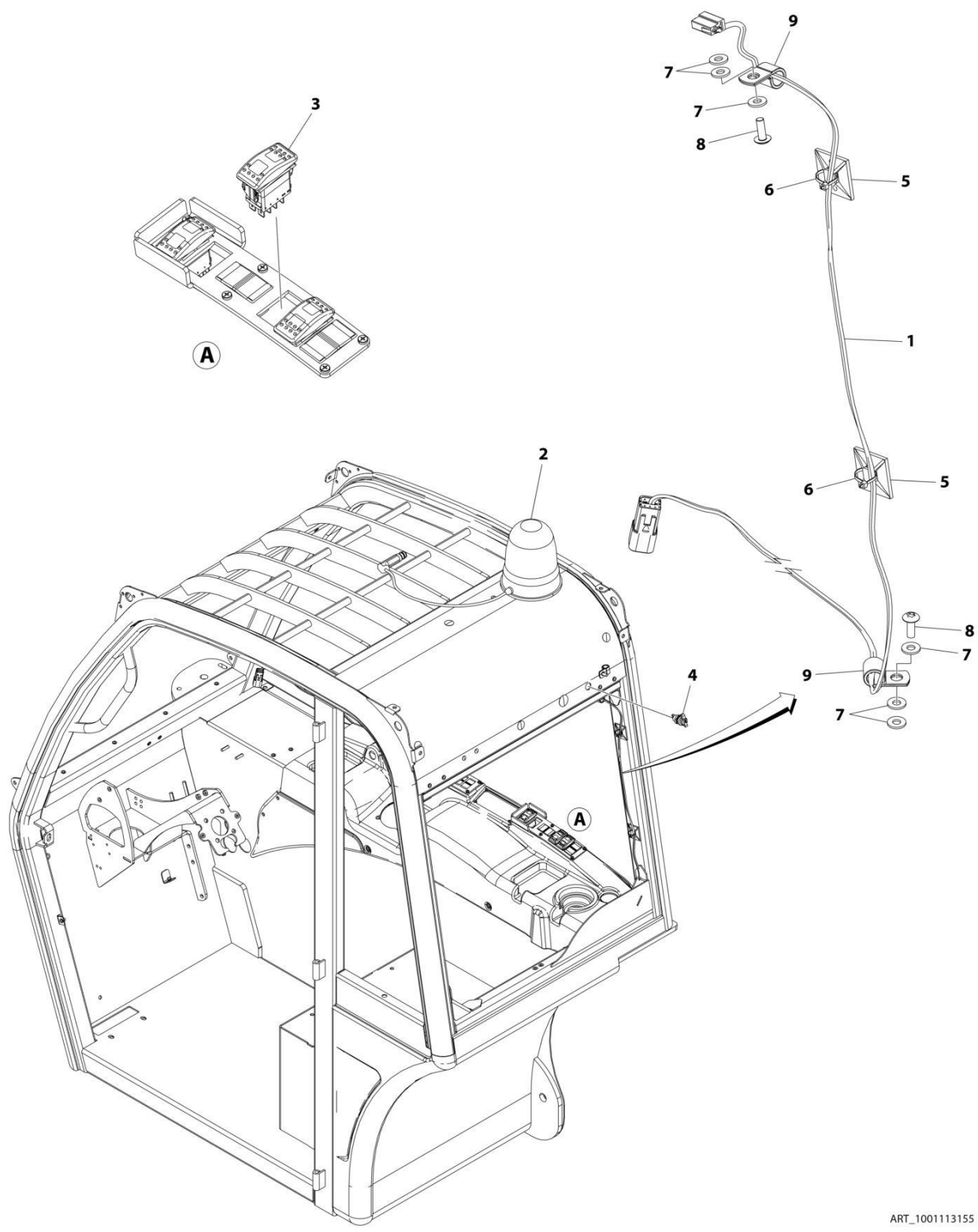
SECTION 10 - ELECTRICAL

FIGURE 10-19. BEACON INSTALLATION

ITEM	PART NUMBER	QTY	DESCRIPTION	REV
	1001103139	Ref	BEACON INSTALLATION	D
1	1001217623	1	Beacon Light	
2	1001080365	1	Beacon Light Switch	
3	4461174	1	12V Terminal	
4	1001109566	1	Proximity Sensor Harness (See Separate Breakdown in ELECTRICAL Section)	

SECTION 10 - ELECTRICAL

FIGURE 10-20. BEACON INSTALLATION (OPEN CAB)



ART_1001113155

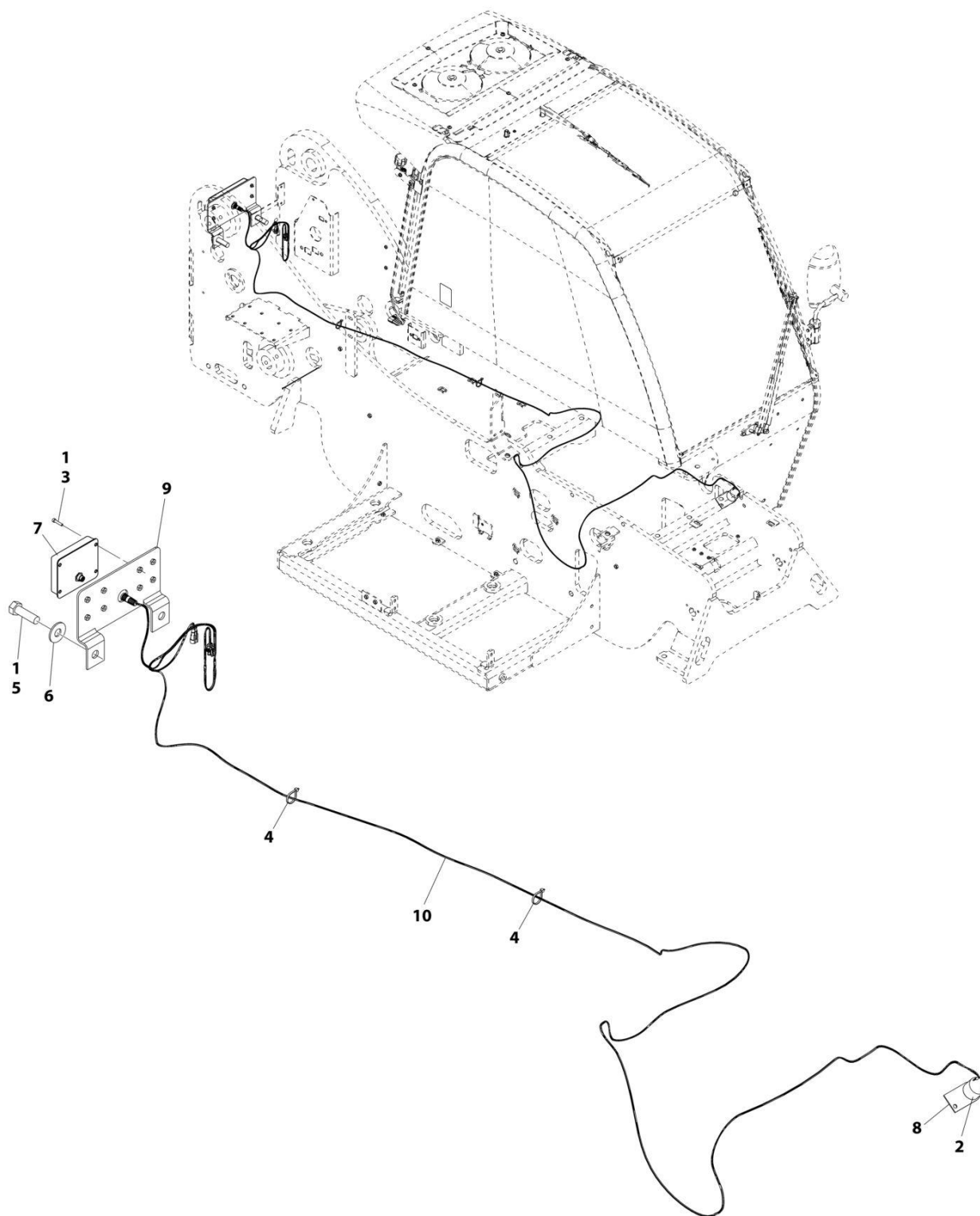
SECTION 10 - ELECTRICAL

FIGURE 10-20. BEACON INSTALLATION (OPEN CAB)

ITEM	PART NUMBER	QTY	DESCRIPTION	REV
	1001113155	Ref	BEACON INSTALLATION (OPEN CAB)	B
1	1001110723	1	Open Cab Worklight Harness (See Separate Breakdown in this Section)	
2	1001217623	1	Beacon Light	
3	1001080365	1	Beacon Light Switch	
4	4461174	1	12V Terminal	
5	4460488	2	Mounting Base	
6	8881802	AR	Tie Strap	
7	4711400	7	Washer 1/4	
8	8303034	3	Screw 1/4 x 3/4	
9	85941016	3	Clamp	

SECTION 10 - ELECTRICAL

FIGURE 10-21. REVERSE SENSING SYSTEM INSTALLATION



ART_1001201151-E

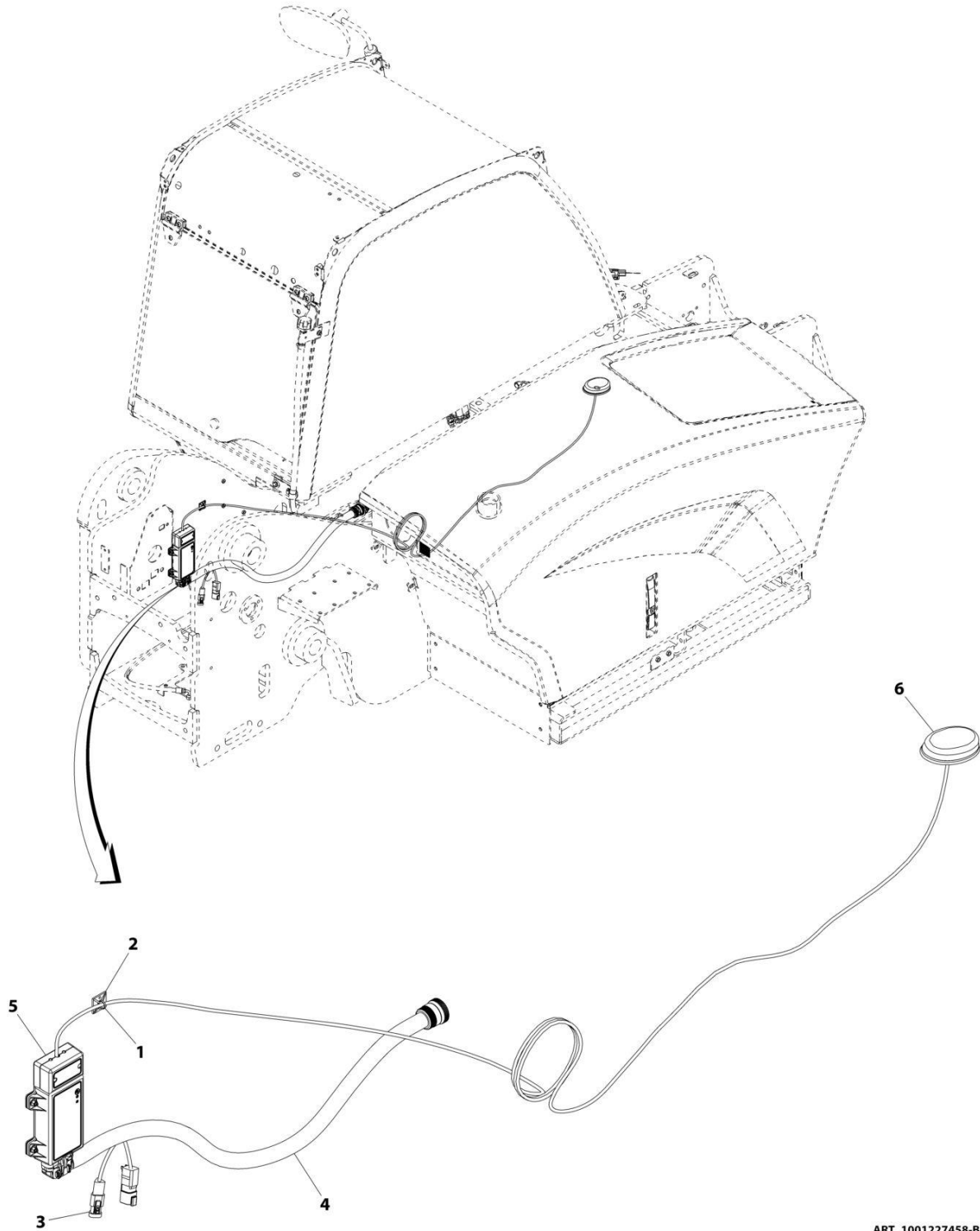
SECTION 10 - ELECTRICAL

FIGURE 10-21. REVERSE SENSING SYSTEM INSTALLATION

ITEM	PART NUMBER	QTY	DESCRIPTION	REV
	1001201151	Ref	REVERSE SENSING SYSTEM INSTALLATION	E
1	0100011	AR	Compound, Locking	
2	0140011	1	Audible Signal Device	
3	3931012	4	Capscrew #10 x 3/4	
4	4240033	AR	Cable Tie Strap	
5	0682220	2	Capscrew 3/4 x 2-1/2	
6	4752200	2	Washer 3/4	
7	1001189997	Ref	Reverse Sensor Object, (no longer available, use 1001247421 for replacement)	
7	1001247421	1	Reverse Sensor Object	
8	1001182662	1	Audible Alarm Bracket	
9	1001184685	1	Backup Sensor Mounting Bracket	
10	1001190914	1	Reverse Sensor Harness (See Separate Breakdown in this Section)	

SECTION 10 - ELECTRICAL

FIGURE 10-22. CLEARSKY INSTALLATION



ART_1001227458-B

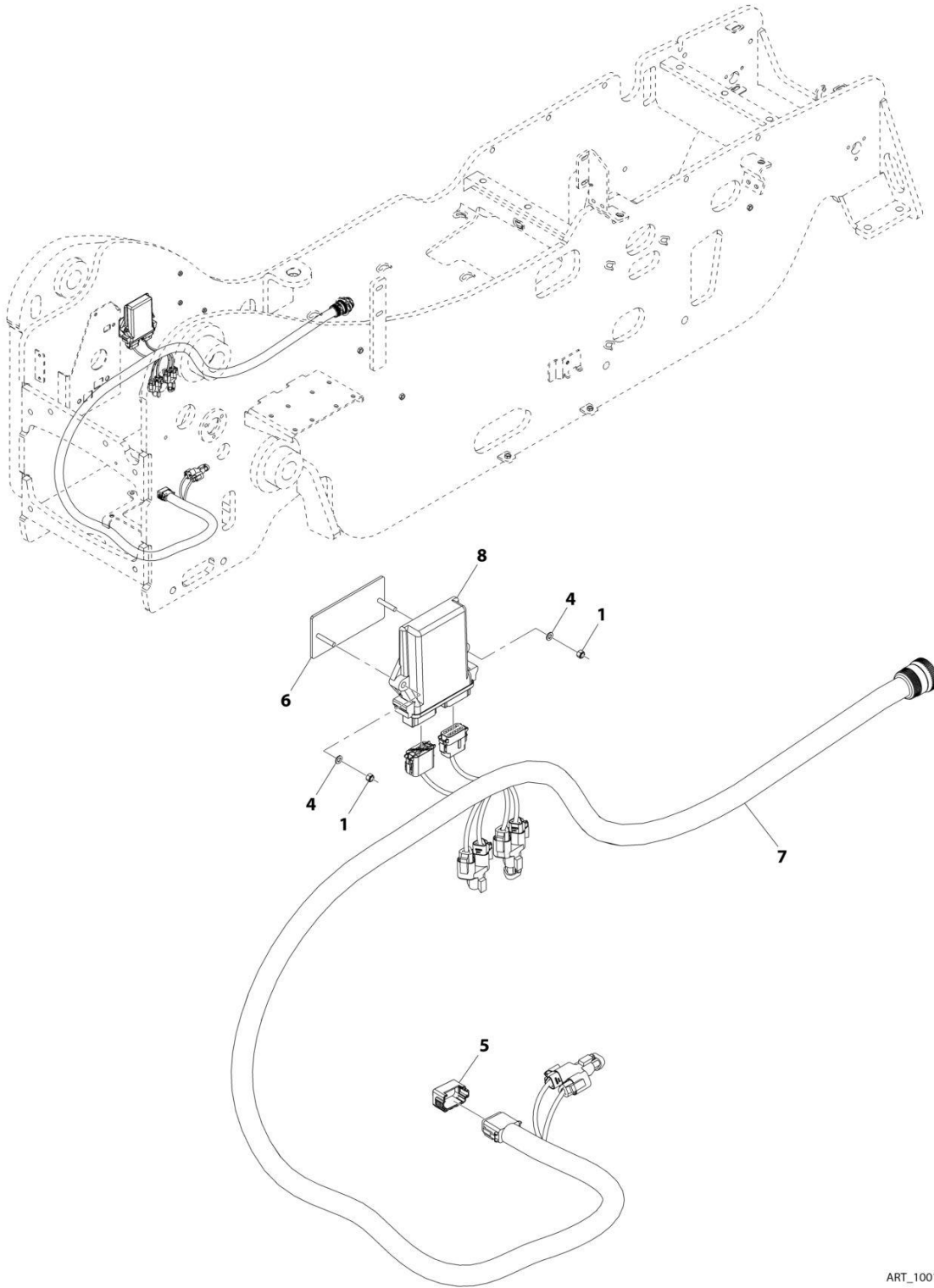
SECTION 10 - ELECTRICAL

FIGURE 10-22. CLEARSKY INSTALLATION

ITEM	PART NUMBER	QTY	DESCRIPTION	REV
	1001227458	Ref	Clearsky Installation	B
1	4240032	AR	Tie Strap	
2	4460234	AR	Terminal, Mount Cable Tie	
3	1001116815	1	Connector, Plug 3-Pin (3G)	
3	1001129408	1	Connector, Plug 3-Pin (4G)	
4	1001226739	1	Clearsky Harness (See Separate Breakdown in this Section)	
5	1001226796	1	Module (3G)	
5	1001262322	1	Module (4G)	
6	1001226799	1	Antenna (3G)	
6	1001262326	1	Antenna (4G)	

SECTION 10 - ELECTRICAL

FIGURE 10-23. TELEMATICS, CUSTOMER-SUPPLIED



ART_1001228593-A

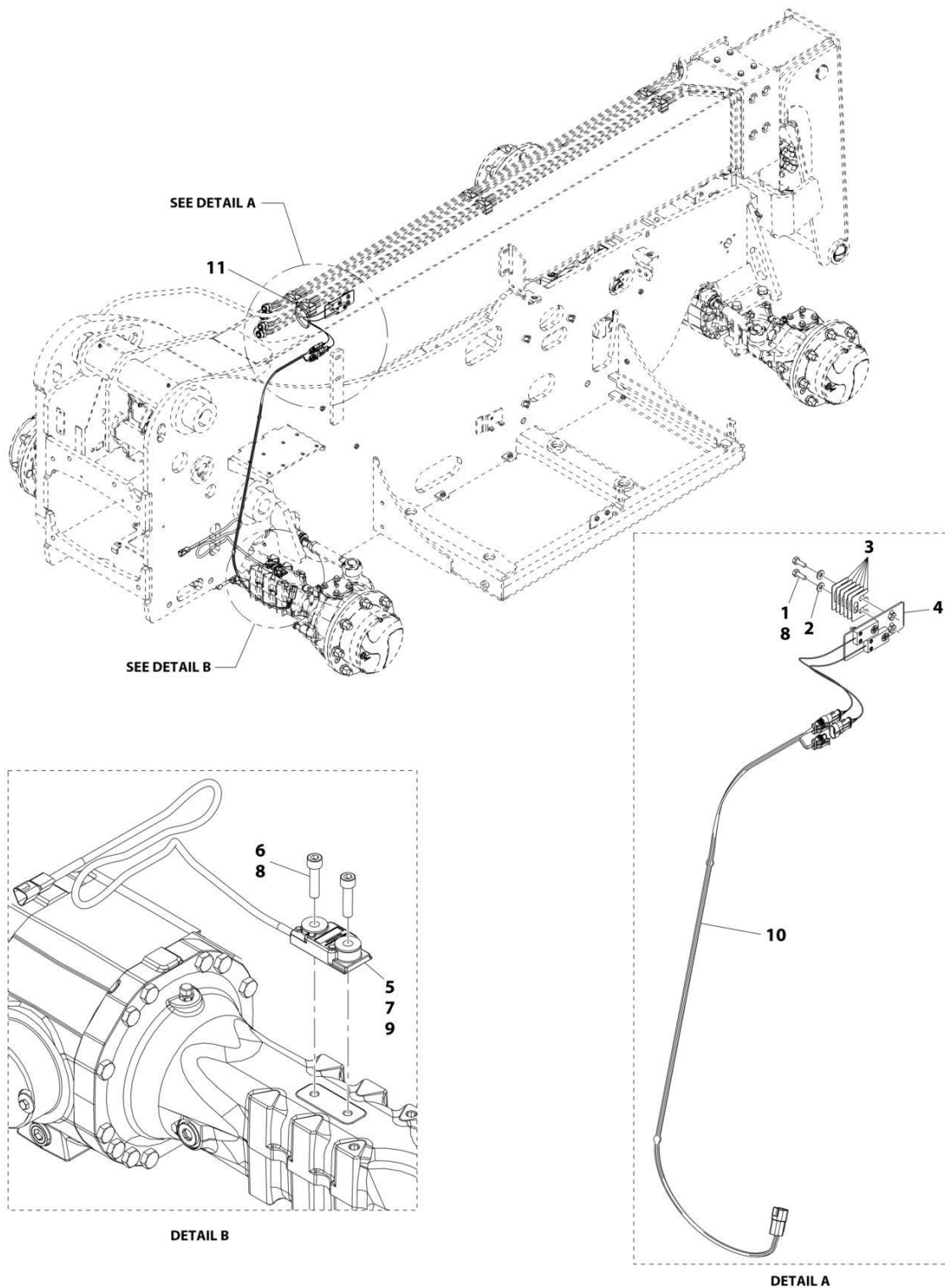
SECTION 10 - ELECTRICAL

FIGURE 10-23. TELEMATICS, CUSTOMER-SUPPLIED

ITEM	PART NUMBER	QTY	DESCRIPTION	REV
	1001228593	1	Telematics Installation	B
1	3290505	2	Hex Locknut, M5X8	
2	4240032	AR	Tie Strap	
3	4460234	AR	Terminal, Mount Cable Tie	
4	4811600	2	Washer, 5mm	
5	1001215898	1	Dust Cap Connector	
6	1001219082	1	Control Mount Bracket	
7	1001291183	1	Telematics Gateway Harness (See Separate Breakdown in this Section)	
8	1001229458	1	Gateway Controller	

SECTION 10 - ELECTRICAL

FIGURE 10-24. BOOM SENSOR INSTALLATION



ART_T001236302-A

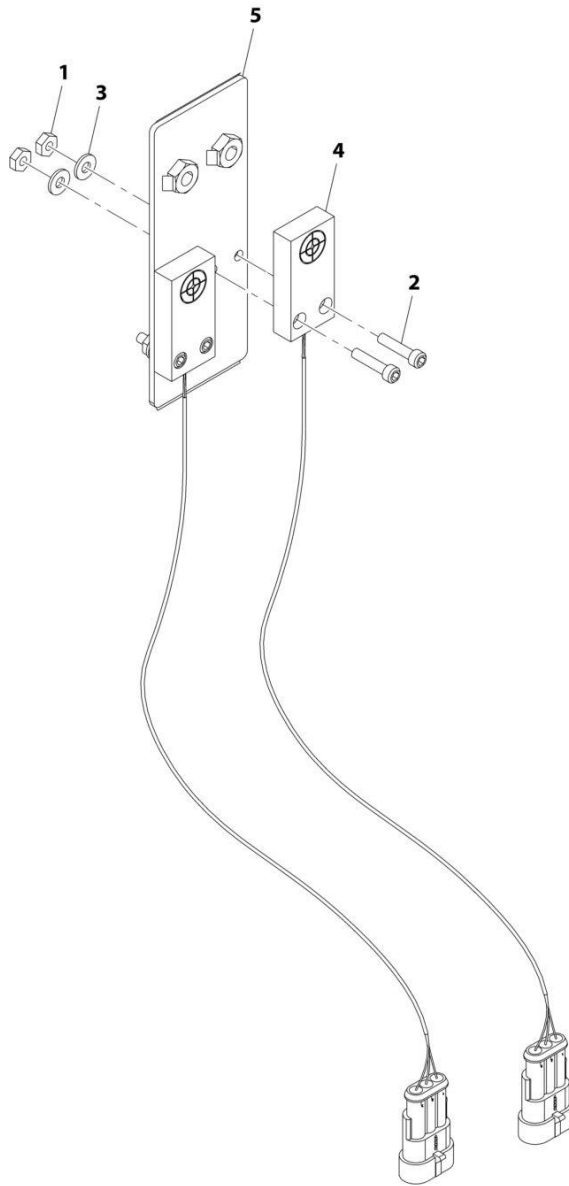
SECTION 10 - ELECTRICAL

FIGURE 10-24. BOOM SENSOR INSTALLATION

ITEM	PART NUMBER	QTY	DESCRIPTION	REV
	1001236302	Ref	Boom Sensor Installation	B
1	0641406	2	Bolt 1/4 x 3/4	
2	4711400	2	Washer 1/4	
3	1001121953	6	Shim	
4	1001236272	1	Installation, Boom Sensor Assembly (See Separate Breakdown in this Section)	
5	1001289105	1	Rear Axle LSI Sensor	
6	5272012	2	Bolt M10 x 40	
7	1001125465	AR	Adhesive	
8	1001289296	AR	Adhesive	
9	1001116128	AR	Seal	
10	1001129801	1	Boom Sensor Harness (See Separate Breakdown in this Section)	
11	8584003	AR	Tie Wrap	

SECTION 10 - ELECTRICAL

FIGURE 10-25. BOOM SENSOR ASSEMBLY INSTALLATION



ART_1001236272-A

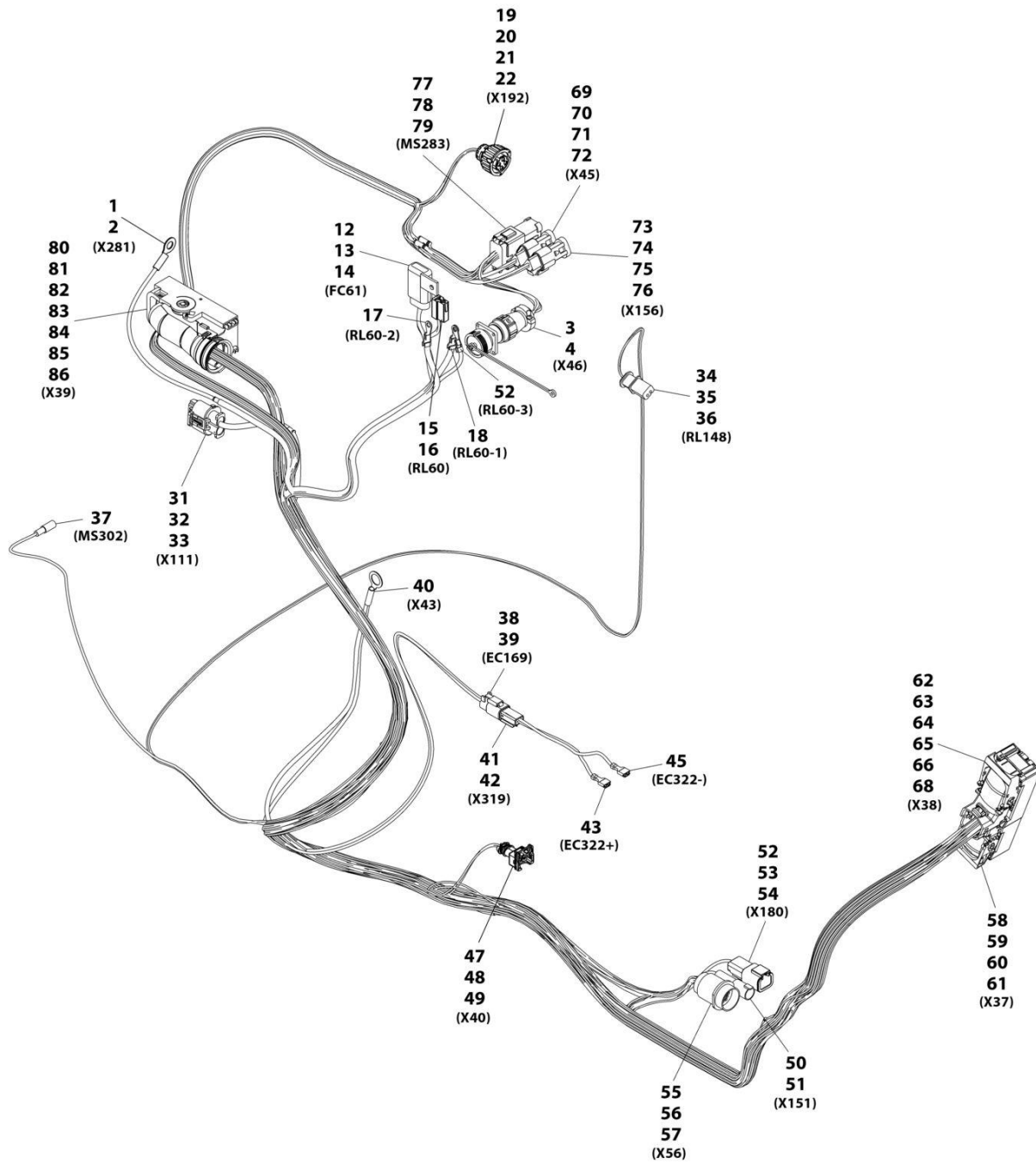
SECTION 10 - ELECTRICAL

FIGURE 10-25. BOOM SENSOR ASSEMBLY INSTALLATION

ITEM	PART NUMBER	QTY	DESCRIPTION	REV
	1001236272	Ref	Boom Sensor Assembly Installation	A
1	3310805	4	Hex Locknut, 8-32, GR2	
2	3930812	4	Socket HD Capscrew, 8-32X3/4	
3	4750800	4	Washer, M8	
4	1001121021	2	Proximity Sensor	
5	1001236337	1	Bracket	

SECTION 10 - ELECTRICAL

FIGURE 10-26. ENGINE HARNESS



ART_1001156229-F

SECTION 10 - ELECTRICAL

FIGURE 10-26. ENGINE HARNESS

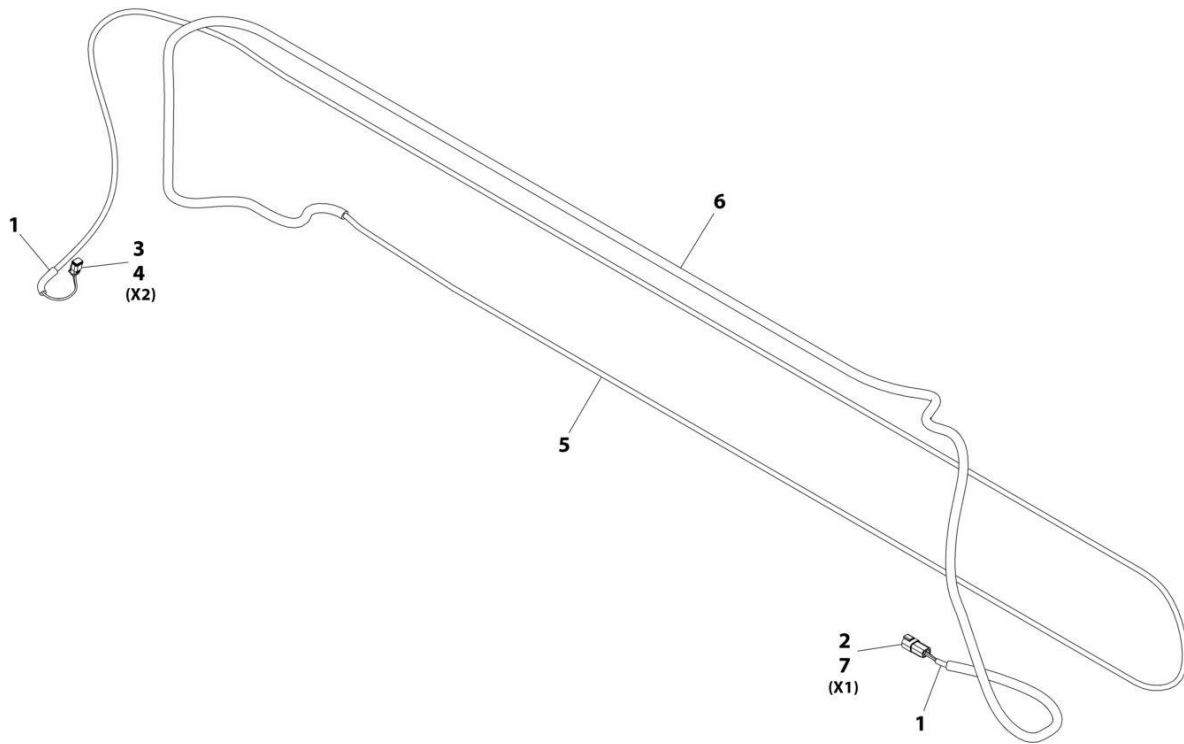
ITEM	PART NUMBER	QTY	DESCRIPTION	REV
	1001156229	1	Engine Harness	F
1	8220045	1	Terminal Ring	
2	4923287	1	Fuse	
3	2902443	1	Connector	
4	4461071	6	Terminal	
12	1001117022	1	Connector	
13	1001116734	1	Terminal	
14	1001116733	1	Terminal	
15	4460994	1	Connector	
16	1001116720	2	Terminal	
17	1001254187	1	Terminal Ring	
18	1001254187	1	Terminal Ring	
19	1001133714	1	Connector	
20	1001133715	3	Terminal	
21	1001135650	3	Seal	
22	1001135651	1	Plug	
31	1001142938	1	Connector	
32	1001142940	2	Terminal	
33	1001142941	2	Seal	
34	1001138110	1	Connector	
35	1001138111	2	Terminal	
36	1001138113	2	Seal	
37	1001117125	1	Connector	
38	4460891	1	Connector	
39	4460942	2	Terminal	
40	1001130900	1	Terminal Ring	
41	4460897	1	Connector	
42	4460941	2	Terminal	
43	8220051	1	Connector	
45	8220051	1	Connector	
47	1001116983	1	Connector	
48	1001116706	2	Terminal	
49	1001137578	2	Seal	
50	1001116967	1	Connector	
51	91143339	1	Terminal	
52	1001254186	1	Ring Terminal	
55	1001116990	1	Connector	
56	1001118380	14	Terminal	
57	1001118391	2	Plug	
58	1001133957	1	Connector	
59	1001126351	13	Terminal	
60	1001230934	15	Terminal	
61	1001230935	2	Plug	
62	1001133956	1	Connector	
63	1001182361	6	Terminal	
64	1001230934	22	Terminal	
65	1001126351	2	Terminal	
66	1001230935	6	Plug	
68	1001182365	6	Seal	
69	4461095	1	Connector	

SECTION 10 - ELECTRICAL

ITEM	PART NUMBER	QTY	DESCRIPTION	REV
70	4460465	2	Terminal	
71	4460466	1	Plug	
72	4461070	1	Cap	
73	4461095	1	Connector	
74	4460465	2	Terminal	
75	4460466	1	Plug	
76	4461070	1	Cap	
77	4460933	1	Connector	
78	4460465	12	Terminal	
79	1001119020	1	Buss Bar	
80	1001126362	1	Connector	
81	1001126363	28	Terminal	
82	1001126365	2	Terminal	
83	4461008	4	Plug	
84	1001126364	28	Seal	
85	4461054	2	Seal	
86	1001126391	1	Plug	

SECTION 10 - ELECTRICAL

FIGURE 10-27. BOOM AUX HARNESS



ART_1001080397-B

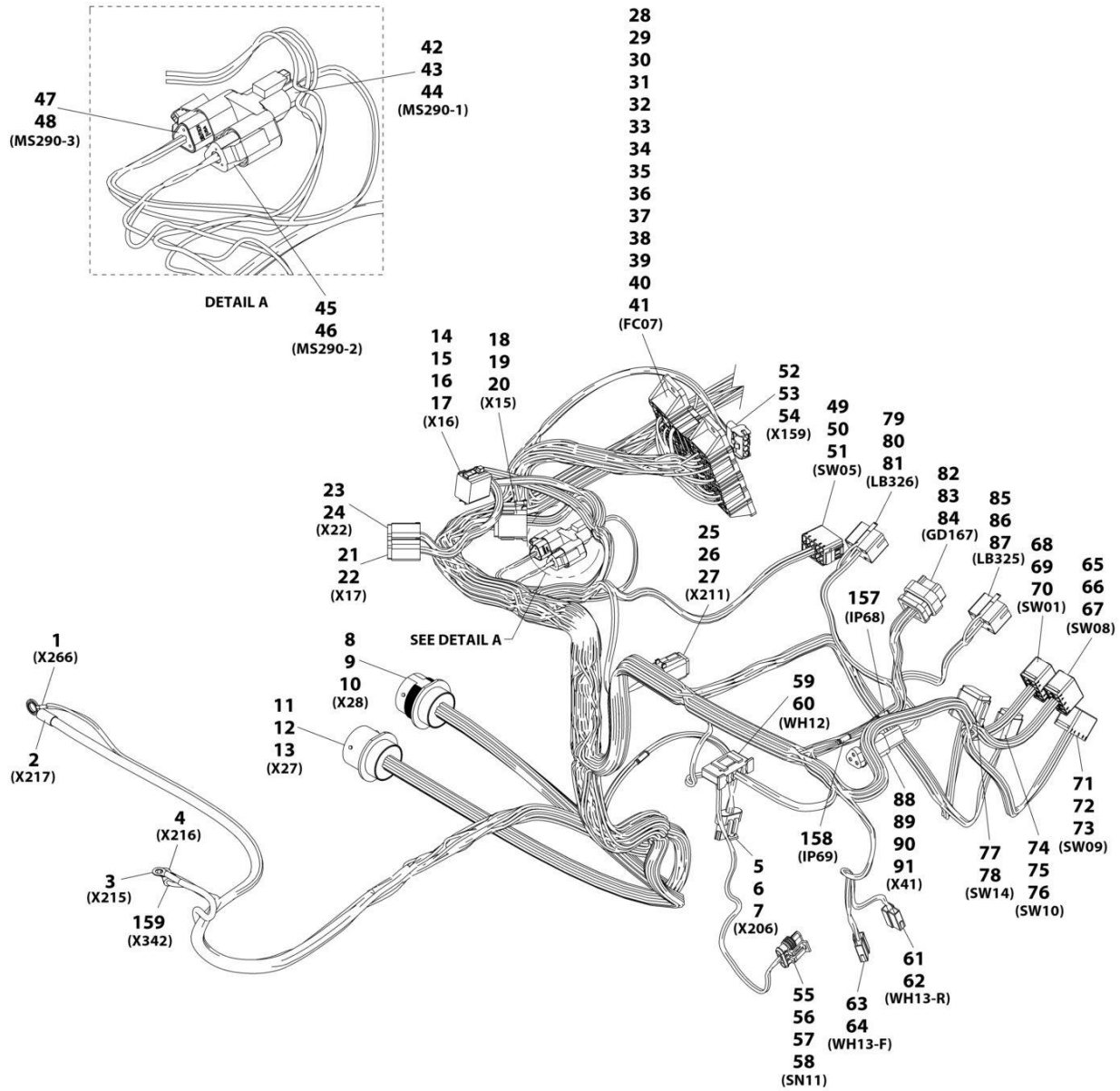
SECTION 10 - ELECTRICAL

FIGURE 10-27. BOOM AUX HARNESS

ITEM	PART NUMBER	QTY	DESCRIPTION	REV
	1001080397	Ref	Boom Aux Harness	B
1	2820171	0.25 ft	Heat Shrink, Insulate	
2	4460464	4	Terminal	
3	4460465	2	Terminal	
4	4460891	1	Connector	
5	4923141	34.83 ft	Wire, 4 Conductor 16 Ga Cable	
6	1001220853	14 ft	Loom, 3/8	
7	4460932	1	Connector	

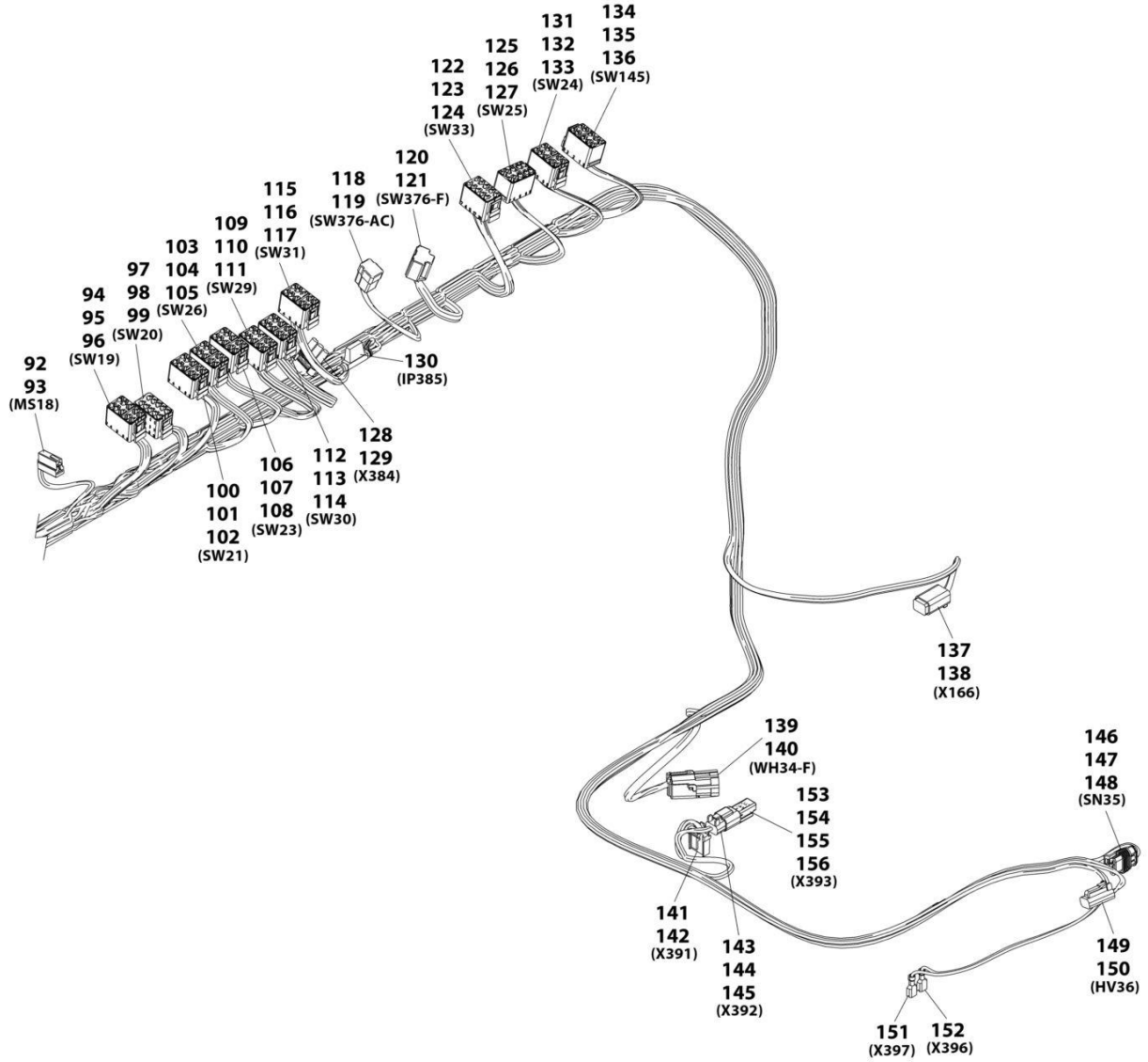
SECTION 10 - ELECTRICAL

FIGURE 10-28. CAB HARNESS



ART_1001208593_1-G

SECTION 10 - ELECTRICAL



ART_1001208593_2-G

SECTION 10 - ELECTRICAL

FIGURE 10-28. CAB HARNESS

ITEM	PART NUMBER	QTY	DESCRIPTION	REV
	1001208593	Ref	Cab Harness	G
1	4460019	1	Terminal Ring	
2	8220115	1	Terminal Ring	
3	1001117106	1	Terminal Ring	
4	4460043	1	Terminal Ring	
5	1001117064	NLA	Connector, (no longer available, use 1001230931 for replacement)	
5	1001230931	1	Connector	
6	91554014	NLA	Terminal, (no longer available, use 1001116748 for replacement)	
6	1001116748	5	Terminal	
7	1001128128	1	Plug	
8	1001111961	1	Connector	
9	4460465	28	Terminal	
10	4460466	3	Plug	
11	1001116920	1	Connector	
12	4460464	29	Terminal	
13	4460466	2	Plug	
14	4460851	1	Connector	
15	4460465	4	Terminal	
16	4460942	2	Terminal	
17	4460466	2	Plug	
18	4460933	1	Connector	
19	4460465	11	Terminal	
20	4460466	1	Plug	
21	4460884	1	Connector	
22	4460465	4	Terminal	
23	4460894	1	Connector	
24	4460465	6	Terminal	
25	4460894	1	Connector	
26	4460465	3	Terminal	
27	4460466	3	Plug	
28	1001080763	1	Connector	
29	1001116710	30	Terminal	
30	1001116712	16	Terminal	
31	1001116711	4	Terminal	
32	1001116735	5	Terminal	
33	4460419	1	Terminal	
34	80983191	3	Fuse, 10 AMP	
35	8229242	2	Fuse, 5 AMP	
36	8229244	4	Fuse, 15 AMP	
37	8229246	2	Fuse, 20 AMP	
38	8229245	1	Fuse, 30 AMP	
39	8229243	6	Fuse, 7.5 AMP	
40	1001095704	2	Realy, 35 AMP	
41	1001100781	1	Realy, 10 AMP	
42	1001116812	1	Connector	
43	4460945	1	Terminal, 3 Way "T" Receptacle	
44	4460465	3	Terminal	
45	4460539	1	Connector	
46	4460465	3	Terminal	
47	1001116812	1	Connector	

SECTION 10 - ELECTRICAL

ITEM	PART NUMBER	QTY	DESCRIPTION	REV
48	4460465	3	Terminal	
49	1001117081	1	Connector	
50	1001118385	2	Terminal	
51	1001116723	4	Terminal	
52	4460761	1	Connector	
53	4460267	3	Terminal	
54	4460705	2	Terminal	
55	1001103012	1	Connector	
56	1001107854	2	Terminal	
57	1001116698	2	Plug	
58	1001104498	2	Seal	
59	1001127066	1	Connector	
60	1001118385	4	Terminal	
61	4460994	1	Connector	
62	1001118385	2	Terminal	
63	4460994	1	Connector	
64	1001118385	3	Terminal	
65	1001117081	1	Connector	
66	1001118385	3	Terminal	
67	1001116723	8	Terminal	
68	1001117081	1	Connector	
69	1001116723	6	Terminal	
70	1001118385	1	Terminal	
71	1001117081	1	Connector	
72	1001118385	4	Terminal	
73	1001116723	4	Terminal	
74	4460894	1	Connector	
75	4460465	5	Terminal	
76	4460466	1	Plug	
77	4460930	1	Connector	
78	4460465	8	Terminal	
79	1001117119	1	Connector	
80	1001118385	2	Terminal	
81	1001116723	4	Terminal	
82	4460872	1	Connector	
83	4460871	13	Terminal	
84	4460905	2	Plug	
85	1001117119	1	Connector	
86	1001116723	6	Terminal	
87	1001118385	1	Terminal	
88	4460536	1	Connector	
89	1001116815	1	Terminal	
90	4460464	2	Terminal	
91	4460466	1	Terminal	
92	4460994	1	Connector	
93	1001118385	2	Terminal	
94	1001117081	1	Connector	
95	1001118385	4	Terminal	
96	1001116723	6	Terminal	
97	1001117082	1	Connector	
98	1001118385	3	Terminal	

SECTION 10 - ELECTRICAL

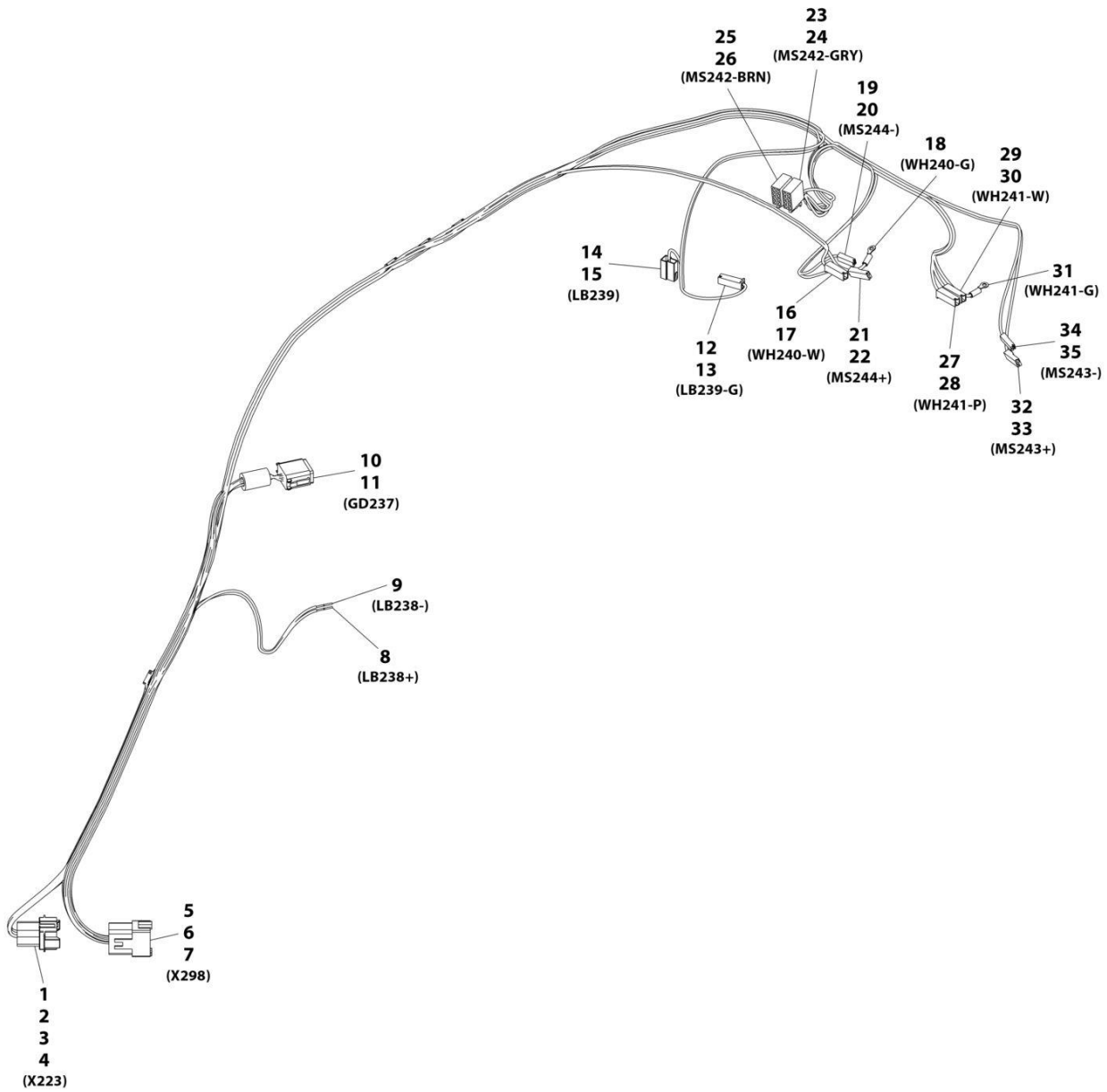
ITEM	PART NUMBER	QTY	DESCRIPTION	REV
99	1001116723	8	Terminal	
100	1001117081	1	Connector	
101	1001118385	2	Terminal	
102	1001116723	4	Terminal	
103	1001117081	1	Connector	
104	1001118385	2	Terminal	
105	1001116723	4	Terminal	
106	1001117081	1	Connector	
107	1001118385	2	Terminal	
108	1001116723	4	Terminal	
109	1001117081	1	Connector	
110	1001118385	5	Terminal	
111	1001116723	6	Terminal	
112	1001117081	1	Connector	
113	1001118385	4	Terminal	
114	1001116723	6	Terminal	
115	1001117081	1	Connector	
116	1001118385	6	Terminal	
117	1001116723	2	Terminal	
118	1001117059	1	Connector	
119	1001116736	3	Terminal	
120	1001117080	1	Connector	
121	1001116723	5	Terminal	
122	1001117079	1	Connector	
123	1001118385	4	Terminal	
124	1001116723	8	Terminal	
125	1001117081	1	Connector	
126	1001116723	4	Terminal	
127	1001118385	1	Terminal	
128	4460459	1	Connector	
129	4460457	3	Terminal	
130	2400060	1	Fuse Holder	
131	1001117081	1	Connector	
132	1001118385	3	Terminal	
133	1001116723	2	Terminal	
134	1001117081	1	Connector	
135	1001118385	3	Terminal	
136	1001116723	6	Terminal	
137	4460884	1	Connector	
138	4460465	4	Terminal	
139	80963062	1	Connector	
140	4460475	4	Terminal	
141	1001197624	1	Connector	
142	1001197714	3	Terminal	
143	4460891	1	Connector	
144	4460897	1	Terminal	
145	4460465	2	Terminal	
146	4461262	1	Connector	
147	1001107854	3	Terminal	
148	1001104498	3	Seal	
149	4460891	1	Connector	

SECTION 10 - ELECTRICAL

ITEM	PART NUMBER	QTY	DESCRIPTION	REV
150	4460465	2	Terminal	
151	8220051	1	Connector	
152	8220051	1	Connector	
153	4460897	1	Connector	
154	1001218381	1	Resistor	
155	1001135350	1	Cap	
156	4460464	2	Plug	
157	3990013	1	Diode, 4 AMP	
158	3990013	1	Diode, 4 AMP	
159	4460043	1	Terminal Ring	

SECTION 10 - ELECTRICAL

FIGURE 10-29. CAB ROOF HARNESS



ART_1001142010-C

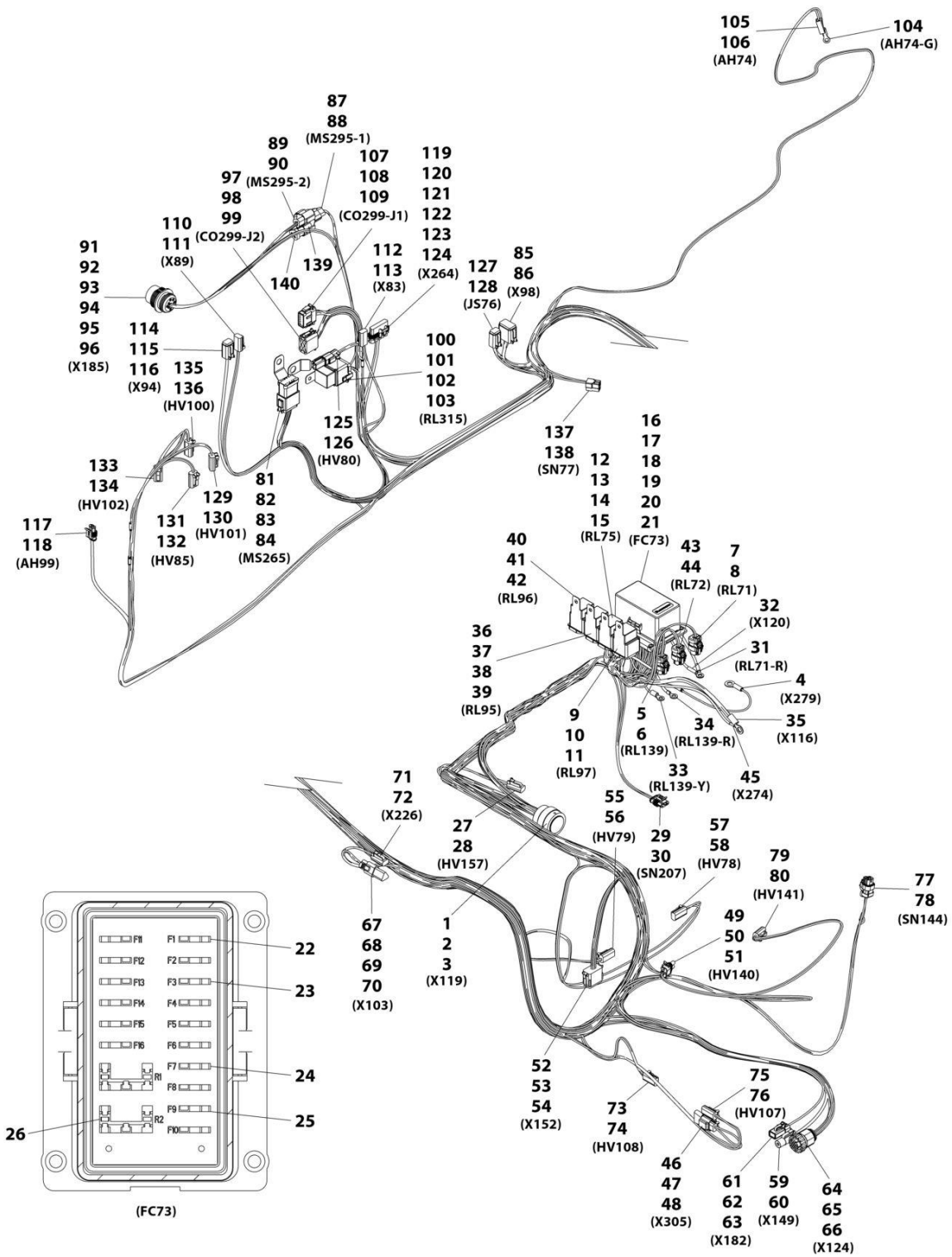
SECTION 10 - ELECTRICAL

FIGURE 10-29. CAB ROOF HARNESS

ITEM	PART NUMBER	QTY	DESCRIPTION	REV
	1001142010	Ref	Cab Roof Harness	C
1	1001116813	1	Connector	
2	4460464	3	Terminal	
3	4460941	3	Terminal	
4	4460466	2	Plug	
5	4460970	1	Connector	
6	4460464	11	Terminal	
7	4460466	1	Plug	
8	1001118387	1	Terminal, Ring	
9	1001118387	1	Terminal, Ring	
10	4460930	1	Connector	
11	4460465	9	Terminal	
12	4460260	1	Connector	
13	4460259	1	Terminal	
14	4460994	1	Connector	
15	1001118385	1	Terminal	
16	4460260	1	Connector	
17	4460259	1	Terminal	
18	8220007	1	Terminal, Ring	
19	1001117002	1	Connector	
20	1001116705	1	Terminal	
21	1001116982	1	Connector	
22	1001118379	1	Terminal	
23	1001116985	1	Connector	
24	1001116710	3	Terminal	
25	1001116984	1	Connector	
26	1001116710	4	Terminal	
27	4460260	1	Connector	
28	4460259	1	Terminal	
29	4460260	1	Connector	
30	4460259	1	Terminal	
31	8220007	1	Terminal, Ring	
32	1001116982	1	Connector	
33	1001118379	1	Terminal	
34	1001117002	1	Connector	
35	1001116705	1	Terminal	

SECTION 10 - ELECTRICAL

FIGURE 10-30. FRAME HARNESS



ART_1001140634-F

SECTION 10 - ELECTRICAL

FIGURE 10-30. FRAME HARNESS

ITEM	PART NUMBER	QTY	DESCRIPTION	REV
	1001140634	Ref	Frame Harness	F
1	1001116921	1	Connector	
2	4460465	29	Terminal	
3	4460466	2	Plug	
4	8220045	1	Terminal, Ring	
5	1001116953	1	Connector	
6	4460465	2	Terminal	
7	1001116952	1	Connector	
8	4460465	2	Terminal	
9	4460374	1	Connector	
10	1001116733	5	Terminal	
11	3740080	1	Relay	
12	4460374	1	Connector	
13	1001116733	4	Terminal	
14	1001128128	1	Plug	
15	3740080	1	Relay	
16	1001080361	1	Connector	
17	1001116726	22	Terminal	
18	1001116725	8	Terminal	
19	1001116727	2	Plug	
20	8220081	22	Seal	
21	8220089	8	Seal	
22	8229244	5	Fuse, 15 AMP	
23	8229242	4	Fuse, 5 AMP	
24	80983191	1	Fuse, 10 AMP	
25	80983191	6	Fuse, 10 AMP	
26	1001095704	2	Relay, 35 AMP	
27	4460891	1	Connector	
28	4460465	2	Terminal	
29	4461262	1	Connector	
30	1001107854	3	Terminal	
31	1001117106	1	Terminal, Ring	
32	1001117106	1	Terminal, Ring	
33	4460043	1	Terminal, Ring	
34	4460312	1	Terminal, Ring	
35	8220115	1	Terminal, Ring	
36	4460374	1	Connector	
37	1001116733	4	Terminal	
38	1001128128	1	Plug	
39	3740080	1	Relay	
40	4460374	1	Connector	
41	1001116733	5	Terminal	
42	3740080	1	Relay	
43	1001116950	1	Connector	
44	4460465	2	Terminal	
45	4460019	1	Terminal, Ring	
46	4460891	1	Connector	
47	1001116816	1	Connector, DT 2 Pin Receptacle With Diode	
48	4460465	2	Terminal	
49	4460742	1	Connector	

SECTION 10 - ELECTRICAL

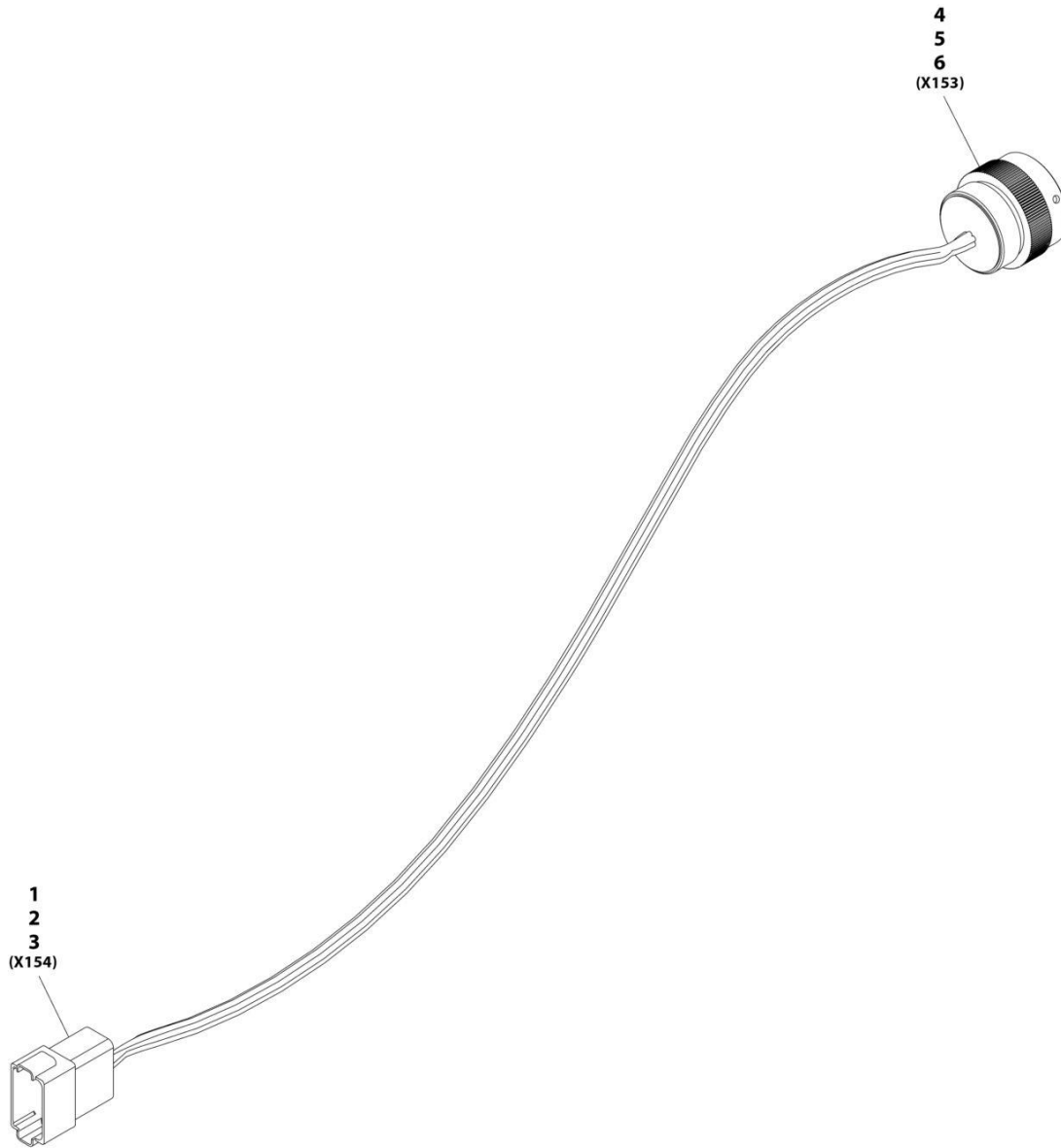
ITEM	PART NUMBER	QTY	DESCRIPTION	REV
50	4460457	2	Terminal	
51	8220081	2	Seal	
52	4460933	1	Connector	
53	4460465	9	Terminal	
54	4460466	3	Plug	
55	4460891	1	Connector	
56	4460465	2	Terminal	
57	4460891	1	Connector	
58	4460465	2	Terminal	
59	1001116966	1	Connector	
60	91143340	1	Terminal	
61	4461018	1	Connector	
62	4460509	1	Terminal	
63	4460466	1	Plug	
64	1001116977	1	Connector	
65	1001118381	14	Terminal	
66	1001118391	2	Plug	
67	4460539	1	Connector	
68	4460536	1	Terminal	
69	4460466	4	Plug	
70	4460465	2	Terminal	
71	4460891	1	Connector	
72	4460465	2	Terminal	
73	4460891	1	Connector	
74	4460465	2	Terminal	
75	4460891	1	Connector	
76	4460465	2	Terminal	
77	1001116950	1	Connector	
78	4460465	2	Terminal	
79	4460891	1	Connector	
80	4460465	2	Terminal	
81	4460933	1	Connector	
82	1001119020	1	Connector, 3X4 Bussbar	
83	1001120328	1	Mount	
84	4460465	12	Terminal	
85	4460930	1	Connector	
86	4460465	8	Terminal	
87	1001116812	1	Connector	
88	4460465	3	Terminal	
89	4460539	1	Connector	
90	4460465	3	Terminal	
91	1001112612	1	Connector	
92	1001106736	1	Dust, Cap	
93	4460497	1	Nut	
94	4460496	1	Lock Washer	
95	4460464	6	Terminal	
96	4460466	3	Plug	
97	1001116774	1	Connector	
98	1001126008	10	Terminal	
99	4460518	3	Plug	
100	4460374	1	Connector	

SECTION 10 - ELECTRICAL

ITEM	PART NUMBER	QTY	DESCRIPTION	REV
101	3740080	1	Relay	
102	1001116733	4	Terminal	
103	1001128128	1	Plug	
104	4460043	1	Terminal, Ring	
105	4460260	1	Connector	
106	4460259	1	Terminal	
107	1001116808	1	Connector	
108	1001126008	9	Terminal	
109	4460518	3	Plug	
110	4460891	1	Connector	
111	4460465	2	Terminal	
112	4460891	1	Connector	
113	4460465	2	Terminal	
114	4460884	1	Connector	
115	4460465	2	Terminal	
116	4460466	2	Plug	
117	4461118	1	Connector	
118	1001107854	2	Terminal	
119	1001121726	1	Connector	
120	8220125	2	Terminal	
121	1001116747	2	Terminal	
122	4460748	1	Plug	
123	8220089	2	Seal	
124	4460458	2	Seal	
125	4460891	1	Connector	
126	4460465	2	Terminal	
127	4460884	1	Connector	
128	4460465	4	Terminal	
129	4460891	1	Connector	
130	4460465	2	Terminal	
131	4460891	1	Connector	
132	4460465	2	Terminal	
133	4460891	1	Connector	
134	4460465	2	Terminal	
135	4460891	1	Connector	
136	4460465	2	Terminal	
137	1001116948	1	Connector	
138	1001118385	2	Terminal	
139	4460945	1	Terminal, 3 Way "T" Receptacle	
140	1001116815	1	Connector, 3 Pin	

SECTION 10 - ELECTRICAL

FIGURE 10-31. FRAME BASE JUMPER HARNESS



ART_1001142011-A

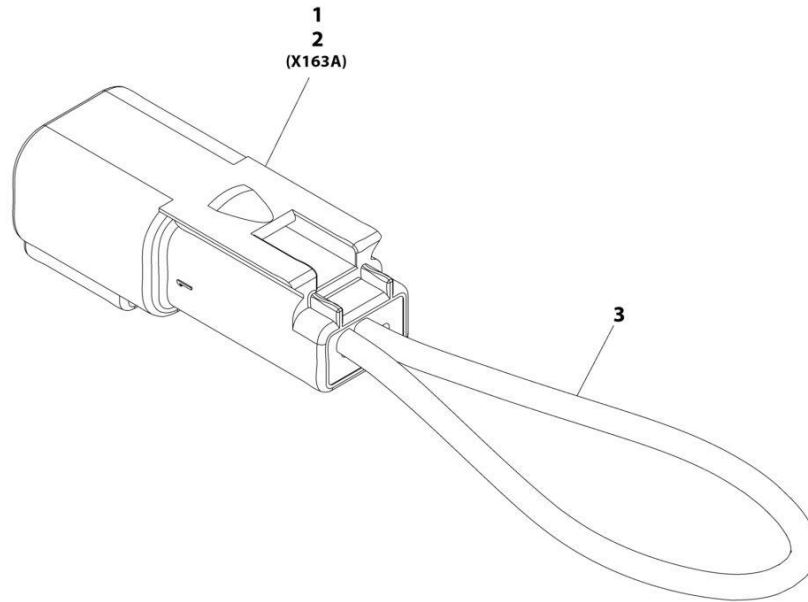
SECTION 10 - ELECTRICAL

FIGURE 10-31. FRAME BASE JUMPER HARNESS

ITEM	PART NUMBER	QTY	DESCRIPTION	REV
	1001142011	Ref	Frame Base Jumper Harness	A
1	4460970	1	Connector	
2	4460464	6	Terminal	
3	4460466	6	Plug	
4	1001121960	1	Connector	
5	4460464	6	Terminal	
6	4460466	25	Plug	

SECTION 10 - ELECTRICAL

FIGURE 10-32. FUNCTION JUMPER HARNESS



ART_1001122280-B

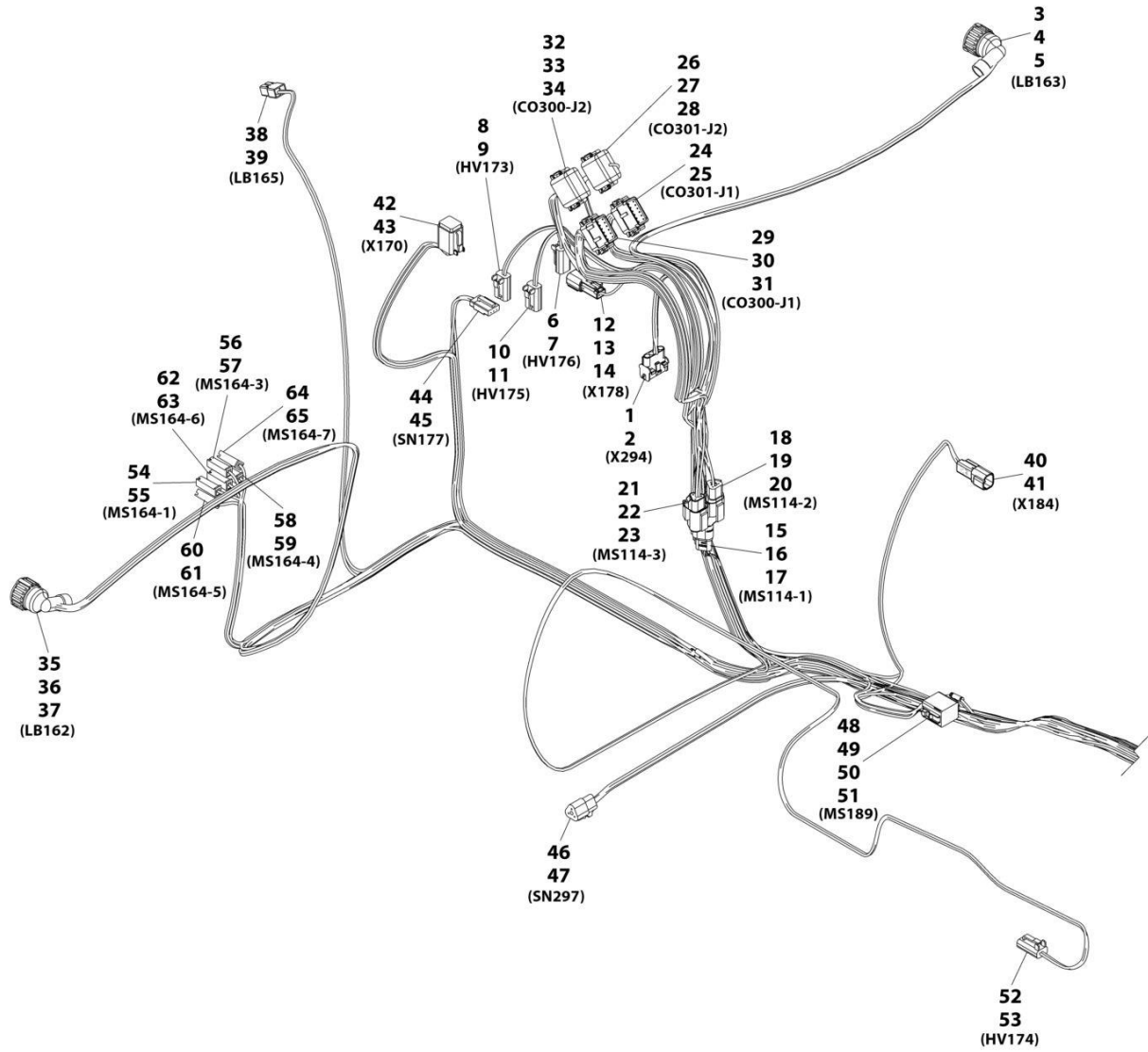
SECTION 10 - ELECTRICAL

FIGURE 10-32. FUNCTION JUMPER HARNESS

ITEM	PART NUMBER	QTY	DESCRIPTION	REV
	1001122280	Ref	Function Jumper Harness	B
1	4460464	2	Terminal	
2	4460897	1	Connector	
3	4920017	118 mm	Wire, 16 GA	

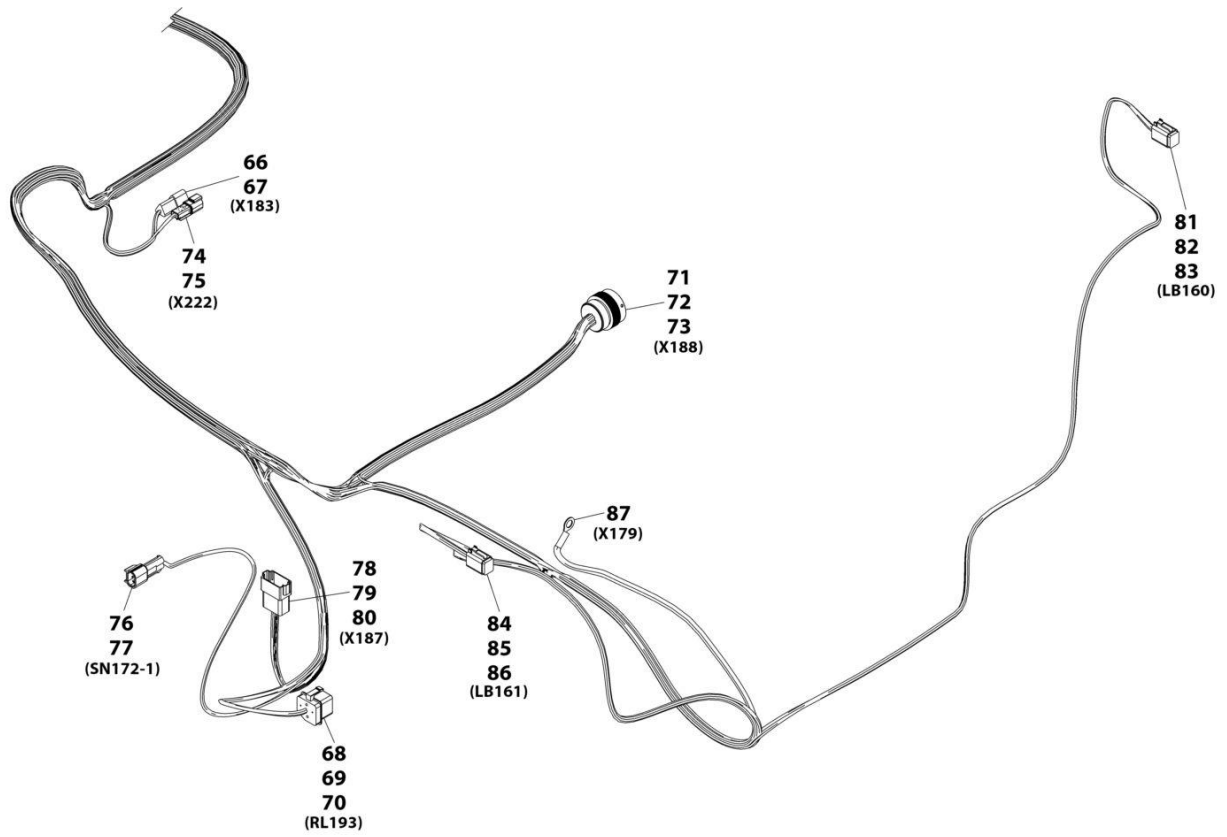
SECTION 10 - ELECTRICAL

FIGURE 10-33. FRAME OPTION HARNESS



ART_1001140635_1-D

SECTION 10 - ELECTRICAL



ART_1001140635_2-D

SECTION 10 - ELECTRICAL

FIGURE 10-33. FRAME OPTION HARNESS

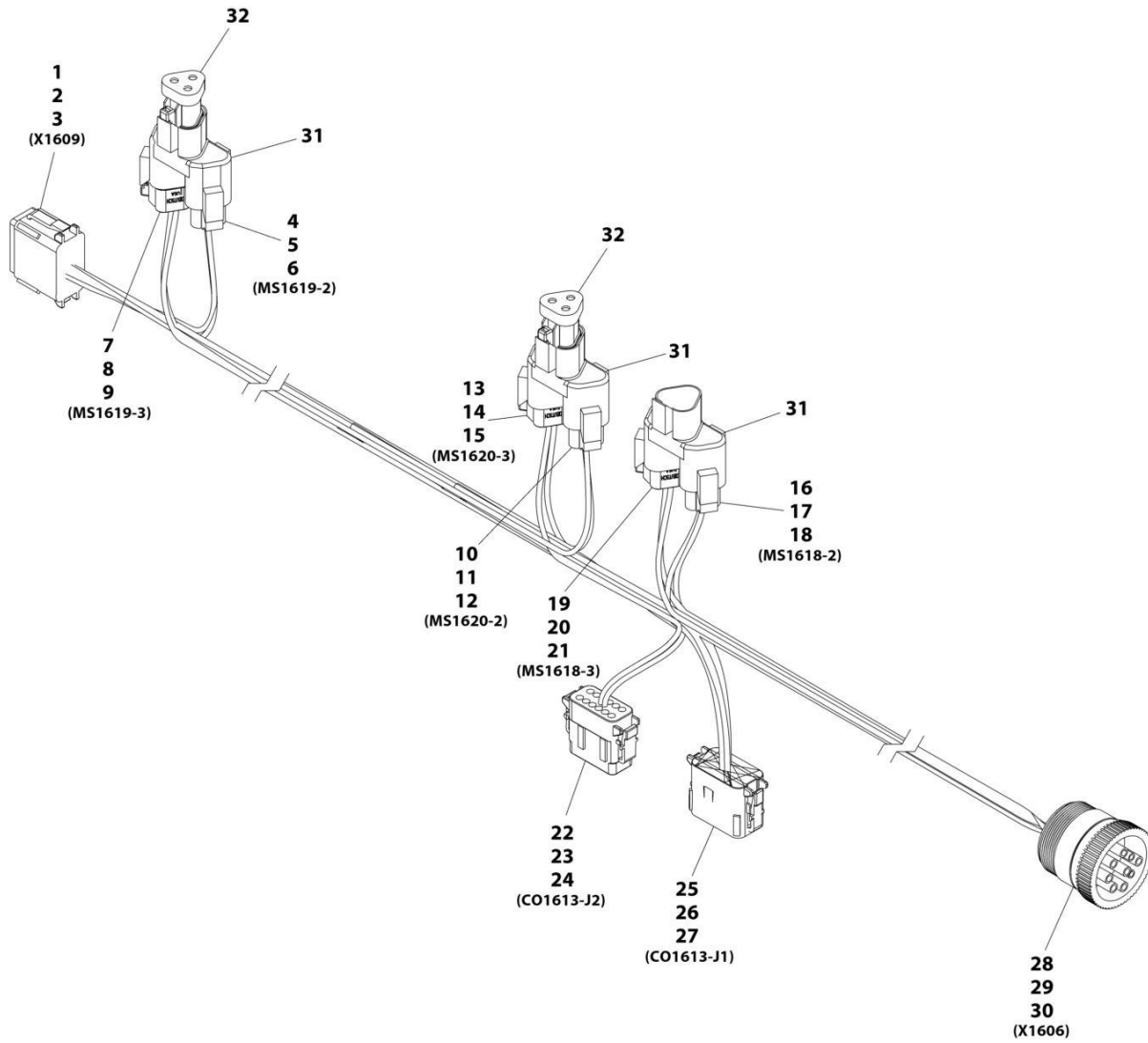
ITEM	PART NUMBER	QTY	DESCRIPTION	REV
	1001140635	Ref	Frame Option Harness	D
1	4460761	1	Connector	
2	4460227	4	Terminal	
3	1001116996	1	Connector	
4	1001118392	5	Terminal	
5	4461008	2	Plug	
6	4460891	1	Connector	
7	4460465	2	Terminal	
8	4460891	1	Connector	
9	4460465	2	Terminal	
10	4460891	1	Connector	
11	4460465	2	Terminal	
12	4460897	1	Connector	
13	4460464	1	Terminal	
14	4460466	1	Plug	
15	1001116812	1	Connector	
16	4460945	1	Terminal, 3 Way "T" Receptacle	
17	4460465	3	Terminal	
18	4460539	1	Connector	
19	4460465	2	Terminal	
20	4460466	1	Plug	
21	1001116812	1	Connector	
22	4460465	2	Terminal	
23	4460466	1	Plug	
24	1001116808	1	Connector	
25	1001126008	12	Terminal	
26	1001116774	1	Connector	
27	1001126008	8	Terminal	
28	4460518	4	Plug	
29	1001116808	1	Connector	
30	1001126008	7	Terminal	
31	4460518	5	Plug	
32	1001116774	1	Connector	
33	1001126008	5	Terminal	
34	4460518	7	Plug	
35	1001116996	1	Connector	
36	1001118392	5	Terminal	
37	4461008	2	Plug	
38	1001117133	1	Connector	
39	1001118385	2	Terminal	
40	4460897	1	Connector	
41	4460464	2	Terminal	
42	4460894	1	Connector	
43	4460465	6	Terminal	
44	4460911	1	Connector	
45	1001126008	3	Terminal	
46	4460539	1	Connector	
47	4460465	4	Terminal	
48	4460851	1	Connector	
49	4460852	1	Connector, 8 Pin	

SECTION 10 - ELECTRICAL

ITEM	PART NUMBER	QTY	DESCRIPTION	REV
50	4460465	7	Terminal	
51	4460466	1	Plug	
52	4460891	1	Connector	
53	4460465	2	Terminal	
54	4460260	1	Connector	
55	4460259	1	Terminal	
56	4460260	1	Connector	
57	4460259	1	Terminal	
58	4460260	1	Connector	
59	4460259	1	Terminal	
60	4460260	1	Connector	
61	4460259	1	Terminal	
62	4460260	1	Connector	
63	4460259	1	Terminal	
64	4460260	1	Connector	
65	4460259	1	Terminal	
66	4460536	1	Connector	
67	4460464	3	Terminal	
68	4460374	1	Connector	
69	1001116733	4	Terminal	
70	1001128128	1	Plug	
71	1001121960	1	Connector	
72	4460464	28	Terminal	
73	4460466	3	Plug	
74	4460897	1	Connector	
75	4460464	2	Terminal	
76	1001117026	1	Connector	
77	1001116729	2	Terminal	
78	4460970	1	Connector	
79	4460464	9	Terminal	
80	4460466	3	Plug	
81	4460894	1	Connector	
82	4460465	5	Terminal	
83	4460466	1	Plug	
84	4460894	1	Connector	
85	4460465	5	Terminal	
86	4460466	1	Plug	
87	8220164	1	Terminal, Ring	

SECTION 10 - ELECTRICAL

FIGURE 10-34. TELEMATICS GATEWAY HARNESS



ART_1001226831-A

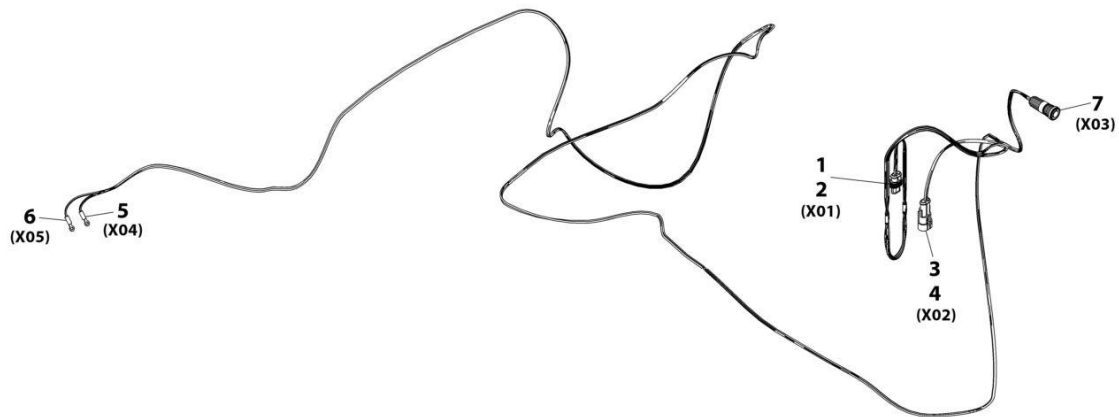
SECTION 10 - ELECTRICAL

FIGURE 10-34. TELEMATICS GATEWAY HARNESS

ITEM	PART NUMBER	QTY	DESCRIPTION	REV
	1001226831	Ref	Telematics Gateway Harness	A
1	4460933	1	Connector	
2	1001116692	5	Terminal	
3	4460466	7	Plug	
4	4460539	1	Connector	
5	4460465	2	Terminal	
6	4460466	1	Plug	
7	1001116812	1	Connector	
8	4460465	2	Terminal	
9	4460466	1	Plug	
10	4460539	1	Connector	
11	4460465	2	Terminal	
12	4460466	1	Plug	
13	1001116812	1	Connector	
14	4460465	2	Terminal	
15	4460466	1	Plug	
16	4460539	1	Connector	
17	4460465	2	Terminal	
18	4460466	1	Plug	
19	1001116812	1	Connector	
20	4460465	2	Terminal	
21	4460466	1	Plug	
22	1001116808	1	Connector	
23	1001116694	2	Terminal	
24	4460518	10	Plug	
25	1001116774	1	Connector	
26	1001116694	4	Terminal	
27	4460518	8	Plug	
28	1001112796	1	Connector	
29	1001116692	5	Terminal	
30	4460466	3	Plug	
31	4460945	3	Terminal, 3 Way "T" Receptacle	
32	1001116815	2	Connector, Plug 3-Pin	

SECTION 10 - ELECTRICAL

FIGURE 10-35. REVERSE SENSOR HARNESS



ART_1001190914-B

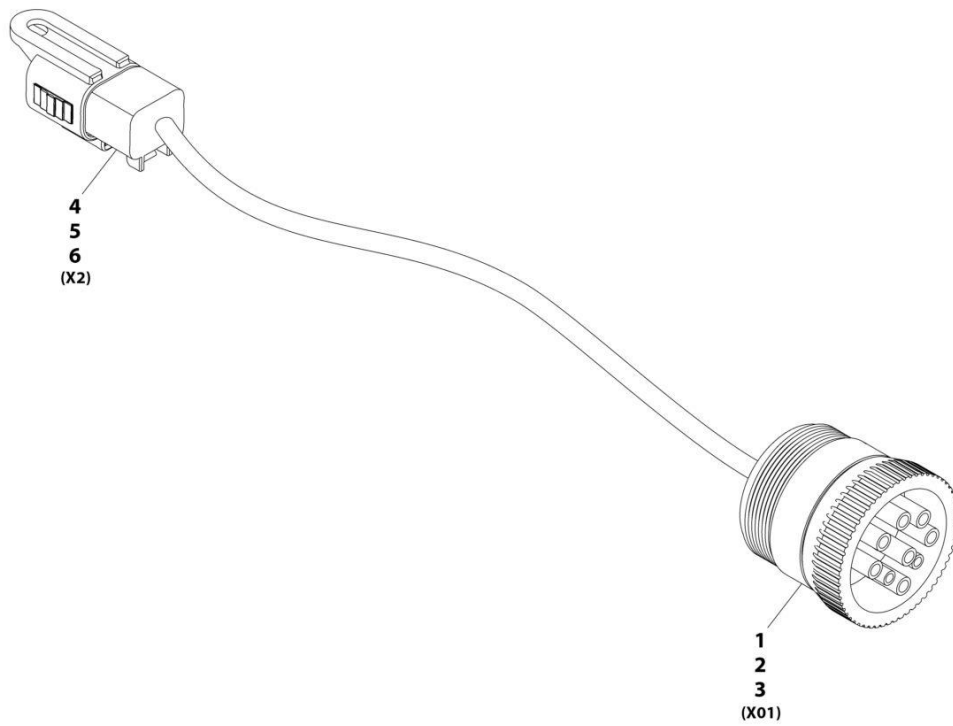
SECTION 10 - ELECTRICAL

FIGURE 10-35. REVERSE SENSOR HARNESS

ITEM	PART NUMBER	QTY	DESCRIPTION	REV
	1001190914	Ref	Reverse Sensor Harness	B
1	4461118	1	Connector	
2	1001107854	2	Terminal	
3	4461227	1	Connector	
4	1001104497	2	Terminal	
5	1001098122	1	Terminal, Ring	
6	1001098122	1	Terminal, Ring	
7	1001175733	1	Connector	

SECTION 10 - ELECTRICAL

FIGURE 10-36. TELEMATICS READY HARNESS



ART_1001196461-A

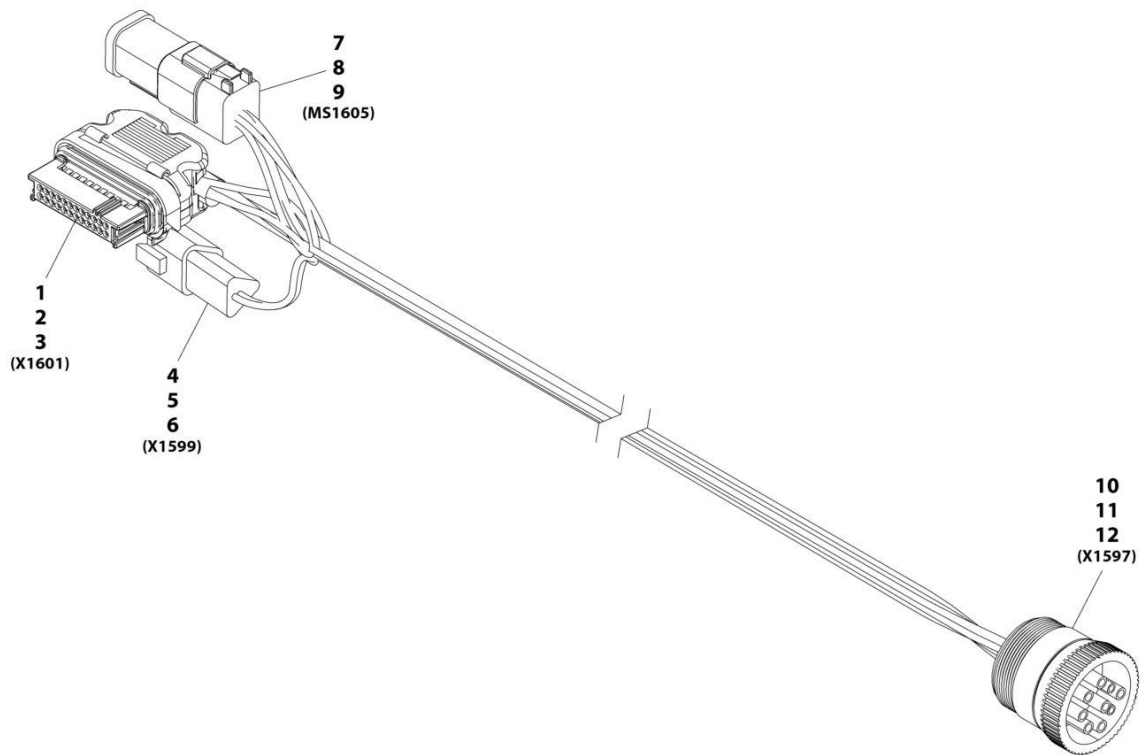
SECTION 10 - ELECTRICAL

FIGURE 10-36. TELEMATICS READY HARNESS

ITEM	PART NUMBER	QTY	DESCRIPTION	REV
	1001196461	Ref	Telematics Ready Harness	A
1	1001112796	1	Connector	
2	4460465	3	Terminal	
3	4460466	6	Plug	
4	4460884	1	Connector	
5	4460465	3	Terminal	
6	4460466	1	Plug	

SECTION 10 - ELECTRICAL

FIGURE 10-37. CLEARSKY HARNESS



ART_1001226739-A

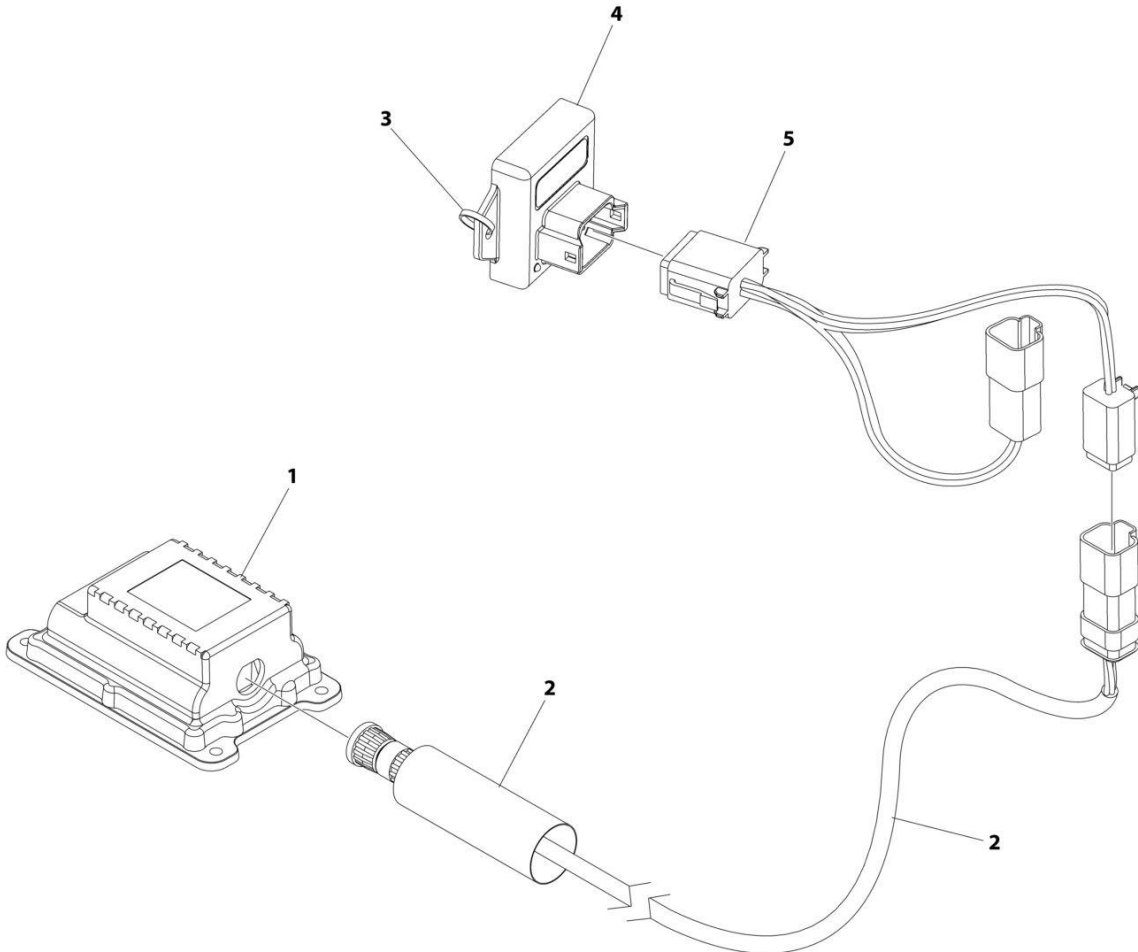
SECTION 10 - ELECTRICAL

FIGURE 10-37. CLEARSKY HARNESS

ITEM	PART NUMBER	QTY	DESCRIPTION	REV
	1001226739	Ref	Clearsky Harness	A
1	1001226636	1	Connector	
2	1001116731	16	Plug, Terminal	
3	1001226637	8	Terminal	
4	1001144147	1	Connector	
5	4460464	2	Terminal	
6	4460466	1	Plug, Terminal	
7	4460894	1	Connector	
8	4460465	6	Terminal	
9	1001226541	1	Connector- 6 Pin Bussbar	
10	1001112796	1	Connector	
11	4460465	8	Terminal	
12	4460466	1	Plug, Terminal	

SECTION 10 - ELECTRICAL

FIGURE 10-38. CLEARSKY INSTALLATION 3-WIRE (ANSI)



ART_1001229107

SECTION 10 - ELECTRICAL

FIGURE 10-38. CLEARSKY INSTALLATION 3-WIRE (ANSI)

ITEM	PART NUMBER	QTY	DESCRIPTION	REV
	1001229107	Ref	CLEARSKY INSTALLATION 3-WIRE	D
1	1001226328	1	Module, 3W TCU	
2	1001227066	1	Telematics ClearSky Harness (See Separate Breakdown in this Section)	
3	4240032	AR	Tie-Strap	
4	1001262960	1	Voltage Regulator	
5	1001262963	1	Harness, Xirgo Jumper	

SECTION 10 - ELECTRICAL

FIGURE 10-39. BOOM SENSOR HARNESS



ART_1001129801-A

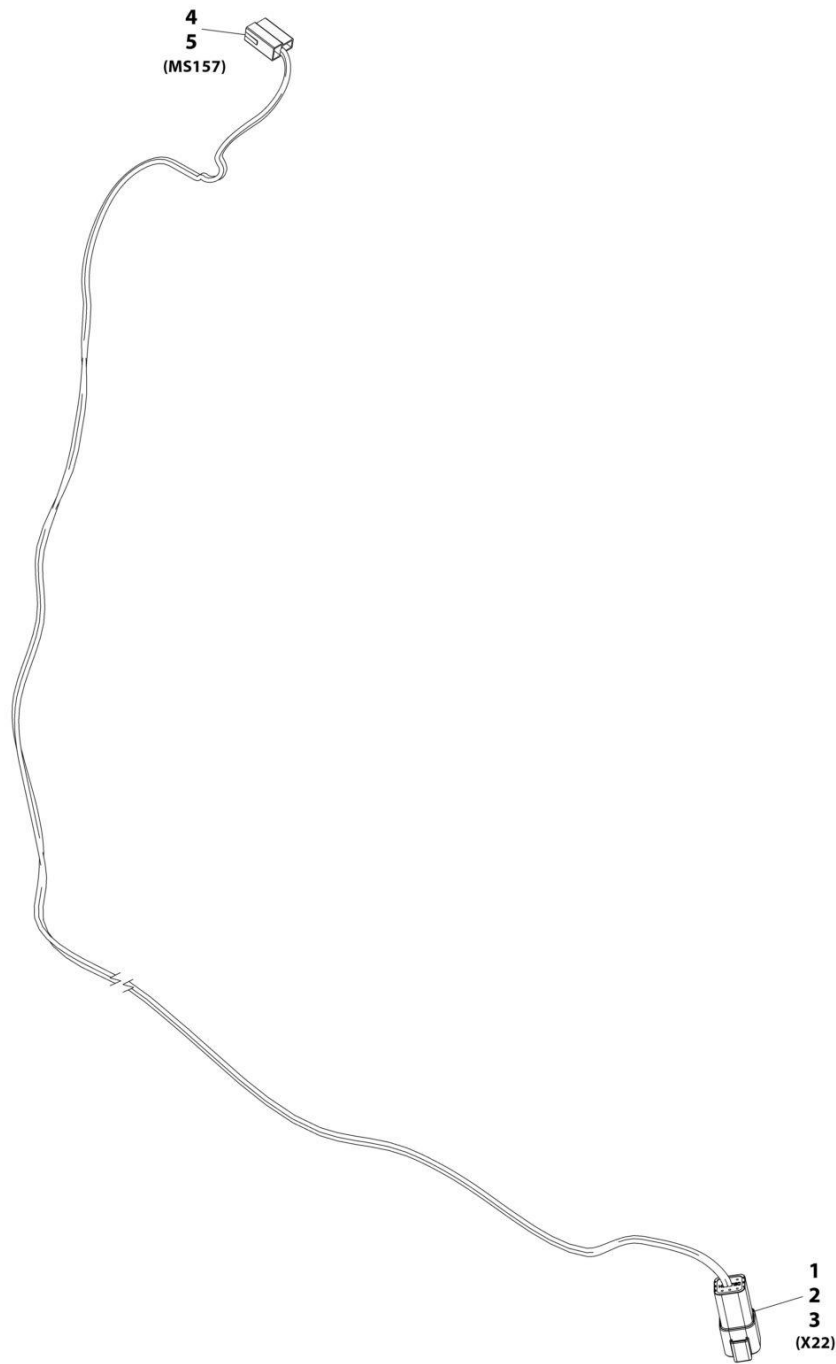
SECTION 10 - ELECTRICAL

FIGURE 10-39. BOOM SENSOR HARNESS

ITEM	PART NUMBER	QTY	DESCRIPTION	REV
	1001129801	Ref	Boom Sensor Harness	A
1	4460899	1	Connector	
2	4460464	6	Terminal	
3	4461262	1	Connector	
4	1001107854	3	Terminal	
5	4461262	1	Connector	
6	1001107854	3	Terminal	

SECTION 10 - ELECTRICAL

FIGURE 10-40. OPEN CAB WORKLIGHT HARNESS



ART_1001110723-B

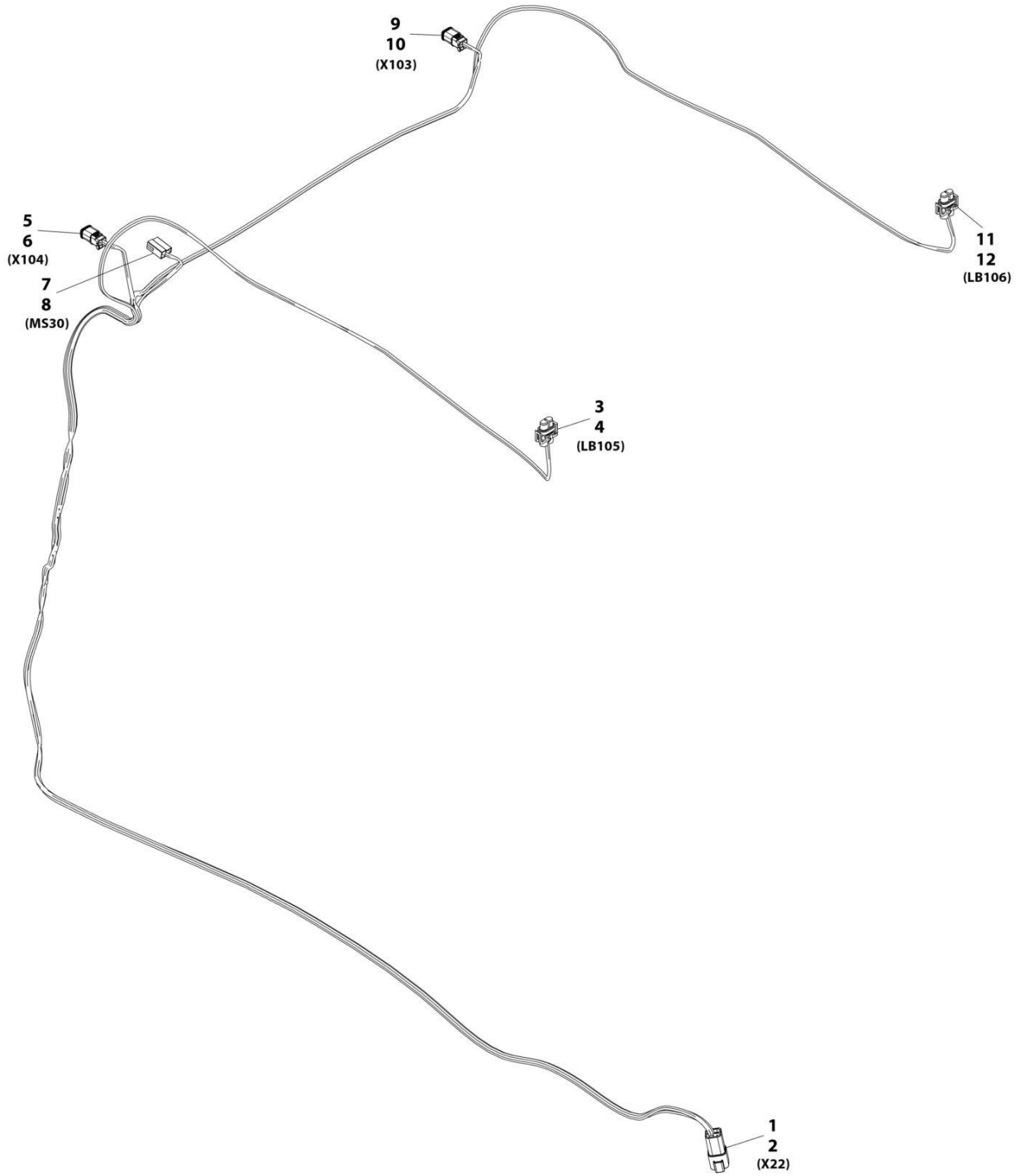
SECTION 10 - ELECTRICAL

FIGURE 10-40. OPEN CAB WORKLIGHT HARNESS

ITEM	PART NUMBER	QTY	DESCRIPTION	REV
	1001110723	Ref	Open Cab Worklight Harness	B
1	4460899	1	Connector	
2	4460466	4	Plug	
3	4460464	2	Terminal	
4	4460994	1	Connector	
5	1001104519	2	Terminal	

SECTION 10 - ELECTRICAL

FIGURE 10-41. CAB WORKLIGHT HARNESS



ART_1001111156-C

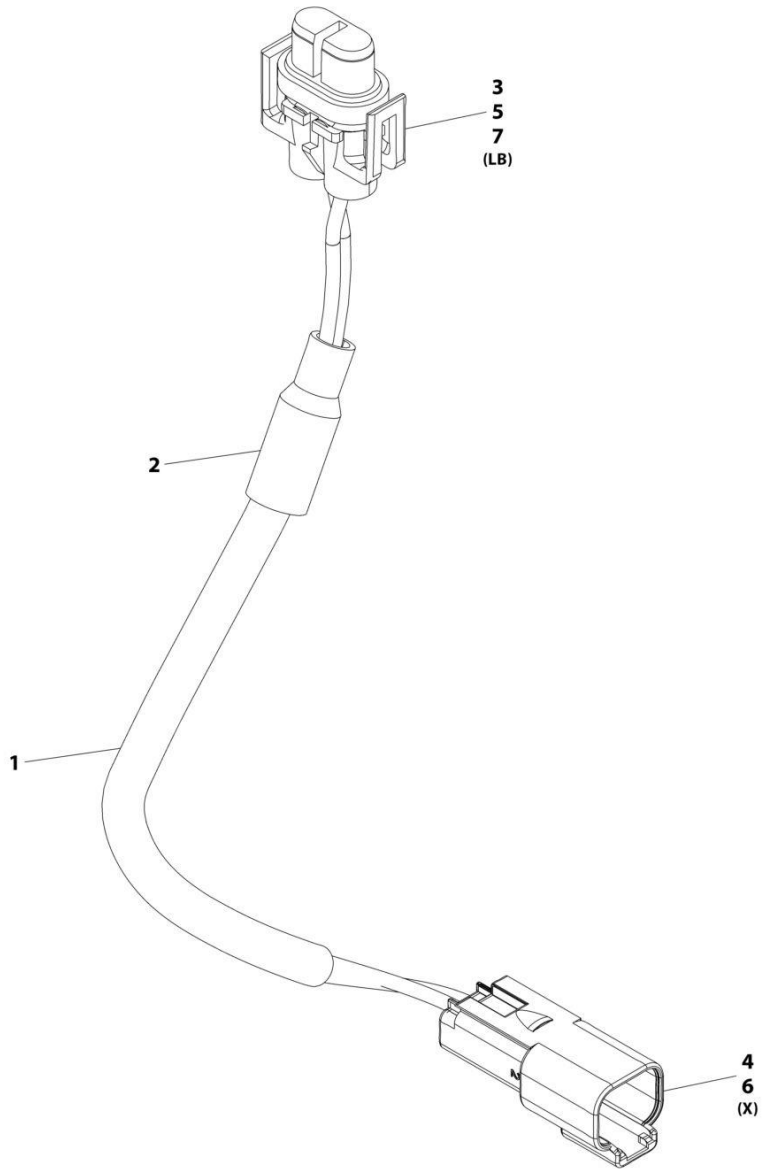
SECTION 10 - ELECTRICAL

FIGURE 10-41. CAB WORKLIGHT HARNESS

ITEM	PART NUMBER	QTY	DESCRIPTION	REV
	1001111156	Ref	Cab Worklight Harness	C
1	4460899	1	Connector	
2	4460464	6	Terminal	
3	4461115	1	Connector	
4	4460746	2	Terminal	
5	4460891	1	Connector	
6	4460465	2	Terminal	
7	4460994	1	Connector	
8	1001104519	2	Terminal	
9	4460891	1	Connector	
10	4460465	2	Terminal	
11	4461115	1	Connector	
12	4460746	2	Terminal	

SECTION 10 - ELECTRICAL

FIGURE 10-42. BOOM WORKLIGHT JUMPER HARNESS (LONG)



ART_1001142981-B

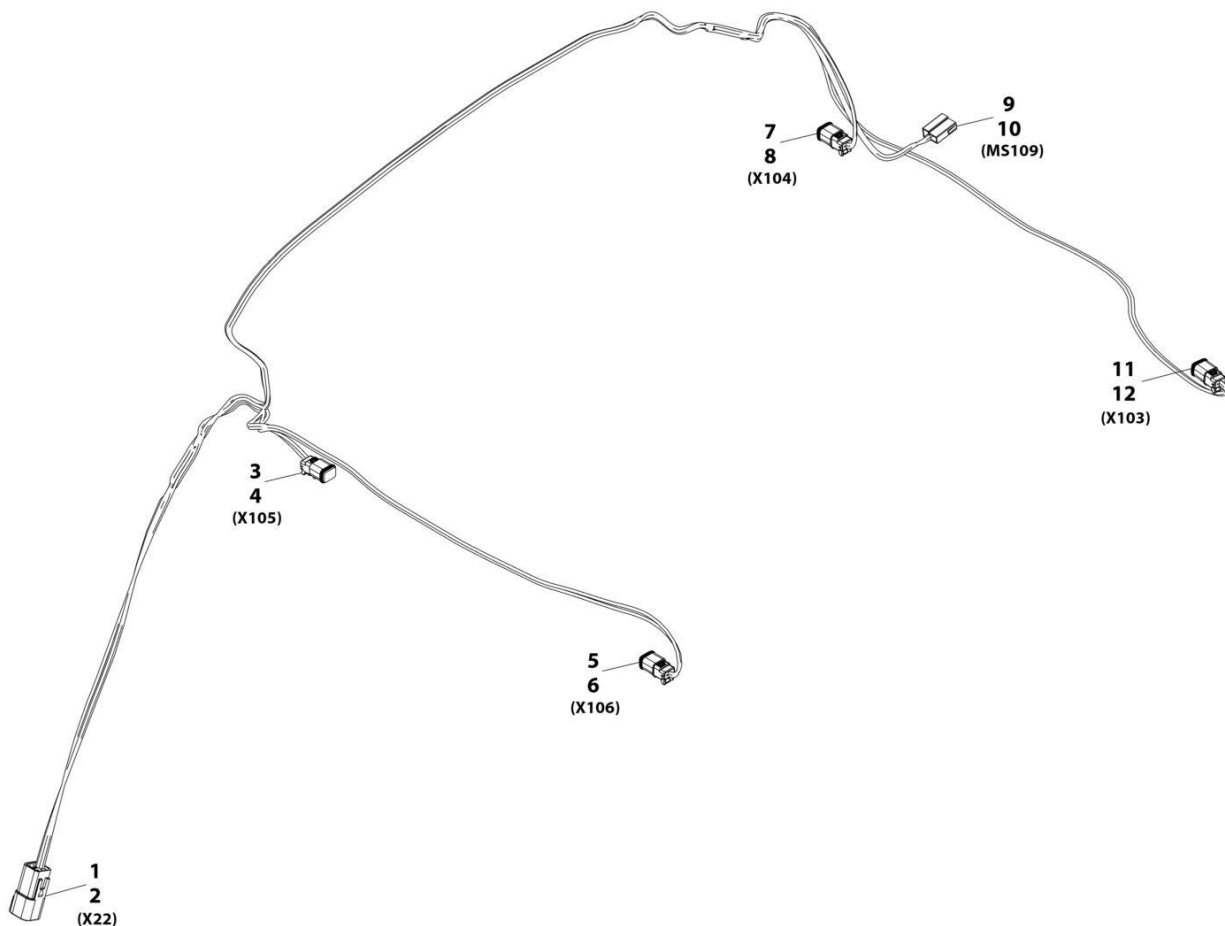
SECTION 10 - ELECTRICAL

FIGURE 10-42. BOOM WORKLIGHT JUMPER HARNESS (LONG)

ITEM	PART NUMBER	QTY	DESCRIPTION	REV
	1001142981	Ref	Boom Worklight Jumper Harness (Long)	B
1	1060680	2 ft	Cable	
2	2820019	0.12 ft	Insulate, Tubing Shrink	
3	4460458	2	Seal	
4	4460464	2	Terminal	
5	4460746	2	Terminal	
6	4460897	1	Connector	
7	4461115	1	Connector	

SECTION 10 - ELECTRICAL

FIGURE 10-43. PROXIMITY SENSOR HARNESS



ART_1001109566-B

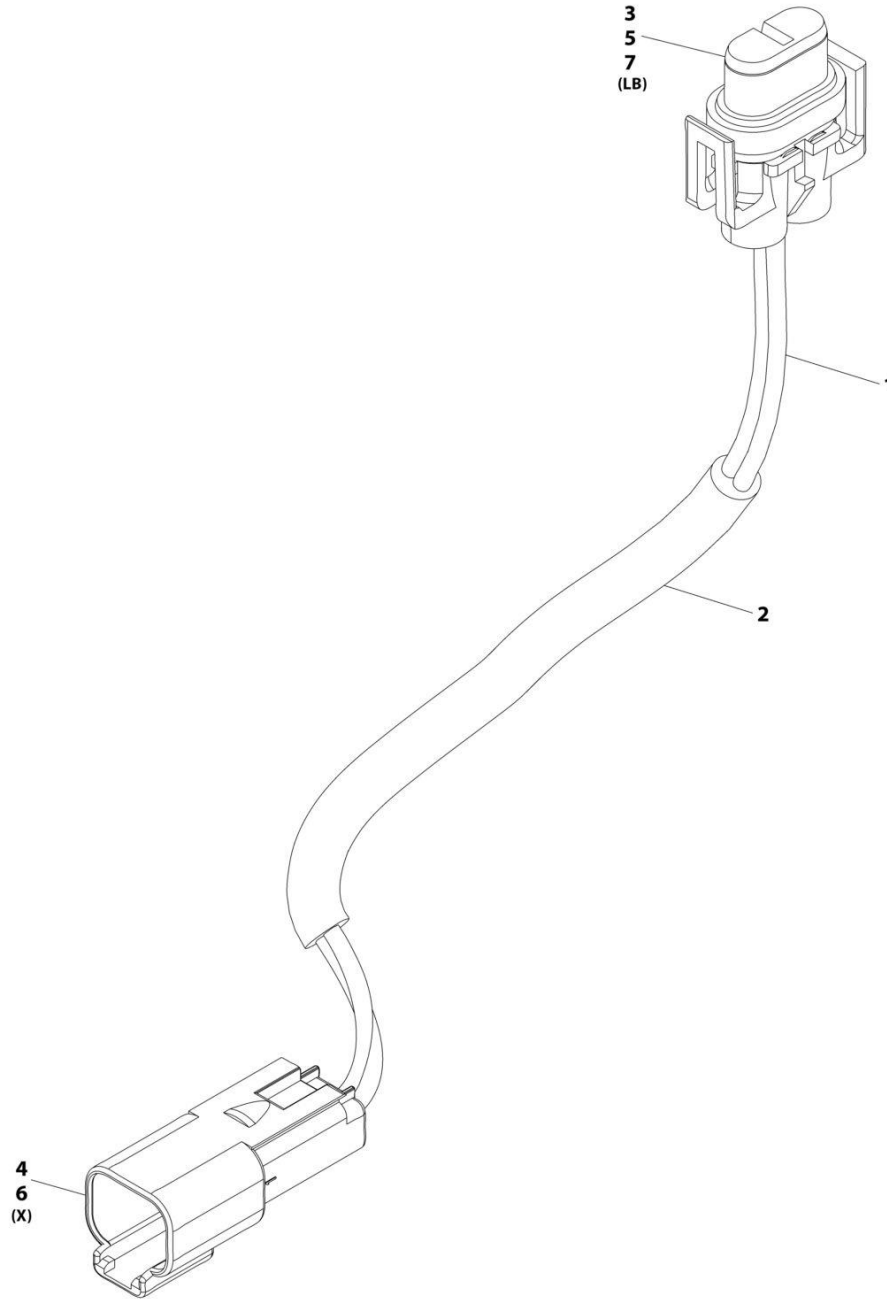
SECTION 10 - ELECTRICAL

FIGURE 10-43. PROXIMITY SENSOR HARNESS

ITEM	PART NUMBER	QTY	DESCRIPTION	REV
	1001109566	Ref	Proximity Sensor Harness	B
1	4460899	1	Connector	
2	4460464	6	Terminal	
3	4460891	1	Connector	
4	4460465	2	Terminal	
5	4460891	1	Connector	
6	4460465	2	Terminal	
7	4460891	1	Connector	
8	4460465	2	Terminal	
9	4460994	1	Connector	
10	1001104519	2	Terminal	
11	4460891	1	Connector	
12	4460465	2	Terminal	

SECTION 10 - ELECTRICAL

FIGURE 10-44. BOOM WORKLIGHT JUMPER HARNESS (SHORT)



ART_1001109565

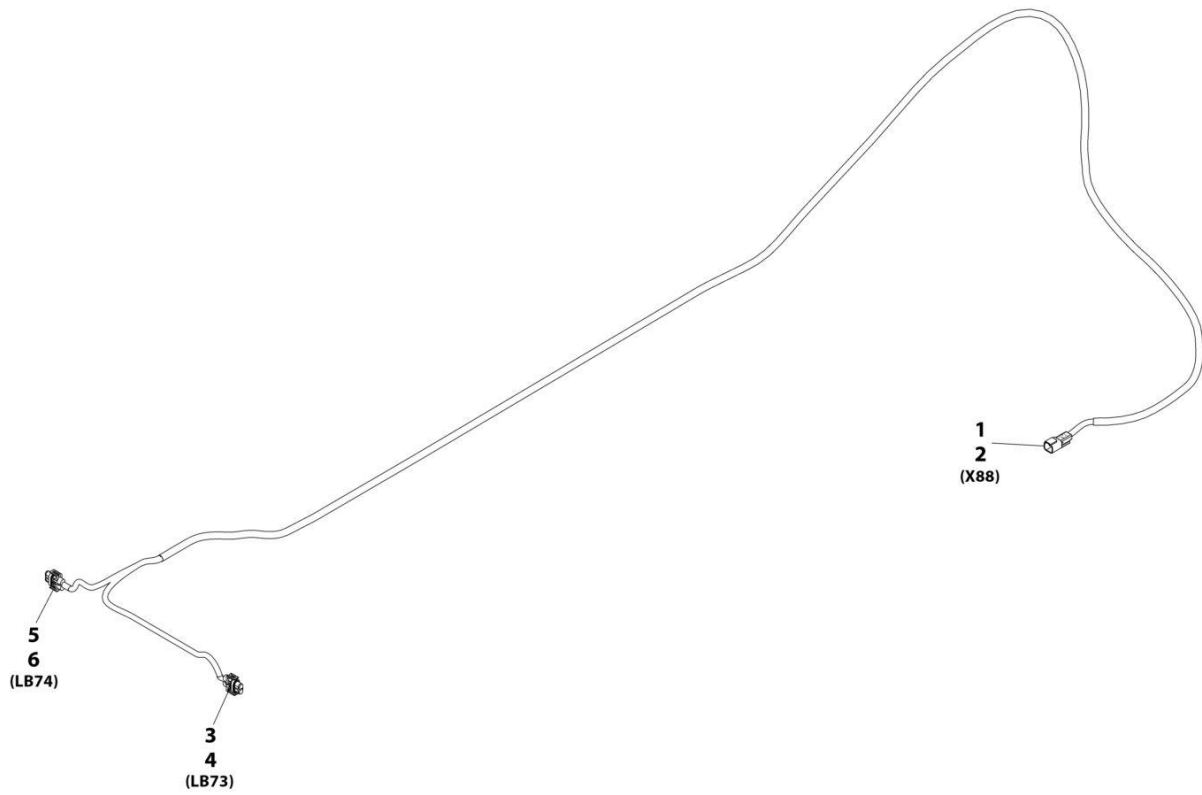
SECTION 10 - ELECTRICAL

FIGURE 10-44. BOOM WORKLIGHT JUMPER HARNESS (SHORT)

ITEM	PART NUMBER	QTY	DESCRIPTION	REV
	1001109565	Ref	BOOM WORKLIGHT JUMPER HARNESS (SHORT)	F
1	1060680	1	Cable, 18-2	
2	2820019	AR	Insulate, Tubing shrink 3/8	
3	4460458	2	Terminal, Seal	
4	4460464	2	Terminal	
5	4460746	2	Terminal	
6	4460897	1	Connector	
7	4461115	1	Connector	

SECTION 10 - ELECTRICAL

FIGURE 10-45. BOOM WORKLIGHTS HARNESS



ART_1001080656-C

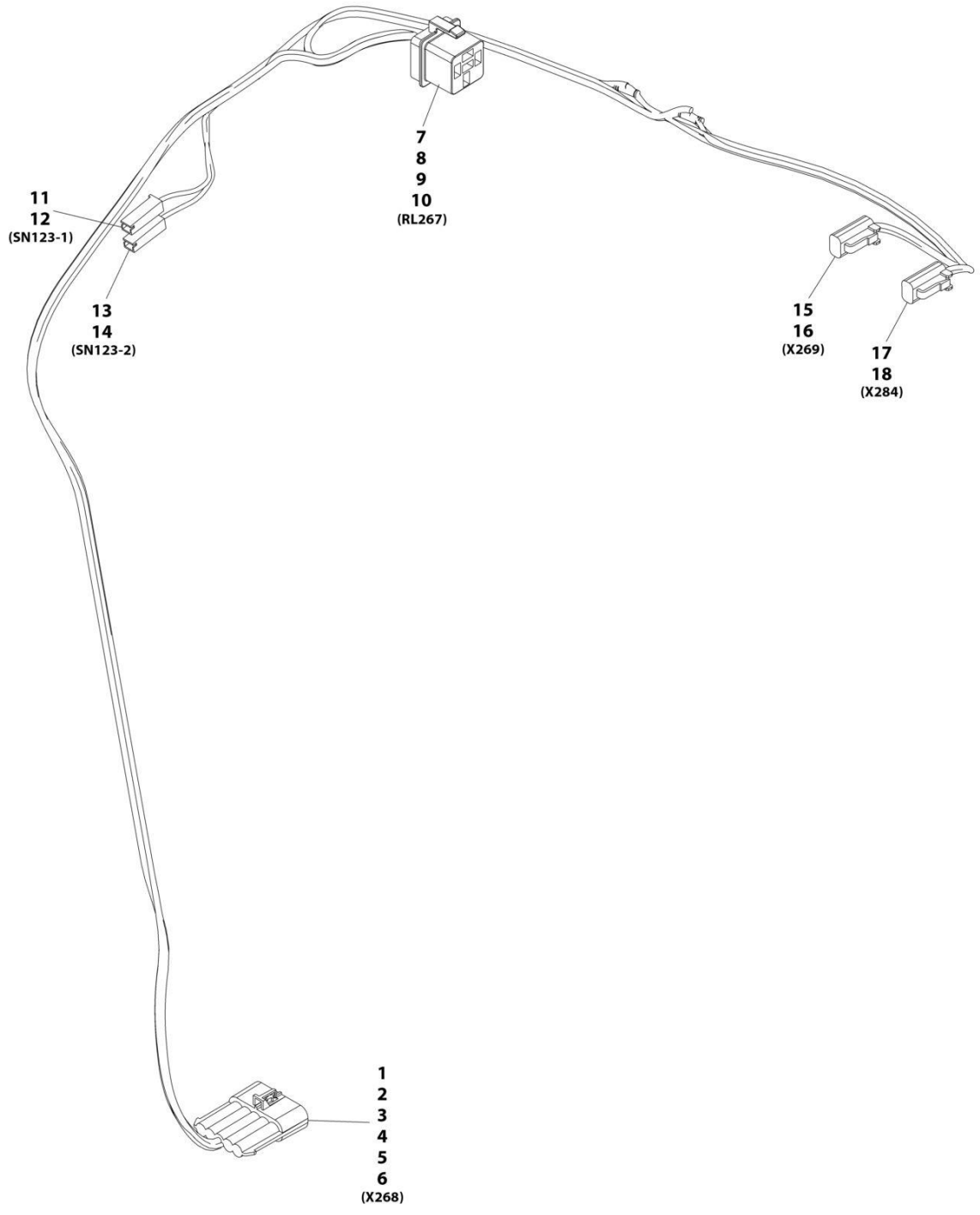
SECTION 10 - ELECTRICAL

FIGURE 10-45. BOOM WORKLIGHTS HARNESS

ITEM	PART NUMBER	QTY	DESCRIPTION	REV
	1001080656	Ref	Boom Worklights Harness	C
1	4460897	1	Connector	
2	4460464	2	Terminal	
3	4461115	1	Connector	
4	4460746	2	Terminal	
5	4461115	1	Connector	
6	4460746	2	Terminal	

SECTION 10 - ELECTRICAL

FIGURE 10-46. CONDENSOR FAN HARNESS



ART_1001142236-B

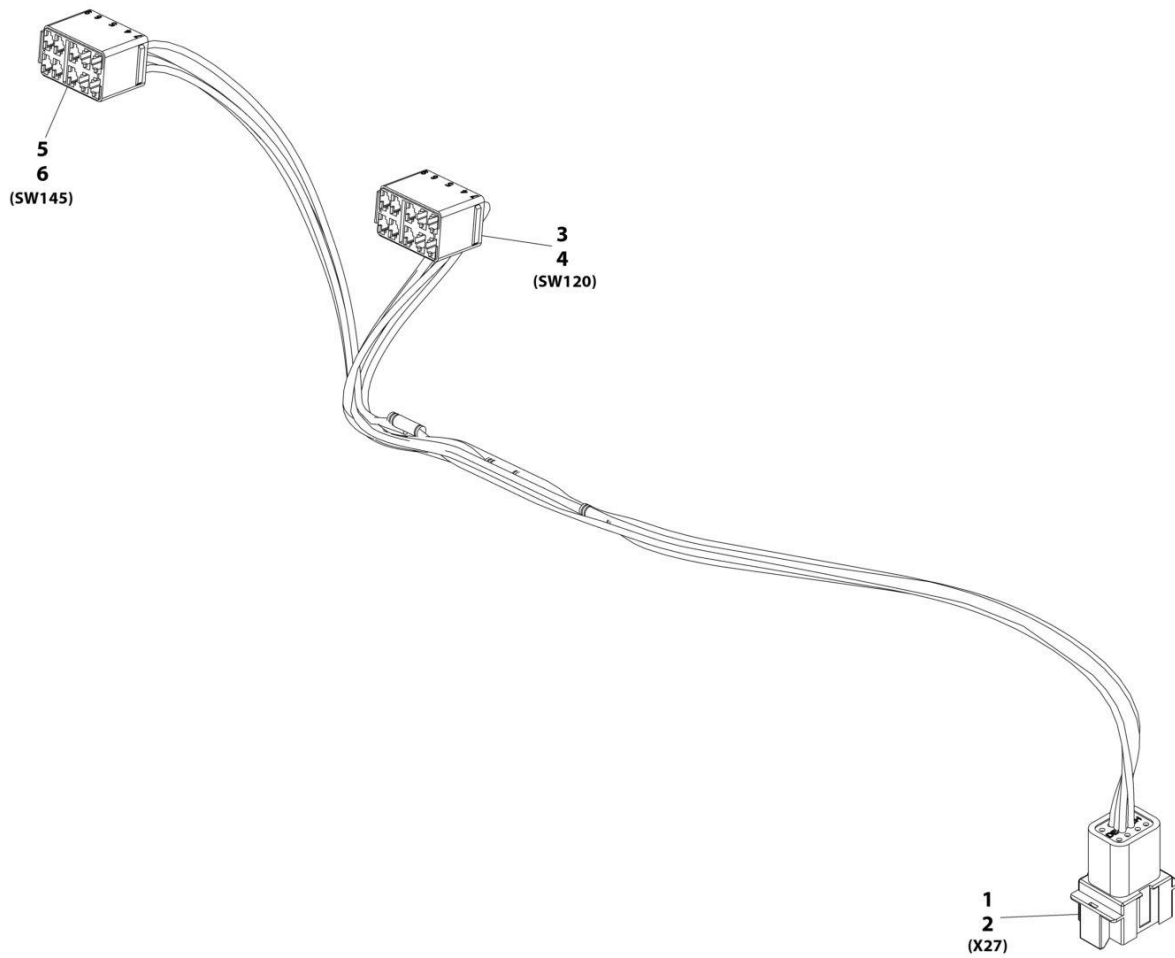
SECTION 10 - ELECTRICAL

FIGURE 10-46. CONDENSOR FAN HARNESS

ITEM	PART NUMBER	QTY	DESCRIPTION	REV
	1001142236	Ref	Condensor Fan Harness	B
1	1001121727	1	Connector	
2	8220162	2	Terminal	
3	1001116729	2	Terminal	
4	1001116727	1	Plug	
5	8220089	2	Seal	
6	4460458	2	Seal	
7	4460374	1	Connector	
8	1001116734	2	Terminal	
9	1001116733	2	Terminal	
10	1001128128	1	Plug	
11	4460260	1	Connector	
12	4460259	1	Terminal	
13	4460260	1	Connector	
14	4460259	1	Terminal	
15	4460891	1	Connector	
16	4460942	2	Terminal	
17	4460891	1	Connector	
18	4460942	2	Terminal	

SECTION 10 - ELECTRICAL

FIGURE 10-47. MODE SELECT HARNESS



ART_1001098235-D

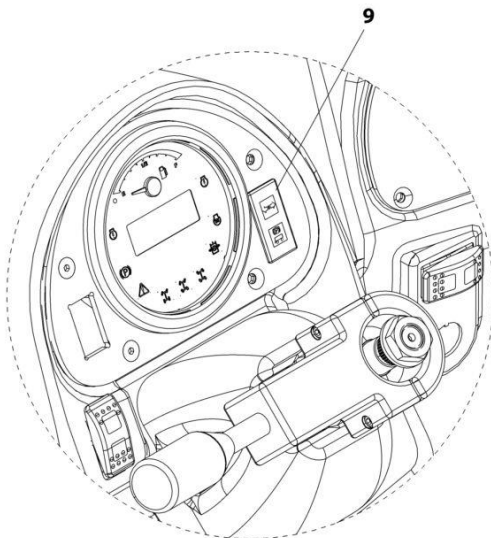
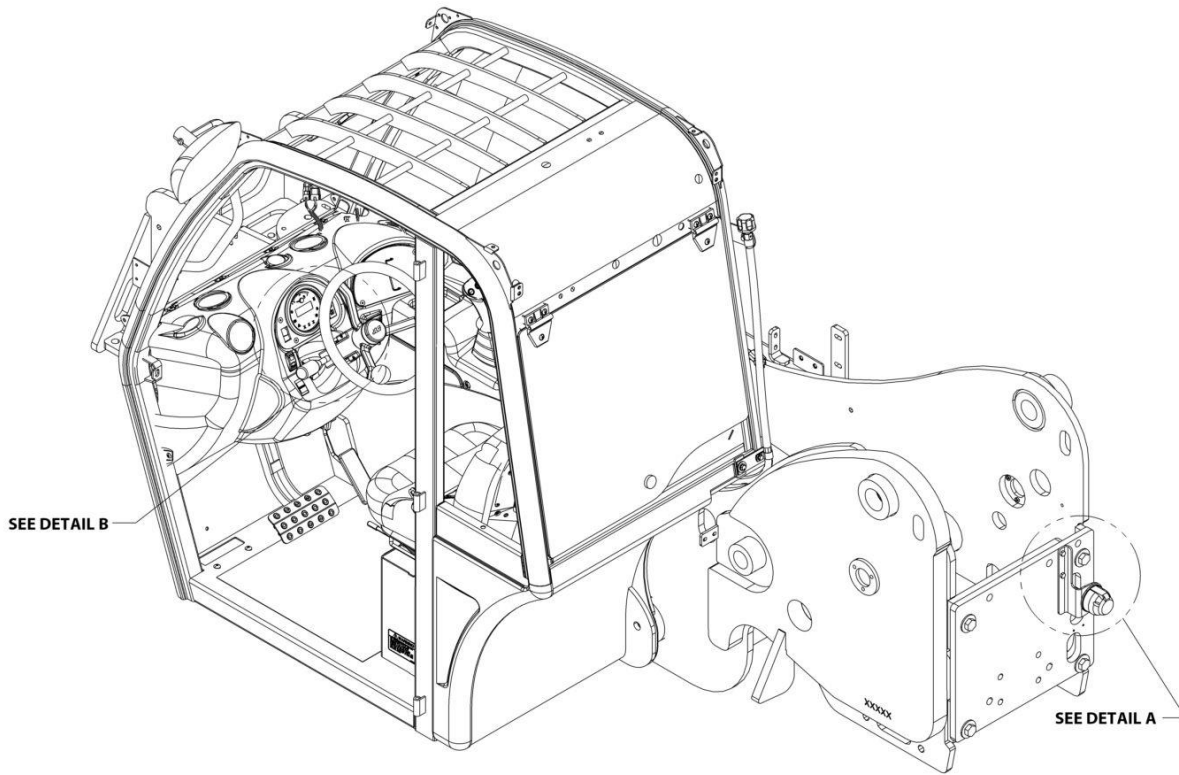
SECTION 10 - ELECTRICAL

FIGURE 10-47. MODE SELECT HARNESS

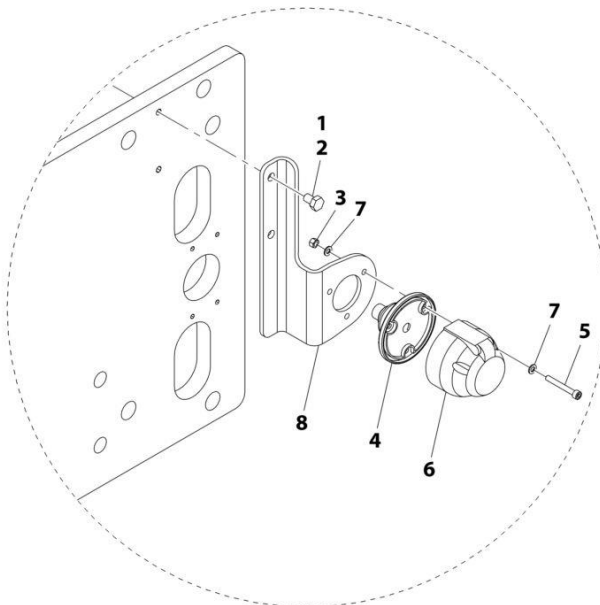
ITEM	PART NUMBER	QTY	DESCRIPTION	REV
	1001098235	Ref	Mode Select Harness	D
1	4460931	1	Connector	
2	4460464	8	Terminal	
3	1001117081	1	Connector	
4	1001104519	7	Terminal	
5	1001117081	1	Connector	
6	1001104519	4	Terminal	

SECTION 10 - ELECTRICAL

FIGURE 10-48. TRAILER PLUG INSTALLATION (7 PIN)



DETAIL B



DETAIL A

ART_1001200850-A

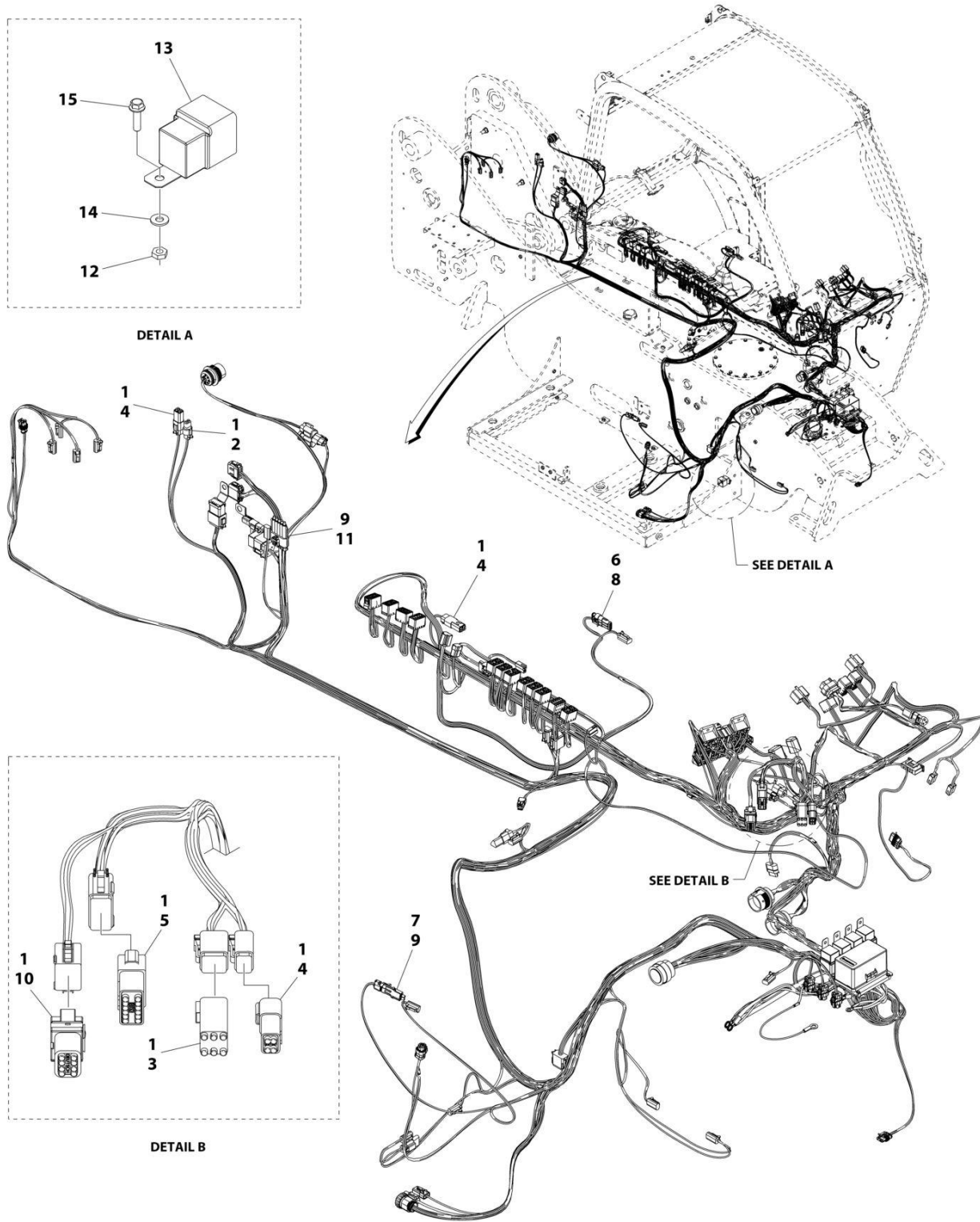
SECTION 10 - ELECTRICAL

FIGURE 10-48. TRAILER PLUG INSTALLATION (7 PIN)

ITEM	PART NUMBER	QTY	DESCRIPTION	REV
	1001200850	Ref	TRAILER PLUG INSTALLATION (7 PIN)	A
1	0100011	AR	Compound, Locking	
2	0760806	2	Capscrew M8 x 12	
3	3290507	3	Nut M5	
4	3960600	1	Trailer Plug Gasket	
5	4031612	3	Capscrew M5 x 40	
6	4461021	1	Trailer Plug	
7	4811600	6	Washr M5	
8	1001080686	1	Trailer Plug Bracket	
9	1001139938	1	Trailer Indicator	

SECTION 10 - ELECTRICAL

FIGURE 10-49. ELECTRICAL HARNESS CAPS INSTALLATION



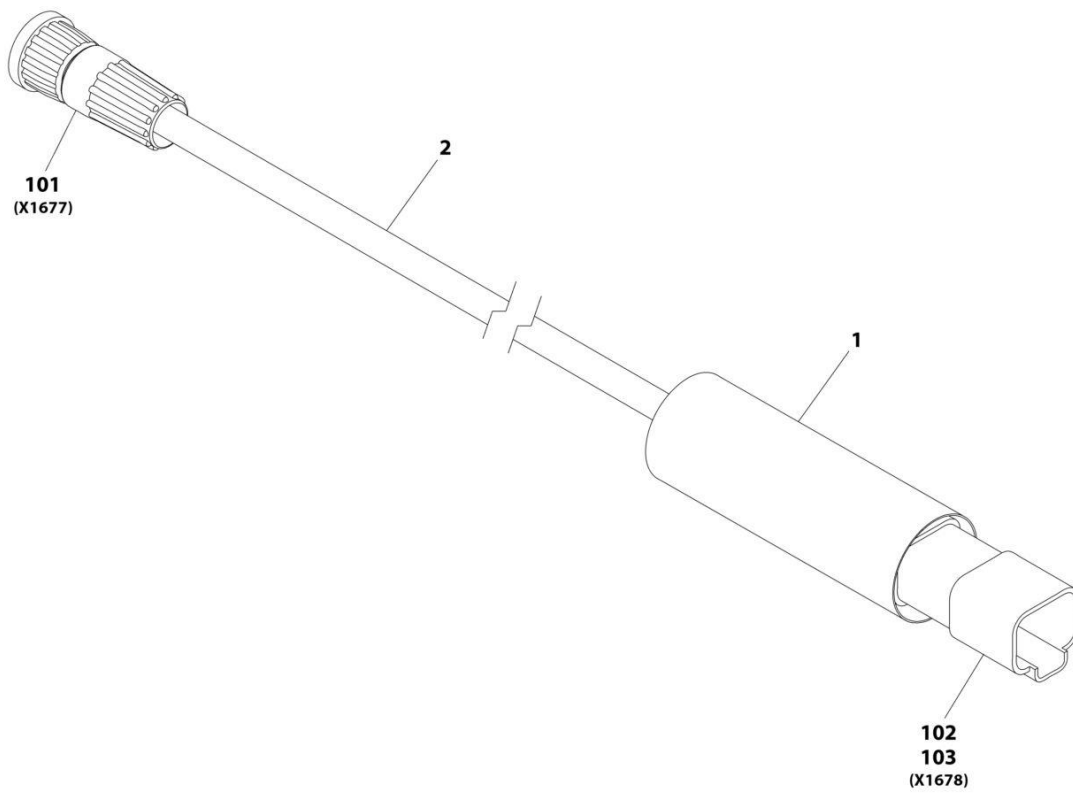
SECTION 10 - ELECTRICAL

FIGURE 10-49. ELECTRICAL HARNESS CAPS INSTALLATION

ITEM	PART NUMBER	QTY	DESCRIPTION	REV
	1001150705	Ref	Electrical Harness Caps Installation	C
1	4460466	40	Terminal Plug	
2	4460897	1	Terminal, 2 Position Receptacle	
3	4460899	1	Connector	
4	4460932	3	Connector	
5	4460970	1	Connector	
6	4461119	1	Connector	
7	80963058	1	Connector	
8	1001116698	3	Plug	
9	1001116727	7	Plug	
10	1001116813	1	Connector	
11	1001121727	1	Connector	
12	3311001	1	Hex Nut, 10-24, Gr2	
13	3740080	1	Relay	
14	4711000	1	Washer, M10	
15	77143016	1	Screw, 10-24X3/4	

SECTION 10 - ELECTRICAL

FIGURE 10-50. TELEMATICS HARNESS



ART_1001227066-A

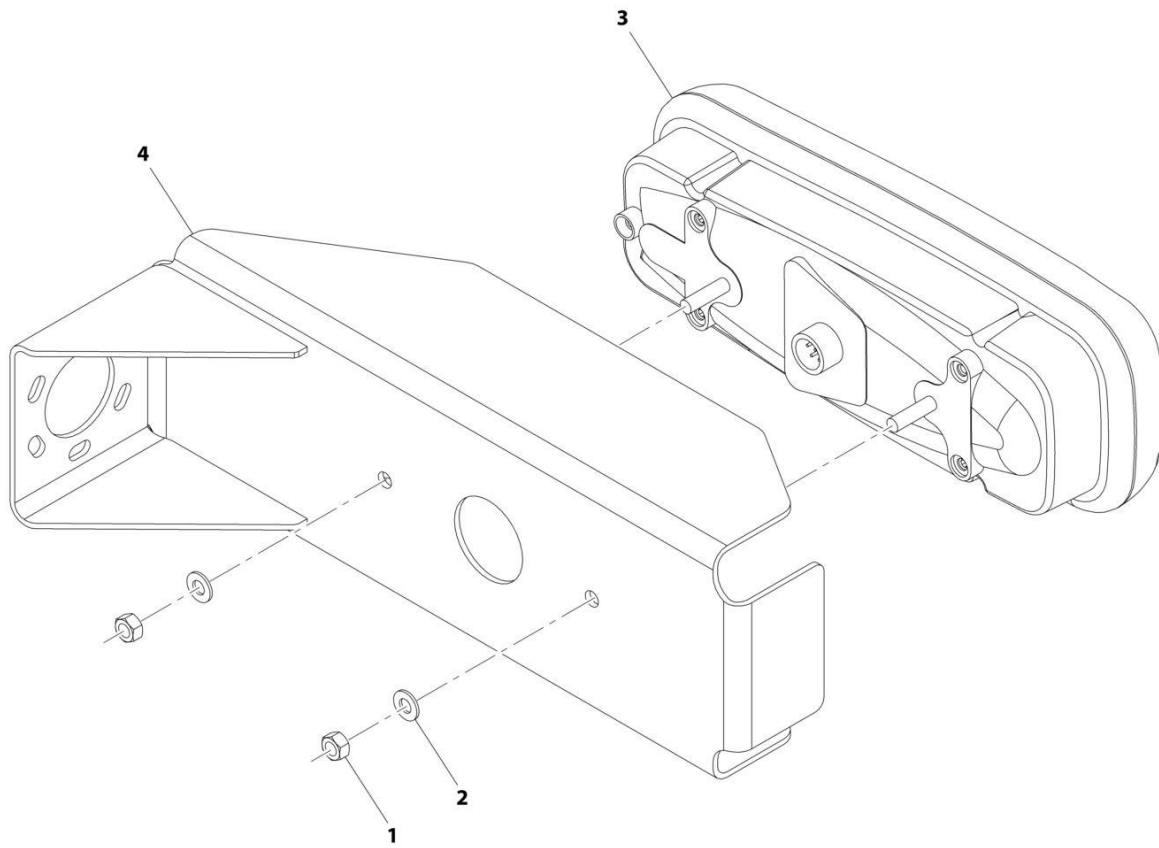
SECTION 10 - ELECTRICAL

FIGURE 10-50. TELEMATICS HARNESS

ITEM	PART NUMBER	QTY	DESCRIPTION	REV
	1001227066	Ref	CLEARSKY TELEMATICS HARNESS	A
1	1001226400	0.33 ft	Insulate, Heat Shrink	
2	1001227068	3.3 ft	Cable	
101	1001227266	1	Connector	
102	1001129407	1	Connector	
103	4460464	4	Terminal	

SECTION 10 - ELECTRICAL

FIGURE 10-51. RH TAIL LIGHT INSTALLATION



ART_1001101533-D

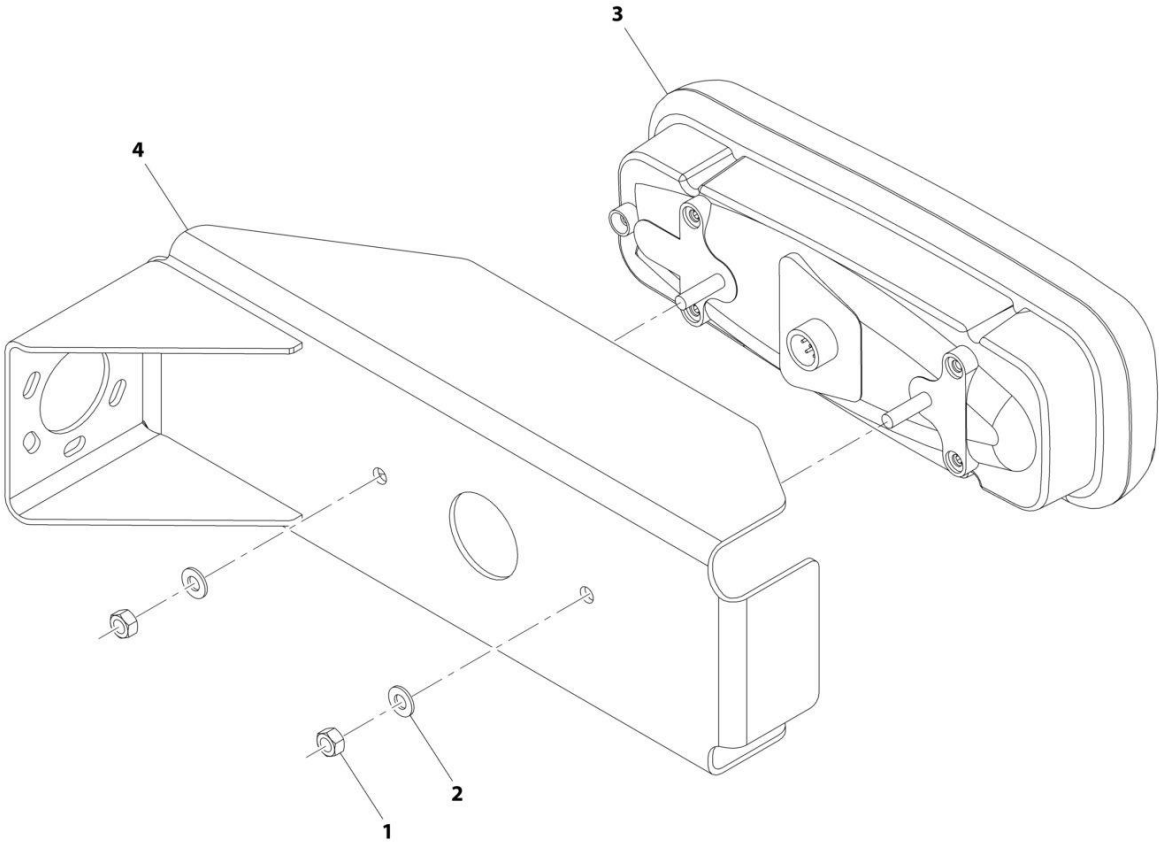
SECTION 10 - ELECTRICAL

FIGURE 10-51. RH TAIL LIGHT INSTALLATION

ITEM	PART NUMBER	QTY	DESCRIPTION	REV
	1001101533	Ref	RH Tail Light Installation	D
1	3290807	2	Hex Locknut, M8X1.25	
2	4811900	2	Washer, M8	
3	8001989	1	RH Tail Light	
4	1001081322	1	Bracket	

SECTION 10 - ELECTRICAL

FIGURE 10-52. LH TAIL LIGHT INSTALLATION



ART_1001101534-C

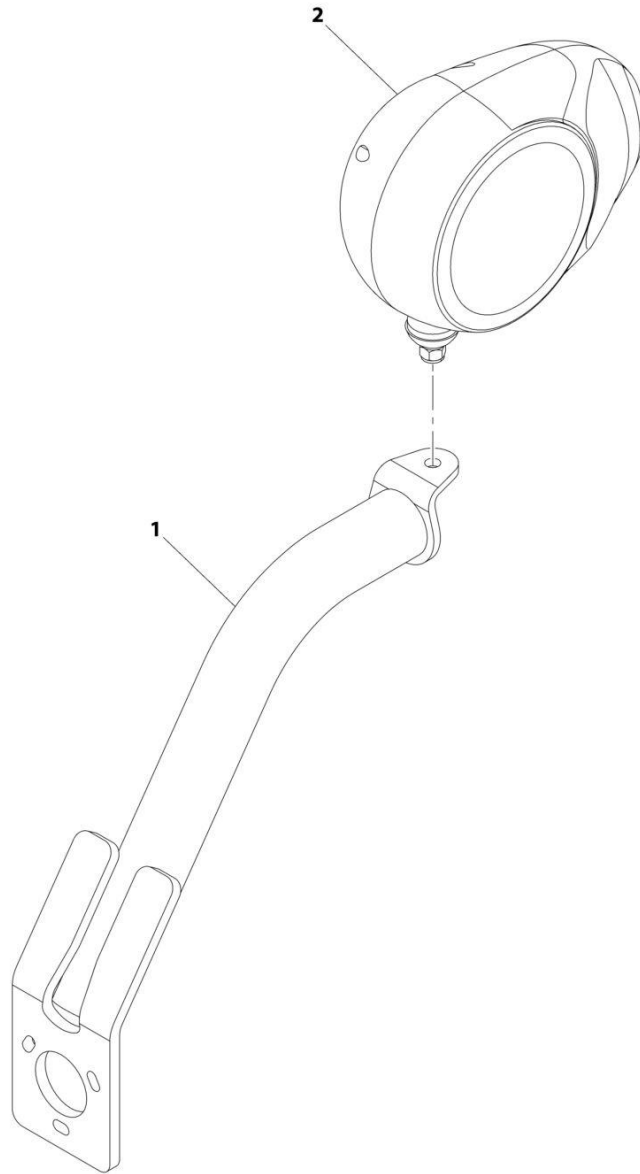
SECTION 10 - ELECTRICAL

FIGURE 10-52. LH TAIL LIGHT INSTALLATION

ITEM	PART NUMBER	QTY	DESCRIPTION	REV
	1001101534	Ref	LH Tail Light Installation	C
1	3290807	2	Hex Locknut, M8X1.25	
2	4811900	2	Washer, M8	
3	8001991	1	LH Tail Light	
4	1001081322	1	Bracket	

SECTION 10 - ELECTRICAL

FIGURE 10-53. LH DRIVE LIGHT INSTALLATION



ART_1001190709-A

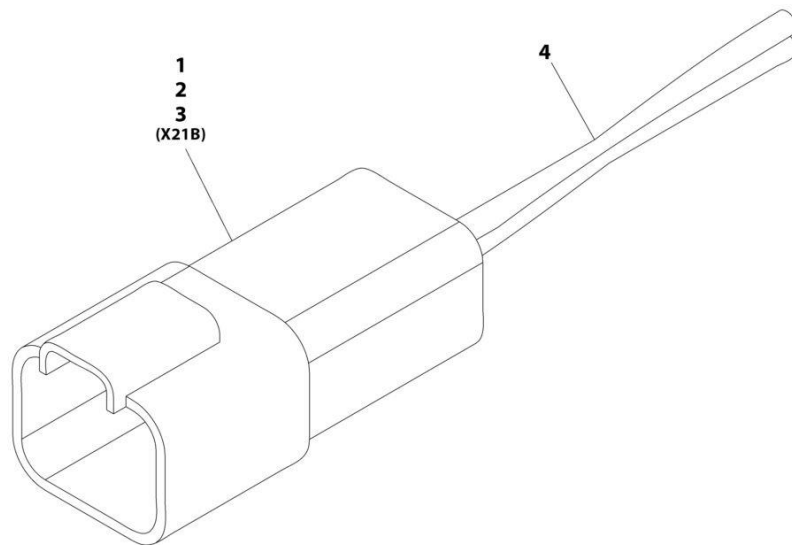
SECTION 10 - ELECTRICAL

FIGURE 10-53. LH DRIVE LIGHT INSTALLATION

ITEM	PART NUMBER	QTY	DESCRIPTION	REV
	1001190709	Ref	LH Drive Light Installation	A
1	1001190640	1	Bracket	
2	2920207	1	LH Drive Light	

SECTION 10 - ELECTRICAL

FIGURE 10-54. JUMPER HARNESS



ART_1001100965-B

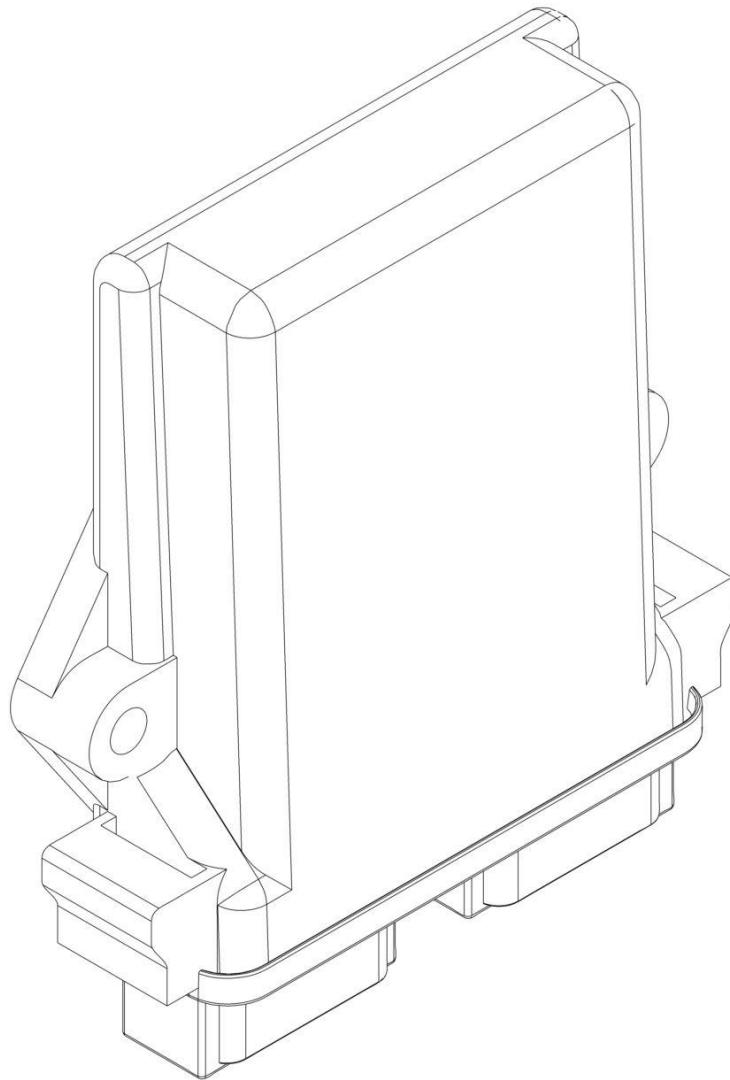
SECTION 10 - ELECTRICAL

FIGURE 10-54. JUMPER HARNESS

ITEM	PART NUMBER	QTY	DESCRIPTION	REV
	1001100965	Ref	Jumper Harness	B
1	4460464	2	Terminal	
2	4460466	2	Terminal	
3	4460932	1	Connector	
4	4920017	0.25 ft	Wire, 16 GA	

SECTION 10 - ELECTRICAL

FIGURE 10-55. GATEWAY CONTROLLER



ART_1001229458

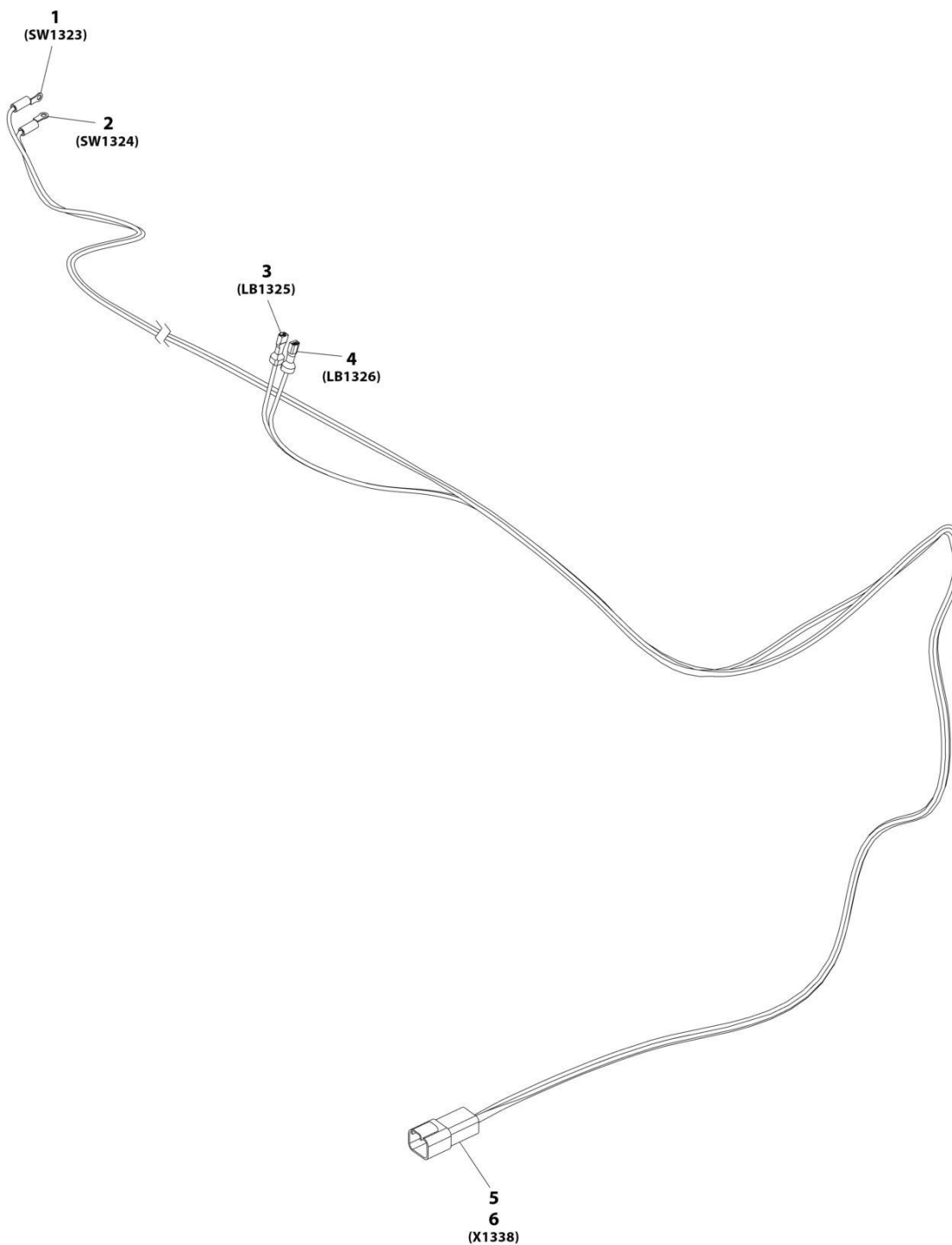
SECTION 10 - ELECTRICAL

FIGURE 10-55. GATEWAY CONTROLLER

ITEM	PART NUMBER	QTY	DESCRIPTION	REV
1	1001229458	Ref	Gateway Controller (SOLD AS ASSEMBLY ONLY)	B

SECTION 10 - ELECTRICAL

FIGURE 10-56. HARNESS, POSI AIR SHUT OFF, SC CAB



ART_1001233213-B

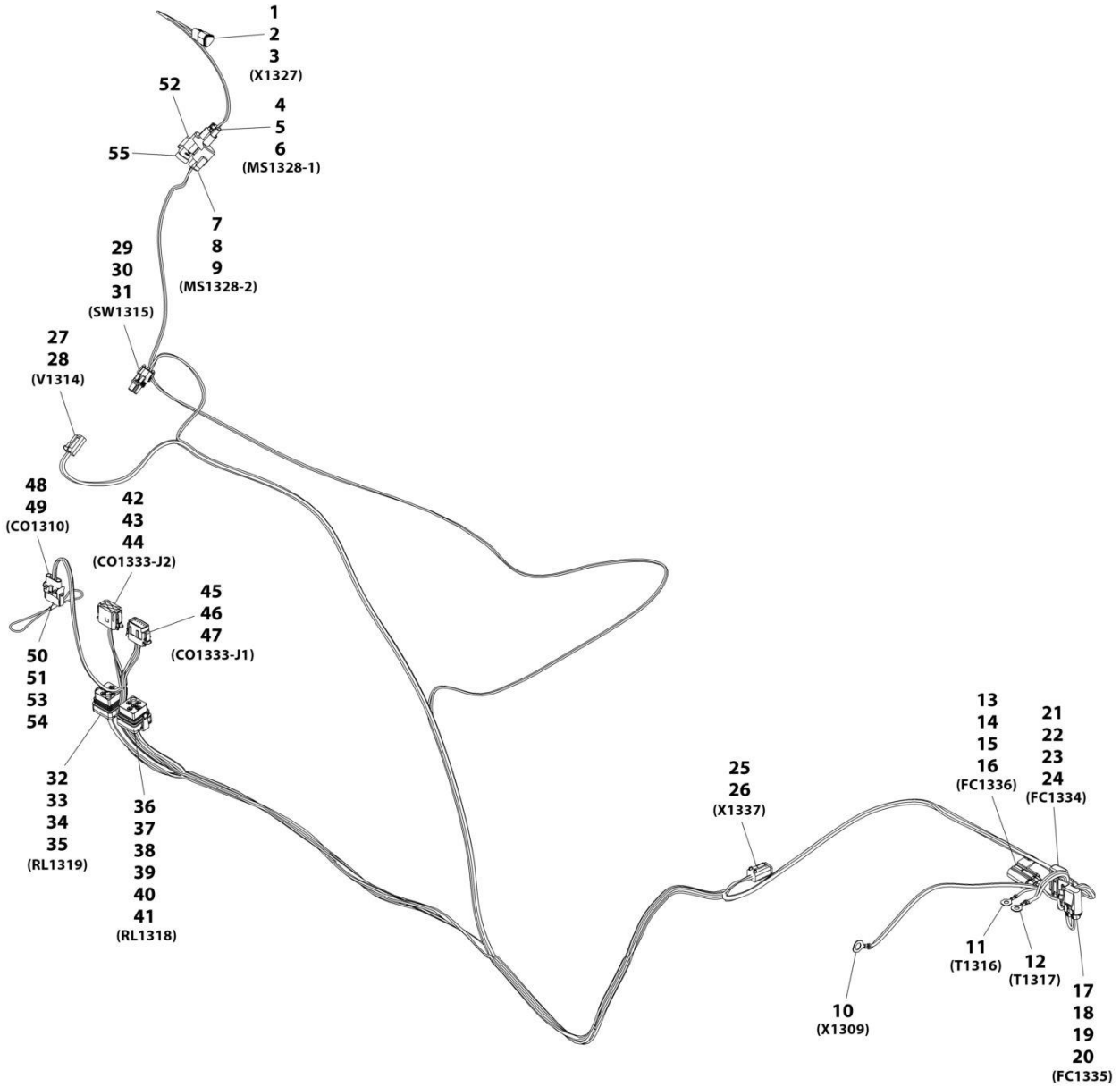
SECTION 10 - ELECTRICAL

FIGURE 10-56. HARNESS, POSI AIR SHUT OFF, SC CAB

ITEM	PART NUMBER	QTY	DESCRIPTION	REV
	1001233213	Ref	Harness, POSI Air Shut Off Valve	B
1	8220035	1	Terminal, Ring	
2	8220035	1	Terminal, Ring	
3	8220108	1	Connector, Female	
4	8220108	1	Connector, Female	
5	4460932	1	Connector	
6	4460464	1	Pin	

SECTION 10 - ELECTRICAL

FIGURE 10-57. HARNESS, POSI AIR SHUTOFF, SC FRAME



ART_1001233235-B

SECTION 10 - ELECTRICAL

FIGURE 10-57. HARNESS, POSI AIR SHUTOFF, SC FRAME

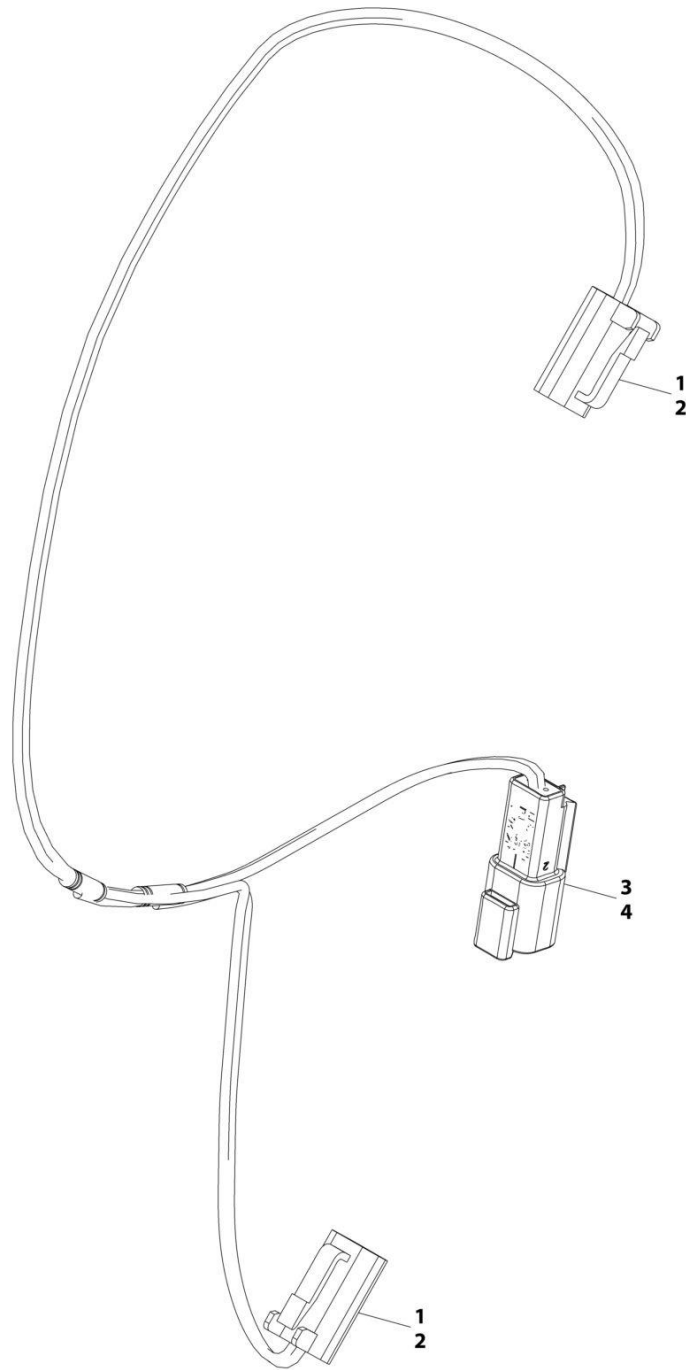
ITEM	PART NUMBER	QTY	DESCRIPTION	REV
	1001233235	Ref	AIR SHUT OFF VALVE FRAME HARNESS	B
1	1001116812	1	CONNECTOR	
2	4460465	2	TERMINAL	
3	4460466	1	PLUG	
4	1001116812	1	CONNECTOR	
5	4460465	2	TERMINAL	
6	4460466	1	PLUG	
7	4460539	1	CONNECTOR	
8	4460465	1	TERMINAL	
9	4460466	1	PLUG	
10	1001187079	1	TERMINAL RING	
11	1001207171	1	TERMINAL RING	
12	1001189077	1	TERMINAL RING	
13	1001231397	1	CONNECTOR	
14	8229261	1	FUSE	
15	1001231400	2	TERMINAL	
16	1001231403	2	SEAL	
17	1001231397	1	CONNECTOR	
18	8229234	1	FUSE	
19	1001231400	2	TERMINAL	
20	1001231403	2	SEAL	
21	1001231397	1	CONNECTOR	
22	8229235	1	FUSE	
23	1001231401	2	TERMINAL	
24	1001231402	2	SEAL	
25	4460884	1	CONNECTOR	
26	4460465	4	TERMINAL	
27	4460891	1	CONNECTOR	
28	1001157890	2	TERMINAL	
29	4460742	1	CONNECTOR	
30	4460475	2	TERMINAL	
31	4460458	2	SEAL	
32	1001231398	1	CONNECTOR	
33	1001231400	4	TERMINAL	
34	1001231406	1	PLUG	
35	1001231404	4	SEAL	
36	1001231398	1	CONNECTOR	
37	1001231401	2	TERMINAL	
38	1001231400	2	TERMINAL	
39	1001231401	1	PLUG	
40	1001231402	2	SEAL	
41	1001231404	2	SEAL	
42	1001116774	1	CONNECTOR	
43	1001126008	4	TERMINAL	
44	4460518	8	PLUG	
45	1001116808	1	CONNECTOR	
46	1001126008	9	TERMINAL	
47	4460518	3	PLUG	
48	4460761	1	CONNECTOR	
49	1001118378	4	TERMINAL	

SECTION 10 - ELECTRICAL

ITEM	PART NUMBER	QTY	DESCRIPTION	REV
50	4460321	1	PLUG	
51	4460809	4	TERMINAL	
52	4460945	1	TERMINAL	
53	1001143551	1	SEAL	
54	1001218358	1	LANYARD, ROPE	
55	1001116815	1	PLUG	

SECTION 10 - ELECTRICAL

FIGURE 10-58. VALVE JUMPER HARNESS



ART_1001209009-B

SECTION 10 - ELECTRICAL

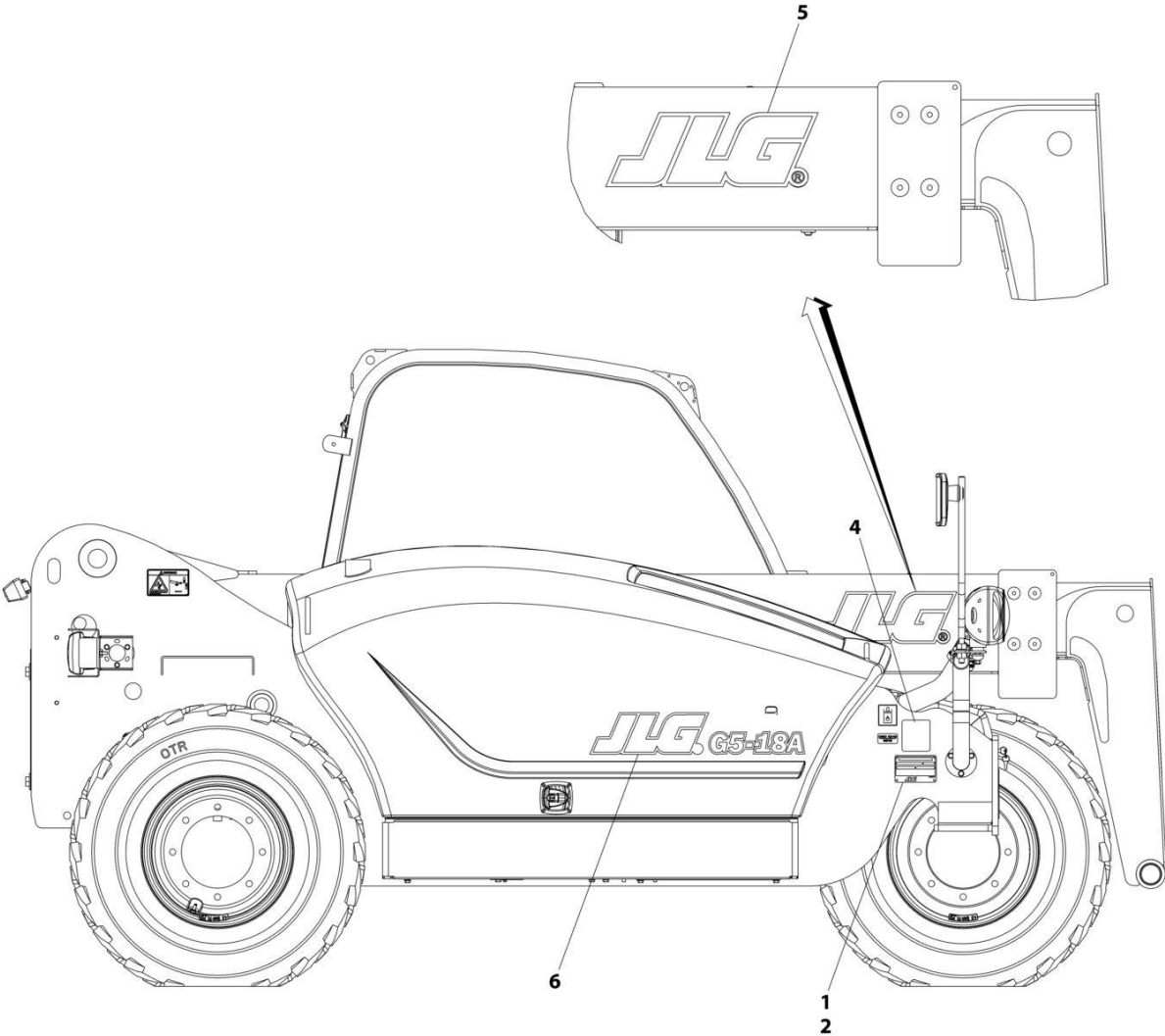
FIGURE 10-58. VALVE JUMPER HARNESS

ITEM	PART NUMBER	QTY	DESCRIPTION	REV
	1001209009	Ref	Valve Jumper Harness	B
1	4460891	1	Connector, (includes rear seal)	
2	4460465	2	Terminal	
3	4460891	1	Connector, (includes rear seal)	
4	4460465	2	Terminal	
5	4460897	1	Connector, (includes rear seal)	
6	4460464	2	Terminal	

SECTION 11 - DECALS

SECTION 11 - DECALS

FIGURE 11-1. DECAL INSTALLATION



ART_1001148091-F

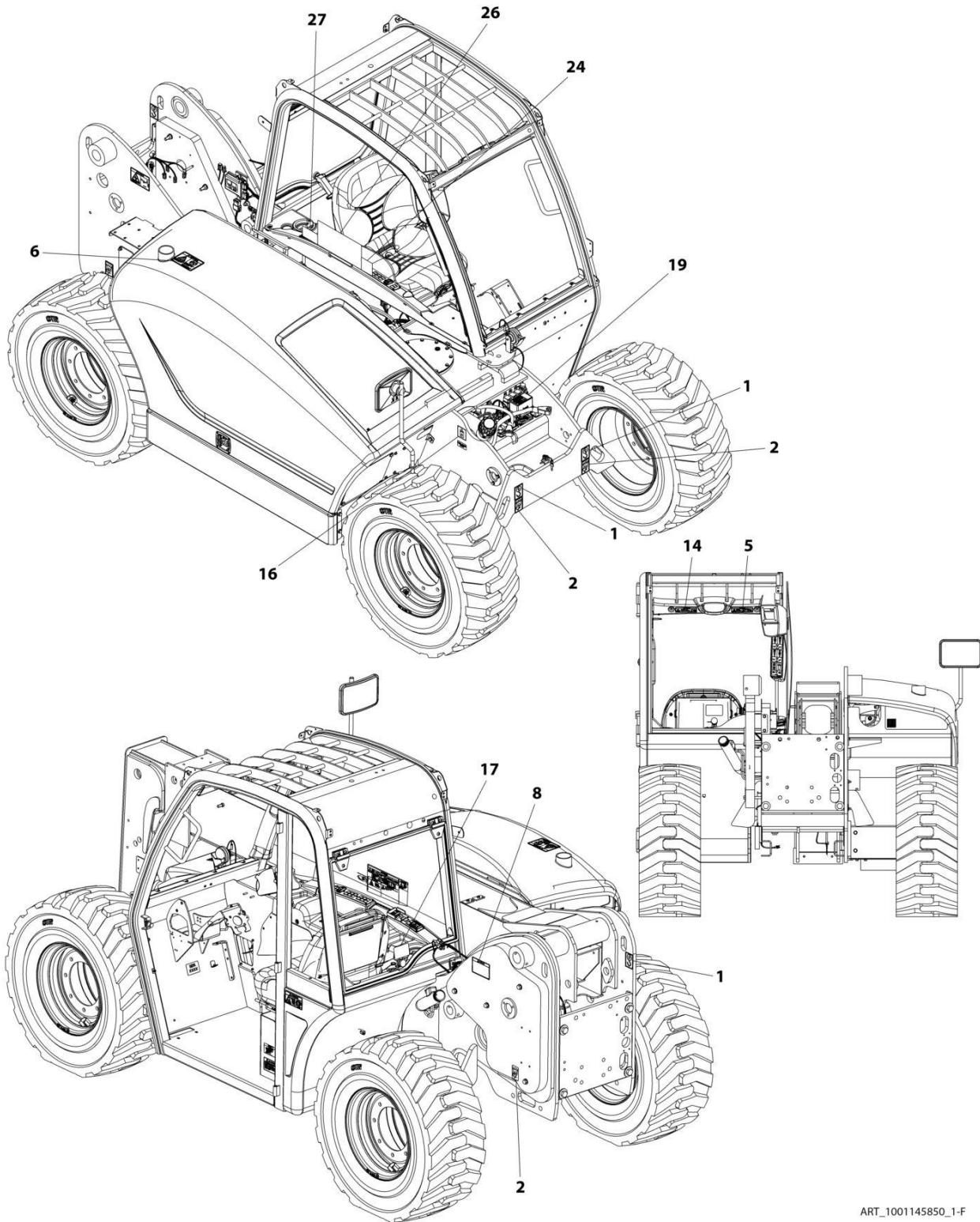
SECTION 11 - DECALS

FIGURE 11-1. DECAL INSTALLATION

ITEM	PART NUMBER	QTY	DESCRIPTION	REV
	1001148091	Ref	Decal Installation	F
1	2080057	4	Fastener	
2	N.S.S.	1	SN Plate	
4	1001131271	1	Decal, Patent Telehandlers	
5	1001151781	2	Decal, JLG	
6	1001151782	1	Decal, JLG	

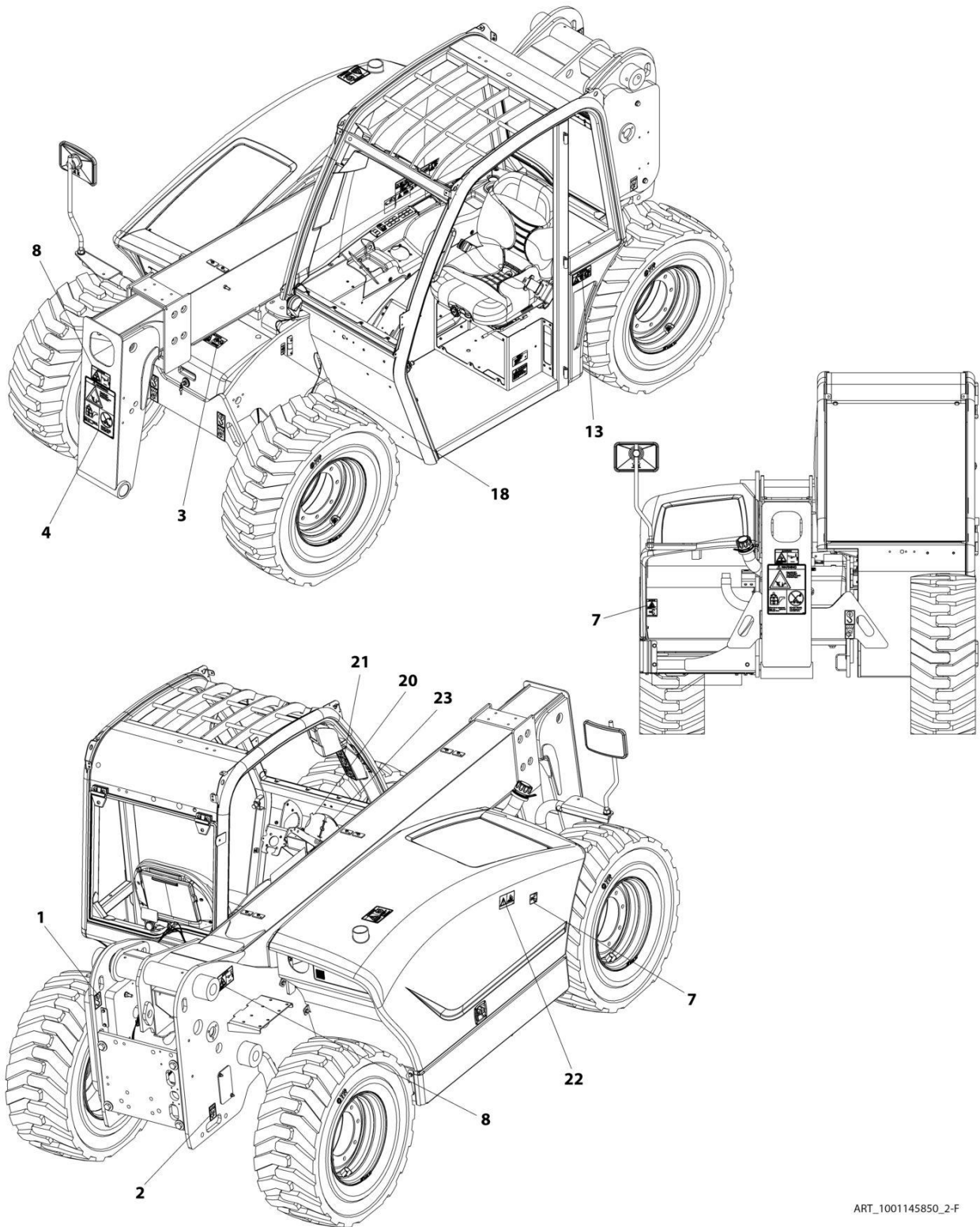
SECTION 11 - DECALS

FIGURE 11-2. DECAL INSTALLATION, (ANSI)



ART_1001145850_1-F

SECTION 11 - DECALS



ART_1001145850_2-F

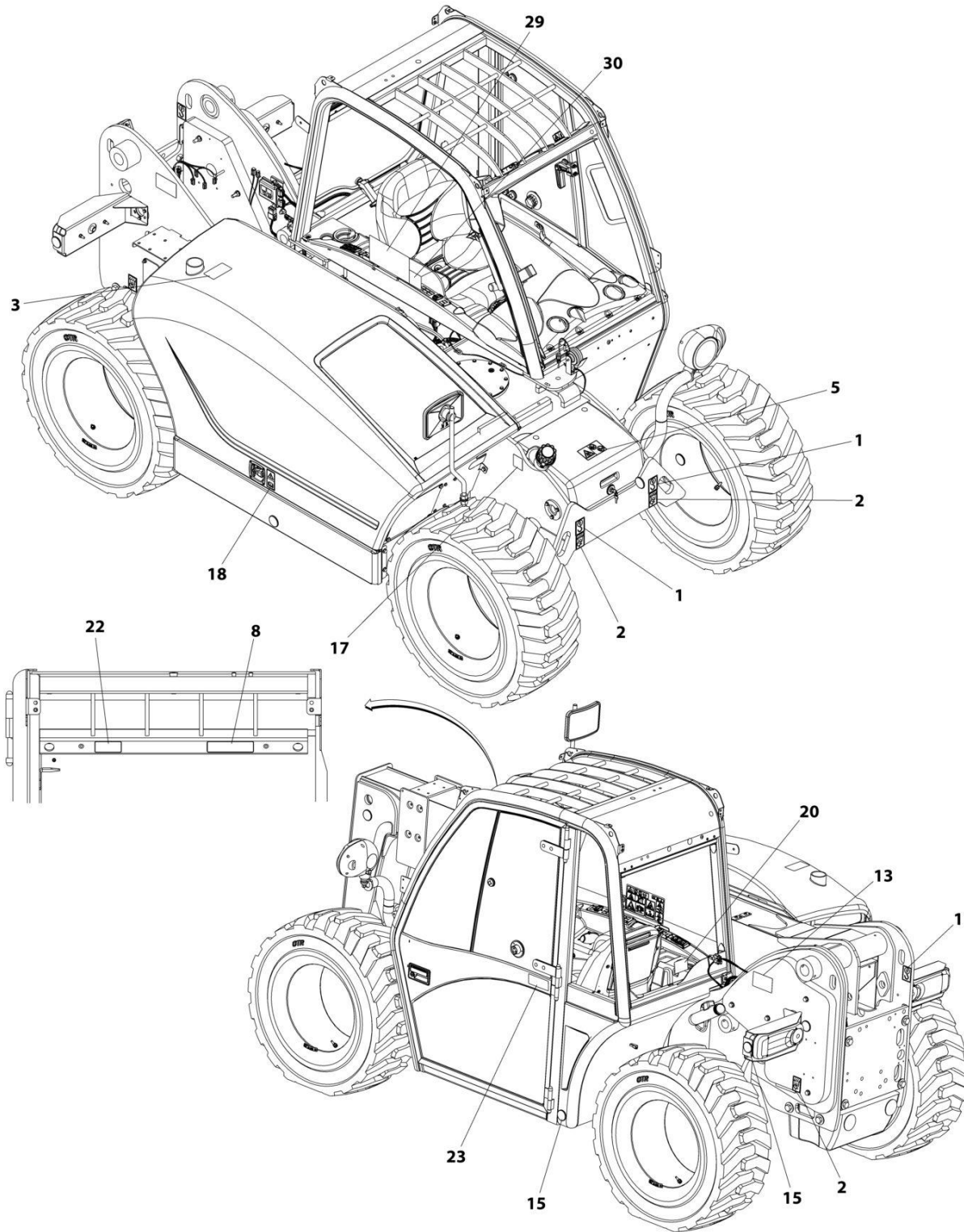
SECTION 11 - DECALS

FIGURE 11-2. DECAL INSTALLATION, (ANSI)

ITEM	PART NUMBER	QTY	DESCRIPTION	REV
	1001145850	Ref	Decal Installation	F
1	1701500	4	Decal, Lift	
2	1702300	4	Decal, Tie Down	
3	1706296	1	Decal, Battery Warning	
4	1706298	1	Decal, Attachment Falling Off Warning	
5	1706299	1	Decal, Contacting Power Lines Warning	
6	1706300	1	Decal, Ether Warning	
7	1706301	2	Decal, Keep Clear of Rotating Parts Warning	
8	1706302	3	Decal, Pinch Point Boom Holes	
13	1706768	1	Decal, Vehicle Roll Away	
14	1706850	1	Decal, Crush Hazard Warning	
16	4100181	1	Decal, Hydraulic Oil Fill	
17	8005870	1	Decal, Emergency Exit	
18	91563220	1	Decal, Oil Level	
19	1001156576	1	Decal, Fuse Cover	
20	1001100107	1	Decal, Lube Chart	
21	1001101071	1	Decal, Instructional Joystick	
22	1001139578	1	Decal, Hot Fluid Warning	
23	1001146038	1	Decal, Maintenance Chart	
24	1001200101	1	Decal, Manual	
25	1001223453	1	Decal, ICES	
26	1707078	1	Decal, Warning	
27	1001231801	1	Decal, Warning Prop 65 Diesel	

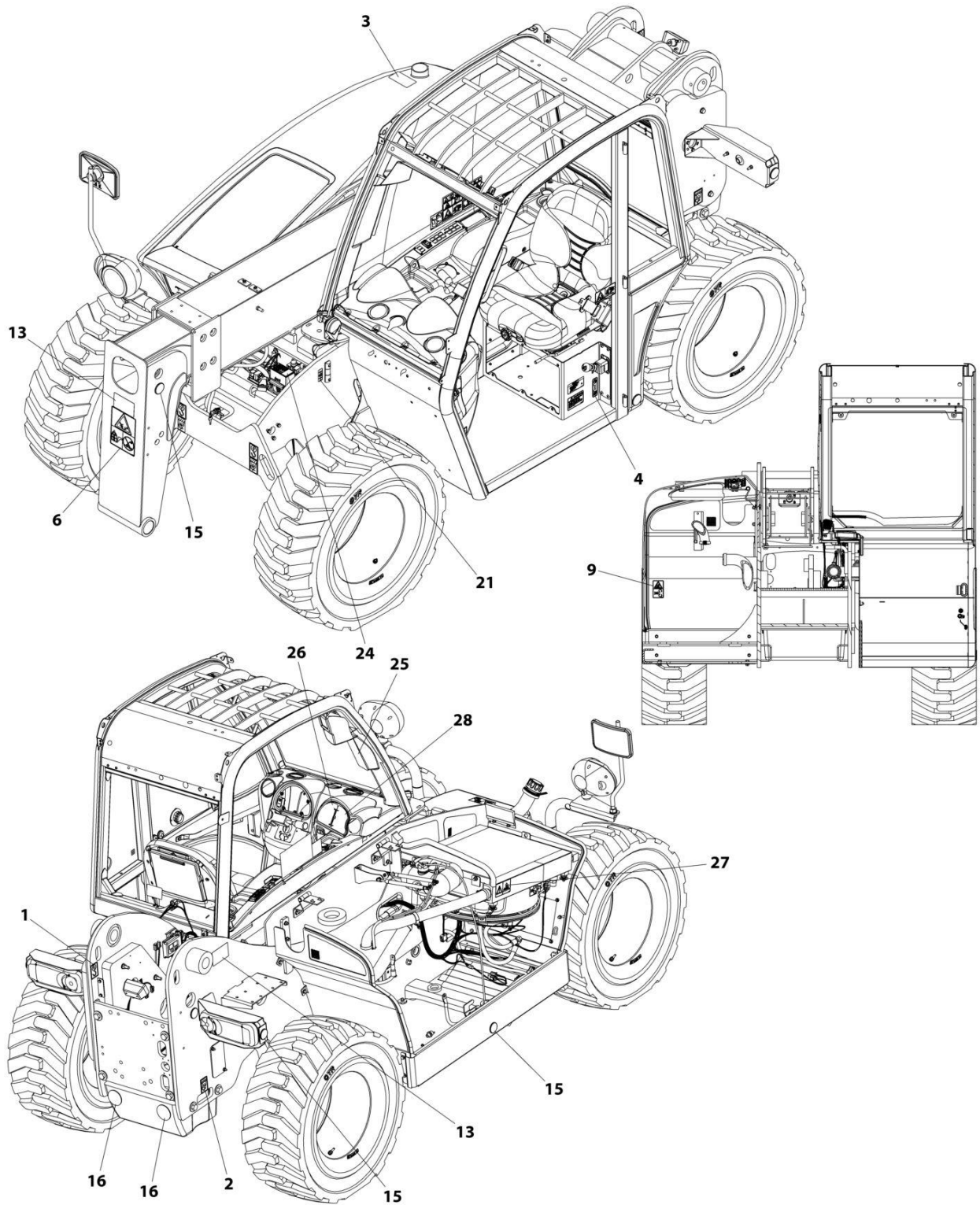
SECTION 11 - DECALS

FIGURE 11-3. DECAL INSTALLATION, (ISO)



ART_1001147650_1-D

SECTION 11 - DECALS



ART_1001147650_2-D

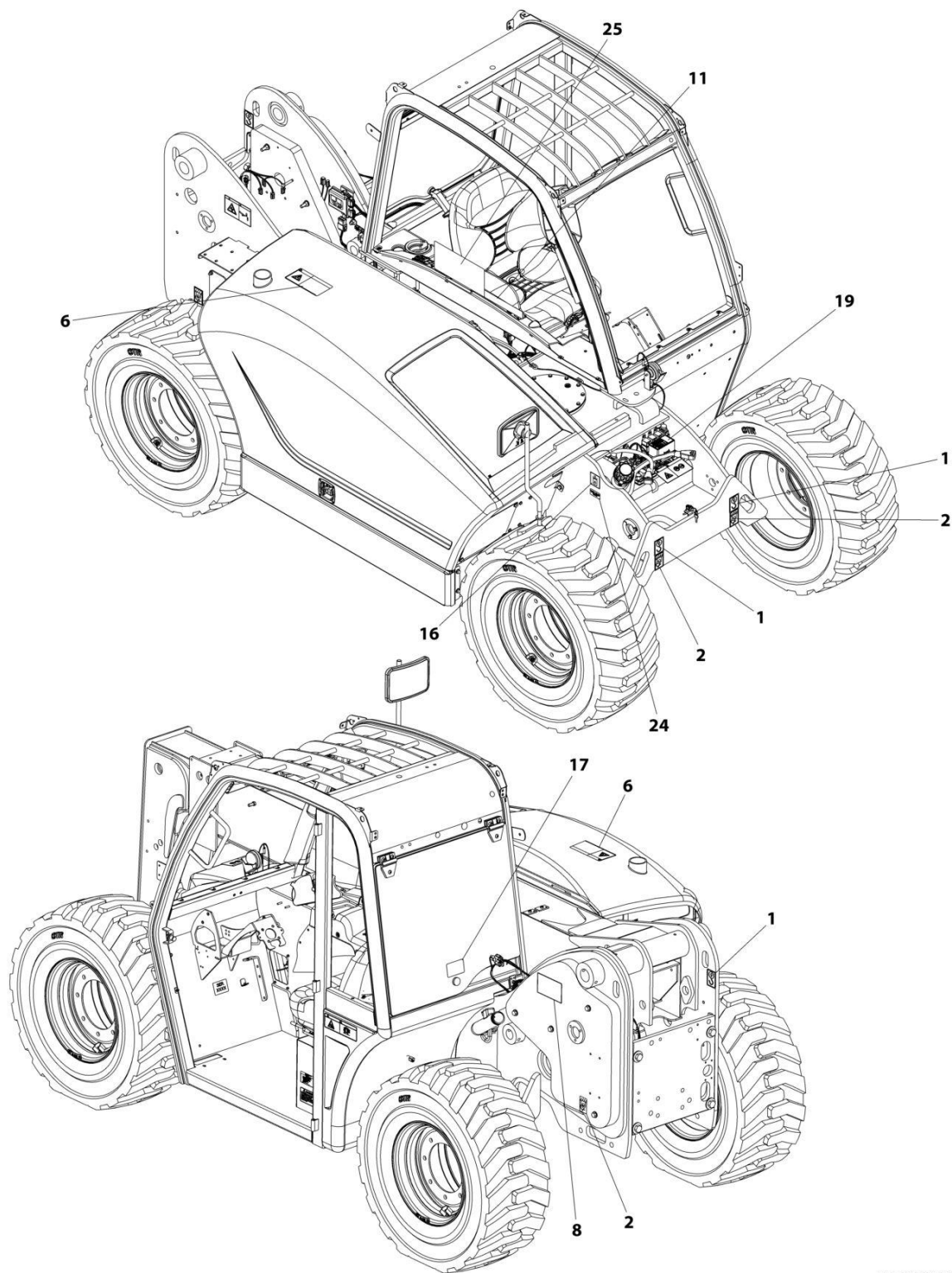
SECTION 11 - DECALS

FIGURE 11-3. DECAL INSTALLATION, (ISO)

ITEM	PART NUMBER	QTY	DESCRIPTION	REV
	1001147650	Ref	Decal Installation, (ISO)	D
1	1701500	4	Decal, Lift	
2	1702300	4	Decal, Tie Down	
3	1706098	1	Decal, Ether Start Warning	
4	1706209	1	Decal, Park Brake	
5	1706281	1	Decal, Battery Warning	
6	1706282	1	Decal, Carry Personnel	
8	1706284	1	Decal, Electrocution Hazard	
9	1706285	2	Decal, Moving Parts	
13	1706292	3	Decal, Pinch Point	
15	3700016	6	Reflector	
16	3931579	2	Reflector	
17	4100181	1	Decal, Hydraulic Oil Fill	
18	8005670	1	Decal, Read Operators Manual	
20	8005870	1	Decal, Emergency Exit	
21	91563220	1	Decal, Oil Level	
22	1001092877	1	Decal, Crush Hazard Warning	
23	1001092878	1	Decal, No Riders	
24	1001156576	1	Decal, Fuse Cover	
25	1001100107	1	Lube Chart	
26	1001101071	1	Decal, Joystick	
27	1001139942	1	Decal, Hot Fluid Warning	
28	1001150347	1	Decal, Maintenance Chart	
29	1001101895	1	Decal, Warning	
30	1001200101	1	Decal, Manual Location	

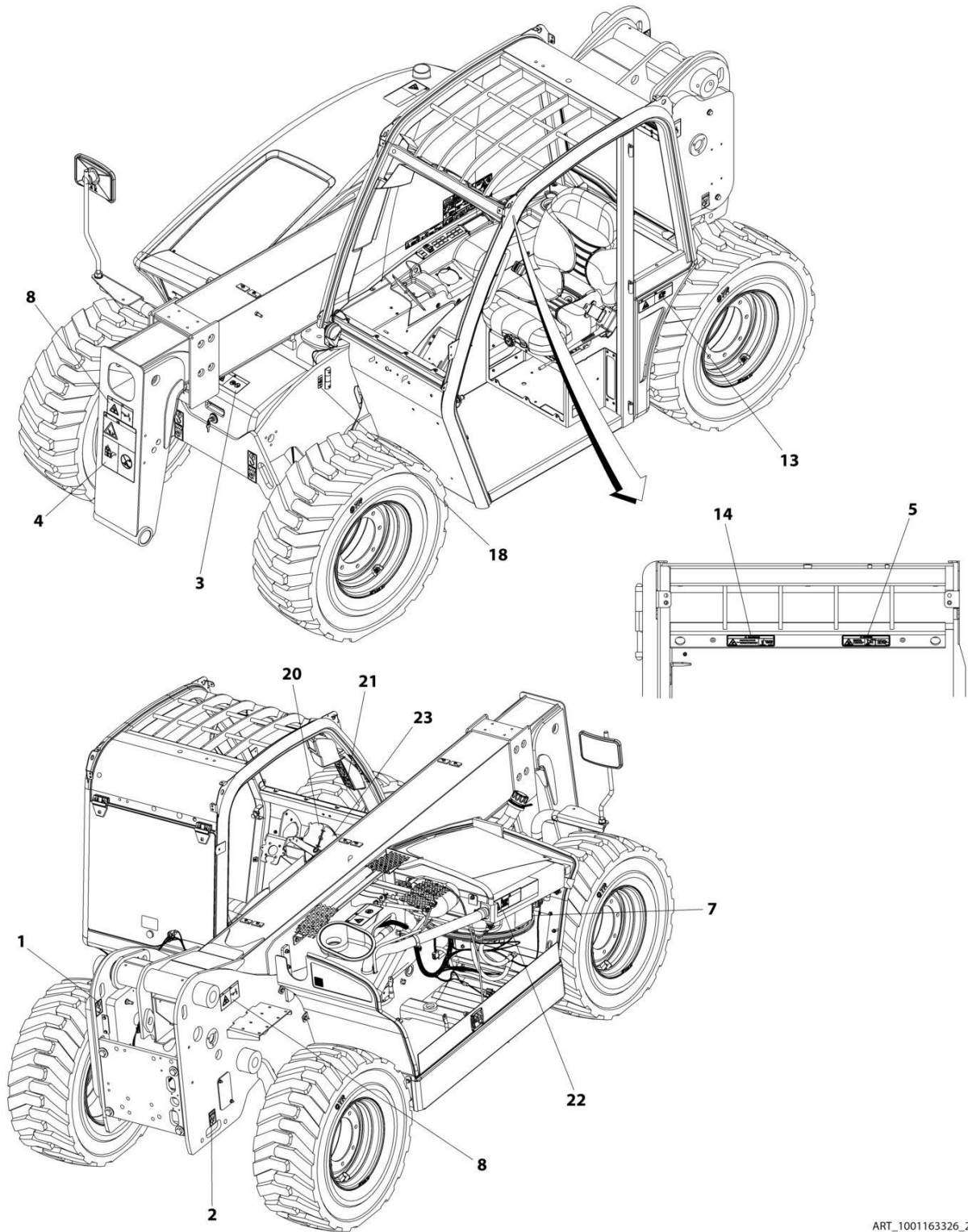
SECTION 11 - DECALS

FIGURE 11-4. DECAL INSTALLATION (ENGLISH/FRENCH)



ART_1001163326_1-C

SECTION 11 - DECALS



ART_1001163326_2-C

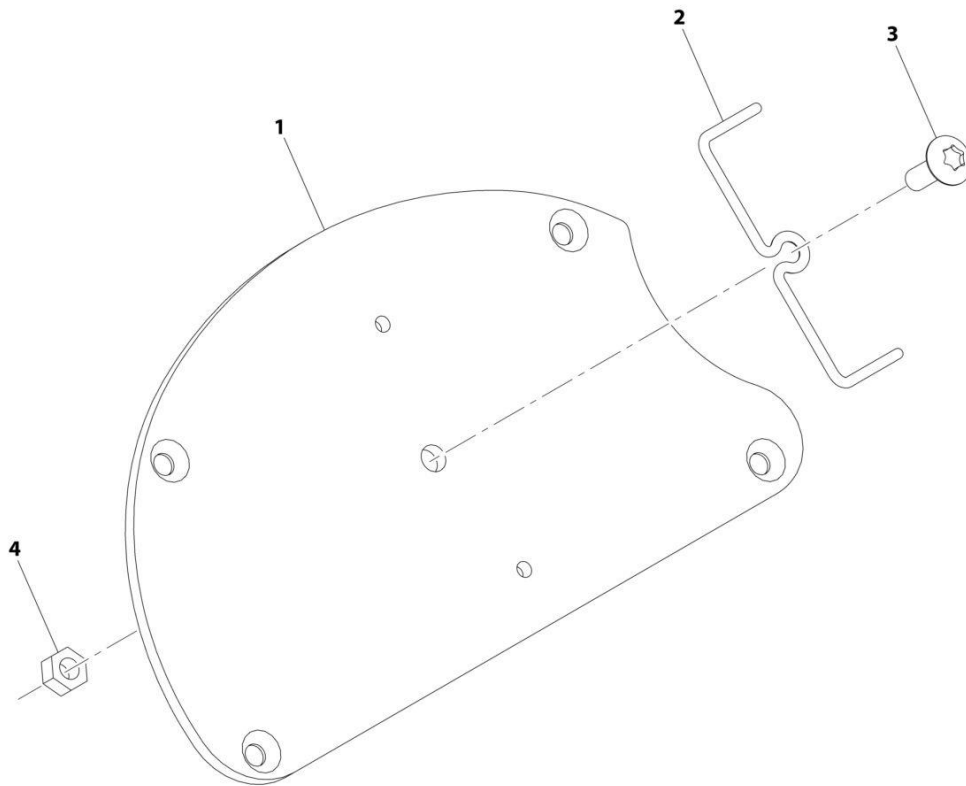
SECTION 11 - DECALS

FIGURE 11-4. DECAL INSTALLATION (ENGLISH/FRENCH)

ITEM	PART NUMBER	QTY	DESCRIPTION	REV
	1001163326	Ref	Decal Installation (ENGLISH/FRENCH)	C
1	1701500	4	Decal, Lift	
2	1702300	4	Decal, Tie Down	
3	1001163174	1	Decal, Battery Warning	
4	1001163206	1	Decal, Carry Personnel	
5	1001163210	1	Decal, Electrocutation Hazard	
6	1001163212	1	Decal, Warning No Either	
7	1001163222	2	Decal, Moving Parts	
8	1001163223	3	Decal, Pinch Point	
11	1001163285	1	Decal, Warning Tip Over	
13	1001163300	1	Decal, No Riders	
14	1001163304	1	Decal, Warning Crushing Hazard	
16	4100181	1	Decal, Hydraulic Oil Fill	
17	8005870	1	Decal, Emergency Exit	
18	91563220	1	Decal, Oil Level	
19	1001156576	1	Decal, Fuse Cover	
20	1001100107	1	Decal, Lube Chart	
21	1001101071	1	Decal, Instructional Joystick	
22	1001163323	1	Decal, Warning Hot Fluid	
23	1001146038	1	Decal, Maintenance Chart	
24	1001223453	1	Decal, ICES	
25	1001233558	1	Decal, Warning/Danger	

SECTION 11 - DECALS

FIGURE 11-5. LOAD CHART MOUNT



ART_1001239184-A

FIGURE 11-5. LOAD CHART MOUNT

ITEM	PART NUMBER	QTY	DESCRIPTION	REV
	1001239184	Ref	Load Chart Mount	A
1	1001081301	1	Panel, Load Chart	
2	1001081302	1	Holder, Wire	
3	8303034	1	Truss HD Screw, 1/4-20X0.75	
4	3311405	1	Nut, 1/4-20	

SECTION 11 - DECALS

FIGURE 11-6. CAPACITY CHART



ART_1001102000-G

FIGURE 11-6. CAPACITY CHART

ITEM	PART NUMBER	QTY	DESCRIPTION	REV
1	1001102000	Ref	Capacity Chart	G

SECTION 11 - DECALS

FIGURE 11-7. CAPACITY CHART (UNIVERSAL QUICK SWITCH)



ART_1001126677-E

SECTION 11 - DECALS

FIGURE 11-7. CAPACITY CHART (UNIVERSAL QUICK SWITCH)

ITEM	PART NUMBER	QTY	DESCRIPTION	REV
1	1001126677	Ref	Capacity Chart (Universal Quick Switch)	E

SECTION 11 - DECALS

FIGURE 11-8. CAPACITY CHART - METRIC



ART_1001117326-F

SECTION 11 - DECALS

FIGURE 11-8. CAPACITY CHART - METRIC

ITEM	PART NUMBER	QTY	DESCRIPTION	REV
1	1001117326	Ref	Capacity Chart - Metric	F

SECTION 11 - DECALS

FIGURE 11-9. CAPACITY CHART (UNIVERSAL QUICK SWITCH - METRIC)



ART_1001126685-D

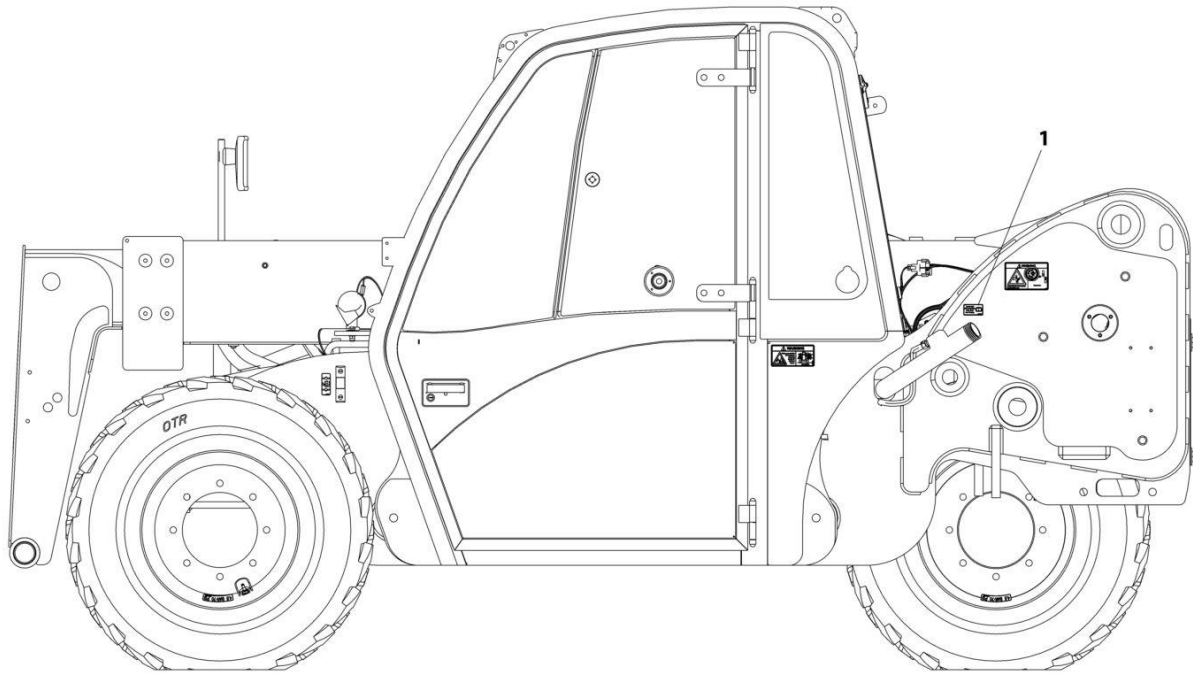
SECTION 11 - DECALS

FIGURE 11-9. CAPACITY CHART (UNIVERSAL QUICK SWITCH - METRIC)

ITEM	PART NUMBER	QTY	DESCRIPTION	REV
1	1001126685	Ref	Capacity Chart (Universal Quick Switch - Metric)	D

SECTION 11 - DECALS

FIGURE 11-10. MACHINE DECAL (ULS - ANSI)



ART_1001150461-A

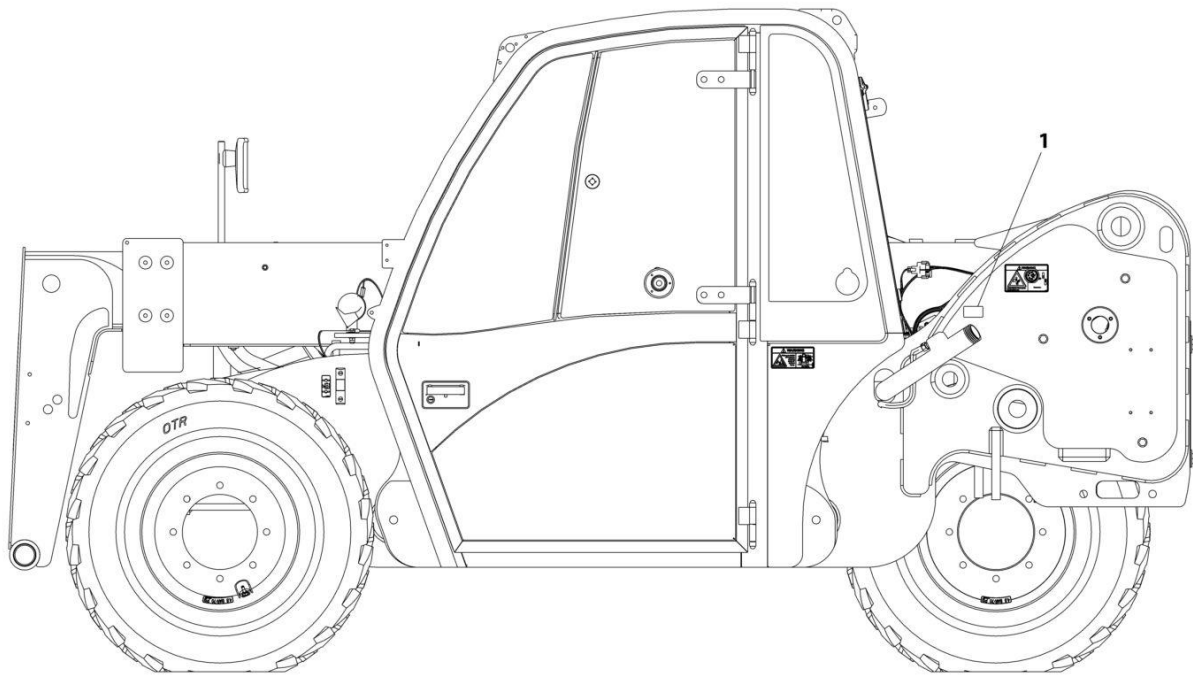
SECTION 11 - DECALS

FIGURE 11-10. MACHINE DECAL (ULS - ANSI)

ITEM	PART NUMBER	QTY	DESCRIPTION	REV
1	1001150461 1001125387	Ref 1	Machine Decal (ULS - ANSI) Decal, Ultra Low Sulfur Fuel	A

SECTION 11 - DECALS

FIGURE 11-11. MACHINE DECAL (ULS - ISO)



ART_1001150462-A

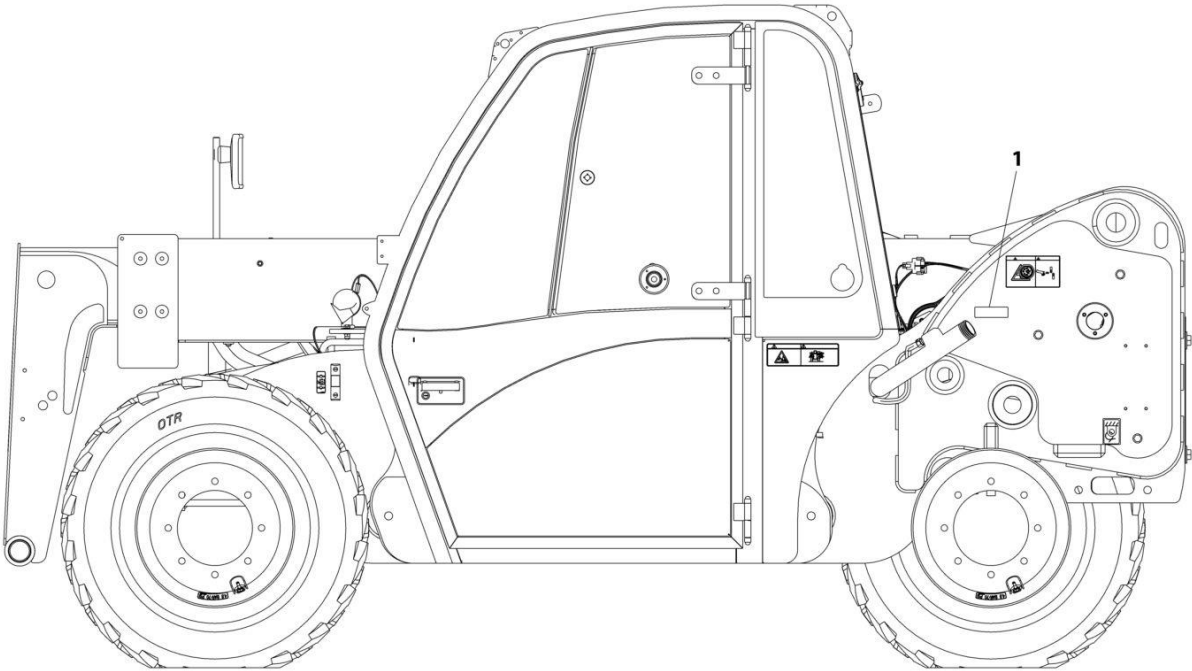
SECTION 11 - DECALS

FIGURE 11-11. MACHINE DECAL (ULS - ISO)

ITEM	PART NUMBER	QTY	DESCRIPTION	REV
1	1001150462 1001139654	Ref 1	Machine Decal (ULS - ISO) Decal, Ultra Low Sulfur Fuel	A

SECTION 11 - DECALS

FIGURE 11-12. MACHINE DECAL (ULS - ENGLISH/FRENCH)



ART_1001163751-A

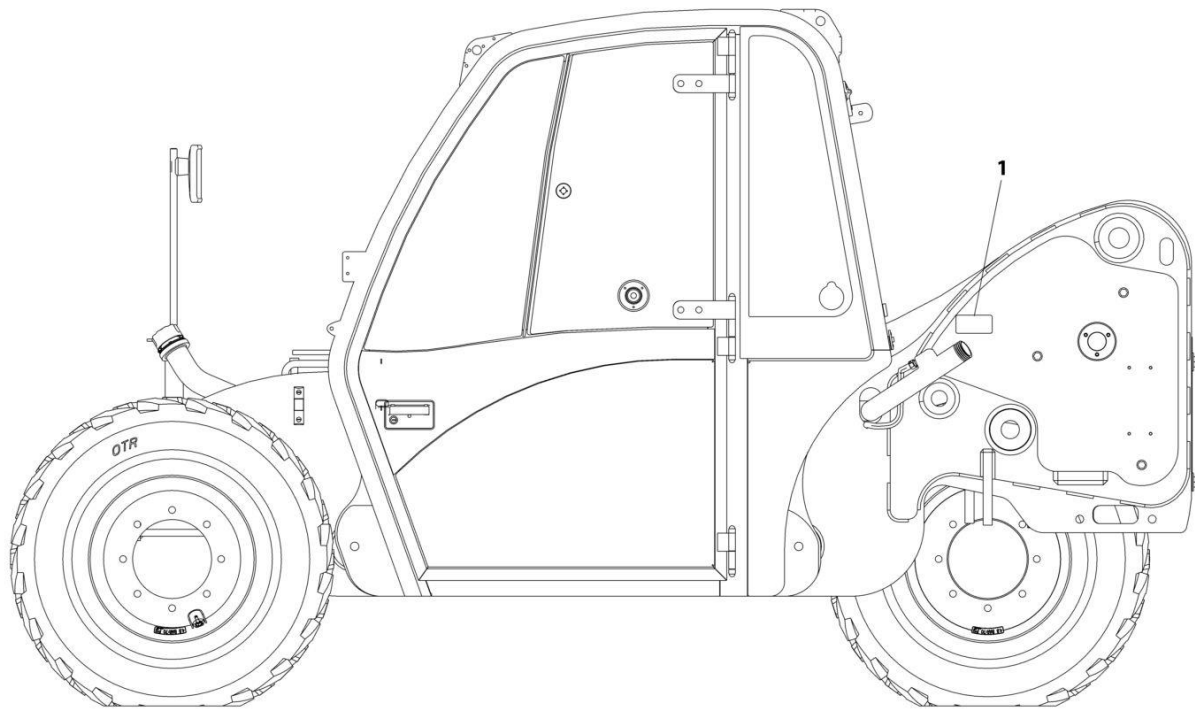
SECTION 11 - DECALS

FIGURE 11-12. MACHINE DECAL (ULS - ENGLISH/FRENCH)

ITEM	PART NUMBER	QTY	DESCRIPTION	REV
1	1001163751 1001163355	Ref 1	Machine Decal (ULS - English/French) Decal, Ultra Low Sulfur Fuel	A

SECTION 11 - DECALS

FIGURE 11-13. MACHINE DECAL (LS)



ART_1001150642-A

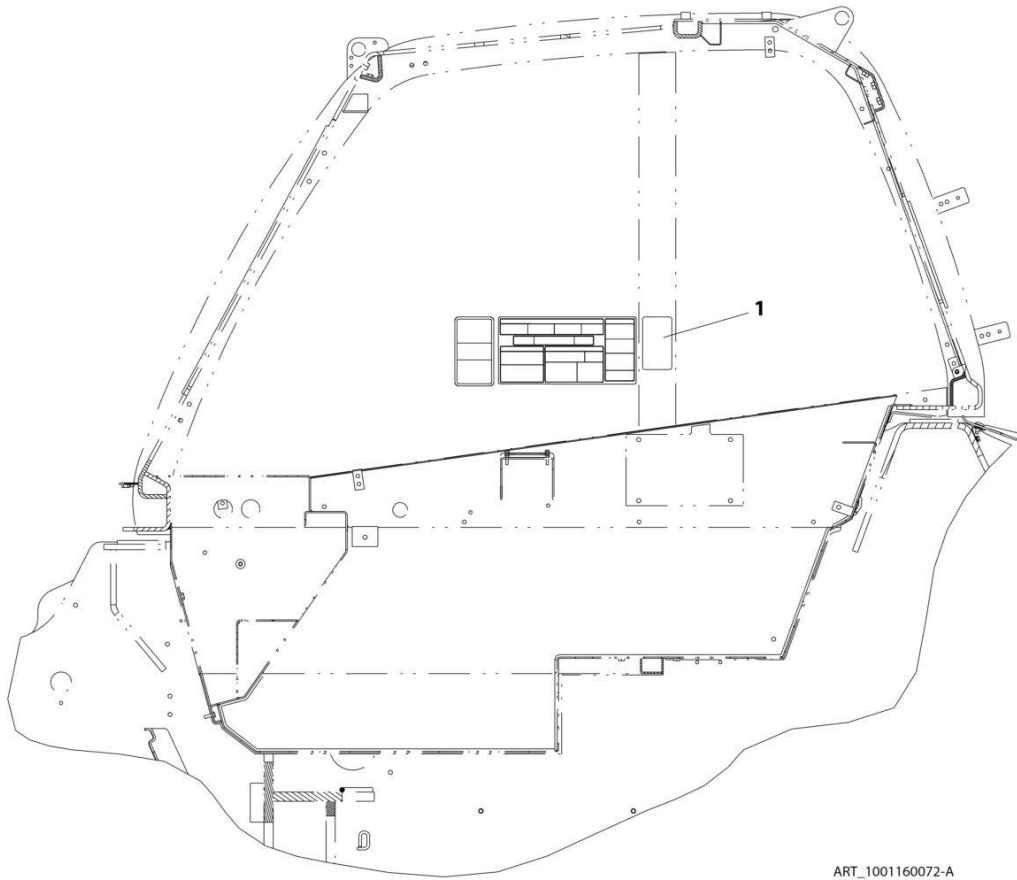
SECTION 11 - DECALS

FIGURE 11-13. MACHINE DECAL (LS)

ITEM	PART NUMBER	QTY	DESCRIPTION	REV
1	1001150642 1001143852	Ref 1	Machine Decal (LS) Decal, Export	A

SECTION 11 - DECALS

FIGURE 11-14. REVERSE SENSOR SYSTEM DECAL (ENGLISH)



ART_1001160072-A

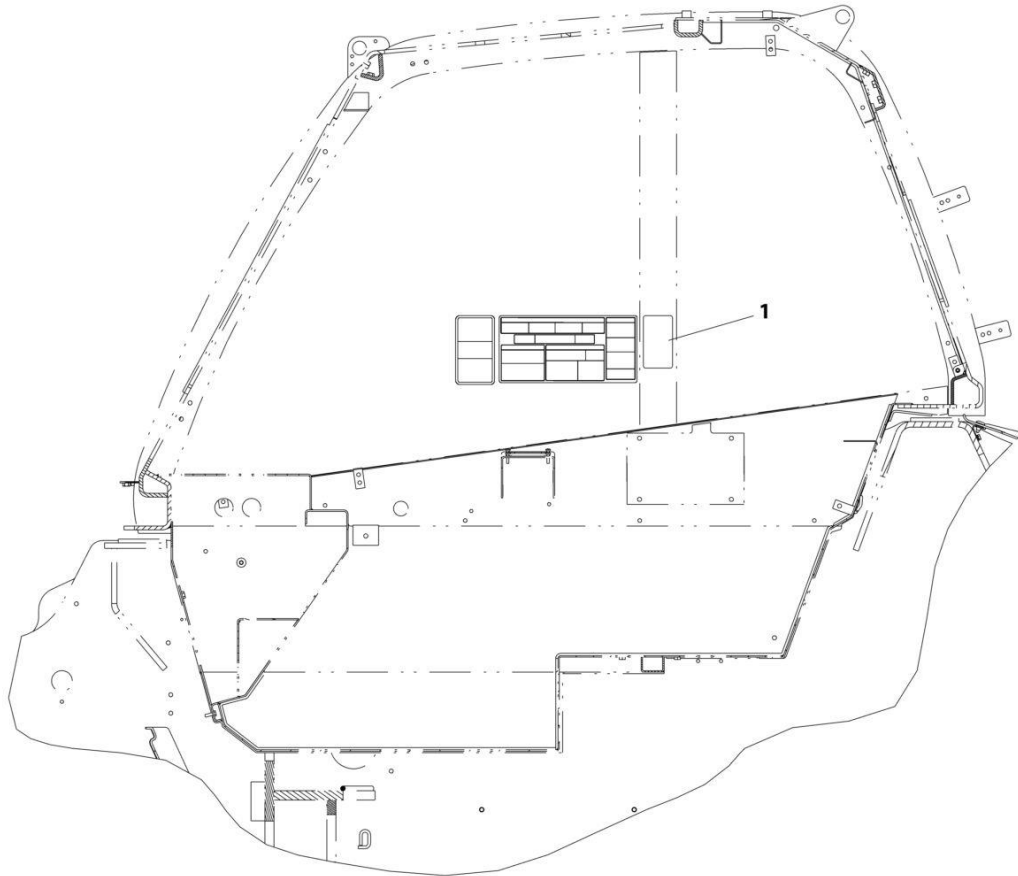
SECTION 11 - DECALS

FIGURE 11-14. REVERSE SENSOR SYSTEM DECAL (ENGLISH)

ITEM	PART NUMBER	QTY	DESCRIPTION	REV
1	1001160072	1	Reverse Sensor System Decal (English)	A

SECTION 11 - DECALS

FIGURE 11-15. REVERSE SENSING SYSTEM DECAL, (ENGLISH/FRENCH)



ART_1001160945-A

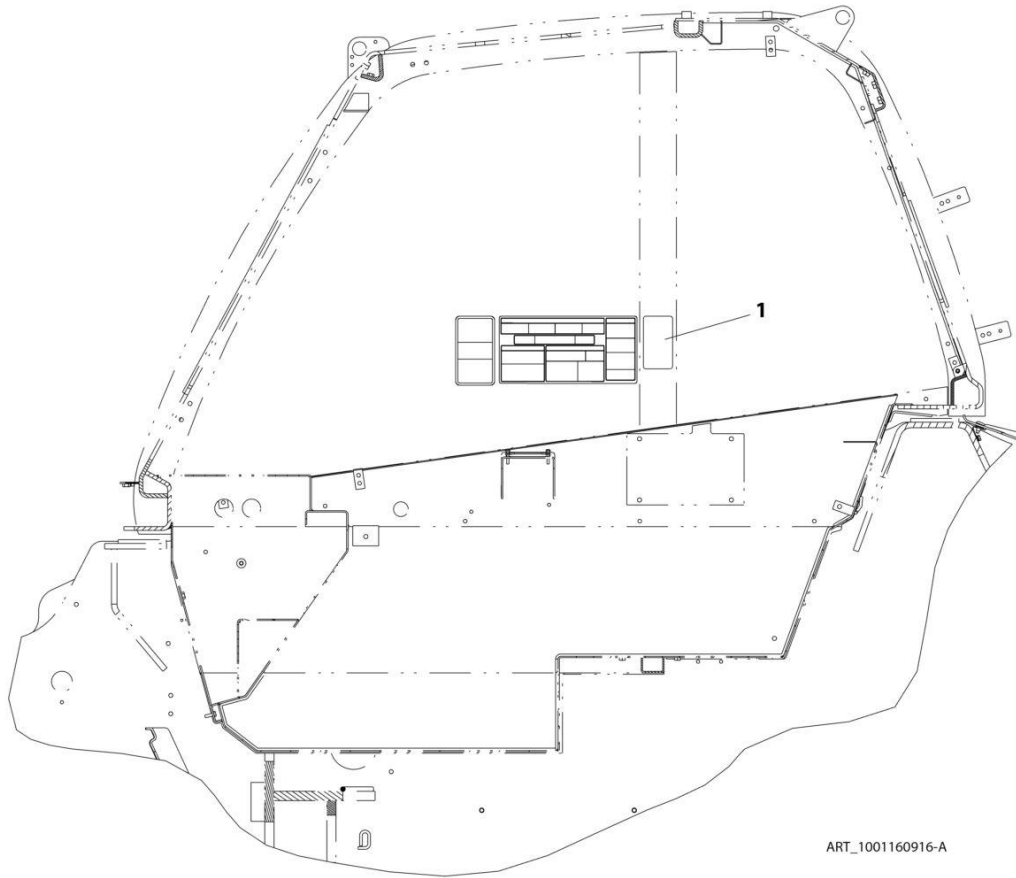
SECTION 11 - DECALS

FIGURE 11-15. REVERSE SENSING SYSTEM DECAL, (ENGLISH/FRENCH)

ITEM	PART NUMBER	QTY	DESCRIPTION	REV
1	1001160945	1	Reverse Sensor System Decal (ENGLISH/FRENCH)	A

SECTION 11 - DECALS

FIGURE 11-16. REVERSE SENSING SYSTEM DECAL (ISO)



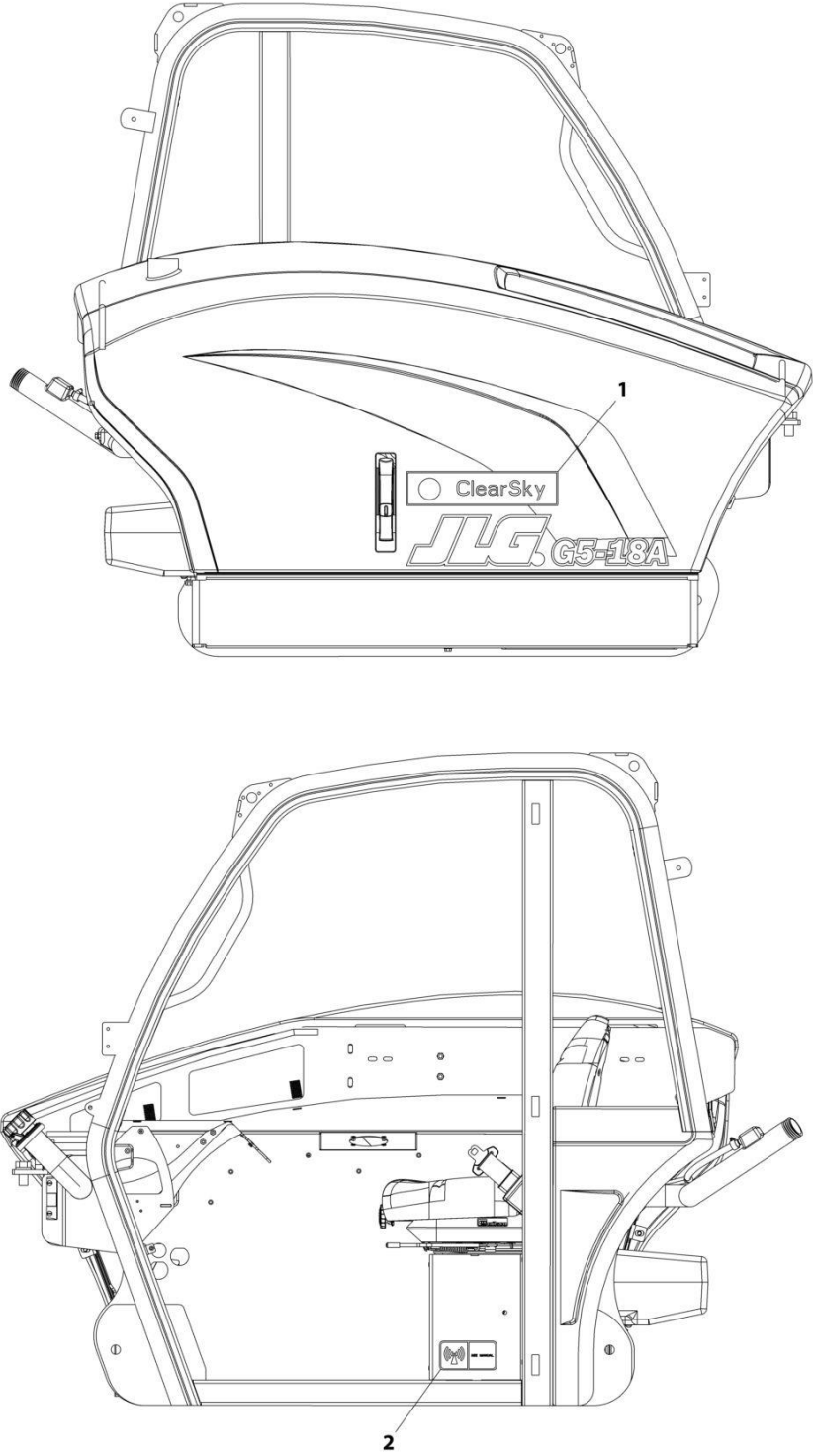
SECTION 11 - DECALS

FIGURE 11-16. REVERSE SENSING SYSTEM DECAL (ISO)

ITEM	PART NUMBER	QTY	DESCRIPTION	REV
1	1001160916	1	Reverse Sensor System Decal (ISO)	A

SECTION 11 - DECALS

FIGURE 11-17. CLEARSKY DECAL INSTALLATION



ART_1001229461-A

SECTION 11 - DECALS

FIGURE 11-17. CLEARSKY DECAL INSTALLATION

ITEM	PART NUMBER	QTY	DESCRIPTION	REV
	1001229461	Ref	Clearsky Decal Installation	B
1	1001294815	1	Decal, Clearsky	
2	1001120989	1	Decal, Radio Frequency	

SECTION 12 - RECOMMENDED SPARE PARTS

SECTION 12 - RECOMMENDED SPARE PARTS

SECTION 12 - RECOMMENDED SPARE PARTS

FIGURE 12-1. RECOMENDED SPARE PARTS

ITEM	PART NUMBER	QTY	DESCRIPTION	REV
	Note	Ref	Note: The following list will service fleets of machines (built to current production per date on the front cover) with repair parts which can be installed in the field. Parts from the list should be replaced when inventory is depleted to keep service parts stock supplied. For further information, contact your JLG dealer or the JLG Industries Parts Department.	
		Ref	Boom	
	1001236782	1	Boom Hose, (Tilt), (Aux), (Aux w/Hydraulic Quick Coupler)	
	1001236783	1	Boom Hose, (Tilt), (Aux), (Aux w/Hydraulic Quick Coupler)	
	7082362	2	Spacer, 0.134	
	7126182	2	Spacer, 0.0747	
	7300518	6	Spacer, 0.0747	
	1001096584	1	Shim, 0.0359	
	1001096585	1	Shim, 0.0359	
	7300032	8	Wear Pad, 15.88	
	7300034	4	Wear Pad, 15.9	
	1001080391	2	Wear Pad Spacer, 1.00	
		Ref	Engine	
	1001080707	1	Fuel Cap Assy	
	1001141459	1	Hydraulic Oil Filter Element	
	1001148423	1	Fan	
	1001136834	1	Deaeration Tank Cap	
	70024190	1	Air Filter Primary Element	
	70024191	1	Air Filter Secondary Element	
	1001144359	1	Belt, Air Conditioning	
		Ref	Drive Train	
	91474512	1	Breather	
	70028389	1	Plug, Front/Rear Hub	
	70028388	1	Plug, Front/Rear Hub Magnetic	
	80204117	4	Plug, Rear Hub	
		Ref	Hydraulic	
	1001193473	1	Hydraulic Tank Cover Gasket	
	1001187150	1	Hydraulic Cap Assy	
	1001080256	1	Boom Joystick	
	70020769	1	Boom Joystick Handle Assy	
	70027248	1	Seal Kit, Comp. Cylinder	
	70027638	1	Seal Kit, Extend/Retract Cylinder	
	70027255	1	Seal Kit, Tilt Cylinder	
	70027262	1	Seal Kit, Lift Cylinder	
	70020377	1	Seal Kit, Lift Cylinder (CE)	
	70021276	1	Seal Kit, Fork Locking Cylinder	
	70021452	1	Seal Kit, Side Tilt Carriage Cylinder and Universal Side Shift Cylinder	
	70020922	1	Seal Kit, Park Brake Release Valve	
	70020919	1	Seal Kit, Brake Valve Master Cylinder	
	70020370	4	Bushings, Lift Cylinder (CE)	
	70027251	4	Bushings, Tilt/Lift Cylinder	
	70020390	4	Bushings, Comp Cylinder	
		Ref	Electrical	
	0400075	1	12V Battery	

SECTION 12 - RECOMMENDED SPARE PARTS

ITEM	PART NUMBER	QTY	DESCRIPTION	REV
	91143357	1	Horn	
	1001099810	1	Back Up Alarm	
		Ref	Misc.	
	8342813	1	Exterior Door Key	
	1001102157	4	Padlock	
	31211321	1	Operation and Safety Manual	
	31211325	1	Service Manual	

SECTION 12 - RECOMMENDED SPARE PARTS

PART NUMBER INDEX

SECTION 12 - RECOMMENDED SPARE PARTS

0100011.....25, 27, 39, 43, 45, 47, 49, 51, 55, 87, 149, 259, 275, 321, 323, 363, 371, 405, 407, 453, 511, 551, 615	0682220... 23, 35, 45, 47, 49, 51, 55, 551	1001061891 85, 123	1001080394.74, 427, 429
0100019.....23, 25, 257	0682230 257	1001061892 85	1001080397.....429, 565
0100020.....29	0682264 173	1001061893 85	1001080399.....417, 425
0100035.....29, 387, 511	0682414 25	1001062117 85	1001080409.....511
010008117, 141, 143	0682424 25	1001062773 155	1001080410.....511
0100090.....19	0682440 257	1001080050 74	1001080418.....271
0100093.....31	0692020 25	1001080116 74	1001080424.....511
01043892.....275	0700610... 259, 261, 263, 265, 267, 269	1001080117 74	1001080437.....433
0140011.....551	0700615 89	1001080124 74	1001080438.....433
0400075.....527, 682	0700815 335	1001080143 423	1001080462.....271
0630383.....39	0700818 335	1001080152 74	1001080463.....285
0630399.....25	0701014 74	1001080154 463, 465	1001080493.....271, 297
0630455.....527	0701015 89	1001080155 463, 465	1001080494.....293, 295, 297
0630464.....339, 345, 363	0701018 74	1001080176 421, 495	1001080499.....275, 303
0630468.....321, 323, 353, 355	0701027 85	1001080203 74	1001080500.....271, 395
0630518.....387	0720606 29	1001080204 74	1001080559.....271, 377
0641404.....325, 327, 511	0721005 511	1001080205 74	1001080565.....79
0641406.....271, 371, 375, 449, 451, 557	0721008... 535, 537, 539	1001080206 74	1001080567.....379, 383
0641408.....271, 453, 511	0760508 129	1001080207 427, 429	1001080571.....31
0641410.....305, 511, 535, 537, 539	0760607 89	1001080208 427, 429	1001080573.....25
0641415.....511	0760608 89, 335	1001080212 253	1001080585.....441, 443
0641505.....17	0760806 615	1001080240 453	1001080586.....441, 443
0641506.....25	0760808... 129, 149, 335	1001080243 417, 419	1001080619.....511
0641508.....259, 261, 271	0760810 75, 141, 143	1001080250 441, 443	1001080656.....545, 609
0641509.....17	0760814 169	1001080251 441, 443	1001080669.....541, 543, 545
0641512.....74, 427, 429	0760828 163	1001080256 395, 401, 682	1001080686.....615
0641514 33, 74, 417, 535, 537, 539	0761010 74, 129, 145	1001080262 377, 497	1001080707.....31, 682
0641516 17, 74, 165, 167, 351, 427, 429	0761012 77, 145, 271	1001080265 441	1001080742.....259, 261, 263, 265, 267, 269, 285
0641518.....321, 323	0761014 145	1001080266 441	1001080744.....259, 261, 263, 265, 299
0641522.....417	0761016 89	1001080279 435	1001080763.....568
0641532.....167	0761018 129, 335	1001080293 433	1001080789.....135
0641605.....17	0761210 129, 335	1001080294 459	1001080796.....277, 279, 281
0641607.....59, 61	0761214 161	1001080308 459	1001080797.....279
0641608.....17, 79	0761216 175	1001080309 433	1001080798.....277, 279
0641610.....25	0771619 49	1001080312 463, 465	1001080801.....279
0641611.....511	0791004 511	1001080313 463, 465	1001080809.....261, 263, 265, 267, 269, 391
0641612.....17	0791404 17	1001080314 463, 465	1001080821.....279
0641614.....429	0791607 17	1001080333 79, 81	1001080822.....349
0641628.....74	0811408 145	1001080334 81, 505	1001080824.....305, 365
0641634.....405, 407	0811510 149	1001080356 441, 443	1001080826.....391, 393
0641810.....463, 465	0903083 45, 47	1001080359 489	1001080844.....347
0641832.....121	1001001422 31	1001080361 575	1001080847.....263, 265, 267, 269, 291
0642014.....129	1001001556 74, 429	1001080364 453	1001080848.....295
0642032.....93, 95	1001002778 539	1001080365 541, 543, 547, 549	1001080852.....319
0642212.....43	1001002779 539	1001080366 545	1001080861.....23
0651410.....275	1001003299 85	1001080367 275	1001080862.....275
0681414.....375	1001003474 97	1001080368 275	1001080863.....275
0681506.....141, 143	1001003475 97	1001080369 541, 543	1001080866.....341
0681510.....157	1001003680 145	1001080370 535, 537, 539	1001080867JO283
0681608... 141, 143, 159, 165, 167	1001003803 77	1001080376 541, 543	1001080872.....365
0681610.....159	1001008436 35, 37	1001080377 307	1001080876.....259, 261, 319
0681614.....135	1001008437 37	1001080378 297	1001080877.....307
0681832.....79, 83	1001008475 37	1001080379 285	1001080891.....351
0681836.....463, 465	1001008479 85, 123	1001080380 271	1001080893.....349
0681844.....463, 465	1001008742 307	1001080381 535, 537, 539	1001080900.....271
0682018.....47, 55	1001008979 85	1001080382 305, 307	1001080926.....281
	1001009062 37	1001080383 303	1001080931.....275
	1001009094 85, 123	1001080391 74, 682	1001080932.....305, 307
	1001009126 279		
	1001009163 145		
	1001010838 37		
	1001055652 85		
	1001061633 85, 123		
	1001061659 85		
	1001061660 85, 123		
	1001061662 85, 123		

SECTION 12 - RECOMMENDED SPARE PARTS

1001080933 275, 305	1001081306.....275	1001101534.....535, 537,	1001113155 549
1001080945 339, 341,	1001081307.....303	539, 623	1001114675 259, 261,
345	1001081308.....303	1001101895.....648	263, 265, 267, 269
1001080947 341	1001081309.....303	1001102000.....657	1001114867 271
1001080951 341	1001081310.....303	1001102157 21, 683	1001115871 243
1001080952 339, 345	1001081311.....303	1001102323.....105	1001116128 557
1001080953 299, 301,	1001081314.....283	1001102324.....103	1001116692 587
341	1001081322..... 621, 623	1001102327.....107	1001116694 587
1001080954 341	1001081331.....275	1001102331.....97	1001116698 525, 569,
1001080955 341	1001081332.....275	1001102332.....109	617
1001080956 347	1001081333..... 175, 193,	1001103012..... 525, 569	1001116705 573
1001080957 339, 343	425	1001103139.....547	1001116706 561
1001080959 347	1001081334.....425	1001104009.....99	1001116710 568, 573
1001080960 341	1001081347.....433	1001104025.....101	1001116711 568
1001080968 381, 385	1001081348.....433	1001104435.....93	1001116712 568
1001080969 297	1001081364.....25	1001104477 429, 455,	1001116720 561
1001080970 297	1001081375.....275	457, 499	1001116723 569, 570
1001080974 319	1001081376.....275	1001104497 525, 589	1001116725 575
1001080975 319	1001081413.....431	1001104498 525, 569,	1001116726 575
1001080976 321	1001090103..... 427, 429	570	1001116727 575, 611,
1001080978 297	1001090344..... 17	1001104519.....599, 601,	617
1001080983 271	1001092585..... 511	605, 613	1001116729 585, 611
1001080985 307	1001092877.....648	1001104654.....297	1001116731 593
1001080986 271	1001092878.....648	1001105990.....175	1001116733 561, 575,
1001080987 271	1001093171..... 117	1001106622..... 441, 443	577, 585, 611
1001080988 271	1001095650. 89, 519, 521	1001106736.....576	1001116734 561, 611
1001080992 257	1001095704..... 568, 575	1001107854..... 525, 569,	1001116735 568
1001081023 319	1001096584..... 74, 682	570, 575, 577, 589, 597	1001116736 570
1001081049 271	1001096585..... 74, 682	1001107997.....281	1001116747 577
1001081071 173	1001096730..... 79	1001108078.....341	1001116748 568
1001081123 527	1001097159..... 19	1001108079.....271	1001116774 576, 584,
1001081151 271	1001097160. 17, 165, 167	1001108115..... 353, 355	587, 633
1001081152 271	1001097205..... 117	1001108127.....541	1001116808 577, 584,
1001081153 271	1001097252..... 79	1001108129.....541	587, 633
1001081161 339, 345	1001097255..... 79	1001108152.....341	1001116812 568, 576,
1001081163 339, 345	1001097319.....365	1001108155..... 301, 341	584, 587, 633
1001081187 339	1001097628..... 79	1001108161281	1001116813 573, 617
1001081222 227, 229	1001097640.....351	1001108194.....271	1001116815 553, 569,
1001081223 387, 389	1001097728... 79, 83, 121	1001108196.....275	577, 587, 634
1001081234 365	1001097729... 79, 83, 121	1001108242.....353	1001116816 575
1001081235 283	1001098069.....385	1001108547.....281	1001116920 568
1001081236 283	1001098122.....589	1001108548.....281	1001116921 575
1001081239 283	1001098153..... 385, 491	1001108549.....281	1001116948 577
1001081241 283	1001098235..... 271, 613	1001108552.....281	1001116950 575, 576
1001081242 283	1001099457..... 115	1001109365..... 277, 279	1001116952 575
1001081243 283	1001099458..... 113	1001109417.....281	1001116953 575
1001081244 283	1001099699.....363	1001109478.....279	1001116966 576
1001081246 283	1001099783..... 74	1001109565..... 541, 543,	1001116967 561
1001081247 283	1001099810.....683	607	1001116977 576
1001081248 283	1001099887..... 63	1001109566..... 541, 547,	1001116982 573
1001081249 283	1001100053..... 285, 531	605	1001116983 561
1001081266 283	1001100107..... 644, 648,	1001110067281	1001116984 573
1001081268 283	652	1001110269345	1001116985 573
1001081280 281	1001100781..... 568	1001110433..... 321, 323	1001116990 561
1001081281 281	1001100916..... 429	1001110723..... 549, 599	1001116996 584
1001081282 281	1001100965..... 535, 537,	1001110849..... 51, 53	1001117002 573
1001081283 281	539, 627	1001111156..... 543, 601	1001117022 561
1001081284 281	1001100966..... 299, 301,	1001111341 541, 543	1001117026 585
1001081285 281	533	1001111961568	1001117059 570
1001081286 353	1001101071..... 644, 648,	1001112058..... 339, 345	1001117064 568
1001081287 355	652	1001112612.....576	1001117079 570
1001081289 281	1001101185..... 83	1001112697.....527	1001117080 570
1001081296 353	1001101235..... 453	1001112796..... 587, 591,	1001117081 569, 570,
1001081298 353	1001101451..... 149	593	613
1001081299K 17	1001101533..... 535, 537,	1001113038.....95	1001117082 569
1001081301 655	539, 621	1001113047..... 321, 323	1001117106 568, 575
1001081302 655		1001113154.....543	1001117119 569

SECTION 12 - RECOMMENDED SPARE PARTS

1001117125.....561	1001131099..... 405, 409	1001138877 141, 143, 145	1001141896.....145
1001117133.....584	1001131271 641	1001138887 161, 481	1001141944.....145
1001117158.....271	1001131818 135	1001138888 145	1001141975.....447
1001117326.....661	1001132161 469, 471	1001139011 297, 323	1001141976.....445
1001117498.....83, 85	1001132168 19	1001139042 87	1001142010.....573
1001118378.....633	1001132207 469	1001139043 87	1001142011.....513, 579
1001118379.....573	1001132208 469	1001139155 149	1001142055.....313
1001118380.....561	1001132209 469	1001139177 87	1001142101.....247, 249
1001118381.....576	1001132210 465, 469	1001139481 291, 293	1001142155.....417, 423
1001118385.....569, 570, 573, 577, 584	1001132338 417, 421	1001139578 644	1001142236.....335, 611
1001118387.....573	1001132342 411, 415	1001139654 667	1001142242.....129
1001118391.....561, 576	1001132411 437	1001139668 139	1001142259.....149, 151
1001118392.....584	1001132412 437	1001139681 157	1001142265.....17
1001119020.....562, 576	1001132795 411	1001139682 159	1001142267.....17
1001119721.....161	1001133714 561	1001139683 519	1001142680.....25
1001119727.....159	1001133715 561	1001139684 133, 135, 163	1001142938.....561
1001120328.....576	1001133822 165, 167	1001139688 135, 333	1001142940.....561
1001120989.....679	1001133956 561	1001139801 323	1001142941.....561
1001121021.....559	1001133957 561	1001139803 335	1001142981.....541, 603
1001121514.....147	1001135350 571	1001139897 535, 537, 539	1001143041.....141, 143
1001121726.....577	1001135650 561	1001139938 615	1001143142.....17
1001121727.....611, 617	1001135651 561	1001139942 648	1001143201.....149
1001121953.....557	1001135799 453	1001139974 233, 235	1001143216.....157
1001121960.....579, 585	1001135801 453	1001139975 221, 223, 227, 229	1001143254.....163
1001122280.....513, 515, 581	1001135803 453	1001139997 161, 483	1001143255.....163
1001125387.....665	1001135805 453	1001140312 519	1001143304.....157, 159
1001125465.....557	1001135807 453, 455	1001140634 575	1001143304.....163
1001126008.....576, 577, 584, 633	1001135845 529	1001140635 515, 517, 584	1001143467.....163
1001126351.....561	1001135846 529	1001140671 159	1001143468.....163
1001126362.....562	1001136095 137	1001140684 225, 227	1001143551.....634
1001126363.....562	1001136834 145, 682	1001140686 231, 233	1001143552.....515
1001126364.....562	1001136975 129, 165, 167	1001140698 225, 229	1001143556.....513
1001126365.....562	1001137106 121	1001140700 231, 235	1001143558.....541
1001126391.....562	1001137454 319, 321	1001140701 239	1001143640.....131, 133
1001126677.....659	1001137574 287	1001140702 239	1001143641.....129
1001126685.....663	1001137578 561	1001140703 241	1001143642.....129
1001126841.....335	1001137600 259, 261, 263, 265, 379	1001140704 241	1001143643.....129
1001127066.....569	1001137602 267, 269, 381	1001141019 159	1001143671.....245, 247
1001127397.....345	1001137621 263, 265, 267, 269, 289	1001141066 511	1001143677.....133
1001127546.....345	1001137623 259, 261, 287	1001141287 165, 167	1001143678.....131
1001127589.....511	1001137657 271	1001141310 149	1001143689.....245, 249
1001127967.....145	1001137943 275, 295	1001141323 239	1001143801.....129
1001128128.....568, 575, 577, 585, 611	1001137985 293, 295	1001141324 241	1001143815.....135
1001128144.....145	1001137998 381	1001141459 447, 682	1001143816.....135
1001128478.....145	1001138003 371	1001141460 447	1001143839.....129
1001129407.....619	1001138110 561	1001141461 445	1001143852.....671
1001129408.....553	1001138111 561	1001141462 445	1001144015.....153
1001129801.....557, 597	1001138113 561	1001141551 157	1001144147.....593
1001129887.....437	1001138262 335, 337	1001141581 511	1001144255.....175
1001129888.....437	1001138263K..... 335	1001141591 165, 167	1001144359.....135, 682
1001129889.....435, 437	1001138264 335	1001141717 129	1001144367.....145
1001129891.....435, 437	1001138265 335	1001141779 141, 485	1001144368.....145
1001129893.....435, 437	1001138266 335	1001141780 143, 487	1001144369.....17
1001129894.....435, 437	1001138269 335	1001141786 145	1001144373.....135
1001129895.....441, 443	1001138345 335	1001141787 145, 147	1001144378.....135
1001129898.....443	1001138582 259, 261, 291	1001141788 147	1001144474.....33
1001129925.....435, 437	1001138639 271, 371	1001141789 147	1001144692.....141
1001129926.....435, 437	1001138703 355	1001141791 147	1001144693.....141
1001130178.....409, 413	1001138823 175, 479	1001141796 145	1001144694.....143
1001130220.....41	1001138827 145	1001141801 145	1001144695.....143
1001130338.....71		1001141834 145	1001144697.....433
1001130900.....561		1001141881 145	1001144737.....433
1001131098.....407, 411			1001144749.....433
			1001144750.....433
			1001144751.....433
			1001144753.....433
			1001144754.....433
			1001144755.....433

SECTION 12 - RECOMMENDED SPARE PARTS

1001144756 441, 443	1001156314..... 511	1001179496..... 309	1001193423 19
1001144757 433	1001156315..... 17	1001179547..... 307, 309	1001193432 323, 327
1001144759 433	1001156576..... 644, 648, 652	1001179832..... 309	1001193443 265, 269, 323, 333
1001144760 433	1001156577..... 271	1001182224..... 449, 451	1001193470 27
1001144761 433	1001156849..... 135	1001182361..... 561	1001193473 27, 682
1001144763 433	1001157075..... 145	1001182365..... 561	1001193501 323, 399
1001144764 433	1001157075..... 145	1001182662..... 551	1001193528 325, 327
1001145204 143	1001157088..... 163	1001182663..... 283	1001193529 325, 327
1001145224 441, 443	1001157890..... 633	1001182755..... 259, 261, 263, 267, 449	1001193720 323
1001145225 441, 443	1001158318..... 17	1001184685..... 551	1001193721 323
1001145710 141, 143	1001158329..... 121	1001185024..... 449, 451	1001193723 323
1001145850 644	1001158330..... 123	1001186376..... 265, 269, 451	1001193725 323
1001145871 145	1001158331..... 123	1001187079..... 633	1001193752 149
1001146038 644, 652	1001158336..... 123	1001187150..... 27, 682	1001193761 323
1001146575 165, 167	1001158352..... 121, 123	1001187820..... 77	1001193805 321, 325
1001146830 89	1001158428..... 17	1001187821..... 77	1001193943 263, 267, 321
1001146831 89	1001159204..... 523	1001187847..... 77	1001193945 321, 397
1001146832 89	1001159205..... 523	1001187848..... 77	1001193973 321
1001146887 89	1001159206..... 521, 523	1001188496..... 379	1001193974 321
1001146888 89	1001159207..... 521	1001189077..... 633	1001193975 321
1001147071 135	1001160072..... 673	1001189653..... 275	1001193976 321
1001147650 648	1001160078..... 17	1001189733..... 375	1001194017 439
1001148091 641	1001160916..... 677	1001189734..... 271, 375	1001194099 29
1001148423 145, 682	1001160926..... 121	1001189738..... 375	1001194100 25, 29
1001148483 25	1001160945..... 675	1001189739..... 353	1001195347 327, 331
1001149466 511	1001161604..... 123	1001189743..... 375	1001195348 325, 329
1001149810 17	1001161606..... 123	1001189745..... 375	1001195447 323
1001149811 17	1001161607..... 123	1001189753..... 355	1001195884 27
1001149828 129	1001161759..... 121	1001189803..... 375	1001196254 511
1001150347 648	1001162486..... 363	1001189839..... 375	1001196461 591
1001150461 665	1001162487..... 363	1001189850..... 375	1001196601 449
1001150462 667	1001162813..... 357	1001189888..... 477	1001197027 311
1001150479 335	1001162814..... 357	1001189948..... 289	1001197099 307
1001150508 335	1001162815..... 359	1001189997..... 551	1001197401 17
1001150509 323, 335	1001162816..... 361	1001190250..... 77	1001197490 43
1001150596 279, 283	1001162829..... 367	1001190264..... 77	1001197624 570
1001150642 671	1001162830..... 367	1001190639..... 33	1001197714 570
1001150705 617	1001162839..... 367	1001190640..... 539, 625	1001197965 29
1001151088 335	1001162898..... 119	1001190692..... 405, 407, 417	1001198349 41
1001151183 41	1001163174..... 652	1001190694..... 407	1001198730 25
1001151264 161	1001163206..... 652	1001190709..... 535, 537, 625	1001200101 644, 648
1001151288 433	1001163210..... 652	1001190728..... 19	1001200247 41
1001151643 397, 399	1001163212..... 652	1001190743..... 17, 19	1001200378 45, 47, 49, 51, 55
1001151781 641	1001163222..... 652	1001190754..... 19	1001200393 77
1001151782 641	1001163223..... 652	1001190762..... 17	1001200567 435
1001152967 433	1001163285..... 652	1001190784..... 405	1001200580 463, 465, 473
1001153277 89	1001163300..... 652	1001190788..... 17	1001200581 74, 477
1001153410 159	1001163304..... 652	1001190821..... 129, 161	1001200598 43
1001153411 159	1001163323..... 652	1001190914..... 551, 589	1001200599 45
1001153412 159	1001163326..... 652	1001191635..... 33	1001200600 47
1001153413 159	1001163355..... 669	1001191640..... 17	1001200601 49
1001153624 293	1001163751..... 669	1001191643..... 19	1001200602 51
1001153625 295	1001165200..... 129	1001191820..... 17	1001200603 55
1001153626 297	1001165202..... 165, 167	1001191830..... 141, 143	1001200612 511
1001153627 297	1001165203..... 165, 167	1001192022..... 19	1001200613 527
1001153629 387	1001165585..... 283	1001192128..... 141	1001200682 25
1001153630 343	1001172953..... 323	1001192129..... 143	1001200683 25
1001153631 339, 345	1001174104..... 77	1001192142..... 529	1001200684 25
1001153633 345	1001175733..... 589	1001192255..... 17	1001200685 25
1001153634 339, 345	1001177469..... 357, 359, 361, 367	1001192256..... 141, 143	1001200796 243
1001153635 339, 345	1001177470..... 359	1001192979..... 345	1001200797 243
1001153748 419, 493	1001177471..... 361	1001193316..... 25	1001200850 615
1001154229 247, 249	1001177636..... 367	1001193351..... 25, 27	
1001154405 449, 451	1001177640..... 367		
1001156087 145, 271, 323	1001178059..... 123		
1001156229 129, 561	1001178811..... 367		
	1001179495..... 309		

SECTION 12 - RECOMMENDED SPARE PARTS

1001200851.....35	1001210402..... 257	1001233633..... 535	1001275270..... 511
1001200925.....25	1001213757..... 263, 265, 267, 269, 275	1001233660.... 67, 69, 71	1001285715.....285
1001200928.....33	1001213955..... 167	1001233661..... 67	1001289105.....557
1001200945.....243	1001213994..... 167	1001233662..... 69	1001289296.....557
1001201083.....23	1001215778..... 315	1001233666..... 315	1001291183.....555
1001201114.....453	1001215898..... 555	1001233720..... 71, 74	1001292174.....383
1001201115.....459	1001215941..... 169	1001233723..... 173, 175	1001294815.....679
1001201117.....437	1001217623..... 541, 543, 547, 549	1001233724..... 173, 193	1007367100..... 175, 177, 179, 181, 185, 189, 191
1001201151.....551	1001218358..... 634	1001233725..... 173	1007367300..... 193, 195, 197, 199, 201, 205, 207
1001201252.....511	1001218381..... 571	1001233784..... 169	101977201.....379
1001201526.....39	1001219082..... 169, 555	1001234525..... 259	1060628.....39
1001201527.....39	1001220705..... 323	1001234526..... 261	1060680..... 603, 607
1001201538..... 165	1001220853..... 565	1001234973..... 253	10719267.....335
1001201659.....63	1001221303..... 259, 387	1001234992..... 175, 525	10837580..... 413, 415
1001201668..... 74, 475	1001223453..... 644, 652	1001235014..... 251, 253	1101244..... 413, 415
1001201826.....529	1001225578..... 463, 467	1001235015..... 251	1271599.....63
1001202006..... 271, 439	1001226247..... 517	1001235711..... 263	1321716.....163
1001202007..... 259, 261, 263, 265, 267, 269, 271	1001226328..... 595	1001235712..... 265	14404793..... 74
1001202141.....433	1001226400..... 619	1001235715..... 345	1701500..... 644, 648, 652
1001202247..... 169	1001226632..... 593	1001235716..... 259, 261, 263, 265, 441	1702300..... 644, 648, 652
1001202297..... 441, 443	1001226654..... 593	1001236272..... 557, 559	1706098.....648
1001202352..... 323, 335	1001226636..... 593	1001236302..... 557	1706209.....648
1001202502.....333	1001226637..... 593	1001236316..... 219	1706281.....648
1001202939..... 321, 323	1001226739..... 553, 593	1001236317..... 231	1706282.....648
1001203181..... 169	1001226796..... 553	1001236319..... 237	1706284.....648
1001204032..... 169, 507	1001226799..... 553	1001236320..... 225	1706285.....648
1001204045.....75	1001226831..... 587	1001236321..... 245	1706292.....648
1001204047.....75	1001227066..... 595, 619	1001236337..... 559	1706296.....644
1001204360..... 397, 399	1001227068..... 619	1001236413..... 433	1706298.....644
1001204362..... 397, 399	1001227077..... 169	1001236417..... 441, 443	1706299.....644
1001204363.....397	1001227091..... 135	1001236418..... 433	1706300.....644
1001204385.....399	1001227266..... 619	1001236419..... 433	1706301.....644
1001204464..... 397, 399	1001227458..... 553	1001236420..... 433	1706302.....644
1001204469..... 397, 399	1001227964..... 169	1001236666..... 219, 221	1706768.....644
1001204470..... 397, 399	1001228273..... 169	1001236667..... 219, 223	1706850.....644
1001204674..... 169	1001228447..... 71	1001236668..... 237	1707078.....644
1001204676..... 169	1001228593..... 555	1001236669..... 237	1784861.....63
1001204677..... 169	1001228643..... 169	1001236676..... 537	2080057.....641
1001204678..... 169	1001228975..... 129	1001236678..... 539	2110404..... 409, 411, 423
1001204679..... 169	1001229107..... 595	1001236782 71, 427, 429, 682	2110406.....421
1001204854.....463	1001229458..... 555, 629	1001236783 71, 427, 429, 682	2110606..... 409, 411
1001204856.....465	1001229461..... 679	1001236787..... 431	2110608.....419
1001205397..... 169	1001230503..... 169	1001236788..... 431	2110810.....421, 455
1001206603..... 169	1001230931..... 568	1001236953..... 267	2111010..... 407, 421, 429
1001207171.....633	1001230934..... 561	1001236954..... 269	2111012.....421
1001207768..... 121	1001230935..... 561	1001236957..... 267, 269, 443	2112020.....417
1001207837.....271	1001231397..... 633	1001236959..... 267, 269, 301	2130404..... 81, 439
1001207923..... 125	1001231398..... 633	1001237192..... 67, 427	2130406.....383
1001207924..... 125	1001231400..... 633	1001237214..... 69, 429	2130604.....121
1001207925..... 125	1001231401..... 633	1001238317..... 75	2130606..... 121, 141, 143, 439
1001207926..... 121, 125	1001231402..... 633	1001239184..... 271, 655	2130608..... 121, 419, 423, 439
1001208119.....272	1001231403..... 633	1001239539..... 169	2130808..... 141, 143
1001208593..... 272, 568	1001231404..... 633	1001239965..... 61	2131008.....74
1001208616..... 259, 261, 277	1001231406..... 633	1001247421..... 551	2131010..... 405, 423, 455
1001208617..... 263, 265, 267, 269, 279	1001231801..... 644	1001247559..... 129	2131212..... 145, 421
1001208759.....35	1001232351..... 221, 223	1001254186..... 561	2144611.....161
1001208854.....417	1001232716J..... 15	1001254187..... 561	2145004.....377
1001209009..... 121, 637	1001232719..... 59	1001262322..... 553	2150406.....383, 395
1001209063..... 441, 443	1001232722..... 429	1001262326..... 553	2150606.....429
1001209089..... 435, 437	1001232888..... 449, 451	1001262960..... 595	2150608..... 121, 419
1001209102.....511	1001233213..... 169, 631	1001262963..... 595	2150808.....417
1001209103.....517	1001233235..... 169, 633		
1001209966..... 321, 323	1001233451..... 129		
1001210326.....77	1001233503..... 129		
	1001233558..... 652		
	1001233572..... 59		

SECTION 12 - RECOMMENDED SPARE PARTS

2150810 455	3300240 93, 95	4460260....573, 577, 585,	4460932 ... 533, 565, 617,
2151010 423	3300430 87	611	627, 631
2151212 417	3300454 517	4460267.....569	4460933 ... 562, 568, 576,
2160002 79	3310401 511	4460312.....575	587
2160016 77	3310805 559	4460321.....634	4460941 561, 573
2170108 417	3311001 ... 335, 511, 517,	4460374....575, 576, 585,	4460942 561, 568, 611
2170110 421	617	611	4460945 ... 568, 577, 584,
2170112 145	3311005 ... 363, 535, 537,	4460419.....568	587, 634
2170210 455	539	4460457.....570, 576	4460970 ... 573, 579, 585,
2170308 421	3311405 379, 655	4460458....577, 603, 607,	617
2170406 417	3311501 39, 321, 323	611, 633	4460994 ... 561, 569, 573,
2170410 161	3311502 27	4460459.....570	599, 601, 605
2170412 161	3311505 33, 165, 167,	4460464....531, 533, 565,	4461008 562, 584
2170506 441, 443	535, 537, 539	568, 569, 571, 573,	4461018 576
2170704 161, 417	3311508 527	576, 579, 581, 584,	4461021 615
2170708 421	3311608 25	585, 593, 597, 599,	4461054 562
2170712 161, 417	3311705 74	601, 603, 605, 607,	4461070 562
2170804 161	3340943 17	609, 613, 619, 627,	4461071 561
2170808 417	3391410 81, 123	631, 637	4461095 561, 562
2171712 417	3423275 93, 95	4460465....562, 565, 568,	4461115 ... 601, 603, 607,
2171716 417	3430507 375	569, 570, 571, 573,	609
2220218 429	3450304 375	575, 576, 577, 584,	4461118 577, 589
2220239 27	3576766 173	585, 587, 591, 593,	4461119 525, 617
2220251 165, 167	3700016 648	601, 605, 633, 637	4461174 ... 541, 543, 547,
2220313 165, 167	3740080 ... 335, 517, 575,	4460466....531, 562, 568,	549
2220550 417	577, 617	569, 573, 575, 576,	4461227 589
2220591 439	3790152 169	577, 579, 584, 585,	4461262 570, 575, 597
2220612 431	3900302 305, 307	587, 591, 593, 599,	4520259 233, 235
2220885 467	3900306 335	617, 627, 633	4640163... 221, 223, 227,
2221198 449, 451	3900393 74	4460475.....570, 633	229, 233, 235, 247, 249
2221229 433	3910408 511	4460488 543, 549	4641474 425
2221257 161	3930812 559	4460496.....576	4711000 ... 335, 511, 517,
2221285 175	3931010 299	4460497.....576	617
2221290 427, 429	3931012 551	4460509.....576	4711400 87, 305, 417,
2300037 333	3931412 271, 401	4460518....576, 577, 584,	449, 451, 453, 511,
2340037 111	3931416 25	587, 633	517, 535, 537, 539,
2400060 570	3931448 517	4460536....569, 576, 585	543, 549, 557
2620052 55, 57	3931548 429	4460539....568, 576, 584,	4711500 ... 17, 25, 27, 39,
2820019 603, 607	3931556 121	587, 633	75, 141, 143, 157, 271,
2820171 565	3931572 121	4460705.....569	351, 417, 427, 429
2902443 561	3931579 648	4460742.....575, 633	4711600 . 17, 25, 79, 141,
2920204 537, 539	3944574 45, 49	4460746....601, 603, 607,	143, 159, 165, 167,
2920206 ... 541, 543, 545	3951814 123	609	405, 407, 511
2920207 625	3960600 615	4460748.....577	4711700 74
2920208 535, 537	3983720 201, 215	4460761....569, 584, 633	4711800 463, 465
2920209 341	3983731 185, 201	4460809 634	4711900 449
31211321 683	3984301 181, 185	4460851 568, 584	4712000 47, 51, 55
31211325 683	3990013 571	4460852 584	4712200 33, 35
3271405 381, 511	4031612 615	4460871 569	4740120 307
3271501 17, 141, 143,	4031918 453	4460872 569	4740281 145
157	4040291 173	4460884....568, 570, 577,	4750400 511
3271601 17, 135, 141,	4100181 ... 644, 648, 652	591, 633	4750600 29
143, 145, 159, 511	4105262 74	4460891 ... 561, 565, 570,	4750800 559
3272201 33, 173, 257	4240032 ... 545, 553, 555,	575, 576, 577, 584,	4751000 535, 537, 539
3272401 25, 257	595	585, 601, 605, 611,	4751400 449
3282001 25	4240033 551	633, 637	4751500 259, 261
3290405 345	4240084 243	4460894....568, 569, 584,	4751600 59, 61
3290505 169, 555	4240099 433	585, 593	4752200 ... 23, 43, 45, 47,
3290507 615	4360658 ... 535, 537, 539	4460897....561, 570, 571,	49, 51, 55, 551
3290601 89, 545	4460019 568, 575	581, 584, 585, 603,	4761000 511
3290605 19, 543	4460042 531	607, 609, 617, 637	4761400 271, 375
3290801 ... 141, 143, 335,	4460043 ... 568, 571, 575,	4460899....531, 597, 599,	4761600 79, 511
375	577	601, 605, 617	4762200 33
3290807 621, 623	4460227 584	4460905.....569	4771000 335
3291007 85	4460234 553, 555	4460911 584	4804533 49
3291201 279	4460259 ... 573, 577, 585,	4460930....569, 573, 576	4805921 49
3300143 511	611	4460931 613	4811400 345

SECTION 12 - RECOMMENDED SPARE PARTS

4811600.....129, 169, 555, 615	70020282..... 189	70021338 97, 99, 101	70023036..... 191, 205
4811700..... 19, 89, 543	70020284 189	70021342 97, 107	70023040..... 313
4811700001.....387	70020285 189	70021343 97, 99	70023041..... 313
4811900.....75, 129, 141, 143, 149, 169, 321, 323, 335, 621, 623	70020288 199	70021345 97, 99	70023139..... 317
4811902.....335	70020290 189	70021346 97, 99	70023325..... 373
4812000..74, 77, 89, 129, 135, 145	70020291 189	70021347 97, 99	70023369... 467, 473, 477
4812002.....77	70020292 189	70021348 97, 99	70023371..... 477
4812100.... 129, 131, 133, 135, 161, 335	70020293 189	70021349 97, 99, 101	70023372..... 473
4812300.....49	70020295 189	70021350 97, 99, 101	70023373..... 477
4831700.....545	70020296 189	70021351 97, 99, 101	70023945..... 415
4832000.....271	70020297 189	70021352 495	70023946..... 413, 415
4891400.....145	70020298 189	70021356 107	70023974..... 471
4891500.....33, 165, 167, 417, 535, 537, 539	70020301 191	70021357 107	70024190..... 151, 682
4891600.....25	70020302 191, 205	70021358 107	70024191..... 151, 682
4891700..... 135	70020303 199	70021359 107	70024386..... 331
4892000.....25, 129	70020346 209	70021360 107	70024528..... 189
4892200.....173	70020370 471, 682	70021361 107	70024863..... 181
4892400.....25, 257	70020372 471	70021362 107	70024864..... 181
4920017.....533, 581, 627	70020373 471	70021363 97, 99, 107, 501	70024866..... 181, 199
4923141.....565	70020375 471	70021364 107	70024873..... 181
4923287561	70020376 475	70021365 107	70024874..... 181
5220500.....537, 539	70020377 471, 682	70021366 107	70024875..... 181
5241000.....85	70020390 682	70021367 107	70024878..... 185, 201
5272012.....557	70020551 373	70021368 107	70024881... 185, 201, 207
70002064.....415	70020555 117	70021369 107	70024883..... 185, 201
70002386.....413, 415	70020560 107	70021370 107	70024888..... 201, 217
70004637.....473, 477	70020562 107	70021377 107	70024897..... 189
70005433.....467	70020621 285	70021387 107	70024927..... 181, 199
70020230.....181	70020716 495	70021397 101	70024929..... 181, 199
70020231.....181	70020717 495	70021399 107	70024933..... 479
70020232.....181	70020718 495	70021415 101	70024934..... 479
70020233.....199	70020719 495	70021440 501, 503	70024935..... 479
70020234..... 181, 199	70020764 457, 499	70021444 501, 503	70024936..... 479
70020235.....181	70020769 401, 682	70021446 501, 503	70024937..... 479
70020240..... 181, 199	70020770 401	70021447 97, 99, 101, 501, 503	70024938..... 479
70020243.....181	70020771 401	70021448 97, 99, 101, 501, 503	70024939..... 479
70020244..... 181, 209	70020795 341	70021451 501, 503	70024940..... 481
70020245..... 181, 209	70020867 493	70021452 .. 501, 503, 682	70024941..... 481
70020247... 181, 189, 209	70020871 489	70021462 503	70024942..... 481
70020249..... 181, 209	70020919 497, 682	70021464 97, 99, 501	70024943..... 481
70020250..... 181	70020920 497	70021475 497	70024944..... 481
70020251..... 181, 199	70020922 491, 682	70021531 457, 499	70024945..... 481
70020252..... 181	70020923 389, 393	70021928 181, 209	70024947..... 481
70020253..... 181	70020924 389, 393	70021929 181, 209	70024948..... 481
70020255..... 181	70020925 389, 393	70021939 181	70024949..... 481
70020256..... 181	70020926 393	70021940 189	70024950..... 481
70020257..... 181	70020927 393	70021941 189	70024951..... 483
70020258..... 181	70021076 199	70021942 189	70024952..... 483
70020259..... 181	70021079 283	70022097 99, 101	70024953..... 483
70020260..... 181	70021082 283	70022102 99, 101	70025249..... 151
70020261..... 181	70021090 283	70022103 99, 101	70025562..... 185, 201
70020262..... 181	70021095 283	70022104 99, 101	70025925..... 329
70020263..... 181	70021147 .. 179, 185, 201	70022105 97, 99, 101	70026263..... 189
70020265..... 181	70021150 . 185, 201, 211, 213	70022106 97, 99	70026308... 467, 473, 477
70020266..... 181	70021151 185, 201	70022107 101	70026582..... 493
70020267..... 181	70021155 185, 201	70022108 101, 503	70026875..... 185, 201
70020269... 181, 191, 205	70021196 199	70022110 101	70027024..... 311
70020271..... 181	70021198 207	70022111 101	70027025..... 311
70020273..... 189	70021200 207	70022112 101	70027026..... 311
70020276..... 189	70021221 209	70022564 .. 467, 473, 477	70027028..... 311
70020280..... 189	70021270 505	70022726 481	70027030..... 311
	70021271 505	70022805 329, 331	70027032..... 311
	70021272 505	70022818 57	70027033..... 311
	70021273 505	70022847 491	70027034..... 311
	70021275 505	70023035 191, 205	70027035..... 311
	70021276 505, 682		70027114..... 185, 201
			70027176..... 53, 57

SECTION 12 - RECOMMENDED SPARE PARTS

70027177 53	70029279 185, 201	7139886.....463, 465	8223531 335
70027178 53	70029280 185, 201	7300032.....74, 682	8229234 633
70027242 473, 477	70029281 185, 201	7300034.....74, 682	8229235 633
70027243 473, 477	70029282 185, 201	7300518.....74, 682	8229242 568, 575
70027244 473, 477	70029283 185, 201	77133136....75, 427, 429	8229243 568
70027245 473	70029284 185, 201	77133137....75, 321, 323, 427, 429	8229244 568, 575
70027246 473	70029285 .. 185, 201, 217	77133279.....321, 323	8229245 568
70027247 473	70029286 .. 185, 202, 211	77143016.....517, 617	8229261 633
70027248 473, 682	70029287 .. 185, 202, 213	77383377.....511	8275212 159
70027249 477	70029288 185	8001888.....81	8303034... 271, 287, 289, 323, 335, 341, 343, 345, 379, 381, 543, 549, 655
70027250 477	70029289 186, 202	8001989.....621	8303114 417
70027251 .. 467, 477, 682	70029290 186, 202	8001991.....623	8303739 79
70027252 477	70029291 186, 202	8002110.....81	8303839 511
70027253 477	70029292 186, 202	8002789.....47	8305002 307
70027254 477	70029293 189	8005670.....648	8305004 449, 451
70027255 477, 682	70029294 189	8005671.....63	8305038 135
70027256 467	70029295 189	8005870....644, 648, 652	8305624 511
70027257 467	70029296 189	8010200.....45	8305626 121, 429
70027259 467	70029297 189	8010204.....45, 47	8305645 74, 429
70027260 467	70029298 189	8010234.....47	8307024... 259, 261, 263, 265, 267, 269
70027261 467	70029299 189	80204012.....185, 202	8307106 121, 429
70027262 467, 682	70029300 191, 205	80204065.....185, 201	8307109 271
70027315 185, 201	70029301 191, 205	80204111.....189	8307110 429
70027400 485, 487	70029302 199	80204117.. 185, 189, 201, 207, 682	8307222 163
70027401 485	70029303 199, 209	80204147.....181	8307904 74
70027556 485, 487	70029304 201	80204172.....185, 201	8310053 271
70027557 485, 487	70029441 501	80204178.....181	8310160 74
70027591 155	70029975 475	80204213.....199	8310246 253
70027592 155	70030251 201	80204281 189	8310297 ... 129, 131, 133, 135
70027610 475	70030368 475	80233256.....385	8310420 149
70027611 475	70030369 475	80233257.....385	8310748 135
70027612 475	70030370 475	80264138.....401	83191010 251
70027632 331	70030371 475	80264139.....401	83201102 51
70027638 475, 682	70030769 185, 201	80325.....271	8342813 21, 283, 683
70027859 181	70030962 151	80333184.....383, 385	8360005 163
70027862 189	70030963 151	80334492 479	8405006 25, 449, 451
70027865 191, 205	70050641 101	8033761.....413, 415	8405101 169
70027866 191, 205	7010543 ... 413, 415, 489	8035487.....271	8405102 145, 147
70027989 101	7012941 489	8035632.....283	8405104 145
70028239 487	7024872 489	8036064.....283	8405201 145
70028240 487	7026481 373	80364005.....283	8405204 159
70028241 487	7026798 311, 313	80364037.....283	8406003 511
70028388 181, 682	7026799 313	8036629 471	8406102 449, 451
70028389 .. 181, 202, 682	7026900 313	80383231.....321, 323	8406112 129
70028473 201, 217	7026901 313	80383410.....371, 373	8410001 141, 143
70028474 201, 217	7026902 313	80623016.....431	8410009 ... 163, 321, 323
70028514 507	7026905 313	806253.....39	8410011 ... 149, 157, 169
70028515 507	7026906 313	806264.....39	8420227 145
70028516 507	7028706 ... 179, 185, 189, 197, 201	80633030.....433	8420236 145
70028517 507	7028733 185, 202	80673023 129	8430032 161, 433
70028535 207	7029432 ... 185, 201, 215	80963058 617	8430068 165, 167
70028856 467	7029520 117	80963062.....570	8430082 161
70028884 189	7029521 117	80983191.....568, 575	8466306 271
70029265 179, 197	7029690 97, 99, 101	82033997...275, 305, 307	84712749 163
70029266 181	7029691 97, 99	8220007 573	8520001 431
70029267 181, 209	7029692 97, 107	8220035 631	8522012 74
70029268 182	7029700 97, 99	8220045 561, 575	8522031 74
70029269 185	7029705 97, 99	8220051 561, 571	8584003 431, 557
70029270 185, 201	7029711 97, 99, 101, 107	8220081 575, 576	85941016 543, 549
70029272 185, 201	7029713 97, 99	8220089....575, 577, 611	85941017 543
70029273 185, 201	7029714 101, 107	8220108.....631	8642207 74
70029274 185, 201	7029865 495	8220115.....568, 575	
70029275 185, 201	7075611 74	8220125.....577	
70029276 185, 201	7082362 74, 682	8220162.....611	
70029277 185, 201	7126182 74, 682	8220164.....585	
70029278 185, 201	7126662 74		

SECTION 12 - RECOMMENDED SPARE PARTS

8642224.....74	8866514 ... 259, 261, 263, 265, 267, 269	91084008 495	91413036.....321, 323
86883327.....25	88671001 74	91084009 495	91474507..... 185, 201
8750042.....335	8880219-OM 173	91084010 495	91474512.. 181, 185, 201, 682
8769122.74, 79, 427, 429	8880220 173	91084019 495	91474516.....207
8769123 74, 79, 335, 427, 429	8880221 173	91084233 495	91474532..... 199
8770241 175	8881802 543, 549	91084278 495	91474579.....201, 215
8770248.....161	8904001 145	91084279 495	91474580..... 201, 215
8770296.....161	90027187 429	91094023 495	91474584..... 185, 201
88212229.....417	90027473 257	91143339 561	91474585..... 201, 217
88261026..... 145	90028488..... 17	91143340 576	91504028.....401
88261030.....253	90200003..... 93, 95	91143357 511, 683	91504029.....401
88501010.....47, 51, 55	90554016 97, 99	91304025 401	91513266..... 251
88501012.....35, 45, 47	90554017 97, 99, 101, 107	91403097 257	91514117..... 185, 201
88521205.....271	90554020 97, 99, 101	91403153 257	91514118.....251
88521206.....253	90554042 97, 99, 101	91403217 257	91514188... 179, 185, 197
88521208.....79, 83, 121, 463, 465	90554045 501, 503	91403412 173	91514189..... 185, 201
88521304.....341, 375	90554062 107	91404013 401	91514224.....401
88631566.....517	90554065 97, 99, 107	91404016 401	91514272.....331
88662480.....161	90554076 107	91404182 495	91554014.....568
88662482.....433	90554080 117	91404186 495	91563136.....27
88662523.....405, 407	909304 63	91404189 495	91563164.....317
	91043147 429	91404309 283	91563220... 644, 648, 652
		91404326 401	91565064.....317



31211319



An Oshkosh Corporation Company

Corporate Office
JLG Industries, Inc.
1 JLG Drive
McConnellsburg, PA 17233-9533 USA
☎ (717) 485-5161 (Corporate)
☎ (877) 554-5438 (Customer Support)
☎ (717) 485-6417

Visit our website for JLG Worldwide Locations.
www.jlg.com