



***Illustrated Parts Manual
Manuel de pièces détachées***

MODEL / MODELE

**TOUCAN 8E
TOUCAN 20E**

**PVC
2201**

ANSI

CE



AS/NZS

31210434

April 17, 2023
REV B



An Oshkosh Corporation Company

REVISION LOG

REVISION LOG

January 10, 2022 ----- A - Original issue of Manual - PVC2201 (Edited to B/M 1001220000 Revision N)
April 17, 2023 ----- B - Update Upper Control Box - Edited to B/M 1001220000 Revision P

TABLE OF CONTENTS

SECTION 1 - HOODS INSTALL / INSTALLATION CAPOTS	7
FIGURE 1-1. HOODS INSTALL / INSTALLATION CAPOTS	8
SECTION 2 - FRAME INSTALL / INSTALLATION CHASSIS	13
FIGURE 2-1. FRAME INSTALL / INSTALLATION CHASSIS	14
FIGURE 2-2. STEERING WHEEL HUB / MOYEU ROUE DIRECTRICE	18
FIGURE 2-3. DRIVE GEAR MOTOR / MOTOREDUCTEUR DE ROUE	20
SECTION 3 - MAST #1 INSTALL / INSTALLATION MAT 1	23
FIGURE 3-1. MAST 1 INSTALL / INSTALLATION MAT 1	24
FIGURE 3-2. REDUCER KIT / KIT REDUCTEUR	28
FIGURE 3-3. MTB INSTALL / INSTALLATION COMMANDES BASSES	30
FIGURE 3-4. CONTROL PANEL WITH ENABLE / BOITIER BAS AVEC VALIDATION	32
FIGURE 3-5. CONTROL PANEL W/O ENABLE / BOITIER BAS SANS VALIDATION	34
SECTION 4 - MAST AND BOOM INSTALL / INSTALLATION MAT ET BRAS	37
FIGURE 4-1. MAST AND BOOM INSTALL / INSTALLATION MAT ET BRAS	38
FIGURE 4-2. PULLEY SUPPORT LL10-44 / SUPPORT POULIE LL10-44	40
FIGURE 4-3. PULLEY SUPPORT LL12-66 / SUPPORT POULIE LL12-66	42
SECTION 5 - PLATFORMS INSTALL / INSTALLATION PLATE-FORMES	45
FIGURE 5-1. PLATFORM SUPPORT INSTALL / INSTALLATION SUPPORT PLATE-FORME	46
FIGURE 5-2. PLATFORM WITH DROP BAR / PLATE-FORME AVEC LISSE COULISSANTE	48
FIGURE 5-3. 8E-XL PLATFORM,DROP BAR / 8E-PLATE-FORME XL - LISSE COULISSANTE	50
FIGURE 5-4. PLATFORM WITH SALOON GATES / PLATE-FORME AVEC PORTE SALOON	52
FIGURE 5-5. SKYLINE INSTALL / INSTALLATION SKYLINE	54
FIGURE 5-6. CONSOLE AND CONTAINER INSTALL / INSTALLATION BOITIER DE COMMANDE ET BOITE A OUTILS	56
FIGURE 5-7. PLATFORM CONSOLE ASSEMBLY / BOITIER HAUT (Prior to SN A300063324)	58
FIGURE 5-8. PLATFORM CONSOLE ASSEMBLY / BOITIER HAUT (SN A300063324 to Present)	60
SECTION 6 - POWER TRACKS AND CLAMPS / INSTALLATION CHAINES PORTE-CABLES	63
FIGURE 6-1. INSTALL,POWER TRACKS AND CLAMPS / INSTALLATION CHAINES PORTE-CABLES	64
SECTION 7 - HYDRAULIC INSTALL / INSTALLATION HYDRAULIQUE	69
FIGURE 7-1. HOSES KIT DIAGRAM / SCHEMA KIT FLEXIBLES	70
FIGURE 7-2. CONTROL VALVES INSTALL / INSTALLATION DISTRIBUTEURS	72
FIGURE 7-3. TANK AND PUMP INSTALL / INSTALLATION GROUPE HYDRAULIQUE	74
FIGURE 7-4. TANK AND PUMP / GROUPE HYDRAULIQUE	76
FIGURE 7-5. VALVE ASSY,MAST CYLINDER / ASSEMBLAGE DISTRIBUTEUR VERIN MAT	78
FIGURE 7-6. VALVE ASSY,JIB CYLINDER / ASSEMBLAGE DISTRIBUTEUR VERIN BRAS	80
SECTION 8 - ELECTRICAL SYSTEM INSTALL / INSTALLATION ELECTRIQUE	83
FIGURE 8-1. CABLES AND SWITCHES INSTALL DIAGRAM / DIAGRAMME D'INSTALLATION CABLES ET CAPTEURS	84
FIGURE 8-2. KIT, POWER CABLES / KIT CABLES DE PUISSANCE	90
FIGURE 8-3. BATTERY AND CHARGER W/O CW INSTALL / INSTALLATION BATTERIES ET CHARGEUR SANS CP	92
FIGURE 8-4. BATTERY AND CHARGER WITH CW INSTALL / INSTALLATION BATTERIES ET CHARGEUR AVEC CP	94
FIGURE 8-5. SWITCHES AND COVERS INSTALL / INSTALLATION CAPTEURS	96
SECTION 9 - DECALS INSTALL / INSTALLATION AUTOCOLLANTS	99
FIGURE 9-1. DECALS INSTALL ALL PRODUCTS / INSTALLATION AUTOCOLLANTS TOUT PRODUIT	100
SECTION 10 - OPTIONS / OPTIONS	109
FIGURE 10-1. SKYLINE BEACON INSTALL / INSTALLATION FEU SKYLINE	110
FIGURE 10-2. INSTALL,PEDAL FOR JAPAN / INSTALLATION PEDALE POUR JAPON	112
FIGURE 10-3. MOTION ALARM INSTALL / INSTALLATION ALARME DE MOUVEMENT	114
FIGURE 10-4. 230V PLATFORM SOCKET INSTALL / INSTALLATION PRISE PLATE-FORME 230V	116
FIGURE 10-5. PLATFORM 115V GFI-US SOCKET INSTALL / INSTALLATION PRISE PLATE-FORME 115V GFI-US	118

TABLE OF CONTENTS

FIGURE 10-6. PLATFORM 115V IEC SOCKET INSTALL / INSTALLATION PRISE PLATE-FORME115V EIC..... 120

FIGURE 10-7. AIRLINE 5/16" INSTALL / INSTALLATION AIR COMPRIME 5/16"..... 122

FIGURE 10-8. WORKING LIGHT INSTALL / INSTALLATION PHARE DE TRAVAIL..... 124

FIGURE 10-9. UCB PROTECTION INSTALL / INSTALLATION PROTECTION BOITIER HAUT 126

SECTION 11 - RECOMMENDED PARTS LIST / LISTE DE PIECES RECOMMANDEES..... 129

 FIGURE 11-1. RECOMMENDED PARTS LIST / LISTE DE PIECES RECOMMANDEES 130

SECTION 12 - SPECIAL OPTIONS / OPTIONS SPECIALES..... 133

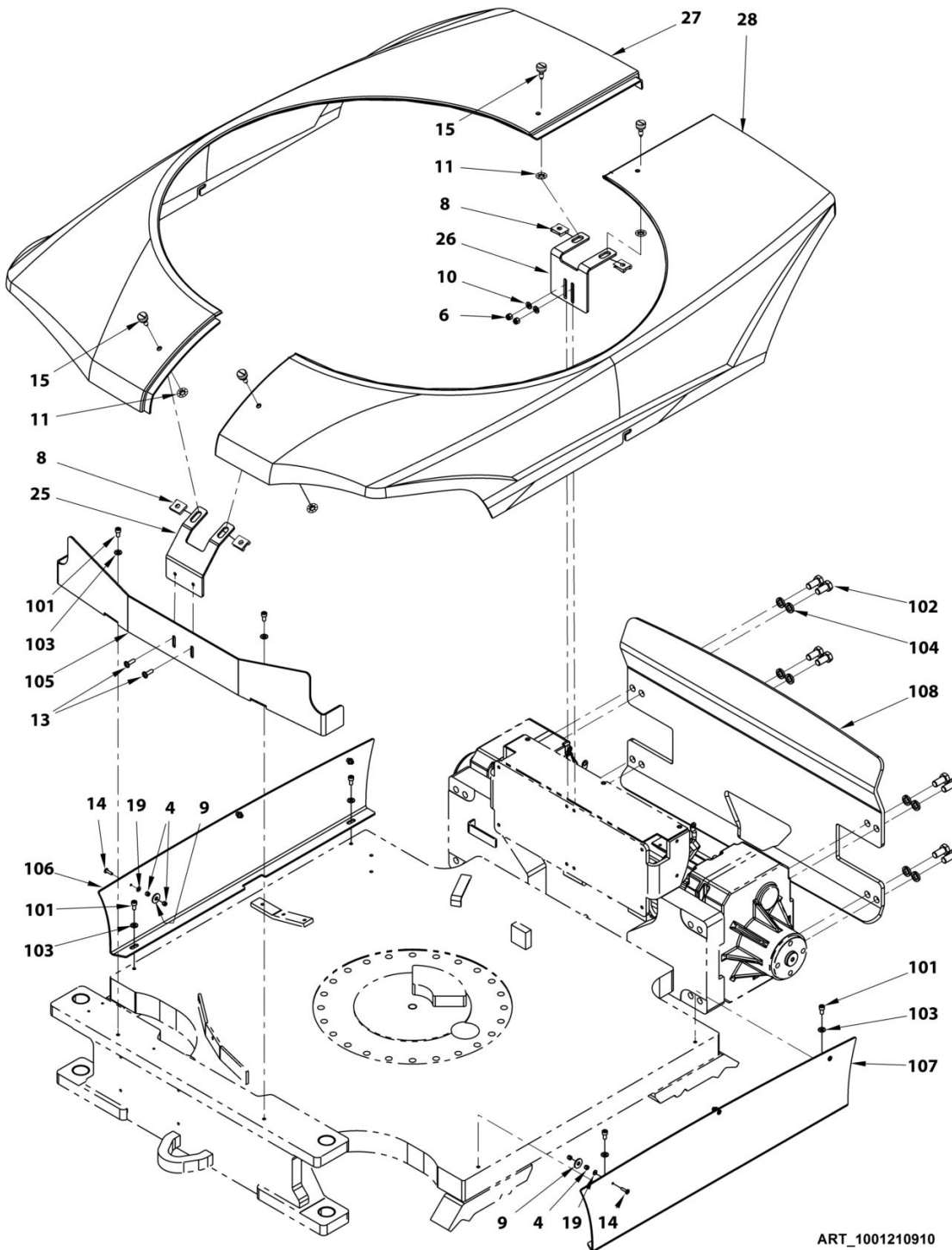
 FIGURE 12-1. SPECIAL OPTIONS / OPTIONS SPECIALES 134

PART NUMBER INDEX..... 137

SECTION 1 - HOODS INSTALL / INSTALLATION CAPOTS

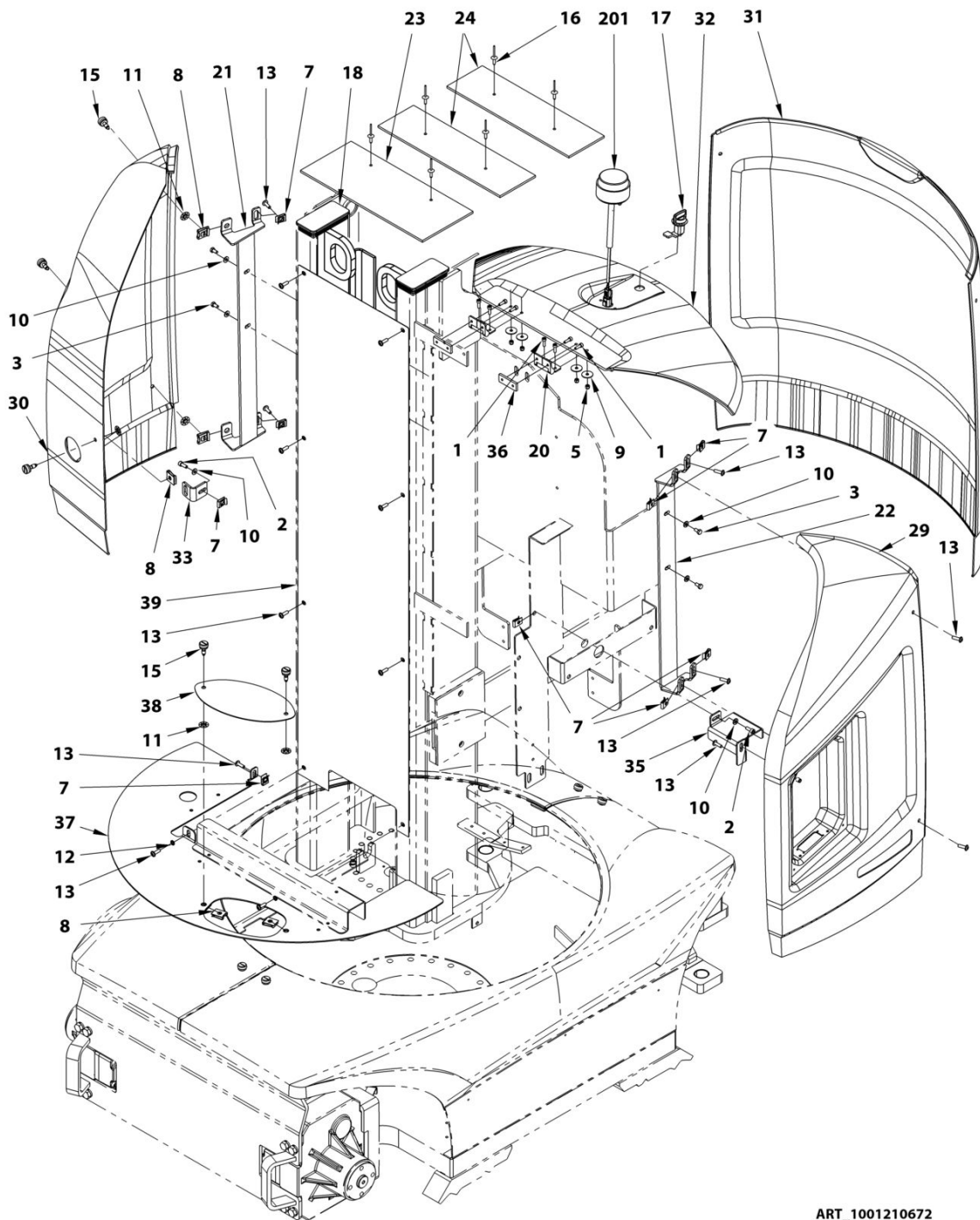
SECTION 1 - HOODS INSTALL / INSTALLATION CAPOTS

FIGURE 1-1. HOODS INSTALL / INSTALLATION CAPOTS



ART_1001210910

SECTION 1 - HOODS INSTALL / INSTALLATION CAPOTS



ART_1001210672

SECTION 1 - HOODS INSTALL / INSTALLATION CAPOTS**FIGURE 1-1. HOODS INSTALL / INSTALLATION CAPOTS**

ITEM	PART NUMBER	QTY	DESCRIPTION	REV
	1001210672	Ref	8E-HOODS INSTALL / 8E-INSTALLATION CAPOTS	C
	1001223623	Ref	20E-HOODS INSTALL / 20E-INSTALLATION CAPOTS	B
1	000003	8	M05x16 8.8 SOCKET HEAD MACH SCREW / VIS CHC M05x16 8.8 BI FT	
2	000015	2	M06x16 8.8 SOCKET HEAD MACH SCREW / VIS CHC M06x16 8.8 BI FT	
3	100027	4	M06x12 8.8 HEX HEAD MACHINE SCREW / VIS H M06x12 8.8 BI FT	
4	110001	12	M04 GR. 8.8 LOCK NUT / ECROU FREIN M4 CL08 BI	
5	110002	4	M05 GR08 LOCK NUT / ECROU FREIN M5 CL08 BI	
6	110003	2	M06 GR08 LOCK NUT / ECROU FREIN M6 CL08 BI	
7	110026	9	M06 CAGE HEX NUT / ECROU CAGE M06	
8	110040	9	D8 CAGE HEX NUT / ECROU CAGE D8	
9	120004	10	dD 06x25 WASHER / RONDELLE dD 06x25x1.2 BI	
10	120009	8	dD 06x14 LOCK WASHER / RONDELLE CONTACT dD 06x14 BI	
11	120057	9	D8 RETAINING WASHER / RONDELLE DE RETENUE D8	
12	120060	2	WASHER, D6 SERRATED LOCK / RONDELLE EVENTAIL D6	
13	130021	18	M06x20 8.8 ROUND HEAD MACH SCREW / VIS BOMBEE ULF M06x20 8.8 BI FT	
14	130062	6	M04x16 8.8 ROUND HEAD MACH SCREW / VIS BOMBEE ULF M04x16 8.8 BI FT	
15	130064	9	D8 FAST-LEAD THREAD SCREW / VIS D8 PAS RAPIDE TETE LARGE	
16	180009	6	Ø5x16 LARGE HEAD POP RIVET / RIVET POP TETE LARGE Ø5x16	
17	190072	1	COMPRESSION LATCH / LOQUET A COMPRESSION	
18	400057	2	CAP / EMBOUT NOIR	
19	120056	6	dD 04x08 LOCK WASHER / RONDELLE CONTACT dD 04x08 BI	
20	190074	2	FRICTION HINGE / CHARNIERE A FRICTION	
21	DL0865	1	SUPPORT, FRONT LEFT HOOD / SUPPORT CAPOTS GAUCHE	
22	DL0866	1	SUPPORT, FRONT RIGHT HOOD / SUPPORT CAPOTS DROIT	
23	ST1403	1	MAST 1 COVER / PROTECTION MAT 1	
24	ST1404	2	MAST 2 AND 3 COVER / PROTECTION MATS 2 ET 3	
25	ST3170	1	FRONT HOOD SUPPORT / SUPPORT AVANT CAPOT	
26	ST3171	1	REAR HOOD SUPPORT / SUPPORT ARRIERE CAPOT	
27	1001248814	1	HOOD,FRAME RIGHT / CAPOT CHASSIS DROIT	
28	1001248815	1	HOODS, FRAME LEFT / CAPOT CHASSIS GAUCHE	
29	ST3327	1	8E-HOOD, MAST RIGHT / 8E-CAPOT MAT DROIT	
29	1001223717	1	20E-HOOD,MAST RIGHT CUTTING / 20E-CAPOT MAT DROIT COUPE	
30	ST3328	1	HOOD, MAST LEFT / CAPOT MAT GAUCHE	
31	ST3329	1	HOOD, FRONT / CAPOT AVANT	
32	ST3330	1	HOOD, BATTERIES / CAPOT BATTERIE	
33	ST3375	1	BRACKET, LEFT HOOD / EQUERRE CAPOT GAUCHE	
35	ST3376	1	SUPPORT, RIGHT HOOD / SUPPORT CAPOT DROIT	
36	ST3377	2	PLATE, NUT / PLAQUE ECROU	
37	ST3471	1	PLATE, SEAL COVER / TOLE COUVRE-JOINT	
38	ST3472	1	PLATE, FLAP CAP / TRAPPE DE VISITE	
39	ST3838	1	PLATE,PROTECTION / TOLE DE PROTECTION	

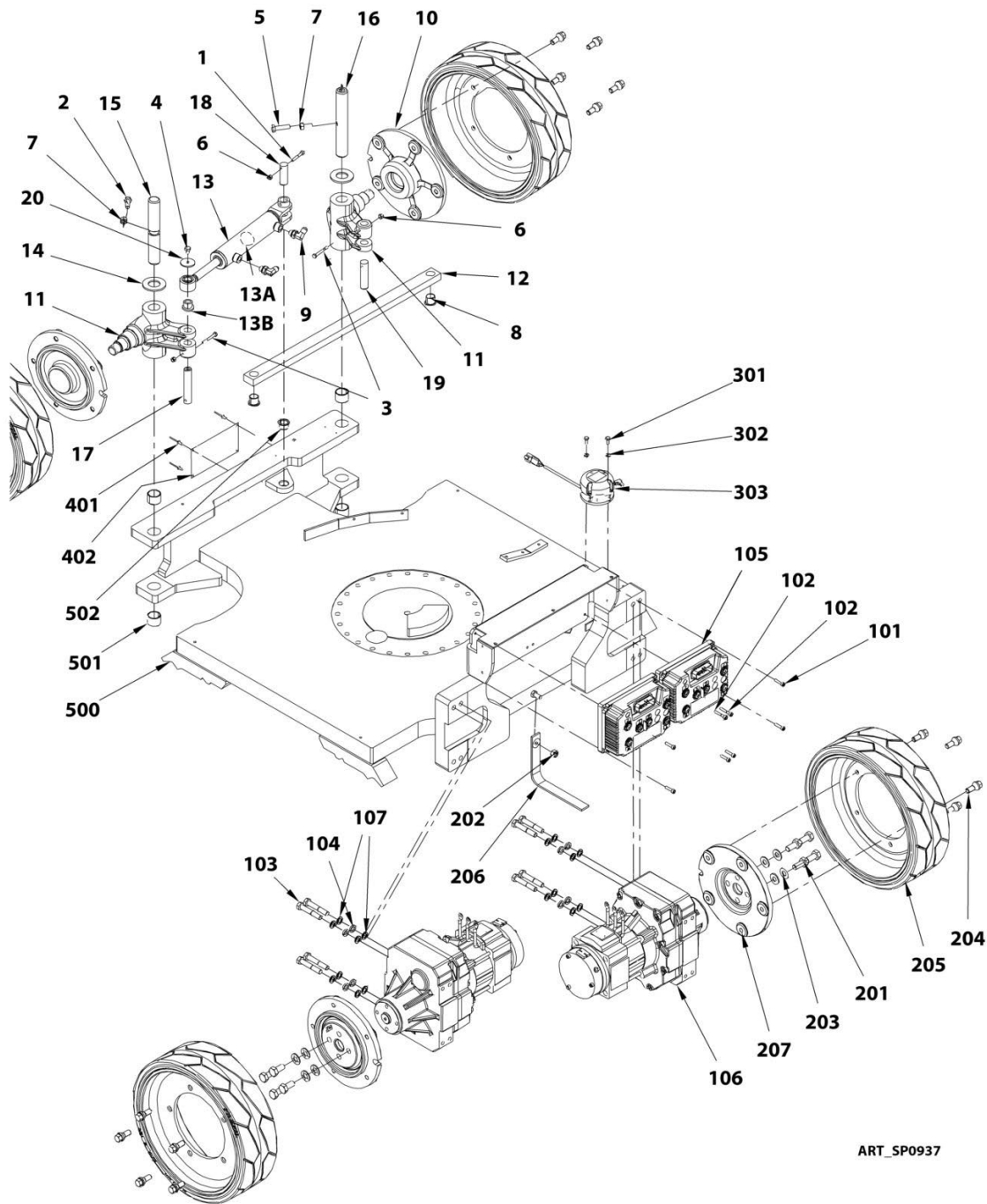
SECTION 1 - HOODS INSTALL / INSTALLATION CAPOTS

ITEM	PART NUMBER	QTY	DESCRIPTION	REV
	1001210910	Ref	FRAME SHIELDS INSTALL / INSTALLATION TOLES CHASSIS	A
101	000014	6	M06x12 8.8 SOCKET HEAD MACH SCREW / VIS CHC M06x12 8.8 BI FT	
102	100021	8	M12x25 8.8 HEX HEAD MACHINE SCREW / VIS H M12x25 8.8 BI FT	
103	120009	6	dD 06x14 LOCK WASHER / RONDELLE CONTACT dD 06x14 BI	
104	120054	8	HELICAL SPRING LOCK WASHER Ø12 / RONDELLE GROWER Ø12 BI	
105	ST3235	1	SHIELD, FRAME FRONT / CARTER AVANT CHASSIS	
106	ST3696	1	SHIELD,FRAME RIGHT / CAPOT CHASSIS DROIT	
107	ST3697	1	SHIELD,FRAME LEFT / CAPOT CHASSIS GAUCHE	
108	ST3841	1	PLATE,REAR FRAME SHIELD / TOLE ARRIERE CHASSIS	
	SA0082	Ref	BEACON INSTALL / INSTALLATION FEU A ECLATS	B
201	PC0534	1	HARNESS, BEACON / FAISCEAU FEU A ECLATS	

SECTION 2 - FRAME INSTALL / INSTALLATION CHASSIS

SECTION 2 - FRAME INSTALL / INSTALLATION CHASSIS

FIGURE 2-1. FRAME INSTALL / INSTALLATION CHASSIS



ART_SP0937

SECTION 2 - FRAME INSTALL / INSTALLATION CHASSIS**FIGURE 2-1. FRAME INSTALL / INSTALLATION CHASSIS**

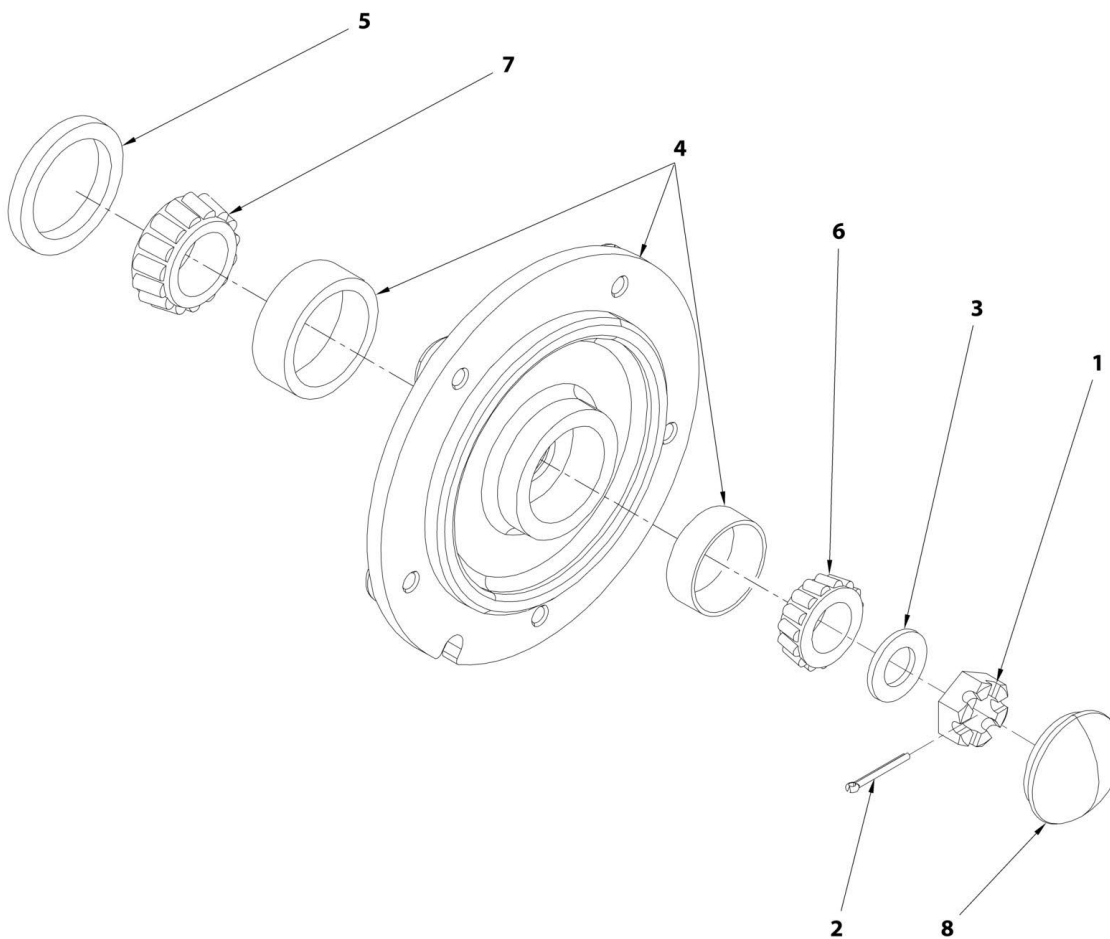
ITEM	PART NUMBER	QTY	DESCRIPTION	REV
	SA0002	Ref	STEER INSTALL / INSTALLATION DIRECTION	D
1	000017	1	M06x40 8.8 SOCKET HEAD MACH SCREW / VIS CHC M06x40 8.8 BI FT	
2	100009	1	M10x30 8.8 HEX HEAD MACHINE SCREW / VIS H M10x30 8.8 BI FT	
3	100013	2	M06x50 8.8 HEX HEAD CAPSCREW / VIS H M06x50 8.8 BI FP	
4	100053	1	M08x12 8.8 HEX HEAD MACHINE SCREW / VIS H M08x12 8.8 BI FT	
5	100102	1	M10x40 8.8 HEX HEAD MACHINE SCREW / VIS H M10x40 8.8 BI FT	
6	110003	3	M06 GR08 LOCK NUT / ECROU FREIN M6 CL08 BI	
7	110008	2	M10 GR08 HEX NUT / ECROU H M10 CL08 BI	
8	150059	2	FLANGE BUSHING Ø20 H21.5 DU / BAGUE EPAULEE Ø20 H21.5 DU	
9	300001	2	90° ELBOW MALE BSPP 1/4-MALE JIC 9/16 / COUDE 90° Mâle BSPP 1/4 -Mâle JIC 9/16	
10	2780266	2	STEERING WHEEL HUB / MOYEU ROUE DIRECTRICE	
11	DL0819	2	SPINDLE / PIVOT DE DIRECTION	
12	ST3158	1	LINK, STEERING / BIELLETTE DE DIRECTION	
13	1001267689	1	STEERING CYLINDER BURNSIDE / VERIN DE DIRECTION BURNSIDE	
13A	1001272231	1	SEAL KIT CYLINDER 1001267689 / KIT DE JOINTS VERIN 1001267689	
13B	150004	2	FLANGE BUSHING Ø20 H11.5 DU / BAGUE EPAULEE Ø20 H11.5 DU	
14	US0134	2	THRUST WASHER / RONDELLE D'APPUI	
15	US0216	1	SPINDLE PIN / AXE DE FUSEE	
16	US0523	1	PIN, ROTARY ANGLE SENSOR / AXE DIRECTION POUR CAPTEUR D'ANGLE	
17	US0528	1	PIN, ARTICULATION D20-104 / AXE D20-104	
18	US0529	1	PIN, ARTICULATION D20-60 / AXE D20-60	
19	US0530	1	PIN, ARTICULATION D20-80 / AXE D20-80	
20	US0531	1	WASHER, ID8xOD37xTH3 / RONDELLE Di 8xDe 37xEP 3	
	SA0001	Ref	WHEEL DRIVE INSTALL / INSTALLATION TRANSLATION	C
101	000008	6	M06x25 8.8 SOCKET HEAD MACH SCREW / VIS CHC M06x25 8.8 BI FT	
102	000077	2	M06x35 8.8 SOCKET HEAD CAPSCREW / VIS CHC M06x35 8.8 BI FP	
103	100103	8	M12x70 10.9 HEX HEAD CAPSCREW / VIS H M12x70 10.9 BR FP	
104	120054	8	HELICAL SPRING LOCK WASHER Ø12 / RONDELLE GROWER Ø12 BI	
105	1001241322	1	CONTROLLER, COMBI-ACO / VARIATEUR COMBI-ACO	
106	1001245202	1	DRIVE GEAR MOTOR / MOTOREDUCTEUR DE ROUE	
107	US0190	16	dDH 13x20x02 HARDENED WASHER / RONDELLE TRAITEE dDH 13x20x02	
	SA0009	Ref	TIRES AND WHEEL INSTALL / INSTALLATION ROUES	C
201	100104	8	M14x1.5x30 10.9 HEX HEAD Mach SCREW / VIS H M14X1.5x30 10.9 BI FT	
202	110005	1	M10 GR08 LOCK NUT / ECROU FREIN M10 CL08 BI	

SECTION 2 - FRAME INSTALL / INSTALLATION CHASSIS

ITEM	PART NUMBER	QTY	DESCRIPTION	REV
203	120055	8	dD 14x30 LOCK WASHER BI / RONDELLE CONTACT dD 14x30 BI	
204	0630580	20	BOLT, WHEEL M12x1.5 / GOIJON DE ROUE M12x1.5	
205	1001114466	4	WHEEL/TIRE 125x406 NON-MARKING / ROUE NON MARQUANTE 125x406	
206	4240147	1	STRAP, ANTI-STATIC 13" / TRESSE ANTI-STATIQUE 13"	
207	US0532	2	HUB, DRIVE / MOYEU ARRIERE	
	1001211358	Ref	2.5° TILT SWITCH INSTALL / INSTALLATION DEVERS 2.5°	A
301	100098	2	M06x16 8.8 HEX HEAD MACHINE SCREW / VIS H M06x16 8.8 BI FT	
302	120009	2	dD 06x14 LOCK WASHER / RONDELLE CONTACT dD 06x14 BI	
303	1001213835	1	SENSOR,TILT 2.5° / DETECTEUR DE DEVERS 2.5°	
	SA0144	Ref	SERIAL NUMBER TAG INSTALL EU / INSTALLATION PLAQUE CONSTRUCTEUR CE	B
	1001213632	Ref	SERIAL NUMBER TAG INSTALL AS-NZS / INSTALLATION PLAQUE CONSTRUCTEUR AS/NZS	C
	1001223689	Ref	SERIAL NUMBER TAG INSTALL ANSI-CSA / INSTALLATION PLAQUE CONSTRUCTEUR ANSI-CSA	A
401	180003	4	Ø5x10 POP RIVET / RIVET POP Ø5x10	
402		Ref	MANUFACTURER'S NAME PLATE / PLAQUE CONSTRUCTEUR	
500	DL0921	1	FRAME WELDMENT / CHASSIS	
501	150019	4	BUSHING Ø30 H25 DU / BAGUE Ø30 H25 DU	
502	150058	1	FLANGE BUSHING Ø20 H16.5 / BAGUE EPAULEE Ø20 H16.5	

SECTION 2 - FRAME INSTALL / INSTALLATION CHASSIS

FIGURE 2-2. STEERING WHEEL HUB / MOYEU ROUE DIRECTRICE



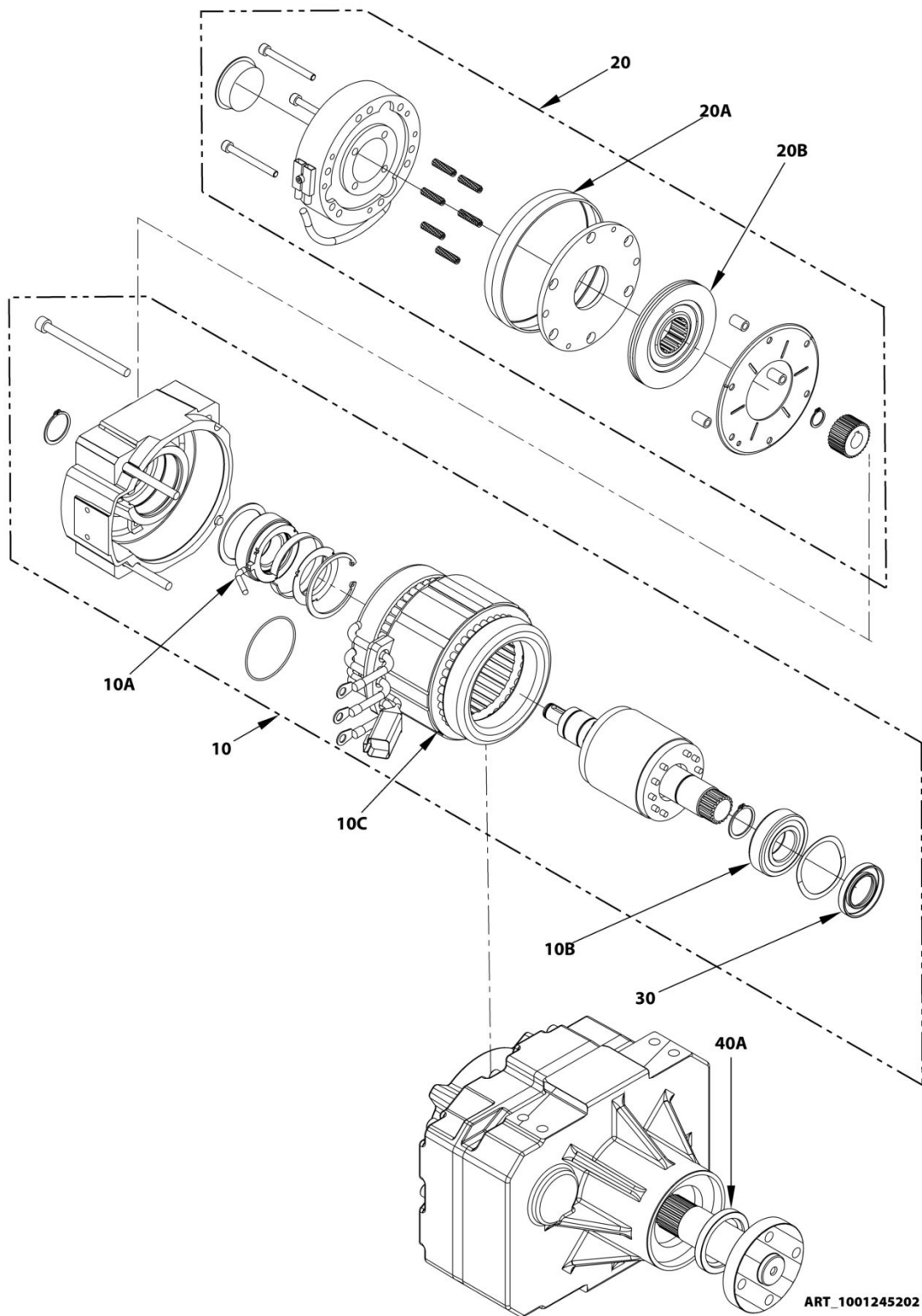
ART_2780266

SECTION 2 - FRAME INSTALL / INSTALLATION CHASSIS**FIGURE 2-2. STEERING WHEEL HUB / MOYEU ROUE DIRECTRICE**

ITEM	PART NUMBER	QTY	DESCRIPTION	REV
	2780266		HUB, STEERING WHEEL / MOYEU ROUE DIRECTRICE	E
1	3300423	1	NUT,SLOTTED / ECROU A ENCOCHE	
2	3450406	1	PIN, COTTER 2" x 3/16" / GOUPILLE FENDUE 2" x 3/16"	
3	4740468	1	WASHER / RONDELLE	
4	1001102189	1	HUB,REAR (ASSY) / KIT MOYEU	
5	1001102349	1	SEAL,GREASE / JOINT GRAISSE	
6	1001102351	1	BEARING CONE INNER / ROULEMENT CONIQUE INTERIEUR	
7	1001102353	1	BEARING CONE OUTER / ROULEMENT CONIQUE EXTERIEUR	
8	1001102354	1	CAP,GREASE / BOUCHON GRAISSE	

SECTION 2 - FRAME INSTALL / INSTALLATION CHASSIS

FIGURE 2-3. DRIVE GEAR MOTOR / MOTOREDUCTEUR DE ROUE



SECTION 2 - FRAME INSTALL / INSTALLATION CHASSIS**FIGURE 2-3. DRIVE GEAR MOTOR / MOTOREDUCTEUR DE ROUE**

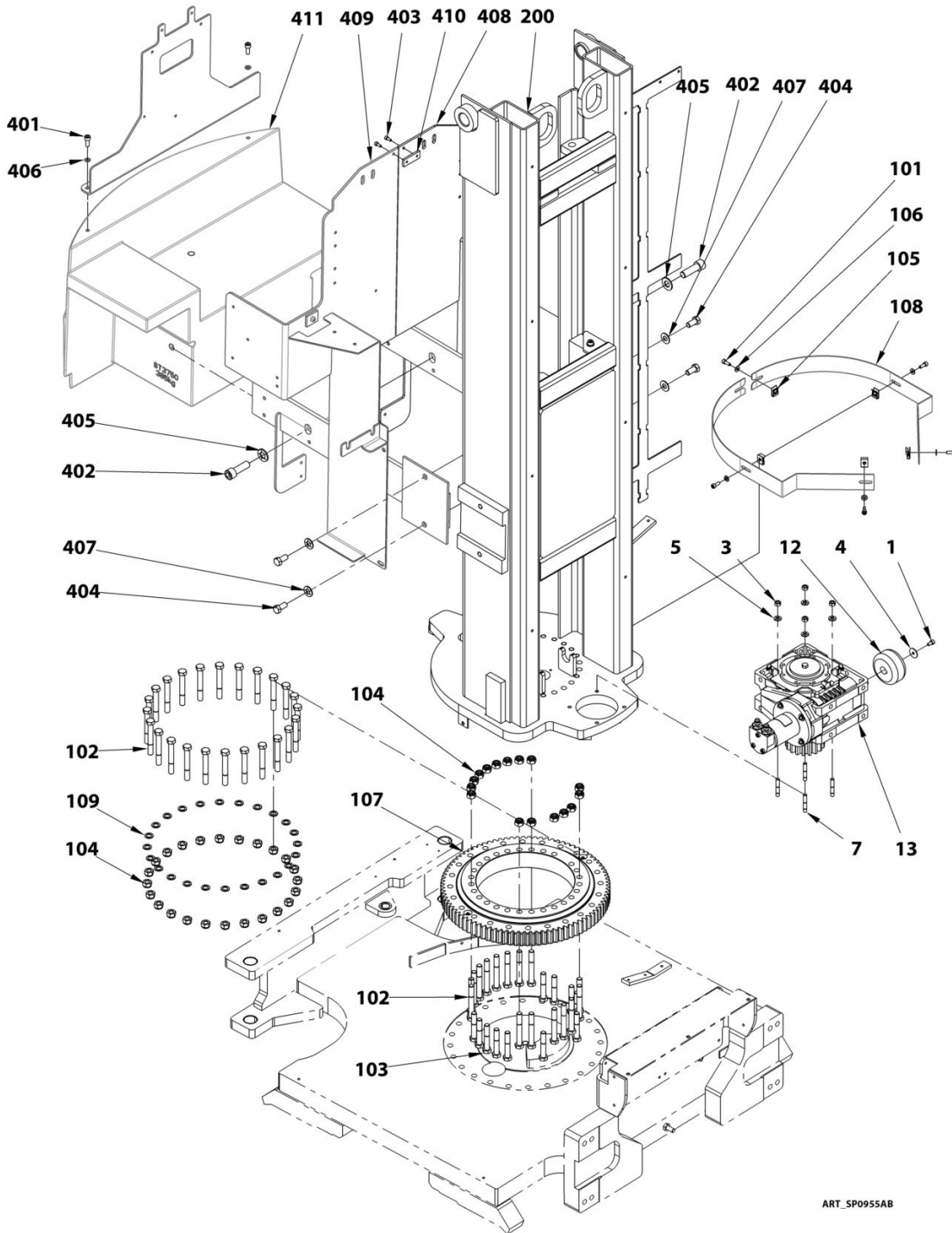
ITEM	PART NUMBER	QTY	DESCRIPTION	REV
	1001245202	1	DRIVE GEAR MOTOR / MOTOREDUCTEUR DE ROUE	B
10	1001246577	1	ELECTRIC MOTOR / MOTEUR ELECTRIQUE	
10A	951039	1	ENCODER BEARING KIT / KIT ROULEMENT CODEUR	
10B	951041	1	BEARING 6206ZC3/HTF / ROULEMENT 6206ZC3/HTF	
10C	1001246578	1	PT1000-STATOR / PT1000-STATOR	
20	951036	1	COMPLETE BRAKE KIT / FREIN COMPLET	
20A	951037	1	RING, DUST PROTECTION / JOINT ANTI-POUSSIERE	
20B	951038	1	DISC, FRICTION / DISQUE DE FREIN	
30	951040	1	GASKET WDR 30x52x7 / JOINT A LEVRE WDR 30x52x7	
40A	1001233406	1	SEAL,RADIAL 45X62X8 / JOINT A LEVRE 45X62X8	

SECTION 3 - MAST #1 INSTALL / INSTALLATION MAT 1

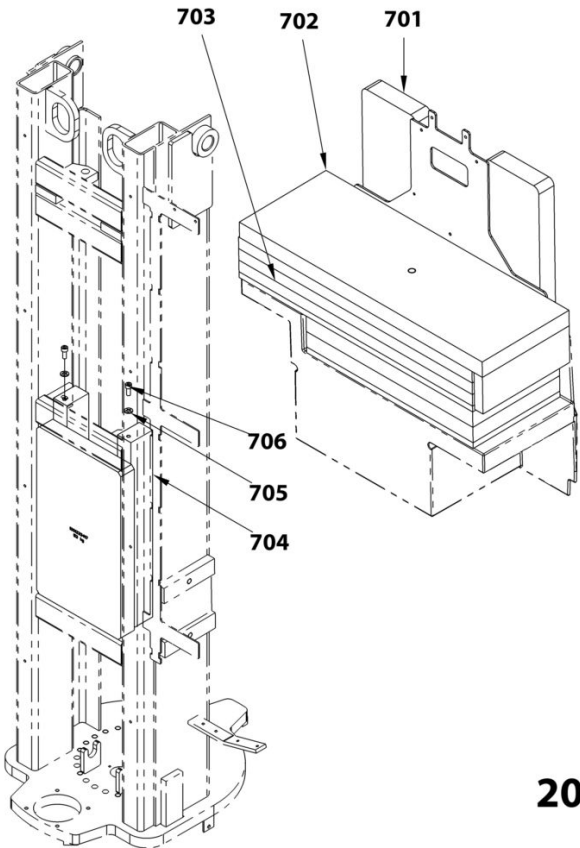
SECTION 3 - MAST #1 INSTALL / INSTALLATION MAT 1

SECTION 3 - MAST #1 INSTALL / INSTALLATION MAT 1

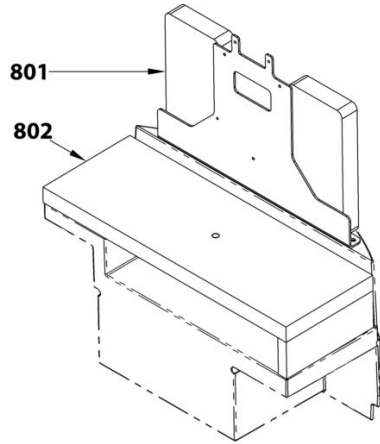
FIGURE 3-1. MAST 1 INSTALL / INSTALLATION MAT 1



SECTION 3 - MAST #1 INSTALL / INSTALLATION MAT 1

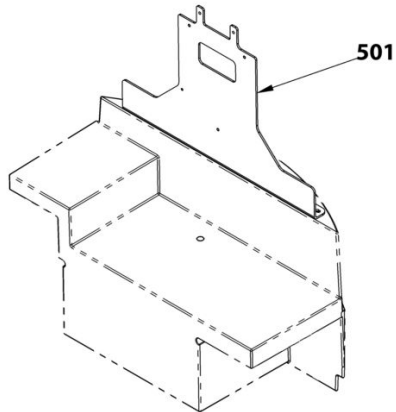


20E

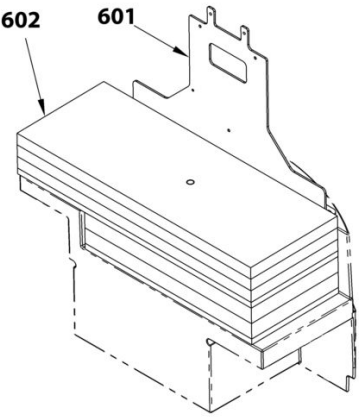


20E-L

8E-L



8E & 8E XL



ART_SP0955AB-2

SECTION 3 - MAST #1 INSTALL / INSTALLATION MAT 1

FIGURE 3-1. MAST 1 INSTALL / INSTALLATION MAT 1

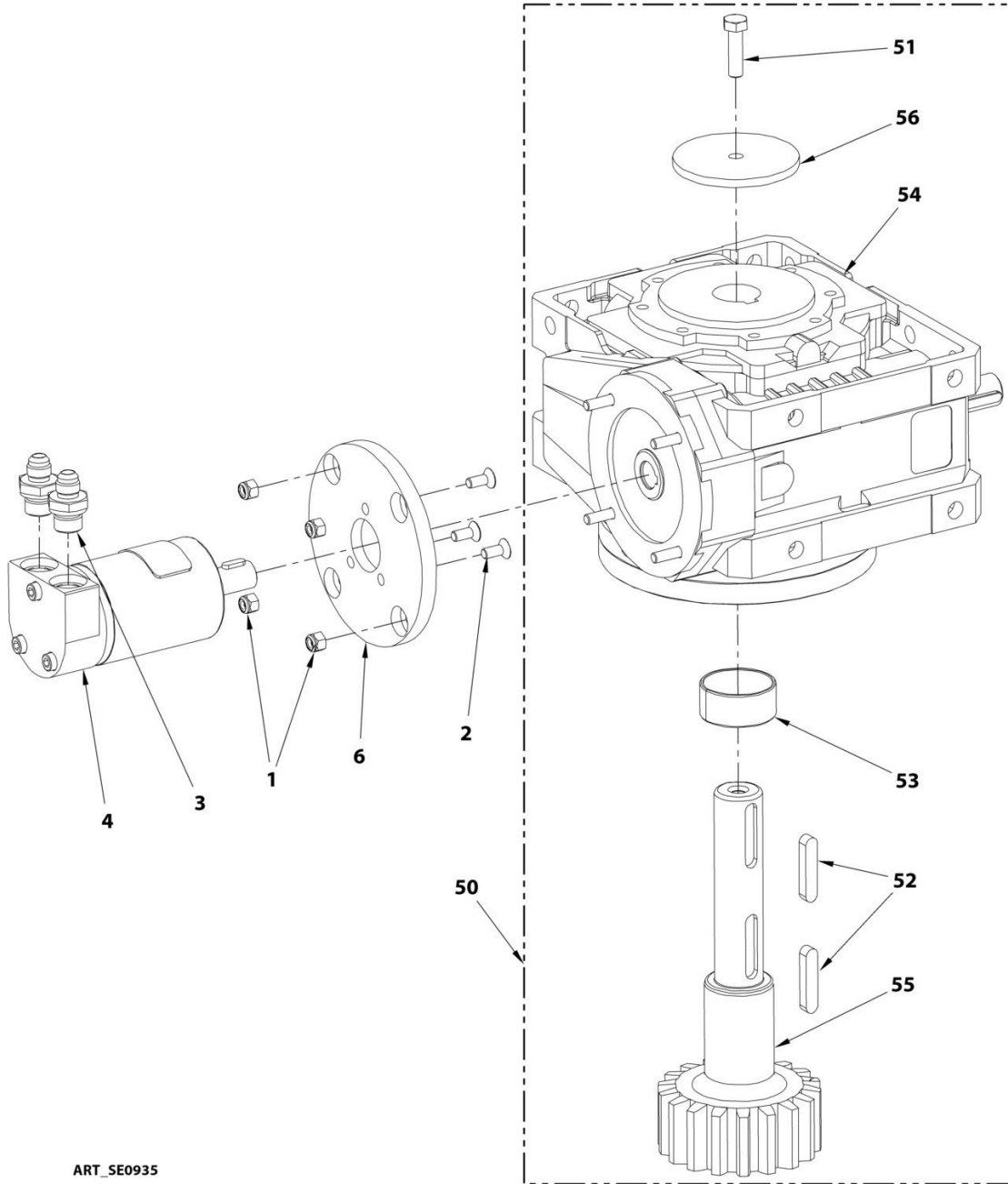
ITEM	PART NUMBER	QTY	DESCRIPTION	REV
	SA0089	Ref	SWING DRIVE INSTALL / INSTALLATION ORIENTATION	B
1	000014	1	M06x12 8.8 SOCKET HEAD MACH SCREW / VIS CHC M06x12 8.8 BI FT	
3	110016	4	M08 GR08 HEX NUT / ECROU H M08 CL08 BI	
4	120004	1	dD 06x25 WASHER / RONDELLE dD 06x25x1.2 BI	
5	120010	4	dD 08x18 LOCK WASHER / RONDELLE CONTACT dD 08x18 BI	
7	130034	4	M08x40 8.8 STUD / GOUGEON M08x40 BR 8.8	
12	US0548	1	SWING WHEEL / MOLETTE DEPANNAGE ORIENTATION	
13	SE0935	1	REDUCER ASSEMBLY; INFO - SE0935 / ASSEMBLAGE REDUCTEUR; INFO - SE0935	
	SA0083	Ref	TURNTABLE BEARING INSTALL / INSTALLATION COURONNE D'ORIENTATION	A
101	000015	5	M06x16 8.8 SOCKET HEAD MACH SCREW / VIS CHC M06x16 8.8 BI FT	
102	100038	40	M12x90 10.9 HEX HEAD CAPSCREW / VIS H M12x90 10.9 BR FP	
103	100103	11	M12x70 10.9 HEX HEAD CAPSCREW / VIS H M12x70 10.9 BR FP	
104	110017	40	M12 GR10 LOCK NUT / ECROU FREIN H M12 CL10 BI	
105	110026	5	M06 CAGE HEX NUT / ECROU CAGE M06	
106	120009	5	dD 06x14 LOCK WASHER / RONDELLE CONTACT dD 06x14 BI	
107	500021	1	SLEWING RING / COURONNE D'ORIENTATION	
108	ST1380	2	TURNTABLE BEARING COVER / TOLE PROTECTION COURONNE	
109	US0190	24	dDH 13x20x02 HARDENED WASHER / RONDELLE TRAITEE dDH 13x20x02	
200	DL0930	1	MAST 1 / MAT 1	
	1001223868	Ref	COUNTERWEIGHT INSTALL (385KG) / INSTALLATION CONTREPOIDS (385KG)	B
	1001223759	Ref	COUNTERWEIGHT INSTALL (488KG) / INSTALLATION CONTREPOIDS (488KG)	B
	1001233416	Ref	COUNTERWEIGHT INSTALL (540KG) / INSTALLATION CONTREPOIDS (540KG)	B
401	000006	2	M08x20 8.8 SOCKET HEAD MACH SCREW / VIS CHC M08x20 8.8 BI FT	
402	000023	2	M16x50 8.8 SOCKET HEAD CAPSCREW / VIS CHC M16x50 8.8 BI FP	
403	000067	2	M05x12 8.8 SOCKET HEAD MACH SCREW / VIS CHC M05x12 8.8 BI FT	
404	100021	4	M12x25 8.8 HEX HEAD MACHINE SCREW / VIS H M12x25 8.8 BI FT	
405	120008	2	dD 16x32 LOCK WASHER / RONDELLE CONTACT dD 16x32 BI	
406	120009	2	dD 06x14 LOCK WASHER / RONDELLE CONTACT dD 06x14 BI	
407	120015	4	dD 12x27 LOCK WASHER / RONDELLE CONTACT dD 12x27 BI	
408	DL0932	1	SUPPORT,COUNTERWEIGHT RIGHT / SUPPORT CONTREPOIDS DROIT	
409	DL0933	1	SUPPORT,COUNTERWEIGHT LEFT / SUPPORT CONTREPOIDS GAUCHE (Prior to SN A300063654)	
409	1001287102	1	SUPPORT,COUNTERWEIGHT LEFT / SUPPORT CONTREPOIDS GAUCHE (SN A300063654 to Present)	
410	ST3377	1	PLATE,NUT / PLAQUE ECROU	

SECTION 3 - MAST #1 INSTALL / INSTALLATION MAT 1

ITEM	PART NUMBER	QTY	DESCRIPTION	REV
411	ST3750	1	COUNTERWEIGHT 385KG / CONTREPOIDS 385KG	
500		Ref	8E-L MODEL PARTS / PIECES MODELE 8E-L	
501	ST3752	1	BRACKET ON COUNTERWEIGHT / EQUERRE SUR CONTREPOIDS	
600		Ref	8E & 8E XL MODELS PARTS / PIECES MODELE 8E & 8E XL	
601	ST3752	1	BRACKET ON COUNTERWEIGHT / EQUERRE SUR CONTREPOIDS	
602	1001221429	1	COUNTERWEIGHT 243KG / CONTREPOIDS 243KG	
700		Ref	20E MODEL PARTS / PIECES MODELE 20E	
701	1001221247	1	BRACKET,COUNTERWEIGHT 40KG / EQUERRE CONTREPOIDS LESTEE 40KG	
702	1001221234	1	COUNTERWEIGHT 63KG / CONTREPOIDS 63KG	
703	1001221429	1	COUNTERWEIGHT 243KG / CONTREPOIDS 243KG	
704	1001233417	1	COUNTERWEIGHT 53KG / CONTREPOIDS 53KG	
705	120010	2	dD 08x18 LOCK WASHER / RONDELLE CONTACT dD 08x18 BI	
706	000006	2	M08x20 8.8 SOCKET HEAD MACH SCREW / RONDELLE CONTACT dD 06x14 BI	
800		Ref	20E-L MODEL PARTS / PIECES MODELE 20E-L	
801	1001221247	1	BRACKET,COUNTERWEIGHT 40KG / EQUERRE CONTREPOIDS LESTEE 40KG	
802	1001221234	1	COUNTERWEIGHT 63KG / CONTREPOIDS 63KG	

SECTION 3 - MAST #1 INSTALL / INSTALLATION MAT 1

FIGURE 3-2. REDUCER KIT / KIT REDUCTEUR



ART_SE0935

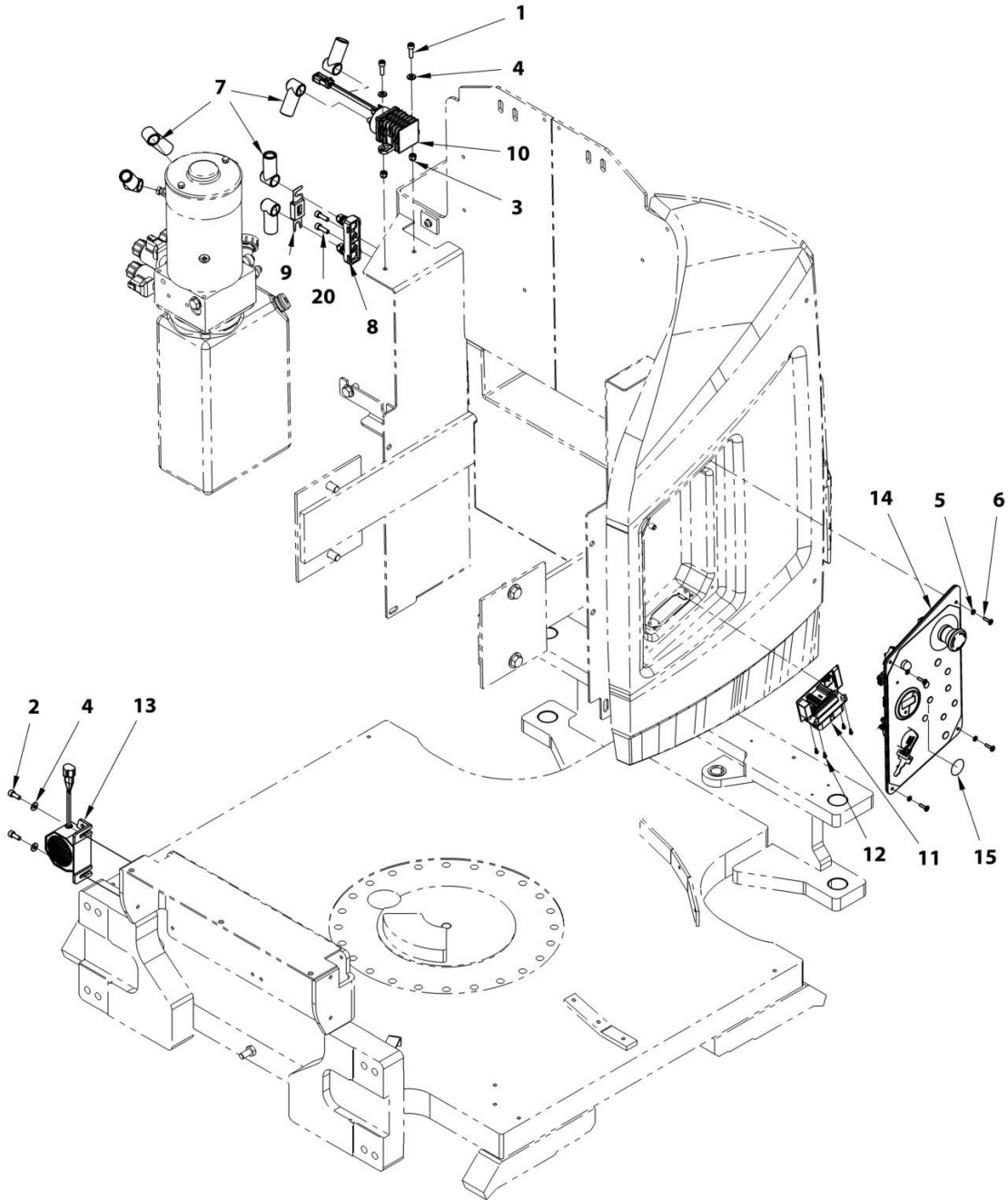
SECTION 3 - MAST #1 INSTALL / INSTALLATION MAT 1

FIGURE 3-2. REDUCER KIT / KIT REDUCTEUR

ITEM	PART NUMBER	QTY	DESCRIPTION	REV
	SE0935		REDUCER ASSEMBLY / ASSEMBLAGE REDUCTEUR	A
1	110003	4	M06 GR08 LOCK NUT / ECROU FREIN M6 CL08 BI	
2	130003	3	M06x16 10.9 COUNTERSUNK HEAD M. S. / VIS FHC M06x16 10.9 BI FT	
3	300040	2	FITTING MALE BSPP3/8 MALE JIC9/16 / RACCORD MALE BSPP3/8 MALE JIC9/16	
4	320049	1	SLEWING MOTOR / MOTEUR D'ORIENTATION	
6	US0044	1	MOTOR ADAPTOR FLANGE / FLASQUE MOTEUR	
50	KT0152	1	REDUCER KIT / KIT REDUCTEUR	C
51	100008	1	M08x30 8.8 HEX HEAD MACHINE SCREW / VIS H M08x30 8.8 BI FT	
52	140016	2	A KEY 8x7x40 / CLAVETTE FORME A 8x7x40	
53	150009	1	BUSHING D40 H20 / BAGUE D40 H20	
54	500043	1	REDUCER W75 UFCR1 / REDUCTEUR W75 UFCR1	
55	US0342	1	PINION / PIGNON	
56	US0429	1	dDh 8.5x73x5 WASHER / RONDELLE dDh 8.5x73x5	

SECTION 3 - MAST #1 INSTALL / INSTALLATION MAT 1

FIGURE 3-3. MTB INSTALL / INSTALLATION COMMANDES BASSES



ART2201_1001223607

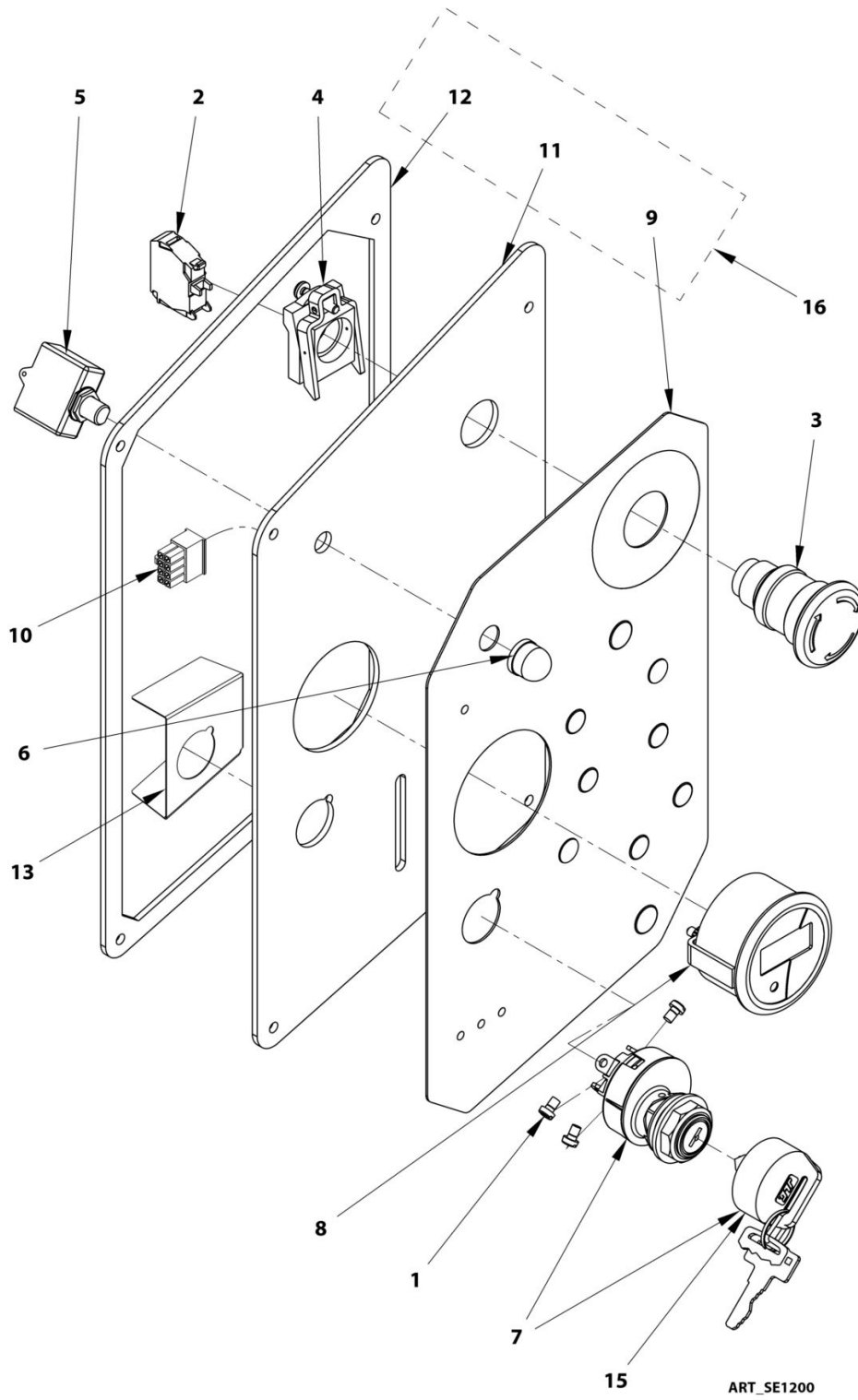
SECTION 3 - MAST #1 INSTALL / INSTALLATION MAT 1

FIGURE 3-3. MTB INSTALL / INSTALLATION COMMANDES BASSES

ITEM	PART NUMBER	QTY	DESCRIPTION	REV
	1001211324	Ref	MTB (W/O ENABLE & WITH MSSO) / COMMANDES BASSES (SANS VALIDATION AVEC MSSO)	C
	1001223607	Ref	MTB (W/O ENABLE & W/O MSSO) / COMMANDES BASSES (SANS VALIDATION SANS MSSO)	C
	1001267298	Ref	MTB (WITH ENABLE & WITH MSSO) / COMMANDES BASSES (AVEC VALIDATION AVEC MSSO)	B
	1001267299	Ref	MTB (WITH ENABLE & W/O MSSO) / COMMANDES BASSES (AVEC VALIDATION SANS MSSO)	B
1	000005	2	M06x20 8.8 SOCKET HEAD MACH SCREW / VIS CHC M06x20 8.8 BI FT	
2	000015	2	M06x16 8.8 SOCKET HEAD MACH SCREW / VIS CHC M06x16 8.8 BI FT	
3	110003	2	M06 GR. 8.8 LOCK NUT / ECROU FREIN M6 CL08 BI	
4	120009	4	LOCK WASHER D06x14 / RONDELLE CONTACT dD 06x14 BI	
5	120033	4	M04 PLASTIC WASHER / RONDELLE PLASTIQUE M4	
6	130062	4	M04x16 8.8 ROUND HEAD MACH SCREW / VIS BOMBEE ULF M04x16 8.8 BI FT	
7	250031	6	BOOT, BATTERY TERMINAL / CAPUCHON D'ETANCHEITE	
8	260077	1	POWER FUSE HOLDER / PORTE FUSIBLE DE PUISSANCE (Prior to SN A300063654)	
8	1001282390	1	POWER FUSE HOLDER / PORTE FUSIBLE DE PUISSANCE (SN A300063654 to Present)	
9	260079	1	325A FUSE / FUSIBLE 325A	
10	3740150	1	RELAY, 24VDC/100A / RELAIS, 24VDC/100A	
11	1001187631	1	PC BRD, INTERFACE / CARTE ELECTRONIQUE INTERFACE	
12	1001210948	4	SCREW-SPEC, TORX D3 L8 METRIC / VIS TORX D3xL8 POUR THERMOPLASTIQUE	
13	PC0491	1	HARNESS, HORN / FAISCEAU AVERTISSEUR SONORE	
14	SE1200	1	GROUND CONTROL PANEL WITH ENABLE / BOITIER BAS AVEC VALIDATION	
14	1001223810	1	GROUND CONTROL PANEL WITHOUT ENABLE / BOITIER BAS SANS VALIDATION	
15	AU2228	1	DECAL, INDICATOR COVER D42 / AUTOCOLLANT MASQUE D42	
20	000014	2	M06x12 8.8 SOCKET HEAD MACH SCREW / VIS CHC M06x12 8.8 BI FT (Prior to SN A300063654)	
20	000050	2	M04x10 8.8 SOCKET HEAD MACH SCREW / VIS CHC M04x10 8.8 BI FT (SN A300063654 to Present)	

SECTION 3 - MAST #1 INSTALL / INSTALLATION MAT 1

FIGURE 3-4. CONTROL PANEL WITH ENABLE / BOITIER BAS AVEC VALIDATION



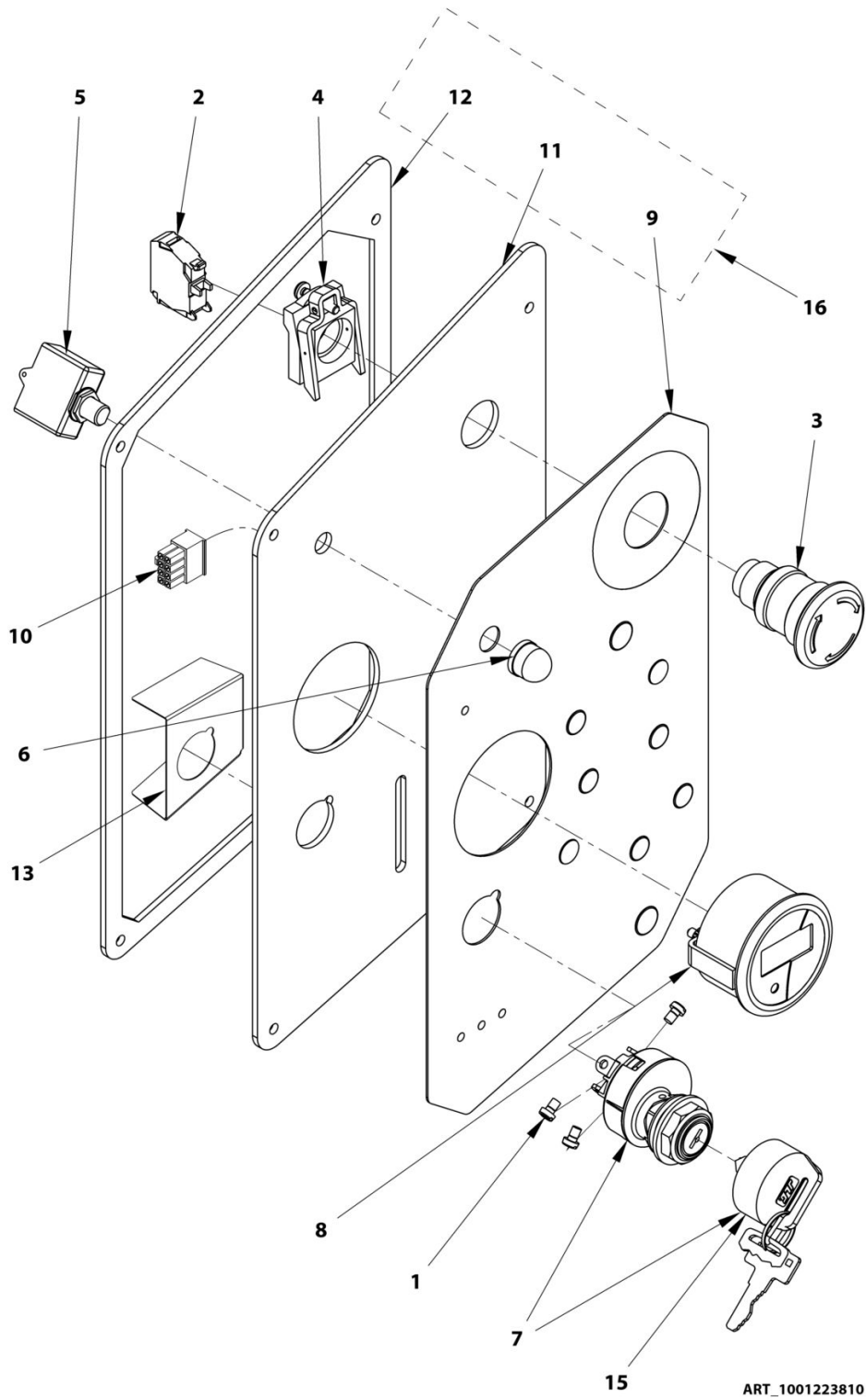
SECTION 3 - MAST #1 INSTALL / INSTALLATION MAT 1

FIGURE 3-4. CONTROL PANEL WITH ENABLE / BOITIER BAS AVEC VALIDATION

ITEM	PART NUMBER	QTY	DESCRIPTION	REV
	SE1200		GROUND CONTROL PANEL WITH ENABLE / FACADE BOITIER BAS AVEC VALIDATION	B
1	130059	3	M04x06 GR. 4.8 CYLINDRIC HEAD / VIS TC M04x06 4.8 ZI	
2	240057	1	NC CONTACT BLOCK / CONTACT NF	
3	240060	1	TURN TO RELEASE KNOB / BOUTON D'ARRET D'URGENCE	
4	240076	1	CONTACT BLOCK HOLDER / EMBASE CONTACT	
5	260240	1	CIRCUIT BREAKER 5A / DISJONCTEUR 5A	
6	260243	1	CIRCUIT BREAKER BOOT / CAPUCHON DISJONCTEUR	
7	4360469	1	SWITCH,KEY ON/OFF/ON / SELECTEUR A CLE 3 POSITIONS	
8	1001109503	1	MULTI DISPLAY INDICATOR / AFFICHEUR MULTIFONCTIONS	
9	AU2207	1	MEMBRANE SWITCHES,GROUND PANEL / INTERRUPTEURS A MEMBRANE BOITIER BAS	
10	PC0465	1	HARNESS, LCB / FAISCEAU BOITIER BAS	
11	ST3775	1	GROUND PANEL / PLATINE BOITIER BAS	
12	ST3155	1	GASKET,GROUND PANEL / JOINT BOITER BAS	
13	1001239552	1	PLATE,KEY SWITCH CAP / CAPOT SELECTEUR A CLE	
15	2860030	1	KEY (INCLUDED IN ITEM 4360469) / CLE (COMPRISE DANS REF 4360469)	
16	SE1202	1	KIT(SERVICE),DECAL PLATE AND SEAL / KIT AUTOCOLLANT, PLATINE ET JOINT BOITIER BAS	

SECTION 3 - MAST #1 INSTALL / INSTALLATION MAT 1

FIGURE 3-5. CONTROL PANEL W/O ENABLE / BOITIER BAS SANS VALIDATION



ART_1001223810

SECTION 3 - MAST #1 INSTALL / INSTALLATION MAT 1

FIGURE 3-5. CONTROL PANEL W/O ENABLE / BOITIER BAS SANS VALIDATION

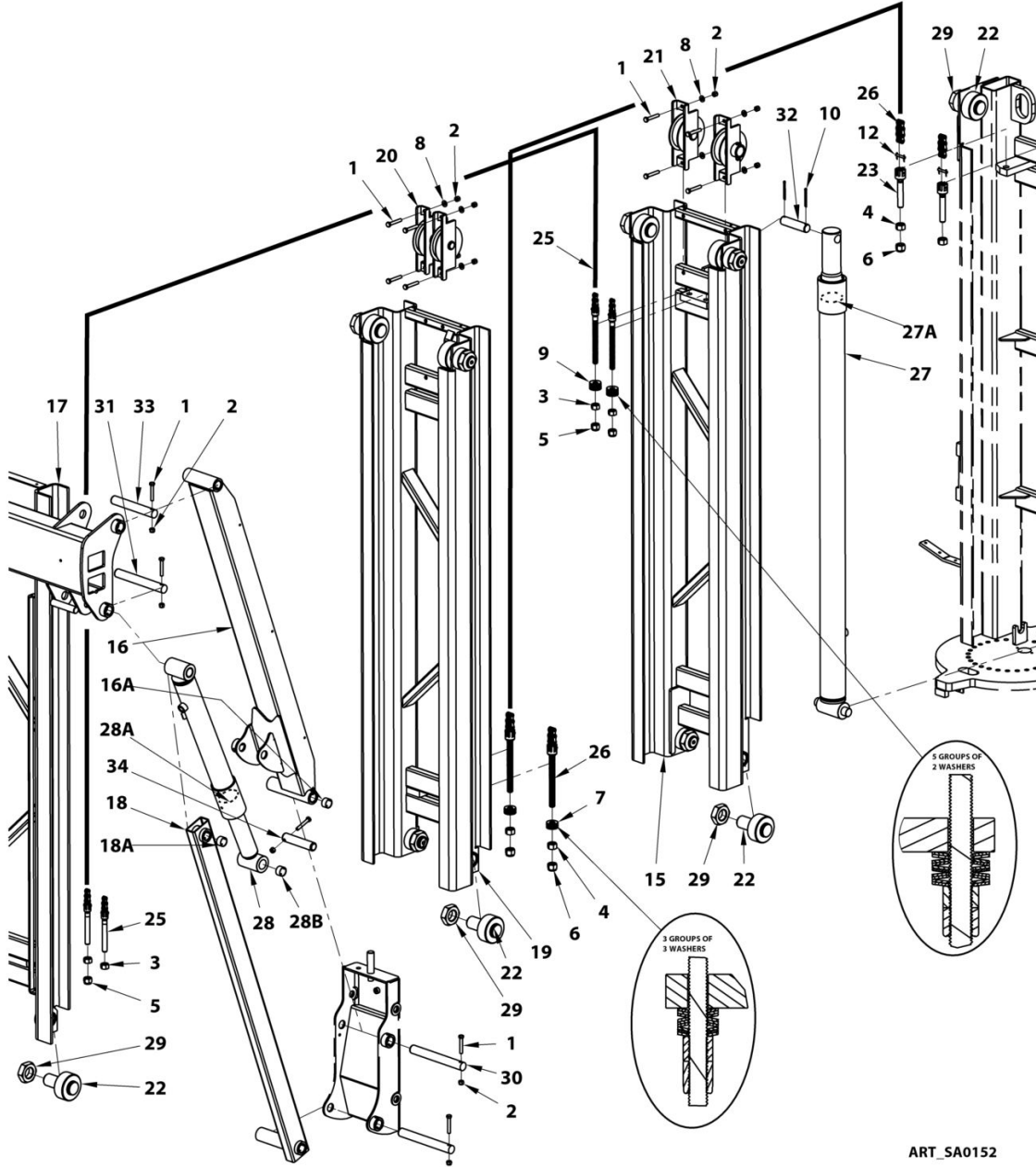
ITEM	PART NUMBER	QTY	DESCRIPTION	REV
	1001223810		GROUND CONTROL PANEL WITHOUT ENABLE / BOITIER BAS SANS VALIDATION	B
1	130059	3	M04x06 GR. 4.8 CYLINDRIC HEAD / VIS TC M04x06 4.8 ZI	
2	240057	1	NC CONTACT BLOCK / CONTACT NF	
3	240060	1	TURN TO RELEASE KNOB / BOUTON D'ARRET D'URGENCE	
4	240076	1	CONTACT BLOCK HOLDER / EMBASE CONTACT	
5	260240	1	CIRCUIT BREAKER 5A / DISJONCTEUR 5A	
6	260243	1	CIRCUIT BREAKER BOOT / CAPUCHON DISJONCTEUR	
7	4360469	1	SWITCH,KEY ON/OFF/ON / SELECTEUR A CLE 3 POSITIONS	
8	1001109503	1	MULTI DISPLAY INDICATOR / AFFICHEUR MULTIFONCTIONS	
9	1001223811	1	MEMBRANE SWITCHES,GROUND PANEL / INTERRUPTEURS A MEMBRANE BOITIER BAS	
10	PC0465	1	HARNESS, LCB / FAISCEAU BOITIER BAS	
11	ST3775	1	GROUND PANEL / PLATINE BOITIER BAS	
12	ST3155	1	GASKET,GROUND PANEL / JOINT BOITER BAS	
13	1001239552	1	PLATE,KEY SWITCH CAP / CAPOT SELECTEUR A CLE	
15	2860030	1	KEY (INCLUDED IN ITEM 4360469) / CLE (COMPRISE DANS REF 4360469)	
16	1001223812	1	KIT(SERVICE),DECAL PLATE AND SEAL / KIT AUTOCOLLANT, PLATINE ET JOINT BOITIER BAS	

SECTION 4 - MAST AND BOOM INSTALL / INSTALLATION MAT ET BRAS

SECTION 4 - MAST AND BOOM INSTALL / INSTALLATION MAT ET BRAS

SECTION 4 - MAST AND BOOM INSTALL / INSTALLATION MAT ET BRAS

FIGURE 4-1. MAST AND BOOM INSTALL / INSTALLATION MAT ET BRAS



ART_SA0152

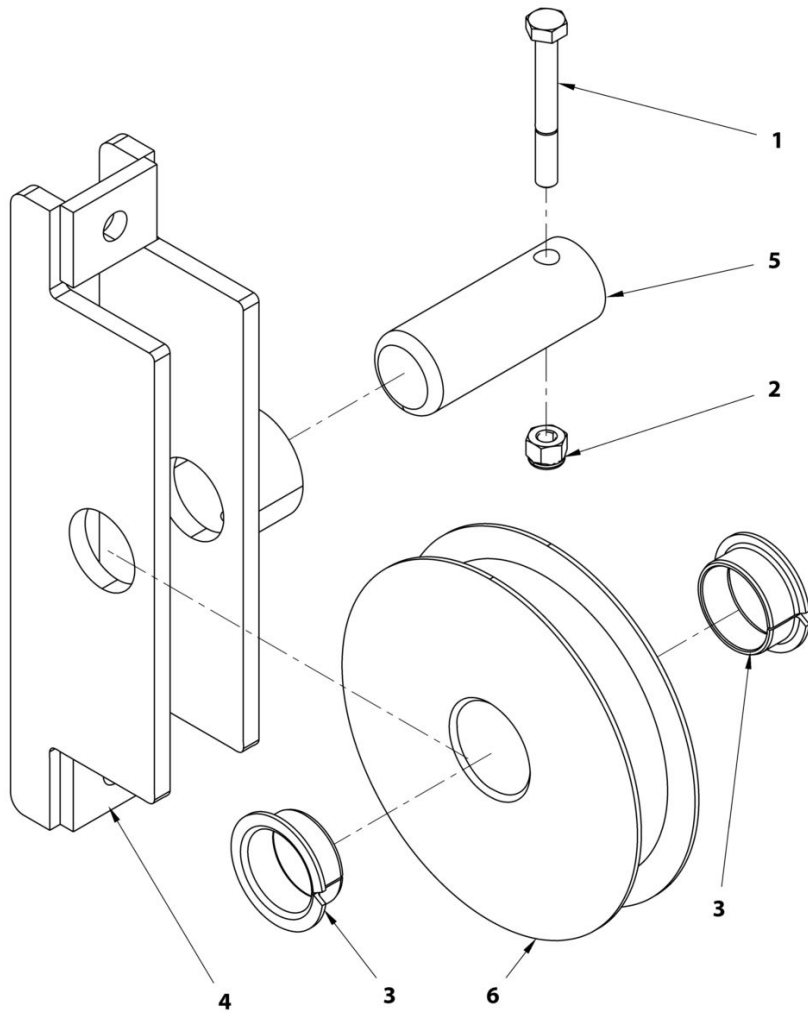
SECTION 4 - MAST AND BOOM INSTALL / INSTALLATION MAT ET BRAS

FIGURE 4-1. MAST AND BOOM INSTALL / INSTALLATION MAT ET BRAS

ITEM	PART NUMBER	QTY	DESCRIPTION	REV
	SA0152	Ref	MAST AND BOOM INSTALL / INSTALLATION MAT ET BRAS	E
1	100063	13	M08x50 8.8 HEX HEAD MACHINE SCREW / VIS H M08x50 8.8 BI FT	
2	110004	13	M08 GR. 8.8 LOCK NUT / ECROU FREIN M8 CL08 BI	
3	110009	4	M14 GR. 8.8 HEX NUT / ECROU H M14 CL08 BI	
4	110010	4	M16 GR. 8.8 HEX NUT / ECROU H M16 CL08 BI	
5	110019	3	M14 GR. 8.8 LOCK NUT / ECROU FREIN H M14 CL08 BI	
6	110020	3	M16 GR. 8.8 LOCK NUT / ECROU FREIN H M16 CL08 BI	
7	120006	18	Ø34x16.3x1.5 SPRING WASHER / RONDELLE RESSORT D34x16.3x1.5 BR	
8	120010	8	LOCK WASHER D08x18 / RONDELLE CONTACT dD 08x18 BI	
9	120017	20	SPRING WASHER Ø34x14.3x1.5 / RONDELLE RESSORT D34x14.3x1.5 BR	
10	140009	2	Ø4.5x50 COTTER PIN / GOUPILLE FENDUE D4.5x50	
12	170008	2	M16 CLEVIS PIN / AXE DE CHAPE M16	
15	DL0870	1	MAST 2 / MAT 2	
16	DL0914	1	UPPER JIB / BRAS SUPERIEUR	
16A	150002	4	BUSHING Ø25 H25 DX / BAGUE D25 H25 DX	
17	DL0915	1	MAST 4 / MAT 4	
18	DL0916	1	LOWER JIB / BRAS INFERIEUR	
18A	150002	4	BUSHING Ø25 H25 DX / BAGUE D25 H25 DX	
19	DL0931	1	MAST 3 / MAT 3	
20	SE0730	2	PULLEY SUPPORT LL10-44 / SUPPORT POULIE LL10-44	
21	SE0731	2	PULLEY SUPPORT LL12-66 / SUPPORT POULIE LL12-66	
22	SE1214	12	ROLLER,ASSEMBLY M36 / GALET DE GUIDAGE M36	
23	ST0099	2	CHAIN ANCHOR M16 L80 / CHAPE DE CHAINE M16 L80	
25	1001220619	1	CHAIN,LL10-44 EQUIPPED / CHAINE LL10-44 EQUIPEE	
26	1001220620	1	CHAIN,LL12-66 1 SIDE EQUIPPED / CHAINE LL10-66 EQUIPEE 1 COTE	
27	1001267690	1	MAST CYLINDER BURNSIDE / VERIN DE MAT BURNSIDE	
27A	1001272232	1	SEAL,KIT CYLINDER 1001267690 / KIT DE JOINTS VERIN 1001267690	
28	1001267687	1	JIB CYLINDER BURNSIDE / VERIN DE BRAS BURNSIDE	
28A	1001272230	1	SEAL,KIT CYLINDER 1001267687 / KIT DE JOINTS VERIN 1001267687	
28B	150002	4	BUSHING Ø25 H25 DX / BAGUE D25 H25 DX	
29	US0026	12	M36 GR. 8.8 HEX NUT / ECROU M36 CL04 BI	
30	US0481	2	PIN,D25 - L210 / AXE D25 L210	
31	US0492	1	PIN, D25-L195 / AXE D25 L195	
32	US0538	1	PIN,D25 - L100 - 2D5MM / AXE D25 - L100 - 2d5	
33	US0600	1	PIN,D25 - L170 / AXE D25 - L170	
34	US0602	1	PIN,D25 - L120 / AXE D25 - L120	

SECTION 4 - MAST AND BOOM INSTALL / INSTALLATION MAT ET BRAS

FIGURE 4-2. PULLEY SUPPORT LL10-44 / SUPPORT POULIE LL10-44



ART. 560730

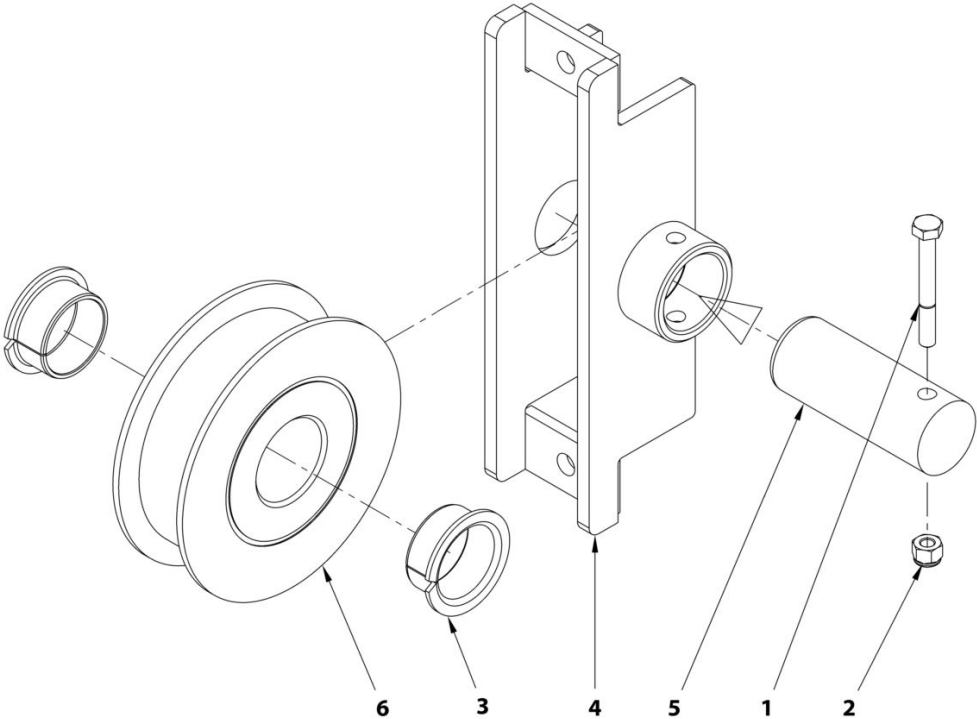
SECTION 4 - MAST AND BOOM INSTALL / INSTALLATION MAT ET BRAS

FIGURE 4-2. PULLEY SUPPORT LL10-44 / SUPPORT POULIE LL10-44

ITEM	PART NUMBER	QTY	DESCRIPTION	REV
	SE0730		PULLEY SUPPORT LL10-44 / SUPPORT POULIE LL10-44	A
1	100013	1	M06x50 8.8 HEX HEAD CAPSCREW / VIS H M06x50 8.8 BI FP	
2	110003	1	M06 GR.08 LOCK NUT / ECROU FREIN M6 CL08 BI	
3	150011	2	FLANGE BUSHING D25 H11.5 DU / BAGUE EPAULEE D25 H11.5 DU	
4	SD0453	1	PULLEY MOUNT / SUPPORT POULIE	
5	US0377	1	PULLEY PIN / AXE DE SUPPORT POULIE	
6	US0475	1	LL10-44 PULLEY / POULIE LL10-44	

SECTION 4 - MAST AND BOOM INSTALL / INSTALLATION MAT ET BRAS

FIGURE 4-3. PULLEY SUPPORT LL12-66 / SUPPORT POULIE LL12-66



ART_SE0731

SECTION 4 - MAST AND BOOM INSTALL / INSTALLATION MAT ET BRAS

FIGURE 4-3. PULLEY SUPPORT LL12-66 / SUPPORT POULIE LL12-66

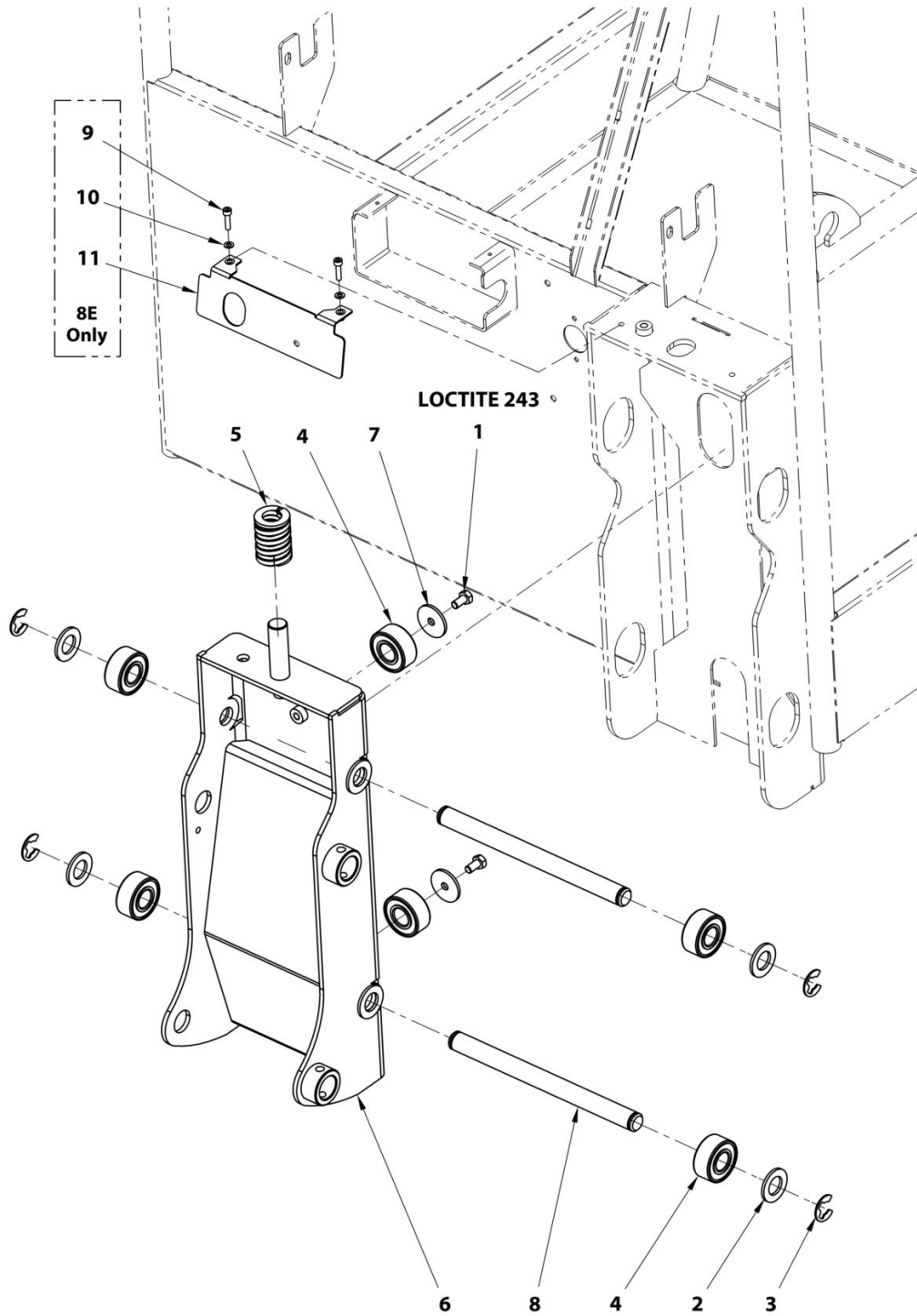
ITEM	PART NUMBER	QTY	DESCRIPTION	REV
	SE0731		PULLEY SUPPORT LL12-66 / SUPPORT POULIE LL12-66	A
1	100013	1	M06x50 8.8 HEX HEAD CAPSCREW / VIS H M06x50 8.8 BI FP	
2	110003	1	M06 GR08 LOCK NUT / ECROU FREIN M6 CL08 BI	
3	150007	2	FLANGE BUSHING Ø30 H16 DU / BAGUE EPAULEE Ø30 H16 DU	
4	SD0452	1	PULLEY MOUNT / SUPPORT POULIE	
5	US0375	1	PULLEY PIN / AXE DE SUPPORT POULIE	
6	US0479	1	LL12-66 PULLEY / POULIE LL12-66	

SECTION 5 - PLATFORMS INSTALL / INSTALLATION PLATE-FORMES

SECTION 5 - PLATFORMS INSTALL / INSTALLATION PLATE-FORMES

SECTION 5 - PLATFORMS INSTALL / INSTALLATION PLATE-FORMES

FIGURE 5-1. PLATFORM SUPPORT INSTALL / INSTALLATION SUPPORT PLATE-FORME



ART_1001277966

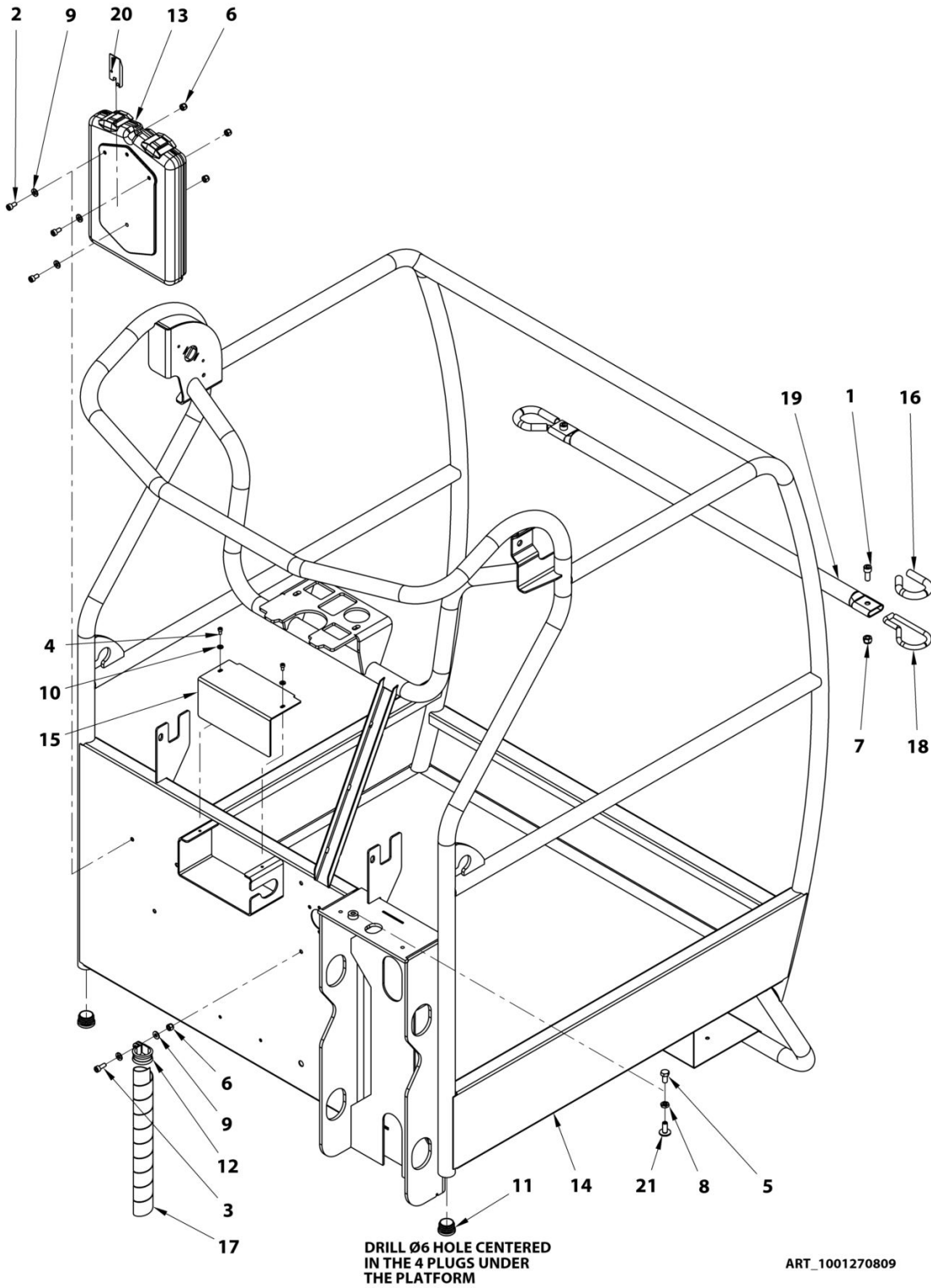
SECTION 5 - PLATFORMS INSTALL / INSTALLATION PLATE-FORMES

FIGURE 5-1. PLATFORM SUPPORT INSTALL / INSTALLATION SUPPORT PLATE-FORME

ITEM	PART NUMBER	QTY	DESCRIPTION	REV
	1001209860	Ref	20E-PLATFORM SUPPORT INSTALL / 20E-INSTALLATION SUPPORT PLATE-FORME	A
	1001277966	Ref	8E-PLATFORM SUPPORT INSTALL / 8E-INSTALLATION SUPPORT PLATE-FORME	A
1	100054	2	M08x16 8.8 HEX HEAD MACHINE SCREW / VIS H M08x16 8.8 BI FT	
2	120003	4	D20x37x3 WASHER / RONDELLE D20x37x3 BI	
3	130029	4	RETAINING RING D15 / CIRCLIPS EXTERIEUR D15	
4	150061	6	3204-2RS BEARING / ROULEMENT 3204-2RS	
5	160033	1	SPRING,OVERLOAD G 40-51 / RESSORT SURCHARGE G40-51	
6	DL0922	1	SUPPORT,PLATFORM / SUPPORT PLATE-FORME	
7	US0531	2	WASHER-SPEC,D8XD37XTH.3 / RONDELLE Di 8xDe 37xEP 3	
8	US0601	2	PIN,BEARING MOUNT / AXE ROULEMENTS	
9	000010	2	M05x20 8.8 SOCKET HEAD MACH SCREW / VIS CHC M05x20 BI FT	
10	120002	2	M05 WASHER / RONDELLE M05	
11	1001276683	1	PLATE,LSS PROTECTION / CAPOT PROTECTION SURCHARGE	

SECTION 5 - PLATFORMS INSTALL / INSTALLATION PLATE-FORMES

FIGURE 5-2. PLATFORM WITH DROP BAR / PLATE-FORME AVEC LISSE COULISSANTE



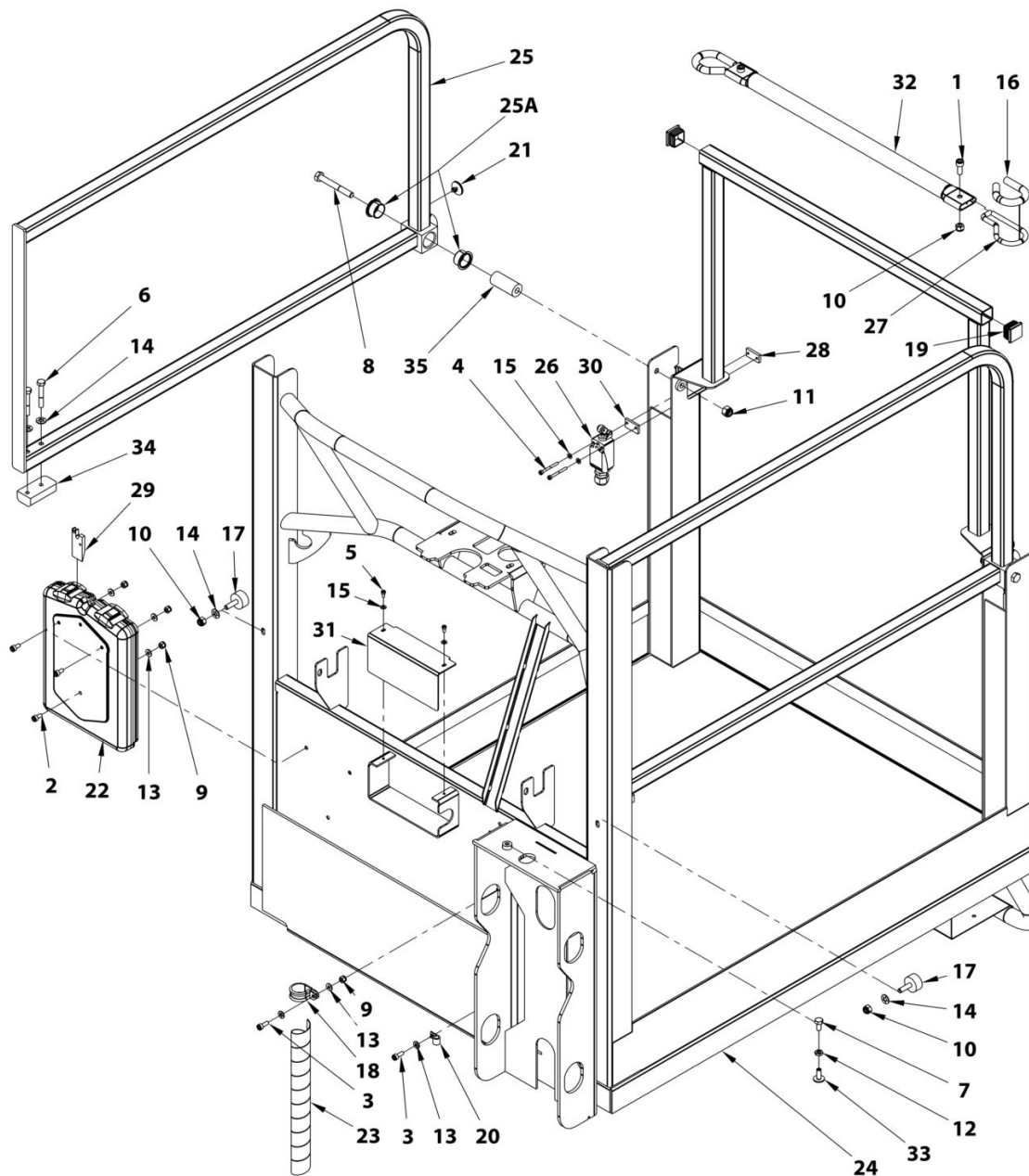
SECTION 5 - PLATFORMS INSTALL / INSTALLATION PLATE-FORMES

FIGURE 5-2. PLATFORM WITH DROP BAR / PLATE-FORME AVEC LISSE COULISSANTE

ITEM	PART NUMBER	QTY	DESCRIPTION	REV
	1001270809	Ref	PLATFORM WITH DROP BAR / PLATE-FORME AVEC LISSE COULISSANTE	A
1	000006	2	M08x20 8.8 SOCKET HEAD MACH SCREW / VIS CHC M08x20 8.8 BI FT	
2	000014	3	M06x12 8.8 SOCKET HEAD MACH SCREW / VIS CHC M06x12 8.8 BI FT	
3	000015	1	M06x16 8.8 SOCKET HEAD MACH SCREW / VIS CHC M06x16 8.8 BI FT	
4	000090	2	M04x08 8.8 SOCKET HEAD MACH SCREW / VIS CHC M04x08 8.8 BI FT	
5	100054	1	M08x16 8.8 HEX HEAD MACHINE SCREW / VIS H M08x16 8.8 BI FT	
6	110003	4	M06 GR. 8.8 LOCK NUT / ECROU FREIN M6 CL08 BI	
7	110004	2	M08 GR. 8.8 LOCK NUT / ECROU FREIN M8 CL08 BI	
8	110022	1	M08 GR. 8.8 FLAT HEX NUT / ECROU Hm M08 CL04 ZI	
9	120009	5	LOCK WASHER D06x14 / RONDELLE CONTACT dD 06x14 BI	
10	120024	2	LOCK WASHER D04x10 / RONDELLE CONTACT M4 BI	
11	400048	2	CAP D30 / BOUCHON D30	
12	400096	1	CLAMP,D 28mm / COLLIER D28 mm	
13	8990147	1	HOLDER, MANUAL / BOITE PORTE-DOCUMENTS	
14	1001270808	1	PLATFORM,DROP BAR / PLATE-FORME - LISSE COULISSANTE	
15	1001272153	1	SHIELD,COVER CONNECTORS / CARTER DE PROTECTION CONNECTEURS	
16	280023	0.36m	PROTECTION SLEEVE / GAINÉ DE PROTECTION	
17	400010	1.1m	HOSE GUARD / GAINÉ TORSADÉE	
18	ST0736	2	BAR, FLAP HOOP / ANNEAU PORTILLON	
19	ST0763	1	RAIL, FLAP / PORTILLON	
20	ST2741	1	SENSOR CONTROL TOOL / CALE DE VERIFICATION	
21	US0236	1	SETTING SCREW / VIS DE REGLAGE	

SECTION 5 - PLATFORMS INSTALL / INSTALLATION PLATE-FORMES

FIGURE 5-3. 8E-XL PLATFORM, DROP BAR / 8E-PLATE-FORME XL - LISSE COULISSANTE



ART_1001209858

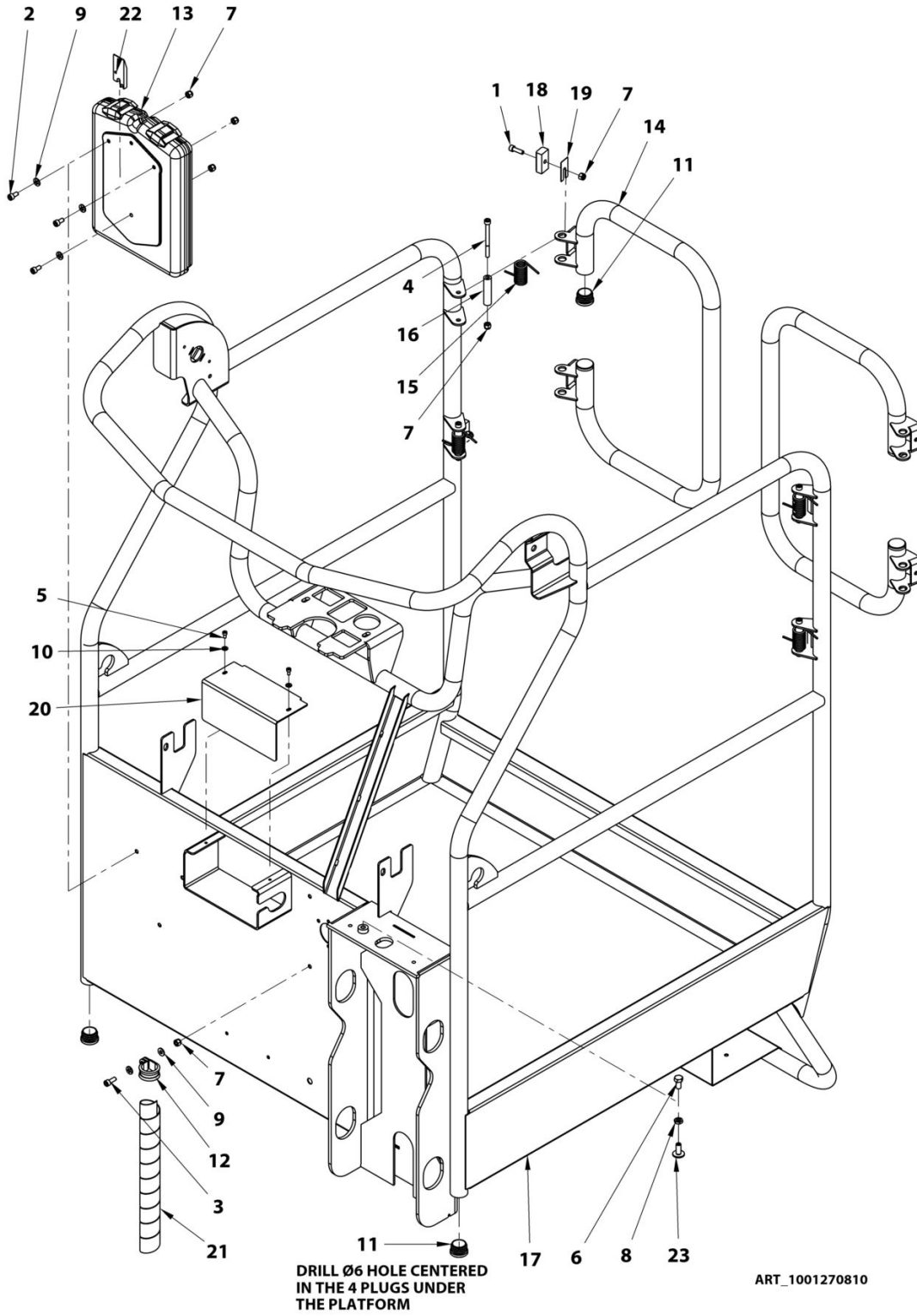
SECTION 5 - PLATFORMS INSTALL / INSTALLATION PLATE-FORMES

FIGURE 5-3. 8E-XL PLATFORM, DROP BAR / 8E-PLATE-FORME XL - LISSE COULISSANTE

ITEM	PART NUMBER	QTY	DESCRIPTION	REV
	1001209858	Ref	8E-XL PLATFORM WITH DROP BAR / 8E-PLATE-FORME XL - LISSE COULISSANTE	B
1	000006	2	M08x20 8.8 SOCKET HEAD MACH SCREW / VIS CHC M08x20 8.8 BI FT	
2	000014	3	M06x12 8.8 SOCKET HEAD MACH SCREW / VIS CHC M06x12 8.8 BI FT	
3	000015	2	M06x16 8.8 SOCKET HEAD MACH SCREW / VIS CHC M06x16 8.8 BI FT	
4	000032	4	M04x40 8.8 SOCKET HEAD CAPSCREW / VIS CHC M04x40 8.8 ZI FP	
5	000090	2	M04x08 8.8 SOCKET HEAD MACH SCREW / VIS CHC M04x08 8.8 BI FT	
6	100007	4	M08x50 8.8 HEX HEAD CAPSCREW / VIS H M08x50 8.8 BI FP	
7	100054	1	M08x16 8.8 HEX HEAD MACHINE SCREW / VIS H M08x16 8.8 BI FT	
8	100091	2	M10x80 8.8 HEX HEAD CAPSCREW / VIS H M10x80 8.8 BI FP	
9	110003	4	M06 GR. 8.8 LOCK NUT / ECROU FREIN M6 CL08 BI	
10	110004	4	M08 GR. 8.8 LOCK NUT / ECROU FREIN M8 CL08 BI	
11	110005	2	M10 GR. 8.8 LOCK NUT / ECROU FREIN M10 CL08 BI	
12	110022	1	M08 GR. 8.8 FLAT HEX NUT / ECROU Hm M08 CL04 ZI	
13	120009	6	LOCK WASHER D06x14 / RONDELLE CONTACT dD 06x14 BI	
14	120010	6	LOCK WASHER D08x18 / RONDELLE CONTACT dD 08x18 BI	
15	120024	6	LOCK WASHER D04x10 / RONDELLE CONTACT M4 BI	
16	280023	0.36 m	PROTECTION SLEEVE / GAINE DE PROTECTION	
17	400015	2	BUMPER, DIA.30_TH.15 / BUTEE ELASTIQUE	
18	400096	1	CLAMP, DIA. 28mm / COLLIER D28 mm	
19	400099	2	CAP, TUBE 30x30 / BOUCHON 30x30	
20	1001279287	1	CLAMP, D9 / COLLIER D9	
21	3340962	2	PAD, ARM REST / BUTEE D'ARRET	
22	8990147	1	HOLDER, MANUAL / BOITE PORTE-DOCUMENTS	
23	400010	1.1 m	HOSE GUARD / GAINE	
24	DL0920	1	PLATFORM, WELDMENT XL / PLATE-FORME XL	
25	DL0927	2	GATE, XL PLATFORM / PORTILLON ROTATIF	
25A	150039	4	FLANGE BUSHING Ø25 H16.5 DU / BAGUE EPAULEE D25 H16.5 DU	
26	PC0531	2	LOOM, GATE LIMIT SWITCH / FAISCEAU CAPTEUR DE PORTE	
27	ST0736	2	BAR, FLAP HOOP / ANNEAU PORTILLON	
28	ST1971	2	PLATE, LOCKING / CONTRE PLAQUE	
29	ST2741	1	SENSOR CONTROL TOOL / CALE DE VERIFICATION	
30	ST3139	2	PLATE, SPACER / ENTRETOISE CAPTEUR	
31	ST3414	1	SHIELD, COVER CONNECTORS / CARTER DE PROTECTION CONNECTEURS	
32	ST3449	1	TUBE, GATE / PORTILLON COULISSANT	
33	US0236	1	SETTING SCREW / VIS DE REGLAGE	
34	US0470	2	SLIDE BLOCK / PATIN	
35	US0549	2	TUBE, GATE BUSH / AXE ROULEMENTS	

SECTION 5 - PLATFORMS INSTALL / INSTALLATION PLATE-FORMES

FIGURE 5-4. PLATFORM WITH SALOON GATES / PLATE-FORME AVEC PORTE SALOON



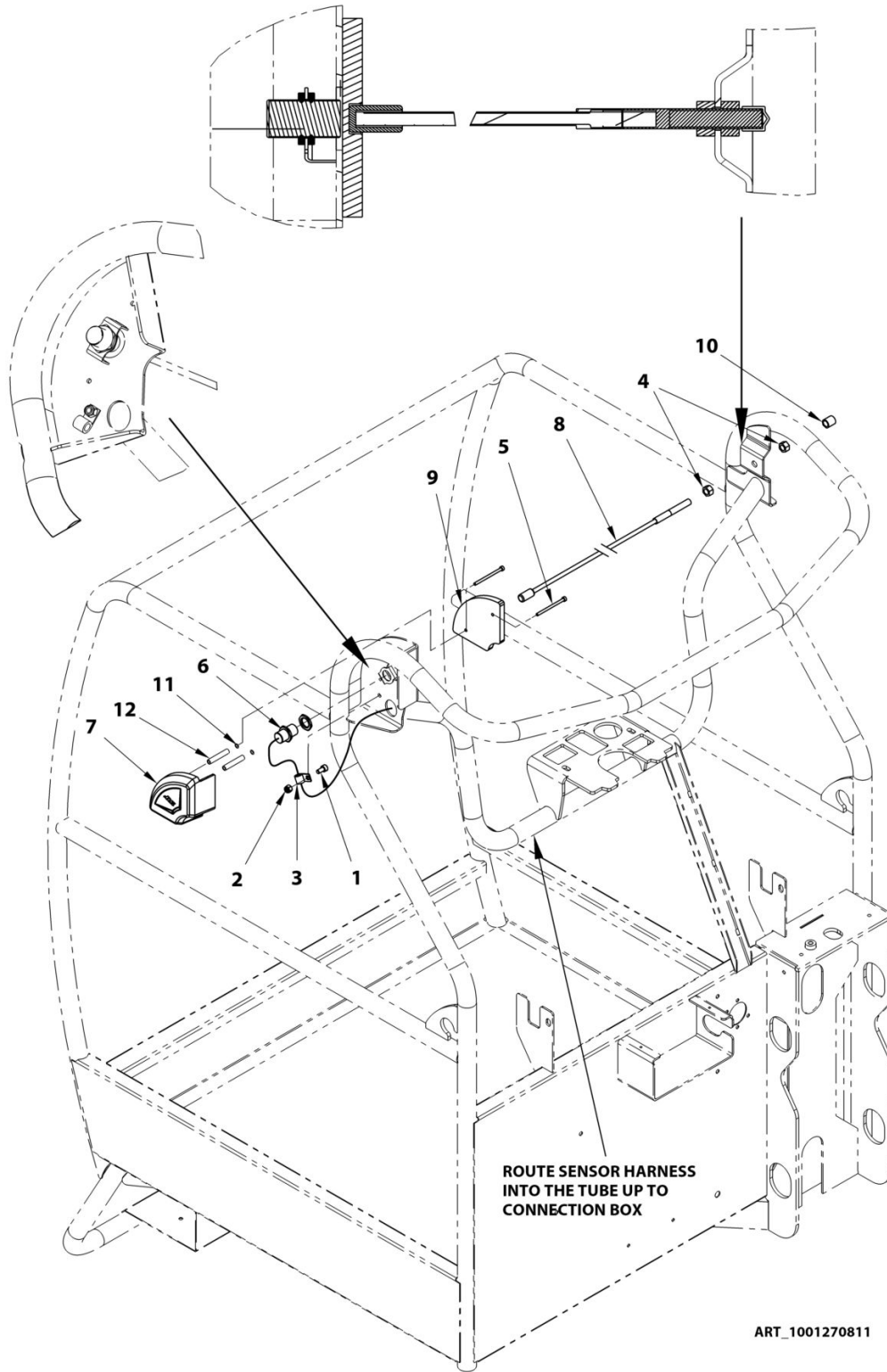
SECTION 5 - PLATFORMS INSTALL / INSTALLATION PLATE-FORMES

FIGURE 5-4. PLATFORM WITH SALOON GATES / PLATE-FORME AVEC PORTE SALOON

ITEM	PART NUMBER	QTY	DESCRIPTION	REV
	1001270810	1	PLATFORM WITH SALOON GATES / PLATE-FORME AVEC PORTE SALOON	A
1	000005	4	M06x20 8.8 SOCKET HEAD MACH SCREW / VIS CHC M06x20 8.8 BI FT	
2	000014	3	M06x12 8.8 SOCKET HEAD MACH SCREW / VIS CHC M06x12 8.8 BI FT	
3	000015	1	M06x16 8.8 SOCKET HEAD MACH SCREW / VIS CHC M06x16 8.8 BI FT	
4	000088	4	M06x70 8.8 SOCKET HEAD CAPSCREW / VIS CHC M06x70 8.8 BI FP	
5	000090	2	M04x08 8.8 SOCKET HEAD MACH SCREW / VIS CHC M4x08 8.8 BI FT	
6	100054	1	M08x16 8.8 HEX HEAD MACHINE SCREW / VIS H M08x16 8.8 BI FT	
7	110003	12	M06 GR. 8.8 LOCK NUT / ECROU FREIN M6 CL08 BI	
8	110022	1	M08 GR. 8.8 FLAT HEX NUT / ECROU Hm M08 CL04 ZI	
9	120009	5	LOCK WASHER D06x14 / RONDELLE CONTACT dD 06x14 BI	
10	120024	2	LOCK WASHER D04x10 / RONDELLE CONTACT M4 BI	
11	400048	6	CAP D30 / BOUCHON D30	
12	400096	1	CLAMP, DIA. 28MM / COLLIER D28	
13	8990147	1	HOLDER, MANUAL / BOITE PORTE-DOCUMENTS	
14	1001266813	2	GATE, SALOON / PORTE SALOON	
15	1001267022	4	SPRING, ANGULAR / RESSORT ANGULAIRE	
16	1001267401	4	PIN, GATE / AXE PORTE SALOON	
17	1001270807	1	PLATFORM, SALOON GATES / PLATE-FORME - PORTE SALOON	
18	1001271848	4	PAD, SALOON GATE / PATIN BUTEE PORTE SALOON	
19	1001271849	AR	SHIM, PAD / CALE DE PATIN	
20	1001272153	1	SHIELD, COVER CONNECTORS / CALE DE PATIN	
21	400010	1.1 m	HOSE GUARD / GAINE	
22	ST2741	1	SHIM, CHECKING / CALE DE VERIFICATION	
23	US0236	1	SCREW, ADJUSTMENT / VIS DE REGLAGE	

SECTION 5 - PLATFORMS INSTALL / INSTALLATION PLATE-FORMES

FIGURE 5-5. SKYLINE INSTALL / INSTALLATION SKYLINE



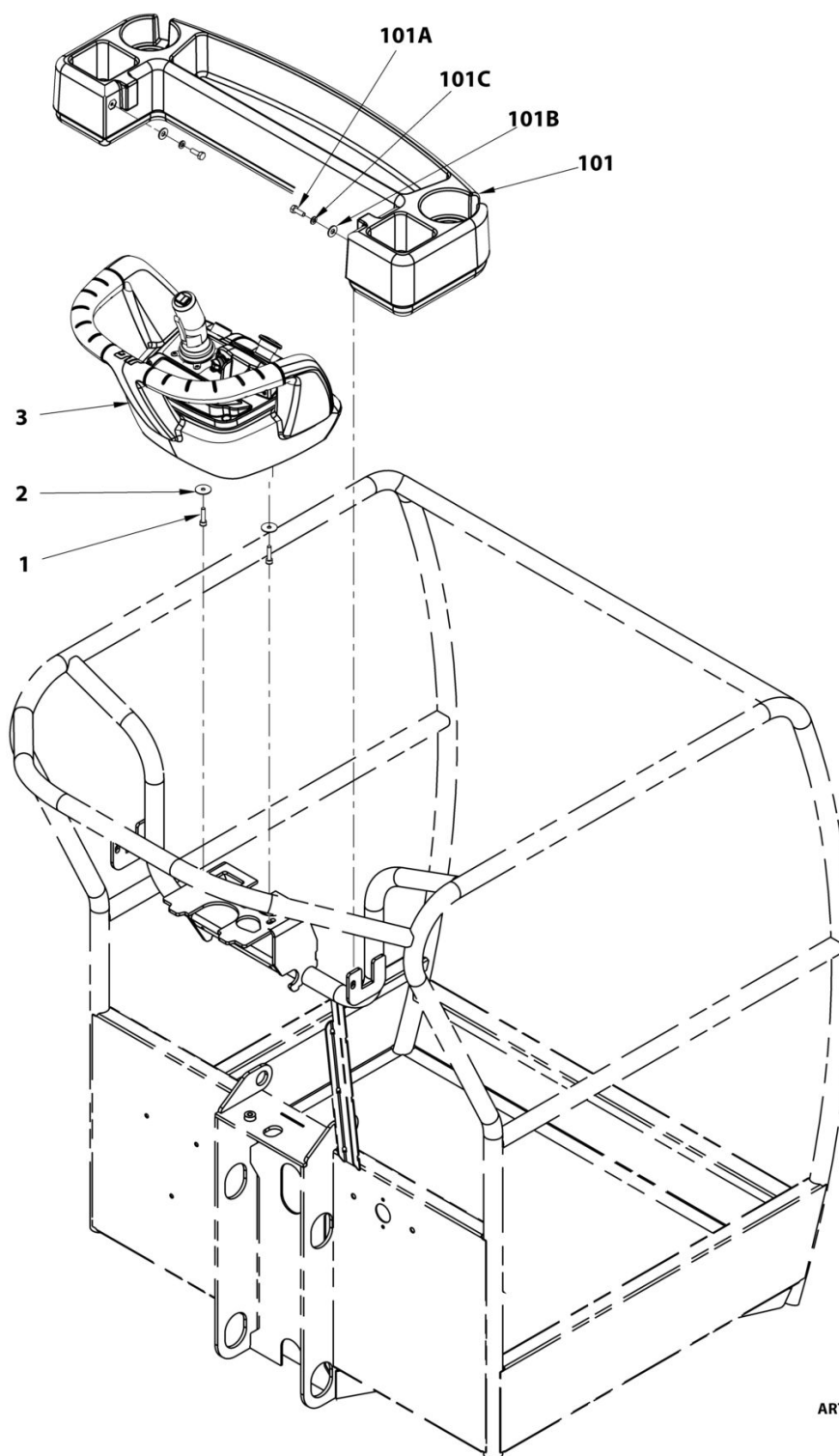
SECTION 5 - PLATFORMS INSTALL / INSTALLATION PLATE-FORMES

FIGURE 5-5. SKYLINE INSTALL / INSTALLATION SKYLINE

ITEM	PART NUMBER	QTY	DESCRIPTION	REV
	1001270811	1	INSTALL,SKYLINE / INSTALLATION,SKYLINE	B
1	000014	1	M06x12 8.8 SOCKET HEAD MACH SCREW / VIS CHC M06x12 8.8 BI FT	
2	110003	1	M06 GR. 8.8 LOCK NUT / ECROU FREIN M6 CL08 BI	
3	1001279287	1	CLAMP,D9 / COLLIER D9	
4	3311601	2	NUT,3/8-16 HEX NUT / ECROU 3/8-16	
5	4031516	2	SOCKET HD CAP METRIC,4 X 60 / VIS CHC M04x60 8.8 BI FP	
6	1001232667	1	SENSOR ASSEMBLY,PROXIMITY / DETECTEUR SKYLINE	
7	1001241965	1	HOUSING,SKYLINE RIGHT ASM / CAISSON DROIT SKYLINE	
8	1001254472	1	ROD,SKYGUARD ASSEMBLY / BARE SKYLINE	
9	1001254473	1	HOUSING,SKYLINE LEFT / CAISSON GAUCHE SKYLINE	
10	1001275523	1	CAP D9 / PROTECTION D9	
11	120056	1	dD 04x08 LOCK WASHER / RONDELLE FREIN Dd 04x08	
12	1001291927	1	TUBE,SPACER NYLON / ENTRETOISE NYLON	

SECTION 5 - PLATFORMS INSTALL / INSTALLATION PLATE-FORMES

FIGURE 5-6. CONSOLE AND CONTAINER INSTALL / INSTALLATION BOITIER DE COMMANDE ET BOITE A OUTILS



ART_1001209934

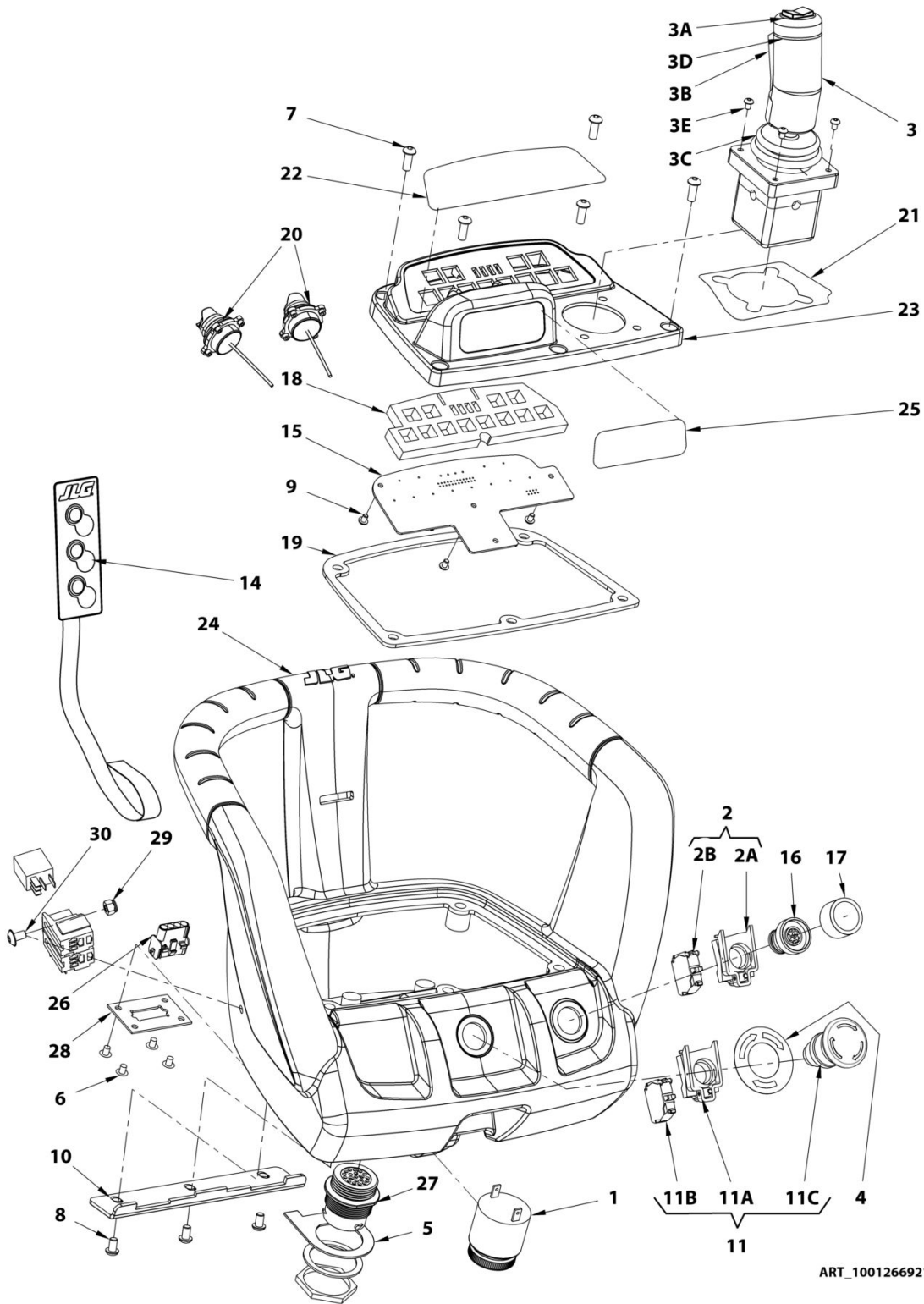
SECTION 5 - PLATFORMS INSTALL / INSTALLATION PLATE-FORMES

FIGURE 5-6. CONSOLE AND CONTAINER INSTALL / INSTALLATION BOITIER DE COMMANDE ET BOITE A OUTILS

ITEM	PART NUMBER	QTY	DESCRIPTION	REV
	1001209934	Ref	INSTALL, UPPER CONTROL BOX / ASSEMBLAGE BOITIER DE COMMANDE	C
1	000008	2	M06x25 8.8 SOCKET HEAD MACH SCREW / VIS CHC M06x25 8.8 BI FT (Prior to SN A300063324)	
1	3900357	2	M06x16 10.9 BUTTON HEAD MACH SCREW / VIS BOMBEE ULF M06x16 10.9 BI FT (SN A300063324 to Present)	
2	120004	2	D06X25 LARGE WASHER / RONDELLE dD 06x25x1.2 BI	
3	1001266921	1	ELEC ASSY, PLATFORM CONTROL BOX / ASSEMBLAGE ELECTRIQUE, BOITIER DE COMMANDE (Prior to SN A300063324)	
3	1001282920	1	ELEC ASSY, PLATFORM CONTROL BOX / ASSEMBLAGE ELECTRIQUE, BOITIER DE COMMANDE (SN A300063324 to Present)	
	SA0020	Ref	INSTALL, CONTAINER STORAGE TRAY / INSTALLATION BOITE A OUTILS	B
101	1580012	1	CONTAINER, STORAGE TRAY / BOITE A OUTILS	
101A	0641406	2	HEX HD CAPSCREW, 1/4-20 x 3/4 LG / VIS H 1/4-20 x 3/4 LG	
101B	4751400	2	WASHER, 1/4" DIA PLAIN STL., WIDE / RONDELLE LARGE D, 1/4"	
101C	4761400	2	WASHER, 1/4" DIA ZINC PLT LOCK / RONDELLE FREIN D, 1/4" BI	

SECTION 5 - PLATFORMS INSTALL / INSTALLATION PLATE-FORMES

FIGURE 5-7. PLATFORM CONSOLE ASSEMBLY / BOITIER HAUT (Prior to SN A300063324)



ART_1001266921

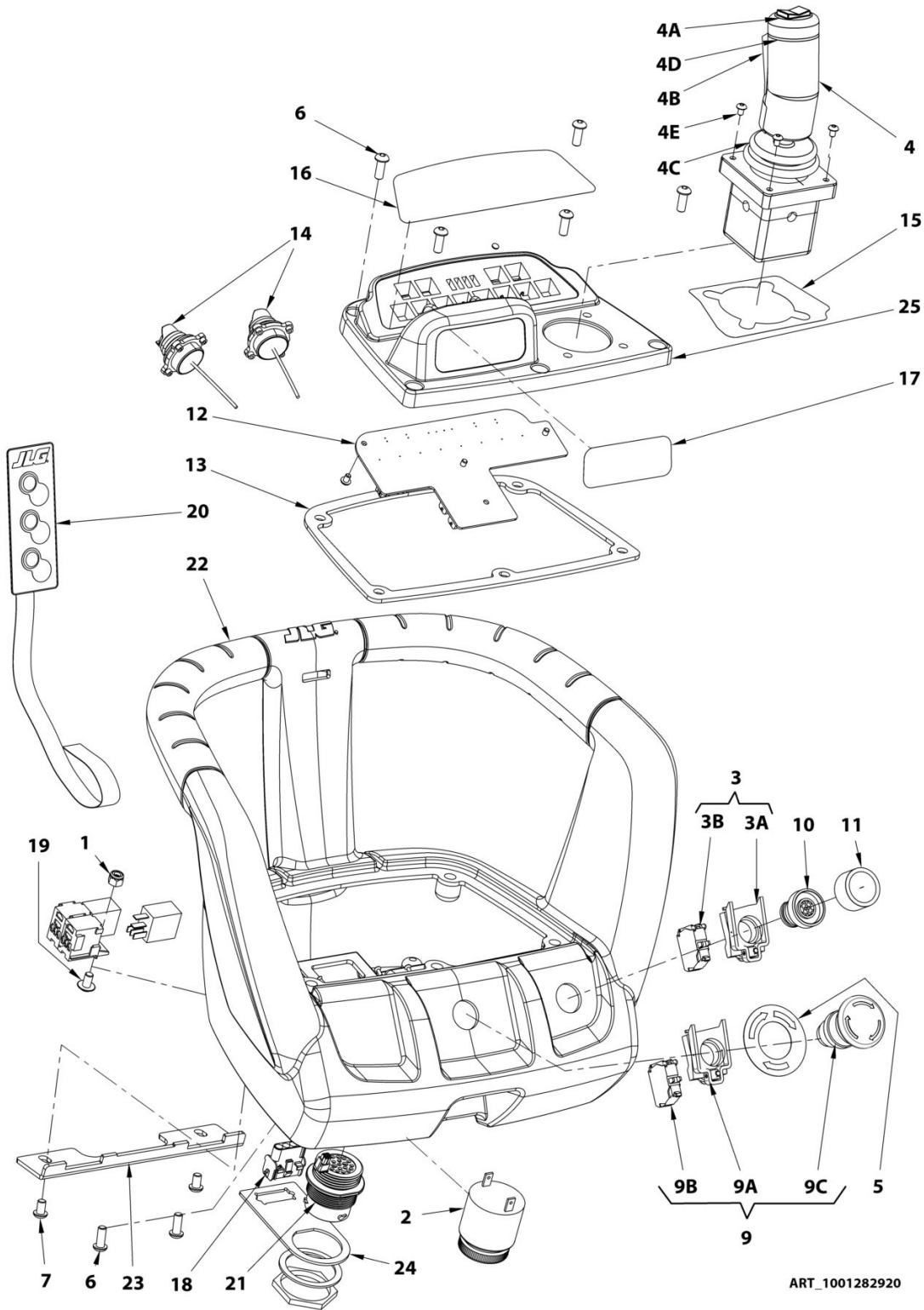
SECTION 5 - PLATFORMS INSTALL / INSTALLATION PLATE-FORMES

FIGURE 5-7. PLATFORM CONSOLE ASSEMBLY / BOITIER HAUT (Prior to SN A300063324)

ITEM	PART NUMBER	QTY	DESCRIPTION	REV
	1001266921		PLATFORM CONSOLE ASSEMBLY / BOITIER HAUT	C
1	0140011	1	AUDIBLE SIGNAL DEVICE / AVERTISSEUR SONORE	
2	240056	1	NO CONTACT BLOCK WITH HOLDER / EMBASE CONTACT NO	
2A	240076	1	CONTACT BLOCK HOLDER / EMBASE CONTACT	
2B	240058	1	NO CONTACT BLOCK / CONTACT NO	
3	1600458	1	JOYSTICK / JOYSTICK	
3A	70000084	1	CAP, RUBBER BOOT / PROTECTION CAOUTCHOUC	
3A	7027365	1	ACTUATOR HANDLE / ACTIONNEUR A BASCULE	
3B	7027367	1	SWITCH ENABLER / CONTACT VALIDATION	
3B	7027765	1	LEVER ENABLER / GACHETTE VALIDATION	
3C	70000682	1	RUBBER BELLOWS / SOUFFLET CAOUTCHOUC	
3D	7027766	1	BOOT RETAINING RING / ANNEAU DE BLOCAGE	
3E	130062	4	M04x16 8.8 ROUND HEAD MACH SCREW / VIS BOMBEE ULF M04x16 8.8 BI FT	
4	1706898	1	DECAL, EMERGENCY / AUTOCOLLANT ARRET D'URGENCE	
5	3575796	1	PLATE,D SLOT / PLAQUE ANTI-ROTATION	
6	3820019	4	RIVET, POP D4.75 L11.4 / RIVET POP D4.75 L11.4	
7	3900357	5	M06x16 10.9 BUTTON HEAD MACH SCREW / VIS BOMBEE ULF M06x16 10.9 BI FT	
8	3900358	3	M06x10 10.9 BUTTON HEAD MACH SCREW / VIS BOMBEE ULF M06x10 10.9 BI FT	
9	3900359	3	M04x06 10.9 BUTTON HEAD MACH SCREW / VIS BOMBEE ULF M04x06 10.9 BI FT	
10	4340871	1	MOUNT / BRIDE RENFORT	
11	4360562	1	COMPLETE KNOB / ARRET D'URGENCE COMPLET	
11A	240076	1	SWITCH BASE / EMBASE CONTACT	
11B	240057	1	NC CONTACT BLOCK / CONTACT NF	
11C	240060	1	TURN TO RELEASE KNOB / BOUTON D'ARRET D'URGENCE 1/4 TOUR	
14	1001266902	1	MEMBRANE 3 SWITCHES / MEMBRANE A 3 BOUTONS	
15	1001152692	1	CONTROLLER, PLATFORM MODULE / CARTE BOITIER HAUT PROGRAMMEE	
16	1001115919	1	SWITCH, PUSH BUTTON-ENABLE / BP DE VALIDATION	
17	1001117177	1	SWITCH,NEOPRENE BOOT / CAPUCHON D'ETANCHEITE NEOPRENE	
18	1001154560	1	SEAL,FORM SPACER GASKET / JOINT MOUSSE	
19	1001155328	1	SEAL,CONSOLE BOX LID / JOINT FACADE BOITIER HAUT	
20	1001155354	2	THUMB JOYSTICK / MINI JOYSTICK	
21	1001155460	1	DECAL,DRIVE SWING JOYSTICK / AUTOCOLLANT JOYSTICK TRANSLATION	
22	1001155462	1	DECAL,LIGHT PANEL ICON DISPLAY / AUTOCOLLANT INDICATEURS BOITIER HAUT	
23	1001157657	1	PANEL,CONSOLE COVER / PLATINE BOITIER HAUT	
24	1001266925	1	BOX,PLATFORM CONSOLE / BOITIER HAUT	
25	1001208856	1	DECAL,JIB,MAST JOYSTICK / AUTOCOLLANT JOYSTICK MAT ET BRAS	
26	1001208857	1	HARNESS,JOYSTICS / FAISCEAU JOYSTICKS	
27	1001266923	1	HARNESS UCB / FAISCEAU BOITIER HAUT	
28	ST3312	1	PLATE,PLUG MOUNT / PLATINE MONTAGE CONNECTEUR	
29	110003	1	M06 GR. 8.8 LOCK NUT / ECROU FREIN M6 CL08 BI	
30	1001256013	1	SCREW RD HD MACH,M6X10 / VIS TETE RONDE M06x10	

SECTION 5 - PLATFORMS INSTALL / INSTALLATION PLATE-FORMES

FIGURE 5-8. PLATFORM CONSOLE ASSEMBLY / BOITIER HAUT (SN A300063324 to Present)



SECTION 5 - PLATFORMS INSTALL / INSTALLATION PLATE-FORMES

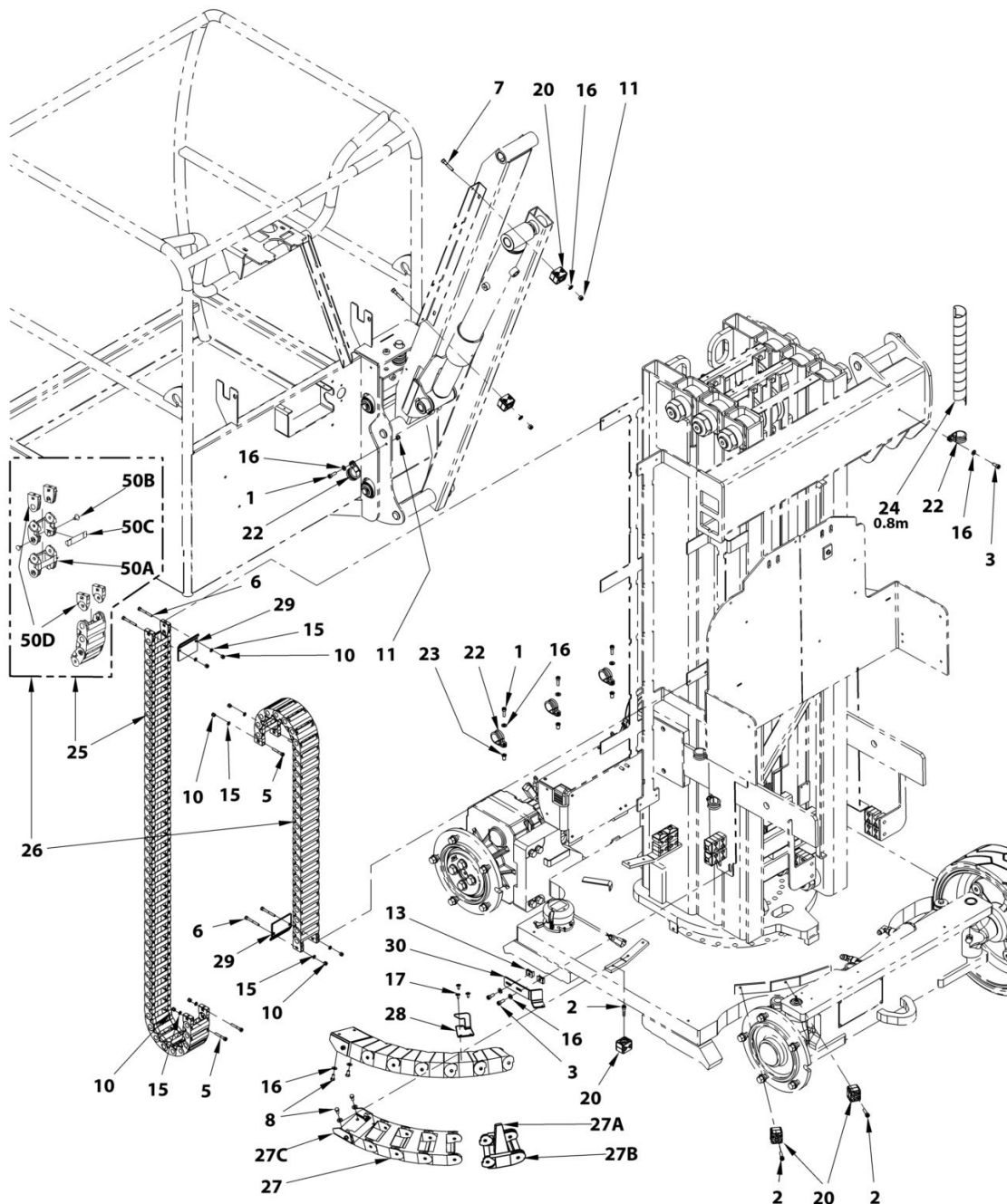
FIGURE 5-8. PLATFORM CONSOLE ASSEMBLY / BOITIER HAUT (SN A300063324 to Present)

ITEM	PART NUMBER	QTY	DESCRIPTION	REV
	1001282920	REF	PLATFORM CONSOLE ASSEMBLY / BOITIER HAUT	B
1	110003	1	M06 GR. 8.8 LOCK NUT / ECROU FREIN M6 CL08 BI	
2	0140011	1	AUDIBLE SIGNAL DEVICE / AVERTISSEUR SONORE	
3	240056	1	NO CONTACT BLOCK WITH HOLDER / EMBASE CONTACT NO	
3A	240076	1	CONTACT BLOCK HOLDER / EMBASE CONTACT	
3B	240058	1	NO CONTACT BLOCK / CONTACT NO	
4	1600458	1	JOYSTICK / JOYSTICK	
4A	70000084	1	CAP, RUBBER BOOT / PROTECTION CAOUTCHOUC	
4A	7027365	1	ACTUATOR HANDLE / ACTIONNEUR A BASCULE	
4B	7027367	1	CONTACT VALIDATION / CONTACT VALIDATION	
4B	7027765	1	LEVER ENABLER / GACHETTE VALIDATION	
4C	70000682	1	RUBBER BELLOWS / SOUFFLET CAOUTCHOUC	
4D	7027766	1	BOOT RETAINING RING / ANNEAU DE BLOCAGE	
4E	130062	4	M04x16 8.8 ROUND HEAD MACH SCREW / VIS BOMBEE ULF M04x16 8.8 BI FT	
5	1706898	1	DECAL,EMERGENCY / AUTOCOLLANT ARRET D'URGENCE	
6	3900357	7	M06x16 10.9 BUTTON HEAD MACH SCREW / VIS BOMBEE ULF M06x16 10.9 BI FT	
7	3900358	2	M06x10 10.9 BUTTON HEAD MACH SCREW / VIS BOMBEE ULF M06x10 10.9 BI FT	
9	4360562	1	COMPLETE KNOB / ARRET D'URGENCE COMPLET	
9A	240076	1	SWITCH BASE / EMBASE CONTACT	
9B	240057	1	NC CONTACT BLOCK / CONTACT NF	
9C	240060	1	TURN TO RELEASE KNOB / BOUTON D'ARRET D'URGENCE 1/4 TOUR	
10	1001115919	1	SWITCH, GREEN PUSH BUTTON, OPEN PAD LOCK / BP VERT DE VALIDATION	
11	1001117177	1	SWITCH, NEOPRENE BOOT / CAPUCHON D'ETANCHEITE NEOPRENE	
12	1001152692	1	CONTROLLER, PLATFORM MODULE / CARTE BOITIER HAUT PROGRAMMEE (Prior to SN A300064482)	
12	1001288829	1	CONTROLLER, PLATFORM MODULE / CARTE BOITIER HAUT PROGRAMMEE (SN A300064482 to Present)	
13	1001155328	1	SEAL, CONSOLE BOX LID / JOINT FACADE BOITIER HAUT	
14	1001155354	2	THUMB JOYSTICK / MINI JOYSTICK	
15	1001155460	1	DECAL, DRIVE JOYSTICK / AUTOCOLLANT JOYSTICK TRANSLATION	
16	1001155462	1	DECAL, ICON DISPLAY / AUTOCOLLANT INDICATEURS BOITIER HAUT	
17	1001208856	1	DECAL, JIB, MAST JOYSTICK / AUTOCOLLANT JOYSTICK MAT ET BRAS	
18	1001208857	1	HARNESS, JOYSTICS / FAISCEAU JOYSTICKS (Prior to SN A300064482)	
18	1001294033	1	HARNESS, ANALYZER EXTENSION / RALLONGE ANALYSEUR (SN A300064482 to Present)	
19	1001256013	1	SCREW RD HD MACH, M6X10 / VIS TETE RONDE M06x10	
20	1001266902	1	MEMBRANE 3 SWITCHES / MEMBRANE A 3 BOUTONS	
21	1001266923	1	HARNESS, PLATFORM CONTROL / FAISCEAU BOITIER HAUT	
22	1001282923	1	PLASTIC PLATFORM CONSOLE BOX / BOITIER HAUT PLASTIQUE	
23	1001283170	1	PLATE, BAYONET MOUNT / PLATINE MONTAGE BAYONETTE	
24	1001283171	1	PLATE, D SLOT / PLATINE EN D	
25	1001288667	1	CONSOLE COVER / COUVERCLE BOITIER HAUT	

**SECTION 6 - POWER TRACKS AND CLAMPS / INSTALLATION
CHAINES PORTE-CABLES**

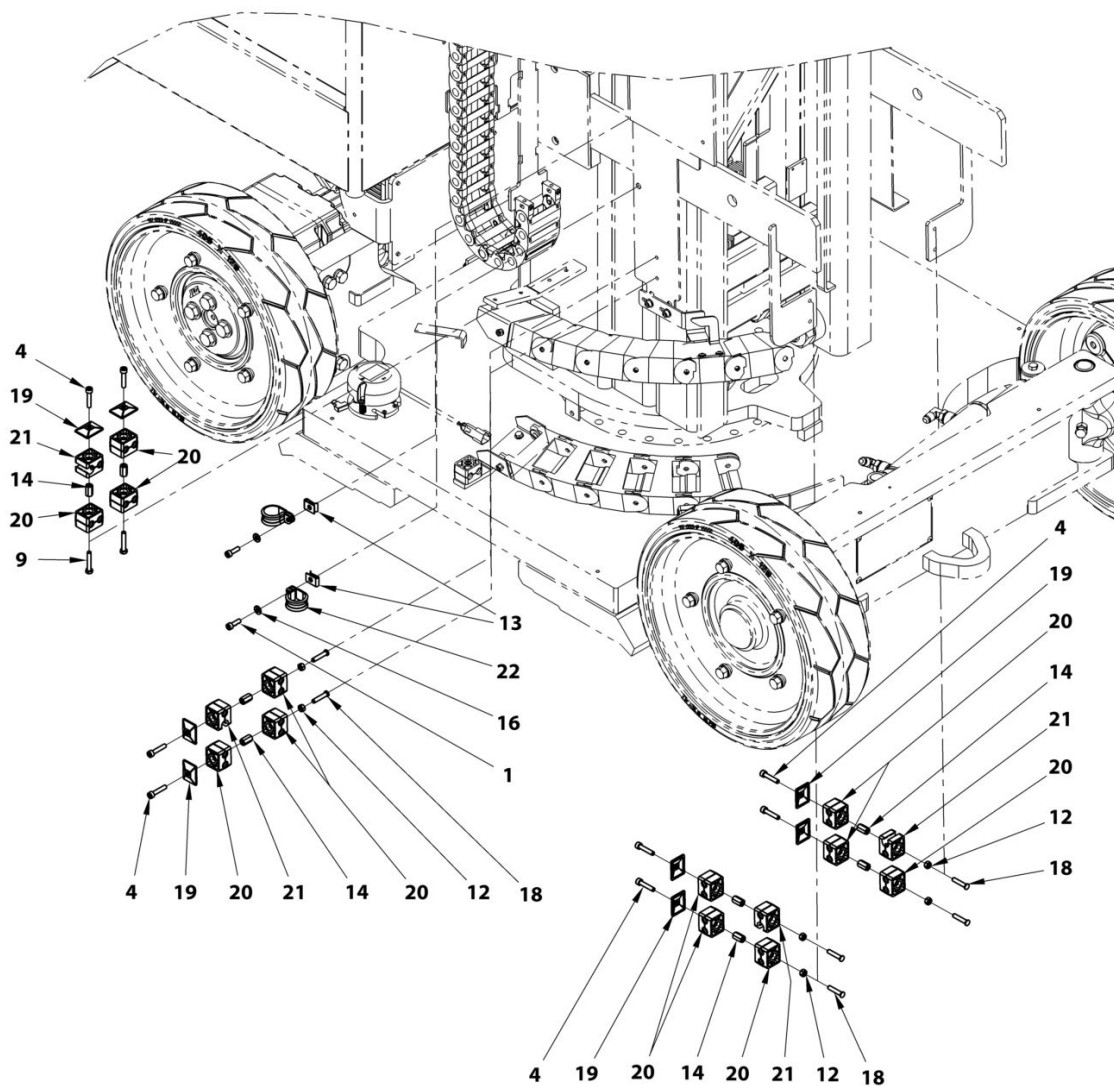
SECTION 6 - POWER TRACKS AND CLAMPS / INSTALLATION CHAINES PORTE-CABLES

FIGURE 6-1. INSTALL, POWER TRACKS AND CLAMPS / INSTALLATION CHAINES PORTE-CABLES



ART_1001209859-1

SECTION 6 - POWER TRACKS AND CLAMPS / INSTALLATION CHAINES PORTE-CABLES



ART_1001209859-2

SECTION 6 - POWER TRACKS AND CLAMPS / INSTALLATION CHAINES PORTE-CABLES

FIGURE 6-1. INSTALL,POWER TRACKS AND CLAMPS / INSTALLATION CHAINES PORTE-CABLES

ITEM	PART NUMBER	QTY	DESCRIPTION	REV
	1001209859	Ref	POWER TRACKS AND CLAMPS INSTALL / INSTALLATION CHAINES PORTE-CABLES	D
1	000005	6	M06x20 8.8 SOCKET HEAD MACH SCREW / VIS CHC M06x20 8.8 BI FT	
2	000008	3	M06x25 8.8 SOCKET HEAD MACH SCREW / VIS CHC M06x25 8.8 BI FT	
3	000015	3	M06x16 8.8 SOCKET HEAD MACH SCREW / VIS CHC M06x16 8.8 BI FT	
4	000016	8	M06x30 8.8 SOCKET HEAD MACH SCREW / VIS CHC M06x30 8.8 BI FT	
5	000030	4	M05x35 8.8 SOCKET HEAD CAPSCREW / VIS CHC M05x35 8.8 ZI FP	
6	000051	4	M05x45 8.8 SOCKET HEAD CAPSCREW / VIS CHC M05x45 8.8 BI FP	
7	000077	2	M06x35 8.8 SOCKET HEAD CAPSCREW / VIS CHC M06x35 8.8 BI FP	
8	100027	4	M06x12 8.8 HEX HEAD MACHINE SCREW / VIS H M06x12 8.8 BI FT	
9	100051	2	M06x35 8.8 HEX HEAD MACHINE SCREW / VIS H M06x35 8.8 BI FT	
10	110002	8	M05 GR. 8.8 LOCK NUT / ECROU FREIN M5 CL08 BI	
11	110003	3	M06 GR. 8.8 LOCK NUT / ECROU FREIN M6 CL08 BI	
12	110015	6	M06 GR. 8.8 HEX NUT / ECROU H M06 CL08 BI	
13	110026	4	M06 CAGE HEX NUT / ECROU CAGE M06	
14	110041	8	NUT,M6 EXTENSION / ECROU RALLONGE M6	
15	120002	8	M05 WASHER / RONDELLE M05 BI	
16	120009	15	LOCK WASHER D06x14 / RONDELLE CONTACT dD 06x14 BI	
17	130007	3	Ø4.8x13 SHEET METAL SCREW / VIS AUTOTARAUDEUSE D4.8-13 BI	
18	130066	6	STUD,SELF-CRIMPING,M6x30 / GOUJON A SERTIR M06x30	
19	400012	8	PAIR 1/2 SHELL PLATE / PLAQUE DE SERRAGE T1	
20	400018	17	CLAMP,TWIN 12-12 PP,BLK / COLLIER DOUBLE D12	
21	400092	4	CLAMP,TWIN 15-12 PP,BLK / COLLIER DOUBLE D12.7 / D15	
22	400096	7	CLAMP,DIA. 28mm / COLLIER D28 mm	
23	1001258232	3	RIVET,NUT M6 / ECROU RIVET M6	
24	400010	0.8 m	HOSE GUARD / GAINE	
25	ST1326	1	POWER TRACK 44L / CHAINE PORTE-CABLES 44M	
26	ST1327	1	POWER TRACK 27L / CHAINE PORTE-CABLES 27M	
27	1001239742	1	CIRCULAR POWER BRIDGE / CHAINE PORTE-CABLES CIRCULAIRE	
27A	1001248511	x	POWER TRACK,COVER / CLIP CHAINE CIRCULAIRE	
27B	1001248510	x	POWER TRACK,LINK / MAILLON CHAINE CIRCULAIRE	
27C	1001248513	x	POWER TRACK,ATTACHMENT / FIXATION CHAINE CIRCULAIRE	
28	1001239741	1	PLATE,POWER TRACK HOOK / SOUTIEN DE CHAINE PORTE-CABLES	
29	ST3219	2	PLATE,CABLES KEEPER / BRIDE DE CABLES	
30	ST3442	1	SUPPORT,POWER TRACKS / SOUTIEN DE CHAINE PORTE-CABLES	
50A	920042	x	POWER TRACKS LINK / MAILLON CHAINE PORTE-CABLES	

SECTION 6 - POWER TRACKS AND CLAMPS / INSTALLATION CHAINES PORTE-CABLES

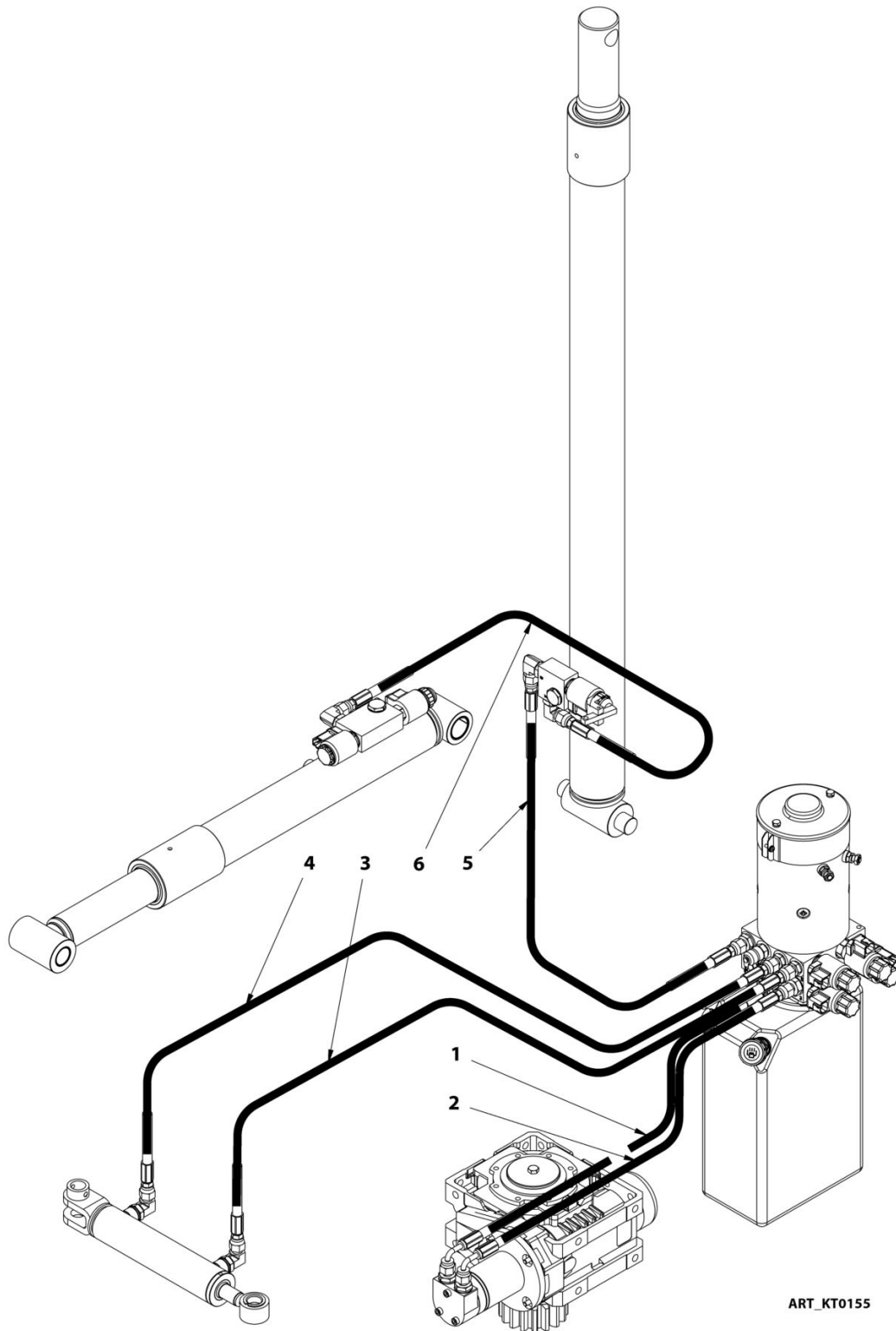
ITEM	PART NUMBER	QTY	DESCRIPTION	REV
50B	920045	x	POWER TRACKS PIN PG305 / AXE CHAINE PORTE-CABLES PG305	
50C	920046	x	POWER TRACKS COVER / CAPOT CHAINE PORTE-CABLES	
50D	920073	x	POWER TRACKS ATTACHMENT KIT SR305 / KIT ATTACHES CHAINE PORTE-CABLES SR305	

SECTION 7 - HYDRAULIC INSTALL / INSTALLATION HYDRAULIQUE

SECTION 7 - HYDRAULIC INSTALL / INSTALLATION HYDRAULIQUE

SECTION 7 - HYDRAULIC INSTALL / INSTALLATION HYDRAULIQUE

FIGURE 7-1. HOSES KIT DIAGRAM / SCHEMA KIT FLEXIBLES



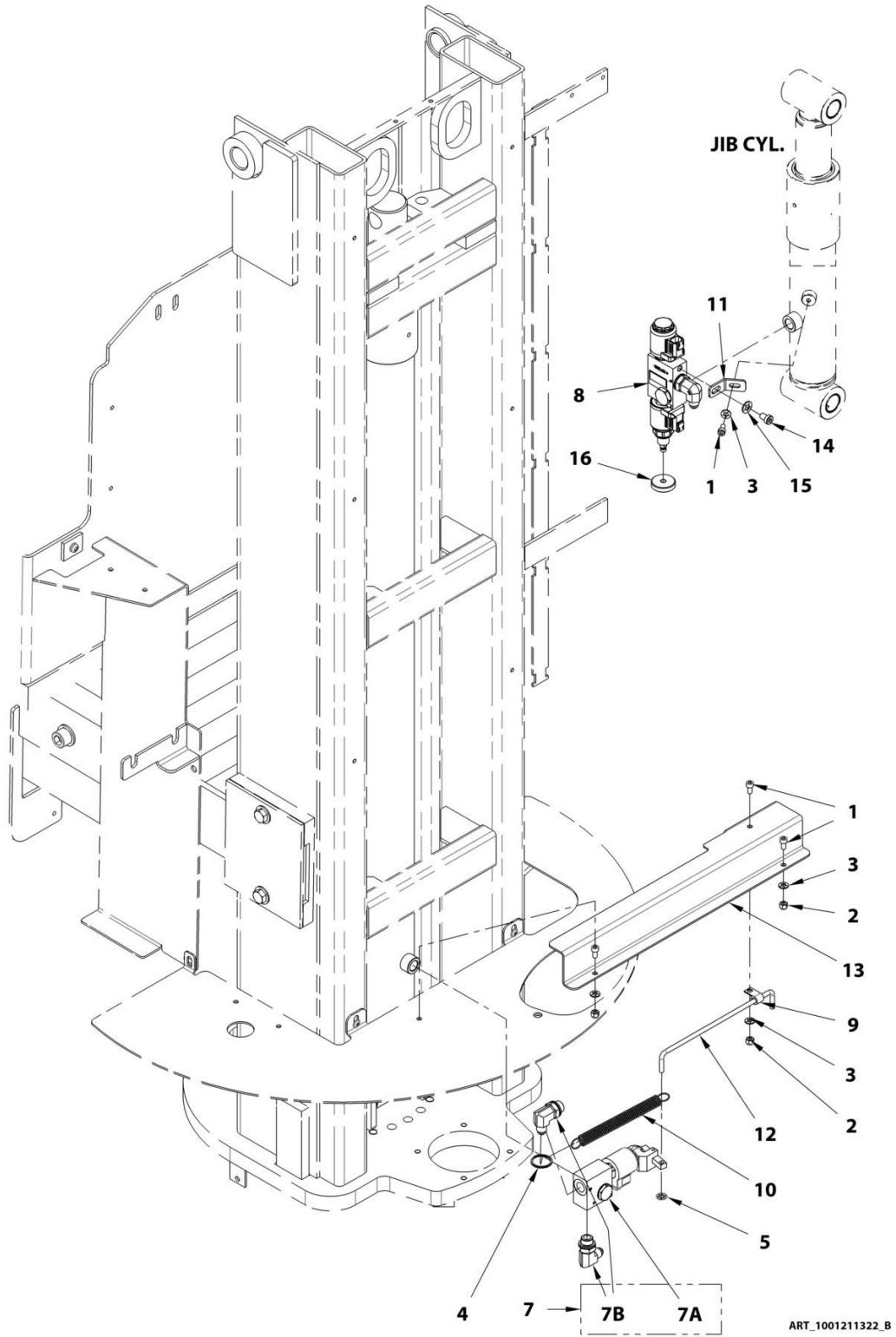
SECTION 7 - HYDRAULIC INSTALL / INSTALLATION HYDRAULIQUE

FIGURE 7-1. HOSES KIT DIAGRAM / SCHEMA KIT FLEXIBLES

ITEM	PART NUMBER	QTY	DESCRIPTION	REV
	KT0155	1	HOSES KIT / KIT FLEXIBLES	A
1	DF0981	1	HOSE 1/4-0205cm-JIC Fem 9/16-JIC Fem 9/16 90° / FLEXIBLE 1/4-0205cm-JIC Fem 9/16-JIC Fem 9/16 90°	
2	DF0982	1	HOSE 1/4-BLUE-0205cm-JIC Fem 9/16-JIC Fem 9/16 90° / FLEXIBLE 1/4-BLEU-0205cm-JIC Fem 9/16-JIC Fem 9/16 90°	
3	DF0050	1	HOSE 1/4-0450cm-JIC Fem 9/16-JIC Fem 9/16 / FLEXIBLE 1/4-0450cm-JIC Fem 9/16-JIC Fem 9/16	
4	DF0983	1	HOSE 1/4-GREEN-0430cm-JIC Fem 9/16-JIC Fem 9/16 / FLEXIBLE 1/4-VERT-0430cm-JIC Fem 9/16-JIC Fem 9/16	
5	DF0002	1	HOSE 5/16-0185cm-JIC Fem 9/16-JIC Fem 9/16 / FLEXIBLE 5/16-0185cm-JIC Fem 9/16-JIC Fem 9/16	
6	DF0984	1	HOSE 5/16-0755cm-JIC Fem 9/16-JIC Fem 9/16 / FLEXIBLE 5/16-0755cm-JIC Fem 9/16-JIC Fem 9/16	

SECTION 7 - HYDRAULIC INSTALL / INSTALLATION HYDRAULIQUE

FIGURE 7-2. CONTROL VALVES INSTALL / INSTALLATION DISTRIBUTEURS



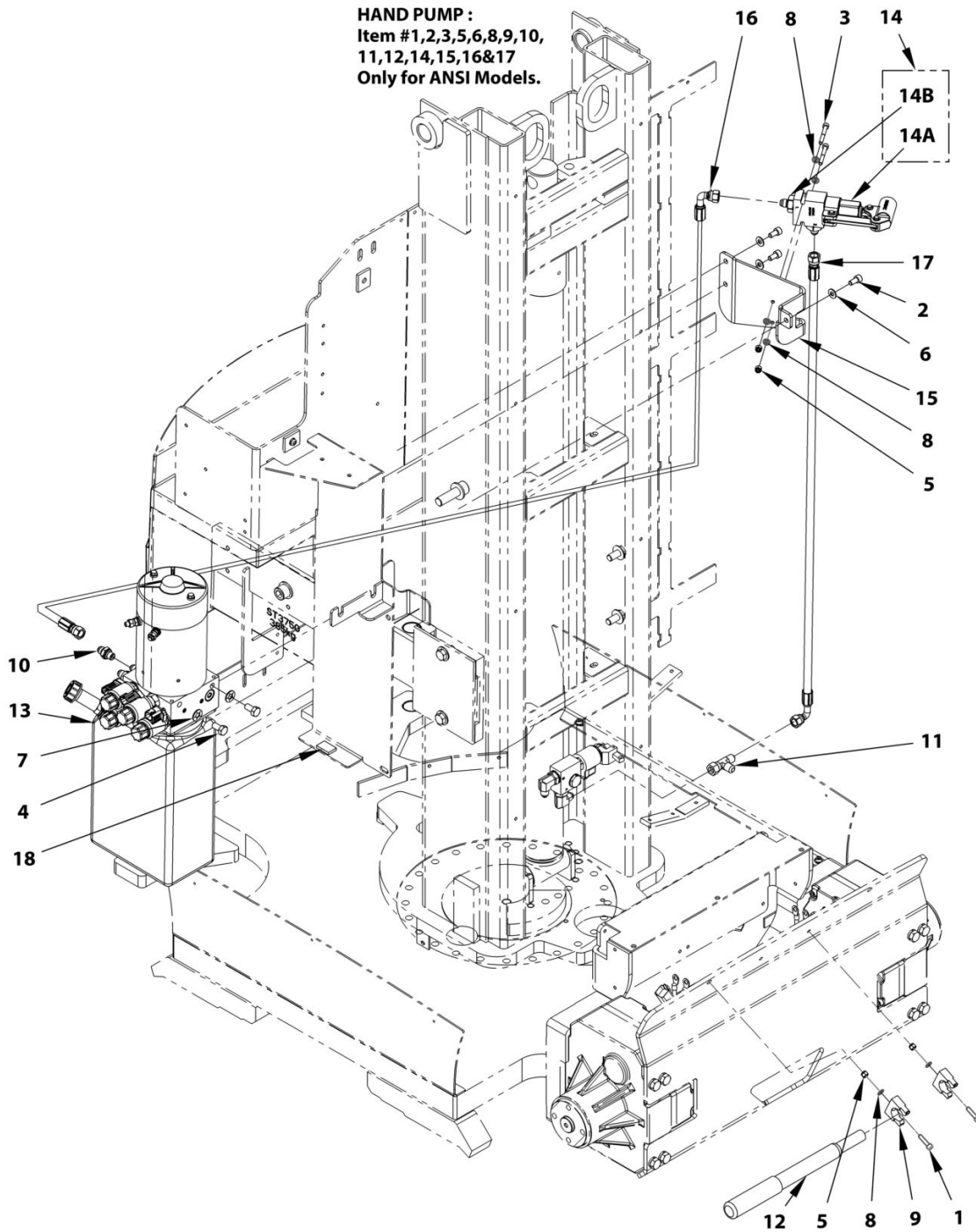
SECTION 7 - HYDRAULIC INSTALL / INSTALLATION HYDRAULIQUE

FIGURE 7-2. CONTROL VALVES INSTALL / INSTALLATION DISTRIBUTEURS

ITEM	PART NUMBER	QTY	DESCRIPTION	REV
	1001211322	Ref	INSTALL,CTL VALVES / INSTALLATION DISTRIBUTEURS	B
1	000014	4	M06x12 8.8 SOCKET HEAD MACH SCREW / VIS CHC M06x12 8.8 BI FT	
2	110003	3	M06 GR. 8.8 LOCK NUT / ECROU FREIN M6 CL08 BI	
3	120009	4	LOCK WASHER D06x14 / RONDELLE CONTACT dD 06x14 BI	
4	140014	1	LOCKING PIN RING / ANNEAU INDEX	
5	140024	1	WASHER-SPEC,PUSH-ON RETAINING D6 / RONDELLE AUTO-BLOQUANTE D6	
7	1001216711	1	VALVE ASSY,MAST CYLINDER / ASSEMBLAGE DISTRIBUTEUR VERIN MAT	
7A	520115	1	VALVE,MAST CYLINDER / DISTRIBUTEUR VERIN MAT	
7B	300061	1	90° ELBOW MALE BSPP 3/8-MALE JIC 9/16 / COUDE 90° MALE BSPP3/8-MALE JIC9/16	
8	1001222936	1	VALVE ASSY,JIB CYLINDER / ASSEMBLAGE DISTRIBUTEUR VERIN BRAS	
9	1321293	1	CLAMP, INSULATED BAND / COLLIER ISOLE	
10	160018	1	SPRING, TRACTION 160 140 1000 I / RESSORT DE TRACTION 160 140 1000 I	
11	1001225530	1	CYLINDER VALVE GUARD / PROTECTION VALVE VERIN	
12	ST3704	1	LINK,MANUAL DESCENT / TIRETTE DE SECOURS	
13	ST3707	1	LINK COVER / PROTECTION TIRETTE	
14	000059	1	M08x12 8.8 SOCKET HEAD MACH SCREW / VIS CHC M08x12 8.8 BI FT	
15	120010	1	LOCK WASHER D08x18 / RONDELLE CONTACT dD 08x18 BI	
16	US0277	1	CYLINDER EMERGENCY BUTTON / BOUTON DE SECOUR VERIN	

SECTION 7 - HYDRAULIC INSTALL / INSTALLATION HYDRAULIQUE

FIGURE 7-3. TANK AND PUMP INSTALL / INSTALLATION GROUPE HYDRAULIQUE



ART_1001223602

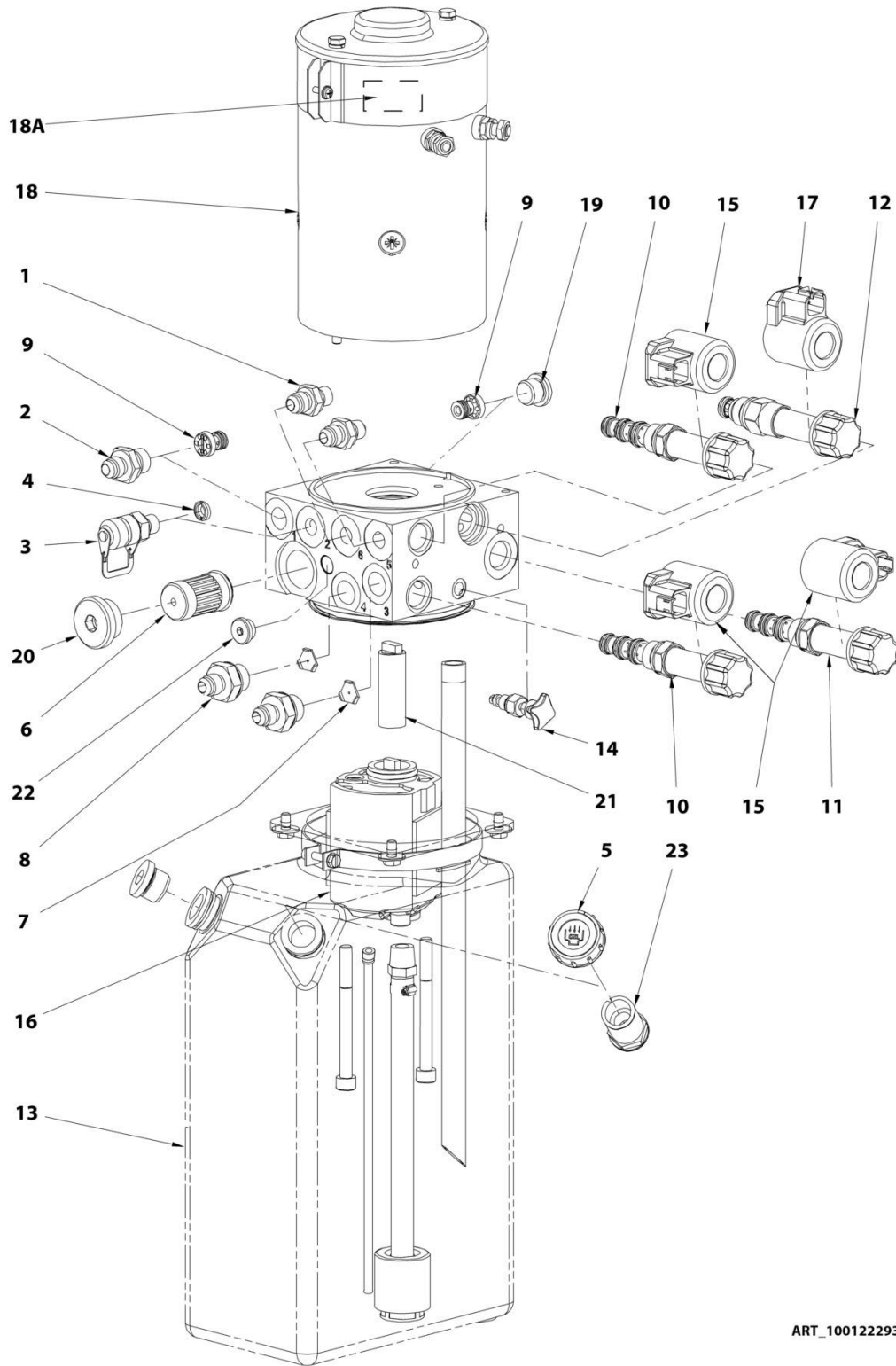
SECTION 7 - HYDRAULIC INSTALL / INSTALLATION HYDRAULIQUE

FIGURE 7-3. TANK AND PUMP INSTALL / INSTALLATION GROUPE HYDRAULIQUE

ITEM	PART NUMBER	QTY	DESCRIPTION	REV
	1001223602	Ref	20E-INSTALL,TANK & PUMP (HAND PUMP) / 20E-INSTALLATION GROUPE (POMPE A MAIN)	A
1	000008	2	M06x25 8.8 SOCKET HEAD MACH SCREW / VIS CHC M06x25 8.8 BI FT	
2	000018	3	M08x16 8.8 SOCKET HEAD MACH SCREW / VIS CHC M08x16 8.8 BI FT	
3	000026	2	M06x50 8.8 SOCKET HEAD CAPSCREW / VIS CHC M06x50 8.8 BI FP	
4	100156	2	M10x20 8.8 HEX HEAD MACHINE SCREW / VIS H M10x20 8.8 BI FT	
5	110003	4	M06 GR. 8.8 LOCK NUT / ECROU FREIN M6 CL08 BI	
6	120010	3	LOCK WASHER D08x18 / RONDELLE CONTACT dD 08x18 BI	
7	120011	2	LOCK WASHER D10x22 / RONDELLE CONTACT dD 10x22 BI	
8	120030	6	LOCK WASHER D06x12 / RONDELLE CONTACT dD 06x12 BI	
9	190027	2	Ø22 CLIP / CLIP Ø22	
10	300025	1	FITTING MALE BSPP1/4-MALE JIC9/16 / RACCORD MALE BSPP1/4-MALE JIC9/16	
11	300037	1	RUN TEE JIC 9/16 SWIVEL NUT / TE ECROU TOURNANT JIC 9/16	
12	310109	1	LEVER,HAND PUMP / MANCHE POMPE A MAIN	
13	1001222935	1	PUMP,MOTOR/TANK / GROUPE HYDRAULIQUE	
14	1001222937	1	PUMP,HAND PUMP ASSEMBLY / ASSEMBLAGE POMPE A MAIN	
14A	1001225624	1	PUMP,HAND PUMP / POMPE A MAIN	
14B	300044	2	FITTING MALE BSPP 1/2-MALE JIC 9/16 / RACCORD MALE BSPP 1/2-MALE JIC 9/16	
15	1001223714	1	PLATE,HAND PUMP SUPPORT / SUPPORT POMPE A MAIN	
16	1001223893	1	HOSE,5/16" 114cm-FEM JIC 9/16-90° FEM JIC 9/16 / FLEXIBLE 5/16" 114cm-FEM JIC 9/16-90° FEM JIC 9/16	
17	1001223897	1	HOSE,5/16" 105cm-FEM JIC 9/16-90° FEM JIC 9/16 / FLEXIBLE 5/16" 105cm-FEM JIC 9/16-90° FEM JIC 9/16	
18	ST3318	1	STOP,RUBBER STICK / BUTEE ELASTIQUE ADHESIVE	
	1001211321	Ref	8E-INSTALL,TANK & PUMP (W/O HAND PUMP) / 8E-INSTALLATION GROUPE (SANS POMPE A MAIN)	B
4	100156	2	M10x20 8.8 HEX HEAD MACHINE SCREW / VIS H M10x20 8.8 BI FT	
7	120011	2	LOCK WASHER D10x22 / RONDELLE CONTACT dD 10x22 BI	
13	1001222935	1	PUMP,MOTOR/TANK / GROUPE HYDRAULIQUE	B
18	ST3318	1	STOP,RUBBER STICK / BUTEE ELASTIQUE ADHESIVE	

SECTION 7 - HYDRAULIC INSTALL / INSTALLATION HYDRAULIQUE

FIGURE 7-4. TANK AND PUMP / GROUPE HYDRAULIQUE



ART_1001222935

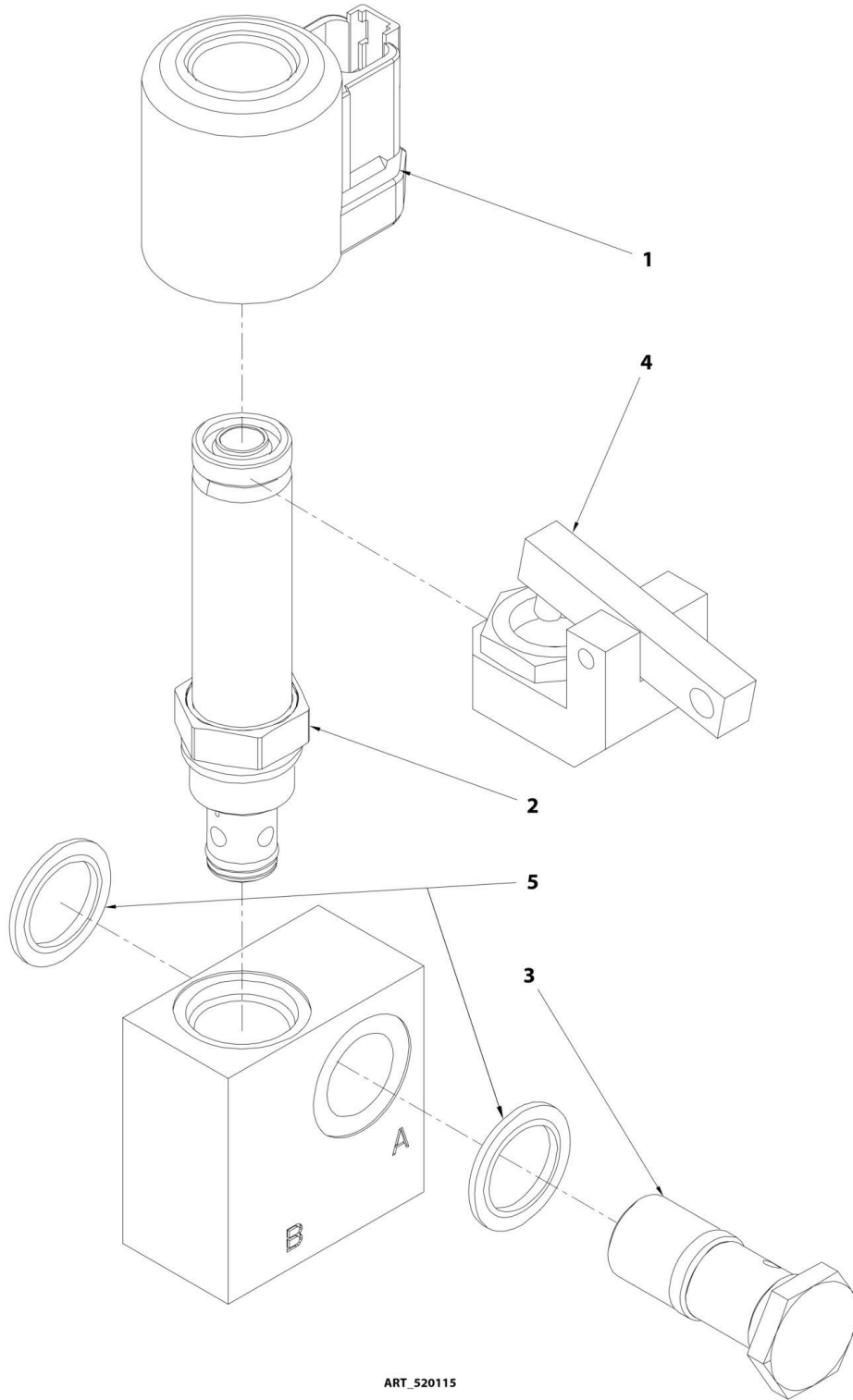
SECTION 7 - HYDRAULIC INSTALL / INSTALLATION HYDRAULIQUE

FIGURE 7-4. TANK AND PUMP / GROUPE HYDRAULIQUE

ITEM	PART NUMBER	QTY	DESCRIPTION	REV
	1001222935		PUMP, -MOTOR-TANK ASSEMBLY / GROUPE HYDRAULIQUE	D
1	300025	2	FITTING MALE BSPP1/4-MALE JIC9/16 / RACCORD MALE BSPP1/4-MALE JIC9/16	
2	300040	1	FITTING MALE BSPP3/8 MALE JIC9/16 / RACCORD MALE BSPP3/8 MALE JIC9/16	
3	300101	1	PRESSURE TEST PLUG BSPP1/4 / PRISE DE PRESSION BSPP1/4	
4	310091	1	SEEVE 1/4 BSPP MESH 0.1mm / TAMIS 1/4 BSPP MAILLE 0.1mm	
5	310103	1	BREATHER CAP / BOUCHON-RENIFLARD	
6	930134	1	FILTER, CARTRIDGE,10µm / ELEMENT FILTRANT 10µm	
7	930135	2	VALVE, JET / LIMITEUR DE DEBIT	
8	930136	2	ADPT, ST S JIC/MPP 6-M18 FG / RACCORD M18x150 JIC 9/16	
9	930138	2	CHECK VALVE / CLAPET A BILLE	
10	952094	2	4/2 SOLENOID DIRECTIONAL VALVEWK08Z / DISTRIBUTEUR 4/2 WK08Z	
11	952095	1	4/2 SOLENOID DIRECTIONAL VALVEWK08Y / DISTRIBUTEUR 4/2 WK08Y	
12	952096	1	PROPORTIONAL RELIEF VALVE-PDB08P / LIMITEUR DE PRESSION PROPORTIONNEL PDB08P	
13	952097	1	TANK, PLASTIC_6 LITERS / RESERVOIR PLASTIQUE 6 Litres	
14	952098	1	VALVE, NEEDLE,BUILD_IN / ROBINET	
15	952099	3	COIL, 24VDC_3012599 / BOBINE 24VDC_3012599	
16	952100	1	PUMP, GEAR PUMP 3, 1CC/REV / POMPE 3.1CC/Tr	
17	952101	1	COIL, 24VADC_3110057 / BOBINE 24VADC_3110057	
18	970065	1	MOTOR, 24VDC 3KW, AMK5542 / MOTEUR, 24VDC 3KW,AMK5542	
18A	951034	1	BRUSH KIT FOR AMK 5542 / KIT BALAIS DE CHARBON AMK 5542	
19	300047	1	CAP BSPP 3/8 / BOUCHON BSPP 3/8	
20	952108	1	FITTING,CAP M27x0.75 / BOUCHON M27x0.75	
21	1001215691	1	COUPLING,PUMP / MOTOR / ACCOUPLEMENT POMPE / MOTEUR	
22	300034	1	CAP MALE BSPP 1/4" / BOUCHON MALE BSPP 1/4"	
23	1001294060	1	CAP,BREATHER ADAPTER / TUBE RENIFLARD	

SECTION 7 - HYDRAULIC INSTALL / INSTALLATION HYDRAULIQUE

FIGURE 7-5. VALVE ASSY,MAST CYLINDER / ASSEMBLAGE DISTRIBUTEUR VERIN MAT



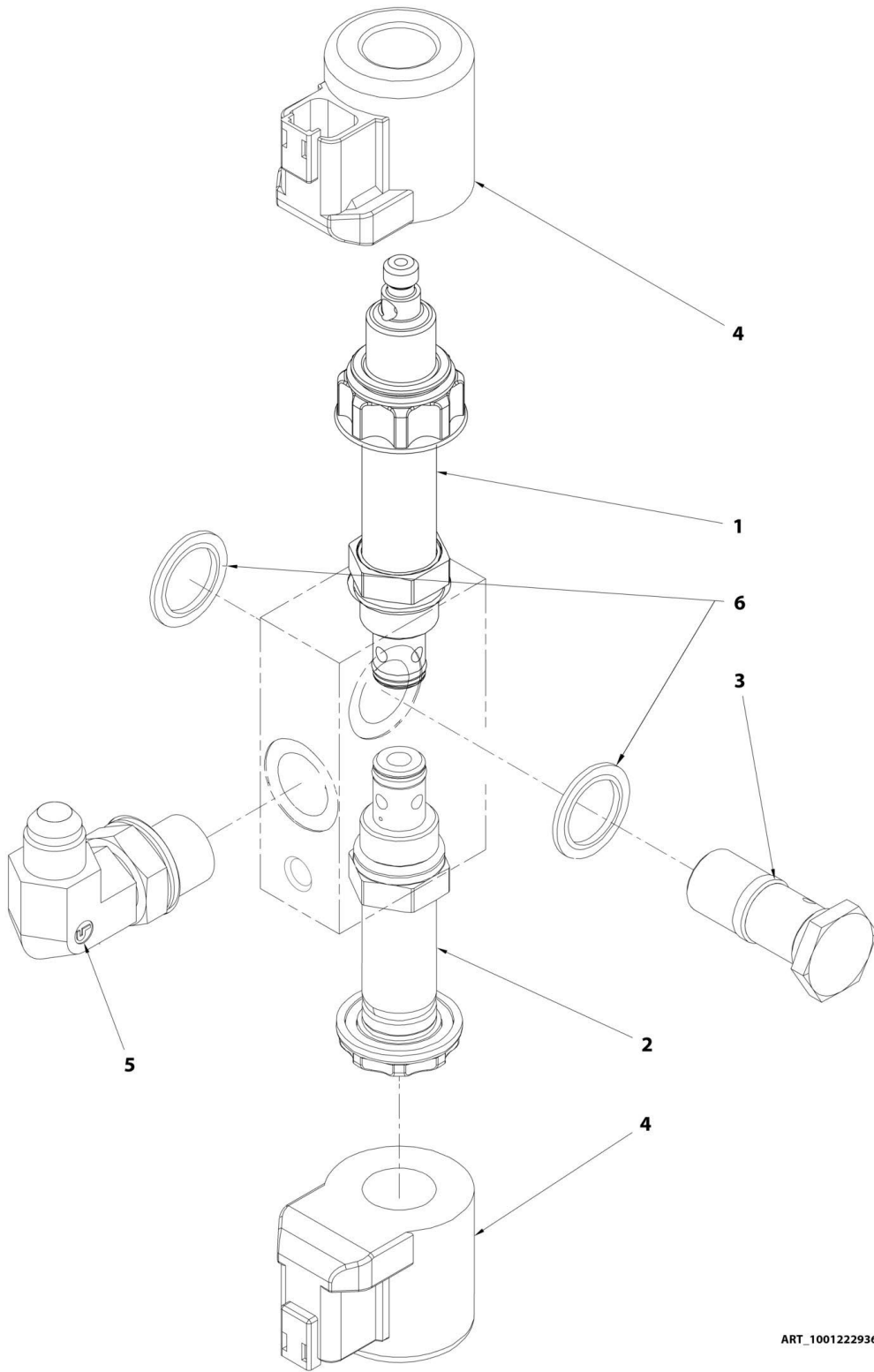
SECTION 7 - HYDRAULIC INSTALL / INSTALLATION HYDRAULIQUE

FIGURE 7-5. VALVE ASSY,MAST CYLINDER / ASSEMBLAGE DISTRIBUTEUR VERIN MAT

ITEM	PART NUMBER	QTY	DESCRIPTION	REV
	520115		VALVE, CYL. HOLDING WITH FLOW REGULATOR / DIST. VERIN AVEC REGULATEUR DE DEBIT	C
1	952099	1	COIL, 24VDC_3012599 / BOBINE 24VDC_3012599	
2	952102	1	2/2 SOLENOİD DIRECTIONAL VALVE / DISTRIBUTEUR 2/2 WS08W	
3	952104	1	VALVE, FLOW REGULATOR-9L/MN / REGULATEUR DE DEBIT 9L/MN	
4	952106	1	MANUAL OVERRIDE SUPPORT, / COMMANDE MANUELLE	
5	952107	2	BS RING_HN48-10-U 16x24.7x1.5 St/NBR / BAGUE BS HN48-10- U 16x24.7x1.5 St/NBR	

SECTION 7 - HYDRAULIC INSTALL / INSTALLATION HYDRAULIQUE

FIGURE 7-6. VALVE ASSY, JIB CYLINDER / ASSEMBLAGE DISTRIBUTEUR VERIN BRAS



ART_1001222936

SECTION 7 - HYDRAULIC INSTALL / INSTALLATION HYDRAULIQUE

FIGURE 7-6. VALVE ASSY,JIB CYLINDER / ASSEMBLAGE DISTRIBUTEUR VERIN BRAS

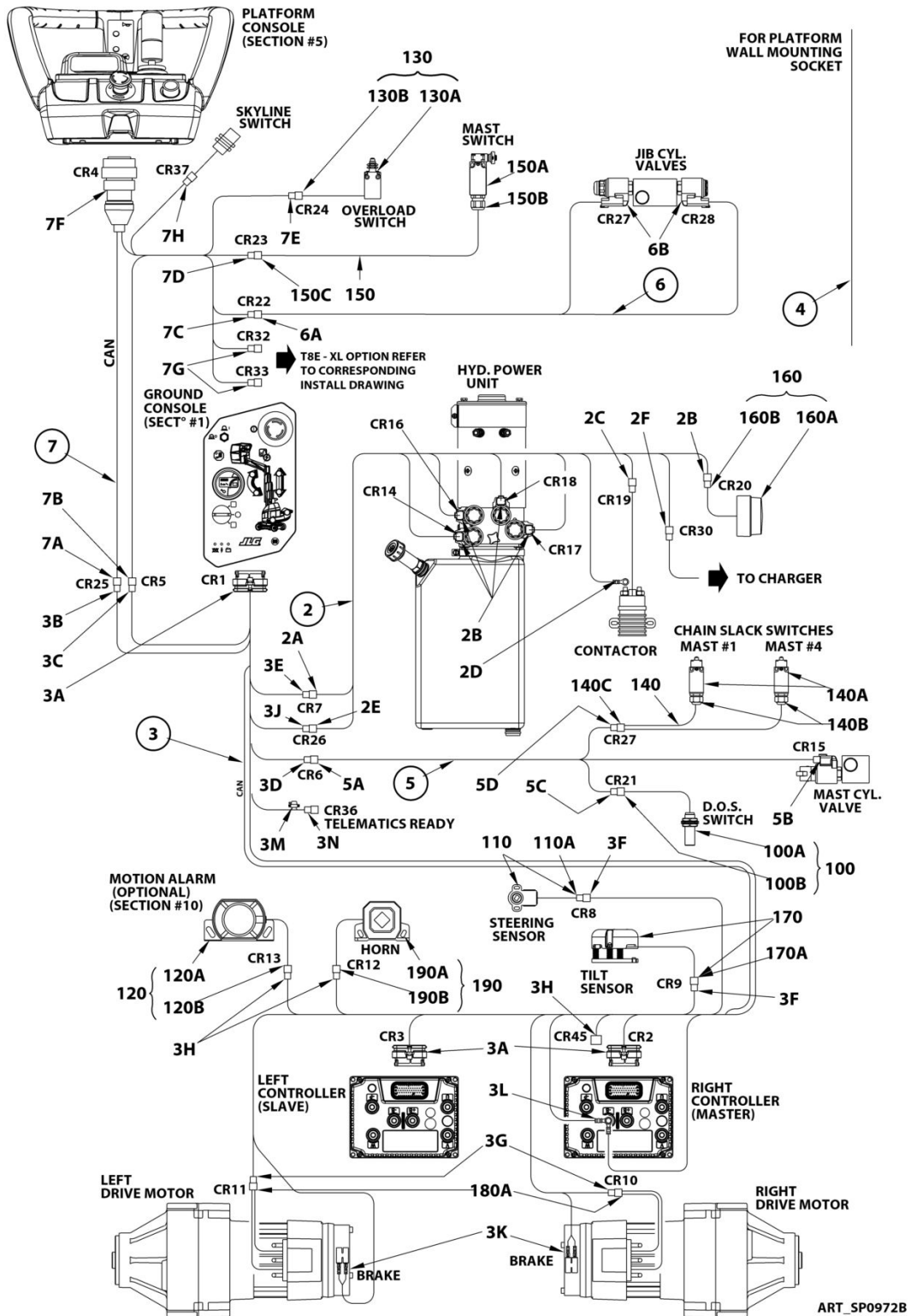
ITEM	PART NUMBER	QTY	DESCRIPTION	REV
	1001222936	1	VALVE ASSY,JIB CYLINDER / ASSEMBLAGE DISTRIBUTEUR VERIN BRAS	A
1	1001225133	1	DIRECTIONAL VALVE 2/2 NC / VALVE DIRECTIONNELLE 2/2 NC	
2	1001225159	1	DIRECTIONAL VALVE 2/2 NC / VALVE DIRECTIONNELLE 2/2 NC	
3	1001225157	1	SCREW SRH G3/8 / VIS SRH G3/8	
4	952099	2	COIL, 24VDC_3012599 / BOBINE 24VDC_3012599	
5	300061	1	90° ELBOW MALE BSPP 3/8-MALE JIC 9/16 / COUDE 90° MALE BSPP3/8-MALE JIC9/16	
6	952107	2	BS RING_HN48-10-U 16x24.7x1.5 St/NBR / BAGUE BS HN48-10-U 16x24.7x1.5 St/NBR	

SECTION 8 - ELECTRICAL SYSTEM INSTALL / INSTALLATION ELECTRIQUE

**SECTION 8 - ELECTRICAL SYSTEM INSTALL / INSTALLATION
ELECTRIQUE**

SECTION 8 - ELECTRICAL SYSTEM INSTALL / INSTALLATION ELECTRIQUE

FIGURE 8-1. CABLES AND SWITCHES INSTALL DIAGRAM / DIAGRAMME D'INSTALLATION CABLES ET CAPTEURS



SECTION 8 - ELECTRICAL SYSTEM INSTALL / INSTALLATION ELECTRIQUE

FIGURE 8-1. CABLES AND SWITCHES INSTALL DIAGRAM / DIAGRAMME D'INSTALLATION CABLES ET CAPTEURS

ITEM	PART NUMBER	QTY	DESCRIPTION	REV
	1001211439	Ref	INSTALL,CABLES / INSTALLATION CABLES	B
1	1001213727	Ref	KIT,POWER CABLES (SEE NEXT FIGURE) / KIT CABLES PUISSANCE (VOIR FIGURE SUIVANTE)	C
2	1001213728	1	HARNESS,HYDRAULIC UNIT / FAISCEAU CENTRALE HYDRAULIQUE	B
2A	4460931	1	CONNECTOR, DEUTSCH DT 8P RECEPTACLE / CONNECTEUR DEUTSCH DT 8P FEMELLE	
2A	4460464	8	CONTACT DEUTSCH DT PIN / CONTACT DEUTSCH DT MALE	
2B	4460891	5 x1	CONNECTOR, DEUTSCH DT 2P PLUG / CONNECTEUR DEUTSCH DT 2P MALE	
2B	4460465	5 x2	CONTACT DEUTSCH DT SOCKET / CONTACT DEUTSCH DT FEMELLE	
2C	4460897	1	CONNECTOR, DEUTSCH DT 2P RECEPTACLE / CONNECTEUR DEUTSCH DT 2P FEMELLE	
2C	4460464	2	CONTACT DEUTSCH DT PIN / CONTACT DEUTSCH DT MALE	
2D	250084	1	M8 EYELET TERMINAL 0.25-1mm ² / COSSE A OEIL ISOLEE M8 - 0.25-1mm ²	
2E	250026	1	RED RECEPTACLE TERM. 6.3 - 0.5-1.2mm ² / COSSE FEMELLE 6.3 ROUGE - 0.5-1.2mm ²	
2F	NOT SERVICEABLE	1	TERMINAL,INSULATE FASTON TAB 1/4- 0.5-1.2mm ² / COSSE MALE 1/4 ROUGE - 0.5-1.2mm ²	
3	1001213729	1	HARNESS,CHASSIS / FAISCEAU CHASSIS	E
3A	4460873	3 x1	CONNECTOR, HOUSING AMP 35P / CONNECTEUR AMP 35P	
3A	4460871	3 x35	CONTACT AMPSEAL, SOCKET / CONTACT AMPSEAL, FEMELLE	
3B	1001116812	1	CONNECTOR,DEUTSCH DT 3P PLUG J1939 / CONNECTEUR DEUTSCH DT 3P MALE J1939	
3B	4460944	3	TERMINAL,16-18 GA SOCKET (GOLD) / CONTACT DUTSCH DT FEMMELLE (OR)	
3C	4460933	1	CONNECTOR, DEUTSCH DT 12P PLUG / CONNECTEUR DEUTSCH DT 12P MALE	
3C	4460465	12	CONTACT DEUTSCH DT SOCKET / CONTACT DEUTSCH DT FEMELLE	
3D	4460894	1	CONNECTOR, DEUTSCH DT 6P PLUG / CONNECTEUR DEUTSCH DT 6P MALE	
3D	4460465	6	CONTACT DEUTSCH DT SOCKET / CONTACT DEUTSCH DT FEMELLE	
3E	4460930	1	CONNECTOR, DEUTSCH DT 8P PLUG / CONNECTEUR DEUTSCH DT 8P MALE	
3E	4460465	8	CONTACT DEUTSCH DT SOCKET / CONTACT DEUTSCH DT FEMELLE	
3F	4460539	2 x1	CONNECTOR, DEUTSCH DT 3P PLUG / CONNECTEUR DEUTSCH DT 3P MALE	
3F	4460465	2 x3	CONTACT DEUTSCH DT SOCKET / CONTACT DEUTSCH DT FEMELLE	
3G	250227	2 x1	CONNECTOR, DEUTSCH DTM 6P PLUG / CONNECTEUR DEUTSCH DTM 6P MALE	
3G	4460928	2 x6	CONTACT DEUTSCH DTM, SOCKET / CONTACT DEUTSCH DTM FEMELLE	
3H	4460891	3 x1	CONNECTOR, DEUTSCH DT 2P PLUG / CONNECTEUR	

SECTION 8 - ELECTRICAL SYSTEM INSTALL / INSTALLATION ELECTRIQUE

ITEM	PART NUMBER	QTY	DESCRIPTION	REV
3H	4460465	3 x2	DEUTSCH DT 2P MALE CONTACT DEUTSCH DT SOCKET / CONTACT DEUTSCH DT FEMELLE	
3J	NOT SERVICEABLE	1	TERMINAL,INSULATE FASTON TAB 1/4- 0.5-1.2mm ² / COSSE MALE 1/4 ROUGE - 0.5-1.2mm ²	
3K	250060	4	RECEPTACLE TERMINAL 4.8 - 0.25-1mm ² / COSSE ISOLEE 4.8 mm 0.25-1 mm ²	
3L	250091	2	M6 EYELET TERMINAL 1-2.5mm ² / COSSE A OEIL ISOLEE M6 - 1-2.5mm ²	
3M	2400060	1	FUSE,HOLDER W/COVER / PORTE FUSIBLE	
3M	8229242	1	FUSE,5 A MINI / FUSIBLE 5A	
3N	4460884	1	PLUG,4-PIN CONNECTOR / CONNECTEUR 4 BROCHES	
3N	4460465	4	CONTACT DEUTSCH DT SOCKET / CONTACT DEUTSCH DT FEMELLE	
3N	1001192401	1	CONNECTOR,DUST CAP / PROTECTION CONNECTEUR	
4	270059	10.5 m	CABLE 3G2.5mm² Color leads (qty in meters) / CABLE 3G2.5mm² coloré (qté en mètre)	B
5	PC0488	1	HARNESS, TURNTABLE / FAISCEAU MAT 1	B
5A	4460899	1	CONNECTOR, DEUTSCH DT 6P RECEPTACLE / CONNECTEUR DEUTSCH DT 6P FEMELLE	
5A	4460464	5	CONTACT DEUTSCH DT PIN / CONTACT DEUTSCH DT MALE	
5B	4460891	1	CONNECTOR, DEUTSCH DT 2P PLUG / CONNECTEUR DEUTSCH DT 2P MALE	
5B	4460465	2	CONTACT DEUTSCH DT SOCKET / CONTACT DEUTSCH DT FEMELLE	
5C	4461077	1	CONNECTOR, DEUTSCH DTM 4P PLUG / CONNECTEUR DEUTSCH DTM 4P MALE	
5C	4460928	3	CONTACT DEUTSCH DTM, SOCKET / CONTACT DEUTSCH DTM FEMELLE	
5D	4460932	1	CONNECTOR, DEUTSCH DT 4P RECEPTACLE / CONNECTEUR DEUTSCH DT 4P FEMELLE	
5D	4460464	4	CONTACT DEUTSCH DT PIN / CONTACT DEUTSCH DT MALE	
6	PC0524	1	HARNESS, JIB VALVES / FAISCEAU ELECTROVANNE BRAS	B
6A	4460536	1	CONNECTOR, DEUTSCH DT 3P RECEPTACLE / CONNECTEUR DEUTSCH DT 3P FEMELLE	
6A	4460464	3	CONTACT DEUTSCH DT PIN / CONTACT DEUTSCH DT MALE	
6B	4460891	2 x1	CONNECTOR, DEUTSCH DT 2P PLUG / CONNECTEUR DEUTSCH DT 2P MALE	
6B	4460465	2 x2	CONTACT DEUTSCH DT SOCKET / CONTACT DEUTSCH DT FEMELLE	
7	1001267255	1	HARNESS,PLATFORM CONSOLE / FAISCEAU BOITIER HAUT	C
7A	1001144147	1	CONNECTOR, DEUTSCH DT 3P RECEPTACLE J1939 / CONNECTEUR DEUTSCH DT 3P FEMELLE J1939	
7A	4460943	3	TERMINAL,16-18 GA PIN (GOLD) / CONTACT DEUTSCH DT MALE (OR)	
7B	4460970	1	CONNECTOR, DEUTSCH DT 12P RECEPTACLE / CONNECTEUR DEUTSCH DT 12P FEMELLE	
7B	4460464	12	CONTACT DEUTSCH DT PIN / CONTACT DEUTSCH DT MALE	
7C	4460539	1	CONNECTOR, DEUTSCH DT 3P PLUG / CONNECTEUR DEUTSCH DT 3P MALE	
7C	4460465	3	CONTACT DEUTSCH DT SOCKET / CONTACT DEUTSCH DT FEMELLE	

SECTION 8 - ELECTRICAL SYSTEM INSTALL / INSTALLATION ELECTRIQUE

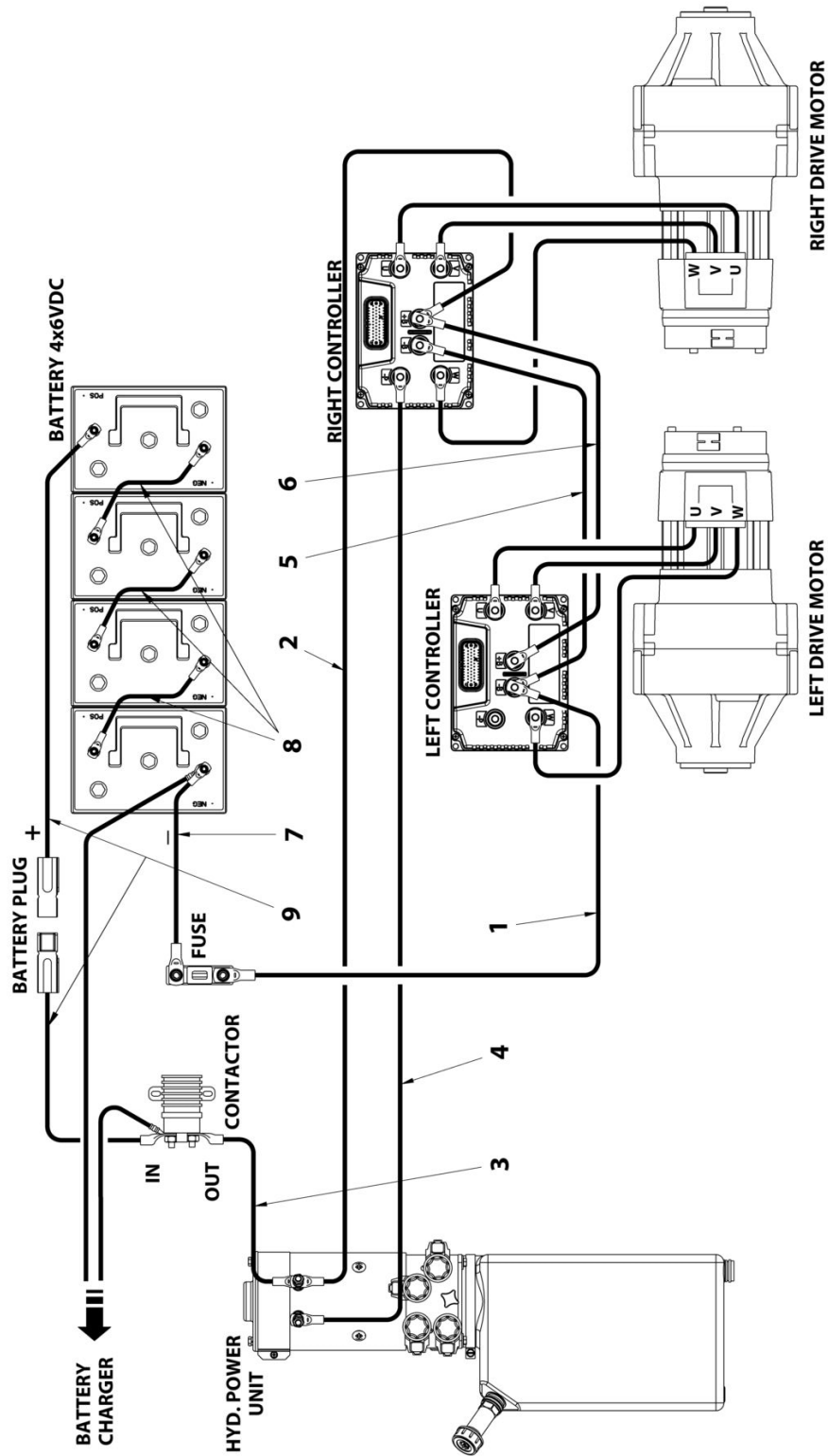
ITEM	PART NUMBER	QTY	DESCRIPTION	REV
7D	4460899	1	CONNECTOR, DEUTSCH DT 6P RECEPTACLE / CONNECTEUR DEUTSCH DT 6P FEMELLE	
7D	4460464	6	CONTACT DEUTSCH DT PIN / CONTACT DEUTSCH DT MALE	
7E	4460932	1	CONNECTOR, DEUTSCH DT 4P RECEPTACLE / CONNECTEUR DEUTSCH DT 4P FEMELLE	
7E	4460464	4	CONTACT DEUTSCH DT PIN / CONTACT DEUTSCH DT MALE	
7F	1001267665	1	CONNECTOR, DEUTCH HDP 20P / CONNECTEUR DEUTSCH HDP 20P MALE	
7F	1001116694	13	CONTACT DEUTSCH DTM SOCKET / CONTACT DEUTSCH DTM FEMELLE	
7F	1001119619	2	CONTACT DEUTSCH DTM SOCKET (GOLD) / CONTACT DEUTSCH DTM FEMELLE (OR)	
7F	1001116692	2	CONTACT DEUTSCH DT SOCKET / CONTACT DEUTSCH DT FEMELLE	
7F	4460916	3	SEAL PLUG DTM / BOUCHON JOINT DTM	
7G	4460536	2	CONNECTOR, DEUTSCH DT 3P RECEPTACLE / CONNECTEUR DEUTSCH DT 3P FEMELLE	
7G	4460464	6	CONTACT DEUTSCH DT PIN / CONTACT DEUTSCH DT MALE	
7H	4461077	1	CONNECTOR, DEUTSCH DTM 4P PLUG / CONNECTEUR DEUTSCH DTM 4P MALE	
7H	1001126009	4	CONTACT DEUTSCH DTM, SOCKET (GOLD) / CONTACT DEUTSCH DTM FEMELLE (OR)	
100	4000008	1	PROXIMITY SENSOR ASSEMBLY / FAISCEAU DETECTEUR DE PROXIMITE	C
100A	4000007	1	SENSOR, PROXIMITY / DETECTEUR DE PROXIMITE	
100B	4461076	1	CONNECTOR, DEUTSCH DTM 4P RECEPTACLE / CONNECTEUR DEUTSCH DTM 4P FEMELLE	
100B	4460917	4	CONTACT DEUTSCH DTM, GOLD PIN / CONTACT DEUTSCH DTM MALE DORE	
110	4360505	1	ROTARY ANGLE SENSOR / CAPTEUR D'ANGLE	C
110A	4460536	1	CONNECTOR, DEUTSCH DT 3P RECEPTACLE / CONNECTEUR DEUTSCH DT 3P FEMELLE	
110A	4460464	3	CONTACT DEUTSCH DT PIN / CONTACT DEUTSCH DT MALE	
120	PC0466	1	HARNESS, MOTION ALARM / FAISCEAU ALARME DE MOUVEMENT	A
120A	260275	1	ACCOUSTIC MOTION ALARM / ALARME DE MOUVEMENT SONORE	
120B	4460897	1	CONNECTOR, DEUTSCH DT 2P RECEPTACLE / CONNECTEUR DEUTSCH DT 2P FEMELLE	
120B	4460464	2	CONTACT DEUTSCH DT PIN / CONTACT DEUTSCH DT MALE	
130	PC0468	1	HARNESS, LOAD SENSING SWITCH / FAISCEAU CAPTEUR DE SURCHARGE	B
130A	260321	1	LIMIT SWITCH, SNAP ACTION / DETECTEUR DE POSITION A POUSSOIR	
130B	4460884	1	CONNECTOR, DEUTSCH DT 4P PLUG / CONNECTEUR DEUTSCH DT 4P MALE	
130B	4460465	4	CONTACT DEUTSCH DT SOCKET / CONTACT DEUTSCH DT FEMELLE	
140	PC0526	1	HARNESS, CHAIN SLACK SWITCHES / FAISCEAU CAPTEURS MOU DE CHAINE	B
140A	260327	2	SWITCH NO NC / CAPTEUR NO NF	

SECTION 8 - ELECTRICAL SYSTEM INSTALL / INSTALLATION ELECTRIQUE

ITEM	PART NUMBER	QTY	DESCRIPTION	REV
140B	210018	2	GLAND N°11 / PRESSE ETOUPE N°11	
140C	4460884	1	CONNECTOR, DEUTSCH DT 4P PLUG / CONNECTEUR DEUTSCH DT 4P MALE	
140C	4460465	4	CONTACT DEUTSCH DT SOCKET / CONTACT DEUTSCH DT FEMELLE	
150	PC0527	1	HARNESS, MAST LIMIT SWITCH / FAISCEAU CAPTEUR DE MAT	B
150A	260323	1	NO/NC SWITCH / CAPTEUR NO/NF	
150B	210018	1	GLAND N°11 / PRESSE ETOUPE N°11	
150C	4460894	1	CONNECTOR, DEUTSCH DT 6P PLUG / CONNECTEUR DEUTSCH DT 6P MALE	
150C	4460465	5	CONTACT DEUTSCH DT SOCKET / CONTACT DEUTSCH DT FEMELLE	
160	PC0534	1	HARNESS, BEACON / FAISCEAU FEU A ECLATS	A
160A	260329	1	FLASHING LIGHT / FEU A ECLATS	
160B	4460897	1	CONNECTOR, DEUTSCH DT 2P RECEPTACLE / CONNECTEUR DEUTSCH DT 2P FEMELLE	
160B	4460464	2	CONTACT DEUTSCH DT PIN / CONTACT DEUTSCH DT MALE	
170	1001213835	1	SENSOR, TILT 2.4° / DETECTEUR DE DEVERS 2.4°	A
170A	4460536	1	CONNECTOR, DEUTSCH DT 3P RECEPTACLE / CONNECTEUR DEUTSCH DT 3P FEMELLE	
170A	4460464	3	CONTACT DEUTSCH DT PIN / CONTACT DEUTSCH DT MALE	
180	1001245202	2	DRIVE GEAR MOTOR / MOTOREDUCTEUR DE ROUE	B
180A	250230	2 x1	CONNECTOR, DEUTSCH DTM 6P HOUSING / CONNECTEUR DEUTSCH DTM 6P FEMELLE	
180A	4460917	2 x6	CONTACT DEUTSCH DTM, GOLD PIN / CONTACT DEUTSCH DTM MALE DORE	
190	PC0491	1	HARNESS, HORN / FAISCEAU AVERTISSEUR SONORE	A
190A	260274	1	HORN / KLAXON	
190B	4460897	1	CONNECTOR, DEUTSCH DT 2P RECEPTACLE / CONNECTEUR DEUTSCH DT 2P FEMELLE	
190B	4460464	2	CONTACT DEUTSCH DT PIN / CONTACT DEUTSCH DT MALE	

SECTION 8 - ELECTRICAL SYSTEM INSTALL / INSTALLATION ELECTRIQUE

FIGURE 8-2. KIT, POWER CABLES / KIT CABLES DE PUISSANCE



ART_1001213727

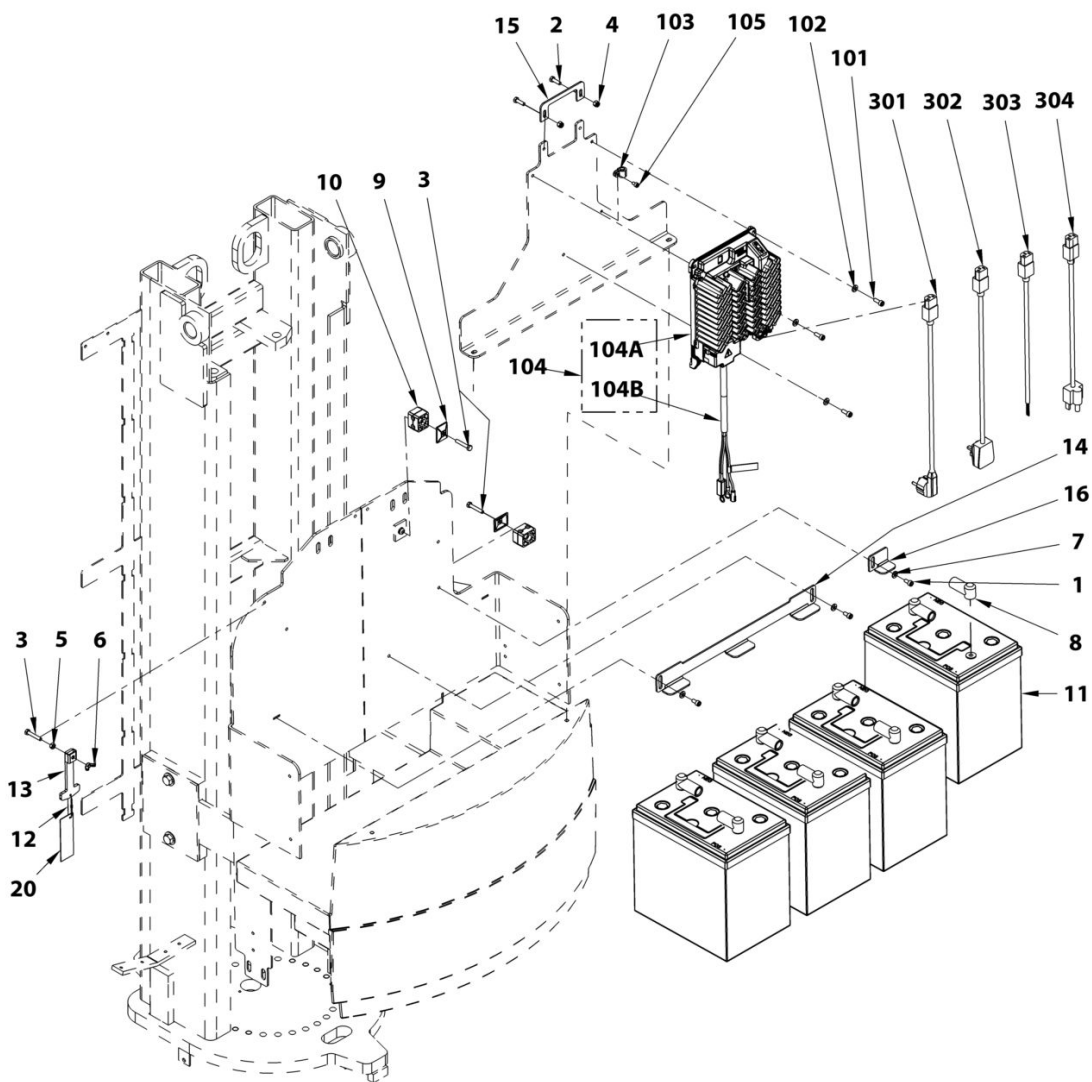
SECTION 8 - ELECTRICAL SYSTEM INSTALL / INSTALLATION ELECTRIQUE

FIGURE 8-2. KIT, POWER CABLES / KIT CABLES DE PUISSANCE

ITEM	PART NUMBER	QTY	DESCRIPTION	REV
	1001213727	Ref	KIT,POWER CABLES / KIT CABLES DE PUISSANCE	C
1	PC0514	1	CABLE,35MM ² ,4240mm BLUE / CABLE 35mm ² LONG 4240mm BLEU	
2	PC0515	1	CABLE,35MM ² ,4490mm RED / CABLE 35mm ² LONG 4490mm ROUGE	
3	PC0516	1	CABLE,35MM ² ,160mm RED / CABLE 35mm ² LONG 160mm ROUGE	
4	PC0517	1	CABLE,35MM ² ,4240mm BLACK / CABLE 35mm ² LONG 4240mm NOIR	
5	PC0483	1	CABLE 35mm ² LENGHT 590mm BLUE / CABLE 35mm ² LONG 590mm BLEU	
6	PC0484	1	CABLE 35mm ² LENGHT 590mm RED / CABLE 35mm ² LONG 590mm ROUGE	
7	PC0518	1	CABLE,35MM ² ,490mm BLUE / CABLE 35mm ² LONG 490mm BLEU	
8	PC0550	3	CABLE 35mm ² LENGTH 360mm BLACK / CABLE 35mm ² LONG 360mm NOIR	
9	1001213905	2	CABLE 35mm ² LENGTH 600mm BLACK / CABLE 35mm ² LONG 600mm NOIR	

SECTION 8 - ELECTRICAL SYSTEM INSTALL / INSTALLATION ELECTRIQUE

FIGURE 8-3. BATTERY AND CHARGER W/O CW INSTALL / INSTALLATION BATTERIES ET CHARGEUR SANS CP



ART_SP0973

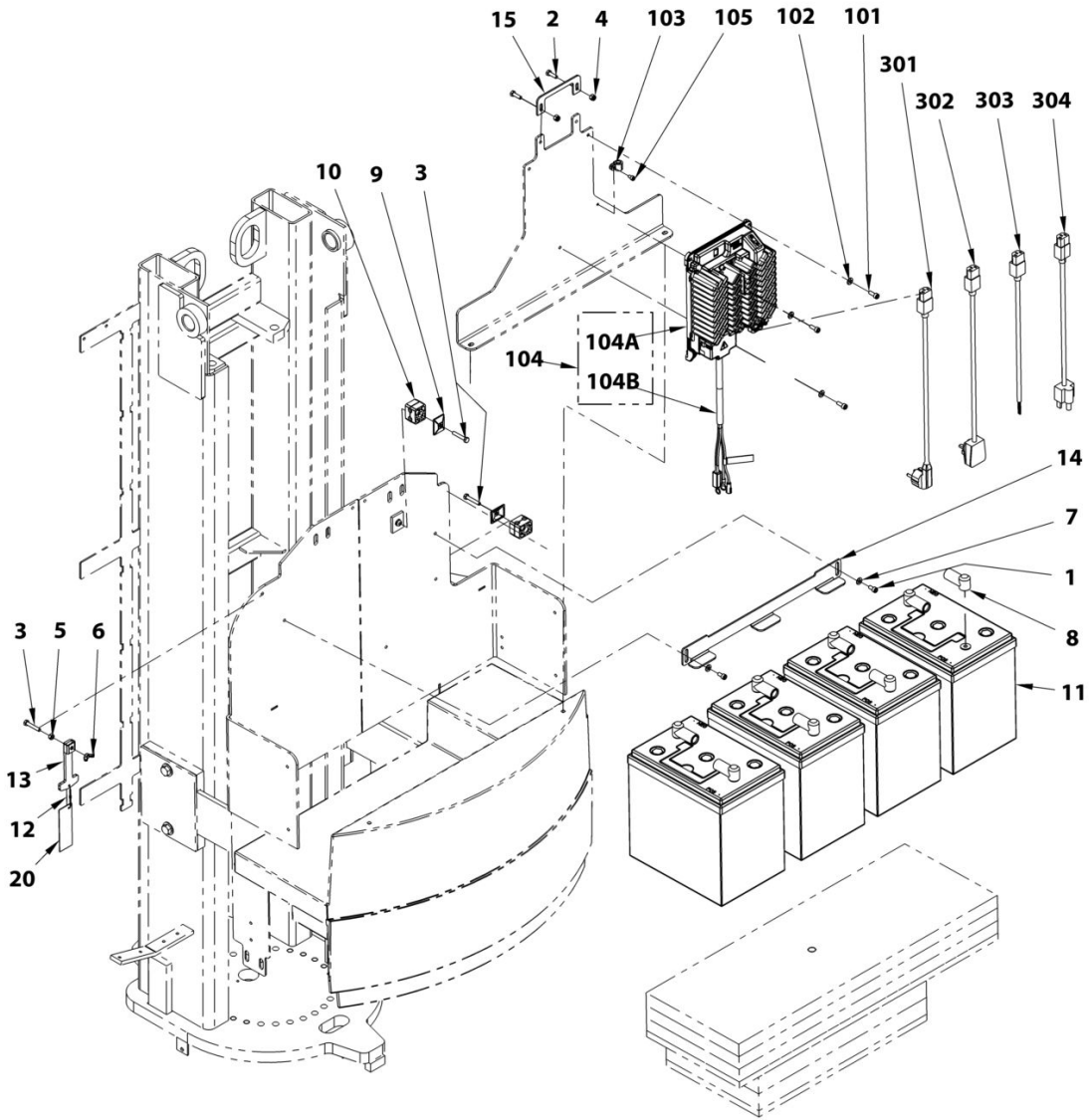
SECTION 8 - ELECTRICAL SYSTEM INSTALL / INSTALLATION ELECTRIQUE

FIGURE 8-3. BATTERY AND CHARGER W/O CW INSTALL / INSTALLATION BATTERIES ET CHARGEUR SANS CP

ITEM	PART NUMBER	QTY	DESCRIPTION	REV
	1001223766	Ref	AGM BATTERIES W/O CW INSTALL / INSTALLATION BATTERIES AGM SANS CP	A
1	000014	3	M06x12 8.8 SOCKET HEAD MACH SCREW / VIS CHC M06x12 8.8 BI FT	
2	100005	2	M06x20 8.8 HEX HEAD MACHINE SCREW / VIS H M06x20 8.8 BI FT	
3	100051	3	M06x35 8.8 HEX HEAD MACHINE SCREW / VIS H M06x35 8.8 BI FT	
4	110003	2	M06 GR. 8.8 LOCK NUT / ECROU FREIN M6 CL08 BI	
5	110015	1	M06 GR. 8.8 HEX NUT / ECROU H M06 CL08 BI	
6	110042	1	WING NUT, M6 / ECROU A OREILLE M6	
7	120009	3	LOCK WASHER D06x14 / RONDELLE CONTACT dD 06x14 BI	
8	250031	8	BOOT,BATTERY TERMINAL / CAPUCHON D'ETANCHEITE	
9	400012	2	PAIR 1/2 SHELL PLATE / PLAQUE DE SERRAGE	
10	400037	2	CLAMP,TWIN 10-10 PP,BLK / COLLIER DOUBLE D10	
11	1001213000	4	BATTERY,EVGC6A-A / BATTERIE,EVGC6A-A	
12	190077	1	CHAIN,METAL BALL / CHAINE A BILLES METAL	
13	DL0911	1	LEVER,BREAKDOWN CONTROLS / LEVIER DE CONTROLE SECOURS	
14	ST3433	1	SHIELD,BATTERY STOP / BRIDE DE BATTERIE	
15	ST3434	1	PLATE,HOOD LATCH / PLAQUE VERROUILLAGE CAPOT	
16	ST3753	1	SHIELD,BATTERY STOP / BRIDE DE BATTERIE	
20	AU2215	1	DECAL,SLACK CHAIN DETECTION / AUTOCOLLANT MOU DE CHAINE	
	1001211440	Ref	INSTALL,CHARGER / INSTALLATION CHARGEUR	C
101	000015	3	M06x16 8.8 SOCKET HEAD MACH SCREW / VIS CHC M06x16 8.8 BI FT	
102	120009	3	LOCK WASHER D06x14 / RONDELLE CONTACT dD 06x14 BI	
103	1001279287	1	CLAMP,D9 / COLLIER D9	
104	1001213986	1	CHARGER,WITH HARNESS / CHARGEUR AVEC FAISCEAU	
104A	1001213033	1	CHARGER W/O HARNESS / CHARGEUR SANS FAISCEAU	
104B	1001213985	1	HARNESS,CHARGER / FAISCEAU CHARGEUR	
105	000089	1	M05x08 8.8 SOCKET HEAD MACH SCREW / VIS CHC M05x08 8.8 BI FT	
		Ref	CHARGEUR EXTENSION / PRISE CHARGEUR	
301	250211	1	CABLE IEC22 / PLUG CEE7 2m 10A / CORDON IEC22 / FICHE CEE7 2m 10A	
302	250213	1	CABLE IEC22 / PLUG BS1362 2m 10A / CORDON IEC22 / FICHE BS1362 2m 10A	
303	1060689	1	CABLE AC CORD, W/O PLUG, L=2m / CABLE CA CHARGEUR, SANS PRISE, L=2m	
304	1060688	1	CABLE AC CORD, US PLUG, L=2m / CABLE AC CHARGEUR, US, L=2m	

SECTION 8 - ELECTRICAL SYSTEM INSTALL / INSTALLATION ELECTRIQUE

FIGURE 8-4. BATTERY AND CHARGER WITH CW INSTALL / INSTALLATION BATTERIES ET CHARGEUR AVEC CP



ART_SP0973CW

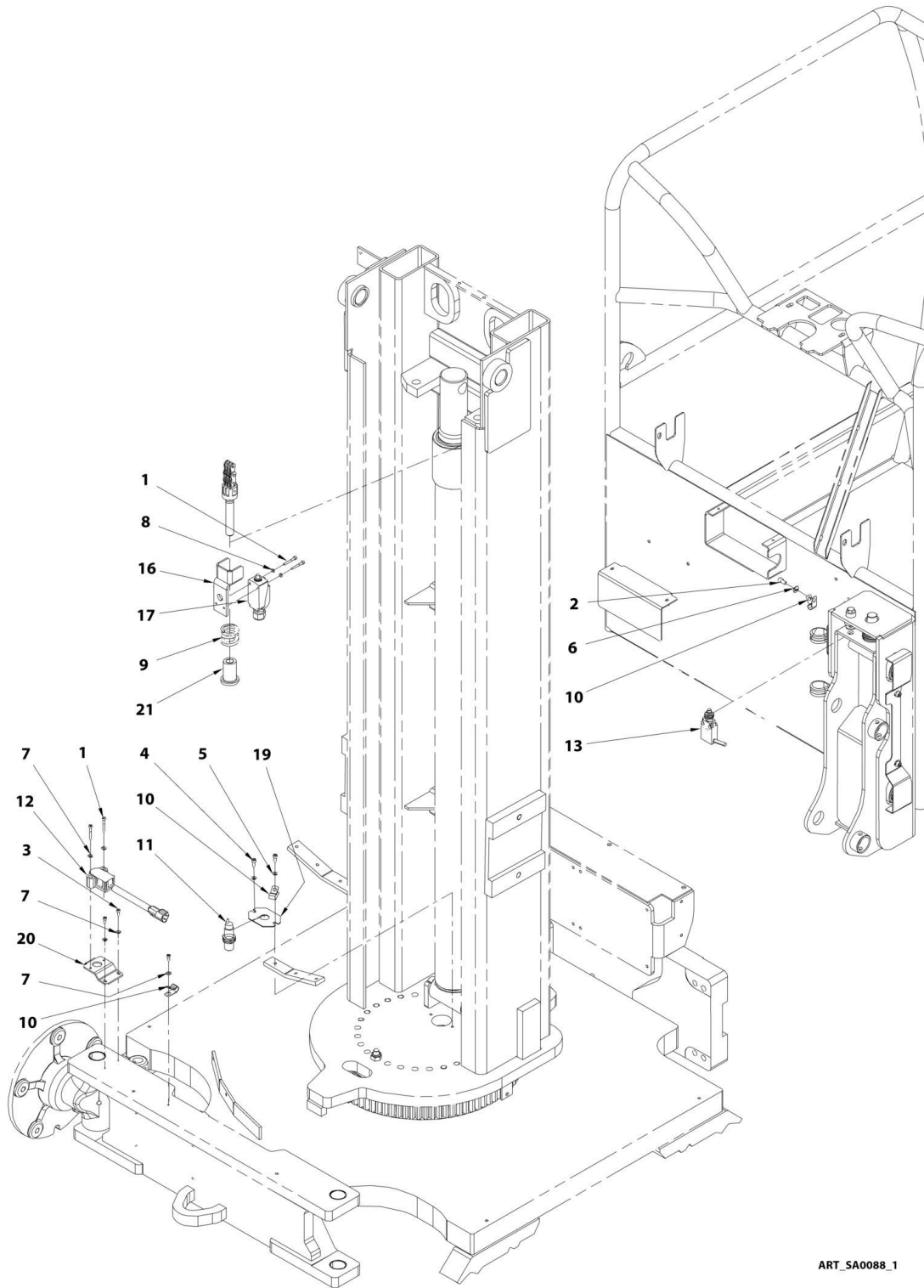
SECTION 8 - ELECTRICAL SYSTEM INSTALL / INSTALLATION ELECTRIQUE

FIGURE 8-4. BATTERY AND CHARGER WITH CW INSTALL / INSTALLATION BATTERIES ET CHARGEUR AVEC CP

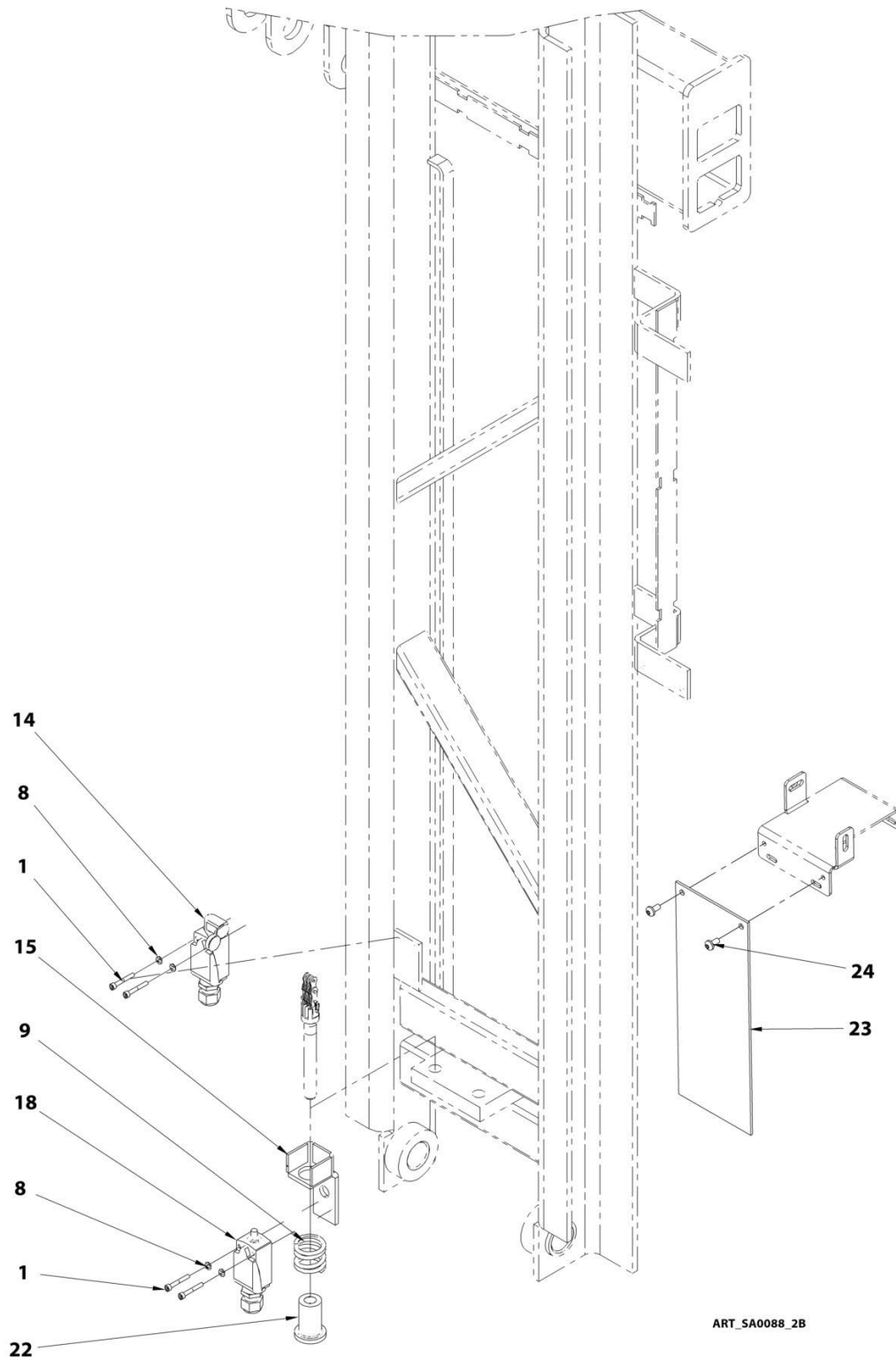
ITEM	PART NUMBER	QTY	DESCRIPTION	REV
	1001223767	Ref	INSTALL,AGM BATTERIES WITH CW / INSTALLATION BATTERIES AGM AVEC CP	A
1	000014	2	M06x12 8.8 SOCKET HEAD MACH SCREW / VIS CHC M06x12 8.8 BI FT	
2	100005	2	M06x20 8.8 HEX HEAD MACHINE SCREW / VIS H M06x20 8.8 BI FT	
3	100051	3	M06x35 8.8 HEX HEAD MACHINE SCREW / VIS H M06x35 8.8 BI FT	
4	110003	2	M06 GR. 8.8 LOCK NUT / ECROU FREIN M6 CL08 BI	
5	110015	1	M06 GR. 8.8 HEX NUT / ECROU H M06 CL08 BI	
6	110042	1	WING NUT, M6 / ECROU A OREILLE M6	
7	120009	2	LOCK WASHER D06x14 / RONDELLE CONTACT dD 06x14 BI	
8	250031	8	BOOT,BATTERY TERMINAL / CAPUCHON D'ETANCHEITE	
9	400012	2	PAIR 1/2 SHELL PLATE / PLAQUE DE SERRAGE	
10	400037	2	CLAMP,TWIN 10-10 PP,BLK / COLLIER DOUBLE D10	
11	1001213000	4	BATTERY,EVGC6A-A / BATTERIE,EVGC6A-A	
12	190077	1	CHAIN,METAL BALL / CHAINE A BILLES METAL	
13	DL0911	1	LEVER,BREAKDOWN CONTROLS / LEVIER DE CONTROLE SECOURS	
14	ST3433	1	SHIELD,BATTERY STOP / BRIDE DE BATTERIE	
15	ST3434	1	PLATE,HOOD LATCH / PLAQUE VERROUILLAGE CAPOT	
20	AU2215	1	DECAL,SLACK CHAIN DETECTION / AUTOCOLLANT MOU DE CHAINE	
	1001211440	Ref	INSTALL,CHARGER / INSTALLATION CHARGEUR	B
101	000015	3	M06x16 8.8 SOCKET HEAD MACH SCREW / VIS CHC M06x16 8.8 BI FT	
102	120009	3	LOCK WASHER D06x14 / RONDELLE CONTACT dD 06x14 BI	
103	1001279287	1	CLAMP,D9 / COLLIER D9	
104	1001213986	1	CHARGER,WITH HARNESS / CHARGEUR AVEC FAISCEAU	
104A	1001213033	1	CHARGER W/O HARNESS / CHARGEUR SANS FAISCEAU	
104B	1001213985	1	HARNESS,CHARGER / FAISCEAU CHARGEUR	
105	000089	1	M05x08 8.8 SOCKET HEAD MACH SCREW / VIS CHC M05x08 8.8 BI FT	
		Ref	CHARGEUR EXTENSION / PRISE CHARGEUR	
301	250211	1	CABLE IEC22 / PLUG CEE7 2m 10A / CORDON IEC22 / FICHE CEE7 2m 10A	
302	250213	1	CABLE IEC22 / PLUG BS1362 2m 10A / CORDON IEC22 / FICHE BS1362 2m 10A	
303	1060689	1	CABLE AC CORD, W/O PLUG, L=2m / CABLE CA CHARGEUR, SANS PRISE, L=2m	
304	1060688	1	CABLE AC CORD, US PLUG, L=2m / CABLE AC CHARGEUR, US, L=2m	

SECTION 8 - ELECTRICAL SYSTEM INSTALL / INSTALLATION ELECTRIQUE

FIGURE 8-5. SWITCHES AND COVERS INSTALL / INSTALLATION CAPTEURS



SECTION 8 - ELECTRICAL SYSTEM INSTALL / INSTALLATION ELECTRIQUE



SECTION 8 - ELECTRICAL SYSTEM INSTALL / INSTALLATION ELECTRIQUE

FIGURE 8-5. SWITCHES AND COVERS INSTALL / INSTALLATION CAPTEURS

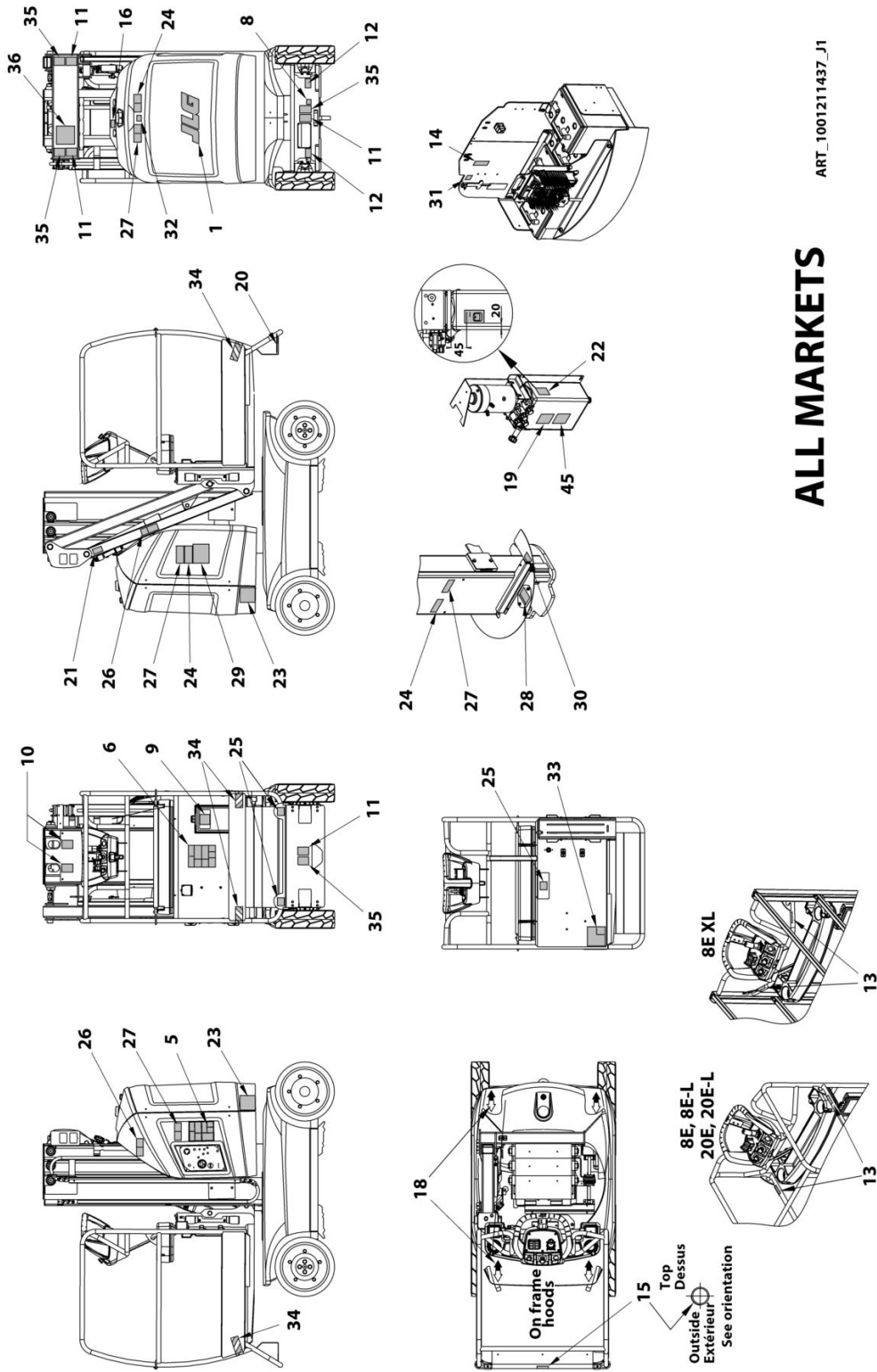
ITEM	PART NUMBER	QTY	DESCRIPTION	REV
	SA0088	Ref	8E - SWITCHES AND COVERS INSTALL / 8E - INSTALLATION CAPTEURS	B
1	000007	8	M04x30 8.8 SOCKET HEAD CAPSCREW / VIS CHC M04x30 8.8 BI FP	
2	000014	1	M06x12 8.8 SOCKET HEAD MACH SCREW / VIS CHC M06x12 8.8 BI FT	
3	000050	3	M04x10 8.8 SOCKET HEAD MACH SCREW / VIS CHC M04x10 8.8 BI FT	
4	000067	2	M05x12 8.8 SOCKET HEAD MACH SCREW / VIS CHC M05x12 8.8 BI FT	
5	120002	2	M05 WASHER / RONDELLE M05 BI	
6	120009	1	dD 06x14 LOCK WASHER / RONDELLE CONTACT dD 06x14 BI	
7	120024	5	M4 LOCK WASHER / RONDELLE CONTACT M4 BI	
8	120056	6	dD 04x08 LOCK WASHER / RONDELLE CONTACT dD 04x08 BI	
9	160010	2	C 360 450 320 SPRING / RESSORT C 360 450 320	
10	1001279287	1	CLAMP,D9 / COLLIER ISOLE D9	
11	4000008	1	PROXIMITY SENSOR ASSEMBLY / FAISCEAU DETECTEUR DE PROXIMITE	
12	4360505	1	ROTARY ANGLE SENSOR / CAPTEUR D'ANGLE	
13	PC0468	1	HARNESS, LOAD SENSING SWITCH / FAISCEAU CAPTEUR DE SURCHARGE	
14	PC0527	1	HARNESS, MAST LIMIT SWITCHE / FAISCEAU CAPTEUR DE MAT	
15	SD0345	1	SWITCH HOLDER / SUPPORT CAPTEUR	
16	SD0464	1	SWITCH HOLDER / SUPPORT CAPTEUR	
17	SE1137	1	HARNESS, CHAIN SLACK SW MAST 1; INFO - PC0526 / FAISCEAU CAPTEURS MOU DE CHAINE MAT 1; INFO - PC0526	
18	SE1138	1	HARNESS, CHAIN SLACK SW MAST 4; INFO - PC0526 / FAISCEAU CAPTEURS MOU DE CHAINE MAT 4; INFO - PC0526	
19	ST3226	1	D.O.S. SWITCH MOUNT / PLATINE CAPTEUR D'ORIENTATION	
20	ST3227	1	ROTARY SWITCH MOUNT / PLATINE CAPTEUR ROTATIF	
21	US0204	1	ACTUATOR M16 / ACTIONNEUR M16	
22	US0208	1	ACTUATOR M14 / ACTIONNEUR M14	
23	1001279489	1	BOOT,TRANSPARENT / PROTECTION TRANSPARENTE	
24	4191706	2	SCR,THD ROLLING,6MM X 12MM LG / VIS TORX M06x12 BI FT	

SECTION 9 - DECALS INSTALL / INSTALLATION AUTOCOLLANTS

SECTION 9 - DECALS INSTALL / INSTALLATION AUTOCOLLANTS

SECTION 9 - DECALS INSTALL / INSTALLATION AUTOCOLLANTS

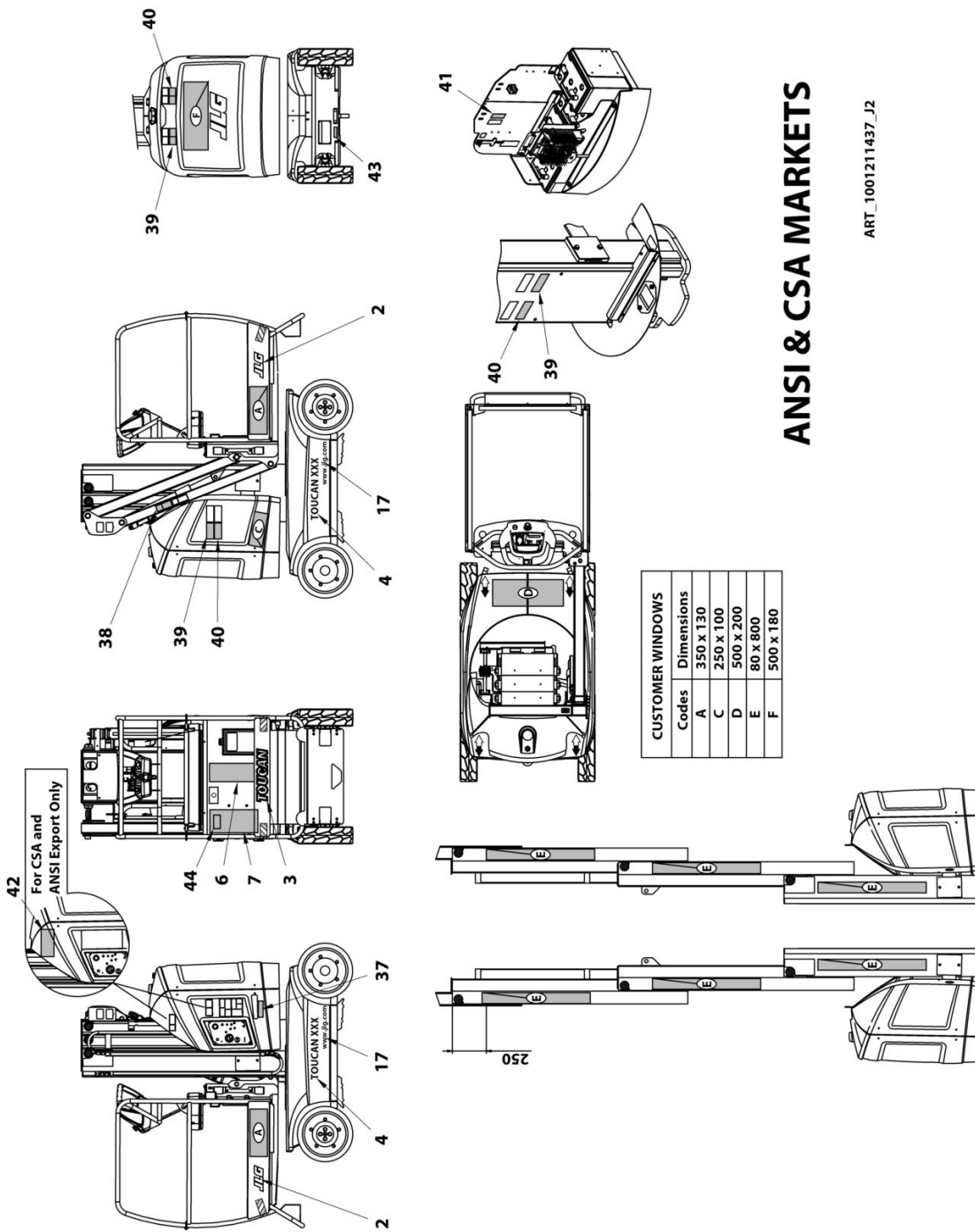
FIGURE 9-1. DECALS INSTALL ALL PRODUCTS / INSTALLATION AUTOCOLLANTS TOUT PRODUIT



ART_1001211437_J1

ALL MARKETS

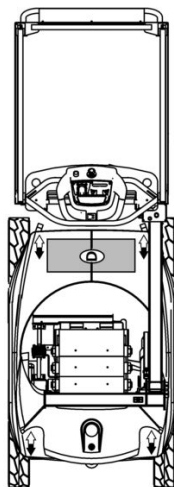
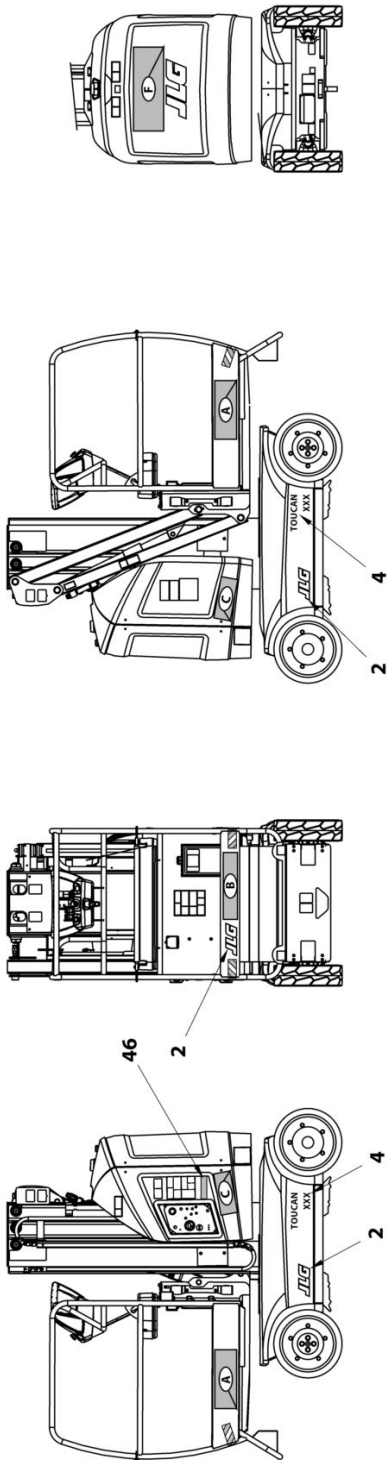
SECTION 9 - DECALS INSTALL / INSTALLATION AUTOCOLLANTS



ANSI & CSA MARKETS

ART_1001211437_J2

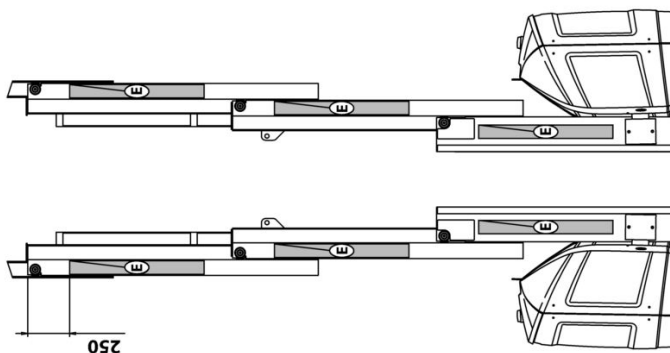
SECTION 9 - DECALS INSTALL / INSTALLATION AUTOCOLLANTS



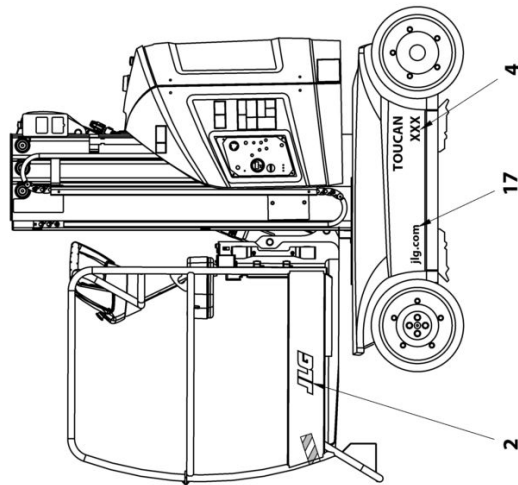
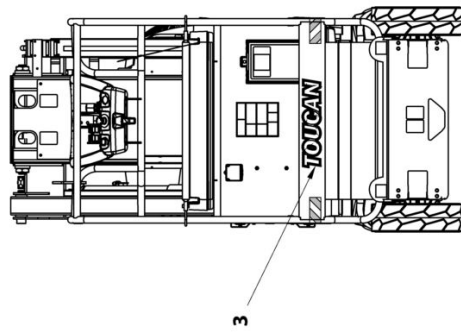
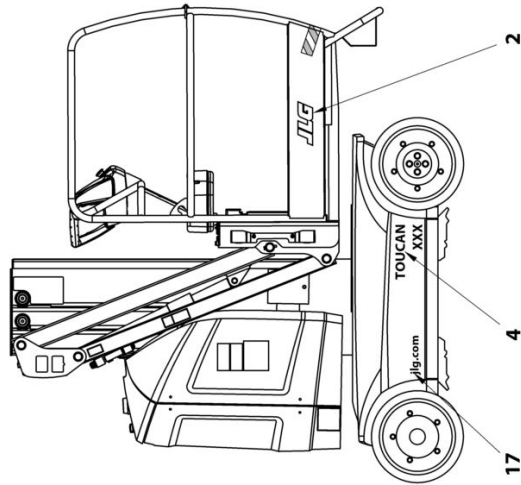
CUSTOMER WINDOWS	
Codes	Dimensions
A	350 x 130
B	400 x 80
C	250 x 100
D	500 x 200
E	80 x 800
F	500 x 180

CE MARKET

ART_1001211437_J3



SECTION 9 - DECALS INSTALL / INSTALLATION AUTOCOLLANTS



AS & NZL MARKETS

ART_1001211437_J4

SECTION 9 - DECALS INSTALL / INSTALLATION AUTOCOLLANTS

FIGURE 9-1. DECALS INSTALL / INSTALLATION AUTOCOLLANTS

ITEM	PART NUMBER	QTY	DESCRIPTION	REV
	1001211437		DECALS INSTALL;INFO: 1001211437 / INSTALLATION AUTOCOLLANTS;INFO: 1001211437	J
1	PA1113 1702773	Ref 1	INSTALL, DECAL JLG LOGOS / INSTALLATION LOGOS JLG BIG JLG DECAL ON BASKET / AUTOCOLLANT, JLG GRANDE TAILLE PANIER	A
2	1705781	2	DECAL, JLG 2.75" / AUTOCOLLANT, JLG	
3	AU1825	1	DECAL, FRONT BASKET TOUCAN / AUTOCOLLANT, LOGO TOUCAN AVANT PANIER	
4	1001267743	1	DECAL,TOUCAN 8E LOGO / AUTOCOLLANT, LOGO TOUCAN 8E	
4	1001267744	1	DECAL TOUCAN 8E-L LOGO / AUTOCOLLANT, LOGO TOUCAN 8E-L	
4	1001267745	1	DECAL TOUCAN 8E XL LOGO / AUTOCOLLANT, LOGO TOUCAN 8E XL	
4	1001267746	1	DECAL,TOUCAN 20E LOGO / AUTOCOLLANT, LOGO TOUCAN 20E	
4	1001267747	1	DECAL TOUCAN 20E-L LOGO / AUTOCOLLANT, LOGO TOUCAN 20E-L	
5	1001211443 AU2102	Ref 1	8E - DECALS LOADS / 8E - AUTOCOLLANTS CHARGES 8E - DECAL,LOADS AND INSTRUCTION / 8E - AUTOCOLLANT, CHARGES ET CONSIGNES	B
6	AU2109	1	8E - DECAL,INSTRUCTIONS AND LOADS / 8E - AUTOCOLLANT, CHARGES ET CONSIGNES	
8	1001214313	1	8E - DECAL,WHEEL LOAD / 8E - AUTOCOLLANT, CHARGE SUR ROUE	
5	1001211444 1001214284	Ref 1	8E-L - DECALS LOADS / 8E-L - AUTOCOLLANTS CHARGES 8E-L - DECAL,LOADS AND INSTRUCTION / 8E-L - AUTOCOLLANT, CHARGES ET CONSIGNES	C
6	1001214285	1	8E-L - DECAL,INSTRUCTIONS AND LOADS / 8E-L - AUTOCOLLANT, CHARGES ET CONSIGNES	
8	1001214314	1	8E-L - DECAL,WHEEL LOAD / 8E-L - AUTOCOLLANT, CHARGE SUR ROUE	
5	1001213957 1001214284	Ref 1	8E XL - DECALS LOADS / 8E XL - AUTOCOLLANTS CHARGES 8E XL - DECAL,INSTRUCTIONS AND LOADS / 8E XL - AUTOCOLLANT, CHARGES ET CONSIGNES	B
6	1001214285	1	8E XL - DECAL,INSTRUCTIONS AND LOADS / 8E XL - AUTOCOLLANT, CHARGES ET CONSIGNES	
8	1001214313	1	8E XL - DECAL,WHEEL LOAD / 8E XL - AUTOCOLLANT, CHARGE SUR ROUE	
5	1001228972 1001228600	Ref 1	8E (L-XL) - DECALS LOADS RUSSIA (EAC) / 8E (L-XL) - AUTOCOLLANTS CHARGES RUSSIE (EAC) 8E (L-XL) - DECAL,LOADS AND INSTRUCTION / 8E (L-XL) - AUTOCOLLANT, CHARGES ET CONSIGNES	A
6	1001228601	1	8E (L-XL) - DECAL,INSTRUCTIONS AND LOADS / 8E (L-XL) - AUTOCOLLANT, CHARGES ET CONSIGNES	
8	1001214313	1	8E XL - DECAL,WHEEL LOAD / 8E XL - AUTOCOLLANT, CHARGE SUR ROUE	
	1001223769	Ref	20E - (ENG) DECALS LOADS / 20E - (ENG) AUTOCOLLANTS	A

SECTION 9 - DECALS INSTALL / INSTALLATION AUTOCOLLANTS

ITEM	PART NUMBER	QTY	DESCRIPTION	REV
			CHARGES	
5	1001223845	1	20E - (ENG) DECAL,LOADS AND INSTRUCTION / 20E - (ENG) AUTOCOLLANT, CHARGES ET CONSIGNES	
6	1001223853	1	20E - (ENG) DECAL,INSTRUCTIONS AND LOADS / 20E - (ENG) AUTOCOLLANT, CHARGES ET CONSIGNES	
8	1001223861	1	20E - DECAL,WHEEL LOAD / 20E - AUTOCOLLANT, CHARGE SUR ROUE	
	1001223770	Ref	20E-L - (ENG) DECALS LOADS / 20E-L - (ENG) AUTOCOLLANTS CHARGES	A
5	1001223846	1	20E-L - (ENG) DECAL,LOADS AND INSTRUCTION / 20E - (ENG) AUTOCOLLANT, CHARGES ET CONSIGNES	
6	1001223854	1	20E-L - (ENG) DECAL,INSTRUCTIONS AND LOADS / 20E - (ENG) AUTOCOLLANT, CHARGES ET CONSIGNES	
8	1001223862	1	20E-L - DECAL,WHEEL LOAD / 20E-L - AUTOCOLLANT, CHARGE SUR ROUE	
	1001223771	Ref	20E - (SPA-POR) DECALS LOADS / 20E - (SPA-POR) AUTOCOLLANTS CHARGES	A
5	1001223847	1	20E - (SPA-POR) DECAL,LOADS AND INSTRUCTION / 20E - (SPA-POR) AUTOCOLLANT, CHARGES ET CONSIGNES	
6	1001223855	1	20E - (SPA) DECAL,INSTRUCTIONS AND LOADS / 20E - (SPA) AUTOCOLLANT, CHARGES ET CONSIGNES	
7	1001223857	1	20E - (POR) DECAL,INSTRUCTIONS AND LOADS / 20E - (POR) AUTOCOLLANT, CHARGES ET CONSIGNES	
8	1001223861	1	20E - DECAL,WHEEL LOAD / 20E - AUTOCOLLANT, CHARGE SUR ROUE	
	1001223772	Ref	20E-L - (SPA-POR) DECALS LOADS / 20E-L - (SPA-POR) AUTOCOLLANTS CHARGES	A
5	1001223848	1	20E-L - (SPA-POR) DECAL,LOADS AND INSTRUCTION / 20E-L - (SPA-POR) AUTOCOLLANT, CHARGES ET CONSIGNES	
6	1001223856	1	20E-L - (SPA) DECAL,INSTRUCTIONS AND LOADS / 20E-L - (SPA) AUTOCOLLANT, CHARGES ET CONSIGNES	
7	1001223858	1	20E-L - (POR) DECAL,INSTRUCTIONS AND LOADS / 20E-L - (POR) AUTOCOLLANT, CHARGES ET CONSIGNES	
8	1001223862	1	20E-L - DECAL,WHEEL LOAD / 20E-L - AUTOCOLLANT, CHARGE SUR ROUE	
	1001223773	Ref	20E - (ENG-SPA) DECALS LOADS / 20E - (ENG-SPA) AUTOCOLLANTS CHARGES	A
5	1001223849	1	20E - (ENG-SPA) DECAL,LOADS AND INSTRUCTION / 20E - (ENG-SPA) AUTOCOLLANT, CHARGES ET CONSIGNES	
6	1001223853	1	20E - (ENG) DECAL,INSTRUCTIONS AND LOADS / 20E - (ENG) AUTOCOLLANT, CHARGES ET CONSIGNES	
7	1001223855	1	20E - (SPA) DECAL,INSTRUCTIONS AND LOADS / 20E - (SPA) AUTOCOLLANT, CHARGES ET CONSIGNES	
8	1001223861	1	20E - DECAL,WHEEL LOAD / 20E - AUTOCOLLANT, CHARGE SUR ROUE	
	1001223774	Ref	20E-L - (ENG-SPA) DECALS LOADS / 20E-L - (ENG-SPA) AUTOCOLLANTS CHARGES	A
5	1001223850	1	20E-L - (ENG-SPA) DECAL,LOADS AND INSTRUCTION / 20E-L - (ENG-SPA) AUTOCOLLANT, CHARGES ET CONSIGNES	
6	1001223854	1	20E-L - (ENG) DECAL,INSTRUCTIONS AND LOADS / 20E-L - (ENG) AUTOCOLLANT, CHARGES ET CONSIGNES	
7	1001223856	1	20E-L - (SPA) DECAL,INSTRUCTIONS AND LOADS / 20E-L -	

SECTION 9 - DECALS INSTALL / INSTALLATION AUTOCOLLANTS

ITEM	PART NUMBER	QTY	DESCRIPTION	REV
8	1001223862	1	(SPA) AUTOCOLLANT, CHARGES ET CONSIGNES 20E-L - DECAL,WHEEL LOAD / 20E-L - AUTOCOLLANT, CHARGE SUR ROUE	
	1001223775	Ref	20E - (ENG-FRE) DECALS LOADS / 20E - (ENG-FRE) AUTOCOLLANTS CHARGES	A
5	1001223851	1	20E - (ENG-FRE) DECAL,LOADS AND INSTRUCTION / 20E - (ENG-FRE) AUTOCOLLANT, CHARGES ET CONSIGNES	
6	1001223853	1	20E - (ENG) DECAL,INSTRUCTIONS AND LOADS / 20E - (ENG) AUTOCOLLANT, CHARGES ET CONSIGNES	
7	1001223859	1	20E - (FRE) DECAL,INSTRUCTIONS AND LOADS / 20E - (FRE) AUTOCOLLANT, CHARGES ET CONSIGNES	
8	1001223861	1	20E - DECAL,WHEEL LOAD / 20E - AUTOCOLLANT, CHARGE SUR ROUE	
	1001223776	Ref	20E-L - (ENG-FRE) DECALS LOADS / 20E-L - (ENG-FRE) AUTOCOLLANTS CHARGES	A
5	1001223852	1	20E-L - (ENG-FRE) DECAL,LOADS AND INSTRUCTION / 20E-L - (ENG-FRE) AUTOCOLLANT, CHARGES ET CONSIGNES	
6	1001223854	1	20E-L - (ENG) DECAL,INSTRUCTIONS AND LOADS / 20E-L - (ENG) AUTOCOLLANT, CHARGES ET CONSIGNES	
7	1001223860	1	20E-L - (FRE) DECAL,INSTRUCTIONS AND LOADS / 20E-L - (FRE) AUTOCOLLANT, CHARGES ET CONSIGNES	
8	1001223862	1	20E-L - DECAL,WHEEL LOAD / 20E-L - AUTOCOLLANT, CHARGE SUR ROUE	
0	1001211436	Ref	DECALS CE / AUTOCOLLANTS CE	H
0	1001223765	Ref	DECALS AUSTRALIA / AUTOCOLLANTS AUSTRALIE	E
9	1001227848	1	DECAL, MANUAL / AUTOCOLLANT, MANUEL	
10	1703811	2	DECAL, LIFTING LUG / AUTOCOLLANT, ANNEAU DE LEVAGE	
11	1703814	4	DECAL, TIE DOWN / AUTOCOLLANT, ARRIMAGE	
12	1704016	2	DECAL, FORKLIFT LOCATION / AUTOCOLLANT, PRISE FOURCHE	
13	1704277	2	DECAL, LANYARD ATTACH / AUTOCOLLANT, ATTACHE HARNAIS	
14	1705803	1	DECAL, ELEC HAZARD / AUTOCOLLANT, RISQUES ELECTRIQUES	
15	1706493	1	DECAL, DROP BAR / AUTOCOLLANT, RISQUE DE CHUTE SOUS-LISSE	
16	1706740	1	DECAL, BATTERY DISCONNECT / AUTOCOLLANT, DECONNEXION BATTERIE	
17	1706764	2	DECAL, JLG.COM / AUTOCOLLANT, JLG.COM	
18	AU0149	4	DECAL REP DRIVE DIRECTION / AUTOCOLLANT, REP SENS MARCHE	
19	AU1423	1	DECAL, FILTER CHANGE DECAL / AUTOCOLLANT, CHANGEMENT DE FILTRE	
20	AU2061	1	ADHESIVE ANTI-SKID BAND (150x482) / BANDE ADHESIVE ANTIDERAPANTE (150x482)	
21	1001226413	1	DECAL, JIB MANUAL DESCENT / AUTOCOLLANT, DESCENTE BRAS	
22	AU2097	1	DECAL, OIL LEVEL / AUTOCOLLANT, NIVEAU D'HUILE	
23	AU2098	2	DECAL, INSERT FORKS / AUTOCOLLANT, PRISES DE FOURCHE	
24	AU2103	3	DECAL, ELECTROCUTION / AUTOCOLLANT, ELECTROCUTION	
25	AU2105	3	DECAL, NO KARCHER / AUTOCOLLANT, KARCHER	
26	AU2107	2	DECAL, HAND CRUSHING HAZARD / AUTOCOLLANT,	

SECTION 9 - DECALS INSTALL / INSTALLATION AUTOCOLLANTS

ITEM	PART NUMBER	QTY	DESCRIPTION	REV
			COINCEMENT MAIN	
27	AU2108	4	DECAL, CRUSHING / AUTOCOLLANT, ECRASEMENT	
28	AU2134	2	DECAL, MANUAL SWING / AUTOCOLLANT, ORIENTATION MANUELLE	
29	1001228389	1	DECAL, EMERGENCY CONTROLS / AUTOCOLLANT, SECOURS	
30	1001245243	1	DECAL, MAST MANUAL DESCENT / AUTOCOLLANT, DESCENTE MANUELLE MAT	
31	AU2215	1	DECAL, SLACK CHAIN DETECTION / AUTOCOLLANT, MOU DE CHAINE	
32	AU2229	1	DECAL, BATTERY CHARGER PLUG / AUTOCOLLANT, PRISE CHARGEUR	
33	1001213900	1	DECAL, TIE DOWN & LIFTING / AUTOCOLLANT, ARRIMAGE-ELINGAGE	
34	4420051	1 0.4m	DECAL, WARNING STRIPES / AUTOCOLLANT, BANDE JAUNE/NOIRE	
35	1701499	4	TIE DOWN DECAL / AUTOCOLLANT, ARRIMAGE	
36	1001278484	1	DECAL, BAR CODE ASSY / KIT AUTOCOLLANTS CODE BARRE	
36	1001278485	1	DECAL, BAR-CODE / AUTOCOLLANT CODE BARRE	
36	1703632	1	DECAL, OVERLAY / PROTECTION ADHESIVE	
45	1001296007	1	DECAL, HYD OIL CHART / AUTOCOLLANT TABLEAU HUILE	
46	1001189882	1	CE ONLY, MSSO OPERATION / CE UNIQUEMENT, AUTOCOLLANT MSSO	
0	1001223761	1	DECALS ANSI ENGLISH / AUTOCOLLANTS ANSI ANGLAIS	F
0	1001223762	1	DECALS ANSI SPANISH-PORTUGUESE / AUTOCOLLANTS ANSI ESPAGNOL-PORTUGAIS	E
0	1001223763	1	DECALS ANSI ENGLISH-SPANISH / AUTOCOLLANTS ANSI ANGLAIS-ESPAGNOL	E
0	1001223764	1	DECALS CSA ENGLISH-FRENCH / AUTOCOLLANTS CSA ANGLAIS-FRANCAIS	F
9	1001227848	1	DECAL, MANUAL / AUTOCOLLANT, MANUEL	
10	1703811	2	DECAL, LIFTING LUG / AUTOCOLLANT, ANNEAU DE LEVAGE	
11	1703814	4	DECAL, TIE DOWN / AUTOCOLLANT, ARRIMAGE	
12	1704016	2	DECAL, FORK LIFT / AUTOCOLLANT, PRISE FOURCHE	
13	1704277	2	DECAL, LANYARD ATTACH / AUTOCOLLANT, ATTACHE HARNAIS	
14	1703785	1	ENG-DECAL, WARNING FIRE HAZARD / ENG-AUTOCOLLANT, RISQUES EXPLOSION	
14	1704023	1	POR-DECAL, WARNING FIRE HAZARD / POR-AUTOCOLLANT, RISQUES EXPLOSION	
15	1706493	1	DECAL, DROP BAR / AUTOCOLLANT, RISQUE DE CHUTE SOUS-LISSE	
16	1706740	1	DECAL, BATTERY DISCONNECT / AUTOCOLLANT, DECONNEXION BATTERIE	
17	1704885	2	DECAL, WEBSITE / AUTOCOLLANT, SITE WEB	
18	AU0149	4	DECAL REP DRIVE DIRECTION / AUTOCOLLANT, REP SENS MARCHE	
19	AU1423	1	FILTER CHANGE DECAL / AUTOCOLLANT, CHANGEMENT DE FILTRE	
20	AU2061	1	ADHESIVE ANTI-SKID BAND (150x482) / BANDE ADHESIVE ANTIDERAPANTE (150x482)	
21	1001226413	1	DECAL, JIB MANUAL DESCENT / AUTOCOLLANT, DESCENTE BRAS	
22	AU2097	1	DECAL, OIL LEVEL / AUTOCOLLANT, NIVEAU D'HUILE	
23	AU2098	2	DECAL, INSERT FORKS / AUTOCOLLANT, PRISES DE FOURCHE	

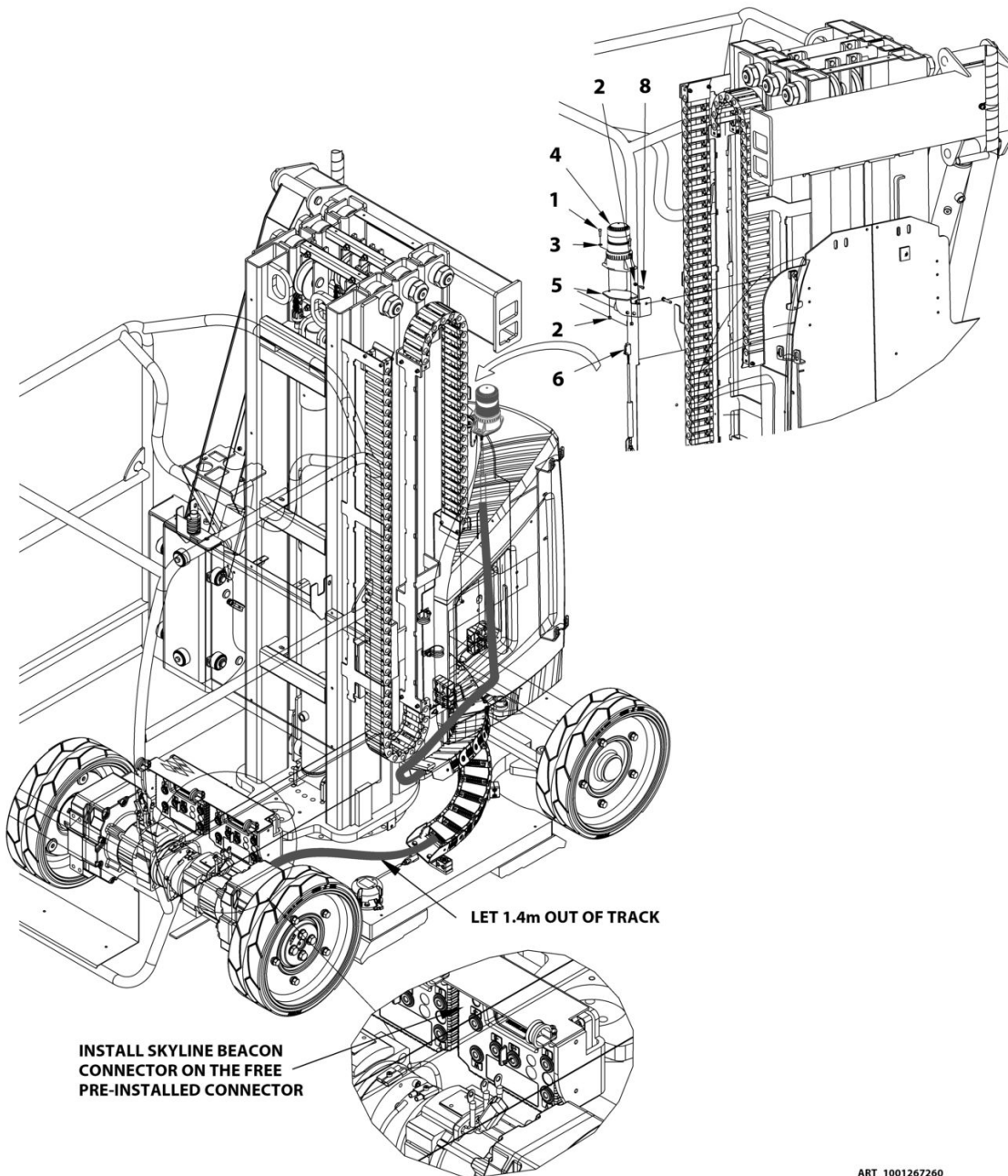
SECTION 9 - DECALS INSTALL / INSTALLATION AUTOCOLLANTS

ITEM	PART NUMBER	QTY	DESCRIPTION	REV
24	AU2118	3	ENG-DECAL,ELECTROCUTION HAZARD / ENG-AUTOCOLLANT, ELECTROCUTION	
24	AU2155	3	POR-DECAL,ELECTROCUTION HAZARD / POR-AUTOCOLLANT, ELECTROCUTION	
25	AU2105	3	DECAL, NO KARCHER / AUTOCOLLANT, KARCHER	
26	AU2119	2	ENG-DECAL,HAND CRUSHING HAZARD / ENG-AUTOCOLLANT, COINCEMENT MAIN	
26	AU2152	2	POR-DECAL,HAND CRUSHING HAZARD / POR-AUTOCOLLANT, COINCEMENT MAIN	
27	AU2117	4	ENG-DECAL, CRUSHING HAZARD / ENG-AUTOCOLLANT, ECRASEMENT	
27	AU2154	4	POR-DECAL, CRUSHING HAZARD / POR-AUTOCOLLANT, ECRASEMENT	
28	AU2134	1	DECAL, MANUAL SWING / AUTOCOLLANT, ORIENTATION MANUELLE	
29	1001226414	1	DECAL,EMERGENCY CONTROLS / AUTOCOLLANT, SECOURS	
30	1001245243	1	DECAL,MAST MANUAL DESCENT / AUTOCOLLANT, DESCENTE MANUELLE MAT	
31	AU2215	1	DECAL,SLACK CHAIN DETECTION / AUTOCOLLANT, MOU DE CHAINE	
32	AU2229	1	DECAL,BATTERY CHARGER PLUG / AUTOCOLLANT, PRISE CHARGEUR	
33	1001213900	1	DECAL,TIE DOWN & LIFTING / AUTOCOLLANT, ARRIMAGE-ELINGAGE	
34	4420051	1 0.4m	TAPE,SAFETY / AUTOCOLLANT, BANDE JAUNE/NOIRE	
35	1701499	4	TIE DOWN DECAL / AUTOCOLLANT, ARRIMAGE	
36	1001278484	1	DECAL,BAR CODE ASSY / KIT AUTOCOLLANTS CODE BARRE	
36	1001278485	1	DECAL,BAR CODE / AUTOCOLLANT CODE BARRE	
36	1703632	1	DECAL,OVERLAY / PROTECTION ADHESIVE	
37	1001224026	1	DECAL,JIB MANUAL RAISING / AUTOCOLLANT MONTEE BRAS	
38	AU2147	1	SPA-DECAL,HAND CRUSHING HAZARD / ENG-AUTOCOLLANT, COINCEMENT MAIN	
38	AU2140	1	FRE-DECAL,HAND CRUSHING HAZARD / FRE-AUTOCOLLANT, COINCEMENT MAIN	
39	AU2149	3	SPA-DECAL, CRUSHING HAZARD / SPA-AUTOCOLLANT, ECRASEMENT	
39	AU2143	1	FRE-DECAL, CRUSHING HAZARD / FRE-AUTOCOLLANT, ECRASEMENT	
40	AU2150	3	SPA-DECAL, ELECTROCUTION HAZARD / SPA-AUTOCOLLANT, ELECTROCUTION	
40	AU2144	1	FRE-DECAL, ELECTROCUTION HAZARD / FRE-AUTOCOLLANT, ELECTROCUTION	
41	1704031	1	SPA-DECAL,WARNING FIRE HAZARD / SPA-AUTOCOLLANT, RISQUES EXPLOSION	
41	AU2145	1	FRE-DECAL,WARNING FIRE HAZARD / FRE-AUTOCOLLANT, RISQUES EXPLOSION	
42	AU2160	1	ENG-SPA-DECAL, CRUSHING HAZARD / ENG-SPA-AUTOCOLLANT, ECRASEMENT	
42	AU2161	1	SPA-POR-DECAL, CRUSHING HAZARD / SPA-POR-AUTOCOLLANT, ECRASEMENT	
42	AU2159	1	ENG-FRE-DECAL, CRUSHING HAZARD / ENG-FRE-AUTOCOLLANT, ECRASEMENT	
44	1001231801	1	DECAL,WARNING PROP 65 / AUTOCOLLANT ATTENTION PROP 65	
45	1001296007	1	DECAL,HYD OIL CHART / AUTOCOLLANT TABLEAU HUILE	

SECTION 10 - OPTIONS / OPTIONS

SECTION 10 - OPTIONS / OPTIONS

FIGURE 10-1. SKYLINE BEACON INSTALL / INSTALLATION FEU SKYLINE



ART_1001267260

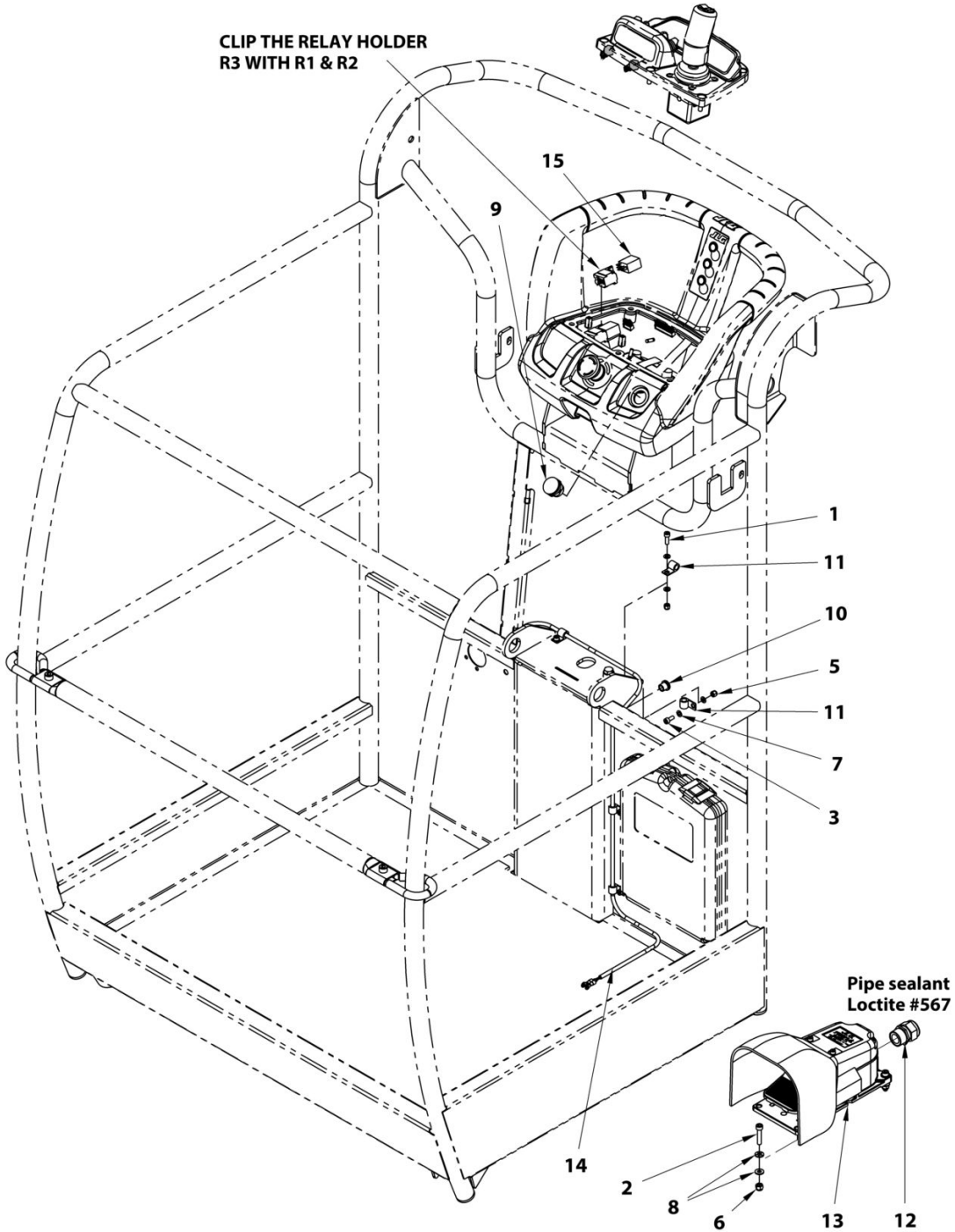
SECTION 10 - OPTIONS / OPTIONS

FIGURE 10-1. SKYLINE BEACON INSTALL / INSTALLATION FEU SKYLINE

ITEM	PART NUMBER	QTY	DESCRIPTION	REV
	1001267260		SKYLINE BEACON INSTALL / INSTALLATION FEU SKYLINE	A
1	000085	2	M04x16 8.8 SOCKET HEAD MACH SCREW / VIS CHC M04x16 8.8 BI FT	
2	110001	3	M04 GR. 8.8 LOCK NUT / ECROU FREIN M4 CL08 BI	
3	120024	2	LOCK WASHER D04x10 / RONDELLE CONTACT M4 BI	
4	1001200910	1	LAMP,BLUE BEACON / FEU BLEU	
5	1001257867	1	BRACKET,BLUE BEACON / SUPPORT FEU BLEU	
6	1001267261	1	HARNES,SKYLINE BEACON / FAISCEAU FEU BLEU	
8	000050	1	M04x10 8.8 SOCKET HEAD MACH SCREW / VIS CHC M04x10 8.8 BI FT	

SECTION 10 - OPTIONS / OPTIONS

FIGURE 10-2. INSTALL, PEDAL FOR JAPAN / INSTALLATION PEDALE POUR JAPON



ART_1001267669

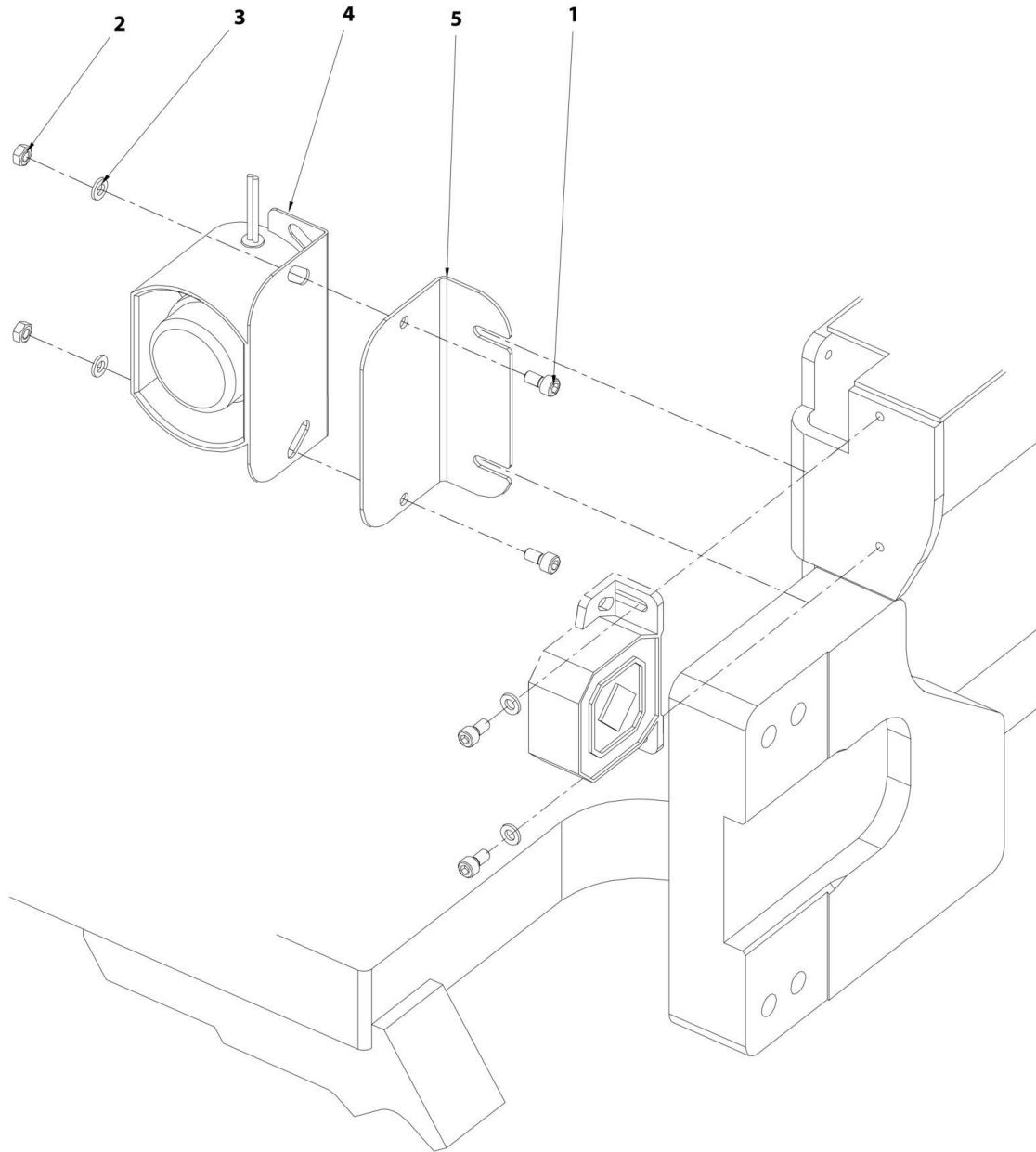
SECTION 10 - OPTIONS / OPTIONS

FIGURE 10-2. INSTALL,PEDAL FOR JAPAN / INSTALLATION PEDALE POUR JAPON

ITEM	PART NUMBER	QTY	DESCRIPTION	REV
	1001267669	Ref	INSTALL PEDAL FOR JAPAN / INSTALLATION PEDALE POUR JAPON	B
1	000003	2	M05x16 8.8 SOCKET HEAD MACH SCREW / VIS CHC M05x16 8.8 BI FT	
2	000016	3	M06x30 8.8 SOCKET HEAD MACH SCREW / VIS CHC M06x30 8.8 BI FT	
3	000067	3	M05x12 8.8 SOCKET HEAD MACH SCREW / VIS CHC M05x12 8.8 BI FT	
5	110002	5	M05 GR. 8.8 LOCK NUT / ECROU FREIN M5 CL08 BI	
6	110003	3	M06 GR. 8.8 LOCK NUT / ECROU FREIN M6 CL08 BI	
7	120002	10	M05 WASHER / RONDELLE M05 BI	
8	120009	6	LOCK WASHER D06x14 / RONDELLE CONTACT dD 06x14 BI	
9	210052	1	SWITCH,SHUTTER / BOUCHON D22.5	
10	250051	1	CHANNEL D11.5 / PASSE FIL D11.5	
11	1001279287	5	CLAMP,D9 / COLLIER D9	
12	4460071	1	CONNECTOR,WATER TIGHT / PRESSE ETOUPE	
13	1001117172	1	PEDAL / PEDALE	
14	1001267644	1	HARNESS,PEDAL / FAISCEAU PEDALE	
15	1001230297	1	RELAY,TYCO 24V / RELAIS TYCO 24V	

SECTION 10 - OPTIONS / OPTIONS

FIGURE 10-3. MOTION ALARM INSTALL / INSTALLATION ALARME DE MOUVEMENT



ART_OP509

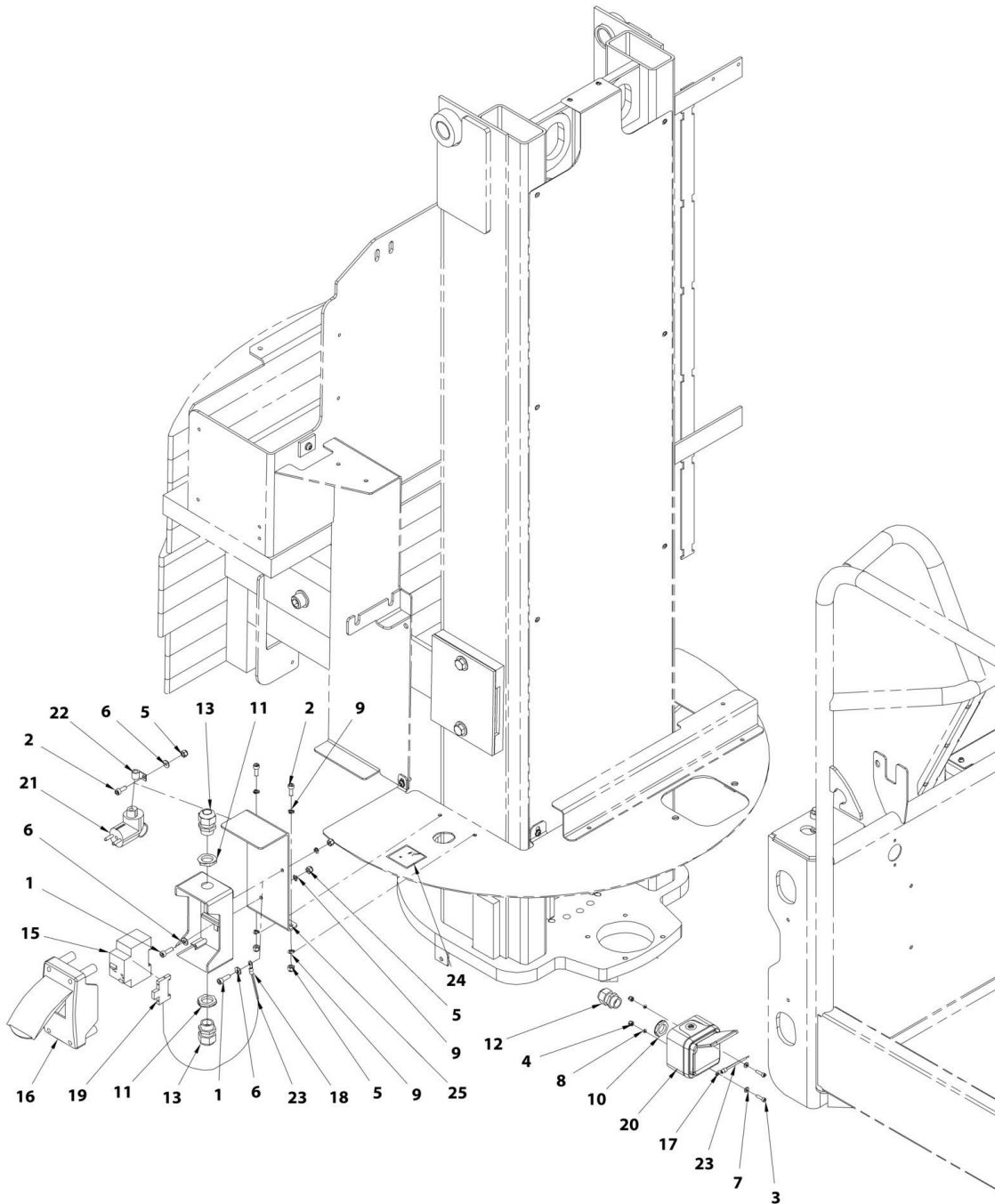
SECTION 10 - OPTIONS / OPTIONS

FIGURE 10-3. MOTION ALARM INSTALL / INSTALLATION ALARME DE MOUVEMENT

ITEM	PART NUMBER	QTY	DESCRIPTION	REV
	OP509		MOTION ALARM INSTALL / INSTALLATION ALARME DE MOUVEMENT	A
1	000014	2	M06x12 8.8 SOCKET HEAD MACH SCREW / VIS CHC M06x12 8.8 BI FT	
2	110003	2	M06 GR08 LOCK NUT / ECROU FREIN M6 CL08 BI	
3	120009	2	dD 06x14 LOCK WASHER / RONDELLE CONTACT dD 06x14 BI	
4	PC0466	1	HARNES,MOTION ALARM / FAISCEAU ALARME DE MOUVEMENT	
5	ST3022	1	MOTION ALARM BRACKET / EQUERRE ALARME DE MOUVEMENTS	

SECTION 10 - OPTIONS / OPTIONS

FIGURE 10-4. 230V PLATFORM SOCKET INSTALL / INSTALLATION PRISE PLATE-FORME 230V



ART_SA0093D

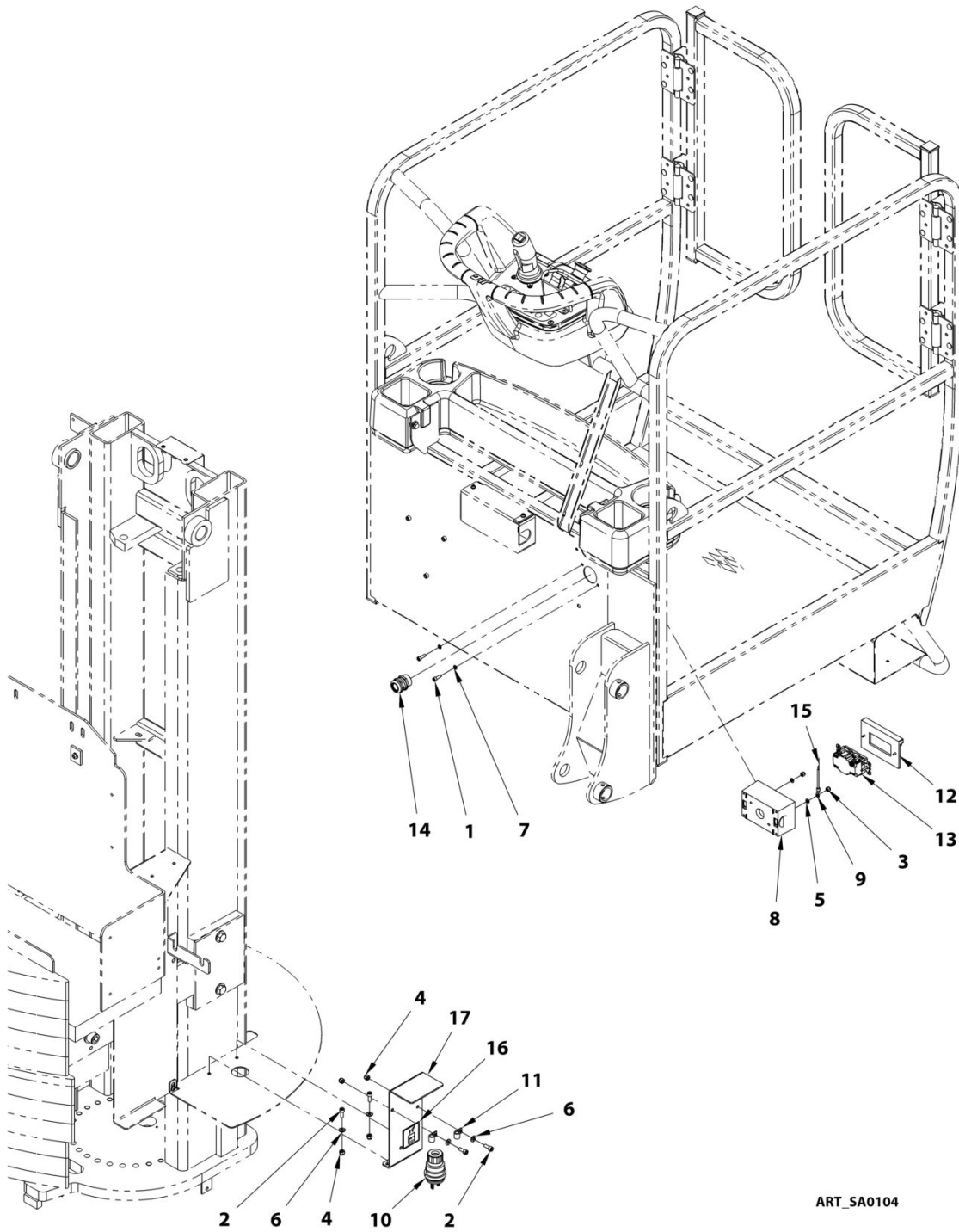
SECTION 10 - OPTIONS / OPTIONS

FIGURE 10-4. 230V PLATFORM SOCKET INSTALL / INSTALLATION PRISE PLATE-FORME 230V

ITEM	PART NUMBER	QTY	DESCRIPTION	REV
	SA0093		PLATFORM 230V FRENCH SOCKET INSTALL / INSTALLATION PRISE PANIER FRANCE 230V	D
	SA0094		PLATFORM 230V GERMAN SOCKET INSTALL / INSTALLATION PRISE PANIER ALLEMAGNE 230V	D
1	000005	2	M06x20 8.8 SOCKET HEAD MACH SCREW / VIS CHC M06x20 8.8 BI FT	
2	000015	3	M06x16 8.8 SOCKET HEAD MACH SCREW / VIS CHC M06x16 8.8 BI FT	
3	000085	2	M04x16 8.8 SOCKET HEAD MACH SCREW / VIS CHC M04x16 8.8 BI FT	
4	110001	2	M04 GR08 LOCK NUT / ECROU FREIN M4 CL08 BI	
5	110003	5	M06 GR08 LOCK NUT / ECROU FREIN M6 CL08 BI	
6	120009	3	dD 06x14 LOCK WASHER / RONDELLE CONTACT dD 06x14 BI	
7	120024	2	M4 LOCK WASHER / RONDELLE CONTACT M4 BI	
8	120058	2	WASHER,D4 SERRATED LOCK / RONDELLE EVENTAIL D4	
9	120060	6	WASHER,D6 SERRATED LOCK / RONDELLE EVENTAIL D6	
10	210011	1	GLAND N°13 NUT / ECROU DE PRESSE ETOUPE N°13	
11	210012	2	GLAND N°16 NUT / ECROU DE PRESSE ETOUPE N°16	
11	1001293012	2	GLAND M25 NUT / ECROU DE PRESSE ETOUPE M25	
12	210019	1	GLAND N°13 / PRESSE ETOUPE N°13	
13	210021	2	GLAND N°16 / PRESSE ETOUPE N°16	
13	1001293011	2	GLAND M25 / PRESSE ETOUPE M25	
15	1001181045	1	CUTOUT 30 mA / DISJONCTEUR DIFFERENTIEL 30 mA	
16	240093	1	CUTOUT BOX / BOITIER DISJONCTEUR	
17	250089	1	M04 EYELET TERMINAL 1-2.5mm ² / COSSE A OEIL ISOLEE M4 - 1-2.5mm ²	
18	250091	1	M6 EYELET TERMINAL 1-2.5mm ² / COSSE A OEIL ISOLEE M6 - 1-2.5mm ²	
19	250135	1	TERMINAL BLOCK VICKING / BLOC DE JONCTION VICKING	
20	260029	1	FRENCH 230 VAC SOCKET 2P+T / PRISE FEM. FRANCAISE 230VAC 2P+T	
20	260187	1	GERMAN 230 VAC SOCKET 2P+T / PRISE FEM. ALLEMANDE 230VAC 2P+T	
21	260214	1	FRENCH AND GERMAN 230V CONNECTOR / PRISE 230V FRANCAISE ET ALLEMANDE	
22	1001279287	1	CLAMP,D9 / COLLIER D9	
23	270002	0.5m	WIRE 2 mm ² Y/G (qty indicated in meter) / FIL 2 mm ² V/J (qté indiquée en mètre)	
24	AU1716	1	PLATFORM SOCKET DECAL / AUTOCOLLANT PRISE PANIER	
25	ST3438	1	SUPPORT,BREAKER BOX / SUPPORT COUPE CIRCUIT	

SECTION 10 - OPTIONS / OPTIONS

FIGURE 10-5. PLATFORM 115V GFI-US SOCKET INSTALL / INSTALLATION PRISE PLATE-FORME 115V GFI-US



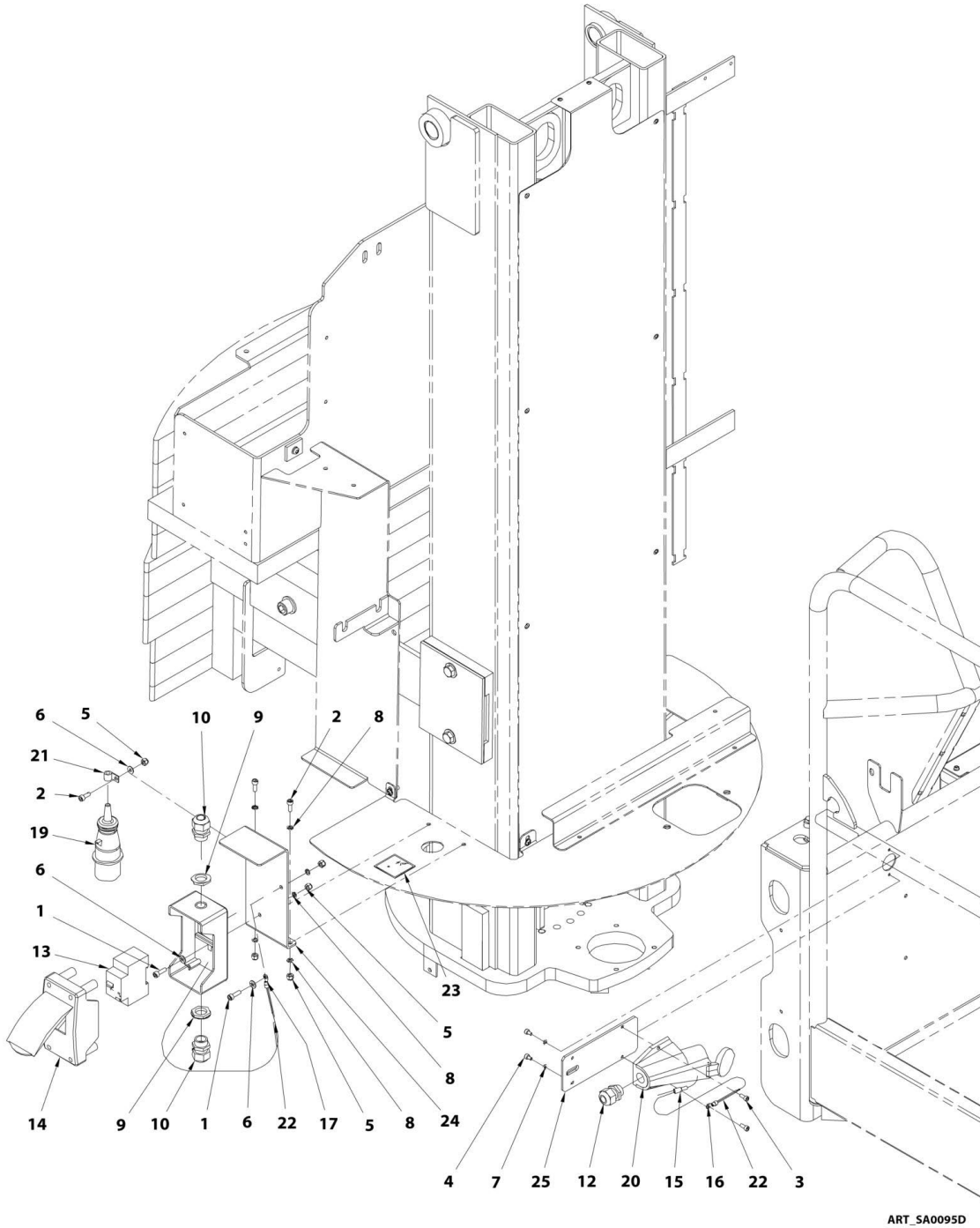
SECTION 10 - OPTIONS / OPTIONS

FIGURE 10-5. PLATFORM 115V GFI-US SOCKET INSTALL / INSTALLATION PRISE PLATE-FORME 115V GFI-US

ITEM	PART NUMBER	QTY	DESCRIPTION	REV
	SA0104		PLATFORM 115V GFI-US SOCKET INSTALL / INSTALLATION PRISE PLATE-FORME 115V GFI-US	C
1	000003	2	M05x16 8.8 SOCKET HEAD MACH SCREW / VIS CHC M05x16 8.8 BI FT	
2	000015	4	M06x16 8.8 SOCKET HEAD MACH SCREW / VIS CHC M06x16 8.8 BI FT	
3	110002	2	M05 GR08 LOCK NUT / ECROU FREIN M5 CL08 BI	
4	110003	4	M06 GR08 LOCK NUT / ECROU FREIN M6 CL08 BI	
5	120002	2	M05 WASHER / RONDELLE M05 BI	
6	120009	4	dD 06x14 LOCK WASHER / RONDELLE CONTACT dD 06x14 BI	
7	120059	2	WASHER,D5 SERRATED LOCK / RONDELLE EVENTAIL D5	
8	230016	1	ELECTRICAL BOX / BOITIER ELECTRIQUE	
9	250090	1	M5 EYELET TERMINAL 1-2.5mm ² / COSSE A OEIL ISOLEE M5 - 1-2.5mm ²	
10	260276	1	US 125 VAC MALE CONNECTOR / PRISE US 125VAC	
11	1001279287	2	CLAMP,D9 / COLLIER D9	
12	4060700	1	CIRCUIT BREAKER COVER / COUVERCLE COUPE CIRCUIT	
13	4460346	1	CIRCUIT BREAKER KIT / KIT COUPE CIRCUIT	
14	7364001818	1	STRAIN RELIEF CONNECTOR / PRESSE ETOUPE	
15	270002	0.3	WIRE 2 mm ² Y/G (qty indicated in meter) / FIL 2 mm ² V/J (qté indiquée en mètre)	
16	AU1716	1	PLATFORM SOCKET DECAL / AUTOCOLLANT PRISE PANIER	
17	ST3438	1	SUPPORT,BREAKER BOX / SUPPORT COUPE CIRCUIT	

SECTION 10 - OPTIONS / OPTIONS

FIGURE 10-6. PLATFORM 115V IEC SOCKET INSTALL / INSTALLATION PRISE PLATE-FORME 115V EIC



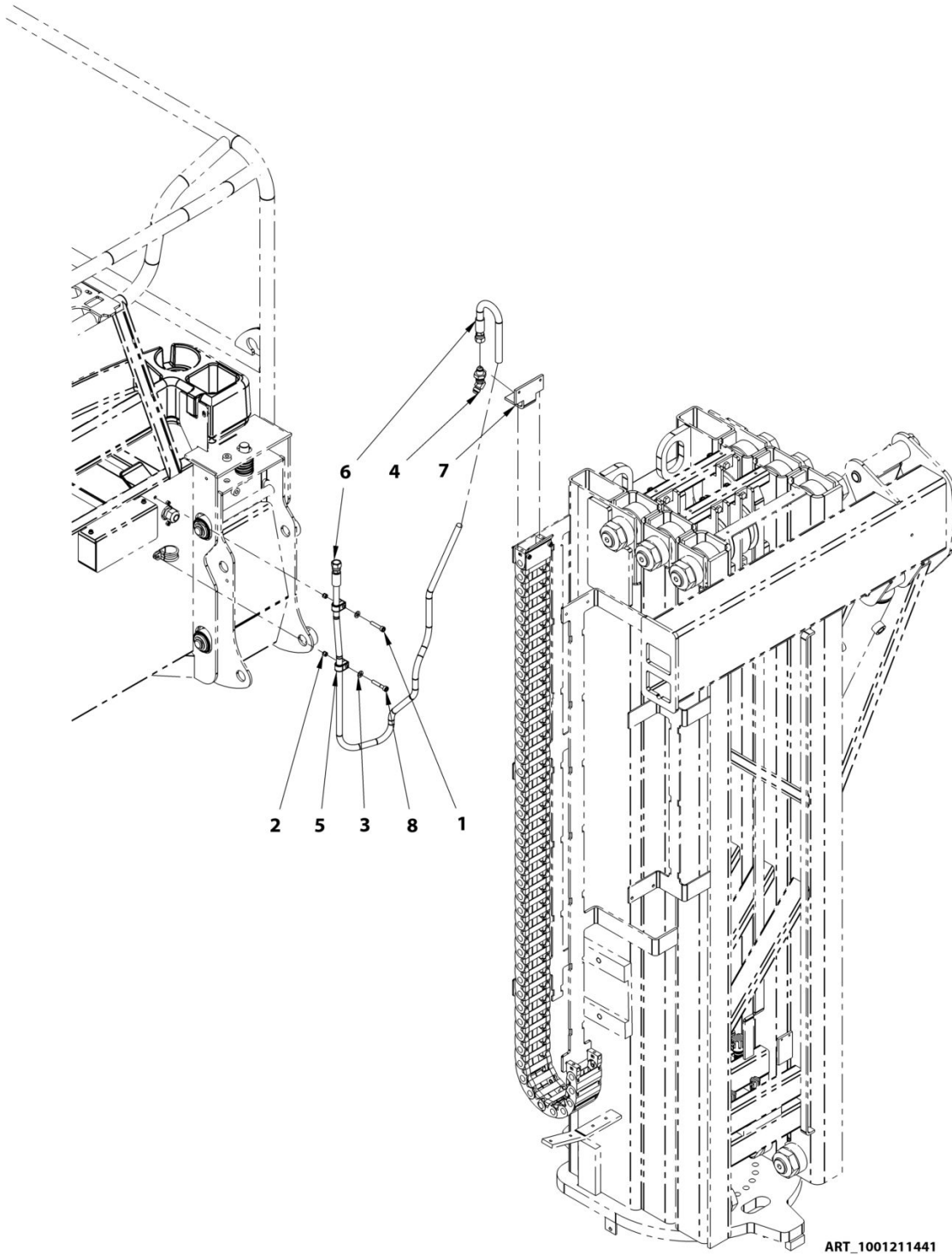
SECTION 10 - OPTIONS / OPTIONS

FIGURE 10-6. PLATFORM 115V IEC SOCKET INSTALL / INSTALLATION PRISE PLATE-FORME115V EIC

ITEM	PART NUMBER	QTY	DESCRIPTION	REV
	SA0095		PLATFORM 115V IEC SOCKET INSTALL / INSTALLATION PRISE PANIER IEC 115V	C
1	000005	2	M06x20 8.8 SOCKET HEAD MACH SCREW / VIS CHC M06x20 8.8 BI FT	
2	000015	3	M06x16 8.8 SOCKET HEAD MACH SCREW / VIS CHC M06x16 8.8 BI FT	
3	000067	2	M05x12 8.8 SOCKET HEAD MACH SCREW / VIS CHC M05x12 8.8 BI FT	
4	000089	2	M05x08 8.8 SOCKET HEAD MACH SCREW / VIS CHC M05x08 8.8 BI FT	
5	110003	5	M06 GR08 LOCK NUT / ECROU FREIN M6 CL08 BI	
6	120009	3	dD 06x14 LOCK WASHER / RONDELLE CONTACT dD 06x14 BI	
7	120059	2	WASHER,D5 SERRATED LOCK / RONDELLE EVENTAIL D5	
8	120060	6	WASHER,D6 SERRATED LOCK / RONDELLE EVENTAIL D6	
9	210012	2	GLAND N°16 NUT / ECROU DE PRESSE ETOUPE N°16	
9	1001293012	2	GLAND M25 NUT / ECROU DE PRESSE ETOUPE M25	
10	210021	2	GLAND N°16 / PRESSE ETOUPE N°16	
10	1001293011	2	GLAND M25 / PRESSE ETOUPE N°16	
12	210066	1	GLAND M20 / PRESSE ETOUPE M20	
13	1001181045	1	CUTOUT 30 mA / DISJONCTEUR DIFFERENTIEL 30 mA	
14	240093	1	CUTOUT BOX / BOITIER DISJONCTEUR	
15	250071	1	INSULATED SOCKET TERMINAL Ø5 / COSSE CYLINDRIQUE FEM. ISOLEE Ø5	
16	250090	1	M5 EYELET TERMINAL 1-2.5mm ² / COSSE A OEIL ISOLEE M5 - 1-2.5mm ²	
17	250091	1	M6 EYELET TERMINAL 1-2.5mm ² / COSSE A OEIL ISOLEE M6 - 1-2.5mm ²	
19	260213	1	CONNECTOR 115VAC/16A IEC60309 / PRISE MALE 115VAC/16A CEI60309	
20	260258	1	115 VAC IEC60309 SURFACE SOCKET / PRISE FEMELLE FIXE 115VAC CEI60309	
21	1321293	1	CLAMP, INSULATED BAND / COLLIER ISOLE	
22	270002	0.6m	WIRE 2 mm ² Y/G (qty indicated in meter) / FIL 2 mm ² V/J (qté indiquée en mètre)	
23	AU1716	1	PLATFORM SOCKET DECAL / AUTOCOLLANT PRISE PANIER	
24	ST3438	1	SUPPORT,BREAKER BOX / SUPPORT COUPE CIRCUIT	
25	ST3439	1	SUPPORT, SOCKET 115V / SUPPORT PRISE 115V	

SECTION 10 - OPTIONS / OPTIONS

FIGURE 10-7. AIRLINE 5/16" INSTALL / INSTALLATION AIR COMPRIE 5/16"



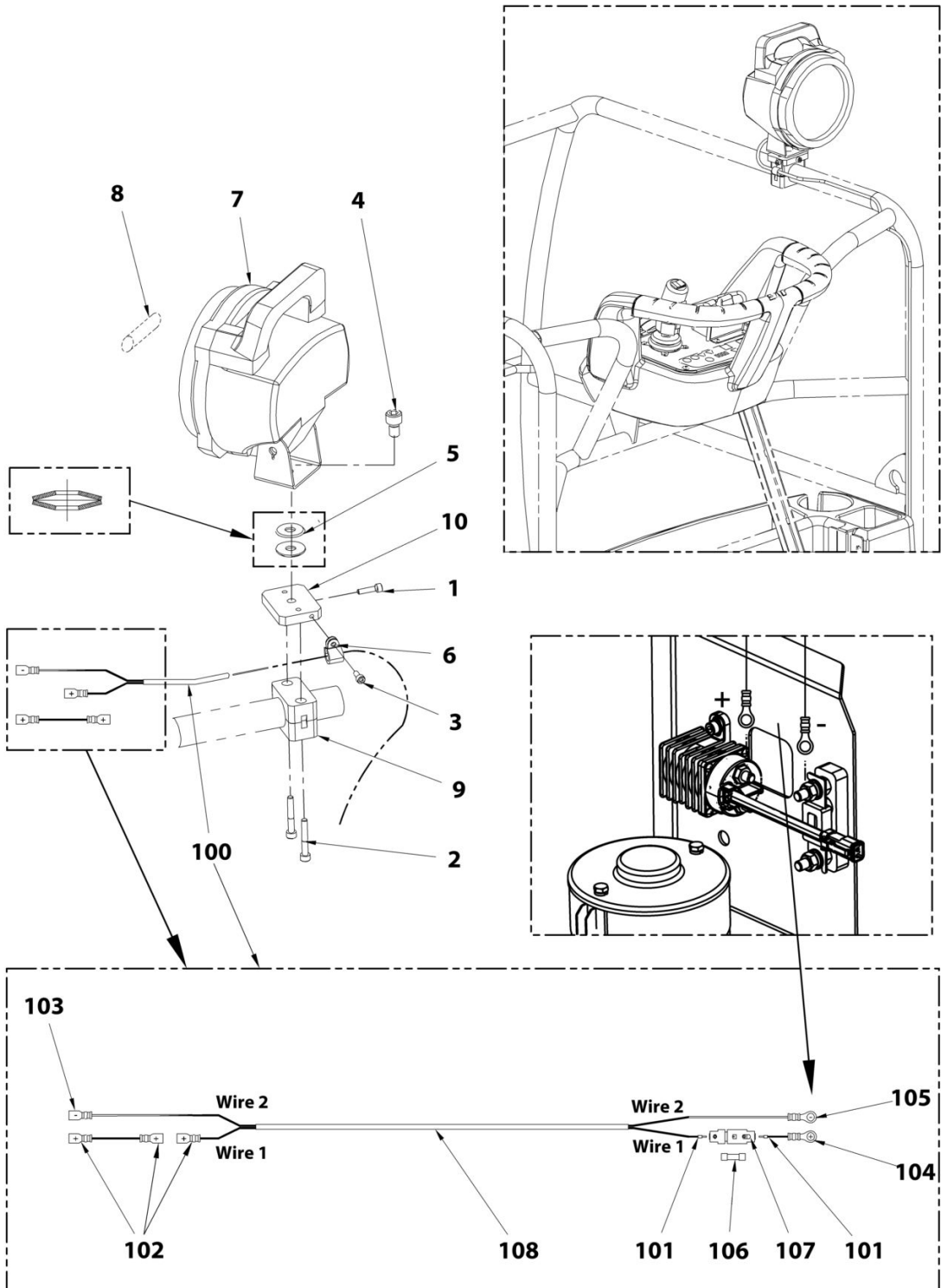
SECTION 10 - OPTIONS / OPTIONS

FIGURE 10-7. AIRLINE 5/16" INSTALL / INSTALLATION AIR COMPRIME 5/16"

ITEM	PART NUMBER	QTY	DESCRIPTION	REV
	1001211441		AIR LINE 5/16" INSTALL / INSTALLATION AIR COMPRIME 5/16"	B
1	000016	1	M06x30 8.8 SOCKET HEAD MACH SCREW / VIS CHC M06x30 8.8 BI FT	
2	110003	2	M06 GR. 8.8 LOCK NUT / ECROU FREIN M6 CL08 BI	
3	120009	2	LOCK WASHER D06x14 / RONDELLE CONTACT dD 06x14 BI	
4	300161	1	45° BULKHEAD JIC 9/16 / TRAVERSEE DE CLOISON 45° JIC	
5	400047	2	CLAMP,SINGLE D12 / COLLIER D12	
6	DF0986	1	HOSE 5/16-0760cm-JIC Fem 9/16-JIC Fem 9/16 / FLEXIBLE 5/16-0760cm-JIC Fem 9/16-JIC Fem 9/16	
7	ST1969	1	SUPPORT, AIR LINE HOSE / SUPPORT FLEXIBLE AIR COMPRIME	
8	000077	1	M06x35 8.8 SOCKET HEAD CAPSCREW / VIS CHC M06x35 8.8 BI FP	

SECTION 10 - OPTIONS / OPTIONS

FIGURE 10-8. WORKING LIGHT INSTALL / INSTALLATION PHARE DE TRAVAIL



ART_OP521

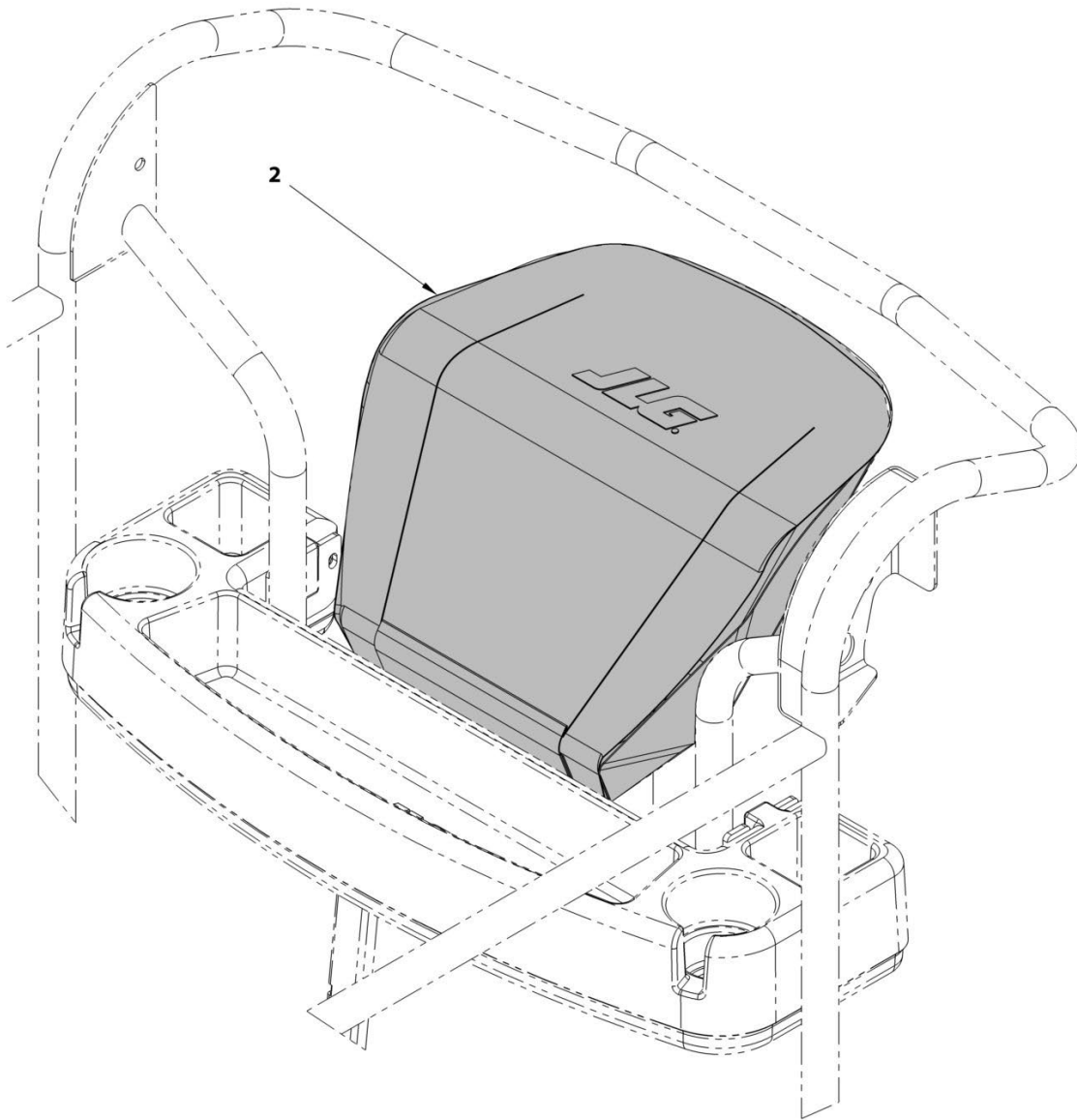
SECTION 10 - OPTIONS / OPTIONS

FIGURE 10-8. WORKING LIGHT INSTALL / INSTALLATION PHARE DE TRAVAIL

ITEM	PART NUMBER	QTY	DESCRIPTION	REV
	OP521		WORKING LIGHT INSTALL / INSTALLATION PHARE DE TRAVAIL	C
1	000010	1	M05x20 8.8 SOCKET HEAD MACH SCREW / VIS CHC M05x20 8.8 BI FT	
2	000017	2	M06x40 8.8 SOCKET HEAD MACH SCREW / VIS CHC M06x40 8.8 BI FT	
3	000067	1	M05x12 8.8 SOCKET HEAD MACH SCREW / VIS CHC M05x12 8.8 BI FT	
4	000069	1	M10x16 8.8 SOCKET HEAD MACH SCREW / VIS CHC M10x16 8.8 BI FT	
5	120043	2	BEVEL WASHER Ø28x10.2x1 / RONDELLE RESSORT Ø28x10.2x1 BR	
6	1001279287	1	CLAMP D9 / COLLIER D9	
7	260144	1	24V 70W LIGHT / PHARE 24V 70W	
8	260146	1	BULB H3 / 70W / AMPOULE H3 / 70W	
9	400077	1	CLAMP, SINGLE D30 / COLLIER D30	
10	FX158-014	1	PLATFORM LIGHT PLATE / PLATINE PHARE DE TRAVAIL	
100	PC0528	1	HARNES,WORK LIGHT / FAISEAU PHARE DE TRAVAIL	
101	250001	2	FERRULE TERMINAL 1mm ² / EMBOUT 1mm ²	
102	250026	3	RED RECEPTACLE TERM. 6.3 - 0.5-1.2mm ² / COSSE FEMELLE 6.3 ROUGE - 0.5-1.2mm ²	
103	250027	1	BLUE RECEPTACLE TER. 6.3 - 1.5-2.5mm ² / COSSE FEM. 6.3 BLEUE 6.3 - 1.5-2.5mm ²	
104	250084	1	M8 EYELET TERMINAL 0.25-1mm ² / COSSE A OEIL ISOLEE M8 - 0.25-1mm ²	
105	250172	1	M08 EYELET TERMINAL 1-2.5mm ² / COSSE A OEIL ISOLEE M08 - 1-2.5mm ²	
106	260006	1	5x20 3.15A FUSE / FUSIBLE 5x20 3.15A	
107	260007	1	FUSE HOLDER / PORTE FUSIBLE	
108	270031	12.2m	CABLE 2x1mm ² / CABLE 2x1mm ²	

SECTION 10 - OPTIONS / OPTIONS

FIGURE 10-9. UCB PROTECTION INSTALL / INSTALLATION PROTECTION BOITIER HAUT



ART_1001214774B

SECTION 10 - OPTIONS / OPTIONS

FIGURE 10-9. UCB PROTECTION INSTALL / INSTALLATION PROTECTION BOITIER HAUT

ITEM	PART NUMBER	QTY	DESCRIPTION	REV
	1001214774	REF	UCB PROTECTION INSTALL / INSTALLATION PROTECTION BOITIER HAUT	B
2	70014016	1	UCB PROTECTION / PROTECTION BOITIER HAUT	

**SECTION 11 - RECOMMENDED PARTS LIST / LISTE DE PIÈCES
RECOMMANDÉES**

**SECTION 11 - RECOMMENDED PARTS LIST / LISTE DE PIÈCES
RECOMMANDÉES**

SECTION 11 - RECOMMENDED PARTS LIST / LISTE DE PIÈCES RECOMMANDÉES

FIGURE 11-1. RECOMMENDED PARTS LIST / LISTE DE PIÈCES RECOMMANDÉES

ITEM	PART NUMBER	QTY	DESCRIPTION	REV
	Note		The following list will service one Machine with emergency repair parts which can be installed in the field. Parts from the list should be replaced when inventory is depleted to keep service parts stock supplied. For further information, contact your JLG Industries Parts Department. / La liste suivante indique (pour une Machine) les pièces de réparation d'urgence qui peuvent être installées sur le terrain. La quantité de pièces de cette liste doit être tenue en stock minimum. Pour de plus amples informations, contactez votre SAV JLG Industries.	~Ref
		Ref	STANDARD PARTS / PIÈCES STANDARD	
	310103	1	BREATHER CAP / BOUCHON-RENIFLARD	
	3740150	1	RELAY, 24VDC/100A / RELAIS, 24VDC/100A	
	1001230297	2	RELAY, TYCO 24V / RELAIS TYCO 24V	
	2860030	1	KEY (INCLUDED IN ITEM 4360469) / CLE (COMPRISE DANS REF 4360469)	
	1001266902	1	SWITCH, MEMBRANE PAD 3 BUTTONS / INTERRUPTEURS A MEMBRANE 3 BOUTONS	
	260079	1	325A FUSE / FUSIBLE 325A	
	930134	1	FILTER, CARTRIDGE, 10µm / ELEMENT FILTRANT 10µm	
	7027367	1	SWITCH ENABLER / CONTACT VALIDATION	
	4360562	1	COMPLETE KNOB / ARRET D'URGENCE COMPLET	
	1001115919	1	SWITCH, PUSH BUTTON-ENABLE / B P DE VALIDATION	
	240056	1	NO CONTACT BASE / EMBASE CONTACT NO	
		Ref	VARIABLE PARTS / AUTRES PIÈCES	
	1001223812	1	KIT-SERVICE, GROUND PANEL W/O ENABLE / KIT SAV PLATINE BOITIER BAS SANS ENABLE	
	SE1202	1	KIT-SERVICE, GROUND PANEL WITH ENABLE / KIT SAV PLATINE BOITIER BAS AVEC ENABLE	
	260323	1	NO/NC SWITCH PG11 / CAPTEUR NO/NF PE11	
	1001213835	1	SENSOR, TILT 2.4° / DETECTEUR DE DEVERS 2.4°	
	4000008	1	SENSOR, PROXIMITY ASSEMBLY / FAISCEAU DETECTEUR DE PROXIMITE	
	1001232667	1	SENSOR SKYLINE ASSEMBLY / FAISCEAU CAPTEUR SKYLINE	
	260327	2	NO/NC SWITCH TELEMECANIQUE / CAPTEUR NO/NF TELEMECANIQUE	
	PC0468	1	HARNESS, LOAD SENSING SWITCH / FAISCEAU CAPTEUR DE SURCHARGE	
	4360505	1	SWITCH, ROTARY ANGLE SENSOR / CAPTEUR D'ANGLE	
	130064	4	D8 FAST-LEAD THREAD SCREW / VIS D8 PAS RAPIDE TETE LARGE	
	1001109503	1	MULTIDISPLAY INDICATOR / AFFICHEUR MULTIFONCTION	
	4360469	1	3 POSITIONS KEY SELECTOR / SELECTEUR A CLE 3 POSITIONS	
	1600458	1	JOYSTICK / JOYSTICK	
	1001155354	1	THUMB JOYSTICK / MINI JOYSTICK	
	1001152692	1	PC BOARD PLATFORM MODULE / CARTE BOITIER HAUT PROGRAMMEE (Prior to SN A300064482)	
	1001288829	1	PC BOARD PLATFORM MODULE / CARTE BOITIER HAUT PROGRAMMEE (SN A300064482 to Present)	

**SECTION 11 - RECOMMENDED PARTS LIST / LISTE DE PIÈCES
RECOMMANDÉES**

ITEM	PART NUMBER	QTY	DESCRIPTION	REV
	1001241322	2	CONTROLLER,ZAPI COMBI AC0 / VARIATEUR COMBI-ACO	
	952099	6	COIL 24VDC_3012599 / BOBINE 24VDC_3012599	
	952101	1	COIL 24VADC_3110057 / BOBINE 24VADC_3110057	

SECTION 12 - SPECIAL OPTIONS / OPTIONS SPECIALES

SECTION 12 - SPECIAL OPTIONS / OPTIONS SPECIALES

FIGURE 12-1. SPECIAL OPTIONS / OPTIONS SPECIALES

ITEM	PART NUMBER	QTY	DESCRIPTION	REV
		Ref	Note: This list is to accommodate machines ordered with special equipment. Options may not be applicable to all models. For more specific parts information contact JLG Parts Department. / Remarque: Cette liste fourni les info complémentaires pour les Machines commandées avec des équipements spéciaux. Ces Options ne sont pas applicables à tous les modèles. Pour des informations plus spécifiques sur les pièces, contacter le service pièces JLG.	
		Ref	MISCELLANEOUS SPECIAL OPTIONS / OPTIONS SPECIALES DIVERSES	
		Ref	ClearSky Telematic Installation (Factory Installed) / Installation ClearSky (Telematic)-(installé en usine)	
	1001252510	Ref	ClearSky Installation - Canbus Connection (ANSI, CSA and JPN Specs) / Installation ClearSky, Connection Canbus (ANSI, CSA et JPN Specs)	
	1001252515	Ref	ClearSky Installation - Canbus Connection (ANSI Export and CE Specs) / Installation ClearSky, Connection Canbus (ANSI Export et CE Specs)	
	1001254156	Ref	ClearSky Installation - Canbus Connection (Australian Specs) / Installation ClearSky, Connection Canbus (Australian Specs)	
	1001276610	Re	ClearSky GT1030 Installation / Installation ClearSky GT1030	
	1001229695	Ref	ClearSky decal Installation (Factory Installed) / Installation Autocollant Skyline (Installé en usine)	
	1001227878	Ref	Trackunit (Telematics) Installation (Factory Installed) - (CE Specs) / Installation Trackunit (Telematic)-(installé en usine)	
	1001214029	Ref	IInstall,decal,EAC (Russia,CIS) / Installation autocollant EAC (Russie, CIS)	
	1001223692	Ref	Possible positions for Custommer decals / Positions possibles des autocollants Client	
	1001300523	Ref	KIT,PLATFORM BOARD 1001152692 REPLACEMENT / KIT REMPLACEMENT CARTE BOITIER HAUT 1001152692	
		Ref	CLEARSKY TELEMATIC KITS / KITS CLEARSKY TELEMATIC	
	1001265362	Ref	KIT, CLEARSKY CAN (N.A.) / KIT, CLEARSKY CAN (N.A.)	
	1001253875	Ref	KIT, CLEARSKY CAN (C.E.) / KIT, CLEARSKY CAN (C.E.)	
	1001254190	Ref	KIT, CLEARSKY CAN (AUS) / KIT, CLEARSKY CAN (AUS)	
	1001276923	Ref	KIT CLEARSKY GT1030 / KIT CLEARSKY GT1030	
	1001251483	Ref	KIT,ACCESS CONTROL / KIT DE CONTROLE D'ACCES	
		Ref	SKYLINE KITS / KITS SKYLINE	
	1001278009	Ref	KIT SKYLINE / KIT SKYLINE	
	1001278131	Ref	KIT SKYLINE BEACON / KIT FEU SKYLINE	
		Ref	Tools for Service / Outils pour entretien et dépannage	
	2901443	Ref	Analyzer Kit / Kit Analyseur	
	1001249695	Ref	Analyzer and Cable Kit / Analyseur et kit cables	
	8896941	Ref	Wire Stripper / Pince à dénuder	
	7002821	Ref	Wire Crimper (To install wire ends to wires) / Pince à sertir (pour installer des cosses sur des fils)	
	7002823	Ref	Pin/Socket Extractor - Universal (For Removal of Pins/Sockets from Connectors) / Extracteur de contacts Universel (pour retrait	

SECTION 12 - SPECIAL OPTIONS / OPTIONS SPECIALES

ITEM	PART NUMBER	QTY	DESCRIPTION	REV
	4460467	Ref	broches de connecteurs) Extractor - 16-18 Gauge (For Removal of Pin/Sockets from Deutsch Connectors) / Extracteur AWG16-18 (pour retrait broches de connecteurs Deutch)	
	4460510	Ref	Extractor - 12-14 Gauge (For Removal of Pin/Sockets from Deutsch Connectors) / Extracteur AWG12-14 (pour retrait broches de connecteurs Deutch)	
	7016654	Ref	Screwdriver, Magnetic / Tournevis Magnétique	

SECTION 12 - SPECIAL OPTIONS / OPTIONS SPECIALES

PART NUMBER INDEX

SECTION 12 - SPECIAL OPTIONS / OPTIONS SPECIALES

000003.....10, 113, 119	1001144147 86	1001223714 75	1001241322..... 15, 131
000005.....31, 53, 66, 117, 121	1001152692 .. 59, 61, 130	1001223717 10	1001241965.....55
000006.....26, 27, 49, 51	1001154560 59	1001223759 26	1001245202..... 15, 21, 88
000007.....98	1001155328 59, 61	1001223761 107	1001245243..... 107, 108
000008..... 15, 57, 66, 75	1001155354 .. 59, 61, 130	1001223762 107	1001246577 21
000010.....47, 125	1001155460 59, 61	1001223763 107	1001246578 21
000014 11, 26, 31, 49, 51, 53, 55, 73, 93, 95, 98, 115	1001155462 59, 61	1001223764 107	1001248510 66
000015 10, 26, 31, 49, 51, 53, 66, 93, 95, 117, 119, 121	1001157657 59	1001223765 106	1001248511 66
000016.....66, 113, 123	1001181045 117, 121	1001223766 93	1001248513 66
000017..... 15, 125	1001187631 31	1001223767 95	1001248814 10
000018.....75	1001189882 107	1001223769 104	1001248815 10
000023.....26	1001192401 86	1001223770 105	1001249695 134
000026.....75	1001200910 111	1001223771 105	1001251483 134
000030.....66	1001208856 59, 61	1001223772 105	1001252510 134
000032.....51	1001208857 59, 61	1001223773 105	1001252515 134
000050..... 31, 98, 111	1001209858 51	1001223774 105	1001253875 134
000051.....66	1001209859 66	1001223775 106	1001254156 134
000059.....73	1001209860 47	1001223776 106	1001254190 134
000067 ..26, 98, 113, 121, 125	1001209934 57	1001223810 31, 35	1001254472 55
000069.....125	1001210672 10	1001223811 35	1001254473 55
000077..... 15, 66, 123	1001210910 11	1001223812 35, 130	1001256013 59, 61
000085..... 111, 117	1001210948 31	1001223845 105	1001257867 111
000088.....53	1001211321 75	1001223846 105	1001258232 66
000089..... 93, 95, 121	1001211322 73	1001223847 105	1001265362 134
000090.....49, 51, 53	1001211324 31	1001223848 105	1001266813 53
0140011.....59, 61	1001211358 16	1001223849 105	1001266902 .. 59, 61, 130
0630580..... 16	1001211436 106	1001223850 105	1001266921 57, 59
0641406.....57	1001211437 104	1001223851 106	1001266923 59, 61
100005.....93, 95	1001211439 85	1001223852 106	1001266925 59
100007.....51	1001211440 93, 95	1001223853 105, 106	1001267022 53
100008.....29	1001211441 123	1001223854 105, 106	1001267255 86
100009.....15	1001211443 104	1001223855 105	1001267260 111
100013..... 15, 41, 43	1001211444 104	1001223856 105	1001267261 111
100021..... 11, 26	1001213000 93, 95	1001223857 105	1001267298 31
100027..... 10, 66	1001213033 93, 95	1001223858 105	1001267299 31
100038.....26	1001213632 16	1001223859 106	1001267401 53
100051.....66, 93, 95	1001213727 85, 91	1001223860 106	1001267644 113
100053.....15	1001213728 85	1001223861 105, 106	1001267665 87
100054.....47, 49, 51, 53	1001213729 85	1001223862 105, 106	1001267669 113
100063.....39	1001213835 .. 16, 88, 130	1001223868 26	1001267687 39
100091.....51	1001213900 107, 108	1001223893 75	1001267689 15
100098.....16	1001213905 91	1001223897 75	1001267690 39
100102.....15	1001213957 104	1001224026 108	1001267743 104
100103..... 15, 26	1001213985 93, 95	1001225133 81	1001267744 104
100104.....15	1001213986 93, 95	1001225157 81	1001267745 104
1001102189.....19	1001214029 134	1001225159 81	1001267746 104
1001102349.....19	1001214284 104	1001225530 73	1001267747 104
1001102351.....19	1001214285 104	1001225624 75	1001270807 53
1001102353.....19	1001214313 104	1001226413 106, 107	1001270808 49
1001102354.....19	1001214314 104	1001226414 108	1001270809 49
1001109503 ..33, 35, 130	1001214774 127	1001227848 106, 107	1001270810 53
1001114466 16	1001215691 77	1001227878 134	1001270811 55
1001115919 .. 59, 61, 130	1001216711 73	1001228389 107	1001271848 53
1001116692 87	1001220619 39	1001228600 104	1001271849 53
1001116694 87	1001220620 39	1001228601 104	1001272153 49, 53
1001116812 85	1001221234 27	1001228972 104	1001272230 39
1001117172 113	1001221247 27	1001229695 134	1001272231 15
1001117177 59, 61	1001221429 27	1001230297 113, 130	1001272232 39
1001119619 87	1001222935 75, 77	1001231801 108	1001275523 55
1001126009 87	1001222936 73, 81	1001232667 55, 130	1001276610 134
	1001222937 75	1001233406 21	1001276683 47
	1001223602 75	1001233416 26	1001276923 134
	1001223607 31	1001233417 27	1001277966 47
	1001223623 10	1001239552 33, 35	1001278009 134
	1001223689 16	1001239741 66	1001278131 134
	1001223692 134	1001239742 66	1001278484 107, 108

SECTION 12 - SPECIAL OPTIONS / OPTIONS SPECIALES

1001278485..... 107, 108	120056 10, 55, 98	240056.....59, 61, 130	3450406..... 19
1001279287 ... 51, 55, 93, 95, 98, 113, 117, 119, 125	120057 10	240057.....33, 35, 59, 61	3575796..... 59
1001279489 98	120058 117	240058.....59, 61	3740150..... 31, 130
1001282390 31	120059 119, 121	240060.....33, 35, 59, 61	3820019..... 59
1001282920 57, 61	120060 10, 117, 121	240076.....33, 35, 59, 61	3900357..... 57, 59, 61
1001282923 61	130003 29	240093.....117, 121	3900358 59, 61
1001283170 61	130007 66	250001.....125	3900359..... 59
1001283171 61	130021 10	250026.....85, 125	4000007..... 87
1001287102 26	130029 47	250027.....125	4000008..... 87, 98, 130
1001288667 61	130034 26	250031.....31, 93, 95	400010..... 49, 51, 53, 66
1001288829 61, 130	130059 33, 35	250051.....113	400012..... 66, 93, 95
1001291927 55	130062 10, 31, 59, 61	250060.....86	400015..... 51
1001293011 117, 121	130064 10, 130	250071.....121	400018..... 66
1001293012 117, 121	130066 66	250084.....85, 125	400037..... 93, 95
1001294033 61	1321293 73, 121	250089.....117	400047.....123
1001294060 77	140009 39	250090.....119, 121	400048..... 49, 53
1001296007 107, 108	140014 73	250091.....86, 117, 121	400057..... 10
1001300523 134	140016 29	250135.....117	400077.....125
100156 75	140024 73	250172.....125	400092..... 66
1060688 93, 95	150002 39	250211.....93, 95	400096..... 49, 51, 53, 66
1060689 93, 95	150004 15	250213.....93, 95	400099..... 51
110001 10, 111, 117	150007 43	250227.....85	4031516..... 55
110002 .. 10, 66, 113, 119	150009 29	250230.....88	4060700..... 119
110003 10, 15, 29, 31, 41, 43, 49, 51, 53, 55, 59, 61, 66, 73, 75, 93, 95, 113, 115, 117, 119, 121, 123	150011 41	260006.....125	4191706..... 98
110004 39, 49, 51	150019 16	260007.....125	4240147..... 16
110005 15, 51	150039 51	260029.....117	4340871..... 59
110008 15	150058 16	260077.....31	4360469..... 33, 35, 130
110009 39	150059 15	260079.....31, 130	4360505..... 87, 98, 130
110010 39	150061 47	260144.....125	4360562..... 59, 61, 130
110015 66, 93, 95	1580012 57	260146.....125	4420051..... 107, 108
110016 26	160010 98	260187.....117	4460071..... 113
110017 26	160018 73	260213.....121	4460346..... 119
110019 39	160033 47	260214.....117	4460464 ... 85, 86, 87, 88
110020 39	1600458 59, 61, 130	260240.....33, 35	4460465 ... 85, 86, 87, 88
110022 49, 51, 53	170008 39	260243.....33, 35	4460467 135
110026 10, 26, 66	1701499 107, 108	260258.....121	4460510.....135
110040 10	1702773 104	260274.....88	4460536..... 86, 87, 88
110041 66	1703632 107, 108	260275.....87	4460539..... 85, 86
110042 93, 95	1703785 107	260276.....119	4460871..... 85
120002 ... 47, 66, 98, 113, 119	1703811 106, 107	260321.....87	4460873..... 85
120003 47	1703814 106, 107	260323.....88, 130	4460884..... 86, 87, 88
120004 10, 26, 57	1704016 106, 107	260327.....87, 130	4460891..... 85, 86
120006 39	1704023 107	260329.....88	4460894..... 85, 88
120008 26	1704031 108	270002.....117, 119, 121	4460897..... 85, 87, 88
120009 10, 11, 16, 26, 31, 49, 51, 53, 66, 73, 93, 95, 98, 113, 115, 117, 119, 121, 123	1704277 106, 107	270031.....125	4460899..... 86, 87
120010 26, 27, 39, 51, 73, 75	1704885 107	270059.....86	4460916..... 87
120011 75	1705781 104	2780266.....15, 19	4460917..... 87, 88
120015 26	1705803 106	280023.....49, 51	4460928..... 85, 86
120017 39	1706493 106, 107	2860030.....33, 35, 130	4460930..... 85
120024 49, 51, 53, 98, 111, 117	1706740 106, 107	2901443.....134	4460931..... 85
120030 75	1706764 106	300001.....15	4460932..... 86, 87
120033 31	1706898 59, 61	300025.....75, 77	4460933..... 85
120043 125	180003 16	300034.....77	4460943..... 86
120054 11, 15	180009 10	300037.....75	4460944..... 85
120055 16	190027 75	300040.....29, 77	4460970..... 86
	190072 10	300044.....75	4461076..... 87
	190074 10	300047.....77	4461077..... 86, 87
	190077 93, 95	300061.....73, 81	4740468..... 19
	210011 117	300101.....77	4751400..... 57
	210012 117, 121	300161.....123	4761400..... 57
	210018 88	310091.....77	500021..... 26
	210019 117	310103.....77, 130	500043..... 29
	210021 117, 121	310109.....75	520115..... 73, 79
	210052 113	320049.....29	70000084..... 59, 61
	210066 121	3300423.....19	70000682..... 59, 61
	230016 119	3311601.....55	70014016..... 127
	2400060 86	3340962.....51	7002821..... 134

SECTION 12 - SPECIAL OPTIONS / OPTIONS SPECIALES

7002823.....	134	AU2143.....	108	PC0524.....	86	ST3328.....	10
7016654.....	135	AU2144.....	108	PC0526.....	87	ST3329.....	10
7027365.....	59, 61	AU2145.....	108	PC0527.....	88, 98	ST3330.....	10
7027367.....	59, 61, 130	AU2147.....	108	PC0528.....	125	ST3375.....	10
7027765.....	59, 61	AU2149.....	108	PC0531.....	51	ST3376.....	10
7027766.....	59, 61	AU2150.....	108	PC0534.....	11, 88	ST3377.....	10, 26
7364001818.....	119	AU2152.....	108	PC0550.....	91	ST3414.....	51
8229242.....	86	AU2154.....	108	SA0001.....	15	ST3433.....	93, 95
8896941.....	134	AU2155.....	108	SA0002.....	15	ST3434.....	93, 95
8990147.....	49, 51, 53	AU2159.....	108	SA0009.....	15	ST3438.....	117, 119, 121
920042.....	66	AU2160.....	108	SA0020.....	57	ST3439.....	121
920045.....	67	AU2161.....	108	SA0082.....	11	ST3442.....	66
920046.....	67	AU2207.....	33	SA0083.....	26	ST3449.....	51
920073.....	67	AU2215.....	93, 95, 107, 108	SA0088.....	98	ST3471.....	10
930134.....	77, 130	AU2228.....	31	SA0089.....	26	ST3472.....	10
930135.....	77	AU2229.....	107, 108	SA0093.....	117	ST3696.....	11
930136.....	77	DF0002.....	71	SA0094.....	117	ST3697.....	11
930138.....	77	DF0050.....	71	SA0095.....	121	ST3704.....	73
951034.....	77	DF0981.....	71	SA0104.....	119	ST3707.....	73
951036.....	21	DF0982.....	71	SA0144.....	16	ST3750.....	27
951037.....	21	DF0983.....	71	SA0152.....	39	ST3752.....	27
951038.....	21	DF0984.....	71	SD0345.....	98	ST3753.....	93
951039.....	21	DF0986.....	123	SD0452.....	43	ST3775.....	33, 35
951040.....	21	DL0819.....	15	SD0453.....	41	ST3838.....	10
951041.....	21	DL0865.....	10	SD0464.....	98	ST3841.....	11
952094.....	77	DL0866.....	10	SE0730.....	39, 41	US0026.....	39
952095.....	77	DL0870.....	39	SE0731.....	39, 43	US0044.....	29
952096.....	77	DL0911.....	93, 95	SE0935.....	26, 29	US0134.....	15
952097.....	77	DL0914.....	39	SE1137.....	98	US0190.....	15, 26
952098.....	77	DL0915.....	39	SE1138.....	98	US0204.....	98
952099.....	77, 79, 81, 131	DL0916.....	39	SE1200.....	31, 33	US0208.....	98
952100.....	77	DL0920.....	51	SE1202.....	33, 130	US0216.....	15
952101.....	77, 131	DL0921.....	16	SE1214.....	39	US0236.....	49, 51, 53
952102.....	79	DL0922.....	47	ST0099.....	39	US0277.....	73
952104.....	79	DL0927.....	51	ST0736.....	49, 51	US0342.....	29
952106.....	79	DL0930.....	26	ST0763.....	49	US0375.....	43
952107.....	79, 81	DL0931.....	39	ST1326.....	66	US0377.....	41
952108.....	77	DL0932.....	26	ST1327.....	66	US0429.....	29
970065.....	77	DL0933.....	26	ST1380.....	26	US0470.....	51
AU0149.....	106, 107	FX158-014.....	125	ST1403.....	10	US0475.....	41
AU1423.....	106, 107	KT0152.....	29	ST1404.....	10	US0479.....	43
AU1716.....	117, 119, 121	KT0155.....	71	ST1969.....	123	US0481.....	39
AU1825.....	104	OP509.....	115	ST1971.....	51	US0492.....	39
AU2061.....	106, 107	OP521.....	125	ST2741.....	49, 51, 53	US0523.....	15
AU2097.....	106, 107	PA1113.....	104	ST3022.....	115	US0528.....	15
AU2098.....	106, 107	PC0465.....	33, 35	ST3139.....	51	US0529.....	15
AU2102.....	104	PC0466.....	87, 115	ST3155.....	33, 35	US0530.....	15
AU2103.....	106	PC0468.....	87, 98, 130	ST3158.....	15	US0531.....	15, 47
AU2105.....	106, 108	PC0483.....	91	ST3170.....	10	US0532.....	16
AU2107.....	106	PC0484.....	91	ST3171.....	10	US0538.....	39
AU2108.....	107	PC0488.....	86	ST3219.....	66	US0548.....	26
AU2109.....	104	PC0491.....	31, 88	ST3226.....	98	US0549.....	51
AU2117.....	108	PC0514.....	91	ST3227.....	98	US0600.....	39
AU2118.....	108	PC0515.....	91	ST3235.....	11	US0601.....	47
AU2119.....	108	PC0516.....	91	ST3312.....	59	US0602.....	39
AU2134.....	107, 108	PC0517.....	91	ST3318.....	75		
AU2140.....	108	PC0518.....	91	ST3327.....	10		



**Corporate Office
JLG Industries, Inc.
1 JLG Drive
McConnellsburg, PA 17233-9533 USA
☎ (717) 485-5161 (Corporate)
☎ (877) 554-5438 (Customer Support)
☎ (717) 485-6417**

**Visit our website for JLG Worldwide Locations.
www.jlg.com**



OSHKOSH™