



Illustrated Parts Manual

Model
R1370

SN Prior to K160000125

P/N
31211847
June 1, 2024 - Rev B



An Oshkosh Corporation Company

EFFECTIVITY PAGE

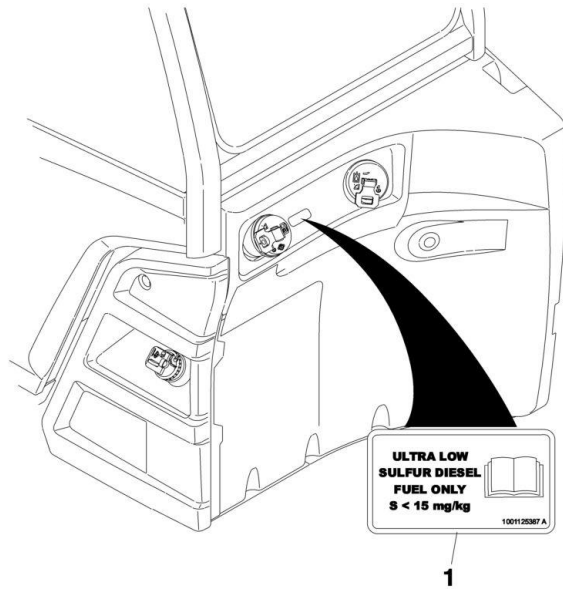
June 1, 2022 - A - Original Issue of Manual (Edited to B/M 1001277001 Revision E)

June 1, 2024 - B - Revised Manual (Edited to B/M 1001277001 Revision H)

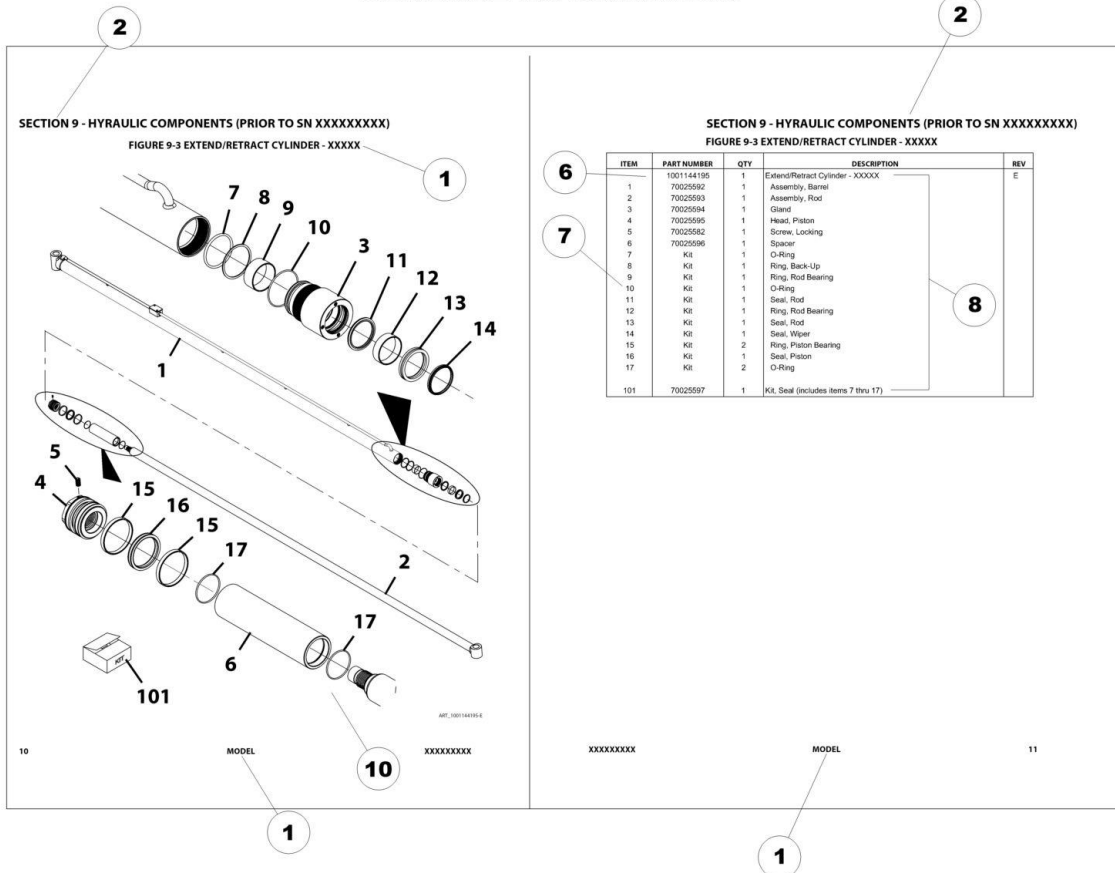
Machine Configuration

Two configurations of each machine are included in this manual. Determine if machine is equipped with Ultra Sulfur Fuel Decal (1) as indicated below.

- If equipped with the Ultra Low Sulfur decal, all specific references to this machine configuration will be referred to as Ultra Low Sulfur (ULS) from this point forward.
- If not equipped with the Ultra Low Sulfur decal, all specific references to this machine configuration will be referred to as Low Sulfur (LS) from this point forward.



GENERAL INFORMATION



1) MACHINE IDENTIFICATION

Machines are identified by model and in some cases a combination of models, serial number (SN) or regional standard (e.g. ANSI, CE, CSA, AUS). Components may also be identified by SN or manufacturer. Common components that may be identified by these characteristics are attachments, engine, transmission and hydraulic components.

2) PARTS MANUAL ORGANIZATION

Product information in this manual is organized under section titles. Frame, Engine and Electrical are a few examples. Each section is organized by Figure and page number. The information within the Figure is then organized by item number, part number, description and corresponding illustration(s).

3) TABLE OF CONTENTS (NOT SHOWN)

A table of contents (TOC) is found toward the beginning of the manual. Figure number, description and page number are provided for quick reference to the page containing the related information.

4) RECOMMENDED SPARE PARTS (NOT SHOWN)

The Recommended Spare Parts List, located near the end of the manual, reference most frequently used maintenance parts.

5) PART NUMBER INDEX (NOT SHOWN)

A numerical index listing all part numbers and the corresponding page number(s) appears at the back of the manual.

6) NON-SERVICED PARTS

In some instances, it is necessary to display non-serviced parts, assemblies or installations. In the case of assemblies and installations there will be a Ref in the QTY column and a note after the item description stating what is available for service within. In the case of parts that are not available for service within assemblies or components, there will be a NSS (Not Sold Separately) listed in the part number column of the manual.

7) PARTS LIST ITEM NUMBERS

Numbers shown in the item column correspond to numbers used in the associated illustration(s). Item numbers which are missing from sequence and are not shown in the illustration(s) are not used on that page.

8) INDENTED PARTS DESCRIPTION

An indented part description is included in the item under which it is indented.

9) ABBREVIATION AND SYMBOLS

AC.....Alternating Current
A/C.....Air Conditioning
ADE.....Advanced Design Electronics
AG.....Agriculture
AMP.....Amperage
ANSI..... American National Standards Institute
AR.....As Required
ASSY..... Assembly
AUS.....Australia
AUX.....Auxiliary
AWG.....American Wire Gauge
CAC..... Charge Air Cooler
CE.....European Conformity
CM.....Centimeter
CONST.....Construction
CSA.....Canadian Standards Association
DEF.....Diesel Exhaust Fluid
DIA.....Diameter
DC.....Direct Current
DTZ.....Decentralized Transmission Zeros
ECU.....Electronic Control Unit
EMS.....Emergency Stop
FNR.....Forward Neutral Reverse
FT.....Foot
GA.....Gauge
GR.....Grade
HBP.....High Boom Pivot
HHP.....High Horse Power
HOC.....Hydraulic Oil Cooler
HRC.....High Rated Countries
HVAC.....Heating Ventilating, and Air Conditioning
ID.....Inside Diameter
IN.....Inch
ISO.....International Organization for Standards
ITSDF... Industrial Truck Standards Development Foundation
JIC.....Joint Industry Council
KG.....Kilogram
KW.....Kilowatt
L.....Liter
LB.....Pound
LBP.....Low Boom Pivot

LCD.....Liquid Crystal Display
LED.....Light Emitting Diode
LH.....Left Hand
LHD.....Left Hand Drive
LHP.....Low Horse Power
LMIS.....Load Management Indicator System
LRC.....Low Rated Countries
LS.....Low Sulfur
LSI.....Load Stability Indicator
LSS.....Load Sensing System
M³.....Cubic Meter
MA.....Milliamp
M(m).....Metric/Meter
MM.....Millimeter
N.....Newton
NACD.....North America Construction Division
NLA.....No Longer Available
NSS.....Not Sold Separately
OD.....Outside Diameter
ORB.....O-Ring Boss
ORFS.....O-Ring Face Seal
OZ.....Ounce
PR.....Ply Rating
QT.....Quart
QTY.....Quantity
REF.....Reference
REV.....Revision
RH.....Right Hand
RHD.....Right Hand Drive
RHCO.....Remote Hydraulic Oil Cooler
RUS.....Russia
SAE.....Society of Automotive Engineers
SAHR.....Spring Applied Hydraulically Released
SN.....Serial Number
SPD.....Speed
TLU.....Torque Look Up
UGM.....Universal Ground Module
V.....Volts
W.....Watts
#.....Number

10) ILLUSTRATION REFERENCE LETTERS

When necessary, illustrations may contain reference letters that are intended to track information from one point to another in the illustration such as harnesses and hoses or any other information that has been separated in the illustration.

Note: Due to continuous product improvements, JLG Industries, Inc. reserves the right to make specification changes without prior notification. Contact JLG Industries, Inc. for updated information.

TABLE OF CONTENTS

SECTION 1 - FRAME AND ATTACHING PARTS.....	11
FIGURE 1-1. FRAME COVERS INSTALLATION.....	12
FIGURE 1-2. FENDERS INSTALLATION	14
FIGURE 1-3. LEVELING SUPPORTS INSTALLATION	16
FIGURE 1-4. ENGINE ENCLOSURE INSTALLATION.....	18
FIGURE 1-5. TANK ENCLOSURE INSTALLATION.....	20
FIGURE 1-6. FUEL TANK ASSEMBLY	22
FIGURE 1-7. HYDRAULIC TANK ASSEMBLY.....	24
FIGURE 1-8. OUTRIGGERS FRONT INSTALLATION	26
FIGURE 1-9. OUTRIGGERS REAR INSTALLATION.....	28
FIGURE 1-10. OUTRIGGER PLATFORMS INSTALLATION	30
FIGURE 1-11. TURNTABLE INSTALLATION	32
FIGURE 1-12. MIRRORS AND ROAD LIGHTS INSTALLATION.....	34
FIGURE 1-13. TURNTABLE REAR COMPONENTS INSTALLATION.....	36
FIGURE 1-14. TURNTABLE HOOD INSTALLATION.....	38
FIGURE 1-15. DIESEL HEATER INSTALLATION	40
SECTION 2 - BOOM.....	43
FIGURE 2-1. BASE BOOM ASSEMBLY	44
FIGURE 2-2. SECOND BOOM ASSEMBLY	46
FIGURE 2-3. THIRD BOOM ASSEMBLY	48
FIGURE 2-4. FLY BOOM ASSEMBLY	50
FIGURE 2-5. BOOM REEL INSTALLATION	52
FIGURE 2-6. COUPLER ASSEMBLY (HYDRAULIC)	54
FIGURE 2-7. COUPLER ASSEMBLY (MANUAL).....	56
SECTION 3 - ATTACHMENTS	59
FIGURE 3-1. BUCKET ASSEMBLY - GENERAL PURPOSE	60
FIGURE 3-2. CARRIAGE WINCH ASSEMBLY	62
FIGURE 3-3. CARRIAGE WINCH HYDRAULICS ASSEMBLY	64
FIGURE 3-4. WINCH ASSEMBLY.....	66
FIGURE 3-5. DUAL FORK CARRIAGE ASSEMBLY - ROTATING.....	70
FIGURE 3-6. DUAL FORK CARRIAGE ASSEMBLY - SIDE SHIFT.....	72
FIGURE 3-7. DUAL FORK CARRIAGE ASSEMBLY - STANDARD.....	74
FIGURE 3-8. HOOK CARRIAGE ASSEMBLY	76
FIGURE 3-9. PLATFORM ASSEMBLY - EXTENDABLE	78
FIGURE 3-10. PLATFORM ASSEMBLY - STANDARD	82
FIGURE 3-11. PLATFORM CONTROLS ENCLOSURE	84
FIGURE 3-12. PLATFORM CONTROL BOX ASSEMBLY	86
FIGURE 3-13. PLATFORM HYDRAULICS ASSEMBLY	88
FIGURE 3-14. TRUSS BOOM ASSEMBLY - WITH HOOK.....	90
FIGURE 3-15. TRUSS BOOM ASSEMBLY - WITH WINCH	92
SECTION 4 - ENGINE AND ATTACHING PARTS	95
FIGURE 4-1. ENGINE MOUNTS INSTALLATION	96

TABLE OF CONTENTS

FIGURE 4-2. ENGINE - R1370	98
FIGURE 4-3. PUMP COUPLING INSTALLATION	100
FIGURE 4-4. ENGINE COOLING INSTALLATION	102
FIGURE 4-5. EXHAUST INSTALLATION	104
FIGURE 4-6. AIR FILTER ASSEMBLY	106
FIGURE 4-7. BLOCK HEATER INSTALLATION	108
SECTION 5 - DRIVE TRAIN	111
FIGURE 5-1. DRIVE TRAIN INSTALLATION	112
FIGURE 5-2. AXLE ASSEMBLY - REAR	114
FIGURE 5-3. AXLE ASSEMBLY - FRONT	124
FIGURE 5-4. TIRE AND WHEEL ASSEMBLY - CLAWED	134
FIGURE 5-5. TIRE AND WHEEL ASSEMBLY - CLAWED & FOAM FILLED	136
FIGURE 5-6. TIRE AND WHEEL ASSEMBLY - STANDARD	138
FIGURE 5-7. GEARBOX ASSEMBLY	140
SECTION 6 - CAB	143
FIGURE 6-1. CAB MOUNTS INSTALLATION	144
FIGURE 6-2. CAB DOOR INSTALLATION	146
FIGURE 6-3. CAB WINDOWS INSTALLATION	150
FIGURE 6-4. WIPERS INSTALLATION	152
FIGURE 6-5. CAB INTERIOR INSTALLATION	154
FIGURE 6-6. CAB COMPONENTS INSTALLATION	156
FIGURE 6-7. DASH INSTALLATION	158
FIGURE 6-8. HEADLINER ASSEMBLY	160
FIGURE 6-9. SEAT ASSEMBLY	162
FIGURE 6-10. SEAT BELT ASSEMBLY	164
FIGURE 6-11. LEFT ARMREST ASSEMBLY	166
FIGURE 6-12. RIGHT ARMREST ASSEMBLY	168
FIGURE 6-13. A/C LINES INSTALLATION	170
FIGURE 6-14. A/C CONDENSER INSTALLATION	172
FIGURE 6-15. A/C PUMP INSTALLATION	174
FIGURE 6-16. A/C COMPRESSOR ASSEMBLY	176
FIGURE 6-17. HEATER INSTALLATION	178
FIGURE 6-18. HEATER AND A/C INSTALLATION	180
FIGURE 6-19. CAB GUARD INSTALLATION	182
FIGURE 6-20. SUNSCREEN INSTALLATION	184
SECTION 7 - CONTROLS	187
FIGURE 7-1. CAB COMPONENTS INSTALLATION (Prior to SN K16000006)	188
FIGURE 7-2. CAB COMPONENTS INSTALLATION (SN K16000006 to Present)	190
FIGURE 7-3. JOYSTICKS	192
FIGURE 7-4. PEDALS ASSEMBLY	194
FIGURE 7-5. STEERING COLUMN ASSEMBLY	196
SECTION 8 - HYDRAULIC CIRCUITS	199
FIGURE 8-1. ATTACHMENTS HYDRAULIC DIAGRAM	200

TABLE OF CONTENTS

FIGURE 8-2. AUX BOOM HYDRAULIC DIAGRAM	202
FIGURE 8-3. AUXILIARY BOOM HYDRAULICS - WITH HYDRAULIC COUPLER	204
FIGURE 8-4. AUXILIARY BOOM HYDRAULICS - WITH MANUAL COUPLER	206
FIGURE 8-5. BRAKES HYDRAULIC DIAGRAM	208
FIGURE 8-6. ENGINE BAY HYDRAULIC DIAGRAM	210
FIGURE 8-7. FRAME HYDRAULIC DIAGRAM	212
FIGURE 8-8. FRONT AXLE HYDRAULIC DIAGRAM	214
FIGURE 8-9. GEARBOX HYDRAULIC DIAGRAM	216
FIGURE 8-10. HYDROSTATIC PUMP HYDRAULIC DIAGRAM	218
FIGURE 8-11. IMPLEMENT PUMP HYDRAULIC DIAGRAM	220
FIGURE 8-12. LEVELING CYLINDERS HYDRAULIC DIAGRAM	222
FIGURE 8-13. LIFT CYLINDER HYDRAULIC DIAGRAM	224
FIGURE 8-14. MANUAL PUMP HYDRAULIC DIAGRAM	226
FIGURE 8-15. NO RIDE CONTROL HYDRAULIC DIAGRAM	228
FIGURE 8-16. OIL COOLER HYDRAULIC DIAGRAM	230
FIGURE 8-17. OUTRIGGER CONTROL VALVE HYDRAULIC DIAGRAM	232
FIGURE 8-18. OUTRIGGER VALVE HYDRAULIC DIAGRAM - FRONT RIGHT	234
FIGURE 8-19. OUTRIGGER VALVE HYDRAULIC DIAGRAM - FRONT LEFT	236
FIGURE 8-20. OUTRIGGER VALVE HYDRAULIC DIAGRAM - REAR LEFT	238
FIGURE 8-21. OUTRIGGER VALVE HYDRAULIC DIAGRAM - REAR RIGHT	240
FIGURE 8-22. REAR AXLE HYDRAULIC DIAGRAM	242
FIGURE 8-23. ROTARY COUPLING HYDRAULIC DIAGRAM	244
FIGURE 8-24. SWING DRIVE HYDRAULIC DIAGRAM	246
SECTION 9 - HYDRAULIC COMPONENTS	249
FIGURE 9-1. LEVELING CYLINDER ASSEMBLY	250
FIGURE 9-2. LIFT CYLINDER ASSEMBLY	252
FIGURE 9-3. OUTRIGGER CYLINDER ASSEMBLY	254
FIGURE 9-4. OUTRIGGER EXTENSION CYLINDER ASSEMBLY	256
FIGURE 9-5. REAR OSCILLATION CYLINDER ASSEMBLY	258
FIGURE 9-6. SWING DRIVE ASSEMBLY	260
FIGURE 9-7. TELESCOPE CYLINDER ASSEMBLY	264
FIGURE 9-8. TILT CYLINDER ASSEMBLY	266
FIGURE 9-9. TURNTABLE CONTROL VALVE ASSEMBLY	268
FIGURE 9-10. OUTRIGGER VALVE ASSEMBLY	270
SECTION 10 - ELECTRICAL	273
FIGURE 10-1. ALTERNATOR CABLE	274
FIGURE 10-2. BACKUP ALARM INSTALLATION	276
FIGURE 10-3. BATTERY DISCONNECT CABLE	278
FIGURE 10-4. BOOM COMPONENTS	280
FIGURE 10-5. BOOM WORK LIGHTS INSTALLATION	282
FIGURE 10-6. CAB ELECTRICAL INSTALLATION	284
FIGURE 10-7. CAB ROOF HARNESS	286
FIGURE 10-8. CAB WORK LIGHTS INSTALLATION	288
FIGURE 10-9. DASHBOARD HARNESS	290

TABLE OF CONTENTS

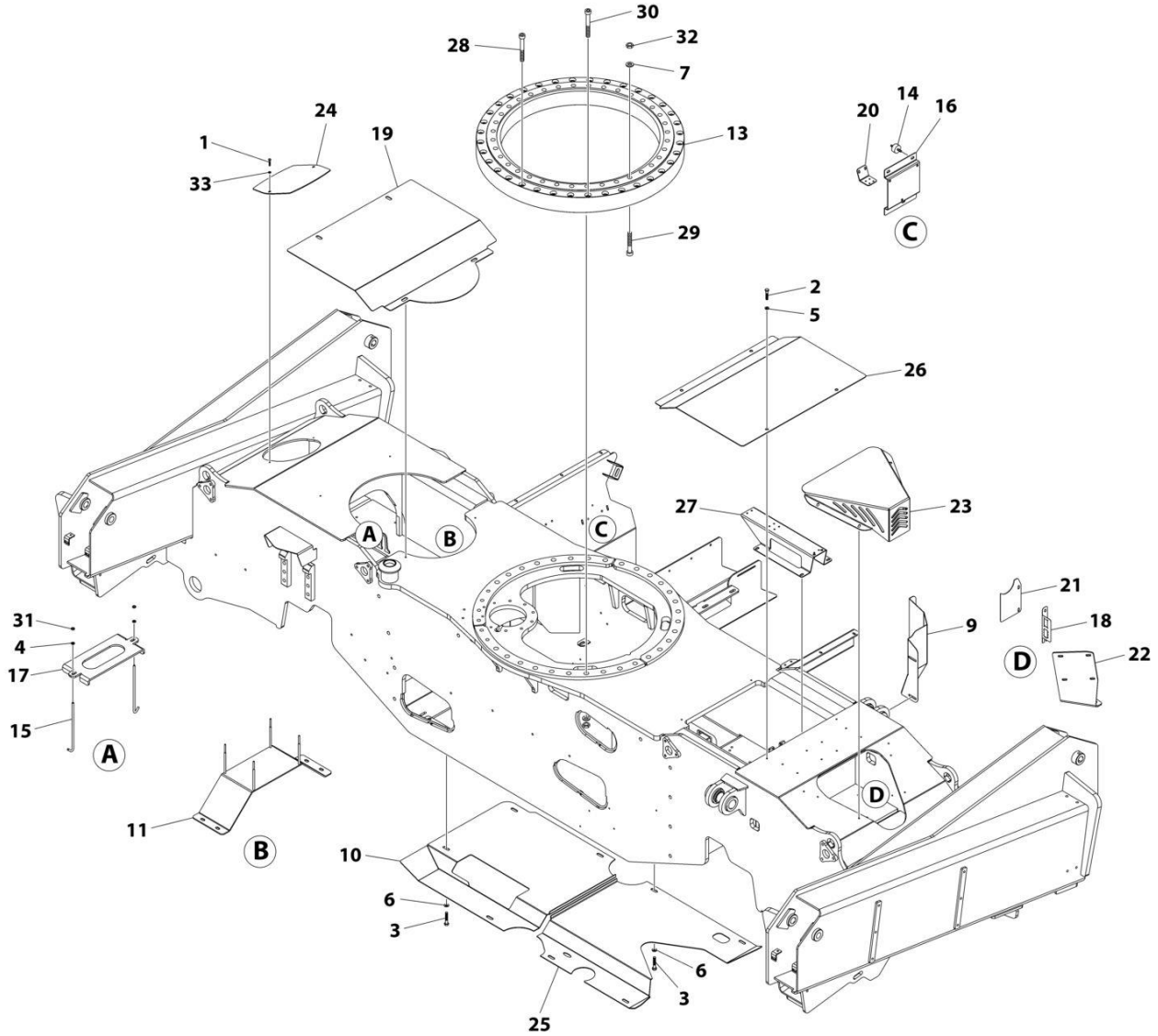
FIGURE 10-10. DISPLAY HARNESS	292
FIGURE 10-11. EMERGENCY START CABLE	294
FIGURE 10-12. ENGINE HARNESS.....	296
FIGURE 10-13. FRAME COMPONENTS	298
FIGURE 10-14. FRAME HARNESS.....	300
FIGURE 10-15. LEFT TAILLIGHT HARNESS	302
FIGURE 10-16. OUTRIGGER EXTENSION HARNESS	304
FIGURE 10-17. OUTRIGGERS HARNESS	306
FIGURE 10-18. PLANETARY SENSOR HARNESS.....	308
FIGURE 10-19. REMOTE BOOM CONTROL INSTALLATION	310
FIGURE 10-20. REVERSING CAMERA INSTALLATION.....	312
FIGURE 10-21. RIGHT TAILLIGHT HARNESS	314
FIGURE 10-22. ROAD LIGHTS INSTALLATION	316
FIGURE 10-23. ROTARY COUPLING ASSEMBLY.....	318
FIGURE 10-24. SEAT HARNESS	320
FIGURE 10-25. STARTER CABLE	322
FIGURE 10-26. TELEMATICS BRIDGE HARNESS	324
FIGURE 10-27. TELEMATICS EXTENSION HARNESS	326
FIGURE 10-28. TELEMATICS INSTALLATION.....	328
FIGURE 10-29. TELEMATICS HARNESS.....	330
FIGURE 10-30. TURNTABLE COMPONENTS.....	332
FIGURE 10-31. TURNTABLE HARNESS	334
FIGURE 10-32. WIRELESS CAMERA INSTALL	336
SECTION 11 - DECALS	339
FIGURE 11-1. R1370 MACHINE DECALS	340
FIGURE 11-2. DECALS INSTALLATION.....	342
FIGURE 11-3. MACHINE DECALS KIT	344
SECTION 12 - RECOMMENDED SERVICE PARTS STOCK.....	347
FIGURE 12-1. RECOMMENDED SERVICE PARTS STOCK.....	348
SECTION 13 - SPECIAL OPTIONS/ACCESSORIES/KITS.....	349
FIGURE 13-1. SPECIAL OPTIONS/ACCESSORIES/KITS.....	350
PART NUMBER INDEX.....	351

SECTION 1 - FRAME AND ATTACHING PARTS

SECTION 1 - FRAME AND ATTACHING PARTS

SECTION 1 - FRAME AND ATTACHING PARTS

FIGURE 1-1. FRAME COVERS INSTALLATION



ART_1001278032

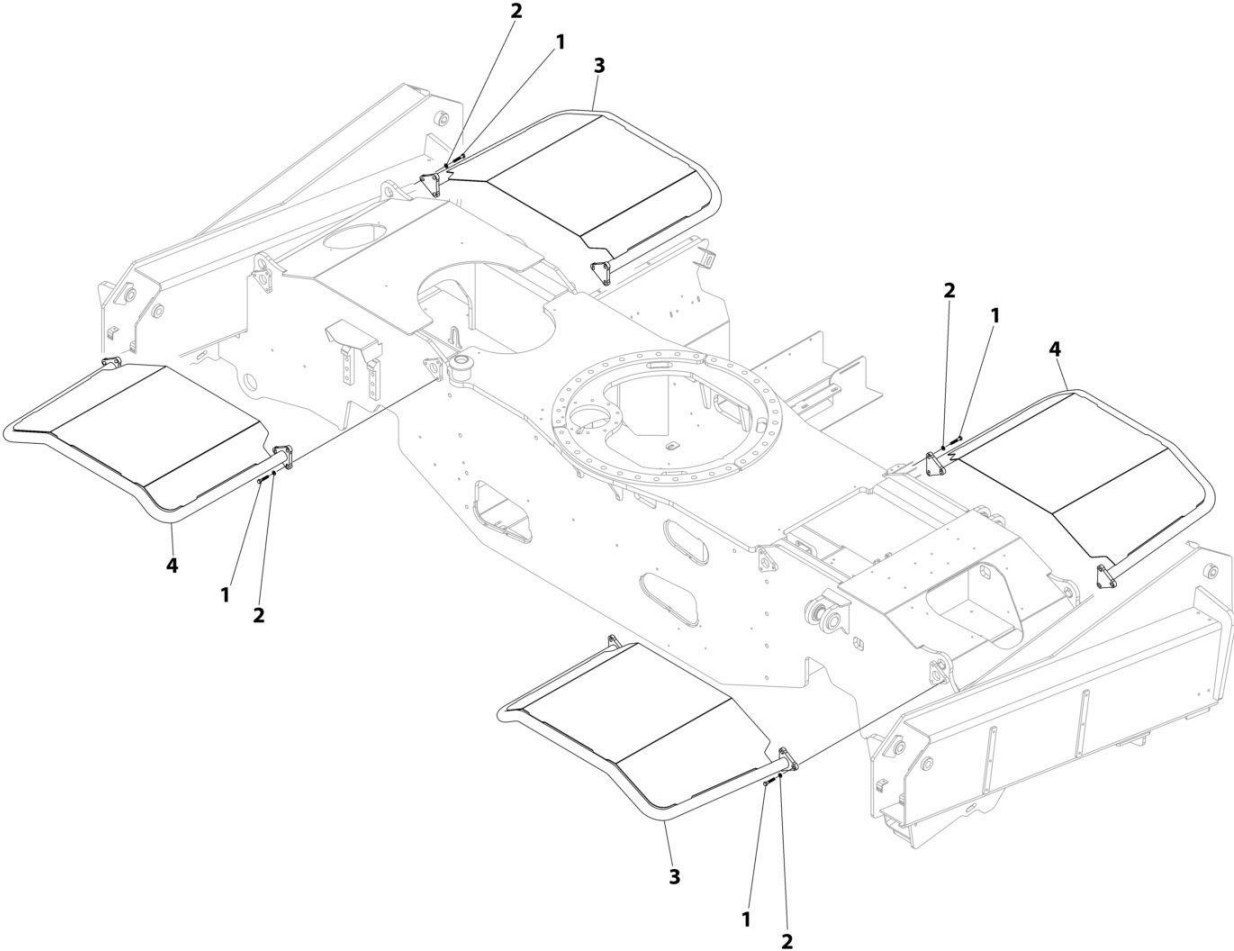
SECTION 1 - FRAME AND ATTACHING PARTS

FIGURE 1-1. FRAME COVERS INSTALLATION

ITEM	PART NUMBER	QTY	DESCRIPTION	REV
	1001278032	Ref	FRAME COVERS INSTALLATION	D
1	0700810	2	Bolt M8 x 20	
2	0700814	4	Bolt M8 x 30	
3	0701012	8	Bolt M10 x 25	
4	4811602	2	Washer M5	
5	4811902	4	Washer M8	
6	4812002	8	Washer M10	
7	4812500	69	Washer M20	
9	1001274707	1	Cover, Filter	
10	1001274713	1	Support, Shaft	
11	1001274726	1	Support, Hose	
13	1001275068	1	Bearing	
14	1001275551	3	Mount, Anti-Vibration	
15	1001275285	2	J-Bolt	
16	1001275305	1	Support	
17	1001275307	1	Bracket	
18	1001275311	1	Bracket	
19	1001275316	1	Cover	
20	1001275322	1	Support	
21	1001275323	1	Cover	
22	1001275326	1	Cover	
23	1001275327	1	Cover	
24	1001275343	1	Cover, Inspection	
25	1001275706	1	Cover, Hood	
26	1001275707	1	Cover, Hood	
27	1001275708	1	Support	
28	1001278045	3	Capscrew M20 x 100	
29	1001278046	36	Capscrew M20 x 130	
30	1001278047	33	Capscrew M20 x 150	
31	1001278052	2	Nut M5	
32	1001278056	72	Nut M20	
33	1001278071	2	Washer	

SECTION 1 - FRAME AND ATTACHING PARTS

FIGURE 1-2. FENDERS INSTALLATION



ART_1001278034

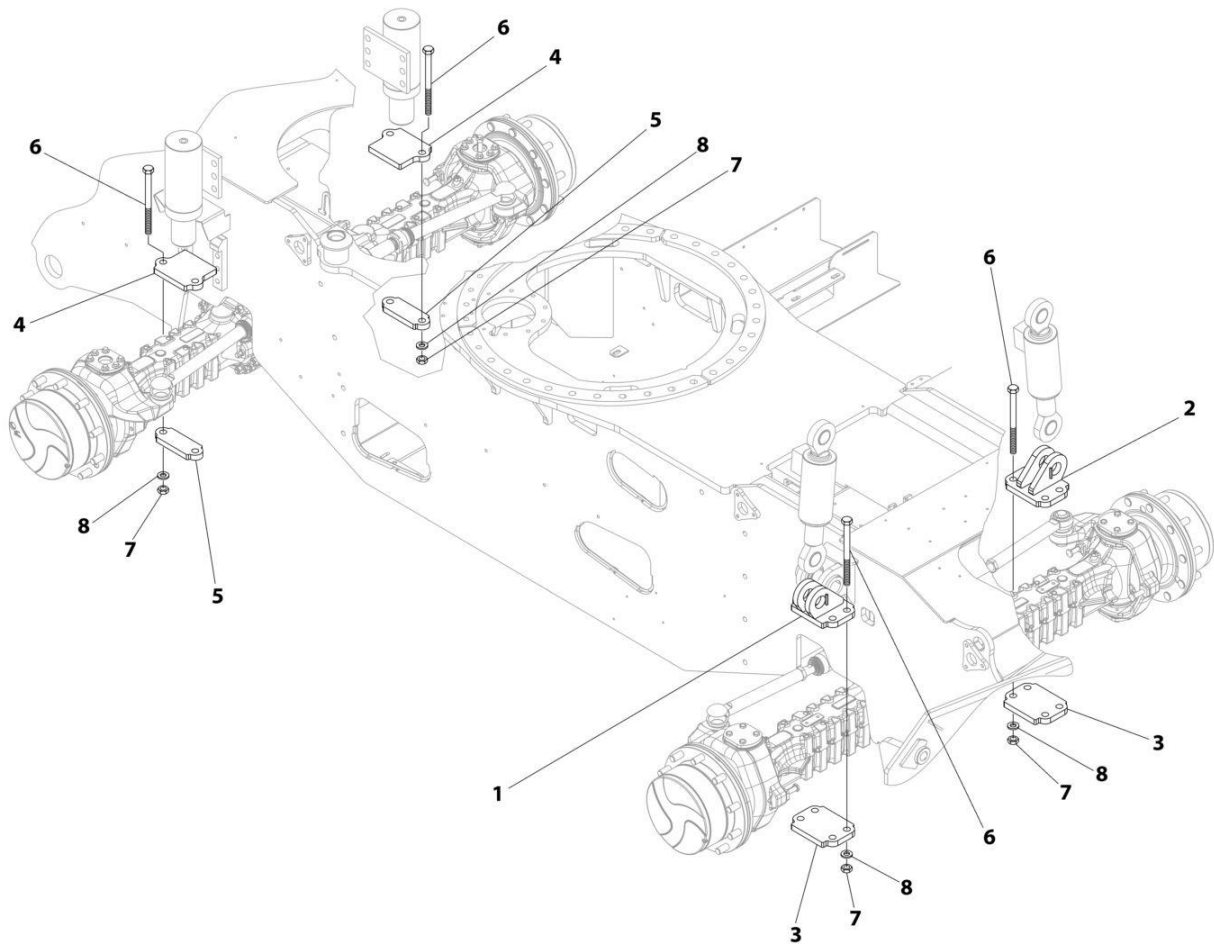
SECTION 1 - FRAME AND ATTACHING PARTS

FIGURE 1-2. FENDERS INSTALLATION

ITEM	PART NUMBER	QTY	DESCRIPTION	REV
	1001278034	Ref	FENDERS INSTALLATION	A
1	0761214	24	Bolt M12 x 30	
2	4812100	24	Washer M12	
3	1001274708	2	Fender	
4	1001274709	2	Fender	

SECTION 1 - FRAME AND ATTACHING PARTS

FIGURE 1-3. LEVELING SUPPORTS INSTALLATION



ART_1001278037

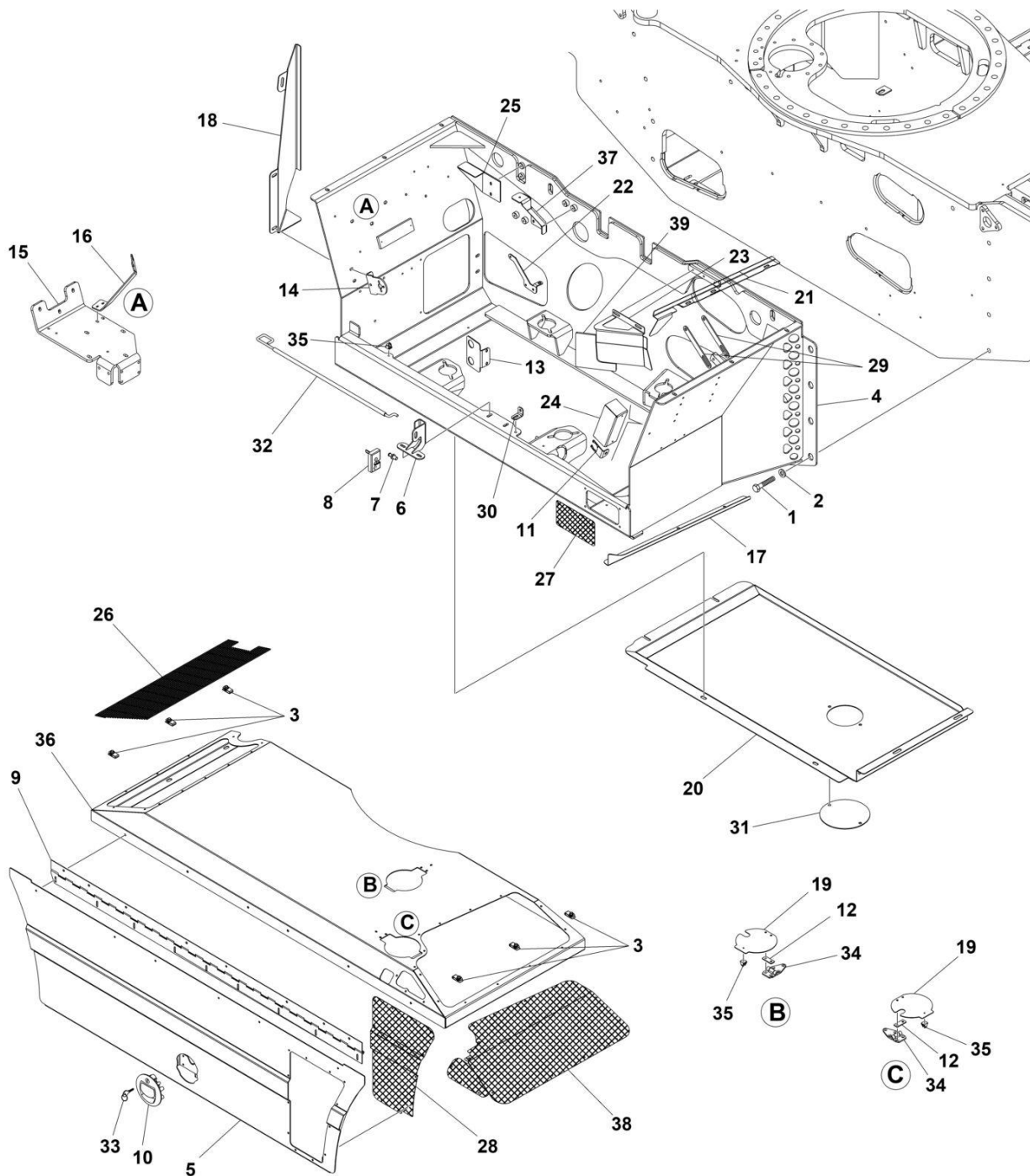
SECTION 1 - FRAME AND ATTACHING PARTS

FIGURE 1-3. LEVELING SUPPORTS INSTALLATION

ITEM	PART NUMBER	QTY	DESCRIPTION	REV
	1001278037	Ref	LEVELING SUPPORTS INSTALLATION	A
1	1001274735	1	Bracket	
2	1001274736	1	Bracket	
3	1001275712	2	Plate	
4	1001275713	2	Plate	
5	1001276492	2	Plate	
6	1001278044	12	Bolt M22 x 240	
7	1001278055	12	Nut M22	
8	1001278060	12	Washer M22	

SECTION 1 - FRAME AND ATTACHING PARTS

FIGURE 1-4. ENGINE ENCLOSURE INSTALLATION



ART_1001278035

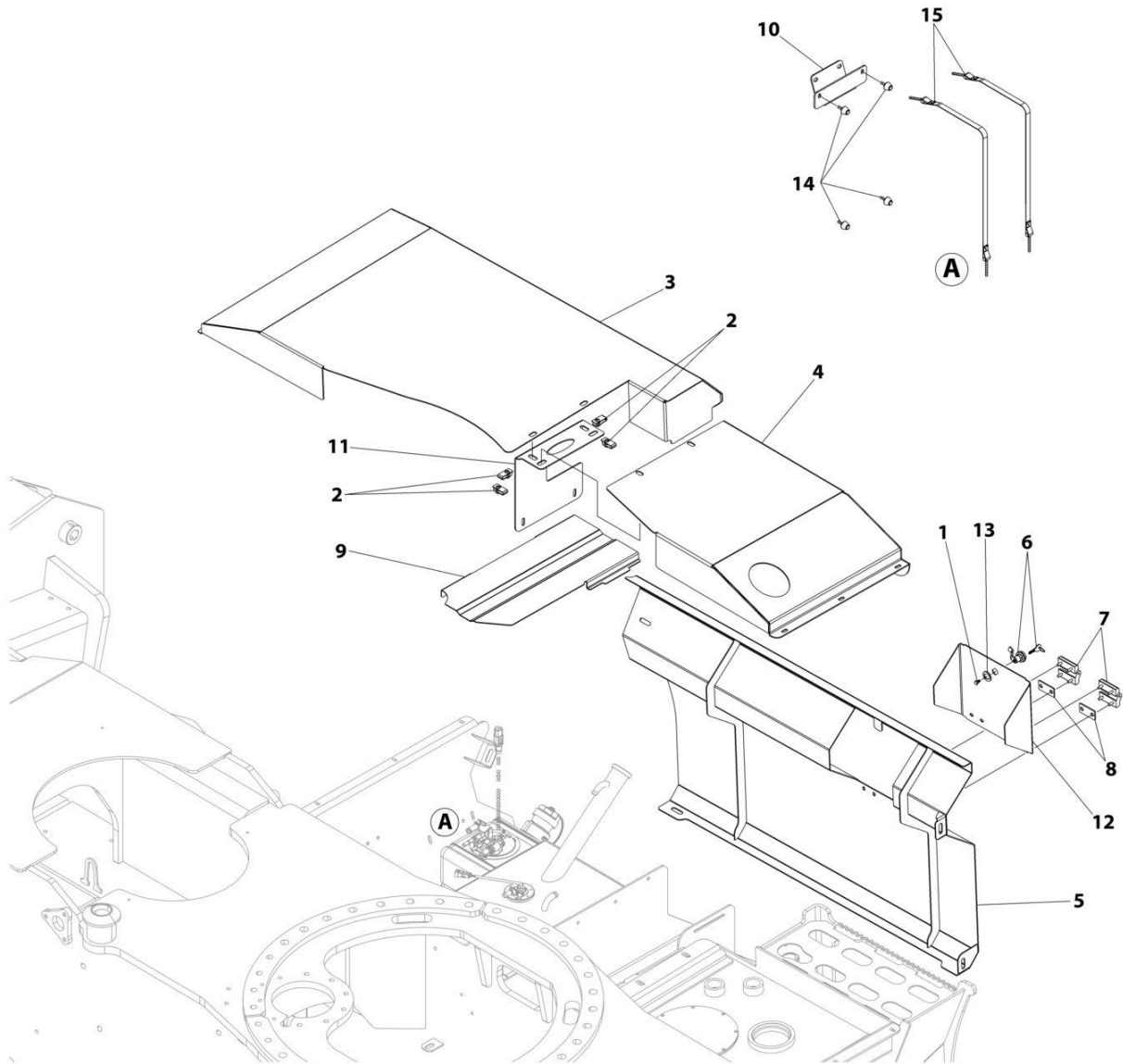
SECTION 1 - FRAME AND ATTACHING PARTS

FIGURE 1-4. ENGINE ENCLOSURE INSTALLATION

ITEM	PART NUMBER	QTY	DESCRIPTION	REV
	1001278035	Ref	ENGINE ENCLOSURE INSTALLATION	B
1	0762016	12	Bolt M20 x 40	
2	4812500	12	Washer M20	
3	1001118972	6	Nut M10	
4	1001274704	1	Housing, Engine	
5	1001274706	1	Panel, Engine Hood Front	
6	1001274737	1	Bracket, Lock	
7	1001275038	1	Pin, Lock	
8	1001275039	1	Lock	
9	1001275074	1	Hinge	
10	1001275078	1	Handle	
11	1001275282	1	Support	
12	1001275292	2	Spacer	
13	1001275295	1	Support	
14	1001275299	1	Support	
15	1001275302	1	Bracket	
16	1001275303	1	Bracket	
17	1001275308	1	Bracket	
18	1001275312	1	Panel, Engine Housing Rear	
19	1001275313	2	Plate, Cover	
20	1001275320	1	Panel, Engine Housing Bottom	
21	1001275321	1	Bracket	
22	1001275324	1	Bracket	
23	1001275325	1	Bracket	
24	1001275328	1	Cover	
25	1001275330	1	Bracket	
26	1001275333	1	Screen, Engine Hood Rear	
27	1001275335	1	Screen, Engine Housing	
28	1001275337	1	Plate, Cover	
29	1001275339	2	Link	
30	1001277784	1	Bracket	
31	1001275710	1	Plate	
32	1001275830	1	Rod	
33	1001276889	1	Key	
34	1001276961	2	Hinge	
35	1001278043	3	Nut	
36	1001281429	1	Hood	
37	1001281430	1	Bracket	
38	1001281431	1	Screen, Engine Housing Front	
39	1001282148	1	Insulate	

SECTION 1 - FRAME AND ATTACHING PARTS

FIGURE 1-5. TANK ENCLOSURE INSTALLATION



ART_1001278036

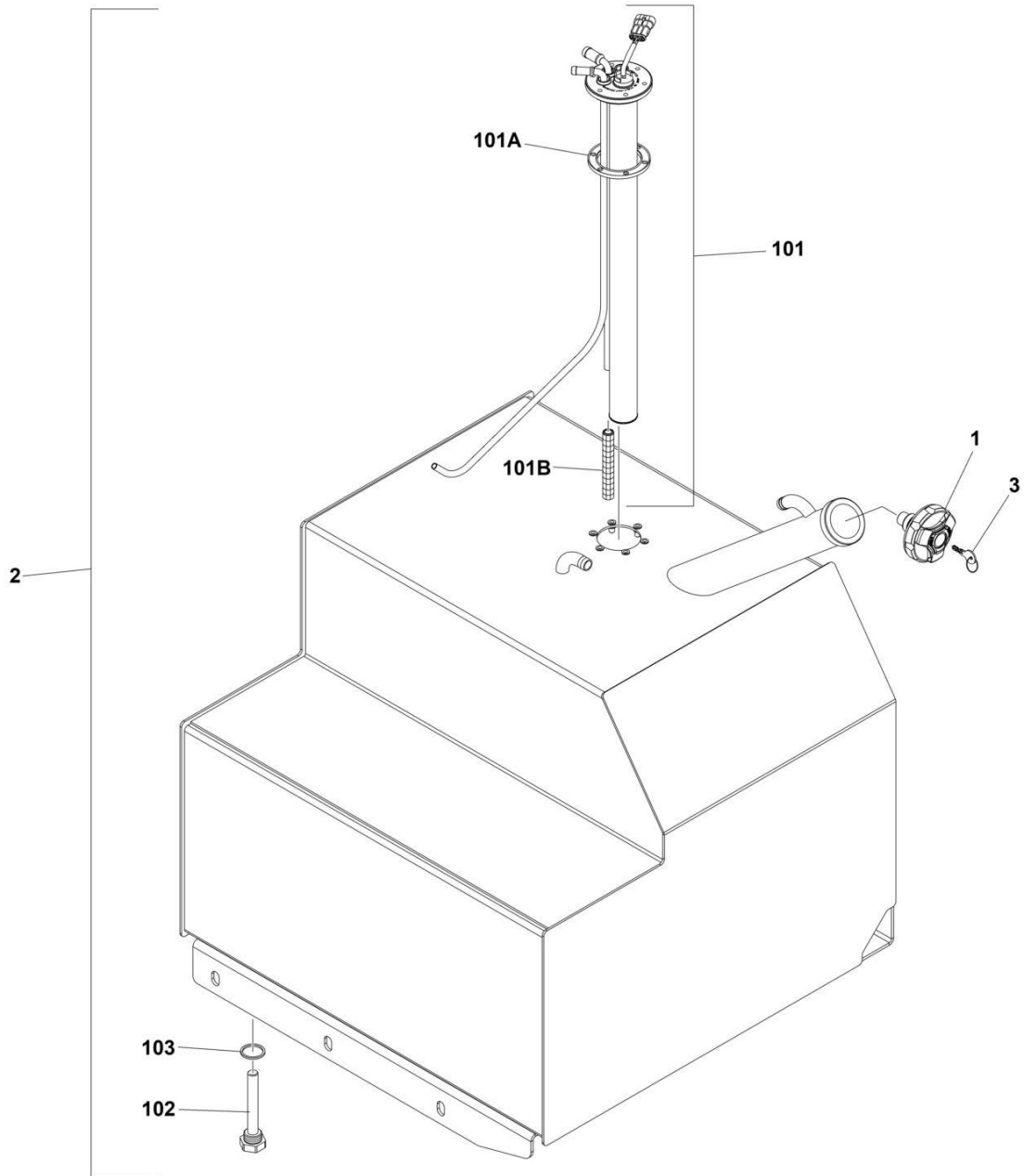
SECTION 1 - FRAME AND ATTACHING PARTS

FIGURE 1-5. TANK ENCLOSURE INSTALLATION

ITEM	PART NUMBER	QTY	DESCRIPTION	REV
	1001278036	Ref	TANK ENCLOSURE INSTALLATION	A
1	0760605	1	Bolt M6 x 10	
2	1001118972	4	Nut M10	
3	1001274694	1	Cover, Tank Right	
4	1001274695	1	Cover, Tank Left	
5	1001274711	1	Hood	
6	1001275040	1	Lock	
7	1001275073	2	Hinge	
8	1001275291	2	Spacer	
9	1001275294	1	Cover	
10	1001275306	1	Bracket	
11	1001275314	1	Bracket	
12	1001275315	1	Bracket	
13	1001275338	1	Spacer	
14	1001276959	4	Mount	
15	1001278070	2	Strap	

SECTION 1 - FRAME AND ATTACHING PARTS

FIGURE 1-6. FUEL TANK ASSEMBLY



ART_1001278183

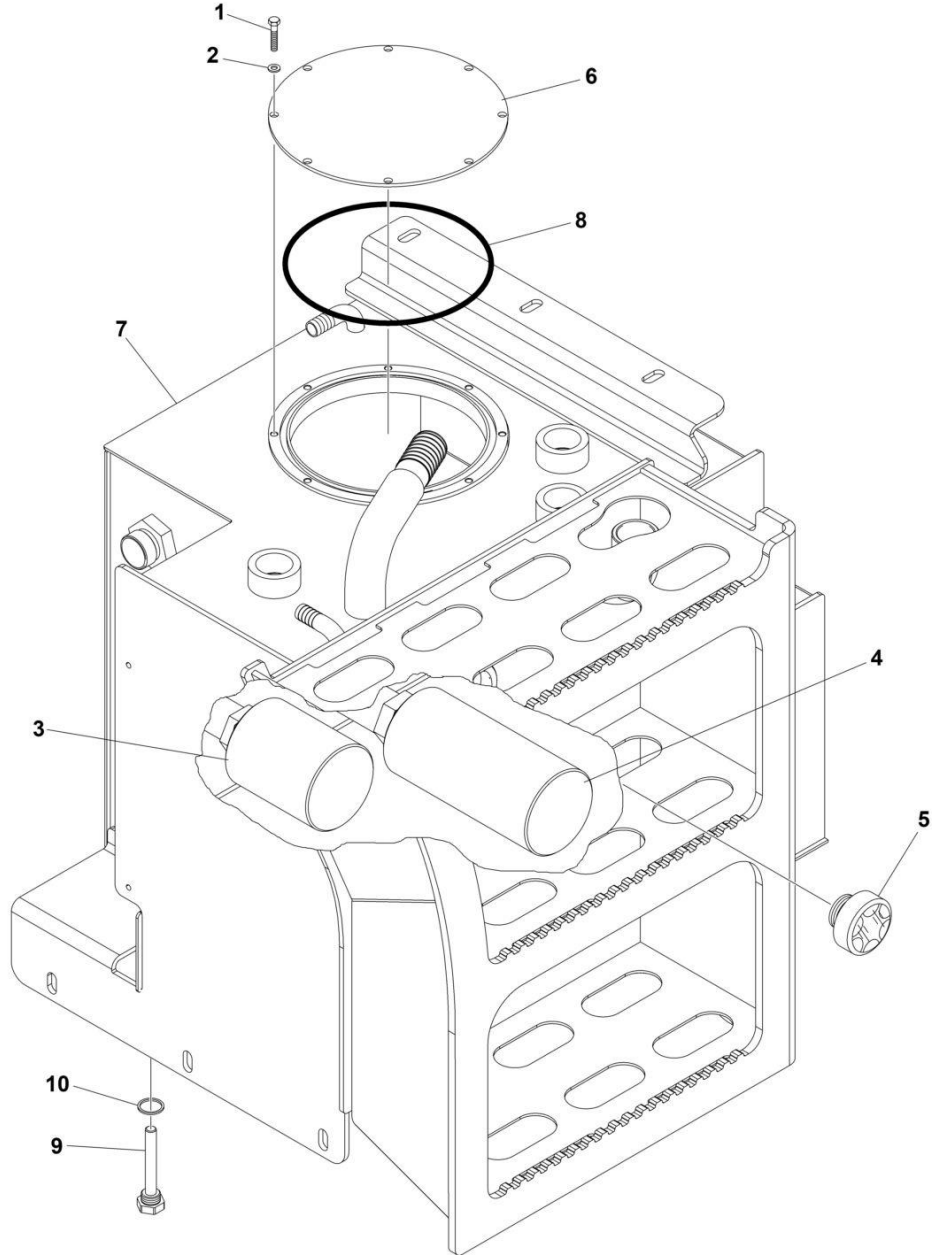
SECTION 1 - FRAME AND ATTACHING PARTS

FIGURE 1-6. FUEL TANK ASSEMBLY

ITEM	PART NUMBER	QTY	DESCRIPTION	REV
	1001278183	Ref	FUEL TANK ASSEMBLY	A
1	1001275001	1	Cap	
2	1001275582	1	Tank Assembly (Includes Items 101-103)	A
3	1001276889	1	Key	
101	1001275064	1	Sensor, Fuel Level	A
101A	1001275063	1	Gasket	
101B	1001276950	1	Filter	
102	1001278185	1	Plug, Magnetic	
103	1001278186	1	Washer	

SECTION 1 - FRAME AND ATTACHING PARTS

FIGURE 1-7. HYDRAULIC TANK ASSEMBLY



ART_1001278184

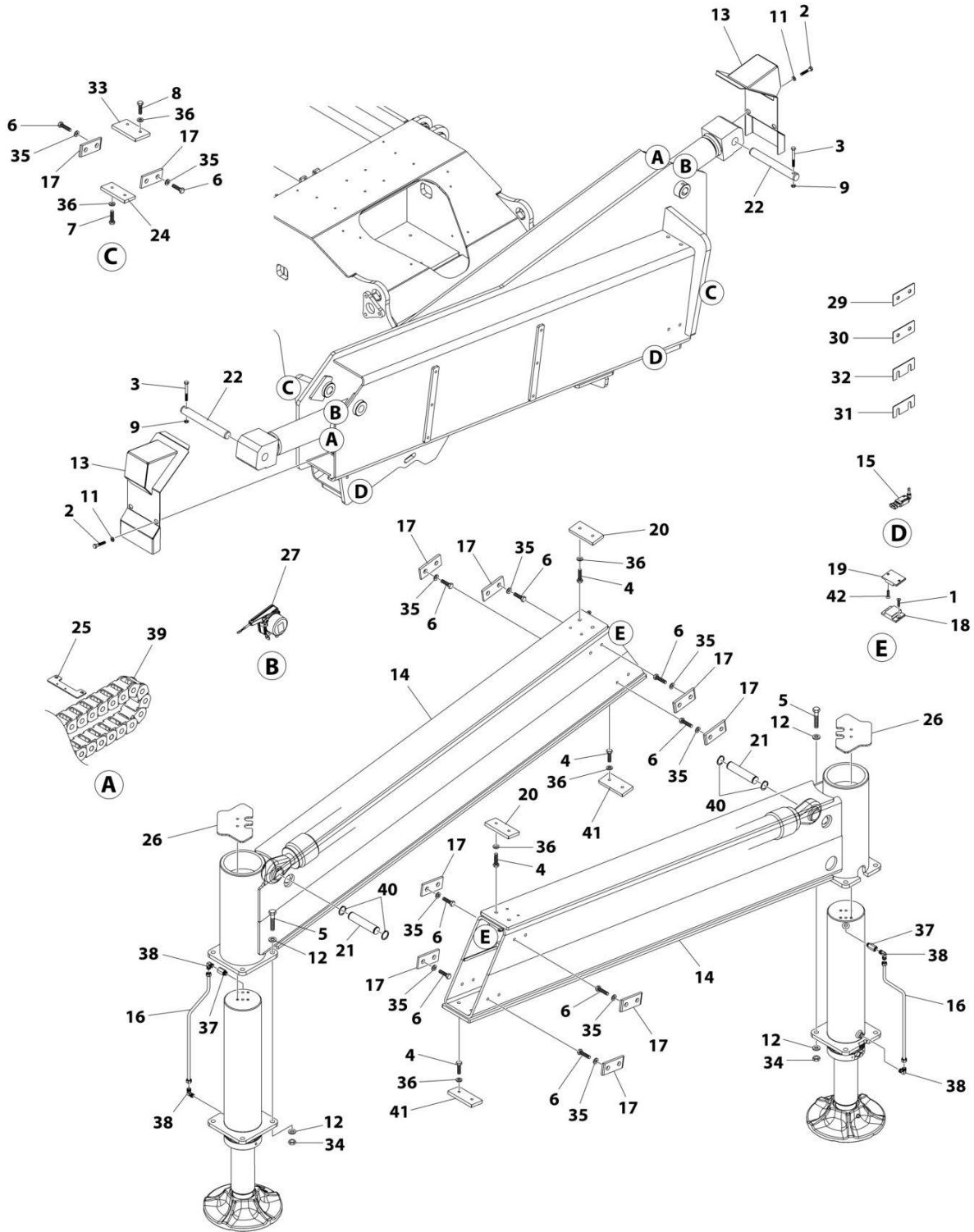
SECTION 1 - FRAME AND ATTACHING PARTS

FIGURE 1-7. HYDRAULIC TANK ASSEMBLY

ITEM	PART NUMBER	QTY	DESCRIPTION	REV
	1001278184	Ref	HYDRAULIC TANK ASSEMBLY	A
1	0700808	8	Bolt M8 x16	
2	4811900	8	Washer M8	
3	1001274763	1	Filter	
4	1001274764	1	Filter	
5	1001274979	1	Cap	
6	1001275094	1	Cover, Inspection	
7	1001275583	1	Tank	
8	1001275982	1	O-Ring	
9	1001278185	1	Plug, Magnetic	
10	1001278186	1	Washer	

SECTION 1 - FRAME AND ATTACHING PARTS

FIGURE 1-8. OUTRIGGERS FRONT INSTALLATION



ART_1001278496

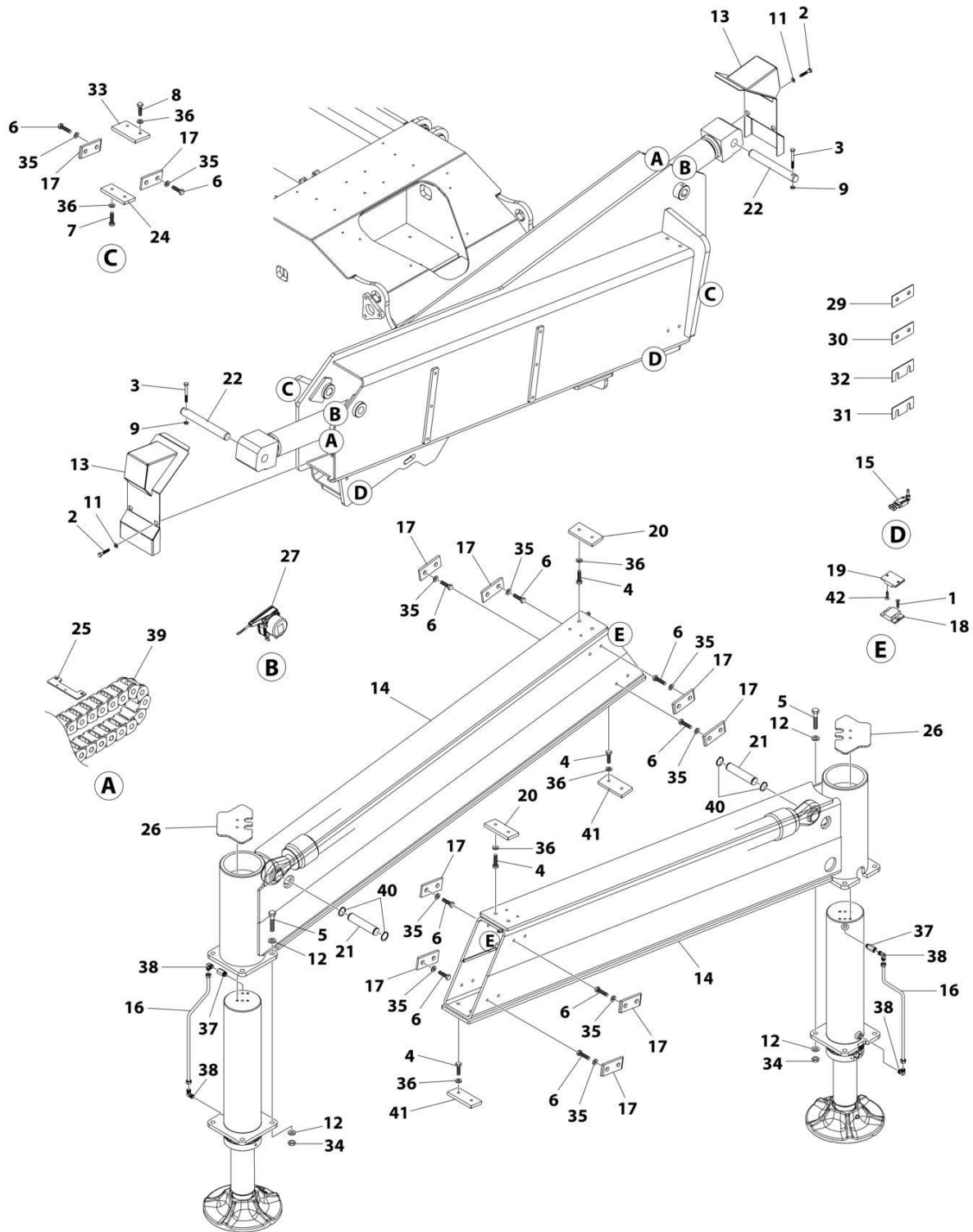
SECTION 1 - FRAME AND ATTACHING PARTS

FIGURE 1-8. OUTRIGGERS FRONT INSTALLATION

ITEM	PART NUMBER	QTY	DESCRIPTION	REV
	1001278496	Ref	OUTRIGGERS FRONT INSTALLATION	B
1	0630612	4	Capscrew M8 x 20	
2	0701012	4	Bolt M10 x 25	
3	0701022	2	Bolt M10 x 70	
4	0701216	8	Bolt M12 x 40	
5	0701620	8	Bolt M16 x 60	
6	0761010	24	Bolt M10 x 20	
7	0761210	4	Bolt M12 x 20	
8	0761212	4	Bolt M12 x 25	
9	3291005	2	Nut M10	
11	4812002	4	Washer M10	
12	4812300	16	Washer M16	
13	1001274689	2	Cover	
14	1001274692	2	Outrigger	
15	1001274749	2	Switch, Limit	
16	1001275030	2	Pipe	
17	1001275044	12	Wear Pad	
18	1001275047	2	Wear Pad	
19	1001275048	2	Wear Pad	
20	1001275049	2	Wear Pad	
21	1001275065	2	Pin	
22	1001275066	2	Pin	
24	1001275340	2	Wear Pad	
25	1001275344	2	Plate	
26	1001275345	2	Plate	
27	1001276890	2	Sensor, Outrigger Extend	
29	1001276966	1	Shim 1mm (use with 1001275044)	
30	1001276967	1	Shim 1-1/2mm (use with 1001275044)	
31	1001276968	1	Shim 3mm (use with 1001278503)	
32	1001276969	1	Shim 2mm (use with 1001278503)	
33	1001276970	2	Wear Pad	
34	1001278053	8	Nut M16	
35	1001278078	24	Washer M10	
36	1001278498	16	Washer M16	
37	1001278499	2	Fitting Straight ORFS/ORB	
38	1001278500	4	Fitting 90 ORFS/ORB	
39	1001278501	2	Power Track	
40	1001278502	4	Ring	
41	1001278503	2	Wear Pad	
42	1001282187	4	Capscrew M8 x 40	

SECTION 1 - FRAME AND ATTACHING PARTS

FIGURE 1-9. OUTRIGGERS REAR INSTALLATION



ART_1001278497

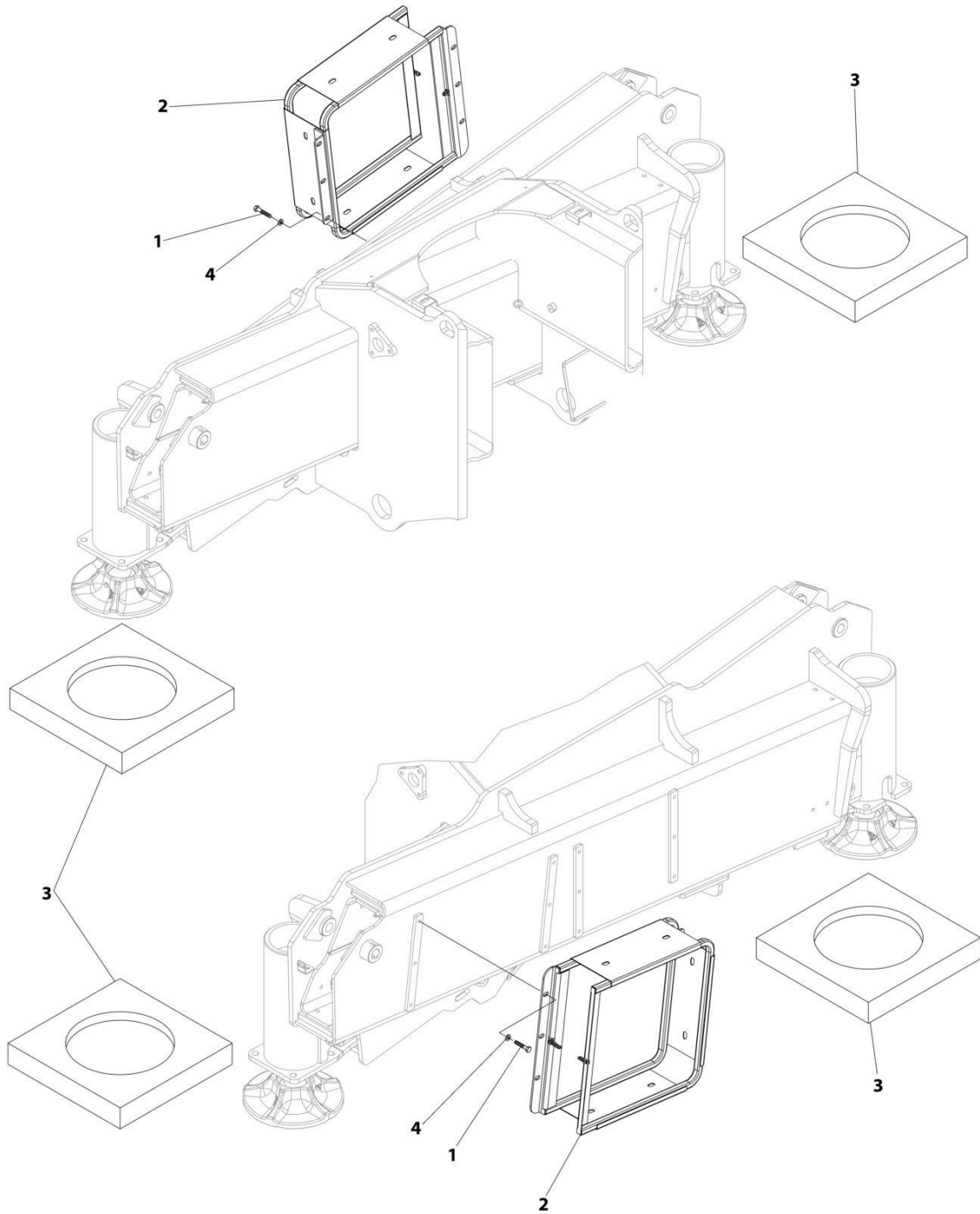
SECTION 1 - FRAME AND ATTACHING PARTS

FIGURE 1-9. OUTRIGGERS REAR INSTALLATION

ITEM	PART NUMBER	QTY	DESCRIPTION	REV
	1001278497	Ref	OUTRIGGERS REAR INSTALLATION	B
1	0630612	4	Capscrew M8 x 20	
2	0701012	4	Bolt M10 x 25	
3	0701022	2	Bolt M10 x 70	
4	0701216	8	Bolt M12 x 40	
5	0701620	8	Bolt M16 x 60	
6	0761010	24	Bolt M10 x 20	
7	0761210	4	Bolt M12 x 20	
8	0761212	4	Bolt M12 x 25	
9	3291005	2	Nut M10	
11	4812002	4	Washer M10	
12	4812300	16	Washer M16	
13	1001274689	2	Cover	
14	1001274692	2	Outrigger	
15	1001274749	2	Switch, Limit	
16	1001275030	2	Pipe	
17	1001275044	12	Wear Pad	
18	1001275047	2	Wear Pad	
19	1001275048	2	Wear Pad	
20	1001275049	2	Wear Pad	
21	1001275065	2	Pin	
22	1001275066	2	Pin	
24	1001275340	2	Wear Pad	
25	1001275344	2	Plate	
26	1001275345	2	Plate	
27	1001276890	2	Sensor, Outrigger Extend	
29	1001276966	1	Shim 1mm (use with 1001275044)	
30	1001276967	1	Shim 1-1/2mm (use with 1001275044)	
31	1001276968	1	Shim 3mm (use with 1001278503)	
32	1001276969	1	Shim 2mm (use with 1001278503)	
33	1001276970	2	Wear Pad	
34	1001278053	8	Nut M16	
35	1001278078	24	Washer M10	
36	1001278498	16	Washer M16	
37	1001278499	2	Fitting Straight ORFS/ORB	
38	1001278500	4	Fitting 90 ORFS/ORB	
39	1001278501	2	Power Track	
40	1001278502	4	Ring	
41	1001278503	2	Wear Pad	
42	1001282187	4	Capscrew M8 x 40	

SECTION 1 - FRAME AND ATTACHING PARTS

FIGURE 1-10. OUTRIGGER PLATFORMS INSTALLATION



ART_1001276032

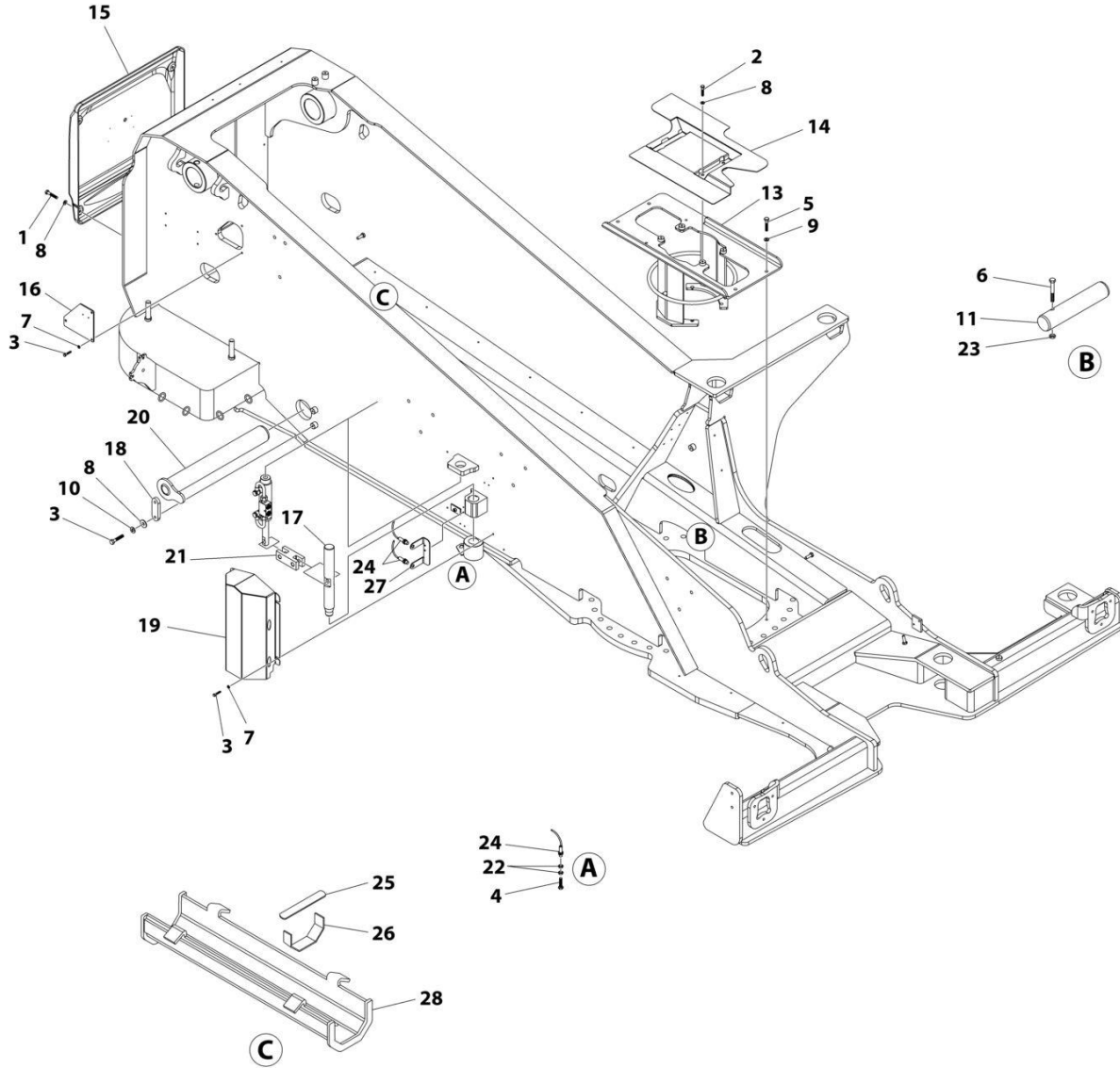
SECTION 1 - FRAME AND ATTACHING PARTS

FIGURE 1-10. OUTRIGGER PLATFORMS INSTALLATION

ITEM	PART NUMBER	QTY	DESCRIPTION	REV
	1001276032	Ref	OUTRIGGER PLATFORMS INSTALLATION	C
1	0761208	12	Bolt M12 x 16	
2	1001274697	2	Box, Platform	
3	1001277711	4	Platform, Outrigger	
4	1001278498	12	Washer M12	
5	1001299100	1	Carabiner (Not Shown)	

SECTION 1 - FRAME AND ATTACHING PARTS

FIGURE 1-11. TURNTABLE INSTALLATION



ART_1001278038

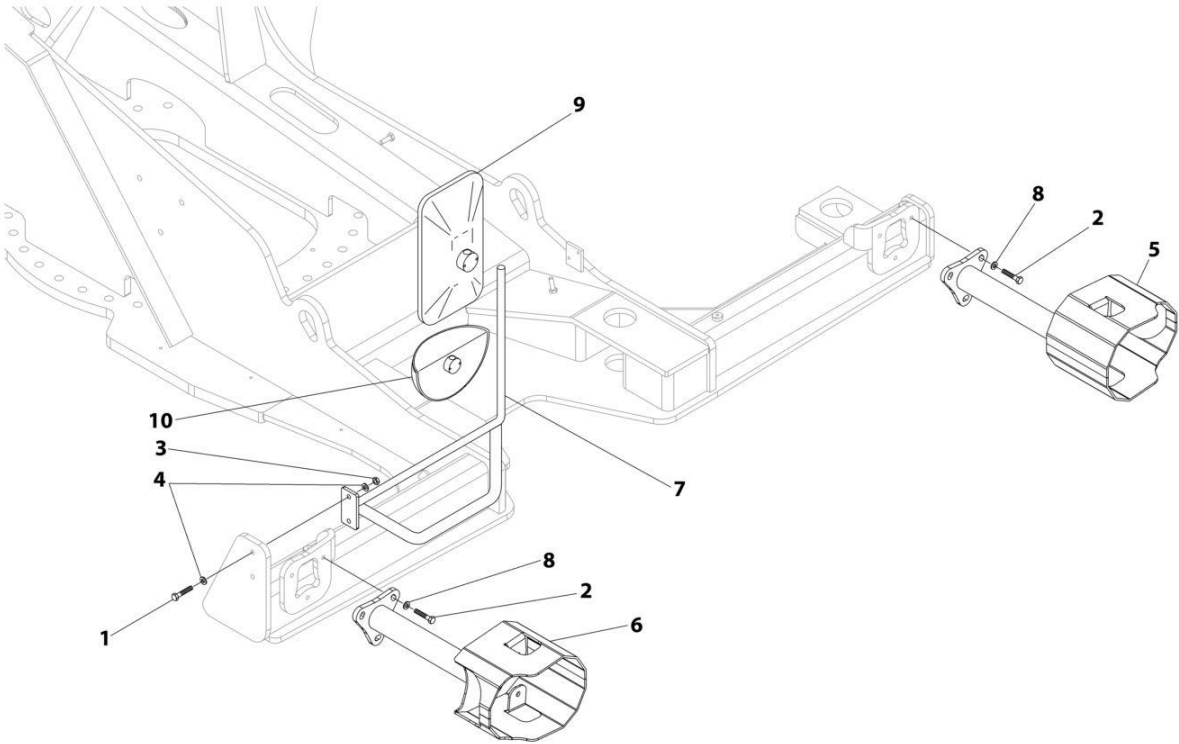
SECTION 1 - FRAME AND ATTACHING PARTS

FIGURE 1-11. TURNTABLE INSTALLATION

ITEM	PART NUMBER	QTY	DESCRIPTION	REV
	1001278038	Ref	TURNTABLE INSTALLATION	B
1	0700808	4	Bolt M8 x 16	
2	0700810	4	Bolt M8 x 20	
3	0700812	9	Bolt M8 x 25	
4	0701217	1	Bolt M12 x 45	
5	0701218	4	Bolt M12 x 50	
6	0701632	1	Bolt M16 x 150	
7	4811900	7	Washer M8	
8	4811902	10	Washer M8	
9	4812102	4	Washer M12	
10	4831900	2	Washer, Lock M8	
11	1001274576	1	Pin	
13	1001274727	1	Support	
14	1001274733	1	Support	
15	1001274742	1	Panel, Turntable Rear	
16	1001275095	1	Plate	
17	1001275096	1	Pin	
18	1001275705	1	Link	
19	1001276087	1	Cover	
20	1001276946	1	Pin	
21	1001276965	1	Link	
22	1001278051	2	Nut M12	
23	1001278053	1	Nut M16	
24	1001278063	3	Sensor, Proximity	
25	1001278066	2	Seal	
26	1001278067	6.56 ft / 2m	Seal	
27	1001278068	1	Bracket	
28	1001282158	1	Bracket	

SECTION 1 - FRAME AND ATTACHING PARTS

FIGURE 1-12. MIRRORS AND ROAD LIGHTS INSTALLATION



ART_1001278041

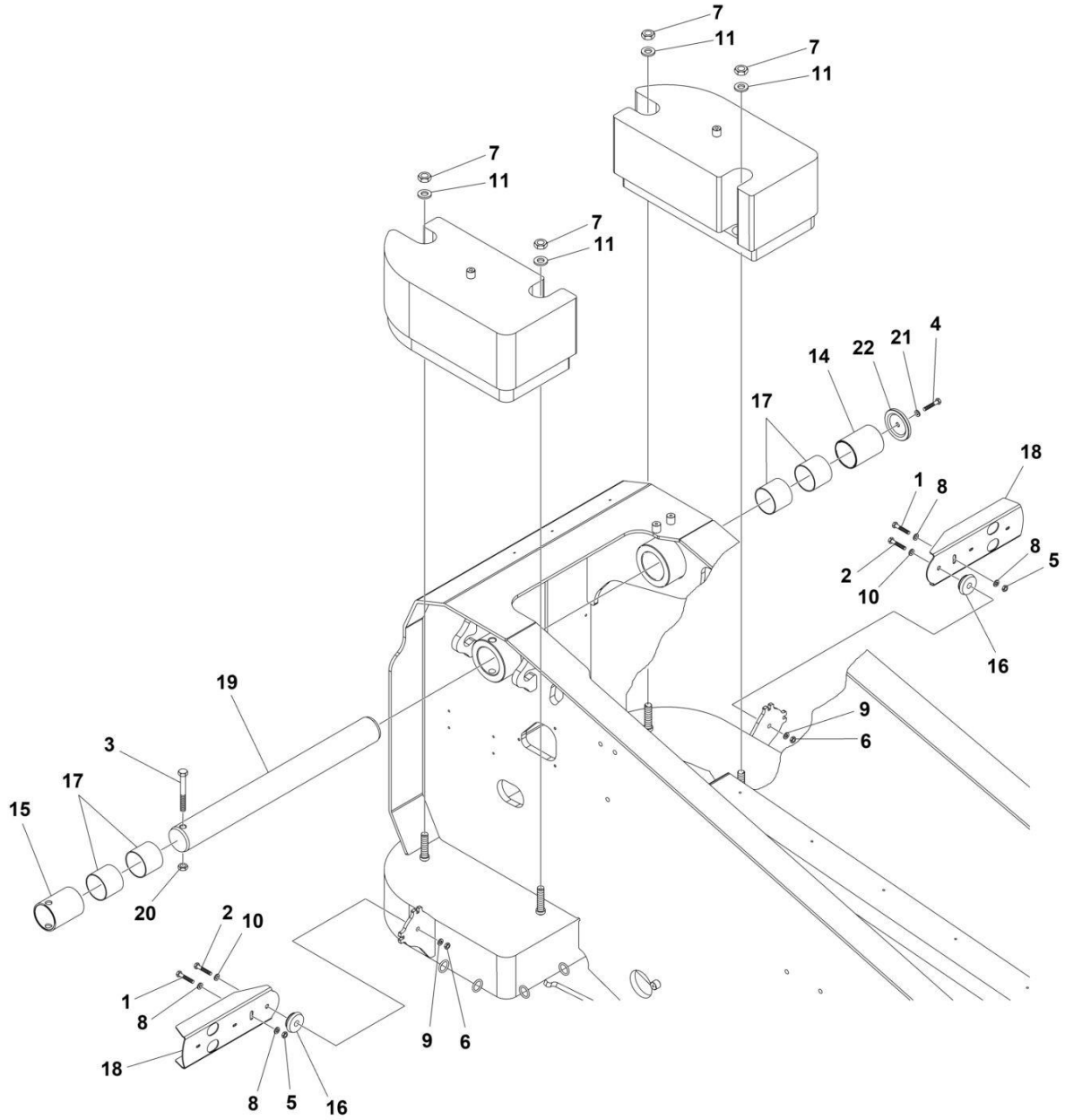
SECTION 1 - FRAME AND ATTACHING PARTS

FIGURE 1-12. MIRRORS AND ROAD LIGHTS INSTALLATION

ITEM	PART NUMBER	QTY	DESCRIPTION	REV
	1001278041	Ref	MIRRORS AND ROAD LIGHTS INSTALLATION	A
1	0761016	2	Bolt M10 x 40	
2	0761214	6	Bolt M12 x 30	
3	3291005	2	Nut M10	
4	4812000	4	Washer M10	
5	1001274724	1	Mount, Left Headlight	
6	1001274725	1	Mount, Right Headlight	
7	1001274738	1	Bracket, Mirror	
8	1001278058	6	Washer	
9	1001278064	1	Mirror, Rear View	
10	1001278065	1	Mirror, Convex	

SECTION 1 - FRAME AND ATTACHING PARTS

FIGURE 1-13. TURNTABLE REAR COMPONENTS INSTALLATION



ART_1001278040

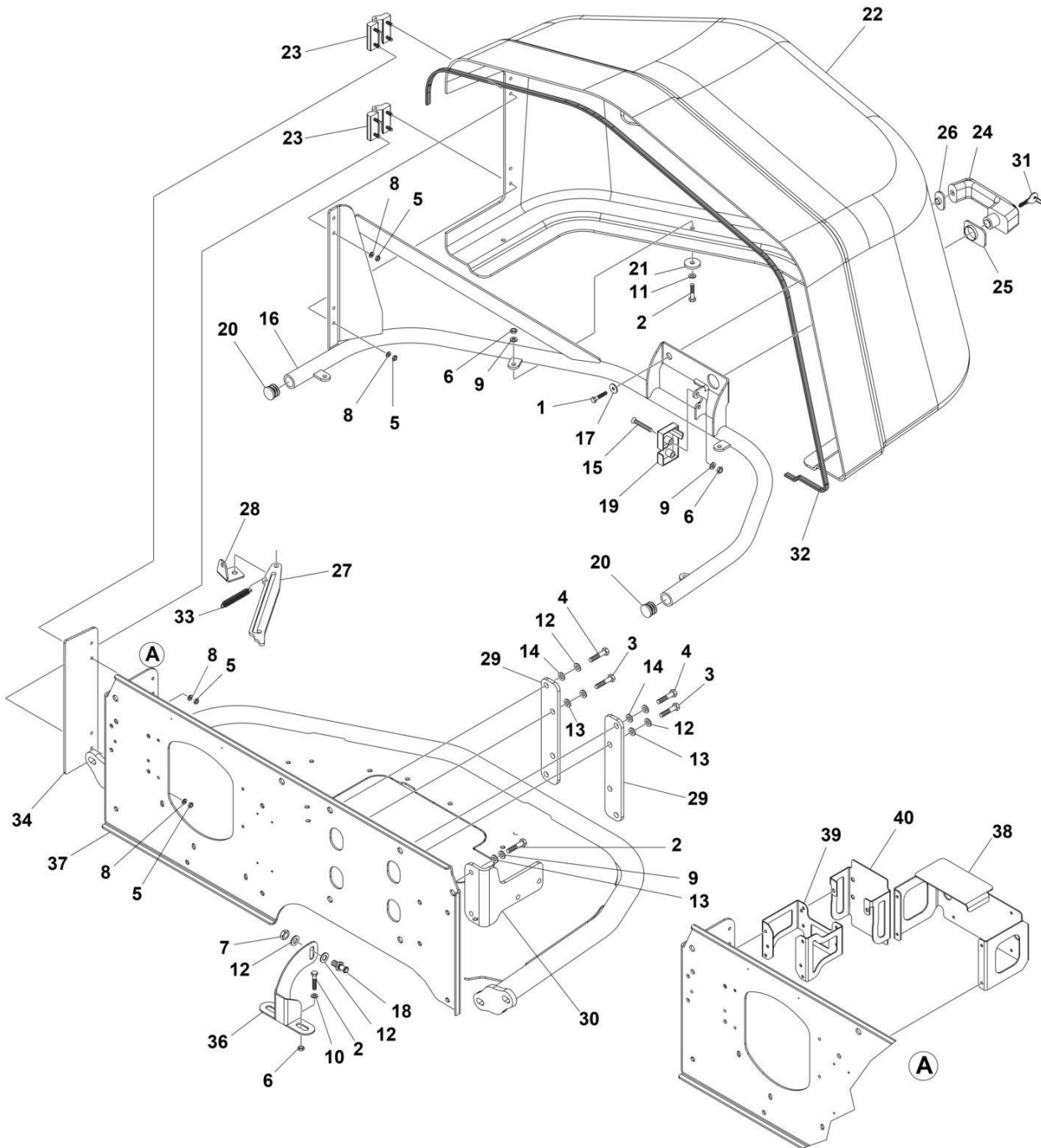
SECTION 1 - FRAME AND ATTACHING PARTS

FIGURE 1-13. TURNTABLE REAR COMPONENTS INSTALLATION

ITEM	PART NUMBER	QTY	DESCRIPTION	REV
	1001278040	Ref	TURNTABLE REAR INSTALLATION	C
1	0701015	2	Bolt M10 x 35	
2	0701220	2	Bolt M12 x 60	
3	1001284378	1	Bolt M20 x 170	
4	0761214	1	Bolt M12 x 30	
5	3291005	2	Nut M10	
6	3291205	2	Nut M12	
7	3332011	4	Nut M20 Class 10	
8	4812000	4	Washer M10	
9	4812100	2	Washer M12	
10	4812102	2	Washer M12	
11	1001294790	4	Washer	
14	1001275041	1	Bushing	
15	1001275042	1	Bushing	
16	1001275051	2	Mount	
17	1001275083	4	Bushing	
18	1001275091	2	Support, Tail Light	
19	1001276947	1	Pin	
20	1001278054	1	Nut M20	
21	1001278058	1	Washer	
22	1001278069	1	Washer	

SECTION 1 - FRAME AND ATTACHING PARTS

FIGURE 1-14. TURNTABLE HOOD INSTALLATION



ART_1001278042

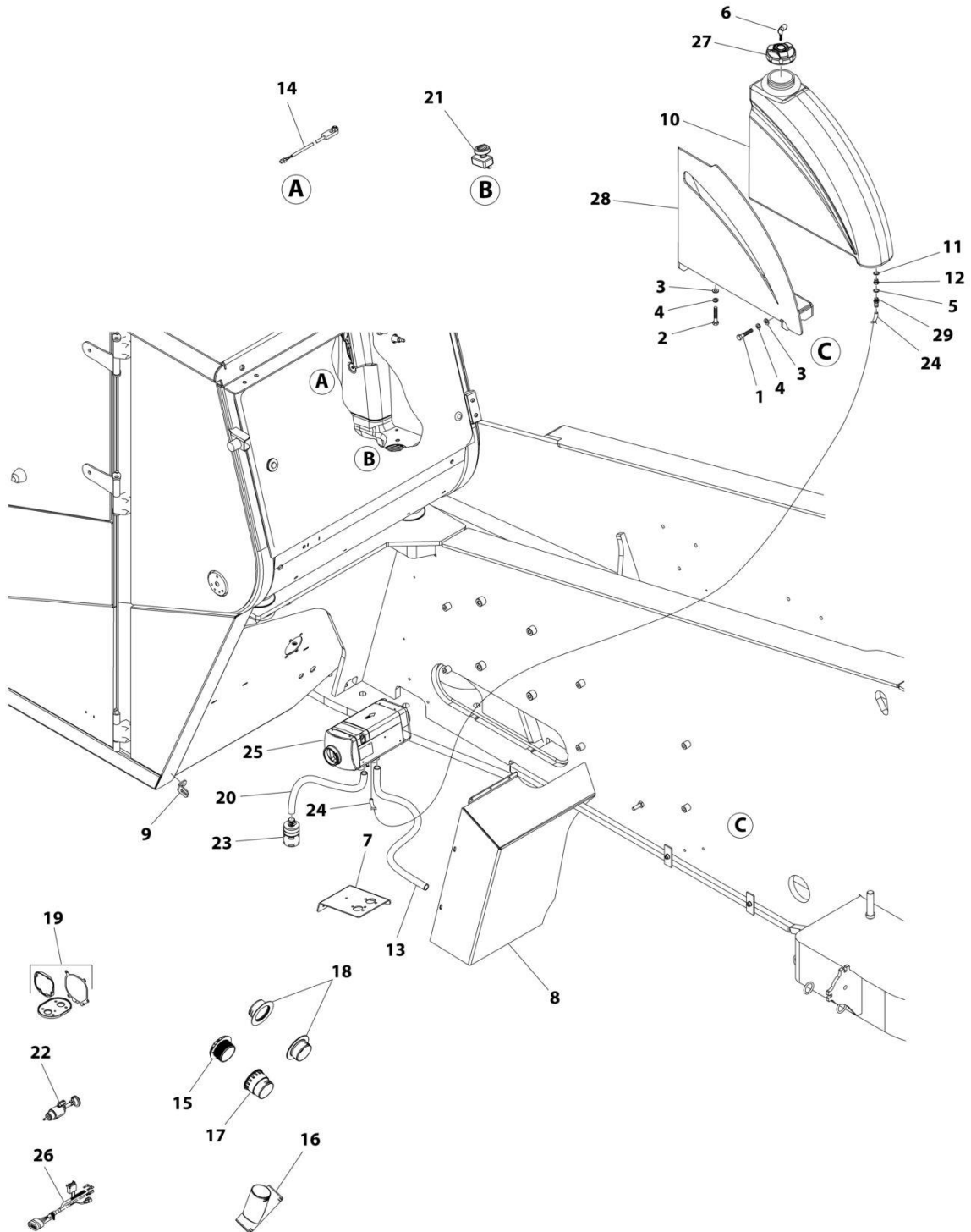
SECTION 1 - FRAME AND ATTACHING PARTS

FIGURE 1-14. TURNTABLE HOOD INSTALLATION

ITEM	PART NUMBER	QTY	DESCRIPTION	REV
	1001278042	Ref	TURNTABLE HOOD INSTALLATION	B
1	0700612	1	Bolt M6 x 25	
2	0700812	8	Bolt M8 x 25	
3	0761212	4	Bolt M12 x 25	
4	0761214	4	Bolt M12 x 30	
5	3290605	8	Nut M6	
6	3290805	8	Nut M8	
7	3291205	1	Nut M12	
8	4811702	8	Washer M6	
9	4811900	8	Washer M8	
10	4811902	2	Washer M8	
11	4812002	4	Washer M10	
12	4812100	6	Washer M12	
13	4831900	6	Washer, Lock M8	
14	4832100	4	Washer M12	
15	1001047062	2	Capscrew M8 x35	
16	1001274690	1	Support, Hood	
17	1001274696	1	Support, Enclosure	
18	1001275038	1	Pin, Lock	
19	1001275039	1	Lock	
20	1001275043	2	Cap	
21	1001275052	4	Seal	
22	1001275053	1	Hood	
23	1001275073	2	Hinge	
24	1001275075	1	Handle	
25	1001275076	1	Seal	
26	1001275077	1	Seal	
27	1001275279	1	Bracket	
28	1001275554	1	Bracket	
29	1001275555	2	Plate	
30	1001275711	1	Bracket	
31	1001276889	1	Key	
32	1001276948	1	Seal	
33	1001276963	1	Spring	
34	1001277434	1	Plate	
35	1001278061	2	Washer	
36	1001278062	1	Bracket	
37	1001281432	1	Panel, Enclosure	
38	1001281433	1	Bracket	
39	1001281434	1	Bracket	
40	1001281435	1	Bracket	

SECTION 1 - FRAME AND ATTACHING PARTS

FIGURE 1-15. DIESEL HEATER INSTALLATION



ART_1001281356

SECTION 1 - FRAME AND ATTACHING PARTS

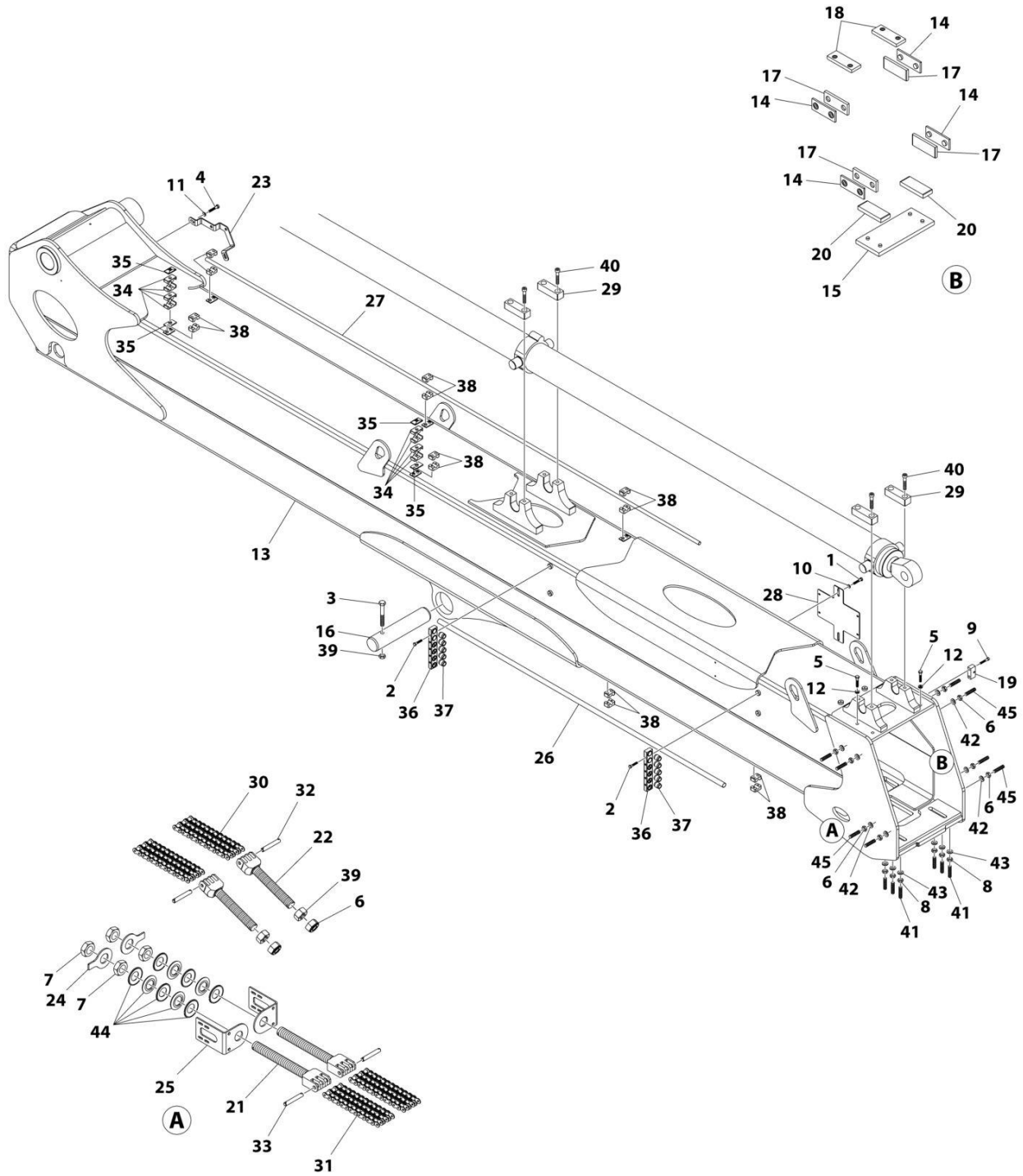
FIGURE 1-15. DIESEL HEATER INSTALLATION

ITEM	PART NUMBER	QTY	DESCRIPTION	REV
	1001281356	Ref	DIESEL HEATER INSTALLATION	B
1	0701012	3	Bolt M10 x 25	
2	0761010	2	Bolt M10 x 20	
3	4812002	5	Washer M10	
4	4832000	5	Washer M10	
5	1001102933	1	Seal	
6	1001276889	1	Key	
7	1001277760	1	Bracket	
8	1001277766	1	Cover	
9	1001277784	1	Bracket	
10	1001277796	1	Tank	
11	1001279292	1	Washer	
12	1001294738	1	Fitting, Straight	
13	1001281361	1	Pipe, Exhaust	
14	1001281362	1	Sensor, Temperature	
15	1001281363	1	Vent, Intake	
16	1001281364	1	Fitting, Y	
17	1001281365	1	Reducer	
18	1001281366	2	Sleeve	
19	1001281367	1	Kit, O-Ring	
20	1001281368	1	Hose	
21	1001281369	1	Switch, Power	
22	1001281370	1	Pump, Fuel	
23	1001281371	1	Muffler	
24	1001281372	1	Hose	
25	1001281373	1	Radiator	
26	1001281374	1	Harness, Heater	
27	1001281375	1	Cap	
28	1001281376	1	Bracket	
29	1001281377	1	Adapter	

SECTION 2 - BOOM

SECTION 2 - BOOM

FIGURE 2-1. BASE BOOM ASSEMBLY



ART_1001278714

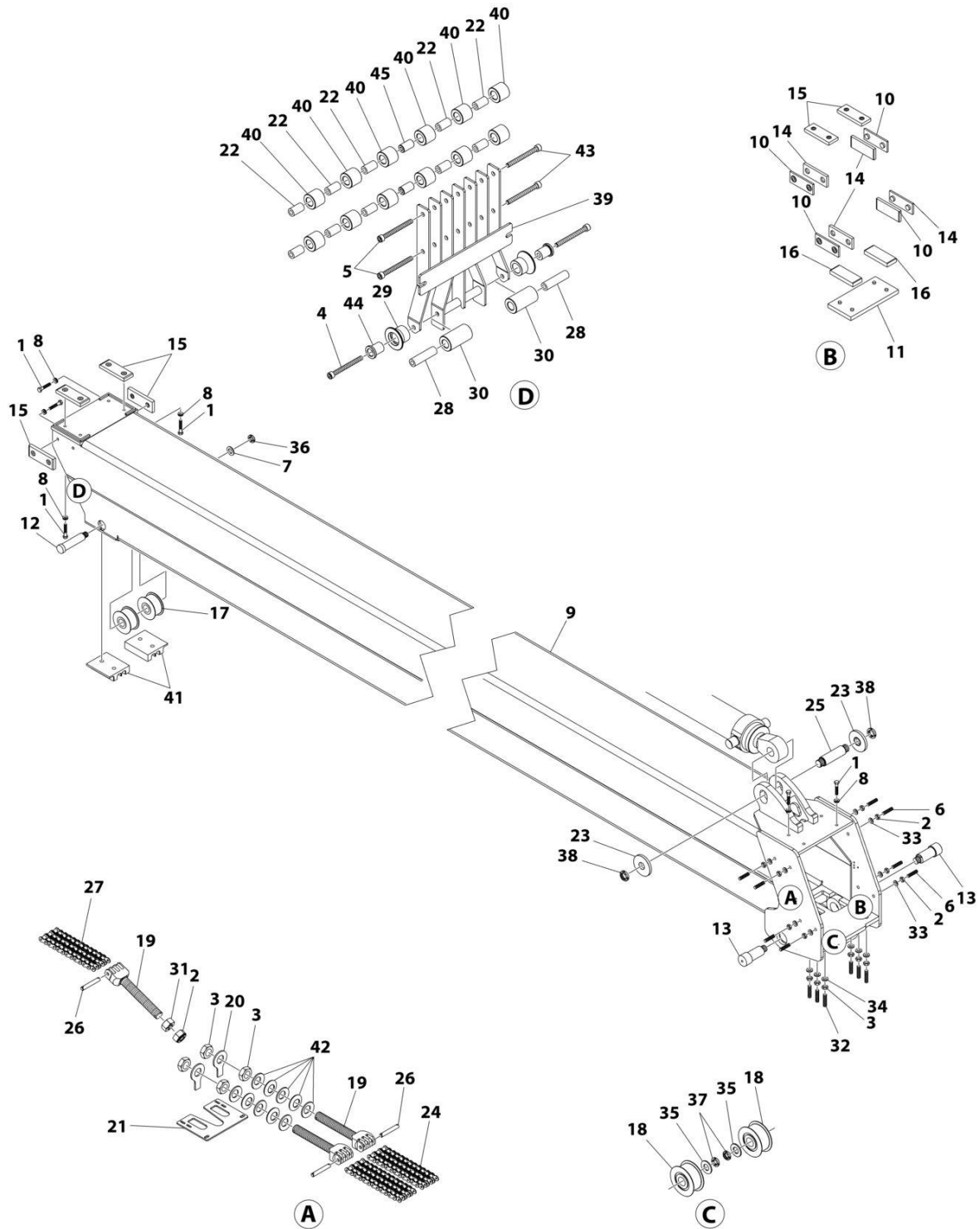
SECTION 2 - BOOM

FIGURE 2-1. BASE BOOM ASSEMBLY

ITEM	PART NUMBER	QTY	DESCRIPTION	REV
	1001278714	Ref	BASE BOOM ASSEMBLY	A
1	0700812	2	Bolt M8 x 25	
2	0700817	4	Bolt M8 x 45	
3	0701632	1	Bolt M16 x 150	
4	0761010	2	Bolt M10 x 20	
5	0761214	4	Bolt M12 x 30	
6	3291601	10	Nut M16	
7	3292401	4	Nut M24	
8	3332011	6	Nut M20	
9	4031910	2	Capscrew M8 x 30	
10	4811900	2	Washer M8	
11	4812000	2	Washer M10	
12	1001250875	4	Washer, Lock	
13	1001274570	1	Boom, Base	
14	1001274571	4	Support, Side Wear Pad	
15	1001274572	1	Support, Wear Pad	
16	1001274576	1	Pin	
17	1001274577	4	Pad, Wear	
18	1001274579	2	Pad, Wear	
19	1001274580	1	Guide	
20	1001274581	2	Pad, Wear	
21	1001274586	2	Clevis, Chain	
22	1001274587	2	Clevis, Chain	
23	1001274588	1	Bracket	
24	1001274590	2	Plate	
25	1001274591	2	Bracket	
26	1001274593	1	Tube	
27	1001274594	1	Tube	
28	1001274595	1	Plate	
29	1001274596	4	Block, Fixing	
30	1001274981	2	Chain, Extend/Retract	
31	1001274984	2	Chain, Extend/Retract	
32	1001275700	2	Pin	
33	1001275701	2	Pin	
34	1001276006	4	Clamp, Split	
35	1001276074	2	Cover, Split Clamp	
36	1001276075	2	Bracket	
37	1001276076	8	Bushing	
38	1001276960	7	Clamp, Split	
39	1001278053	3	Nut, Lock M16	
40	1001278718	8	Capscrew M16 x 45	
41	1001278719	6	Set Screw M20 x 80	
42	1001278721	8	Washer, Spring	
43	1001278722	6	Washer, Spring	
44	1001278725	10	Washer, Spring M24	
45	1001282702	8	Set Screw M16 x 60	

SECTION 2 - BOOM

FIGURE 2-2. SECOND BOOM ASSEMBLY



ART_1001278715

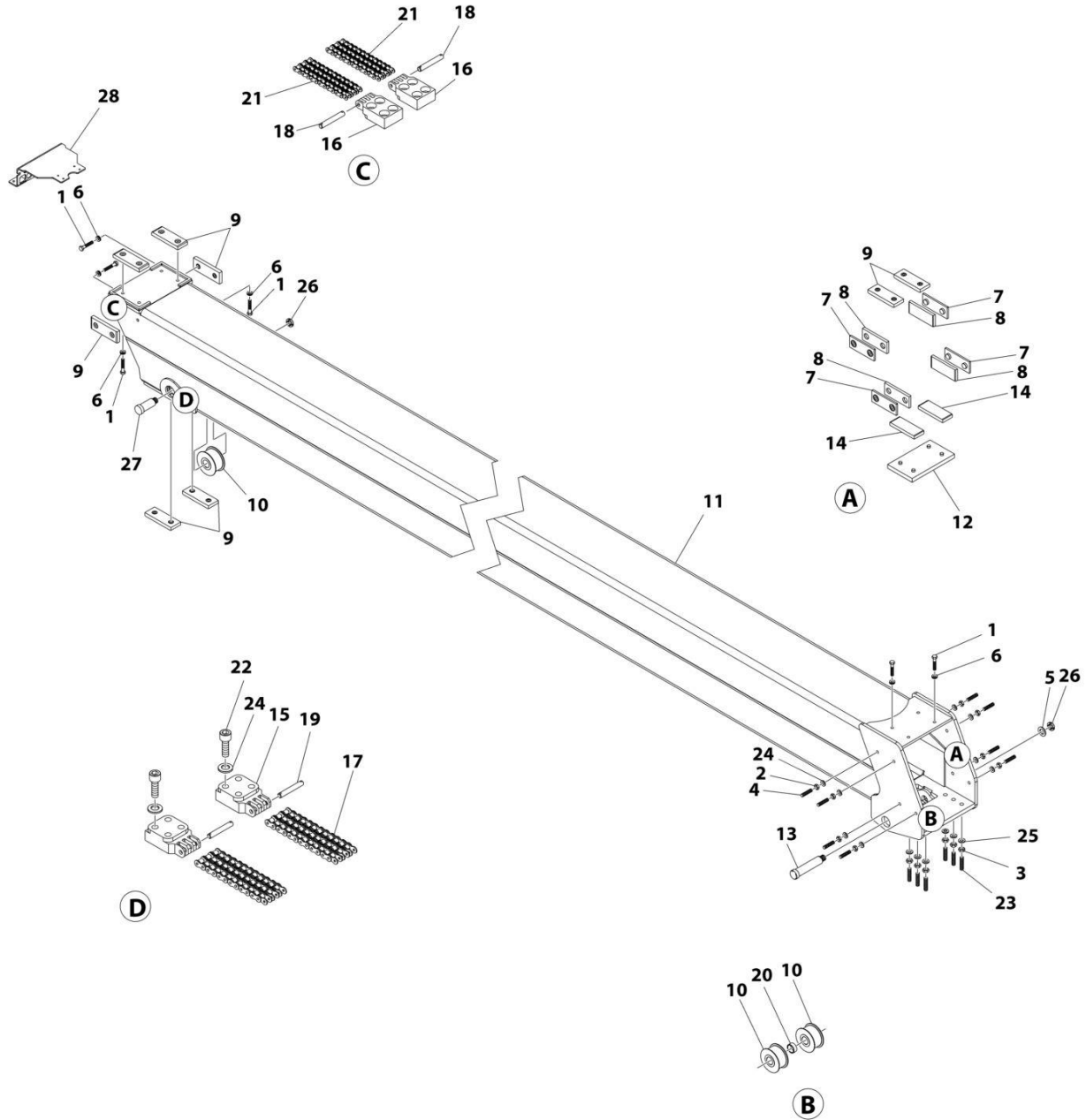
SECTION 2 - BOOM

FIGURE 2-2. SECOND BOOM ASSEMBLY

ITEM	PART NUMBER	QTY	DESCRIPTION	REV
	1001278715	Ref	SECOND BOOM ASSEMBLY	B
1	0761214	12	Bolt M12 x 30	
2	3291601	9	Nut M16	
3	3332011	10	Nut M20	
4	4032025	2	Capscrew M10 x 120	
5	4032027	2	Capscrew M10 x 140	
6	4092316	8	Capscrew M10 x 60	
7	4812700	1	Washer M24	
8	1001250875	12	Washer, Lock	
9	1001274565	1	Boom, Second	
10	1001274571	4	Support, Side Wear Pad	
11	1001274573	1	Support, Wear Pad	
12	1001274574	1	Pin	
13	1001274575	2	Pin	
14	1001274577	4	Pad, Wear	
15	1001274578	6	Pad, Wear	
16	1001274581	2	Pad, Wear	
17	1001274584	2	Sheave, Chain	
18	1001274585	2	Sheave, Chain	
19	1001274587	3	Clevis	
20	1001274589	2	Plate	
21	1001274592	1	Plate	
22	1001274597	10	Spacer	
23	1001274599	2	Bushing	
24	1001274982	2	Chain, Extend/Retract	
25	1001275067	1	Pin	
26	1001275700	3	Pin	
27	1001275992	1	Chain, Extend/Retract	
28	1001276822	2	Pin	
29	1001276823	2	Bushing	
30	1001276824	2	Spacer	
31	1001278053	1	Nut, Lock M16	
32	1001278719	6	Set Screw M20 x 80	
33	1001278721	8	Washer, Spring	
34	1001278722	6	Washer, Spring	
35	1001278726	2	Washer	
36	1001278727	1	Nut, Ring M24	
37	1001278728	2	Nut, Ring M28	
38	1001278729	2	Nut, Rin	
39	1001274566	1	Guide, Hose	
40	1001278731	12	Roller	
41	1001278734	2	Pad, Wear	
42	1001278737	10	Washer, Spring M20	
43	1001281693	2	Capscrew M10 x 140	
44	1001281694	2	Bushing	
45	1001281695	2	Spacer	

SECTION 2 - BOOM

FIGURE 2-3. THIRD BOOM ASSEMBLY



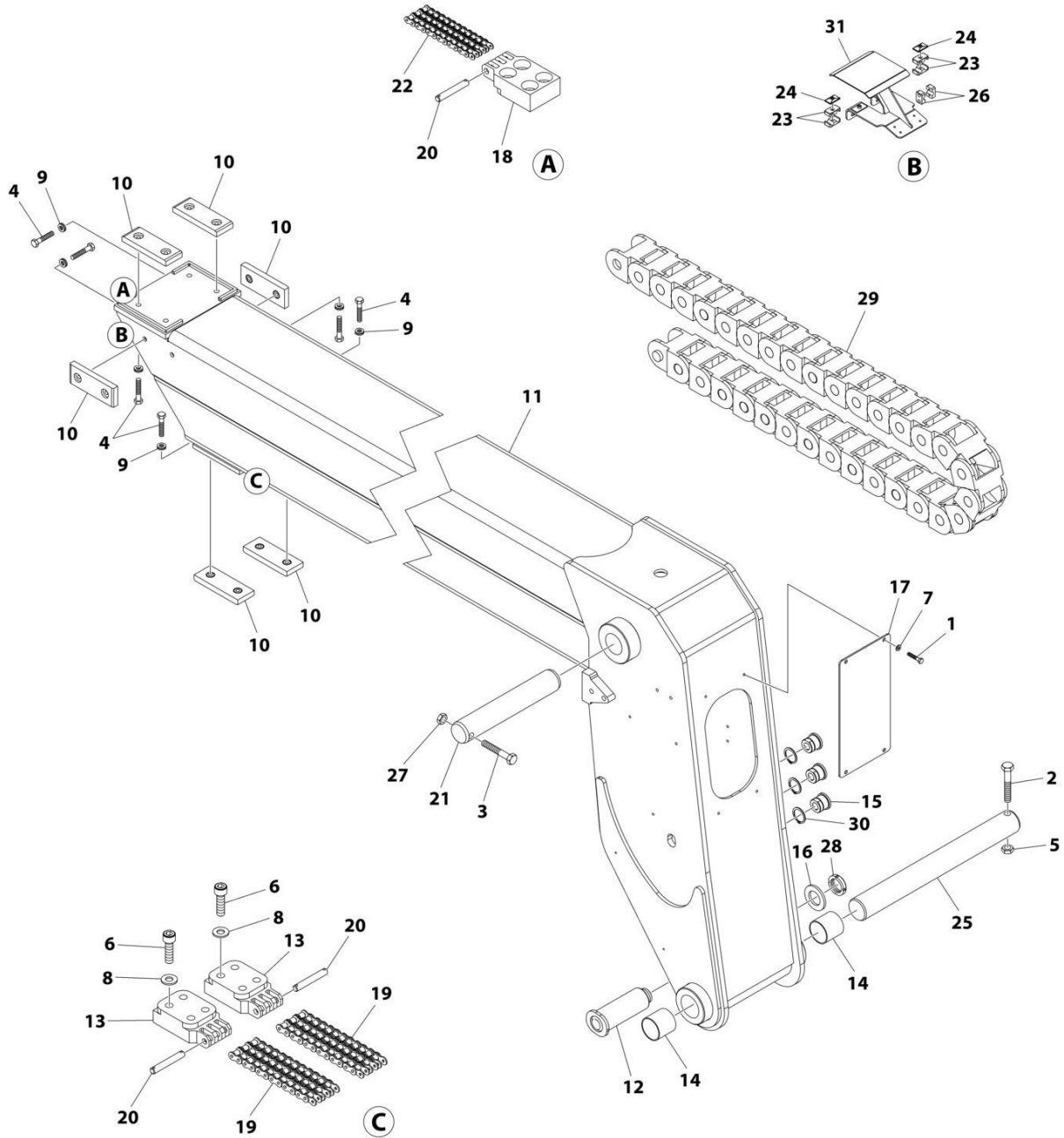
ART_1001278716

FIGURE 2-3. THIRD BOOM ASSEMBLY

ITEM	PART NUMBER	QTY	DESCRIPTION	REV
	1001278716	Ref	THIRD BOOM ASSEMBLY	C
1	0761214	12	Bolt M12 x 30	
2	3291601	8	Nut M16	
3	3332011	6	Nut M20	
4	4092316	8	Set Screw M16 x 60	
5	4812700	1	Washer M24	
6	1001250875	12	Washer, Lock	
7	1001274571	4	Support, Side Wear Pad	
8	1001274577	4	Pad, Wear	
9	1001274578	8	Pad, Wear	
10	1001274584	3	Sheave, Chain	
11	1001274673	1	Boom, Third	
12	1001274674	1	Support, Wear Pad	
13	1001274675	1	Pin	
14	1001274676	2	Pad, Wear	
15	1001274677	2	Clevis	
16	1001274678	2	Clevis	
17	1001274984	2	Chain, Extend/Retract	
18	1001275700	2	Pin	
19	1001275701	2	Pin	
20	1001275718	1	Bushing	
21	1001274981	2	Chain, Extend/Retract	
22	1001278718	8	Capscrew M16 x 45	
23	1001278719	6	Set Screw M20 x 80	
24	1001278721	16	Washer, Spring	
25	1001278722	6	Washer, Spring	
26	1001278727	2	Nut, Ring M24	
27	1001278738	1	Pin	
28	1001299013	1	Bracket	

SECTION 2 - BOOM

FIGURE 2-4. FLY BOOM ASSEMBLY



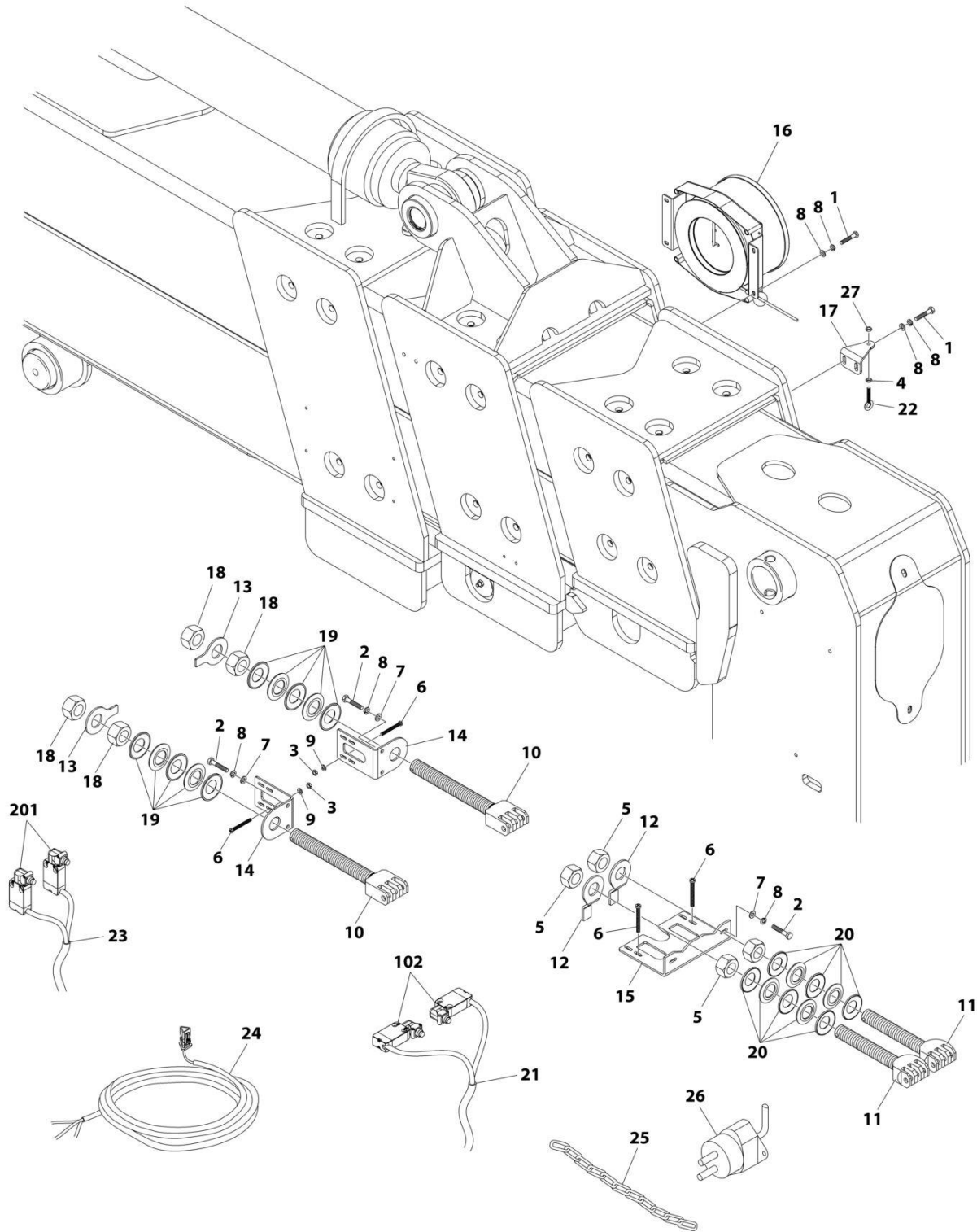
ART_1001278717

FIGURE 2-4. FLY BOOM ASSEMBLY

ITEM	PART NUMBER	QTY	DESCRIPTION	REV
	1001278717	Ref	FLY BOOM ASSEMBLY	A
1	0700808	4	Bolt M8 x 16	
2	0701627	1	Bolt M16 x 100	
3	0701631	1	Bolt M16 x 140	
4	0761214	12	Bolt M12 x 30	
5	3291605	1	Nut, Lock M16	
6	4032112	8	Capscrew M12 x 40	
7	4811900	4	Washer M8	
8	4812100	8	Washer M12	
9	1001250875	12	Washer, Lock	
10	1001274578	6	Pad, Wear	
11	1001274666	1	Boom, Fly	
12	1001274667	1	Pin	
13	1001274668	2	Clevis	
14	1001274669	2	Tube	
15	1001274670	3	Bushing	
16	1001274671	1	Washer	
17	1001274672	1	Plate	
18	1001274678	1	Clevis	
19	1001274982	2	Chain, Extend/Retract	
20	1001275700	3	Pin	
21	1001275980	1	Pin	
22	1001275992	1	Chain, Extend/Retract	
23	1001276006	2	Clamp, Split	
24	1001276074	2	Cover, Split Clamp	
25	1001276916	1	Pin	
26	1001276960	1	Clamp, Split	
27	1001278053	1	Nut, Lock M16	
28	1001278740	1	Nut, Ring	
29	1001278742	1	Power Track Assembly	
30	1001278743	3	Ring, Retaining	
31	1001281699	1	Plate	

SECTION 2 - BOOM

FIGURE 2-5. BOOM REEL INSTALLATION



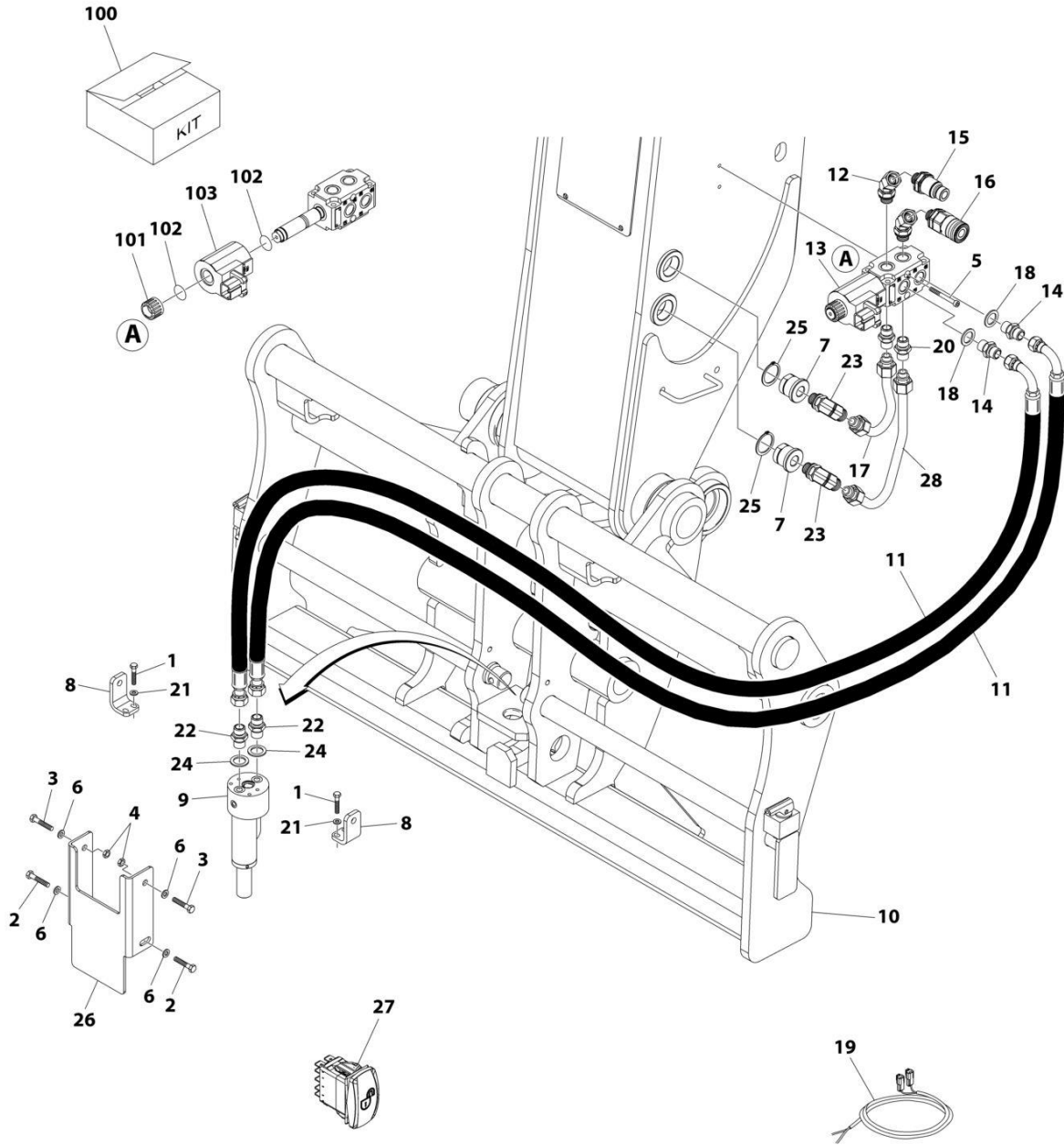
ART_1001289876

FIGURE 2-5. BOOM REEL INSTALLATION

ITEM	PART NUMBER	QTY	DESCRIPTION	REV
	1001289876	Ref	BOOM REEL INSTALLATION	A
1	0760608	6	Bolt M6 x 16	
2	0760610	6	Bolt M6 x 20	
3	3290405	8	Nut, Lock M4	
4	3290601	1	Nut M6	
5	3332011	4	Nut M20	
6	4010414	12	Bolt M4 x 30	
7	4811700	6	Washer M6	
8	4832300	18	Washer, Lock M6	
9	1001091102	8	Washer M4	
10	1001274586	2	Clevis	
11	1001274587	2	Clevis	
12	1001274589	2	Plate	
13	1001274590	2	Plate	
14	1001274591	2	Guide	
15	1001274592	1	Plate	
16	1001275886	1	Reel, Boom Cable	
17	1001276218	1	Bracket	
18	1001278720	4	Nut M24	
19	1001278725	10	Washer, Spring M24	
20	1001278737	10	Washer, Spring M20	
21	1001281238	1	Limit Switch Harness (Includes Item 102)	
22	1001281245	1	Bolt, Eye M6	
23	1001282367	1	Limit Switch Harness (Includes Item 201)	
24	1001282369	1	Extension Harness	
25	1001289880	1	Chain	
26	1001289881	1	Cap	
27	3290605001	1	Nut, Lock M6	
102	1001281244	2	Sensor, Limit Switch	
201	1001281244	2	Sensor, Limit Switch	

SECTION 2 - BOOM

FIGURE 2-6. COUPLER ASSEMBLY (HYDRAULIC)



ART_1001275776

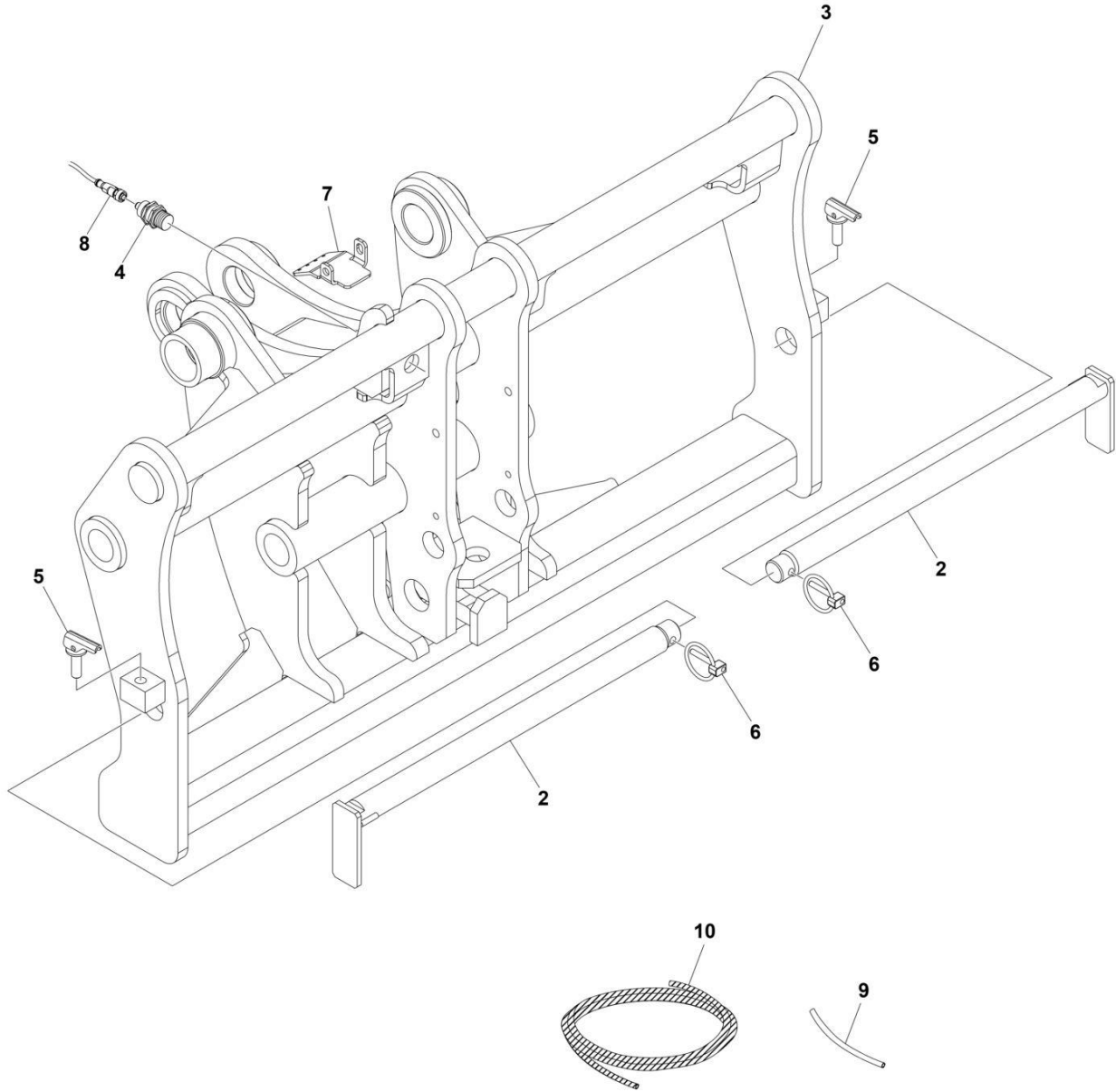
SECTION 2 - BOOM

FIGURE 2-6. COUPLER ASSEMBLY (HYDRAULIC)

ITEM	PART NUMBER	QTY	DESCRIPTION	REV
	1001275776	Ref	COUPLER ASSEMBLY (HYDRAULIC)	C
1	0700812	4	Bolt M8 x 25	
2	0701215	2	Bolt M12 x 35	
3	0701218	2	Bolt M12 x 50	
4	3291205	2	Nut M12	
5	4031918	2	Capscrew M8 x 70	
6	4812102	4	Washer M12	
7	1001274670	2	Bushing	
8	1001275296	2	Bracket	
9	1001275715	1	Cylinder, Locking	
10	1001275775	1	Manual Coupler Assembly (See Separate Breakdown in this Section)	
11	1001275924	2	Hose	
12	1001276827	2	Fitting 45 ORFS/JIC	
13	1001276902	1	Valve (Includes Items 101-103)	
14	1001277526	2	Reducer	
15	1001277706	1	Coupling, Male Quick Disconnect	
16	1001277707	1	Coupling, Female Quick Disconnect	
17	1001277787	1	Pipe	
18	1001278186	2	Washer	
19	1001279097	1	Harness, Hydraulic Coupler	
20	1001279098	2	Fitting Straight ORFS/ORB	
21	1001279099	4	Washer	
22	1001279102	2	Fitting Straight ORFS/ORB	
23	1001279104	2	Fitting 90 ORFS/ORB	
24	1001279105	2	Washer	
25	1001279108	2	Ring, Retaining	
26	1001281696	1	Cover	
27	1001281697	1	Switch, Coupler	
28	1001277788	1	Pipe	
100	70030570	1	Seal Kit	
101	70030568	1	Nut, Ring	
102	70030569	2	O-Ring	
103	1001276909	1	Coil	

SECTION 2 - BOOM

FIGURE 2-7. COUPLER ASSEMBLY (MANUAL)



ART_1001275775

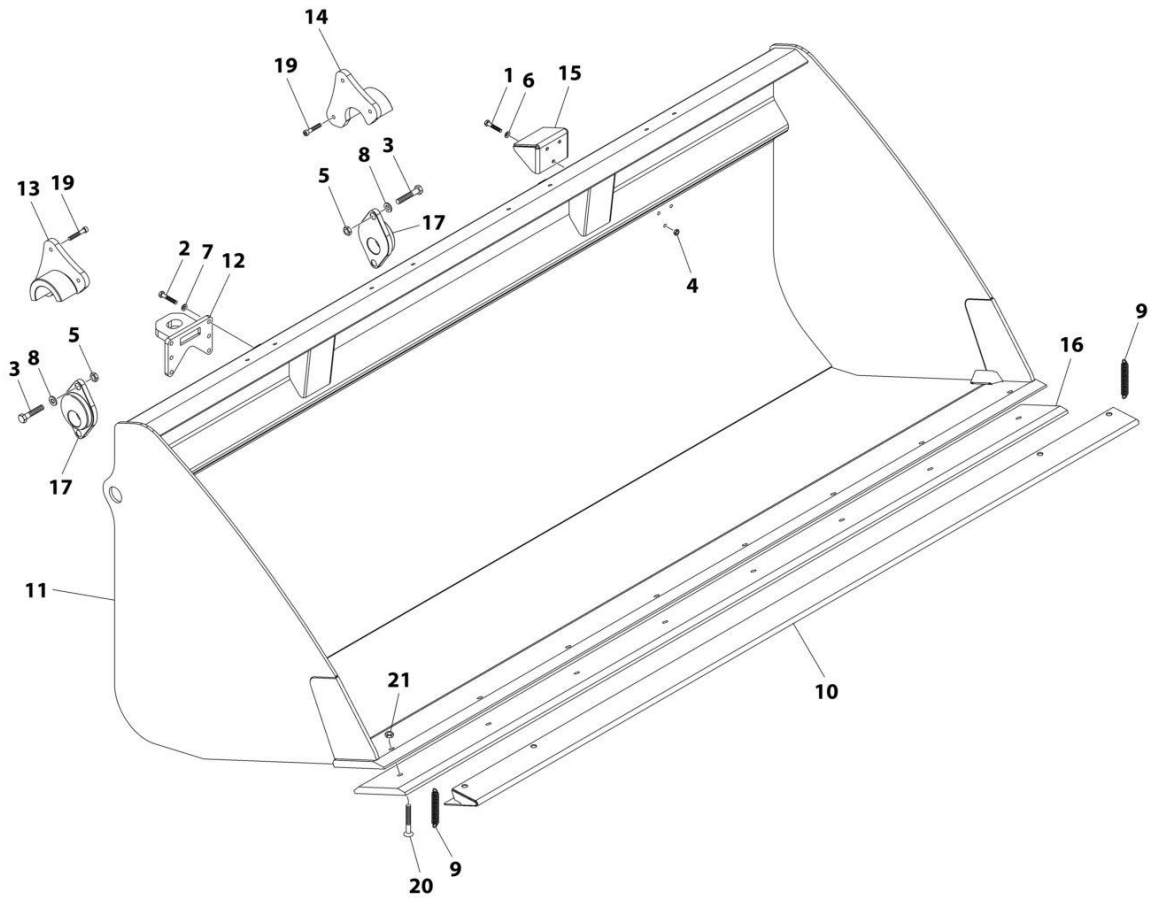
FIGURE 2-7. COUPLER ASSEMBLY (MANUAL)

ITEM	PART NUMBER	QTY	DESCRIPTION	REV
	1001275775	Ref	COUPLER ASSEMBLY (MANUAL)	B
2	1001274716	2	Pin	
3	1001274740	1	Coupler, Attachment	
4	1001274752	1	Sensor, Attachment	
5	1001275054	2	Pin	
6	1001275082	2	Pin	
7	1001275331	1	Bracket	
8	1001279110	1	Harness, Attachment Sensor	
9	1001279111	AR	Insulate, Cable	
10	1001279112	AR	Conduit	

SECTION 3 - ATTACHMENTS

SECTION 3 - ATTACHMENTS

FIGURE 3-1. BUCKET ASSEMBLY - GENERAL PURPOSE



ART_1001276574

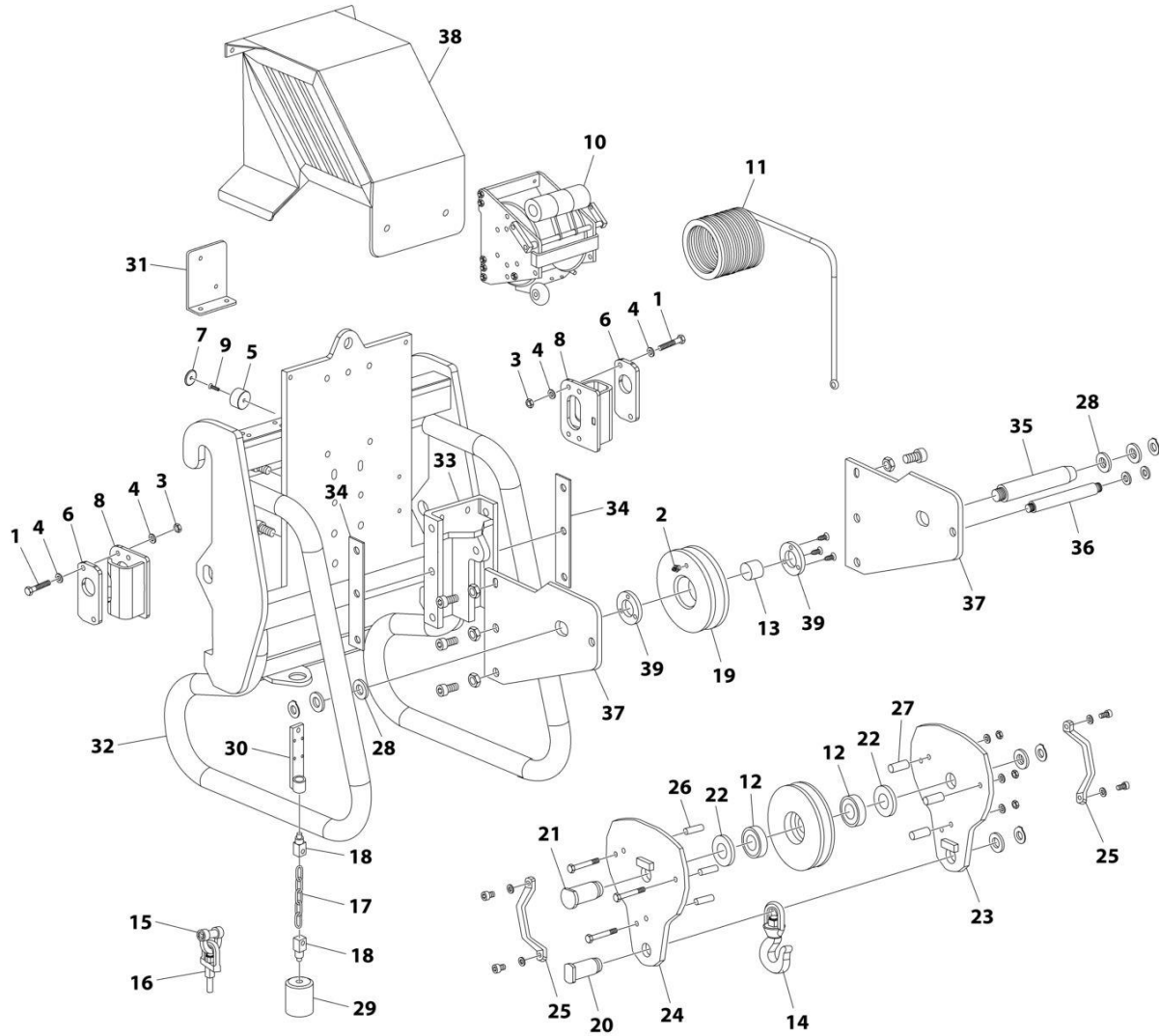
SECTION 3 - ATTACHMENTS

FIGURE 3-1. BUCKET ASSEMBLY - GENERAL PURPOSE

ITEM	PART NUMBER	QTY	DESCRIPTION	REV
	1001276574	Ref	BUCKET ASSEMBLY - GENERAL PURPOSE	B
1	0700810	3	Bolt M8 x 20	
2	0701012	6	Bolt M10 x 25	
3	0701619	4	Bolt M16 x 55	
4	3290805	3	Nut, Lock M8	
5	3291605	4	Nut, Lock M16	
6	4811902	3	Washer M8	
7	4812000	6	Washer M10	
8	4812300	4	Washer M16	
9	1001276553	2	Spring	
10	1001277530	1	Cover, Blade	
11	1001277531	1	Bucket	
12	1001277532	1	Bracket	
13	1001277533	1	Bracket	
14	1001277534	1	Bracket	
15	1001277552	1	Bracket	
16	1001277553	1	Plate, Blade	
17	1001277554	2	Support	
19	1001283857	6	Capscrew M12 x 55	
20	1001283858	8	Capscrew M14 x 50	
21	1001283859	8	Nut M14	

SECTION 3 - ATTACHMENTS

FIGURE 3-2. CARRIAGE WINCH ASSEMBLY



ART_1001284250

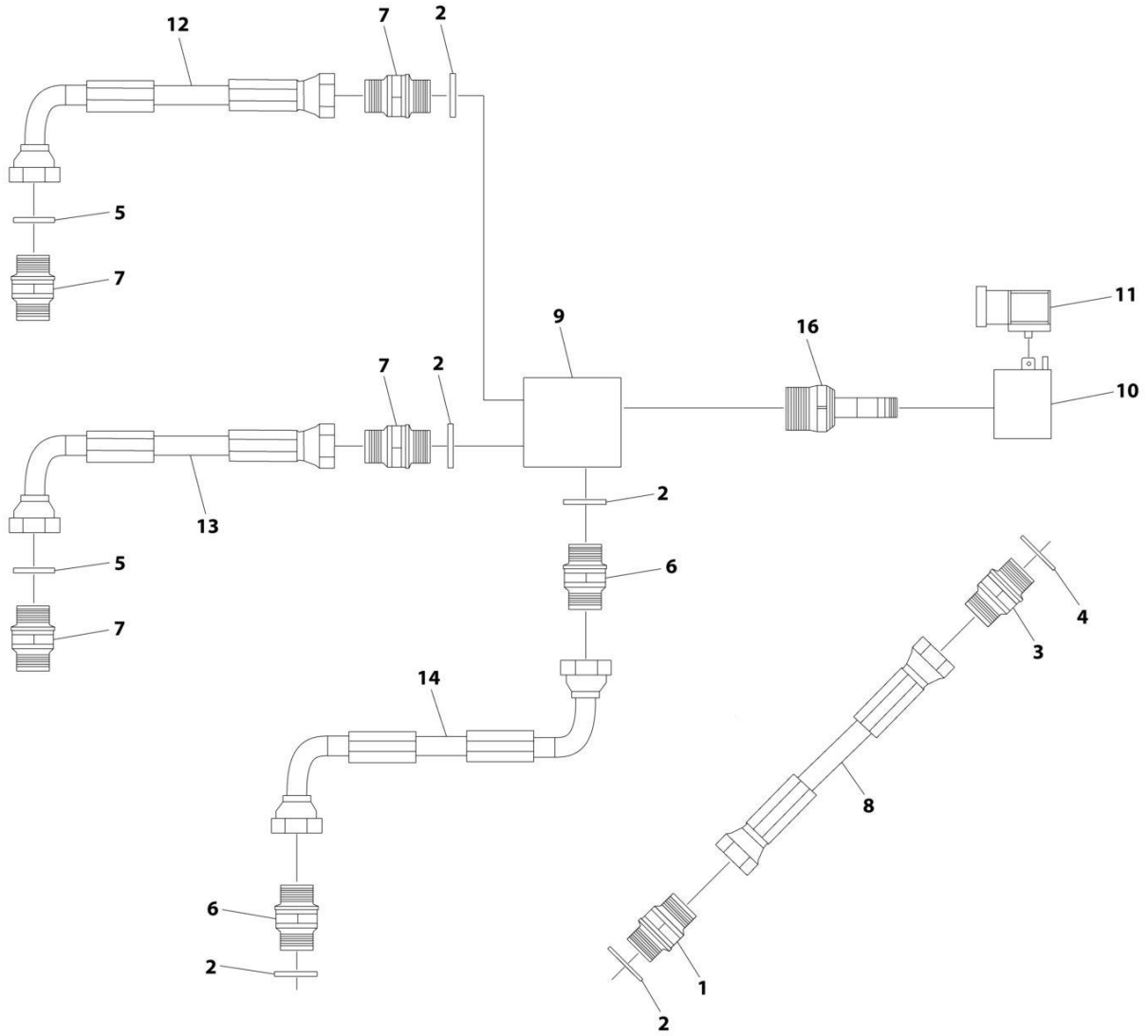
SECTION 3 - ATTACHMENTS

FIGURE 3-2. CARRIAGE WINCH ASSEMBLY

ITEM	PART NUMBER	QTY	DESCRIPTION	REV
	1001284250	Ref	CARRIAGE WINCH ASSEMBLY	B
1	0701218	4	Bolt M12 x 50	
2	2160016	1	Fitting, Grease	
3	3291205	4	Nut M12	
4	4812100	8	Washer M12	
5	1001275288	1	Spacer	
6	1001275346	2	Plate	
7	1001277444	1	Decal - Attachment ID	
8	1001277535	2	Bracket	
9	1001283694	1	Bolt M5 x 25	
10	1001284212	1	Winch Assembly (See Separate Breakdown in this Section)	
11	1001284213	1	Cable	
12	1001284214	2	Bearing	
13	1001284215	1	Bushing	
14	1001284216	1	Hook	
15	1001284217	1	Clevis	
16	1001284218	1	Link	
17	1001284219	1	Chain	
18	1001284220	2	Clevis	
19	1001284221	1	Sheave	
20	1001284223	1	Pin	
21	1001284224	1	Pin	
22	1001284225	2	Washer	
23	1001284226	1	Plate	
24	1001284227	1	Plate	
25	1001284228	2	Handle	
26	1001284229	3	Spacer	
27	1001284230	3	Spacer	
28	1001284231	2	Washer	
29	1001284232	1	Counterweight	
30	1001284233	1	Bracket	
31	1001284234	1	Bracket	
32	1001284235	1	Frame	
33	1001284236	1	Bracket	
34	1001284237	2	Shim	
35	1001284238	1	Pin	
36	1001284239	1	Rod, Tie	
37	1001284240	2	Plate	
38	1001284241	1	Cover	
39	1001284251	2	Spacer	

SECTION 3 - ATTACHMENTS

FIGURE 3-3. CARRIAGE WINCH HYDRAULICS ASSEMBLY



ART_1001284292

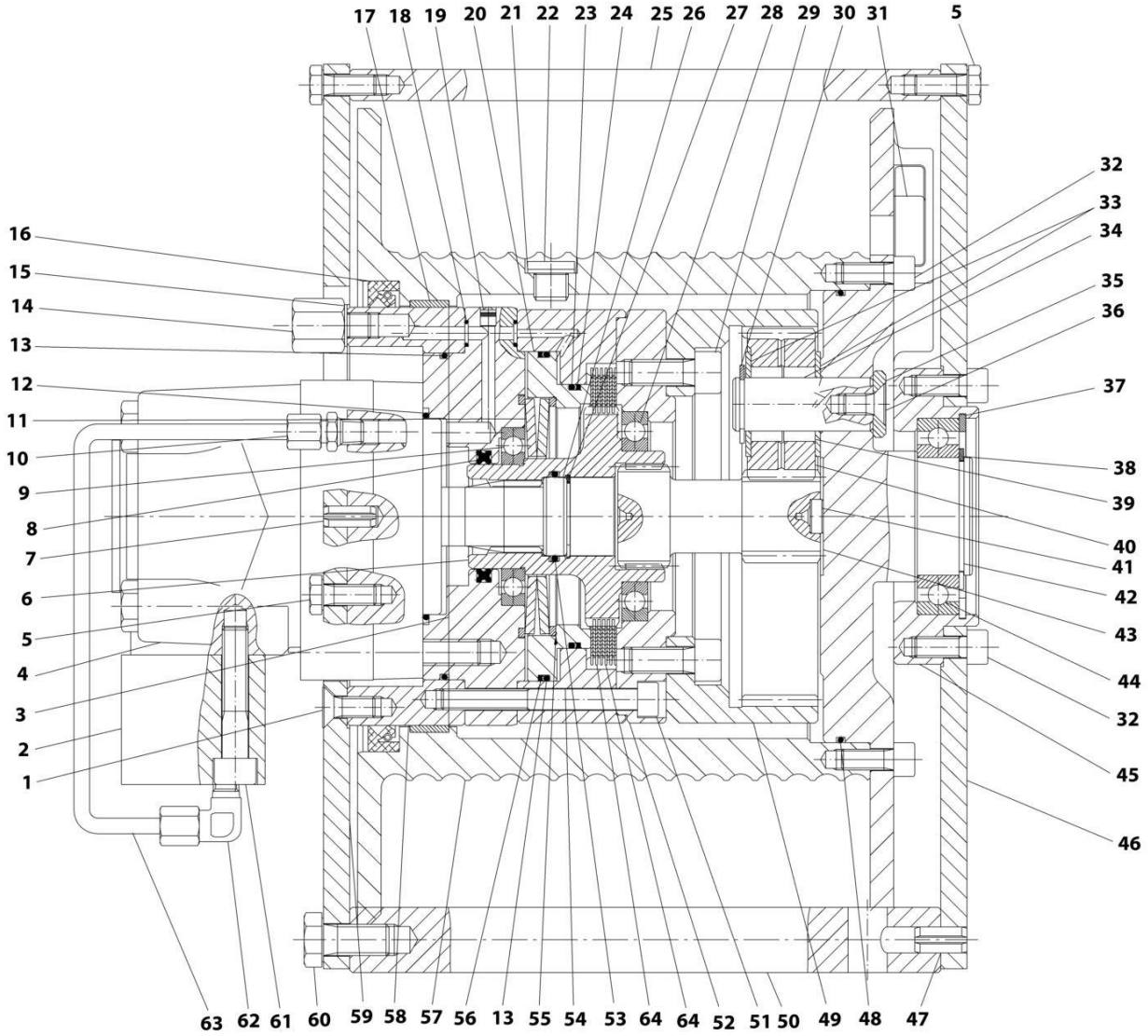
SECTION 3 - ATTACHMENTS

FIGURE 3-3. CARRIAGE WINCH HYDRAULICS ASSEMBLY

ITEM	PART NUMBER	QTY	DESCRIPTION	REV
	1001284292	Ref	CARRIAGE WINCH HYDRAULICS ASSEMBLY	D
1	1001277526	1	Fitting, Reducer	
2	1001278186	5	Washer	
3	1001279103	1	Fitting, Straight ORFS/ORB	
4	1001279105	1	Washer	
5	1001279277	2	Washer	
6	1001279323	2	Fitting, Straight ORFS/ORB	
7	1001279356	4	Fitting, Straight ORFS/ORB	
8	1001284242	1	Hose	
9	1001284243	1	Valve	
10	1001284244	1	Coil	
11	1001284245	1	Valve	
12	1001284246	1	Hose	
13	1001284247	1	Hose	
14	1001284248	2	Hose	
16	1001284252	1	Valve	

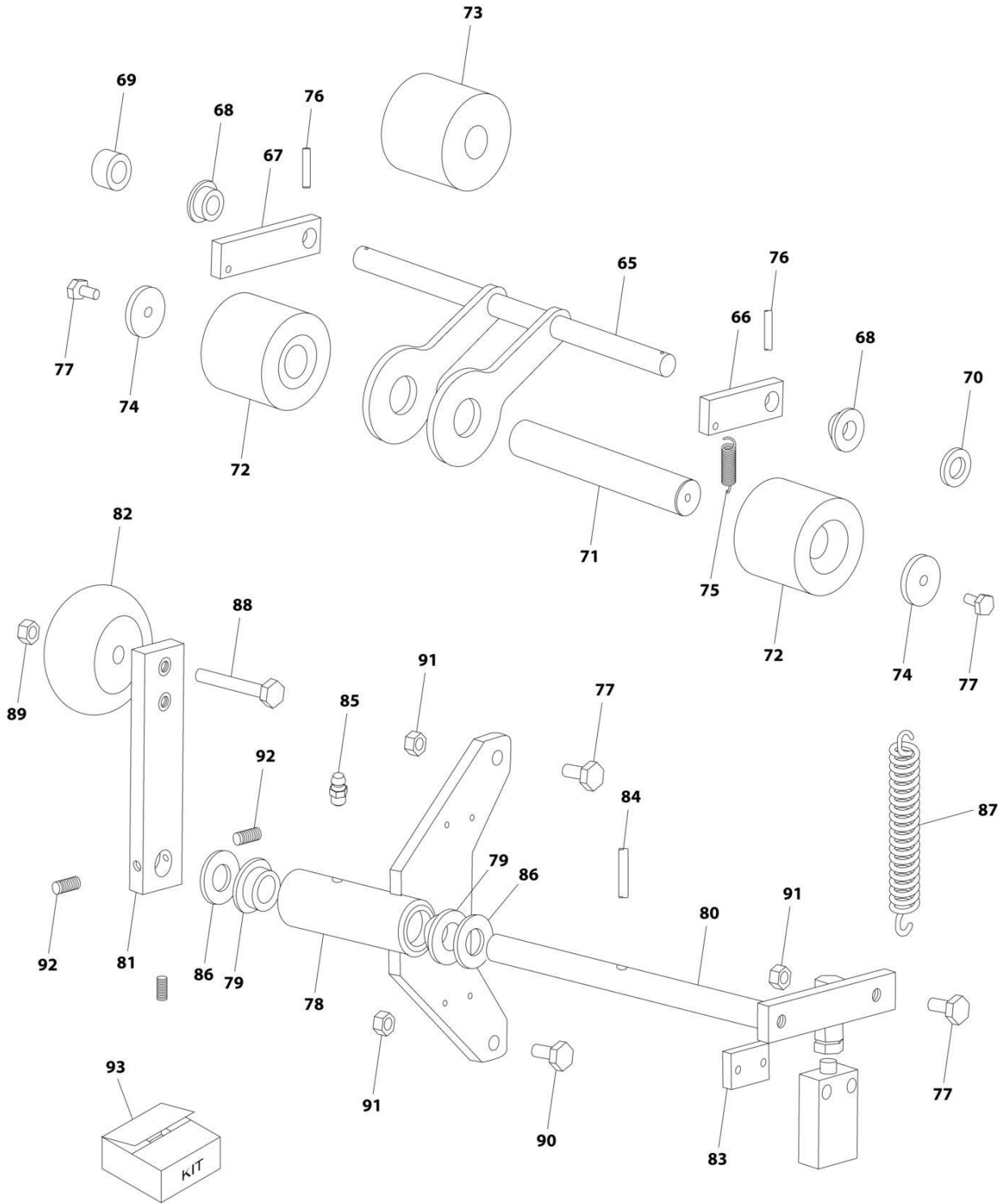
SECTION 3 - ATTACHMENTS

FIGURE 3-4. WINCH ASSEMBLY



ART_1001284212_10F2

SECTION 3 - ATTACHMENTS



ART_1001284212_2OF2

SECTION 3 - ATTACHMENTS

FIGURE 3-4. WINCH ASSEMBLY

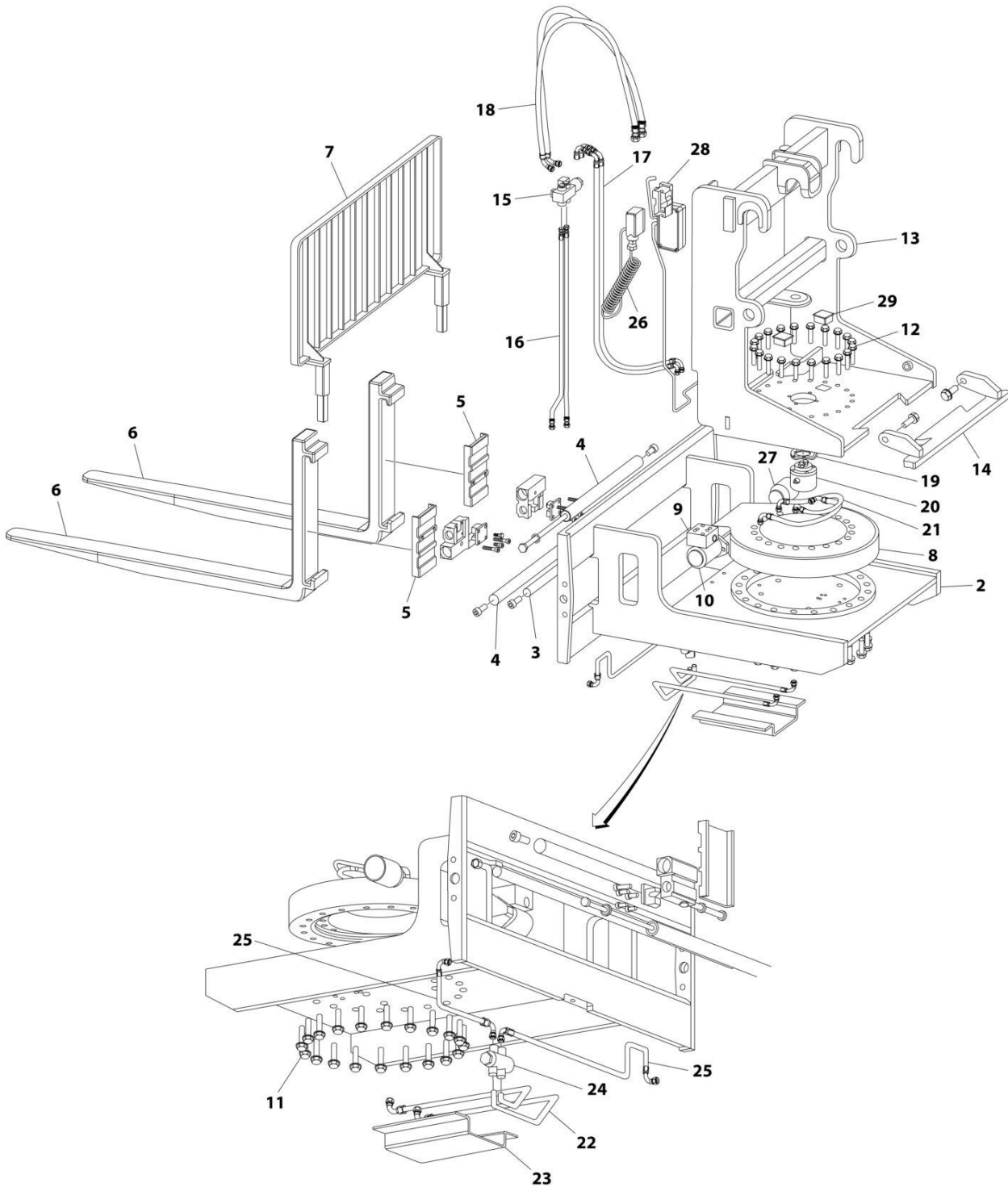
ITEM	PART NUMBER	QTY	DESCRIPTION	REV
	1001284212	Ref	WINCH ASSEMBLY	A
1	70030674	1	Bolt	
2	70030675	1	Valve	
3	70030676	1	Flange, Fastening	
4	70030677	1	Motor	
5	70030678	2	Bolt	
6	70030679	1	Gear	
7	70030680	1	Pin	
8	70030681	1	Ring	
9	70030682	1	Bearing	
10	70030683	1	Fitting	
11	70030684	1	Washer	
12	70030685	1	O-Ring	
13	70030686	2	O-Ring	
14	70030687	1	Post	
15	70030688	1	Washer	
16	70030689	1	Seal	
17	70030690	1	Ring	
18	70030691	1	O-Ring	
19	70030692	1	Plug	
20	70030693	1	Piston	
21	70030694	1	Washer	
22	70030695	1	Plug	
23	70030696	1	O-ring	
24	70030697	1	Ring	
25	70030698	1	Spacer	
26	70030699	1	Washer	
27	70030700	1	Circlip	
28	70030701	1	Bearing	
29	70030702	1	Bolt	
30	70030703	1	Circlip	
31	70030704	1	Thimble, Drop	
32	70030706	2	Bolt	
33	70030707	1	Washer	
34	70030708	1	Pin	
35	70030709	1	Washer	
36	70030710	1	Bolt	
37	70030711	1	Circlip	
38	70030712	1	Circlip	
39	70030713	1	Roller, Cylinder	
40	70030714	1	Satellite	
41	70030715	1	Shim	
42	70030716	1	Support	
43	70030717	1	Shaft	
44	70030718	1	Bearing	
45	70030720	1	Flange	
46	70030721	1	Support	
47	70030722	1	Pin	
48	70030723	1	O-Ring	
49	70030724	1	Reducer	

SECTION 3 - ATTACHMENTS

ITEM	PART NUMBER	QTY	DESCRIPTION	REV
50	70030725	1	Plate	
51	70030726	1	Bolt	
52	70030727	1	Ring	
53	70030728	1	O-Ring	
54	70030729	1	Support	
55	70030730	1	Ring	
56	70030732	1	Ring	
57	70030733	1	Drum	
58	70030734	1	Ring	
59	70030735	1	Support	
60	70030736	1	Bolt	
61	70030737	1	Bolt	
62	70030738	1	Fitting	
63	70030739	1	Pipe	
64	70030740	1	Brake Kit	
65	70030743	1	Lever	
66	70030744	1	Plate	
67	70030745	1	Plate	
68	70030746	2	Bushing	
69	70030747	1	Spacer	
70	70030748	1	Spacer	
71	70030749	1	Pin	
72	70030750	2	Roller	
73	70030751	1	Roller	
74	70030752	2	Washer	
75	70030753	2	Spring	
76	70030754	2	Pin	
77	70030755	5	Bolt (Note: Use PN 0700814)	
78	70030757	1	Support	
79	70030758	2	Washer	
80	70030759	1	Lever	
81	70030760	1	Support	
82	70030761	1	Wheel	
83	70030762	1	Plate	
84	70030763	1	Pin	
85	70030764	1	Fitting, Grease (Note: Use PN 1001283688)	
86	70030765	2	Washer	
87	70030766	1	Spring	
88	70030767	1	Bolt	
89	3291005	1	Nut M10	
90	0700816	1	Bolt M8 x 40	
91	3290805	4	Nut, Lock M8	
92	70030768	2	Pin	
93	70031476	1	Limit Switch Kit (Includes Items 77-92)	

SECTION 3 - ATTACHMENTS

FIGURE 3-5. DUAL FORK CARRIAGE ASSEMBLY - ROTATING



ART_1001276573

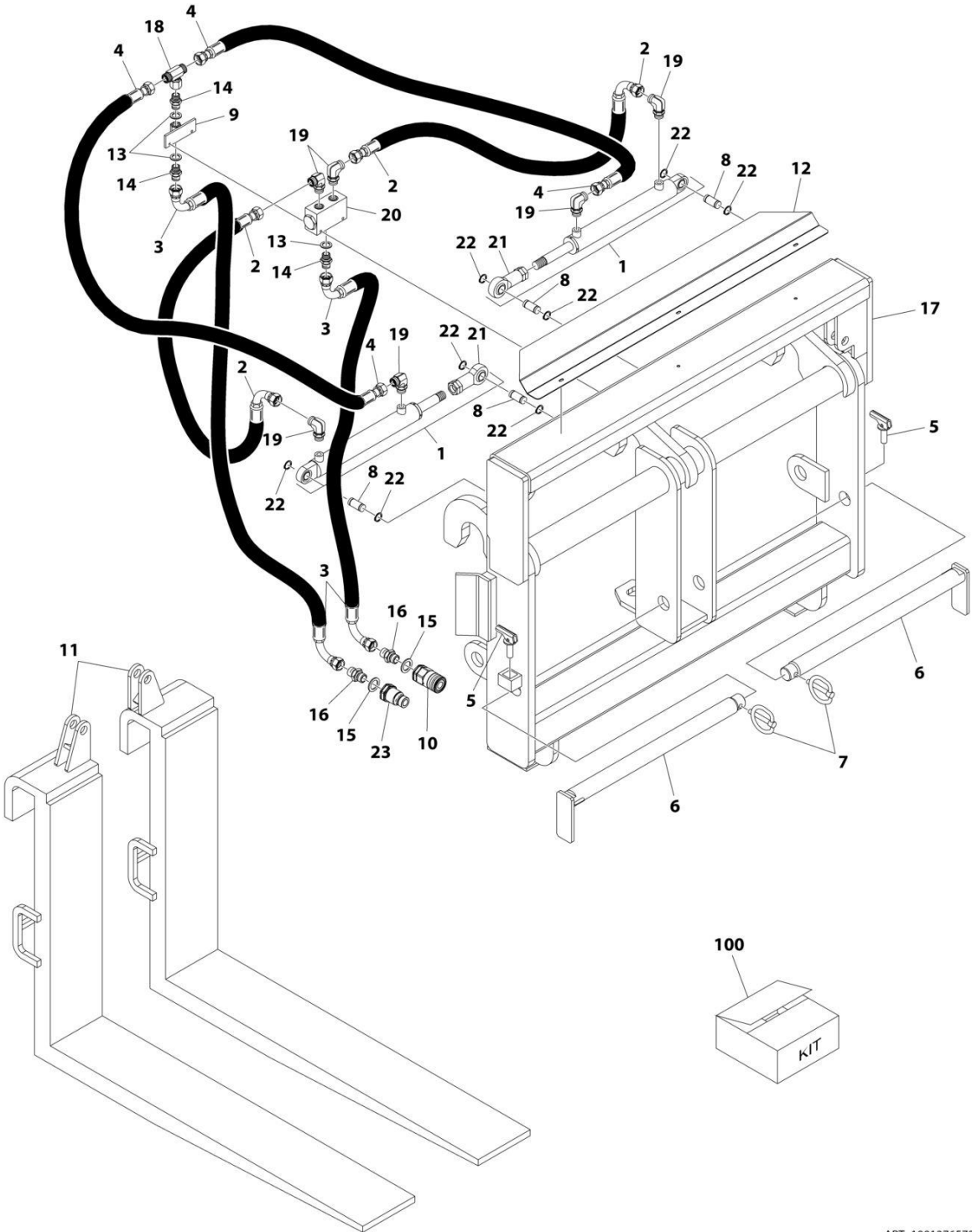
SECTION 3 - ATTACHMENTS

FIGURE 3-5. DUAL FORK CARRIAGE ASSEMBLY - ROTATING

ITEM	PART NUMBER	QTY	DESCRIPTION	REV
	1001276573	Ref	DUAL FORK CARRIAGE ASSEMBLY - ROTATING	B
1	1001283699	2	Decal - Operator's Manual (Not Shown)	
2	1001284102	1	Base	
3	1001284103	1	Bar, Guide	
4	1001284104	2	Carriage Rotating Cylinder Assembly	
5	1001284105	2	Support	
6	1001284106	1	Forks (Set Includes 2 Forks)	
	Note	Ref	Forks Rated Less Than The Attachment Or Machine's Capacity Decreases Capacity Of The Attachment Or Machine To That Of The Forks. Forks Rated More Than The Attachment Or Machine's Capacity Do Not Increase Attachment Or Machine's Capacity.	
	Note	Ref	Please Consult JLG Parts Department To Determine The Correct Forks Applicable To Your Specific Carriage Assembly and Application.	
7	1001284107	1	Guard	
8	1001284108	1	Bearing	
9	1001284109	1	Valve	
10	1001284110	1	Motor	
11	1001284111	1	Bearing Bottom Bolts Kit	
12	1001284112	1	Bearing Top Bolts Kit	
13	1001284113	1	Carriage	
14	1001284114	1	Bracket, Safety	
15	1001284115	1	Valve	
16	1001284116	1	Cylinders Hose Kit	
17	1001284117	1	Motor Hose Kit	
18	1001284118	1	Carriage Hose Kit	
19	1001284119	1	Rings Kit	
20	1001284120	1	Motor	
21	1001284121	1	Upper Grease Pipes Kit	
22	1001284122	1	Lower Grease Pipes Kit	
23	1001284123	1	Guard	
24	1001284124	1	Block	
25	1001284125	1	Grease Pipe Kit	
26	1001284126	1	Harness	
27	1001284127	1	Sensor, Potentiometer	
28	1001284128	1	Plug	
29	1001284129	2	Plug	

SECTION 3 - ATTACHMENTS

FIGURE 3-6. DUAL FORK CARRIAGE ASSEMBLY - SIDE SHIFT



ART_1001276572

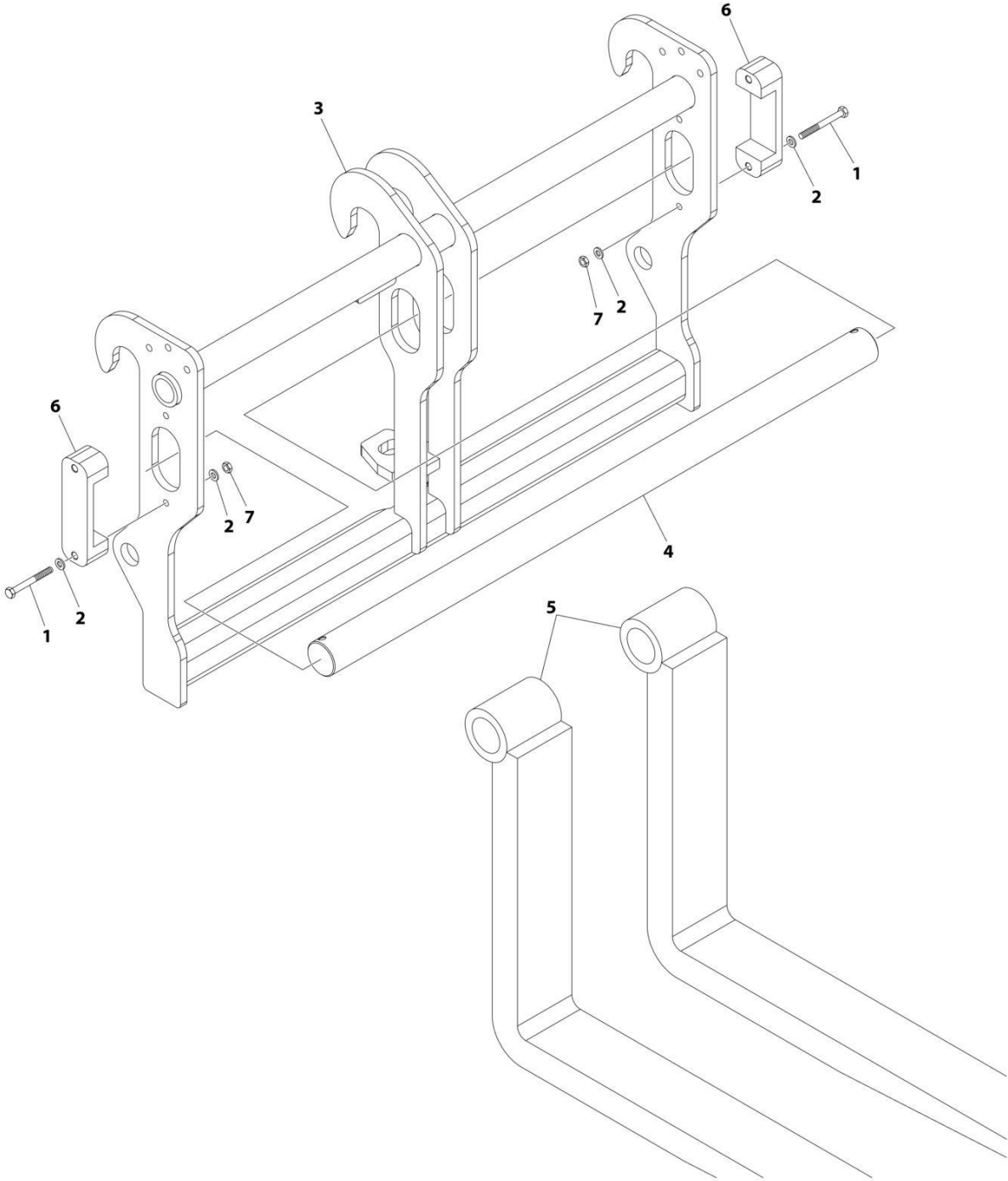
SECTION 3 - ATTACHMENTS

FIGURE 3-6. DUAL FORK CARRIAGE ASSEMBLY - SIDE SHIFT

ITEM	PART NUMBER	QTY	DESCRIPTION	REV
	1001276572	Ref	DUAL FORK CARRIAGE ASSEMBLY - SIDE SHIFT	B
1	1001275002	2	Side Shift Cylinder Assembly	
2	1001275025	2	Hose	
3	1001275026	2	Hose	
4	1001275027	2	Hose	
5	1001275054	2	Pin	
6	1001275055	2	Pin	
7	1001275082	2	Pin	
8	1001276495	4	Pin	
9	1001277541	1	Adapter	
10	1001277542	1	Coupling, Female Quick Disconnect	
11	1001277548	1	Forks (2.36x5.12x47.24) (Set Includes 2 Forks)	
	Note	Ref	Forks Rated Less Than The Attachment Or Machine's Capacity Decreases Capacity Of The Attachment Or Machine To That Of The Forks. Forks Rated More Than The Attachment Or Machine's Capacity Do Not Increase Attachment Or Machine's Capacity.	
	Note	Ref	Please Consult JLG Parts Department To Determine The Correct Forks Applicable To Your Specific Carriage Assembly and Application.	
12	1001277560	1	Cover	
13	1001278186	3	Washer	
14	1001279356	3	Fitting Straight FORB/ORB	
15	1001280480	2	Washer	
16	1001280492	2	Fitting Straight ORB/ORB	
17	1001283843	1	Carriage	
18	1001283844	1	Fitting Tee ORFS/ORFS/FSORFS	
19	1001283845	6	Fitting 90 ORFS/ORB	
20	1001283846	1	Valve	
21	1001283847	2	Rod	
22	1001283848	8	Ring, Retaining	
23	1001283849	1	Coupling, Male Quick Disconnect	
100	70030621	1	Seal Kit (For Use With Side Shift Cylinder)	

SECTION 3 - ATTACHMENTS

FIGURE 3-7. DUAL FORK CARRIAGE ASSEMBLY - STANDARD



ART_1001276571

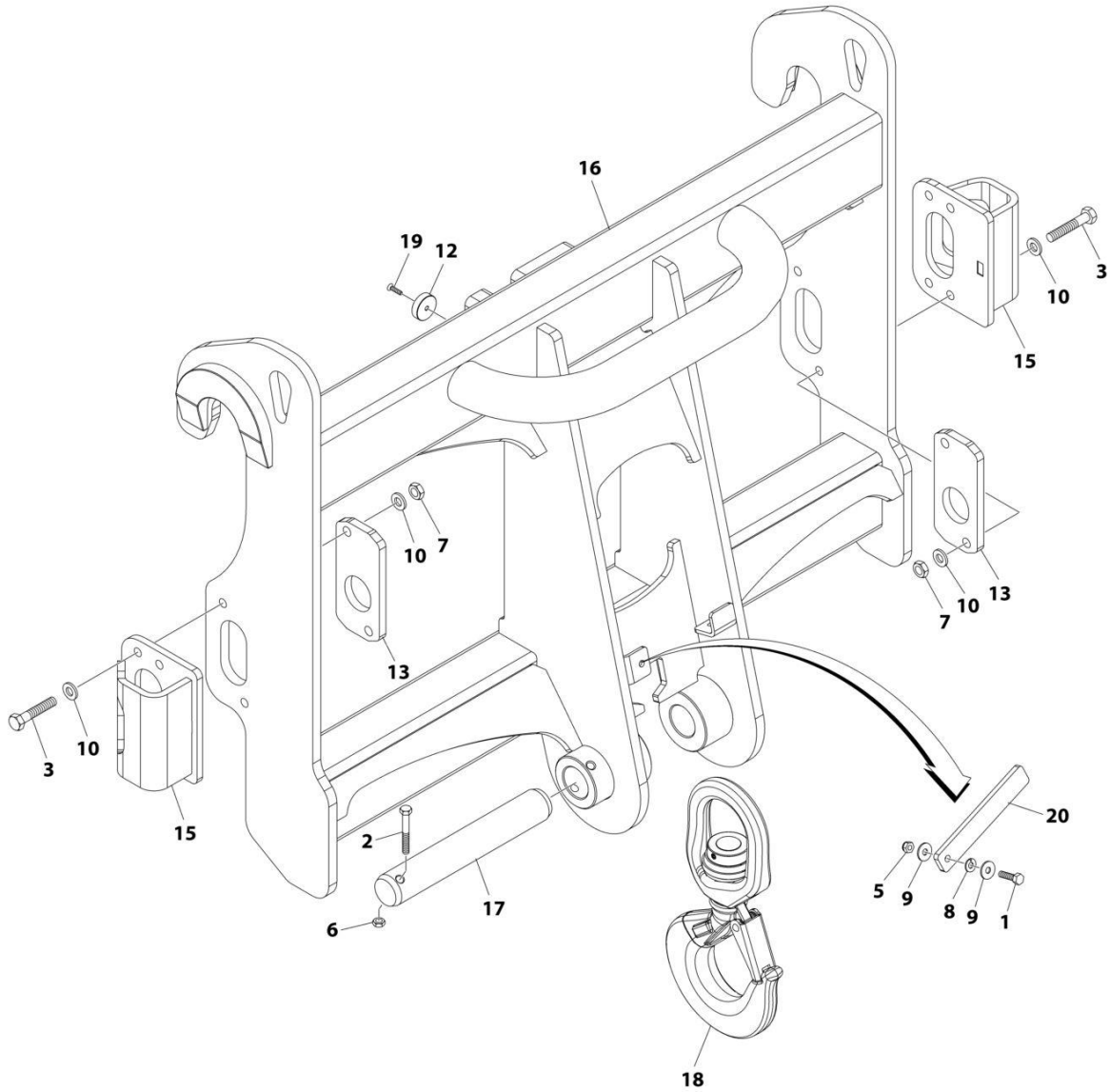
SECTION 3 - ATTACHMENTS

FIGURE 3-7. DUAL FORK CARRIAGE ASSEMBLY - STANDARD

ITEM	PART NUMBER	QTY	DESCRIPTION	REV
	1001276571	Ref	DUAL FORK CARRIAGE ASSEMBLY - STANDARD	C
1	0701024	4	Bolt M10 x 80	
2	4812000	8	Washer M10	
3	1001274729	1	Carriage	
4	1001275704	1	Pin	
5	1001277549	1	Forks (2.36x5.12x52.17) (Set Includes 2 Forks)	
	Note	Ref	Forks Rated Less Than The Attachment Or Machine's Capacity Decreases Capacity Of The Attachment Or Machine To That Of The Forks. Forks Rated More Than The Attachment Or Machine's Capacity Do Not Increase Attachment Or Machine's Capacity.	
	Note	Ref	Please Consult JLG Parts Department To Determine The Correct Forks Applicable To Your Specific Carriage Assembly and Application..	
6	1001277555	2	Support	
7	3291005001	4	Nut, Lock M10	

SECTION 3 - ATTACHMENTS

FIGURE 3-8. HOOK CARRIAGE ASSEMBLY



ART_1001276577

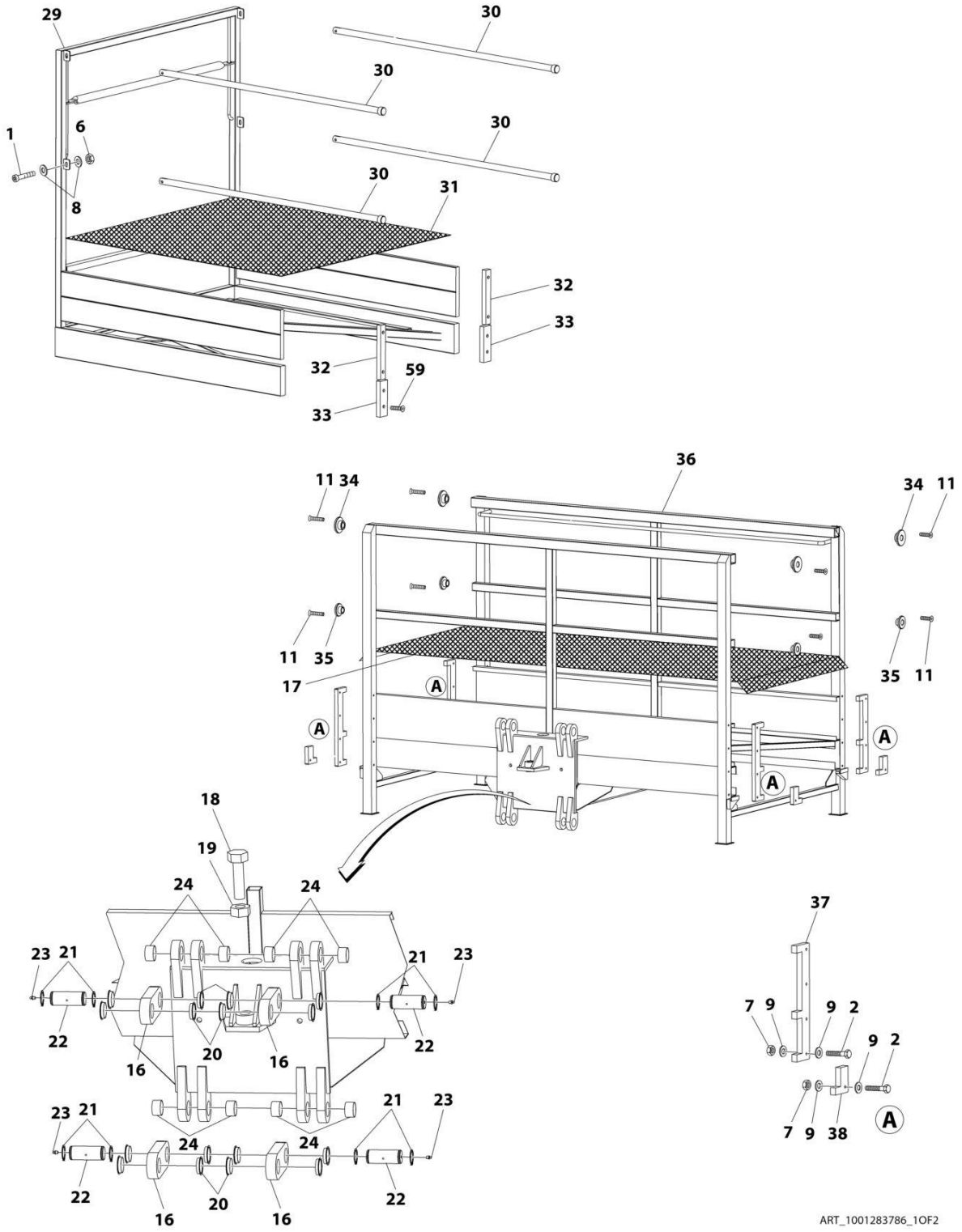
SECTION 3 - ATTACHMENTS

FIGURE 3-8. HOOK CARRIAGE ASSEMBLY

ITEM	PART NUMBER	QTY	DESCRIPTION	REV
	1001276577	Ref	HOOK CARRIAGE ASSEMBLY	B
1	0700814	1	Bolt M8 x 30	
2	0701026	1	Bolt M10 x 90	
3	0701218	4	Bolt M12 x 50	
5	3290805	1	Nut, Lock M8	
6	3291005	1	Nut, Lock M10	
7	3291205	4	Nut, Lock M12	
8	4811900	1	Washer M8	
9	4811902	2	Washer M8	
10	4812100	8	Washer M12	
12	1001275288	1	Spacer	
13	1001275346	2	Plate	
15	1001277535	2	Bracket	
16	1001277536	1	Carriage	
17	1001277544	1	Pin	
18	1001277551	1	Hook	
19	1001283694	1	Bolt M5 x 25	
20	1001284134	1	Plate	

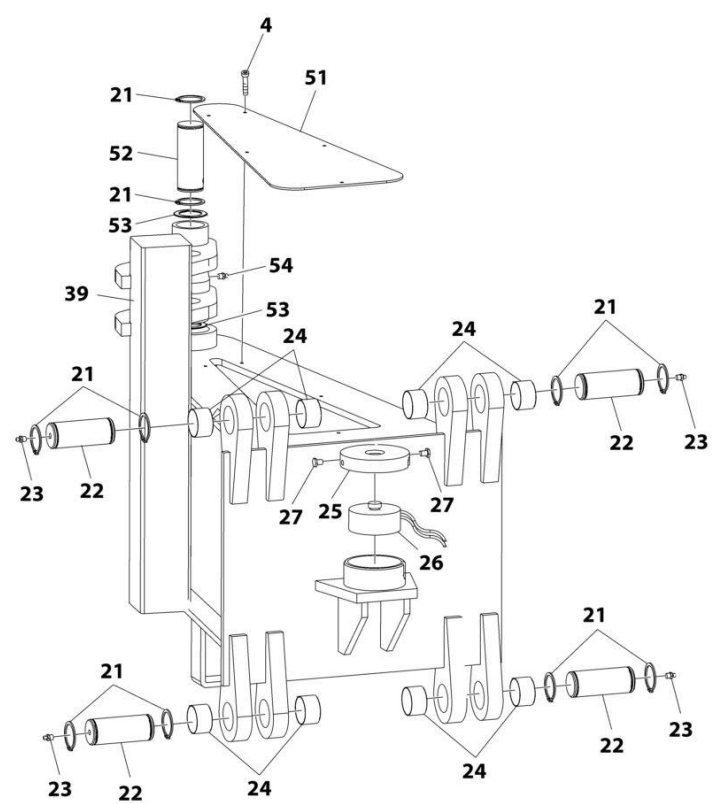
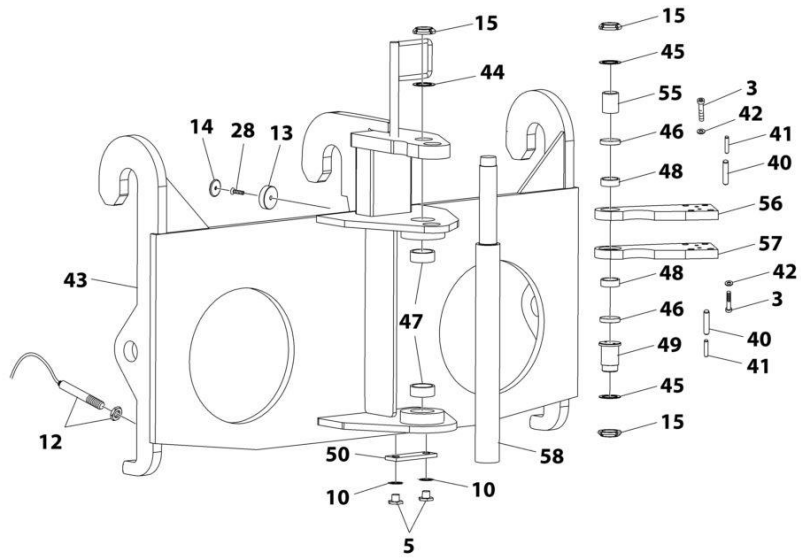
SECTION 3 - ATTACHMENTS

FIGURE 3-9. PLATFORM ASSEMBLY - EXTENDABLE



ART_1001283786_10F2

SECTION 3 - ATTACHMENTS



ART_1001283786_2OF2

SECTION 3 - ATTACHMENTS

FIGURE 3-9. PLATFORM ASSEMBLY - EXTENDABLE

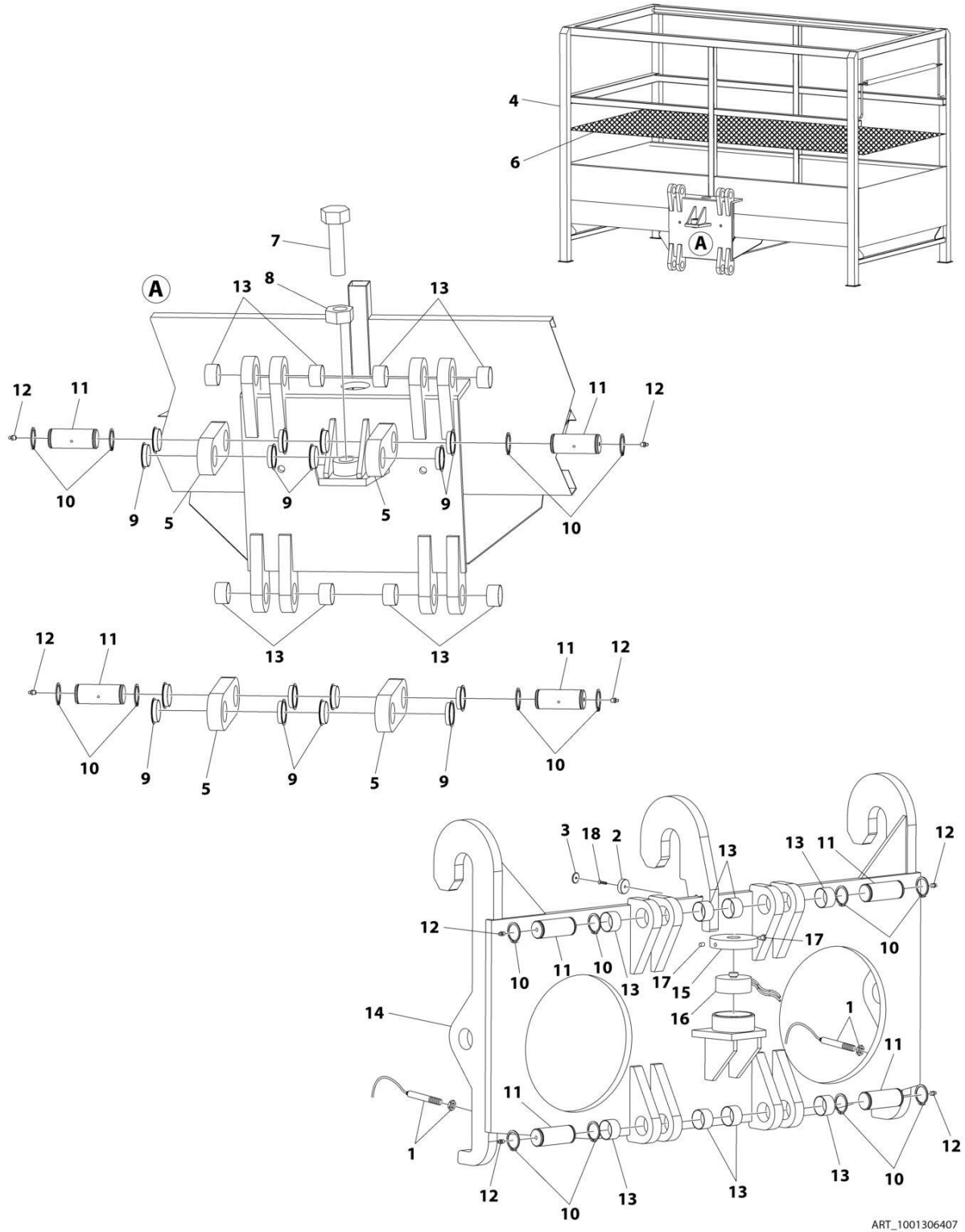
ITEM	PART NUMBER	QTY	DESCRIPTION	REV
	1001283786	Ref	PLATFORM ASSEMBLY	C
1	0700614	4	Bolt M6 x 30	
2	0700826	2	Bolt M8 x 90	
3	0701417	2	Bolt M14 x 45	
4	0760608	5	Bolt M6 x 16	
5	0761614	2	Bolt M16 x 30	
6	3290605	4	Nut, Lock M6	
7	3290805	2	Nut, Lock M8	
8	4811702	8	Washer M6	
9	4811900	4	Washer M8	
10	4832300	2	Washer, Lock M16	
11	1001286956	8	Capscrew M6 x 20	
12	1001274748	1	Sensor	
13	1001275288	1	Spacer	
14	1001277444	1	Decal - Attachment ID	
15	1001278729	3	Nut, Ring	
16	1001283681	4	Plate, Hinge	
17	1001283682	1	Plate, Floor	
18	1001283683	1	Bolt M30 x 120	
19	1001283684	1	Nut M30	
20	1001283685	16	Bushing	
21	1001283686	18	Ring, Retaining	
22	1001283687	8	Pin	
23	1001283688	8	Fitting, Grease	
24	1001283689	16	Bushing	
25	1001283691	1	Cover	
26	1001283692	1	Sensor, Load Cell	
27	1001283693	2	Pin	
28	1001283694	1	Bolt M5 x 25	
29	1001283788	1	Extension, Platform	
30	1001283789	4	Rail	
31	1001283790	1	Plate, Platform Extension Floor	
32	1001283791	2	Plate	
33	1001283792	2	Plate	
34	1001283793	4	Bushing	
35	1001283794	4	Bushing	
36	1001283795	1	Platform	
37	1001283796	4	Plate	
38	1001283797	4	Shim	
39	1001283798	1	Plate	
40	1001283799	2	Pin	
41	1001283800	2	Pin	
42	1001283801	2	Washer, Lock	
43	1001283802	1	Coupling	
44	1001283803	1	Bushing	
45	1001283804	2	Washer	
46	1001283806	2	Bushing	
47	1001283807	2	Bushing	
48	1001283808	2	Bushing	
49	1001283809	1	Pin	

SECTION 3 - ATTACHMENTS

ITEM	PART NUMBER	QTY	DESCRIPTION	REV
50	1001283810	1	Plate	
51	1001283813	1	Plate	
52	1001283814	1	Pin	
53	1001283815	2	Bushing	
54	1001283816	1	Fitting, Grease	
55	1001283817	1	Pin	
56	1001283818	1	Plate	
57	1001283819	1	Plate	
58	1001283820	1	Pin	
59	1001286960	4	Capscrew M6 x 30	

SECTION 3 - ATTACHMENTS

FIGURE 3-10. PLATFORM ASSEMBLY - STANDARD



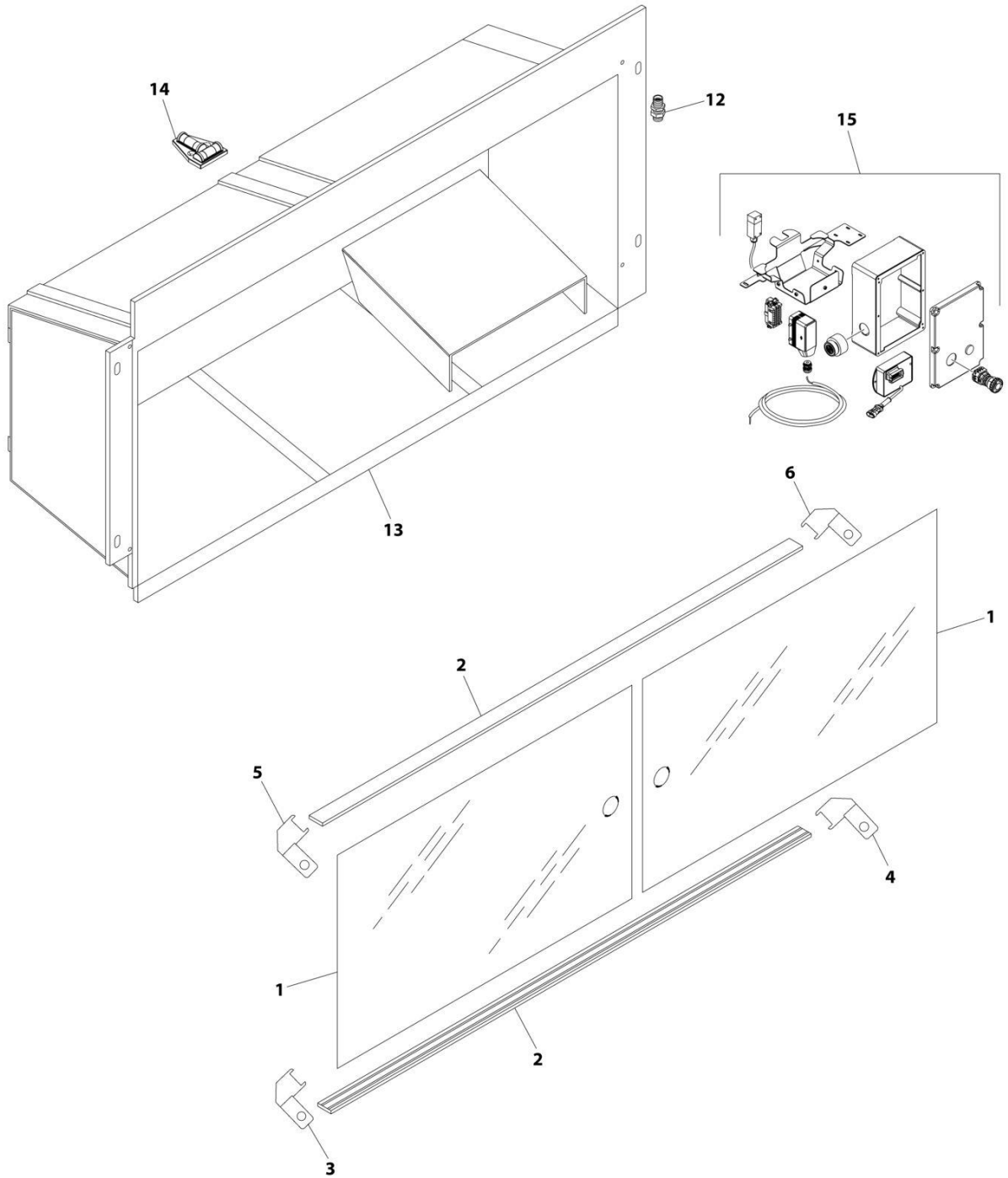
SECTION 3 - ATTACHMENTS

FIGURE 3-10. PLATFORM ASSEMBLY - STANDARD

ITEM	PART NUMBER	QTY	DESCRIPTION	REV
	1001306407	Ref	PLATFORM ASSEMBLY	A
1	1001274748	2	Sensor	
2	1001275288	1	Spacer	
3	1001277444	1	Decal - Attachment ID	
4	1001283680	1	Platform	
5	1001283681	4	Plate, Hinge	
6	1001283682	1	Plate, Floor	
7	1001283683	1	Bolt M30 x 120	
8	1001283684	1	Nut M30	
9	1001283685	16	Bushing	
10	1001283686	16	Ring, Retaining	
11	1001283687	8	Pin	
12	1001283688	8	Fitting, Grease	
13	1001283689	16	Bushing	
14	1001306867	1	Coupling	
15	1001283691	1	Cover	
16	1001283692	1	Sensor, Load Cell	
17	1001283693	2	Pin	
18	1001283694	1	Bolt, M5 x 25	

SECTION 3 - ATTACHMENTS

FIGURE 3-11. PLATFORM CONTROLS ENCLOSURE



ART_1001283679

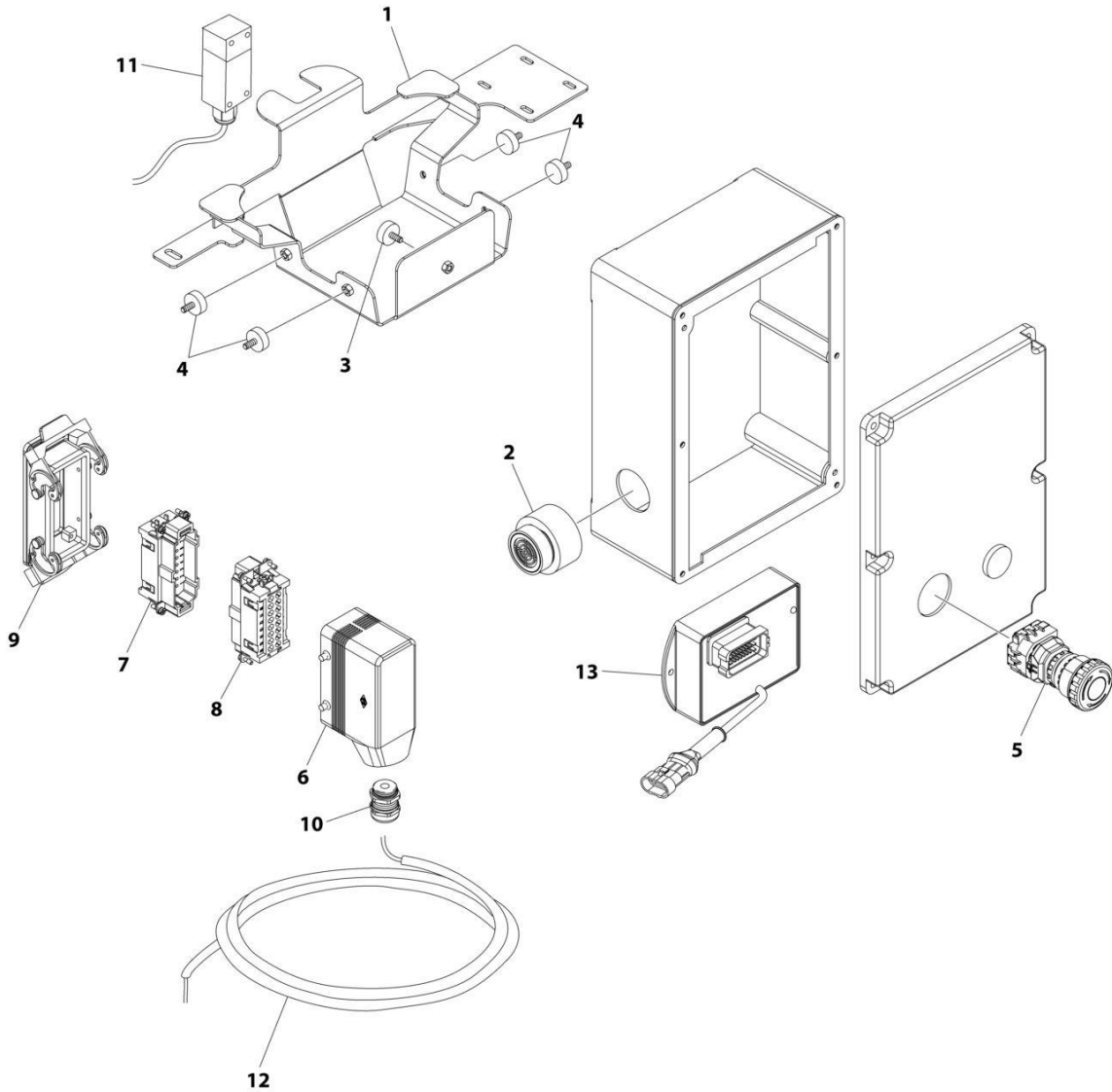
SECTION 3 - ATTACHMENTS

FIGURE 3-11. PLATFORM CONTROLS ENCLOSURE

ITEM	PART NUMBER	QTY	DESCRIPTION	REV
	1001283679	Ref	PLATFORM CONTROLS ENCLOSURE	A
1	1001277546	2	Glass	
2	1001277547	2	Guide, Glass	
3	1001277556	1	Bracket	
4	1001277557	1	Bracket	
5	1001277558	1	Bracket	
6	1001277559	1	Bracket	
12	1001283700	1	Fitting, Bulkhead	
13	1001283701	1	Enclosure	
14	1001283702	1	Level	
15	1001283703	1	Platform Control Box Assembly (See Separate Breakdown in this Section)	

SECTION 3 - ATTACHMENTS

FIGURE 3-12. PLATFORM CONTROL BOX ASSEMBLY



ART_1001283703

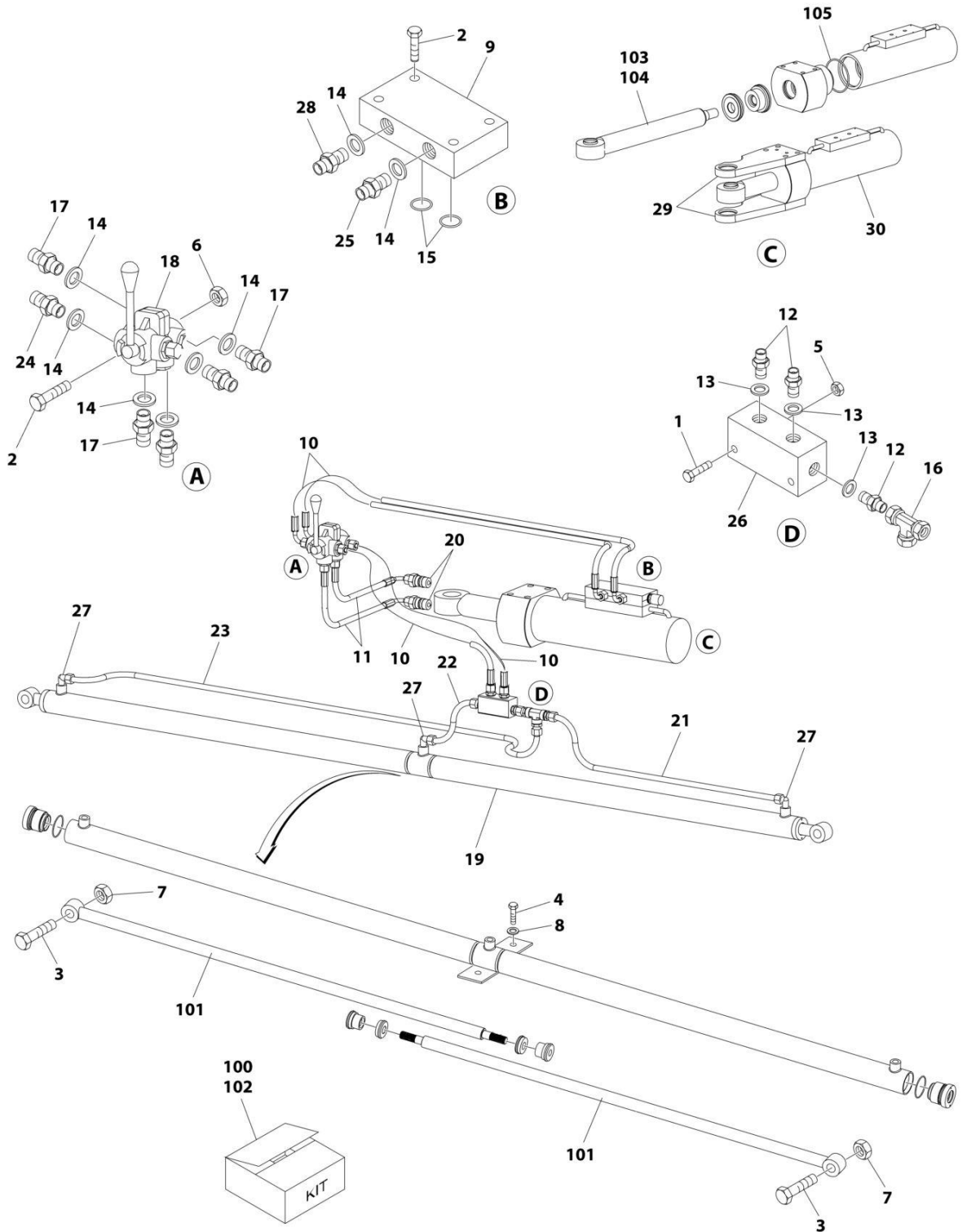
SECTION 3 - ATTACHMENTS

FIGURE 3-12. PLATFORM CONTROL BOX ASSEMBLY

ITEM	PART NUMBER	QTY	DESCRIPTION	REV
	1001283703	Ref	PLATFORM CONTROL BOX ASSEMBLY	A
1	1001274722	1	Bracket	
2	1001274754	1	Switch	
3	1001275080	1	Mount	
4	1001275081	4	Mount	
5	1001278478	1	Switch, Emergency Stop	
6	1001278671	1	Housing, Plug	
7	1001278672	1	Connector, Female	
8	1001278673	1	Connector, Male	
9	1001283209	1	Housing, Receptacle	
10	1001283704	1	Grommet	
11	1001283705	1	Sensor	
12	1001283706	1	Harness, Platform Control Box	
13	1001283707	1	Module, Control	

SECTION 3 - ATTACHMENTS

FIGURE 3-13. PLATFORM HYDRAULICS ASSEMBLY



ART_1001283787

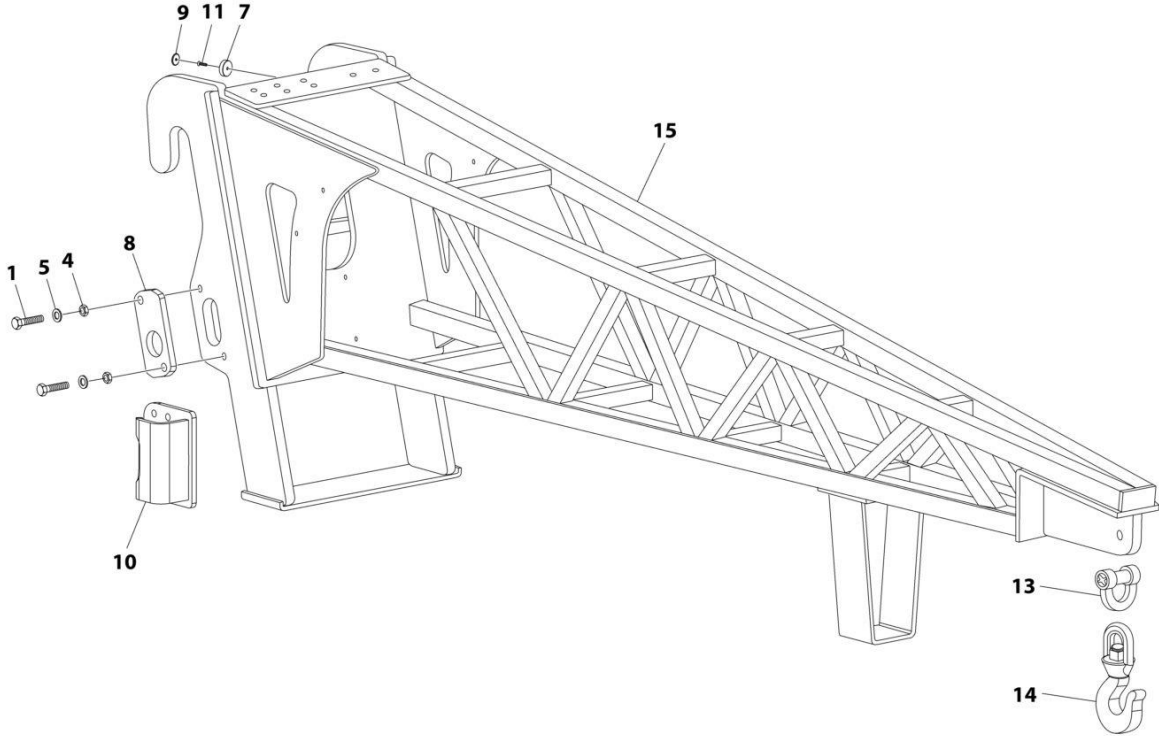
SECTION 3 - ATTACHMENTS

FIGURE 3-13. PLATFORM HYDRAULICS ASSEMBLY

ITEM	PART NUMBER	QTY	DESCRIPTION	REV
	1001283787	Ref	PLATFORM HYDRAULICS ASSEMBLY	A
1	0700618	2	Bolt M6 x 50	
2	0700816	5	Bolt M8 x 40	
3	0712024	2	Bolt M20 x 80	
4	0761010	2	Bolt M10 x 20	
5	3290605	1	Nut, Lock M6	
6	3290805	1	Nut, Lock M8	
7	3332015	2	Nut, Lock M20	
8	4832000	2	Washer, Lock M10	
9	1001274774	1	Valve	
10	1001275017	4	Hose	
11	1001275018	2	Hose	
12	1001279103	3	Fitting Straight ORFS/ORB	
13	1001279105	3	Washer	
14	1001279277	8	Washer	
15	1001279278	2	O-Ring	
16	1001279330	1	Fitting Tee FORB/FORB/FORB	
17	1001280493	5	Fitting Straight ORB/ORB	
18	1001283821	1	Valve	
19	1001283822	1	Platform Extension Cylinder Assembly (Note:Does Not Include Items 3, 4, 7, or 8) (Includes Item 101)	
20	1001283823	2	Coupling, Quick Disconnect	
21	1001283824	1	Pipe	
22	1001283825	1	Pipe	
23	1001283826	1	Pipe	
24	1001283827	1	Fitting Straight ORB/ORB	
25	1001283828	1	Fitting Straight ORB/ORB	
26	1001283829	1	Manifold	
27	1001283830	3	Fitting 90 FSORFS/ORB	
28	1001283831	1	Fitting Straight ORB/ORB	
29	1001283833	2	Plate	
30	1001283834	1	Platform Leveling Cylinder (Includes Items 103-105)	
100	70030557	1	Seal Kit (For Use With Platform Extension Cylinder)	
101	70030558	2	Rod	
102	70030559	1	Seal Kit (For Use With Platform Leveling Cylinder)	
103	70030560	1	Rod	
104	70030561	1	Eyebolt	
105	70030562	1	Seal	

SECTION 3 - ATTACHMENTS

FIGURE 3-14. TRUSS BOOM ASSEMBLY - WITH HOOK



ART_1001276575

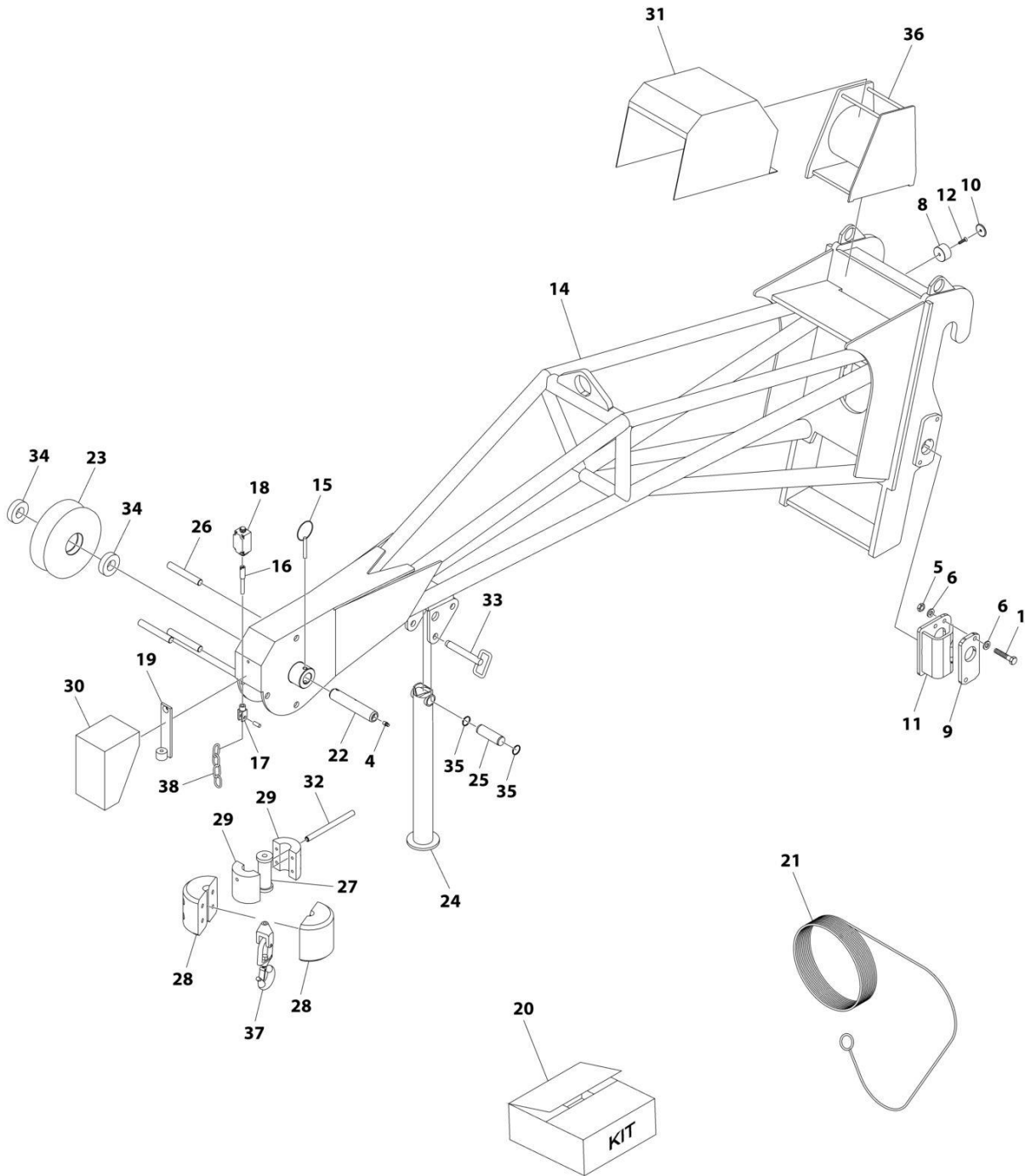
SECTION 3 - ATTACHMENTS

FIGURE 3-14. TRUSS BOOM ASSEMBLY - WITH HOOK

ITEM	PART NUMBER	QTY	DESCRIPTION	REV
	1001276575	Ref	TRUSS BOOM ASSEMBLY - WITH HOOK	B
1	0701218	4	Bolt M12 x 50	
2	1706301	1	Decal - Moving Parts (Not Shown)	
3	1706850	1	Decal - Crush Hazard (Not Shown)	
4	3291205	4	Nut, Lock M12	
5	4812100	4	Washer M12	
6	1001207217	1	Decal - Swing Danger (Not Shown)	
7	1001275288	1	Spacer	
8	1001275346	2	Plate	
9	1001277444	1	Decal - Attachment ID	
10	1001277535	2	Bracket	
11	1001283694	1	Bolt M5 x 25	
12	1001284130	1	Decal - Personnel Warning (Not Shown)	
13	1001284135	1	Clevis	
14	1001284136	1	Hook	
15	1001284137	1	Boom	
16	1001284980	3	Decal - Lifting Point (Not Shown)	
17	1001284983	1	Decal - Dragging Warning (Not Shown)	

SECTION 3 - ATTACHMENTS

FIGURE 3-15. TRUSS BOOM ASSEMBLY - WITH WINCH



ART_1001276576

SECTION 3 - ATTACHMENTS

FIGURE 3-15. TRUSS BOOM ASSEMBLY - WITH WINCH

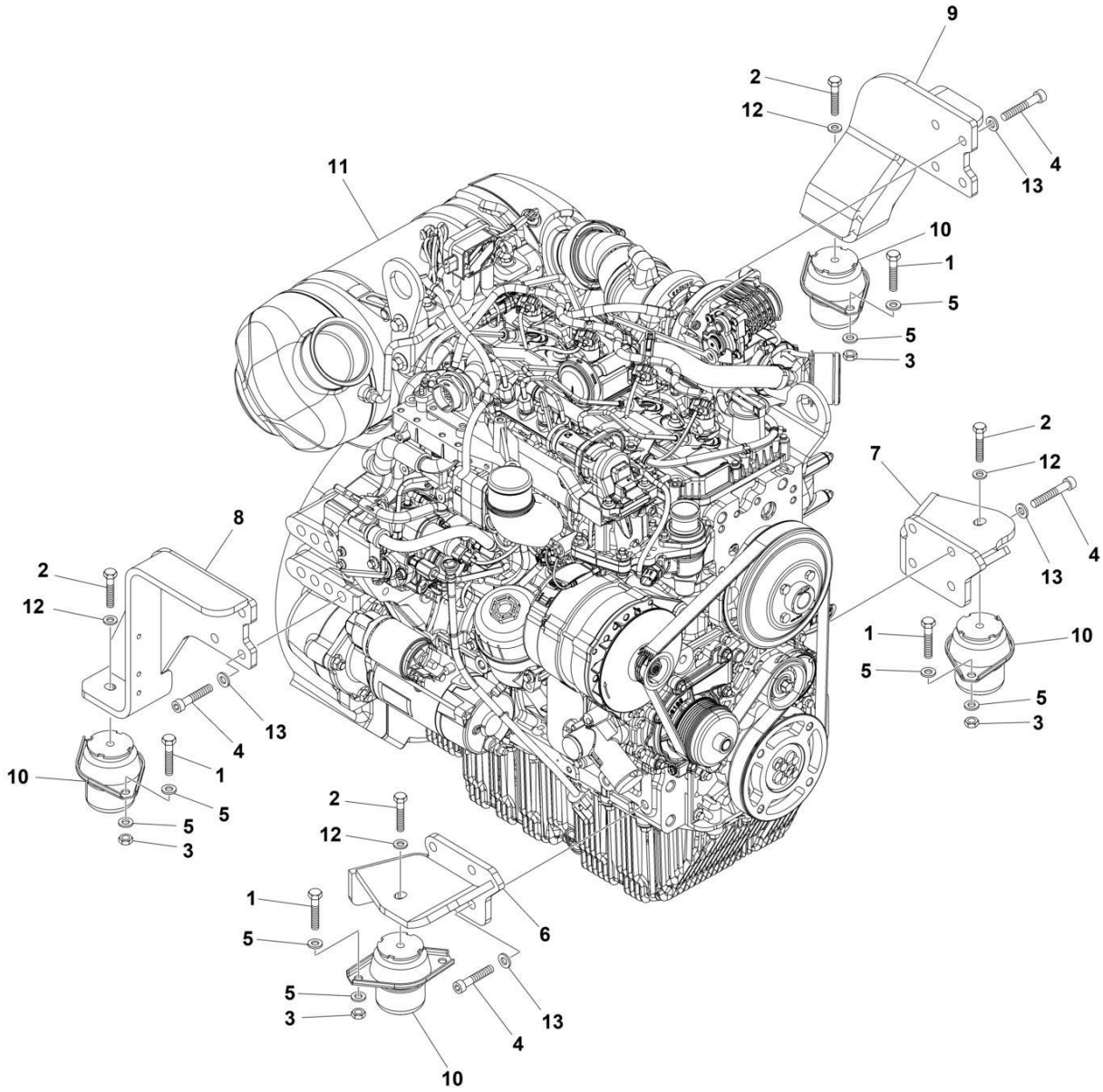
ITEM	PART NUMBER	QTY	DESCRIPTION	REV
	1001276576	Ref	TRUSS BOOM ASSEMBLY - WITH WINCH	E
1	0701218	4	Bolt M12 x 50	
2	1706301	2	Decal - Moving Parts (Not Shown)	
3	1706850	1	Decal - Crush Hazard (Not Shown)	
4	2160016	1	Fitting, Grease	
5	3291205	4	Nut M12	
6	4812100	8	Washer M12	
7	1001207217	1	Decal - Swing Danger (Not Shown)	
8	1001275288	1	Spacer	
9	1001275346	2	Plate	
10	1001277444	1	Decal - Attachment ID	
11	1001277535	2	Bracket	
12	1001283694	1	Screw M5 x 25	
13	1001284130	1	Decal - Personnel Warning (Not Shown)	
14	1001284187	1	Boom	
15	1001284188	1	Pin	
16	1001284189	1	Rod	
17	1001284190	1	Yoke	
18	1001284191	1	Sensor	
19	1001284192	1	Bracket	
20	1001284193	1	Kit, Hardware	
21	1001284194	1	Cable	
22	1001284195	1	Pin	
23	1001284196	1	Sheave	
24	1001284197	1	Leg, Support	
25	1001284198	1	Pin	
26	1001284199	3	Pin	
27	1001284200	1	Guide, Cable	
28	1001284201	1	Counterweight	
29	1001284202	1	Counterweight	
30	1001284203	1	Cover	
31	1001284204	1	Cover	
32	1001284205	1	Pin	
33	1001284206	1	Pin	
34	1001284207	2	Bearing	
35	1001284208	2	Ring, Retaining	
36	1001284209	1	Winch	
37	1001284210	1	Hook	
38	1001284211	1	Chain	
39	1001284980	3	Decal - Lifting Point (Not Shown)	
40	1001284983	2	Decal - Dragging Warning (Not Shown)	

SECTION 4 - ENGINE AND ATTACHING PARTS

SECTION 4 - ENGINE AND ATTACHING PARTS

SECTION 4 - ENGINE AND ATTACHING PARTS

FIGURE 4-1. ENGINE MOUNTS INSTALLATION



ART_1001278075

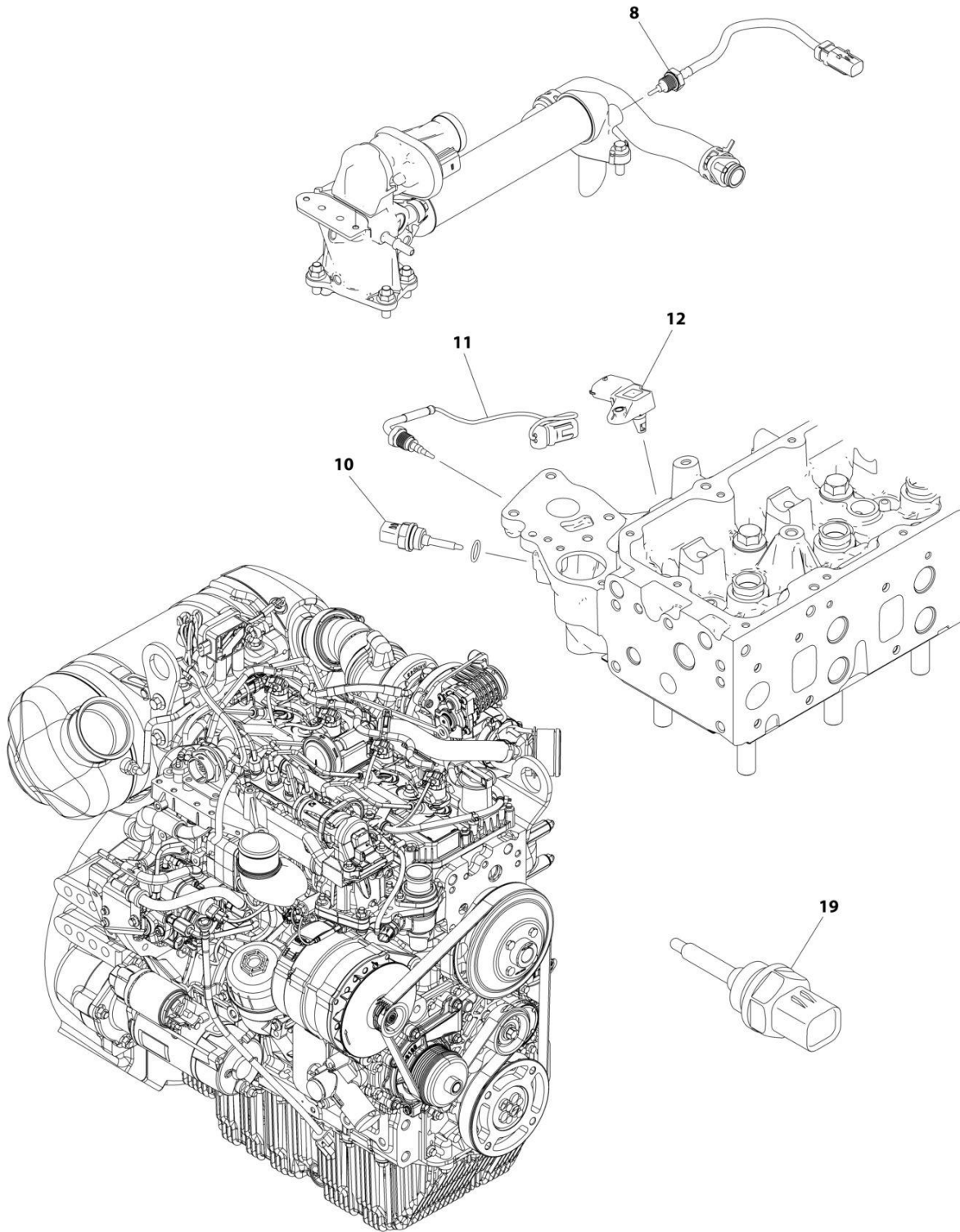
SECTION 4 - ENGINE AND ATTACHING PARTS

FIGURE 4-1. ENGINE MOUNTS INSTALLATION

ITEM	PART NUMBER	QTY	DESCRIPTION	REV
	1001278075	Ref	ENGINE MOUNTS INSTALLATION	A
1	0701014	8	Bolt M10 x 30	
2	0701215	4	Bolt M12 x 35	
3	3291005	8	Nut M10	
4	4032111	16	Capscrew M12 x 35	
5	4812002	16	Washer M10	
6	1001274700	1	Support, Engine Front Right	
7	1001274701	1	Support, Engine Front Left	
8	1001274702	1	Support, Engine Rear Right	
9	1001274703	1	Support, Engine Rear Left	
10	1001275079	4	Mount	
11	1001276913	1	Engine (See Separate Breakdown in this Section)	
12	1001278058	4	Washer M12	
13	1001278498	16	Washer M12	

SECTION 4 - ENGINE AND ATTACHING PARTS

FIGURE 4-2. ENGINE - R1370



ART_1001276913

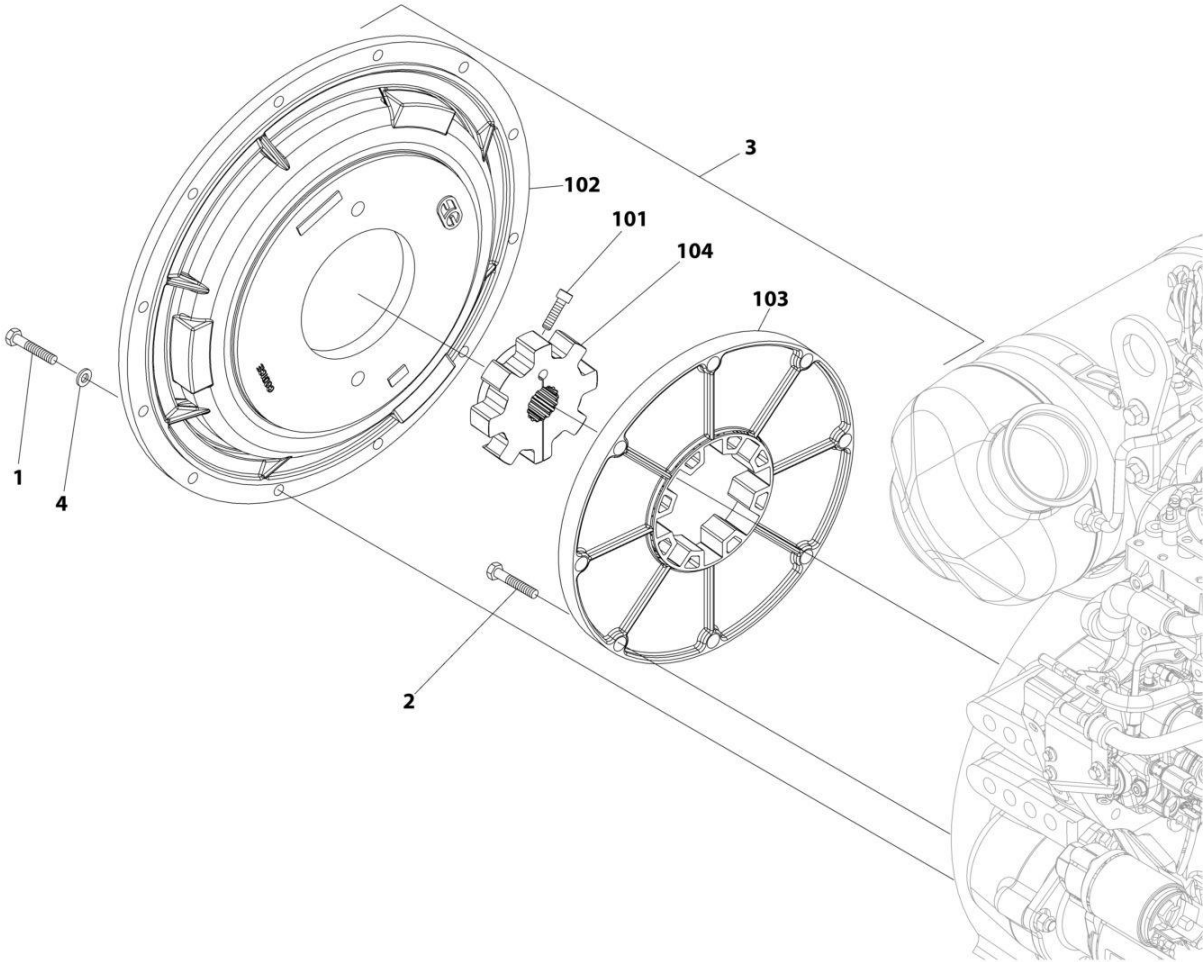
SECTION 4 - ENGINE AND ATTACHING PARTS

FIGURE 4-2. ENGINE - R1370

ITEM	PART NUMBER	QTY	DESCRIPTION	REV
	1001276913	Ref	ENGINE COMPONENTS	B
1	1001299001	1	Pump, DEF (Not Shown)	
101	70030408	1	Sensor, High Pressure Pump Temperature (Not Shown)	
102	70030412	1	Guard, DEF Tank (Not Shown)	
103	70030416	1	Filter, DEF Sender (Not Shown)	
104	70030424	1	Filter, Fuel (Not Shown) (Includes Element, Plug and Sensor)	
105	1001277183	1	Element, Fuel Filter (Not Shown)	
106	70030428	2	Sensor, Speed (Not Shown)	
107	70030430	1	Sensor, Air Pressure (Not Shown)	
108	70030431	1	Sensor, Temperature	
109	70030432	1	Sensor, Oil Pressure (Not Shown)	
110	70030434	2	Sensor, Temperature	
111	70030436	1	Sensor, Temperature	
112	70030437	1	Sensor	
113	70030440	1	Starter (Not Shown)	
114	70030441	1	Alternator (Not Shown)	
115	70030442	1	Sensor, Muffler Exhaust Temperature (Not Shown)	
116	70030443	1	Sensor, Muffler (Not Shown)	
117	70030444	1	Sensor, Air Temperature (Not Shown)	
118	1001277184	1	Filter, Oil (Not Shown)	
119	70030434	1	Sensor, Temperature	

SECTION 4 - ENGINE AND ATTACHING PARTS

FIGURE 4-3. PUMP COUPLING INSTALLATION



ART_1001278076

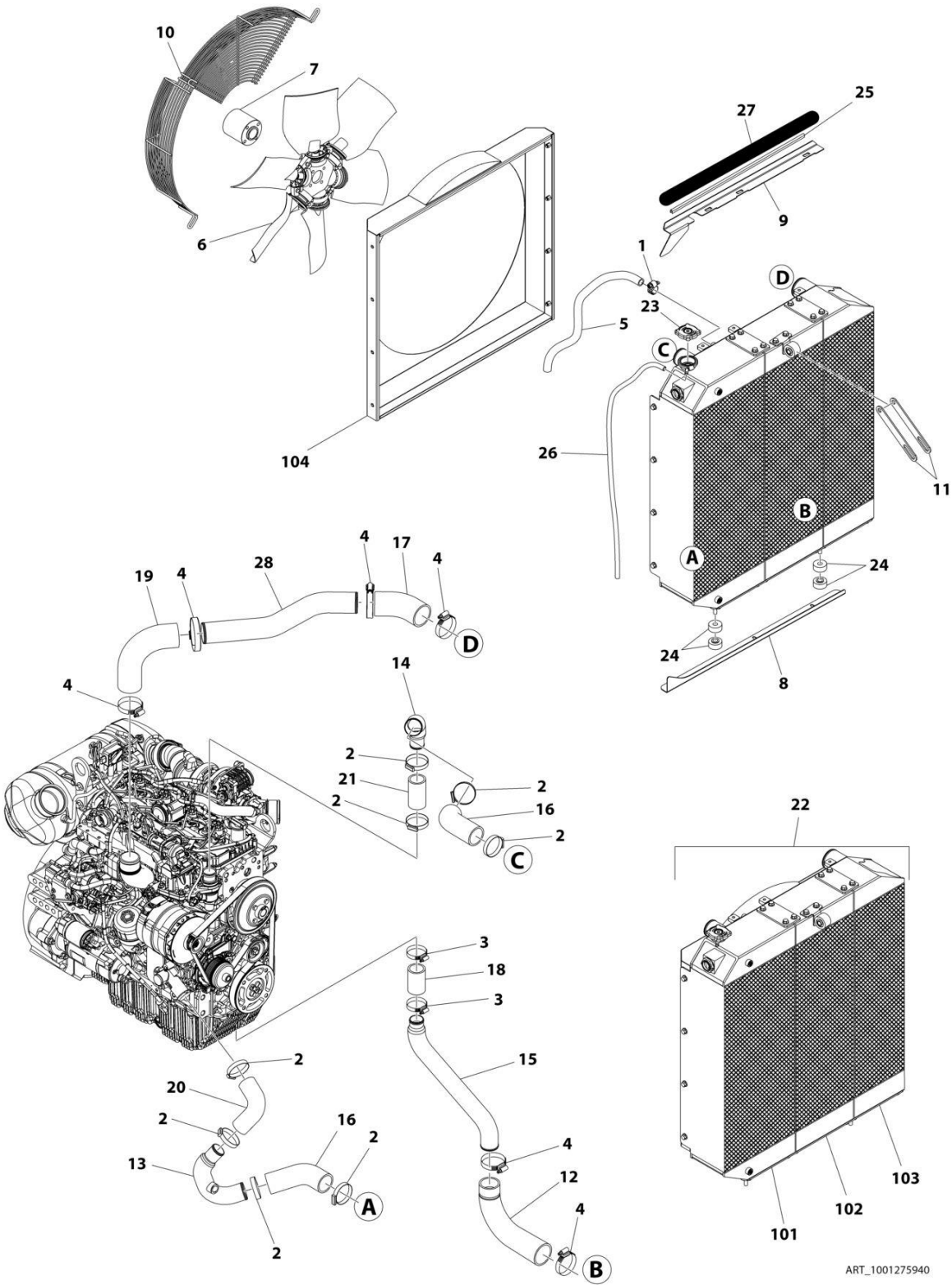
SECTION 4 - ENGINE AND ATTACHING PARTS

FIGURE 4-3. PUMP COUPLING INSTALLATION

ITEM	PART NUMBER	QTY	DESCRIPTION	REV
	1001278076	Ref	PUMP COUPLING INSTALLATION	A
1	0701014	12	Bolt M10 x 30	
2	0701015	8	Bolt M10 x 35	
3	1001275037	1	Coupling (Includes Items 101-104)	
4	1001278078	12	Washer M10	
101	4031918	1	Bolt M8 x70	
102	1001276914	1	Cover, Flywheel	
103	1001281444	1	Flywheel	
104	1001281445	1	Hub, Coupling	

SECTION 4 - ENGINE AND ATTACHING PARTS

FIGURE 4-4. ENGINE COOLING INSTALLATION



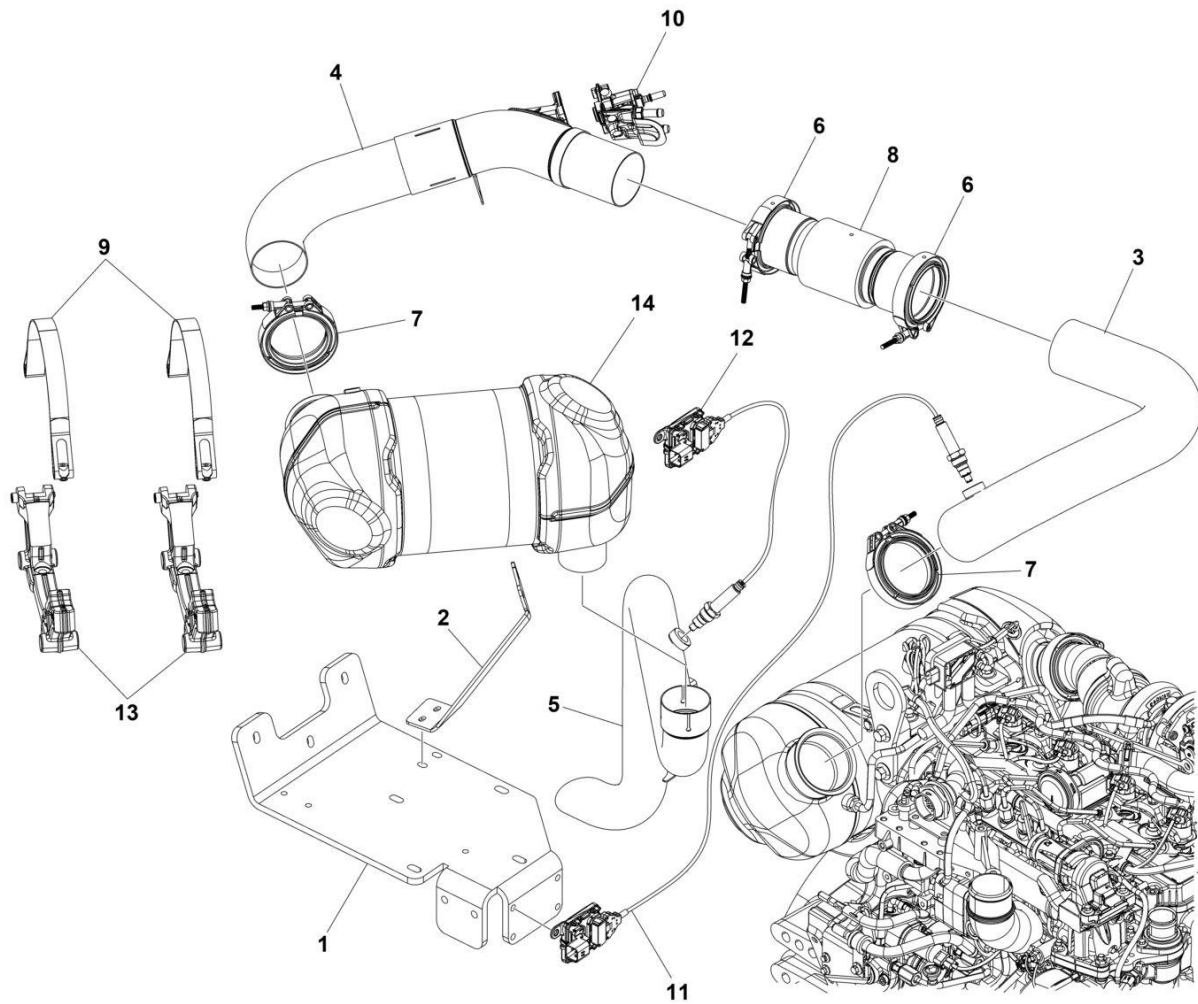
SECTION 4 - ENGINE AND ATTACHING PARTS

FIGURE 4-4. ENGINE COOLING INSTALLATION

ITEM	PART NUMBER	QTY	DESCRIPTION	REV
	1001275940	Ref	ENGINE COOLING INSTALLATION	B
1	8405007	2	Clamp	
2	8405104	8	Clamp	
3	8405202	2	Clamp	
4	8405204	6	Clamp	
5	1001275010	1	Hose	
6	1001275060	1	Fan	
7	1001275289	1	Spacer	
8	1001275308	1	Bracket	
9	1001275321	1	Bracket	
10	1001275336	1	Guard, Fan	
11	1001275339	2	Link	
12	1001275556	1	Tube	
13	1001275557	1	Tube	
14	1001275558	1	Tube	
15	1001275559	1	Tube	
16	1001275561	2	Tube	
17	1001275562	1	Tube	
18	1001275564	1	Tube	
19	1001275565	1	Tube	
20	1001275566	1	Tube	
21	1001275567	1	Tube	
22	1001275568	1	Radiator Assembly (Includes items 101-104)	
23	1001276911	1	Cap, Radiator	
24	1001278133	4	Mount	
25	1001278134	3.28 ft / 1m	Gasket	
26	1001278135	4.92 ft / 1.5 m	Hose	
27	1001278136	1	Gasket	
28	1001281446	1	Tube	
101	1001276971	1	Radiator, Water	
102	1001276972	1	Radiator, Oil	
103	1001276973	1	Radiator, Air	
104	1001276974	1	Shroud, Radiator	

SECTION 4 - ENGINE AND ATTACHING PARTS

FIGURE 4-5. EXHAUST INSTALLATION



ART_1001275941

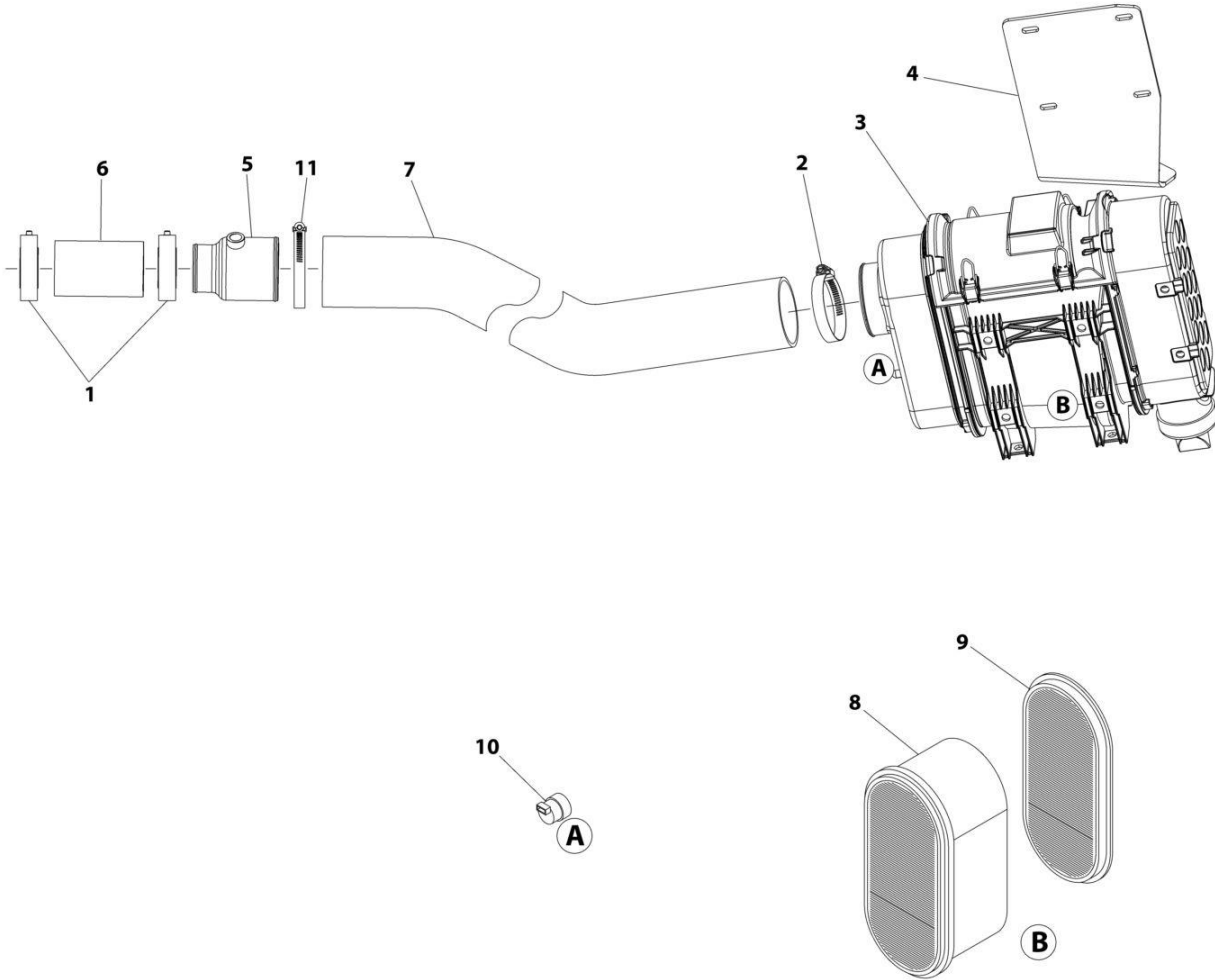
SECTION 4 - ENGINE AND ATTACHING PARTS

FIGURE 4-5. EXHAUST INSTALLATION

ITEM	PART NUMBER	QTY	DESCRIPTION	REV
	1001275941	Ref	EXHAUST INSTALLATION	B
1	1001275302	1	Bracket	
2	1001275303	1	Bracket	
3	1001275570	1	Tube	
4	1001275571	1	Tube	
5	1001275572	1	Tube	
6	1001278174	2	Clamp	
7	1001278175	1	Clamp	
8	1001278176	1	Pipe, Flex	
9	1001278177	2	Strap	
10	1001278178	1	Injector, DEF	
11	1001278179	1	Sensor, Exhaust	
12	1001278180	1	Sensor, Exhaust	
13	1001278181	2	Mount	
14	1001278182	1	Muffler	

SECTION 4 - ENGINE AND ATTACHING PARTS

FIGURE 4-6. AIR FILTER ASSEMBLY



ART_1001278077

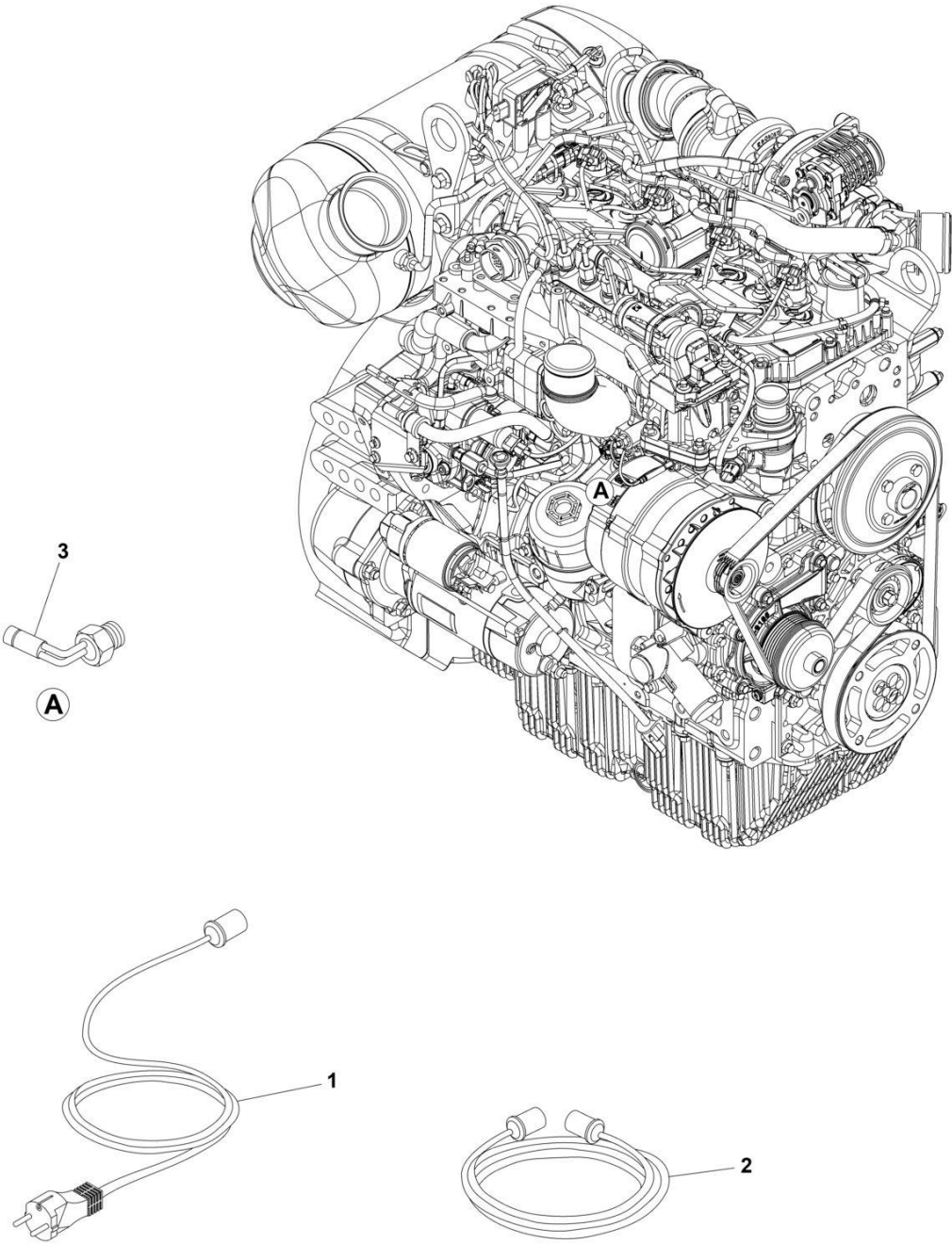
SECTION 4 - ENGINE AND ATTACHING PARTS

FIGURE 4-6. AIR FILTER ASSEMBLY

ITEM	PART NUMBER	QTY	DESCRIPTION	REV
	1001278077	Ref	AIR FILTER ASSEMBLY	A
1	8410011	2	Clamp	
2	10719267	1	Clamp	
3	1001274765	1	Filter, Air	
4	1001275326	1	Bracket	
5	1001275560	1	Reducer	
6	1001275563	1	Tube	
7	1001275569	1	Tube	
8	1001277178	1	Element, Large Air Filter	
9	1001277179	1	Element, Small Air Filter	
10	1001277181	1	Sensor, Air Filter	
11	8405301	1	Clamp	

SECTION 4 - ENGINE AND ATTACHING PARTS

FIGURE 4-7. BLOCK HEATER INSTALLATION



ART_1001275942

SECTION 4 - ENGINE AND ATTACHING PARTS

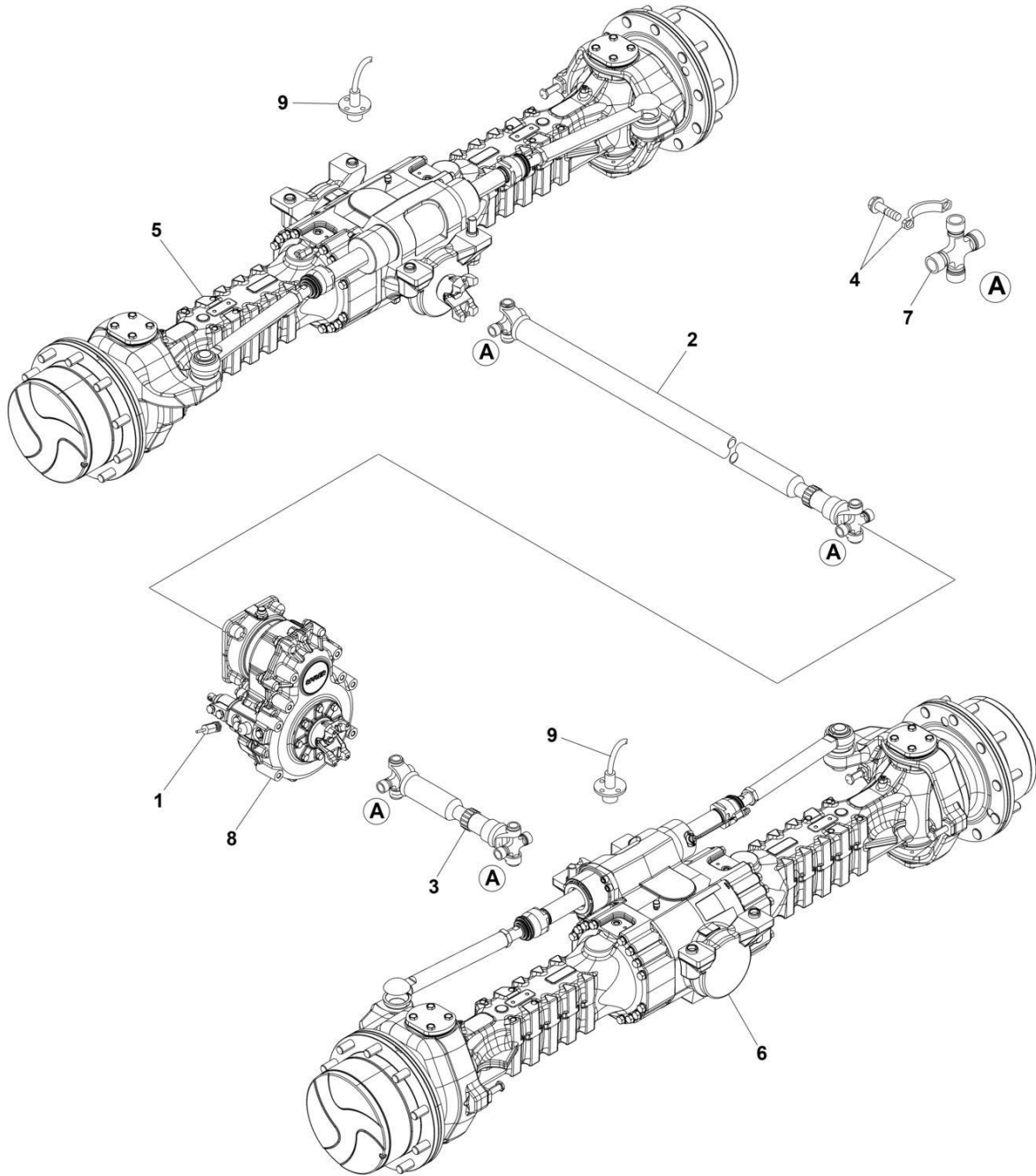
FIGURE 4-7. BLOCK HEATER INSTALLATION

ITEM	PART NUMBER	QTY	DESCRIPTION	REV
	1001275942	Ref	BLOCK HEATER INSTALLATION	B
1	1001281447	1	Plug	
2	1001281448	1	Extension	
3	1001281449	1	Heater, Block	

SECTION 5 - DRIVE TRAIN

SECTION 5 - DRIVE TRAIN

FIGURE 5-1. DRIVE TRAIN INSTALLATION



ART_1001275938

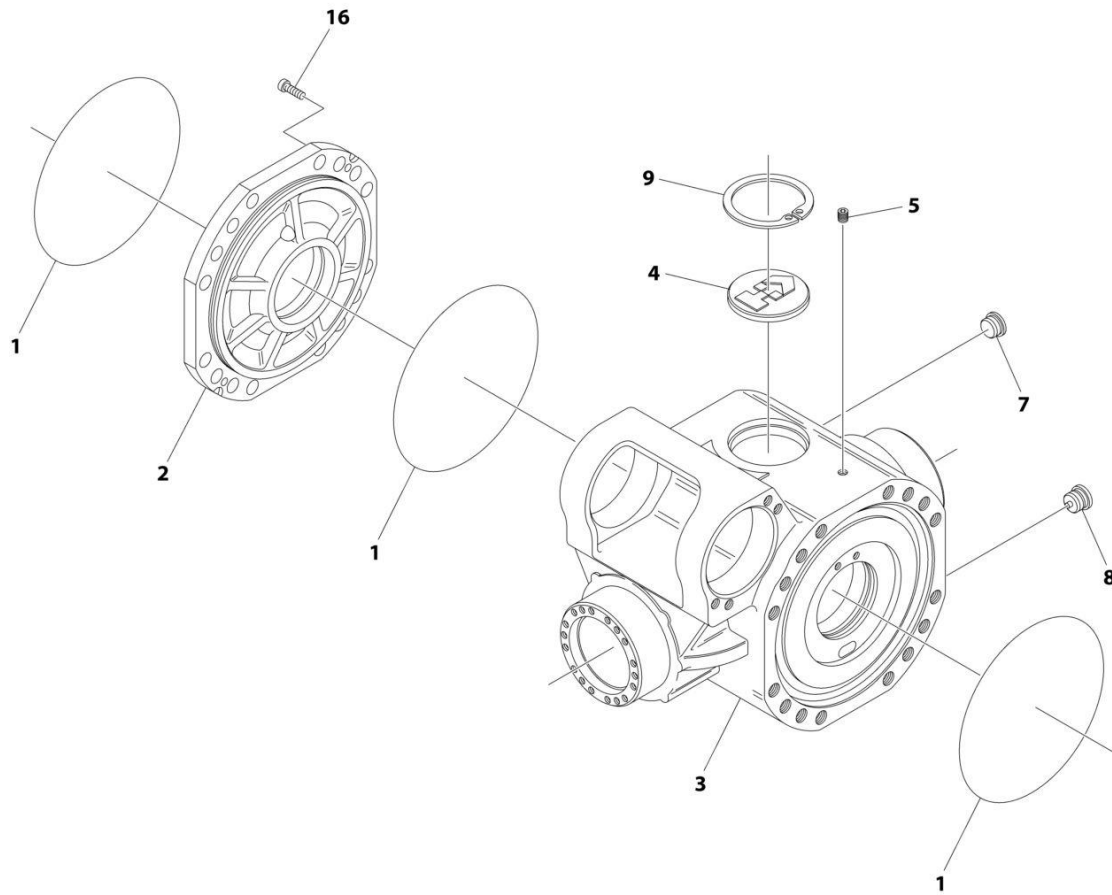
SECTION 5 - DRIVE TRAIN

FIGURE 5-1. DRIVE TRAIN INSTALLATION

ITEM	PART NUMBER	QTY	DESCRIPTION	REV
	1001275938	Ref	DRIVE TRAIN INSTALLATION	B
1	1001274750	1	Sensor, Speed	
2	1001275057	1	Shaft, Drive	
3	1001275058	1	Shaft, Drive	
4	1001275059	8	Kit, Clamp	
5	1001276843	1	Rear Axle Assembly (See Separate Breakdown in this Section)	
6	1001276844	1	Front Axle Assembly (See Separate Breakdown in this Section)	
7	1001276949	8	Joint, Universal	
8	1001276978	1	Gearbox (See Separate Breakdown in this Section)	
9	1001277230	2	Sensor, Proximity	

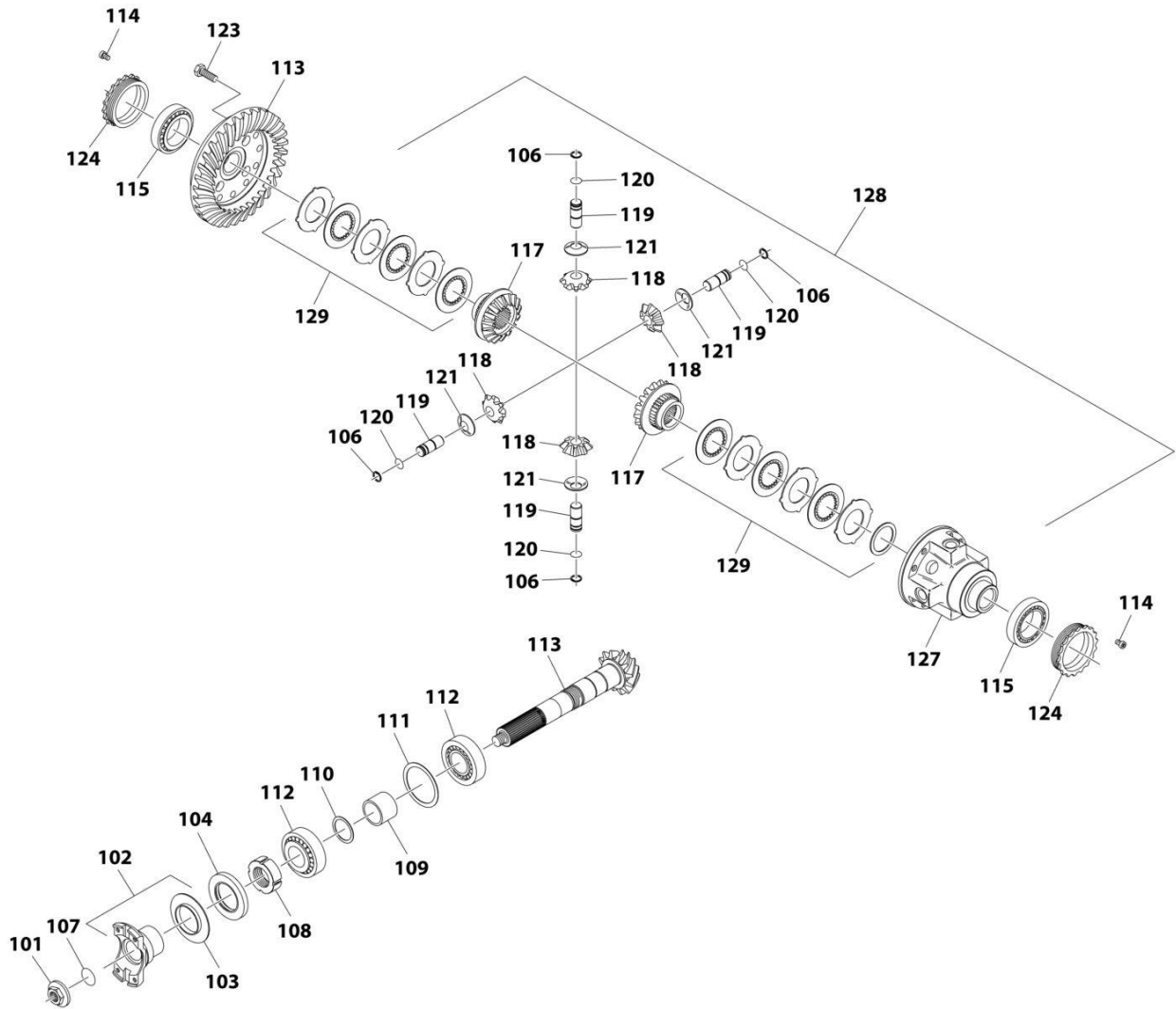
SECTION 5 - DRIVE TRAIN

FIGURE 5-2. AXLE ASSEMBLY - REAR



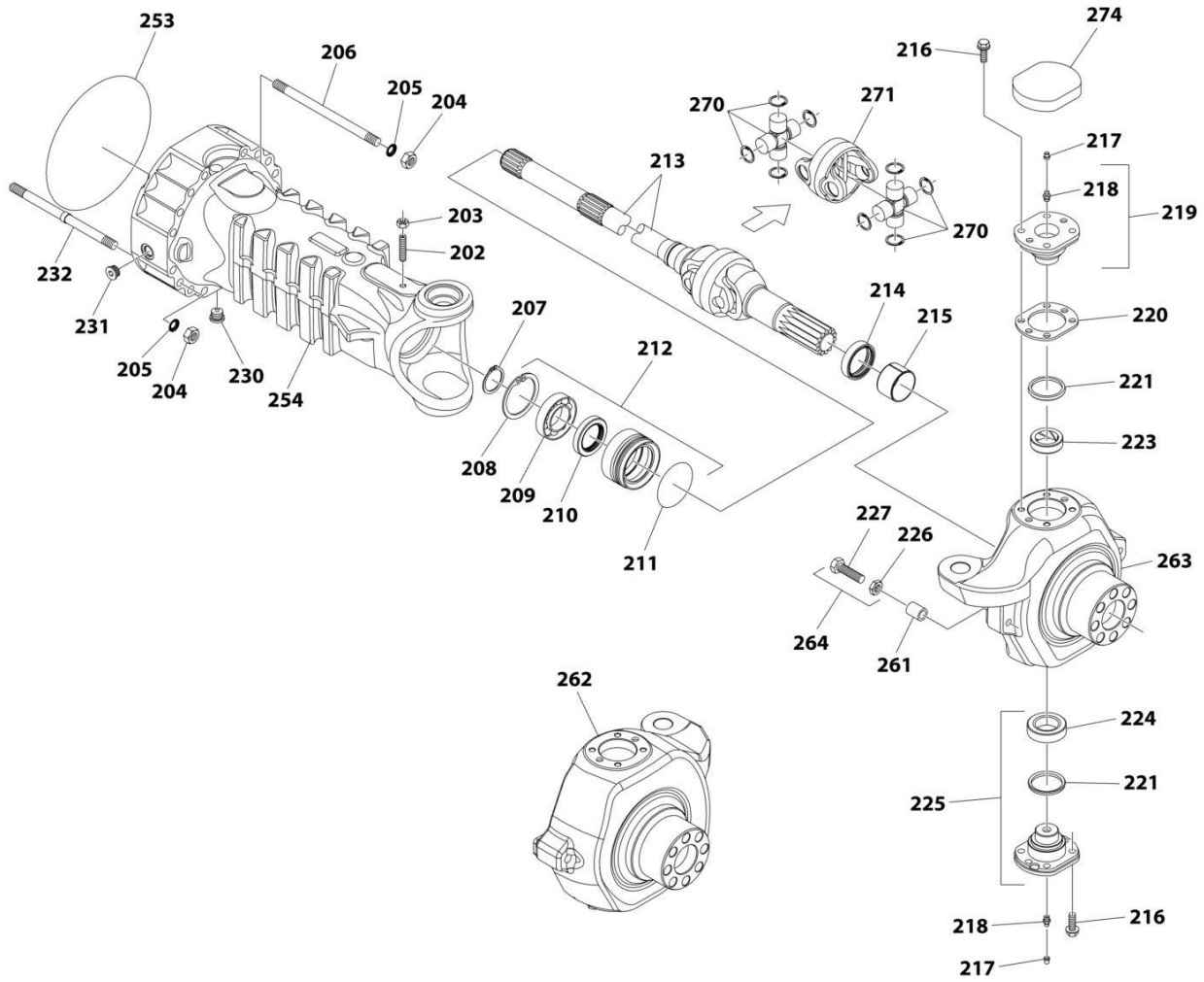
ART_1001276843_1OF6

SECTION 5 - DRIVE TRAIN



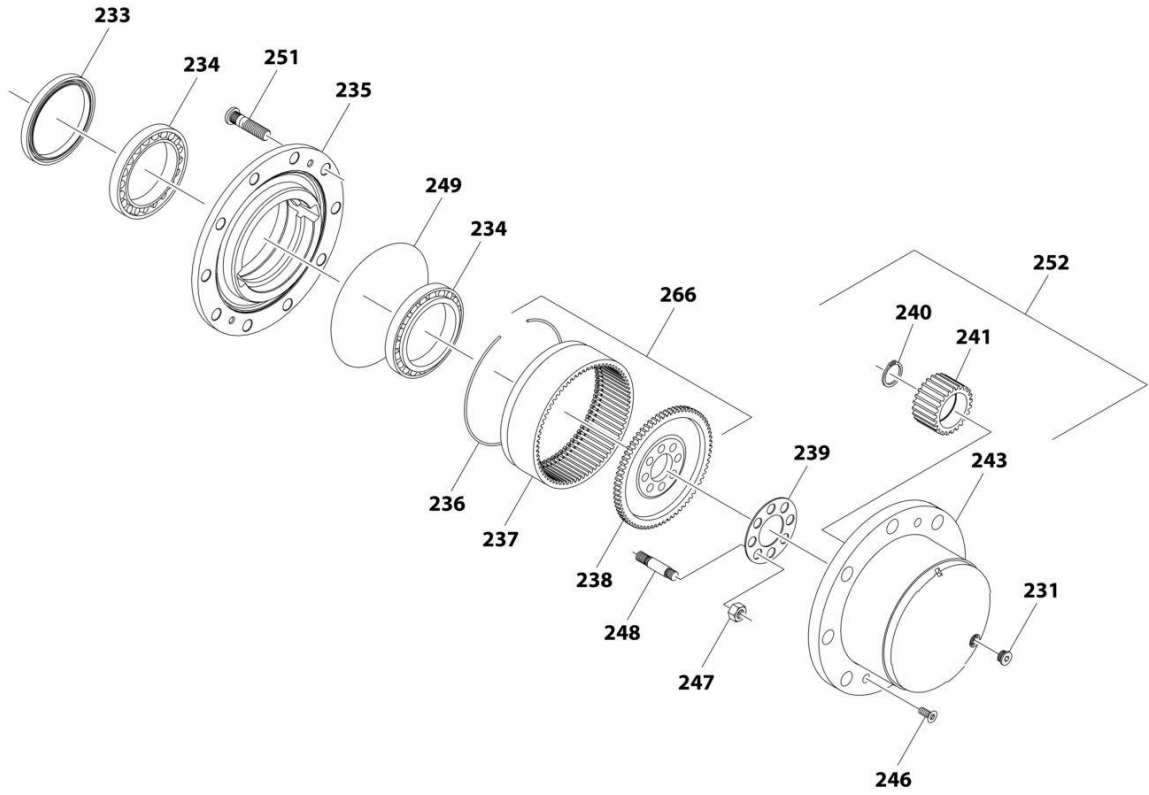
ART_1001276843_20F6

SECTION 5 - DRIVE TRAIN



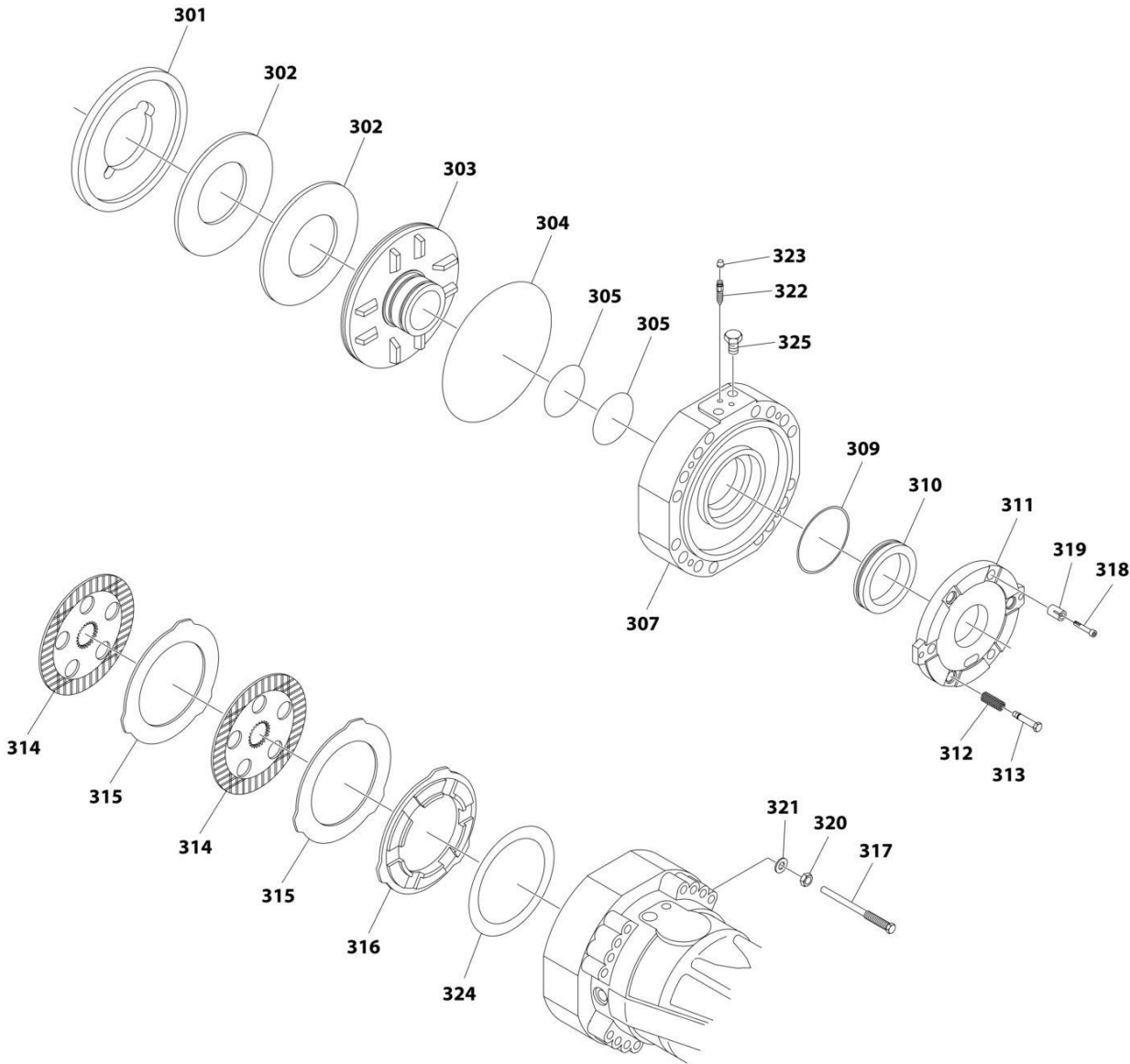
ART_1001276843_3OF6

SECTION 5 - DRIVE TRAIN



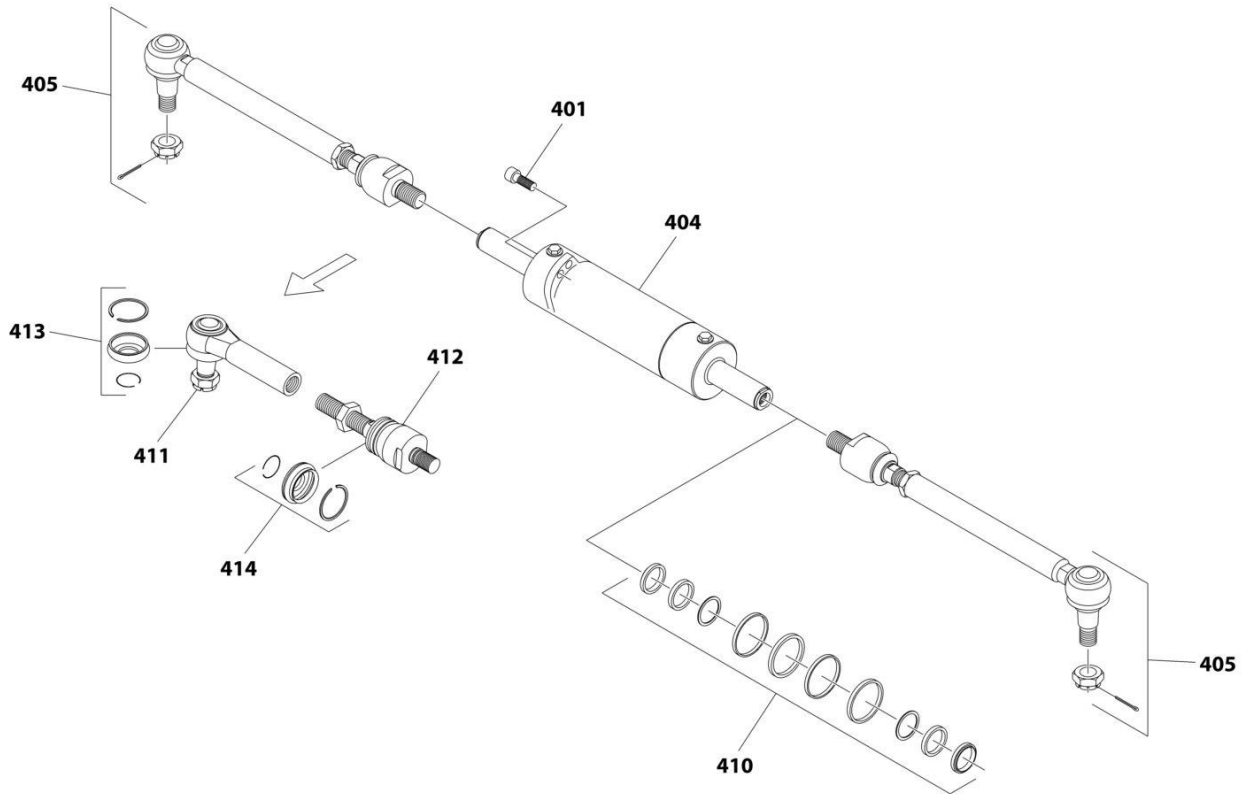
ART_1001276843_4OF6

SECTION 5 - DRIVE TRAIN



ART_1001276843_50F6

SECTION 5 - DRIVE TRAIN



ART_1001276843_60F6

SECTION 5 - DRIVE TRAIN

FIGURE 5-2. AXLE ASSEMBLY - REAR

ITEM	PART NUMBER	QTY	DESCRIPTION	REV
	1001276843	Ref	AXLE ASSEMBLY	B
		Ref	Central Housing Assembly	
1	91474507	3	O-Ring	
2	70024872	1	Cover	
3	70026977	1	Housing	
4	91514098	1	Plug	
5	91474512	1	Plug	
7	91514188	1	Plug	
8	7028706	1	Plug	
9	80204005	1	Circlip	
16	91474591	4	Bolt	
		Ref	Differential Assembly	
101	70026631	1	Nut	
102	7029427	1	Flange (Includes Item 103)	
103	91474531	1	Cover	
104	70024522	1	Seal	
106	91474550	4	Circlip	
107	91474529	1	O-Ring	
108	91474533	1	Ring Nut	
109	91474539	1	Spacer	
110	70025556	1	Shim Kit	
111	70025555	1	Shim Kit	
112	3968141	2	Bearing	
113	70026814	1	Gear Set	
114	91514134	2	Bolt	
115	70028471	2	Bearing	
117	91474549	2	Gear, Side	
118	91474554	4	Gear, Pinion	
119	7029131	4	Pin	
120	91474551	4	Circlip	
121	91474553	4	Washer	
123	70025562	12	Bolt	
124	91474547	2	Ring Nut	
127	8007751	1	Carrier	
128	70028940	1	Limited Slip Assembly (Includes Items 106, 117-121, 127 & 129)	
129	8007755	2	Disc Kit	
		Ref	Central Housing Assembly	
202	91514081	2	Bolt	
203	91514082	2	Nut	
204	91514083	8	Nut	
205	91514084	8	Washer	
206	70024207	24	Bolt	
207	80204071	2	Circlip	
208	80204005	2	Circlip	
209	91514146	2	Bearing	
210	91514147	2	Seal	
211	91514148	2	O-Ring	
212	70030992	2	Bushing Kit (Includes Bushing & Items 208-211)	
213	70031005	2	Joint, Universal	
214	70025857	2	Seal	

SECTION 5 - DRIVE TRAIN

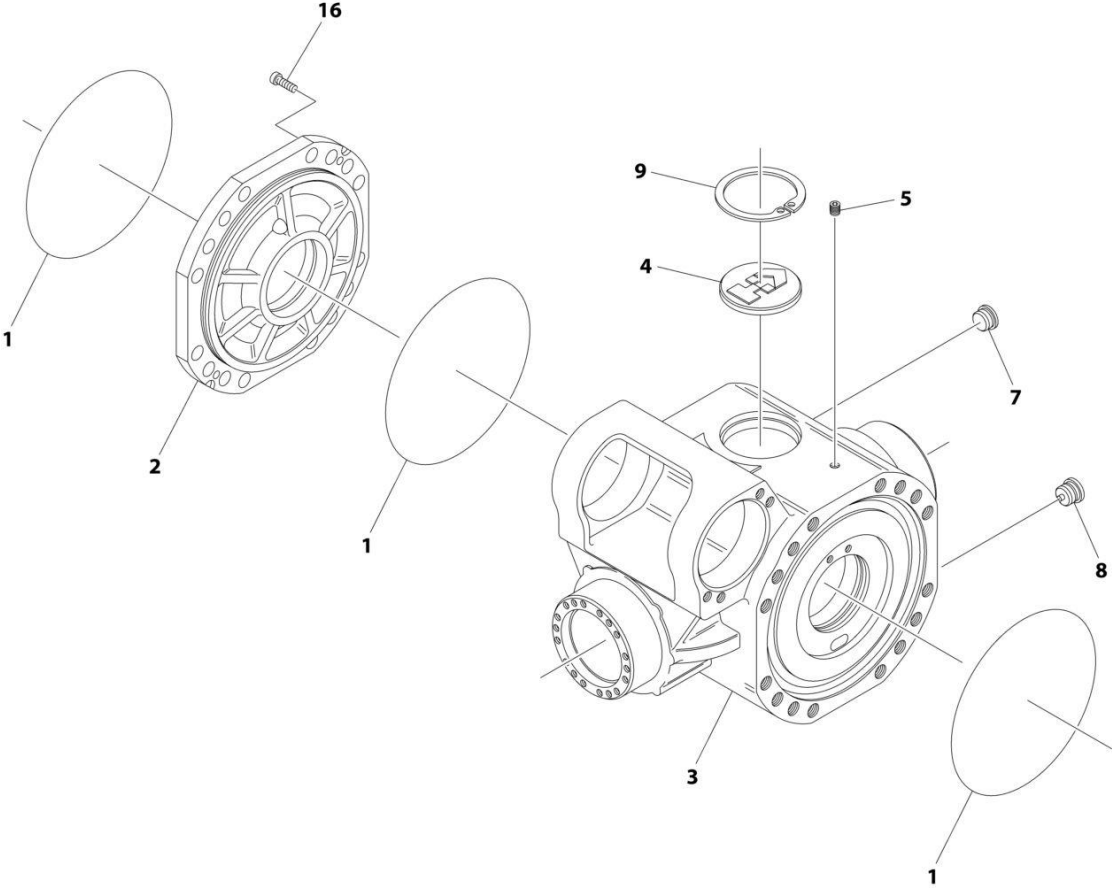
ITEM	PART NUMBER	QTY	DESCRIPTION	REV
215	91514111	2	Bushing	
216	70025562	24	Bolt	
217	80204117	2	Plug	
218	70024881	4	Grease Fitting	
219	91514112	2	Pivot (Includes Item 218)	
220	70025561	1	Shim Kit	
221	7028716	4	Seal	
223	7028714	2	Bushing	
224	91514095	2	Bearing	
225	7028715	2	Pivot Kit (Includes Pivot & Items 221 & 224)	
226	80204065	4	Nut	
227	7028733	4	Bolt	
230	7028706	2	Plug	
231	91514188	4	Plug	
232	70031009	8	Stud	
233	7028721	2	Seal	
234	70031010	4	Bearing	
235	7028722	2	Hub	
236	91514175	2	Circlip	
237	70024147	2	Ring Gear	
238	7028723	2	Support, Ring Gear	
239	91474582	2	Plate, Locking	
240	7028724	6	Circlip	
241	7028725	6	Gear, Planetary	
242	7028726	2	Carrier, Planetary Gear	
246	91514189	4	Bolt	
247	91474584	20	Nut	
248	70027315	20	Stud	
249	91514181	2	O-Ring	
251	8000877	20	Stud, Wheel	
252	70028647	2	Planet Gear Carrier Kit (Includes Housing and Items 240-243)	
253	91474507	2	O-Ring	
254	70031011	2	Case, Axle	
261	7029311	2	Spacer	
262	7028729	1	Case, Steer (LH)	
263	7028730	1	Case, Steer (RH)	
264	7028733	4	Bolt Kit (Includes Items 226 & 227)	
266	70025551	2	Ring Gear Kit (Includes Items 236-238)	
270	70021898	2	Joint, Cross	
271	70031008	1	Joint, Center	
274	70028392	2	Cover	
		Ref	Brake Assembly	
301	7028734	1	Spacer	
302	91474559	4	Spring	
303	91474560	2	Piston	
304	91474561	2	O-Ring	
305	70026262	4	Seal	
307	7028735	2	Cover	
309	70026623	2	Seal	
310	91474564	2	Piston	
311	91474565	2	Disc, Intermediate Brake	

SECTION 5 - DRIVE TRAIN

ITEM	PART NUMBER	QTY	DESCRIPTION	REV
312	91514159	6	Spring	
313	70024210	6	Bolt	
314	91474568	8	Disc	
315	70025823	8	Disc, Intermediate Brake	
316	91474570	2	Spacer	
317	70031012	4	Bolt	
318	7029788	6	Bolt	
319	70027317	6	Spring	
320	80204060	4	Nut	
321	80204108	4	Washer, Lock	
322	10725627	4	Bolt	
323	80204117	4	Plug	
324	70025981	1	Shim	
325	91514154	4	Plug	
		Ref	Steering Assembly	
401	91474522	4	Bolt	
404	70025566	1	Cylinder	
405	70026799	2	Tie Rod	
410	70025842	1	Seal Kit	
411	70028475	1	Joint	
412	70028476	1	Joint, Axial	
413	70028477	1	Joint Boot & Ring Kit	
414	70028468	1	Axial Joint Boot & Ring Kit	

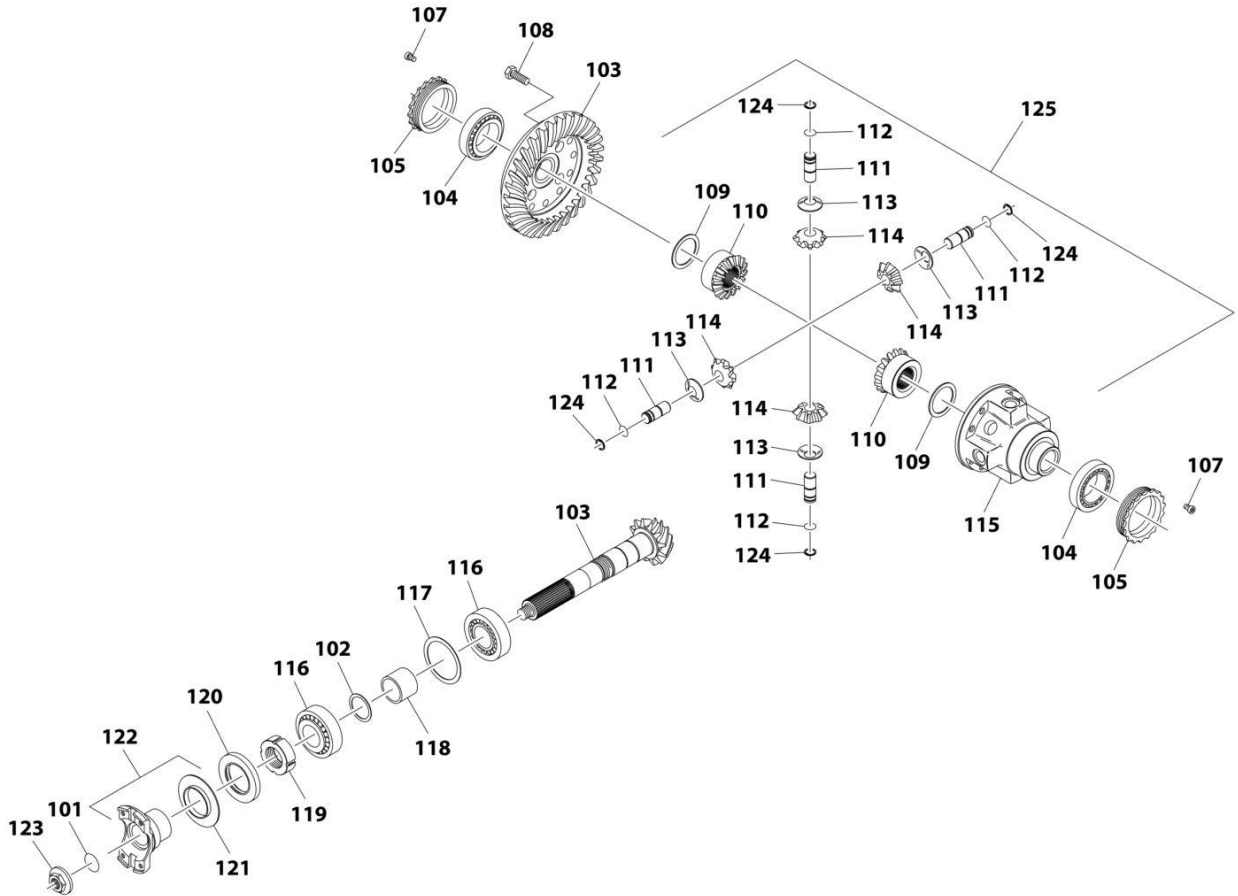
SECTION 5 - DRIVE TRAIN

FIGURE 5-3. AXLE ASSEMBLY - FRONT



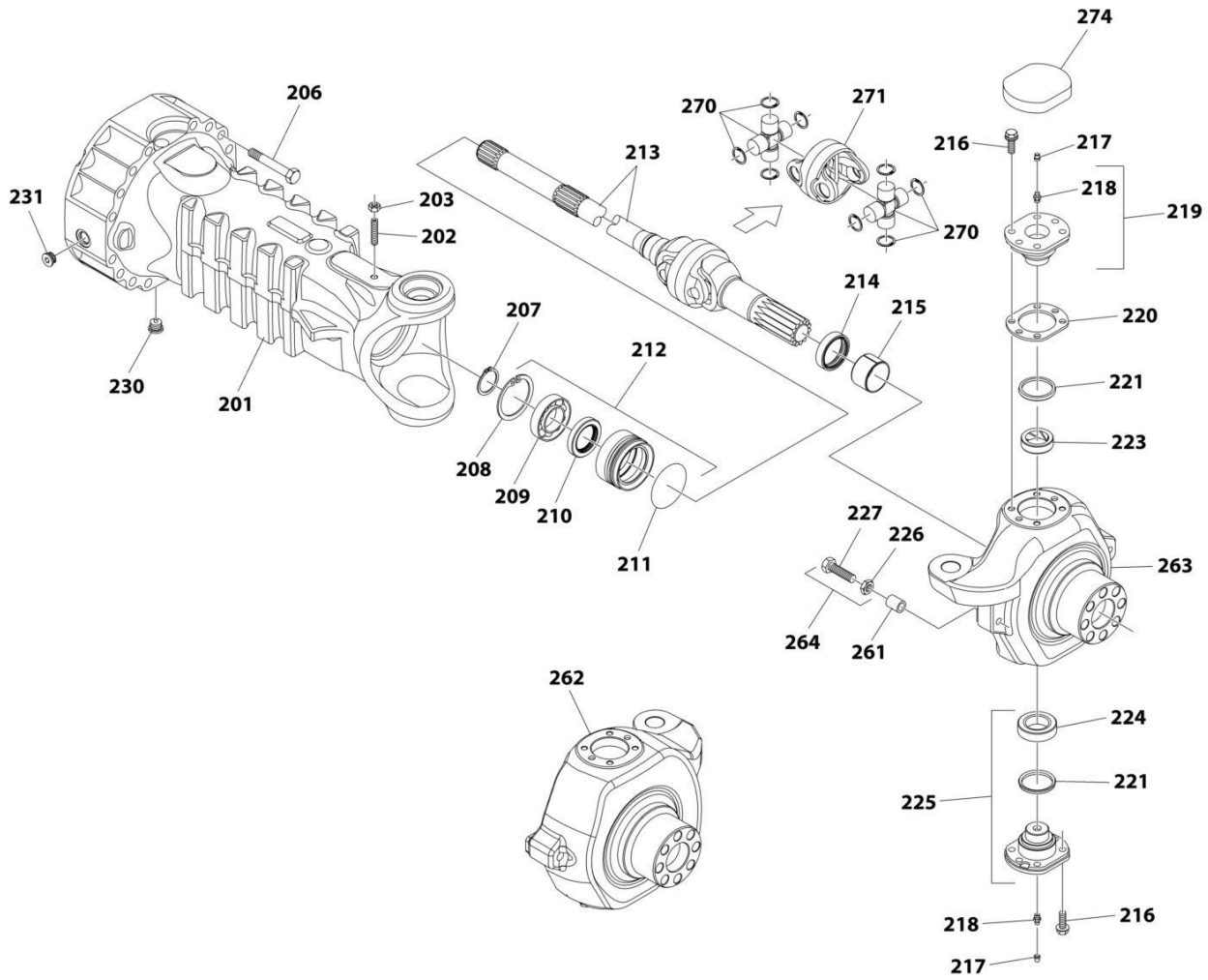
ART_1001276844_1OF7

SECTION 5 - DRIVE TRAIN



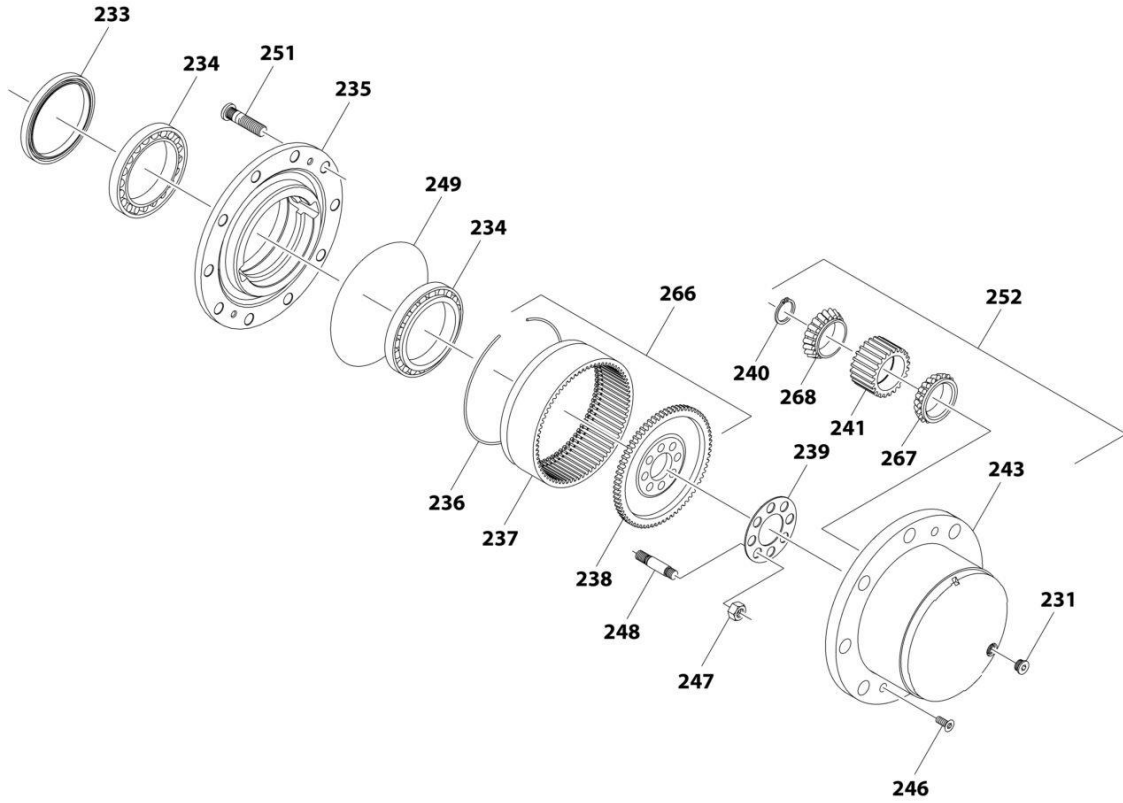
ART_1001276844_2OF7

SECTION 5 - DRIVE TRAIN



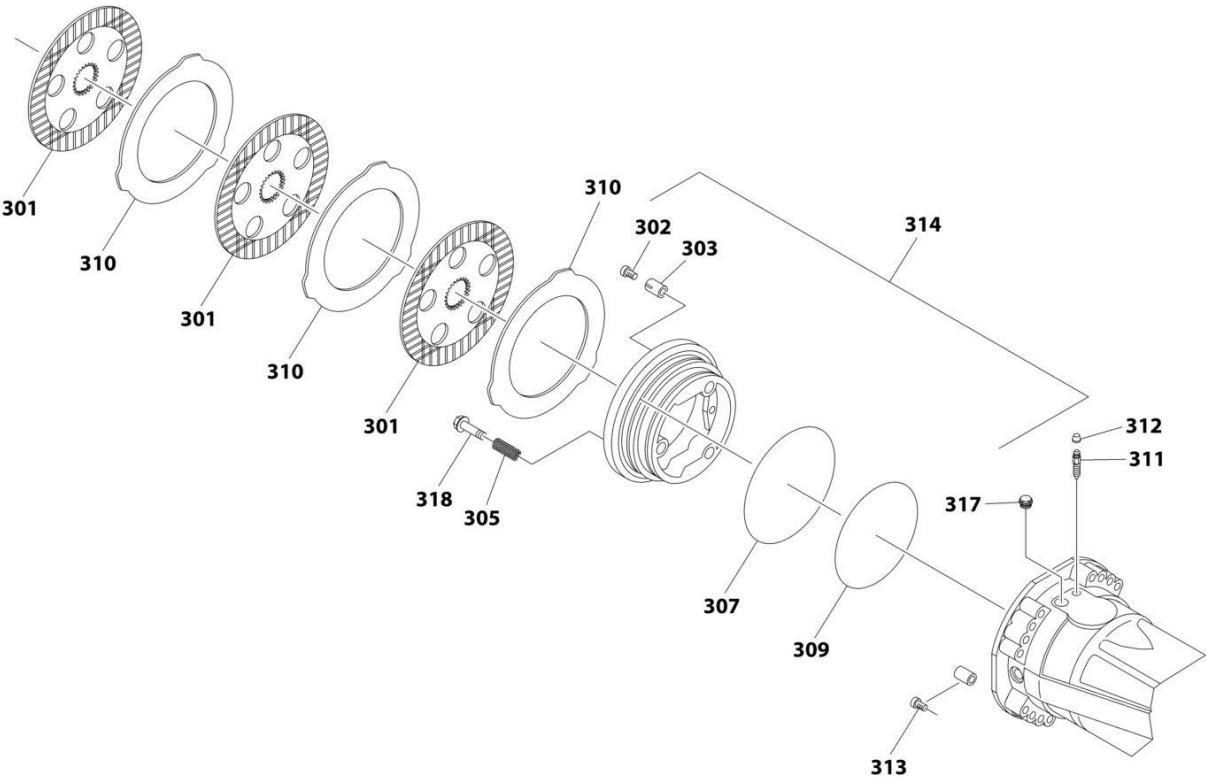
ART_1001276844_30F7

SECTION 5 - DRIVE TRAIN



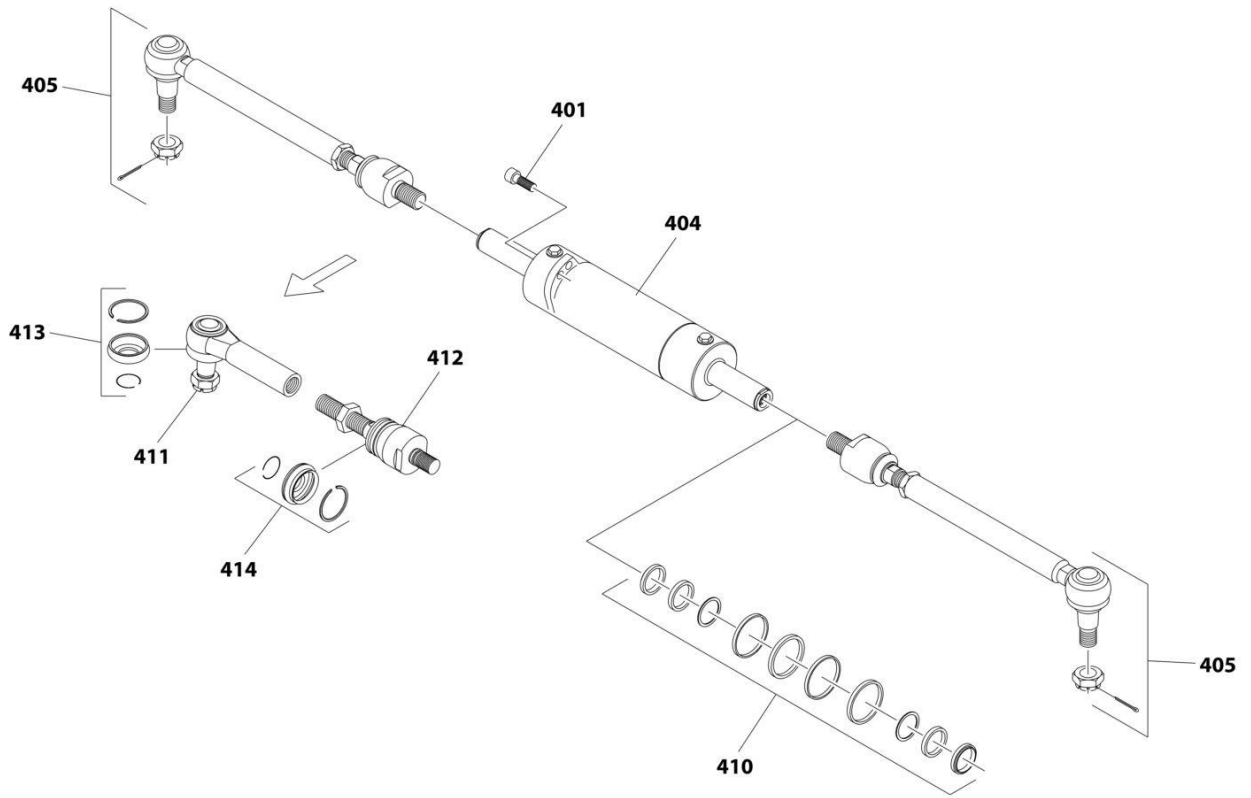
ART_1001276844_4OF7

SECTION 5 - DRIVE TRAIN



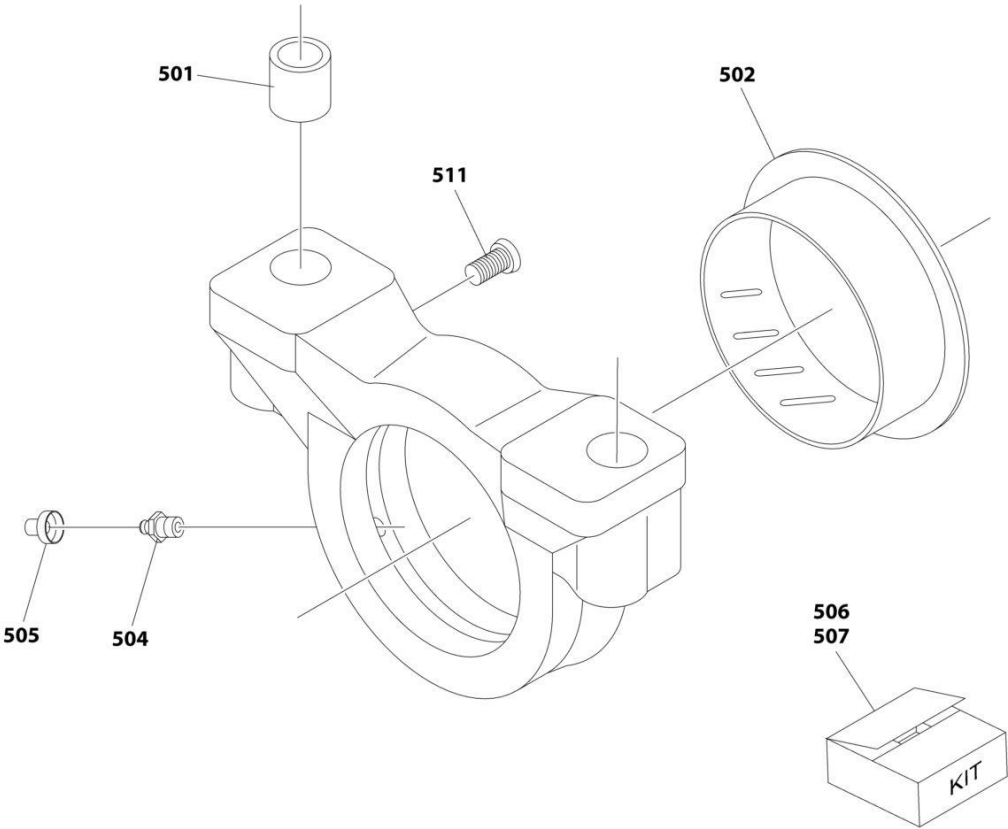
ART_1001276844_50F7

SECTION 5 - DRIVE TRAIN



ART_1001276844_6OF7

SECTION 5 - DRIVE TRAIN



ART_1001276844_7OF7

SECTION 5 - DRIVE TRAIN

FIGURE 5-3. AXLE ASSEMBLY - FRONT

ITEM	PART NUMBER	QTY	DESCRIPTION	REV
	1001276844	Ref	AXLE ASSEMBLY	B
		Ref	Central Housing Assembly	
1	91474507	3	O-Ring	
2	70024519	1	Cover	
3	70026977	1	Housing	
4	91514098	1	Plug	
5	91474512	1	Plug	
7	91514188	1	Plug	
8	7028706	1	Plug	
9	80204005	1	Circlip	
16	91474591	4	Bolt	
		Ref	Differential Assembly	
101	91474529	1	O-Ring	
102	70025556	1	Shim Kit	
103	70026802	1	Gear Set	
104	70028471	2	Bearing	
105	91474547	2	Ring Nut	
107	91514134	2	Bolt	
108	70025562	12	Bolt	
109	91474593	2	Washer	
110	91474594	2	Gear, Side	
111	7029131	4	Pin	
112	91474551	4	Circlip	
113	91474553	4	Washer	
114	91474554	4	Gear, Pinion	
115	91474595	1	Carrier	
116	3968141	2	Bearing	
117	70025555	1	Shim Kit	
118	91474539	1	Spacer	
119	91474533	1	Ring Nut	
120	70024522	1	Seal	
121	91474531	1	Cover	
122	7029427	1	Flange (Includes Item 121)	
123	70026631	1	Nut	
124	91474550	4	Circlip	
125	70029453	1	Limited Slip Assembly (Includes Items 109-115 & 124)	
		Ref	Central Housing Assembly	
201	70031004	2	Case, Axle	
202	91514081	2	Bolt	
203	91514082	2	Nut	
206	70030150	32	Bolt	
207	80204071	2	Circlip	
208	80204005	2	Circlip	
209	91514146	2	Bearing	
210	91514147	2	Seal	
211	91514148	2	O-Ring	
212	70030992	2	Bushing Kit (Includes Bushing & Items 208-211)	
213	70031005	2	Joint, Universal	
214	70025857	2	Seal	
215	91514111	2	Bushing	

SECTION 5 - DRIVE TRAIN

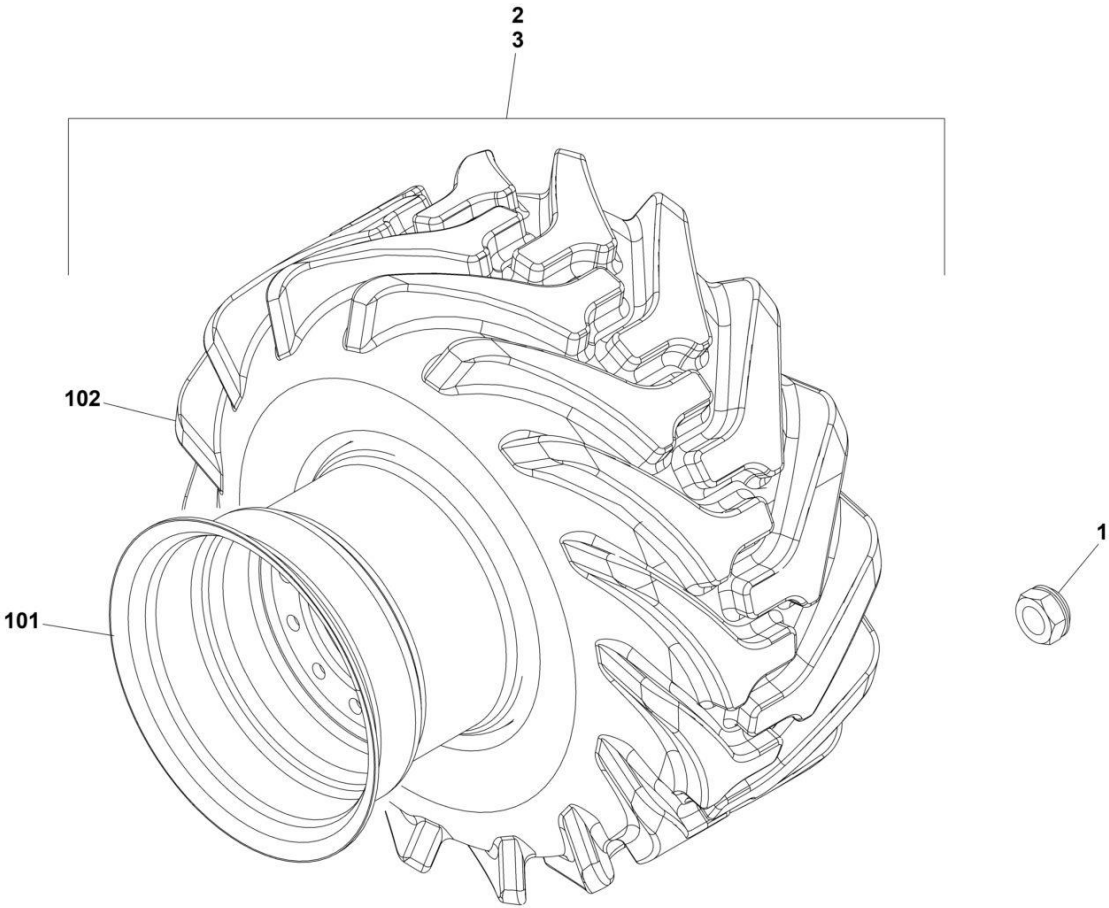
ITEM	PART NUMBER	QTY	DESCRIPTION	REV
216	70025562	24	Bolt	
217	80204117	2	Plug	
218	70024881	4	Fitting, Grease	
219	91514112	2	Pivot (Includes Item 218)	
220	70025561	1	Shim Kit	
221	7028716	4	Seal	
223	7028714	2	Bushing	
224	91514095	2	Bearing	
225	7028715	2	Pivot Kit (Includes Pivot & Items 221 & 224)	
226	80204065	4	Nut	
227	7028733	4	Bolt	
230	7028706	2	Plug	
231	91514188	4	Plug	
233	7028721	2	Seal	
234	70031010	4	Bearing	
235	7028722	2	Hub	
236	91514175	2	Circlip	
237	70024147	2	Ring Gear	
238	7028723	2	Support, Ring Gear	
239	91474582	2	Plate, Locking	
240	7028724	6	Circlip	
241	7028725	6	Gear, Planetary	
243	7028726	2	Carrier, Planetary Gear	
246	91514189	4	Bolt	
247	91474584	20	Nut	
248	70027315	20	Stud	
249	91514181	2	O-Ring	
251	8000877	20	Stud, Wheel	
252	70028647	2	Planet Gear Carrier Kit (Includes Housing and Items 240-243, 267 & 268)	
261	7029311	2	Spacer	
262	7028729	1	Case, Steer (LH)	
263	7028730	1	Case, Steer (RH)	
264	7028733	4	Bolt Kit (Includes Items 226 & 227)	
266	70025551	2	Ring Gear Kit (Includes Items 236-238)	
267	7028732	6	Bearing	
268	7028731	6	Bearing	
270	70021898	2	Joint, Cross	
271	70031008	1	Joint, Cente	
274	70028392	2	Cover	
		Ref	Brake Assembly	
301	91474568	8	Disc	
302	7029786	6	Bolt	
303	70027317	6	Spring	
305	91514159	6	Spring	
307	70025821	2	O-Ring	
309	70025822	2	O-Ring	
310	70025823	10	Disc, Intermediate Brake	
311	10725627	2	Bolt	
312	80204117	2	Plug	
313	70021613	2	Bolt	
314	70028452	2	Piston Kit (Includes Piston and Items 302, 303, 307 & 309)	

SECTION 5 - DRIVE TRAIN

ITEM	PART NUMBER	QTY	DESCRIPTION	REV
317	91514154	2	Plug	
318	70024210	6	Bolt	
		Ref	Steering Assembly	
401	91474522	4	Bolt	
404	70025566	1	Cylinder	
405	70026799	2	Tie Rod	
410	70025842	1	Seal Kit	
411	70028475	1	Joint	
412	70028476	1	Joint, Axial	
413	70028477	1	Joint Boot & Ring Kit	
414	70028468	1	Axial Joint Boot & Ring Kit	
		Ref	Trunion Assembly	
501	91474516	4	Bushing	
502	70029445	2	Bushing	
504	70024881	2	Fitting, Grease	
505	80204117	2	Plug	
506	7028084	1	Front Trunion Kit (Includes Front Trunion and items 501-505)	
507	7028084	1	Rear Trunion Kit (Includes Rear Trunion and items 501-505)	
511	70028535	2	Bolt	

SECTION 5 - DRIVE TRAIN

FIGURE 5-4. TIRE AND WHEEL ASSEMBLY - CLAWED



ART_1001275956

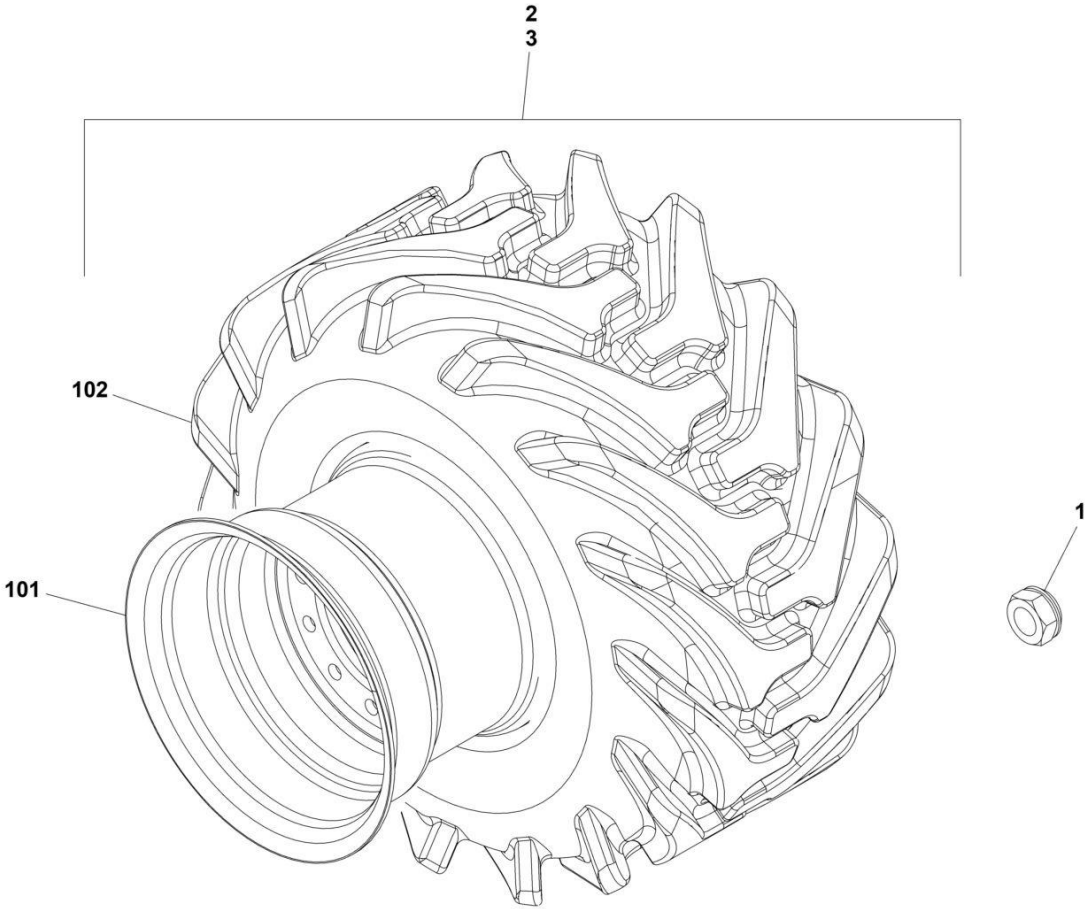
SECTION 5 - DRIVE TRAIN

FIGURE 5-4. TIRE AND WHEEL ASSEMBLY - CLAWED

ITEM	PART NUMBER	QTY	DESCRIPTION	REV
	1001275956	Ref	TIRE AND WHEEL ASSEMBLY	B
1	91403193	40	Nut, Wheel	
2	1001276952	2	Tire and Wheel Assembly - Right Side (Include Items 101 & 102)	A
3	1001282676	2	Tire and Wheel Assembly - Left Side (Include Items 101 & 102)	A
101	1001275072	1	Rim, Wheel	
102	1001276956	1	Tire, 18R22.5	

SECTION 5 - DRIVE TRAIN

FIGURE 5-5. TIRE AND WHEEL ASSEMBLY - CLAWED & FOAM FILLED



ART_1001275957

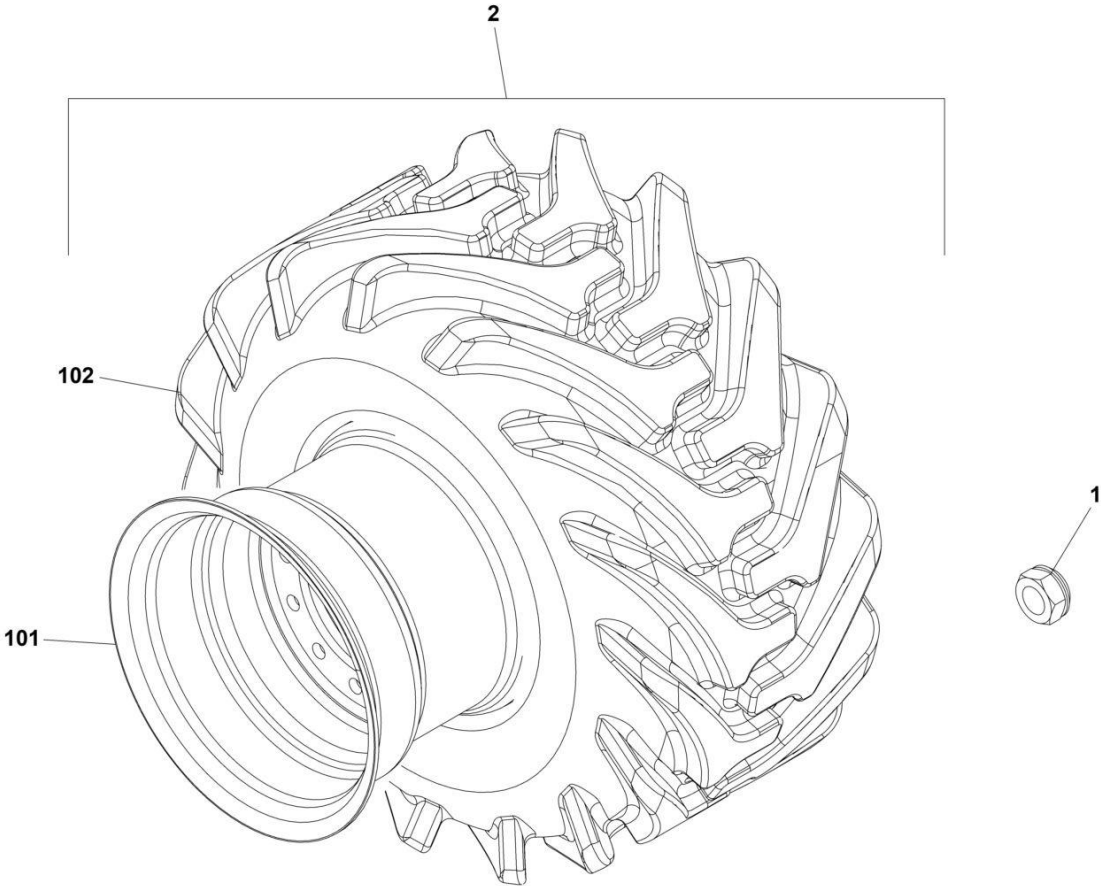
SECTION 5 - DRIVE TRAIN

FIGURE 5-5. TIRE AND WHEEL ASSEMBLY - CLAWED & FOAM FILLED

ITEM	PART NUMBER	QTY	DESCRIPTION	REV
	1001275957	Ref	TIRE AND WHEEL ASSEMBLY	B
		Ref	Note: Requires ballast/foam filling to manufacturer's specifications prior to installing on a machine. Refer to Service and Maintenance Manuals. Purchase individual tire and/or rim only if able to foam fill tire and wheel assembly, otherwise, purchase complete.	
1	91403193	40	Nut, Wheel	
2	1001281710	2	Tire and Wheel Assembly - Right Side (Include Items 101 & 102)	A
3	1001282677	2	Tire and Wheel Assembly - Left Side (Include Items 101 & 102)	A
101	1001275072	1	Rim, Wheel	
102	1001276956	1	Tire, 18R22.5	

SECTION 5 - DRIVE TRAIN

FIGURE 5-6. TIRE AND WHEEL ASSEMBLY - STANDARD



ART_1001275955

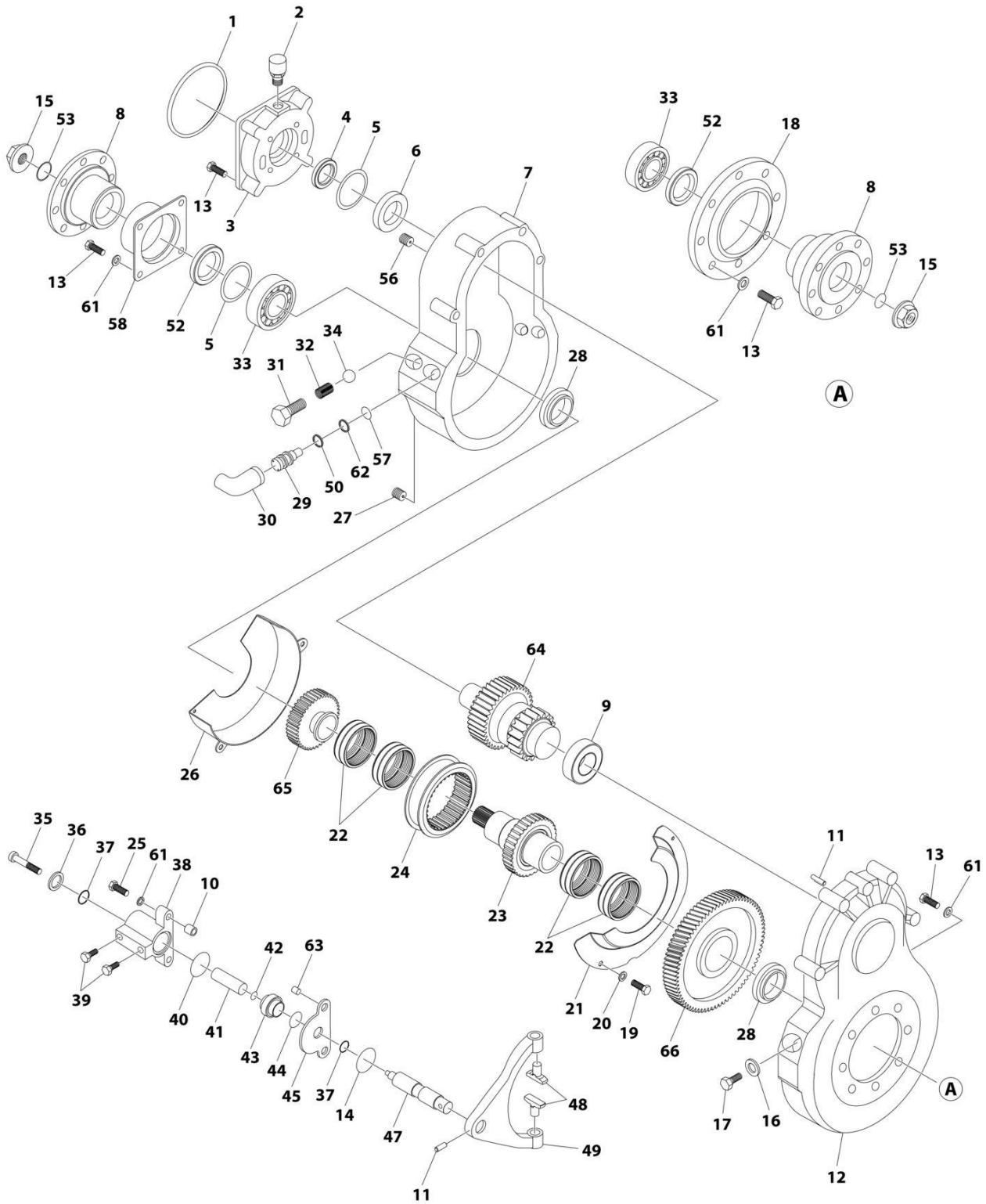
SECTION 5 - DRIVE TRAIN

FIGURE 5-6. TIRE AND WHEEL ASSEMBLY - STANDARD

ITEM	PART NUMBER	QTY	DESCRIPTION	REV
	1001275955	Ref	TIRE AND WHEEL ASSEMBLY	B
1	91403193	40	Nut, Wheel	
2	1001276953	4	Tire and Wheel Assembly	A
101	1001275072	1	Rim, Wheel	
102	1001276955	1	Tire, 445/65 R22.5	

SECTION 5 - DRIVE TRAIN

FIGURE 5-7. GEARBOX ASSEMBLY



ART_1001276978

SECTION 5 - DRIVE TRAIN

FIGURE 5-7. GEARBOX ASSEMBLY

ITEM	PART NUMBER	QTY	DESCRIPTION	REV
	1001276978	Ref	GEARBOX ASSEMBLY	B
	See Note	Ref	Note: No Other Service Parts Available at Time of Printing	
1		Ref	O-Ring	
2	70030854	1	Plug, Vent	
3		Ref	Cover	
4		Ref	Seal	
5		Ref	Shim - 0.10mm	
5		Ref	Shim - 0.15mm	
5		Ref	Shim - 0.20mm	
5		Ref	Shim - 0.30mm	
5		Ref	Shim - 0.40mm	
6		Ref	Bearing	
7		Ref	Cover	
8	70030888	2	Flange	
9		Ref	Bearing	
10	70030874	2	Pin	
11	70030864	2	Pin	
12		Ref	Casing	
13		Ref	Bolt	
14	70030490	1	O-Ring	
15	70030890	2	Nut	
16		Ref	Washer	
17		Ref	Bolt	
18	70030915	1	Cover	
19	70030868	2	Bolt	
20	70030869	2	Washer	
21	70030870	1	Cover	
22	70030871	4	Sleeve	
23	70030872	1	Shaft, Output	
24	70030873	1	Sleeve	
25		Ref	Bolt	
26	70030875	1	Cover	
27	70030876	1	Plug, Magnetic	
28	70030867	2	Spacer	
29	70030880	1	Switch	
30	70030879	1	Cap	
31	70030881	1	Bolt	
32	70030882	1	Spring	
33		Ref	Bearing	
34		Ref	Ball	
35	70030891	1	Bolt	
36	70030892	1	O-Ring	
37	70030893	2	Ring	
38	70030903	1	Cylinder	
39		Ref	Plug	
40		Ref	O-Ring	
41	70030895	1	Rod	
42		Ref	O-Ring	
43	70030901	1	Piston	
44		Ref	O-Ring	

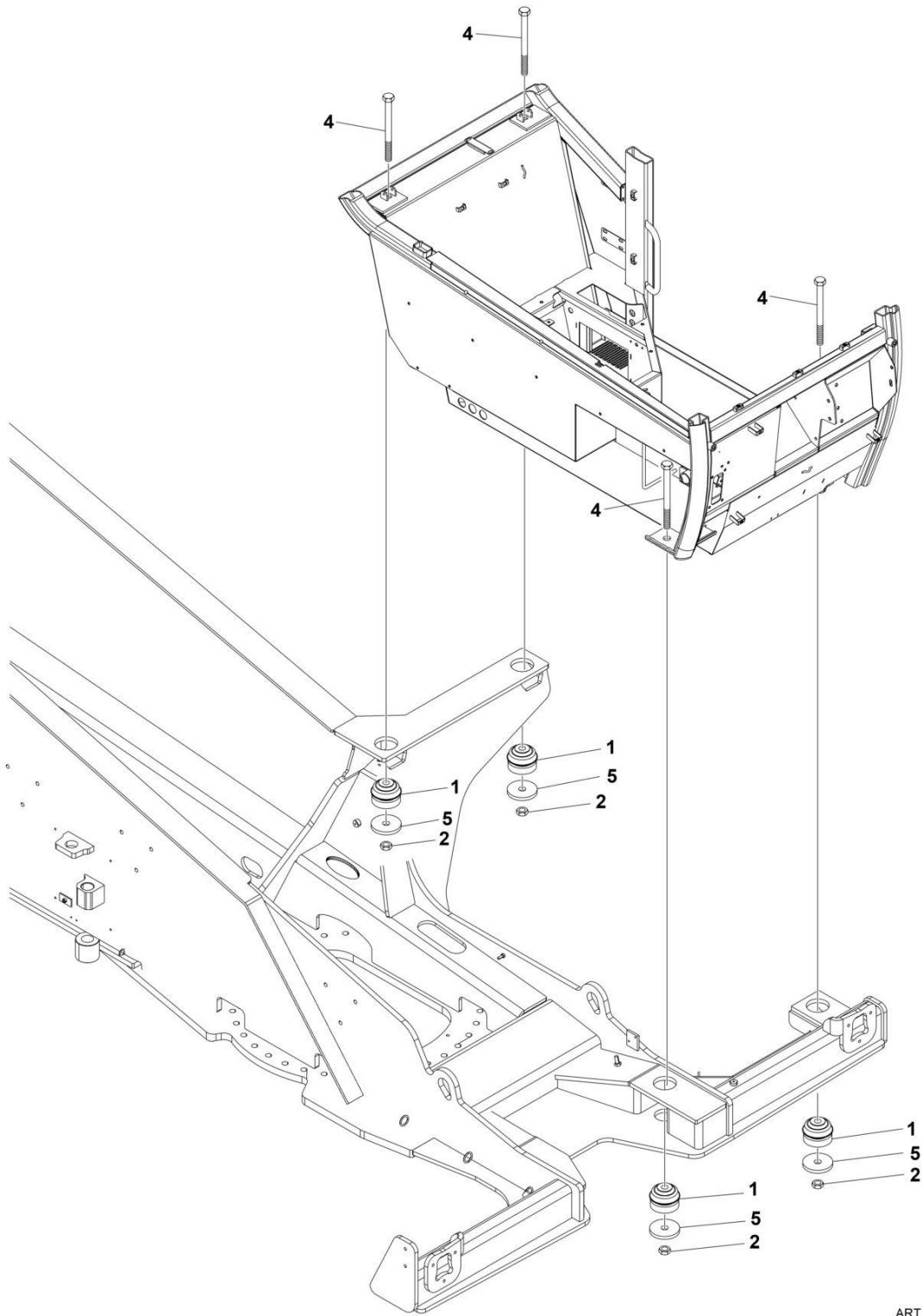
SECTION 5 - DRIVE TRAIN

ITEM	PART NUMBER	QTY	DESCRIPTION	REV
45	70030900	1	Panel	
47	70030899	1	Rod, Gearbox	
48	70030897	2	Shoe	
49	70030898	1	Fork, Gearbox	
50	70030878	1	Washer	
52		Ref	Seal	
53	70030889	2	O-Ring	
56	70030859	1	Plug	
57	70030877	1	O-Ring	
58		Ref	Cover	
61	70030907	15	Washer	
62	70030916	1	Washer	
63	70030917	1	Bolt	
64		Ref	Shaft, Input	
65		Ref	Gear	
66		Ref	Gear	

SECTION 6 - CAB

SECTION 6 - CAB

FIGURE 6-1. CAB MOUNTS INSTALLATION



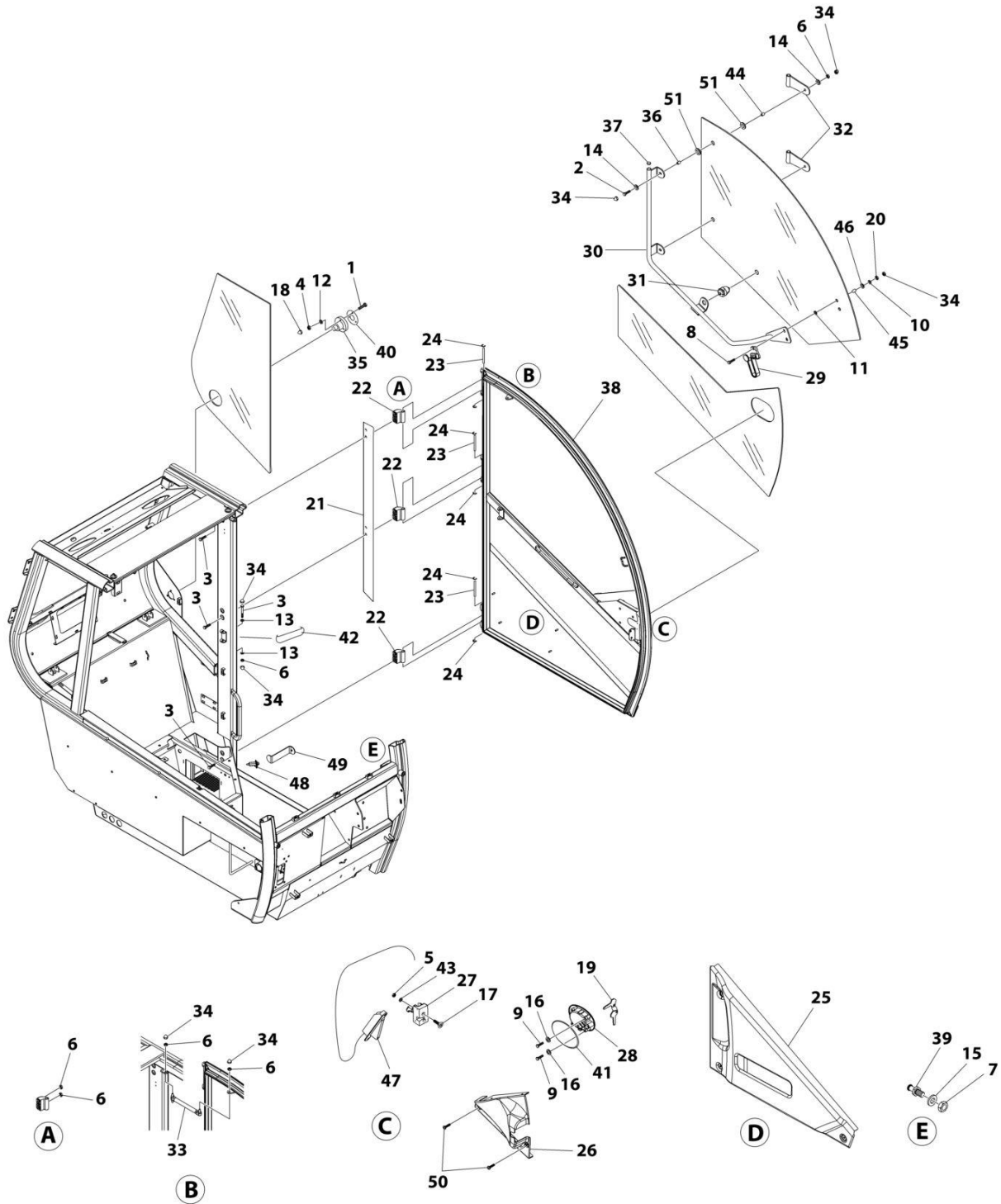
ART_1001278254

FIGURE 6-1. CAB MOUNTS INSTALLATION

ITEM	PART NUMBER	QTY	DESCRIPTION	REV
	1001278254	Ref	CAB MOUNTS INSTALLATION	B
1	1001275050	4	Mount	
2	1001278055	4	Nut, Lock M22	
4	1001278264	4	Bolt M22 x 130	
5	1001280930	4	Washer, Rebound	

SECTION 6 - CAB

FIGURE 6-2. CAB DOOR INSTALLATION



ART_1001278262

FIGURE 6-2. CAB DOOR INSTALLATION

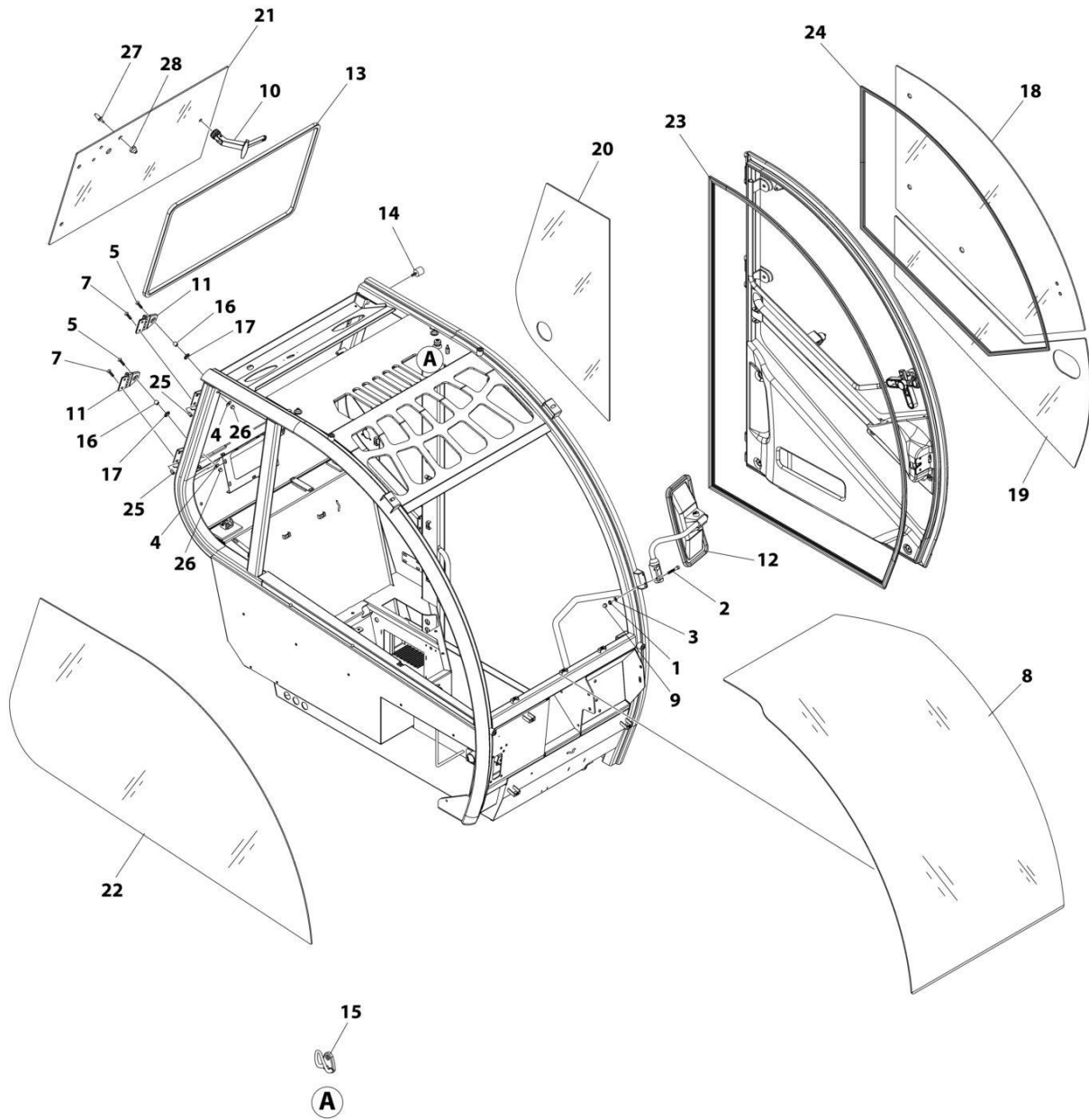
ITEM	PART NUMBER	QTY	DESCRIPTION	REV
	1001278262	Ref	CAB DOOR INSTALLATION	B
1	0700614	3	Bolt M6 x 30	
2	0700815	2	Bolt M8 x 35	
3	0700822	7	Bolt M8 x 70	
4	3290605	3	Nut, Lock M6	
5	3290801	2	Nut M8	
6	3290805	11	Nut, Lock M8	
7	3291202	1	Nut M12	
8	4010514	2	Bolt M5 x 30	
9	4010608	2	Bolt M6 x 16	
10	4811600	2	Washer M5	
11	1001289841	2	Washer, Glass M5	
12	4811700	3	Washer M5	
13	4811900	2	Washer M6	
14	4811902	4	Washer M8	
15	4812100	1	Washer M12	
16	4871700	2	Washer, Lock M6	
17	1001102830	2	Capscrew M8 x 45	
18	1001108603	3	Nut M6	
19	1001276889	1	Key	
20	1001278052	2	Nut, Lock M5	
21	1001278342	1	Plate	
22	1001278343	3	Lug, Hinge	
23	1001278344	3	Pin, Hinge	
24	1001278345	6	Ring, Retaining	
25	1001278346	1	Panel	
26	1001278347	1	Cover	
27	1001278348	1	Lock	
28	1001278349	1	Handle, Door	
29	1001278350	1	Lock, Window	
30	1001278351	1	Handle, Window	
31	1001278352	1	Fastener, Window	
32	1001278353	2	Hinge, Window	
33	1001278354	1	Strut	
34	1001278355	10	Nut M8	
35	1001278356	1	Latch, Window	
36	1001278357	2	Spacer	
37	1001278359	1	Plug	
38	1001278360	1	Frame, Door (Note: Complete Door Assembly Not Available For Purchase, Please Buy Individual Parts)	
39	1001278361	1	Pin	
40	1001278370	1	Gasket	
41	1001278372	1	Gasket	
42	1001278375	1	Strap	
43	1001278376	2	Washer	
44	1001278377	2	Spacer	
45	1001278378	2	Spacer	
46	1001278379	2	Washer	
47	1001278380	1	Cable, Door Release	
48	1001278383	1	Switch, Door Sensor	

SECTION 6 - CAB

ITEM	PART NUMBER	QTY	DESCRIPTION	REV
49	1001278384	1	Bracket	
50	4010612002	2	Bolt M6 x 25	
51	1001289840	4	Washer, Glass M6	

SECTION 6 - CAB

FIGURE 6-3. CAB WINDOWS INSTALLATION



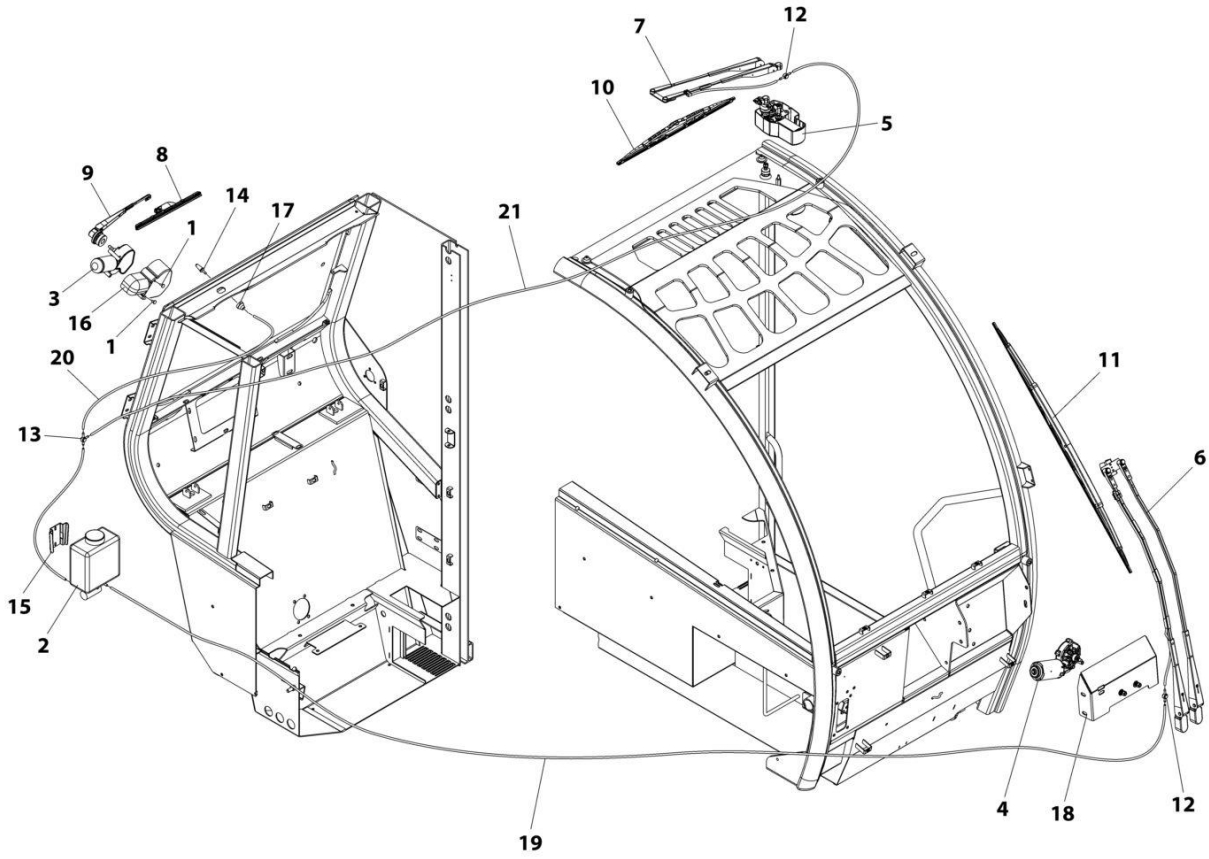
ART_1001278338

FIGURE 6-3. CAB WINDOWS INSTALLATION

ITEM	PART NUMBER	QTY	DESCRIPTION	REV
	1001278338	Ref	CAB WINDOWS INSTALLATION	C
1	3290805	2	Nut, Lock M8	
2	4031908	2	Capscrew M8 x 20	
3	4811900	2	Washer M8	
4	4811902	2	Washer M8	
5	1001009162	2	Capscrew M8 x 30	
6	1001111317	AR	Sealant, Window (Not Shown)	
7	1001175533	4	Capscrew M8 x 25	
8	1001277167	1	Window, Front	
9	1001278355	2	Nut M8	
10	1001278385	1	Handle, Rear Window	
11	1001278386	2	Hinge, Rear Window	
12	1001278388	1	Mirror	
13	1001278389	1	Gasket, Rear Window	
14	1001278390	1	Bumper	
15	1001278391	1	Hook	
16	1001278392	2	Spacer	
17	1001278396	2	O-Ring	
18	1001278397	1	Window, Door Upper	
19	1001278398	1	Window, Door Lower	
20	1001278399	1	Window, Left Side	
21	1001278400	1	Window, Rear	
22	1001278402	1	Window, Right Side	
23	1001278404	1	Gasket, Door	
24	1001278406	1	Gasket, Door Glass	
25	1001278407	4	Spacer	
26	1001278675	2	Nut M8	
27	1001278424	1	Nozzle, Washer Fluid Spray	
28	1001278427	1	Nut, Acorn	

SECTION 6 - CAB

FIGURE 6-4. WIPERS INSTALLATION



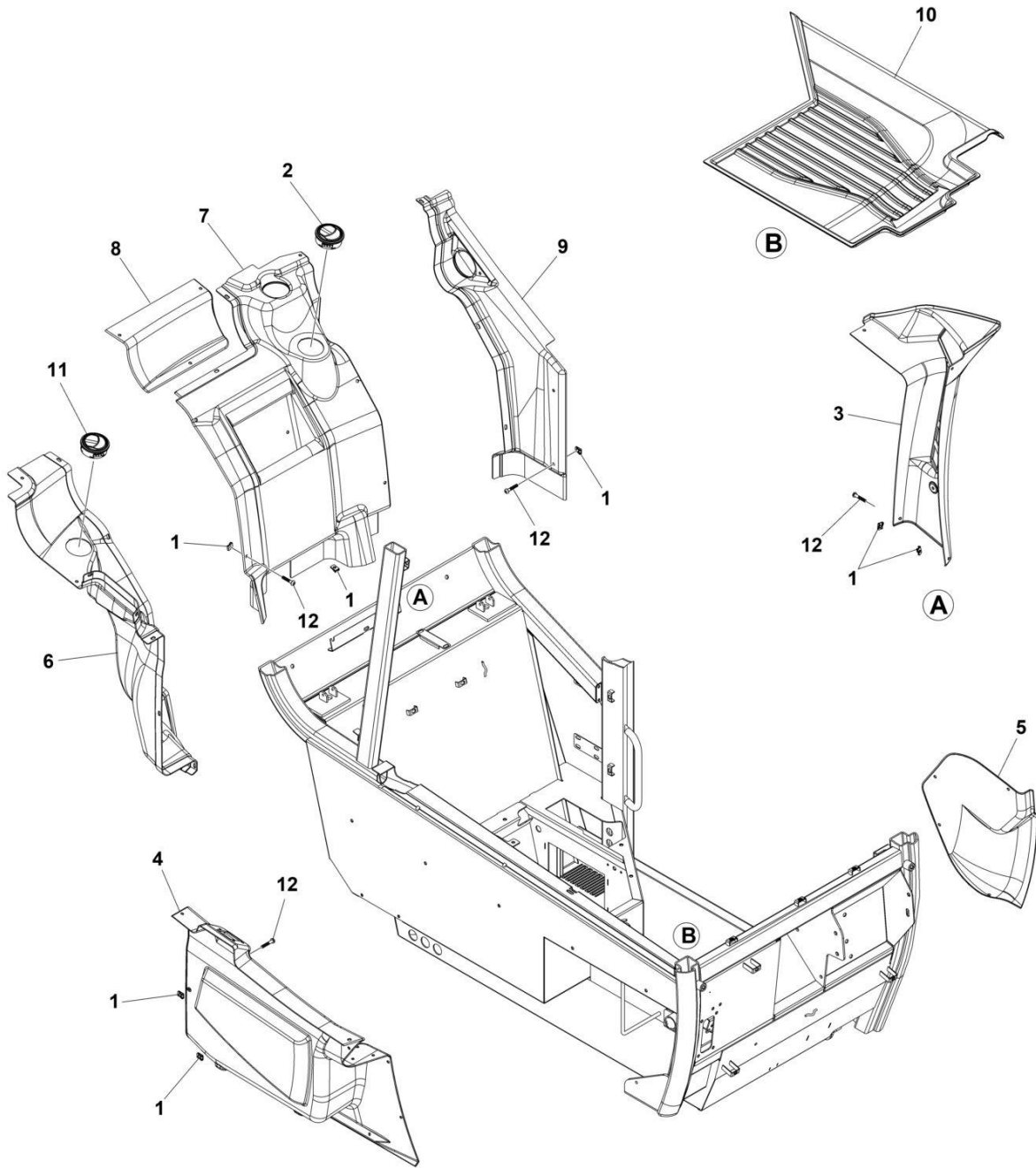
ART_1001278339

FIGURE 6-4. WIPERS INSTALLATION

ITEM	PART NUMBER	QTY	DESCRIPTION	REV
	1001278339	Ref	WIPERS INSTALLATION	B
1	4010612	2	Bolt M6 x 25	
2	1001276895	1	Tank, Washer	
3	1001278408	1	Motor, Rear Wiper	
4	1001278409	1	Motor, Front Wiper	
5	1001278410	1	Motor, Roof Wiper	
6	1001278411	1	Arm, Front Wiper	
7	1001278412	1	Arm, Roof Wiper	
8	1001278413	1	Wiper, Rear	
9	1001278415	1	Arm, Rear Wiper	
10	1001278417	1	Wiper, Roof	
11	1001278419	1	Wiper, Front	
12	1001278420	2	Fitting	
13	1001278422	1	Fitting	
14	1001278424	1	Nozzle	
15	1001278425	1	Plate	
16	1001278426	1	Cover	
17	1001278427	1	Nut	
18	1001278428	1	Cover	
19	1001278429	13.12 ft / 4m	Tube	
20	1001278430	9.84 ft / 3m	Tube	
21	1001278431	6.56 ft / 2m	Tube	

SECTION 6 - CAB

FIGURE 6-5. CAB INTERIOR INSTALLATION



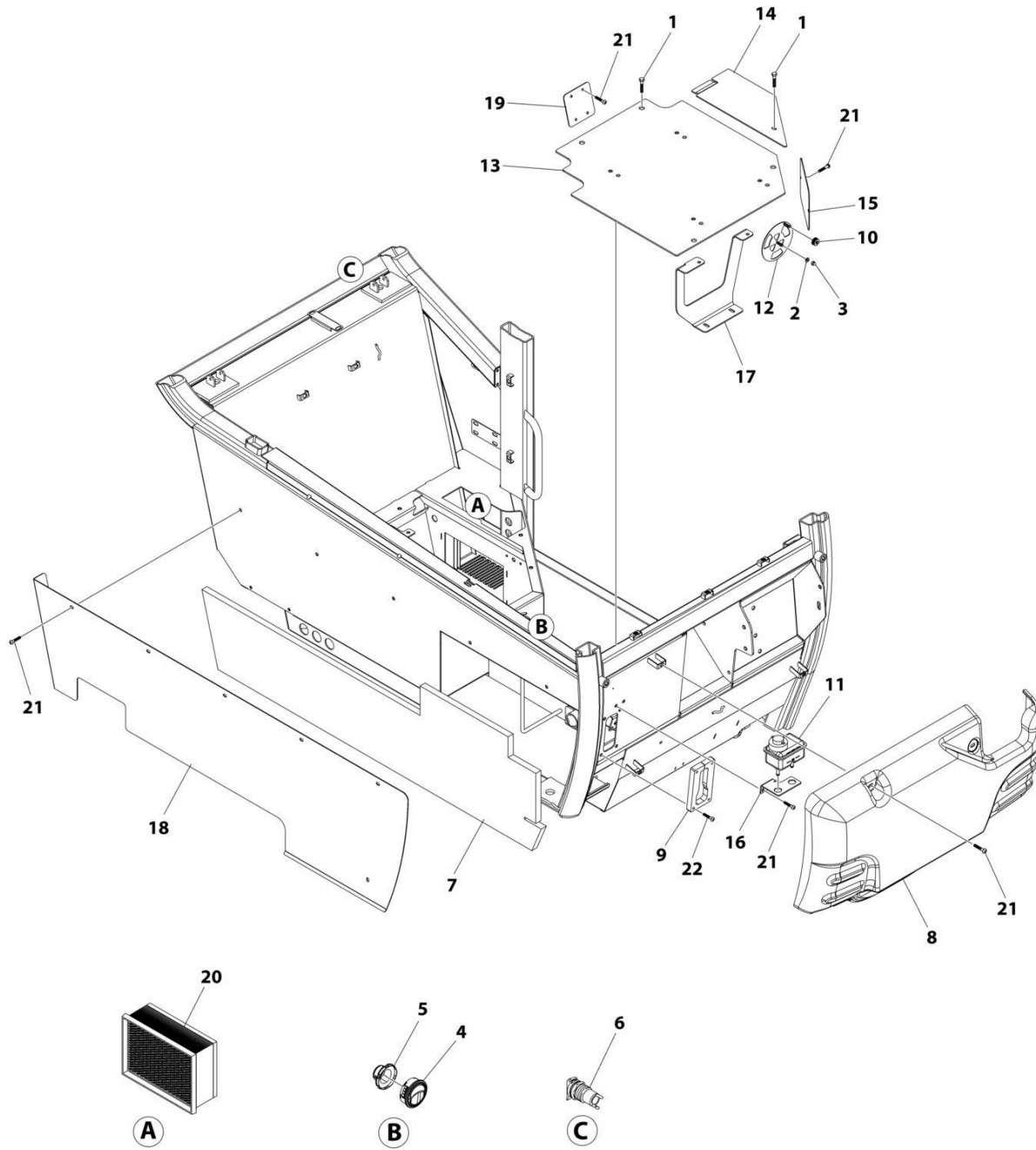
ART_1001278255

FIGURE 6-5. CAB INTERIOR INSTALLATION

ITEM	PART NUMBER	QTY	DESCRIPTION	REV
	1001278255	Ref	CAB INTERIOR INSTALLATION	B
1	1001130220	34	Nut	
2	1001275084	2	Vent	
3	1001275484	1	Panel, Right C-Post	
4	1001275486	1	Panel, Right Side	
5	1001278266	1	Panel, Left Dash	
6	1001282645	1	Panel, Right Rear	
7	1001278268	1	Panel, Middle Rear	
8	1001278269	1	Panel	
9	1001278270	1	Panel, Left Rear	
10	1001278271	1	Floor Mat	
11	1001281583	1	Vent	
12	4010612002	4	Bolt M6 x 25	

SECTION 6 - CAB

FIGURE 6-6. CAB COMPONENTS INSTALLATION



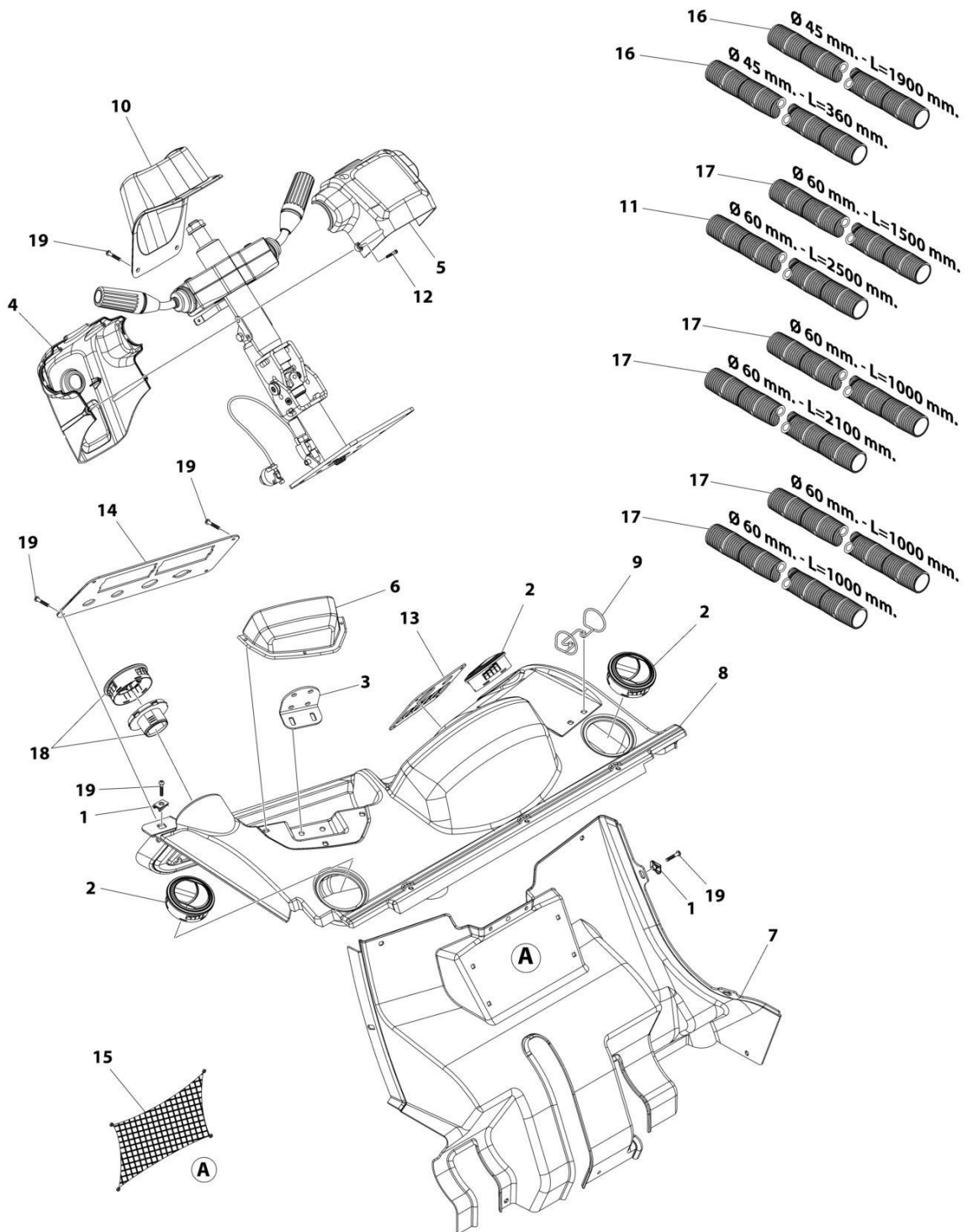
ART_1001278257

FIGURE 6-6. CAB COMPONENTS INSTALLATION

ITEM	PART NUMBER	QTY	DESCRIPTION	REV
	1001278257	Ref	CAB COMPONENTS INSTALLATION	B
1	0700810	5	Bolt M8 x 20	
2	4811700	1	Washer M6	
3	1001108603	1	Nut M6	
4	1001275084	1	Vent	
5	1001275085	1	Adapter, Vent	
6	1001277442	1	Socket	
7	1001278275	1	Panel, Sound Reduction	
8	1001278276	1	Cover	
9	1001278277	1	Clamp	
10	1001278281	1	Plug	
11	1001278284	1	Tank, Brake Fluid	
12	1001278286	1	Plate, Vent	
13	1001278287	1	Plate, Cab Bottom	
14	1001278288	1	Plate, Cab Bottom Left	
15	1001278289	1	Plate	
16	1001278290	1	Bracket	
17	1001278291	1	Bracket	
18	1001278292	1	Panel	
19	1001278293	1	Plate	
20	1001278296	1	Filter	
21	4010612002	16	Bolt M6 x 25	
22	1001097202	4	Capscrew M6 x 30	

SECTION 6 - CAB

FIGURE 6-7. DASH INSTALLATION



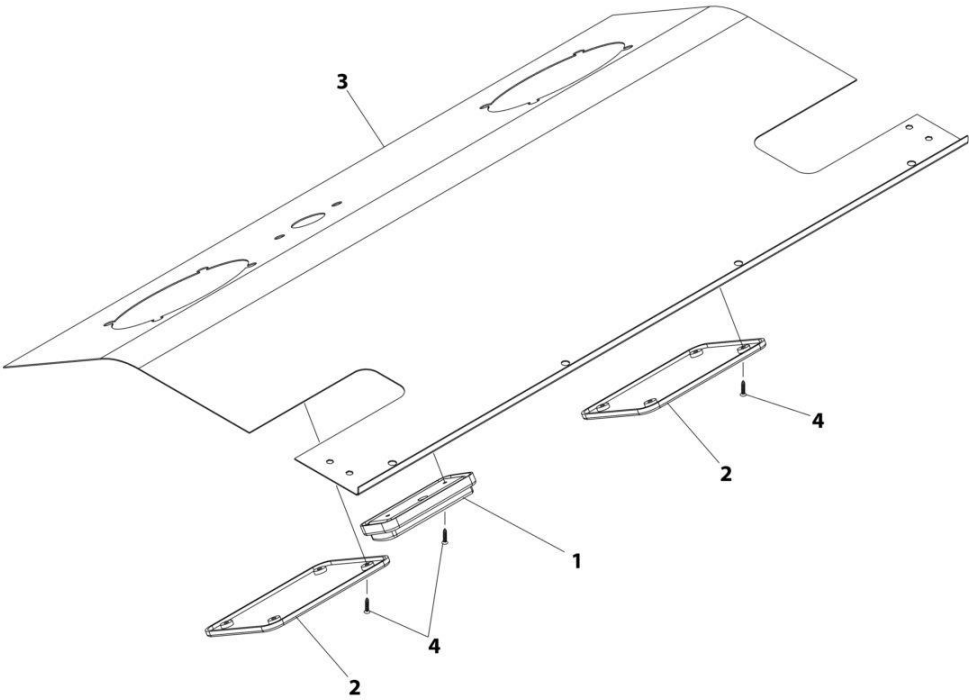
ART_1001278258

FIGURE 6-7. DASH INSTALLATION

ITEM	PART NUMBER	QTY	DESCRIPTION	REV
	1001278258	Ref	DASH INSTALLATION	B
1	1001130220	18	Nut M6	
2	1001275084	3	Vent	
3	1001275319	1	Bracket	
4	1001275481	1	Cover	
5	1001275482	1	Cover	
6	1001275483	1	Cover	
7	1001275485	1	Panel, Lower Dash	
8	1001275580	1	Panel, Upper Dash	
9	1001276958	4	Spring	
10	1001277169	1	Cover	
11	1001277252	8.2 ft / 2.5m	Tube	
12	1001278299	4	Bolt	
13	1001278308	1	Panel, Left Switch	
14	1001278309	1	Panel, Right Switch	
15	1001278310	1	Net	
16	1001278393	9.84 ft / 3m	Tube	
17	1001278394	22.97 ft / 7m	Tube	
18	1001281583	1	Vent	
19	4010612002	22	Bolt M6 x 25	

SECTION 6 - CAB

FIGURE 6-8. HEADLINER ASSEMBLY



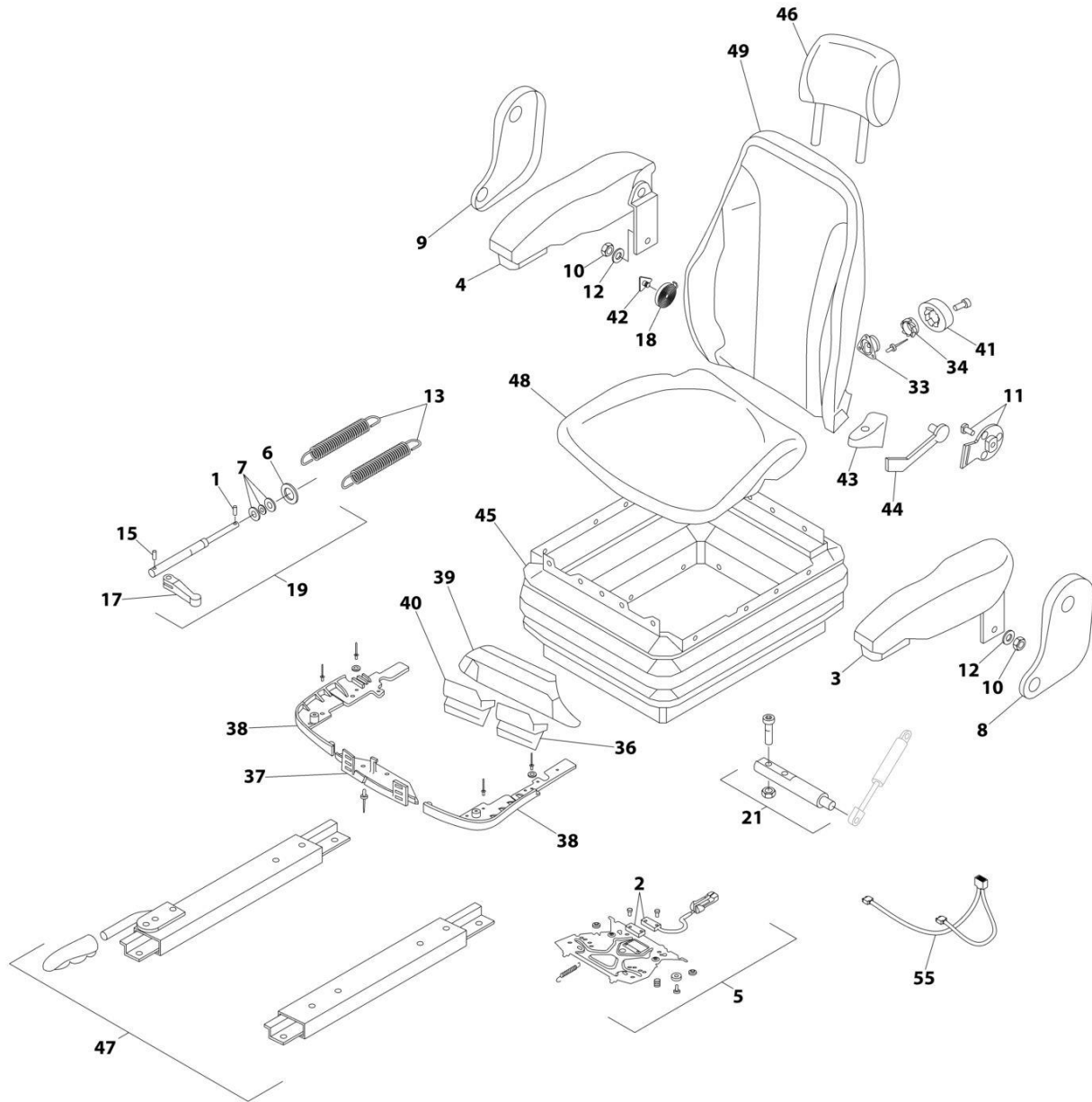
ART_1001278256

FIGURE 6-8. HEADLINER ASSEMBLY

ITEM	PART NUMBER	QTY	DESCRIPTION	REV
	1001278256	Ref	HEADLINER ASSEMBLY	A
1	1001278272	1	Light, Dome	
2	1001278273	2	Panel, Cover	
3	1001278274	1	Headliner	
4	4010610002	10	Bolt M6 x 20	

SECTION 6 - CAB

FIGURE 6-9. SEAT ASSEMBLY



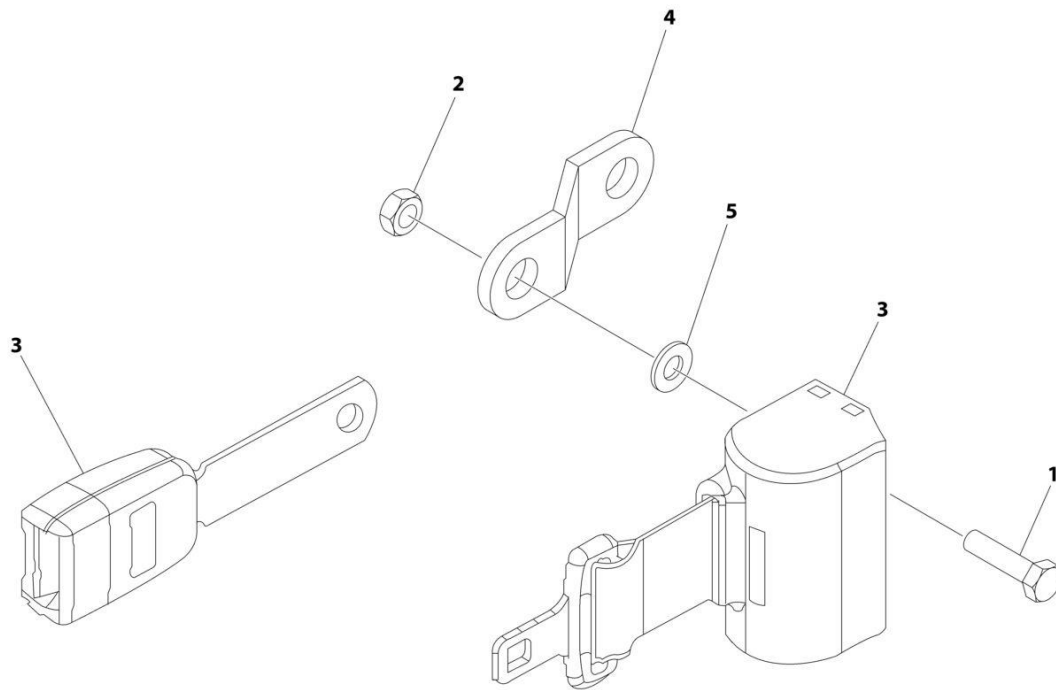
ART_1001277715

FIGURE 6-9. SEAT ASSEMBLY

ITEM	PART NUMBER	QTY	DESCRIPTION	REV
	1001277715	Ref	SEAT ASSEMBLY	A
1	70030502	1	Pin	
2	70030503	1	Sensor	
3	70030504	1	Arm Rest, Left (Includes Items 10 and 12)	
4	70030505	1	Arm Rest, Right (Includes Items 10 and 12)	
5	70030506	1	Sensor Kit (Includes Item 2)	
6	70030507	1	Washer	
7	70030508	3	Washer	
8	70030509	1	Cover, Left Arm Rest	
9	70030510	1	Cover, Right Arm Rest	
10	70030511	2	Nut	
11	70030512	1	Plate, Locking	
12	70030513	2	Washer	
13	70030514	2	Spring	
15	70030515	1	Pin	
17	70030516	1	Lever	
18	70030517	1	Plate, Locking	
19	70030518	1	Strut (Includes Items 1, 6, 7, 15 and 17)	
21	70030519	1	Pin	
33	70030520	1	Spring	
34	70030521	1	Gear	
36	70030522	1	Panel	
37	70030523	1	Bracket	
38	70030524	2	Cover	
39	70030525	1	Panel	
40	70030526	1	Panel	
41	70030527	1	Handle	
42	70030528	1	Pin	
43	70030529	1	Lever	
44	70030530	1	Lever	
45	70030531	1	Bellows	
46	70030532	1	Headrest	
47	70030533	1	Rails Kit	
48	70030534	1	Seat	
49	70030535	1	Back, Seat	
51	70030536	1	Lever Kit (Includes Items 42, 43 and 44)	
55	70030537	1	Harness, Seat	

SECTION 6 - CAB

FIGURE 6-10. SEAT BELT ASSEMBLY



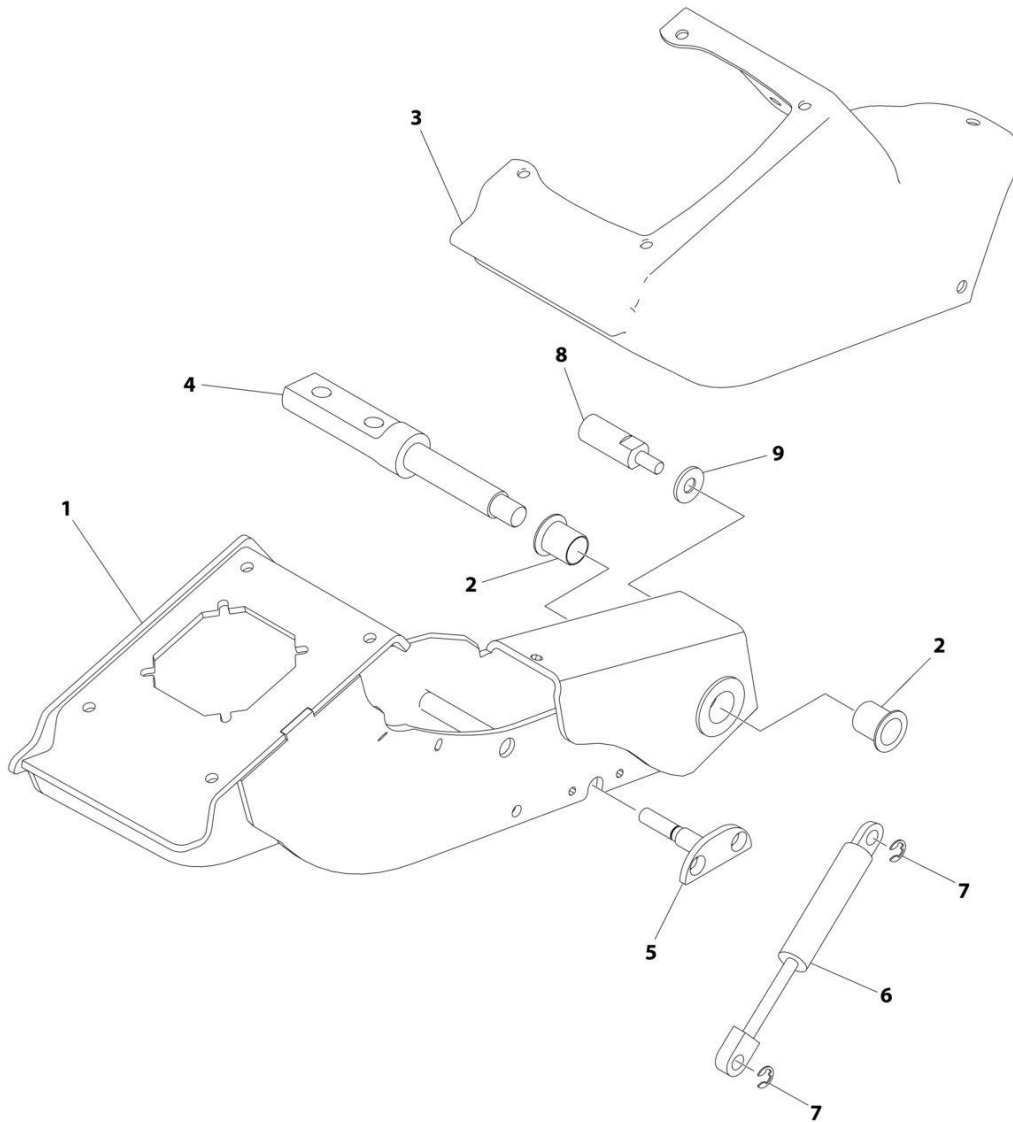
ART_1001286008

FIGURE 6-10. SEAT BELT ASSEMBLY

ITEM	PART NUMBER	QTY	DESCRIPTION	REV
	1001286008	Ref	SEAT BELT ASSEMBLY	B
1	0761012	1	Bolt M10 x 25	
2	3291001	1	Nut M10	
3	1001289802	1	Belt, Safety	
4	1001289803	1	Bracket	
5	1001289836	1	Sleeve	

SECTION 6 - CAB

FIGURE 6-11. LEFT ARMREST ASSEMBLY



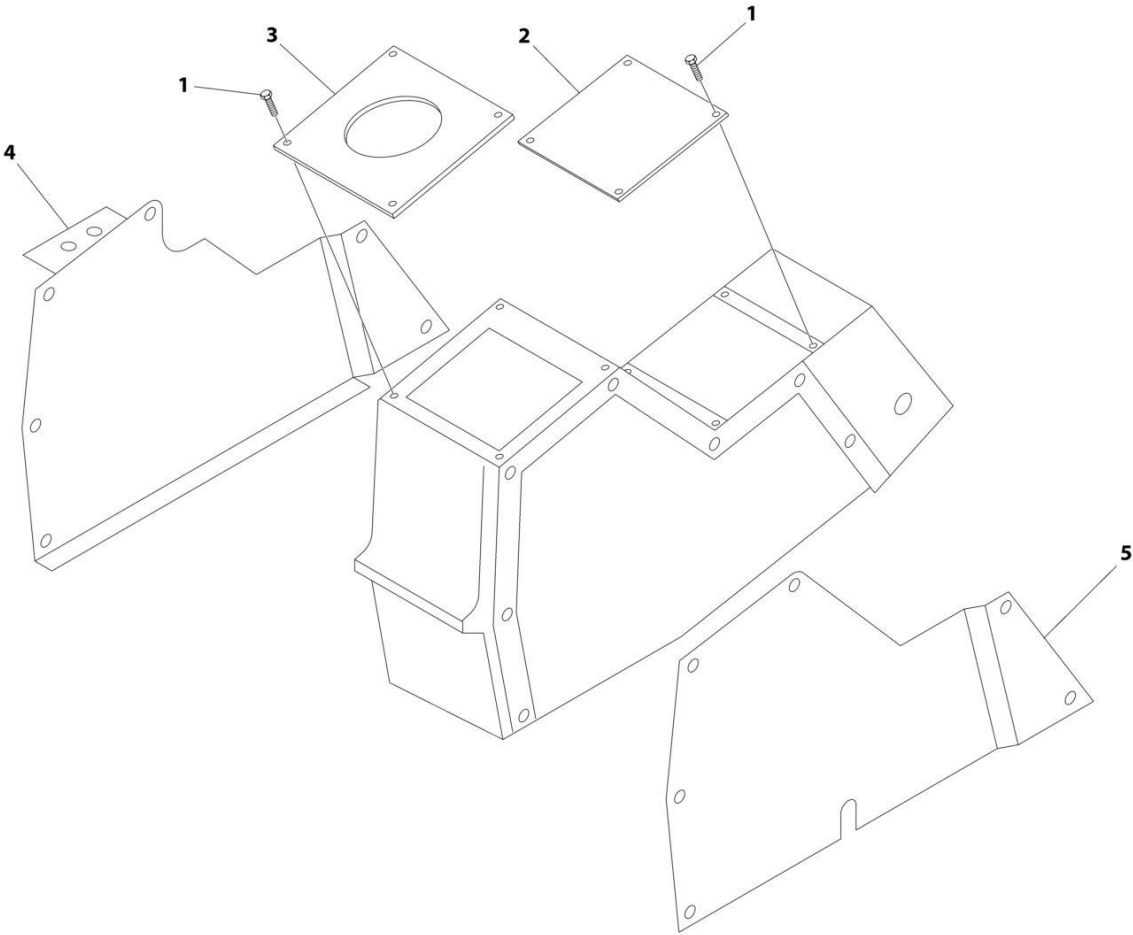
ART_1001278622

FIGURE 6-11. LEFT ARMREST ASSEMBLY

ITEM	PART NUMBER	QTY	DESCRIPTION	REV
	1001278622	Ref	LEFT ARMREST ASSEMBLY	B
1	1001274698	1	Left Arm	
2	1001275341	2	Bushing	
3	1001275480	1	Cover	
4	1001275702	1	Pin	
5	1001275703	1	Pin	
6	1001284787	1	Strut	
7	1001284788	2	Ring, Retaining	
8	1001293246	1	Pin, Clevis	
9	1001293248	1	Washer, Lock M8	

SECTION 6 - CAB

FIGURE 6-12. RIGHT ARMREST ASSEMBLY



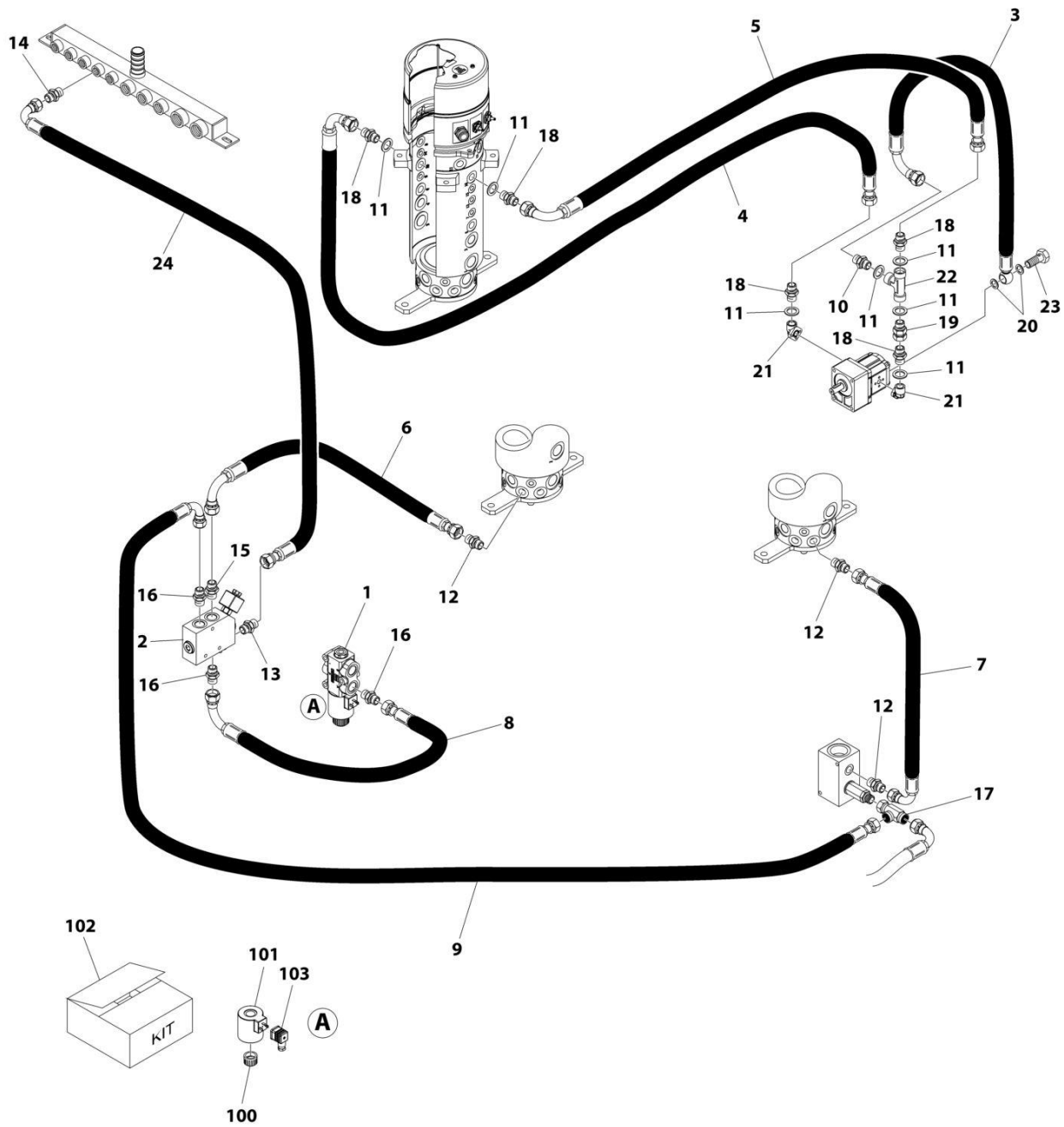
ART_1001278623

FIGURE 6-12. RIGHT ARMREST ASSEMBLY

ITEM	PART NUMBER	QTY	DESCRIPTION	REV
	1001278623	Ref	RIGHT ARMREST ASSEMBLY	A
1	4010510	20	Bolt M5 x 20	
2	1001275310	1	Plate	
3	1001277725	1	Plate, Joystick Mounting	
4	1001278624	1	Plate, Right Side	
5	1001278625	1	Plate, Left Side	

SECTION 6 - CAB

FIGURE 6-13. A/C LINES INSTALLATION



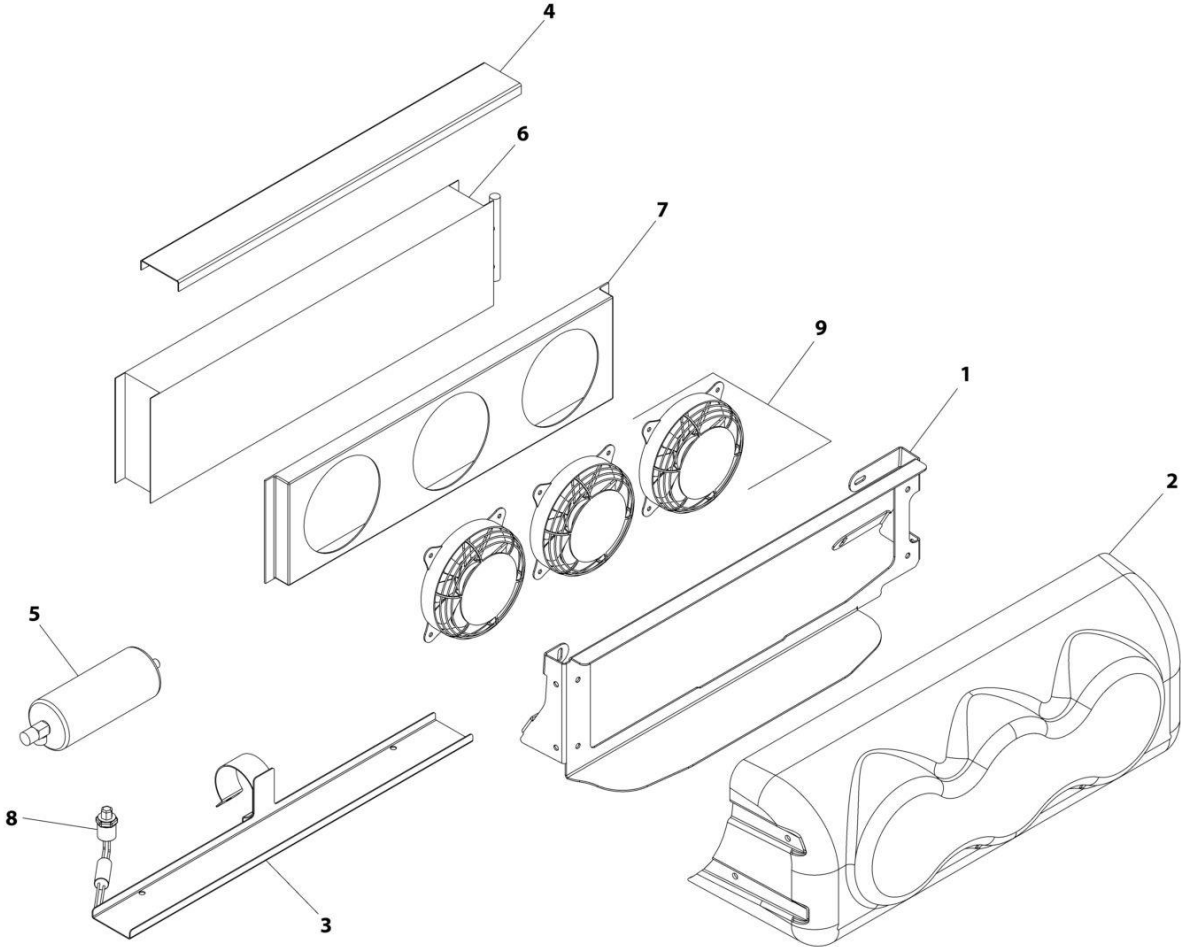
ART_1001281711

FIGURE 6-13. A/C LINES INSTALLATION

ITEM	PART NUMBER	QTY	DESCRIPTION	REV
	1001281711	Ref	A/C LINES INSTALLATION	B
1	1001274759	1	Valve (Includes Items 100, 101 & 103)	
2	1001274977	1	Regulator	
3	1001275020	1	Hose	
4	1001275028	1	Hose	
5	1001275029	1	Hose	
6	1001275419	1	Hose	
7	1001275488	1	Hose	
8	1001275502	1	Hose	
9	1001275510	1	Hose	
10	1001277526	1	Fitting	
11	1001278186	7	Washer	
12	1001279098	3	Fitting, Straight ORFS/ORB	
13	1001279239	1	Fitting, Straight ORFS/ORB	
14	1001279271	1	Fitting, Straight ORFS/ORB	
15	1001279281	1	Fitting, Straight ORFS/ORB	
16	1001279283	3	Fitting, Straight ORB/ORB	
17	1001279308	1	Fitting, Tee FSORFS/ORFS/ORFS	
18	1001279323	5	Fitting, Straight ORFS/ORB	
19	1001279363	1	Fitting, Straight FSORFS/ORB	
20	1001280482	2	Washer	
21	1001280478	2	Elbow	
22	1001280866	1	Fitting, Tee FSORFS/F'ORFS/FORFS	
23	1001281584	1	Banjo Bolt M12	
24	1001275382	1	Hose	
100	70030626	1	Nut, Ring	
101	1001276900	1	Solenoid	
102	70030627	1	Seal Kit	
103	1001277242	1	Plug, Solenoid	

SECTION 6 - CAB

FIGURE 6-14. A/C CONDENSER INSTALLATION



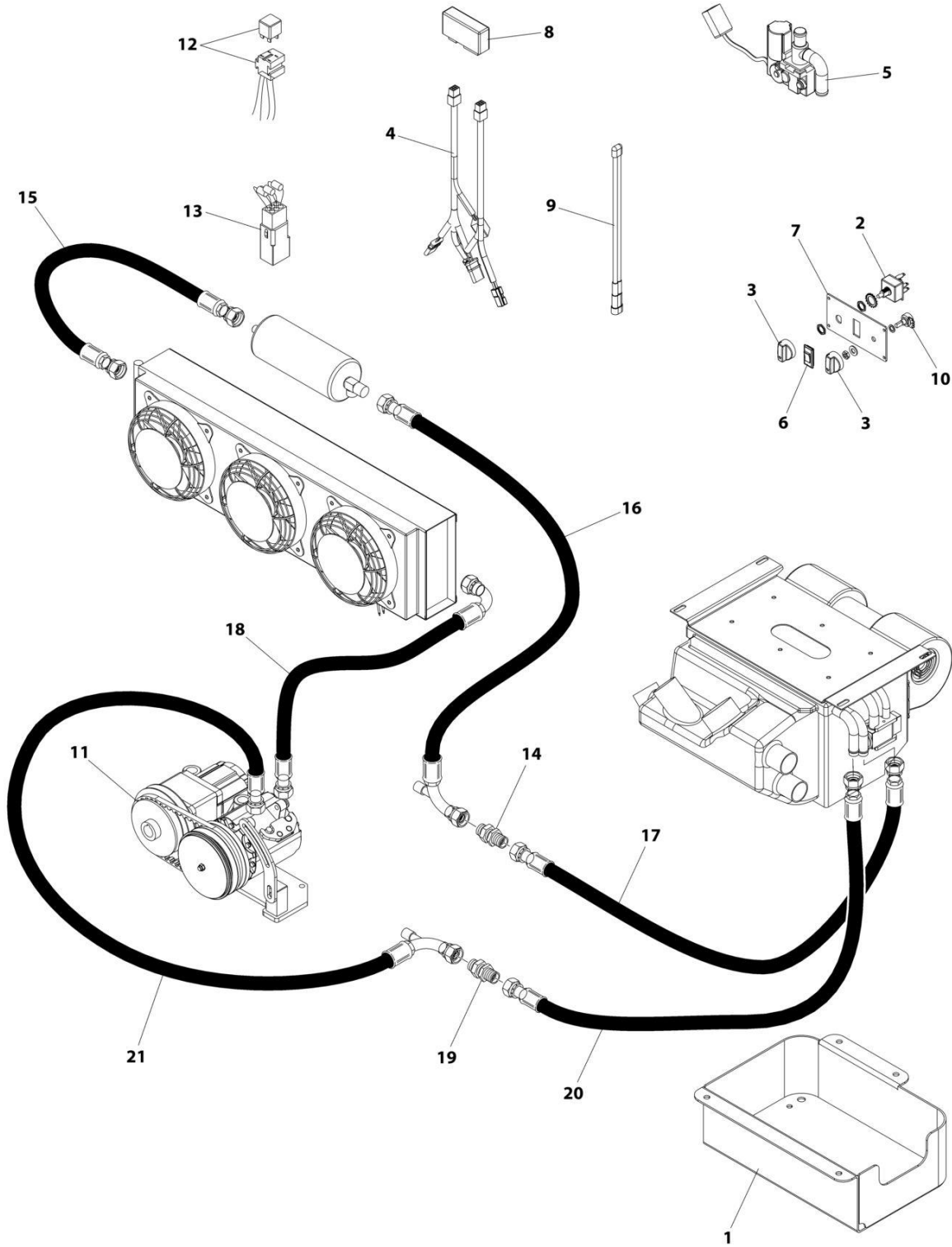
ART_1001280868

FIGURE 6-14. A/C CONDENSER INSTALLATION

ITEM	PART NUMBER	QTY	DESCRIPTION	REV
	1001280868	Ref	A/C CONDENSER INSTALLATION	A
1	1001275283	1	Bracket	
2	1001275479	1	Cover	
3	1001278626	1	Bracket	
4	1001278627	1	Cover	
5	1001278628	1	Filter, A/C	
6	1001278629	1	Condenser, A/C	
7	1001278630	1	Plate	
8	1001278631	1	Sensor, Pressure	
9	1001278632	1	Fan Kit	

SECTION 6 - CAB

FIGURE 6-15. A/C PUMP INSTALLATION



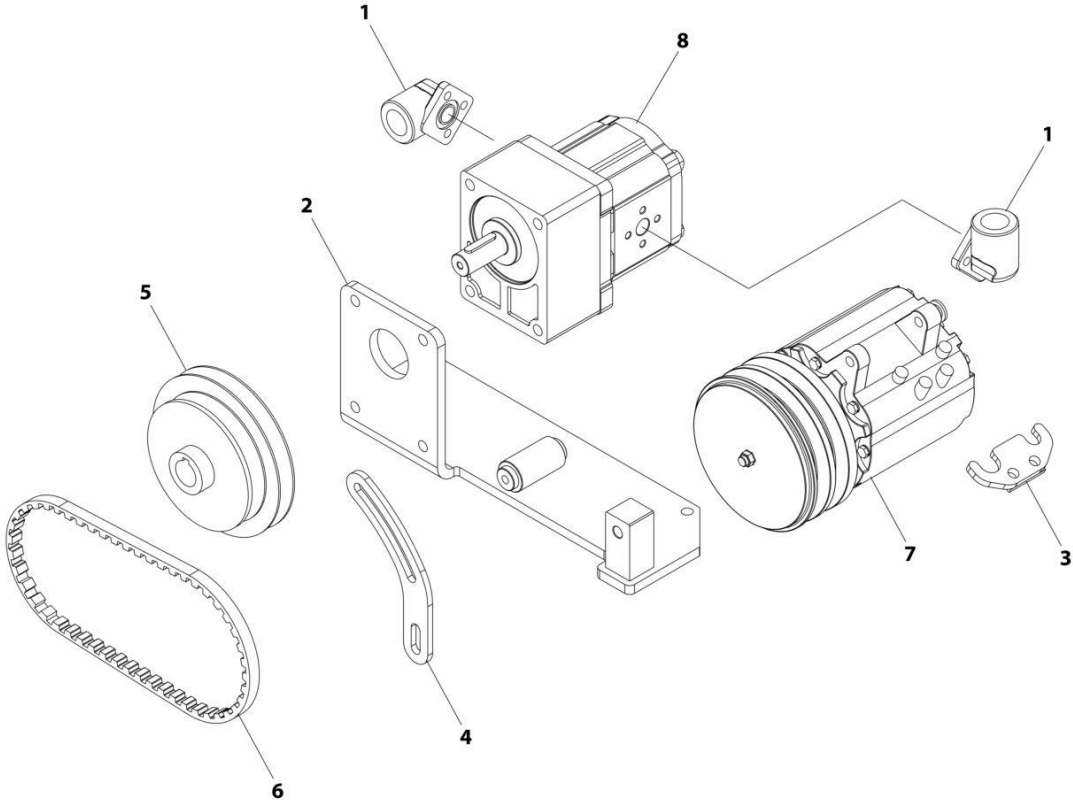
ART_1001281712

FIGURE 6-15. A/C PUMP INSTALLATION

ITEM	PART NUMBER	QTY	DESCRIPTION	REV
	1001281712	Ref	A/C PUMP INSTALLATION	A
1	1001277520	1	Support	
2	1001279148	1	Switch	
3	1001279150	2	Knob	
4	1001280869	1	Harness, Control	
5	1001280870	1	Valve	
6	1001280871	1	Switch, HVAC	
7	1001280872	1	Panel	
8	1001280873	1	Module, Control	
9	1001280874	1	Sensor, Coolant Level	
10	1001280875	1	Switch, HVAC	
11	1001280876	1	Compressor Assembly (See Separate Breakdown in this Section)	
12	1001280878	1	Relay	
13	1001280879	1	Diode	
14	1001281585	1	Fitting Straight ORB/ORB	
15	1001281586	1	Hose	
16	1001281587	1	Hose	
17	1001281589	1	Hose	
18	1001281590	1	Hose	
19	1001281591	1	Fitting Straight ORB/ORB	
20	1001281592	1	Hose	
21	1001281593	1	Hose	

SECTION 6 - CAB

FIGURE 6-16. A/C COMPRESSOR ASSEMBLY



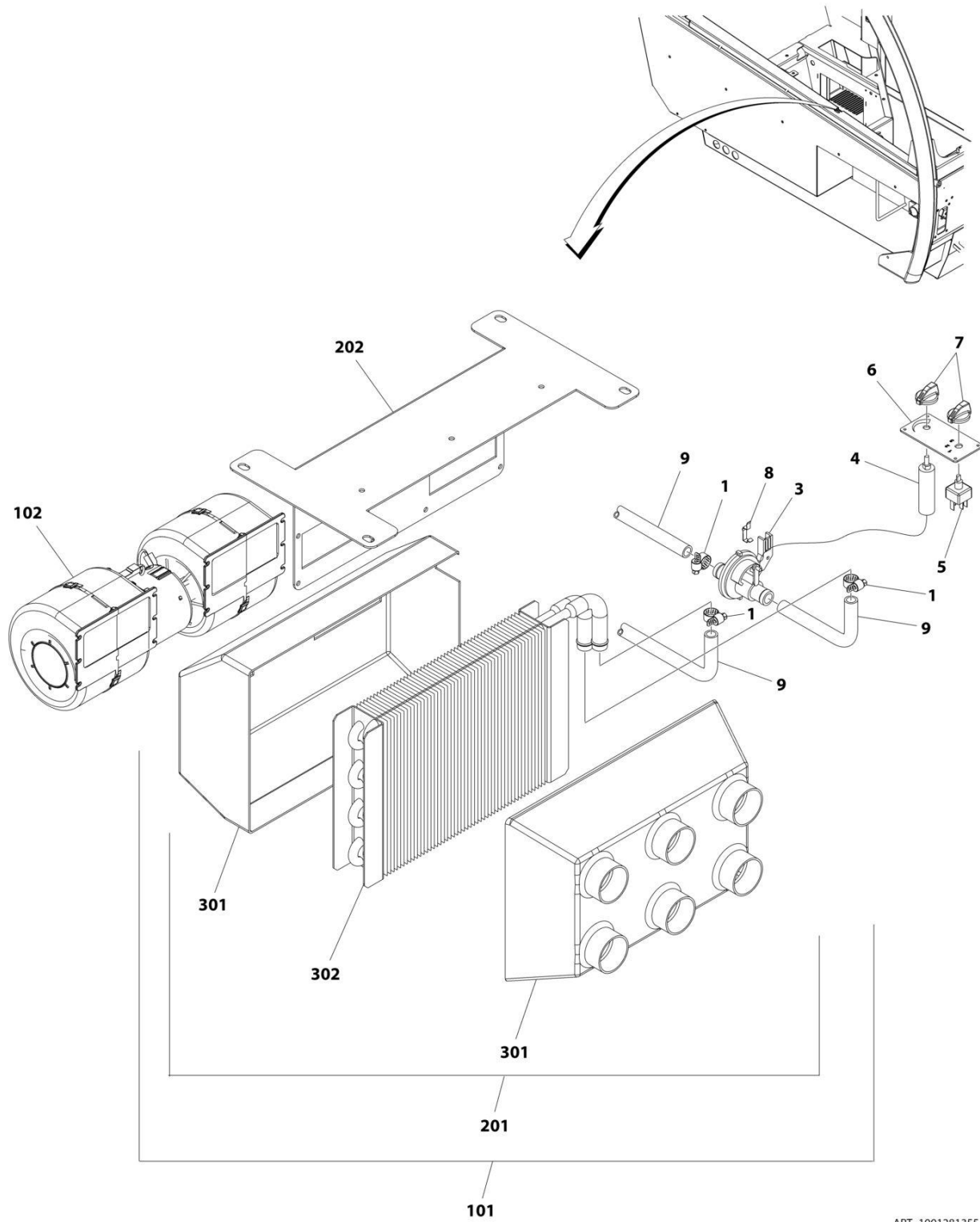
ART_1001280876

FIGURE 6-16. A/C COMPRESSOR ASSEMBLY

ITEM	PART NUMBER	QTY	DESCRIPTION	REV
	1001280876	Ref	A/C COMPRESSOR ASSEMBLY	B
1	1001280478	2	Elbow	
2	1001280880	1	Bracket	
3	1001280881	1	Plate	
4	1001280882	1	Plate, Tensioner	
5	1001280883	1	Pulley	
6	1001280884	1	Belt	
7	1001280885	1	Pump, Compressor	
8	1001290281	1	Motor, Hydraulic	

SECTION 6 - CAB

FIGURE 6-17. HEATER INSTALLATION



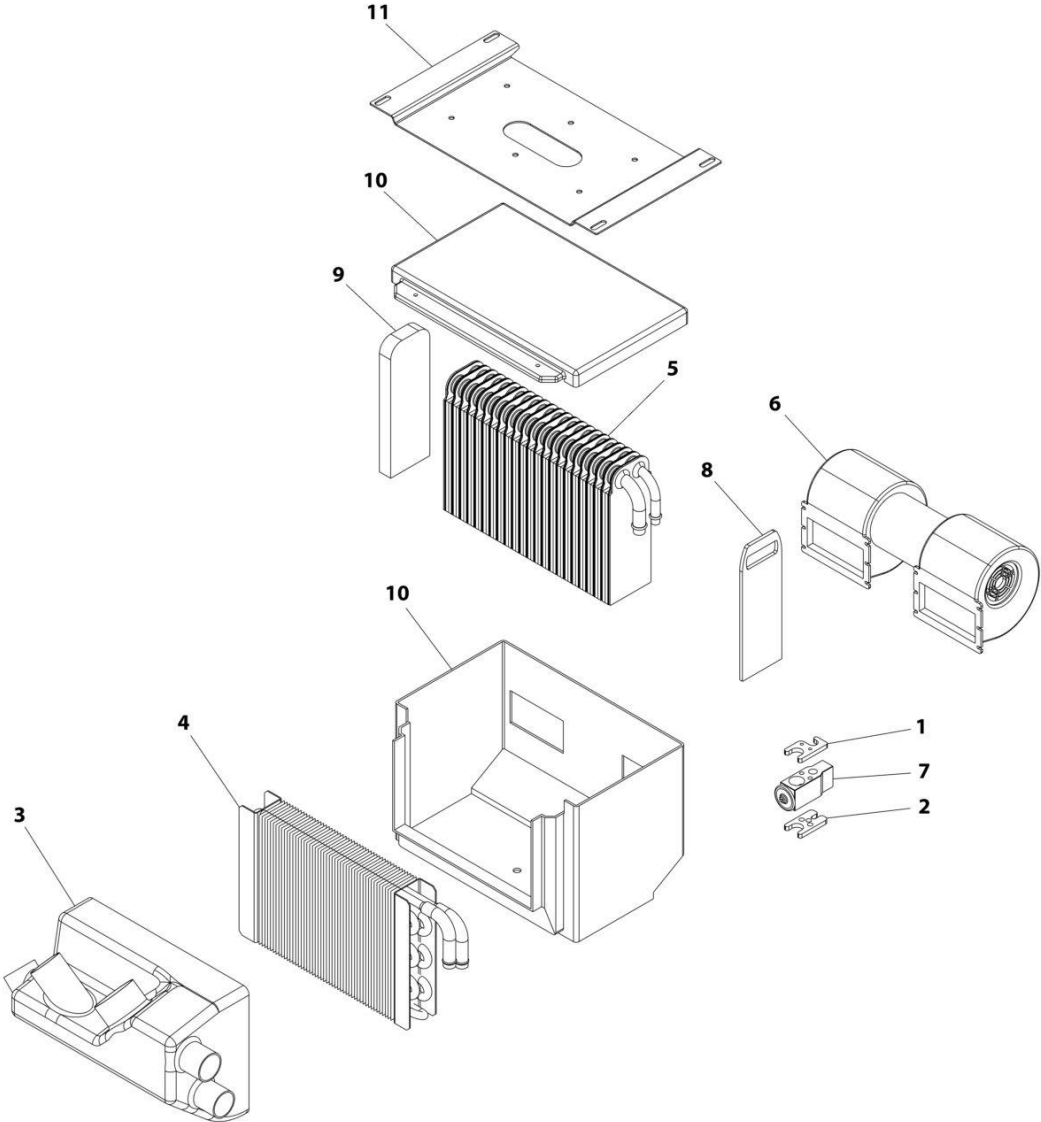
ART_1001281355

FIGURE 6-17. HEATER INSTALLATION

ITEM	PART NUMBER	QTY	DESCRIPTION	REV
	1001281355	Ref	CAB HEATER INSTALLATION	A
1	8405007	3	Clamp	
2	1001274756	1	Heater Assembly (Includes Items 101-102)	B
3	1001279146	1	Coupling	
4	1001279147	1	Valve	
5	1001279148	1	Switch	
6	1001279149	1	Plate	
7	1001279150	2	Knob	
8	1001279151	1	Link	
9	1001281378	19.69 ft / 6m	Tube	
101	1001279142	1	Heater & Bracket Assembly (Includes Items 201-202)	B
102	1001279145	1	Motor, Heater	
201	1001279143	1	Heater Box Assembly (Includes Items 301- 302)	B
202	1001279144	1	Bracket	
301	1001281357	1	Box, Heater	
302	1001280890	1	Radiator	

SECTION 6 - CAB

FIGURE 6-18. HEATER AND A/C INSTALLATION



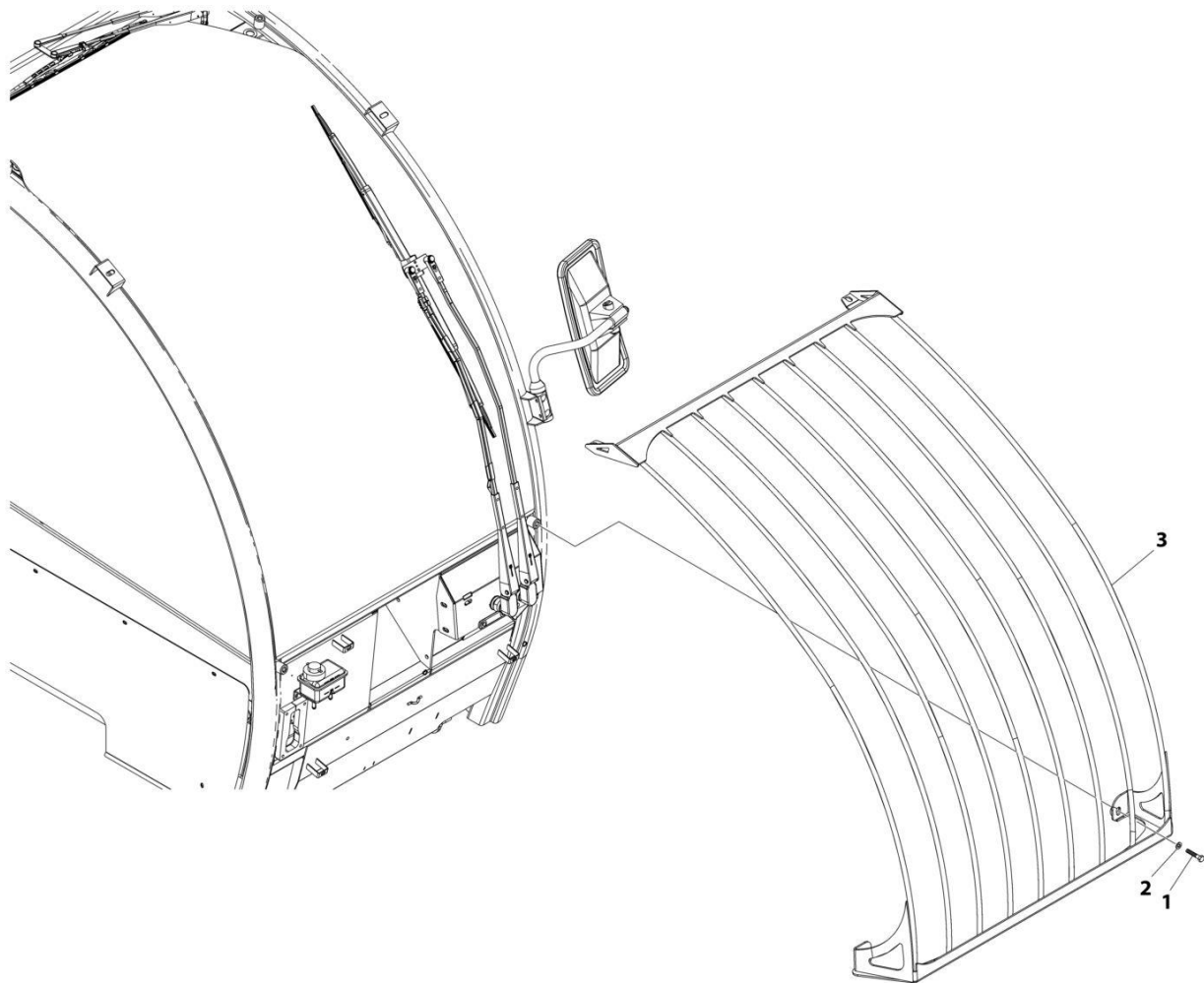
ART_1001280877

FIGURE 6-18. HEATER AND A/C INSTALLATION

ITEM	PART NUMBER	QTY	DESCRIPTION	REV
	1001280877	Ref	HEATER AND A/C INSTALLATION	A
1	1001280887	1	Bracket	
2	1001280888	1	Bracket	
3	1001280889	1	Cover	
4	1001280890	1	Radiator	
5	1001280891	1	Evaporator	
6	1001280892	1	Motor	
7	1001280893	1	Valve	
8	1001280894	1	Seal	
9	1001280895	1	Seal	
10	1001280896	1	Housing	
11	1001284818	1	Bracket	

SECTION 6 - CAB

FIGURE 6-19. CAB GUARD INSTALLATION



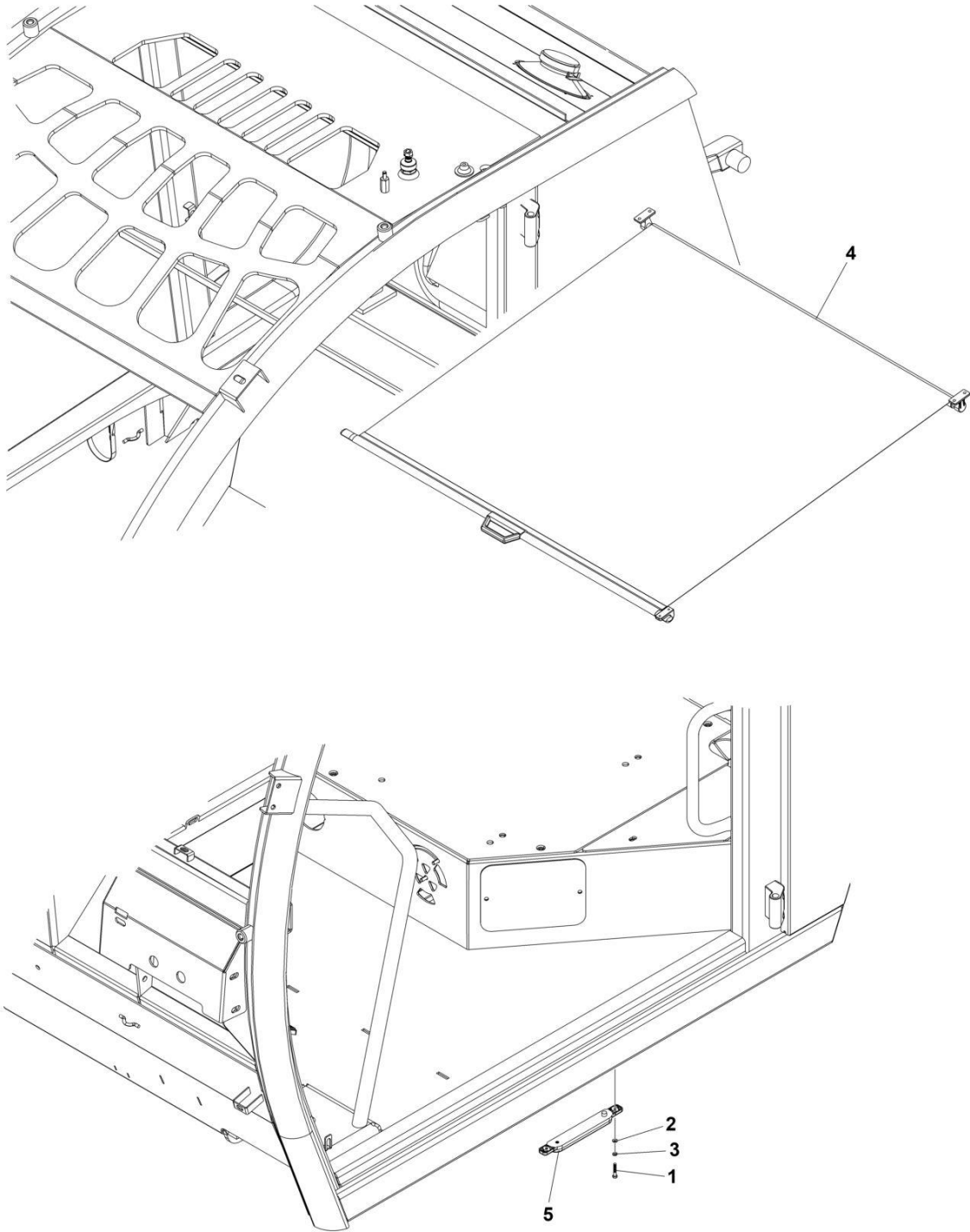
ART_1001275965

FIGURE 6-19. CAB GUARD INSTALLATION

ITEM	PART NUMBER	QTY	DESCRIPTION	REV
	1001275965	Ref	CAB GUARD INSTALLATION	C
1	0761210	4	Bolt M12 x 20	
2	4812100	4	Washer M12	
3	1001274712	1	Protection	

SECTION 6 - CAB

FIGURE 6-20. SUNSCREEN INSTALLATION



ART_1001275949

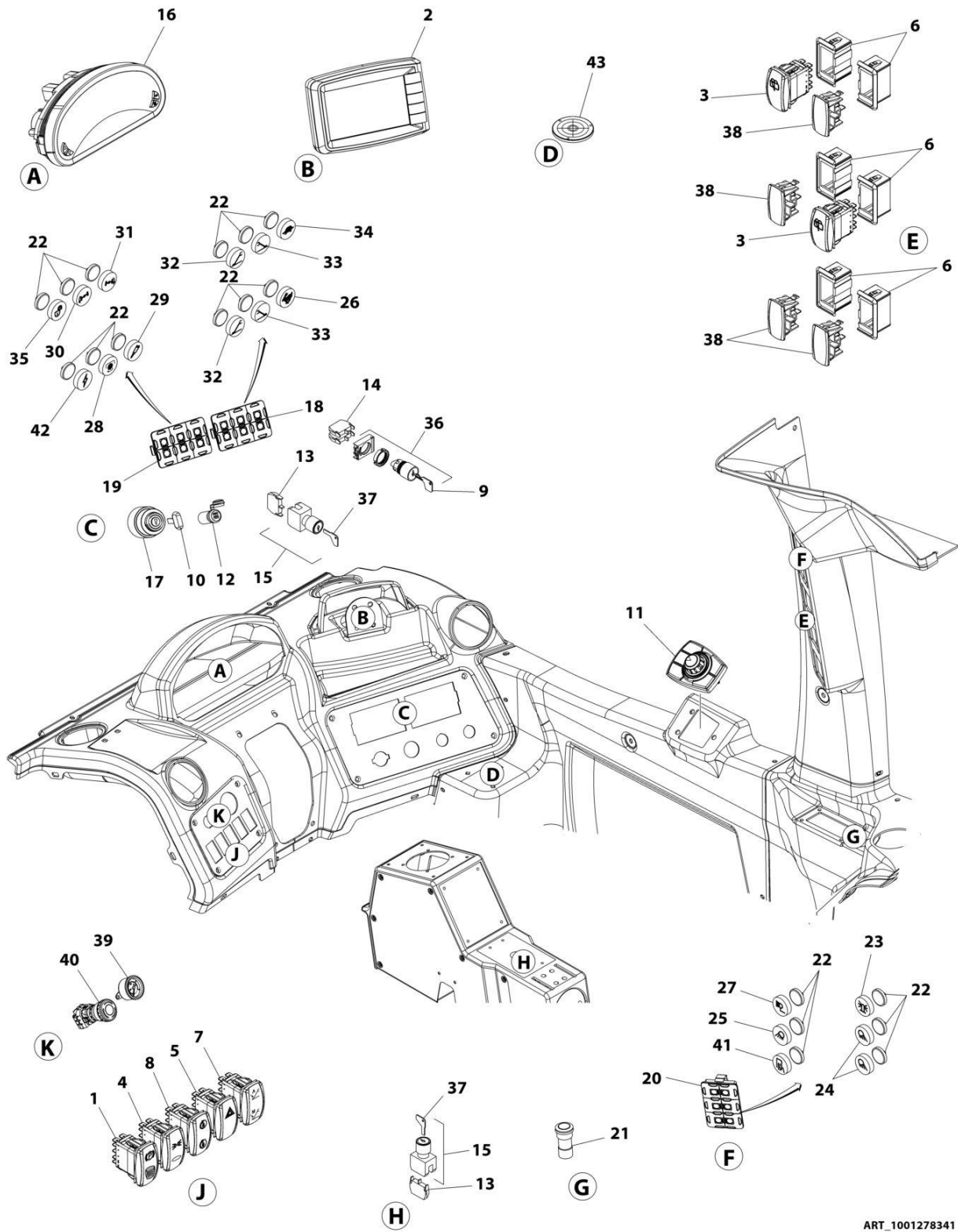
FIGURE 6-20. SUNSCREEN INSTALLATION

ITEM	PART NUMBER	QTY	DESCRIPTION	REV
	1001275949	Ref	SUNSCREEN INSTALLATION	B
1	0700612	2	Bolt M6 x 25	
2	4811700	2	Washer M6	
3	4831700	2	Washer, Lock M6	
4	1001277710	1	Screen, Sun	
5	1001278495	1	Light	

SECTION 7 - CONTROLS

SECTION 7 - CONTROLS

FIGURE 7-1. CAB COMPONENTS INSTALLATION (Prior to SN K16000006)



ART_1001278341

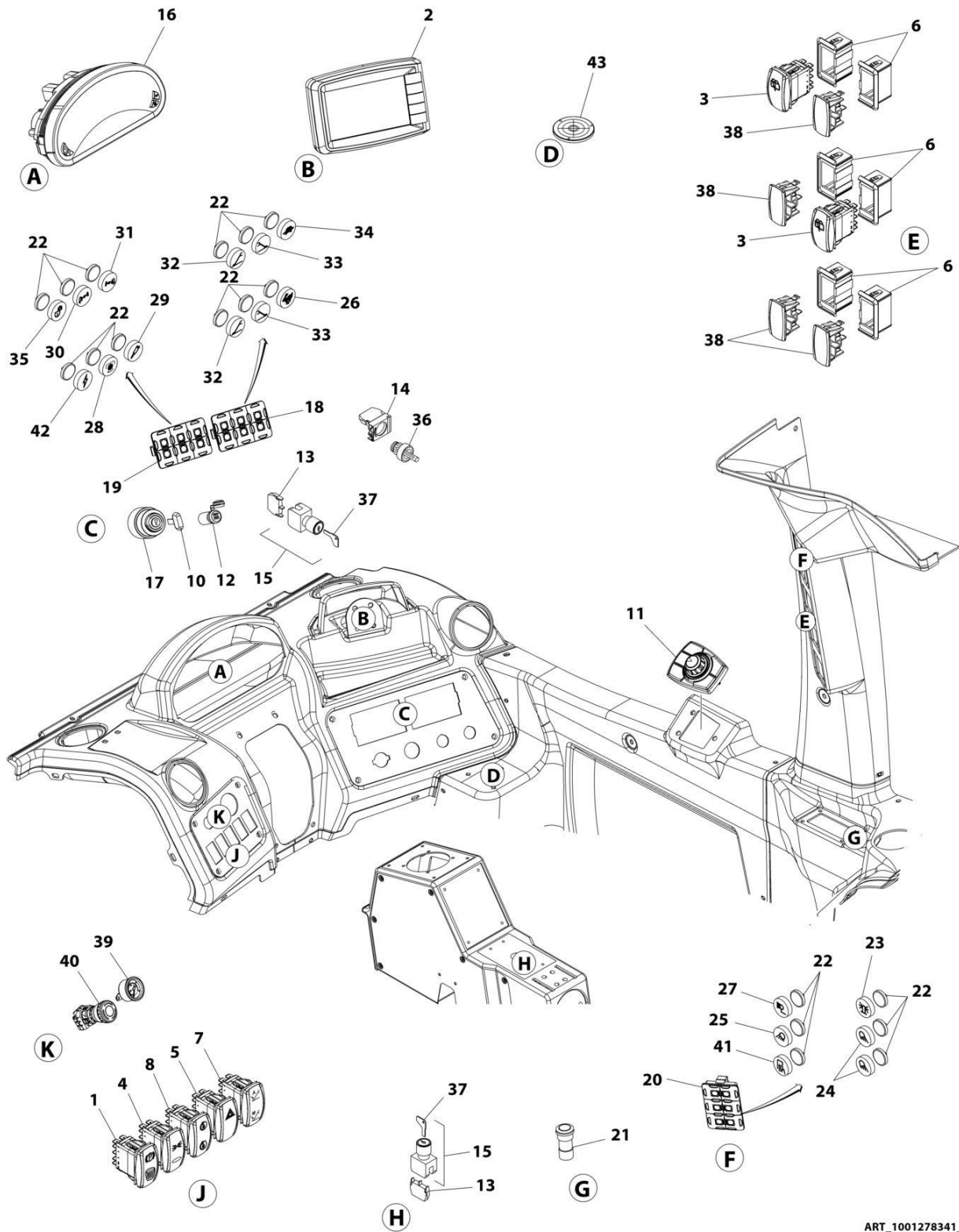
SECTION 7 - CONTROLS

FIGURE 7-1. CAB COMPONENTS INSTALLATION (Prior to SN K160000006)

ITEM	PART NUMBER	QTY	DESCRIPTION	REV
	1001278341	Ref	CAB COMPONENTS INSTALLATION	A
1	1001274747	1	Switch	
2	1001275894	1	Display	
3	1001276881	2	Switch, Wipers	
4	1001276882	1	Switch, Work Lights	
5	1001276884	1	Switch, Hazard	
6	1001276885	6	Housing, Switch	
7	1001276886	1	Switch, Outriggers	
8	1001276887	1	Switch, Turntable Lock	
9	1001276888	1	Key	
10	1001276889	2	Key	
11	1001276891	1	Switch, Rotary	
12	1001277165	1	Charger, USB	
13	1001278451	1	Block, Switch	
14	1001278452	2	Block, Switch	
15	1001278453	2	Switch, Bypass	
16	1001278454	1	Panel, Gauges	
17	1001278455	1	Switch, Ignition	
18	1001278456	1	Keypad, Right	
19	1001278457	1	Keypad, Left	
20	1001278458	1	Keypad, Rear	
21	1001278459	1	Receptacle, Cigarette Lighter	
22	1001278460	18	Button	
23	1001278461	1	Decal, Beacon	
24	1001278462	2	Decal, Rear Cab Lights	
25	1001278463	1	Decal, Front Cab Lights	
26	1001278464	1	Decal, High Speed	
27	1001278465	1	Decal, Boom Lights	
28	1001278466	1	Decal, Continuous Oil	
29	1001278467	1	Decal, Boom Accessory	
30	1001278468	1	Decal, Left Leveling	
31	1001278469	1	Decal, Right Leveling	
32	1001278470	2	Decal, Left Outrigger	
33	1001278471	2	Decal, Right Outrigger	
34	1001278472	1	Decal, Low Speed	
35	1001278473	1	Decal, Service Roller	
36	1001278474	1	Switch, Aux Power	
37	1001278475	2	Key	
38	1001278476	4	Plug, Switch	
39	1001278477	1	Gauge, Oil Pressure	
40	1001278478	1	Switch, Emergency Stop	
41	1001278489	1	Decal, Heated Mirrors	
42	1001278490	1	Decal, Starter	
43	1001278504	1	Level	

SECTION 7 - CONTROLS

FIGURE 7-2. CAB COMPONENTS INSTALLATION (SN K16000006 to Present)



ART_1001278341_B

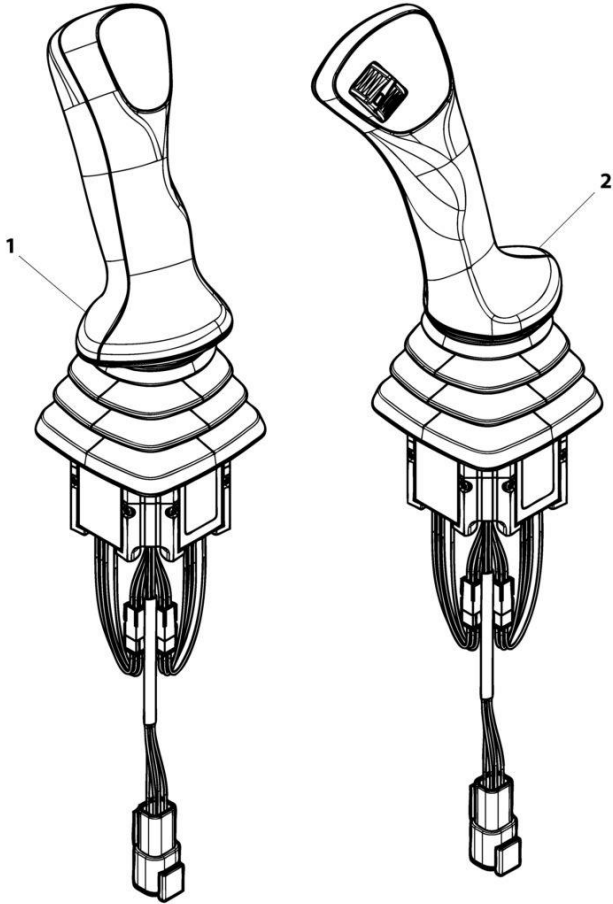
SECTION 7 - CONTROLS

FIGURE 7-2. CAB COMPONENTS INSTALLATION (SN K16000006 to Present)

ITEM	PART NUMBER	QTY	DESCRIPTION	REV
	1001278341	Ref	CAB COMPONENTS INSTALLATION	B
1	1001274747	1	Switch	
2	1001275894	1	Display	
3	1001276881	2	Switch, Wipers	
4	1001276882	1	Switch, Work Lights	
5	1001276884	1	Switch, Hazard	
6	1001276885	6	Housing, Switch	
7	1001276886	1	Switch, Outriggers	
8	1001276887	1	Switch, Turntable Lock	
10	1001276889	2	Key	
11	1001276891	1	Switch, Rotary	
12	1001277165	1	Charger, USB	
13	1001278451	1	Block, Switch	
14	1001289834	2	Block, Switch	
15	1001278453	2	Switch, Bypass	
16	1001278454	1	Panel, Gauges	
17	1001278455	1	Switch, Ignition	
18	1001278456	1	Keypad, Right	
19	1001278457	1	Keypad, Left	
20	1001278458	1	Keypad, Rear	
21	1001278459	1	Receptacle, Cigarette Lighter	
22	1001278460	18	Button	
23	1001278461	1	Decal, Beacon	
24	1001278462	2	Decal, Rear Cab Lights	
25	1001278463	1	Decal, Front Cab Lights	
26	1001278464	1	Decal, High Speed	
27	1001278465	1	Decal, Boom Lights	
28	1001278466	1	Decal, Continuous Oil	
29	1001278467	1	Decal, Boom Accessory	
30	1001278468	1	Decal, Left Leveling	
31	1001278469	1	Decal, Right Leveling	
32	1001278470	2	Decal, Left Outrigger	
33	1001278471	2	Decal, Right Outrigger	
34	1001278472	1	Decal, Low Speed	
35	1001278473	1	Decal, Service Roller	
36	1001289835	1	Switch, Aux Power	
37	1001278475	2	Key	
38	1001278476	4	Plug, Switch	
39	1001278477	1	Gauge, Oil Pressure	
40	1001278478	1	Switch, Emergency Stop	
41	1001278489	1	Decal, Heated Mirrors	
42	1001278490	1	Decal, Starter	
43	1001278504	1	Level	

SECTION 7 - CONTROLS

FIGURE 7-3. JOYSTICKS



ART_1001279207

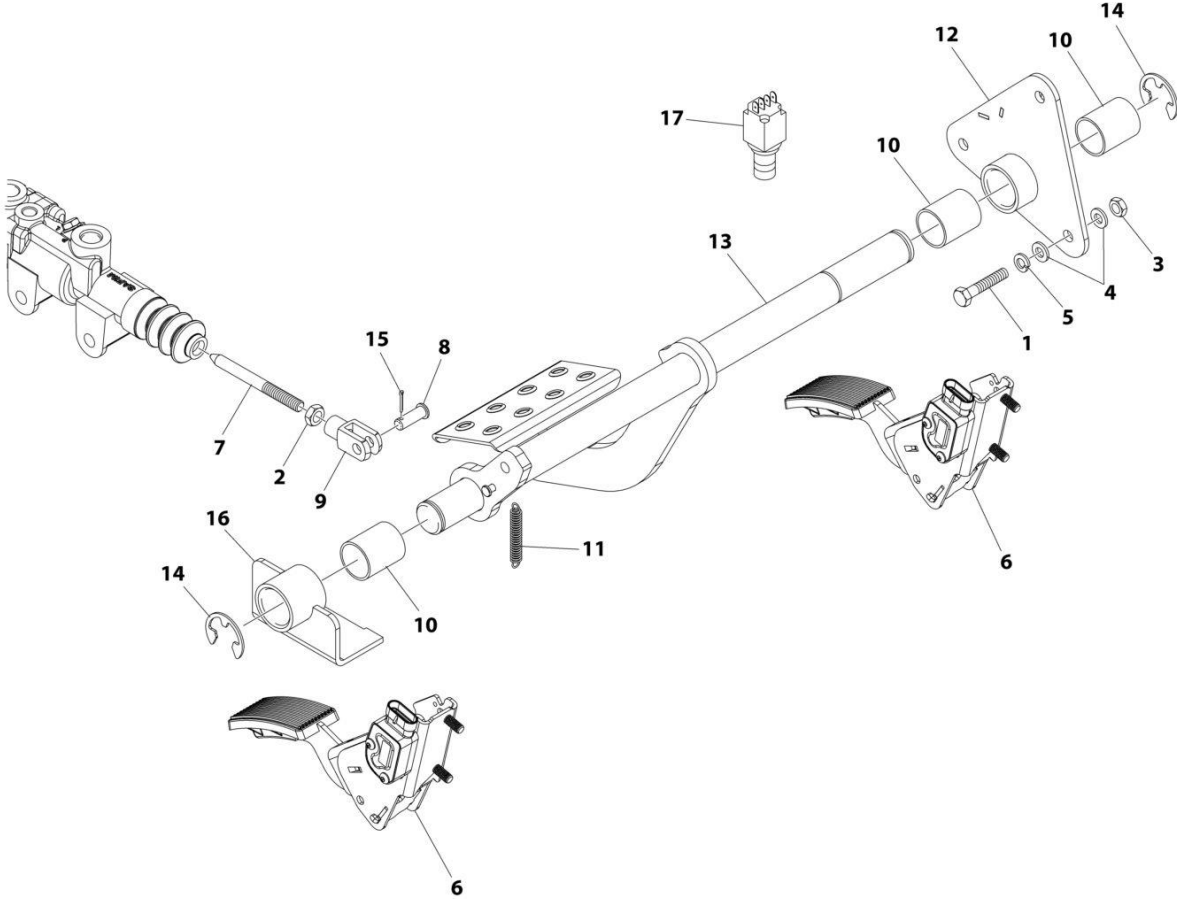
SECTION 7 - CONTROLS

FIGURE 7-3. JOYSTICKS

ITEM	PART NUMBER	QTY	DESCRIPTION	REV
	1001279207	Ref	JOYSTICKS	A
1	1001277232	1	Joystick, Left	
2	1001277233	1	Joystick, Right	

SECTION 7 - CONTROLS

FIGURE 7-4. PEDALS ASSEMBLY



ART_1001278261

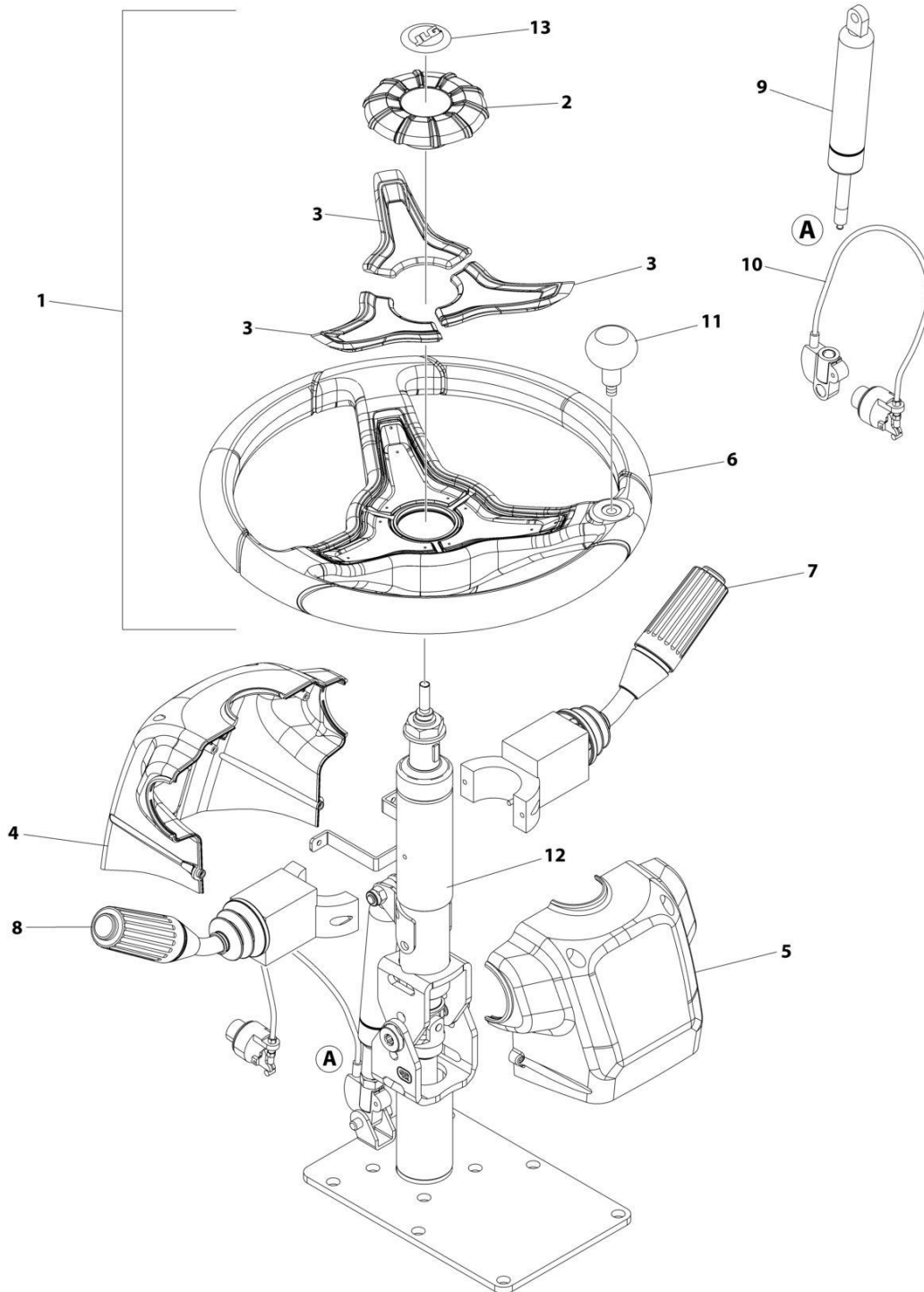
SECTION 7 - CONTROLS

FIGURE 7-4. PEDALS ASSEMBLY

ITEM	PART NUMBER	QTY	DESCRIPTION	REV
	1001278261	Ref	PEDALS ASSEMBLY	C
1	0701014	3	Bolt M10 x 30	
2	3291001	1	Nut M10	
3	3291005	3	Nut M10	
4	4812000	6	Washer M10	
5	4832000	3	Washer, Lock M10	
6	1001274734	2	Pedal Assembly	
7	1001275552	1	Rod	
8	1001278316	1	Pin	
9	1001278317	1	Yoke	
10	1001278318	3	Bushing	
11	1001278319	1	Spring	
12	1001278320	1	Support	
13	1001287382	1	Brake Pedal Assembly	
14	1001300535	2	Ring, Retaining	
15	1001278324	1	Pin, Cotter	
16	1001278321	1	Support	
17	1001289856	1	Sensor, Limit Switch	

SECTION 7 - CONTROLS

FIGURE 7-5. STEERING COLUMN ASSEMBLY



ART_1001278259

SECTION 7 - CONTROLS

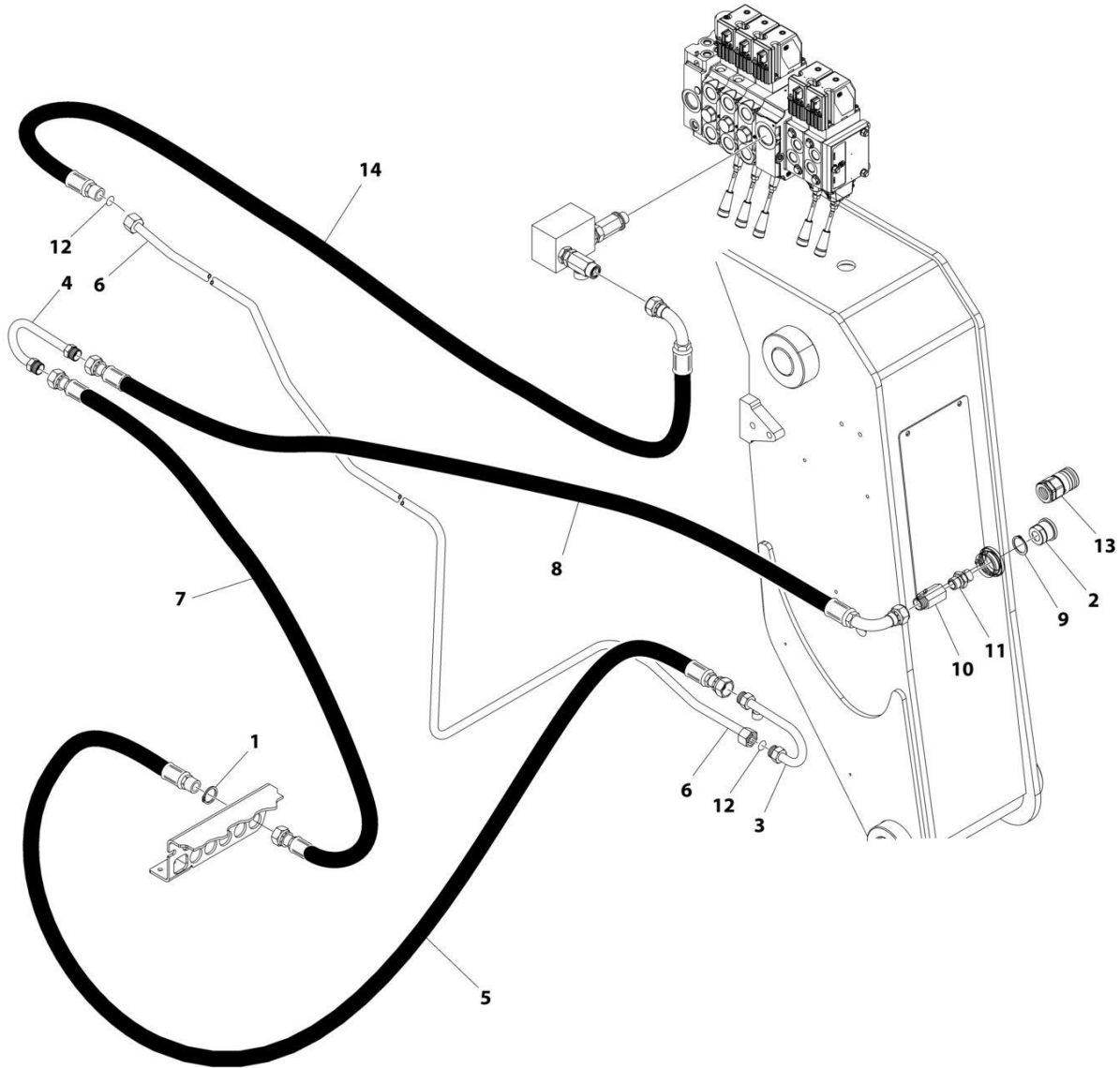
FIGURE 7-5. STEERING COLUMN ASSEMBLY

ITEM	PART NUMBER	QTY	DESCRIPTION	REV
	1001278259	Ref	STEERING COLUMN ASSEMBLY	B
1	1001275087	1	Steering Wheel Assembly (Includes Items 2, 3, 6, 11, and 13)	
2	1001275088	1	Cap, Steering Wheel	
3	1001275089	3	Cover	
4	1001275481	1	Cover	
5	1001275482	1	Cover	
6	1001276964	1	Wheel, Steering	
7	1001276992	1	Switch, FNR	
8	1001278311	1	Switch, Road Lights	
9	1001278313	1	Strut	
10	1001278314	1	Cable	
11	1001278315	1	Handle, Steering Wheel	
12	1001278505	1	Column, Steering	
13	1001282193	1	Decal - Steering Wheel	

SECTION 8 - HYDRAULIC CIRCUITS

SECTION 8 - HYDRAULIC CIRCUITS

FIGURE 8-1. ATTACHMENTS HYDRAULIC DIAGRAM



ART_1001281896

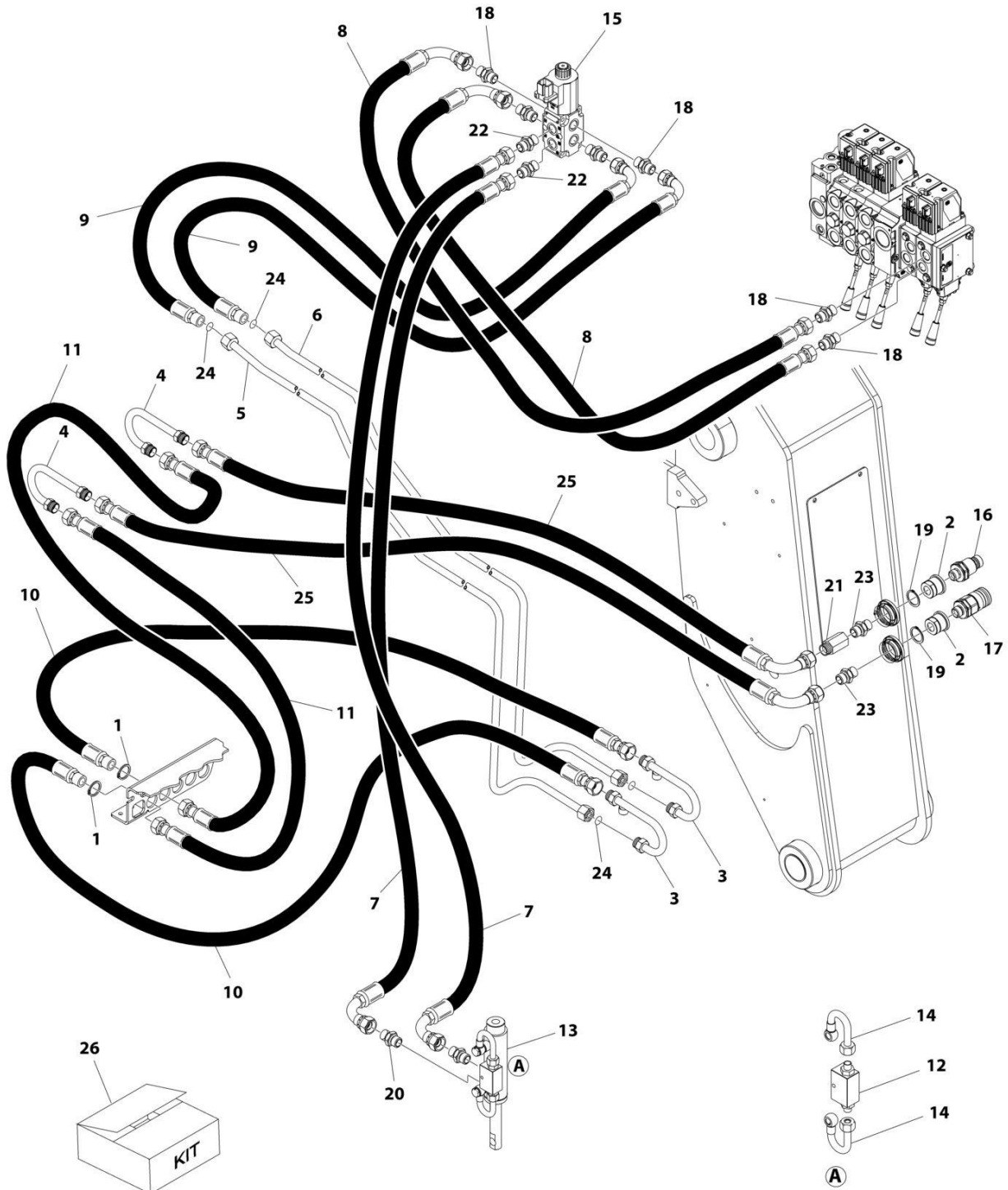
SECTION 8 - HYDRAULIC CIRCUITS

FIGURE 8-1. ATTACHMENTS HYDRAULIC DIAGRAM

ITEM	PART NUMBER	QTY	DESCRIPTION	REV
	1001281896	Ref	ATTACHMENTS HYDRAULIC DIAGRAM	C
1	130029	1	Circlip	
2	1001274670	1	Bushing	
3	1001275031	1	Pipe	
4	1001275032	1	Pipe	
5	1001293406	1	Hose	
6	1001276834	1	Pipe	
7	1001277170	1	Hose	
8	1001277171	1	Hose	
9	1001279108	1	Ring, Retaining	
10	1001279248	1	Fitting Straight FORFS/ORB	
11	1001279323	1	Fitting Straight ORFS/ORB	
12	1001279371	2	O-Ring	
13	1001281681	1	Coupling, Female Quick Disconnect	
14	1001281682	1	Hose	

SECTION 8 - HYDRAULIC CIRCUITS

FIGURE 8-2. AUX BOOM HYDRAULIC DIAGRAM



ART_1001279236

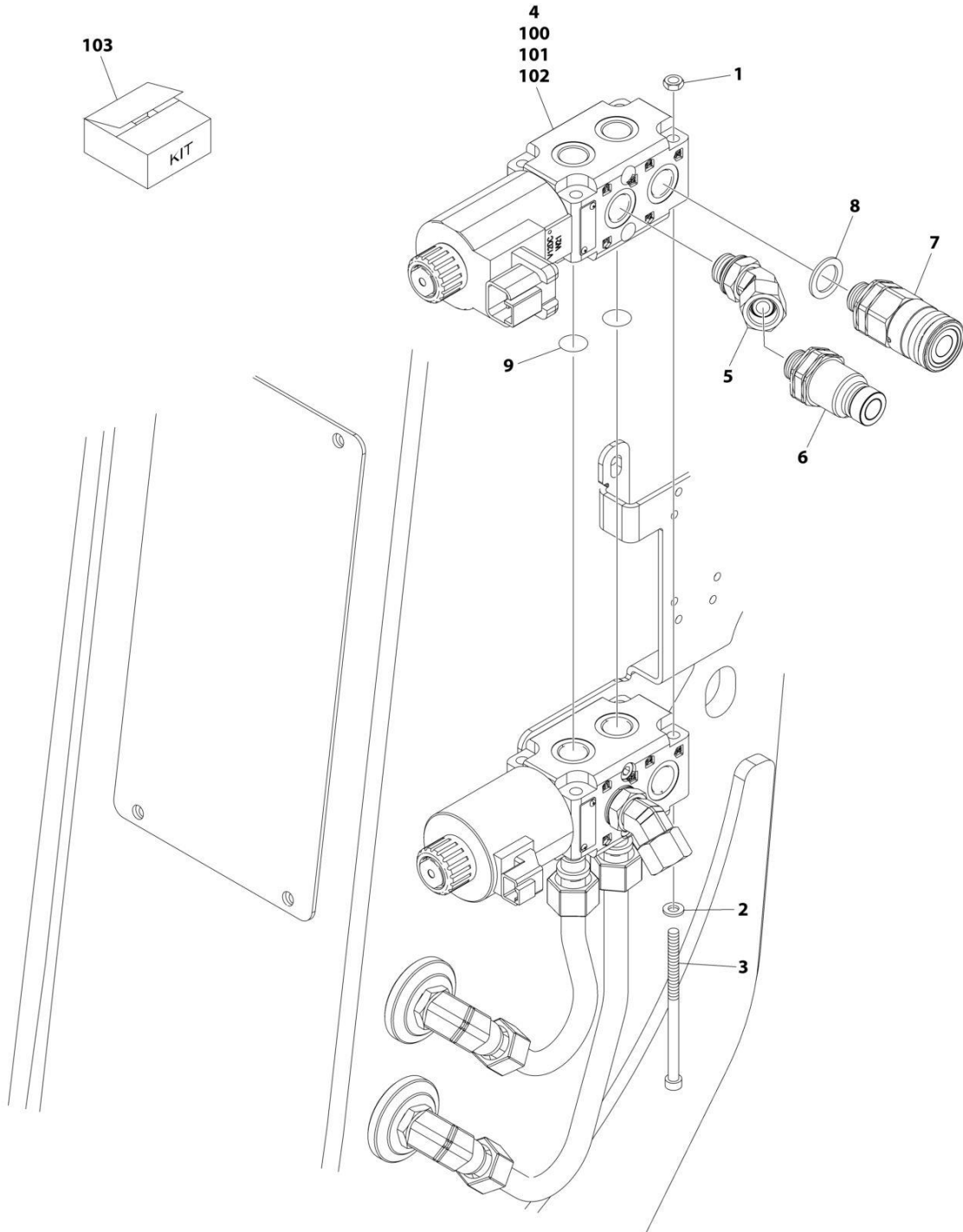
SECTION 8 - HYDRAULIC CIRCUITS

FIGURE 8-2. AUX BOOM HYDRAULIC DIAGRAM

ITEM	PART NUMBER	QTY	DESCRIPTION	REV
	1001279236	Ref	AUX BOOM HYDRAULIC DIAGRAM	C
1	130029	2	Circlip	
2	1001274670	2	Bushing	
3	1001275031	2	Pipe	
4	1001275032	2	Pipe	
5	1001275034	1	Pipe	
6	1001275045	1	Pipe	
7	1001275389	2	Hose	
8	1001275489	2	Hose	
9	1001275495	2	Hose	
10	1001293406	2	Hose	
11	1001275497	2	Hose	
12	1001275699	1	Valve	
13	1001275714	1	Locking Cylinder Assembly (Includes Items 12 and 14)	
14	1001275829	2	Pipe	
15	1001276902	1	Valve	
16	1001277706	1	Coupling, Male Quick Disconnect	
17	1001277707	1	Coupling, Female Quick Disconnect	
18	1001279098	6	Fitting Straight ORFS/ORB	
19	1001279108	1	Ring, Retaining	
20	1001279239	2	Fitting Straight ORFS/ORB	
21	1001279248	1	Fitting Straight FORFS/ORB	
22	1001279271	2	Fitting Straight ORFS/ORB	
23	1001279323	2	Fitting Straight ORFS/ORB	
24	1001279371	4	O-Ring	
25	1001279372	2	Hose	
26	1001279379	1	Kit, O-Ring	

SECTION 8 - HYDRAULIC CIRCUITS

FIGURE 8-3. AUXILIARY BOOM HYDRAULICS - WITH HYDRAULIC COUPLER



ART_1001275960

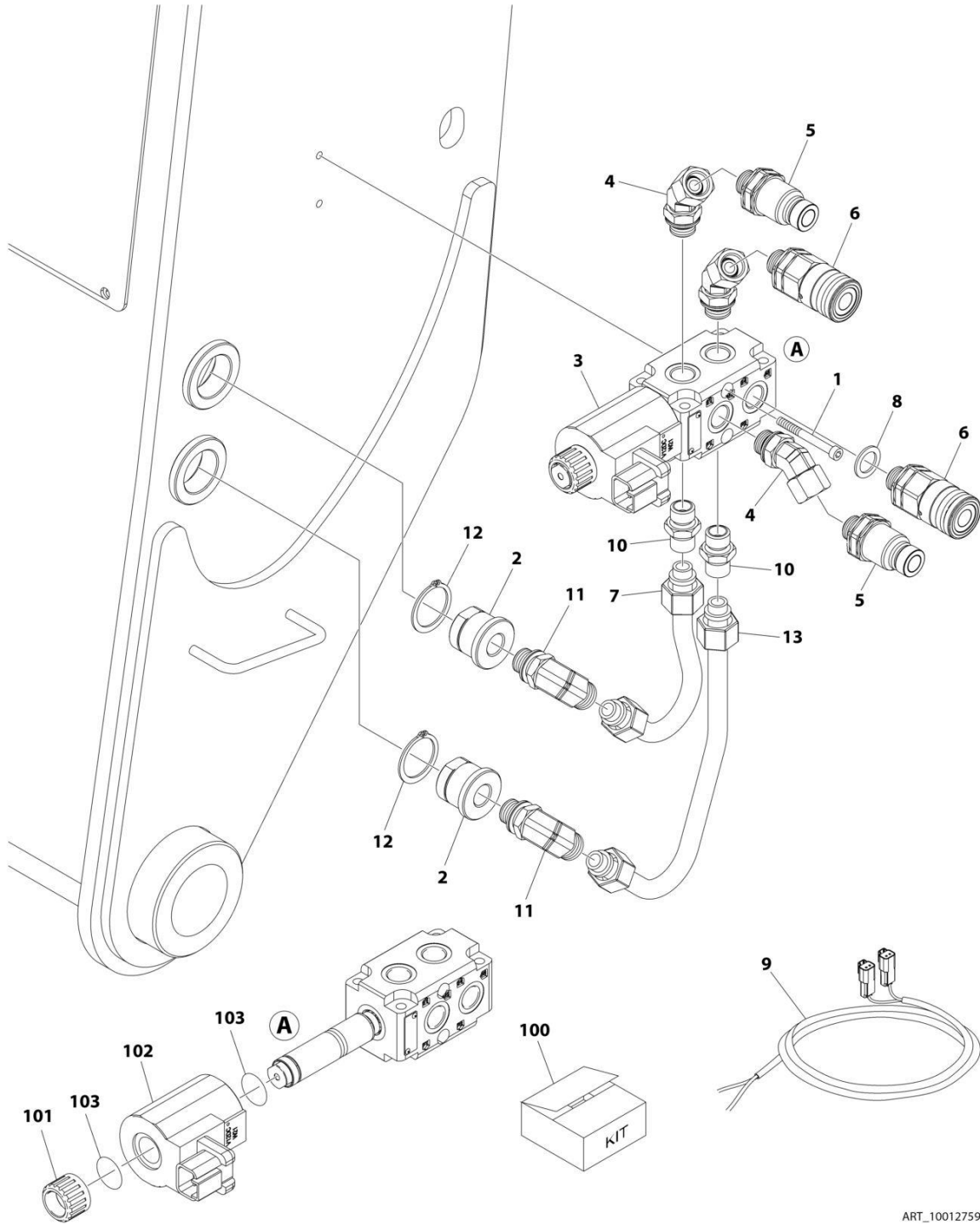
SECTION 8 - HYDRAULIC CIRCUITS

FIGURE 8-3. AUXILIARY BOOM HYDRAULICS - WITH HYDRAULIC COUPLER

ITEM	PART NUMBER	QTY	DESCRIPTION	REV
	1001275960	Ref	AUXILIARY BOOM HYDRAULICS	B
1	3290805	4	Nut, Lock M8	
2	4811900	4	Washer M8	
3	1001110115	4	Capscrew M8 x 130	
4	1001274760	1	Valve (Includes Items 100-102)	
5	1001276827	1	Fitting 45 ORFS/JIC	
6	1001277706	1	Coupling, Male Quick Disconnect	
7	1001277707	1	Coupling, Female Quick Disconnect	
8	1001278186	1	Washer	
9	1001279109	2	O-Ring	
100	70030568	1	Nut, Ring	
101	70030569	1	O-Ring	
102	1001276909	1	Coil	
103	70030570	1	Seal Kit (For Use With Item 4 Valve)	

SECTION 8 - HYDRAULIC CIRCUITS

FIGURE 8-4. AUXILIARY BOOM HYDRAULICS - WITH MANUAL COUPLER



ART_1001275959

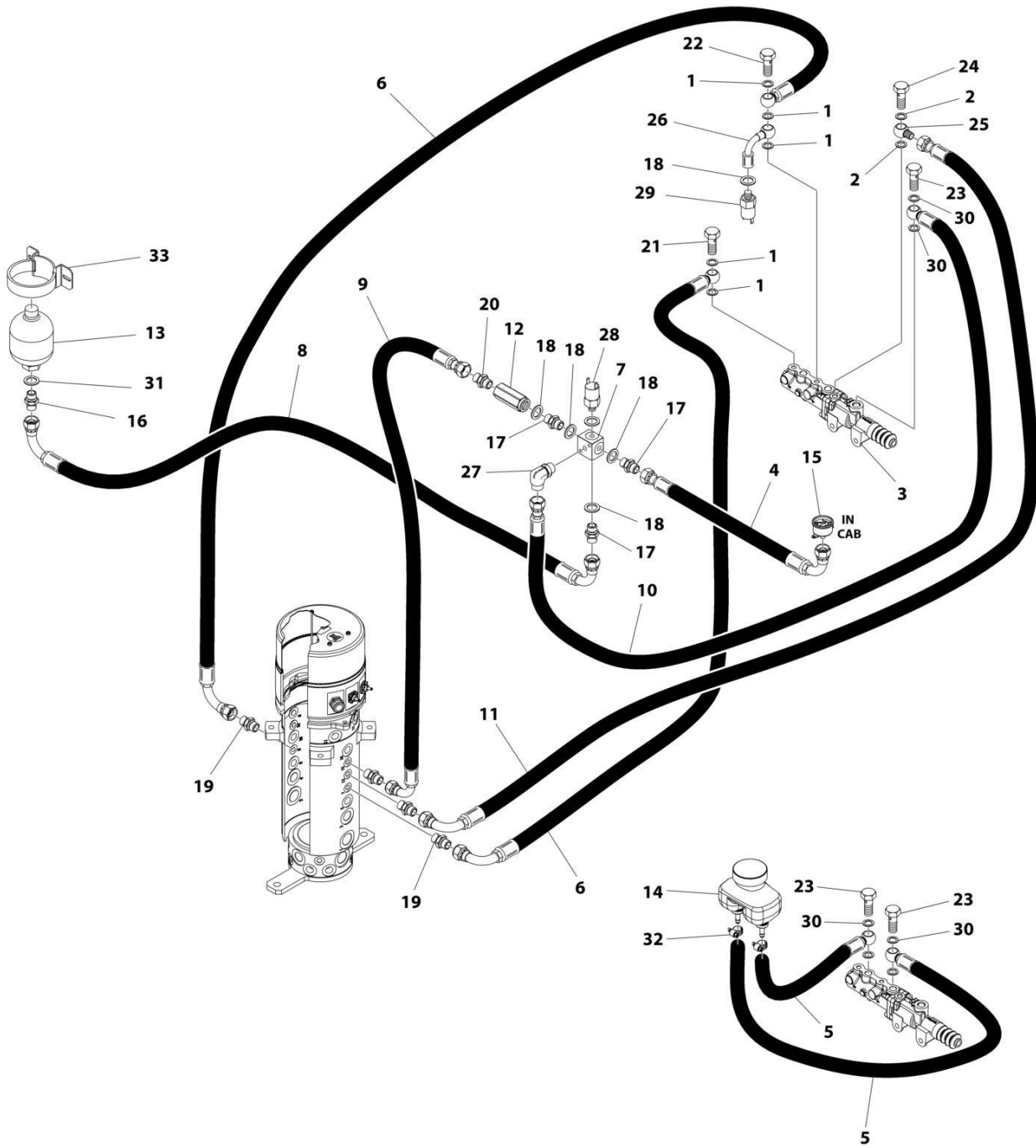
SECTION 8 - HYDRAULIC CIRCUITS

FIGURE 8-4. AUXILIARY BOOM HYDRAULICS - WITH MANUAL COUPLER

ITEM	PART NUMBER	QTY	DESCRIPTION	REV
	1001275959	Ref	AUXILIARY BOOM HYDRAULICS	C
1	4031918	2	Capscrew M8 x 70	
2	1001274670	2	Bushing	
3	1001274760	1	Valve (Includes Items 101-103)	
4	1001276827	3	Fitting 45 ORFS/JIC	
5	1001277706	2	Coupling, Male Quick Disconnect	
6	1001277707	2	Coupling, Female Quick Disconnect	
7	1001277787	1	Pipe	
8	1001278186	1	Washer	
9	1001279097	1	Harness, Hydraulic Coupler	
10	1001279098	2	Fitting Straight ORFS/ORB	
11	1001279104	2	Fitting 90 ORFS/ORB	
12	1001279108	2	Ring, Retaining	
13	1001277788	1	Pipe	
100	70030570	1	Seal Kit	
101	70030568	1	Nut, Ring	
102	1001276909	1	Coil	
103	70030569	2	O-Ring	

SECTION 8 - HYDRAULIC CIRCUITS

FIGURE 8-5. BRAKES HYDRAULIC DIAGRAM



ART_1001279221

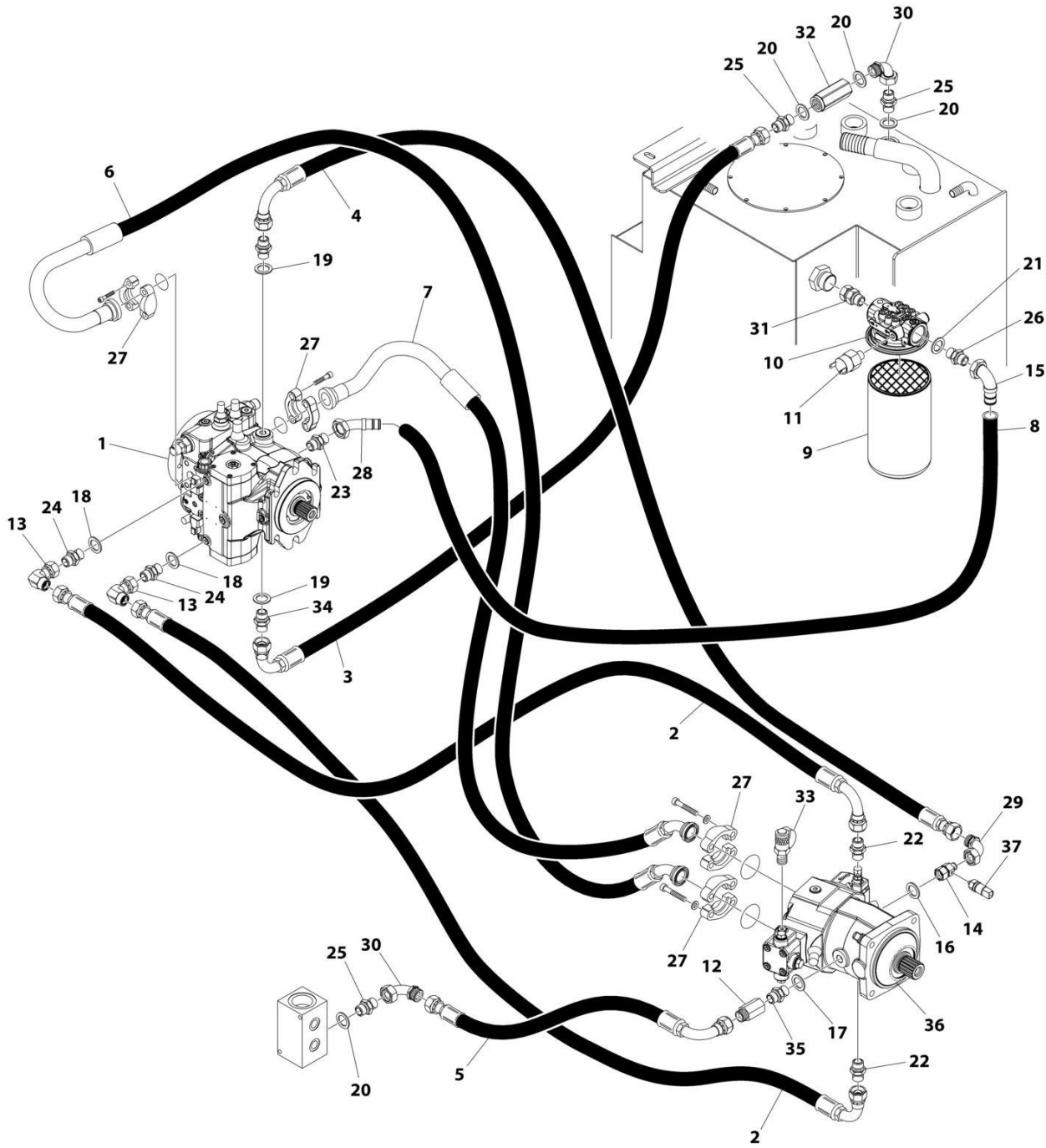
SECTION 8 - HYDRAULIC CIRCUITS

FIGURE 8-5. BRAKES HYDRAULIC DIAGRAM

ITEM	PART NUMBER	QTY	DESCRIPTION	REV
	1001279221	Ref	BRAKES HYDRAULIC DIAGRAM	A
1	4740566	5	Washer M12	
2	1001102933	2	Seal	
3	1001274757	1	Pump, Brake	
4	1001275008	1	Hose	
5	1001275009	2	Hose	
6	1001275024	2	Hose	
7	1001275281	1	Manifold	
8	1001275366	1	Hose	
9	1001275376	1	Hose	
10	1001275378	1	Hose	
11	1001275385	1	Hose	
12	1001275696	1	Valve	
13	1001275697	1	Accumulator	
14	1001278284	1	Tank	
15	1001278477	1	Gauge, Oil Pressure	
16	1001279102	1	Fitting Straight ORFS/ORB	
17	1001279103	3	Fitting Straight ORFS/ORB	
18	1001279105	6	Washer	
19	1001279239	4	Fitting Straight ORFS/ORB	
20	1001279245	1	Fitting Straight ORFS/ORB	
21	1001279258	1	Bolt, Banjo M12	
22	1001279259	1	Bolt, Banjo M12	
23	1001279260	3	Bolt, Banjo M18	
24	1001279261	1	Bolt, Banjo M14	
25	1001279264	1	Fitting, Banjo	
26	1001279265	1	Fitting, Banjo	
27	1001279266	1	Fitting 90 FSORFS/ORFS	
28	1001279268	1	Sensor, Pressure	
29	1001279269	1	Sensor, Pressure	
30	1001279272	6	Washer	
31	1001279273	1	Washer	
32	1001279275	2	Clamp	
33	1001279276	1	Bracket	

SECTION 8 - HYDRAULIC CIRCUITS

FIGURE 8-6. ENGINE BAY HYDRAULIC DIAGRAM



ART_1001279228

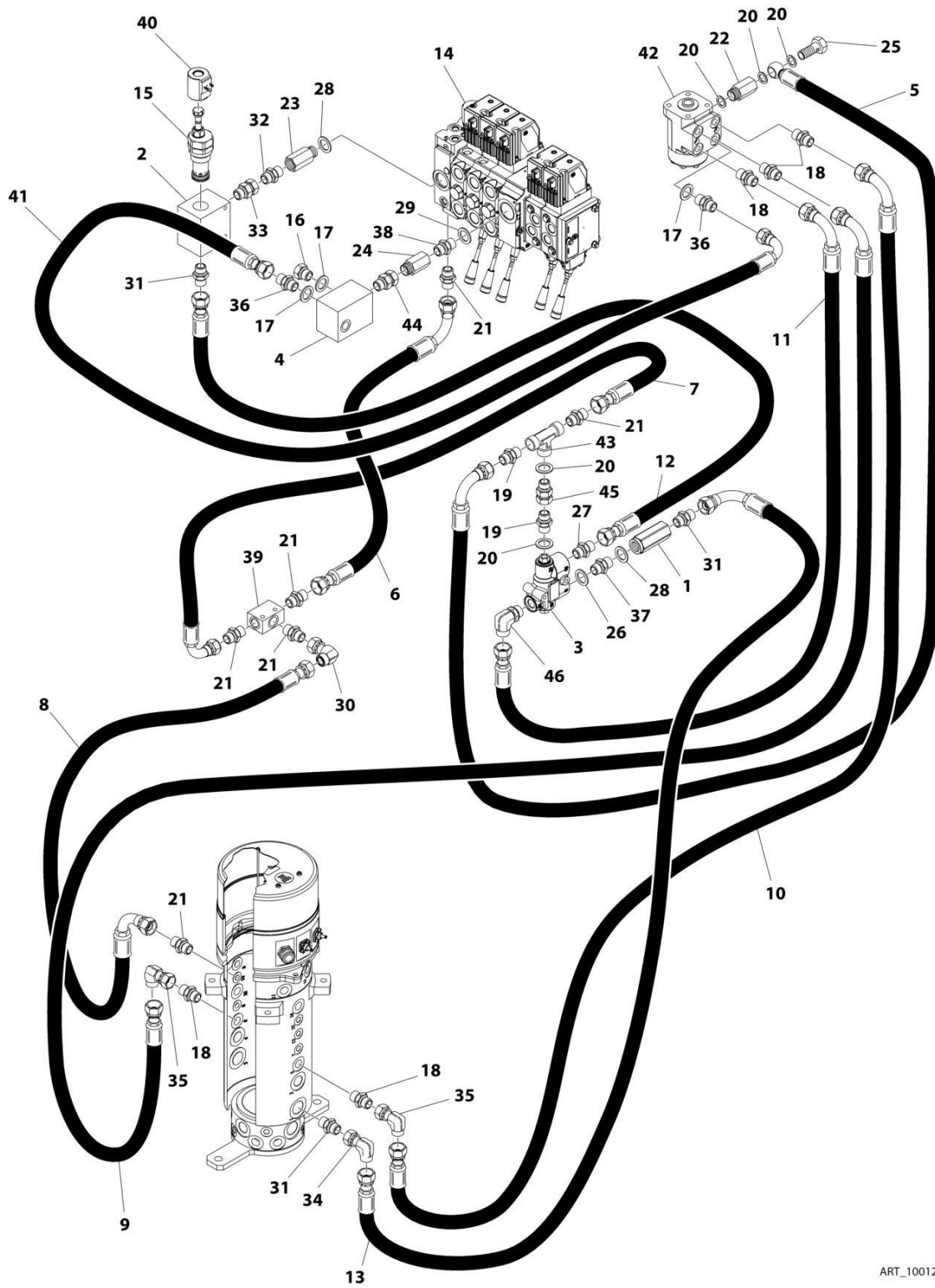
SECTION 8 - HYDRAULIC CIRCUITS

FIGURE 8-6. ENGINE BAY HYDRAULIC DIAGRAM

ITEM	PART NUMBER	QTY	DESCRIPTION	REV
	1001279228	Ref	ENGINE BAY HYDRAULIC DIAGRAM	C
1	1001274766	1	Pump, Hydrostatic	
2	1001293244	2	Hose	
3	1001275515	1	Hose	
4	1001275517	1	Hose	
5	1001275518	1	Hose	
6	1001275519	1	Hose	
7	1001275520	1	Hose	
8	1001275522	1	Hose	
9	1001275828	1	Filter, Hydraulic Oil	
10	1001277166	1	Head, Oil Filter	
11	1001277235	1	Sensor	
12	1001279253	1	Fitting Straight FORFS/ORB	
13	1001279266	2	Fitting 90 FSORFS/ORFS	
14	1001301917	1	Fitting Straight	
15	1001279288	1	Fitting 90 FSORFS/BARB	
16	1001279292	1	Washer, Crush	
17	1001279293	1	Washer, Crush	
18	1001279294	2	Washer	
19	1001279295	2	Washer	
20	1001279296	4	Washer	
21	1001279297	1	Washer	
22	1001279334	2	Fitting Straight FORB/ORB	
23	1001279335	1	Fitting Straight ORFS/ORB	
24	1001279336	2	Fitting Straight ORB/ORB	
25	1001279337	3	Fitting Straight ORFS/ORB	
26	1001279338	1	Fitting Straight ORFS/ORB	
27	1001279339	4	Coupling, Split Flange	
28	1001279342	1	Fitting 90 FSORFS/BARB	
29	1001279343	1	Fitting 90 FSORFS/ORB	
30	1001279344	2	Fitting 90 FSORFS/ORB	
31	1001279345	1	Fitting Straight FSORFS/ORB	
32	1001279346	1	Valve	
33	1001279347	1	Coupling, Male Quick Disconnect	
34	1001279377	1	Fitting Straight ORFS/ORB	
35	1001281676	1	Fitting Straight ORFS/ORB	
36	1001281677	1	Motor, Hydraulic	
37	1001301918	1	Valve, Thermostat	

SECTION 8 - HYDRAULIC CIRCUITS

FIGURE 8-7. FRAME HYDRAULIC DIAGRAM



ART_1001279225

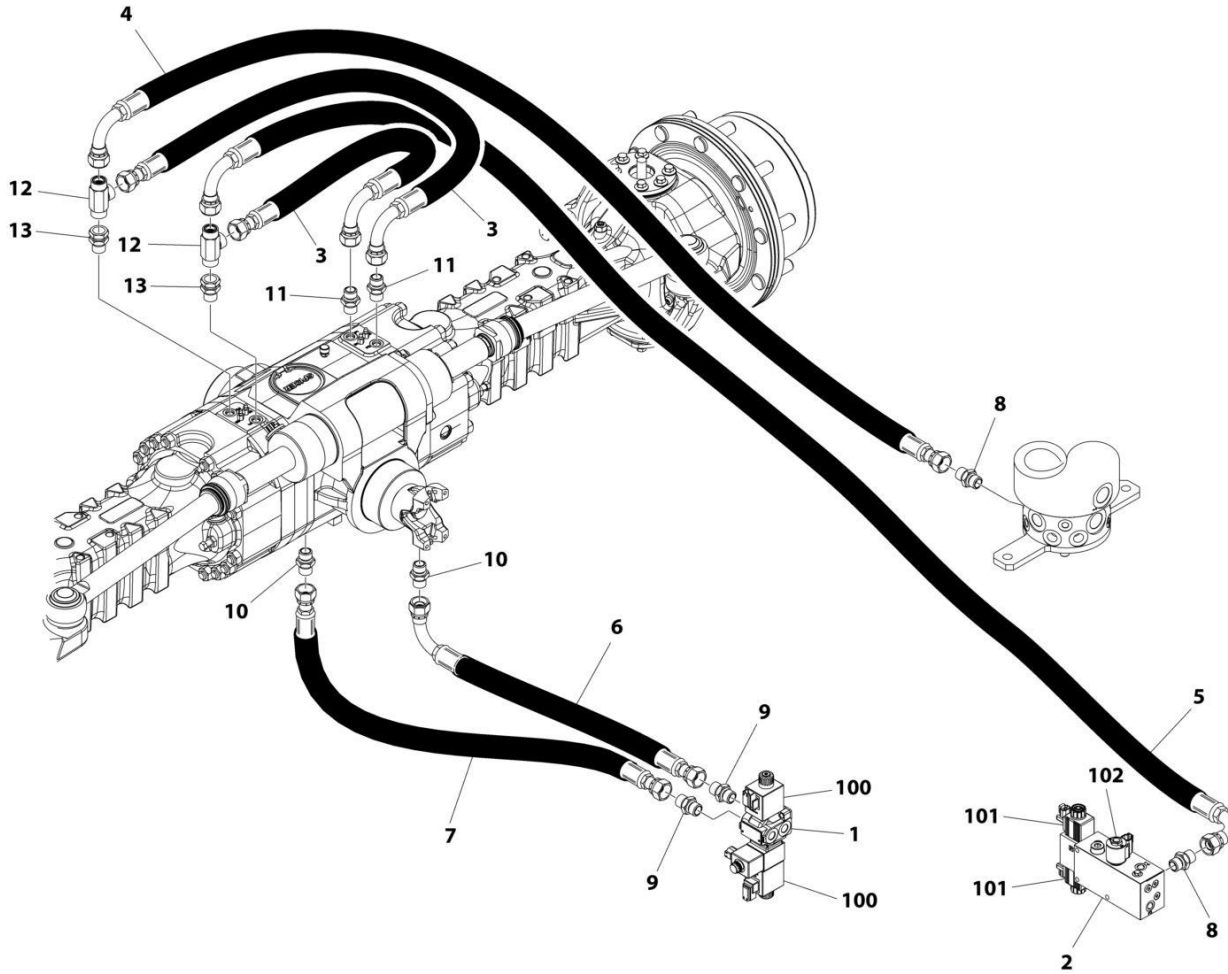
SECTION 8 - HYDRAULIC CIRCUITS

FIGURE 8-7. FRAME HYDRAULIC DIAGRAM

ITEM	PART NUMBER	QTY	DESCRIPTION	REV
	1001279225	Ref	FRAME HYDRAULIC DIAGRAM	B
1	1001274770	1	Valve	
2	1001274971	1	Manifold	
3	1001274978	1	Valve	
4	1001275006	1	Manifold	
5	1001275015	1	Hose	
6	1001275367	1	Hose	
7	1001275368	1	Hose	
8	1001275371	1	Hose	
9	1001275410	1	Hose	
10	1001275411	1	Hose	
11	1001275414	1	Hose	
12	1001275500	1	Hose	
13	1001275503	1	Hose	
14	1001277234	1	Turntable Control Valve Assembly (See Separate Breakdown in HYDRAULIC COMPONENTS Section)	
15	1001277245	1	Valve	
16	1001277528	1	Plug	
17	1001278186	3	Washer	
18	1001279098	5	Fitting Straight ORFS/ORB	
19	1001279103	2	Fitting Straight ORFS/ORB	
20	1001279105	5	Washer	
21	1001279239	6	Fitting Straight ORFS/ORB	
22	1001279250	1	Fitting Straight ORFS/ORB	
23	1001279251	1	Fitting Straight FORFS/ORB	
24	1001279252	1	Fitting Straight FORFS/ORB	
25	1001279261	1	Bolt, Banjo M14	
26	1001279277	1	Washer	
27	1001279283	1	Fitting Straight ORB/ORB	
28	1001279296	2	Washer	
29	1001279297	1	Washer	
30	1001279316	1	Fitting 90 FSORFS/ORFS	
31	1001279317	3	Fitting Straight ORFS/ORB	
32	1001279318	1	Fitting Straight ORFS/ORB	
33	1001279319	1	Fitting Straight FSORFS/ORB	
34	1001279321	1	Fitting 90 FSORFS/ORFS	
35	1001279322	2	Fitting 90 FSORFS/ORFS	
36	1001279323	2	Fitting Straight ORFS/ORB	
37	1001279324	1	Fitting Straight ORB/ORB	
38	1001279325	1	Fitting Straight ORB/ORB	
39	1001279326	1	Manifold	
40	1001277244	1	Coil	
41	1001279328	1	Hose	
42	1001279329	1	Valve, Power Steering	
43	1001279330	1	Fitting Tee FORB/FORB/FORB	
44	1001279331	1	Fitting Straight FSORFS/ORB	
45	1001279332	1	Fitting Straight FSORFS/ORB	
46	1001279333	1	Fitting 90 ORFS/ORB	

SECTION 8 - HYDRAULIC CIRCUITS

FIGURE 8-8. FRONT AXLE HYDRAULIC DIAGRAM



ART_1001279219

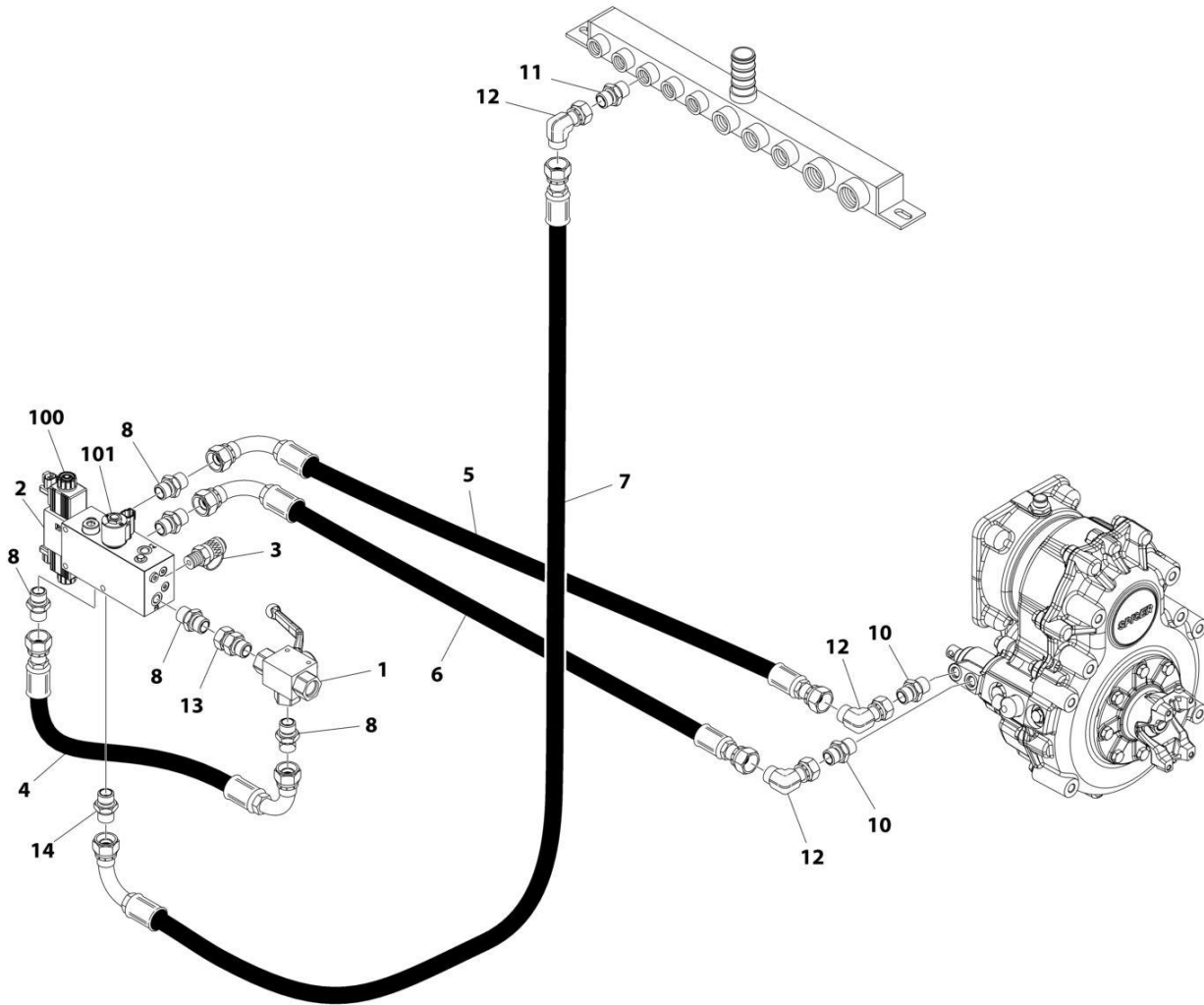
SECTION 8 - HYDRAULIC CIRCUITS

FIGURE 8-8. FRONT AXLE HYDRAULIC DIAGRAM

ITEM	PART NUMBER	QTY	DESCRIPTION	REV
	1001279219	Ref	FRONT AXLE HYDRAULIC DIAGRAM	A
1	1001274973	1	Valve, Solenoid (Includes Items 100)	
2	1001274976	1	Valve (Includes Items 101-102)	
3	1001275021	2	Hose	
4	1001275023	1	Hose	
5	1001275374	1	Hose	
6	1001275391	1	Hose	
7	1001275397	1	Hose	
8	1001279239	2	Fitting Straight ORFS/ORB	
9	1001279240	2	Fitting Straight ORFS/ORB	
10	1001279241	2	Fitting Straight ORFS/ORB	
11	1001279242	2	Fitting Straight JIC/ORB	
12	1001279243	2	Fitting Tee ORB/JIC/ORB	
13	1001279244	2	Fitting Straight FSORFS/ORB	
100	70026582	2	Solenoid	
101	70030555	2	Coil	
102	70030556	1	Coil	

SECTION 8 - HYDRAULIC CIRCUITS

FIGURE 8-9. GEARBOX HYDRAULIC DIAGRAM



ART_1001279226

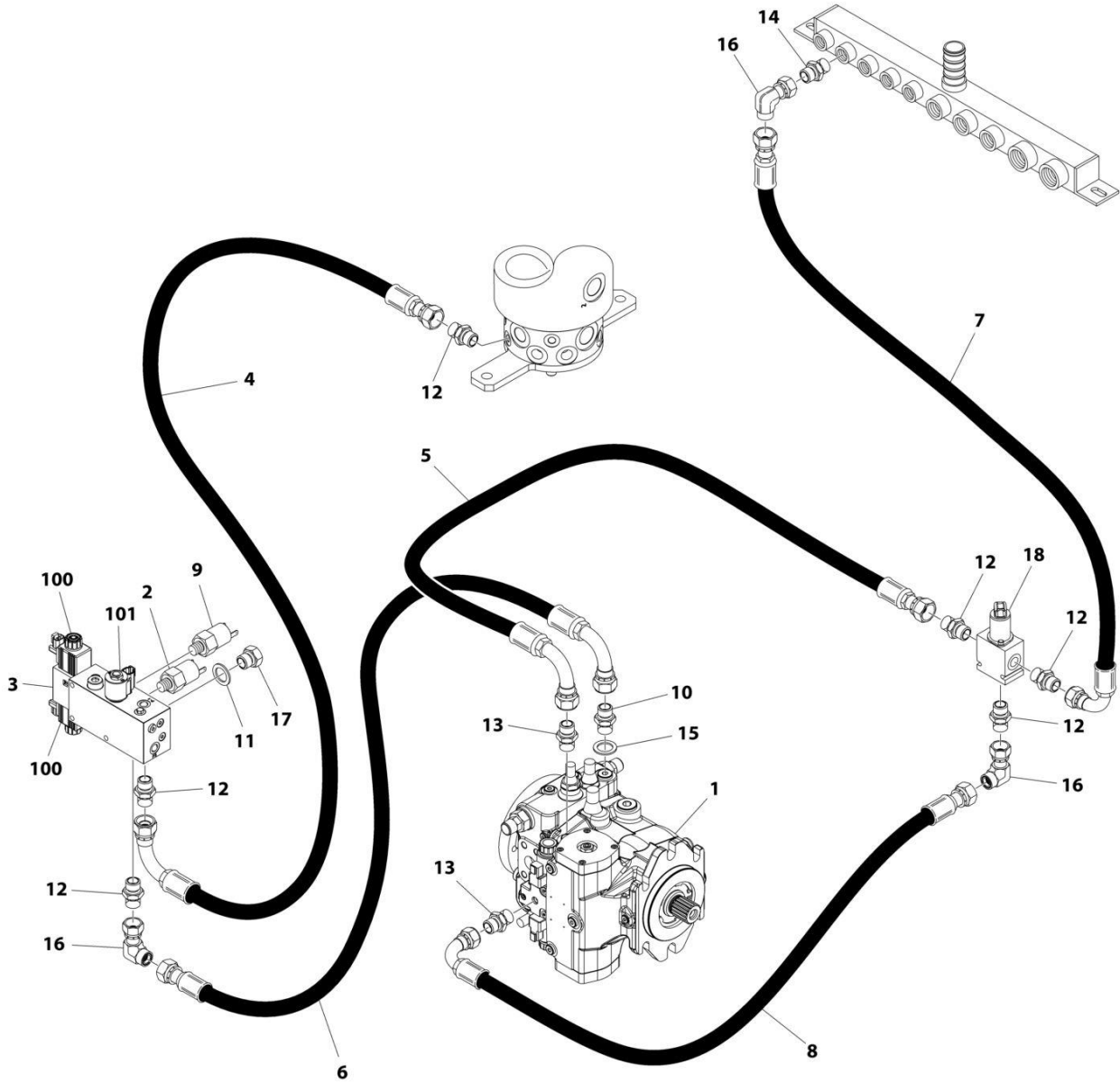
SECTION 8 - HYDRAULIC CIRCUITS

FIGURE 8-9. GEARBOX HYDRAULIC DIAGRAM

ITEM	PART NUMBER	QTY	DESCRIPTION	REV
	1001279226	Ref	GEARBOX HYDRAULIC DIAGRAM	B
1	1001274769	1	Valve	
2	1001274976	1	Valve (Includes Items 100-101)	
3	1001275007	1	Sensor	
4	1001275379	1	Hose	
5	1001275381	1	Hose	
6	1001275386	1	Hose	
7	1001275412	1	Hose	
8	1001279239	5	Fitting Straight ORFS/ORB	
9	1001279240	1	Fitting Straight ORFS/ORB	
10	1001279242	2	Fitting Straight JIC/ORB	
11	1001279271	1	Fitting Straight ORFS/ORB	
12	1001279316	3	Fitting 90 FSORFS/ORFS	
13	1001279376	1	Fitting Straight FSORFS/ORB	
14	1001280511	1	Fitting Straight ORB/ORB	
100	70030555	2	Coil	
101	70030556	1	Coil	

SECTION 8 - HYDRAULIC CIRCUITS

FIGURE 8-10. HYDROSTATIC PUMP HYDRAULIC DIAGRAM



ART_1001279227

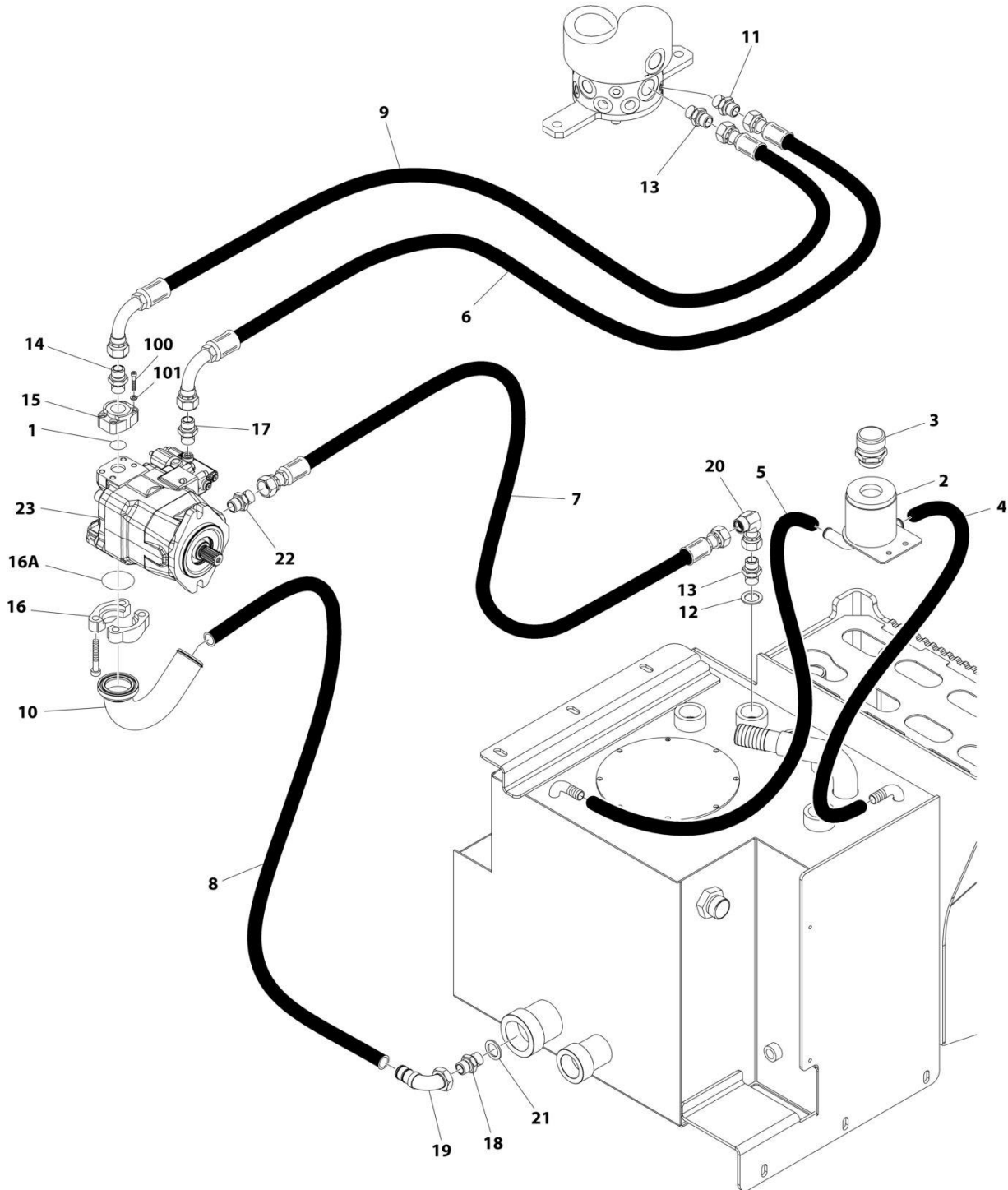
SECTION 8 - HYDRAULIC CIRCUITS

FIGURE 8-10. HYDROSTATIC PUMP HYDRAULIC DIAGRAM

ITEM	PART NUMBER	QTY	DESCRIPTION	REV
	1001279227	Ref	HYDROSTATIC PUMP HYDRAULIC DIAGRAM	C
1	1001274766	1	Pump, Hydrostatic	
2	1001274966	1	Sensor, Pressure	
3	1001274976	1	Valve (Includes Items 100-101)	
4	1001275369	1	Hose	
5	1001275372	1	Hose	
6	1001275377	1	Hose	
7	1001275384	1	Hose	
8	1001275387	1	Hose	
9	1001277446	1	Sensor, Pressure	
10	1001279102	1	Fitting Straight ORFS/ORB	
11	1001279105	1	Washer	
12	1001279239	6	Fitting Straight ORFS/ORB	
13	1001279242	2	Fitting Straight JIC/ORB	
14	1001279271	1	Fitting Straight ORFS/ORB	
15	1001279273	1	Washer	
16	1001279316	3	Fitting 90 FSORFS/ORFS	
17	1001279378	1	Plug	
18	1001274773	1	Valve, Manifold	
100	70030555	2	Coil	
101	70030556	1	Coil	

SECTION 8 - HYDRAULIC CIRCUITS

FIGURE 8-11. IMPLEMENT PUMP HYDRAULIC DIAGRAM



ART_1001279229

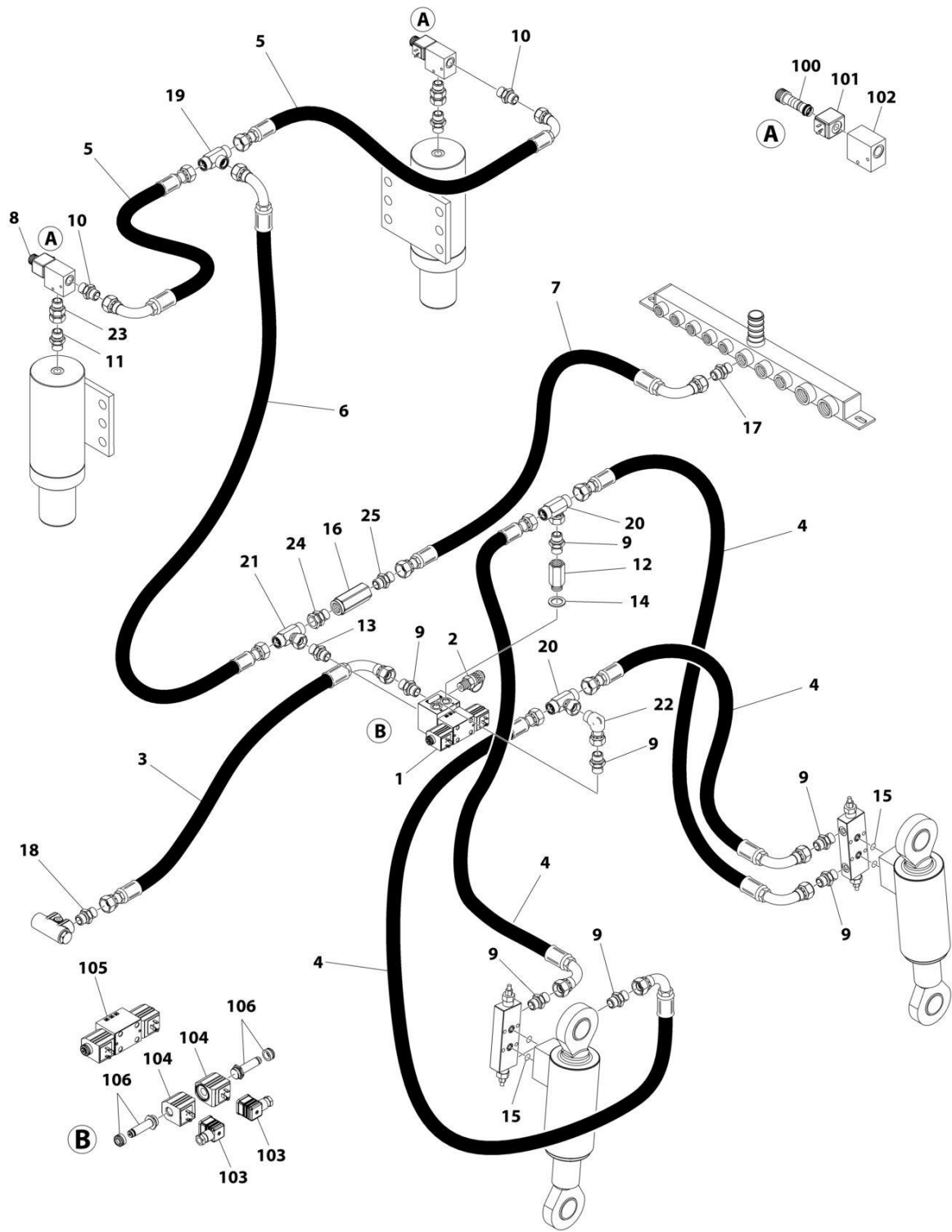
SECTION 8 - HYDRAULIC CIRCUITS

FIGURE 8-11. IMPLEMENT PUMP HYDRAULIC DIAGRAM

ITEM	PART NUMBER	QTY	DESCRIPTION	REV
	1001279229	Ref	IMPLEMENT PUMP HYDRAULIC DIAGRAM	B
1	8640123	1	O-Ring	
2	1001274710	1	Breather, Hydraulic Tank	
3	1001274980	1	Cap, Breather	
4	1001275011	1	Hose	
5	1001275012	1	Hose	
6	1001275373	1	Hose	
7	1001275509	1	Hose	
8	1001275511	1	Hose	
9	1001275512	1	Hose	
10	1001275578	1	Elbow	
11	1001279239	1	Fitting Straight ORFS/ORB	
12	1001279296	1	Washer	
13	1001279318	2	Fitting Straight ORFS/ORB	
14	1001279324	1	Fitting Straight ORB/ORB	
15	1001279340	1	Coupling, Flanged	
16	1001279341	1	Coupling	
16A	1001049873	1	O-Ring	
17	1001279349	1	Fitting Straight ORFS/ORB M16 to 7/16	
17	1001299007	1	Fitting Straight ORFS/ORB M16 to 9/16	
18	1001279350	1	Fitting Straight ORFS/ORB	
19	1001279351	1	Fitting 90 FSORFS/BARB	
20	1001279352	1	Fitting 90 FSORFS/ORFS	
21	1001279353	1	Washer	
22	1001281678	1	Fitting Straight ORFS/ORB	
23	1001281679	1	Pump, Implement	
100	4032010	4	Capscrew M10 x 30	
101	70030641	4	Washer	

SECTION 8 - HYDRAULIC CIRCUITS

FIGURE 8-12. LEVELING CYLINDERS HYDRAULIC DIAGRAM



ART_1001279224

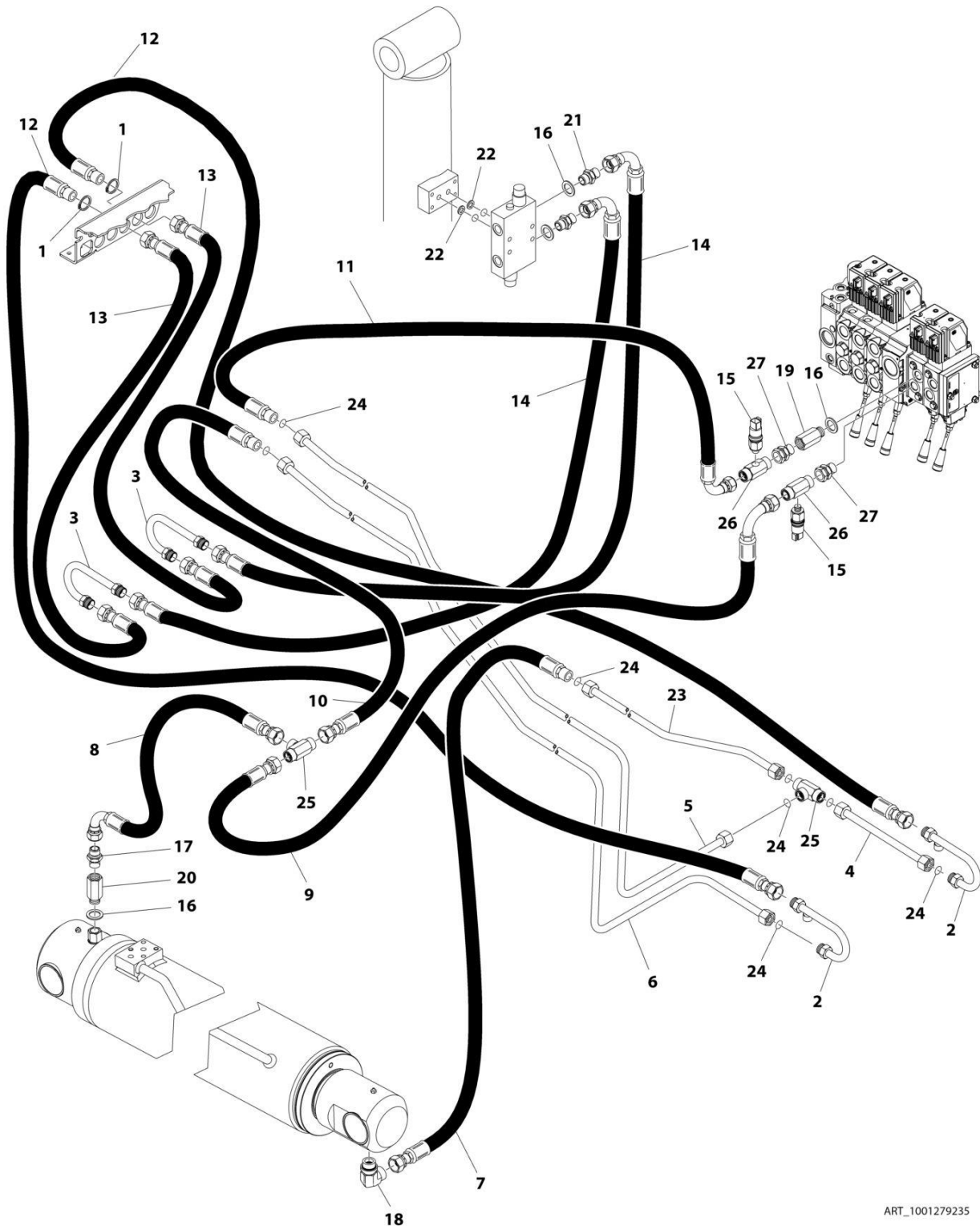
SECTION 8 - HYDRAULIC CIRCUITS

FIGURE 8-12. LEVELING CYLINDERS HYDRAULIC DIAGRAM

ITEM	PART NUMBER	QTY	DESCRIPTION	REV
	1001279224	Ref	LEVELING CYLINDERS HYDRAULIC DIAGRAM	B
1	1001274758	1	Valve (Includes Items 103-106)	
2	1001275007	1	Sensor	
3	1001275369	1	Hose	
4	1001275370	4	Hose	
5	1001275392	2	Hose	
6	1001275402	1	Hose	
7	1001275490	1	Hose	
8	1001276910	2	Valve (Includes Items 100-102)	
9	1001280511	7	Fitting Straight ORFS/ORB	
10	1001279240	2	Fitting Straight ORFS/ORB	
11	1001279241	2	Fitting Straight ORFS/ORB	
12	1001279249	1	Fitting Straight FORFS/ORB	
13	1001279270	1	Fitting Straight ORFS/ORB	
14	1001279277	1	Washer	
15	1001279278	4	O-Ring	
16	1001279299	1	Valve	
17	1001279309	1	Fitting Straight ORFS/ORB	
18	1001279310	1	Fitting Straight ORFS/ORB	
19	1001279311	1	Fitting Tee ORFS/ORFS/ORFS	
20	1001279312	2	Fitting Tee ORFS/FSORFS/ORFS	
21	1001279313	1	Fitting Tee ORFS/FSORFS/ORFS	
22	1001279316	1	Fitting 90 FSORFS/ORFS	
23	1001279623	2	Fitting Straight FSORFS/ORB	
24	1001279624	1	Fitting Straight FSORFS/ORB	
25	1001280522	1	Fitting Straight ORFS/ORB	
100	1001277246	2	Valve	
101	1001277244	2	Coil	
102	1001276907	2	Manifold	
103	1001277242	2	Solenoid	
104	1001277243	2	Coil	
105	70030639	1	Valve	
106	70030640	2	Coil	

SECTION 8 - HYDRAULIC CIRCUITS

FIGURE 8-13. LIFT CYLINDER HYDRAULIC DIAGRAM



ART_1001279235

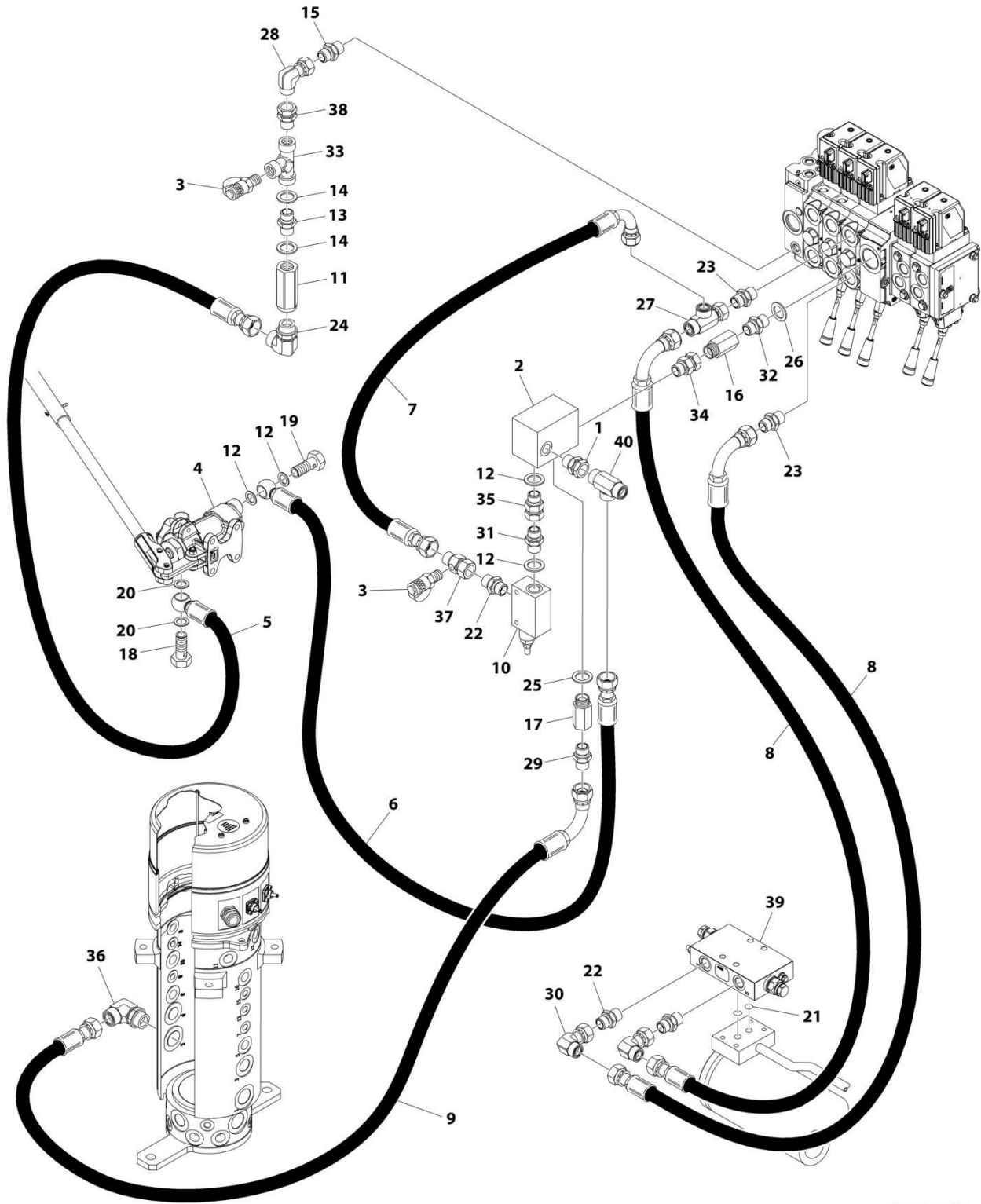
SECTION 8 - HYDRAULIC CIRCUITS

FIGURE 8-13. LIFT CYLINDER HYDRAULIC DIAGRAM

ITEM	PART NUMBER	QTY	DESCRIPTION	REV
	1001279235	Ref	LIFT CYLINDER HYDRAULIC DIAGRAM	D
1	130029	2	Circlip	
2	1001275031	2	Pipe	
3	1001275032	2	Pipe	
4	1001275033	1	Pipe	
5	1001275035	1	Pipe	
6	1001275046	1	Pipe	
7	1001275487	1	Hose	
8	1001275492	1	Hose	
9	1001275493	1	Hose	
10	1001275494	1	Hose	
11	1001275495	1	Hose	
12	1001293406	2	Hose	
13	1001275497	2	Hose - 1/2 Inch	
13	1001276849	2	Hose - 3/8 Inch	
14	1001276856	2	Hose	
15	1001277228	2	Sensor, Pressure	
16	1001278186	4	Washer	
17	1001280522	1	Fitting Straight ORFS/ORB	
18	1001279104	1	Fitting 90 ORFS/ORB	
19	1001279248	1	Fitting Straight FORFS/ORB	
20	1001279255	1	Fitting Straight FORFS/ORB	
21	1001279323	2	Fitting Straight ORFS/ORB	
22	1001279367	2	Washer, Crush	
23	1001279368	1	Pipe	
24	1001279371	8	O-Ring	
25	1001279374	2	Fitting Tee ORFS/ORB/ORFS	
26	1001279375	2	Fitting Tee ORFS/ORB/ORFS	
27	1001279624	2	Fitting Straight FSORFS/ORB	

SECTION 8 - HYDRAULIC CIRCUITS

FIGURE 8-14. MANUAL PUMP HYDRAULIC DIAGRAM



ART_1001279233

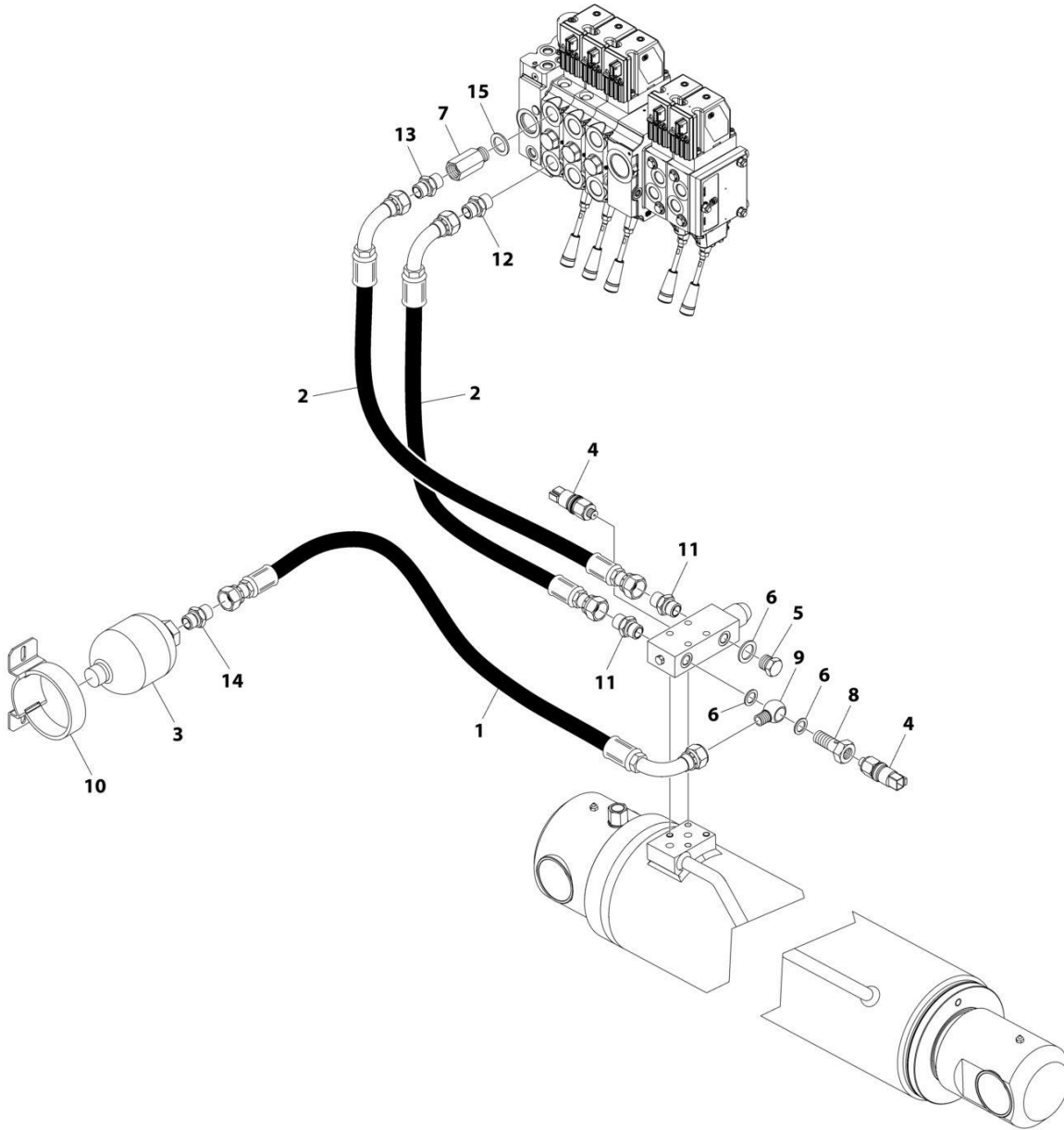
SECTION 8 - HYDRAULIC CIRCUITS

FIGURE 8-14. MANUAL PUMP HYDRAULIC DIAGRAM

ITEM	PART NUMBER	QTY	DESCRIPTION	REV
	1001279233	Ref	MANUAL PUMP HYDRAULIC DIAGRAM	B
1	1001273915	1	Fitting Straight FSORFS/ORB	
2	1001275006	1	Manifold	
3	1001275007	2	Sensor	
4	1001275062	1	Manual Pump Assembly	
5	1001275390	1	Hose	
6	1001275418	1	Hose	
7	1001275501	1	Hose	
8	1001275505	2	Hose	
9	1001275514	1	Hose	
10	1001275574	1	Valve	
11	1001275696	1	Valve	
12	1001278186	4	Washer	
13	1001279103	1	Fitting Straight ORFS/ORB	
14	1001279105	2	Washer	
15	1001279239	1	Fitting Straight ORFS/ORB	
16	1001279252	1	Fitting Straight FORFS/ORB	
17	1001279254	1	Fitting Straight FORFS/ORB	
18	1001279262	1	Bolt, Banjo M10	
19	1001279263	1	Bolt, Banjo 1/2	
20	1001279277	2	Washer	
21	1001279280	2	O-Ring	
22	1001279282	3	Fitting Straight ORFS/ORB	
23	1001279283	2	Fitting Straight ORB/ORB	
24	1001279290	1	Fitting 90 ORFS/ORB	
25	1001279296	1	Washer	
26	1001279297	1	Washer	
27	1001279308	1	Fitting Tee FSORFS/ORFS/ORFS	
28	1001279316	1	Fitting 90 FSORFS/ORFS	
29	1001279318	1	Fitting Straight ORFS/ORB	
30	1001279321	2	Fitting 90 FSORFS/ORFS	
31	1001279323	1	Fitting Straight ORFS/ORB	
32	1001279325	1	Fitting Straight ORB/ORB	
33	1001279330	1	Fitting Tee FORB/FORB/FORB	
34	1001279331	1	Fitting Straight FSORFS/ORB	
35	1001279363	1	Fitting Straight FSORFS/ORB	
36	1001279365	1	Fitting 90 ORFS/ORB	
37	1001279366	1	Fitting Tee ORFS/ORB/FSORFS	
38	1001279376	1	Fitting Straight FSORFS/ORB	
39	1001274975	1	Valve	
40	1001281680	1	Fitting Tee ORFS/ORFS/ORFS	

SECTION 8 - HYDRAULIC CIRCUITS

FIGURE 8-15. NO RIDE CONTROL HYDRAULIC DIAGRAM



ART_1001279234

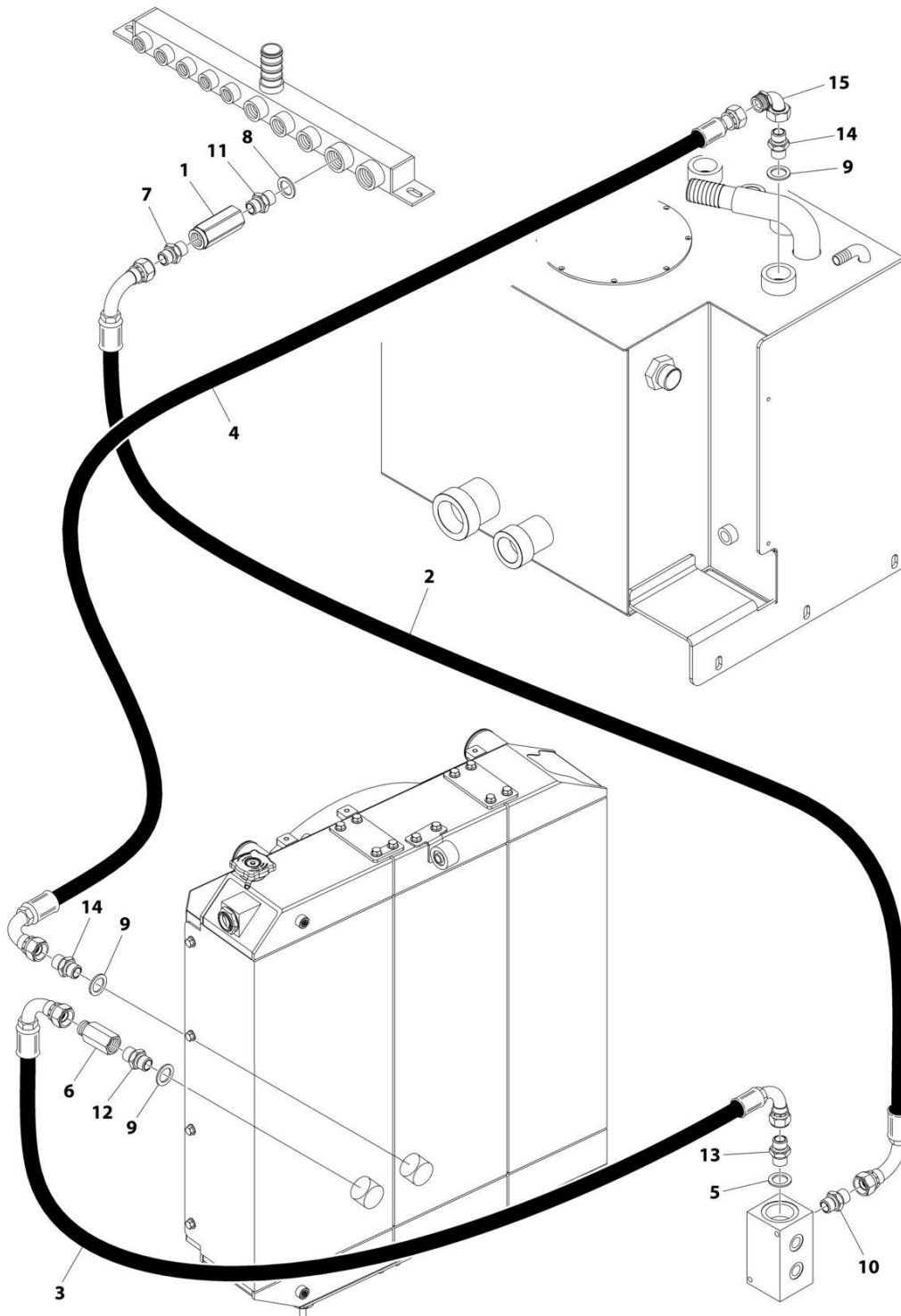
SECTION 8 - HYDRAULIC CIRCUITS

FIGURE 8-15. NO RIDE CONTROL HYDRAULIC DIAGRAM

ITEM	PART NUMBER	QTY	DESCRIPTION	REV
	1001279234	Ref	NO RIDE CONTROL HYDRAULIC DIAGRAM	B
1	1001275491	1	Hose	
2	1001275504	2	Hose	
3	1001276899	1	Accumulator	
4	1001277228	2	Sensor, Pressure	
5	1001277528	1	Plug	
6	1001278186	3	Washer	
7	1001279256	1	Fitting Straight FORFS/ORB	
8	1001302445	1	Bolt, Banjo 1/4	
8	1001279263	1	Bolt, Banjo 1/2	
9	1001279267	1	Fitting Banjo M20 x M22	
10	1001279276	1	Bracket	
11	1001279282	2	Fitting Straight ORFS/ORB	
12	1001279283	1	Fitting Straight ORB/ORB	
13	1001279309	1	Fitting Straight ORFS/ORB	
14	1001279373	1	Fitting Straight ORFS/ORB	
15	1001280480	1	Washer	

SECTION 8 - HYDRAULIC CIRCUITS

FIGURE 8-16. OIL COOLER HYDRAULIC DIAGRAM



ART_1001279231

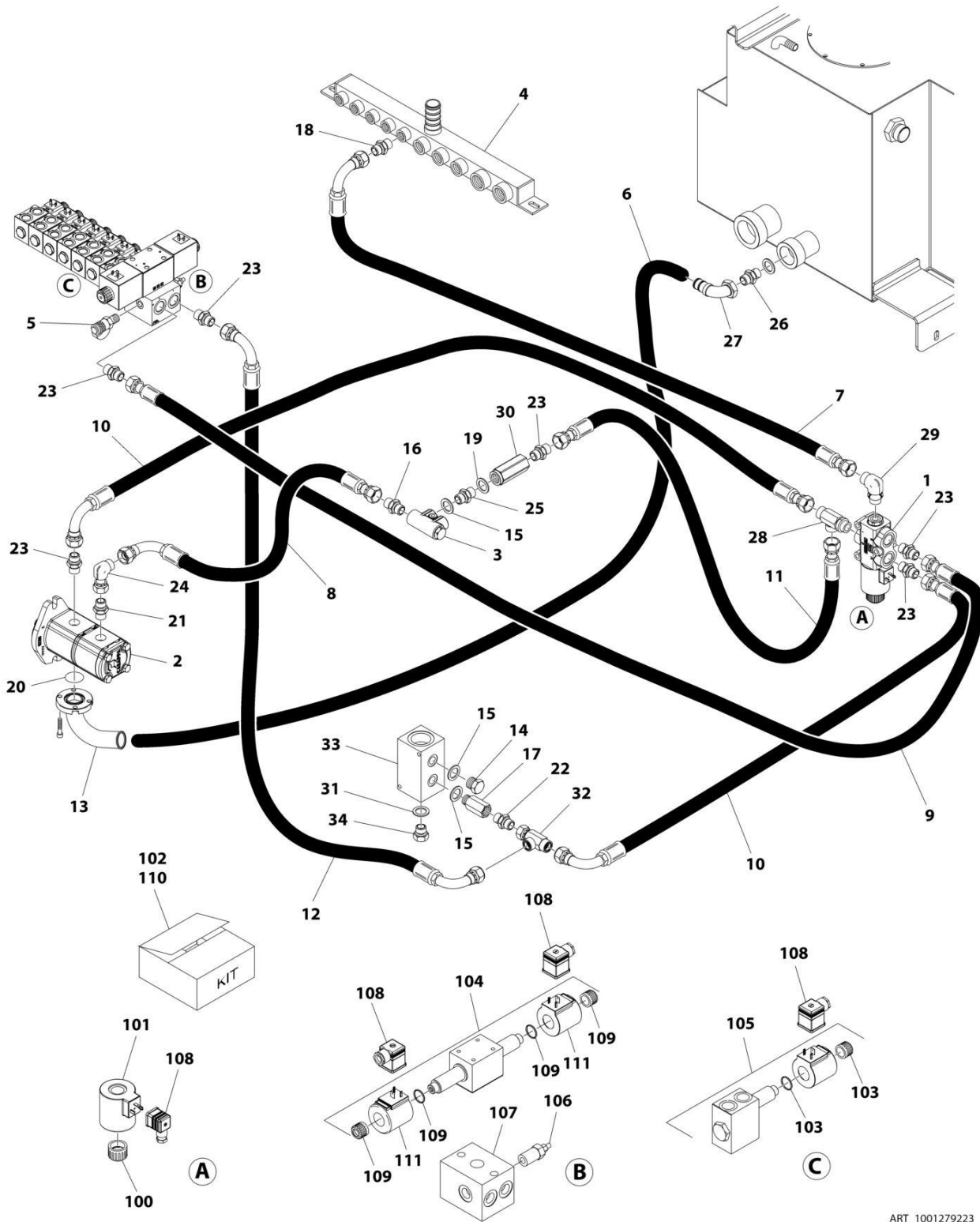
SECTION 8 - HYDRAULIC CIRCUITS

FIGURE 8-16. OIL COOLER HYDRAULIC DIAGRAM

ITEM	PART NUMBER	QTY	DESCRIPTION	REV
	1001279231	Ref	OIL COOLER HYDRAULIC DIAGRAM	B
1	1001274772	1	Valve	
2	1001275508	1	Hose	
3	1001275516	1	Hose	
4	1001275521	1	Hose	
5	1001279298	1	Washer	
6	1001279254	1	Fitting Straight FORFS/ORB	
7	1001279283	1	Fitting Straight ORB/ORB	
8	1001279296	1	Washer	
9	1001279297	3	Washer	
10	1001279317	1	Fitting Straight ORFS/ORB	
11	1001279324	1	Fitting Straight ORB/ORB	
12	1001279359	1	Fitting Straight ORB/ORB	
13	1001279360	1	Fitting Straight ORB/ORB	
14	1001279361	2	Fitting Straight ORB/ORB	
15	1001279362	1	Fitting 90 ORFS/ORFS	

SECTION 8 - HYDRAULIC CIRCUITS

FIGURE 8-17. OUTRIGGER CONTROL VALVE HYDRAULIC DIAGRAM



ART_1001279223

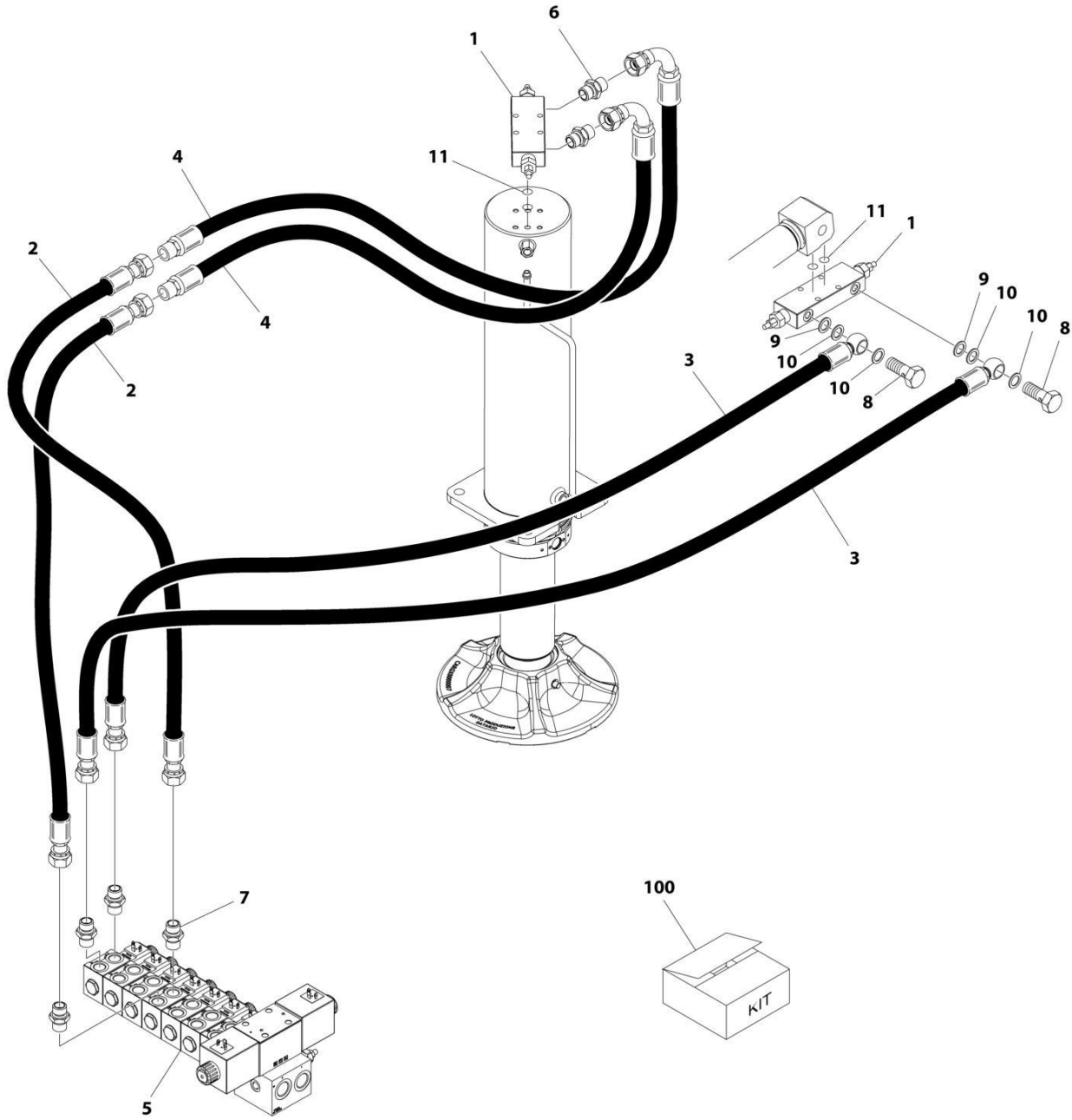
SECTION 8 - HYDRAULIC CIRCUITS

FIGURE 8-17. OUTRIGGER CONTROL VALVE HYDRAULIC DIAGRAM

ITEM	PART NUMBER	QTY	DESCRIPTION	REV
	1001279223	Ref	OUTRIGGER HYDRAULIC DIAGRAM	A
1	1001274759	1	Valve (Includes Items 100,101 & 108)	
2	1001274767	1	Pump	
3	1001274965	1	Valve	
4	1001275005	1	Manifold	
5	1001275007	1	Sensor	
6	1001275013	1	Hose	
7	1001275383	1	Hose	
8	1001275420	1	Hose	
9	1001275499	1	Hose	
10	1001275502	2	Hose	
11	1001275506	1	Hose	
12	1001275507	1	Hose	
13	1001275575	1	Elbow	
14	1001277528	1	Plug	
15	1001278186	3	Washer	
16	1001279098	1	Fitting Straight ORFS/ORB	
17	1001279248	1	Fitting Straight FORFS/ORB	
18	1001279271	1	Fitting Straight ORFS/ORB	
19	1001279277	1	Washer	
20	1001279279	1	O-Ring	
21	1001279281	1	Fitting Straight ORFS/ORB	
22	1001279282	1	Fitting Straight ORFS/ORB	
23	1001279283	6	Fitting Straight ORB/ORB	
24	1001279284	1	Fitting 90 FSORFS/ORB	
25	1001279285	1	Fitting Straight ORFS/ORB	
26	1001279286	1	Fitting Straight ORFS/ORB	
27	1001279288	1	Fitting 90 FSORFS/BARB	
28	1001279289	1	Fitting Tee ORB/ORFS/ORFS	
29	1001279290	1	Fitting 90 ORFS/ORB	
30	1001279291	2	Valve	
31	1001279298	1	Washer	
32	1001279308	1	Fitting Tee FSORFS/ORFS/ORFS	
33	1001279348	1	Manifold	
34	1001281675	1	Plug	
100	70030626	1	Nut, Ring	
101	1001276900	1	Valve	
102	70030627	1	Seal Kit (For Use With Item 101 Valve)	
103	70030571	8	Cap Kit (Includes O-Ring)	
104	1001277238	1	Valve	
105	1001277239	8	Valve	
106	1001277240	1	Valve, Pressure Relief	
107	1001277241	1	Valve, Manifold	
108	1001277242	11	Solenoid	
109	70030568	2	Cap Kit (Includes O-Ring)	
110	70030572	1	Seal Kit (For Use With Item 105 Valve)	
111	70030573	2	Coil	

SECTION 8 - HYDRAULIC CIRCUITS

FIGURE 8-18. OUTRIGGER VALVE HYDRAULIC DIAGRAM - FRONT RIGHT



ART_1001279222

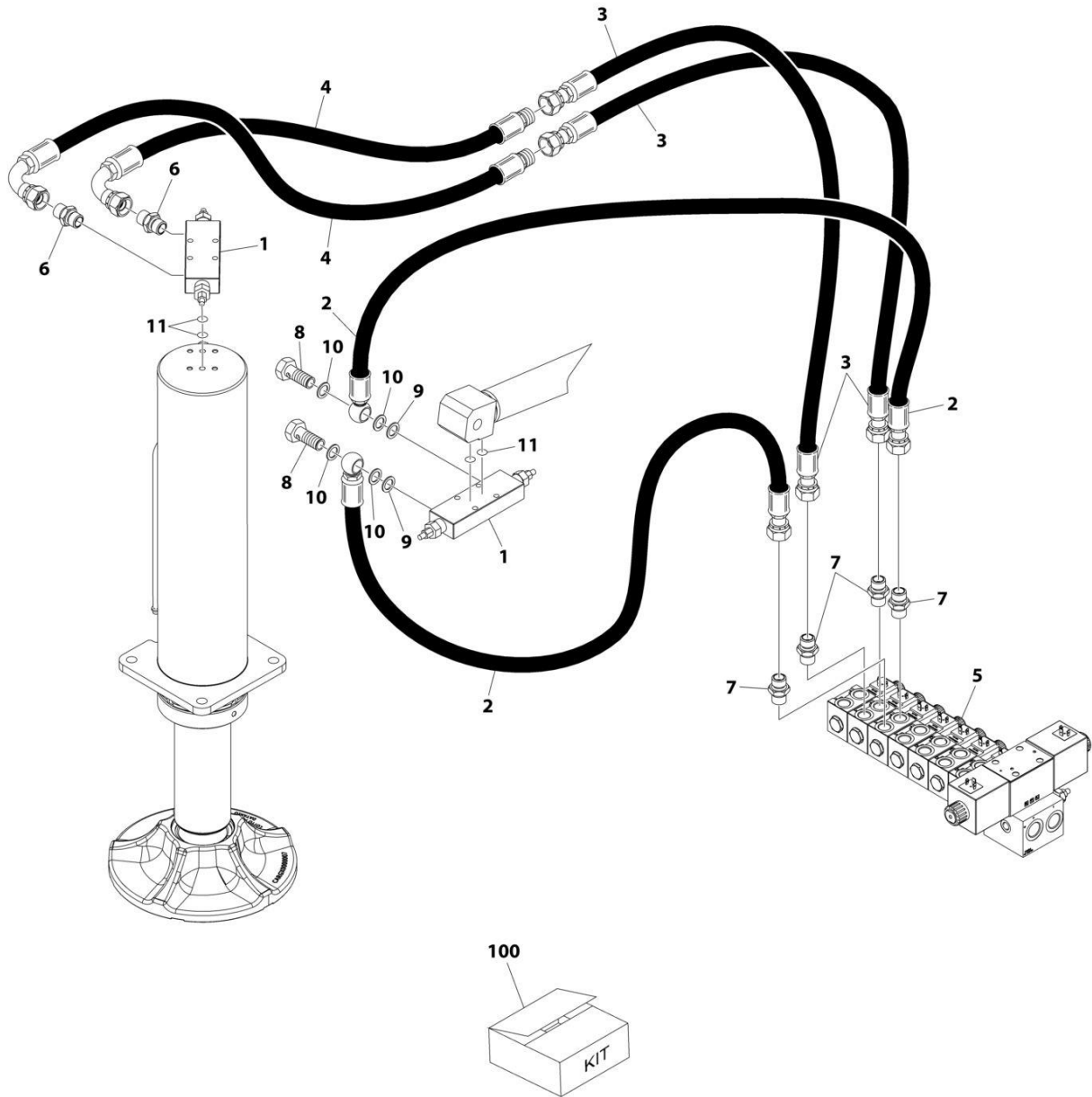
SECTION 8 - HYDRAULIC CIRCUITS

FIGURE 8-18. OUTRIGGER VALVE HYDRAULIC DIAGRAM - FRONT RIGHT

ITEM	PART NUMBER	QTY	DESCRIPTION	REV
	1001279222	Ref	OUTRIGGER VALVE HYDRAULIC DIAGRAM	A
1	1001274774	2	Valve	
2	1001275400	2	Hose	
3	1001275405	2	Hose	
4	1001275407	2	Hose	
5	1001276901	1	Outrigger Valve Assembly (See Separate Breakdown in HYDRAULIC COMPONENTS Section)	
6	1001279240	2	Fitting Straight ORFS/ORB	
7	1001279246	4	Fitting Straight ORFS/ORB	
8	1001279262	2	Bolt, Banjo M10	
9	1001279274	2	Washer, Crush	
10	1001279277	4	Washer	
11	1001279278	4	O-Ring	
100	70030572	1	Seal Kit	

SECTION 8 - HYDRAULIC CIRCUITS

FIGURE 8-19. OUTRIGGER VALVE HYDRAULIC DIAGRAM - FRONT LEFT



ART_1001286870

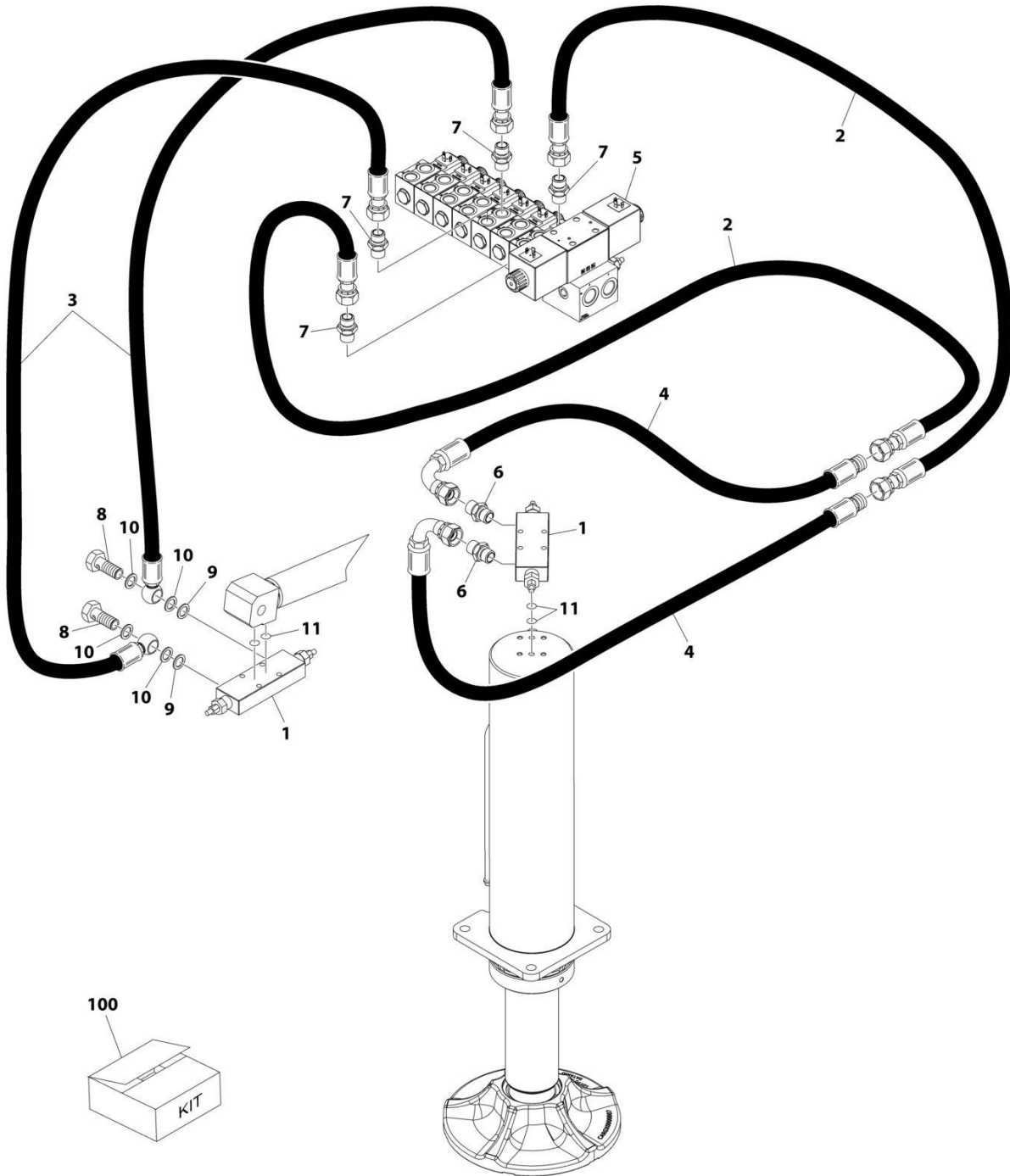
SECTION 8 - HYDRAULIC CIRCUITS

FIGURE 8-19. OUTRIGGER VALVE HYDRAULIC DIAGRAM - FRONT LEFT

ITEM	PART NUMBER	QTY	DESCRIPTION	REV
	1001286870	Ref	OUTRIGGER VALVE HYDRAULIC DIAGRAM	A
1	1001274774	2	Valve	
2	1001275400	2	Hose	
3	1001275401	2	Hose	
4	1001275407	2	Hose	
5	1001276901	1	Outrigger Valve Assembly (See Separate Breakdown in HYDRAULIC COMPONENTS Section)	
6	1001279240	2	Fitting Straight ORFS/ORB	
7	1001279246	4	Fitting Straight ORFS/ORB	
8	1001279262	2	Bolt, Banjo M10	
9	1001279274	2	Washer, Crush	
10	1001279277	4	Washer	
11	1001279278	4	O-Ring	
100	70030572	1	Seal Kit	

SECTION 8 - HYDRAULIC CIRCUITS

FIGURE 8-20. OUTRIGGER VALVE HYDRAULIC DIAGRAM - REAR LEFT



ART_1001286871

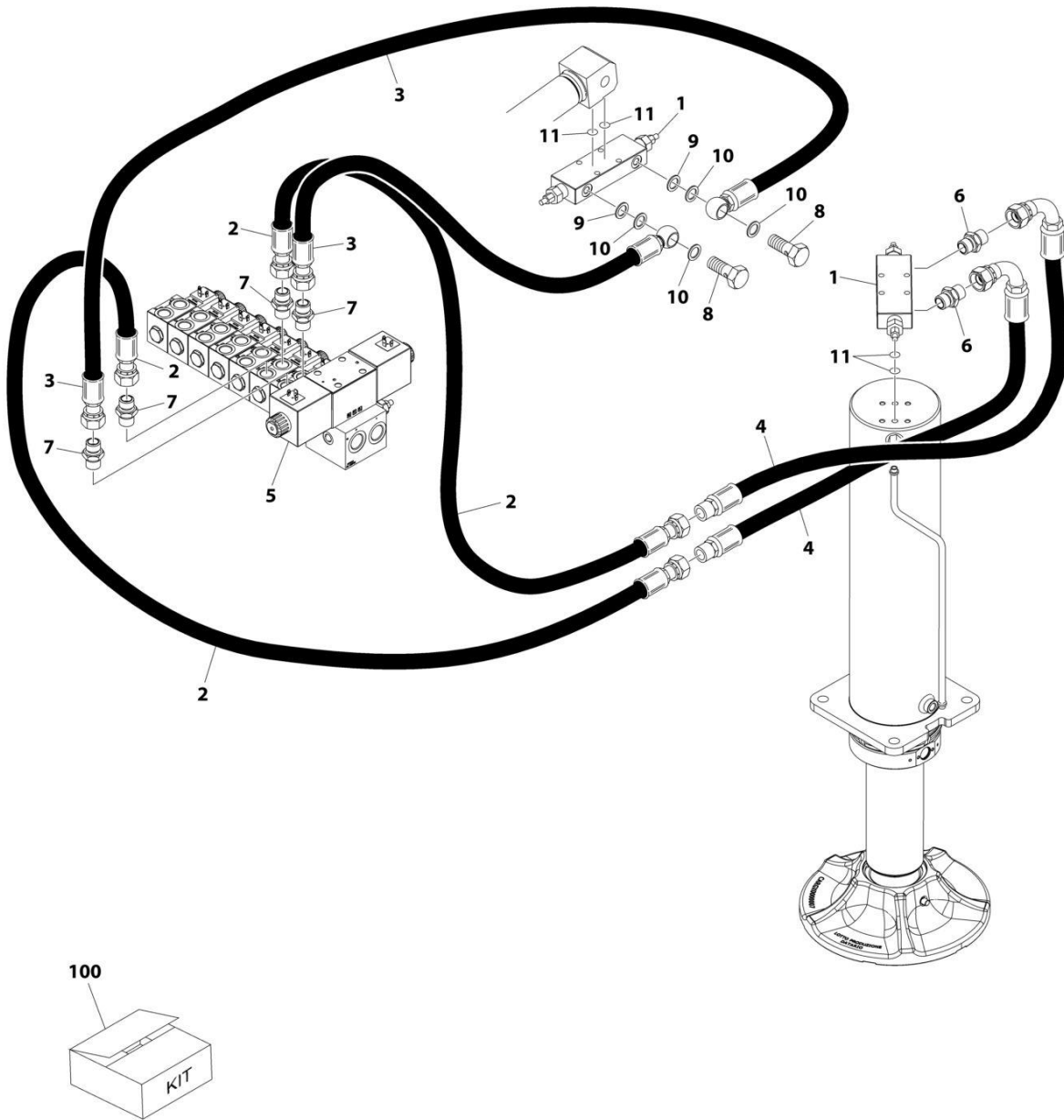
SECTION 8 - HYDRAULIC CIRCUITS

FIGURE 8-20. OUTRIGGER VALVE HYDRAULIC DIAGRAM - REAR LEFT

ITEM	PART NUMBER	QTY	DESCRIPTION	REV
	1001286871	Ref	OUTRIGGER VALVE HYDRAULIC DIAGRAM	A
1	1001274774	2	Valve	
2	1001275399	2	Hose	
3	1001275404	2	Hose	
4	1001275407	2	Hose	
5	1001276901	1	Outrigger Valve Assembly (See Separate Breakdown in HYDRAULIC COMPONENTS Section)	
6	1001279240	2	Fitting Straight ORFS/ORB	
7	1001279246	4	Fitting Straight ORFS/ORB	
8	1001279262	2	Bolt, Banjo M10	
9	1001279274	2	Washer, Crush	
10	1001279277	4	Washer	
11	1001279278	4	O-Ring	
100	70030572	1	Seal Kit	

SECTION 8 - HYDRAULIC CIRCUITS

FIGURE 8-21. OUTRIGGER VALVE HYDRAULIC DIAGRAM - REAR RIGHT



ART_1001286872

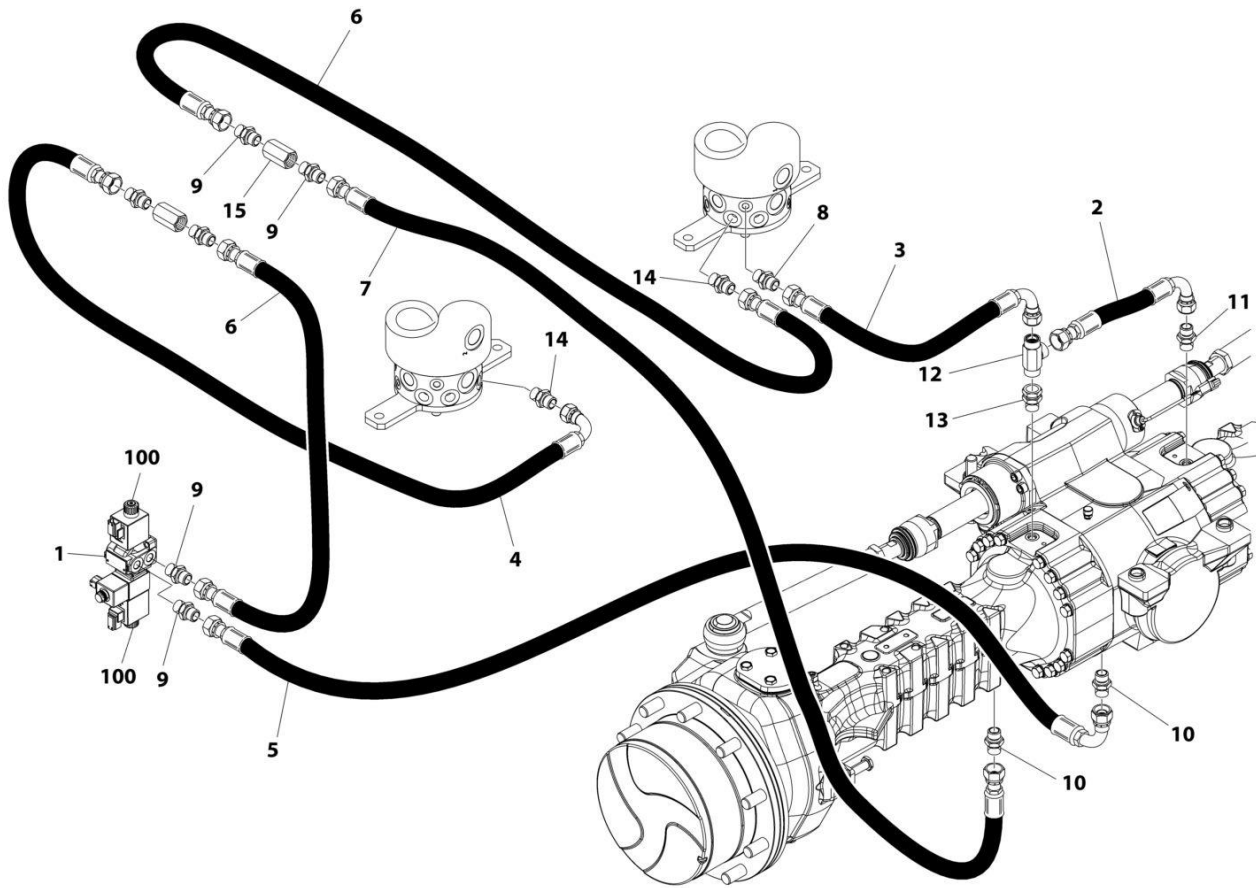
SECTION 8 - HYDRAULIC CIRCUITS

FIGURE 8-21. OUTRIGGER VALVE HYDRAULIC DIAGRAM - REAR RIGHT

ITEM	PART NUMBER	QTY	DESCRIPTION	REV
	1001286872	Ref	OUTRIGGER VALVE HYDRAULIC DIAGRAM	A
1	1001274774	2	Valve	
2	1001275400	2	Hose	
3	1001275403	2	Hose	
4	1001275407	2	Hose	
5	1001276901	1	Outrigger Valve Assembly (See Separate Breakdown in HYDRAULIC COMPONENTS Section)	
6	1001279240	2	Fitting Straight ORFS/ORB	
7	1001279246	4	Fitting Straight ORFS/ORB	
8	1001279262	2	Bolt, Banjo M10	
9	1001279274	2	Washer, Crush	
10	1001279277	4	Washer	
11	1001279278	4	O-Ring	
100	70030572	1	Seal Kit	

SECTION 8 - HYDRAULIC CIRCUITS

FIGURE 8-22. REAR AXLE HYDRAULIC DIAGRAM



ART_1001279220

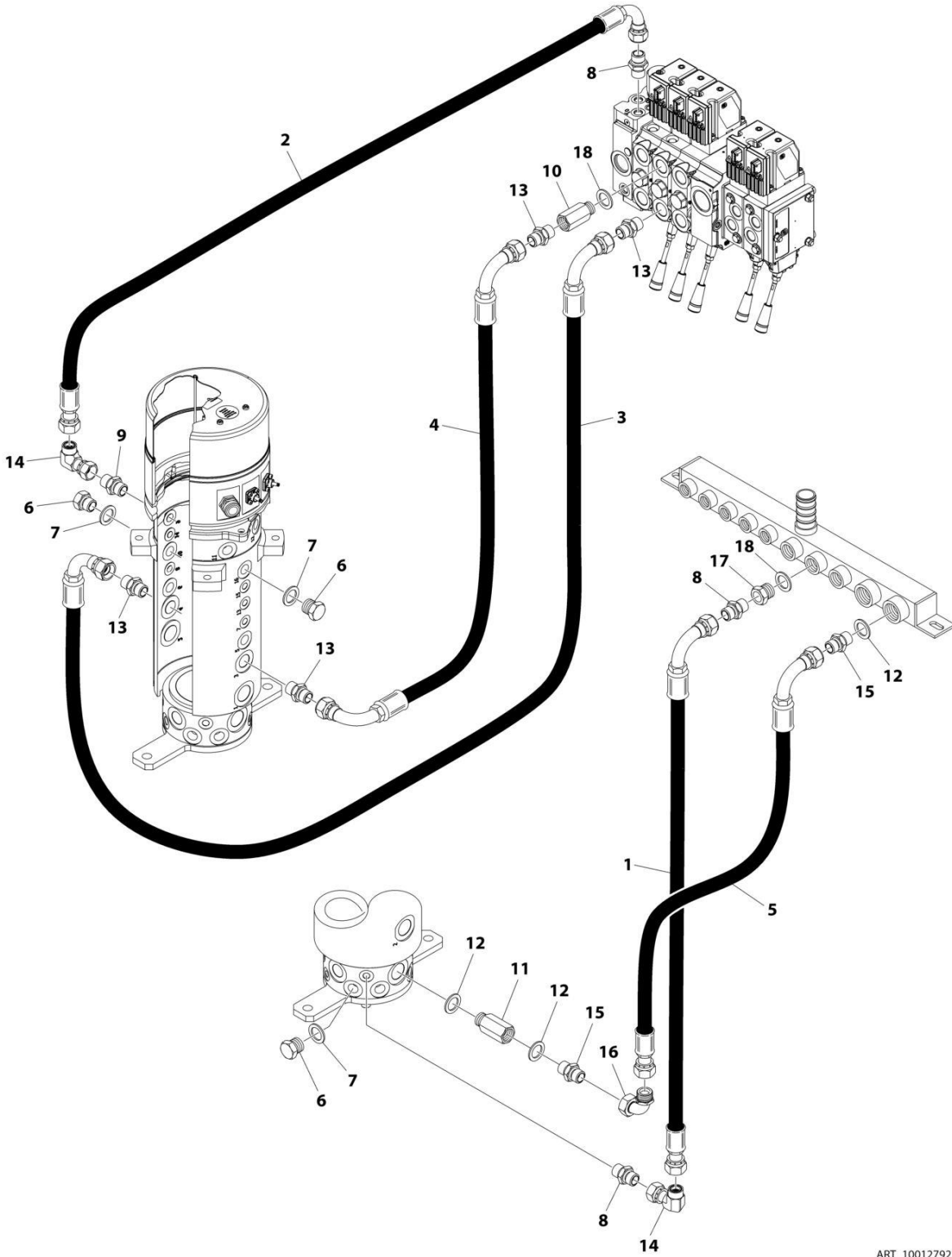
SECTION 8 - HYDRAULIC CIRCUITS

FIGURE 8-22. REAR AXLE HYDRAULIC DIAGRAM

ITEM	PART NUMBER	QTY	DESCRIPTION	REV
	1001279220	Ref	REAR AXLE HYDRAULIC DIAGRAM	A
1	1001274973	1	Valve, Solenoid (Includes Item 100)	
2	1001275022	1	Hose	
3	1001275023	1	Hose	
4	1001275393	1	Hose	
5	1001275395	1	Hose	
6	1001275396	2	Hose	
7	1001275398	1	Hose	
8	1001279239	1	Fitting Straight ORFS/ORB	
9	1001279240	6	Fitting Straight ORFS/ORB	
10	1001279241	2	Fitting Straight ORFS/ORB	
11	1001279242	1	Fitting Straight JIC/ORB	
12	1001279243	1	Fitting Tee ORB/JIC/ORB	
13	1001279244	1	Fitting Straight FSORFS/ORB	
14	1001279246	2	Fitting Straight ORFS/ORB	
15	1001279247	2	Fitting Straight FORB/FORB	
100	70026582	2	Solenoid	

SECTION 8 - HYDRAULIC CIRCUITS

FIGURE 8-23. ROTARY COUPLING HYDRAULIC DIAGRAM



ART_1001279232

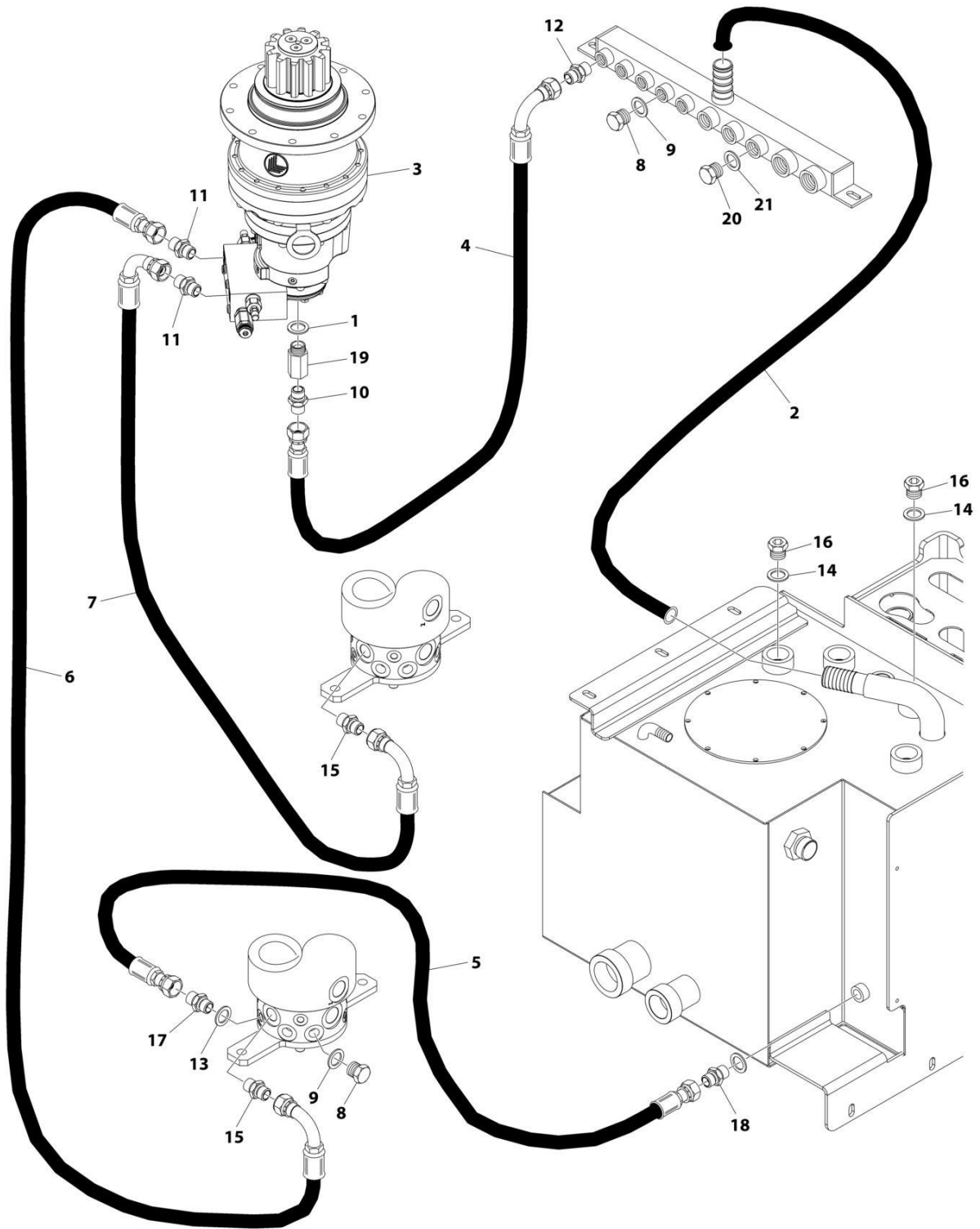
SECTION 8 - HYDRAULIC CIRCUITS

FIGURE 8-23. ROTARY COUPLING HYDRAULIC DIAGRAM

ITEM	PART NUMBER	QTY	DESCRIPTION	REV
	1001279232	Ref	ROTARY COUPLING HYDRAULIC DIAGRAM	B
1	1001275380	1	Hose	
2	1001275408	1	Hose	
3	1001275416	1	Hose	
4	1001275417	1	Hose	
5	1001275513	1	Hose	
6	1001277528	3	Plug	
7	1001278186	3	Washer	
8	1001279239	3	Fitting, Straight ORFS/ORB	
9	1001279240	1	Fitting, Straight ORFS/ORB	
10	1001279256	1	Fitting, Straight FORFS/ORB	
11	1001279257	1	Fitting, Straight ORB/ORB	
12	1001279296	3	Washer	
13	1001279309	4	Fitting, Straight ORFS/ORB	
14	1001279316	2	Fitting, 90 FSORFS/ORFS	
15	1001279337	2	Fitting, Straight ORFS/ORB	
16	1001279344	1	Fitting, 90 FSORFS/ORB	
17	1001294738	1	Fitting, Straight	
18	1001280480	2	Washer	

SECTION 8 - HYDRAULIC CIRCUITS

FIGURE 8-24. SWING DRIVE HYDRAULIC DIAGRAM



ART_1001279230

SECTION 8 - HYDRAULIC CIRCUITS

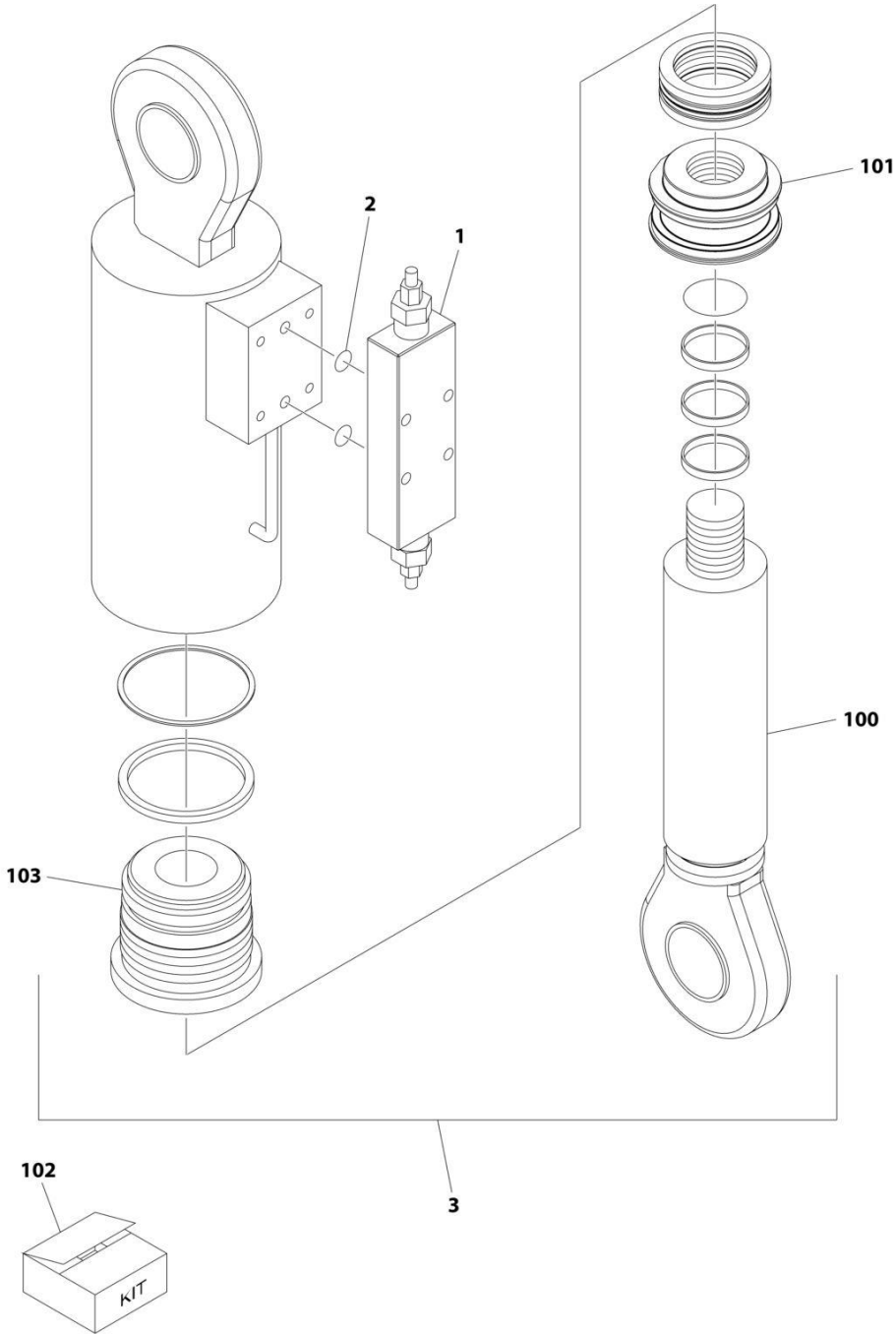
FIGURE 8-24. SWING DRIVE HYDRAULIC DIAGRAM

ITEM	PART NUMBER	QTY	DESCRIPTION	REV
	1001279230	Ref	SWING HYDRAULIC DIAGRAM	A
1	4740571	1	Washer, Crush	
2	1001275014	1	Hose	
3	1001275036	1	Swing Drive Assembly (See Separate Breakdown in HYDRAULIC COMPONENTS Section)	
4	1001275388	1	Hose	
5	1001275409	1	Hose	
6	1001275413	1	Hose	
7	1001275415	1	Hose	
8	1001277528	2	Plug	
9	1001278186	2	Washer	
10	1001279239	1	Fitting Straight ORFS/ORB	
11	1001279270	2	Fitting Straight ORFS/ORB	
12	1001279271	1	Fitting Straight ORFS/ORB	
13	1001279277	1	Washer	
14	1001279297	2	Washer	
15	1001279309	2	Fitting Straight ORFS/ORB	
16	1001279354	2	Plug	
17	1001279355	1	Fitting Straight FORB/ORB	
18	1001279356	1	Fitting Straight FORB/ORB	
19	1001279357	1	Fitting Straight FORB/ORB	
20	1001279358	1	Plug	
21	1001280480	1	Washer	

SECTION 9 - HYDRAULIC COMPONENTS

SECTION 9 - HYDRAULIC COMPONENTS

FIGURE 9-1. LEVELING CYLINDER ASSEMBLY



ART_1001278638

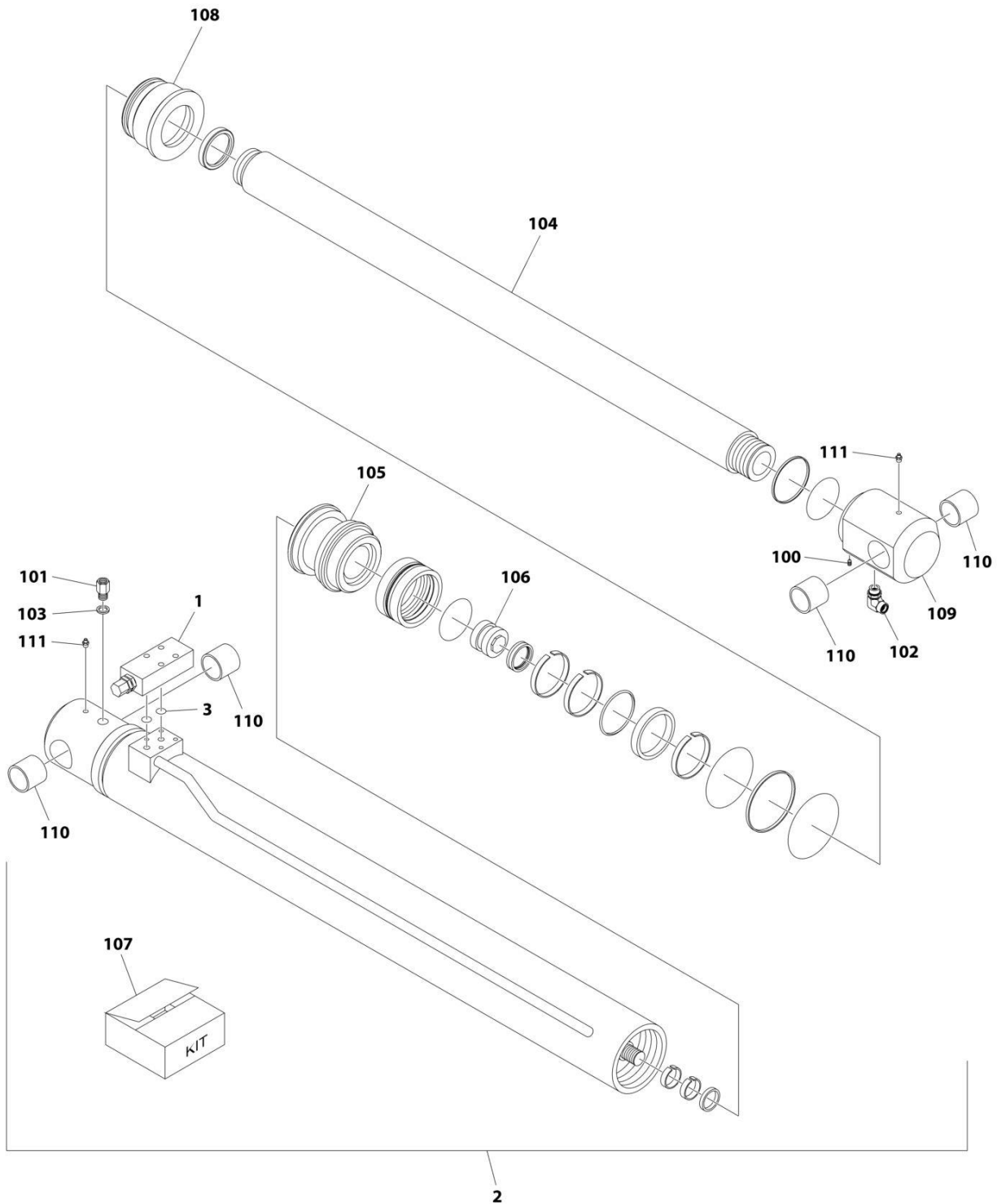
SECTION 9 - HYDRAULIC COMPONENTS

FIGURE 9-1. LEVELING CYLINDER ASSEMBLY

ITEM	PART NUMBER	QTY	DESCRIPTION	REV
	1001278638	Ref	LEVELING CYLINDER ASSEMBLY	B
		Ref	Note: Original Cylinder May Have Been Replaced with Service Replacement. Identify PN Stamped on Cylinder Before Ordering Parts.	
1	1001274774	1	Valve	
2	1001279278	2	O-Ring	
3	1001278643	1	Leveling Cylinder Assembly (Includes Items 100, 101 & 103)	
100	70030595	1	Rod	
101	70030596	1	Piston	
102	70030597	1	Seal Kit	
103	70030598	1	Head	

SECTION 9 - HYDRAULIC COMPONENTS

FIGURE 9-2. LIFT CYLINDER ASSEMBLY



ART_1001278640

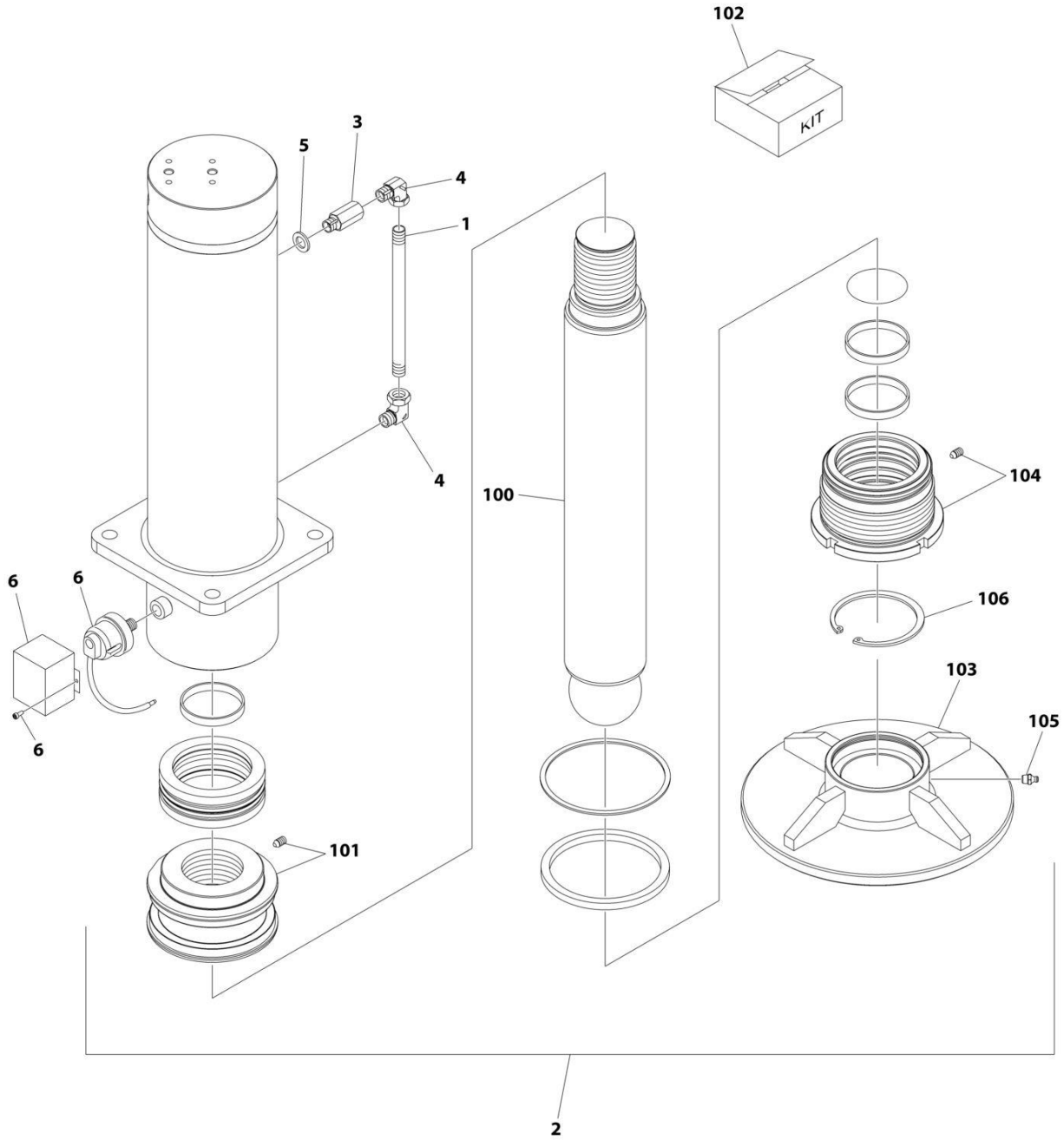
SECTION 9 - HYDRAULIC COMPONENTS

FIGURE 9-2. LIFT CYLINDER ASSEMBLY

ITEM	PART NUMBER	QTY	DESCRIPTION	REV
	1001278640	Ref	LIFT CYLINDER ASSEMBLY	A
		Ref	Note: Original Cylinder May Have Been Replaced with Service Replacement. Identify PN Stamped on Cylinder Before Ordering Parts.	
1	1001274775	1	Valve	
2	1001275004	1	Tilt Cylinder Assembly (Includes Items 100-106 & 108-111)	
3	1001278644	2	O-Ring	
100	70030579	1	Plug	
101	1001279248	1	Fitting Straight FORFS/ORB	
102	1001279104	1	Fitting 90 ORFS/ORB	
103	1001278186	1	Washer	
104	70030580	1	Rod	
105	70030581	1	Piston, External	
106	70030582	1	Piston, Internal	
107	70030583	1	Seal Kit	
108	70030584	1	Head	
109	70030585	1	Coupling, Rod	
110	70030586	4	Bushing	
111	1001276078	2	Fitting, Grease	

SECTION 9 - HYDRAULIC COMPONENTS

FIGURE 9-3. OUTRIGGER CYLINDER ASSEMBLY



ART_1001278637

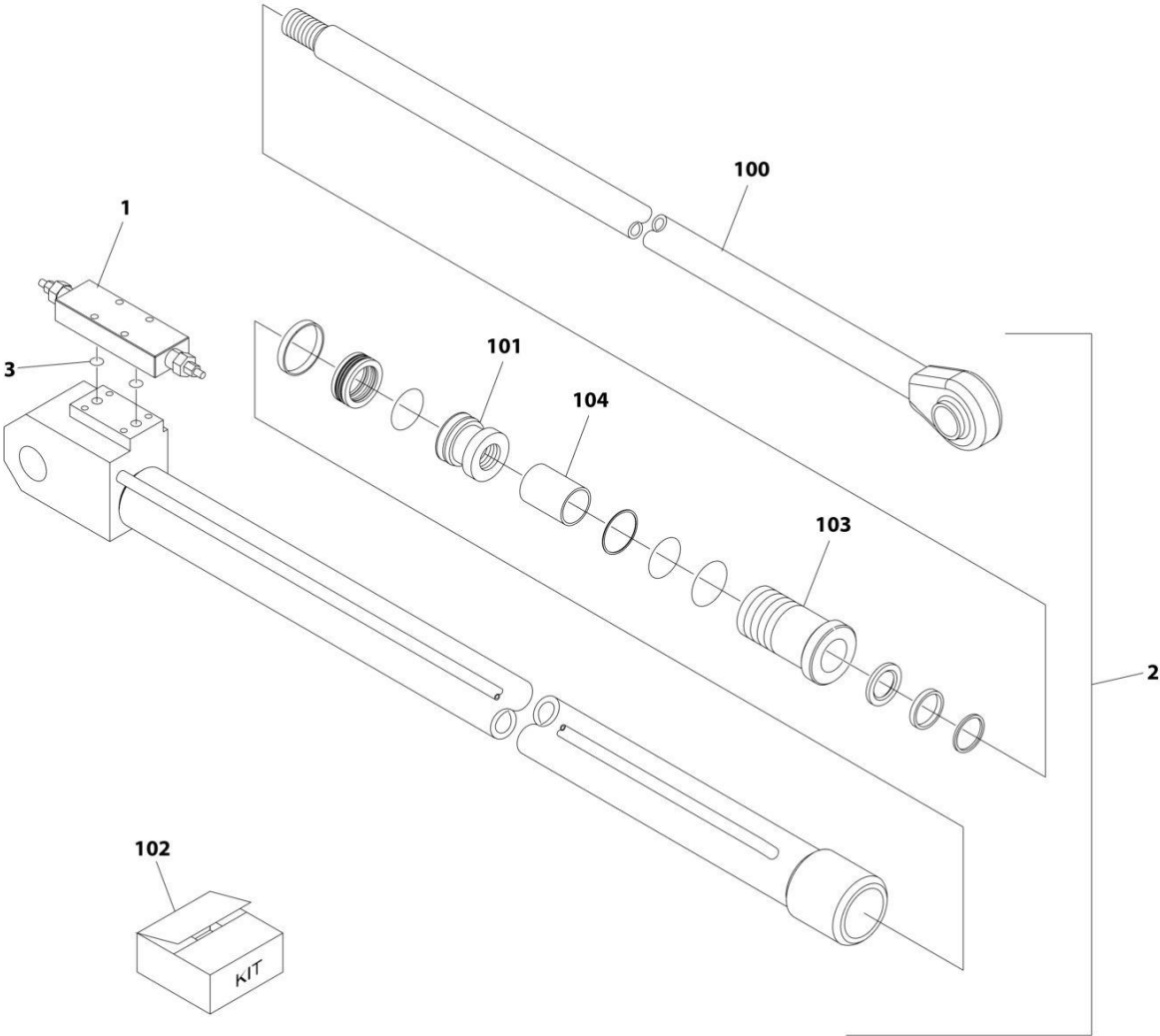
SECTION 9 - HYDRAULIC COMPONENTS

FIGURE 9-3. OUTRIGGER CYLINDER ASSEMBLY

ITEM	PART NUMBER	QTY	DESCRIPTION	REV
	1001278637	Ref	OUTRIGGER CYLINDER ASSEMBLY	C
		Ref	Note: Original Cylinder May Have Been Replaced with Service Replacement. Identify PN Stamped on Cylinder Before Ordering Parts.	
1	1001275030	1	Pipe	
2	1001275717	1	Outrigger Cylinder Assembly (Includes Items 100, 101 & 103-106)	B
3	1001278499	1	Fitting Straight ORFS/ORB	
4	1001278500	2	Fitting 90 ORFS/ORB	
5	1001279105	1	Washer	
6	1001282534	1	Sensor Assembly	B
6	SEE NOTE	1	Sensor (Note: Not Sold Separately, Purchase PN 1001282534)	
6	1001275297	1	Cover	
6	4031505	2	Capscrew M4 x 10	
100	70030642	1	Rod	
101	70030643	1	Piston (Includes Set Screw)	
102	70030644	1	Seal Kit	
103	1001276912	1	Pedestal (Includes Items 105 and 106)	
104	70030645	1	Head (Includes Set Screw)	
105	1001276078	1	Fitting, Grease	
106	70030646	1	Ring, Snap	

SECTION 9 - HYDRAULIC COMPONENTS

FIGURE 9-4. OUTRIGGER EXTENSION CYLINDER ASSEMBLY



ART_1001278636

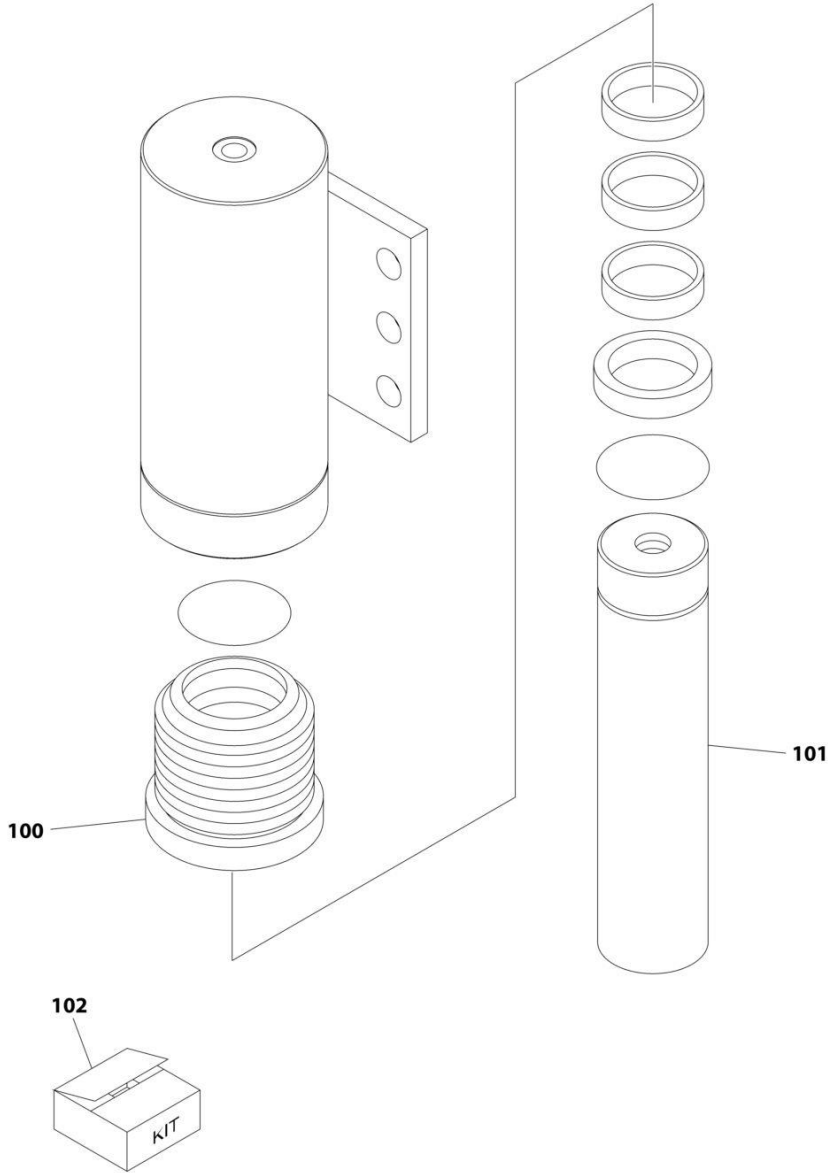
SECTION 9 - HYDRAULIC COMPONENTS

FIGURE 9-4. OUTRIGGER EXTENSION CYLINDER ASSEMBLY

ITEM	PART NUMBER	QTY	DESCRIPTION	REV
	1001278636	Ref	OUTRIGGER EXTENSION CYLINDER ASSEMBLY	B
		Ref	Note: Original Cylinder May Have Been Replaced with Service Replacement. Identify PN Stamped on Cylinder Before Ordering Parts.	
1	1001274774	1	Valve	
2	1001275579	1	Outrigger Extension Cylinder Assembly (Includes Items 100, 101, 103 & 104)	B
3	1001279278	2	O-Ring	
100	70030590	1	Rod	
101	70030591	1	Piston	
102	70030592	1	Seal Kit	
103	70030593	1	Head	
104	70030594	1	Spacer	

SECTION 9 - HYDRAULIC COMPONENTS

FIGURE 9-5. REAR OSCILLATION CYLINDER ASSEMBLY



ART_1001277433

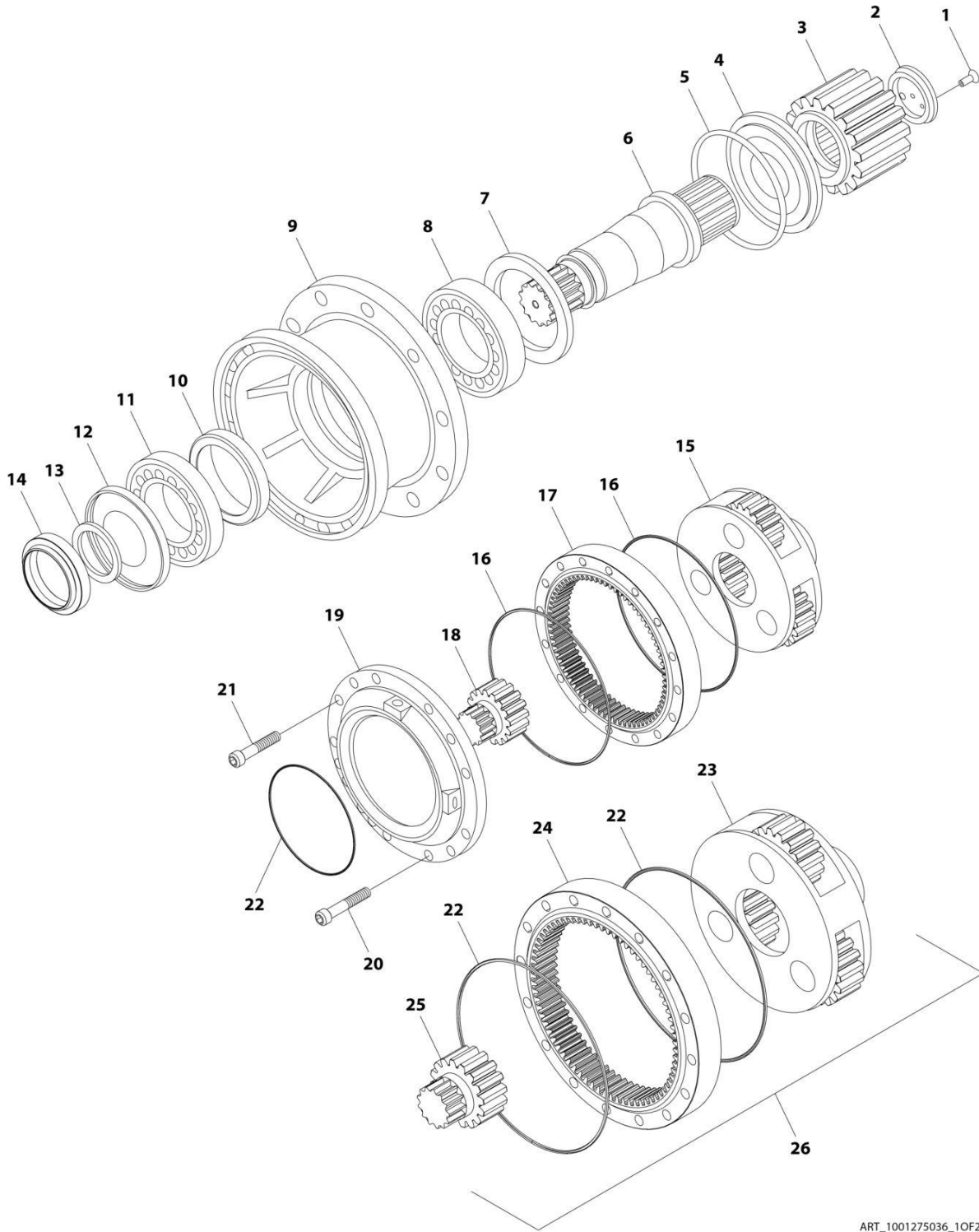
SECTION 9 - HYDRAULIC COMPONENTS

FIGURE 9-5. REAR OSCILLATION CYLINDER ASSEMBLY

ITEM	PART NUMBER	QTY	DESCRIPTION	REV
	1001277433	Ref	REAR OSCILLATION CYLINDER ASSEMBLY	A
		Ref	Note: Original Cylinder May Have Been Replaced with Service Replacement. Identify PN Stamped on Cylinder Before Ordering Parts.	
100	70030587	1	Head	
101	70030588	1	Rod	
102	70030589	1	Seal Kit	

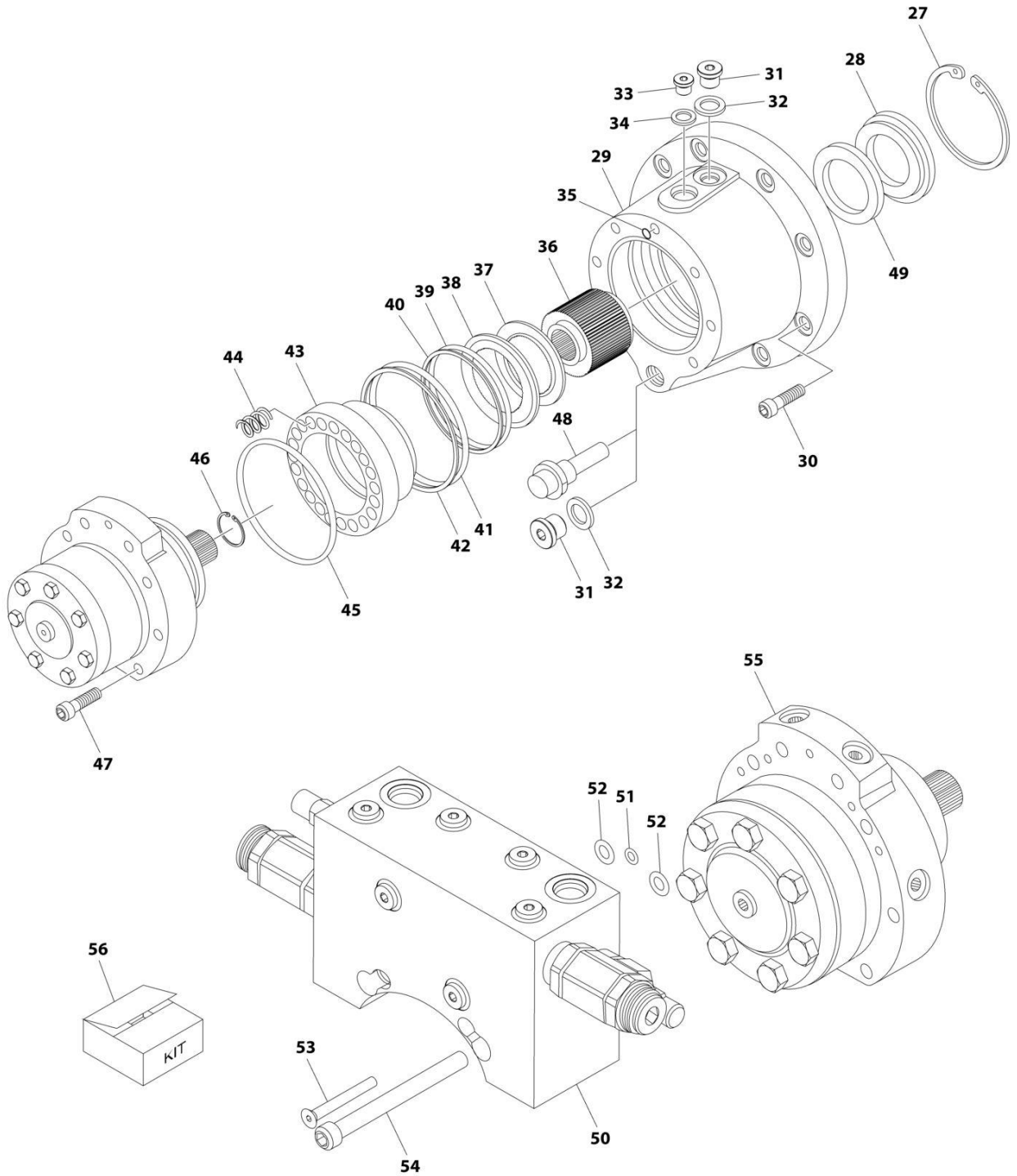
SECTION 9 - HYDRAULIC COMPONENTS

FIGURE 9-6. SWING DRIVE ASSEMBLY



ART_1001275036_10F2

SECTION 9 - HYDRAULIC COMPONENTS



ART_1001275036_20F2

SECTION 9 - HYDRAULIC COMPONENTS

FIGURE 9-6. SWING DRIVE ASSEMBLY

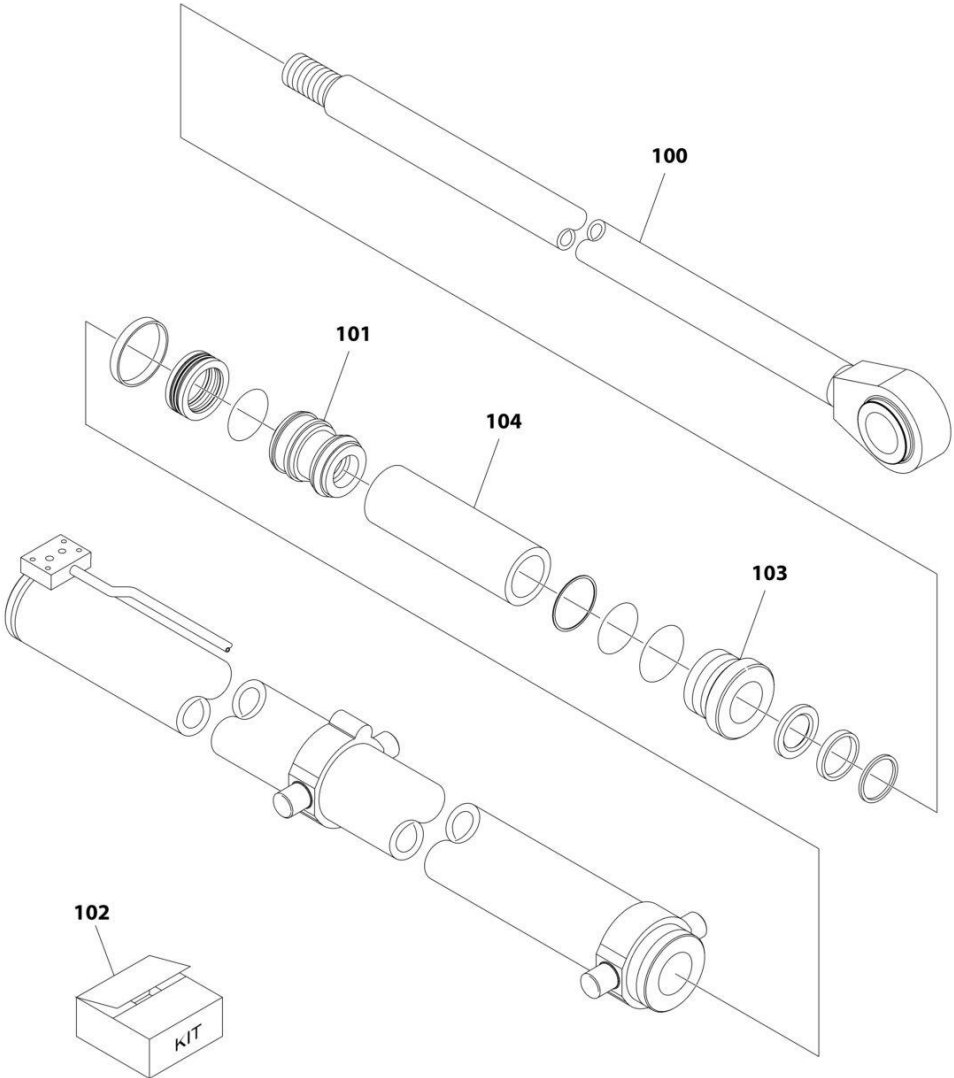
ITEM	PART NUMBER	QTY	DESCRIPTION	REV
	1001275036	Ref	SWING DRIVE ASSEMBLY	A
1	70030446	AR	Bolt	
2	70030447	1	Cap, End	
3	70030448	1	Gear	
4	70030449	1	Cover	
5	70030450	1	O-Ring	
6	70030451	1	Shaft	
7	70030452	1	Seal	
8	70030453	1	Bearing	
9	70030454	1	Housing	
10	70030455	1	Seal	
11	70030456	1	Bearing	
12	70030457	1	Seal	
13	70030458	1	Spacer	
14	70030459	1	Nut, Ring	
15	70030460	1	Reducer	
16	70030461	2	O-Ring	
17	70030462	1	Gear, Ring	
18	70030463	1	Gear	
19	70030464	1	Cover	
20	70030465	AR	Bolt	
21	70030466	AR	Bolt	
22	70030467	3	O-Ring	
23	70030468	1	Reducer	
24	70030469	1	Gear, Ring	
25	70030470	1	Gear	
26	70030471	1	Gear Kit (Includes Items 22, 23, 24 and 25)	
27	70030472	1	Ring, Retaining	
28	70030473	1	Bushing	
29	70030474	1	Housing	
30	70030475	AR	Bolt	
31	70030476	2	Plug	
32	70030477	2	Washer	
33	70030478	1	Plug	
34	70030479	1	Washer	
35	70030480	1	O-Ring	
36	70030481	1	Gear	
37	70030482	1	Ring	
38	70030483	1	Ring	
39	70030484	1	Ring, Anti-Extrusion	
40	70030485	1	O-Ring	
41	70030486	1	O-Ring	
42	70030487	1	Ring, Anti-Extrusion	
43	70030488	1	Piston	
44	70030489	1	Spring	
45	70030490	1	O-Ring	
46	70030491	1	Ring, Retaining	
47	70030492	AR	Bolt	
48	70030493	1	Plug	
49	70030494	1	Spacer	

SECTION 9 - HYDRAULIC COMPONENTS

ITEM	PART NUMBER	QTY	DESCRIPTION	REV
50	70030495	1	Valve	
51	70030496	1	O-Ring	
52	70030497	2	O-Ring	
53	70030498	2	Bolt	
54	70030499	2	Bolt	
55	70030500	1	Motor, Hydraulic	
56	70030501	1	Seal Kit	

SECTION 9 - HYDRAULIC COMPONENTS

FIGURE 9-7. TELESCOPE CYLINDER ASSEMBLY



ART_1001275716

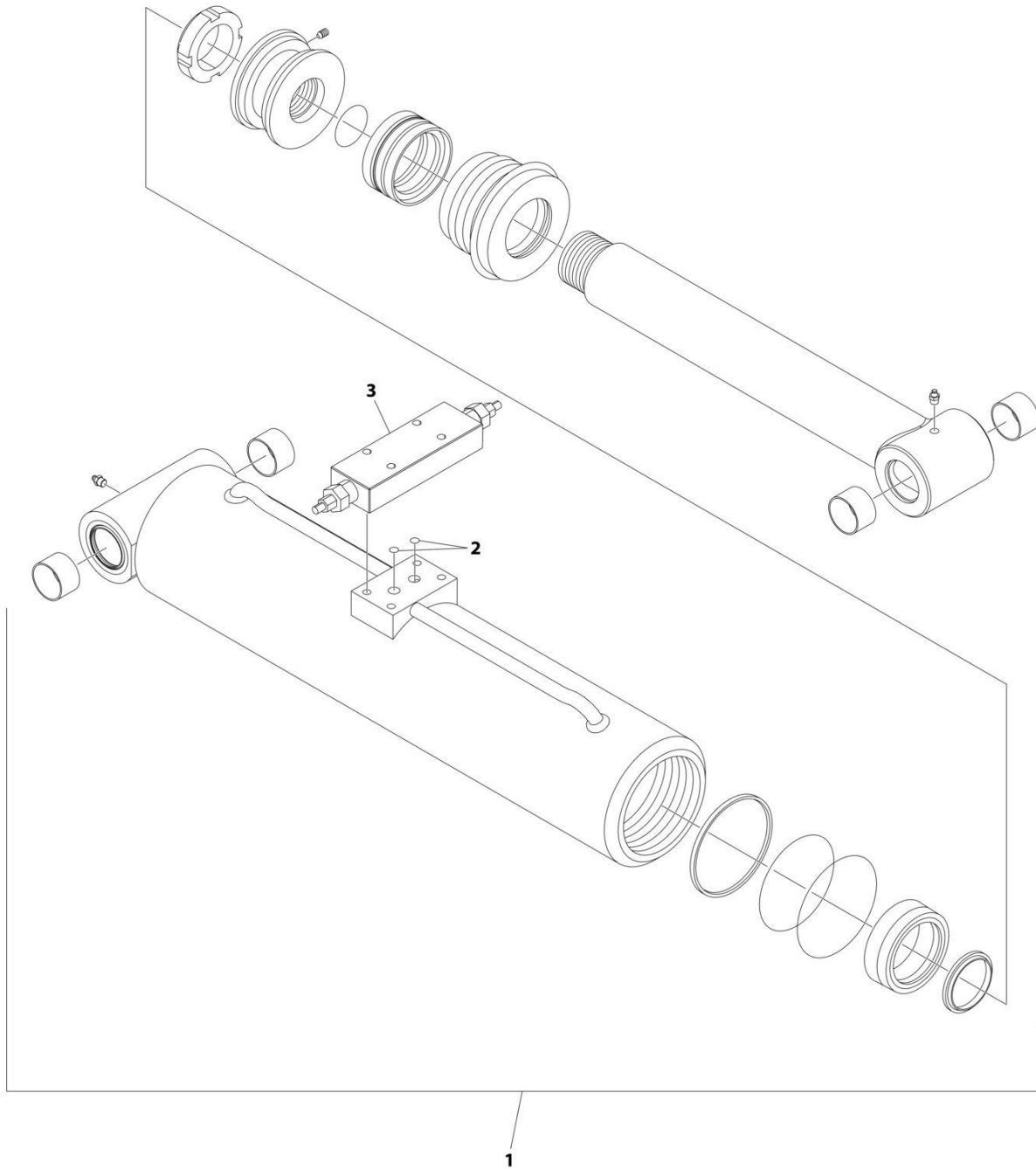
SECTION 9 - HYDRAULIC COMPONENTS

FIGURE 9-7. TELESCOPE CYLINDER ASSEMBLY

ITEM	PART NUMBER	QTY	DESCRIPTION	REV
	1001275716	Ref	TELESCOPE CYLINDER ASSEMBLY	A
		Ref	Note: Original Cylinder May Have Been Replaced with Service Replacement. Identify PN Stamped on Cylinder Before Ordering Parts.	
100	70030563	1	Rod	
101	70030564	1	Piston	
102	70030565	1	Seal Kit	
103	70030566	1	Head	
104	70030567	1	Spacer	

SECTION 9 - HYDRAULIC COMPONENTS

FIGURE 9-8. TILT CYLINDER ASSEMBLY



ART_1001280469

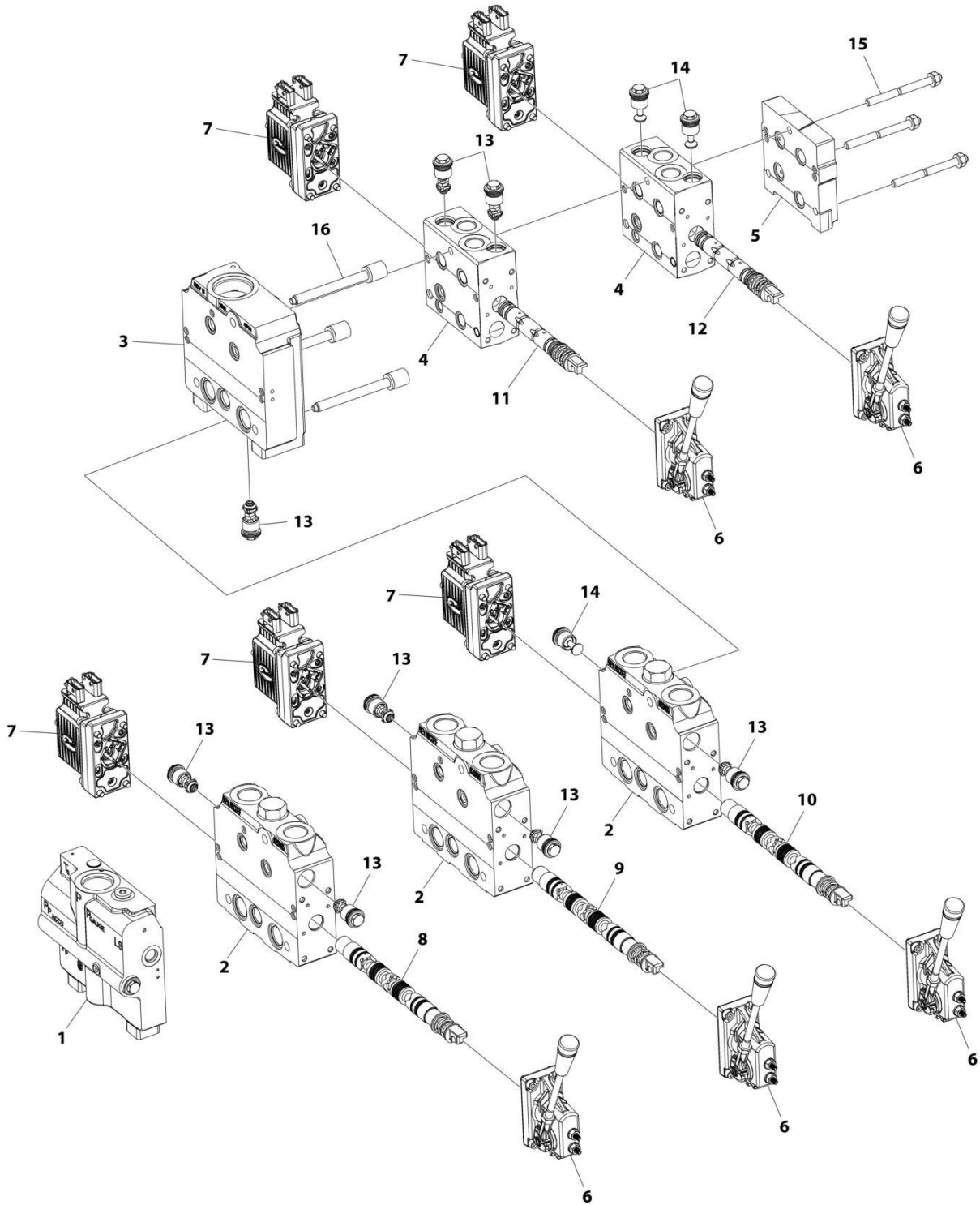
SECTION 9 - HYDRAULIC COMPONENTS

FIGURE 9-8. TILT CYLINDER ASSEMBLY

ITEM	PART NUMBER	QTY	DESCRIPTION	REV
	1001280469	Ref	TILT CYLINDER ASSEMBLY	B
		Ref	Note: Original Cylinder May Have Been Replaced with Service Replacement. Identify PN Stamped on Cylinder Before Ordering Parts.	
	See Note	Ref	Note: No Other Service Parts Available at Time of Printing.	
1	1001276976	1	Tilt Cylinder Assembly	
2	1001279278	2	O-Ring	
3	1001274776	1	Valve	

SECTION 9 - HYDRAULIC COMPONENTS

FIGURE 9-9. TURNTABLE CONTROL VALVE ASSEMBLY



ART_1001277234

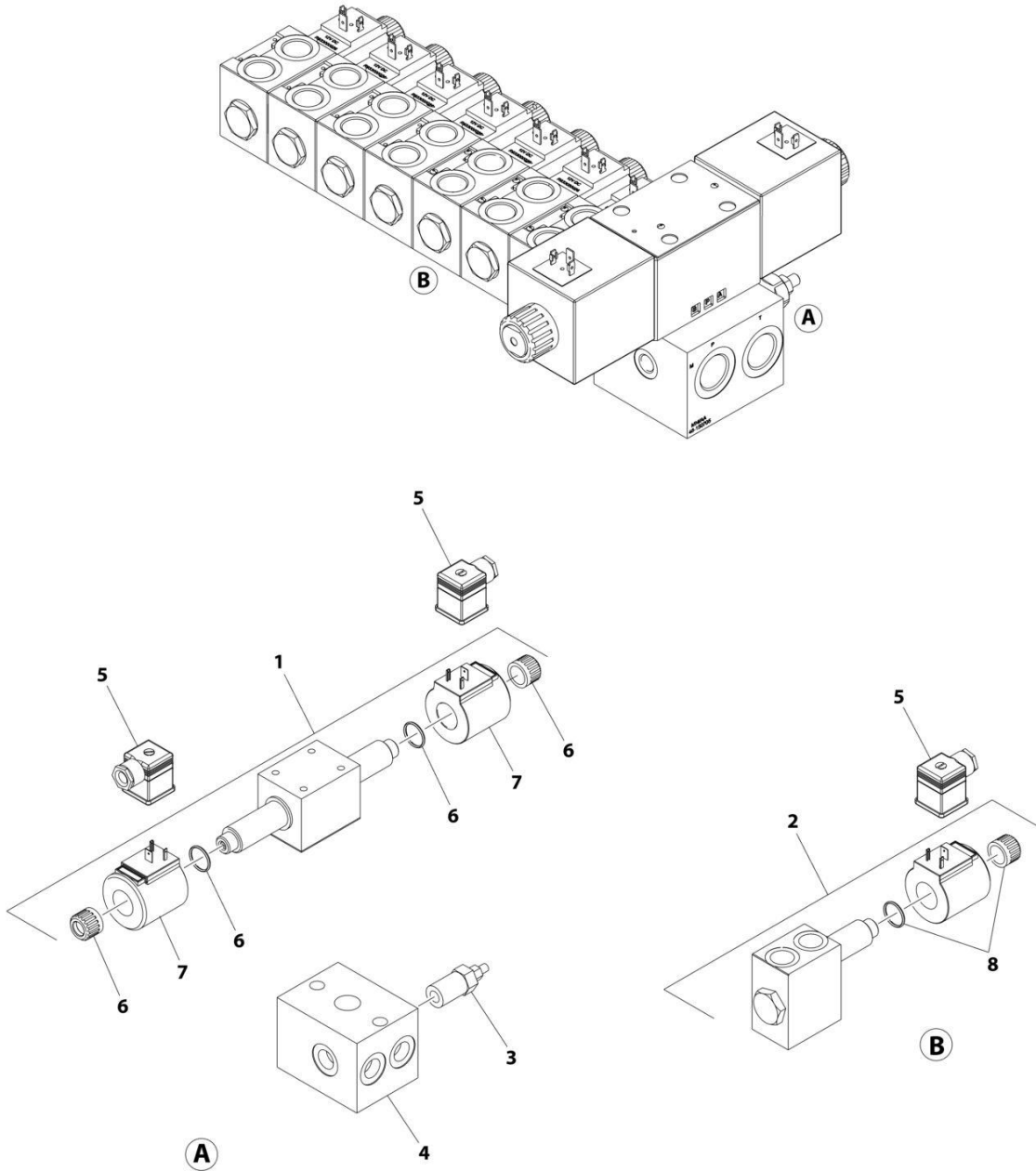
SECTION 9 - HYDRAULIC COMPONENTS

FIGURE 9-9. TURNTABLE CONTROL VALVE ASSEMBLY

ITEM	PART NUMBER	QTY	DESCRIPTION	REV
	1001277234	Ref	TURNTABLE CONTROL VALVE ASSEMBLY	A
1	70030538	1	Module, End	
2	70030539	3	Module, Complete	
3	70030540	1	Module, Interface	
4	70030541	2	Module, Complete	
5	70030542	1	Module, End	
6	1001280461	5	Lever	
7	70030543	5	Solenoid	
8	70030544	1	Cartridge	
9	70030545	1	Cartridge	
10	70030546	1	Cartridge	
11	70030547	1	Cartridge	
12	70030548	1	Cartridge	
13	70030549	8	Valve	
14	70030550	3	Valve	
15	70030551	AR	Bolt	
16	70030552	AR	Bolt	

SECTION 9 - HYDRAULIC COMPONENTS

FIGURE 9-10. OUTRIGGER VALVE ASSEMBLY



ART_1001276901

SECTION 9 - HYDRAULIC COMPONENTS

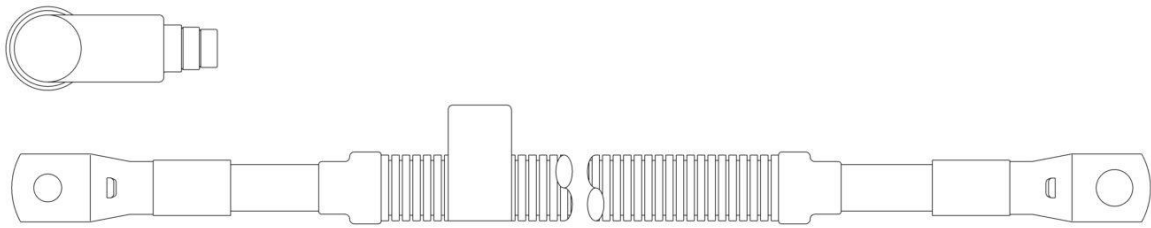
FIGURE 9-10. OUTRIGGER VALVE ASSEMBLY

ITEM	PART NUMBER	QTY	DESCRIPTION	REV
	1001276901	Ref	OUTRIGGER VALVE ASSEMBLY	A
1	1001277238	1	Valve	
2	1001277239	8	Valve	
3	1001277240	1	Valve, Pressure Relief	
4	1001277241	1	Valve, Manifold	
5	1001277242	10	Solenoid	
6	70030568	2	Cap Kit (Includes O-Ring)	
7	70030573	2	Coil	
8	70030571	8	Cap Kit (Includes O-Ring)	

SECTION 10 - ELECTRICAL

SECTION 10 - ELECTRICAL

FIGURE 10-1. ALTERNATOR CABLE



ART_1001281726

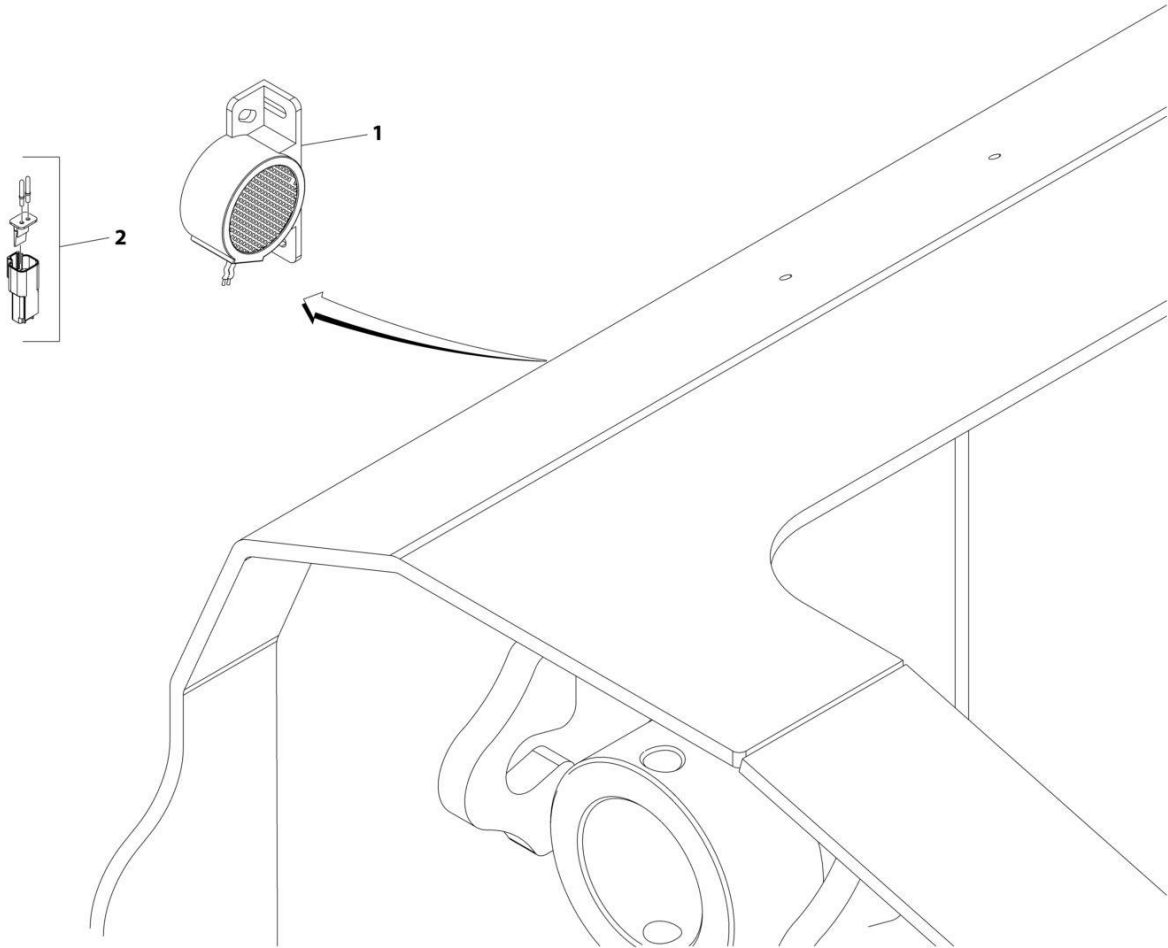
SECTION 10 - ELECTRICAL

FIGURE 10-1. ALTERNATOR CABLE

ITEM	PART NUMBER	QTY	DESCRIPTION	REV
	1001281726	Ref	ALTERNATOR CABLE	A
	See Note	Ref	Note: No Other Service Parts Available At Time of Printing.	

SECTION 10 - ELECTRICAL

FIGURE 10-2. BACKUP ALARM INSTALLATION



ART_1001275764

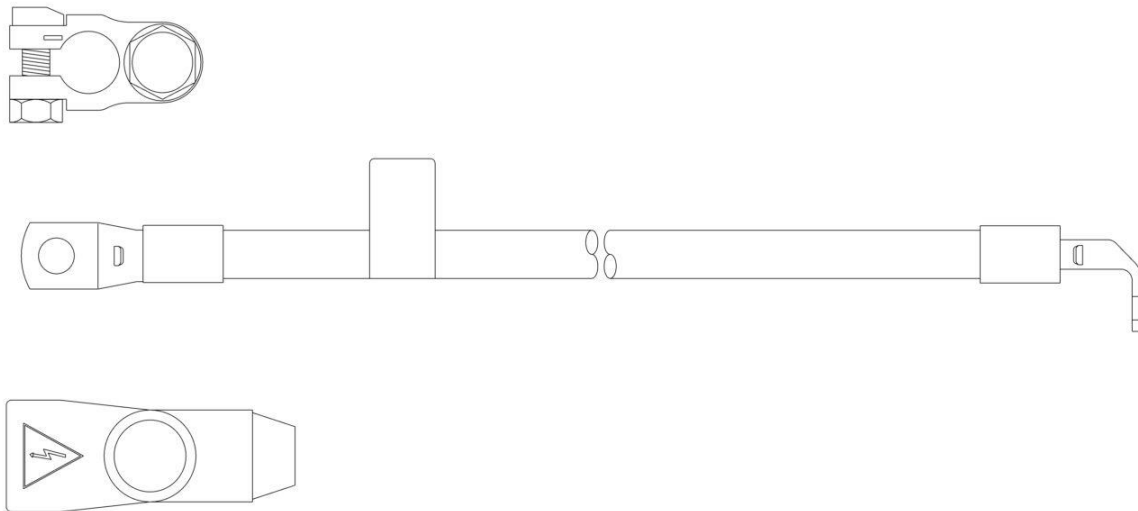
SECTION 10 - ELECTRICAL

FIGURE 10-2. BACKUP ALARM INSTALLATION

ITEM	PART NUMBER	QTY	DESCRIPTION	REV
	1001275764	Ref	BACKUP ALARM INSTALLATION	C
1	1001278635	1	Alarm	
2	1001279118	2	Connector	

SECTION 10 - ELECTRICAL

FIGURE 10-3. BATTERY DISCONNECT CABLE



ART_1001281727

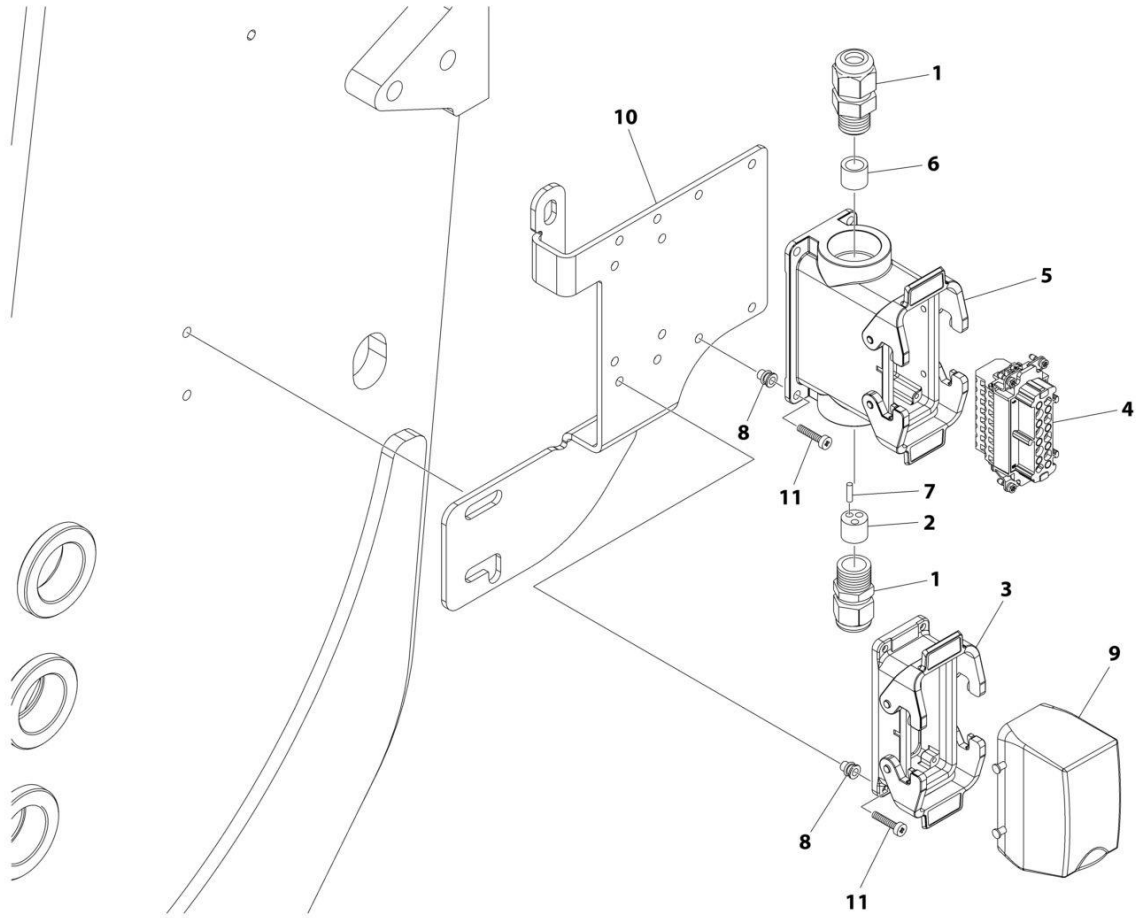
SECTION 10 - ELECTRICAL

FIGURE 10-3. BATTERY DISCONNECT CABLE

ITEM	PART NUMBER	QTY	DESCRIPTION	REV
	1001281727	Ref	BATTERY DISCONNECT CABLE	A
	See Note	Ref	Note: No Other Service Parts Available At Time of Printing	

SECTION 10 - ELECTRICAL

FIGURE 10-4. BOOM COMPONENTS



ART_1001281837

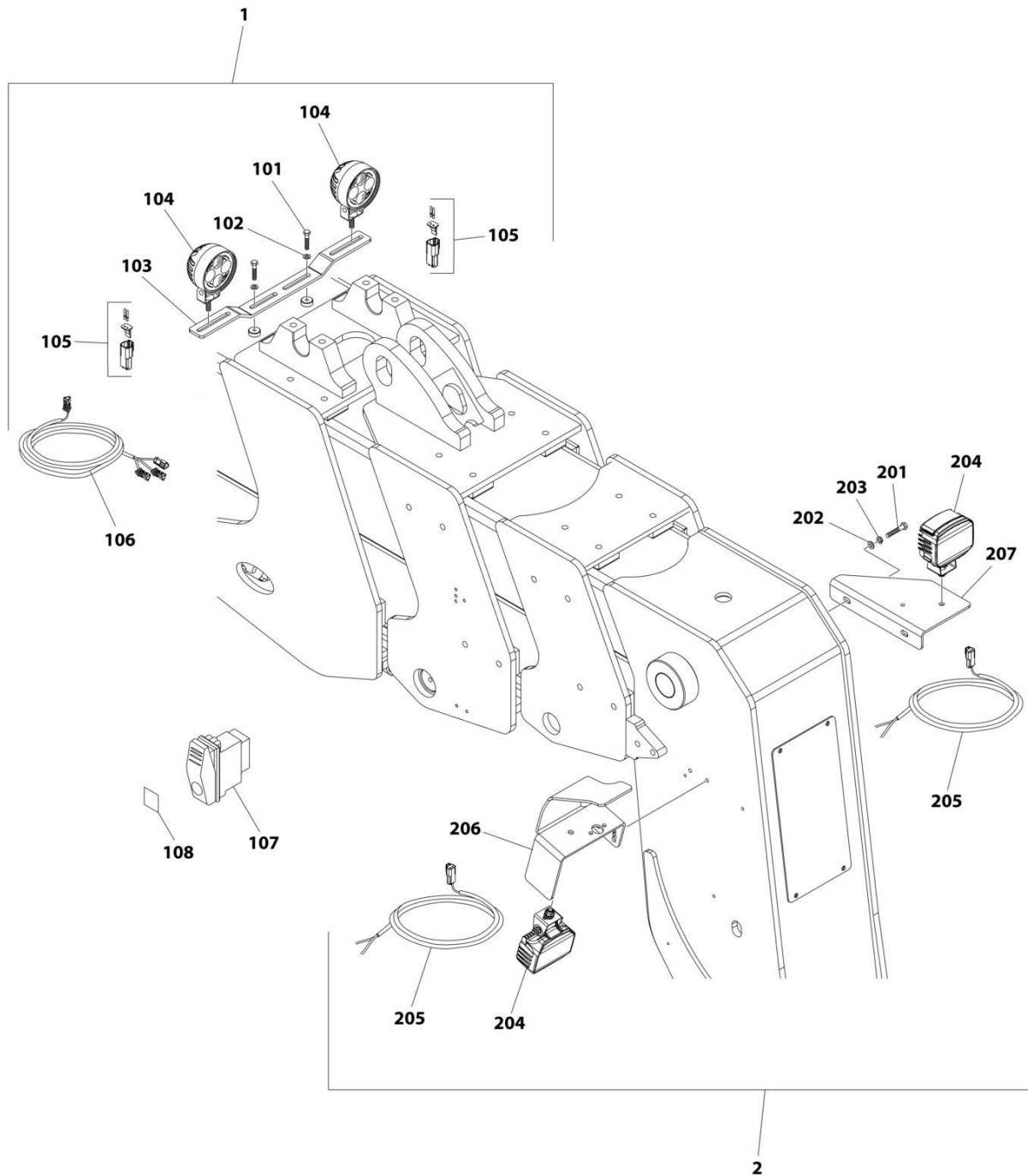
SECTION 10 - ELECTRICAL

FIGURE 10-4. BOOM COMPONENTS

ITEM	PART NUMBER	QTY	DESCRIPTION	REV
	1001281837	Ref	BOOM COMPONENTS	B
1	1001281835	2	Relief, Strain	
2	1001281836	1	Relief, Strain	
3	1001281840	1	Bracket, Connector	
4	1001281841	1	Connector	
5	1001281842	1	Housing	
6	1001281843	1	Reducer	
7	1001281844	3	Pad	
8	1001281845	8	Insert, Threaded M4	
9	1001281846	1	Connector	
10	1001281849	1	Bracket	
11	4010410002	8	Bolt M4	

SECTION 10 - ELECTRICAL

FIGURE 10-5. BOOM WORK LIGHTS INSTALLATION



ART_1001275964

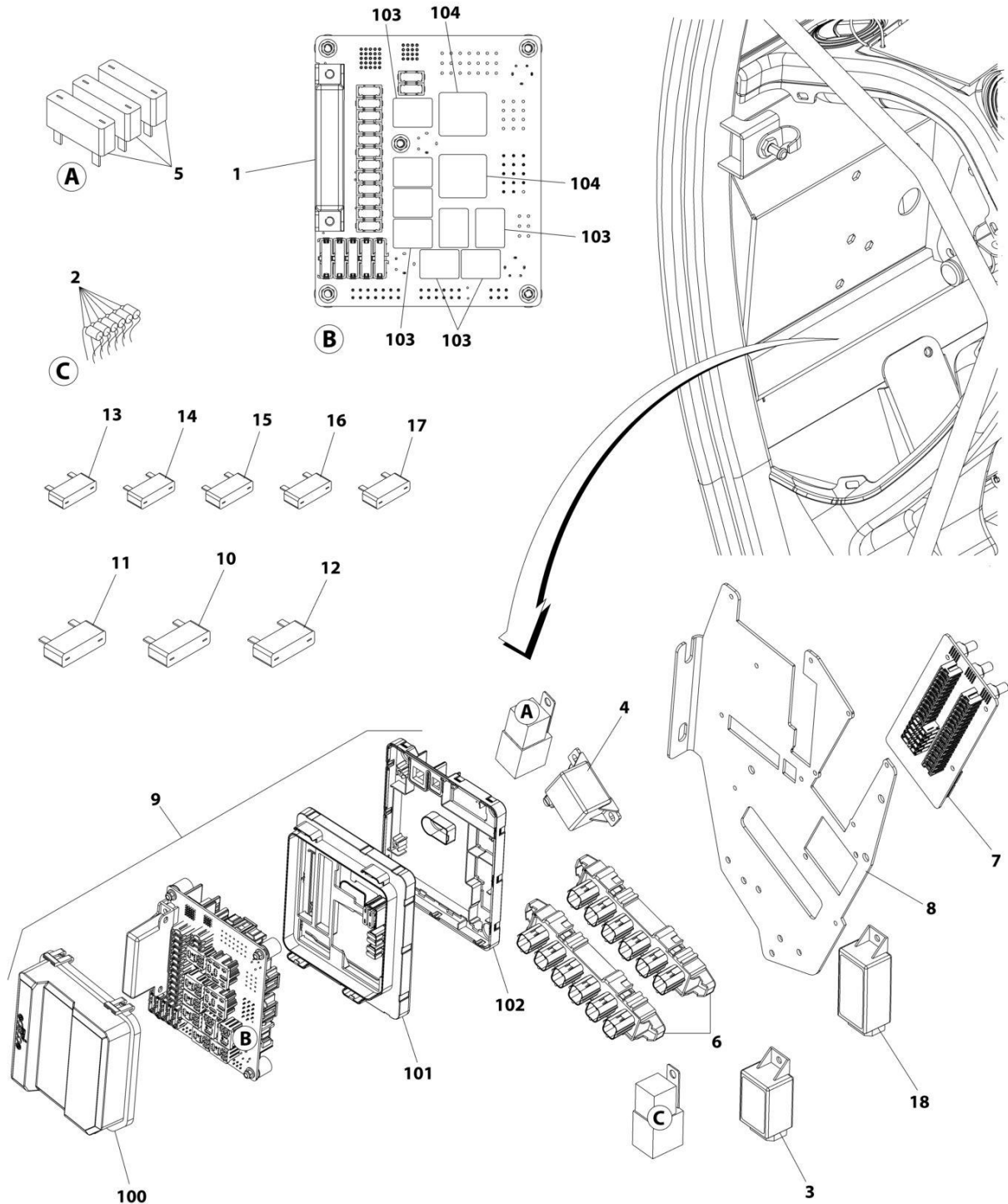
SECTION 10 - ELECTRICAL

FIGURE 10-5. BOOM WORK LIGHTS INSTALLATION

ITEM	PART NUMBER	QTY	DESCRIPTION	REV
	1001275964	Ref	BOOM WORK LIGHTS INSTALLATION	D
1	1001279114	1	Front Boom Lights Installation (Includes Items 101-108)	B
2	1001279115	1	Rear Boom Lights Installation (Includes Items 201-207)	A
101	0700808	2	Bolt M8 x 16	
102	4811902	2	Washer M8	
103	1001275284	1	Bracket	
104	1001277226	2	Light, Front Work	
105	1001279118	2	Connector	
106	1001279120	1	Harness, Front Boom Work Lights	
107	1001281017	1	Switch	
108	1001296408	1	Decal, Boom Work Lights	
201	0700808	2	Bolt M8 x 16	
202	4811902	2	Washer M8	
203	4831900	2	Washer, Lock M8	
204	1001274745	2	Light, Rear Work	
205	1001279119	2	Harness, Rear Boom Work Lights	
206	1001281731	1	Bracket, Right	
207	1001281732	1	Bracket, Left	

SECTION 10 - ELECTRICAL

FIGURE 10-6. CAB ELECTRICAL INSTALLATION



ART_1001278340

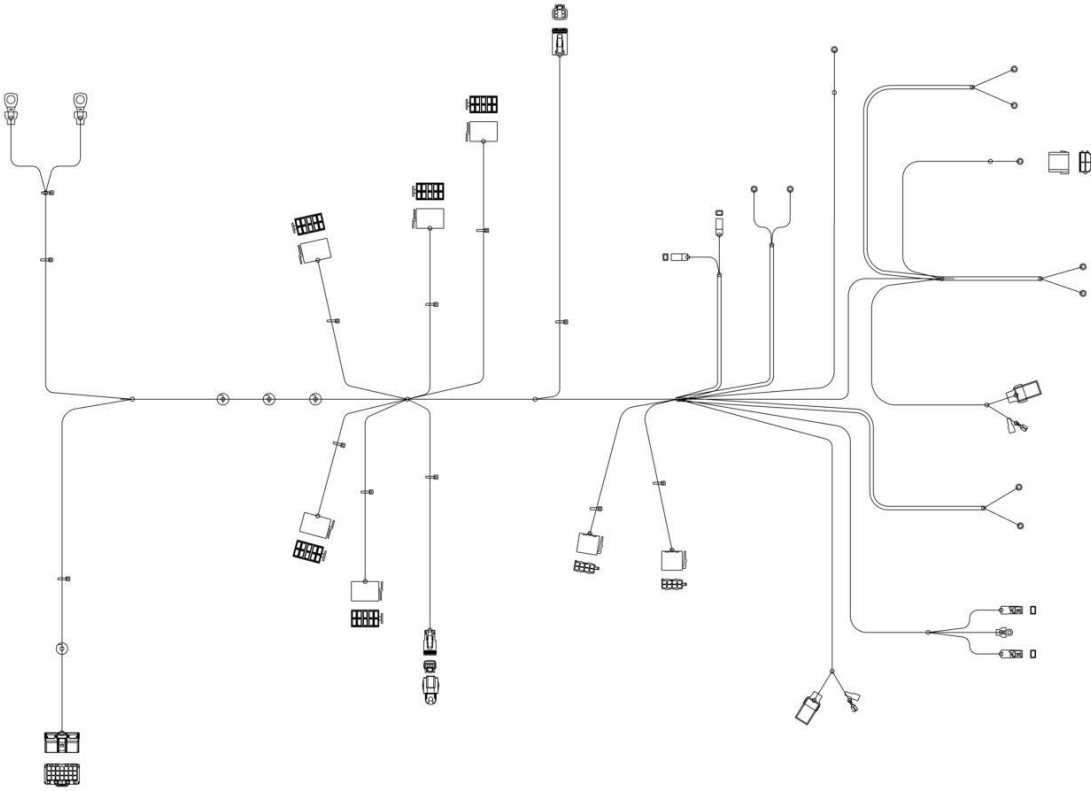
SECTION 10 - ELECTRICAL

FIGURE 10-6. CAB ELECTRICAL INSTALLATION

ITEM	PART NUMBER	QTY	DESCRIPTION	REV
	1001278340	Ref	CAB ELECTRICAL INSTALLATION	A
1	1001277445	1	Antenna	
2	1001278432	6	Diode, 1 Amp	
3	1001278433	1	Relay	
4	1001278434	1	Relay	
5	1001278435	3	Fuse, 20 Amp	
6	1001278436	2	CAN Bus	
7	1001278437	1	Module, Fuse	
8	1001278438	1	Bracket	
9	1001278439	1	Module, Cab Control (Note: Covers and Board Not Sold Separately) (Includes Items 100-104)	
10	1001278442	1	Fuse, 10 Amp	
11	1001278443	1	Fuse, 7.5 Amp	
12	1001278444	1	Fuse, 15 Amp	
13	1001278445	1	Fuse, 3 Amp	
14	1001278446	1	Fuse, 5 Amp	
15	1001278447	1	Fuse, 7.5 Amp	
16	1001278448	1	Fuse, 10 Amp	
17	1001278449	1	Fuse, 15 Amp	
18	1001278450	1	Relay, Wipers	
100	70030622	1	Cover, Front	
101	70030623	1	Panel	
102	70030624	1	Cover, Rear	
103	1001281223	8	Relay	
104	70030625	2	Relay	

SECTION 10 - ELECTRICAL

FIGURE 10-7. CAB ROOF HARNESS



ART_1001281724

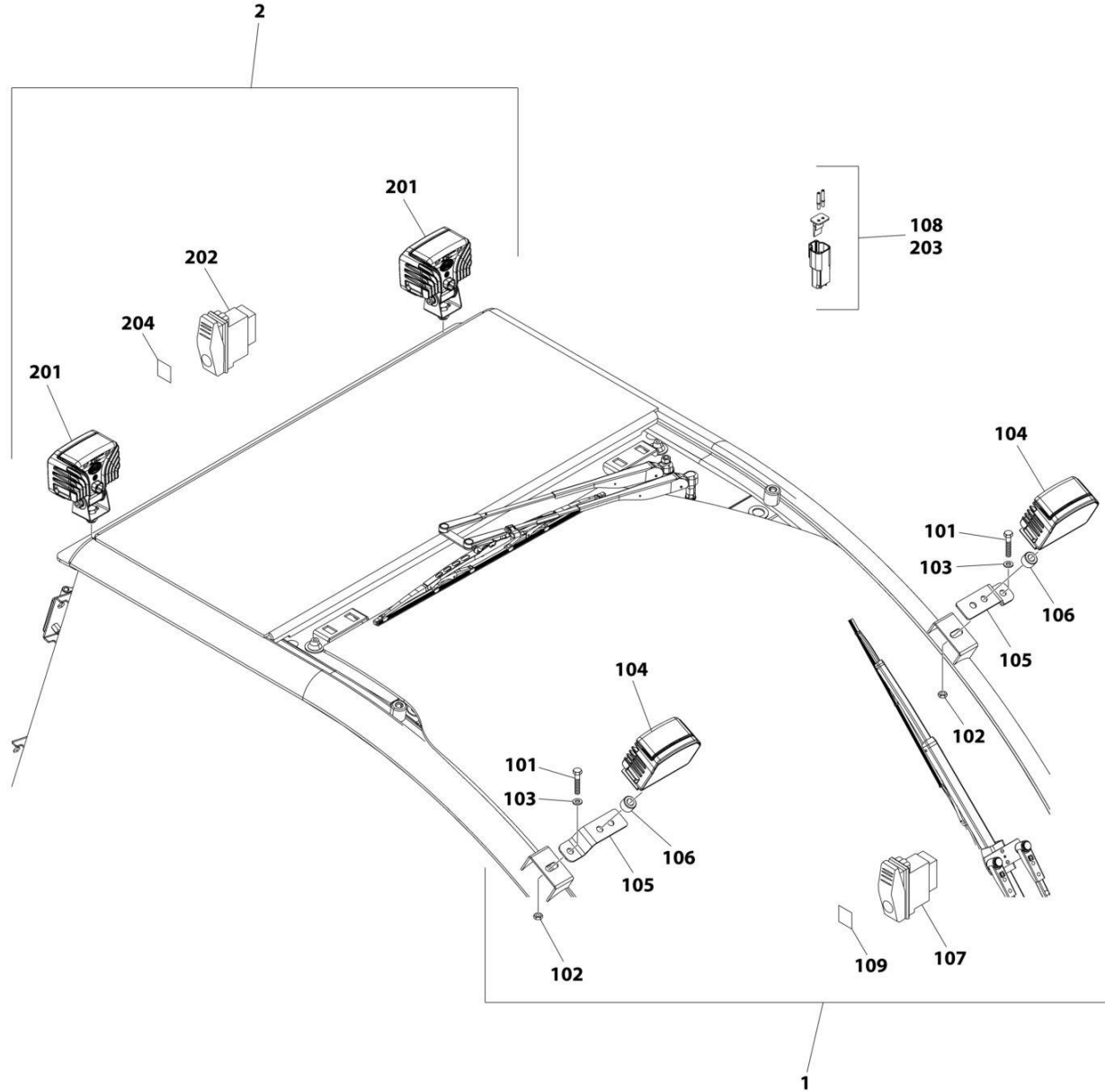
SECTION 10 - ELECTRICAL

FIGURE 10-7. CAB ROOF HARNESS

ITEM	PART NUMBER	QTY	DESCRIPTION	REV
	1001281724	Ref	CAB ROOF HARNESS	B
	See Note	Ref	Note: No Other Service Parts Available At Time of Printing.	

SECTION 10 - ELECTRICAL

FIGURE 10-8. CAB WORK LIGHTS INSTALLATION



ART_1001275963

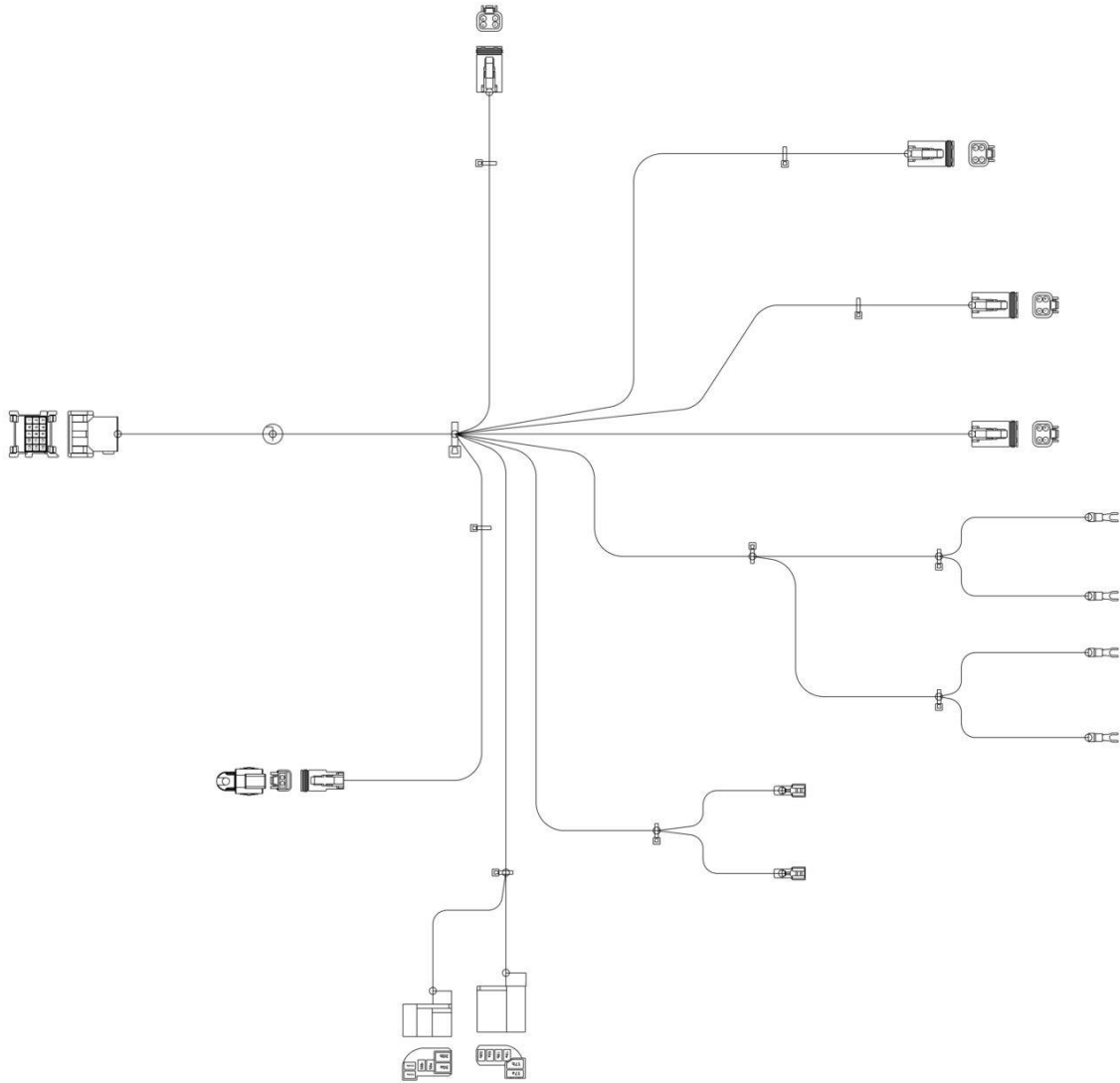
SECTION 10 - ELECTRICAL

FIGURE 10-8. CAB WORK LIGHTS INSTALLATION

ITEM	PART NUMBER	QTY	DESCRIPTION	REV
	1001275963	Ref	CAB WORK LIGHTS INSTALLATION	D
1	1001279116	1	Front Cab Lights Installation (Includes Items 101-109)	C
2	1001279117	1	Rear Cab Lights Installation (Includes Items 201-204)	C
101	0701014	2	Bolt M10 x 30	
102	3291005	2	Nut, Lock M10	
103	4812000	2	Washer M10	
104	1001274745	2	Light, Front Work	
105	1001275093	2	Bracket	
106	1001276493	2	Spacer	
107	1001281021	1	Switch	
108	1001277517	2	Connector	
109	1001296406	1	Decal, Front Cab Work Lights	
201	1001274745	2	Light, Rear Work	
202	1001281021	1	Switch	
203	1001277517	2	Connector	
204	1001296407	1	Decal, Rear Cab Work Lights	

SECTION 10 - ELECTRICAL

FIGURE 10-9. DASHBOARD HARNESS



ART_1001281729

SECTION 10 - ELECTRICAL

FIGURE 10-9. DASHBOARD HARNESS

ITEM	PART NUMBER	QTY	DESCRIPTION	REV
	1001281729	Ref	DASHBOARD HARNESS	A
	See Note	Ref	Note: No Other Service Parts Available At Time of Printing.	

SECTION 10 - ELECTRICAL

FIGURE 10-10. DISPLAY HARNESS



ART_1001281720

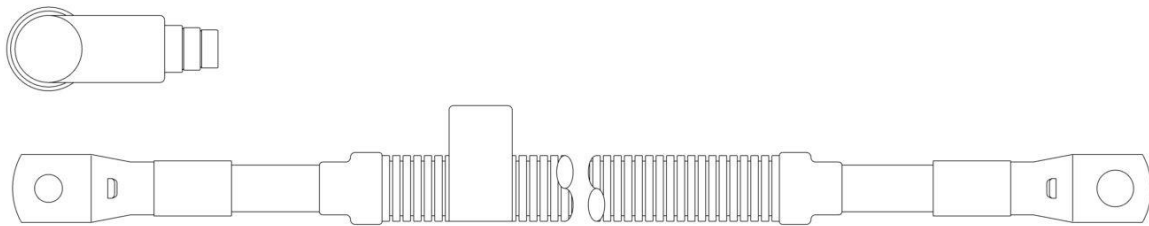
SECTION 10 - ELECTRICAL

FIGURE 10-10. DISPLAY HARNESS

ITEM	PART NUMBER	QTY	DESCRIPTION	REV
	1001281720	Ref	DISPLAY HARNESS	A
	See Note	Ref	Note: No Other Service Parts Available at Time of Printing.	

SECTION 10 - ELECTRICAL

FIGURE 10-11. EMERGENCY START CABLE



ART_1001281730

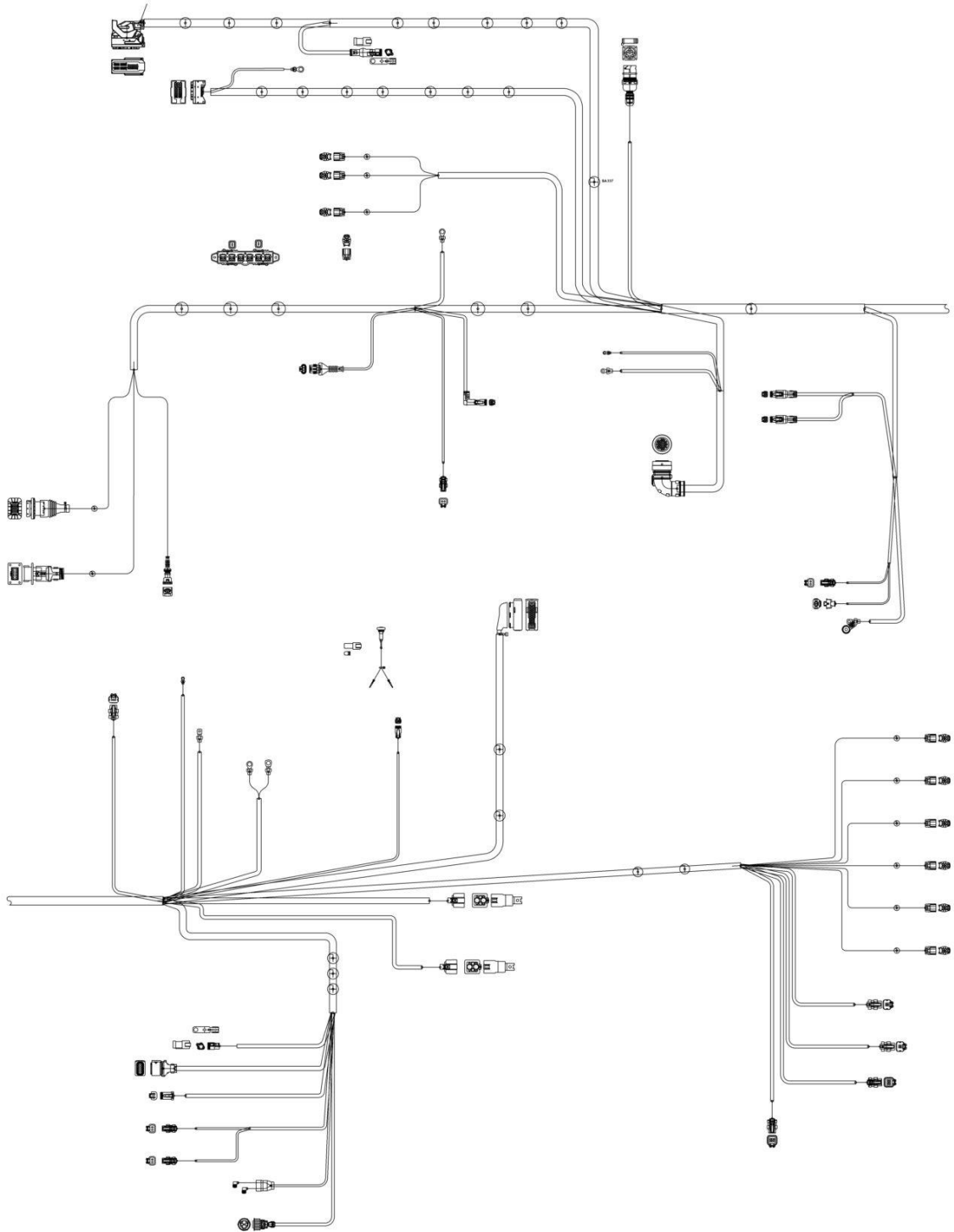
SECTION 10 - ELECTRICAL

FIGURE 10-11. EMERGENCY START CABLE

ITEM	PART NUMBER	QTY	DESCRIPTION	REV
	1001281730	Ref	EMERGENCY START CABLE	A
	See Note	Ref	Note: No Other Service Parts Available At Time of Printing.	

SECTION 10 - ELECTRICAL

FIGURE 10-12. ENGINE HARNESS



ART_1001278663

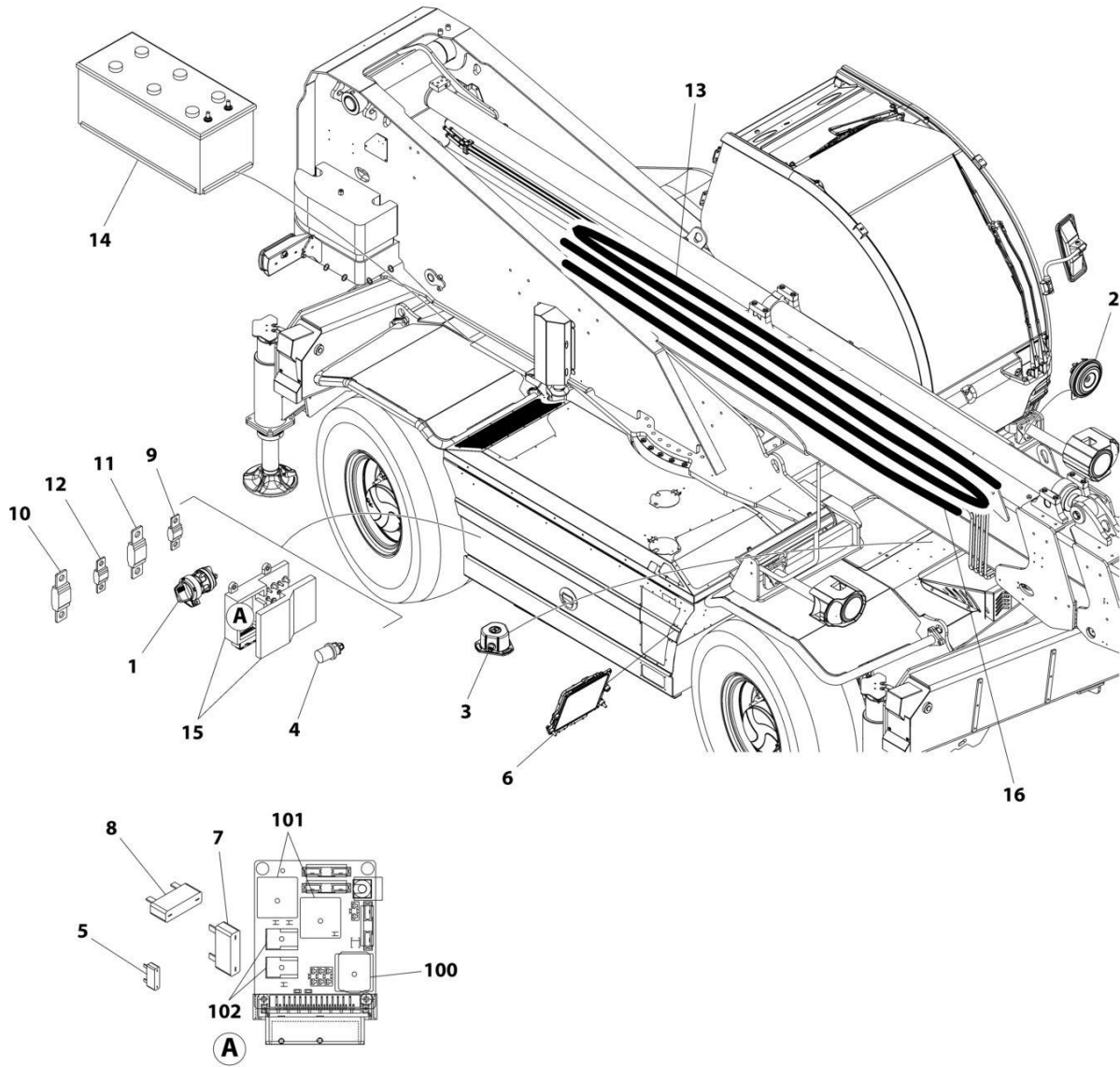
SECTION 10 - ELECTRICAL

FIGURE 10-12. ENGINE HARNESS

ITEM	PART NUMBER	QTY	DESCRIPTION	REV
	1001278663	Ref	ENGINE HARNESS	B
	See Note	Ref	Note: No Other Service Parts Available At Time of Printing.	

SECTION 10 - ELECTRICAL

FIGURE 10-13. FRAME COMPONENTS



ART_1001278646

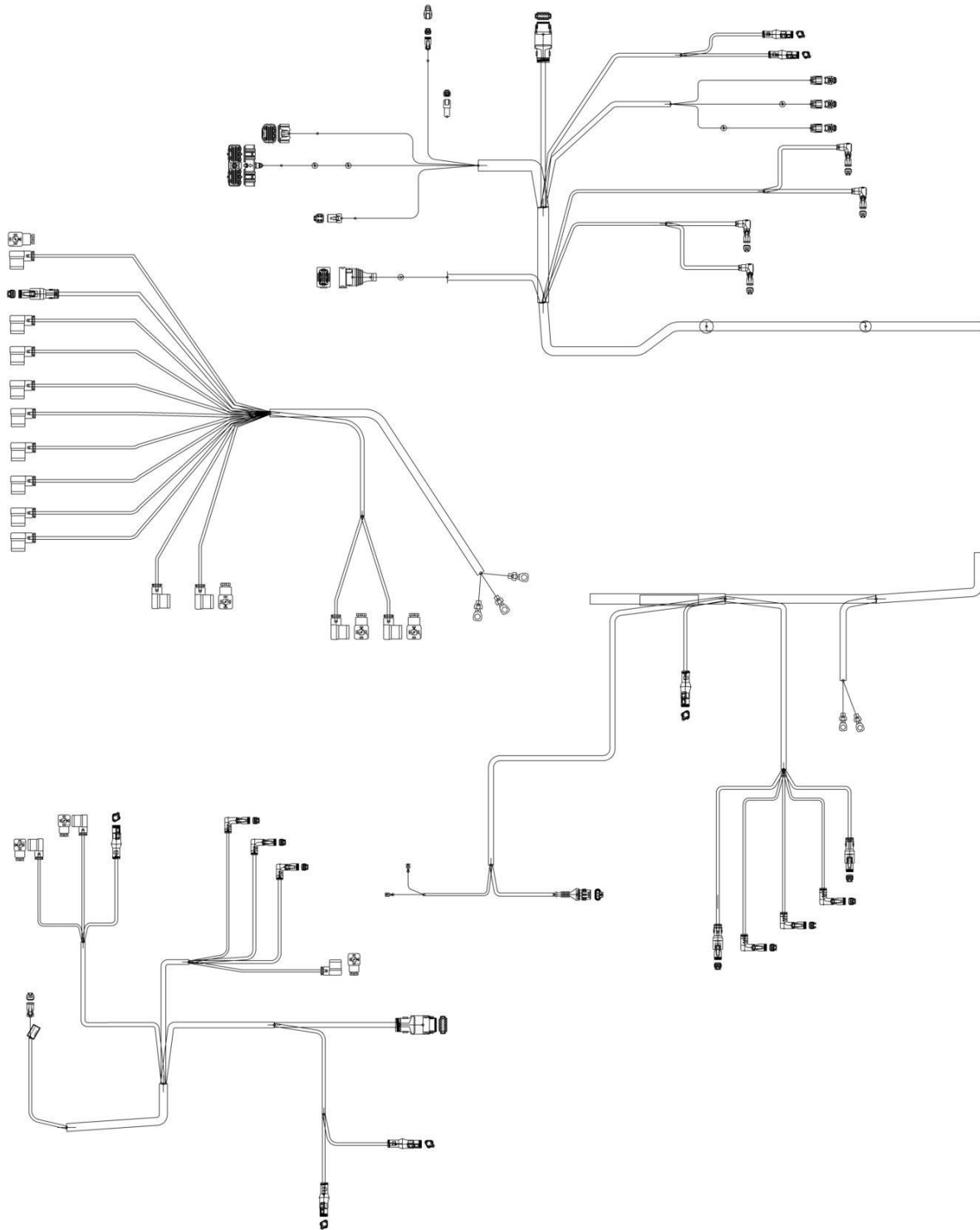
SECTION 10 - ELECTRICAL

FIGURE 10-13. FRAME COMPONENTS

ITEM	PART NUMBER	QTY	DESCRIPTION	REV
	1001278646	Ref	FRAME COMPONENTS	B
1	1001274746	1	Switch, Battery Disconnect	
2	1001274753	1	Alarm	
3	1001275893	1	Sensor, Leveling	
4	1001276896	1	Stud, Power	
5	1001278446	1	Fuse 5AMP	
6	1001278653	1	Module, Control	
7	1001278654	1	Fuse 40AMP	
8	1001278655	1	Fuse 30AMP	
9	1001278656	1	Fuse 50AMP	
10	1001278657	1	Fuse 100AMP	
11	1001278659	1	Fuse 125AMP	
12	1001278660	1	Fuse 30AMP	
13	1001278661	1	Cable, Boom	
14	1001278662	1	Battery, 12V	
15	1001281834	1	Box, Power (Includes Items 100-102)	
16	1001289837	1	Hose	
100	70030632	1	Relay	
101	70030633	2	Relay	
102	70030634	2	Relay	

SECTION 10 - ELECTRICAL

FIGURE 10-14. FRAME HARNESS



ART_1001278664

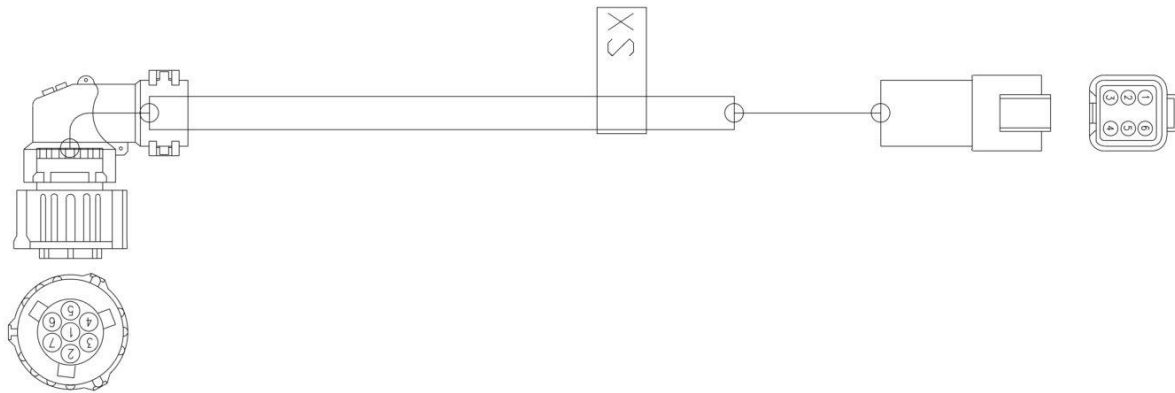
SECTION 10 - ELECTRICAL

FIGURE 10-14. FRAME HARNESS

ITEM	PART NUMBER	QTY	DESCRIPTION	REV
	1001278664	Ref	FRAME HARNESS	B
	See Note	Ref	Note: No Other Service Parts Available At Time of Printing.	

SECTION 10 - ELECTRICAL

FIGURE 10-15. LEFT TAILLIGHT HARNESS



ART_1001278667

SECTION 10 - ELECTRICAL

FIGURE 10-15. LEFT TAILLIGHT HARNESS

ITEM	PART NUMBER	QTY	DESCRIPTION	REV
	1001278667	Ref	LEFT TAILLIGHT HARNESS	A
	See Note	Ref	Note: No Other Service Parts Available at Time of Printing.	

SECTION 10 - ELECTRICAL

FIGURE 10-16. OUTRIGGER EXTENSION HARNESS



ART_1001282013

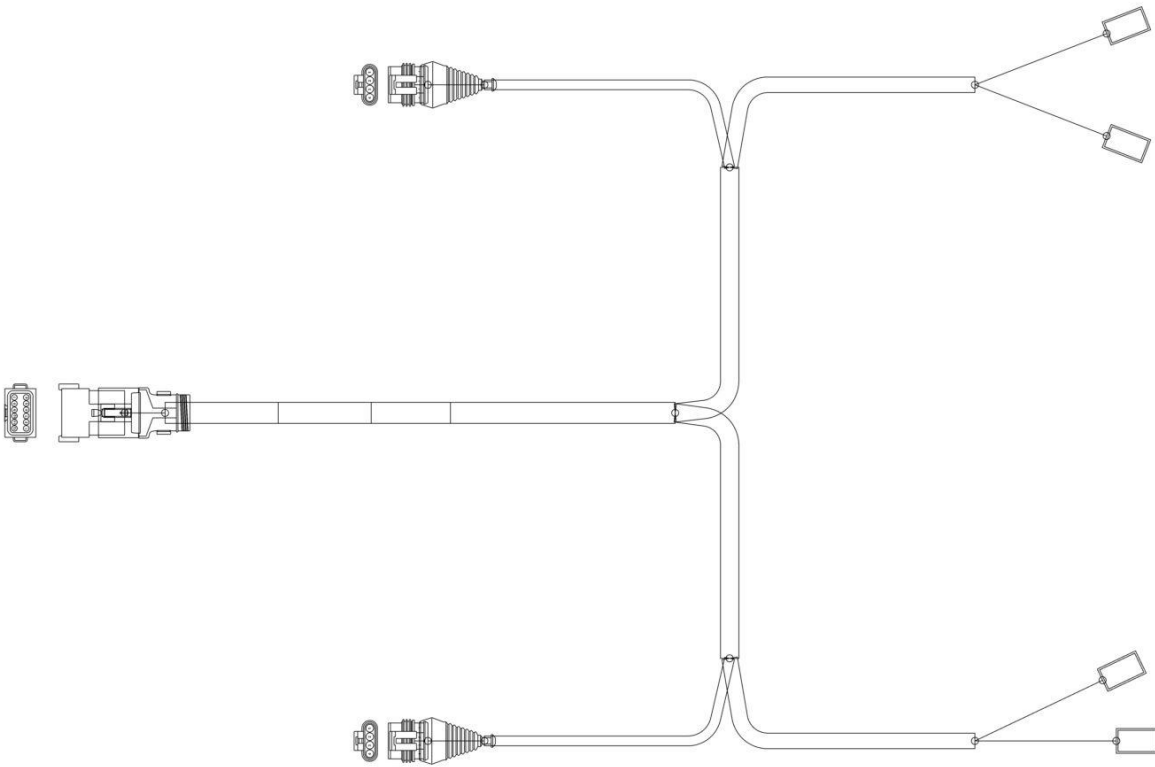
SECTION 10 - ELECTRICAL

FIGURE 10-16. OUTRIGGER EXTENSION HARNESS

ITEM	PART NUMBER	QTY	DESCRIPTION	REV
	1001282013 See Note	Ref Ref	OUTRIGGER EXTENSION HARNESS Note: No Other Service Parts Available at Time of Printing.	A

SECTION 10 - ELECTRICAL

FIGURE 10-17. OUTRIGGERS HARNESS



ART_1001281721

SECTION 10 - ELECTRICAL

FIGURE 10-17. OUTRIGGERS HARNESS

ITEM	PART NUMBER	QTY	DESCRIPTION	REV
	1001281721	Ref	OUTRIGGERS HARNESS	A
	See Note	Ref	Note: No Other Service Parts Available at Time of Printing.	

SECTION 10 - ELECTRICAL

FIGURE 10-18. PLANETARY SENSOR HARNESS



ART_1001282012

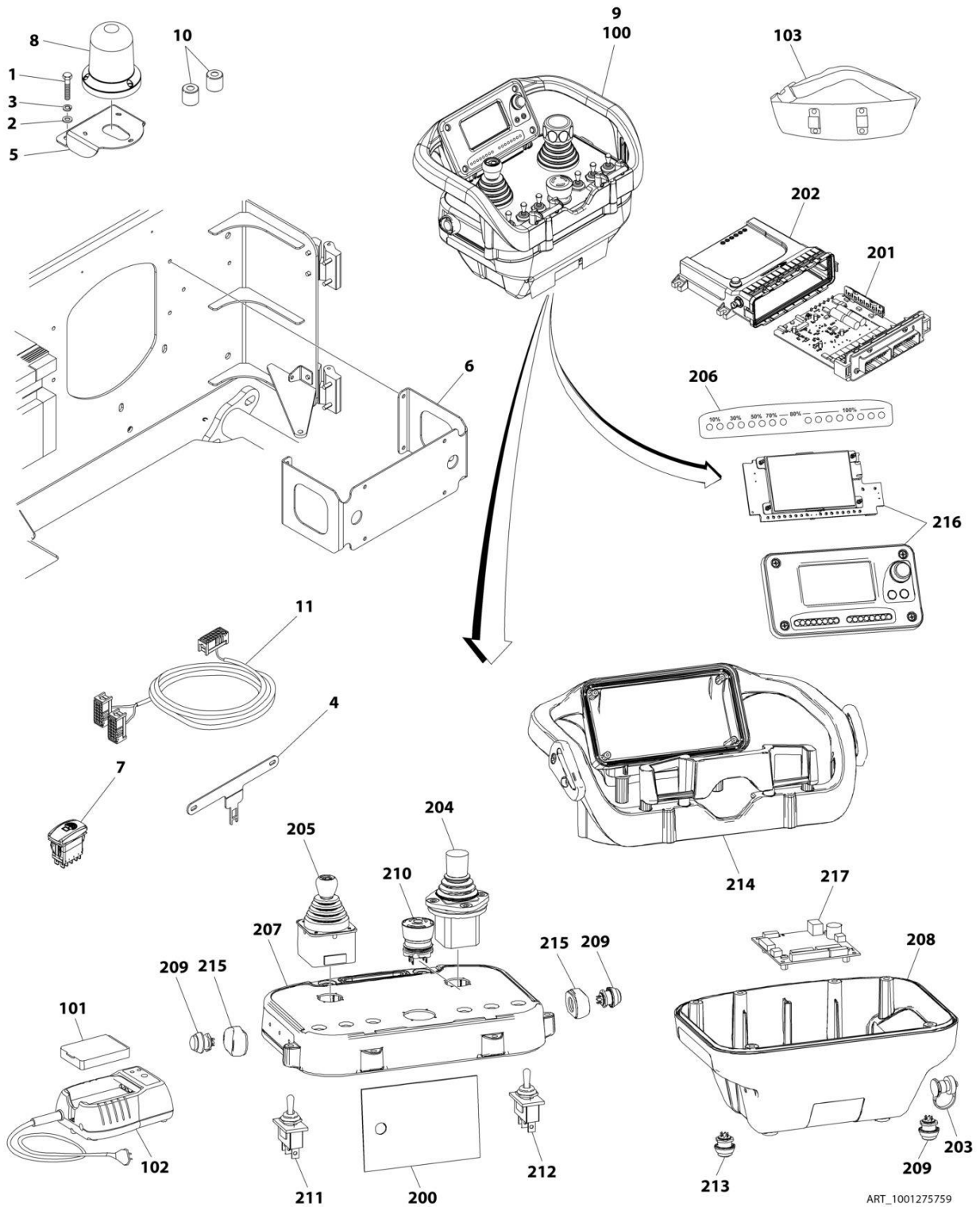
SECTION 10 - ELECTRICAL

FIGURE 10-18. PLANETARY SENSOR HARNESS

ITEM	PART NUMBER	QTY	DESCRIPTION	REV
	1001282012	Ref	PLANETARY SENSOR HARNESS	A
	See Note	Ref	Note: No Other Service Parts Available At Time of Printing.	

SECTION 10 - ELECTRICAL

FIGURE 10-19. REMOTE BOOM CONTROL INSTALLATION



ART_1001275759

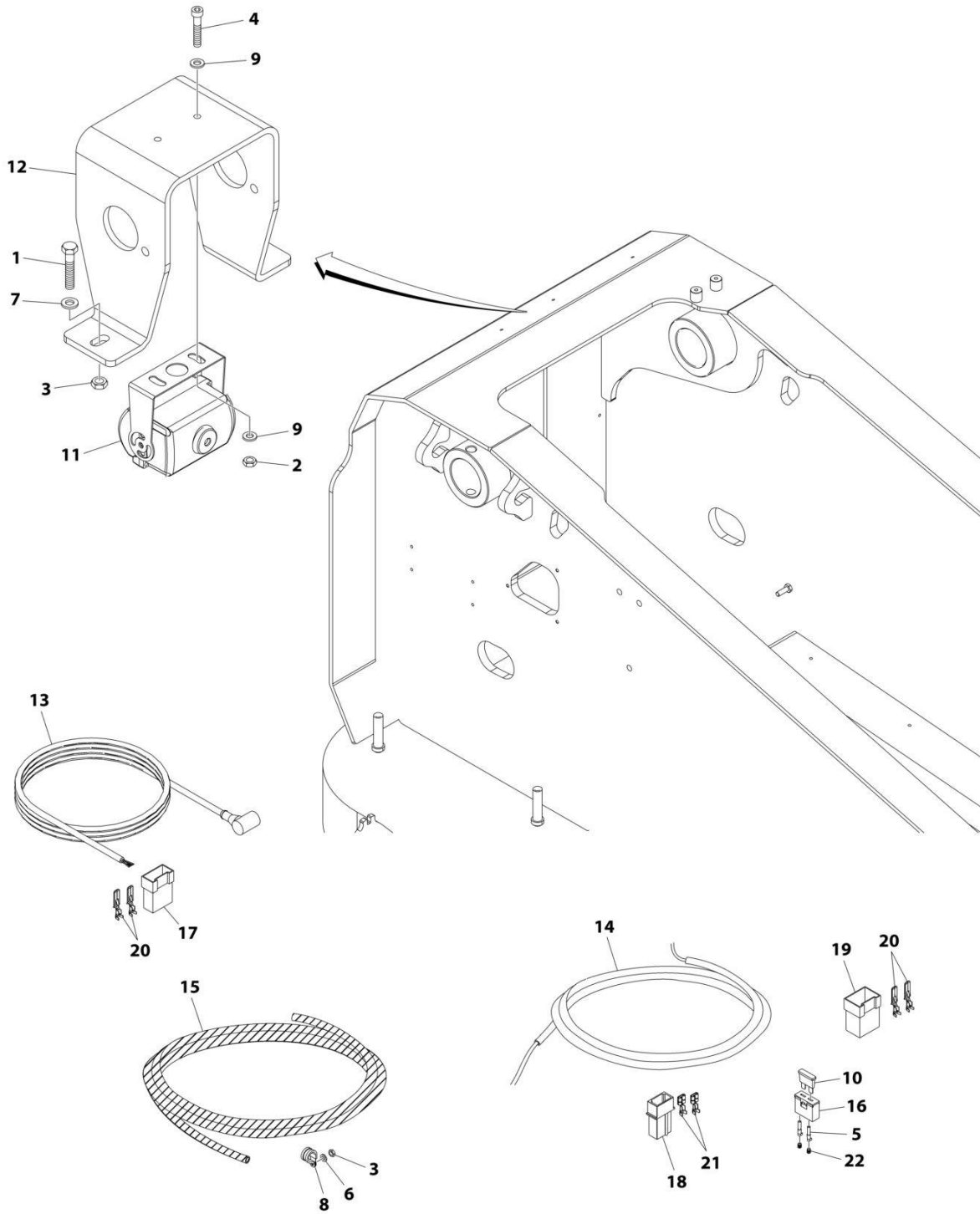
SECTION 10 - ELECTRICAL

FIGURE 10-19. REMOTE BOOM CONTROL INSTALLATION

ITEM	PART NUMBER	QTY	DESCRIPTION	REV
	1001275759	Ref	REMOTE BOOM CONTROL INSTALLATION	B
1	0700816	2	Bolt M8 x 40	
2	4811902	2	Washer M8	
3	4831900	2	Washer, Lock M8	
4	1001275278	1	Plate	
5	1001275329	1	Bracket	
6	1001275553	1	Bracket	
7	1001276883	1	Switch, Remote Control	
8	1001277225	1	Beacon	
9	1001277436	1	Remote Control Installation (Includes Items 100-105)	
10	1001278634	2	Bushing	
11	1001281594	1	Harness, Remote Control	
100	70030620	1	Remote Control Assembly (Includes Items 200-217)	
101	70030601	1	Battery	
102	70030602	1	Charger, Battery	
103	70030605	1	Belt	
104	70031391	1	Key, Magnetic (Not Shown)	
105	70031393	1	Cable, Remote Control to Control Module (Not Shown)	
200	70030599	1	Antenna	
201	70030600	1	Board	
202	70030603	1	Box	
203	70030604	1	Connector	
204	70030606	1	Joystick	
205	70030607	1	Joystick	
206	70030608	1	Panel	
207	70030609	1	Cover, Upper	
208	70030610	1	Box, Bottom	
209	70030611	3	Button, Black	
210	70030612	1	Button, Palm	
211	70030613	3	Switch, On/On	
212	70030614	3	Switch, On/Off/On	
213	70030615	1	Button, Green	
214	70030616	1	Box, Upper	
215	70030617	2	Guard	
216	70030618	1	Board	
217	70030619	1	Board	

SECTION 10 - ELECTRICAL

FIGURE 10-20. REVERSING CAMERA INSTALLATION



ART_1001275950

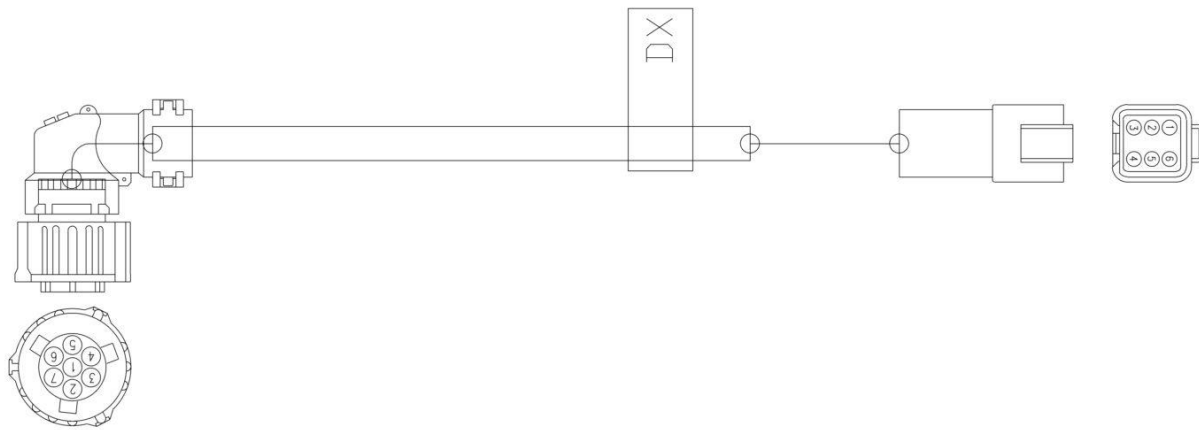
SECTION 10 - ELECTRICAL

FIGURE 10-20. REVERSING CAMERA INSTALLATION

ITEM	PART NUMBER	QTY	DESCRIPTION	REV
	1001275950	Ref	REVERSING CAMERA INSTALLATION	C
1	0760816	2	Bolt M8 x 40	
2	3290405	2	Nut, Lock M4	
3	3290805	4	Nut, Lock M8	
4	4031507	2	Bolt M4 x 16	
5	4460466	2	Terminal	
6	4811900	2	Washer M8	
7	4811902	2	Washer M8	
8	8406109	2	Clamp	
9	1001091102	4	Washer M4	
10	1001228388	1	Fuse, Mini 1 Amp	
11	1001275887	1	Camera Assembly	
12	1001279125	1	Bracket, Camera	
13	1001281733	1	Cable, Camera	
14	1001281734	1	Harness, Camera	
15	1001281735	AR	Conduit	
16	1001281736	1	Holder, Fuse	
17	1001282659	1	Connector	
18	1001282660	1	Connector	
19	1001282661	1	Connector	
20	1001282663	4	Terminal	
21	1001282664	2	Terminal	
22	1001282665	2	Pad	

SECTION 10 - ELECTRICAL

FIGURE 10-21. RIGHT TAILLIGHT HARNESS



ART_1001278668

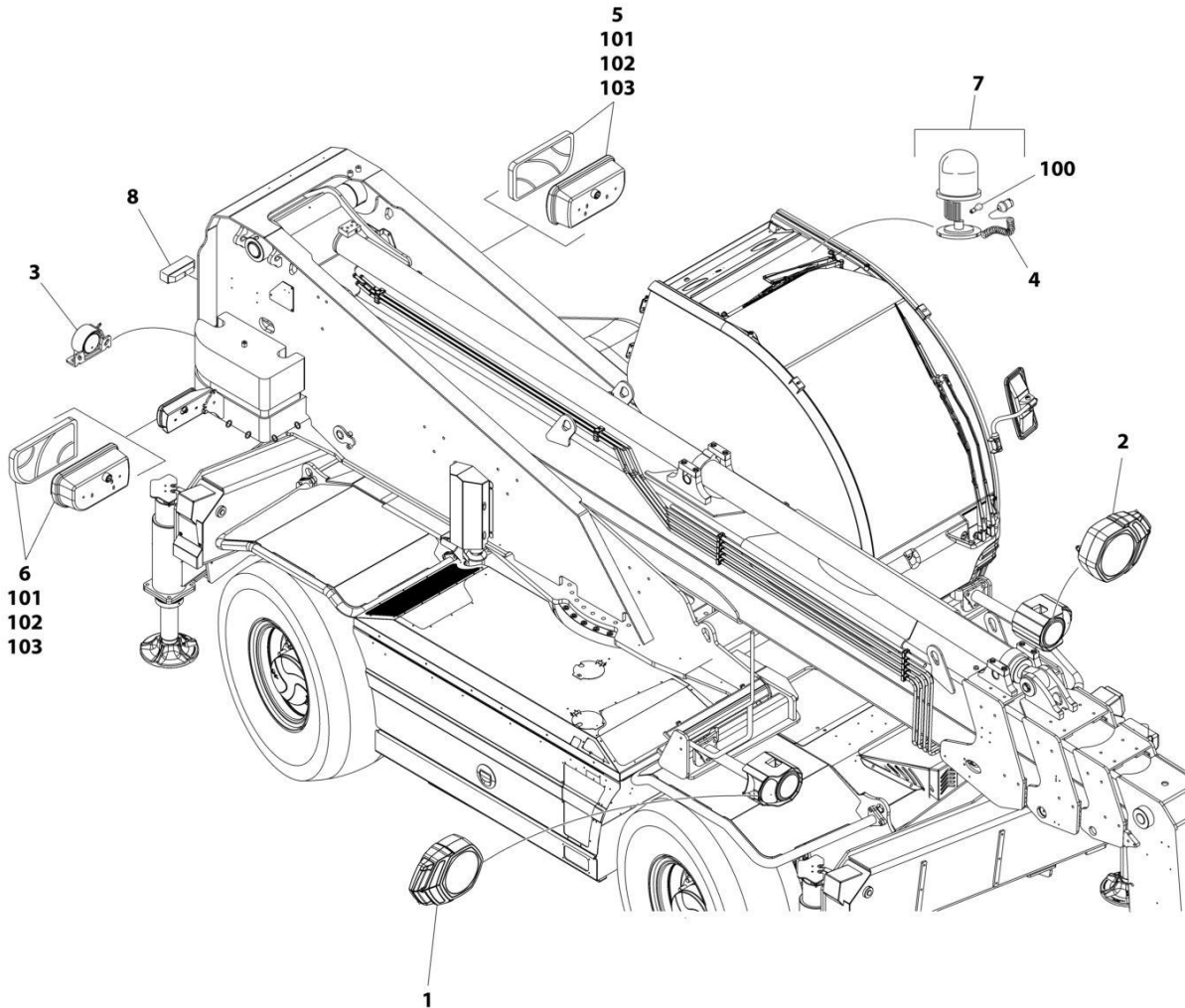
SECTION 10 - ELECTRICAL

FIGURE 10-21. RIGHT TAILLIGHT HARNESS

ITEM	PART NUMBER	QTY	DESCRIPTION	REV
	1001278668	Ref	RIGHT TAILLIGHT HARNESS	A
	See Note	Ref	Note: No Other Service Parts Available at Time of Printing.	

SECTION 10 - ELECTRICAL

FIGURE 10-22. ROAD LIGHTS INSTALLATION



ART_1001278645

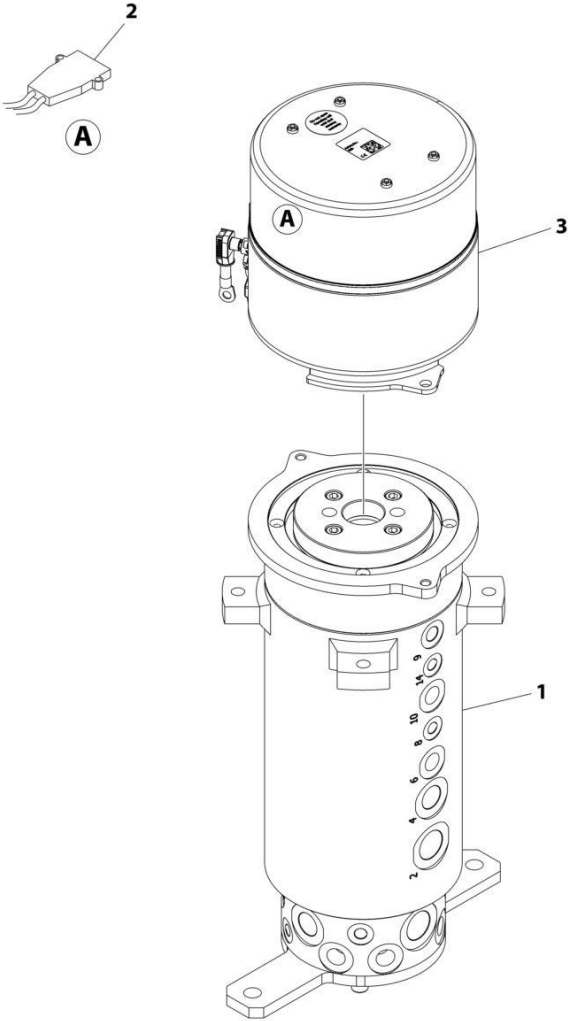
SECTION 10 - ELECTRICAL

FIGURE 10-22. ROAD LIGHTS INSTALLATION

ITEM	PART NUMBER	QTY	DESCRIPTION	REV
	1001278645	Ref	ROAD LIGHTS INSTALLATION	A
1	1001274743	1	Headlight, Right	
2	1001274744	1	Headlight, Left	
3	1001274755	1	Alarm	
4	1001277227	1	Connector	
5	1001278649	1	Taillight, Left (Includes Items 101-103)	
6	1001278650	1	Taillight, Right (Includes Items 101-103)	
7	1001278651	1	Beacon Assembly (Includes Item 100)	
8	1001278652	1	Light, License Plate	
100	70030628	1	Lamp	
101	70030629	2	Lamp	
102	70030630	6	Lamp	
103	70030631	5	Lamp	

SECTION 10 - ELECTRICAL

FIGURE 10-23. ROTARY COUPLING ASSEMBLY



ART_1001281683

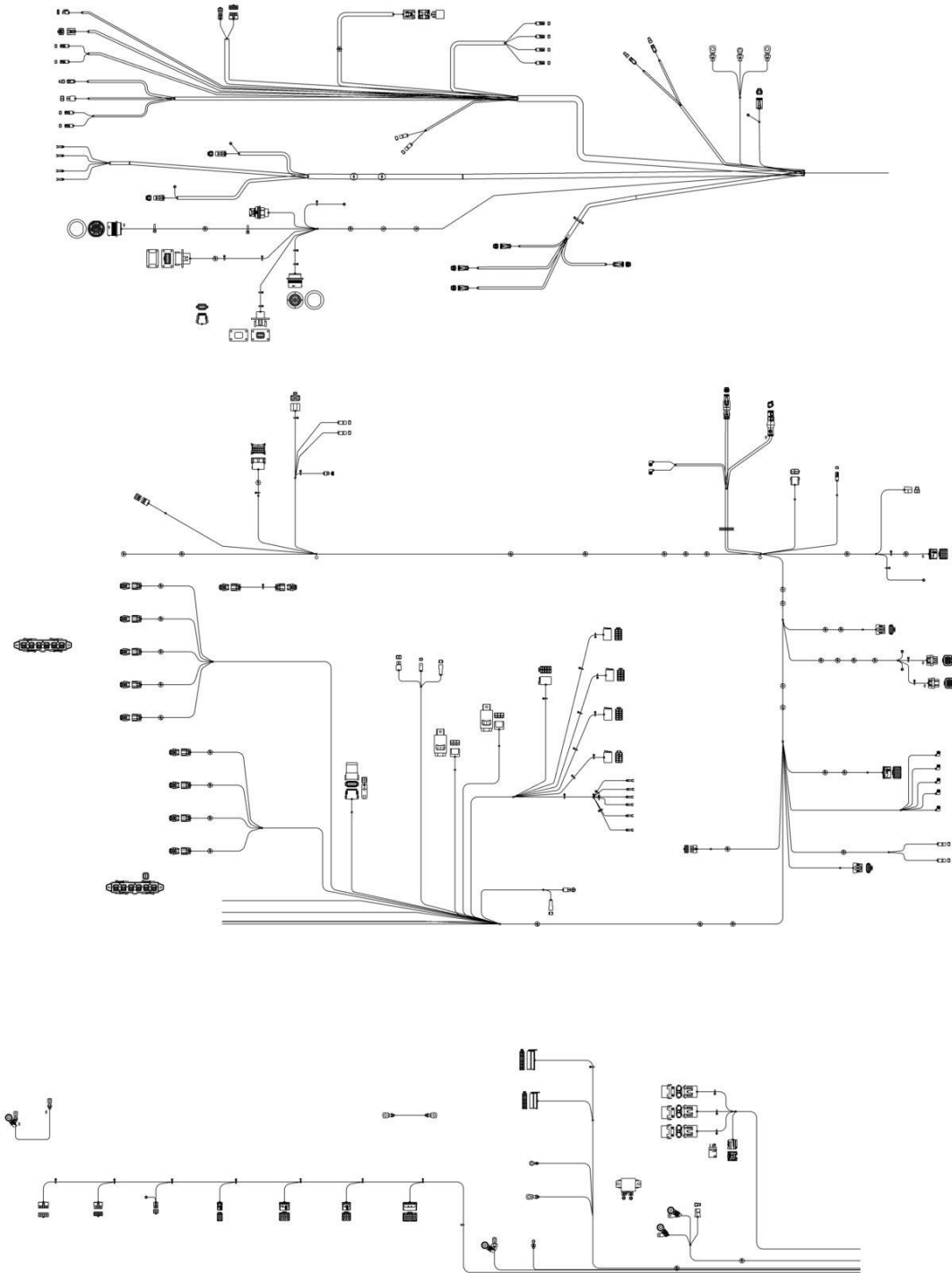
SECTION 10 - ELECTRICAL

FIGURE 10-23. ROTARY COUPLING ASSEMBLY

ITEM	PART NUMBER	QTY	DESCRIPTION	REV
	1001281683	Ref	ROTARY COUPLING ASSEMBLY	A
1	1001276905	1	Motor, Rotary Coupling	
2	1001279237	1	Sensor, Rotation	
3	1001281684	1	Coupling, Electrical	

SECTION 10 - ELECTRICAL

FIGURE 10-24. SEAT HARNESS



ART_1001281728

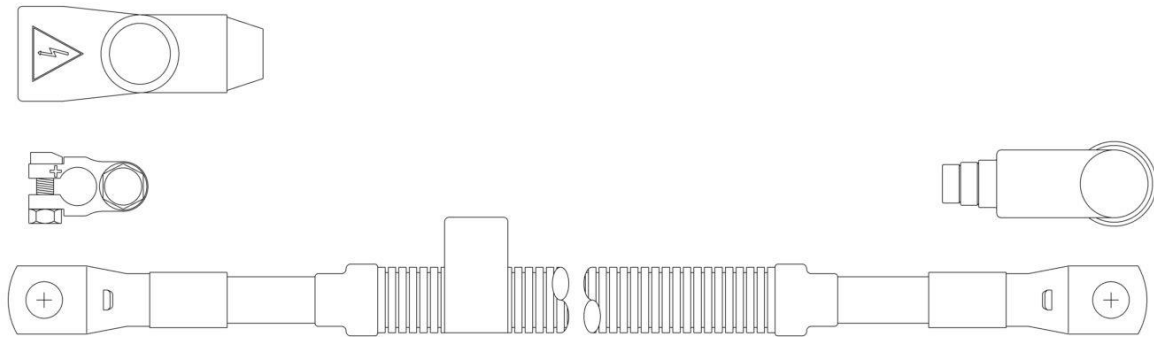
SECTION 10 - ELECTRICAL

FIGURE 10-24. SEAT HARNESS

ITEM	PART NUMBER	QTY	DESCRIPTION	REV
	1001281728	Ref	SEAT HARNESS	B
	See Note	Ref	Note: No Other Service Parts Available At Time of Printing.	

SECTION 10 - ELECTRICAL

FIGURE 10-25. STARTER CABLE



ART_1001298948

SECTION 10 - ELECTRICAL

FIGURE 10-25. STARTER CABLE

ITEM	PART NUMBER	QTY	DESCRIPTION	REV
	1001298948	Ref	STARTER CABLE	A
	See Note	Ref	Note: No Other Service Parts Available At Time of Printing.	

SECTION 10 - ELECTRICAL

FIGURE 10-26. TELEMATICS BRIDGE HARNESS



ART_1001281723

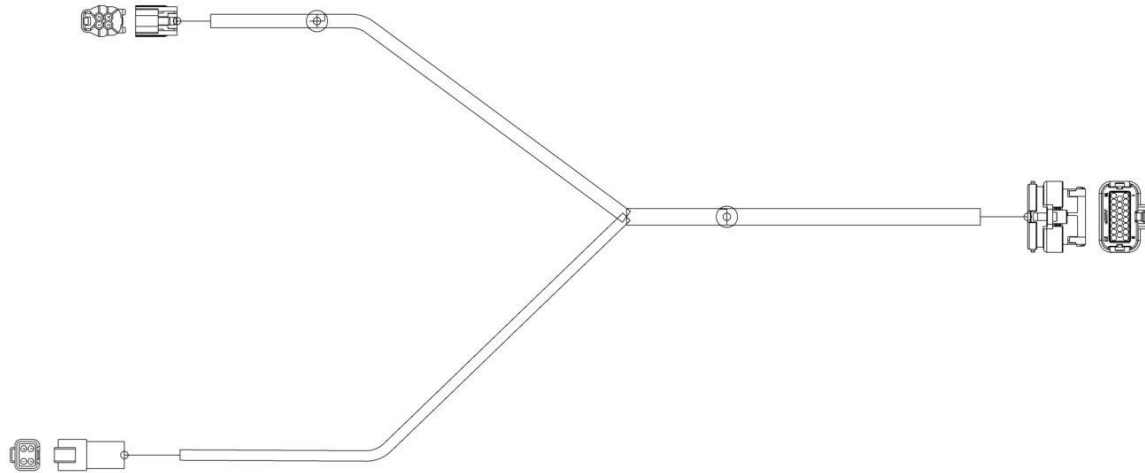
SECTION 10 - ELECTRICAL

FIGURE 10-26. TELEMATICS BRIDGE HARNESS

ITEM	PART NUMBER	QTY	DESCRIPTION	REV
	1001281723	Ref	TELEMATICS BRIDGE HARNESS	A
	See Note	Ref	Note: No Other Service Parts Available At Time of Printing.	

SECTION 10 - ELECTRICAL

FIGURE 10-27. TELEMATICS EXTENSION HARNESS



ART_1001281722

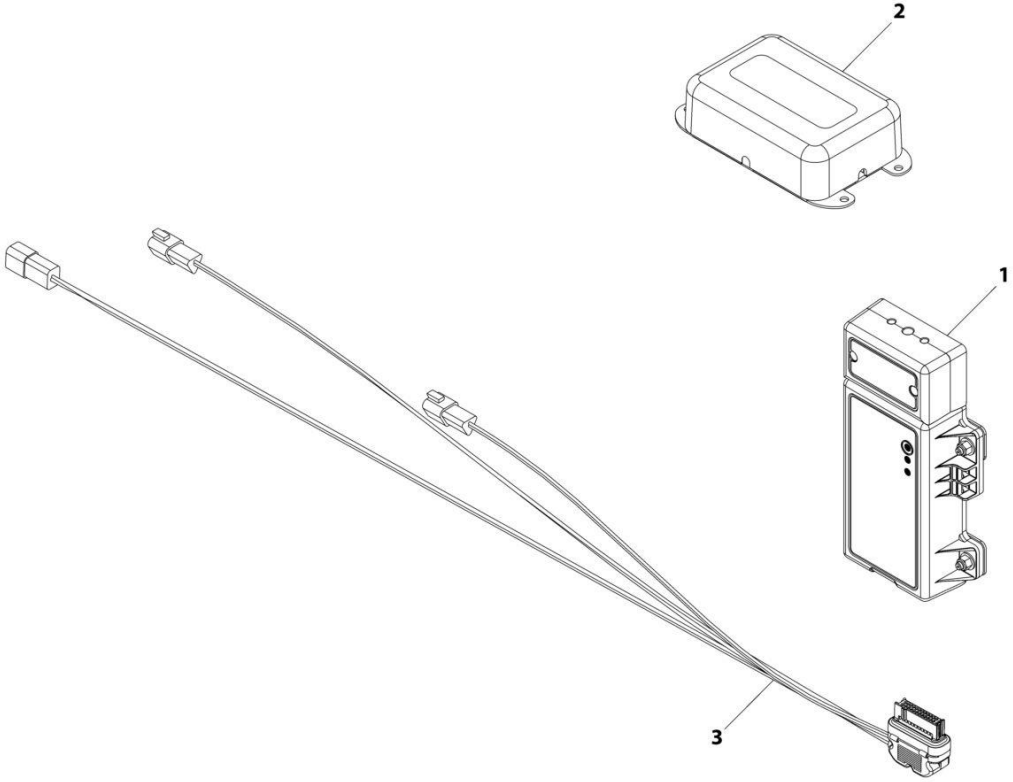
SECTION 10 - ELECTRICAL

FIGURE 10-27. TELEMATICS EXTENSION HARNESS

ITEM	PART NUMBER	QTY	DESCRIPTION	REV
	1001281722	Ref	TELEMATICS EXTENSION HARNESS	A
	See Note	Ref	Note: No Other Service Parts Available At Time of Printing.	

SECTION 10 - ELECTRICAL

FIGURE 10-28. TELEMATICS INSTALLATION



ART_1001289304

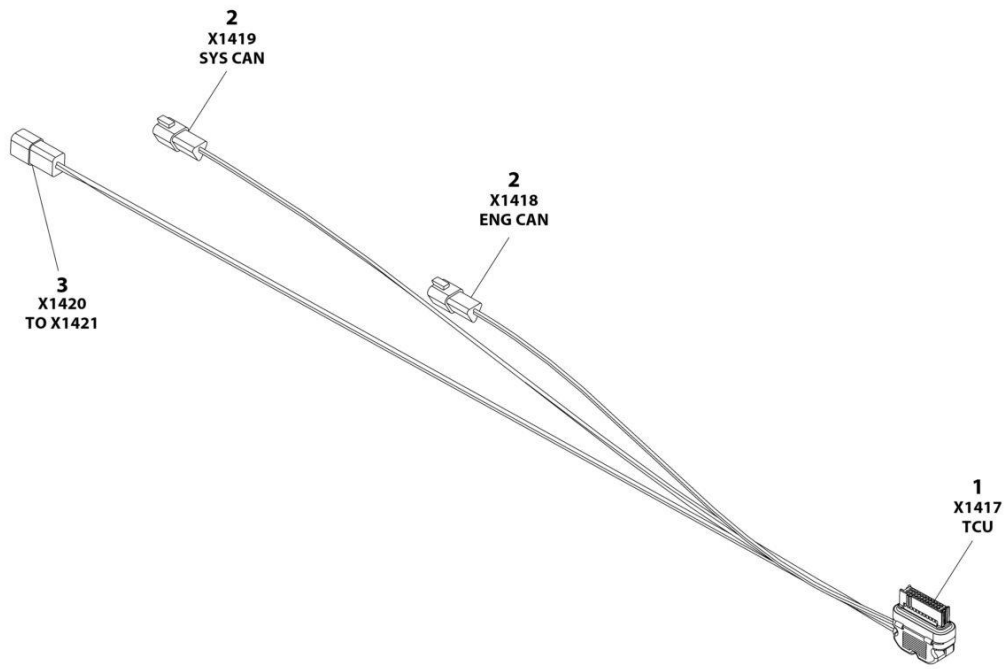
SECTION 10 - ELECTRICAL

FIGURE 10-28. TELEMATICS INSTALLATION

ITEM	PART NUMBER	QTY	DESCRIPTION	REV
	1001289304	Ref	TELEMATICS INSTALLATION	A
1	1001262322	1	Module, Telematics	
2	1001262327	1	Antenna, Telematics	
3	1001288299	1	Telematics Harness (See Separate Breakdown in this Section)	

SECTION 10 - ELECTRICAL

FIGURE 10-29. TELEMATICS HARNESS



ART_1001288299

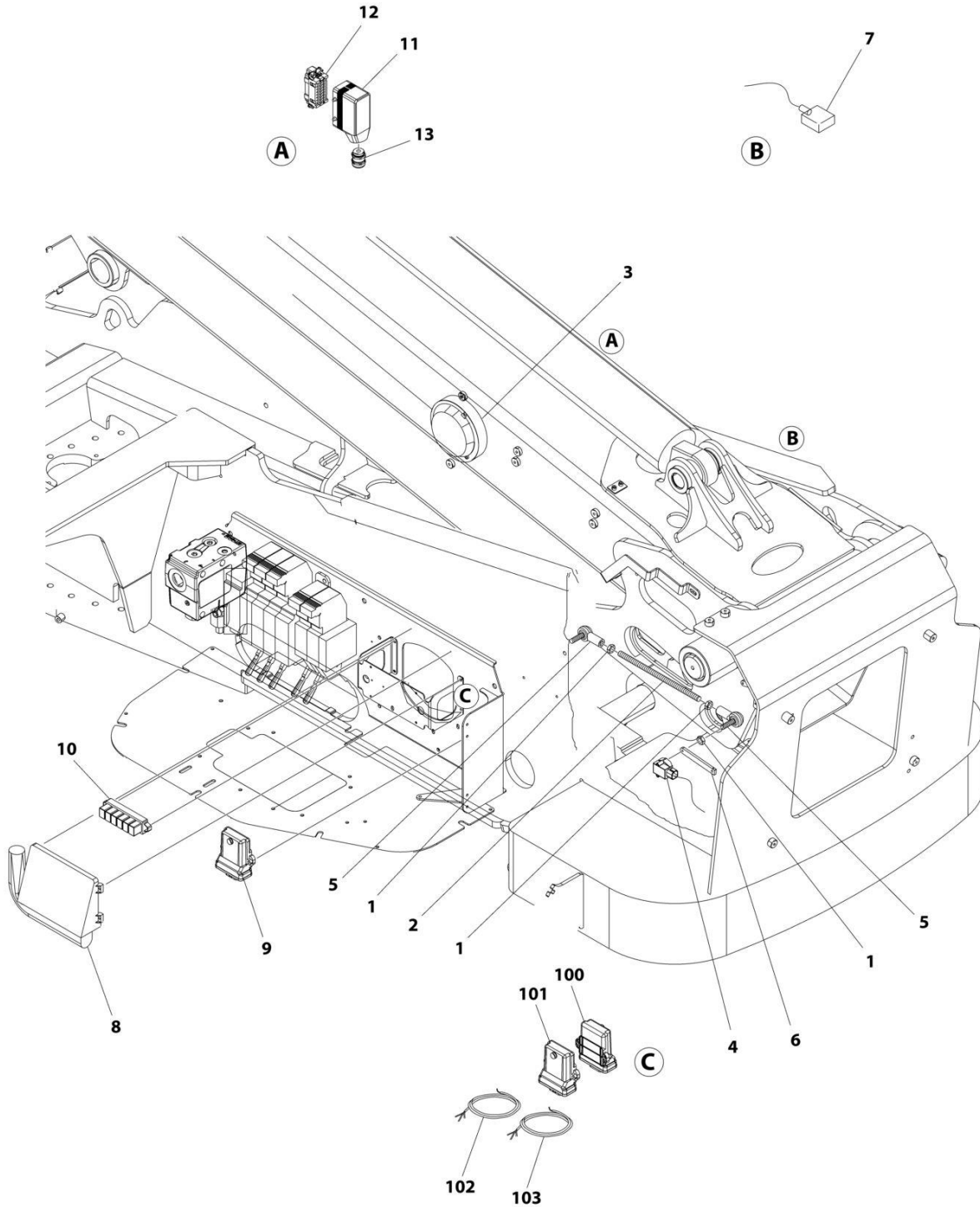
SECTION 10 - ELECTRICAL

FIGURE 10-29. TELEMATICS HARNESS

ITEM	PART NUMBER	QTY	DESCRIPTION	REV
	1001288299	Ref	TELEMATICS HARNESS	A
1	1001226636	1	Connector	
1	1001116731	17	Plug	
1	1001226637	7	Socket	
2	1001144147	2	Connector	
2	4460941	4	Pin	
2	4460466	2	Plug	
3	4460932	1	Connector	
3	4460464	3	Pin	
3	4460466	1	Plug	

SECTION 10 - ELECTRICAL

FIGURE 10-30. TURNTABLE COMPONENTS



ART_1001278648

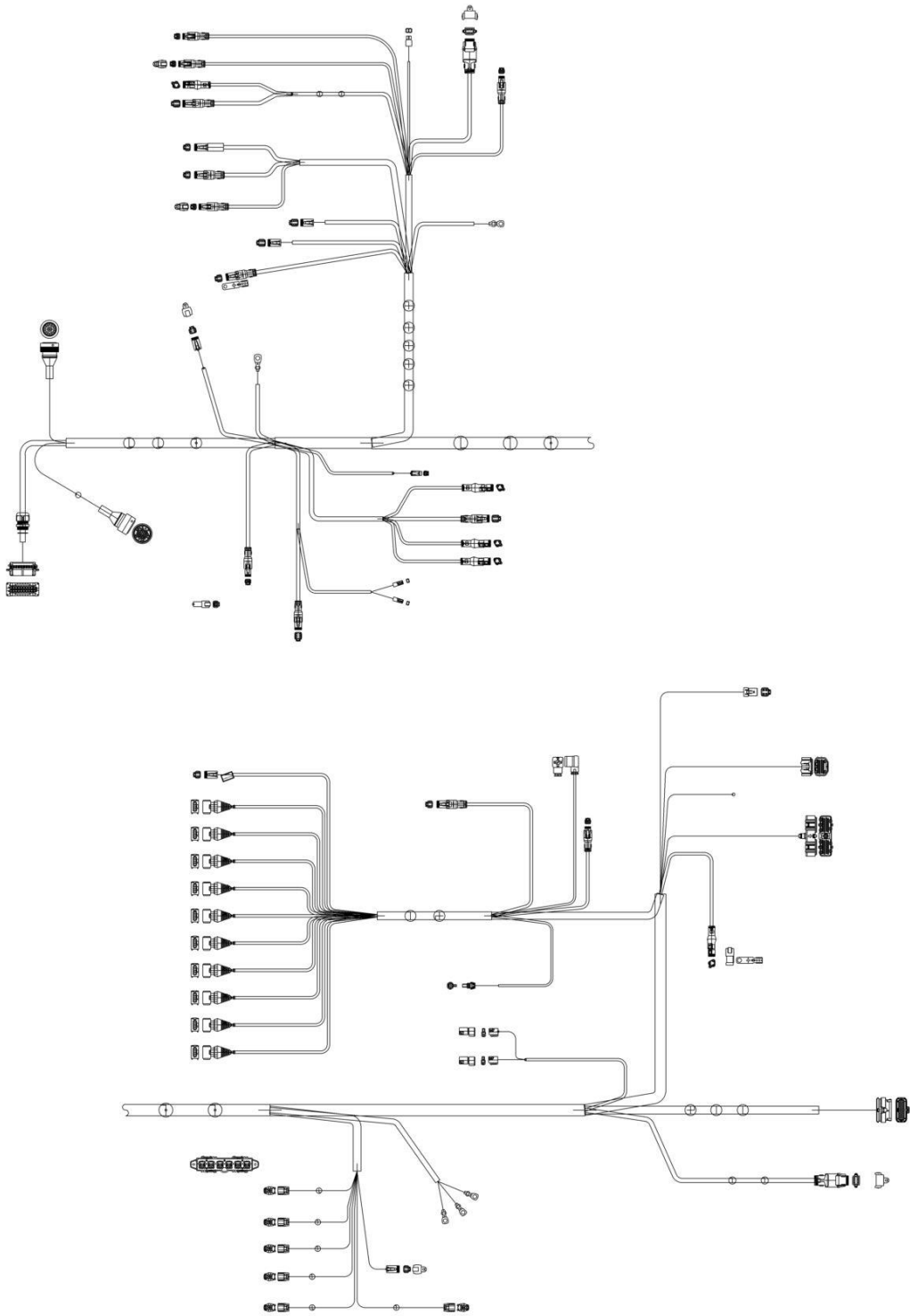
SECTION 10 - ELECTRICAL

FIGURE 10-30. TURNTABLE COMPONENTS

ITEM	PART NUMBER	QTY	DESCRIPTION	REV
	1001278648	Ref	TURNTABLE COMPONENTS	A
1	3290601	3	Nut M6	
2	1001275824	1	Rod	
3	1001275891	1	Reel, Boom Cable	
4	1001275892	1	Sensor, Angle	
5	1001276077	2	Joint, Ball	
6	1001276091	1	Link, Angle Sensor	
7	1001276473	1	Sensor, Tilt	
8	1001276993	1	Module, Frame Control	
9	1001276994	1	Module, Control	
10	1001278436	1	Bus, Multi Link CAN	
11	1001278671	1	Housing	
12	1001278673	1	Connector	
13	1001281835	1	Relief, Strain	
100	70030635	1	Module, Control	
101	70030636	1	Module, Translator	
102	70030637	1	Cable, Translator Module	
103	70030638	1	Cable, Translator Module Diagnostic	

SECTION 10 - ELECTRICAL

FIGURE 10-31. TURNTABLE HARNESS



ART_1001278669

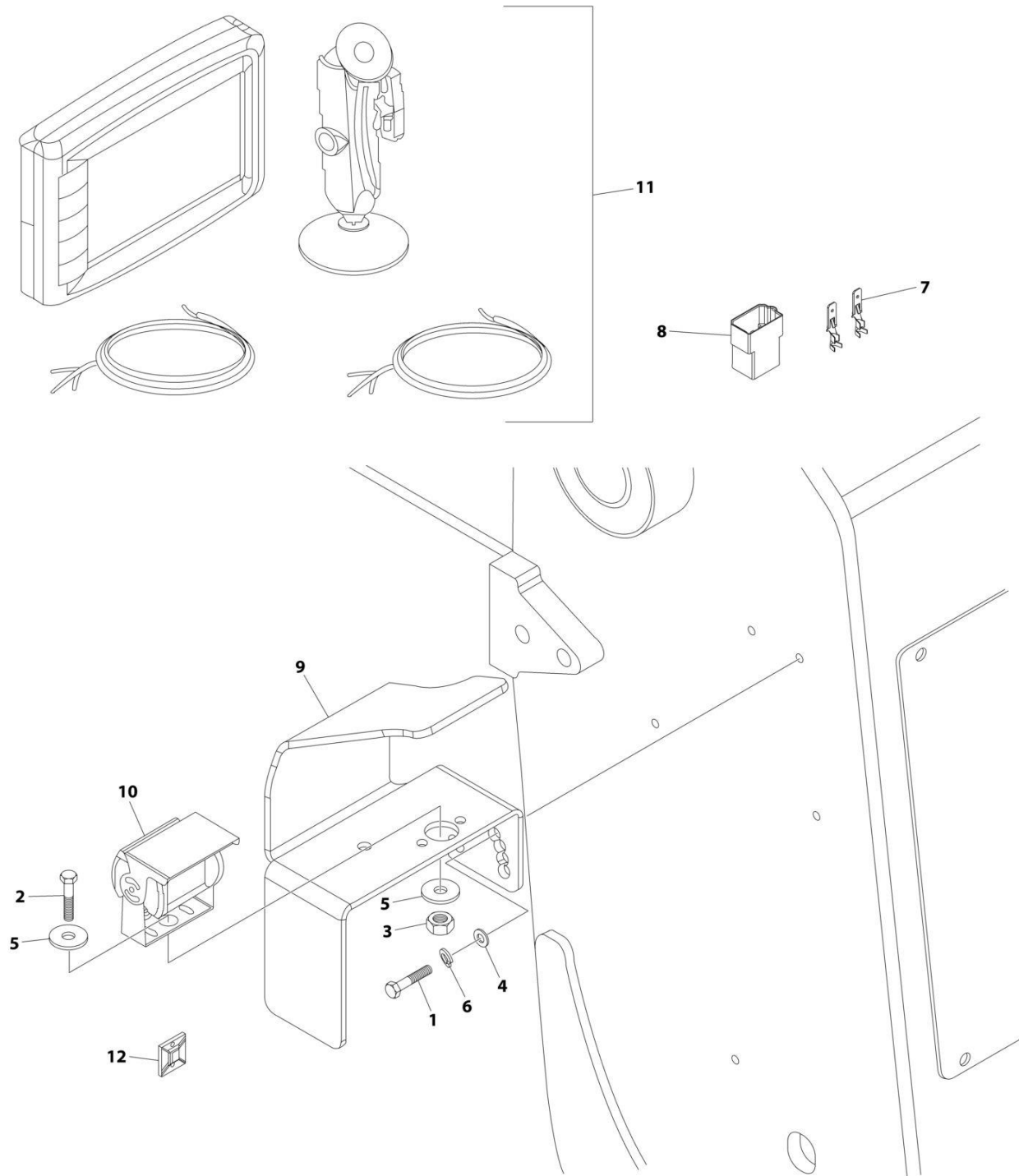
SECTION 10 - ELECTRICAL

FIGURE 10-31. TURNTABLE HARNESS

ITEM	PART NUMBER	QTY	DESCRIPTION	REV
	1001278669	Ref	TURNTABLE HARNESS	B
	See Note	Ref	Note: No Other Service Parts Available At Time of Printing.	

SECTION 10 - ELECTRICAL

FIGURE 10-32. WIRELESS CAMERA INSTALL



ART_1001288883

SECTION 10 - ELECTRICAL

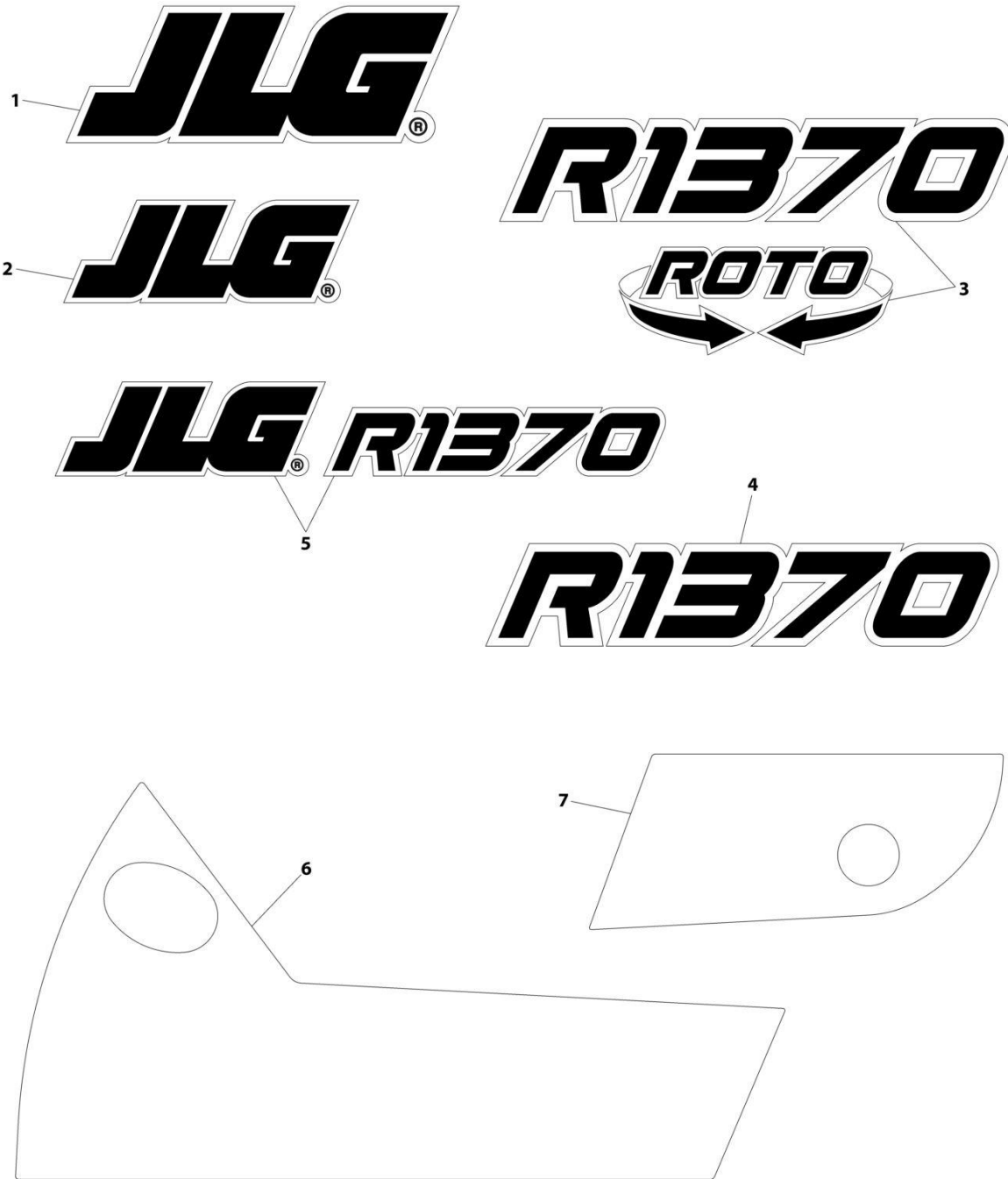
FIGURE 10-32. WIRELESS CAMERA INSTALL

ITEM	PART NUMBER	QTY	DESCRIPTION	REV
	1001288883	Ref	WIRELESS CAMERA INSTALL	A
1	0761010	2	Bolt M10 x 20	
2	0761012	1	Bolt M10 x 25	
3	3291005	1	Nut, Lock M10	
4	4812000	2	Washer M10	
5	4812002	2	Washer M10	
6	4832000	2	Washer, Lock M10	
7	1001116700	2	Terminal (Located in Cab)	
8	1001117011	1	Connector (Located in Cab)	
9	1001281731	1	Bracket	
10	1001288892	1	Camera	
11	1001288893	1	Camera Display Kit	
12	1001288894	1	Plate	

SECTION 11 - DECALS

SECTION 11 - DECALS

FIGURE 11-1. R1370 MACHINE DECALS



ART_1001275961

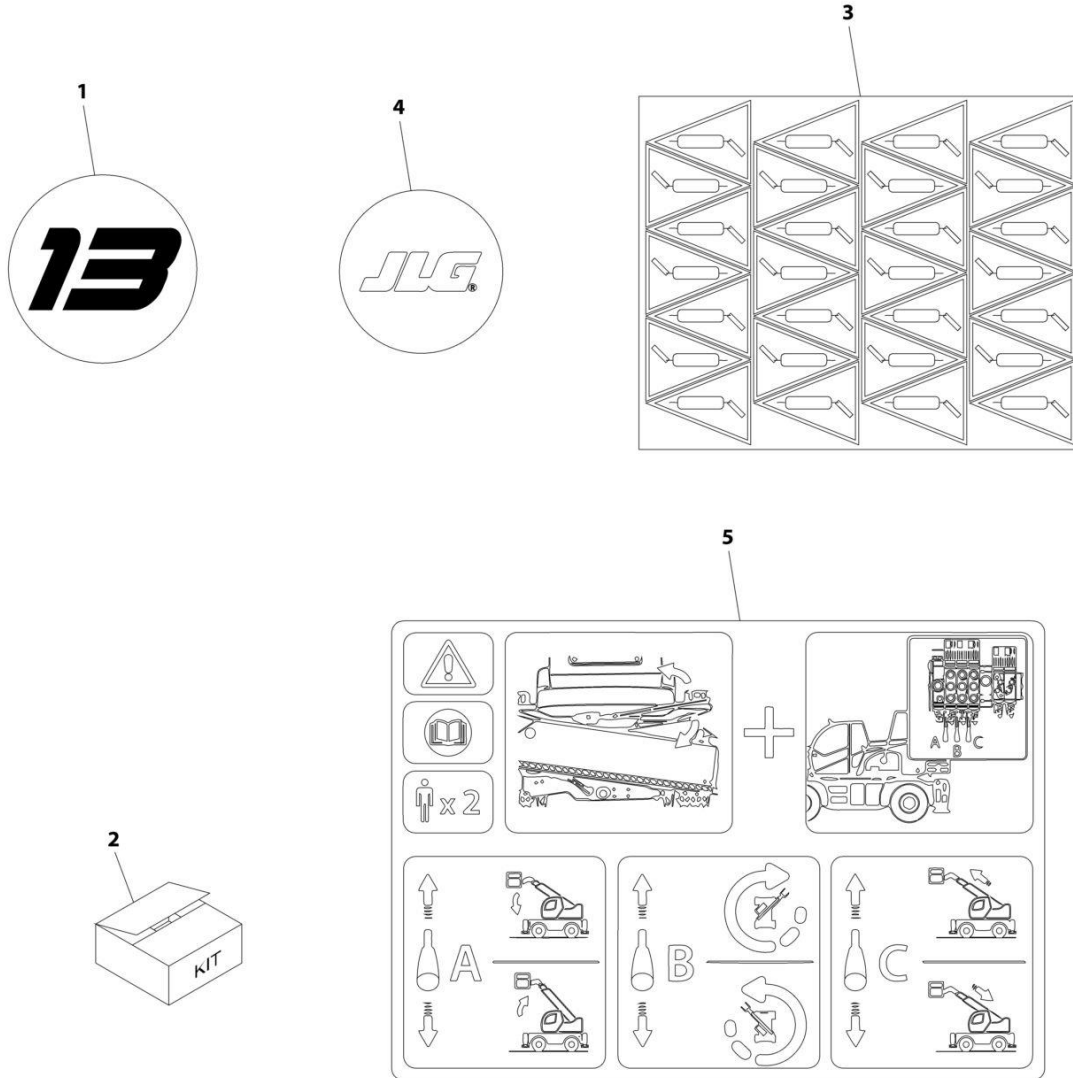
SECTION 11 - DECALS

FIGURE 11-1. R1370 MACHINE DECALS

ITEM	PART NUMBER	QTY	DESCRIPTION	REV
	1001275961	Ref	MACHINE DECALS	B
1	1001281865	3	Decal - JLG Logo	
2	1001281866	1	Decal - Cab JLG Logo	
3	1001281867	2	Decal - Turntable R1370 Logo	
4	1001281868	1	Decal - Tanks R1370 Logo	
5	1001281870	1	Decal - Hood JLG/R1370 Logo	
6	1001281871	1	Decal - Cab Door Glass Tint	
7	1001281872	1	Decal - Cab Window Tint	

SECTION 11 - DECALS

FIGURE 11-2. DECALS INSTALLATION



ART_1001275962

SECTION 11 - DECALS

FIGURE 11-2. DECALS INSTALLATION

ITEM	PART NUMBER	QTY	DESCRIPTION	REV
	1001275962	Ref	DECALS INSTALLATION	B
1	1001281869	2	Decal - 13	
2	1001281873	1	Machine Decals Kit (See Separate Breakdown in this Section)	
3	1001281874	1	Decal - Lubrication	
4	1001282193	1	Decal - Steering Wheel	
5	1001282194	1	Decal - Manual Control	

FIGURE 11-3. MACHINE DECALS KIT

ITEM	PART NUMBER	QTY	DESCRIPTION	REV
	1001281873	Ref	MACHINE DECALS KIT	F
1	1001285653	1	Decal - Hot Surface	
2	1001285654	1	Decal - Boom Prop	
3	1001285655	1	Decal - Bucket	
4	1001286905	4	Decal - Outrigger Max Load	
5	1001286906	4	Decal - Tire Max Load	
6	1001286907	6	Decal - Lifting Point	
7	1001286908	6	Decal - Anchor Point	
8	1001286909	1	Decal - Oil Level Check	
9	1001286910	1	Decal - Battery Isolation	
10	1001286911	1	Decal - Refueling Oil	
11	1001286912	2	Decal - Emergency Exit	
12	1001286913	2	Decal - Cotter Pin	
13	1001286914	1	Decal - Isolation Switch	
14	1001286915	1	Decal - Wind Warning	
15	1001286916	1	Decal - Fire Extinguisher	
16	1001286917	1	Decal - Controller	
17	1001286918	1	Decal - Battery Disconnect Warning	
18	1001286919	1	Decal - Hydraulic Oil (ISO 68)	
19	1001286920	1	Decal - Hydraulic Oil (ISO 32)	
20	1001286921	1	Decal - Hydraulic Oil (ISO 46)	
21	1001286922	1	Decal - Right Joystick Functions	
22	1001286923	1	Decal - Left Joystick Functions	
23	1001286924	1	Decal - Walk Warning	
24	1001286925	1	Decal - Joystick Roller Functions	
25	1001286926	1	Decal - Tire Pressure	
26	1706296	1	Decal - Battery Warning	
27	1706299	1	Decal - Electrical Hazard	
28	1706300	1	Decal - Ether Warning	
29	1706301	1	Decal - Rotating Parts Warning	
30	1706302	1	Decal - Pinch Point Warning	
31	1706306	1	Decal - Tipover Warning	
32	1706768	1	Decal - No Riders	
33	1706850	1	Decal - Boom Crush Hazard	
34	1707078	1	Decal - Cab Warnings	
35	1001136094	1	Decal - Outrigger Crush Hazard	
36	1001139578	1	Decal - Hot Fluid Warning	
37	1001172035	1	Decal - Weld & Drill Warning	
38	1001195849	1	Decal - Personnel Warning	
39	1001196806	1	Decal - Diesel Exhaust Fluid	
40	1001207217	1	Decal - Boom Swing Warning	
41	1001218704	2	Decal - Ultra Low Sulphur	
42	1001219212	1	Decal - DEF Fluid Only	
43	1001227287	1	Decal - Manual Location	
44	1001231801	1	Decal - Prop 65 Warning	

SECTION 12 - RECOMMENDED SERVICE PARTS STOCK

SECTION 12 - RECOMMENDED SERVICE PARTS STOCK

SECTION 12 - RECOMMENDED SERVICE PARTS STOCK

FIGURE 12-1. RECOMMENDED SERVICE PARTS STOCK

ITEM	PART NUMBER	QTY	DESCRIPTION	REV
		Ref	Note: The following list will service one machine (built to current production per date on the front cover) with emergency repair parts which can be installed in the field. Parts from the list should be replaced when inventory is depleted to keep service parts stock supplied. For further information, contact your JLG dealer or the JLG Industries Parts Department.	
		Ref	Engine - R1370	
	1001277183	12	Filter, Fuel	
	1001277184	12	Filter, Oil	
	1001278296	12	Filter, Air (Cab)	
	1001277178	12	Filter, Air (Engine Air Filter - Large)	
	1001277179	12	Filter, Air (Engine Air Filter - Small)	
	1001275828	12	Filter, Hydraulic Oil (Exterior)	
	1001274764	12	Filter, Hydraulic Oil (Large Inside Tank)	
	1001274763	12	Filter, Hydraulic Oil (Small Inside Tank)	

SECTION 13 - SPECIAL OPTIONS/ACCESSORIES/KITS

SECTION 13 - SPECIAL OPTIONS/ACCESSORIES/KITS

SECTION 13 - SPECIAL OPTIONS/ACCESSORIES/KITS

FIGURE 13-1. SPECIAL OPTIONS/ACCESSORIES/KITS

ITEM	PART NUMBER	QTY	DESCRIPTION	REV
	See Note	Ref	Note: This list is to accommodate machines ordered with special equipment. Options may not be applicable to all models. For more specific parts information contact JLG Parts Department.	
		Ref	MISCELLANEOUS SPECIAL OPTIONS/ACCESSORIES/KITS	
	1001299592	Ref	Aftermarket Attachments List	B
		Ref	Attachments:	
	1001299488	Ref	Carriage - 72 Inch	
	1001299481	Ref	Forks 2-3/8 x 5 x 60 (Set of Two)	
	1001299482	Ref	Forks 2-3/8 x 5 x 72 (Set of Two)	
	1001276579	Ref	Mixing Bucket - 91 Gal	
	1001276580	Ref	Hydraulic Ladle - 158 Gal	
	1001275764	Ref	Backup Alarm Kit	
	1001275965	Ref	Cab Guard Kit	
	1001289155	Ref	Camera Kit - Boom Head	
	1001289629	Ref	Decal Kit	
	1001302808	Ref	Filter Kit - Diesel Cab Heater	
	1001276032	Ref	Outrigger Platforms Kit	
		Ref	Sub-FAPL:	
	1001275948	Ref	A/C Installation	B
	1001275958	Ref	Boom Installation	D
	1001275944	Ref	Cab Installation	B
	1001275947	Ref	Cab Heat Installation	B
	1001275953	Ref	Cylinders Installation	D
	1001275939	Ref	Engine Installation	B
	1001275937	Ref	Frame Installation	B
	1001275954	Ref	Main Electrical Installation	B
	1001278647	Ref	Harness And Cables Installation	D
	1001275952	Ref	Main Hydraulics Installation	C
	1001275951	Ref	Outriggers Installation	B
	1001276568	Ref	Platform Installation - 4ft x 7ft	D
	1001276570	Ref	Platform Installation - 8ft x 13-1/2ft Extendable	C
	1001275945	Ref	Seat Installation	C
	1001275943	Ref	Tanks Installation	B
	1001288038	Ref	Service Kit - 500 Hour	
	1001288039	Ref	Service Kit - 1000 Hour	
	1001288043	Ref	Service Kits List	B
	1001295039	Ref	Telematics Kit	
		Ref	Tools:	
	7002821	1	Crimper	
	7002823	1	Extractor	
	7004276	1	Seal Tool 1 1/2" (For Cylinders)	
	7004275	1	Seal Tool 1" (For Cylinders)	
	7002826	1	Seal Tool 2" (For Cylinders)	
	8896941	1	Wire Stripper	
	1001289153	Ref	Worklights Kit - Boom	
	1001289154	Ref	Worklights Kit - Cab	

SECTION 13 - SPECIAL OPTIONS/ACCESSORIES/KITS

PART NUMBER INDEX

SECTION 13 - SPECIAL OPTIONS/ACCESSORIES/KITS

0630612.....27, 29	1001172035 345	1001274698 167	1001274978.....213
0700612.....39, 185	1001175533 151	1001274700 97	1001274979.....25
0700614.....80, 147	1001195849 345	1001274701 97	1001274980.....221
0700618.....89	1001196806 345	1001274702 97	1001274981.....45, 49
0700808...25, 33, 51, 283	1001207217 .. 91, 93, 345	1001274703 97	1001274982.....47, 51
0700810...13, 33, 61, 157	1001218704 345	1001274704 19	1001274984.....45, 49
0700812.....33, 39, 45, 55	1001219212 345	1001274706 19	1001275001.....23
0700814.....13, 77	1001226636 331	1001274707 13	1001275002.....73
0700815.....147	1001226637 331	1001274708 15	1001275004.....253
0700816.....69, 89, 311	1001227287 345	1001274709 15	1001275005.....233
0700817.....45	1001228388 313	1001274710 221	1001275006.....213, 227
0700822.....147	1001231801 345	1001274711 21	1001275007.....217, 223, 227, 233
0700826.....80	1001250875 ... 45, 47, 49, 51	1001274712 183	1001275008.....209
0701012....13, 27, 29, 41, 61	1001262322 329	1001274713 13	1001275009.....209
0701014.....97, 101, 195, 289	1001262327 329	1001274716 57	1001275010.....103
0701015.....37, 101	1001273915 227	1001274722 87	1001275011.....221
0701022.....27, 29	1001274565 47	1001274724 35	1001275012.....221
0701024.....75	1001274566 47	1001274725 35	1001275013.....233
0701026.....77	1001274570 45	1001274726 13	1001275014.....247
0701215.....55, 97	1001274571 45, 47, 49	1001274727 33	1001275015.....213
0701216.....27, 29	1001274572 45	1001274729 75	1001275017.....89
0701217.....33	1001274573 47	1001274733 33	1001275018.....89
0701218....33, 55, 63, 77, 91, 93	1001274574 47	1001274734 195	1001275020.....171
0701220.....37	1001274575 47	1001274735 17	1001275021.....215
0701417.....80	1001274576 33, 45	1001274736 17	1001275022.....243
0701619.....61	1001274577 45, 47, 49	1001274737 19	1001275023.....215, 243
0701620.....27, 29	1001274578 47, 49, 51	1001274738 35	1001275024.....209
0701627.....51	1001274579 45	1001274740 57	1001275025.....73
0701631.....51	1001274580 45	1001274742 33	1001275026.....73
0701632.....33, 45	1001274581 45, 47	1001274743 317	1001275027.....73
0712024.....89	1001274584 47, 49	1001274744 317	1001275028.....171
0760605.....21	1001274585 47	1001274745 283, 289	1001275029.....171
0760608.....53, 80	1001274586 45, 53	1001274746 299	1001275030...27, 29, 255
0760610.....53	1001274587 45, 47, 53	1001274747 189, 191	1001275031.....201, 203, 225
0760816.....313	1001274588 45	1001274748 80, 83	1001275032.....201, 203, 225
0761010....27, 29, 41, 45, 89, 337	1001274589 47, 53	1001274749 27, 29	1001275033.....225
0761012.....165, 337	1001274590 45, 53	1001274750 113	1001275034.....203
0761016.....35	1001274591 45, 53	1001274752 57	1001275035.....225
0761208.....31	1001274592 47, 53	1001274753 299	1001275036.....247, 262
0761210.....27, 29, 183	1001274593 45	1001274754 87	1001275037.....101
0761212.....27, 29, 39	1001274594 45	1001274755 317	1001275038.....19, 39
0761214....15, 35, 37, 39, 45, 47, 49, 51	1001274595 45	1001274756 179	1001275039.....19, 39
0761614.....80	1001274596 45	1001274757 209	1001275040.....21
0762016.....19	1001274597 47	1001274758 223	1001275041.....37
1001009162.....151	1001274599 47	1001274759 171, 233	1001275042.....37
1001047062.....39	1001274666 51	1001274760 205, 207	1001275043.....39
1001049873.....221	1001274667 51	1001274763 25, 348	1001275044.....27, 29
1001091102.....53, 313	1001274668 51	1001274764 25, 348	1001275045.....203
1001097202.....157	1001274669 51	1001274765 107	1001275046.....225
1001102830.....147	1001274670 . 51, 55, 201, 203, 207	1001274766 211, 219	1001275047.....27, 29
1001102933.....41, 209	1001274671 51	1001274767 233	1001275048.....27, 29
1001108603.....147, 157	1001274672 51	1001274769 217	1001275049.....27, 29
1001110115.....205	1001274673 49	1001274770 213	1001275050.....145
1001111317151	1001274674 49	1001274772 231	1001275051.....37
1001116700.....337	1001274675 49	1001274773 219	1001275052.....39
1001116731331	1001274676 49	1001274774 89, 235, 237, 239, 241, 251, 257	1001275053.....39
1001117011337	1001274677 49	1001274775 219	1001275054.....57, 73
1001118972.....19, 21	1001274678 49, 51	1001274776 267	1001275055.....73
1001130220.....155, 159	1001274679 27, 29	1001274777 233	1001275057.....113
1001136094.....345	1001274689 27, 29	1001274965 219	1001275058.....113
1001139578.....345	1001274690 39	1001274966 219	1001275059.....113
1001144147.....331	1001274692 27, 29	1001274971 213	1001275060.....103
	1001274692 27, 29	1001274973 215, 243	1001275062.....227
	1001274694 21	1001274975 227	1001275063.....23
	1001274695 21	1001274976 215, 217, 219	
	1001274696 39	1001274977 171	
	1001274697 31		

SECTION 13 - SPECIAL OPTIONS/ACCESSORIES/KITS

1001275064..... 23	1001275327..... 13	1001275416..... 245	1001275571..... 105
1001275065..... 27, 29	1001275328..... 19	1001275417..... 245	1001275572..... 105
1001275066..... 27, 29	1001275329..... 311	1001275418..... 227	1001275574..... 227
1001275067..... 47	1001275330..... 19	1001275419..... 171	1001275575..... 233
1001275068..... 13	1001275331..... 57	1001275420..... 233	1001275578..... 221
1001275072..... 135, 137, 139	1001275333..... 19	1001275479..... 173	1001275579..... 257
1001275073..... 21, 39	1001275335..... 19	1001275480..... 167	1001275580..... 159
1001275074..... 19	1001275336..... 103	1001275481..... 159, 197	1001275582..... 23
1001275075..... 39	1001275337..... 19	1001275482..... 159, 197	1001275583..... 25
1001275076..... 39	1001275338..... 21	1001275483..... 159	1001275696..... 209, 227
1001275077..... 39	1001275339..... 19, 103	1001275484..... 155	1001275697..... 209
1001275078..... 19	1001275340..... 27, 29	1001275485..... 159	1001275699..... 203
1001275079..... 97	1001275341..... 167	1001275486..... 155	1001275700... 45, 47, 49, 51
1001275080..... 87	1001275343..... 13	1001275487..... 225	1001275701..... 45, 49
1001275081..... 87	1001275344..... 27, 29	1001275488..... 171	1001275702..... 167
1001275082..... 57, 73	1001275345..... 27, 29	1001275489..... 203	1001275703..... 167
1001275083..... 37	1001275346..... 63, 77, 91, 93	1001275490..... 223	1001275704..... 75
1001275084..... 155, 157, 159	1001275366..... 209	1001275491..... 229	1001275705..... 33
1001275085..... 157	1001275367..... 213	1001275492..... 225	1001275706..... 13
1001275087..... 197	1001275368..... 213	1001275493..... 225	1001275707..... 13
1001275088..... 197	1001275369..... 219, 223	1001275494..... 225	1001275708..... 13
1001275089..... 197	1001275370..... 223	1001275495..... 203, 225	1001275710..... 19
1001275091..... 37	1001275371..... 213	1001275497..... 203, 225	1001275711..... 39
1001275093..... 289	1001275372..... 219	1001275499..... 233	1001275712..... 17
1001275094..... 25	1001275373..... 221	1001275500..... 213	1001275713..... 17
1001275095..... 33	1001275374..... 215	1001275501..... 227	1001275714..... 203
1001275096..... 33	1001275376..... 209	1001275502..... 171, 233	1001275715..... 55
1001275278..... 311	1001275377..... 219	1001275503..... 213	1001275716..... 265
1001275279..... 39	1001275378..... 209	1001275504..... 229	1001275717..... 255
1001275281..... 209	1001275379..... 217	1001275505..... 227	1001275718..... 49
1001275282..... 19	1001275380..... 245	1001275506..... 233	1001275719..... 311
1001275283..... 173	1001275381..... 217	1001275507..... 233	1001275759..... 311
1001275284..... 283	1001275382..... 171	1001275508..... 231	1001275764..... 277, 350
1001275285..... 13	1001275383..... 233	1001275509..... 221	1001275775..... 55, 57
1001275288... 63, 77, 80, 83, 91, 93	1001275384..... 219	1001275510..... 171	1001275776..... 55
1001275289..... 103	1001275385..... 209	1001275511..... 221	1001275824..... 333
1001275291..... 21	1001275386..... 217	1001275512..... 221	1001275828..... 211, 348
1001275292..... 19	1001275387..... 219	1001275513..... 245	1001275829..... 203
1001275294..... 21	1001275388..... 247	1001275514..... 227	1001275830..... 19
1001275295..... 19	1001275389..... 203	1001275515..... 211	1001275886..... 53
1001275296..... 55	1001275390..... 227	1001275516..... 231	1001275887..... 313
1001275297..... 255	1001275391..... 215	1001275517..... 211	1001275891..... 333
1001275299..... 19	1001275392..... 223	1001275518..... 211	1001275892..... 333
1001275302..... 19, 105	1001275393..... 243	1001275519..... 211	1001275893..... 299
1001275303..... 19, 105	1001275395..... 243	1001275520..... 211	1001275894..... 189, 191
1001275305..... 13	1001275396..... 243	1001275521..... 231	1001275924..... 55
1001275306..... 21	1001275397..... 215	1001275522..... 211	1001275937..... 350
1001275307..... 13	1001275398..... 243	1001275551..... 13	1001275938..... 113
1001275308..... 19, 103	1001275399..... 239	1001275552..... 195	1001275939..... 350
1001275310..... 169	1001275400..... 235, 237, 241	1001275553..... 311	1001275940..... 103
1001275311..... 13	1001275401..... 237	1001275554..... 39	1001275941..... 105
1001275312..... 19	1001275402..... 223	1001275555..... 39	1001275942..... 109
1001275313..... 19	1001275403..... 241	1001275556..... 103	1001275943..... 350
1001275314..... 21	1001275404..... 239	1001275557..... 103	1001275944..... 350
1001275315..... 21	1001275405..... 235	1001275558..... 103	1001275945..... 350
1001275316..... 13	1001275407..... 235, 237, 239, 241	1001275559..... 103	1001275947..... 350
1001275319..... 159	1001275408..... 245	1001275560..... 107	1001275948..... 350
1001275320..... 19	1001275409..... 247	1001275561..... 103	1001275949..... 185
1001275321..... 19, 103	1001275410..... 213	1001275562..... 103	1001275950..... 313
1001275322..... 13	1001275411..... 213	1001275563..... 107	1001275951..... 350
1001275323..... 13	1001275412..... 217	1001275564..... 103	1001275952..... 350
1001275324..... 19	1001275413..... 247	1001275565..... 103	1001275953..... 350
1001275325..... 19	1001275414..... 213	1001275566..... 103	1001275947..... 350
1001275326..... 13, 107	1001275415..... 247	1001275567..... 103	1001275955..... 139
		1001275568..... 103	1001275956..... 135
		1001275569..... 107	1001275957..... 137
		1001275570..... 105	1001275958..... 350

SECTION 13 - SPECIAL OPTIONS/ACCESSORIES/KITS

1001275959.....207	1001276910..... 223	1001277433 259	1001278052..... 13, 147
1001275960.....205	1001276911 103	1001277434 39	1001278053....27, 29, 33, 45, 47, 51
1001275961.....341	1001276912 255	1001277436 311	1001278054..... 37
1001275962.....343	1001276913 97, 99	1001277442 157	1001278055..... 17, 145
1001275963.....289	1001276914 101	1001277444 ... 63, 80, 83, 91, 93	1001278056..... 13
1001275964.....283	1001276916 51	1001277445 285	1001278058.....35, 37, 97
1001275965..... 183, 350	1001276946 33	1001277446 219	1001278060..... 17
1001275980.....51	1001276947 37	1001277517 289	1001278061..... 39
1001275982.....25	1001276948 39	1001277520 175	1001278062..... 39
1001275992.....47, 51	1001276949 113	1001277526 .. 55, 65, 171	1001278063..... 33
1001276006.....45, 51	1001276950 23	1001277528 213, 229, 233, 245, 247	1001278064..... 35
1001276032.....31, 350	1001276952 135	1001277530 61	1001278065..... 35
1001276074.....45, 51	1001276953 139	1001277531 61	1001278066..... 33
1001276075.....45	1001276955 139	1001277532 61	1001278067..... 33
1001276076.....45	1001276956 135, 137	1001277533 61	1001278068..... 33
1001276077.....333	1001276958 159	1001277534 61	1001278069..... 37
1001276078..... 253, 255	1001276959 21	1001277535 ... 63, 77, 91, 93	1001278070..... 21
1001276087.....33	1001276960 45, 51	1001277536 77	1001278071..... 13
1001276091.....333	1001276961 19	1001277541 73	1001278075..... 97
1001276218.....53	1001276963 39	1001277542 73	1001278076..... 101
1001276473.....333	1001276964 197	1001277544 77	1001278077..... 107
1001276492..... 17	1001276965 33	1001277546 85	1001278078...27, 29, 101
1001276493.....289	1001276966 27, 29	1001277547 85	1001278133..... 103
1001276495.....73	1001276967 27, 29	1001277548 73	1001278134..... 103
1001276553.....61	1001276968 27, 29	1001277549 75	1001278135..... 103
1001276568.....350	1001276969 27, 29	1001277551 77	1001278136..... 103
1001276570.....350	1001276970 27, 29	1001277552 61	1001278174..... 105
1001276571.....75	1001276971 103	1001277553 61	1001278175..... 105
1001276572.....73	1001276972 103	1001277554 61	1001278176..... 105
1001276573.....71	1001276973 103	1001277555 75	1001278177..... 105
1001276574.....61	1001276974 103	1001277556 85	1001278178..... 105
1001276575.....91	1001276976 267	1001277557 85	1001278179..... 105
1001276576.....93	1001276978 113, 141	1001277558 85	1001278180..... 105
1001276577.....77	1001276992 197	1001277559 85	1001278181..... 105
1001276579.....350	1001276993 333	1001277560 73	1001278182..... 105
1001276580.....350	1001276994 333	1001277706 55, 203, 205, 207	1001278183..... 23
1001276822.....47	1001277165 189, 191	1001277707 55, 203, 205, 207	1001278184..... 25
1001276823.....47	1001277166 211	1001277710 185	1001278185..... 23, 25
1001276824.....47	1001277167 151	1001277711 31	1001278186....23, 25, 55, 65, 73, 171, 205, 207, 213, 225, 227, 229, 233, 245, 247, 253
1001276827 55, 205, 207	1001277169 159	1001277715 163	1001278254..... 145
1001276834.....201	1001277170 201	1001277725 169	1001278255..... 155
1001276843..... 113, 120	1001277171 201	1001277760 41	1001278256..... 161
1001276844..... 113, 131	1001277178 107, 348	1001277766 41	1001278257..... 157
1001276849.....225	1001277179 107, 348	1001277784 19, 41	1001278258..... 159
1001276856.....225	1001277181 107	1001277787 55, 207	1001278259..... 197
1001276881 189, 191	1001277183 99, 348	1001277788 55, 207	1001278261..... 195
1001276882 189, 191	1001277184 99, 348	1001277796 41	1001278262..... 147
1001276883.....311	1001277225 311	1001278032 13	1001278264..... 145
1001276884 189, 191	1001277226 283	1001278034 15	1001278266..... 155
1001276885 189, 191	1001277227 317	1001278035 19	1001278268..... 155
1001276886 189, 191	1001277228 225, 229	1001278036 21	1001278269..... 155
1001276887 189, 191	1001277230 113	1001278037 17	1001278270..... 155
1001276888 189	1001277232 193	1001278038 33	1001278271..... 155
1001276889 19, 23, 39, 41, 147, 189, 191	1001277233 193	1001278040 37	1001278272..... 161
1001276890.....27, 29	1001277234 213, 269	1001278041 35	1001278273..... 161
1001276891 189, 191	1001277235 211	1001278042 39	1001278275..... 157
1001276895..... 153	1001277238 233, 271	1001278043 19	1001278276..... 157
1001276896 299	1001277239 233, 271	1001278044 17	1001278277..... 157
1001276899 229	1001277240 233, 271	1001278045 13	1001278281..... 157
1001276900 171, 233	1001277241 233, 271	1001278046 13	1001278284..... 157, 209
1001276901 235, 237, 239, 241, 271	1001277242 171, 223, 233, 271	1001278047 13	1001278286..... 157
1001276902.....55, 203	1001277243 223	1001278051 33	1001278287..... 157
1001276905.....319	1001277244 213, 223		
1001276907 223	1001277245 213		
1001276909 55, 205, 207	1001277246 223		
	1001277252 159		

SECTION 13 - SPECIAL OPTIONS/ACCESSORIES/KITS

1001278288 157	1001278399..... 151	1001278476..... 189, 191	1001278718 45, 49
1001278289 157	1001278400..... 151	1001278477 189, 191,	1001278719 45, 47, 49
1001278290 157	1001278402..... 151	209	1001278720 53
1001278291 157	1001278404..... 151	1001278478.87, 189, 191	1001278721 45, 47, 49
1001278292 157	1001278406..... 151	1001278489..... 189, 191	1001278722 45, 47, 49
1001278293 157	1001278407..... 151	1001278490..... 189, 191	1001278725 45, 53
1001278296 157, 348	1001278408..... 153	1001278495..... 185	1001278726 47
1001278299 159	1001278409..... 153	1001278496..... 27	1001278727 47, 49
1001278308 159	1001278410..... 153	1001278497..... 29	1001278728 47
1001278309 159	1001278411..... 153	1001278498..... 27, 29, 31,	1001278729 47, 80
1001278310 159	1001278412..... 153	97	1001278731 47
1001278311 197	1001278413..... 153	1001278499... 27, 29, 255	1001278734 47
1001278313 197	1001278415..... 153	1001278500... 27, 29, 255	1001278737 47, 53
1001278314 197	1001278417..... 153	1001278501..... 27, 29	1001278738 49
1001278315 197	1001278419..... 153	1001278502..... 27, 29	1001278740 51
1001278316 195	1001278420..... 153	1001278503..... 27, 29	1001278742 51
1001278317 195	1001278422..... 153	1001278504..... 189, 191	1001278743 51
1001278318 195	1001278424..... 151, 153	1001278505..... 197	1001279097 55, 207
1001278319 195	1001278425..... 153	1001278622..... 167	1001279098 55, 171, 203,
1001278320 195	1001278426..... 153	1001278623..... 169	207, 213, 233
1001278321 195	1001278427..... 151, 153	1001278624..... 169	1001279099 55
1001278324 195	1001278428..... 153	1001278625..... 169	1001279102 55, 209, 219
1001278338 151	1001278429..... 153	1001278626..... 173	1001279103 . 65, 89, 209,
1001278339 153	1001278430..... 153	1001278627 173	213, 227
1001278340 285	1001278431..... 153	1001278628..... 173	1001279104 55, 207, 225,
1001278341 189, 191	1001278432..... 285	1001278629..... 173	253
1001278342 147	1001278433..... 285	1001278630..... 173	1001279105 ... 55, 65, 89,
1001278343 147	1001278434..... 285	1001278631..... 173	209, 213, 219, 227, 255
1001278344 147	1001278435..... 285	1001278632..... 173	1001279108 55, 201, 203,
1001278345 147	1001278436..... 285, 333	1001278634..... 311	207
1001278346 147	1001278437..... 285	1001278635..... 277	1001279109 205
1001278347 147	1001278438..... 285	1001278636..... 257	1001279110 57
1001278348 147	1001278439..... 285	1001278637..... 255	1001279111 57
1001278349 147	1001278442..... 285	1001278638..... 251	1001279112 57
1001278350 147	1001278443..... 285	1001278640..... 253	1001279114 283
1001278351 147	1001278444..... 285	1001278643..... 251	1001279115 283
1001278352 147	1001278445..... 285	1001278644..... 253	1001279116 289
1001278353 147	1001278446..... 285, 299	1001278645..... 317	1001279117 289
1001278354 147	1001278447..... 285	1001278646..... 299	1001279118 277, 283
1001278355 147, 151	1001278448..... 285	1001278647..... 350	1001279119 283
1001278356 147	1001278449..... 285	1001278648..... 333	1001279120 283
1001278357 147	1001278450..... 285	1001278649..... 317	1001279125 313
1001278359 147	1001278451..... 189, 191	1001278650..... 317	1001279142 179
1001278360 147	1001278452..... 189	1001278651..... 317	1001279143 179
1001278361 147	1001278453..... 189, 191	1001278652..... 317	1001279144 179
1001278370 147	1001278454..... 189, 191	1001278653..... 299	1001279145 179
1001278372 147	1001278455..... 189, 191	1001278654..... 299	1001279146 179
1001278375 147	1001278456..... 189, 191	1001278655..... 299	1001279147 179
1001278376 147	1001278457..... 189, 191	1001278656..... 299	1001279148 175, 179
1001278377 147	1001278458..... 189, 191	1001278657..... 299	1001279149 179
1001278378 147	1001278459..... 189, 191	1001278659..... 299	1001279150 175, 179
1001278379 147	1001278460..... 189, 191	1001278660..... 299	1001279151 179
1001278380 147	1001278461..... 189, 191	1001278661..... 299	1001279207 193
1001278383 147	1001278462..... 189, 191	1001278662..... 299	1001279219 215
1001278384 148	1001278463..... 189, 191	1001278663..... 297	1001279220 243
1001278385 151	1001278464..... 189, 191	1001278664..... 301	1001279221 209
1001278386 151	1001278465..... 189, 191	1001278667..... 303	1001279222 235
1001278388 151	1001278466..... 189, 191	1001278668..... 315	1001279223 233
1001278389 151	1001278467..... 189, 191	1001278669..... 335	1001279224 223
1001278390 151	1001278468..... 189, 191	1001278671..... 87, 333	1001279225 213
1001278391 151	1001278469..... 189, 191	1001278672..... 87	1001279226 217
1001278392 151	1001278470..... 189, 191	1001278673..... 87, 333	1001279227 219
1001278393 159	1001278471..... 189, 191	1001278675..... 151	1001279228 211
1001278394 159	1001278472..... 189, 191	1001278714..... 45	1001279229 221
1001278396 151	1001278473..... 189, 191	1001278715..... 47	1001279230 247
1001278397 151	1001278474..... 189	1001278716..... 49	1001279231 231
1001278398 151	1001278475..... 189, 191	1001278717 51	1001279232 245

SECTION 13 - SPECIAL OPTIONS/ACCESSORIES/KITS

1001279233.....227	1001279283..... 171, 213, 227, 229, 231, 233	1001279354.....247	1001281021.....289
1001279234.....229	1001279284..... 233	1001279355..... 247	1001281223.....285
1001279235.....225	1001279285..... 233	1001279356 .. 65, 73, 247	1001281238.....53
1001279236.....203	1001279286..... 233	1001279357..... 247	1001281244.....53
1001279237.....319	1001279288..... 211, 233	1001279358..... 247	1001281245.....53
1001279239.....171, 203, 209, 213, 215, 217, 219, 221, 227, 243, 245, 247	1001279289..... 233	1001279359..... 231	1001281355.....179
1001279240.....215, 217, 223, 235, 237, 239, 241, 243, 245	1001279290..... 227, 233	1001279360..... 231	1001281356.....41
1001279241.....215, 223, 243	1001279291..... 233	1001279361..... 231	1001281357.....179
1001279242.....215, 217, 219, 243	1001279292..... 41, 211	1001279362..... 231	1001281361.....41
1001279243.....215, 243	1001279293..... 211	1001279363..... 171, 227	1001281362.....41
1001279244.....215, 243	1001279294..... 211	1001279365..... 227	1001281363.....41
1001279245.....209	1001279295..... 211	1001279366..... 227	1001281364.....41
1001279246.....235, 237, 239, 241, 243	1001279296..... 211, 213, 221, 227, 231, 245	1001279367..... 225	1001281365.....41
1001279247.....243	1001279297..... 211, 213, 227, 231, 247	1001279368..... 225	1001281366.....41
1001279248.....201, 203, 225, 233, 253	1001279298..... 231, 233	1001279372..... 203	1001281367.....41
1001279249.....223	1001279299..... 223	1001279373..... 229	1001281368.....41
1001279250.....213	1001279308..... 171, 227, 233	1001279374..... 225	1001281369.....41
1001279251.....213	1001279309..... 223, 229, 245, 247	1001279375..... 225	1001281370.....41
1001279252.....213, 227	1001279310..... 223	1001279376..... 217, 227	1001281371.....41
1001279253.....211	1001279311..... 223	1001279377..... 211	1001281372.....41
1001279254.....227, 231	1001279312..... 223	1001279378..... 219	1001281373.....41
1001279255.....225	1001279313..... 223	1001279379..... 203	1001281374.....41
1001279256.....229, 245	1001279316..... 213, 217, 219, 223, 227, 245	1001279623..... 223	1001281375.....41
1001279257.....245	1001279317..... 213, 231	1001279624..... 223, 225	1001281376.....41
1001279258.....209	1001279318..... 213, 221, 227	1001280461..... 269	1001281377.....41
1001279259.....209	1001279319..... 213	1001280469..... 267	1001281378.....179
1001279260.....209	1001279321..... 213, 227	1001280478..... 171, 177	1001281429..... 19
1001279261.....209, 213	1001279322..... 213	1001280480 73, 229, 245, 247	1001281430..... 19
1001279262.....227, 235, 237, 239, 241	1001279323 65, 171, 201, 203, 213, 225, 227	1001280482..... 171	1001281431..... 19
1001279263.....227, 229	1001279324..... 213, 221, 231	1001280492..... 73	1001281432.....39
1001279264.....209	1001279325..... 213, 227	1001280493..... 89	1001281433.....39
1001279265.....209	1001279326..... 213	1001280511..... 217, 223	1001281434.....39
1001279266.....209, 211	1001279328..... 213	1001280522..... 223, 225	1001281435.....39
1001279267.....229	1001279329..... 213	1001280866..... 171	1001281444.....101
1001279268.....209	1001279330 89, 213, 227	1001280868..... 173	1001281445.....101
1001279269.....209	1001279331..... 213, 227	1001280869..... 175	1001281446.....103
1001279270.....223, 247	1001279332..... 213	1001280870..... 175	1001281447.....109
1001279271.....171, 203, 217, 219, 233, 247	1001279333..... 213	1001280871..... 175	1001281448.....109
1001279272.....209	1001279334..... 211	1001280872..... 175	1001281449.....109
1001279273.....209, 219	1001279335..... 211	1001280873..... 175	1001281583..... 155, 159
1001279274.....235, 237, 239, 241	1001279336..... 211	1001280874..... 175	1001281584.....171
1001279275.....209	1001279337..... 211, 245	1001280875..... 175	1001281585.....175
1001279276.....209, 229	1001279338..... 211	1001280876..... 175, 177	1001281586.....175
1001279277 ..65, 89, 213, 223, 227, 233, 235, 237, 239, 241, 247	1001279339..... 211	1001280877..... 181	1001281587.....175
1001279278 89, 223, 235, 237, 239, 241, 251, 257, 267	1001279340..... 221	1001280878..... 175	1001281589.....175
1001279279.....233	1001279341..... 221	1001280879..... 175	1001281590.....175
1001279280.....227	1001279342..... 211	1001280880..... 177	1001281591.....175
1001279281.....171, 233	1001279343..... 211	1001280881..... 177	1001281592.....175
1001279282.....227, 229, 233	1001279344..... 211, 245	1001280882..... 177	1001281593.....175
	1001279345..... 211	1001280883..... 177	1001281594.....311
	1001279346..... 211	1001280884..... 177	1001281675.....233
	1001279347..... 211	1001280885..... 177	1001281676.....211
	1001279348..... 233	1001280887..... 181	1001281677.....211
	1001279349..... 221	1001280888..... 181	1001281678.....221
	1001279350..... 221	1001280889..... 181	1001281679.....221
	1001279351..... 221	1001280890..... 179, 181	1001281680.....227
	1001279352..... 221	1001280891..... 181	1001281681.....201
	1001279353..... 221	1001280892..... 181	1001281682.....201
		1001280893..... 181	1001281683.....319
		1001280894..... 181	1001281684.....319
		1001280895..... 181	1001281693.....47
		1001280896..... 181	1001281694.....47
		1001280930..... 145	1001281695.....47
		1001281017..... 283	1001281696.....55
			1001281697.....55
			1001281699.....51
			1001281710.....137

SECTION 13 - SPECIAL OPTIONS/ACCESSORIES/KITS

1001281711	171	1001283684	80, 83	1001283845	73	1001284213	63
1001281712	175	1001283685	80, 83	1001283846	73	1001284214	63
1001281720	293	1001283686	80, 83	1001283847	73	1001284215	63
1001281721	307	1001283687	80, 83	1001283848	73	1001284216	63
1001281722	327	1001283688	80, 83	1001283849	73	1001284217	63
1001281723	325	1001283689	80, 83	1001283857	61	1001284218	63
1001281724	287	1001283691	80, 83	1001283858	61	1001284219	63
1001281726	275	1001283692	80, 83	1001283859	61	1001284220	63
1001281727	279	1001283693	80, 83	1001284102	71	1001284221	63
1001281728	321	1001283694	63, 77, 80, 83, 91, 93	1001284103	71	1001284223	63
1001281729	291			1001284104	71	1001284224	63
1001281730	295	1001283699	71	1001284105	71	1001284225	63
1001281731	283, 337	1001283700	85	1001284106	71	1001284226	63
1001281732	283	1001283701	85	1001284107	71	1001284227	63
1001281733	313	1001283702	85	1001284108	71	1001284228	63
1001281734	313	1001283703	85, 87	1001284109	71	1001284229	63
1001281735	313	1001283704	87	1001284110	71	1001284230	63
1001281736	313	1001283705	87	1001284111	71	1001284231	63
1001281834	299	1001283706	87	1001284112	71	1001284232	63
1001281835	281, 333	1001283707	87	1001284113	71	1001284233	63
1001281836	281	1001283786	80	1001284114	71	1001284234	63
1001281837	281	1001283787	89	1001284115	71	1001284235	63
1001281840	281	1001283788	80	1001284116	71	1001284236	63
1001281841	281	1001283789	80	1001284117	71	1001284237	63
1001281842	281	1001283790	80	1001284118	71	1001284238	63
1001281843	281	1001283791	80	1001284119	71	1001284239	63
1001281844	281	1001283792	80	1001284120	71	1001284240	63
1001281845	281	1001283793	80	1001284121	71	1001284241	63
1001281846	281	1001283794	80	1001284122	71	1001284242	65
1001281849	281	1001283795	80	1001284123	71	1001284243	65
1001281865	341	1001283796	80	1001284124	71	1001284244	65
1001281866	341	1001283797	80	1001284125	71	1001284245	65
1001281867	341	1001283798	80	1001284126	71	1001284246	65
1001281868	341	1001283799	80	1001284127	71	1001284247	65
1001281869	343	1001283800	80	1001284128	71	1001284248	65
1001281870	341	1001283801	80	1001284129	71	1001284250	63
1001281871	341	1001283802	80	1001284130	91, 93	1001284251	63
1001281872	341	1001283803	80	1001284134	77	1001284252	65
1001281873	343, 345	1001283804	80	1001284135	91	1001284292	65
1001281874	343	1001283806	80	1001284136	91	1001284378	37
1001281896	201	1001283807	80	1001284137	91	1001284787	167
1001282012	309	1001283808	80	1001284187	93	1001284788	167
1001282013	305	1001283809	80	1001284188	93	1001284818	181
1001282148	19	1001283810	81	1001284189	93	1001284980	91, 93
1001282158	33	1001283813	81	1001284190	93	1001284983	91, 93
1001282187	27, 29	1001283814	81	1001284191	93	1001285653	345
1001282193	197, 343	1001283815	81	1001284192	93	1001285654	345
1001282194	343	1001283816	81	1001284193	93	1001285655	345
1001282367	53	1001283817	81	1001284194	93	1001286008	165
1001282369	53	1001283818	81	1001284195	93	1001286870	237
1001282534	255	1001283819	81	1001284196	93	1001286871	239
1001282645	155	1001283820	81	1001284197	93	1001286872	241
1001282659	313	1001283821	89	1001284198	93	1001286905	345
1001282660	313	1001283822	89	1001284199	93	1001286906	345
1001282661	313	1001283823	89	1001284200	93	1001286907	345
1001282663	313	1001283824	89	1001284201	93	1001286908	345
1001282664	313	1001283825	89	1001284202	93	1001286909	345
1001282665	313	1001283826	89	1001284203	93	1001286910	345
1001282676	135	1001283827	89	1001284204	93	1001286911	345
1001282677	137	1001283828	89	1001284205	93	1001286912	345
1001282702	45	1001283829	89	1001284206	93	1001286913	345
1001283209	87	1001283830	89	1001284207	93	1001286914	345
1001283679	85	1001283831	89	1001284208	93	1001286915	345
1001283680	83	1001283833	89	1001284209	93	1001286916	345
1001283681	80, 83	1001283834	89	1001284210	93	1001286917	345
1001283682	80, 83	1001283843	73	1001284211	93	1001286918	345
1001283683	80, 83	1001283844	73	1001284212	63, 68	1001286919	345

SECTION 13 - SPECIAL OPTIONS/ACCESSORIES/KITS

1001286920.....345	1706299.....345	4811902 ... 13, 33, 39, 61,	70030408.....99
1001286921.....345	1706300.....345	77, 147, 151, 283, 311,	70030412.....99
1001286922.....345	1706301.....91, 93, 345	313	70030416.....99
1001286923.....345	1706302.....345	4812000 ... 35, 37, 45, 61,	70030424.....99
1001286924.....345	1706306.....345	75, 195, 289, 337	70030428.....99
1001286925.....345	1706768.....345	4812002 ... 13, 27, 29, 39,	70030430.....99
1001286926.....345	1706850.....91, 93, 345	41, 97, 337	70030431.....99
1001286956.....80	1707078.....345	4812100 ... 15, 37, 39, 51,	70030432.....99
1001286960.....81	2160016.....63, 93	63, 77, 91, 93, 147, 183	70030434.....99
1001287382.....195	3290405.....53, 313	4812102.....33, 37, 55	70030436.....99
1001288038.....350	3290601.....53, 333	4812300.....27, 29, 61	70030437.....99
1001288039.....350	3290605...39, 80, 89, 147	4812500.....13, 19	70030440.....99
1001288043.....350	3290605001.....53	4812700.....47, 49	70030441.....99
1001288299.....329, 331	3290801.....147	4831700.....185	70030442.....99
1001288883.....337	3290805 ... 39, 61, 69, 77,	4831900 33, 39, 283, 311	70030443.....99
1001288892.....337	80, 89, 147, 151, 205,	4832000 41, 89, 195, 337	70030444.....99
1001288893.....337	313	4832100.....39	70030446.....262
1001288894.....337	3291001.....165, 195	4832300.....53, 80	70030447.....262
1001289153.....350	3291005 ... 27, 29, 35, 37,	4871700.....147	70030448.....262
1001289154.....350	69, 77, 97, 195, 289,	70021613.....132	70030449.....262
1001289155.....350	337	70021898.....121, 132	70030450.....262
1001289304.....329	3291005001.....75	70024147.....121, 132	70030451.....262
1001289629.....350	3291202.....147	70024207.....120	70030452.....262
1001289802.....165	3291205 ... 37, 39, 55, 63,	70024210.....122, 133	70030453.....262
1001289803.....165	77, 91, 93	70024519.....131	70030454.....262
1001289834.....191	3291601.....45, 47, 49	70024522.....120, 131	70030455.....262
1001289835.....191	3291605.....51, 61	70024872.....120	70030456.....262
1001289836.....165	3292401.....45	70024881 .. 121, 132, 133	70030457.....262
1001289837.....299	3332011 ... 37, 45, 47, 49,	70025551.....121, 132	70030458.....262
1001289840.....148	53	70025555.....120, 131	70030459.....262
1001289841.....147	3332015.....89	70025556.....120, 131	70030460.....262
1001289856.....195	3968141.....120, 131	70025561.....121, 132	70030461.....262
1001289876.....53	4010410002.....281	70025562 . 120, 121, 131,	70030462.....262
1001289880.....53	4010414.....53	132	70030463.....262
1001289881.....53	4010510.....169	70025566.....122, 133	70030464.....262
1001290281.....177	4010514.....147	70025821.....132	70030465.....262
1001293244.....211	4010608.....147	70025822.....132	70030466.....262
1001293246.....167	4010610002.....161	70025823.....122, 132	70030467.....262
1001293248.....167	4010612.....153	70025842.....122, 133	70030468.....262
1001293406.....201, 203,	4010612002 148, 155,	70025857.....120, 131	70030469.....262
225	157, 159	70025981.....122	70030470.....262
1001294738.....41, 245	4031505.....255	70026262.....121	70030471.....262
1001294790.....37	4031507.....313	70026582.....215, 243	70030472.....262
1001295039.....350	4031908.....151	70026623.....121	70030473.....262
1001296406.....289	4031910.....45	70026631.....120, 131	70030474.....262
1001296407.....289	4031918.....55, 101, 207	70026799.....122, 133	70030475.....262
1001296408.....283	4032010.....221	70026802.....131	70030476.....262
1001298948.....323	4032025.....47	70026814.....120	70030477.....262
1001299001.....99	4032027.....47	70026977.....120, 131	70030478.....262
1001299007.....221	4032111.....97	70027315.....121, 132	70030479.....262
1001299013.....49	4032112.....51	70027317.....122, 132	70030480.....262
1001299100.....31	4092316.....47, 49	7002821.....350	70030481.....262
1001299481.....350	4460464.....331	7002823.....350	70030482.....262
1001299482.....350	4460466.....313, 331	7002826.....350	70030483.....262
1001299488.....350	4460932.....331	70028392.....121, 132	70030484.....262
1001299592.....350	4460941.....331	70028452.....132	70030485.....262
1001300535.....195	4740566.....209	70028468.....122, 133	70030486.....262
1001301917.....211	4740571.....247	70028471.....120, 131	70030487.....262
1001301918.....211	4811600.....147	70028475.....122, 133	70030488.....262
1001302445.....229	4811602.....13	70028476.....122, 133	70030489.....262
1001302808.....350	4811700 53, 147, 157,	70028477.....122, 133	70030490.....141, 262
1001306407.....83	185	70028535.....133	70030491.....262
1001306867.....83	4811702.....39, 80	70028647.....121, 132	70030492.....262
10719267.....107	4811900... 25, 33, 39, 45,	70028940.....120	70030493.....262
10725627.....122, 132	51, 77, 80, 147, 151,	70029445.....133	70030494.....262
130029.....201, 203, 225	205, 313	70029453.....131	70030495.....263
1706296.....345		70030150.....131	70030496.....263

SECTION 13 - SPECIAL OPTIONS/ACCESSORIES/KITS

70030497	263	70030566	265	70030636	333	70030733	69
70030498	263	70030567	265	70030637	333	70030734	69
70030499	263	70030568 ... 55, 205, 207,		70030638	333	70030735	69
70030500	263	233, 271		70030639	223	70030736	69
70030501	263	70030569 ... 55, 205, 207		70030640	223	70030737	69
70030502	163	70030570 ... 55, 205, 207		70030641	221	70030738	69
70030503	163	70030571 233, 271		70030642	255	70030739	69
70030504	163	70030572 . 233, 235, 237,		70030643	255	70030740	69
70030505	163	239, 241		70030644	255	70030743	69
70030506	163	70030573 233, 271		70030645	255	70030744	69
70030507	163	70030579 253		70030646	255	70030745	69
70030508	163	70030580 253		70030674	68	70030746	69
70030509	163	70030581 253		70030675	68	70030747	69
70030510	163	70030582 253		70030676	68	70030748	69
70030511	163	70030583 253		70030677	68	70030749	69
70030512	163	70030584 253		70030678	68	70030750	69
70030513	163	70030585 253		70030679	68	70030751	69
70030514	163	70030586 253		70030680	68	70030752	69
70030515	163	70030587 259		70030681	68	70030753	69
70030516	163	70030588 259		70030682	68	70030754	69
70030517	163	70030589 259		70030683	68	70030755	69
70030518	163	70030590 257		70030684	68	70030757	69
70030519	163	70030591 257		70030685	68	70030758	69
70030520	163	70030592 257		70030686	68	70030759	69
70030521	163	70030593 257		70030687	68	70030760	69
70030522	163	70030594 257		70030688	68	70030761	69
70030523	163	70030595 251		70030689	68	70030762	69
70030524	163	70030596 251		70030690	68	70030763	69
70030525	163	70030597 251		70030691	68	70030764	69
70030526	163	70030598 251		70030692	68	70030765	69
70030527	163	70030599 311		70030693	68	70030766	69
70030528	163	70030600 311		70030694	68	70030767	69
70030529	163	70030601 311		70030695	68	70030768	69
70030530	163	70030602 311		70030696	68	70030854	141
70030531	163	70030603 311		70030697	68	70030859	142
70030532	163	70030604 311		70030698	68	70030864	141
70030533	163	70030605 311		70030699	68	70030867	141
70030534	163	70030606 311		70030700	68	70030868	141
70030535	163	70030607 311		70030701	68	70030869	141
70030536	163	70030608 311		70030702	68	70030870	141
70030537	163	70030609 311		70030703	68	70030871	141
70030538	269	70030610 311		70030704	68	70030872	141
70030539	269	70030611 311		70030706	68	70030873	141
70030540	269	70030612 311		70030707	68	70030874	141
70030541	269	70030613 311		70030708	68	70030875	141
70030542	269	70030614 311		70030709	68	70030876	141
70030543	269	70030615 311		70030710	68	70030877	142
70030544	269	70030616 311		70030711	68	70030878	142
70030545	269	70030617 311		70030712	68	70030879	141
70030546	269	70030618 311		70030713	68	70030880	141
70030547	269	70030619 311		70030714	68	70030881	141
70030548	269	70030620 311		70030715	68	70030882	141
70030549	269	70030621 73		70030716	68	70030888	141
70030550	269	70030622 285		70030717	68	70030889	142
70030551	269	70030623 285		70030718	68	70030890	141
70030552	269	70030624 285		70030720	68	70030891	141
70030555 .. 215, 217, 219		70030625 285		70030721	68	70030892	141
70030556 .. 215, 217, 219		70030626 171, 233		70030722	68	70030893	141
70030557	89	70030627 171, 233		70030723	68	70030895	141
70030558	89	70030628 317		70030724	68	70030897	142
70030559	89	70030629 317		70030725	69	70030898	142
70030560	89	70030630 317		70030726	69	70030899	142
70030561	89	70030631 317		70030727	69	70030900	142
70030562	89	70030632 299		70030728	69	70030901	141
70030563	265	70030633 299		70030729	69	70030903	141
70030564	265	70030634 299		70030730	69	70030907	142
70030565	265	70030635 333		70030732	69	70030915	141

SECTION 13 - SPECIAL OPTIONS/ACCESSORIES/KITS

70030916.....	142	7028729	121, 132	8406109	313	91474584.....	121, 132
70030917.....	142	7028730	121, 132	8410011	107	91474591.....	120, 131
70030992.....	120, 131	7028731	132	8640123	221	91474593.....	131
70031004.....	131	7028732	132	8896941	350	91474594.....	131
70031005.....	120, 131	7028733	121, 132	91403193 ..	135, 137, 139	91474595.....	131
70031008.....	121, 132	7028734	121	91474507 ..	120, 121, 131	91514081.....	120, 131
70031009.....	121	7028735	121	91474512	120, 131	91514082.....	120, 131
70031010.....	121, 132	7029131	120, 131	91474516	133	91514083.....	120
70031011.....	121	7029311	121, 132	91474522	122, 133	91514084.....	120
70031012.....	122	7029427	120, 131	91474529	120, 131	91514095.....	121, 132
70031391.....	311	7029786	132	91474531	120, 131	91514098.....	120, 131
70031393.....	311	7029788	122	91474533	120, 131	91514111.....	121, 131
70031476.....	69	8000877	121, 132	91474539	120, 131	91514112.....	121, 132
7004275.....	350	8007751	120	91474547	120, 131	91514134.....	120, 131
7004276.....	350	8007755	120	91474549	120	91514146.....	120, 131
7028084.....	133	80204005.....	120, 131	91474550	120, 131	91514147.....	120, 131
7028706....	120, 121, 131, 132	80204060.....	122	91474551	120, 131	91514148.....	120, 131
7028714.....	121, 132	80204065.....	121, 132	91474553	120, 131	91514154.....	122, 133
7028715.....	121, 132	80204071.....	120, 131	91474554	120, 131	91514159.....	122, 132
7028716.....	121, 132	80204108.....	122	91474559	121	91514175.....	121, 132
7028721.....	121, 132	80204117 .	121, 122, 132, 133	91474560	121	91514181.....	121, 132
7028722.....	121, 132	8405007	103, 179	91474561	121	91514188..	120, 121, 131, 132
7028723.....	121, 132	8405104	103	91474564	121	91514189.....	121, 132
7028724.....	121, 132	8405202	103	91474565	121		
7028725.....	121, 132	8405204	103	91474568	122, 132		
7028726.....	121, 132	8405301	107	91474570	122		
				91474582	121, 132		



**Corporate Office
JLG Industries, Inc.
1 JLG Drive
McConnellsburg, PA 17233-9533 USA
☎ (717) 485-5161 (Corporate)
☎ (877) 554-5438 (Customer Support)
📠 (717) 485-6417**

**Visit our website for JLG Worldwide Locations.
www.jlg.com**



OSHKOSH™