



---

# Illustrated Parts Manual

*Model*  
*R1385*

SN Prior to K160000125

P/N  
31211848

June 1, 2024 - Rev B



An Oshkosh Corporation Company



## **EFFECTIVITY PAGE**

June 1, 2022 - A - Original Issue of Manual (Edited to B/M 1001277000 Revision E)

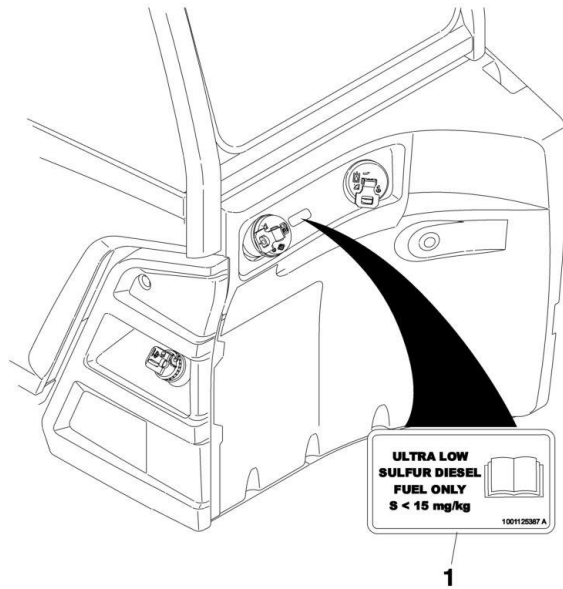
June 1, 2024 - B - Revised Manual (Edited to B/M 1001277000 Revision H)

## Machine Configuration

---

Two configurations of each machine are included in this manual. Determine if machine is equipped with Ultra Sulfur Fuel Decal (1) as indicated below.

- If equipped with the Ultra Low Sulfur decal, all specific references to this machine configuration will be referred to as Ultra Low Sulfur (ULS) from this point forward.
- If not equipped with the Ultra Low Sulfur decal, all specific references to this machine configuration will be referred to as Low Sulfur (LS) from this point forward.





# GENERAL INFORMATION

SECTION 9 - HYRAULIC COMPONENTS (PRIOR TO SN XXXXXXXXX)  
FIGURE 9-3 EXTEND/RETRACT CYLINDER - XXXXX

10      MODEL      XXXXXXXXX

SECTION 9 - HYRAULIC COMPONENTS (PRIOR TO SN XXXXXXXXX)  
FIGURE 9-3 EXTEND/RETRACT CYLINDER - XXXXX

ITEM	PART NUMBER	QTY	DESCRIPTION	REV
1	1001144195	1	Extend/Retract Cylinder - XXXXX	E
2	70025592	1	Assembly, Barrel	
3	70025593	1	Assembly, Rod	
4	70025594	1	Gland	
5	70025595	1	Head, Piston	
6	70025596	1	Screw, Locking	
7	70025596	1	Spacer	
8	Kit	1	O-Ring	
9	Kit	1	Ring, Back-Up	
10	Kit	1	Ring, Rod Bearing	
11	Kit	1	O-Ring	
12	Kit	1	Seal, Rod	
13	Kit	1	Ring, Rod Bearing	
14	Kit	1	Seal, Rod	
15	Kit	1	Seal, Wiper	
16	Kit	2	Ring, Piston Bearing	
17	Kit	1	Seal, Piston	
17	Kit	2	O-Ring	
101	70025597	1	Kit, Seal (includes items 7 thru 17)	

XXXXXXX      MODEL      11

## 1) MACHINE IDENTIFICATION

Machines are identified by model and in some cases a combination of models, serial number (SN) or regional standard (e.g. ANSI, CE, CSA, AUS). Components may also be identified by SN or manufacturer. Common components that may be identified by these characteristics are attachments, engine, transmission and hydraulic components.

## 2) PARTS MANUAL ORGANIZATION

Product information in this manual is organized under section titles. Frame, Engine and Electrical are a few examples. Each section is organized by Figure and page number. The information within the Figure is then organized by item number, part number, description and corresponding illustration(s).

## 3) TABLE OF CONTENTS (NOT SHOWN)

A table of contents (TOC) is found toward the beginning of the manual. Figure number, description and page number are provided for quick reference to the page containing the related information.

## 4) RECOMMENDED SPARE PARTS (NOT SHOWN)

The Recommended Spare Parts List, located near the end of the manual, reference most frequently used maintenance parts.

## 5) PART NUMBER INDEX (NOT SHOWN)

A numerical index listing all part numbers and the corresponding page number(s) appears at the back of the manual.

## 6) NON-SERVICED PARTS

In some instances, it is necessary to display non-serviced parts, assemblies or installations. In the case of assemblies and installations there will be a Ref in the QTY column and a note after the item description stating what is available for service within. In the case of parts that are not available for service within assemblies or components, there will be a NSS (Not Sold Separately) listed in the part number column of the manual.

## 7) PARTS LIST ITEM NUMBERS

Numbers shown in the item column correspond to numbers used in the associated illustration(s). Item numbers which are missing from sequence and are not shown in the illustration(s) are not used on that page.

## 8) INDENTED PARTS DESCRIPTION

An indented part description is included in the item under which it is indented.

**9) ABBREVIATION AND SYMBOLS**

AC.....Alternating Current  
A/C.....Air Conditioning  
ADE.....Advanced Design Electronics  
AG.....Agriculture  
AMP.....Amperage  
ANSI..... American National Standards Institute  
AR.....As Required  
ASSY..... Assembly  
AUS.....Australia  
AUX.....Auxiliary  
AWG.....American Wire Gauge  
CAC.....Charge Air Cooler  
CE.....European Conformity  
CM.....Centimeter  
CONST.....Construction  
CSA.....Canadian Standards Association  
DEF.....Diesel Exhaust Fluid  
DIA.....Diameter  
DC.....Direct Current  
DTZ.....Decentralized Transmission Zeros  
ECU.....Electronic Control Unit  
EMS.....Emergency Stop  
FNR.....Forward Neutral Reverse  
FT.....Foot  
GA.....Gauge  
GR.....Grade  
HBP.....High Boom Pivot  
HHP.....High Horse Power  
HOC.....Hydraulic Oil Cooler  
HRC.....High Rated Countries  
HVAC.....Heating Ventilating, and Air Conditioning  
ID.....Inside Diameter  
IN.....Inch  
ISO.....International Organization for Standards  
ITSDF... Industrial Truck Standards Development Foundation  
JIC.....Joint Industry Council  
KG.....Kilogram  
KW.....Kilowatt  
L.....Liter  
LB.....Pound  
LBP.....Low Boom Pivot

LCD.....Liquid Crystal Display  
LED.....Light Emitting Diode  
LH.....Left Hand  
LHD.....Left Hand Drive  
LHP.....Low Horse Power  
LMIS.....Load Management Indicator System  
LRC.....Low Rated Countries  
LS.....Low Sulfur  
LSI.....Load Stability Indicator  
LSS.....Load Sensing System  
M³.....Cubic Meter  
MA.....Milliamp  
M(m).....Metric/Meter  
MM.....Millimeter  
N.....Newton  
NACD.....North America Construction Division  
NLA.....No Longer Available  
NSS.....Not Sold Separately  
OD.....Outside Diameter  
ORB.....O-Ring Boss  
ORFS.....O-Ring Face Seal  
OZ.....Ounce  
PR.....Ply Rating  
QT.....Quart  
QTY.....Quantity  
REF.....Reference  
REV.....Revision  
RH.....Right Hand  
RHD.....Right Hand Drive  
RHCO.....Remote Hydraulic Oil Cooler  
RUS.....Russia  
SAE.....Society of Automotive Engineers  
SAHR.....Spring Applied Hydraulically Released  
SN.....Serial Number  
SPD.....Speed  
TLU.....Torque Look Up  
UGM.....Universal Ground Module  
V.....Volts  
W.....Watts  
#.....Number

**10) ILLUSTRATION REFERENCE LETTERS**

When necessary, illustrations may contain reference letters that are intended to track information from one point to another in the illustration such as harnesses and hoses or any other information that has been separated in the illustration.

Note: Due to continuous product improvements, JLG Industries, Inc. reserves the right to make specification changes without prior notification. Contact JLG Industries, Inc. for updated information.

# TABLE OF CONTENTS

SECTION 1 - FRAME AND ATTACHING PARTS.....	11
FIGURE 1-1. FRAME COVERS INSTALLATION.....	12
FIGURE 1-2. FENDERS INSTALLATION .....	14
FIGURE 1-3. ENGINE ENCLOSURE INSTALLATION.....	16
FIGURE 1-4. TANKS INSTALLATION.....	18
FIGURE 1-5. OUTRIGGERS INSTALLATION .....	20
FIGURE 1-6. OUTRIGGER PLATFORMS INSTALLATION .....	22
FIGURE 1-7. TURNTABLE INSTALLATION .....	24
FIGURE 1-8. TURNTABLE HOOD INSTALLATION.....	26
FIGURE 1-9. CENTRAL LUBRICATION INSTALLATION.....	28
FIGURE 1-10. DIESEL HEATER INSTALLATION .....	30
SECTION 2 - BOOM.....	33
FIGURE 2-1. BASE BOOM ASSEMBLY .....	34
FIGURE 2-2. SECOND BOOM ASSEMBLY .....	36
FIGURE 2-3. THIRD BOOM ASSEMBLY.....	38
FIGURE 2-4. FLY BOOM ASSEMBLY.....	40
FIGURE 2-5. BOOM REEL INSTALLATION .....	42
FIGURE 2-6. COUPLER ASSEMBLY (HYDRAULIC) .....	44
FIGURE 2-7. COUPLER ASSEMBLY (MANUAL).....	46
SECTION 3 - ATTACHMENTS .....	49
FIGURE 3-1. BUCKET ASSEMBLY - GENERAL PURPOSE .....	50
FIGURE 3-2. CARRIAGE WINCH ASSEMBLY.....	52
FIGURE 3-3. CARRIAGE WINCH HYDRAULICS ASSEMBLY.....	54
FIGURE 3-4. WINCH ASSEMBLY.....	56
FIGURE 3-5. DUAL FORK CARRIAGE ASSEMBLY - ROTATING.....	60
FIGURE 3-6. DUAL FORK CARRIAGE ASSEMBLY - SIDE SHIFT.....	62
FIGURE 3-7. DUAL FORK CARRIAGE ASSEMBLY - STANDARD.....	64
FIGURE 3-8. HOOK CARRIAGE ASSEMBLY .....	66
FIGURE 3-9. PLATFORM ASSEMBLY - EXTENDABLE .....	68
FIGURE 3-10. PLATFORM ASSEMBLY - STANDARD .....	72
FIGURE 3-11. PLATFORM CONTROLS ENCLOSURE .....	74
FIGURE 3-12. PLATFORM CONTROL BOX ASSEMBLY .....	76
FIGURE 3-13. PLATFORM HYDRAULICS ASSEMBLY .....	78
FIGURE 3-14. TRUSS BOOM ASSEMBLY - WITH HOOK.....	80
FIGURE 3-15. TRUSS BOOM ASSEMBLY - WITH WINCH .....	82
SECTION 4 - ENGINE AND ATTACHING PARTS .....	85
FIGURE 4-1. ENGINE MOUNTS INSTALLATION .....	86
FIGURE 4-2. ENGINE COMPONENTS.....	88
FIGURE 4-3. PUMP COUPLING INSTALLATION.....	90
FIGURE 4-4. ENGINE COOLING INSTALLATION .....	92
FIGURE 4-5. EXHAUST INSTALLATION.....	94
FIGURE 4-6. AIR FILTER INSTALLATION .....	96

# TABLE OF CONTENTS

FIGURE 4-7. BLOCK HEATER INSTALLATION .....	98
SECTION 5 - DRIVE TRAIN .....	101
FIGURE 5-1. FRONT AXLE INSTALLATION.....	102
FIGURE 5-2. AXLE ASSEMBLY - FRONT.....	104
FIGURE 5-3. DRIVE SHAFT INSTALLATION .....	114
FIGURE 5-4. GEARBOX INSTALLATION .....	116
FIGURE 5-5. GEARBOX ASSEMBLY.....	118
FIGURE 5-6. REAR AXLE INSTALLATION .....	122
FIGURE 5-7. AXLE ASSEMBLY - REAR.....	124
FIGURE 5-8. ALIGNMENT SENSOR INSTALLATION .....	134
FIGURE 5-9. TIRE AND WHEEL ASSEMBLY - CLAWED .....	136
FIGURE 5-10. TIRE AND WHEEL ASSEMBLY - CLAWED & FOAM FILLED.....	138
FIGURE 5-11. TIRE AND WHEEL ASSEMBLY - STANDARD .....	140
SECTION 6 - CAB .....	143
FIGURE 6-1. CAB MOUNTS INSTALLATION .....	144
FIGURE 6-2. CAB DOOR INSTALLATION .....	146
FIGURE 6-3. CAB WINDOWS INSTALLATION.....	150
FIGURE 6-4. MIRROR AND WIPERS INSTALLATION .....	152
FIGURE 6-5. CAB INTERIOR INSTALLATION.....	154
FIGURE 6-6. CAB COMPONENTS INSTALLATION .....	156
FIGURE 6-7. SEAT INSTALLATION.....	158
FIGURE 6-8. SEAT ASSEMBLY .....	160
FIGURE 6-9. LEFT ARMREST ASSEMBLY .....	162
FIGURE 6-10. RIGHT ARMREST ASSEMBLY.....	164
FIGURE 6-11. A/C LINES INSTALLATION.....	166
FIGURE 6-12. A/C CONDENSER INSTALLATION .....	168
FIGURE 6-13. A/C PUMP INSTALLATION.....	170
FIGURE 6-14. A/C COMPRESSOR ASSEMBLY .....	172
FIGURE 6-15. HEATER INSTALLATION.....	174
FIGURE 6-16. HEATER AND A/C INSTALLATION .....	176
FIGURE 6-17. CAB GUARD INSTALLATION.....	178
FIGURE 6-18. SUNSCREEN INSTALLATION.....	180
SECTION 7 - CONTROLS.....	183
FIGURE 7-1. CAB CONTROLS INSTALLATION.....	184
FIGURE 7-2. JOYSTICKS.....	186
FIGURE 7-3. STEERING COLUMN ASSEMBLY .....	188
FIGURE 7-4. PEDALS ASSEMBLY .....	190
SECTION 8 - HYDRAULIC CIRCUITS .....	193
FIGURE 8-1. AUXILIARY BOOM HYDRAULICS - WITH HYDRAULIC COUPLER.....	194
FIGURE 8-2. AUXILIARY BOOM HYDRAULICS - WITH MANUAL COUPLER .....	196
FIGURE 8-3. AXLES HYDRAULIC DIAGRAM.....	198
FIGURE 8-4. BOOM HYDRAULICS DIAGRAM.....	200
FIGURE 8-5. BRAKES HYDRAULIC DIAGRAM.....	202

# TABLE OF CONTENTS

FIGURE 8-6. ENGINE BAY HYDRAULIC DIAGRAM (Prior to SN K160000006).....	204
FIGURE 8-7. ENGINE BAY HYDRAULIC DIAGRAM (SN K160000006 to Present).....	206
FIGURE 8-8. FRONT OUTRIGGERS HYDRAULIC DIAGRAM .....	208
FIGURE 8-9. HYDROSTATIC PUMP HYDRAULIC DIAGRAM.....	210
FIGURE 8-10. IMPLEMENT PUMP HYDRAULIC DIAGRAM .....	212
FIGURE 8-11. LEVELING CYLINDERS HYDRAULIC DIAGRAM.....	216
FIGURE 8-12. LIFT CYLINDER HYDRAULIC DIAGRAM .....	218
FIGURE 8-13. OIL COOLER HYDRAULIC DIAGRAM.....	220
FIGURE 8-14. REAR OUTRIGGERS HYDRAULIC DIAGRAM.....	222
FIGURE 8-15. SWING HYDRAULIC DIAGRAM .....	224
FIGURE 8-16. TILT CYLINDER HYDRAULIC DIAGRAM .....	226
SECTION 9 - HYDRAULIC COMPONENTS.....	229
FIGURE 9-1. HYDRAULIC DISTRIBUTOR ASSEMBLY .....	230
FIGURE 9-2. LEVELING CYLINDER ASSEMBLY .....	232
FIGURE 9-3. LIFT CYLINDER ASSEMBLY .....	234
FIGURE 9-4. OIL RADIATOR ASSEMBLY .....	236
FIGURE 9-5. OUTRIGGER CYLINDER ASSEMBLY .....	238
FIGURE 9-6. OUTRIGGER EXTENSION CYLINDER ASSEMBLY .....	240
FIGURE 9-7. OUTRIGGER VALVE ASSEMBLY.....	242
FIGURE 9-8. REAR OSCILLATION CYLINDER ASSEMBLY .....	244
FIGURE 9-9. SWING DRIVE ASSEMBLY.....	246
FIGURE 9-10. TELESCOPE CYLINDER ASSEMBLY .....	248
FIGURE 9-11. TILT CYLINDER ASSEMBLY .....	250
SECTION 10 - ELECTRICAL.....	253
FIGURE 10-1. ALTERNATOR CABLE .....	254
FIGURE 10-2. BACKUP ALARM INSTALLATION.....	256
FIGURE 10-3. BATTERY DISCONNECT CABLE .....	258
FIGURE 10-4. BATTERY POSITIVE CABLE .....	260
FIGURE 10-5. BATTERY TO RELAY CABLE .....	262
FIGURE 10-6. BOOM COMPONENTS .....	264
FIGURE 10-7. BOOM HARNESS.....	266
FIGURE 10-8. BOOM WORK LIGHTS INSTALLATION.....	268
FIGURE 10-9. CAB ELECTRICAL INSTALLATION .....	270
FIGURE 10-10. CAB POWER HARNESS .....	272
FIGURE 10-11. CAB ROOF HARNESS .....	274
FIGURE 10-12. CAB WORK LIGHTS INSTALLATION .....	276
FIGURE 10-13. DISPLAY HARNESS.....	278
FIGURE 10-14. ENGINE HARNESS .....	280
FIGURE 10-15. ENGINE TO RELAY CABLE .....	282
FIGURE 10-16. FRAME COMPONENTS .....	284
FIGURE 10-17. FRAME HARNESS .....	286
FIGURE 10-18. LEFT DASH HARNESS .....	288
FIGURE 10-19. LEFT TAILLIGHT HARNESS .....	290
FIGURE 10-20. OUTRIGGER EXTENSION HARNESS .....	292

# TABLE OF CONTENTS

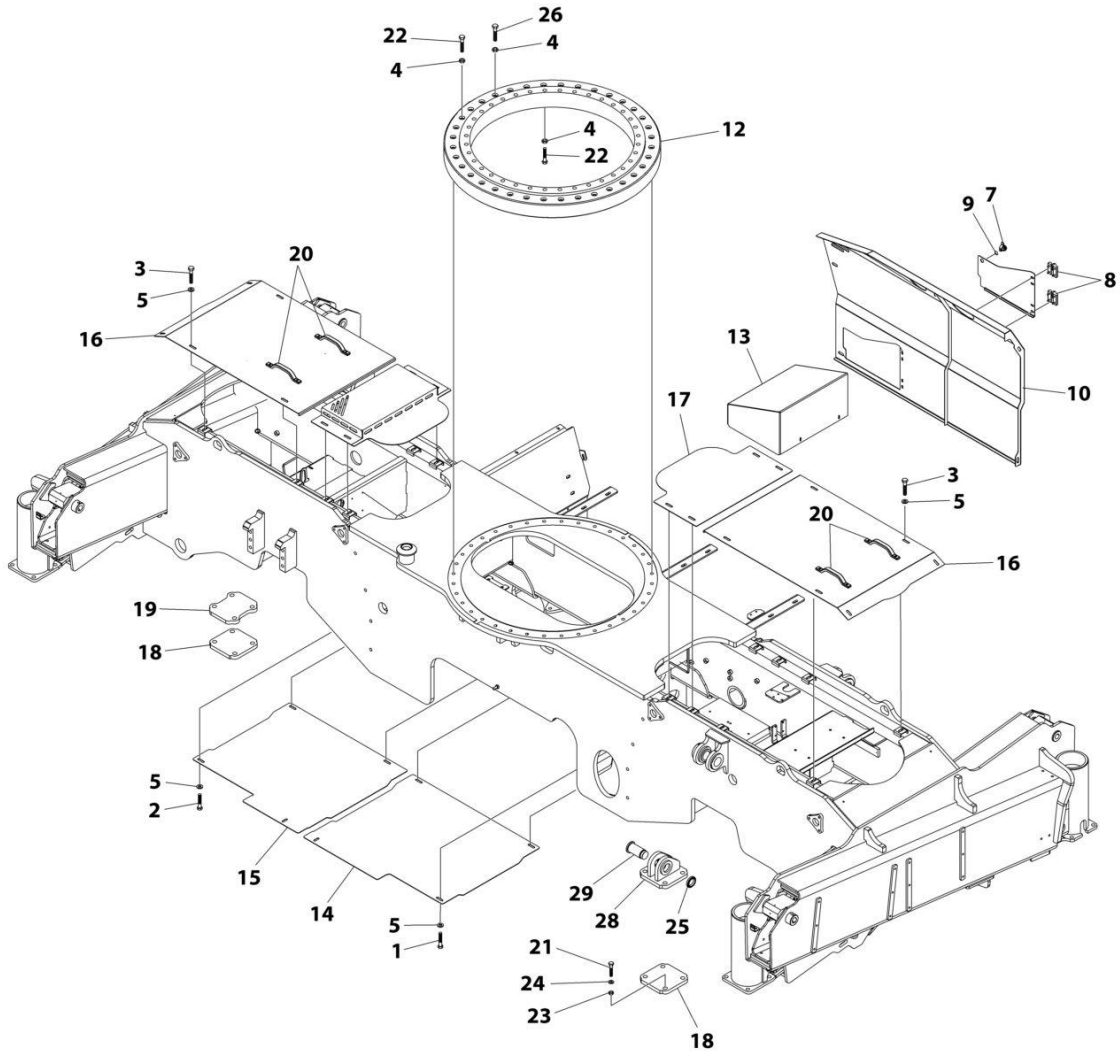
FIGURE 10-21. OUTRIGGERS HARNESS .....	294
FIGURE 10-22. PLANETARY SENSOR HARNESS .....	296
FIGURE 10-23. PREHEAT POWER CABLE .....	298
FIGURE 10-24. PREHEAT RELAY CABLE .....	300
FIGURE 10-25. REMOTE BOOM CONTROL INSTALLATION .....	302
FIGURE 10-26. REVERSING CAMERA INSTALLATION.....	304
FIGURE 10-27. RIGHT DASH HARNESS .....	306
FIGURE 10-28. RIGHT TAILLIGHT HARNESS .....	308
FIGURE 10-29. ROAD LIGHTS INSTALLATION.....	310
FIGURE 10-30. SEAT HARNESS .....	312
FIGURE 10-31. STARTER CABLE .....	314
FIGURE 10-32. TELEMATICS INSTALLATION.....	316
FIGURE 10-33. TELEMATICS HARNESS.....	318
FIGURE 10-34. TURNTABLE COMPONENTS.....	320
FIGURE 10-35. TURNTABLE HARNESS .....	322
FIGURE 10-36. WIRELESS CAMERA INSTALL .....	324
SECTION 11 - DECALS .....	327
FIGURE 11-1. R1385 MACHINE DECALS .....	328
FIGURE 11-2. DECALS INSTALLATION.....	330
FIGURE 11-3. MACHINE DECALS KIT .....	332
SECTION 12 - RECOMMENDED SERVICE PARTS STOCK.....	335
FIGURE 12-1. RECOMMENDED SERVICE PARTS STOCK.....	336
SECTION 13 - SPECIAL OPTIONS/ACCESSORIES/KITS.....	337
FIGURE 13-1. SPECIAL OPTIONS/ACCESSORIES/KITS.....	338
PART NUMBER INDEX.....	339

## **SECTION 1 - FRAME AND ATTACHING PARTS**

## **SECTION 1 - FRAME AND ATTACHING PARTS**

# SECTION 1 - FRAME AND ATTACHING PARTS

## FIGURE 1-1. FRAME COVERS INSTALLATION



ART\_1001279539



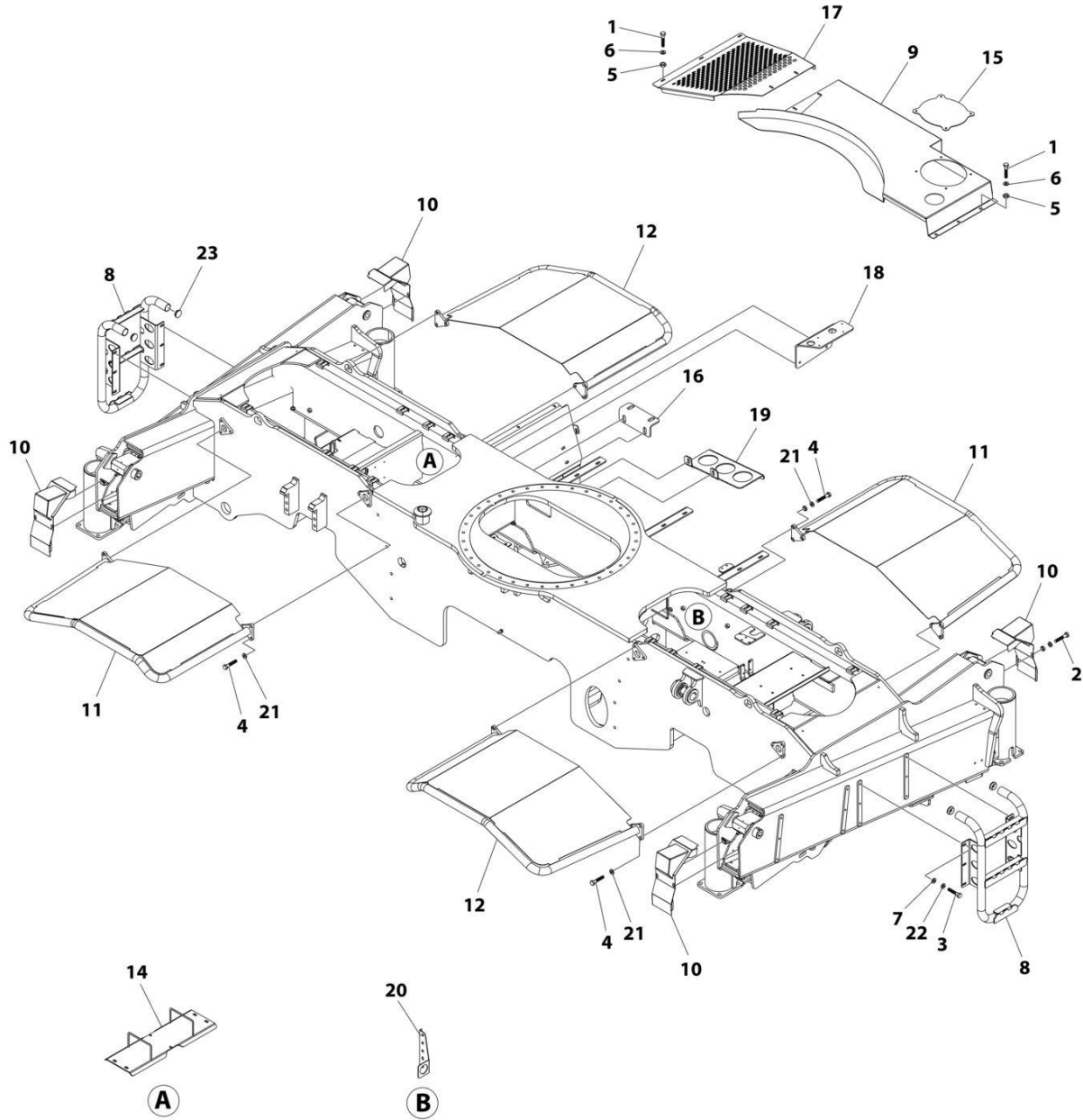
# SECTION 1 - FRAME AND ATTACHING PARTS

## FIGURE 1-1. FRAME COVERS INSTALLATION

ITEM	PART NUMBER	QTY	DESCRIPTION	REV
	1001279539	Ref	FRAME COVERS INSTALLATION	C
1	0701012	4	Bolt M10 x 25	
2	0761008	4	Bolt M10 x 16	
3	0761010	20	Bolt M10 x 20	
4	3332015	72	Nut, Lock M20	
5	4812000	28	Washer M10	
7	1001275040	1	Lock	
8	1001275073	2	Hinge	
9	1001275338	1	Spacer	
10	1001275805	1	Cover	
12	1001275986	1	Bearing, Turntable	
13	1001276102	1	Cover	
14	1001276107	1	Cover	
15	1001276108	1	Cover	
16	1001276109	2	Cover	
17	1001276198	1	Cover	
18	1001276211	4	Plate	
19	1001276212	2	Plate	
20	1001276468	4	Handle	
21	1001278044	16	Bolt M22 x 240	
22	1001278046	68	Capscrew M20 x 130	
23	1001278055	16	Nut, Lock M22	
24	1001278060	16	Washer M22	
25	1001279546	2	Nut, Ring	
26	1001279547	4	Capscrew M20 x 110	
28	1001282267	2	Support	
29	1001282268	2	Pin	

# SECTION 1 - FRAME AND ATTACHING PARTS

## FIGURE 1-2. FENDERS INSTALLATION



ART\_1001279538

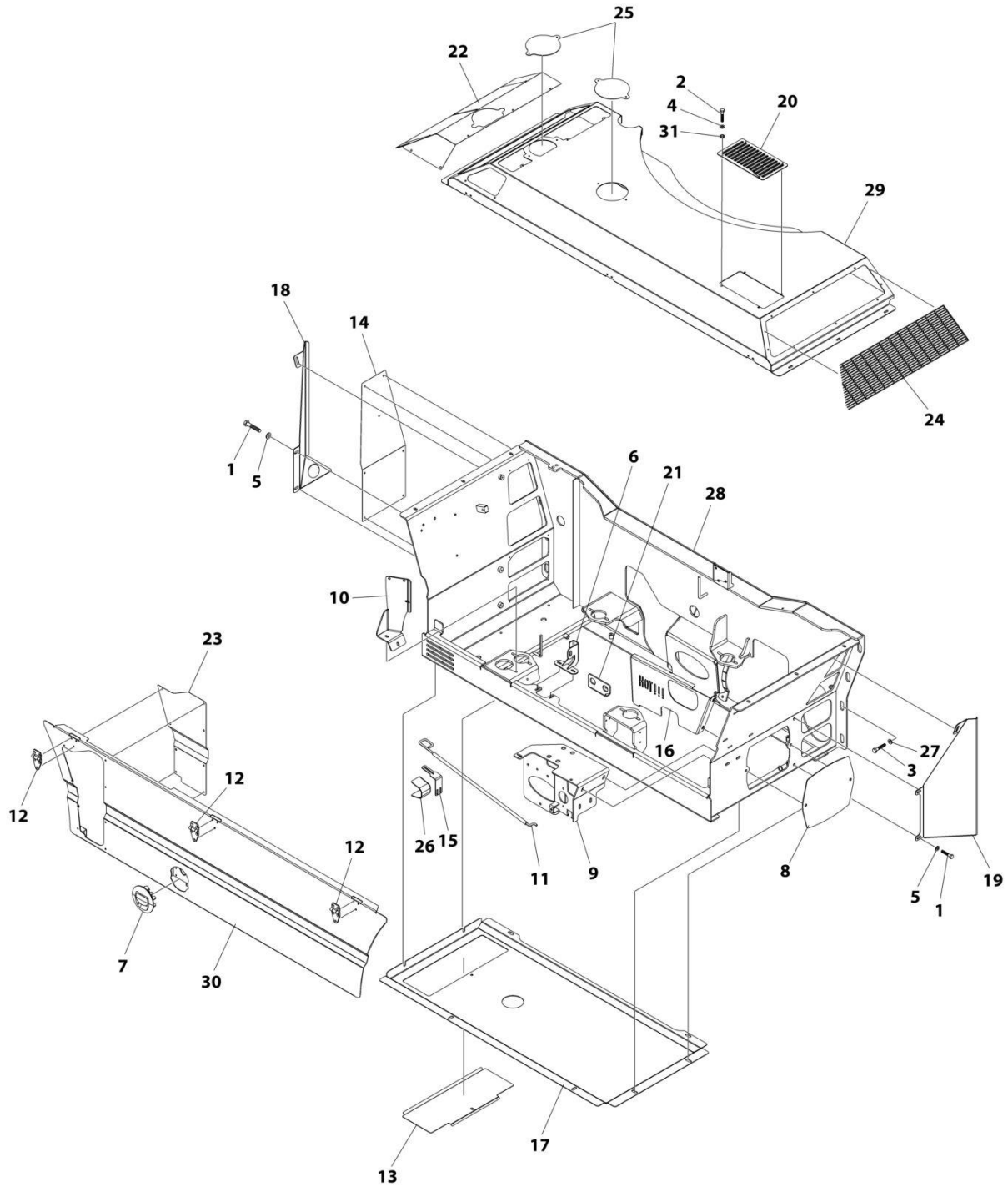
# SECTION 1 - FRAME AND ATTACHING PARTS

## FIGURE 1-2. FENDERS INSTALLATION

ITEM	PART NUMBER	QTY	DESCRIPTION	REV
	1001279538	Ref	FENDERS INSTALLATION	A
1	0700812	10	Bolt M8 x 25	
2	0701014	8	Bolt M10 x 30	
3	0761210	12	Bolt M12 x 20	
4	0761214	24	Bolt M12 x 30	
5	3290805	10	Nut, Lock M8	
6	4811902	10	Washer M8	
7	4812100	12	Washer M12	
8	1001275802	2	Ladder	
9	1001275806	1	Plate, Tank Protection	
10	1001275807	4	Cover, Outrigger	
11	1001275811	2	Fender, Left	
12	1001275812	2	Fender, Right	
14	1001275827	1	Bracket	
15	1001276085	1	Plate	
16	1001276086	1	Bracket	
17	1001276103	1	Cover	
18	1001276110	1	Bracket	
19	1001276196	1	Plate	
20	1001276201	1	Plate	
21	1001278498	24	Washer, Spring M12	
22	1001279543	12	Washer, Spring M12	
23	1001279544	4	Plug	

# SECTION 1 - FRAME AND ATTACHING PARTS

## FIGURE 1-3. ENGINE ENCLOSURE INSTALLATION



ART\_1001279540

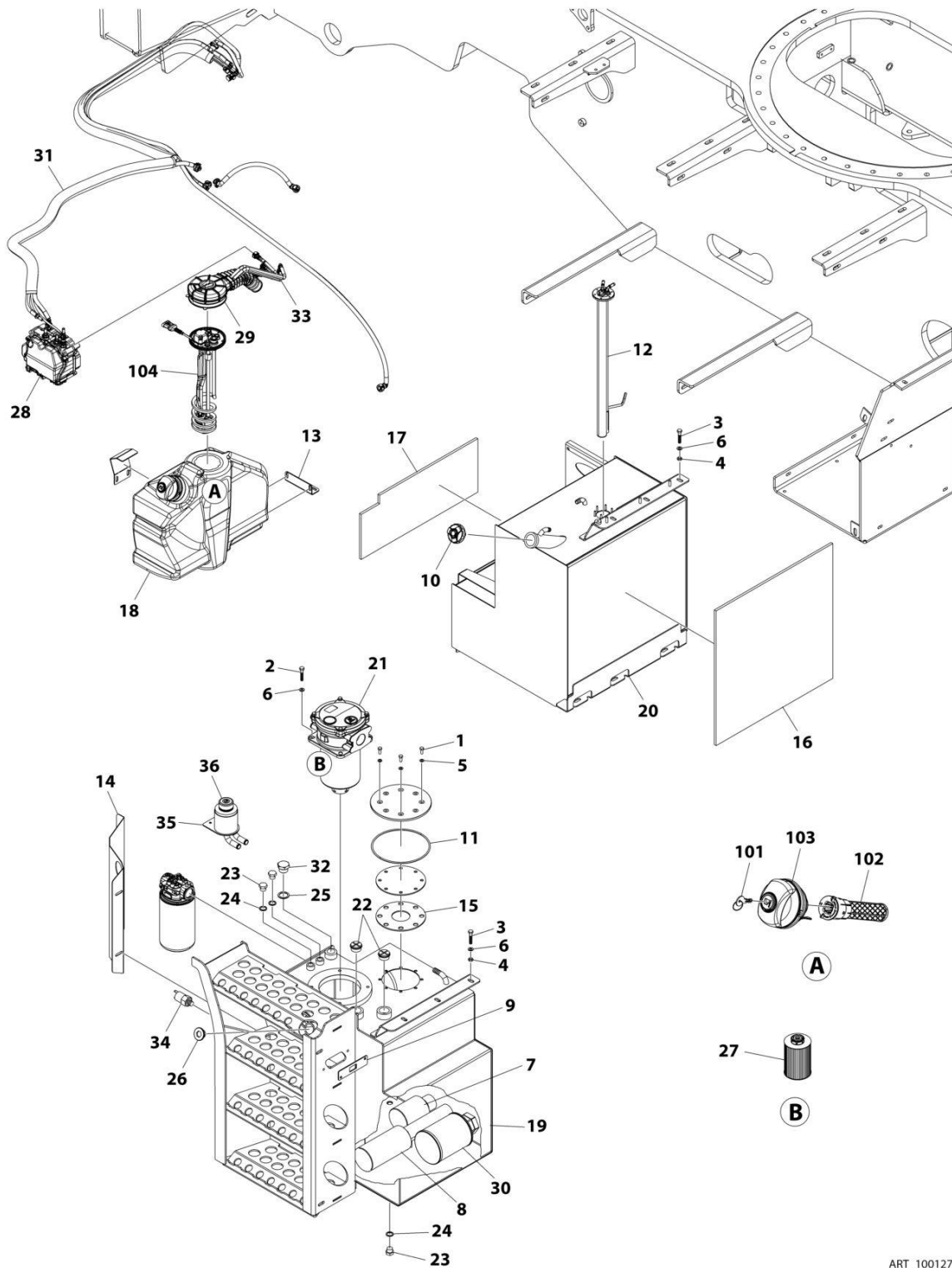
# SECTION 1 - FRAME AND ATTACHING PARTS

## FIGURE 1-3. ENGINE ENCLOSURE INSTALLATION

ITEM	PART NUMBER	QTY	DESCRIPTION	REV
	1001279540	Ref	ENGINE ENCLOSURE INSTALLATION	A
1	0700812	6	Bolt M8 x 25	
2	0760508	4	Bolt M5 x 16	
3	0762016	10	Bolt M20 x 40	
4	4811602	4	Washer M5	
5	4811902	6	Washer M8	
6	1001274737	1	Bracket	
7	1001275078	1	Handle	
8	1001275343	1	Cover	
9	1001275817	1	Bracket	
10	1001275819	1	Bracket	
11	1001275830	1	Rod	
12	1001276079	3	Hinge	
13	1001276082	1	Cover	
14	1001276084	1	Cover	
15	1001276098	1	Bracket	
16	1001276100	1	Cover	
17	1001276101	1	Cover	
18	1001276192	1	Cover	
19	1001276193	1	Cover	
20	1001276197	1	Cover, Vented	
21	1001276203	1	Plate	
22	1001276207	1	Cover	
23	1001276208	1	Cover	
24	1001276209	1	Screen	
25	1001276216	2	Cover	
26	1001276413	1	Cover	
27	1001278060	10	Washer M22	
28	1001279548	1	Enclosure, Engine	
29	1001279549	1	Hood, Engine Enclosure	
30	1001279550	1	Panel	
31	1001279551	4	Washer, Lock	

# SECTION 1 - FRAME AND ATTACHING PARTS

## FIGURE 1-4. TANKS INSTALLATION



ART\_1001275752

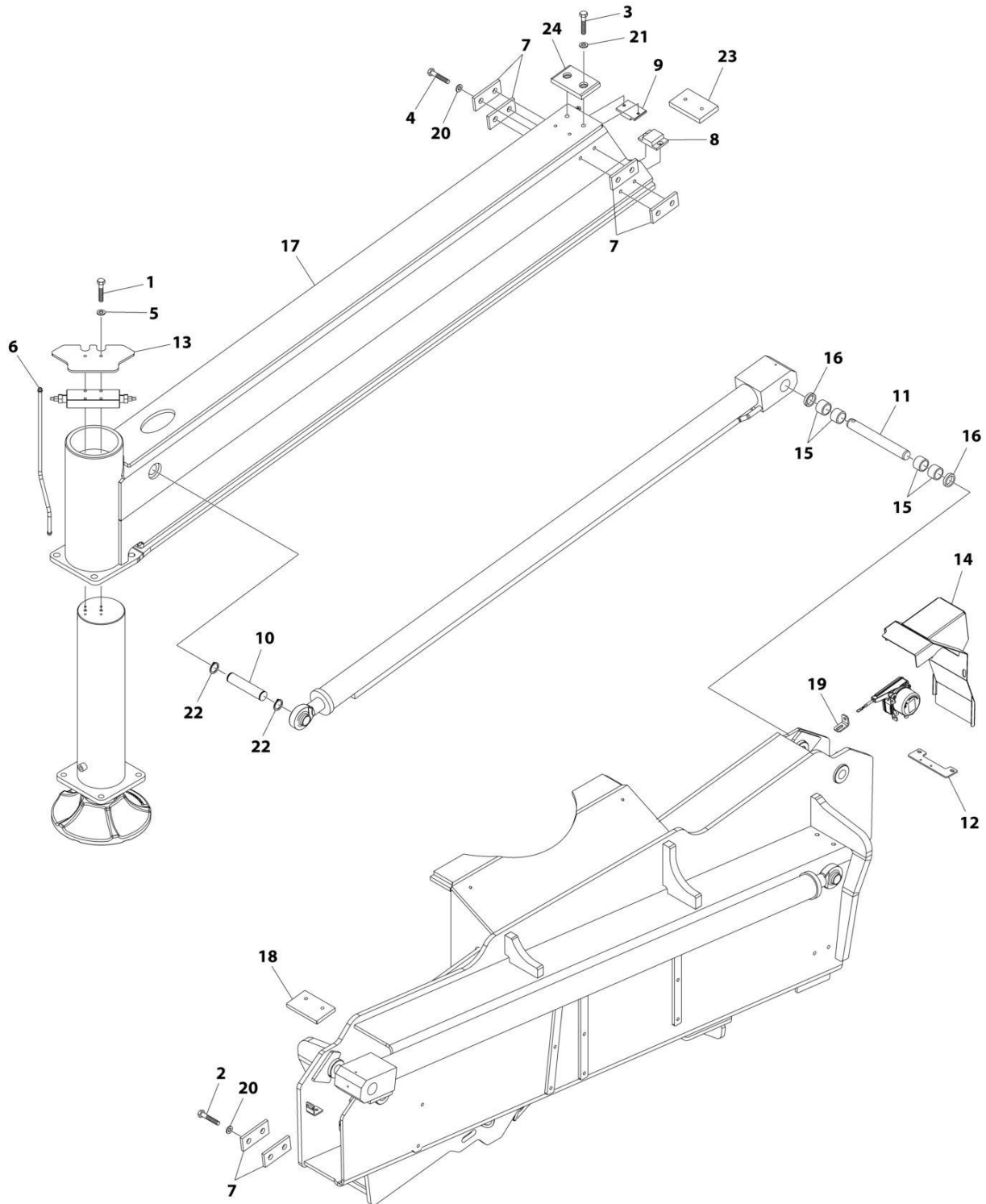
# SECTION 1 - FRAME AND ATTACHING PARTS

## FIGURE 1-4. TANKS INSTALLATION

ITEM	PART NUMBER	QTY	DESCRIPTION	REV
	1001275752	Ref	TANKS INSTALLATION	D
1	0700810	8	Bolt M8 x 20	
2	0700812	4	Bolt M8 x 25	
3	0701215	9	Bolt M12 x 35	
4	3291205	9	Nut, Lock M12	
5	4811900	8	Washer M8	
6	4812100	13	Washer M12	
7	1001274763	1	Filter	
8	1001274764	1	Filter	
9	1001275818	1	Plate	
10	1001275918	1	Cap, Fuel Tank	
11	1001302444	1	O-Ring	
12	1001275984	1	Sensor, Fuel Level	
13	1001276086	1	Bracket	
14	1001276096	1	Cover	
15	1001276417	1	Gasket	
16	1001276418	1	Insulate, Rear Fuel Tank	
17	1001276419	1	Insulate, Front Fuel Tank	
18	1001276420	1	Tank, DEF (Includes Items 101-104)	
19	1001276422	1	Tank, Oil	
20	1001276437	1	Tank, Fuel	
21	1001276477	1	Filter, Oil	
22	1001277160	2	Cap, Oil Tank	
23	1001277528	3	Plug	
24	1001278186	3	Washer	
25	1001279296	1	Washer	
26	1001279354	1	Plug	
27	1001280479	1	Element, Oil Filter	
28	1001280579	1	Pump, DEF	B
28	1001277182	1	Filter, DEF Pump (Not Shown)	
29	1001280580	1	Cap, DEF Tank	
30	1001280583	1	Filter	
31	1001280584	1	Hoses Bundle	
32	1001280585	1	Plug	
33	1001280587	1	Hose	
34	1001280588	1	Sensor, Oil Temperature	
35	1001275804	1	Breather, Oil Tank	
36	1001280582	1	Cap, Oil Tank Breather	
101	1001276889	1	Key	
102	1001277154	1	Filter	
103	1001277161	1	Cap, DEF Tank	
104	1001280586	1	Sensor, DEF Level	

# SECTION 1 - FRAME AND ATTACHING PARTS

## FIGURE 1-5. OUTRIGGERS INSTALLATION



ART\_1001280571



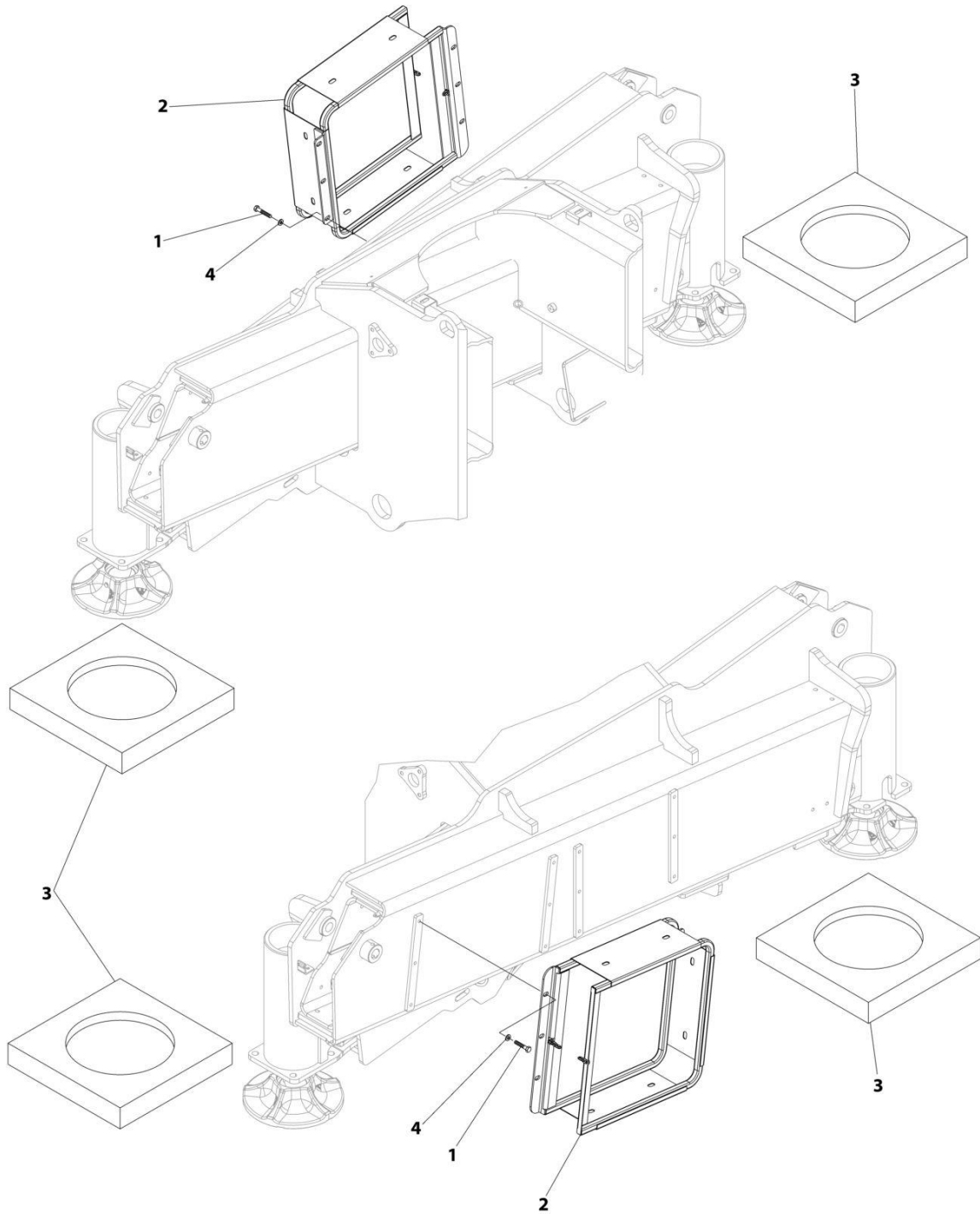
# SECTION 1 - FRAME AND ATTACHING PARTS

## FIGURE 1-5. OUTRIGGERS INSTALLATION

ITEM	PART NUMBER	QTY	DESCRIPTION	REV
	1001280571	Ref	OUTRIGGERS INSTALLATION	C
1	0700818	2	Bolt M8 x 50	
2	0701012	4	Bolt M10 x 25	
3	0701216	2	Bolt M12 x 40	
4	0761010	8	Bolt M10 x 20	
5	4811902	2	Washer M8	
6	1001275030	1	Pipe	
7	1001275044	6	Pad, Wear	
8	1001275047	1	Pad, Wear	
9	1001275048	1	Pad, Wear	
10	1001275065	1	Pin	
11	1001275066	1	Pin	
12	1001275344	1	Plate	
13	1001275345	1	Plate	
14	1001275807	1	Cover	
15	1001275981	4	Bushing	
16	1001276410	2	Bushing	
17	1001276941	1	Arm, Outrigger	
18	1001276970	1	Pad, Wear	
19	1001277784	1	Bracket	
20	1001278078	12	Washer, Spring M10	
21	1001278498	2	Washer, Spring M12	
22	1001278502	2	Ring, Retaining	
23	1001278503	1	Pad, Wear	
24	1001275049	1	Pad, Wear	

# SECTION 1 - FRAME AND ATTACHING PARTS

## FIGURE 1-6. OUTRIGGER PLATFORMS INSTALLATION



ART\_1001276032

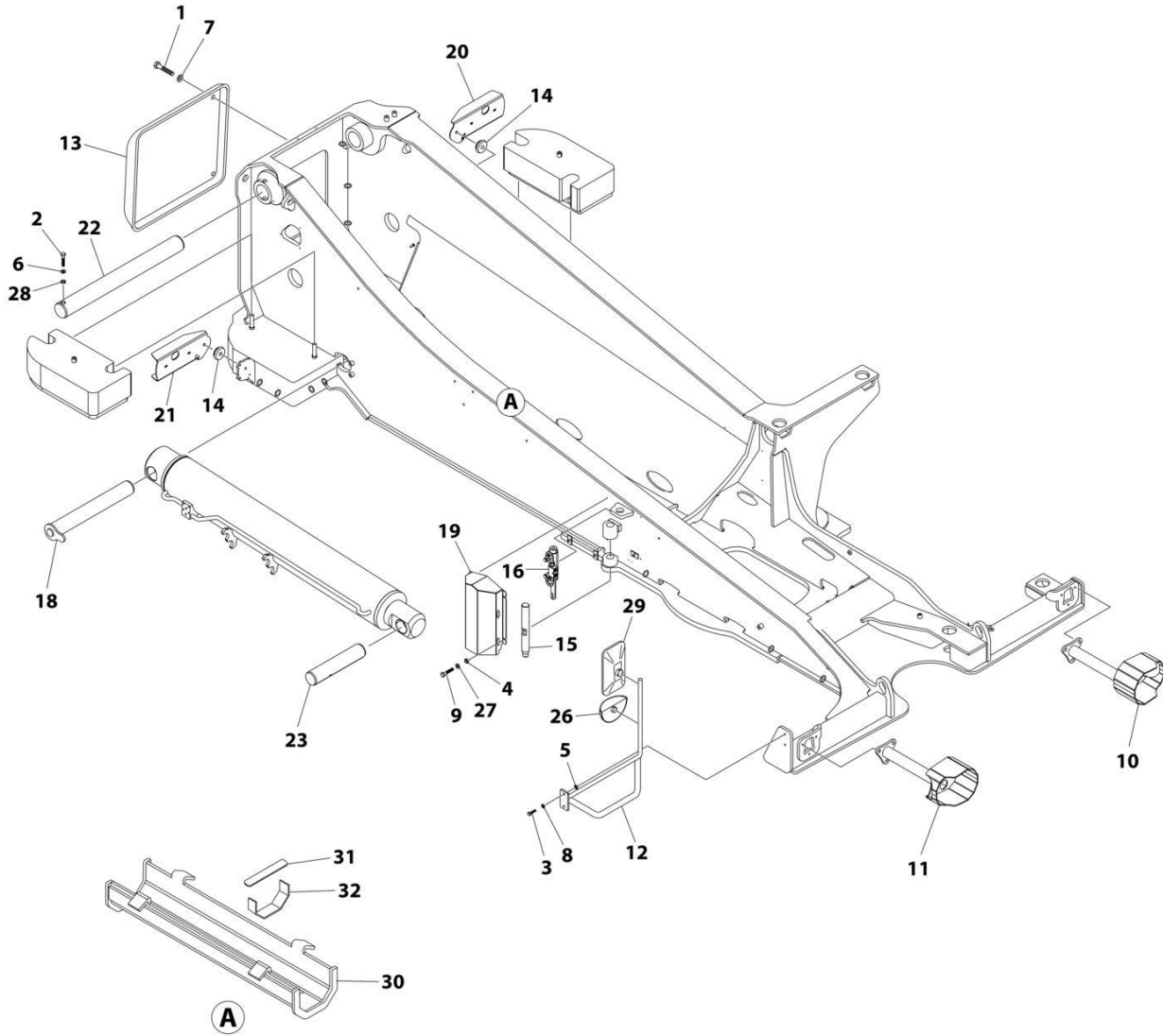
# SECTION 1 - FRAME AND ATTACHING PARTS

## FIGURE 1-6. OUTRIGGER PLATFORMS INSTALLATION

ITEM	PART NUMBER	QTY	DESCRIPTION	REV
	1001276032	Ref	OUTRIGGER PLATFORMS INSTALLATION	C
1	0761208	12	Bolt M12 x 16	
2	1001274697	2	Box, Platform	
3	1001277711	4	Platform, Outrigger	
4	1001278498	12	Washer M12	
5	1001299100	1	Carabiner (Not Shown)	

# SECTION 1 - FRAME AND ATTACHING PARTS

## FIGURE 1-7. TURNTABLE INSTALLATION



ART\_1001279541

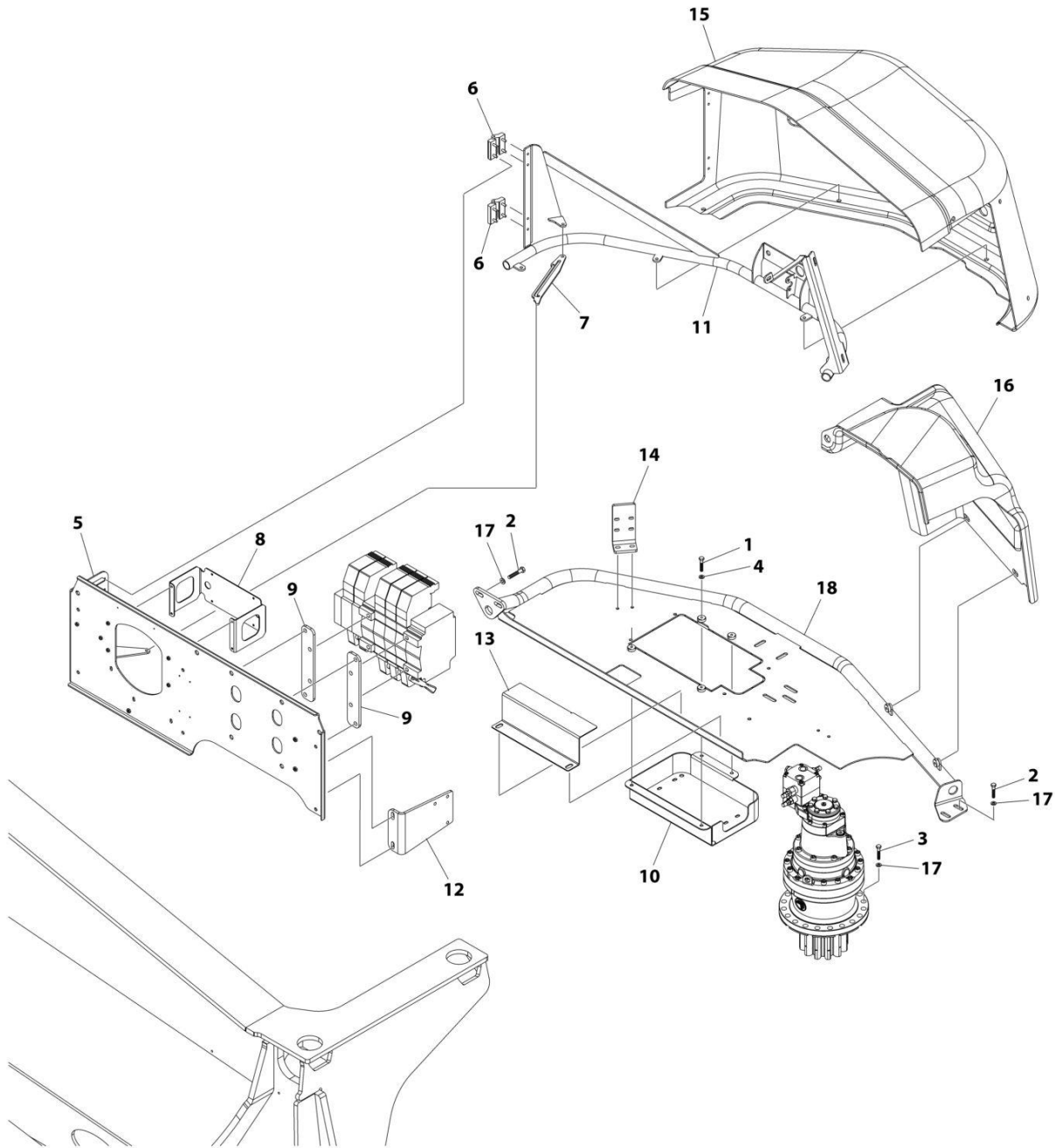
# SECTION 1 - FRAME AND ATTACHING PARTS

## FIGURE 1-7. TURNTABLE INSTALLATION

ITEM	PART NUMBER	QTY	DESCRIPTION	REV
	1001279541	Ref	TURNTABLE INSTALLATION	B
1	0700808	4	Bolt M8 x 16	
2	0760508	1	Bolt M5 x 16	
3	0761016	2	Bolt M10 x 40	
4	3290805	4	Nut, Lock M8	
5	3291005	4	Nut, Lock M10	
6	4811602	1	Washer M5	
7	4811902	4	Washer M8	
8	4812000	2	Washer M10	
9	1001009162	4	Capscrew	
10	1001274724	1	Mount, Left Headlight	
11	1001274725	1	Mount, Right Headlight	
12	1001274738	1	Bracket, Mirror	
13	1001274742	1	Cover	
14	1001275051	2	Mount	
15	1001275096	1	Pin	
16	1001275714	1	Cylinder, Locking	
18	1001275810	1	Pin	
19	1001276087	1	Cover	
20	1001276088	1	Mount, Left Taillight	
21	1001276090	1	Mount, Right Taillight	
22	1001276205	1	Pin	
23	1001276206	1	Pin	
26	1001278065	1	Mirror	
27	1001278071	4	Washer	
28	1001279551	2	Washer, Lock	
29	1001278064	1	Mirror	
30	1001282158	1	Bracket	
31	1001278066	2	Gasket	
32	1001278067	1	Seal	

# SECTION 1 - FRAME AND ATTACHING PARTS

## FIGURE 1-8. TURNTABLE HOOD INSTALLATION



ART\_1001279542

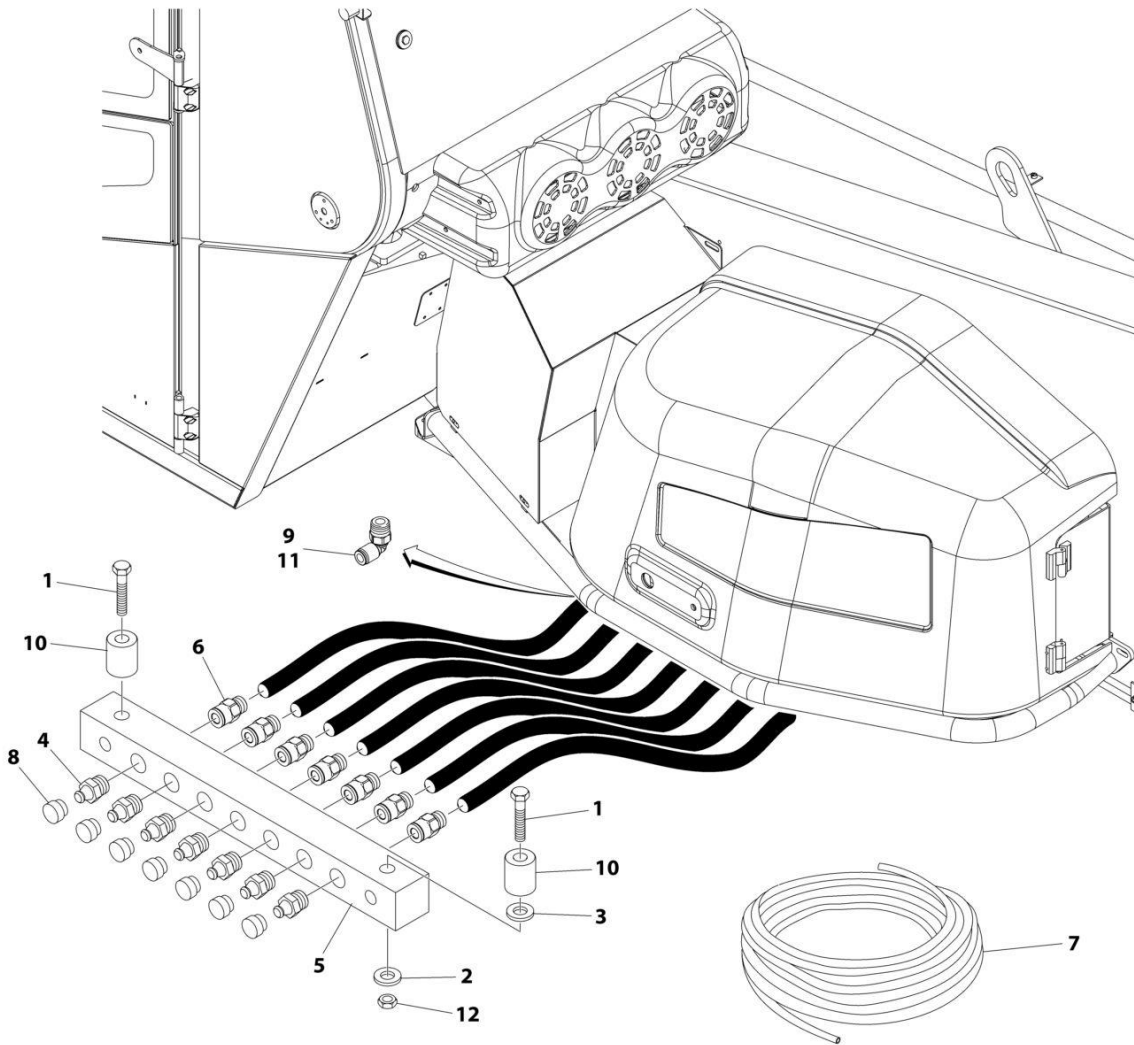
# SECTION 1 - FRAME AND ATTACHING PARTS

## FIGURE 1-8. TURNTABLE HOOD INSTALLATION

ITEM	PART NUMBER	QTY	DESCRIPTION	REV
	1001279542	Ref	TURNTABLE HOOD INSTALLATION	A
1	0700810	4	Bolt M8 x 20	
2	0701014	5	Bolt M10 x 30	
3	0701220	20	Bolt M12 x 60	
4	4811900	4	Washer M8	
5	1001274691	1	Panel	
6	1001275073	2	Hinge	
7	1001275279	1	Bracket	
8	1001275553	1	Bracket	
9	1001275555	2	Plate	
10	1001275820	1	Support	
11	1001275822	1	Support, Hood	
12	1001276111	1	Bracket	
13	1001276191	1	Bracket	
14	1001276215	1	Bracket	
15	1001276411	1	Hood	
16	1001276412	1	Cover	
17	1001278498	25	Washer, Spring M12	
18	1001279555	1	Platform, Enclosure	

# SECTION 1 - FRAME AND ATTACHING PARTS

## FIGURE 1-9. CENTRAL LUBRICATION INSTALLATION



ART\_1001280460



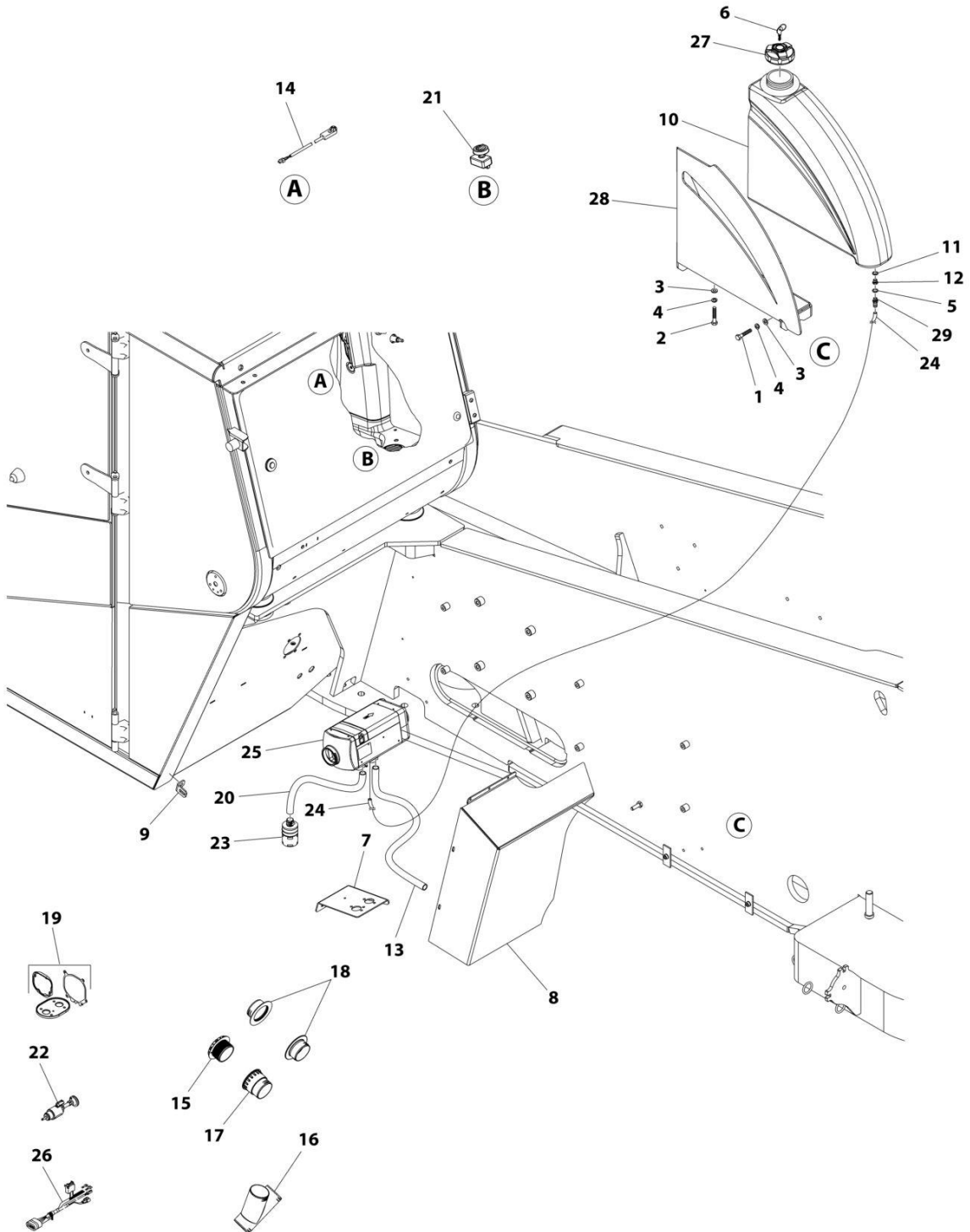
# SECTION 1 - FRAME AND ATTACHING PARTS

## FIGURE 1-9. CENTRAL LUBRICATION INSTALLATION

ITEM	PART NUMBER	QTY	DESCRIPTION	REV
	1001280460	Ref	CENTRAL LUBRICATION INSTALLATION	B
1	4031717	2	Capscrew M8 x 65	
2	4811700	2	Washer M6	
3	4811702	2	Washer M6	
4	1001276078	7	Fitting, Grease	
5	1001276336	1	Manifold	
6	1001276542	7	Fitting	
7	1001280472	AR	Hose	
8	1001280473	7	Cap	
9	1001280474	3	Coupling M10	
10	1001280908	2	Spacer	
11	1001283239	4	Coupling M8	
12	3290605001	2	Nut, Lock M6	

# SECTION 1 - FRAME AND ATTACHING PARTS

## FIGURE 1-10. DIESEL HEATER INSTALLATION



ART\_1001281356

# SECTION 1 - FRAME AND ATTACHING PARTS

## FIGURE 1-10. DIESEL HEATER INSTALLATION

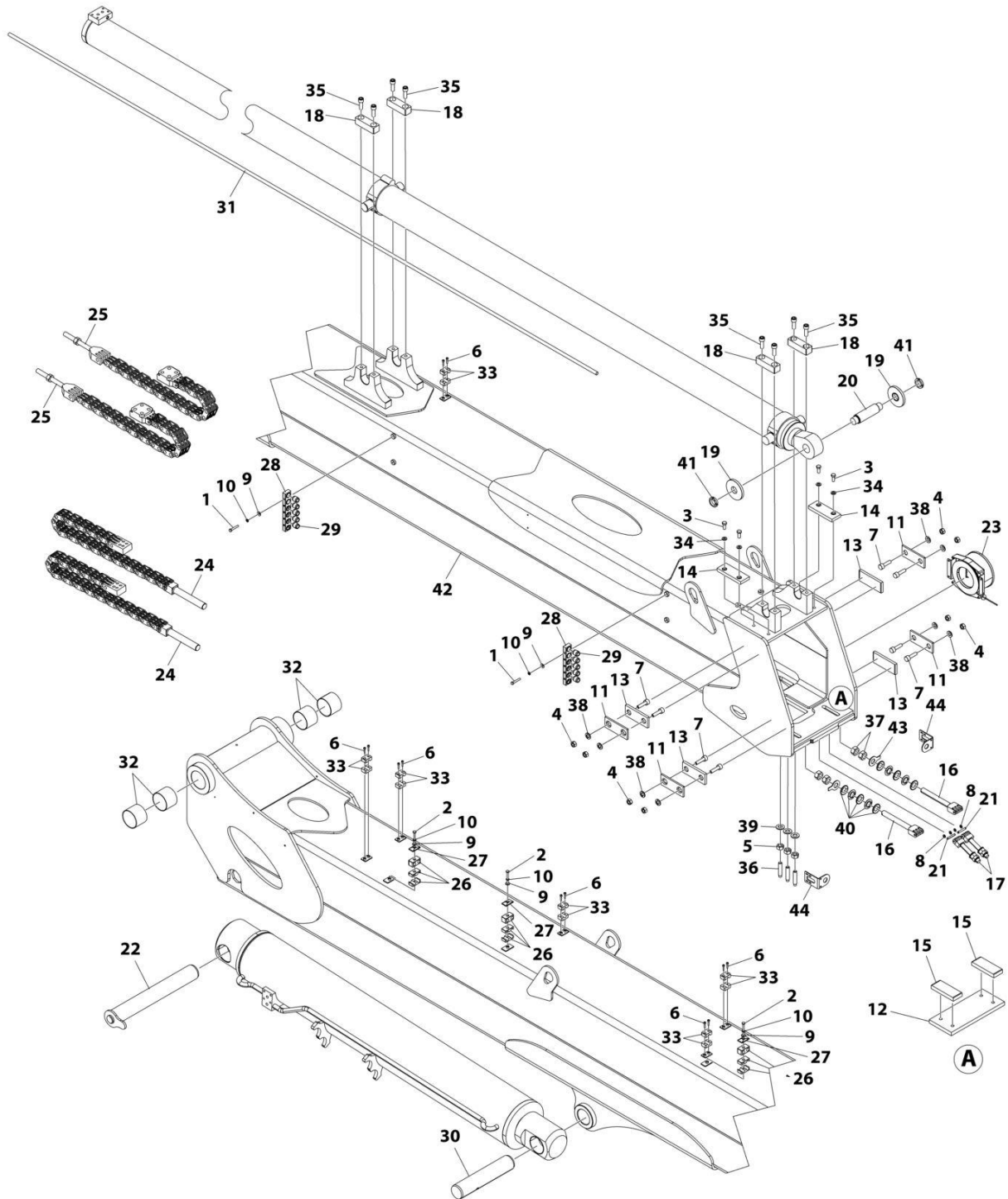
ITEM	PART NUMBER	QTY	DESCRIPTION	REV
	1001281356	Ref	DIESEL HEATER INSTALLATION	B
1	0701012	3	Bolt M10 x 25	
2	0761010	2	Bolt M10 x 20	
3	4812002	5	Washer M10	
4	4832000	5	Washer M10	
5	1001102933	1	Seal	
6	1001276889	1	Key	
7	1001277760	1	Bracket	
8	1001277766	1	Cover	
9	1001277784	1	Bracket	
10	1001277796	1	Tank	
11	1001279292	1	Washer	
12	1001294738	1	Fitting, Straight	
13	1001281361	1	Pipe, Exhaust	
14	1001281362	1	Sensor, Temperature	
15	1001281363	1	Vent, Intake	
16	1001281364	1	Fitting, Y	
17	1001281365	1	Reducer	
18	1001281366	2	Sleeve	
19	1001281367	1	Kit, O-Ring	
20	1001281368	1	Hose	
21	1001281369	1	Switch, Power	
22	1001281370	1	Pump, Fuel	
23	1001281371	1	Muffler	
24	1001281372	1	Hose	
25	1001281373	1	Radiator	
26	1001281374	1	Harness, Heater	
27	1001281375	1	Cap	
28	1001281376	1	Bracket	
29	1001281377	1	Adapter	



**SECTION 2 - BOOM**

# SECTION 2 - BOOM

## FIGURE 2-1. BASE BOOM ASSEMBLY



ART\_1001282377

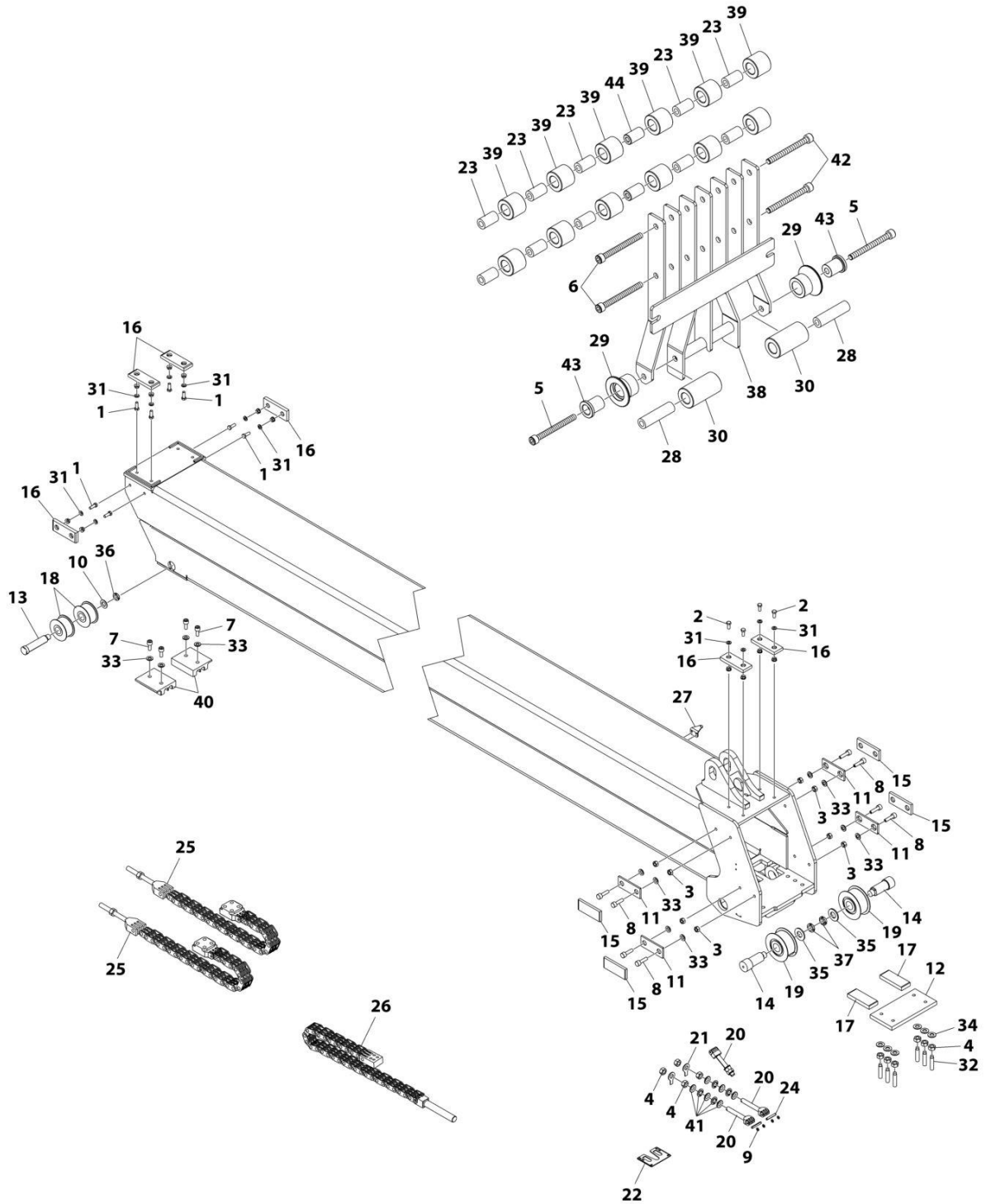
## SECTION 2 - BOOM

**FIGURE 2-1. BASE BOOM ASSEMBLY**

ITEM	PART NUMBER	QTY	DESCRIPTION	REV
	1001282377	Ref	BASE BOOM ASSEMBLY	B
1	0700818	4	Bolt M8 x 50	
2	0700822	3	Bolt M8 x 70	
3	0761214	4	Bolt M12 x 30	
4	3291601	8	Nut M16	
5	3332011	6	Nut M20	
6	4031709	10	Capscrew M6 x 25	
7	4092316	8	Set Screw M16 x 60	
8	4811900	4	Washer M8	
9	4812000	7	Washer M10	
10	4831900	7	Washer M8	
11	1001274571	4	Support, Side Wear Pad	
12	1001274572	1	Support, Wear Pad	
13	1001274577	4	Pad, Wear	
14	1001274579	2	Pad, Wear	
15	1001274581	2	Pad, Wear	
16	1001274586	2	Clevis	
17	1001274587	2	Clevis	
18	1001274596	4	Block, Fixing	
19	1001274599	2	Bushing	
20	1001275067	1	Pin	
21	1001275700	2	Bar	
22	1001275810	1	Pin	
23	1001275886	1	Reel, Boom Cable	
24	1001275995	2	Chain, Extend/Retract	
25	1001275997	2	Chain, Extend/Retract	
26	1001276006	6	Clamp, Split	
27	1001276074	3	Cover, Split Clamp	
28	1001276075	2	Bracket	
29	1001276076	10	Bushing	
30	1001276206	1	Pin	
31	1001276214	1	Tube	
32	1001276555	4	Bushing	
33	1001276960	6	Clamp, Split	
34	1001278498	4	Washer	
35	1001278718	8	Capscrew M16 x 45	
36	1001278719	6	Set Screw M20 x 80	
37	1001278720	4	Nut M24	
38	1001278721	8	Washer	
39	1001278722	6	Washer	
40	1001278725	10	Washer M24	
41	1001278729	2	Nut, Ring	
42	1001282359	1	Boom, Base	
43	1001274590	2	Plate	
44	1001274591	2	Guide	

# SECTION 2 - BOOM

## FIGURE 2-2. SECOND BOOM ASSEMBLY



ART\_1001282378



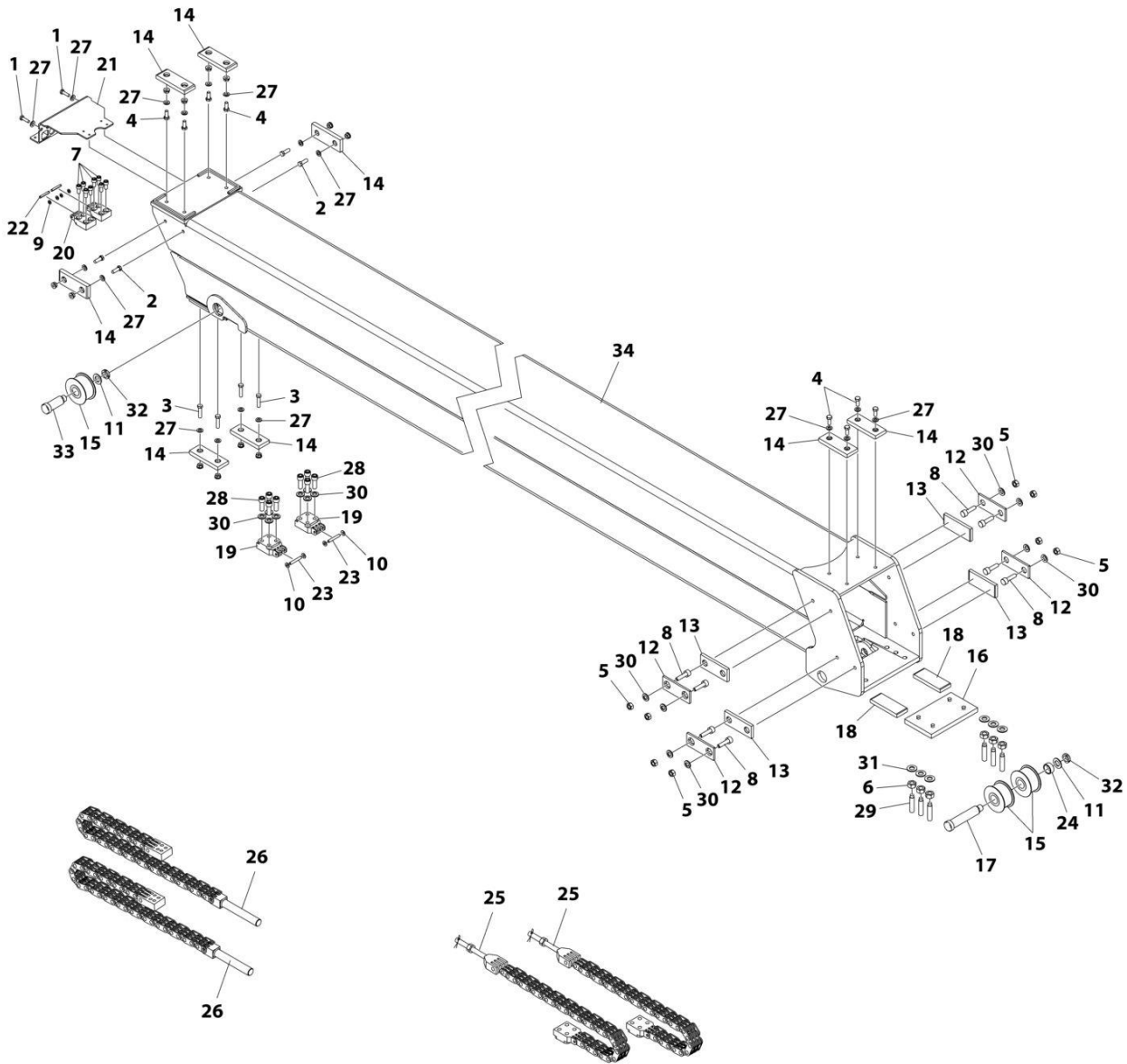
## SECTION 2 - BOOM

**FIGURE 2-2. SECOND BOOM ASSEMBLY**

ITEM	PART NUMBER	QTY	DESCRIPTION	REV
	1001282378	Ref	SECOND BOOM ASSEMBLY	B
1	0701215	8	Bolt M12 x 35	
2	0761214	4	Bolt M12 x 30	
3	3291601	8	Nut M16	
4	3332011	10	Nut M20	
5	4032025	2	Capscrew M10 x 120	
6	4032027	2	Capscrew M10 x 140	
7	4032311	4	Capscrew M16 x 35	
8	4092316	8	Set Screw M16 x 60	
9	4811900	4	Washer M8	
10	4812700	1	Washer M24	
11	1001274571	4	Support, Side Wear Pad	
12	1001274573	1	Support, Wear Pad	
13	1001274574	1	Pin	
14	1001274575	2	Pin	
15	1001274577	4	Pad, Wear	
16	1001274578	6	Pad, Wear	
17	1001274581	2	Pad, Wear	
18	1001274584	2	Sheave, Chain	
19	1001274585	2	Sheave, Chain	
20	1001274587	3	Clevis	
21	1001274589	2	Plate	
22	1001274592	1	Plate	
23	1001274597	10	Spacer	
24	1001275701	2	Pin	
25	1001275993	2	Chain, Extend/Retract	
26	1001275994	1	Chain, Extend/Retract	
27	1001276218	1	Plate	
28	1001276822	2	Pin	
29	1001276823	2	Bushing	
30	1001276824	2	Roller, Lower	
31	1001278498	12	Washer M12	
32	1001278719	6	Set Screw M20 x 80	
33	1001278721	12	Washer	
34	1001278722	6	Washer	
35	1001278726	2	Washer	
36	1001278727	1	Nut M24	
37	1001278728	2	Nut M28	
38	1001274566	1	Guide, Hose	
39	1001278731	12	Roller, Upper	
40	1001278734	2	Pad, Wear	
41	1001278737	10	Washer, Spring M20	
42	1001281693	2	Bolt M10 x 140	
43	1001281694	2	Bushing	
44	1001281695	2	Spacer	
45	1001282362	1	Boom, Second	

# SECTION 2 - BOOM

## FIGURE 2-3. THIRD BOOM ASSEMBLY



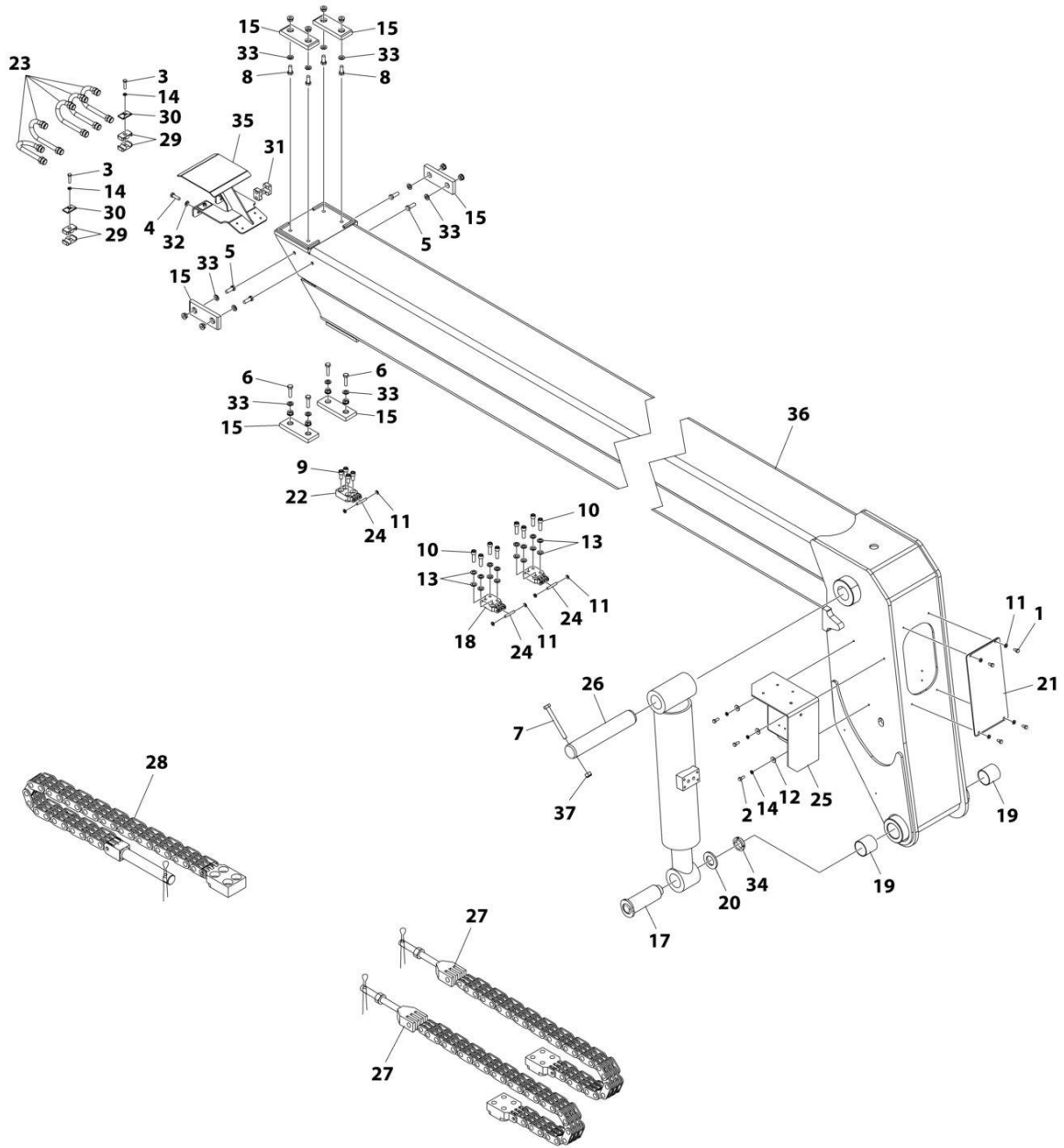
ART\_1001282379

FIGURE 2-3. THIRD BOOM ASSEMBLY

ITEM	PART NUMBER	QTY	DESCRIPTION	REV
	1001282379	Ref	THIRD BOOM ASSEMBLY	B
1	0701015	2	Bolt M10 x 35	
2	0701215	4	Bolt M12 x 35	
3	0701218	4	Bolt M12 x 50	
4	0761214	8	Bolt M12 x 30	
5	3291601	8	Nut M16	
6	3332011	6	Nut M20	
7	4032110	8	Capscrew M12 x 30	
8	4092316	8	Capscrew M16 x 60	
9	4811900	4	Washer M8	
10	4812000	4	Washer M10	
11	4812700	2	Washer M24	
12	1001274571	4	Support, Side Wear Pad	
13	1001274577	4	Pad, Wear	
14	1001274578	8	Pad, Wear	
15	1001274584	3	Sheave, Chain	
16	1001274674	1	Support, Wear Pad	
17	1001274675	1	Pin	
18	1001274676	2	Pad, Wear	
19	1001274677	2	Clevis	
20	1001274678	2	Clevis	
21	1001299013	1	Bracket	
22	1001275700	2	Pin	
23	1001275701	2	Pin	
24	1001275718	1	Bushing	
25	1001275995	2	Chain, Extend/Retract	
26	1001275997	2	Chain, Extend/Retract	
27	1001278498	18	Washer, Spring	
28	1001278718	8	Capscrew M16 x 45	
29	1001278719	6	Set Screw M20 x 80	
30	1001278721	16	Washer	
31	1001278722	6	Washer	
32	1001278727	2	Nut M24	
33	1001278738	1	Pin	
34	1001282363	1	Boom, Third	

# SECTION 2 - BOOM

## FIGURE 2-4. FLY BOOM ASSEMBLY



ART\_1001282380

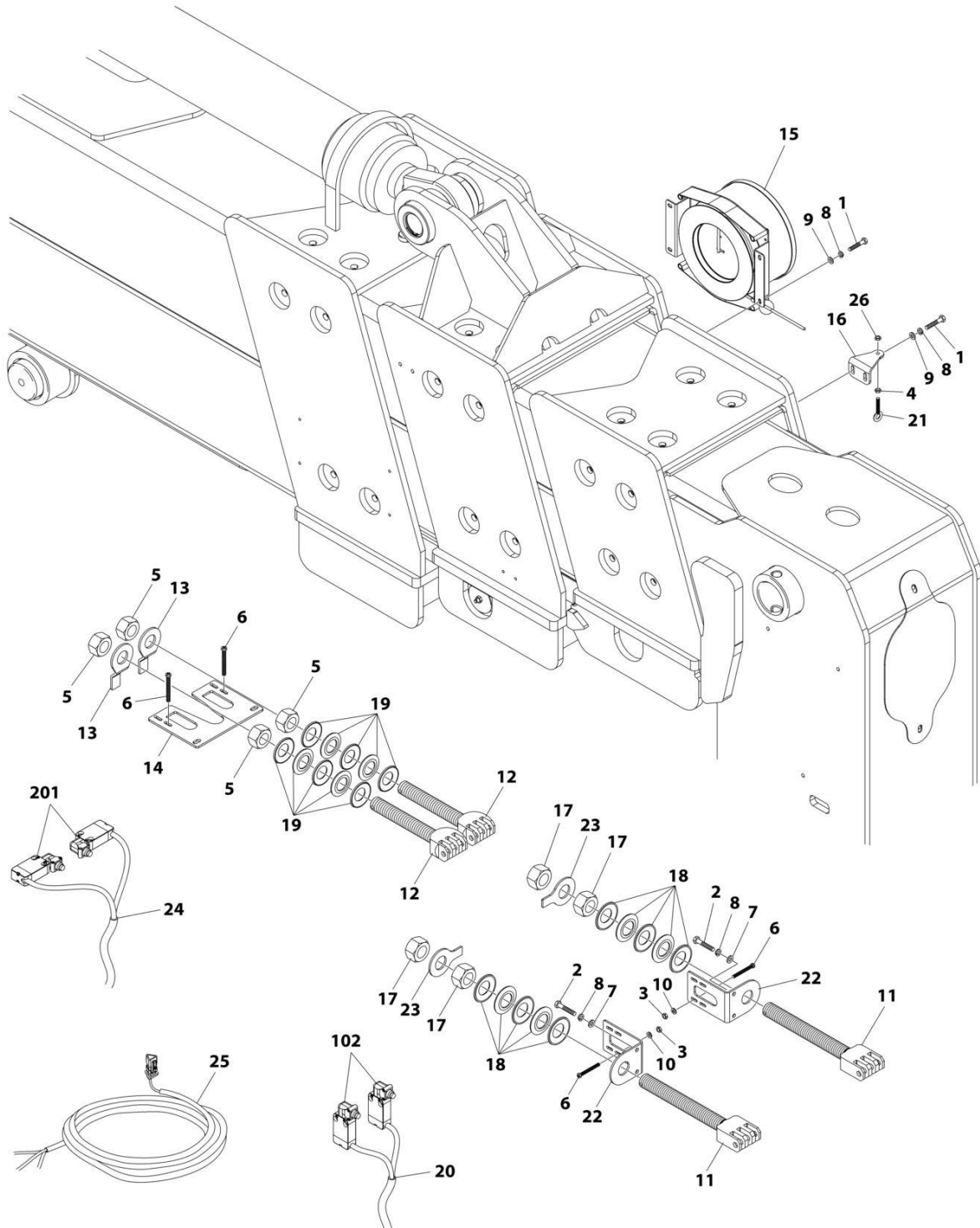
## SECTION 2 - BOOM

### FIGURE 2-4. FLY BOOM ASSEMBLY

ITEM	PART NUMBER	QTY	DESCRIPTION	REV
	1001282380	Ref	FLY BOOM ASSEMBLY	B
1	0700808	4	Bolt M8 x 16	
2	0700810	3	Bolt M8 x 20	
3	0700815	2	Bolt M8 x 35	
4	0701015	2	Bolt M10 x 35	
5	0701215	4	Bolt M12 x 35	
6	0701217	4	Bolt M12 x 45	
7	0701631	1	Bolt M16 x 140	
8	0761214	4	Bolt M12 x 30	
9	4032110	4	Capscrew M12 x 30	
10	4032112	8	Capscrew M12 x 40	
11	4811900	10	Washer M8	
12	4811902	3	Washer M8	
13	4812100	16	Washer M12	
14	4831900	5	Washer, Lock M8	
15	1001274578	6	Pad, Wear	
17	1001274667	1	Pin	
18	1001274668	2	Clevis	
19	1001274669	2	Bushing	
20	1001274671	1	Washer	
21	1001274672	1	Plate	
22	1001274678	1	Clevis	
23	1001275032	5	Pipe	
24	1001275700	3	Pin	
25	1001275826	1	Support	
26	1001275980	1	Pin	
27	1001275993	2	Chain, Extend/Retract	
28	1001275994	1	Chain, Extend/Retract	
29	1001276006	2	Clamp, Split	
30	1001276074	2	Cover, Split Clamp	
31	1001276960	1	Clamp, Split	
32	1001278078	2	Washer, Spring	
33	1001278498	12	Washer, Spring	
34	1001278740	1	Nut, Ring	
35	1001281699	1	Support	
36	1001282364	1	Boom, Fly	
37	1001278053	1	Nut, Lock M16	

# SECTION 2 - BOOM

## FIGURE 2-5. BOOM REEL INSTALLATION



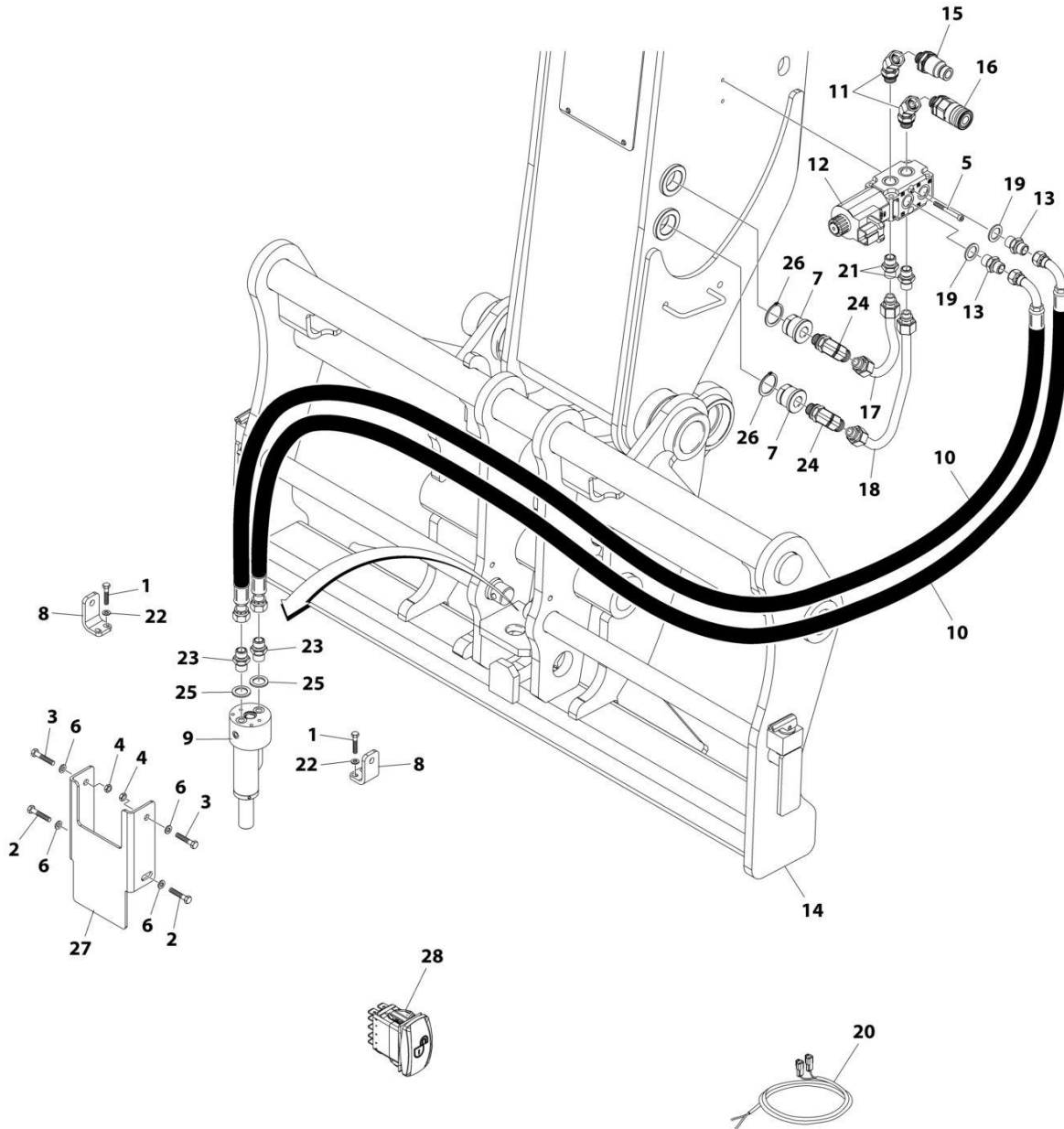
ART\_1001282381

FIGURE 2-5. BOOM REEL INSTALLATION

ITEM	PART NUMBER	QTY	DESCRIPTION	REV
	1001282381	Ref	BOOM REEL INSTALLATION	C
1	0760608	6	Bolt M6 x 16	
2	0760610	4	Bolt M6 x 20	
3	3290405	8	Nut M4	
4	3290601	1	Nut M6	
5	3332011	4	Nut M20	
6	4010414	12	Bolt M4 x 30	
7	4811700	4	Washer M6	
8	4831700	10	Washer M6	
9	4831900	6	Washer M8	
10	1001091102	8	Washer M4	
11	1001274586	2	Clevis	
12	1001274587	2	Clevis	
13	1001274589	2	Plate	
14	1001274592	1	Plate	
15	1001275886	1	Reel, Boom Cable	
16	1001276218	1	Bracket	
17	1001278720	4	Nut M24	
18	1001278725	10	Washer M24	
19	1001278737	10	Washer M20	
20	1001281238	1	Limit Switch Harness (Includes Item 102)	
21	1001281245	1	Bolt M6	
22	1001274590	2	Guide	
23	1001274591	2	Plate	
24	1001282367	1	Limit Switch Harness (Includes Item 201)	
25	1001282369	1	Extension Harness	
26	3290605001	1	Nut M6	
102	1001281244	2	Sensor, Limit Switch	
201	1001281244	2	Sensor, Limit Switch	

# SECTION 2 - BOOM

## FIGURE 2-6. COUPLER ASSEMBLY (HYDRAULIC)



ART\_1001277656

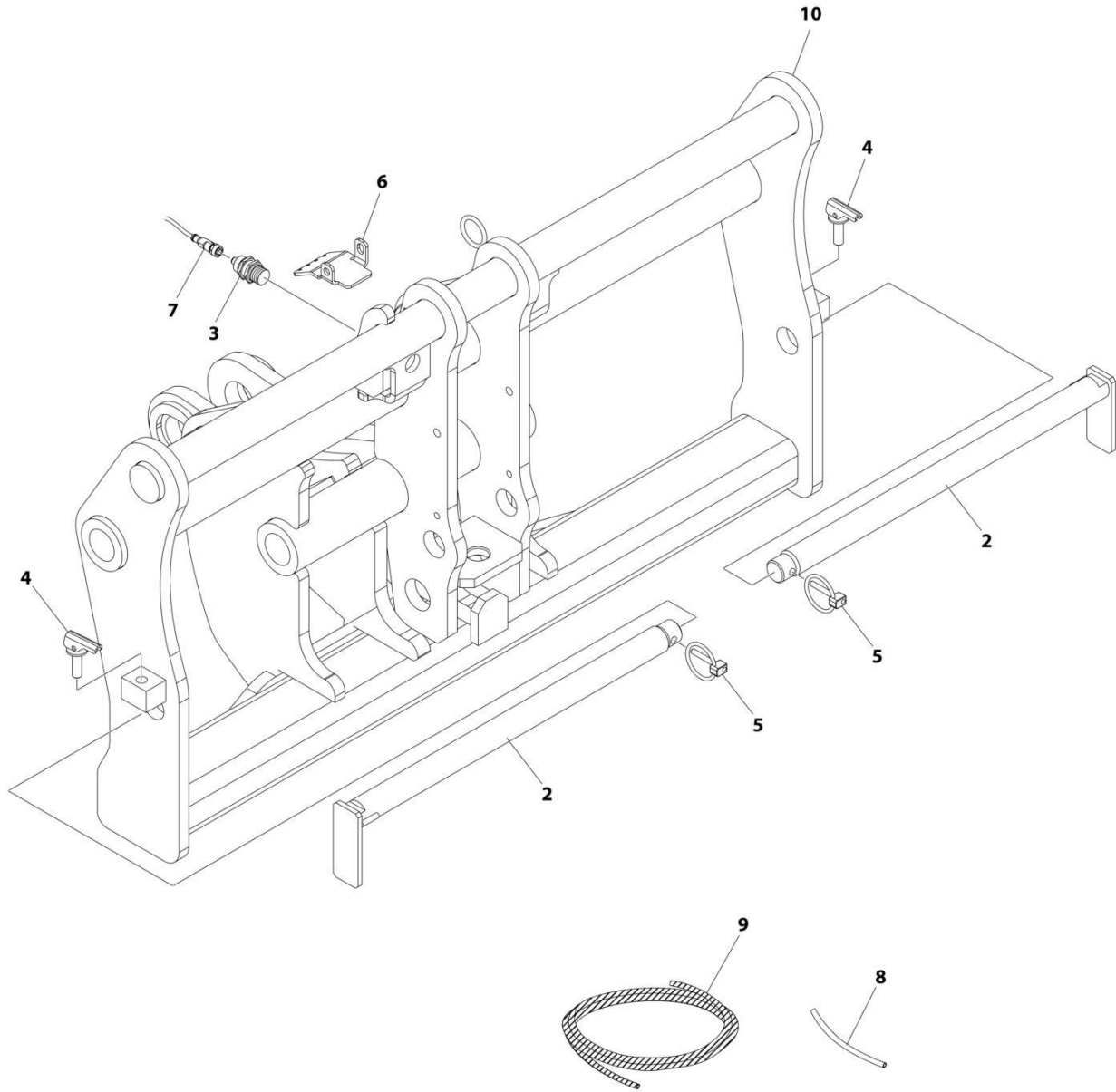


FIGURE 2-6. COUPLER ASSEMBLY (HYDRAULIC)

ITEM	PART NUMBER	QTY	DESCRIPTION	REV
	1001277656	Ref	COUPLER ASSEMBLY (HYDRAULIC)	B
1	0700812	4	Bolt M8 x 25	
2	0701215	2	Bolt M12 x 35	
3	0701218	2	Bolt M12 x 50	
4	3291205	2	Nut M12	
5	4031918	2	Capscrew M8 x 70	
6	4812102	4	Washer M12	
7	1001274670	2	Bushing	
8	1001275296	2	Bracket	
9	1001275715	1	Cylinder, Locking	
10	1001275924	2	Hose	
11	1001276827	2	Fitting 45 ORFS/JIC	
12	1001276902	1	Valve	
13	1001277526	2	Reducer	
14	1001277655	1	Manual Coupler Assembly (See Separate Breakdown in this Section)	
15	1001277706	1	Coupling, Male Quick Disconnect	
16	1001277707	1	Coupling, Female Quick Disconnect	
17	1001277787	1	Pipe	
18	1001277788	1	Pipe	
19	1001278186	2	Washer	
20	1001279097	1	Harness, Hydraulic Coupler	
21	1001279098	2	Fitting Straight ORFS/ORB	
22	1001279099	4	Washer	
23	1001279102	2	Fitting Straight ORFS/ORB	
24	1001279104	2	Fitting 90 ORFS/ORB	
25	1001279105	2	Washer	
26	1001279108	2	Ring, Retaining	
27	1001281696	1	Cover	
28	1001281697	1	Switch, Coupler	

# SECTION 2 - BOOM

## FIGURE 2-7. COUPLER ASSEMBLY (MANUAL)



ART\_1001277655

FIGURE 2-7. COUPLER ASSEMBLY (MANUAL)

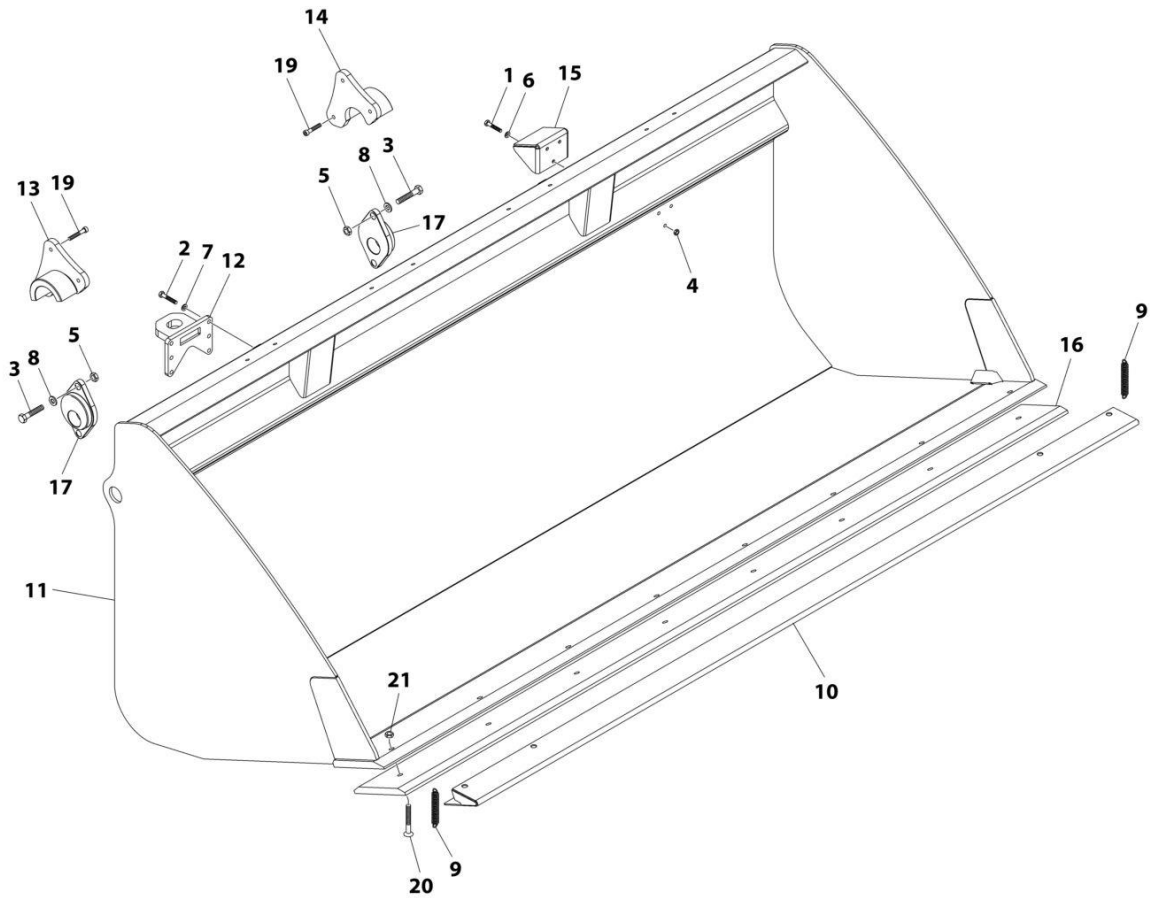
ITEM	PART NUMBER	QTY	DESCRIPTION	REV
	1001277655	Ref	COUPLER ASSEMBLY (MANUAL)	B
2	1001274716	2	Pin	
3	1001274752	1	Sensor, Attachment	
4	1001275054	2	Pin	
5	1001275082	2	Pin	
6	1001275331	1	Bracket	
7	1001279110	1	Harness, Attachment Sensor	
8	1001279111	AR	Insulate, Cable	
9	1001279112	AR	Conduit	
10	1001283498	1	Coupler, Attachment	



**SECTION 3 - ATTACHMENTS**

# SECTION 3 - ATTACHMENTS

## FIGURE 3-1. BUCKET ASSEMBLY - GENERAL PURPOSE



ART\_1001276574

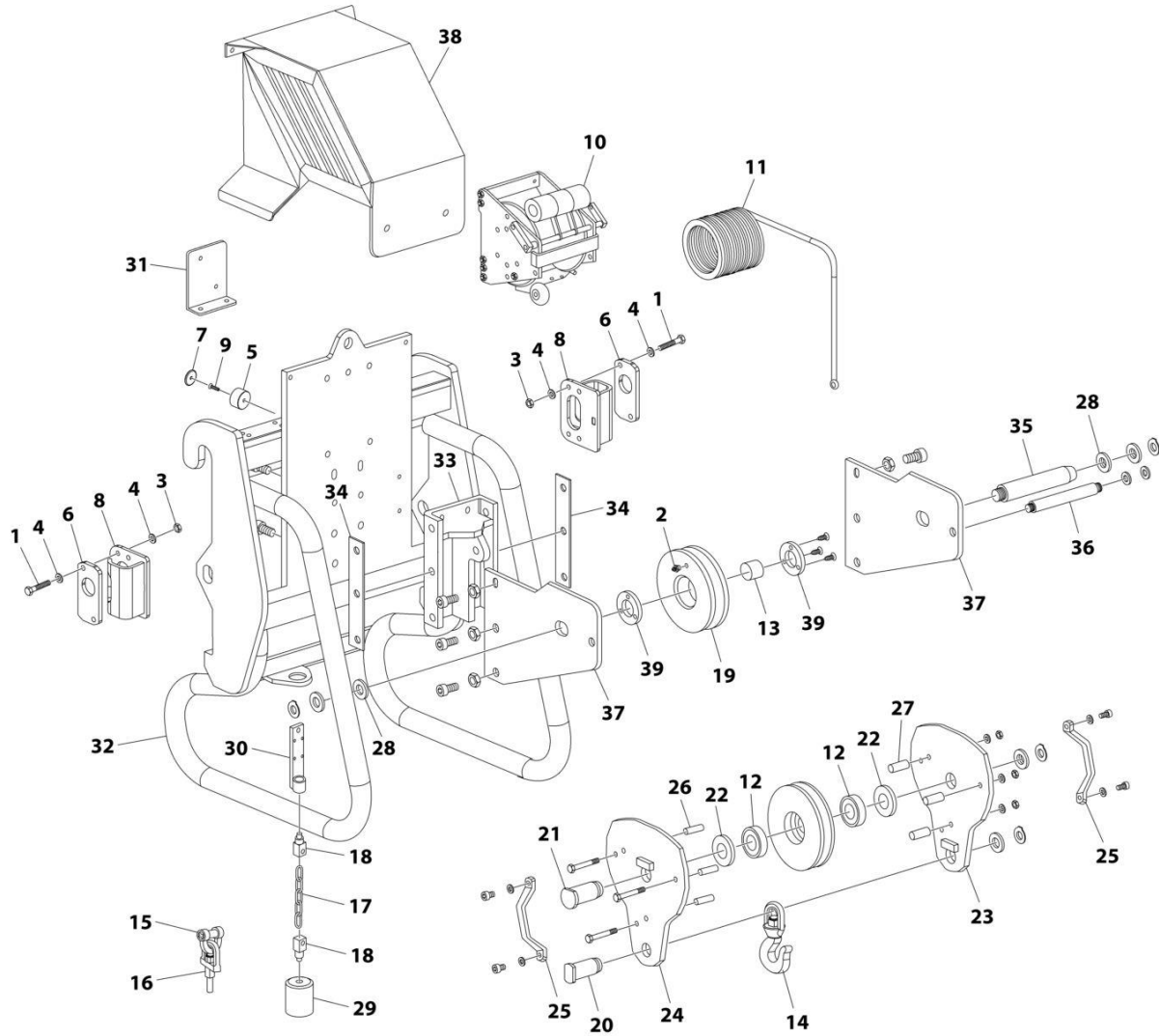
## SECTION 3 - ATTACHMENTS

**FIGURE 3-1. BUCKET ASSEMBLY - GENERAL PURPOSE**

ITEM	PART NUMBER	QTY	DESCRIPTION	REV
	1001276574	Ref	BUCKET ASSEMBLY - GENERAL PURPOSE	B
1	0700810	3	Bolt M8 x 20	
2	0701012	6	Bolt M10 x 25	
3	0701619	4	Bolt M16 x 55	
4	3290805	3	Nut, Lock M8	
5	3291605	4	Nut, Lock M16	
6	4811902	3	Washer M8	
7	4812000	6	Washer M10	
8	4812300	4	Washer M16	
9	1001276553	2	Spring	
10	1001277530	1	Cover, Blade	
11	1001277531	1	Bucket	
12	1001277532	1	Bracket	
13	1001277533	1	Bracket	
14	1001277534	1	Bracket	
15	1001277552	1	Bracket	
16	1001277553	1	Plate, Blade	
17	1001277554	2	Support	
19	1001283857	6	Capscrew M12 x 55	
20	1001283858	8	Capscrew M14 x 50	
21	1001283859	8	Nut M14	

# SECTION 3 - ATTACHMENTS

## FIGURE 3-2. CARRIAGE WINCH ASSEMBLY



ART\_1001284250



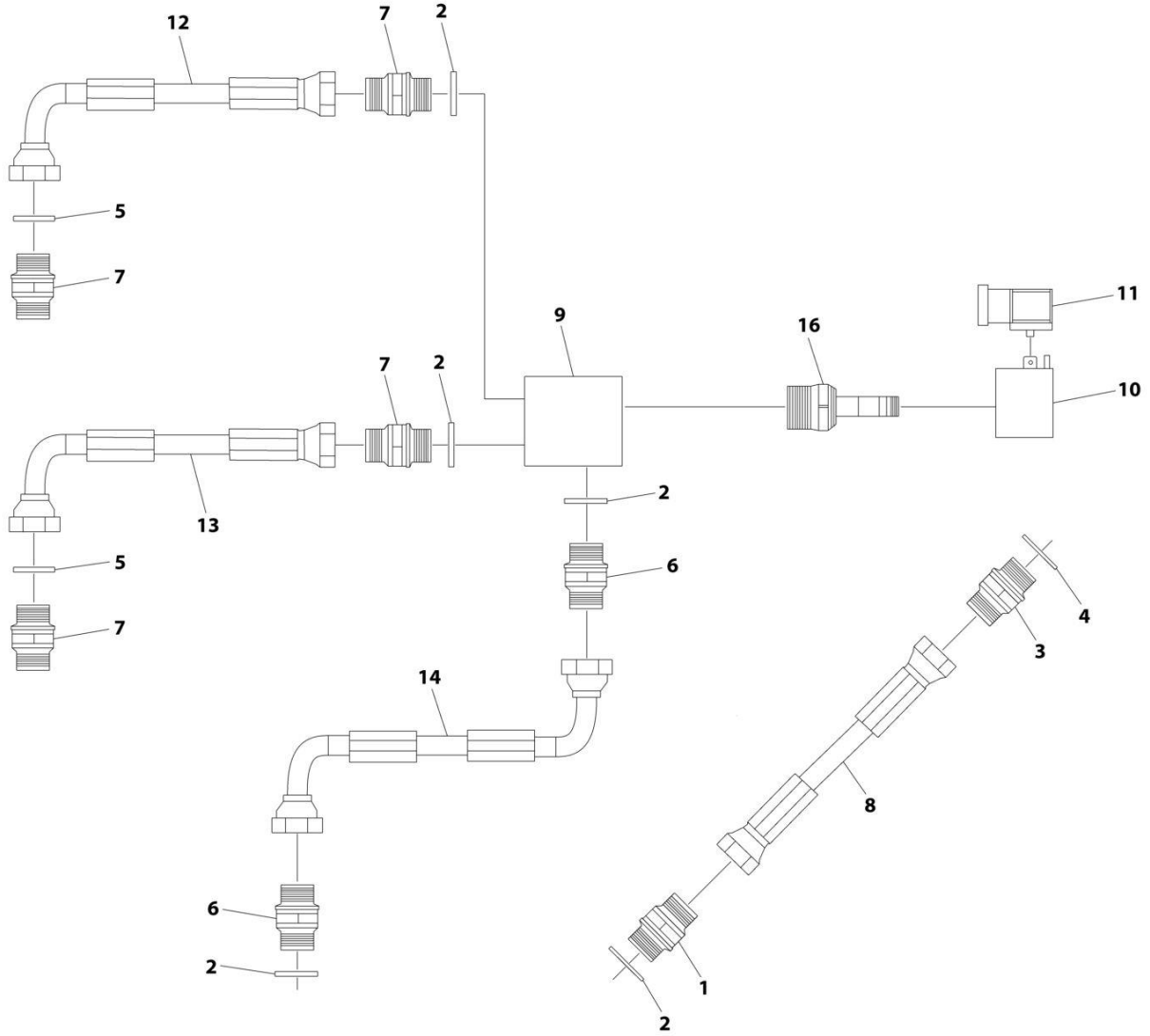
## SECTION 3 - ATTACHMENTS

### FIGURE 3-2. CARRIAGE WINCH ASSEMBLY

ITEM	PART NUMBER	QTY	DESCRIPTION	REV
	1001284250	Ref	CARRIAGE WINCH ASSEMBLY	B
1	0701218	4	Bolt M12 x 50	
2	2160016	1	Fitting, Grease	
3	3291205	4	Nut M12	
4	4812100	8	Washer M12	
5	1001275288	1	Spacer	
6	1001275346	2	Plate	
7	1001277444	1	Decal - Attachment ID	
8	1001277535	2	Bracket	
9	1001283694	1	Bolt M5 x 25	
10	1001284212	1	Winch Assembly (See Separate Breakdown in this Section)	
11	1001284213	1	Cable	
12	1001284214	2	Bearing	
13	1001284215	1	Bushing	
14	1001284216	1	Hook	
15	1001284217	1	Clevis	
16	1001284218	1	Link	
17	1001284219	1	Chain	
18	1001284220	2	Clevis	
19	1001284221	1	Sheave	
20	1001284223	1	Pin	
21	1001284224	1	Pin	
22	1001284225	2	Washer	
23	1001284226	1	Plate	
24	1001284227	1	Plate	
25	1001284228	2	Handle	
26	1001284229	3	Spacer	
27	1001284230	3	Spacer	
28	1001284231	2	Washer	
29	1001284232	1	Counterweight	
30	1001284233	1	Bracket	
31	1001284234	1	Bracket	
32	1001284235	1	Frame	
33	1001284236	1	Bracket	
34	1001284237	2	Shim	
35	1001284238	1	Pin	
36	1001284239	1	Rod, Tie	
37	1001284240	2	Plate	
38	1001284241	1	Cover	
39	1001284251	2	Spacer	

# SECTION 3 - ATTACHMENTS

## FIGURE 3-3. CARRIAGE WINCH HYDRAULICS ASSEMBLY



ART\_1001284292

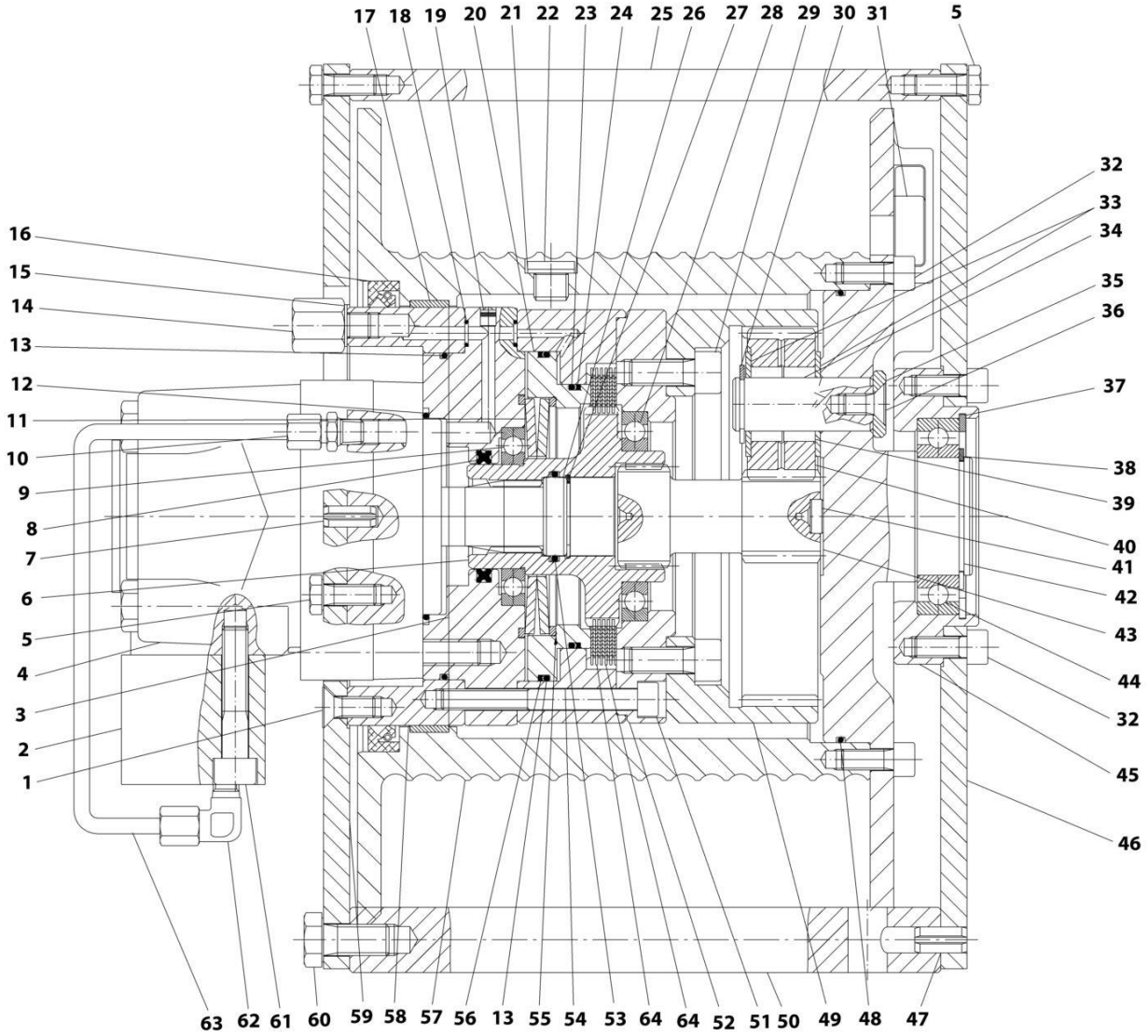
## SECTION 3 - ATTACHMENTS

**FIGURE 3-3. CARRIAGE WINCH HYDRAULICS ASSEMBLY**

ITEM	PART NUMBER	QTY	DESCRIPTION	REV
	1001284292	Ref	CARRIAGE WINCH HYDRAULICS ASSEMBLY	D
1	1001277526	1	Fitting, Reducer	
2	1001278186	5	Washer	
3	1001279103	1	Fitting, Straight ORFS/ORB	
4	1001279105	1	Washer	
5	1001279277	2	Washer	
6	1001279323	2	Fitting, Straight ORFS/ORB	
7	1001279356	4	Fitting, Straight ORFS/ORB	
8	1001284242	1	Hose	
9	1001284243	1	Valve	
10	1001284244	1	Coil	
11	1001284245	1	Valve	
12	1001284246	1	Hose	
13	1001284247	1	Hose	
14	1001284248	2	Hose	
16	1001284252	1	Valve	

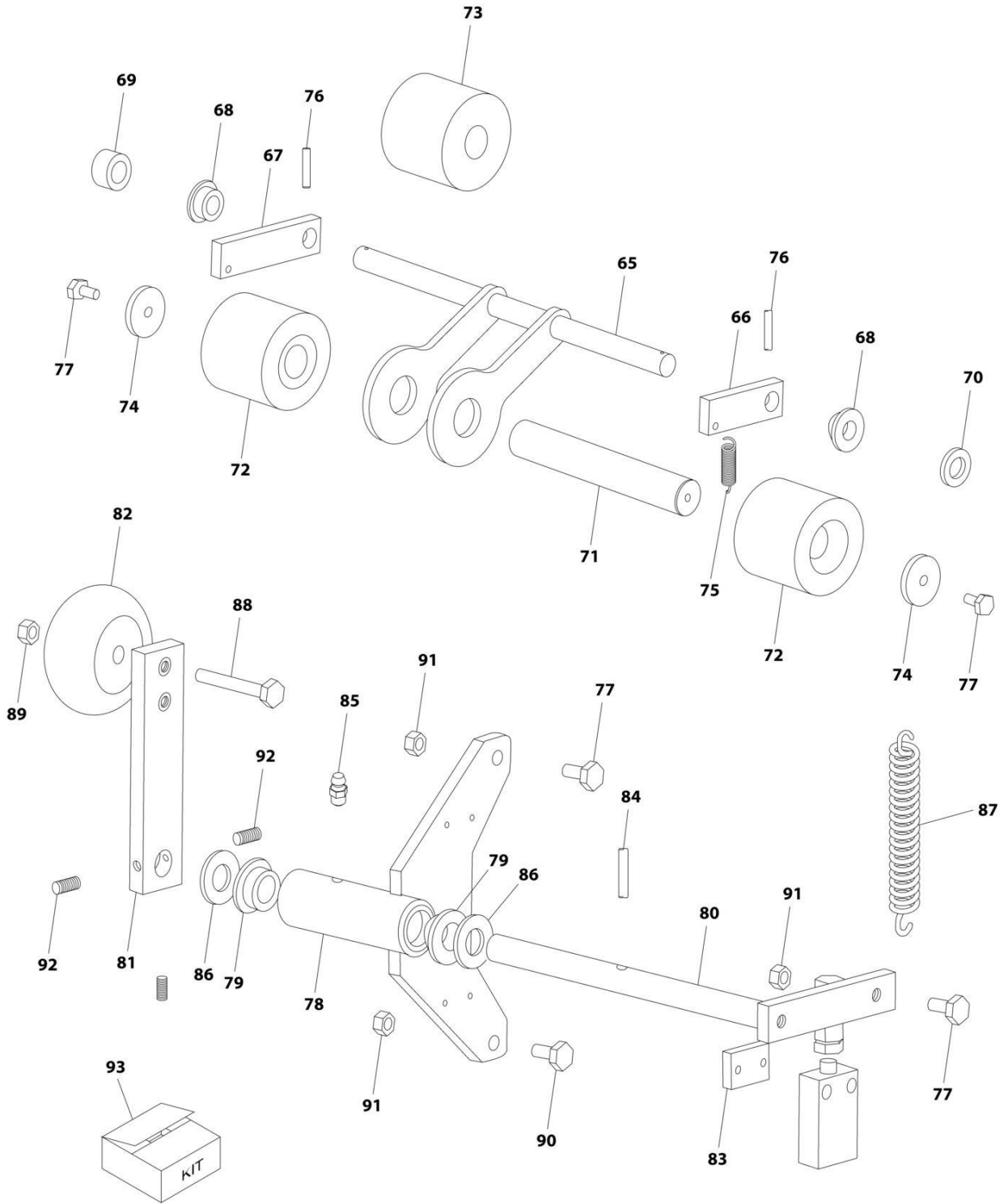
# SECTION 3 - ATTACHMENTS

## FIGURE 3-4. WINCH ASSEMBLY



ART\_1001284212\_10F2

# SECTION 3 - ATTACHMENTS



ART\_1001284212\_2OF2

# SECTION 3 - ATTACHMENTS

## FIGURE 3-4. WINCH ASSEMBLY

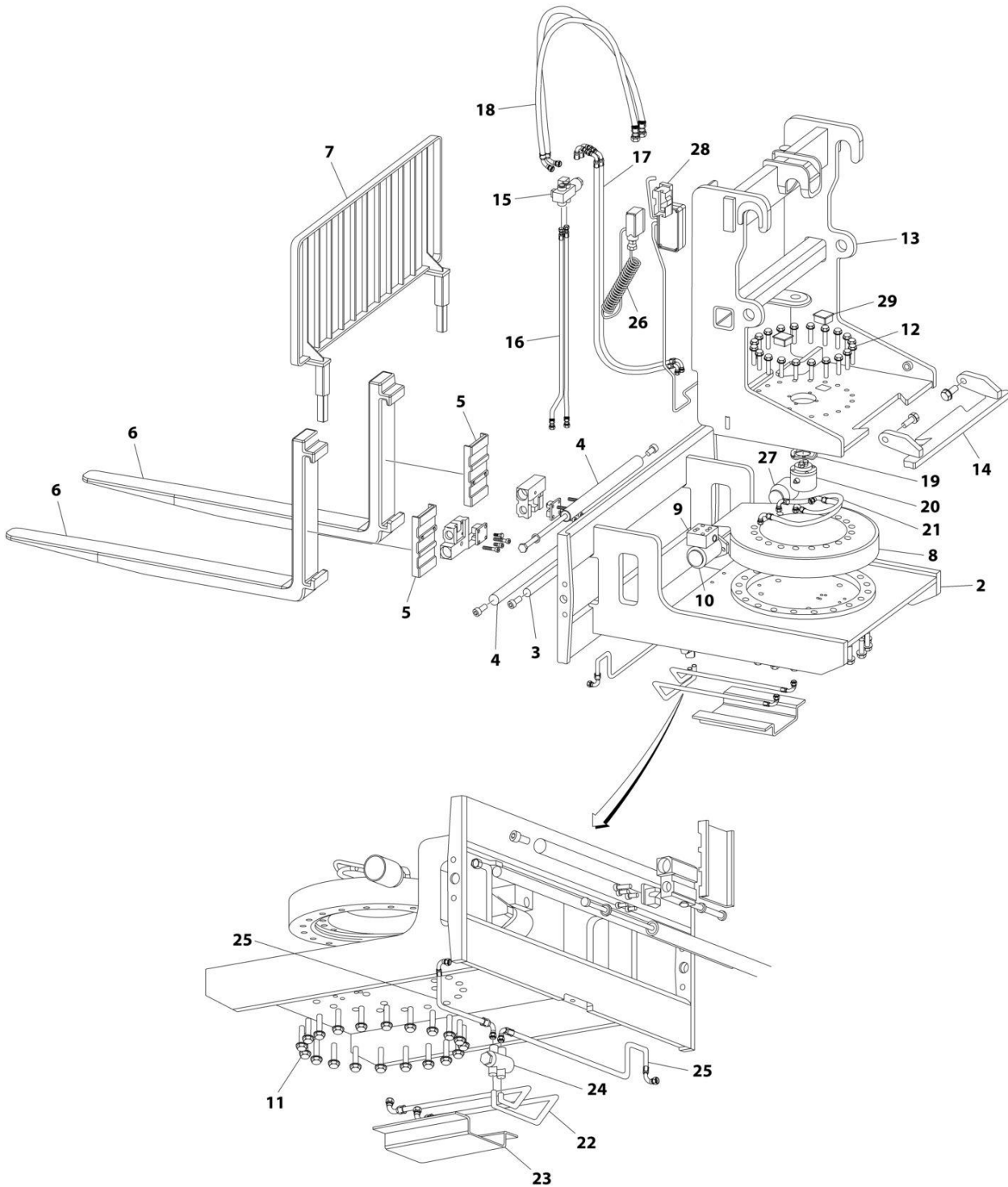
ITEM	PART NUMBER	QTY	DESCRIPTION	REV
	1001284212	Ref	WINCH ASSEMBLY	A
1	70030674	1	Bolt	
2	70030675	1	Valve	
3	70030676	1	Flange, Fastening	
4	70030677	1	Motor	
5	70030678	2	Bolt	
6	70030679	1	Gear	
7	70030680	1	Pin	
8	70030681	1	Ring	
9	70030682	1	Bearing	
10	70030683	1	Fitting	
11	70030684	1	Washer	
12	70030685	1	O-Ring	
13	70030686	2	O-Ring	
14	70030687	1	Post	
15	70030688	1	Washer	
16	70030689	1	Seal	
17	70030690	1	Ring	
18	70030691	1	O-Ring	
19	70030692	1	Plug	
20	70030693	1	Piston	
21	70030694	1	Washer	
22	70030695	1	Plug	
23	70030696	1	O-ring	
24	70030697	1	Ring	
25	70030698	1	Spacer	
26	70030699	1	Washer	
27	70030700	1	Circlip	
28	70030701	1	Bearing	
29	70030702	1	Bolt	
30	70030703	1	Circlip	
31	70030704	1	Thimble, Drop	
32	70030706	2	Bolt	
33	70030707	1	Washer	
34	70030708	1	Pin	
35	70030709	1	Washer	
36	70030710	1	Bolt	
37	70030711	1	Circlip	
38	70030712	1	Circlip	
39	70030713	1	Roller, Cylinder	
40	70030714	1	Satellite	
41	70030715	1	Shim	
42	70030716	1	Support	
43	70030717	1	Shaft	
44	70030718	1	Bearing	
45	70030720	1	Flange	
46	70030721	1	Support	
47	70030722	1	Pin	
48	70030723	1	O-Ring	
49	70030724	1	Reducer	

## SECTION 3 - ATTACHMENTS

ITEM	PART NUMBER	QTY	DESCRIPTION	REV
50	70030725	1	Plate	
51	70030726	1	Bolt	
52	70030727	1	Ring	
53	70030728	1	O-Ring	
54	70030729	1	Support	
55	70030730	1	Ring	
56	70030732	1	Ring	
57	70030733	1	Drum	
58	70030734	1	Ring	
59	70030735	1	Support	
60	70030736	1	Bolt	
61	70030737	1	Bolt	
62	70030738	1	Fitting	
63	70030739	1	Pipe	
64	70030740	1	Brake Kit	
65	70030743	1	Lever	
66	70030744	1	Plate	
67	70030745	1	Plate	
68	70030746	2	Bushing	
69	70030747	1	Spacer	
70	70030748	1	Spacer	
71	70030749	1	Pin	
72	70030750	2	Roller	
73	70030751	1	Roller	
74	70030752	2	Washer	
75	70030753	2	Spring	
76	70030754	2	Pin	
77	70030755	5	Bolt (Note: Use PN 0700814)	
78	70030757	1	Support	
79	70030758	2	Washer	
80	70030759	1	Lever	
81	70030760	1	Support	
82	70030761	1	Wheel	
83	70030762	1	Plate	
84	70030763	1	Pin	
85	70030764	1	Fitting, Grease (Note: Use PN 1001283688)	
86	70030765	2	Washer	
87	70030766	1	Spring	
88	70030767	1	Bolt	
89	3291005	1	Nut M10	
90	0700816	1	Bolt M8 x 40	
91	3290805	4	Nut, Lock M8	
92	70030768	2	Pin	
93	70031476	1	Limit Switch Kit (Includes Items 77-92)	

# SECTION 3 - ATTACHMENTS

## FIGURE 3-5. DUAL FORK CARRIAGE ASSEMBLY - ROTATING



ART\_1001276573



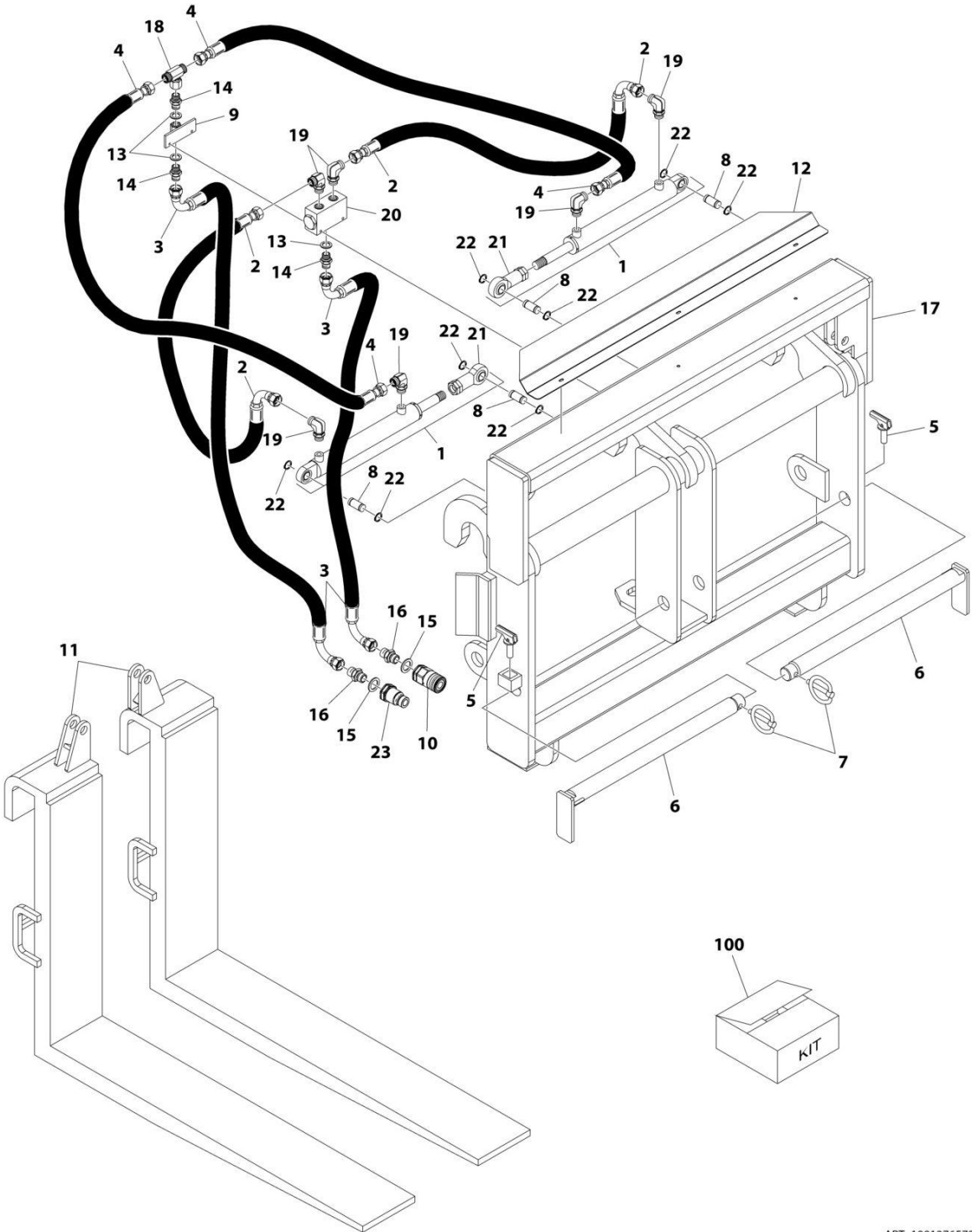
## SECTION 3 - ATTACHMENTS

### FIGURE 3-5. DUAL FORK CARRIAGE ASSEMBLY - ROTATING

ITEM	PART NUMBER	QTY	DESCRIPTION	REV
	1001276573	Ref	DUAL FORK CARRIAGE ASSEMBLY - ROTATING	B
1	1001283699	2	Decal - Operator's Manual (Not Shown)	
2	1001284102	1	Base	
3	1001284103	1	Bar, Guide	
4	1001284104	2	Carriage Rotating Cylinder Assembly	
5	1001284105	2	Support	
6	1001284106	1	Forks (Set Includes 2 Forks)	
	Note	Ref	Forks Rated Less Than The Attachment Or Machine's Capacity Decreases Capacity Of The Attachment Or Machine To That Of The Forks. Forks Rated More Than The Attachment Or Machine's Capacity Do Not Increase Attachment Or Machine's Capacity.	
	Note	Ref	Please Consult JLG Parts Department To Determine The Correct Forks Applicable To Your Specific Carriage Assembly and Application.	
7	1001284107	1	Guard	
8	1001284108	1	Bearing	
9	1001284109	1	Valve	
10	1001284110	1	Motor	
11	1001284111	1	Bearing Bottom Bolts Kit	
12	1001284112	1	Bearing Top Bolts Kit	
13	1001284113	1	Carriage	
14	1001284114	1	Bracket, Safety	
15	1001284115	1	Valve	
16	1001284116	1	Cylinders Hose Kit	
17	1001284117	1	Motor Hose Kit	
18	1001284118	1	Carriage Hose Kit	
19	1001284119	1	Rings Kit	
20	1001284120	1	Motor	
21	1001284121	1	Upper Grease Pipes Kit	
22	1001284122	1	Lower Grease Pipes Kit	
23	1001284123	1	Guard	
24	1001284124	1	Block	
25	1001284125	1	Grease Pipe Kit	
26	1001284126	1	Harness	
27	1001284127	1	Sensor, Potentiometer	
28	1001284128	1	Plug	
29	1001284129	2	Plug	

# SECTION 3 - ATTACHMENTS

## FIGURE 3-6. DUAL FORK CARRIAGE ASSEMBLY - SIDE SHIFT



ART\_1001276572

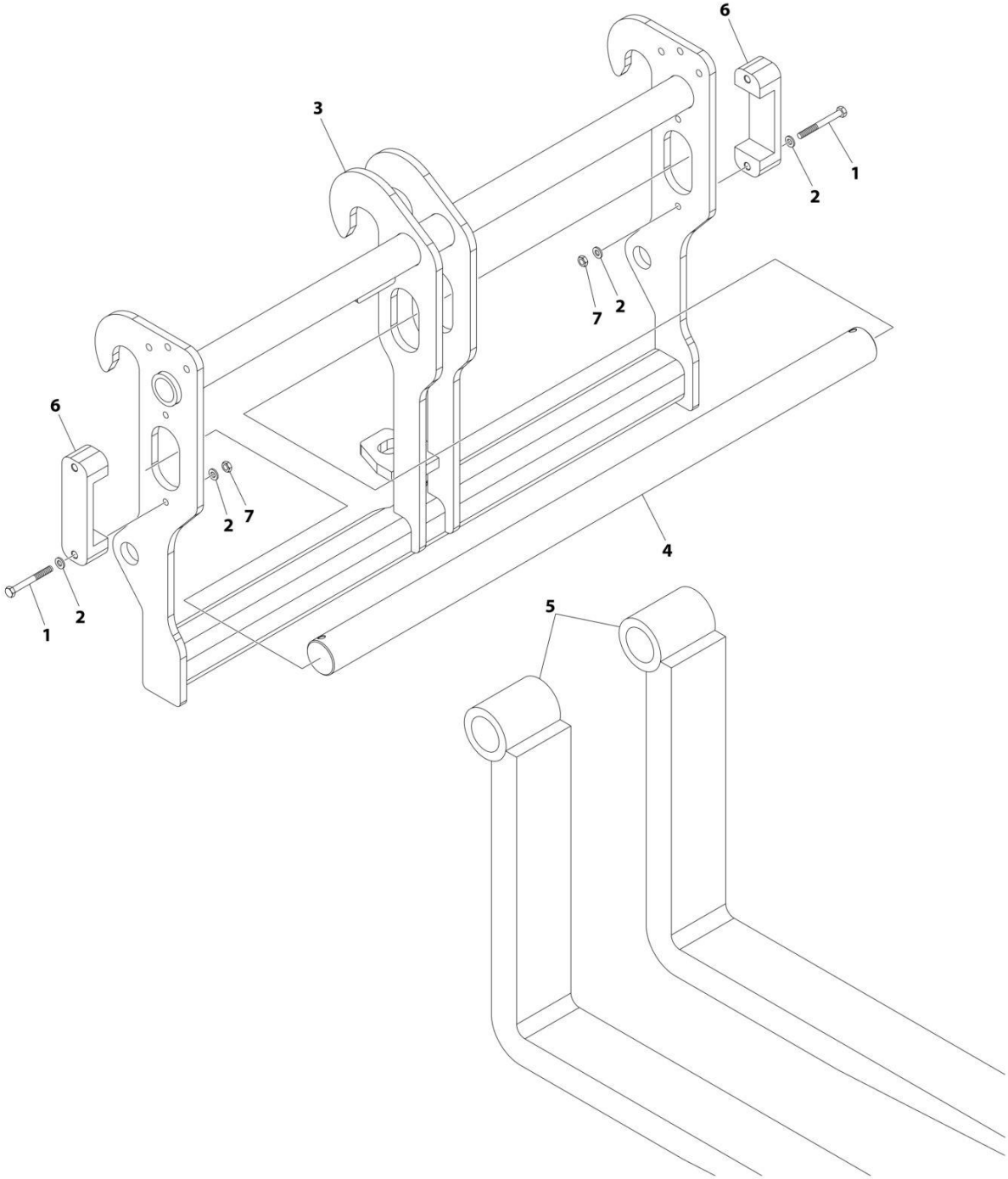
## SECTION 3 - ATTACHMENTS

**FIGURE 3-6. DUAL FORK CARRIAGE ASSEMBLY - SIDE SHIFT**

ITEM	PART NUMBER	QTY	DESCRIPTION	REV
	1001276572	Ref	DUAL FORK CARRIAGE ASSEMBLY - SIDE SHIFT	B
1	1001275002	2	Side Shift Cylinder Assembly	
2	1001275025	2	Hose	
3	1001275026	2	Hose	
4	1001275027	2	Hose	
5	1001275054	2	Pin	
6	1001275055	2	Pin	
7	1001275082	2	Pin	
8	1001276495	4	Pin	
9	1001277541	1	Adapter	
10	1001277542	1	Coupling, Female Quick Disconnect	
11	1001277548	1	Forks (2.36x5.12x47.24) (Set Includes 2 Forks)	
	Note	Ref	Forks Rated Less Than The Attachment Or Machine's Capacity Decreases Capacity Of The Attachment Or Machine To That Of The Forks. Forks Rated More Than The Attachment Or Machine's Capacity Do Not Increase Attachment Or Machine's Capacity.	
	Note	Ref	Please Consult JLG Parts Department To Determine The Correct Forks Applicable To Your Specific Carriage Assembly and Application.	
12	1001277560	1	Cover	
13	1001278186	3	Washer	
14	1001279356	3	Fitting Straight FORB/ORB	
15	1001280480	2	Washer	
16	1001280492	2	Fitting Straight ORB/ORB	
17	1001283843	1	Carriage	
18	1001283844	1	Fitting Tee ORFS/ORFS/FSORFS	
19	1001283845	6	Fitting 90 ORFS/ORB	
20	1001283846	1	Valve	
21	1001283847	2	Rod	
22	1001283848	8	Ring, Retaining	
23	1001283849	1	Coupling, Male Quick Disconnect	
100	70030621	1	Seal Kit (For Use With Side Shift Cylinder)	

**SECTION 3 - ATTACHMENTS**

**FIGURE 3-7. DUAL FORK CARRIAGE ASSEMBLY - STANDARD**



ART\_1001276571

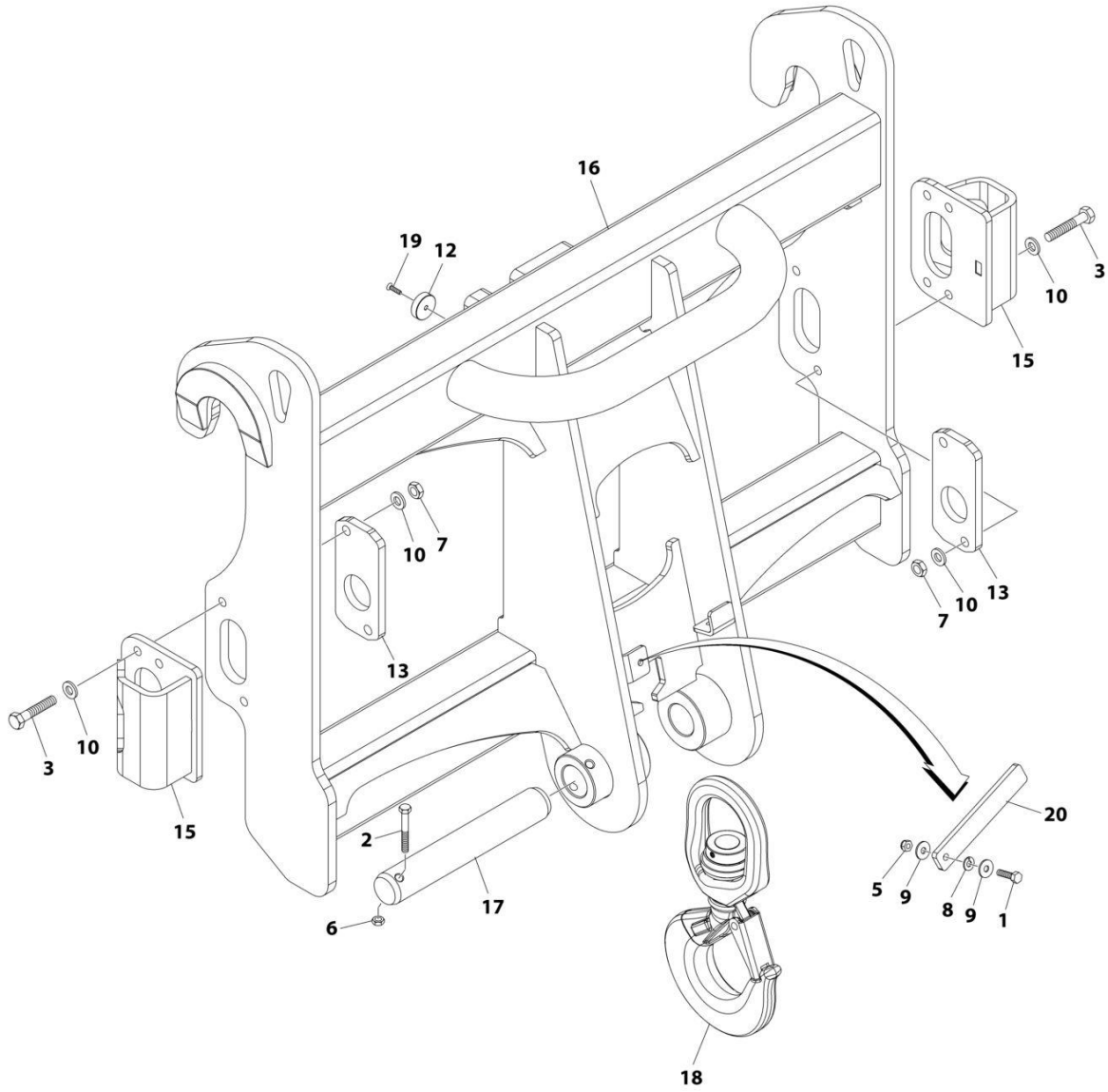
## SECTION 3 - ATTACHMENTS

**FIGURE 3-7. DUAL FORK CARRIAGE ASSEMBLY - STANDARD**

ITEM	PART NUMBER	QTY	DESCRIPTION	REV
	1001276571	Ref	DUAL FORK CARRIAGE ASSEMBLY - STANDARD	C
1	0701024	4	Bolt M10 x 80	
2	4812000	8	Washer M10	
3	1001274729	1	Carriage	
4	1001275704	1	Pin	
5	1001277549	1	Forks (2.36x5.12x52.17) (Set Includes 2 Forks)	
	Note	Ref	Forks Rated Less Than The Attachment Or Machine's Capacity Decreases Capacity Of The Attachment Or Machine To That Of The Forks. Forks Rated More Than The Attachment Or Machine's Capacity Do Not Increase Attachment Or Machine's Capacity.	
	Note	Ref	Please Consult JLG Parts Department To Determine The Correct Forks Applicable To Your Specific Carriage Assembly and Application..	
6	1001277555	2	Support	
7	3291005001	4	Nut, Lock M10	

# SECTION 3 - ATTACHMENTS

## FIGURE 3-8. HOOK CARRIAGE ASSEMBLY



ART\_1001276577

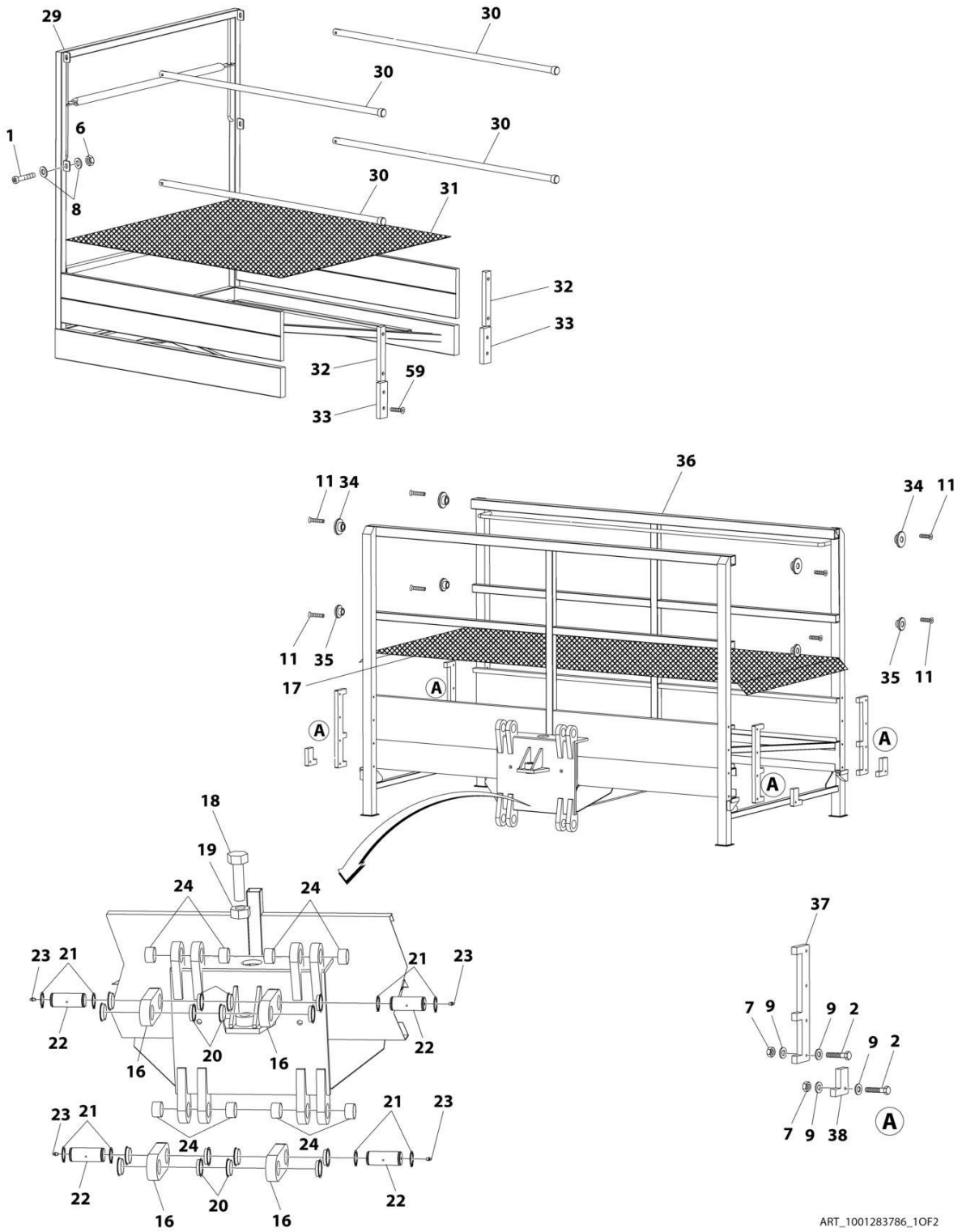
## SECTION 3 - ATTACHMENTS

**FIGURE 3-8. HOOK CARRIAGE ASSEMBLY**

ITEM	PART NUMBER	QTY	DESCRIPTION	REV
	1001276577	Ref	HOOK CARRIAGE ASSEMBLY	B
1	0700814	1	Bolt M8 x 30	
2	0701026	1	Bolt M10 x 90	
3	0701218	4	Bolt M12 x 50	
5	3290805	1	Nut, Lock M8	
6	3291005	1	Nut, Lock M10	
7	3291205	4	Nut, Lock M12	
8	4811900	1	Washer M8	
9	4811902	2	Washer M8	
10	4812100	8	Washer M12	
12	1001275288	1	Spacer	
13	1001275346	2	Plate	
15	1001277535	2	Bracket	
16	1001277536	1	Carriage	
17	1001277544	1	Pin	
18	1001277551	1	Hook	
19	1001283694	1	Bolt M5 x 25	
20	1001284134	1	Plate	

# SECTION 3 - ATTACHMENTS

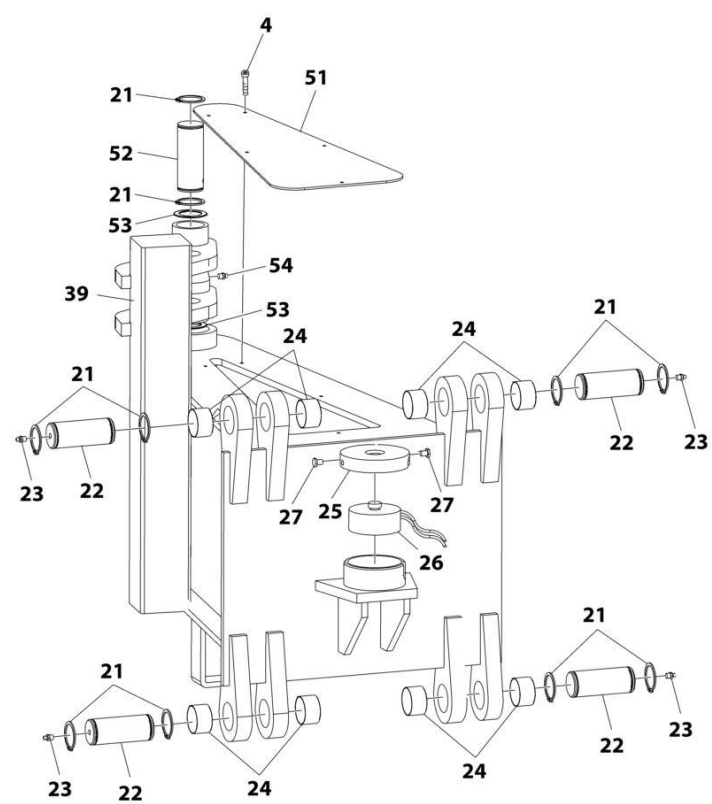
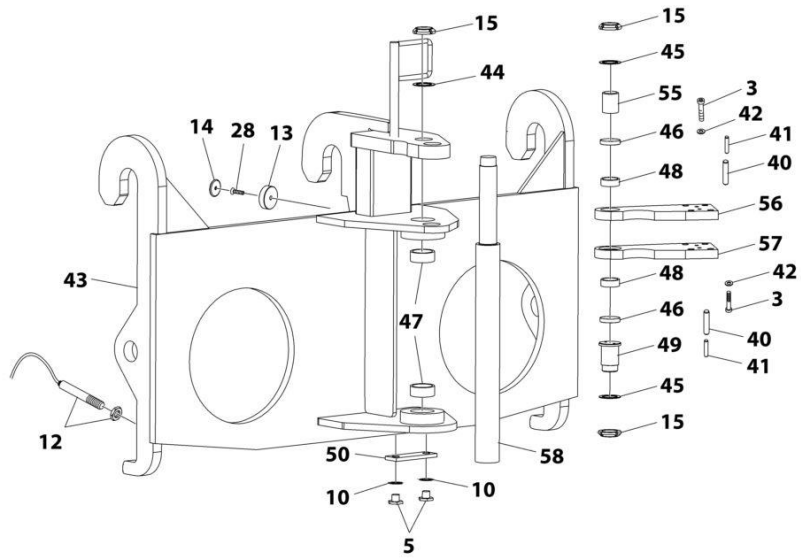
## FIGURE 3-9. PLATFORM ASSEMBLY - EXTENDABLE



ART\_1001283786\_10F2



# SECTION 3 - ATTACHMENTS



ART\_1001283786\_2OF2

# SECTION 3 - ATTACHMENTS

## FIGURE 3-9. PLATFORM ASSEMBLY - EXTENDABLE

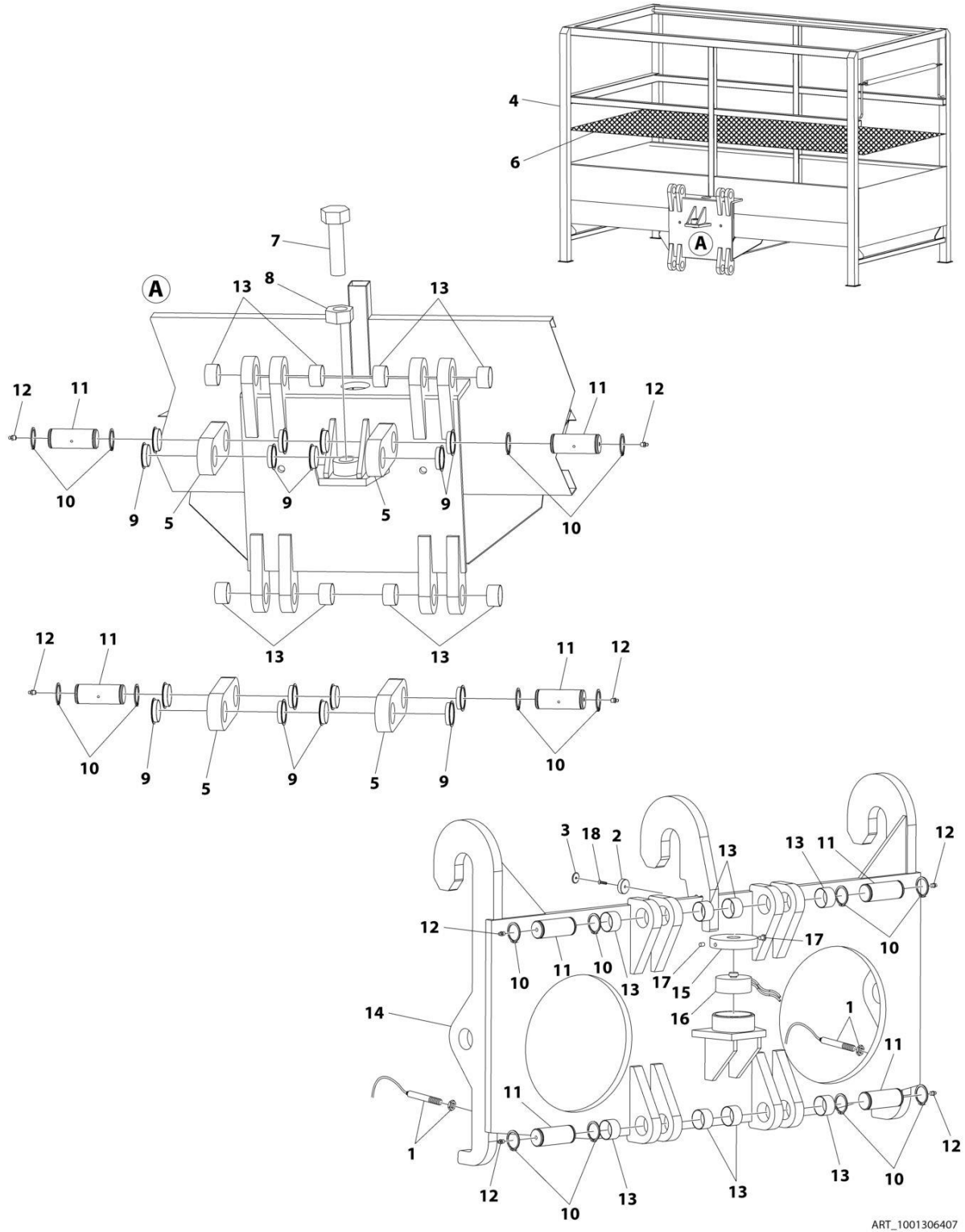
ITEM	PART NUMBER	QTY	DESCRIPTION	REV
	1001283786	Ref	PLATFORM ASSEMBLY	C
1	0700614	4	Bolt M6 x 30	
2	0700826	2	Bolt M8 x 90	
3	0701417	2	Bolt M14 x 45	
4	0760608	5	Bolt M6 x 16	
5	0761614	2	Bolt M16 x 30	
6	3290605	4	Nut, Lock M6	
7	3290805	2	Nut, Lock M8	
8	4811702	8	Washer M6	
9	4811900	4	Washer M8	
10	4832300	2	Washer, Lock M16	
11	1001286956	8	Capscrew M6 x 20	
12	1001274748	1	Sensor	
13	1001275288	1	Spacer	
14	1001277444	1	Decal - Attachment ID	
15	1001278729	3	Nut, Ring	
16	1001283681	4	Plate, Hinge	
17	1001283682	1	Plate, Floor	
18	1001283683	1	Bolt M30 x 120	
19	1001283684	1	Nut M30	
20	1001283685	16	Bushing	
21	1001283686	18	Ring, Retaining	
22	1001283687	8	Pin	
23	1001283688	8	Fitting, Grease	
24	1001283689	16	Bushing	
25	1001283691	1	Cover	
26	1001283692	1	Sensor, Load Cell	
27	1001283693	2	Pin	
28	1001283694	1	Bolt M5 x 25	
29	1001283788	1	Extension, Platform	
30	1001283789	4	Rail	
31	1001283790	1	Plate, Platform Extension Floor	
32	1001283791	2	Plate	
33	1001283792	2	Plate	
34	1001283793	4	Bushing	
35	1001283794	4	Bushing	
36	1001283795	1	Platform	
37	1001283796	4	Plate	
38	1001283797	4	Shim	
39	1001283798	1	Plate	
40	1001283799	2	Pin	
41	1001283800	2	Pin	
42	1001283801	2	Washer, Lock	
43	1001283802	1	Coupling	
44	1001283803	1	Bushing	
45	1001283804	2	Washer	
46	1001283806	2	Bushing	
47	1001283807	2	Bushing	
48	1001283808	2	Bushing	
49	1001283809	1	Pin	

## SECTION 3 - ATTACHMENTS

ITEM	PART NUMBER	QTY	DESCRIPTION	REV
50	1001283810	1	Plate	
51	1001283813	1	Plate	
52	1001283814	1	Pin	
53	1001283815	2	Bushing	
54	1001283816	1	Fitting, Grease	
55	1001283817	1	Pin	
56	1001283818	1	Plate	
57	1001283819	1	Plate	
58	1001283820	1	Pin	
59	1001286960	4	Capscrew M6 x 30	

# SECTION 3 - ATTACHMENTS

## FIGURE 3-10. PLATFORM ASSEMBLY - STANDARD



ART\_1001306407

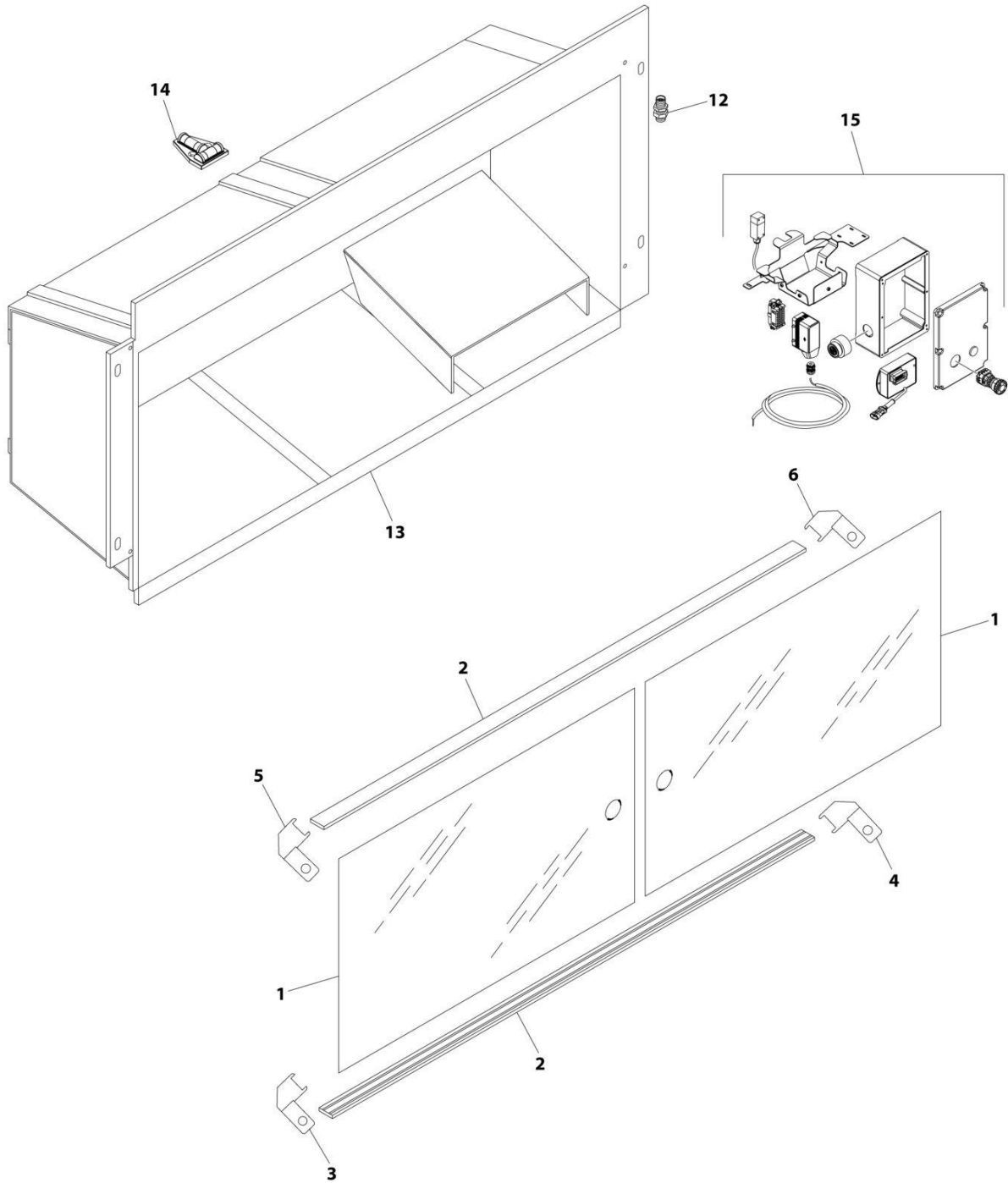
## SECTION 3 - ATTACHMENTS

**FIGURE 3-10. PLATFORM ASSEMBLY - STANDARD**

ITEM	PART NUMBER	QTY	DESCRIPTION	REV
	1001306407	Ref	PLATFORM ASSEMBLY	A
1	1001274748	2	Sensor	
2	1001275288	1	Spacer	
3	1001277444	1	Decal - Attachment ID	
4	1001283680	1	Platform	
5	1001283681	4	Plate, Hinge	
6	1001283682	1	Plate, Floor	
7	1001283683	1	Bolt M30 x 120	
8	1001283684	1	Nut M30	
9	1001283685	16	Bushing	
10	1001283686	16	Ring, Retaining	
11	1001283687	8	Pin	
12	1001283688	8	Fitting, Grease	
13	1001283689	16	Bushing	
14	1001306867	1	Coupling	
15	1001283691	1	Cover	
16	1001283692	1	Sensor, Load Cell	
17	1001283693	2	Pin	
18	1001283694	1	Bolt, M5 x 25	

# SECTION 3 - ATTACHMENTS

## FIGURE 3-11. PLATFORM CONTROLS ENCLOSURE



ART\_1001283679

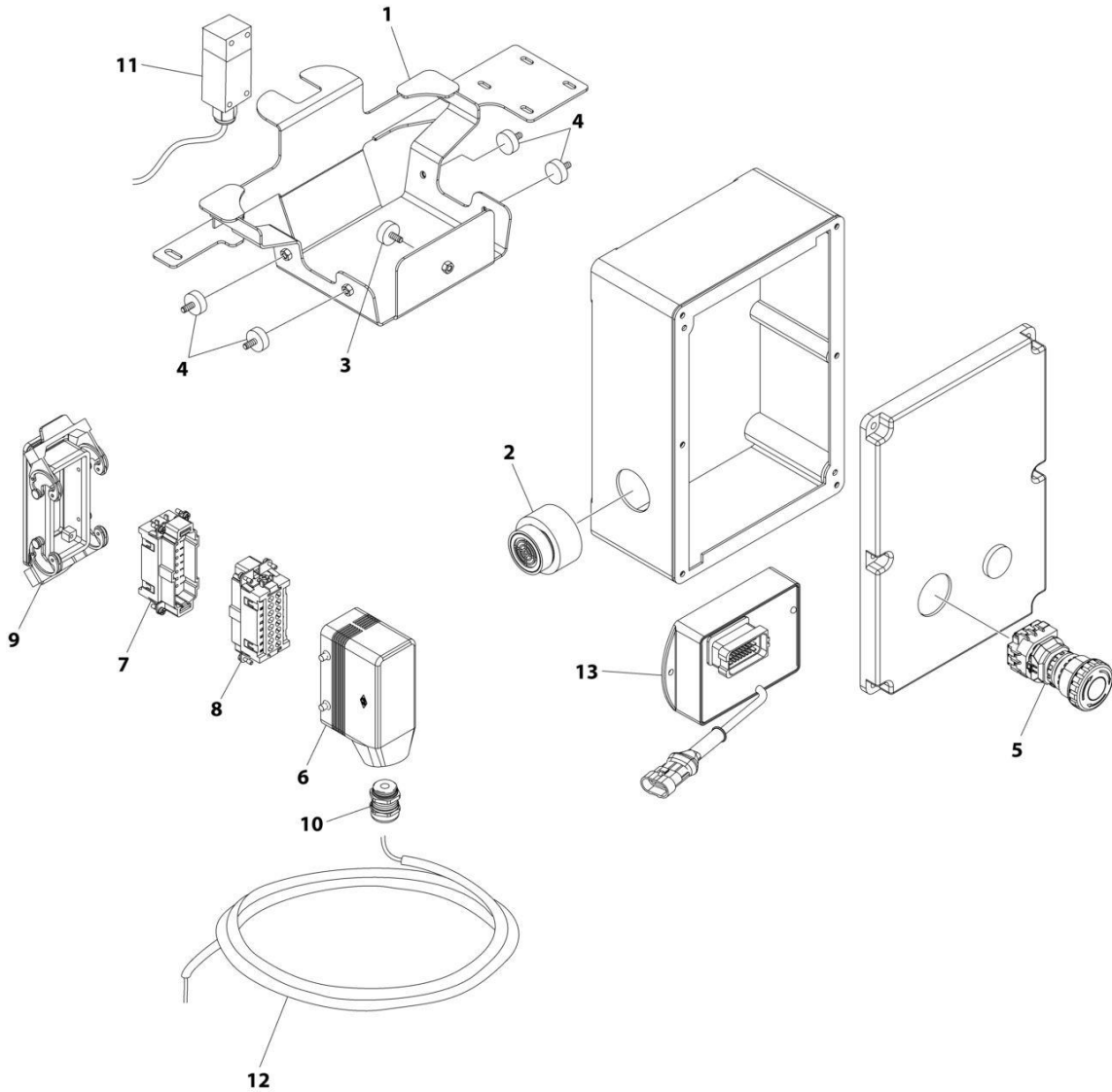
## SECTION 3 - ATTACHMENTS

### FIGURE 3-11. PLATFORM CONTROLS ENCLOSURE

ITEM	PART NUMBER	QTY	DESCRIPTION	REV
	1001283679	Ref	PLATFORM CONTROLS ENCLOSURE	A
1	1001277546	2	Glass	
2	1001277547	2	Guide, Glass	
3	1001277556	1	Bracket	
4	1001277557	1	Bracket	
5	1001277558	1	Bracket	
6	1001277559	1	Bracket	
12	1001283700	1	Fitting, Bulkhead	
13	1001283701	1	Enclosure	
14	1001283702	1	Level	
15	1001283703	1	Platform Control Box Assembly (See Separate Breakdown in this Section)	

# SECTION 3 - ATTACHMENTS

## FIGURE 3-12. PLATFORM CONTROL BOX ASSEMBLY



ART\_1001283703



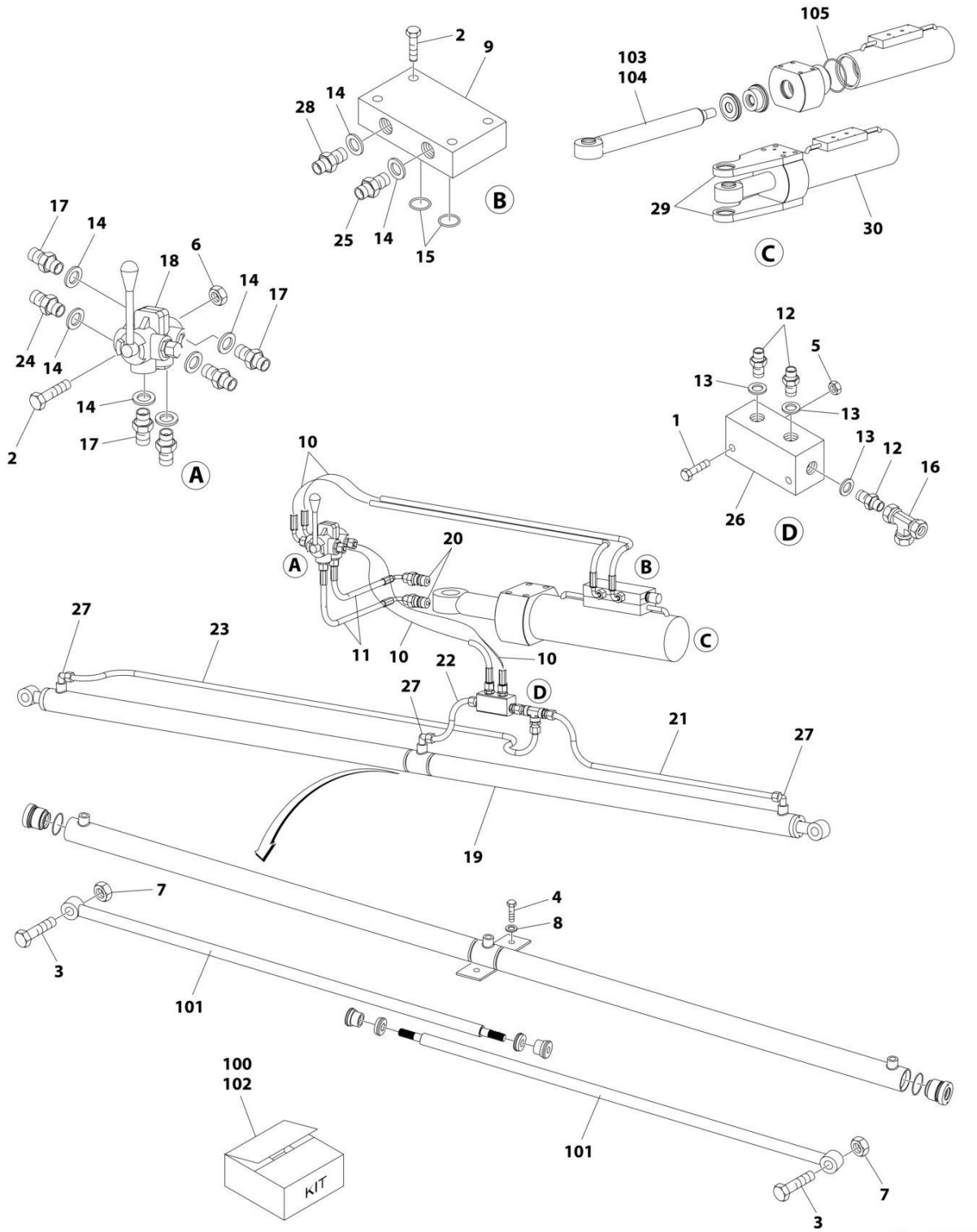
## SECTION 3 - ATTACHMENTS

**FIGURE 3-12. PLATFORM CONTROL BOX ASSEMBLY**

ITEM	PART NUMBER	QTY	DESCRIPTION	REV
	1001283703	Ref	PLATFORM CONTROL BOX ASSEMBLY	A
1	1001274722	1	Bracket	
2	1001274754	1	Switch	
3	1001275080	1	Mount	
4	1001275081	4	Mount	
5	1001278478	1	Switch, Emergency Stop	
6	1001278671	1	Housing, Plug	
7	1001278672	1	Connector, Female	
8	1001278673	1	Connector, Male	
9	1001283209	1	Housing, Receptacle	
10	1001283704	1	Grommet	
11	1001283705	1	Sensor	
12	1001283706	1	Harness, Platform Control Box	
13	1001283707	1	Module, Control	

# SECTION 3 - ATTACHMENTS

## FIGURE 3-13. PLATFORM HYDRAULICS ASSEMBLY



ART\_1001283787

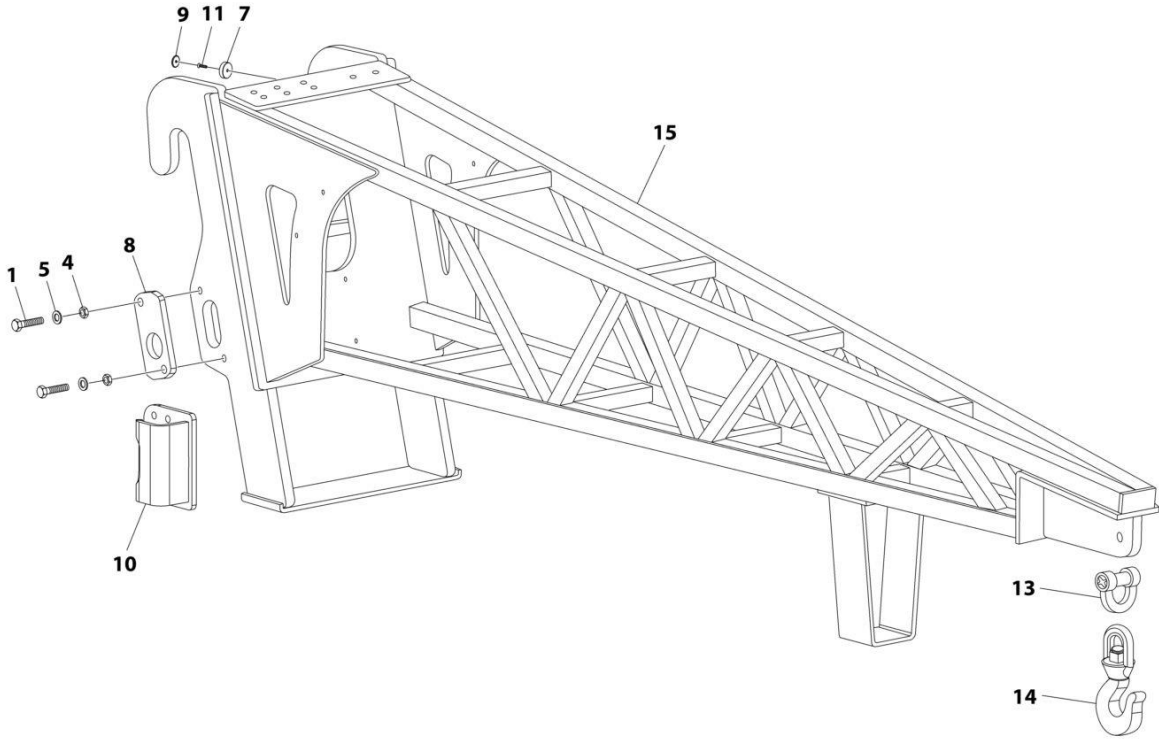
## SECTION 3 - ATTACHMENTS

**FIGURE 3-13. PLATFORM HYDRAULICS ASSEMBLY**

ITEM	PART NUMBER	QTY	DESCRIPTION	REV
	1001283787	Ref	PLATFORM HYDRAULICS ASSEMBLY	A
1	0700618	2	Bolt M6 x 50	
2	0700816	5	Bolt M8 x 40	
3	0712024	2	Bolt M20 x 80	
4	0761010	2	Bolt M10 x 20	
5	3290605	1	Nut, Lock M6	
6	3290805	1	Nut, Lock M8	
7	3332015	2	Nut, Lock M20	
8	4832000	2	Washer, Lock M10	
9	1001274774	1	Valve	
10	1001275017	4	Hose	
11	1001275018	2	Hose	
12	1001279103	3	Fitting Straight ORFS/ORB	
13	1001279105	3	Washer	
14	1001279277	8	Washer	
15	1001279278	2	O-Ring	
16	1001279330	1	Fitting Tee FORB/FORB/FORB	
17	1001280493	5	Fitting Straight ORB/ORB	
18	1001283821	1	Valve	
19	1001283822	1	Platform Extension Cylinder Assembly (Note:Does Not Include Items 3, 4, 7, or 8) (Includes Item 101)	
20	1001283823	2	Coupling, Quick Disconnect	
21	1001283824	1	Pipe	
22	1001283825	1	Pipe	
23	1001283826	1	Pipe	
24	1001283827	1	Fitting Straight ORB/ORB	
25	1001283828	1	Fitting Straight ORB/ORB	
26	1001283829	1	Manifold	
27	1001283830	3	Fitting 90 FSORFS/ORB	
28	1001283831	1	Fitting Straight ORB/ORB	
29	1001283833	2	Plate	
30	1001283834	1	Platform Leveling Cylinder (Includes Items 103-105)	
100	70030557	1	Seal Kit (For Use With Platform Extension Cylinder)	
101	70030558	2	Rod	
102	70030559	1	Seal Kit (For Use With Platform Leveling Cylinder)	
103	70030560	1	Rod	
104	70030561	1	Eyebolt	
105	70030562	1	Seal	

**SECTION 3 - ATTACHMENTS**

**FIGURE 3-14. TRUSS BOOM ASSEMBLY - WITH HOOK**



ART\_1001276575

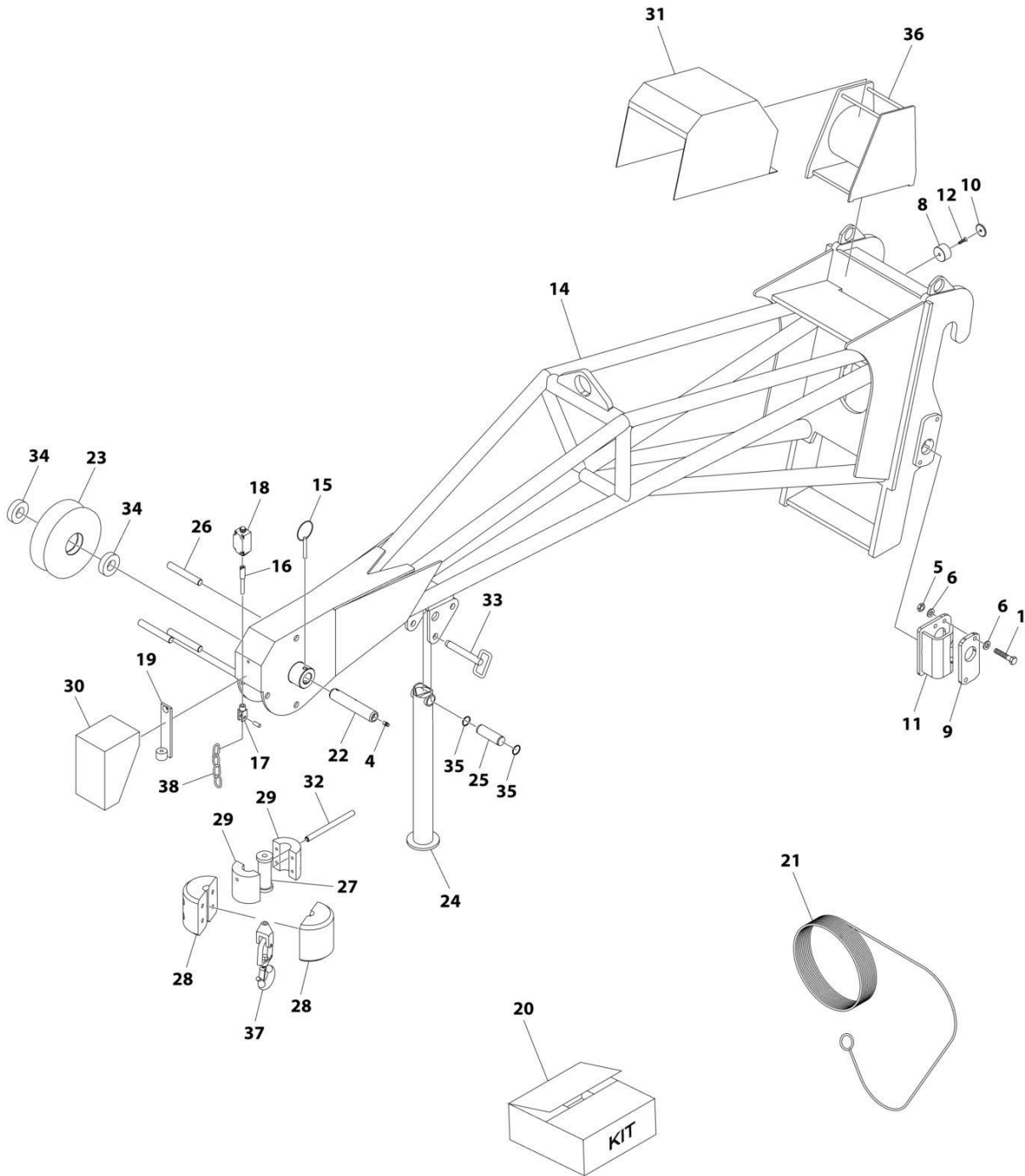
## SECTION 3 - ATTACHMENTS

**FIGURE 3-14. TRUSS BOOM ASSEMBLY - WITH HOOK**

ITEM	PART NUMBER	QTY	DESCRIPTION	REV
	1001276575	Ref	TRUSS BOOM ASSEMBLY - WITH HOOK	B
1	0701218	4	Bolt M12 x 50	
2	1706301	1	Decal - Moving Parts (Not Shown)	
3	1706850	1	Decal - Crush Hazard (Not Shown)	
4	3291205	4	Nut, Lock M12	
5	4812100	4	Washer M12	
6	1001207217	1	Decal - Swing Danger (Not Shown)	
7	1001275288	1	Spacer	
8	1001275346	2	Plate	
9	1001277444	1	Decal - Attachment ID	
10	1001277535	2	Bracket	
11	1001283694	1	Bolt M5 x 25	
12	1001284130	1	Decal - Personnel Warning (Not Shown)	
13	1001284135	1	Clevis	
14	1001284136	1	Hook	
15	1001284137	1	Boom	
16	1001284980	3	Decal - Lifting Point (Not Shown)	
17	1001284983	1	Decal - Dragging Warning (Not Shown)	

# SECTION 3 - ATTACHMENTS

## FIGURE 3-15. TRUSS BOOM ASSEMBLY - WITH WINCH



ART\_1001276576

## SECTION 3 - ATTACHMENTS

**FIGURE 3-15. TRUSS BOOM ASSEMBLY - WITH WINCH**

ITEM	PART NUMBER	QTY	DESCRIPTION	REV
	1001276576	Ref	TRUSS BOOM ASSEMBLY - WITH WINCH	E
1	0701218	4	Bolt M12 x 50	
2	1706301	2	Decal - Moving Parts (Not Shown)	
3	1706850	1	Decal - Crush Hazard (Not Shown)	
4	2160016	1	Fitting, Grease	
5	3291205	4	Nut M12	
6	4812100	8	Washer M12	
7	1001207217	1	Decal - Swing Danger (Not Shown)	
8	1001275288	1	Spacer	
9	1001275346	2	Plate	
10	1001277444	1	Decal - Attachment ID	
11	1001277535	2	Bracket	
12	1001283694	1	Screw M5 x 25	
13	1001284130	1	Decal - Personnel Warning (Not Shown)	
14	1001284187	1	Boom	
15	1001284188	1	Pin	
16	1001284189	1	Rod	
17	1001284190	1	Yoke	
18	1001284191	1	Sensor	
19	1001284192	1	Bracket	
20	1001284193	1	Kit, Hardware	
21	1001284194	1	Cable	
22	1001284195	1	Pin	
23	1001284196	1	Sheave	
24	1001284197	1	Leg, Support	
25	1001284198	1	Pin	
26	1001284199	3	Pin	
27	1001284200	1	Guide, Cable	
28	1001284201	1	Counterweight	
29	1001284202	1	Counterweight	
30	1001284203	1	Cover	
31	1001284204	1	Cover	
32	1001284205	1	Pin	
33	1001284206	1	Pin	
34	1001284207	2	Bearing	
35	1001284208	2	Ring, Retaining	
36	1001284209	1	Winch	
37	1001284210	1	Hook	
38	1001284211	1	Chain	
39	1001284980	3	Decal - Lifting Point (Not Shown)	
40	1001284983	2	Decal - Dragging Warning (Not Shown)	



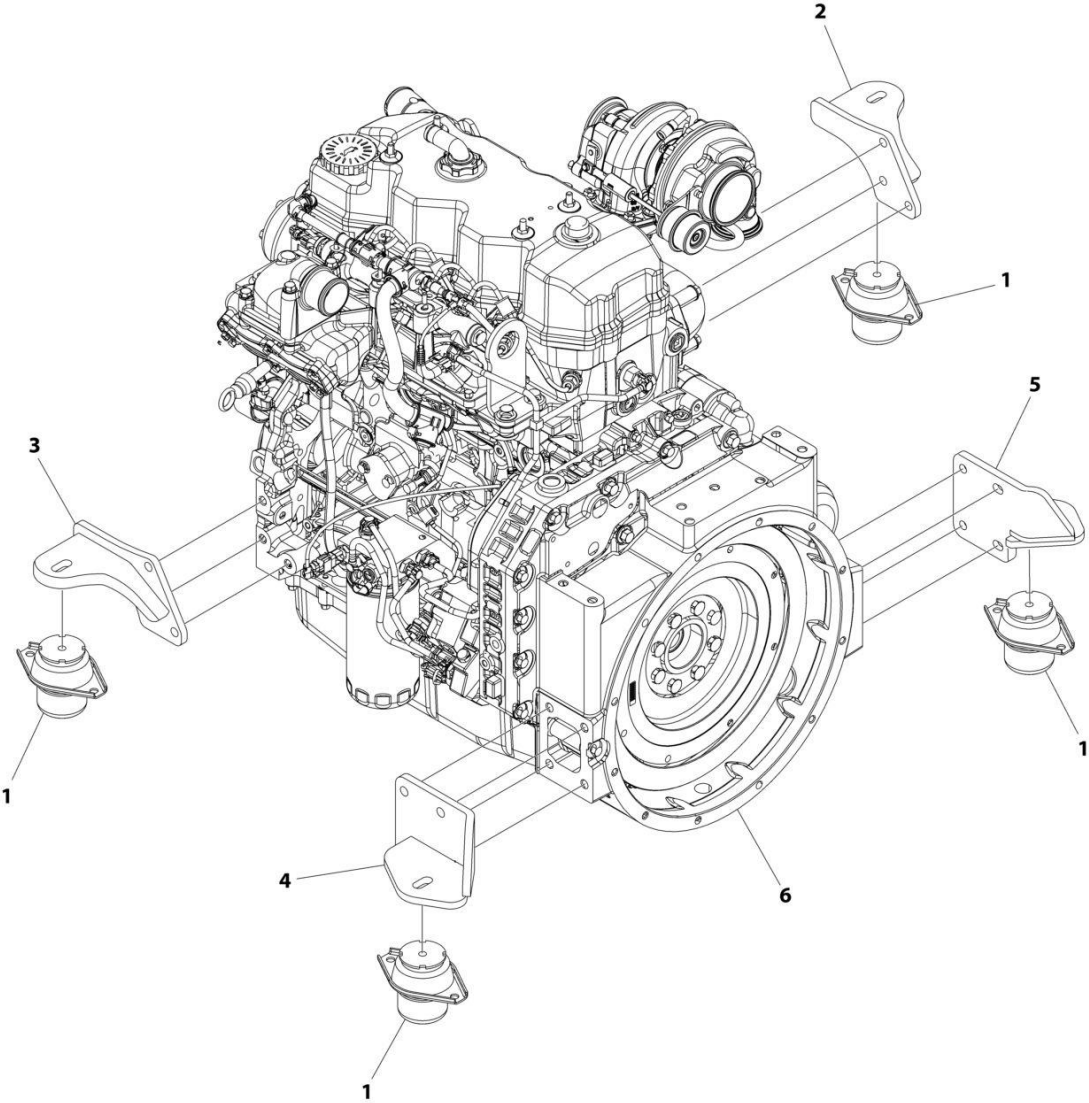


## **SECTION 4 - ENGINE AND ATTACHING PARTS**

## **SECTION 4 - ENGINE AND ATTACHING PARTS**

# SECTION 4 - ENGINE AND ATTACHING PARTS

## FIGURE 4-1. ENGINE MOUNTS INSTALLATION



ART\_1001280414

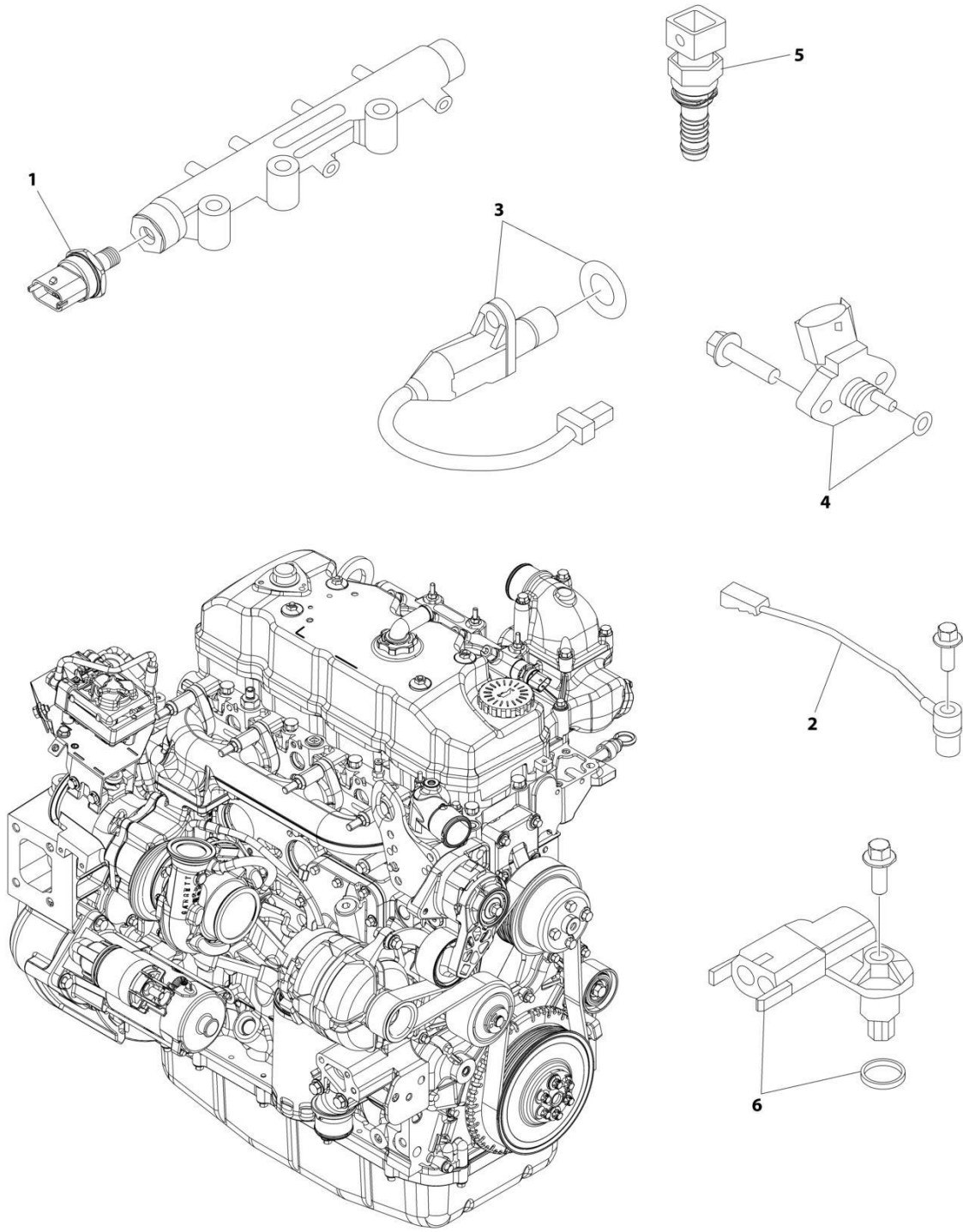
## SECTION 4 - ENGINE AND ATTACHING PARTS

FIGURE 4-1. ENGINE MOUNTS INSTALLATION

ITEM	PART NUMBER	QTY	DESCRIPTION	REV
	1001280414	Ref	ENGINE MOUNTS INSTALLATION	B
1	1001275079	4	Mount	
2	1001275813	1	Bracket, Engine Front Right	
3	1001275814	1	Bracket, Engine Front Left	
4	1001275815	1	Bracket, Engine Rear Left	
5	1001275816	1	Bracket, Engine Rear Right	
6	1001289830	1	Engine (See Separate Breakdown in this Section)	

# SECTION 4 - ENGINE AND ATTACHING PARTS

## FIGURE 4-2. ENGINE COMPONENTS



ART\_1001289830

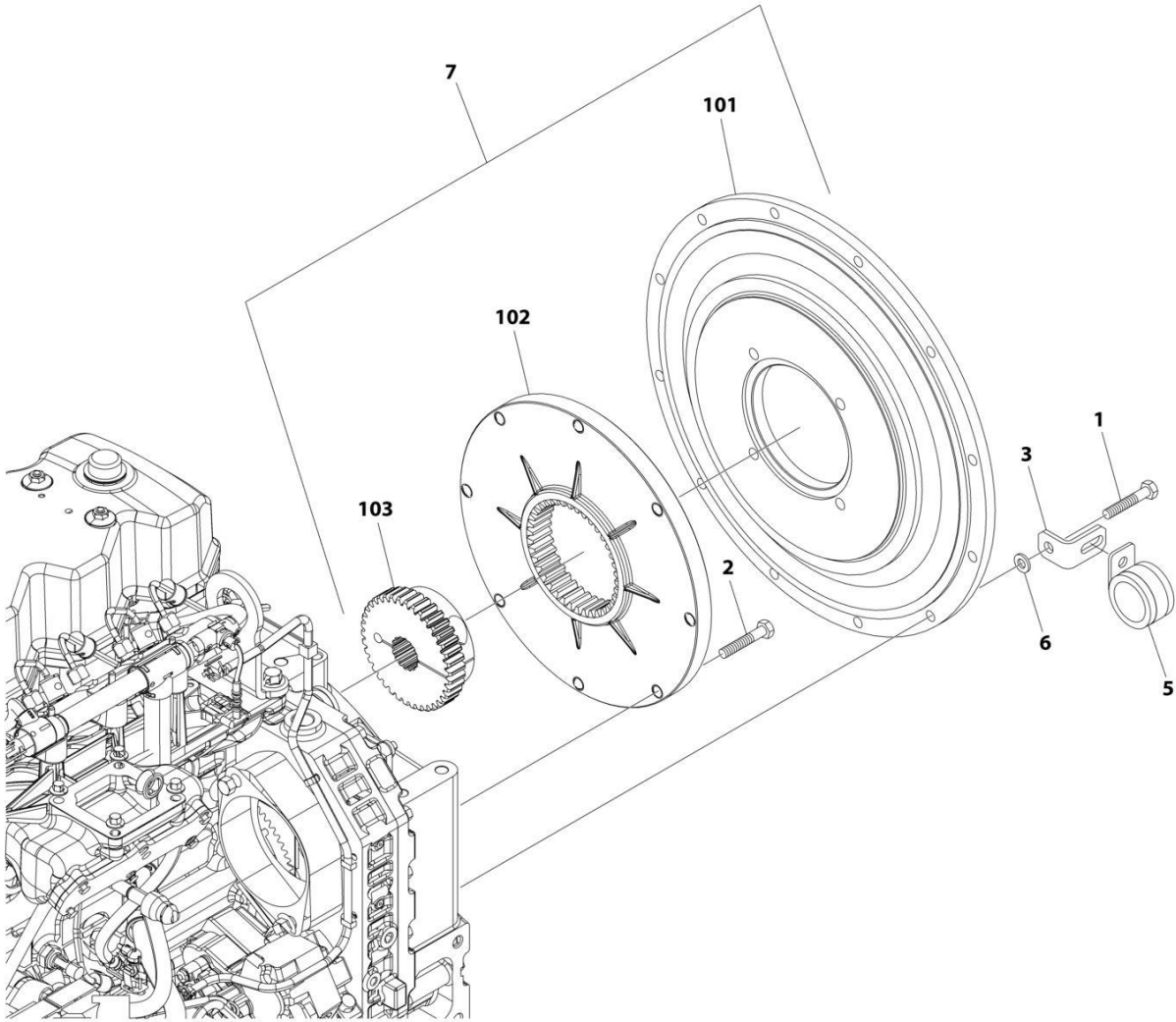
## SECTION 4 - ENGINE AND ATTACHING PARTS

FIGURE 4-2. ENGINE COMPONENTS

ITEM	PART NUMBER	QTY	DESCRIPTION	REV
	1001289830	Ref	ENGINE COMPONENTS	A
1	70030927	1	Sensor	
2	70030928	1	Sensor, Speed	
3	70030929	1	Sensor, Speed	
4	70030930	1	Sensor, Oil Pressure	
5	70030931	1	Sensor, Water Temperature	
6	70030932	1	Sensor, Air Temperature	
7	1001277180	1	Filter, Second Fuel (Not Shown)	
8	70030937	1	Filter, First Fuel (Not Shown)	
9	70030938	1	Filter, Oil (Not Shown)	
10	70030940	1	Alternator (Not Shown)	

**SECTION 4 - ENGINE AND ATTACHING PARTS**

**FIGURE 4-3. PUMP COUPLING INSTALLATION**



ART\_1001280416

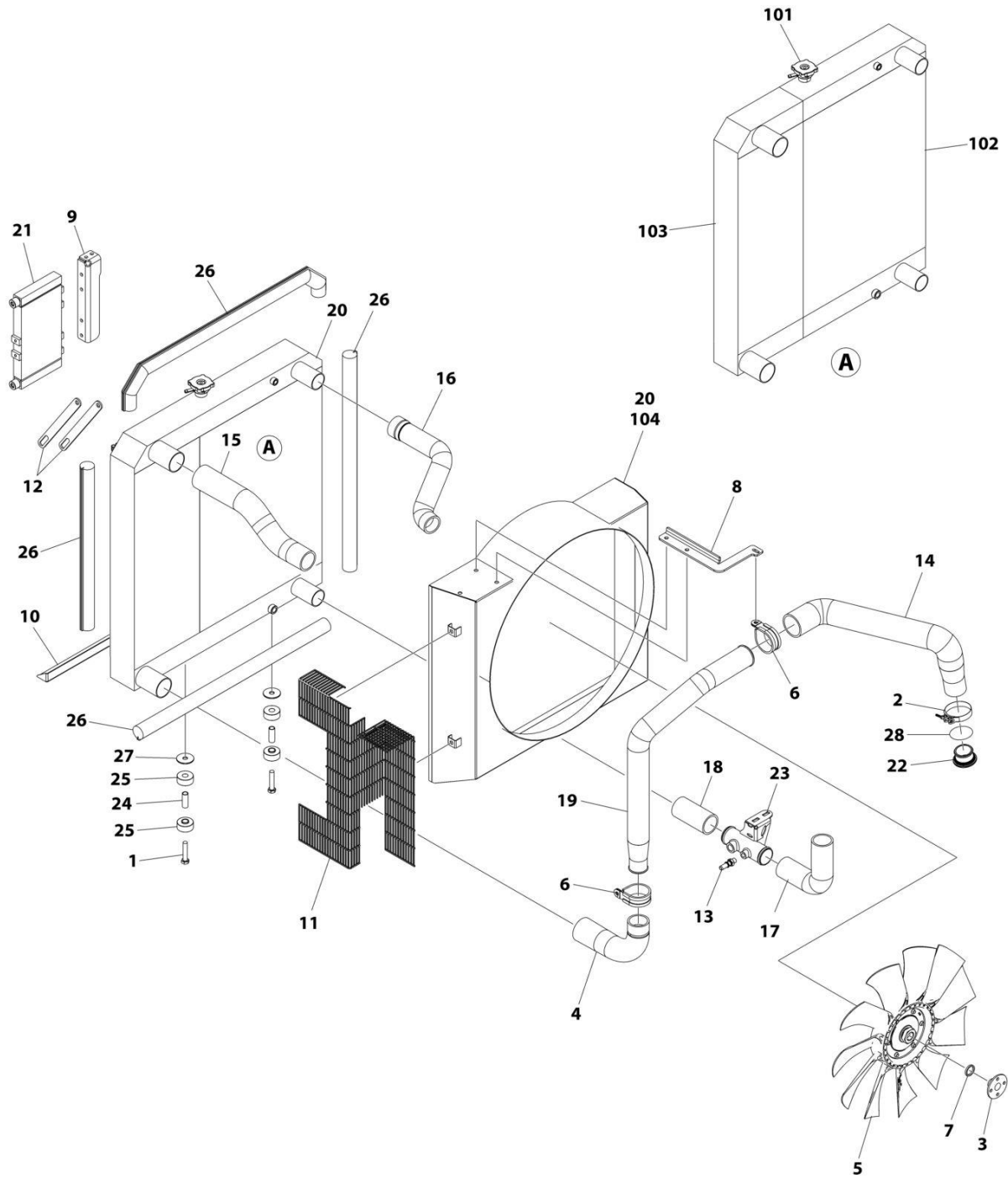
## SECTION 4 - ENGINE AND ATTACHING PARTS

### FIGURE 4-3. PUMP COUPLING INSTALLATION

ITEM	PART NUMBER	QTY	DESCRIPTION	REV
	1001280416	Ref	PUMP COUPLING INSTALLATION	B
1	0701014	12	Bolt M10 x 30	
2	0701015	8	Bolt M10 x 35	
3	1001277784	1	Bracket	
5	1001276551	1	Clip	
6	1001278078	12	Washer, Spring M10	
7	1001275977	1	Coupling (Includes Items 101-103)	
101	1001276544	1	Cover, Flywheel	
102	1001287162	1	Flywheel	
103	1001287163	1	Hub, Coupling	

# SECTION 4 - ENGINE AND ATTACHING PARTS

## FIGURE 4-4. ENGINE COOLING INSTALLATION



ART\_1001275749



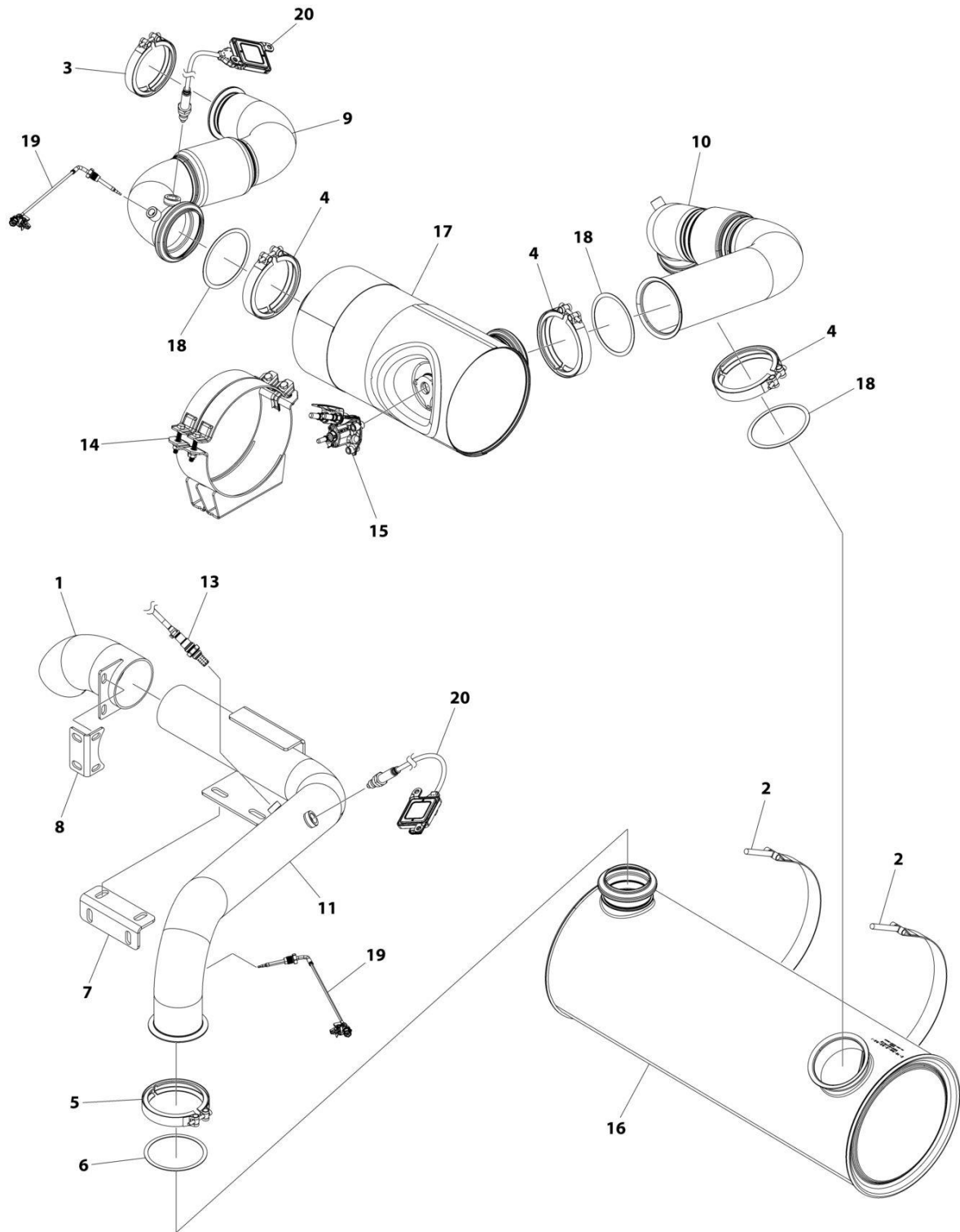
## SECTION 4 - ENGINE AND ATTACHING PARTS

**FIGURE 4-4. ENGINE COOLING INSTALLATION**

ITEM	PART NUMBER	QTY	DESCRIPTION	REV
	1001275749	Ref	ENGINE COOLING INSTALLATION	B
1	0701020	2	Bolt M10 x 60	
2	8410012	1	Clamp	
3	1001275287	1	Spacer	
4	1001275556	1	Tube	
5	1001275973	1	Fan	
6	1001276005	2	Tube, Wire	
7	1001276092	1	Coupling, Fan	
8	1001276099	1	Bracket	
9	1001276200	1	Bracket	
10	1001276204	1	Bracket	
11	1001276210	1	Cover	
12	1001276217	2	Bracket	
13	1001276220	1	Fitting	
14	1001276222	1	Pipe	
15	1001276223	1	Pipe	
16	1001276224	1	Hose	
17	1001276225	1	Elbow	
18	1001276226	1	Hose	
19	1001276323	1	Pipe	
20	1001276326	1	Radiator Assembly (Includes Items 101-104)	B
21	1001276328	1	Radiator, Fuel	
22	1001276558	1	Sleeve	
23	1001276559	1	Manifold	
24	1001276565	2	Bushing	
25	1001278133	4	Mount	
26	1001278136	4	Gasket	
27	1001280419	2	Washer	
28	1001280421	1	O-Ring	
101	1001276911	1	Cap	
102	1001276998	1	Radiator, Water	
103	1001276999	1	Radiator, Air	
104	1001280420	1	Shroud	

# SECTION 4 - ENGINE AND ATTACHING PARTS

## FIGURE 4-5. EXHAUST INSTALLATION



ART\_1001275751

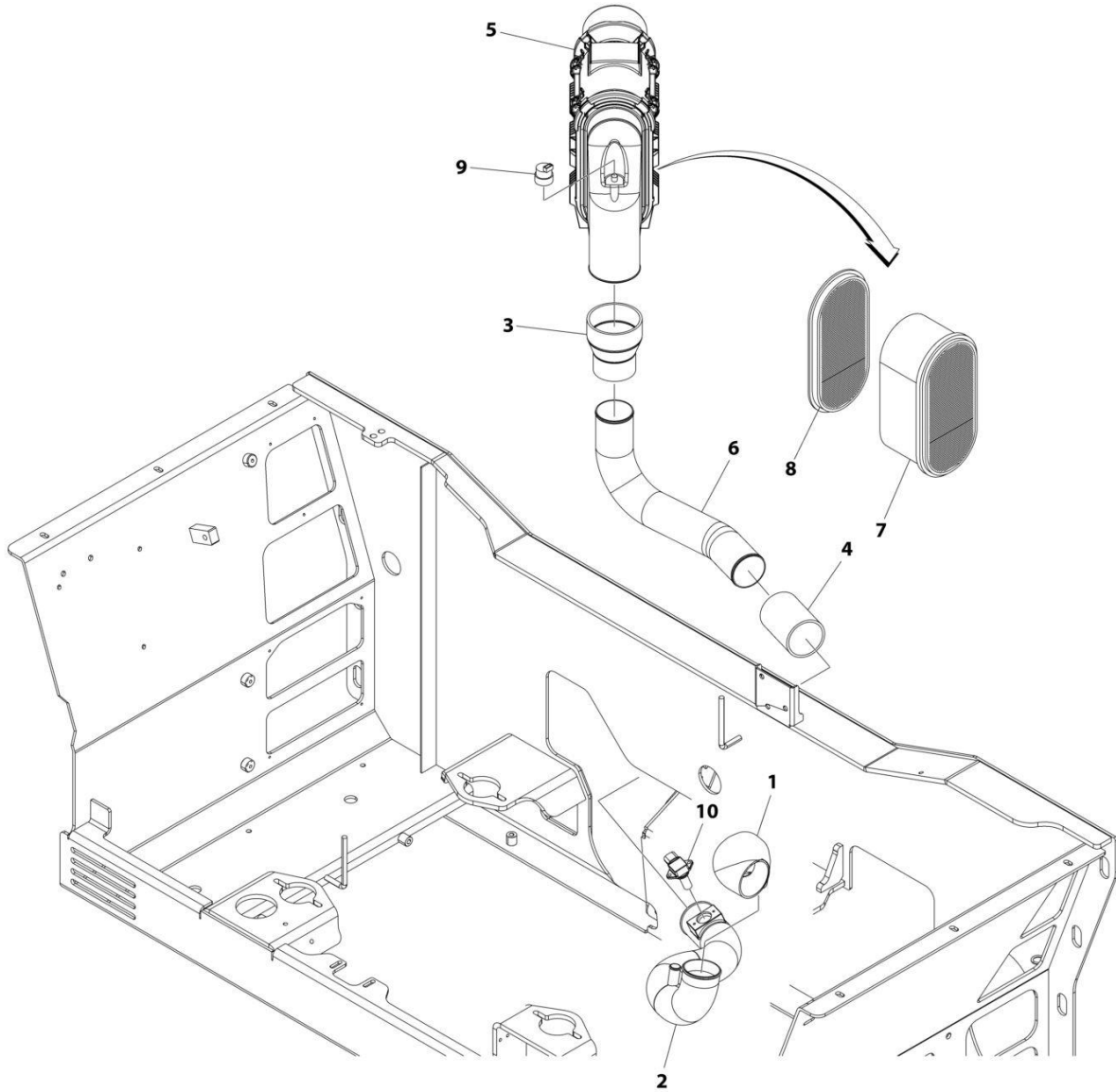
## SECTION 4 - ENGINE AND ATTACHING PARTS

### FIGURE 4-5. EXHAUST INSTALLATION

ITEM	PART NUMBER	QTY	DESCRIPTION	REV
	1001275751	Ref	EXHAUST INSTALLATION	C
1	1001275803	1	Pipe	
2	1001275809	2	Strap	
3	1001276002	1	Clamp	
4	1001276003	3	Clamp	
5	1001276004	1	Clamp	
6	1001276190	1	Gasket	
7	1001276195	1	Bracket	
8	1001276202	1	Bracket	
9	1001276331	1	Tube	
10	1001276332	1	Tube	
11	1001276333	1	Tube	
13	1001280573	1	Sensor, NH3	
14	1001280574	1	Bracket	
15	1001280575	1	Injector	
16	1001280576	1	Muffler, SCR	
17	1001280577	1	Muffler, DOC	
18	1001280578	3	Gasket	
19	1001282270	2	Sensor	
20	1001282271	2	Sensor	

# SECTION 4 - ENGINE AND ATTACHING PARTS

## FIGURE 4-6. AIR FILTER INSTALLATION



ART\_1001280415

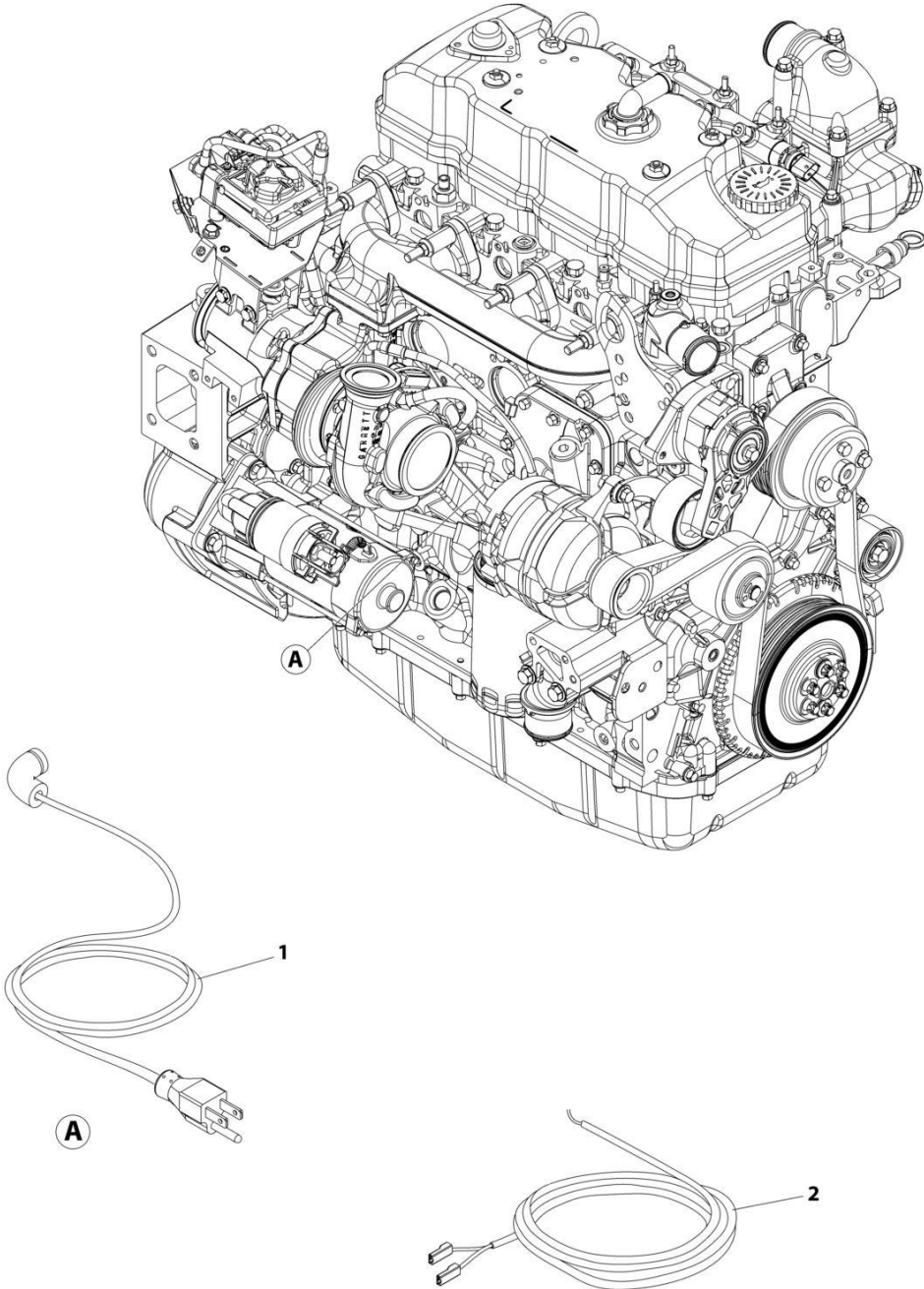
## SECTION 4 - ENGINE AND ATTACHING PARTS

### FIGURE 4-6. AIR FILTER INSTALLATION

ITEM	PART NUMBER	QTY	DESCRIPTION	REV
	1001280415	Ref	AIR FILTER INSTALLATION	A
1	1001276221	1	Elbow	
2	1001276227	1	Pipe	
3	1001276324	1	Reducer	
4	1001276325	1	Tube	
5	1001276478	1	Filter, Air	
6	1001276552	1	Pipe	
7	1001277178	1	Element, Large Air Filter	
8	1001277179	1	Element, Small Air Filter	
9	1001277181	1	Sensor, Air Flow	
10	1001282269	1	Sensor, Air	

# SECTION 4 - ENGINE AND ATTACHING PARTS

## FIGURE 4-7. BLOCK HEATER INSTALLATION



ART\_1001275750

## SECTION 4 - ENGINE AND ATTACHING PARTS

FIGURE 4-7. BLOCK HEATER INSTALLATION

ITEM	PART NUMBER	QTY	DESCRIPTION	REV
	1001275750	Ref	BLOCK HEATER INSTALLATION	B
1	1001282272	1	Heater, Engine	
2	1001282273	1	Cord, Heater	

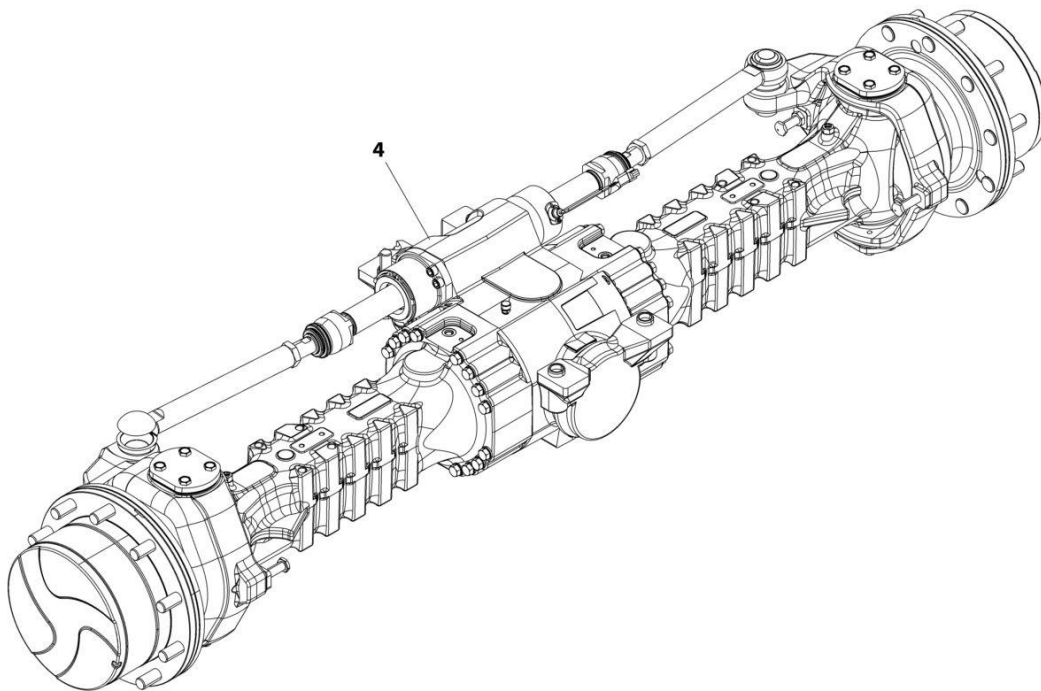




**SECTION 5 - DRIVE TRAIN**

## SECTION 5 - DRIVE TRAIN

FIGURE 5-1. FRONT AXLE INSTALLATION



ART\_1001281227

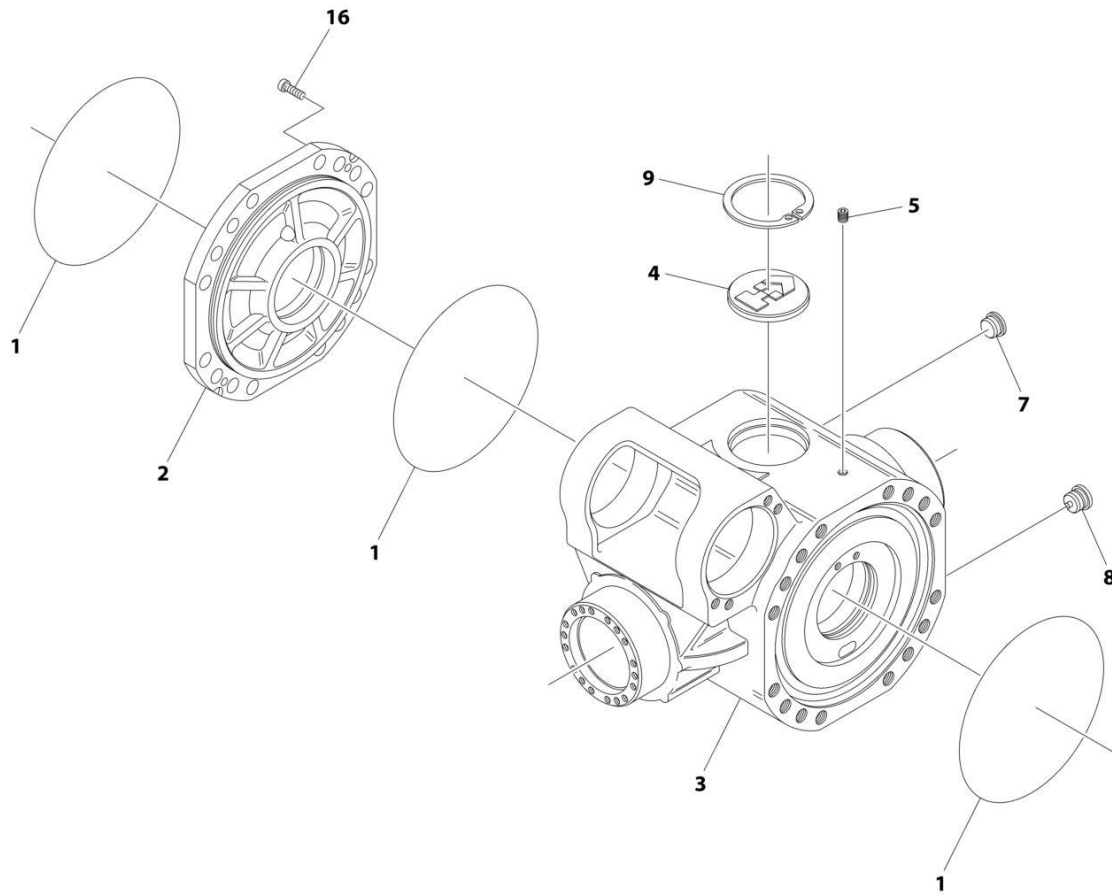
## SECTION 5 - DRIVE TRAIN

### FIGURE 5-1. FRONT AXLE INSTALLATION

ITEM	PART NUMBER	QTY	DESCRIPTION	REV
	1001281227	Ref	FRONT AXLE INSTALLATION	A
1	3332015	4	Nut, Lock M20 (Not Shown)	
2	4812500	4	Washer M20 (Not Shown)	
3	1001008967	4	Bolt M20 x 2-1/2 (Not Shown)	
4	1001277518	1	Front Axle Assembly (See Separate Breakdown in this Section)	

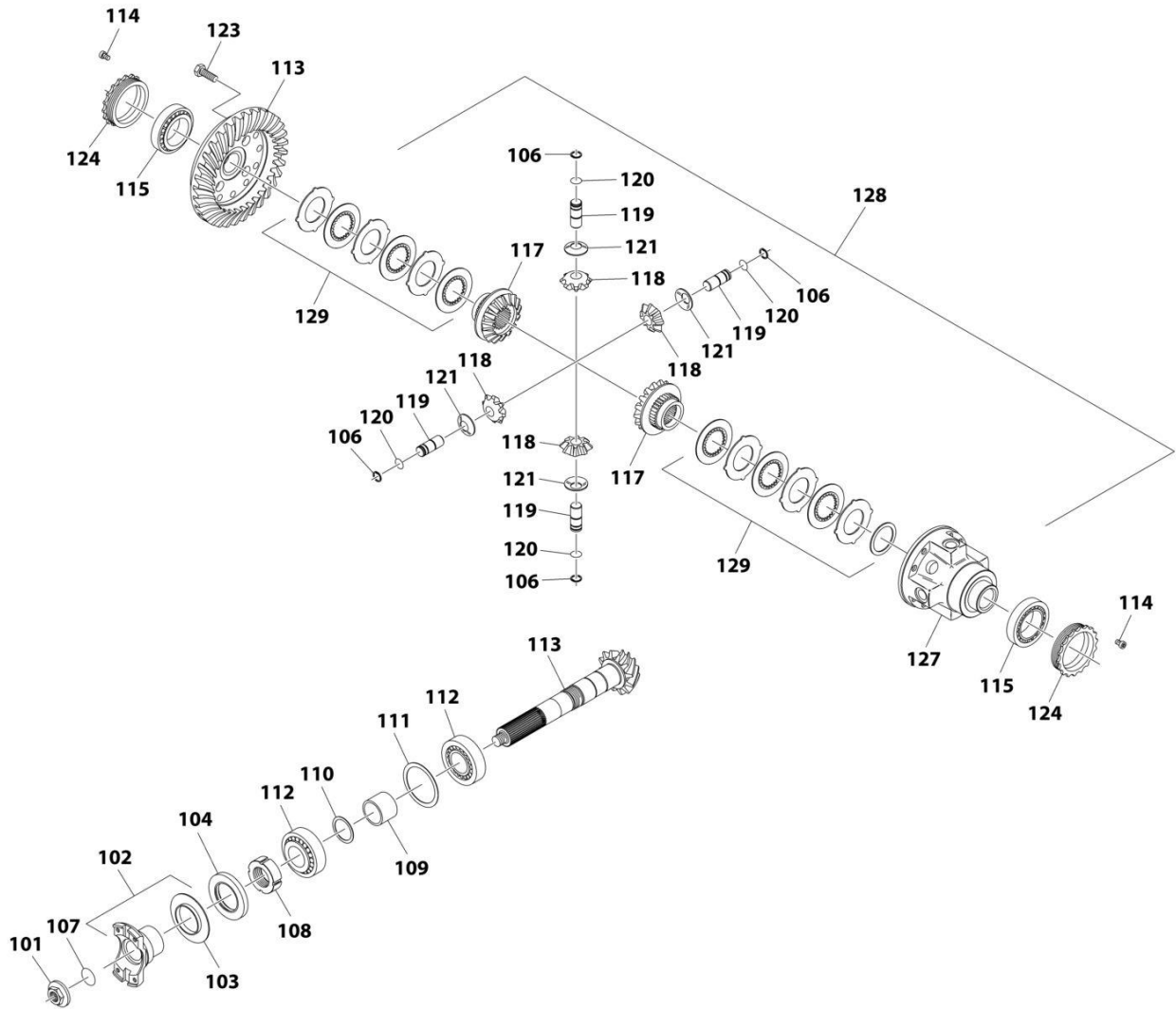
# SECTION 5 - DRIVE TRAIN

## FIGURE 5-2. AXLE ASSEMBLY - FRONT



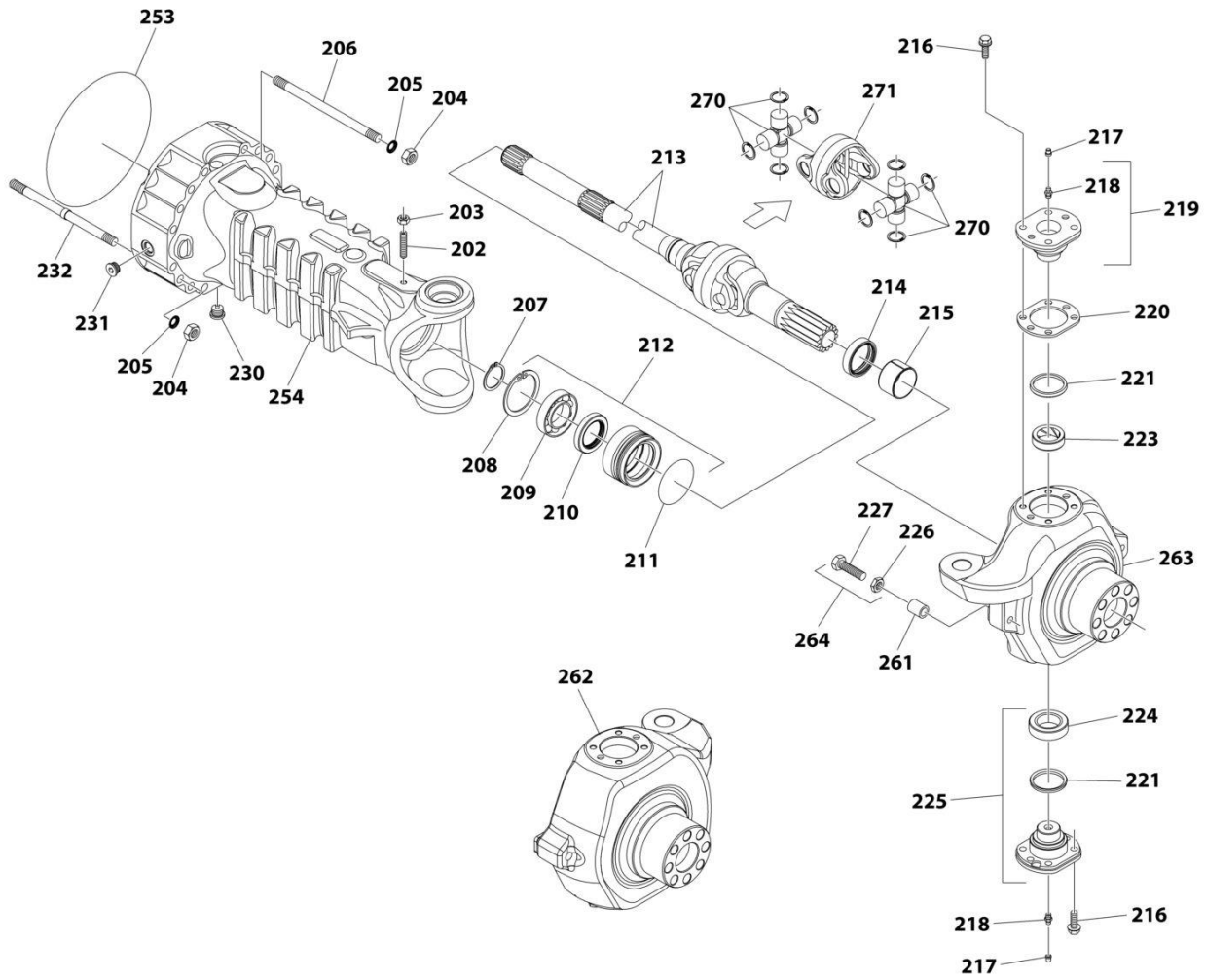
ART\_1001277518\_10F7

# SECTION 5 - DRIVE TRAIN



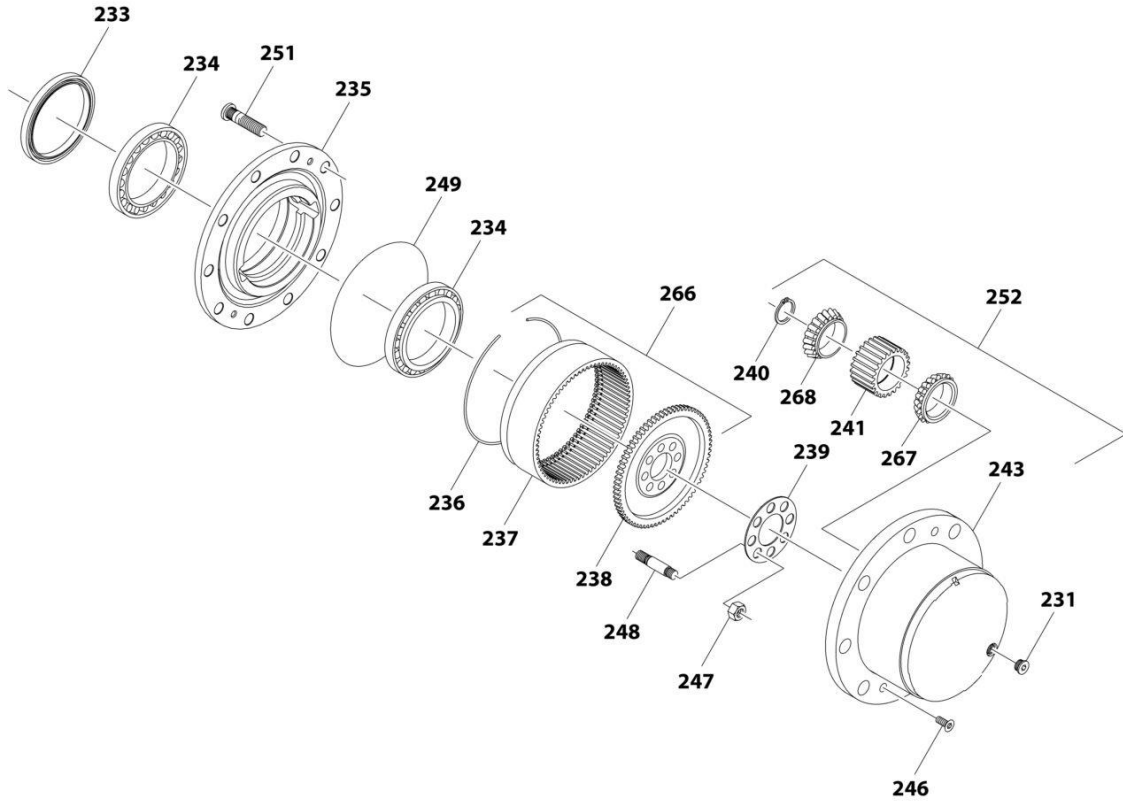
ART\_1001277518\_20F7

# SECTION 5 - DRIVE TRAIN



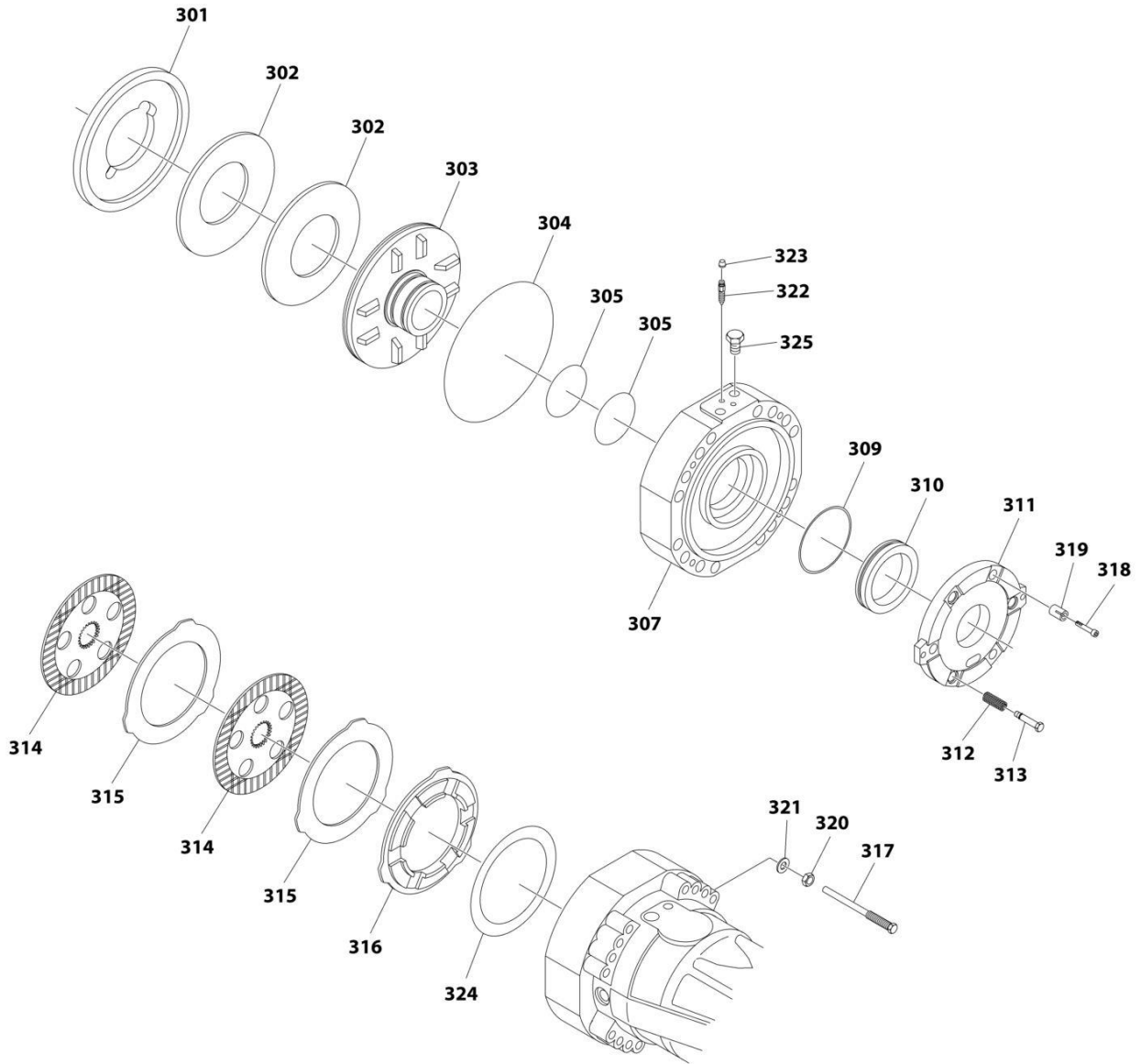
ART\_1001277518\_3OF7

# SECTION 5 - DRIVE TRAIN



ART\_1001277518\_4OF7

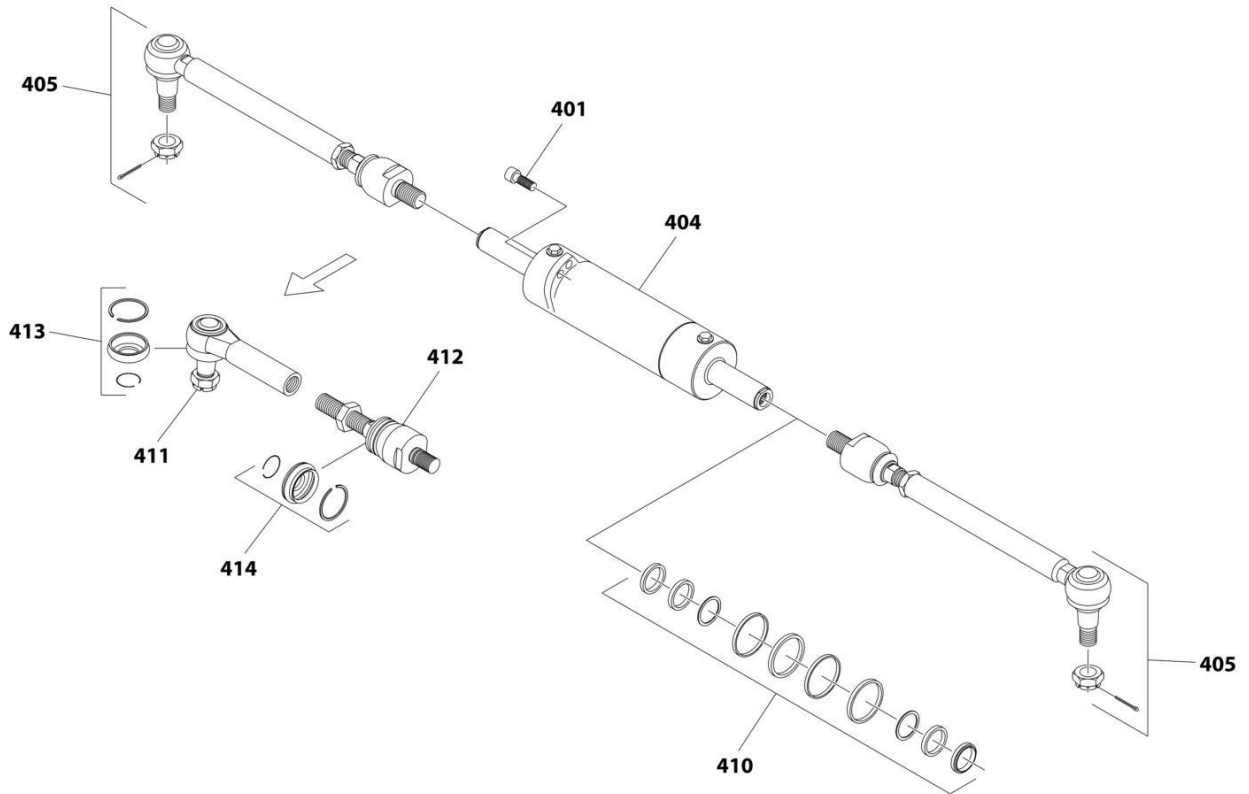
# SECTION 5 - DRIVE TRAIN



ART\_1001277518\_50F7

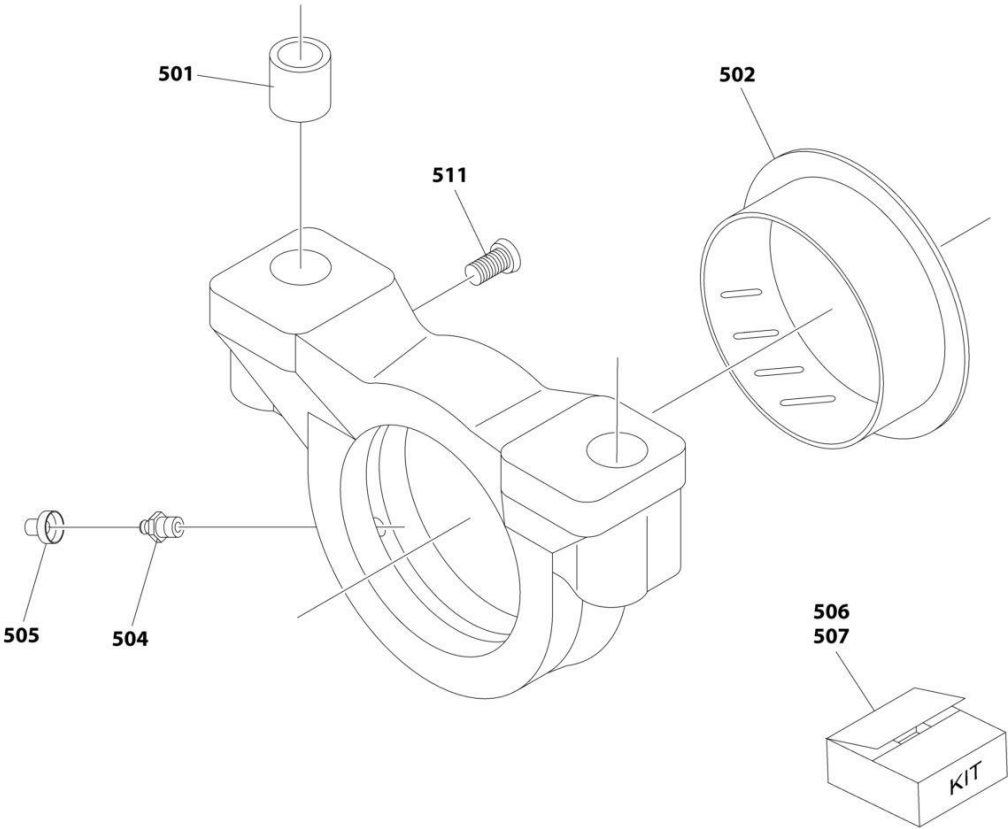


# SECTION 5 - DRIVE TRAIN



ART\_1001277518\_GOF7

**SECTION 5 - DRIVE TRAIN**



ART\_1001277518\_70F7

## SECTION 5 - DRIVE TRAIN

### FIGURE 5-2. AXLE ASSEMBLY - FRONT

ITEM	PART NUMBER	QTY	DESCRIPTION	REV
	1001277518	Ref	AXLE ASSEMBLY	A
		Ref	Central Housing Assembly	
1	91474507	3	O-Ring	
2	70024872	1	Cover	
3	70026977	1	Housing	
4	91514098	1	Plug	
5	91474512	1	Plug	
7	91514188	1	Plug	
8	7028706	1	Plug	
9	80204005	1	Circlip	
16	91474591	4	Bolt	
		Ref	Differential Assembly	
101	70026631	1	Nut	
102	7029427	1	Flange (Includes Item 103)	
103	91474531	1	Cover	
104	70024522	1	Seal	
106	91474550	4	Circlip	
107	91474529	1	O-Ring	
108	91474533	1	Ring Nut	
109	91474539	1	Spacer	
110	70025556	1	Shim Kit	
111	70025555	1	Shim Kit	
112	3968141	2	Bearing	
113	70026814	1	Gear Set	
114	91514134	2	Bolt	
115	70028471	2	Bearing	
117	91474549	2	Gear, Side	
118	91474554	4	Gear, Pinion	
119	7029131	4	Pin	
120	91474551	4	Circlip	
121	91474553	4	Washer	
123	70025562	12	Bolt	
124	91474547	2	Ring Nut	
127	8007751	1	Carrier	
128	70028940	1	Limited Slip Assembly (Includes Items 106, 117-121, 127 & 129)	
129	8007755	2	Disc Kit	
		Ref	Central Housing Assembly	
202	91514081	2	Bolt	
203	91514082	2	Nut	
204	91514083	8	Nut	
205	91514084	8	Washer	
206	70024207	24	Bolt	
207	80204071	2	Circlip	
208	80204005	2	Circlip	
209	91514146	2	Bearing	
210	91514147	2	Seal	
211	91514148	2	O-Ring	
212	70030992	2	Bushing Kit (Includes Bushing & Items 208-211)	
213	70031013	2	Joint, Universal	
214	70025857	2	Seal	

## SECTION 5 - DRIVE TRAIN

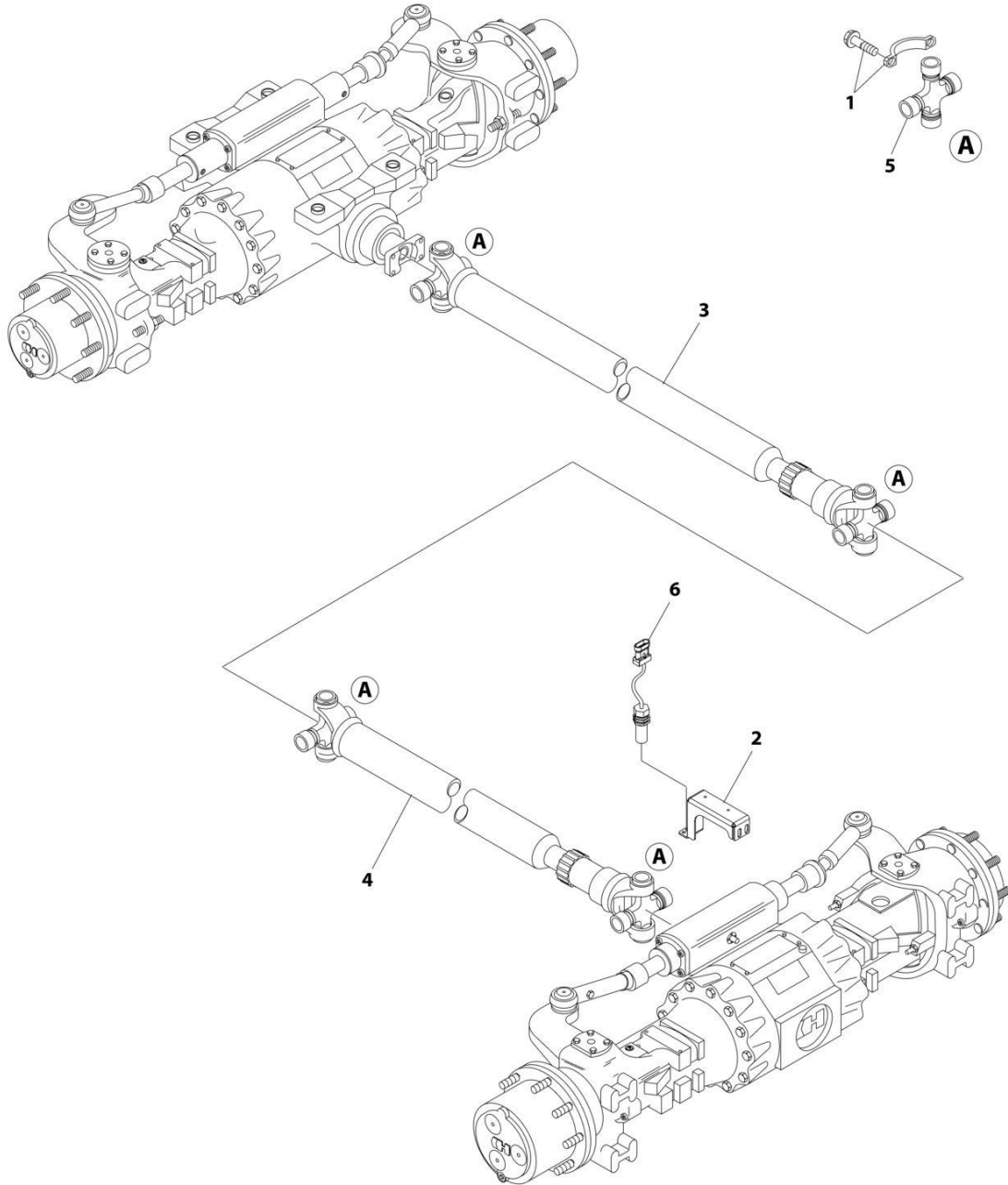
ITEM	PART NUMBER	QTY	DESCRIPTION	REV
215	91514111	2	Bushing	
216	70025562	24	Bolt	
217	80204117	4	Plug	
218	70024881	4	Grease Fitting	
219	91514112	2	Pivot (Includes Item 218)	
220	70025561	1	Shim Kit	
221	7028716	4	Seal	
223	7028714	2	Bushing	
224	91514095	2	Bearing	
225	7028715	2	Pivot Kit (Includes Pivot & Items 221 & 224)	
226	80204065	4	Nut	
227	7028733	4	Bolt	
230	7028706	2	Plug	
231	91514188	4	Plug	
232	70031009	8	Stud	
233	70026002	2	Seal	
234	80204076	4	Bearing	
235	70031006	2	Hub	
236	91514175	2	Circlip	
237	70024147	2	Ring Gear	
238	91514177	2	Support, Ring Gear	
239	91514178	2	Plate, Locking	
240	7028724	6	Circlip	
241	7028725	6	Gear, Planetary	
242	7028726	2	Carrier, Planetary Gear	
246	91514189	4	Bolt	
247	91514179	16	Nut	
248	91514180	16	Stud	
249	91514181	2	O-Ring	
251	8000877	20	Stud, Wheel	
252	70028647	2	Planet Gear Carrier Kit (Includes Housing and Items 240-243)	
253	91474507	2	O-Ring	
254	70031011	2	Case, Axle	
261	7029311	4	Spacer	
262	70040713	1	Case, Steer (LH)	
263	70031007	1	Case, Steer (RH)	
264	70028733	4	Bolt Kit (Includes Items 226 & 227)	
266	70024146	2	Ring Gear Kit (Includes Items 236-238)	
267	7028732	6	Bearing	
268	7028731	6	Bearing	
270	70028943	2	Joint, Cross	
271	70028944	1	Joint, Center	
		Ref	Brake Assembly	
301	7028734	1	Spacer	
302	91474559	4	Spring	
303	91474560	2	Piston	
304	91474561	2	O-Ring	
305	70026262	4	Seal	
307	7028735	2	Cover	
309	70026623	2	Seal	
310	91474564	2	Piston	

## SECTION 5 - DRIVE TRAIN

ITEM	PART NUMBER	QTY	DESCRIPTION	REV
311	91474565	2	Disc, Intermediate Brake	
312	91514159	6	Spring	
313	70024210	6	Bolt	
314	70047343	8	Disc	
315	70025823	8	Disc, Intermediate Brake	
316	91474570	2	Spacer	
317	70031012	4	Bolt	
318	7029787	6	Bolt	
319	70027317	6	Spring	
320	80204060	4	Nut	
321	80204108	4	Washer, Lock	
322	10725627	4	Bolt	
323	80204117	4	Plug	
324	70025981	1	Shim	
325	91514154	4	Plug	
		Ref	Steering Assembly	
401	91474522	4	Bolt	
404	70025566	1	Cylinder	
405	70026799	2	Tie Rod	
410	70025842	1	Seal Kit	
411	70028475	1	Joint	
412	70028476	1	Joint, Axial	
413	70028477	1	Joint Boot & Ring Kit	
414	70028468	1	Axial Joint Boot & Ring Kit	
		Ref	Trunion Assembly	
501	91474516	4	Bushing	
502	70029445	2	Bushing	
504	70024881	2	Fitting, Grease	
505	80204117	2	Plug	
506	7028084	1	Front Trunion Kit (Includes Front Trunion and items 501-505)	
507	7028084	1	Rear Trunion Kit (Includes Rear Trunion and items 501-505)	
511	70028535	2	Bolt	

# SECTION 5 - DRIVE TRAIN

## FIGURE 5-3. DRIVE SHAFT INSTALLATION



ART\_1001281226

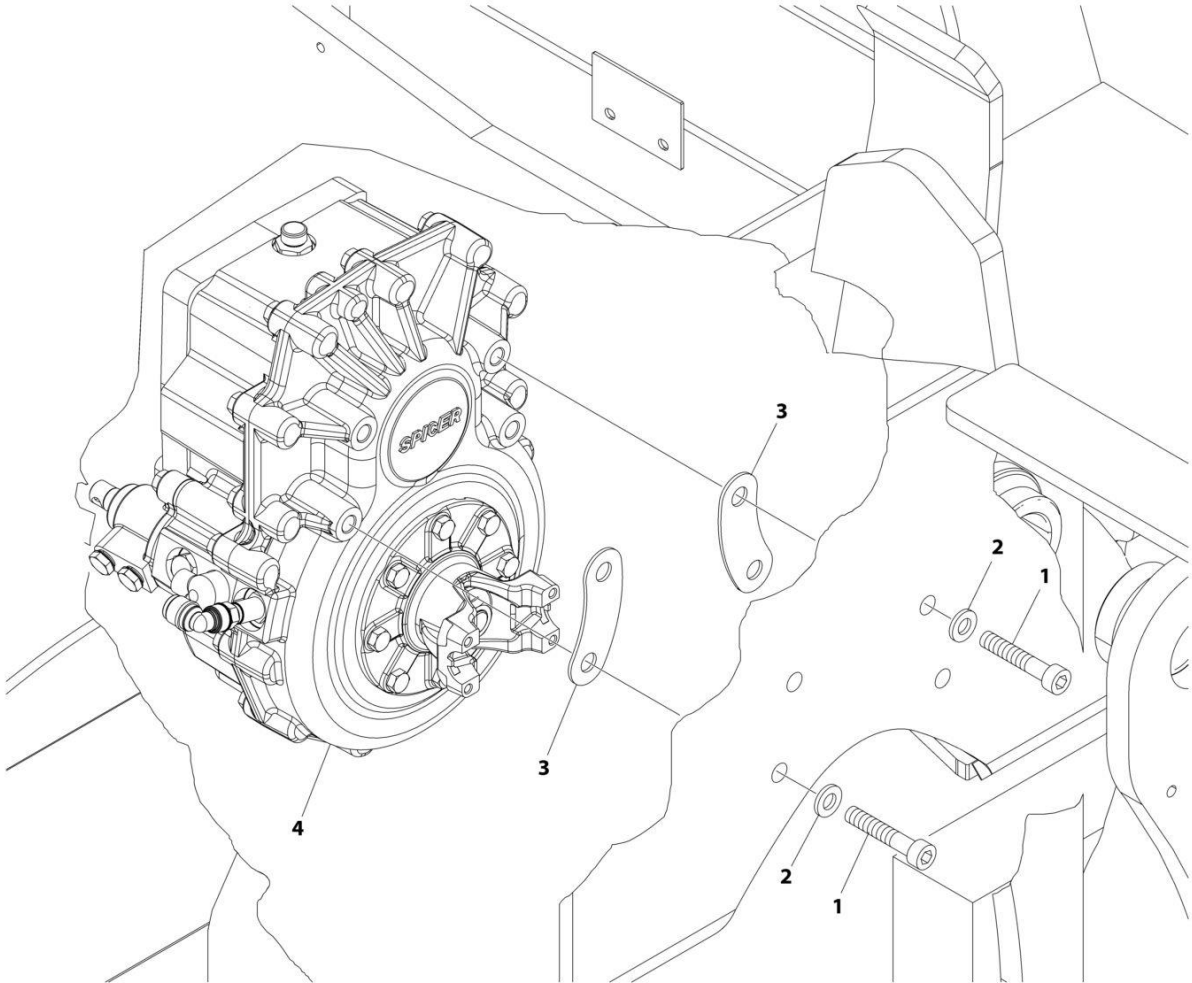
## SECTION 5 - DRIVE TRAIN

### FIGURE 5-3. DRIVE SHAFT INSTALLATION

ITEM	PART NUMBER	QTY	DESCRIPTION	REV
	1001281226	Ref	DRIVE SHAFT INSTALLATION	A
1	1001275059	4	Clamp Kit	
2	1001276112	1	Bracket	
3	1001276241	1	Drive Shaft, Rear	
4	1001276242	1	Drive Shaft, Front	
5	1001276949	4	Joint, Universal	
6	1001281232	1	Sensor	

**SECTION 5 - DRIVE TRAIN**

**FIGURE 5-4. GEARBOX INSTALLATION**



ART\_1001281224



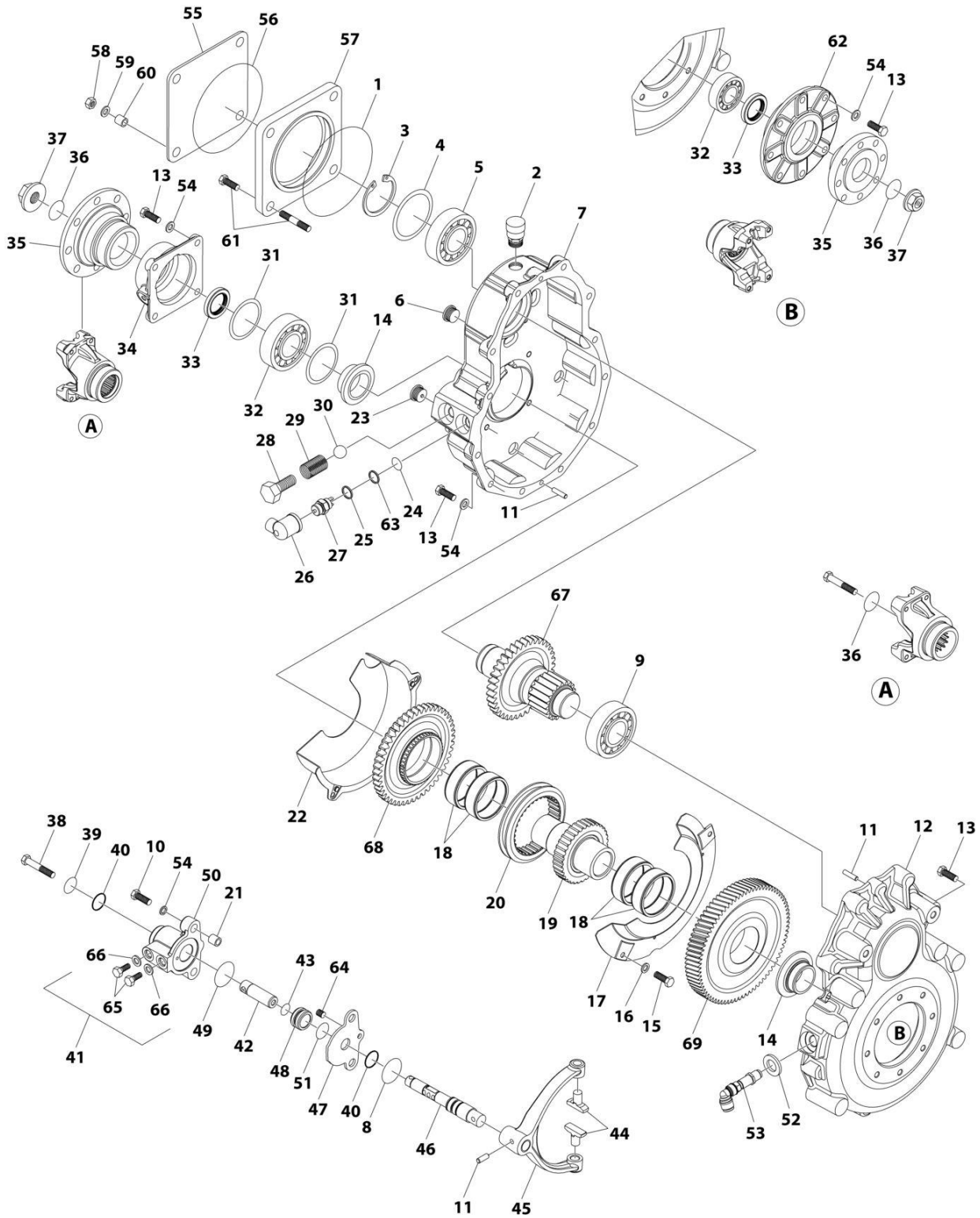
## SECTION 5 - DRIVE TRAIN

### FIGURE 5-4. GEARBOX INSTALLATION

ITEM	PART NUMBER	QTY	DESCRIPTION	REV
	1001281224	Ref	GEARBOX INSTALLATION	A
1	4032314	4	Bolt M16 x 50	
2	4832300	4	Washer, Lock M16	
3	1001276194	2	Shim	
4	1001276977	1	Gearbox (see Separate Breakdown in this Section)	

# SECTION 5 - DRIVE TRAIN

## FIGURE 5-5. GEARBOX ASSEMBLY



ART\_1001276977

## SECTION 5 - DRIVE TRAIN

### FIGURE 5-5. GEARBOX ASSEMBLY

ITEM	PART NUMBER	QTY	DESCRIPTION	REV
	1001276977	Ref	GEARBOX ASSEMBLY	A
1	70030853	1	O-Ring	
2	70030854	1	Plug, Vent	
3	70030856	1	Ring, Retaining	
4	70030857	1	Shim	
5	70030858	1	Bearing	
6	70030859	1	Plug	
7	70030860	1	Cover	
8	70030861	1	O-Ring	
9	70030862	1	Bearing	
10	70030863	2	Bolt	
11	70030864	2	Pin	
12	70030865	1	Casing	
13	70030866	15	Bolt	
14	70030867	2	Spacer	
15	70030868	2	Bolt	
16	70030869	2	Washer	
17	70030870	1	Cover	
18	70030871	4	Sleeve	
19	70030872	1	Shaft, Output	
20	70030873	1	Sleeve	
21	70030874	2	Pin	
22	70030875	1	Cover	
23	70030876	1	Plug, Magnetic	
24	70030877	1	O-Ring	
25	70030878	1	Washer	
26	70030879	1	Cap	
27	70030880	1	Switch	
28	70030881	1	Bolt	
29	70030882	1	Spring	
30	70030883	1	Ball	
31	70030884	1	Shim Kit	
32	70030885	2	Bearing	
33	70030886	2	Ring	
34	70030887	1	Cover	
35	70030888	2	Flange	
36	70030889	3	O-Ring	
37	70030890	2	Nut	
38	70030891	1	Bolt	
39	70030892	1	O-Ring	
40	70030893	2	Ring	
41	70030894	2	Hardware Kit (Includes Items 65 and 66)	
42	70030895	1	Rod	
43	70030896	1	O-Ring	
44	70030897	2	Shoe	
45	70030898	1	Fork, Gearbox	
46	70030899	1	Rod, Gearbox	
47	70030900	1	Panel	
48	70030901	1	Piston	
49	70030902	1	O-Ring	

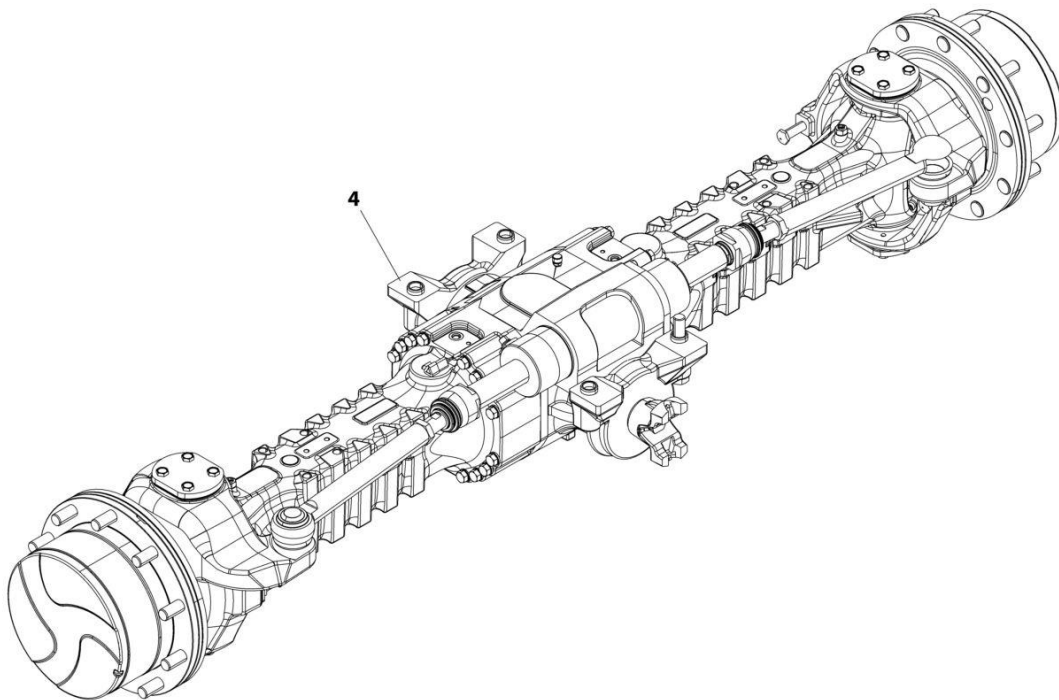
## SECTION 5 - DRIVE TRAIN

ITEM	PART NUMBER	QTY	DESCRIPTION	REV
50	70030903	1	Cylinder	
51	70030904	1	O-Ring	
52	70030905	1	Washer	
53	70030906	1	Sensor	
54	70030907	15	Washer	
55	70030908	1	Panel	
56	70030909	1	O-Ring	
57	70030910	1	Spacer	
58	70030911	4	Nut	
59	70030912	4	Washer	
60	70030913	4	Spacer	
61	70030914	4	Bolt, Stud	
62	70030915	1	Cover	
63	70030916	1	Washer	
64	70030917	1	Bolt	
65	70030918	2	Bolt	
66	70030919	2	Washer	
67	70030920	1	Shaft, Input	
68	70030921	1	Gear	
69	70030922	1	Gear	



## SECTION 5 - DRIVE TRAIN

FIGURE 5-6. REAR AXLE INSTALLATION



ART\_1001281229

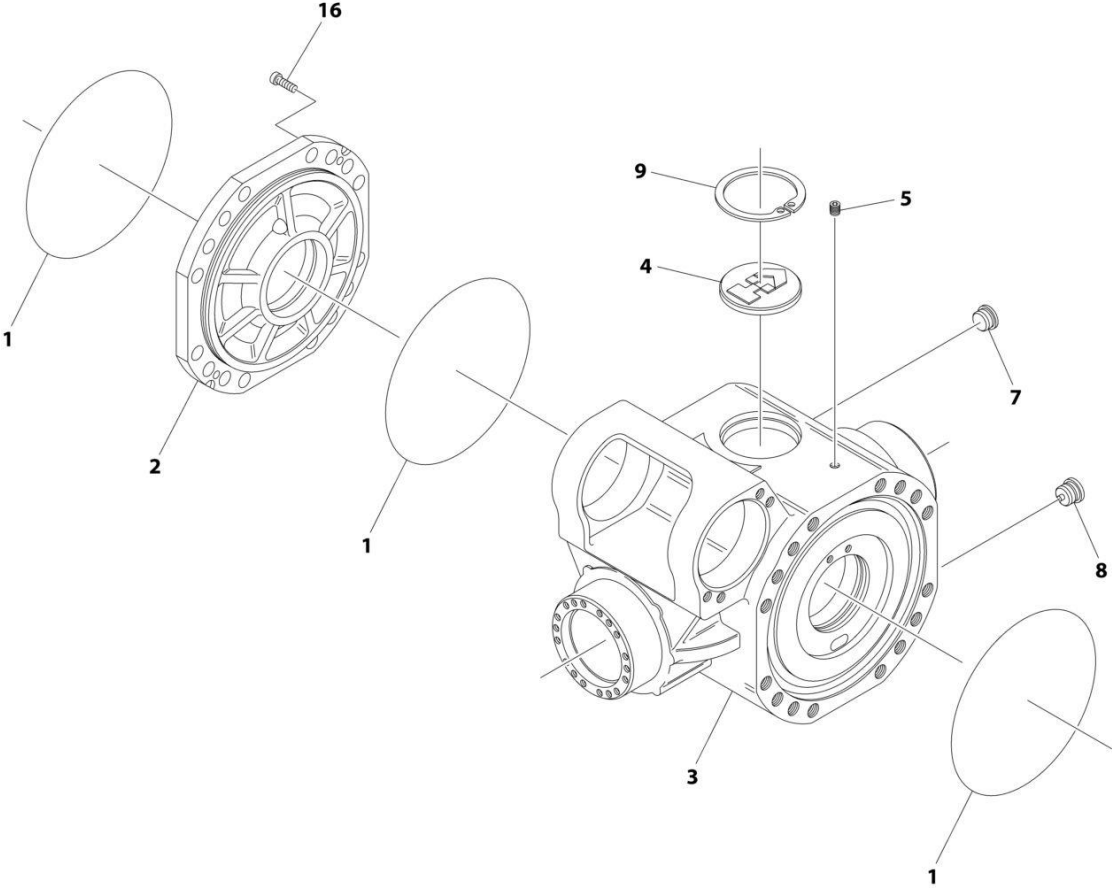
## SECTION 5 - DRIVE TRAIN

### FIGURE 5-6. REAR AXLE INSTALLATION

ITEM	PART NUMBER	QTY	DESCRIPTION	REV
	1001281229	Ref	REAR AXLE INSTALLATION	A
1	3332015	4	Nut, Lock M20 (Not Shown)	
2	4812500	4	Washer M20 (Not Shown)	
3	1001008967	4	Bolt M20 x 2-1/2 (Not Shown)	
4	1001281233	1	Rear Axle Assembly (See Separate Breakdown in this Section)	

**SECTION 5 - DRIVE TRAIN**

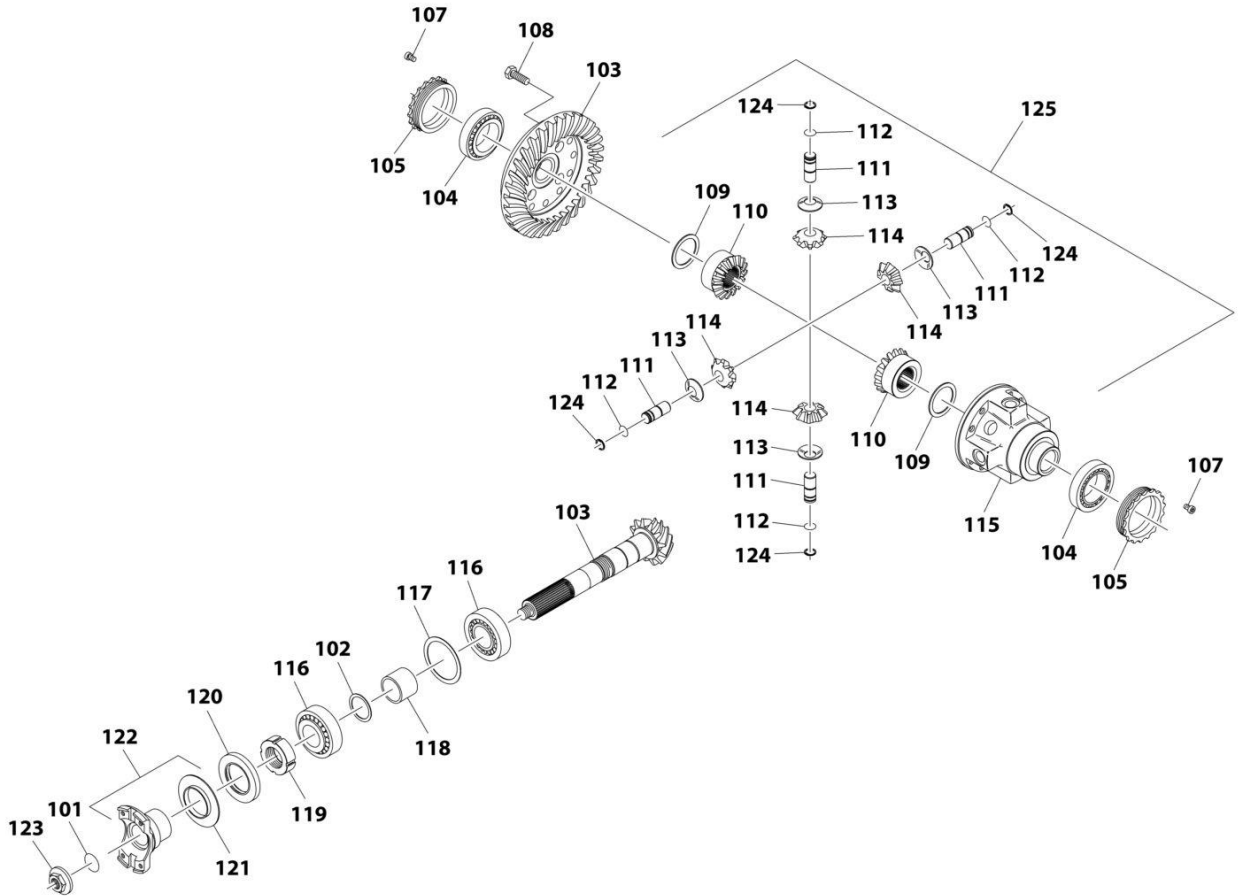
**FIGURE 5-7. AXLE ASSEMBLY - REAR**



ART\_1001281233\_10F7

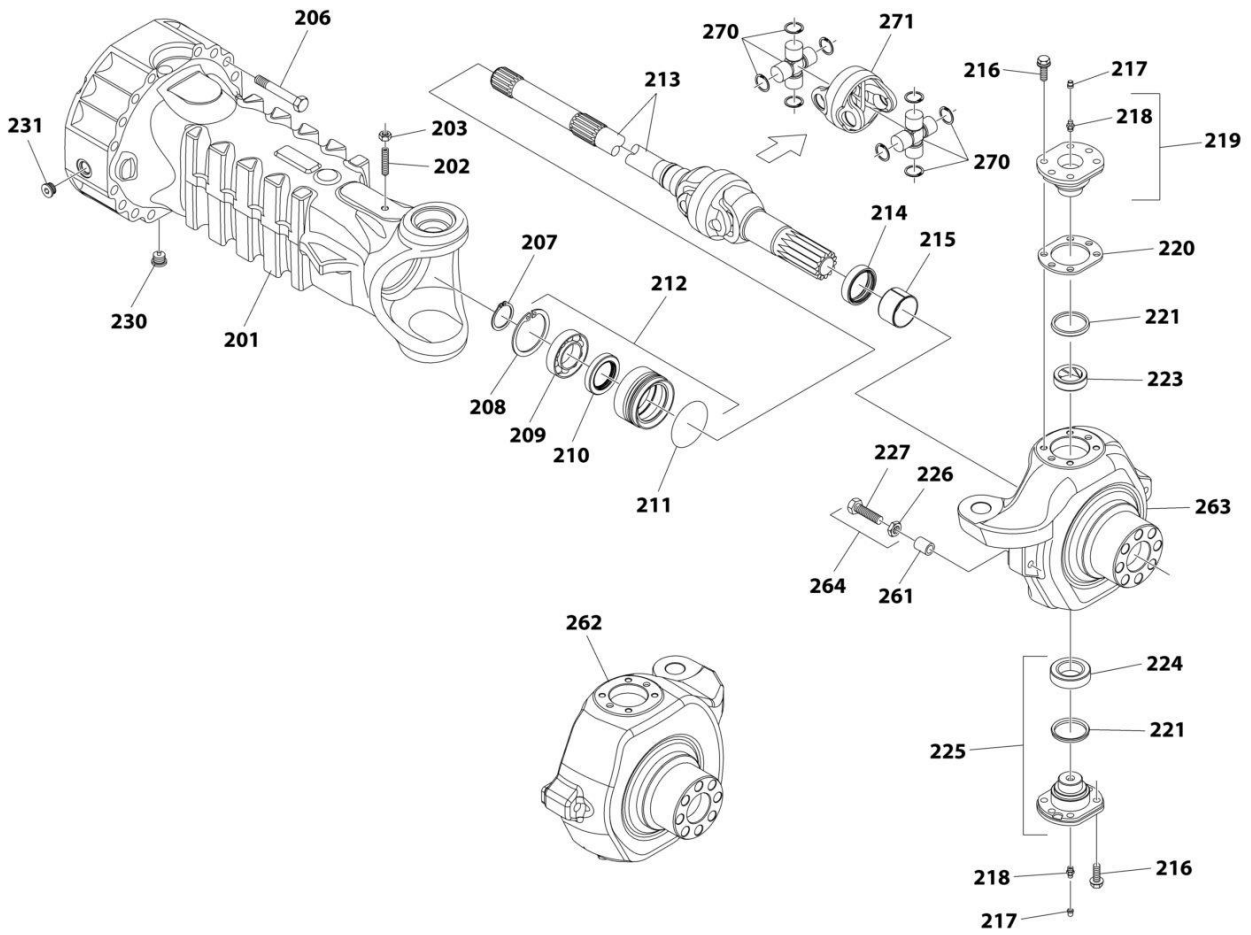


# SECTION 5 - DRIVE TRAIN



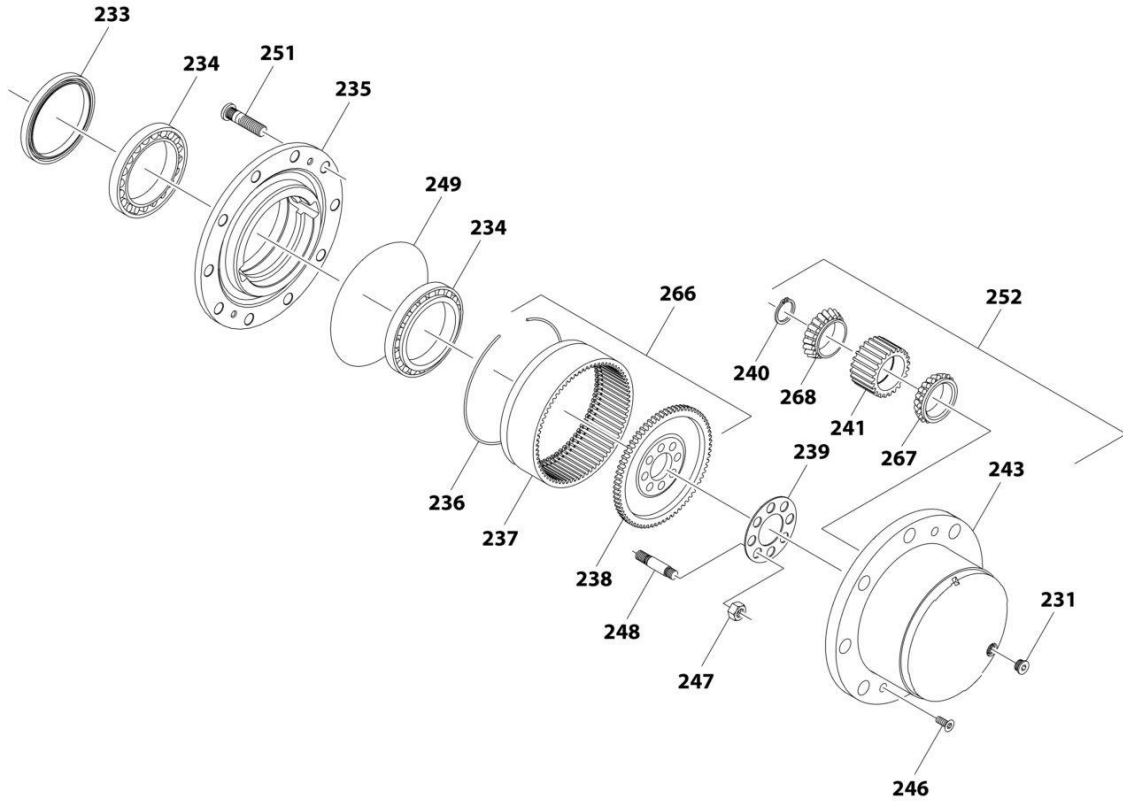
ART\_1001281233\_2OF7

# SECTION 5 - DRIVE TRAIN



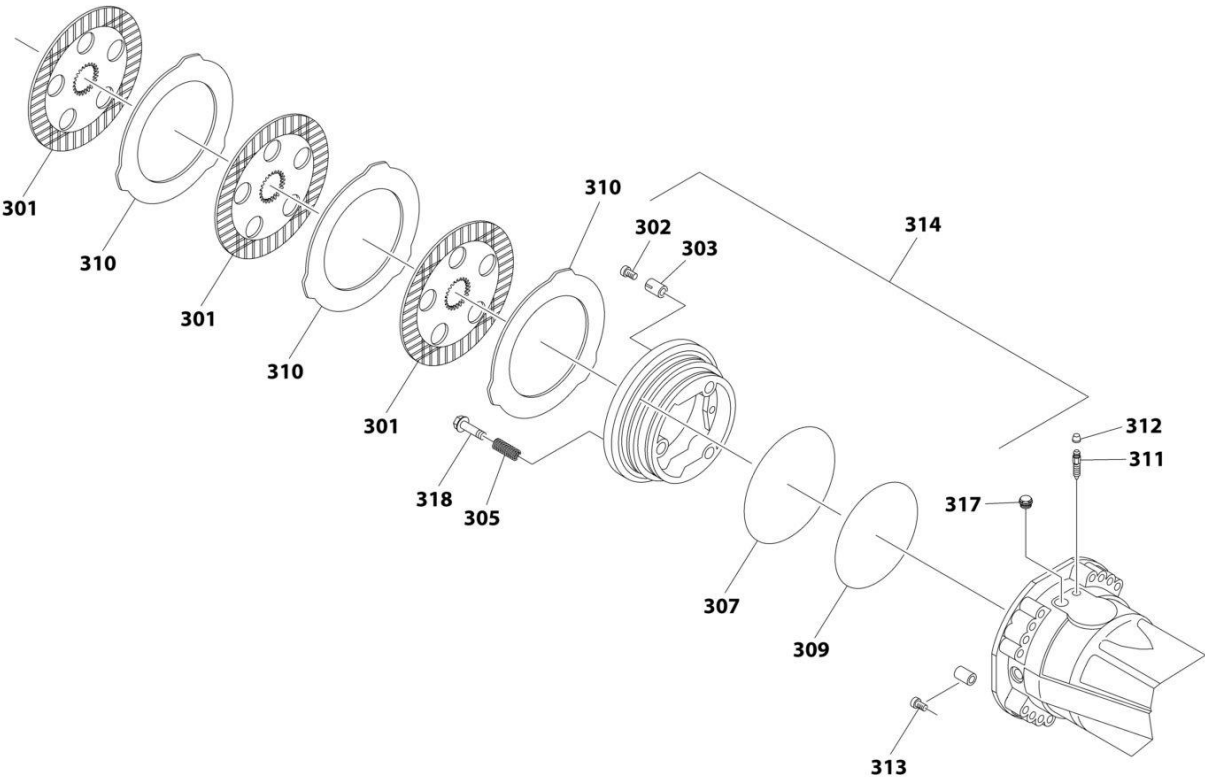
ART\_1001281233\_30F7

# SECTION 5 - DRIVE TRAIN



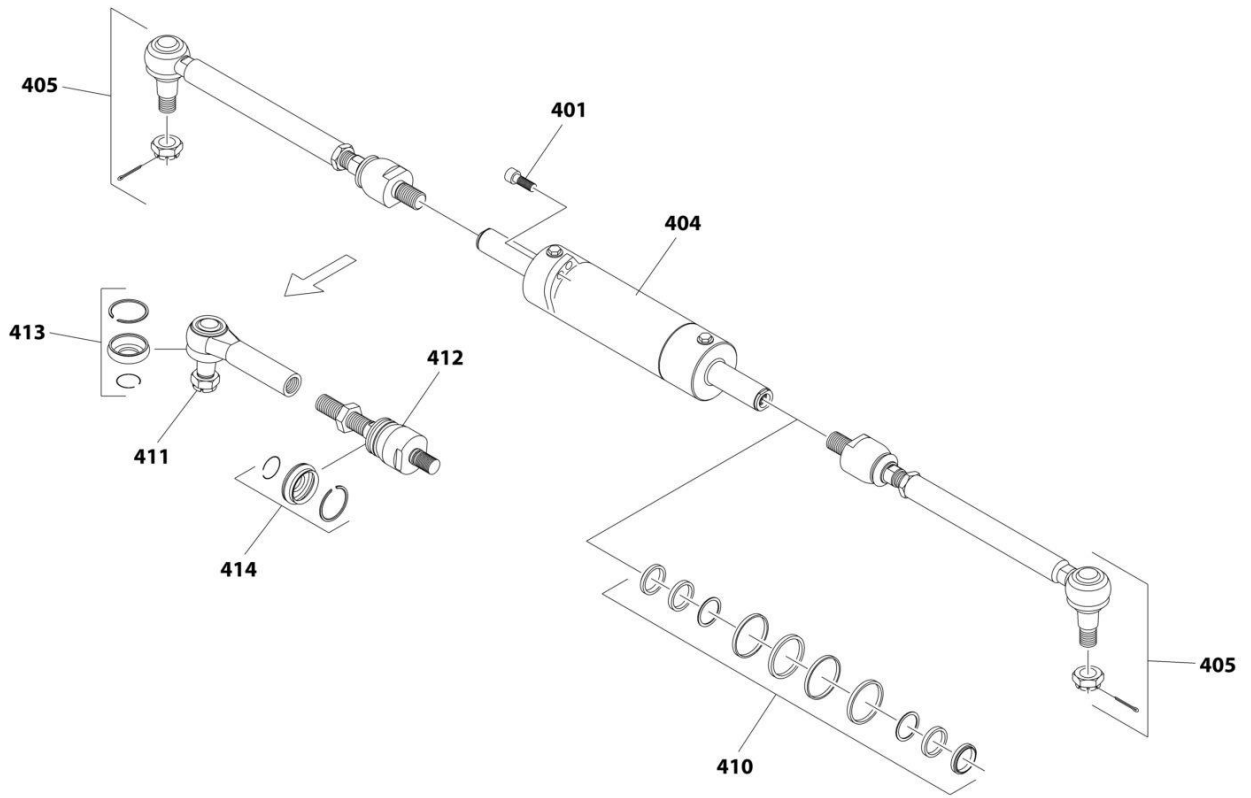
ART\_1001281233\_4OF7

**SECTION 5 - DRIVE TRAIN**



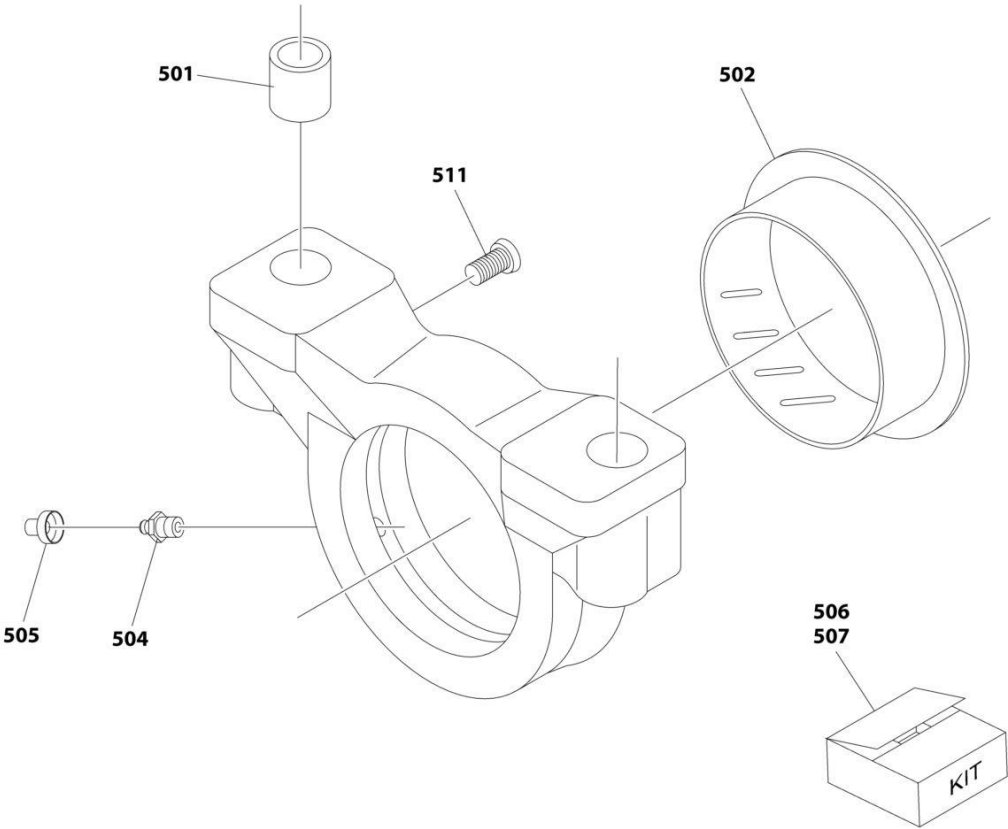
ART\_1001281233\_SOF7

# SECTION 5 - DRIVE TRAIN



ART\_1001281233\_6OF7

**SECTION 5 - DRIVE TRAIN**



ART\_1001281233\_7OF7

## SECTION 5 - DRIVE TRAIN

### FIGURE 5-7. AXLE ASSEMBLY - REAR

ITEM	PART NUMBER	QTY	DESCRIPTION	REV
	1001281233	Ref	AXLE ASSEMBLY	A
		Ref	Central Housing Assembly	
1	91474507	3	O-Ring	
2	70024519	1	Cover	
3	70026977	1	Housing	
4	91514098	1	Plug	
5	91474512	1	Plug	
7	91514188	1	Plug	
8	7028706	1	Plug	
9	80204005	1	Circlip	
16	91474591	4	Bolt	
		Ref	Differential Assembly	
101	91474529	1	O-Ring	
102	70025556	1	Shim Kit	
103	70026802	1	Gear Set	
104	70028471	2	Bearing	
105	91474547	2	Ring Nut	
107	91514134	2	Bolt	
108	70025562	12	Bolt	
109	91474593	2	Washer	
110	70025569	2	Gear, Side	
111	7029131	4	Pin	
112	91474551	4	Circlip	
113	91474553	4	Washer	
114	70025570	4	Gear, Pinion	
115	91474595	1	Carrier	
116	3968141	2	Bearing	
117	70025555	1	Shim Kit	
118	91474539	1	Spacer	
119	91474533	1	Ring Nut	
120	70024522	1	Seal	
121	91474531	1	Cover	
122	7029427	1	Flange (Includes Item 121)	
123	70026631	1	Nut	
124	91474550	4	Circlip	
125	70021140	1	Limited Slip Assembly (Includes Items 109-115 & 124)	
		Ref	Central Housing Assembly	
201	70031004	2	Case, Axle	
202	91514081	2	Bolt	
203	91514082	2	Nut	
206	70030150	32	Bolt	
207	80204071	2	Circlip	
208	80204005	2	Circlip	
209	91514146	2	Bearing	
210	91514147	2	Seal	
211	91514148	2	O-Ring	
212	70030992	2	Bushing Kit (Includes Bushing & Items 208-211)	
213	70031005	2	Joint, Universal	
214	70025857	2	Seal	
215	91514111	2	Bushing	

## SECTION 5 - DRIVE TRAIN

ITEM	PART NUMBER	QTY	DESCRIPTION	REV
216	70025562	24	Bolt	
217	80204117	2	Plug	
218	70024881	4	Fitting, Grease	
219	91514112	2	Pivot (Includes Item 218)	
220	70025561	1	Shim Kit	
221	7028716	4	Seal	
223	7028714	2	Bushing	
224	91514095	2	Bearing	
225	7028715	2	Pivot Kit (Includes Pivot & Items 221 & 224)	
226	80204065	4	Nut	
227	7028733	4	Bolt	
230	7028706	2	Plug	
231	91514188	4	Plug	
233	70026002	2	Seal	
234	80204076	4	Bearing	
235	70031006	2	Hub	
236	91514175	2	Circlip	
237	70024147	2	Ring Gear	
238	91514177	2	Support, Ring Gear	
239	91514178	2	Plate, Locking	
240	7028724	6	Circlip	
241	7028725	6	Gear, Planetary	
243	7028726	2	Carrier, Planetary Gear	
246	91514189	4	Bolt	
247	91514179	16	Nut	
248	91514180	16	Stud	
249	91514181	2	O-Ring	
251	8000877	20	Stud, Wheel	
252	70028647	2	Planet Gear Carrier Kit (Includes Housing and Items 240-243)	
261	7029311	4	Spacer	
262	70040713	1	Case, Steer (LH)	
263	70031007	1	Case, Steer (RH)	
264	7028733	4	Bolt Kit (Includes Items 226 & 227)	
266	70024146	2	Ring Gear Kit (Includes Items 236-238)	
267	7028732	6	Bearing	
268	7028731	6	Bearing	
270	70021898	2	Joint, Cross	
271	70031008	1	Joint, Cente	
		Ref	Brake Assembly	
301	70047343	8	Disc	
302	7029785	6	Adjusting Bolt	
303	70027317	6	Spring	
305	91514159	6	Spring	
307	70025821	2	O-Ring	
309	70025822	2	O-Ring	
310	70025823	10	Disc, Intermediate Brake	
311	10725627	2	Bolt	
312	80204117	2	Plug	
313	70021613	2	Bolt	
314	70028452	2	Piston Kit (Includes Piston and Items 302, 303, 307 & 309)	
317	91514154	2	Plug	

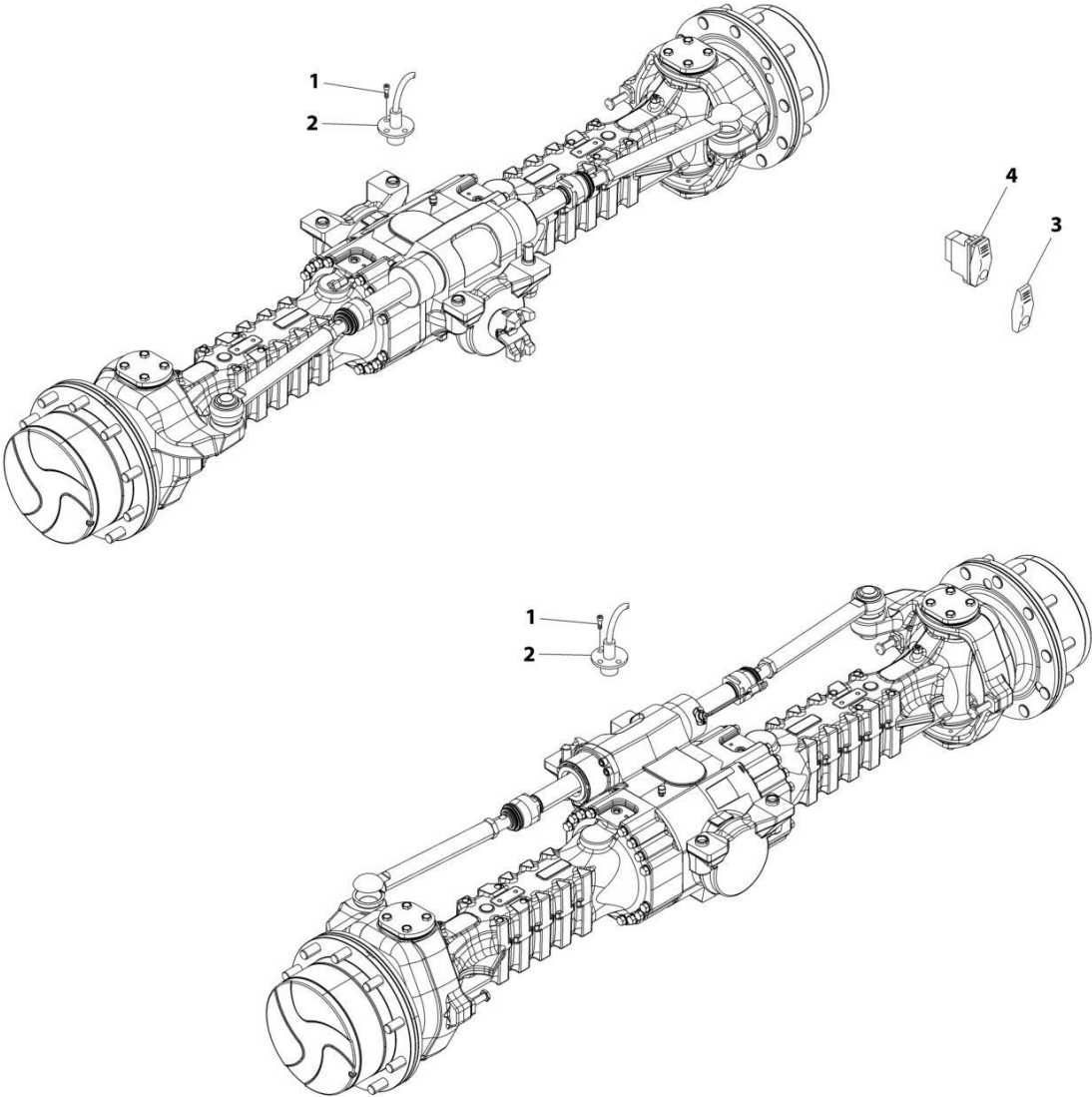


## SECTION 5 - DRIVE TRAIN

ITEM	PART NUMBER	QTY	DESCRIPTION	REV
318	70024210	6	Bolt	
		Ref	Steering Assembly	
401	91474522	4	Bolt	
404	70025566	1	Cylinder	
405	70026799	2	Tie Rod	
410	70025842	1	Seal Kit	
411	70028475	1	Joint	
412	70028476	1	Joint, Axial	
413	70028477	1	Joint Boot & Ring Kit	
414	70028468	1	Axial Joint Boot & Ring Kit	
		Ref	Trunion Assembly	
501	91474516	4	Bushing	
502	70029445	2	Bushing	
504	70024881	2	Fitting, Grease	
505	80204117	2	Plug	
506	7028084	1	Front Trunion Kit (Includes Front Trunion and items 501-505)	
507	7028084	1	Rear Trunion Kit (Includes Rear Trunion and items 501-505)	
511	70028535	2	Bolt	

**SECTION 5 - DRIVE TRAIN**

**FIGURE 5-8. ALIGNMENT SENSOR INSTALLATION**



ART\_1001281230

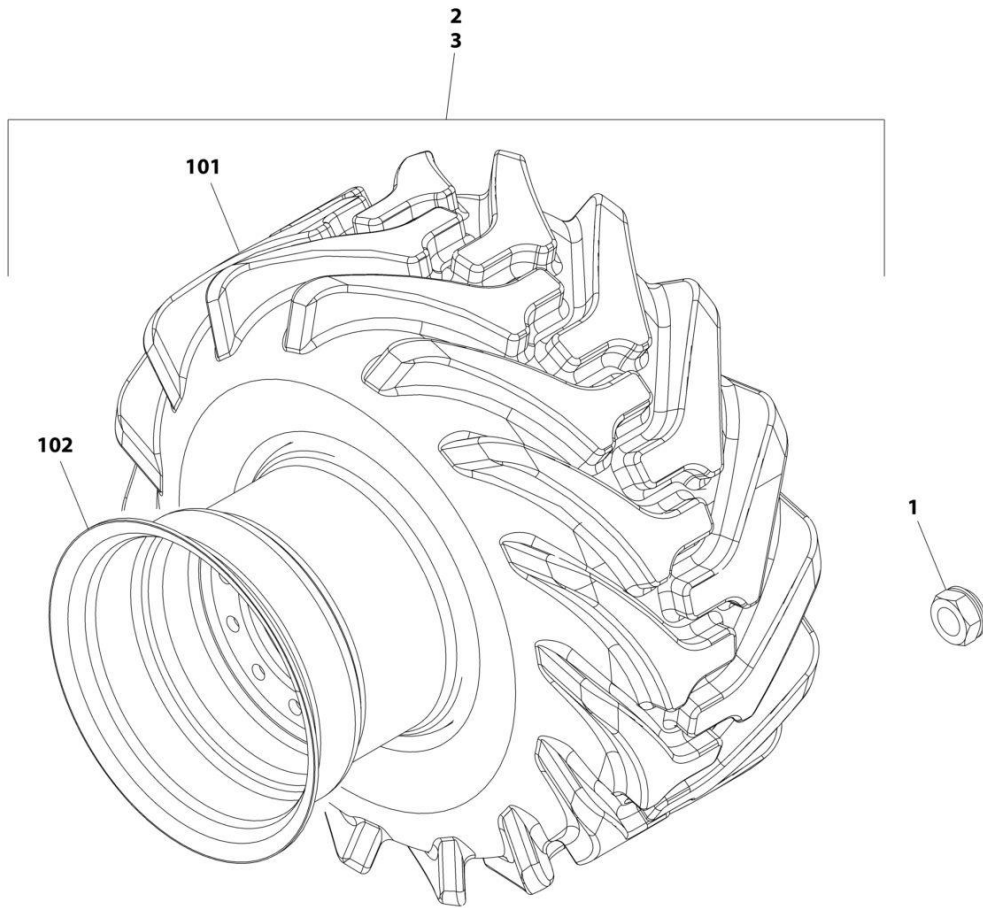
## SECTION 5 - DRIVE TRAIN

### FIGURE 5-8. ALIGNMENT SENSOR INSTALLATION

ITEM	PART NUMBER	QTY	DESCRIPTION	REV
	1001281230	Ref	ALIGNMENT SENSOR INSTALLATION	A
1	4031605	6	Capscrew M5 x 10	
2	1001277230	2	Sensor, Proximity	
3	1001281027	1	Decal - Wheel Alignment	
4	1001281234	1	Switch, Wheel Alignment	

# SECTION 5 - DRIVE TRAIN

## FIGURE 5-9. TIRE AND WHEEL ASSEMBLY - CLAWED



ART\_1001275766

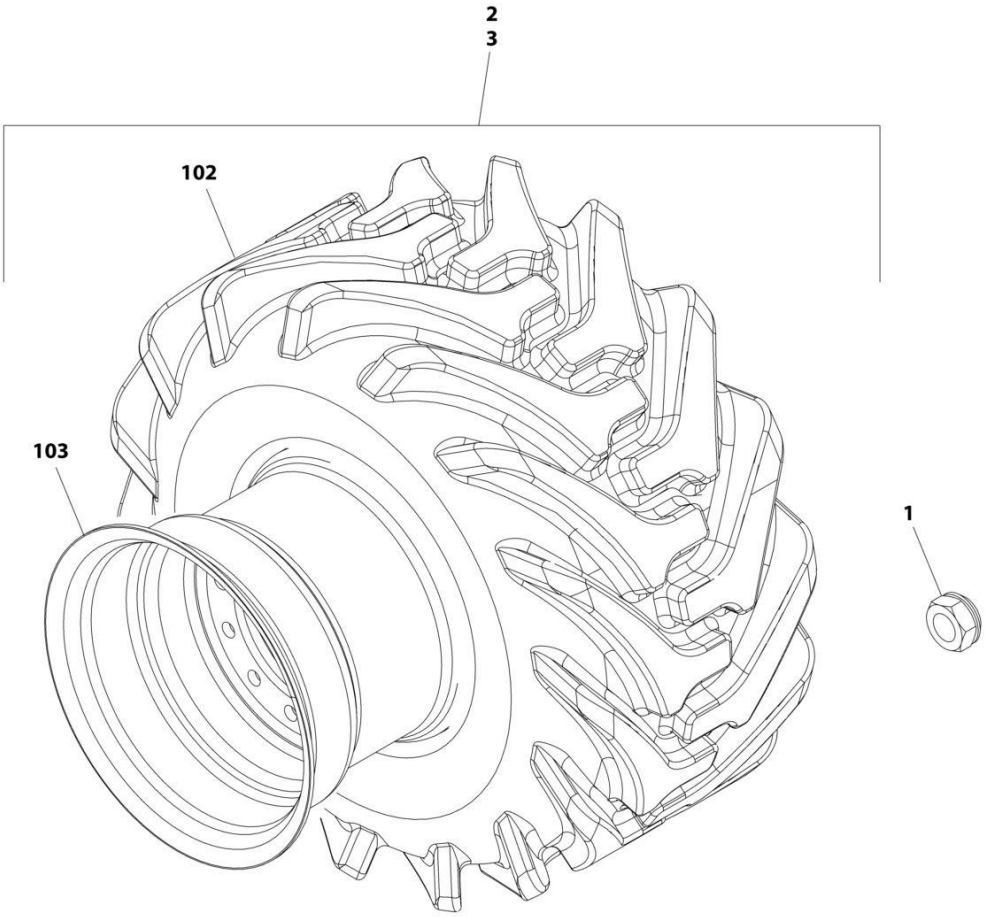
## SECTION 5 - DRIVE TRAIN

### FIGURE 5-9. TIRE AND WHEEL ASSEMBLY - CLAWED

ITEM	PART NUMBER	QTY	DESCRIPTION	REV
	1001275766	Ref	TIRE AND WHEEL ASSEMBLY	B
1	91403193	40	Nut, Wheel	
2	1001276951	2	Tire and Wheel Assembly - Left Side (Includes Items 101-102)	A
3	1001282925	2	Tire and Wheel Assembly - Right Side (Includes Items 101-102)	A
101	1001275988	1	Tire, 18R22.5	
102	1001275989	1	Rim, Wheel	

**SECTION 5 - DRIVE TRAIN**

**FIGURE 5-10. TIRE AND WHEEL ASSEMBLY - CLAWED & FOAM FILLED**



ART\_1001275767

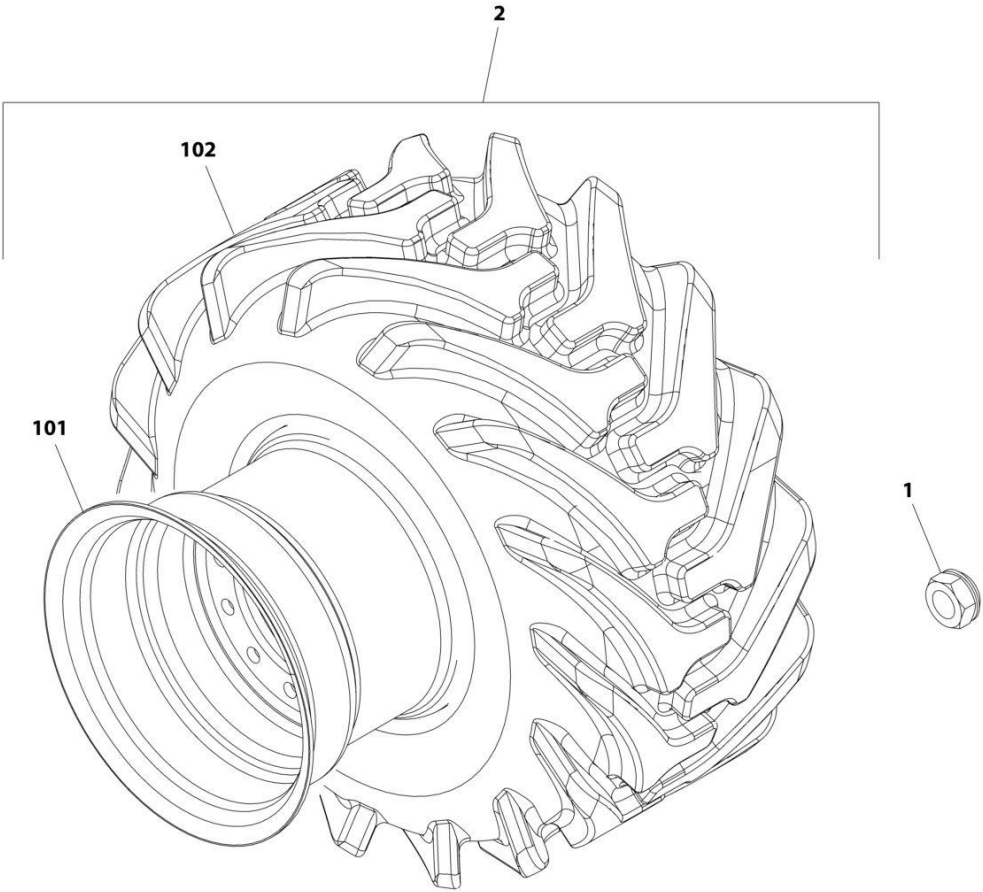
## SECTION 5 - DRIVE TRAIN

**FIGURE 5-10. TIRE AND WHEEL ASSEMBLY - CLAWED & FOAM FILLED**

ITEM	PART NUMBER	QTY	DESCRIPTION	REV
	1001275767	Ref	TIRE AND WHEEL ASSEMBLY	B
		Ref	Note: Requires ballast/foam filling to manufacturer's specifications prior to installing on a machine. Refer to Service and Maintenance Manuals. Purchase individual tire and/or rim only if able to foam fill tire and wheel assembly, otherwise, purchase complete.	
1	91403193	40	Nut, Wheel	
2	1001275550	2	Tire and Wheel Assembly - Left Side (Includes Items 102-103)	A
3	1001282931	2	Tire and Wheel Assembly - Right Side (Includes Items 102-103)	A
102	1001275988	1	Tire, 18R22.5	
103	1001275989	1	Rim, Wheel	

**SECTION 5 - DRIVE TRAIN**

**FIGURE 5-11. TIRE AND WHEEL ASSEMBLY - STANDARD**



ART\_1001275765



## SECTION 5 - DRIVE TRAIN

### FIGURE 5-11. TIRE AND WHEEL ASSEMBLY - STANDARD

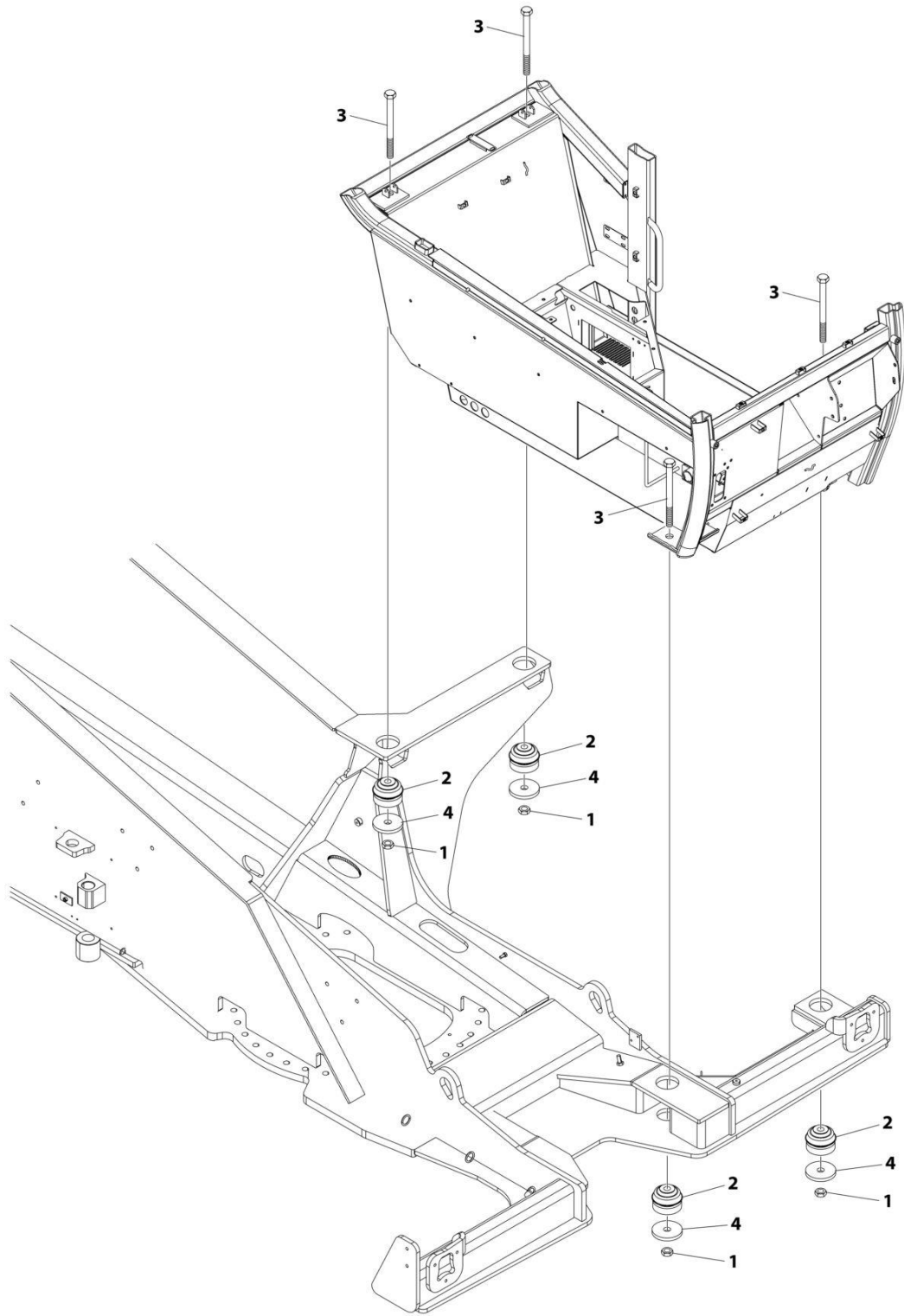
ITEM	PART NUMBER	QTY	DESCRIPTION	REV
	1001275765	Ref	TIRE AND WHEEL ASSEMBLY	B
1	91403193	40	Nut, Wheel	
2	1001275987	4	Tire and Wheel Assembly	A
101	1001275989	1	Rim, Wheel	
102	1001276955	1	Tire, 445/65 R22.5	



**SECTION 6 - CAB**

# SECTION 6 - CAB

## FIGURE 6-1. CAB MOUNTS INSTALLATION



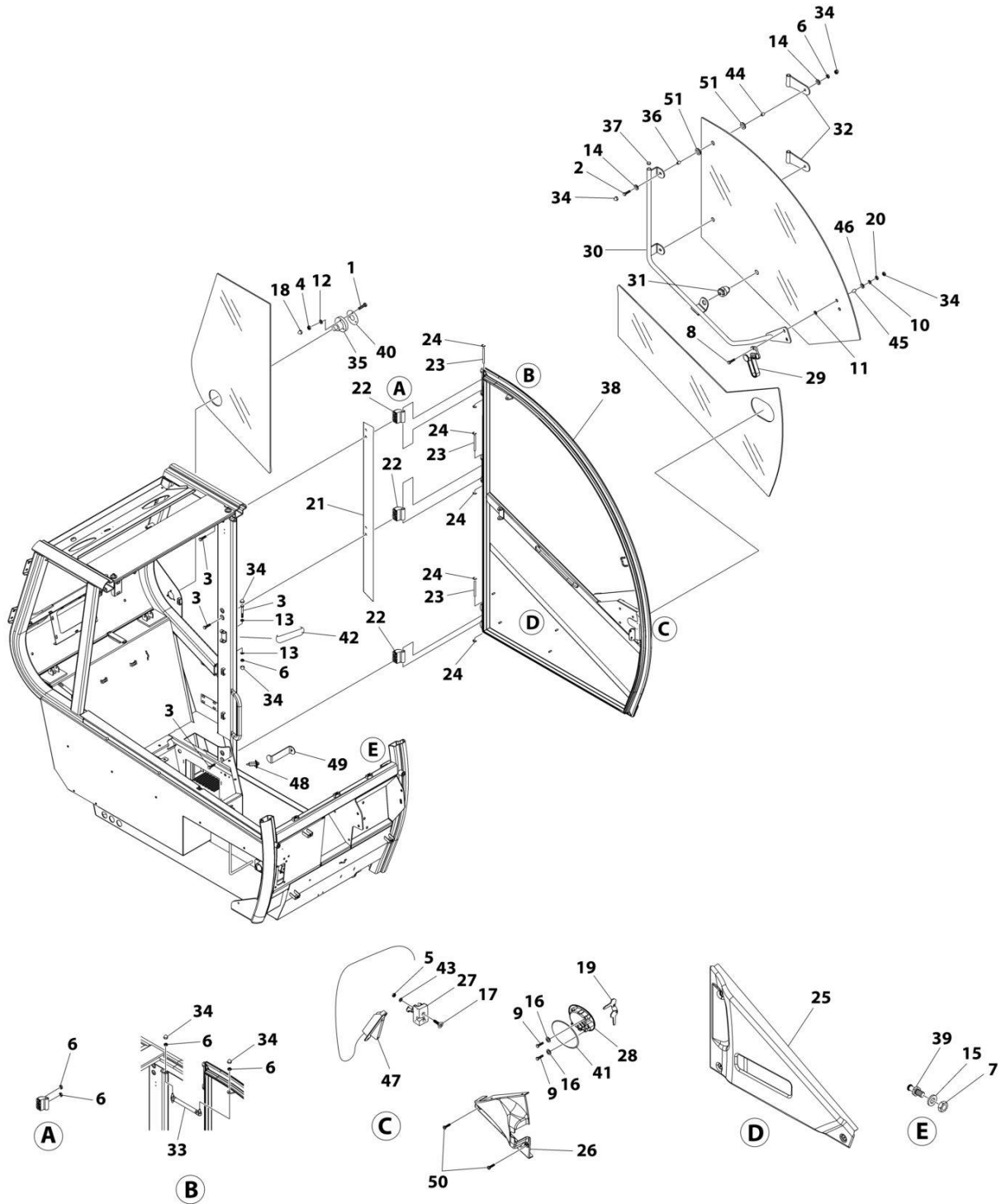
ART\_1001280920

FIGURE 6-1. CAB MOUNTS INSTALLATION

ITEM	PART NUMBER	QTY	DESCRIPTION	REV
	1001280920	Ref	CAB MOUNTS INSTALLATION	A
1	3292205	4	Nut, Lock M22	
2	1001275050	4	Mount	
3	1001278264	4	Bolt M22 x 130	
4	1001280930	4	Washer, Rebound	

# SECTION 6 - CAB

## FIGURE 6-2. CAB DOOR INSTALLATION



ART\_1001278262

FIGURE 6-2. CAB DOOR INSTALLATION

ITEM	PART NUMBER	QTY	DESCRIPTION	REV
	1001278262	Ref	CAB DOOR INSTALLATION	B
1	0700614	3	Bolt M6 x 30	
2	0700815	2	Bolt M8 x 35	
3	0700822	7	Bolt M8 x 70	
4	3290605	3	Nut, Lock M6	
5	3290801	2	Nut M8	
6	3290805	11	Nut, Lock M8	
7	3291202	1	Nut M12	
8	4010514	2	Bolt M5 x 30	
9	4010608	2	Bolt M6 x 16	
10	4811600	2	Washer M5	
11	1001289841	2	Washer, Glass M5	
12	4811700	3	Washer M5	
13	4811900	2	Washer M6	
14	4811902	4	Washer M8	
15	4812100	1	Washer M12	
16	4871700	2	Washer, Lock M6	
17	1001102830	2	Capscrew M8 x 45	
18	1001108603	3	Nut M6	
19	1001276889	1	Key	
20	1001278052	2	Nut, Lock M5	
21	1001278342	1	Plate	
22	1001278343	3	Lug, Hinge	
23	1001278344	3	Pin, Hinge	
24	1001278345	6	Ring, Retaining	
25	1001278346	1	Panel	
26	1001278347	1	Cover	
27	1001278348	1	Lock	
28	1001278349	1	Handle, Door	
29	1001278350	1	Lock, Window	
30	1001278351	1	Handle, Window	
31	1001278352	1	Fastener, Window	
32	1001278353	2	Hinge, Window	
33	1001278354	1	Strut	
34	1001278355	10	Nut M8	
35	1001278356	1	Latch, Window	
36	1001278357	2	Spacer	
37	1001278359	1	Plug	
38	1001278360	1	Frame, Door (Note: Complete Door Assembly Not Available For Purchase, Please Buy Individual Parts)	
39	1001278361	1	Pin	
40	1001278370	1	Gasket	
41	1001278372	1	Gasket	
42	1001278375	1	Strap	
43	1001278376	2	Washer	
44	1001278377	2	Spacer	
45	1001278378	2	Spacer	
46	1001278379	2	Washer	
47	1001278380	1	Cable, Door Release	
48	1001278383	1	Switch, Door Sensor	

## SECTION 6 - CAB

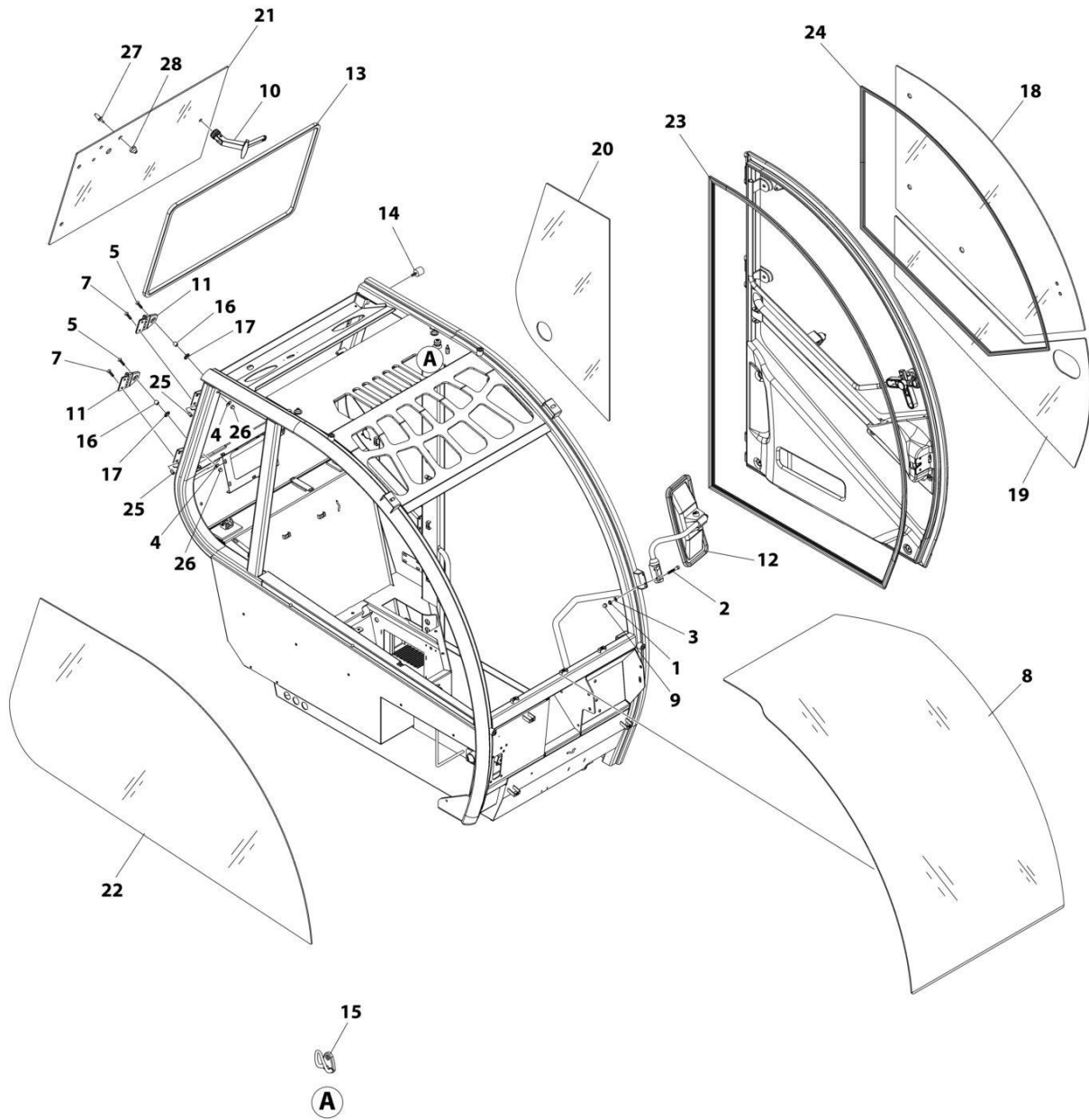
ITEM	PART NUMBER	QTY	DESCRIPTION	REV
49	1001278384	1	Bracket	
50	4010612002	2	Bolt M6 x 25	
51	1001289840	4	Washer, Glass M6	





# SECTION 6 - CAB

## FIGURE 6-3. CAB WINDOWS INSTALLATION



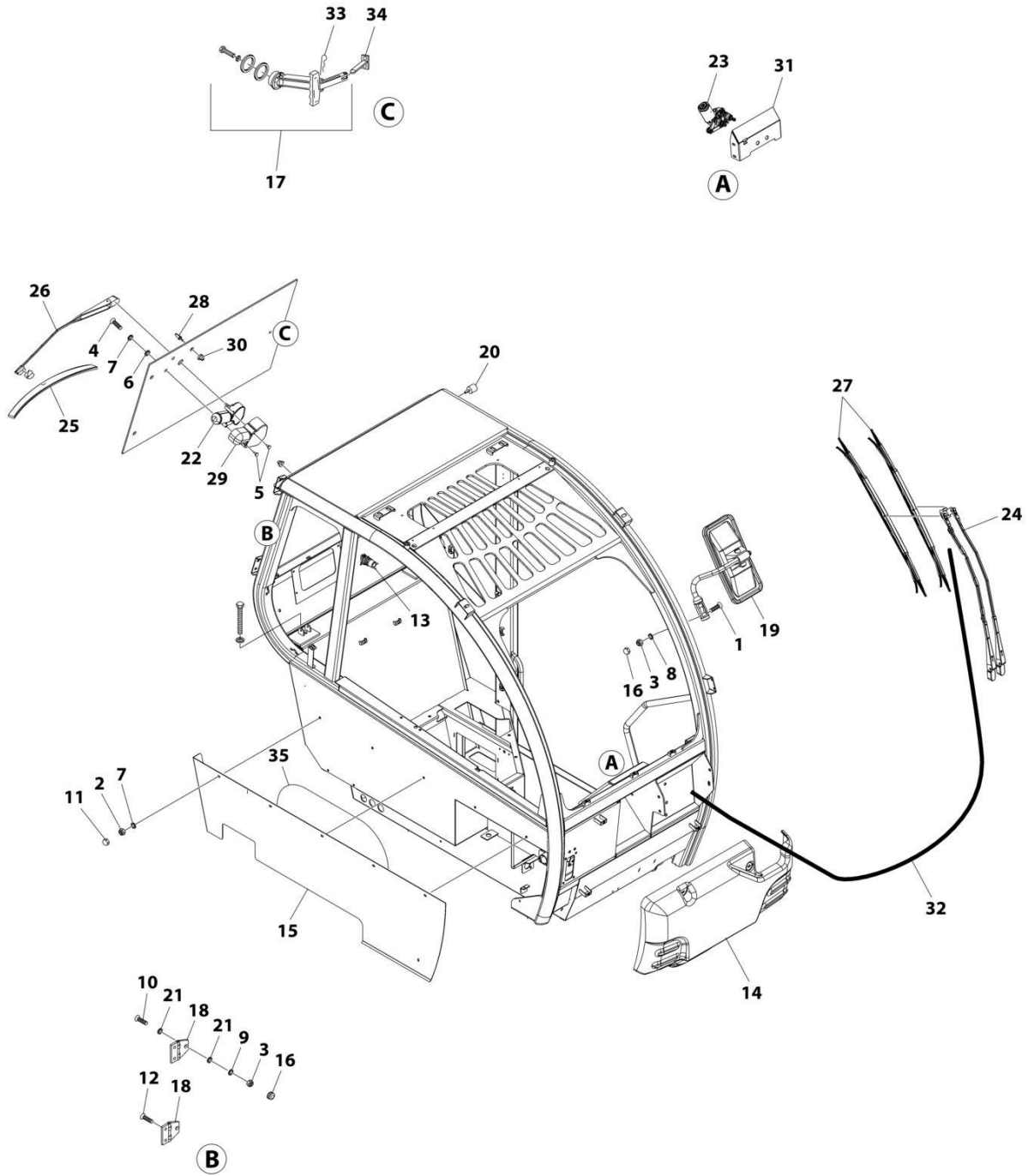
ART\_1001278338

FIGURE 6-3. CAB WINDOWS INSTALLATION

ITEM	PART NUMBER	QTY	DESCRIPTION	REV
	1001278338	Ref	CAB WINDOWS INSTALLATION	C
1	3290805	2	Nut, Lock M8	
2	4031908	2	Capscrew M8 x 20	
3	4811900	2	Washer M8	
4	4811902	2	Washer M8	
5	1001009162	2	Capscrew M8 x 30	
6	1001111317	AR	Sealant, Window (Not Shown)	
7	1001175533	4	Capscrew M8 x 25	
8	1001277167	1	Window, Front	
9	1001278355	2	Nut M8	
10	1001278385	1	Handle, Rear Window	
11	1001278386	2	Hinge, Rear Window	
12	1001278388	1	Mirror	
13	1001278389	1	Gasket, Rear Window	
14	1001278390	1	Bumper	
15	1001278391	1	Hook	
16	1001278392	2	Spacer	
17	1001278396	2	O-Ring	
18	1001278397	1	Window, Door Upper	
19	1001278398	1	Window, Door Lower	
20	1001278399	1	Window, Left Side	
21	1001278400	1	Window, Rear	
22	1001278402	1	Window, Right Side	
23	1001278404	1	Gasket, Door	
24	1001278406	1	Gasket, Door Glass	
25	1001278407	4	Spacer	
26	1001278675	2	Nut M8	
27	1001278424	1	Nozzle, Washer Fluid Spray	
28	1001278427	1	Nut, Acorn	

# SECTION 6 - CAB

## FIGURE 6-4. MIRROR AND WIPERS INSTALLATION



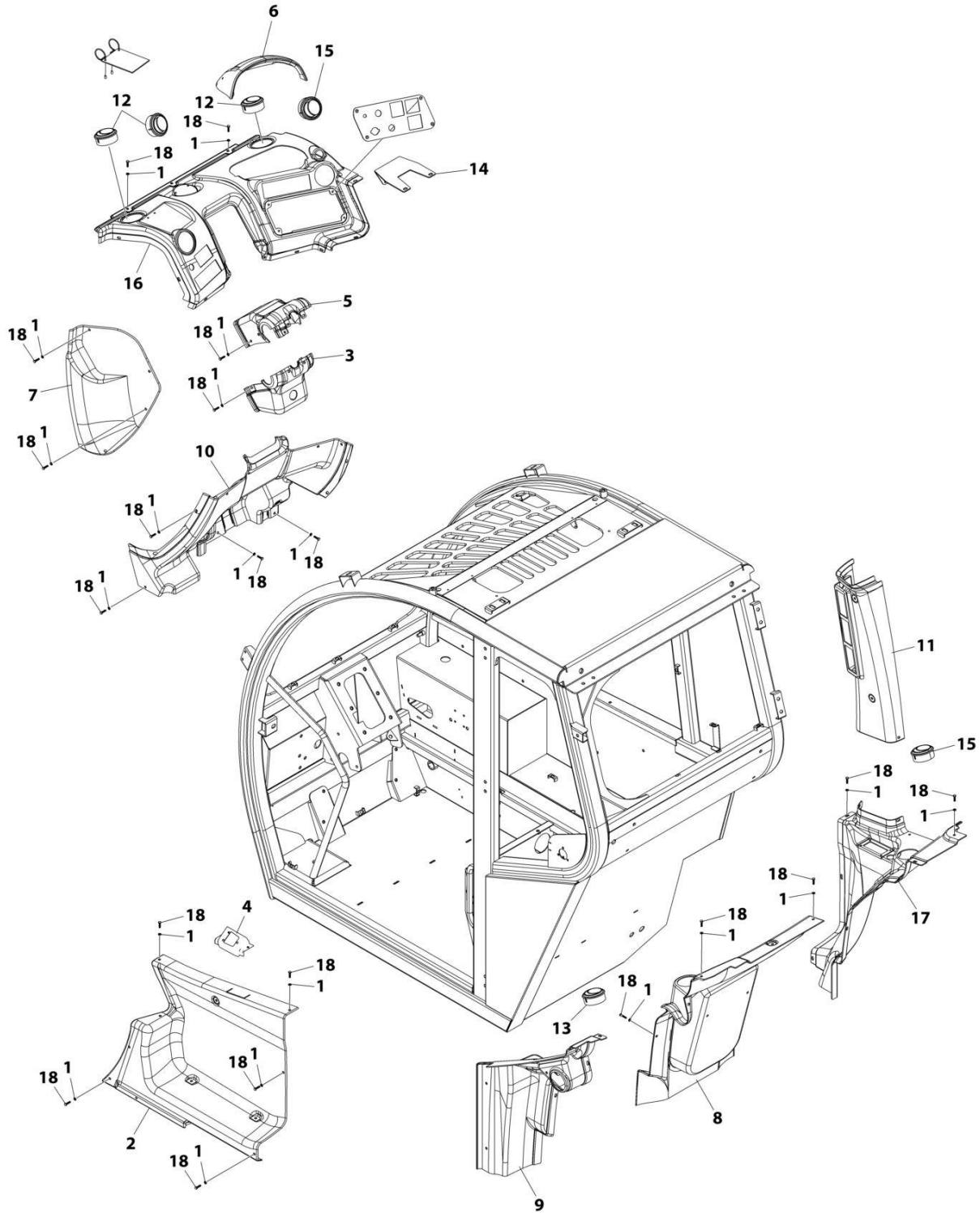
ART\_1001280921

FIGURE 6-4. MIRROR AND WIPERS INSTALLATION

ITEM	PART NUMBER	QTY	DESCRIPTION	REV
	1001280921	Ref	MIRROR AND WIPERS INSTALLATION	A
1	0630612	2	Capscrew M8 x 20	
2	3290605	5	Nut, Lock M6	
3	3290805	4	Nut, Lock M8	
4	4010608	1	Bolt M6 x 16	
5	4010612	2	Bolt M6 x 25	
6	4811700	1	Washer M6	
7	4811702	6	Washer M6	
8	4811900	2	Washer M8	
9	4811902	2	Washer M8	
10	1001009162	2	Capscrew M8 x 30	
11	1001108603	5	Nut M6	
12	1001175533	4	Capscrew M8 x 25	
13	1001277442	1	Socket	
14	1001278276	1	Cover	
15	1001278292	1	Panel	
16	1001278355	4	Nut, Acorn M8	
17	1001278385	1	Handle, Rear Window	
18	1001278386	2	Hinge	
19	1001278388	1	Mirror	
20	1001278390	1	Bumper	
21	1001278396	4	O-Ring	
22	1001278408	1	Motor, Rear Wiper	
23	1001278409	1	Motor, Front Wiper	
24	1001278411	1	Arm, Front Wiper	
25	1001278413	1	Wiper, Rear	
26	1001278415	1	Arm, Rear Wiper	
27	1001278419	2	Wiper, Front	
28	1001278424	1	Nozzle, Wiper	
29	1001278426	1	Cover	
30	1001278427	1	Nut	
31	1001278428	1	Cover	
32	1001280932	1	Tube	
33	1001280933	1	Cotter Pin	
34	1001280934	1	Stop, Rear Window	
35	1001280936	1	Panel	

# SECTION 6 - CAB

## FIGURE 6-5. CAB INTERIOR INSTALLATION



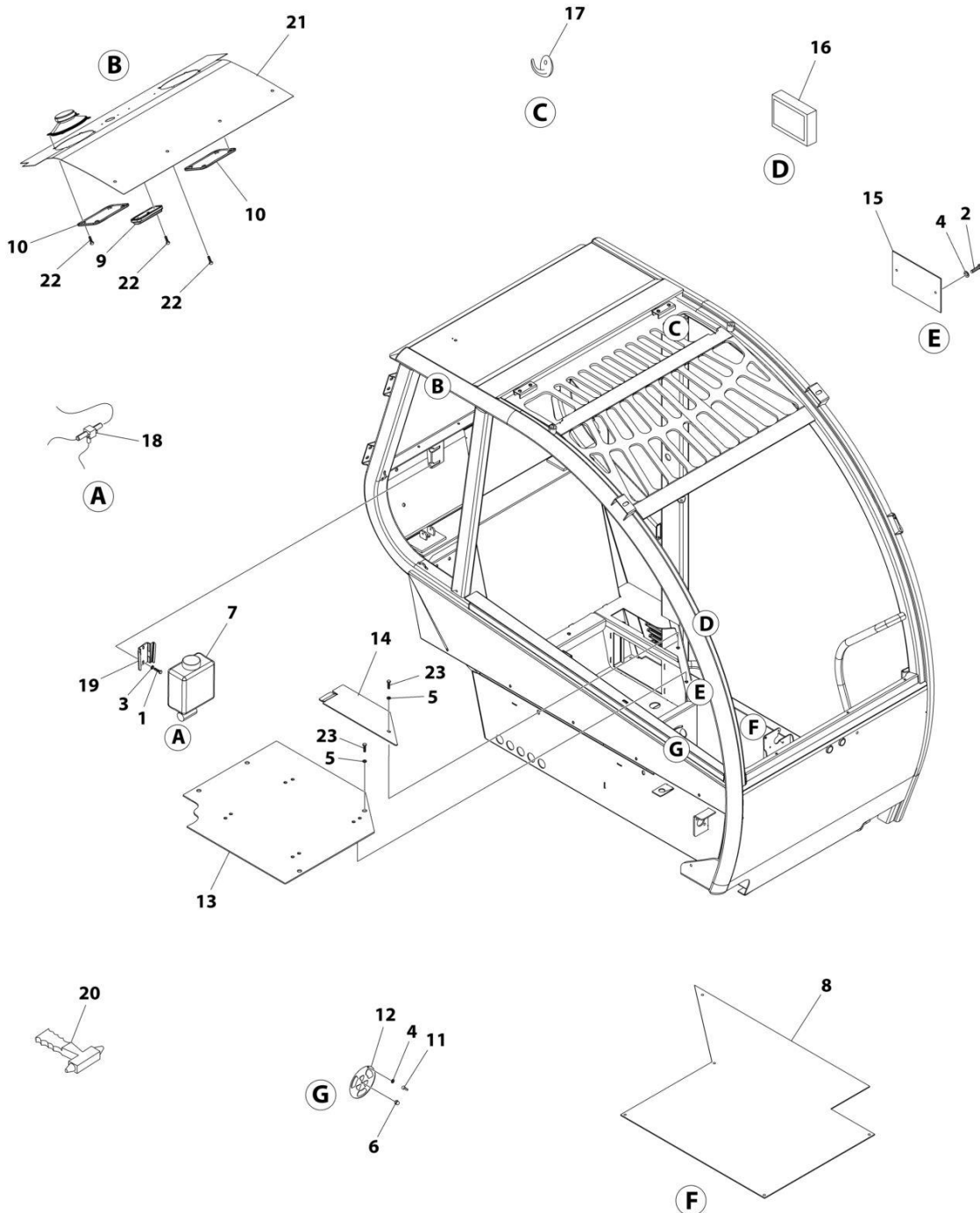
ART\_1001280925

FIGURE 6-5. CAB INTERIOR INSTALLATION

ITEM	PART NUMBER	QTY	DESCRIPTION	REV
	1001280925	Ref	CAB INTERIOR INSTALLATION	A
1	1001130220	35	Nut, Tinnerman M6	
2	1001276414	1	Panel, Right Side	
3	1001276415	1	Cover, Lower Steering Column	
4	1001276416	1	Cover, Joystick	
5	1001277005	1	Cover, Upper Steering Column	
6	1001277007	1	Cover, Display	
7	1001278266	1	Panel, Left Dash	
8	1001278268	1	Panel, Middle Rear	
9	1001278270	1	Panel, Left Rear	
10	1001280998	1	Panel, Lower Dash	
11	1001280999	1	Panel, Column	
12	1001281001	3	Vent	
13	1001281002	1	Vent	
14	1001281003	1	Bracket	
15	1001281583	2	Vent	
16	1001282644	1	Panel, Upper Dash	
17	1001282645	1	Panel, Right Rear	
18	4010612002	35	Bolt M6 x 25	

# SECTION 6 - CAB

## FIGURE 6-6. CAB COMPONENTS INSTALLATION



ART\_1001280924

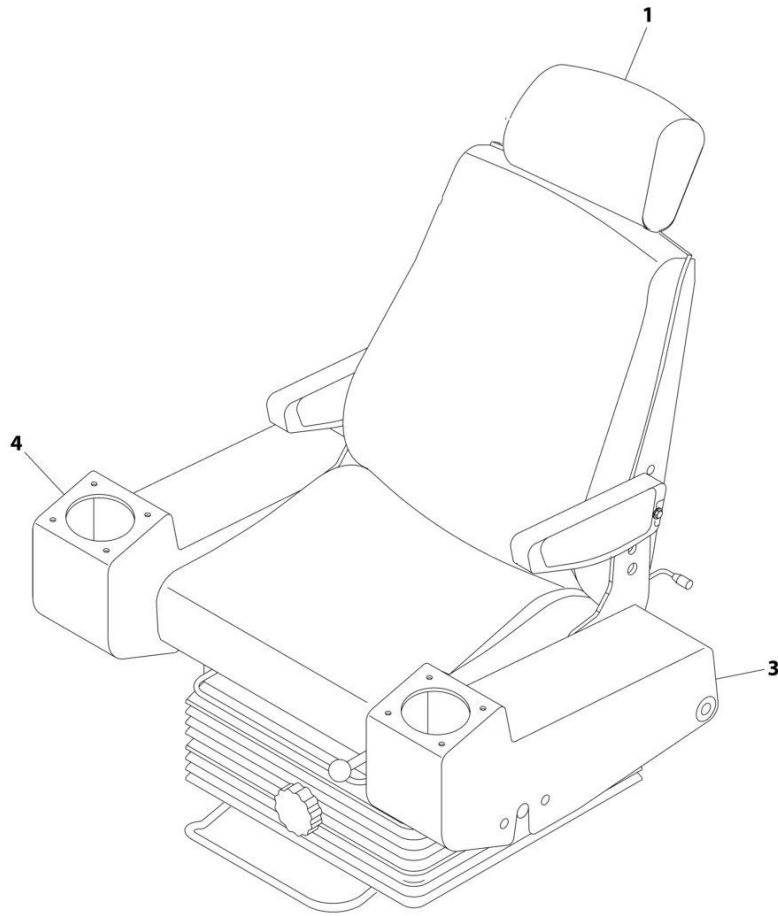


FIGURE 6-6. CAB COMPONENTS INSTALLATION

ITEM	PART NUMBER	QTY	DESCRIPTION	REV
	1001280924	Ref	CAB COMPONENTS INSTALLATION	A
1	4031607	2	Capscrew M5 x 16	
2	4031708	2	Capscrew M6 x 20	
3	4811602	2	Washer M5	
4	4811700	5	Washer M6	
5	4811902	5	Washer M8	
6	1001108603	1	Nut, Acorn M6	
7	1001276895	1	Tank, Wiper Fluid	
8	1001278271	1	Mat, Floor	
9	1001278272	1	Light, Dome	
10	1001278273	2	Cover	
11	1001278281	3	Plug	
12	1001278286	1	Plate, Vent	
13	1001278287	1	Plate	
14	1001278288	1	Plate	
15	1001278289	1	Plate	
16	1001278296	1	Filter, Cab Air	
17	1001278391	1	Hanger	
18	1001278420	1	Fitting	
19	1001278425	1	Bracket	
20	1001280997	1	Hammer, Emergency	
21	1001282643	1	Headliner	
22	4010610002	10	Bolt M6 x 20	
23	4010810002	5	Bolt M8 x 20	

# SECTION 6 - CAB

## FIGURE 6-7. SEAT INSTALLATION



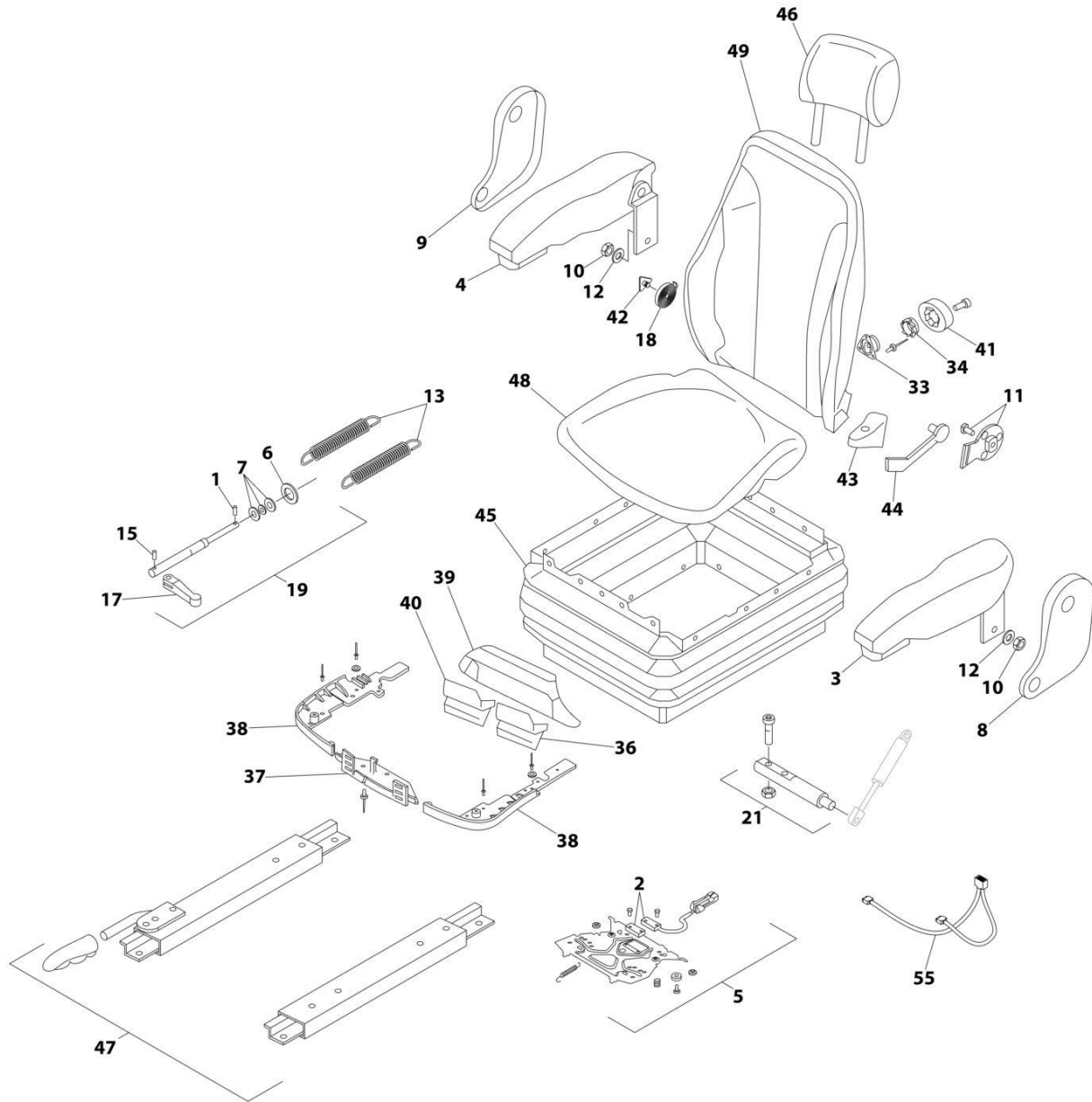
ART\_1001275945

FIGURE 6-7. SEAT INSTALLATION

ITEM	PART NUMBER	QTY	DESCRIPTION	REV
	1001275945	Ref	SEAT INSTALLATION	C
1	1001277715	1	Seat Assembly (See Separate Breakdown in this Section)	
3	1001278622	1	Left Armrest Kit (See Separate Breakdown in this Section)	
4	1001278623	1	Right Armrest Kit (See Separate Breakdown in this Section)	

# SECTION 6 - CAB

## FIGURE 6-8. SEAT ASSEMBLY



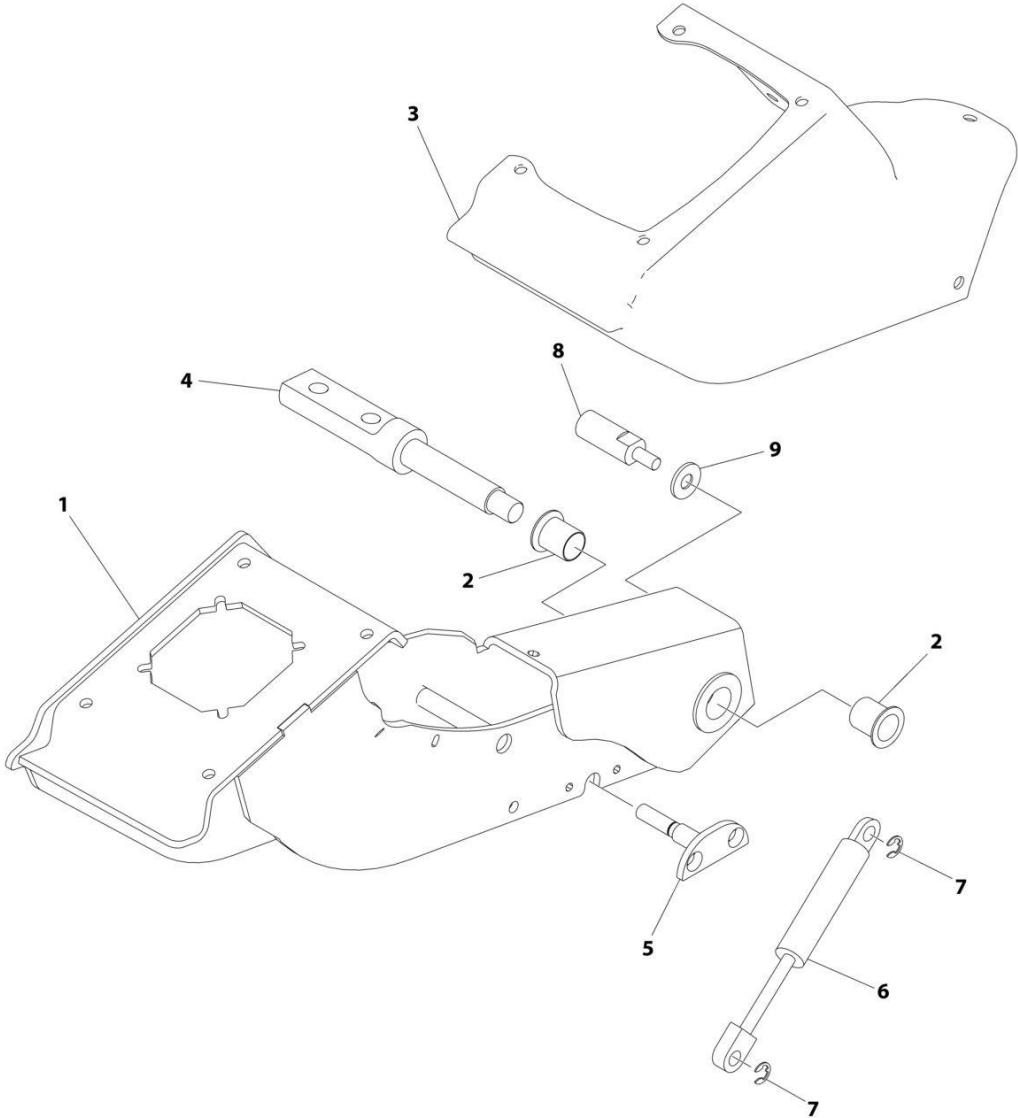
ART\_1001277715

FIGURE 6-8. SEAT ASSEMBLY

ITEM	PART NUMBER	QTY	DESCRIPTION	REV
	1001277715	Ref	SEAT ASSEMBLY	A
1	70030502	1	Pin	
2	70030503	1	Sensor	
3	70030504	1	Arm Rest, Left (Includes Items 10 and 12)	
4	70030505	1	Arm Rest, Right (Includes Items 10 and 12)	
5	70030506	1	Sensor Kit (Includes Item 2)	
6	70030507	1	Washer	
7	70030508	3	Washer	
8	70030509	1	Cover, Left Arm Rest	
9	70030510	1	Cover, Right Arm Rest	
10	70030511	2	Nut	
11	70030512	1	Plate, Locking	
12	70030513	2	Washer	
13	70030514	2	Spring	
15	70030515	1	Pin	
17	70030516	1	Lever	
18	70030517	1	Plate, Locking	
19	70030518	1	Strut (Includes Items 1, 6, 7, 15 and 17)	
21	70030519	1	Pin	
33	70030520	1	Spring	
34	70030521	1	Gear	
36	70030522	1	Panel	
37	70030523	1	Bracket	
38	70030524	2	Cover	
39	70030525	1	Panel	
40	70030526	1	Panel	
41	70030527	1	Handle	
42	70030528	1	Pin	
43	70030529	1	Lever	
44	70030530	1	Lever	
45	70030531	1	Bellows	
46	70030532	1	Headrest	
47	70030533	1	Rails Kit	
48	70030534	1	Seat	
49	70030535	1	Back, Seat	
51	70030536	1	Lever Kit (Includes Items 42, 43 and 44)	
55	70030537	1	Harness, Seat	

**SECTION 6 - CAB**

**FIGURE 6-9. LEFT ARMREST ASSEMBLY**



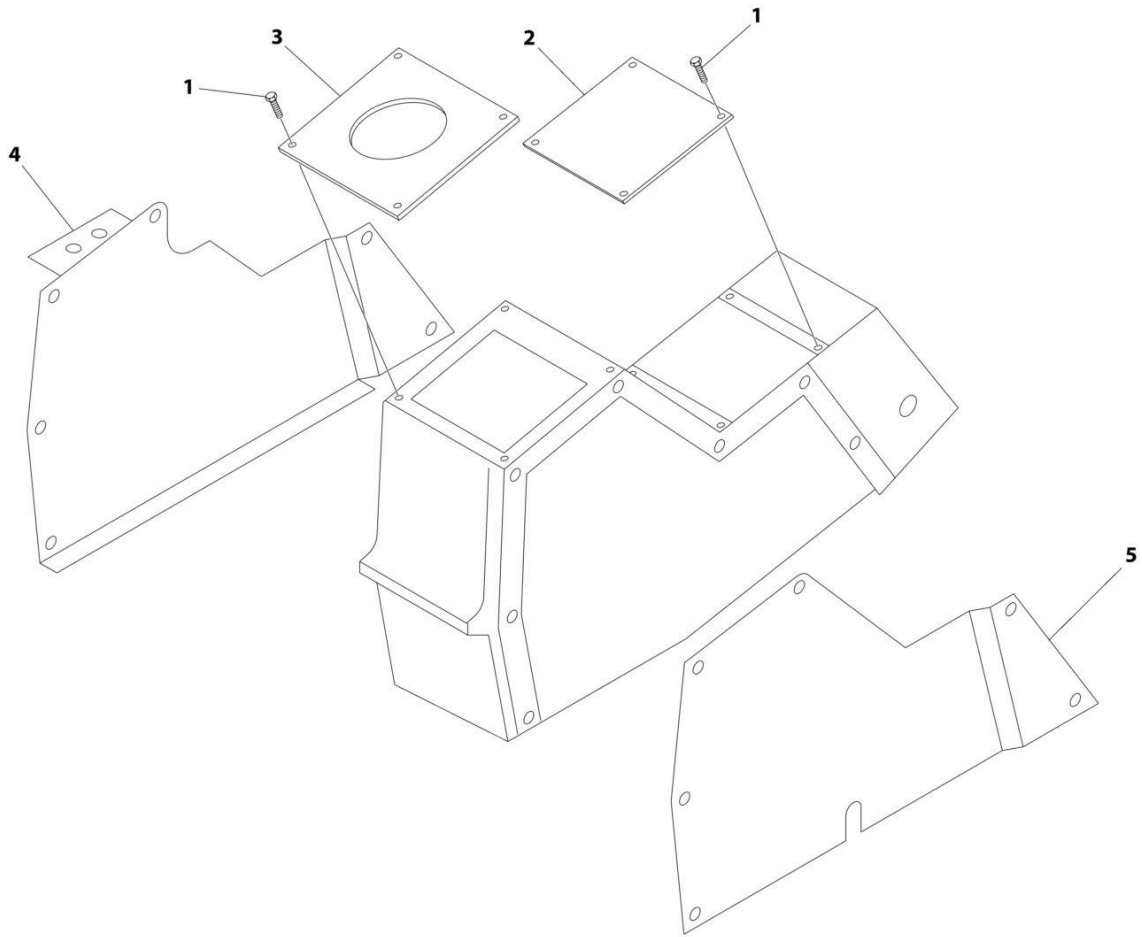
ART\_1001278622

FIGURE 6-9. LEFT ARMREST ASSEMBLY

ITEM	PART NUMBER	QTY	DESCRIPTION	REV
	1001278622	Ref	LEFT ARMREST ASSEMBLY	B
1	1001274698	1	Left Arm	
2	1001275341	2	Bushing	
3	1001275480	1	Cover	
4	1001275702	1	Pin	
5	1001275703	1	Pin	
6	1001284787	1	Strut	
7	1001284788	2	Ring, Retaining	
8	1001293246	1	Pin, Clevis	
9	1001293248	1	Washer, Lock M8	

# SECTION 6 - CAB

## FIGURE 6-10. RIGHT ARMREST ASSEMBLY



ART\_1001278623

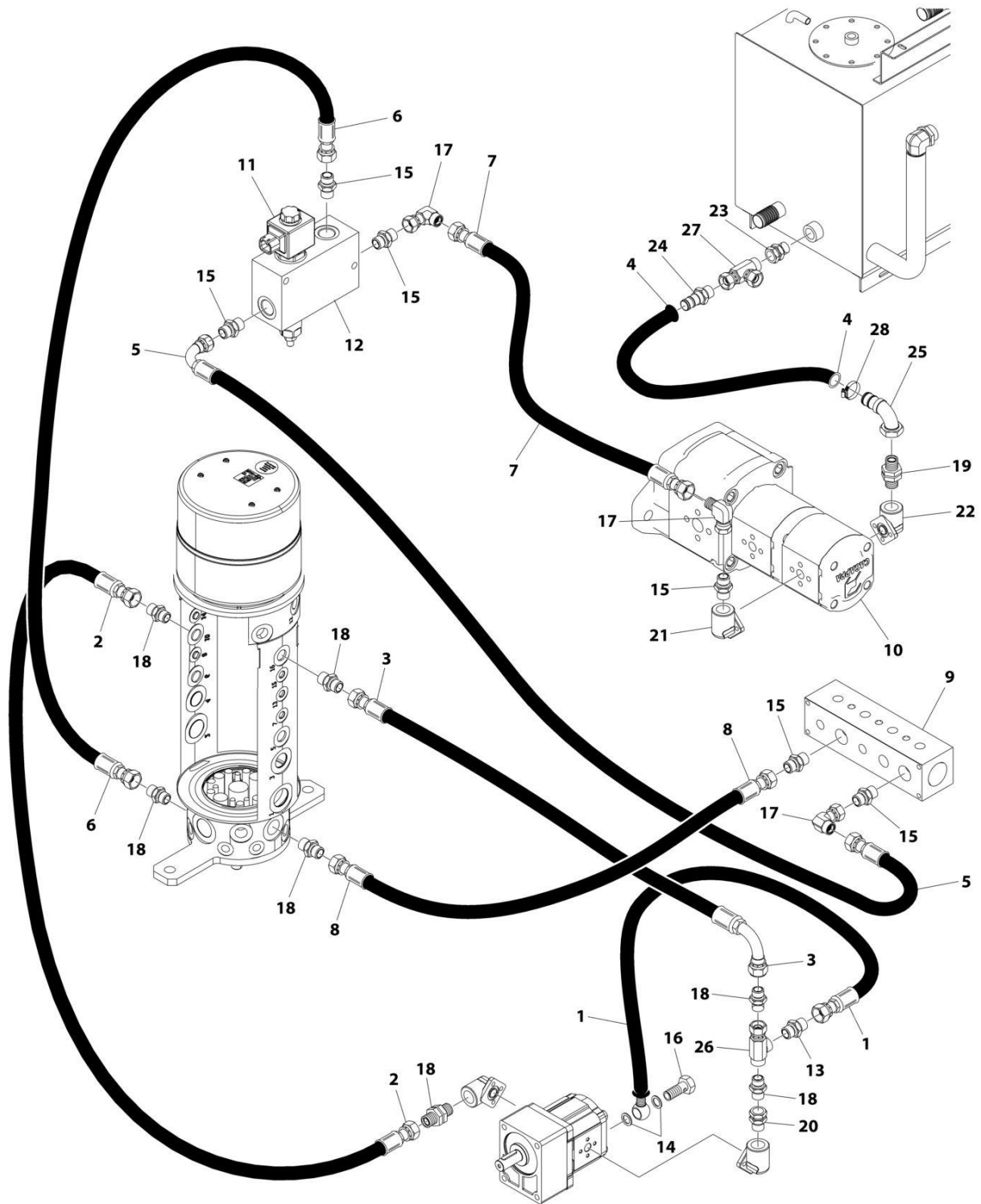


FIGURE 6-10. RIGHT ARMREST ASSEMBLY

ITEM	PART NUMBER	QTY	DESCRIPTION	REV
	1001278623	Ref	RIGHT ARMREST ASSEMBLY	A
1	4010510	20	Bolt M5 x 20	
2	1001275310	1	Plate	
3	1001277725	1	Plate, Joystick Mounting	
4	1001278624	1	Plate, Right Side	
5	1001278625	1	Plate, Left Side	

# SECTION 6 - CAB

## FIGURE 6-11. A/C LINES INSTALLATION



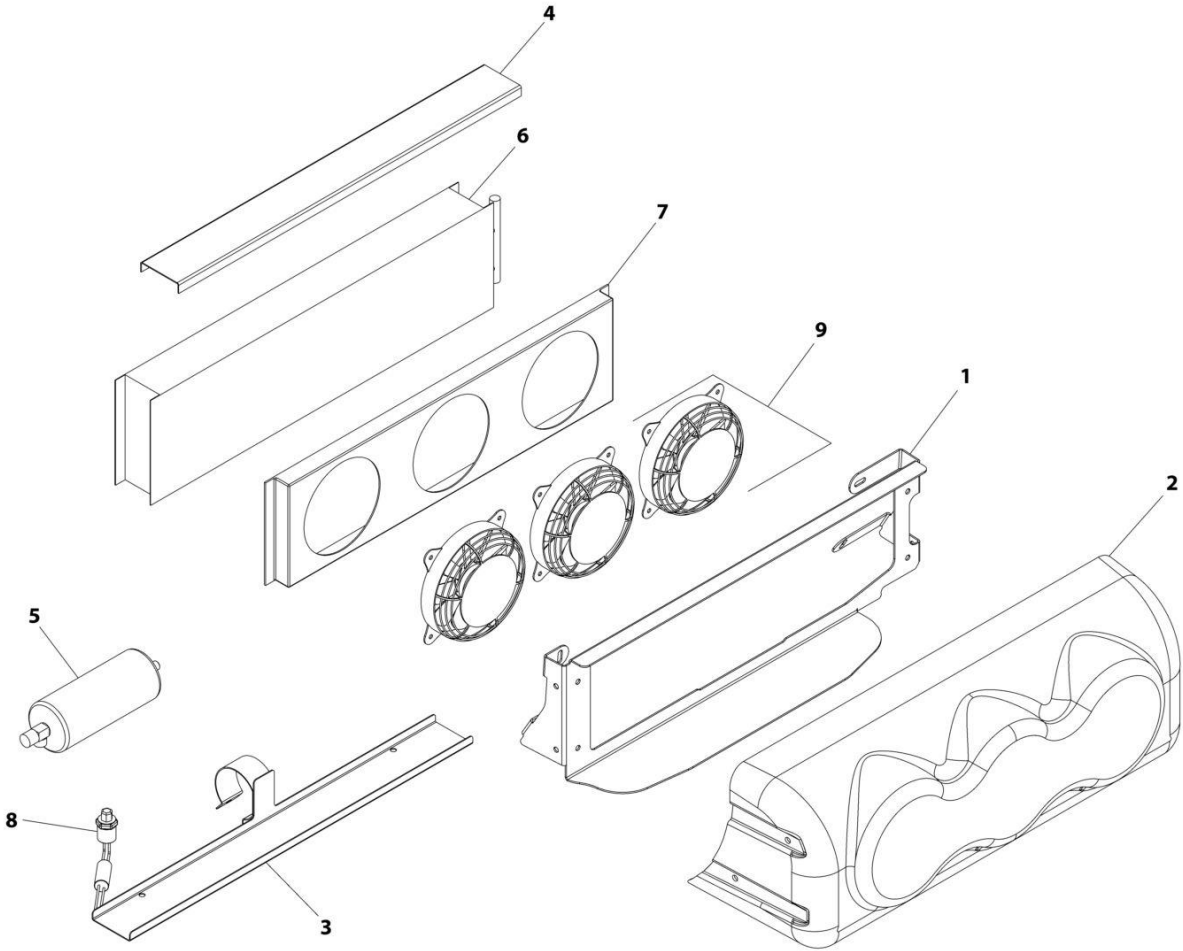
ART\_1001280861

FIGURE 6-11. A/C LINES INSTALLATION

ITEM	PART NUMBER	QTY	DESCRIPTION	REV
	1001280861	Ref	A/C LINES INSTALLATION	C
1	1001275020	1	Hose	
2	1001275028	1	Hose	
3	1001275029	1	Hose	
4	1001275920	1	Hose	
5	1001276292	1	Hose	
6	1001276293	1	Hose	
7	1001276294	1	Hose	
8	1001276300	1	Hose	
9	1001276334	1	Manifold	
10	1001276484	1	Pump, Hydraulic	
11	1001277158	1	Coil	
12	1001277248	1	Valve, A/C	
13	1001277526	1	Fitting, Reduction	
14	1001279105	2	Washer	
15	1001279098	6	Fitting, Straight ORFS/ORB	
16	1001279261	1	Bolt M14	
17	1001279284	3	Fitting, 90 FSORFS/ORB	
18	1001279323	7	Fitting, Straight ORFS/ORB	
19	1001279324	1	Fitting, Straight ORB/ORB	
20	1001279363	1	Fitting, Straight FSORFS/ORB	
21	1001280478	1	Elbow, Flanged M18	
22	1001280517	1	Elbow, Flanged M22	
23	1001280535	1	Fitting, Straight FSORFS/ORB	
24	1001280864	1	Fitting, Straight ORFS/BARB	
25	1001280865	1	Fitting, 90 FSORFS/BARB	
26	1001280866	1	Fitting, Tee FSORFS/FORFS/FORFS	
27	1001303764	1	Fitting, Tee	
28	8405007	1	Clamp	

**SECTION 6 - CAB**

**FIGURE 6-12. A/C CONDENSER INSTALLATION**



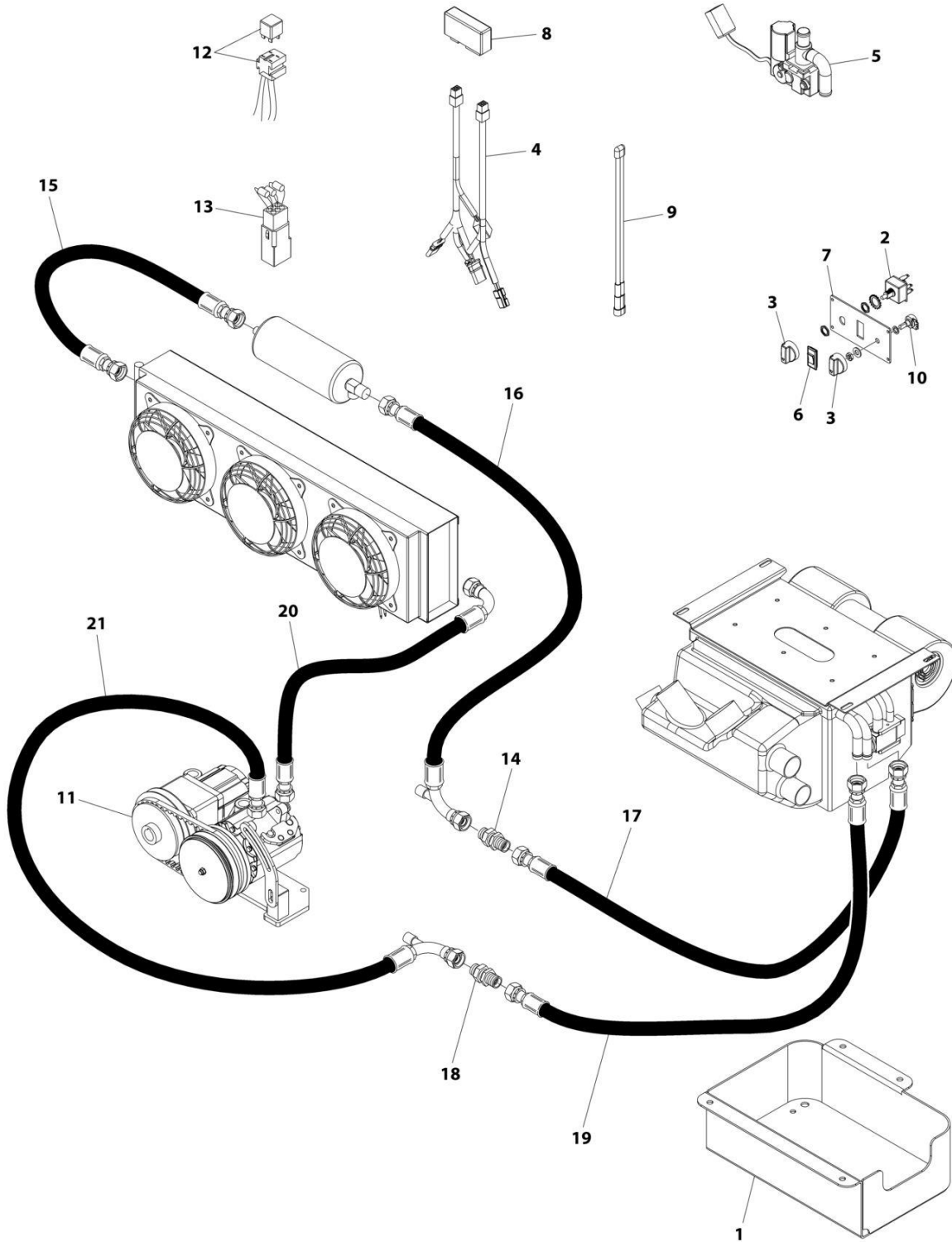
ART\_1001280868

FIGURE 6-12. A/C CONDENSER INSTALLATION

ITEM	PART NUMBER	QTY	DESCRIPTION	REV
	1001280868	Ref	A/C CONDENSER INSTALLATION	A
1	1001275283	1	Bracket	
2	1001275479	1	Cover	
3	1001278626	1	Bracket	
4	1001278627	1	Cover	
5	1001278628	1	Filter, A/C	
6	1001278629	1	Condenser, A/C	
7	1001278630	1	Plate	
8	1001278631	1	Sensor, Pressure	
9	1001278632	1	Fan Kit	

# SECTION 6 - CAB

## FIGURE 6-13. A/C PUMP INSTALLATION



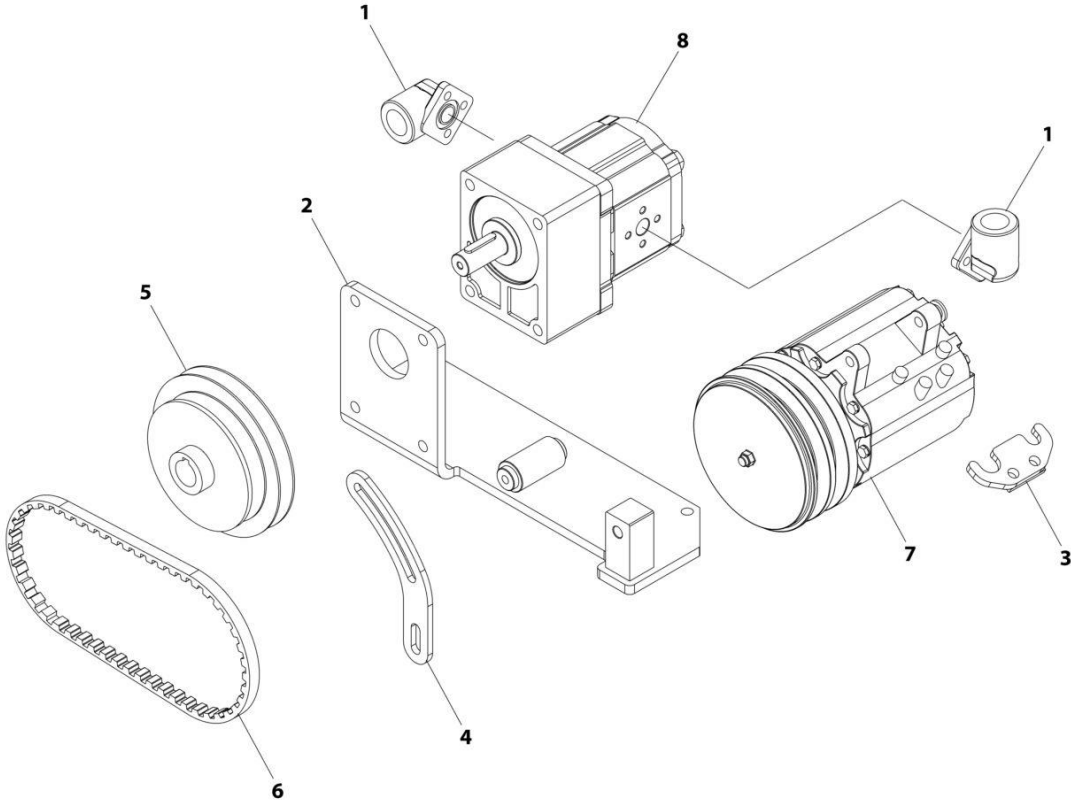
ART\_1001280862

FIGURE 6-13. A/C PUMP INSTALLATION

ITEM	PART NUMBER	QTY	DESCRIPTION	REV
	1001280862	Ref	A/C PUMP INSTALLATION	C
1	1001275820	1	Support	
2	1001279148	1	Switch	
3	1001279150	2	Knob	
4	1001280869	1	Harness, Control	
5	1001280870	1	Valve	
6	1001280871	1	Switch, HVAC	
7	1001280872	1	Panel	
8	1001280873	1	Module, Control	
9	1001298998	1	Sensor, Coolant Level	
10	1001280875	1	Switch, HVAC	
11	1001280876	1	Compressor Assembly (See Separate Breakdown in this Section)	
12	1001280878	1	Relay	
13	1001280879	1	Diode	
14	1001281585	1	Fitting Straight ORB/ORB	
15	1001281586	1	Hose	
16	1001281587	1	Hose	
17	1001281589	1	Hose	
18	1001281591	1	Fitting Straight ORB/ORB	
19	1001281592	1	Hose	
20	1001281685	1	Hose	
21	1001281686	1	Hose	

**SECTION 6 - CAB**

**FIGURE 6-14. A/C COMPRESSOR ASSEMBLY**



ART\_1001280876

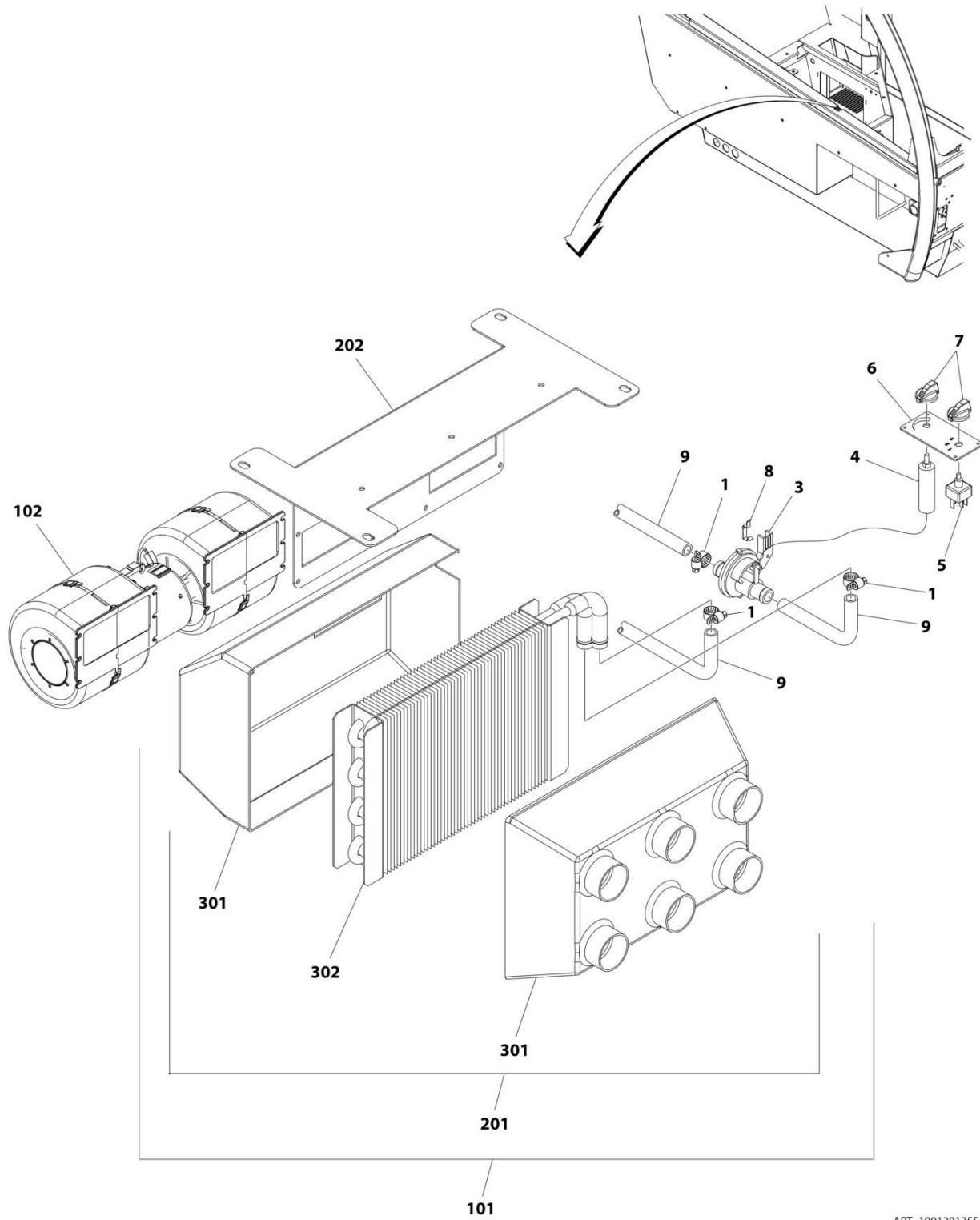


FIGURE 6-14. A/C COMPRESSOR ASSEMBLY

ITEM	PART NUMBER	QTY	DESCRIPTION	REV
	1001280876	Ref	A/C COMPRESSOR ASSEMBLY	B
1	1001280478	2	Elbow	
2	1001280880	1	Bracket	
3	1001280881	1	Plate	
4	1001280882	1	Plate, Tensioner	
5	1001280883	1	Pulley	
6	1001280884	1	Belt	
7	1001280885	1	Pump, Compressor	
8	1001290281	1	Motor, Hydraulic	

# SECTION 6 - CAB

## FIGURE 6-15. HEATER INSTALLATION



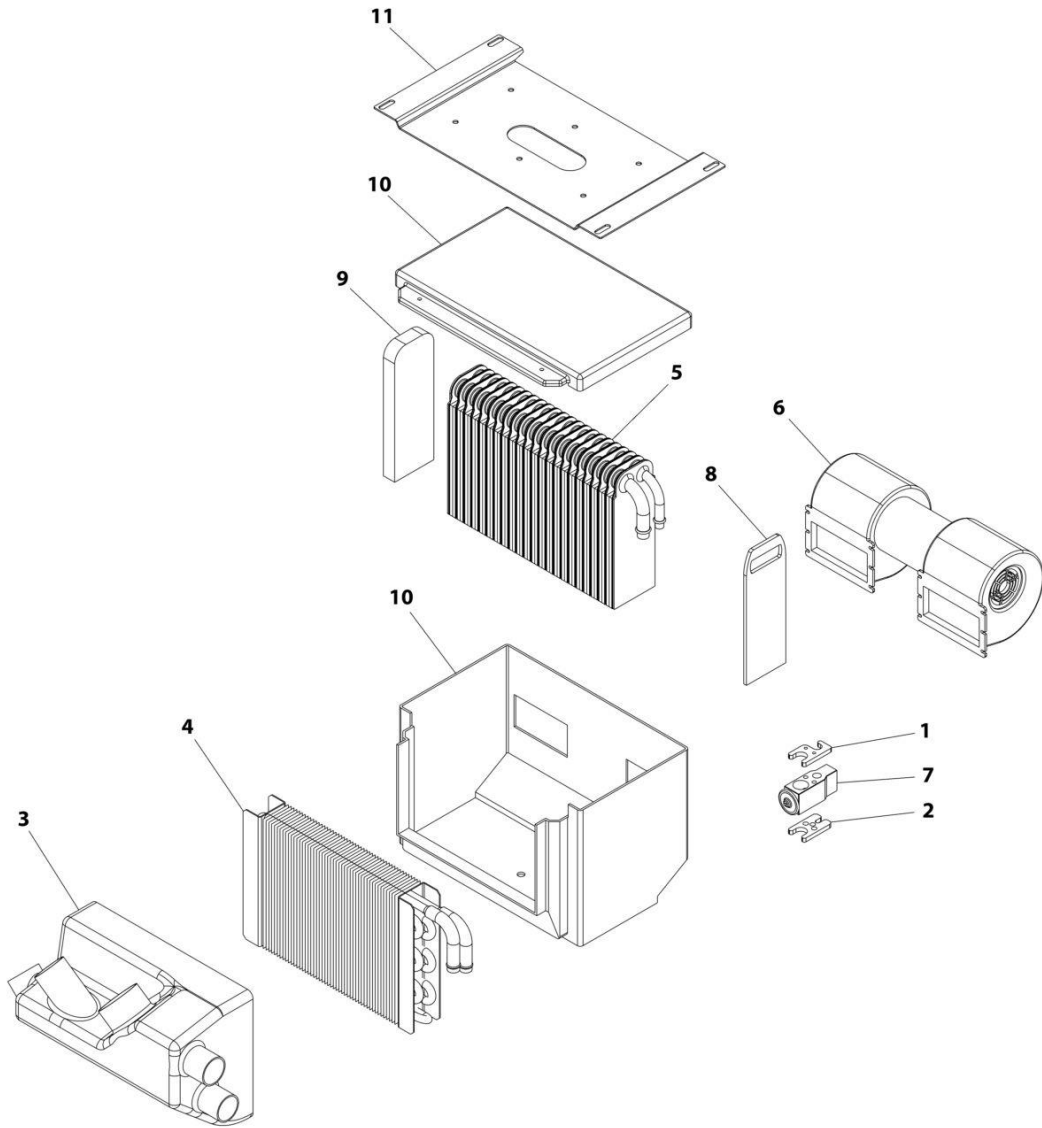
ART\_1001281355

FIGURE 6-15. HEATER INSTALLATION

ITEM	PART NUMBER	QTY	DESCRIPTION	REV
	1001281355	Ref	CAB HEATER INSTALLATION	A
1	8405007	3	Clamp	
2	1001274756	1	Heater Assembly (Includes Items 101-102)	B
3	1001279146	1	Coupling	
4	1001279147	1	Valve	
5	1001279148	1	Switch	
6	1001279149	1	Plate	
7	1001279150	2	Knob	
8	1001279151	1	Link	
9	1001281378	19.69 ft / 6m	Tube	
101	1001279142	1	Heater & Bracket Assembly (Includes Items 201-202)	B
102	1001279145	1	Motor, Heater	
201	1001279143	1	Heater Box Assembly (Includes Items 301- 302)	B
202	1001279144	1	Bracket	
301	1001281357	1	Box, Heater	
302	1001280890	1	Radiator	

# SECTION 6 - CAB

## FIGURE 6-16. HEATER AND A/C INSTALLATION



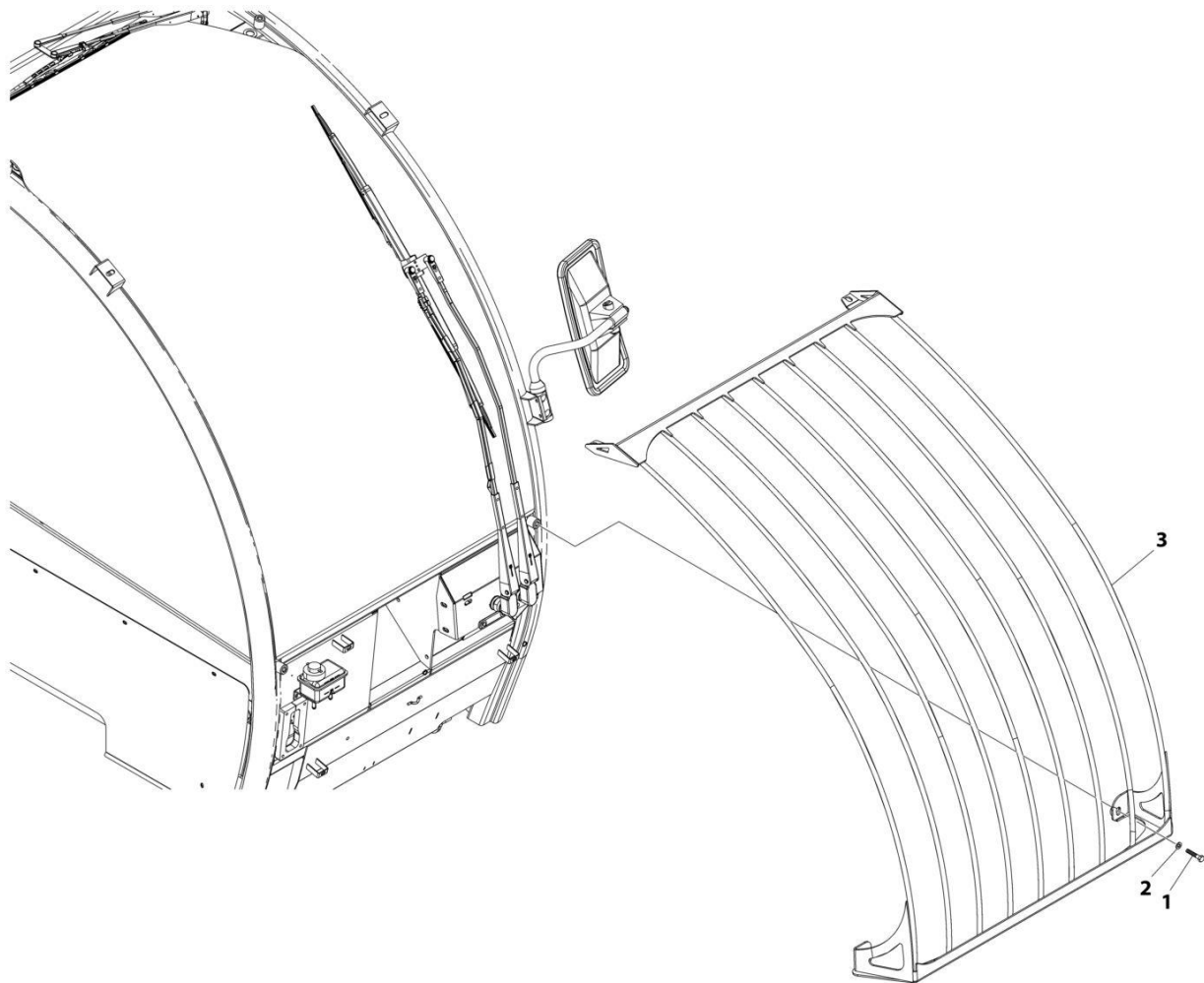
ART\_1001280877

FIGURE 6-16. HEATER AND A/C INSTALLATION

ITEM	PART NUMBER	QTY	DESCRIPTION	REV
	1001280877	Ref	HEATER AND A/C INSTALLATION	A
1	1001280887	1	Bracket	
2	1001280888	1	Bracket	
3	1001280889	1	Cover	
4	1001280890	1	Radiator	
5	1001280891	1	Evaporator	
6	1001280892	1	Motor	
7	1001280893	1	Valve	
8	1001280894	1	Seal	
9	1001280895	1	Seal	
10	1001280896	1	Housing	
11	1001284818	1	Bracket	

# SECTION 6 - CAB

## FIGURE 6-17. CAB GUARD INSTALLATION



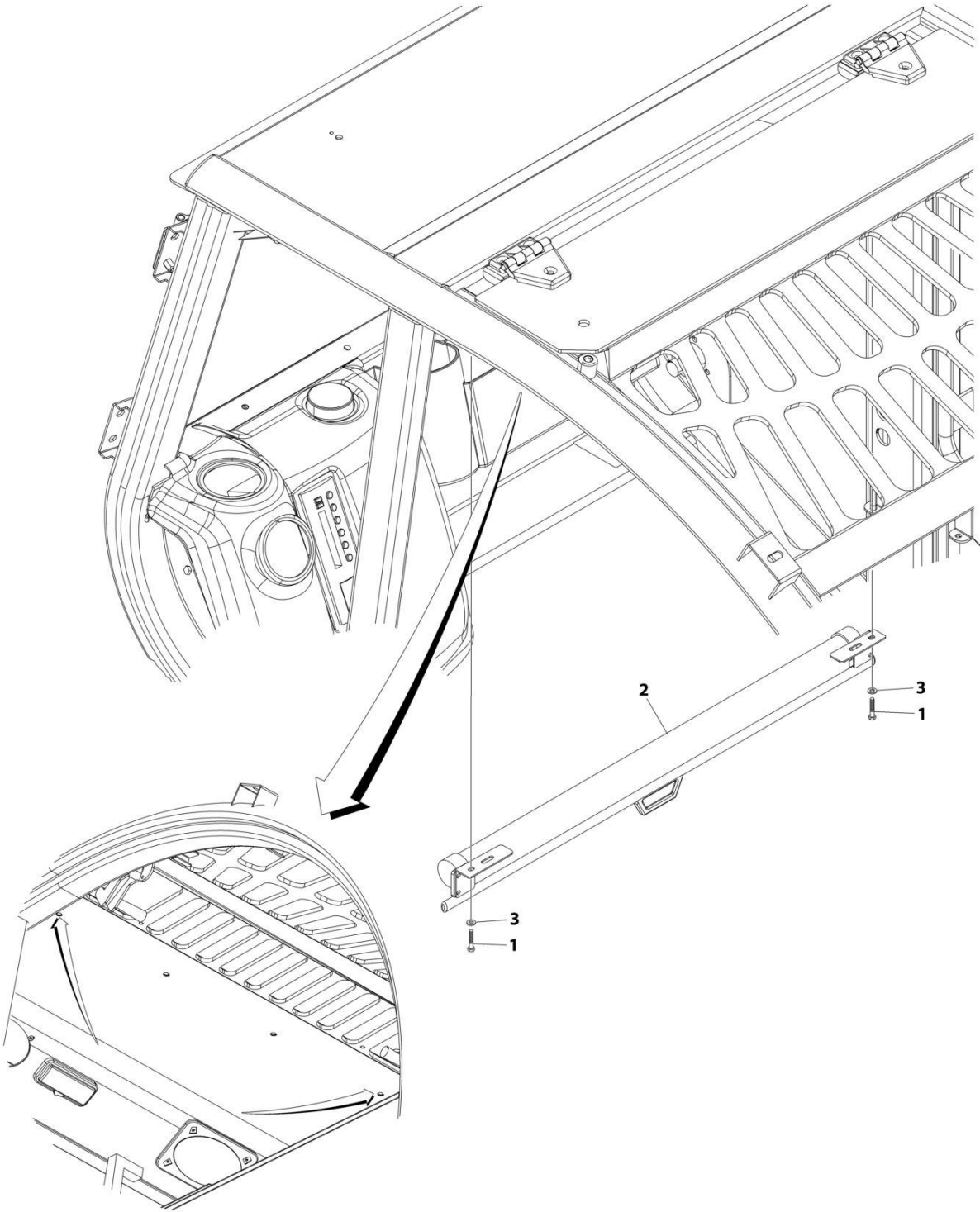
ART\_1001275965

**FIGURE 6-17. CAB GUARD INSTALLATION**

<b>ITEM</b>	<b>PART NUMBER</b>	<b>QTY</b>	<b>DESCRIPTION</b>	<b>REV</b>
	1001275965	Ref	CAB GUARD INSTALLATION	C
1	0761210	4	Bolt M12 x 20	
2	4812100	4	Washer M12	
3	1001274712	1	Protection	

**SECTION 6 - CAB**

**FIGURE 6-18. SUNSCREEN INSTALLATION**



ART\_1001275758



FIGURE 6-18. SUNSCREEN INSTALLATION

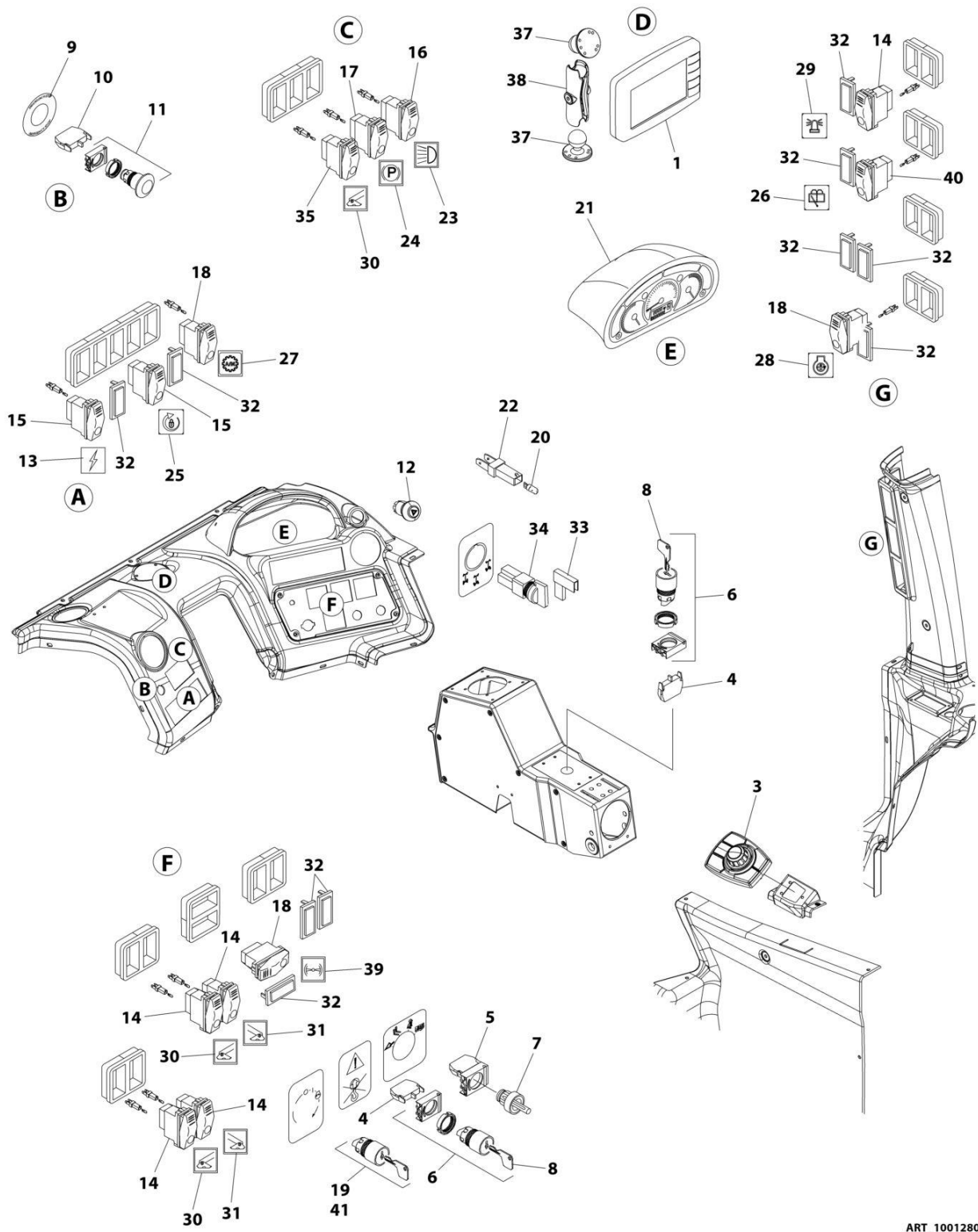
ITEM	PART NUMBER	QTY	DESCRIPTION	REV
	1001275758	Ref	SUNSCREEN INSTALLATION	B
1	0700510	2	Bolt M5 x 20	
2	1001277710	1	Screen, Sun	
3	4811602	2	Washer M5	



**SECTION 7 - CONTROLS**

# SECTION 7 - CONTROLS

## FIGURE 7-1. CAB CONTROLS INSTALLATION



ART\_1001280928

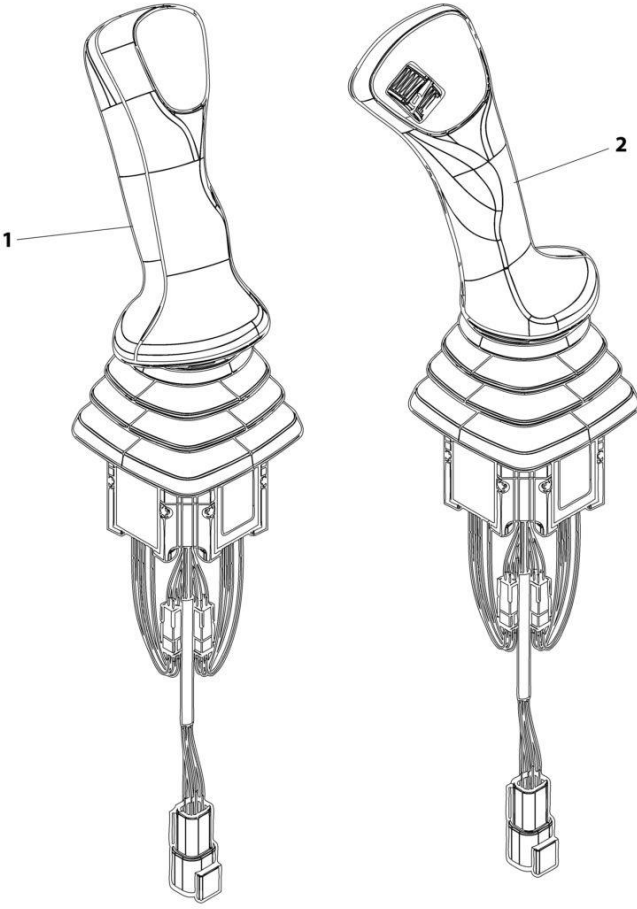
## SECTION 7 - CONTROLS

**FIGURE 7-1. CAB CONTROLS INSTALLATION**

ITEM	PART NUMBER	QTY	DESCRIPTION	REV
	1001280928	Ref	CAB CONTROLS INSTALLATION	C
1	1001275894	1	Display	
3	1001276891	1	Switch, Rotary	
4	1001278451	2	Block, Switch	
5	1001289834	2	Block, Switch	
6	1001278453	2	Switch, Bypass	
7	1001289835	1	Switch, Aux Power	
8	1001278475	2	Key	
9	1001289787	1	Decal, Emergency Stop	
10	1001293245	1	Block, Contact	
11	1001281014	1	Switch, Emergency Stop	
12	1001281015	1	Switch, Emergency Lights	
13	1001289793	1	Decal, Boom Aux Power	
14	1001281017	5	Switch, Outriggers	
15	1001281018	2	Switch, Boom Aux Power	
16	1001281020	1	Switch, Lights	
17	1001281021	1	Switch, Parking Brake	
18	1001281022	3	Switch	
19	1001281023	1	Ignition (Includes Item 41)	
20	1001281024	1	Lamp	
21	1001281025	1	Panel, Gauges	
22	1001281026	1	Holder, Lamp	
23	1001281028	1	Decal, Lights	
24	1001281029	1	Decal, Parking Brake	
25	1001281030	1	Decal, Turntable Lock	
26	1001281031	1	Decal, Wipers	
27	1001281032	1	Decal, Speed	
28	1001281033	1	Decal, Throttle	
29	1001281034	1	Decal, Beacon	
30	1001281035	3	Decal, Left Outrigger	
31	1001281036	2	Decal, Right Outrigger	
32	1001281037	10	Cap, Switch Housing	
33	1001281038	1	Cover	
34	1001281039	1	Switch, Steering	
35	1001281040	1	Switch, Outriggers	
37	1001281043	2	Joint, Ball	
38	1001281044	1	Bracket	
39	1001281045	1	Decal, Machine Leveling	
40	1001289789	1	Switch, Wiper	
41	1001276889	1	Key, Ignition	

**SECTION 7 - CONTROLS**

**FIGURE 7-2. JOYSTICKS**



ART\_1001280458

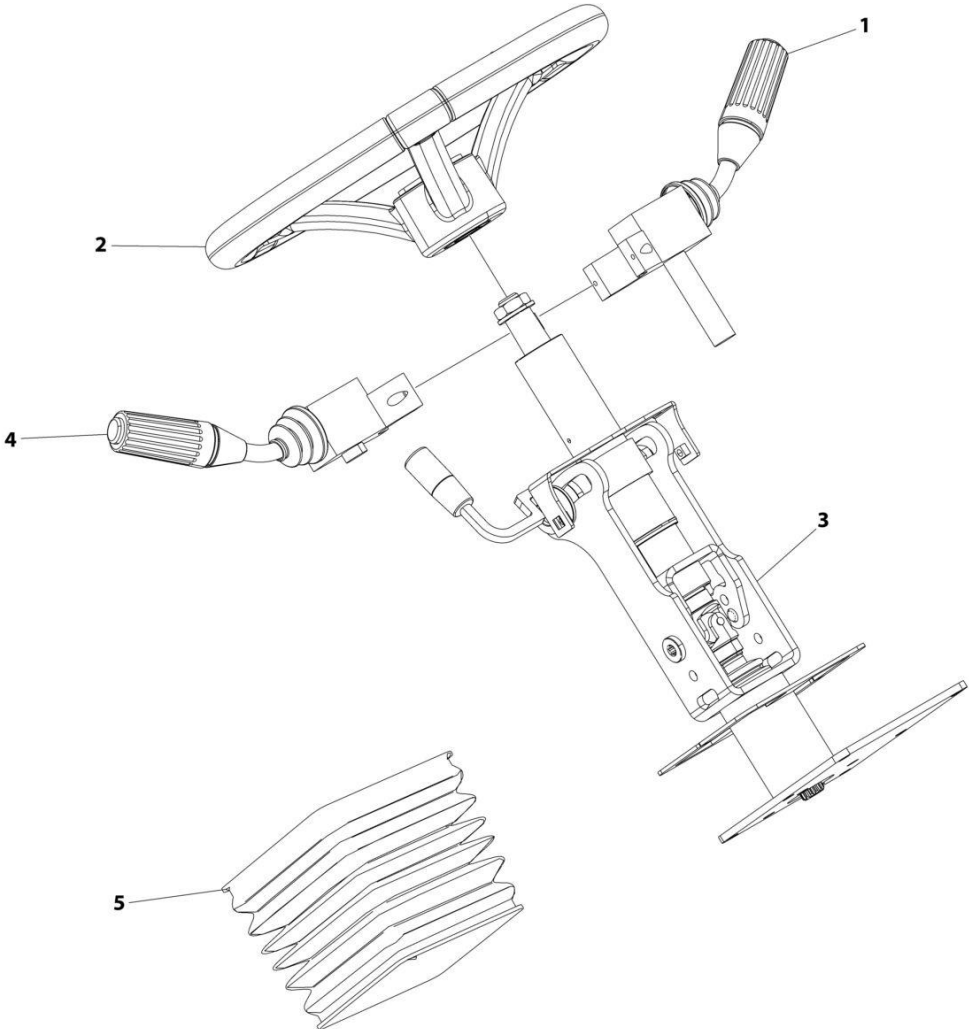
## SECTION 7 - CONTROLS

### FIGURE 7-2. JOYSTICKS

ITEM	PART NUMBER	QTY	DESCRIPTION	REV
	1001280458	Ref	JOYSTICKS	A
1	1001277232	1	Joystick, Left	
2	1001277233	1	Joystick, Right	

**SECTION 7 - CONTROLS**

**FIGURE 7-3. STEERING COLUMN ASSEMBLY**



ART\_1001280926



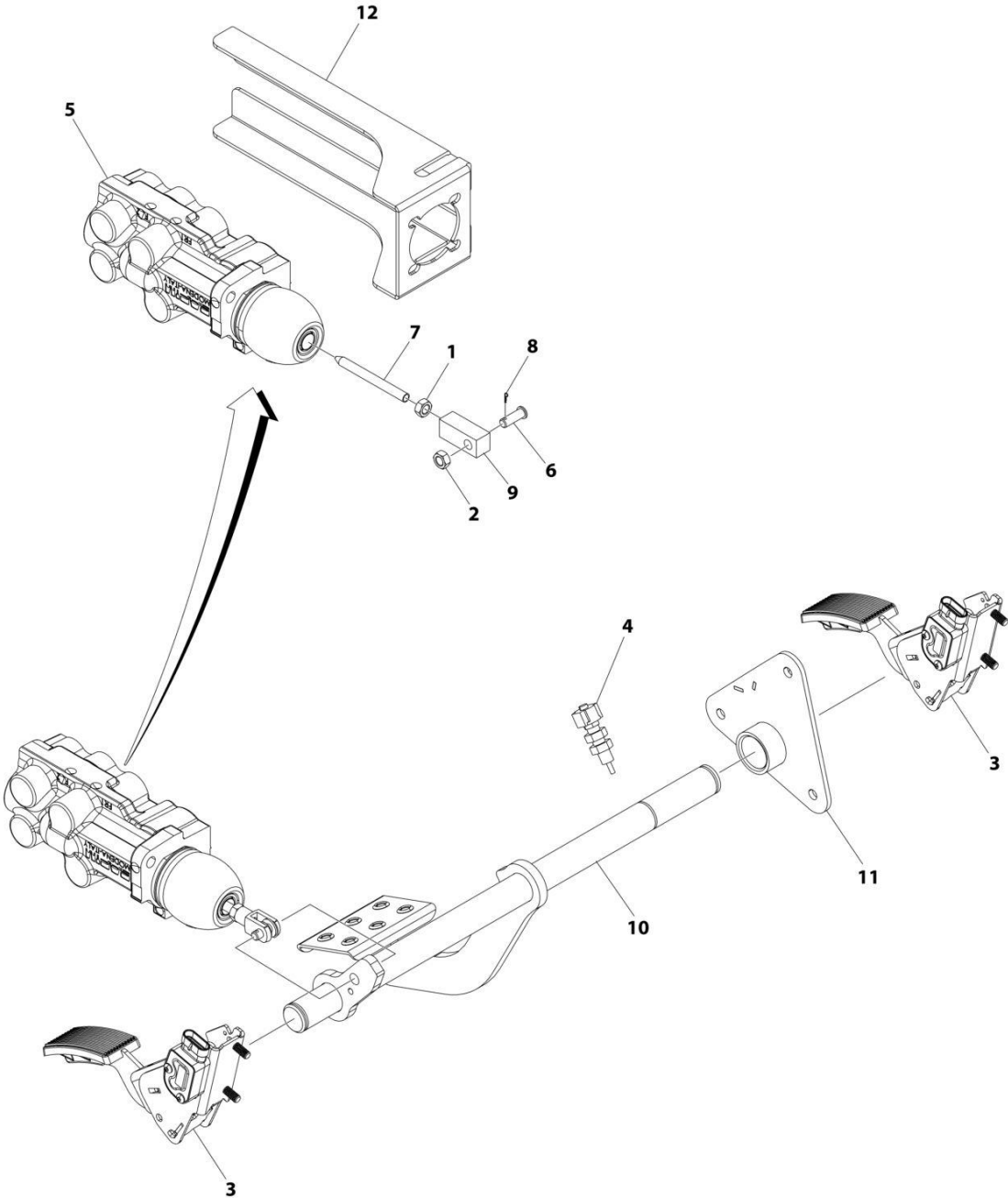
## SECTION 7 - CONTROLS

### FIGURE 7-3. STEERING COLUMN ASSEMBLY

ITEM	PART NUMBER	QTY	DESCRIPTION	REV
	1001280926	Ref	STEERING COLUMN ASSEMBLY	A
1	1001276992	1	Switch, FNR	
2	1001281004	1	Steering Wheel	
3	1001281005	1	Column, Steering	
4	1001281006	1	Switch, Road Lights	
5	1001281007	1	Bellows	

**SECTION 7 - CONTROLS**

**FIGURE 7-4. PEDALS ASSEMBLY**



ART\_1001280927

# SECTION 7 - CONTROLS

## FIGURE 7-4. PEDALS ASSEMBLY

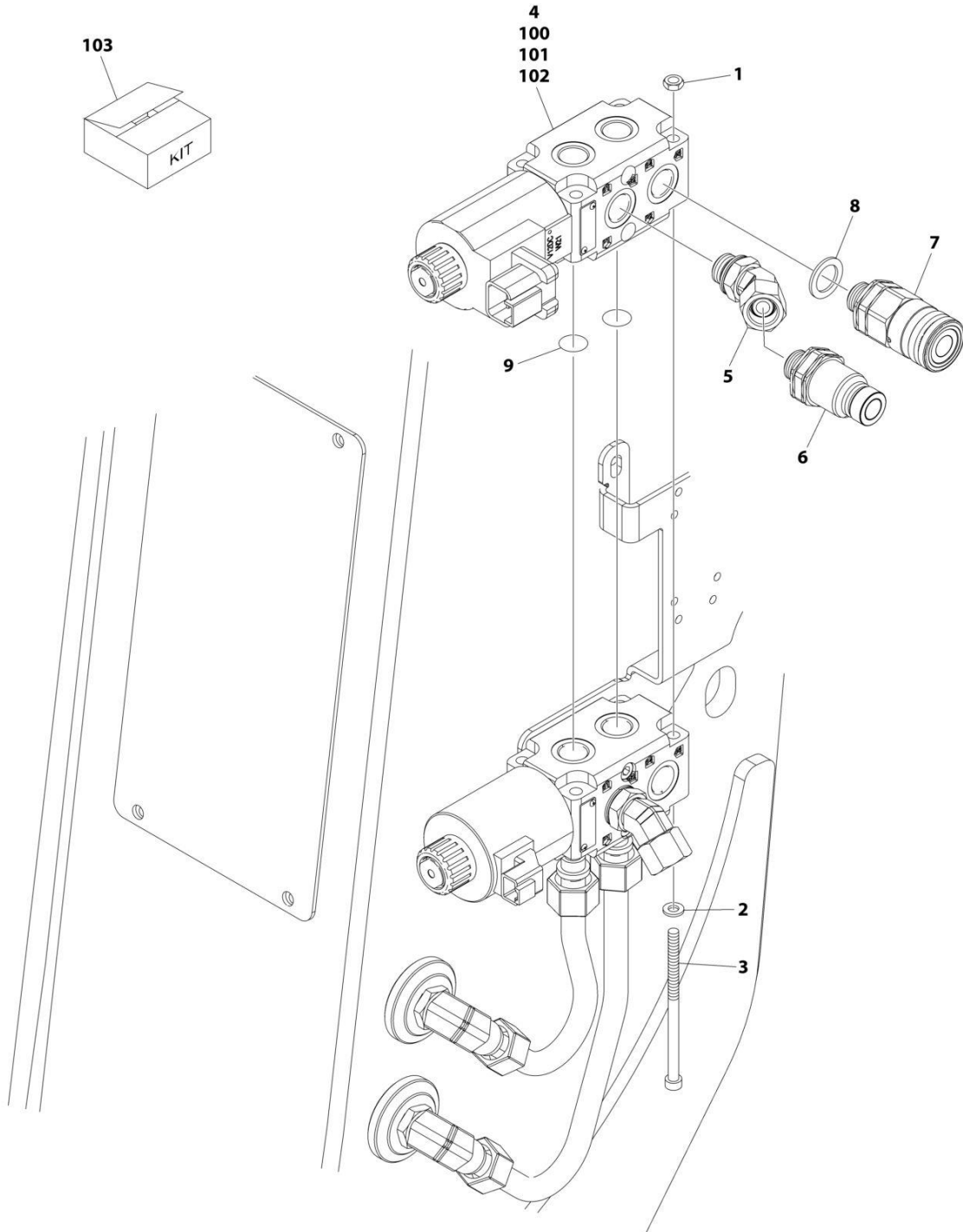
ITEM	PART NUMBER	QTY	DESCRIPTION	REV
	1001280927	Ref	PEDALS ASSEMBLY	B
1	3291001	1	Nut M10	
2	3291202	1	Nut M12	
3	1001274734	2	Pedal	
4	1001275890	1	Sensor, Pedals	
5	1001275897	1	Valve, Brake	
6	1001278316	1	Pin	
7	1001278317	1	Rod, Threaded M10	
8	1001278324	1	Pin, Cotter	
9	1001281008	1	Link	
10	1001287383	1	Pedal, Brake	
11	1001278320	1	Bracket	
12	1001281011	1	Bracket	



**SECTION 8 - HYDRAULIC CIRCUITS**

# SECTION 8 - HYDRAULIC CIRCUITS

## FIGURE 8-1. AUXILIARY BOOM HYDRAULICS - WITH HYDRAULIC COUPLER



ART\_1001275960

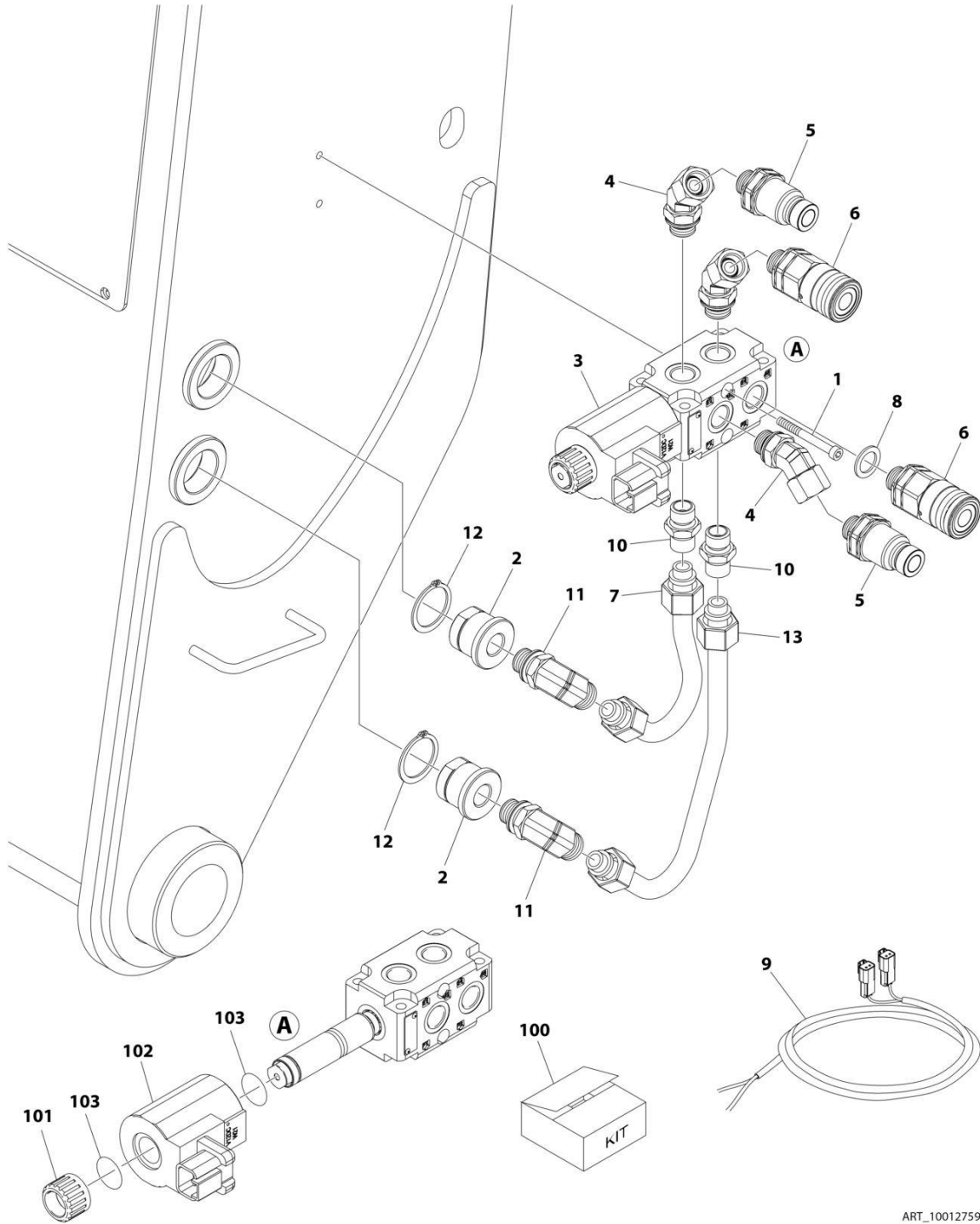
## SECTION 8 - HYDRAULIC CIRCUITS

**FIGURE 8-1. AUXILIARY BOOM HYDRAULICS - WITH HYDRAULIC COUPLER**

ITEM	PART NUMBER	QTY	DESCRIPTION	REV
	1001275960	Ref	AUXILIARY BOOM HYDRAULICS	B
1	3290805	4	Nut, Lock M8	
2	4811900	4	Washer M8	
3	1001110115	4	Capscrew M8 x 130	
4	1001274760	1	Valve (Includes Items 100-102)	
5	1001276827	1	Fitting 45 ORFS/JIC	
6	1001277706	1	Coupling, Male Quick Disconnect	
7	1001277707	1	Coupling, Female Quick Disconnect	
8	1001278186	1	Washer	
9	1001279109	2	O-Ring	
100	70030568	1	Nut, Ring	
101	70030569	1	O-Ring	
102	1001276909	1	Coil	
103	70030570	1	Seal Kit (For Use With Item 4 Valve)	

# SECTION 8 - HYDRAULIC CIRCUITS

## FIGURE 8-2. AUXILIARY BOOM HYDRAULICS - WITH MANUAL COUPLER



ART\_1001275959



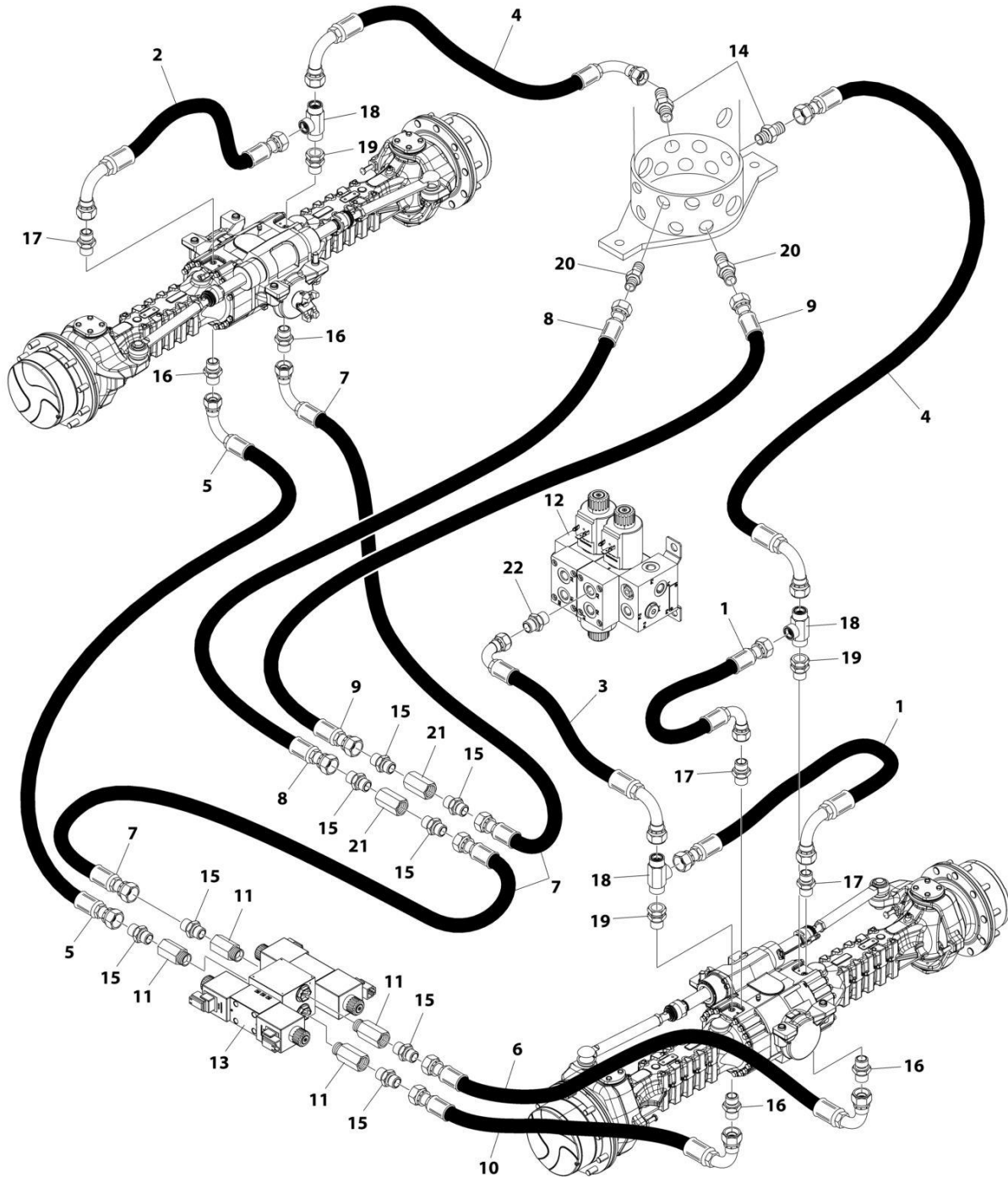
## SECTION 8 - HYDRAULIC CIRCUITS

**FIGURE 8-2. AUXILIARY BOOM HYDRAULICS - WITH MANUAL COUPLER**

ITEM	PART NUMBER	QTY	DESCRIPTION	REV
	1001275959	Ref	AUXILIARY BOOM HYDRAULICS	C
1	4031918	2	Capscrew M8 x 70	
2	1001274670	2	Bushing	
3	1001274760	1	Valve (Includes Items 101-103)	
4	1001276827	3	Fitting 45 ORFS/JIC	
5	1001277706	2	Coupling, Male Quick Disconnect	
6	1001277707	2	Coupling, Female Quick Disconnect	
7	1001277787	1	Pipe	
8	1001278186	1	Washer	
9	1001279097	1	Harness, Hydraulic Coupler	
10	1001279098	2	Fitting Straight ORFS/ORB	
11	1001279104	2	Fitting 90 ORFS/ORB	
12	1001279108	2	Ring, Retaining	
13	1001277788	1	Pipe	
100	70030570	1	Seal Kit	
101	70030568	1	Nut, Ring	
102	1001276909	1	Coil	
103	70030569	2	O-Ring	

# SECTION 8 - HYDRAULIC CIRCUITS

## FIGURE 8-3. AXLES HYDRAULIC DIAGRAM



ART\_1001280446

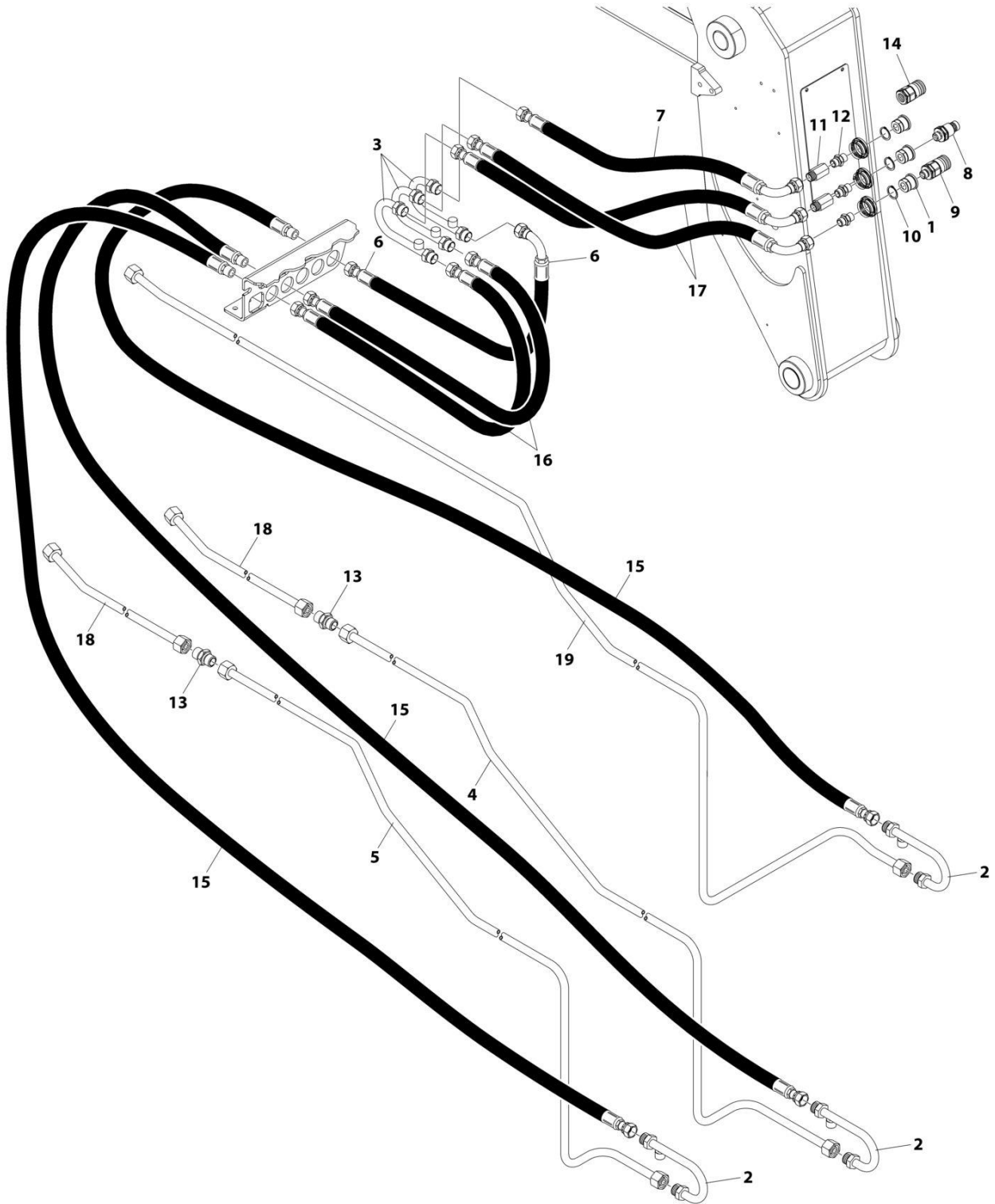
## SECTION 8 - HYDRAULIC CIRCUITS

**FIGURE 8-3. AXLES HYDRAULIC DIAGRAM**

ITEM	PART NUMBER	QTY	DESCRIPTION	REV
	1001280446	Ref	AXLES HYDRAULIC DIAGRAM	C
1	1001275021	2	Hose	
2	1001275022	1	Hose	
3	1001275373	1	Hose	
4	1001276256	2	Hose	
5	1001276258	1	Hose	
6	1001276260	1	Hose	
7	1001276264	2	Hose	
8	1001293247	1	Hose	
9	1001276266	1	Hose	
10	1001276267	1	Hose	
11	1001276337	4	Fitting, Reduction	
12	1001276487	1	Valve	
13	1001276488	1	Valve	
14	1001279239	2	Fitting, Straight ORFS/ORB	
15	1001279240	8	Fitting, Straight ORFS/ORB 6-6	
15	1001299005	1	Fitting, Straight ORFS/ORB 8	
16	1001279241	4	Fitting, Straight ORFS/ORB 6-8	
16	1001299006	1	Fitting, Straight ORFS/ORB 6-8	
17	1001279242	3	Fitting, Straight JIC/ORB	
18	1001279243	3	Fitting, Tee ORB/JIC/ORB	
19	1001279244	3	Fitting, Straight FSORFS/ORB	
20	1001279246	2	Fitting, Straight ORFS/ORB 4-6	
20	1001299004	1	Fitting, Straight ORFS/ORB 8	
21	1001279247	2	Fitting, Straight FORB/FORB	
22	1001279290	1	Fitting, 90 ORFS/ORB	

# SECTION 8 - HYDRAULIC CIRCUITS

## FIGURE 8-4. BOOM HYDRAULICS DIAGRAM



ART\_1001282383

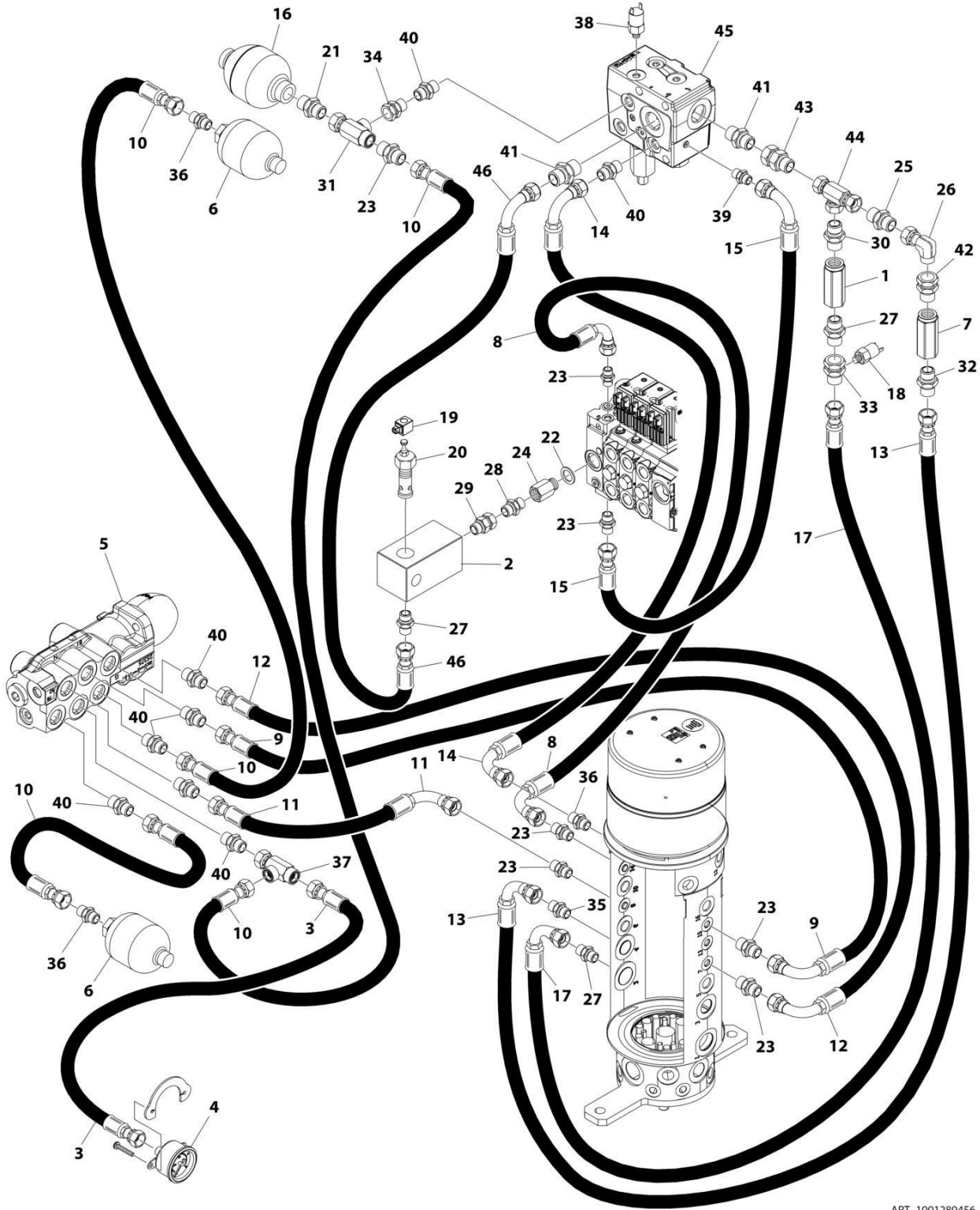
## SECTION 8 - HYDRAULIC CIRCUITS

**FIGURE 8-4. BOOM HYDRAULICS DIAGRAM**

ITEM	PART NUMBER	QTY	DESCRIPTION	REV
	1001282383	Ref	AUX BOOM HYDRAULIC DIAGRAM	A
1	1001274670	3	Bushing	
2	1001275031	3	Pipe	
3	1001275032	3	Pipe	
4	1001276838	1	Pipe	
5	1001276839	1	Pipe	
6	1001276853	1	Hose	
7	1001276854	1	Hose	
8	1001277706	1	Coupling, Male Quick Disconnect	
9	1001277707	1	Coupling, Female Quick Disconnect	
10	1001279108	3	Ring, Retaining	
11	1001279248	2	Fitting, Straight FORFS/ORB	
12	1001279323	3	Fitting, Straight ORFS/ORB	
13	1001281247	2	Fitting, Straight ORFS/ORFS	
14	1001281681	1	Coupling, Female Quick Disconnect	
15	1001282372	3	Hose	
16	1001282373	2	Hose	
17	1001282374	2	Hose	
18	1001282375	2	Pipe	
19	1001282376	1	Pipe	

# SECTION 8 - HYDRAULIC CIRCUITS

## FIGURE 8-5. BRAKES HYDRAULIC DIAGRAM



ART\_1001280456

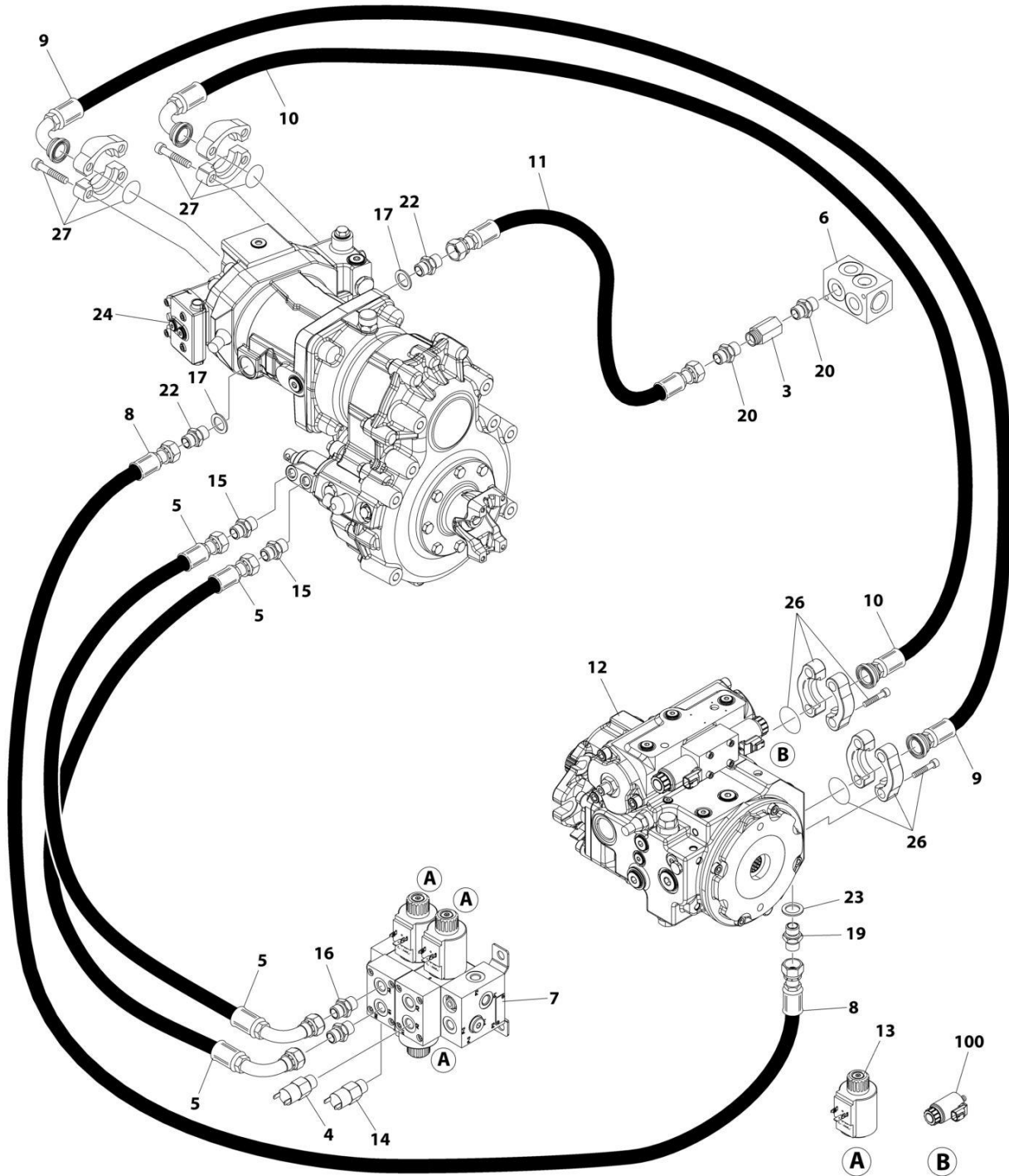
## SECTION 8 - HYDRAULIC CIRCUITS

**FIGURE 8-5. BRAKES HYDRAULIC DIAGRAM**

ITEM	PART NUMBER	QTY	DESCRIPTION	REV
	1001280456	Ref	BRAKES HYDRAULIC DIAGRAM	B
1	1001274770	1	Valve	
2	1001274971	1	Manifold	
3	1001275008	1	Hose	
4	1001275889	1	Gauge, Pressure	
5	1001275897	1	Valve, Brake	
6	1001275899	2	Diaphragm	
7	1001275907	1	Reducer	
8	1001276248	1	Hose	
9	1001276250	1	Hose	
10	1001276253	3	Hose	
11	1001276254	1	Hose	
12	1001276255	1	Hose	
13	1001276280	1	Hose	
14	1001276283	1	Hose	
15	1001276285	1	Hose	
16	1001276475	1	Accumulator	
17	1001276505	1	Hose	
18	1001277236	1	Sensor, Pressure	
19	1001277244	1	Coil	
20	1001277245	1	Valve	
21	1001277526	1	Fitting, Reduction	
22	1001278186	1	Washer	
23	1001279239	7	Fitting, Straight ORFS/ORB	
24	1001279248	1	Fitting, Straight FORFS/ORB	
25	1001279281	1	Fitting, Straight ORFS/ORB	
26	1001279284	1	Fitting, 90 FSORFS/ORB	
27	1001279317	3	Fitting, Straight ORFS/ORB	
28	1001279318	1	Fitting, Straight ORFS/ORB	
29	1001279319	1	Fitting, Straight FSORFS/ORB	
30	1001279324	1	Fitting, Straight ORB/ORB	
31	1001279330	1	Fitting, Tee FORB/FORB/FORB	
32	1001279356	1	Fitting, Straight FORB/ORB	
33	1001279366	1	Fitting, Tee ORFS/ORB/FSORFS	
34	1001279376	1	Fitting, Straight FSORFS/ORB	
35	1001280492	1	Fitting, Straight ORB/ORB	
36	1001280511	3	Fitting, Straight ORB/ORB	
37	1001280512	1	Fitting, Tee ORFS/ORFS/FSORFS	
38	1001280537	1	Sensor, Pressure	
39	1001280540	1	Fitting, Straight ORFS/ORB	
40	1001280538	7	Fitting, Straight ORFS/ORB	
41	1001280542	2	Fitting, Straight ORFS/ORB	
42	1001280543	1	Fitting, Straight FSORFS/ORB	
43	1001280544	1	Fitting, Straight FSORFS/ORB	
44	1001280545	1	Fitting, Tee FSORFS/ORFS/FSORFS	
45	1001275898	1	Valve	
46	1001283238	1	Hose	

# SECTION 8 - HYDRAULIC CIRCUITS

## FIGURE 8-6. ENGINE BAY HYDRAULIC DIAGRAM (Prior to SN K16000006)



ART\_1001280448



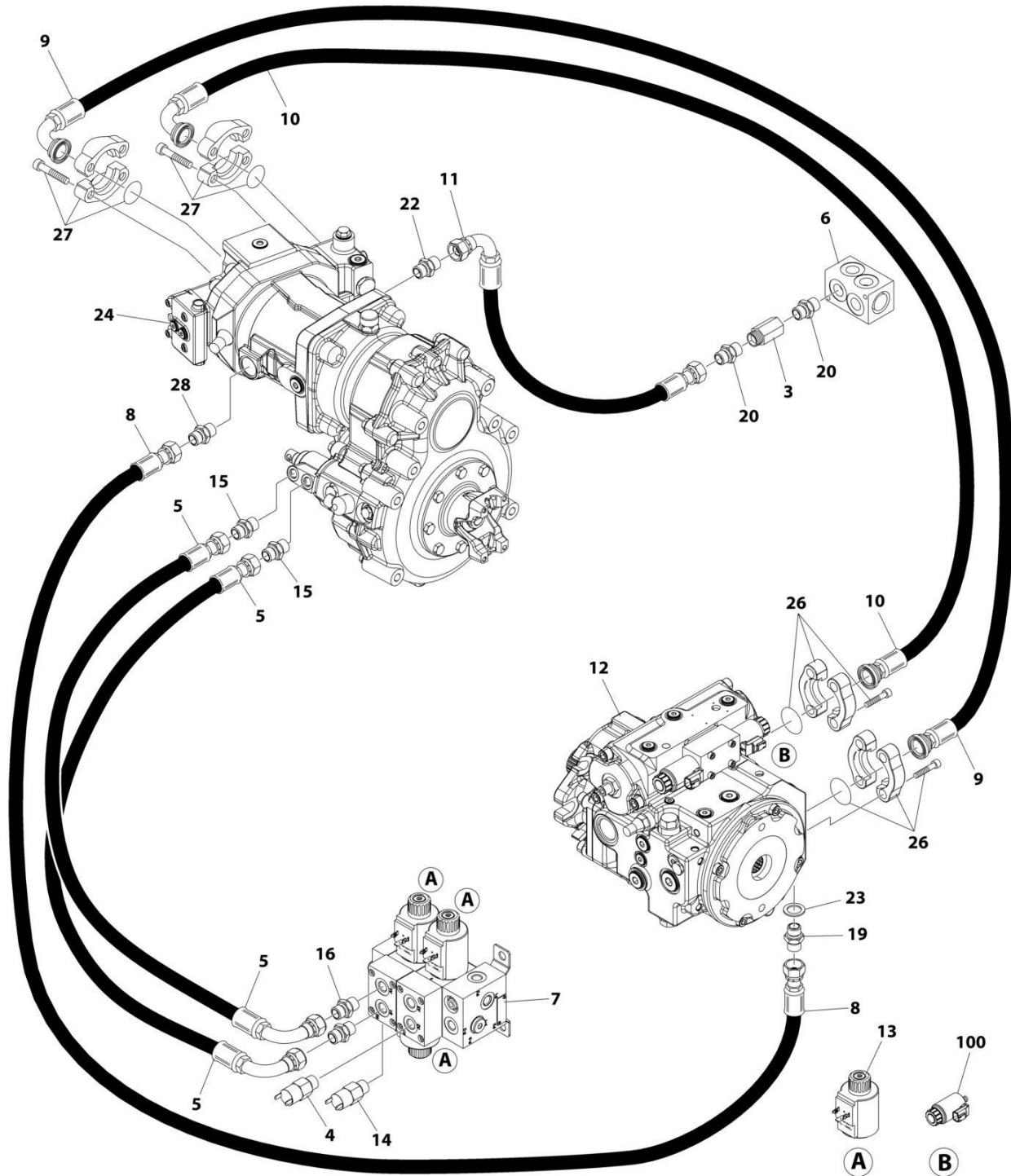
## SECTION 8 - HYDRAULIC CIRCUITS

**FIGURE 8-6. ENGINE BAY HYDRAULIC DIAGRAM (Prior to SN K16000006)**

ITEM	PART NUMBER	QTY	DESCRIPTION	REV
	1001280448	Ref	ENGINE BAY HYDRAULIC DIAGRAM	B
3	1001274770	1	Valve	
4	1001274966	1	Sensor, Pressure	
5	1001275381	2	Hose	
6	1001276335	1	Manifold	
7	1001276487	1	Valve	
8	1001276511	1	Hose	
9	1001276512	1	Hose	
10	1001276513	1	Hose	
11	1001276516	1	Hose	
12	1001276997	1	Pump, Hydrostatic	
13	1001277156	3	Valve	
14	1001277446	1	Sensor, Pressure	
15	1001279242	2	Fitting, Straight JIC/ORB	
16	1001279271	2	Fitting, Straight ORFS/ORB 8-6	
16	1001279239	2	Fitting, Straight ORFS/ORB 4-4	
17	1001279273	2	Washer	
19	1001279336	1	Fitting, Straight ORB/ORB	
20	1001279337	2	Fitting, Straight ORFS/ORB	
22	1001279377	2	Fitting, Straight ORFS/ORB	
23	1001280482	1	Washer	
24	1001280483	1	Motor, Hydraulic	
26	2171716	2	Split Coupling Kit	
27	2171733	2	Split Coupling Kit	
100	70030788	2	Solenoid	

# SECTION 8 - HYDRAULIC CIRCUITS

## FIGURE 8-7. ENGINE BAY HYDRAULIC DIAGRAM (SN K16000006 to Present)



ART\_1001280448\_E

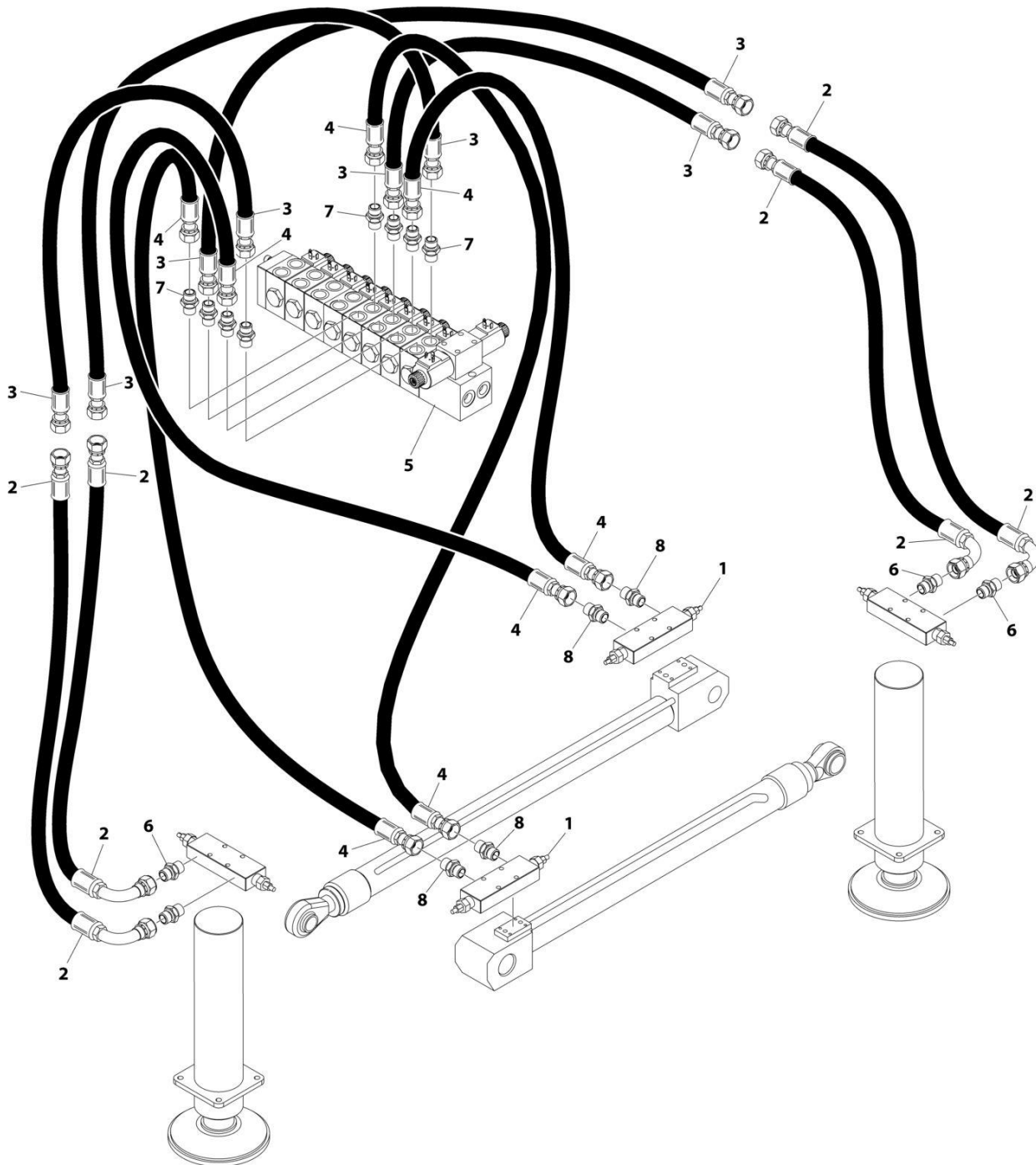
## SECTION 8 - HYDRAULIC CIRCUITS

**FIGURE 8-7. ENGINE BAY HYDRAULIC DIAGRAM (SN K160000006 to Present)**

ITEM	PART NUMBER	QTY	DESCRIPTION	REV
	1001280448	Ref	ENGINE BAY HYDRAULIC DIAGRAM	E
3	1001274770	1	Valve	
4	1001274966	1	Sensor, Pressure	
5	1001275381	2	Hose	
6	1001276335	1	Manifold	
7	1001276487	1	Valve	
8	1001276511	1	Hose	
9	1001276512	1	Hose	
10	1001276513	1	Hose	
11	1001289872	1	Hose	
12	1001276997	1	Pump, Hydrostatic	
13	1001277156	3	Valve	
14	1001277446	1	Sensor, Pressure	
15	1001279242	2	Fitting, Straight JIC/ORB	
16	1001279271	2	Fitting, Straight ORFS/ORB 8-6	
16	1001279239	2	Fitting, Straight ORFS/ORB 4-4	
19	1001279336	1	Fitting, Straight ORB/ORB	
20	1001279337	2	Fitting, Straight ORFS/ORB	
22	1001289984	1	Fitting, Straight BSPP/MST	
23	1001280482	1	Washer	
24	1001277162	1	Motor, Hydraulic	
26	2171716	2	Kit, Split Coupling	
27	2171733	2	Kit, Split Coupling	
28	1001289870	1	Fitting, Straight BSP/M33	
100	70030788	2	Solenoid	

# SECTION 8 - HYDRAULIC CIRCUITS

## FIGURE 8-8. FRONT OUTRIGGERS HYDRAULIC DIAGRAM



ART\_1001280451

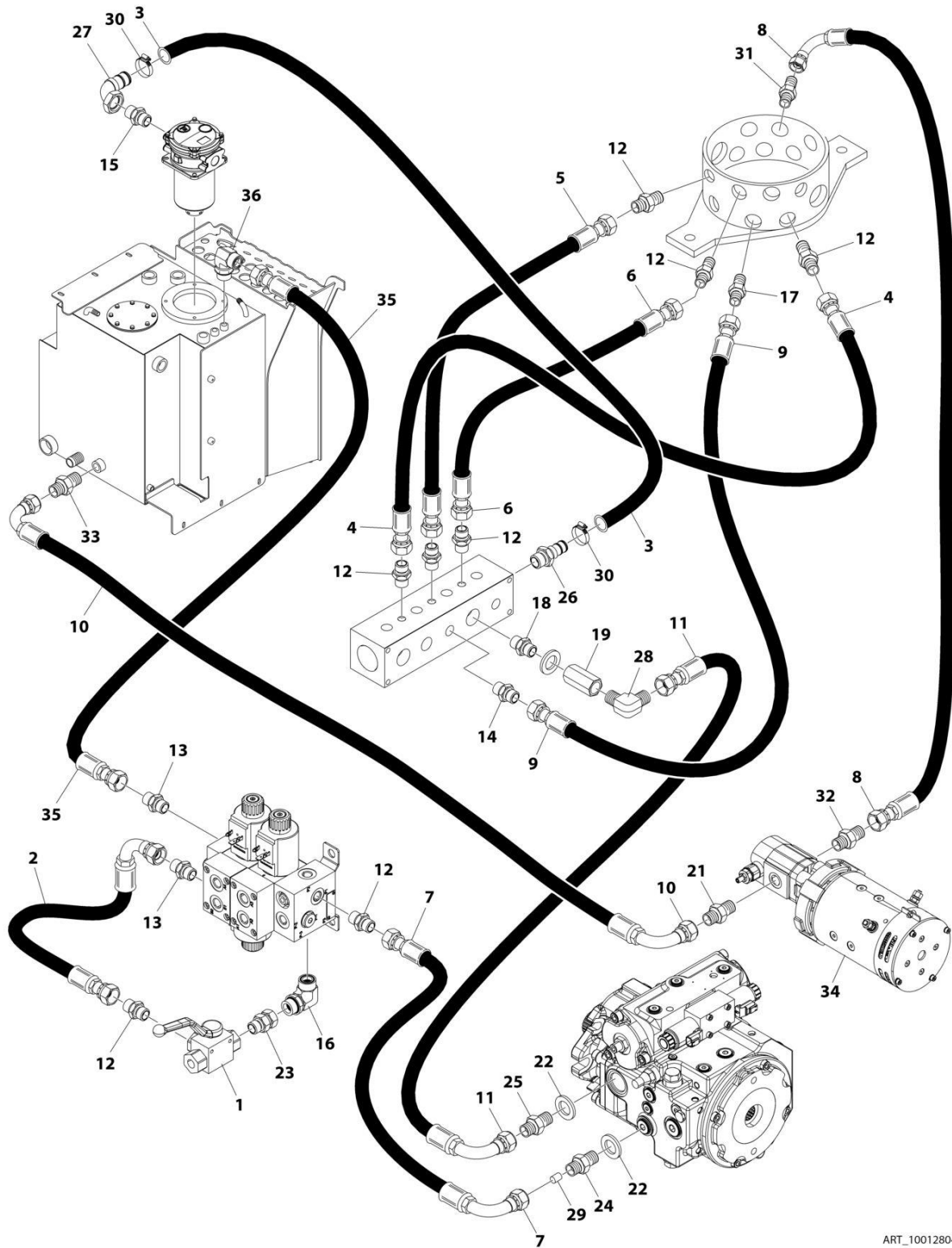
## SECTION 8 - HYDRAULIC CIRCUITS

### FIGURE 8-8. FRONT OUTRIGGERS HYDRAULIC DIAGRAM

ITEM	PART NUMBER	QTY	DESCRIPTION	REV
	1001280451	Ref	FRONT OUTRIGGERS HYDRAULIC DIAGRAM	A
1	1001274774	2	Valve	
2	1001276257	4	Hose	
3	1001276261	4	Hose	
4	1001276270	4	Hose	
5	1001276901	1	Outrigger Valve Assembly (See Separate Breakdown in HYDRAULIC COMPONENTS section)	
6	1001279240	4	Fitting, Straight ORFS/ORB	
7	1001279246	8	Fitting, Straight ORFS/ORB	
8	1001280475	4	Fitting, Straight ORB/ORB	

# SECTION 8 - HYDRAULIC CIRCUITS

## FIGURE 8-9. HYDROSTATIC PUMP HYDRAULIC DIAGRAM



ART\_1001280449

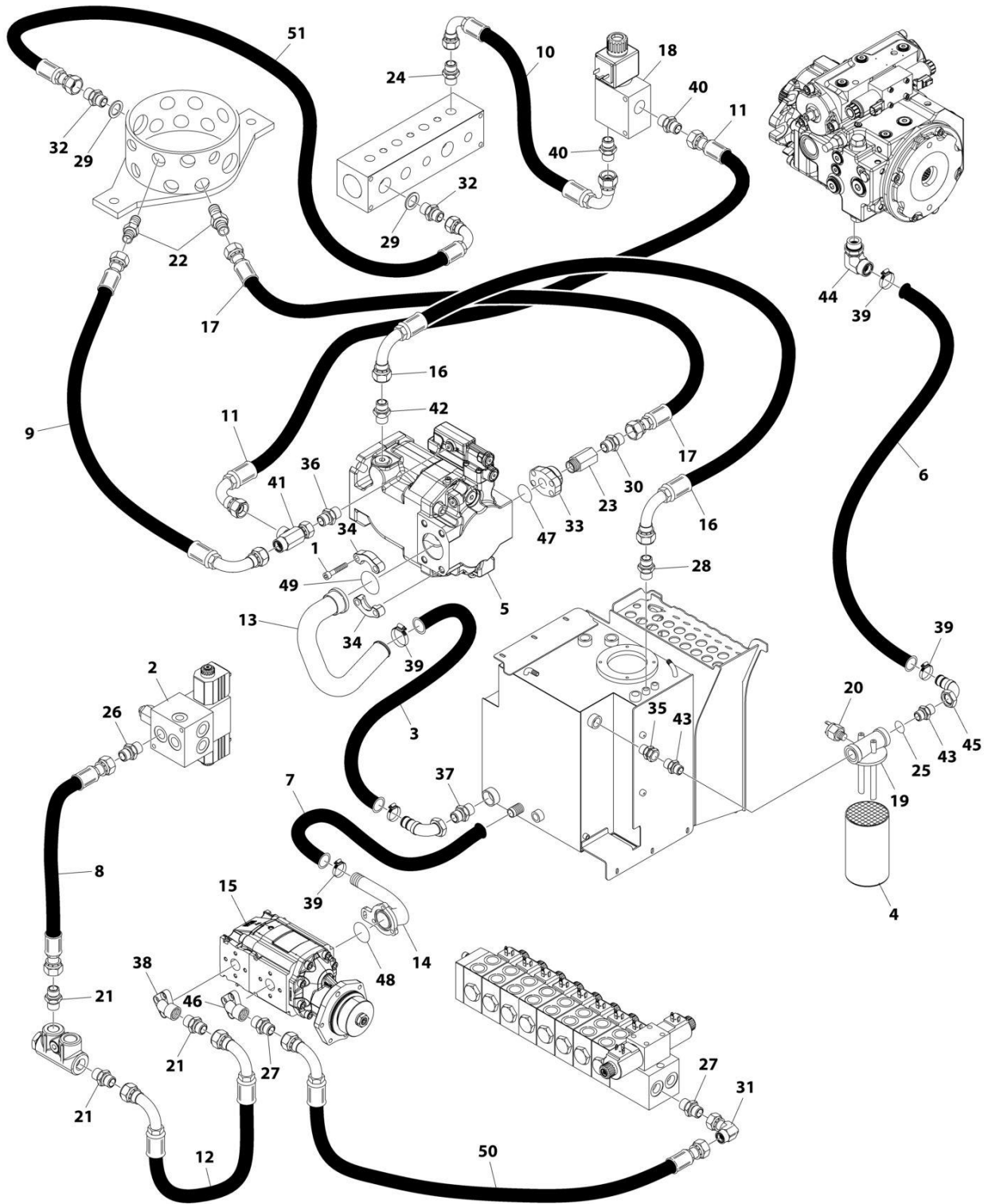
## SECTION 8 - HYDRAULIC CIRCUITS

### FIGURE 8-9. HYDROSTATIC PUMP HYDRAULIC DIAGRAM

ITEM	PART NUMBER	QTY	DESCRIPTION	REV
	1001280449	Ref	HYDROSTATIC PUMP HYDRAULIC DIAGRAM	D
1	1001274769	1	Valve	
2	1001275381	1	Hose	
3	1001275921	1	Hose	
4	1001276246	1	Hose	
5	1001276248	1	Hose	
6	1001276250	1	Hose	
7	1001276252	1	Hose	
8	1001276281	1	Hose	
9	1001276299	1	Hose	
10	1001276302	1	Hose	
11	1001276514	1	Hose	
12	1001279239	8	Fitting, Straight ORFS/ORB	
13	1001279240	2	Fitting, Straight ORFS/ORB 6-6	
13	1001299005	1	Fitting, Straight ORFS/ORB 8	
14	1001279281	1	Fitting, Straight ORFS/ORB	
15	1001279286	1	Fitting, Straight ORFS/ORB	
16	1001279290	1	Fitting, 90 ORFS/ORB	
17	1001279309	1	Fitting, Straight ORFS/ORB	
18	1001279337	1	Fitting, Straight ORFS/ORB	
19	1001279346	1	Valve	
21	1001280475	1	Fitting, Straight ORB/ORB	
22	1001280480	2	Washer	
23	1001279376	1	Fitting, Straight FSORFS/ORB	
24	1001280485	1	Fitting, Straight ORFS/ORB	
25	1001280486	1	Fitting, Straight ORFS/ORB	
26	1001280487	1	Fitting, Straight ORB/BARB	
27	1001280488	1	Fitting, 90 FSORFS/BARB	
28	1001280489	1	Fitting, 90 ORB/ORB	
29	1001280490	1	Stop, Throttle	
30	1001280491	2	Clamp	
31	1001280492	1	Fitting, Straight ORB/ORB	
32	1001280493	1	Fitting, Straight ORB/ORB	
33	1001280494	1	Fitting, Straight ORB/ORB	
34	1001280495	1	Pump, Electric	
35	1001283203	1	Hose	
36	1001303168	1	Fitting, 90	

# SECTION 8 - HYDRAULIC CIRCUITS

## FIGURE 8-10. IMPLEMENT PUMP HYDRAULIC DIAGRAM



ART\_1001280450



## SECTION 8 - HYDRAULIC CIRCUITS

**FIGURE 8-10. IMPLEMENT PUMP HYDRAULIC DIAGRAM**

ITEM	PART NUMBER	QTY	DESCRIPTION	REV
	1001280450	Ref	IMPLEMENT PUMP HYDRAULIC DIAGRAM	B
1	4032010	4	Capscrew M10 x 30	
2	1001274758	1	Valve	
3	1001275511	1	Hose	
4	1001275828	1	Filter, Hydraulic Oil	
5	1001275916	1	Pump, Implement	
6	1001275922	1	Hose	
7	1001275923	1	Hose	
8	1001276243	1	Hose	
9	1001276277	1	Hose	
10	1001276278	1	Hose	
11	1001276279	1	Hose	
12	1001276294	1	Hose	
13	1001276340	1	Elbow	
14	1001276476	1	Pipe	
15	1001276483	1	Pump, Hydraulic	
16	1001276508	1	Hose	
17	1001276509	1	Hose	
18	1001276910	1	Valve	
19	1001277166	1	Head, Oil Filter	
20	1001277235	1	Sensor, Oil Filter	
21	1001279098	3	Fitting, Straight ORFS/ORB	
22	1001279239	2	Fitting, Straight ORFS/ORB	
23	1001279257	1	Fitting, Straight ORB/ORB	
24	1001279271	1	Fitting, Straight ORFS/ORB	
25	1001279279	1	O-Ring	
26	1001279282	1	Fitting, Straight ORFS/ORB	
27	1001279283	2	Fitting, Straight ORB/ORB	
28	1001279285	1	Fitting, Straight ORFS/ORB	
29	1001279296	2	Washer	
30	1001279318	1	Fitting, Straight ORFS/ORB	
31	1001279321	1	Fitting, 90 FSORFS/ORFS	
32	1001279337	2	Fitting, Straight ORFS/ORB	
33	1001279340	1	Coupling	
34	1001279341	2	Coupling, Split	
35	1001279345	1	Fitting, Straight FSORFS/ORB	
36	1001279349	1	Fitting, Straight ORFS/ORB	
37	1001279350	1	Fitting, Straight ORFS/ORB	
38	1001280478	1	Elbow, Flanged M18	
39	1001280491	4	Clamp	
40	1001280511	2	Fitting, Straight ORB/ORB	
41	1001280512	1	Fitting, Tee ORFS/ORFS/FSORFS	
42	1001280513	1	Fitting, Straight ORB/ORFS	
43	1001280514	2	Fitting, Straight ORB/ORFS	
44	1001280515	1	Fitting, 90 FSORFS/BARB	
45	1001280516	1	Fitting, 90 ORB/BARB	
46	1001280517	1	Elbow, Flanged M22	
47	8640123	1	O-Ring	
48	1001280519	1	O-Ring	
49	1001280520	1	O-Ring	

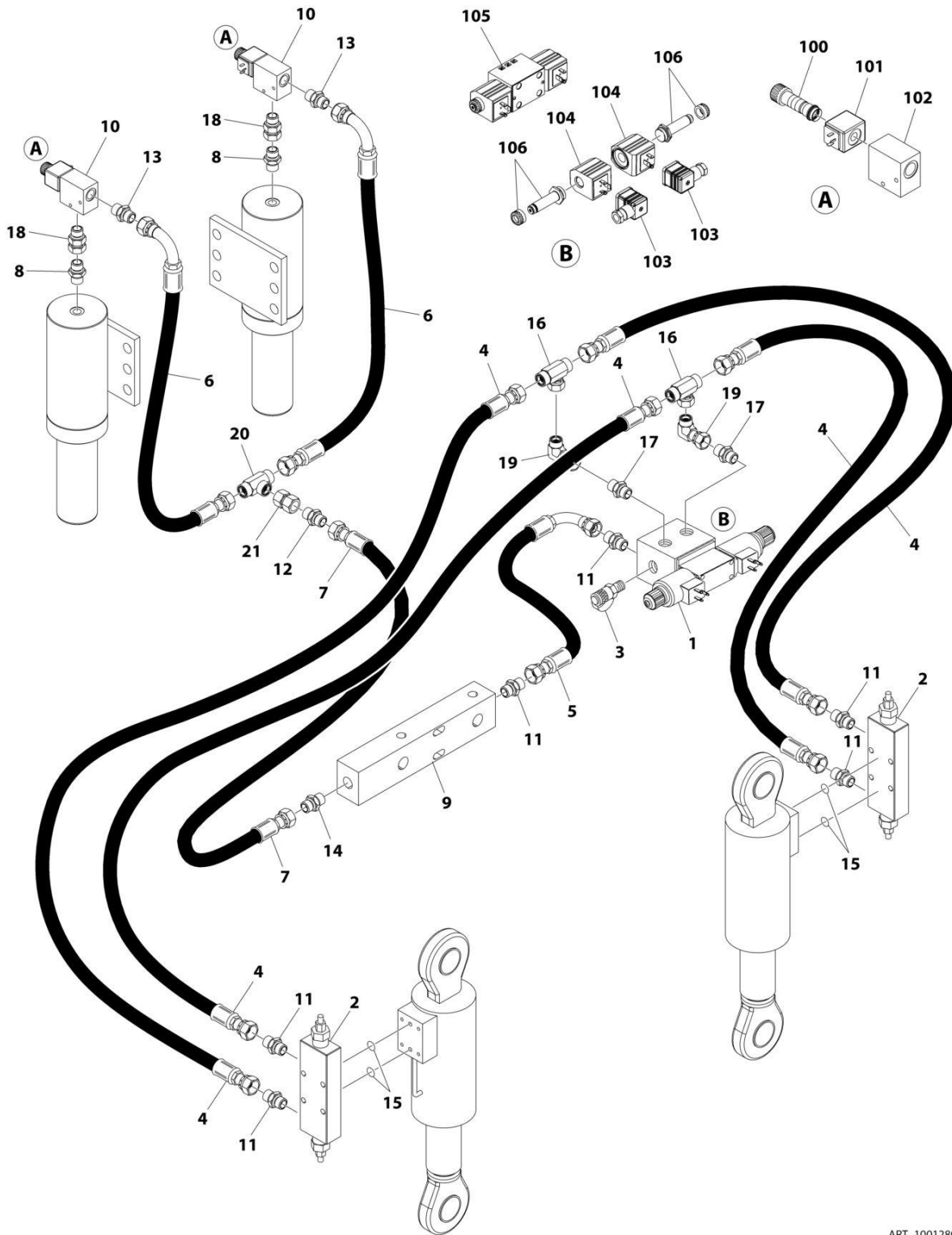
## SECTION 8 - HYDRAULIC CIRCUITS

ITEM	PART NUMBER	QTY	DESCRIPTION	REV
50	1001280521	1	Hose	
51	1001283204	1	Hose	



# SECTION 8 - HYDRAULIC CIRCUITS

## FIGURE 8-11. LEVELING CYLINDERS HYDRAULIC DIAGRAM



ART\_1001280453

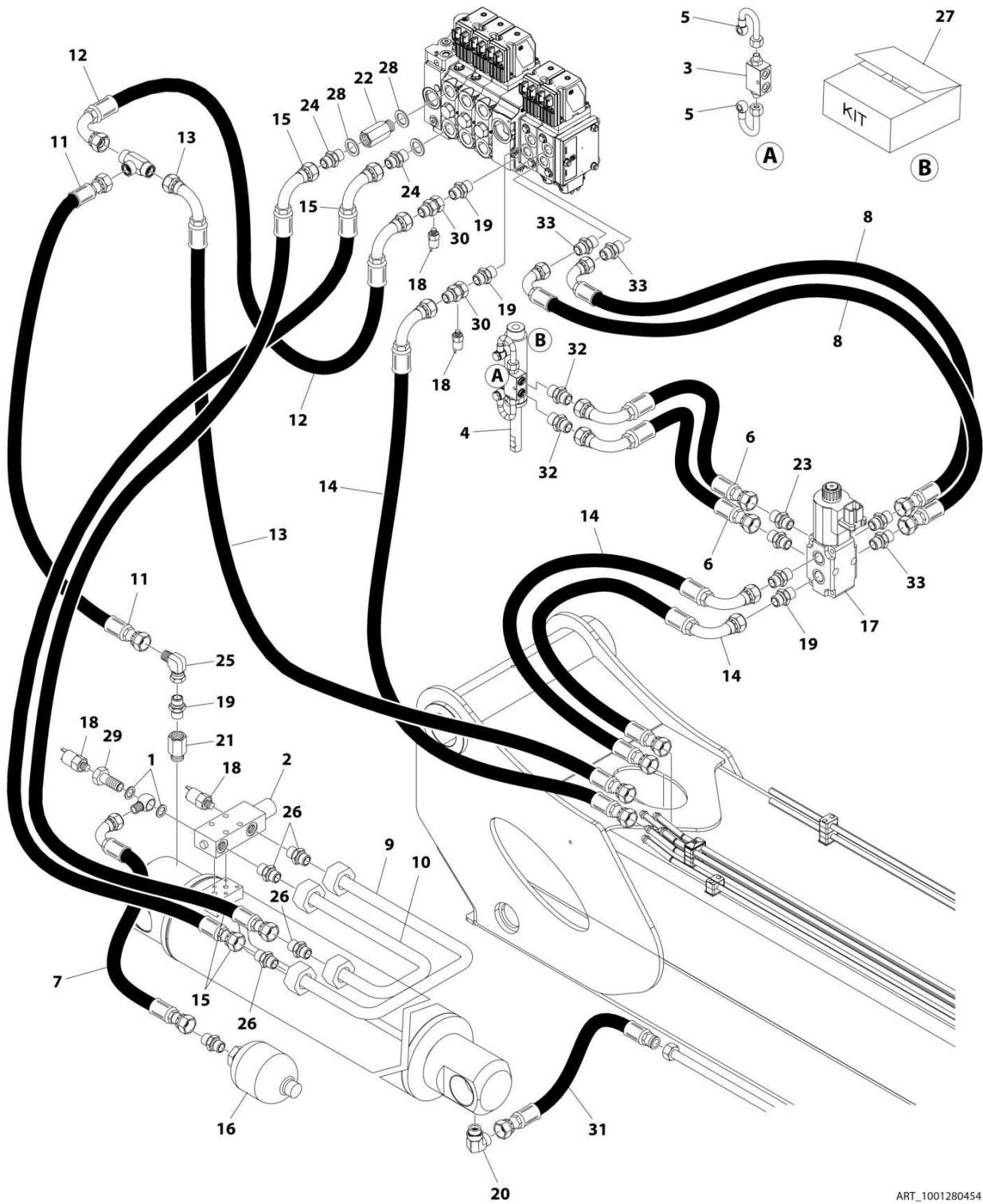
## SECTION 8 - HYDRAULIC CIRCUITS

**FIGURE 8-11. LEVELING CYLINDERS HYDRAULIC DIAGRAM**

ITEM	PART NUMBER	QTY	DESCRIPTION	REV
	1001280453	Ref	LEVELING CYLINDERS HYDRAULIC DIAGRAM	E
1	1001274758	1	Valve (Includes Items 103-106)	
2	1001274774	2	Valve	
3	1001275007	1	Sensor	
4	1001276244	4	Hose	
5	1001276264	1	Hose	
6	1001276286	2	Hose	
7	1001276288	1	Hose	
8	1001279241	2	Fitting, Straight ORFS/ORB	
9	1001276560	1	Manifold	
10	1001276910	2	Valve (Includes Items 100-102)	
11	1001279240	6	Fitting, Straight ORFS/ORB 6-6	
11	1001299005	1	Fitting, Straight ORFS/ORB 8	
12	1001279244	1	Fitting, Straight FSORFS/ORB 6-6	
12	1001279102	1	Fitting, Straight ORFS/ORB 4-6	
13	1001279270	2	Fitting, Straight ORFS/ORB	
14	1001279271	1	Fitting, Straight ORFS/ORB	
15	1001279278	4	O-Ring	
16	1001279312	2	Fitting, Tee ORFS/FSORFS/ORFS	
17	1001280511	2	Fitting, Straight ORB/ORB	
18	1001279623	2	Fitting, Straight FSORFS/ORB	
19	1001279316	2	Fitting, 90 FSORFS/ORFS	
20	1001280525	1	Fitting, Tee ORFS/ORFS/ORFS	
21	1001280526	1	Fitting, Straight FSORFS/FSORFS	
100	1001277246	2	Valve	
101	1001277244	2	Coil	
102	1001276907	2	Manifold	
103	1001277242	2	Solenoid	
104	1001277243	2	Coil	
105	70030639	1	Valve	
106	70030640	2	Coil	

# SECTION 8 - HYDRAULIC CIRCUITS

## FIGURE 8-12. LIFT CYLINDER HYDRAULIC DIAGRAM



ART\_1001280454

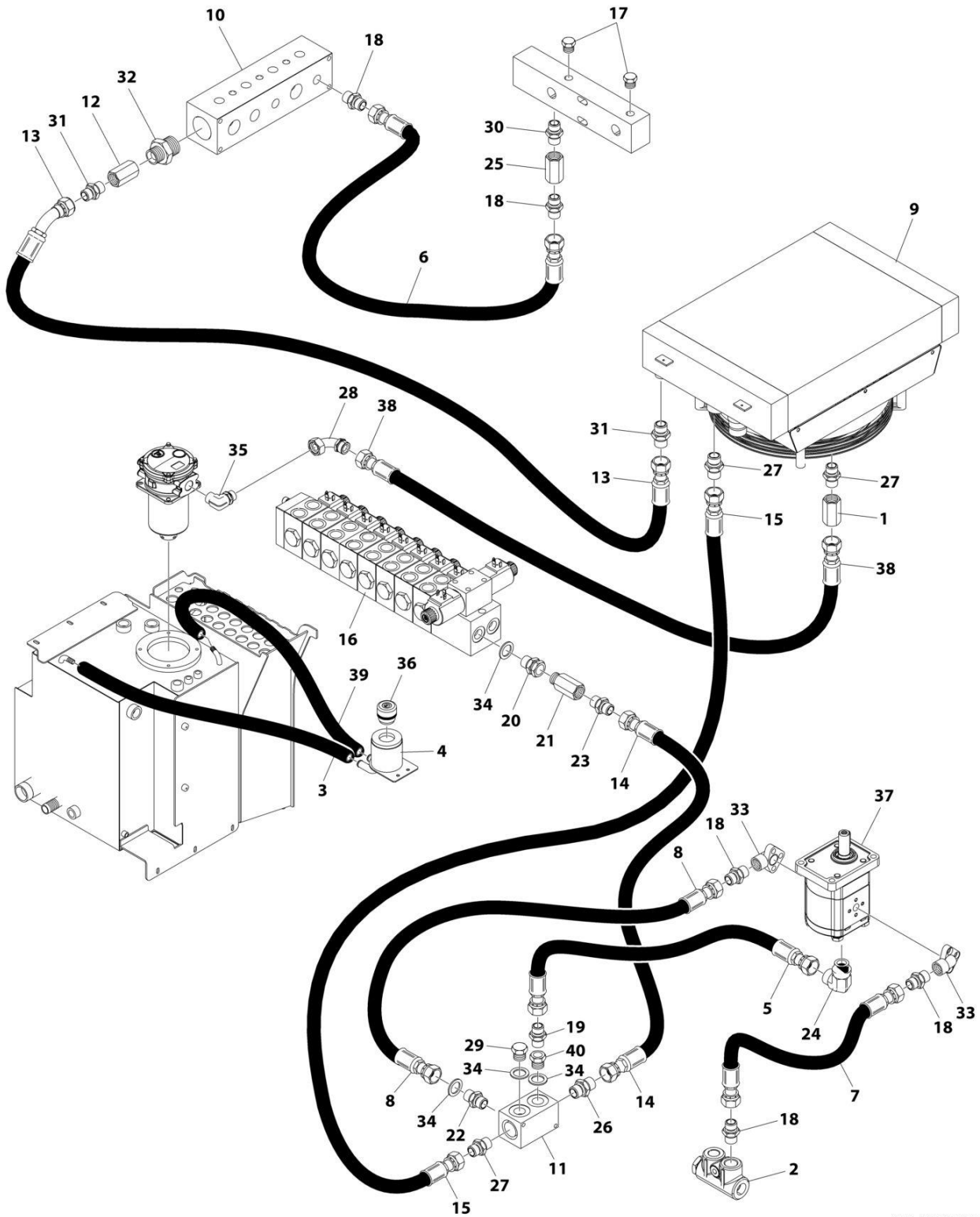
## SECTION 8 - HYDRAULIC CIRCUITS

**FIGURE 8-12. LIFT CYLINDER HYDRAULIC DIAGRAM**

ITEM	PART NUMBER	QTY	DESCRIPTION	REV
	1001280454	Ref	LIFT CYLINDER HYDRAULIC DIAGRAM	B
1	4740571	2	Washer, Copper Crush	
2	1001274775	1	Valve	
3	1001275699	1	Valve	
4	1001275714	1	Locking Cylinder Assembly (Includes Items 3 and 5)	
5	1001275829	2	Pipe	
6	1001276245	2	Hose	
7	1001276282	1	Hose	
8	1001276303	2	Hose	
9	1001276338	1	Pipe	
10	1001276339	1	Pipe	
11	1001276496	1	Hose	
12	1001276498	1	Hose	
13	1001276499	1	Hose	
14	1001276501	3	Hose	
15	1001276503	2	Hose	
16	1001276899	1	Diaphragm	
17	1001276902	1	Valve	
18	1001277228	4	Sensor, Pressure	
19	1001279098	5	Fitting, Straight ORFS/ORB	
20	1001279104	1	Fitting, 90 ORFS/ORB	
21	1001279248	1	Fitting, Straight FORFS/ORB	
22	1001279256	1	Fitting, Straight FORFS/ORB	
23	1001279271	2	Fitting, Straight ORFS/ORB 8-6	
23	1001299002	2	Fitting, Straight ORFS/ORB 8	
24	1001279283	2	Fitting, Straight ORB/ORB	
25	1001279284	1	Fitting, 90 FSORFS/ORB	
26	1001279323	4	Fitting, Straight ORFS/ORB	
27	1001279379	1	Seal Kit	
28	1001280480	2	Washer	
29	1001280529	1	Bolt M10	
30	1001280531	2	Fitting, Tee FSORFS/FORFS/ORFS	
31	1001283234	1	Hose	
32	1001283286	2	Fitting, Straight ORFS/ORB	
33	1001283287	4	Fitting, Straight ORFS/ORB	

# SECTION 8 - HYDRAULIC CIRCUITS

## FIGURE 8-13. OIL COOLER HYDRAULIC DIAGRAM



ART\_1001280447



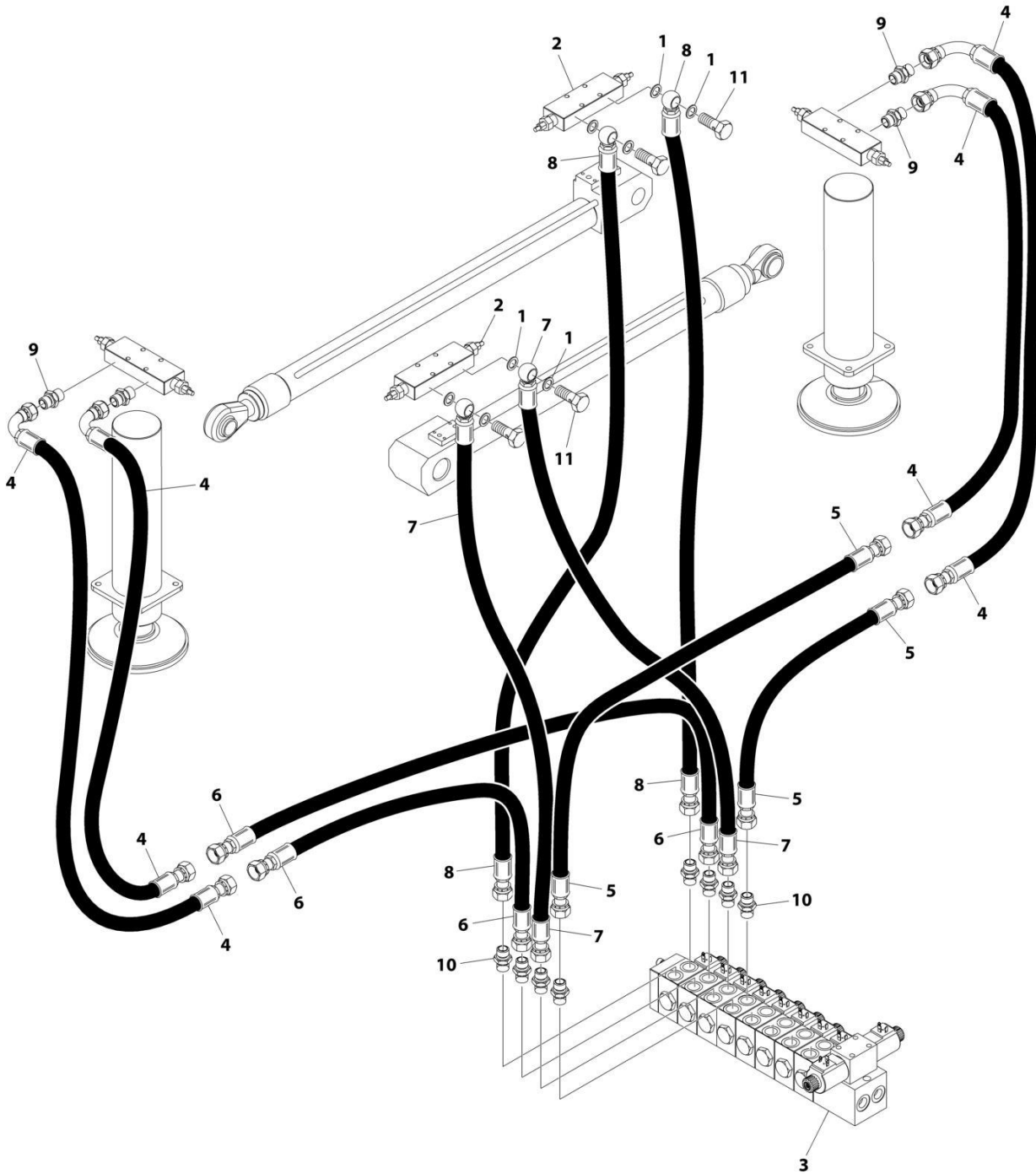
## SECTION 8 - HYDRAULIC CIRCUITS

**FIGURE 8-13. OIL COOLER HYDRAULIC DIAGRAM**

ITEM	PART NUMBER	QTY	DESCRIPTION	REV
	1001280447	Ref	OIL COOLER HYDRAULIC DIAGRAM	B
1	1001274770	1	Valve	
2	1001274965	1	Valve	
3	1001275011	1	Hose	
4	1001275804	1	Breather, Hydraulic Tank	
5	1001276250	1	Hose	
6	1001276287	1	Hose	
7	1001276296	1	Hose	
8	1001276298	1	Hose	
9	1001276327	1	Oil Radiator Assembly (See Separate Breakdown in HYDRAULIC COMPONENTS Section)	
10	1001276334	1	Manifold	
11	1001276335	1	Manifold	
12	1001276485	1	Valve	
13	1001276506	1	Hose	
14	1001276507	1	Hose	
15	1001276510	1	Hose	
16	1001276901	1	Outrigger Valve Assembly (See Separate Breakdown in HYDRAULIC COMPONENTS section)	
17	1001277528	2	Plug	
18	1001279098	5	Fitting, Straight ORFS/ORB	
19	1001279239	1	Fitting, Straight ORFS/ORB	
20	1001279244	1	Fitting, Straight FSORFS/ORB	
21	1001279253	1	Fitting, Straight FORFS/ORB	
22	1001279281	1	Fitting, Straight ORFS/ORB	
23	1001279283	1	Fitting, Straight ORB/ORB	
24	1001279290	1	Fitting, 90 ORFS/ORB	
25	1001279299	1	Valve	
26	1001279324	1	Fitting, Straight ORB/ORB	
27	1001279337	3	Fitting, Straight ORFS/ORB	
28	1001279344	1	Fitting, 90 FSORFS/ORB	
29	1001279358	1	Plug	
30	1001280475	1	Fitting, Straight ORB/ORB	
31	1001280476	2	Fitting, Straight ORFS/ORB	
32	1001280477	1	Fitting, Straight ORB/ORB	
33	1001280478	2	Elbow, Flanged M18	
34	1001280480	4	Washer	
35	1001280481	1	Fitting, 90 ORB/FSORFS	
36	1001280582	1	Cap, Breather	
37	1001283199	1	Pump, Implement	
38	1001283200	1	Hose	
39	1001283201	1	Hose	
40	1001294738	1	Fitting, Straight	

# SECTION 8 - HYDRAULIC CIRCUITS

## FIGURE 8-14. REAR OUTRIGGERS HYDRAULIC DIAGRAM



ART\_1001280452

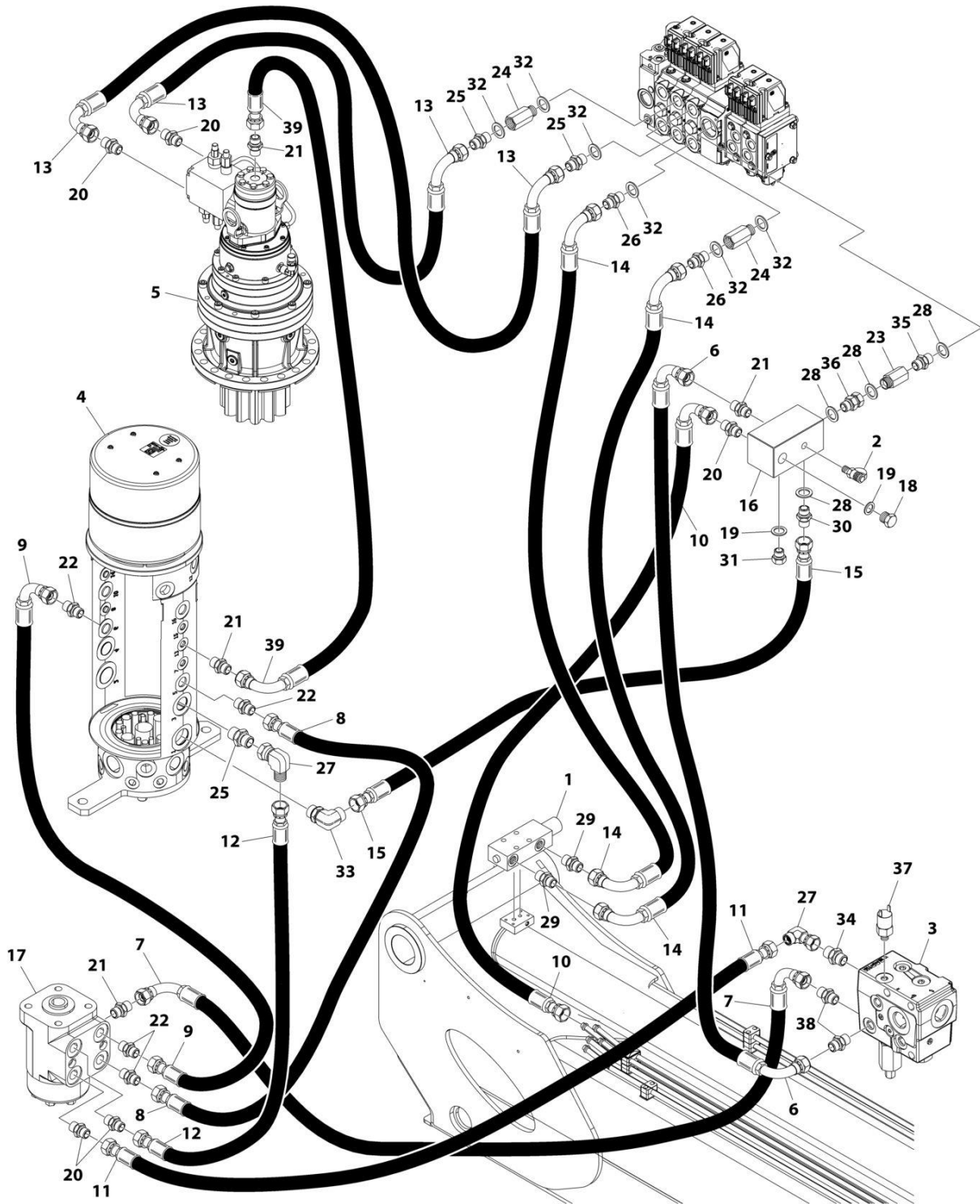
## SECTION 8 - HYDRAULIC CIRCUITS

**FIGURE 8-14. REAR OUTRIGGERS HYDRAULIC DIAGRAM**

ITEM	PART NUMBER	QTY	DESCRIPTION	REV
	1001280452	Ref	REAR OUTRIGGERS HYDRAULIC DIAGRAM	B
1	1001102933	8	Seal, Copper	
2	1001274774	2	Valve	
3	1001276901	1	Outrigger Valve Assembly (See Separate Breakdown in HYDRAULIC COMPONENTS section)	
4	1001276257	4	Hose	
5	1001276262	2	Hose	
6	1001276263	2	Hose	
7	1001276271	2	Hose	
8	1001276272	2	Hose	
9	1001279240	4	Fitting, Straight ORFS/ORB	
10	1001279246	8	Fitting, Straight ORFS/ORB	
11	1001279262	4	Bolt, Banjo M10	

# SECTION 8 - HYDRAULIC CIRCUITS

## FIGURE 8-15. SWING HYDRAULIC DIAGRAM



ART\_1001280455

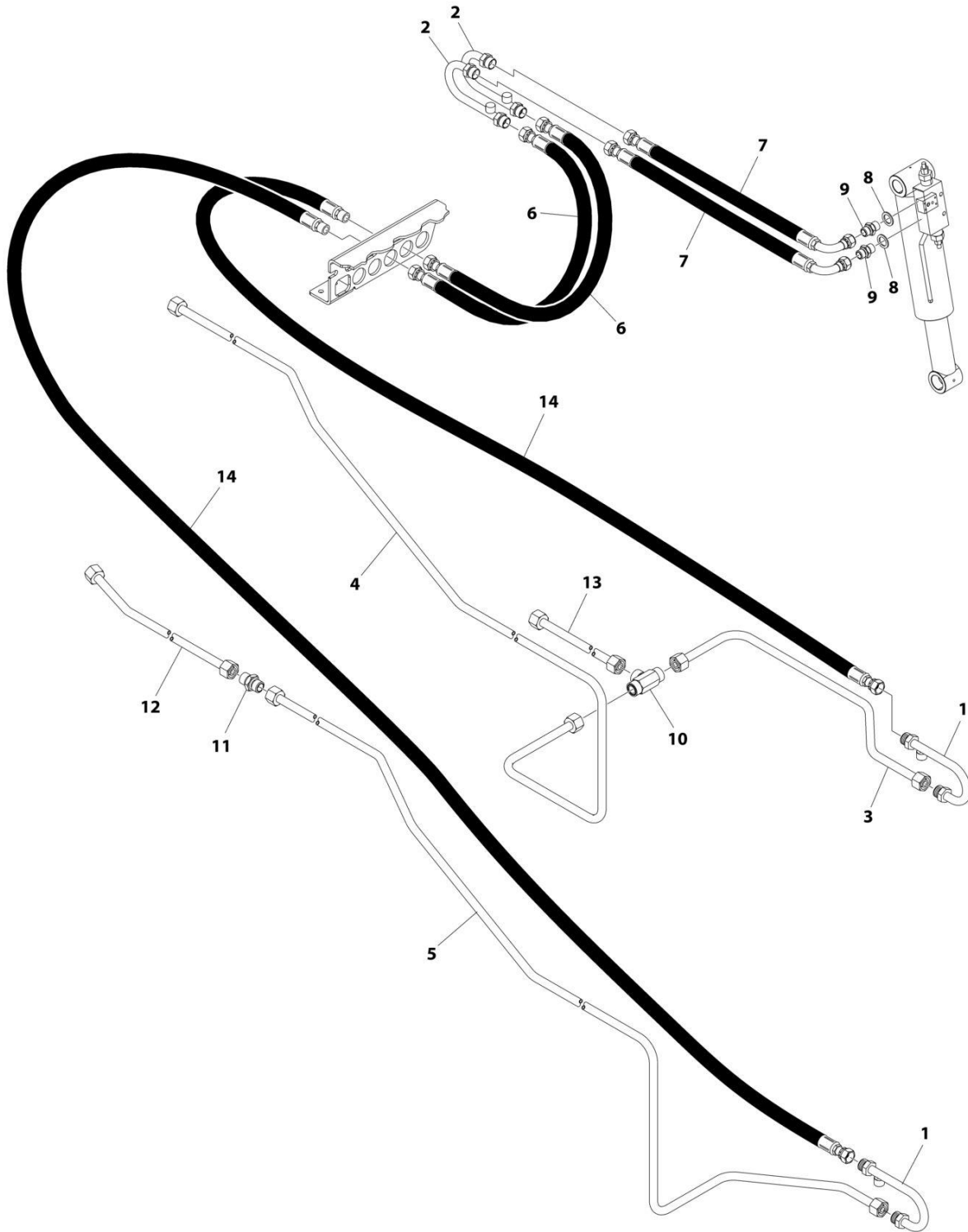
## SECTION 8 - HYDRAULIC CIRCUITS

**FIGURE 8-15. SWING HYDRAULIC DIAGRAM**

ITEM	PART NUMBER	QTY	DESCRIPTION	REV
	1001280455	Ref	SWING HYDRAULIC DIAGRAM	B
1	1001274975	1	Valve	
2	1001275007	1	Sensor	
3	1001275898	1	Valve	
4	1001275912	1	Rotary Coupling Assembly	
5	1001275975	1	Swing Drive Assembly (See Separate Breakdown in HYDRAULIC COMPONENTS Section)	
6	1001276247	1	Hose	
7	1001276249	1	Hose	
8	1001276275	1	Hose	
9	1001276276	1	Hose	
10	1001276289	1	Hose	
11	1001276295	1	Hose	
12	1001276301	1	Hose	
13	1001276500	2	Hose	
14	1001276504	2	Hose	
15	1001276517	1	Hose	
16	1001276562	1	Manifold	
17	1001277250	1	Valve	
18	1001277528	1	Plug	
19	1001278186	2	Washer	
20	1001279098	5	Fitting, Straight ORFS/ORB	
21	1001279239	4	Fitting, Straight ORFS/ORB	
22	1001279246	4	Fitting, Straight ORFS/ORB 4-6	
22	1001299004	4	Fitting, Straight ORFS/ORB 8	
23	1001279254	1	Fitting, Straight FORFS/ORB	
24	1001279256	2	Fitting, Straight FORFS/ORB	
25	1001279281	3	Fitting, Straight ORFS/ORB	
26	1001279283	2	Fitting, Straight ORB/ORB	
27	1001279284	2	Fitting, 90 FSORFS/ORB	
28	1001279297	4	Washer	
29	1001279323	2	Fitting, Straight ORFS/ORB	
30	1001279337	1	Fitting, Straight ORFS/ORB	
31	1001279358	1	Plug	
32	1001280480	6	Washer	
33	1001280489	1	Fitting, 90 ORB/ORB	
34	1001280532	1	Fitting, Straight ORFS/ORB	
35	1001280533	1	Fitting, Straight ORFS/ORB	
36	1001280535	1	Fitting, Straight FSORFS/ORB	
37	1001280537	1	Sensor, Pressure	
38	1001280538	2	Fitting, Straight ORFS/ORB	
39	1001283236	1	Hose	

# SECTION 8 - HYDRAULIC CIRCUITS

## FIGURE 8-16. TILT CYLINDER HYDRAULIC DIAGRAM



ART\_1001282382

## SECTION 8 - HYDRAULIC CIRCUITS

**FIGURE 8-16. TILT CYLINDER HYDRAULIC DIAGRAM**

ITEM	PART NUMBER	QTY	DESCRIPTION	REV
	1001282382	Ref	TILT CYLINDER HYDRAULIC DIAGRAM	A
1	1001275031	2	Pipe	
2	1001275032	2	Pipe	
3	1001276835	1	Pipe	
4	1001276836	1	Pipe	
5	1001276837	1	Pipe	
6	1001276850	2	Hose	
7	1001276852	2	Hose	
8	1001278186	2	Washer	
9	1001279323	2	Fitting, Straight ORFS/ORB	
10	1001281246	1	Fitting, Tee	
11	1001281247	1	Fitting, Straight ORFS/ORFS	
12	1001282370	1	Pipe	
13	1001282371	1	Pipe	
14	1001282372	2	Hose	

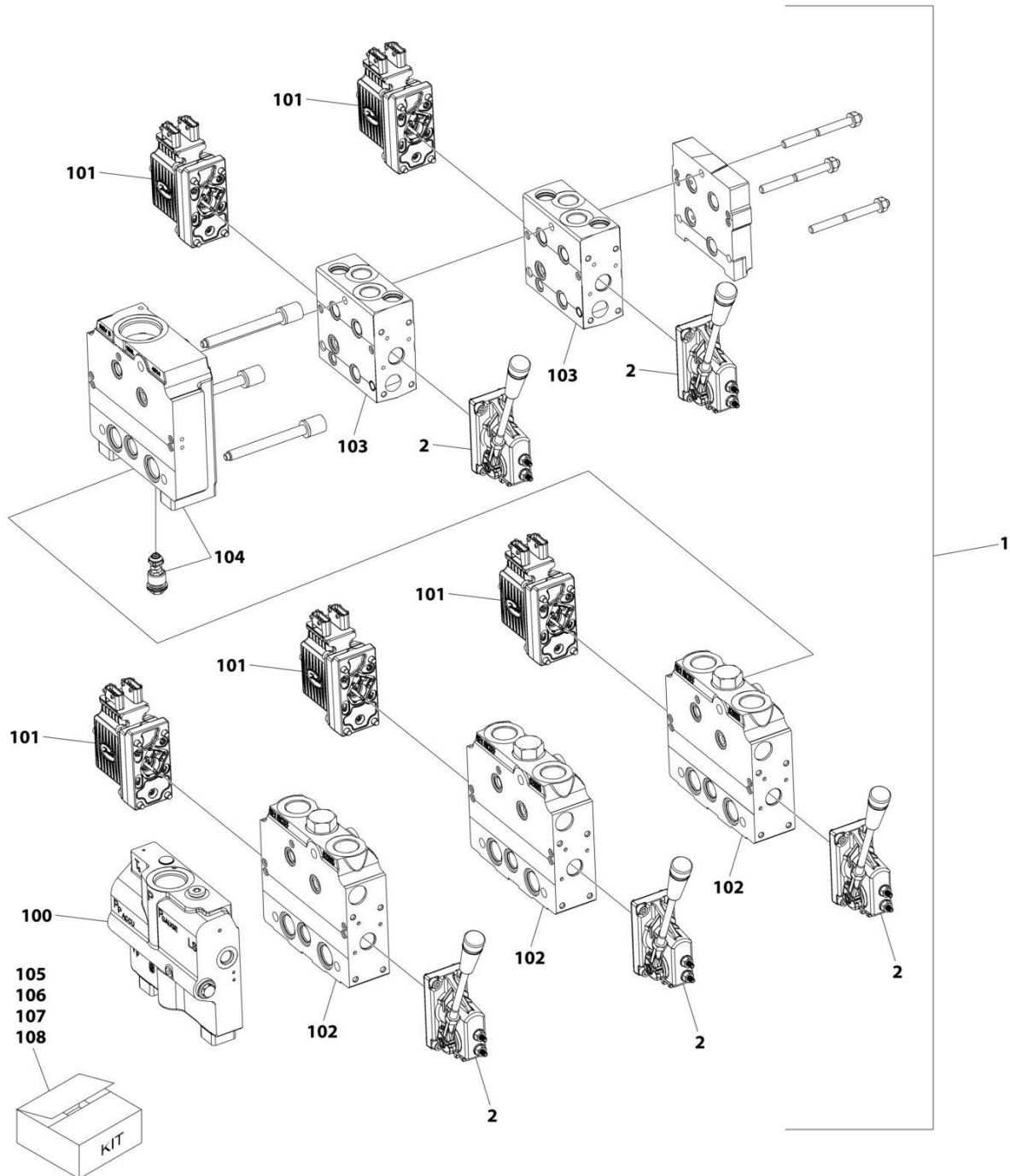




**SECTION 9 - HYDRAULIC COMPONENTS**

# SECTION 9 - HYDRAULIC COMPONENTS

## FIGURE 9-1. HYDRAULIC DISTRIBUTOR ASSEMBLY



ART\_1001280457

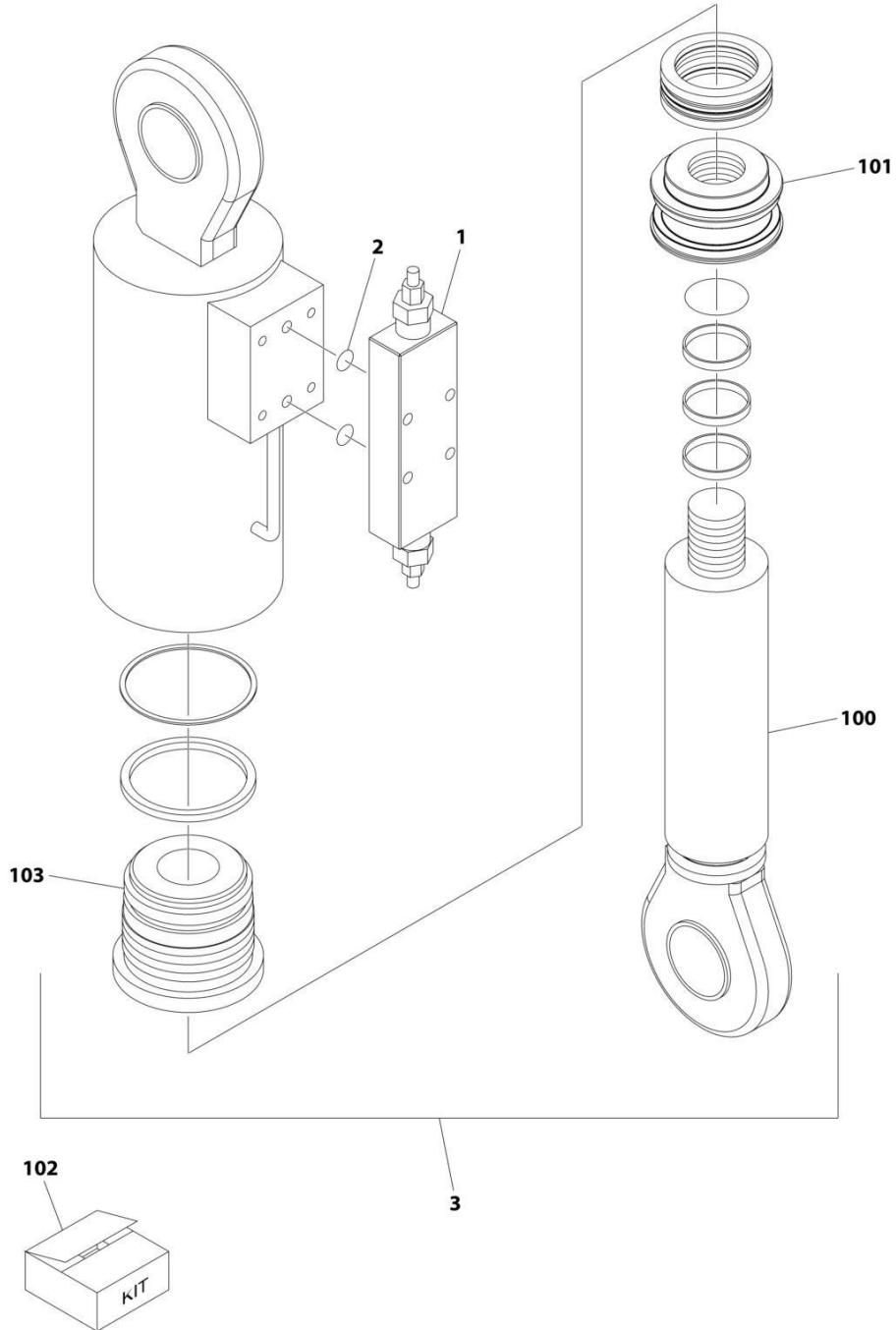
## SECTION 9 - HYDRAULIC COMPONENTS

**FIGURE 9-1. HYDRAULIC DISTRIBUTOR ASSEMBLY**

ITEM	PART NUMBER	QTY	DESCRIPTION	REV
	1001280457	Ref	HYDRAULIC DISTRIBUTOR ASSEMBLY	A
1	1001275909	1	Valve Assembly (Includes Items 100-104)	
2	1001280461	5	Lever Kit	
100	70030538	1	Module, End	
101	70030543	5	Solenoid	
102	70030539	3	Module, Complete	
103	70030541	2	Module, Complete	
104	70030540	1	Module, Interface	
105	70030923	3	Seal Kit (Use with Item 102 Module)	
106	70030924	5	Seal Kit (Use with Item 2 Lever)	
107	70030925	5	Seal Kit (Use with Item 101 Solenoid)	
108	70030926	2	Seal Kit (Use with Item 103 Module)	

# SECTION 9 - HYDRAULIC COMPONENTS

## FIGURE 9-2. LEVELING CYLINDER ASSEMBLY



ART\_1001280462

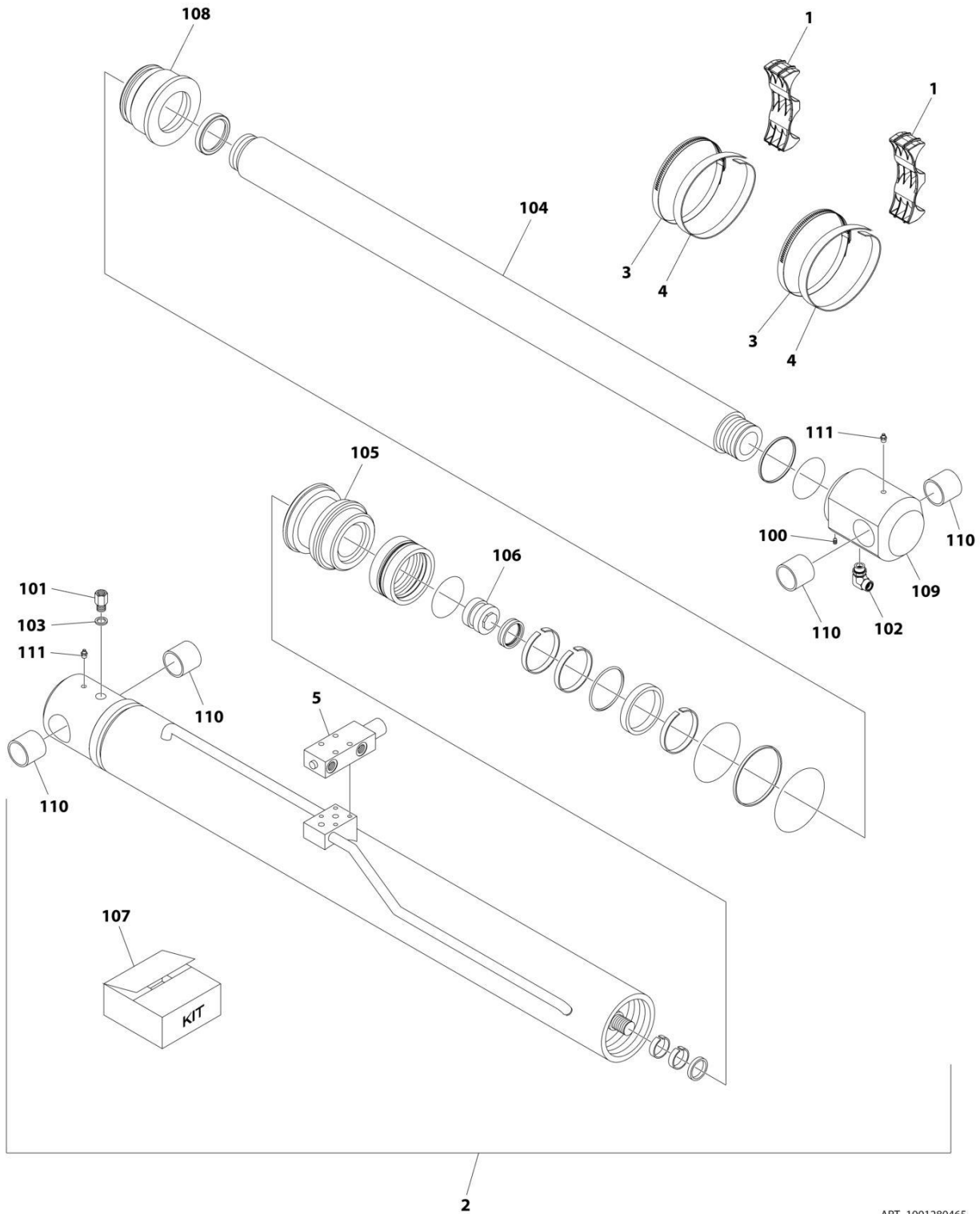
## SECTION 9 - HYDRAULIC COMPONENTS

**FIGURE 9-2. LEVELING CYLINDER ASSEMBLY**

ITEM	PART NUMBER	QTY	DESCRIPTION	REV
	1001280462	Ref	LEVELING CYLINDER ASSEMBLY	B
		Ref	Note: Original Cylinder May Have Been Replaced with Service Replacement. Identify PN Stamped on Cylinder Before Ordering Parts.	
1	1001274774	1	Valve	
2	1001279278	2	O-Ring	
3	1001280463	1	Leveling Cylinder Assembly (Includes Items 100, 101 & 103)	
100	70030770	1	Rod	
101	70030771	1	Piston	
102	70030772	1	Seal Kit	
103	70030773	1	Head	

# SECTION 9 - HYDRAULIC COMPONENTS

## FIGURE 9-3. LIFT CYLINDER ASSEMBLY



ART\_1001280465

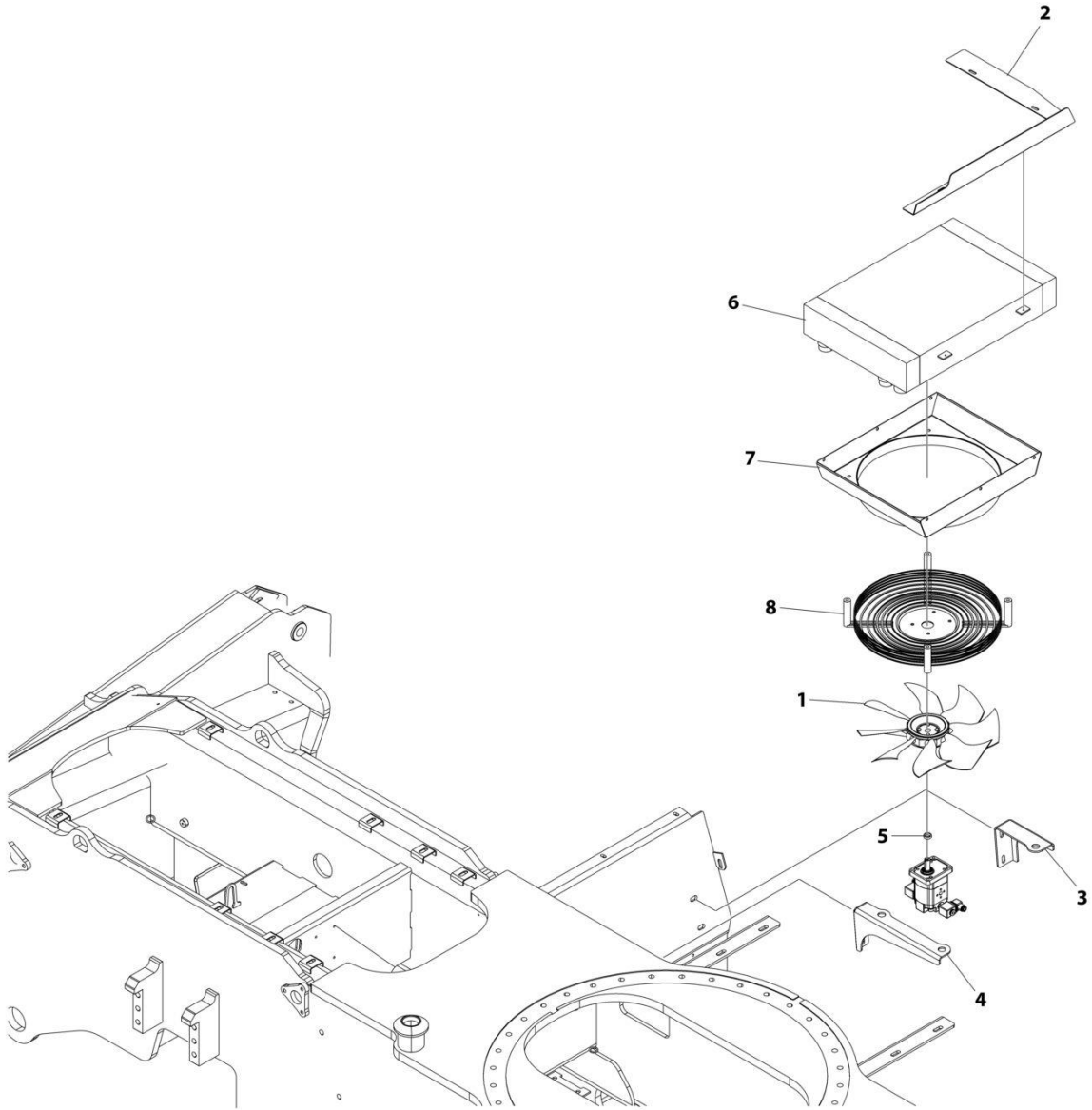
## SECTION 9 - HYDRAULIC COMPONENTS

### FIGURE 9-3. LIFT CYLINDER ASSEMBLY

ITEM	PART NUMBER	QTY	DESCRIPTION	REV
	1001280465	Ref	LIFT CYLINDER ASSEMBLY	B
		Ref	Note: Original Cylinder May Have Been Replaced with Service Replacement. Identify PN Stamped on Cylinder Before Ordering Parts.	
1	1001276407	2	Bumper	
2	1001277012	1	Lift Cylinder Assembly (Includes Items 100-106 & 108-111)	
3	1001280466	2	Clamp	
4	1001280470	2	Guard	
5	1001274775	1	Valve	
100	70030579	1	Plug	
101	1001279248	1	Fitting Straight FORFS/ORB	
102	70030779	1	Fitting 90	
103	1001278186	1	Washer	
104	70030780	1	Rod	
105	70030781	1	Piston, External	
106	70030782	1	Piston, Internal	
107	70030783	1	Seal Kit	
108	70030784	1	Head	
109	70030785	1	Coupling, Rod	
110	70030786	4	Bushing	
111	1001276078	2	Fitting, Grease	

# SECTION 9 - HYDRAULIC COMPONENTS

## FIGURE 9-4. OIL RADIATOR ASSEMBLY



ART\_1001276327



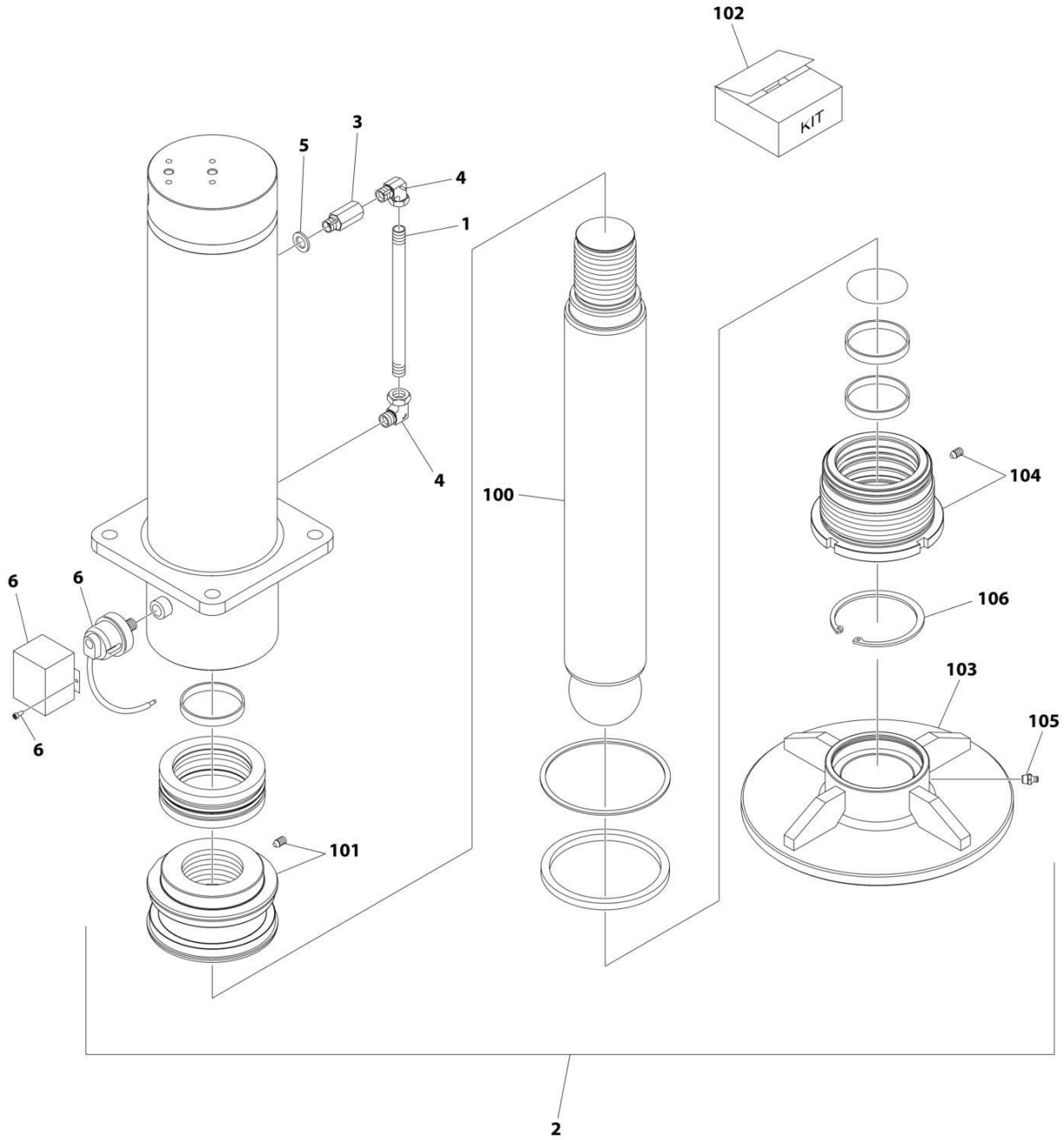
## SECTION 9 - HYDRAULIC COMPONENTS

### FIGURE 9-4. OIL RADIATOR ASSEMBLY

ITEM	PART NUMBER	QTY	DESCRIPTION	REV
	1001276327	Ref	OIL RADIATOR ASSEMBLY	A
1	1001275983	1	Fan	
2	1001276104	1	Bracket	
3	1001276105	1	Bracket	
4	1001276106	1	Bracket	
5	1001276564	1	Spacer	
6	1001277002	1	Radiator, Oil	
7	1001280550	1	Shroud	
8	1001283202	1	Guard, Fan	

# SECTION 9 - HYDRAULIC COMPONENTS

## FIGURE 9-5. OUTRIGGER CYLINDER ASSEMBLY



ART\_1001278637

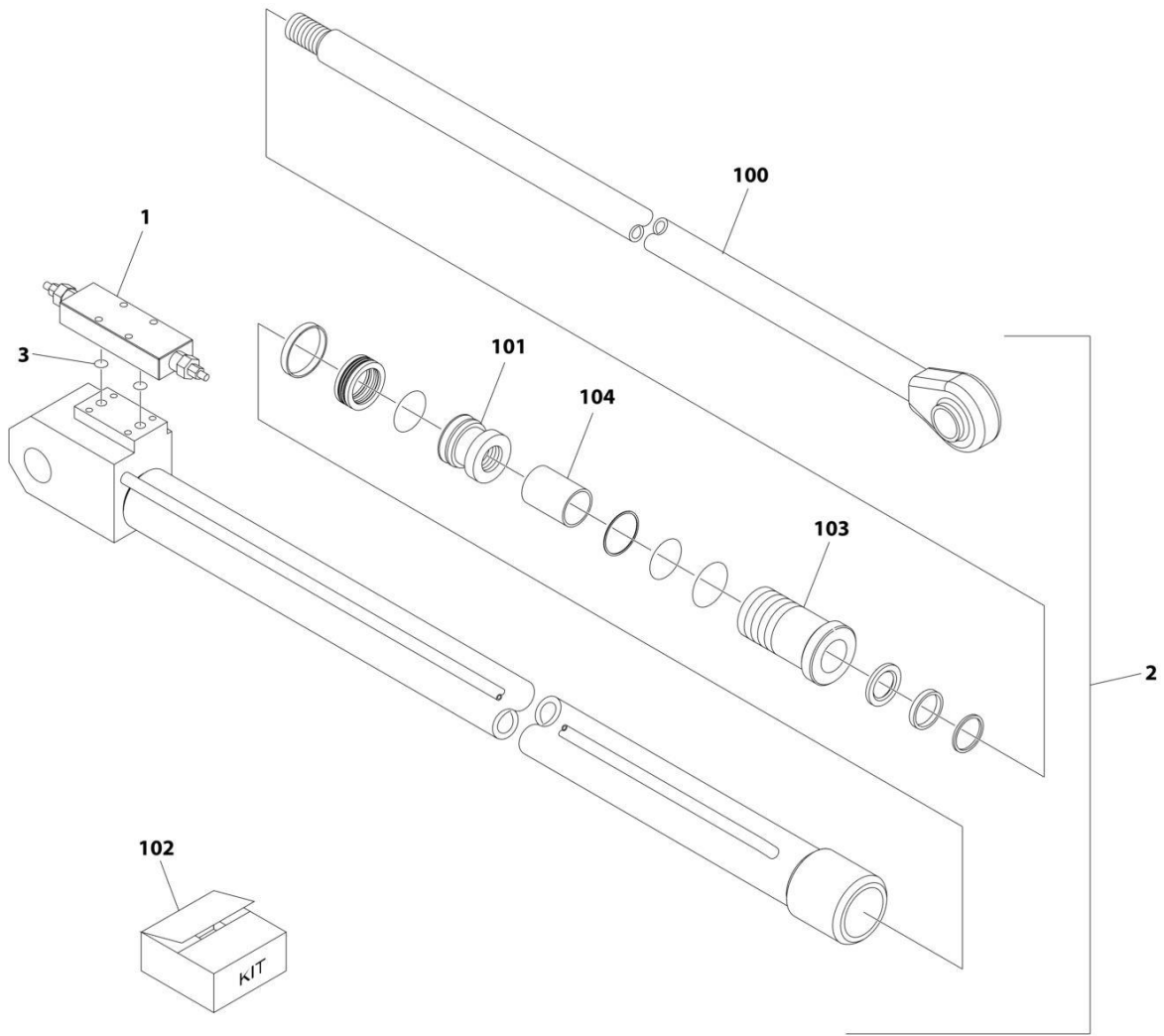
## SECTION 9 - HYDRAULIC COMPONENTS

### FIGURE 9-5. OUTRIGGER CYLINDER ASSEMBLY

ITEM	PART NUMBER	QTY	DESCRIPTION	REV
	1001278637	Ref	OUTRIGGER CYLINDER ASSEMBLY	C
		Ref	Note: Original Cylinder May Have Been Replaced with Service Replacement. Identify PN Stamped on Cylinder Before Ordering Parts.	
1	1001275030	1	Pipe	
2	1001275717	1	Outrigger Cylinder Assembly (Includes Items 100, 101 & 103-106)	B
3	1001278499	1	Fitting Straight ORFS/ORB	
4	1001278500	2	Fitting 90 ORFS/ORB	
5	1001279105	1	Washer	
6	1001282534	1	Sensor Assembly	B
6	SEE NOTE	1	Sensor (Note: Not Sold Separately, Purchase PN 1001282534)	
6	1001275297	1	Cover	
6	4031505	2	Capscrew M4 x 10	
100	70030642	1	Rod	
101	70030643	1	Piston (Includes Set Screw)	
102	70030644	1	Seal Kit	
103	1001276912	1	Pedestal (Includes Items 105 and 106)	
104	70030645	1	Head (Includes Set Screw)	
105	1001276078	1	Fitting, Grease	
106	70030646	1	Ring, Snap	

# SECTION 9 - HYDRAULIC COMPONENTS

## FIGURE 9-6. OUTRIGGER EXTENSION CYLINDER ASSEMBLY



ART\_1001280464

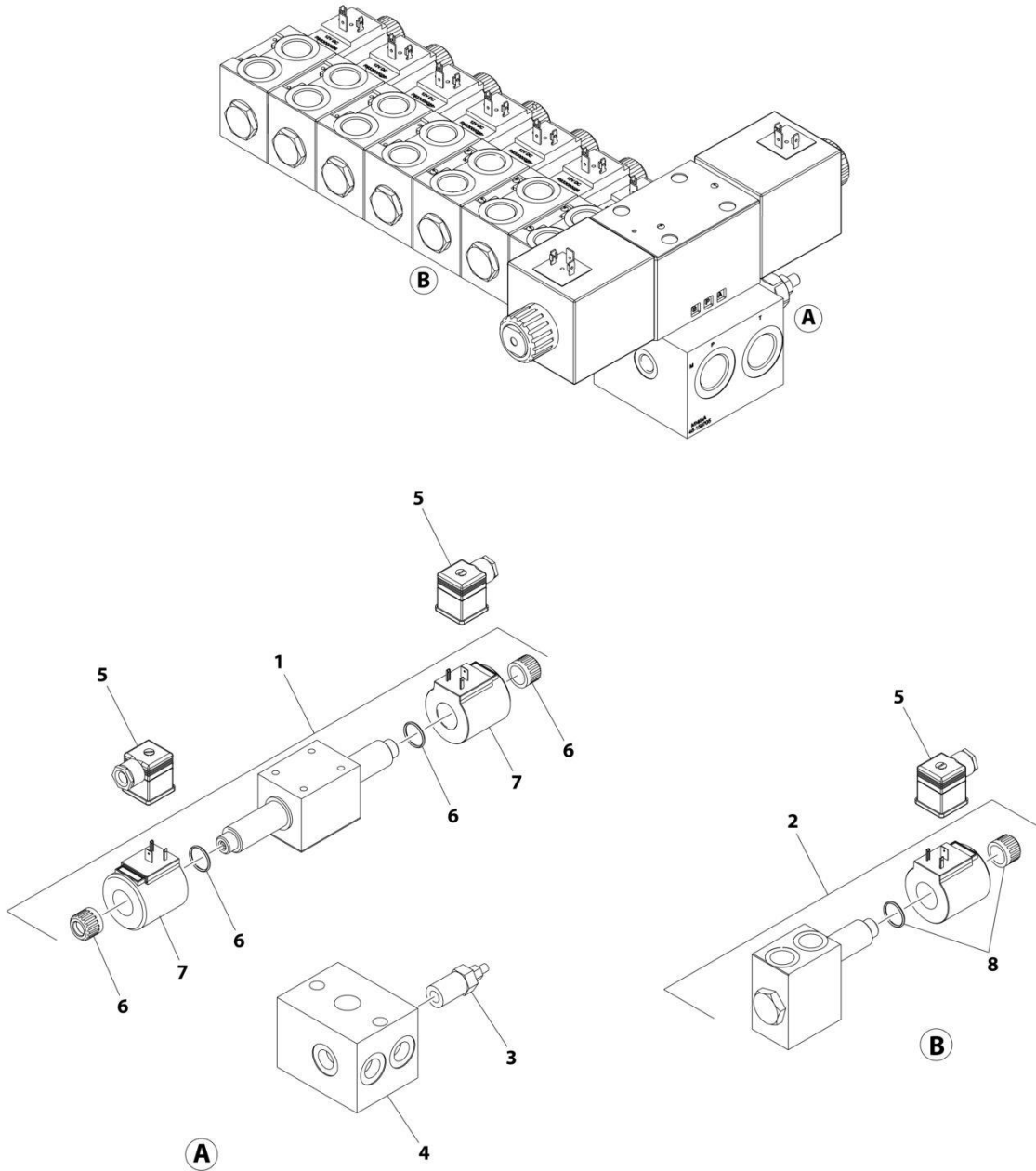
## SECTION 9 - HYDRAULIC COMPONENTS

**FIGURE 9-6. OUTRIGGER EXTENSION CYLINDER ASSEMBLY**

ITEM	PART NUMBER	QTY	DESCRIPTION	REV
	1001280464	Ref	OUTRIGGER EXTENSION CYLINDER ASSEMBLY	B
		Ref	Note: Original Cylinder May Have Been Replaced with Service Replacement. Identify PN Stamped on Cylinder Before Ordering Parts.	
1	1001274774	1	Valve	
2	1001276405	1	Outrigger Extension Cylinder Assembly (Includes Items 100, 101, 103 & 104)	
3	1001279278	2	O-Ring	
100	70030774	1	Rod	
101	70030775	1	Piston	
102	70030776	1	Seal Kit	
103	70030777	1	Head	
104	70030778	1	Spacer	

# SECTION 9 - HYDRAULIC COMPONENTS

## FIGURE 9-7. OUTRIGGER VALVE ASSEMBLY



ART\_1001276901

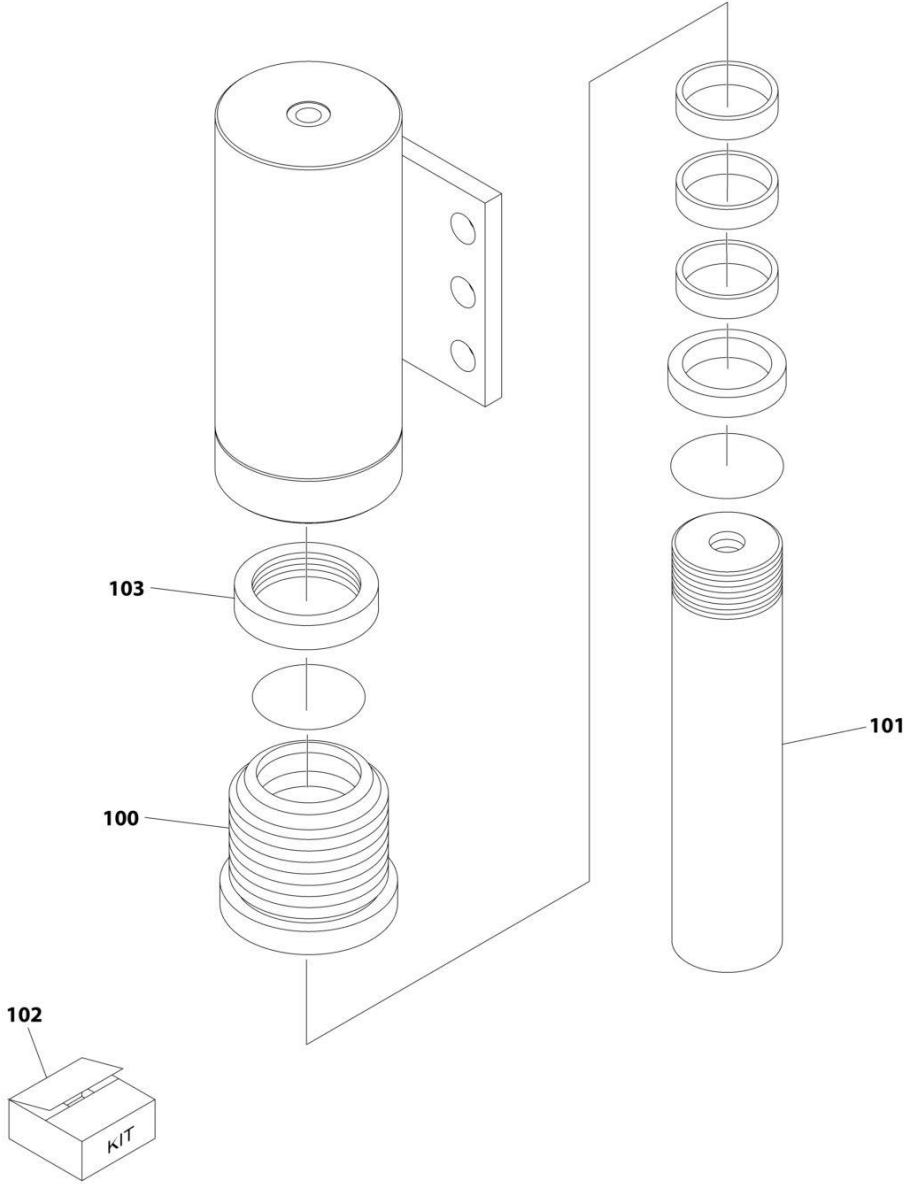
## SECTION 9 - HYDRAULIC COMPONENTS

### FIGURE 9-7. OUTRIGGER VALVE ASSEMBLY

ITEM	PART NUMBER	QTY	DESCRIPTION	REV
	1001276901	Ref	OUTRIGGER VALVE ASSEMBLY	A
1	1001277238	1	Valve	
2	1001277239	8	Valve	
3	1001277240	1	Valve, Pressure Relief	
4	1001277241	1	Valve, Manifold	
5	1001277242	10	Solenoid	
6	70030568	2	Cap Kit (Includes O-Ring)	
7	70030573	2	Coil	
8	70030571	8	Cap Kit (Includes O-Ring)	

# SECTION 9 - HYDRAULIC COMPONENTS

## FIGURE 9-8. REAR OSCILLATION CYLINDER ASSEMBLY



ART\_1001283263



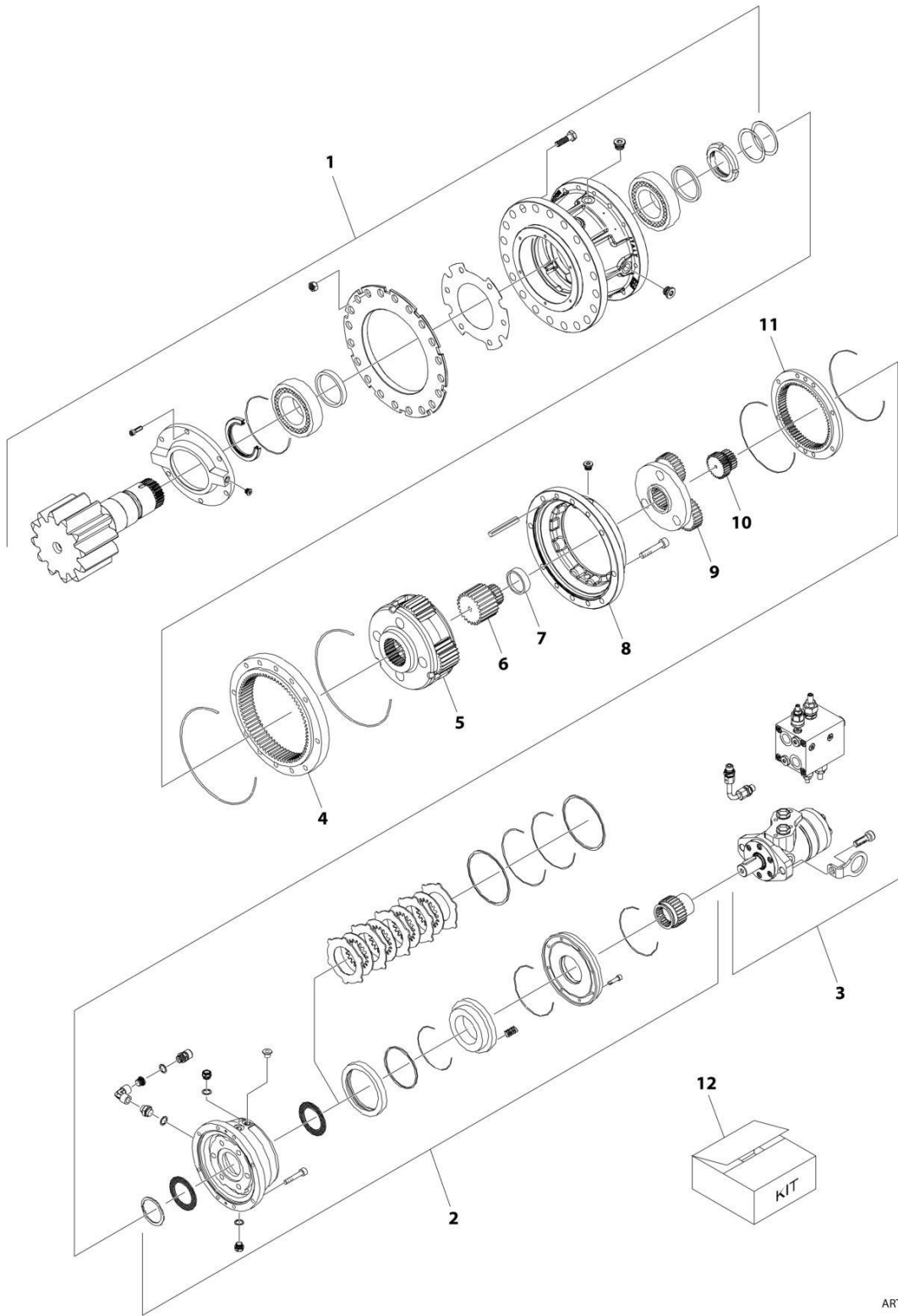
## SECTION 9 - HYDRAULIC COMPONENTS

### FIGURE 9-8. REAR OSCILLATION CYLINDER ASSEMBLY

ITEM	PART NUMBER	QTY	DESCRIPTION	REV
	1001283263	Ref	REAR OSCILLATION CYLINDER ASSEMBLY	A
		Ref	Note: Original Cylinder May Have Been Replaced with Service Replacement. Identify PN Stamped on Cylinder Before Ordering Parts.	
100	70030789	1	Head	
101	70030790	1	Rod	
102	70030791	1	Seal Kit	
103	70030792	1	Piston	

# SECTION 9 - HYDRAULIC COMPONENTS

## FIGURE 9-9. SWING DRIVE ASSEMBLY



ART\_1001275975

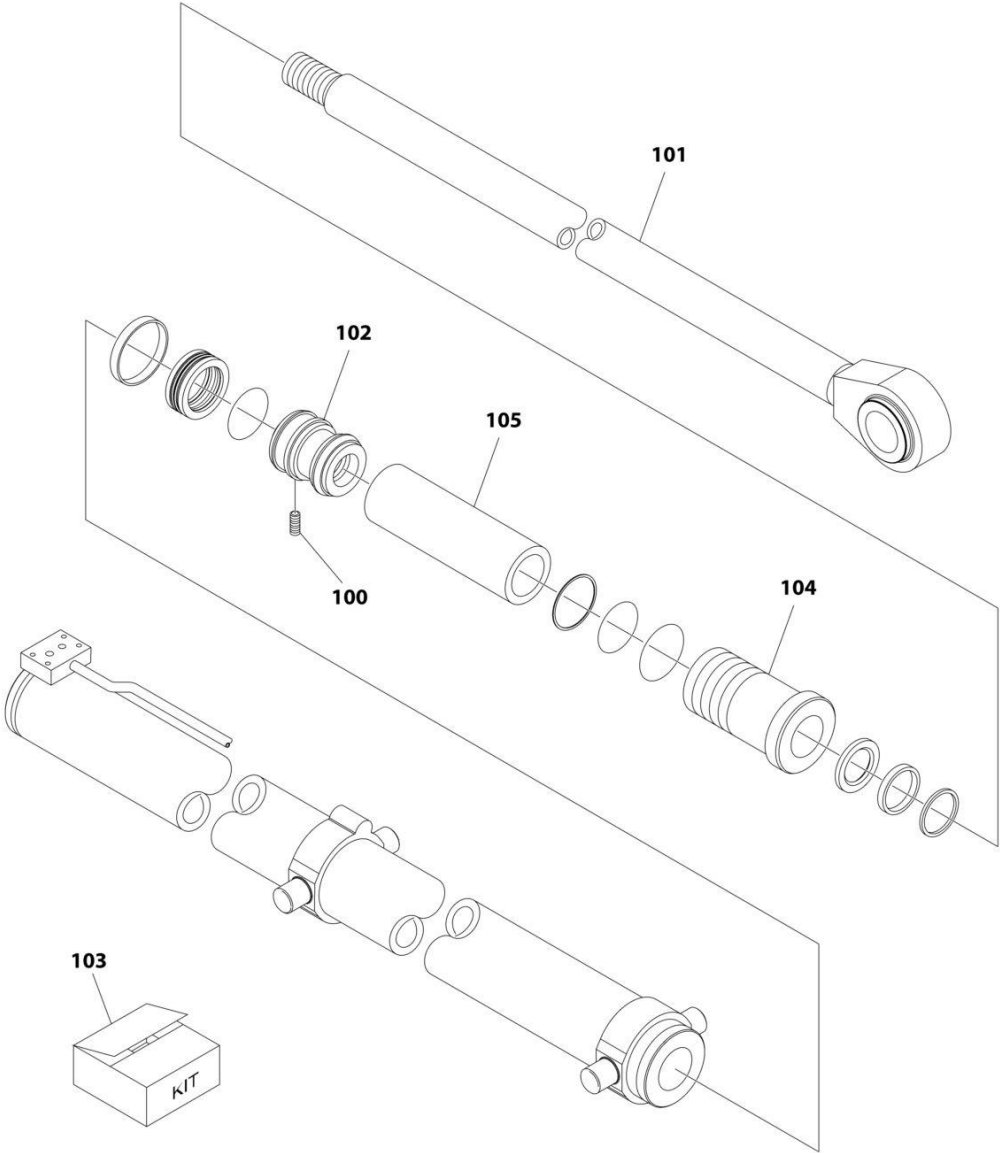
## SECTION 9 - HYDRAULIC COMPONENTS

### FIGURE 9-9. SWING DRIVE ASSEMBLY

ITEM	PART NUMBER	QTY	DESCRIPTION	REV
	1001275975	Ref	SWING DRIVE ASSEMBLY	A
	See Note	Ref	Note: No Other Service Parts Available at Time of Printing	
1		Ref	Output Kit	
2		Ref	Clutch Kit	
3		Ref	Motor Kit	
4	70030813	1	Gear, Ring	
5	70030814	1	Gear Set	
6	70030815	1	Gear, Pinion	
7	70030816	1	Spacer	
8	70030818	1	Spacer	
9	70030821	1	Gear Set	
10	70030822	1	Gear, Pinion	
11	70030824	1	Gear, Ring	
12		Ref	Seal Kit	

# SECTION 9 - HYDRAULIC COMPONENTS

## FIGURE 9-10. TELESCOPE CYLINDER ASSEMBLY



ART\_1001276841

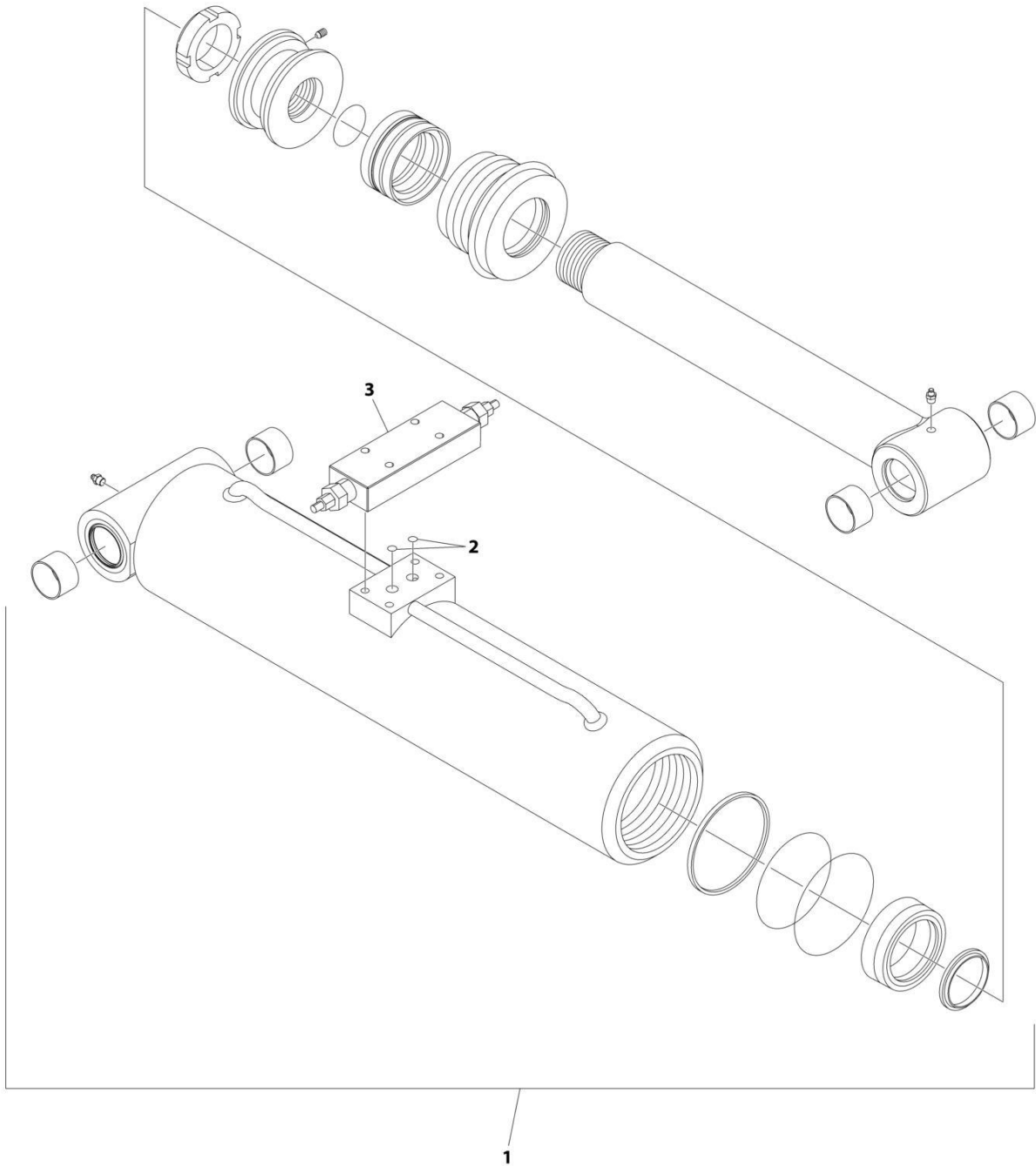
## SECTION 9 - HYDRAULIC COMPONENTS

**FIGURE 9-10. TELESCOPE CYLINDER ASSEMBLY**

ITEM	PART NUMBER	QTY	DESCRIPTION	REV
	1001276841	Ref	TELESCOPE CYLINDER ASSEMBLY	A
		Ref	Note: Original Cylinder May Have Been Replaced with Service Replacement. Identify PN Stamped on Cylinder Before Ordering Parts.	
	See Note	Ref	Note: No Service Parts Available at Time of Printing	
100	70030648	1	Setscrew	
101		Ref	Rod	
102		Ref	Piston	
103		Ref	Seal Kit	
104		Ref	Head	
105		Ref	Spacer	

**SECTION 9 - HYDRAULIC COMPONENTS**

**FIGURE 9-11. TILT CYLINDER ASSEMBLY**



ART\_1001280469

## SECTION 9 - HYDRAULIC COMPONENTS

**FIGURE 9-11. TILT CYLINDER ASSEMBLY**

ITEM	PART NUMBER	QTY	DESCRIPTION	REV
	1001280469	Ref	TILT CYLINDER ASSEMBLY	B
		Ref	Note: Original Cylinder May Have Been Replaced with Service Replacement. Identify PN Stamped on Cylinder Before Ordering Parts.	
	See Note	Ref	Note: No Other Service Parts Available at Time of Printing.	
1	1001276976	1	Tilt Cylinder Assembly	
2	1001279278	2	O-Ring	
3	1001274776	1	Valve	

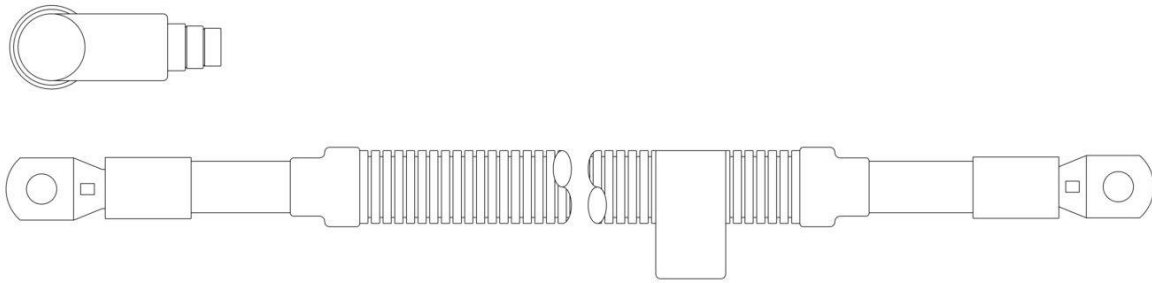




**SECTION 10 - ELECTRICAL**

# SECTION 10 - ELECTRICAL

## FIGURE 10-1. ALTERNATOR CABLE



ART\_1001282477

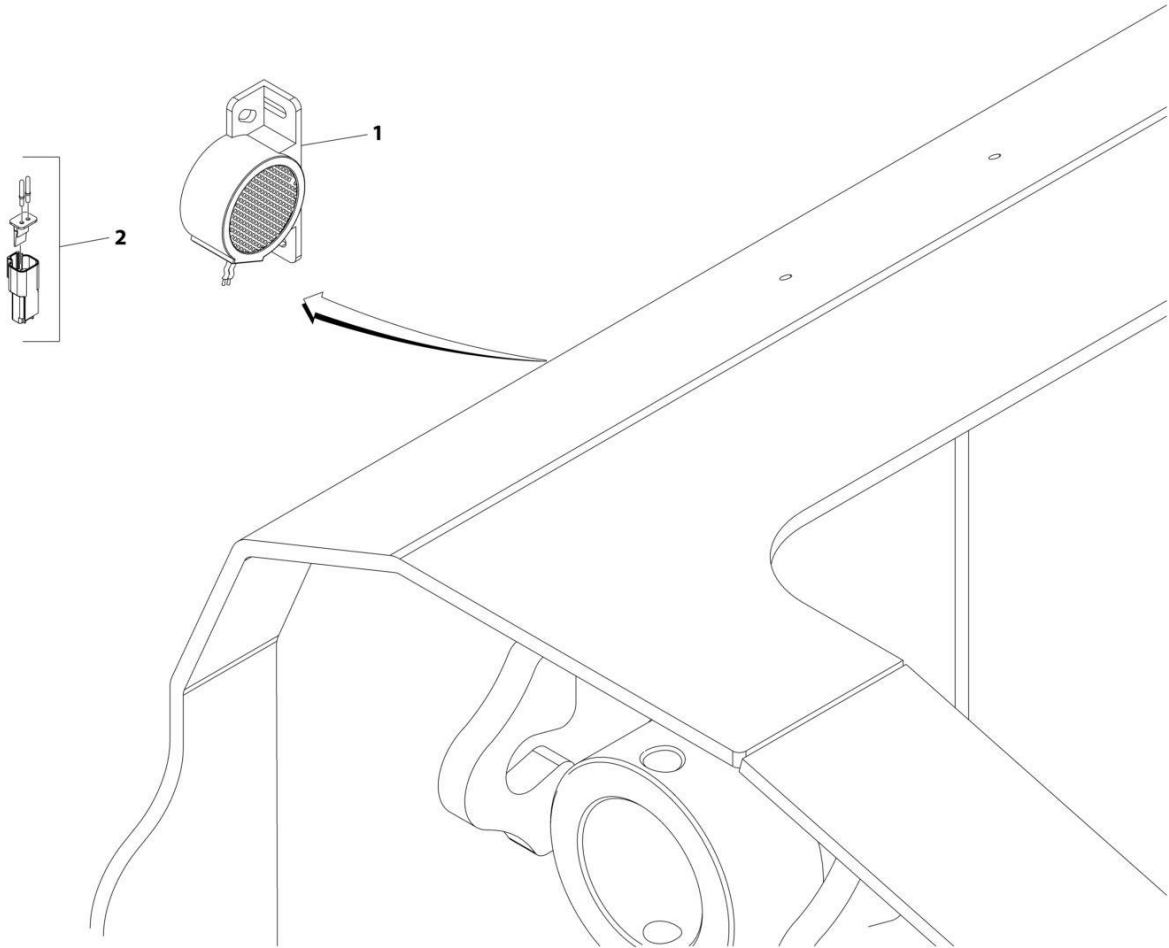
## SECTION 10 - ELECTRICAL

### FIGURE 10-1. ALTERNATOR CABLE

ITEM	PART NUMBER	QTY	DESCRIPTION	REV
	1001282477	Ref	ALTERNATOR CABLE	A
	See Note	Ref	Note: No Other Service Parts Available at Time of Printing.	

**SECTION 10 - ELECTRICAL**

**FIGURE 10-2. BACKUP ALARM INSTALLATION**



ART\_1001275764

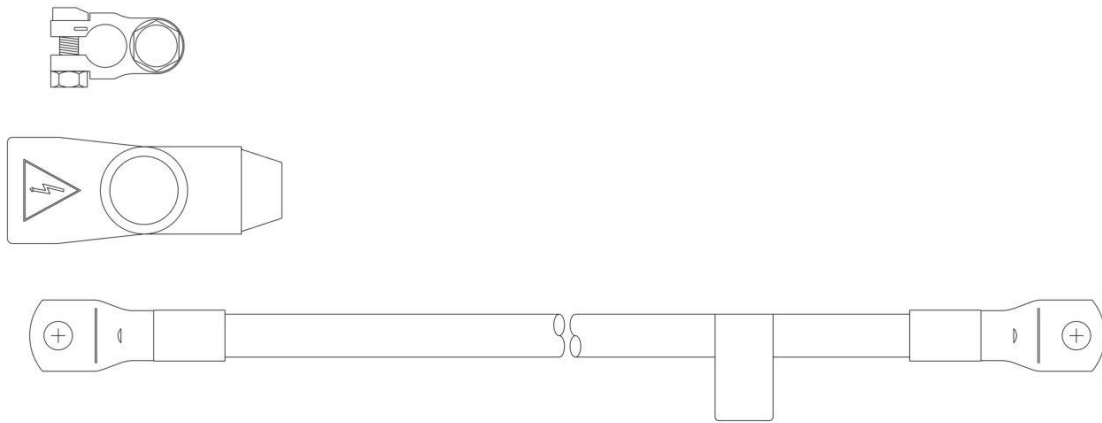
## SECTION 10 - ELECTRICAL

### FIGURE 10-2. BACKUP ALARM INSTALLATION

ITEM	PART NUMBER	QTY	DESCRIPTION	REV
	1001275764	Ref	BACKUP ALARM INSTALLATION	C
1	1001278635	1	Alarm	
2	1001279118	2	Connector	

# SECTION 10 - ELECTRICAL

## FIGURE 10-3. BATTERY DISCONNECT CABLE



ART\_1001282471

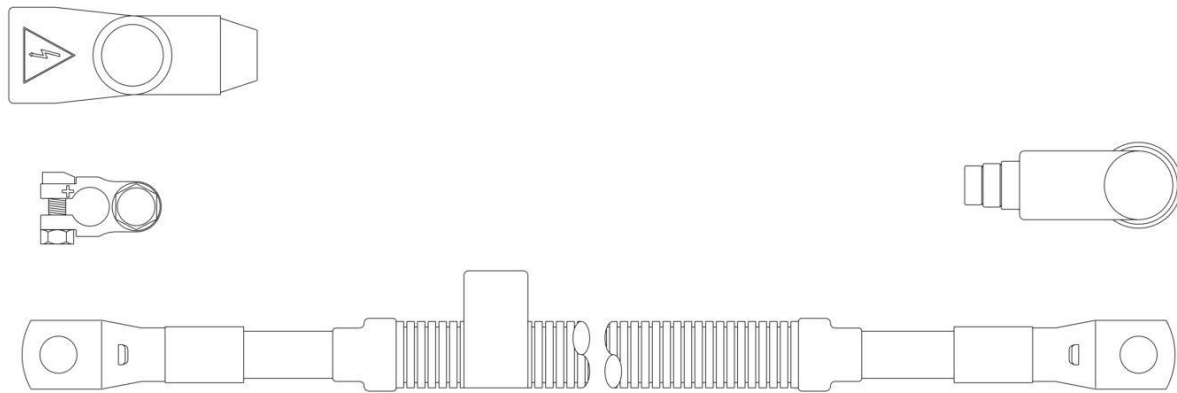
## SECTION 10 - ELECTRICAL

### FIGURE 10-3. BATTERY DISCONNECT CABLE

ITEM	PART NUMBER	QTY	DESCRIPTION	REV
	1001282471	Ref	BATTERY DISCONNECT CABLE	A
	See Note	Ref	Note: No Other Service Parts Available at Time of Printing.	

# SECTION 10 - ELECTRICAL

## FIGURE 10-4. BATTERY POSITIVE CABLE



ART\_1001282472



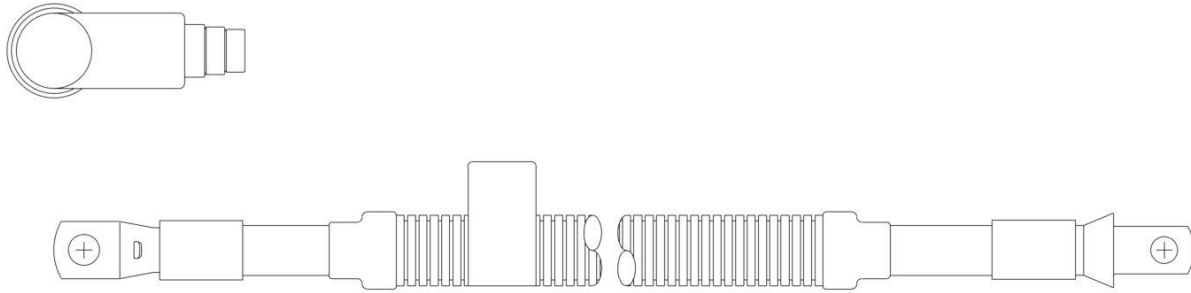
## SECTION 10 - ELECTRICAL

### FIGURE 10-4. BATTERY POSITIVE CABLE

ITEM	PART NUMBER	QTY	DESCRIPTION	REV
	1001282472	Ref	BATTERY POSITIVE CABLE	A
	See Note	Ref	Note: No Other Service Parts Available at Time of Printing.	

# SECTION 10 - ELECTRICAL

## FIGURE 10-5. BATTERY TO RELAY CABLE



ART\_1001282480

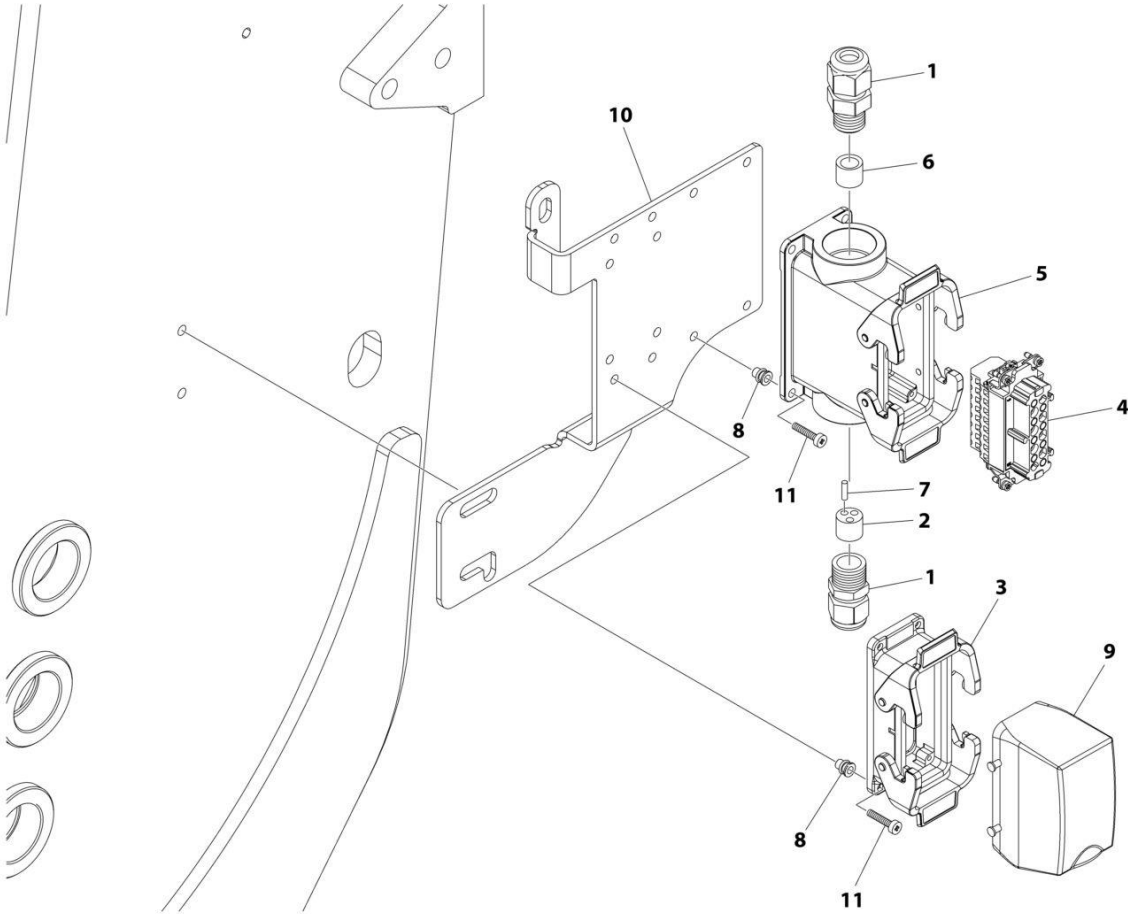
## SECTION 10 - ELECTRICAL

### FIGURE 10-5. BATTERY TO RELAY CABLE

ITEM	PART NUMBER	QTY	DESCRIPTION	REV
	1001282480	Ref	BATTERY TO RELAY CABLE	A
	See Note	Ref	Note: No Other Service Parts Available at Time of Printing.	

**SECTION 10 - ELECTRICAL**

**FIGURE 10-6. BOOM COMPONENTS**



ART\_1001281837

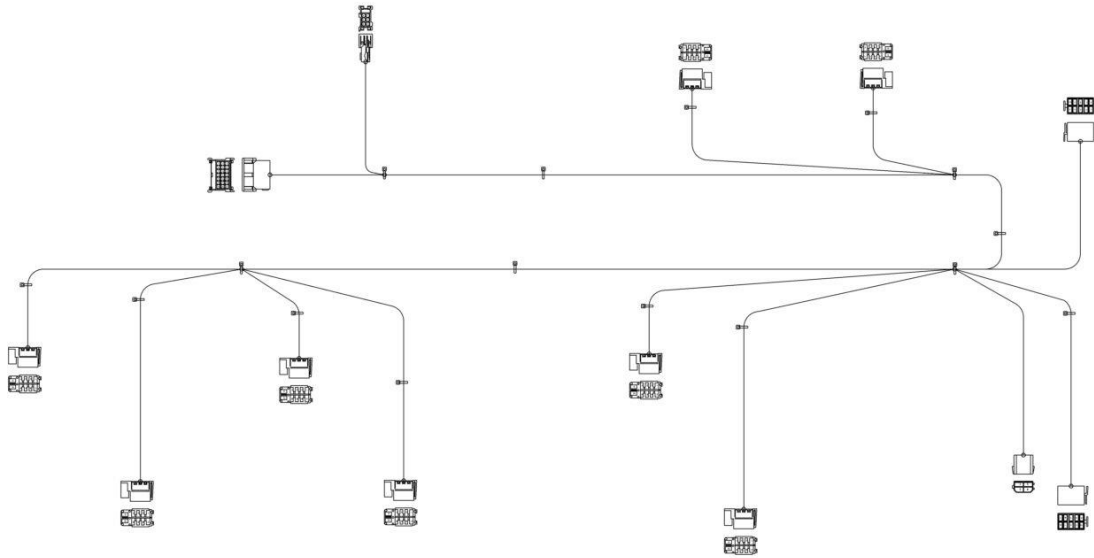
## SECTION 10 - ELECTRICAL

### FIGURE 10-6. BOOM COMPONENTS

ITEM	PART NUMBER	QTY	DESCRIPTION	REV
	1001281837	Ref	BOOM COMPONENTS	B
1	1001281835	2	Relief, Strain	
2	1001281836	1	Relief, Strain	
3	1001281840	1	Bracket, Connector	
4	1001281841	1	Connector	
5	1001281842	1	Housing	
6	1001281843	1	Reducer	
7	1001281844	3	Pad	
8	1001281845	8	Insert, Threaded M4	
9	1001281846	1	Connector	
10	1001281849	1	Bracket	
11	4010410002	8	Bolt M4	

# SECTION 10 - ELECTRICAL

## FIGURE 10-7. BOOM HARNESS



ART\_1001282485

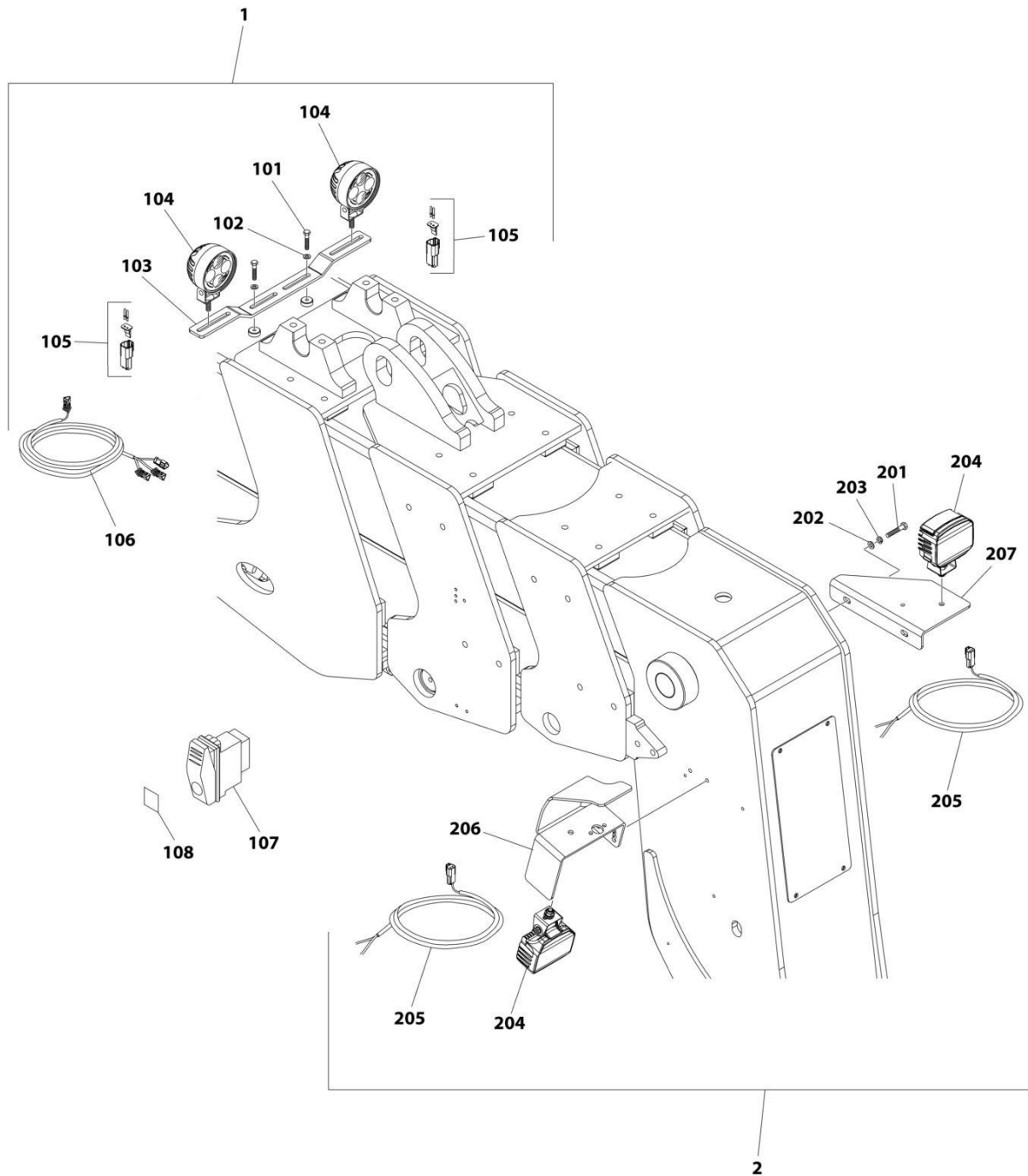
# SECTION 10 - ELECTRICAL

## FIGURE 10-7. BOOM HARNESS

ITEM	PART NUMBER	QTY	DESCRIPTION	REV
	1001282485	Ref	BOOM HARNESS	B
	See Note	Ref	Note: No Other Service Parts Available at Time of Printing.	

# SECTION 10 - ELECTRICAL

## FIGURE 10-8. BOOM WORK LIGHTS INSTALLATION



ART\_1001275964



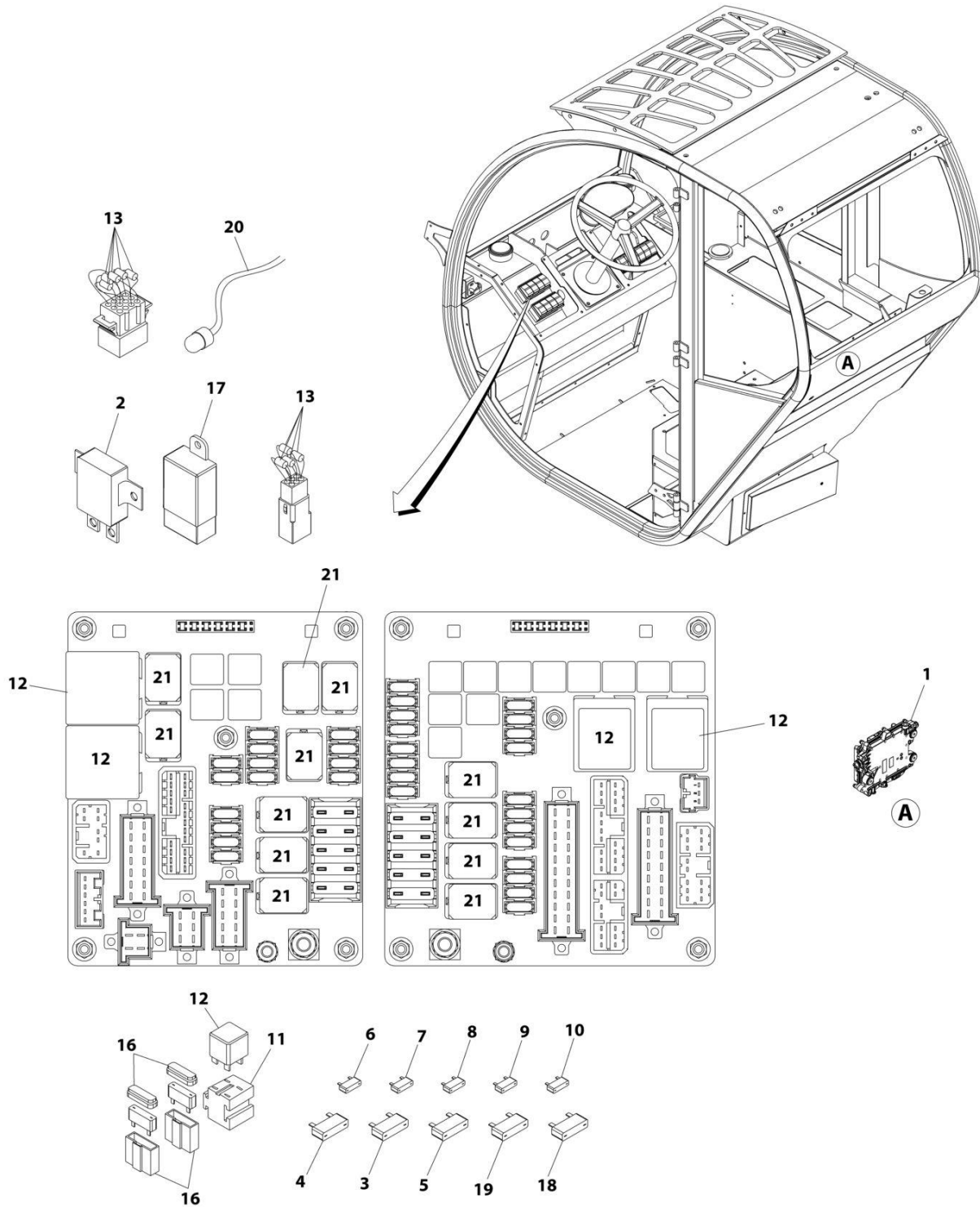
## SECTION 10 - ELECTRICAL

**FIGURE 10-8. BOOM WORK LIGHTS INSTALLATION**

ITEM	PART NUMBER	QTY	DESCRIPTION	REV
	1001275964	Ref	BOOM WORK LIGHTS INSTALLATION	D
1	1001279114	1	Front Boom Lights Installation (Includes Items 101-108)	B
2	1001279115	1	Rear Boom Lights Installation (Includes Items 201-207)	A
101	0700808	2	Bolt M8 x 16	
102	4811902	2	Washer M8	
103	1001275284	1	Bracket	
104	1001277226	2	Light, Front Work	
105	1001279118	2	Connector	
106	1001279120	1	Harness, Front Boom Work Lights	
107	1001281017	1	Switch	
108	1001296408	1	Decal, Boom Work Lights	
201	0700808	2	Bolt M8 x 16	
202	4811902	2	Washer M8	
203	4831900	2	Washer, Lock M8	
204	1001274745	2	Light, Rear Work	
205	1001279119	2	Harness, Rear Boom Work Lights	
206	1001281731	1	Bracket, Right	
207	1001281732	1	Bracket, Left	

# SECTION 10 - ELECTRICAL

## FIGURE 10-9. CAB ELECTRICAL INSTALLATION



ART\_1001280929

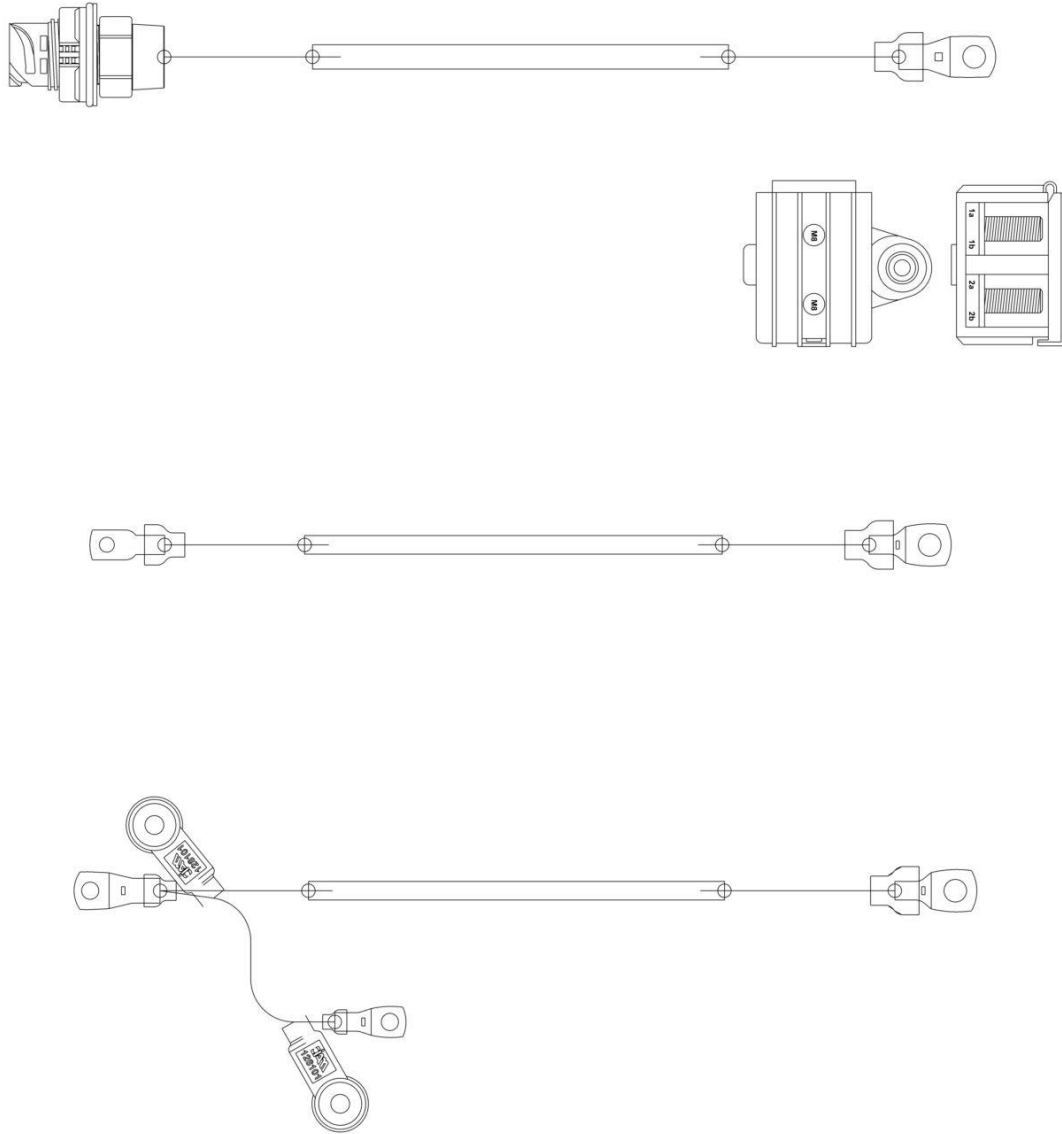
## SECTION 10 - ELECTRICAL

### FIGURE 10-9. CAB ELECTRICAL INSTALLATION

ITEM	PART NUMBER	QTY	DESCRIPTION	REV
	1001280929	Ref	CAB ELECTRICAL INSTALLATION	B
1	1001277177	1	Module, Control	
2	1001278434	1	Relay	
3	1001278442	1	Fuse 10AMP	
4	1001278443	1	Fuse 7.5AMP	
5	1001278444	1	Fuse 15AMP	
6	1001278445	1	Fuse 3AMP	
7	1001278446	1	Fuse 5AMP	
8	1001278447	1	Fuse 7.5AMP	
9	1001278448	1	Fuse 10AMP	
10	1001278449	1	Fuse 15AMP	
11	1001281046	1	Holder, Relay	
12	1001281047	5	Relay	
13	1001281048	2	Diode, 1 Amp	
16	1001281051	2	Holder, Fuse	
17	1001281053	1	Relay	
18	1001280790	1	Fuse 5AMP	
19	1001280792	1	Fuse 20AMP	
20	1001281057	1	Lamp, Indicator	
21	1001281223	12	Relay	

# SECTION 10 - ELECTRICAL

## FIGURE 10-10. CAB POWER HARNESS



ART\_1001282475

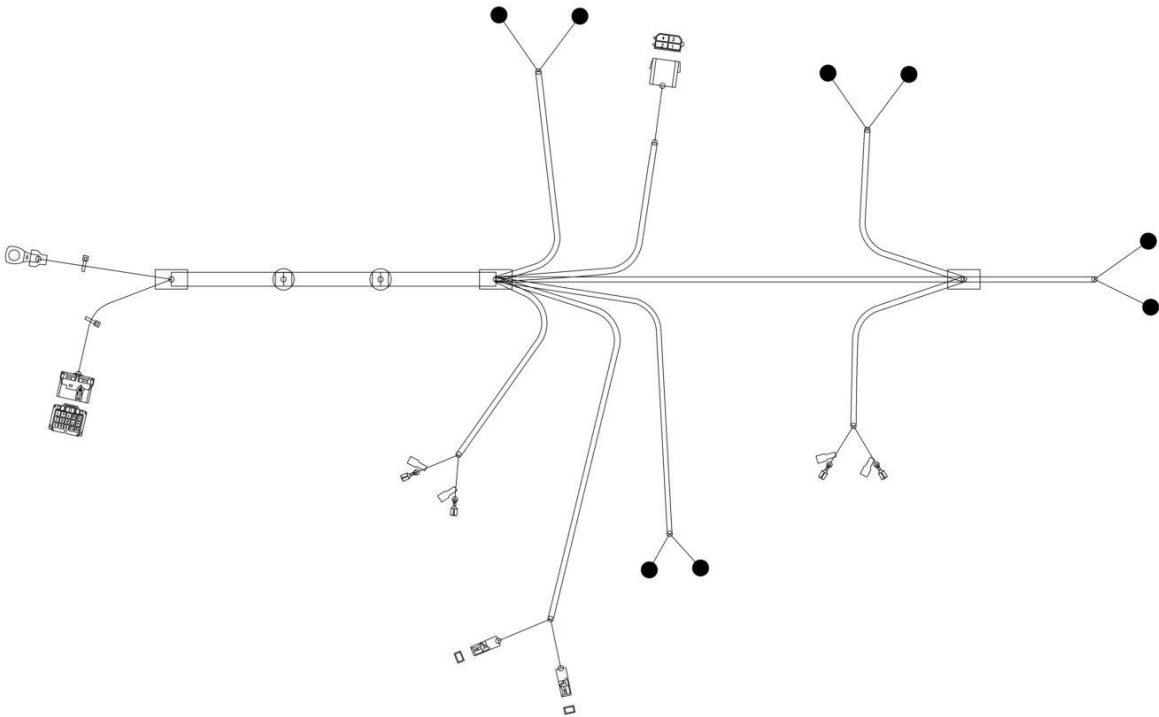
## SECTION 10 - ELECTRICAL

### FIGURE 10-10. CAB POWER HARNESS

ITEM	PART NUMBER	QTY	DESCRIPTION	REV
	1001282475	Ref	CAB POWER HARNESS	A
	See Note	Ref	Note: No Other Service Parts Available at Time of Printing.	

SECTION 10 - ELECTRICAL

FIGURE 10-11. CAB ROOF HARNESS



ART\_1001282474

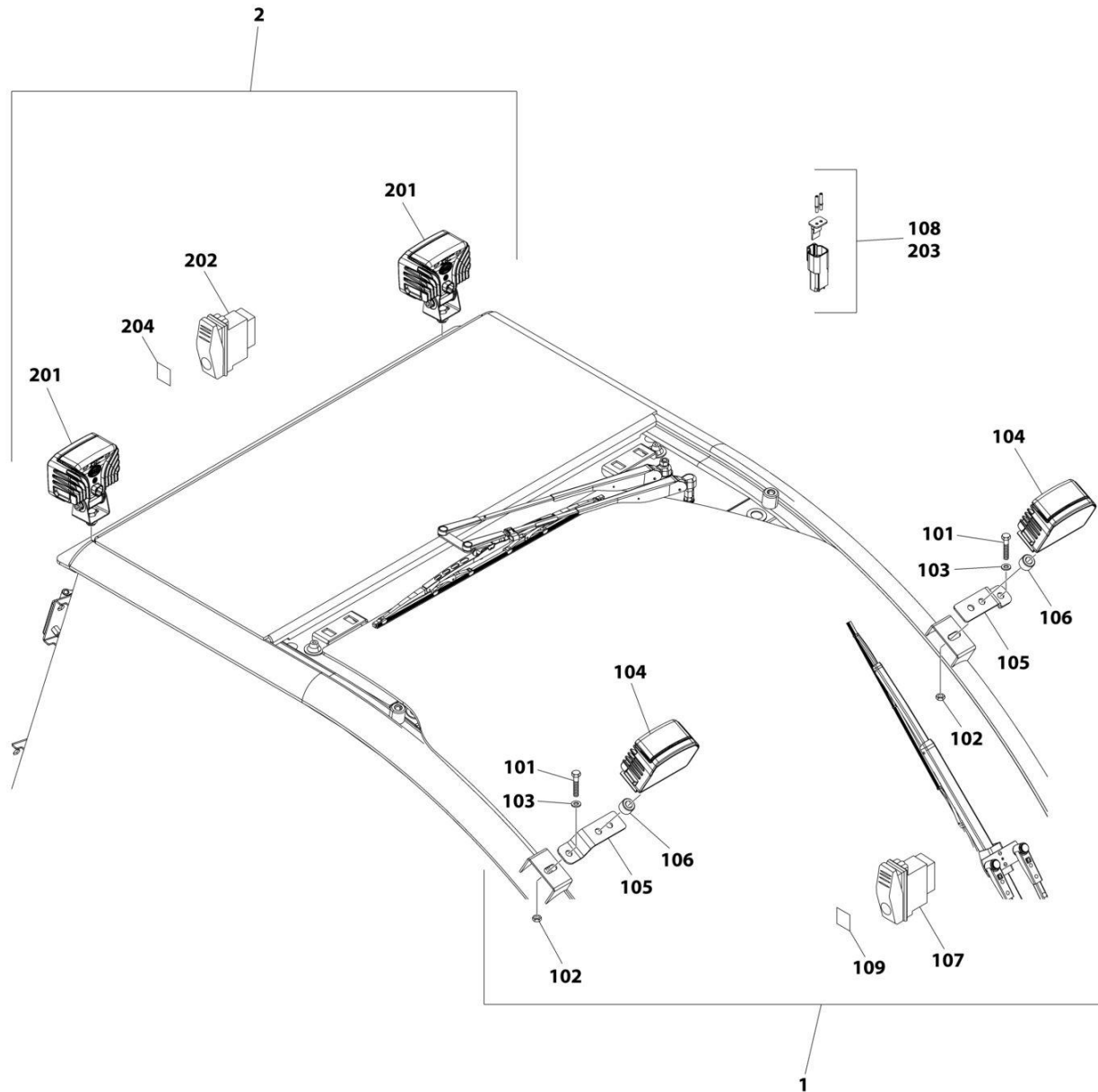
## SECTION 10 - ELECTRICAL

### FIGURE 10-11. CAB ROOF HARNESS

ITEM	PART NUMBER	QTY	DESCRIPTION	REV
	1001282474	Ref	CAB ROOF HARNESS	A
	See Note	Ref	Note: No Other Service Parts Available at Time of Printing.	

# SECTION 10 - ELECTRICAL

## FIGURE 10-12. CAB WORK LIGHTS INSTALLATION



ART\_1001275963



## SECTION 10 - ELECTRICAL

**FIGURE 10-12. CAB WORK LIGHTS INSTALLATION**

ITEM	PART NUMBER	QTY	DESCRIPTION	REV
	1001275963	Ref	CAB WORK LIGHTS INSTALLATION	D
1	1001279116	1	Front Cab Lights Installation (Includes Items 101-109)	C
2	1001279117	1	Rear Cab Lights Installation (Includes Items 201-204)	C
101	0701014	2	Bolt M10 x 30	
102	3291005	2	Nut, Lock M10	
103	4812000	2	Washer M10	
104	1001274745	2	Light, Front Work	
105	1001275093	2	Bracket	
106	1001276493	2	Spacer	
107	1001281021	1	Switch	
108	1001277517	2	Connector	
109	1001296406	1	Decal, Front Cab Work Lights	
201	1001274745	2	Light, Rear Work	
202	1001281021	1	Switch	
203	1001277517	2	Connector	
204	1001296407	1	Decal, Rear Cab Work Lights	

# SECTION 10 - ELECTRICAL

## FIGURE 10-13. DISPLAY HARNESS



ART\_1001281720

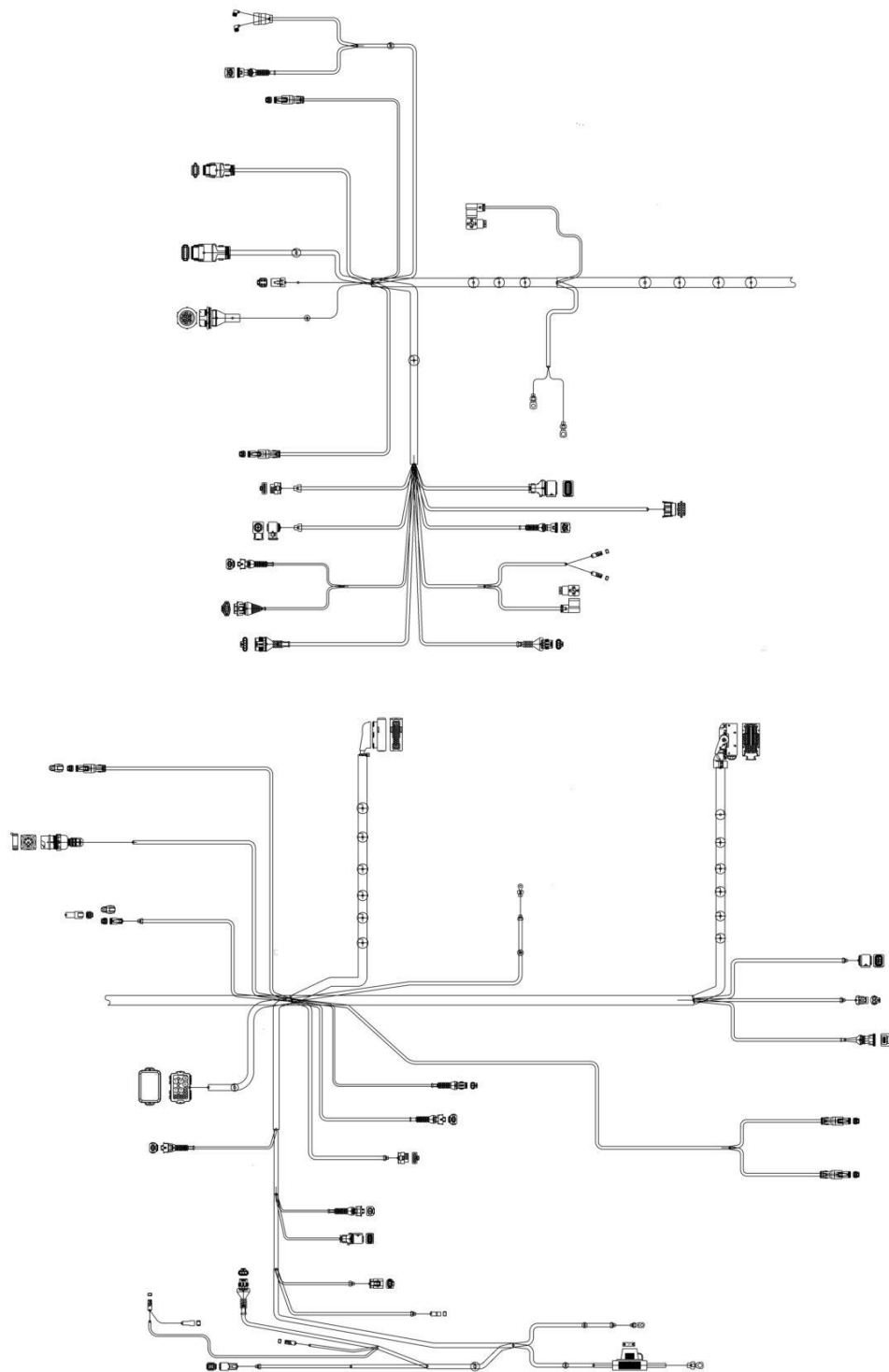
## SECTION 10 - ELECTRICAL

### FIGURE 10-13. DISPLAY HARNESS

ITEM	PART NUMBER	QTY	DESCRIPTION	REV
	1001281720	Ref	DISPLAY HARNESS	A
	See Note	Ref	Note: No Other Service Parts Available at Time of Printing.	

# SECTION 10 - ELECTRICAL

## FIGURE 10-14. ENGINE HARNESS



ART\_1001282482

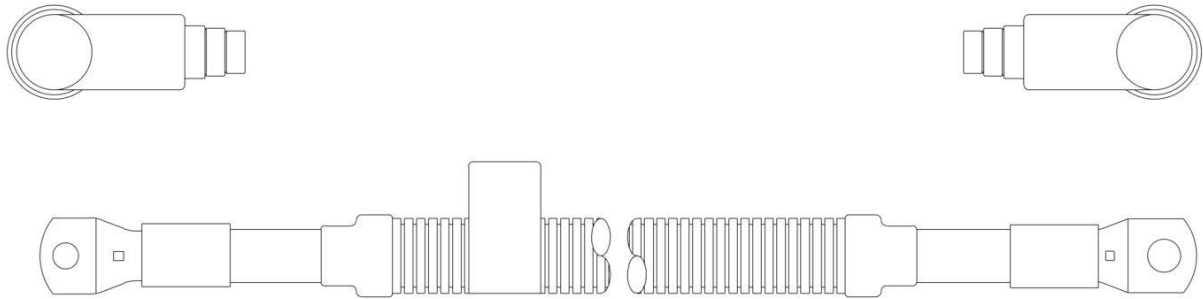
## SECTION 10 - ELECTRICAL

### FIGURE 10-14. ENGINE HARNESS

ITEM	PART NUMBER	QTY	DESCRIPTION	REV
	1001282482	Ref	ENGINE HARNESS	B
	See Note	Ref	Note: No Other Service Parts Available at Time of Printing.	

# SECTION 10 - ELECTRICAL

## FIGURE 10-15. ENGINE TO RELAY CABLE



ART\_1001282479

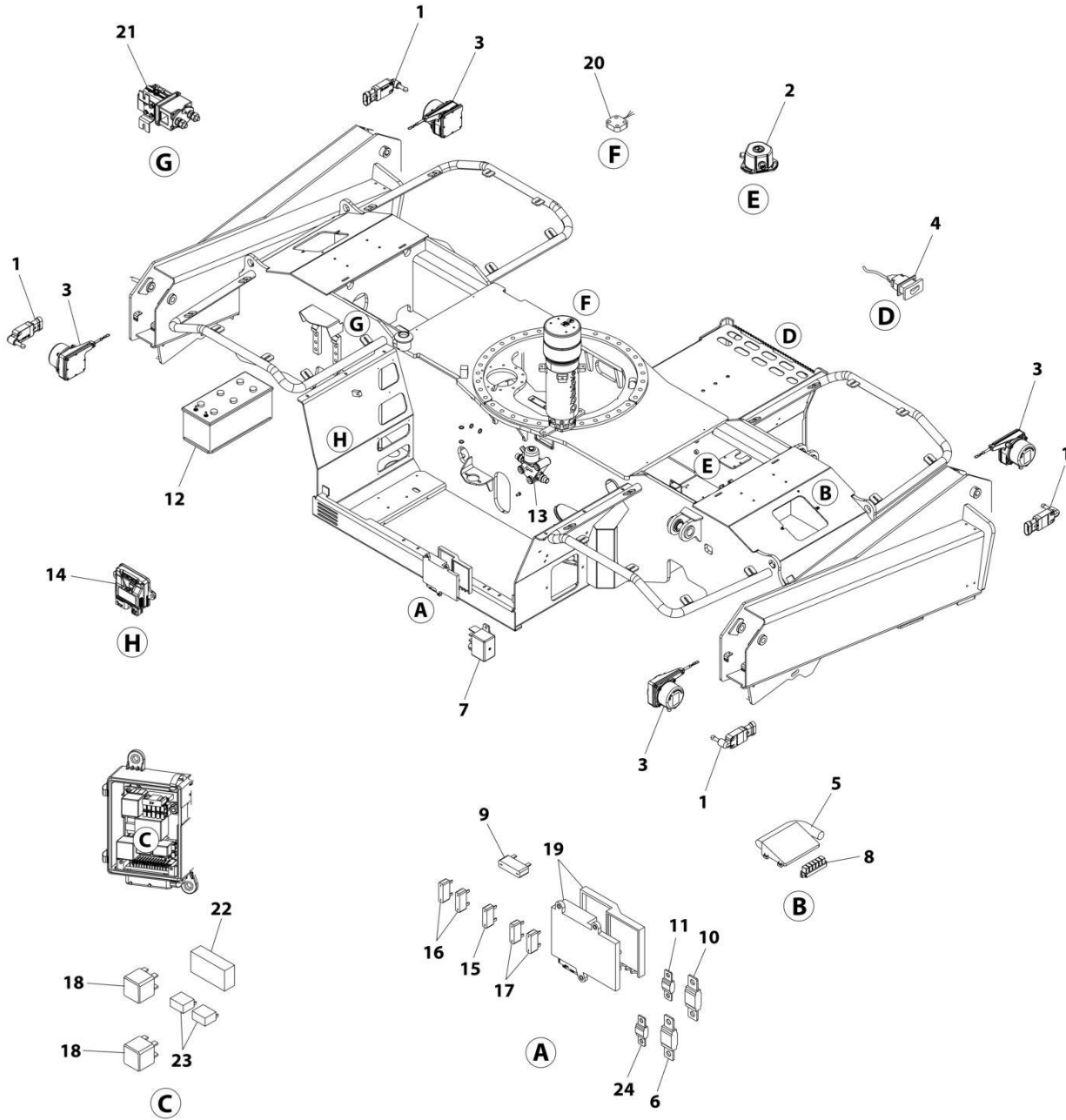
## SECTION 10 - ELECTRICAL

### FIGURE 10-15. ENGINE TO RELAY CABLE

ITEM	PART NUMBER	QTY	DESCRIPTION	REV
	1001282479	Ref	ENGINE TO RELAY CABLE	A
	See Note	Ref	Note: No Other Service Parts Available at Time of Printing.	

# SECTION 10 - ELECTRICAL

## FIGURE 10-16. FRAME COMPONENTS



ART\_1001280774



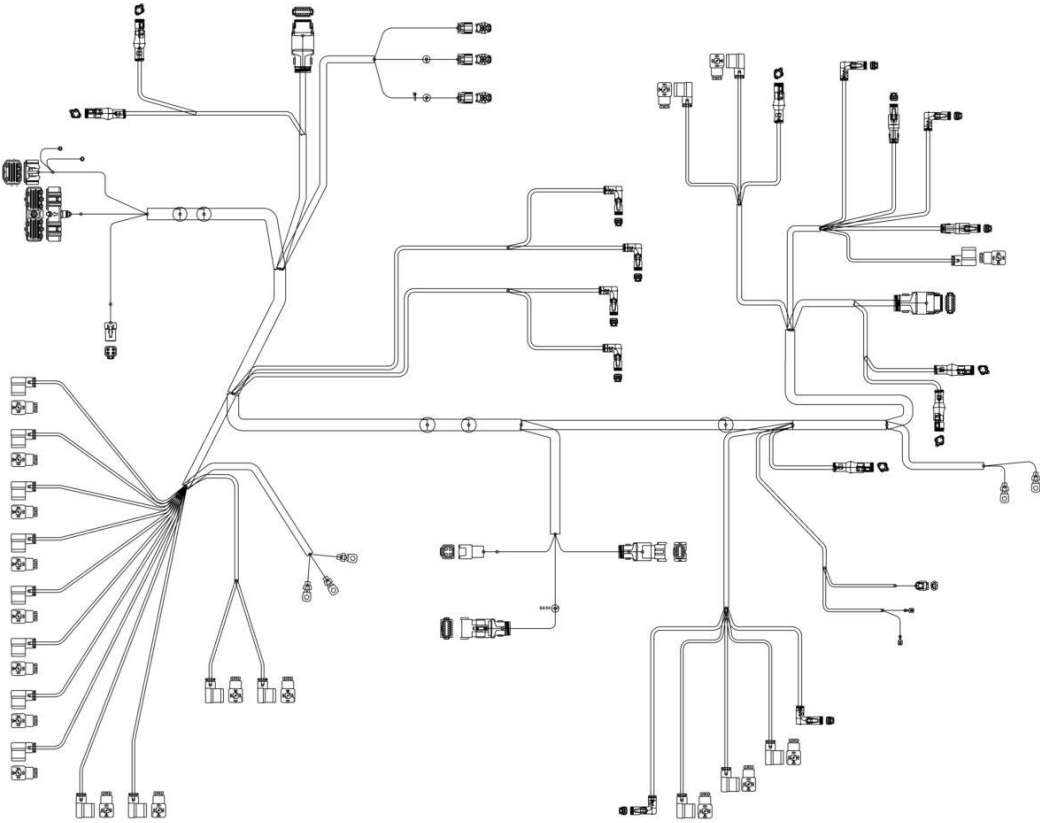
## SECTION 10 - ELECTRICAL

### FIGURE 10-16. FRAME COMPONENTS

ITEM	PART NUMBER	QTY	DESCRIPTION	REV
	1001280774	Ref	FRAME COMPONENTS	C
1	1001274749	4	Sensor, Limit Switch	
2	1001275893	1	Sensor, Leveling	
3	1001276890	4	Sensor, Outrigger	
4	1001276991	1	Connector	
5	1001276993	1	Module, Frame Control	
6	1001277437	1	Fuse, 150 Amp	
7	1001277438	1	Relay	
8	1001278436	1	Bus, Multi Link CAN	
9	1001278654	1	Fuse, 40 Amp	
10	1001278657	1	Fuse, 100 Amp	
11	1001278660	1	Fuse, 30 Amp	
12	1001286173	1	Battery, 12V	
13	1001280786	1	Valve	
14	1001280787	1	Module, Control	
15	1001280790	1	Fuse, 5 Amp	
16	1001280792	2	Fuse, 20 Amp	
17	1001289809	2	Fuse, 25 Amp	
18	1001280794	2	Relay	
19	1001280796	1	Box, Fuse	
20	1001280798	1	Sensor, Rotation	
21	1001280799	1	Relay	
22	1001280800	1	Relay	
23	1001280801	2	Relay	
24	1001283208	1	Fuse, 100 Amp	

**SECTION 10 - ELECTRICAL**

**FIGURE 10-17. FRAME HARNESS**



ART\_1001282481

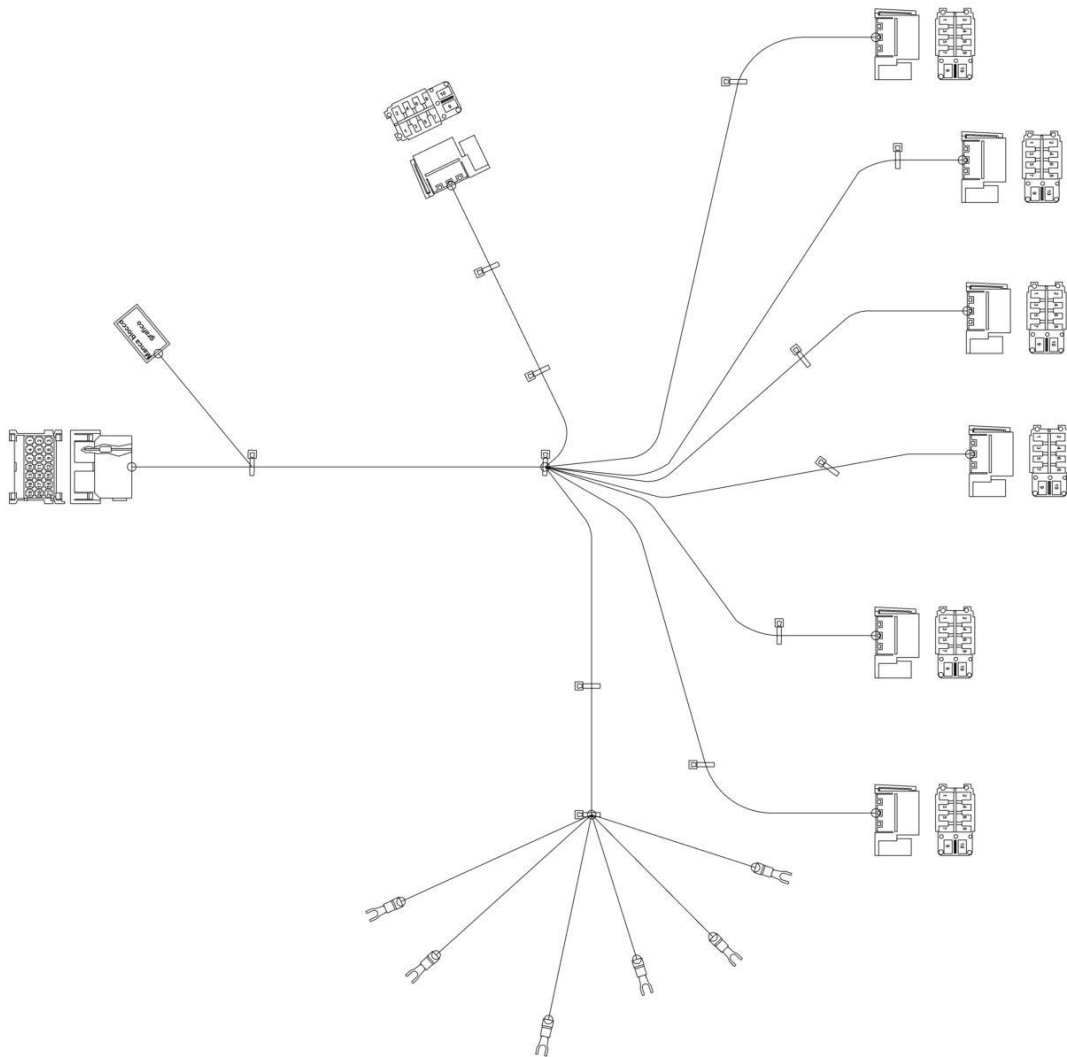
# SECTION 10 - ELECTRICAL

## FIGURE 10-17. FRAME HARNESS

ITEM	PART NUMBER	QTY	DESCRIPTION	REV
	1001282481	Ref	FRAME HARNESS	B
	See Note	Ref	Note: No Other Service Parts Available at Time of Printing.	

# SECTION 10 - ELECTRICAL

## FIGURE 10-18. LEFT DASH HARNESS



ART\_1001282486

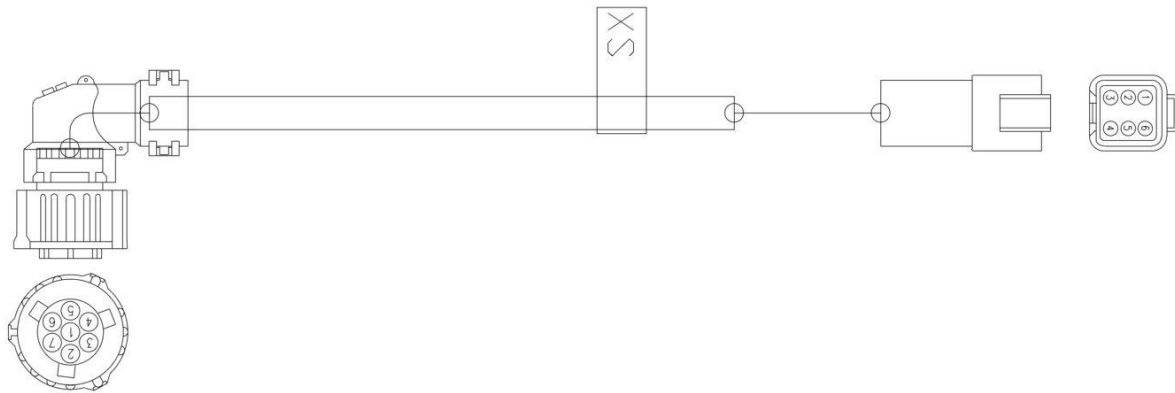
## SECTION 10 - ELECTRICAL

### FIGURE 10-18. LEFT DASH HARNESS

ITEM	PART NUMBER	QTY	DESCRIPTION	REV
	1001282486	Ref	LEFT DASH HARNESS	B
	See Note	Ref	Note: No Other Service Parts Available at Time of Printing.	

# SECTION 10 - ELECTRICAL

## FIGURE 10-19. LEFT TAILLIGHT HARNESS



ART\_1001278667

## SECTION 10 - ELECTRICAL

### FIGURE 10-19. LEFT TAILLIGHT HARNESS

ITEM	PART NUMBER	QTY	DESCRIPTION	REV
	1001278667	Ref	LEFT TAILLIGHT HARNESS	A
	See Note	Ref	Note: No Other Service Parts Available at Time of Printing.	

# SECTION 10 - ELECTRICAL

## FIGURE 10-20. OUTRIGGER EXTENSION HARNESS



ART\_1001282013



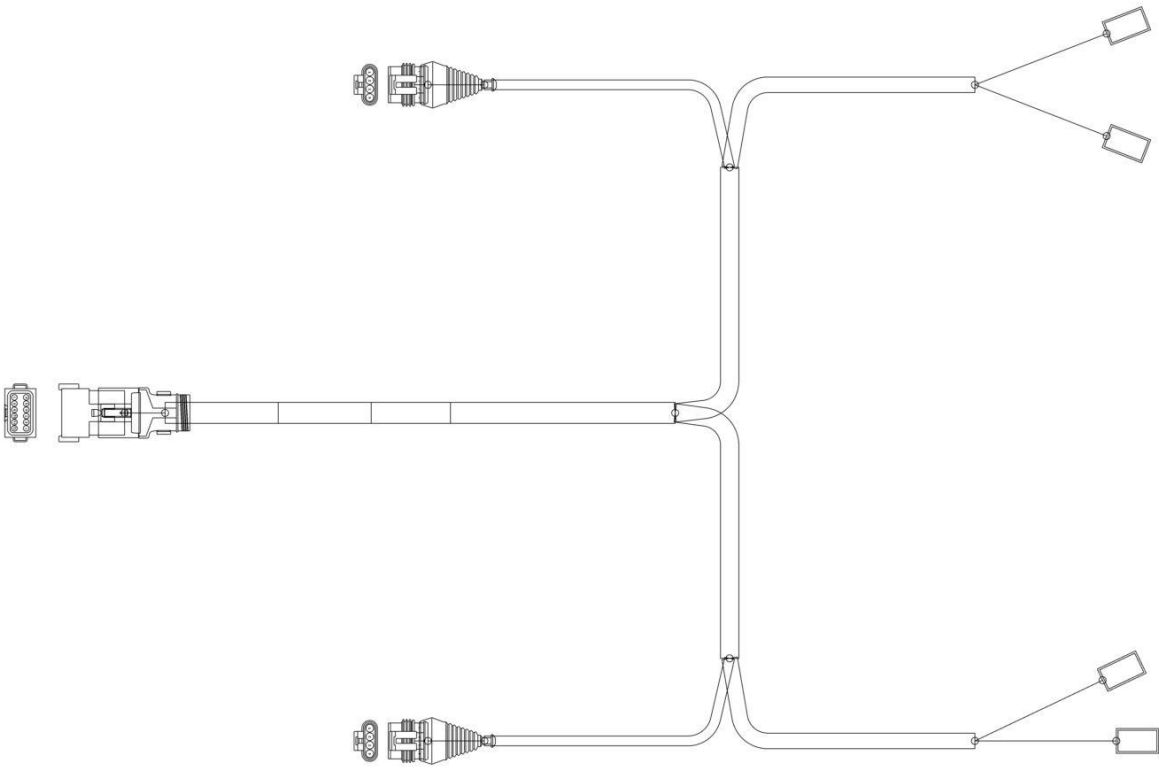
## SECTION 10 - ELECTRICAL

### FIGURE 10-20. OUTRIGGER EXTENSION HARNESS

ITEM	PART NUMBER	QTY	DESCRIPTION	REV
	1001282013 See Note	Ref Ref	OUTRIGGER EXTENSION HARNESS Note: No Other Service Parts Available at Time of Printing.	A

# SECTION 10 - ELECTRICAL

## FIGURE 10-21. OUTRIGGERS HARNESS



ART\_1001281721

## SECTION 10 - ELECTRICAL

### FIGURE 10-21. OUTRIGGERS HARNESS

ITEM	PART NUMBER	QTY	DESCRIPTION	REV
	1001281721	Ref	OUTRIGGERS HARNESS	A
	See Note	Ref	Note: No Other Service Parts Available at Time of Printing.	

# SECTION 10 - ELECTRICAL

## FIGURE 10-22. PLANETARY SENSOR HARNESS



ART\_1001282012

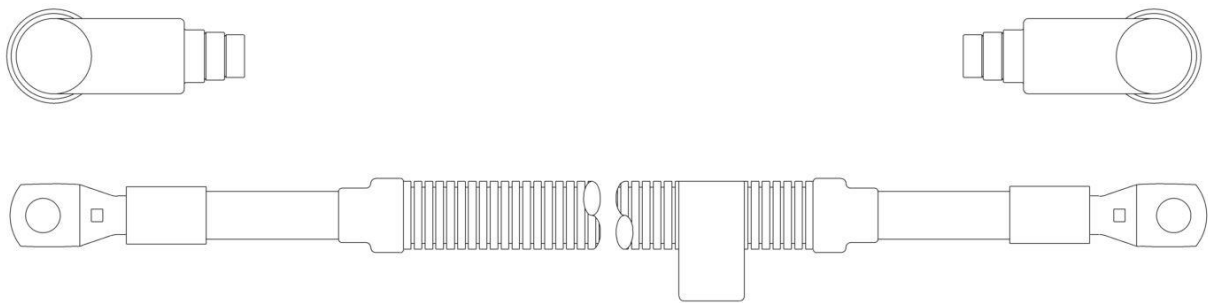
## SECTION 10 - ELECTRICAL

### FIGURE 10-22. PLANETARY SENSOR HARNESS

ITEM	PART NUMBER	QTY	DESCRIPTION	REV
	1001282012	Ref	PLANETARY SENSOR HARNESS	A
	See Note	Ref	Note: No Other Service Parts Available At Time of Printing.	

# SECTION 10 - ELECTRICAL

## FIGURE 10-23. PREHEAT POWER CABLE



ART\_1001282478

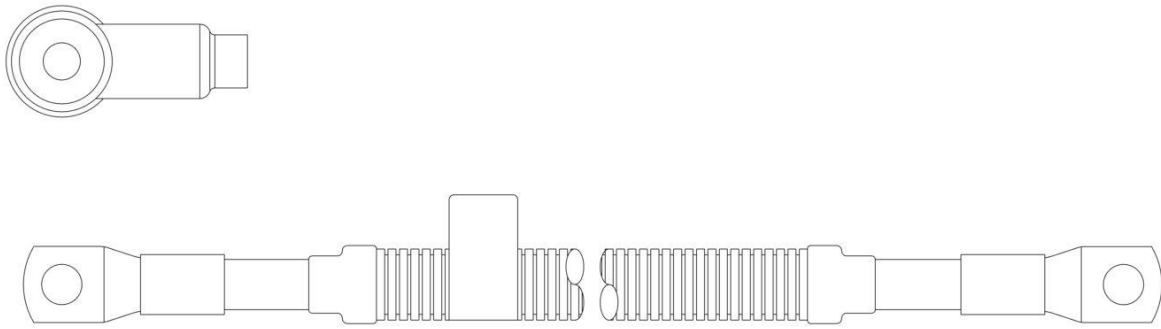
## SECTION 10 - ELECTRICAL

### FIGURE 10-23. PREHEAT POWER CABLE

ITEM	PART NUMBER	QTY	DESCRIPTION	REV
	1001282478 See Note	Ref Ref	PREHEAT POWER CABLE Note: No Other Service Parts Available at Time of Printing.	A

# SECTION 10 - ELECTRICAL

## FIGURE 10-24. PREHEAT RELAY CABLE



ART\_1001282476



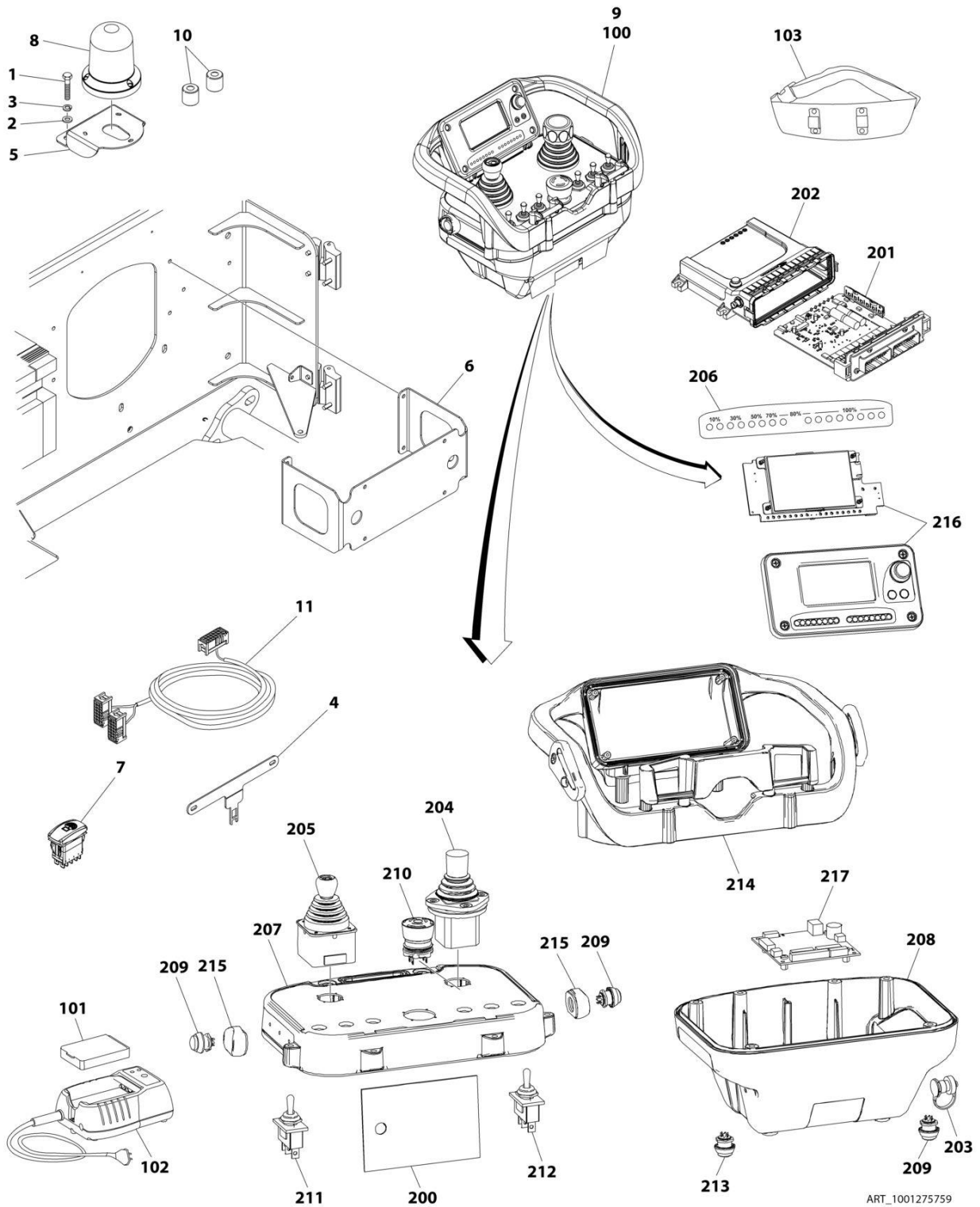
## SECTION 10 - ELECTRICAL

### FIGURE 10-24. PREHEAT RELAY CABLE

ITEM	PART NUMBER	QTY	DESCRIPTION	REV
	1001282476	Ref	PREHEAT RELAY CABLE	A
	See Note	Ref	Note: No Other Service Parts Available at Time of Printing.	

# SECTION 10 - ELECTRICAL

## FIGURE 10-25. REMOTE BOOM CONTROL INSTALLATION



ART\_1001275759

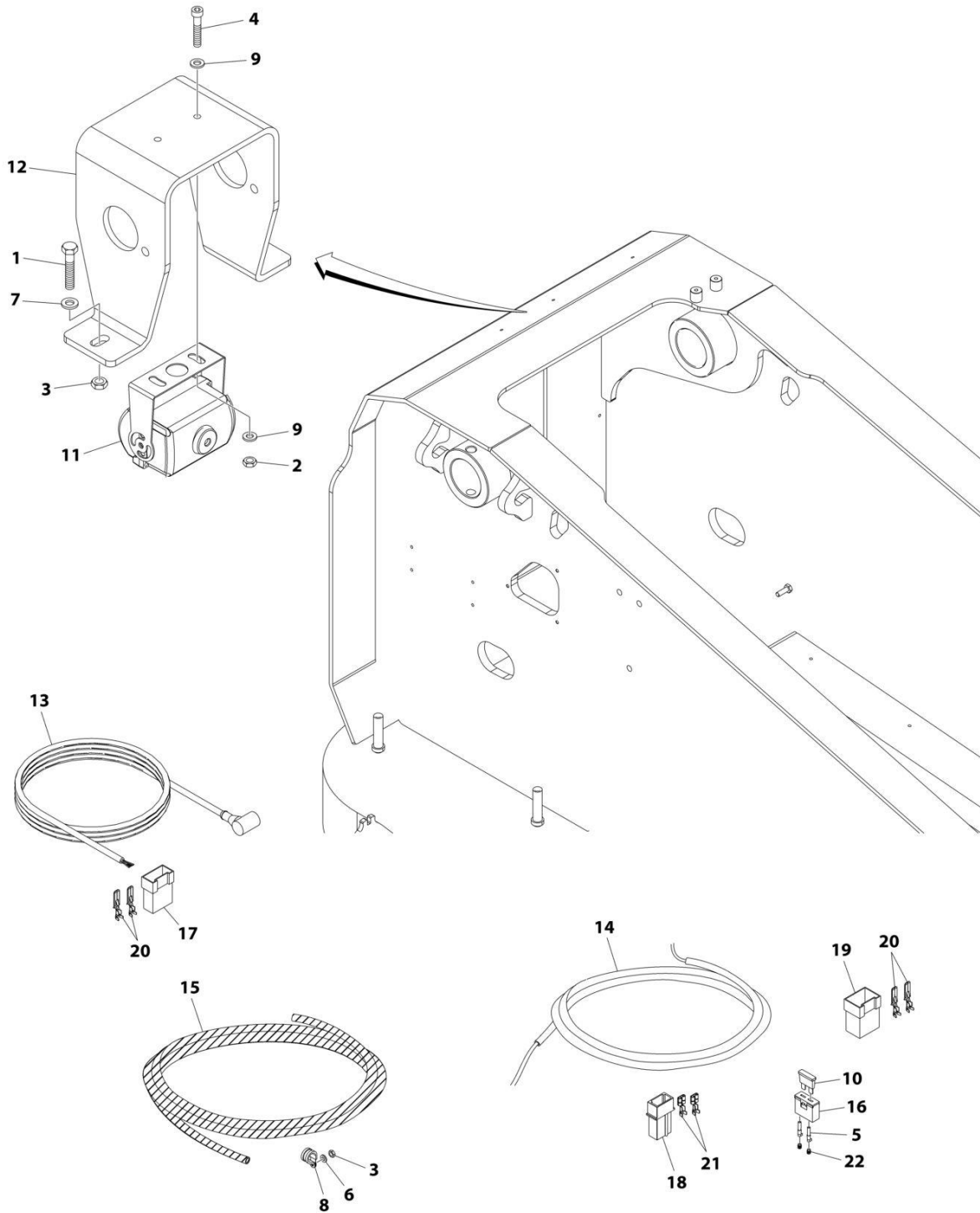
## SECTION 10 - ELECTRICAL

### FIGURE 10-25. REMOTE BOOM CONTROL INSTALLATION

ITEM	PART NUMBER	QTY	DESCRIPTION	REV
	1001275759	Ref	REMOTE BOOM CONTROL INSTALLATION	B
1	0700816	2	Bolt M8 x 40	
2	4811902	2	Washer M8	
3	4831900	2	Washer, Lock M8	
4	1001275278	1	Plate	
5	1001275329	1	Bracket	
6	1001275553	1	Bracket	
7	1001276883	1	Switch, Remote Control	
8	1001277225	1	Beacon	
9	1001277436	1	Remote Control Installation (Includes Items 100-105)	
10	1001278634	2	Bushing	
11	1001281594	1	Harness, Remote Control	
100	70030620	1	Remote Control Assembly (Includes Items 200-217)	
101	70030601	1	Battery	
102	70030602	1	Charger, Battery	
103	70030605	1	Belt	
104	70031391	1	Key, Magnetic (Not Shown)	
105	70031393	1	Cable, Remote Control to Control Module (Not Shown)	
200	70030599	1	Antenna	
201	70030600	1	Board	
202	70030603	1	Box	
203	70030604	1	Connector	
204	70030606	1	Joystick	
205	70030607	1	Joystick	
206	70030608	1	Panel	
207	70030609	1	Cover, Upper	
208	70030610	1	Box, Bottom	
209	70030611	3	Button, Black	
210	70030612	1	Button, Palm	
211	70030613	3	Switch, On/On	
212	70030614	3	Switch, On/Off/On	
213	70030615	1	Button, Green	
214	70030616	1	Box, Upper	
215	70030617	2	Guard	
216	70030618	1	Board	
217	70030619	1	Board	

# SECTION 10 - ELECTRICAL

## FIGURE 10-26. REVERSING CAMERA INSTALLATION



ART\_1001275950

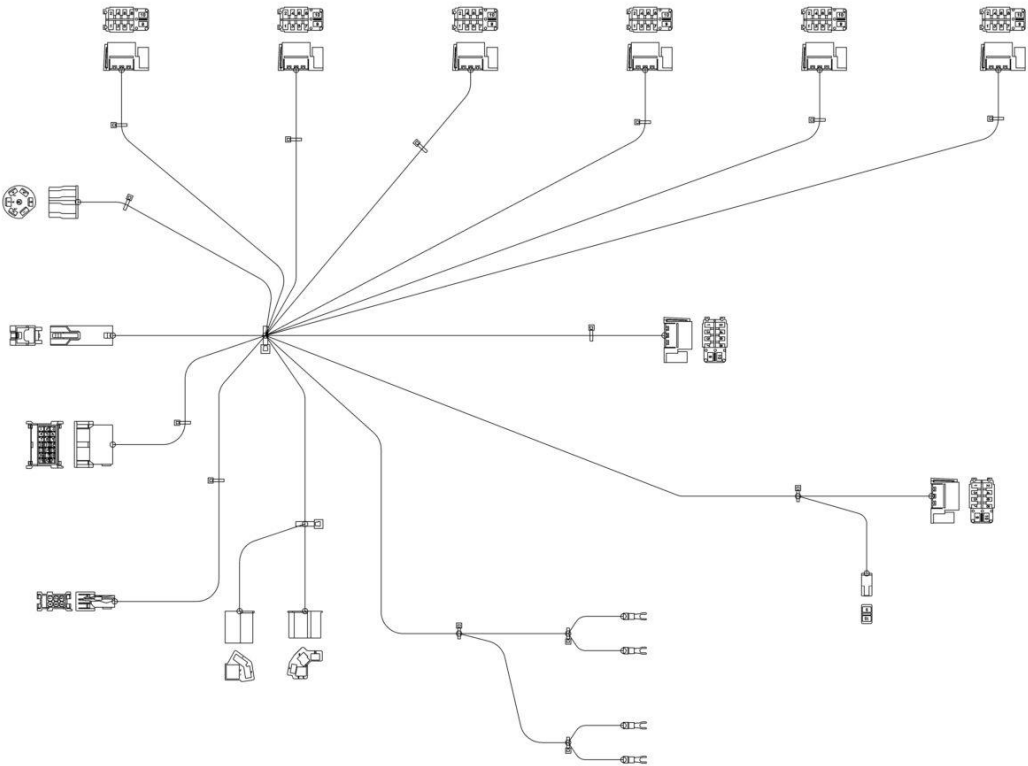
## SECTION 10 - ELECTRICAL

**FIGURE 10-26. REVERSING CAMERA INSTALLATION**

ITEM	PART NUMBER	QTY	DESCRIPTION	REV
	1001275950	Ref	REVERSING CAMERA INSTALLATION	C
1	0760816	2	Bolt M8 x 40	
2	3290405	2	Nut, Lock M4	
3	3290805	4	Nut, Lock M8	
4	4031507	2	Bolt M4 x 16	
5	4460466	2	Terminal	
6	4811900	2	Washer M8	
7	4811902	2	Washer M8	
8	8406109	2	Clamp	
9	1001091102	4	Washer M4	
10	1001228388	1	Fuse, Mini 1 Amp	
11	1001275887	1	Camera Assembly	
12	1001279125	1	Bracket, Camera	
13	1001281733	1	Cable, Camera	
14	1001281734	1	Harness, Camera	
15	1001281735	AR	Conduit	
16	1001281736	1	Holder, Fuse	
17	1001282659	1	Connector	
18	1001282660	1	Connector	
19	1001282661	1	Connector	
20	1001282663	4	Terminal	
21	1001282664	2	Terminal	
22	1001282665	2	Pad	

**SECTION 10 - ELECTRICAL**

**FIGURE 10-27. RIGHT DASH HARNESS**



ART\_1001282491

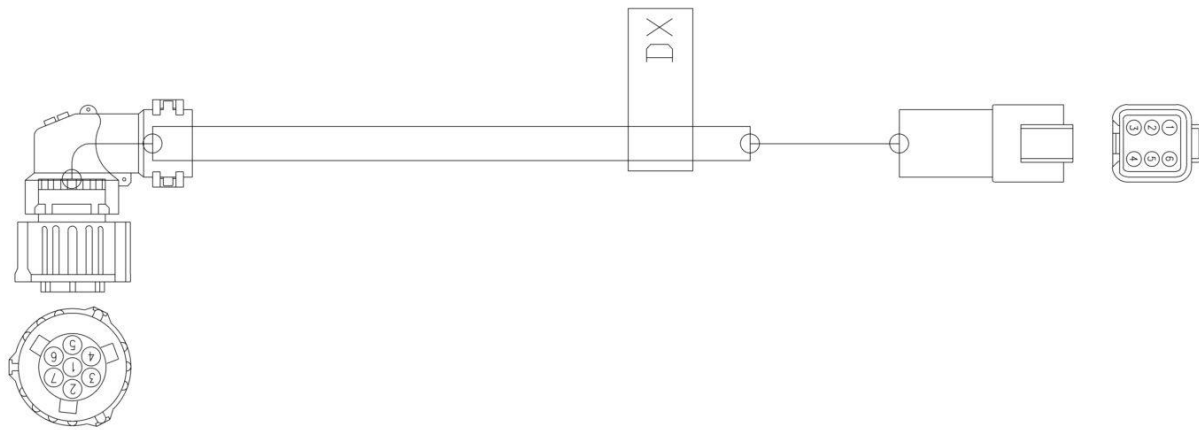
## SECTION 10 - ELECTRICAL

### FIGURE 10-27. RIGHT DASH HARNESS

ITEM	PART NUMBER	QTY	DESCRIPTION	REV
	1001282491	Ref	RIGHT DASH HARNESS	A
	See Note	Ref	Note: No Other Service Parts Available at Time of Printing.	

# SECTION 10 - ELECTRICAL

## FIGURE 10-28. RIGHT TAILLIGHT HARNESS



ART\_1001278668



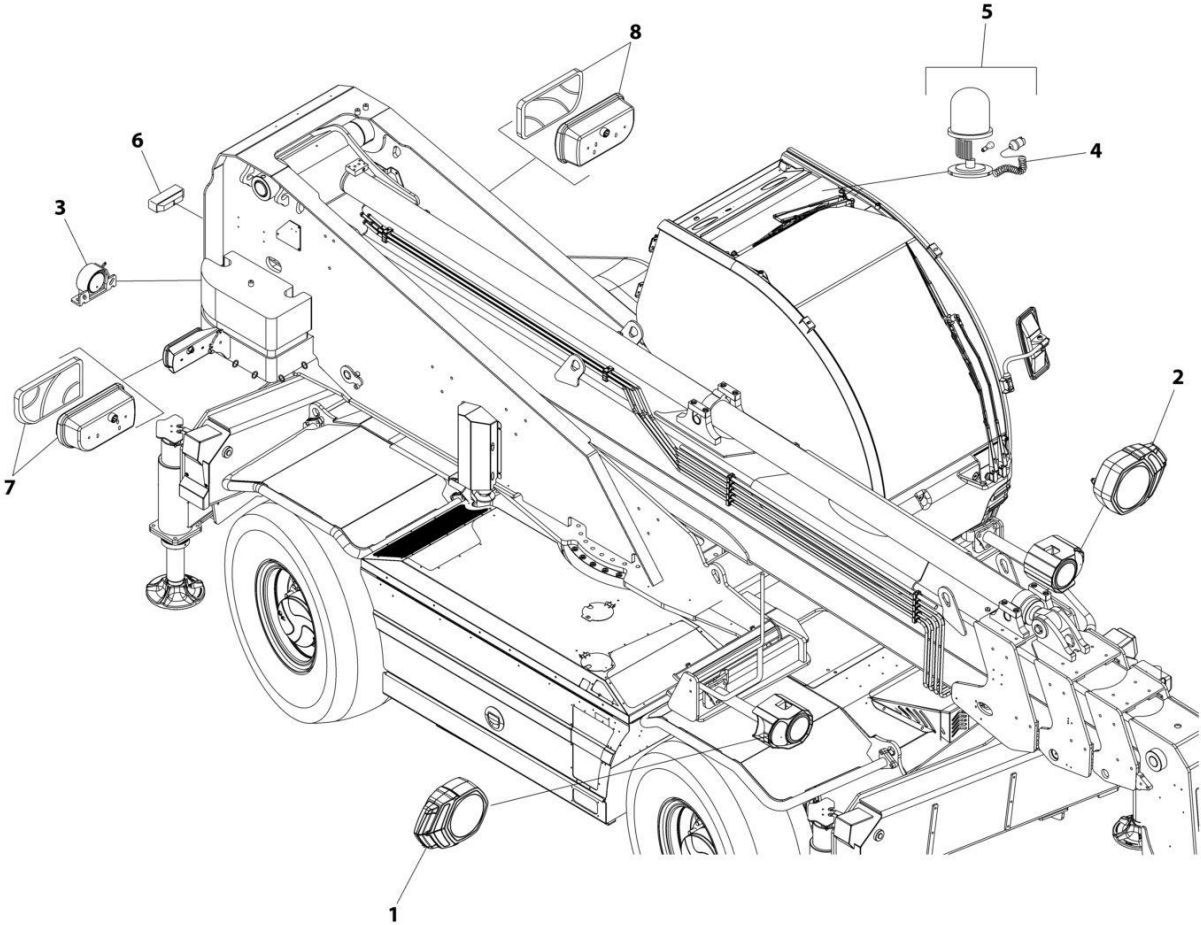
## SECTION 10 - ELECTRICAL

### FIGURE 10-28. RIGHT TAILLIGHT HARNESS

ITEM	PART NUMBER	QTY	DESCRIPTION	REV
	1001278668	Ref	RIGHT TAILLIGHT HARNESS	A
	See Note	Ref	Note: No Other Service Parts Available at Time of Printing.	

**SECTION 10 - ELECTRICAL**

**FIGURE 10-29. ROAD LIGHTS INSTALLATION**



ART\_1001280776

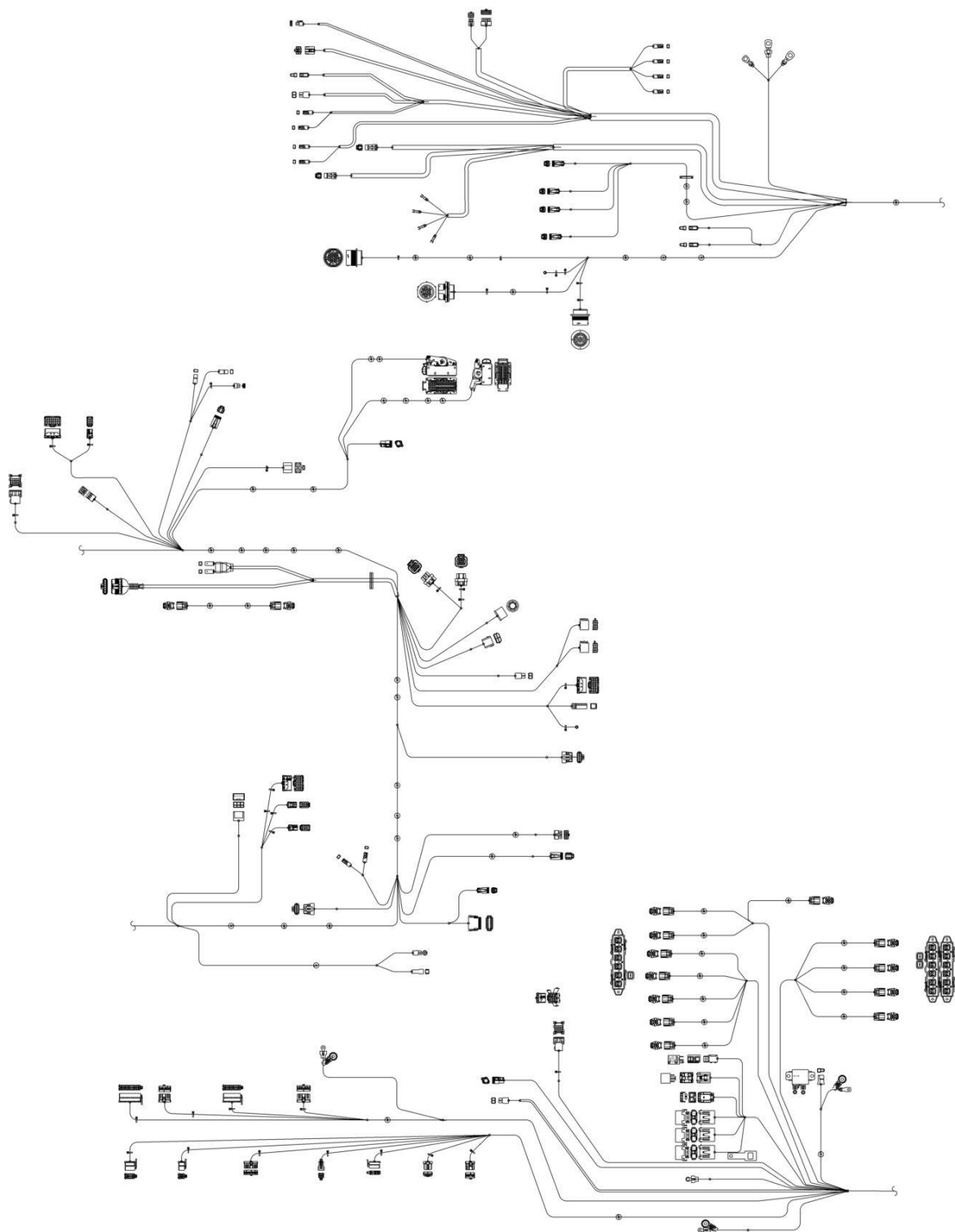
## SECTION 10 - ELECTRICAL

### FIGURE 10-29. ROAD LIGHTS INSTALLATION

ITEM	PART NUMBER	QTY	DESCRIPTION	REV
	1001280776	Ref	ROAD LIGHTS INSTALLATION	B
1	1001274743	1	Headlight, Right	
2	1001274744	1	Headlight, Left	
3	1001274755	1	Alarm	
4	1001277227	1	Connector, Beacon	
5	1001278651	1	Beacon Assembly	
6	1001278652	1	Light, License Plate	
7	1001278650	1	Taillight, Right	
8	1001278649	1	Taillight, Left	

# SECTION 10 - ELECTRICAL

## FIGURE 10-30. SEAT HARNESS



ART\_1001282484

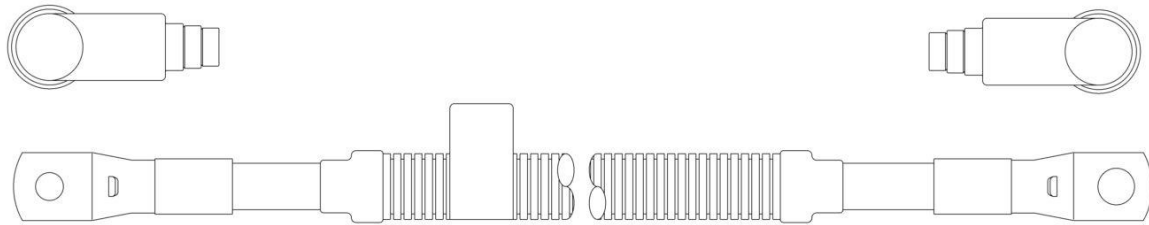
# SECTION 10 - ELECTRICAL

## FIGURE 10-30. SEAT HARNESS

ITEM	PART NUMBER	QTY	DESCRIPTION	REV
	1001282484	Ref	SEAT HARNESS	B
	See Note	Ref	Note: No Other Service Parts Available at Time of Printing.	

# SECTION 10 - ELECTRICAL

## FIGURE 10-31. STARTER CABLE



ART\_1001282473

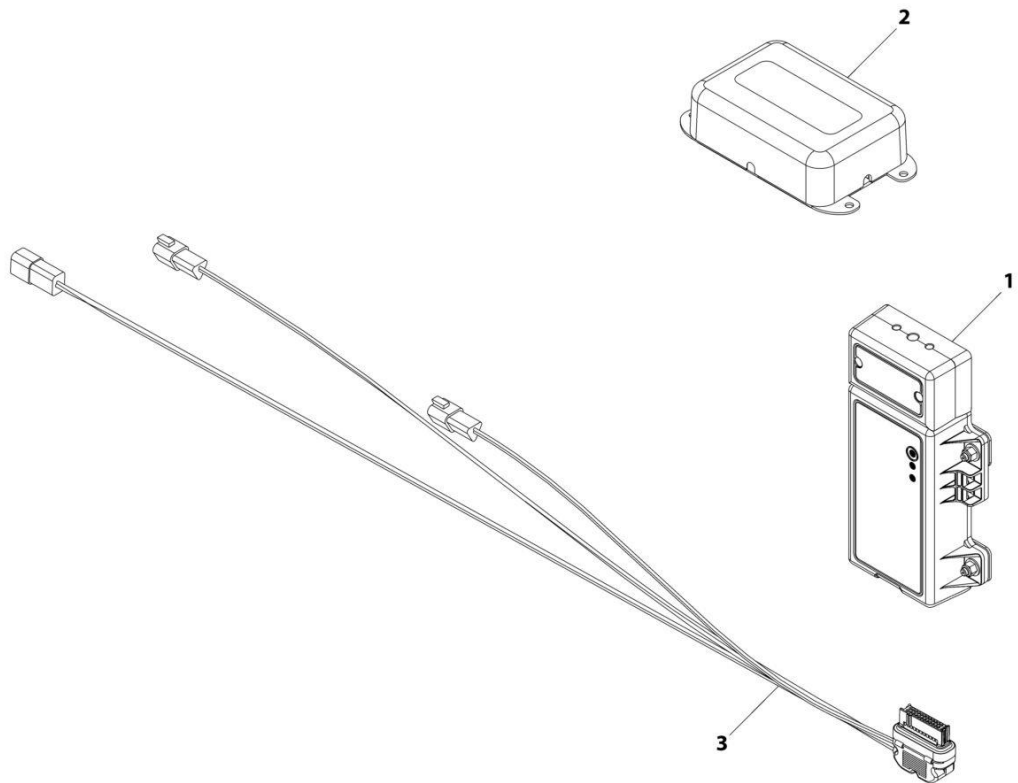
## SECTION 10 - ELECTRICAL

### FIGURE 10-31. STARTER CABLE

ITEM	PART NUMBER	QTY	DESCRIPTION	REV
	1001282473	Ref	STARTER CABLE	A
	See Note	Ref	Note: No Other Service Parts Available at Time of Printing.	

# SECTION 10 - ELECTRICAL

## FIGURE 10-32. TELEMATICS INSTALLATION



ART\_1001289304



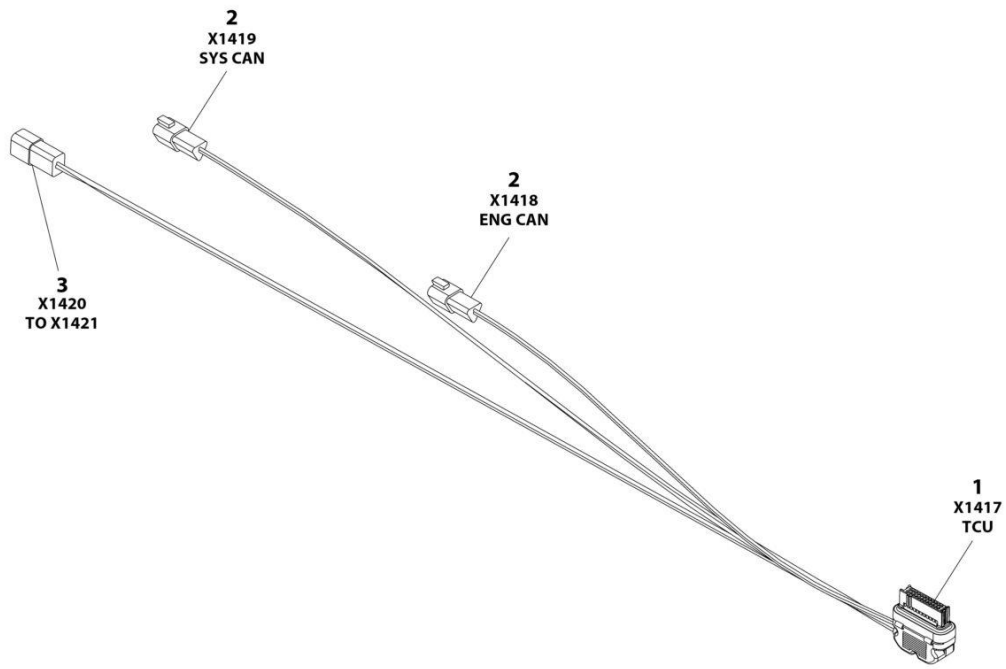
## SECTION 10 - ELECTRICAL

### FIGURE 10-32. TELEMATICS INSTALLATION

ITEM	PART NUMBER	QTY	DESCRIPTION	REV
	1001289304	Ref	TELEMATICS INSTALLATION	A
1	1001262322	1	Module, Telematics	
2	1001262327	1	Antenna, Telematics	
3	1001288299	1	Telematics Harness (See Separate Breakdown in this Section)	

# SECTION 10 - ELECTRICAL

## FIGURE 10-33. TELEMATICS HARNESS



ART\_1001288299

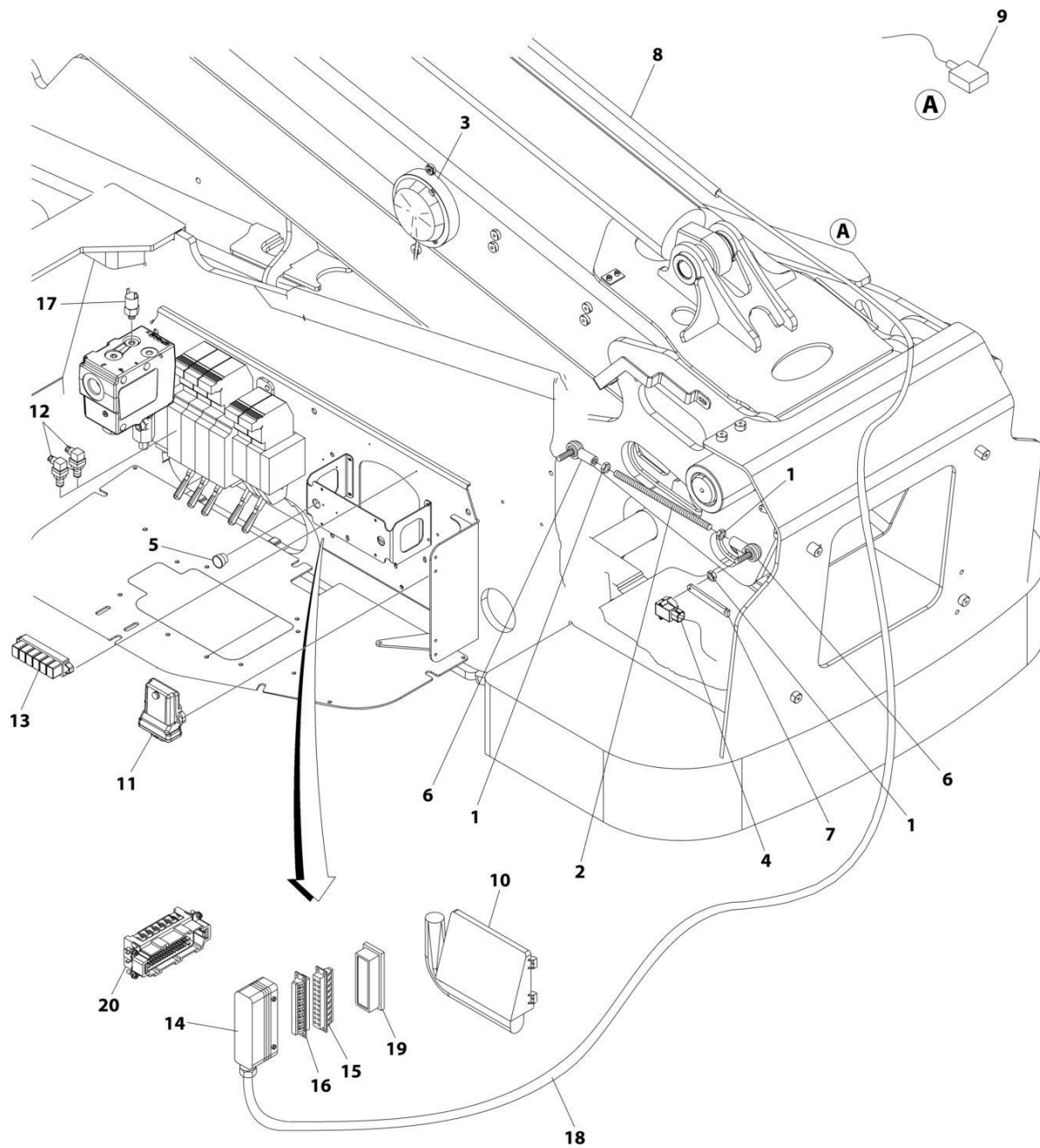
## SECTION 10 - ELECTRICAL

### FIGURE 10-33. TELEMATICS HARNESS

ITEM	PART NUMBER	QTY	DESCRIPTION	REV
	1001288299	Ref	TELEMATICS HARNESS	A
1	1001226636	1	Connector	
1	1001116731	17	Plug	
1	1001226637	7	Socket	
2	1001144147	2	Connector	
2	4460941	4	Pin	
2	4460466	2	Plug	
3	4460932	1	Connector	
3	4460464	3	Pin	
3	4460466	1	Plug	

# SECTION 10 - ELECTRICAL

## FIGURE 10-34. TURNTABLE COMPONENTS



ART\_1001280775

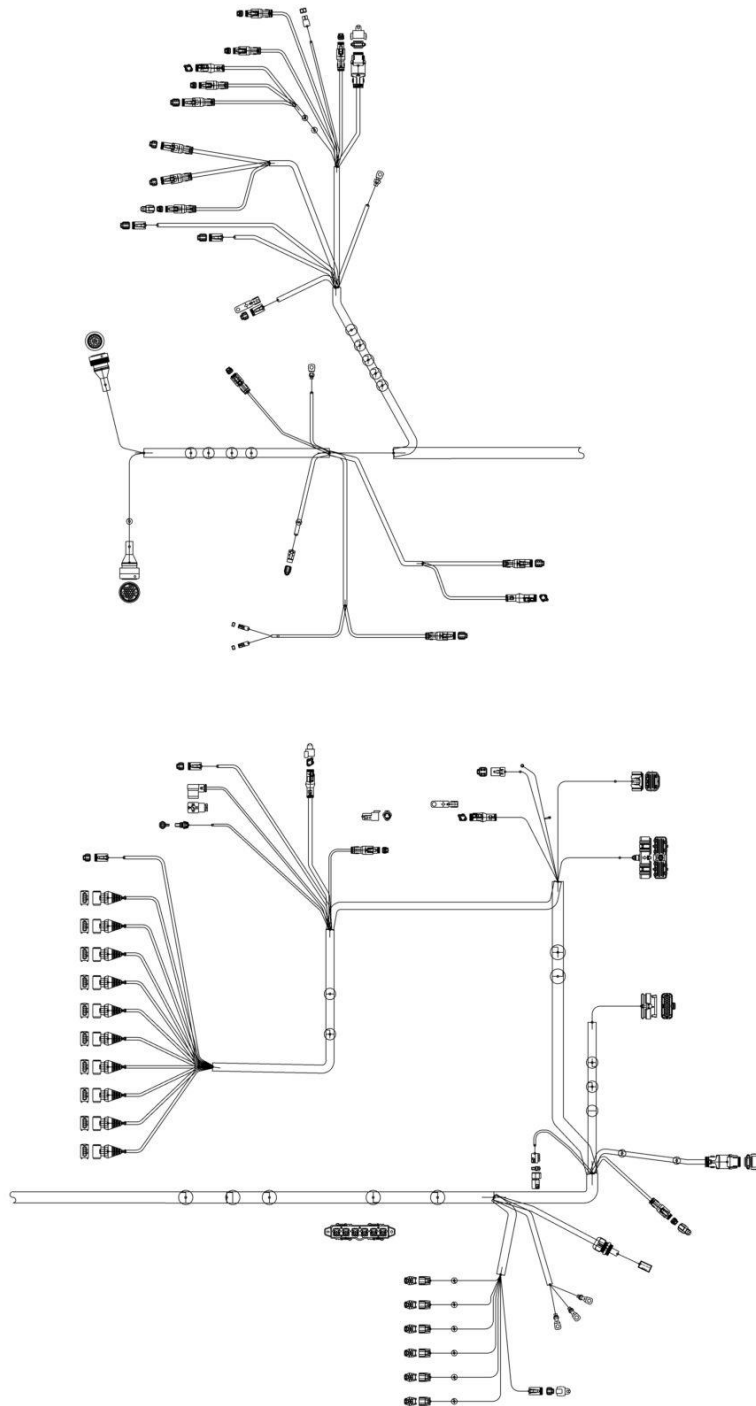
## SECTION 10 - ELECTRICAL

### FIGURE 10-34. TURNTABLE COMPONENTS

ITEM	PART NUMBER	QTY	DESCRIPTION	REV
	1001280775	Ref	TURNTABLE COMPONENTS	C
1	3290601	3	Nut M6	
2	1001275824	1	Rod	
3	1001275891	1	Reel, Boom Cable	
4	1001275892	1	Sensor, Angle	
5	1001275895	1	Switch, Pushbutton	
6	1001276077	2	Joint, Ball	
7	1001276091	1	Link, Angle Sensor	
8	1001276408	13.12 ft/ 4m	Pipe	
9	1001276473	1	Sensor, Tilt	
10	1001276993	1	Module, Frame Control	
11	1001276994	1	Module, Control	
12	1001277228	2	Sensor, Pressure	
13	1001278436	1	Bus, Multi Link CAN	
14	1001278671	1	Housing, Socket	
15	1001278672	1	Socket, Female	
16	1001278673	1	Socket, Male	
17	1001280537	1	Sensor, Pressure	
18	1001280802	1	Harness, Aux Boom	
19	1001283209	1	Housing	
20	1001299009	1	Connector	

# SECTION 10 - ELECTRICAL

## FIGURE 10-35. TURNTABLE HARNESS



ART\_1001282483

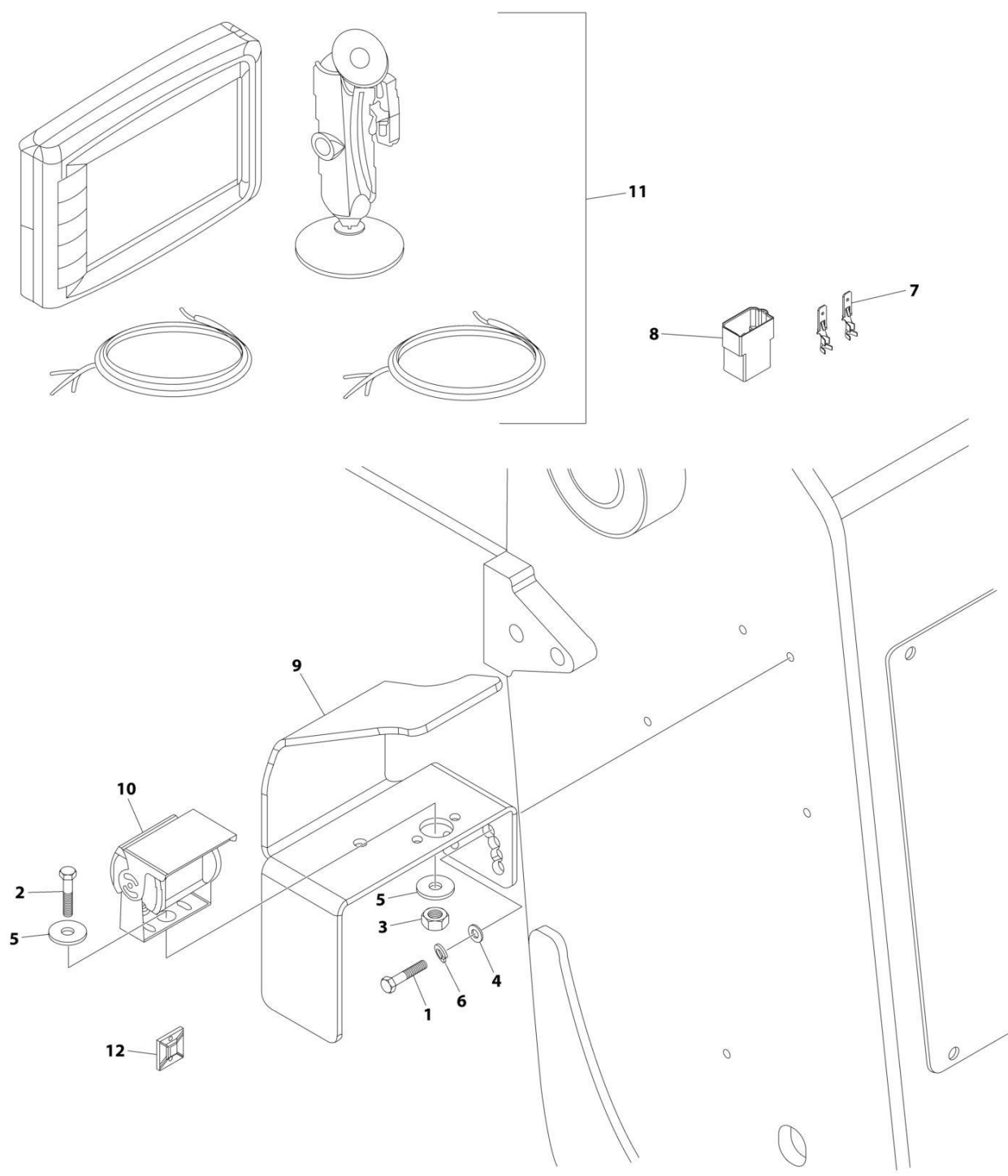
## SECTION 10 - ELECTRICAL

### FIGURE 10-35. TURNTABLE HARNESS

ITEM	PART NUMBER	QTY	DESCRIPTION	REV
	1001282483	Ref	TURNTABLE HARNESS	B
	See Note	Ref	Note: No Other Service Parts Available at Time of Printing.	

# SECTION 10 - ELECTRICAL

## FIGURE 10-36. WIRELESS CAMERA INSTALL



ART\_1001288883



## SECTION 10 - ELECTRICAL

### FIGURE 10-36. WIRELESS CAMERA INSTALL

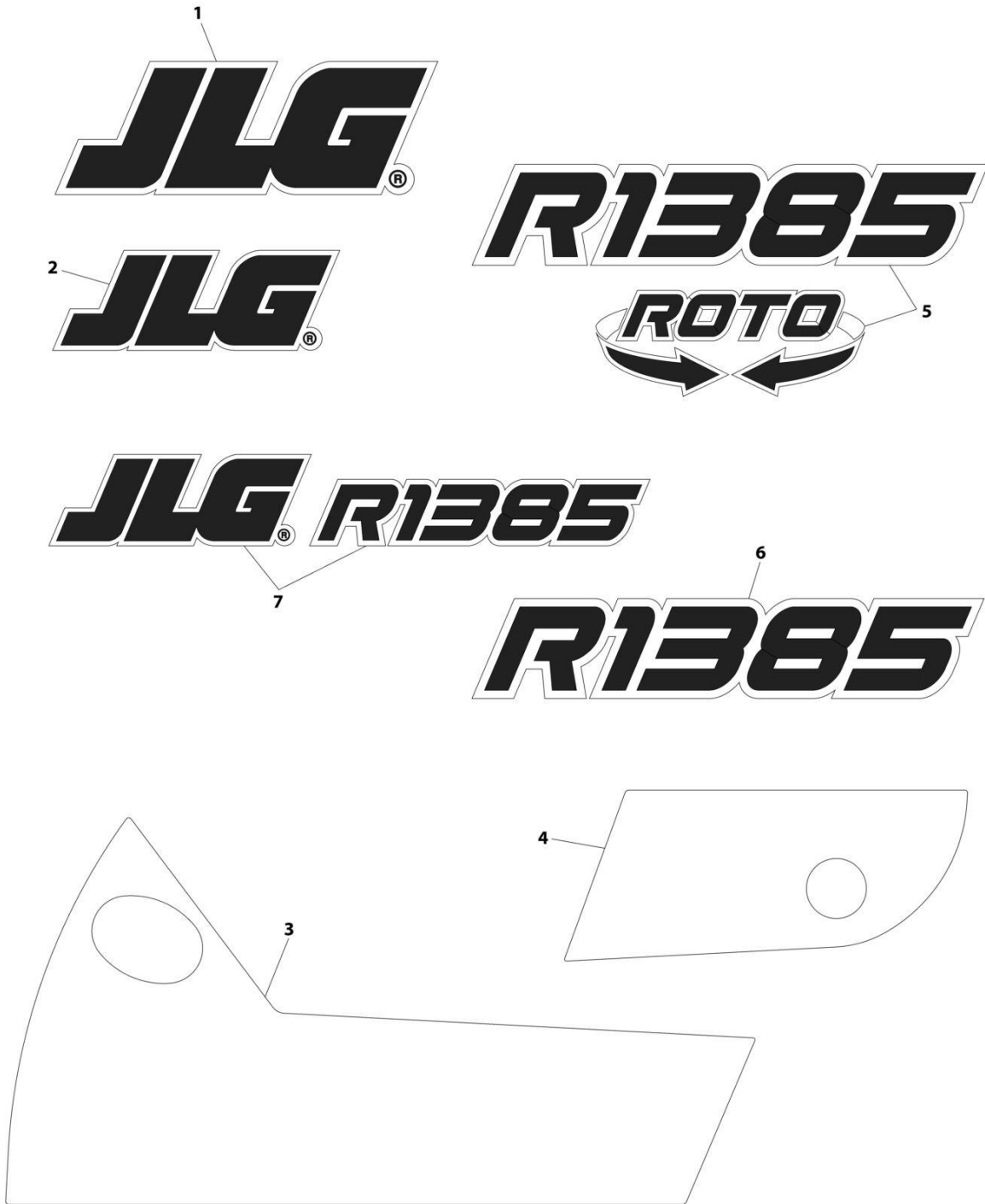
ITEM	PART NUMBER	QTY	DESCRIPTION	REV
	1001288883	Ref	WIRELESS CAMERA INSTALL	A
1	0761010	2	Bolt M10 x 20	
2	0761012	1	Bolt M10 x 25	
3	3291005	1	Nut, Lock M10	
4	4812000	2	Washer M10	
5	4812002	2	Washer M10	
6	4832000	2	Washer, Lock M10	
7	1001116700	2	Terminal (Located in Cab)	
8	1001117011	1	Connector (Located in Cab)	
9	1001281731	1	Bracket	
10	1001288892	1	Camera	
11	1001288893	1	Camera Display Kit	
12	1001288894	1	Plate	



**SECTION 11 - DECALS**

SECTION 11 - DECALS

FIGURE 11-1. R1385 MACHINE DECALS



ART\_1001275778

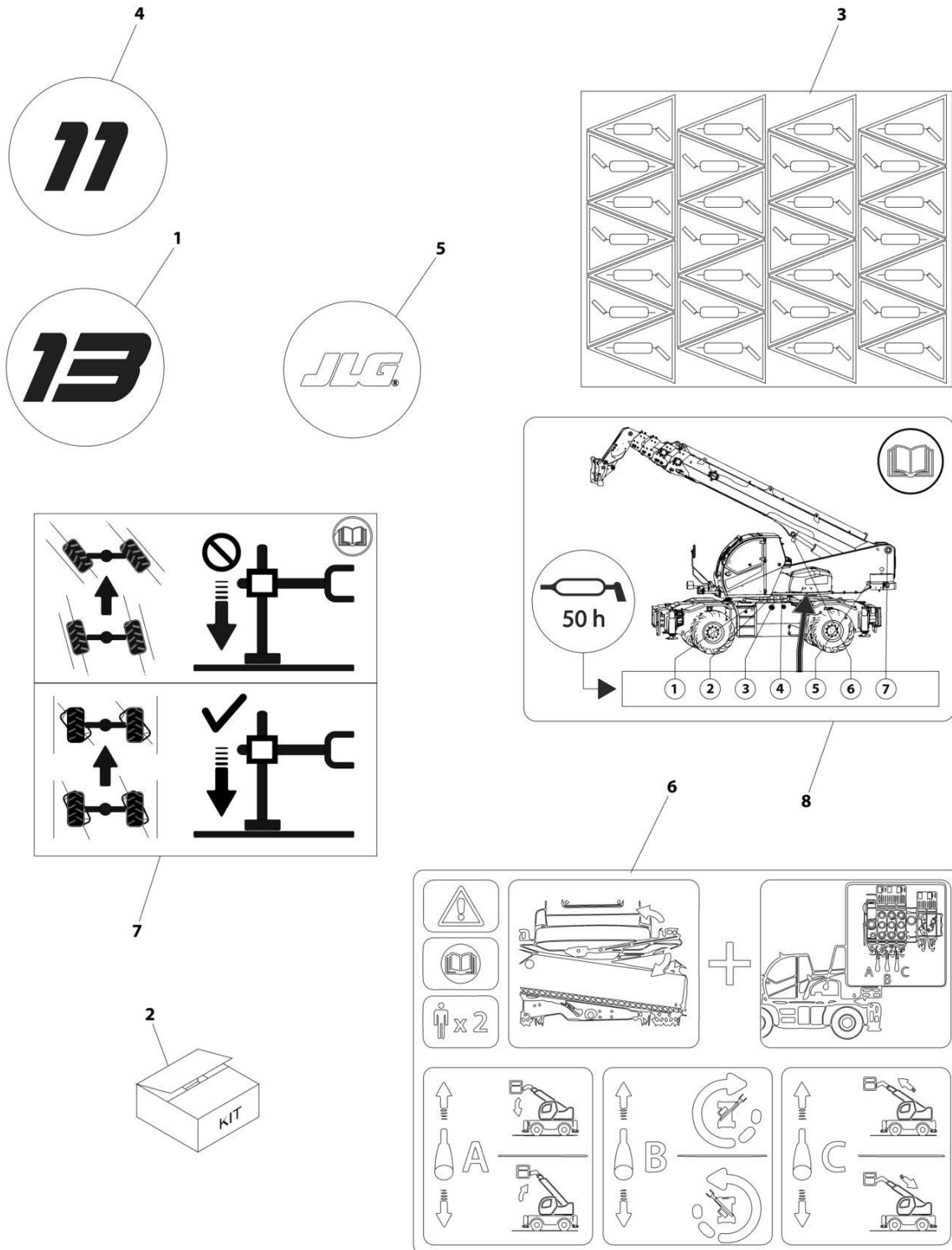
## SECTION 11 - DECALS

### FIGURE 11-1. R1385 MACHINE DECALS

ITEM	PART NUMBER	QTY	DESCRIPTION	REV
	1001275778	Ref	MACHINE DECALS	B
1	1001281865	3	Decal - JLG Logo	
2	1001281866	1	Decal - Cab JLG Logo	
3	1001281871	1	Decal - Cab Door Glass Tint	
4	1001281872	1	Decal - Cab Window Tint	
5	1001283375	2	Decal - Turntable R1385 Logo	
6	1001283376	1	Decal - Tanks R1385 Logo	
7	1001283377	1	Decal - Hood JLG/R1385 Logo	

# SECTION 11 - DECALS

## FIGURE 11-2. DECALS INSTALLATION



ART\_1001275779

## SECTION 11 - DECALS

### FIGURE 11-2. DECALS INSTALLATION

ITEM	PART NUMBER	QTY	DESCRIPTION	REV
	1001275779	Ref	DECALS INSTALLATION	C
1	1001281869	2	Decal - 13	
2	1001281873	1	Machine Decals Kit (See Separate Breakdown in this Section)	
3	1001281874	1	Decal - Lubrication	
4	1001283405	2	Decal - 11	
5	1001283406	1	Decal - Steering Wheel	
6	1001283407	1	Decal - Manual Control	
7	1001306120	1	Decal - Wheel Alignment	
8	1001306121	1	Decal - Grease Line	

# SECTION 11 - DECALS

## FIGURE 11-3. MACHINE DECALS KIT



ART\_1001281873



## SECTION 11 - DECALS

### FIGURE 11-3. MACHINE DECALS KIT

ITEM	PART NUMBER	QTY	DESCRIPTION	REV
	1001281873	Ref	MACHINE DECALS KIT	F
1	1001285653	1	Decal - Hot Surface	
2	1001285654	1	Decal - Boom Prop	
3	1001285655	1	Decal - Bucket	
4	1001286905	4	Decal - Outrigger Max Load	
5	1001286906	4	Decal - Tire Max Load	
6	1001286907	6	Decal - Lifting Point	
7	1001286908	6	Decal - Anchor Point	
8	1001286909	1	Decal - Oil Level Check	
9	1001286910	1	Decal - Battery Isolation	
10	1001286911	1	Decal - Refueling Oil	
11	1001286912	2	Decal - Emergency Exit	
12	1001286913	2	Decal - Cotter Pin	
13	1001286914	1	Decal - Isolation Switch	
14	1001286915	1	Decal - Wind Warning	
15	1001286916	1	Decal - Fire Extinguisher	
16	1001286917	1	Decal - Controller	
17	1001286918	1	Decal - Battery Disconnect Warning	
18	1001286919	1	Decal - Hydraulic Oil (ISO 68)	
19	1001286920	1	Decal - Hydraulic Oil (ISO 32)	
20	1001286921	1	Decal - Hydraulic Oil (ISO 46)	
21	1001286922	1	Decal - Right Joystick Functions	
22	1001286923	1	Decal - Left Joystick Functions	
23	1001286924	1	Decal - Walk Warning	
24	1001286925	1	Decal - Joystick Roller Functions	
25	1001286926	1	Decal - Tire Pressure	
26	1706296	1	Decal - Battery Warning	
27	1706299	1	Decal - Electrical Hazard	
28	1706300	1	Decal - Ether Warning	
29	1706301	1	Decal - Rotating Parts Warning	
30	1706302	1	Decal - Pinch Point Warning	
31	1706306	1	Decal - Tipover Warning	
32	1706768	1	Decal - No Riders	
33	1706850	1	Decal - Boom Crush Hazard	
34	1707078	1	Decal - Cab Warnings	
35	1001136094	1	Decal - Outrigger Crush Hazard	
36	1001139578	1	Decal - Hot Fluid Warning	
37	1001172035	1	Decal - Weld & Drill Warning	
38	1001195849	1	Decal - Personnel Warning	
39	1001196806	1	Decal - Diesel Exhaust Fluid	
40	1001207217	1	Decal - Boom Swing Warning	
41	1001218704	2	Decal - Ultra Low Sulphur	
42	1001219212	1	Decal - DEF Fluid Only	
43	1001227287	1	Decal - Manual Location	
44	1001231801	1	Decal - Prop 65 Warning	



## **SECTION 12 - RECOMMENDED SERVICE PARTS STOCK**

## **SECTION 12 - RECOMMENDED SERVICE PARTS STOCK**

## SECTION 12 - RECOMMENDED SERVICE PARTS STOCK

FIGURE 12-1. RECOMMENDED SERVICE PARTS STOCK

ITEM	PART NUMBER	QTY	DESCRIPTION	REV
		Ref	Note: The following list will service one machine (built to current production per date on the front cover) with emergency repair parts which can be installed in the field. Parts from the list should be replaced when inventory is depleted to keep service parts stock supplied. For further information, contact your JLG dealer or the JLG Industries Parts Department.	
		Ref	Engine - R1385	
	1001277180	12	Filter, Fuel	
	70030937	12	Filter, Fuel Pre	
	70030938	12	Filter, Oil	
	1001278296	12	Filter, Air (Cab)	
	1001277179	12	Filter, Air (Engine Air Filter - Small)	
	1001277178	12	Filter, Air (Engine Air Filter - Large)	
	1001277182	12	Filter, DEF Pump	
	1001277154	12	Filter, DEF Tank	
	1001275828	12	Filter, Hydraulic Oil (Exterior)	
	1001280583	12	Filter, Hydraulic Oil (In Tank)	
	1001274763	12	Filter, Hydraulic Oil (In Tank)	
	1001274764	12	Filter, Hydraulic Oil (In Tank)	
	1001280479	12	Filter, Hydraulic Oil (In Tank Lid)	

**SECTION 13 - SPECIAL OPTIONS/ACCESSORIES/KITS**

**SECTION 13 - SPECIAL OPTIONS/ACCESSORIES/KITS**

## SECTION 13 - SPECIAL OPTIONS/ACCESSORIES/KITS

FIGURE 13-1. SPECIAL OPTIONS/ACCESSORIES/KITS

ITEM	PART NUMBER	QTY	DESCRIPTION	REV
	See Note	Ref	Note: This list is to accommodate machines ordered with special equipment. Options may not be applicable to all models. For more specific parts information contact JLG Parts Department.	
		Ref	SPECIAL OPTIONS/ACCESSORIES/KITS	
	1001299592	Ref	Aftermarket Attachments List	B
		Ref	Attachments:	
	1001299488	Ref	Carriage - 72 Inch	
	1001299481	Ref	Forks 2-3/8 x 5 x 60 (Set of Two)	
	1001299482	Ref	Forks 2-3/8 x 5 x 72 (Set of Two)	
	1001276579	Ref	Mixing Bucket - 91 Gal	
	1001276580	Ref	Hydraulic Ladle - 158 Gal	
	1001275764	Ref	Backup Alarm Kit	
	1001275965	Ref	Cab Guard Kit	
	1001289155	Ref	Camera Kit - Boom Head	
	1001289630	Ref	Decal Kit	
	1001302808	Ref	Filter Kit - Diesel Cab Heater	
	1001303414	Ref	Grease Line Repair Kit	
	1001276032	Ref	Outrigger Platforms Kit	
	1001302786	Ref	PT Box Kit	
		Ref	Sub-FAPL:	
	1001275757	Ref	A/C Installation	B
	1001275769	Ref	Boom Installation	B
	1001275756	Ref	Cab Heat Installation	B
	1001275753	Ref	Cab Installation	C
	1001275762	Ref	Cylinders Installation	B
	1001275747	Ref	Drivetrain Installation	B
	1001275748	Ref	Engine Installation	B
	1001275636	Ref	Frame Installation	B
	1001275763	Ref	Main Electrical Installation	B
	1001280773	Ref	Harness And Cables Installation	A
	1001275761	Ref	Main Hydraulics Installation	B
	1001280445	Ref	Frame Hydraulics Installation	A
	1001275760	Ref	Outriggers Installation	B
	1001276568	Ref	Platform Installation - 4ft x 7ft	D
	1001276570	Ref	Platform Installation - 8ft x 13-1/2ft Extendable	C
	1001288040	Ref	Service Kit - 500 Hour	
	1001288041	Ref	Service Kit - 1000 Hour	
	1001288043	Ref	Service Kits List	B
	1001295039	Ref	Telematics Kit	
		Ref	<b>Tools:</b>	
	7002821	1	Crimper	
	7002823	1	Extractor	
	7004276	1	Seal Tool 1 1/2" (For Cylinders)	
	7004275	1	Seal Tool 1" (For Cylinders)	
	7002826	1	Seal Tool 2" (For Cylinders)	
	8896941	1	Wire Stripper	
	1001289153	Ref	Worklights Kit - Boom	
	1001289154	Ref	Worklights Kit - Cab	

## SECTION 13 - SPECIAL OPTIONS/ACCESSORIES/KITS

### PART NUMBER INDEX

## SECTION 13 - SPECIAL OPTIONS/ACCESSORIES/KITS

0630612.....153	1001219212 ..... 333	1001274770 ..... 203, 205, 207, 221	1001275373.....199
0700510.....181	1001226636 ..... 319	1001274774 79, 209, 217, 223, 233, 241	1001275381.....205, 207, 211
0700614.....70, 147	1001226637 ..... 319	1001274775 ..... 219, 235	1001275479.....169
0700618.....79	1001227287 ..... 333	1001274776 ..... 251	1001275480.....163
0700808.....25, 41, 269	1001228388 ..... 305	1001274965 ..... 221	1001275511.....213
0700810.....19, 27, 41, 51	1001231801 ..... 333	1001274966 ..... 205, 207	1001275550.....139
0700812.....15, 17, 19, 45	1001262322 ..... 317	1001274971 ..... 203	1001275553.....27, 303
0700814.....67	1001262327 ..... 317	1001274975 ..... 225	1001275555.....27
0700815.....41, 147	1001274566 ..... 37	1001275002 ..... 63	1001275556.....93
0700816.....59, 79, 303	1001274571 .... 35, 37, 39	1001275007 ..... 217, 225	1001275636.....338
0700818.....21, 35	1001274572 ..... 35	1001275008 ..... 203	1001275699.....219
0700822.....35, 147	1001274573 ..... 37	1001275011 ..... 221	1001275700.....35, 39, 41
0700826.....70	1001274574 ..... 37	1001275017 ..... 221	1001275701.....37, 39
0701012.....13, 21, 31, 51	1001274575 ..... 37	1001275018 ..... 79	1001275702.....163
0701014...15, 27, 91, 277	1001274577 .... 35, 37, 39	1001275020 ..... 167	1001275703.....163
0701015.....39, 41, 91	1001274578 .... 37, 39, 41	1001275021 ..... 199	1001275704.....65
0701020.....93	1001274579 ..... 35	1001275022 ..... 199	1001275714.....25, 219
0701024.....65	1001274581 ..... 35, 37	1001275025 ..... 63	1001275715.....45
0701026.....67	1001274584 ..... 37, 39	1001275026 ..... 63	1001275717.....239
0701215....19, 37, 39, 41, 45	1001274585 ..... 37	1001275027 ..... 63	1001275718.....39
0701216.....21	1001274586 ..... 35, 43	1001275028 ..... 63	1001275747.....338
0701217.....41	1001274587 .... 35, 37, 43	1001275029 ..... 167	1001275748.....338
0701218....39, 45, 53, 67, 81, 83	1001274589 ..... 37, 43	1001275030 ..... 21, 239	1001275749.....93
0701220.....27	1001274590 ..... 35, 43	1001275031 ..... 201, 227	1001275750.....99
0701417.....70	1001274591 ..... 35, 43	1001275032 41, 201, 227	1001275751.....95
0701619.....51	1001274592 ..... 37, 43	1001275040 ..... 13	1001275752.....19
0701631.....41	1001274596 ..... 35	1001275044 ..... 21	1001275753.....338
0712024.....79	1001274597 ..... 37	1001275047 ..... 21	1001275756.....338
0760508.....17, 25	1001274599 ..... 35	1001275048 ..... 21	1001275757.....338
0760608.....43, 70	1001274667 ..... 41	1001275049 ..... 21	1001275758.....181
0760610.....43	1001274668 ..... 41	1001275050 ..... 145	1001275759.....303
0760816.....305	1001274669 ..... 41	1001275051 ..... 25	1001275760.....338
0761008.....13	1001274670 45, 197, 201	1001275054 ..... 47, 63	1001275761.....338
0761010....13, 21, 31, 79, 325	1001274671 ..... 41	1001275055 ..... 63	1001275762.....338
0761012.....325	1001274672 ..... 41	1001275059 ..... 115	1001275763.....338
0761016.....25	1001274675 ..... 39	1001275065 ..... 21	1001275764.....257, 338
0761208.....23	1001274676 ..... 39	1001275066 ..... 21	1001275765.....141
0761210.....15, 179	1001274677 ..... 39	1001275067 ..... 35	1001275766.....137
0761214....15, 35, 37, 39, 41	1001274678 ..... 39, 41	1001275073 ..... 13, 27	1001275767.....139
0761614.....70	1001274691 ..... 27	1001275078 ..... 17	1001275769.....338
0762016.....17	1001274697 ..... 23	1001275079 ..... 87	1001275778.....329
1001008967.....103, 123	1001274698 ..... 163	1001275080 ..... 77	1001275779.....331
1001009162.25, 151, 153	1001274712 ..... 179	1001275081 ..... 77	1001275802.....15
1001091102.....43, 305	1001274716 ..... 47	1001275082 ..... 47, 63	1001275803.....95
1001102830.....147	1001274722 ..... 77	1001275093 ..... 277	1001275804.....19, 221
1001102933.....31, 223	1001274724 ..... 25	1001275096 ..... 25	1001275805.....13
1001108603.....147, 153, 157	1001274725 ..... 25	1001275097 ..... 303	1001275806.....15
1001110115.....195	1001274729 ..... 65	1001275278 ..... 27	1001275807.....15, 21
1001111317 .....151	1001274734 ..... 191	1001275283 ..... 169	1001275809.....95
1001116700.....325	1001274737 ..... 17	1001275284 ..... 269	1001275810.....25, 35
1001116731 .....319	1001274738 ..... 25	1001275287 ..... 93	1001275811.....15
1001117011 .....325	1001274742 ..... 25	1001275288 ... 53, 67, 70, 73, 81, 83	1001275812.....15
1001130220.....155	1001274743 ..... 311	1001275296 ..... 45	1001275813.....87
1001136094.....333	1001274744 ..... 311	1001275297 ..... 239	1001275814.....87
1001139578.....333	1001274745 ..... 269, 277	1001275310 ..... 165	1001275815.....87
1001144147 .....319	1001274748 ..... 70, 73	1001275329 ..... 303	1001275816.....87
1001172035.....333	1001274749 ..... 285	1001275331 ..... 47	1001275817.....17
1001175533.....151, 153	1001274752 ..... 47	1001275338 ..... 13	1001275818.....19
1001195849.....333	1001274754 ..... 77	1001275341 ..... 163	1001275819.....17
1001196806.....333	1001274755 ..... 311	1001275343 ..... 17	1001275820.....27, 171
1001207217...81, 83, 333	1001274756 ..... 175	1001275344 ..... 21	1001275822.....27
1001218704.....333	1001274758 ..... 213, 217	1001275345 ..... 21	1001275824.....321
	1001274760 ..... 195, 197	1001275346 ... 53, 67, 81, 83	1001275826.....41
	1001274763 ..... 19, 336		1001275827.....15
	1001274764 ..... 19, 336		1001275828.....213, 336
	1001274769 ..... 211		1001275829.....219



## SECTION 13 - SPECIAL OPTIONS/ACCESSORIES/KITS

1001275830..... 17	1001276096..... 19	1001276257..... 209, 223	1001276420..... 19
1001275886..... 35, 43	1001276098..... 17	1001276258..... 199	1001276422..... 19
1001275887..... 305	1001276099..... 93	1001276260..... 199	1001276437..... 19
1001275889..... 203	1001276100..... 17	1001276261..... 209	1001276468..... 13
1001275890..... 191	1001276101..... 17	1001276262..... 223	1001276473..... 321
1001275891..... 321	1001276102..... 13	1001276263..... 223	1001276475..... 203
1001275892..... 321	1001276103..... 15	1001276264..... 199, 217	1001276476..... 213
1001275893..... 285	1001276104..... 237	1001276266..... 199	1001276477..... 19
1001275894..... 185	1001276105..... 237	1001276267..... 199	1001276478..... 97
1001275895..... 321	1001276106..... 237	1001276270..... 209	1001276483..... 213
1001275897..... 191, 203	1001276107..... 13	1001276271..... 223	1001276484..... 167
1001275898..... 203, 225	1001276108..... 13	1001276272..... 223	1001276485..... 221
1001275899..... 203	1001276109..... 13	1001276275..... 225	1001276487..... 199, 205, 207
1001275907..... 203	1001276110..... 15	1001276276..... 225	1001276488..... 199
1001275909..... 231	1001276111..... 27	1001276277..... 213	1001276493..... 277
1001275912..... 225	1001276112..... 115	1001276278..... 213	1001276495..... 63
1001275916..... 213	1001276190..... 95	1001276279..... 213	1001276496..... 219
1001275918..... 19	1001276191..... 27	1001276280..... 203	1001276498..... 219
1001275920..... 167	1001276192..... 17	1001276281..... 211	1001276499..... 219
1001275921..... 211	1001276193..... 17	1001276282..... 219	1001276500..... 225
1001275922..... 213	1001276194..... 117	1001276283..... 203	1001276501..... 219
1001275923..... 213	1001276195..... 95	1001276285..... 203	1001276503..... 219
1001275924..... 45	1001276196..... 15	1001276286..... 217	1001276504..... 225
1001275945..... 159	1001276197..... 17	1001276287..... 221	1001276505..... 203
1001275950..... 305	1001276198..... 13	1001276288..... 217	1001276506..... 221
1001275959..... 197	1001276200..... 93	1001276289..... 225	1001276507..... 221
1001275960..... 195	1001276201..... 15	1001276292..... 167	1001276508..... 213
1001275963..... 277	1001276202..... 95	1001276293..... 167	1001276509..... 213
1001275964..... 269	1001276203..... 17	1001276294..... 167, 213	1001276510..... 221
1001275965..... 179, 338	1001276204..... 93	1001276295..... 225	1001276511..... 205, 207
1001275973..... 93	1001276205..... 25	1001276296..... 221	1001276512..... 205, 207
1001275975..... 225, 247	1001276206..... 25, 35	1001276298..... 221	1001276513..... 205, 207
1001275977..... 91	1001276207..... 17	1001276299..... 211	1001276514..... 211
1001275980..... 41	1001276208..... 17	1001276300..... 167	1001276516..... 205
1001275981..... 21	1001276209..... 17	1001276301..... 225	1001276517..... 225
1001275983..... 237	1001276210..... 93	1001276302..... 211	1001276542..... 29
1001275984..... 19	1001276211..... 13	1001276303..... 219	1001276544..... 91
1001275986..... 13	1001276212..... 13	1001276323..... 93	1001276551..... 91
1001275987..... 141	1001276214..... 35	1001276324..... 97	1001276552..... 97
1001275988..... 137, 139	1001276215..... 27	1001276325..... 97	1001276553..... 51
1001275989..... 137, 139, 141	1001276216..... 17	1001276326..... 93	1001276555..... 35
1001275993..... 37, 41	1001276217..... 93	1001276327..... 221, 237	1001276558..... 93
1001275994..... 37, 41	1001276218..... 37, 43	1001276328..... 93	1001276559..... 93
1001275995..... 35, 39	1001276220..... 93	1001276331..... 95	1001276560..... 217
1001275997..... 35, 39	1001276221..... 97	1001276332..... 95	1001276562..... 225
1001276002..... 95	1001276222..... 93	1001276333..... 95	1001276564..... 237
1001276003..... 95	1001276223..... 93	1001276334..... 167, 221	1001276565..... 93
1001276004..... 95	1001276224..... 93	1001276335..... 205, 207, 221	1001276568..... 338
1001276005..... 93	1001276225..... 93	1001276336..... 29	1001276570..... 338
1001276006..... 35, 41	1001276226..... 93	1001276337..... 199	1001276571..... 65
1001276032..... 23, 338	1001276227..... 97	1001276338..... 219	1001276572..... 63
1001276074..... 35, 41	1001276241..... 115	1001276339..... 219	1001276573..... 61
1001276075..... 35	1001276242..... 115	1001276340..... 213	1001276574..... 51
1001276076..... 35	1001276243..... 213	1001276405..... 241	1001276575..... 81
1001276077..... 321	1001276244..... 217	1001276407..... 235	1001276576..... 83
1001276078..... 29, 235, 239	1001276245..... 219	1001276408..... 321	1001276577..... 67
1001276079..... 17	1001276246..... 211	1001276410..... 21	1001276579..... 338
1001276082..... 17	1001276247..... 225	1001276411..... 27	1001276580..... 338
1001276084..... 17	1001276248..... 203, 211	1001276412..... 27	1001276822..... 37
1001276085..... 15	1001276249..... 225	1001276413..... 17	1001276823..... 37
1001276086..... 15, 19	1001276250..... 203, 211, 221	1001276414..... 155	1001276824..... 37
1001276087..... 25	1001276252..... 211	1001276415..... 155	1001276827..... 45, 195, 197
1001276088..... 25	1001276253..... 203	1001276416..... 155	1001276835..... 227
1001276090..... 25	1001276254..... 203	1001276417..... 19	1001276836..... 227
1001276091..... 321	1001276255..... 203	1001276418..... 19	1001276837..... 227
1001276092..... 93	1001276256..... 199	1001276419..... 19	1001276838..... 201

## SECTION 13 - SPECIAL OPTIONS/ACCESSORIES/KITS

1001276839.....201	1001277242..... 217, 243	1001278065 .....25	1001278392.....151
1001276841.....249	1001277243..... 217	1001278066 .....25	1001278396..... 151, 153
1001276850.....227	1001277244..... 203, 217	1001278067 .....25	1001278397.....151
1001276852.....227	1001277245..... 203	1001278071 .....25	1001278398.....151
1001276853.....201	1001277246..... 217	1001278078 .... 21, 41, 91	1001278399.....151
1001276854.....201	1001277248..... 167	1001278133 .....93	1001278400.....151
1001276883.....303	1001277250..... 225	1001278136 .....93	1001278402.....151
1001276889..19, 31, 147, 185	1001277436..... 303	1001278186 ... 19, 45, 55, 63, 195, 197, 203, 225, 227, 235	1001278404.....151
1001276890.....285	1001277437..... 285		1001278406.....151
1001276891.....185	1001277438..... 285	1001278262 ..... 147	1001278407.....151
1001276895.....157	1001277442..... 153	1001278264 ..... 145	1001278408.....153
1001276899.....219	1001277444 ... 53, 70, 73, 81, 83	1001278266 ..... 155	1001278409.....153
1001276901.....209, 221, 223, 243	1001277446..... 205, 207	1001278268 ..... 155	1001278411.....153
1001276902.....45, 219	1001277517 ..... 277	1001278270 ..... 155	1001278413.....153
1001276907.....217	1001277518..... 103, 111	1001278271 ..... 157	1001278415.....153
1001276909.....195, 197	1001277526. 45, 55, 167, 203	1001278272 ..... 157	1001278419.....153
1001276910.....213, 217	1001277528 19, 221, 225	1001278273 ..... 157	1001278420.....157
1001276911.....93	1001277530..... 51	1001278276 ..... 153	1001278424..... 151, 153
1001276912.....239	1001277531..... 51	1001278281 ..... 157	1001278425.....157
1001276941.....21	1001277532..... 51	1001278286 ..... 157	1001278426.....153
1001276949.....115	1001277533..... 51	1001278287 ..... 157	1001278427..... 151, 153
1001276951.....137	1001277534..... 51	1001278288 ..... 157	1001278428.....153
1001276955.....141	1001277534..... 51	1001278289 ..... 157	1001278434.....271
1001276960.....35, 41	1001277535 ... 53, 67, 81, 83	1001278292 ..... 153	1001278436.....285, 321
1001276970.....21	1001277536..... 67	1001278296 ..... 157, 336	1001278442.....271
1001276976.....251	1001277541..... 63	1001278316 ..... 191	1001278443.....271
1001276977.....117, 119	1001277542..... 63	1001278317 ..... 191	1001278444.....271
1001276991.....285	1001277544..... 67	1001278320 ..... 191	1001278445.....271
1001276992.....189	1001277546..... 75	1001278324 ..... 191	1001278446.....271
1001276993.....285, 321	1001277547..... 75	1001278338 ..... 151	1001278447.....271
1001276994.....321	1001277548..... 63	1001278342 ..... 147	1001278448.....271
1001276997.....205, 207	1001277549..... 65	1001278343 ..... 147	1001278449.....271
1001276998.....93	1001277549..... 65	1001278344 ..... 147	1001278451.....185
1001276999.....93	1001277551..... 67	1001278345 ..... 147	1001278453.....185
1001277002.....237	1001277552..... 51	1001278346 ..... 147	1001278475.....185
1001277005.....155	1001277553..... 51	1001278347 ..... 147	1001278478.....77
1001277007.....155	1001277554..... 51	1001278348 ..... 147	1001278498... 15, 21, 23, 27, 35, 37, 39, 41
1001277012.....235	1001277555..... 65	1001278349 ..... 147	1001278499.....239
1001277154.....19, 336	1001277556..... 75	1001278350 ..... 147	1001278500.....239
1001277156.....205, 207	1001277557..... 75	1001278351 ..... 147	1001278502.....21
1001277158.....167	1001277558..... 75	1001278352 ..... 147	1001278503.....21
1001277160.....19	1001277559..... 75	1001278353 ..... 147	1001278622..... 159, 163
1001277161.....19	1001277560..... 63	1001278354 ..... 147	1001278623..... 159, 165
1001277162.....207	1001277655..... 45, 47	1001278355 .... 147, 151, 153	1001278624.....165
1001277166.....213	1001277656..... 45	1001278356 ..... 147	1001278625.....165
1001277167.....151	100127770645, 195, 197, 201	1001278357 ..... 147	1001278626.....169
1001277177.....271	100127770745, 195, 197, 201	1001278359 ..... 147	1001278627.....169
1001277178.....97, 336		1001278360 ..... 147	1001278628.....169
1001277179.....97, 336	1001277710..... 181	1001278361 ..... 147	1001278629.....169
1001277180.....89, 336	1001277711..... 23	1001278370 ..... 147	1001278630.....169
1001277181.....97	1001277715..... 159, 161	1001278372 ..... 147	1001278631.....169
1001277182.....19, 336	1001277725..... 165	1001278375 ..... 147	1001278632.....169
1001277225.....303	1001277760..... 31	1001278376 ..... 147	1001278634.....303
1001277226.....269	1001277766..... 31	1001278377 ..... 147	1001278635.....257
1001277227.....311	1001277784 .... 21, 31, 91	1001278378 ..... 147	1001278637.....239
1001277228.....219, 321	1001277787..... 45, 197	1001278379 ..... 147	1001278649.....311
1001277230.....135	1001277788..... 45, 197	1001278380 ..... 147	1001278650.....311
1001277232.....187	1001277796..... 31	1001278383 ..... 147	1001278651.....311
1001277233.....187	1001278044..... 13	1001278384 ..... 148	1001278652.....311
1001277235.....213	1001278046..... 13	1001278385 ..... 151, 153	1001278654.....285
1001277236.....203	1001278052..... 147	1001278386 ..... 151, 153	1001278657.....285
1001277238.....243	1001278053..... 41	1001278388 ..... 151, 153	1001278660.....285
1001277239.....243	1001278055..... 13	1001278389 ..... 151	1001278667.....291
1001277240.....243	1001278060..... 13, 17	1001278390 ..... 151, 153	1001278668.....309
1001277241.....243	1001278064..... 25	1001278391 ..... 151, 157	1001278671..... 77, 321
			1001278672..... 77, 321

## SECTION 13 - SPECIAL OPTIONS/ACCESSORIES/KITS

1001278673 ..... 77, 321	1001279256.....219, 225	1001279549.....17	1001280517 ..... 167, 213
1001278675 ..... 151	1001279257.....213	1001279550.....17	1001280519 ..... 213
1001278718 ..... 35, 39	1001279261..... 167	1001279551.....17, 25	1001280520 ..... 213
1001278719 .... 35, 37, 39	1001279262..... 223	1001279555.....27	1001280521 ..... 214
1001278720 ..... 35, 43	1001279270.....217	1001279623.....217	1001280525 ..... 217
1001278721 .... 35, 37, 39	1001279271.....205, 207,	1001280414.....87	1001280526 ..... 217
1001278722 .... 35, 37, 39	213, 217, 219	1001280415.....97	1001280529 ..... 219
1001278725 ..... 35, 43	1001279273.....205	1001280416.....91	1001280531 ..... 219
1001278726 ..... 37	1001279277..... 55, 79	1001280419.....93	1001280532 ..... 225
1001278727 ..... 37, 39	1001279278 79, 217, 233,	1001280420.....93	1001280533 ..... 225
1001278728 ..... 37	241, 251	1001280421.....93	1001280535 ..... 167, 225
1001278729 ..... 35, 70	1001279279.....213	1001280445.....338	1001280537 .... 203, 225,
1001278731 ..... 37	1001279281.....203, 211,	1001280446.....199	321
1001278734 ..... 37	221, 225	1001280447.....221	1001280538 ..... 203, 225
1001278737 ..... 37, 43	1001279282.....213	1001280448.....205, 207	1001280540 ..... 203
1001278738 ..... 39	1001279283.....213, 219,	1001280449.....211	1001280542 ..... 203
1001278740 ..... 41	221, 225	1001280450.....213	1001280543 ..... 203
1001279097 ..... 45, 197	1001279284..... 167, 203,	1001280451.....209	1001280544 ..... 203
1001279098 45, 167, 197,	219, 225	1001280452.....223	1001280545 ..... 203
213, 219, 221, 225	1001279285.....213	1001280453.....217	1001280550 ..... 237
1001279099 ..... 45	1001279286.....211	1001280454.....219	1001280571 ..... 21
1001279102 ..... 45, 217	1001279290..... 199, 211,	1001280455.....225	1001280573 ..... 95
1001279103 ..... 55, 79	221	1001280456.....203	1001280574 ..... 95
1001279104 45, 197, 219	1001279292.....31	1001280457 .....231	1001280575 ..... 95
1001279105 ... 45, 55, 79,	1001279296..... 19, 213	1001280458.....187	1001280576 ..... 95
167, 239	1001279297..... 225	1001280460.....29	1001280577 ..... 95
1001279108 45, 197, 201	1001279299.....221	1001280461.....231	1001280578 ..... 95
1001279109 ..... 195	1001279309.....211	1001280462.....233	1001280579 ..... 19
1001279110 ..... 47	1001279312.....217	1001280463.....233	1001280580 ..... 19
1001279111 ..... 47	1001279316.....217	1001280464.....241	1001280582 ..... 19, 221
1001279112 ..... 47	1001279317.....203	1001280465.....235	1001280583 ..... 19, 336
1001279114 ..... 269	1001279318..... 203, 213	1001280466.....235	1001280584 ..... 19
1001279115 ..... 269	1001279319.....203	1001280469.....251	1001280585 ..... 19
1001279116 ..... 277	1001279321.....213	1001280470.....235	1001280586 ..... 19
1001279117 ..... 277	1001279323 55, 167, 201,	1001280472.....29	1001280587 ..... 19
1001279118 ..... 257, 269	219, 225, 227	1001280473.....29	1001280588 ..... 19
1001279119 ..... 269	1001279324..... 167, 203,	1001280474.....29	1001280773 ..... 338
1001279120 ..... 269	221	1001280475.....209, 211,	1001280774 ..... 285
1001279125 ..... 305	1001279330.....79, 203	221	1001280775 ..... 321
1001279142 ..... 175	1001279336.....205, 207	1001280476.....221	1001280776 ..... 311
1001279143 ..... 175	1001279337.....205, 207,	1001280477.....221	1001280786 ..... 285
1001279144 ..... 175	211, 213, 221, 225	1001280478..... 167, 173,	1001280787 ..... 285
1001279145 ..... 175	1001279340.....213	213, 221	1001280790 ..... 271, 285
1001279146 ..... 175	1001279341.....213	1001280479..... 19, 336	1001280792 ..... 271, 285
1001279147 ..... 175	1001279344.....221	1001280480 63, 211, 219,	1001280794 ..... 285
1001279148 ..... 171, 175	1001279345.....213	221, 225	1001280796 ..... 285
1001279149 ..... 175	1001279346.....211	1001280481.....221	1001280798 ..... 285
1001279150 ..... 171, 175	1001279349.....213	1001280482.....205, 207	1001280799 ..... 285
1001279151 ..... 175	1001279350.....213	1001280483.....205	1001280800 ..... 285
1001279239 .... 199, 203,	1001279354..... 19	1001280485.....211	1001280801 ..... 285
205, 207, 211, 213,	1001279356... 55, 63, 203	1001280486.....211	1001280802 ..... 321
221, 225	1001279358..... 221, 225	1001280487.....211	1001280861 ..... 167
1001279240 .... 199, 209,	1001279363..... 167	1001280488.....211	1001280862 ..... 171
211, 217, 223	1001279366.....203	1001280489.....211, 225	1001280864 ..... 167
1001279241 ..... 199, 217	1001279376..... 203, 211	1001280490.....211	1001280865 ..... 167
1001279242 .... 199, 205,	1001279377.....205	1001280491.....211, 213	1001280866 ..... 167
207	1001279379.....219	1001280492. 63, 203, 211	1001280868 ..... 169
1001279243 ..... 199	1001279538..... 15	1001280493.....79, 211	1001280869 ..... 171
1001279244 .... 199, 217,	1001279539..... 13	1001280494.....211	1001280870 ..... 171
221	1001279540..... 17	1001280495.....211	1001280871 ..... 171
1001279246 .... 199, 209,	1001279541..... 25	1001280511.....203, 213,	1001280872 ..... 171
223, 225	1001279542..... 27	217	1001280873 ..... 171
1001279247 ..... 199	1001279543..... 15	1001280512.....203, 213	1001280875 ..... 171
1001279248 .... 201, 203,	1001279544..... 15	1001280513.....213	1001280876 ..... 171, 173
219, 235	1001279546..... 13	1001280514.....213	1001280877 ..... 177
1001279253 ..... 221	1001279547..... 13	1001280515.....213	1001280878 ..... 171
1001279254 ..... 225	1001279548..... 17	1001280516.....213	1001280879 ..... 171

## SECTION 13 - SPECIAL OPTIONS/ACCESSORIES/KITS

1001280880.....	173	1001281043.....	185	1001281735.....	305	1001282534.....	239
1001280881.....	173	1001281044.....	185	1001281736.....	305	1001282643.....	157
1001280882.....	173	1001281045.....	185	1001281835.....	265	1001282644.....	155
1001280883.....	173	1001281046.....	271	1001281836.....	265	1001282645.....	155
1001280884.....	173	1001281047.....	271	1001281837.....	265	1001282659.....	305
1001280885.....	173	1001281048.....	271	1001281840.....	265	1001282660.....	305
1001280887.....	177	1001281051.....	271	1001281841.....	265	1001282661.....	305
1001280888.....	177	1001281053.....	271	1001281842.....	265	1001282663.....	305
1001280889.....	177	1001281057.....	271	1001281843.....	265	1001282664.....	305
1001280890.....	175, 177	1001281223.....	271	1001281844.....	265	1001282665.....	305
1001280891.....	177	1001281224.....	117	1001281845.....	265	1001282925.....	137
1001280892.....	177	1001281226.....	115	1001281846.....	265	1001282931.....	139
1001280893.....	177	1001281227.....	103	1001281849.....	265	1001283199.....	221
1001280894.....	177	1001281229.....	123	1001281865.....	329	1001283200.....	221
1001280895.....	177	1001281230.....	135	1001281866.....	329	1001283201.....	221
1001280896.....	177	1001281232.....	115	1001281869.....	331	1001283202.....	237
1001280908.....	29	1001281233.....	123, 131	1001281871.....	329	1001283203.....	211
1001280920.....	145	1001281234.....	135	1001281872.....	329	1001283204.....	214
1001280921.....	153	1001281238.....	43	1001281873.....	331, 333	1001283208.....	285
1001280924.....	157	1001281244.....	43	1001281874.....	331	1001283209.....	77, 321
1001280925.....	155	1001281245.....	43	1001282012.....	297	1001283234.....	219
1001280926.....	189	1001281246.....	227	1001282013.....	293	1001283236.....	225
1001280927.....	191	1001281247.....	201, 227	1001282158.....	25	1001283238.....	203
1001280928.....	185	1001281355.....	175	1001282267.....	13	1001283239.....	29
1001280929.....	271	1001281356.....	31	1001282268.....	13	1001283263.....	245
1001280930.....	145	1001281357.....	175	1001282269.....	97	1001283286.....	219
1001280932.....	153	1001281361.....	31	1001282270.....	95	1001283287.....	219
1001280933.....	153	1001281362.....	31	1001282271.....	95	1001283375.....	329
1001280934.....	153	1001281363.....	31	1001282272.....	99	1001283376.....	329
1001280936.....	153	1001281364.....	31	1001282273.....	99	1001283377.....	329
1001280997.....	157	1001281365.....	31	1001282359.....	35	1001283405.....	331
1001280998.....	155	1001281366.....	31	1001282362.....	37	1001283406.....	331
1001280999.....	155	1001281367.....	31	1001282363.....	39	1001283407.....	331
1001281001.....	155	1001281368.....	31	1001282364.....	41	1001283498.....	47
1001281002.....	155	1001281369.....	31	1001282367.....	43	1001283679.....	75
1001281003.....	155	1001281370.....	31	1001282369.....	43	1001283680.....	73
1001281004.....	189	1001281371.....	31	1001282370.....	227	1001283681.....	70, 73
1001281005.....	189	1001281372.....	31	1001282371.....	227	1001283682.....	70, 73
1001281006.....	189	1001281373.....	31	1001282372.....	201, 227	1001283683.....	70, 73
1001281007.....	189	1001281374.....	31	1001282373.....	201	1001283684.....	70, 73
1001281008.....	191	1001281375.....	31	1001282374.....	201	1001283685.....	70, 73
1001281011.....	191	1001281376.....	31	1001282375.....	201	1001283686.....	70, 73
1001281014.....	185	1001281377.....	31	1001282376.....	201	1001283687.....	70, 73
1001281015.....	185	1001281378.....	175	1001282377.....	35	1001283688.....	70, 73
1001281017.....	185, 269	1001281583.....	155	1001282378.....	37	1001283689.....	70, 73
1001281018.....	185	1001281585.....	171	1001282379.....	39	1001283691.....	70, 73
1001281020.....	185	1001281586.....	171	1001282380.....	41	1001283692.....	70, 73
1001281021.....	185, 277	1001281587.....	171	1001282381.....	43	1001283693.....	70, 73
1001281022.....	185	1001281589.....	171	1001282382.....	227	1001283694.....	53, 67, 70, 73, 81, 83
1001281023.....	185	1001281591.....	171	1001282383.....	201	1001283699.....	61
1001281024.....	185	1001281592.....	171	1001282471.....	259	1001283700.....	75
1001281025.....	185	1001281594.....	303	1001282472.....	261	1001283701.....	75
1001281026.....	185	1001281681.....	201	1001282473.....	315	1001283702.....	75
1001281027.....	135	1001281685.....	171	1001282474.....	275	1001283703.....	75, 77
1001281028.....	185	1001281686.....	171	1001282475.....	273	1001283704.....	77
1001281029.....	185	1001281693.....	37	1001282476.....	301	1001283705.....	77
1001281030.....	185	1001281694.....	37	1001282477.....	255	1001283706.....	77
1001281031.....	185	1001281695.....	37	1001282478.....	299	1001283707.....	77
1001281032.....	185	1001281696.....	45	1001282479.....	283	1001283786.....	70
1001281033.....	185	1001281697.....	45	1001282480.....	263	1001283787.....	79
1001281034.....	185	1001281699.....	41	1001282481.....	287	1001283788.....	70
1001281035.....	185	1001281720.....	279	1001282482.....	281	1001283789.....	70
1001281036.....	185	1001281721.....	295	1001282483.....	323	1001283790.....	70
1001281037.....	185	1001281731.....	269, 325	1001282484.....	313	1001283791.....	70
1001281038.....	185	1001281732.....	269	1001282485.....	267	1001283792.....	70
1001281039.....	185	1001281733.....	305	1001282486.....	289	1001283793.....	70
1001281040.....	185	1001281734.....	305	1001282491.....	307		

## SECTION 13 - SPECIAL OPTIONS/ACCESSORIES/KITS

1001283794.....	70	1001284122.....	61	1001284242.....	55	1001289840.....	148
1001283795.....	70	1001284123.....	61	1001284243.....	55	1001289841.....	147
1001283796.....	70	1001284124.....	61	1001284244.....	55	1001289870.....	207
1001283797.....	70	1001284125.....	61	1001284245.....	55	1001289872.....	207
1001283798.....	70	1001284126.....	61	1001284246.....	55	1001289984.....	207
1001283799.....	70	1001284127.....	61	1001284247.....	55	1001290281.....	173
1001283800.....	70	1001284128.....	61	1001284248.....	55	1001293245.....	185
1001283801.....	70	1001284129.....	61	1001284250.....	53	1001293246.....	163
1001283802.....	70	1001284130.....	81, 83	1001284251.....	53	1001293247.....	199
1001283803.....	70	1001284134.....	67	1001284252.....	55	1001293248.....	163
1001283804.....	70	1001284135.....	81	1001284292.....	55	1001294738.....	31, 221
1001283806.....	70	1001284136.....	81	1001284787.....	163	1001295039.....	338
1001283807.....	70	1001284137.....	81	1001284788.....	163	1001296406.....	277
1001283808.....	70	1001284187.....	83	1001284818.....	177	1001296407.....	277
1001283809.....	70	1001284188.....	83	1001284980.....	81, 83	1001296408.....	269
1001283810.....	71	1001284189.....	83	1001284983.....	81, 83	1001298998.....	171
1001283813.....	71	1001284190.....	83	1001285653.....	333	1001299002.....	219
1001283814.....	71	1001284191.....	83	1001285654.....	333	1001299004.....	199, 225
1001283815.....	71	1001284192.....	83	1001285655.....	333	1001299005.....	199, 211, 217
1001283816.....	71	1001284193.....	83	1001286173.....	285	1001299006.....	199
1001283817.....	71	1001284194.....	83	1001286905.....	333	1001299009.....	321
1001283818.....	71	1001284195.....	83	1001286906.....	333	1001299013.....	39
1001283819.....	71	1001284196.....	83	1001286907.....	333	1001299100.....	23
1001283820.....	71	1001284197.....	83	1001286908.....	333	1001299481.....	338
1001283821.....	79	1001284198.....	83	1001286909.....	333	1001299482.....	338
1001283822.....	79	1001284199.....	83	1001286910.....	333	1001299488.....	338
1001283823.....	79	1001284200.....	83	1001286911.....	333	1001299592.....	338
1001283824.....	79	1001284201.....	83	1001286912.....	333	1001302444.....	19
1001283825.....	79	1001284202.....	83	1001286913.....	333	1001302786.....	338
1001283826.....	79	1001284203.....	83	1001286914.....	333	1001302808.....	338
1001283827.....	79	1001284204.....	83	1001286915.....	333	1001303168.....	211
1001283828.....	79	1001284205.....	83	1001286916.....	333	1001303414.....	338
1001283829.....	79	1001284206.....	83	1001286917.....	333	1001303764.....	167
1001283830.....	79	1001284207.....	83	1001286918.....	333	1001306120.....	331
1001283831.....	79	1001284208.....	83	1001286919.....	333	1001306121.....	331
1001283833.....	79	1001284209.....	83	1001286920.....	333	1001306407.....	73
1001283834.....	79	1001284210.....	83	1001286921.....	333	1001306867.....	73
1001283843.....	63	1001284211.....	83	1001286922.....	333	10725627.....	113, 132
1001283844.....	63	1001284212.....	53, 58	1001286923.....	333	1706296.....	333
1001283845.....	63	1001284213.....	53	1001286924.....	333	1706299.....	333
1001283846.....	63	1001284214.....	53	1001286925.....	333	1706300.....	333
1001283847.....	63	1001284215.....	53	1001286926.....	333	1706301.....	81, 83, 333
1001283848.....	63	1001284216.....	53	1001286956.....	70	1706302.....	333
1001283849.....	63	1001284217.....	53	1001286960.....	71	1706306.....	333
1001283857.....	51	1001284218.....	53	1001287162.....	91	1706768.....	333
1001283858.....	51	1001284219.....	53	1001287163.....	91	1706850.....	81, 83, 333
1001283859.....	51	1001284220.....	53	1001287383.....	191	1707078.....	333
1001284102.....	61	1001284221.....	53	1001288040.....	338	2160016.....	53, 83
1001284103.....	61	1001284223.....	53	1001288041.....	338	2171716.....	205, 207
1001284104.....	61	1001284224.....	53	1001288043.....	338	2171733.....	205, 207
1001284105.....	61	1001284225.....	53	1001288299.....	317, 319	3290405.....	43, 305
1001284106.....	61	1001284226.....	53	1001288883.....	325	3290601.....	43, 321
1001284107.....	61	1001284227.....	53	1001288892.....	325	3290605.....	70, 79, 147, 153
1001284108.....	61	1001284228.....	53	1001288893.....	325	3290605001.....	29, 43
1001284109.....	61	1001284229.....	53	1001288894.....	325	3290801.....	147
1001284110.....	61	1001284230.....	53	1001289153.....	338	3290805.....	15, 25, 51, 59, 67, 70, 79, 147, 151, 153, 195, 305
1001284111.....	61	1001284231.....	53	1001289154.....	338	3291001.....	191
1001284112.....	61	1001284232.....	53	1001289155.....	338	3291005.....	25, 59, 67, 277, 325
1001284113.....	61	1001284233.....	53	1001289304.....	317	3291005001.....	65
1001284114.....	61	1001284234.....	53	1001289630.....	338	3291202.....	147, 191
1001284115.....	61	1001284235.....	53	1001289787.....	185	3291205.....	19, 45, 53, 67, 81, 83
1001284116.....	61	1001284236.....	53	1001289789.....	185	3291601.....	35, 37, 39
1001284117.....	61	1001284237.....	53	1001289793.....	185		
1001284118.....	61	1001284238.....	53	1001289809.....	285		
1001284119.....	61	1001284239.....	53	1001289830.....	87, 89		
1001284120.....	61	1001284240.....	53	1001289834.....	185		
1001284121.....	61	1001284241.....	53	1001289835.....	185		

## SECTION 13 - SPECIAL OPTIONS/ACCESSORIES/KITS

3291605.....	51	70024207.....	111	70030522.....	161	70030677.....	58
3292205.....	145	70024210.....	113, 133	70030523.....	161	70030678.....	58
3332011.....	35, 37, 39, 43	70024519.....	131	70030524.....	161	70030679.....	58
3332015.....	13, 79, 103, 123	70024522.....	111, 131	70030525.....	161	70030680.....	58
3968141.....	111, 131	70024872.....	111	70030526.....	161	70030681.....	58
4010410002.....	265	70024881.....	112, 113, 132, 133	70030527.....	161	70030682.....	58
4010414.....	43	70025555.....	111, 131	70030528.....	161	70030683.....	58
4010510.....	165	70025556.....	111, 131	70030529.....	161	70030684.....	58
4010514.....	147	70025561.....	112, 132	70030530.....	161	70030685.....	58
4010608.....	147, 153	70025562.....	111, 112, 131, 132	70030531.....	161	70030686.....	58
4010610002.....	157	70025566.....	113, 133	70030532.....	161	70030687.....	58
4010612.....	153	70025569.....	131	70030533.....	161	70030688.....	58
4010612002.....	148, 155	70025570.....	131	70030534.....	161	70030689.....	58
4010810002.....	157	70025571.....	132	70030535.....	161	70030690.....	58
4031505.....	239	70025821.....	132	70030536.....	161	70030691.....	58
4031507.....	305	70025822.....	132	70030537.....	161	70030692.....	58
4031605.....	135	70025823.....	113, 132	70030538.....	231	70030693.....	58
4031607.....	157	70025824.....	113, 132	70030539.....	231	70030694.....	58
4031708.....	157	70025842.....	113, 133	70030540.....	231	70030695.....	58
4031709.....	35	70025857.....	111, 131	70030541.....	231	70030696.....	58
4031717.....	29	70025981.....	113	70030543.....	231	70030697.....	58
4031908.....	151	70026002.....	112, 132	70030557.....	79	70030698.....	58
4031918.....	45, 197	70026262.....	112	70030558.....	79	70030699.....	58
4032010.....	213	70026623.....	112	70030559.....	79	70030700.....	58
4032025.....	37	70026631.....	111, 131	70030560.....	79	70030701.....	58
4032027.....	37	70026799.....	113, 133	70030561.....	79	70030702.....	58
4032110.....	39, 41	70026802.....	131	70030562.....	79	70030703.....	58
4032112.....	41	70026814.....	111	70030568.....	195, 197, 243	70030704.....	58
4032311.....	37	70026977.....	111, 131	70030569.....	195, 197	70030706.....	58
4032314.....	117	70027317.....	113, 132	70030570.....	195, 197	70030707.....	58
4092316.....	35, 37, 39	7002821.....	338	70030571.....	243	70030708.....	58
4460464.....	319	7002823.....	338	70030573.....	243	70030709.....	58
4460466.....	305, 319	7002826.....	338	70030579.....	235	70030710.....	58
4460932.....	319	70028452.....	132	70030599.....	303	70030711.....	58
4460941.....	319	70028468.....	113, 133	70030600.....	303	70030712.....	58
4740571.....	219	70028471.....	111, 131	70030601.....	303	70030713.....	58
4811600.....	147	70028475.....	113, 133	70030602.....	303	70030714.....	58
4811602.....	17, 25, 157, 181	70028476.....	113, 133	70030603.....	303	70030715.....	58
481170029, 43, 147, 153, 157		70028477.....	113, 133	70030604.....	303	70030716.....	58
4811702.....	29, 70, 153	70028535.....	113, 133	70030605.....	303	70030717.....	58
4811900.....	19, 27, 35, 37, 39, 41, 67, 70, 147, 151, 153, 195, 305	70028647.....	112, 132	70030606.....	303	70030718.....	58
4811902.....	15, 17, 21, 25, 41, 51, 67, 147, 151, 153, 157, 269, 303, 305	70028733.....	112	70030607.....	303	70030720.....	58
4812000.....	13, 25, 35, 39, 51, 65, 277, 325	70028940.....	111	70030608.....	303	70030721.....	58
4812002.....	31, 325	70028943.....	112	70030609.....	303	70030722.....	58
4812100.....	15, 19, 41, 53, 67, 81, 83, 147, 179	70028944.....	112	70030610.....	303	70030723.....	58
4812102.....	45	70029445.....	113, 133	70030611.....	303	70030724.....	58
4812300.....	51	70030150.....	131	70030612.....	303	70030725.....	59
4812500.....	103, 123	70030502.....	161	70030613.....	303	70030726.....	59
4812700.....	37, 39	70030503.....	161	70030614.....	303	70030727.....	59
4831700.....	43	70030504.....	161	70030615.....	303	70030728.....	59
4831900.....	35, 41, 43, 269, 303	70030505.....	161	70030616.....	303	70030729.....	59
4832000.....	31, 79, 325	70030506.....	161	70030617.....	303	70030730.....	59
4832300.....	70, 117	70030507.....	161	70030618.....	303	70030732.....	59
4871700.....	147	70030508.....	161	70030619.....	303	70030733.....	59
70021140.....	131	70030509.....	161	70030620.....	303	70030734.....	59
70021613.....	132	70030510.....	161	70030621.....	63	70030735.....	59
70021898.....	132	70030511.....	161	70030639.....	217	70030736.....	59
70024146.....	112, 132	70030512.....	161	70030640.....	217	70030737.....	59
70024147.....	112, 132	70030513.....	161	70030642.....	239	70030738.....	59
		70030514.....	161	70030643.....	239	70030739.....	59
		70030515.....	161	70030644.....	239	70030740.....	59
		70030516.....	161	70030645.....	239	70030743.....	59
		70030517.....	161	70030646.....	239	70030744.....	59
		70030518.....	161	70030648.....	249	70030745.....	59
		70030519.....	161	70030674.....	58	70030746.....	59
		70030520.....	161	70030675.....	58	70030747.....	59
		70030521.....	161	70030676.....	58	70030748.....	59

## SECTION 13 - SPECIAL OPTIONS/ACCESSORIES/KITS

70030749 .....	59	70030863 .....	119	70030921 .....	120	80204076 .....	112, 132
70030750 .....	59	70030864 .....	119	70030922 .....	120	80204108 .....	113
70030751 .....	59	70030865 .....	119	70030923 .....	231	80204117 .....	112, 113, 132, 133
70030752 .....	59	70030866 .....	119	70030924 .....	231	8405007 .....	167, 175
70030753 .....	59	70030867 .....	119	70030925 .....	231	8406109 .....	305
70030754 .....	59	70030868 .....	119	70030926 .....	231	8410012 .....	93
70030755 .....	59	70030869 .....	119	70030927 .....	89	8640123 .....	213
70030757 .....	59	70030870 .....	119	70030928 .....	89	8896941 .....	338
70030758 .....	59	70030871 .....	119	70030929 .....	89	91403193 .....	137, 139, 141
70030759 .....	59	70030872 .....	119	70030930 .....	89	91474507 .....	111, 112, 131
70030760 .....	59	70030873 .....	119	70030931 .....	89	91474512 .....	111, 131
70030761 .....	59	70030874 .....	119	70030932 .....	89	91474516 .....	113, 133
70030762 .....	59	70030875 .....	119	70030937 .....	89, 336	91474522 .....	113, 133
70030763 .....	59	70030876 .....	119	70030938 .....	89, 336	91474529 .....	111, 131
70030764 .....	59	70030877 .....	119	70030940 .....	89	91474531 .....	111, 131
70030765 .....	59	70030878 .....	119	70030992 .....	111, 131	91474533 .....	111, 131
70030766 .....	59	70030879 .....	119	70031004 .....	131	91474539 .....	111, 131
70030767 .....	59	70030880 .....	119	70031005 .....	131	91474547 .....	111, 131
70030768 .....	59	70030881 .....	119	70031006 .....	112, 132	91474549 .....	111
70030770 .....	233	70030882 .....	119	70031007 .....	112, 132	91474550 .....	111, 131
70030771 .....	233	70030883 .....	119	70031008 .....	132	91474551 .....	111, 131
70030772 .....	233	70030884 .....	119	70031009 .....	112	91474553 .....	111, 131
70030773 .....	233	70030885 .....	119	70031011 .....	112	91474554 .....	111
70030774 .....	241	70030886 .....	119	70031012 .....	113	91474559 .....	112
70030775 .....	241	70030887 .....	119	70031013 .....	111	91474560 .....	112
70030776 .....	241	70030888 .....	119	70031391 .....	303	91474561 .....	112
70030777 .....	241	70030889 .....	119	70031393 .....	303	91474564 .....	112
70030778 .....	241	70030890 .....	119	70031476 .....	59	91474565 .....	113
70030779 .....	235	70030891 .....	119	70040713 .....	112, 132	91474570 .....	113
70030780 .....	235	70030892 .....	119	7004275 .....	338	91474591 .....	111, 131
70030781 .....	235	70030893 .....	119	7004276 .....	338	91474593 .....	131
70030782 .....	235	70030894 .....	119	70047343 .....	113, 132	91474595 .....	131
70030783 .....	235	70030895 .....	119	7028084 .....	113, 133	91514081 .....	111, 131
70030784 .....	235	70030896 .....	119	7028706 .....	111, 112, 131, 132	91514082 .....	111, 131
70030785 .....	235	70030897 .....	119	7028714 .....	112, 132	91514083 .....	111
70030786 .....	235	70030898 .....	119	7028715 .....	112, 132	91514084 .....	111
70030788 .....	205, 207	70030899 .....	119	7028716 .....	112, 132	91514095 .....	112, 132
70030789 .....	245	70030900 .....	119	7028724 .....	112, 132	91514098 .....	111, 131
70030790 .....	245	70030901 .....	119	7028725 .....	112, 132	91514111 .....	112, 131
70030791 .....	245	70030902 .....	119	7028726 .....	112, 132	91514112 .....	112, 132
70030792 .....	245	70030903 .....	120	7028731 .....	112, 132	91514134 .....	111, 131
70030813 .....	247	70030904 .....	120	7028732 .....	112, 132	91514146 .....	111, 131
70030814 .....	247	70030905 .....	120	7028733 .....	112, 132	91514147 .....	111, 131
70030815 .....	247	70030906 .....	120	7028734 .....	112	91514148 .....	111, 131
70030816 .....	247	70030907 .....	120	7028735 .....	112	91514154 .....	113, 132
70030818 .....	247	70030908 .....	120	7029131 .....	111, 131	91514159 .....	113, 132
70030821 .....	247	70030909 .....	120	7029311 .....	112, 132	91514175 .....	112, 132
70030822 .....	247	70030910 .....	120	7029427 .....	111, 131	91514177 .....	112, 132
70030824 .....	247	70030911 .....	120	7029785 .....	132	91514178 .....	112, 132
70030853 .....	119	70030912 .....	120	7029787 .....	113	91514179 .....	112, 132
70030854 .....	119	70030913 .....	120	8000877 .....	112, 132	91514180 .....	112, 132
70030856 .....	119	70030914 .....	120	8007751 .....	111	91514181 .....	112, 132
70030857 .....	119	70030915 .....	120	8007755 .....	111	91514188 .....	111, 112, 131, 132
70030858 .....	119	70030916 .....	120	80204005 .....	111, 131	91514189 .....	112, 132
70030859 .....	119	70030917 .....	120	80204060 .....	113		
70030860 .....	119	70030918 .....	120	80204065 .....	112, 132		
70030861 .....	119	70030919 .....	120	80204071 .....	111, 131		
70030862 .....	119	70030920 .....	120				



**Corporate Office  
JLG Industries, Inc.  
1 JLG Drive  
McConnellsburg, PA 17233-9533 USA  
☎ (717) 485-5161 (Corporate)  
☎ (877) 554-5438 (Customer Support)  
📠 (717) 485-6417**

**Visit our website for JLG Worldwide Locations.  
[www.jlg.com](http://www.jlg.com)**



**OSHKOSH™**