



Illustrated Parts Manual

Model 15ELI

3120780

May 23, 2006

ANSI



REVISION LOG

February 26, 1999 - Original Issue Of Manual

November 1, 1999 - Revised (Manual edited to 0010560 Revision 3)

June 15, 2000 - Revised

March 1, 2001 - Revised (Manual edited to 0010560 Revision 9)

August 1, 2002 - Revised (Manual edited to 0010560 Revision 15)

February 27, 2003 - Revised (Manual edited to 0010560 Revision 17)

July 31, 2003 - Revised (Manual edited to 0010560 Revision 21)

September 2, 2004 - Revised (Manual edited to 0010560 Revision 25)

March 30, 2005 - Revised (Manual edited to 0010560 Revision 29)

May 23, 2006 - Revised (Manual edited to 0010560 Revision 31)

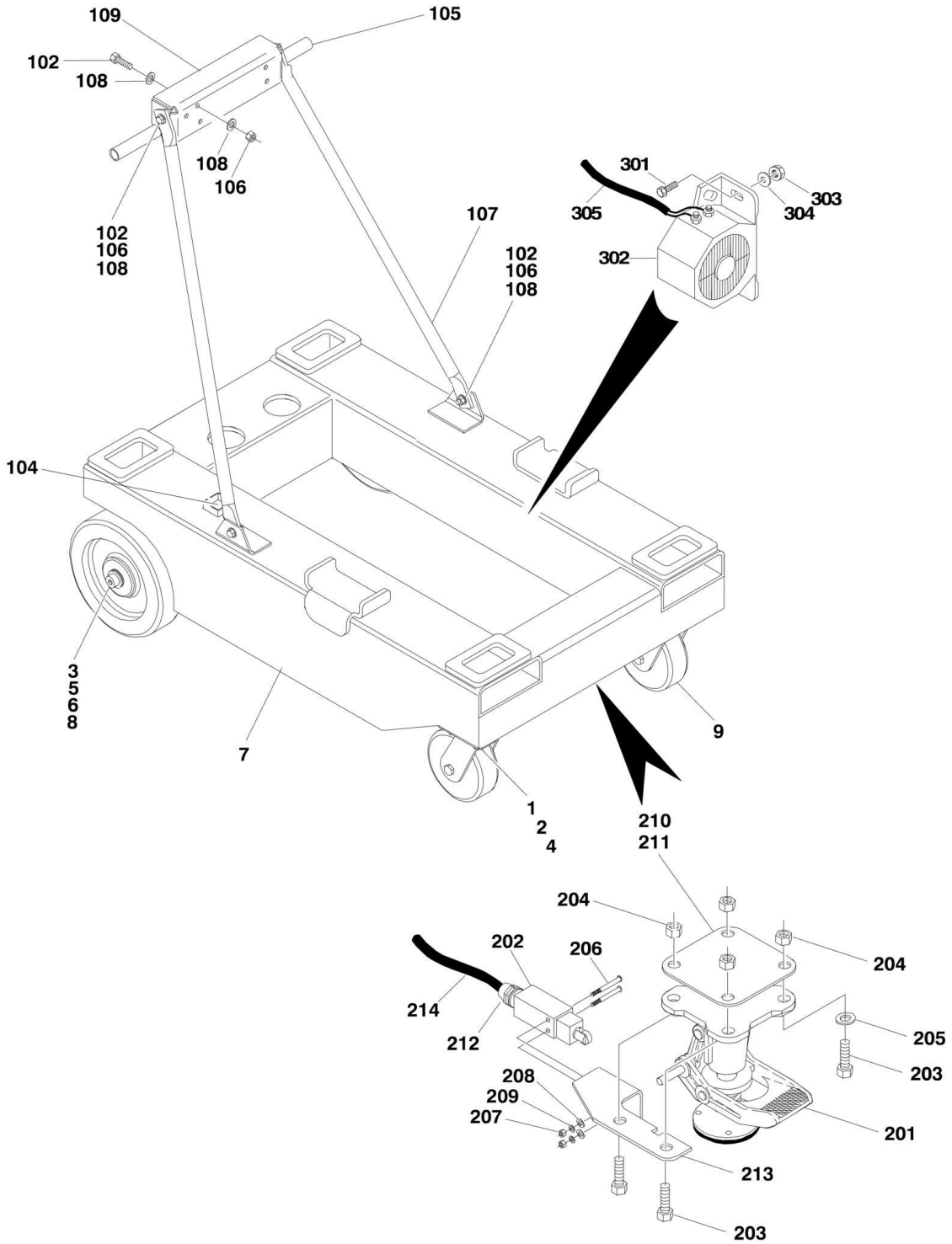
TABLE OF CONTENTS

SECTION 1 - BASE.....	7
FIGURE 1-1. BASE MOUNTED COMPONENTS INSTALLATION	8
SECTION 2 - CONTROLS	11
FIGURE 2-1. AC POWER COMPONENTS INSTALLATION	12
FIGURE 2-2. AC JUNCTION BOX ASSEMBLY	14
FIGURE 2-3. AC MOTOR/PUMP ASSEMBLY	16
FIGURE 2-4. DC POWER COMPONENTS INSTALLATION	20
FIGURE 2-5. DC POWER PACK INSTALLATION	24
FIGURE 2-6. BATTERY CHARGER ASSEMBLY	26
FIGURE 2-7. DC MOTOR/PUMP ASSEMBLY	28
FIGURE 2-8. CABLES AND CONTROLS INSTALLATION	32
SECTION 3 - MAST	35
FIGURE 3-1. MAST ASSEMBLY (CHAIN AND CABLE)	36
FIGURE 3-2. MAST MOUNTED COMPONENTS INSTALLATIONS.....	40
SECTION 4 - PLATFORM.....	43
FIGURE 4-1. PLATFORM INSTALLATION (GULLWING).....	44
SECTION 5 - CYLINDER.....	47
FIGURE 5-1. LIFT CYLINDER ASSEMBLY	48
SECTION 6 - HYDRAULIC	51
FIGURE 6-1. HYDRAULIC DIAGRAM.....	52
SECTION 7 - ELECTRICAL	55
FIGURE 7-1. ELECTRICAL DIAGRAM LIST.....	56
FIGURE 7-2. ELECTRICAL DIAGRAM - 12VDC.....	58
FIGURE 7-3. ELECTRICAL DIAGRAM - 115VAC.....	60
FIGURE 7-4. ELECTRICAL DIAGRAM - AC BOX.....	62
FIGURE 7-5. AC INPUT HARNESS - WITHOUT PLUG	64
SECTION 8 - DECALS.....	67
FIGURE 8-1. DECAL INSTALLATION.....	68
SECTION 9 - RECOMMENDED SERVICE PARTS STOCK	71
FIGURE 9-1. 15ELI STANDARD PARTS	72
FIGURE 9-2. 15ELI VARIABLE PARTS	74
SECTION 10 - SPECIAL OPTIONS.....	75
FIGURE 10-1. SPECIAL OPTIONS.....	76
PART NUMBER INDEX	77

SECTION 1 - BASE

SECTION 1 - BASE

FIGURE 1-1. BASE MOUNTED COMPONENTS INSTALLATION



SECTION 1 - BASE

FIGURE 1-1. BASE MOUNTED COMPONENTS INSTALLATION

ITEM	PART NUMBER	QTY	DESCRIPTION	REV
		Ref	BASE ASSEMBLY OPTIONS:	
	0259070	Ref	Base Assembly (Prior to SN 19526)	B
	0272230	Ref	Base Assembly (SN 19526 to Present)	C
1	0641607	8	Bolt 3/8in-16NC x 7/8in	
2	3311605	8	Locknut 3/8in-16NC	
3	3760348	2	Ring, Retainer	
4	4711600	16	Flatwasher 3/8in	
5		Ref	Washer Options:	
5	4712200	2	Washer (Prior to SN 19526)	
5	4740415	2	Washer (SN 19526 to Present)	
6	4740456	4	Washer, Shim	
7		Ref	Base Weldment Options:	
7	4845885	1	Base Weldment (Prior to SN 19526)	
7	4846613	1	Base Weldment (SN 19526 to Present)	
8		Ref	Wheel Assembly Options: (Stationary)	
8	4860183	2	Wheel Assembly (Prior to SN 13429)	A
8	7020083	2	Wheel, Replacement	
8	7020084	4	Bearing (2 Per Wheel)	
8	4860202	2	Wheel Assembly (SN 13429 through 20795)	B
8		Ref	Bearing Options: (1 Per Wheel)	
8	7020209	2	Bearing (SN 13429 through 13606)	
8	7024561	2	Bearing (SN 13607 to Present)	
8	7020074	4	Retainer (2 Per Wheel)	
8	7012631	2	Spanner (1 Per Wheel)	
8	4860246	2	Wheel Assembly (No Service Parts Available) (SN 20796 to Present)	B
9		Ref	Wheel Assembly Options:	
9		Ref	Wheel Assembly - (Non-Locking) Options:	
9	4860184	2	Wheel Assembly (Non-Locking Gray Tire and Wheel) (Prior to SN 20877)	
9	4860245	2	Wheel Assembly (Non-Locking Charcoal Gray Tire and Gray Wheel) (SN 20877 to Present)	
9	7020017	2	Swivel Rig for 4860184 (1 Per Assembly)	
9	Not Available	2	Swivel Rig for 4860245 (1 Per Assembly)	
9	7020086	2	Wheel, Replacement for 4860184 (1 Per Assembly)	
9	Not Available	2	Wheel, Replacement for 4860245 (1 Per Assembly)	
9	7020084	4	Bearing for 4860184 (2 Per Wheel)	
9	Not Available	4	Bearing for 4860245 (2 Per Wheel)	
9	7012631	2	Bushing, Axle Spanner for 4860184 (1 Per Assembly)	
9	Not Available	2	Bushing, Axle Spanner for 4860245 (1 Per Assembly)	
9	7012630	2	Axle Kit for 4860184 (1 Per Assembly)	
9	Not Available	2	Axle Kit for 4860245 (1 Per Assembly)	
10	3020017	AR	Lubricant (Not Shown) (Used) (Prior to SN 20796)	
11	4240032	AR	Tie, Wire (Not Shown - 4in Long)	
12	4460234	AR	Mount, Wire Tie (Not Shown)	
		Ref	MAST SUPPORT INSTALLATION OPTIONS:	
	0259071	Ref	Mast Support Installation (Prior to SN 19526)	A
	0272232	Ref	Mast Support Installation (SN 19526 to Present)	A
101	0100001	AR	Adhesive (Not Shown)	
102	0641609	12	Bolt 3/8in-16NC x 1 1/8in	

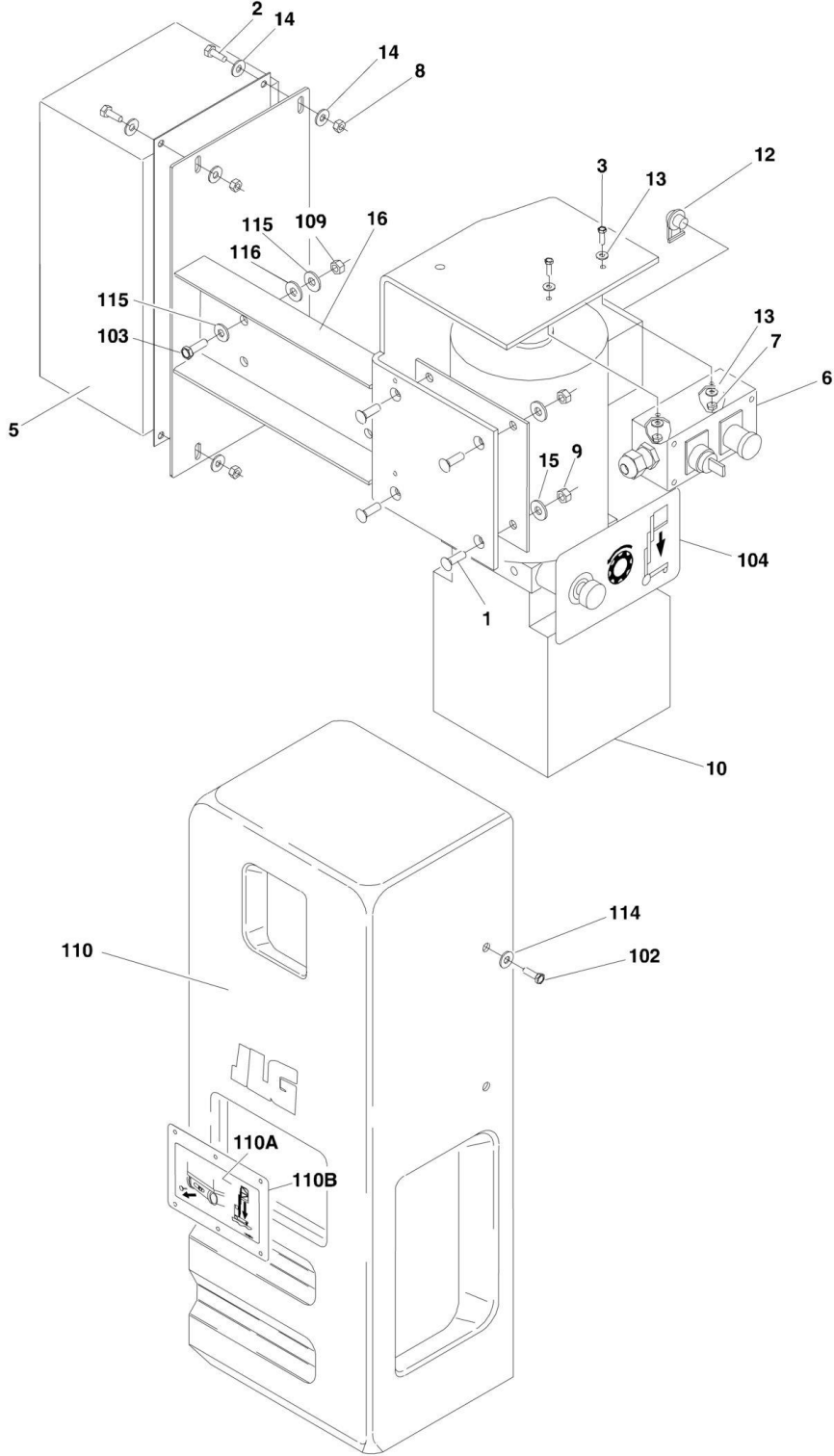
SECTION 1 - BASE

ITEM	PART NUMBER	QTY	DESCRIPTION	REV
104	2420140	1	Gauge, Circular Level	
105	2560088	2	Handle	
106	3311605	12	Locknut 3/8in-16NC	
107	4567824	2	Tube, Mast Brace	
108	4711600	24	Flatwasher 3/8in	
109	4845715	1	Support Weldment	
110	1704582	1	Decal - Manual Descent (Not Shown - Located at bottom of Mast Only) (SN 19526 to Present)	
	0259104	Ref	FLOOR STOP INSTALLATION	4/C
201	0920114	1	Stop, Floor	
202		Ref	Limit Switch Options:	
202	4360456	1	Limit Switch (Was p/n 4360397) (Prior to SN 13474)	
202	4360456	1	Limit Switch (SN 13474 to Present)	
203	0641808	4	Bolt 1/2in-13NC x 1in	
204	3311805	4	Locknut 1/2in-13NC	
205	4711800	2	Flatwasher 1/2in	
206	3911020	2	Screw #10-24NC x 1 1/4in	
207	3311001	2	Nut #10-24NC	
208	4751000	2	Flatwasher #10	
209	4761000	2	Lockwasher #10	
210	3539920	1	Spacer - 11ga.	
211	3539921	1	Spacer - 14ga.	
212	4460662	1	Strain Relief	
213	0902523	1	Bracket, Limit Switch	
214	4922561	1	Harness, Brake	
215	4460234	AR	Mount, Wire Tie (Not Shown)	
216	4240033	AR	Tie, Wire (Not Shown)	
	0256808	Ref	DESCENT ALARM INSTALLATION (OPTIONAL)	C
301	0140033	1	Alarm	
302	0641406	2	Bolt 1/4in-20NC x 3/4in	
303	4751400	4	Flatwasher 1/4in	
304	3311405	4	Nut 1/4in-20NC	
305	4922805	1	Harness, Alarm (SN 23815 to Present)	

SECTION 2 - CONTROLS

SECTION 2 - CONTROLS

FIGURE 2-1. AC POWER COMPONENTS INSTALLATION



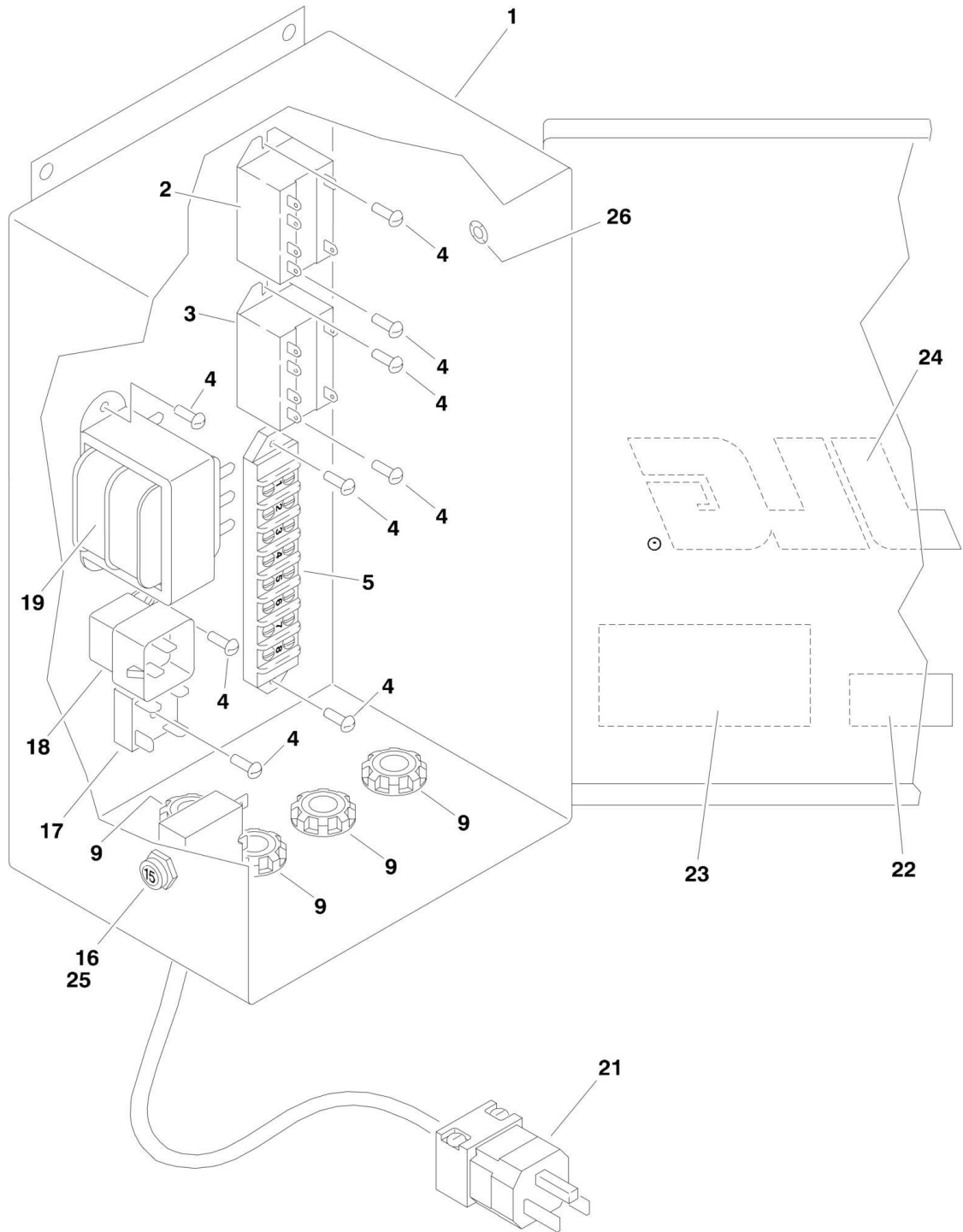
SECTION 2 - CONTROLS

FIGURE 2-1. AC POWER COMPONENTS INSTALLATION

ITEM	PART NUMBER	QTY	DESCRIPTION	REV
		Ref	POWER PACK ASSEMBLY	
	0259206	Ref	110 VOLT (Prior to SN 19526)	A
	0272238	Ref	110 VOLT (SN 19526 to Present)	B
1	0630486	4	Screw, Counter Sunk	
2	0641406	4	Bolt 1/4in-20NC x 3/4in	
3	0721006	2	Screw	
5	0860933	1	Junction Box Assembly (See AC JUNCTION BOX ASSEMBLY for Breakdown)	
6		Ref	GROUND CONTROL BOX ASSEMBLY OPTIONS:	
6	0861212	1	Ground Control Box Assembly (Prior to SN 20166)	
6	0861305	1	Ground Control Box Assembly (SN 20166 to Present)	
6	7020095	1	Switch, Push-Pull (Stop)	
6	7020096	1	Legend Plate, "Stop"	
6	7020097	1	Legend Plate, "Power/Off/On"	
6	7020098	1	Switch, Key	
6	7016339	1	Key, Replacement	
6		Ref	Connector, Strain Relief Options:	
6	7020090	1	Connector, Strain Relief (Prior to SN 20166)	
6	4460633	1	Connector, Strain Relief (SN 20166 through 23611)	
6	7027787	1	Connector, Strain Relief (SN 23612 to Present)	
6	7020093	4	Screw 3m x 25	
6	7020094	1	Lid	
7	3311005	AR	Locknut #10-24NC	
8	3311405	4	Locknut 1/4in-20NC	
9	3311505	4	Locknut 5/16in-18NC	
10		Ref	Pump/Motor Assembly Options: (See AC MOTOR/PUMP ASSEMBLY for Breakdown)	
10	3600264	1	Pump/Motor Assembly (Prior to SN 19526)	
10	3600353	1	Pump/Motor Assembly (SN 19526 to Present)	
12	4460566	1	Terminal, 90	
13	4751000	AR	Flatwasher #10	
14	4751400	8	Flatwasher 1/4in	
15	4751500	4	Flatwasher 5/16in	
16	4845712	1	Plate, Mounting	
		Ref	POWER PACK INSTALLATION	
	0259294	Ref	Power Pack Installation (Prior to SN 19526)	A
	0272235	Ref	Power Pack Installation (SN 19526 to Present)	A
102	0641404	4	Bolt 1/4in-20NC x 1/2in	
103	0641614	4	Bolt 3/8in-16NC x 1 3/4in	
104	1702353	1	Decal - Manual Descent (Prior to SN 19526)	
109	3311605	4	Locknut 3/8in-16NC	
110		Ref	Shield, Pump Cover Options:	
110	4060875	1	Shield, Pump Cover (Prior to SN 19526)	
110	4061024	1	Shield, Pump Cover (SN 19526 to Present)	
110A	1704582	1	Decal (SN 19688 to Present)	
110B	9984088	1	Cover (SN 19688 to Present)	
114	4711400	4	Flatwasher 1/4in Narrow	
115	4711600	8	Flatwasher 3/8in Narrow	
116	4070984	2	Shim, Pump Spacer	

SECTION 2 - CONTROLS

FIGURE 2-2. AC JUNCTION BOX ASSEMBLY



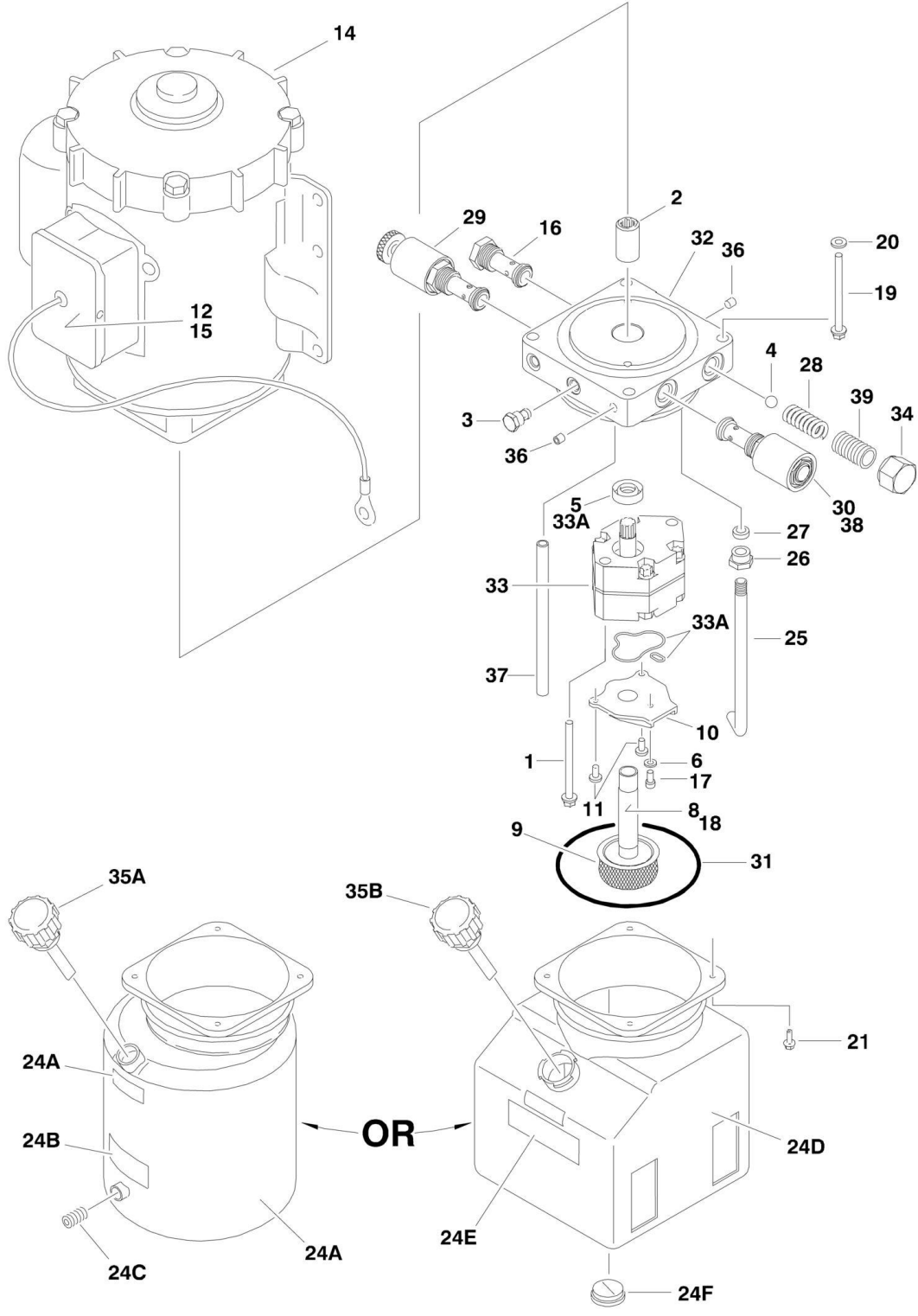
SECTION 2 - CONTROLS

FIGURE 2-2. AC JUNCTION BOX ASSEMBLY

ITEM	PART NUMBER	QTY	DESCRIPTION	REV
		Ref	JUNCTION BOX ASSEMBLY	
	0860933	Ref	110 VOLT	10/1
1		Ref	Box with Lid Options:	
1	0860911	1	Box with Lid (Prior to SN 13477)	
1	0860943	1	Box with Lid (SN 13477 to Present)	
2	7017440	2	Relay, Starter 12 VDC	
3	3740093	1	Relay, Starter	
4	3910808	12	Screw #8-32NF x 1/2in	
5	4460565	1	Strip, Terminal	
9	4460633	AR	Connector, Strain Relief	
16	4360161	1	Circuit Breaker - 20 Amp	
17	4360376	1	Rectifier	
18	3740049	1	Relay	
19		Ref	Transformer Options:	
19	4530013	1	Transformer Was (p/n 4530010) (Prior to SN 14643)	
19	4530013	1	Transformer (SN 14643 to Present)	
21		Ref	Harness Options:	
21	4923034	1	Harness - without Plug (See Separate Breakdown in ELECTRICAL Section) (Note: AC plug not included. Customer must provide replacement plug.) (SN 23728 to Present)	
21	4921663	1	Harness - with Plug (Prior to SN 23728)	
21	4460549	1	Plug - used with P/N 4921663	
22	1702569	1	Decal - 110 Volts (Not Shown)	
23	1702120	1	Decal - Wire Size (Not Shown - Located on Front Cover)	
24	1702365	1	Decal - JLG (Not Shown - Located on Front Cover)	
25	3520028	1	Plug (SN 13477 to Present)	
26	3520034	4	Plug (SN 19636 to Present)	
27	4923131	1	Harness, AC Box (Not Shown) (SN 20166 to Present)	
28	4933305	1	Wiring Diagram, AC Box (Not Shown - See ELECTRICAL SECTION for breakdown) (SN 20166 to Present)	

SECTION 2 - CONTROLS

FIGURE 2-3. AC MOTOR/PUMP ASSEMBLY



SECTION 2 - CONTROLS

FIGURE 2-3. AC MOTOR/PUMP ASSEMBLY

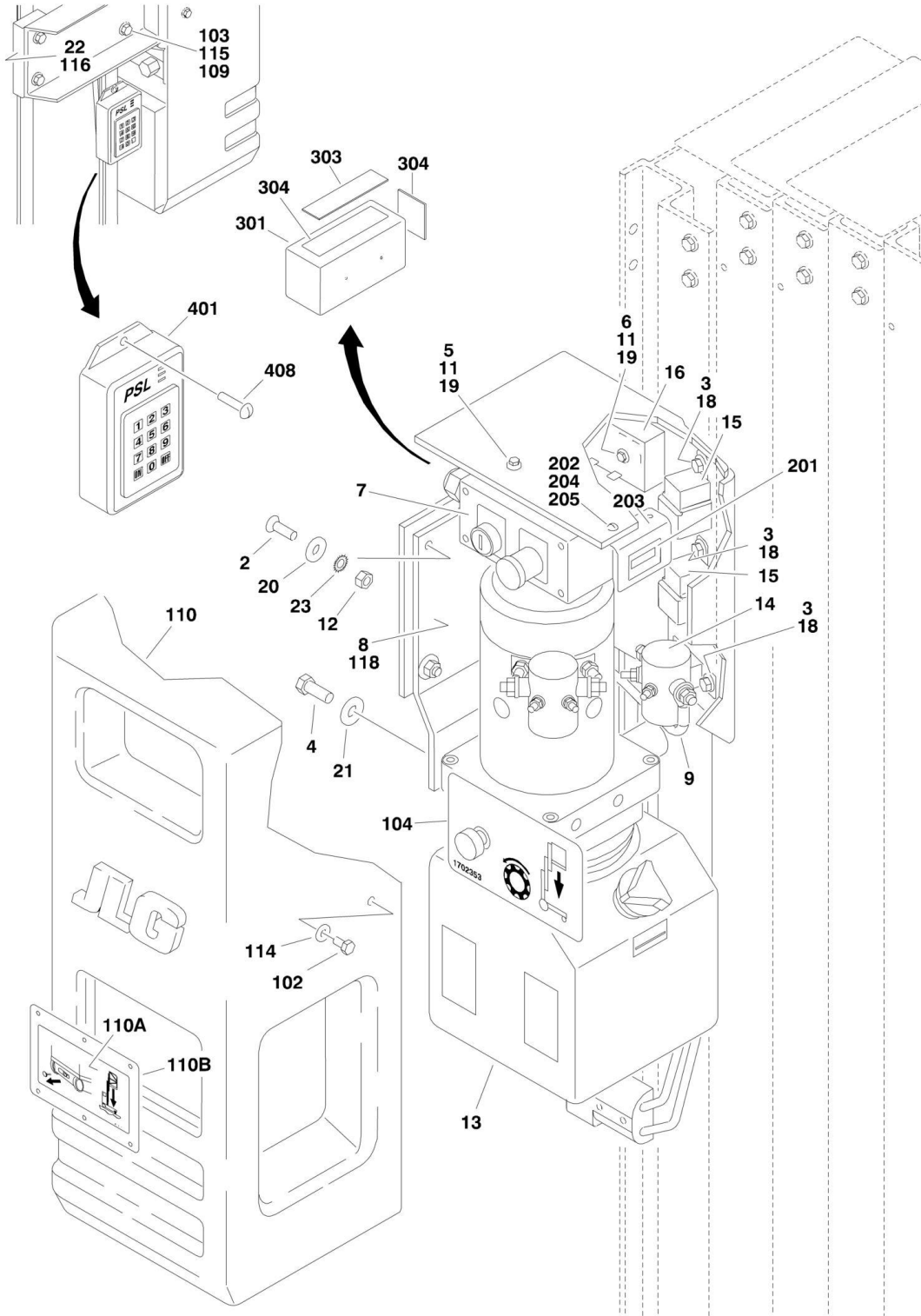
ITEM	PART NUMBER	QTY	DESCRIPTION	REV
		Ref	MOTOR/PUMP ASSEMBLY	
	3600264	Ref	110 VOLT (Prior to SN 19526)	A
	3600353	Ref	110 Volt (SN 19526 to Present)	C
1	7013713	2	Bolt 5/16in-24NF x 2 3/4in	
2	7016735	1	Coupling	
3	7013714	1	Plug	
4	Kit	1	Ball (Was p/n 7013715)	
5	7013716	1	Seal (Part of Pump Seal Kit p/n 7013701)	
6	7013717	1	Washer	
8	7013722	1	Magnet	
9	7013723	1	Filter	
10	7013727	1	Cover	
11	7013728	2	Screw	
12		Ref	Gasket Options:	
12	7016764	1	Gasket (Prior to SN 19526)	
12	7022225	1	Gasket (SN 19526 to Present)	
14	7016765	1	Motor	
15		Ref	Cover, Switch Box Options:	
15	7013787	1	Cover, Switch Box (Prior to SN 19526)	
15	7022226	1	Cover, Switch Box (SN 19526 to Present)	
16	7013708	1	Cartridge, Valve - Check	
17	3931516	1	Bolt 5/16in-18NC x 1in	
18	7016756	1	Pipe, Plumbing	
19	7016757	4	Bolt M6-1.0 35MM	
20	7016758	4	Lockwasher 1/4in	
21	7016721	4	Bolt #12-24NC x 1/2in	
22	7016722	1	Pipe Nut (Not Shown)	
24		Ref	Tank Options:	
24A	7016760	1	Tank Used (Prior to SN 19526)	
24B	7013748	1	Decal - Caution (Prior to SN 19526)	
24C	7016759	1	Plug (Prior to SN 19526)	
24D	7022219	1	Tank Used (SN 19526 to Present)	
24E	7013748	1	Decal - Caution (SN 19526 to Present)	
24F	7013722	1	Plug, Magnetic (SN 19526 to Present)	
25	7016761	1	Tube, Return	
26	7013792	1	Nut, Tube Compression	
27	7013793	1	Sleeve, Tube Compression	
28	Kit	1	Spring, Green (Was p/n 7016762)	
29		Ref	Cartridge, Valve - Manual Descent Options:	
29	7013764	1	Cartridge, Valve - Manual Descent (Prior to SN 19526)	
29	Not Required	0	Cartridge, Valve - Manual Descent (Moved to Lift Cylinder) (SN 19526 to Present)	
30	7016751	1	Coil, Solenoid	
31	7013743	1	O-Ring	
32		Ref	End Head Options:	
32	7016753	1	End Head (Prior to SN 19526)	
32	7022220	1	End Head (SN 19526 to Present)	
33	7016717	1	Pump Assembly	
33A	7013701		Seal Kit - Pump (Includes Gasket for Item #10 Cover, O-Ring and #5 Seal)	

SECTION 2 - CONTROLS

ITEM	PART NUMBER	QTY	DESCRIPTION	REV
34	Kit	1	Cap, Relief (Was p/n 7013750)	
35		Ref	Breather Options:	
35A	7013794	1	Breather (Prior to SN 19526)	
35B	7016714	1	Breather (SN 19526 to Present)	
35C	7013748	1	Decal - Caution	
36		Ref	Plug Options:	
36	7013720	2	Plug (Prior to SN 19526)	
36	Not Required	0	Plug (SN 19526 to Present)	
37		Ref	Tube, Return Options:	
37	7013763	1	Tube, Return (Prior to SN 19526)	
37	7022224	1	Tube, Return (SN 19526 to Present)	
38	7016755	1	Valve	
39	Kit	1	Screw, Adjustment (Was p/n 7013770)	
40	7013745	1	Decal, Motor 50/60 Hertz (Not Shown)	
	7013779	1	Relief Valve Kit (Includes Items 4, 28, 34 &39)	

SECTION 2 - CONTROLS

FIGURE 2-4. DC POWER COMPONENTS INSTALLATION



SECTION 2 - CONTROLS

FIGURE 2-4. DC POWER COMPONENTS INSTALLATION

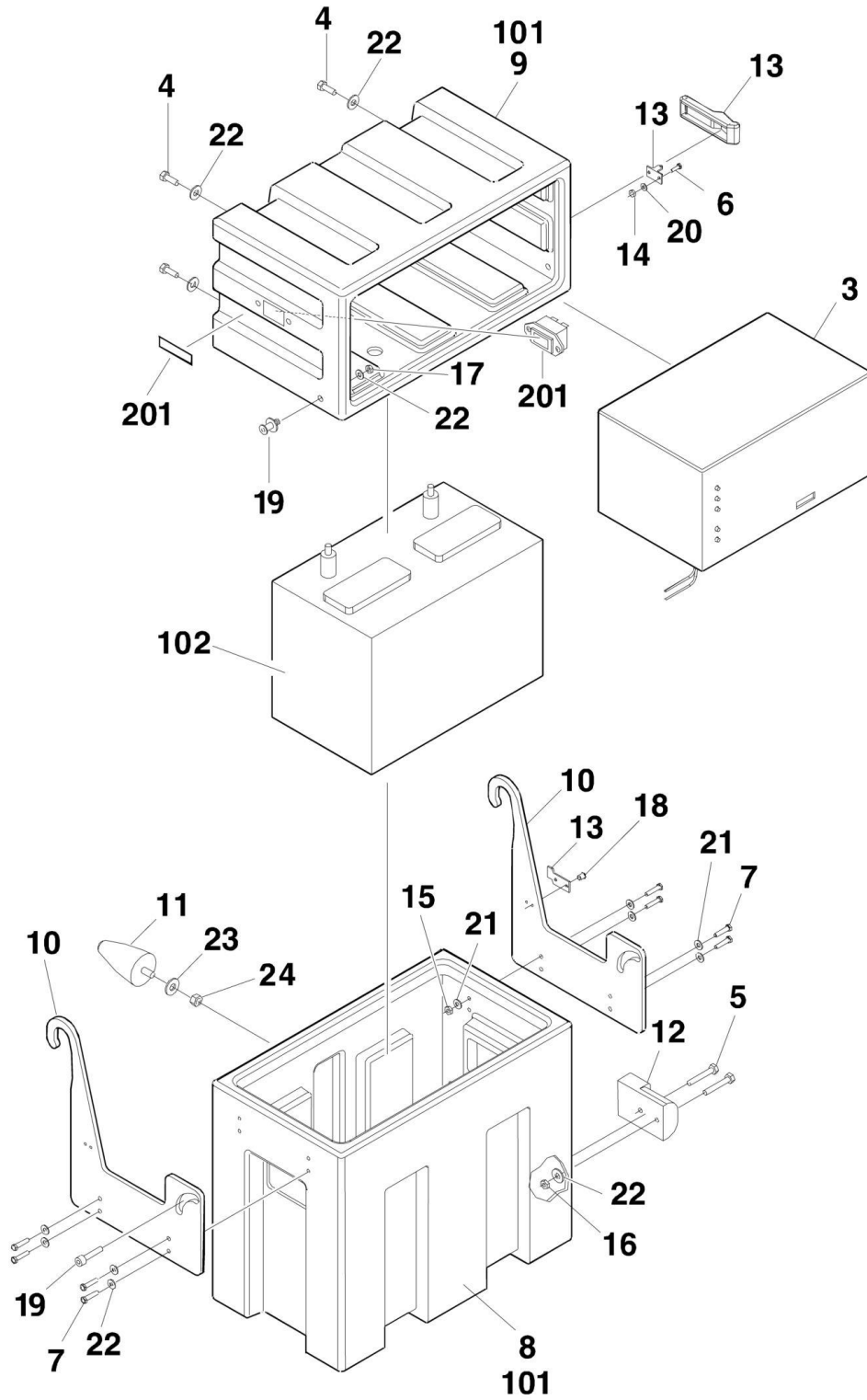
ITEM	PART NUMBER	QTY	DESCRIPTION	REV
		Ref	POWER PACK ASSEMBLY	
	0259205	Ref	12 VOLT (Prior to SN 19526)	A
	0272237	Ref	12 VOLT (SN 19526 to Present)	D
1	0100011	AR	Loctite, #242 (Not Shown)	
2	0630486	4	Screw, Countersunk	
3	0641403	3	Bolt 1/4in-20NC x 3/8in	
4		Ref	Hardware Options:	
4	0641608	2	Hardware (Bolt 3/8in-16NC x 1in) (Prior to SN 19526)	
4	0641606		Hardware (Bolt 3/8in-16NC x 3/4in) (SN 19526 through 20834)	
4	0791605		Hardware (Screw 3/8in-16NC x 5/8in) (SN 20835 to Present)	
5	0721006	2	Screw	
6	0721014	1	Screw (Prior to SN 19526)	
7		Ref	GROUND CONTROL BOX ASSEMBLY OPTIONS:	
7	0861212	1	Ground Control Box Assembly (Prior to SN 20166)	
7	0861305	1	Ground Control Box Assembly (SN 20166 to Present)	
7	7020078	1	Switch, Push-Pull (Stop)	
7	7020096	1	Legend Plate, "Stop"	
7	7020097	1	Legend Plate, "Power/Off/On"	
7		Ref	Switch, Key Options:	
7	7020098	1	Switch, Key (Prior to SN 20166)	
7	4360467	1	Switch, Key (SN 20166 to Present)	
7		Ref	Key, Replacement Options:	
7	7016339	1	Key, Replacement (Prior to SN 20166)	
7	2860030	1	Key, Replacement (SN 20166 to Present)	
7	7020090	1	Connector, Strain Relief	
7	7020093	4	Screw m3 x 25	
7	7020094	1	Lid	
8	0902054	1	Plate, Mounting	
9	1060518	1	Cable, Solenoid (Prior to SN 19526)	
10	1060571	1	Cable Assembly - Battery	
11	3311005	3	Locknut #10-24NC	
12	3311505	4	Locknut 5/16in-18NC	
13		Ref	DC Motor/Pump Assembly (See DC MOTOR/PUMP ASSEMBLY for Breakdown)	
13	3600291	1	DC Motor/Pump Assembly (Prior to SN 19526)	
13	3600355	1	DC Motor/Pump Assembly (SN 19526 to Present)	
14	3740013	1	Solenoid (Prior to SN 19526)	
15		Ref	Relay Options:	
15	3740080	1	Relay (Prior to SN 19526)	
15	3740049	1	Relay (SN 19526 to Present)	
16	3740113	1	Relay, Timer Only (Prior to SN 19526)	
17	4567605	2	Tube, Butyrate (Not Shown)	
18	4711400	3	Flatwasher 1/4in	
19	4751000	6	Flatwasher #10	
20	4751500	4	Flatwasher 5/16in	
21	4751600	2	Flatwasher 3/8 (Prior to SN 20835)	
22	4845714	1	Bracket, Pump Mounting	
23	0641404	1	Bolt 1/4in-20NC x 1/2in (Not Shown) (SN 19526 to Present)	
24	4751400	1	Flatwasher 1/4in (Not Shown) (SN 19526 to Present)	
25	1320224	1	Clamp (Not Shown) (SN 19526 to Present)	

SECTION 2 - CONTROLS

ITEM	PART NUMBER	QTY	DESCRIPTION	REV
26	4922740	1	Harness (Not Shown) (SN 19526 to Present)	
27	4761500	1	Starwasher 5/16 (SN 20835 to Present)	
		Ref	POWER PACK INSTALLATION OPTIONS:	
	0259294	Ref	Power Pack Installation (Prior to SN 19526)	A
	0272235	Ref	Power Pack Installation (SN 19526 to Present)	A
102	0641404	4	Bolt 1/4in-20NC x 1/2in	
103	0641614	4	Bolt 3/8in-16NC x 1 3/4in	
104	1702353	1	Decal - Manual Descent (Prior to SN 19526)	
109	3311605	4	Locknut 3/8in-16NC	
110		Ref	Shield, Pump Cover Options:	
110	4060875	1	Shield, Pump Cover (Prior to SN 19526)	
110	4061024	1	Shield, Pump Cover (SN 19526 to Present)	
114	4711400	4	Flatwasher 1/4in Narrow	
115	4711600	8	Flatwasher 3/8in Narrow	
116	4070984	2	Shim, Pump Spacer	

SECTION 2 - CONTROLS

FIGURE 2-5. DC POWER PACK INSTALLATION



SECTION 2 - CONTROLS

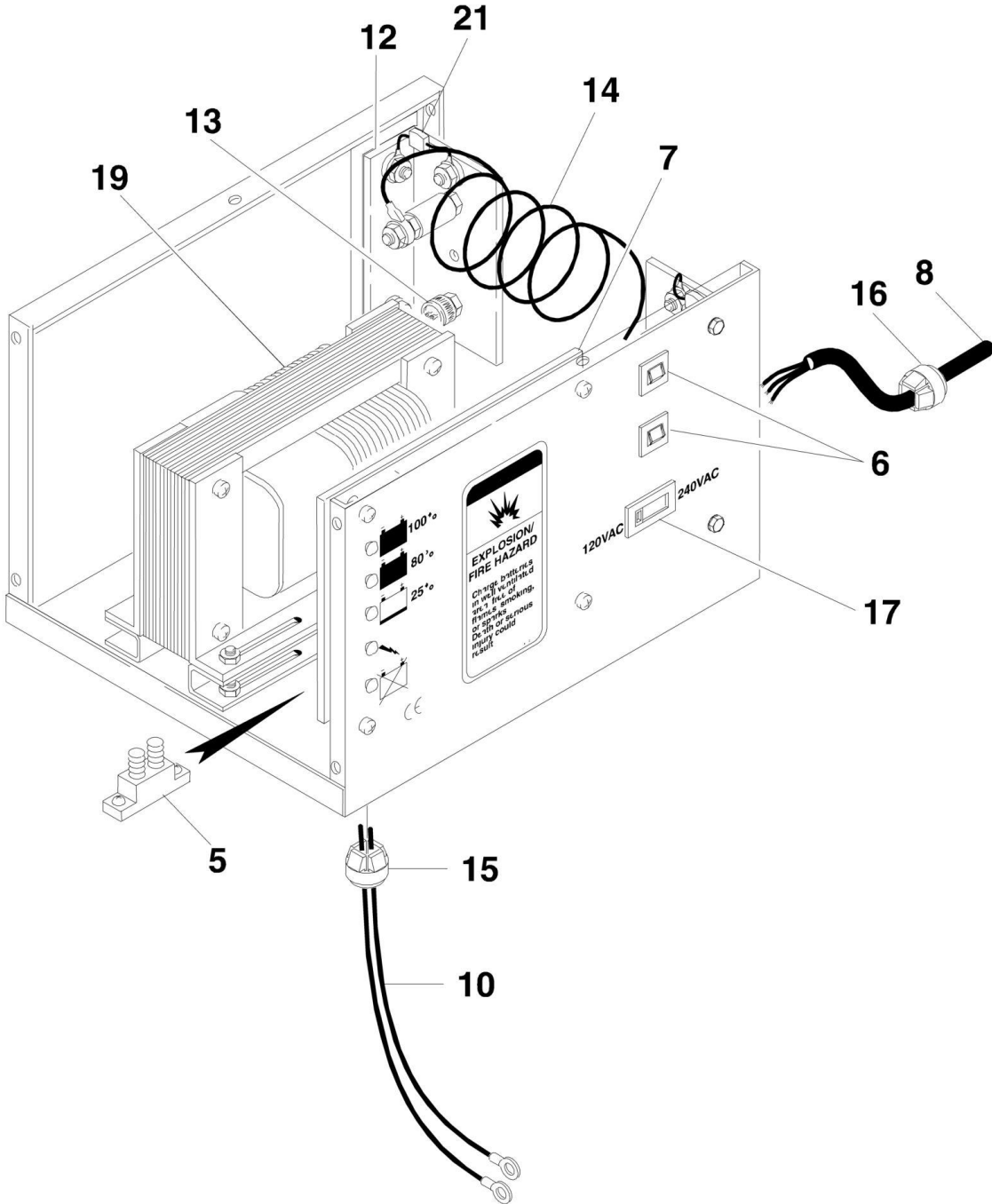
FIGURE 2-5. DC POWER PACK INSTALLATION

ITEM	PART NUMBER	QTY	DESCRIPTION	REV
	0400223	Ref	BATTERY BOX AND CHARGER ASSEMBLY	D
1	0100011	AR	Loctite, #242 (Not Shown)	
3	0400176	1	Charger Assembly (See BATTERY CHARGER ASSEMBLY for Breakdown)	
4	0641406	4	Bolt, 1/4in-20NC x 3/4in	
5	0641412	2	Bolt, 1/4in-20NC x 1 1/2in	
6	0720805	2	Screw, #8-24NC x 5/8in	
7	0721008	8	Screw, #10-24NC	
8	0861192	1	Box, Molded Battery	
9	0861193	1	Box, Molded Battery Charger	
10	0902442	2	Bracket, Hanger	
11	0940085	1	Bumper, Stop	
12	1060570	1	Cable Assembly - Battery	
13	2940111	1	Latch, Soft Draw	
14	3310805	2	Locknut #8-32NC	
15	3311005	8	Locknut #10-24NC	
16		Ref	Nut Options:	
16	3311401	2	Nut (Prior to SN 23037)	
16	3311405	2	Nut (SN 23037 through 24847)	
16	3311401	2	Nut (SN 24848 to Present)	
17	3311501	3	Nut 5/16in -18NC (Prior to SN 23037)	
17	3311505	2	Nut 5/16in -18NC (SN 23037 to Present)	
18	3820001	2	Rivet,.125 x.25	
19	3900190	2	Screw, Shoulder	
20	4750800	2	Washer, #8 Flat	
21	4751000	16	Washer, #10 Flat	
22	4751400	8	Washer, 1/4 Flat	
23	4751500	1	Washer, 5/16 Flat	
24	3311501	1	Nut 5/16-18NC (SN 24073 to Present)	
		Ref	BATTERY BOX AND CHARGER INSTALLATIONS	
	0258203	Ref	Battery Box (Wet)	E
	0258498	Ref	Battery Box (Dry)	E
101	0400223	1	Battery Box and Charger Assy (Includes Items 1-23):	
102		Ref	Battery Options:	
102	0400122	1	Standard Wet Battery	
102	0400144	1	Standard Dry Battery	
	0270163	1	BDI INSTALLATION	C
201	2420195	1	Gauge, BDI	

SECTION 2 - CONTROLS

FIGURE 2-6. BATTERY CHARGER ASSEMBLY

NOTE: COVER NOT SHOWN FOR CLARITY



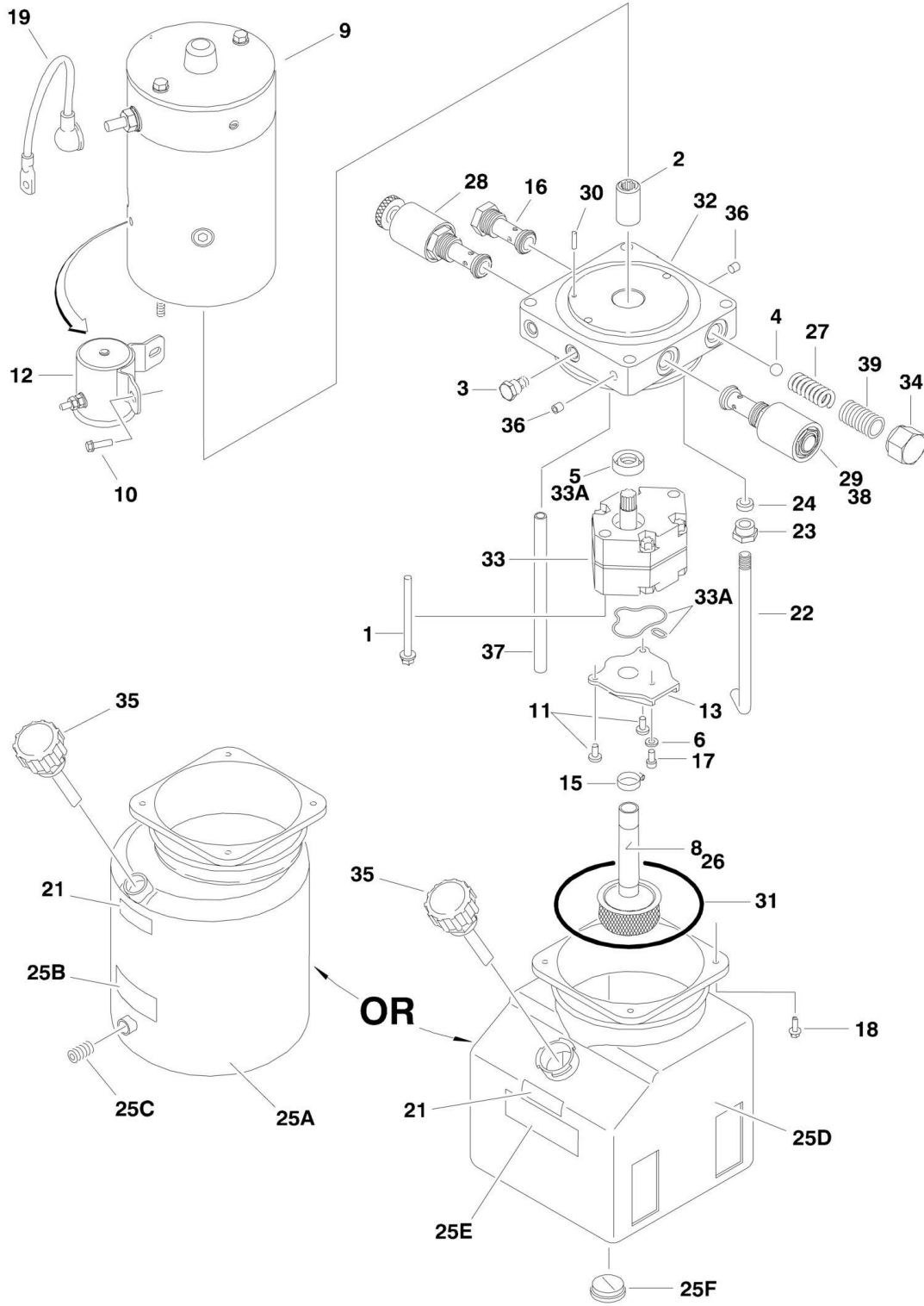
SECTION 2 - CONTROLS

FIGURE 2-6. BATTERY CHARGER ASSEMBLY

ITEM	PART NUMBER	QTY	DESCRIPTION	REV
	0400176	Ref	BATTERY CHARGER ASSEMBLY	F
5	7011509	1	Breaker, Circuit - DC 50Amp	
6	7018536	2	Breaker, Circuit 3 Amp	
7	7020626	1	Card, Circuit	
8	7020627	1	AC Cord Assembly	
10	7020629	1	DC Harness	
12	7020631	2	Rectifier Assembly	
13	7018555	1	SCR Rectifier	
14	7020605	1	Shunt Assembly	
15	7018556	1	Connector, Strain Relief - DC	
16	7011528	1	Connector, Strain Relief - AC	
17	7018586	1	Switch, Slide	
19	7020032	1	Transformer	
21	7020633	1	Varistor	

SECTION 2 - CONTROLS

FIGURE 2-7. DC MOTOR/PUMP ASSEMBLY



SECTION 2 - CONTROLS

FIGURE 2-7. DC MOTOR/PUMP ASSEMBLY

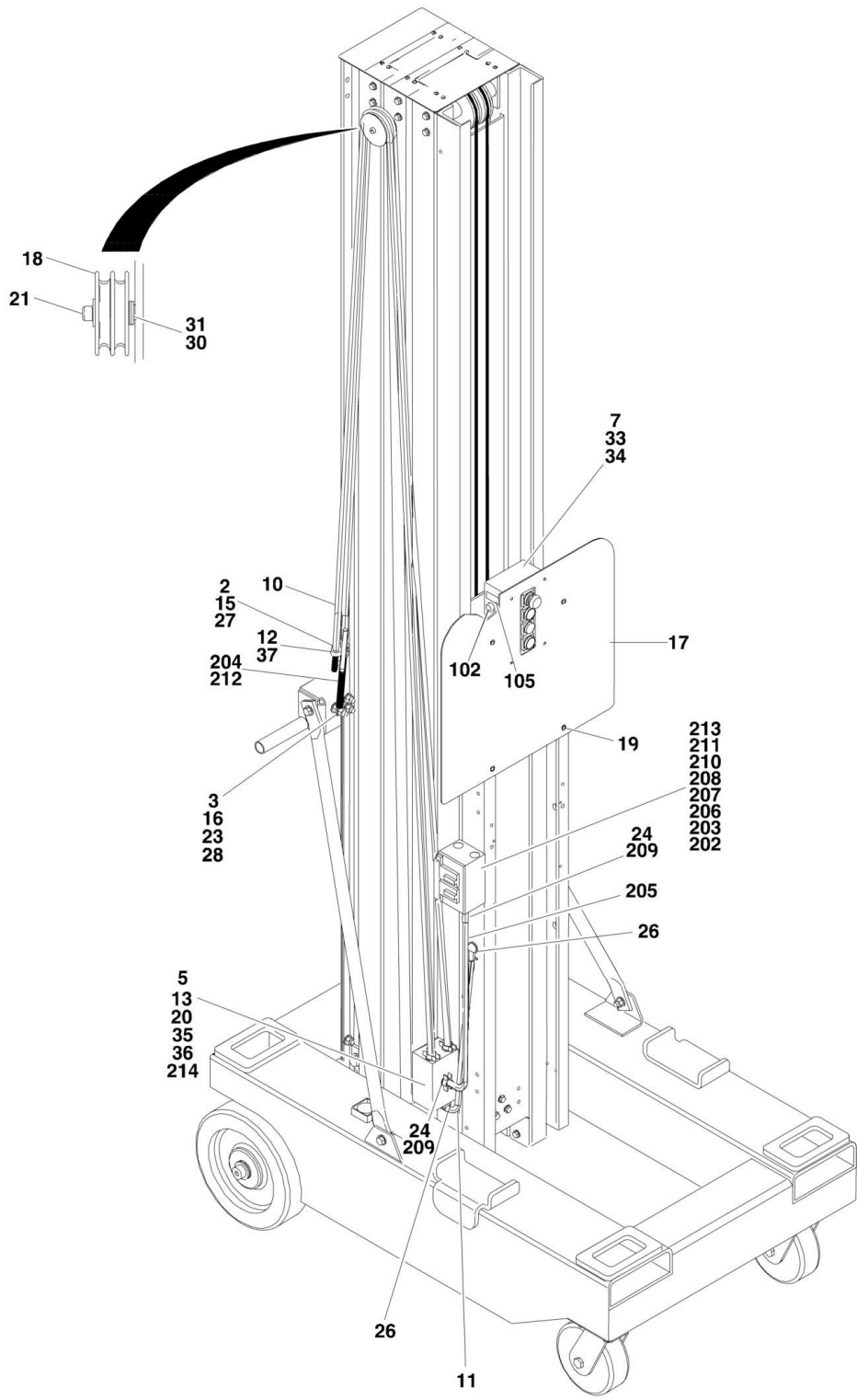
ITEM	PART NUMBER	QTY	DESCRIPTION	REV
		Ref	DC MOTOR/PUMP ASSEMBLY	
	3600291	Ref	Dc Motor/Pump Assembly 12V DC (Prior to SN 19526)	A
	3600355	Ref	Dc Motor/Pump Assembly 12V DC (SN 19526 to Present)	C
1	7013713	2	Bolt 5/16in-24NF x 2 3/4in	
2	7016735	1	Coupling	
3	7013714	1	Plug	
4	Kit	1	Ball (Was p/n 7013715)	
5	7013716	1	Seal (Part of Pump Seal Kit p/n 7013701)	
6	7013717	1	Washer	
8	7013722	1	Magnet	
9	7013710	1	Motor	
9	7013757	1	Brush Kit	
10	7013758	2	Screw 1/4in-20NC x 1/4in	
11	7013728	2	Screw m6 x 1.0 - 12mm	
12	7013760	1	Solenoid	
13	7016770	1	Cover	
15	7016771	1	Clamp	
16	7013708	1	Cartridge, Valve - Check	
17	7016720	1	Bolt 5/16in-18NC x 1in	
18	7016721	4	Bolt #12-24NC x 1/2in	
19	7016772	1	Cable	
21		Ref	Decal - Fill Line Options:	
21	7016713	1	Decal - Fill Line (Prior to SN 19526)	
21	7022223	1	Decal - Fill Line (SN 19526 to Present)	
22	7013795	1	Tube, Return	
23	7013792	1	Nut, Tube Compression	
24	7013793	1	Sleeve, Tube Compression	
25	7016775	AR	Tank Options:	
25A	7016775	1	Tank Used (Prior to SN 19526)	
25B	7016776	1	Decal - Caution (Prior to SN 19526)	
25C	7016759	1	Plug (Prior to SN 19526)	
25D	7022219	1	Tank Used (SN 19526 to Present)	
25E	7013748	1	Decal - Caution (SN 19526 to Present)	
25F	7013722	1	Plug, Magnetic (SN 19526 to Present)	
26	7016773	1	Plumbing Assembly - Inlet	
27	Kit	1	Spring, Green (Was p/n 7016762)	
28		Ref	Cartridge, Valve - Manual Descent Options:	
28	7013764	1	Cartridge, Valve - Manual Descent (Prior to SN 19526)	
28	Not Required	0	SN 19526 to Present (Moved to Lift Cylinder)	
29		Ref	Coil, Solenoid Options:	
29	7016786	1	Coil, Solenoid (Prior to SN 19526)	
29	7016751	1	Coil, Solenoid (SN 19526 to Present)	
30	7013766	1	Pin	
31	7013743	1	O-Ring	
32		Ref	End Head	
32	7016753	1	End Head (Prior to SN 19526)	
32	7022220	1	End Head (SN 19526 to Present)	
33	7016717	1	Pump Assembly	
33A	7013701	1	Seal Kit - Pump (Includes Gasket for #13 Cover, O-Ring and #5 Seal)	

SECTION 2 - CONTROLS

ITEM	PART NUMBER	QTY	DESCRIPTION	REV
34	Kit	1	Cap, Relief (Was p/n 7013750)	
35	7016714	1	Breather	
36	7013720	2	Plug	
37		Ref	Tube, Return Options:	
37	7013726	1	Tube, Return (Prior to SN 19526)	
37	7022224	1	Tube, Return (SN 19526 to Present)	
38	7016755	1	Valve	
39	Kit	1	Screw, Adjustment (Was p/n 7013770)	
	7013779	1	Relief Valve Kit (Includes Items 4, 27, 34 & 39)	

SECTION 2 - CONTROLS

FIGURE 2-8. CABLES AND CONTROLS INSTALLATION



SECTION 2 - CONTROLS

FIGURE 2-8. CABLES AND CONTROLS INSTALLATION

ITEM	PART NUMBER	QTY	DESCRIPTION	REV
		Ref	CABLES AND CONTROLS INSTALLATION OPTIONS:	
	0259079	Ref	Cables and Controls Installation (AC/DC Models) (Prior to SN 16858)	B
	0270489	Ref	Cables and Controls Installation (AC Models Only) (SN 16858 to Present)	E
	0270490	Ref	Cables and Controls Installation (DC Models Only) (SN 16858 to Present)	E
1	0100011	AR	Loctite No. 242 (Not Shown)	
2	0641410	1	Bolt 1/4in-20NC x 1 1/4in	
3	0641612	1	Bolt 3/8in-16NC x 1 1/2in	
5	0860945	1	Box, Junction	
7	0861207	1	Control Box Assembly	
7	7020078	1	Switch, Push-Pull (Red)	
7	7020088	2	Switch, Push Button (White)	
7	7020089	1	Switch, Push Button (Green)	
7	7020091	1	Plug	
7	7027299	1	Connector, Strain Relief (was p/n 7020092)	
7	7020093	4	Screw m3 x 25 Freedrive	
10		Ref	Cable, Electrical Options: - 16/5	
10	1060687	1	120V AC (Prior to SN 22974)	
10	4923163	1	120V AC (Includes Items 36 & 37) (SN 22974 to Present)	
10	1060687	1	120V DC (Prior to SN 16858)	
10	1060922	1	120V DC (SN 16858 to Present)	
11		Ref	Cable, Retractable Options: - 16/5	
11	1060694	1	120V AC	
11	1060694	1	120V DC (Prior to SN 16858)	
11	4922652	1	120V DC (SN 16858 to Present)	
12	1320149	1	Clamp	
13	1670603	1	Cover, Junction Box	
15	3311405	1	Locknut 1/4in-20NC	
16	3311605	2	Locknut 3/8in-16NC	
17	3570923	1	Plate, Decal Mounting	
18		Ref	Sheave, Control Cable Options:	
18	3580231	1	Sheave, Control Cable (Prior to SN 24352)	
18	3580344	1	Sheave, Control Cable (SN 24352 to Present)	
19	3820032	4	Rivet	
20	3900191	2	Screw	
21		Ref	Screw, Shoulder Options:	
21	3900200	1	Screw, Shoulder (Prior to SN 24352)	
21	3900373	1	Screw, Shoulder (SN 24352 to Present)	
23	4160130	1	Spring, Extension	
24	4460023	4	Connector, Strain Relief	
25	4460190	1	Receptacle, Electrical	
26	4460566	2	Connector, Strain Relief - 90	
27	4711400	2	Flatwasher 1/4in Narrow	
28	4711600	2	Flatwasher 3/8in Narrow	
30	4751000	4	Flatwasher #10 Wide	
31	4751500	1	Lockwasher 5/16in	
32	4761000	4	Flatwasher #10	
33	4460115	4	Terminal, Fork (16 Gauge)	

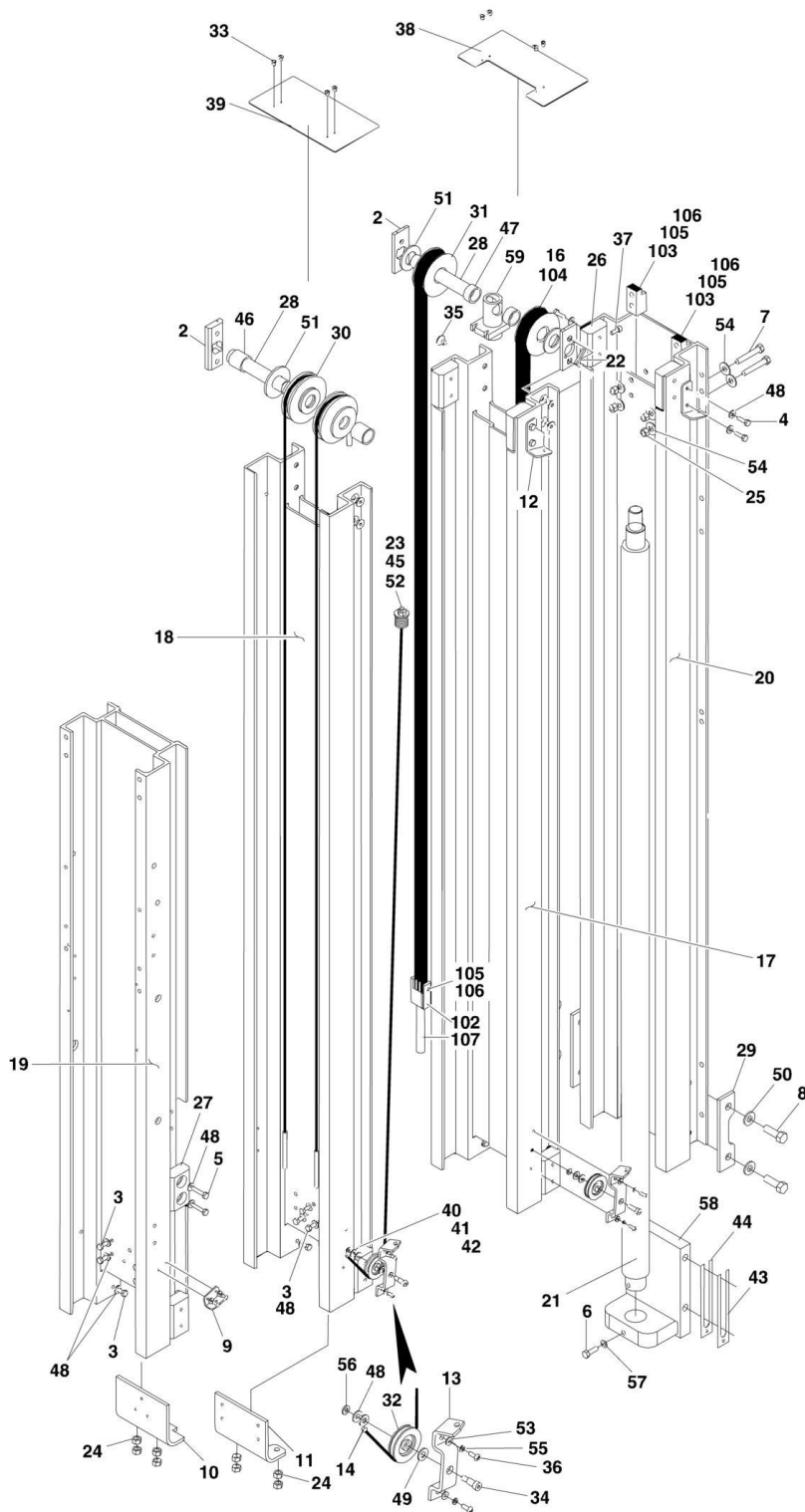
SECTION 2 - CONTROLS

ITEM	PART NUMBER	QTY	DESCRIPTION	REV
34	4922420	1	Harness, Jumper (Control Box)	
35	3520034	2	Plug, 5/16in Hole	
36	4460035	5	Terminal, Butt Splice (120V AC Only)	
37	4460145	4	Terminal, Fork (120V AC Only)	
	0258482	Ref	AUXILIARY LOWERING INSTALLATION	A
102	4360274	1	Switch, Push Button	
105	1704236	1	Decal - Auxiliary Lowering	
		Ref	OUTLET INSTALLATION OPTION:	
	0270746	Ref	120V (DC)	B
	0270972	Ref	120V (AC)	B
201	0100011	AR	Loctite No. 242 (Not Shown)	
202	0721006	2	Screw	
203	0860946	1	Box, Receptacle	
204		Ref	Cable Options: - 12/3	
204	1060564	1	120V AC (Prior to SN 22974)	
204	1060564	1	120V DC (Prior to SN 16858)	
204	1060923	1	120V DC (SN 16858 to Present)	
205		Ref	Cable Options: - 16/4	
205	1060565	1	120V AC	
205	1060565	1	120V DC (Prior to SN 16858)	
205	4922653	1	120V DC (SN 16858 to Present)	
206	3252761	1	Decal - 120V	
207	3311001	2	Nut, #10-24NC	
208	4060092	1	Shield, Waterproof	
209	4460023	3	Terminal, Connector	
210	4460145	AR	Terminal, Fork	
211	4460190	1	Terminal, Receptacle	
212	4460549	1	Plug, Terminal (120V DC Only)	
213	4761000	2	Lockwasher #10	
214	4460035	3	Terminal, Butt Splice (120V AC Only) (Prior to SN 22974)	
215	4240033	AR	Strap, Tie (Not Shown)	

SECTION 3 - MAST

SECTION 3 - MAST

FIGURE 3-1. MAST ASSEMBLY (CHAIN AND CABLE)



SECTION 3 - MAST

FIGURE 3-1. MAST ASSEMBLY (CHAIN AND CABLE)

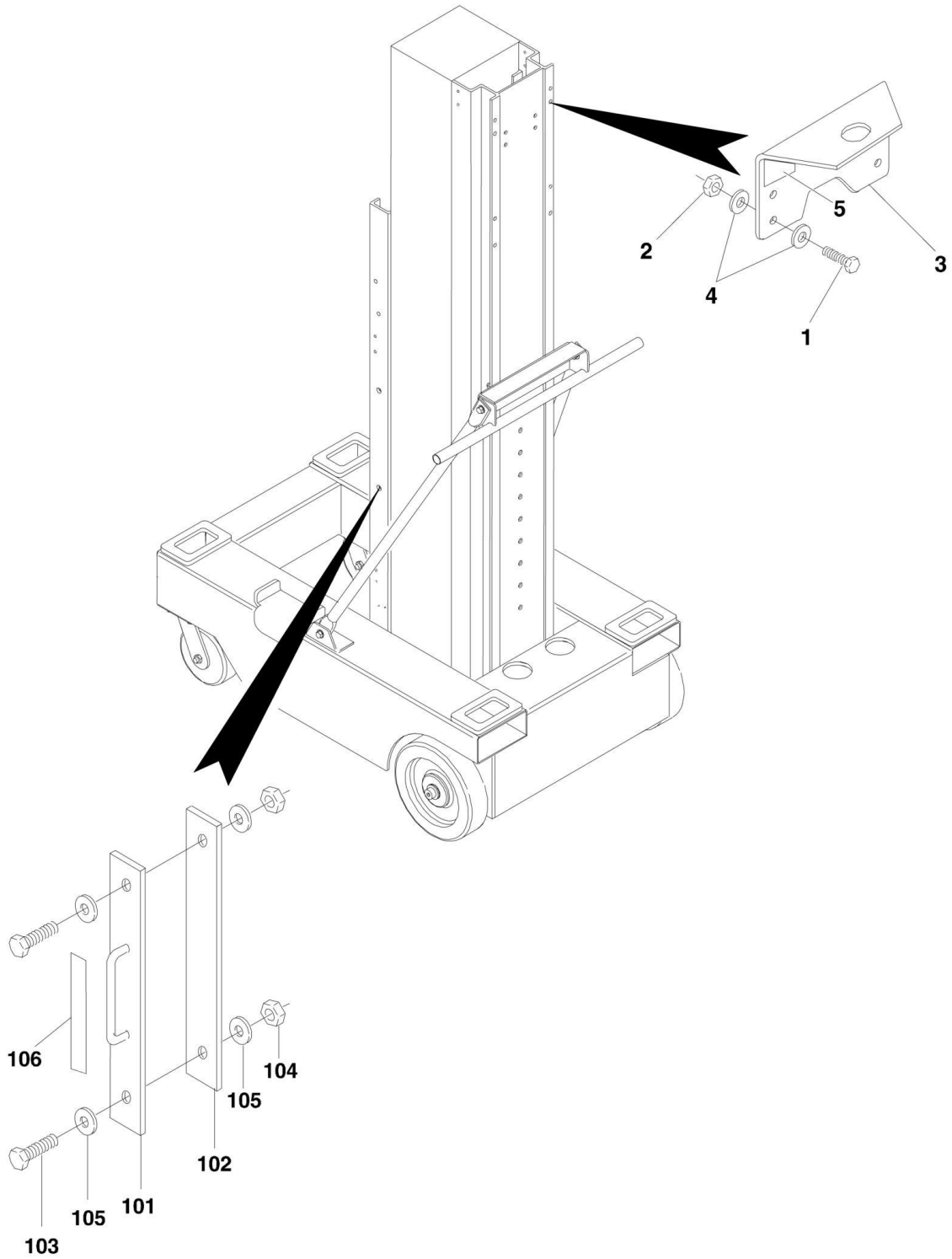
ITEM	PART NUMBER	QTY	DESCRIPTION	REV
		Ref	MAST ASSEMBLY	
	0801150	Ref	Mast Assembly (Prior to SN 19526)	D
	0801333	Ref	Mast Assembly (SN 19526 to Present)	C
1	0100011	AR	Loctite No. 242 (Not Shown)	
2	0362735	4	Bar, Sheave Pin Support	
3	0641406	23	Bolt 1/4in-20NC x 3/4in	
4	0641407	4	Bolt 1/4in-20NC x 7/8in	
5	0641410	8	Bolt 1/4in-20NC x 1 1/4in	
6	0641508	1	Bolt 5/16in-18NC x 1in	
7	0641618	4	Bolt 3/8in-16NC x 2 1/4in	
8	0641812	4	Bolt 1/2in-13NC x 1 1/2in	
9	0902047	1	Bracket, Sequence Cable	
10	0902423	1	Bracket, Bottom Chain Attach	
11	0902424	1	Bracket, Bottom Chain Attach	
12	0902431	2	Bracket, Sequence Cable	
13	0902445	2	Bracket, Sequence Cable	
14	1060683	2	Cable, Sequence	
15	1060696	2	Cable, Extension	
16	1260329	2	Chain Assembly - #466 (See Items 101-107 for Breakdown)	
17	1271390	1	Channel, Mast #2	
18	1271392	1	Channel, Mast #6	
19	1271393	1	Channel, Mast Header	
20		Ref	Channel, Mast #1 Options:	
20	1271411	1	Channel, Mast #1 (Prior to SN 14643)	
20	1271389	1	Channel, Mast #1 (SN 14643 to Present)	
21		Ref	Lift Cylinder Assembly (See CYLINDER SECTION for Breakdown)	
21	1683699	1	Lift Cylinder Assembly (Prior to SN 19526)	
21	1684088	1	Lift Cylinder Assembly (SN 19526 through 19589)	
21	1684271	1	Lift Cylinder Assembly (SN 19590 to Present)	
22	2880310	2	Key	
23	3311405	2	Locknut 1/4in-20NC	
24	3311601	8	Nut 3/8in-16 NC	
25	3311605	4	Locknut 3/8in-16NC	
26	3340845	10	Pad, Slide Guide	
27		Ref	Pad, Slide Guide Options:	
27	3340846	2	Pad, Slide Guide (Prior to SN 13017)	
27	3340858	2	Pad, Slide Guide (SN 13017 to Present)	
28	3422717	2	Pin, Sheave	
29	3570893	2	Plate, Cylinder Mount	
30	3580217	2	Sheave, Cable	
31	3580286	2	Sheave Assembly	
32	3580269	2	Sheave, Sequence Cable	
33	3820034	8	Rivet	
34	3900187	2	Screw, Shoulder	
35	3900192	8	Screw, Countersunk 3/8in-16NC x 1/2in	
36	3900205	6	Screw, #10-24NC x 1/2in	
37	3900206	1	Bolt 1/4in-28NF x 3/8in	
38	4060960	1	Shield, Mast Cover	
39	4060961	1	Shield, Mast Cover	

SECTION 3 - MAST

ITEM	PART NUMBER	QTY	DESCRIPTION	REV
40	4070860	16	Shim, Slide Pad (.075)	
41	4070861	16	Shim, Slide Pad (.036)	
42	4070862	12	Shim, Slide Pad (.015)	
43	4070970	2	Shim, Cylinder Mount	
44	4070971	4	Shim, Cylinder Mount	
45	4160124	2	Spring	
46	4567491	2	Tube, Spacer	
47	4567635	2	Tube, Spacer	
48	4711400	39	Flatwasher 1/4in Narrow	
49	4711500	2	Flatwasher 5/16in Narrow	
50	4711800	4	Flatwasher 1/2in Narrow	
51		Ref	Washer Options:	
51	4712600	5	Washer (Prior to SN 19526)	
51	4740007	5	Washer (SN 19526 to Present)	
52	4740414	4	Cupwasher	
53	4750800	6	Flatwasher #8 Wide	
54	4751600	8	Flatwasher 3/8in Wide	
55	4761000	6	Lockwasher #10	
56	4761400	2	Lockwasher 1/4in	
57	4761500	1	Lockwasher 5/16in	
58		Ref	Weld, Cylinder Mount	
58	4845731	1	Weld, Cylinder Mount (Prior to SN 19526)	
58	4846514	1	Weld, Cylinder Mount (SN 19526 to Present)	
59	4845795	1	Weld, Cylinder Cable Mount	
	2901602	1	Mast Kit (Includes Items 17 - 20)	
	1260329	Rev.	CHAIN ASSEMBLY - #466 CHAIN	D
101	0100062	AR	Loctite #RC/640 (Not Shown)	
102		Ref	Block Options:	
102	0561150	1	Block (Prior to SN 15022)	
102	0561409	1	Block (SN 15022 to Present)	
103	0561306	1	Block	
104	1260299	71 in/1.8m	Chain	
105	3422265	2	Pin	
106	3450201	4	Pin, Cotter	
107	4300111	1	Stud	

SECTION 3 - MAST

FIGURE 3-2. MAST MOUNTED COMPONENTS INSTALLATIONS



SECTION 3 - MAST

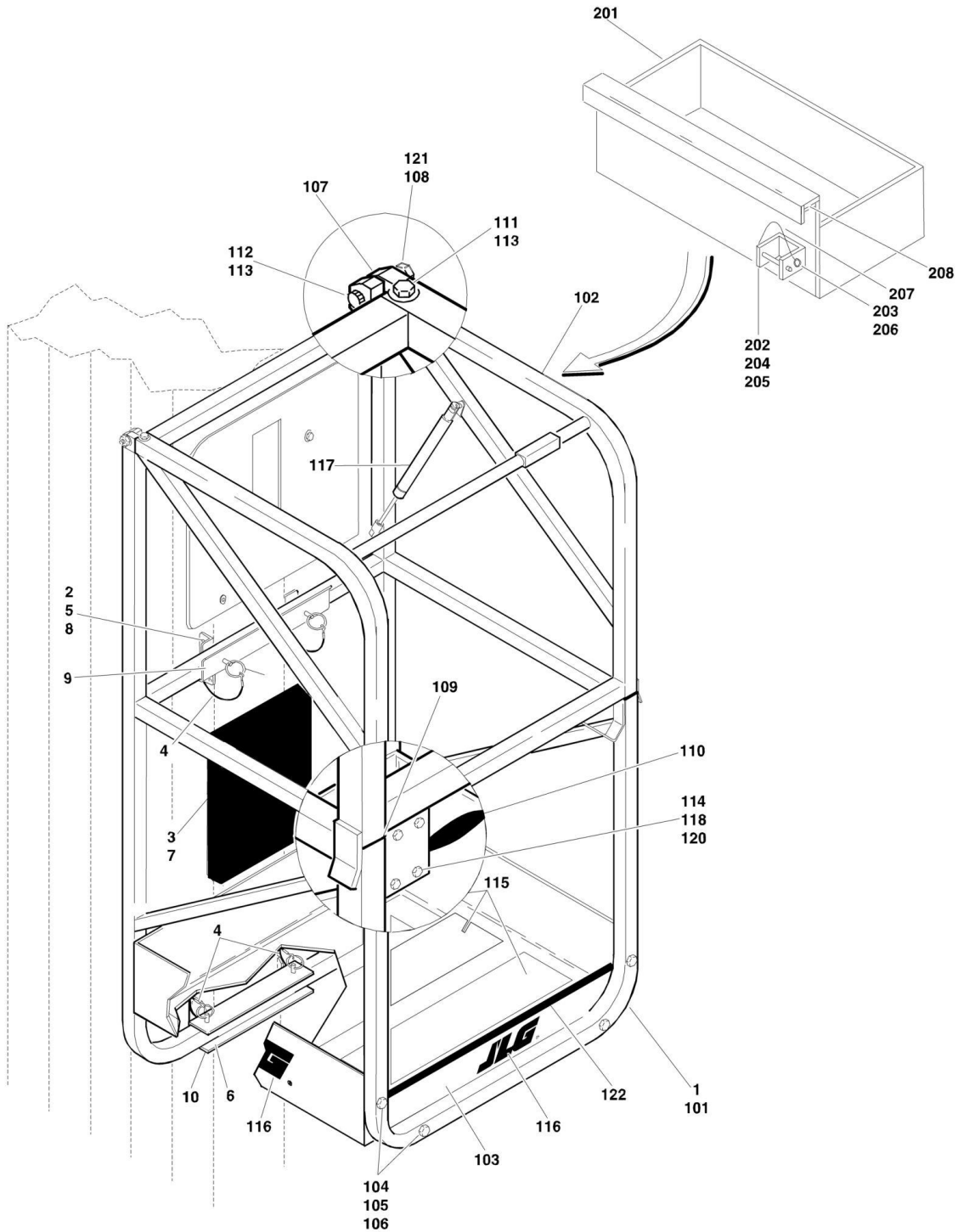
FIGURE 3-2. MAST MOUNTED COMPONENTS INSTALLATIONS

ITEM	PART NUMBER	QTY	DESCRIPTION	REV
	0258448	Ref	OPTIONAL CRANE HOOK INSTALLATION	C
1	0641612	4	Bolt 3/8in-16NC x 1 1/2in	
2	3311605	4	Locknut 3/8in-16NC	
3	3570976	1	Plate, Crane Hook	
4	4711600	8	Flatwasher 3/8in	
5	1703455	1	Decal - Crane Hook	
	0256559	Ref	SAFETY ATTACH INSTALLATION	3-B
101	4845345	1	Weldment, Safety Attach	
102	3539814	1	Plate	
103	0681812	2	Bolt 1/2in-13NC x 1 1/2in	
104	3271805	2	Locknut 1/2in-13NC'	
105	4751800	4	Flatwasher 1/2in	
106	1704277	1	Decal - Lanyard Attach	

SECTION 4 - PLATFORM

SECTION 4 - PLATFORM

FIGURE 4-1. PLATFORM INSTALLATION (GULLWING)



SECTION 4 - PLATFORM

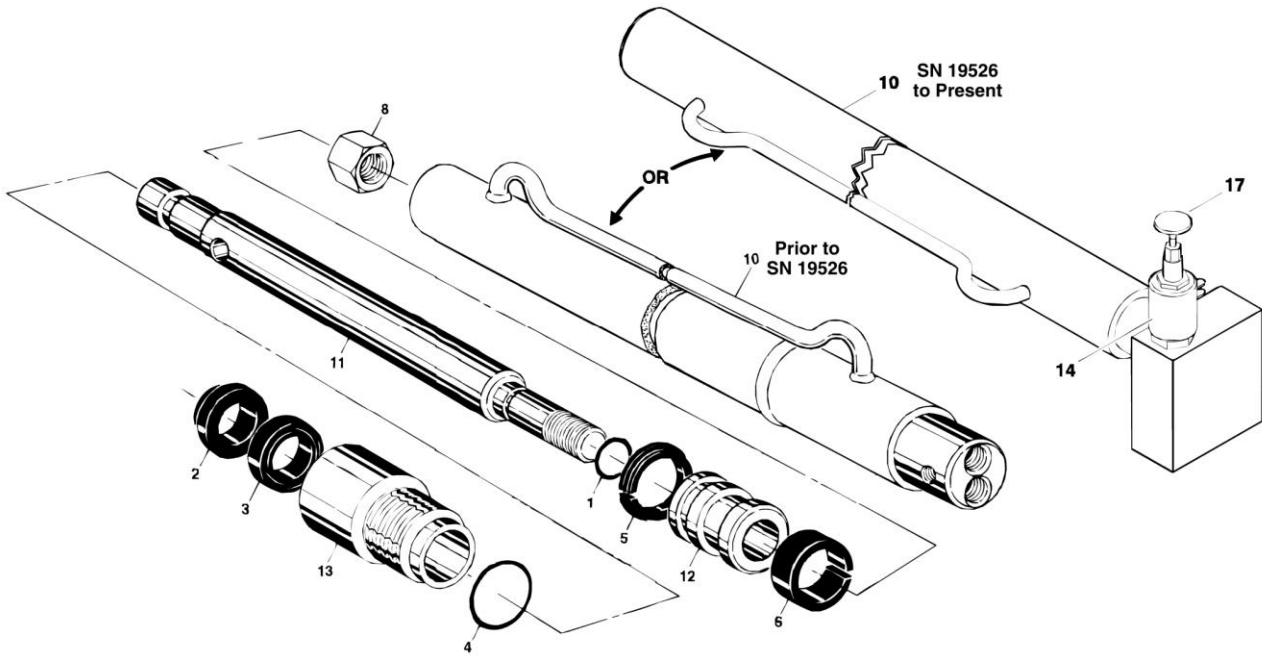
FIGURE 4-1. PLATFORM INSTALLATION (GULLWING)

ITEM	PART NUMBER	QTY	DESCRIPTION	REV
		Ref	PLATFORM INSTALLATION	
	0259074	Ref	28in x 26in (71cm x 66cm) (Cable and Chain)	B
1	0258588	1	Assembly, Platform (See Item 101 - 122 for Breakdown)	
2	0641408	8	Bolt, 1/4in-20NC x 1in	
3	0860520	1	Box, Manual Storage	
4	1060380	4	Cable, Lanyard	
5	3311405	8	Locknut, 1/4in-20NC	
6	3422657	4	Pin, Quick Release	
7	3820024	4	Rivet	
8	4711400	16	Flatwasher 1/4in Narrow	
9	4845821	1	Platform Mount Weldment	
10		Ref	Platform Mount Weldment Options:	
10	4846021	1	Machines with Chain and Cable Mast Built (Was p/n 4845821) (Prior to SN 13017)	
10	4846021	1	Machines with Chain and Cable Mast Built (SN 13017 to Present)	
10	4845821	1	Machines with All Cable Mast	
		Ref	PLATFORM ASSEMBLIES	
	0258588	Ref	28in x 26in (71cm x 66cm)	5-D
101	4845808	1	Platform Rail Weldment	
102	4845813	1	Gullwing Gate Weldment	
103	3570462	1	Plate, Platform Pan	
104	0641414	8	Bolt 1/4in-20NC x 1 3/4in	
105	4711400	16	Flatwasher 1/4in	
106	3311405	8	Locknut 1/4in-20NC	
107	2600225	4	Hinge, Gate	
108	3311505	2	Locknut 5/16in-18NC	
109	3520072	4	Cap, Plug	
110	2940074	1	Latch	
111	3900258	8	Screw, Button Head 1/4in-20NC x 3/4in	
112	3900032	2	Bolt, Shoulder	
113	4711600	AR	Flatwasher 3/8in	
114	0721006	4	Bolt #10-24NC x 3/4in	
115	4420039	6 ft/1.8m	Tape, Non-Skid	
116	1701612	3	Decal - JLG	
117	4160165	1	Spring, Gas Shock	
118	4751000	8	Flatwasher #10	
120	3311005	4	Locknut #10-24NC	
121	3300356	2	Nut-Acorn 5/16in-18NC	
122	4060803	AR	Shield, Flex Trim	
	0255036	Ref	Tool Tray Assembly (Optional)	2
201	0860947	1	Tool Box	
202	0902079	1	Bracket, Mounting	
203	3421453	1	Pin, Snap	
204	3900204	2	Bolt, Carriage # 10-24NC x 1/2in	
205	3300391	2	Wingnut # 10-24NC	
206	3760170	1	Snap - Pin	
207	1060380	1	Cable, Lanyard	
208	4280296	4 ft/1.2m	Strip, Wear	
209	1702365	1	Decal - JLG (Not Shown)	

SECTION 5 - CYLINDER

SECTION 5 - CYLINDER

FIGURE 5-1. LIFT CYLINDER ASSEMBLY



SECTION 5 - CYLINDER

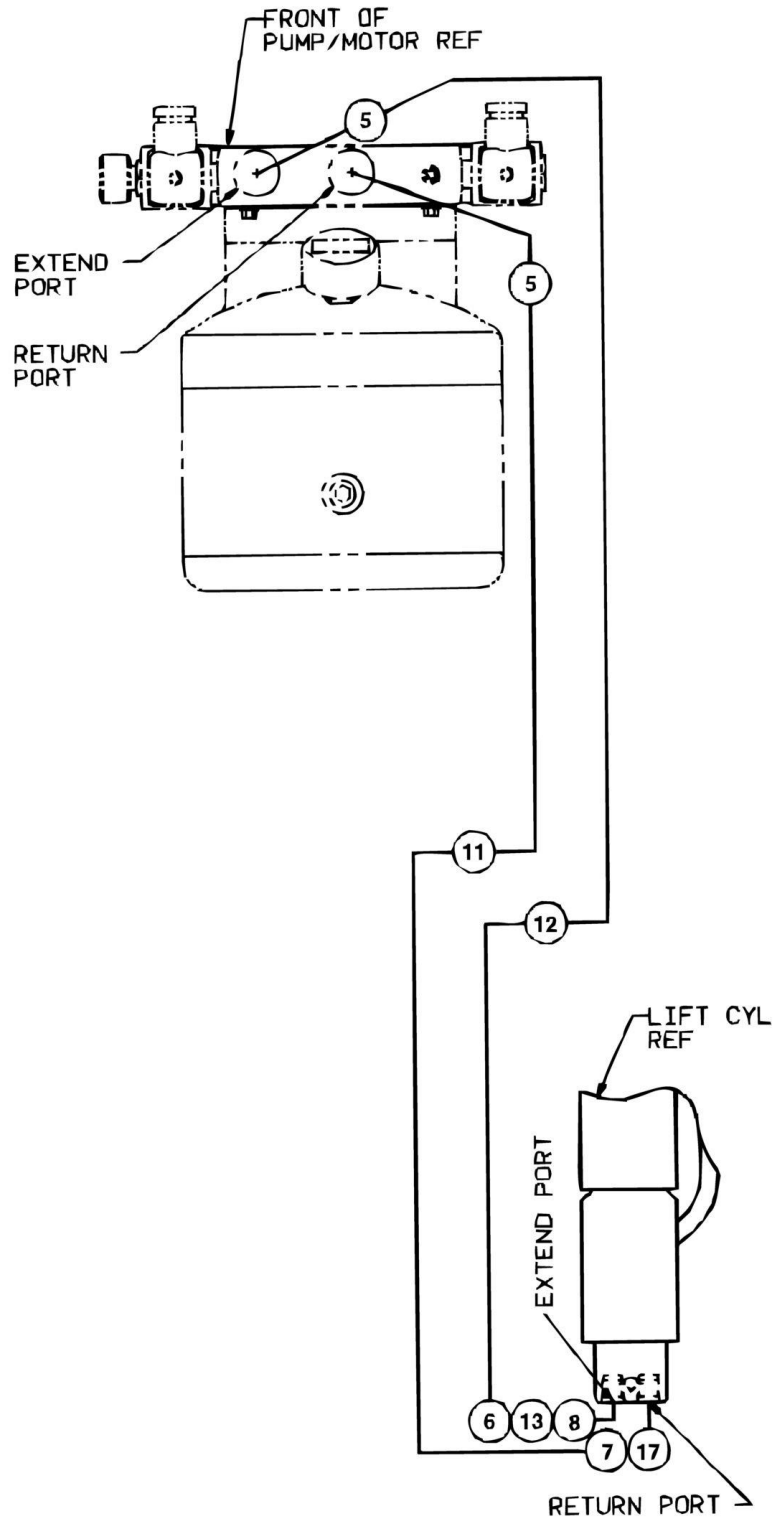
FIGURE 5-1. LIFT CYLINDER ASSEMBLY

ITEM	PART NUMBER	QTY	DESCRIPTION	REV
		Ref	LIFT CYLINDER ASSEMBLIES OPTIONS:	
	1683699	Ref	Lift Cylinder Assemblies (Prior to SN 19526)	C
	1684088	Ref	Lift Cylinder Assemblies (SN 19526 through 19589)	H
	1684271	Ref	Lift Cylinder Assemblies (SN 19590 to Present)	C
1	Kit	1	O-Ring	
2	Kit	1	Wiper	
3	Kit	1	Seal	
4	Kit	1	O-Ring	
5	Kit	1	Seal	
6	Kit	1	Ring, Wear	
8		Ref	Locknut Options:	
8	7003246	1	Locknut (Prior to SN 19526)	
8	7023391	1	Locknut (SN 19526 to Present)	
10		Ref	Barrel Options:	
10	7019839	1	Barrel (Prior to SN 19526)	
10	Not Available		Barrel (SN 19526 to Present)	
11		Ref	Rod Options:	
11	7019838	1	Rod (Prior to SN 19526)	
11	7023393	1	Rod (SN 19526 to Present)	
12		Ref	Piston Options:	
12	7019835	1	Piston (Prior to SN 19526)	
12	7023392	1	Piston (SN 19526 to Present)	
13		Ref	Head Options:	
13	7019834	1	Head (Prior to SN 19526)	
13	7023394	1	Head (SN 19526 to Present)	
14	7023396	1	Poppet, Solenoid Valve Only (SN 19526 to Present)	
15	7023397	1	Spring (Not Shown Only) (SN 19526 to Present)	
16		Ref	Control Valve Options: (Not Shown)	
16	7023398	1	Control Valve (Prior to SN 19590)	
16	7024407	1	Control Valve (SN 19590 to Present)	
17	7023399	1	Knob-Red	
	7019833	1	Seal Kit - 1683699 Cylinder (Includes Items 1-6)	
	7023395		Seal Kit - 1684088 & 1684271 Cylinders (Includes Items 1-6)	

SECTION 6 - HYDRAULIC

SECTION 6 - HYDRAULIC

FIGURE 6-1. HYDRAULIC DIAGRAM



SECTION 6 - HYDRAULIC

FIGURE 6-1. HYDRAULIC DIAGRAM

ITEM	PART NUMBER	QTY	DESCRIPTION	REV
		Ref	HYDRAULIC DIAGRAM OPTIONS:	
	0259294	Ref	Hydraulic Diagram (Prior to SN 19526)	A
	0272235	Ref	Hydraulic Diagram (SN 19526 to Present)	A
	2792491	Ref	Hydraulic Diagram (SN 19526 to Present)	A
1	0100020	AR	Loctite #567 (Not Shown)	
5	2220473	AR	Fitting	
6	2220773	1	Fitting, 90 Only (Prior to SN 19526)	
7	2220507	1	Fitting, 90 Only (Prior to SN 19526)	
8	2220875	1	Fitting Only (Prior to SN 19526)	
11		Ref	Tube, Return Options:	
11	4567669	1	Tube, Return (Prior to SN 19526)	
11	4568227	1	Tube, Return (SN 19526 to Present)	
12		Ref	Tube, Extension Options:	
12	4567670	1	Tube, Extension (Prior to SN 19526)	
12	4568228	1	Tube, Extension (SN 19526 to Present)	
13	4640956	1	Valve, Flow Only (Prior to SN 19526)	
17	2220603	AR	Fitting	

SECTION 7 - ELECTRICAL

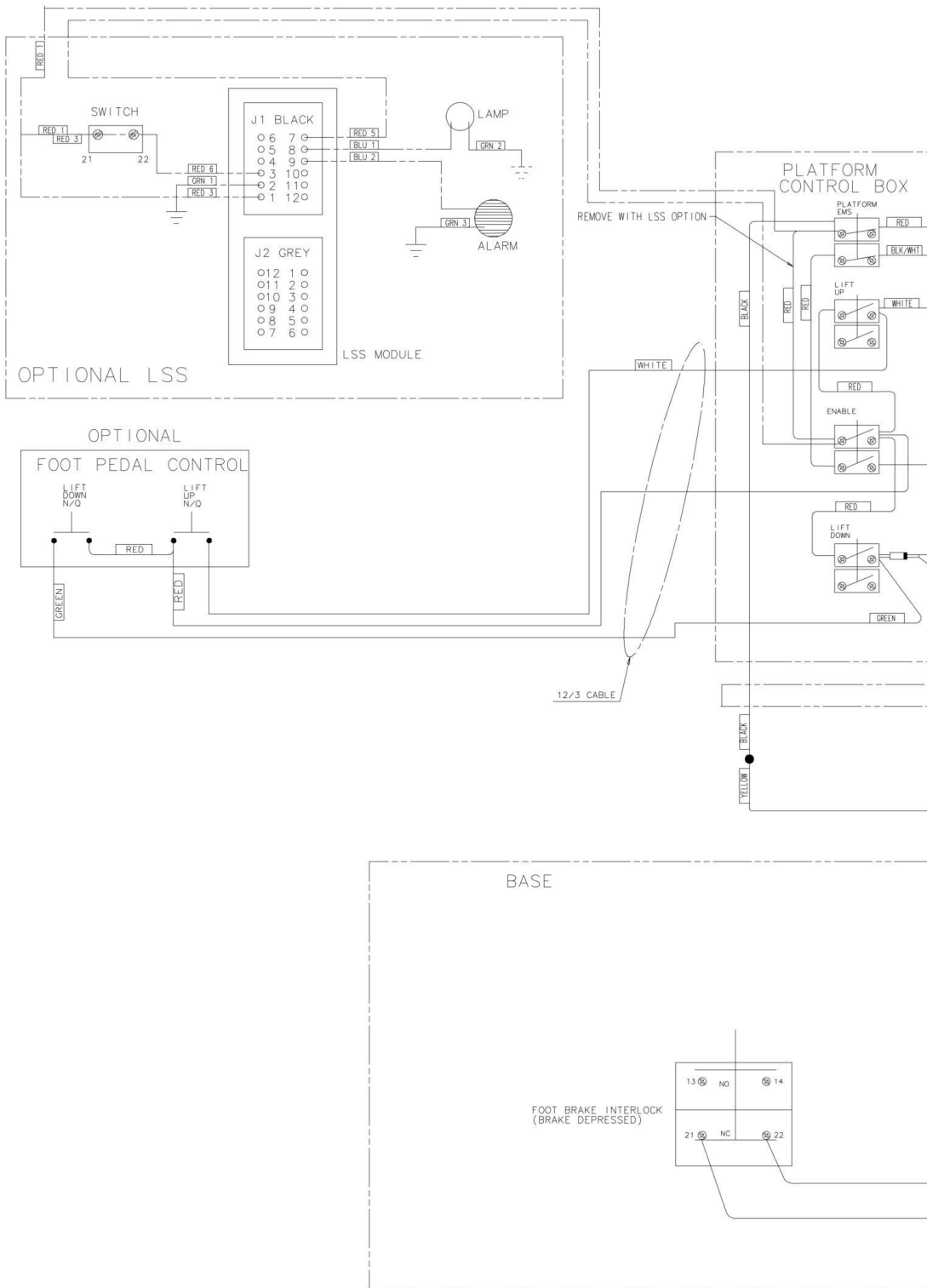
SECTION 7 - ELECTRICAL

FIGURE 7-1. ELECTRICAL DIAGRAM LIST

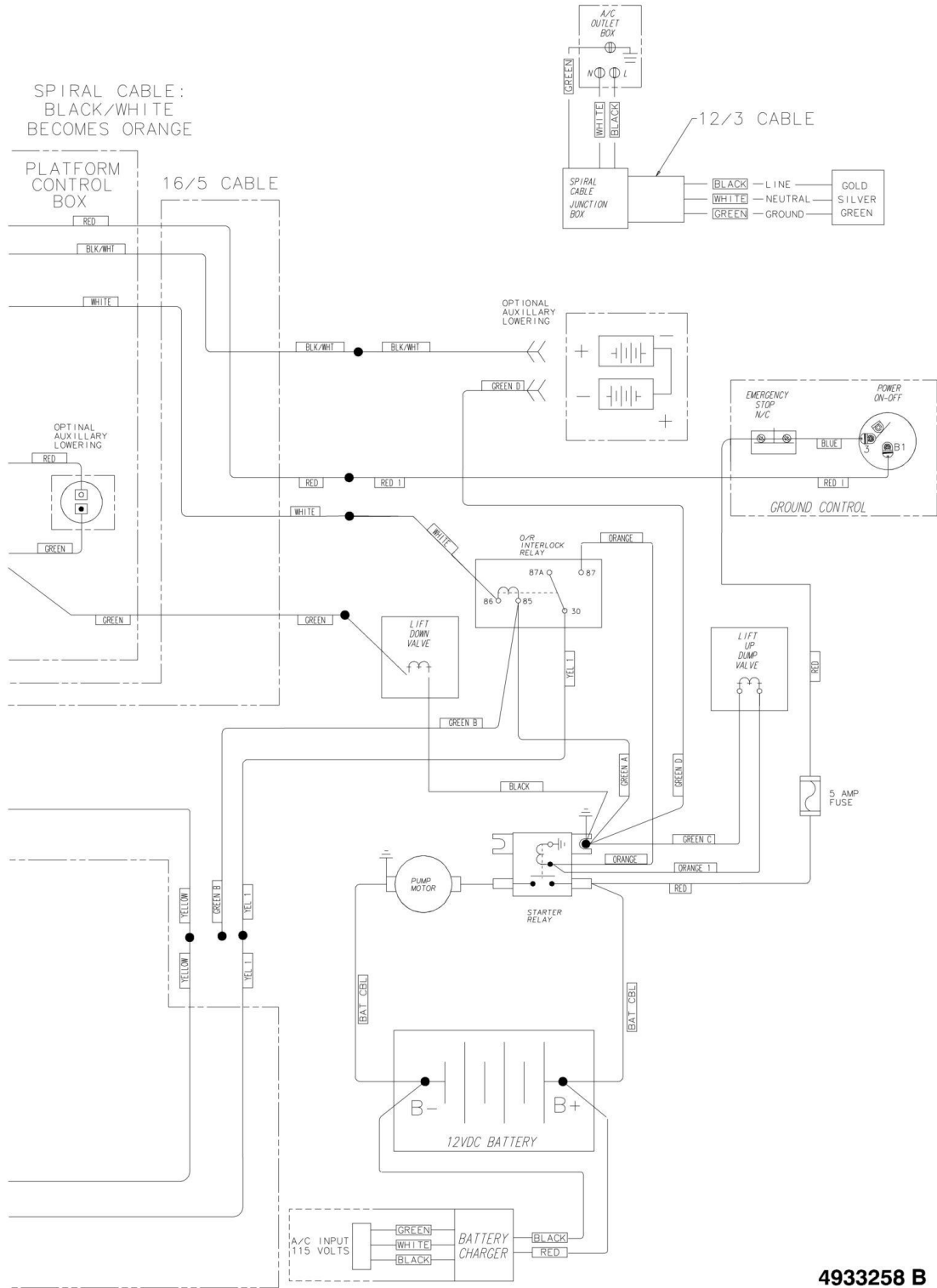
ITEM	PART NUMBER	QTY	DESCRIPTION	REV
		Ref	ELECTRICAL DIAGRAMS AND COMPONENTS LIST Note: Diagrams not shown in manual are available from JLG Services/Parts Department.	
	4933076	Ref	ELECTRICAL DIAGRAM - 12VDC (Prior to SN 19526)	3-C
	4460044	1	Fuseholder	
	2400006	1	Fuse - 5 Amp	
	3990010	2	Diode - 6 Amp	
	4460424	1	Receptacle	
	4460268	2	Socket, Female	
	4922420	1	Harness, Potted Relay	
	4922412	1	Harness, Pump Harness	
	4933258	Ref	ELECTRICAL DIAGRAM - 12VDC (SN 19526 to Present)	B
	4933077	Ref	ELECTRICAL DIAGRAM - 115VAC/60HZ (Prior to SN 19526)	3-E
	4921661	1	Harness, Ground Control	
	4460044	1	Fuseholder	
	2400006	1	Fuse - 5 Amp	
	3990010	3	Diode - 6 Amp	
	4460424	1	Receptacle	
	4460268	2	Socket, Female	
	4933259	Ref	ELECTRICAL DIAGRAM - 115VAC/60HZ (SN 19526 to Present)	4-F
	4922546	1	Harness, Ground Control	
	4922830	1	Harness, Power Distribution (Prior to SN 23728)	
	4460424	2	Receptacle Only (Prior to SN 20701)	
	4460268	1	Socket, Female Only (Prior to SN 20701)	
	4933305	Ref	ELECTRICAL DIAGRAM - AC BOX (SN 23728 to Present)	A

SECTION 7 - ELECTRICAL

FIGURE 7-2. ELECTRICAL DIAGRAM - 12VDC

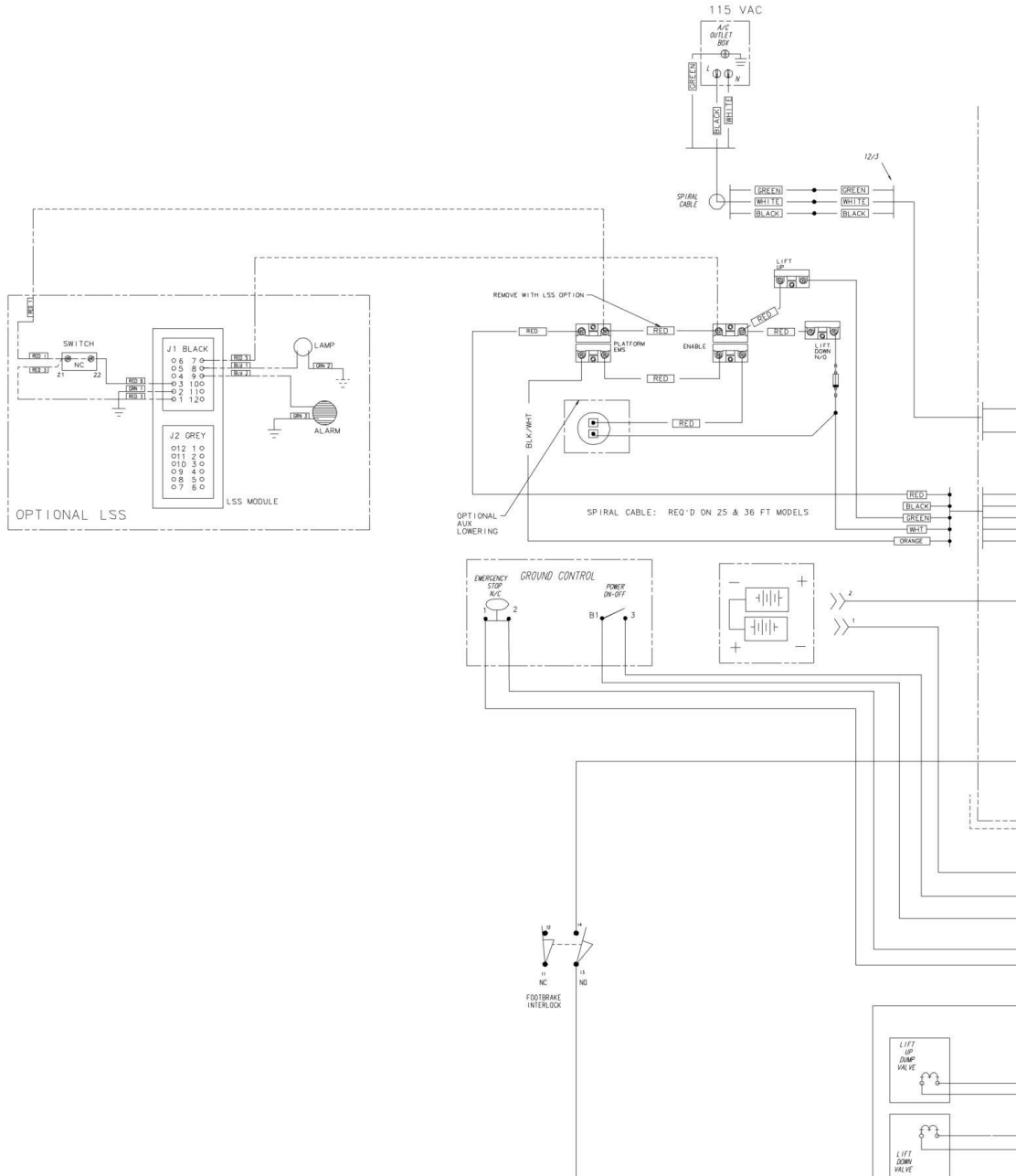


SECTION 7 - ELECTRICAL

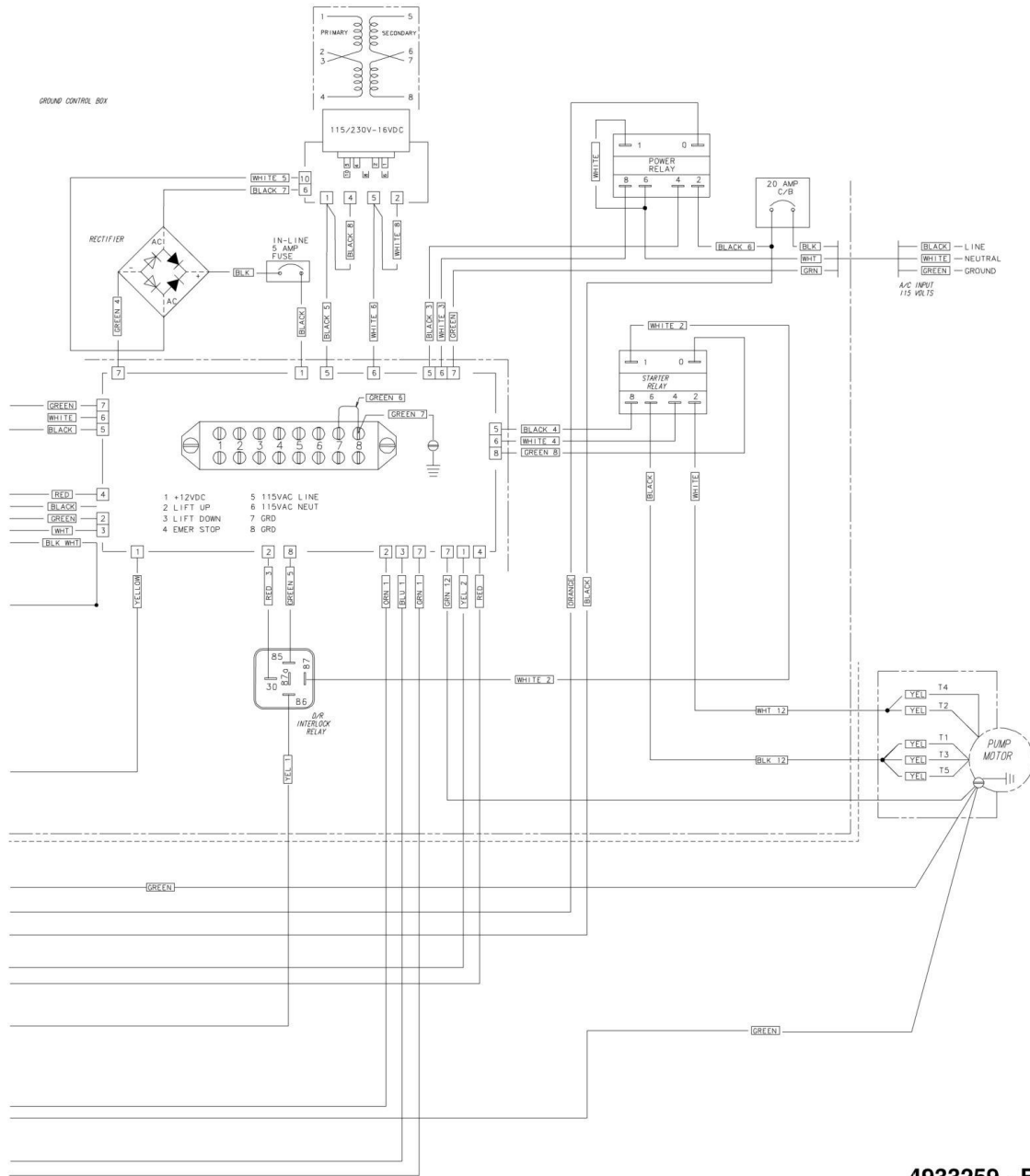


SECTION 7 - ELECTRICAL

FIGURE 7-3. ELECTRICAL DIAGRAM - 115VAC



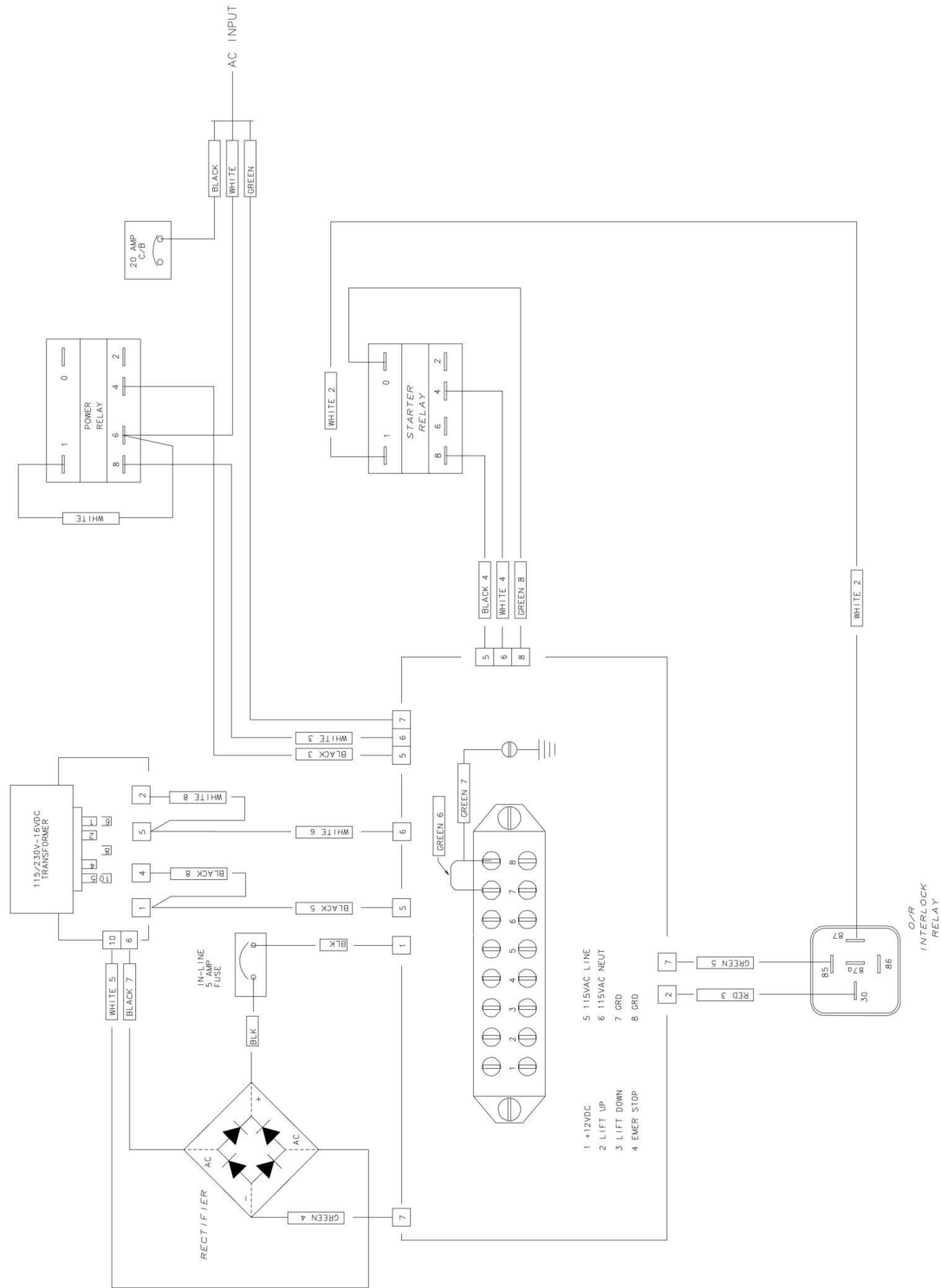
SECTION 7 - ELECTRICAL



4933259 - F

SECTION 7 - ELECTRICAL

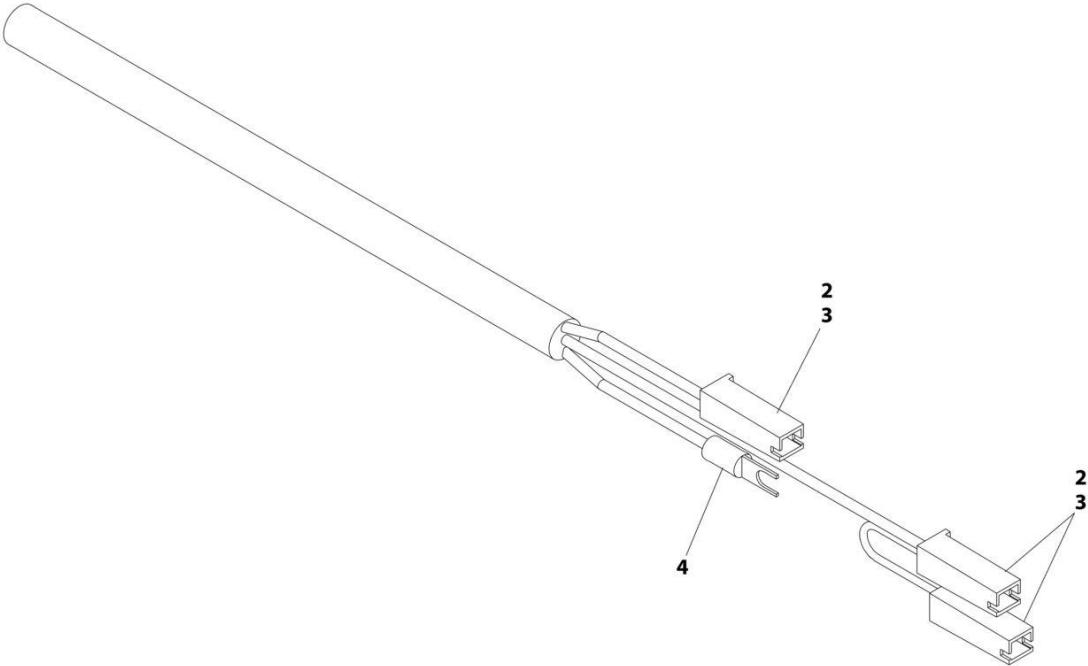
FIGURE 7-4. ELECTRICAL DIAGRAM - AC BOX



4933305 - A

SECTION 7 - ELECTRICAL

FIGURE 7-5. AC INPUT HARNESS - WITHOUT PLUG



ART_4923034

SECTION 7 - ELECTRICAL

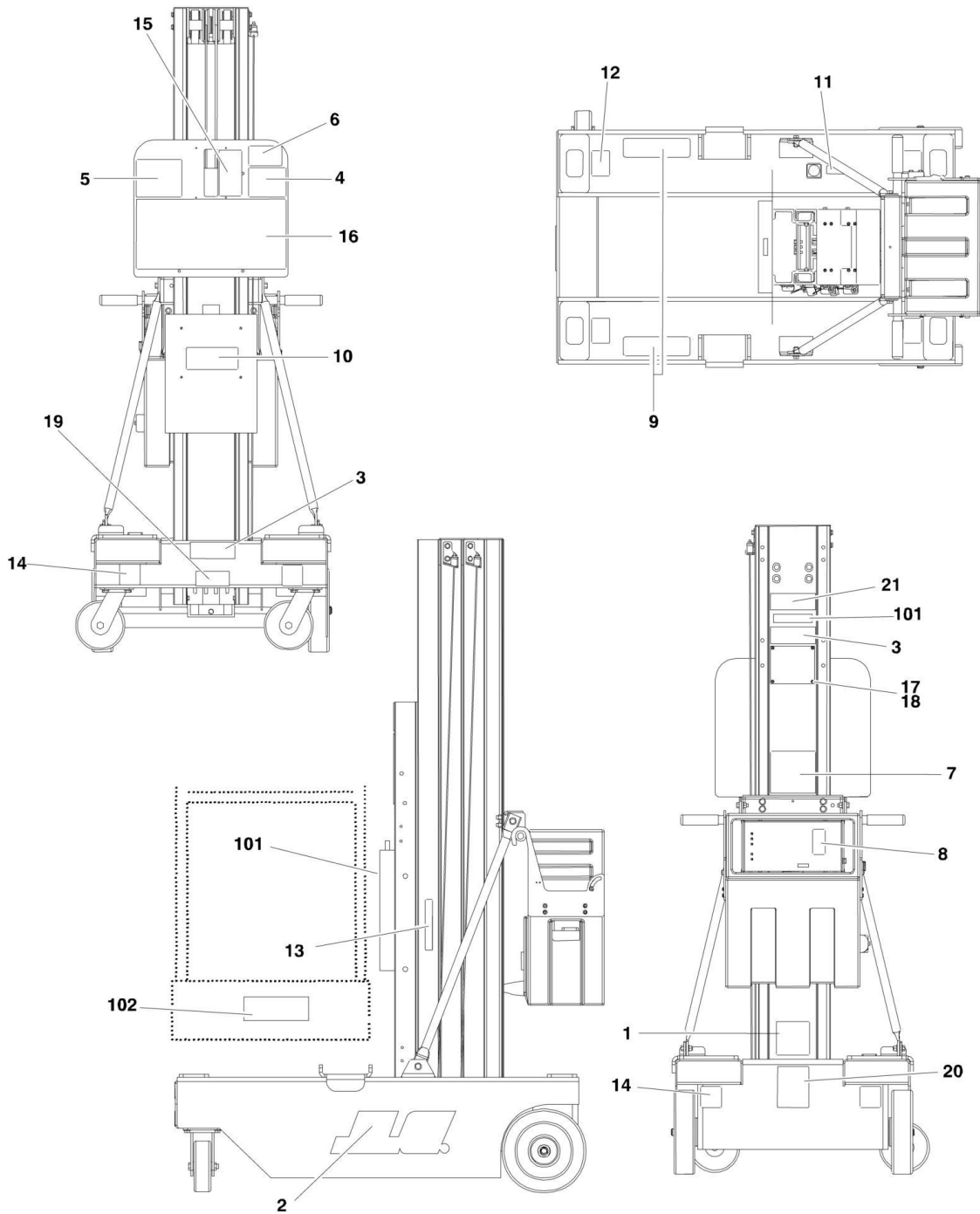
FIGURE 7-5. AC INPUT HARNESS - WITHOUT PLUG

ITEM	PART NUMBER	QTY	DESCRIPTION	REV
	4923034	Ref	AC PLUG HARNESS	B
	Note	1	Note: AC plug not included. Customer must provide replacement plug.	
2	4460260	3	Connector	
3	4460297	3	Socket	
4	4460315	1	Terminal, Spade	

SECTION 8 - DECALS

SECTION 8 - DECALS

FIGURE 8-1. DECAL INSTALLATION



SECTION 8 - DECALS

FIGURE 8-1. DECAL INSTALLATION

ITEM	PART NUMBER	QTY	DESCRIPTION	REV
		Ref	DECAL INSTALLATIONS	
	0259082	Ref	Standard ANSI	F
	0271153	Ref	JLG Logos	A
1	Not Available	1	Decal - Barcode	
2	1703625	2	Decal - JLG	
3	1703681	2	Decal - JLG	
4	1703779	1	Decal - USA	
5	1703781	1	Decal - Electrical Hazard	
6	1704259	1	Decal - Capacity	
7	1703784	1	Decal - Crushing/Tipping Hazard	
8	1703785	1	Decal - Warning/ Fire Hazard	
9	1703786	2	Decal - Crushing Hazard	
10		Ref	Decal - Manual Options:	
10	1703788	1	Decal - Manual (Prior to SN 17864)	
10	1701509	1	Decal - Manual (SN 17864 to Present)	
11	1703789	1	Decal - Level Indicator	
12	1703814	4	Decal - Tie Down	
13	1703815	1	Decal - Lanyard Attach	
14	1703817	4	Decal - Forklift	
15	1704212	1	Decal - Function Controls	
16	1704221	1	Decal - Warning	
17	Not Available	1	Nameplate - Serial Number	
18	3820006	4	Rivet, Pop	
19	1704244	1	Decal - Foot Stop	
20	1700584	1	Decal - Patent Only (SN 15058 to Present)	
21	1704386	1	Decal - ELI Model Designation	
	0259457	Ref	ELECTRIC LADDER DECAL INSTALLATION	A
101	1704393	2	Decal - JLG Service Support	
102	1704394	2	Decal - Electric Ladder Logo	

SECTION 9 - RECOMMENDED SERVICE PARTS STOCK

SECTION 9 - RECOMMENDED SERVICE PARTS STOCK

SECTION 9 - RECOMMENDED SERVICE PARTS STOCK

FIGURE 9-1. 15ELI STANDARD PARTS

ITEM	PART NUMBER	QTY	DESCRIPTION	REV
	Note	1	Note: The following list will service one machine (built to current production per date on the front cover) with emergency repair parts which can be installed in the field. Parts from the list should be replaced when inventory is depleted to keep service parts stock supplied. For further information, contact your JLG dealer or the JLG Industries Parts Department.	
		Ref	STANDARD PARTS	
	3740049	1	Relay	
	7016714	1	Filler/Breather Assembly	
	7016751	1	Solenoid	
	7020078	1	Switch, Push/Pull Stop	
	4360467	1	Switch, Key	
	2860030	1	Key Replacement	
	7020088	1	Switch, Push Button (White)	
	7020089	1	Switch, Push Button (Green)	
	7020090	1	Switch, Push Button (White)	
	2400006	2	Fuse 5-Amp	

SECTION 9 - RECOMMENDED SERVICE PARTS STOCK

FIGURE 9-2. 15ELI VARIABLE PARTS

ITEM	PART NUMBER	QTY	DESCRIPTION	REV
	Note	1	Note: The following list will service one machine (built to current production per date on the front cover) with emergency repair parts which can be installed in the field. Parts from the list should be replaced when inventory is depleted to keep service parts stock supplied. For further infomation, contact your JLG dealer or the JLG Industries Parts Department.	
		Ref	VARIABLE PARTS	
	7017440	1	Relay, Starter (AC Machines)	
	3740093	1	Relay, Starter (115V AC Machines)	
	4360161	1	Breaker, Circuit - 20 Amp (115V AC Machines)	
	4360376	1	Rectifier (AC Machines)	
	4530013	1	Transformer (115V AC Machines)	
	7011509	1	Breaker, Circuit - 50 Amp (DC Machines)	
	7018536	1	Breaker, Circuit - 3 Amp (DC Machines)	

SECTION 10 - SPECIAL OPTIONS

SECTION 10 - SPECIAL OPTIONS

FIGURE 10-1. SPECIAL OPTIONS

ITEM	PART NUMBER	QTY	DESCRIPTION	REV
	Note	1	Note: This list is to accomodate machines ordered with special equipment. Options may not be applicable to all models. For more specific parts information contact JLG Parts Department.	
		Ref	MISCELLANEOUS SPECIAL OPTIONS	
	0255036	Ref	Tool Tray Assembly (See PLATFORM SECTION for Breakdown)	
		Ref	Special Tools:	
	7002821	1	Crimper (For Wire to Pin/Socket Connections)	
	1283078	1	Decal, Chart - Sunbelt	
	7002823	1	Extractor (For Removal of Pin/Sockets Connectors)	
	4460467	1	Extractor 16-18 Gauge (For Wire to Pin/Socket from Deutsch Connectors)	
	4460510	1	Extractor 12-14 Gauge (For Wire to Pin/Socket from Deutsch Connectors)	
	7016654	1	Screwdriver, Magnetic	
	7004275	1	Seal Tool - 1in	
	7004276	1	Seal Tool - 1 1/2in	
	7002826	1	Seal Tool 2in	
	8896941	1	Stripper, Wire	

PART NUMBER INDEX

SECTION 10 - SPECIAL OPTIONS

0100001.....9	0791605.....21	1703788.....69	3580231.....33
0100011.....21, 25, 33, 34, 37	0801150.....37	1703789.....69	3580269.....37
0100020.....53	0801333.....37	1703814.....69	3580286.....37
0100062.....38	0860520.....45	1703815.....69	3580344.....33
0140033.....10	0860911.....15	1703817.....69	3600264.....13, 17
0255036.....45, 76	0860933.....13, 15	1704212.....69	3600291.....21, 29
0256559.....41	0860943.....15	1704221.....69	3600353.....13, 17
0256808.....10	0860945.....33	1704236.....34	3600355.....21, 29
0258203.....25	0860946.....34	1704244.....69	3740013.....21
0258448.....41	0860947.....45	1704259.....69	3740049.....15, 21, 72
0258482.....34	0861192.....25	1704277.....41	3740080.....21
0258498.....25	0861193.....25	1704386.....69	3740093.....15, 74
0258588.....45	0861207.....33	1704393.....69	3740113.....21
0259070.....9	0861212.....13, 21	1704394.....69	3760170.....45
0259071.....9	0861305.....13, 21	1704582.....10, 13	3760348.....9
0259074.....45	0902047.....37	2220473.....53	3820001.....25
0259079.....33	0902054.....21	2220507.....53	3820006.....69
0259082.....69	0902079.....45	2220603.....53	3820024.....45
0259104.....10	0902423.....37	2220773.....53	3820032.....33
0259205.....21	0902424.....37	2220875.....53	3820034.....37
0259206.....13	0902431.....37	2400006.....56, 72	3900032.....45
0259294.....13, 22, 53	0902442.....25	2420140.....10	3900187.....37
0259457.....69	0902445.....37	2420195.....25	3900190.....25
0270163.....25	0902523.....10	2560088.....10	3900191.....33
0270489.....33	0920114.....10	2600225.....45	3900192.....37
0270490.....33	0940085.....25	2792491.....53	3900200.....33
0270746.....34	1060380.....45	2860030.....21, 72	3900204.....45
0270972.....34	1060518.....21	2880310.....37	3900205.....37
0271153.....69	1060564.....34	2901602.....38	3900206.....37
0272230.....9	1060565.....34	2940074.....45	3900258.....45
0272232.....9	1060570.....25	2940111.....25	3900373.....33
0272235.....13, 22, 53	1060571.....21	3020017.....9	3910808.....15
0272237.....21	1060683.....37	3252761.....34	3911020.....10
0272238.....13	1060687.....33	3271805.....41	3931516.....17
0362735.....37	1060694.....33	3300356.....45	3990010.....56
0400122.....25	1060696.....37	3300391.....45	4060092.....34
0400144.....25	1060922.....33	3310805.....25	4060803.....45
0400176.....25, 27	1060923.....34	3311001.....10, 34	4060875.....13, 22
0400223.....25	1260299.....38	3311005.....13, 21, 25, 45	4060960.....37
0561150.....38	1260329.....37, 38	3311401.....25	4060961.....37
0561306.....38	1271389.....37	3311405.....10, 13, 25, 33, 37, 45	4061024.....13, 22
0561409.....38	1271390.....37	3311501.....25	4070860.....38
0630486.....13, 21	1271392.....37	3311505.....13, 21, 25, 45	4070861.....38
0641403.....21	1271393.....37	3311601.....37	4070862.....38
0641404.....13, 21, 22	1271411.....37	3311605.....9, 10, 13, 22, 33, 37, 41	4070970.....38
0641406.....10, 13, 25, 37	1283078.....76	3311805.....10	4070971.....38
0641407.....37	1320149.....33	3340845.....37	4070984.....13, 22
0641408.....45	1320224.....21	3340846.....37	4160124.....38
0641410.....33, 37	1670603.....33	3340858.....37	4160130.....33
0641412.....25	1683699.....37, 49	3421453.....45	4160165.....45
0641414.....45	1684088.....37, 49	3422265.....38	4240032.....9
0641508.....37	1684271.....37, 49	3422657.....45	4240033.....10, 34
0641606.....21	1700584.....69	3422717.....37	4280296.....45
0641607.....9	1701509.....69	3450201.....38	4300111.....38
0641608.....21	1701612.....45	3520028.....15	4360161.....15, 74
0641609.....9	1702120.....15	3520034.....15, 34	4360274.....34
0641612.....33, 41	1702353.....13, 22	3520072.....45	4360376.....15, 74
0641614.....13, 22	1702365.....15, 45	3539814.....41	4360456.....10
0641618.....37	1703455.....41	3539920.....10	4360467.....21, 72
0641808.....10	1703625.....69	3539921.....10	4420039.....45
0641812.....37	1703681.....69	3570462.....45	4460023.....33, 34
0681812.....41	1703779.....69	3570893.....37	4460035.....34
0720805.....25	1703781.....69	3570923.....33	4460044.....56
0721006.....13, 21, 34, 45	1703784.....69	3570976.....41	4460115.....33
0721008.....25	1703785.....69	3580217.....37	4460145.....34
0721014.....21	1703786.....69		4460190.....33, 34
			4460234.....9, 10

SECTION 10 - SPECIAL OPTIONS

4460260	65	4845813	45	7013727	17	7019835	49
4460268	56	4845821	45	7013728	17, 29	7019838	49
4460297	65	4845885	9	7013743	17, 29	7019839	49
4460315	65	4846021	45	7013745	18	7020017	9
4460424	56	4846514	38	7013748	17, 18, 29	7020032	27
4460467	76	4846613	9	7013757	29	7020074	9
4460510	76	4860183	9	7013758	29	7020078	21, 33, 72
4460549	15, 34	4860184	9	7013760	29	7020083	9
4460565	15	4860202	9	7013763	18	7020084	9
4460566	13, 33	4860245	9	7013764	17, 29	7020086	9
4460633	13, 15	4860246	9	7013766	29	7020088	33, 72
4460662	10	4921661	56	7013779	18, 30	7020089	33, 72
4530013	15, 74	4921663	15	7013787	17	7020090	13, 21, 72
4567491	38	4922412	56	7013792	17, 29	7020091	33
4567605	21	4922420	34, 56	7013793	17, 29	7020093	13, 21, 33
4567635	38	4922546	56	7013794	18	7020094	13, 21
4567669	53	4922561	10	7013795	29	7020095	13
4567670	53	4922652	33	7016339	13, 21	7020096	13, 21
4567824	10	4922653	34	7016654	76	7020097	13, 21
4568227	53	4922740	22	7016713	29	7020098	13, 21
4568228	53	4922805	10	7016714	18, 30, 72	7020209	9
4640956	53	4922830	56	7016717	17, 29	7020605	27
4711400 ...	13, 21, 22, 33, 38, 45	4923034	15, 65	7016720	29	7020626	27
4711500	38	4923131	15	7016721	17, 29	7020627	27
47116009, 10, 13, 22, 33, 41, 45		4923163	33	7016722	17	7020629	27
4711800	10, 38	4933076	56	7016735	17, 29	7020631	27
4712200	9	4933077	56	7016751	17, 29, 72	7020633	27
4712600	38	4933258	56	7016753	17, 29	7022219	17, 29
4740007	38	4933259	56	7016755	18, 30	7022220	17, 29
4740414	38	4933305	15, 56	7016756	17	7022223	29
4740415	9	7002821	76	7016757	17	7022224	18, 30
4740456	9	7002823	76	7016758	17	7022225	17
4750800	25, 38	7002826	76	7016759	17, 29	7022226	17
4751000 ...	10, 13, 21, 25, 33, 45	7003246	49	7016760	17	7023391	49
4751400	10, 13, 21, 25	7004275	76	7016761	17	7023392	49
4751500	13, 21, 25, 33	7004276	76	7016764	17	7023393	49
4751600	21, 38	7011509	27, 74	7016765	17	7023394	49
4751800	41	7011528	27	7016770	29	7023395	49
4761000 ...	10, 33, 34, 38	7012630	9	7016771	29	7023396	49
4761400	38	7012631	9	7016772	29	7023397	49
4761500	22, 38	7013701	17, 29	7016773	29	7023398	49
4845345	41	7013708	17, 29	7016775	29	7023399	49
4845712	13	7013710	29	7016776	29	7024407	49
4845714	21	7013713	17, 29	7016786	29	7024561	9
4845715	10	7013714	17, 29	7017440	15, 74	7027299	33
4845731	38	7013716	17, 29	7018536	27, 74	7027787	13
4845795	38	7013717	17, 29	7018555	27	8896941	76
4845808	45	7013720	18, 30	7018556	27	9984088	13
		7013722	17, 29	7018586	27		
		7013723	17	7019833	49		
		7013726	30	7019834	49		



**Corporate Office
JLG Industries, Inc.
1 JLG Drive
McConnellsburg, PA 17233-9533 USA
☎ (717) 485-5161 (Corporate)
☎ (877) 554-5438 (Customer Support)
📠 (717) 485-6417**

**Visit our website for JLG Worldwide Locations.
www.jlg.com**



OSHKOSH™