



OPERATORS & SAFETY
SERVICE & MAINTENANCE
ILLUSTRATED PARTS MANUAL

This manual applies to machines with serial numbers 013000000 through 130001569

Models
10 VP
15VP
20VP

3120837
September 15, 1997



AUSTRALIAN OFFICE

JLG INDUSTRIES, INC.
P.O. Box 5119
11 Bolwarra Road
Port Macquarie, Australia
Telephone: 065 811111
Fax: 065 810122

EUROPEAN OFFICE

JLG INDUSTRIES (EUROPE)
Kilmartin Place,
Tannochside Park
Uddingston, Scotland, G71 5PH
Telephone: 01698 811005
Main Fax: 01698 811055
Parts Fax: 01698 811455

CORPORATE OFFICE

JLG INDUSTRIES, INC.
1 JLG Drive
McConnellsburg, PA.
17233 -9533
USA
Telephone: (717) 485 -5161
Fax: (717) 485 -6417

REVISION LOG

May 15, 1996 – Original Issue of Manual

June 26, 1996 – Change 1 – Pages Affected:
Revision Log – Page c
Table of Contents – Page ii
Section 2 – Page 2-4
Section 3 – Pages 3-4 & 3-5
Section 4 – Pages 4-3 & 4-4
Section 9 – Pages 9-3, 9-5 thru 9-7
Section 10-1 – Pages 10-1-2 thru 10-1-5 & 10-1-7 thru 10-1-9
Section 10-2 – Pages 10-2-3 & 10-2-13
Section 10-7 – Pages 10-7-2 & 10-7-3
Section 10-8 – Pages 10-8-2 thru 10-8-6
Section 1 -9 – Page 10-9-1

February 15, 1997 – Revised Manual

June 16, 1997 – Change 2 Pages Affected:
Cover
Revision Log - Page c
Section 10-1 - Pages 10-1-6, 10-1-9 thru 10-1-11
Section 10-2 - Pages 10-2-3, 10-2-5, 10-2-7 & 10-2-15
Section 10-7 - Pages 10-7-5 & 10-7-7
Section 10-10 - Pages 10-10-1

September 15, 1997 – Change 3 Pages Affected:
Cover

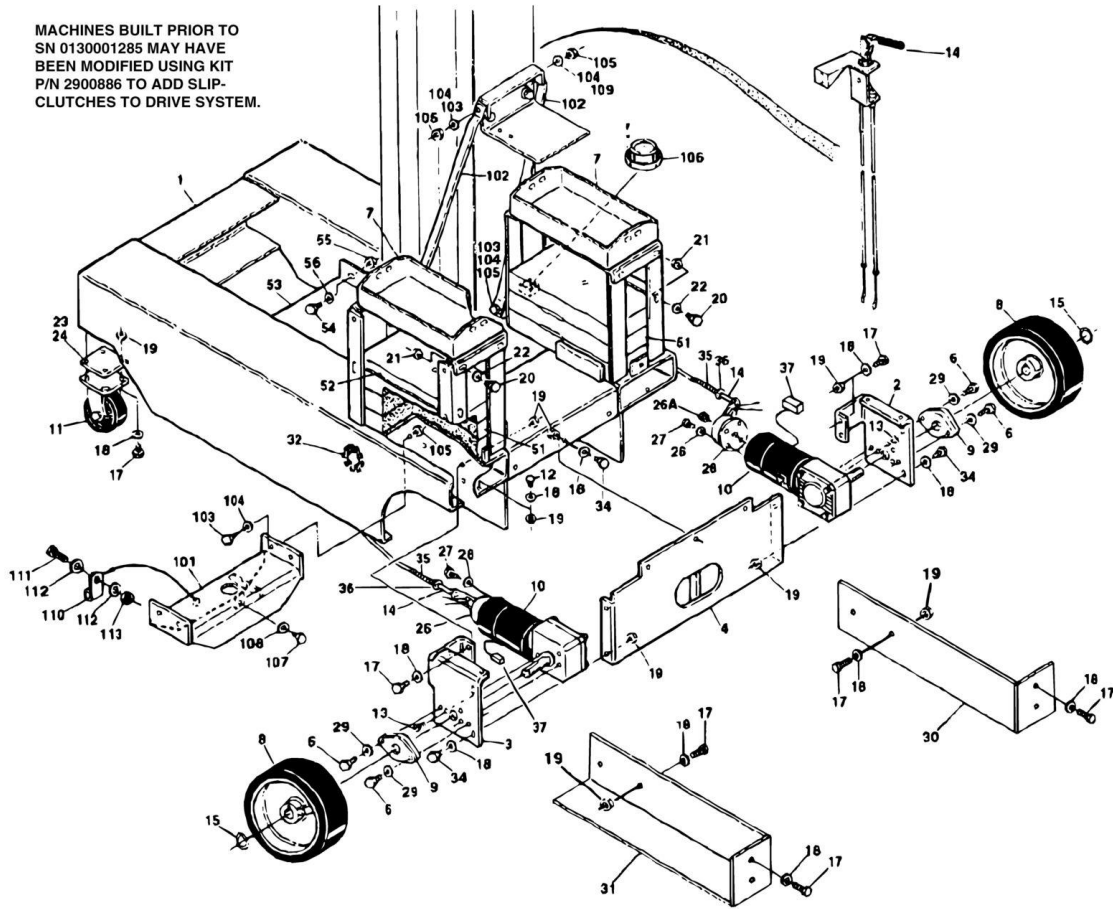
TABLE OF CONTENTS

SECTION 1 - BASE.....	7
FIGURE 1-1. BASE ASSEMBLY (DRIVE WITH SLIP-CLUTCHES) (Prior to SN 0130001285).....	8
FIGURE 1-2. BASE ASSEMBLY (DRIVE WITH SLIP-CLUTCHES) (SN 0130001285 to Present).....	12
FIGURE 1-3. WHEEL DRIVE MOTOR ASSEMBLY.....	16
FIGURE 1-4. JLG POTHOLE PROTECTION INSTALLATION.....	18
SECTION 2 - CONTROLS.....	21
FIGURE 2-1. GROUND CONTROLS/POWER PACK INSTALLATIONS.....	22
FIGURE 2-2. PLATFORM AND CONTROLS AND CABLE INSTALLATIONS.....	26
FIGURE 2-3. BATTERY CHARGER ASSEMBLY.....	30
FIGURE 2-4. PUMP/MOTOR/TANK ASSEMBLIES.....	32
FIGURE 2-5. OPTION INSTALLATIONS.....	34
SECTION 3 - MAST.....	37
FIGURE 3-1. MAST ASSEMBLY - 10VP.....	38
FIGURE 3-2. MAST ASSEMBLY - 15VP.....	42
FIGURE 3-3. MAST ASSEMBLY - 20VP.....	46
FIGURE 3-4. MAST MOUNTED COMPONENTS.....	50
SECTION 4 - PLATFORM.....	53
FIGURE 4-1. PLATFORM COMPONENTS INSTALLATION.....	54
FIGURE 4-2. FIBERGLASS PLATFORM INSTALLATION.....	58
SECTION 5 - CYLINDER.....	61
FIGURE 5-1. LIFT CYLINDER ASSEMBLY.....	62
SECTION 6 - HYDRAULIC.....	65
FIGURE 6-1. HYDRAULIC DIAGRAM.....	66
SECTION 7 - ELECTRICAL.....	69
FIGURE 7-1. ELECTRICAL DIAGRAM - STANDARD.....	70
FIGURE 7-2. HARNESS AND CABLES INSTALLATION.....	72
SECTION 8 - DECALS.....	77
FIGURE 8-1. DECALS INSTALLATION.....	78
SECTION 9 - RECOMMENDED SERVICE PARTS STOCK.....	83
FIGURE 9-1. 10VP/15VP/20VP STANDARD PARTS.....	84
FIGURE 9-2. 10VP/15VP/20VP VARIABLE PARTS.....	86
SECTION 10 - SPECIAL OPTIONS.....	87
FIGURE 10-1. MISCELLANEOUS OPTIONS LIST.....	88
PART NUMBER INDEX.....	89

SECTION 1 - BASE

SECTION 1 - BASE

FIGURE 1-1. BASE ASSEMBLY (DRIVE WITH SLIP-CLUTCHES) (Prior to SN 0130001285)



SECTION 1 - BASE

FIGURE 1-1. BASE ASSEMBLY (DRIVE WITH SLIP-CLUTCHES) (Prior to SN 0130001285)

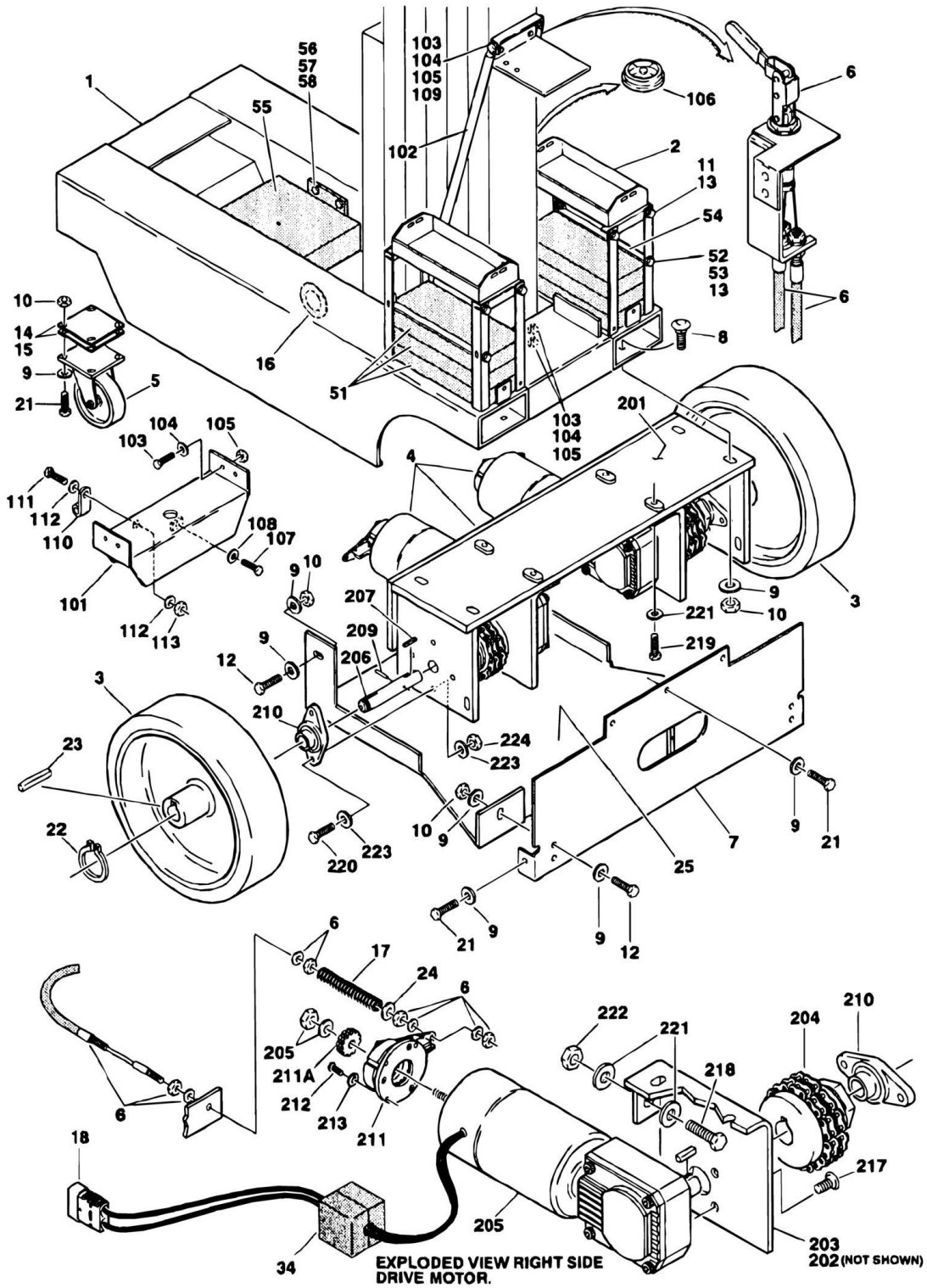
ITEM	PART NUMBER	QTY	DESCRIPTION	REV
		Ref	BASE ASSEMBLY COMPONENTS (DRIVE WITHOUT SLIPCLUTCHES) (Prior to SN 0130001285)	
		Ref	BASE ASSEMBLY (STANDARD PARTS)	
1	4845123	1	Base Weldment	
2	0181832	1	Angle, Motor Mounting (Right)	
3	0181833	1	Angle, Motor Mounting (Left)	
4	4845248	1	Mount, Motor (Rear)	
6	0641707	4	Bolt 7/16in-14NC x 7/8in	
7	4845258	1	Battery Box Weldment	
8		Ref	Wheel Options:	
8	4860161	2	Polyurethane (Standard)	
8	4860163	2	Non-Marking (Optional)	
9	0440221	2	Bearing	
10	3160212	2	Drive Motor Assembly (See BASE ASSEMBLY (DRIVE WITHOUT SLIP-CLUTCHES) for Breakdown)	
11	4860164	2	Caster Wheel Assembly	
11	4860164	2	Wheel (1 Per Assembly)	
11	4860164	2	Bearing (1 Per Assembly)	
12	0630446	4	Bolt, Carriage	
13	3900221	6	Screw, Flathead	
14	1060639	1	Cable, Brake	
14	4160159	1	Spring, Return (Not Shown- Located under handle)	
15	3760393	2	Ring, Retaining	
17	0641608	20	Bolt 3/8in-16NC x 1in	
18	4751600	44	Flatwasher	
19	3311605	21	Locknut 3/8in-16NC x 1in	
20	0641406	AR	Bolt 1/4in-20NC x 3/4in	
21	3311405	AR	Locknut 1/4in-20NC	
22	4751400	16	Flatwasher 1/4in	
23	3539659	1	Plate, Spacer 1/8in	
24	3539660	1	Plate, Spacer 5/64in	
26	0256851	2	Brake Assembly	
26	7014117	2	Switch, Micro (1 Per Assembly)	
26	7014118	2	Disc, Friction (1 Per Assembly)	
26A	7014119	2	Gear (1 Per Assembly)	
26A	7014120	4	Setscrew (2 Per Assembly)	
26A	7014122	4	Screw - Brake Release Brkt Mounting (2 Per Assy)	
26A	7014123	4	Locknut - Brake Release Brkt Mounting (2 Per Assy)	
26A	7014124	8	Washer - Brake Release Brkt Mounting (4 Per Assy)	
26A	7014125	4	Spring - Brake Release Brkt Mounting (2 Per Assy)	
27	3930808	8	Capscrew #8-32NC x 1/2in	
28	4750800	8	Flatwasher #8	
29	4711700	4	Flatwasher 7/16in Narrow	
30	4845363	1	Cover, Motor - Right Side	
31	4845364	1	Cover, Motor - Left Side	
32	2820086	7 in/18cm	Loom, Wire	
33	0100035	AR	Loctite # 222 (Not Shown)	
34	0641609	16	Bolt 3/8in - 16 NC x 1 1/18in	
35	4160154	2	Spring, Compression	
36	4751000	2	Flatwasher #10	

SECTION 1 - BASE

ITEM	PART NUMBER	QTY	DESCRIPTION	REV
37	4460648	2	Connector, Terminal	
38	0100019	AR	Loctite #272 (Not Shown)	
39	0100011	AR	Loctite No. 242 (Not Shown)	
40	3020017	AR	Grease, Multi-Purpose (Not Shown)	
	0256736	Ref	BASE ASSEMBLY - 10VP (VARIABLE PARTS)	E
51 to 56	Not Required	0	Not Required	
	0256737	Ref	BASE ASSEMBLY - 15VP (VARIABLE PARTS)	E
51	4845260	2	Counterweight	
52	0902256	2	Bracket, Counterweight Hold-Down	
53 to 56	Not Required	0	Not Required	
	0256652	Ref	BASE ASSEMBLY - 20VP (VARIABLE PARTS)	H
51	4845261	2	Counterweight	
52	Not Required	0	Not Required	
53	4845377	1	Counterweight	
54	0641810	4	Bolt 1/2in - 13 NC x 1 1/4in	
55	3311805	4	Locknut 1/2in - 13 NC	
56	4751800	8	Flatwasher 1/2in	
	0256197	Ref	MAST SUPPORT INSTALLATION	B
101	4845247	1	Channel, Lift Cylinder Mounting	
102	0880124	2	Brace	
103	0641609	11	Bolt 3/8in - 16 NC x 1 1/8in	
104	4751600	24	Flatwasher 3/8in	
105	3311605	12	Locknut 3/8in - 16 NC	
106	2420140	1	Gauge, Level	
107	0641505	1	Bolt 5/16in Narrow	
108	4711500	1	Flatwasher 5/16in Narrow	
109	0641612	1	Bolt 3/8in - 16 NC x 1 1/2in	
110	1320041	1	Clamp	
111	0641404	1	Bolt 1/4in - 20 NC x 1/2in	
112	4711400	2	Flatwasher 1/4in Narrow	
113	3311401	1	Nut 1/4in - 20 NC	
114	0100011	AR	Loctite # 242 (Not Shown)	

SECTION 1 - BASE

FIGURE 1-2. BASE ASSEMBLY (DRIVE WITH SLIP-CLUTCHES) (SN 0130001285 to Present)



SECTION 1 - BASE

FIGURE 1-2. BASE ASSEMBLY (DRIVE WITH SLIP-CLUTCHES) (SN 0130001285 to Present)

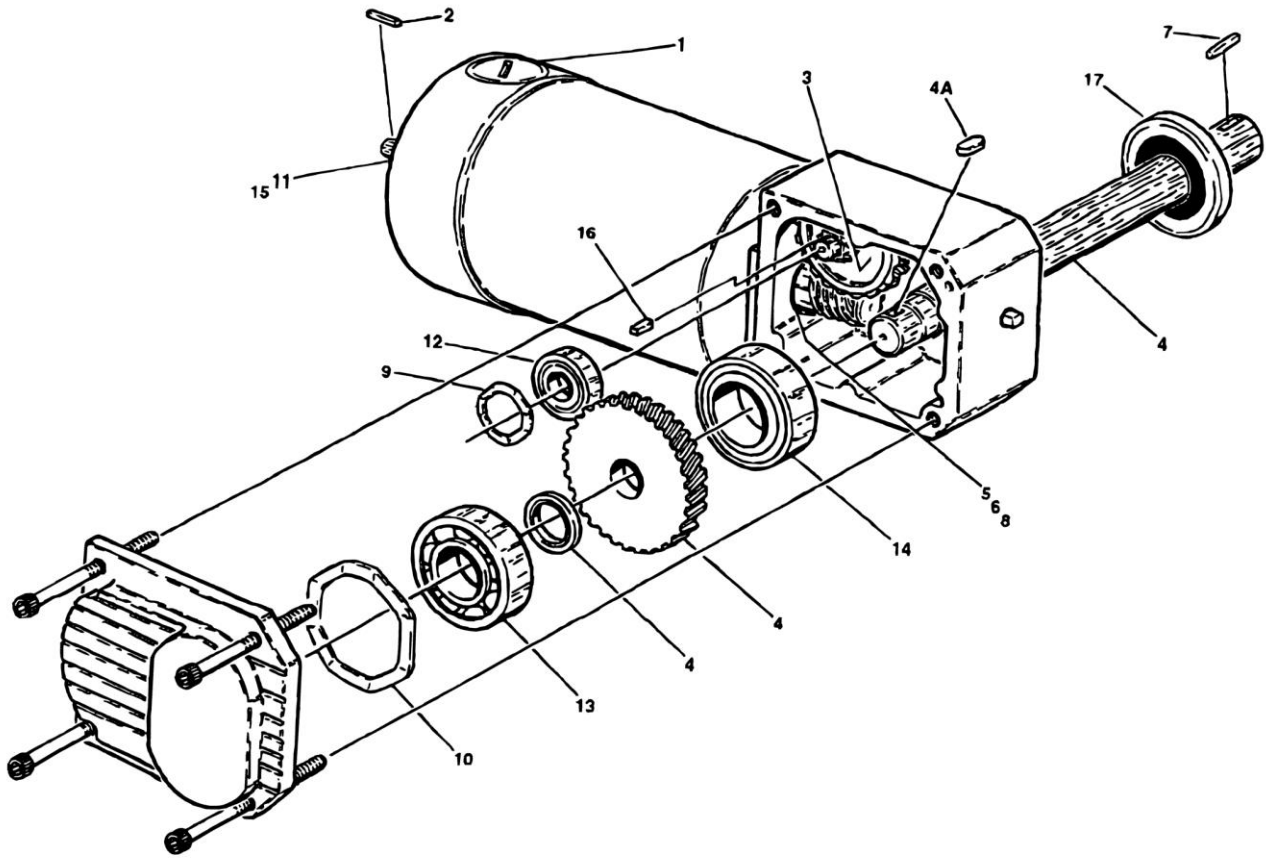
ITEM	PART NUMBER	QTY	DESCRIPTION	REV
		Ref	BASE ASSEMBLY COMPONENTS (DRIVE WITH SLIP-CLUTCHES) (SN 0130001285 to Present)	
		Ref	BASE ASSEMBLY (STANDARD PARTS)	
1	4845479	1	Base Weldment	
2	4845258	2	Battery Box Weldment	
3		Ref	Wheel Options:	
3	4860161	2	Polyurethane (Standard)	
3	1860163	2	Non-Marking (Optional)	
4	0275241	1	Drive Assembly - Rear (See items 201-224 for Breakdown)	
5	4860164	2	Caster Wheel Assembly	
5	7016619	2	Bearing (1 Per Assembly)	
6	1060639	1	Cable, Brake	
6	4160159	1	Spring, Return (Not Shown - Located under handle)	
7	4845474	1	Rear Plate Weldment	
8	0630446	4	Bolt, Carriage 3/8in-16NC x 1in	
9	4751600	25	Flatwasher 3/8in	
10	3311605	16	Locknut 3/8in-16NC	
11	0641406	8	Bolt 1/4in-20NC x 3/4in	
12	0641609	4	Bolt 3/8in-16NC x 1 1/8in	
13	4751400	AR	Flatwasher 1/4in	
14	3539659	1	Plate, Spacer 1/8in	
15	3539660	1	Plate, Spacer 5/64in	
16	2820086	4 in/10cm	Loom, Wine	
17	4160154	2	Spring, Compression	
18	4460648	2	Connector, Terminal	
19	3020017	AR	Grease, Multi-Purpose (Not Shown)	
20	0100011	AR	Loctite No. 242 (Not Shown)	
21	0641608	13	Bolt 3/8in-16NC x 1in	
22	3760393	2	Ring, Retainer	
23	2860026	2	Key, Wheel	
24	4751000	2	Flatwasher #10	
25	3570172	1	Cover, Motor	
34	2820085	2	Insulator, Ferrite Bead	
	0257235	Ref	BASE ASSEMBLY - 10VP (VARIABLE PARTS)	2
51 to 58	Not Required	0	Not Required	
	0257236	Ref	BASE ASSEMBLY - 15VP (VARIABLE PARTS)	2
51	4845260	2	Counterweight	
52	0641408	8	Bolt 1/4in-20NC x 1in	
53	3311605	16	Locknut 3/8in-16NC	
54	0902256	2	Bracket, Counterweight Hold-Down	
55 to 58	Not Required	0	Not Required	
	0257238	Ref	BASE ASSEMBLY - 20VP (VARIABLE PARTS)	2
51	4845261	2	Counterweight	
52 to 54	Not Required	0	Not Required	
55	4845377	1	Counterweight	
56	0641810	4	Bolt 1/2in-13NC x 1 1/4in	
57	3310805	4	Locknut 1/2in-13NC	
58	4751800	8	Flatwasher 1/2in	
	0256197	Ref	MAST SUPPORT INSTALLATION	3-C
101	4845478	1	Channel, Lift Cylinder Mounting	

SECTION 1 - BASE

ITEM	PART NUMBER	QTY	DESCRIPTION	REV
102	0880124	2	Brace	
103	0641609	11	Bolt 3/8in-16NC x 1 1/8in	
104	4751600	24	Flatwasher 3/8in	
105	3311605	12	Locknut 3/8in-16NC	
106	2420140	1	Gauge, Level	
107	0641505	1	Bolt 5/16in-18NC x 5/8in	
108	4711500	1	Flatwasher 5/16in Narrow	
109	0641612	1	Bolt 3/8in-16NC x 1 1/2in	
110	1320041	1	Clamp	
111	0641404	1	Bolt 1/4in-20NC x 1/2in	
112	4711400	2	Flatwasher 1/4in Narrow	
113	3311401	1	Nut 1/4in-20NC	
114	0100011	AR	Loctite #242 (Not Shown)	
	0257241	Ref	DRIVE ASSEMBLY - REAR	2-B
201	4845473	1	Drive Attachment Weldment	
202	3570168	1	Plate, Motor Mounting - Left	
203	3570169	1	Plate, Motor Mounting - Right	
204	1400126	2	Slip - Clutch	
204	7016685	2	Bearing (1 Per Assembly)	
205	3160217	2	Wheel Drive Motor Assembly (See WHEEL DRIVE MOTOR ASSEMBLY for Breakdown)	
206	4040259	2	Shaft, Drive	
207	2860027	2	Key, Clutch	
209	3440520	2	Rollpin	
210	0440221	4	Bearing, Flange	
211	0256851	2	Brake Assembly	
211	7014117	2	Switch, Micro (1 Per Assembly)	
211	7014118	2	Disc, Friction (1 Per Assembly)	
211A	7014119	2	Gear (1 Per Assembly)	
211A	7014120	4	Setscrew (2 Per Assembly)	
212	3930808	8	Capscrew #8-32NC x 1/2in	
213	4750800	8	Flatwasher #8	
214	0100035	AR	Loctite #222 (Not Shown)	
215	0100011	AR	Loctite #242 (Not Shown)	
216	0100019	AR	Loctite #272 (Not Shown)	
217	3900221	6	Capscrew, Countersunk Socket Head 5/16in-18NC x 3/4in	
218	0641610	2	Bolt 3/8in-16NC x 1 1/4in	
219	0641609	4	Bolt 3/8in-16NC x 1in	
220	0641711	8	Bolt 7/16in-14NC x 1 3/8in	
221	4751600	8	Flatwasher 3/8in	
222	3311605	2	Locknut 3/8in-16NC	
223	4711700	16	Flatwasher 7/16in Narrow	
224	3311705	8	Locknut 7/16in-14NC	

SECTION 1 - BASE

FIGURE 1-3. WHEEL DRIVE MOTOR ASSEMBLY



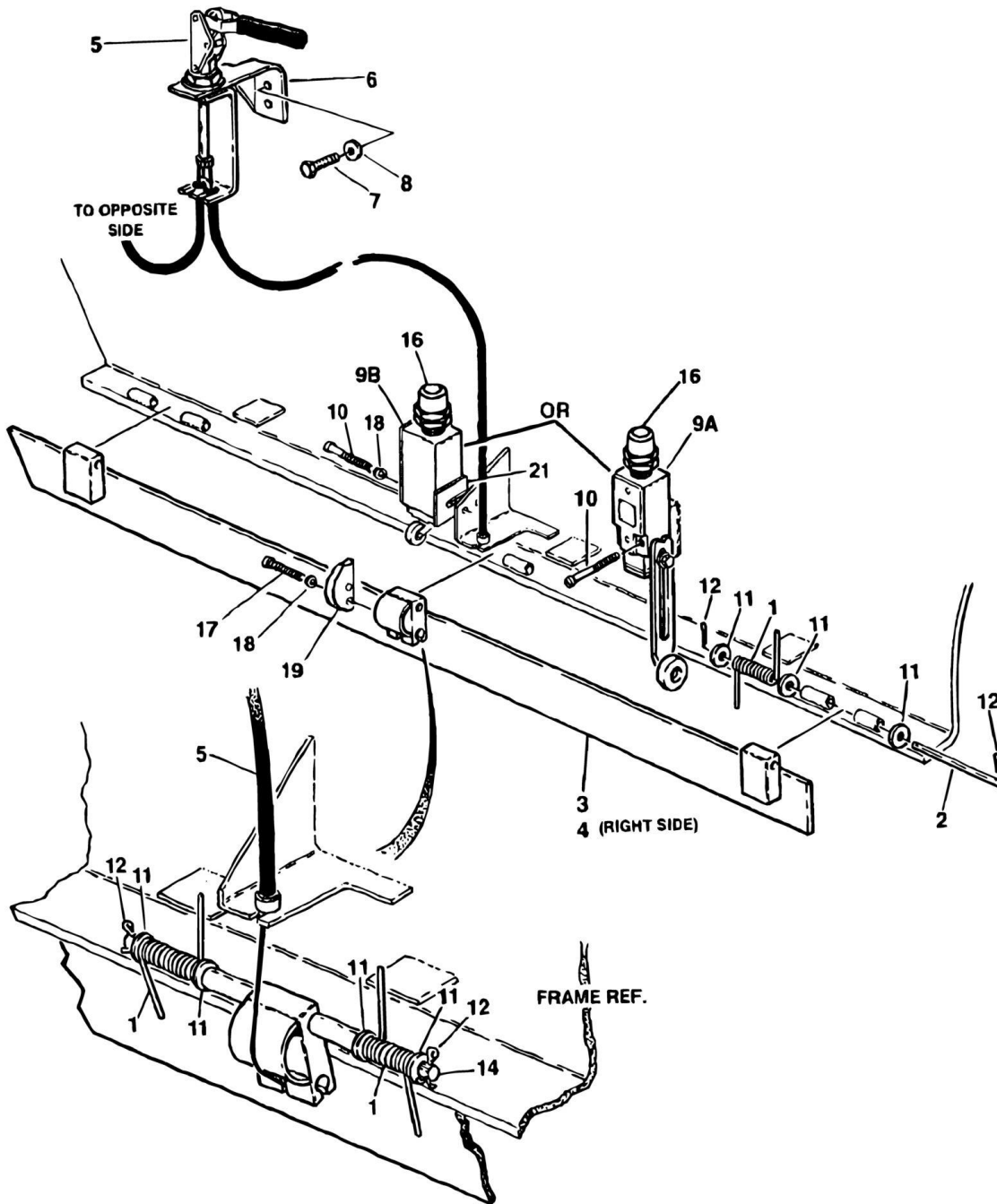
SECTION 1 - BASE

FIGURE 1-3. WHEEL DRIVE MOTOR ASSEMBLY

ITEM	PART NUMBER	QTY	DESCRIPTION	REV
		Ref	DRIVE MOTOR ASSEMBLY	
	3160212	Ref	DRIVE MOTOR ASSY (DRIVE WITHOUT SLIP-CLUTCH)	F
1	7018000	1	Brush Kit	
2	7018001	1	Key, Shaft	
3	7018002	1	Gear and Pinion Assembly	
4	7018003	1	Gear and Drive Shaft Assembly	
4A	7018007	1	Key, Shaft	
5	7018004	1	Seal, Lip	
6	7018005	1	Ring, Retainer	
7	2680025	1	Key, Shaft (5/8in Leght)	
8	7018008	2	Bearing	
9	7018009	1	Washer, Wavy	
10	7018010	1	Washer, Wavy	
11	7018011	1	Washer, Wavy	
12	7018012	2	Bearing 32mm x 12mm x 10mm	
13	7018013	1	Bearing 47mm x 20mm x 14mm	
14	7018014	1	Bearing 47mm x 25mm x 12mm	
15	Consult Factory	1	Bearing	
16	7018015	1	Key	
17	7018026	1	Seal, Lip	
	3160217	Ref	DRIVE MOTOR ASSEMBLY (DRIVE WITH SLIP-CLUTCH)	D
1	7018000	1	Brush Kit	
2	7018001	1	Key, Shaft	
3	7018002	1	Gear and Pinion Assembly	
4	7018019	1	Gear and Drive Shaft Assembly	
4A	Consult Factory	1	Key, Shaft	
5	7018004	1	Seal, Lip	
6	7018005	1	Ring, Retainer	
7	2860028	1	Key, Shaft	
8	7018008	2	Bearing	
9	7018009	1	Washer, Wavy	
10	7018010	1	Washer, Wavy	
11	7018011	1	Washer, Wavy	
12	7018012	2	Bearing 32mm x 12mm x 10mm	
13	7018013	1	Bearing 47mm x 20mm x 14mm	
14	7018014	1	Bearing 47mm x 25mm x 12mm	
15	Consult Factory	1	Bearing	
16	Consult Factory	1	Key	
17	7018026	1	Seal, Lip	

SECTION 1 - BASE

FIGURE 1-4. JLG POTHOLE PROTECTION INSTALLATION



SECTION 1 - BASE

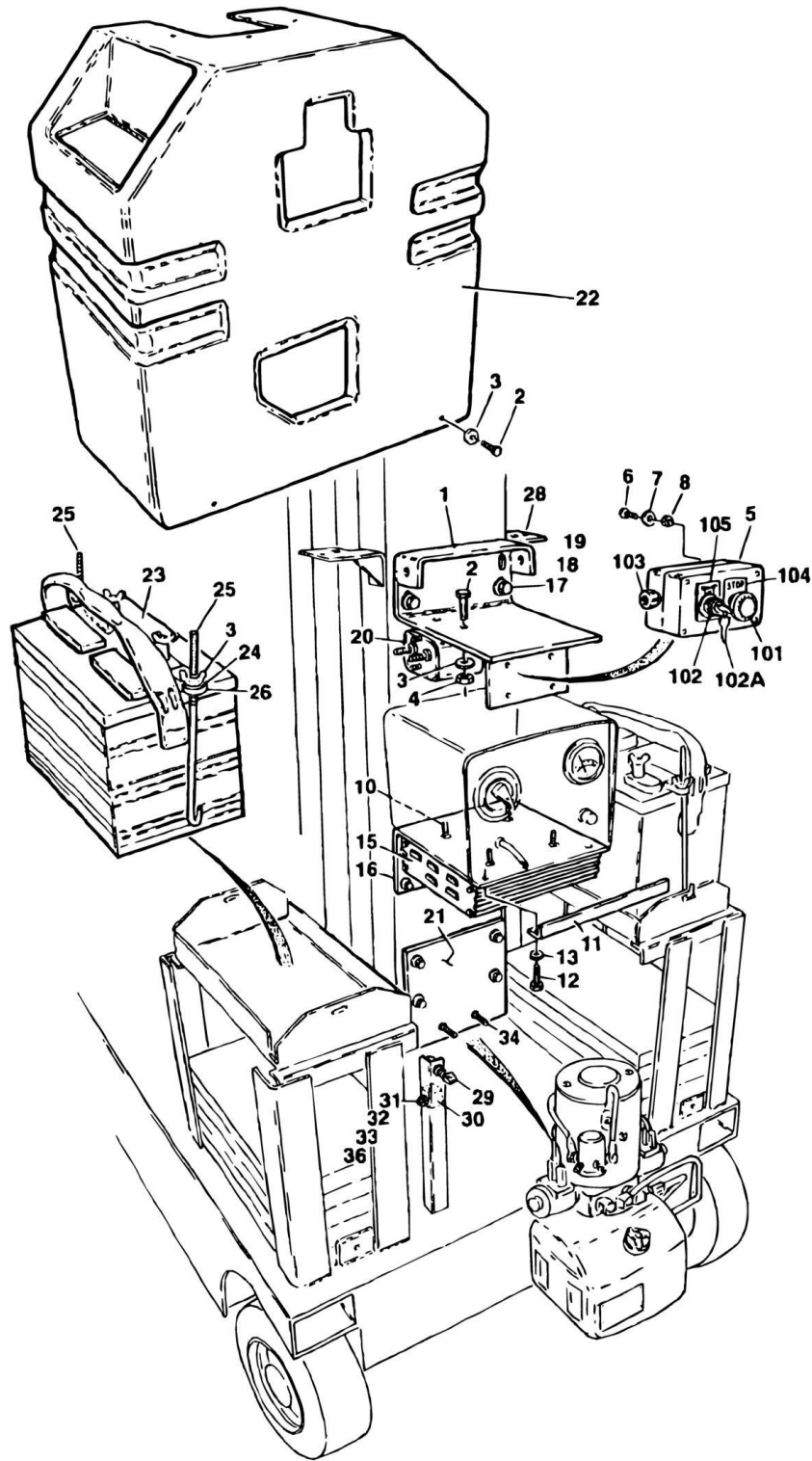
FIGURE 1-4. JLG POTHOLE PROTECTION INSTALLATION

ITEM	PART NUMBER	QTY	DESCRIPTION	REV
	0256088	Ref	JLG POTHOLE PROTECTION INSTALLATION	G
1	4160158	8	Spring, Torsion	
2	3422585	4	Pin, Hinge	
3		Ref	Pothole Protector Weldment (Right Side)	
3	4845244	1	Pothole Protector Weldment (Prior to SN 013000574)	
3	4845397	1	Pothole Protector Weldment (SN 0130000574 to Present)	
4		Ref	Pothole Protector Weldment (Left Side)	
4	4845245	1	Pothole Protector Weldment (Prior to SN 013000574)	
4	4845396	1	Pothole Protector Weldment (SN 0130000574 to Present)	
5	1060638	1	Cable	
6	0902262	1	Cable Attach Weldment	
7	0641404	2	Bolt 1/4in-20NC x 1/2	
8	4711400	2	Flatwasher 1/4in Narrow	
9		Ref	Switch, Limit	
9A	4360397	AR	Switch, Limit (Prior to SN 0130000503)	
9B	4360401	AR	Switch, Limit (SN 0130000503 to Present)	
10	3910620	4	Screw #6-32NC x 1 1/4in	
11	4751000	8	Flatwasher #10	
12	3450302	12	Pin, Cotter 3/32in x 1/2in	
13	3020017	AR	Grease, Multi-Purpose	
14	3422586	2	Pin, Hinge	
15	0100011	AR	Loctite #242 (Not Shown)	
16	4460662	2	Connector, Strain Relief	
17	3910610	4	Screw #6-32NC x 5/8in	
18	4750600	8	Flatwasher #6	
19	1100100	2	Cam	
20	0100035	AR	Loctite #222 (Not Shown)	
21	3539939	2	Plate, Shim	
22	1761000	4	Lockwasher #10	
23	4240032	2	Tie-Strap (Not Shown)	

SECTION 2 - CONTROLS

SECTION 2 - CONTROLS

FIGURE 2-1. GROUND CONTROLS/POWER PACK INSTALLATIONS



SECTION 2 - CONTROLS

FIGURE 2-1. GROUND CONTROLS/POWER PACK INSTALLATIONS

ITEM	PART NUMBER	QTY	DESCRIPTION	REV
		Ref	GROUND CONTROLS/POWER PACK INSTALLATIONS	
	0256599	Ref	GROUND CONTROLS/POWER PACK INSTALLATION	3
1	0902248	1	Bracket, Ground Controls	
2	0641406	9	Bolt 1/4in-20NC x 3/4in	
3	4751400	19	Flatwasher 1/4in	
4	3311405	2	Locknut 1/4in-20NC	
5	0861053	1	Ground Control Assembly (See items 101-105 For Breakdown)	
6	3910812	4	Screw, Machine #8-32NC x 3/4in	
7	4750800	8	Flatwasher #8	
8	3310805	4	Locknut #8-32NC	
10	0741407	4	Screw, Flathead 1/4in-20NC x 7/8in	
11	0181857	1	Angle	
12	0641406	4	Bolt 1/4in-20NC x 3/4in	
13	4711400	4	Flatwasher 1/4in Narrow	
14		Ref	Loctite #242	
15	1600238	1	Controller Assembly	
15	2900868	1	Controller Configuration Kit	
16	0902250	1	Bracket, Battery Charger	
17	0641608	10	Bolt 3/8in-16NC x 1in	
18	4751600	20	Flatwasher 3/8in	
19	3311605	10	Locknut 3/8in-16NC	
20	3740120	1	Relay	
21	3539565	1	Plate, Pump Mounting	
22	2680432	1	Hood	
23	0400122	2	Battery (Wet)	
23	Consult Factory	2	Battery (Dry)	
24	3300202	4	Wingnut 1/4in-20NC	
25	0630504	4	J-Bolt	
26	0362604	2	Bar, Hold-Down (Prior to SN 0130001409)	
26	0362658	2	Bar, Hold-Down (SN 0130001409 to Present)	
28	4845266	1	Bracket, Brake Release	
29	4360314	1	Switch, Ground	
30	3740069	2	Relay	
31	3911010	2	Screw, Machine #10-24NC x 3/4in	
32	4751000	4	Flatwasher #10	
33	3311001	2	Nut #10-24NC	
34	0741605	2	Screw, Countersunk 3/8-16NC x 5/8in	
35	0100051	AR	Grease, Battery (Not Shown)	
36	4761000	2	Lockwasher #10	
	0861053	Ref	GROUND CONTROL ASSEMBLY	-
101	7017701	1	Switch, Push-Turn to Reset (Emergency Stop)	
101	7017703	2	Block, Contact - N.C.	
101	7017715	1	Button - Red	
102	7017714	1	Switch, Key (Lift)	
102	7017702	2	Block, Contact - N.O.	
102A	7017704	1 st	Key, Replacement	
103		Ref	Strain Relief Connector Options:	
103	7012637	1	Connector, Strain Relief (CG16)	
103	7017713	1	Connector, Strain Relief (CG20)	
104	7017706	1	Nameplate - Emergency Stop	

SECTION 2 - CONTROLS

ITEM	PART NUMBER	QTY	DESCRIPTION	REV
105	7017705	1	Nameplate - Select	

SECTION 2 - CONTROLS

FIGURE 2-2. PLATFORM AND CONTROLS AND CABLE INSTALLATIONS

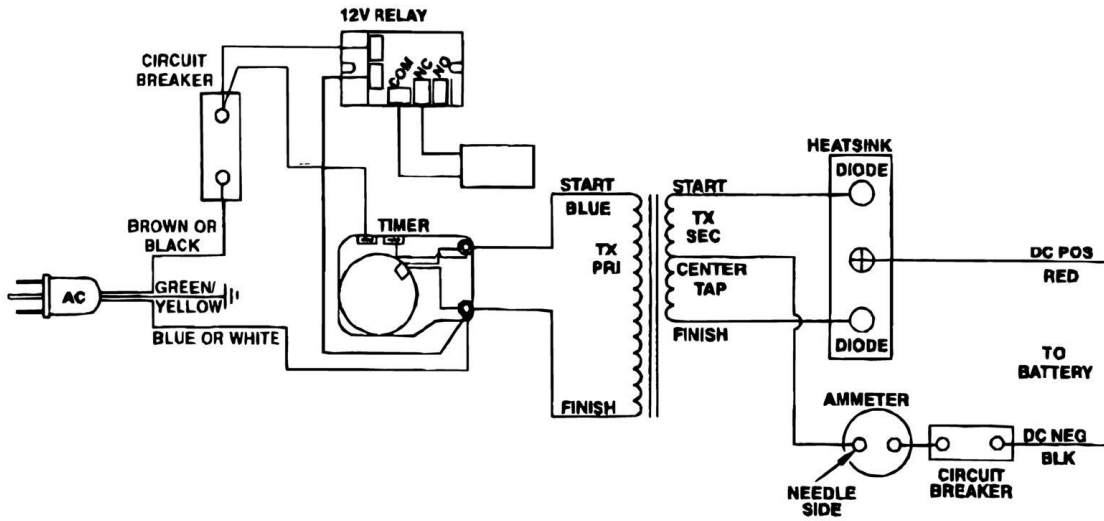
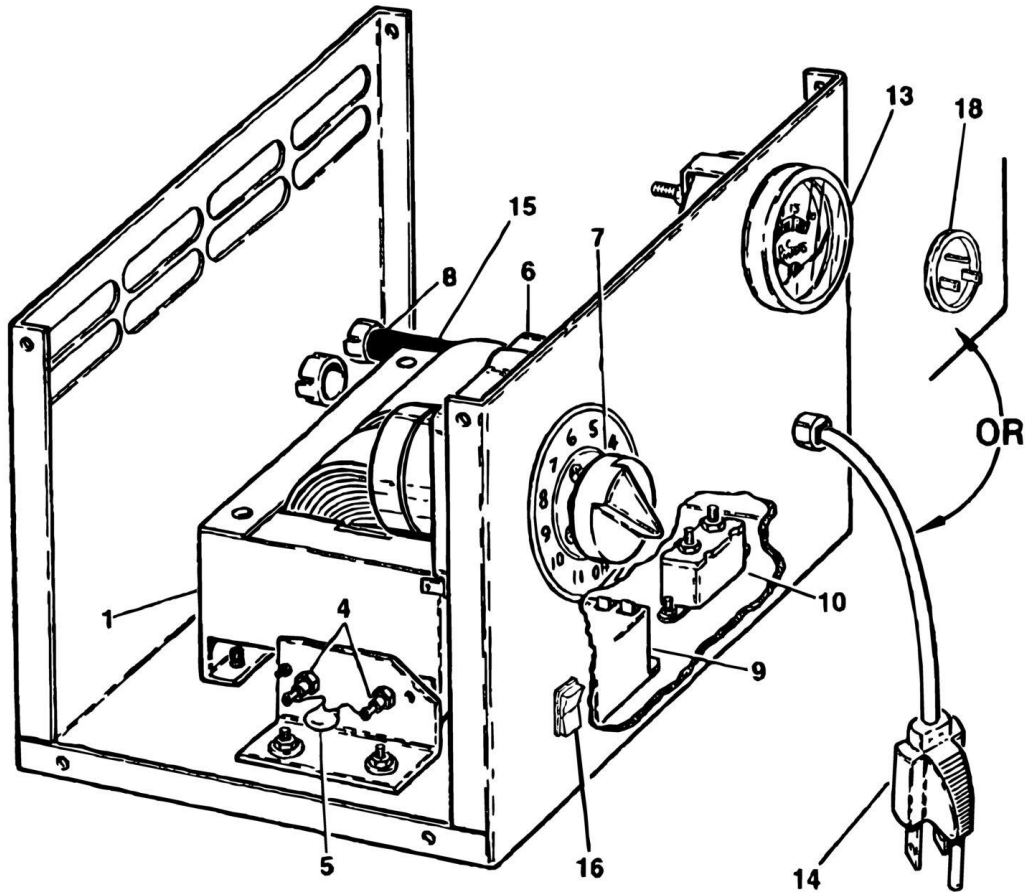
ITEM	PART NUMBER	QTY	DESCRIPTION	REV
		Ref	PLATFORM CONTROLS AND CABLES INSTALLATIONS	
		Ref	PLATFORM CONTROLS AND CABLES INSTALLATION (STANDARD PARTS)	
1	4845339	1	Plate, Control Mounting	
2	4845265	1	Bracket, Control Box Mounting	
3		Ref	Platform Control Box Assembly Options:	
3	See Note	1	Platform Control Box Assembly (Note: 1600237 Box (Metallic/Front Plug In) is no longer available. Replace with 1600243 Box (Black Plastic/Rear Plug In) and Newer Style Platform Harness. See heading at top of Items 101-107 of this Parts List for Harness List) (SN 013000001 through 013000033, SN 013000060 through 013000085, Including 013000041)	
3	1600243	1	Platform Control Box Assembly (SN 013000034 through 013000040, SN 01000042 through 013000059, SN 013000086 to Present)	
4	1060564	AR	Cable, Electrical	
4	1060564	13.5 ft/4.m	Cable, Electrical 10VP	
4	1060564	19 ft/5.8m	Cable, Electrical 15VP	
4	1060564	23 ft/7m	Cable, Electrical 20VP	
6	3422551	1	Pin, Hitch	
7	0940074	2	Bumper	
8	3900228	2	Screw, Shoulder #4-40NC	
9	4420055	6 in/15cm	Tape	
10	1060380	1	Cable, Lanyard	
12	4280296	9 in/23cm	Pad, Wear	
13	4160130	1	Spring, Extension	
14	3311605	1	Locknut 3/in-16NC	
15	1320238	3	Clamp	
16	0641410	3	Bolt 1/4in-20NC x 1 1/4in	
17	0100019	AR	Loctite #271	
18	3311405	AR	Locknut 1/4in-20NC	
19	3580231	AR	Sheave, Cable	
19	3580231	1	Sheave, Cable 10VP & 15VP	
19	3580231	3	Sheave, Cable 20VP	
20	3900200	AR	Screw, Shoulder 5/16-18NC x 1 1/4in	
21	4751500	AR	Flatwasher 5/16in	
22	0641406	4	Bolt 1/4in-20NC 3/4in	
23	4711400	AR	Flatwasher 1/4in Narrow	
24	4460566	1	Connector, Strain Relief - 90	
25	3380424	1	Panel, Control	
26	0860946	1	Box, Electrical	
27	4460190	1	Receptacle, Electrical	
28	4060092	1	Cover, Weatherproof	
29	0721005	2	Screw, Machine #10-24NC x 5/8in	
30	4761000	2	Lockwasher #10	
31	3311001	2	Nut #10-24NC	
32	4460023	1	Connector, Strain Relief	
33	1320227	7	Clamp, Cable	
34	1020008	7	Button, Nylon	
35	3900212	4	Screw, Machine #4-40NC x 3/8in	

SECTION 2 - CONTROLS

ITEM	PART NUMBER	QTY	DESCRIPTION	REV
36	4750400	4	Flatwasher #4	
37	Supply Locally	1	Plug, Electrical	
38	0960407	1	Bushing	
39	0641404	1	Bolt 1/4in-20NC x 1/2in	
40	0100011	AR	Loctite #242 (Not Shown)	
41	4751000	3	Flatwasher #10	
42	3300047	1	Nut, Conduit	
	0256133	Ref	PLATFORM CONTROLS AND CABLES INSTALLATION - 10VP (VARIABLE PARTS)	10
51	4921815	1	Platform Console Harness Assembly (See SPECIAL OPTIONS SECTION for Breakdown)	
52 to 55	Not Required	0	Not Required	
	0256132	Ref	PLATFORM CONTROLS AND CABLES INSTALLATION - 15VP (VARIABLE PARTS)	10
51	4921812	1	Platform Console Harness Assembly (See SPECIAL OPTIONS SECTION for Breakdown)	
52	1180344	1	Carrier	
53	3539612	2	Plate, Spacer	
54	0641408	4	Bolt 1/4in-20NC x 1in	
55	0641416	1	Bolt 1/4in-20NC x 2in	
	0256134	Ref	PLATFORM CONTROLS AND CABLES INSTALLATION - 20VP (VARIABLE PARTS)	10
51	4921816	1	Platform Console Harness Assembly (See SPECIAL OPTIONS SECTION for Breakdown)	
52 to 55	Not Required	0	Not Required	

SECTION 2 - CONTROLS

FIGURE 2-3. BATTERY CHARGER ASSEMBLY



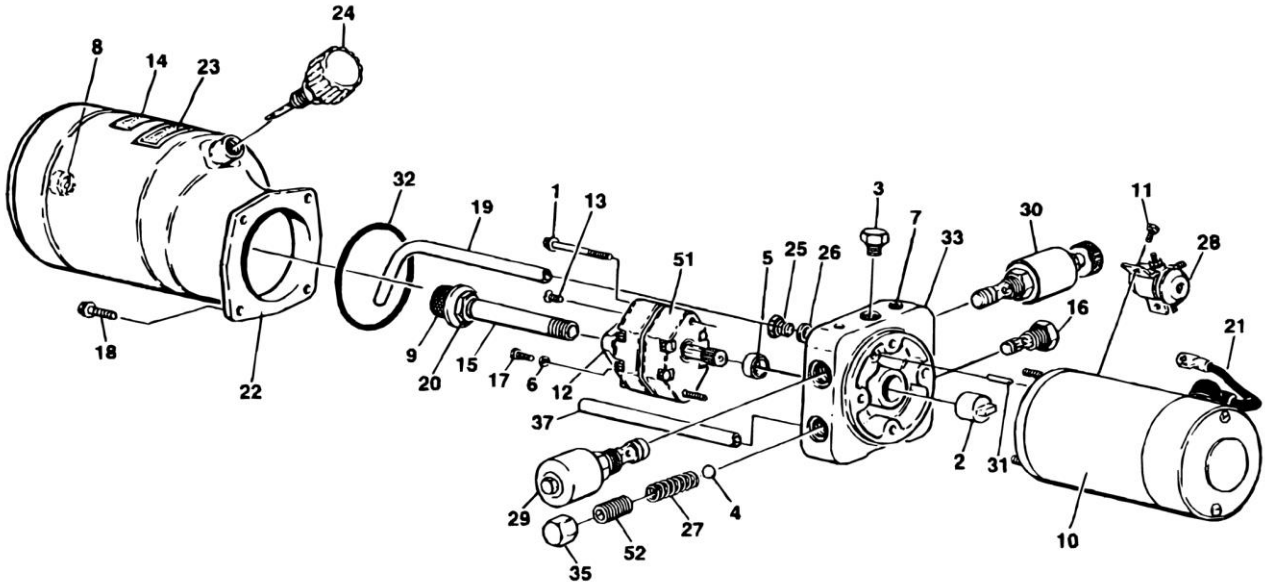
SECTION 2 - CONTROLS

FIGURE 2-3. BATTERY CHARGER ASSEMBLY

ITEM	PART NUMBER	QTY	DESCRIPTION	REV
		Ref	BATTERY CHARGER ASSEMBLIES	
		Ref	Note: Battery Charger Serial Number Nameplate located on front of charger. To decode build date, look at first line for Charger Spec and Date Code. Prior to Mid-February 1996 Example: BA515 (Spec) AT (Date Code). First Letter in the Date Code indicates month (A-January/B-February/C-March/etc. with exception of the Letter "I" which is not used Second Letter Indicates year (P-1994/S-1995/T-1996)	
		Ref	After mid-February 1996 Example: BA515 (Spec) 9631 (Date code). First and Second digit in the Date Code indicates year). First and Second digit indicates the week of manufacture.	
	0400152	Ref	BATTERY CHARGER ASSEMBLY - 200-240VAC/50HZ (EUROPEAN SPEC)	A
1	7018534	1	Transformer	
2	7011692	1	Capacitor	
3	7011560	1	Strap, Capacitor	
4	7011559	2	Diode	
5	7018537	1	Varistor	
6	7011636	1	Timer	
7	7011505	1	Knob, Timer	
8	7011528	2	Connector, Strain Relief	
9	7018535	1	Relay	
10	7011509	1	Breaker, Circuit	
13	7011691	1	Ammeter	
14	7018515	1	AC Cord Assembly	
15	7018505	1	DC Harness Assembly	
16	7018536	1	Breaker, Circuit - AC	
18	Not Required	0	Not Required	
	0400153	Ref	BATTERY CHARGER ASSEMBLY - 200-250VAC/50HZ (AUSTRALIAN SPEC)	A
1	7018534	1	Transformer	
2	7011692	1	Capacitor	
3	7011560	1	Strap, Capacitor	
4	7011559	2	Diode	
5	7011596	1	Varistor	
6	7011636	1	Timer	
7	7011505	1	Knob, Timer	
8	7011528	1	Connector, Strain Relief	
9	7018535	1	Relay	
10	7011509	1	Breaker, Circuit DC	
13	7011691	1	Ammeter	
14	Not Required	0	Not Required	
15	7018505	1	DC Harness Assembly	
16	7018536	1	Breaker, Circuit - AC	
18	7011667	1	Socket, AC Input	

SECTION 2 - CONTROLS

FIGURE 2-4. PUMP/MOTOR/TANK ASSEMBLIES



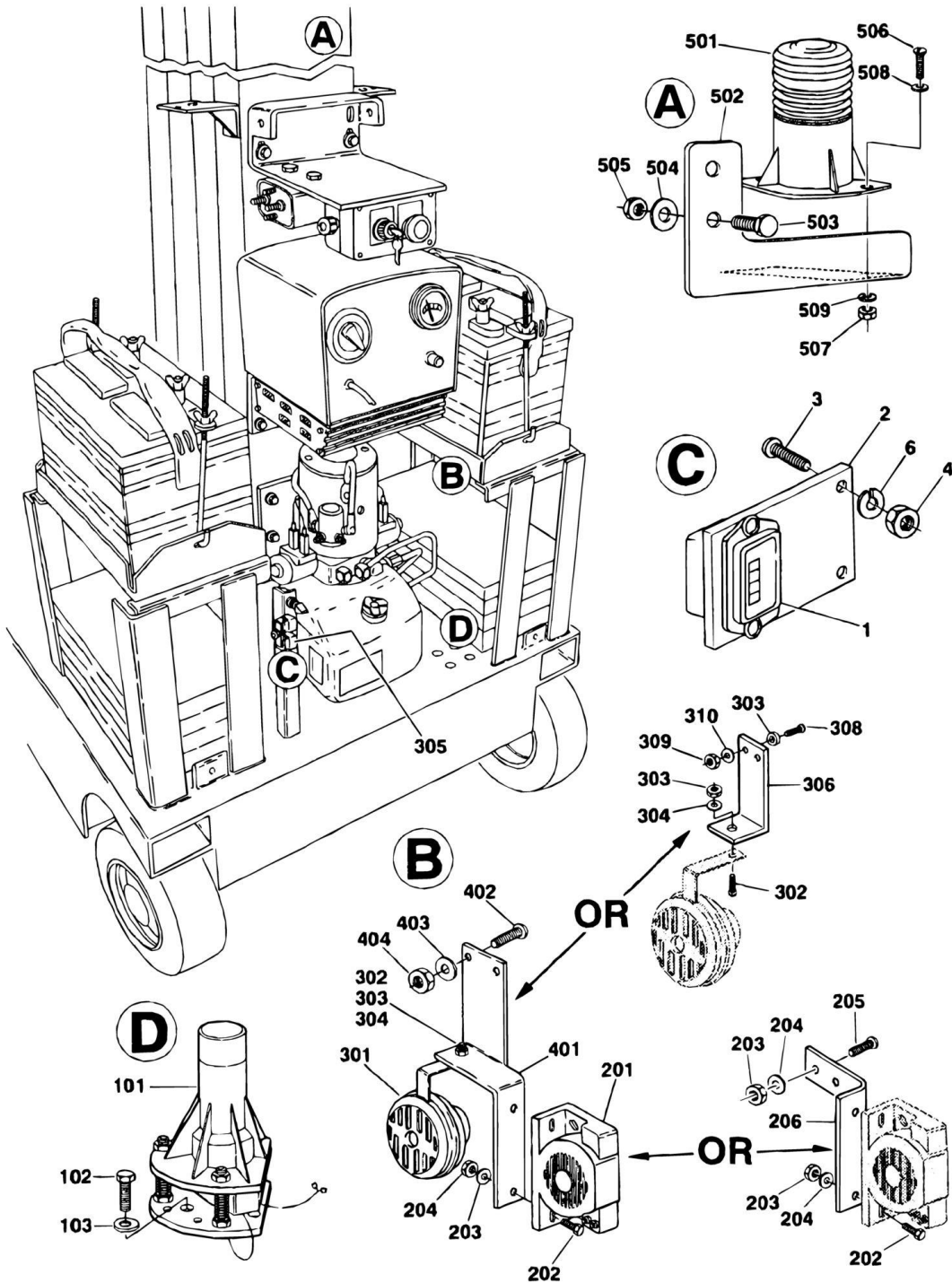
SECTION 2 - CONTROLS

FIGURE 2-4. PUMP/MOTOR/TANK ASSEMBLIES

ITEM	PART NUMBER	QTY	DESCRIPTION	REV
		Ref	PUMP/MOTOR/TANK ASSEMBLIES	
		Ref	PUMP/MOTOR/TANK ASSEMBLY (STANDARD PARTS)	
1	0641522	2	Bolt 5/16in-18NCx 2 3/4in	
2	PMP835E11	1	Coupling	
3	7013714	1	Plug	
4	7013715	1	Ball	
5	7013716	1	Seal, Shaft	
6	7013717	1	Washer	
7	Not Serviced	1	Plug, Shipping	
8	7013722	1	Magnet	
9	7013723	1	Filter - 149 Micron	
10	7016710	1	Motor	
10	7016718	1	Brush Kit	
11	7013758	2	Screw 1/4in-20NC	
12	7013727	1	Cover	
13	7013728	2	Screw M6 x 1	
14	Not Serviced	1	Nameplate - Serial Number	
15	7016719	1	Pipe, PCV	
16	7013708	1	Valve, Check Cartridge	
17	0641508	1	Bolt 5/16in-18NC x 1in	
18	7016721	4	Bolt #12-24NC x 1/2in	
19	7013791	1	Tube, Return	
20	7016722	1	Nut 3/8in NPT	
21	7013759	1	Cable, Electrical	
22	7016712	1	Tank, Plastic	
23	7016713	1	Decal - Tank Fill Line	
24	7016714	1	Breather	
25	7013792	1	Nut, Compression	
26	7013793	1	Sleeve, Compression	
27	7013733	1	Spring	
28	7016711	1	Solenoid, Start	
29	7016716	1	Valve, Solenoid Cartridge	
30	7016723	1	Valve, Manual Override Cartridge	
31	7013766	1	Pin	
32	7013743	1	O-Ring	
33	Not Serviced	1	Endhead	
35	7013750	1	Cap	
36	7013720	2	Plug 1/16in	
37	7016724	1	Tube	
	3600254	Ref	PUMP/MOTOR/TANK ASSEMBLY (10VP & 15VP) (VARIABLE PARTS)	B
51	7016717	1	Pump Assembly	
51	7013701	1	Seal Kit - 7016717 Pump	
52	7013770	1	Screw, Valve Adjustment	
	3600255	Ref	PUMP/MOTOR/TANK ASSEMBLY (20VP) (VARIABLE PARTS)	B
51	7013747	1	Pump Assembly	
51	7013701	1	Seal Kit - 7013747 Pump	
52	7013770	1	Screw, Valve Adjustment	

SECTION 2 - CONTROLS

FIGURE 2-5. OPTION INSTALLATIONS



SECTION 2 - CONTROLS

FIGURE 2-5. OPTION INSTALLATIONS

ITEM	PART NUMBER	QTY	DESCRIPTION	REV
		Ref	OPTION INSTALLATIONS	
	0256541	Ref	HOURMETER INSTALLATION-OPTION	B
1	24220465	1	Gauge, Hourmeter	
2	0902296	1	Bracket	
3	3910608	2	Screw, Machine #6-32 x 1/2in	
4	3310601	2	Nut #6-32NC	
6	4760600	2	Lockwasher #6	
	0256545	Ref	TILT INDICATOR INSTALLATION - OPTION	3
101	4360435	1	Switch, Tilt	
102	0641408	4	Bolt 1/4in-20NC x 1in (Prior to SN 0130001233)	
102	4300106	4	Stud, Grooved (SN 0130001233 to Present)	
103	4711400	4	Flatwasher 1/4in Narrow (Prior to SN 0130001233)	
104	3311405	4	Locknut 1/4in-20NC (Prior to SN 0130001233)	
	0256540	Ref	ALARM INSTALLATION - OPTIONAL	B
201	0140033	1	Alarm (Remove Ground Strap Before Installing)	
202	0641406	2	Bolt 1/4in-20NC x 3/4in	
203	3311405	4	Locknut 1/4in-20NC	
204	4711400	4	Flatwasher 1/4in Narrow	
205	3911410	2	Screw, Machine 1/4in-20NC x 5/8in	
206	0902356	1	Bracket (With Alarm Only)	
	00256539	Ref	HORN INSTALLATION - OPTIONAL	C
301	0140022	1	Horn	
302	0641507	1	Bolt 5/16in-18NC x 7/8in	
303	3311505	1	Locknut 5/16in-18NC	
304	4711500	2	Flatwasher 5/16in Narrow	
305	3740069	1	Relay	
306	0902354	1	Bracket (With Horn Only)	
307	3539964	1	Spacer	
308	3911416	2	Screw, Machine 1/4in-20NC x 1in	
309	3311405	2	Locknut 1/4in-20NC	
310	4711400	2	Flatwasher 1/4in Narrow	
311	3911010	1	Screw, Machine #10-24NC x 5/8in	
312	3311001	1	Nut #10-24NC	
313	4751000	2	Flatwasher #10	
314	4761000	1	Lockwasher #10	
	0256538	Ref	BRACKET INSTALLATION - ALARM/HORN OPTION	A
401	0902295	1	Bracket	
402	3911410	2	Screw, Machine 1/4in-20NC x 5/8in	
403	3311401	2	Nut 1/4in-20NC	
404	4711400	2	Flatwasher 1/4in Narrow	
	0256546	Ref	BEACON LIGHT INSTALLATION	C
501		Ref	Beacon Light Assembly Options:	
501	2920119	1	Beacon Light Assembly (Prior to SN 0130000298)	
501	2920146	1	Beacon Light Assembly (SN 0130000299 to Present)	
501A	7016319	1	Bulb, Light	
501B		Ref	Amber Lens Options:	
501B	7016320	1	Lens - 3 1/8in Height	
501B	7016372	1	Lens - 4 1/8in Height	
502	0902297	1	Bracket	
503	0641610	2	Bolt 3/8in-16NC x 1 1/4in	

SECTION 2 - CONTROLS

ITEM	PART NUMBER	QTY	DESCRIPTION	REV
504	3311605	2	Locknut 3/8in-16NC	
505	4711600	4	Flatwasher 3/8in Narrow	
506	3911010	2	Screw, Machine #10-24NC x 5/8in	
507	3311001	2	Nut #10-24NC	
508	4751000	2	Flatwasher #10	
509	4761000	2	Lockwasher #10	

SECTION 3 - MAST

SECTION 3 - MAST

FIGURE 3-1. MAST ASSEMBLY - 10VP

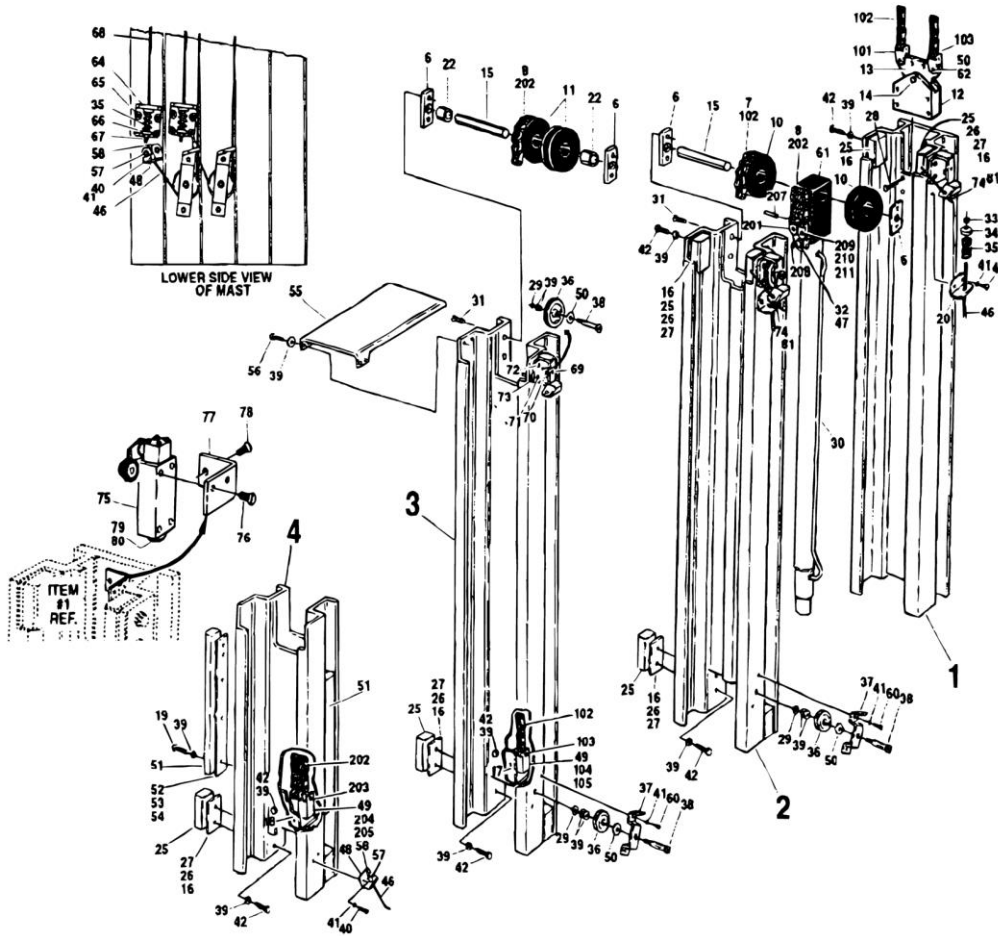
ITEM	PART NUMBER	QTY	DESCRIPTION	REV
	0801074	Ref	MAST ASSEMBLY - 10VP	3-C
1	1271320	1	Channel, Mast - #1	
2	1271278	1	Channel, Mast - #2	
4	1271321	1	Channel, Mast - #3	
6	1060546	2	Cable Assembly	
7	1260314	2	Chain Assembly (See Items 101-107 for Breakdown)	
10	3580227	2	Sheave	
12	0561152	1	Block, Anchor	
13	3537932	1	Plate, Chain Adjustment	
14	3422341	1	Pin	
15	3422361	1	Pin, Sheave	
16	4070860	15	Shim (.075in)	
17	0901992	1	Bracket, Chain Attach (Bottom)	
19	0641410	10	Bolt 1/4in-20NC x 1 1/4in	
20	0902047	1	Bracket, Cable	
25	3340704	6	Pad, Slide	
26	4070861	3	Shim 1/32in	
27	4070862	10	Shim 1/64in	
28	3900210	4	Screw, Button Head 5/16in-18NC x 3/4in	
29	4761400	1	Lockwasher 1/4in	
30	1683201	1	Lift Cylinder Assembly (See CYLINDERS SECTION For Breakdown)	
31	3900192	4	Capscrew, Flathead 3/8in-16NC x 1/2in	
32	4752600	2	Flatwasher 1in	
33	3311405	1	Locknut 1/4in-20NC	
34	4740414	1	Cupwasher	
35	4160124	1	Spring	
36	3580228	1	Sheave, Cable	
37	0902042	1	Bracket, Pulley	
38	3900187	1	Screw, Shoulder 5/16in-18NC x 1/2in	
39	4711400	58	Flatwasher 1/4in Narrow	
40	3900191	1	Screw #10-24NC x 3/4in	
41	4761000	10	Lockwasher #10	
42	0641406	24	Bolt 1/4in-20NC x 3/4in	
46	1060541	1	Cable, Sequence	
47	3920206	1	Capscrew, Socket Head 1/4in-28NF x 5/8in	
48	0902084	1	Bracket, Sequence Cable	
49	3311601	4	Nut 3/8in-16NC	
50	4751500	4	Flatwasher 5/16in	
51	3340709	2	Pad, Slide	
52	4070875	2	Shim (.075in)	
53	4070876	1	Shim (.036in)	
54	4070877	1	Shim (.015in)	
55	4060877	1	Shield, Cover	
56	0641404	4	Bolt 1/4in-20NC x 1/2in	
57	4220160	1	Sleeve, Stop	
58	4460121	1	Connector, Cap	
59	3020028	AR	Lubricant, Graphkote	
60	3900205	4	Screw, Phillips	
61	4566846	1	Tube, Cylinder Cable Mounting	

SECTION 3 - MAST

ITEM	PART NUMBER	QTY	DESCRIPTION	REV
62	3422338	1	Pin, Cable Attach	
63	0100011	AR	Loctite # 242 (Not Shown)	
64	4845047	1	Bracket, Cable	
65	0641404	4	Bolt 1/4in-20NC x 1/2in	
66	4740441	1	Cupwasher	
67	3311601	1	Nut 3/8in-16NC	
68	1060596	1	Cable Assembly	
69	4845046	2	Bracket, Sheave	
70	3900214	6	Capscrew, Countersunk Socket Head 1/4in-20NC x 1/2in	
71	3900215	2	Capscrew, Countersunk Socket Head 1/4in-20NC x 1in	
72	3900216	4	Capscrew, Countersunk Socket Head 1/4in-20NC x 3/4in	
74	4100050	1	Stop, Cable	
75	4360437	1	Switch, Limit	
76	3911018	2	Screw, Machine #10-24NC x 1 1/8in	
77	0902285	1	Bracket, Limit Switch	
78	0740603	2	Screw, Socket Head Countersunk #6-32NC x 3/8in	
79	4240032	1	Tie-Strap	
80	3520166	1	Plug, Electrical	
81	2820018	AR	Tubing, Shrink (SN 0130001298 to Present)	
	2901444	1	Mast Kit (Includes Items 1, 2 & 4)	
	1260314	Ref	CHAIN ASSEMBLY	B
101	0561153	1	Block, Chain Attach	
102	1260299	68.5 in/1.73m	Chain	
103	3422265	2	Pin	
104	0561150	1	Block, Chain Anchor	
105	4300111	1	Stud 3/8in - 16NC x 3 1/2in	
106	0100062	AR	Loctite #RC640 (Not Shown)	
107	3450201	4	Pin, Cotter 3/32in x 1/2in	

SECTION 3 - MAST

FIGURE 3-2. MAST ASSEMBLY - 15VP



SECTION 3 - MAST

FIGURE 3-2. MAST ASSEMBLY - 15VP

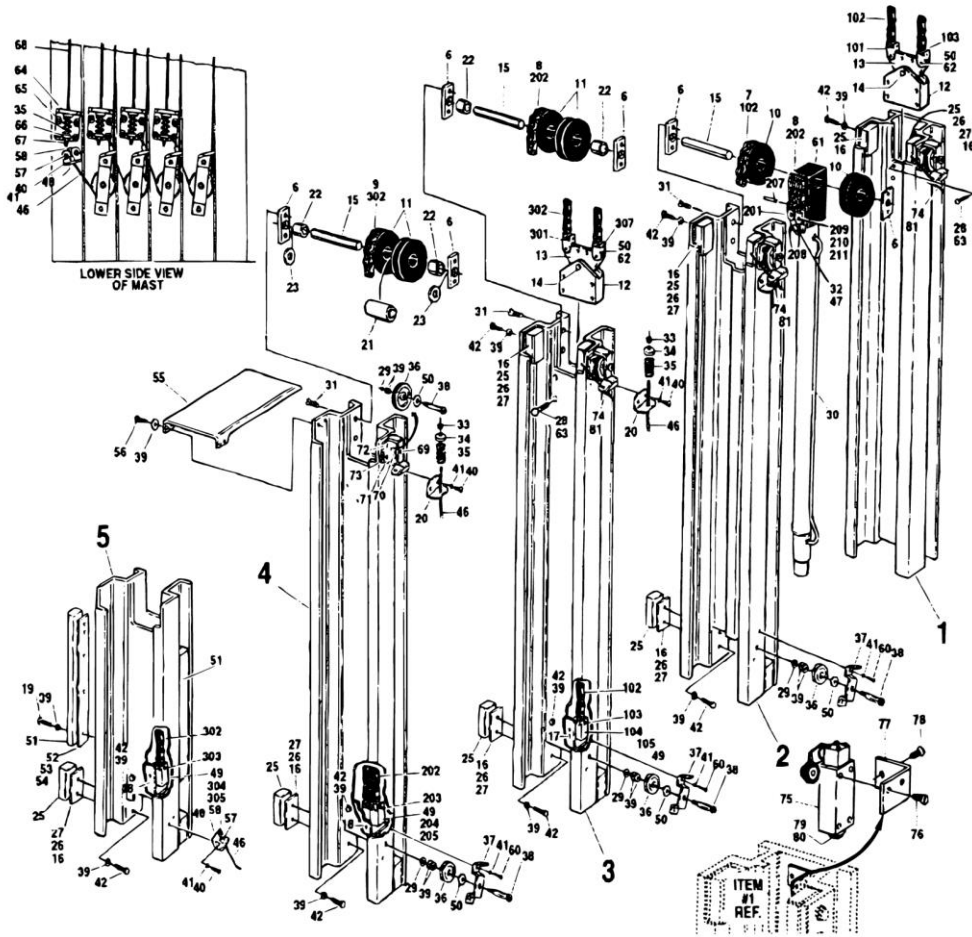
ITEM	PART NUMBER	QTY	DESCRIPTION	REV
	0801075	Ref	MAST ASSEMBLY - 15VP	3-C
1	1271320	1	Channel, Mast - #1	
2	1271278	1	Channel, Mast - #2	
3	1271322	1	Channel, Mast - #3	
4	1271323	1	Channel, Mast - #4	
6	0362377	4	Bar, Sheave Pin	
7	1260314	2	Chain Assembly - #466 (See Items 101-107 for Breakdown)	
8	1260315	1	Chain Assembly - #444 (See Items 201-211 for Breakdown)	
10	3580227	2	Sheave, Chain - #466	
11	3580226	2	Sheave, Chain - #444	
12	0561152	1	Block, Anchor	
13	3537932	1	Plate, Chain Adjustmet	
14	3422341	1	Pin	
15	3422361	2	Pin, Sheave	
16	4070860	15	Shim (.075in)	
17	0901992	1	Bracket, Chain Attach (Bottom)	
18	0901993	1	Bracket, Chain Attach (Bottom)	
19	0641410	10	Bolt 1/4in-20NC x 1 1/4in	
20	0902047	2	Bracket, Cable	
22	4566487	2	Tube, Spacer	
25	3340704	10	Pad, Slide	
26	4070861	3	Shim 1/32in	
27	4070862	10	Shim 1/64in	
28	3900210	4	Screw, Button Head 5/16in-18NC x 3/4in	
29	4761400	2	Lockwasher 1/4in	
30	1683201	1	Lift Cylinder Assembly (See CYLINDERS SECTION For Breakdown)	
31	3900192	8	Capscrew, Flathead 3/8in-16NC x 1/2in	
32	3422339	1	Pin	
33	3311405	2	Locknut 1/4in-20NC	
34	4740414	2	Cupwasher	
35	4160124	2	Spring	
36	3580228	2	Sheave, Cable	
37	0902042	2	Bracket, Pulley	
38	3900187	2	Screw, Shoulder 5/16in-18NC x 1/2in	
39	4711400	60	Lockwasher 1/4in Narrow	
40	3900191	6	Screw #10-24NC x 3/4in	
41	4761000	12	Lockwasher #10	
42	0641406	26	Bolt 1/4in-20NC x 3/4in	
46	1060541	2	Cable, Sequence	
47	3760383	2	Ring, Retaining	
48	0902084	1	Bracket, Sequence Cable	
49	3311601	8	Nut 3/8in-16NC	
50	4751500	5	Flatwasher 5/16in	
51	3340709	2	Pad, Slide	
52	4070875	2	Shim (.075in)	
53	4070876	1	Shim (.036in)	
54	4070877	1	Shim (.015in)	
55	4060877	1	Shield, Cover	
56	0641404	2	Bolt 1/4in-20NC x 1/2in	

SECTION 3 - MAST

ITEM	PART NUMBER	QTY	DESCRIPTION	REV
57	4220160	2	Sleeve, Stop	
58	4460121	2	Connector, Cap	
59	3020028	AR	Lubricant, Graphkote	
60	3900205	6	Screw, Phillips	
61	0561145	1	Block, Cylinder	
62	3422338	2	Pin, Cable Attach	
63	0100011	AR	Loctite No. 242 (Not Shown)	
64	4845047	2	Bracket, Cable	
65	0641404	8	Bolt 1/4in-20NC x 1/2in	
66	4740441	2	Cupwasher	
67	3311601	2	Nut 3/8in-16NC	
68	1060596	2	Cable, Assembly	
69	4845046	3	Bracket, Sheave	
70	3900214	4	Capscrew, Countersunk Socket Head 1/4in-20NC x 1/2in	
71	3900215	4	Capscrew, Countersunk Socket Head 1/4in-20NC x 1in	
72	3900216	4	Capscrew, Countersunk Socket Head 1/4in-20NC x 3/4in	
73	3538981	1	Plate, Spacer	
74	4100050	2	Stop, Cable	
75	4360437	1	Switch, Limit	
76	3911018	2	Screw, Machine #10-24NC x 1 1/8in	
77	0902285	1	Bracket, Limit Switch	
78	0740603	2	Screw, Socket Head Countersunk #6-32NC x 3/8in	
79	4240032	1	Tie-Strap	
80	3520166	1	Plug, Electrical	
81	2820018	AR	Tubing, Shrink (SN 0130001298 to Present)	
	2901445	1	Mast Kit (Includes Items 1-4)	
	1260314	Ref	CHAIN ASSEMBLY - #466	B
101	0561153	1	Block, Chain Attach	
102	1260299	68.5 in/1.73m	Chain	
103	3422265	2	Pin	
104	0561150	1	Block, Chain Anchor	
105	4300111	1	Stud 3/8in-16NC x 3 1/2in	
106	0100062	AR	Loctite #RC640 (Not Shown)	
107	3450201	4	Pin, Cotter 3/23in x 1/2in	
	1260315	Ref	CHAIN ASSEMBLY - #444	A
201	0561149	1	Block, Chain Attach	
202	1260298	135 in/3.43m	Chain (2-67.5in/1.71m Lengths)	
203	3422346	2	Pin	
204	0561151	2	Block, Chain Anchor	
205	4300111	2	Stud 3/8in- 16NC x 3 1/2in	
206	0100062	AR	Loctite #RC640 (Not Shown)	
207	3422355	2	Pin, Grooved	
208	3537920	1	Plate	
209	3422338	2	Pin, Chain Attach	
210	4711500	2	Flatwasher 5/16in Narrow	
211	3450201	2	Pin, Cotter 3/32in x 1in	

SECTION 3 - MAST

FIGURE 3-3. MAST ASSEMBLY - 20VP



SECTION 3 - MAST

FIGURE 3-3. MAST ASSEMBLY - 20VP

ITEM	PART NUMBER	QTY	DESCRIPTION	REV
	0801076	Ref	MAST ASSEMBLY - 20VP	3-C
1	1271320	1	Channel, Mast - #1	
2	1271278	1	Channel, Mast - #2	
3	1271279	1	Channel, Mast - #3	
4	1271322	1	Channel, Mast - #5	
5	1271323	1	Channel, Mast - #6	
6	0362377	6	Bar, Sheave Pin	
7	1260314	2	Chain Assembly - #466 (See Items 101-107 for Breakdown)	
8	1260315	1	Chain Assembly - #444 (See Items 201-211 for Breakdown)	
9	1260318	2	Chain Assembly - #444 (See Items 301-307 for Breakdown)	
10	3580227	2	Sheave, Chain - #466	
11	3580226	4	Sheave, Chain - #444	
12	0561152	4	Block, Anchor	
13	3537932	2	Plate, Chain Adjuster	
14	3422341	2	Pin, Chain Adjuster	
15	3422361	3	Pin, Sheave	
16	4070860	16	Shim 5/64in	
17	0901992	2	Bracket - Bottom	
18	0901193	1	Bracket, Bottom	
19	0641410	10	Bolt 1/4in-20NC x 1 1/4in	
20	0902047	3	Bracket	
21	4566486	1	Tube, Spacer	
22	4566487	2	Tube, Spacer	
23	4712600	2	Flatwasher 1in Narrow	
25	3340704	14	Pad, Slide	
26	4070861	2	Shim 1/32in	
27	4070862	9	Shim 1/64in	
28	4751600	8	Flatwasher 3/8in	
29	4761400	3	Lockwasterh 1/4in	
30	1683201	1	Lift Cylinder Assembly (See CYLINDERS SECTION For Breakdown)	
31	3900192	12	Capscrew, Flathead 3/8in-16NC x 1/2in	
32	3422339	1	Pin	
33	3311405	3	Locknut 1/4in-20NC	
34	4740414	3	Cupwasher	
35	4760124	3	Spring	
36	3580228	3	Sheave, Cable	
37	0902042	3	Bracket, Pulley	
38	3900187	3	Screw, Shoulder 5/16in-18NC x 1/2in	
39	4711400	62	Flatwasher 1/4in Narrow	
40	3900191	8	Screw #10-24NC x 3/4in	
41	4761000	14	Lockwasher #10	
42	0641406	28	Bolt 1/4in-20NC x 3/4in	
46	1060541	3	Cable, Sequence	
47	3760383	2	Ring, Retaining	
48	0902084	1	Bracket	
49	3311601	12	Nut 3/8in-16NC	
50	4751500	7	Flatwasher 5/16in	
51	3340709	2	Pad, Slide	
52	4070875	AR	Shim 5/64in	

SECTION 3 - MAST

ITEM	PART NUMBER	QTY	DESCRIPTION	REV
53	4070876	AR	Shim 3/64in	
54	4070877	AR	Shim 1/64in	
55	4060877	1	Shield, Cover	
56	0641404	2	Bolt 1/4in-20NC x 1/2in	
57	4220160	3	Sleeve, Stop	
58	4460121	3	Connector, Cap	
59	3020028	AR	Lubricant, Graphkote	
60	3900205	6	Screw, Phillips	
61	0561145	1	Block, Cylinder	
62	3422338	4	Pin, Cable Attach	
63	0100011	AR	Loctite No. 242 (Not Shown)	
64	4845047	3	Bracket, Cable	
65	0641404	12	Bolt 1/4in-20NC x 1/2in	
66	4740441	3	Cupwasher	
67	3311601	3	Nut 3/8in-16NC	
68	1060596	3	Cable Assembly	
69	4845046	4	Bracket, Sheave	
70	3900214	6	Capscrew, Countersunk Socket Head 1/4in-20NC x 1/2in	
71	3900215	6	Capscrew, Countersunk Socket Head 1/4in-20NC x 1in	
72	3900216	4	Capscrew, Countersunk Socket Head 1/4in-20NC x 3/4in	
73	3538981	1	Plate, Spacer	
74	4100050	3	Stop, Cable	
75	4360437	1	Switch, Limit	
76	3911018	2	Screw, Machine #10-24NC x 1 1/8in	
77	0902285	1	Bracket, Limit Switch	
78	0740603	2	Screw, Socket Head Countersunk #6-32NC x 3/8in	
79	4240032	1	Tie-Strap	
80	3520166	1	Plug, Electrical	
81	2820018	AR	Tubing, Shrink (SN 0130001298 to Present)	
	2901446	1	Mask Kit (Includes Items 1-5)	
	1260314	Ref	CHAIN ASSEMBLY - #466	B
101	0561153	1	Block, Chain Attach	
102	1260299	68.5 in/1.73m	Chain	
103	3422265	2	Pin	
104	0561150	1	Block, Chain Anchor	
105	4300111	1	Stud 3/8in - 16NC x 3 1/2in	
106	0100062	AR	Loctite #RC640 (Not Shown)	
107	3450201	4	Pin, Cotter 3/32in x 1/2in	
	1260315	Ref	CHAIN ASSEMBLY - #444	A
201	0561149	1	Block, Chain Attach	
202	1260298	135 in 3.43m	Chain (2 -67.5 in/1.71m Lengths)	
203	3422346	2	Pin	
204	0561151	2	Block, Chain Anchor	
205	4300111	2	Stud 3/8in-16NC x 3 1/2in	
206	0100062	AR	Loctite #RC640 (Not Shown)	
207	3422355	2	Pin, Grooved	
208	3537920	1	Plate	
209	3422338	2	Pin, Chain Attach	
210	4711500	2	Flatwasher 5/16in Narrow	
211	3450201	2	Pin, Cotter 3/32in x 1in	

SECTION 3 - MAST

ITEM	PART NUMBER	QTY	DESCRIPTION	REV
	1260318	Ref	CHAIN ASSEMBLY - #444	A
301	0561149	1	Block, Chain Attach	
302	1260298	68.5 in/1.73m	Chain	
303	3422346	1	Pin	
304	0561151	1	Block, Chain Anchor	
305	4300111	1	Stud 3/8in-16NC x 3 1/2in	
306	0100062	AR	Loctite #RC640 (Not Shown)	
307	3422355	1	Pin, Grooved	

SECTION 3 - MAST

FIGURE 3-4. MAST MOUNTED COMPONENTS

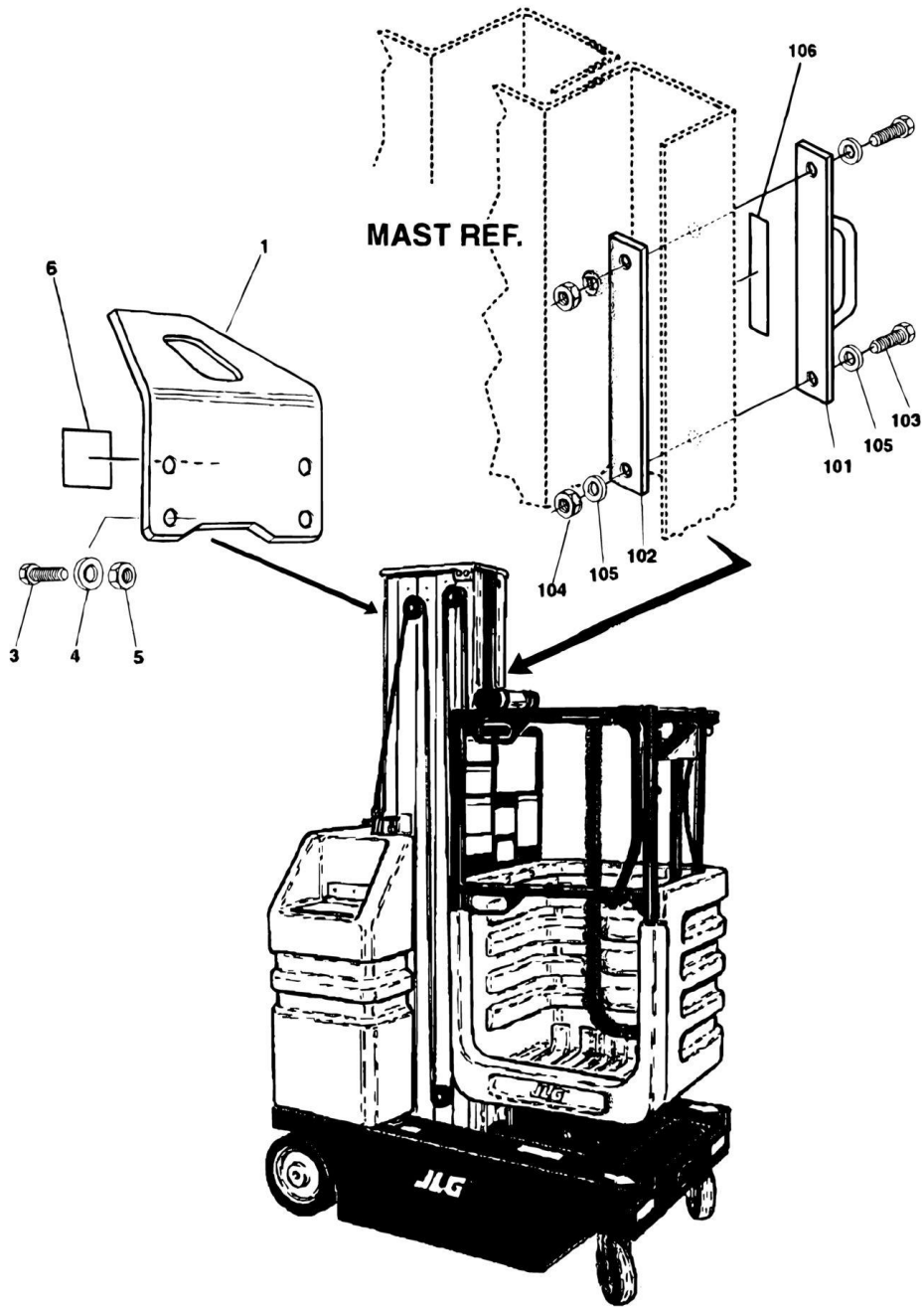


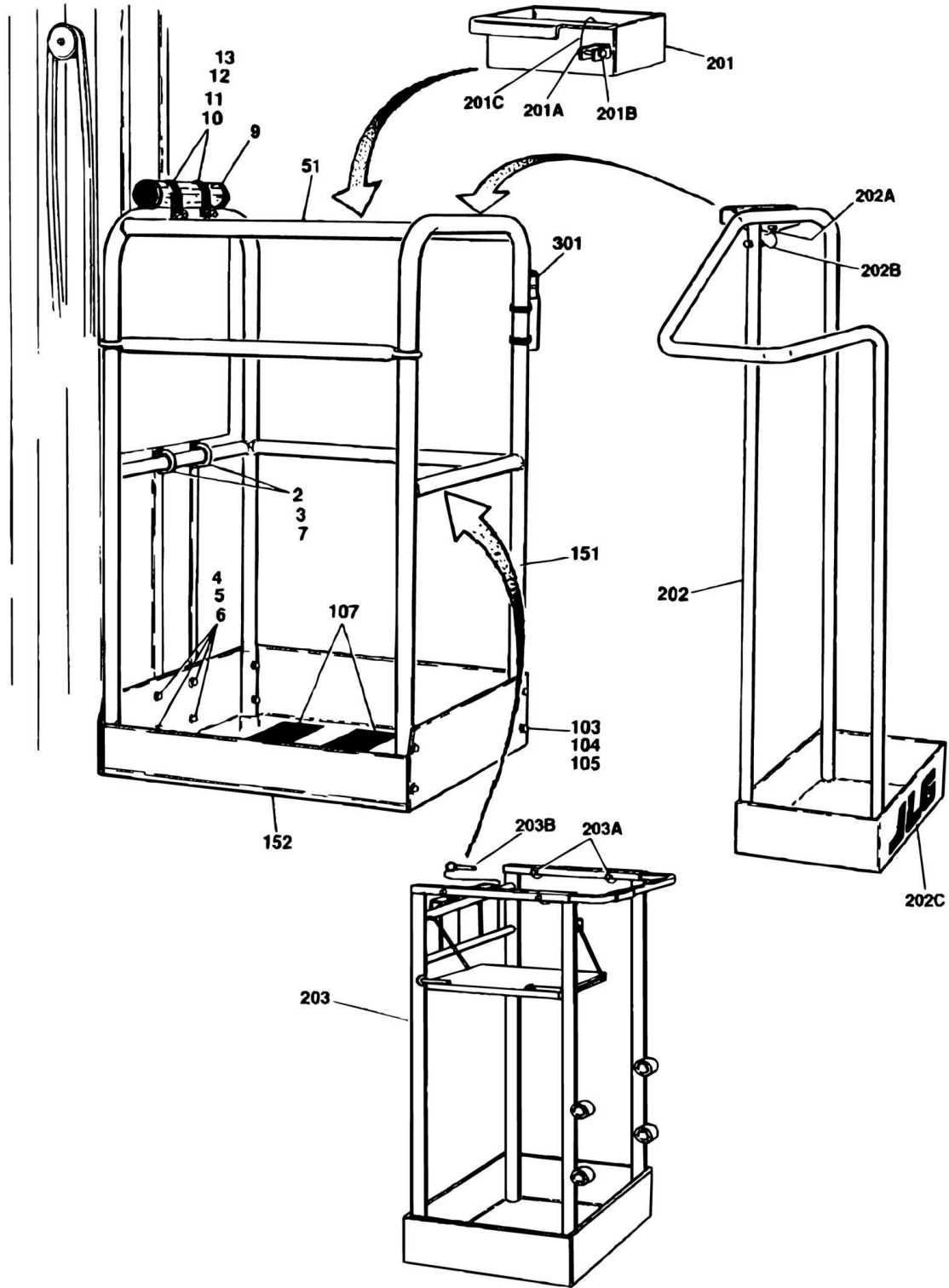
FIGURE 3-4. MAST MOUNTED COMPONENTS

ITEM	PART NUMBER	QTY	DESCRIPTION	REV
		Ref	MAST MOUNTED COMPONENTS	
	0255019	Ref	CRANE HOOK INSTALLATION	C
1	3538591	1	Plate, Hook	
3	0641609	4	Bolt 3/16in-16NC x 1 1/8in	
4	4711600	4	Flatwasher 3/16in Narrow	
5	3311601	4	Nut 3/16in-16NC	
6	1701500	1	Decal - Lifting Lug (Prior to SN 0130001293)	
6	1703455	1	Decal - Lifting Lug (SN 0130001293 to Present)	
	0256559	Ref	SAFETY ATTACH INSTALLATION	B
101	4845345	1	Safety Attach Weldment	
102	3539814	1	Plate, Backing	
103	0641812	2	Bolt 1/2in-13NC x 1 1/2in	
104	3271805	2	Locknut 1/2in-13NC	
105	4751800	4	Flatwasher 1/2in	
106	1702612	1	Decal - Lanyard Attach	

SECTION 4 - PLATFORM

SECTION 4 - PLATFORM

FIGURE 4-1. PLATFORM COMPONENTS INSTALLATION



SECTION 4 - PLATFORM

FIGURE 4-1. PLATFORM COMPONENTS INSTALLATION

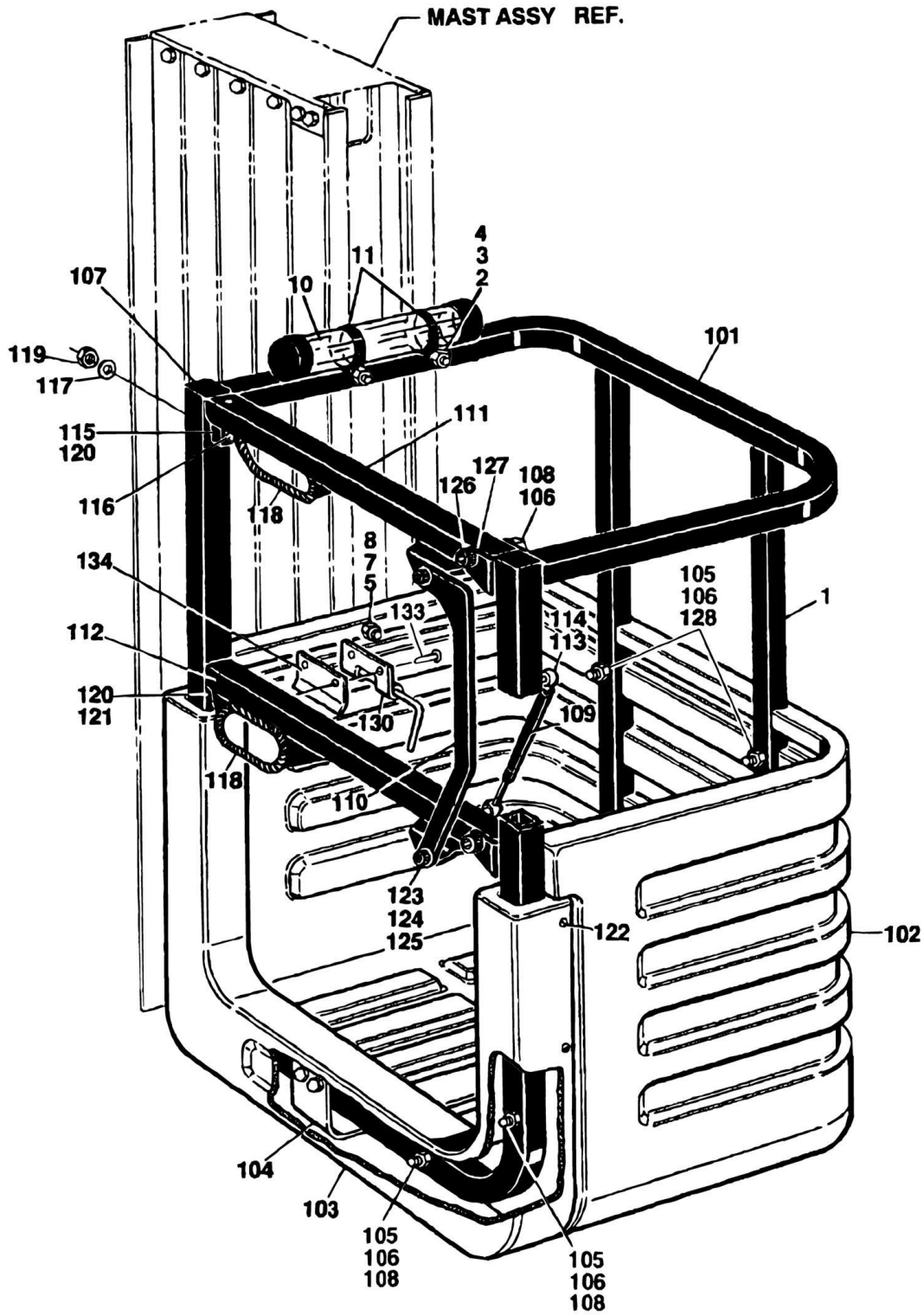
ITEM	PART NUMBER	QTY	DESCRIPTION	REV
		Ref	PLATFORM COMPONENT INSTALLATIONS	
		Ref	ALUMINUM PLATFORM INSTALLATION (STANDARD PARTS)	
2	1320211	2	U-Bolt	
3	4711500	4	Flatwasher 5/16in Narrow	
4	0641408	4	Bolt 1/4in-20NC x 1in	
5	4711400	8	Flatwasher 1/4in	
6	3311405	4	Lock Nut 1/4in-20NC	
7	3311501	4	Nut 5/16in-18NC	
8	0100011	AR	Loctite #242 (Not Shown)	
9	4566780	1	Manual Tube Options	
10	1320219	2	Tube Clamp Options	
11	0630486	2	Screw 5/06in-18NC x 1in (May 1995 to Present)	
12	4751500	2	Flatwasher 1/4in (May 1995 to Present)	
13	3311505	2	Locknut 5/16in-18NC (May 1995 to Present)	
	0254880	Ref	ALUMINUM PLATFORM INSTALLATION - 22in X 22in STANDARD MACHINES (VARIABLE PARTS)	RL-B
51	3510472	1	Platform Weldment - 22in x 22in	
	0254879	Ref	ALUMINUM PLATFORM INSTALLATION - 26in X 26in STANDARD MACHINES (VARIABLE PARTS)	B
51	3510471	1	Platform Weldment - 26in x 26in	
		Ref	PLATFORM ASSEMBLIES (STANDARD PARTS)	
103	0641414	8	Bolt 1/4in-20NC x 1 3/4in	
104	4751400	16	Flatwasher 1/4in	
105	3311405	8	Locknut 1/4in-20NC	
107	4420039	AR	Tape, Non-Skid	
	3510472	Ref	PLATFORM ASSEMBLY - 22in X 22in	D
151	3640969	1	Rail Weldment	
152	3538105	1	Plate, Bottom	
	3510471	Ref	PLATFORM ASSEMBLY - 26in X 26in	D
151	3640966	1	Rail Weldment	
152	3537698	1	Plate, Bottom	
		Ref	OPTIONAL PLATFORM ATTACHMENTS	
201	0255036	1	TOOL TRAY ASSEMBLY	-
201A	0902079	1	Bracket, Mounting	
201B	3421453	1	Pin, Snap	
201C	1060380	1	Cable, Lanyard	
201D	1702365	1	Decal - JLG	
202	0255040	1	TUBE CADDY ASSEMBLY	-
202A	3421453	1	Pin, Snap	
202B	1060380	1	Cable, Lanyard	
202C	1702365	1	Decal - JLG	
203	0256442	1	Utility Caddy Assembly	C
203A	3421453	2	Pin, Snap	
203B	3422551	2	Pin, Hitch	
204		Ref	Decal - Caddy Placement Options (Not Shown):	
204	1703088	1	Euro English	
204	1703121	1	Dutch	
204	1703115	1	French	
204	1703112	1	German	
204	1703119	1	Italian	

SECTION 4 - PLATFORM

ITEM	PART NUMBER	QTY	DESCRIPTION	REV
204	1703117	1	Spanish	
205		Ref	Decal - Capacity Options (Not Shown):	
205	1703087	1	Euro English	
205	1703120	1	Dutch	
205	1703114	1	French	
205	1703113	1	German	
205	1703118	1	Italian	
205	1703116	1	Spanish	
	0255853	Ref	LASER LOCATOR INSTALLATION (OPTIONAL)	A
301	4656847	1	Tube, Mounting	
301	1320218	2	Clamp, Spring	
301	0750802	2	Screw #8 x 1/4in	
301	2920127	1	Pointer, Laser	
301	4460425	1	Connector, Strain Relief	

SECTION 4 - PLATFORM

FIGURE 4-2. FIBERGLASS PLATFORM INSTALLATION



SECTION 4 - PLATFORM

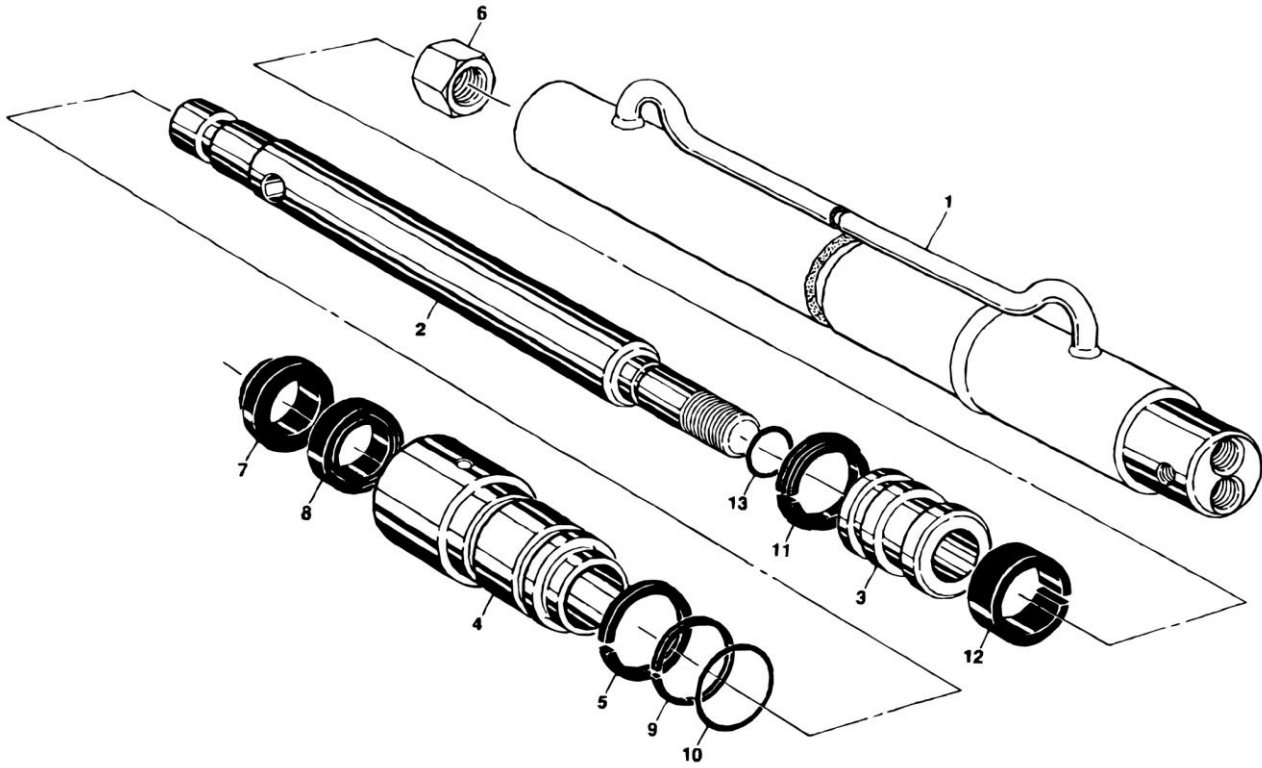
FIGURE 4-2. FIBERGLASS PLATFORM INSTALLATION

ITEM	PART NUMBER	QTY	DESCRIPTION	REV
		Ref	FIBERGLASS PLATFORM INSTALLATION	
	0254980	Ref	PLATFORM INSTALLATION	B
1	3510454	1	Platform Assembly (See Item 101-134 for Breakdown)	
2	0641518	2	Bolt 5/16in-18NC x 2 1/4in	
3	4711500	4	Flatwasher 5/16in	
4	3311505	2	Locknut 5/16in-18NC	
5	3300356	2	Nut 5/16in-18NC	
6	0100019	AR	Loctite #271 (Not Shown)	
7	4300115	2	Stud 5/16in-18NC x 3in	
8	3311501	2	Nut 5/16in-18NC	
9	0100011	AR	Loctite #242 (Not Shown)	
10	4566563	1	Tube, Manual (Prior to May 1995)	
10	4566780	1	Tube, Manual (May 1995 to Present)	
11	1320110	2	Clamp, Tube (Prior to May 1995)	
11	1320219	2	Clamp, Tube (May 1995 to Present)	
	3510454	Ref	PLATFORM ASSEMBLY	C
101	3640923	1	Rail	
102	3510477	1	Basket	
103	4060882	1	Cover	
104	0362384	1	Bar, Support	
105	0641416	10	Bolt 1/4in-20NC x 2in	
106	4751400	22	Flatwasher 1/4in	
107	3520072	2	Cap	
108	3311405	12	Locknut 1/4in-20NC	
109	4160125	1	Spring, Gas	
110	0362347	1	Link, Gate	
111	3640924	1	Rail, Gate (Top)	
112	3640990	1	Rail, Gate (Bottom)	
113	4751500	1	Flatwasher 5/16in	
114	3311501	1	Nut 5/16in-18NC	
115	3340746	1	Pad, Gate Rest	
116	3911032	4	Screw, Machine #10-24NC x 2in	
117	4751000	8	Flatwasher #10	
118	4060804	2 ft	Flex-Trim	
119	3311001	4	Nut #10-24NC	
120	4070890	2	Shim, Gate Stop	
121	3340754	1	Pad, Gate Latch	
122	3900177	6	Screw, Plastite	
123	3900202	2	Bolt, Shoulder 1/4in x 1/4in	
124	4740429	4	Washer, Nylon	
125	3311005	2	Locknut #10-24NC	
126	3900203	2	Bolt, Shoulder 5/16in x 1 1/2in	
127	4740428	4	Washer, Nylon	
128	3300151	2	Nut, Acorn 1/4in-20NC	
129	0100011	AR	Loctite No. 242 (Not Shown)	
130	2940082	1	Latch, Gate	
133	3820024	2	Rivet	
134	4070894	1	Shim, Gate Latch	

SECTION 5 - CYLINDER

SECTION 5 - CYLINDER

FIGURE 5-1. LIFT CYLINDER ASSEMBLY



SECTION 5 - CYLINDER

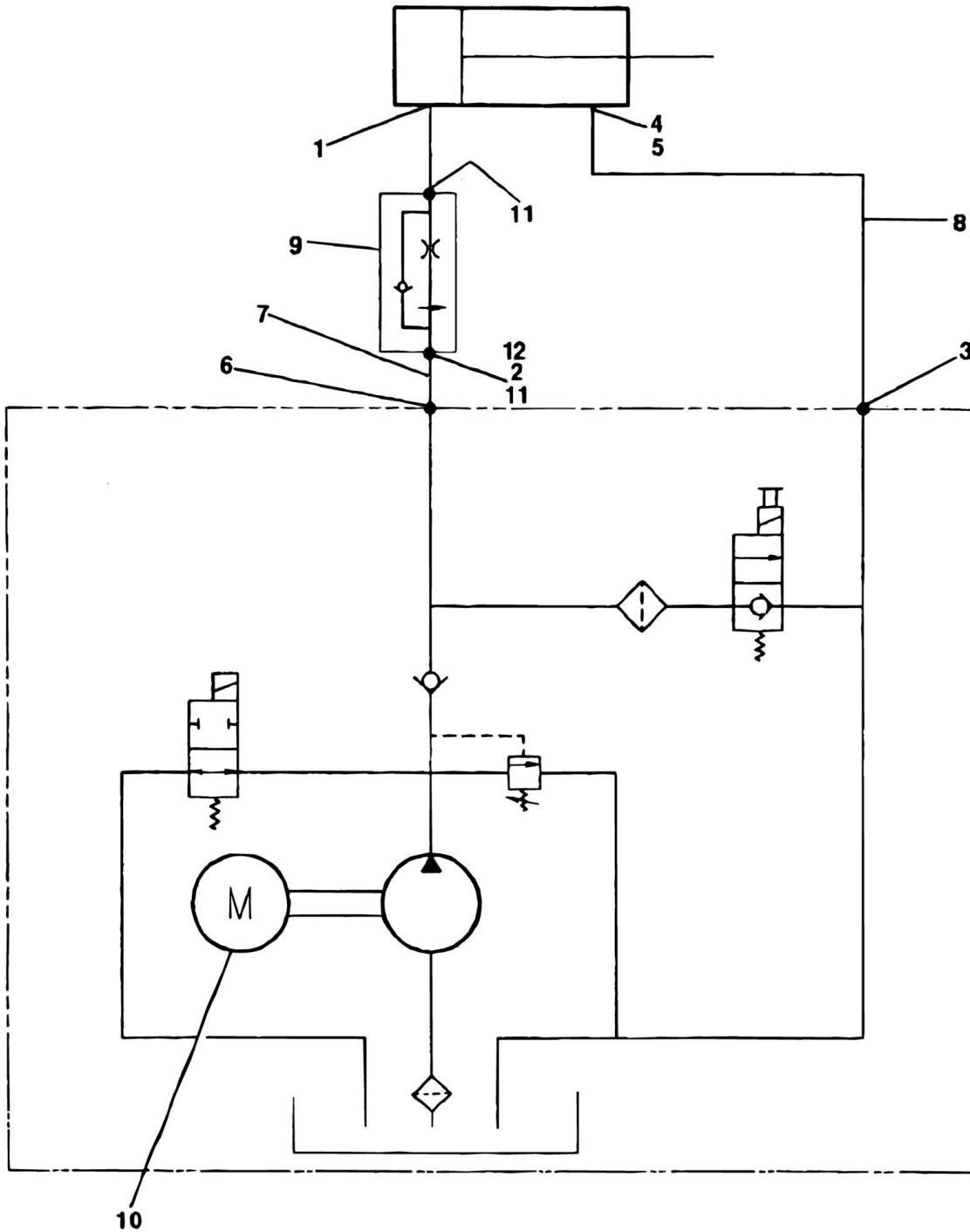
FIGURE 5-1. LIFT CYLINDER ASSEMBLY

ITEM	PART NUMBER	QTY	DESCRIPTION	REV
	1683201	Ref	LIFT CYLINDER ASSEMBLY	
1	Not Serviced	1	Barrel	
2	7003250	1	Rod	
3	7003249	1	Piston	
4	7003248	1	Head	
5	7003247	1	Ring, Retaining	
6	7003246	1	Locknut	
7	Kit	1	Wiper, Rod	
8	Kit	1	Seal, Rod	
9	Kit	1	Ring, Back-up	
10	Kit	1	O-Ring	
11	Kit	1	Seal, Piston	
12	Kit	1	Ring, Wear	
13	Kit	1	O-Ring	
	7003245	1	Seal Kit (Includes Items 7-13)	

SECTION 6 - HYDRAULIC

SECTION 6 - HYDRAULIC

FIGURE 6-1. HYDRAULIC DIAGRAM



SECTION 6 - HYDRAULIC

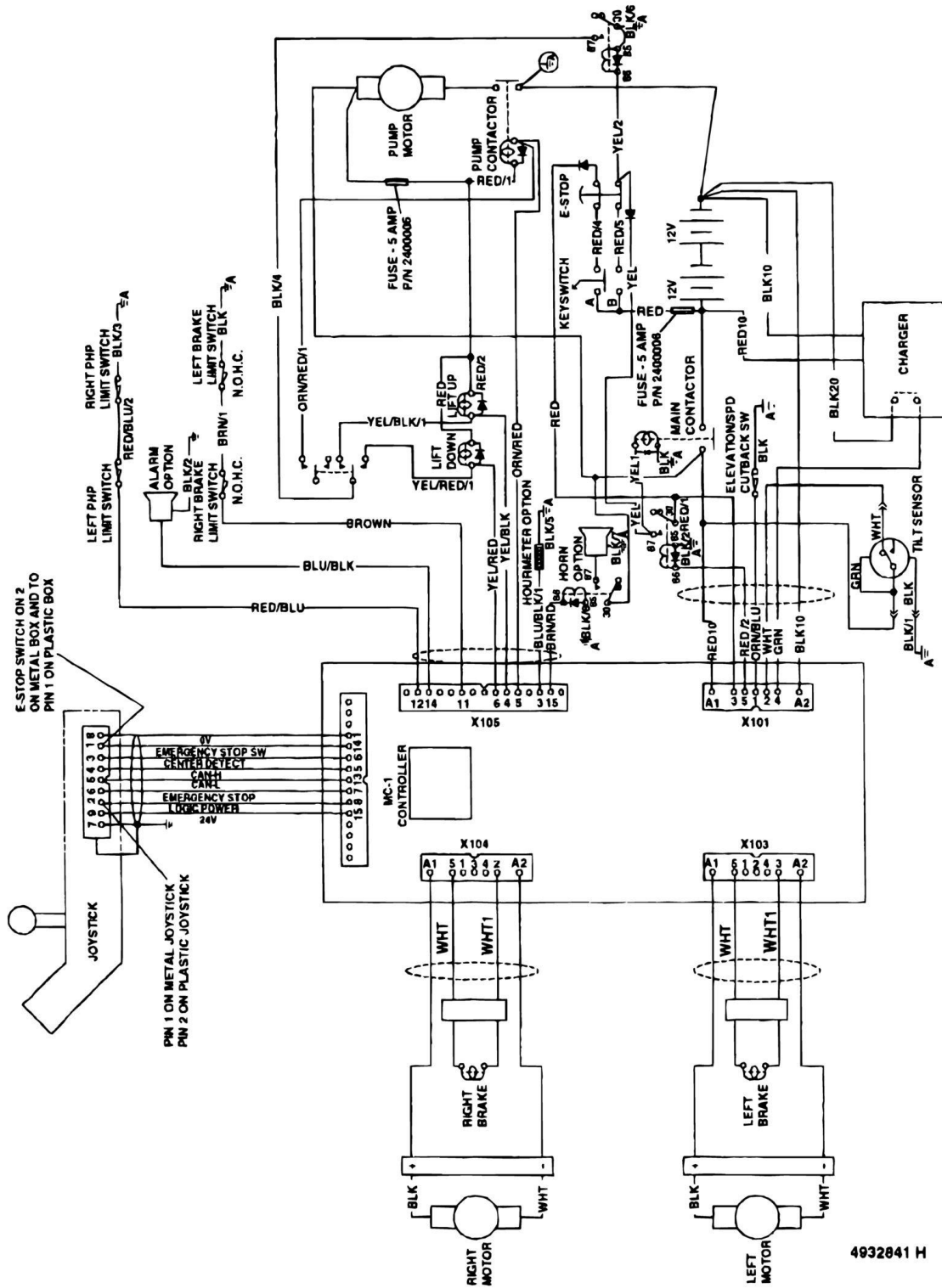
FIGURE 6-1. HYDRAULIC DIAGRAM

ITEM	PART NUMBER	QTY	DESCRIPTION	REV
		Ref	HYDRAULIC DIAGRAMS	
	2792252	Ref	HYDRAULIC DIAGRAM - 10VP & 15VP	2
	2792253	Ref	HYDRAULIC DIAGRAM - 20VP	2
1	2220875	1	Fitting, 90	
2	2221021	1	Fitting, Straight	
3	2220472	1	Fitting, 90	
4	2220603	1	Fitting, Straight	
5	2220507	1	Fitting, 90	
6	2220473	1	Fitting, 90	
7	4567186	1	Tube	
8	4566950	1	Tube	
9	4640956	1	Valve, Flow Control (10VP & 15VP)	
9	4640900	1	Valve, Flow Control (20VP)	
10	3600254	1	Pump/Motor/Tank Assembly (10VP & 15VP) (See CONTROLS SECTION For Breakdown)	
10	3600255	1	Pump/Motor/Tank Assembly (20VP) (See CONTROLS SECTION For Breakdown)	
11	0100020	AR	Sealant, Pipe	
12	2221022	1	Fitting, Straight	

SECTION 7 - ELECTRICAL

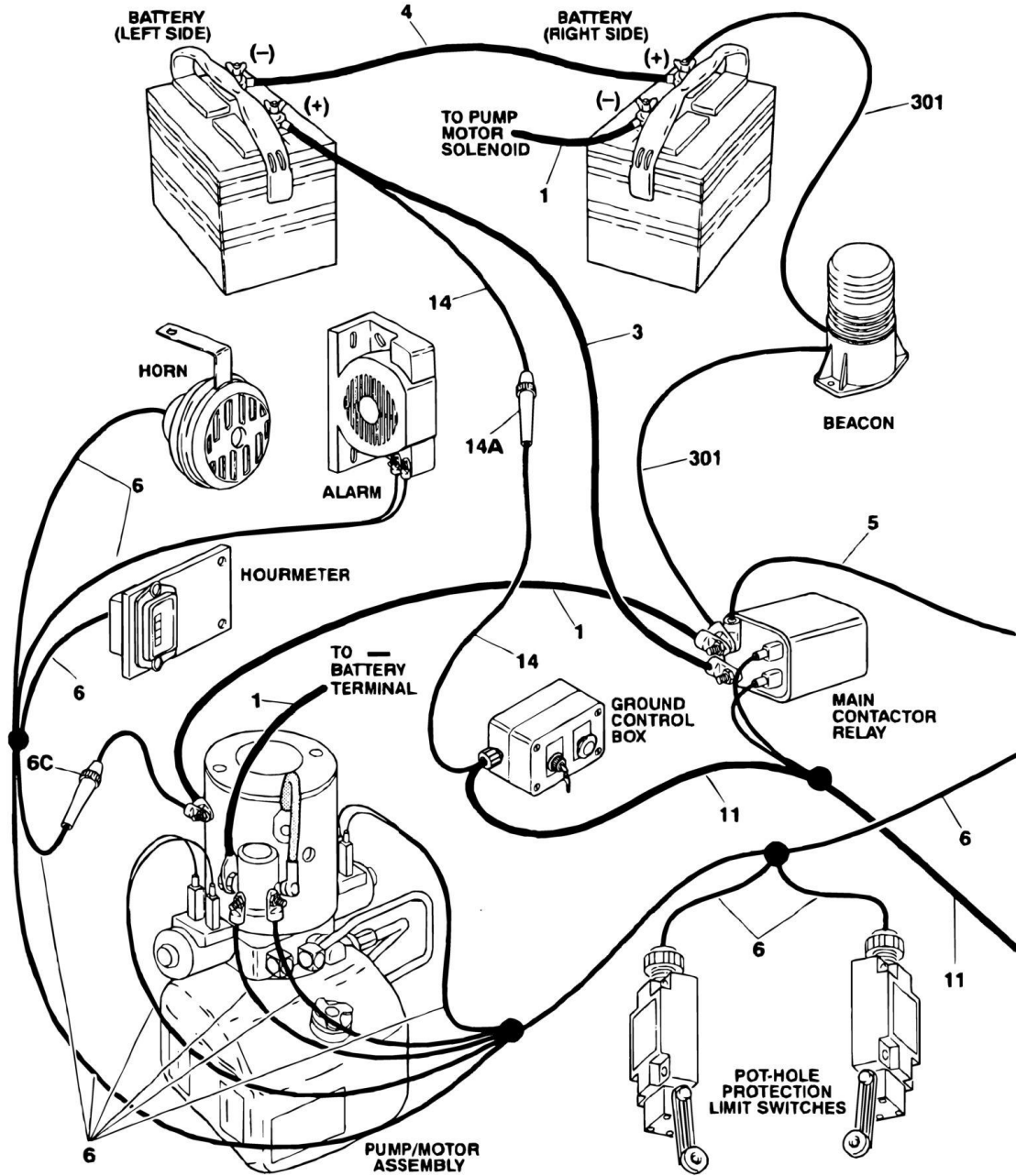
SECTION 7 - ELECTRICAL

FIGURE 7-1. ELECTRICAL DIAGRAM - STANDARD

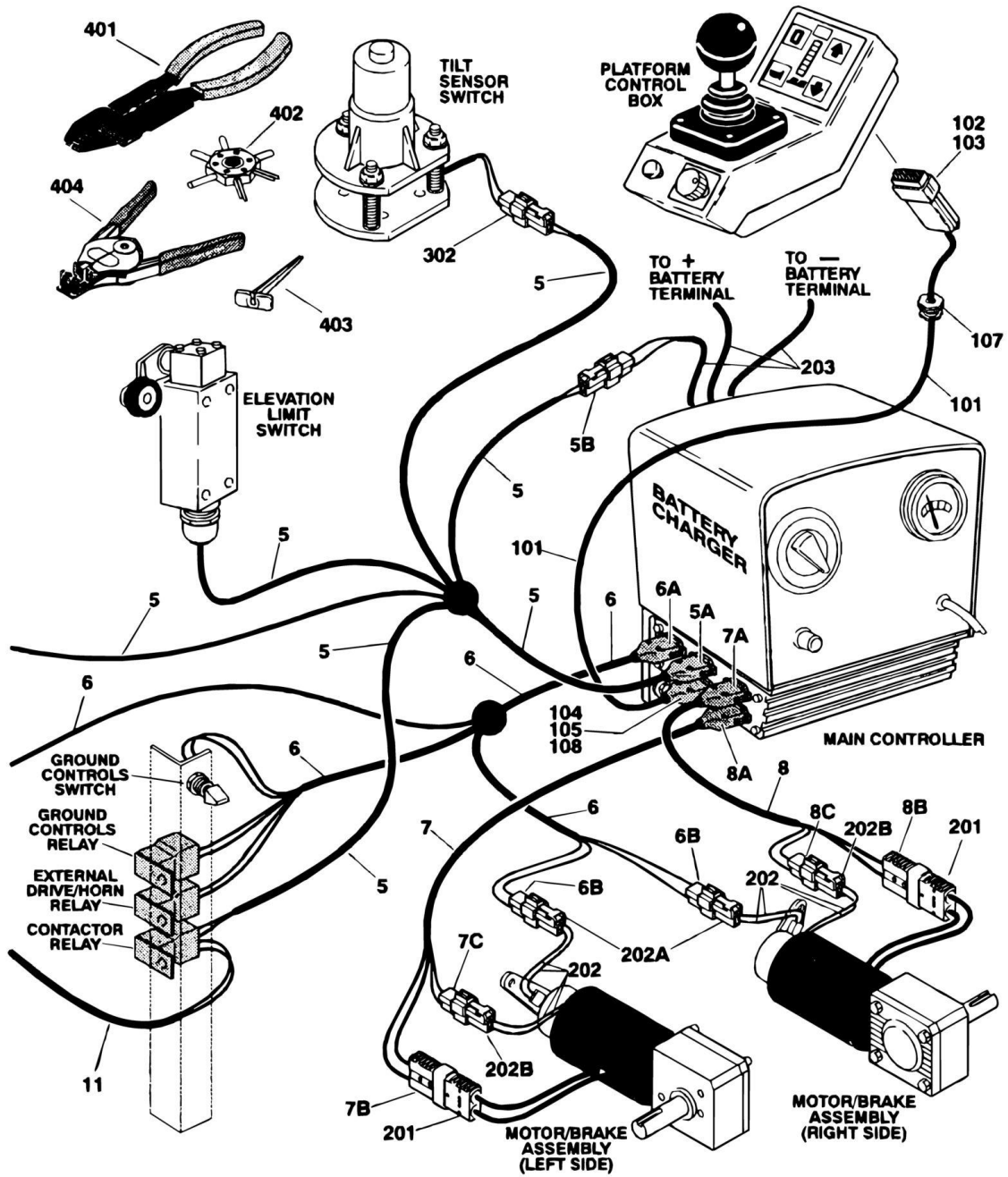


SECTION 7 - ELECTRICAL

FIGURE 7-2. HARNESS AND CABLES INSTALLATION



SECTION 7 - ELECTRICAL



SECTION 7 - ELECTRICAL

FIGURE 7-2. HARNESS AND CABLES INSTALLATION (SHEET 2 OF 2)

ITEM	PART NUMBER	QTY	DESCRIPTION	REV
		Ref	HARNESS AND CABLES INSTALLATION	
	4932841	Ref	ELECTRICAL DIAGRAM - STANDARD	H
1	1060620	2	Cable, Battery	
3	1060619	1	Cable, Battery	
4	1060618	1	Cable, Battery	
5	4921826	1	Harness - Ground Control	D
5	3990010	2	Diode	
5A	4460646	1	Receptacle - 5 Pin	
5A	4460647	2	Shell, Receptacle	
5B	4460320	1	Connector, Female - 2 Position	
5B	4460368	2	Socket	
6	4921825	1	Harness - Valve and Limit Switch	H
6	3990010	5	Diode	
6A	4460681	1	Receptacle - 15 Pin	
6A	4460643	1	Shell, Receptacle	
6A	4460684	8	Socket	
6B	4460424	2	Connector, Male - 2 Position	
6B	4460267	2	Pin	
6B	4460268	2	Socket	
6C	2400006	1	Fuse - 5 Amp	
6C	4460044	1	Fuseholder	
7	4921824	1	Harness - Left Side Drive Motor	B
7A	4460644	1	Receptacle - 5 Pin	
7A	4460645	2	Pin	
7B	4460648	1	Receptacle - 2 Position	
7C	4460320	1	Connector, Female - 2 Position	
7C	4460267	1	Pin	
7C	4460268	2	Socket	
8	4921823	1	Harness - Right Side Drive Motor	A
8A	4460644	1	Receptacle, 5 Pin	
8A	4460645	2	Shell, Receptacle	
8B	4460648	1	Receptacle - 2 Position	
8C	4460320	1	Connector, Female - 2 Position	
8C	4460267	1	Pin	
8C	4460268	2	Socket	
11	4921948	1	Harness - Main Contactor	-
11	3990010	2	Diode - 6 Amp	
14	4921888	1	Harness - Keyswitch Power	-
14A	2400006	1	Fuse - 5 Amp	
14A	4460044	1	Fuseholder	
		Ref	PLATFORM CONSOLE HARNESS ASSEMBLIES	
		Ref	Used With 1600237 Platform Control Box:	
	4921815	Ref	Used With 1600237 Platform Control Box 10VP	D
	4921812	Ref	Used With 1600237 Platform Control Box 15VP	C
	1921816	Ref	Used With 1600237 Platform Control Box 20VP	D
		Ref	Used With 1600243 Platform Control Box:	
	4921878	Ref	Used With 1600243 Platform Control Box 10VP	C
	4921879	Ref	Used With 1600243 Platform Control Box 15VP	C
	4921880	Ref	Used With 1600243 Platform Control Box 20VP	C
101	1060616	AR	Cable, Electrical - 18/8	

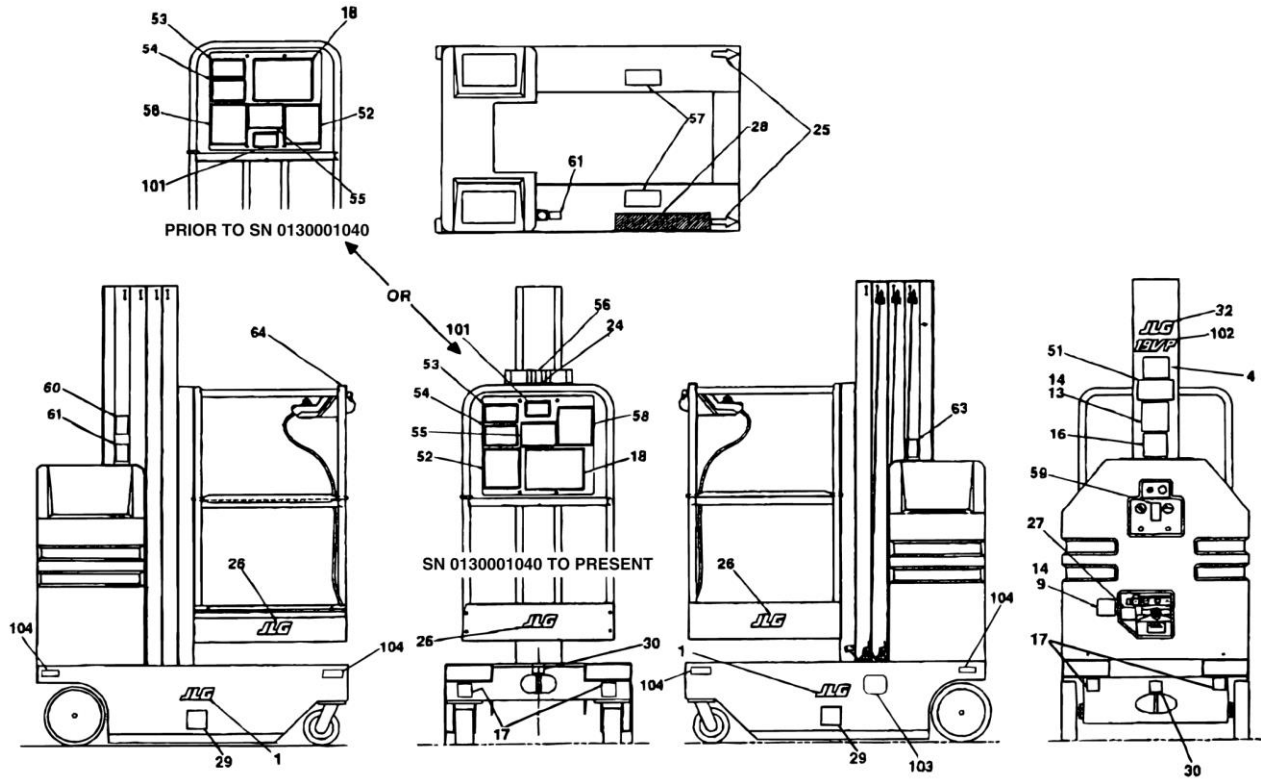
SECTION 7 - ELECTRICAL

ITEM	PART NUMBER	QTY	DESCRIPTION	REV
102		Ref	Receptacle Options:	
102	4460639	1	9 Pin	
102	4460671	1	12 Pin	
103		Ref	Receptacle Shell Options:	
103	4460640	1	For 9 Pin Receptacle	
103	4460672	1	For 9 Pin Receptacle	
104	4460682	1	Receptacle - 15 Socket	
105	4460643	1	Shell, Receptacle (For 15 Socket Receptacle)	
107	4460023	1	Connector, Strain Relief	
108	4460683	8	Pin	
		Ref	MISCELLANEOUS HARNESSSES AND COMPONENTS	
201	4460648	2	Receptacle - 2 Position (Located at Drive Motor)	
202	Not Available	2	Harness Assembly - Brake	
202A	4460320	1	Connector, Female - 2 Position	
202A	4460268	1	Socket	
202A	4460267	1	Pin	
202B	4460424	1	Connector, Male - 2 Position	
202B	4460268	1	Socket	
202B	4460267	1	Pin	
203	7018505	1	DC Battery Charger Harness Assembly	
		Ref	ACCESSORIES HARNESSSES AND COMPONENTS	
301	Not Available	1	Beacon Light Harness Assembly	
302	4460445	1	Receptacle - 3 Position (Attach to #5 for Tilt Sensor)	
302	4460227	3	Pin	
		Ref	TOOLS	
401	7002821	1	Crimper (For Wire to Pin/Socket Connections)	
402	7002823	1	Extractor (For Removal of Pins/Socket from Connectors)	
403	4460467	1	Extractor - 16-18 Gauge (For Removal of Pins/Socket from Deutsch Connectors)	
403	4460510	1	Extractor - 16-14 Gauge (For Removal of Pins/Socket from Deutsch Connectors)	
404	8896941	1	Stripper, Wire	

SECTION 8 - DECALS

SECTION 8 - DECALS

FIGURE 8-1. DECALS INSTALLATION



SECTION 8 - DECALS

FIGURE 8-1. DECALS INSTALLATION

ITEM	PART NUMBER	QTY	DESCRIPTION	REV
		Ref	Decals Installation	
	1282534	Ref	DECALS INSTALLATION (STANDARD PARTS)	F
1	1702365	2	Decal -JLG	
3	1702364	2	Decal - Crushing	
4	3251813	1	Decal - USA	
9	1702922	1	Decal - Manual Descent	
13	Consult Factory	1	Nameplate, Serial Number	
14	3820031	8	Rivet	
16	1702631	1	Decal - Bar Code	
17	1703073	4	Decal- Forklift Area	
18	1702905	1	Decal - Joystick	
25	1702921	2	Decal - Arrow	
26	1701612	3	Decal - JLG (With Aluminum Platform Only)	
27	1702923	1	Decal - Ground Controls	
28	4420039	16	Tape, Friction	
		in/41cm		
29	1703072	2	Decal - Forklift Area	
30	1702300	2	Decal - Tie Down	
32	1701612	1	Decal - JLG	
	0256247	Ref	DECALS INSTALLATION - EURO ENGLISH (VARIABLE PARTS)	E
	0256251	Ref	DECALS INSTALLATION - AUSTRALIAN (VARIABLE PARTS)	D
51	1702885	1	Decal - Daily Checklist	
52	1702887	1	Decal - Operation	
53	1703129	1	Decal - Pothole Protection	
54	1703137	1	Decal - Brakes	
55	1702282	1	Decal - Warning	
56	1702110	1	Decal - Instructions	
57	1702364	2	Decal - Crushing	
58	1702361	1	Decal - Electrocution Hazard	
59	1702437	1	Decal - Explosion/Fire Hazard (DC Only)	
60	1703191	1	Decal - Tow/Winching	
61	1702886	1	Decal - Leveling	
62	1703128	1	Decal - Brakes Symbol	
63	1703127	1	Decal - Ground Clearance Symbol	
64	1703136	1	Decal - Control Box Location	
	0256245	Ref	DECALS INSTALLATION - DUTCH (VARIABLE PARTS)	D
51	1703052	1	Decal - Daily Checklist	
52	1703053	1	Decal - Operation	
53	1703055	1	Decal - Pothole Protection	
54	1703054	1	Decal - Brakes	
55	1703056	1	Decal - Warning	
56	1702475	1	Decal - Instructions	
57	1702494	2	Decal - Crushing	
58	1702455	1	Decal - Electrocution Hazard	
59	1702526	1	Decal - Explosion/Fire Hazard (DC Only)	
60	1703196	1	Decal - Tow/Winching	
61	1703204	1	Decal - Leveling	
62	1703221	1	Decal - Brakes Symbol	
63	1703227	1	Decal - Ground Clearance Symbol	

SECTION 8 - DECALS

ITEM	PART NUMBER	QTY	DESCRIPTION	REV
64	1703233	1	Decal - Control Box Location	
	0256242	Ref	DECALS INSTALLATION - FRENCH (VARIABLE PARTS)	D
51	1703037	1	Decal - Daily Checklist	
52	1703038	1	Decal - Operation	
53	1703131	1	Decal - Pothole Protection	
54	1703139	1	Decal - Brakes	
55	1703041	1	Decal - Warning	
56	1702472	1	Decal - Instructions	
57	1702491	2	Decal - Crushing	
58	1702452	1	Decal - ELelectrocution Hazard	
59	1702523	1	Decal - Explosion/Fire Hazard (DC Only)	
60	1703193	1	Decal - Tow/Winching	
61	1703201	1	Decal - Leveling	
62	1703218	1	Decal - Brakes Symbol	
63	1703224	1	Decal - Ground Clearance Symbol	
64	1703230	1	Decal - Control Box Location	
	0256241	Ref	DECALS INSTALLATION - GERMAN (VARIABLE PARTS)	D
51	1703032	1	Decal - Daily Checklist	
52	1703033	1	Decal - Operation	
53	1703130	1	Decal - Pothole Protection	
54	1703138	1	Decal - Brakes	
55	1703036	1	Decal - Warning	
56	1702471	1	Decal - Instructions	
57	1702490	2	Decal - Crushing	
58	1702451	1	Decal - Electrocution Hazard	
59	1702522	1	Decal - Explosion/Fire Hazard (DC Only)	
60	1703192	1	Decal - Tow/Winching	
61	1703200	1	Decal - Leveling	
62	1703217	1	Decal - Brakes Symbol	
63	1703223	1	Decal - Ground Clearance Symbol	
64	1703229	1	Decal - Control Box Location	
	0256244	Ref	DECALS INSTALLATION - ITALIAN (VARIABLE PARTS)	D
51	1703047	1	Decal - Daily Checklist	
52	1703048	1	Decal - Operation	
53	1703133	1	Decal - Pothole Protection	
54	1703141	1	Decal - Brakes	
55	1703051	1	Decal - Warning	
56	1702474	1	Decal - Instructions	
57	1702493	2	Decal - Crushing	
58	1702454	1	Decal - Electrocution Hazard	
59	1702525	1	Decal - Explosion/Fire Hazard	
60	1703195	1	Decal - Tow/Winching	
61	1703203	1	Decal - Leveling	
62	1703220	1	Decal - Brakes Symbol	
63	1703226	1	Decal - Ground Clearance Symbol	
64	1703232	1	Decal - Control Box Location	
	0256243	Ref	DECALS INSTALLATION - SPANISH (VARIABLE PARTS)	D
51	1703042	1	Decal - Daily Checklist	
52	1703043	1	Decal - Operation	
53	1703132	1	Decal - Pothole Protection	
54	1703140	1	Decal - Brakes	

SECTION 8 - DECALS

ITEM	PART NUMBER	QTY	DESCRIPTION	REV
55	1703046	1	Decal - Warning	
56	1702473	1	Decal - Instructions	
57	1702492	2	Decal - Crushing	
58	1702453	1	Decal - Electrocution Hazard	
59	1702524	1	Decal - Explosion/Fire Hazard	
60	1703194	1	Decal - Tow/Winching	
61	1703202	1	Decal - Leveling	
62	1703219	1	Decal - Brakes Symbol	
63	1703225	1	Decal - Ground Clearance Symbol	
64	1703231	1	Decal - Control Box Location	
		Ref	DECALS INSTALLATION - OPTIONS	
101	1703244	1	Decal - Capacity	
102		Ref	Decal - Model Designation	
102	1702881	1	Decal - Model Designation 10VP	
102	1702882	1	Decal - Model Designation 15VP	
102	1702883	1	Decal - Model Designation 20VP	
103	1702928	1	Decal - CE	
104		Ref	Decal - Wheel Load	
104	1703208	4	Decal - Wheel Load 10VP (Prior to SN 0130001371)	
104	1703501	4	Decal - Wheel Load 10VP (SN 0130001372 to Present)	
104	1703209	4	Decal - Wheel Load 15VP (Prior to SN 0130001373)	
104	1703502	4	Decal - Wheel Load 15VP (SN 0130001374 to Present)	
104	1703210	4	Decal - Wheel Load 20VP (Prior to SN 0130001321)	
104	1703503	4	Decal - Wheel Load 20VP (SN 0130001322 to Present)	

SECTION 9 - RECOMMENDED SERVICE PARTS STOCK

SECTION 9 - RECOMMENDED SERVICE PARTS STOCK

SECTION 9 - RECOMMENDED SERVICE PARTS STOCK

FIGURE 9-1. 10VP/15VP/20VP STANDARD PARTS

ITEM	PART NUMBER	QTY	DESCRIPTION	REV
	Note	Ref	Note: The following list will service fleets of machines (built to current production per date on the front cover) with emergency repair parts which can be installed in the field. Parts from the list should be replaced when inventory is depleted to keep service parts stock supplied. For further information, contact your JLG dealer or the JLG Industries Parts Department.	
		Ref	STANDARD PARTS	
	1060639	1	Cable, (for fleets of 1 to 4)	
	1060639	1	Cable, (for fleets of 5 to 9)	
	1060639	1	Cable, (for fleets of 10 or more)	
	7014117	1	Switch, Micro, (for fleets of 1 to 4)	
	7014117	1	Switch, Micro, (for fleets of 5 to 9)	
	7014117	1	Switch, Micro, (for fleets of 10 or more)	
	1060638	1	Cable, (for fleets of 1 to 4)	
	1060638	1	Cable, (for fleets of 5 to 9)	
	1060638	1	Cable, (for fleets of 10 or more)	
	4360401	1	Switch, Limit, (for fleets of 1 to 4)	
	4360401	1	Switch, Limit, (for fleets of 5 to 9)	
	4360401	1	Switch, Limit, (for fleets of 10 or more)	
	3740120	1	Relay, (for fleets of 1 to 4)	
	3740120	1	Relay, (for fleets of 5 to 9)	
	3740120	1	Relay, (for fleets of 10 or more)	
	4360314	1	Switch, Ground Control, (for fleets of 1 to 4)	
	4360314	1	Switch, Ground Control, (for fleets of 5 to 9)	
	4360314	1	Switch, Ground Control, (for fleets of 10 or more)	
	3740069	1	Relay, (for fleets of 1 to 4)	
	3740069	1	Relay, (for fleets of 5 to 9)	
	3740069	1	Relay, (for fleets of 10 or more)	
	7017701	1	Switch, Push-Pull, (for fleets of 1 to 4)	
	7017701	1	Switch, Push-Pull, (for fleets of 5 to 9)	
	7017701	1	Switch, Push-Pull, (for fleets of 10 or more)	
	7017702	1	Block, Contact - N.O. (for fleets of 1 to 4)	
	7017702	1	Block, Contact - N.O. (for fleets of 5 to 9)	
	7017702	1	Block, Contact - N.O. (for fleets of 10 or more)	
	7017703	1	Block, Contact - N.C. (for fleets of 1 to 4)	
	7017703	1	Block, Contact - N.C. (for fleets of 5 to 9)	
	7017703	1	Block, Contact - N.C. (for fleets of 10 or more)	
	7017714	1	Switch, Key, (for fleets of 1 to 4)	
	7017714	1	Switch, Key, (for fleets of 5 to 9)	
	7017714	1	Switch, Key, (for fleets of 10 or more)	
	7017704	1	Key, Replacement, (for fleets of 1 to 4)	
	7017704	1	Key, Replacement, (for fleets of 5 to 9)	
	7017704	1	Key, Replacement, (for fleets of 10 or more)	
	1600243	1	Control Box Assembly, (for fleets of 1 to 4)	
	1600243	1	Control Box Assembly, (for fleets of 5 to 9)	
	1600243	1	Control Box Assembly, (for fleets of 10 or more)	
	7011636	1	Switch, Timer, (for fleets of 1 to 4)	
	7011636	1	Switch, Timer, (for fleets of 5 to 9)	
	7011636	1	Switch, Timer, (for fleets of 10 or more)	

SECTION 9 - RECOMMENDED SERVICE PARTS STOCK

ITEM	PART NUMBER	QTY	DESCRIPTION	REV
	7011509	1	Breaker, Circuit, (for fleets of 1 to 4)	
	7011509	1	Breaker, Circuit, (for fleets of 5 to 9)	
	7011509	1	Breaker, Circuit, (for fleets of 10 or more)	
	7018536	1	Breaker, Circuit, (for fleets of 1 to 4)	
	7018536	1	Breaker, Circuit, (for fleets of 5 to 9)	
	7018536	1	Breaker, Circuit, (for fleets of 10 or more)	
	7018535	1	Relay, (for fleets of 1 to 4)	
	7018535	1	Relay, (for fleets of 5 to 9)	
	7018535	1	Relay, (for fleets of 10 or more)	
	7013723	4	Filter, Hydraulic, (for fleets of 1 to 4)	
	7013723	8	Filter, Hydraulic, (for fleets of 5 to 9)	
	7013723	12	Filter, Hydraulic, (for fleets of 10 or more)	
	7016714	1	Breather, Hydraulic, (for fleets of 1 to 4)	
	7016714	2	Breather, Hydraulic, (for fleets of 5 to 9)	
	7016714	1	Breather, Hydraulic, (for fleets of 10 or more)	
	4360437	1	Swicth, Limit, (for fleets of 1 to 4)	
	4360437	1	Swicth, Limit, (for fleets of 5 to 9)	
	4360437	1	Swicth, Limit, (for fleets of 10 or more)	
	3990010	2	Diode, (for fleets of 1 to 4)	
	3990010	2	Diode, (for fleets of 5 to 9)	
	3990010	2	Diode, (for fleets of 10 or more)	
	2400006	2	Fuse - 5 Amp, (for fleets of 1 to 4)	
	2400006	2	Fuse - 5 Amp, (for fleets of 5 to 9)	
	2400006	2	Fuse - 5 Amp, (for fleets of 10 or more)	

SECTION 9 - RECOMMENDED SERVICE PARTS STOCK

FIGURE 9-2. 10VP/15VP/20VP VARIABLE PARTS

ITEM	PART NUMBER	QTY	DESCRIPTION	REV
	Note	Ref	Note: The following list will service fleets of machines (built to current production per date on the front cover) with emergency repair parts which can be installed in the field. Parts from the list should be replaced when inventory is depleted to keep service parts stock supplied. For further information, contact your JLG dealer or the JLG Industries Parts Department.	
		Ref	VARIABLE PARTS	
	4360435	1	Switch, Tilt (Optional), (for fleets of 1 to 4)	
	4360435	1	Switch, Tilt (Optional), (for fleets of 5 to 9)	
	4360435	1	Switch, Tilt (Optional), (for fleets of 10 or more)	
	2940082	1	Latch, Gate (Fiberglass Platform), (for fleets of 1 to 4)	
	2940082	1	Latch, Gate (Fiberglass Platform), (for fleets of 5 to 9)	
	2940082	1	Latch, Gate (Fiberglass Platform), (for fleets of 10 or more)	
	2900838	1	U.S. Standards Fasteners (Hardware) Kit, (for fleets of 1 to 4)	
	2900838	1	U.S. Standards Fasteners (Hardware) Kit, (for fleets of 5 to 9)	
	2900838	1	U.S. Standards Fasteners (Hardware) Kit, (for fleets of 10 or more)	
	7014676	1	U.S. Standards Tool Kit, (for fleets of 1 to 4)	
	7014676	1	U.S. Standards Tool Kit, (for fleets of 5 to 9)	
	7014676	1	U.S. Standards Tool Kit, (for fleets of 10 or more)	

SECTION 10 - SPECIAL OPTIONS

SECTION 10 - SPECIAL OPTIONS

FIGURE 10-1. MISCELLANEOUS OPTIONS LIST

ITEM	PART NUMBER	QTY	DESCRIPTION	REV
	Note	Ref	Note: The following list is to accomodate machines with special equipment. Options may not be applicable to all models. For more specific information contact the JLG Parts Department.	
		Ref	MISCELLANEOUS OPTIONS LIST	
	0256789	Ref	Camera Mount Assembly	
	1670815	Ref	Cover - Travel/Storage	
		Ref	Special Tools:	
	0080229	1	Adapter, Torque Setting Socket (To Set Slip-Clutch Torque)	
	2900868	1	Computer Analyzer Kit (Includes Analyzer, Cable and Instruction Sheet)	
	7002821	1	Crimper (For Wire to Pin/Socket Connections)	
	7002823	1	Extractor (For Removal of Pins/Sockets from Connectors)	
	4460467	1	Extractor 16-18 Gauge (For Removal of Pins/Sockets from Deutsch Connectors)	
	4460510	1	Extractor 12-14 Gauge (For Removal of Pins/Sockets from Deutsch Connectors)	
	7016654	1	Screwdriver, Magnetic	
	7004275	1	Seal Tool - 1in	
	7004276	1	Seal Tool - 1 1/2in	
	7002826	1	Seal Tool - 2in	
	8896941	1	Stripper, Wire	
	2900838	1	U.S. Standards Fastener (Hardware) Kit	
	7014676	1	U.S. Standards Tool Kit	
		Ref	Tilt Time Delay (Externally Mounted Outside of Tilt Switch at Ground Control Lift Switch) (Early Australian Spec)	
	3740118	1	Relay, Time Delay	
	3740069	1	Relay, Bosch	

PART NUMBER INDEX

SECTION 10 - SPECIAL OPTIONS

00256539.....	35	0630486.....	55	1260298.....	44, 48, 49	1703032.....	80
0080229.....	88	0630504.....	23	1260299.....	40, 44, 48	1703033.....	80
0100011....	10, 13, 14, 19, 28, 40, 44, 48, 55, 59	0641404... ..	10, 14, 19, 28, 39, 40, 43, 44, 48	1260314... ..	39, 40, 43, 44, 47, 48	1703036.....	80
0100019....	10, 14, 27, 59	0641406,9,13,23,27,35, 39,43,47		1260315... ..	43, 44, 47, 48	1703037.....	80
0100020.....	67	0641408....	13, 28, 35, 55	1260318.....	47, 49	1703038.....	80
0100035.....	9, 14, 19	0641410....	27, 39, 43, 47	1271278.....	39, 43, 47	1703041.....	80
0100051.....	23	0641414.....	55	1271279.....	47	1703042.....	80
0100062....	40, 44, 48, 49	0641416.....	28, 59	1271320.....	39, 43, 47	1703043.....	80
0140022.....	35	0641505.....	10, 14	1271321.....	39	1703046.....	81
0140033.....	35	0641507.....	35	1271322.....	43, 47	1703047.....	80
0181832.....	9	0641508.....	33	1271323.....	43, 47	1703048.....	80
0181833.....	9	0641518.....	59	1282534.....	79	1703051.....	80
0181857.....	23	0641522.....	33	1320041.....	10, 14	1703052.....	79
0254879.....	55	0641608.....	9, 13, 23	1320110.....	59	1703053.....	79
0254880.....	55	0641609,9,10,13,14,51		1320211.....	55	1703054.....	79
0254980.....	59	0641610.....	14, 35	1320218.....	56	1703055.....	79
0255019.....	51	0641612.....	10, 14	1320219.....	55, 59	1703056.....	79
0255036.....	55	0641707.....	9	1320227.....	27	1703072.....	79
0255040.....	55	0641711.....	14	1320238.....	27	1703073.....	79
0255853.....	56	0641810.....	10, 13	1400126.....	14	1703087.....	56
0256088.....	19	0641812.....	51	1600238.....	23	1703088.....	55
0256132.....	28	0721005.....	27	1600243.....	27, 84	1703112.....	55
0256133.....	28	0740603.....	40, 44, 48	1670815.....	88	1703113.....	56
0256134.....	28	0741407.....	23	1683201... ..	39, 43, 47, 63	1703114.....	56
0256197.....	10, 13	0741605.....	23	1701500.....	51	1703115.....	55
0256241.....	80	0750802.....	56	1701612.....	79	1703116.....	56
0256242.....	80	0801074.....	39	1702110.....	79	1703117.....	56
0256243.....	80	0801075.....	43	1702282.....	79	1703118.....	56
0256244.....	80	0801076.....	47	1702288.....	79	1703119.....	55
0256245.....	79	0860946.....	27	1702300.....	79	1703120.....	56
0256247.....	79	0861053.....	23	1702361.....	79	1703121.....	55
0256251.....	79	0880124.....	10, 14	1702364.....	79	1703127.....	79
0256442.....	55	0901193.....	47	1702365.....	55, 79	1703128.....	79
0256538.....	35	0901992.....	39, 43, 47	1702437.....	79	1703129.....	79
0256540.....	35	0901993.....	43	1702451.....	80	1703130.....	80
0256541.....	35	0902042.....	39, 43, 47	1702452.....	80	1703131.....	80
0256545.....	35	0902047.....	39, 43, 47	1702453.....	81	1703132.....	80
0256546.....	35	0902079.....	55	1702454.....	80	1703133.....	80
0256559.....	51	0902084.....	39, 43, 47	1702455.....	79	1703136.....	79
0256599.....	23	0902248.....	23	1702471.....	80	1703137.....	79
0256652.....	10	0902250.....	23	1702472.....	80	1703138.....	80
0256736.....	10	0902256.....	10, 13	1702473.....	81	1703139.....	80
0256737.....	10	0902262.....	19	1702474.....	80	1703140.....	80
0256789.....	88	0902285.....	40, 44, 48	1702475.....	79	1703141.....	80
0256851.....	9, 14	0902295.....	35	1702490.....	80	1703191.....	79
0257235.....	13	0902296.....	35	1702491.....	80	1703192.....	80
0257236.....	13	0902297.....	35	1702492.....	81	1703193.....	80
0257238.....	13	0902354.....	35	1702493.....	80	1703194.....	81
0257241.....	14	0902356.....	35	1702494.....	79	1703195.....	80
0275241.....	13	0940074.....	27	1702522.....	80	1703196.....	79
0362347.....	59	0960407.....	28	1702523.....	80	1703200.....	80
0362377.....	43, 47	1020008.....	27	1702524.....	81	1703201.....	80
0362384.....	59	1060380.....	27, 55	1702525.....	80	1703202.....	81
0362604.....	23	1060541.....	39, 43, 47	1702526.....	79	1703203.....	80
0362658.....	23	1060546.....	39	1702612.....	51	1703204.....	79
0400122.....	23	1060564.....	27	1702631.....	79	1703208.....	81
0400152.....	31	1060596.....	40, 44, 48	1702881.....	81	1703209.....	81
0400153.....	31	1060616.....	74	1702882.....	81	1703210.....	81
0440221.....	9, 14	1060618.....	74	1702883.....	81	1703217.....	80
0561145.....	44, 48	1060619.....	74	1702885.....	79	1703218.....	80
0561149.....	44, 48, 49	1060620.....	74	1702886.....	79	1703219.....	81
0561150.....	40, 44, 48	1060638.....	19, 84	1702887.....	79	1703220.....	80
0561151.....	44, 48, 49	1060639.....	9, 13, 84	1702905.....	79	1703221.....	79
0561152.....	39, 43, 47	1100100.....	19	1702921.....	79	1703223.....	80
0561153.....	40, 44, 48	1180344.....	28	1702922.....	79	1703224.....	80
0630446.....	9, 13			1702923.....	79	1703225.....	81
				1702928.....	81	1703226.....	80

SECTION 10 - SPECIAL OPTIONS

1703227	79	3311705	14	3900203	59	4460510	75, 88
1703229	80	3311805	10	3900205	39, 44, 48	4460566	27
1703230	80	3340704	39, 43, 47	3900210	39, 43	4460639	75
1703231	81	3340709	39, 43, 47	3900212	27	4460640	75
1703232	80	3340746	59	3900214	40, 44, 48	4460643	74, 75
1703233	80	3340754	59	3900215	40, 44, 48	4460644	74
1703244	81	3380424	27	3900216	40, 44, 48	4460645	74
1703455	51	3421453	55	3900221	9, 14	4460646	74
1703501	81	3422265	40, 44, 48	3900228	27	4460647	74
1703502	81	3422338	40, 44, 48	3910608	35	4460648	10, 13, 74, 75
1703503	81	3422339	43, 47	3910610	19	4460662	19
1761000	19	3422341	39, 43, 47	3910620	19	4460671	75
1860163	13	3422346	44, 48, 49	3910812	23	4460672	75
1921816	74	3422355	44, 48, 49	3911010	23, 35, 36	4460681	74
2220472	67	3422361	39, 43, 47	3911018	40, 44, 48	4460682	75
2220473	67	3422551	27, 55	3911032	59	4460683	75
2220507	67	3422585	19	3911410	35	4460684	74
2220603	67	3422586	19	3911416	35	4566486	47
2220875	67	3440520	14	3920206	39	4566487	43, 47
2221021	67	3450201	40, 44, 48	3930808	9, 14	4566563	59
2221022	67	3450302	19	3990010	74, 85	4566780	55, 59
2400006	74, 85	3510454	59	4040259	14	4566846	39
2420140	10, 14	3510471	55	4060092	27	4566950	67
24220465	35	3510472	55	4060804	59	4567186	67
2680025	17	3510477	59	4060877	39, 43, 48	4640900	67
2680432	23	3520072	59	4060882	59	4640956	67
2792252	67	3520166	40, 44, 48	4070860	39, 43, 47	4656847	56
2792253	67	3537698	55	4070861	39, 43, 47	4711400	10, 14, 19, 23, 27, 35, 39, 43, 47, 55
2820018	40, 44, 48	3537920	44, 48	4070862	39, 43, 47	4711500	10, 14, 35, 44, 48, 55, 59
2820085	13	3537932	39, 43, 47	4070875	39, 43, 47	4711600	36, 51
2820086	9, 13	3538105	55	4070876	39, 43, 48	4711700	9, 14
2860026	13	3538591	51	4070877	39, 43, 48	4712600	47
2860027	14	3538981	44, 48	4070890	59	4740414	39, 43, 47
2860028	17	3539565	23	4070894	59	4740428	59
2900838	86, 88	3539612	28	4100050	40, 44, 48	4740429	59
2900868	23, 88	3539659	9, 13	4160124	39, 43	4740441	40, 44, 48
2901444	40	3539660	9, 13	4160125	59	4750400	28
2901445	44	3539814	51	4160130	27	4750600	19
2901446	48	3539939	19	4160154	9, 13	4750800	9, 14, 23
2920119	35	3539964	35	4160158	19	4751000	9, 13, 19, 23, 28, 35, 36, 59
2920127	56	3570168	14	4160159	9, 13	4751400	9, 13, 23, 55, 59
2920146	35	3570169	14	4220160	39, 44, 48	4751500	27, 39, 43, 47, 55, 59
2940082	59, 86	3570172	13	4240032	19, 40, 44, 48	4751600	9, 10, 13, 14, 23, 47
3020017	10, 13, 19	3580226	43, 47	4280296	27	4751800	10, 13, 51
3020028	39, 44, 48	3580227	39, 43, 47	4300106	35	4752600	39
3160212	9, 17	3580228	39, 43, 47	4300111	40, 44, 48, 49	4760124	47
3160217	14, 17	3580231	27	4300115	59	4760600	35
3251813	79	3600254	33, 67	4360314	23, 84	4761000	23, 27, 35, 36, 39, 43, 47
3271805	51	3600255	33, 67	4360397	19	4761400	39, 43, 47
3300047	28	3640923	59	4360401	19, 84	4845046	40, 44, 48
3300151	59	3640924	59	4360435	35, 86	4845047	40, 44, 48
3300202	23	3640966	55	4360437	40, 44, 48, 85	4845123	9
3300356	59	3640969	55	4420039	55, 79	4845244	19
3310601	35	3640990	59	4420055	27	4845245	19
3310805	13, 23	3740069	23, 35, 84, 88	4460023	27, 75	4845247	10
3311001	23, 27, 35, 36, 59	3740118	88	4460044	74	4845248	9
3311005	59	3740120	23, 84	4460121	39, 44, 48	4845258	9, 13
3311401	10, 14, 35	3760383	43, 47	4460190	27	4845260	10, 13
3311405	9, 23, 27, 35, 39, 43, 47, 55, 59	3760393	9, 13	4460227	75	4845261	10, 13
3311501	55, 59	3820024	59	4460267	74, 75	4845265	27
3311505	35, 55, 59	3820031	79	4460268	74, 75	4845266	23
3311601	39, 40, 43, 44, 47, 48, 51	3900177	59	4460320	74, 75		
3311605	9, 10, 13, 14, 23, 27, 36	3900187	39, 43, 47	4460368	74		
		3900191	39, 43, 47	4460424	74, 75		
		3900192	39, 43, 47	4460425	56		
		3900200	27	4460445	75		
		3900202	59	4460467	75, 88		

SECTION 10 - SPECIAL OPTIONS

4845339.....	27	7003249.....	63	7013791.....	33	7017704.....	23, 84
4845345.....	51	7003250.....	63	7013792.....	33	7017705.....	24
4845363.....	9	7004275.....	88	7013793.....	33	7017706.....	23
4845364.....	9	7004276.....	88	7014117.....	9, 14, 84	7017713.....	23
4845377.....	10, 13	7011505.....	31	7014118.....	9, 14	7017714.....	23, 84
4845396.....	19	7011509.....	31, 85	7014119.....	9, 14	7017715.....	23
4845397.....	19	7011528.....	31	7014120.....	9, 14	7018000.....	17
4845473.....	14	7011559.....	31	7014122.....	9	7018001.....	17
4845474.....	13	7011560.....	31	7014123.....	9	7018002.....	17
4845478.....	13	7011596.....	31	7014124.....	9	7018003.....	17
4845479.....	13	7011636.....	31, 84	7014125.....	9	7018004.....	17
4860161.....	9, 13	7011667.....	31	7014676.....	86, 88	7018005.....	17
4860163.....	9	7011691.....	31	7016319.....	35	7018007.....	17
4860164.....	9, 13	7011692.....	31	7016320.....	35	7018008.....	17
4921812.....	28, 74	7012637.....	23	7016372.....	35	7018009.....	17
4921815.....	28, 74	7013701.....	33	7016619.....	13	7018010.....	17
4921816.....	28	7013708.....	33	7016654.....	88	7018011.....	17
4921823.....	74	7013714.....	33	7016685.....	14	7018012.....	17
4921824.....	74	7013715.....	33	7016710.....	33	7018013.....	17
4921825.....	74	7013716.....	33	7016711.....	33	7018014.....	17
4921826.....	74	7013717.....	33	7016712.....	33	7018015.....	17
4921878.....	74	7013720.....	33	7016713.....	33	7018019.....	17
4921879.....	74	7013722.....	33	7016714.....	33, 85	7018026.....	17
4921880.....	74	7013723.....	33, 85	7016716.....	33	7018505.....	31, 75
4921888.....	74	7013727.....	33	7016717.....	33	7018515.....	31
4921948.....	74	7013728.....	33	7016718.....	33	7018534.....	31
4932841.....	74	7013733.....	33	7016719.....	33	7018535.....	31, 85
7002821.....	75, 88	7013743.....	33	7016721.....	33	7018536.....	31, 85
7002823.....	75, 88	7013747.....	33	7016722.....	33	7018537.....	31
7002826.....	88	7013750.....	33	7016723.....	33	8896941.....	75, 88
7003245.....	63	7013758.....	33	7016724.....	33	PMP835E11.....	33
7003246.....	63	7013759.....	33	7017701.....	23, 84		
7003247.....	63	7013766.....	33	7017702.....	23, 84		
7003248.....	63	7013770.....	33	7017703.....	23, 84		



**Corporate Office
JLG Industries, Inc.
1 JLG Drive
McConnellsburg, PA 17233-9533 USA
☎ (717) 485-5161 (Corporate)
☎ (877) 554-5438 (Customer Support)
📠 (717) 485-6417**

**Visit our website for JLG Worldwide Locations.
www.jlg.com**



OSHKOSH™