



Illustrated Parts Manual

Model

15AMI

3120876

April 30, 2017

CE
AS/NZS

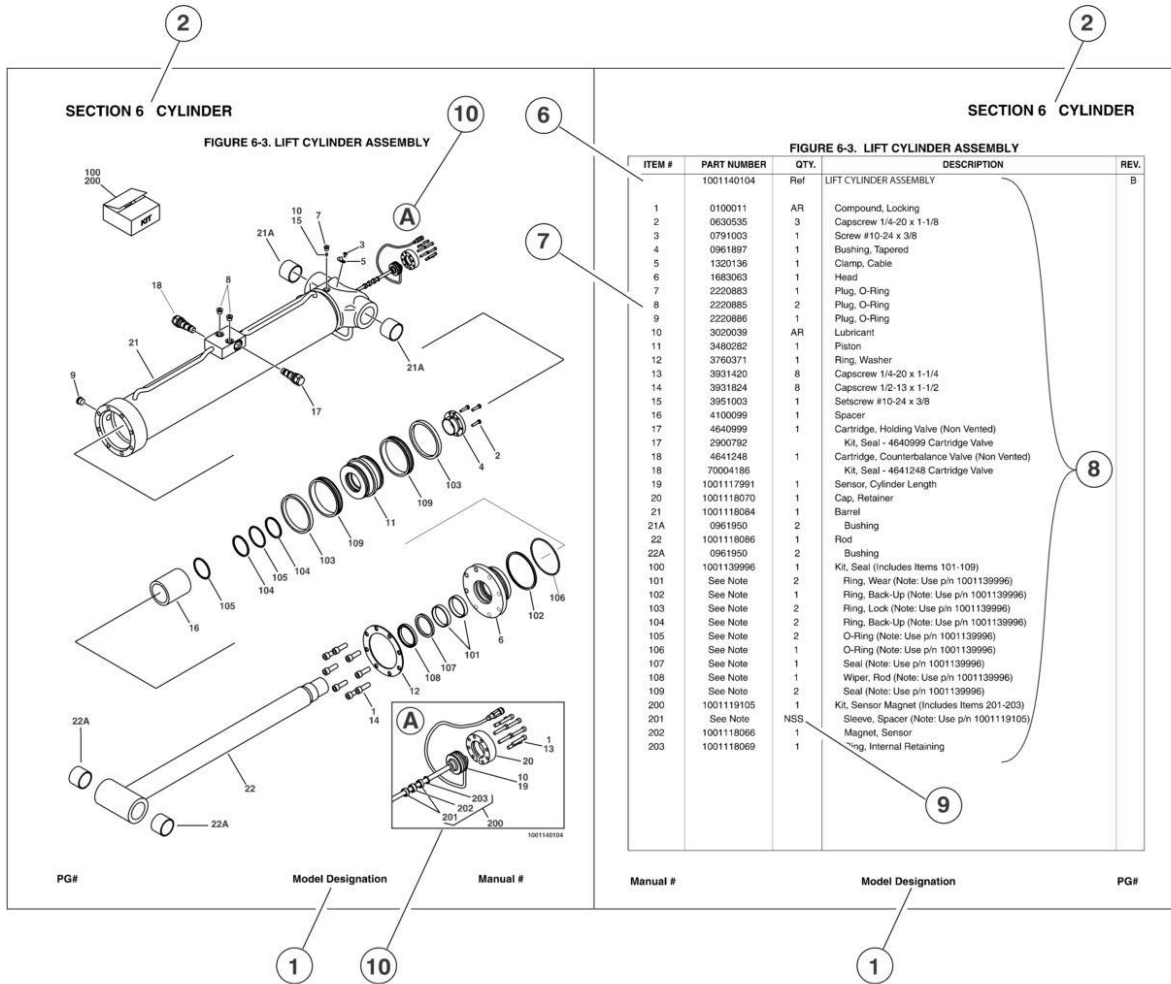


An Oshkosh Corporation Company

REVISION LOG

October 18, 1999 - Original Issue Of Manual
June 15, 2000 - Revised (Manual edited to 0010560 Revision 3)
March 1, 2001 - Revised (Manual edited to 0010560 Revision 9)
August 1, 2002 - Revised (Manual edited to 0010560 Revision 15)
February 27, 2003 - Revised (Manual edited to 0010560 Revision 17)
July 31, 2003 - Revised (Manual edited to 0010560 Revision 21)
February 20, 2004 - Revised (Manual edited to 0010560 Revision 22)
September 2, 2004 - Revised (Manual edited to 0010560 Revision 25)
March 30, 2005 - Revised (Manual edited to 0010560 Revision 29)
May 23, 2006 - Revised (Manual edited to 0010560 Revision 31)
September 1, 2006 - Revised (Manual edited to 0010560 Revision 32)
February 14, 2007 - Revised (Manual edited to 0010560 Revision 37)
June 25, 2007 - Revised (Manual edited to 0010560 Revision 38)
May 15, 2008 - Revised (Manual edited to 0010560 Revision 41)
July 15, 2009 - Revised (Manual edited to 0010560 Revision 42)
July 1, 2010 - Revised (Manual edited to 0010560 Revision 46)
December 31, 2010 - Revised (Manual edited to 0010560 Revision 46)
April 27, 2011 - Revised (Manual edited to 0010560 Revision 46)
July 21, 2011 - Revised (Manual edited to 0010560 Revision 46)
October 7, 2011 - Revised (Manual edited to 0010560 Revision 46)
February 29, 2012 - Revised (Manual edited to 0010560 Revision 46)
July 3, 2012 - Revised (Manual edited to 0010560 Revision 46)
September 25, 2012 - Revised (Manual edited to 0010560 Revision 46)
February 5, 2013 - Revised (Manual edited to 0010560 Revision 46)
May 3, 2013 - Revised (Manual edited to 0010560 Revision 46)
August 1, 2013 - Revised (Manual edited to 0010560 Revision 46)
November 1, 2013 - Revised (Manual edited to 0010560 Revision 46)
November 1, 2014 - Revised (Manual edited to 0010560 Revision 46)
April 2, 2015 - Revised (Manual edited to 0010560 Revision 46)
August 6, 2015 - Revised (Manual edited to 0010560 Revision 46)
October 12, 2015 - Revised (Manual edited to 0010560 Revision 46)
January 4, 2016 - Revised (Manual edited to 0010560 Revision 46)
April 5, 2016 - Revised (Manual edited to 0010560 Revision 46)
July 5, 2016 - Revised (Manual edited to 0010560 Revision 46)
October 3, 2016 - Revised (Manual edited to 0010560 Revision 46)
April 30, 2017 - Revised 15AMI (Manual edited to 0010560 Revision 46)

GENERAL INFORMATION



1) MACHINE IDENTIFICATION

Machines are identified by model and in some cases a combination of models, serial number (SN) or regional standard (i.e ANSI, CE, CSA). Components may also be identified by SN or manufacturer. Common components that may be identified by these characteristics are engines and hydraulic components.

2) PARTS MANUAL ORGANIZATION

Product information in this manual is organized under section titles. Frame, Cylinder, Hydraulic and Electrical are a few examples. Each section is organized by figure and page number. The information within the Figure is then organized by item number, part number, description and corresponding illustration (s).

3) TABLE OF CONTENTS

A table of contents is found toward the beginning of the manual. Figure number, description and page number are provided for quick reference to the page containing the related information.

4) RECOMMENDED SPARE PARTS

The Recommended Spare Parts, located near the end of the manual, reference most frequently used maintenance parts.

5) PART NUMBER INDEX

A numerical index listing all part numbers and the corresponding page number(s) appears at the back of the manual.

GENERAL INFORMATION

6) NON-SERVICED PARTS

In some instances, it is necessary to display non-serviced parts, assemblies or installations. In the case of assemblies and installations there will be a Ref in the Qty column. In case of parts that are not available for service within assemblies or components, there will be a NSS (Not Sold Separately) or NLA (No Longer Available) listed in the Qty. column of the manual.

7) PARTS LIST ITEM NUMBERS

Numbers shown in the item# column correspond to numbers used in the associated illustration (s). Item numbers which are missing from the sequence in the parts list are not used on that page

8) INDENTED PARTS DESCRIPTION

An indented part description is included in the item under which it is indented.

9) ABB REVIATION AND SYMBOLS

AC.....	.. Alternating Current	LCD.....	.. Liquid Crystal Display
ADE.....	.. Advanced Design Electronics	LED.....	.. Light Emitting Diodes
ANSI.....	.. American National Standards Institute	LH.....	.. Left Hand
AR.....	.. As Required	LSS.....	.. Load Sensing System
ASSY.....	.. Assembly	M(m).....	.. Metric/Meter
AUX.....	.. A uxiliary	MM (mm).....	.. Milimeter
AWG.....	.. American Wire Gauge	mA.....	.. Milliamps
B/M.....	.. Bill of Material	NLA.....	.. No Longer Available
CE.....	.. European Conformity	NPT.....	.. National Pipe Threads
CCW.....	.. Counter Clockwise	NSS.....	.. Not Sold Separately
cm.....	.. Centimeter	OD.....	.. Outside Diameter
CW.....	.. Clockwise	ORB.....	.. O-Ring Boss
CSA.....	.. Canadian Standards Association	ORFS.....	.. O-Ring Face Seal
CYL.....	.. Cylinder	OZ (oz).....	.. Ounces
DIA.....	.. Diameter	PG.....	.. Page
DC.....	.. Direct Current	P/N.....	.. Part Number
EMS.....	.. Emergency Stop	qt.....	.. Quarts
ENG.....	.. Engine	QTY.....	.. Quantity
FT (ft).....	.. Feet	REF.....	.. Reference
GA (Ga).....	.. Gauge	REV.....	.. Revision Level
HYD.....	.. Hydraulic	RH.....	.. Right Hand
Hz.....	.. Hertz	SAE.....	.. Society of Automotive Engineers
ID.....	.. Inside Diameter	SN.....	.. Serial Number
in.....	.. inches	SPEC(S).....	.. Specifications
ISO.....	.. International Organization for Standards	T/T.....	.. Turntable
JIC.....	.. Joint Industry Council	UGM.....	.. Universal Ground Module
KG.....	.. Kilogram	V.....	.. Volts
L.....	.. Liter	W.....	.. Watts
LB.....	.. Pounds	#.....	.. Number

10) ILLUSTRATION REFERENCE LETTERS

When necessary, illustrations may contain reference letters that are intended to track information (i. e. hoses, harnesses) from one point to another or to track visual enlargement of components to show details that may be located in another area on the illustration.

Note: Due to continuous product improvements, JLG Industries, Inc. reserves the right to make specification changes without prior notification. Contact JLG Industries, Inc. for updated information.

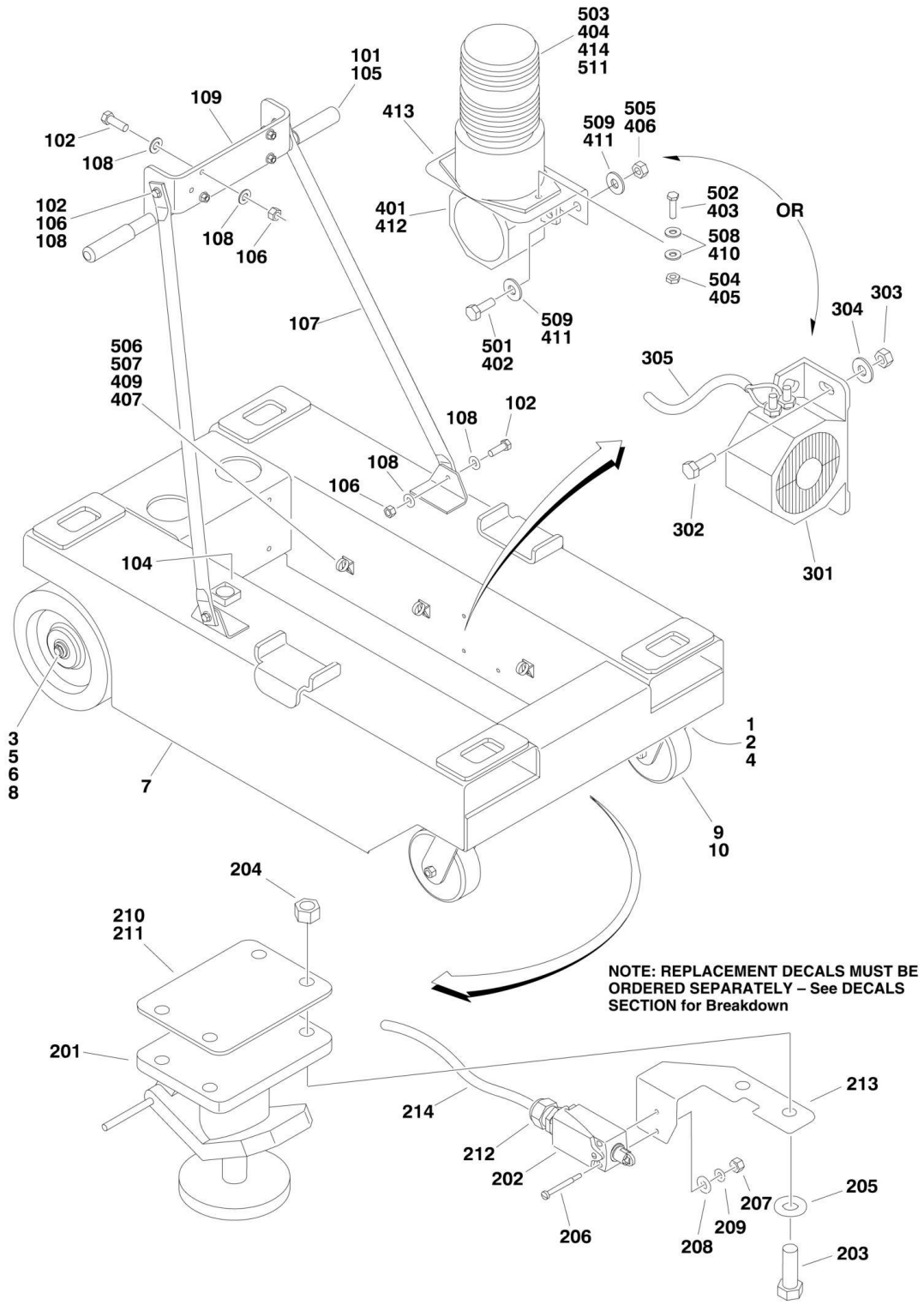
TABLE OF CONTENTS

SECTION 1 - BASE	9
FIGURE 1-1. BASE MOUNTED COMPONENTS INSTALLATION - 15AMI.....	10
SECTION 2 - CONTROLS	15
FIGURE 2-1. AC POWER COMPONENTS INSTALLATION (Prior to SN 0900027702).....	16
FIGURE 2-2. AC POWER COMPONENTS INSTALLATION (SN 0900027702 to Present).....	20
FIGURE 2-3. AC JUNCTION BOX ASSEMBLY	24
FIGURE 2-4. AC MOTOR/PUMP ASSEMBLY (FENNER) (Prior to SN 0900027702).....	26
FIGURE 2-5. AC MOTOR/PUMP ASSEMBLY (MONARCH/BUCHER) (SN 0900027702 to Present).....	30
FIGURE 2-6. DC POWER COMPONENTS INSTALLATION (Prior to SN 0900027391).....	32
FIGURE 2-7. DC POWER COMPONENTS INSTALLATION (SN 0900027391 to Present).....	36
FIGURE 2-8. DC MOTOR/PUMP ASSEMBLY (FENNER) (Prior to SN 0900027391).....	40
FIGURE 2-9. DC MOTOR/PUMP ASSEMBLY (MONARCH/BUCHER) (SN 0900027391 to Present).....	44
FIGURE 2-10. DC POWER PACK INSTALLATION (Prior to SN 0900031622).....	46
FIGURE 2-11. DC POWER PACK INSTALLATION (SN 0900031622 to Present).....	48
FIGURE 2-12. BATTERY CHARGER ASSEMBLY	50
FIGURE 2-13. CABLES AND CONTROLS INSTALLATION (Prior to SN 0900028708).....	52
FIGURE 2-14. CABLES AND CONTROLS INSTALLATION (SN 0900028708 to Present).....	56
FIGURE 2-15. LSS INSTALLATION.....	60
SECTION 3 - MAST	63
FIGURE 3-1. MAST ASSEMBLY (ALL CHAIN)	64
FIGURE 3-2. MAST MOUNTED COMPONENTS INSTALLATIONS	68
SECTION 4 - PLATFORM	71
FIGURE 4-1. MOLDED PLATFORM INSTALLATION	72
FIGURE 4-2. QUICK-CHANGE PLATFORM INSTALLATION	76
FIGURE 4-3. QUICK-CHANGE PLATFORM INSTALLATION WITH GULLWING GATE	80
FIGURE 4-4. QUICK-CHANGE PLATFORM INSTALLATION WITH SLIDE BAR	84
FIGURE 4-5. QUICK-CHANGE PLATFORM INSTALLATION WITH EXTENSION	86
FIGURE 4-6. QUICK-CHANGE PLATFORM INSTALLATION WITH SLIDE BAR AND EXTENSION	90
FIGURE 4-7. OPTIONAL PLATFORM COMPONENT INSTALLATIONS.....	94
SECTION 5 - CYLINDER	97
FIGURE 5-1. LIFT CYLINDER ASSEMBLY (Prior to SN 0900019526).....	98
FIGURE 5-2. LIFT CYLINDER ASSEMBLY (SN 0900019526 through 0900029965).....	100
FIGURE 5-3. LIFT CYLINDER ASSEMBLY (SN 0900029966 to Present).....	102
SECTION 6 - HYDRAULIC	105
FIGURE 6-1. HYDRAULIC DIAGRAM (Prior to SN 0900027702).....	106
FIGURE 6-2. HYDRAULIC DIAGRAM (SN 0900027702 to Present).....	108
SECTION 7 - ELECTRICAL.....	111
FIGURE 7-1. ELECTRICAL DIAGRAM LIST	112
FIGURE 7-2. AC INPUT HARNESS - WITHOUT PLUG	114
SECTION 8 - DECALS	117
FIGURE 8-1. DECAL INSTALLATION (CE SPECS AND ALL AUSTRALIAN SPECS) (Prior to SN 0900022158).....	118
FIGURE 8-2. DECAL INSTALLATIONS (CE SPECS) (SN 0900022158 to Present).....	122
SECTION 9 - RECOMMENDED SERVICE PARTS STOCK.....	125
FIGURE 9-1. 15AMI RECOMMENDED SERVICE PARTS STOCK.....	126
SECTION 10 - SPECIAL OPTIONS	127
FIGURE 10-1. SPECIAL OPTIONS.....	128
PART NUMBER INDEX	129

SECTION 1 - BASE

SECTION 1 - BASE

FIGURE 1-1. BASE MOUNTED COMPONENTS INSTALLATION - 15AMI



SECTION 1 - BASE

FIGURE 1-1. BASE MOUNTED COMPONENTS INSTALLATION - 15AMI

ITEM	PART NUMBER	QTY	DESCRIPTION	REV
		Ref	BASE ASSEMBLY OPTIONS:	
	0259524	Ref	Base Assembly (Prior to SN 0900019526)	A
	0272231	Ref	Base Assembly (SN 0900019526 to Present)	C
1	0641607	8	Bolt 3/8in-16NC x 7/8in	
2	3311605	8	Locknut 3/8in-16NC	
3	3760348	2	Ring, Retainer	
4	4711600	16	Flatwasher 3/8in	
5		Ref	Flatwasher Options:	
5	4712200	2	Flatwasher (Prior to SN 0900019526)	
5	4740415	2	Flatwasher (SN 0900019526 to Present)	
6	4740456	4	Washer, Shim	
7		Ref	Base Weldment Options:	
7	4846084	1	Base Weldment (Prior to SN 0900019526)	
7	4846614	1	Base Weldment (SN 0900019526 to Present)	
8		Ref	Wheel Assembly Options: (Stationary)	
8	4860183	2	Wheel Assembly (Prior to SN 0900020796)	A
8	7020083	2	Wheel, Replacement	
8	7020084	4	Bearing (2 Per Wheel)	
8	4860246	2	Wheel Assembly (No Service Parts Available) (SN 0900020796 to Present)	B
9		Ref	Wheel Assembly Options:	
9		Ref	Wheel Assembly - (Non-Locking) Options:	
9	4860184	2	Wheel Assembly (Non-Locking Gray Tire and Wheel) (Prior to SN 0900020877)	
9	4860245	2	Wheel Assembly (Non-Locking Charcoal Gray Tire and Gray Wheel) (SN 0900020877 to Present)	
9	7020017	2	Swivel Rig for 4860184 (1 Per Assembly)	
9	4860245	2	Swivel Rig for 4860245 (1 Per Assembly)	
9	7020086	2	Wheel, Replacement for 4860184 (1 Per Assembly)	
9	4860245	2	Wheel, Replacement for 4860245 (1 Per Assembly)	
9	7020084	4	Bearing for 4860184 (2 Per Wheel)	
9	4860245	4	Bearing for 4860245 (2 Per Wheel)	
9	7012631	2	Bushing, Axle Spanner for 4860184 (1 Per Assembly)	
9	4860245	2	Bushing, Axle Spanner for 4860245 (1 Per Assembly)	
9	7012630	2	Axle Kit for 4860184 (1 Per Assembly)	
9	4860245	2	Axle Kit for 4860245 (1 Per Assembly)	
9	4860194	2	Wheel Assembly - (Locking)	A
9	7020017	2	Swivel Rig (1 Per Assembly)	
9	7020086	2	Wheel, Replacement (1 Per Assembly)	
9	7020084	4	Bearing (2 Per Wheel)	
9	7012631	2	Bushing, Axle Spanner (1 Per Assembly)	
9	7012630	2	Axle Kit (1 Per Assembly)	
10	3020017	AR	Lubricant (Prior to SN 0900020796)	
11	4240032	AR	Tie, Wire (Not Shown - 4in Long)	
12	4460234	AR	Mount, Wire Tie (Not Shown)	
		Ref	MAST SUPPORT INSTALLATION OPTIONS:	
	0259483	Ref	Mast (All Cable) (Prior to SN 0900019526)	A
	0272233	Ref	Mast (All Chain) (SN 0900019526 to Present)	B
101	0100001	AR	Adhesive	
102	0641609	12	Bolt 3/8in-16NC x 1-1/8in	

SECTION 1 - BASE

ITEM	PART NUMBER	QTY	DESCRIPTION	REV
104	2420140	1	Gauge, Circular Level	
105	2560088	2	Handle	
106		Ref	Nut 3/8in-16NC Options:	
106	3311605	AR	Locknut	
106	3311608	AR	Locknut, Flanged	
106	0100011	AR	Compound, Locking	
107		Ref	Tube, Mast Brace Options:	
107	4567824	2	Tube, Mast Brace (Prior to SN 0900031622)	
107	4567508	2	Tube, Mast Brace (SN 0900031622 to Present)	
108	4711600	AR	Flatwasher 3/8in Narrow	
109		Ref	Support Weldment Options:	
109	4845715	1	Support Weldment (Prior to SN 0900031622)	
109	1001108178	1	Support Weldment (SN 0900031622 to Present)	
110	1704582	1	Decal - Manual Descent (Not Shown - Located at bottom of Mast) (SN 0900019526 to Present)	
	0259104	Ref	FLOOR STOP INSTALLATION	E
201	0920114	1	Stop, Floor	
202		Ref	Limit Switch Options:	
202	4360397	1	Limit Switch (Use p/n 4360456) (Prior to SN 0900013474)	
202	4360456	1	Limit Switch (SN 0900013474 through 0900028054)	
202	4360702	1	Limit Switch (SN 0900028055 to Present)	
203	0641808	4	Bolt 1/2in-13NC x 1in	
204	3311805	4	Locknut 1/2in-13NC	
205	4711800	2	Flatwasher 1/2in	
206	3911024	2	Screw #10-24NC x 1-1/2in	
207	3311001	2	Nut #10-24NC	
208	4751000	2	Flatwasher #10	
209	4761000	2	Lockwasher #10	
210	3539920	AR	Spacer - 11ga	
211	3539921	AR	Spacer - 14ga	
212	4460662	1	Strain Relief (Prior to SN 0900028055)	
213	0902523	1	Bracket, Limit Switch	
214	4922561	1	Harness, Brake	
215	4460234	AR	Mount, Wire Tie (Not Shown)	
216	4240033	AR	Tie, Wire (Not Shown)	
	0256808	Ref	DESCENT ALARM ONLY INSTALLATION (OPTIONAL)	C
301	0140033	1	Alarm	
302	0641406	2	Bolt 1/4in-20NC x 3/4in	
303	4751400	4	Flatwasher 1/4in	
304	3311405	4	Nut 1/4in-20NC	
305	4922805	1	Harness, Alarm (SN 0900023815 to Present)	
	1001107904	Ref	DESCENT ALARM AND BEACON LIGHT INSTALLATION (OPTIONAL)	A
401	0140033	1	Alarm	
402	0641406	2	Bolt 1/4in-20NC x 3/4in	
403	0721006	2	Screw #10-24NC x 3/4in	
404	2920146	1	Strobe Light Assembly	
404	7016319	1	Bulb, Flash Tube	
404	7016372	1	Replacement Lens	
405	3311005	2	Locknut #10-24NC	
406	3311405	4	Locknut 1/4in-20NC	
407	4240032	AR	Tie-Strap	

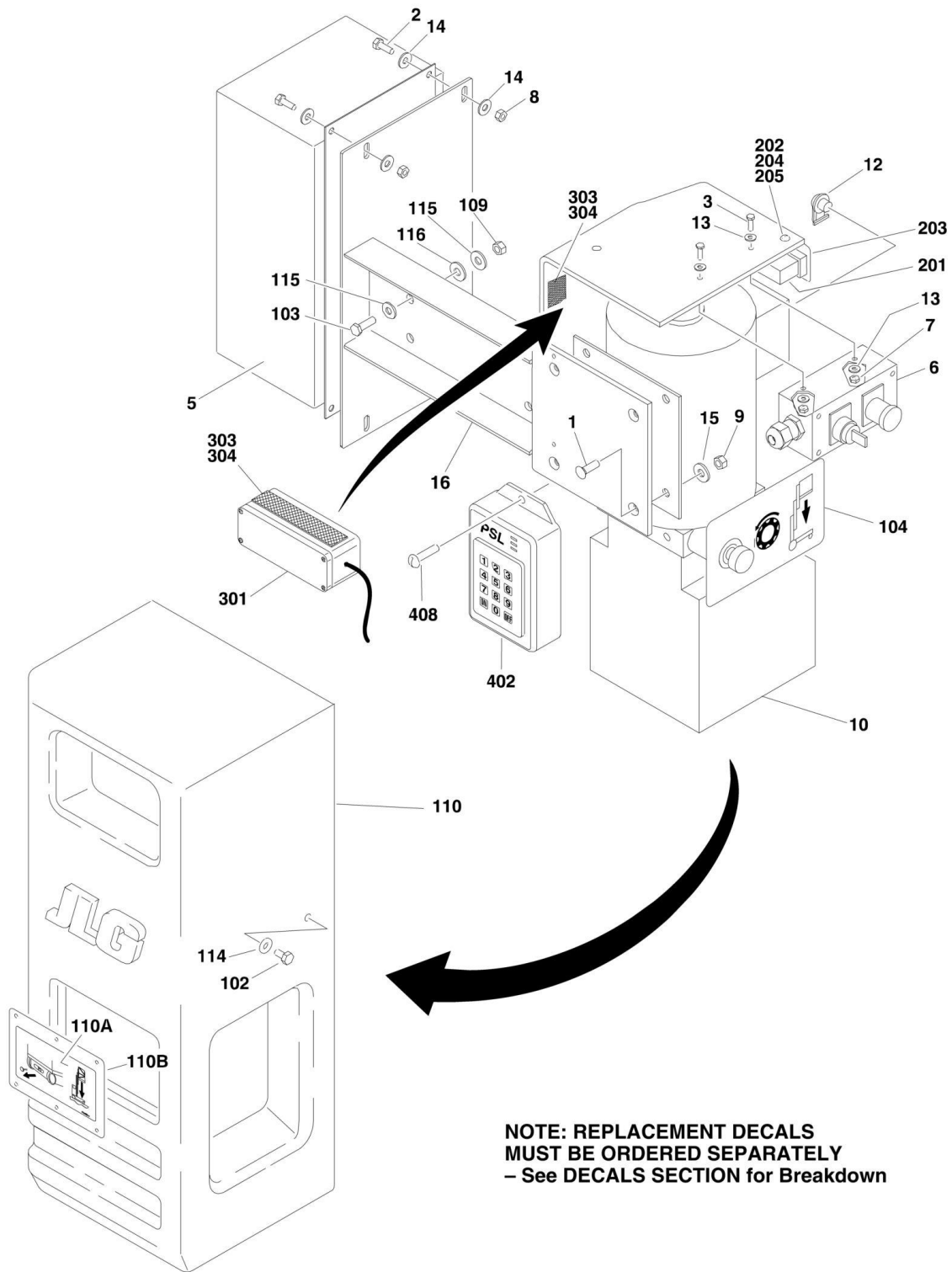
SECTION 1 - BASE

ITEM	PART NUMBER	QTY	DESCRIPTION	REV
409	4460234	4	Base, Tie-Strap	
410	4751000	4	Flatwasher #10 Regular	
411	4751400	4	Flatwasher 1/4in Regular	
412	4922805	1	Harness, Alarm	
413	1001093322	1	Plate, Mounting	
414	1001107934	1	Harness, Strobe Light	
	1001107903	Ref	BEACON LIGHT ONLY INSTALLATION (OPTIONAL)	A
501	0641406	2	Bolt 1/4in-20NC x 3/4in	
502	0721006	2	Screw #10-24NC x 3/4in	
503	2920146	1	Strobe Light Assembly	
503	7016319	1	Bulb, Flash Tube	
503	7016372	1	Replacement Lens	
504	3311005	2	Locknut #10-24NC	
505	3311405	4	Locknut 1/4in-20NC	
506	4240032	AR	Tie-Strap	
507	4460234	4	Base, Tie-Strap	
508	4751000	4	Flatwasher #10 Regular	
509	4751400	4	Flatwasher 1/4in Regular	
510	1001093322	1	Plate, Mounting	
511	1001107934	1	Harness, Strobe Light	

SECTION 2 - CONTROLS

SECTION 2 - CONTROLS

FIGURE 2-1. AC POWER COMPONENTS INSTALLATION (Prior to SN 0900027702)



SECTION 2 - CONTROLS

FIGURE 2-1. AC POWER COMPONENTS INSTALLATION (Prior to SN 0900027702)

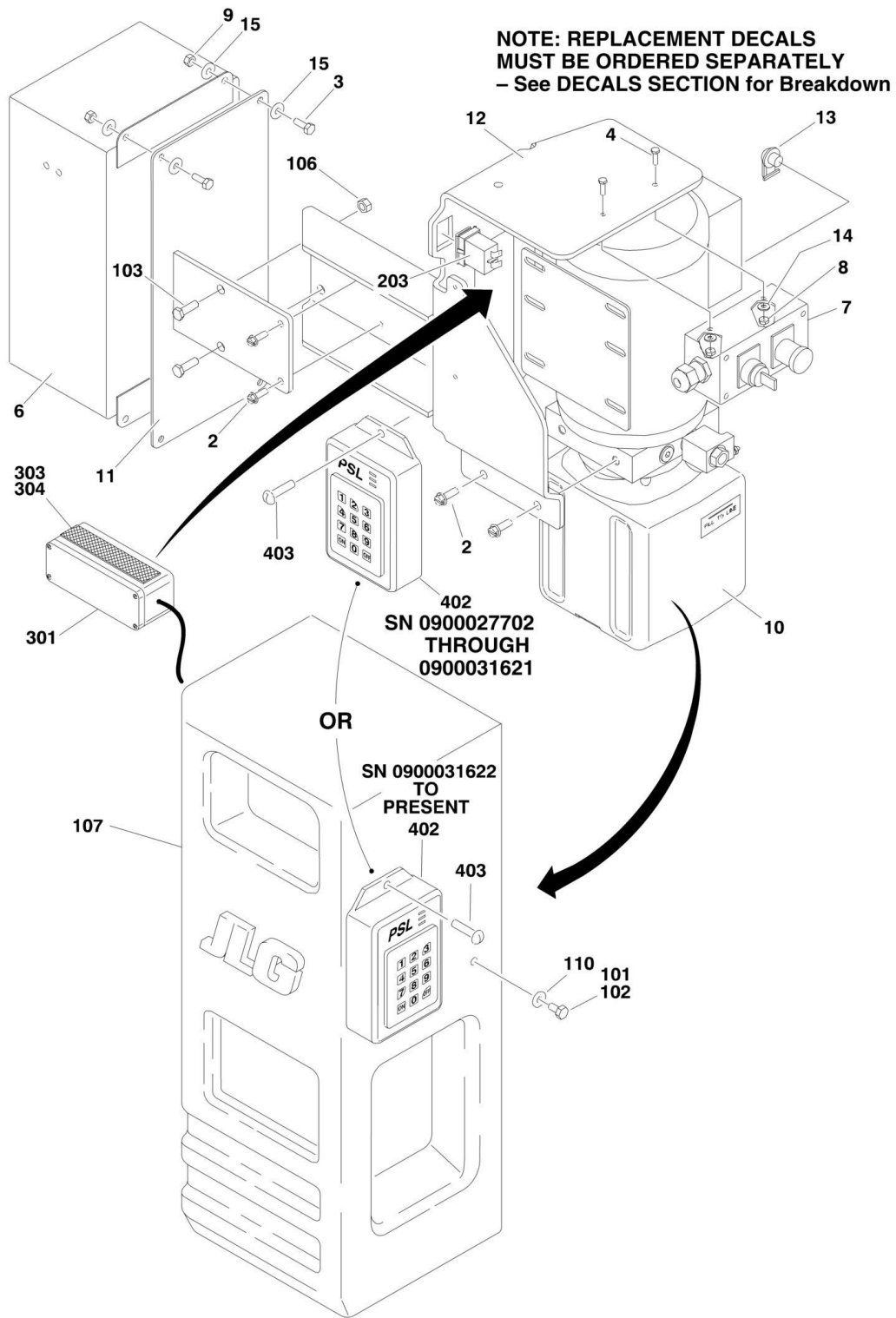
ITEM	PART NUMBER	QTY	DESCRIPTION	REV
		Ref	POWER PACK ASSEMBLY	
	0259207	Ref	220 VOLT (Prior to SN 0900019526)	A
	0272239	Ref	220 VOLT (Specs) (SN 0900019526 through 0900027702)	C
1	0630486	4	Screw, Counter Sunk	
2	0641406	4	Bolt 1/4in-20NC x 3/4in	
3	0721006	2	Screw	
5	0860936	1	Junction Box Assembly (See AC JUNCTION BOX ASSEMBLY for Breakdown)	
6		Ref	Ground Control Box Assembly Options:	
6	0861212	NLA	Ground Control Box Assembly (Use p/n 0861305) (Prior to SN 0900020166)	
6	0861305	1	Ground Control Box Assembly (SN 0900020166 through 0900027702)	
		Ref	Note: Original Equipment control box p/n 0861212 may have been replaced with p/n 0861305 as a Service Replacement. Identify component before ordering parts	
6	7020078	1	Switch, Push-Pull (Stop)	
6	7020096	1	Legend Plate, "Stop"	
6	7020097	1	Legend Plate, "Power/Off/On"	
6		Ref	Switch, Key Options:	
6	7020098	1	Switch, Key (Prior to SN 0900020166)	
6	4360467	1	Switch, Key (SN 0900020166 through 0900027702)	
6		Ref	Key, Replacement Options:	
6	7016339	1	Key, Replacement (Prior to SN 0900020166)	
6	2860030	1	Key, Replacement (SN 0900020166 through 0900027702)	
6		Ref	Connector, Strain Relief Options:	
6	7020090	1	Connector, Strain Relief (Prior to SN 0900020166)	
6	4460633	1	Connector, Strain Relief (SN 0900020166 through 0900023611)	
6	7027787	1	Connector, Strain Relief (SN 0900023612 through 0900027702)	
6	7020093	4	Screw m3 x 25	
6	7020094	1	Lid	
7	3311005	AR	Locknut #10-24NC	
8	3311405	4	Locknut 1/4in-20NC	
9	3311505	4	Locknut 5/16in-18NC	
10		Ref	Pump/Motor Assembly Options:	
10	3600265	1	Pump/Motor Assembly (Prior to SN 0900019526)	
10	3600354	NLA	Pump/Motor Assembly (Use p/n 1001091459) (SN 0900019526 through 0900027701)	
		Ref	(Note: Kit p/n 1001091459 includes Pump/Motor Assy, Pump and AC Box Mtg Brackets and 2 Hydraulic Tubes. Once kit has been added, machine will be updated to S/N 0900027702 to S/N 0900029966 Design.)	
12	4460566	1	Terminal, 90	
13	4751000	AR	Flatwasher #10	
14	4751400	8	Flatwasher 1/4in	
15	4751500	4	Flatwasher 5/16in	
16	4845712	1	Plate, Mounting	
		Ref	POWER PACK INSTALLATION	
	0259294	Ref	Power Unit (All Specs Except French Spec) (Prior to SN	A

SECTION 2 - CONTROLS

ITEM	PART NUMBER	QTY	DESCRIPTION	REV
			0900019526)	
	0259306	Ref	Power Unit (French Spec) (Prior to SN 0900019526)	A
	0272235	Ref	Power Unit (SN 0900019526 through 0900027702)	B
102	0641404	4	Bolt 1/4in-20NC x 1/2in	
103	0641614	4	Bolt 3/8in-16NC x 1-3/4in	
104	1702353	1	Decal - Manual Descent (Prior to SN 0900019526)	
109	3311605	4	Locknut 3/8in-16NC	
110		Ref	Shield, Pump Cover Options:	
110	4060875	1	Shield, Pump Cover (Prior to SN 0900019526)	
110	4061024	1	Shield, Pump Cover (SN 0900019526 through 0900027702)	
110A	1704582	1	Decal (SN 0900019688 through 0900027702)	
110B	9984088	1	Cover (SN 0900019688 through 0900027702)	
114	4711400	4	Flatwasher 1/4in Narrow	
115	4711600	8	Flatwasher 3/8in Narrow	
116	4070984	2	Shim, Pump Spacer	
	0273365	Ref	HOURMETER INSTALLATION (OPTIONAL)	D
201	2420172	1	Hourmeter	
202	3311001	2	Nut #10-24NC	
203	3572158	1	Bracket, Mounting	
204	3911010	2	Screw #10-24NC x 5/8in	
205	4761000	2	Lockwasher #10	
206	4922935	1	Harness, Hourmeter (Not Shown)	
	0258482	Ref	AUXILIARY LOWERING INSTALLATION	A
301	0861213	1	Box, Power Down	
301	0400181	2	Battery	
301	4460320	1	Connector, Amp	
301	4460267	2	Pin, Amp	
303	4420064	0.3 ft/.09m	Velcro, Loop	
304	4420065	0.3 ft/.09m	Velcro, Hook	
	0272686	Ref	SECURITY LOCK INSTALLATION	C
401	2820035	8 in/20cm	Sleeve, Insulation (Not Shown)	
402	2940132	1	Lock, Programmable	
408	0791003	2	Screw#10-24NC x 3/8in	

SECTION 2 - CONTROLS

FIGURE 2-2. AC POWER COMPONENTS INSTALLATION (SN 0900027702 to Present)



SECTION 2 - CONTROLS

FIGURE 2-2. AC POWER COMPONENTS INSTALLATION (SN 0900027702 to Present)

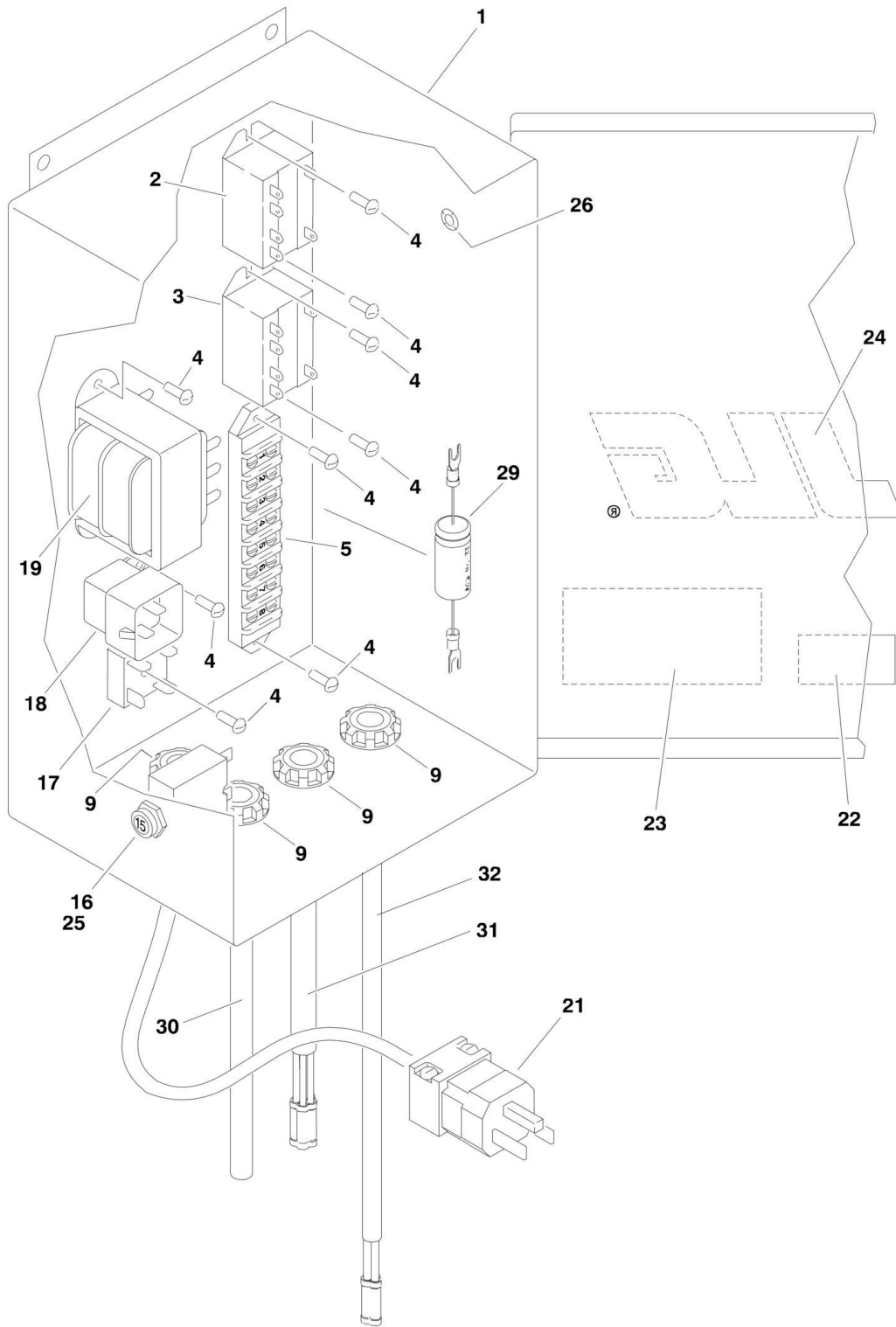
ITEM	PART NUMBER	QTY	DESCRIPTION	REV
	0275889	Ref	POWER PACK ASSEMBLY	D
2	0630550	2	Bolt 1/4in-20NC x 3/4in	
3	0641406	4	Bolt 1/4in-20NC x 3/4in	
4	0721006	2	Screw	
5	0791609	2	Bolt 3/8in-16NC x 1-1/8in	
6	0860936	1	Junction Box Assembly (See AC JUNCTION BOX ASSEMBLY for Breakdown)	
7	0861305	1	Ground Control Box Assembly	
7	7020078	1	Switch, Push-Pull (Stop)	
7	7020096	1	Legend Plate, "Stop"	
7	7020097	1	Legend Plate, "Power/Off/On"	
7	4360467	1	Switch, Key	
7	2860030	1	Key, Replacement	
7	7027787	1	Connector, Strain Relief	
7	7020093	4	Screw M3 x 25	
7	7020094	1	Lid	
8	3311005	2	Locknut #10-24NC	
9	3311405	4	Locknut 1/4in-20NC	
10	3600467	1	Pump/Motor Assembly (See AC MOTOR/PUMP ASSEMBLY (MONARCH/BUCHER) for Breakdown)	
11	4341431	1	Mounting, Bracket AC Box	
12	4341432	1	Mounting, Bracket Pump	
13	4460566	1	Terminal, 90	
14	4751000	2	Flatwasher #10	
15	4751400	8	Flatwasher 1/4in	
16		Ref	Shrink, Heat Options (Not Shown):	
16	2820030	1 ft/0.3m	Shrink, Heat (SN 0900027702 through 0900030160)	
16	1001105113	2	Shrink, Heat (SN 0900030161 to Present)	
	0275939	Ref	POWER PACK INSTALLATION	B
101	0100011	AR	Compound, Locking	
102	0641404	4	Bolt 1/4in-20NC x 1/2in	
103	0791609	4	Bolt 3/8in-16NC x 1-1/8in	
106	3311608	4	Nut 3/8in-16NC	
107	4061024	1	Shield, Pump Cover	
110	4711400	4	Flatwasher 1/4in Narrow	
	0275697	Ref	HOURMETER INSTALLATION (OPTIONAL)	C
203	2420172	1	Hourmeter	
205	4922935	1	Harness, Hourmeter (Not Shown)	
	0258482	Ref	AUXILIARY LOWERING INSTALLATION	A
301	0861213	1	Box, Power Down	
301	0400181	2	Battery	
301	4460320	1	Connector, Amp	
301	4460267	2	Pin, Amp	
303	4420064	0.3	Velcro, Loop	
		ft/.09m		
304	4420065	0.3	Velcro, Hook	
		ft/.09m		
		Ref	SECURITY LOCK INSTALLATION	
	0272686	Ref	Security Lock Installation (SN 0900026490 through 0900031621)	D
	1001110217	Ref	Security Lock Installation (SN 0900031622 to Present)	B

SECTION 2 - CONTROLS

ITEM	PART NUMBER	QTY	DESCRIPTION	REV
401	2820035	8 in/20cm	Sleeve, Insulation (Not Shown)	
402	2940132	1	Lock, Programmable (Note: Does not Include Items 404 & 405)	
403		Ref	Fastener Options:	
403	0791003	2	Screw #10-24NC x 3/8in	
403	3820032	2	Rivet	
404	4460267	3	Pin, Male (Not Shown) (SN 0900031622 to Present)	
405	4460326	1	Plug, Male - 3 Position (Not Shown) (SN 0900031622 to Present)	
406	1001114375	1	Harness, Security Lock (Not Shown) (SN 0900031622 to Present)	
406	4460268	3	Socket, Female (Not Shown) (SN 0900031622 to Present)	
406	4460445	1	Receptacle, Female - 3 Position (Not Shown) (SN 0900031622 to Present)	

SECTION 2 - CONTROLS

FIGURE 2-3. AC JUNCTION BOX ASSEMBLY



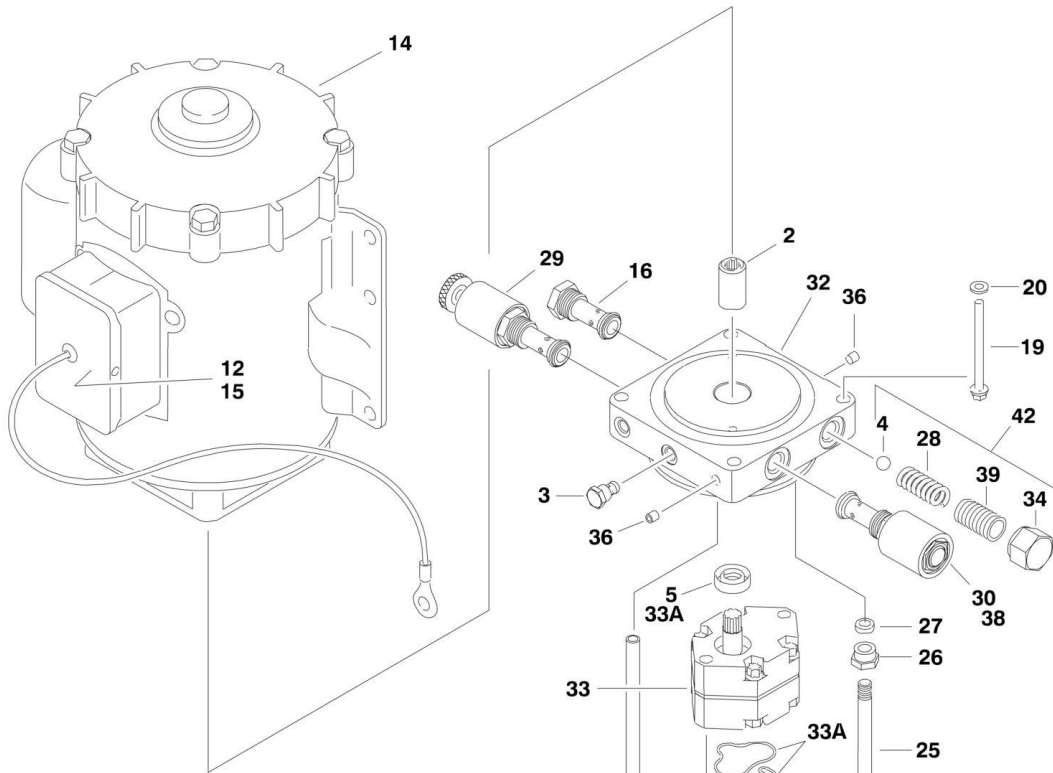
SECTION 2 - CONTROLS

FIGURE 2-3. AC JUNCTION BOX ASSEMBLY

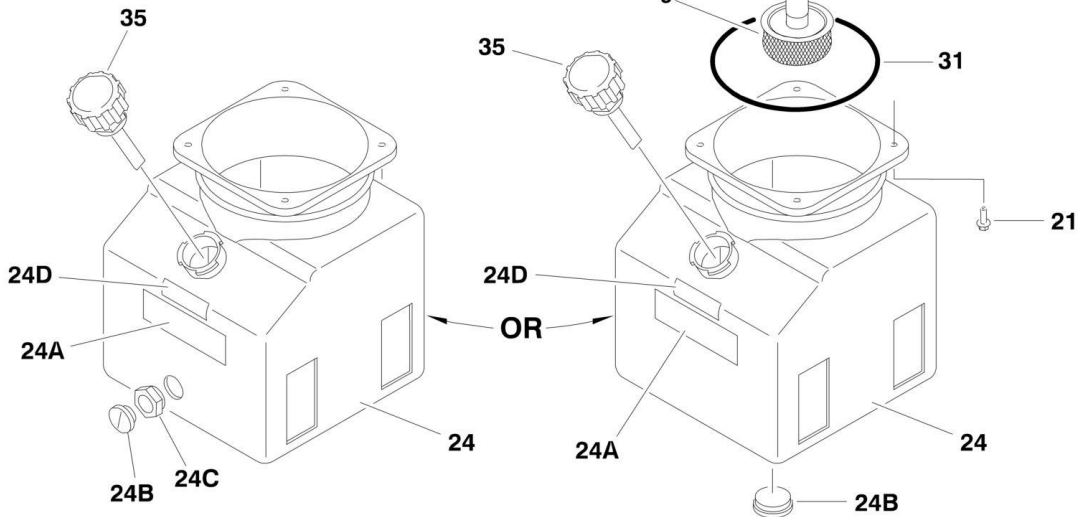
ITEM	PART NUMBER	QTY	DESCRIPTION	REV
		Ref	JUNCTION BOX ASSEMBLY	
	0860936	Ref	220 VOLT	L
1	0860943	1	Box with Lid	
2	3740094	2	Relay, Starter 12 VDC	
3	3740105	1	Relay, Starter	
4	3910808	10	Screw #8-32NF x 1/2in	
5	4460565	1	Strip, Terminal	
9	4460633	4	Connector, Strain Relief	
16	4360070	2	Circuit Breaker - 15amp	
17	4360376	1	Rectifier	
18	3740049	1	Relay	
19		Ref	Transformer Options:	
19	4530010	1	Transformer (Prior to SN 0900014643)	
19	4530013	1	Transformer (SN 0900014643 through 0900028707)	
19	4530010	1	Transformer (SN 0900028708 to Present)	
21	4923152	1	Harness without Plug (See Separate Breakdown in ELECTRICAL Section) (Note: AC plug not included. Customer must provide replacement plug.)	
22	1702103	1	Decal	
23	1702120	1	Decal - Wire Size	
24		Ref	Decal - JLG Options:	
24	1702365	1	Decal - JLG (Prior to SN 0900028708)	
24	1703681	1	Decal - JLG (SN 0900028708 to Present)	
25	3520028	1	Plug 1/2 (SN 0900013477 to Present)	
26	3520034	4	Plug, Hole (SN 0900019636 to Present)	
27	4923151	1	Harness, AC Box (Not Shown) (SN 0900020166 to Present)	
28	4933310	1	Wiring Diagram, AC Box (Not Shown - See ELECTRICAL SECTION) (SN 0900020166 to Present)	
29	1001093646	1	Harness, Capacity 2200UF 50V (SN 0900028708 to Present)	
30	4922546	1	Harness, Ground Controls (SN 0900019526 to Present)	I
30	4460424	1	Terminal, Plug	
30	4460268	2	Socket, Female	
31	1001096586	1	Harness, 16/5	A
31	1060687	1 ft/0.3m	Cable Electrical 16/5	
32	1001096587	1	Harness, 12/3	B
32	1060908	2.42 ft/ 0.8m	Cable Electrical 12/3	

SECTION 2 - CONTROLS

FIGURE 2-4. AC MOTOR/PUMP ASSEMBLY (FENNER) (Prior to SN 0900027702)



NOTE: IF MOTOR/PUMP ASSEMBLY WAS REPLACED ON A MACHINE BUILT SN 0900019526 THROUGH 0900027702, IT MAY HAVE AN UPDATE KIT INSTALLED ON IT. IF MACHINE IS EQUIPPED WITH A MONARCH/BUCHER MOTOR/PUMP REFER TO NEXT FIGURE FOR BREAKDOWN.



SECTION 2 - CONTROLS

FIGURE 2-4. AC MOTOR/PUMP ASSEMBLY (FENNER) (Prior to SN 0900027702)

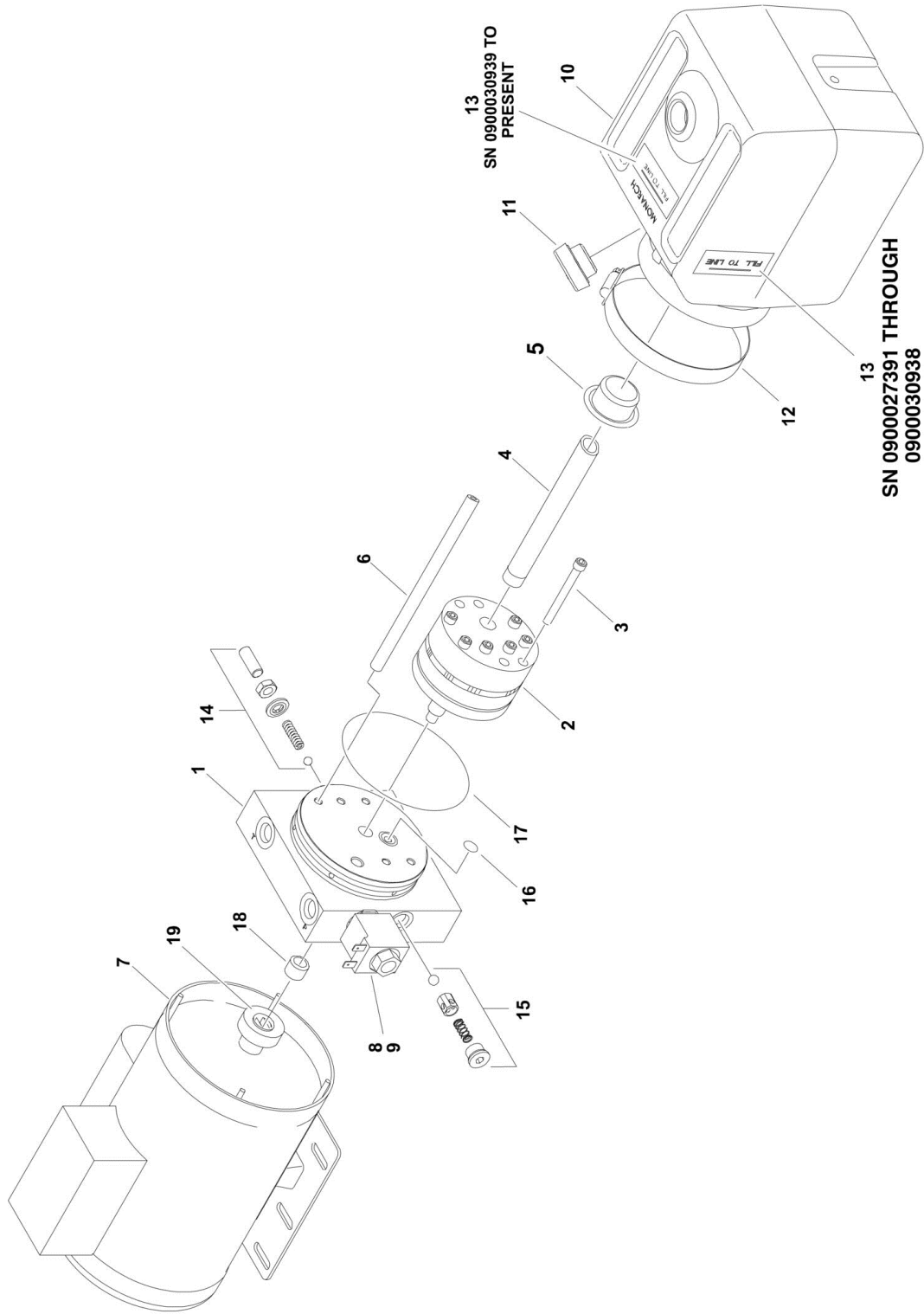
ITEM	PART NUMBER	QTY	DESCRIPTION	REV
		Ref	NOTE: IF MOTOR/PUMP ASSEMBLY WAS REPLACED ON A MACHINE BUILT S/N 0900019526 to S/N 0900027702, IT MAY HAVE AN UPDATE KIT INSTALLED ON IT. IF MACHINE IS EQUIPPED WITH A MONARCH/BUCHER MOTOR/PUMP REFER TO NEXT FIGURE FOR BREAKDOWN.	
		Ref	MOTOR/PUMP ASSEMBLY	
	3600265	Ref	220 Volt (Prior to SN 0900019526)	A
	3600354	Ref	220 Volt (SN 0900019526 through 0900027702)	C
1	7013713	2	Bolt 5/16in-24NF x 2 3/4in	
2	7016735	1	Coupling	
3	7013714	1	Plug	
4	7013715	NLA	Ball (Use Item 42)	
5	7013716	1	Seal (Part of Pump Seal Kit p/n 7013701)	
6	7013717	1	Washer	
8	7013722	1	Magnet	
9	7013723	1	Filter	
10	7013727	1	Cover	
11	7013728	2	Screw	
12		Ref	Gasket Options:	
12	7016787	1	Gasket for 3600354 Assemblies (was p/n 7016793 - See Item 15 Note)	
12	7013751	1	Gasket for 3600265 Assemblies	
14		Ref	Motor Options:	
14	7013732	1	220 Volt (Prior to SN 0900019526)	
14	7016774	1	220 Volt (SN 0900019526 through 0900027702)	
15		Ref	Switch Box Component Options:	
15	7016787	1	Timer Relay Assembly (Includes Relay, Wiring, Box, Item 12 Gasket and Hardware for 3600354 Assemblies	
15	7013751	1	Note: Individual Pieces No Longer Available. Must Purchase Complete Assembly. Timer Relay Assembly (Includes Relay, Wiring, Box, Item 12 Gasket and Hardware for 3600265 Assemblies	
16	7013708	1	Cartridge, Valve - Check	
17	3931516	1	Bolt 5/16in-18NC x 1in	
18	7016756	1	Pipe, Plumbing	
19	7016757	4	Bolt M6-1.0 35MM	
20	7016758	4	Lockwasher 1/4in	
21	7016721	4	Bolt #12-24NC x 1/2in	
24		Ref	Tank Options:	
24	7016760	1	Tank Used (Prior to SN 0900019526)	
24	7022219	1	Tank Used (SN 0900019526 through 0900027702)	
24A	7013748	1	Decal - Caution	
24B	7016759	1	Plug	
24C	7016777	1	Fitting, Coupling	
24D	7022223	1	Decal - Fill Line	
25	7016761	1	Tube, Return	
26	7013792	1	Nut, Tube Compression	
27	7013793	1	Sleeve, Tube Compression	
28	7016762	NLA	Spring, Green (Use Item 42)	
29		Ref	Cartridge, Valve - Manual Descent Options:	

SECTION 2 - CONTROLS

ITEM	PART NUMBER	QTY	DESCRIPTION	REV
29	7013764	1	Cartridge, Valve - Manual Descent (Prior to SN 0900019526)	
29	Not Required	0	Cartridge, Valve - Manual Descent (Moved to Lift Cylinder) (SN 0900019526 through 0900027702)	
30	7016751	1	Coil, Solenoid	
31	7013743	1	O-Ring	
32		Ref	End Head Options:	
32	See Note	1	End Head (was p/n 7016753) (Note: No Longer Available) (Prior to SN 0900019526)	
32	7022220	1	End Head (SN 0900019526 through 0900027702)	
33	7016717	1	Pump Assembly	
33A	7013701	1	Seal Kit - Pump (Includes Gasket for Item #10 Cover, O-Ring and #5 Seal)	
34	7013750	NLA	Cap, Relief (Use Item 42)	
35		Ref	Breather Options:	
35	7013794	1	Breather (Prior to SN 0900019526)	
35	7016714	1	Breather (SN 0900019526 through 0900027702)	
36		Ref	Plug Options:	
36	7013720	2	Plug (Prior to SN 0900019526)	
36	Not Required	0	Plug (SN 0900019526 through 0900027702)	
37		Ref	Tube, Return Options:	
37	7013763	1	8in Length (Prior to SN 0900019526)	
37	7022224	1	8-1/2in Length (SN 0900019526 through 0900027702)	
38	7016755	1	Cartridge, Valve without Coil	
39	7013770	NLA	Screw, Adjustment (Use Item 42)	
40	7013745	1	Decal, Motor 50/60 Hertz (Not Shown)	
42	7013779	1	Relief Valve Kit (Includes Items 4, 28, 34 & 39)	

SECTION 2 - CONTROLS

FIGURE 2-5. AC MOTOR/PUMP ASSEMBLY (MONARCH/BUCHER) (SN 0900027702 to Present)



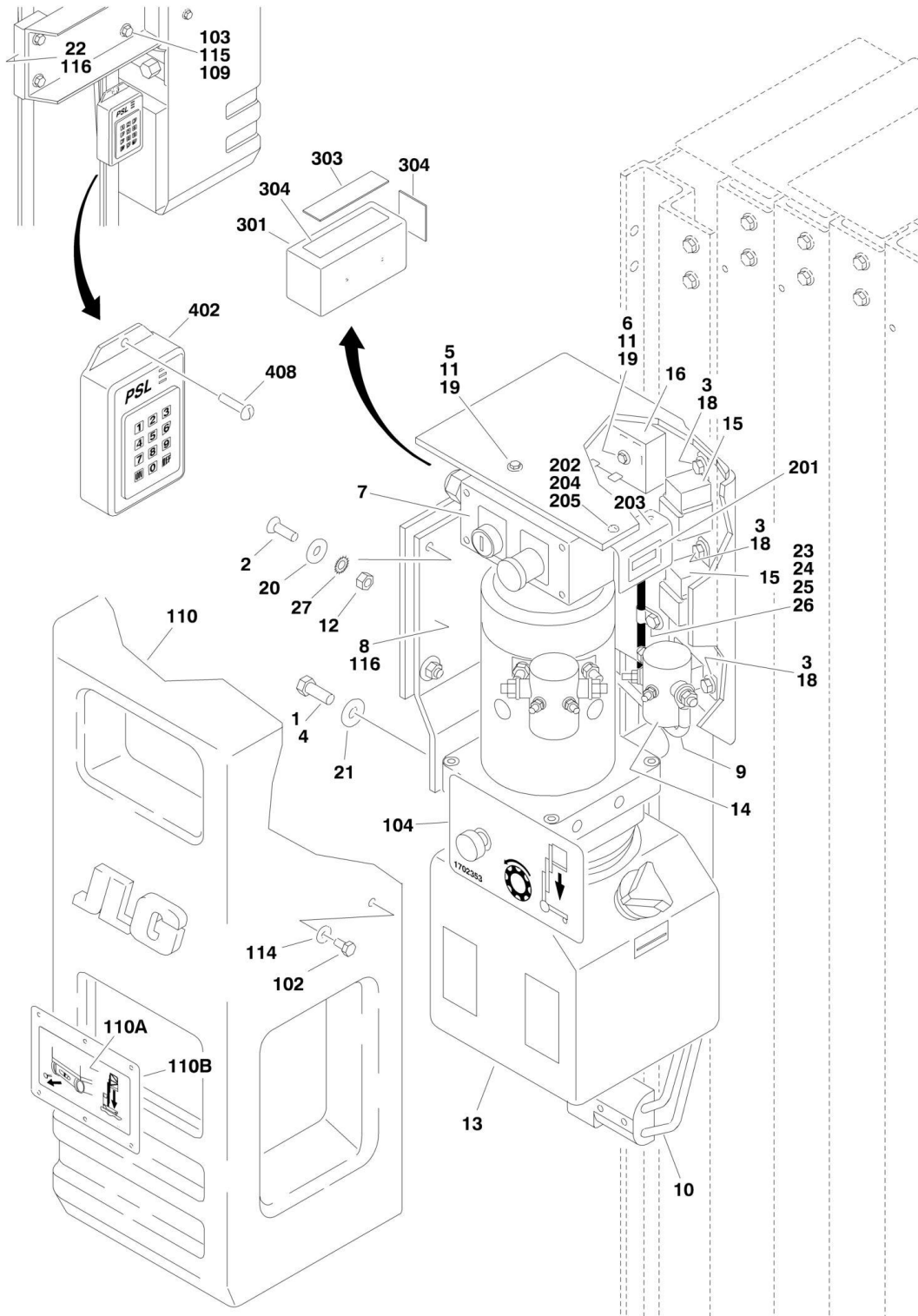
SECTION 2 - CONTROLS

FIGURE 2-5. AC MOTOR/PUMP ASSEMBLY (MONARCH/BUCHER) (SN 0900027702 to Present)

ITEM	PART NUMBER	QTY	DESCRIPTION	REV
	3600467	Ref	AC MOTOR/PUMP ASSEMBLY	C
1	70000641	1	Base Assembly (Includes Items 14-19)	
2	70001021	1	Pump	
3	70001020	4	Screw 1/4in-20NC x 2-3/4in	
4	70001042	1	Tube, Suction	
5	7026165	1	Filter	
6	70001044	1	Tube, Return	
7	70001045	1	Motor (Includes Item 19 and Motor Bolts)	
8	70000642	1	Cartridge	
9	70000643	1	Coil	
10	70000651	1	Reservoir	
11	70001025	1	Plug	
12	7026335	1	Clamp	
13	70001027	1	Decal - Fill Line	
14	See Note	NSS	Valve, Relief (Note: Use Item 1)	
14	See Note	NSS	Screw (Note: Use Item 1)	
14	See Note	NSS	Nut (Note: Use Item 1)	
14	See Note	NSS	Seal (Note: Use Item 1)	
14	See Note	NSS	Spring (Note: Use Item 1)	
14	See Note	NSS	Ball (Note: Use Item 1)	
15	See Note	NSS	Valve, Check (Note: Use Item 1)	
15	See Note	NSS	Plug (Note: Use Item 1)	
15	See Note	NSS	Spring (Note: Use Item 1)	
15	See Note	NSS	Poppet (Note: Use Item 1)	
15	See Note	NSS	Ball (Note: Use Item 1)	
16	70003612	1	O-Ring (1/2in x 5/8in x 1/16in)	
17	70003613	1	O-Ring (3 5/8in x 3 7/8in x 1/8in)	
18	70002215	2	Bearing	
19	7026330	1	Seal	

SECTION 2 - CONTROLS

FIGURE 2-6. DC POWER COMPONENTS INSTALLATION (Prior to SN 0900027391)



SECTION 2 - CONTROLS

FIGURE 2-6. DC POWER COMPONENTS INSTALLATION (Prior to SN 0900027391)

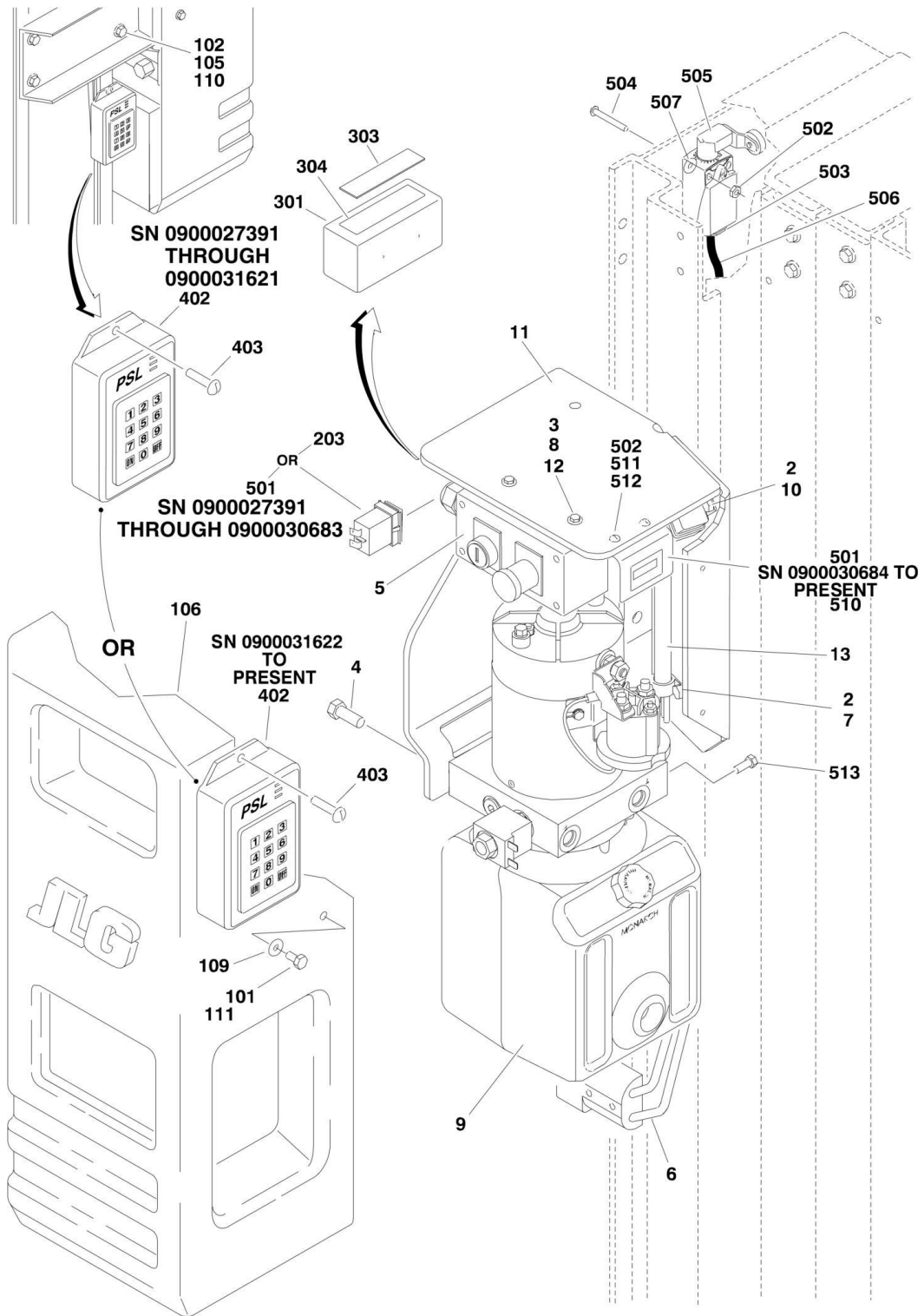
ITEM	PART NUMBER	QTY	DESCRIPTION	REV
		Ref	POWER PACK ASSEMBLY	
	0259205	Ref	Power Pack Assembly 15AMI - 12 VOLT (Prior to SN 0900019526)	A
	0272237	Ref	Power Pack Assembly 15AMI - 12 VOLT (SN 0900019526 through 0900027391)	E
1	0100011	AR	Compound, Locking	
2	0630486	4	Screw, Countersunk	
3	0641404	AR	Bolt 1/4in-20NC x 1/2in	
4		Ref	Hardware Options:	
4	0641608	2	Hardware (Bolt 3/8in-16NC x 1in) (Prior to SN 0900019526)	
4	0641606	2	Hardware (Bolt 3/8in-16NC x 3/4in) (SN 0900019526 through 0900020834)	
4	0791605	2	Hardware (Screw 3/8in-16NC x 5/8in) (SN 0900020835 through 0900027391)	
5	0721006	2	Screw	
6	0721014	1	Screw (Prior to SN 0900019526)	
7		Ref	Ground Control Box Assembly Options:	
7	0861212	NLA	Ground Control Box Assembly (Use p/n 0861305) (Prior to SN 0900020166)	
7	0861305	1	Ground Control Box Assembly (SN 0900020166 through 0900027391)	
		Ref	Note: Original Equipment control box p/n 0861212 may have been replaced with p/n 0861305 as a Service Replacement. Identify component before ordering parts	
7	7020078	1	Switch, Push-Pull (Stop)	
7	7020096	1	Legend Plate, "Stop"	
7	7020097	1	Legend Plate, "Power/Off/On"	
7		Ref	Switch, Key Options:	
7	7020098	1	Switch, Key (Prior to SN 0900020166)	
7	4360467	1	Switch, Key (SN 0900020166 through 0900027391)	
7		Ref	Key, Replacement Options:	
7	7016339	1	Key, Replacement (Prior to SN 0900020166)	
7	2860030	1	Key, Replacement (SN 0900020166 through 0900027391)	
7	7020090	1	Connector, Strain Relief	
7	7020093	4	Screw M3 x 25	
7	7020094	1	Lid	
8	0902054	1	Plate, Mounting	
9	1060518	1	Cable, Solenoid (Prior to SN 0900019526)	
10	1060571	1	Cable Assembly - Battery	
11	3311005	AR	Locknut #10-24NC	
12	3311505	4	Locknut 5/16in-18NC	
13		Ref	DC Motor/Pump Assembly Options (See DC POWER COMPONENTS INSTALLATION for Breakdown):	
13	3600291	1	DC Motor/Pump Assembly (Prior to SN 0900019526)	
13	3600355	NLA	DC Motor/Pump Assembly (Use p/n 2915259) (SN 0900019526 through 0900027390)	
		Ref	(Note: Kit p/n 2915259 includes Pump/Motor Assy and Return Tube. Once kit has been added, machine will be updated to S/N 0900027391 to S/N 0900029966 Design.)	
14	3740013	1	Solenoid (Prior to SN 0900019526)	
15		Ref	Relay Options:	

SECTION 2 - CONTROLS

ITEM	PART NUMBER	QTY	DESCRIPTION	REV
15	3740080	1	Relay (Prior to SN 0900019526)	
15	3740049	1	Relay (SN 0900019526 through 0900027391)	
16	3740113	1	Relay, Timer (Prior to SN 0900019526)	
17	4567605	2	Tube, Butyrate (Not Shown)	
18	4711400	3	Flatwasher 1/4in	
19	4751000	AR	Flatwasher #10	
20	4751500	4	Flatwasher 5/16in	
21	4751600	2	Flatwasher 3/8in (Prior to SN 0900020835)	
22	4845714	1	Bracket, Pump Mounting	
23	0641404	1	Bolt 1/4in-20NC x 1/2in (SN 0900019526 through 0900027391)	
24	4751400	1	Flatwasher 1/4in (SN 0900019526 through 0900027391)	
25	1320224	1	Clamp (SN 0900019526 through 0900027391)	
26	4922740	1	Harness (SN 0900019526 through 0900027391)	
27	4761500	1	Starwasher 5/16in (SN 0900020835 through 0900027391)	
		Ref	POWER PACK INSTALLATION OPTIONS:	
	0259294	Ref	Power Pack Installation (Prior to SN 0900019526)	A
	0272235	Ref	Power Pack Installation (SN 0900019526 through 0900027391)	B
102	0641404	4	Bolt 1/4in-20NC x 1/2in	
103	0641614	4	Bolt 3/8in-16NC x 1-3/4in	
104	1702353	1	Decal - Manual Descent (Prior to SN 0900019526)	
110		Ref	Shield, Pump Cover Options:	
110	4060875	1	Shield, Pump Cover (Prior to SN 0900019526)	
110	4061024	1	Shield, Pump Cover (SN 0900019526 through 0900027391)	
110A	1704582	1	Decal (SN 0900019688 through 0900027391)	
110B	9984088	1	Cover (SN 0900019688 through 0900027391)	
114	4711400	4	Flatwasher 1/4in Narrow	
115	4711600	8	Flatwasher 3/8in Narrow	
116	4070984	2	Shim, Pump Spacer (15AMI Only)	
	0273365	Ref	HOURLY METER INSTALLATION (OPTIONAL)	D
201	2420172	1	Hourmeter	
202	3311001	2	Nut #10-24NC	
203	3572158	1	Bracket, Mounting	
204	3911010	2	Screw #10-24NC x 5/8in	
205	4761000	2	Lockwasher #10	
206	4922935	1	Harness, Hourmeter (Not Shown)	
	0258482	Ref	AUXILIARY LOWERING INSTALLATION - 15AMI	A
301	0861213	1	Box, Power Down	
301	0400181	2	Battery	
301	4460320	1	Connector, Amp	
301	4460267	2	Pin, Amp	
303	4420064	0.3 ft/.09m	Velcro, Loop	
304	4420065	0.3 ft/.09m	Velcro, Hook	
		Ref	SECURITY LOCK INSTALLATIONS	
	0272686	Ref	Security Lock Installations 15AMI	C
401	2820035	8 in/20cm	Sleeve, Insulation (Not Shown)	
402	2940132	1	Lock, Programmable	
408	4922377	1	Harness, Counter	

SECTION 2 - CONTROLS

FIGURE 2-7. DC POWER COMPONENTS INSTALLATION (SN 0900027391 to Present)



SECTION 2 - CONTROLS

FIGURE 2-7. DC POWER COMPONENTS INSTALLATION (SN 0900027391 to Present)

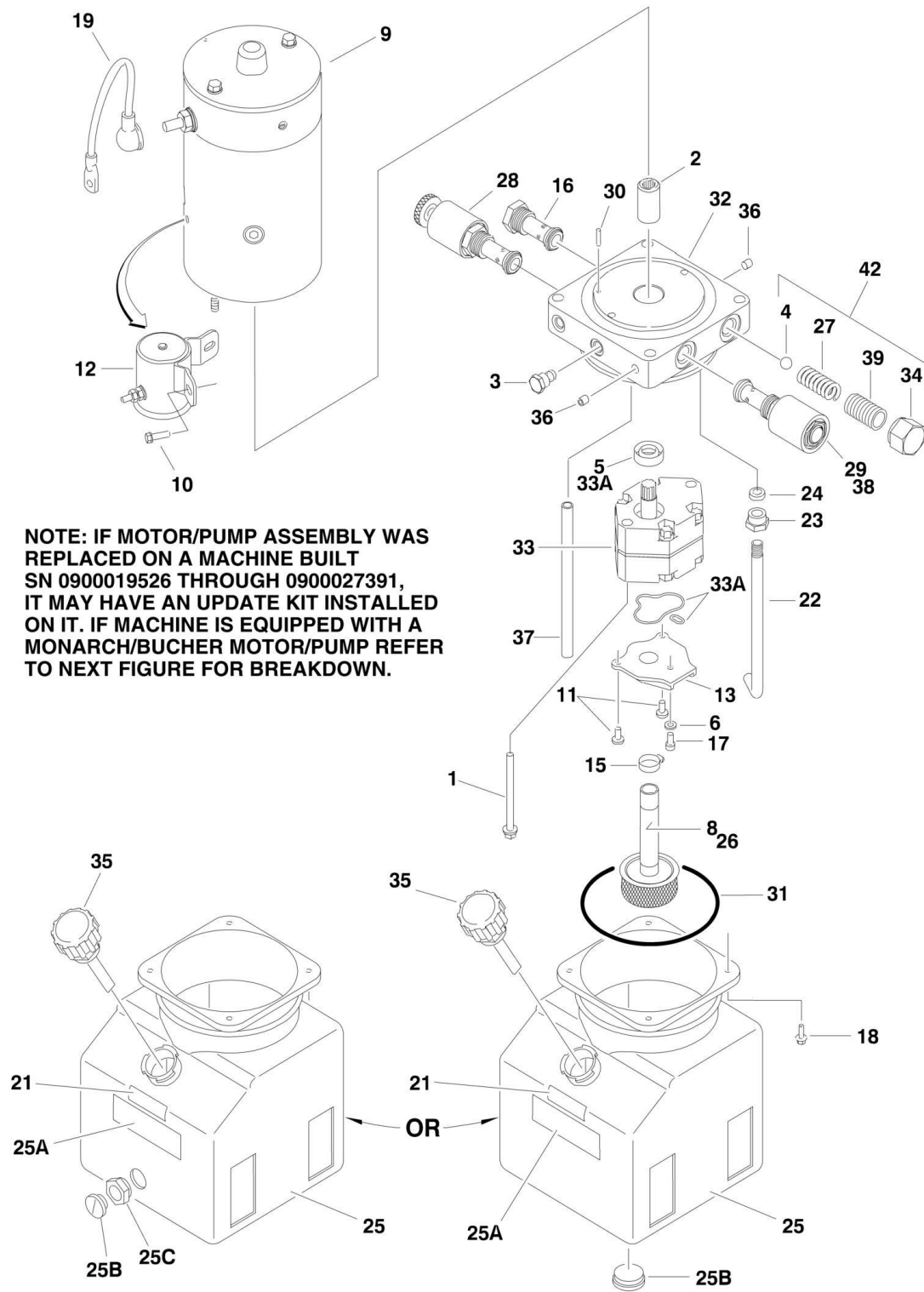
ITEM	PART NUMBER	QTY	DESCRIPTION	REV
	0275885	Ref	POWER PACK ASSEMBLY	C
1	0100011	AR	Compound, Locking	
2	0641404	2	Bolt 1/4in-20NC x 1/2in	
3	0721006	2	Screw	
4	0791608	2	Bolt 3/8in-16NC x 1in	
5	0861305	1	Ground Control Box Assembly (Key Control):	
5	7020078	1	Switch, Push-Pull (Stop)	
5	7020096	1	Legend Plate, "Stop"	
5	7020097	1	Legend Plate, "Power/Off/On"	
5	4360467	1	Switch, Key	
5	2860030	1	Key, Replacement	
5	7020090	1	Connector, Strain Relief	
5	7020093	4	Screw m3 x 25	
5	7020094	1	Lid	
6	1060571	1	Cable Assembly - Battery	
7	1320224	1	Clamp	
8	3311005	2	Locknut #10-24NC	
9	3600462	1	DC Motor/Pump Assembly (See DC MOTOR/PUMP ASSEMBLY (MONARCH/BUCHER) for breakdown)	
10	3740049	1	Relay	
11	4341432	1	Bracket, Pump Mounting	
12	4751000	2	Flatwasher #10	
13	4922740	1	Harness (Not Shown)	
14	4567605	2	Tube, Plastic (Installed on Battery Hanger Bar - Not Shown) (SN 0900027391 through 0900033939)	
		Ref	POWER PACK INSTALLATION	
	0275689	Ref	Power Pack Installation (SN 0900027391 through 0900027701)	B
	0275939	Ref	Power Pack Installation (SN 0900027702 to Present)	A
101	0641404	4	Bolt 1/4in-20NC x 1/2in	
102		Ref	Bolt Options:	
102	0791608	4	Bolt 3/8in-16NC x 1in (SN 0900027391 through 0900027701)	
102	0791609	4	Bolt 3/8in-16NC x 1-1/8in (SN 0900027702 to Present)	
105		Ref	Nut Options:	
105	3311605	4	Locknut 3/8in-16NC (SN 0900027391 through 0900027701)	
105	3311608	4	Nut 3/8in-16NC (SN 0900027702 to Present)	
106	4061024	1	Shield, Pump Cover	
109	4711400	4	Flatwasher 1/4in Thin	
110	4711600	8	Flatwasher 3/8in Thin (SN 0900027391 through 0900027701)	
111	0100011	AR	Compound, Locking (SN 0900027702 to Present)	
	0275697	Ref	HOURMETER INSTALLATION (OPTIONAL)	C
203	2420172	1	Hourmeter	
205	4922935	1	Harness, Hourmeter (Not Shown)	
	0258482	Ref	AUXILIARY LOWERING INSTALLATION	A
301	0861213	1	Box, Power Down	
301	0400181	2	Battery	
301	4460320	1	Connector, Amp	
301	4460267	2	Pin, Amp	
303	4420064	0.3	Velcro, Loop	
		ft/.09m		
304	4420065	0.3	Velcro, Hook	

SECTION 2 - CONTROLS

ITEM	PART NUMBER	QTY	DESCRIPTION	REV
		ft/.09m		
		Ref	SECURITY LOCK INSTALLATION	
	0272686	Ref	Security Lock Installation (SN 0900027391 through 0900031621)	D
	1001110217	Ref	Security Lock Installation (SN 0900031622 to Present)	A
401	2820035	8 in/20cm	Sleeve, Insulation (Not Shown)	
402	2940132	1	Lock, Programmable (Note: Does not include Items 404 & 405)	
403		Ref	Fastener Options:	
403	0791003	2	Screw #10-24NC x 3/8in	
403	3820032	2	Rivet	
404	4460267	3	Pin, Male (Not Shown) (SN 0900031622 to Present)	
405	4460326	1	Plug, Male - 3 Position (Not Shown) (SN 0900031622 to Present)	
406	1001114375	1	Harness, Security Lock (Not Shown) (SN 0900031622 to Present)	
406	4460268	3	Socket, Female (Not Shown) (SN 0900031622 to Present)	
406	4460445	1	Receptacle, Female - 3 Position (Not Shown) (SN 0900031622 to Present)	
	0270020	Ref	CYCLE COUNTER INSTALLATION - 15AMI (OPTIONAL)	E
501	2420193	1	Gauge, Counter	
502	3311001	4	Nut #10-24NC	
503	3520166	1	Plug	
504	3911024	2	Screw #10-24NC x 1-1/2in	
505		Ref	Switch, Limit Options:	
505	4360437	1	Switch, Limit (SN 0900027391 through 0900028054)	
505	1001092205	1	Switch, Limit (SN 0900028055 to Present)	
506	4922377	1	Harness, Counter	
507	4751000	6	Flatwasher #10	
510	3572158	1	Bracket, Gauge Mounting (SN 0900030684 to Present)	
511	3911010	2	Screw #10-24NC x 5/8in	
512	4761000	2	Lockwasher #10	
513	0641504	1	Bolt 5/16in-18NC x 1/2in	

SECTION 2 - CONTROLS

FIGURE 2-8. DC MOTOR/PUMP ASSEMBLY (FENNER) (Prior to SN 0900027391)



SECTION 2 - CONTROLS

FIGURE 2-8. DC MOTOR/PUMP ASSEMBLY (FENNER) (Prior to SN 0900027391)

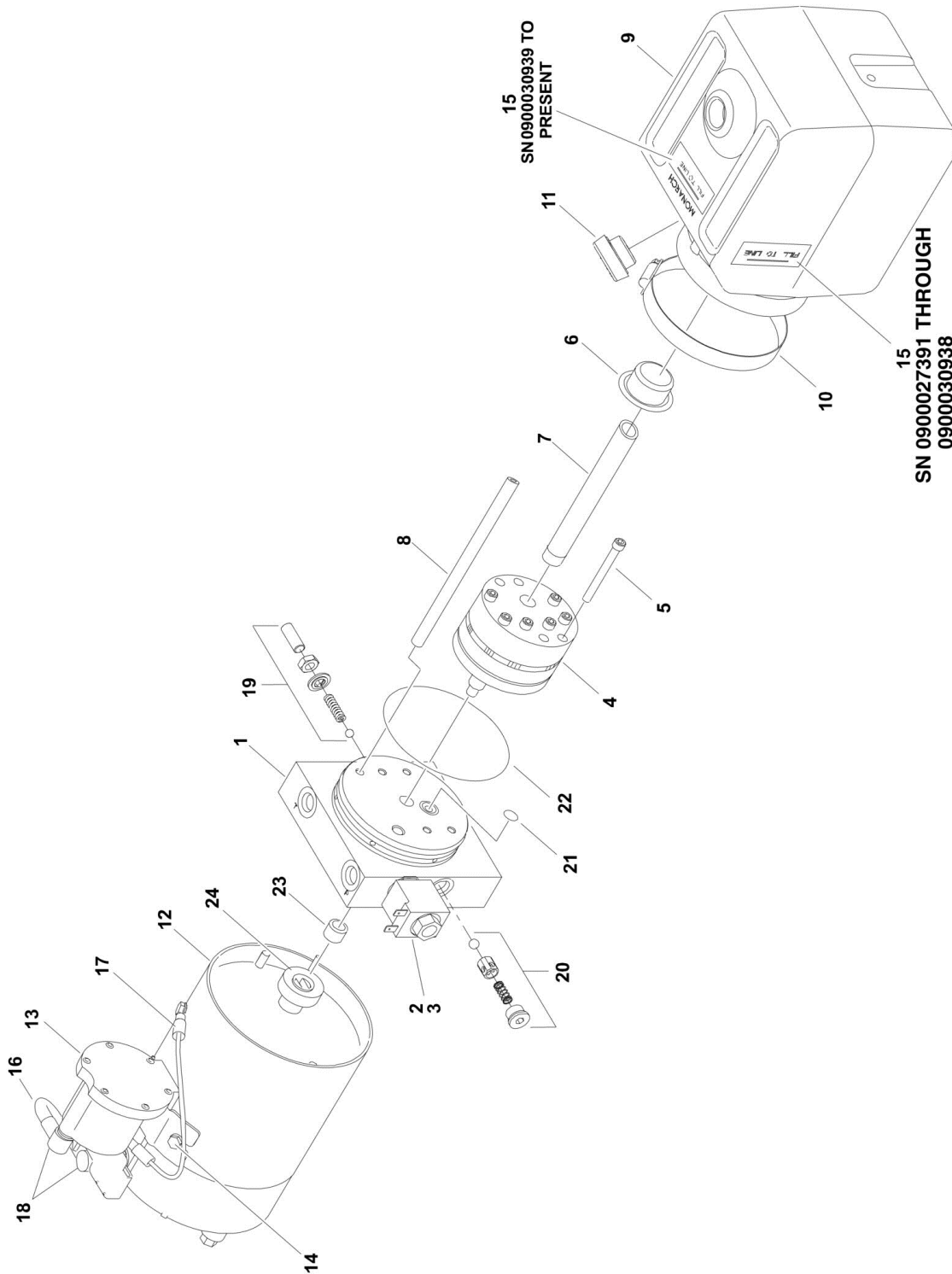
ITEM	PART NUMBER	QTY	DESCRIPTION	REV
		Ref	NOTE: IF MOTOR/PUMP ASSEMBLY WAS REPLACED ON A MACHINE BUILT S/N 0900019526 TO S/N 0900027391, IT MAY HAVE AN UPDATE KIT INSTALLED ON IT. IF MACHINE IS EQUIPPED WITH A MONARCH/BUCHER MOTOR/PUMP REFER TO DC MOTOR/PUMP ASSEMBLY (MONARCH) FOR BREAKDOWN.	
		Ref	DC MOTOR/PUMP ASSEMBLY	
	3600291	Ref	12V DC (Prior to SN 0900019526)	A
	3600355	Ref	12V DC (SN 0900019526 through 0900027391)	D
1	7013713	2	Bolt 5/16in-24NF x 2-3/4in	
2	7016735	1	Coupling	
3	7013714	1	Plug	
4	7013715	NLA	Ball (Note: Use Item 42)	
5	7013716	1	Seal (Part of Pump Seal Kit p/n 7013701)	
6	7013717	1	Washer	
8	7013722	1	Magnet	
9	7013710	1	Motor	
9	7013757	1	Brush Kit	
10	7013758	2	Screw 1/4in-20NC x 1/4in	
11	7013728	2	Screw M6 x 1.0 - 12mm	
12	7013789	1	Solenoid (was p/n 7013760)	
13	7016770	1	Cover	
15	7016771	1	Clamp	
16	7013708	1	Cartridge, Valve - Check	
17	3931516	1	Bolt 5/16in-18NC x 1in (was p/n 7016720)	
18	7016721	4	Bolt #12-24NC x 1/2in	
19	7016772	1	Cable	
21		Ref	Decal - Fill Line Options:	
21	7016713	1	Decal - Fill Line (Prior to SN 0900019526)	
21	7022223	1	Decal - Fill Line (SN 0900019526 through 0900027391)	
22	7013795	1	Tube, Return	
23	7013792	1	Nut, Tube Compression	
24	7013793	1	Sleeve, Tube Compression	
25	7022219	1	Tank (was p/n 7016775)	
25A	7013748	1	Decal - Caution	
25B	7016759	1	Plug	
25C	7016777	1	Fitting, Coupling	
25D	7016776	1	Decal - Maximum Torque (Not Shown)	
26	7016773	1	Plumbing Assembly - Inlet	
27	7016762	NLA	Spring (Note: Use Item 42)	
28		Ref	Cartridge, Valve - Manual Descent Options:	
28	7013764	1	Cartridge, Valve - Manual Descent (Prior to SN 0900019526)	
28	Not Required	0	Cartridge, Valve - Manual Descent (Moved to Lift Cylinder) (SN 0900019526 through 0900027391)	
29		Ref	Coil, Solenoid Options:	
29	7016786	1	Coil, Solenoid (Prior to SN 0900019526)	
29	7016751	1	Coil, Solenoid (SN 0900019526 through 0900027391)	
30	7013766	1	Pin	
31	7013743	1	O-Ring	
32		Ref	End Head Options:	
32	See Note	1	End Head (was p/n 7016753) (Note: No Longer Available)	

SECTION 2 - CONTROLS

ITEM	PART NUMBER	QTY	DESCRIPTION	REV
			(Prior to SN 0900019526)	
32	7022220	1	End Head (SN 0900019526 through 0900027391)	
33	7016717	1	Pump Assembly	
33A	7013701	1	Seal Kit - Pump (Includes Gasket for #13 Cover, O-Ring and #5 Seal)	
34	7013750	NLA	Cap, Relief (Note: Use Item 42)	
35	7016714	1	Breather	
36	7013720	2	Plug	
37		Ref	Tube, Return Options:	
37	7013726	1	Tube, Return 15AMI (Prior to SN 0900019526)	
37	7022224	1	Tube, Return 15AMI (SN 0900019526 through 0900027391)	
38	7016755	1	Valve	
39	7013770	NLA	Screw, Adjustment (Note: Use Item 42)	
42	7013779	1	Relief Valve Kit (Includes Items 4, 27, 34 & 39)	

SECTION 2 - CONTROLS

FIGURE 2-9. DC MOTOR/PUMP ASSEMBLY (MONARCH/BUCHER) (SN 0900027391 to Present)



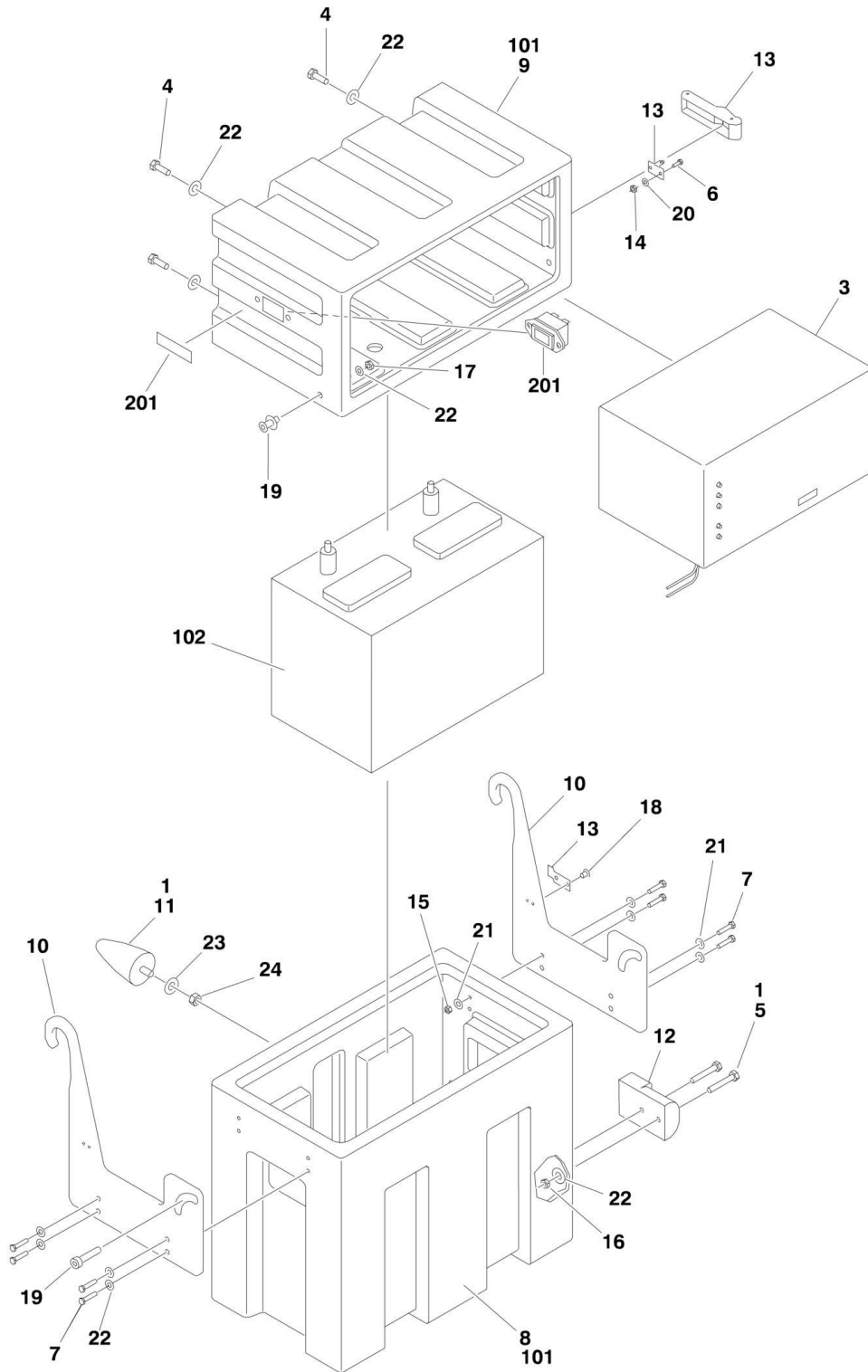
SECTION 2 - CONTROLS

FIGURE 2-9. DC MOTOR/PUMP ASSEMBLY (MONARCH/BUCHER) (SN 0900027391 to Present)

ITEM	PART NUMBER	QTY	DESCRIPTION	REV
	3600462	Ref	DC MOTOR/PUMP ASSEMBLY	B
1	70000641	1	Base Assembly (Includes Items 19-24)	
2	70000642	1	Cartridge	
3	70000643	1	Coil	
4	70001021	1	Pump	
5	70001020	4	Screw 1/4in-20NC x 2-3/4in	
6	7026165	1	Filter	
7	70001029	1	Tube, Suction	
8	70001030	1	Tube, Return	
9	70000651	1	Reservoir	
10	7026335	1	Clamp	
11	70001025	1	Plug	
12	70001031	1	Motor (Includes Item 24 and Motor Bolts)	
12	70001039	4	Brushes	
13	70001032	1	Solenoid	
14	70001033	2	Screw	
15	70001027	1	Decal - Fill Line	
16	70001034	1	Cable, Insulated	
17	70001035	1	Control Wire Assembly	
18	70001036	2	Boot, Terminal	
19	See Note	NSS	Valve, Relief (Note: Use Item 1)	
19	See Note	NSS	Screw (Note: Use Item 1)	
19	See Note	NSS	Nut (Note: Use Item 1)	
19	See Note	NSS	Seal (Note: Use Item 1)	
19	See Note	NSS	Spring (Note: Use Item 1)	
19	See Note	NSS	Ball (Note: Use Item 1)	
20	See Note	NSS	Valve, Check (Note: Use Item 1)	
20	See Note	NSS	Plug (Note: Use Item 1)	
20	See Note	NSS	Spring (Note: Use Item 1)	
20	See Note	NSS	Poppet (Note: Use Item 1)	
20	See Note	NSS	Ball (Note: Use Item 1)	
21	70003612	1	O-Ring (1/2in x 5/8in x 1/16in)	
22	70003613	1	O-Ring (3-5/8in x 3-7/8in x 1/8in)	
23	70002215	2	Bearing	
24	7026330	1	Seal	

SECTION 2 - CONTROLS

FIGURE 2-10. DC POWER PACK INSTALLATION (Prior to SN 0900031622)



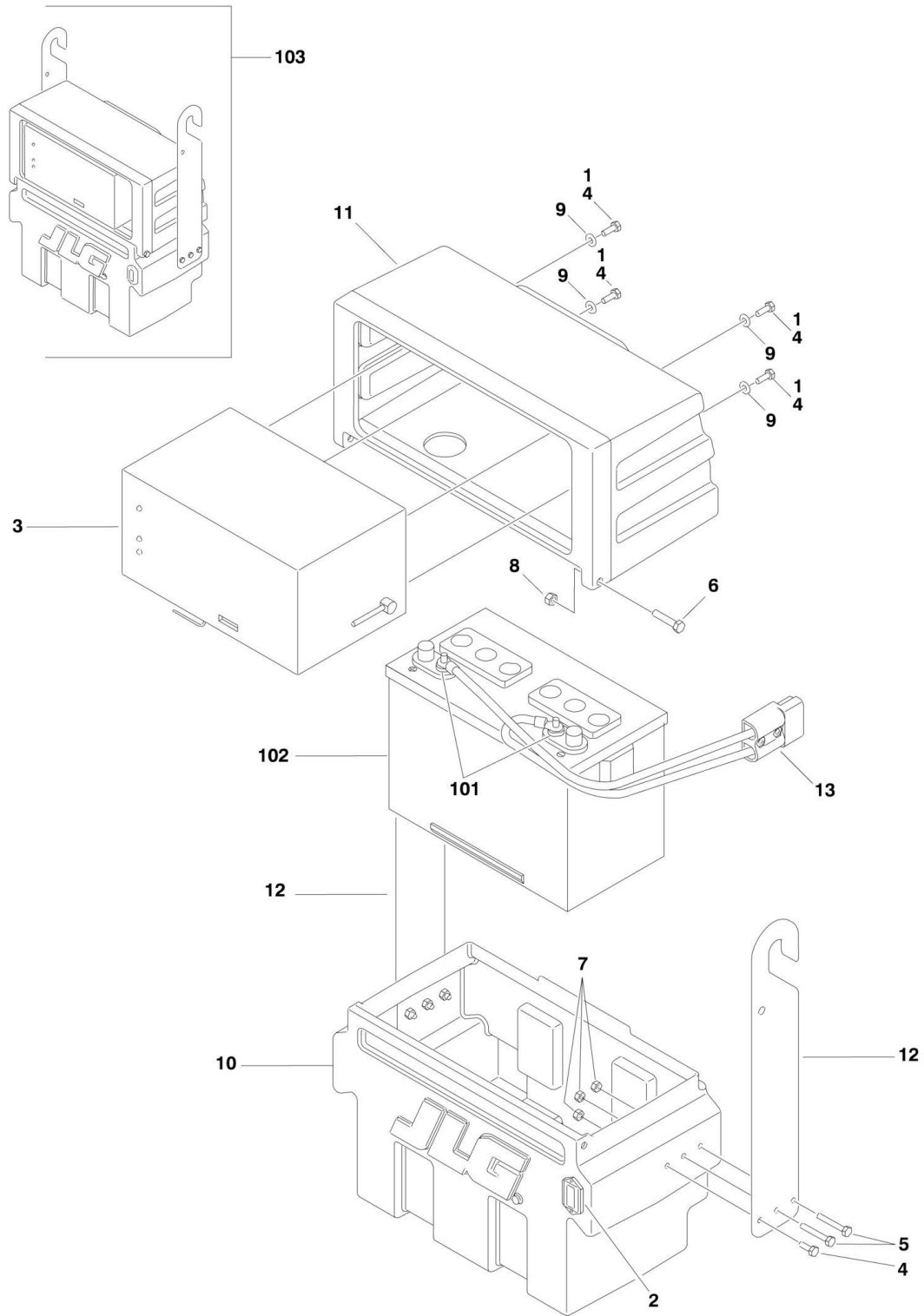
SECTION 2 - CONTROLS

FIGURE 2-10. DC POWER PACK INSTALLATION (Prior to SN 0900031622)

ITEM	PART NUMBER	QTY	DESCRIPTION	REV
		Ref	BATTERY BOX AND CHARGER ASSEMBLIES	
	0400223	Ref	Standard Spec	F
	0400224	Ref	AGM/5 Hour	F
1	0100011	AR	Compound, Locking	
3		Ref	Charger Assembly Options: (See BATTERY CHARGER ASSEMBLY for Breakdown)	
3	0400176	1	Standard Spec	
3	0400212	1	AGM/5 Hour	
4	0641406	4	Bolt, 1/4in-20NC x 3/4in	
5	0641412	2	Bolt, 1/4in-20NC x 1-1/2in	
6	0720805	2	Screw, #8-24NC x 5/8in	
7	0721008	8	Screw, #10-24NC	
8	0861192	1	Box, Molded Battery	
9	0861193	1	Box, Molded Battery Charger	
10	0902442	2	Bracket, Hanger	
11	0940085	1	Bumper, Stop	
12		Ref	Cable Assembly - Battery Options:	
12	1060570	1	Cable Assembly (Prior to SN 0900029719)	
12	1001103107	1	Cable Assembly (SN 0900029719 through 0900031622)	
13	2940111	1	Latch, Soft Draw	
14	3310805	2	Locknut #8-32NC	
15	3311005	8	Locknut #10-24NC	
16		Ref	Nut Options:	
16	3311401	2	Nut (Prior to SN 0900012234)	
16	3311405	2	Nut (SN 0900012234 through 0900024847)	
16	3311401	2	Nut (SN 0900024848 through 0900031622)	
17	3311501	3	Nut 5/16in-18NC (Prior to SN 0900012234)	
17	3311505	2	Nut 5/16in-18NC (SN 0900012234 through 0900031622)	
18	3820001	2	Rivet,.125 x.25	
19	3900190	2	Screw, Shoulder	
20	4750800	2	Washer, #8 Flat	
21	4751000	16	Washer, #10 Flat	
22	4751400	8	Washer, 1/4 Flat	
23	4751500	1	Washer, 5/16 Flat	
24	3311501	1	Nut 5/16-18NC (SN 0900024073 through 0900031622)	
		Ref	BATTERY BOX AND CHARGER INSTALLATIONS	
	0258203	Ref	Battery Box (Wet)	F
	0258498	Ref	Battery Box (Dry)	F
	0272192	Ref	Battery Box (AGM/5 Hour)	C
101		Ref	Battery Box and Charger Assy Options (Includes Items 1-24):	
101	0400223	1	Standard Spec	
101	0400224	1	AGM/5 Hour Spec	
102		Ref	Battery Options:	
102	0400122	1	Standard Wet Battery	
102	0400144	1	Standard Dry Battery	
102	0400209	1	AGM/5 Hour	
	0270163	1	BDI INSTALLATION	C
201	2420195	1	Gauge, BDI	

SECTION 2 - CONTROLS

FIGURE 2-11. DC POWER PACK INSTALLATION (SN 0900031622 to Present)



SECTION 2 - CONTROLS

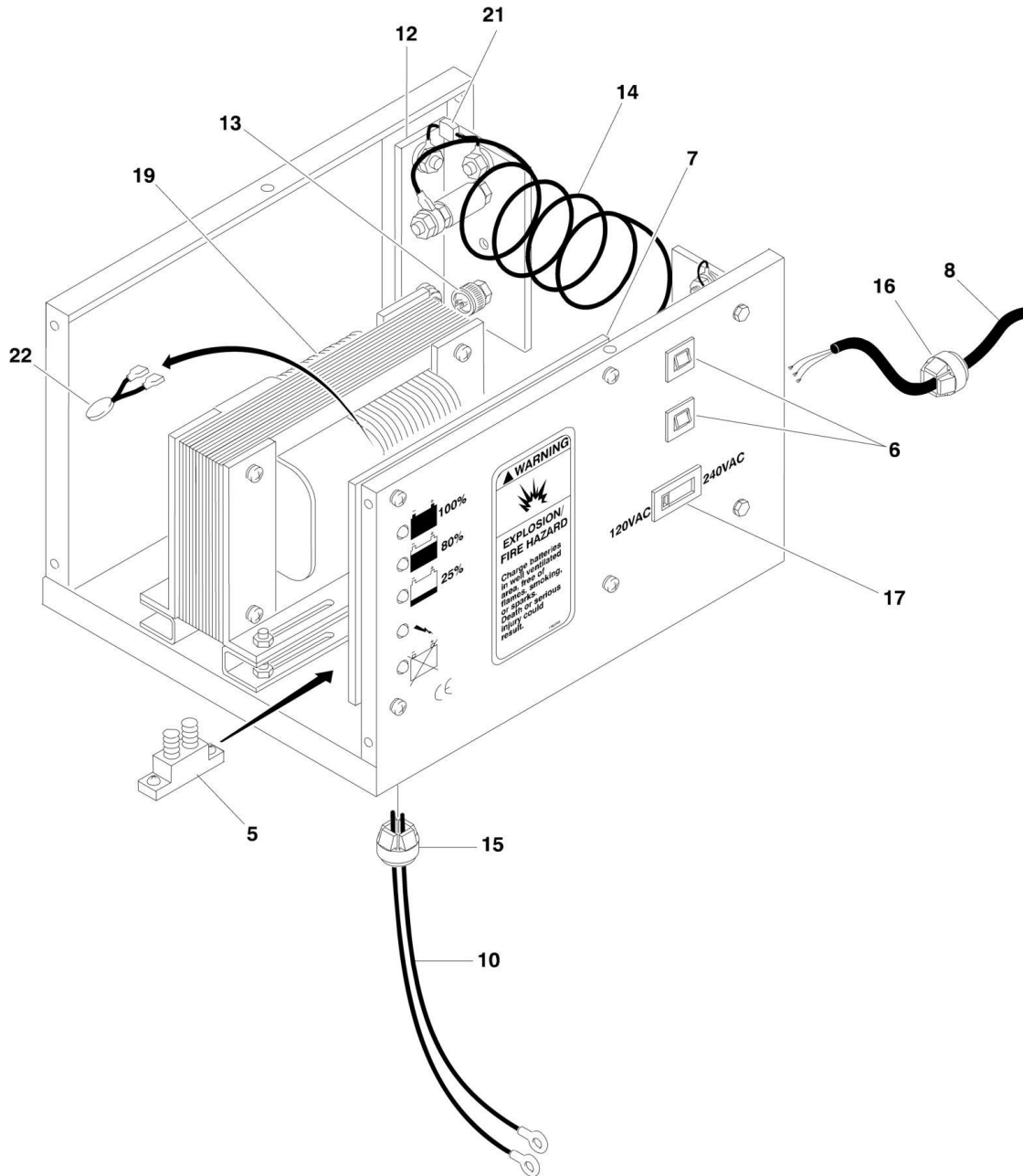
FIGURE 2-11. DC POWER PACK INSTALLATION (SN 0900031622 to Present)

ITEM	PART NUMBER	QTY	DESCRIPTION	REV
		Ref	BATTERY BOX AND CHARGER ASSEMBLIES	
	1001101991	Ref	Machines with Wet and Dry Battery and Charger with Cord	A
	1001107837	Ref	Machines with Wet and Dry Battery and Charger with Inlet	A
	1001107836	Ref	Machines with AGM Battery and Charger with Cord	A
1	0100011	AR	Compound, Locking	
2	0270163	1	BDI Gauge and Harness Assembly	
2	2420195	1	Gauge Only	
3		Ref	Charger Assembly Options: (See BATTERY CHARGER ASSEMBLY for Breakdown)	
3	0400176	1	Battery Charger With Cord (Wet and Dry)	
3	0400193	1	Battery Charger With Inlet (Wet and Dry)	
3	0400212	1	Battery Charger With Cord and with AGM/5 Hour Battery	
4	0641406	8	Bolt 1/4in-20NC x 3/4in	
5	0641414	2	Bolt 1/4in-20NC x 1-3/4in	
6	0641512	2	Bolt 5/16in-18NC x 1-1/2in	
7	3311405	6	Locknut 1/4in-20NC	
8	3311505	2	Locknut 5/16in-18NC	
10	1001101858	1	Box, Molded Battery	
11	1001101902	1	Box, Molded Battery Charger	
12	1001101926	2	Bracket, Hanger	
13	1001103107	1	Cable Assembly - Battery Pack	
13	4460567	1	Connector, Anderson	
		Ref	BATTERY BOX AND CHARGER INSTALLATIONS	
	1001101994	Ref	Machines with Wet Battery and Charger with Cord	A
	1001107839	Ref	Machines with Dry Battery and Charger with Cord	A
	1001107840	Ref	Machines with AGM Battery and Charger with Cord	A
101	0100051	AR	Grease, Terminal	
102		Ref	Battery Options:	
102	0400122	1	Standard Wet Battery	
102	0400144	1	Standard Dry Battery	
102	0400209	1	AGM/5 Hour	
103		Ref	Battery Box and Charger Assy Options (Includes Items 1-13):	
103	1001101991	1	Battery Charger With Cord (Wet and Dry)	
103	1001107837	1	Battery Charger With Inlet (Wet and Dry)	
103	1001107836	1	Battery Charger With Cord (AGM/5 Hour)	
	0270163	1	BDI INSTALLATION	C
201	2420195	1	Gauge, BDI	

SECTION 2 - CONTROLS

FIGURE 2-12. BATTERY CHARGER ASSEMBLY

NOTE: COVER NOT SHOWN FOR CLARITY



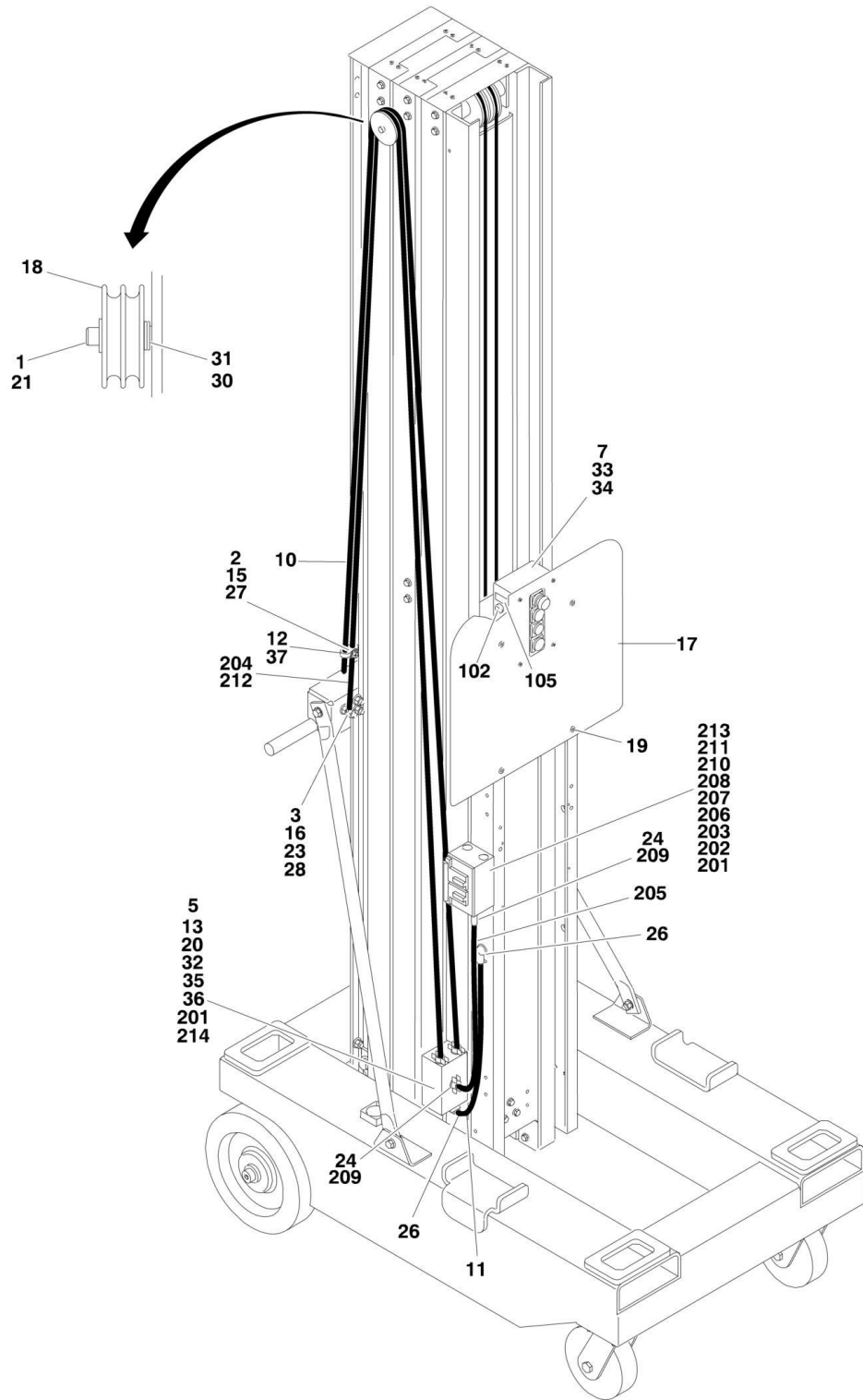
SECTION 2 - CONTROLS

FIGURE 2-12. BATTERY CHARGER ASSEMBLY

ITEM	PART NUMBER	QTY	DESCRIPTION	REV
		Ref	BATTERY CHARGER ASSEMBLIES	
	0400176	Ref	12VDC (Standard Spec)	F
	0400212	Ref	12VDC (AGM/5 Hour)	A
5	7011509	1	Breaker, Circuit - DC 50Amp	
6		Ref	Breaker, Circuit Options:	
6	7018536	2	12VDC (Standard Spec) (4Amp)	
6	7018558	2	12VDC (AGM/5 Hour) (8Amp)	
7		Ref	Card, Circuit Options:	
7	7020626	1	12VDC (Standard Spec)	
7	7022930	1	12VDC (AGM/5 Hour)	
8		Ref	AC Cord Assembly Options:	
8	7020627	1	12VDC (Standard Spec)	
8	7022927	1	12VDC (AGM/5 Hour)	
10	7020629	1	DC Harness	
11	7011513	1	Receptacle, AC (0400193 Charger Only)	
12		Ref	Rectifier Assembly Options:	
12	7020631	2	12VDC (Standard Spec)	
12	7022932	2	12VDC (AGM/5 Hour)	
13		Ref	SCR Rectifier Options:	
13	7018555	1	12VDC (Standard Spec)	
13	7020673	2	12VDC (AGM/5 Hour)	
14		Ref	Shunt Assembly Options:	
14	7020605	1	12VDC (Standard Spec)	
14	7020674	1	12VDC (AGM/5 Hour)	
15		Ref	Connector, Strain Relief - DC Options:	
15	7018556	1	12VDC (Standard Spec)	
15	7011528	1	12VDC (AGM/5 Hour)	
16	7011528	1	Connector, Strain Relief - AC	
17	7018586	1	Switch, Slide (0400176 & 0400212 Chargers Only)	
19		Ref	Transformer Options:	
19	7020632	1	12VDC (Standard Spec)	
19	7022933	1	12VDC (AGM/5 Hour)	
21		Ref	Varistor Options:	
21	7020633	1	12VDC (Standard Spec)	
21	7020633	2	12VDC (AGM/5 Hour)	
22	7020663	1	Varistor (0400212 Charger Only)	

SECTION 2 - CONTROLS

FIGURE 2-13. CABLES AND CONTROLS INSTALLATION (Prior to SN 0900028708)



SECTION 2 - CONTROLS

FIGURE 2-13. CABLES AND CONTROLS INSTALLATION (Prior to SN 0900028708)

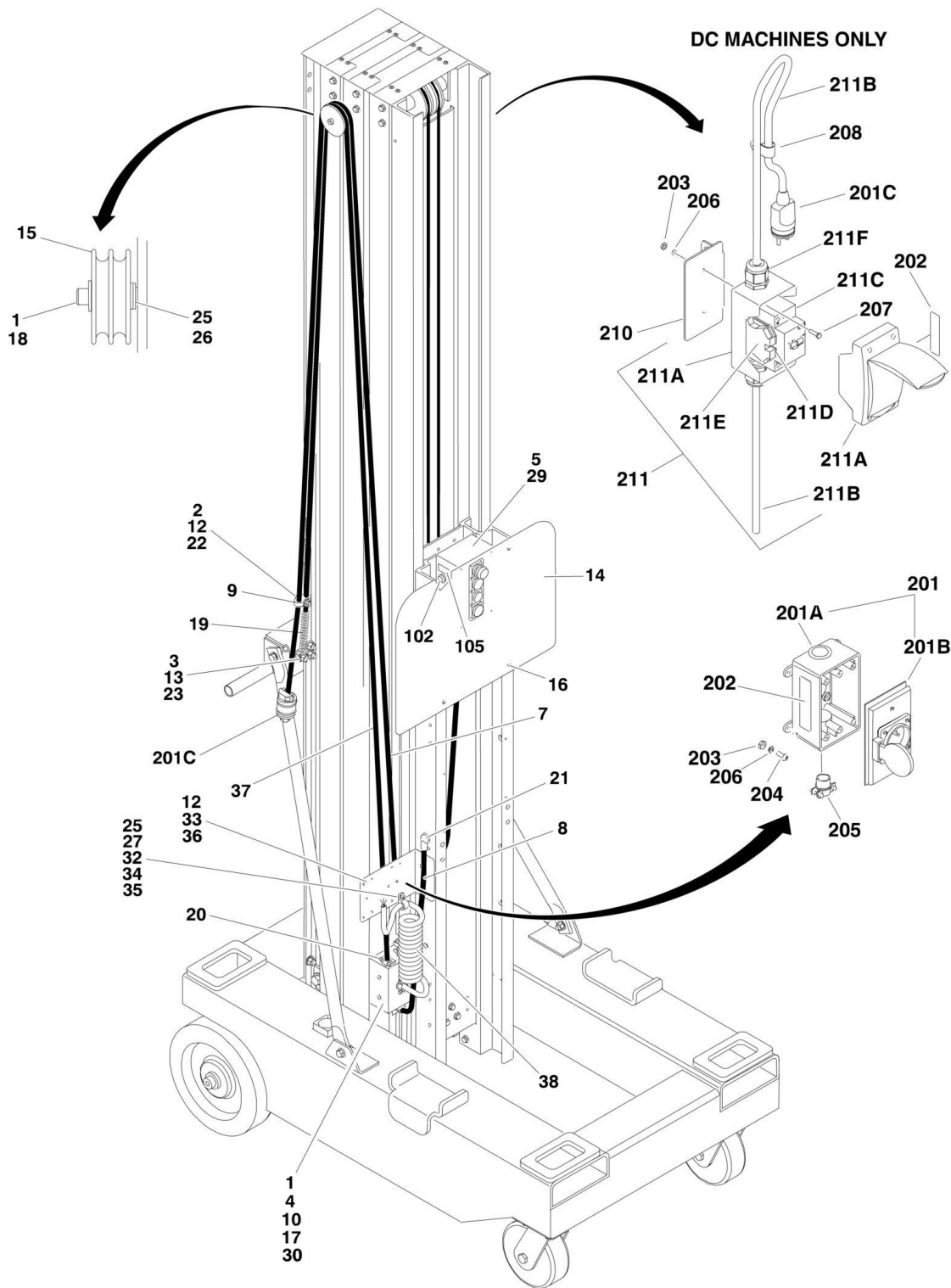
ITEM	PART NUMBER	QTY	DESCRIPTION	REV
		Ref	CABLES AND CONTROLS INSTALLATION OPTIONS:	
	0259079	Ref	Cables and Controls Installation (AC/DC Models) (Prior to SN 0900016858)	B
	0270489	Ref	Cables and Controls Installation (AC Models Only) (SN 0900016858 through 0900028708)	E
	0270490	Ref	Cables and Controls Installation (DC Models Only) (SN 0900016858 through 0900028708)	E
1	0100011	AR	Compound, Locking	
2	0641410	1	Bolt 1/4in-20NC x 1-1/4in	
3	0641612	1	Bolt 3/8in-16NC x 1-1/2in	
5	0860945	1	Box, Junction	
7	0861207	1	Control Box Assembly	
7	7020078	1	Switch, Push-Pull (Red)	
7	7020088	2	Switch, Push Button (White)	
7	7020089	1	Switch, Push Button (Green)	
7	7020091	1	Plug	
7	7027299	1	Connector, Strain Relief (was p/n 7020092)	
7	7020093	4	Screw M3 x 25 Freedrive	
10		Ref	Cable, Electrical Options: - 16/5	
10	1060687	1	120V AC (Prior to SN 0900022974)	
10	4923163	1	120V AC (Includes Items 36 & 37) (SN 0900022974 through 0900028708)	
10	1060687	1	120V DC (Prior to SN 0900016858)	
10	1060922	1	120V DC (SN 0900016858 through 0900028708)	
11		Ref	Cable, Retractable Options: - 16/5	
11	1060694	1	120V AC	
11	1060694	1	120V DC (Prior to SN 0900016858)	
11	4922652	1	120V DC (SN 0900016858 through 0900028708)	
12	1320149	1	Clamp	
13	1670603	1	Cover, Junction Box	
15	3311405	1	Locknut 1/4in-20NC	
16	3311605	2	Locknut 3/8in-16NC	
17	3570923	1	Plate, Decal Mounting	
18		Ref	Sheave, Control Cable Options:	
18	3580231	1	Sheave, Control Cable (Prior to SN 0900024352)	
18	3580344	1	Sheave, Control Cable (SN 0900024352 through 0900028708)	
19	3820032	4	Rivet	
20	3900191	2	Screw	
21		Ref	Screw, Shoulder Options:	
21	3900200	1	Screw, Shoulder (Prior to SN 0900024352)	
21	3900373	1	Screw, Shoulder (SN 0900024352 through 0900028708)	
23	4160130	1	Spring, Extension	
24	4460023	4	Connector, Strain Relief	
25	4460190	1	Receptacle, Electrical	
26	4460566	2	Connector, Strain Relief - 90	
27	4711400	2	Flatwasher 1/4in Narrow	
28	4711600	2	Flatwasher 3/8in Narrow	
30	4751000	4	Flatwasher #10 Wide	
31	4751500	1	Lockwasher 5/16in	
32	4761000	4	Flatwasher #10	

SECTION 2 - CONTROLS

ITEM	PART NUMBER	QTY	DESCRIPTION	REV
33	4460115	4	Terminal, Fork (16 Gauge)	
34	4922420	1	Harness, Jumper (Control Box)	
35	3520034	2	Plug, 5/16in Hole	
36	4460035	5	Terminal, Butt Splice (120V AC Only)	
37	4460145	4	Terminal, Fork (120V AC Only)	
	0258482	Ref	AUXILIARY LOWERING INSTALLATION (OPTIONAL)	A
102	4360274	1	Switch, Push Button	
105	1704236	1	Decal - Auxiliary Lowering	
		Ref	OUTLET INSTALLATION OPTION:	
	0270750	Ref	240V (DC)	B
	0270974	Ref	240V (AC)	B
201	0100011	AR	Compound, Locking	
202	0721006	2	Screw	
203	0860946	1	Box, Receptacle	
204		Ref	Cable Options: - 12/3	
204	4922653	1	240V DC	
204	4923161	1	240V AC	
205		Ref	Cable Options: - 16/4	
205	1060924	1	240V DC	
205	1060565	1	240V AC	
206	3252760	1	Decal	
207	3311001	2	Nut, #10-24NC	
208	Not Required	0	Not Required	
209	4460023	3	Terminal, Connector	
210	4460145	AR	Terminal, Fork	
211 to 212	Not Required	0	Not Required	
213	4761000	2	Lockwasher #10	
214	4460035	3	Terminal, Butt Splice (240VAC Only) (Prior to SN 0900022974)	
215	4240033	AR	Strap, Tie (Not Shown)	

SECTION 2 - CONTROLS

FIGURE 2-14. CABLES AND CONTROLS INSTALLATION (SN 090028708 to Present)



SECTION 2 - CONTROLS

FIGURE 2-14. CABLES AND CONTROLS INSTALLATION (SN 0900028708 to Present)

ITEM	PART NUMBER	QTY	DESCRIPTION	REV
	0270490	Ref	CABLES AND CONTROLS INSTALLATION - AC/DC MODELS (SN 0900028708 to Present)	F
1	0100011	AR	Compound, Locking	
2	0641410	1	Bolt 1/4in-20NC x 1-1/4in	
3	0641612	1	Bolt 3/8in-16NC x 1-1/2in	
4	0860945	1	Box, Junction	
5	0861207	1	Control Box Assembly	
5	7020078	1	Switch, Push-Pull (Red)	
5	7020088	2	Switch, Push Button (White)	
5	7020089	1	Switch, Push Button (Green)	
5	7020091	1	Plug	
5	7027299	1	Connector, Strain Relief	
5	7020093	4	Screw, M3 x 25mm Freedrive	
7	1060922	1	Cable, Electrical - 16/5	
8	4922652	1	Cable, Retractable - 16/5	
9	1320149	1	Clamp	
10	1670603	1	Cover, Junction Box	
12	3311405	3	Locknut 1/4in-20NC	
13	3311605	2	Locknut 3/8in-16NC	
14	3570923	1	Plate, Decal Mounting	
15	3580344	1	Sheave, Control Cable	
16	3820032	4	Rivet	
17	3900191	2	Screw, Panhead	
18	3900373	1	Screw, Shoulder	
19	4160130	1	Spring, Extension	
20	4460023	3	Connector, Strain Relief	
21	4460566	2	Connector, Strain Relief - 90	
22	4711400	2	Flatwasher 1/4in Narrow	
23	4711600	2	Flatwasher 3/8in Narrow	
25	4751000	5	Flatwasher #10 Wide	
26	4751500	1	Lockwasher 5/16in	
27	4761000	3	Flatwasher #10	
29	4922420	1	Harness, Jumper (Control Box)	
30	3520034	2	Plug, 5/16in Hole	
32	1320041	1	Clamp, 1/2in	
33	1001096054	1	Plate, AC Box Mounting	
34	3311001	1	Nut, #10-24NC	
35	3900205	1	Screw, #10-24NC x 5/8in	
36	0641407	2	Screw, 1/4in-20NC x 7/8in	
37	1060924	1	Cable, Accessory - 12/3	
38	4922653	1	Cable, Retractable - 16/3	
	0258482	Ref	AUXILIARY LOWERING INSTALLATION (OPTIONAL)	A
102	4360274	1	Switch, Push Button	
105	1704236	1	Decal - Auxiliary Lowering	
		Ref	ACCESSORY OUTLET INSTALLATIONS	
	1001097213	Ref	220V (AC)	B
	1001097214	Ref	220V CEE7 Post Ground (AC)	B
	1001097215	Ref	220V CEE7 Side Ground (AC)	B
	1001097216	Ref	220V CEE7 Keyed Ground (AC)	B
	1001097217	Ref	110V IEC 60309 Yellow (AC)	B

SECTION 2 - CONTROLS

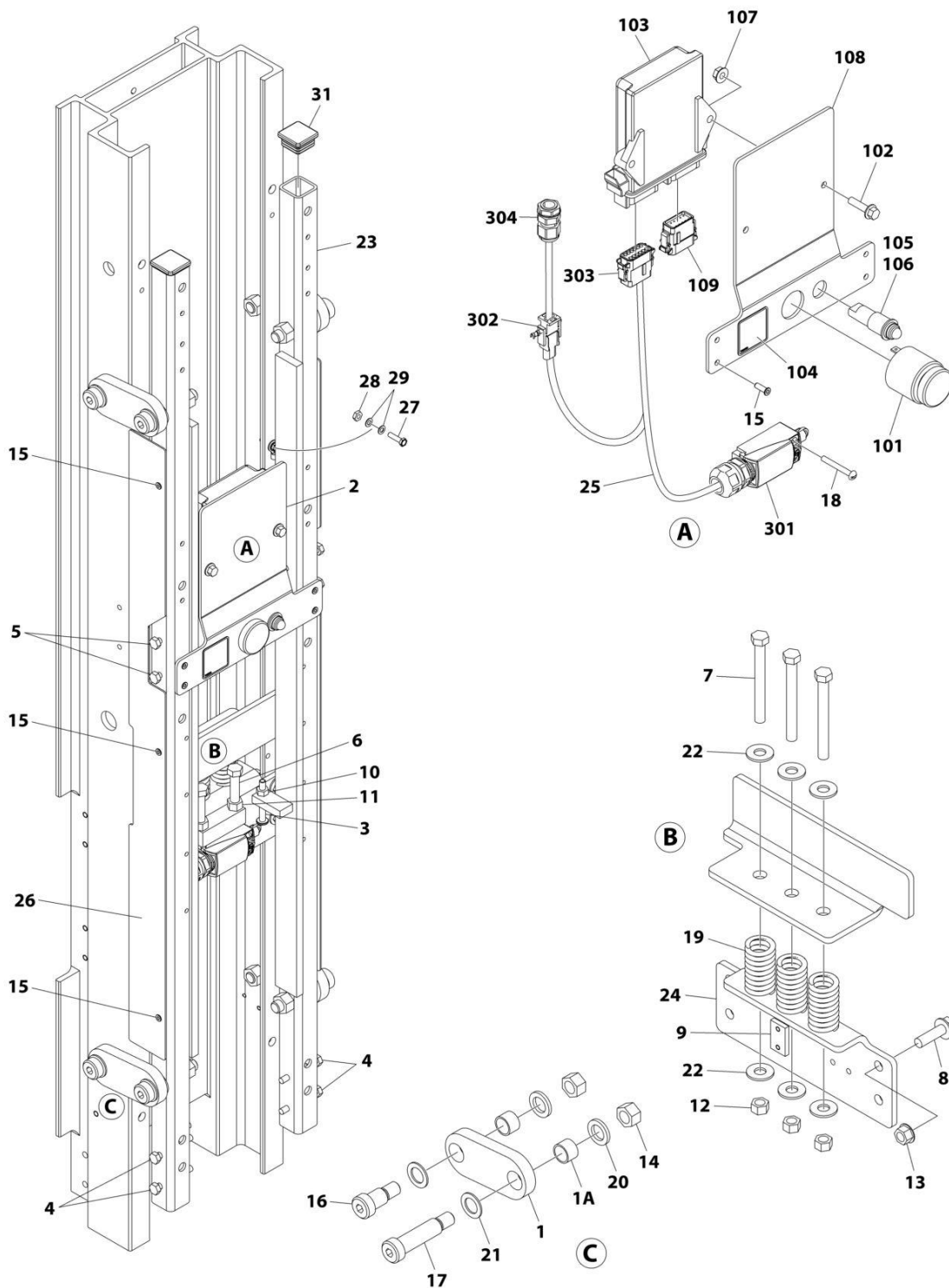
ITEM	PART NUMBER	QTY	DESCRIPTION	REV
	1001097218	Ref	220V IEC 60309 Blue (AC)	B
	1001097220	Ref	220V (DC)	B
	1001097221	Ref	220V CEE7 Post Ground (DC) (Prior to SN 0900035067)	C
	1001153733	Ref	220V CEE7 Post Ground (DC) (SN 0900035067 to Present)	A
	1001097222	Ref	220V CEE7 Side Ground (DC)	B
	1001097223	Ref	220V CEE7 Keyed Ground (DC)	B
	1001097224	Ref	110V IEC 60309 Yellow (DC)	B
	1001097225	Ref	220V IEC 60309 Blue (DC)	B
201		Ref	Plug and Receptacle Assembly Options:	
201	See Note	1	220V (AC) (Note: Not available for purchase)	
201	0275452	1	220V CEE7 Post Ground (AC)	1-E
201	0275453	1	220V CEE7 Side Ground (AC)	1-E
201	0275454	1	220V CEE7 Keyed Ground (AC)	1-E
201	0275216	1	110V IEC 60309 Yellow (AC)	1-E
201	0275217	1	220V IEC 60309 Blue (AC)	1-E
201	See Note	1	220V (DC) (Note: Not Available For Purchase)	
201	1001096609	1	220V CEE7 Post Ground (DC)	A
201	1001096610	1	220V CEE7 Side Ground (DC)	A
201	1001096611	1	220V CEE7 Keyed Ground (DC)	A
201	1001096607	1	110V IEC 60309 Yellow (DC)	A
201	1001096608	1	220V IEC 60309 Blue (DC)	A
201A		Ref	Box, Receptacle Options:	
201A	0861731	1	0275452, 0275453, 0275454, 1001096609, 1001096610 & 1001096611 Assemblies	
201A	0861781	1	0275216, 0275217, 0275454, 1001096607 & 1001096608 Assemblies	
201B		Ref	Receptacle Options:	
201B	44601244	1	0275452 & 1001096609 Assemblies	
201B	44601245	1	0275453 & 1001096610 Assemblies	
201B	44601246	1	0275454 & 1001096611 Assemblies	
201B	44601198	1	0275216 & 1001096607 Assemblies	
201B	44601201	1	0275217 & 1001096608 Assemblies	
201C	44601202	1	0275452 & 1001096609 Assemblies	
201C	44601205	1	0275453 & 1001096610 Assemblies	
201C	44601249	1	0275454 & 1001096611 Assemblies	
201C	44601196	1	0275216 & 1001096607 Assemblies	
201C	44601199	1	0275217 & 1001096608 Assemblies	
202	3252760	Ref	Decal - 240V Options:	
202	3252760	1	Decal - 240V (AC)	
202	3252760	2	Decal - 240V (DC)	
203	3311001	Ref	Nut #10-24NC	
203	3311001	4	Nut #10-24NC (AC)	
203	3311001	6	Nut #10-24NC (DC)	
204	3900205	4	Screw #10-24NC x 1/4in	
204	0100011	AR	Compound, Locking	
205	4460023	1	Terminal, Connector	
206	4711000	Ref	Flatwasher #10	
206	4711000	4	Flatwasher #10 (AC)	
206	4711000	6	Flatwasher #10 (DC)	
		Ref	Note: Items 207-211F used on DC Machines Only.	
207	0721006	2	Screw #10-24NC x 3/4in	
208	1320318	1	Clamp	

SECTION 2 - CONTROLS

ITEM	PART NUMBER	QTY	DESCRIPTION	REV
208	8406110	1	Clip	
210	1001096421	1	Plate, Circuit Breaker	
211	1001096612	1	Box and Breaker Assembly (2 Breakers)	C
211	1001152484	1	Box and Breaker Assembly (3 Breakers) (1001153733 Installation Only)	B
211A	0861880	1	Box, Circuit Breaker (2 Breaker Assy)	
211A	1001152483	Ref	Box, Circuit Breaker (3 Breaker Assy)	
211B	1060908	4.5 ft/1.4m	Cable, Electrical 12/3	
		Ref	Breaker Option (2 Breaker Box Assy)	
211C	2400093	NLA	Breaker 30mAmp/16Amp (Use p/n 1001181045) (SN 0900028708 through 0900030609)	
211C	1001109475	1	Breaker 16 Amp (SN 0900030610 through 0900036060)	
211C	1001109482	1	Breaker 30m Amp (SN 0900030610 through 0900036060)	
211C	1001181045	1	Breaker, Double 30mAmp/16Amp (SN 0900036061 to Present)	
211C		Ref	Breaker Option (3 Breaker Box Assy)	
211C	1001189172	1	Breaker 16 Amp Double	
211C	1001189171	2	Breaker 30m Amp	
211D	4460956	1	Barrier, Terminal Block End (2 Breaker Box Assy Only)	
211E	4460957	1	Block, Terminal (2 Breaker Box Assy Only)	
211F	1001097150	2	Connector, Strain Relief	

SECTION 2 - CONTROLS

FIGURE 2-15. LSS INSTALLATION



ART_0273264

SECTION 2 - CONTROLS

FIGURE 2-15. LSS INSTALLATION

ITEM	PART NUMBER	QTY	DESCRIPTION	REV
	0273264	Ref	LSS INSTALLATION	C
1	0273144	4	Arm Assembly	
1A	0440268	8	Bushing (2 Per Arm)	
2	0273162	1	Load Sensor Controller Assembly (See Items 101-109 for Breakdown) (Note: Re-calibration Required when Replaced.)	
3	0630570	1	Bolt	
4	0641416	4	Bolt 1/4 x 2	
5	0641418	4	Bolt 1/4 x 2-1/4	
6	0641620	2	Bolt 3/8 x 2-1/2	
7	0641628	3	Bolt 3/8 x 3-1/2	
8	0791610	4	Screw 3/8 x 1-1/4	
9	3300475	1	Nut	
10	3311401	1	Nut 1/4	
11	3311601	2	Nut 3/8	
12	3311605	3	Nut 3/8	
13	3311608	4	Nut 3/8	
14	3311801	8	Nut 1/2	
15	3820032	10	Rivet	
16	3900346	4	Bolt 5/16 x 3/4	
17	3900347	4	Bolt 5/16 x 2	
18	3911024	2	Screw #10 x 1-1/2	
19	4160205	2	Spring	
20	4740529	8	Washer	
21	4740530	8	Washer	
22	4751600	6	Washer 3/8	
23	4846859	1	Sensor, Load	
24	4846877	1	Support	
25	4922923	1	Load Sensor Harness Assembly (See Items 301-304 for Breakdown)	
26	4061060	2	Shield	
27	0721006	1	Screw #10 x 3/4	
28	3311001	1	Nut #10	
29	4771000	2	Washer #10	
30	0100019	AR	Compound, Locking (Not Shown)	
31	3520072	2	Plug	
	0273162	Ref	LOAD SENSOR CONTROLLER ASSEMBLY	B
101	0140011	1	Alarm	
102	0791408	2	Screw 1/4 x 1	
103	1600357	1	Module, Control	
104	1705756	1	Decal - Warning	
105	2920026	1	Lamp, Indicator	
106	2920029	1	Bulb, Light	
107	3311408	2	Nut 1/4	
108	3574518	1	Plate, Mounting	
109	4460908	1	Connector, Female - 12 Position	
	4922923	Ref	LOAD SENSING HARNESS ASSEMBLY	D
301	4360546	1	Switch, Limit	
302	4460320	1	Plug, Male - 2 Position	
302	4460226	2	Socket, Female	
302	4460424	1	Connector, Female - 2 Position	

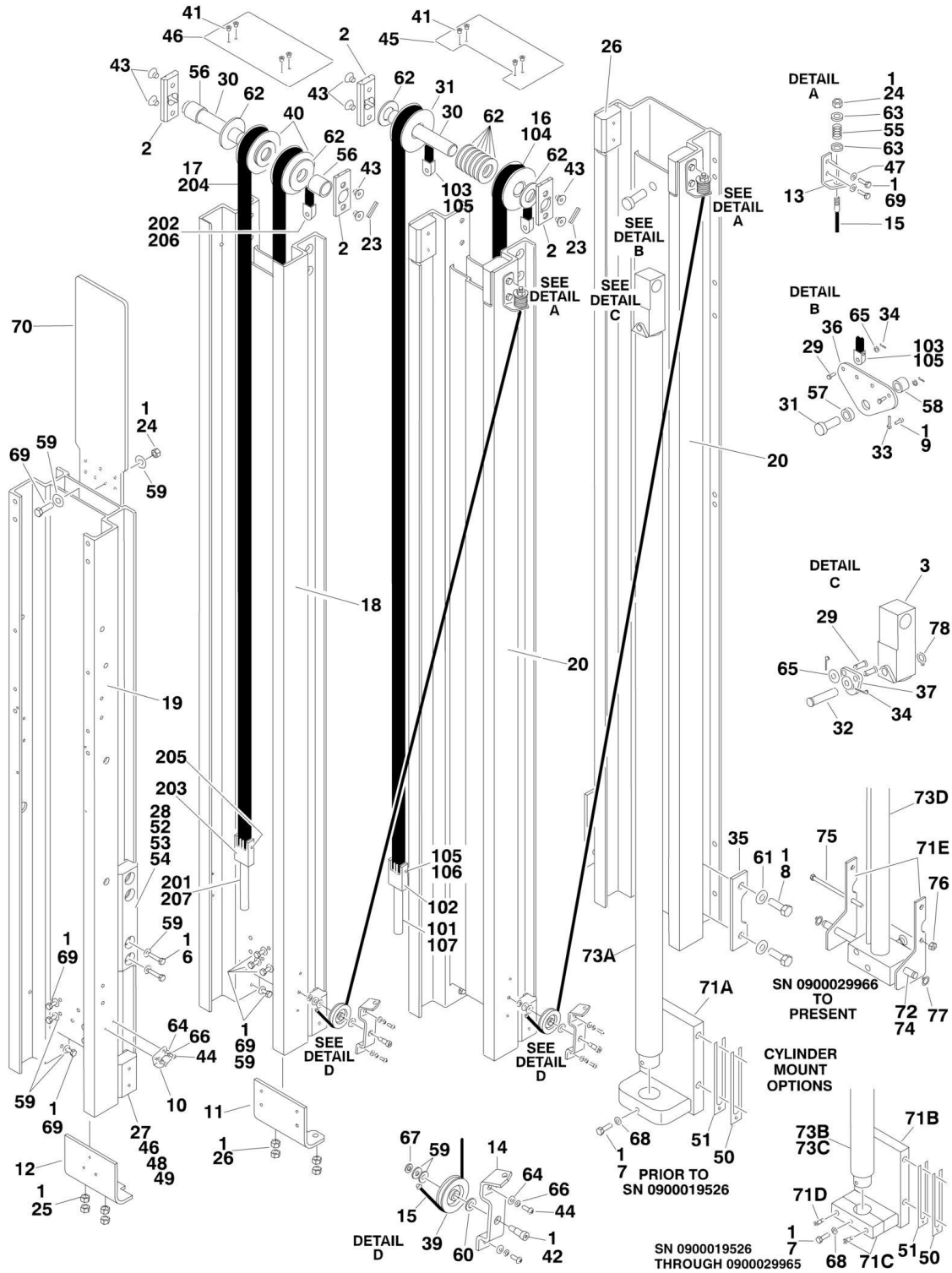
SECTION 2 - CONTROLS

ITEM	PART NUMBER	QTY	DESCRIPTION	REV
302	4460227	2	Pin, Male	
303	4460909	1	Connector, Female - 12 Position	
303	4460517	8	Socket, Female	
303	4460466	6	Seal, Plug	
303	4460915	1	Lock, Wedge	
304	4461000	1	Connector, Strain Relief	

SECTION 3 - MAST

SECTION 3 - MAST

FIGURE 3-1. MAST ASSEMBLY (ALL CHAIN)



SECTION 3 - MAST

FIGURE 3-1. MAST ASSEMBLY (ALL CHAIN)

ITEM	PART NUMBER	QTY	DESCRIPTION	REV
		Ref	MAST ASSEMBLY	
	0801206	Ref	Mast Assembly (Prior to SN 0900019526)	A
	0801335	Ref	Mast Assembly (SN 0900019526 to Present)	H
		Ref	Note: CE Spec Machines may contain additional component not shown in this figure. Refer to Load Sensing System Manual p/n 3121289 for breakdown of these items.	
1	0100011	AR	Compound, Locking	
2	0362735	4	Bar, Sheave Pin Support	
3	0561341	1	Block, Chain Anchor	
6	0681410	8	Bolt 1/4in-20NC x 1 1/4in Grade 8	
7	0641508	1	Bolt 5/16in-18NC x 1in (Prior to SN 0900029966)	
8	0641812	4	Bolt 1/2in-13NC x 1 1/2in (Prior to SN 0900029966)	
9	0741006	1	Bolt #10-24NC x 3/4in	
10	0902047	1	Bracket, Sequence Cable	
11	0902422	1	Bracket, Bottom Chain Attach	
12	0902423	1	Bracket, Bottom Chain Attach	
13	0902431	2	Bracket, Sequence Cable	
14	0902445	2	Bracket, Sequence Cable	
15	1060683	2	Cable, Sequence	
16		Ref	Chain Assembly - #466 Options (See Items 101-106 for Breakdown):	
16	1260347	2	Chain Assembly - #466 (Prior to SN 0900015022)	
16	1260361	2	Chain Assembly - #466 (SN 0900015022 to Present)	
17		Ref	Chain Assembly - #444 Options (See Items 201-207 for Breakdown):	
17	1260349	2	Chain Assembly - #444 (Prior to SN 0900015022)	
17	1260356	2	Chain Assembly - #444 (SN 0900015022 to Present)	
18	1271392	1	Channel, Mast #6	
19	1271393	1	Channel, Mast Header	
20	1271421	1	Channel, Mast #2	
21		Ref	Channel, Mast #1 Options:	
21	1271447	1	Channel, Mast #1 (Prior to SN 0900031622)	
21	1001109405	1	Channel, Mast #1 (SN 0900031622 to Present)	
23	2880310	2	Key	
24	3311401	AR	Nut 1/4in-20 NC	
25	3311601	4	Nut 3/8in-16 NC	
26	3311801	4	Nut 1/2in-13NC	
27	3340845	10	Pad, Slide Guide	
28	3340858	2	Pad, Slide Guide	
29	3422338	4	Pin, Chain Equalizer	
30	3422717	2	Pin, Sheave	
31	3422750	1	Pin, Chain Equalizer	
32	3422752	1	Pin, Chain Equalizer	
33	3422757	1	Pin, Keeper	
34	3450304	2	Pin, Cotter	
35	3570893	2	Plate, Cylinder Mount (Prior to SN 0900029966)	
36	3571101	1	Plate, Chain Adjustment	
37	3571103	1	Plate, Chain Adjustment	
38		Ref	Sheave Assembly	
38	3580268	2	Sheave Assembly (Use p/n 3580286) (Prior to SN 0900017387)	

SECTION 3 - MAST

ITEM	PART NUMBER	QTY	DESCRIPTION	REV
38	3580286	2	Sheave Assembly (SN 0900017387 to Present)	
39	3580269	2	Sheave, Sequence Cable	
40		Ref	Sheave Assembly	
40	3580274	2	Sheave Assembly (Use p/n 3580293) (Prior to SN 0900017387)	
40	3580293	2	Sheave Assembly (SN 0900017387 to Present)	
41	3820034	8	Rivet	
42	3900187	10	Screw, Shoulder	
43	3900192	8	Screw, Countersunk 3/8in-16NC x 1/2in	
44	3900205	6	Screw #10-24NC x 1/2in	
45	4060960	1	Shield, Mast Cover	
46	4060961	1	Shield, Mast Cover	
47	4070860	AR	Shim, Slide Pad (.075)	
48	4070861	AR	Shim, Slide Pad (.036)	
49	4070862	AR	Shim, Slide Pad (.015)	
50	4070970	2	Shim, Cylinder Mount (Prior to SN 0900029966)	
51	4070971	4	Shim, Cylinder Mount (Prior to SN 0900029966)	
52	4070988	AR	Shim, Slide Pad (.075)	
53	4070989	AR	Shim, Slide Pad (.036)	
54	4070990	AR	Shim, Slide Pad (.015)	
55	4160124	2	Spring	
56	4567491	2	Tube, Spacer	
57	4567750	1	Tube, Spacer	
58	4567751	1	Tube, Spacer	
59	4711400	AR	Flatwasher 1/4in Thin	
60	4711500	2	Flatwasher 5/16in Thin	
61	4711800	4	Flatwasher 1/2in Thin (Prior to SN 0900029966)	
62		Ref	Flatwasher Options:	
62	4712600	9	Flatwasher (Prior to SN 0900017387)	
62	4740007	9	Flatwasher (SN 0900017387 to Present)	
63	4740414	4	Cupwasher	
64	4750800	6	Flatwasher #8 Regular	
65	4751500	4	Flatwasher 5/16in Regular	
66	4761000	6	Lockwasher #10	
67	4761400	2	Lockwasher 1/4in	
68	4761500	1	Lockwasher 5/16in (Prior to SN 0900029966)	
69		Ref	Bolt 1/4in-20NC Options:	
69	0641406	AR	Bolt 1/4in-20NC x 3/4in	
69	0641407	AR	Bolt 1/4in-20NC x 7/8in	
69	0641408	AR	Bolt 1/4in-20NC x 1in	
70	1671255	1	Cover, Mast Chain/Cable (SN 0900027062 to Present)	
71		Ref	Weld, Cylinder Mount Options:	
71A	4845731	1	Mount (Prior to SN 0900019526)	
71B	4846514	1	Mount (SN 0900019526 through 0900029965)	
71C	3572847	1	Clamp (Part of Item 67B) (SN 0900019526 through 0900029965)	
71D	3900163	2	Capscrew 3/8in-16NC x 2in (Part of Item 67C) (SN 0900019526 through 0900029965)	
71E	1001099754	4	Mount (SN 0900029966 to Present)	
72	1001100013	1	Pin (SN 0900029966 to Present)	
73		Ref	Lift Cylinder Assembly (See CYLINDER SECTION for Breakdown)	

SECTION 3 - MAST

ITEM	PART NUMBER	QTY	DESCRIPTION	REV
73A	1683699	1	Lift Cylinder Assembly (Prior to SN 0900019526)	
73B	1684088	1	Lift Cylinder Assembly (SN 0900019526 through 0900019589)	
73C	1684271	1	Lift Cylinder Assembly (SN 0900019590 through 0900029965)	
73D	1001100058	1	Lift Cylinder Assembly (SN 0900029966 to Present)	
74	3020039	AR	Lubricant, Moly Paste (SN 0900029966 to Present)	
75	0641872	2	Bolt 1/2in-13NC x 9in (SN 0900029966 to Present)	
76	3311801	2	Nut 1/2in-13NC (SN 0900029966 to Present)	
77	3760348	2	Ring, Retaining (SN 0900029966 to Present)	
78	3760383	1	Ring, Retaining (SN 0900029966 to Present)	
79		Ref	Mast Kit Options (Includes Items 18 - 21) (Not Shown):	
79	2901877	1	Mast Kit (Prior to SN 0900031622)	
79	1001109314	1	Mast Kit (SN 0900031622 to Present)	
		Ref	CHAIN ASSEMBLY - #466 CHAIN	
	1260347	Ref	Chain Assembly - #466 Chain (Prior to SN 0900015022)	E
	1260361	Ref	Chain Assembly - #466 Chain (SN 0900015022 to Present)	D
101	0100019	AR	Compound, Locking	
102		Ref	Block Options:	
102	0561150	1	Block (Prior to SN 0900015022)	
102	0561409	1	Block (SN 0900015022 to Present)	
103	0561153	1	Block, Chain Anchor	
104	1260299	AR	Chain	
105	3422346	2	Pin	
106	4300111	1	Stud	
		Ref	CHAIN ASSEMBLY - #444 CHAIN	
	1260349	Ref	Chain Assembly - #444 Chain (Prior to SN 0900015022)	E
	1260356	Ref	Chain Assembly - #444 Chain (SN 0900015022 to Present)	E
201	0100019	AR	Compound, Locking	
202	0561149	1	Block	
203	0561153	1	Block, Chain Anchor	
204	1260298	AR	Chain	
205	3422346	1	Pin	
206	3422355	1	Pin	
207	4300111	1	Stud	

SECTION 3 - MAST

FIGURE 3-2. MAST MOUNTED COMPONENTS INSTALLATIONS

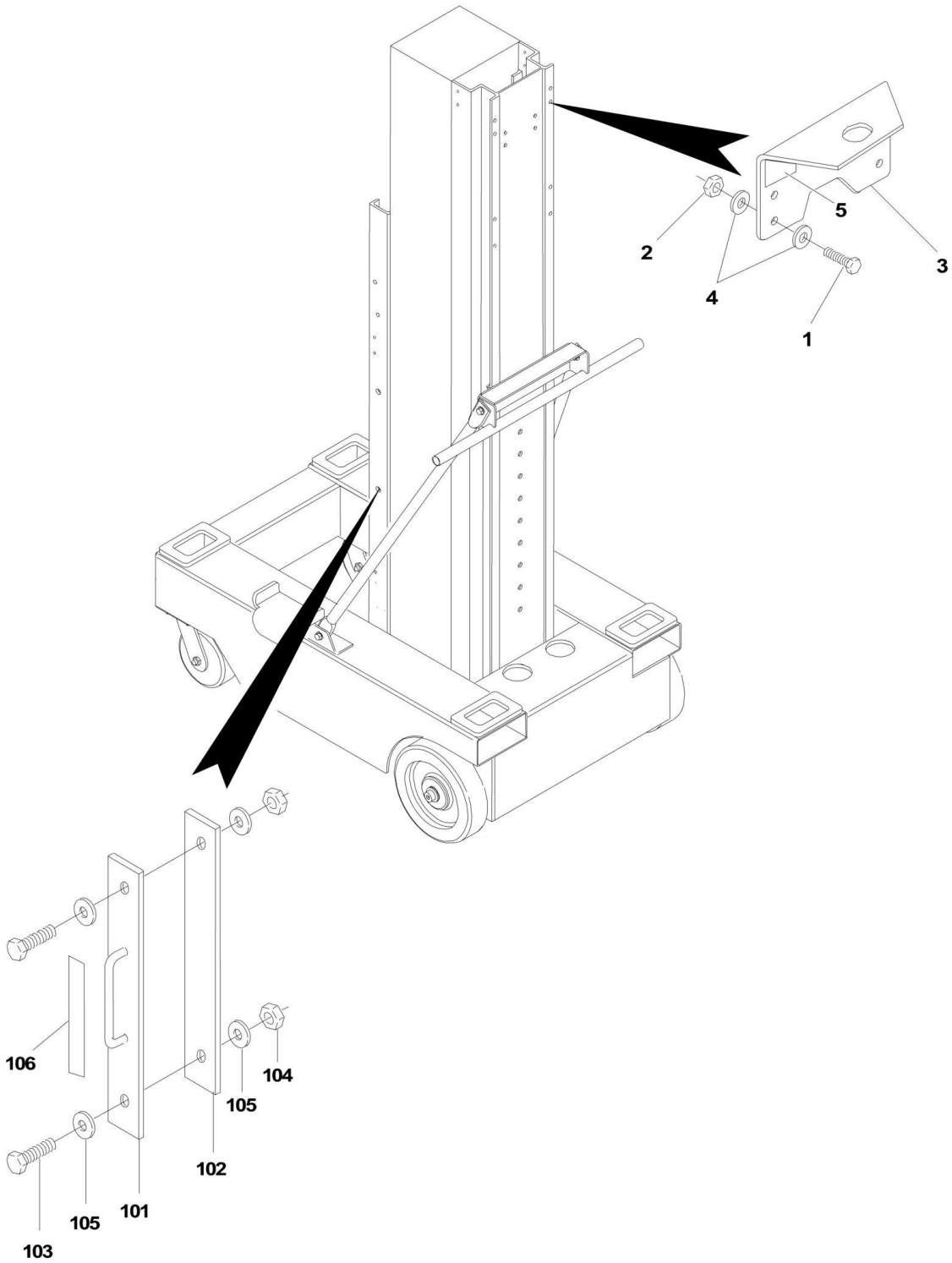


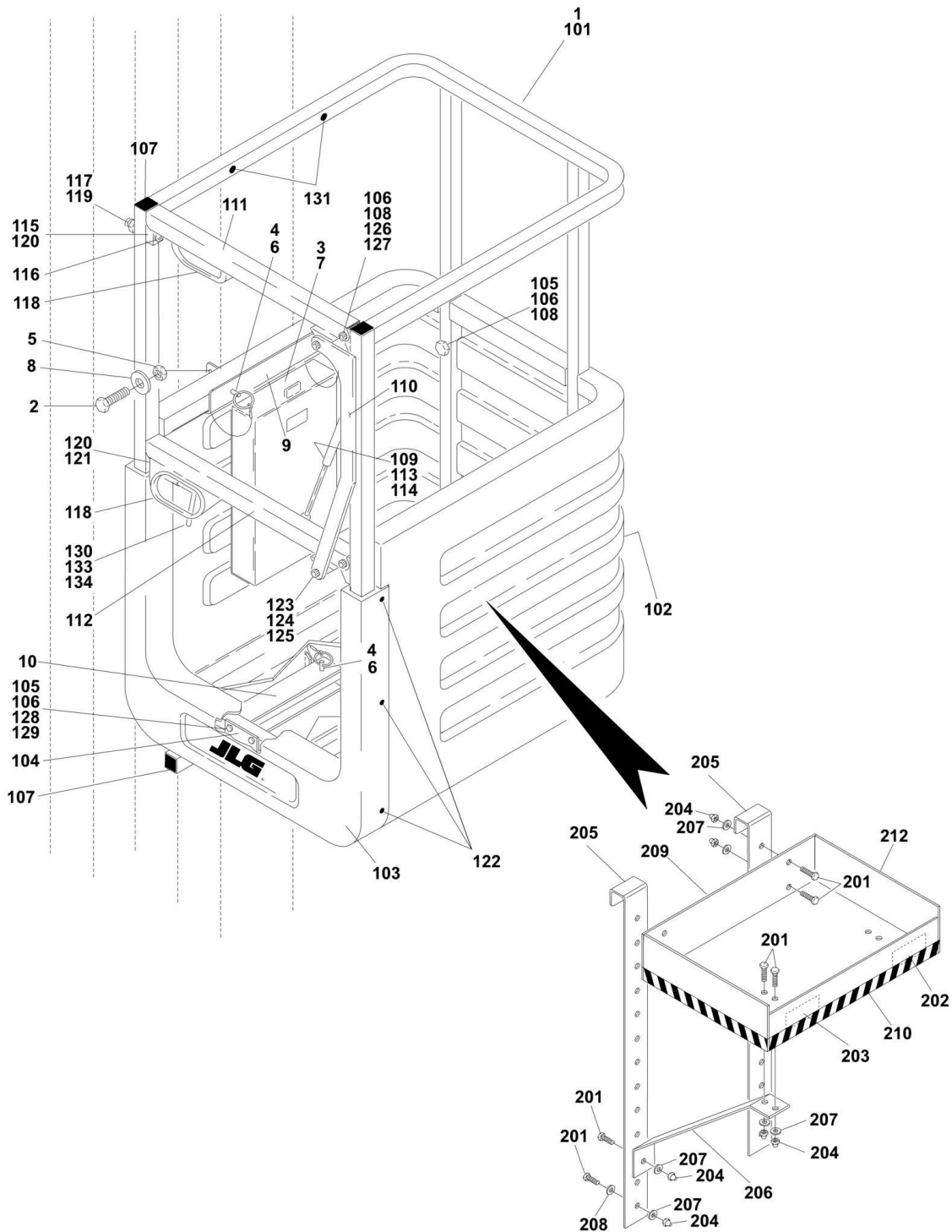
FIGURE 3-2. MAST MOUNTED COMPONENTS INSTALLATIONS

ITEM	PART NUMBER	QTY	DESCRIPTION	REV
	0258448	Ref	OPTIONAL CRANE HOOK INSTALLATION	C
1	0641612	4	Bolt 3/8in-16NC x 1-1/2in	
2	3311605	4	Locknut 3/8in-16NC	
3	3570976	1	Plate, Crane Hook	
4	4711600	8	Flatwasher 3/8in	
5	1703455	1	Decal - Crane Hook	
	0256559	Ref	SAFETY ATTACH INSTALLATION - 15AMI	3-B
101	4845345	1	Weldment, Safety Attach	
102	3539814	1	Plate	
103	0681812	2	Bolt 1/2in-13NC x 1-1/2in	
104	3271805	2	Locknut 1/2in-13NC	
105	4751800	4	Flatwasher 1/2in	
106	1702612	1	Decal - Lanyard Attach	

SECTION 4 - PLATFORM

SECTION 4 - PLATFORM

FIGURE 4-1. MOLDED PLATFORM INSTALLATION



SECTION 4 - PLATFORM

FIGURE 4-1. MOLDED PLATFORM INSTALLATION

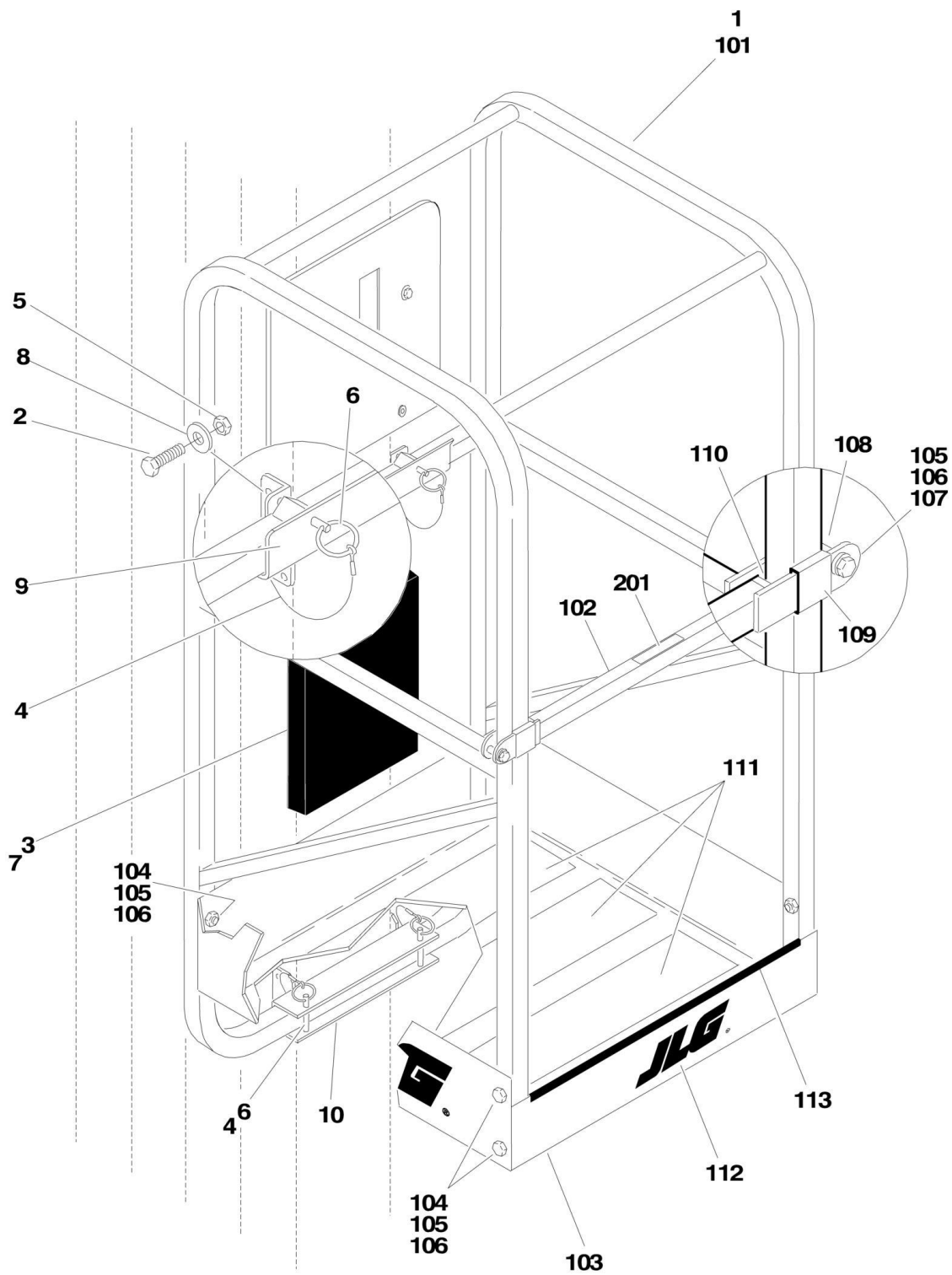
ITEM	PART NUMBER	QTY	DESCRIPTION	REV
		Ref	MOLDED PLATFORM INSTALLATION	
	0259076	Ref	Platform 25inx 26in (Molded)	B
1	0258672	1	Platform Assembly (See Items 101 - 134 for Breakdown)	
2	0641408	8	Bolt 1/4in-20NC x 1in	
3	0860520	1	Box, Manual Storage	
4	1060380	4	Cable, Lanyard	
5	3311405	8	Locknut 1/4in-20NC	
6	3422657	4	Pin, Ball Detent	
7	3820024	4	Rivet	
8	4711400	16	Flatwasher 1/4in	
9	4845821	1	Platform Mount Weldment	
10		Ref	Platform Mount Weldment Options:	
10	4845821	NLA	Platform Mount Weldment (Use p/n 4846021) (Prior to SN 0900013017)	
10	4846021	1	Platform Mount Weldment (SN 0900013017 to Present)	
	0258672	Ref	MOLDED PLATFORM ASSEMBLY	3-B
101	4845822	1	Rail	
102	3510676	1	Basket	
103	4060882	1	Cover	
104	4845831	1	Bottom Mount Weldment	
105	0641416	10	Bolt 1/4in-20NC x 2in	
106	4751400	22	Flatwasher 1/4in	
107	3520072	4	Cap	
108	3311405	12	Locknut 1/4in-20NC	
109	4160125	1	Spring, Gas	
110	0362347	1	Link, Gate	
111	3640924	1	Rail, Gate (Top)	
112	3640990	1	Rail, Gate (Bottom)	
113	4711500	1	Flatwasher	
114	3311505	1	Locknut 5/16in-18NC	
115	3340746	1	Pad, Gate Rest	
116	3911032	4	Screw #10-24NC x 2in	
117	4751000	8	Flatwasher #10	
118	4060804	2	Flex-Trim	
119	3311001	4	Nut #10-24NC	
120	4070890	2	Shim, Gate Stop	
121	3340754	1	Pad, Gate Latch	
122	3900177	6	Screw, Plastite	
123	3900202	2	Bolt, Shoulder 1/4in x 1/4in	
124	4740429	4	Washer, Nylon	
125	3311005	2	Locknut #10-24NC	
126	3900203	2	Bolt, Shoulder 5/16in x 1-1/2in	
127	4740428	4	Washer, Nylon	
128	3300151	2	Nut, Acorn 1/4in-20NC	
129	0100011	AR	Compound, Locking	
130	2940082	1	Latch, Gate	
131	3520028	AR	Plug 1/2in	
133	3820024	2	Rivet	
134	4070894	1	Shim, Gate Latch	
	0258799	Ref	MATERIAL TRAY ASSEMBLY (OPTIONAL)	D

SECTION 4 - PLATFORM

ITEM	PART NUMBER	QTY	DESCRIPTION	REV
201	0630383	12	Bolt 5/16in-18NC x 3/4in	
202	1704193	1	Decal - Capacity	
203	1704194	1	Decal - Capacity	
204	3300356	12	Acorn Nut 5/16in-18NC	
205	3571117	2	Bracket, Material Tray	
206	3571118	2	Support, Material Tray	
207	4751500	12	Flatwasher 5/16in	
208	4751800	2	Flatwasher 1/2in	
209	3572533	1	Plate, Material Tray	
210	4420051	6.5 ft/2m	Tape, Safety	
211	1704826	1	Decal - Liftmaster (Not Shown)	
212	4060803	6.5 ft/2m	Shield, Flex Trim 1/8in	

SECTION 4 - PLATFORM

FIGURE 4-2. QUICK-CHANGE PLATFORM INSTALLATION



SECTION 4 - PLATFORM

FIGURE 4-2. QUICK-CHANGE PLATFORM INSTALLATION

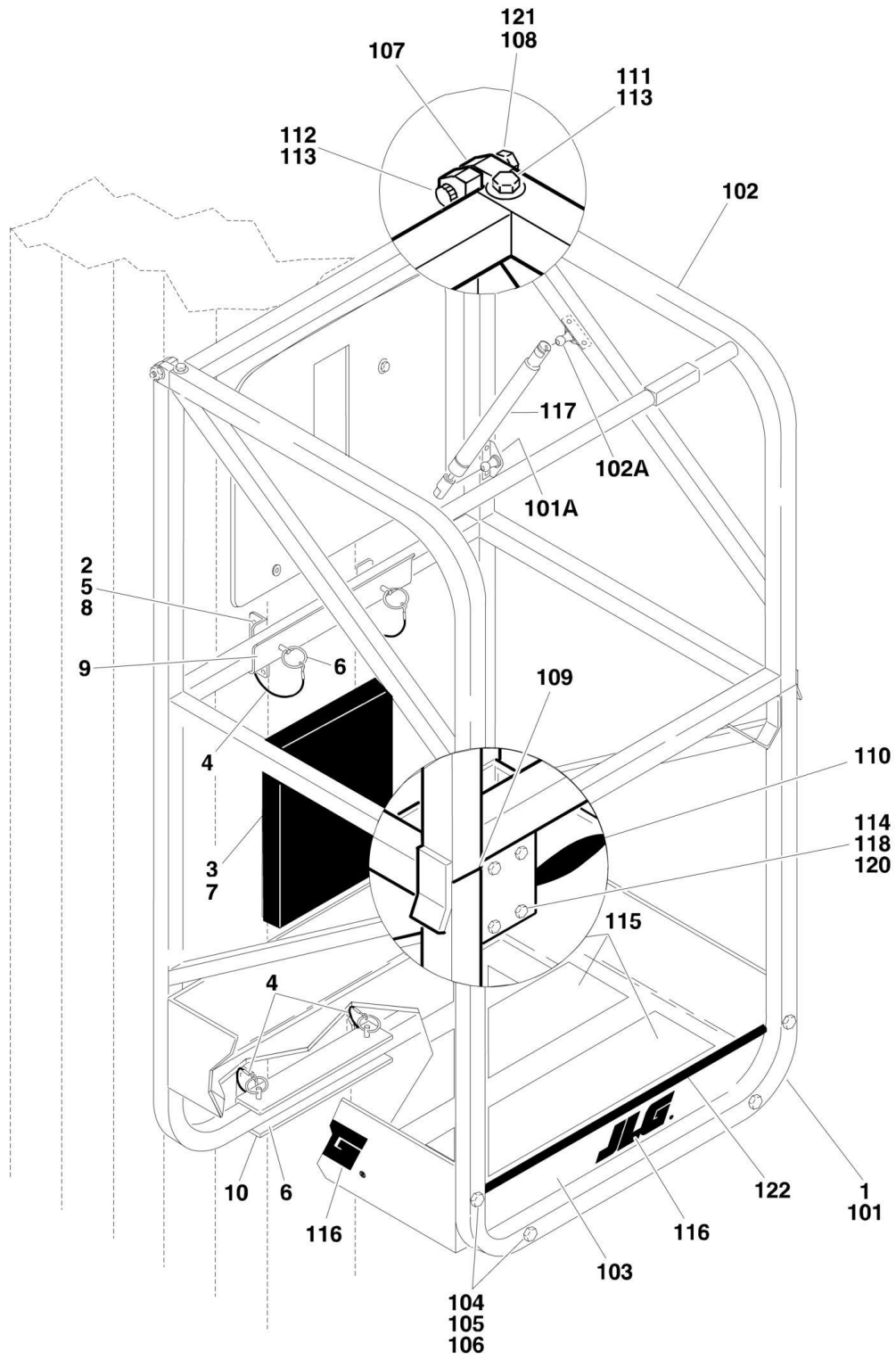
ITEM	PART NUMBER	QTY	DESCRIPTION	REV
		Ref	PLATFORM INSTALLATION OPTIONS:	
	0259073	Ref	SLIDE RAIL SIDE ENTRY (Cable and Chain)	C
	0259077	Ref	SLIDE RAIL FRONT ENTRY (Cable and Chain)	B
1		Ref	Assembly, Platform 26in x 26in (66cm x 66cm) Options:	
1	0257711	1	Platform with Front Entry	
1	0258562	1	Platform with Side Entry (Prior to SN 0900027062)	
1	3510907	1	Platform with Side Entry (SN 0900027062 to Present)	
2	0641408	8	Bolt, 1/4in-20NC x 1in	
3	0860520	1	Box, Manual Storage	
4	1060380	4	Cable, Lanyard	
5	3311405	8	Locknut, 1/4in-20NC	
6	3422657	4	Pin, Quick Release	
7	3820024	4	Rivet	
8	4711400	16	Flatwasher 1/4in Thin	
9	4845821	1	Platform Mount Weldment	
10		Ref	Platform Mount Weldment Options:	
10	4845821	NLA	Platform Mount Weldment (Use p/n 4846021) (Prior to SN 0900013017)	
10	4846021	1	Platform Mount Weldment (SN 0900013017 to Present)	
		Ref	PLATFORM ASSEMBLY OPTIONS:	
	0257711	Ref	SLIDE RAIL FRONT ENTRY	6-D
	0258562	Ref	SLIDE RAIL SIDE ENTRY (Prior to SN 0900027062)	C
	3510907	Ref	SLIDE RAIL SIDE ENTRY (SN 0900027062 to Present)	B
101		Ref	Platform Rail Weldment Options:	
101	4845577	1	Front Entry	
101	4845796	1	Slide Rail Side Entry (Prior to SN 0900027062)	
101	3641664	1	Slide Rail Side Entry (SN 0900027062 to Present)	
102		Ref	Gate Weldment Options:	
102	4845578	1	Front Entry (Prior to SN 0900016858)	
102	4845797	1	Front Entry (SN 0900016858 to Present)	
102	4845797	1	Side Entry	
103		Ref	Plate, Platform Pan	
103	3570435	1	Front Entry	
103	3570986	1	Slide Rail Side Entry (Prior to SN 0900027062)	
103	3510910	1	Slide Rail Side Entry (SN 0900027062 to Present)	
104	0641414	8	Bolt, 1/4in-20NC x 1-3/4in	
105	4711400	20	Flatwasher, 1/4in Thin	
106	3311405	10	Locknut, 1/4in-20NC	
107	0641418	2	Bolt, 1/4in-20NC x 2-1/4in	
108	0961845	2	Bushing	
109	4280296	1.5 ft/46cm	Strip, Wear	
110	3520169	2	Plug, Cap	
111	4420039	3	Tape, Non-Skid (Use p/n 1001099638)	
112	1701612	3	Decal - JLG (Use p/n 1703681)	
113		Ref	Shield, Flex Trim	
113	4060803	AR	Front Entry	
113	4060803	AR	Side Entry	
		Ref	DECAL - DROPBAR INSTALLATION OPTIONS:	
	0274606	Ref	Australian Spec	A

SECTION 4 - PLATFORM

ITEM	PART NUMBER	QTY	DESCRIPTION	REV
201	0274607	Ref	CE Specs	A
201		Ref	Decal - Dropbar Options:	
201	1706385	1	Australian Spec	
201	1706493	1	CE Spec	

SECTION 4 - PLATFORM

FIGURE 4-3. QUICK-CHANGE PLATFORM INSTALLATION WITH GULLWING GATE



SECTION 4 - PLATFORM

FIGURE 4-3. QUICK-CHANGE PLATFORM INSTALLATION WITH GULLWING GATE

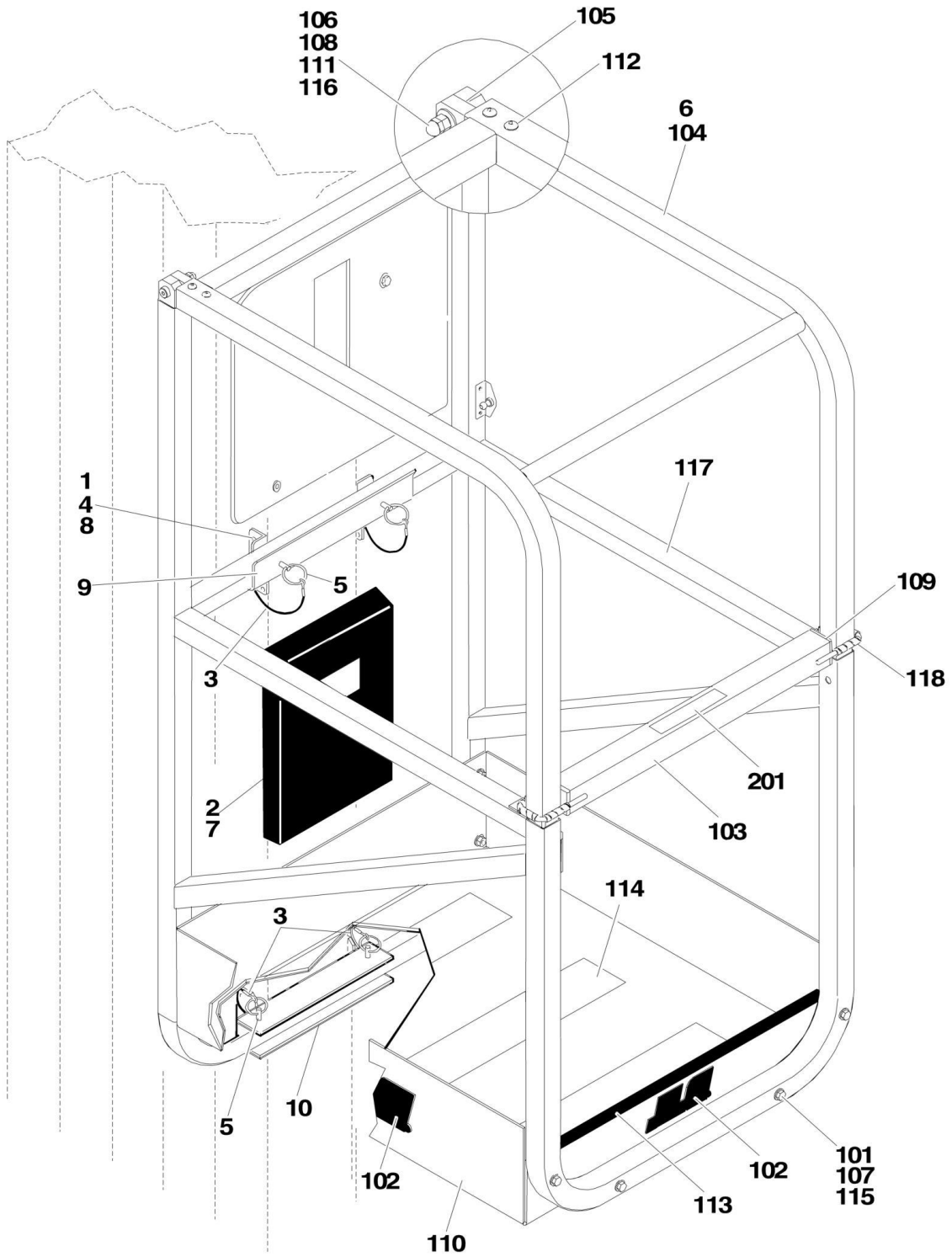
ITEM	PART NUMBER	QTY	DESCRIPTION	REV
		Ref	PLATFORM INSTALLATION OPTIONS:	
	0259075	Ref	22in x 25in (56cm x 63.5cm)	B
	0259074	Ref	28in x 26in (71cm x 66cm)	C
1		Ref	Platform Assembly (See Item 101 - 123 for Breakdown)	
1	0258587	1	22in x 25in (56cm x 63.5cm)	
1	0258588	1	28in x 26in (71cm x 66cm) (Prior to SN 0900027062)	
1	3510905	1	28in x 26in (71cm x 66cm) (SN 0900027062 to Present)	
2	0641408	8	Bolt, 1/4in-20NC x 1in	
3	0860520	1	Box, Manual Storage	
4	1060380	4	Cable, Lanyard	
5	3311405	8	Locknut, 1/4in-20NC	
6	3422657	4	Pin, Quick Release	
7	3820024	4	Rivet	
8	4711400	16	Flatwasher 1/4in Thin	
9	4845821	1	Platform Mount Weldment	
10		Ref	Platform Mount Weldment Options:	
10	4845821	NLA	Platform Mount Weldment (Use p/n 4846021) (Prior to SN 0900013017)	
10	4846021	1	Platform Mount Weldment (SN 0900013017 to Present)	
		Ref	PLATFORM ASSEMBLIES	
	0258587	Ref	22in X 25in (56cm x 63.5cm)	4-D
	0258588	Ref	28in x 26in (71cm x 66cm) (Prior to SN 0900027062)	7-E
	3510905	Ref	28in x 26in (71cm x 66cm) (SN 0900027062 to Present)	B
101		Ref	Platform Rail Weldment Options:	
101	4845809	1	22in X 25in (56cm x 63.5cm)	
101	4845808		28in x 26in (71cm x 66cm) (Prior to SN 0900027062)	
101	3641663		28in x 26in (71cm x 66cm) (SN 0900027062 to Present)	
101A	0902877	1	Mount, Gas Spring (Welded on Part)	
102		Ref	Gullwing Gate Weldment Options:	
102	4845805	1	22in X 25in (56cm x 63.5cm)	
102	4845813	1	28in x 26in (71cm x 66cm)	
102A	0902877	1	Mount, Gas Spring (Welded on Part)	
103		Ref	Plate, Platform Pan Options:	
103	3570464	1	22in X 25in (56cm x 63.5cm)	
103	3570462		28in x 26in (71cm x 66cm) (Prior to SN 0900027062)	
103	3510904		28in x 26in (71cm x 66cm) (SN 0900027062 to Present)	
104	0641414	8	Bolt 1/4in-20NC x 1-3/4in	
105	4711400	16	Flatwasher 1/4in Thin	
106	3311405	8	Locknut 1/4in-20NC	
107	2600225	4	Hinge, Gate	
108	3311505	2	Locknut 5/16in-18NC	
109	3520072	4	Cap, Plug	
110	2940074	1	Latch	
111	3900258	8	Screw, Button Head 1/4in-20NC x 3/4in	
112	3900032	2	Bolt, Shoulder	
113	4711600	AR	Flatwasher 3/8in Thin	
114	0721006	4	Bolt #10-24NC x 3/4in	
115		Ref	Tape, Non-Skid Options:	
115	4420039	3.75 ft/1.1m	22in x 25in (56cm x 63.5cm)	

SECTION 4 - PLATFORM

ITEM	PART NUMBER	QTY	DESCRIPTION	REV
115	4420039	3	28in x 26in (71cm x 66cm) (Use p/n 1001099638)	
116	1701612	3	Decal - JLG (Use p/n 1703681)	
117	4160165	1	Spring, Gas Shock	
118	4751000	8	Flatwasher #10 Regular	
120	3311005	4	Locknut #10-24NC	
121	3300356	2	Nut-Acorn 5/16in-18NC	
122	4060803	Ref	Shield, Flex Trim Options:	
122	4060803	0	Shield, Flex Trim 22in X 22in (56cm x 56cm)	
122	4060803	AR	Shield, Flex Trim 22in x 25in (56cm x 63.5cm)	
122	4060803	AR	Shield, Flex Trim 28in x 26in (71cm x 66cm)	
123	3520060	2	Plug, 3/8in Hole (Not Shown)	

SECTION 4 - PLATFORM

FIGURE 4-4. QUICK-CHANGE PLATFORM INSTALLATION WITH SLIDE BAR



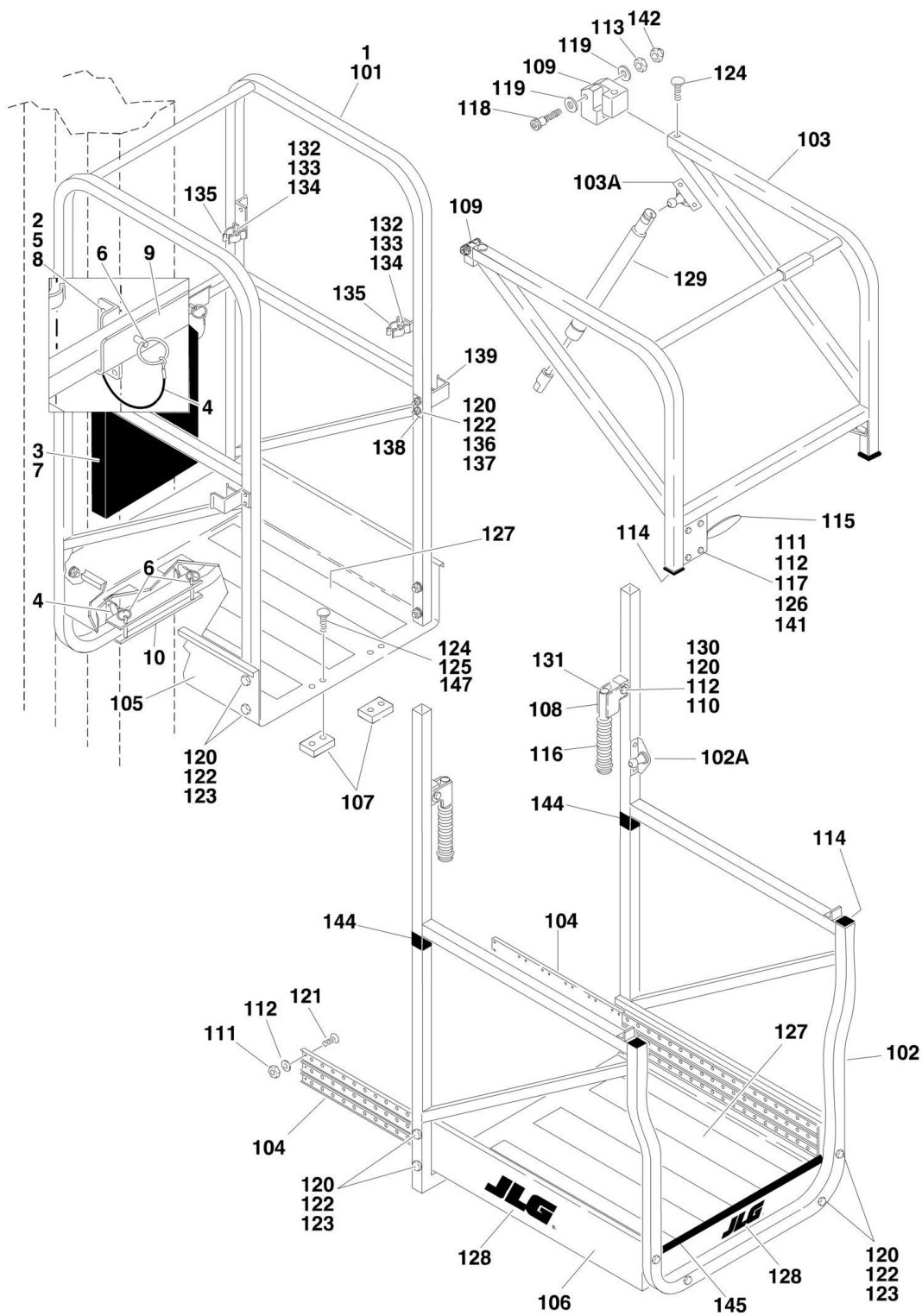
SECTION 4 - PLATFORM

FIGURE 4-4. QUICK-CHANGE PLATFORM INSTALLATION WITH SLIDE BAR

ITEM	PART NUMBER	QTY	DESCRIPTION	REV
	0274344	Ref	PLATFORM INSTALLATION - 22in x 25in (56cm x 63.5cm)	A
1	0641408	8	Bolt, 1/4in-20NC x 1in	
2	0860520	1	Box, Manual Storage	
3	1060380	4	Cable, Lanyard	
4	3311405	8	Locknut, 1/4in-20NC	
5	3422657	4	Pin, Quick Release	
6	3510873	1	Platform Assembly (See Item 101 - 118 for Breakdown)	
7	3820024	4	Rivet	
8	4711400	16	Flatwasher 1/4in Thin	
9	4845821	1	Platform Mount Weldment	
10	4846021	1	Platform Mount Weldment	
	3510873	Ref	PLATFORM ASSEMBLY - 22in X 25in (56cm x 63.5cm)	B
101	0641414	8	Bolt 1/4in-20NC x 1-3/4in	
102	1703681	3	Decal - JLG	
103	2410016	1	Gate, Slide Bar	
104	2410018	1	Gate, Gull Wing	
105	2600225	4	Hinge, Gate	
106	3300356	2	Nut-Acorn 5/16in-18NC	
107	3311405	8	Locknut 1/4in-20NC	
108	3311505	2	Locknut 5/16in-18NC	
109	3520169	2	Cap, Plug	
110	3570464		Plate, Platform Pan	
111	3900032	2	Bolt, Shoulder	
112	3900258	8	Screw, Button Head 1/4in-20NC x 3/4in	
113	4060803	AR	Shield, Flex Trim Options	
114	1001099638	3	Tape, Non-Skid	
115	4711400	16	Flatwasher 1/4in Thin	
116	4711600	2	Flatwasher 3/8in Thin	
117	4845809		Platform Rail Weldment	
118	1560019	1 ft/0.3m	Conduit, Spiral Loom	
	0274607	Ref	DROP BAR DECAL INSTALLATION (CE SPEC)	A
201	1706493	1	Decal - Drop Bar	

SECTION 4 - PLATFORM

FIGURE 4-5. QUICK-CHANGE PLATFORM INSTALLATION WITH EXTENSION



SECTION 4 - PLATFORM

FIGURE 4-5. QUICK-CHANGE PLATFORM INSTALLATION WITH EXTENSION

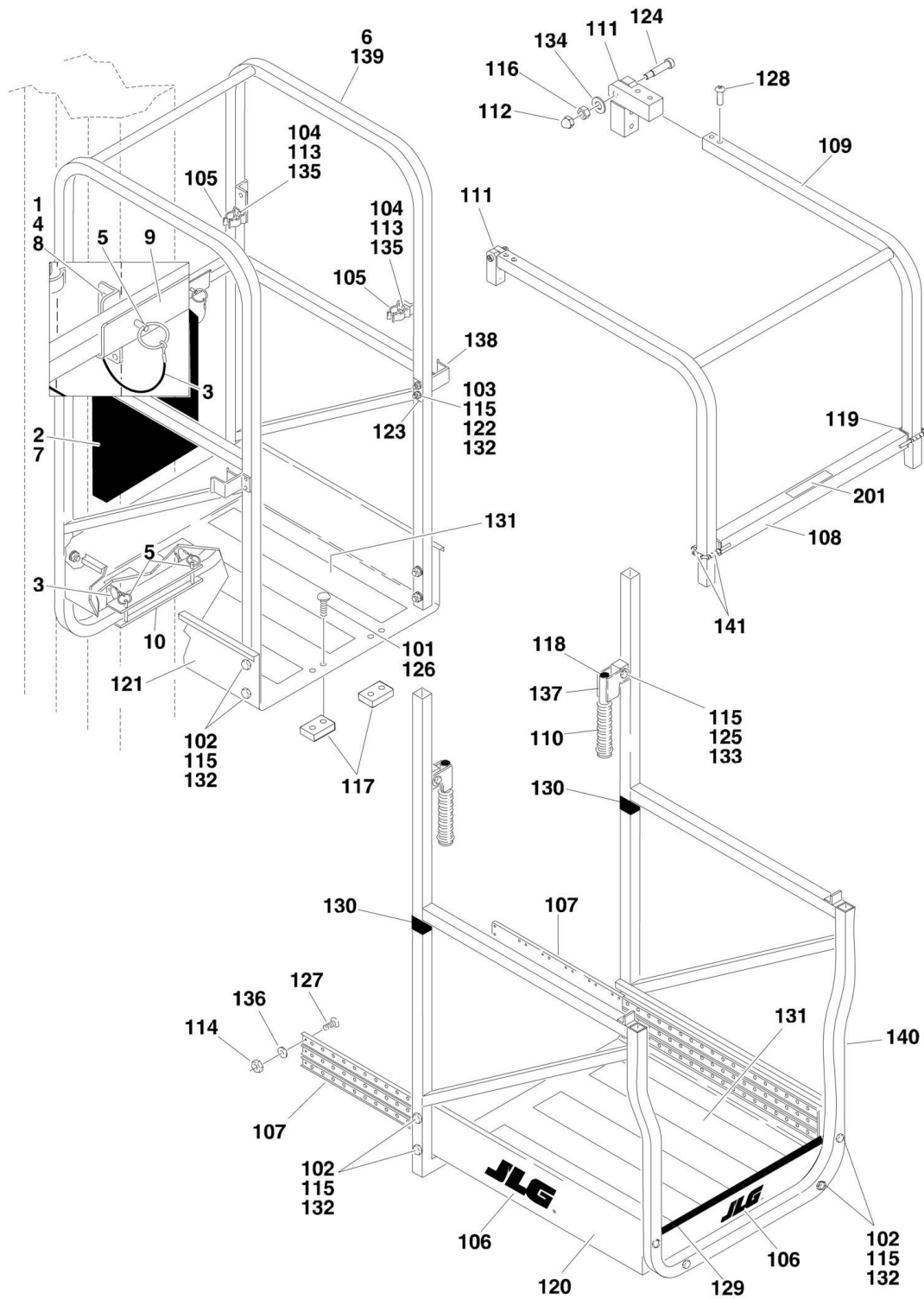
ITEM	PART NUMBER	QTY	DESCRIPTION	REV
	0259078	Ref	PLATFORM INSTALLATION 26in X 50in (66cm x 127cm)	B
1	0258586	1	Assembly, Extendable Platform (See Item 101 - 147 for Breakdown)	
2	0641408	8	Bolt, 1/4in-20NC x 1in	
3	0860520	1	Box, Manual Storage	
4	1060380	4	Cable, Lanyard	
5	3311405	8	Locknut, 1/4in-20NC	
6	3422657	4	Pin, Quick Release	
7	3820024	4	Rivet	
8	4711400	16	Flatwasher 1/4in Thin	
9	4845821	1	Mounting Bracket Weldment	
10	4846021	1	Mounting Bracket Weldment	
	0258586	Ref	PLATFORM ASSEMBLIES	J
101	4845810	1	Platform Rail Weldment	
102	4845811	1	Platform Extension Weldment	
102A	0902395	NLA	Mount, Gas Spring (Welded on Part) (Use p/n 0902877)	
103	4845812	1	Gullwing Gate Weldment	
103A	0902395	NLA	Mount, Gas Spring (Welded on Part) (Use p/n 0902877)	
104	2020005	1	Glides, Extension	
105	3570362	1	Plate, Platform Pan (Stationary)	
106	3570274	1	Plate, Platform Pan (Extension)	
107	3340829	2	Pad, Slide	
108	4845614	2	Handle	
109	2600225	4	Hinge, Gate	
110	3900200	2	Bolt, Shoulder 5/16in-18NC x 1-1/4in	
111	3311005	AR	Locknut #10-24NC	
112	4751000	AR	Flatwasher #10 Regular	
113	3311505	2	Locknut 5/16in-18NC	
114	3520072	4	Cap, Plug	
115	2940074	1	Latch	
116	2560154	2	Grip, Handle (Use p/n 2560088)	
117	0721006	4	Bolt #10-24NC x 3/4in	
118	3900032	2	Bolt, Shoulder	
119	4711600	2	Flatwasher 3/8in Thin	
120	3311405	22	Locknut 1/4in-20NC	
121	3900252	64	Screw, Button Head #10-24	
122	4711400	40	Flatwasher 1/4in Thin	
123	0641414	16	Bolt 1/4in-20NC x 1-3/4in	
124	3900258	Ref	Screw, Button Head 1/4in-20NC x 3/4in	
124	3900258	8	Platform Assemblies (Prior to SN 0900022497)	
124	3900258	4	Platform Assemblies (SN 0900022497 to Present)	
125	0100011	AR	Compound, Locking	
126	4751000	AR	Flatwasher #10 Regular	
127	4420039	6	Tape, Non-Skid (Use p/n 1001099638)	
128		Ref	Decal - JLG Options:	
128	1701612	3	Decal - JLG (Use p/n 1703681) (Prior to SN 0900015288)	
128	1703681	3	Decal - JLG (SN 0900015288 to Present)	
129	4160165	1	Spring, Gas Shock	
130	4711500	4	Flatwasher 5/16in Thin	
131	3520030	2	Plug, Hole	

SECTION 4 - PLATFORM

ITEM	PART NUMBER	QTY	DESCRIPTION	REV
132	0720805	4	Screw #8-32NC x 5/8in	
133	4750800	8	Flatwasher #8 Regular	
134	3310805	4	Locknut #8-32NC	
135	1380132	4	Clip, Gripper	
136	0641416	4	Bolt 1/4in-20NC x 1-3/4in	
137	3570653	2	Plate, Shim	
138	3570654	2	Plate, Backing	
139	4845657	2	Stop, Weldment	
141	3311005	AR	Locknut #10-24	
142	3300356	2	Acorn, Nut 5/16in-18NC (Prior to SN 0900030133)	
144	4280296	10 in/25cm	Strip, Wear	
145	4060803	AR	Shield, Flex Trim	
147	3900251	4	Screw 1/4in-20NC x 3/8in (SN 0900011497 to Present)	

SECTION 4 - PLATFORM

FIGURE 4-6. QUICK-CHANGE PLATFORM INSTALLATION WITH SLIDE BAR AND EXTENSION



SECTION 4 - PLATFORM

FIGURE 4-6. QUICK-CHANGE PLATFORM INSTALLATION WITH SLIDE BAR AND EXTENSION

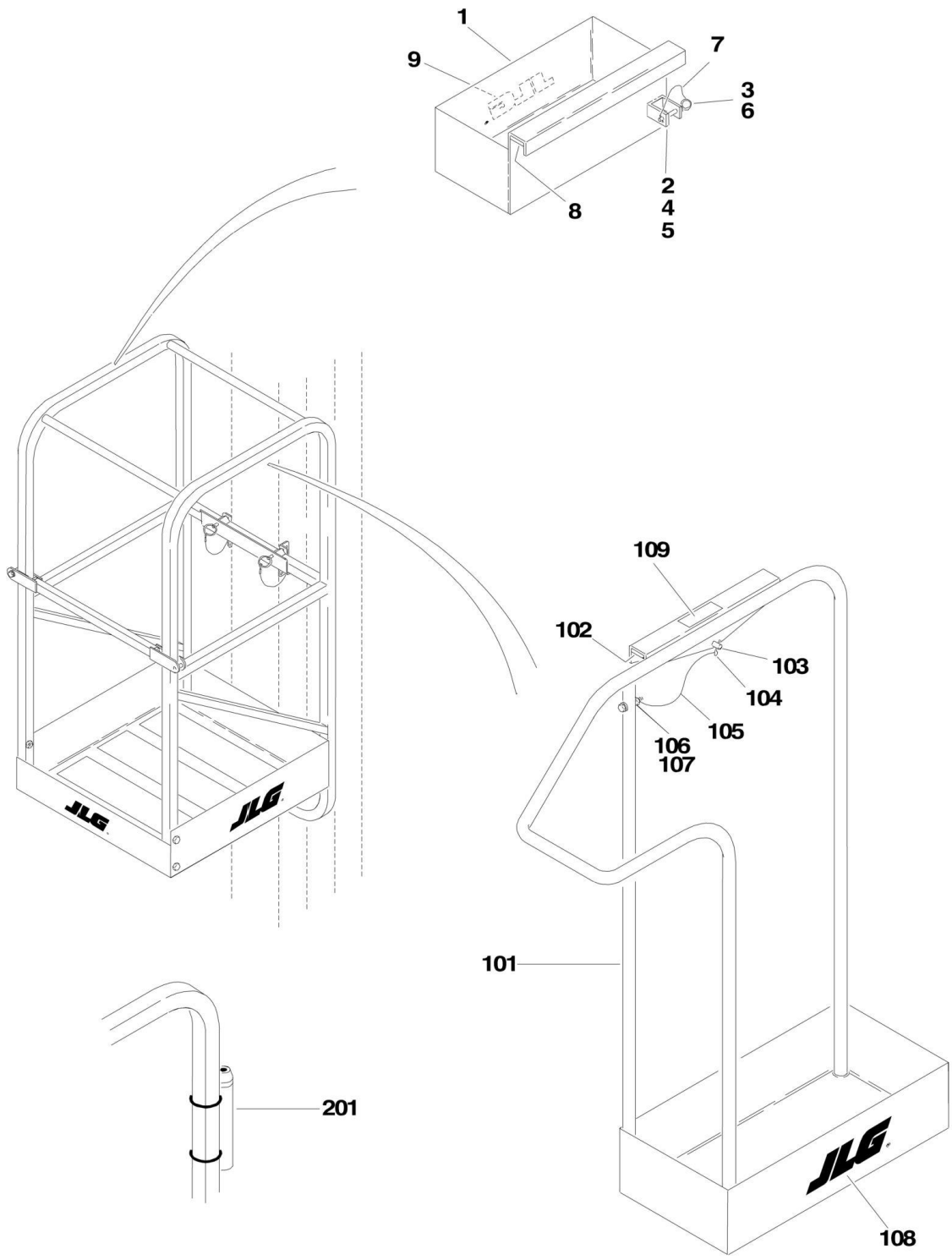
ITEM	PART NUMBER	QTY	DESCRIPTION	REV
	0274345	Ref	PLATFORM INSTALLATION 26in X 50in (66cm x 127cm)	A
1	0641408	8	Bolt, 1/4in-20NC x 1in	
2	0860520	1	Box, Manual Storage	
3	1060380	4	Cable, Lanyard	
4	3311405	8	Locknut, 1/4in-20NC	
5	3422657	4	Pin, Quick Release	
6	3510874	1	Platform Assembly (See Item 101 - 141 for Breakdown)	
7	3820024	4	Rivet	
8	4711400	16	Flatwasher 1/4in Thin	
9	4845821	1	Mounting Bracket Weldment	
10	4846021	1	Mounting Bracket Weldment	
	3510874	Ref	PLATFORM ASSEMBLIES	B
101	0100011	AR	Compound, Locking	
102	0641414	16	Bolt 1/4in-20NC x 1-3/4in	
103	0641416	4	Bolt 1/4in-20NC x 2in	
104	0720805	4	Bolt #8-32NC x 5/8in	
105	1380132	4	Clip, Gripper	
106	1703681	3	Decal - JLG	
107	2020005	1	Glides, Extension	
108	2410017	1	Gate, Slide Bar	
109	2410019	1	Gullwing Gate Weldment	
110	2560154	2	Grip, Handle (Use p/n 2560088)	
111	2600225	4	Hinge, Gate	
112	3300356	2	Nut, Acorn 5/16in-18NC	
113	3310805	4	Locknut #8-32NC	
114	3311005	64	Locknut #10-24NC	
115	3311405	22	Locknut 1/4in-20NC	
116	3311505	2	Locknut 5/16in-18NC	
117	3340829	2	Pad, Slide	
118	3520030	2	Plug, Hole	
119	3520169	2	Cap, Plug	
120	3570274	1	Plate, Platform Pan (Extension)	
121	3570362	1	Plate, Platform Pan (Stationary)	
122	3570653	AR	Plate, Shim	
123	3570654	2	Plate, Backing	
124	3900032	2	Bolt, Shoulder	
125	3900200	2	Bolt, Shoulder 5/16in-18NC x 1-1/4in	
126	3900251	4	Screw 1/4in-20NC x 3/8in	
127	3900252	64	Screw, Button Head #10-24	
128	3900258	8	Screw, Button Head 1/4in-20NC x 3/4in	
129	4060803	AR	Shield, Flex Trim	
130	4280296	10	Strip, Wear	
		in/25cm		
131	4420039	6	Tape, Non-Skid (Use p/n 1001099638)	
132	4711400	40	Flatwasher 1/4in Thin	
133	4711500	4	Flatwasher 5/16in Thin	
134	4711600	2	Flatwasher 3/8in Thin	
135	4750800	8	Flatwasher #8 Regular	
136	4751000	64	Flatwasher #10 Regular	
137	4845614	2	Handle	

SECTION 4 - PLATFORM

ITEM	PART NUMBER	QTY	DESCRIPTION	REV
138	4845657	2	Stop Weldment	
139	4845810	1	Platform Rail Weldment	
140	4845811	1	Platform Extension Weldment	
141	1560019	1 ft/0.3m	Conduit, Spiral Loom	
	0274607	Ref	DROP BAR DECAL INSTALLATION (CE SPEC)	A
201	1706493	1	Decal - Drop Bar	

SECTION 4 - PLATFORM

FIGURE 4-7. OPTIONAL PLATFORM COMPONENT INSTALLATIONS



SECTION 4 - PLATFORM

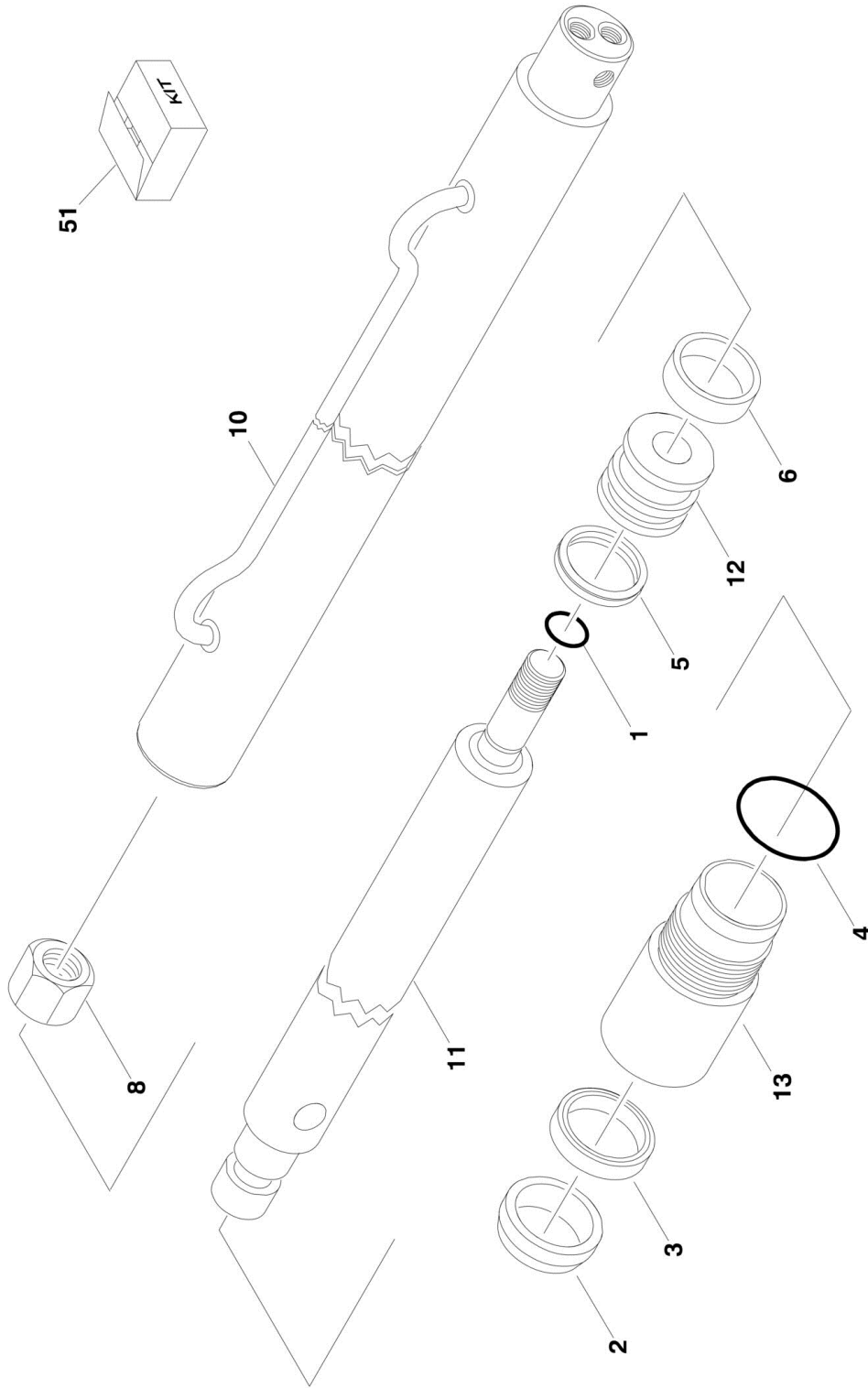
FIGURE 4-7. OPTIONAL PLATFORM COMPONENT INSTALLATIONS

ITEM	PART NUMBER	QTY	DESCRIPTION	REV
	0255036	Ref	TOOL TRAY ASSEMBLY	
1	0860947	1	Tool Box	
2	0902079	1	Bracket, Mounting	
3	3421453	1	Pin, Snap	
4	3900204	2	Bolt, Carriage #10-24NC x 1/2in	
5	3300391	2	Wingnut #10-24NC	
6	3760170	1	Snap-Pin	
7	1060380	1	Cable, Lanyard	
8	4280296	4 ft/1.2m	Strip, Wear	
9	1706326	1	Decal - JLG	
	0255040	Ref	TUBE CADDY ASSEMBLY	
101	4844840	1	Tube Caddy	
102	4280296	2 ft/.61m	Strip, Wear	
103	3421453	1	Pin, Snap	
104	3760170	1	Snap-Pin	
105	1060380	1	Cable, Lanyard	
106	0641410	1	Bolt 1/4in-20NC x 1-1/4in	
107	3311405	1	Locknut 1/4in-20NC	
108	1702365	1	Decal - JLG	
109	1702365	1	Decal - 15LBS Max Capacity (SN 0900023508 to Present)	
	0255853	Ref	LASER LOCATOR INSTALLATION	B
201	4566847	1	Tube, Mounting	
201	0750802	2	Screw #8 x 1/4in	
201		Ref	Clamp, Spring Options:	
201	1320218	2	Clamp, Spring (Prior to SN 0900020303)	
201	1380132	2	Clamp, Spring (SN 0900020303 to Present)	
201	2920127	1	Pointer, Laser	
201	4460425	1	Connector, Strain Relief	

SECTION 5 - CYLINDER

SECTION 5 - CYLINDER

FIGURE 5-1. LIFT CYLINDER ASSEMBLY (Prior to SN 0900019526)



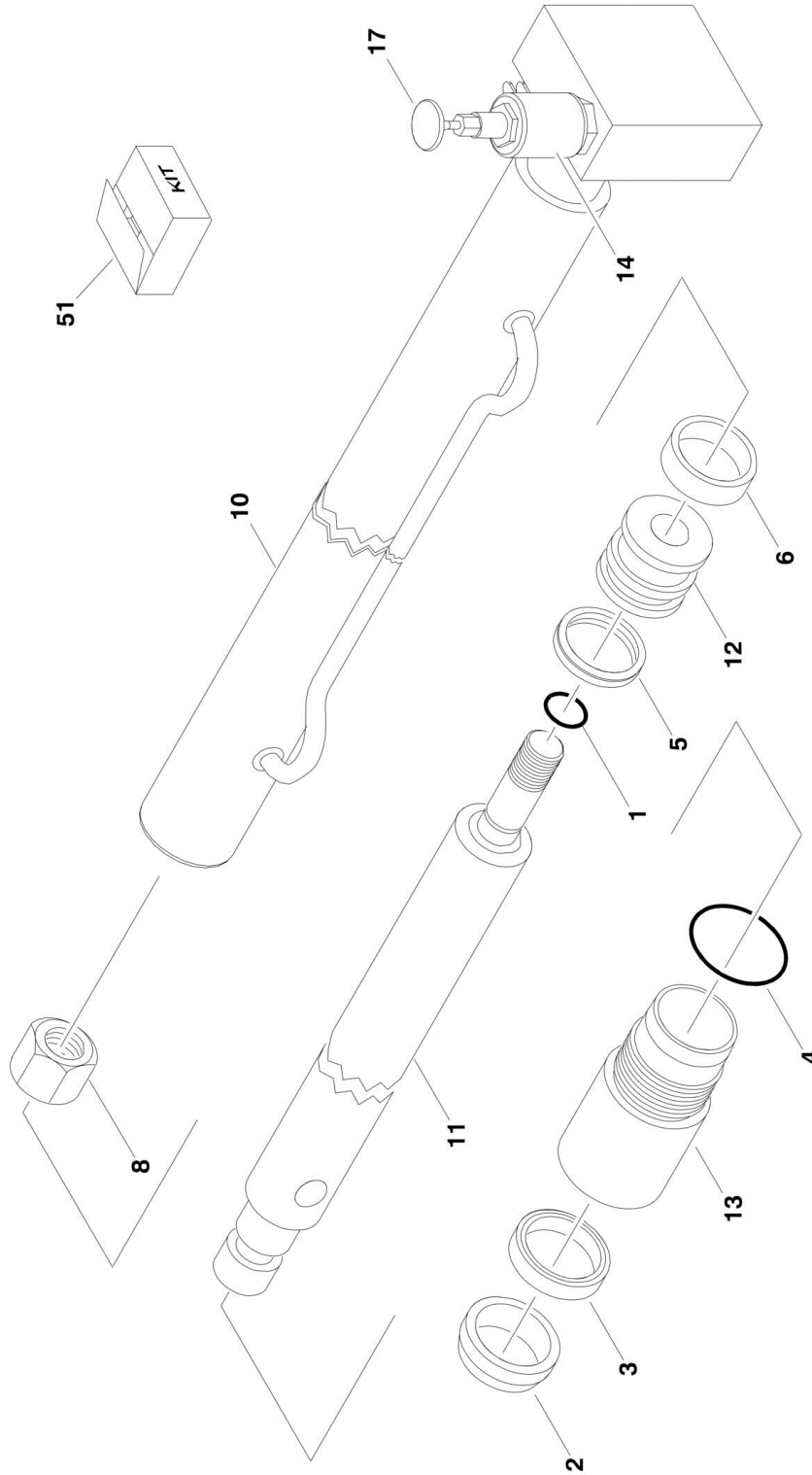
SECTION 5 - CYLINDER

FIGURE 5-1. LIFT CYLINDER ASSEMBLY (Prior to SN 0900019526)

ITEM	PART NUMBER	QTY	DESCRIPTION	REV
	1683699	Ref	LIFT CYLINDER ASSEMBLY	C
1	See Note	NSS	O-Ring (Note: Use Item 51)	
2	See Note	NSS	Wiper (Note: Use Item 51)	
3	See Note	NSS	Seal (Note: Use Item 51)	
4	See Note	NSS	O-Ring (Note: Use Item 51)	
5	See Note	NSS	Seal (Note: Use Item 51)	
6	See Note	NSS	Ring, Wear (Note: Use Item 51)	
8	7003246	1	Locknut	
10	7019839	1	Barrel	
11	7019838	1	Rod	
12	7019835	1	Piston	
13	7019834	1	Head	
14	7023398	1	Control Valve (Not Shown)	
51	7019833	1	Seal Kit (Includes Items 1-6)	

SECTION 5 - CYLINDER

FIGURE 5-2. LIFT CYLINDER ASSEMBLY (SN 0900019526 through 0900029965)



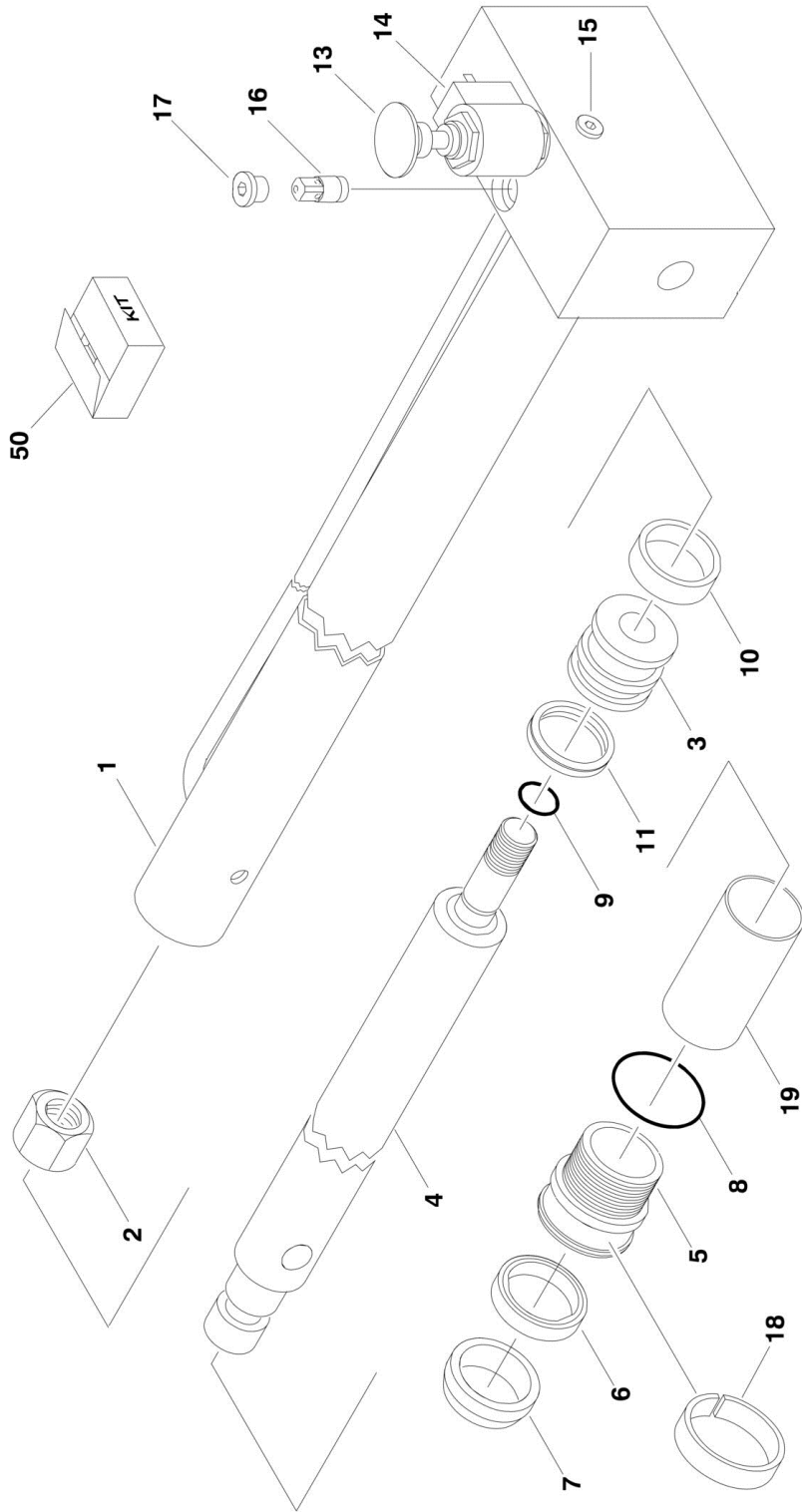
SECTION 5 - CYLINDER

FIGURE 5-2. LIFT CYLINDER ASSEMBLY (SN 0900019526 through 0900029965)

ITEM	PART NUMBER	QTY	DESCRIPTION	REV
		Ref	LIFT CYLINDER ASSEMBLIES	
	1684088	Ref	Lift Cylinder Assemblies (SN 0900019526 through 0900019589)	H
	1684271	Ref	Lift Cylinder Assemblies (SN 0900019590 through 0900029966)	D
1	See Note	NSS	O-Ring (Note: Use Item 51)	
2	See Note	NSS	Wiper (Note: Use Item 51)	
3	See Note	NSS	Seal (Note: Use Item 51)	
4	See Note	NSS	O-Ring (Note: Use Item 51)	
5	See Note	NSS	Seal (Note: Use Item 51)	
6	See Note	NSS	Ring, Wear (Note: Use Item 51)	
8	7023391	1	Locknut	
10	See Note	1	Barrel (Note: Not Available - Purchase Complete Cylinder.)	
11	7023393	1	Rod	
12	7023392	1	Piston	
13	7023394	1	Head	
14	7023396	1	Poppet, Solenoid Valve	
15	7023397	1	Spring (Not Shown)	
16		Ref	Control Valve Options: (Not Shown)	
16	7023398	1	Control Valve (SN 0900019526 through 0900019589)	
16	7024407	1	Control Valve (SN 0900019590 to Present)	
17	7023399	1	Knob-Red	
51	7023395	1	Seal Kit (Includes Items 1-6)	

SECTION 5 - CYLINDER

FIGURE 5-3. LIFT CYLINDER ASSEMBLY (SN 0900029966 to Present)



SECTION 5 - CYLINDER

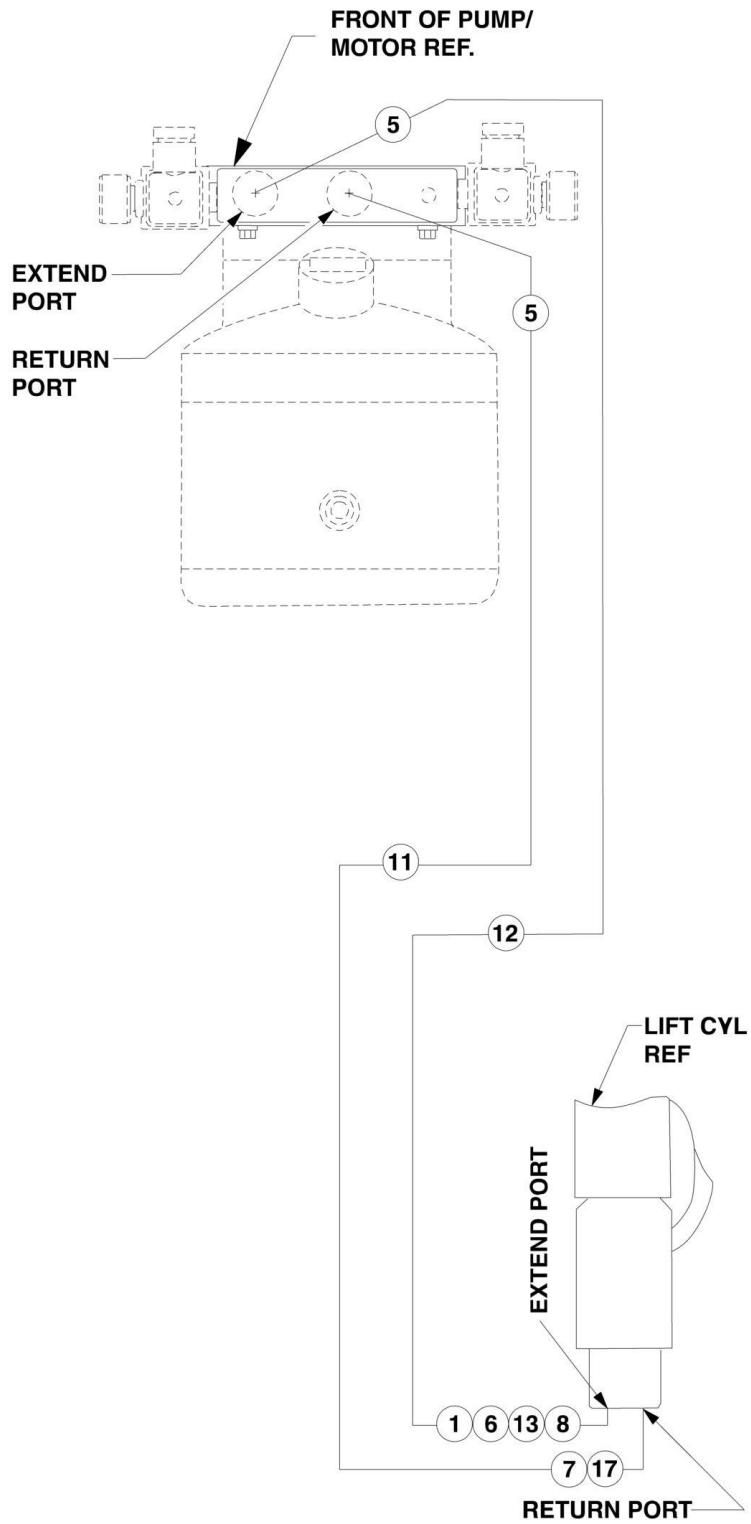
FIGURE 5-3. LIFT CYLINDER ASSEMBLY (SN 0900029966 to Present)

ITEM	PART NUMBER	QTY	DESCRIPTION	REV
	1001100058	Ref	LIFT CYLINDER ASSEMBLY	B
1	70002092	1	Barrel	
2	7023391	1	Nut	
3	7023392	1	Piston	
4	70002093	1	Rod	
5	70002094	1	Head	
6	See Note	NSS	Seal, Rod (Note: Use Item 50)	
7	See Note	NSS	Rod Wiper (Note: Use Item 50)	
8	See Note	NSS	O-Ring (Note: Use Item 50)	
9	See Note	NSS	O-Ring (Note: Use Item 50)	
10	See Note	NSS	Seal (Note: Use Item 50)	
11	See Note	NSS	Seal, Piston (Note: Use Item 50)	
13	7023399	1	Knob - Red	
14	7023396	1	Poppet, Solenoid Valve	
14	7012998	1	Seal Kit - Valve	
14	7023993	1	Coil	
15	See Note	1	Plug (Note: Not Available - Purchase Locally)	
16	70002095	1	Flow Control Valve	
17	See Note	1	Plug (Note: Not Available - Purchase Locally)	
18	70002096	1	Ring, Wear	
19	70002429	1	Bushing	
50	7023395	1	Seal Kit (Includes Items 6-11)	

SECTION 6 - HYDRAULIC

SECTION 6 - HYDRAULIC

FIGURE 6-1. HYDRAULIC DIAGRAM (Prior to SN 0900027702)



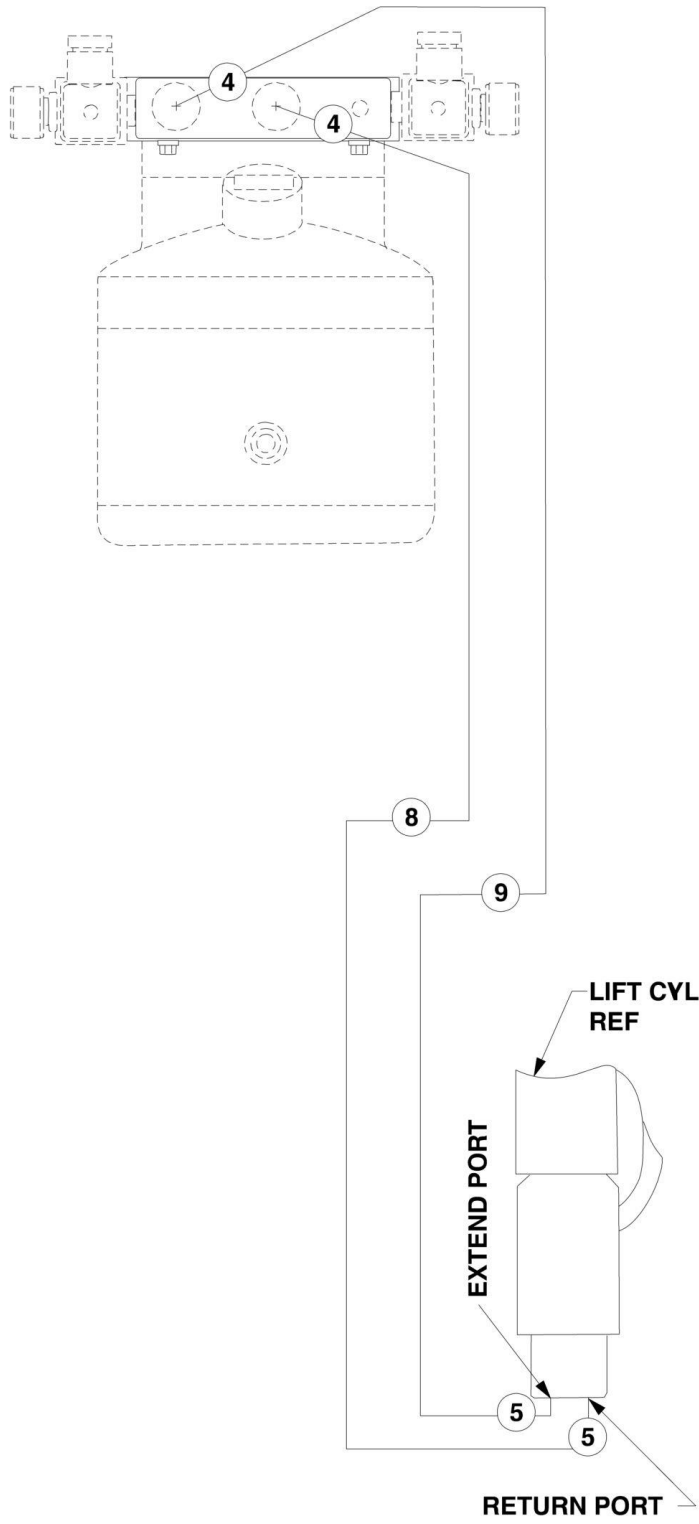
SECTION 6 - HYDRAULIC

FIGURE 6-1. HYDRAULIC DIAGRAM (Prior to SN 0900027702)

ITEM	PART NUMBER	QTY	DESCRIPTION	REV
		Ref	NOTE: AC POWERED MACHINES BUILT S/N 0900019526 TO S/N 0900027702 MAY HAVE AN UPDATE KIT INSTALLED ON IT. IF MACHINES IS EQUIPPED WITH A MONARCH/BUCHER MOTOR/PUMP, USE COMPONENTS FOR S/N 0900027702 TO S/N 0900029966 - SEE HYDRAULIC DIAGRAM FOR BREAKDOWN.	
		Ref	NOTE: DC POWERED MACHINES BUILT S/N 0900019526 TO S/N 0900027391 MAY HAVE AN UPDATE KIT INSTALLED ON IT. IF MACHINES IS EQUIPPED WITH A MONARCH/BUCHER MOTOR/PUMP, USE COMPONENTS FOR S/N 0900027702 TO S/N 0900029966 - SEE HYDRAULIC DIAGRAM FOR BREAKDOWN.	
		Ref	HYDRAULIC DIAGRAM OPTIONS:	
		Ref	AC Powered Machines:	
	0259294	Ref	AC Powered Machines (Prior to SN 0900019526)	A
	0272235	Ref	AC Powered Machines (SN 0900019526 through 0900027702)	B
	2792491	Ref	AC Powered Machines (SN 0900019526 through 0900027702)	B
		Ref	DC Powered Machines:	
	0259294	Ref	DC Powered Machines (Prior to SN 0900019526)	A
	0272235	Ref	DC Powered Machines (SN 0900019526 through 0900027702)	B
	2792491	Ref	DC Powered Machines (SN 0900019526 through 0900027702)	B
1	0100020	AR	Sealant, Pipe	
5	2220473	AR	Fitting	
6	2220773	1	Fitting, 90 (Prior to SN 0900019526)	
7	2220507	1	Fitting, 90 (Prior to SN 0900019526)	
8	2220875	1	Fitting (Prior to SN 0900019526)	
11		Ref	Tube, Return Options:	
11		Ref	AC Powered Machines	
11	4567669	1	Tube, Return (Prior to SN 0900019526)	
11	4568227	1	Tube, Return (SN 0900019526 through 0900027702)	
11		Ref	DC Powered Machines	
11	4567669	1	Tube, Return 15AMI (Prior to SN 0900019526)	
11	4568227	1	Tube, Return 15AMI (SN 0900019526 through 0900027702)	
12		Ref	Tube, Extension Options:	
12		Ref	AC Powered Machines	
12	4567670	1	Tube, Extension (Prior to SN 0900019526)	
12	4568228	1	Tube, Extension (SN 0900019526 through 0900027702)	
12		Ref	DC Powered Machines	
12	4567670	1	Tube, Extension (Prior to SN 0900019526)	
12	4568228	1	Tube, Extension (SN 0900019526 through 0900027702)	
13	4640956	1	Valve, Flow (Prior to S/N 0900019526 Only. S/N 0900019526 to Present located in the Cylinder Valve Block.)	
17	2220603	AR	Fitting	

SECTION 6 - HYDRAULIC

FIGURE 6-2. HYDRAULIC DIAGRAM (SN 0900027702 to Present)



SECTION 6 - HYDRAULIC

FIGURE 6-2. HYDRAULIC DIAGRAM (SN 0900027702 to Present)

ITEM	PART NUMBER	QTY	DESCRIPTION	REV
	0275939	Ref	HYDRAULIC DIAGRAM - 15AMI	B
	2792491	Ref	HYDRAULIC DIAGRAM - 15AMI	A
4	2220473	2	Fitting	
5		Ref	Fitting Options:	
5	2220603	2	Fitting (SN 0900027702 through 0900029965)	
5	2220473	2	Fitting (SN 0900029966 to Present)	
8		Ref	Tube, Return Options:	
8	4569478	1	Tube, Return (SN 0900027702 through 0900029965)	
8	1001100544	1	Tube, Return (SN 0900029966 to Present)	
9		Ref	Tube, Extension Options:	
9	4569479		Tube, Extension (SN 0900027702 through 0900029965)	
9	1001100545		Tube, Extension (SN 0900029966 to Present)	

SECTION 7 - ELECTRICAL

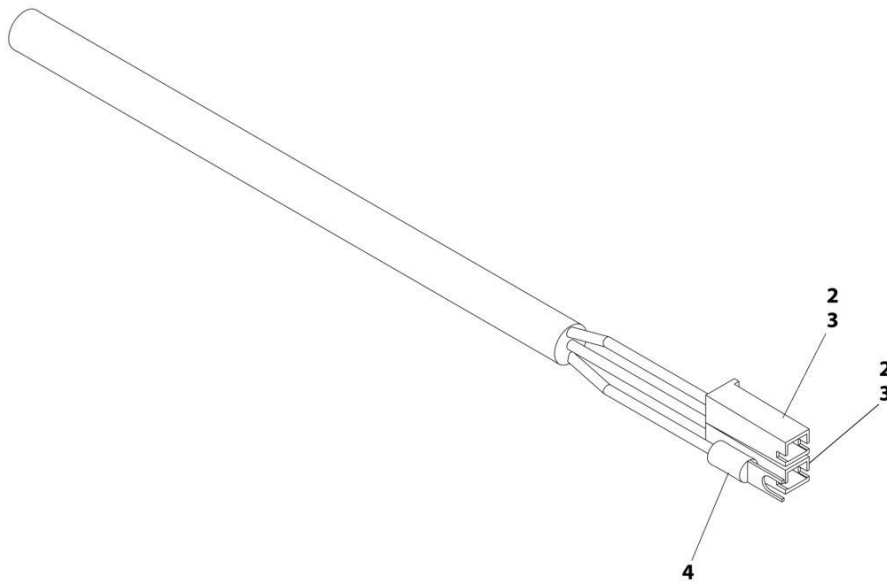
SECTION 7 - ELECTRICAL

FIGURE 7-1. ELECTRICAL DIAGRAM LIST

ITEM	PART NUMBER	QTY	DESCRIPTION	REV
		Ref	ELECTRICAL DIAGRAMS AND COMPONENTS LIST	
		Ref	Note: See Service and Maintenance Manual for Schematics/diagrams.	
	4933076	Ref	ELECTRICAL DIAGRAM - 12VDC (15AMI) (Prior to SN 0900019526)	3-C
	4460044	1	Fuseholder	
	2400006	1	Fuse - 5 Amp	
	3990010	2	Diode - 6 Amp	
	4460424	1	Receptacle	
	4460268	2	Socket, Female	
	4922420	1	Harness, Potted Relay	
	4922412	1	Harness, Pump Harness	
	4933258	Ref	ELECTRICAL DIAGRAM - 12VDC (15AMI) (SN 0900019526 to Present)	C
	4933078	Ref	ELECTRICAL DIAGRAM - 240VAC (15AMI) (Prior to SN 0900019526)	4-E
	4922009	1	Harness, Ground Control	
	4460044	1	Fuseholder	
	2400006	1	Fuse - 5 Amp	
	3990010	2	Diode - 6 Amp	
	4460424	3	Receptacle	
	4460268	2	Socket, Female	
	4933260	Ref	ELECTRICAL DIAGRAM - 240VAC (15AMI) (SN 0900019526 to Present)	4-G
	4922546	1	Harness, Ground Control	
	4922831	1	Harness, Power Distribution (Prior to SN 0900023728)	
		Ref	ELECTRICAL DIAGRAM - AC BOX (SN 0900023728 to Present)	
	4933309	Ref	100 Volt (Japanese Spec)	B
	4933305	Ref	110 Volt	B
	4933310	Ref	220 Volt	B

SECTION 7 - ELECTRICAL

FIGURE 7-2. AC INPUT HARNESS - WITHOUT PLUG



ART_4923152

SECTION 7 - ELECTRICAL

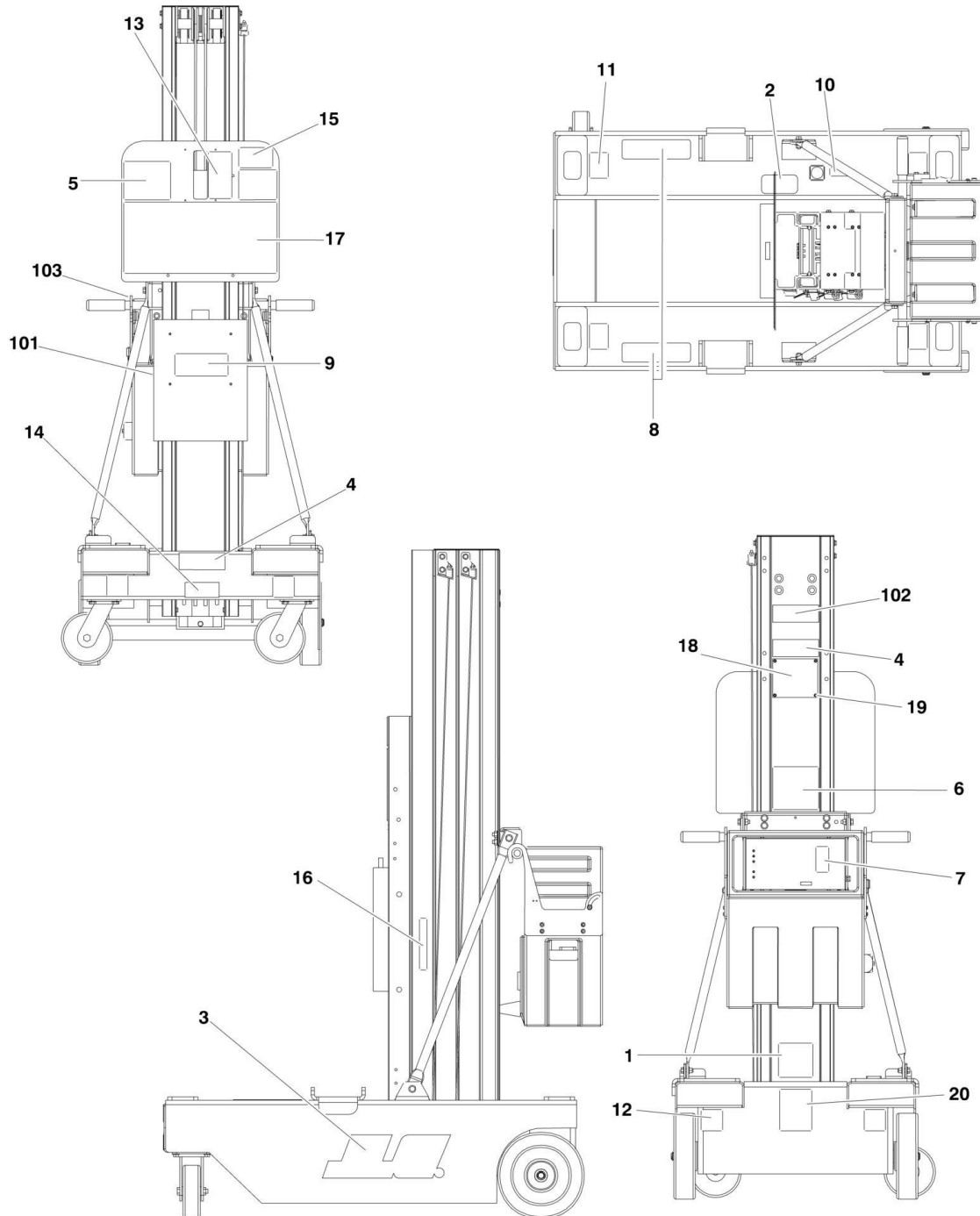
FIGURE 7-2. AC INPUT HARNESS - WITHOUT PLUG

ITEM	PART NUMBER	QTY	DESCRIPTION	REV
	4923034	Ref	AC PLUG HARNESS	B
	Note	1	Note: AC plug not included. Customer must provide replacement plug.	
2	4460260	2	Connector	
3	4460297	2	Socket	
4	4460315	1	Terminal, Spade	

SECTION 8 - DECALS

SECTION 8 - DECALS

FIGURE 8-1. DECAL INSTALLATION (CE SPECS AND ALL AUSTRALIAN SPECS) (Prior to SN 0900022158)



SECTION 8 - DECALS

FIGURE 8-1. DECAL INSTALLATION (CE SPECS AND ALL AUSTRALIAN SPECS) (Prior to SN 0900022158)

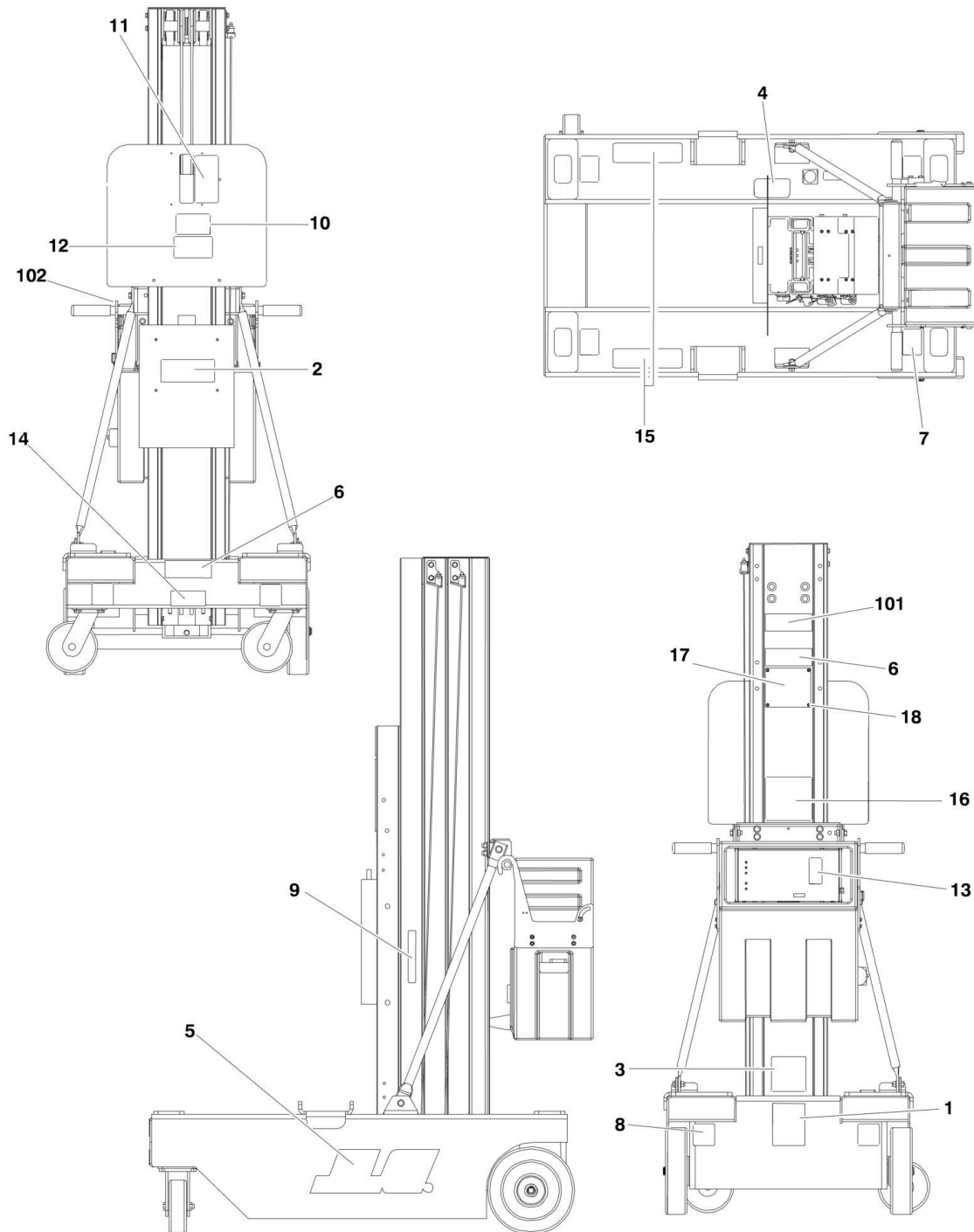
ITEM	PART NUMBER	QTY	DESCRIPTION	REV
		Ref	DECAL INSTALLATIONS (COUNTRY SPECS)	
	0259084	Ref	Australian Specs	F
	0272815	Ref	Dutch Specs	A
	0270567	Ref	French Specs	B
	0273123	Ref	Italian Specs	A
	0272398	Ref	Spanish Specs	A
	0259089	Ref	UK English Specs	D
	0271153	Ref	JLG Logo	A
1	See Note	1	Decal - Barcode (Note: Not Available for Purchase.)	
2		Ref	Decal - CE Options:	
2	1702928	1	All Specs Except Australian Specs	
2	Not Required	0	Australian Specs	
3	1703625	2	Decal - JLG	
4	1703681	2	Decal - JLG	
5		Ref	Decal - Electrical Hazard Options:	
5	1703781	1	Australian/UK English Specs	
5	1704053	1	Dutch Specs	
5	1704037	1	French Specs	
5	1704061	1	Italian Specs	
5	1704045	1	Spanish Specs	
6		Ref	Decal - Crushing/Tipping Hazard Options:	
6	1703784	1	Australian/UK English Specs	
6	1704054	1	Dutch Specs	
6	1704038	1	French Specs	
6	1704062	1	Italian Specs	
6	1704046	1	Spanish Specs	
7		Ref	Decal - Warning/ Fire Hazard Options:	
7	1703785	1	Australian/UK English Specs	
7	1704055	1	Dutch Specs	
7	1704042	1	French Specs	
7	1704063	1	Italian Specs	
7	1704047	1	Spanish Specs	
8		Ref	Decal - Crushing Hazard Options:	
8	1703786	2	Australian/UK English Specs	
8	1704056	2	Dutch Specs	
8	1704039	2	French Specs	
8	1704064	2	Italian Specs	
8	1704048	2	Spanish Specs	
9		Ref	Decal - Manual Options:	
9	1703788	1	Decal - Manual (Prior to SN 0900017864)	
9	1701509	1	Decal - Manual (SN 0900017864 to Present)	
10		Ref	Decal - Level Indicator Options:	
10	1703789	1	Australian/UK English Specs	
10	1704058	1	Dutch Specs	
10	1704041	1	French Specs	
10	1704066	1	Italian Specs	
10	1704050	1	Spanish Specs	
11	1703814	4	Decal - Tie Down	
12	1703817	4	Decal - Forklift	

SECTION 8 - DECALS

ITEM	PART NUMBER	QTY	DESCRIPTION	REV
13		Ref	Decal - Function Controls Options:	
13	1704212	1	Australian/UK English Specs	
13	1705628	1	Dutch Specs	
13	1704774	1	French Specs	
13	1705748	1	Italian Specs	
13	1705388	1	Spanish Specs	
14		Ref	Decal - Foot Stop Options:	
14	1704244	1	Australian and UK English Specs	
14	1705611	1	Dutch Specs	
14	1704773	1	French Specs	
14	1705749	1	Italian Specs	
14	1705393	1	Spanish Specs	
15	1704406	1	Decal - Maximum Capacity	
16	1704277	1	Decal - Lanyard Attach	
17		Ref	Decal - Warning	
17	1704407	1	Australian Specs	
17	1705612	1	Dutch Specs	
17	1704772	1	French Specs	
17	1705750	1	Italian Specs	
17	1705389	1	Spanish Specs	
17	1704410	1	UK English Specs	
18	See Note	1	Nameplate - Serial Number (Note: Not Available for Purchase.)	
19	3820006	4	Rivet, Pop	
20	1700584	1	Decal - Patent Only (SN 0900015058 to Present)	
		Ref	Decal Kit, Options (Includes Items 4 - 16 & 19)	
	See Note	1	All Specs Except Australian Specs (Note: Not Available - Purchase Individual Components)	
	2901873	1	Australian Specs	
	0010560	Ref	DECAL OPTIONS	
101	0258843	Ref	Decal - 240V/50HZ Installation	
101	3251242	2	Decal - 240V-50HZ (Australian and UK English Specs)	
102	1704190	1	Decal - Model Designation	
103	1704236	1	Decal - Auxiliary Lowering	

SECTION 8 - DECALS

FIGURE 8-2. DECAL INSTALLATIONS (CE SPECS) (SN 0900022158 to Present)



SECTION 8 - DECALS

FIGURE 8-2. DECAL INSTALLATIONS (CE SPECS) (SN 0900022158 to Present)

ITEM	PART NUMBER	QTY	DESCRIPTION	REV
	0273523	Ref	DECAL INSTALLATION (ALL LANGUAGE)	B
1	1700584	1	Decal - Patent	
2	1701509	1	Decal - Manual	
3	See Note	1	Decal - Barcode (Note: Not Available for Purchase.)	
4	1702928	2	Decal - CE	
5	1703625	2	Decal - JLG	
6	1703681	2	Decal - JLG	
7	1703814	4	Decal - Tie Down	
8	1703817	4	Decal - Fork Lift	
9	1704277	1	Decal - Lanyard Attach	
10	1704406	1	Decal - Maximum Capacity	
11	1705801	1	Decal - Function Controls	
12	1705802	1	Decal - Electrical Hazard	
13	1705803	1	Decal - Warning Fire Hazard	
14	1705804	1	Decal - Floor Stop	
15	1705805	1	Decal - Crushing Hazard	
16	1705831	1	Decal - Warning	
17	See Note	1	Nameplate (Note: Not Available For Purchase.)	
18	3820006	4	Rivet	
	1001095014	1	Kit, Decal (S/N 0900028036 to Present) (SN 0900028036 to Present)	
	0010560	Ref	DECAL OPTIONS:	
101	1704190	1	Decal - Model Designation	
102	1704236	1	Decal - Auxiliary Lowering	

SECTION 9 - RECOMMENDED SERVICE PARTS STOCK

SECTION 9 - RECOMMENDED SERVICE PARTS STOCK

SECTION 9 - RECOMMENDED SERVICE PARTS STOCK

FIGURE 9-1. 15AMI RECOMMENDED SERVICE PARTS STOCK

ITEM	PART NUMBER	QTY	DESCRIPTION	REV
		Ref	Note: The following list will service one machine (built to current production per date on the front cover) with emergency repair parts which can be installed in the field. Parts from the list should be replaced when inventory is depleted to keep service parts stock supplied. For further information, contact your JLG dealer or the JLG Industries Parts Department.	
		Ref	STANDARD PARTS	
	7020078	1	Switch, Push/Pull	
	4360467	1	Switch, Key	
	2860030	1 st	Key, Replacement	
	3740049	1	Relay	
	70000643	1	Coil	
	7020088	1	Switch, Push Button	
	7020089	1	Switch, Push Button	
	7023993	1	Coil	
	2400006	2	Fuse 5 Amp	
		Ref	VARIABLE PARTS	
	4360702	1	Switch, Limit	
	3740094	1	Relay, Starter (AC Machines)	
	3740105	1	Relay, Starter (240V AC Machines)	
	4360070	1	Breaker, Circuit - 15 Amp (240VAC Machines)	
	4360376	1	Rectifier (AC Machines)	
	4530010	1	Transformer (115V & 240V AC Machines)	
	7011509	1	Breaker, Circuit - 50 Amp (DC Machines)	
	7018536	1	Breaker, Circuit - 4 Amp (DC Machines with Standard Batteries)	
	7018558	1	Breaker, Circuit - 8 Amp (DC Machines with AGM Batteries)	
	4360274	1	Switch, Push Button (With Auxiliary Lowering)	
	2940082	1	Latch, Gate (with Molded Platform)	
	2940074	1	Latch, Gate (with Quick-Change Platform)	
	1600357	1	Module, Control (with LSS System)	

SECTION 10 - SPECIAL OPTIONS

SECTION 10 - SPECIAL OPTIONS

FIGURE 10-1. SPECIAL OPTIONS

ITEM	PART NUMBER	QTY	DESCRIPTION	REV
	Note	1	Note: This list is to accommodate machines ordered with special equipment. Options may not be applicable to all models. For more specific parts information contact JLG Parts Department.	
	1580035	Ref	CONTAINER, SHIPPING SKID	
		Ref	ELECTRICAL CONNECTOR KITS	
	1001148902	Ref	Amp/Tyco Electrical Connector Kit	
	1001148903	Ref	Deutsch DT Electrical Connector Kit	
	1001148904	Ref	Deutsch HD Electrical Connector Kit	
	1001148905	Ref	Packard Electrical Connector Kit	
	1001148906	Ref	Various Electrical Connectors Kit	
		Ref	HYDRAULIC FLUIDS	
	2300014	Ref	Mobil 424	
	2300021	Ref	Union Carbide Ucon HP5046 Fire Resistant	
	0273264	Ref	LOAD SENSING SYSTEM	
		Ref	Note: For Breakdown of Load Sensing Refer to Load Sensing System Manual p/n 3124289	
	3127097	Ref	VIDEO (DVD) - OPERATOR AND SAFETY	
	See Note	Ref	VIDEO (VHS) - OPERATOR VIDEO (was p/n 3120475)	
		Ref	Note: No Longer Available - Use Video DVD as Replacement.	
		Ref	SPECIAL TOOLS:	
	7002821	1	Crimper (For Wire to Pin/Socket Connections)	
	7002823	1	Extractor (For Removal of Pin/Sockets Connectors)	
	4460467	1	Extractor 16-18 Gauge (For Wire to Pin/Socket from Deutsch Connectors)	
	4460510	1	Extractor 12-14 Gauge (For Wire to Pin/Socket from Deutsch Connectors)	
	7016654	1	Screwdriver, Magnetic	
	7004275	1	Seal Tool - 1in	
	7004276	1	Seal Tool - 1-1/2in	
	7002826	1	Seal Tool 2in	
	8896941	1	Stripper, Wire	
	1001137005	1	USB to RS232 Drive Installation (Service Kit)	

PART NUMBER INDEX

SECTION 10 - SPECIAL OPTIONS

0010560.....	120, 123	0273523.....	123	0721006.....	12, 13, 17, 21, 33, 37, 54, 58, 61, 81, 87	1001097220.....	58
0100001.....	11	0274344.....	85	0721008.....	47	1001097221.....	58
0100011.....	12, 21, 33, 37, 47, 49, 53, 54, 57, 58, 65, 73, 87, 91	0274345.....	91	0721014.....	33	1001097222.....	58
0100019.....	61, 67	0274606.....	77	0741006.....	65	1001097223.....	58
0100020.....	107	0274607.....	78, 85, 92	0750802.....	95	1001097224.....	58
0100051.....	49	0275216.....	58	0791003.....	18, 22, 38	1001097225.....	58
0140011.....	61	0275217.....	58	0791408.....	61	1001099638.....	85
0140033.....	12	0275452.....	58	0791605.....	33	1001099754.....	66
0255036.....	95	0275453.....	58	0791608.....	37	1001100013.....	66
0255040.....	95	0275454.....	58	0791609.....	21, 37	1001100058.....	67, 103
0255853.....	95	0275689.....	37	0791610.....	61	1001100544.....	109
0256559.....	69	0275697.....	21, 37	0801206.....	65	1001100545.....	109
0256808.....	12	0275885.....	37	0801335.....	65	1001101858.....	49
0257711.....	77	0275889.....	21	0860520.....	73, 77, 81, 85, 87, 91	1001101902.....	49
0258203.....	47	0275939.....	21, 37, 109	0860936.....	17, 21, 25	1001101926.....	49
0258448.....	69	0362347.....	73	0860943.....	25	1001101991.....	49
0258482.....	18, 21, 34, 37, 54, 57	0362735.....	65	0860945.....	53, 57	1001101994.....	49
0258498.....	47	0400122.....	47, 49	0860946.....	54	1001103107.....	47, 49
0258562.....	77	0400144.....	47, 49	0860947.....	95	1001105113.....	21
0258586.....	87	0400176.....	47, 49, 51	0861192.....	47	1001107836.....	49
0258587.....	81	0400181.....	18, 21, 34, 37	0861193.....	47	1001107837.....	49
0258588.....	81	0400193.....	49	0861207.....	53, 57	1001107839.....	49
0258672.....	73	0400209.....	47, 49	0861212.....	17, 33	1001107840.....	49
0258799.....	73	0400212.....	47, 49, 51	0861213.....	18, 21, 34, 37	1001107903.....	13
0258843.....	120	0400223.....	47	0861220.....	53, 57	1001107904.....	12
0259073.....	77	0400224.....	47	0861212.....	17, 33	1001107934.....	13
0259074.....	81	0440268.....	61	0861213.....	18, 21, 34, 37	1001108178.....	12
0259075.....	81	0561149.....	67	0861305.....	17, 21, 33, 37	1001109314.....	67
0259076.....	73	0561150.....	67	0861731.....	58	1001109405.....	65
0259077.....	77	0561153.....	67	0861781.....	58	1001109475.....	59
0259078.....	87	0561341.....	65	0861880.....	59	1001109482.....	59
0259079.....	53	0561409.....	67	0902047.....	65	1001110217.....	21, 38
0259084.....	119	0630383.....	74	0902054.....	33	1001114375.....	22, 38
0259089.....	119	0630486.....	17, 33	0902079.....	95	1001137005.....	128
0259104.....	12	0630550.....	21	0902395.....	87	1001148902.....	128
0259205.....	33	0630570.....	61	0902422.....	65	1001148903.....	128
0259207.....	17	0641404.....	18, 21, 33, 34, 37	0902423.....	65	1001148904.....	128
0259294.....	17, 34, 107	0641406.....	12, 13, 17, 21, 47, 49, 66	0902431.....	65	1001148905.....	128
0259306.....	18	0641407.....	57, 66	0902442.....	47	1001148906.....	128
0259483.....	11	0641408.....	66, 73, 77, 81, 85, 87, 91	0902445.....	65	1001152483.....	59
0259524.....	11	0641410.....	53, 57, 95	0902523.....	12	1001152484.....	59
0270020.....	38	0641412.....	47	0902877.....	81	1001153733.....	58
0270163.....	47, 49	0641414.....	49, 77, 81, 85, 87, 91	0920114.....	12	1001181045.....	59
0270489.....	53	0641416.....	61, 73, 88, 91	0940085.....	47	1001189171.....	59
0270490.....	53, 57	0641418.....	61, 77	0961845.....	77	1001189172.....	59
0270567.....	119	0641504.....	38	1001092205.....	38	1060380.....	73, 77, 81, 85, 87, 91, 95
0270750.....	54	0641508.....	65	1001093322.....	13	1060518.....	33
0270974.....	54	0641512.....	49	1001093646.....	25	1060565.....	54
0271153.....	119	0641606.....	33	1001095014.....	123	1060570.....	47
0272192.....	47	0641607.....	11	1001096054.....	57	1060571.....	33, 37
0272231.....	11	0641608.....	33	1001096421.....	59	1060578.....	65
0272233.....	11	0641609.....	11	1001096586.....	25	1060687.....	25, 53
0272235.....	18, 34, 107	0641612.....	53, 57, 69	1001096587.....	25	1060694.....	53
0272237.....	33	0641614.....	18, 34	1001096607.....	58	1060908.....	25, 59
0272239.....	17	0641620.....	61	1001096608.....	58	1060922.....	53, 57
0272398.....	119	0641628.....	61	1001096609.....	58	1060924.....	54, 57
0272686.....	18, 21, 34, 38	0641808.....	12	1001096610.....	58	1260298.....	67
0272815.....	119	0641812.....	65	1001096611.....	58	1260299.....	67
0273123.....	119	0641872.....	67	1001096612.....	59	1260347.....	65, 67
0273144.....	61	0681410.....	65	1001097150.....	59	1260349.....	65, 67
0273162.....	61	0681812.....	69	1001097213.....	57	1260349.....	65, 67
0273264.....	61, 128	0720805.....	47, 88, 91	1001097214.....	57	1260356.....	65, 67
0273365.....	18, 34			1001097215.....	57	1260361.....	65, 67
				1001097216.....	57	1271392.....	65
				1001097217.....	57	1271393.....	65
				1001097218.....	58	1271421.....	65

SECTION 10 - SPECIAL OPTIONS

1271447.....	65	1704772.....	120	3300356.....	74, 82, 85, 88,	3570986.....	77
1320041.....	57	1704773.....	120	91		3571101.....	65
1320149.....	53, 57	1704774.....	120	3300391.....	95	3571103.....	65
1320218.....	95	1704826.....	74	3300475.....	61	3571117.....	74
1320224.....	34, 37	1705388.....	120	3310805.....	47, 88, 91	3571118.....	74
1320318.....	58	1705389.....	120	3311001.....	12, 18, 34, 38,	3572158.....	18, 34, 38
1380132.....	88, 91, 95	1705393.....	120	54, 57, 58, 61, 73		3572533.....	74
1560019.....	85, 92	1705611.....	120	3311005.....	12, 13, 17, 21,	3572847.....	66
1580035.....	128	1705612.....	120	33, 37, 47, 73, 82, 87,		3574518.....	61
1600357.....	61, 126	1705628.....	120	88, 91		3580231.....	53
1670603.....	53, 57	1705748.....	120	3311401.....	47, 61, 65	3580268.....	65
1671255.....	66	1705749.....	120	3311405.....	12, 13, 17, 21,	3580269.....	66
1683699.....	67, 99	1705750.....	120	47, 49, 53, 57, 73, 77,		3580274.....	66
1684088.....	67, 101	1705756.....	61	81, 85, 87, 91, 95		3580286.....	66
1684271.....	67, 101	1705801.....	123	3311408.....	61	3580293.....	66
1700584.....	120, 123	1705802.....	123	3311501.....	47	3580344.....	53, 57
1701509.....	119, 123	1705803.....	123	3311505.....	17, 33, 47, 49,	3600265.....	17, 27
1701612.....	77, 82, 87	1705804.....	123	73, 81, 85, 87, 91		3600291.....	33, 41
1702103.....	25	1705805.....	123	3311601.....	61, 65	3600354.....	17, 27
1702120.....	25	1705831.....	123	3311605.....	11, 12, 18, 37,	3600355.....	33, 41
1702353.....	18, 34	1706326.....	95	53, 57, 61, 69		3600462.....	37, 45
1702365.....	25, 95	1706385.....	78	3311608.....	12, 21, 37, 61	3600467.....	21, 31
1702612.....	69	1706493.....	78, 85, 92	3311801.....	61, 65, 67	3640924.....	73
1702928.....	119, 123	2020005.....	87, 91	3311805.....	12	3640990.....	73
1703455.....	69	2220473.....	107, 109	3340746.....	73	3641663.....	81
1703625.....	119, 123	2220507.....	107	3340754.....	73	3641664.....	77
1703681.....	25, 85, 87, 91,	2220603.....	107, 109	3340829.....	87, 91	3740013.....	33
119, 123		2220773.....	107	3340845.....	65	3740049.....	25, 34, 37, 126
1703781.....	119	2220875.....	107	3340858.....	65	3740080.....	34
1703784.....	119	2300014.....	128	3421453.....	95	3740094.....	25, 126
1703785.....	119	2300021.....	128	3422338.....	65	3740105.....	25, 126
1703786.....	119	2400006.....	112, 126	3422346.....	67	3740113.....	34
1703788.....	119	2400093.....	59	3422355.....	67	3760170.....	95
1703789.....	119	2410016.....	85	3422657.....	73, 77, 81, 85,	3760348.....	11, 67
1703814.....	119, 123	2410017.....	91	87, 91		3760383.....	67
1703817.....	119, 123	2410018.....	85	3422717.....	65	3820001.....	47
1704037.....	119	2410019.....	91	3422750.....	65	3820006.....	120, 123
1704038.....	119	2420140.....	12	3422752.....	65	3820024.....	73, 77, 81, 85,
1704039.....	119	2420172.....	18, 21, 34, 37	3422757.....	65	87, 91	
1704041.....	119	2420193.....	38	3450304.....	65	3820032.....	22, 38, 53, 57,
1704042.....	119	2420195.....	47, 49	3510676.....	73	61	
1704045.....	119	2560088.....	12	3510873.....	85	3820034.....	66
1704046.....	119	2560154.....	87, 91	3510874.....	91	3900032.....	81, 85, 87, 91
1704047.....	119	2600225.....	81, 85, 87, 91	3510904.....	81	3900163.....	66
1704048.....	119	2792491.....	107, 109	3510905.....	81	3900177.....	73
1704050.....	119	2820030.....	21	3510907.....	77	3900187.....	66
1704053.....	119	2820035.....	18, 22, 34, 38	3510910.....	77	3900190.....	47
1704054.....	119	2860030.....	17, 21, 33, 37,	3520028.....	25, 73	3900191.....	53, 57
1704055.....	119	126		3520030.....	87, 91	3900192.....	66
1704056.....	119	2880310.....	65	3520034.....	25, 54, 57	3900200.....	53, 87, 91
1704058.....	119	2901873.....	120	3520060.....	82	3900202.....	73
1704061.....	119	2901877.....	67	3520072.....	61, 73, 81, 87	3900203.....	73
1704062.....	119	2920026.....	61	3520166.....	38	3900204.....	95
1704063.....	119	2920029.....	61	3520169.....	77, 85, 91	3900205.....	57, 58, 66
1704064.....	119	2920127.....	95	3539814.....	69	3900251.....	88, 91
1704066.....	119	2920146.....	12, 13	3539920.....	12	3900252.....	87, 91
1704190.....	120, 123	2940074.....	81, 87, 126	3539921.....	12	3900258.....	81, 85, 87, 91
1704193.....	74	2940082.....	73, 126	3570274.....	87, 91	3900346.....	61
1704194.....	74	2940111.....	47	3570362.....	87, 91	3900347.....	61
1704212.....	120	2940132.....	18, 22, 34, 38	3570435.....	77	3900373.....	53, 57
1704236.....	54, 57, 120, 123	3020017.....	11	3570462.....	81	3910808.....	25
1704244.....	120	3020039.....	67	3570464.....	81, 85	3911010.....	18, 34, 38
1704277.....	120, 123	3127097.....	128	3570653.....	88, 91	3911024.....	12, 38, 61
1704406.....	120, 123	3251242.....	120	3570654.....	88, 91	3911032.....	73
1704407.....	120	3252760.....	54, 58	3570893.....	65	3931516.....	27, 41
1704410.....	120	3271805.....	69	3570923.....	53, 57	3990010.....	112
1704582.....	12, 18, 34	3300151.....	73	3570976.....	69		

SECTION 10 - SPECIAL OPTIONS

4060803.....74, 77, 82, 85, 88, 91	4460267 18, 21, 22, 34, 37, 38	4751500.....17, 34, 47, 53, 57, 66, 74	4933309.....112
4060804..... 73	4460268 ... 22, 25, 38, 112	4751600..... 34, 61	493331025, 112
4060875..... 18, 34	4460297 115	4751800..... 69, 74	7000064131, 45
4060882..... 73	4460315 115	4761000.....12, 18, 34, 38, 53, 54, 57, 66	7000064231, 45
4060960..... 66	4460320 18, 21, 34, 37, 61	4761400..... 66	70000643 31, 45, 126
4060961..... 66	446032622, 38	4761500..... 34, 66	7000065131, 45
4061024.....18, 21, 34, 37	4460424 25, 61, 112	4771000..... 61	7000102031, 45
4061060..... 61	4460425 95	4844840..... 95	7000102131, 45
4070860..... 66	4460445 22, 38	4845345..... 69	7000102531, 45
4070861..... 66	4460466 62	4845577..... 77	7000102731, 45
4070862..... 66	4460467 128	4845578..... 77	7000102945
4070890..... 73	4460510 128	4845614..... 87, 91	7000103045
4070894..... 73	4460517 62	4845657..... 88, 92	7000103145
4070970..... 66	446056525	4845712..... 17	7000103245
4070971..... 66	4460566 17, 21, 53, 57	4845714..... 34	7000103345
4070984..... 18, 34	446056749	4845715..... 12	7000103445
4070988..... 66	4460633 17, 25	4845731..... 66	7000103545
4070989..... 66	4460662 12	4845796..... 77	7000103645
4070990..... 66	4460908 61	4845797..... 77	7000103945
4160124..... 66	4460909 62	4845805..... 81	70001042 31
4160125..... 73	4460915 62	4845808..... 81	7000104431
4160130..... 53, 57	4460956 59	4845809..... 81, 85	7000104531
4160165..... 82, 87	4460957 59	4845810..... 87, 92	70002092103
4160205..... 61	4461000 62	4845811..... 87, 92	70002093103
4240032..... 11, 12, 13	453001025, 126	4845812..... 87	70002094103
4240033..... 12, 54	4530013 25	4845813..... 81	70002095103
4280296.....77, 88, 91, 95	4566847 95	4845821.....73, 77, 81, 85, 87, 91	70002096103
4300111..... 67	4567491 66	4845822..... 73	7000221531, 45
4341431..... 21	4567508 12	4845831..... 73	70002429103
4341432..... 21, 37	456760534, 37	4846021.....73, 77, 81, 85, 87, 91	7000361231, 45
4360070.....25, 126	4567669 107	4846084..... 11	7000361331, 45
4360274.....54, 57, 126	4567670 107	4846514..... 66	7002821128
4360376..... 25, 126	4567750 66	4846614..... 11	7002823128
4360397..... 12	4567751 66	4846859..... 61	7002826128
4360437..... 38	4567824 12	4846877..... 61	700324699
4360456..... 12	4568227 107	4860183..... 11	7004275128
436046717, 21, 33, 37, 126	4568228 107	4860184..... 11	7004276128
4360546..... 61	4569478 109	4860194..... 11	701150951, 126
4360702..... 12, 126	4569479 109	4860245..... 11	701151351
4420039.....77, 81, 82, 87, 91	4640956 107	4860246..... 11	701152851
4420051..... 74	471100058	4922009 112	701263011
4420064.....18, 21, 34, 37	4711400 ... 18, 21, 34, 37, 53, 57, 66, 73, 77, 81, 85, 87, 91	4922377 34, 38	701263111
4420065.....18, 21, 34, 37	4711500 66, 73, 87, 91	4922412 112	7012998103
4460023.....53, 54, 57, 58	4711600 ... 11, 12, 18, 34, 37, 53, 57, 69, 81, 85, 87, 91	4922420.....54, 57, 112	701370128, 42
4460035..... 54	471180012, 66	4922546..... 25, 112	701370827, 41
4460044..... 112	4712200 11	4922561 12	701371041
4460115..... 54	4712600 66	4922652 53, 57	701371327, 41
44601196..... 58	4740007 66	4922653 54, 57	701371427, 41
44601198..... 58	4740414 66	4922740 34, 37	701371527, 41
44601199..... 58	4740415 11	4922805 12, 13	701371627, 41
44601201..... 58	4740428 73	4922831 112	701371727, 41
44601202..... 58	4740429 73	4922923 61	701372028, 42
44601205..... 58	4740456 11	492293518, 21, 34, 37	701372227, 41
44601244..... 58	4740529 61	4923034 115	701372327
44601245..... 58	4740530 61	4923151 25	701372642
44601246..... 58	4750800 47, 66, 88, 91	4923152 25	701372727
44601249..... 58	4751000 ... 12, 13, 17, 21, 34, 37, 38, 47, 53, 57, 73, 82, 87, 91	4923161 54	701372827, 41
4460145..... 54	4751400 ... 12, 13, 17, 21, 34, 47, 73	4923163 53	701373227
4460190..... 53		4933076 112	701373327
4460226..... 61		4933078 112	701373428, 41
4460227..... 62		4933258 112	701374328, 41
4460234.....11, 12, 13		4933260 112	701374528
4460260..... 115		4933305 112	701374827, 41
			701375028, 42
			701375127
			701375741
			701375841
			701376328
			701376428, 41

SECTION 10 - SPECIAL OPTIONS

701376641	701676227, 41	7020086..... 11	702292751
7013770 28, 42	701677041	7020088.....53, 57, 126	702293051
7013779 28, 42	701677141	7020089.....53, 57, 126	702293251
701378941	701677241	7020090.....17, 33, 37	702293351
7013792 27, 41	701677341	7020091.....53, 57	7023391101, 103
7013793 27, 41	701677427	7020093.....17, 21, 33, 37,	7023392101, 103
701379428	701677641	53, 57	7023393 101
701379541	701677727, 41	7020094.....17, 21, 33, 37	7023394 101
7016319 12, 13	701678641	7020096.....17, 21, 33, 37	7023395101, 103
7016339 17, 33	701678727	7020097.....17, 21, 33, 37	7023396101, 103
7016372 12, 13	701853651, 126	7020098..... 17, 33	7023397 101
7016654128	701855551	7020605..... 51	702339899, 101
701671341	701855651	7020626..... 51	7023399101, 103
7016714 28, 42	701855851, 126	702062751	7023993103, 126
7016717 28, 42	701858651	7020629..... 51	7024407 101
7016721 27, 41	701983399	7020631..... 51	702616531, 45
7016735 27, 41	701983499	7020632..... 51	702633031, 45
7016751 28, 41	701983599	7020633..... 51	702633531, 45
7016755 28, 42	701983899	7020663..... 51	702729953, 57
701675627	701983999	7020673..... 51	702778717, 21
701675727	7020017 11	7020674..... 51	840611059
701675827	7020078 17, 21, 33, 37,	7022219.....27, 41	8896941 128
7016759 27, 41	53, 57, 126	7022220.....28, 42	998408818, 34
701676027	7020083 11	7022223.....27, 41	
701676127	7020084 11	7022224.....28, 42	



3120876



An Oshkosh Corporation Company

Corporate Office
JLG Industries, Inc.
1 JLG Drive
McConnellsburg, PA 17233-9533
USA

+1-717-485-5161 (Corporate)
+1-877-554-5438 (Customer Support Toll Free)
+1-717-485-6417

JLG Worldwide Locations

JLG Industries
358 Park Road
Regents Park
NSW 2143
Sydney 2143
Australia
+6 (12) 87186300
+6 (12) 65813058
Email: techservicesaus@jlg.com

JLG Ground Support Oude
Bunders 1034
Breitwaterstraat 12A
3630 Maasmechelen
Belgium
+32 (0)89 84 82 26
Email: emeaservice@jlg.com

JLG Latino Americana LTDA
Rua Antonia Martins Luiz, 580
Distrito Industrial Joao Narezzi
Indaiatuba-SP 13347-404
Brasil
+55 (19) 3936 7664 (Parts)
+55 (19) 3936 9049 (Service)
Email: comercialpecas@jlg.com
Email: servicos@jlg.com

Oshkosh-JLG (Tianjin)
Equipment Technology LTD
Shanghai Branch
No 465 Xiao Nan Road
Feng Xian District
Shanghai 201204
China
+86 (21) 800 819 0050
Email: servicos@jlg.com

JLG Industries Dubai
Jafza View
PO Box 262728, LB 19
20th Floor, Office 05
Jebel Ali, Dubai
+971 (0) 4 884 1131
+971 (0) 4 884 7683
Email: emeaservice@jlg.com

JLG France SAS
Z.I. Guillaume Mon Amy
30204 Fauillet
47400 Tonniens
France
+33 (0) 553 84 85 86
+33 (0) 553 84 85 74
Email: pieces@jlg.com

JLG Deutschland GmbH
Max Planck Str. 21
27721 Ritterhude-Ihlpohl
Germany
+49 (0) 421 69350-0
+49 (0) 421 69350-45
Email: german-parts@jlg.com

JLG Equipment Services Ltd.
Rm 1107 Landmark North
39 Lung Sum Avenue
Sheung Shui N. T.
Hong Kong
+(852) 2639 5783
+(852) 2639 5797

JLG Industries (Italia) S. R. L.
Via Po, 22
IT-20010 Pregnana Milanese (MI)
Italy
+39 (0) 2 9359 5210
+39 (0) 2 9359 5211
Email: ricambi@jlg.com

JLG EMEA B.V.
Polaris Avenue 63
2132 JH Hoofddorp
The Netherlands
+31 (0) 23 565 5665
Email: emeaservice@jlg.com

JLG NZ Access Equipment & Services
2B Fisher Crescent
Mt Wellington 1060
Auckland, New Zealand
+6 (12) 87186300
+6 (12) 65813058
Email: techservicesaus@jlg.com

JLG Industries
Vahutinskoe shosse 24b
Khimki,
Moscow Region 141400
Russia Federation
+7 (499) 922 06 99
+7 (499) 922 06 99

Oshkosh-JLG Singapore
Technology Equipment P te Ltd.
35 Tuas Avenue 2
Jurong Industrial Estate
Singapore 639454
+65 6591 9030
+65 6591 9045
Email: SEA@jlg.com

JLG Iberica S. L.
Trapadella, 2
Pol. Ind. Castellbisbal Sur
08755 Castellbisbal
Barcelona
Spain
+34 (0) 93 772 47 00
+34 (0) 93 77 117 62
Email: parts_iberica@jlg.com

JLG Sverige AB
Enkopingsvagen 150
17627 Jarfalla
Sweden
+46 (0) 8 506 595 00
+46 (0) 8 506 595 27
Email: nordicsupport@jlg.com

JLG Industries (UK) Ltd.
Bentley House
Bentley Avenue
Middleton, Greater Manchester
M24 2GP
United Kingdom
+44 (0) 161 654 1000
+44 (0) 161 654 1003
Email: ukparts@jlg.com

www.jlg.com