



Illustrated Parts Manual

Model 1230ES

SN 0130000001 to Present
SN 0200000001 to Present
SN 1200000001 to Present
SN A200006116 to Present
SN M130000001 to SN M130008778

P/N
3121223
October 1, 2021 - Rev AG

ANSI

CE



AS/NZS



REVISION LOG

NOTES:

NOTE: Country of Manufacture - The 1230ES Scissor Lifts are manufactured by JLG Industries in the following countries: USA, France and Mexico. Refer to the Serial Number Tag to identify the country of manufacture. Machines manufactured in the USA will have a serial number prefix of 02 (i.e. 02XXXXXXXX) or 013 (i.e. 013XXXXXXXX), machines manufactured in France will have a prefix of A2 (i.e. A2XXXXXXXX) and machines manufactured in Mexico will have a prefix of M13 (i.e. M13XXXXXXXX).

NOTE: Production in France starts August 2006 & ends February 2010 with SN A200009897. Production in Mexico starts March 2016 with SN M130000235. Production in USA switched from SN 02 prefix to SN 13 prefix in July 2015.

NOTE: Drive Module Identification - The module is located inside the frame. Open the left side battery door and identify the drive module by part number or visual identification before ordering parts. (See illustration below). Also, identify the country of manufactured by referring to the SN nameplate before ordering parts (See note above).

USA built machines: Machines built Prior to SN 0200203195 use the 1600346 Drive Module.

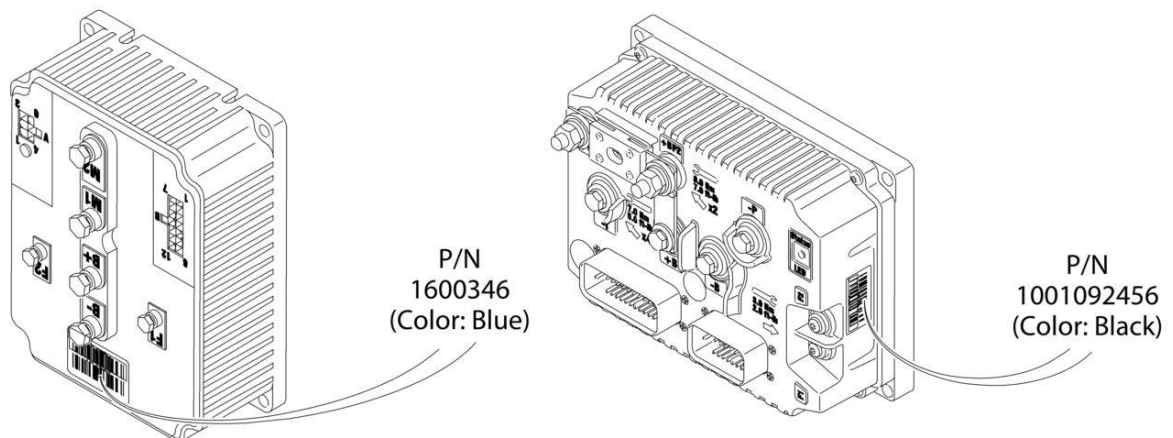
Machines with SN 0200203195 to present use the 1001092456 Drive Module.

Machines with SN 0130023462 to present use the 1001092456 Drive Module.

French built machines: Machines built Prior to SN A200007624 use the 1600346 Drive Module.

Machines with SN A200007624 through A200009897 use the 1001092456 Drive Module.

Mexico built machines: All machines use the 1001092456 Drive Module.

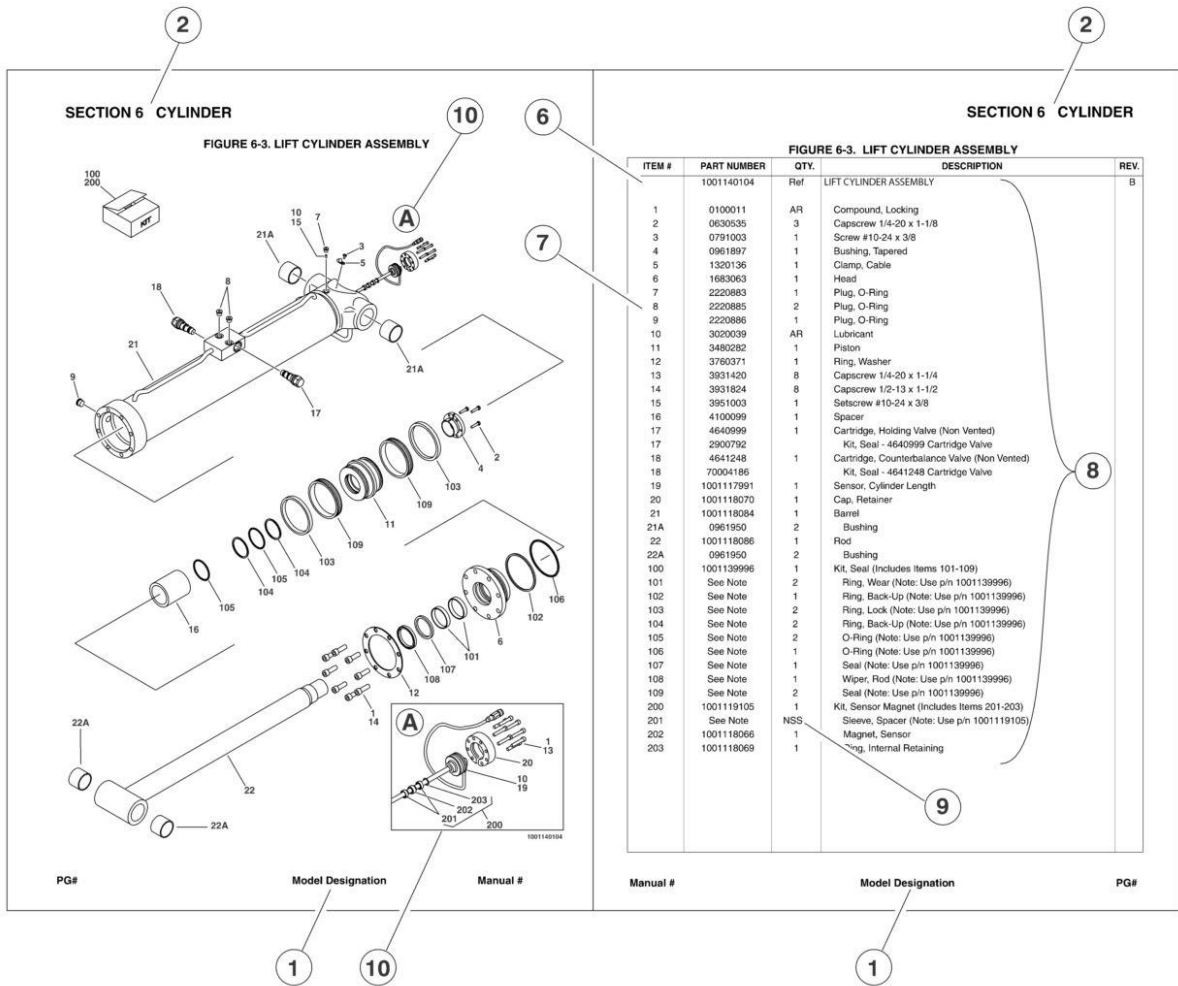


REVISION LOG

July 31, 2006 - A - Original Issue of Manual (Edited to B/M 0010670 Revision 4)
January 15, 2007 - B - Revised Manual (Edited to B/M 0010670 Revision 6)
August 1, 2007 - C - Revised Manual (Edited to B/M 0010670 Revision 8)
February 15, 2008 - D - Revised Manual (Edited to B/M 0010670 Revision 8)
August 15, 2008 - E - Revised Manual (Edited to B/M 0010670 Revision 11)
August 12, 2009 - F - Revised Manual (Edited to B/M 0010670 Revision 11)
March 1, 2010 - G - Revised Manual (Edited to B/M 0010670 Revision 12)
November 1, 2010 - H - Revised Manual (Edited to B/M 0010670 Revision 17)

April 8, 2011 - I - Revised Manual (Edited to B/M 0010670 Revision 18)
July 14, 2011 - J - Revised Manual (Edited to B/M 0010670 Revision 19)
October 7, 2011 - K - Revised Manual (Edited to B/M 0010670 Revision 19)
January 12, 2012 - L - Revised Manual (Edited to B/M 0010670 Revision 19)
June 22, 2012 - M - Revised Manual (Edited to B/M 0010670 Revision 19)
August 21, 2012 - N - Revised Manual (Edited to B/M 0010670 Revision 19)
January 7, 2013 - O - Revised Manual (Edited to B/M 0010670 Revision 19)
April 12, 2013 - P - Revised Manual (Edited to B/M 0010670 Revision 19)
July 9, 2013 - Q - Revised Manual (Edited to B/M 0010670 Revision B)
October 8, 2013 - R - Revised Manual (Edited to B/M 0010670 Revision B)
December 8, 2014 - S - Revised Manual (Edited to B/M 0010670 Revision D)
July 1, 2015 - T - Revised Manual (Edited to B/M 0010670 Revision G)
September 30, 2015 - U - Revised Manual (Edited to B/M 0010670 Revision J)
December 14, 2015 - V - Revised Manual (Edited to B/M 0010670 Revision K)
March 7, 2016 - W - Revised Manual (Edited to B/M 0010670 Revision K)
June 6, 2016 - X - Revised Manual (Edited to B/M 0010670 Revision L)
September 7, 2016 - Y - Revised Manual (Edited to B/M 0010670 Revision M)
December 22, 2016 - Z - Revised Manual (Edited to B/M 0010670 Revision N)
March 22, 2017 - AA - Revised Manual (Edited to B/M 0010670 Revision O)
June 30, 2017 - AB - Revised Manual (Edited to B/M 0010670 Revision Q)
September 29, 2017 - AC - Revised Manual (Edited to B/M 0010670 Revision R)
December 29, 2017 - AD - Revised Manual (Edited to B/M 0010670 Revision S)
September 15, 2018 - AE - Revised Manual (Edited to B/M 0010670 Revision W)
April 30, 2020 - AF - Revised Manual (Edited to B/M 0010670 Revision W)
October 1, 2021 - AG - Revised Manual (Edited to B/M 0010670 Revision W)

GENERAL INFORMATION



1) MACHINE IDENTIFICATION

Machines are identified by model and in some cases a combination of models, serial number (SN) or regional standard (i.e ANSI, CE, CSA). Components may also be identified by SN or manufacturer. Common components that may be identified by these characteristics are engines and hydraulic components.

2) PARTS MANUAL ORGANIZATION

Product information in this manual is organized under section titles. Frame, Cylinder, Hydraulic and Electrical are a few examples. Each section is organized by figure and page number. The information within the Figure is then organized by item number, part number, description and corresponding illustration (s).

3) TABLE OF CONTENTS

A table of contents is found toward the beginning of the manual. Figure number, description and page number are provided for quick reference to the page containing the related information.

4) RECOMMENDED SPARE PARTS

The Recommended Spare Parts, located near the end of the manual, reference most frequently used maintenance parts.

5) PART NUMBER INDEX

A numerical index listing all part numbers and the corresponding page number(s) appears at the back of the manual.

GENERAL INFORMATION

6) NON-SERVICED PARTS

In some instances, it is necessary to display non-serviced parts, assemblies or installations. In the case of assemblies and installations there will be a Ref in the Qty column. In case of parts that are not available for service within assemblies or components, there will be a NSS (Not Sold Separately) or NLA (No Longer Available) listed in the Qty. column of the manual.

7) PARTS LIST ITEM NUMBERS

Numbers shown in the item# column correspond to numbers used in the associated illustration (s). Item numbers which are missing from the sequence in the parts list are not used on that page

8) INDENTED PARTS DESCRIPTION

An indented part description is included in the item under which it is indented.

9) ABB REVIATION AND SYMBOLS

AC.....	.. Alternating Current	LCD Liquid Crystal Display
ADE.Advanced Design Electronics	LED Light Emitting Diodes
ANSIAmerican National Standards Institute	LH... Left Hand
AR.As Required	LSSLoad Sensing System
ASSY Assembly	M(m)...	.. Metric/Meter
AUX...Auxiliary	MM (mm)Milimeter
AWG.....	..American WireGauge	mA.....	.. Milliamps
B/M.....	.. Bill of Material	NLA.....	..No Longer Available
CE.....	..European Conformity	NPT National Pipe T threads
CCWCounter Clockwise	NSSNot Sold Separately
cm.....	.. Centimeter	OD.....	..Outside Diameter
CWClockwise	OR B.....	.. O-Ring Bos s
CSA.Canadian Standards Association	ORFS.....	.. O-Ring Face Seal
CYL...Cylinder	OZ (oz).Ounces
DIA.Diameter	PGPage
DCDirect Current	P/N.....	..Part Number
EMS Emergency Stop	qt.....	..Quarts
ENGEngine	QTY.....	..Quantity
FT (ft).....	.. Feet	REFReference
GA(Ga)..Gauge	REVRevision Level
HYDHydraulic	RH... Right Hand
Hz.Hertz	SAE.....	.. Society of Automotive Engineers
ID.....	..Inside Diameter	SN.....	..Serial Number
in.....	.. inches	SPEC(S).....	..Specifications
ISOInternational Organization for Standards	T/T.....	..Turntable
JIC.....	..Joint Industry Council	UGMUniversal Ground Module
KGKilogram	V.....	.. Volts
L.....	..Liter	W.....	.. Watts
LBPounds	#.....	.. Number

10) ILLUSTRATION REFERENCE LETTERS

When necessary, illustrations may contain reference letters that are intended to track information (i. e. hoses, harnesses) from one point to another or to track visual enlargement of components to show details that may be located in another area on the illustration.

Note: Due to continuous product improvements, JLG Industries, Inc. reserves the right to make specification changes without prior notification. Contact JLG Industries, Inc. for updated information.

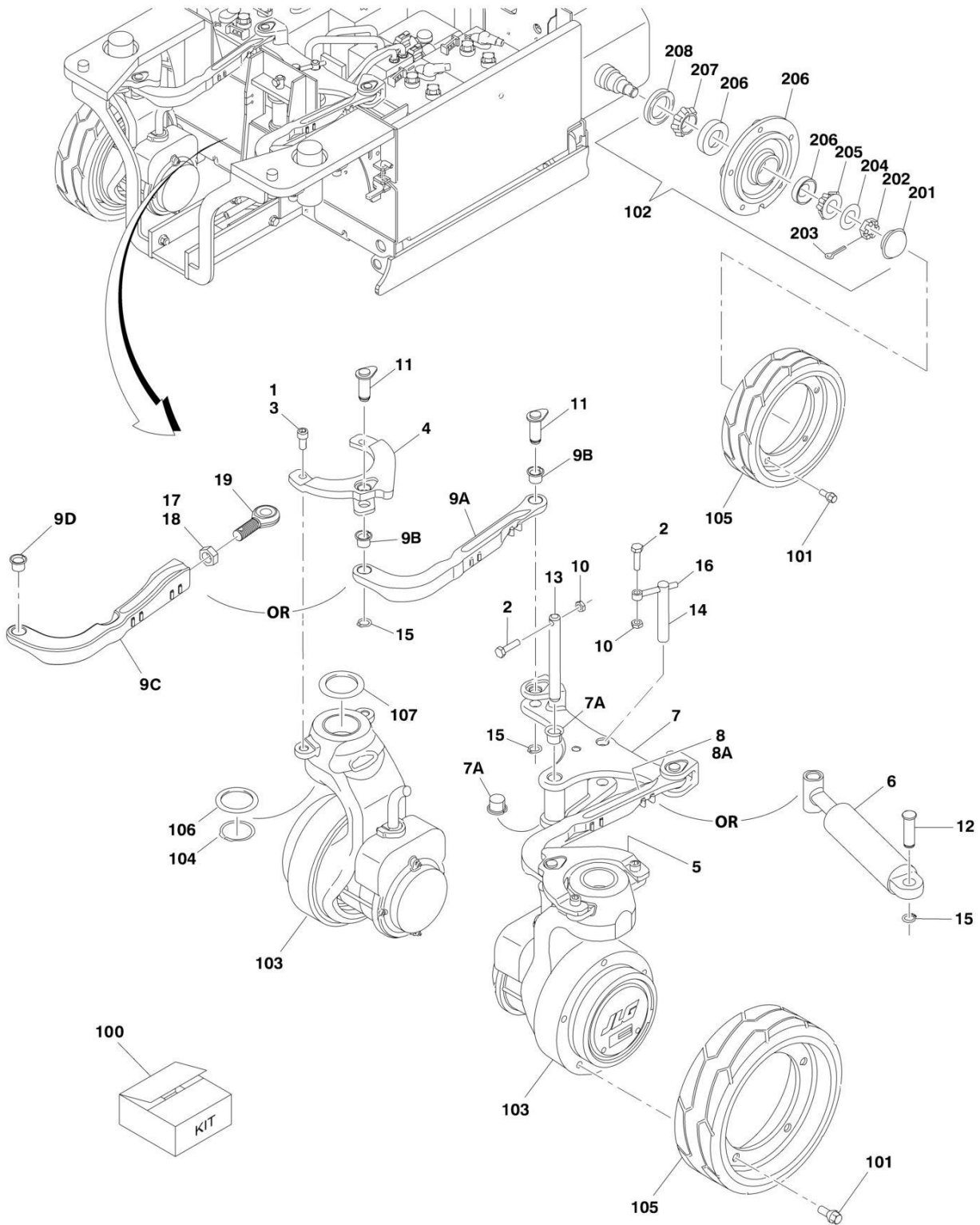
TABLE OF CONTENTS

SECTION 1 - FRAME.....	9
FIGURE 1-1. STEERING AND DRIVE INSTALLATION.....	10
FIGURE 1-2. WHEEL DRIVE ASSEMBLY.....	14
FIGURE 1-3. POTHOLE PROTECTION INSTALLATION.....	18
FIGURE 1-4. BATTERY CHARGER/BEACON LIGHT/INVERTER INSTALLATIONS.....	22
FIGURE 1-5. INVERTER INSTALLATION (ANSI AND CSA SPECS) (SN M130005288 through M130008778).....	24
FIGURE 1-6. FRAME COVERS INSTALLATION.....	26
SECTION 2 - GROUND COMPONENTS.....	29
FIGURE 2-1. PUMP/MOTOR/TANK ASSEMBLY AND INSTALLATION.....	30
FIGURE 2-2. PUMP/MOTOR/TANK ASSEMBLY AND INSTALLATION.....	34
FIGURE 2-3. ELECTRICAL COMPONENTS INSTALLATION.....	36
FIGURE 2-4. GROUND CONTROL ASSEMBLY (MACHINES WITH 1600346 DRIVE MODULE).....	40
FIGURE 2-5. GROUND CONTROL ASSEMBLY (MACHINES WITH 1001092456 DRIVE MODULE).....	42
FIGURE 2-6. BATTERIES AND COVERS INSTALLATION.....	46
SECTION 3 - MAST.....	49
FIGURE 3-1. MAST INSTALLATION.....	50
SECTION 4 - PLATFORM.....	55
FIGURE 4-1. PLATFORM INSTALLATION.....	56
FIGURE 4-2. PLATFORM CONSOLE BOX INSTALLATION.....	60
FIGURE 4-3. DRIVE/STEER P/Q CONTROLLER ASSEMBLY.....	64
FIGURE 4-4. DRIVE/STEER J.R. MERRITT CONTROLLER ASSEMBLY.....	66
SECTION 5 - CYLINDER.....	69
FIGURE 5-1. LIFT CYLINDER ASSEMBLY.....	70
FIGURE 5-2. STEER CYLINDER ASSEMBLY.....	72
SECTION 6 - HYDRAULIC.....	75
FIGURE 6-1. HYDRAULIC DIAGRAM.....	76
SECTION 7 - ELECTRICAL.....	79
FIGURE 7-1. ELECTRICAL DIAGRAM LIST.....	80
FIGURE 7-2. ELECTRICAL CONNECTORS INSTALLATION (MACHINES WITH 1600346 DRIVE MODULE).....	82
FIGURE 7-3. ELECTRICAL CONNECTORS INSTALLATION (MACHINES WITH 1001092456 DRIVE MODULE).....	94
SECTION 8 - DECALS.....	105
FIGURE 8-1. DECAL INSTALLATION.....	106
SECTION 9 - RECOMMENDED SERVICE PARTS STOCK.....	111
FIGURE 9-1. MODEL 1230ES STANDARD PARTS.....	112
SECTION 10 - SPECIAL OPTIONS.....	113
FIGURE 10-1. SPECIAL OPTIONS.....	114
PART NUMBER INDEX.....	117

SECTION 1 - FRAME

SECTION 1 - FRAME

FIGURE 1-1. STEERING AND DRIVE INSTALLATION



SECTION 1 - FRAME

FIGURE 1-1. STEERING AND DRIVE INSTALLATION

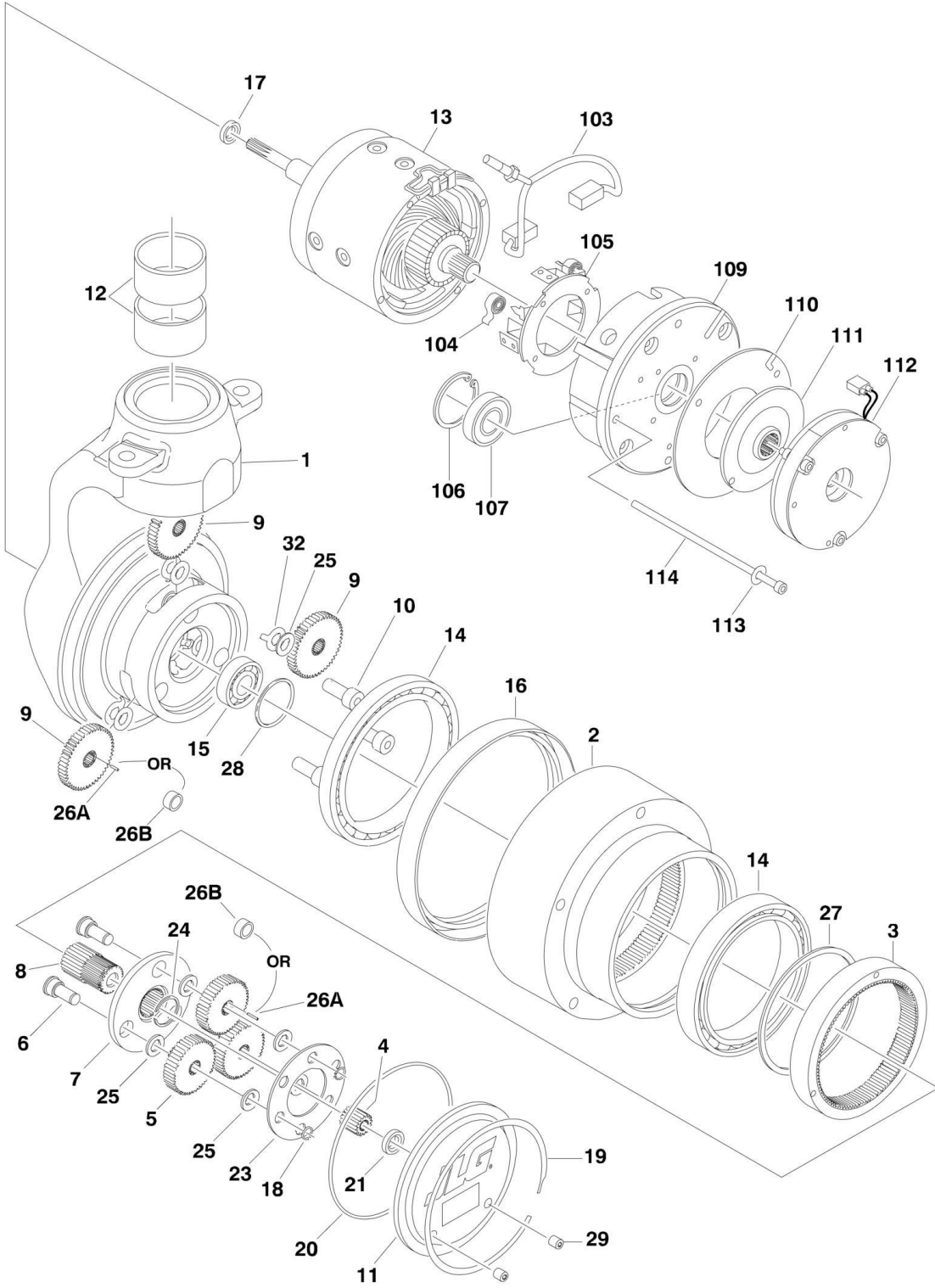
ITEM	PART NUMBER	QTY	DESCRIPTION	REV
	0274549	Ref	STEERING AND DRIVE INSTALLATION	F
1	0100019	AR	Compound, Locking	
2	0761016	4	Bolt M10 x 40mm	
3	0630606	2	Capscrew M12 x 25mm	
4	0903594	1	Bracket, Steering Knuckle (Right)	
5	0903595	1	Bracket, Steering Knuckle (Left)	
6	1684458	1	Steer Cylinder Assembly (See CYLINDER SECTION for Breakdown)	
7	3010164	1	Link, Steering	
7A	0440263	2	Bushing, Flange	
8	3010165	1	Arm, Steering (Left)	
8A	0440263	2	Bushing, Flange	
9A	3010166	NLA	Arm, Steering (Right) (Note: Use Item 100) (Prior to SN 0200241525)	
9B	0440263	2	Bushing, Flange	
9C	1001175238	1	Arm, Steering (Right) (SN 0200241525 to Present)	
9C	1001175238	1	Arm, Steering (Right) (SN 0130000000 to Present)	
9C	1001175238	1	Arm, Steering (Right) (SN M130000001 through M130008778)	
9D	0440263	1	Bushing, Flange	
10	3291005	2	Locknut M10	
11	3423303	4	Pin, Linkage	
12	3423230	1	Pin, Clevis	
13	3423235	1	Pin, Clevis	
14	3423236	1	Pin, Clevis	
15	3760348	5	Ring, Retaining	
16	3841143	1	Keeper	
17	0100011	AR	Compound Locking	
18	3322202	1	Nut (SN 0200241525 to Present)	
18	3322202	1	Nut (SN 0130000000 to Present)	
18	3322202	1	Nut (SN M130000001 through M130008778)	
19	3841517	1	Rod, End Bearing (SN 0200241525 to Present)	
19	3841517	1	Rod, End Bearing (SN 0130000000 to Present)	
19	3841517	1	Rod, End Bearing (SN M130000001 through M130008778)	
100	1001178423	1	Steering Arm Kit (Right) (Includes Items 9C, 9D, 18, 19 and Instructions)	A
		Ref	DRIVE INSTALLATION	
		Ref	Note: For Module Identification, see note on Revision Log Page A before ordering parts.	
	0274550	Ref	Machines with 1600346 Drive Module	I
	1001118433	Ref	Machines with 1001092456 Drive Module (With Solideal Tires)	C
	1001220665	Ref	Machines with 1001092456 Drive Module (With Exmile Tires) (SN 0130030385 to Present, SN M130001282 through M130008778)	A
101	0630580	20	Bolt, Wheel	
102	2780266	2	Hub Assembly (See Items 201-208 for Breakdown)	
103		Ref	Wheel Drive Assembly Options (See WHEEL DRIVE ASSEMBLY for Breakdown):	
		Ref	Note: Requires Identification of Drive Module Before Ordering Parts. Refer to Revision Log Page A of This Manual.	
103	1001092743	2	USA Built Machines with 1600346 Drive Module	
103	1001118359	2	USA Built Machines with 1001092456 Drive Module	

SECTION 1 - FRAME

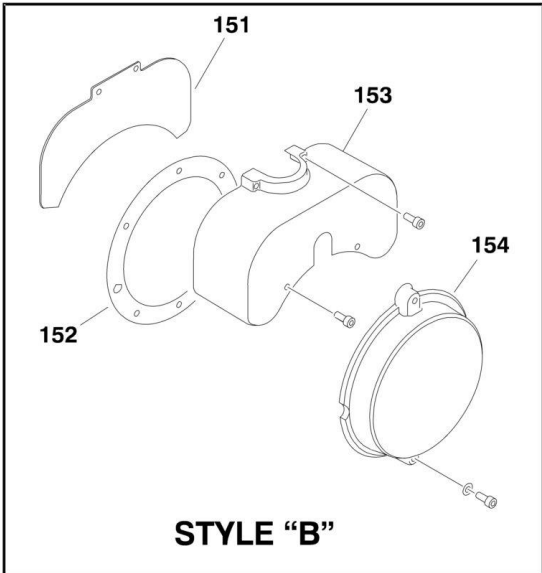
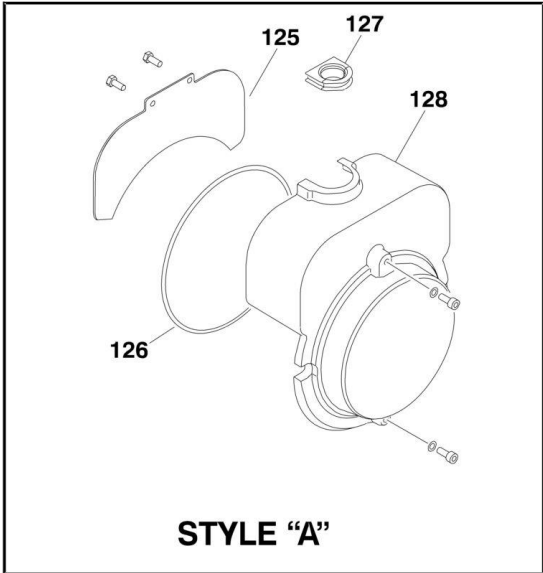
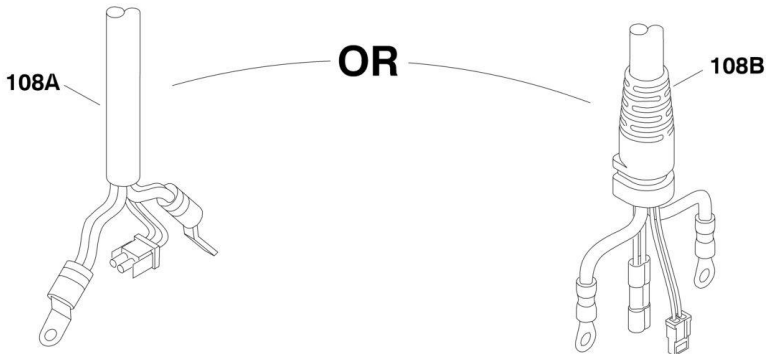
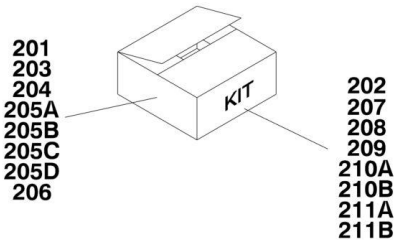
ITEM	PART NUMBER	QTY	DESCRIPTION	REV
103	3160329	NLA	French Built Machines with 1600346 Drive Module (Use p/n 1001092743) (Prior to SN A200007624)	
103	1001092743	2	French Built Machines with 1600346 Drive Module (SN A200007624 through A200009897)	
103	1001118359	2	Mexico Built Machines	
104	3760463	2	Ring, Retaining	
105	4520565	NLA	Tire and Wheel Assembly (Use Kit p/n 2915012)	
105	1001100840	NLA	Tire and Wheel Assembly (Use Kit p/n 2915012)	
105	1001114467	NLA	Tire and Wheel Assembly (Use Kit p/n 2915012)	
105		Ref	Kit p/n 2915012 Includes Qty 1 Tire and Wheel and Qty 5 Wheel Bolts.	
105	1001219582	4	Tire and Wheel Assembly (Exmile Tires) (SN 0130030835 to Present, SN M130001282 through M130008778)	
		Ref	Note: Must replace Tire and Wheel Assemblies in pairs per axle.	
106	4740523	2	Washer	
107	4740524	2	Washer	
108	4240018	2	Tie-Strap (Not Shown)	
109	1321682	2	Clamp, Worm (Not Shown - Used on Drive Motor Cable)	
110	4923602	1	Harness, Field Wire Connection (Not Shown - See ELECTRICAL SECTION for Breakdown) (Prior to SN 0200225604, SN A20000000 through A200009897)	
	2780266	Ref	HUB ASSEMBLY	E
		Ref	Note: Quantities shown are for 1 assembly. Two Assemblies are required per machine.	
201	1001102354	1	Cap, Dust (was p/n 7012524)	
202	3300423	1	Nut, Slotted (was p/n 7010641)	
203	3450406	1	Pin, Cotter 2in x 3/16in (was p/n 7010642)	
204	4740468	1	Washer (was p/n 7019697)	
205	1001102351	1	Bearing, Cone - Outer (was p/n 7026185)	
206	See Note	1	Hub (Note: Purchase Complete Hub p/n 2780266)	
207	1001102353	1	Bearing, Cone - Inner (was p/n 7026183)	
208	1001102349	1	Seal (was p/n 7026184)	

SECTION 1 - FRAME

FIGURE 1-2. WHEEL DRIVE ASSEMBLY



SECTION 1 - FRAME



SECTION 1 - FRAME

FIGURE 1-2. WHEEL DRIVE ASSEMBLY

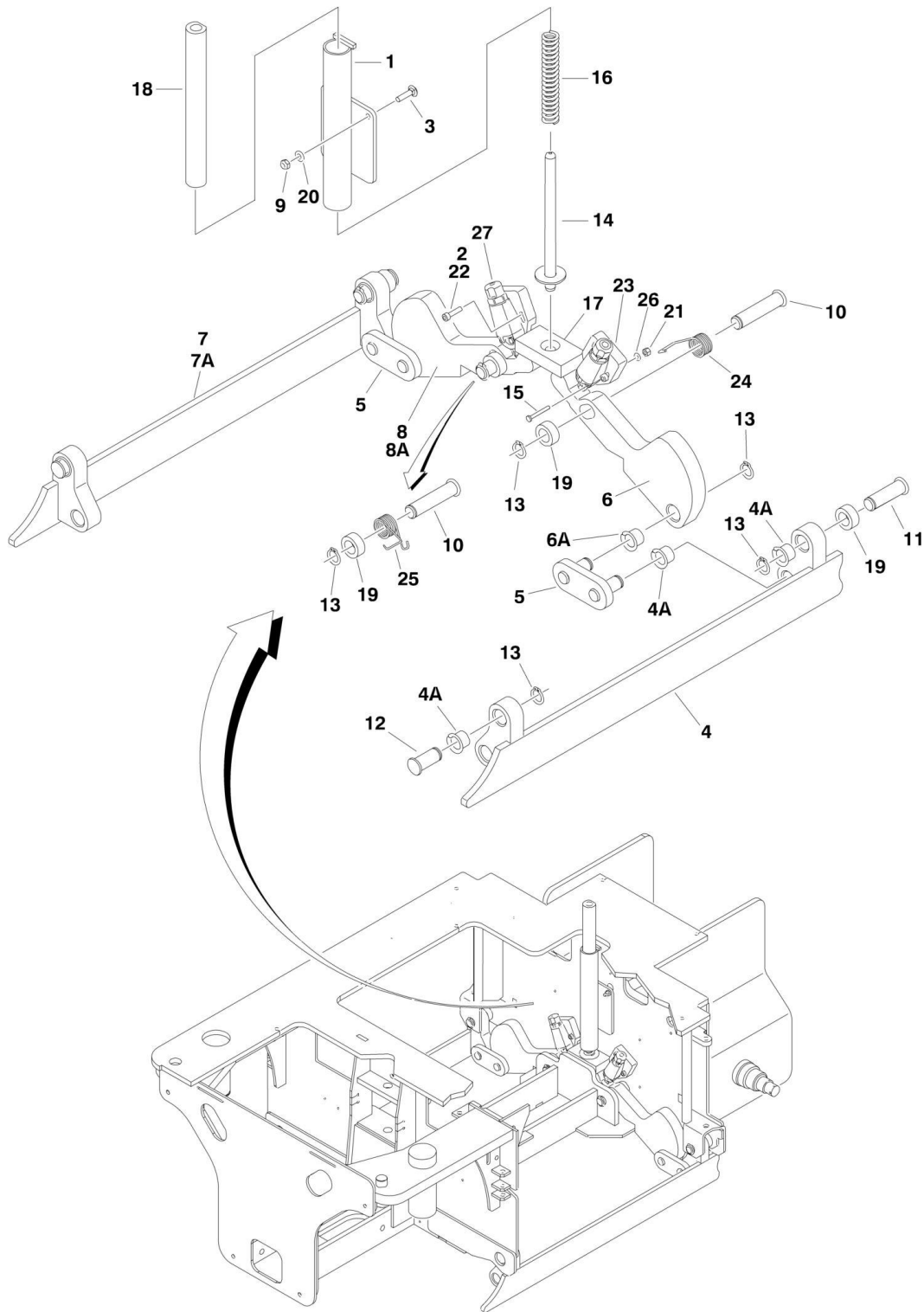
ITEM	PART NUMBER	QTY	DESCRIPTION	REV
		Ref	WHEEL DRIVE ASSEMBLY	
		Ref	Note: Due to service updates, drive motors may use any of the various parts listed below. Visual identification will be required.	
		Ref	Note: Requires identification of drive module before ordering parts. Refer to Revision Log Page of this manual.	
	3160329	Ref	French Built Machines with 1600346 Drive Module (Use p/n 1001092743 as replacement) (Prior to SN A200007624)	D-F
	1001092743	Ref	French Built Machines with 1600346 Drive Module (SN A200007624 through A200009897)	D
	1001092743	Ref	USA Built Machines with 1600346 Drive Module	D
	1001118359	Ref	USA Built Machines with 1001092456 Drive Module	C
	1001118359	Ref	Mexico Built Machines with 1001092456 Drive Module	C
		Ref	HUB ASSEMBLY	
1	See Note	NSS	Spindle (Note: Not Available - Purchase Complete Assembly)	
2	See Note	NSS	Hub (Note: Use Item 206)	
3	See Note	NSS	Ring, Input (Note: Use Item 204)	
4	See Note	NSS	Gear, Input Sun (Note: Use Item 203)	
5	See Note	NSS	Gear, Input Planet (Note: Use Item 203)	
6	See Note	NSS	Pin, Planet Gear (Note: Use Item 203)	
7	See Note	NSS	Carrier (Note: Use Item 203)	
8	See Note	NSS	Gear, Output Sun (Note: Use Item 203)	
9	See Note	NSS	Gear, Output Planet (Note: Use Item 207)	
10	See Note	NSS	Pin, Output Planet (Note: Use Item 207)	
11	See Note	NSS	Cover (Note: Use Item 201)	
12	7024757	1	Bushing Kit, Kingpin (Includes 2 Bushings)	
13	See Note	NSS	Motor, Electric (Note: Use Item 205A, 205B or 205C)	
14	See Note	NSS	Bearing, Main (Note: Use Item 202, 204, 206 or 207)	
15	See Note	NSS	Bearing, Shaft (Note: Use Item 207)	
16	70001739	1	Seal, Lip	
17	7024786	1	Seal, Lip	
18	See Note	NSS	Ring, Retaining (Note: Use Item 203)	
19	See Note	NSS	Ring, Retaining (Note: Use Item 201)	
20	70000191	1	O-Ring	
21	See Note	NSS	Thrustwasher (Note: Use Item 201)	
23	See Note	NSS	Plate, Thrust (Note: Use Item 203)	
24	See Note	NSS	Ring, Retaining (Note: Use Item 203)	
25	See Note	NSS	Thrustwasher (Note: Use Item 203 or 207)	
26	See Note	NSS	Bearing/Bushing (Note: Use Item 203 or 207):	
26A	See Note	66	Bearing, Needle	
26B	See Note	6	Bushing	
27	See Note	NSS	Ring, Retaining (Note: Use Item 204, 206 or 207)	
28	See Note	NSS	Ring, Retaining (Note: Use Item 207)	
29	See Note	NSS	Plug (Note: Use Item 201)	
32	See Note	NSS	Washer, Tanged (Note: Use Item 207)	
		Ref	BRAKE AND MOTOR COMPONENTS	
103	See Note	NSS	Brush and Terminal Assembly (Note: Use Item 208)	
104	70000790	2	Spring, Brush	
105	70000791	1	Box, Brush	
106	See Note	NSS	Ring, Retaining (Note: Use Item 208)	
107	See Note	NSS	Bearing (Note: Use Item 208)	

SECTION 1 - FRAME

ITEM	PART NUMBER	QTY	DESCRIPTION	REV
108		Ref	Harness, Electrical Cable Options:	
		Ref	Note: Requires identification of drive module before ordering parts when equipped with item 108B style cable. Refer to Revision Log Page.	
108A	7024770	NLA	Hub with Item 108A Style Cable (Use p/n 1001093652)	
108B	1001093652	1	Hub with Item 108B Style Cable & 1600346 Drive Module	
108B	1001118363	1	Hub with Item 108B Style Cable & 1001092456 Drive Module	
109	70000792	1	Commutator	
110	See Note	NSS	Disc, Reaction (Note: Use Item 209)	
111	7024785	1	Disc, Friction	
112	See Note	NSS	Brake Assembly (Note: Use Item 209)	
113	See Note	NSS	Flatwasher (Note: Use Item 210)	
114	See Note	NSS	Bolt (Note: Use Item 210)	
		Ref	Style "A" Brake Cover	
125	See Note	NSS	Plate, Cover (Note: Use Item 211A)	
126	See Note	NSS	O-Ring (Note: Use Item 210 or 211A)	
127	70000383	1	Connector, Strain Relief	
128	See Note	NSS	Cover (Note: Use item 211A)	
		Ref	Style "B" Brake Cover	
151	See Note	NSS	Plate, Cover (Note: Use Item 211B)	
152	70001949	1	Gasket, Cover	
153	70006426	1	Cover, Top (Note: Use Item 211B)	
154	See Note	NSS	Cover, End (Note: Use Item 211B)	
		Ref	KIT OPTIONS	
201	7024747	1	Cover Kit (Includes Items 11, 19, 20, 21 & 29)	
202	7024748	1	Main Seal Kit (Includes Qty 1 of Items 14, 16 & 20)	
203	7024749	1	Input Carrier Kit (Includes Items 4-8, 18, 20 & 23-26)	
204	7024758	1	Input Ring Kit (Includes Items 3, 20, 27 & Qty 1 of Item 14)	
205		Ref	Motor Kit Options (Includes Items 13, 17, 103-114 & 151-154):	
205A	3160329	NLA	French Built Machines (Use p/n 1001100819) (Prior to SN A200007624)	
205B		Ref	French Built Machines Options: (SN A200007624 through A200009897)	
205B	70001347	1	Wheel Drive Assembly 1001092743	
205B	70002308	1	Wheel Drive Assembly 1001118359	
205C		Ref	USA Built Machines Options:	
205C	70001347	1	Wheel Drive Assembly 1001092743	
205C	70002308	1	Wheel Drive Assembly 1001118359	
205C	70002308	1	Mexico Built Machines	
206	7024756	1	Hub Kit (Includes Items 2, 16, 20, 27 & Qty 1 of Item 14)	
207	7024750	1	Output Planet Kit (Includes Items 9, 10, 15, 20, 25-28, 32 & Qty 1 of Item 14)	
208	7024771	1	Motor Brush and Bearing Kit (Includes Items 103, 106 & 107)	
209	7024772	1	Brake Kit (Includes Items 110, 111 & 112)	
210	7024773	1	Motor Hardware Kit (Includes Items 113, 114 & 126)	
211		Ref	Brake Cover Kit Options:	
211A	7024787	1	Style "A" (Includes Items 125-128)	
211B	70001265	1	Style "B" (Includes Items 151-154)	

SECTION 1 - FRAME

FIGURE 1-3. POTHOLE PROTECTION INSTALLATION



SECTION 1 - FRAME

FIGURE 1-3. POTHOLE PROTECTION INSTALLATION

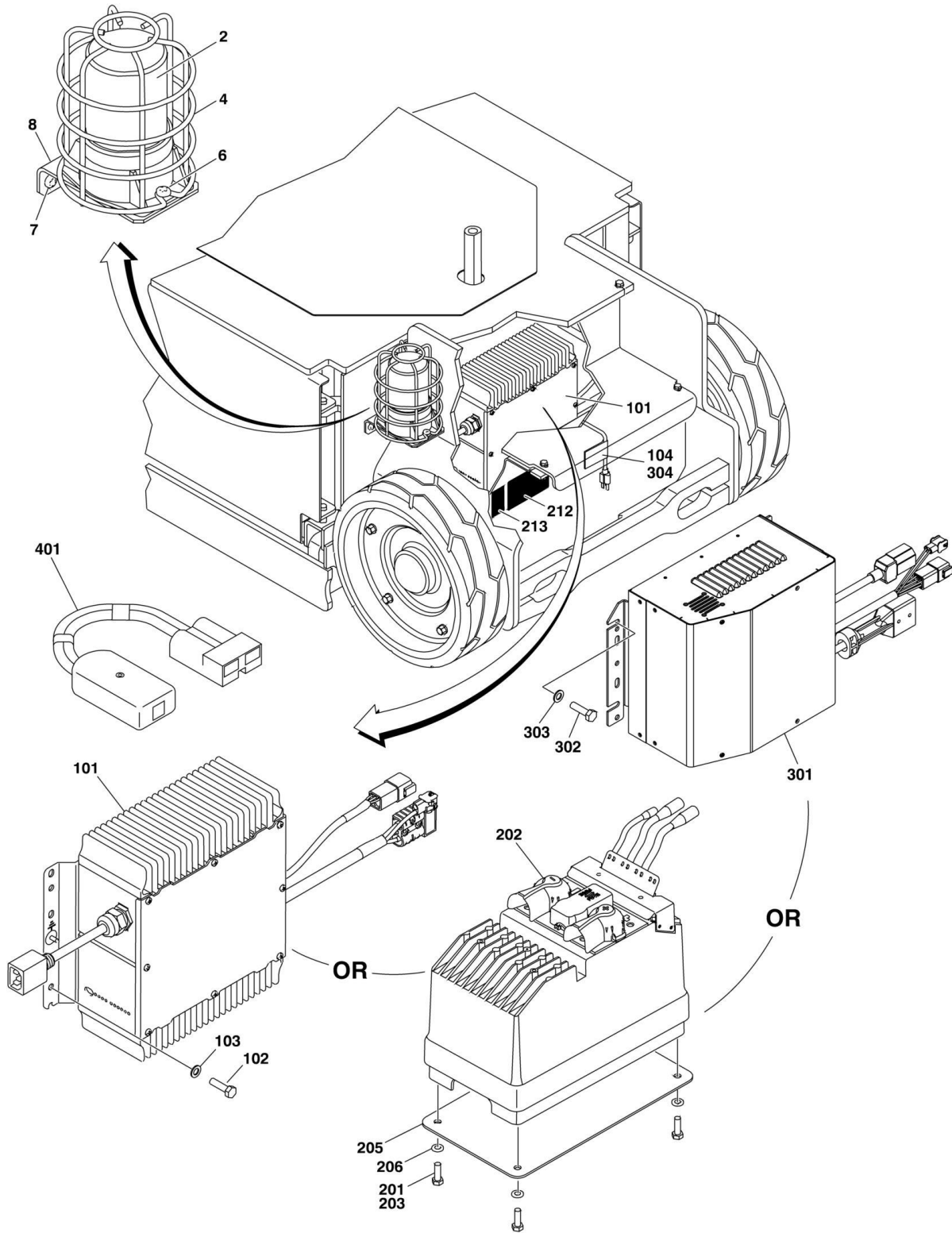
ITEM	PART NUMBER	QTY	DESCRIPTION	REV
		Ref	POTHOLE PROTECTION INSTALLATIONS	
	0274564	Ref	All Specs Except Australian Specs	I
	0274564	Ref	Australian Specs (Prior to SN 0130031935, SN M13000001 through M130002315)	I
	1001224019	Ref	Australian Specs (SN 0130031935 to Present, SN M130002315 through M130008778)	A
1	0060084	1	Actuator	
2	0100035	AR	Compound, Locking	
3	0630587	2	Bolt, Carriage M6 x 25mm	
4	3010145	1	Bar, Pothole (Left)	
4A	0440263	2	Bushing, Flange	
5	3010146	2	Link	
6	3010147	2	Link, Actuator (Left)	
6A	0440263	1	Bushing, Flange	
7	3010152	1	Bar, Pothole (Right)	
7A	0440263	2	Bushing, Flange	
8	3010153	2	Link, Actuator (Right)	
8A	0440263	1	Bushing, Flange	
9	3290605	2	Locknut M6	
10	3423189	2	Pin	
11	3423230	2	Pin	
12	3423231	2	Pin	
13	3760348	10	Ring, Retaining	
14	3841703	1	Rod, Actuator	
15	4010415	4	Screw M4 x 35mm	
16	4160160	1	Spring	
17	4220258	1	Pad, Actuator	
18	4569225	1	Tube, Actuator (All Specs Except Australian Specs)	
18	4569225	1	Tube, Actuator (Australian Specs) (Prior to SN 0130031935, SN M13000001 through M130002315)	
18	1001200607	1	Tube, Actuator (Australian Specs) (SN 0130031935 to Present, SN M130002315 through M130008778)	
19	4569238	4	Spacer	
20	4811700	2	Flatwasher M6	
21	3290405	4	Locknut M4	
22	4031709	4	Capscrew M6 x 25mm	
22	4031707	4	Capscrew M6 x 16mm	
23	4220308	2	Spacer (Prior to SN 0200195926, Prior to SN 0130031935, SN M13000001 through M130002315)	
23	1001110511	2	Bracket (SN 0200195926 to Present, SN 0130031935 to Present, SN M130002315 through M130008778)	
24	4160222	1	Spring (Right)	
25	4160223	1	Spring (Left)	
26	4811400	AR	Flatwasher M4	
27		Ref	Switch, Limit Options:	
		Ref	Note: Requires identification of drive module before ordering parts. Refer to Revision Log Page A of this manual.	
27	4360633	NLA	Switch for Machines with 1600346 Drive Module (USA Built Machines) (Use p/n 1001115448) (Prior to SN 0200195926)	
27	1001109088	2	Switch for Machines with 1001092456 Drive Module (USA Built Machines) (SN 0200195926 to Present)	

SECTION 1 - FRAME

ITEM	PART NUMBER	QTY	DESCRIPTION	REV
27	1001109088	2	Switch for Machines with 1001092456 Drive Module (USA Built Machines) (SN 0130000000 to Present)	
27	4360633	NLA	Switch for Machines with 1600346 Drive Module (French Built Machines) (Use p/n 1001115448) (Prior to SN A200007624)	
27	1001109088	2	Switch for Machines with 1001092456 Drive Module (SN A200007624 through A200009897)	
27	1001109088	2	Switch for Machines with 1001092456 Drive Module (Mexico Built Machines)	

SECTION 1 - FRAME

FIGURE 1-4. BATTERY CHARGER/BEACON LIGHT/INVERTER INSTALLATIONS



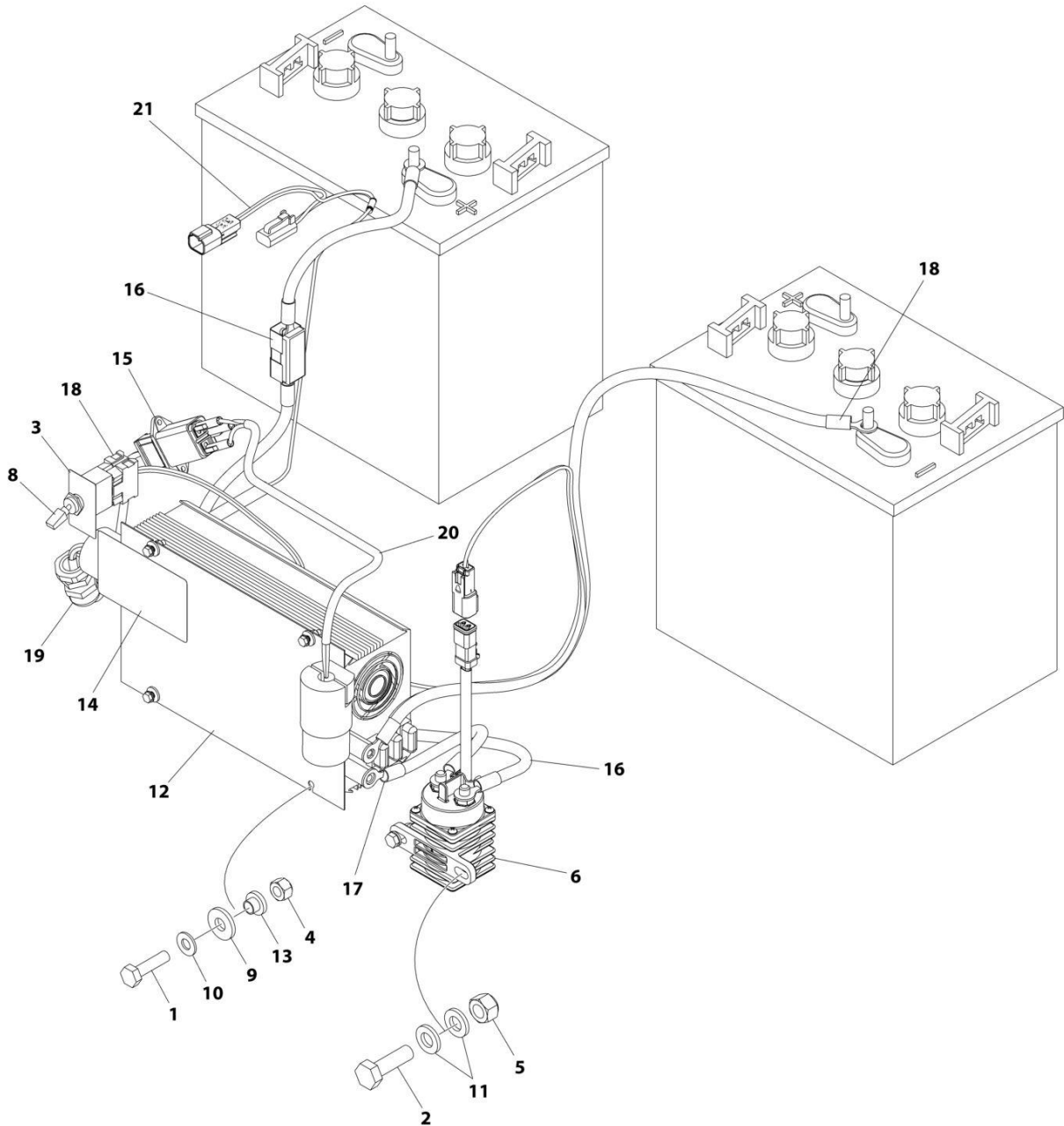
SECTION 1 - FRAME

FIGURE 1-4. BATTERY CHARGER/BEACON LIGHT/INVERTER INSTALLATIONS

ITEM	PART NUMBER	QTY	DESCRIPTION	REV
	0274558	Ref	BEACON LIGHT INSTALLATION (OPTIONAL)	E
2	2920161	1	Light, Beacon	
2	7016319	1	Bulb, Replacement	
2	7016372	1	Len, Replacement	
4	4060865	1	Guard, Strobe	
6	4191406	2	Screw M4 x 12mm	
7	4191706	2	Screw M6 x 12mm	
8	4341144	1	Mount, Beacon	
	0274562	Ref	BATTERY CHARGER INSTALLATION	D
101		Ref	Battery Charger Assembly	
		Ref	Note: Cable ends are the only serviceable parts. See ELECTRICAL SECTION for call-outs.	
101	0400238	NLA	USA Built Machines (Use Kit p/n 1001128737 includes Charger and Battery Temperature Sensor Kit) (Prior to SN 0200197381)	
101	1001112111	1	USA Built Machines (SN 0200197381 to Present)	
101	1001112111	1	USA Built Machines (SN 0130000000 to Present)	
101	0400238	NLA	French Built Machines (Use Kit p/n 1001128737 includes Charger and Battery Temperature Sensor Kit)	
101	1001112111	1	Mexico Built Machines	
102	4191706	2	Screw M6 x 12mm	
103	4811700	2	Flatwasher M6	
104	1001103743	1	Decal - Charger	
	0274563	Ref	BATTERY CHARGER/INVERTER COMBINATION INSTALLATION (ANSI AND CSA SPECS OPTION) (SN A200000001 through A2000009897, SN 02002033195 to Present, SN 0130023462 through 0130031934, SN M130000001 through M13000288)	H
201	0100011	AR	Compound, Locking	
202	0400237	NLA	Battery Charger/Inverter Assembly (Use p/n 1001093839)	
203	0760812	4	Screw M8 x 25mm	
205	2820239	1	Pad, Insulator	
206	4740562	4	Flatwasher	
212	1706749	1	Decal - Inverter	
213	1706750	1	Decal - On/Off Inverter	
214	1706765	1	Decal - Hazardous Voltage (Not Shown - Located on Mast Cover Near AC Receptacle)	
	1001229471	Ref	BATTERY CHARGER INSTALLATION - EAGLE PERFORMANCE (ANSI AND CSA SPECS OPTION)	A
301	1001177842	1	Battery Charger Assembly	
302	4191706	4	Screw M6 x 12mm	
303	4811700	4	Flatwasher M6	
304	1001103743	1	Decal - Charger	
401	2915230	1	BATTERY CHARGER REPROGRAM CONTROLLER KIT FOR DELTA-Q CHARGER ONLY	

SECTION 1 - FRAME

FIGURE 1-5. INVERTER INSTALLATION (ANSI AND CSA SPECS) (SN M130005288 through M130008778)



ART_1001231386

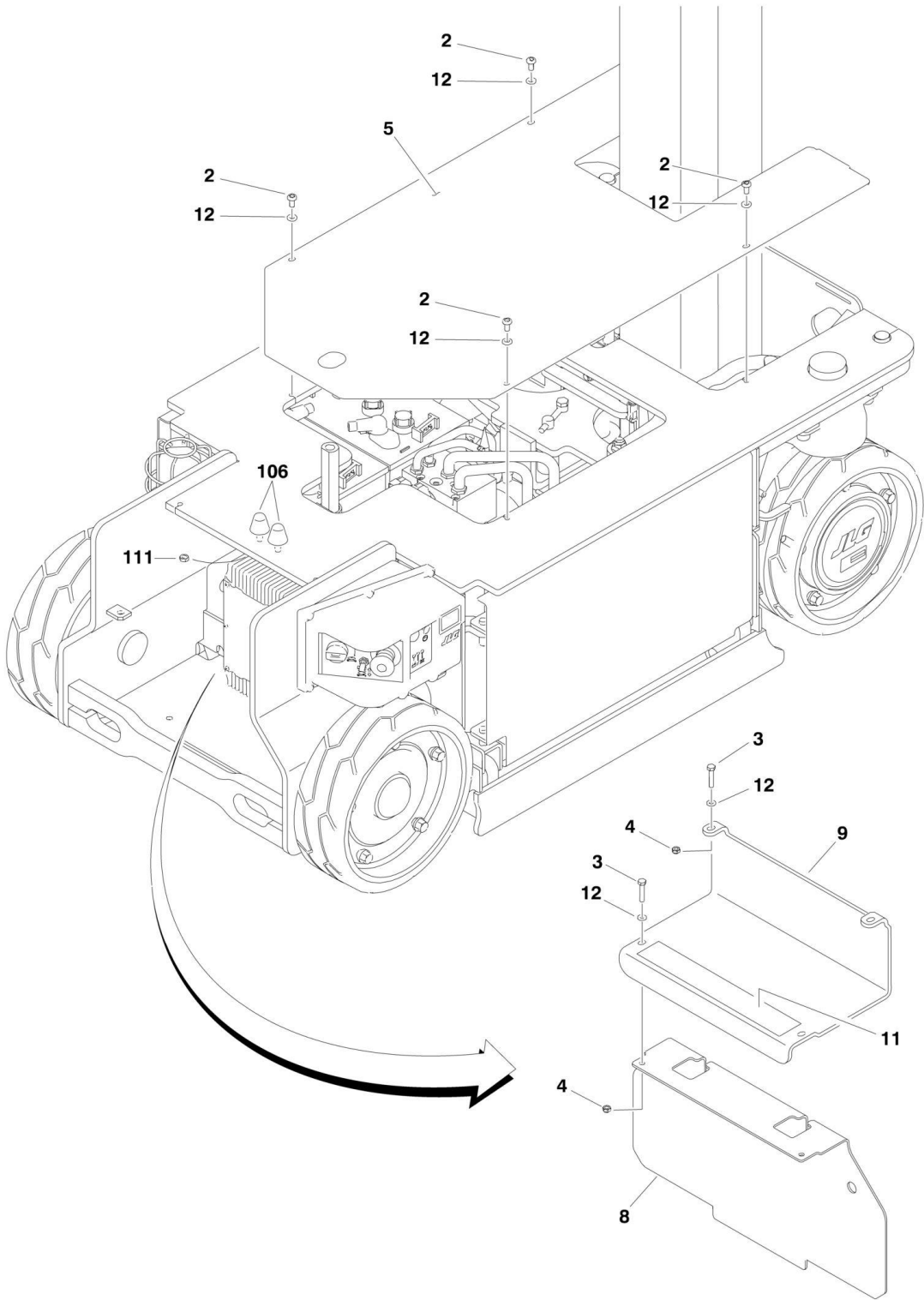
SECTION 1 - FRAME

FIGURE 1-5. INVERTER INSTALLATION (ANSI AND CSA SPECS) (SN M130005288 through M130008778)

ITEM	PART NUMBER	QTY	DESCRIPTION	REV
	1001231386	Ref	INVERTER INSTALLATION (ANSI AND CSA SPECS)	A
1	0760408	4	Bolt M4 x 16	
2	0760610	2	Bolt M6 x 20	
3	1706750	1	Decal - On/Off Inverter	
4	3290405	4	Nut M4	
5	3290605	2	Nut M6	
6	3740150	1	Relay	
7	4240017	AR	Tie-Strap (Not Shown)	
8	4360336	1	Switch, Toggle	
9	4740120	4	Washer	
10	4811400	4	Washer M4	
11	4811700	4	Washer M6	
12	1001136757	1	Inverter	
13	1001142174	4	Washer 1/8	
14	1001143009	1	Decal - Inverter	
15	1001157547	1	Filter, AC	
16	1001138967	1	Cable - Battery + to Relay	
17	1001145762	1	Cable - Inverter + to Relay	
18	1001145763	1	Inverter Harness	
19	1001145881	1	AC Extension Harness	
20	1001157645	1	AC Extension Harness	
21	1001158712	1	Switch/Relay Power Harness	

SECTION 1 - FRAME

FIGURE 1-6. FRAME COVERS INSTALLATION



SECTION 1 - FRAME

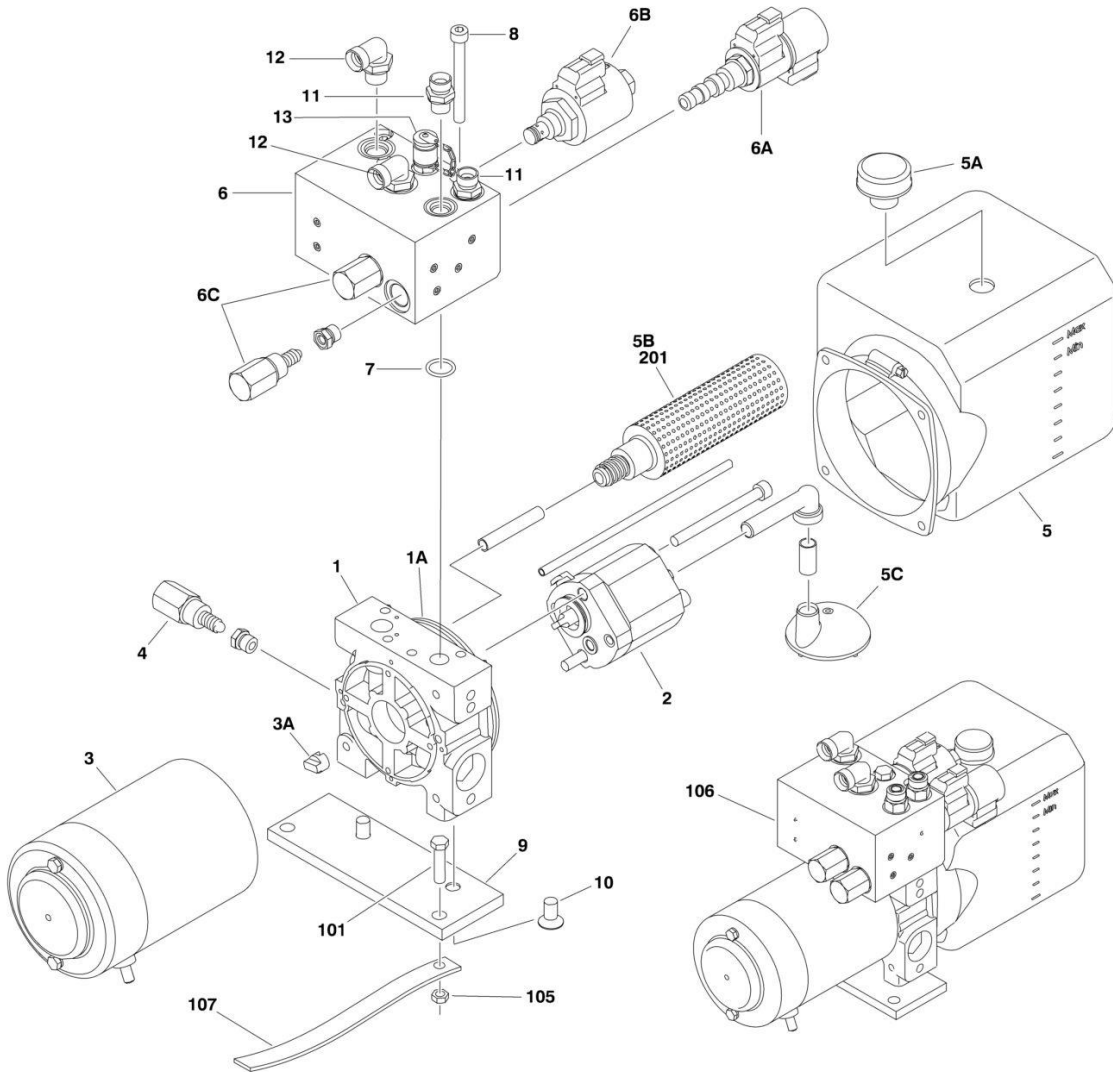
FIGURE 1-6. FRAME COVERS INSTALLATION

ITEM	PART NUMBER	QTY	DESCRIPTION	REV
		Ref	FRAME COVERS INSTALLATIONS	
	0274560	Ref	All Specs Except Australian Specs	I
	0274560	Ref	Australian Specs (Prior to SN 0130031935, SN M130000001 through M130002315)	I
	1001224016	Ref	Australian Specs (SN 0130031935 to Present, SN M130002315 through M130008778)	A
2	4191708	4	Bolt M6 x 20mm	
2	0700628	4	Bolt M6 x 110mm	
3	0760614	4	Bolt M6 x 30mm	
4	3290605	4	Locknut M6	
5	3380604	1	Panel, Top Cover (All Specs Except Australian Specs)	
5	3380604	1	Panel, Top Cover (Australian Specs) (Prior to SN 0130031935, SN M130000001 through M130002315)	
5	1001199304	1	Panel, Top Cover (Australian Specs) (SN 0130031935 to Present, SN M130002315 through M130008778)	
8	3380619	1	Cover, Charger	
9	3575919	1	Plate, Step	
11	4420070	1	Tape, Anti-Skid	
12	4811700	AR	Flatwasher 6mm	
12	4811702	AR	Washer M6	
		Ref	PLATFORM BUMPER INSTALLATION	
	1001098653	Ref	All Specs except Australian and CE Specs (USA Built Machines) (Prior to SN 0200196530)	G
	0274552	Ref	All Specs except Australian and CE Specs (USA Built Machines) (SN 0200196530 to Present)	S
	0274552	Ref	All Specs except Australian and CE Specs (USA Built Machines) (SN 0130000000 to Present)	S
	0274552	Ref	All Specs except Australian and CE Specs (All Mexico Built Machines)	S
	1001098653	Ref	All Specs except Australian and CE Specs (French Built Machines)	G
	1001100633	Ref	Australian Specs (Prior to SN 0200249257, Prior to SN 0130024392, Prior to SN A200009897, SN M130000001 through M130000091)	D
	1001203418	Ref	Australian Specs (SN 0130024392 through 030031934, SN M130000091 through M130002314)	A
	1001225241	Ref	Australian Specs (SN 0130031935 to Present, SN M130002315 through M130008778)	A
	0274552	Ref	CE Specs	R
106	0940088	NLA	Bumper (Use p/n 1001008575)	
		Ref	Note: Recommend purchasing item 111 Nut when replacing Bumper.	
111	3290805	2	Nut M8	

SECTION 2 - GROUND COMPONENTS

SECTION 2 - GROUND COMPONENTS

FIGURE 2-1. PUMP/MOTOR/TANK ASSEMBLY AND INSTALLATION



**NOTE: ORIGINAL EQUIPMENT ASSEMBLY P/N 3600432
MAY HAVE BEEN REPLACED WITH SERVICE REPLACEMENT
ASSEMBLY P/N 1001101832. IDENTIFY P/N BEFORE
ORDERING REPLACEMENT COMPONENTS.**

**USAGE CHART:
FRENCH BUILT MACHINES (ORIGINAL EQUIPMENT) (PRIOR TO SN A200009318)
USA BUILT MACHINES (ORIGINAL EQUIPMENT) (PRIOR TO SN 0200189255)**

SECTION 2 - GROUND COMPONENTS

FIGURE 2-1. PUMP/MOTOR/TANK ASSEMBLY AND INSTALLATION

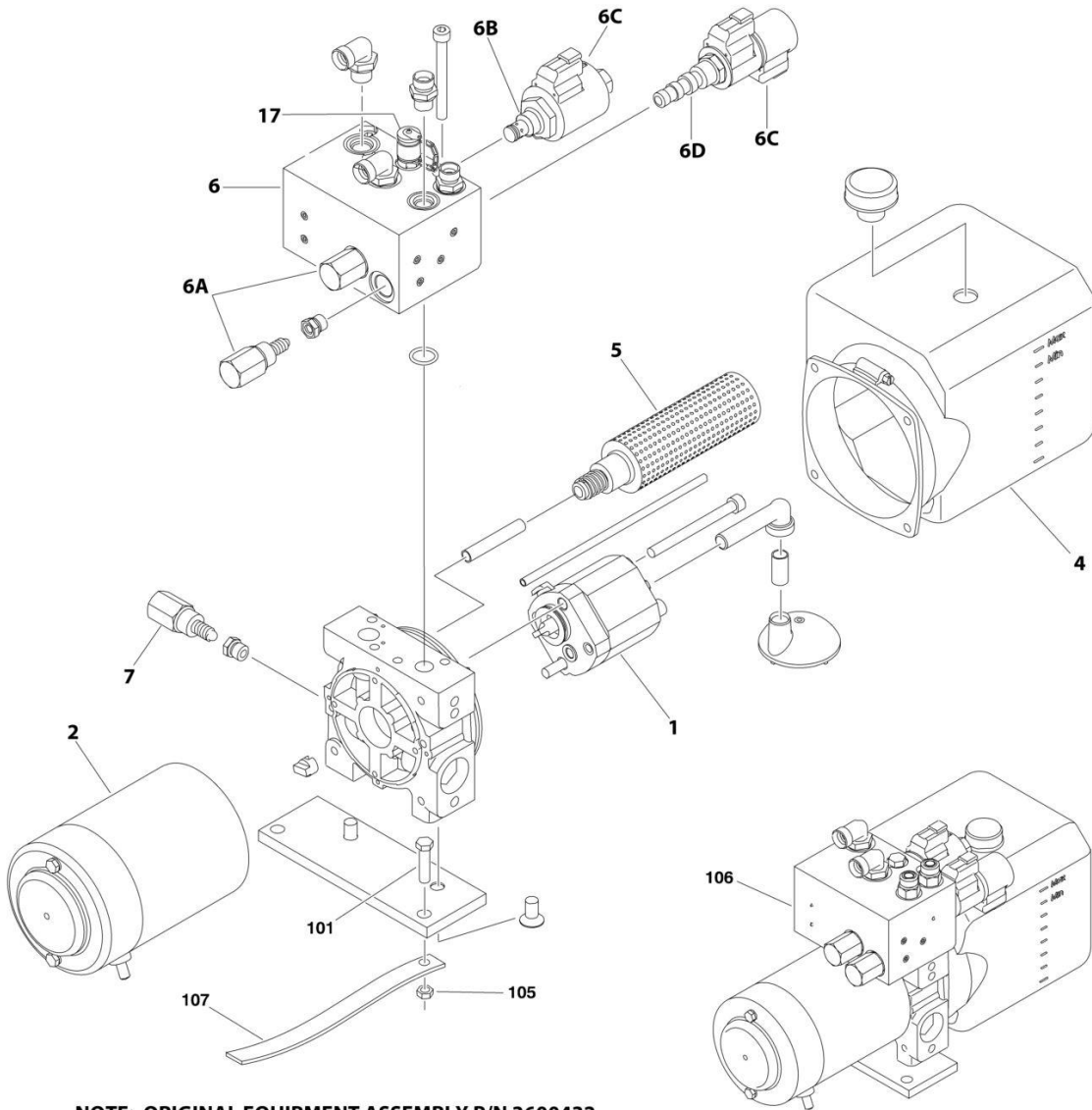
ITEM	PART NUMBER	QTY	DESCRIPTION	REV
		Ref	PUMP/MOTOR/TANK ASSEMBLY	
	3600432	Ref	French Built Machines (Original Equipment) (Prior to SN A200009318)	I
	3600432	Ref	USA Built Machines (Original Equipment) (Prior to SN 0200189255)	I
		Ref	NOTE: ORIGINAL EQUIPMENT ASSEMBLY P/N 3600432 MAY HAVE BEEN REPLACED WITH SERVICE REPLACEMENT ASSEMBLY P/N 1001101832. IDENTIFY P/N BEFORE ORDERING REPLACEMENT COMPONENTS.	
1	See Note	NSS	Adapter Assembly (Note: Not Available - Purchase Complete Assembly)	
1A	7011025	1	O-Ring	
2	70000661	1	Pump Assembly	
2	See Note	NLA	Seal Kit (Note: Use p/n 70000661)	
3	70000662	1	Motor Assembly	
3	70000663	1	Brush Kit	
3	70000664	2	Bearing, Ball	
3A	70000665	1	Coupling	
4	70000666	1	Cartridge, Relief	
4	See Note	NLA	Seal Kit (Note: Use p/n 70000666)	
5	70000667	1	Tank Assembly	
5A	70000668	1	Breather	
5B	70000669	1	Filter	
5C	70000670	1	Filter, Suction	
6	See Note	NSS	Valve Assembly (Note: Not Available - Purchase Complete Assembly)	
6A	70000671	1	Cartridge, Solenoid	
6A	See Note	NLA	Seal Kit (Note: Use p/n 70000671)	
6A	See Note	NSS	Coil (Note: Use p/n 70000671)	
6B	70000672	1	Cartridge, Solenoid	
6B	See Note	NLA	Seal Kit (Note: Use p/n 70000672)	
6B	See Note	NSS	Coil, (Note: Use p/n 70000672)	
6C	70000666	2	Cartridge, Relief	
6C	See Note	NLA	Seal Kit (Note: Use p/n 70000666)	
7	70000673	2	O-Ring	
8	70000674	3	Screw	
9	70000675	1	Bracket, Mounting	
10	70000676	2	Screw	
11	2144605	2	Fitting, Straight	
12		Ref	Fitting Options:	
12	2144610	2	Straight Fitting	
12	1001101362	2	90, Fitting	
13	2221086	1	Fitting, Pressure Check	
	0274581	Ref	PUMP/MOTOR/TANK INSTALLATION	G
101	0761016	2	Bolt M10 x 40mm	
105	3291005	2	Locknut M10	
106		Ref	Pump/Motor/Tank Assembly Options (See Items 1-13 for Breakdown):	
106	3600432	NLA	French Built Machines (Use p/n 1001101832) (Prior to SN A200009318)	
106	3600432	NLA	USA Built Machines (Use p/n 1001101832) (Prior to SN 0200189255)	

SECTION 2 - GROUND COMPONENTS

ITEM	PART NUMBER	QTY	DESCRIPTION	REV
107	4240147	1	Strap, Anti-Static	
		Ref	KIT OPTIONS	
201	1001101328	1	Maintenance Kit (Includes Item 5B & 1 Gallon of Hydraulic Oil)	

SECTION 2 - GROUND COMPONENTS

FIGURE 2-2. PUMP/MOTOR/TANK ASSEMBLY AND INSTALLATION



**NOTE: ORIGINAL EQUIPMENT ASSEMBLY P/N 3600432
MAY HAVE BEEN REPLACED WITH SERVICE REPLACEMENT
ASSEMBLY P/N 1001101832. IDENTIFY P/N BEFORE
ORDERING REPLACEMENT COMPONENTS.**

USAGE CHART:

**FRENCH BUILT MACHINES (SERVICE REPLACEMENT) (PRIOR TO SN A200009318)
FRENCH BUILT MACHINES (SN A200009318 THROUGH A200009897)
USA BUILT MACHINES (SERVICE REPLACEMENT) (PRIOR TO SN 0200189255)
USA BUILT MACHINES (SN0200189255 TO PRESENT)
USA BUILT MACHINES (SN 0130000000 TO PRESENT)
MEXICO BUILT MACHINES (SN M130000000 TO PRESENT)**

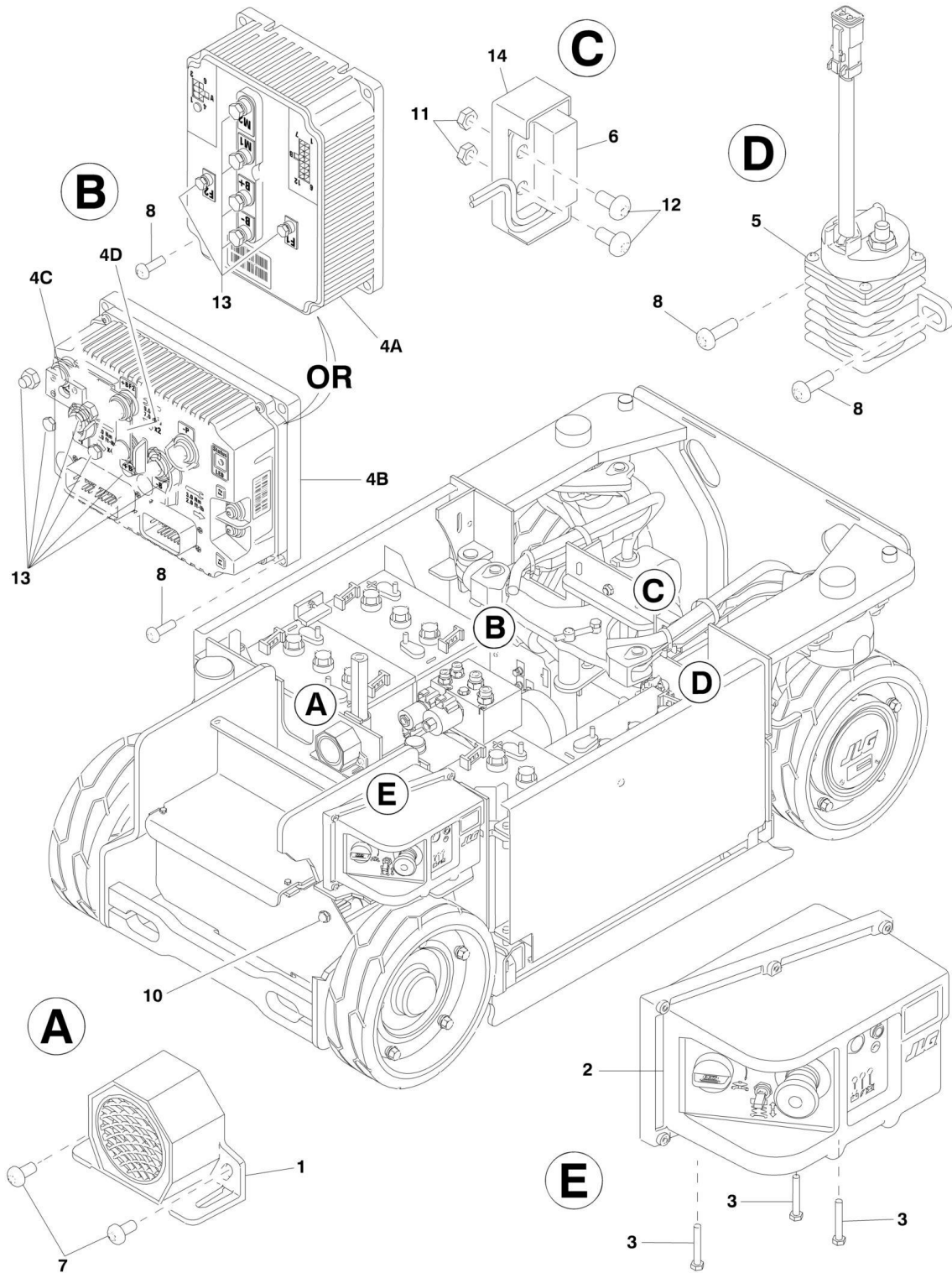
SECTION 2 - GROUND COMPONENTS

FIGURE 2-2. PUMP/MOTOR/TANK ASSEMBLY AND INSTALLATION

ITEM	PART NUMBER	QTY	DESCRIPTION	REV
		Ref	PUMP/MOTOR/TANK ASSEMBLY	
	1001101832	Ref	French Built Machines (Service Replacement) (Prior to SN A200009318)	A
	1001101831	Ref	French Built Machines (SN A200009318 through A200009897)	D
	1001101832	Ref	USA Built Machines (Service Replacement) (Prior to SN 0200189255)	A
	1001101831	Ref	USA Built Machines (SN 0200189255 to Present)	D
	1001101831	Ref	USA Built Machines (SN 0130000000 to Present)	D
	1001101831	Ref	Mexico Built Machines	D
		Ref	NOTE: ORIGINAL EQUIPMENT ASSEMBLY P/N 3600432 MAY HAVE BEEN REPLACED WITH SERVICE REPLACEMENT ASSEMBLY P/N 1001101832. IDENTIFY P/N BEFORE ORDERING REPLACEMENT COMPONENTS.	
1	70000661	1	Pump Service Kit	
2	70005976	1	Motor Assembly	
4	70005982	1	Tank Assembly Kit	
5	70005983	1	Filter, Return	
6	70005977	1	Manifold Assembly	
6A	70005978	2	Relief Valve Kit	
6B	70005981	1	Cartridge, Solenoid including Coil	
6C	See Note	NSS	Coil for PN 70005981 Cartridge (Note: Not Sold Separately - Purchase PN 70005981)	
6C	70005980	2	Coil for PN 70005980 Cartridge	
6D	70005979	1	Cartridge, Solenoid	
7	70005984	1	Relief Valve Kit	
7	70005985	1	Seal Kit	
17	70005986	1	Fitting, Pressure Check	
	0274581	Ref	PUMP/MOTOR/TANK INSTALLATION	G
101	0761016	2	Bolt M10 x 40mm	
105	3291005	2	Locknut M10	
106	1001101831	1	Pump/Motor/Tank Assembly (See Items 1-17 for Breakdown)	
107	4240147	1	Strap, Anti-Static	

SECTION 2 - GROUND COMPONENTS

FIGURE 2-3. ELECTRICAL COMPONENTS INSTALLATION



SECTION 2 - GROUND COMPONENTS

FIGURE 2-3. ELECTRICAL COMPONENTS INSTALLATION

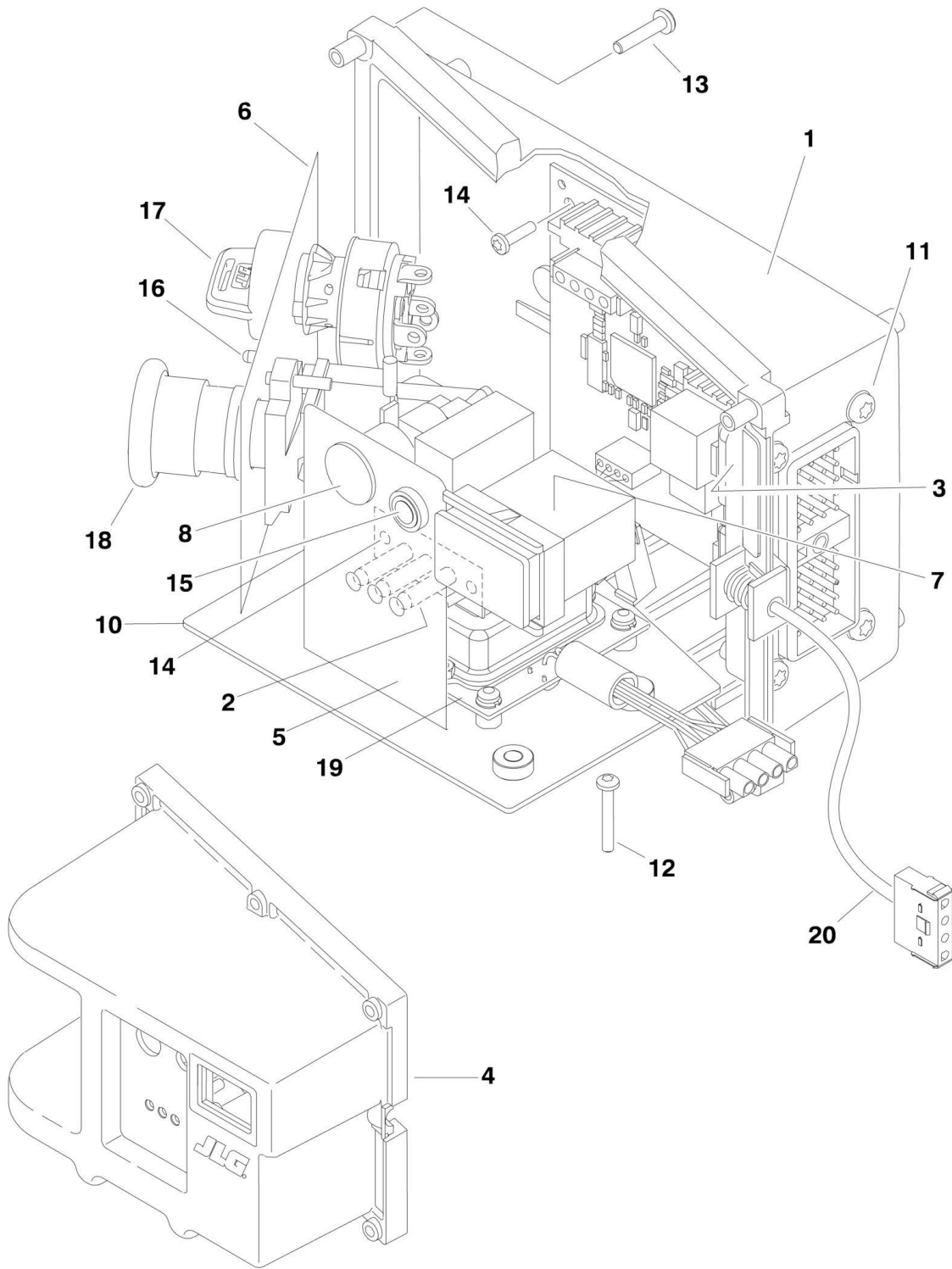
ITEM	PART NUMBER	QTY	DESCRIPTION	REV
		Ref	ELECTRICAL COMPONENTS INSTALLATION	
	0274555	Ref	ANSI and ANSI Export Specs with p/n 1600346 Drive Modules	I
	1001116638	Ref	ANSI and ANSI Export Specs with p/n 1001116638 Drive Modules (Prior to SN 0200233359, SN A200007624 through A200009897)	B
	1001166824	Ref	ANSI and ANSI Export Specs with p/n 1001116638 Drive Modules (SN 0200233359 to Present, SN 0130000000 to Present, SN M130000001 through M130008778)	D
	0274778	Ref	Australian Specs with p/n 1600346 Drive Modules	I
	1001116639	Ref	Australian Specs with p/n 1001116638 Drive Modules (Prior to SN 0200203535, SN A200007624 through A200009897)	B
	1001116638	Ref	Australian Specs with p/n 1001116638 Drive Modules (SN 0200203535 through 0200233359)	B
	1001166824	Ref	Australian Specs with p/n 1001116638 Drive Modules (SN 0200238468 to Present, SN 0130000000 to Present, SN M130000001 through M130008778)	D
	0274778	Ref	CE Specs with p/n 1600346 Drive Modules	I
	1001116639	Ref	CE Specs with p/n 1001116638 Drive Modules (Prior to SN 0200238468, SN A200007624 through A200009897)	B
	1001166827	Ref	CE Specs with p/n 1001116638 Drive Modules (SN 0200238468 through 0200241830)	B
	1001166824	Ref	CE Specs with p/n 1001116638 Drive Modules (SN 0200241831 to Present, SN 0130000000 to Present, SN M130000001 through M130008778)	B
1	0140043	1	Alarm	
2		Ref	Ground Control Box Assembly Options:	
2		Ref	Note: For Module Identification, see note on Revision Log Page before ordering parts.	
2	0272780	1	Box Assembly - ANSI and ANSI Export Specs with 1600346 Drive Modules (See GROUND CONTROL ASSEMBLY (MACHINES WITH 1600346 DRIVE MODULE) for Breakdown).	
2	1001114929	NLA	Box Assembly - ANSI and ANSI Export Specs with p/n 1001092456 Drive Module (Use p/n 1001166194 for replacement of complete box assembly) (See GROUND CONTROL ASSEMBLY (MACHINES WITH 100112456 DRIVE MODULE) for Breakdown) (Prior to SN 0200233359, SN A200007624 through A200009897)	
2	1001166194	1	Box Assembly - ANSI and ANSI Export Specs with p/n 1001092456 Drive Module (See GROUND CONTROL ASSEMBLY (MACHINES WITH 100112456 DRIVE MODULE) for Breakdown) (SN 0200233359 to Present, SN 0130000000 to Present, SN M130000001 through M130008778)	
2	0273444	1	Box Assembly - Australian Specs with p/n 1600346 Drive Module (See GROUND CONTROL ASSEMBLY (MACHINES WITH 1600346 DRIVE MODULE) for Breakdown)	
2	1001114931	NLA	Box Assembly - Australian Specs with p/n 1001092456 Drive Module (Use p/n 1001166196 for replacement of complete box assembly) (See GROUND CONTROL ASSEMBLY (MACHINES WITH 100112456 DRIVE MODULE) for Breakdown) (Prior to SN 0200203535, SN A200007624 through A200009897)	
2	1001114929	NLA	Box Assembly - Australian Specs with p/n 1001092456 Drive Module (Use p/n 1001166194 for replacement of complete box assembly) (See GROUND CONTROL ASSEMBLY (MACHINES WITH 100112456 DRIVE MODULE) for Breakdown) (SN 0200203535 through 0200233359)	

SECTION 2 - GROUND COMPONENTS

ITEM	PART NUMBER	QTY	DESCRIPTION	REV
2	1001166194	1	Box Assembly - Australian Specs with p/n 1001092456 Drive Modules (See GROUND CONTROL ASSEMBLY (MACHINES WITH 1001112456 DRIVE MODULE) for Breakdown) (SN 0200233359 to Present, SN 0130000000 to Present, SN M130000001 through M130008778)	
2	0273444	1	Box Assembly - CE Specs with 1600346 Drive Module (See GROUND CONTROL ASSEMBLY (MACHINES WITH 1600346 DRIVE MODULE) for Breakdown)	
2	1001114931	NLA	Box Assembly - CE Specs with 1001092456 Drive Module (Use p/n 1001166196 for replacement of complete assembly (See GROUND CONTROL ASSEMBLY (MACHINES WITH 1001112456 DRIVE MODULE) for Breakdown) (Prior to SN 0200238468, SN A200007624 through A200009897)	
2	1001166196	1	Box Assembly - CE Specs with 1001092456 Drive Modules (See GROUND CONTROL ASSEMBLY (MACHINES WITH 1001112456 DRIVE MODULE) for Breakdown) (SN 0200238468 through 0200241830)	
2	1001166194	1	Box Assembly - CE Specs with 1001092456 Drive Modules (See GROUND CONTROL ASSEMBLY (MACHINES WITH 1001092456 DRIVE MODULE) for Breakdown) (SN 0200241831 to Present, SN 0130000000 to Present, SN M130000001 through M130008778)	
3	0700615	3	Bolt M6 x 35mm	
4		Ref	Module, Drive Options:	
		Ref	Note: For Module Identification, see note on Revision Log Page before ordering parts.	
4A	1600346	1	Module - Identify by visual inspection or by p/n on Label	
4B	1001092456	1	Module - Identify by visual inspection or by p/n on Label	
4B		Ref	1001092456 Replacement Components:	
4C	70002683	1	Fuse	
4D	70002682	1	Bussbar	
5	3740150	1	Relay	
6	4000010	1	Sensor, Proximity	
7	4191706	2	Screw M6 x 12mm	
8	4191708	6	Screw M6 x 20mm	
9		Ref	Harness, Chassis (See ELECTRICAL SECTION for Breakdown) (Not Shown)	
		Ref	Note: Requires identification of drive module before ordering parts. Refer to Revision Log Page of this manual.	
9	4923301	1	Harness for Machines with 1600346 Drive Module (USA Built Machines) (Prior to SN 0200195926)	
9	1001110303	1	Harness for Machines with 1600346 Drive Module (USA Built Machines) (SN 0200195926 to Present)	
9	4923301	1	Harness for French Built Machines with 1600346 Drive Module	
9	1001116640	1	Harness for USA/French/Mexico Built Machines with 1001092456 Drive Module	
10	4360387	1	Switch, Push Button	
11	3290605	2	Locknut M6	
12	3900392	2	Screw M6 x 30mm	
13	0100048	AR	Grease, Dielectric	
14	4220307	1	Block, Spacer	
15	4240153	1	Strap, Clinch (Not Shown)	

SECTION 2 - GROUND COMPONENTS

FIGURE 2-4. GROUND CONTROL ASSEMBLY (MACHINES WITH 1600346 DRIVE MODULE)



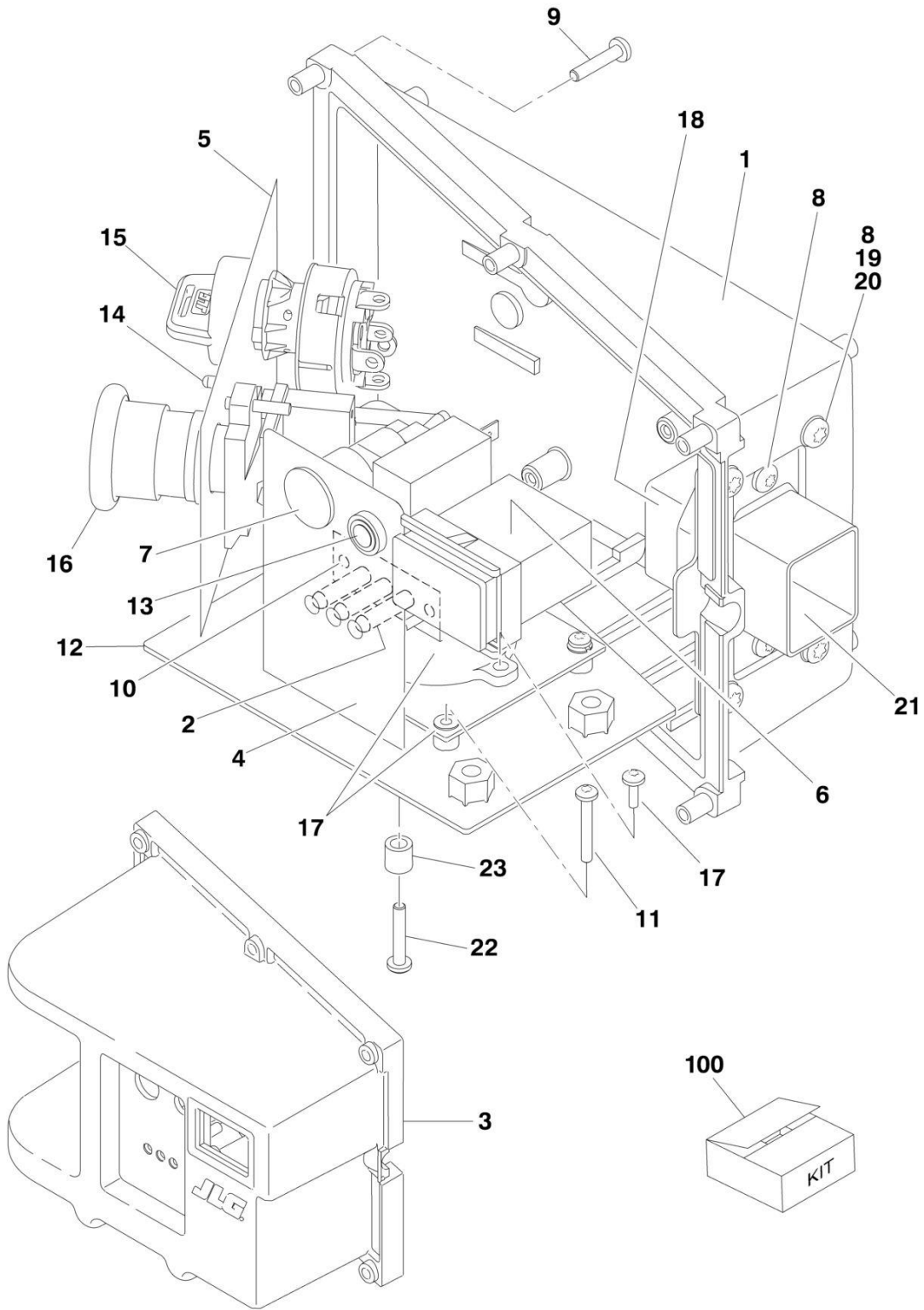
SECTION 2 - GROUND COMPONENTS

FIGURE 2-4. GROUND CONTROL ASSEMBLY (MACHINES WITH 1600346 DRIVE MODULE)

ITEM	PART NUMBER	QTY	DESCRIPTION	REV
		Ref	Note: For Module Identification, see note on Revision Log Page before ordering parts.	
		Ref	GROUND CONTROL ASSEMBLY WITH P/N 1600346 DRIVE MODULES	
	0272780	Ref	Ground Control Assembly - ANSI and ANSI Export Specs	AE
	0273444	Ref	Ground Control Assembly - AUSTRALIAN and CE Specs	AA
1	0380025	1	Box, Ground Control	
2	0610161	1	Board, PC (Battery Charger LED)	
3	1600419	1	Board, PC (Ground Control)	
3	2915039	1	Upgrade Kit (Includes Cables, Programming Instructions and CD Software)	
3		Ref	Note: PC Board must be recalibrated when replaced.	
4	1671105	1	Cover, Front	
5		Ref	Decal - LED Options:	
5	1705696	1	Without LSS	
5	1705697	1	With LSS	
6	1705698	1	Decal - Function	
7	2420172	1	Hourmeter	
8	3520193	1	Plug	
10	4340739	1	Plate, Mounting	
11	3900336	4	Screw, Torx #10-32NC x 1/2in	
12	3900356	4	Screw, Torx M3.5 x 16mm	
13	3900338	6	Screw, Torx M4 x 20mm	
14	3900339	5	Screw, Plastite #6 x 1/2in	
15	4360069	1	Breaker, Circuit - 10Amp	
16	4360328	1	Switch, Toggle	
17		Ref	Keyswitch Options:	
17	4360469	1	ANSI and ANSI Export Specs	
17	4360470	1	Australian Specs (USA Built Machines) (Prior to SN 0200203535)	
17	4360469	1	Australian Specs (USA Built Machines) (SN 0200203535 to Present)	
17	4360470	1	Australian Specs (All French Built Machines)	
17	4360470	1	CE Specs	
17	2860030	1	Key, Replacement (Fits All Specs)	
18	4360475	1	Switch, Emergency Stop	
18	7020175	1	Cap	
18	7020176	1	Block, Contact	
19		Ref	Module, Tilt Options:	
19	4000006	NLA	Tilt Module (Use p/n 1810140)	
20	4922865	1	Harness, Control Box (See ELECTRICAL SECTION for Breakdown)	
	0274791	Ref	ANTI-VANDELISM PACKAGE INSTALLATION (NOT SHOWN)	B
	1671124	1	Cover, Ground Control Box	

SECTION 2 - GROUND COMPONENTS

FIGURE 2-5. GROUND CONTROL ASSEMBLY (MACHINES WITH 1001092456 DRIVE MODULE)



SECTION 2 - GROUND COMPONENTS

FIGURE 2-5. GROUND CONTROL ASSEMBLY (MACHINES WITH 1001092456 DRIVE MODULE)

ITEM	PART NUMBER	QTY	DESCRIPTION	REV
		Ref	Note: For Module Identification, see note on Revision Log Page before ordering parts.	
		Ref	GROUND CONTROL ASSEMBLY (MACHINES WITH 1001092456 DRIVE MODULES)	
	1001114929	Ref	Ground Control Assembly - ANSI and ANSI Export Specs (Prior to SN 0200233359, SN A200007624 through A200009897)	B
	1001166194	Ref	Ground Control Assembly - ANSI and ANSI Export Specs (SN 0200233359 to Present, SN 0130000000 to Present, SN M130000001 through M130008778)	I
	1001114931	Ref	Ground Control Assembly - Australian Specs (Prior to SN 0200203535, SN A200007624 through A200009897)	B
	1001114929	Ref	Ground Control Assembly - Australian Specs (SN 0200203535 through 0200233359)	B
	1001166194	Ref	Ground Control Assembly - Australian Specs (SN 0200233359 to Present, SN 0130000000 to Present, SN M130000001 through M130008778)	I
	1001114931	Ref	Ground Control Assembly - CE Specs (Prior to SN 0200238468, SN A200007624 through A200009897)	B
	1001166196	Ref	Ground Control Assembly - CE Specs (SN 0200238468 through 0200241830)	H
	1001166194	Ref	Ground Control Assembly - CE Specs (SN 0200241831 to Present, SN 0130000000 to Present, SN M130000001 through M130008778)	I
1	0380025	1	Box, Ground Control	
2	0610161	1	Board, PC (Battery Charger LED)	
3	1671105	1	Cover, Front	
4		Ref	Decal - LED Options:	
4	1705696	1	Without LSS	
4	1705697	1	With LSS (Prior to SN 0200203535, SN A200007624 through A200009897)	
5	1705698	1	Decal - Function	
6	2420172	1	Hourmeter	
7	3520193	1	Plug	
8	3900336	6	Screw, Torx #10-32NC x 1/2in	
9	3900338	6	Screw, Torx M4 x 20mm	
10	3900339	2	Screw, Plastite #6 x 1/2in	
11	3900356	4	Screw, Torx M3.5 x 16mm	
11	1001180090	4	Screw, Torx M3.5 x 20mm	
12	4340739	1	Plate, Mounting (Used with Reiker Tilt Module)	
12	1001165315	1	Plate, Mounting (Used with Parker Tilt Module)	
13	4360069	1	Breaker, Circuit - 10Amp	
14	4360328	1	Switch, Toggle	
15		Ref	Keyswitch Options:	
15	4360469	1	ANSI and ANSI Export Specs	
15	4360470	1	Australian Specs (USA Built Machines) (Prior to SN 0200203535)	
15	4360469	1	Australian Specs (USA Built Machines) (SN 0200203535 to Present, SN 0130000000 to Present)	
15	4360470	1	CE Specs (Prior to SN 0200241831)	
15	4360469	1	CE Specs (SN 0200241831 to Present, SN 0130000000 to Present)	
15	4360470	1	All Specs (French Built Machines)	

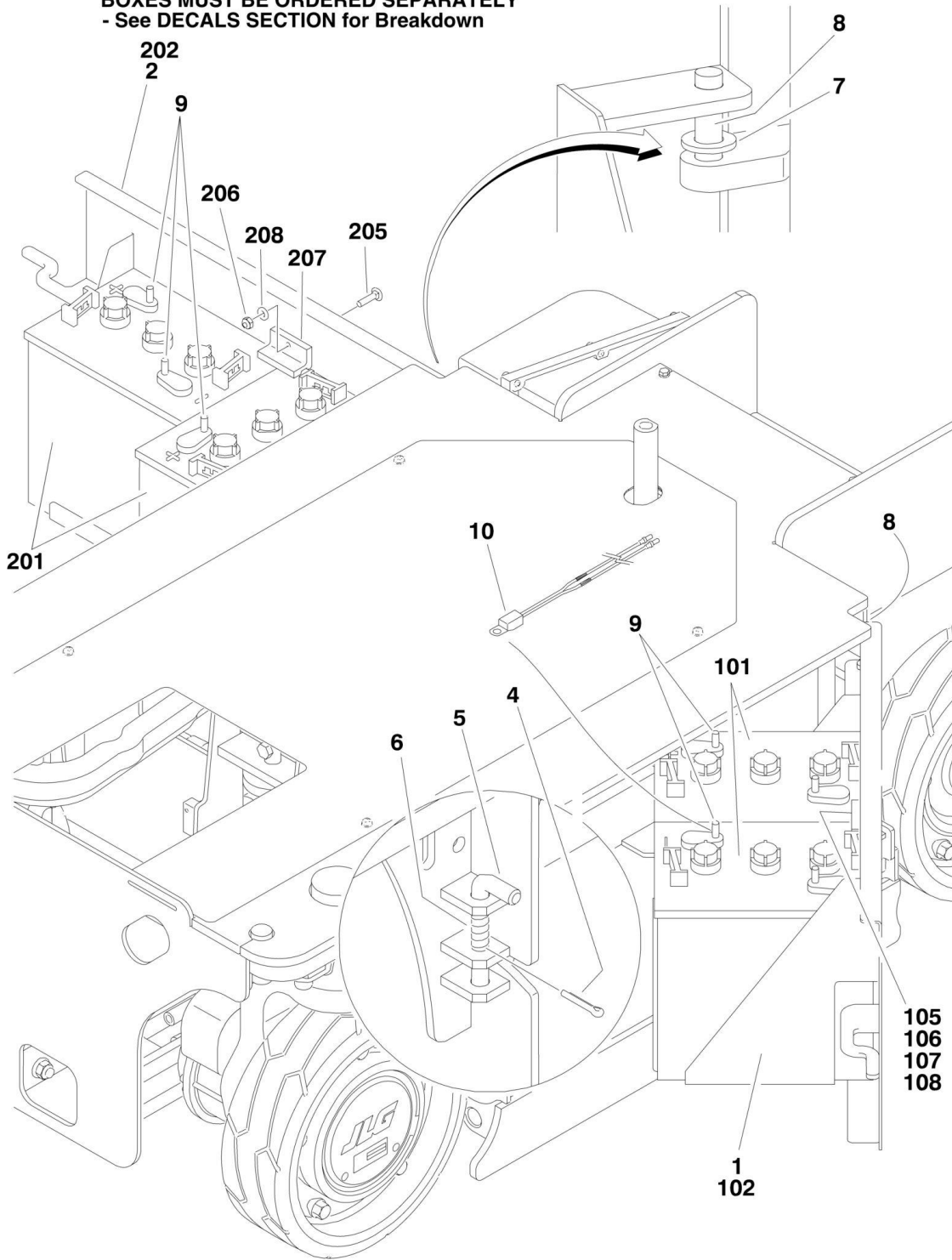
SECTION 2 - GROUND COMPONENTS

ITEM	PART NUMBER	QTY	DESCRIPTION	REV
15	4360469	1	All Specs (Mexico Built Machines)	
15	2860030	1	Key, Replacement (Fits All Specs)	
16	4360475	1	Switch, Emergency Stop	
16	7020175	1	Cap	
16	7020176	1	Block, Contact	
17	1001114933	NLA	Module, Tilt - Reiker (ANSI, ANSI Export and Australian Specs) (Note: Use Item 100) (Prior to SN 0200233359, SN A200007624 through A200009897)	
17	1001166255	1	Module, Tilt - Parker (ANSI, ANSI Export and Australian Specs) (SN 0200233359 to Present, SN 0130000000 to Present, SN M130000001 through M130008778)	
17	1001114933	NLA	Module, Tilt - Reiker (CE Specs) (Note: Use Item 100) (Prior to SN 0200238468, SN A200007624 through A200009897)	
17	1001166255	1	Module, Tilt - Parker (CE Specs) (SN 0200238468 to Present, SN 0130000000 to Present, SN M130000001 through M130008778)	
18	1001114937	1	Mount, Harness Bulkhead	
19	3321005	4	Locknut #10-32NC	
20	4751000	4	Flatwasher #10	
21	1001114935	1	Harness, Control Box (See ELECTRICAL SECTION for Breakdown) (Use with Reiker Tilt Module)	
21	1001167256	1	Harness, Control Box (See ELECTRICAL SECTION for Breakdown) (Use with Parker Tilt Module) (Prior to SN 0130029800, SN M130000001 through M130002240)	
21	1001208641	1	Harness, Control Box (See ELECTRICAL SECTION for Breakdown) (Use with Parker Tilt Module) (SN 0130029800 to Present, SN M130002240 through M130008778)	
22	1001165284	1	Fastener (Use with Parker Tilt Module)	
23	1001165286	1	Spacer (Use with Parker Tilt Module)	
100	1001169392	1	Reiker Replacement Kit	B
	0274791	Ref	ANTI-VANDELISM PACKAGE INSTALLATION (NOT SHOWN)	B
	1671124	1	Ground Control Assembly - CE Specs (SN 0200241831 to Present, SN 0130000000 to Present, SN M130000001 through M130008778)	

SECTION 2 - GROUND COMPONENTS

FIGURE 2-6. BATTERIES AND COVERS INSTALLATION

**NOTE:REPLACEMENT DECALS ON FRONT OF BATTERY
BOXES MUST BE ORDERED SEPARATELY
- See DECALS SECTION for Breakdown**



SECTION 2 - GROUND COMPONENTS

FIGURE 2-6. BATTERIES AND COVERS INSTALLATION

ITEM	PART NUMBER	QTY	DESCRIPTION	REV
		Ref	BATTERIES AND COVERS INSTALLATION	
		Ref	Note: For Module Identification, see note on Revision Log Page before ordering parts.	
	0274561	Ref	Machines with 1600346 Drive Module and GC Type Batteries	G
	1001117838	Ref	Machines with 1001092456 Drive Module and GC Type Batteries	C
	1001155025	Ref	Machines with 1001092456 Drive Module and AGM and EVG Type Batteries	B
1		Ref	Battery Box Assembly (Left) Options (See Items 101-108 for Breakdown):	
1	0861747	Ref	Box for GC Type Batteries	
1	1001155029	Ref	Box for AGM and EVG Type Batteries	
2		Ref	Battery Box Assembly (Right) Options (See Items 201-208 for Breakdown):	
2	0861748	Ref	Box for GC Type Batteries	
2	1001155030	Ref	Box for AGM and EVG Type Batteries	
3		Ref	Battery Cable Kit Options (Not Shown - See ELECTRICAL SECTION for Breakdown):	
		Ref	Note: Requires identification of drive module before ordering parts. Refer to Revision Log Page.	
3	2902444	1	Machines with p/n 1600346 Drive Module	
3	1001117837	1	Machines with p/n 1001092456 Drive Module	
4	3391408	2	Pin, Split	
5	3423243	2	Pin, Door Latch	
6	4160214	2	Spring, Door Latch	
7	4812100	AR	Flatwasher 12mm	
8	3020039	AR	Lubricant	
9	0100048	AR	Grease, Dielectric	
10	1001127269	1	Temperature Sensor Kit (Includes p/n 1001112113 Sensor, Wire Nut and Instructions)	
		Ref	BATTERY BOX ASSEMBLY (LEFT)	
	0861747	Ref	Box for GC Type Batteries	C
	1001155029	Ref	Box for AGM and EVG Type Batteries	A
101		Ref	Battery Options:	
101	0400215	2	GC Type Battery	
101	1001112112	2	AGM and EVG Type Battery	
102	3380599	1	Tray (Left)	
105	0630587	1	Bolt, Carriage M6 x 25mm	
106	3290605	1	Locknut M6	
107	4220286	1	Block	
108	4811700	1	Flatwasher M6	
		Ref	BATTERY BOX ASSEMBLY (RIGHT)	
		Ref	Box for GC Type Batteries	C
	1001155030	Ref	Box for AGM and EVG Type Batteries	A
201		Ref	Battery Options:	
201	0400215	2	GC Type Battery	
201	1001112112	2	AGM and EVG Type Battery	
202	3380600	1	Tray (Right)	
205	0630587	1	Bolt, Carriage M6 x 25mm	
206	3290605	1	Locknut M6	
207	4220286	1	Block	

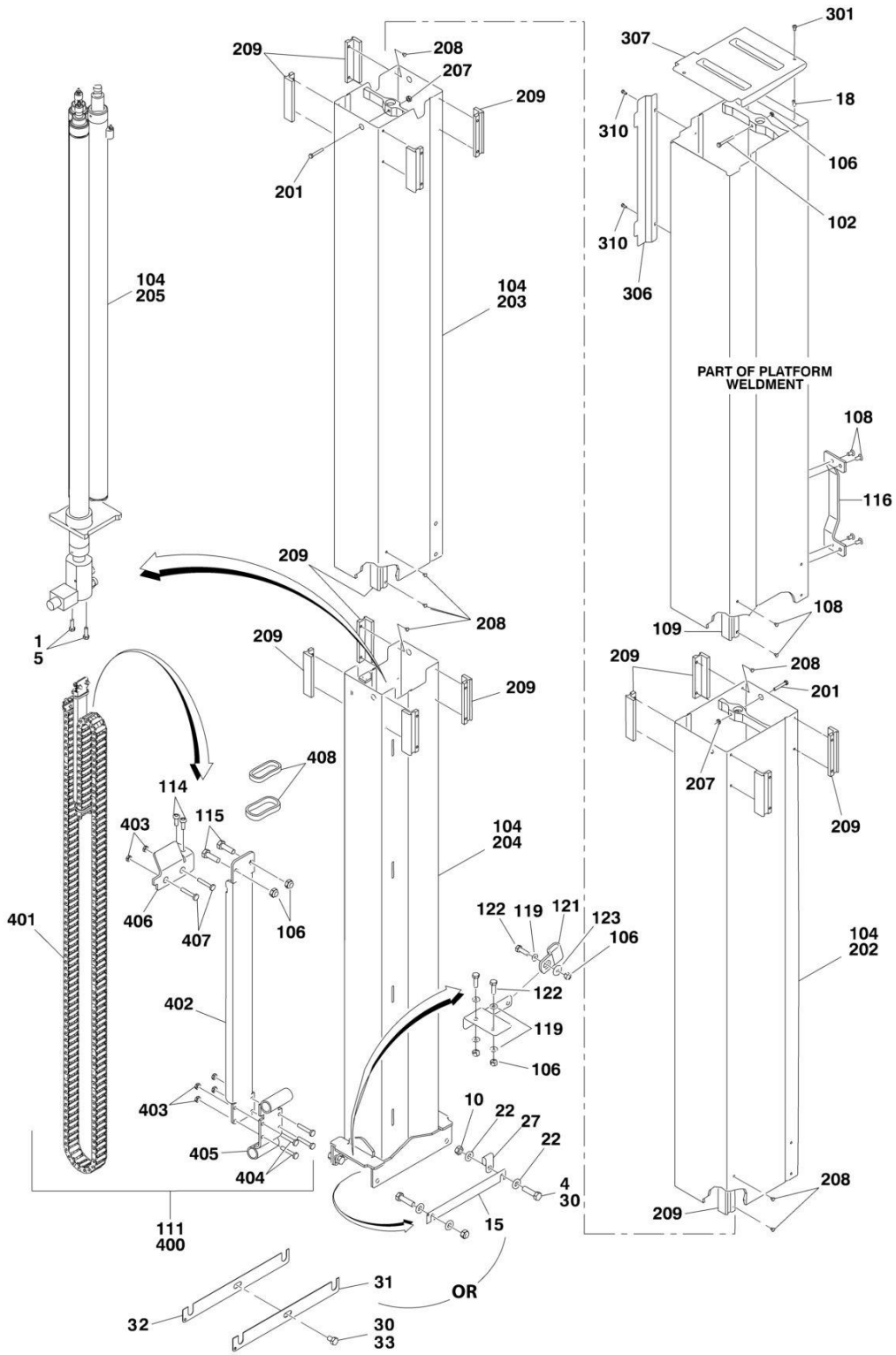
SECTION 2 - GROUND COMPONENTS

ITEM	PART NUMBER	QTY	DESCRIPTION	REV
208	4811700	1	Flatwasher M6	

SECTION 3 - MAST

SECTION 3 - MAST

FIGURE 3-1. MAST INSTALLATION



SECTION 3 - MAST

FIGURE 3-1. MAST INSTALLATION

ITEM	PART NUMBER	QTY	DESCRIPTION	REV
		Ref	MAST INSTALLATION	
	1001098653	Ref	All Specs except Australian and CE Specs (USA Built Machines) (Prior to SN 0200196530)	G
	0274552	Ref	All Specs except Australian and CE Specs (USA Built Machines) (SN 0200196530 to Present)	T
	1001098653	Ref	All Specs except Australian and CE Specs (All French Built Machines)	G
	0274552	Ref	All Specs except Australian and CE Specs (All Mexico Built Machines)	T
	1001100633	Ref	Australian Specs (Prior to SN 0200249257, Prior to SN 0130024392, Prior to SN A200009897, SN M130000001 through M130000091)	E
	1001203418	Ref	Australian Specs (SN 0130024392 through 030031934, SN M130000091 through M130002314)	A
	1001225241	Ref	Australian Specs (SN 0130031935 to Present, SN M130002315 through M130008778)	A
	0274552	Ref	CE Specs	T
1	0100011	AR	Compound, Locking	
4	0761217	4	Bolt M12 x 45mm (Prior to SN 0200230097, Prior to SN A200009897)	
4	0771217	3	Bolt M12 x 45mm (SN 0200230097 to Present, SN 0130000000 to Present, SN M130000001 through M130008778)	
4	0771219	1	Bolt M12 x 55mm (SN 0200230097 to Present, SN 0130000000 to Present, SN M130000001 through M130008778)	
5	0760812	2	Bolt M8 x 25mm	
10		Ref	Locknut Options:	
10	8310625	AR	3/8in-16NC	
10	3291205	AR	M12 (Prior to SN 0200230097, Prior to SN A200009897)	
10	3331211	AR	M12 (SN 0200230097 to Present, SN 0130000000 to Present, SN M130000001 through M130008778)	
10	3291205	AR	M12 (SN 0130031935 to Present, SN M130002315 through M130008778)	
15	4071111	AR	Shim 20Ga (Prior to SN 0200246695, Prior to SN A200009897)	
18	3820037	2	Rivnut M6	
18	2080043	2	Rivnut 1/4in-20NC	
22	5241200	8	Flatwasher M12 Hardened	
27	1001102858	1	Clamp	
30	0100019	1	Compound, Locking	
31	1001193274	AR	Shim 20Ga (SN 0200246695 to Present, SN 0130000000 to Present, SN M130000001 through M130008778)	
32	1001193275	AR	Shim 24Ga (SN 0200246695 to Present, SN 0130000000 to Present, SN M130000001 through M130008778)	
33	0760806	AR	Screw M8 x 12mm	
		Ref	MAST SUB-ASSEMBLY	
	1001098727	Ref	All Specs except Australian and CE Specs (USA Built Machines) (Prior to SN 0200196530)	C
	0274567	Ref	All Specs except Australian and CE Specs (USA Built Machines) (SN 0200196530 to Present, SN 0130000000 to Present)	N
	1001098727	Ref	All Specs except Australian and CE Specs (All French Built Machines)	C
	0274567	Ref	All Specs except Australian and CE Specs (All Mexico Built Machines)	N

SECTION 3 - MAST

ITEM	PART NUMBER	QTY	DESCRIPTION	REV
	0274567	Ref	Australian Specs (Prior to SN 0200247257, Prior to SN 0130024392, Prior to SN A200009897, SN M130000001 through M130000091)	N
	1001203419	Ref	Australian Specs (SN 0130024392 to Present, SN M130000091 through M130008778)	A
	0274567	Ref	CE Specs	N
102	0700618	1	Bolt M6 x 50mm	
104		Ref	Mast Assembly (See Items 201-210 for Breakdown)	
104	1001098728	1	All Specs except Australian and CE Specs (USA Built Machines) (Prior to SN 0200196530)	
104	0801530	1	All Specs except Australian and CE Specs (USA Built Machines) (SN 0200196530 to Present, SN 0130000000 to Present)	
104	1001098728	1	All Specs except Australian and CE Specs (All French Built Machines)	
104	0801530	1	All Specs except Australian and CE Specs (All Mexico Built Machines)	
104	0801530	1	Australian and CE Specs	
106	3290605	AR	Locknut M6	
108	3820019	12	Rivet	
109		Ref	Pad, Slide Options:	
109	4700042	AR	Pad, Slide (8.7mm)	
109	1001092165	AR	Pad, Slide (9.7mm) (Note: Identifiable by notch at top and bottom of bolted on side)	
		Ref	Note: Use p/n 1001092165 as replacement whenever possible. Combination of both types of pads may be used.	
111	4923503	1	Powertrack and Cable Assembly (See Items 401-406 for Breakdown)	
114	4191406	2	Setscrew M4 x 12mm	
115	0760608	2	Bolt M6 x 16mm	
116	4160220	1	Bracket, Mast Spring - Cable/Hose	
117	0100040	AR	Adhesive (Not Shown)	
119	4811700	AR	Flatwasher 6mm	
120	1001156211	1	Bracket, Cable Support (SN 0200221047 to Present, SN 0130000000 to Present, SN M130000001 through M130008778)	
121	1001102858	1	Clamp (SN 0200221047 to Present, SN 0130000000 to Present, SN M130000001 through M130008778)	
122	0760610	3	Bolt M6 x 20mm (SN 0200221047 to Present, SN 0130000000 to Present, SN M130000001 through M130008778)	
123	4811702	1	Flatwasher 6mm (SN 0200221047 to Present, SN 0130000000 to Present, SN M130000001 through M130008778)	
		Ref	MAST ASSEMBLY	
	1001098728	Ref	All Specs except Australian and CE Specs (USA Built Machines) (Prior to SN 0200196530)	A
	0801530	Ref	All Specs except Australian and CE Specs (USA Built Machines) (SN 0200196530 to Present, SN 0130000000 to Present)	N
	1001098728	Ref	All Specs except Australian and CE Specs (All French Built Machines)	A
	0801530	Ref	All Specs except Australian and CE Specs (All Mexico Built Machines)	N
	0801530	Ref	Australian and CE Specs	N
201	0700616	1	Bolt M6 x 40mm	
202		Ref	Mast, Outer Mid Options:	

SECTION 3 - MAST

ITEM	PART NUMBER	QTY	DESCRIPTION	REV
202	1001098730	1	All Specs except Australian and CE Specs (USA Built Machines) (Prior to SN 0200196530)	
202	0801532	1	All Specs except Australian and CE Specs (USA Built Machines) (SN 0200196530 to Present, SN 0130000000 to Present)	
202	1001098730	1	All Specs except Australian and CE Specs (All French Built Machines)	
202	0801532	1	All Specs except Australian and CE Specs (All Mexico Built Machines)	
202	0801532	1	Australian and CE Specs	
203		Ref	Mast, Inner Mid Options:	
203	1001098731	1	All Specs except Australian and CE Specs (USA Built Machines) (Prior to SN 0200196530)	
203	0801533	1	All Specs except Australian and CE Specs (USA Built Machines) (SN 0200196530 to Present, SN 0130000000 to Present)	
203	1001098731	1	All Specs except Australian and CE Specs (All French Built Machines)	
203	0801533	1	All Specs except Australian and CE Specs (All Mexico Built Machines)	
203	0801533	1	Australian and CE Specs	
204		Ref	Mast, Inner Options:	
204	1001098732	1	All Specs except Australian and CE Specs (USA Built Machines) (Prior to SN 0200196530)	
204	0801534	1	All Specs except Australian and CE Specs (USA Built Machines) (SN 0200196530 to Present, SN 0130000000 to Present)	
204	1001098732	1	All Specs except Australian and CE Specs (All French Built Machines)	
	0801534	1	All Specs except Australian and CE Specs (All Mexico Built Machines)	
204	0801534	1	Australian and CE Specs	
205	1684469	1	Lift Cylinder Assembly (See CYLINDER SECTION for Breakdown)	
207	3290605	2	Locknut M6	
208	3820019	40	Rivet	
209		Ref	Pad, Slide Options:	
209	4700042	AR	Pad, Slide (8.7mm)	
209	1001092165	AR	Pad, Slide (9.7mm) (Note: Identifiable by notch at top and bottom of bolted on side)	
		Ref	Note: Use p/n 1001092165 as replacement whenever possible. Combination of both types of pads may be used.	
210	0100040	AR	Adhesive (Not Shown)	
250		Ref	Mast Kit Options (Not Shown):	
250	1001098733	1	Kit (Includes Items 202-204) for All Specs except Australian and CE Specs (USA Built Machines) (Prior to SN 0200196530)	A
250	2902439	1	Kit (Includes Items 202-204 & 208-210) for All Specs except Australian and CE Specs (USA Built Machines) (SN 0200196530 to Present, SN 0130000000 to Present)	O
250	1001098733	1	Kit (Includes Items 202-204) for All Specs except Australian and CE Specs (All French Built Machines)	A
250	2902439	1	Kit (Includes Items 202-204 & 208-210) for All Specs except Australian and CE Specs (All Mexico Built Machines)	O
250	2902439	1	Kit (Includes Items 202-204 & 208-210) for Australian and CE Specs	O
		Ref	COVERS INSTALLATIONS	
	0274560	Ref	All Specs Except Australian Specs	I

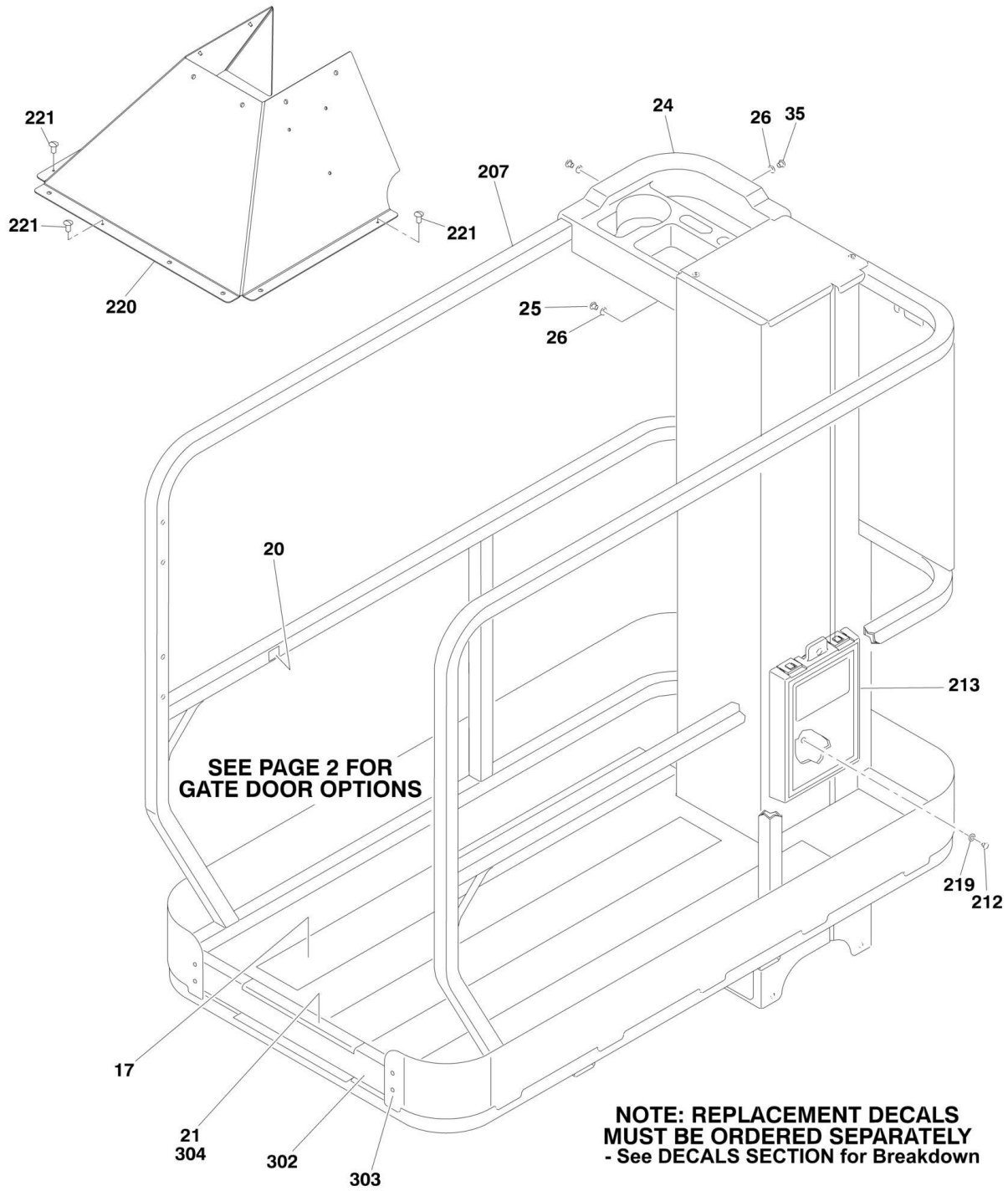
SECTION 3 - MAST

ITEM	PART NUMBER	QTY	DESCRIPTION	REV
	0274560	Ref	Australian Specs (Prior to SN 0130031935, SN M130000001 through M130002315)	I
	1001224016	Ref	Australian Specs (SN 0130031935 to Present, SN M130002315 through M130008778)	A
301	3900357	2	Bolt M6 x 16mm	
301	3900258	2	Screw 1/4in-20NC x 3/4in	
306	3380605	1	Panel, Front	
307	3380612	1	Cover, Top	
310	4191406	2	Setscrew M4 x 12mm	
	4923503	Ref	POWERTRACK ASSEMBLY	H
		Ref	Note: See ELECTRICAL SECTION for Additional Components.	
400	1001100163	1	Carrier Assembly	
401	1180404	1	Carrier, Power Track (No Repair Parts Available)	
402	1271646	1	Channel, Push Tube	
403	3290405	6	Locknut M4	
404	4031509	4	Screw M4 x 25mm	
405	1001095304	1	Shield, Power Track	
406		Ref	Mounting Foot Options:	
406	4341256	NLA	French Built Machines (Use p/n 1001103349) (Prior to SN A200007893)	
406	1001100170	1	French Built Machines (SN A200007893 through A200009897)	
406	1001100170	1	USA Built Machines	
406	1001100170	1	Mexico Built Machines	
407		Ref	Screw M4 Options:	
407	4010412	2	French Built Machines (Prior to SN A200007893)	
407	1001100176	2	French Built Machines (SN A200007893 through A200009897)	
407	1001100176	2	USA Built Machines	
407	1001100176	2	Mexico Built Machines	
408	4240033	3	Tie-Strap	

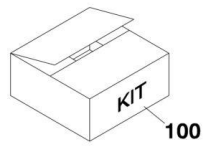
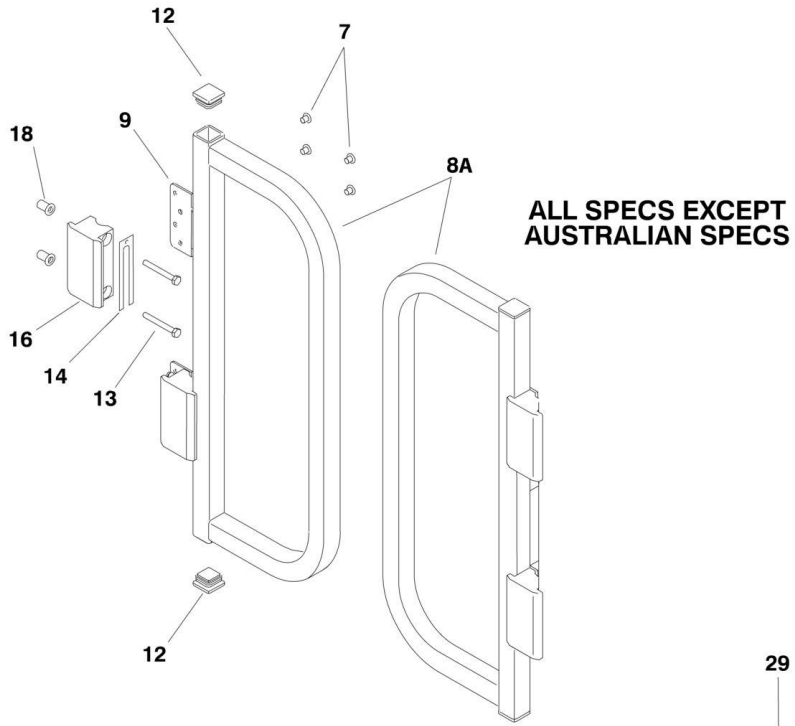
SECTION 4 - PLATFORM

SECTION 4 - PLATFORM

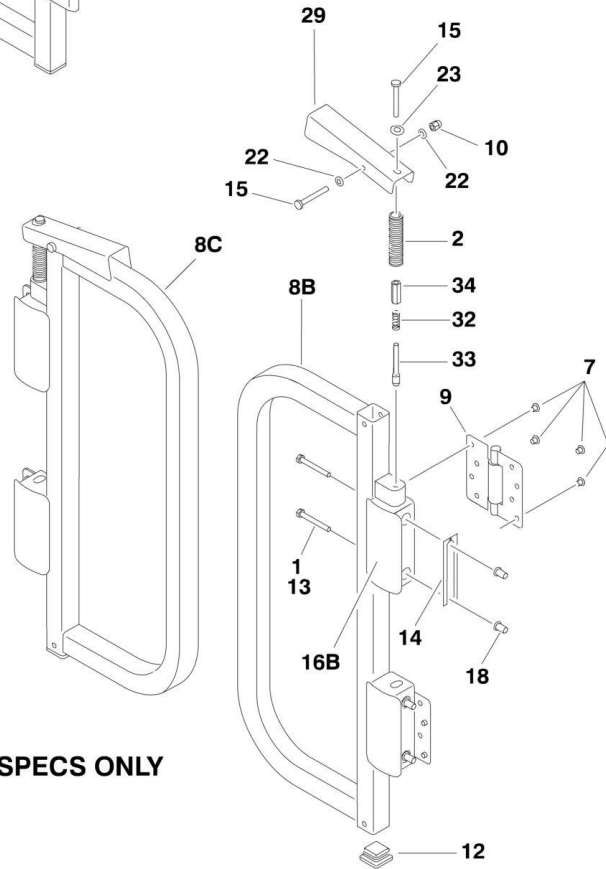
FIGURE 4-1. PLATFORM INSTALLATION



SECTION 4 - PLATFORM



AUSTRALIAN SPECS ONLY



SECTION 4 - PLATFORM

FIGURE 4-1. PLATFORM INSTALLATION

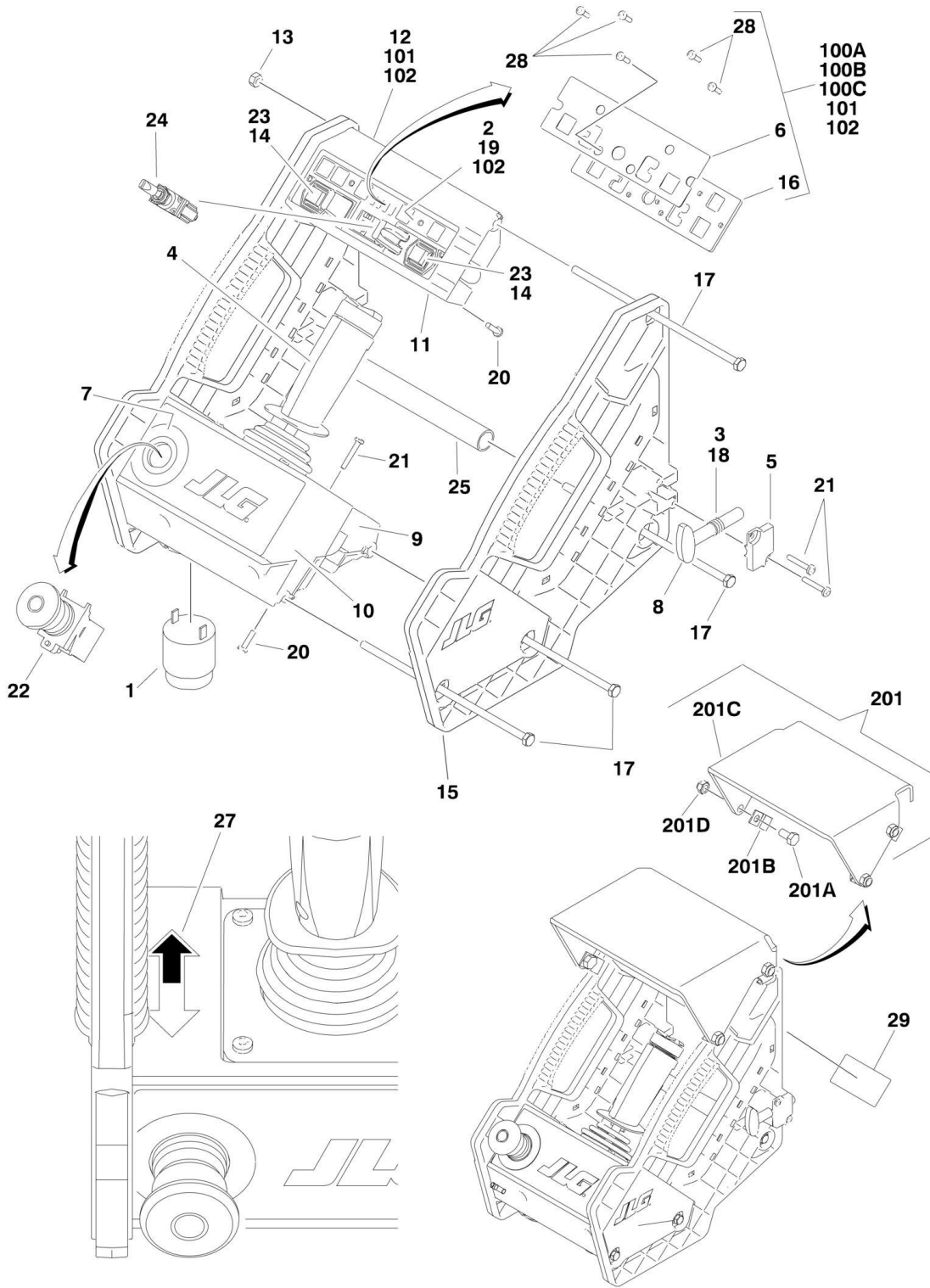
ITEM	PART NUMBER	QTY	DESCRIPTION	REV
		Ref	PLATFORM INSTALLATION	
	1001098653	Ref	All Specs except Australian and CE Specs (USA Built Machines) (Prior to SN 0200196530)	G
	0274552	Ref	All Specs except Australian and CE Specs (USA Built Machines) (SN 0200196530 to Present, SN 0130000000 to Present)	T
	1001098653	Ref	All Specs except Australian and CE Specs (All French Built Machines)	G
	0274552	Ref	All Specs except Australian and CE Specs (All Mexico Built Machines)	T
	1001100633	Ref	Australian Specs (Prior to SN 0200249257, Prior to SN 0130024392, Prior to SN A200009897, SN M130000001 through M130000091)	E
	1001203418	Ref	Australian Specs (SN 0130024392 through 030031934, SN M130000091 through M130002314)	A
	1001225241	Ref	Australian Specs (SN 0130031935 to Present, SN M130002315 through M130008778)	A
	0274552	Ref	CE Specs	T
1	0100011	AR	Compound, Locking	
2	280013	6 in/15cm	Conduit (Australian Spec Only)	
6	0940088	NLA	Bumper (Use p/n 1001008575) (Not Shown - Located on Frame)	
		Ref	Note: Recommend purchasing item 11 when replacing Bumper.	
7	2080040	16	Fastener, Huck	
8		Ref	Gate Options:	
8A	2410021	2	All Specs except Australian Spec	
8B	1001100630	1	Australian Spec Left Side (from Operators Position)	
8C	1001100631	1	Australian Spec Right Side (from Operators Position)	
9	2600281	4	Hinge	
10	3290606	2	Nut M6 (Australian Spec Only)	
11	3290805	2	Nut M8 (Not Shown - Located on Frame)	
12	3520072	AR	Cap-Plug	
13	0700618	8	Bolt M6 x 50mm	
13	0641416	8	Bolt 1/4in-20NC x 2in	
14	4071095	AR	Shim	
15	4010618	4	Screw M6 x 50mm (Australian Spec Only)	
16		Ref	Stop Options:	
16A	4220233	NLA	All Specs except Australian Spec (Use p/n 4220309)	
16B	1001100141	4	Australian Spec	
17	4420072	3	Tape, Anti-Skid	
18	3820037	8	Rivnut M6	
18	2080043	8	Rivnut 1/4in-20NC	
20	4420072	NLA	Pad (Use p/n 3340962)	
21	4420070	1	Tape, Anti-Skid	
22	4811700	4	Flatwasher M6 (Australian Spec Only)	
23	4811900	2	Flatwasher M6 (Australian Spec Only)	
24	1580050	1	Tray	
25	4191406	1	Screw M4 x 12mm	
26	1001091102	AR	Flatwasher, Large	
29	1001100142	2	Handle (Australian Spec Only)	
32	1001100634	2	Spring	
33	1001100918	2	Pin, Plunger	

SECTION 4 - PLATFORM

ITEM	PART NUMBER	QTY	DESCRIPTION	REV
34	1001100947	2	Turnbuckle	
35	4191406	2	Screw M4 x 12mm (Prior to SN 0130030385, SN M130000001 through M130001282)	
35	1001109786	2	Fastener, Firtree (All Specs Except Australian Specs) (SN 0130030385 to Present, SN M130001282 through M130008778)	
		Ref	KIT OPTIONS	
100	1001101322	1	Gate Latch Kit (Australian Spec Only) (Includes Items 1-2, 7, 10, 13-15, 16B, 18, 22, 23, 29 & 32-34)	
		Ref	PLATFORM SUB-ASSEMBLY	
	1001098727	Ref	All Specs except Australian and CE Specs (USA Built Machines) (Prior to SN 0200196530)	C
	0274567	Ref	All Specs except Australian and CE Specs (USA Built Machines) (SN 0200196530 to Present, SN 0130000000 to Present)	N
	1001098727	Ref	All Specs except Australian and CE Specs (All French Built Machines)	C
	0274567	Ref	All Specs except Australian and CE Specs (All Mexico Built Machines)	N
	0274567	Ref	Australian Specs (Prior to SN 0200247257, Prior to SN 0130024392, Prior to SN A200009897, SN M130000001 through M130000091)	N
	1001203419	Ref	Australian Specs (SN 0130024392 to Present, SN M130000091 through M130008778)	A
	0274567	Ref	CE Specs	N
207		Ref	Platform Weldment Options:	
207	1001098729	1	Platform (All Specs except Australian Spec) USA Built Machines (Prior to SN 0200196530)	
207	3510876	1	Platform (All Specs except Australian Spec) USA Built Machines (SN 0200196530 to Present)	
207	3510876	1	Platform (All Specs except Australian Spec) French and Mexico Built Machines	
207	3510876	1	Platform (Australian Spec) (Prior to SN 0200249257, Prior to SN 0130024392, Prior to SN A200009897, SN M130000001 through M130000091)	
207	1001203420	1	Platform (Australian Spec) (SN 0130024392 to Present, SN M130000091 through M130008778)	
212	2080040	3	Fastener, Huck	
213	8990147	1	Box, Manual Storage	
213	70003486	2	Clip, Holder	
219	4811700	3	Flatwasher 6mm	
219	4811900	3	Flatwasher 8mm	
220	1001199088	1	Panel (Australian Spec) (SN 0130024392 to Present, SN M130000091 through M130008778)	
221	3820020	14	Rivet	
	0274553	Ref	KICK PLATE INSTALLATION (ANSI EXPORT, AUSTRALIAN AND CE SPECS ONLY)	D
302	3576089	1	Kick Plate	
303	2080040	4	Fastener, Huck	
304	4420070	1	Tape, Anti-Skid	

SECTION 4 - PLATFORM

FIGURE 4-2. PLATFORM CONSOLE BOX INSTALLATION



SECTION 4 - PLATFORM

FIGURE 4-2. PLATFORM CONSOLE BOX INSTALLATION

ITEM	PART NUMBER	QTY	DESCRIPTION	REV
	0274554	Ref	CONSOLE BOX INSTALLATION	C
	1001091153	Ref	Console Box Assembly (USA Built Machines)	K
	0272778	Ref	Console Box Assembly (French Built Machines) (Prior to SN A200006146)	I
	1001091153	Ref	Console Box Assembly (French Built Machines) (SN A200006146 through A200009897)	K
	1001091153	Ref	Console Box Assembly (Mexico Built Machines) (SN M130000001 through M130008778)	K
		Ref	Note: When replacing complete assembly, use p/n 1001091153.	
1	0140011	1	Alarm	
2	1600439	NLA	Platform Box Control Module (Note: Use Item 102)	
3	1380156	1	E-Clip	
4		Ref	Controller, Drive/Steer Options:	
4	1600345	NLA	P/Q Controller, Drive/Steer (USA Built Machines) (Use p/n 1001134438) (Original Equipment was p/n 1600345 -See DRIVE/STEER P/Q CONTROLLER ASSEMBLY for Breakdown) (For Service Replacement Components p/n 1600402 & 1001134438 - See DRIVE/STEER J.R. MERRITT CONTROLLER ASSEMBLY for Breakdown) (Prior to SN 0200177164)	
4	1600345	NLA	P/Q Controller, Drive/Steer (All French Built Machines) (Use p/n 1001134438) (Original Equipment was p/n 1600345 -See DRIVE/STEER P/Q CONTROLLER ASSEMBLY for Breakdown) (For Service Replacement Components p/n 1600402 & 1001134438 - See DRIVE/STEER J.R. MERRITT CONTROLLER ASSEMBLY for Breakdown) (Prior to SN A200006537)	
4	1600402	NLA	J.R. Merritt Controller, Drive/Steer (USA Built Machines) (SN 0200177164 to Present, SN 0130000000 to Present)	
4	1600402	NLA	J.R. Merritt Controller, Drive/Steer (All French Built Machines) (Use p/n 1001134438) (SN A200006537 through A200009897)	
4	1600402	NLA	J.R. Merritt Controller, Drive/Steer (All Mexico Built Machines) (Use p/n 1001134438) (SN M130000001 through M130008778)	
5	1671098	1	Latch	
6		Ref	Decal - Icon Options:	
6	1001091272	NLA	USA Built Machines (Use Item 100C, 101 or 102)	
6	1705674	NLA	French Built Machines (Use Item 100A, 101 or 102) (Prior to SN A200006146)	
6	1001091272	NLA	French Built Machines (Use Item 100B, 101 or 102) (SN A200006146 through A200009897)	
6	1001091272	NLA	Mexico Built Machines (Use Item 100C, 101 or 102) (SN M130000001 through M130008778)	
7	1705676	1	Decal - Emergency Stop Ring	
8	2560179	1	Handle, Latch	
9	See Note	NLA	Housing, Joystick (Lower) (was p/ns 2760113 & 1001091277) (Use p/n 1001091390)	
10	See Note	NLA	Mount, Joystick (Lower) (was p/ns 2760114 & 1001091278) (Use p/n 1001091390)	
11		Ref	Housing, Module Mounting (Lower) Options:	
11	1001091279	1	USA Built Machines	
11	2760115	NLA	French Built Machines (Use p/n 1001091279) (Prior to SN A200006146)	

SECTION 4 - PLATFORM

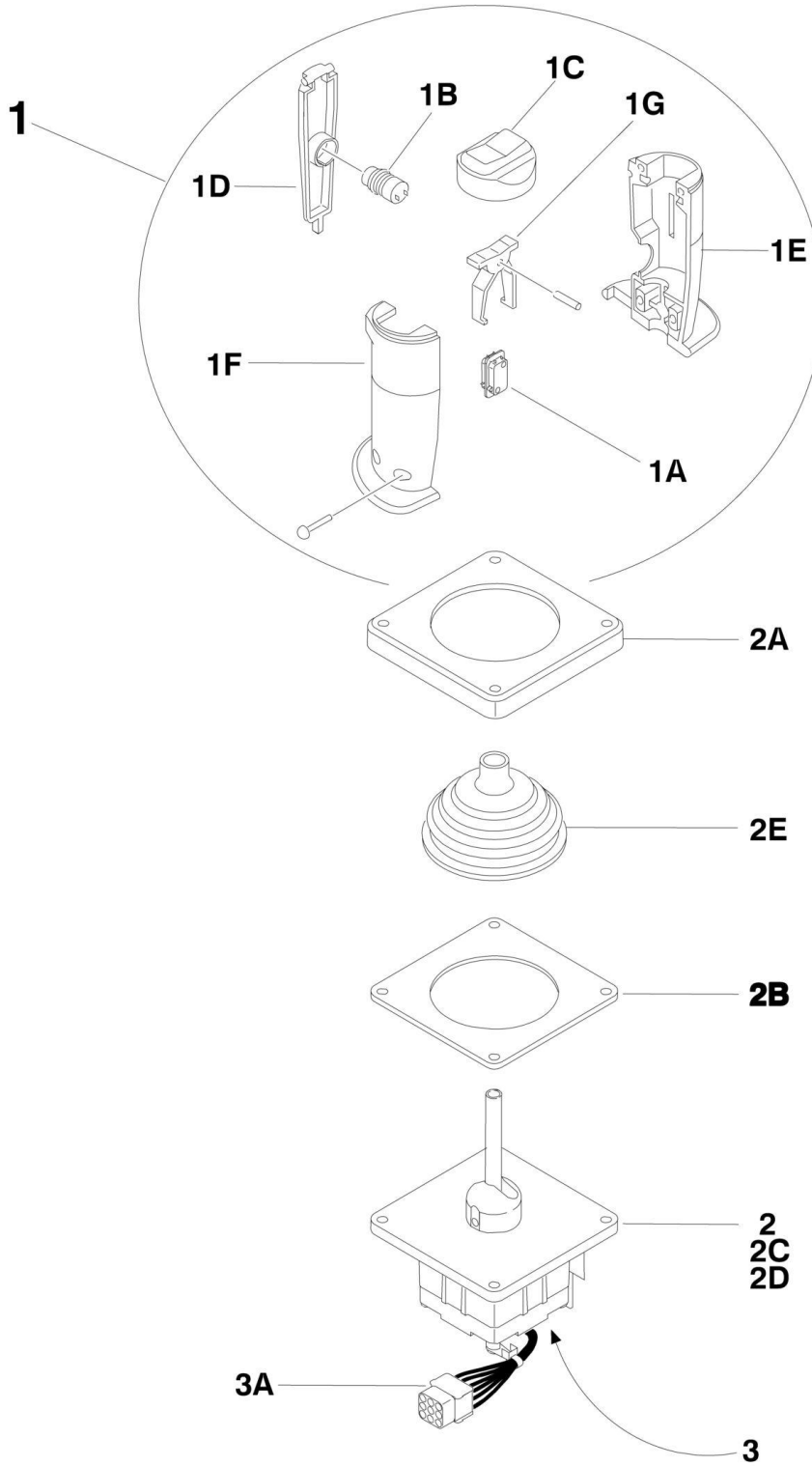
ITEM	PART NUMBER	QTY	DESCRIPTION	REV
11	1001091279	1	French Built Machines (SN A200006146 through A200009897)	
11	1001091279	1	Mexico Built Machines (SN M130000001 through M130008778)	
12	See Note	NLA	Housing, Module Mounting (Upper) (was p/ns 2760116 & 1001091280) (Note: Use Item 101 or 102)	
13	3300473	4	Nut M6	
14	3340968	2	Button (Includes Black Button Only)	
15	3380475	2	Panel, Side	
16		Ref	Plate, Decal Options:	
16	1001091283	NLA	USA Built Machines (Use Item 100C, 101 or 102)	
16	3574249	NLA	French Built Machines (Use Item 100A, 101 or 102) (Prior to SN A200006146)	
16	1001091283	NLA	French Built Machines (Use Item 100B, 101 or 102C) (SN A200006146 through A200009897)	
16	1001091283	NLA	Mexico Built Machines (SN M130000001 through M130008778)	
17	3900333	4	Screw M6 x 190mm	
18	4160203	1	Spring, Compression	
19	4191306	5	Screw M3.5 x 12mm	
20	4191407	8	Screw M4 x 16mm	
21	4191409	6	Screw M4 x 25mm	
22	4360475	1	Switch, Emergency Stop	
22	7020175	1	Cap	
22	7020176	1	Block, Contact	
23	4360538	2	Strip, Switch and Membrane	
24	4360539	1	Switch, Toggle	
25	4568738	1	Tube, Spacer	
26	4922870	1	Harness, Platform Box (Not Shown - See ELECTRICAL SECTION for Breakdown)	
27	1703819	1	Decal - Directional Arrow	
28		Ref	Screw M3.5 x 12mm Options:	
28	1001091396	6	USA Built Machines	
28	4191306	6	French Built Machines (Prior to SN A200006146)	
28	1001091396	6	French Built Machines (SN A200006146 through A200009897)	
28	1001091396	6	Mexico Built Machines (SN M130000001 through M130008778)	
29	See Note	NLA	Decal - Control Module (Note: Not Available for Purchase) (SN M130005228 through M130008778)	
		Ref	Kit Options	
100		Ref	Decal Kit Options:	
100A	1001091967	1	Decal Kit for French Built Machines (Includes Items 6, 16 & 28) (Prior to SN A200006146)	
		Ref	Note: Two of item 6 are included in the kit - Use p/n 1705674. Dispose of the other decal.	
		Ref	Note: If housing has been replaced with Kit p/n 1001091393 or Kit p/n 1001091965, use Decal Kit p/n 1001091968.	
100B	1001091968	1	Decal Kit for French Built Machines (Includes Items 6, 16 & 28) (SN A200006146 through A200009897)	
		Ref	Note: Two of item 6 are included in the kit - Use p/n 1001091272. Dispose of the other decal.	
100C	1001091968	1	Decal Kit for USA and Mexico Built Machines (Includes Items 6, 16 & 28)	
		Ref	Note: Two of item 6 are included in the kit - Use p/n 1001091272. Dispose of the other decal.	
101	1001091393	1	Decal and Housing Kit (Includes Items 6, 12, 16 & 28)	

SECTION 4 - PLATFORM

ITEM	PART NUMBER	QTY	DESCRIPTION	REV		
102	1001091965	Ref	Note: Two of item 6 are included in the kit - Use p/n 1001091272. Dispose of the other decal.			
		1	Decal, Housing and Module Kit (Includes Items 2, 6, 12, 14, 16, 19, 23, 24 & 28)			
		Ref	Note: Two of item 6 are included in the kit - Use p/n 1001091272. Dispose of the other decal.			
		Ref	PLATFORM BOX COVER INSTALLATION			
		0273841	Ref	USA Built Machines (Prior to SN 0200196453)	B	
		1001118216	Ref	USA Built Machines (SN 0200196453 to Present, SN 0130000000 to Present)	A	
		0273841	Ref	All French Built Machines	B	
		1001118216	Ref	All Mexico Built Machines	A	
		201	2902341	NLA	Kit, Platform Box Shield (Use p/n 1001118215)	
		201A	0760808	4	Bolt, (Metric) 8 x 16LG	
201B	1380159	4	Clip, Cover Mounting			
201C	1671161	NLA	Cover, Platform Box (Use p/n 1001116154)			
201D	3290805	4	Locknut, M8 x 1.25			
	0274791	Ref	ANTI-VANDELISM PACKAGE INSTALLATION (NOT SHOWN)	B		
	3380625	1	Cover, Lockable Platform Console Box			

SECTION 4 - PLATFORM

FIGURE 4-3. DRIVE/STEER P/Q CONTROLLER ASSEMBLY



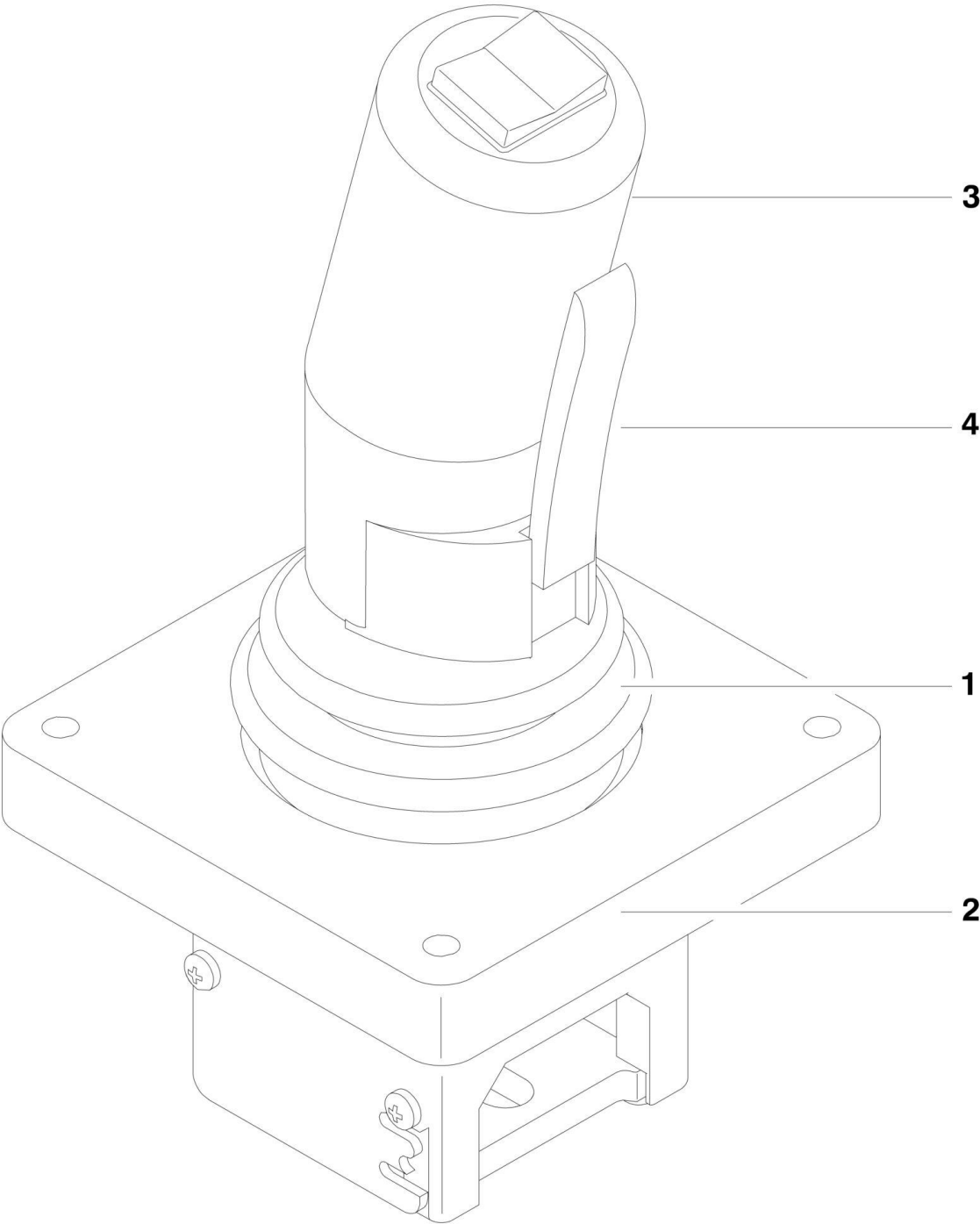
SECTION 4 - PLATFORM

FIGURE 4-3. DRIVE/STEER P/Q CONTROLLER ASSEMBLY

ITEM	PART NUMBER	QTY	DESCRIPTION	REV
	1600345	Ref	P/Q CONTROLLER ASSEMBLY Note: Original Equipment Assembly p/n 1600345 may have been replaced with p/n 1001134438 as Service Replacement Assembly. Identify P/N before ordering replacement components. If equipped with p/n 1001134438 refer to next illustration.	
		Ref		
1	7020551	1	Grip Assembly	
1A	7020500	2	Switch, Steer Rocker	
1B	7020501	1	Switch, Enable Push Button	
1C	7003790	1	Cap, Rubber Rocker (Includes Lock Ring)	
1D	7011997	1	Trigger	
1E	See Note	NSS	Grip - Right Half (Note: Use p/n 7020551)	
1F	See Note	NSS	Grip - Left Half (Note: Use p/n 7020551)	
1G	See Note	NSS	Actuator, Switch (Note: Use p/n 7020551)	
2	See Note	NSS	Handle/Housing Assembly (Note: Use p/n 1001134438)	
2A	7020552	1	Bezel	
2B	7020553	1	Gasket	
2C	7020554	1	Spring, Centering	
2D	7020555	1	Foot, Centering	
2E	7020556	1	Boot, Rubber	
3	See Note	NSS	Electrical Assembly (Not Shown) (Note: Use p/n 1001134438)	
3A	4460266	1	Connector, Receptacle - 9 Pin	
3A	4460226	7	Socket, Female	
3A	4460265	1	Plug, Male-9 Position (Part of Platform Box Harness)	
3A	4460227	7	Pin, Male (Part of Platform Box Harness)	

SECTION 4 - PLATFORM

FIGURE 4-4. DRIVE/STEER J.R. MERRITT CONTROLLER ASSEMBLY



SECTION 4 - PLATFORM

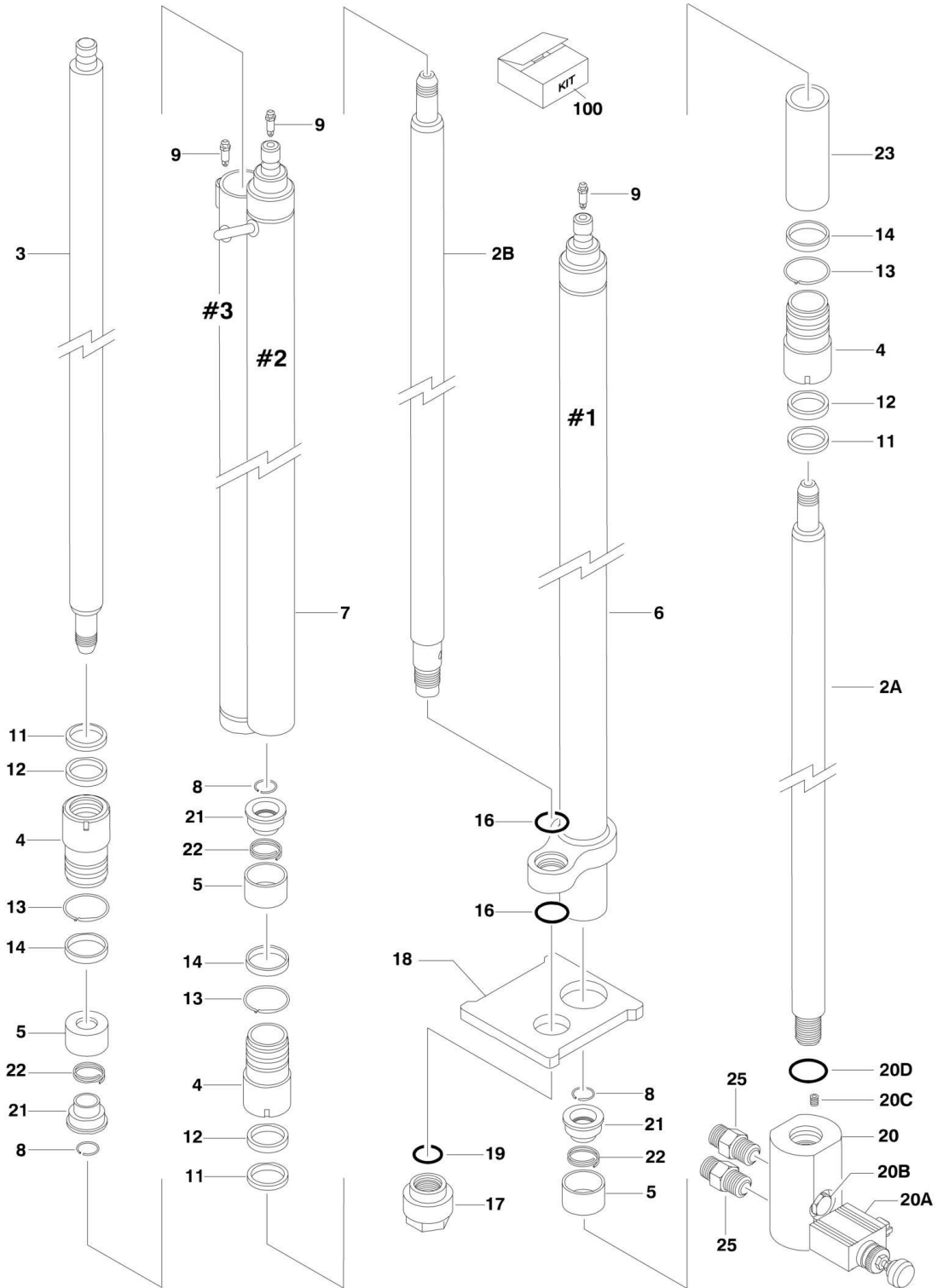
FIGURE 4-4. DRIVE/STEER J.R. MERRITT CONTROLLER ASSEMBLY

ITEM	PART NUMBER	QTY	DESCRIPTION	REV
	1600402	Ref	J.R. MERRITT CONTROLLER ASSEMBLY Note: Use p/n 1001134438 as replacement. Original Equipment was 1600402.	
		Ref		
1	70001250	1	Boot, Panel	
2	70001252	1	Gasket, Mounting	
2	70001251	1	Bezel, Mounting	
3	70003650	1	Handle Repair Kit (Includes handle gasket, item #4 push button and item #4 lever installed in front handle half, back handle half, top actuator, boot and hardware)	
3	70000084	1	Cap, Rubber	
3	70000082	1	Microswitch	
3	7027766	1	Ring, Retaining	
3	7027365	1	Actuator, Handle	
3	70001253	1	Gasket, Handle	
3	70000683	4	Washer, Neoprene	
3	70000685	2	Spacer, Plastic	
3	70000686	2	Screw (Top)	
3	70000684	2	Screw (Bottom)	
4	7027367	1	Switch, Push button	
4	7027765	1	Lever, Enable	

SECTION 5 - CYLINDER

SECTION 5 - CYLINDER

FIGURE 5-1. LIFT CYLINDER ASSEMBLY



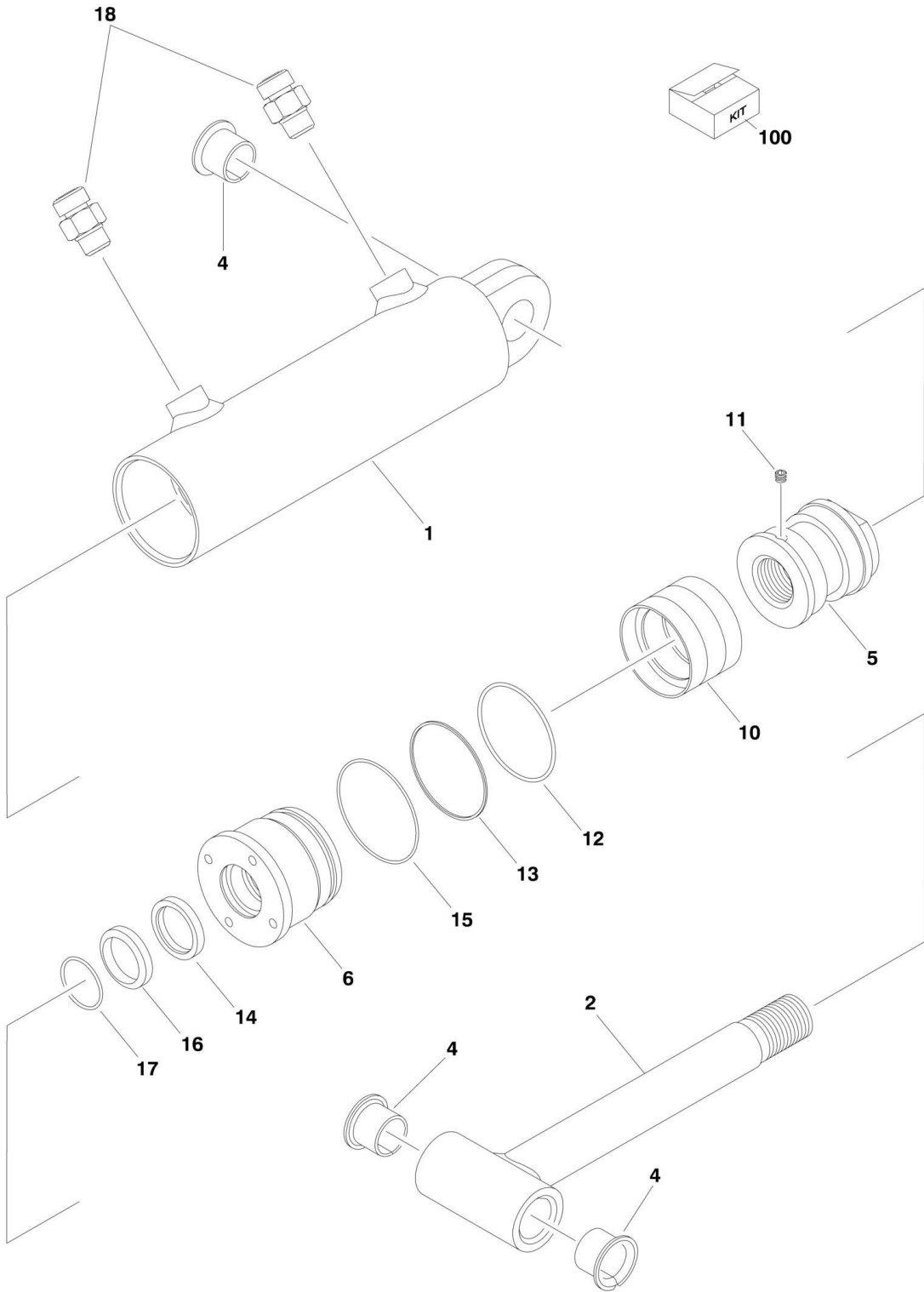
SECTION 5 - CYLINDER

FIGURE 5-1. LIFT CYLINDER ASSEMBLY

ITEM	PART NUMBER	QTY	DESCRIPTION	REV
	1684469	Ref	LIFT CYLINDER ASSEMBLY	H
2		Ref	Rod Options:	
2A	70000732	1	Rod (Cylinder #1)	
2B	70000733	1	Rod (Cylinder #2)	
3	70000734	1	Rod (Cylinder #3)	
4	70000721	3	Head (Cylinders #1/#2/#3)	
5	70000722	3	Piston - Outer (Cylinders #1/#2/#3)	
6	See Note	NSS	Barrel (Cylinder #1) (Note: Purchase Complete Assembly)	
7	See Note	NSS	Barrel (Cylinders #2/#3) (Note: Purchase Complete Assembly)	
8	70000723	3	Ring, Retaining (Cylinders #1/#2/#3)	
9	4640858	3	Bleeder (Cylinders #1/#2/#3)	
11	See Note	NSS	Wiper (Cylinders #1/#2/#3) (Note: Use Item 100)	
12	See Note	NSS	Seal (Cylinders #1/#2/#3) (Note: Use Item 100)	
13	70000725	3	Ring, Retaining (Cylinders #1/#2/#3)	
14	See Note	NSS	Seal (Cylinders #1/#2/#3) (Note: Use Item 100)	
16	See Note	NSS	O-Ring (Cylinder #2 Guide) (Note: Use Item 100)	
17	70000726	1	Cap (Cylinder #2)	
18	70000727	1	Guide (Cylinder #2)	
19	See Note	NSS	O-Ring (Cylinder #2 Cap) (Note: Use Item 100)	
20	70000728	1	Valve Assembly	
20A	70000737	1	Cartridge, Solenoid	
20A	See Note	NSS	Seal Kit - 70000737 Valve (Note: Use p/n 70000737)	
20A	See Note	NSS	Coil, (Note: Use p/n 70000737)	
20A	70002720	1	Knob Kit (Includes Knob, Coil Nut, Spacer, Retaining Nut and Qty 2 Coil O-Rings)	
20B	70001254	1	Cartridge, Check	
20B	See Note	NSS	Seal Kit - 70001254 Valve (Note: Use p/n 70001254)	
20C	See Note	NSS	Orifice (Note: Use p/n 70001254)	
20D	See Note	NSS	O-Ring (Note: Use p/n 70001254)	
21	70000729	3	Piston - Inner (Cylinders #1/#2/#3)	
22	70000730	3	Spring (Cylinders #1/#2/#3)	
23	70000731	1	Spacer (Cylinder #1)	
25	2144609	2	Fitting, Straight	
100	70000735	1	Seal Kit - 1684469 Cylinder (Includes Items 11, 12, 14, 16 & 19)	

SECTION 5 - CYLINDER

FIGURE 5-2. STEER CYLINDER ASSEMBLY



SECTION 5 - CYLINDER

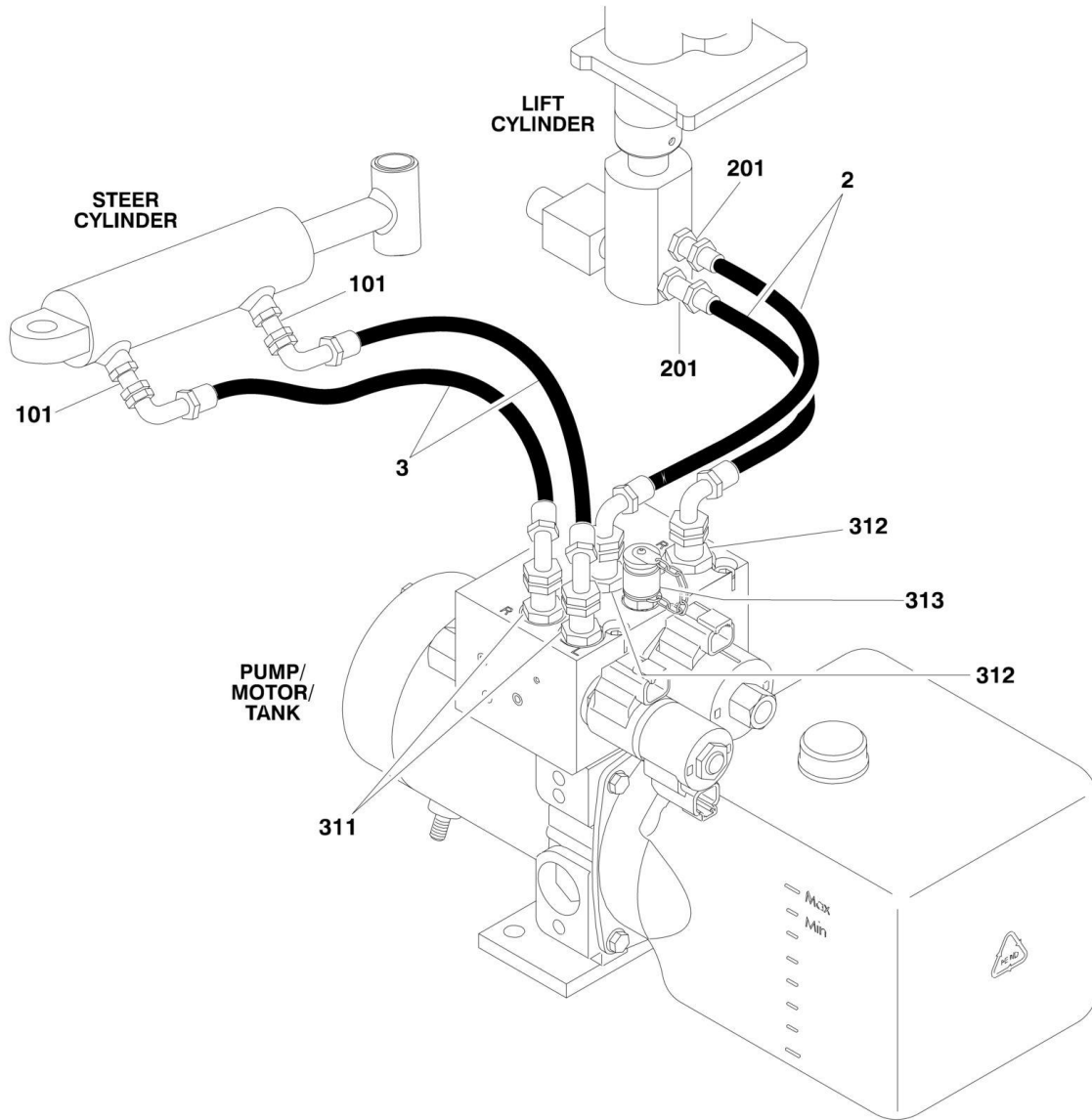
FIGURE 5-2. STEER CYLINDER ASSEMBLY

ITEM	PART NUMBER	QTY	DESCRIPTION	REV
	1684458	Ref	STEER CYLINDER ASSEMBLY	H
1	70000742	1	Barrel	
2	70000741	1	Rod	
4	0440263	3	Bushing	
5	70000738	1	Piston	
6	70000739	1	Head	
10	See Note	NSS	Seal (Note: Use Item 100)	
11	See Note	NSS	Setscrew (Note: Not Available - Purchase Locally)	
12	See Note	NSS	Seal (Note: Use Item 100)	
13	See Note	NSS	Ring, Back-up (Note: Use Item 100)	
14	See Note	NSS	Seal (Note: Use Item 100)	
15	See Note	NSS	O-Ring (Note: Use Item 100)	
16	See Note	NSS	Seal (Note: Use Item 100)	
17	See Note	NSS	O-Ring (Note: Use Item 100)	
18	2144605	2	Fitting, Straight	
100	70000743	1	Seal Kit - 1684458 Cylinder (Includes Items 10 & 12-17)	

SECTION 6 - HYDRAULIC

SECTION 6 - HYDRAULIC

FIGURE 6-1. HYDRAULIC DIAGRAM



SECTION 6 - HYDRAULIC

FIGURE 6-1. HYDRAULIC DIAGRAM

ITEM	PART NUMBER	QTY	DESCRIPTION	REV
		Ref	HYDRAULIC COMPONENTS	
	0274581	Ref	Hydraulic Installation	G
2		Ref	Hose (Lift) Options:	
2	2755002	NLA	French Built Machines (Note: Use p/ns 1001101833 Hose & 1001101362 Fitting as replacement.) (Prior to SN A200009318)	
2	1001101833	2	French Built Machines (SN A200009318 to Present)	
2	2755002	NLA	USA Built Machines (Note: Use p/ns 1001101833 Hose & 1001101362 Fitting as replacement.) (Prior to SN 0200189255)	
2	1001101833	2	USA Built Machines (SN 0200189255 to Present, SN 0130000000 to Present)	
2	1001101833	2	Mexico Built Machines	
3	2755003	2	Hose (Steer)	
	1684458	Ref	Steer Cylinder Components	H
101	2144605	2	Fitting, Straight	
	1684469	Ref	Lift Cylinder Components	H
201	2144609	2	Fitting, Straight	
		Ref	Pump/Motor/Tank Components	
	3600432	Ref	French Built Machines (Original Equipment) (Prior to SN A200009318)	I
	1001101832	Ref	French Built Machines (Service Replacement) (Prior to SN A200009318)	A
	1001101831	Ref	French Built Machines (SN A200009318 to Present)	D
	3600432	Ref	USA Built Machines (Original Equipment) (Prior to SN 0200189255)	I
	1001101832	Ref	USA Built Machines (Service Replacement) (Prior to SN 0200189255)	A
	1001101831	Ref	USA Built Machines (SN 0200189255 to Present, SN 1300000000 to Present)	D
	1001101831	Ref	Mexico Built Machines (SN M130000001 through M130008778)	D
311	2144605	2	Fitting, Straight	
312		Ref	Fitting Options:	
312	2144610	2	Straight Fitting	
312	1001101362	2	90, Fitting	
313	2221086	1	Fitting, Pressure Check	

SECTION 7 - ELECTRICAL

SECTION 7 - ELECTRICAL

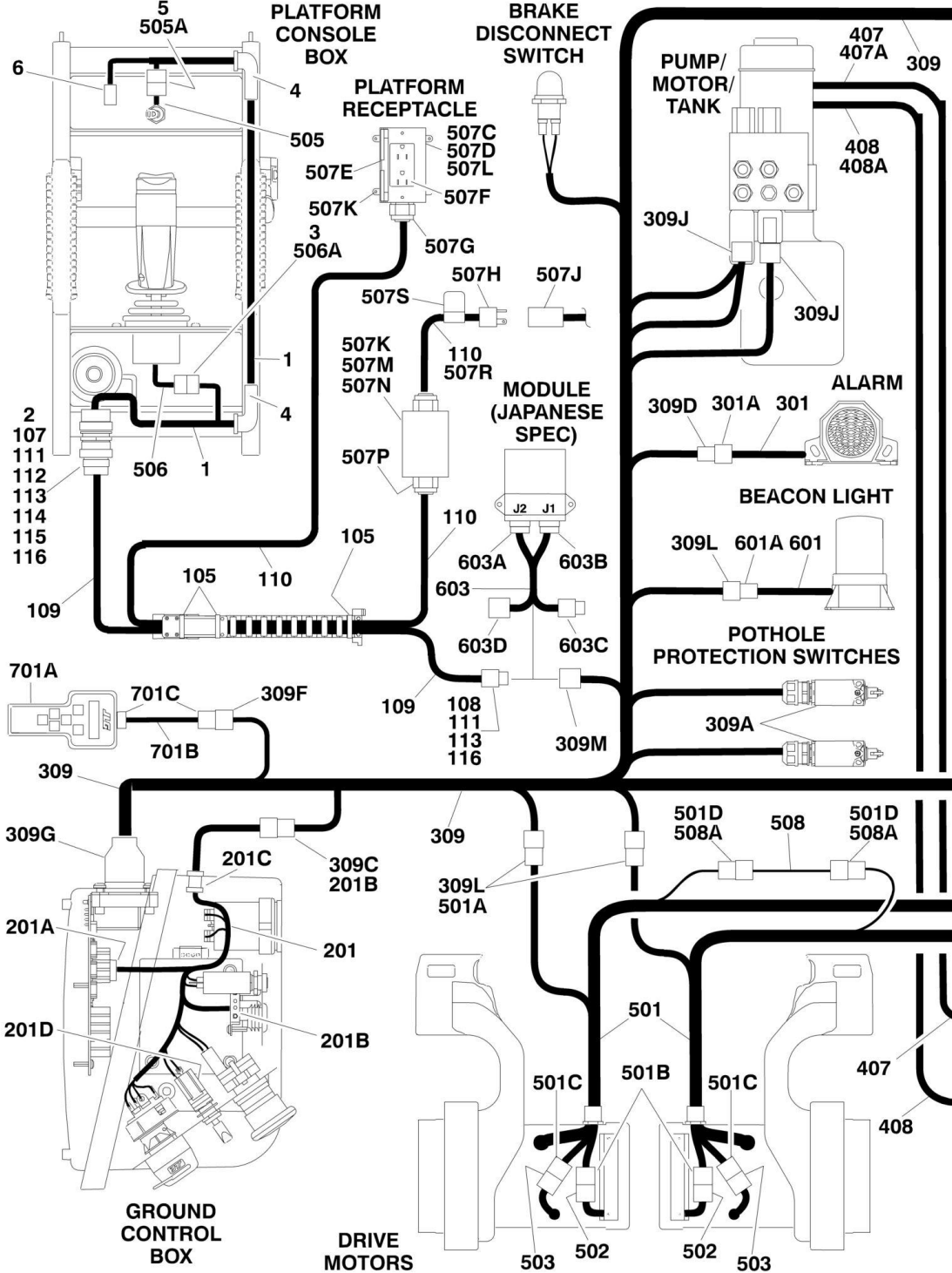
FIGURE 7-1. ELECTRICAL DIAGRAM LIST

ITEM	PART NUMBER	QTY	DESCRIPTION	REV
		Ref	Note: Schematics not shown are available in the Service and Maintenance Manual.	
		Ref	ELECTRICAL DIAGRAM LIST	
	1870188	Ref	Electrical Schematics (Machines with 1600346 Drive Module)	
	1001114879	Ref	Electrical Schematics (Machines with 1001092456 Drive Module) (Prior to SN 0200238468, Prior to SN A200007624)	
	1001166759	Ref	Electrical Schematics (Machines with 1001092456 Drive Module) (SN 0200238468 to Present, SN 1300000000 to Present, SN A200007624 through A200009897, SN M130000001 through M130008778)	

SECTION 7 - ELECTRICAL

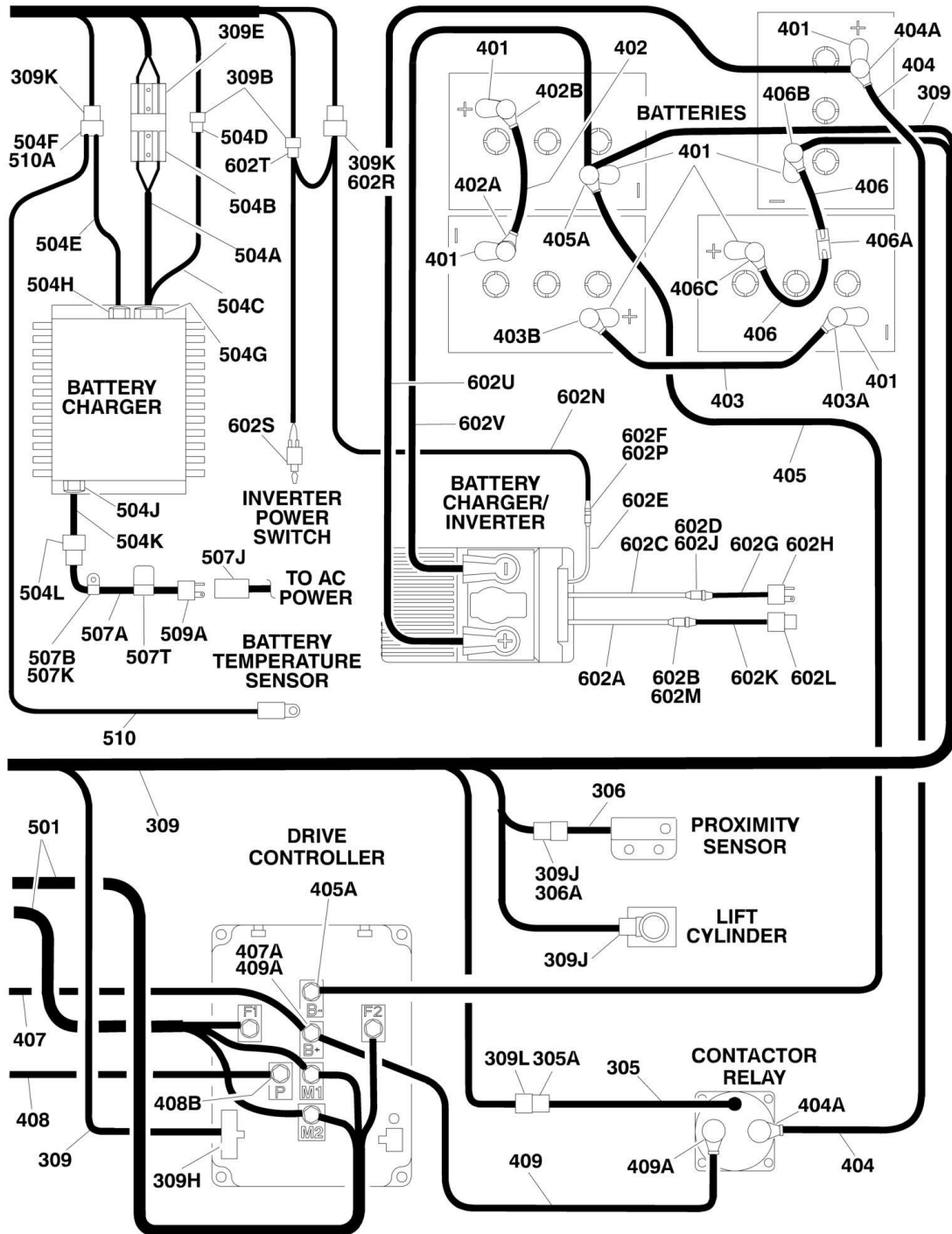
FIGURE 7-2. ELECTRICAL CONNECTORS INSTALLATION (MACHINES WITH 1600346 DRIVE MODULE)

NOTE: THIS ILLUSTRATION USED WITH 1600346 DRIVE MODULE. SEE REVISION LOG PAGE OF THIS MANUAL FOR DRIVE MODULE IDENTIFICATION.



SECTION 7 - ELECTRICAL

NOTE: THIS ILLUSTRATION USED WITH 1600346 DRIVE MODULE. SEE REVISION LOG PAGE OF THIS MANUAL FOR DRIVE MODULE IDENTIFICATION.



SECTION 7 - ELECTRICAL

FIGURE 7-2. ELECTRICAL CONNECTORS INSTALLATION (MACHINES WITH 1600346 DRIVE MODULE)

ITEM	PART NUMBER	QTY	DESCRIPTION	REV
		Ref	CONSOLE BOX COMPONENTS	
1	4922870	1	Platform Box Harness	C
2	4461016	1	Connector - 14 Position	
2	4460464	9	Pin, Male	
2	4460466	5	Plug, Sealing	
2	4460496	1	Lockwasher	
2	4460497	1	Nut, Panel	
3	4460265	1	Plug, Male - 9 Position	
3	4460267	8	Pin, Male	
4	2540042	2	Grommet 90	
5	Not Available	1	Receptacle, Female - 3 Position (Molex 43640-0301)	
6	4461057	1	Plug, Male - 16 Position	
	4923503	Ref	MAST CABLE ASSEMBLY	J
105	4240033	3	Tie-Strap	
107	4460754	1	Connector - 14 Position	
108	4460930	1	Plug, Male - 8 Position (Gray)	
109	4923504	28 ft/8.5m	Cable, Electrical -18/5C + 18/1STP	
110	4923505	28 ft/8.5m	Cable, Electrical -14/3C	
111	2820026	AR	Tubing, Clear	
112	3730119	1	Resistor 120Ohm/.25Watt	
113	4460465	10	Socket, Female	
114	4460466	6	Plug, Sealing	
115	4460493	1	Cap, Dust	
116	4460944	6	Socket, Female	
		Ref	GROUND CONTROL BOX COMPONENTS	F
201	4922865	1	Control Box Harness	
201A	4460265	1	Plug, Male - 9 Position	
201A	4460268	9	Socket, Female	
201B	4460761	2	Receptacle, Female - 4 Position	
201B	4460267	8	Pin, Male	
201C	Not Available	1	Grommet (Molded in Part of Harness)	
201D	4460418	1	Connector, Female - 6 Position	
201D	4460419	3	Socket, Female	
		Ref	GROUND CONTROL COMPONENTS	
301	0140043	1	Alarm and Harness (Separate Harness Not Available)	
301A	4460536	1	Receptacle, Female - 3 Position	
301A	4460465	3	Socket, Female	
305	3740150	1	Contactor Relay Harness (Includes Relay)	
305A	4460891	1	Plug, Male - 2 Position	
305A	4460465	2	Socket, Female	
306	4000010	1	Proximity Harness (Includes Sensor)	
306A	4460897	1	Receptacle, Female - 2 Position	
306A	4460464	2	Pin, Male	
306A	Not Available	1	Wedge Lock - 2 Position (Deutsch WM-2P)	
309		Ref	Chassis Harness Options	
309	4923301	1	Harness used on USA Built Machines (Note: Use Qty 1 each of p/ns 1001110303 & 1001115448 as replacement) (Prior to SN 0200195926)	F

SECTION 7 - ELECTRICAL

ITEM	PART NUMBER	QTY	DESCRIPTION	REV
309	1001110303	1	Harness used on USA Built Machines (SN 0200195926 to Present)	B
309	4923301	1	Harness used on All French Built Machines (Note: Use Qty 1 each of p/ns 1001110303 & 1001115448 as replacement)	F
309		Ref	Chassis Harness Wiring Diagram Options:	
309	4933341	Ref	USA Built Machines (Prior to SN 0200195926)	C
309	1001110304	Ref	USA Built Machines (SN 0200195926 to Present)	A
309	4933341	Ref	All French Built Machines	C
309A		Ref	Switch, Limit Options:	
309A	4360633	NLA	Switch used on USA Built Machines (Use p/n 1001115448) (Prior to SN 0200195926)	
309A	1001109088	2	Switch used on USA Built Machines (SN 0200195926 to Present)	
309A	4360633	NLA	Switch used on All French Built Machines (Use p/n 1001115448)	
309A	4460884	2	Plug, Male - 4 Position (Use with p/n 1001109088 Switch)	
309A	4460465	4	Socket, Female (Use with p/n 1001109088 Switch)	
309B	4460320	1	Plug, Male - 2 Position (Note: Connection to this plug used only when footswitch or battery interlock options are required)	
309B	4460226	2	Socket, Female	
309C	4460321	1	Plug, Male - 4 Position	
309C	4460227	4	Pin, Male	
309D	4460539	1	Plug, Male - 3 Position	
309D	4460464	3	Pin, Male	
309E	4460648	1	Connector, Anderson	
309F	4460761	1	Receptacle, Female - 4 Position	
309F	4460227	4	Pin, Male	
309G	4460814	1	Plug, Male - 40 Position	
309G	4460465	25	Socket, Female	
309G	4460944	6	Socket, Female (Gold)	
309G	4460466	3	Seal, Plug	
309G	0840057	1	Boot	
309H	4460870	1	Plug, Male - 12 Position	
309H	4460877	4	Pin, Male	
309J	4460891	5	Plug, Male - 2 Position	
309J	4460465	10	Socket, Female	
309K	4460894	1	Plug, Male - 6 Position	
309K	4460465	6	Socket, Female	
309L	4460897	4	Receptacle, Female - 2 Position	
309L	4460464	8	Pin, Male	
309L	3990013	1	Diode 1Amp (Right Brake Only)	
309M	4460931	1	Receptacle, Female -8 Position	
309M	4460464	2	Pin, Male	
309M	4460943	3	Pin, Male (Gold)	
309M	0840058	1	Boot	
	2902444	Ref	BATTERY CABLE KITS	E
401	0840060	8	Boot, Terminal (Gray) (Covers only the Battery Terminal Base)	
402	4923324	1	Cable, Battery (Battery Positive to Battery Negative)	A
402A	Not Available	1	Boot, Terminal (Black) (1 Per Cable Assembly)	
402B	0840041	1	Boot, Terminal (Red) (1 Per Cable Assembly)	
403	4923325	1	Cable, Battery (LH Side Batteries to RH Side Batteries)	D
403A	Not Available	1	Boot, Terminal (Black) (1 Per Cable Assembly)	
403B	0840041	1	Boot, Terminal (Red) (1 Per Cable Assembly)	

SECTION 7 - ELECTRICAL

ITEM	PART NUMBER	QTY	DESCRIPTION	REV
404	4923326	1	Cable, Battery (Contactor to RH Side Batteries)	A
404A	Not Available	2	Boot, Terminal (Black)	
405	4923327	1	Cable, Battery (Drive Module B- to LH Side Batteries)	A
405A	Not Available	2	Boot, Terminal (Black)	
406	4923328	1	Cable, Battery with Disconnect (Battery Positive to Battery Negative)	A
406A	Not Available	1	Connector, Anderson	
406B	Not Available	1	Boot, Terminal (Black) (1 Per Cable Assembly)	
406C	0840041	1	Boot, Terminal (Red) (1 Per Cable Assembly)	
407	4923329	1	Cable, Battery (Drive Module B+ to Pump Motor +)	A
407A	0840041	2	Boot, Terminal (Red)	
408	4923330	1	Cable, Battery (Drive Module P to Pump Motor -)	D
408A	Not Available	1	Boot, Terminal (Black) (1 Per Cable Assembly)	
408B	0840041	1	Boot, Terminal (Red) (1 Per Cable Assembly)	
409	4923331	1	Cable, Battery (Drive Module B+ to Contactor)	A
409A	0840041	2	Boot, Terminal (Red)	
		Ref	STANDARD HARNESSES	
501	7024770	NLA	Drive Motor/Brake Harness (Use p/n 1001093652)	
501A	4460891	2	Plug, Male - 2 Position (1 Per Harness)	
501A	4460465	4	Socket, Female (2 Per Harness)	
501B	Not Available	2	Plug, Male - 2 Position (1 Per Harness) (To Brake)	
501B	Not Available	4	Socket, Female (2 Per Harness) (To Brake)	
501C	Not Available	2	Plug, Male - 2 Position (1 Per Harness) (To Motor)	
501C	Not Available	4	Socket, Female (2 Per Harness) (To Motor)	
501D	4461261	2	Plug, Male - 1 Position	
501D	4460509	2	Socket, Female	
502	Not Available	2	Harness, Brake (Internal Connections - Purchase Complete Brake)	
502	Not Available	2	Receptacle, Female - 2 Position (1 Per Harness)	
502	Not Available	4	Pin, Male (2 Per Harness)	
503	Not Available	2	Harness, Motor (Internal Connections - Purchase Complete Motor)	
503	Not Available	2	Receptacle, Female - 2 Position (1 Per Harness)	
503	Not Available	4	Pin, Male (2 Per Harness)	
504		Ref	Battery Charger Components:	
504A	Not Available		DC Harness/Cord Set	
504B	4460648	1	Plug, Anderson	
504C	Not Available	1	Harness with Connector	
504D	4460424	1	Connector, Female - 2 Position (Note: Connection to this plug used only when battery interlock options are required)	
504D	4460227	2	Pin, Male	
504E	Not Available	1	Harness with Connector	
504F	4460899	1	Connector, Female - 6 Position	
504F	4460464	6	Pin, Male	
504G	Not Available	1	Connector, Strain Relief	
504H	Not Available	1	Connector, Strain Relief	
504J	Not Available	1	Connector, Strain Relief	
504K	Not Available	1	AC Harness/Cord Set	
504L	Not Available	1	Connector, Female	
505	4360539	1	Toggle Switch and Harness (No Separate Harness Available)	
505A	Not Available	1	Plug, Male - 3 Position (Molex P/N 43643-0300)	
506	Not Available	1	Joystick Harness	
506A	4460266	1	Receptacle, Female - 9 Position	
506A	4460226	8	Socket, Female	

SECTION 7 - ELECTRICAL

ITEM	PART NUMBER	QTY	DESCRIPTION	REV
507		Ref	AC Power Components	
507	0274556	Ref	ANSI/CSA/Japan Specs (Supplied with ANSI Spec Plug)	F
507	0274802	Ref	ANSI Export/Australian Specs (No Plug Supplied. Plug Must Be Purchased Locally)	E
507	0274802	Ref	CE Spec (No Plug Supplied. Plug Must Be Purchased Locally)	E
507	0275772	Ref	CE Spec with 110V with IEC Yellow Receptacle and Plug and Circuit Breaker	F
507	0275773	Ref	CE Spec with 220V with IEC Blue Receptacle and Plug and Circuit Breaker	F
507	0275771	Ref	CE Spec with 220V with AFSINT 107 Keyed Ground Receptacle and Plug and Circuit Breaker	E
507	0275769	Ref	CE Spec with 220V with CEE 7 Post Ground Receptacle and Plug and Circuit Breaker (2x4 Box)	E
507	0275774	Ref	CE Spec with 220V with CEE 7 Post Ground Receptacle and Plug and Circuit Breaker (70x70 Box)	G
507	0275770	Ref	CE Spec with 220V with CEE 7 Side Ground Receptacle and Plug and Circuit Breaker (2x4 Box)	D
507	0275775	Ref	CE Spec with 220V with CEE 7 Side Ground Receptacle and Plug and Circuit Breaker (70x70 Box)	F
507		Ref	Decal - AC Power (Not Shown - Located on Rear Cover)	
507		Ref	120V AC (0274556 Installation) Options:	
507	3252761	1	USA Built Machines (Prior to SN 0200194028)	
507	1001103742	1	USA Built Machines (SN 0200194028 to Present)	
507	3252761	1	French Built Machines (Prior to SN A200009503)	
507	1001103742	1	French Built Machines (SN A200009503 through A200007624)	
507	1703464	1	120V AC - 60Hz (0275772 Installation)	
507		Ref	220V-50/60Hz (0274802, 0275769, 0275770, 0275771, 0275773, 0275774, 0275775 Installations) Options:	
507	3252507	1	USA Built Machines (Prior to SN 0200194028)	
507	1001103742	1	USA Built Machines (SN 0200194028 to Present)	
507	3252507	1	French Built Machines (Prior to SN A200009503)	
507	1001103742	1	French Built Machines (SN A200009503 through A200007624)	
507A		Ref	Harness, AC to Battery Charger (No Serviceable Parts)	
507A		Ref	ANSI/CSA/Japan Specs	
507A	1060688	1	French Built Machines (Prior to SN A200008736)	
507A	1001098832	1	French Built Machines (SN A200008736 through A200007624)	
507A	1060688	1	USA Built Machines (Prior to SN 0200183666)	
507A	1001098832	1	USA Built Machines (SN 0200183666 through 0200189616)	
507A	1001103257	1	USA Built Machines (SN 0200189617 to Present)	
507A		Ref	ANSI Export/Australian/CE Specs	
507A	1060689	1	USA Built Machines (Prior to SN 0200194028)	
507A	1001103258	1	USA Built Machines (SN 0200194028 to Present)	
507A	1060689	1	French Built Machines (Prior to SN A200009503)	
507A	1001103258	1	French Built Machines (SN A200009503 through A200007624)	
507B	1321293	1	Clamp	
507C		Ref	AC Receptacle Box Kit Options:	
507C	2902431	1	0274556 Installation Switch Box/Receptacle Kit (Includes Items 507D-507F & 507H)	D
507C	Not Available	1	0274802 Installation (Purchase Components Locally)	
507C	0275216	1	0275772 Installation Switch Box/Receptacle Kit (Includes Items 507D-507G)	

SECTION 7 - ELECTRICAL

ITEM	PART NUMBER	QTY	DESCRIPTION	REV
507C	0275217	1	0275773 Installation Switch Box/Receptacle Kit (Includes Items 507D-507G)	
507C	0275454	1	0275771 Installation Switch Box/Receptacle Kit (Includes Items 507D-507G)	
507C	0275452	1	0275769 Installation Switch Box/Receptacle Kit (Includes Items 507D-507G)	
507C	0275218	NLA	0275774 Installation Switch Box/Receptacle Kit (Includes Items 507D-507F, 507H & 507J) (Use p/n 1001100343)	
507C	1001141971	NLA	0275774 Installation Switch Box/Receptacle Kit (Includes Items 507D-507F, 507H & 507J) (Use p/n 1001100343)	
507C	0275453	1	0275770 Installation Switch Box/Receptacle Kit (Includes Items 507D-507G)	
507C	0275219	NLA	0275775 Installation Switch Box/Receptacle Kit (Includes Items 507D-507F, 507H & 507J) (Use p/n 1001100344)	
507C	1001141970	NLA	0275775 Installation Switch Box/Receptacle Kit (Includes Items 507D-507F, 507H & 507J) (Use p/n 1001100344)	
507D		Ref	Box Options:	
507D	0861731	1	0274556, 0275769, 0275770, 0275771 Installations	
507D	Not Available	1	0274802 Installation (Purchase Components Locally)	
507D	0861781	1	0275772/0275773 Installations	
507D	See Note	1	0275774/0275775 Installations (Note: Was p/n 0861782 which is no longer available. Use p/n 1001100344 CEE 7 Side Ground Service Kit or p/n 1001100343 CEE 7 Post Ground Service Kit. Kits Includes Box p/n 1001141967 & Items 507D, 507E, 507F, 507H, 507J.)	
507E		Ref	Cover Options:	
507E	1671207	1	0274556 Installation	
507E	Not Available	1	0274802 Installation (Purchase Components Locally)	
507E	4461198	1	0275772 Installation (Includes Receptacle)	
507E	4461201	1	0275773 Installation (Includes Receptacle)	
507E	4461246	1	0275771 Installation (Includes Receptacle)	
507E	4461244	1	0275769 Installation (Includes Receptacle)	
507E	1001141968	1	1001100343 & 1001141971 Service Kits	
507E	1001141969	1	1001100344 & 1001141970 Service Kits	
507E	4461204	NLA	0275774 Installation (Includes Receptacle) (Use p/n 1001100343)	
507E	4461245	1	0275770 Installation (Includes Receptacle)	
507E	4461207	NLA	0275775 Installation (Includes Receptacle) (Use p/n 1001100344)	
507F		Ref	Receptacle Options:	
507F	4460346	1	0274556 Installation	
507F	Not Available	1	0274802 Installation (Purchase Components Locally)	
507F	4461198	1	0275772 Installation (Includes Cover)	
507F	4461201	1	0275773 Installation (Includes Cover)	
507F	4461246	1	0275771 Installation (Includes Cover)	
507F	4461244	1	0275769 Installation (Includes Cover)	
507F	1001141968	1	1001100343 & 1001141971 Service Kits	
507F	1001141969	1	1001100344 & 1001141970 Service Kits	
507F	4461204	NLA	0275774 Installation (Includes Receptacle) (Use p/n 1001100343)	
507F	4461245	1	0275770 Installation (Includes Cover)	
507F	4461207	NLA	0275775 Installation (Includes Receptacle) (Use p/n 1001100344)	
507G		Ref	Connector, Strain Relief Options:	
507G	4460662	1	0274556, 0275769, 0275770, 0275771 Installations	

SECTION 7 - ELECTRICAL

ITEM	PART NUMBER	QTY	DESCRIPTION	REV
507G	Not Available	1	0274802 Installation (Purchase Components Locally)	
507G	4461257	1	0275774, 0275775 Installations (90) (USA Built Machines) (Prior to SN 0200194028)	
507G	1001103471	1	0275774, 0275775 Installations (90) (USA Built Machines) (SN 0200194028 to Present)	
507G	4461257	1	0275774, 0275775 Installations (90) (All French Built Machines) (Prior to SN A200009503)	
507G	1001103471	1	0275774, 0275775 Installations (90) (All French Built Machines) (SN A200009503 through A200007624)	
507G	4460633	1	0275772, 0275773 Installations	
507G	4461258	Ref	Adapter, Connector (0275774, 0275775 Installations Only) (USA Built Machines) (Prior to SN 0200194028)	
507G	4461258	Ref	Adapter, Connector (0275774, 0275775 Installations Only) French Built Machines) (Prior to SN A200009503)	
507H		Ref	Plug, Male Options:	
507H	4460138	1	0274556 Installation	
507H	Not Available	1	0274802 Installation (Purchase Locally)	
507H	4461196	1	0275772 Installation	
507H	4461199	1	0275773 Installation	
507H	4461249	1	0275771 Installation	
507H	4461202	1	0275769/0275774 Installations & 1001100343/ 1001141971 Service Kits	
507H	4461205	1	0275770/0275775 Installations & 1001100344/ 1001141970 Service Kits	
507J		Ref	Receptacle, Replacement Options:	
507J	Not Available	1	0274556/0274802 Installations (Purchase Components Locally)	
507J	4461197	1	0275772 Installation	
507J	4461200	1	0275773 Installation	
507J	4461250	1	0275771 Installation	
507J	4461203	1	0275769/0275774 Installations & 1001100343/ 1001141971 Service Kits	
507J	4461206	1	0275770/0275775 Installations & 1001100344/ 1001141970 Service Kits	
507K		Ref	Hardware Options:	
507K	4190406	AR	Screw M4 x 12mm	
507K	4010408	AR	Screw M4 x 16mm	
507K	4010414	AR	Screw M4 x 30mm	
507K	0760606	AR	Screw M6 x 12mm	
507K	0760608	AR	Screw M6 x 16mm	
507K	0760612	AR	Screw M6 x 25mm	
507K	3290405	AR	Locknut M4	
507K	3290605	AR	Locknut M6	
507K	4811400	AR	Flatwasher M4	
507K	4811700	AR	Flatwasher M6	
507L		Ref	Bracket, Receptacle Box Mounting Options:	
507L	Not Required	0	0274556, 0274802, 0275769, 0275770, 0275771 Installations	
507L	0903551	1	0275772, 0275773, 0275774, 0275775 Installations	
507M	3380766	1	Shield, Circuit Breaker Mounting (Required Only on CE Spec Installations except 0274802 Installation)	
507N	2902559	AR	Circuit Breaker Kit	F
		Ref	Note: Required Only on CE Spec Installations except 0274802 Installation	
507N		Ref	Breaker, Circuit Options:	

SECTION 7 - ELECTRICAL

ITEM	PART NUMBER	QTY	DESCRIPTION	REV
507N	240015	1	Breaker, 30mAmp (Prior to SN A200006201)	
507N	2400093	NLA	Breaker 16Amp/30mAmp Combination (Box with 2 Breakers) (Note: Use p/n 1001181045 as replacement) (SN A200006201 through A200009454)	
507N	1001109475	NLA	Breaker 16Amp (Box with 2 Breakers) (Use p/n 1001181045) (SN A200009455 to Present)	
507N	1001109482	NLA	Breaker 30mAmp (Box with 2 Breakers) (Use p/n 1001181045) (SN A200009455 to Present)	
507N	240093	1	Breaker Box (Prior to SN A200006201)	
507N	0861880	1	Breaker Box (SN A200006201 through A2000007624)	
507N	250135	1	Terminal Block (Prior to SN A200006201)	
507N	4460957	1	Terminal Block (SN A200006201 through A2000007624)	
507N	4460956	1	Barrier, Terminal Block Only (SN A200006201 to Present)	
507P		Ref	Connector, Strain Relief Options:	
507P	4460633	2	Connector, Strain Relief (Prior to SN A200006201)	
507P	1001097150	2	Terminal, Strain Relief (SN A200006201 through A2000007624)	
507R	1060908	39 in /100cm	Cable, Electrical - 12/3	
507S	1001103742	1	Decal - AC to Platform	
507T	1001103743	1	Decal - AC to Charger	
508	4923602	1	Field Wire Connection Harness (Prior to SN 0200225604, SN A200000001 to Present)	B
508A	4461260	2	Receptacle, Female - 1 Position	
508A	4460508	2	Pin, Male	
509		Ref	Charger Plug Installations	
509	0274556	Ref	ANSI/CSA/Japan Specs (Supplied with ANSI Spec Plug)	F
509	0274802	Ref	ANSI Export/Australian Specs (No Plug Supplied. Plug Must Be Purchased Locally)	E
509	0274802	Ref	CE Spec (No Plug Supplied. Plug Must Be Purchased Locally)	C
509	0275666	Ref	CE Spec with 110V with IEC Yellow Receptacle	D
509	0275667	Ref	CE Spec with 220V with IEC Blue Receptacle	D
509	0275665	Ref	CE Spec with 220V with AFSINT 107 Keyed Ground Receptacle	C
509	0275663	Ref	CE Spec with 220V with CEE 7 Post Ground Receptacle	C
509	0275664	Ref	CE Spec with 220V with CEE 7 Side Ground Receptacle	E
509A		Ref	Plug, Male Options:	
509A	1060688	1	0274556 Installation	
509A	Not Available	1	0274802 Installation (Purchase Locally)	
509A	4461196	1	0275666 Installation	
509A	4461199	1	0275667 Installation	
509A	4461249	1	0275665 Installation	
509A	4461202	1	0275663 Installation	
509A	4461205	1	0275664 Installation	
510	1001112113	NLA	Battery Temperature Sensor Harness (Includes Sensor and Instructions) (Use p/n 1001127269)	
510A	4460465	2	Socket, Female	
		Ref	OPTIONAL HARNESES	
601	2920161	1	Beacon Light and Harness (Separate Harness Not Available)	
601A	4460891	1	Plug, Male - 2 Position (1 Per Harness)	
601A	4460465	2	Socket, Female (2 Per Harness)	
602		Ref	Battery Charger/Inverter Components (ANSI and CSA Option Only):	
602A	Not Available	1	AC Output Harness (Internal Part of Inverter)	
602B	Not Available	1	Receptacle, Female - 4 Position (Conxall T9014)	

SECTION 7 - ELECTRICAL

ITEM	PART NUMBER	QTY	DESCRIPTION	REV
602C	Not Available	1	AC Input Harness (Internal Part of Inverter)	
602D	Not Available	1	Receptacle, Female - 4 Position (Conxall T9016)	
602E	Not Available	1	Remote Control Harness (Internal Part of Inverter)	
602F	Not Available	1	Plug, Male - 8 Position (Conxall 7281-8PG-300)	
602G	4923389	NLA	AC Input Harness (Use p/n 1001091479) (French Built Machines) (Prior to SN A200006146)	A
602H	4460138	1	Plug, Male	
602J	Not Available	1	Plug, Male - 4 Position (Conxall T9017)	
602K		Ref	AC Output Harness Options:	
602K	4923390	1	Harness French Built Machines (Prior to SN A200006146)	D
602K	Not Required	0	Harness French Built Machines (SN A200006146 through A2000007624)	
602K	Not Required	0	Harness USA Built Machines	
602L	4460779	1	Receptacle, Female (French Built Machines Only) (Prior to SN A200006146)	
602M	1001091478	1	Plug, Male - 4 Position	
602N	4923391	1	Data Interface Harness (Internal Part of Inverter)	D
602P	Not Available	1	Plug, Male - 8 Position (Conxall 6280-8SG-318)	
602R	4460899	1	Receptacle, Female - 6 Position	
602R	4460464	4	Pin, Male	
602R	4460466	2	Plug, Seal	
602R	3990010	1	Diode 6A/600V	
602S	4360336	1	Switch, Toggle	
602T	4460424	2	Receptacle, Female - 2 Position	
602T	4460267	2	Pin, Male	
602U	4923435	1	Cable, Battery + to Inverter +	A
602V	4923436	1	Cable, Battery - to Inverter -	A
603	4923355	1	Footswitch Module Harness (Japanese Spec Only)	B
603A	4460908	1	Plug, Male - 12 Position (Gray) (Mini)	
603A	4460918	2	Socket, Female (Gold)	
603A	4460915	1	Wedge, Locking	
603B	4460909	1	Plug, Male - 12 Position (Black) (Mini)	
603B	4460918	2	Socket, Female (Gold)	
603B	4460915	1	Wedge, Locking	
603C	4460930	1	Plug, Male - 8 Position	
603C	4460465	4	Socket, Female	
603C	4460944	3	Socket, Female (Gold)	
603C	4460466	1	Plug, Seal	
603D	4460931	1	Receptacle, Female - 8 Position	
603D	4460464	5	Pin, Male	
603D	4460943	3	Pin, Male (Gold)	
		Ref	TOOLS FOR SERVICE	
701	2901443	1	Analyzer Kit	1
701A	1600244	1	Analyzer	
701B	1060633	1	Cable, Analyzer	1-A
701C	4460321	2	Plug, Male - 4 Position	
701C	4460226	8	Socket, Female	
702	7002821	1	Crimper, Wire (Not Shown)	
703	7002823	1	Extractor, Pin - Universal (Not Shown)	
704	4460467	AR	Extractor, Pin #16 Gauge (Not Shown)	
705	4460510	AR	Extractor, Pin #12 Gauge (Not Shown)	
706	7002828	1	Stripper, Wire (Not Shown)	

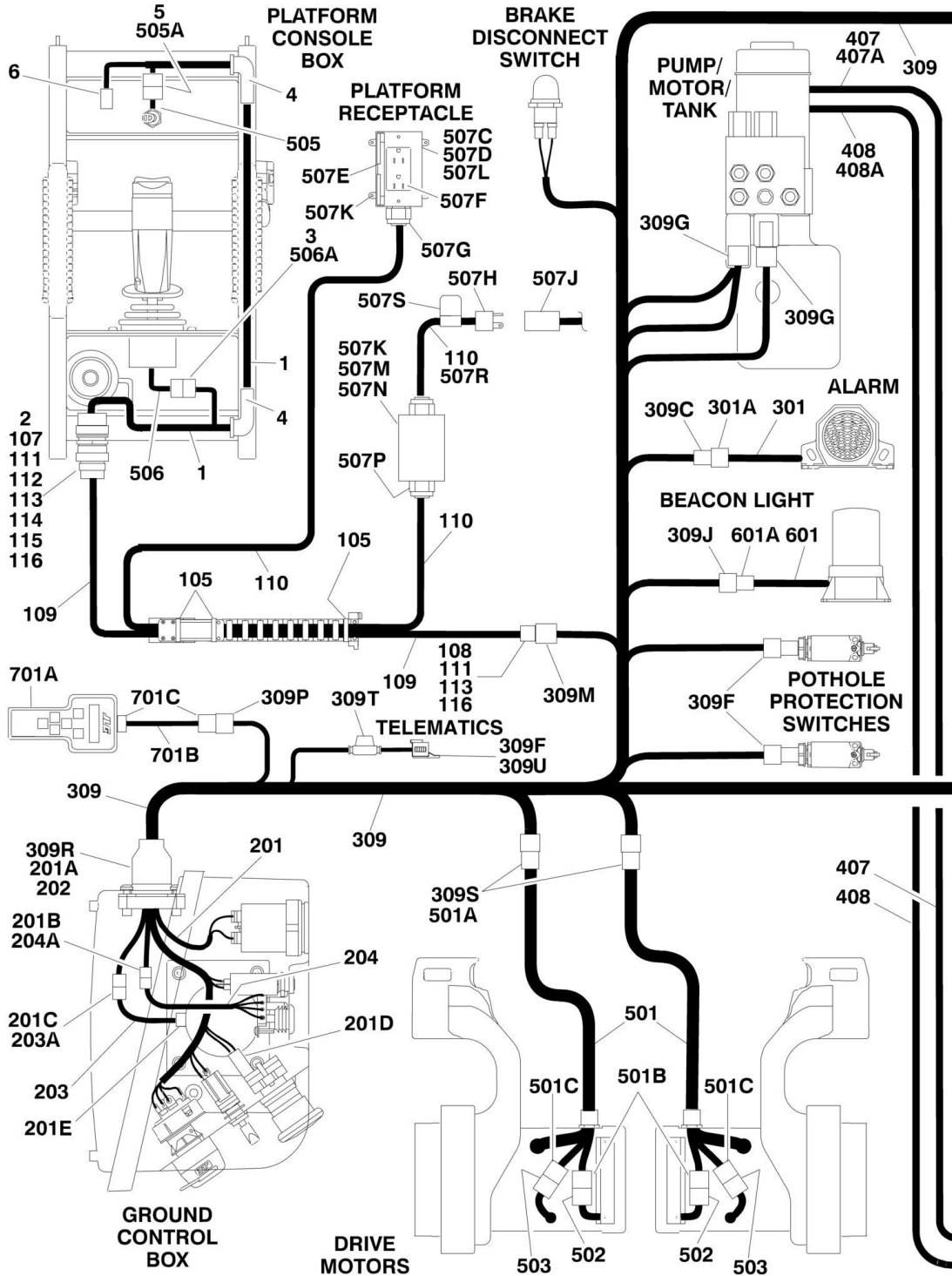
SECTION 7 - ELECTRICAL

ITEM	PART NUMBER	QTY	DESCRIPTION	REV
707	1001137005	1	Software Cable Kit (Not Shown)	

SECTION 7 - ELECTRICAL

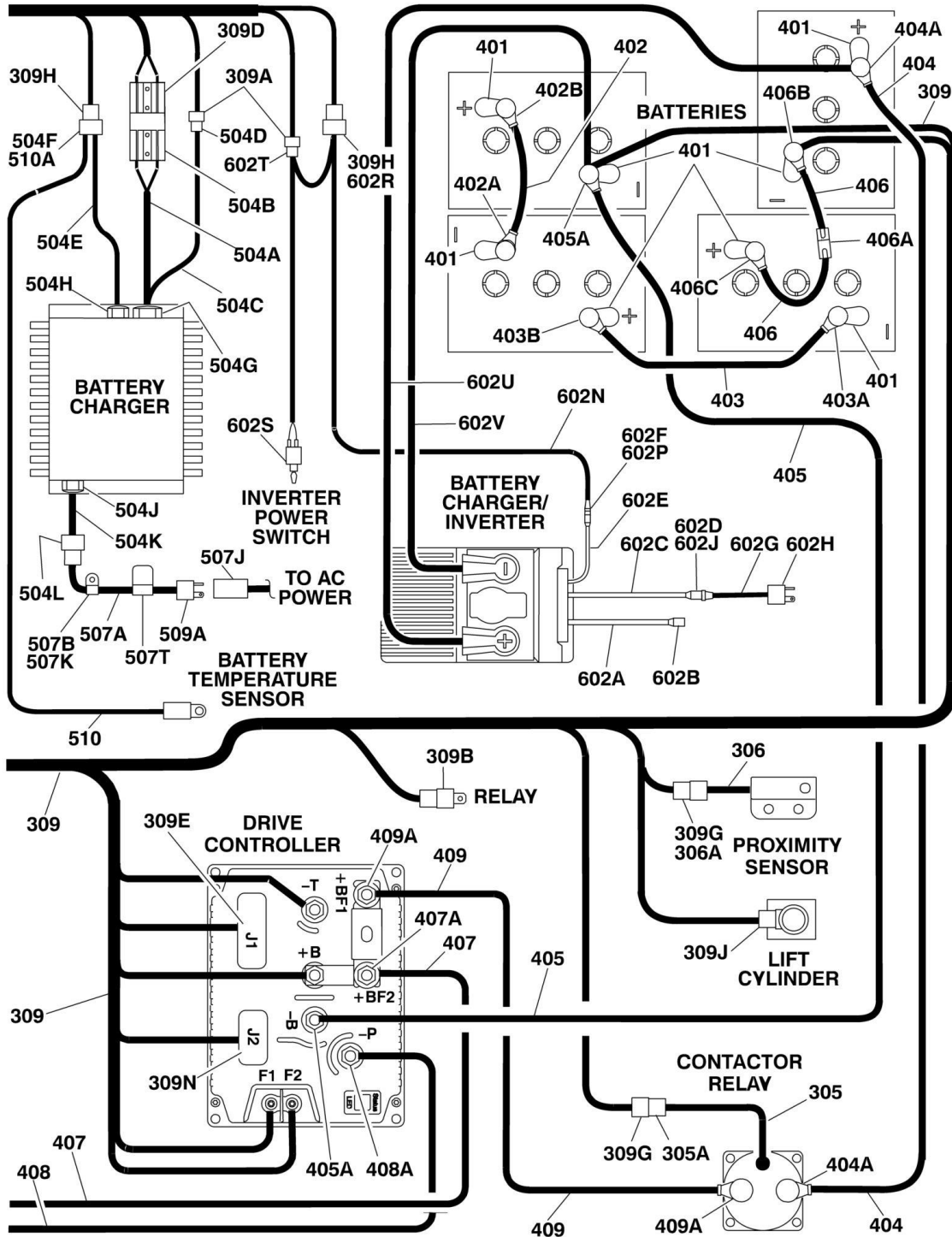
FIGURE 7-3. ELECTRICAL CONNECTORS INSTALLATION (MACHINES WITH 1001092456 DRIVE MODULE)

NOTE: THIS ILLUSTRATION USED WITH 1001092456 DRIVE MODULE. SEE REVISION LOG PAGE OF THIS MANUAL FOR DRIVE MODULE IDENTIFICATION.



SECTION 7 - ELECTRICAL

NOTE: THIS ILLUSTRATION USED WITH 1001092456 DRIVE MODULE. SEE REVISION LOG PAGE OF THIS MANUAL FOR DRIVE MODULE IDENTIFICATION.



SECTION 7 - ELECTRICAL

FIGURE 7-3. ELECTRICAL CONNECTORS INSTALLATION (MACHINES WITH 1001092456 DRIVE MODULE)

ITEM	PART NUMBER	QTY	DESCRIPTION	REV
		Ref	CONSOLE BOX COMPONENTS	
1	4922870	1	Platform Box Harness	C
2	4461016	1	Connector - 14 Position	
2	4460464	9	Pin, Male	
2	4460466	5	Plug, Sealing	
2	4460496	1	Lockwasher	
2	4460497	1	Nut, Panel	
3	4460265	1	Plug, Male - 9 Position	
3	4460267	8	Pin, Male	
4	2540042	2	Grommet 90	
5	Not Available	1	Receptacle, Female - 3 Position (Molex 43640-0301)	
6	4461057	1	Plug, Male - 16 Position	
	4923503	Ref	MAST CABLE ASSEMBLY	J
105	4240033	3	Tie-Strap	
107	4460754	1	Connector - 14 Position	
108	4460930	1	Plug, Male - 8 Position (Gray)	
109	4923504	28 ft/8.5m	Cable, Electrical -18/5C + 18/1STP	
110	4923505	28 ft/8.5m	Cable, Electrical -14/3C	
111	2820026	AR	Tubing, Clear	
112	3730119	1	Resistor 120Ohm/.25Watt	
113	4460465	10	Socket, Female	
114	4460466	6	Plug, Sealing	
115	4460493	1	Cap, Dust	
116	4460944	6	Socket, Female	
		Ref	GROUND CONTROL BOX COMPONENTS	
201	1001114935	1	Control Box Harness (Machines with Reiker Tilt Module)	B
201	1001167256	1	Control Box Harness (Machines with Parker Tilt Module) (Prior to SN 0130029800, SN M130000001 through M130001055)	C
201	1001208641	1	Control Box Harness (Machines with Parker Tilt Module) (SN 0130029800 to Present, SN M130002240 through M130008778)	A
201A	1001115077	1	Receptacle, Female - 18 Position	
201A	4460464	AR	Socket, Female	
201A	4460943	2	Pin, Male (Gold)	
201A	4460466	3	Plug, Sealing	
201B	4460961	1	Receptacle, Female - 4 Position (Prior to SN 0130029800, SN M130000001 through M130001055)	
201B	4460267	4	Pin, Male (Prior to SN 0130029800, SN M130000001 through M130001055)	
201B	1001119032	1	Receptacle, Female - 4 Position (SN 0130029800 to Present, SN M130001055 through M130008778)	
201B	4460268	4	Pin, Male (SN 0130029800 to Present, SN M130001055 through M130008778)	
201C	4461077	1	Plug, Male - 4 Position (Reiker Tilt Module Only)	
201C	4460928	4	Socket, Female (Reiker Tilt Module Only)	
201D	4460418	1	Receptacle, Female - 3 Position	
201D	4460419	3	Terminal (Prior to SN 0130029800, SN M130000001 through M130001055)	
201D	1001159186	3	Terminal (SN 0130029800 to Present, SN M130001055 through M130008778)	
201E	4460844	1	Plug, Male - 4 Position (Parker Tilt Module Only)	

SECTION 7 - ELECTRICAL

ITEM	PART NUMBER	QTY	DESCRIPTION	REV
201E	4460944	4	Socket, Female (Parker Tilt Module Only)	
202	1001114937	1	Mount, Harness Bulkhead	
203	1001169253	1	Harness, Jumper (From Kit p/n 1001169392)	
203	1001114933	NLA	Harness, Tilt Sensor (Reiker Tilt Module Only) (Use p/n 1001169392)	A
203A	4461076	1	Receptacle, Female - 4 Position (Reiker Tilt Module Only)	
203A	4460929	4	Pin, Male (Reiker Tilt Module Only)	
204	0610161	1	Harness, Charger LED (Includes PC Board)	
204A	4460321	1	Plug, Male - 4 Position	
204A	4460268	3	Socket, Female	
		Ref	GROUND CONTROL COMPONENTS	
301	0140043	1	Alarm and Harness (Separate Harness Not Available)	
301A	4460536	1	Receptacle, Female - 3 Position	
301A	4460465	3	Socket, Female	
305	3740150	1	Contact Relay Harness (Includes Relay)	
305A	4460891	1	Plug, Male - 2 Position	
305A	4460465	2	Socket, Female	
306	4000010	1	Proximity Harness (Includes Sensor)	
306A	4460897	1	Receptacle, Female - 2 Position	
306A	4460464	2	Pin, Male	
306A	Not Available	1	Wedge Lock - 2 Position (Deutsch WM-2P)	
309	1001116640	1	Chassis Harness	G
309	1001116644	1	Wiring Diagram - Chassis Harness	D
309A	4460320	1	Plug, Male - 2 Position (Note: Connection to this plug used only when footswitch or battery interlock options are required)	
309A	4460226	2	Socket, Female	
309B	1001097347	1	Relay	
309B	4460374	1	Plug, Relay	
309B	4460375	4	Terminal	
309C	4460539	1	Plug, Male - 3 Position	
309C	4460464	3	Pin, Male	
309D	4460648	1	Connector, Anderson	
309E	4460873	1	Plug, Male - 35 Position	
309E	4460871	25	Socket, Female	
309F	4460884	3	Plug, Male - 4 Position	
309F	4460465	8	Socket, Female	
309G	4460891	5	Plug, Male - 2 Position	
309G	4460465	10	Socket, Female	
309H	4460894	1	Plug, Male - 6 Position	
309H	4460465	4	Socket, Female	
309J	4460897	2	Receptacle, Female - 2 Position	
309J	4460464	4	Pin, Male	
309M	4460931	1	Receptacle, Female - 8 Position	
309M	4460464	5	Pin, Male	
309M	4460943	3	Pin, Male (Gold)	
309M	0840058	1	Boot	
309N	1001096138	1	Plug, Male - 23 Position	
309N	4460871	12	Socket, Female	
309P	4460761	1	Receptacle, Female - 4 Position	
309P	4460227	4	Pin, Male	
309R	1001115076	1	Plug, Male - 18 Position	
309R	4460465	14	Socket, Female	

SECTION 7 - ELECTRICAL

ITEM	PART NUMBER	QTY	DESCRIPTION	REV
309R	4460942	2	Socket, Female	
309S	1001118322	2	Connector - 6 Position	
309S	91013191	4	Terminal	
309S	4460464	8	Pin, Male	
309T	2400060	1	Fuseholder with Cover	
309T	8229242	1	Fuse 5Amp	
309U	1001192401	1	Cap, Dust	
	1001117837	Ref	BATTERY CABLE KITS	A
401	0840060	8	Boot, Terminal (Gray) (Covers only the Battery Terminal Base)	
402	1060998	1	Cable, Battery (Battery Positive to Battery Negative)	C
402A	Not Available	1	Boot, Terminal (Black) (1 Per Cable Assembly)	
402B	0840041	1	Boot, Terminal (Red) (1 Per Cable Assembly)	
403	4923325	1	Cable, Battery (LH Side Batteries to RH Side Batteries)	C
403A	Not Available	1	Boot, Terminal (Black) (1 Per Cable Assembly)	
403B	0840041	1	Boot, Terminal (Red) (1 Per Cable Assembly)	
404	4923326	1	Cable, Battery (Contactor to RH Side Batteries)	B
404A	Not Available	2	Boot, Terminal (Black)	
405	1001117840	1	Cable, Battery (Drive Module B- to LH Side Batteries)	A
405A	Not Available	2	Boot, Terminal (Black)	
406	4923328	1	Cable, Battery with Disconnect (Battery Positive to Battery Negative)	B
406A	Not Available	2	Connector, Anderson	
406B	Not Available	1	Boot, Terminal (Black) (1 Per Cable Assembly)	
406C	0840041	1	Boot, Terminal (Red) (1 Per Cable Assembly)	
407	1001117841	1	Cable, Battery (Drive Module +BF2 to Pump Motor +)	A
407A	Not Available	2	Boot, Terminal (Black)	
408	1001117842	1	Cable, Battery (Drive Module P- to Pump Motor -)	A
408A	Not Available	2	Boot, Terminal (Black)	
409	1001117843	1	Cable, Battery (Drive Module B+ to Contactor)	A
409A	Not Available	2	Boot, Terminal (Black)	
		Ref	STANDARD HARNESES	
501	1001118363	2	Drive Motor/Brake Harness	B
501A	1001118323	2	Connector - 6 Position	
501A	91013192	4	Socket, Female (2 Per Harness)	
501A	4460465	8	Socket, Female (4 Per Harness)	
501A	4460891	2	Plug, Male - 2 Position (1 Per Harness)	
501A	4460465	4	Socket, Female (2 Per Harness)	
501B	Not Available	2	Plug, Male - 2 Position (1 Per Harness) (To Brake)	
501B	Not Available	4	Socket, Female (2 Per Harness) (To Brake)	
501C	Not Available	2	Plug, Male - 2 Position (1 Per Harness) (To Motor)	
501C	Not Available	4	Socket, Female (2 Per Harness) (To Motor)	
502	Not Available	2	Harness, Brake (Internal Connections - Purchase Complete Brake)	
502	Not Available	2	Receptacle, Female - 2 Position (1 Per Harness)	
502	Not Available	4	Pin, Male (2 Per Harness)	
503	Not Available	2	Harness, Motor (Internal Connections - Purchase Complete Motor)	
503	Not Available	2	Receptacle, Female - 2 Position (1 Per Harness)	
503	Not Available	4	Pin, Male (2 Per Harness)	
504		Ref	Battery Charger Components:	
504A	Not Available		DC Harness/Cord Set	
504B	4460648	1	Plug, Anderson	
504C	Not Available	1	Harness with Connector	

SECTION 7 - ELECTRICAL

ITEM	PART NUMBER	QTY	DESCRIPTION	REV
504D	4460424	1	Connector, Female - 2 Position (Note: Connection to this plug used only when battery interlock options are required)	
504D	4460227	2	Pin, Male	
504E	Not Available	1	Harness with Connector	
504F	4460899	1	Connector, Female - 6 Position	
504F	4460464	6	Pin, Male	
504G	Not Available	1	Connector, Strain Relief	
504H	Not Available	1	Connector, Strain Relief	
504J	Not Available	1	Connector, Strain Relief	
504K	Not Available	1	AC Harness/Cord Set	
504L	Not Available	1	Connector, Female	
505	4360539	1	Toggle Switch and Harness (No Separate Harness Available)	
505A	Not Available	1	Plug, Male - 3 Position (Molex p/n 43643-0300)	
506	Not Available	1	Joystick Harness	
506A	4460266	1	Receptacle, Female - 9 Position	
506A	4460226	8	Socket, Female	
507		Ref	AC Power Components	
507	0274556	Ref	ANSI/CSA/Japan Specs (Supplied with ANSI Spec Plug)	F
507	0274802	Ref	ANSI Export/Australian Specs (No Plug Supplied. Plug Must Be Purchased Locally)	E
507	0274802	Ref	CE Spec (No Plug Supplied. Plug Must Be Purchased Locally)	E
507	0275772	Ref	CE Spec with 110V with IEC Yellow Receptacle and Plug and Circuit Breaker	F
507	0275773	Ref	CE Spec with 220V with IEC Blue Receptacle and Plug and Circuit Breaker	F
507	0275771	Ref	CE Spec with 220V with AFSINT 107 Keyed Ground Receptacle and Plug and Circuit Breaker	E
507	0275769	Ref	CE Spec with 220V with CEE 7 Post Ground Receptacle and Plug and Circuit Breaker (2x4 Box)	E
507	0275774	Ref	CE Spec with 220V with CEE 7 Post Ground Receptacle and Plug and Circuit Breaker (70x70 Box)	G
507	0275770	Ref	CE Spec with 220V with CEE 7 Side Ground Receptacle and Plug and Circuit Breaker Box (with 2 Breakers) (2x4 Box) (Prior to SN 0200224419, SN A200007624 through A200009897)	E
507	1001153734	Ref	CE Spec with 220V with CEE 7 Side Ground Receptacle and Plug and Circuit Breaker Box (with 3 Breakers) (2x4 Box) (SN 0200224419 to Present, SN 0130000000 to Present, SN M130000001 through M130008778)	
507	0275775	Ref	CE Spec with 220V with CEE 7 Side Ground Receptacle and Plug and Circuit Breaker Box (with 2 Breakers) (70x70 Box) (Prior to SN 0200224419, SN A200007624 through A200009897)	G
507	1001153735	Ref	CE Spec with 220V with CEE 7 Side Ground Receptacle and Plug and Circuit Breaker Box (with 3 Breakers) (70x70 Box) (SN 0200224419 to Present, SN 0130000000 to Present, SN M130000001 through M130008778)	
507	1001188369	Ref	CE Spec with Dual Circuit Breaker Box (with 2 Breakers) (SN 0130029665 to Present, SN M130001012 through M130008778)	A
507		Ref	Decal - AC Power (Not Shown - Located on Rear Cover)	
507	1001103742	1	120V AC (0274556 Installation)	
507	1703464	1	120V AC - 60Hz (0275772 Installation)	
507	1001103742	1	220V-50/60Hz (0274802, 0275769, 0275770, 0275771, 0275773, 0275774, 0275775 Installations) Options	
507	1701691	1	Decal - No Step (Prior to SN 0200224419, SN A200007624 through A200009897)	

SECTION 7 - ELECTRICAL

ITEM	PART NUMBER	QTY	DESCRIPTION	REV
507A		Ref	Harness, AC to Battery Charger (No Serviceable Parts)	
507A		Ref	ANSI/CSA/Japan Specs	
507A	1001098832	1	French Built Machines	
507A	1001103257	1	USA Built Machines	
507A	1001103258	1	ANSI Export/Australian/CE Specs	
507B	1321293	1	Clamp	
507C		Ref	AC Receptacle Box Kit Options:	
507C	2902431	1	0274556 Installation Switch Box/Receptacle Kit (Includes Items 507D-507F & 507H)	D
507C	Not Available	1	0274802 Installation (Purchase Components Locally)	
507C	0275216	1	0275772 Installation Switch Box/Receptacle Kit (Includes Items 507D-507G)	
507C	0275217	1	0275773 Installation Switch Box/Receptacle Kit (Includes Items 507D-507G)	
507C	0275454	1	0275771 Installation Switch Box/Receptacle Kit (Includes Items 507D-507G)	
507C	0275452	1	0275769 Installation Switch Box/Receptacle Kit (Includes Items 507D-507G)	
507C	0275218	NLA	0275774 Installation Switch Box/Receptacle Kit (Includes Items 507D-507F, 507H & 507J) (Use p/n 1001100343)	B
507C	0275453	1	0275770 & 1001153734 Installations Switch Box/Receptacle Kit (Includes Items 507D-507G)	
507C	0275219	NLA	0275775 & 1001153735 Installations Switch Box/Receptacle Kit (Includes Items 507D-507F, 507H & 507J) (Use p/n 1001100344)	B
507D		Ref	Box Options:	
507D	0861731	1	0274556, 0275769, 0275770, 0275771/1001153734 Installations	
507D	Not Available	1	0274802 Installation (Purchase Components Locally)	
507D	0861781	1	0275772/0275773 Installations	
507D	See Note	1	0275774/0275775 Installations (Note: Was p/n 0861782 which is no longer available. Use p/n 1001100344 CEE 7 Side Ground Service Kit or p/n 1001100343 CEE 7 Post Ground Service Kit. Kits Includes Box p/n 1001141967 & Items 507D, 507E, 507F, 507H, 507J.)	
507D	1001141967	1	1001100343, 1001100344, 1001141970, 1001141971 & 1001153735 Service Kits	
507E		Ref	Cover Options:	
507E	1671207	1	0274556 Installation	
507E	Not Available	1	0274802 Installation (Purchase Components Locally)	
507E	4461198	1	0275772 Installation (Includes Receptacle)	
507E	4461201	1	0275773 Installation (Includes Receptacle)	
507E	4461246	1	0275771 Installation (Includes Receptacle)	
507E	4461244	1	0275769 Installation (Includes Receptacle)	
507E	1001141968	1	1001100343 & 1001141971 Service Kits	
507E	1001141969	1	1001100344, 1001141970 & 1001153735 Service Kits	
507E	4461204	NLA	0275774 Installation (Includes Receptacle) (Use p/n 1001100343)	
507E	4461245	1	0275770 & 1001153734 Installations (Includes Receptacle)	
507E	4461207	NLA	0275775 Installation (Includes Receptacle) (Use p/n 1001100344)	
507F		Ref	Receptacle Options:	
507F	4460346	1	0274556 Installation	
507F	Not Available	1	0274802 Installation (Purchase Components Locally)	
507F	4461198	1	0275772 Installation (Includes Cover)	

SECTION 7 - ELECTRICAL

ITEM	PART NUMBER	QTY	DESCRIPTION	REV
507F	4461201	1	0275773 Installation (Includes Cover)	
507F	4461246	1	0275771 Installation (Includes Cover)	
507F	4461244	1	0275769 Installation (Includes Cover)	
507F	1001141968	1	1001100343 & 1001141971 Service Kits	
507F	1001141969	1	1001100344, 1001141970 & 1001153735 Service Kits	
507F	4461204	NLA	0275774 Installation (Includes Receptacle) (Use p/n 1001100343)	
507F	4461245	1	0275770 & 1001153734 Installations (Includes Receptacle)	
507F	4461207	NLA	0275775 Installation (Includes Receptacle) (Use p/n 1001100344)	
507G		Ref	Connector, Strain Relief Options:	
507G	4460662	1	0274556, 0275769, 0275770, 0275771 Installations	
507G	Not Available	1	0274802 Installation (Purchase Components Locally)	
507G	1001103471	1	0275774, 0275775/1001153735 Installations (90)	
507G	4460633	1	0275772, 0275773 Installations	
507H		Ref	Plug, Male Options:	
507H	4460138	1	0274556 Installation	
507H	Not Available	1	0274802 Installation (Purchase Locally)	
507H	4461196	1	0275772 Installation	
507H	4461199	1	0275773 Installation	
507H	4461249	1	0275771/1001153734 Installations	
507H	4461202	1	0275769/0275774 Installations & 1001100343/ 1001141971 Service Kits	
507H	4461205	1	0275770/0275775/1001153735/1001153734 Installations & 1001100344/ 1001141970 Service Kits	
507J		Ref	Receptacle, Replacement Options:	
507J	Not Available	1	0274556/0274802 Installations (Purchase Components Locally)	
507J	4461197	1	0275772 Installation	
507J	4461200	1	0275773 Installation	
507J	4461250	1	0275771 Installation	
507J	4461203	1	0275769/0275774 Installations & 1001100343/ 1001141971 Service Kits	
507J	4461206	1	0275770/0275775/1001153734 Installations & 1001100344/ 1001141970 Service Kits	
507K		Ref	Hardware Options:	
507K	4190406	AR	Screw M4 x 12mm	
507K	4010408	AR	Screw M4 x 16mm	
507K	4010414	AR	Screw M4 x 30mm	
507K	0760606	AR	Screw M6 x 12mm	
507K	4191406	1	Screw M6 x 12mm	
507K	0760608	AR	Screw M6 x 16mm	
507K	4191407	AR	Screw M6 x 16mm	
507K	0760612	AR	Screw M6 x 25mm	
507K	4010614	AR	Screw M6 x 30mm	
507K	3290405	AR	Locknut M4	
507K	3290605	AR	Locknut M6	
507K	4811400	AR	Flatwasher M4	
507K	4811700	AR	Flatwasher M6	
507L		Ref	Bracket, Receptacle Box Mounting Options:	
507L	Not Required	0	0274556, 0274802, 0275769, 0275770, 0275771 Installations	
507L	0903551	1	0275772, 0275773, 0275774, 0275775 Installations	

SECTION 7 - ELECTRICAL

ITEM	PART NUMBER	QTY	DESCRIPTION	REV
507M	3380766	AR	Shield, Circuit Breaker Mounting (Required Only on CE Spec Installations except 0274802 Installation)	
507N	2902559	AR	Circuit Breaker Kit (with 2 Breakers)	F
507N	1001152487	AR	Circuit Breaker Kit (with 3 Breakers)	D
		Ref	Note: Required Only on CE Spec Installations except 0274802 Installation	
507N		Ref	Breaker, Circuit Options:	
507N	1001109475	NLA	Breaker 16Amp (Box with 2 Breakers) (Use p/n 1001181045) (Prior to SN 0200245772, SN A200007624 through A200009897)	
507N	1001109482	NLA	Breaker 30mAmp (Box with 2 Breakers) (Use p/n 1001181045) (Prior to SN 0200245772, SN A200007624 through A200009897)	
507N	1001181045	1	Breaker 16Amp/30mAmp Combination (Box with 2 Breakers) (SN 0200245772 to Present, SN 0130000000 to Present, SN M130000001 through M130008778)	
507N	1001152479	NLA	Breaker 16Amp Double (Box with 3 Breakers) (Use p/n 1001189172) (Prior to SN 0200248244, SN A200007624 through A200009897)	
507N	1001189172	1	Breaker 16Amp Double (Box with 3 Breakers) (SN 0200248244 to Present, SN 0130000000 to Present, SN M130000001 through M130008778)	
507N	1001152482	NLA	Breaker 30mAmp (Box with 3 Breakers) (Use p/n 1001189171) (Prior to SN 0200248244, SN A200007624 through A200009897)	
507N	1001189171	1	Breaker 30mAmp (Box with 3 Breakers) (SN 0200248244 to Present, SN 0130000000 to Present, SN M130000001 through M130008778)	
507N	0861880	1	Breaker Box (with 2 Breakers)	
507N	1001152483	1	Breaker Box (with 3 Breakers)	
507N	4460957	1	Terminal Block (Box with 2 Breakers Only)	
507N	4460956	1	Barrier, Terminal Block (Box with 2 Breakers Only)	
507P	1001097150	2	Connector, Strain Relief (with 2 Breakers)	
507P		Ref	Connector, Strain Relief (with 3 Breakers)	
507P	1001097150	2	Connector, Strain Relief (Prior to SN 0130031490, SN M130000001 through M130001820)	
507P	4460968	2	Connector, Strain Relief (SN 0130031490 to Present, SN M130001820 through M130008778)	
507R	1060908	AR	Cable, Electrical - 12/3	
507R	1001103258	1	Cable, Charger AC Input (Dual Circuit Breaker Installation Only) (SN 0130029665 to Present, SN M130001012 through M130008778)	
507S	1001103742	1	Decal - AC to Platform	
507T	1001103743	1	Decal - AC to Charger	
509		Ref	Charger Plug Installations	
509	0274556	Ref	ANSI/CSA/Japan Specs (Supplied with ANSI Spec Plug)	F
509	0274802	Ref	ANSI Export/Australian Specs (No Plug Supplied. Plug Must Be Purchased Locally)	E
509	0274802	Ref	CE Spec (No Plug Supplied. Plug Must Be Purchased Locally)	E
509	0275666	Ref	CE Spec with 110V with IEC Yellow Receptacle	D
509	0275667	Ref	CE Spec with 220V with IEC Blue Receptacle	D
509	0275665	Ref	CE Spec with 220V with AFSINT 107 Keyed Ground Receptacle	C
509	0275663	Ref	CE Spec with 220V with CEE 7 Post Ground Receptacle	C
509	0275664	Ref	CE Spec with 220V with CEE 7 Side Ground Receptacle and	E
509A		Ref	Plug, Male Options:	
509A	1060688	1	0274556 Installation	

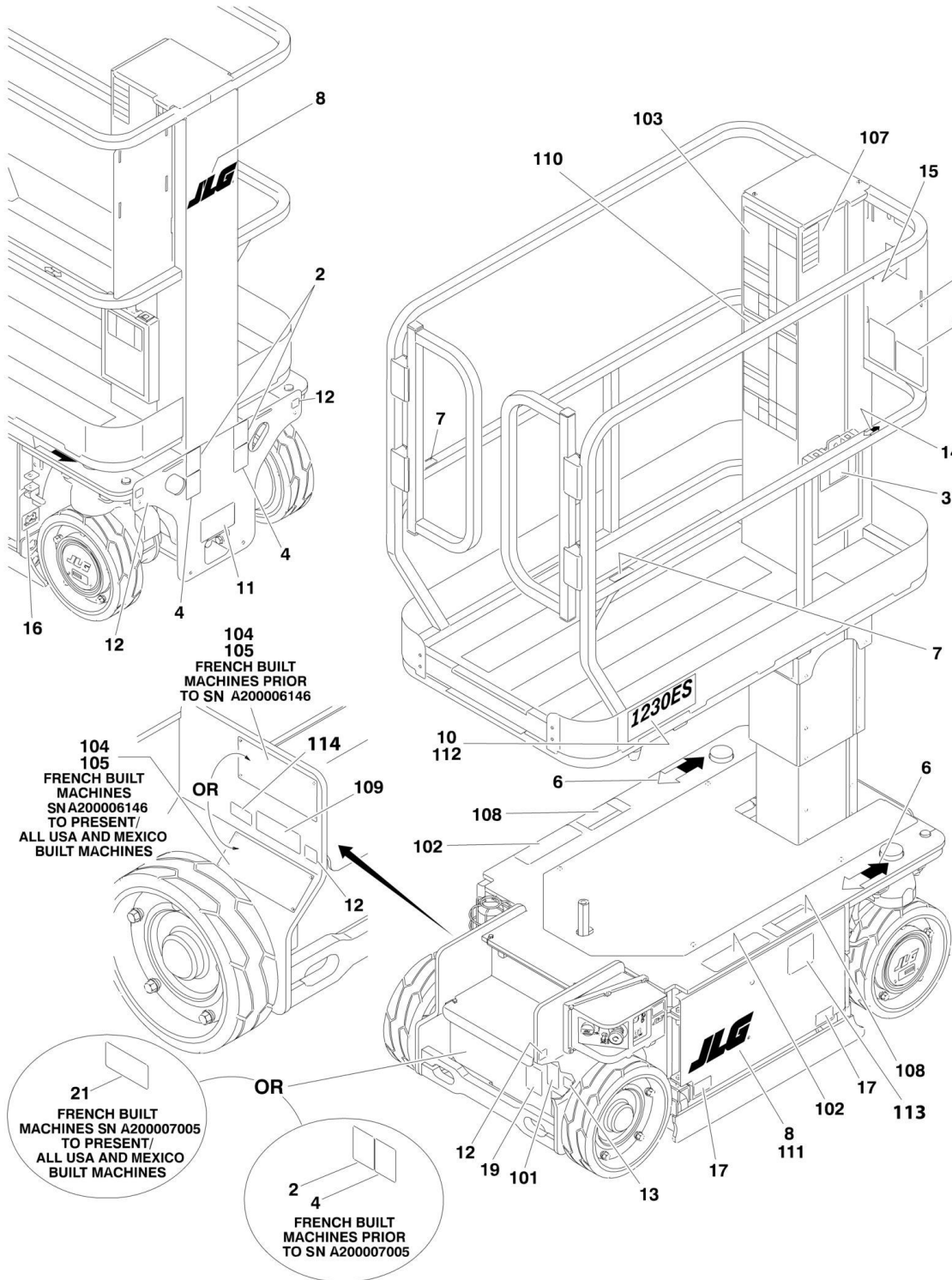
SECTION 7 - ELECTRICAL

ITEM	PART NUMBER	QTY	DESCRIPTION	REV
509A	Not Available	1	0274802 Installation (Purchase Locally)	
509A	4461196	1	0275666 Installation	
509A	4461199	1	0275667 Installation	
509A	4461249	1	0275665 Installation	
509A	4461202	1	0275663 Installation	
509A	4461205	1	0275664 Installation	
510	100112113	NLA	Battery Temperature Sensor Harness (Includes Sensor and Instructions) (Use p/n 1001127269)	
510A	4460465	2	Socket, Female	
		Ref	OPTIONAL HARNESSES	
601	2920161	1	Beacon Light and Harness (Separate Harness Not Available)	
601A	4460891	1	Plug, Male - 2 Position (1 Per Harness)	
601A	4460465	2	Socket, Female (2 Per Harness)	
602		Ref	Battery Charger/Inverter Components (ANSI and CSA Option Only):	
602A	Not Available	1	AC Output Harness (Internal Part of Inverter)	
602B	Not Available	1	Receptacle, Female - 4 Position (Conxall T9014)	
602C	Not Available	1	AC Input Harness (Internal Part of Inverter)	
602D	Not Available	1	Receptacle, Female - 4 Position (Conxall T9016)	
602E	Not Available	1	Remote Control Harness (Internal Part of Inverter)	
602F	Not Available	1	Plug, Male - 8 Position (Conxall 7281-8PG-300)	
602G	1001091479	1	AC Input Harness	A
602H	4460138	1	Plug, Male	
602J	Not Available	1	Plug, Male - 4 Position (Conxall T9017)	
602N	4923391	1	Data Interface Harness (Internal Part of Inverter)	D
602P	Not Available	1	Plug, Male - 8 Position (Conxall 6280-8SG-318)	
602R	4460899	1	Receptacle, Female - 6 Position	
602R	4460464	4	Pin, Male	
602R	4460466	2	Plug, Seal	
602R	3990010	1	Diode 6A/600V	
602S	4360336	1	Switch, Toggle	
602T	4460424	2	Receptacle, Female - 2 Position	
602T	4460267	2	Pin, Male	
602U	4923435	1	Cable, Battery + to Inverter +	A
602V	4923436	1	Cable, Battery - to Inverter -	A
		Ref	TOOLS FOR SERVICE	
701	2901443	1	Analyzer Kit	1
701A	1600244	1	Analyzer	
701B	1060633	1	Cable, Analyzer	1-A
701C	4460321	2	Plug, Male - 4 Position	
701C	4460226	8	Socket, Female	
702	7002821	1	Crimper, Wire (Not Shown)	
703	7002823	1	Extractor, Pin - Universal (Not Shown)	
704	4460467	AR	Extractor, Pin #16 Gauge (Not Shown)	
705	4460510	AR	Extractor, Pin #12 Gauge (Not Shown)	
706	7002828	1	Stripper, Wire (Not Shown)	
707	1001137005	1	Software Cable Kit (Not Shown)	

SECTION 8 - DECALS

SECTION 8 - DECALS

FIGURE 8-1. DECAL INSTALLATION



SECTION 8 - DECALS

FIGURE 8-1. DECAL INSTALLATION

ITEM	PART NUMBER	QTY	DESCRIPTION	REV
		Ref	COMMON DECALS INSTALLATIONS	
	0274914	Ref	All Specs Except Australian Specs	L
	0274914	Ref	Australian Specs (Prior to SN 0130031935, SN M130000001 through M130002315)	L
	1001224191	Ref	Australian Specs (SN 0130031935 to Present, SN M130002315 through M130008778)	A
1		Ref	Decal - Patent Options:	
1	1700584	1	USA Built Machines (Prior to SN 0200205404)	
1	1001131270	1	USA Built Machines (SN 0200205404 to Present, SN 0130000000 to Present)	
1	1700584	1	French Built Machines (Prior to SN A200009897)	
1	1001131270	1	Mexico Built Machines	
2	1703811	4	Decal - Lifting Lug (French Built Machines) (Prior to SN A200007005)	
3	1701640	1	Decal - Manual	
4	1703814	4	Decal - Tie Down (French Built Machines) (Prior to SN A200007005)	
5	See Note	NSS	Decal - Barcode (Note: Not Available for Purchase)	
6	1703687	2	Decal - Directional Arrow	
7	1704277	2	Decal - Lanyard Attach	
8	1705781	AR	Decal - JLG (Prior to SN 0130029137, SN M130000001 through M130000865)	
10	1706667	2	Decal - 1230ES Designation (Prior to SN 0130029137, SN M130000001 through M130000865)	
11	1706670	1	Decal - Manual Descent	
12	1706671	4	Decal - Wheel Load (All Specs Except Australian Spec)	
12	1706671	4	Decal - Wheel Load (Australian Spec) (Prior to SN 0130031935, SN M130000001 through M130002315)	
12	1001220156	4	Decal - Wheel Load (Australian Spec) (SN 0130031935 to Present, SN M130002315 through M130008778)	
13	1706679	1	Decal - Brake Release	
14	1703819	1	Decal - Directional Arrow	
15	1705692	1	Decal - Control Box Location	
16	1706740	1	Decal - Battery Disconnect	
17	1704016	4	Decal - Forklift	
18	1704412	2	Decal - Hydraulic Oil (Not Shown - Located on Top of Hydraulic Tank)	
19	1701644	1	Decal - Battery Charger (USA Built Machines) (Prior to SN 0200194028)	
19	1701644	1	Decal - Battery Charger (French Built Machines) (Prior to SN A200009503)	
20	1001092907	1	Decal - Quick Start (Not Shown - Located on top of Platform Console Box)	
21	4110226	4	Decal - Lift Point/Tie Down (French Built Machines) (SN A200007005 through A200009897)	
21	4110226	4	Decal - Lift Point/Tie Down (All USA Built Machines)	
21	4110226	4	Decal - Lift Point/Tie Down (All Mexico Built Machines)	
		Ref	COUNTRY SPEC DECALS INSTALLATION	
	0274860	Ref	ANSI and ANSI Export Specs (English Language)	K
	0274913	Ref	ANSI Export Spec (Chinese/English Languages)	I
	0274912	Ref	ANSI Export Spec (Portuguese/Spanish Languages)	I
	0274911	Ref	ANSI Export Spec (Spanish/English Languages)	I
	0274910	Ref	ANSI Export Spec (Japanese Language)	G

SECTION 8 - DECALS

ITEM	PART NUMBER	QTY	DESCRIPTION	REV
	0275906	Ref	ANSI Export Spec (Korean Language)	E
	0274909	Ref	Australian Spec (Prior to SN 0130031935, SN M130000001 through M130002315)	E
	1001224181	Ref	Australian Spec (SN 0130031935 to Present, SN M130002315 through M130008778)	B
	0274908	Ref	CE Spec (All Languages)	G
	0274882	Ref	CSA Spec (French/English Languages)	K
101		Ref	Decal - Warning Fire Hazard Options:	
101	1703785	1	ANSI and ANSI Export Specs (English Language)	
101	1704344	1	ANSI Export Spec (Chinese/English Language)	
101	1705803	1	ANSI Export Spec (Japanese Language)	
101	1707022	1	ANSI Export Spec (Korean Language)	
101	1704341	1	ANSI Export Spec (Portuguese/Spanish Language)	
101	1704339	1	ANSI Export Spec (Spanish/English Language)	
101	1705803	1	Australian Spec	
101	1705803	1	CE Spec (All Languages)	
101	1704340	1	CSA Spec (French/English Languages)	
102		Ref	Decal - Crushing Hazard Options:	
102	1703786	2	ANSI Spec (English Language)	
102	1707146	2	ANSI Spec (Chinese/English Language)	
102	1705099	2	ANSI Export Spec (Japanese Language)	
102	1707158	2	ANSI Export Spec (Korean Language)	
102	1707144	2	ANSI Spec (Portuguese/Spanish Language)	
102	1707143	2	ANSI Spec (Spanish/English Language)	
102	1705099	2	Australian Spec	
102	1705099	2	CE Spec (All Languages)	
102	1707145	2	CSA Spec (French/English Languages)	
103		Ref	Decal - Instruction/Warning Options:	
103	1706676	1	ANSI and ANSI Export Specs (English Language)	
103	1706683	1	ANSI Export Spec (Chinese/English Language)	
103	1706686	1	ANSI Export Spec (Japanese Language)	
103	1707156	1	ANSI Export Spec (Korean Language)	
103	1706684	1	ANSI Export Spec (Portuguese/Spanish Language)	
103	1706682	1	ANSI Export Spec (Spanish/English Language)	
103	1706686	1	Australian Spec (Prior to SN 0130031935, SN M130000001 through M130002315)	
103	1001216596	1	Australian Spec (SN 0130031935 to Present, SN M130002315 through M130008778)	
103	1706686	1	CE Spec (All Languages)	
103	1706676	1	CSA Spec (French/English Languages)	
104	2080057	4	Fastener	
105	See Note	NSS	Nameplate - Serial Number (Note: Not Available for Purchase)	
107		Ref	Decal - Legend Options:	
107	1705686	1	ANSI and ANSI Export Specs (English Language)	
107	1705946	1	ANSI Export Spec (Chinese/English Language)	
107	Not Required	0	ANSI Export Spec (Japanese Language)	
107	1706057	1	ANSI Export Spec (Korean Language)	
107	1705726	1	ANSI Export Spec (Portuguese/Spanish Language)	
107	1705720	1	ANSI Export Spec (Spanish/English Language)	
107	Not Required	0	Australian Spec	
107	Not Required	0	CE Spec (All Languages)	
107	1705723	1	CSA Spec (French/English Languages)	

SECTION 8 - DECALS

ITEM	PART NUMBER	QTY	DESCRIPTION	REV
108		Ref	Decal - Danger Electrocution/Warning Options:	
108	1706832	1	ANSI and ANSI Export Specs (English Language)	
108	1707142	1	ANSI Export Spec (Chinese/English Language)	
108	Not Required	0	ANSI Export Spec (Japanese Language)	
108	1707157	1	ANSI Export Spec (Korean Language)	
108	1707139	1	ANSI Export Spec (Portuguese/Spanish Language)	
108	1707140	1	ANSI Export Spec (Spanish/English Language)	
108	Not Required	0	Australian Spec	
108	1706078	1	CE Spec (All Languages)	
108	1707141	1	CSA Spec (French/English Languages)	
109		Ref	Decal - CSA Options:	
109	1705303	1	CSA Spec Only	
109	1705303	1	ANSI and ANSI Export Specs (SN 0130029137 to Present, SN M130000865 through M130008778)	
109	Not Required	0	All Specs except CE Spec	
110		Ref	Decal - Instruction/Warning Options:	
110	Not Required	0	ANSI and ANSI Export Specs (English Language)	
110	1706676	1	ANSI Export Spec (Chinese/English Language)	
110	Not Required	0	ANSI Export Spec (Japanese Language)	
110	1706676	1	ANSI Export Spec (Korean Language)	
110	1706682	1	ANSI Export Spec (Portuguese/Spanish Language)	
110	1706676	1	ANSI Export Spec (Spanish/English Language)	
110	Not Required	0	Australian Spec	
110	Not Required	0	CE Spec (All Languages)	
110	1706681	1	CSA Spec (French/English Languages)	
111	1705781	3	Decal – JLG (SN 0130029137 to Present, SN M130000865 through M130008778)	
112	1706667	2	Decal - 1230ES Designation (SN 0130029137 to Present, SN M130000865 through M130008778)	
113		Ref	Decal - Yearly Inspection Options: (SN M130003264 through M130008778)	
113	1001223055	1	ANSI and ANSI Export Specs (English Language)	
113	1001224050	1	ANSI Export Spec (Chinese/English Language)	
113	1001224052	1	ANSI Export Spec (Portuguese/Spanish Language)	
113	1001224049	1	ANSI Export Spec (Spanish/English Language)	
113	1001224053	1	ANSI Export Spec (Japanese Language)	
113	1001224048	1	ANSI Export Spec (Korean Language)	
113	Not Required	0	Australian Spec	
113	Not Required	0	CE Spec (All Languages)	
113	1001223971	1	CSA Spec (French/English Languages)	
114	1001228370	1	CSA Spec (French/English Languages Only) (SN M130003264 through M130008778)	

SECTION 9 - RECOMMENDED SERVICE PARTS STOCK

SECTION 9 - RECOMMENDED SERVICE PARTS STOCK

SECTION 9 - RECOMMENDED SERVICE PARTS STOCK

FIGURE 9-1. MODEL 1230ES STANDARD PARTS

ITEM	PART NUMBER	QTY	DESCRIPTION	REV
		Ref	Note: The following list will service one machine (built to current production per date on the front cover) with emergency repair parts which can be installed in the field. Parts from the list should be replaced when inventory is depleted to keep service parts stock supplied. For further information, contact your JLG dealer or the JLG Industries Parts Department.	
		Ref	STANDARD PARTS	
	70000668	1	Breather	
	3740150	1	Relay	
	4000010	1	Sensor, Proximity	
	4360387	1	Switch, Push Button	
	4360328	1	Switch, Toggle	
	4360069	1	Breaker, Circuit - 10Amp	
	2860030	1	Key, Replacement	
	4360475	1	Switch, Mushroom	
	1001134438	1	Controller, Drive	
	4360538	1	Switch and Membrane	
	4360539	1	Switch, Toggle	
	7020500	1	Switch, Steer Rocker	
	7020501	1	Switch, Push Button	
	1001097347	1	Relay	
	4360469	1	Switch, Key	
		Ref	VARIABLE PARTS	
	1001109088	1	Switch, Limit	
	1001092456	1	Drive Module	
	0610161	1	LED PC Board	
	1810140	1	Tilt Module	
	1001091965	1	Platform Control Module	
	3990010	1	Diode 6 Amp (With Inverter Option)	
		Ref	MAINTENANCE KITS	
	1001101328	1	Kit for 3600432 Pump/Motor/Tank Assembly	
	Not Available	1	Kit for 1001101831 & 1001101832 Pump/Motor/Tank Assembly	

SECTION 10 - SPECIAL OPTIONS

SECTION 10 - SPECIAL OPTIONS

FIGURE 10-1. SPECIAL OPTIONS

ITEM	PART NUMBER	QTY	DESCRIPTION	REV
	Note	Ref	Note: This list is to accommodate machines ordered with special equipment. Options may not be applicable to all models. For more specific parts information contact JLG Parts Department.	
		Ref	SPECIAL OPTIONS LIST	
		Ref	ClearSky Telematics (Factory Installed)	
	1001229107	Ref	ClearSky Telematics - 3-Wire Connection (ANSI and CSA Specs) (SN M130002240 through M130008778)	
	1001233237	Ref	ClearSky Telematics - 3-Wire Connection (CE Specs)	
	1001262959	Ref	ClearSky Voltage Regulator Installation Kit	
		Ref	Decal Options	
	1001196616	Ref	Decals - Ahern Rentals	
	1001196709	Ref	Decals - Blueline Rentals	
	1001229711	Ref	Decal - ClearSky (ANSI and CSA Specs)	
	1001214030	Ref	Decal - EAC (Russian/CIS Specs)	
	1001221955	Ref	Decals - Herc	
	0274843	Ref	Decals - Hertz	
	1001222113	Ref	Decals - Hertz (Canada)	
	0274846	Ref	Decals - Home Depot	
	1001175797	Ref	Decals - National Equipment Services (NES)	
	0274847	Ref	Decals - Nations Rent (ANSI and CSA Specs Only) (Prior to SN 0200246695)	
	1001218705	Ref	Decal - Riwal	
	1001103245	Ref	Decals - RSC (ANSI and CSA Specs Only) (Prior to SN 0200246695)	
	0274848	Ref	Decals - Sam's Club	
	0274845	Ref	Decals - Sunbelt (ANSI and CSA Specs Only) (Prior to SN 0200246695)	
	1001197857	Ref	Decals - Sunbelt (SN 0200246695 to Present, SN 0130000000 to Present, SN M130000001 through M130008778)	
	0274844	Ref	Decals - United Rentals	
		Ref	Decal Kits:	
	1001149794	Ref	Decal Kit - Country Spec (ANSI)	
	1001091967	Ref	Decal Kit - Platform Box (Machines with 1600346 Module)	
	1001091968	Ref	Decal Kit - Platform Box (Machines with 1001092456 Module)	
	1001091393	Ref	Decal and Housing Kit - Platform Box	
	1001091965	Ref	Decal, Housing and Module Kit - Platform Box	
		Ref	Electrical Connector Kits	
	1001148902	Ref	Amp/Tyco Electrical Connector Kit	
	1001148903	Ref	Deutsch DT Electrical Connector Kit	
	1001148904	Ref	Deutsch HD Electrical Connector Kit	
	1001148905	Ref	Packard Electrical Connector Kit	
	1001148906	Ref	Various Electrical Connectors Kit	
		Ref	Fluids	
	520109	Ref	Hydraulic Oil - Alvea Nervofluid 15	
	2300028	Ref	Hydraulic Oil - Mobile DTE 10 Excel 15 (Bulk)	
	70010346	Ref	Hydraulic Oil - Mobile DTE 10 Excel 15 (1 Gallon)	
	2300042	Ref	Hydraulic Oil - Mobil EAL Envirosyn 32 (Biodegradable)	
	3020039	Ref	Lubricant - Loctite Moly Paste	

SECTION 10 - SPECIAL OPTIONS

ITEM	PART NUMBER	QTY	DESCRIPTION	REV
		Ref	Footswitch Installation Options (ANSI Export, Japanese and Korean Specs)	
	0274839	Ref	Footswitch with 16000346 Drive Module	
	1600423	1	Controller Module	
	4360623	1	Footswitch	
	1001116647	Ref	Footswitch with 1001092456 Drive Module	
	4360623	1	Footswitch (SN M130000001 through M130005288)	
	1001236161	1	Footswitch (SN M130005288 through M130008778)	
		Ref	Maintenance Kit Options (Includes Filter and 1 Gallon of Hydraulic Oil)	
	1001101328	1	3600432 Pump/Motor/Tank Assembly	
	Not Available	1	1001101831 & 1001101832 Pump/Motor/Tank Assemblies	
	1001094004	Ref	Mast Prop Installation	
	1001145189	Ref	Platform for One Person Installation (Australian Spec Only)	
	1001206688	Ref	Security Lock Installation	
	1001188768	Ref	Steering Knuckle Stop Kit	
	1001200302	Ref	Telematics Kits (Customer Supplied)	
	1001210089	Ref	Telematics Kit - Cat	
	1001228363	1	Telematics - Herc	
	1001209282	Ref	Telematics Kit - Loxam	
	1001210090	Ref	Telematics Kit - Riwal	
	1001195610	Ref	Telematics Kit - United Rentals	
		Ref	Tools for Service	
	1001193039	1	Bench Top Programming Harness	
	7002821	1	Crimper, Wire	
	7002823	1	Extractor, Pin - Universal	
	4460467	AR	Extractor, Pin #16 Gauge	
	4460510	AR	Extractor, Pin #12 Gauge	
	7004275	1	Installer, Cylinder Seal - 1in	
	7004276	1	Installer, Cylinder Seal - 1 1/2in	
	7002826	1	Installer, Cylinder Seal - 2in	
	7016654	1	Screwdriver, Magnetic	
	7002822	1	Screwdriver, Potentiometer	
	7002828	1	Stripper, Wire	
	2901443	1	Analyzer Kit	
	2915230	1	Battery Charger Reprogram Controller Kit	
	1001137005	1	Software Cables Kit	

PART NUMBER INDEX

SECTION 10 - SPECIAL OPTIONS

0060084.....	19	0400215.....	47	1001098728.....	52	1001117843.....	98
0100011.....	11, 23, 51, 58	0400237.....	23	1001098729.....	59	1001118216.....	63
0100019.....	11, 51	0400238.....	23	1001098730.....	53	1001118322.....	98
0100035.....	19	0440263.....	11, 19, 73	1001098731.....	53	1001118323.....	98
0100040.....	52, 53	0610161.....	41, 43, 97, 112	1001098732.....	53	1001118359.....	11, 12, 16
0100048.....	38, 47	0630580.....	11	1001098733.....	53	1001118363.....	17, 98
0140011.....	61	0630587.....	19, 47	1001098832.....	87, 100	1001118433.....	11
0140043.....	37, 84, 97	0630606.....	11	1001100141.....	58	1001119032.....	96
0272778.....	61	0641416.....	58	1001100142.....	58	1001127269.....	47
0272780.....	37, 41	0700615.....	38	1001100163.....	54	1001131270.....	107
0273444.....	37, 38, 41	0700616.....	52	1001100170.....	54	1001134438.....	112
0273841.....	63	0700618.....	52, 58	1001100176.....	54	1001136757.....	25
0274549.....	11	0700628.....	27	1001100630.....	58	1001137005.....	92, 103, 115
0274550.....	11	0760408.....	25	1001100631.....	58	1001138967.....	25
0274552.....	27, 51, 58	0760606.....	89, 101	1001100633.....	27, 51, 58	1001141967.....	100
0274553.....	59	0760608.....	52, 89, 101	1001100634.....	58	1001141968.....	88, 100, 101
0274554.....	61	0760610.....	25, 52	1001100840.....	12	1001141969.....	88, 100, 101
0274555.....	37	0760612.....	89, 101	1001100918.....	58	1001141970.....	88
0274556.....	87, 90, 99, 102	0760614.....	27	1001100947.....	59	1001141971.....	88
0274558.....	23	0760806.....	51	1001101322.....	59	1001142174.....	25
0274560.....	27, 53, 54	0760808.....	63	1001101328.....	32, 112, 115	1001143009.....	25
0274561.....	47	0760812.....	23, 51	1001101362.....	31, 77	1001145189.....	115
0274562.....	23	0761016.....	11, 31, 35	1001101831.....	35, 77	1001145762.....	25
0274563.....	23	0761217.....	51	1001101832.....	35, 77	1001145763.....	25
0274564.....	19	0771217.....	51	1001101833.....	77	1001145881.....	25
0274567.....	51, 52, 59	0771219.....	51	1001102349.....	12	1001148902.....	114
0274581.....	31, 35, 77	0801530.....	52	1001102351.....	12	1001148903.....	114
0274778.....	37	0801532.....	53	1001102353.....	12	1001148904.....	114
0274791.....	41, 44, 63	0801533.....	53	1001102354.....	12	1001148905.....	114
0274802.....	87, 90, 99, 102	0801534.....	53	1001102858.....	51, 52	1001148906.....	114
0274839.....	115	0840041.....	85, 86, 98	1001103245.....	114	1001149794.....	114
0274843.....	114	0840057.....	85	1001103257.....	87, 100	1001152479.....	102
0274844.....	114	0840058.....	85, 97	1001103258.....	87, 100, 102	1001152482.....	102
0274845.....	114	0840060.....	85, 98	1001103471.....	89, 101	1001152483.....	102
0274846.....	114	0861731.....	88, 100	1001103742.....	87, 90, 99, 102	1001152487.....	102
0274847.....	114	0861747.....	47	1001103743.....	23, 90, 102	1001153734.....	99
0274848.....	114	0861748.....	47	1001109088.....	19, 20, 85, 112	1001153735.....	99
0274860.....	107	0861781.....	88, 100	1001109475.....	90, 102	1001155025.....	47
0274882.....	108	0861880.....	90, 102	1001109482.....	90, 102	1001155029.....	47
0274908.....	108	0903551.....	89, 101	1001109786.....	59	1001155030.....	47
0274909.....	108	0903594.....	11	1001110303.....	38, 85	1001156211.....	52
0274910.....	107	0903595.....	11	1001110304.....	85	1001157547.....	25
0274911.....	107	0940088.....	27, 58	1001110511.....	19	1001157645.....	25
0274912.....	107	1001091102.....	58	1001112111.....	23	1001158712.....	25
0274913.....	107	1001091153.....	61	1001112112.....	47	1001159186.....	96
0274914.....	107	1001091272.....	61	1001112113.....	90, 103	1001165284.....	44
0275216.....	87, 100	1001091279.....	61, 62	1001114467.....	12	1001165286.....	44
0275217.....	88, 100	1001091283.....	62	1001114879.....	80	1001165315.....	43
0275218.....	88, 100	1001091283.....	62	1001114929.....	37, 43	1001166194.....	37, 38, 43
0275219.....	88, 100	1001091393.....	62, 114	1001114931.....	37, 38, 43	1001166196.....	38, 43
0275219.....	88, 100	1001091396.....	62	1001114933.....	44, 97	1001166255.....	44
0275452.....	88, 100	1001091478.....	91	1001114935.....	44, 96	1001166759.....	80
0275453.....	88, 100	1001091479.....	103	1001114937.....	44, 97	1001166824.....	37
0275454.....	88, 100	1001091965.....	63, 112, 114	1001115076.....	97	1001166827.....	37
0275663.....	90, 102	1001091967.....	62, 114	1001115077.....	96	1001167256.....	44, 96
0275664.....	90, 102	1001091968.....	62, 114	1001116638.....	37	1001169253.....	97
0275665.....	90, 102	1001092165.....	52, 53	1001116639.....	37	1001169392.....	44
0275666.....	90, 102	1001092456.....	38, 112	1001116640.....	38, 97	1001175238.....	11
0275667.....	90, 102	1001092743.....	11, 12, 16	1001116644.....	97	1001175797.....	114
0275769.....	87, 99	1001092907.....	107	1001116647.....	115	1001177842.....	23
0275770.....	87, 99	1001093652.....	17	1001117837.....	47, 98	1001178423.....	11
0275771.....	87, 99	1001094004.....	115	1001117838.....	47	1001180090.....	43
0275772.....	87, 99	1001095304.....	54	1001117840.....	98	1001181045.....	102
0275773.....	87, 99	1001096138.....	97	1001117841.....	98	1001188369.....	99
0275774.....	87, 99	1001097150.....	90, 102	1001117842.....	98	1001188768.....	115
0275775.....	87, 99	1001097347.....	97, 112	1001117843.....	98	1001189171.....	102
0275906.....	108	1001098653.....	27, 51, 58	1001117844.....	98	1001189172.....	102
0380025.....	41, 43	1001098727.....	51, 59				

SECTION 10 - SPECIAL OPTIONS

1001192401	98	1600439	61	1707156.....	108	3380475	62
1001193039	115	1671098	61	1707157.....	109	3380599	47
1001193274	51	1671105	41, 43	1707158.....	108	3380600	47
1001193275	51	1671124	41, 44	1810140.....	112	3380604	27
1001195610	115	1671161	63	1870188.....	80	3380605	54
1001196616	114	1671207	88, 100	2080040.....	58, 59	3380612	54
1001196709	114	1684458	11, 73, 77	2080043.....	51, 58	3380619	27
1001197857	114	1684469	53, 71, 77	2080057.....	108	3380625	63
1001199088	59	1700584	107	2144605.....	31, 73, 77	3380766	89, 102
1001199304	27	1701640	107	2144609.....	71, 77	3391408	47
1001200302	115	1701644	107	2144610.....	31, 77	3423189	19
1001200607	19	1701691	99	2221086.....	31, 77	3423230	11, 19
1001203418	27, 51, 58	1703464	87, 99	2300028.....	114	3423231	19
1001203419	52, 59	1703687	107	2300042.....	114	3423235	11
1001203420	59	1703785	108	2400060.....	98	3423236	11
1001206688	115	1703786	108	2400093.....	90	3423243	47
1001208641	44, 96	1703811	107	240015.....	90	3423303	11
1001209282	115	1703814	107	240093.....	90	3450406	12
1001210089	115	1703819	62, 107	2410021.....	58	3510876	59
1001210090	115	1704016	107	2420172.....	41, 43	3520072	58
1001214030	114	1704277	107	250135.....	90	3520193	41, 43
1001216596	108	1704339	108	2540042.....	84, 96	3574249	62
1001218705	114	1704340	108	2560179.....	61	3575919	27
1001219582	12	1704341	108	2600281.....	58	3576089	59
1001220156	107	1704344	108	2755002.....	77	3600432	31, 77
1001220665	11	1704412	107	2755003.....	77	3730119	84, 96
1001221955	114	1705099	108	2760115.....	61	3740150	25, 38, 84, 97, 112
1001222113	114	1705303	109	2780266.....	11, 12	3760348	11, 19
1001223055	109	1705674	61	280013.....	58	3760463	12
1001223971	109	1705676	61	2820026.....	84, 96	3820019	52, 53
1001224016	27, 54	1705686	108	2820239.....	23	3820020	59
1001224019	19	1705692	107	2860030.....	41, 44, 112	3820037	51, 58
1001224048	109	1705696	41, 43	2901443.....	91, 103, 115	3841143	11
1001224049	109	1705697	41, 43	2902341.....	63	3841517	11
1001224050	109	1705698	41, 43	2902431.....	87, 100	3841703	19
1001224052	109	1705720	108	2902439.....	53	3900258	54
1001224053	109	1705723	108	2902444.....	47, 85	3900333	62
1001224181	108	1705726	108	2902559.....	89, 102	3900336	41, 43
1001224191	107	1705781	107, 109	2915039.....	41	3900338	41, 43
1001225241	27, 51, 58	1705803	108	2915230.....	23, 115	3900339	41, 43
1001228363	115	1705946	108	2920161.....	23, 90, 103	3900356	41, 43
1001228370	109	1706057	108	3010145.....	19	3900357	54
1001229107	114	1706078	109	3010146.....	19	3900392	38
1001229471	23	1706667	107, 109	3010147.....	19	3990010	91, 103, 112
1001229711	114	1706670	107	3010152.....	19	3990013	85
1001231386	25	1706671	107	3010153.....	19	4000006	41
1001233237	114	1706676	108, 109	3010164.....	11	4000010	38, 84, 97, 112
1001236161	115	1706679	107	3010165.....	11	4010408	89, 101
1001262959	114	1706681	109	3010166.....	11	4010412	54
1060633	91, 103	1706682	108, 109	3020039.....	47, 114	4010414	89, 101
1060688	87, 90, 102	1706683	108	3160329.....	12, 16, 17	4010415	19
1060689	87	1706684	108	3252507.....	87	4010614	101
1060908	90, 102	1706686	108	3252761.....	87	4010618	58
1060998	98	1706740	107	3290405.....	19, 25, 54, 89, 101	4031509	54
1180404	54	1706749	23	3290605.....	19, 25, 27, 38, 47, 52, 53, 89, 101	4031707	19
1271646	54	1706750	23, 25	3290606.....	58	4031709	19
1321293	87, 100	1706765	23	3290805.....	27, 58, 63	4060865	23
1321682	12	1706832	109	3291005.....	11, 31, 35	4071095	58
1380156	61	1707022	108	3291205.....	51	4110226	107
1380159	63	1707139	109	3300423.....	12	4160160	19
1580050	58	1707140	109	3300473.....	62	4160203	62
1600244	91, 103	1707141	109	3321005.....	44	4160214	47
1600345	61, 65	1707142	109	3322202.....	11	4160220	52
1600346	38	1707143	108	3331211.....	51	4160222	19
1600402	61, 67	1707144	108	3340968.....	62	4160223	19
1600419	41	1707145	108				
1600423	115	1707146	108				

SECTION 10 - SPECIAL OPTIONS

4190406.....	89, 101	4460648	85, 86, 97, 98	4740524	12	70000731.....	71
4191306.....	62	4460662.....	88, 101	4740562	23	70000732.....	71
4191406....	23, 52, 54, 58, 59, 101	4460754	84, 96	4751000	44	70000733.....	71
4191407.....	62, 101	4460761	84, 85, 97	4811400 ..	19, 25, 89, 101	70000734.....	71
4191409.....	62	4460779	91	4811700 ...	19, 23, 25, 27, 47, 48, 52, 58, 59, 89, 101	70000735.....	71
4191706.....	23, 38	4460814	85	4811702	27, 52	70000737.....	71
4191708.....	27, 38	4460844	96	4811900	58, 59	70000738.....	73
4220233.....	58	4460870	85	4812100	47	70000739.....	73
4220258.....	19	4460871	97	4922865	41, 84	70000741.....	73
4220286.....	47	4460873	97	4922870	62, 84, 96	70000742.....	73
4220307.....	38	4460877	85	4923301	38, 84, 85	70000743.....	73
4220308.....	19	4460884	85, 97	4923324	85	70000790.....	16
4240017.....	25	4460891 ...	84, 85, 86, 90, 97, 98, 103	4923325	85, 98	70000791.....	16
4240018.....	12	4460894	85, 97	4923326	86, 98	70000792.....	17
4240033.....	54, 84, 96	4460897	84, 85, 97	4923327	86	70001250.....	67
4240147.....	32, 35	4460899 ...	86, 91, 99, 103	4923328	86, 98	70001251.....	67
4240153.....	38	4460908	91	4923329	86	70001252.....	67
4340739.....	41, 43	4460909	91	4923330	86	70001253.....	67
4341144.....	23	4460915	91	4923331	86	70001254.....	71
4341256.....	54	4460918	91	4923333	86	70001265.....	17
4360069.....	41, 43, 112	4460928	96	4923355	91	70001347.....	17
4360328.....	41, 43, 112	4460929	97	4923389	91	70001739.....	16
4360336.....	25, 91, 103	4460930	84, 91, 96	4923390	91	70001949.....	17
4360387.....	38, 112	4460931	85, 91, 97	4923391	91, 103	70002308.....	17
4360469...	41, 43, 44, 112	4460942	98	4923435	91, 103	70002682.....	38
4360470.....	41, 43	4460943 ...	85, 91, 96, 97	4923436	91, 103	70002683.....	38
4360475...	41, 44, 62, 112	4460944 ...	84, 85, 91, 96, 97	4923436	91, 103	70002720.....	71
4360538.....	62, 112	4460956	90, 102	4923503	52, 54, 84, 96	70003486.....	59
4360539...	62, 86, 99, 112	4460957	90, 102	4923504	84, 96	70003650.....	67
4360623.....	115	4460961	96	4923505	84, 96	70005976.....	35
4360633.....	19, 20, 85	4460968	102	4923602	12, 90	70005977.....	35
4420070.....	27, 58, 59	4461016	84, 96	4933341	85	70005978.....	35
4420072.....	58	4461057	84, 96	520109	114	70005979.....	35
4460138.89, 91, 101, 103		4461076	97	5241200	51	70005980.....	35
4460226....	65, 85, 86, 91, 97, 99, 103	4461077	96	70000082	67	70005981.....	35
4460227....	65, 85, 86, 97, 99	4461196.89, 90, 101, 103		70000084	67	70005982.....	35
4460265.....	65, 84, 96	4461197	89, 101	70000191	16	70005983.....	35
4460266.....	65, 86, 99	4461198	88, 100	70000383	17	70005984.....	35
4460267...	84, 91, 96, 103	4461199.89, 90, 101, 103		70000661	31, 35	70005985.....	35
4460268.....	84, 96, 97	4461200	89, 101	70000662	31	70005986.....	35
4460320.....	85, 97	4461201	88, 100, 101	70000663	31	70006426.....	17
4460321...	85, 91, 97, 103	4461202.89, 90, 101, 103		70000664	31	70010346.....	114
4460346.....	88, 100	4461203	89, 101	70000665	31	7002821.....	91, 103, 115
4460374.....	97	4461204	88, 100, 101	70000666	31	7002822.....	115
4460375.....	97	4461205.89, 90, 101, 103		70000667	31	7002823.....	91, 103, 115
4460418.....	84, 96	4461206	89, 101	70000668	31, 112	7002826.....	115
4460419.....	84, 96	4461207	88, 100, 101	70000669	31	7002828.....	91, 103, 115
4460424...	86, 91, 99, 103	4461244	88, 100, 101	70000670	31	7003790.....	65
4460464....	84, 85, 86, 91, 96, 97, 98, 99, 103	4461245	88, 100, 101	70000671	31	7004275.....	115
4460465....	84, 85, 86, 90, 91, 96, 97, 98, 103	4461246	88, 100, 101	70000672	31	7004276.....	115
4460466....	84, 85, 91, 96, 103	4461249.89, 90, 101, 103		70000673	31	7011025.....	31
4460467.....	91, 103, 115	4461250	89, 101	70000674	31	7011997.....	65
4460493.....	84, 96	4461257	89	70000675	31	7016319.....	23
4460496.....	84, 96	4461258	89	70000676	31	7016372.....	23
4460497.....	84, 96	4461260	90	70000683	67	7016654.....	115
4460508.....	90	4461261	86	70000684	67	7020175.....	41, 44, 62
4460509.....	86	4520565	12	70000685	67	7020176.....	41, 44, 62
4460510.....	91, 103, 115	4568738	62	70000686	67	7020500.....	65, 112
4460536.....	84, 97	4569225	19	70000721	71	7020501.....	65, 112
4460539.....	85, 97	4569238	19	70000722	71	7020551.....	65
4460633.....	89, 90, 101	4640858	71	70000723	71	7020552.....	65
		4700042	52, 53	70000725	71	7020553.....	65
		4740120	25	70000726	71	7020554.....	65
		4740468	12	70000727	71	7020555.....	65
		4740523	12	70000728	71	7020556.....	65
				70000729	71	7024747.....	17
				70000730	71	7024748.....	17

SECTION 10 - SPECIAL OPTIONS

7024749	17	7024771	17	7027365.....	67	8990147	59
7024750	17	7024772	17	7027367.....	67	91013191	98
7024756	17	7024773	17	7027765.....	67	91013192	98
7024757	16	7024785	17	7027766.....	67		
7024758	17	7024786	16	8229242.....	98		
7024770	17, 86	7024787	17	8310625.....	51		



3121223



An Oshkosh Corporation Company

Corporate Office
JLG Industries, Inc.
1 JLG Drive
McConnellsburg, PA 17233-9533 USA
☎ (717) 485-5161 (Corporate)
☎ (877) 554-5438 (Customer Support)
☎ (717) 485-6417

Visit our website for JLG Worldwide Locations.
www.jlg.com