



Illustrated Parts Manual

Model EC450AJ

SN C300000326 to C300000700

P/N
31219189

July 14, 2023 - Rev C

CE
UK
CA



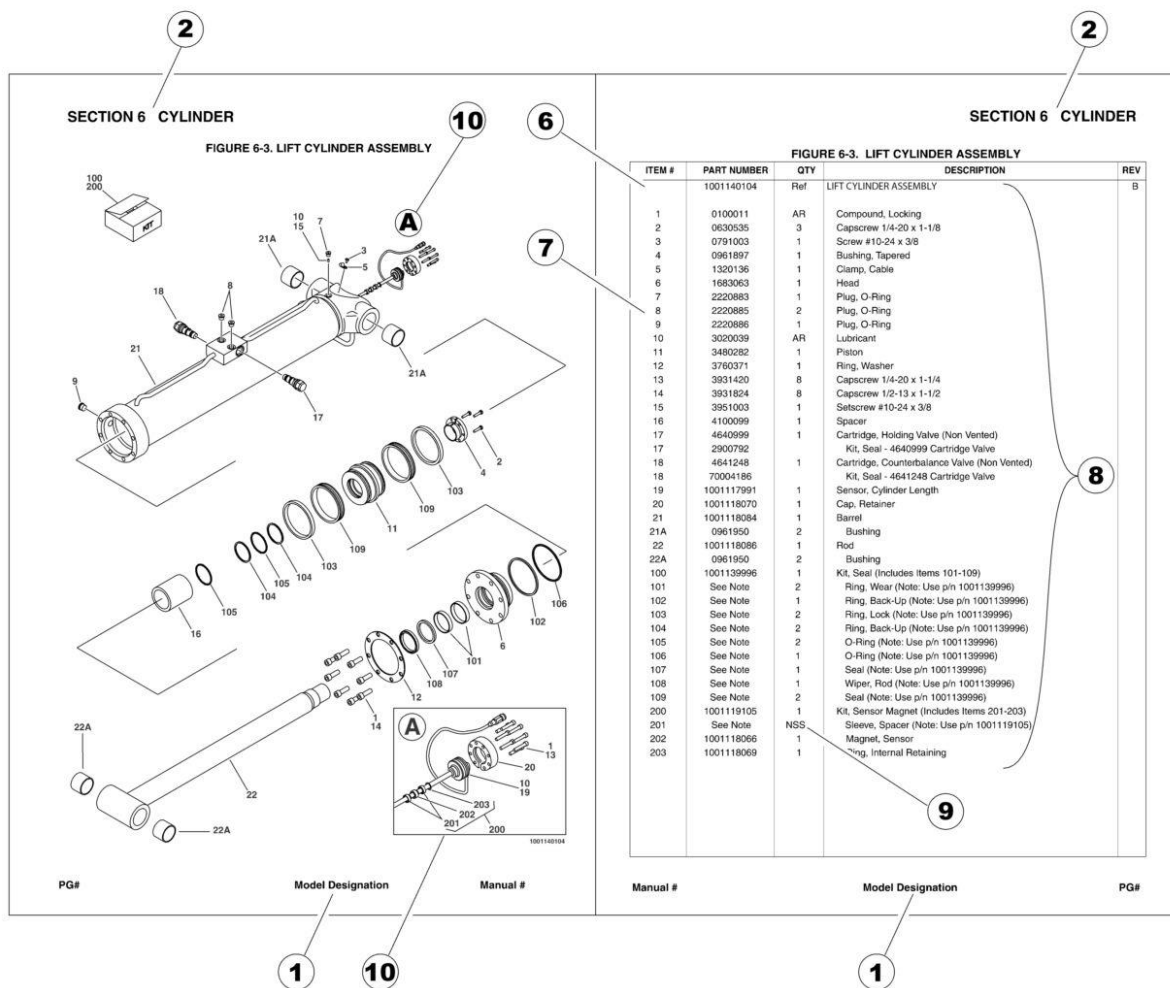
An Oshkosh Corporation Company

REVISION LOG

January 1, 2022 - A - Original Issue of Manual (Edited to 1001250808 Revision G)

December 15, 2022 - B - Revised Manual (Edited to B/M 1001250808 Revision K)

GENERAL INFORMATION



1) MACHINE IDENTIFICATION

Machines are identified by model and in some cases a combination of models, serial number (SN) or regional standard (i.e ANSI, CE, CSA). Components may also be identified by SN or manufacturer. Common components that may be identified by these characteristics are engines and hydraulic components.

2) PARTS MANUAL ORGANIZATION

Product information in this manual is organized under section titles. Frame, Cylinder, Hydraulic and Electrical are a few examples. Each section is organized by figure and page number. The information within the Figure is then organized by item number, part number, description and corresponding illustration (s).

3) TABLE OF CONTENTS (NOT SHOWN)

A table of contents is found toward the beginning of the manual. Figure number, description and page number are provided for quick reference to the page containing the related information.

4) RECOMMENDED SPARE PARTS (NOT SHOWN)

The Recommended Spare Parts List, located near the end of the manual, reference most frequently used maintenance parts.

5) PART NUMBER INDEX (NOT SHOWN)

A numerical index listing all part numbers and the corresponding page number(s) appears at the back of the manual.

GENERAL INFORMATION

6) NON-SERVICED PARTS

In some instances, it is necessary to display non-serviced parts, assemblies or installations. In the case of assemblies and installations there will be a Ref in the Qty. column. In case of parts that are not available for service within assemblies or components, there will be a NSS (Not Sold Separately) or NLA (No Longer Available) listed in the Qty. column of the manual.

7) PARTS LIST ITEM NUMBERS

Numbers shown in the item# column correspond to numbers used in the associated illustration (s). Item numbers which are missing from the sequence in the parts list are not used on that page.

8) INDENTED PARTS DESCRIPTION

An indented part description is included in the item under which it is indented.

9) ABBREVIATION AND SYMBOLS

AC.....	Alternating Current	L.....	Liter
ADE.....	Advanced Design Electronics	LB(LBS).....	Pounds
AG.....	Agricultural	LCD.....	Liquid Crystal Display
ANSI.....	American National Standards Institute	LED.....	Light Emitting Diodes
AR.....	As Required	LH.....	Left Hand
ASSY.....	Assembly	LRC.....	Low Rated Countries
AUS.....	Australia	LSS.....	Load Sensing System
AUX.....	Auxiliary	M(m).....	Metric/Meter
AWG.....	American Wire Gauge	MM(mm).....	Milimeter
B/M.....	Bill of Material	mA.....	Miliamps
CAC.....	Charge Air Cooler	NLA.....	No Longer Available
CE.....	European Conformity	NPT.....	National Pipe Threads
CCW.....	Counter Clockwise	NSS.....	Not Sold Separately
CM.....	Centimeter	OD.....	Outside Diameter
CW.....	Clockwise	ORB.....	O-Ring Boss
CSA.....	Canadian Standards Association	ORFS.....	O-Ring Face Seal
CYL.....	Cylinder	OZ (oz).....	Ounces
DIA.....	Diameter	PG.....	Page
DC.....	Direct Current	PN.....	Part Number
DEF.....	Diesel Exhaust Fluid	QT(qt.).....	Quarts
EMS.....	Emergency Stop	QTY.....	Quantity
ENG.....	Engine	REF.....	Reference
FT(ft).....	Feet	REV.....	Revision Level
GA(Ga).....	Gauge	RH.....	Right Hand
HRC.....	High Rated Countries	SAE.....	Society of Automotive Engineers
HVAC.....	Heating, Ventilating, and Air Conditioning	SN.....	Serial Number
HYD.....	Hydraulic	SPEC(S).....	Specifications
Hz.....	Hertz	T/T.....	Turntable
ID.....	Inside Diameter	UGM.....	Universal Ground Module
IN.....	inches	V.....	Volts
ISO.....	International Organization for Standards	W.....	Watts
JIC.....	Joint Industry Council	#.....	Number
KG.....	Kilogram		

10) ILLUSTRATION REFERENCE LETTERS

When necessary, illustrations may contain reference letters that are intended to track information (i. e. hoses, harnesses) from one point to another or to track visual enlargement of components to show details that may be located in another area on the illustration.

Note: Due to continuous product improvements, JLG Industries, Inc. reserves the right to make specification changes without prior notification. Contact JLG Industries, Inc. for updated information.

TABLE OF CONTENTS

SECTION 1 - FRAME.....	11
FIGURE 1-1. AXLE INSTALLATION	12
FIGURE 1-2. STEER INSTALLATION.....	14
FIGURE 1-3. WHEEL DRIVE INSTALLATION (2WD) (SN C300000326 through C300000699)	16
FIGURE 1-4. HUB - SPINDLE ASSEMBLY.....	18
FIGURE 1-5. DRIVE MOTOR ASSEMBLY	20
FIGURE 1-6. BATTERY INSTALLATION (4 BATTERIES) (Prior to SN C300000501).....	22
FIGURE 1-7. BATTERY INSTALLATION (4 BATTERIES) (SN C300000326 through C300000699)	26
FIGURE 1-8. BATTERY INSTALLATION (6 BATTERIES) (SN C300000326 through C300000699)	30
FIGURE 1-9. FRAME SHIELD INSTALLATION (SN C300000326 through C300000699).....	34
FIGURE 1-10. TIRE AND WHEEL INSTALLATION - 33 X 12-20 SOLID NON-MARKING	36
FIGURE 1-11. TIRE AND WHEEL INSTALLATION - 315/55 D20 FOAM FILLED	38
FIGURE 1-12. TIRE AND WHEEL INSTALLATION - 315/55 D20 FOAM FILLED NON-MARKING	40
FIGURE 1-13. CONTROL VALVES INSTALLATION - FRAME MOUNTED	42
FIGURE 1-14. OSCILLATING AXLE VALVE ASSEMBLY	44
SECTION 2 - TURNTABLE.....	47
FIGURE 2-1. CONTROL VALVES INSTALLATION - TURNTABLE MOUNTED.....	48
FIGURE 2-2. MAIN VALVE ASSEMBLY	50
FIGURE 2-3. AUXILIARY PUMP ASSEMBLY.....	52
FIGURE 2-4. ENCLOSURE INSTALLATION	54
FIGURE 2-5. SWING DRIVE AND TURNTABLE BEARING INSTALLATION.....	56
FIGURE 2-6. SWING MOTOR ASSEMBLY	58
FIGURE 2-7. TURNTABLE BEARING ASSEMBLY	60
FIGURE 2-8. TURNTABLE COVERS INSTALLATION	62
FIGURE 2-9. TURNTABLE LOCK INSTALLATION.....	64
FIGURE 2-10. TANK AND PUMPS INSTALLATION.....	66
FIGURE 2-11. HYDRAULIC TANK INSTALLATION	68
FIGURE 2-12. MOTOR ASSEMBLY	70
FIGURE 2-13. DRIVE ORIENTATION INSTALLATION	72
FIGURE 2-14. GROUND CONTROL ASSEMBLY	74
FIGURE 2-15. GROUND CONTROL ASSEMBLY (SN C300000326 through C300000699)	76
FIGURE 2-16. GROUND CONTROL ASSEMBLY - WITH 4 INCH DISPLAY	78
FIGURE 2-17. LIGHT PANEL INSTALLATION – GROUND CONTROL (SN C300000326 through C300000699).....	80
FIGURE 2-18. LIGHT PANEL INSTALLATION – GROUND CONTROL.....	82
FIGURE 2-19. ELECTRICAL SYSTEM INSTALLATION (SN C300000326 through C300000699)	84
FIGURE 2-20. BATTERY CHARGER INSTALLATION – WITH NO PLUG (SN C300000326 through C300000699).....	88
FIGURE 2-21. BATTERY CHARGER INSTALLATION - 110V (ANSI AND CSA SPECS) (SN C300000326 through C300000699)	90
FIGURE 2-22. BATTERY CHARGER INSTALLATION - 220V (AUSTRALIAN SPECS) (SN C300000326 through C300000699).....	92
FIGURE 2-23. BATTERY CHARGER INSTALLATION (SN C300000326 through C300000699).....	94
FIGURE 2-24. BATTERY CHARGER INSTALLATION – WITH 110 IEC PLUG (YELLOW) (CE & UK CA SPECS) (SN C300000326 through C300000699)	96
FIGURE 2-25. BATTERY CHARGER INSTALLATION – WITH CEE7 PLUG (YELLOW) (CE & UK CA SPECS) (SN C300000326 through C300000699).....	98
FIGURE 2-26. BATTERY CHARGER INSTALLATION – WITH ASFINT KEYED PLUG (YELLOW) (CE & UK CA SPECS) (SN C300000326 through C300000699)	100
FIGURE 2-27. BATTERY AND CABLE INSTALLATION (SN C300000326 through C300000699)	102
FIGURE 2-28. ALARM WHITE NOISE INSTALLATION.....	104
FIGURE 2-29. BEACON LIGHT INSTALLATION - AMBER.....	106
FIGURE 2-30. BEACON LIGHT INSTALLATION - BLUE (Prior to SN C300000398)	108
FIGURE 2-31. (CLEARSKY) BEACON LIGHT INSTALLATION - BLUE (SN C300000398 to Present)	110
FIGURE 2-32. BEACON LIGHT INSTALLATION - RED (Prior to SN C300000398)	112
FIGURE 2-33. BEACON LIGHT INSTALLATION - RED (SN C300000398 to Present)	114
FIGURE 2-34. CLEARSKY INSTALLATION - AUSTRALIAN SPEC (SN C300000398 to Present)	116
FIGURE 2-35. CLEARSKY INSTALLATION - CE SPEC (SN C300000398 to Present).....	118
FIGURE 2-36. HOODS INSTALLATION (SN C300000326 through C300000699)	120
FIGURE 2-37. HOOD ASSEMBLY - TANK SIDE	124
FIGURE 2-38. HOOD ASSEMBLY - ENGINE SIDE (SN C300000326 through C300000699)	126
FIGURE 2-39. COVERS INSTALLATION - COUNTERWEIGHT	128
SECTION 3 - BOOM.....	131
FIGURE 3-1. CYLINDERS INSTALLATION	132

TABLE OF CONTENTS

FIGURE 3-2. BOOM INSTALLATION - WITHOUT AIRLINES	134
FIGURE 3-3. BOOM INSTALLATION - WITH AIRLINE	136
FIGURE 3-4. BOOM AIRLINE INSTALLATION	138
FIGURE 3-5. AIRLINE FITTINGS INSTALLATION	140
FIGURE 3-6. MAIN BOOM INSTALLATION	142
FIGURE 3-7. MAIN BOOM ASSEMBLY	144
FIGURE 3-8. TOWER BOOM ASSEMBLY	146
FIGURE 3-9. JIB INSTALLATION	148
FIGURE 3-10. ROTATOR ASSEMBLY	150
FIGURE 3-11. PLATFORM SUPPORT INSTALLATION	152
FIGURE 3-12. BOOM VALVES INSTALLATION	154
FIGURE 3-13. BOOM VALVE ASSEMBLY	156
FIGURE 3-14. UPRIGHT VALVE ASSEMBLY	158
SECTION 4 - PLATFORM	161
FIGURE 4-1. PLATFORM ASSEMBLY - 30IN X 4FT (76CM X 1.22M) - SIDE GATE ENTRY	162
FIGURE 4-2. PLATFORM ASSEMBLY - 30IN X 5FT (76CM X 1.52M) - SIDE GATE ENTRY	164
FIGURE 4-3. PLATFORM ASSEMBLY - 30IN X 6FT (76CM X 1.83M) - SIDE GATE ENTRY	166
FIGURE 4-4. PLATFORM ASSEMBLY - 30IN X 3FT (76CM X .91M) - DROP BAR ENTRY	168
FIGURE 4-5. PLATFORM ASSEMBLY - 30IN X 4FT (76CM X 1.22M) - WITH DROP BAR	170
FIGURE 4-6. PLATFORM ASSEMBLY - 30IN X 5FT (76CM X 1.52M) - WITH DROP BAR	172
FIGURE 4-7. PLATFORM ASSEMBLY - 30IN X 6FT (76CM X 1.83M) - WITH DROP BAR	174
FIGURE 4-8. CONSOLE BOX INSTALLATION - WITH SKYGUARD	176
FIGURE 4-9. PLATFORM CONSOLE BOX ASSEMBLY - WITH SKYGUARD	178
FIGURE 4-10. LIGHT PANEL INSTALLATION - PLATFORM CONTROL	182
FIGURE 4-11. LIGHT PANEL INSTALLATION - PLATFORM CONTROL (CE & UK CA SPECS ONLY)	184
FIGURE 4-12. CONTROLLER ASSEMBLY - DRIVE AND STEER	186
FIGURE 4-13. CONTROLLER ASSEMBLY - LIFT AND SWING	188
FIGURE 4-14. FOOTSWITCH ASSEMBLY	192
FIGURE 4-15. PLATFORM CHARGER (12V)	194
FIGURE 4-16. PLATFORM CHARGER (USB)	196
FIGURE 4-17. TRAY ASSEMBLY	198
FIGURE 4-18. SKYEYE INSTALLATION	200
FIGURE 4-19. SKYGUARD BAR INSTALLATION	202
FIGURE 4-20. SKYLINE INSTALLATION	204
FIGURE 4-21. PIPE RACK INSTALLATION (Prior to SN C300000327)	206
SECTION 5 - CYLINDER	209
FIGURE 5-1. AXLE LOCKOUT CYLINDER ASSEMBLY	210
FIGURE 5-2. LEVEL (PLATFORM SLAVE) CYLINDER ASSEMBLY	212
FIGURE 5-3. LIFT CYLINDER ASSEMBLY - JIB	214
FIGURE 5-4. LIFT CYLINDER ASSEMBLY - MAIN BOOM	216
FIGURE 5-5. LIFT CYLINDER ASSEMBLY - TOWER BOOM	218
FIGURE 5-6. MASTER CYLINDER ASSEMBLY	220
FIGURE 5-7. STEER CYLINDER ASSEMBLY	222
FIGURE 5-8. TELESCOPE CYLINDER ASSEMBLY	224
SECTION 6 - HYDRAULIC	227
FIGURE 6-1. BOOM HYDRAULIC SYSTEM INSTALLATION	228
FIGURE 6-2. CHASSIS HYDRAULIC SYSTEM INSTALLATION	232
SECTION 7 - ELECTRICAL	235
FIGURE 7-1. CLEARSKY BEACON LIGHT HARNESS (SN C300000398 to Present)	236
FIGURE 7-2. BEACON LIGHT HARNESS	238
FIGURE 7-3. BMS HARNESS	240
FIGURE 7-4. BOOM CABLES AND CLAMPS	242
FIGURE 7-5. BOOM HARNESS - MAIN BOOM	246
FIGURE 7-6. BOOM HARNESS - MAIN BOOM AC CABLE	248
FIGURE 7-7. BOOM HARNESS - TOWER BOOM	250
FIGURE 7-8. BOOM HARNESS - TOWER BOOM AC CABLE	252
FIGURE 7-9. BOOM VALVE HARNESS	254
FIGURE 7-10. CHASSIS HARNESS ASSEMBLY (Prior to SN C300000468)	256
FIGURE 7-11. CHASSIS HARNESS ASSEMBLY (SN C300000468 to Present)	262

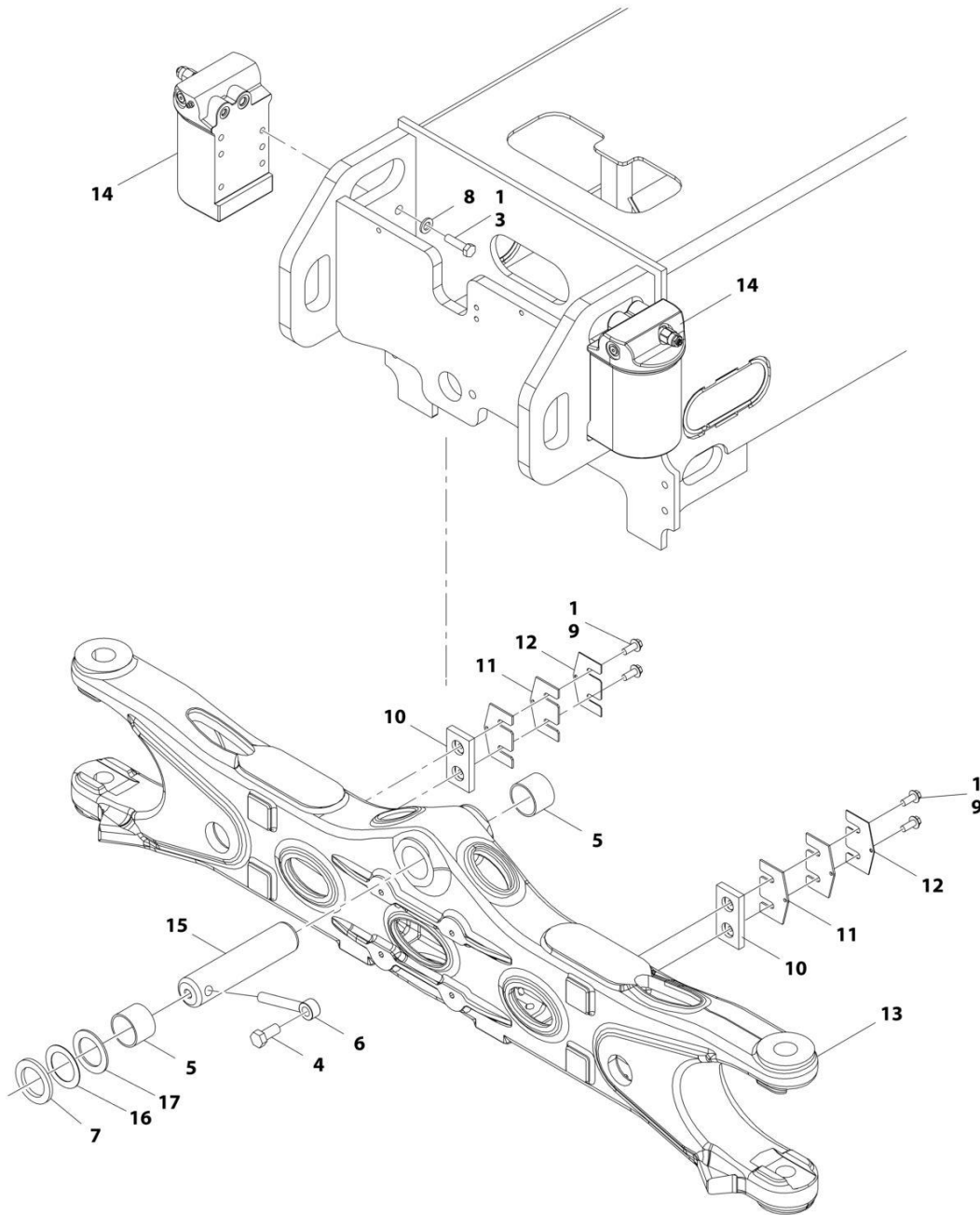
TABLE OF CONTENTS

FIGURE 7-12. CLEARSKY HARNESS (SN C300000398 to Present).....	268
FIGURE 7-13. CONTROLLER BRACKET ASSEMBLY	270
FIGURE 7-14. DISPLAY ADAPTER HARNESS.....	272
FIGURE 7-15. DRIVE MOTOR HARNESS (RIGHT REAR).....	274
FIGURE 7-16. DRIVE MOTOR HARNESS (LEFT REAR)	276
FIGURE 7-17. FUSE PLATE ASSEMBLY.....	278
FIGURE 7-18. GROUND CONTROL PANEL HARNESS.....	280
FIGURE 7-19. PLATFORM TO BOOM HARNESS	282
FIGURE 7-20. PLATFORM CONSOLE BOX HARNESS	284
FIGURE 7-21. PLATFORM INTERFACE HARNESS	288
FIGURE 7-22. PLATFORM VALVE HARNESS.....	290
FIGURE 7-23. AC BOX AT PLATFORM INSTALLATION - 220V CEE7 2X4 BOX POST GROUND (SN C300000457 to Present).....	292
FIGURE 7-24. AC BOX AT PLATFORM INSTALLATION - 220V CEE7 2X4 BOX SIDE GROUND (SN C300000457 to Present).....	294
FIGURE 7-25. AC BOX AT PLATFORM INSTALLATION - 220V AFSINT 107 2X4 BOX KEYED GROUND (SN C300000457 to Present).....	296
FIGURE 7-26. AC BOX AT PLATFORM INSTALLATION - 110V IEC YELLOW (SN C300000457 to Present).....	298
FIGURE 7-27. AC BOX AT PLATFORM INSTALLATION - 220V IEC BLUE (SN C300000457 to Present).....	300
FIGURE 7-28. AC CABLE INSTALLATION - WITH TWO BREAKERS (SN C300000457 to Present).....	302
FIGURE 7-29. AC CABLE INSTALLATION - WITH THREE BREAKERS (SN C300000457 to Present).....	304
FIGURE 7-30. STEER SENSOR HARNESS.....	306
FIGURE 7-31. SKYEYE INTERMEDIATE HARNESS.....	308
FIGURE 7-32. SKYEYE RECEIVER HARNESS	310
FIGURE 7-33. SKYEYE EMITTER HARNESS.....	312
FIGURE 7-34. SKYLINE HARNESS.....	314
FIGURE 7-35. TRACTION HARNESS	316
FIGURE 7-36. VALVE HARNESS - MAIN.....	318
FIGURE 7-37. WHEEL DRIVE ELECTRICAL HARNESS INSTALLATION (2WD)	320
SECTION 8 - DECALS.....	323
FIGURE 8-1. DECAL INSTALLATION - ANSI SPECS.....	324
FIGURE 8-2. DECAL INSTALLATION - AUSTRALIAN SPECS.....	326
FIGURE 8-3. DECAL INSTALLATION - CE & UK CA SPECS	328
FIGURE 8-4. DECAL INSTALLATION - CSA SPECS.....	330
FIGURE 8-5. DECAL INSTALLATION - OPTIONS	332
SECTION 9 - RECOMMENED SERVICE PARTS STOCK.....	335
FIGURE 9-1. RECOMMENDED SERVICE PARTS STOCK	336
SECTION 10 - SPECIAL OPTIONS.....	337
FIGURE 10-1. SPECIAL OPTIONS/ACCESSORIES/KITS	338
PART NUMBER INDEX	341

SECTION 1 - FRAME

SECTION 1 - FRAME

FIGURE 1-1. AXLE INSTALLATION



ART_1001164093

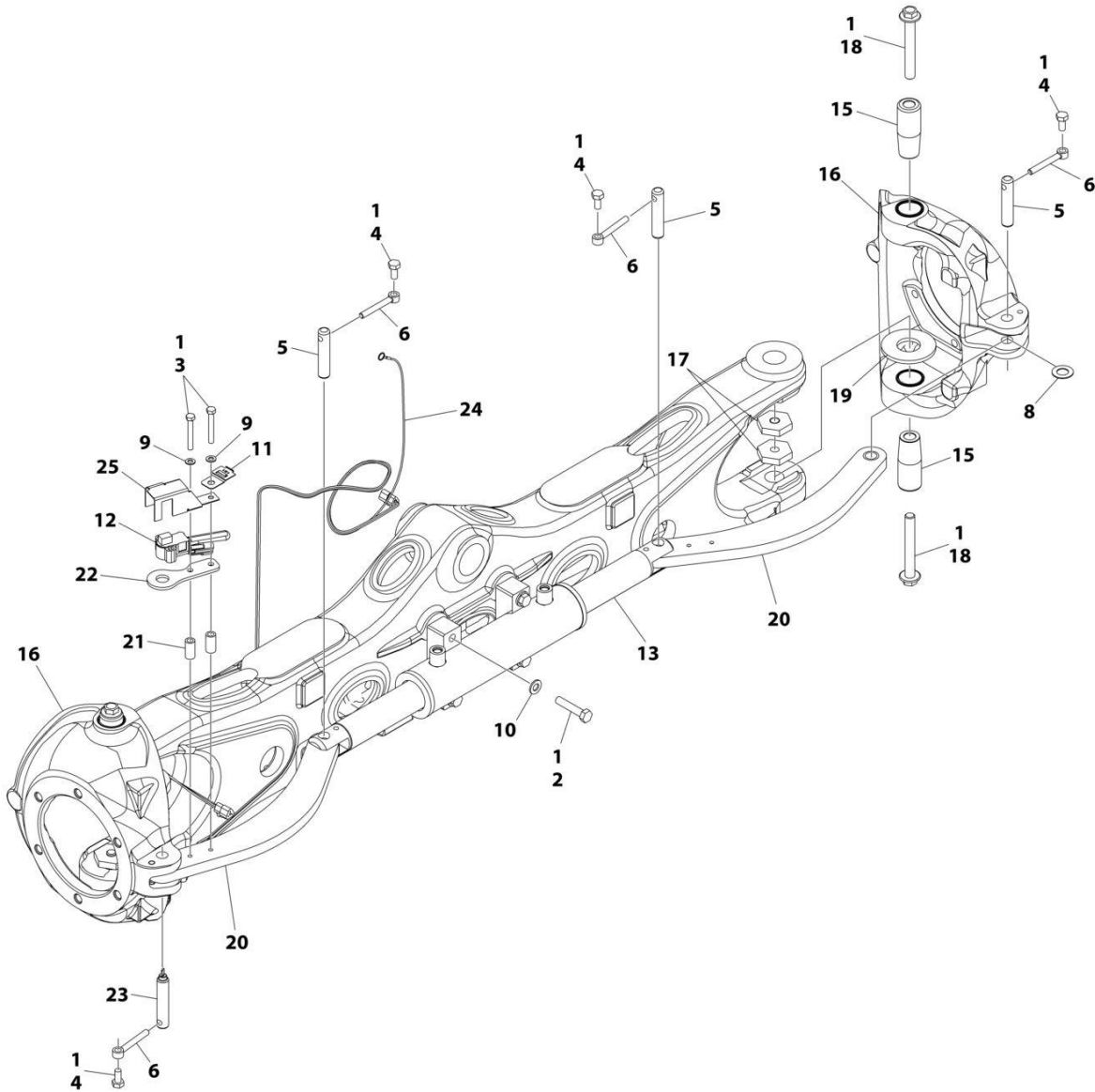
SECTION 1 - FRAME

FIGURE 1-1. AXLE INSTALLATION

ITEM	PART NUMBER	QTY	DESCRIPTION	REV
	1001164093	Ref	AXLE INSTALLATION	D
1	0100011	AR	Compound, Locking	
3	0701217	8	Bolt M12 x 45	
4	0761615	1	Bolt M16 x 35	
5	0961950	2	Bearing	
6	3841258	1	Keeper, Pin	
7	4740158	AR	Washer	
8	5241200	8	Washer M12	
9	5251012	4	Bolt M10 x 25	
10	1001118511	2	Pad, Wear	
11	1001118518	4	Shim 11Ga	
12	1001118519	2	Shim 16Ga	
13	1001162995	1	Axle	
14	1001163580	2	Axle Lockout Cylinder Assembly (See Separate Breakdown in CYLINDER SECTION)	
15	1001185030	1	Pin	
16	4071101	AR	Shim	
17	4740229	AR	Washer	

SECTION 1 - FRAME

FIGURE 1-2. STEER INSTALLATION



ART_1001250343

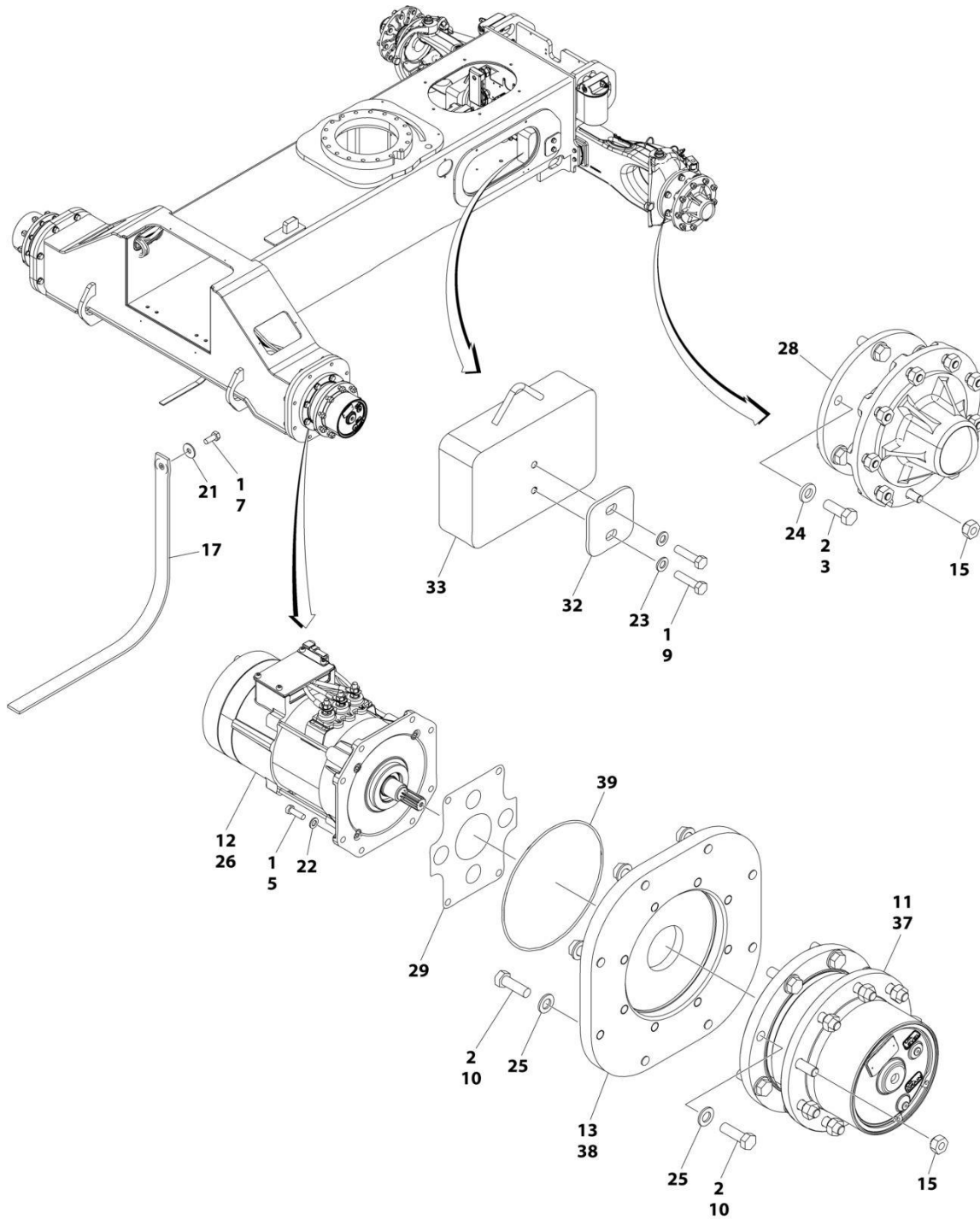
SECTION 1 - FRAME

FIGURE 1-2. STEER INSTALLATION

ITEM	PART NUMBER	QTY	DESCRIPTION	REV
	1001250343	Ref	STEER INSTALLATION	C
1	0100011	AR	Compound, Locking	
2	0711220	4	Bolt M12 x 60 Grade 10.9	
3	0760820	2	Bolt M8 x 60	
4	0761011	4	Bolt M10 x 22	
5	3423304	3	Pin	
6	3841143	4	Keeper, Pin	
8	4740086	4	Washer	
9	4811900	2	Washer M8	
10	5241200	4	Washer M12	
11	1001155967	1	Holder	
12	1001161117	1	Switch, Rotary Angle Sensor	
13	1001163178	1	Steer Cylinder Assembly (See Separate Breakdown in CYLINDER Section)	
15	1001163405	4	Kingpin	
16	1001163715	2	Spindle	
17	1001176848	4	Nut M16	
18	1001190368	4	Bolt M16 x 120	
19	1001233139	2	Bearing, Thrust	
20	1001250344	2	Link	
20	1001164209	4	Bearing	
21	1001250346	2	Spacer	
22	1001250347	1	Plate	
23	1001251408	1	Pin	
24	1001255829	1	Harness, Steer Sensor (See Separate Breakdown in ELECTRICAL Section)	
25	1001256076	1	Bracket	

SECTION 1 - FRAME

FIGURE 1-3. WHEEL DRIVE INSTALLATION (2WD) (SN C30000326 through C30000699)



ART_1001250422_10F2

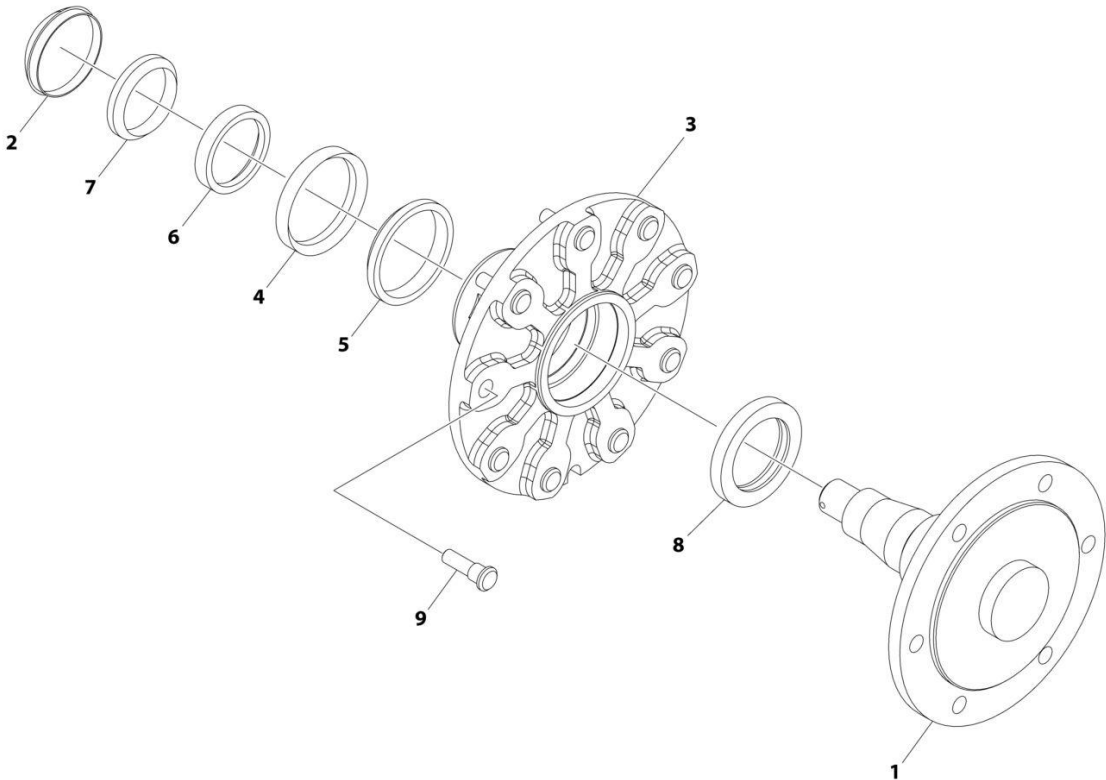
SECTION 1 - FRAME

FIGURE 1-3. WHEEL DRIVE INSTALLATION (2WD) (SN C300000326 through C300000699)

ITEM	PART NUMBER	QTY	DESCRIPTION	REV
	1001250422	Ref	WHEEL DRIVE INSTALLATION (2WD)	C
1	0100011	AR	Compound, Locking	
2	0100019	AR	Compound, Locking	
3	0682014	12	Bolt 5/8 x 1-3/4 Grade 8	
5	0711014	8	Bolt M10 x 30	
7	0760810	1	Bolt M8 x 20	
9	0761218	4	Bolt M12 x 50	
10	0771618	32	Bolt M16 x 50	
11	3020008	AR	Lubricant	
12	3020037	AR	Lube	
13	3020039	AR	Lubricant, Moly	
15	3300106	36	Lugnut	
17	4240084	1	Strap, Anti-Static	
21	4811902	1	Washer M8	
22	4812000	8	Washer M10	
23	4812100	4	Washer M12	
24	4892000	12	Washer 5/8	
25	5241600	32	Washer M16	
26	1001184855	2	Drive Motor/Brake Assembly	
26	1001184206	2	Drive Motor Assembly (See Separate Breakdown in this Section)	
26	1001184853	2	Drive Brake Assembly	
26	4031920	3	Capscrew M8 x 80	
26	4811900	3	Washer M8	
28	1001214174	2	Hub - Spindle Assembly (See Separate Breakdown in this Section)	
29	1001220271	2	Seal	
32	1001246540	2	Plate	
33	1001246544	2	Weight, Ballast	
37	1001254641	2	Drive Hub Assembly	
38	1001254648	2	Drive Flange	
39	1001254877	2	O-Ring	

SECTION 1 - FRAME

FIGURE 1-4. HUB - SPINDLE ASSEMBLY



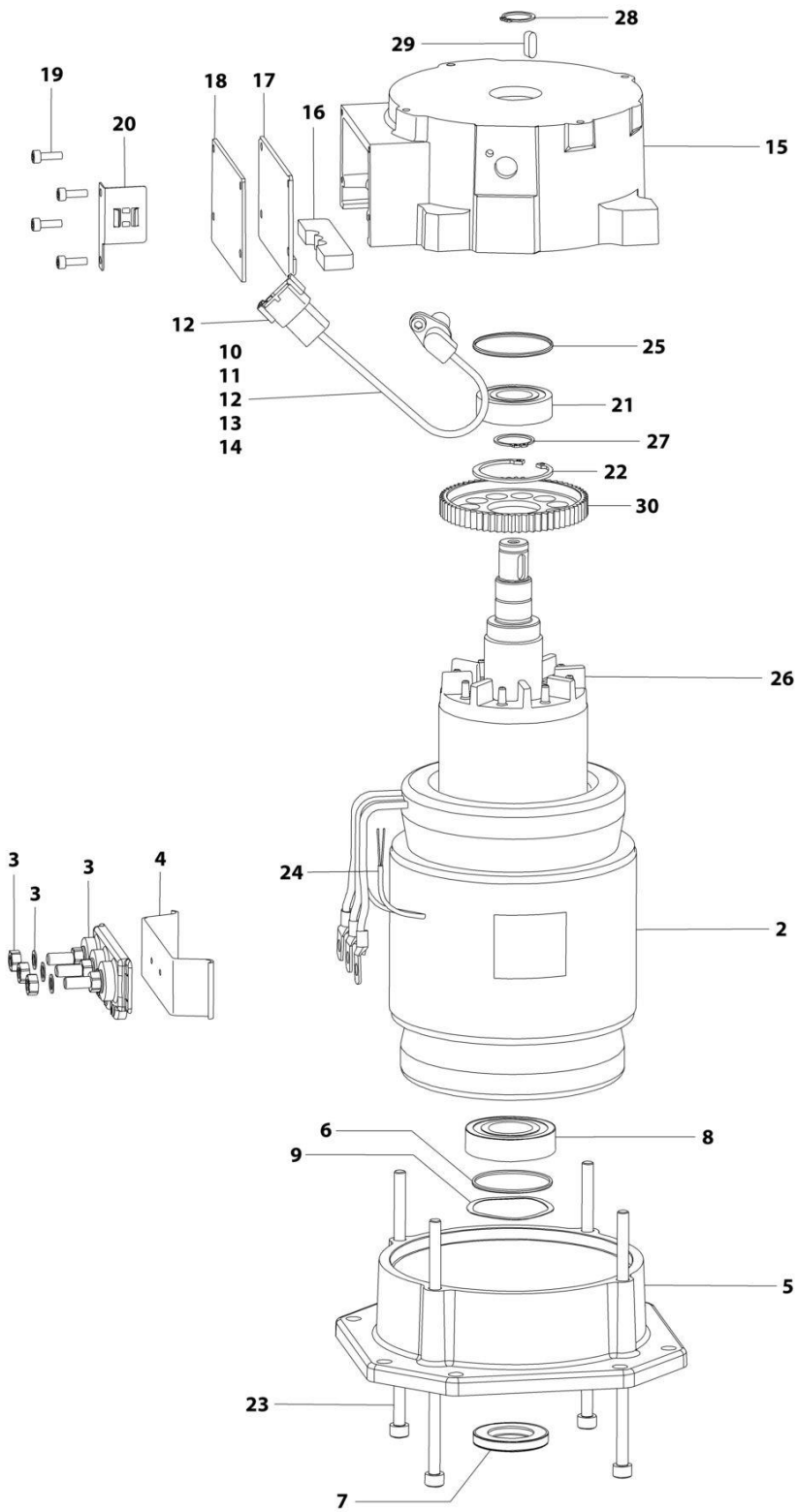
ART_1001214174

FIGURE 1-4. HUB - SPINDLE ASSEMBLY

ITEM	PART NUMBER	QTY	DESCRIPTION	REV
	1001214174	Ref	HUB - SPINDLE ASSEMBLY (2WD)	C
1	See Note	NSS	Spindle, Adapter (Note: Not Available for Purchase)	
2	7020033	1	Cap, Dust	
3	7020035	1	Hub, Casting	
4	7020036	1	Cup, Bearing	
5	7020037	1	Cone, Bearing	
6	7020038	1	Cup, Bearing	
7	7020039	1	Cone, Bearing	
8	7020040	1	Seal	
9	7020041	9	Stud	

SECTION 1 - FRAME

FIGURE 1-5. DRIVE MOTOR ASSEMBLY



ART_1001184206

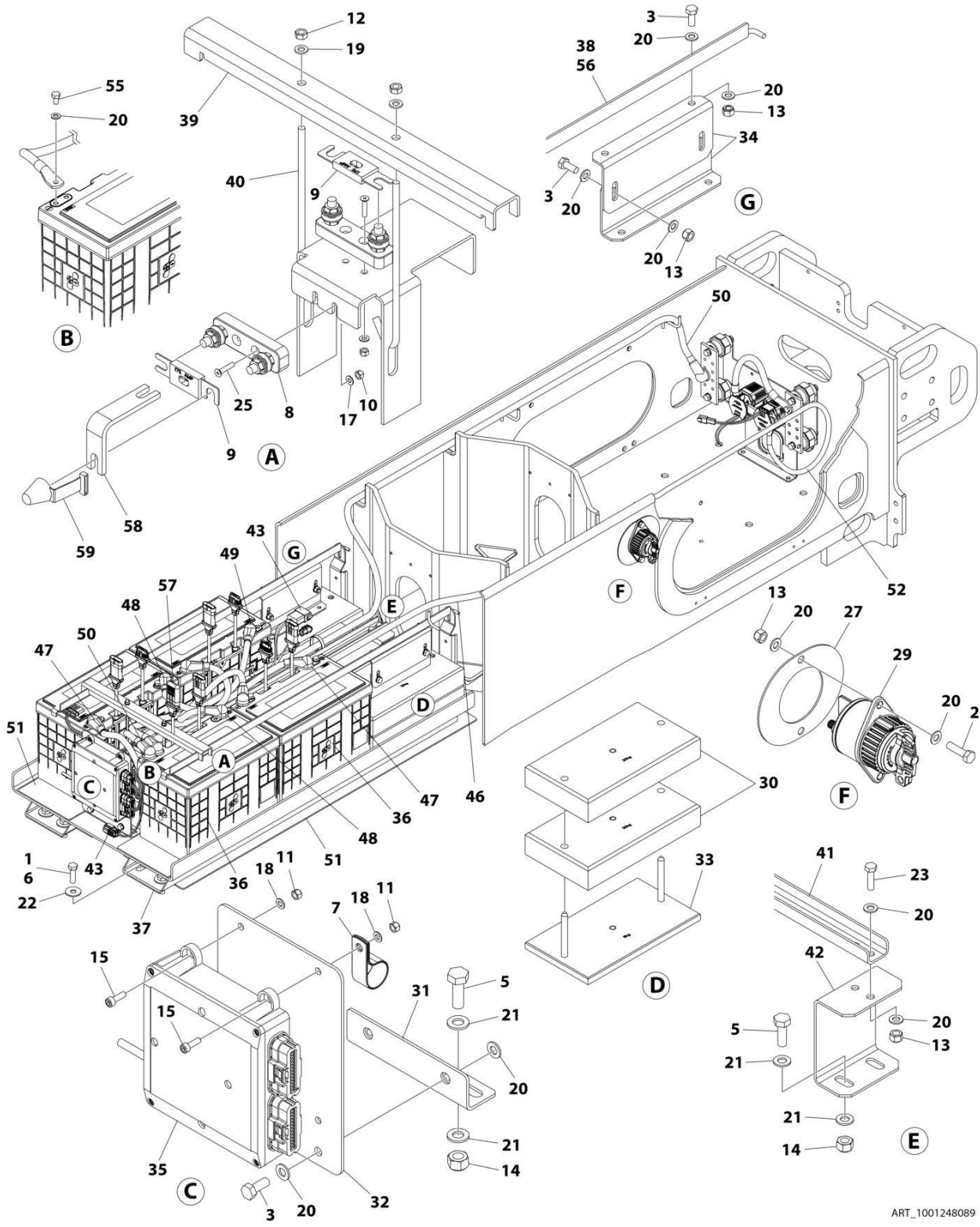
SECTION 1 - FRAME

FIGURE 1-5. DRIVE MOTOR ASSEMBLY

ITEM	PART NUMBER	QTY	DESCRIPTION	REV
	1001184206	Ref	DRIVE MOTOR ASSEMBLY	F
2	70005385	1	Stator	
3	70005685	1	Board, Terminal	
3	70005387	3	Nut M8	
3	70005388	3	Washer M8	
3	70005390	2	Screw M5 x 14	
4	70005389	1	Base, Terminal	
5	70005391	1	Plate, Drive End	
6	70004811	1	O-Ring	
7	70005392	1	Seal, Shaft	
8	70004809	1	Bearing	
9	70005393	1	Washer, Wavy	
10	70005394	1	Sensor (Includes Items 11-14)	
11	70005395	1	Screw M8 x 16	
12	70005397	1	Connector	
13	70005396	1	Wedge	
14	4460516	4	Pin, Male	
15	70005686	1	Shield, End	
16	70005687	1	Seal	
17	70005400	1	Seal	
18	70005401	1	Cover	
19	70005402	4	Screw M5 x 16	
20	70005403	1	Plate, Retaining	
21	70005404	1	Bearing	
22	70005405	1	Clip, Retainer	
23	70005406	4	Screw M8 x 180	
24	70005407	1	Temperature, Sensor	
25	70005408	1	O-Ring	
26	70005688	1	Rotor	
27	70004820	1	Clip, Retainer	
28	70005410	1	Clip, Retainer	
29	70005689	1	Key	
30	70005412	1	Gear	

SECTION 1 - FRAME

FIGURE 1-6. BATTERY INSTALLATION (4 BATTERIES) (Prior to SN C30000501)



ART_1001248089

SECTION 1 - FRAME

FIGURE 1-6. BATTERY INSTALLATION (4 BATTERIES) (Prior to SN C30000501)

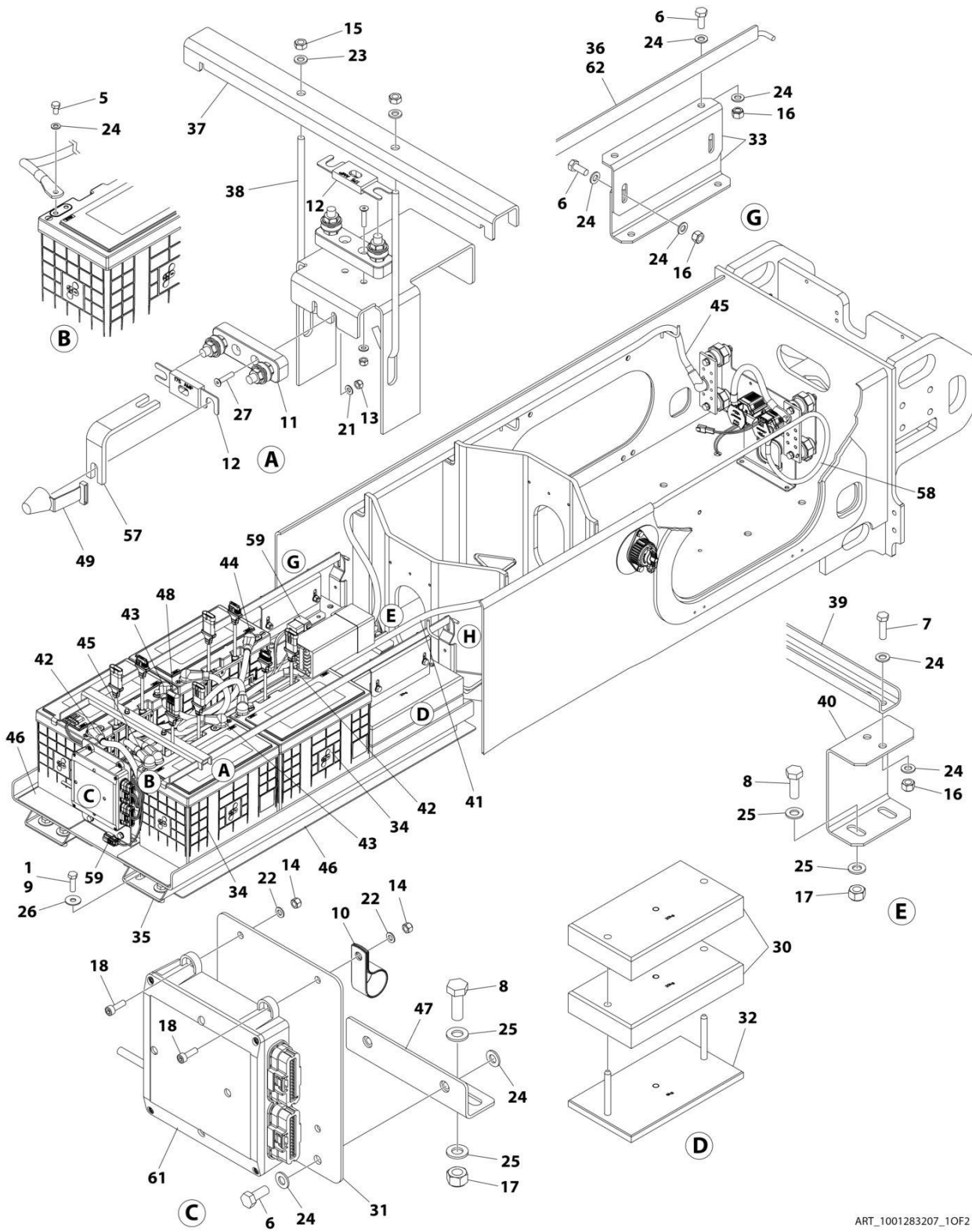
ITEM	PART NUMBER	QTY	DESCRIPTION	REV
	1001248089	Ref	BATTERY INSTALLATION	E
1	0100011	AR	Compound, Locking	
2	0700814	2	Bolt M8 x 30	
3	0760810	10	Bolt M8 x 20	
5	0761014	4	Bolt M10 x 30	
6	0761216	4	Bolt M12 x 40	
7	1321140	1	Clamp	
8	2400044	2	Fuse, Mounting Block	
9	2400069	2	Fuse, 175 AMP	
10	3290405	4	Nut M4	
11	3290505	4	Nut M5	
12	3290601	2	Nut M6	
13	3290805	12	Nut M8	
14	3291005	4	Nut M10	
15	4031607	4	Bolt M5 x 16	
16	4240018	1	Tie-Strap (Not Shown)	
17	4811400	4	Washer M4	
18	4811600	4	Washer M5	
19	4811700	2	Washer M6	
20	4811900	28	Washer M8	
21	4812000	8	Washer M10	
22	4812102	4	Washer M12	
23	0760814	2	Bolt M8 x 30	
25	8310612	4	Bolt M4 x 20	
27	1001170102	1	Plate, Disconnect Cover	
29	1001170483	1	Switch, Disconnect	
30	1001239209	8	Weight, Battery Ballast	
31	1001258143	1	Plate	
32	1001239217	1	Plate	
33	1001239289	4	Weight, Battery Ballast Base	
34	1001248054	4	Bracket	
35	1001263937	1	Battery, Management System	
36	1001248119	4	Battery	
37	1001248164	1	Plate	
38	1001248173	2	Bracket	
39	1001248174	1	Bracket	
40	1001248177	2	Bolt	
41	1001248192	1	Bracket	
42	1001248206	1	Bracket	
43	1001262599	1	Harness, BMS (See Separate Breakdown in ELECTRICAL Section)	
46	1001255014	1	Cable (Contactor to Battery Disconnect)	
47	1001255015	2	Cable (Battery Positive)	
48	1001255016	2	Cable (Battery Positive to Negative)	
49	1001255017	1	Cable (Battery Negative)	
50	1001255018	1	Cable (Battery Negative to Buss-Bar)	
51	1001256301	2	Pad, Battery	
52	1001262434	1	Cable (Battery Disconnect to Contactor)	
55	0760807	2	Bolt M8 x 14	
56	3960417	4 ft /2m	Seal	

SECTION 1 - FRAME

ITEM	PART NUMBER	QTY	DESCRIPTION	REV
57	1001258655	1	Connector	
58	1001261256	1	Plate	
59	1001260661	1	Cover, Fuse	

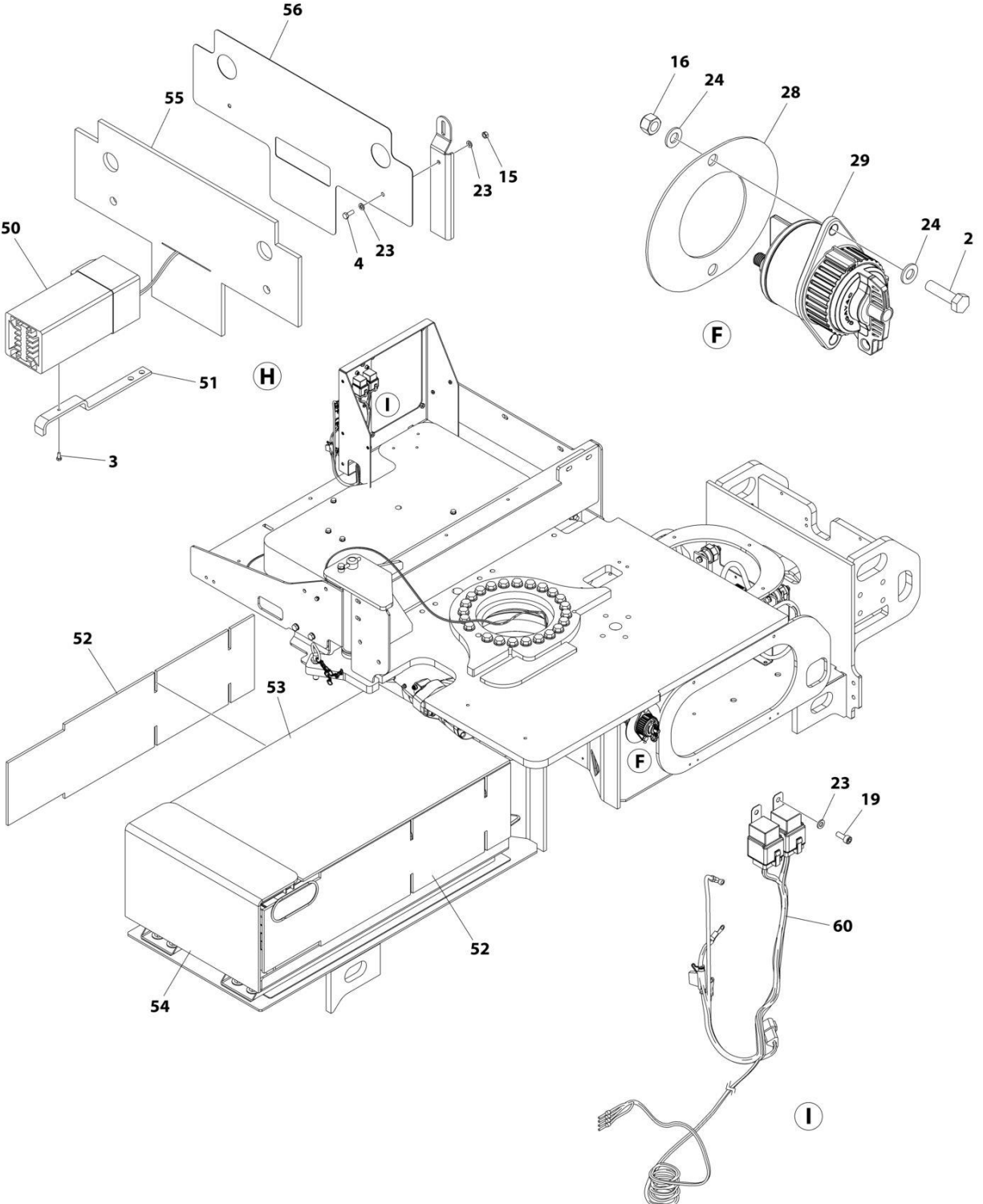
SECTION 1 - FRAME

FIGURE 1-7. BATTERY INSTALLATION (4 BATTERIES) (SN C30000326 through C30000699)



ART_1001283207_10F2

SECTION 1 - FRAME



ART_1001283207_2OF2

SECTION 1 - FRAME

FIGURE 1-7. BATTERY INSTALLATION (4 BATTERIES) (SN C300000326 through C300000699)

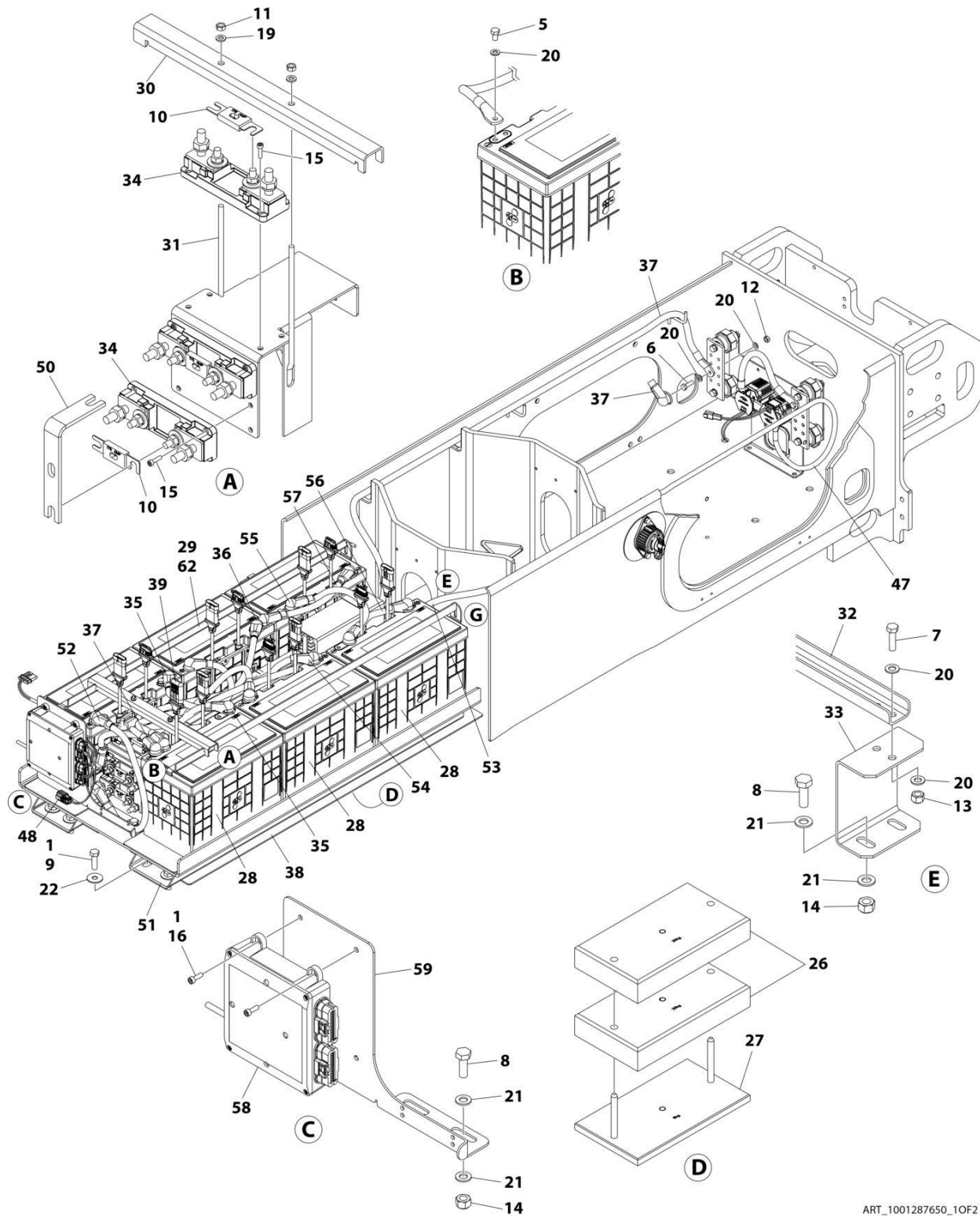
ITEM	PART NUMBER	QTY	DESCRIPTION	REV
	1001283207	Ref	BATTERY INSTALLATION	A
1	0100011	AR	Compound, Locking	
2	0700814	2	Bolt M8 x 30	
3	0760405	1	Bolt M4 x 10	
4	0760608	2	Bolt M6 x 16	
5	0760807	2	Bolt M8 x 14	
6	0760810	10	Bolt M8 x 20	
7	0760814	2	Bolt M8 x 30	
8	0761014	4	Bolt M10 x 30	
9	0761216	4	Bolt M12 x 40	
10	1321140	1	Clamp	
11	2400044	2	Fuse, Mounting Block	
12	2400069	2	Fuse, 175 AMP	
13	3290405	4	Nut M4	
14	3290505	4	Nut M5	
15	3290601	4	Nut M6	
16	3290805	12	Nut M8	
17	3291005	4	Nut M10	
18	4031607	4	Bolt M5 x 16	
19	4031707	2	Bolt M6 x 16	
20	4240018	1	Tie-Strap (Not Shown)	
21	4811400	4	Washer M4	
22	4811600	4	Washer M5	
23	4811700	8	Washer M6	
24	4811900	28	Washer M8	
25	4812000	8	Washer M10	
26	4812102	4	Washer M12	
27	8310612	4	Bolt M4 x 20	
28	1001170102	1	Plate, Disconnect Cover	
29	1001170483	1	Switch, Disconnect	
30	1001239209	8	Weight, Battery Ballast	
31	1001239217	1	Plate	
32	1001239289	4	Weight, Battery Ballast Base	
33	1001248054	4	Bracket	
34	1001248119	4	Battery	
35	1001248164	1	Plate	
36	1001248173	2	Bracket	
37	1001248174	1	Bracket	
38	1001248177	2	Bolt	
39	1001248192	1	Bracket	
40	1001248206	1	Bracket	
41	1001255014	1	Cable (Contactor to Battery Disconnect)	
42	1001255015	2	Cable (Battery Positive)	
43	1001255016	2	Cable (Battery Positive to Negative)	
44	1001255017	1	Cable (Battery Negative)	
45	1001255018	1	Cable (Battery Negative to Buss-Bar)	
46	1001256301	2	Pad, Battery	
47	1001258143	1	Plate	
48	1001258655	1	Connector	
49	1001260661	1	Cover, Fuse	

SECTION 1 - FRAME

ITEM	PART NUMBER	QTY	DESCRIPTION	REV
50	1001261107	1	Heater	
51	1001261108	1	Bracket	
52	1001261109	2	Insulate, Side	
53	1001261110	1	Insulate, Top	
54	1001261111	1	Insulate, Rear	
55	1001261112	1	Insulate, Front	
56	1001261116	1	Plate	
57	1001261256	1	Plate	
58	1001262434	1	Cable (Battery Disconnect to Contactor)	
59	1001262599	1	Harness, BMS (See Separate Breakdown in ELECTRICAL Section)	
60	1001263920	1	Harness, Battery Heater (See Separate Breakdown in ELECTRICAL Section)	
61	1001263937	1	Battery, Management System	
62	3960417	4 ft /2 m	Seal	

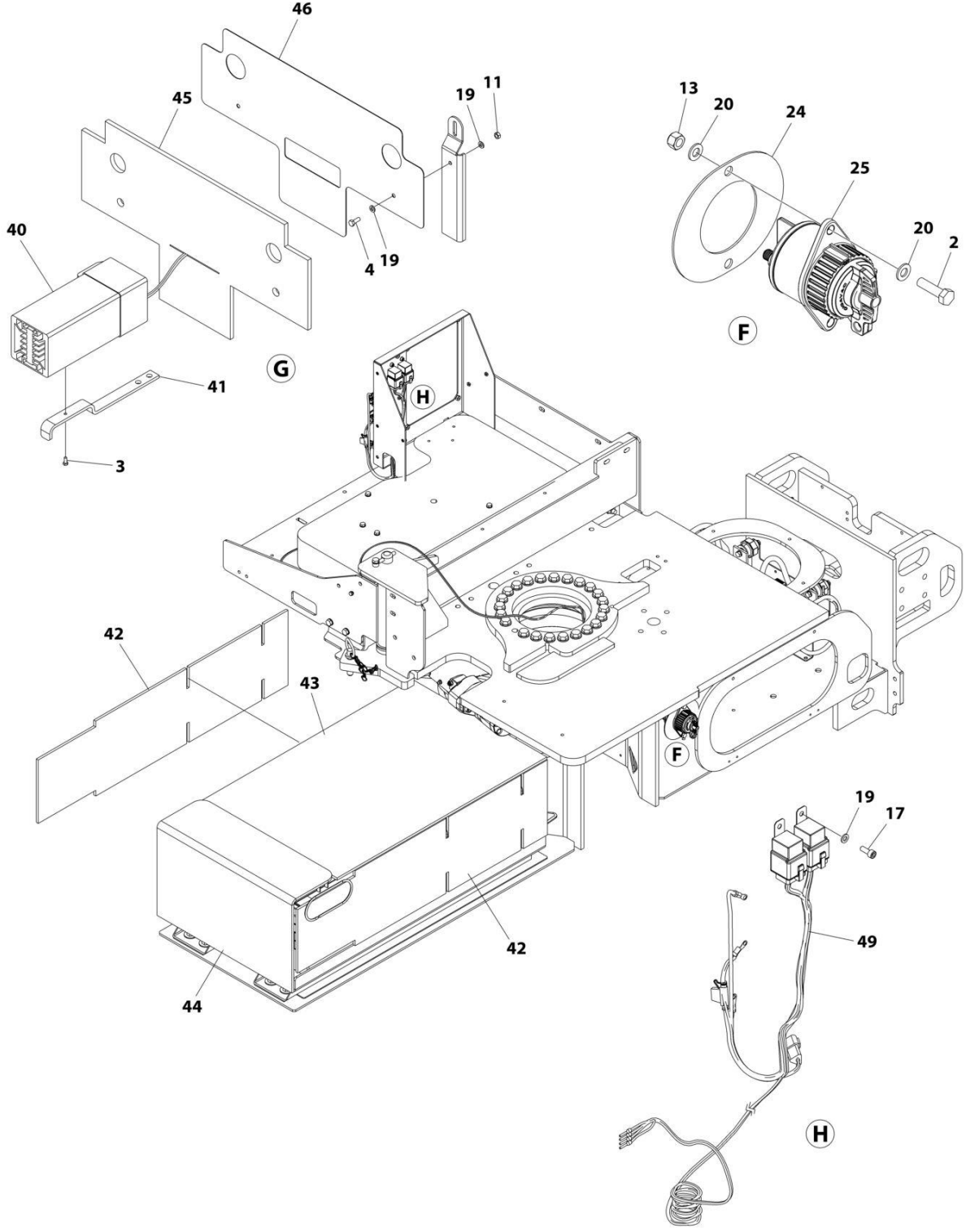
SECTION 1 - FRAME

FIGURE 1-8. BATTERY INSTALLATION (6 BATTERIES) (SN C30000326 through C30000699)



ART_1001287650_10F2

SECTION 1 - FRAME



ART_1001287650_2OF2

SECTION 1 - FRAME

FIGURE 1-8. BATTERY INSTALLATION (6 BATTERIES) (SN C300000326 through C300000699)

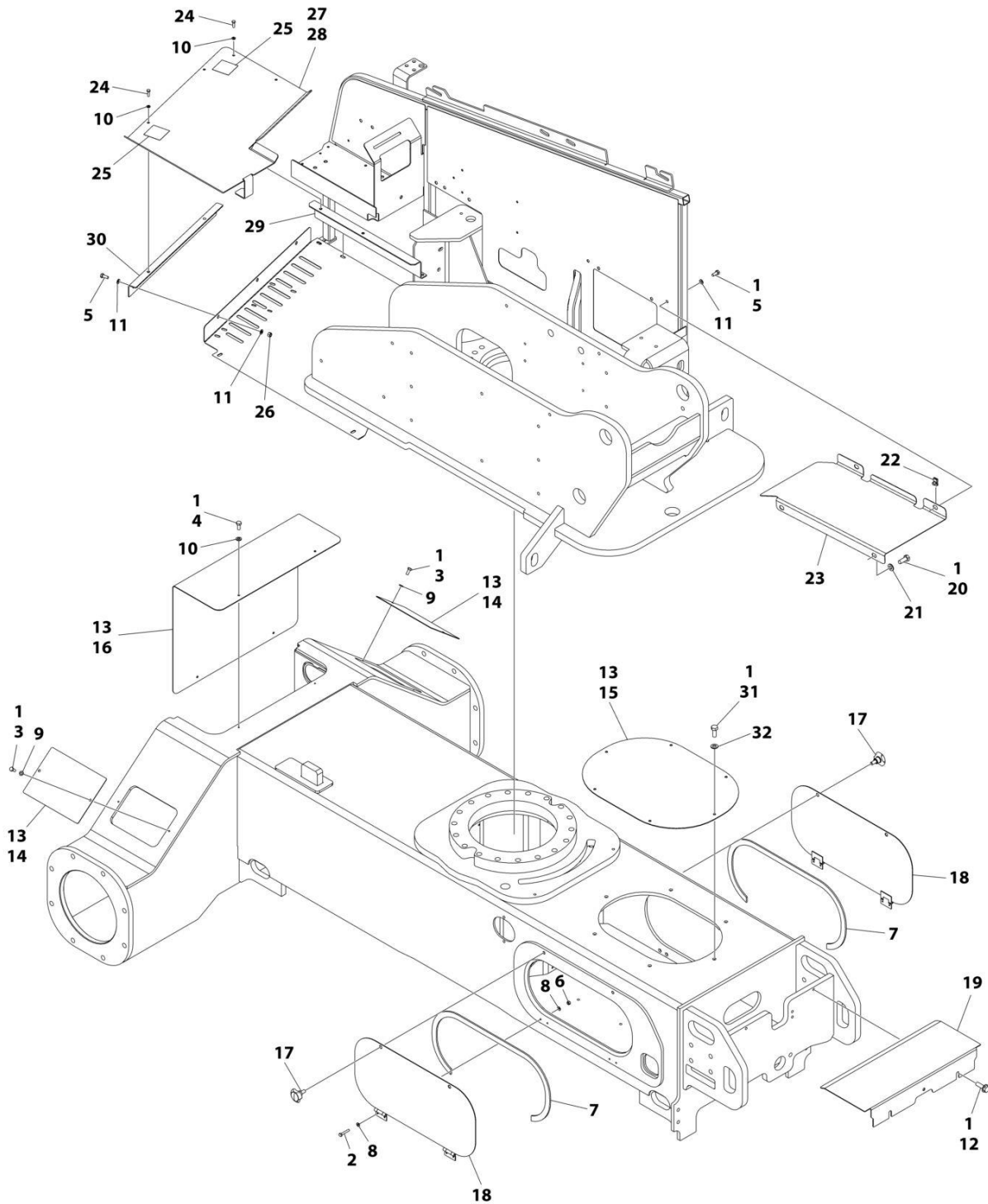
ITEM	PART NUMBER	QTY	DESCRIPTION	REV
	1001287650	Ref	BATTERY INSTALLATION	A
1	0100011	AR	Compound, Locking	
2	0700814	2	Bolt M8 x 30	
3	0760405	1	Bolt M4 x 10	
4	0760608	2	Bolt M6 x 16	
5	0760807	2	Bolt M8 x 14	
6	0760812	1	Bolt M8 x 25	
7	0760814	2	Bolt M8 x 30	
8	0761014	4	Bolt M10 x 30	
9	0761216	4	Bolt M12 x 40	
10	2400069	3	Fuse, 175 AMP	
11	3290601	4	Nut M6	
12	3290801	1	Nut M8	
13	3290805	4	Nut M8	
14	3291005	4	Nut M10	
15	4031507	12	Bolt M4 x 16	
16	4031607	4	Bolt M5 x 16	
17	4031707	2	Bolt M6 x 16	
18	4240018	1	Tie-Strap (Not Shown)	
19	4811700	8	Washer M6	
20	4811900	12	Washer M8	
21	4812000	8	Washer M10	
22	4812102	4	Washer M12	
23	86683122	2	Tie wrap, Short (Not Shown)	
24	1001170102	1	Plate, Disconnect Cover	
25	1001170483	1	Switch, Disconnect	
26	1001239209	4	Weight, Battery Ballast	
27	1001239289	2	Weight, Battery Ballast Base	
28	1001248119	6	Battery	
29	1001248173	2	Bracket	
30	1001248174	1	Bracket	
31	1001248177	2	Bolt	
32	1001248192	1	Bracket	
33	1001248206	1	Bracket	
34	1001254835	3	Fuse, Holder	
35	1001255016	2	Cable (Battery Positive to Negative)	
36	1001255017	1	Cable (Battery Negative)	
37	1001255018	1	Cable (Battery Negative to Buss-Bar)	
38	1001256301	2	Pad, Battery	
39	1001258655	1	Connector	
40	1001261107	1	Heater	
41	1001261108	1	Bracket	
42	1001261109	2	Insulate, Side	
43	1001261110	1	Insulate, Top	
44	1001261111	1	Insulate, Rear	
45	1001261112	1	Insulate, Front	
46	1001261116	1	Plate	
47	1001262434	1	Cable (Battery Disconnect to Contactor)	
48	1001262599	1	Harness, BMS (See Separate Breakdown in ELECTRICAL Section)	

SECTION 1 - FRAME

ITEM	PART NUMBER	QTY	DESCRIPTION	REV
49	1001263920	1	Harness, Battery Heater (See Separate Breakdown in ELECTRICAL Section)	
50	1001274315	1	Plate	
51	1001274320	1	Plate	
52	1001274321	1	Cable (Battery Positive)	
53	1001274322	1	Cable (Fuse to Disconnect)	
54	1001274323	1	Cable (Battery Positive)	
55	1001274324	1	Cable (Battery Positive to Negative)	
56	1001274325	1	Cable (Battery Positive)	
57	1001274326	1	Cable (Battery Negative)	
58	1001286733	1	Module	
59	1001287811	1	Bracket	
60	3960417	4 ft /2 m	Seal	

SECTION 1 - FRAME

FIGURE 1-9. FRAME SHIELD INSTALLATION (SN C30000326 through C30000699)



ART_1001250947

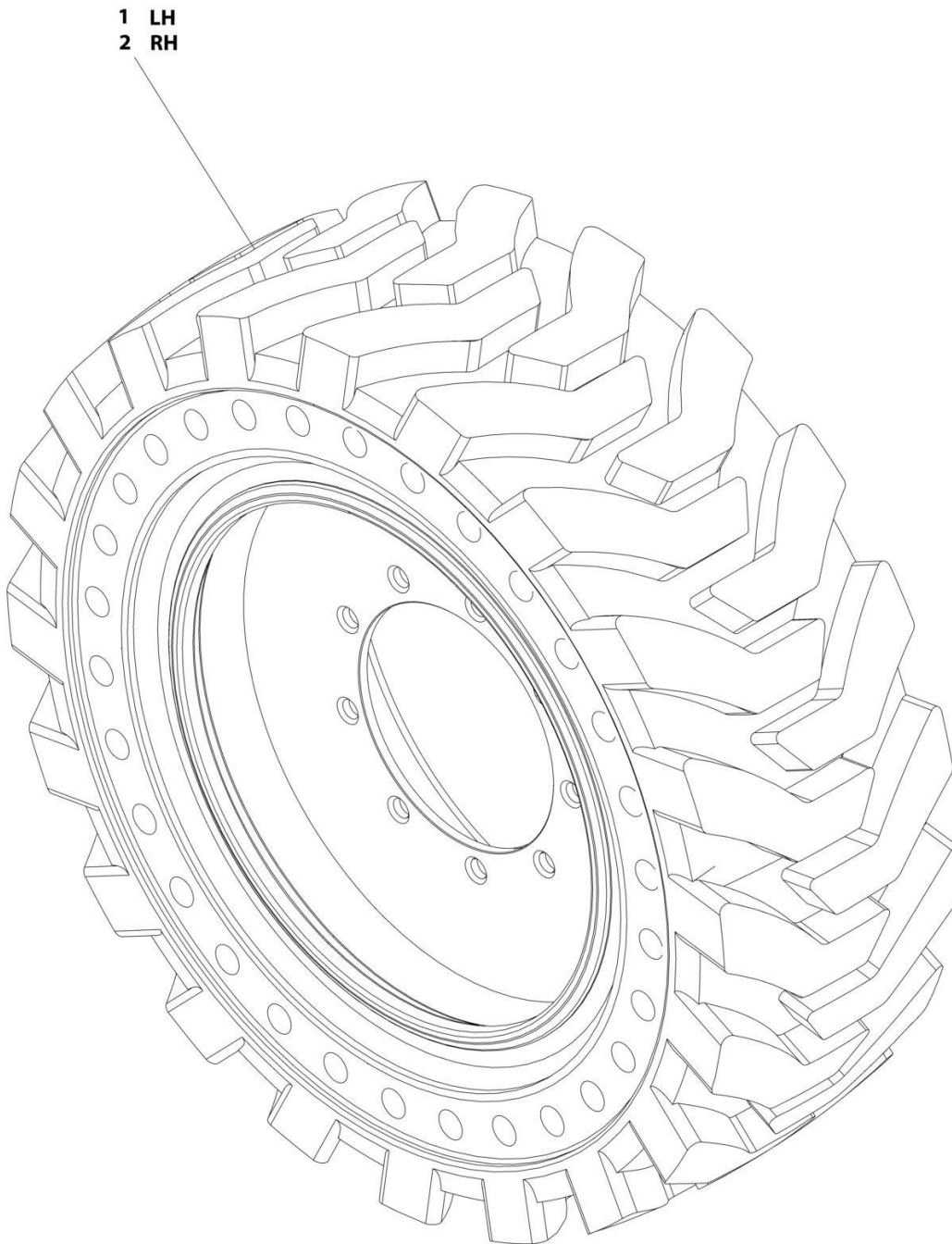
SECTION 1 - FRAME

FIGURE 1-9. FRAME SHIELD INSTALLATION (SN C300000326 through C300000699)

ITEM	PART NUMBER	QTY	DESCRIPTION	REV
	1001250947	Ref	FRAME SHIELD INSTALLATION	D
1	0100011	AR	Compound, Locking	
2	0760412	8	Bolt M4x 25	
3	0760506	4	Bolt M5 x 12	
4	0760607	4	Bolt M6 x 14	
5	0760810	5	Bolt M8 x 20	
6	3290405	8	Nut M4	
7	3960417	6.9ft /2.1m	Seal	
8	4811400	16	Washer M4	
9	4811600	4	Washer M5	
10	4811700	8	Washer M6	
11	4811900	8	Washer M8	
12	5250812	2	Bolt M8 x 25	
13	1001113047	19 ft/ 5.8m	Seal	
14	1001161874	2	Cover, Rear Frame	
15	1001250605	1	Plate	
16	1001250979	1	Cover, Rear Axle	
17	1001255664	4	Screw	
18	1001255666	2	Cover	
19	1001256266	1	Cover, Front Frame	
20	0761214	2	Bolt M12 x 30	
21	4812100	2	Washer M12	
22	8310686	2	Nut, Retainer M8	
23	1001210086	1	Cover	
24	0760610	4	Bolt M6 x 20	
25	1701691	2	Decal - Stop	
26	3290805	3	Nut M8	
27	1001008999	2.5 ft/ 0.76m	Trim-Edge	
28	1001257691	1	Cover	
29	1001257969	1	Bracket	
30	1001257970	1	Bracket	
31	0761011	6	Bolt M10 x 22	
32	4812000	6	Washer M10	

SECTION 1 - FRAME

FIGURE 1-10. TIRE AND WHEEL INSTALLATION - 33 X 12-20 SOLID NON-MARKING



ART_1001169062

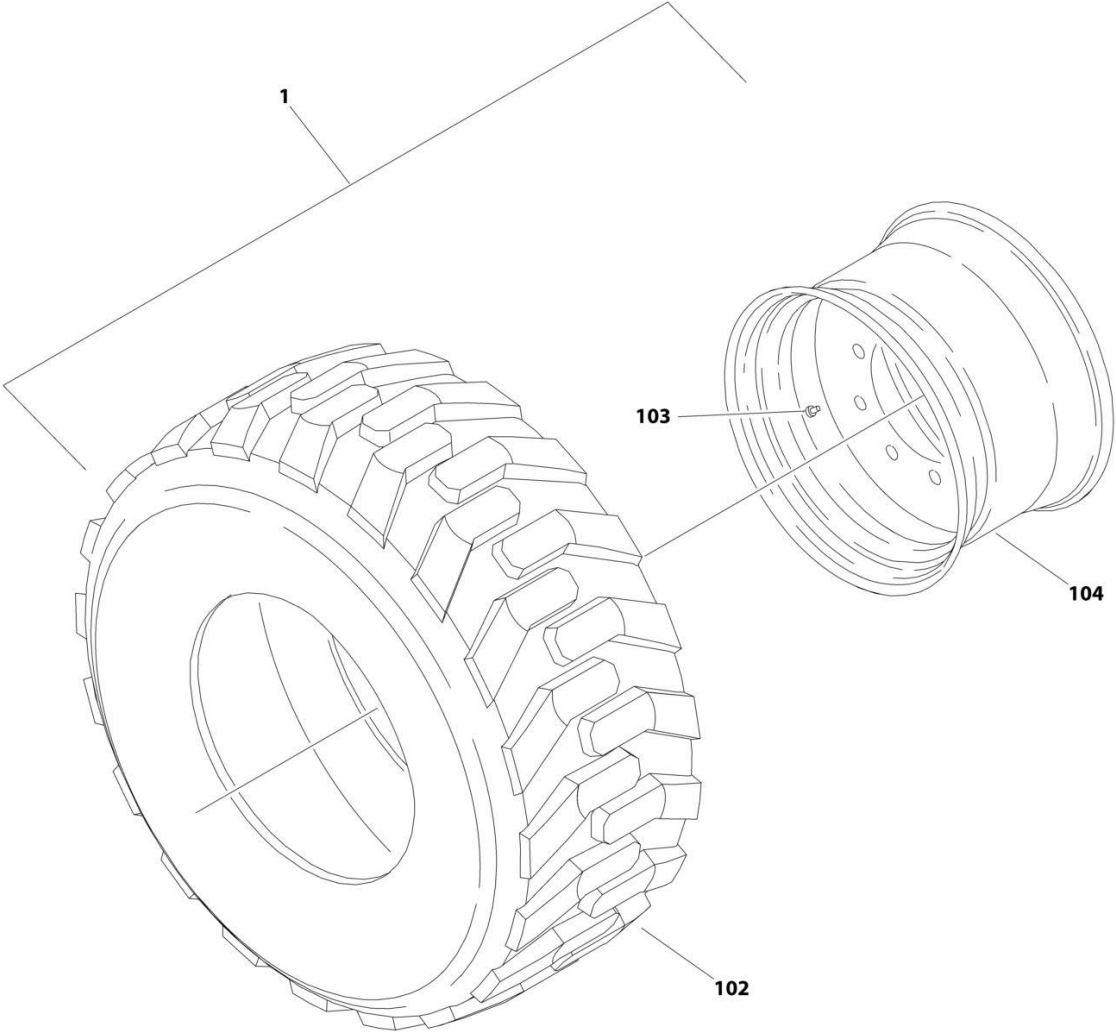
SECTION 1 - FRAME

FIGURE 1-10. TIRE AND WHEEL INSTALLATION - 33 X 12-20 SOLID NON-MARKING

ITEM	PART NUMBER	QTY	DESCRIPTION	REV
	1001169062	Ref	TIRE AND WHEEL INSTALLATION - 33 X 12-20 SOLID NON-MARKING	A
		Ref	Note: Due to critical stable weights, only replace tire and wheel assemblies with like components.	
1	1001170098	2	Tire and Wheel Assembly - 33 x 12-20 Solid Non-Marking (LH Side)	
2	1001170099	2	Tire and Wheel Assembly - 33 x 12-20 Solid Non-Marking (RH Side)	

SECTION 1 - FRAME

FIGURE 1-11. TIRE AND WHEEL INSTALLATION - 315/55 D20 FOAM FILLED



ART_1001166157

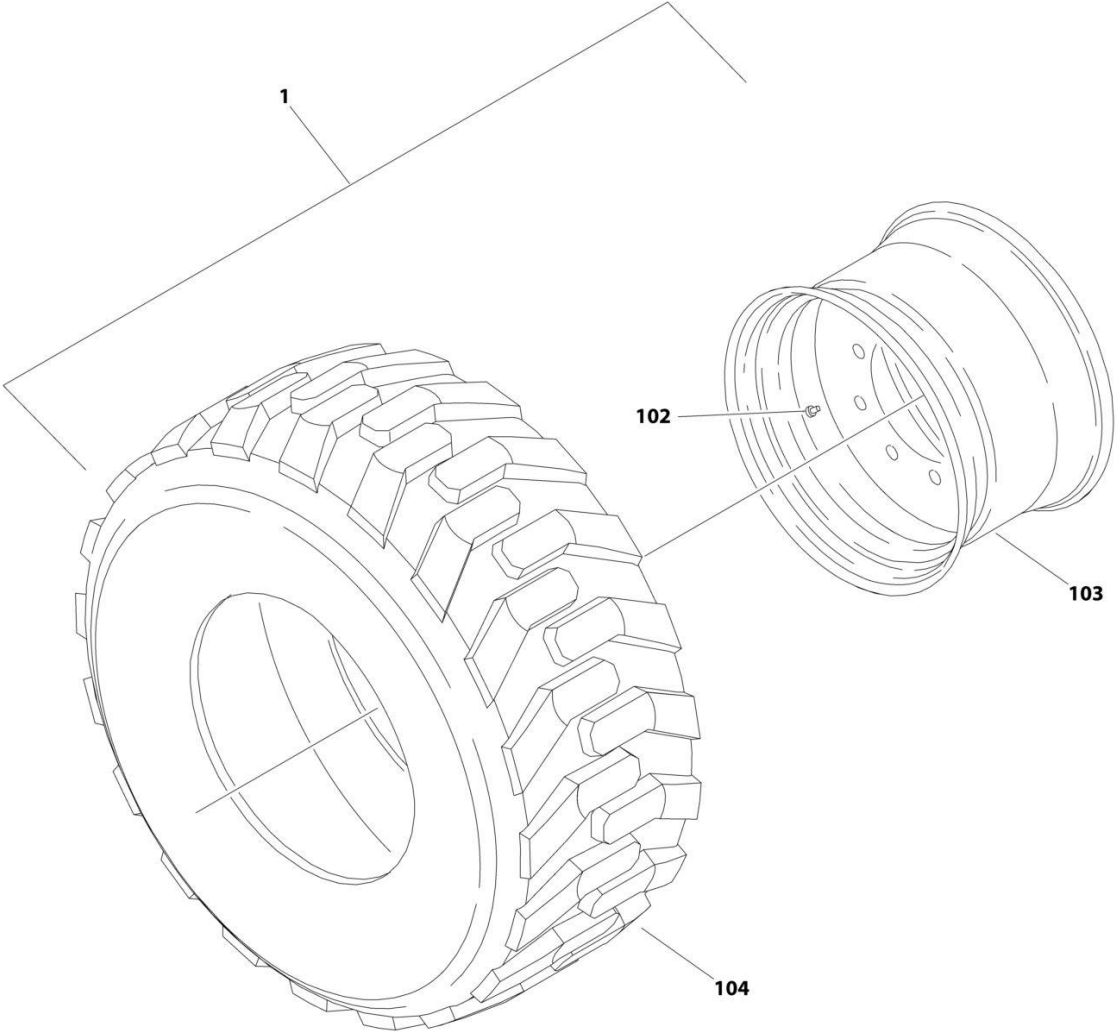
SECTION 1 - FRAME

FIGURE 1-11. TIRE AND WHEEL INSTALLATION - 315/55 D20 FOAM FILLED

ITEM	PART NUMBER	QTY	DESCRIPTION	REV
	1001166157	Ref	TIRE AND WHEEL INSTALLATION - 315/55 D20 FOAM FILLED	A
		Ref	Note: Assemblies may require ballast/foam filling to manufacturer's specifications prior to installing on a machine. Refer to Operation and Safety or Service and Maintenance Manuals. Purchase individual tire and/or rim only if able to foam fill tire and wheel assembly, otherwise, purchase complete assembly.	
1	1001166155	2	Tire and Wheel Assembly (LH Side)	I
1	1001166156	2	Tire and Wheel Assembly (RH Side)	I
102	4520608	4	Tire IN315/55/D20	
103	4641122	4	Valve, Stem	
104	1001166153	4	Rim, Wheel	

SECTION 1 - FRAME

FIGURE 1-12. TIRE AND WHEEL INSTALLATION - 315/55 D20 FOAM FILLED NON-MARKING



ART_1001169058

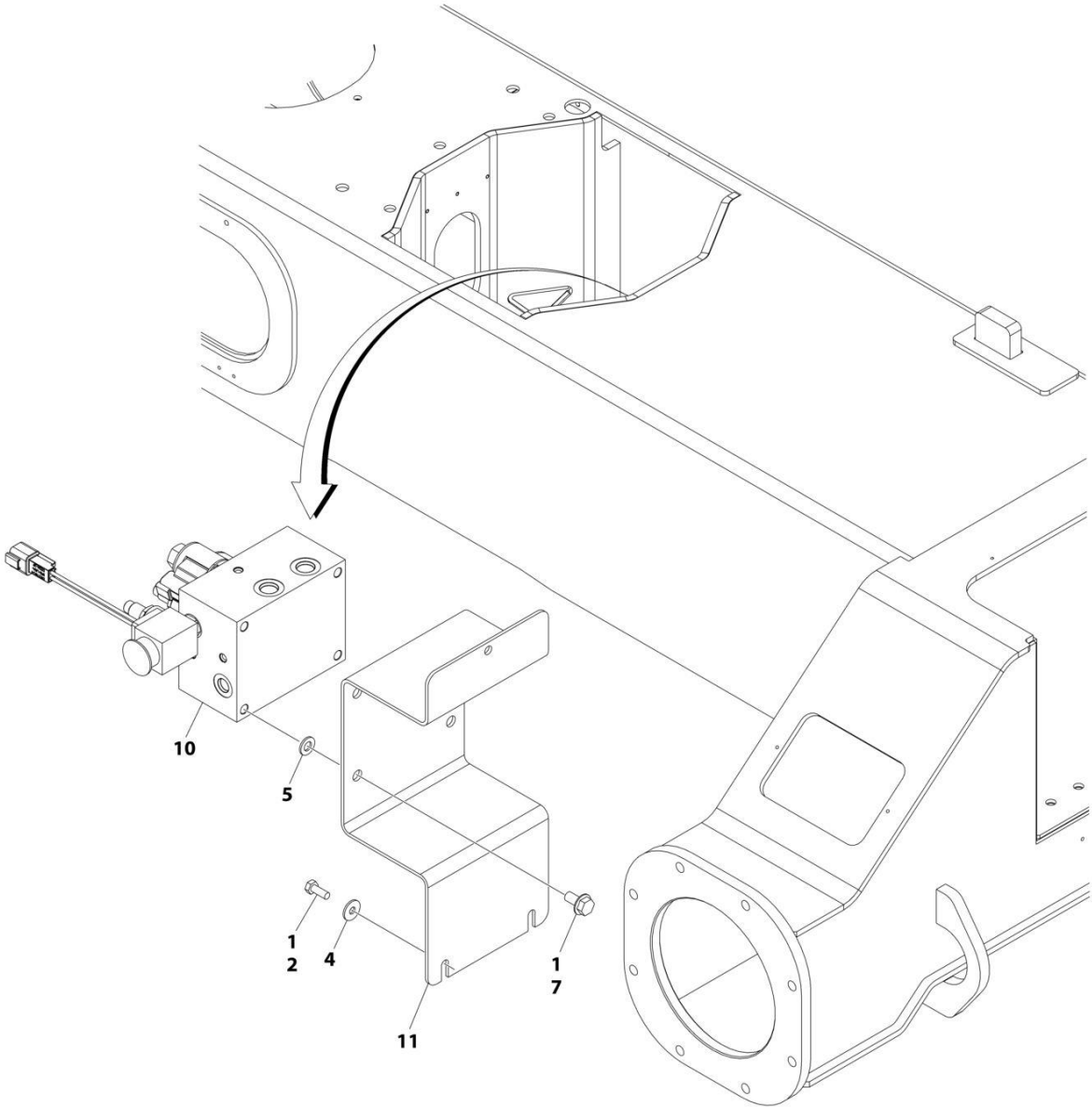
SECTION 1 - FRAME

FIGURE 1-12. TIRE AND WHEEL INSTALLATION - 315/55 D20 FOAM FILLED NON-MARKING

ITEM	PART NUMBER	QTY	DESCRIPTION	REV
	1001169058	Ref	TIRE AND WHEEL INSTALLATION - 315/55 D20 FOAM FILLED NON-MARKING	A
		Ref	Note: Assemblies may require ballast/foam filling to manufacturer's specifications prior to installing on a machine. Refer to Operation and Safety or Service and Maintenance Manuals. Purchase individual tire and/or rim only if able to foam fill tire and wheel assembly, otherwise, purchase complete assembly.	
1	1001170459	2	Tire and Wheel Assembly (RH Side)	F
1	1001170460	2	Tire and Wheel Assembly (LH Side)	F
102	4641122	4	Valve, Stem	
103	1001166153	4	Rim, Wheel	
104	1001170458	4	Tire 315/55 D20 Non Marking	

SECTION 1 - FRAME

FIGURE 1-13. CONTROL VALVES INSTALLATION - FRAME MOUNTED



ART_1001250971_10F2

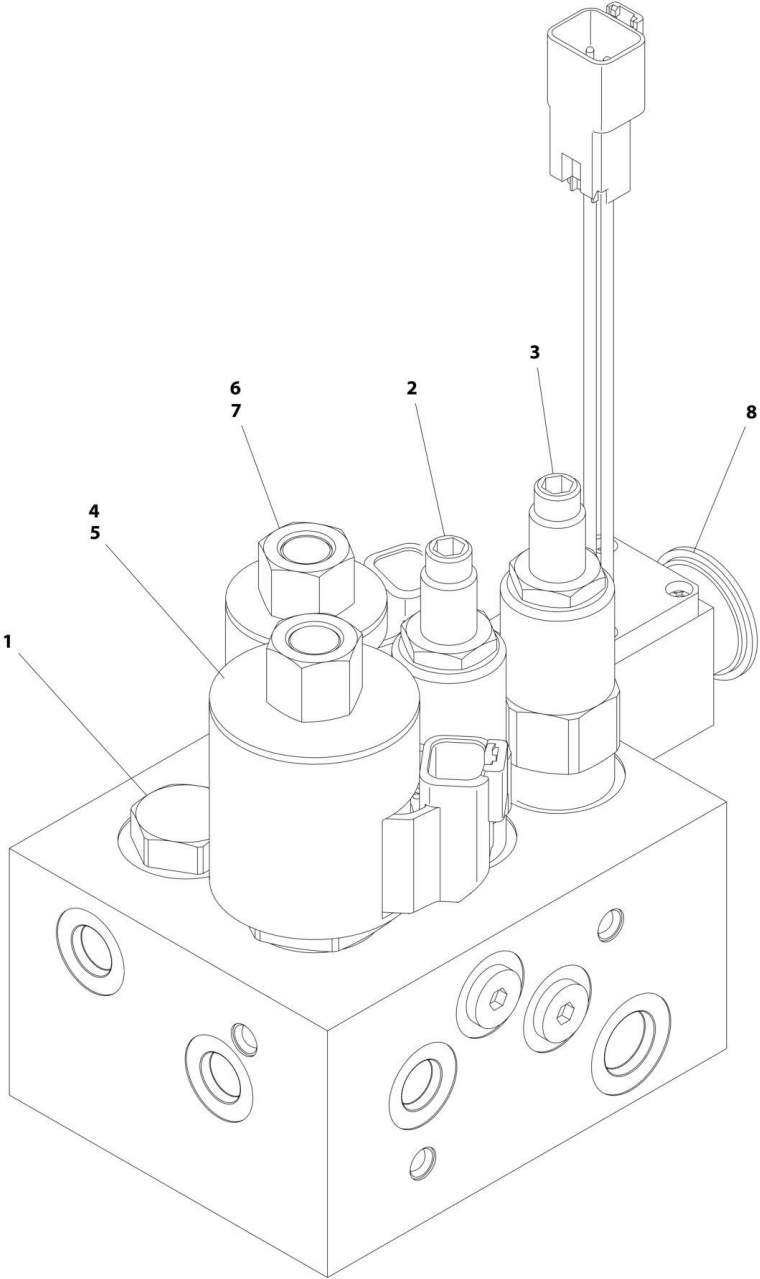
SECTION 1 - FRAME

FIGURE 1-13. CONTROL VALVES INSTALLATION - FRAME MOUNTED

ITEM	PART NUMBER	QTY	DESCRIPTION	REV
	1001250971	Ref	CONTROL VALVES INSTALLATION - FRAME MOUNTED	B
1	0100011	AR	Compound, Locking	
2	0760608	3	Bolt M6 x16	
4	4811702	3	Washer M6	
5	4811900	4	Washer M8	
7	5250808	4	Bolt M8 x 16	
10	1001165144	1	Oscillating Axle Valve Assembly (See Separate Breakdown in this Section)	
11	1001178634	1	Bracket	

SECTION 1 - FRAME

FIGURE 1-14. OSCILLATING AXLE VALVE ASSEMBLY



ART_1001165144

SECTION 1 - FRAME

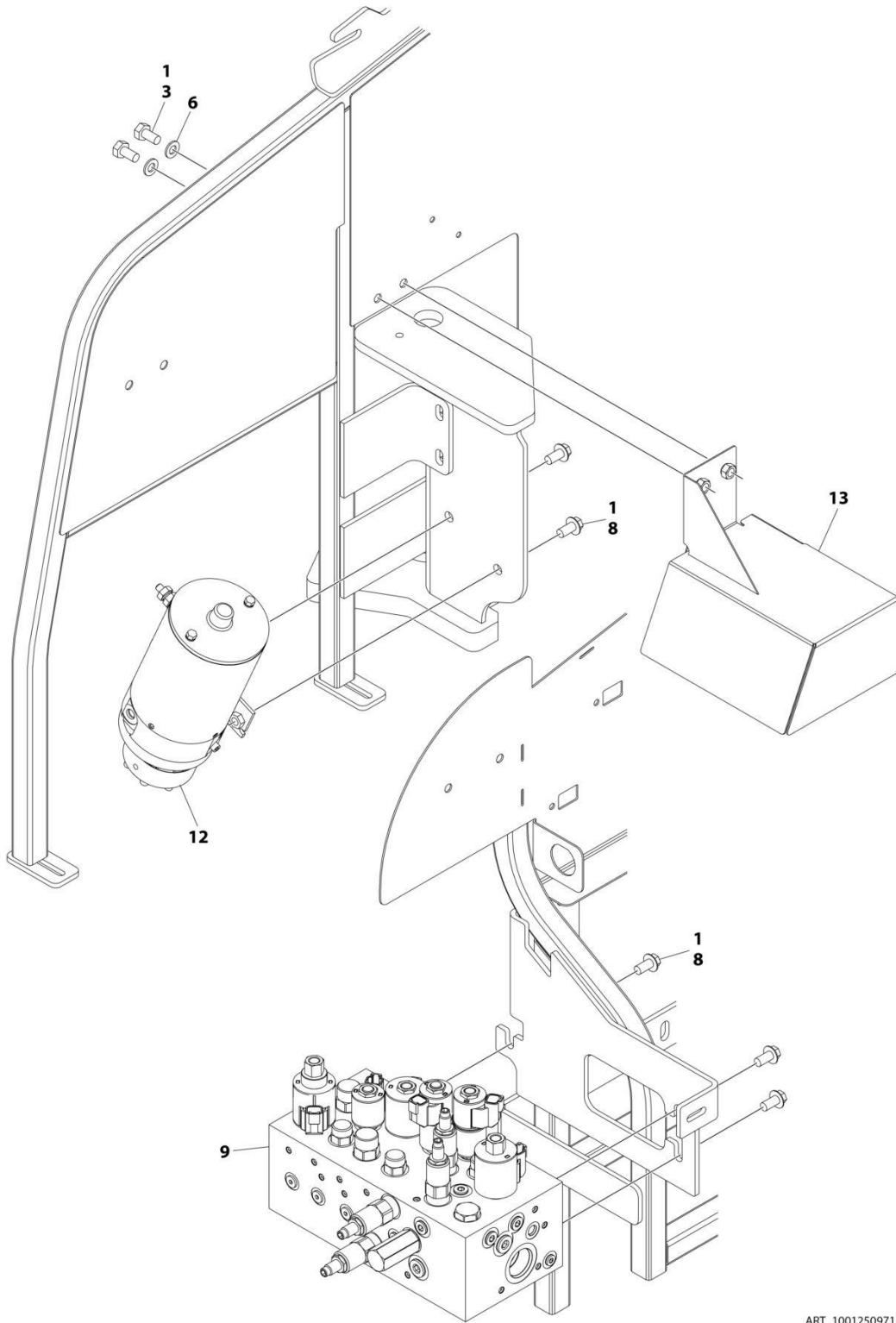
FIGURE 1-14. OSCILLATING AXLE VALVE ASSEMBLY

ITEM	PART NUMBER	QTY	DESCRIPTION	REV
	1001165144	Ref	OSCILLATING AXLE VALVE ASSEMBLY	D
1	4641129	1	Cartridge, Check Valve	
1	7012540	1	Seal Kit - 4641129 Valve	
2	70004787	1	Cartridge, Valve	
2	7021653	1	Seal Kit - 70004787 Valve	
3	70004788	1	Cartridge, Relief Valve	
3	7012998	1	Seal Kit - 70004788 Valve	
4	7017455	1	Cartridge, Valve Less Coil (Primary Axle Release)	
4	7017463	1	Seal Kit - 7017455 Valve	
5	70050516	1	Coil	
6	7017408	1	Cartridge, Valve Less Coil (Secondary Axle Release)	
6	7012907	1	Seal Kit - 7017408 Valve	
7	70002963	1	Coil	
8	70004789	1	Switch, Pressure	

SECTION 2 - TURNTABLE

SECTION 2 - TURNTABLE

FIGURE 2-1. CONTROL VALVES INSTALLATION - TURNTABLE MOUNTED



ART_1001250971_2OF2

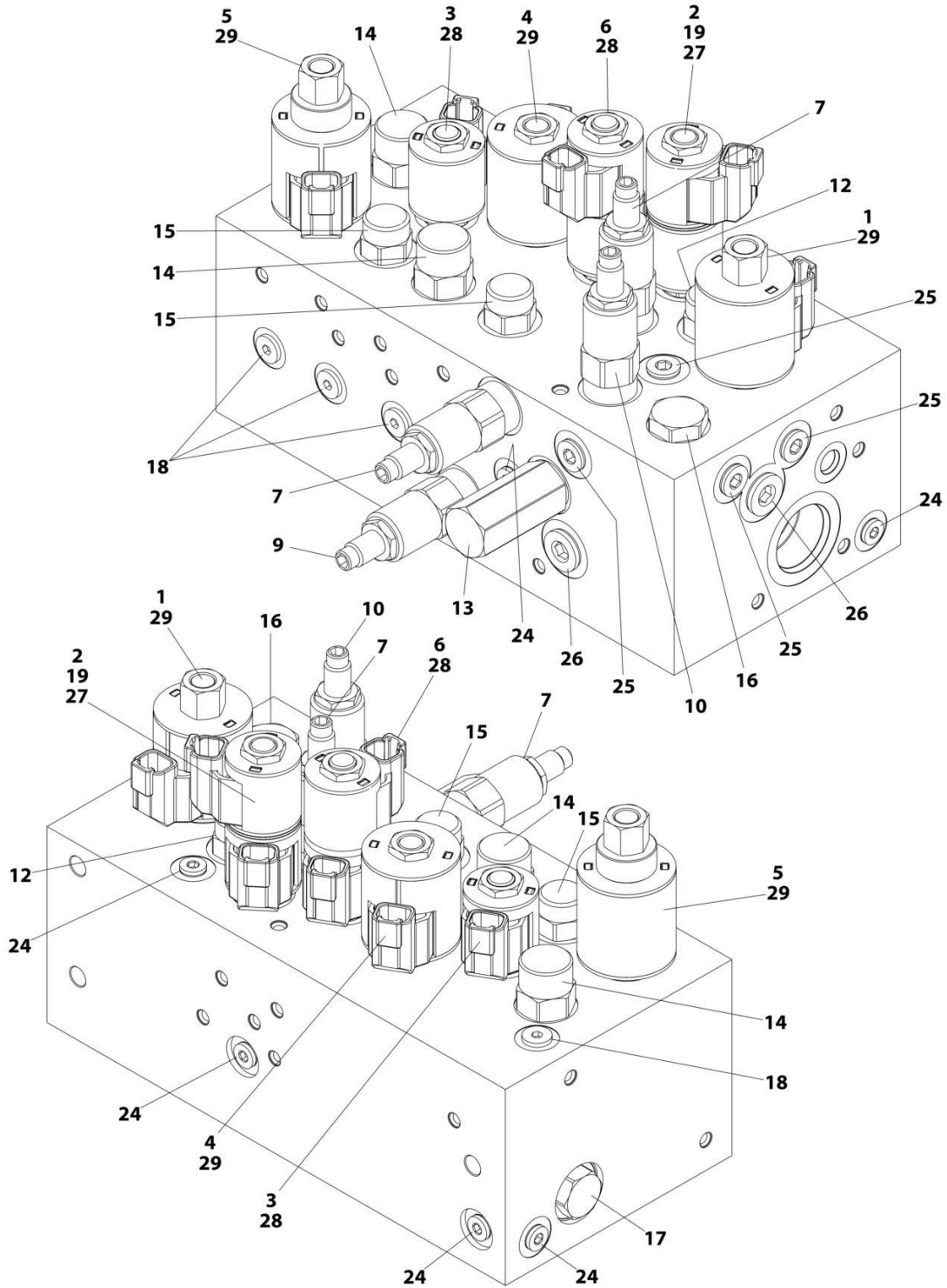
SECTION 2 - TURNTABLE

FIGURE 2-1. CONTROL VALVES INSTALLATION - TURNTABLE MOUNTED

ITEM	PART NUMBER	QTY	DESCRIPTION	REV
	1001250971	Ref	CONTROL VALVES INSTALLATION - TURNTABLE MOUNTED	B
1	0100011	AR	Compound, Locking	
3	0761010	2	Bolt M10 x 20	
6	4812000	2	Washer M10	
8	5251010	5	Bolt M10 x 20	
9	1001162534	1	Main Valve Assembly (See Separate Breakdown in this Section)	
12	1001185821	1	Auxiliary Pump Assembly (See Separate Breakdown in this Section)	
13	1001234295	1	Cover	

SECTION 2 - TURNTABLE

FIGURE 2-2. MAIN VALVE ASSEMBLY



ART_1001162534

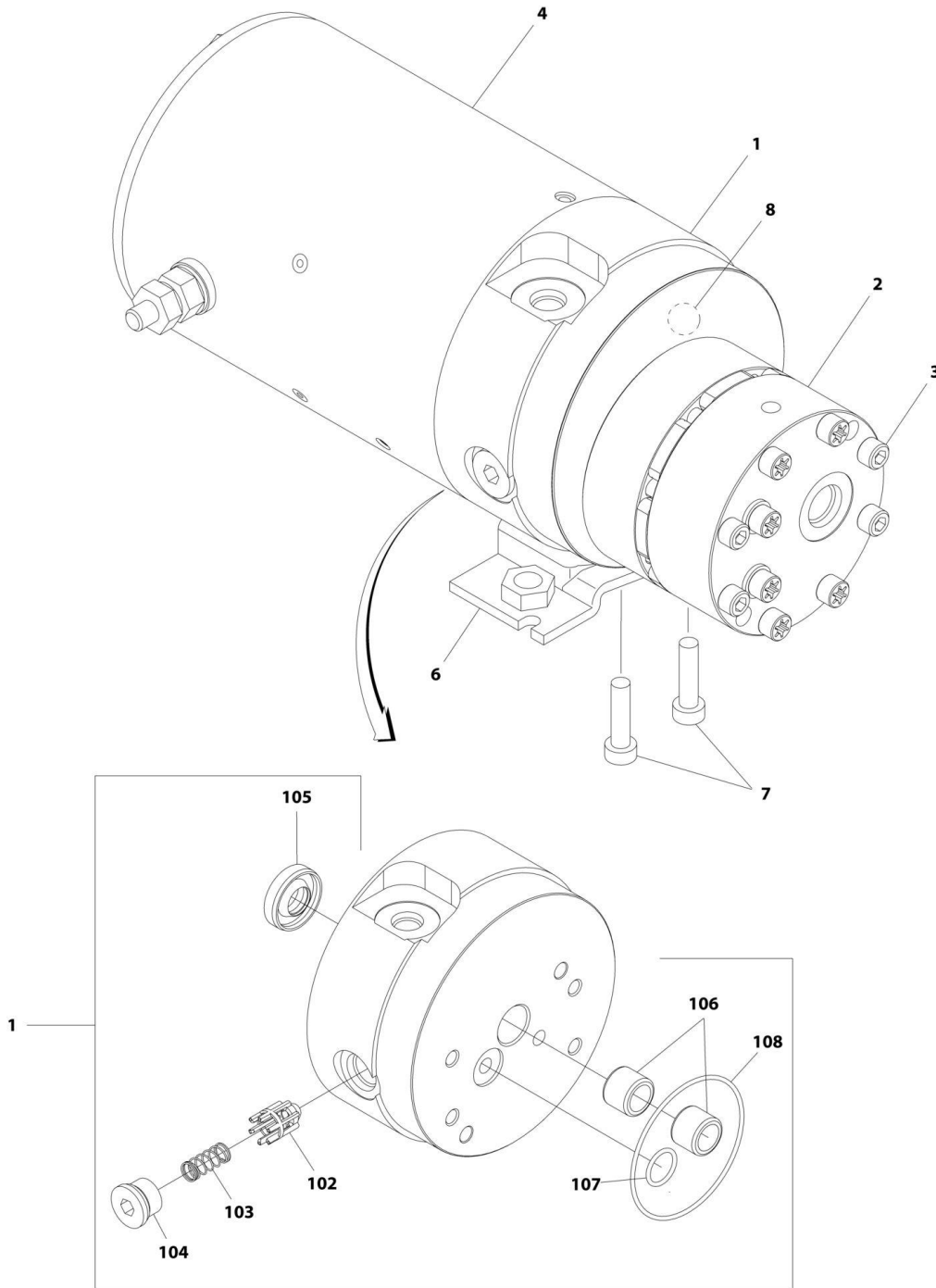
SECTION 2 - TURNTABLE

FIGURE 2-2. MAIN VALVE ASSEMBLY

ITEM	PART NUMBER	QTY	DESCRIPTION	REV
	1001162534	Ref	MAIN VALVE ASSEMBLY	F
1	70005069	1	Cartridge, Solenoid Less Coil (Main Dump)	
1	7022399	1	Seal Kit - 70005069 Valve	
1	70003977	1	Nut, Coil	
2	70005217	1	Cartridge, Solenoid Less Coil (Steer)	
2	70005071	1	Seal Kit - 70005217 Valve	
2	7022390	1	Nut, Coil	
3	70005094	1	Cartridge, Solenoid Less Coil (Main Lift Up)	
3	7023936	1	Seal Kit - 70005094 Valve	
3	7022390	1	Nut, Coil	
4	70005076	1	Cartridge, Solenoid Less Coil (Tower Lift Up)	
4	7022399	1	Seal Kit - 70005076 Valve	
4	7022390	1	Nut, Coil	
5	70005095	1	Cartridge, Solenoid Less Coil (Flow Control)	
5	7022399	1	Seal Kit - 70005095 Valve	
5	70003977	1	Nut, Coil	
6	70005096	1	Cartridge, Solenoid Less Coil (Swing)	
6	70005071	1	Seal Kit - 70005096 Valve	
7	70005097	1	Cartridge, Solenoid Less Coil	
7	70005082	2	Seal Kit - 70005097 Valve	
9	70005098	1	Cartridge, Relief Valve	
9	7023936	1	Seal Kit - 70005098 Valve	
10	70005080	1	Cartridge, Relief Valve	
10	7022399	1	Seal Kit - 70005080 Valve	
12	70005218	1	Cartridge, Valve	
12	70005082	1	Seal Kit - 70005218 Valve	
13	70005084	1	Cartridge, Valve	
13	70005085	1	Seal Kit - 70005084 Valve	
14	70005099	2	Cartridge, Valve	
14	70005087	2	Seal Kit - 70005099 Valve	
15	70005088	2	Cartridge, Valve	
15	7023900	2	Seal Kit - 70005088 Valve	
16	70005100	1	Cartridge, Check Valve	
16	7022399	1	Seal Kit - 70005100 Valve	
17	70005089	1	Cartridge, Check Valve	
17	7023936	1	Seal Kit - 70005089 Valve	
18	70005090	5	Cartridge, Check Valve	
18	70005092	5	Seal Kit - 70005092 Valve	
19	See Note	1	Disc, Check Valve (Note: Not Available for Purchase)	
24	91164059	7	Plug	
25	91164079	4	Plug	
26	91164057	2	Plug	
27	70005219	2	Coil	
28	70002386	3	Coil	
29	70003788	3	Coil	

SECTION 2 - TURNTABLE

FIGURE 2-3. AUXILIARY PUMP ASSEMBLY



ART_1001185821

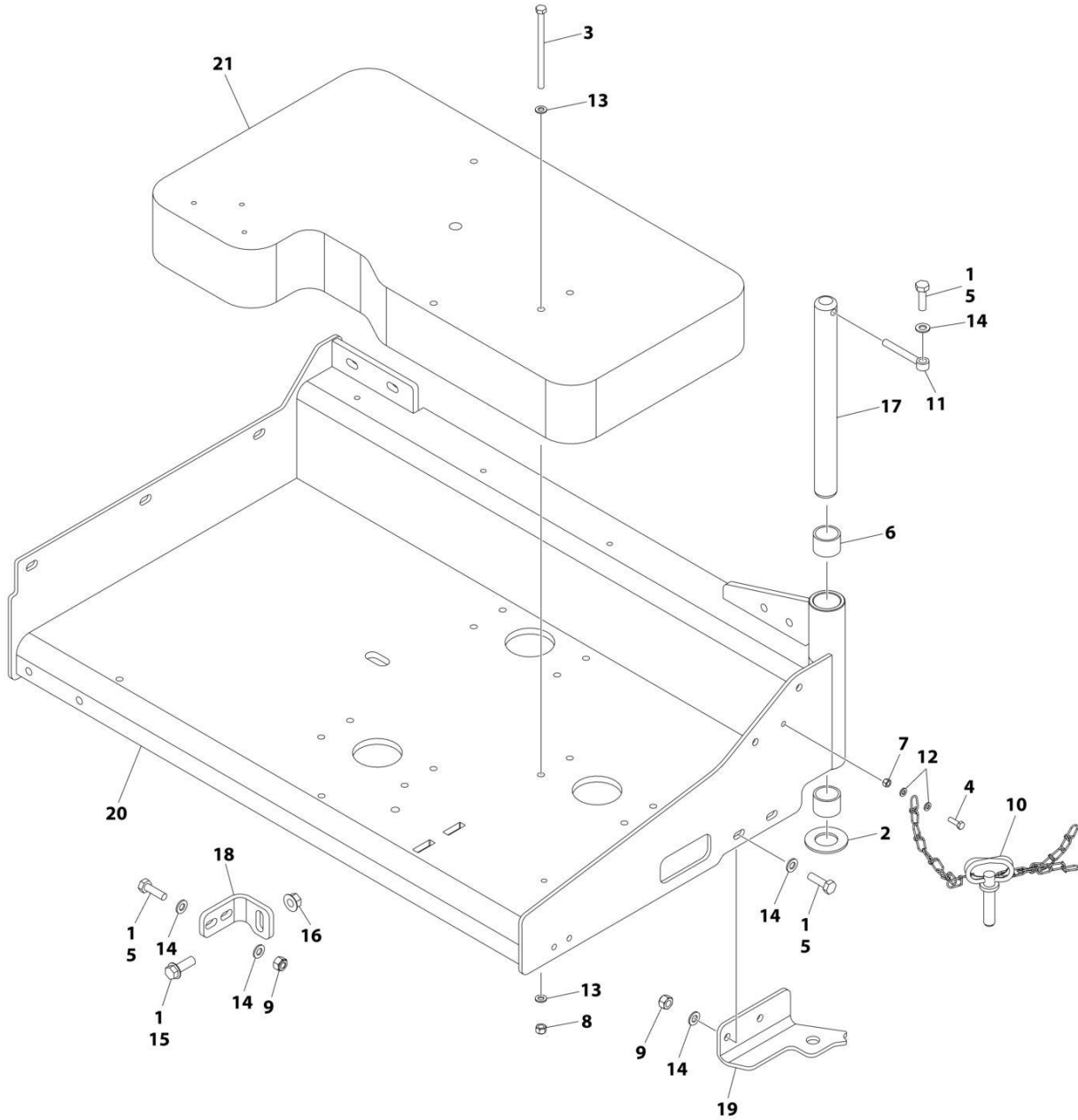
SECTION 2 - TURNTABLE

FIGURE 2-3. AUXILIARY PUMP ASSEMBLY

ITEM	PART NUMBER	QTY	DESCRIPTION	REV
	1001185821	Ref	AUXILIARY PUMP ASSEMBLY	B
1	70005065	1	Base Assembly (See Items 102-108 for Breakdown)	
2	70005066	1	Pump Assembly (Note: No Seal Kit or Internal Components are Available - Purchase Complete Pump Assembly)	
3	70005067	4	Capscrew 1/4 x 2-3/4	
4	70004013	1	Motor Assembly (Note: No Internal Components are Available - Purchase Complete Motor Assembly)	
6	70004014	1	Bracket	
7	70004000	2	Capscrew 3/8 x 1	
8	70005068	1	Relief Valve Assembly	
	70005065	Ref	BASE ASSEMBLY	
102	See Note	NSS	Poppet, Check (Note: Use p/n 70005065)	
103	See Note	NSS	Spring (Note: Use p/n 70005065)	
104	See Note	NSS	Plug (Note: Use p/n 70005065)	
105	7026330	1	Seal, Shaft	
106	70005139	2	Bearing	
107	70003612	1	O-Ring	
108	70004267	1	O-Ring	

SECTION 2 - TURNTABLE

FIGURE 2-4. ENCLOSURE INSTALLATION



ART_1001250951

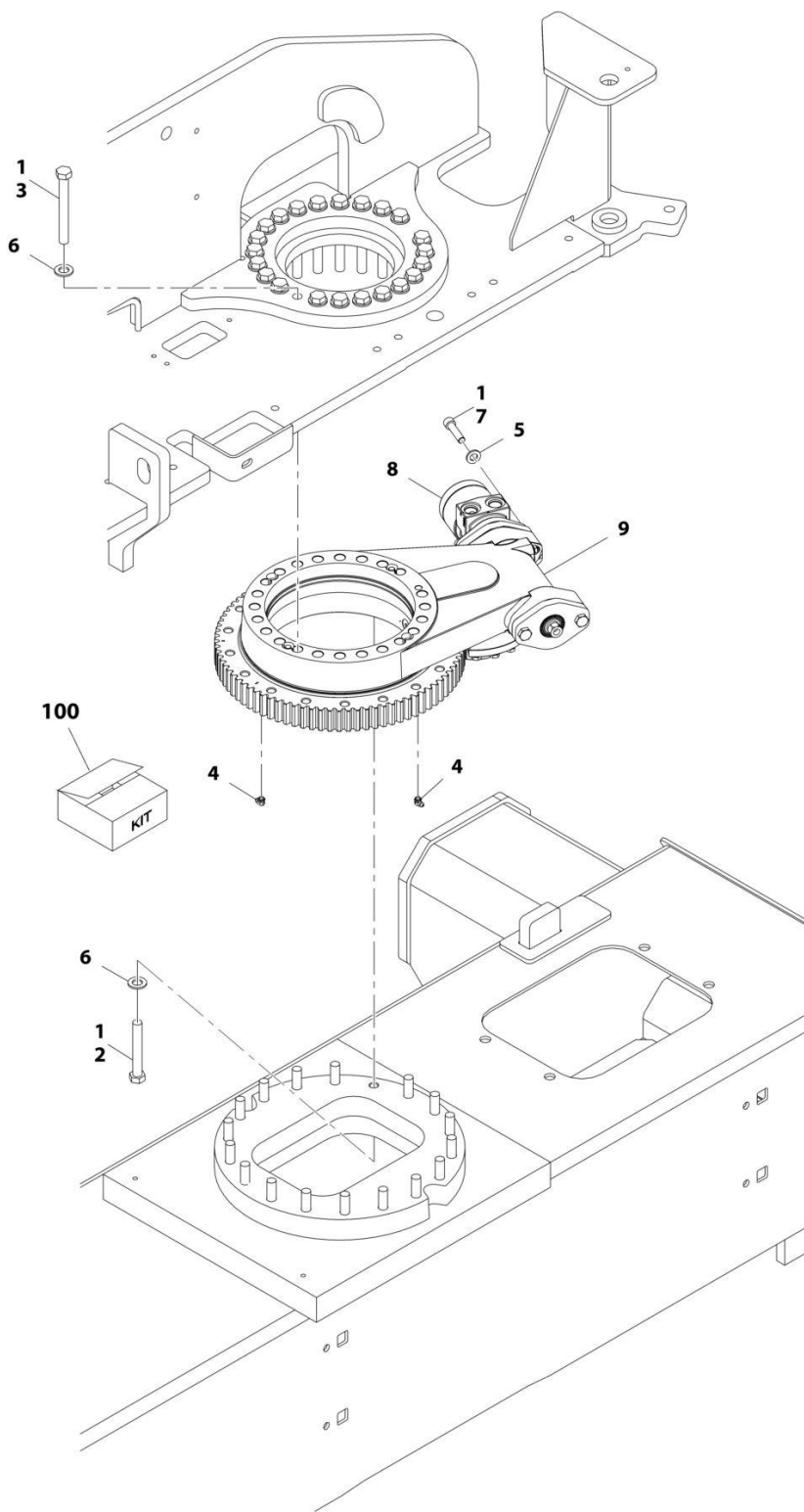
SECTION 2 - TURNTABLE

FIGURE 2-4. ENCLOSURE INSTALLATION

ITEM	PART NUMBER	QTY	DESCRIPTION	REV
	1001250951	Ref	ENCLOSURE INSTALLATION	A
1	0100011	AR	Compound, Locking	
2	0440162	1	Bearing	
3	0700830	4	Bolt M8 x 130	
4	0760610	1	Bolt M6 x 20	
5	0761015	5	Bolt M10 x 35	
6	0961951	2	Bushing	
7	3290605	1	Nut M6	
8	3290805	4	Nut M8	
9	3291005	4	Nut M10	
10	3422532	1	Pin	
11	3841143	1	Keeper, Pin	
12	4811700	2	Washer M6	
13	4811900	8	Washer M8	
14	4812000	9	Washer M10	
15	5251215	1	Bolt M12 x 35	
16	5261200	1	Nut M12	
17	1001135196	1	Pin	
18	1001167512	1	Bracket	
19	1001169823	1	Plate	
20	1001176699	1	Support	
21	1001250967	1	Weight, Ballast	

SECTION 2 - TURNTABLE

FIGURE 2-5. SWING DRIVE AND TURNTABLE BEARING INSTALLATION



ART_1001165946

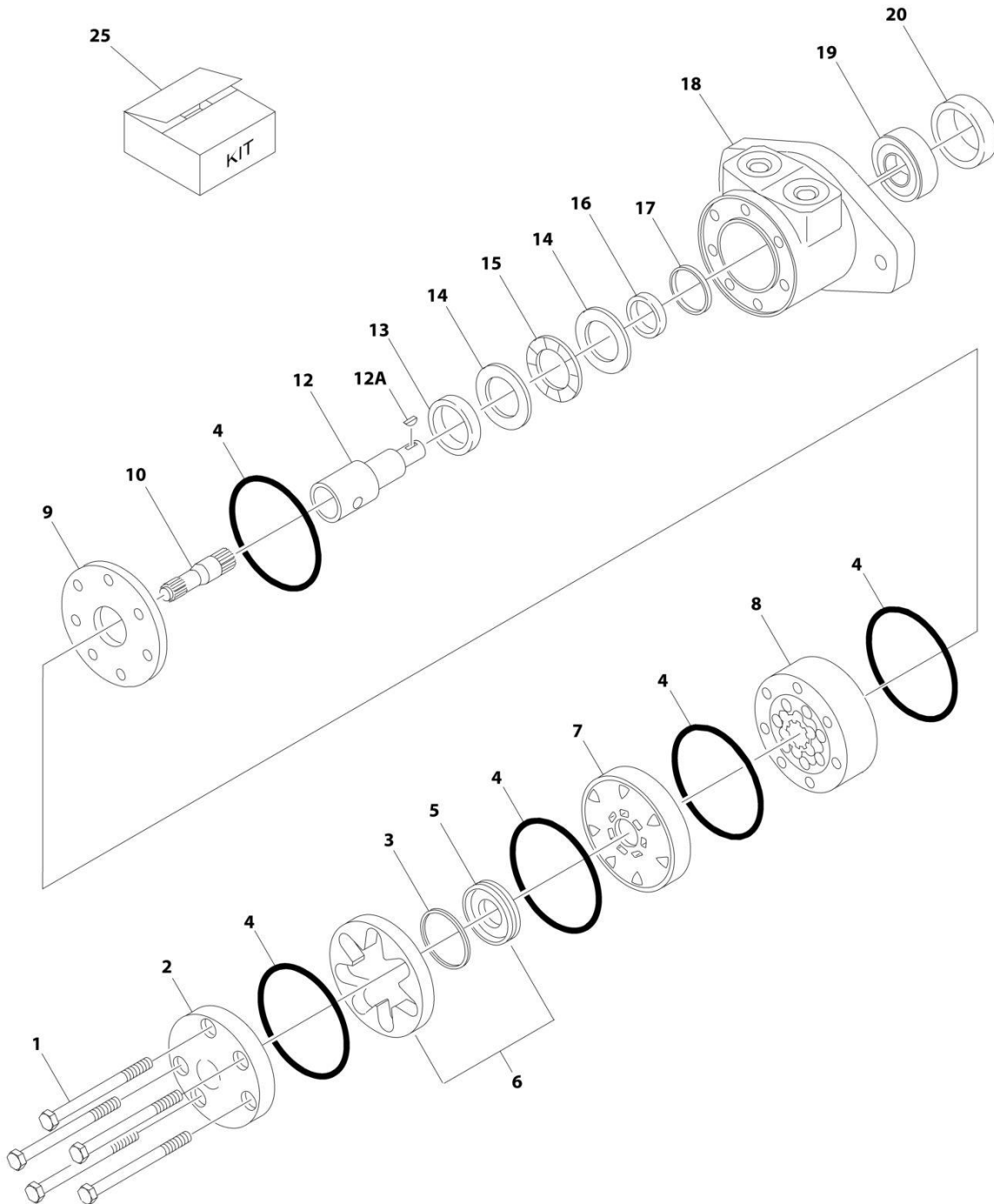
SECTION 2 - TURNTABLE

FIGURE 2-5. SWING DRIVE AND TURNTABLE BEARING INSTALLATION

ITEM	PART NUMBER	QTY	DESCRIPTION	REV
	1001165946	Ref	SWING DRIVE AND TURNTABLE BEARING INSTALLATION	B
1	0100019	AR	Compound, Locking	
2	0711628	18	Bolt M16 x 110 Grade 10.9	
3	0711631	23	Bolt M16 x 140	
4	2160001	2	Fitting, Grease 90	
5	5241200	2	Washer M12	
6	5241600	41	Washer M16	
7	5272114	2	Capscrew M12 x 50 Grade 12.9	
8	1001104850	1	Swing Motor Assembly (See Separate Breakdown in this Section)	
9	1001133972	1	Turntable Bearing Assembly (See Separate Breakdown in this Section)	
100	1001206436	1	Turntable Bearing Kit (Includes Items 2-7 & 9)	

SECTION 2 - TURNTABLE

FIGURE 2-6. SWING MOTOR ASSEMBLY



ART_1001104850

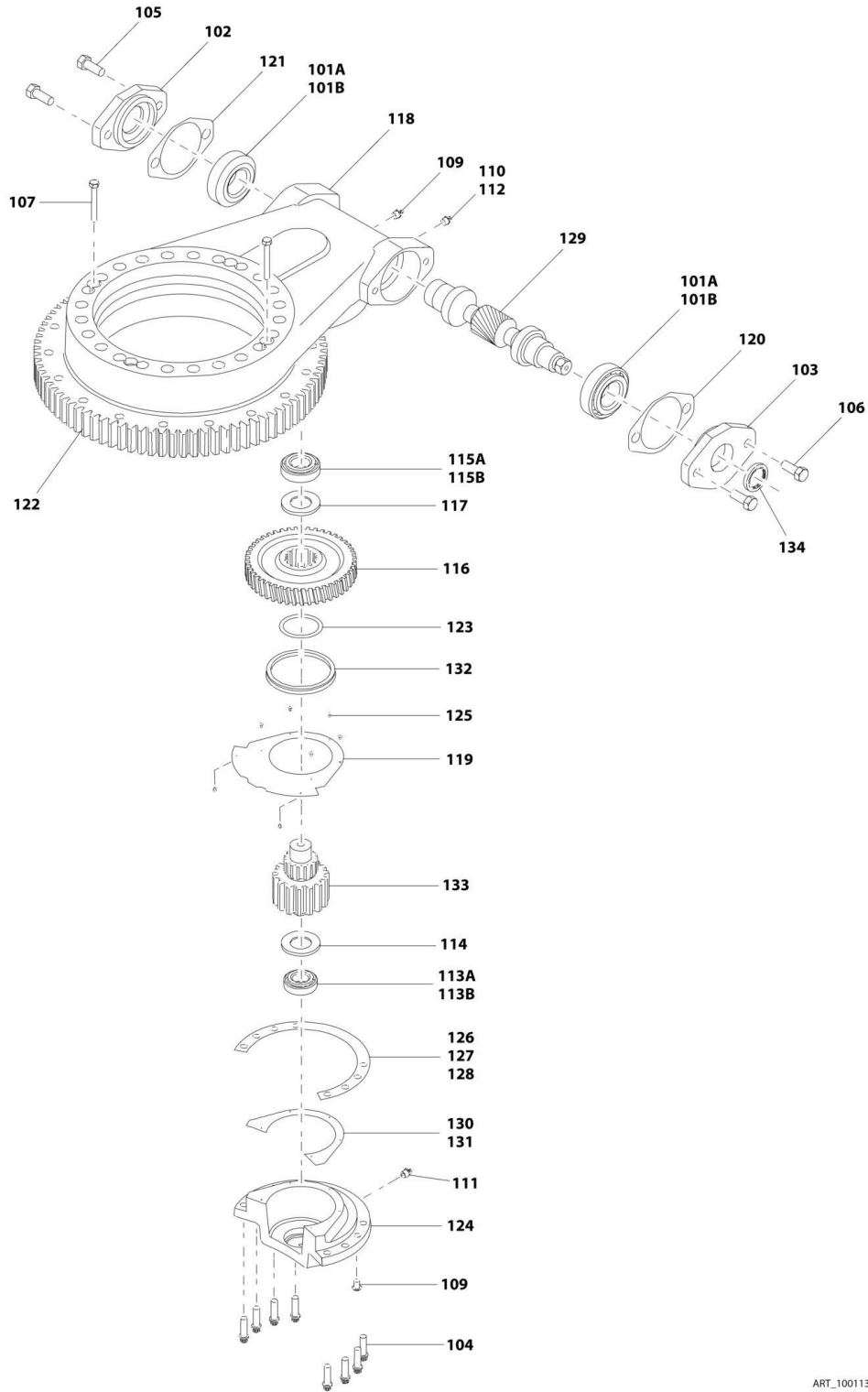
SECTION 2 - TURNTABLE

FIGURE 2-6. SWING MOTOR ASSEMBLY

ITEM	PART NUMBER	QTY	DESCRIPTION	REV
	1001104850	Ref	SWING MOTOR ASSEMBLY	A
1	See Note	5	Bolt (Note: Not Available for Purchase)	
2	7004035	1	Cover, End	
3	7023318	1	Seal, Commutator	
4	7004036	5	O-Ring	
5	See Note	NSS	Commutator (Note: Use Item 6)	
6	7024453	1	Commutator and Ring Assembly (Includes Item 5)	
7	7024379	1	Manifold	
8	70002206	1	Rotor Set	
9	7024380	1	Plate, Wear	
10	70002207	1	Link, Drive	
12	70000088	1	Shaft, Coupling	
12A	70000089	1	Key	
13	7024381	1	Bushing, Inner	
14	7004043	1	Thrustwasher	
15	7004044	1	Bearing, Thrust	
16	7004049	1	Seal, Inner Shaft	
17	7004045	1	Ring, Back-up	
18	See Note	NSS	Housing (Note: Not Available - Purchase Complete Motor)	
19	7024390	1	Bearing	
20	7004047	1	Seal, Outer Shaft	
25	7024389	1	Seal Kit (Includes Items 3, 4, 16, 17 & 20)	

SECTION 2 - TURNTABLE

FIGURE 2-7. TURNTABLE BEARING ASSEMBLY



ART_1001133972

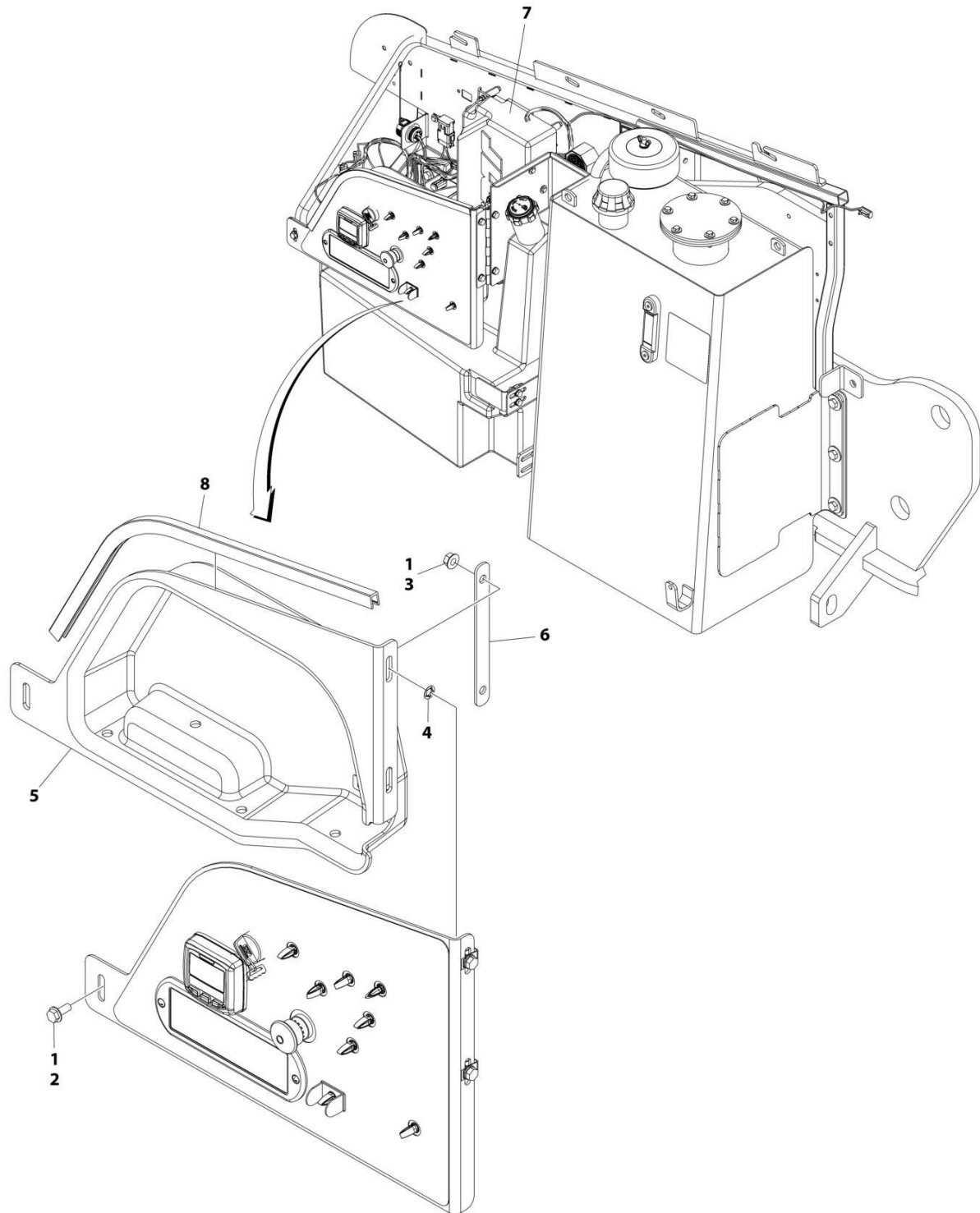
SECTION 2 - TURNTABLE

FIGURE 2-7. TURNTABLE BEARING ASSEMBLY

ITEM	PART NUMBER	QTY	DESCRIPTION	REV
	1001133972	Ref	TURNTABLE BEARING ASSEMBLY	D
101A	7026042	2	Cup, Bearing	
101B	7026043	2	Cone, Bearing	
102	7027356	1	Adapter, Motor	
103	7027354	1	Cap, Worm	
104	70004249	8	Bolt M10 x 35 Grade 10.9	
105	70004250	2	Bolt M12 x 30 Grade 10.9	
106	70004251	2	Bolt M12 x 40 Grade 10.9	
107	70004252	2	Bolt M8 x 65mm	
109	70000865	1	Plug	
110	70002649	1	Vent, Pressure	
111	70002651	1	Fitting, Grease	
112	7026044	1	Bushing, Reducer	
113A	7026045	1	Cup, Bearing	
113B	7026047	1	Cone, Bearing	
114	7026046	1	Ring, Grease	
115A	7026048	1	Cup, Bearing	
115B	7026049	1	Cone, Bearing	
116	7026050	1	Worm-Gear	
117	7026052	1	Spacer, Washer	
118	See Note	1	Housing (Note: Not Available - Purchase Complete Assembly)	
119	7026053	1	Cover, Gear	
120	7027350	AR	Shim, Blue (.005in)	
120	7027351	AR	Shim, Clear (.0075in)	
120	7027352	AR	Shim, Brown (.010in)	
121	7027353		Shim, Yellow (.020in)	
122	70004253	1	Bearing, Turntable	
123	70004254	1	O-Ring	
124	70004255	1	Cap, Gear	
125	70004256	8	Bolt M4 x 8	
126	70004257	AR	Shim, Green (.003)	
127	70004258	AR	Shim, Blue (.005)	
128	70004259	AR	Shim, Natural (.0075)	
129	7026057	1	Gear, Worm	
130	70004260	AR	Shim, Blue (.005)	
131	70004261	AR	Shim, Yellow (.020)	
132	70004262	1	Seal, Oil	
133	7026051	1	Pinion, Output	
134	70004263	1	Seal, Oil	

SECTION 2 - TURNTABLE

FIGURE 2-8. TURNTABLE COVERS INSTALLATION



ART_1001219129

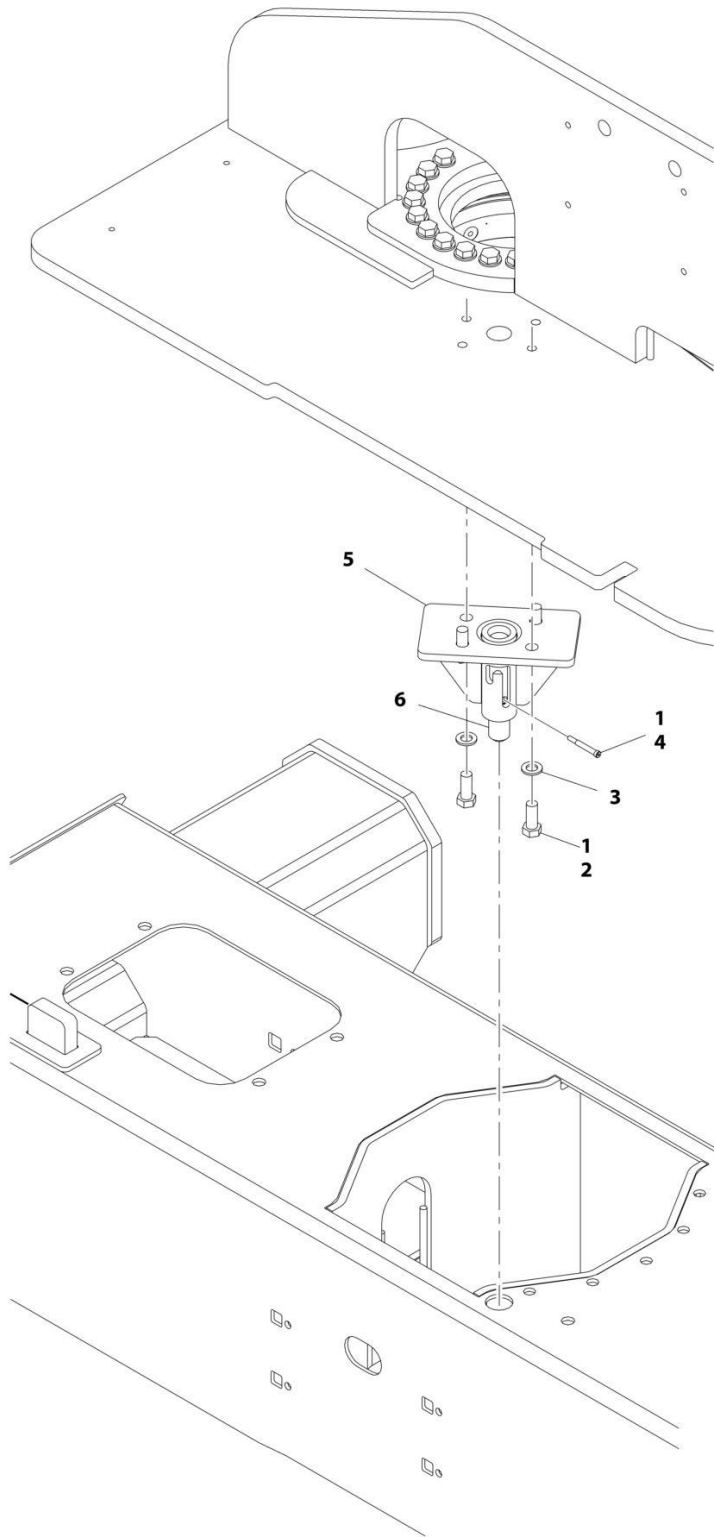
SECTION 2 - TURNTABLE

FIGURE 2-8. TURNTABLE COVERS INSTALLATION

ITEM	PART NUMBER	QTY	DESCRIPTION	REV
	1001219129	Ref	TURNTABLE COVERS INSTALLATION	A
1	0100011	AR	Compound, Locking	
2	5250812	1	Bolt M8 x 25	
3	5260800	2	Nut M8	
4	1001119228	2	Nut M8	
5	1001218533	1	Cover	
6	1001218535	1	Plate, Mounting	
7	1001218537	1	Cover	
8	4060806	2 ft/0.6m	Shield, Flex	

SECTION 2 - TURNTABLE

FIGURE 2-9. TURNTABLE LOCK INSTALLATION



ART_1001177820

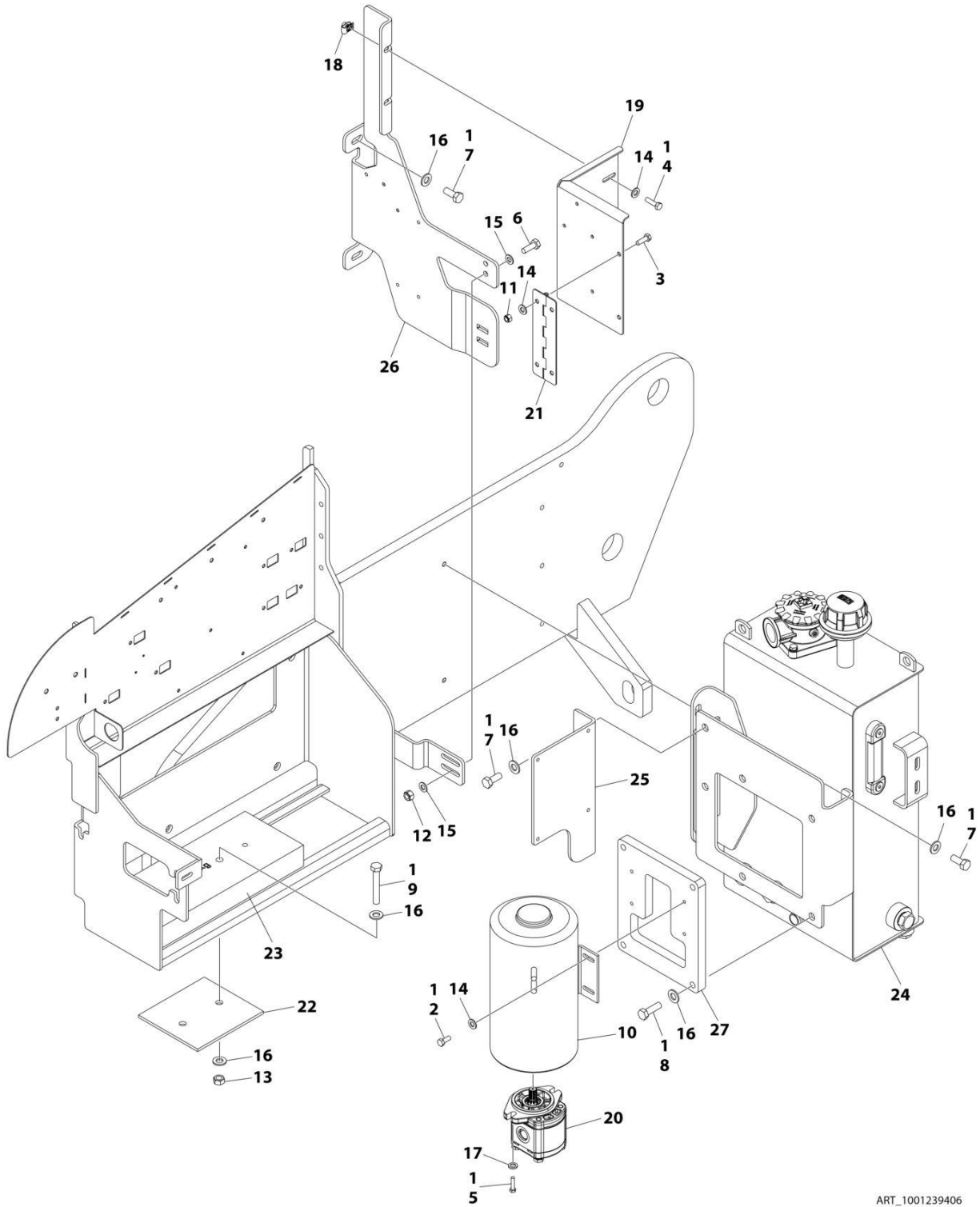
SECTION 2 - TURNTABLE

FIGURE 2-9. TURNTABLE LOCK INSTALLATION

ITEM	PART NUMBER	QTY	DESCRIPTION	REV
	1001177820	Ref	TURNTABLE LOCK INSTALLATION	B
1	0100011	AR	Compound, Locking	
2	0701616	4	Bolt M16 x 40	
3	4812300	4	Washer M16	
4	1001157466	1	Bolt M10 x 30	
5	1001177821	1	Support, Lock	
6	1001177834	1	Pin, Lock	
7	1001223118	1	Decal – Lift Diagram (Not Shown)	

SECTION 2 - TURNTABLE

FIGURE 2-10. TANK AND PUMPS INSTALLATION



ART_1001239406

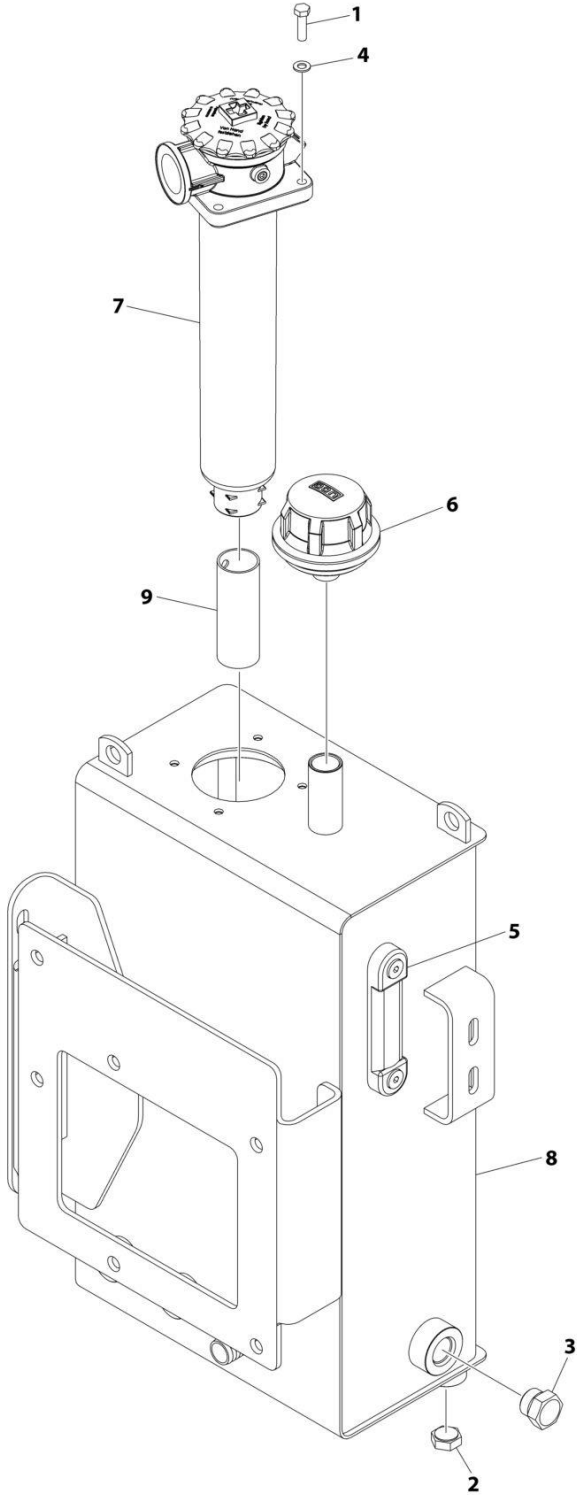
SECTION 2 - TURNTABLE

FIGURE 2-10. TANK AND PUMPS INSTALLATION

ITEM	PART NUMBER	QTY	DESCRIPTION	REV
	1001239406	Ref	TANK AND PUMPS INSTALLATION	A
1	0100011	AR	Compound, Locking	
2	0760810	4	Bolt M8 x 20	
3	0760812	2	Bolt M8 x 25	
4	0760814	2	Bolt M8 x 30	
5	0760815	2	Bolt M8 x 35	
6	0761014	2	Bolt M10 x 30	
7	0761214	8	Bolt M12 x 30	
8	0761216	4	Bolt M12 x 40	
9	0761224	2	Bolt M12 x 80	
10	3160252	1	Electricity Motor Assembly (See Separate Breakdown in this Section)	
11	3290805	2	Nut M8	
12	3291005	2	Nut M10	
13	3291201	2	Nut M12	
14	4811900	10	Washer M8	
15	4812000	4	Washer M10	
16	4812100	16	Washer M12	
17	5240800	2	Washer M8	
18	1001118274	2	Nut M8	
19	1001169898	1	Support, Ground Control	
20	1001174535	1	Gear Pump Assembly	
21	1001179339	1	Hinge	
22	1001246539	1	Plate	
23	1001246543	1	Weight, Ballast	
24	1001248813	1	Hydraulic Tank Installation (See Separate Breakdown in this Section)	
25	1001249329	1	Bracket	
26	1001249857	1	Bracket	
27	1001252533	1	Plate	

SECTION 2 - TURNTABLE

FIGURE 2-11. HYDRAULIC TANK INSTALLATION



ART_1001248813

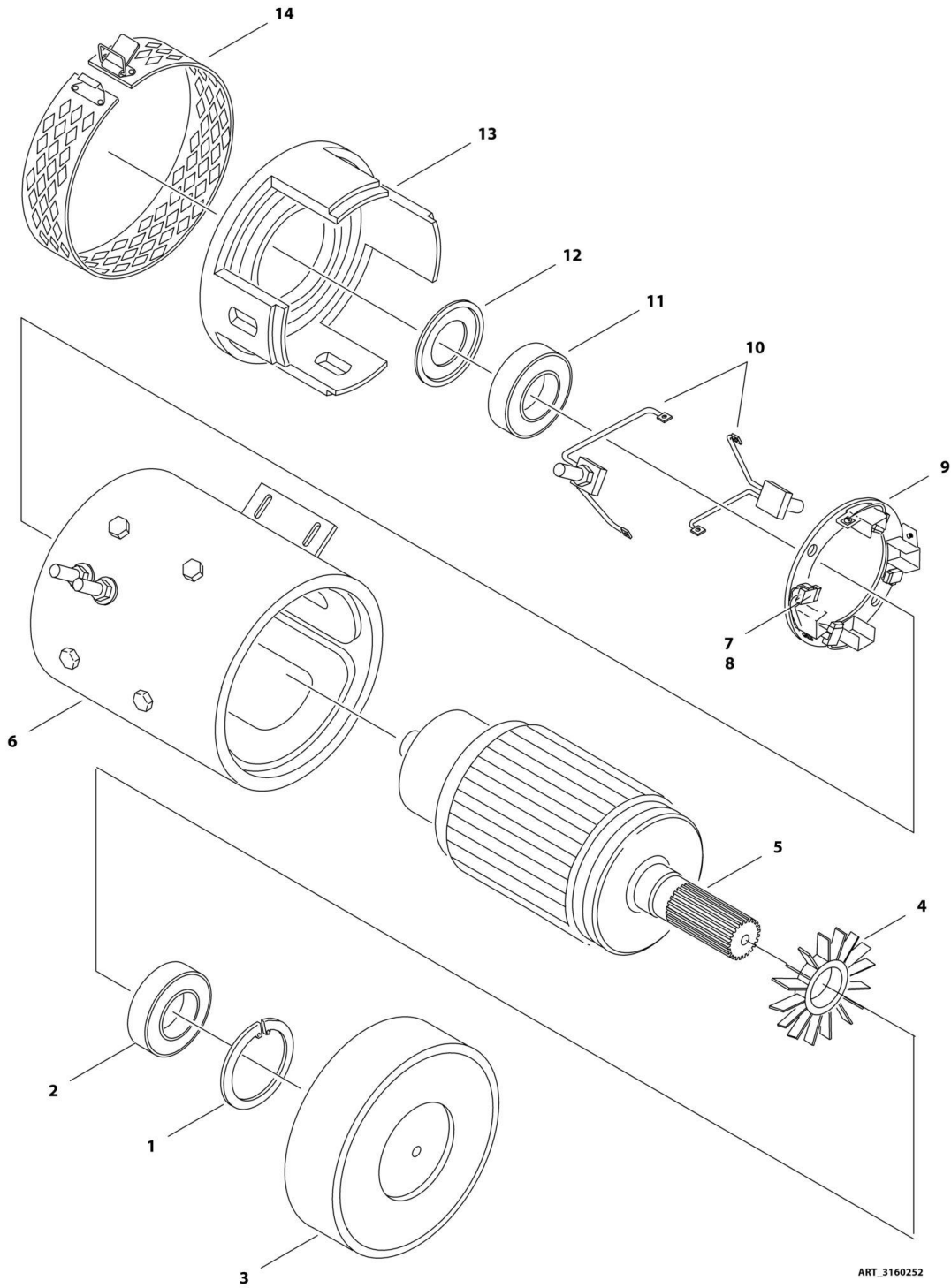
SECTION 2 - TURNTABLE

FIGURE 2-11. HYDRAULIC TANK INSTALLATION

ITEM	PART NUMBER	QTY	DESCRIPTION	REV
	1001248813	Ref	HYDRAULIC TANK INSTALLATION	B
1	0700814	4	Bolt M8 x 30	
2	2220239	1	Plug, ORB	
3	2220240	1	Plug, ORB	
4	4811900	4	Washer M8	
5	7024441	1	Gauge, Sight	
6	1001127152	1	Breather Cap (Vented)	
7	1001162661	1	Filter, Hydraulic	
7	1001162663	1	Element, Filter	
7	1001162667	1	Pipe, Filter Return	
8	1001248401	1	Hydraulic Tank Assembly	
9	1001249615	1	Pipe, Return	

SECTION 2 - TURNTABLE

FIGURE 2-12. MOTOR ASSEMBLY



ART_3160252

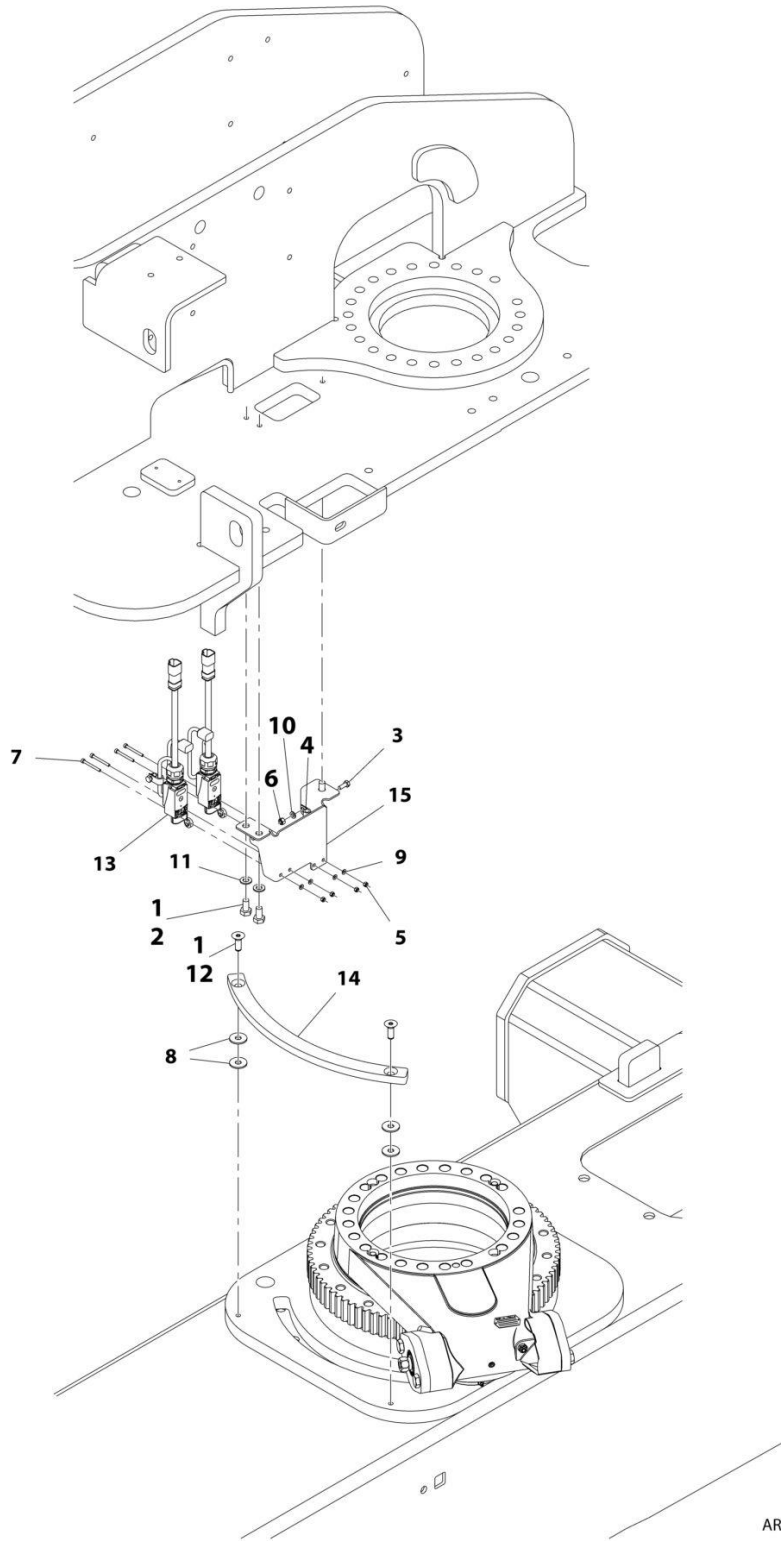
SECTION 2 - TURNTABLE

FIGURE 2-12. MOTOR ASSEMBLY

ITEM	PART NUMBER	QTY	DESCRIPTION	REV
	3160252	Ref	MOTOR ASSEMBLY	C
1	7020291	1	Ring, Retaining	
2	7020292	1	Bearing (Shaft End)	
3	7020293	1	Endhead, Shaft	
4	7020294	1	Fan	
5	7020295	1	Armature Assembly	
6	7020296	1	Field Coil/Case Kit	
7	7012548	8	Spring, Brush	
8	7020297	8	Brush	
9	7020298	1	Box Assembly - Brush	
10	7020299	1	Lead Kit, Brush Wire	
11	7012545	1	Bearing (Commutator End)	
12	7012549	1	Washer	
13	7023200	1	Endhead, Commutator	
14	7023272	1	Headband Assembly	

SECTION 2 - TURNTABLE

FIGURE 2-13. DRIVE ORIENTATION INSTALLATION



ART_1001166767

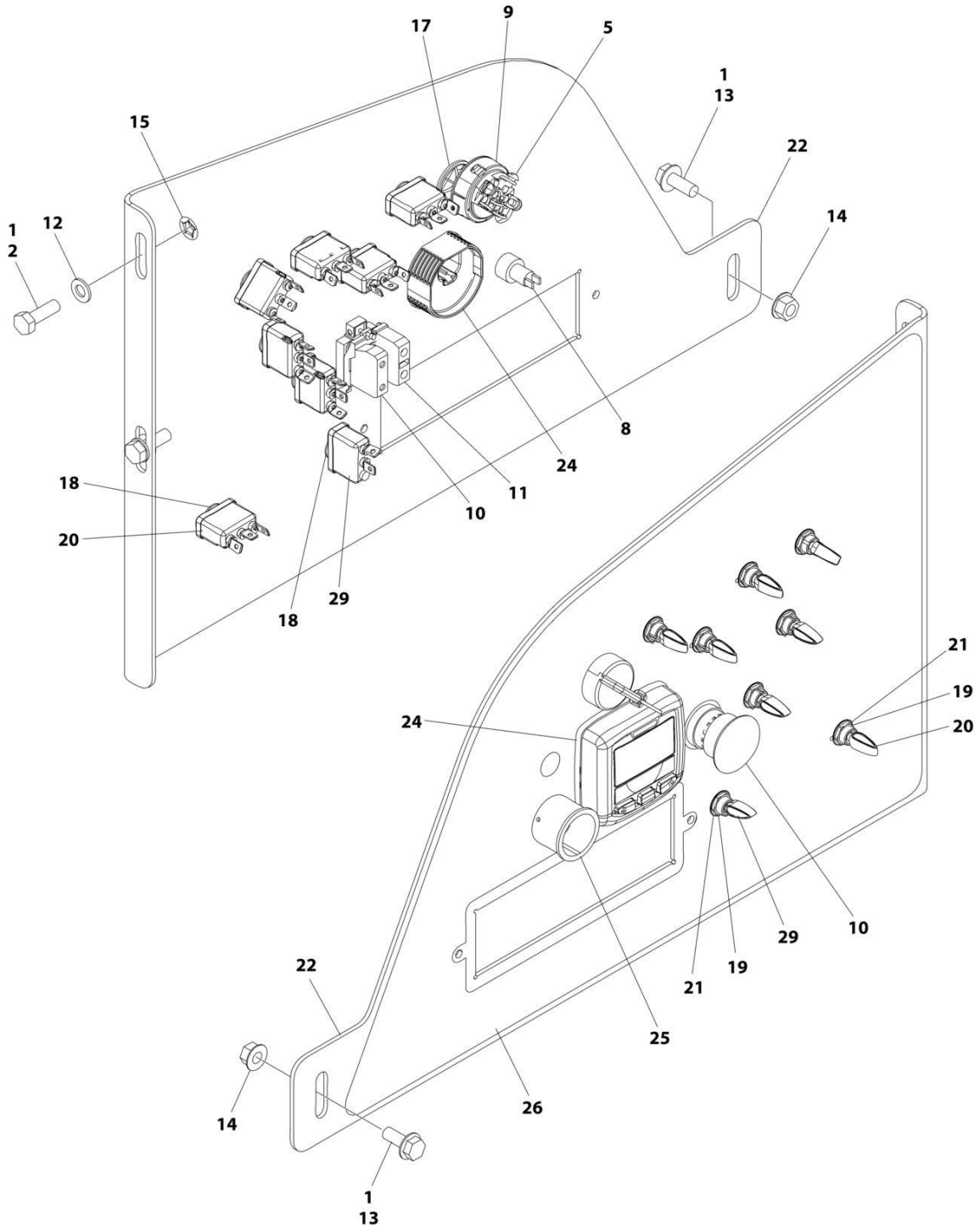
SECTION 2 - TURNTABLE

FIGURE 2-13. DRIVE ORIENTATION INSTALLATION

ITEM	PART NUMBER	QTY	DESCRIPTION	REV
	1001166767	Ref	DRIVE ORIENTATION INSTALLATION	F
1	0100011	AR	Compound, Locking	
2	0761010	3	Bolt M10 x 20	
3	0760608	2	Bolt M6 x 16	
4	1321293	2	Clamp, Cable	
5	3290405	4	Nut M4	
6	3290605	2	Nut M6	
7	4031512	4	Capscrew M4 x 40	
8	4812002	4	Washer M10	
9	4811400	4	Washer M4	
10	4811700	2	Washer M6	
11	4812000	3	Washer M10	
12	8310614	2	Screw M10 x 30	
13	1001119176	2	Switch, Limit	
13	1001129407	1	Receptacle, Female - 4 Position	
13	4460464	4	Pin, Male	
14	1001162106	1	Cam	
15	1001166768	1	Bracket	
16	8881800	AR	Tie-Strap (Not Shown)	

SECTION 2 - TURNTABLE

FIGURE 2-14. GROUND CONTROL ASSEMBLY



ART_1001250486

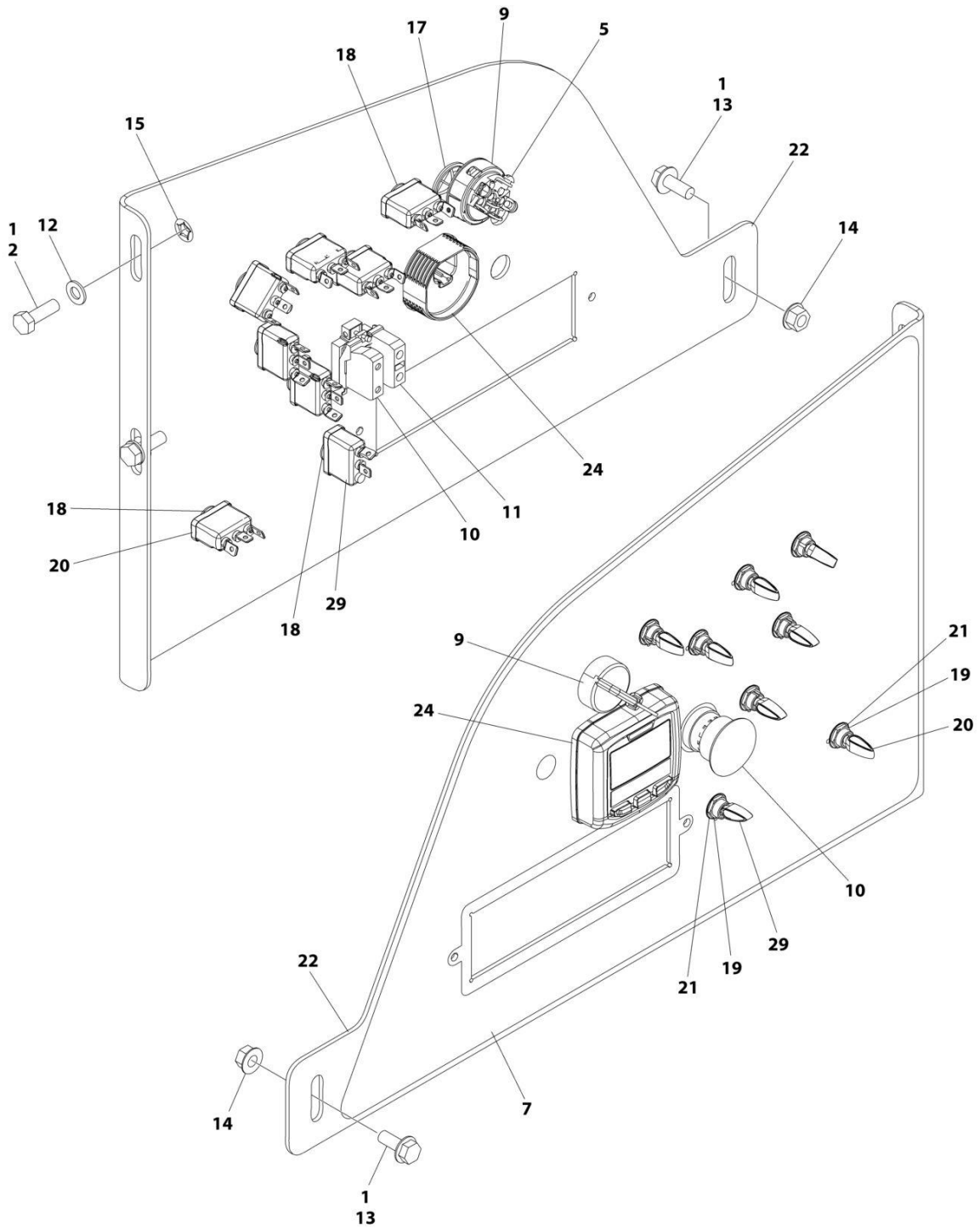
SECTION 2 - TURNTABLE

FIGURE 2-14. GROUND CONTROL ASSEMBLY

ITEM	PART NUMBER	QTY	DESCRIPTION	REV
	1001250486	Ref	GROUND CONTROL ASSEMBLY	D
1	0100011	AR	Compound, Locking	
2	0760812	2	Bolt M8 x 25	
5	3910804	3	Screw M8 x 1/4	
8	4360387	1	Switch, Push Button	
9	4360469	1	Switch, Key	
9	2860030	1	Key, Replacement	
10	4360475	1	Switch, Emergency	
10	7020175	1	Cap	
10	7020176	1	Block, Contact	
11	4360476	1	Block, Contact	
12	4811900	2	Washer M8	
13	5250810	1	Bolt M8 x 20	
14	5260800	1	Nut M8	
15	1001119228	2	Nut M8	
17	1001151393	1	Shim .063	
18	1001155043	8	Washer	
19	1001155044	8	Nut	
20	1001155045	7	Switch, Toggle	
21	1001162807	8	Washer	
22	1001264735	1	Panel, Ground Control	
24	1001171482	1	Gauge, Display	
25	1001176469	1	Shroud, Switch	
26	1001265288	1	Decal - Ground Control	
29	1001159256	1	Switch, Toggle	

SECTION 2 - TURNTABLE

FIGURE 2-15. GROUND CONTROL ASSEMBLY (SN C300000326 through C300000699)



ART_1001258966

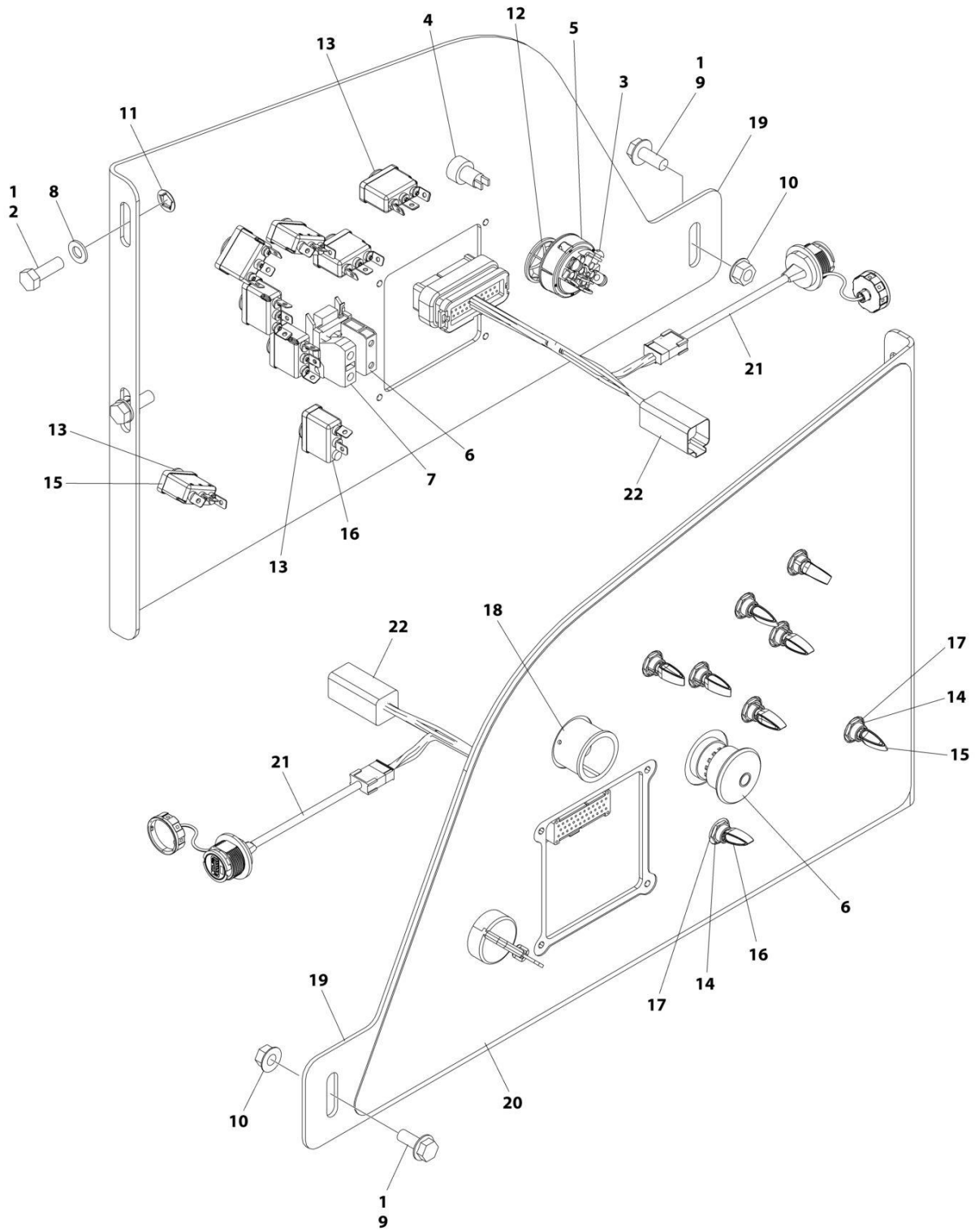
SECTION 2 - TURNTABLE

FIGURE 2-15. GROUND CONTROL ASSEMBLY (SN C300000326 through C300000699)

ITEM	PART NUMBER	QTY	DESCRIPTION	REV
	1001258966	Ref	GROUND CONTROL ASSEMBLY	C
1	0100011	AR	Compound, Locking	
2	0760812	2	Bolt M8 x 25	
5	3910804	3	Screw M8 x 1/4	
7	1001265289	1	Decal - Ground Control	
9	4360469	1	Switch, Key	
9	2860030	1	Key, Replacement	
10	4360475	1	Switch, Emergency	
10	7020175	1	Cap	
10	7020176	1	Block, Contact	
11	4360476	1	Block, Contact	
12	4811900	2	Washer M8	
13	5250810	1	Bolt M8 x 20	
14	5260800	1	Nut M8	
15	1001119228	2	Nut M8	
17	1001151393	1	Shim .063	
18	1001155043	8	Washer	
19	1001155044	8	Nut	
20	1001155045	7	Switch, Toggle	
21	1001162807	8	Washer	
22	1001264735	1	Panel, Ground Control	
24	1001171482	1	Gauge, Display	
29	1001159256	1	Switch, Toggle	

SECTION 2 - TURNTABLE

FIGURE 2-16. GROUND CONTROL ASSEMBLY - WITH 4 INCH DISPLAY



ART_1001260297

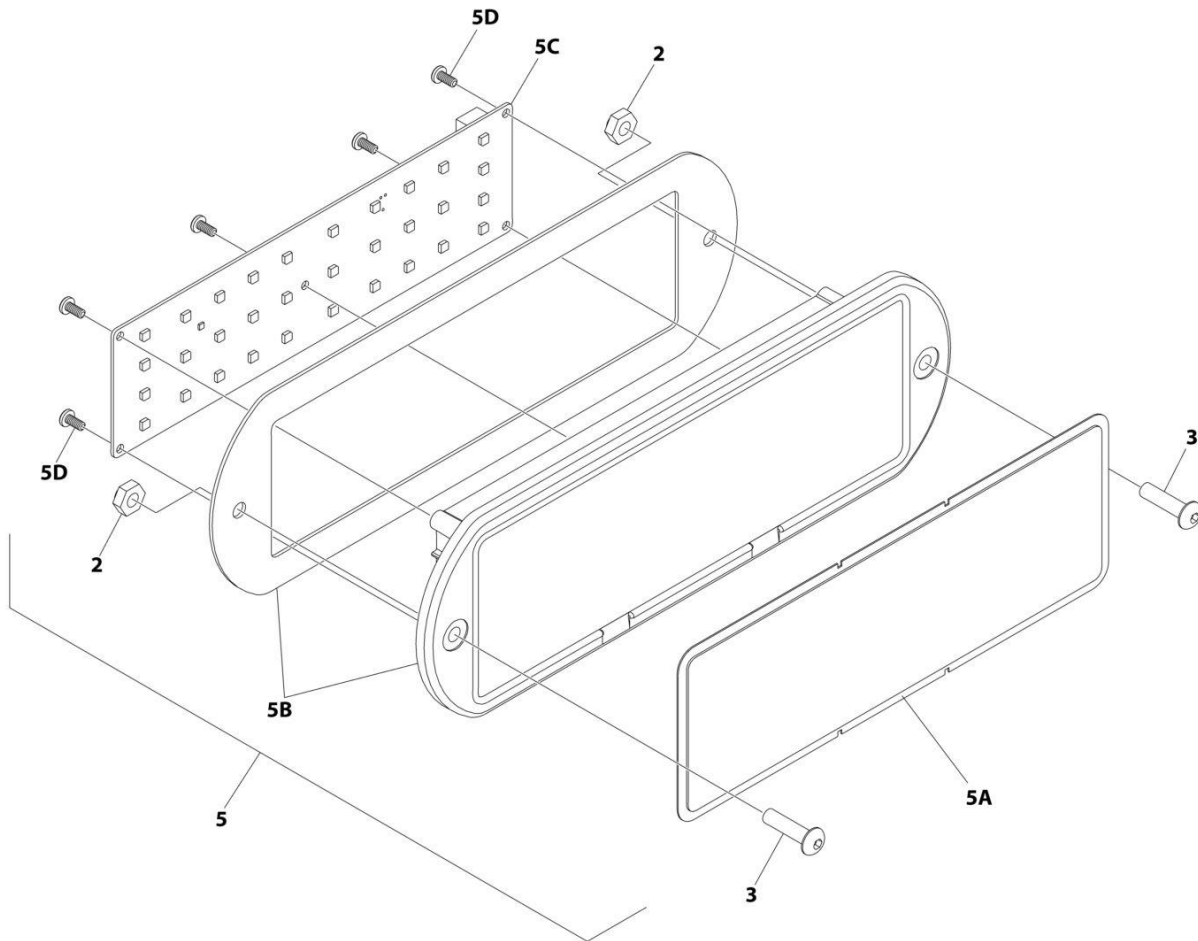
SECTION 2 - TURNTABLE

FIGURE 2-16. GROUND CONTROL ASSEMBLY - WITH 4 INCH DISPLAY

ITEM	PART NUMBER	QTY	DESCRIPTION	REV
	1001260297	Ref	GROUND CONTROL ASSEMBLY	A
1	0100011	AR	Compound, Locking	
2	0760812	2	Bolt M8 x 25	
3	3910804	3	Screw M8 x 1/4	
4	4360387	1	Switch, Push Button	
5	4360469	1	Switch, Key	
5	2860030	1	Key, Replacement	
6	4360475	1	Switch, Emergency	
6	7020175	1	Cap	
6	7020176	1	Block, Contact	
7	4360476	1	Block, Contact	
8	4811900	2	Washer M8	
9	5250810	1	Bolt M8 x 20	
10	5260800	1	Nut M8	
11	1001119228	2	Nut M8	
12	1001151393	1	Shim .063	
13	1001155043	8	Washer M8	
14	1001155044	8	Nut	
15	1001155045	7	Switch, Toggle	
16	1001159256	1	Switch, Toggle	
17	1001162807	8	Washer	
18	1001176469	1	Shroud, Switch	
19	1001260298	1	Panel, Ground Control	
20	1001260299	1	Decal - Ground Control	
21	1001246823	1	USB Receptacle	
22	1001265415	1	Harness, Display Adapter (See Separate Breakdown in ELECTRICAL Section)	

SECTION 2 - TURNTABLE

FIGURE 2-17. LIGHT PANEL INSTALLATION – GROUND CONTROL (SN C30000326 through C30000699)



ART_1001259504_10F2

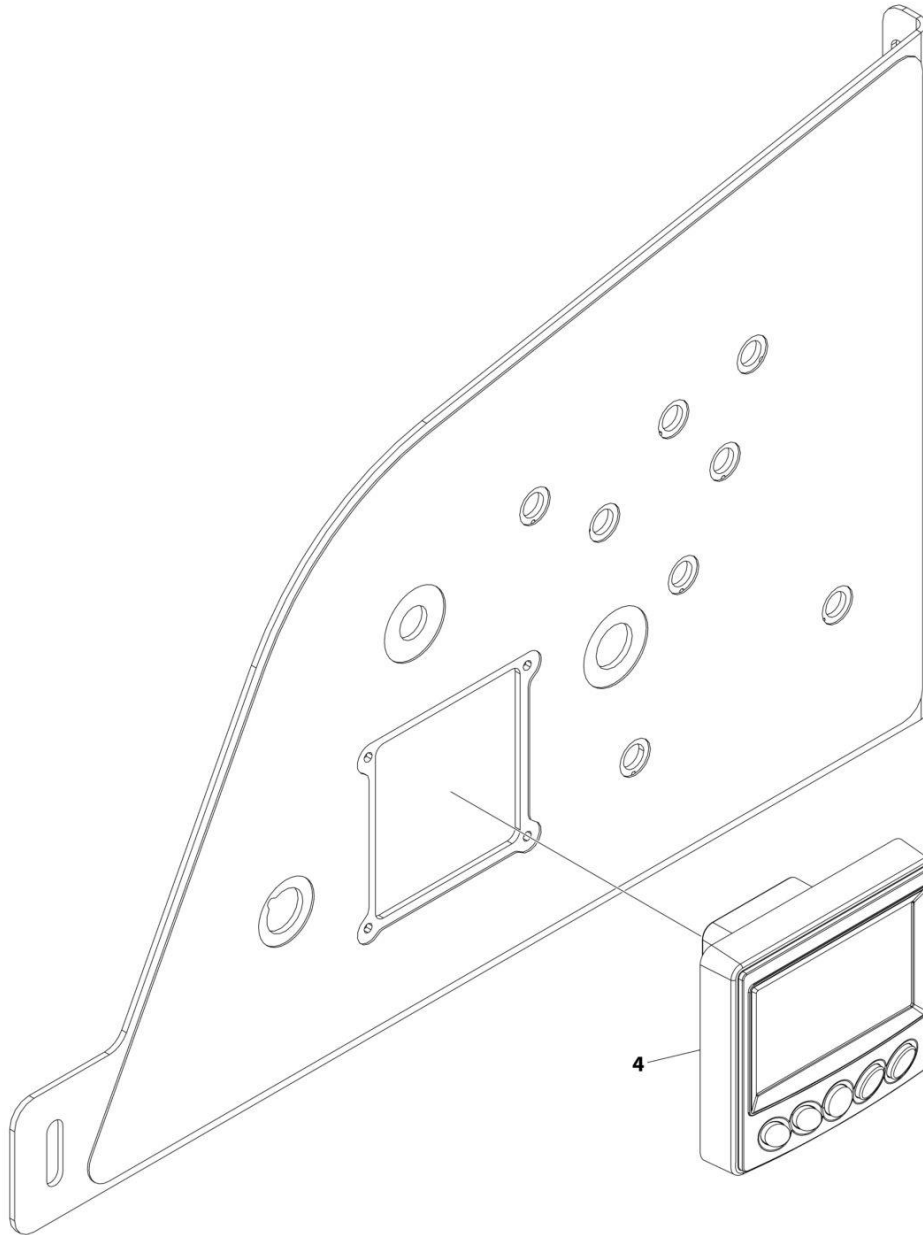
SECTION 2 - TURNTABLE

FIGURE 2-17. LIGHT PANEL INSTALLATION – GROUND CONTROL (SN C300000326 through C300000699)

ITEM	PART NUMBER	QTY	DESCRIPTION	REV
	1001259504	Ref	LIGHT PANEL INSTALLATION - GROUND CONTROL	A
2	3300408	2	Nut, Nylon Insert	
3	0630518	2	Screw #10 x 3/4	
5	1001259492	1	Light Panel Assembly	A
5A	1001245162	1	Lens	
5B	1001259476	1	Bezel (Includes Gasket)	
5C	1001187807	1	Panel, LED Light	
5D		Ref	Screw	

SECTION 2 - TURNTABLE

FIGURE 2-18. LIGHT PANEL INSTALLATION – GROUND CONTROL



ART_1001265145_10F2

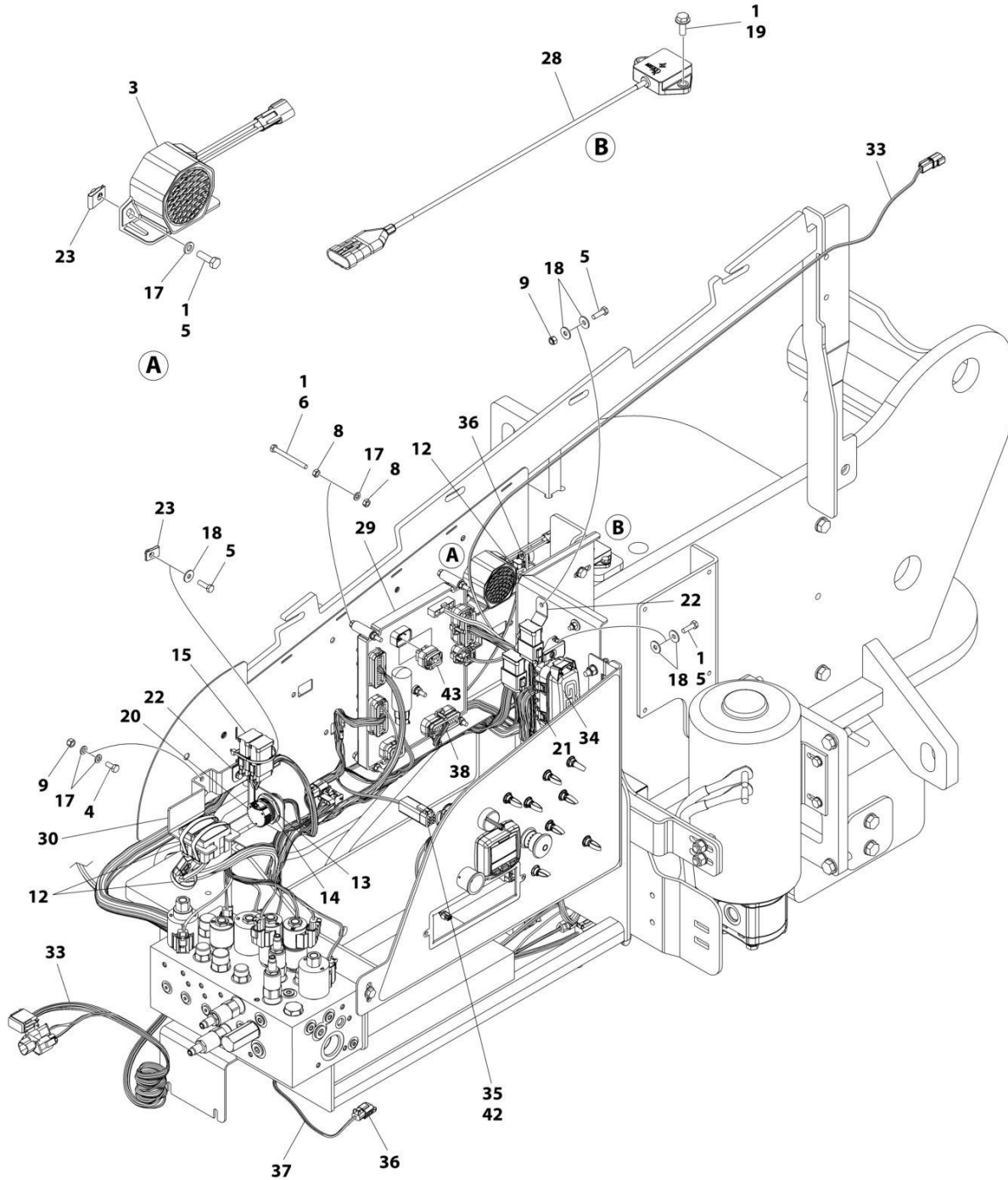
SECTION 2 - TURNTABLE

FIGURE 2-18. LIGHT PANEL INSTALLATION – GROUND CONTROL

ITEM	PART NUMBER	QTY	DESCRIPTION	REV
4	1001265145 1001265029	Ref 1	LIGHT PANEL INSTALLATION - GROUND CONTROL Light Panel Assembly (4inch Display)	A

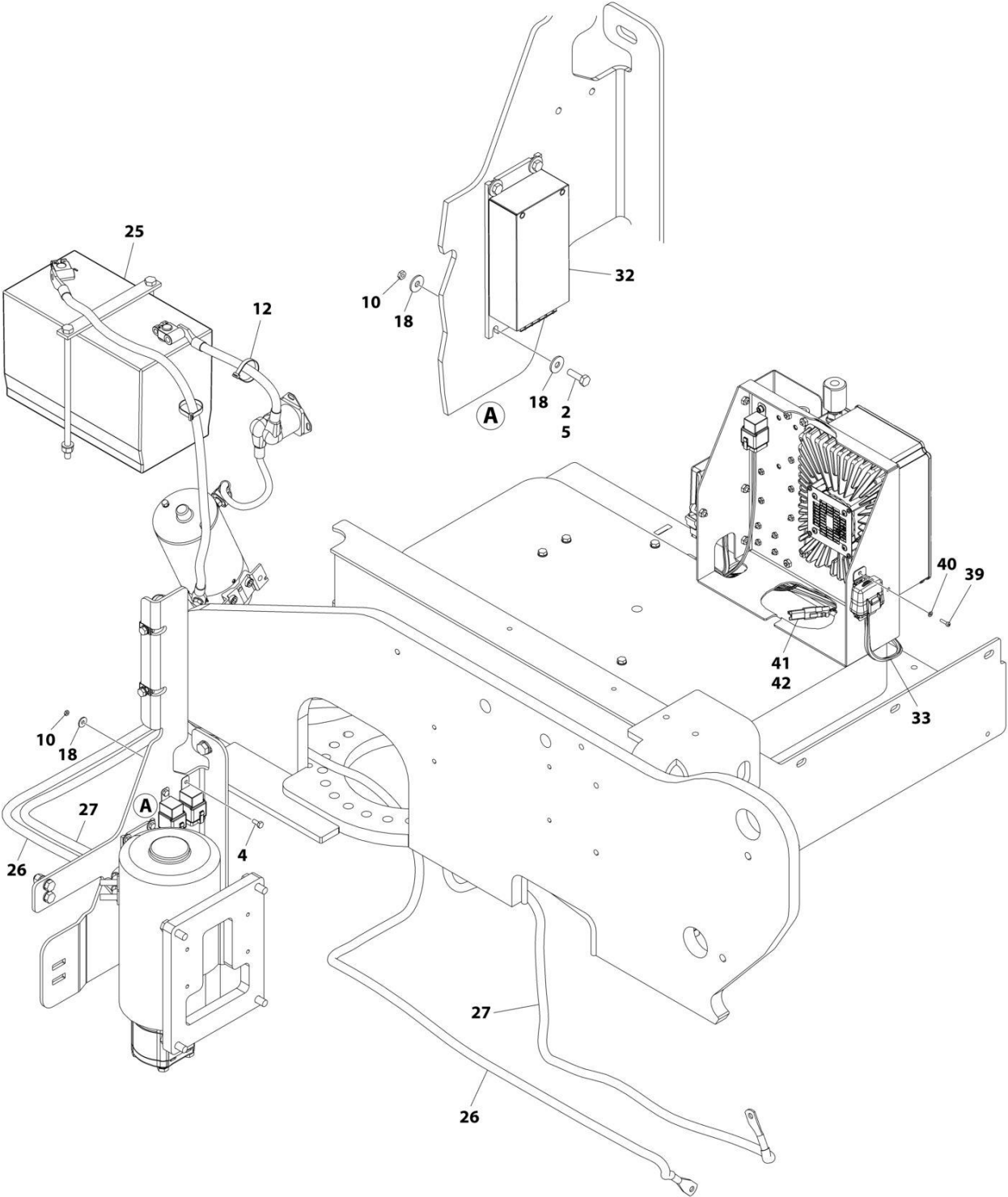
SECTION 2 - TURNTABLE

FIGURE 2-19. ELECTRICAL SYSTEM INSTALLATION (SN C30000326 through C30000699)



ART_1001250946_G_10F2

SECTION 2 - TURNTABLE



ART_1001250946_G_2OF2

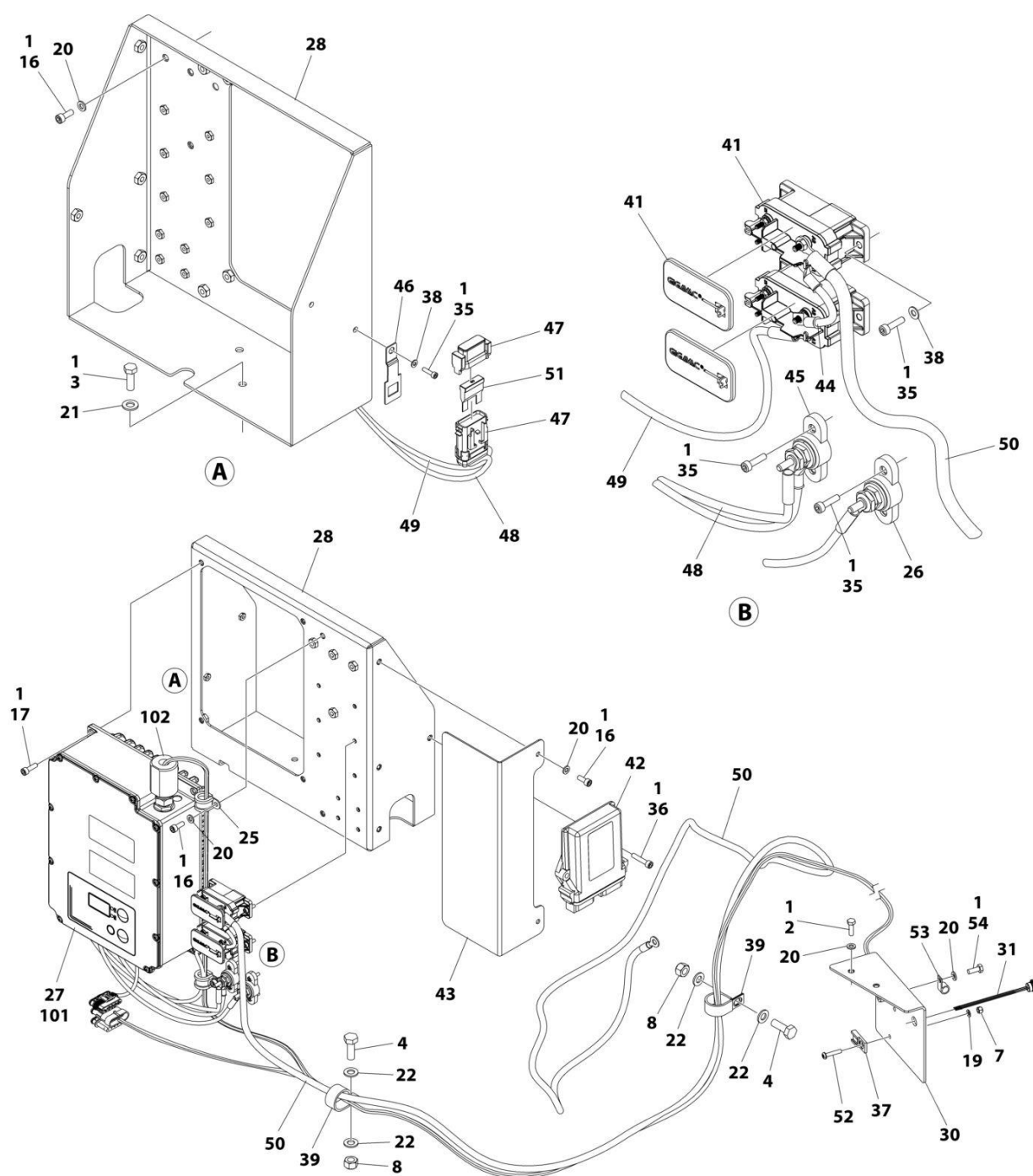
SECTION 2 - TURNTABLE

FIGURE 2-19. ELECTRICAL SYSTEM INSTALLATION (SN C300000326 through C300000699)

ITEM	PART NUMBER	QTY	DESCRIPTION	REV
	1001250946	Ref	ELECTRICAL SYSTEM INSTALLATION	G
1	0100011	AR	Compound, Locking	
2	0100083	AR	Grease	
3	0140043	1	Alarm	
3	4460536	1	Receptacle, Female - 3 Position	
3	4460943	3	Pin, Male	
4	0760607	5	Bolt M6 x 14	
4	0760608	5	Bolt M6 x 16	
5	0760610	12	Bolt M6 x 20	
6	0760621	5	Bolt M6 x 65	
8	3290601	10	Nut M6	
9	3290605	6	Nut M6	
10	3310601	6	Nut #6	
12	4240018	6	Tie-Strap	
13	4460496	1	Washer, Terminal	
14	4460497	1	Nut, Terminal	
15	4460837	2	Bussbar - 12 Position	
17	4811700	18	Washer M6	
18	4811702	21	Washer M6	
19	5250608	2	Bolt M6 x 16	
20	1001106736	1	Cap, Dust	
21	1001119020	2	Bussbar - 12 Position	
22	1001120328	3	Mount	
23	1001130220	3	Nut, Tinnerman M6	
25	1001166316	1	Battery Installation (See Separate Breakdown in this Section)	
26	1001256850	1	Cable, Pump Motor (Positive)	
27	1001256851	1	Cable, Pump Motor (Negative)	
28	1001219601	1	Sensor	
29	1001284340	1	Control, Module	
30	1001201939	1	Bracket	
32	1001249405	1	Electrical Converter Assembly	
33	1001262597	1	Harness, Chassis (See Separate Breakdown in ELECTRICAL Section) (Prior to SN C300000468)	
33	1001286738	1	Harness, Chassis (See Separate Breakdown in ELECTRICAL Section) (SN C300000468 to Present)	
34	1001263849	1	Decal - Fuse Box	
35	4460894	1	Plug, Male - 6 Position	
36	1001144295	2	Cap	
37	1001244294	1	Harness, Main Valve (See Separate Breakdown in ELECTRICAL Section)	
38	1001244295	1	Harness, Ground Control (See Separate Breakdown in ELECTRICAL Section)	
39	4031507	1	Bolt M4 x 16	
40	4811400	1	Washer M4	
41	4460536	1	Connector - 3 Position	
42	4460466	9	Plug, Terminal	
43	1001246859	1	Connector - 14 Position	

SECTION 2 - TURNTABLE

FIGURE 2-20. BATTERY CHARGER INSTALLATION – WITH NO PLUG (SN C300000326 through C300000699)



ART_1001262066

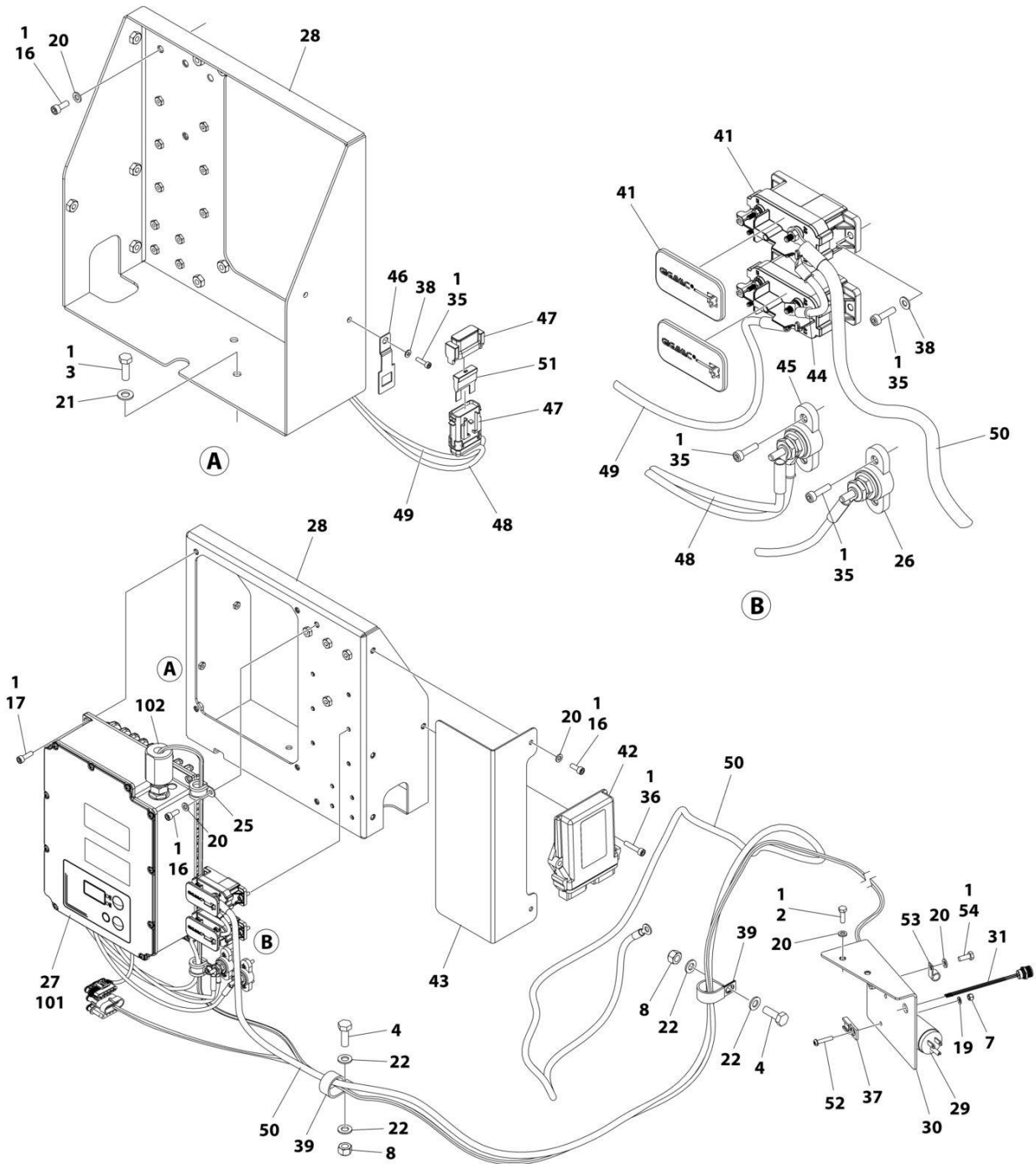
SECTION 2 - TURNTABLE

FIGURE 2-20. BATTERY CHARGER INSTALLATION – WITH NO PLUG (SN C300000326 through C300000699)

ITEM	PART NUMBER	QTY	DESCRIPTION	REV
	1001262066	Ref	BATTERY CHARGER INSTALLATION	B
1	0100011	AR	Compound, Locking	
2	0760610	2	Bolt M6 x 20	
3	0760812	3	Bolt M8 x 25	
4	0761014	2	Bolt M10 x 30	
7	3290505	1	Nut M5	
8	3291005	2	Nut M10	
16	4031707	5	Bolt M6 x 16	
17	4031708	4	Bolt M6 x 20	
19	4811600	1	Washer M5	
20	4811700	8	Washer M6	
21	4811900	3	Washer M8	
22	4812000	4	Washer M10	
25	1001170231	2	Clamp	
26	1001241501	1	Terminal	
27	1001270414	1	Battery Charger Installation (See Items 101 & 102 for Breakdown)	
28	1001247677	1	Bracket	
30	1001251130	1	Bracket	
31	1001263993	1	Light, Indicator	
35	4031507	9	Bolt M4 x 16	
36	4031710	2	Bolt M6 x 30	
37	4460914	1	Mount, Terminal	
38	4811400	5	Washer M4	
39	1001009205	2	Clip	
41	1001222365	2	Relay	
42	1001257445	1	Module, Control	
43	1001257572	1	Cover	
44	1001260534	1	Cable (Charger Relay Jumper)	
45	1001262387	1	Terminal	
46	1001262467	1	Clip	
47	1001262473	1	Holder, Fuse	
48	1001262979	1	Cable (Stud to Relay)	
49	1001262980	1	Cable (Fuse to Relay)	
50	1001265843	1	Cable (Battery Disconnect to Charger Relay)	
51	1001262472	1	Fuse, 60Amp	
52	8310559	1	Screw M5 x 25	
53	1320043	1	Clamp	
54	0760608	1	Bolt M6 x 16	
	1001270414	Ref	Battery Charger Installation	
101	1001247270	1	Charger, Battery	
102	1001270412	1	Connector	

SECTION 2 - TURNTABLE

FIGURE 2-21. BATTERY CHARGER INSTALLATION - 110V (ANSI AND CSA SPECS) (SN C300000326 through C300000699)



ART_1001262064

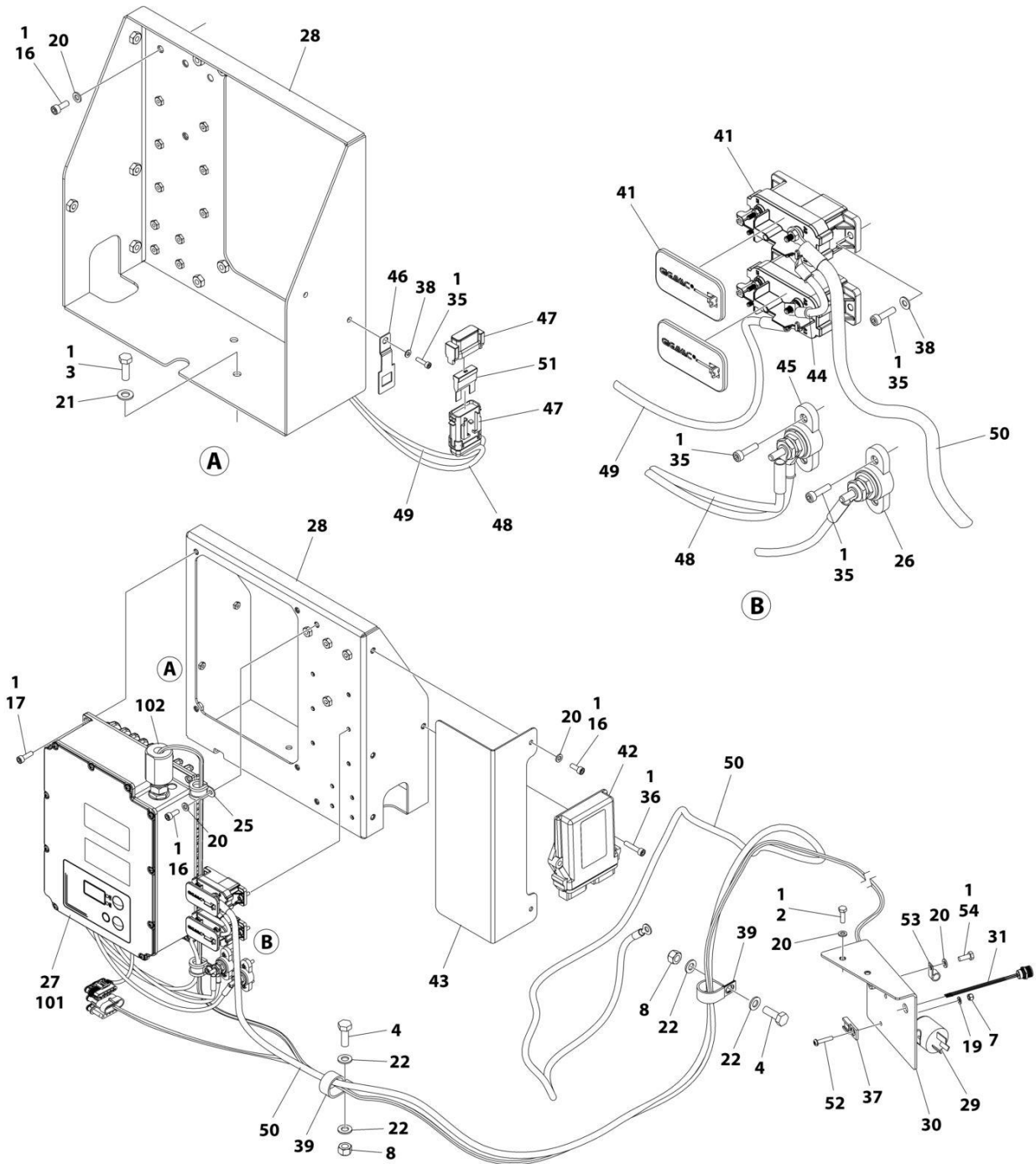
SECTION 2 - TURNTABLE

FIGURE 2-21. BATTERY CHARGER INSTALLATION - 110V (ANSI AND CSA SPECS) (SN C300000326 through C300000699)

ITEM	PART NUMBER	QTY	DESCRIPTION	REV
	1001262064	Ref	BATTERY CHARGER INSTALLATION	B
1	0100011	AR	Compound, Locking	
2	0760610	2	Bolt M6 x 20	
3	0760812	3	Bolt M8 x 25	
4	0761014	2	Bolt M10 x 30	
7	3290505	1	Nut M5	
8	3291005	2	Nut M10	
16	4031707	5	Bolt M6 x 16	
17	4031708	4	Bolt M6 x 20	
19	4811600	1	Washer M5	
20	4811700	8	Washer M6	
21	4811900	3	Washer M8	
22	4812000	4	Washer M10	
25	1001170231	2	Clamp	
26	1001241501	1	Terminal	
27	1001270414	1	Battery Charger Installation (See Items 101 & 102 for Breakdown)	
28	1001247677	1	Bracket	
29	4460138	1	Plug, Male	
30	1001251130	1	Bracket	
31	1001263993	1	Light, Indicator	
35	4031507	9	Bolt M4 x 16	
36	4031710	2	Bolt M6 x 30	
37	4460914	1	Mount, Terminal	
38	4811400	5	Washer M4	
39	1001009205	2	Clip	
41	1001222365	2	Relay	
42	1001257445	1	Module, Control	
43	1001257572	1	Cover	
44	1001260534	1	Cable (Charger Relay Jumper)	
45	1001262387	1	Terminal	
46	1001262467	1	Clip	
47	1001262473	1	Holder, Fuse	
48	1001262979	1	Cable (Stud to Relay)	
49	1001262980	1	Cable (Fuse to Relay)	
50	1001265843	1	Cable (Battery Disconnect to Charger Relay)	
51	1001262472	1	Fuse, 60Amp	
52	8310559	1	Screw M5 x 25	
53	1320043	1	Clamp	
54	0760608	1	Bolt M6 x 16	
	1001270414	Ref	Battery Charger Installation	A
101	1001247270	1	Charger, Battery	
102	1001270412	1	Connector	

SECTION 2 - TURNTABLE

FIGURE 2-22. BATTERY CHARGER INSTALLATION - 220V (AUSTRALIAN SPECS) (SN C300000326 through C300000699)



ART_1001262065

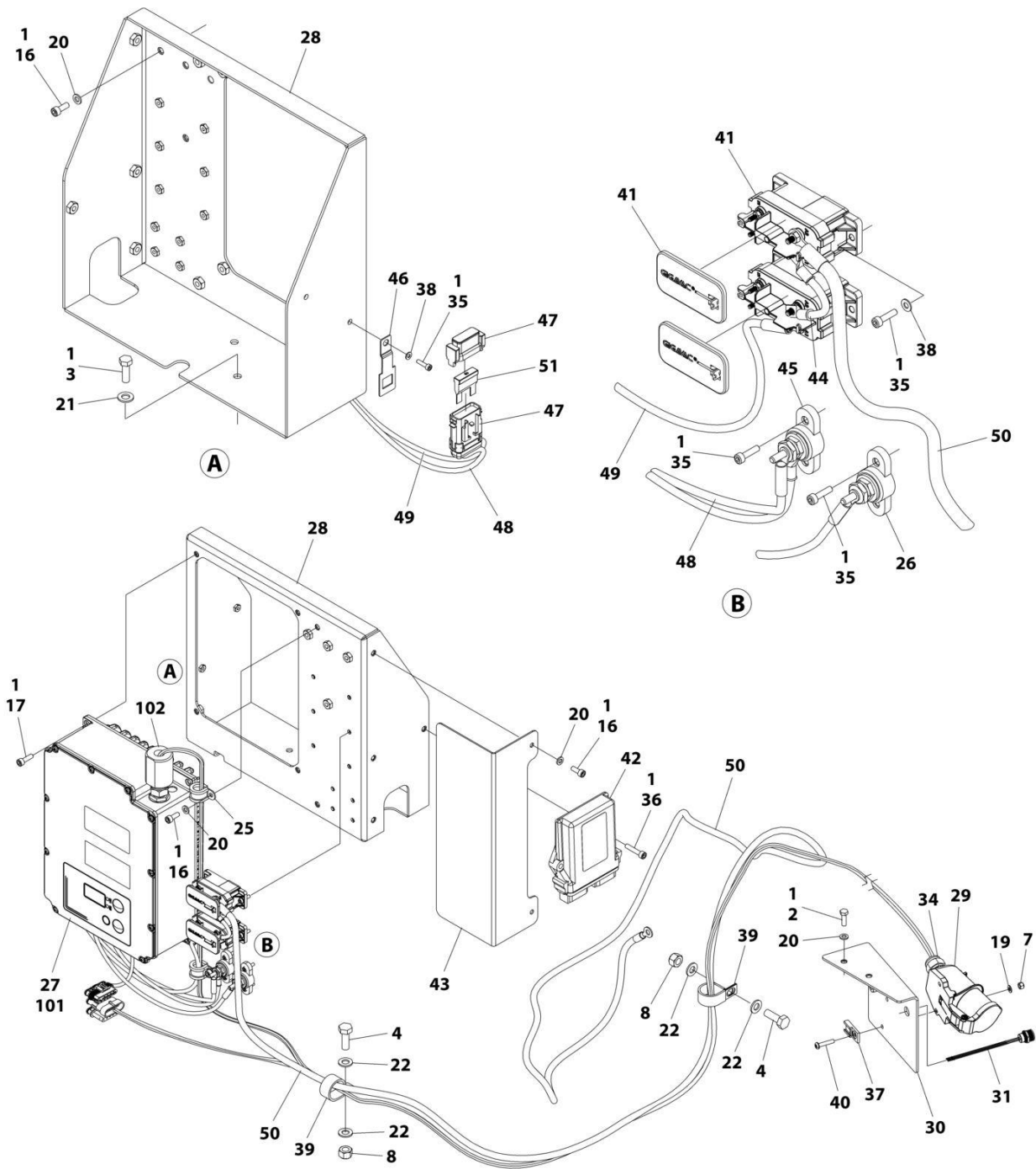
SECTION 2 - TURNTABLE

FIGURE 2-22. BATTERY CHARGER INSTALLATION - 220V (AUSTRALIAN SPECS) (SN C300000326 through C300000699)

ITEM	PART NUMBER	QTY	DESCRIPTION	REV
	1001262065	Ref	BATTERY CHARGER INSTALLATION	B
1	0100011	AR	Compound, Locking	
2	0760610	2	Bolt M6 x 20	
3	0760812	3	Bolt M8 x 25	
4	0761014	2	Bolt M10 x 30	
7	3290505	1	Nut M5	
8	3291005	2	Nut M10	
16	4031707	5	Bolt M6 x 16	
17	4031708	4	Bolt M6 x 20	
19	4811600	1	Washer M5	
20	4811700	8	Washer M6	
21	4811900	3	Washer M8	
22	4812000	4	Washer M10	
25	1001170231	2	Clamp	
26	1001241501	1	Terminal	
27	1001270414	1	Battery Charger Installation (See Items 101 & 102 for Breakdown)	
28	1001247677	1	Bracket	
29	4460805	1	Plug, Male	
30	1001251130	1	Bracket	
31	1001263993	1	Light, Indicator	
35	4031507	9	Bolt M4 x 16	
36	4031710	2	Bolt M6 x 30	
37	4460914	1	Mount, Terminal	
38	4811400	5	Washer M4	
39	1001009205	2	Clip	
41	1001222365	2	Relay	
42	1001257445	1	Module, Control	
43	1001257572	1	Cover	
44	1001260534	1	Cable (Charger Relay Jumper)	
45	1001262387	1	Terminal	
46	1001262467	1	Clip	
47	1001262473	1	Holder, Fuse	
48	1001262979	1	Cable (Stud to Relay)	
49	1001262980	1	Cable (Fuse to Relay)	
50	1001265843	1	Cable (Battery Disconnect to Charger Relay)	
51	1001262472	1	Fuse, 60Amp	
52	8310559	1	Screw M5 x 25	
53	1320043	1	Clamp	
54	0760608	1	Bolt M6 x 16	
	1001270414	Ref	Battery Charger Installation	A
101	1001247270	1	Charger, Battery	
102	1001270412	1	Connector	

SECTION 2 - TURNTABLE

FIGURE 2-23. BATTERY CHARGER INSTALLATION (SN C300000326 through C300000699)



ART_1001250950

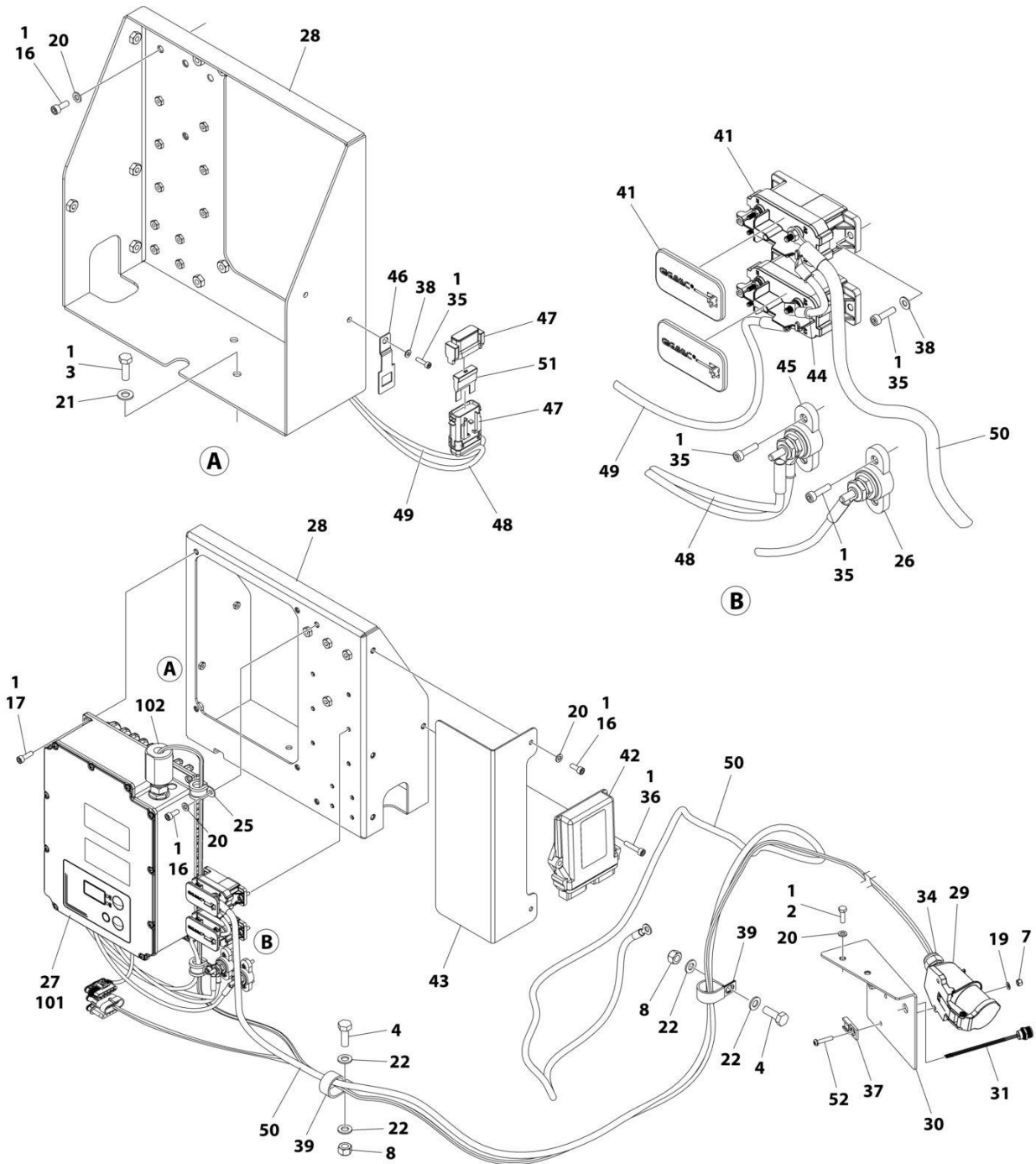
SECTION 2 - TURNTABLE

FIGURE 2-23. BATTERY CHARGER INSTALLATION (SN C300000326 through C300000699)

ITEM	PART NUMBER	QTY	DESCRIPTION	REV
	1001250950	Ref	BATTERY CHARGER INSTALLATION	C
1	0100011	AR	Compound, Locking	
2	0760610	2	Bolt M6 x 20	
3	0760812	3	Bolt M8 x 25	
4	0761014	2	Bolt M10 x 30	
7	3290505	2	Nut M5	
8	3291005	2	Nut M10	
16	4031707	5	Bolt M6 x 16	
17	4031708	4	Bolt M6 x 20	
19	4811600	2	Washer M5	
20	4811700	7	Washer M6	
21	4811900	3	Washer M8	
22	4812000	4	Washer M10	
25	1001170231	2	Clamp	
26	1001241501	1	Terminal	
27	1001270414	1	Battery Charger Installation (See Items 101 & 102 for Breakdown)	
28	1001247677	1	Bracket	
29	1001249236	1	Connector	
30	1001251130	1	Bracket	
31	1001263993	1	Light, Indicator	
34	E900051	1	Connector, Strain Relief	
35	4031507	9	Bolt M4 x 16	
36	4031710	2	Bolt M6 x 30	
37	4460914	1	Mount, Terminal	
38	4811400	5	Washer M4	
39	1001009205	2	Clip	
40	8310559	2	Screw M5 x 25	
41	1001222365	2	Relay	
42	1001257445	1	Module, Control	
43	1001257572	1	Cover	
44	1001260534	1	Cable (Charger Relay Jumper)	
45	1001262387	1	Terminal	
46	1001262467	1	Clip	
47	1001262473	1	Holder, Fuse	
48	1001262979	1	Cable (Stud to Relay)	
49	1001262980	1	Cable (Fuse to Relay)	
50	1001265843	1	Cable (Battery Disconnect to Charger Relay)	
51	1001262472	1	Fuse, 60Amp	
	1001270414	Ref	Battery Charger Installation	A
101	1001247270	1	Charger, Battery	
102	1001270412	1	Connector	

SECTION 2 - TURNTABLE

FIGURE 2-24. BATTERY CHARGER INSTALLATION – WITH 110 IEC PLUG (YELLOW) (CE & UK CA SPECS) (SN C300000326 through C300000699)



ART_1001262061

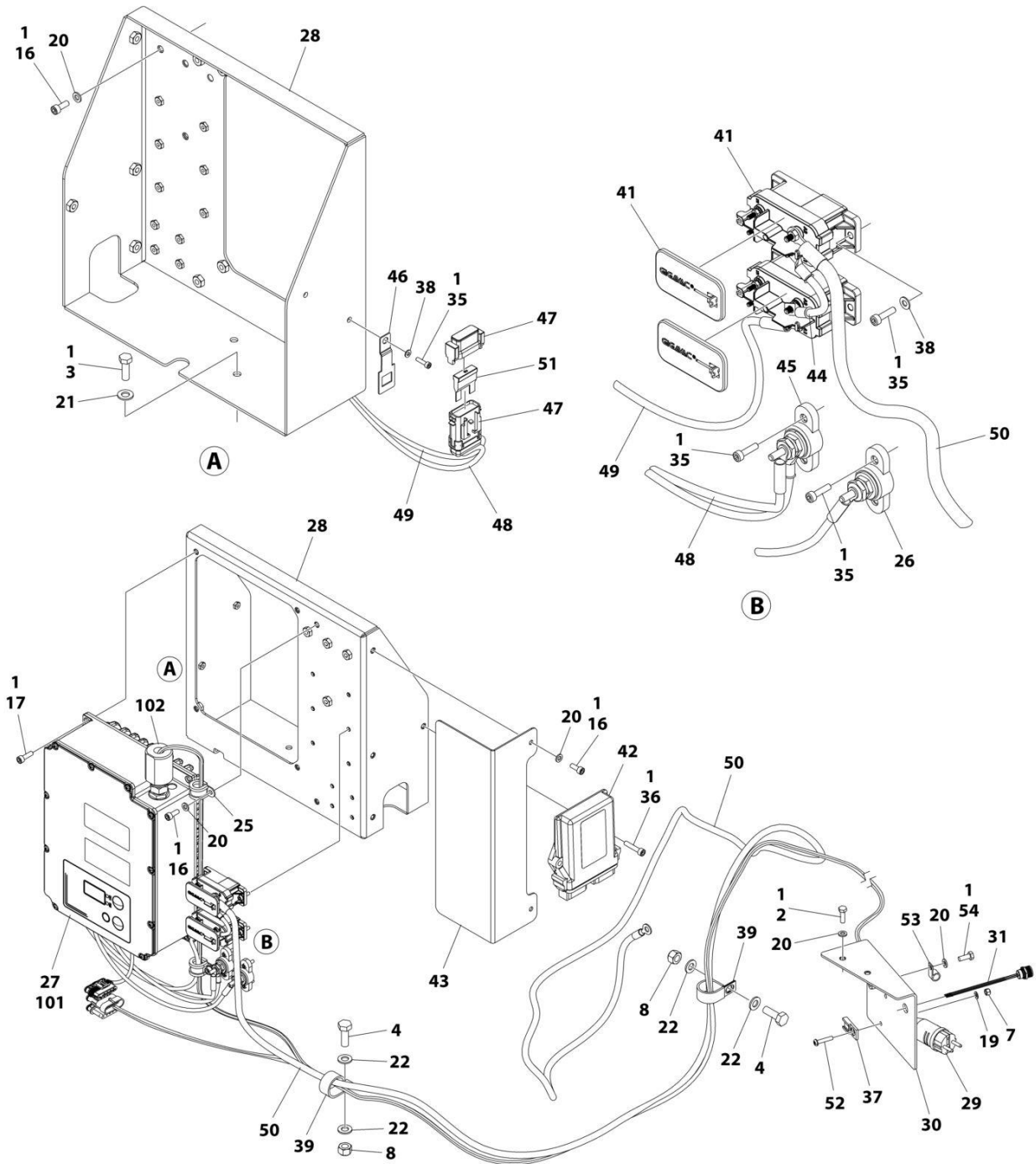
SECTION 2 - TURNTABLE

FIGURE 2-24. BATTERY CHARGER INSTALLATION – WITH 110 IEC PLUG (YELLOW) (CE & UK CA SPECS) (SN C300000326 through C300000699)

ITEM	PART NUMBER	QTY	DESCRIPTION	REV
	1001262061	Ref	BATTERY CHARGER INSTALLATION	B
1	0100011	AR	Compound, Locking	
2	0760610	2	Bolt M6 x 20	
3	0760812	3	Bolt M8 x 25	
4	0761014	2	Bolt M10 x 30	
7	3290505	2	Nut M5	
8	3291005	2	Nut M10	
16	4031707	5	Bolt M6 x 16	
17	4031708	4	Bolt M6 x 20	
19	4811600	2	Washer M5	
20	4811700	7	Washer M6	
21	4811900	3	Washer M8	
22	4812000	4	Washer M10	
25	1001170231	2	Clamp	
26	1001241501	1	Terminal	
27	1001270414	1	Battery Charger Installation (See Items 101 & 102 for Breakdown)	
28	1001247677	1	Bracket	
29	1001262067	1	Connector	
30	1001251130	1	Bracket	
31	1001263993	1	Light, Indicator	
34	E900051	1	Gland, Cable M20	
35	4031507	9	Bolt M4 x 16	
36	4031710	2	Bolt M6 x 30	
37	4460914	1	Mount, Terminal	
38	4811400	5	Washer M4	
39	1001009205	2	Clip	
41	1001222365	2	Relay	
42	1001257445	1	Module, Control	
43	1001257572	1	Cover	
44	1001260534	1	Cable (Charger Relay Jumper)	
45	1001262387	1	Terminal	
46	1001262467	1	Clip	
47	1001262473	1	Holder, Fuse	
48	1001262979	1	Cable (Stud to Relay)	
49	1001262980	1	Cable (Fuse to Relay)	
50	1001265843	1	Cable (Battery Disconnect to Charger Relay)	
51	1001262472	1	Fuse, 60Amp	
52	8310559	2	Screw M5 x 25	
	1001270414	Ref	Battery Charger Installation	A
101	1001247270	1	Charger, Battery	
102	1001270412	1	Connector	

SECTION 2 - TURNTABLE

FIGURE 2-25. BATTERY CHARGER INSTALLATION – WITH CEE7 PLUG (YELLOW) (CE & UK CA SPECS) (SN C300000326 through C300000699)



ART_1001262062

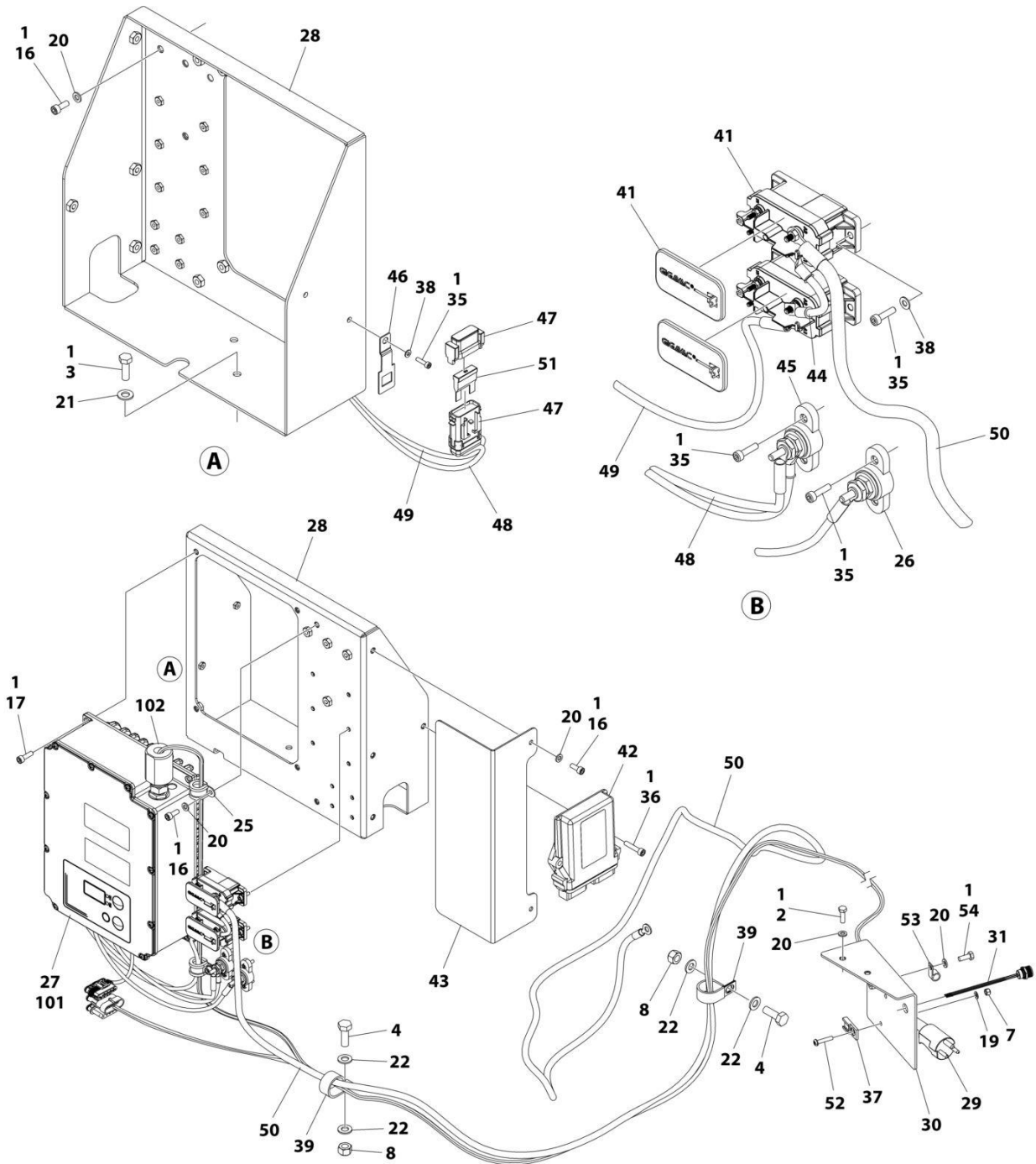
SECTION 2 - TURNTABLE

FIGURE 2-25. BATTERY CHARGER INSTALLATION – WITH CEE7 PLUG (YELLOW) (CE & UK CA SPECS) (SN C30000326 through C30000699)

ITEM	PART NUMBER	QTY	DESCRIPTION	REV
	1001262062	Ref	BATTERY CHARGER INSTALLATION	B
1	0100011	AR	Compound, Locking	
2	0760610	2	Bolt M6 x 20	
3	0760812	3	Bolt M8 x 25	
4	0761014	2	Bolt M10 x 30	
7	3290505	2	Nut M5	
8	3291005	2	Nut M10	
16	4031707	5	Bolt M6 x 16	
17	4031708	4	Bolt M6 x 20	
19	4811600	1	Washer M5	
20	4811700	8	Washer M6	
21	4811900	3	Washer M8	
22	4812000	4	Washer M10	
25	1001170231	2	Clamp	
26	1001241501	1	Terminal	
27	1001270414	1	Battery Charger Installation (See Items 101 & 102 for Breakdown)	
28	1001247677	1	Bracket	
29	4461205	1	Plug, Male	
30	1001251130	1	Bracket	
31	1001263993	1	Light, Indicator	
35	4031507	9	Bolt M4 x 16	
36	4031710	2	Bolt M6 x 30	
37	4460914	1	Mount, Terminal	
38	4811400	5	Washer M4	
39	1001009205	2	Clip	
41	1001222365	2	Relay	
42	1001257445	1	Module, Control	
43	1001257572	1	Cover	
44	1001260534	1	Cable (Charger Relay Jumper)	
45	1001262387	1	Terminal	
46	1001262467	1	Clip	
47	1001262473	1	Holder, Fuse	
48	1001262979	1	Cable (Stud to Relay)	
49	1001262980	1	Cable (Fuse to Relay)	
50	1001265843	1	Cable (Battery Disconnect to Charger Relay)	
51	1001262472	1	Fuse, 60Amp	
52	8310559	1	Screw M5 x 25	
53	1320043	1	Clamp	
54	0760608	1	Bolt M6 x 16	
	1001270414	Ref	Battery Charger Installation	A
101	1001247270	1	Charger, Battery	
102	1001270412	1	Connector	

SECTION 2 - TURNTABLE

FIGURE 2-26. BATTERY CHARGER INSTALLATION – WITH ASFINT KEYED PLUG (YELLOW) (CE & UK CA SPECS) (SN C300000326 through C300000699)



ART_1001262063

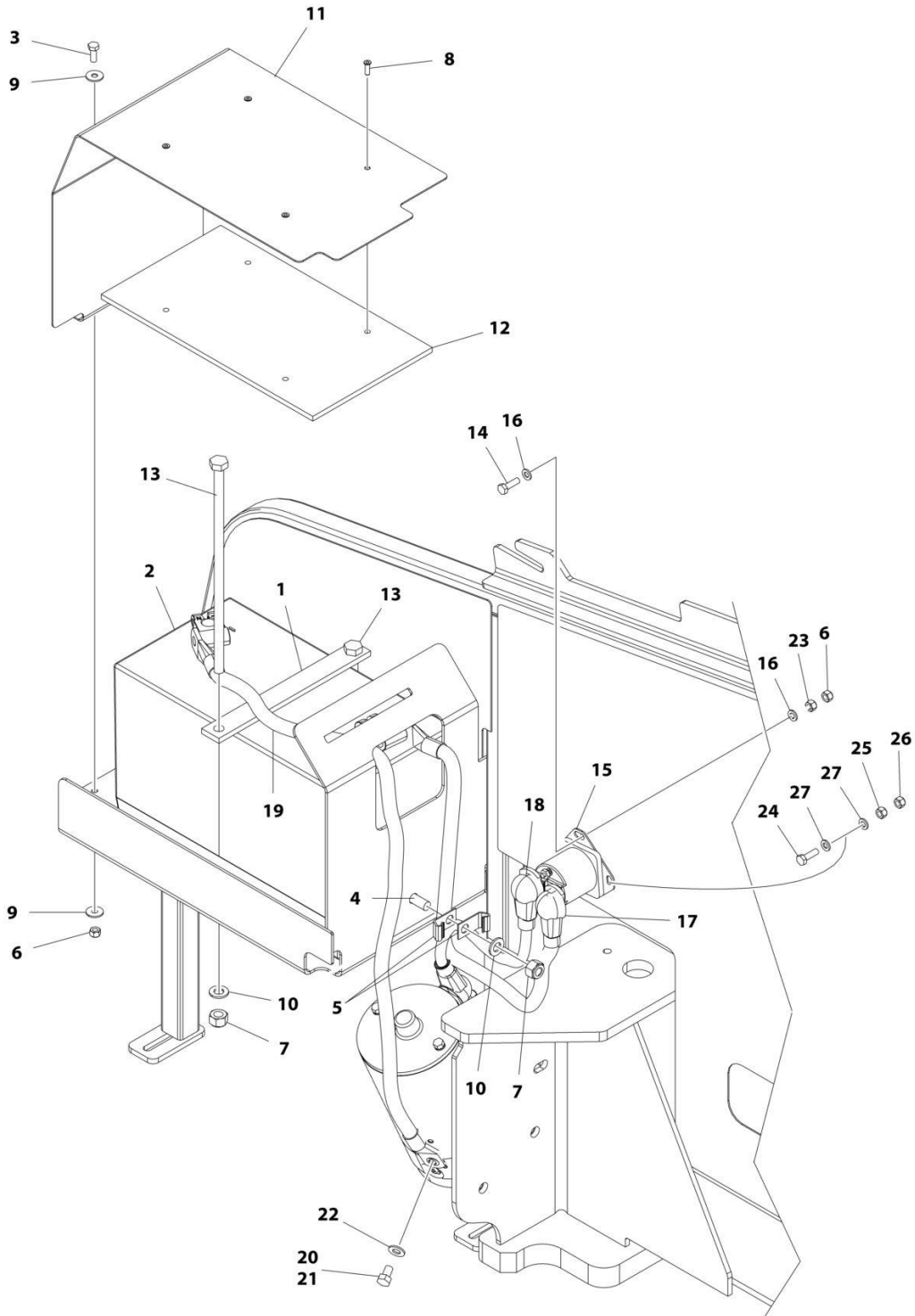
SECTION 2 - TURNTABLE

FIGURE 2-26. BATTERY CHARGER INSTALLATION – WITH ASFINT KEYED PLUG (YELLOW) (CE & UK CA SPECS) (SN C300000326 through C300000699)

ITEM	PART NUMBER	QTY	DESCRIPTION	REV
	1001262063	Ref	BATTERY CHARGER INSTALLATION	B
1	0100011	AR	Compound, Locking	
2	0760610	2	Bolt M6 x 20	
3	0760812	3	Bolt M8 x 25	
4	0761014	2	Bolt M10 x 30	
7	3290505	1	Nut M5	
8	3291005	2	Nut M10	
16	4031707	5	Bolt M6 x 16	
17	4031708	4	Bolt M6 x 20	
19	4811600	1	Washer M5	
20	4811700	8	Washer M6	
21	4811900	3	Washer M8	
22	4812000	4	Washer M10	
25	1001170231	2	Clamp	
26	1001241501	1	Terminal	
27	1001270414	1	Battery Charger Installation (See Items 101 & 102 for Breakdown)	
28	1001247677	1	Bracket	
29	4461205	1	Plug, Male	
30	1001251130	1	Bracket	
31	1001263993	1	Light, Indicator	
35	4031507	9	Bolt M4 x 16	
36	4031710	2	Bolt M6 x 30	
37	4460914	1	Mount, Terminal	
38	4811400	5	Washer M4	
39	1001009205	2	Clip	
41	1001222365	2	Relay	
42	1001257445	1	Module, Control	
43	1001257572	1	Cover	
44	1001260534	1	Cable (Charger Relay Jumper)	
45	1001262387	1	Terminal	
46	1001262467	1	Clip	
47	1001262473	1	Holder, Fuse	
48	1001262979	1	Cable (Stud to Relay)	
49	1001262980	1	Cable (Fuse to Relay)	
50	1001265843	1	Cable (Battery Disconnect to Charger Relay)	
51	1001262472	1	Fuse, 60Amp	
52	8310559	1	Screw M5 x 25	
53	1320043	1	Clamp	
54	0760608	1	Bolt M6 x 16	
	1001270414	Ref	Battery Charger Installation	A
101	1001247270	1	Charger, Battery	
102	1001270412	1	Connector	

SECTION 2 - TURNTABLE

FIGURE 2-27. BATTERY AND CABLE INSTALLATION (SN C300000326 through C300000699)



ART_1001166316

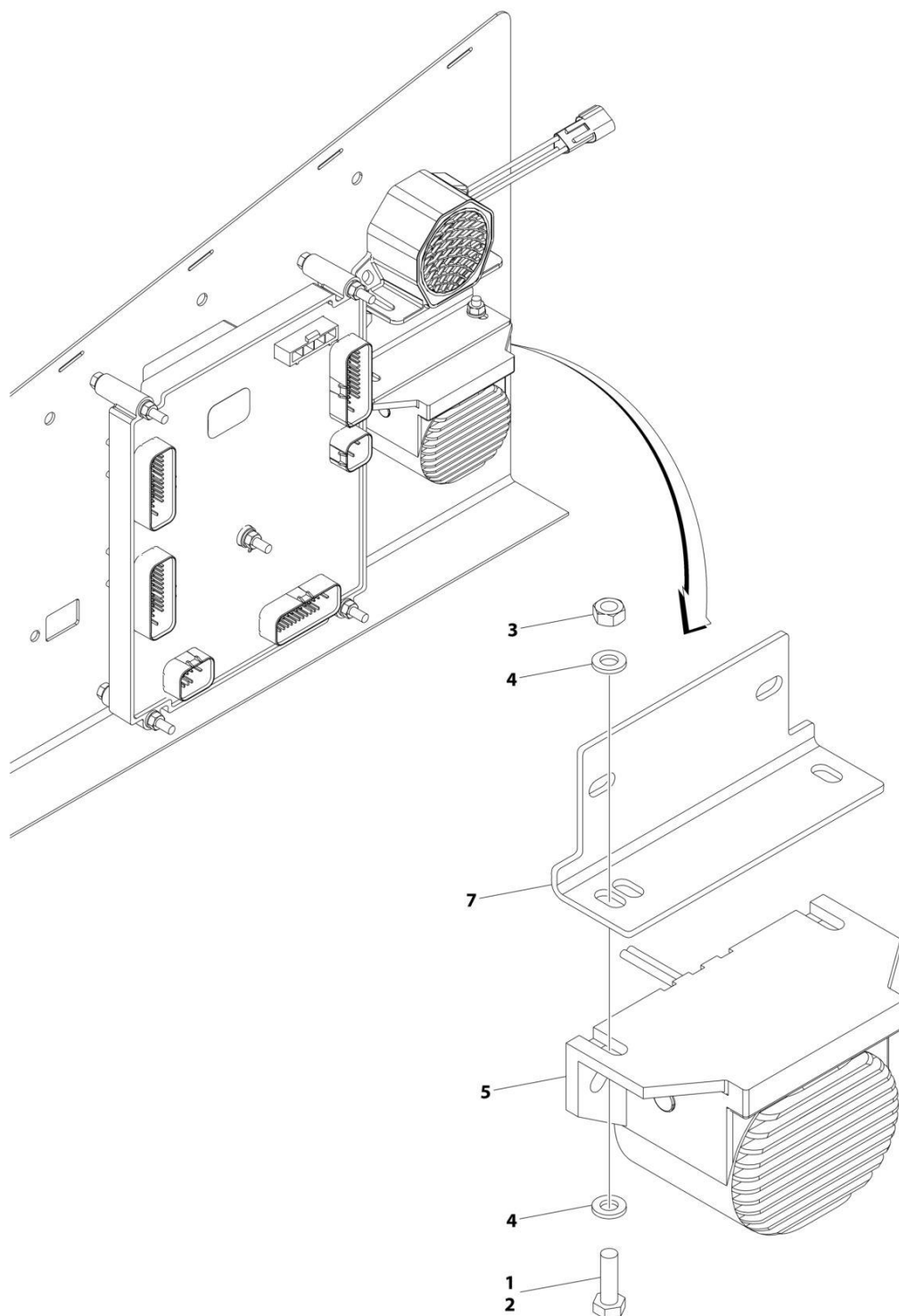
SECTION 2 - TURNTABLE

FIGURE 2-27. BATTERY AND CABLE INSTALLATION (SN C300000326 through C300000699)

ITEM	PART NUMBER	QTY	DESCRIPTION	REV
	1001166316	Ref	BATTERY AND CABLE INSTALLATION	G
1	0361810	1	Bar, Hold-down	
2	0400075	1	Battery	
3	0760610	2	Bolt M6 x 20	
4	0761012	1	Bolt M10 x 25	
5	1320223	2	J-Clip	
6	3290605	3	Nut M6	
7	3291005	3	Nut M10	
8	3820032	4	Rivet	
9	4811702	4	Washer M6	
10	4812000	4	Washer M10	
11	1001117240	1	Cover	
12	1001119278	1	Insulation	
13	1001119280	2	Bolt M16 x 260	
14	0760612	1	Bolt M6 x 25	
15	3740067	1	Relay	
15	3300220	2	Nut 3/8	
15	1001111424	2	Washer 3/8	
15	3321001	1	Nut #10	
15	4761000	1	Washer #10	
16	4811700	2	Washer M6	
17	1001171678	1	Cable, Battery (Positive + to Aux Relay)	
18	1001171679	1	Cable, Battery (Aux Relay to Aux Pump)	
19	1001171680	1	Cable, Battery (Negative – to Aux Pump)	
20	0100011	AR	Compound, Locking	
21	0641504	1	Bolt 5/16 x 1/2	
22	4711500	1	Washer 5/16	
23	3290601	2	Nut M6	
24	0760512	1	Bolt M5 x 25	
25	3290501	1	Nut M5	
26	3290505	1	Nut M5	
27	4811600	2	Washer M5	

SECTION 2 - TURNTABLE

FIGURE 2-28. ALARM WHITE NOISE INSTALLATION



ART_1001209617

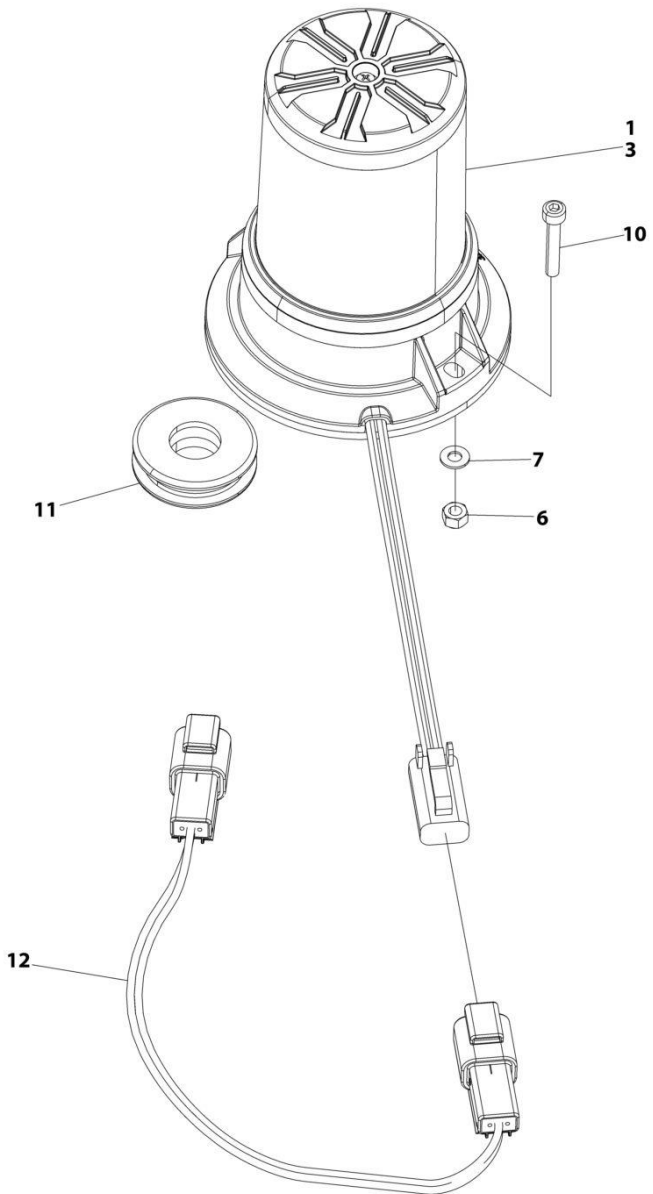
SECTION 2 - TURNTABLE

FIGURE 2-28. ALARM WHITE NOISE INSTALLATION

ITEM	PART NUMBER	QTY	DESCRIPTION	REV
	1001209617	Ref	WHITE NOISE AMBIENT ALARM INSTALLATION	C
1	0100011	AR	Compound, Locking	
2	0760610	2	Bolt M6 x 20	
3	3290601	2	Nut M6	
4	4811700	4	Washer M6	
5	1001182806	1	Alarm	
6	1001190663	1	Harness, Jumper (Not Shown)	
6	4460891	1	Connector – 2 Position	
6	4460465	2	Socket, Female	
6	4460871	2	Socket, Female	
7	1001231886	1	Plate	

SECTION 2 - TURNTABLE

FIGURE 2-29. BEACON LIGHT INSTALLATION - AMBER



ART_1001174976_E

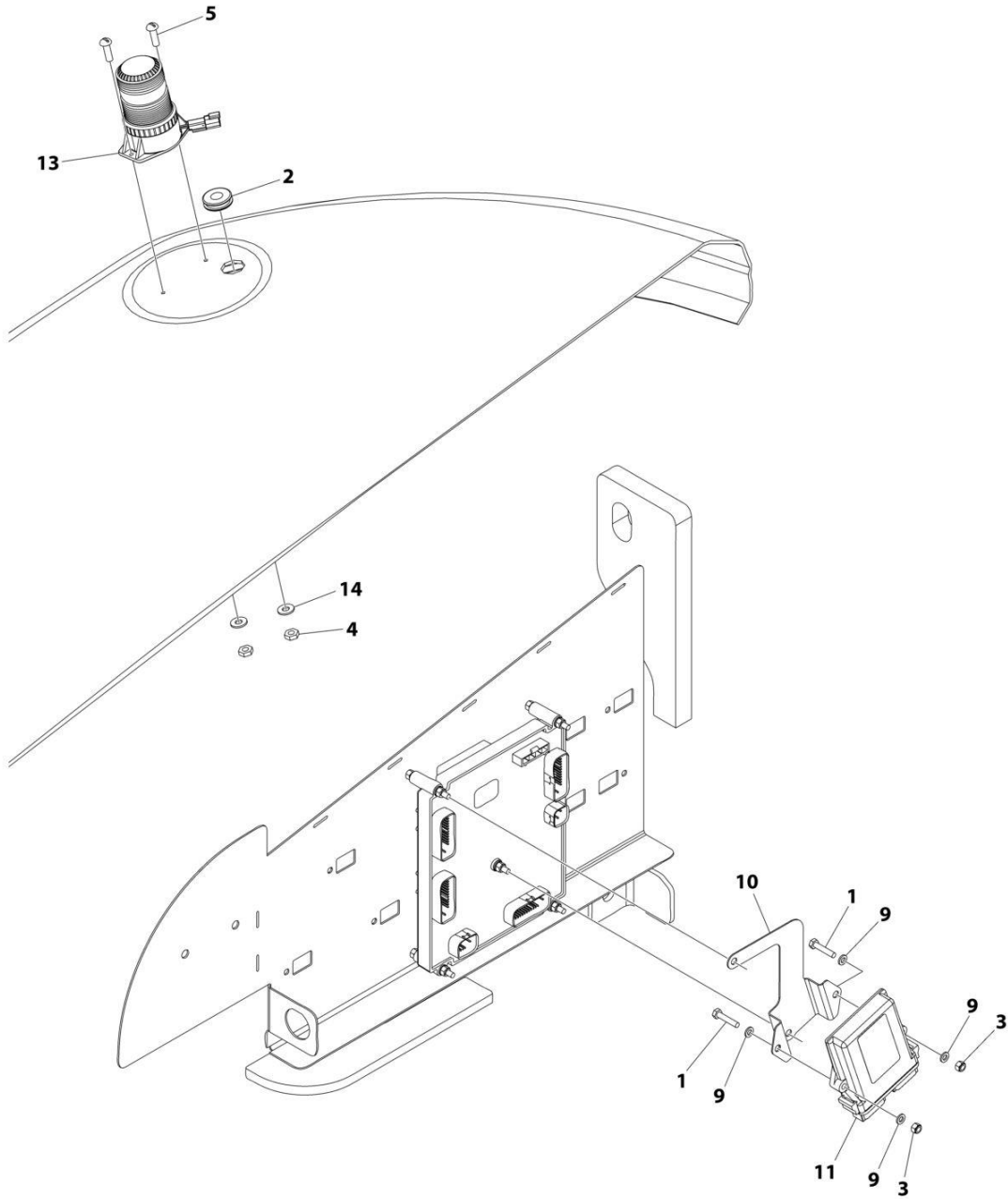
SECTION 2 - TURNTABLE

FIGURE 2-29. BEACON LIGHT INSTALLATION - AMBER

ITEM	PART NUMBER	QTY	DESCRIPTION	REV
	1001174976	Ref	BEACON LIGHT INSTALLATION - AMBER	E
1	0100048	AR	Compound, Silicone	
3	1001270594	1	Lamp, Strobe	
3	4460891	1	Connector	
3	4460465	2	Socket	
6	3290405	2	Nut, Lock M4	
7	4811400	2	Washer M4	
8	4240032	AR	Tie-Strap (Not Shown)	
9	4460234	AR	Mount, Tie-Strap (Noth Shown)	
10	4031509	2	Capscrew M4 x25	
11	2540020	1	Grommet	
12	1001277185	1	Harness, Beacon Jumper (See Separate Breakdown in ELECTRICAL Section)	

SECTION 2 - TURNTABLE

FIGURE 2-30. BEACON LIGHT INSTALLATION - BLUE (Prior to SN C30000398)



ART_1001242855_C

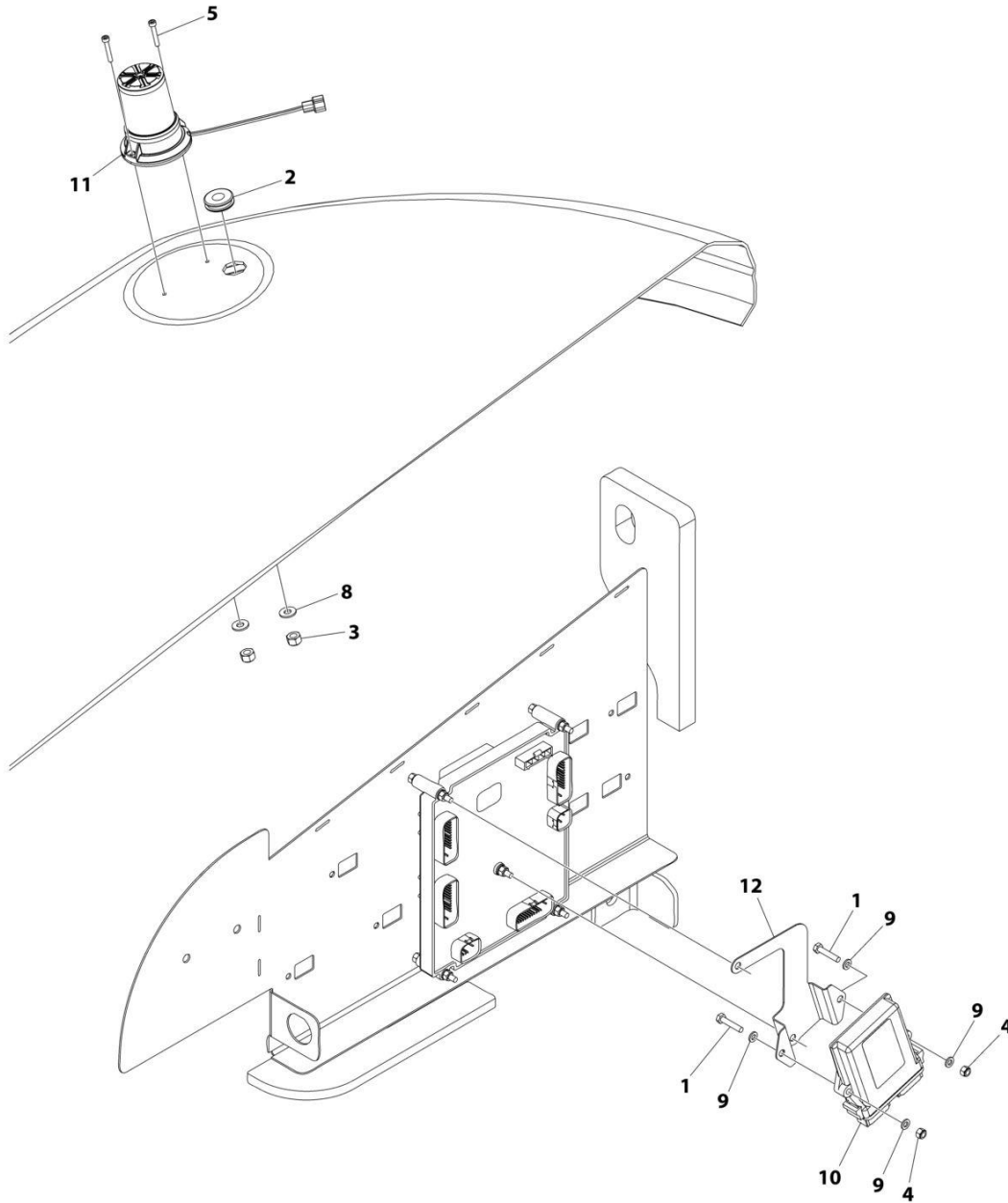
SECTION 2 - TURNTABLE

FIGURE 2-30. BEACON LIGHT INSTALLATION - BLUE (Prior to SN C300000398)

ITEM	PART NUMBER	QTY	DESCRIPTION	REV
	1001242855	Ref	BEACON LIGHT INSTALLATION - BLUE	C
1	0760614	2	Bolt M6 x 30	
2	2540020	1	Grommet	
3	3290605	2	Nut, Lock M6	
4	3290405	2	Nut, Lock M4	
5	4031509	2	Capscrew M4 x 25	
6	4240032	AR	Tie-Strap (Not Shown)	
7	4460488	AR	Mount, Tie-Strap (Not Shown)	
9	4811700	4	Washer M6	
10	1001276626	1	Mount, Module	
11	1001142683	1	Module, Control	
12	1001142736	1	Harness, Beacon (Not Shown - See Separate Breakdown in ELECTRICAL Section)	
13	1001272681	1	Lamp, Strobe	
13	4460897	1	Connector	
13	4460464	2	Pin	
14	4811400	2	Washer M4	

SECTION 2 - TURNTABLE

FIGURE 2-31. (CLEARSKY) BEACON LIGHT INSTALLATION - BLUE (SN C30000398 to Present)



ART_1001286934

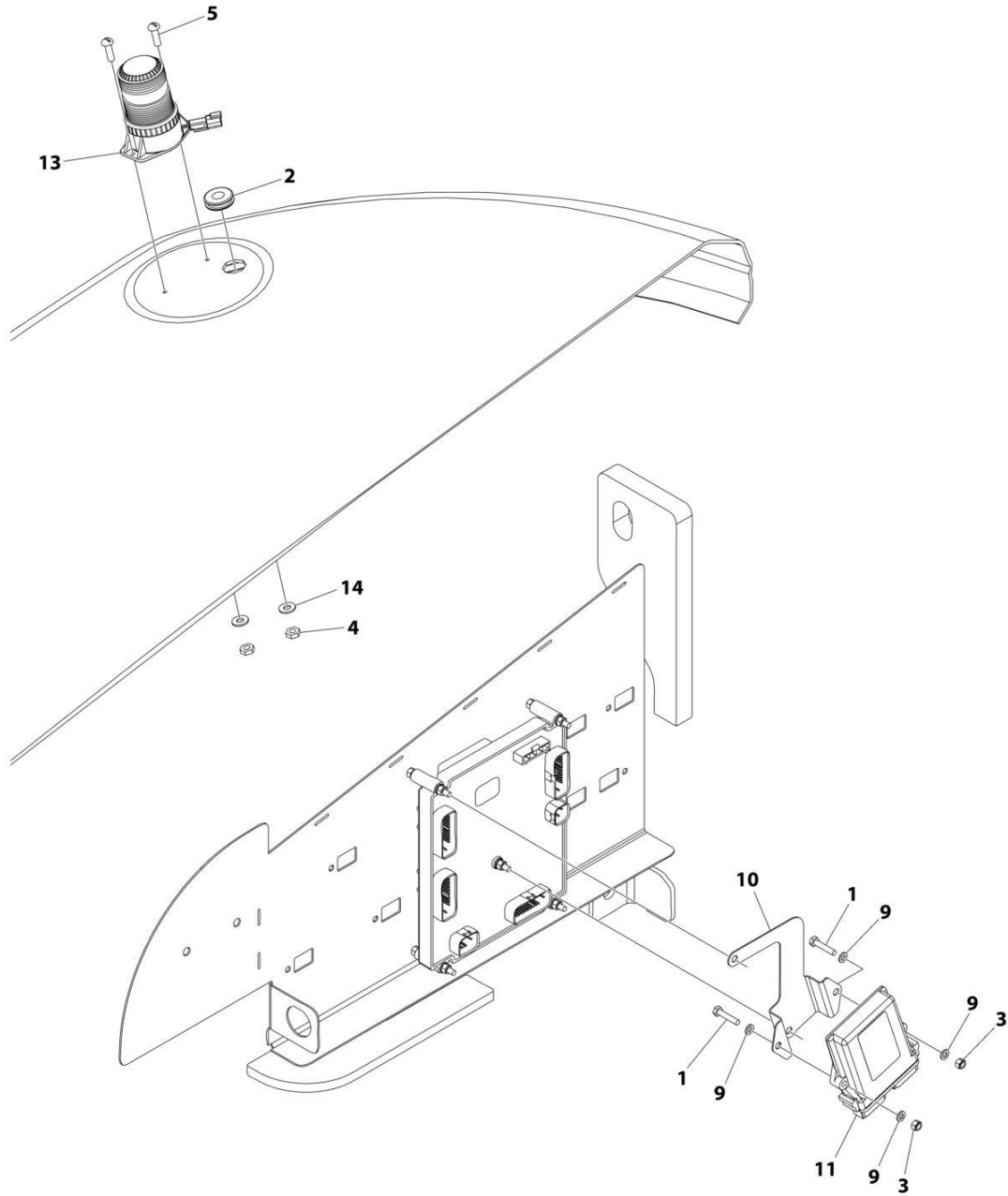
SECTION 2 - TURNTABLE

FIGURE 2-31. (CLEARSKY) BEACON LIGHT INSTALLATION - BLUE (SN C300000398 to Present)

ITEM	PART NUMBER	QTY	DESCRIPTION	REV
	1001286934	Ref	CLEARSKY BEACON LIGHT INSTALLATION - BLUE	A
1	0760614	2	Bolt M6 x 30	
2	2540020	1	Grommet	
3	3290405	2	Nut, Lock M4	
4	3290605	2	Nut, Lock M6	
5	4031509	2	Capscrew M4 x 25	
6	4240032	AR	Tie-Strap (Not Shown)	
7	4460488	AR	Mount, Tie-Strap (Not Shown)	
8	4811400	2	Washer M4	
9	4811700	4	Washer M6	
10	1001142683	1	Module, Control	
11	1001272681	1	Lamp, Strobe	
11	4460897	1	Connector	
11	4460464	2	Pin	
12	1001276626	1	Mount, Module	
13	1001286936	1	Harness, Beacon (Not Shown - See Separate Breakdown in ELECTRICAL Section)	

SECTION 2 - TURNTABLE

FIGURE 2-32. BEACON LIGHT INSTALLATION - RED (Prior to SN C300000398)



ART_1001242856_C

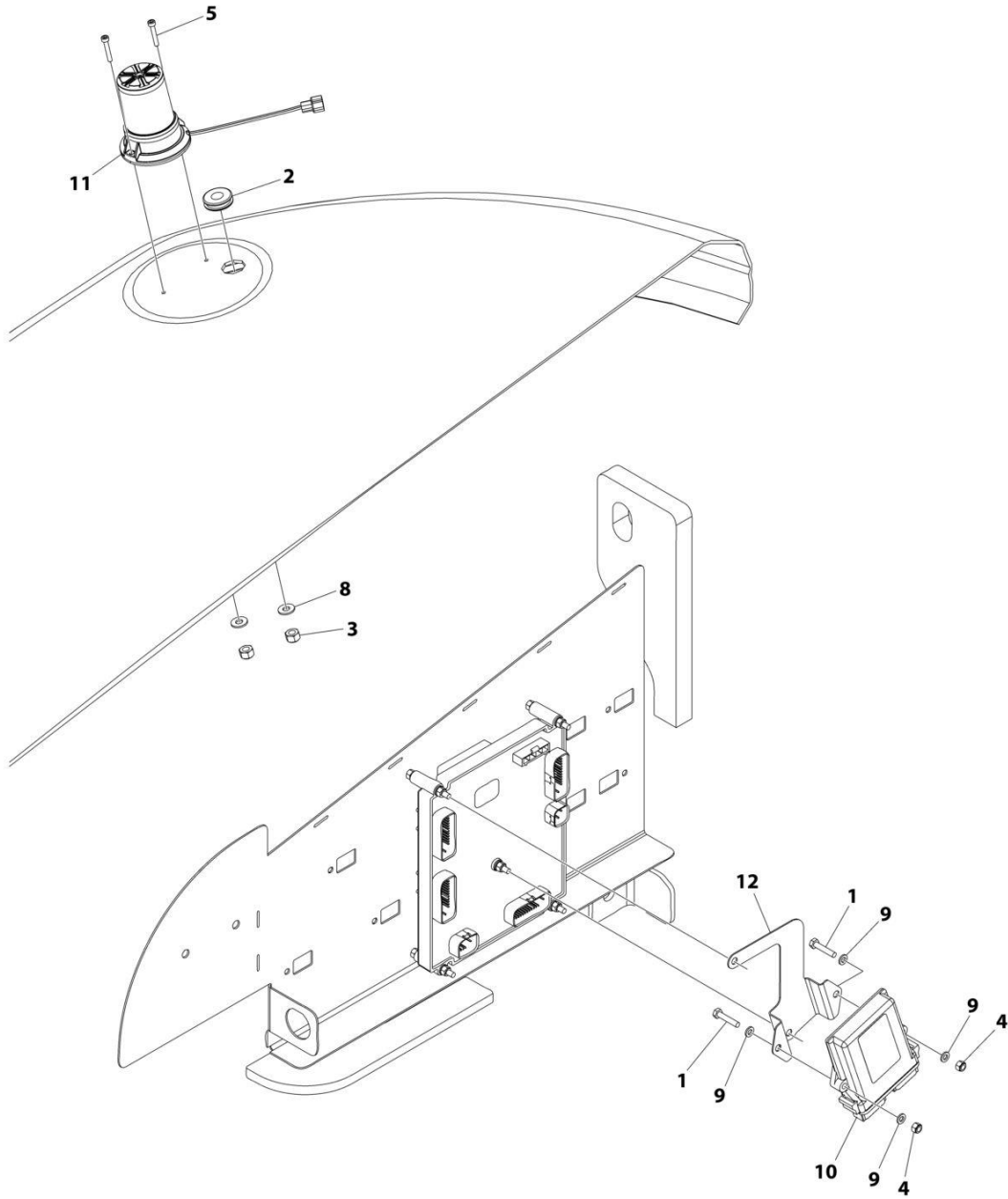
SECTION 2 - TURNTABLE

FIGURE 2-32. BEACON LIGHT INSTALLATION - RED (Prior to SN C30000398)

ITEM	PART NUMBER	QTY	DESCRIPTION	REV
	1001242856	Ref	BEACON LIGHT INSTALLATION - RED	C
1	0760614	2	Bolt M6 x 30	
2	2540020	1	Grommet	
3	3290605	2	Nut, Lock M6	
4	3290405	2	Nut, Lock M4	
5	4031509	2	Capscrew M4 x 25	
6	4240032	AR	Tie-Strap (Not Shown)	
7	4460488	AR	Mount, Tie-Strap (Not Shown)	
9	4811700	4	Washer M6	
10	1001276626	1	Mount, Module	
11	1001142683	1	Module, Control	
12	1001142736	1	Harness, Beacon (Not Shown - See Separate Breakdown in ELECTRICAL Section)	
13	1001272682	1	Lamp, Strobe	
13	4460897	1	Connector	
13	4460464	2	Pin	
14	4811400	2	Washer M4	

SECTION 2 - TURNTABLE

FIGURE 2-33. BEACON LIGHT INSTALLATION - RED (SN C300000398 to Present)



ART_1001286935

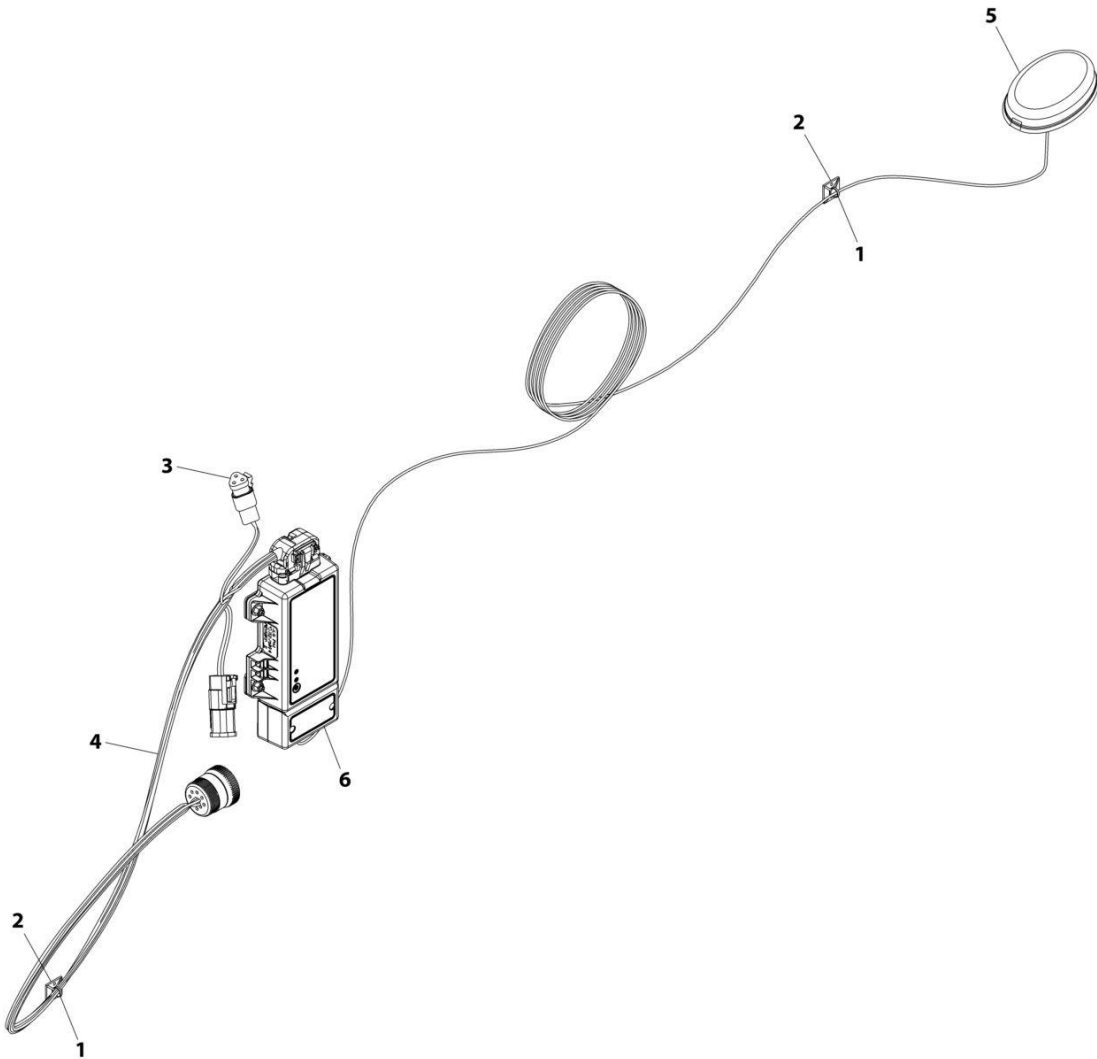
SECTION 2 - TURNTABLE

FIGURE 2-33. BEACON LIGHT INSTALLATION - RED (SN C300000398 to Present)

ITEM	PART NUMBER	QTY	DESCRIPTION	REV
	1001286935	Ref	BEACON LIGHT INSTALLATION - RED	A
1	0760614	2	Bolt M6 x 30	
2	2540020	1	Grommet	
3	3290405	2	Nut, Lock M4	
4	3290605	2	Nut, Lock M6	
5	4031509	2	Capscrew M4 x 25	
6	4240032	AR	Tie-Strap (Not Shown)	
7	4460488	AR	Mount, Tie-Strap (Not Shown)	
8	4811400	2	Washer M4	
9	4811700	4	Washer M6	
10	1001142683	1	Module, Control	
11	1001272682	1	Lamp, Strobe	
11	4460897	1	Connector	
11	4460464	2	Pin	
12	1001276626	1	Mount, Module	
13	1001286936	1	Harness, Beacon (Not Shown - See Separate Breakdown in ELECTRICAL Section)	

SECTION 2 - TURNTABLE

FIGURE 2-34. CLEARSKY INSTALLATION - AUSTRALIAN SPEC (SN C300000398 to Present)



ART_1001286961

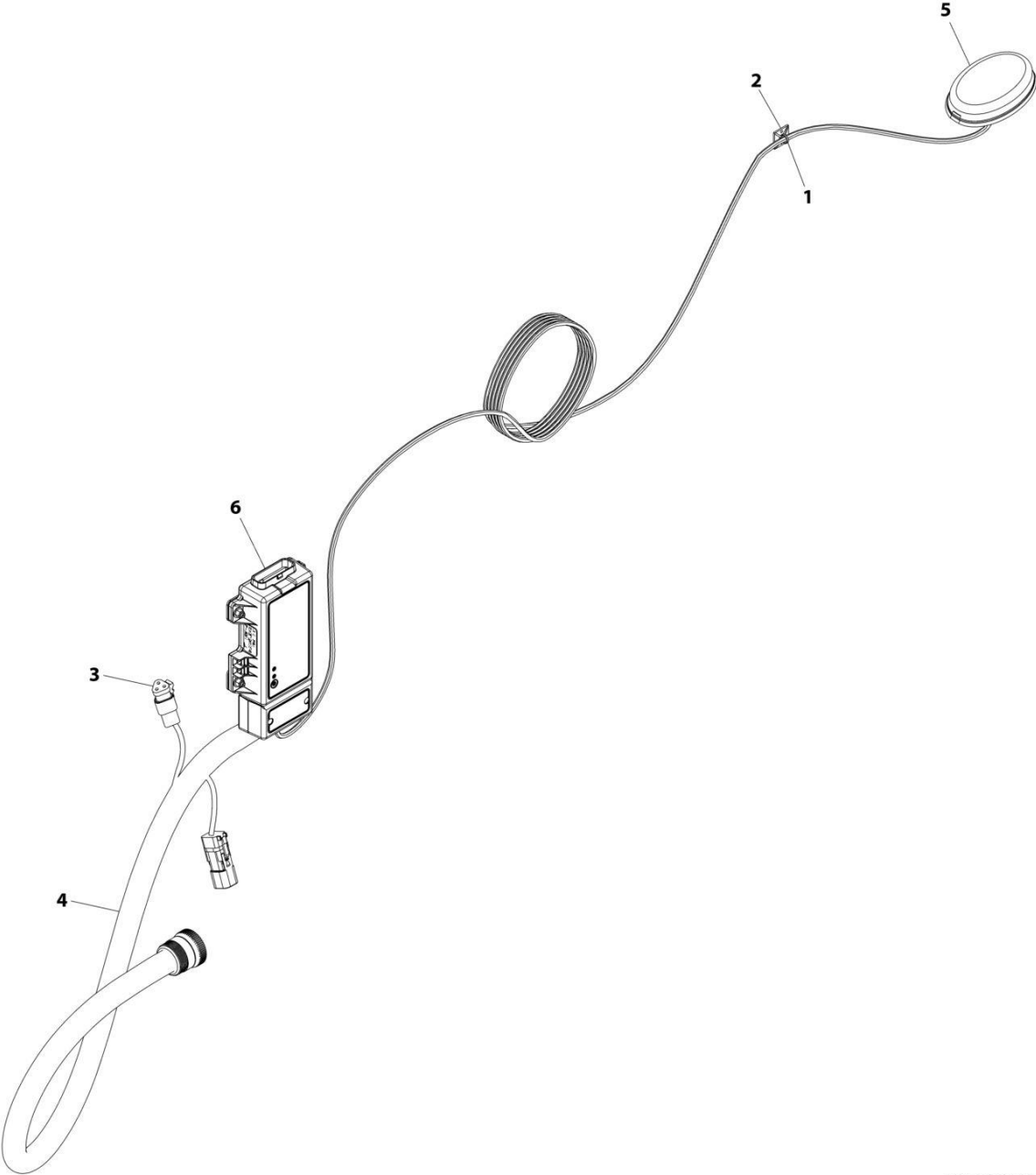
SECTION 2 - TURNTABLE

FIGURE 2-34. CLEARSKY INSTALLATION - AUSTRALIAN SPEC (SN C300000398 to Present)

ITEM	PART NUMBER	QTY	DESCRIPTION	REV
	1001286961	Ref	CLEARSKY INSTALLATION - AUSTRALIAN SPEC	A
1	4240032	AR	Tie-Strap	
2	4460234	AR	Mount, Tie-Strap	
3	1001129408	1	Connector	
4	1001226739	1	Harness, Clearsky (See Separate Breakdown in ELECTRICAL Section)	
5	1001226799	1	Antenna, ClearSky	
6	1001246144	1	Module, ClearSky	

SECTION 2 - TURNTABLE

FIGURE 2-35. CLEARSKY INSTALLATION - CE SPEC (SN C300000398 to Present)



ART_1001286932

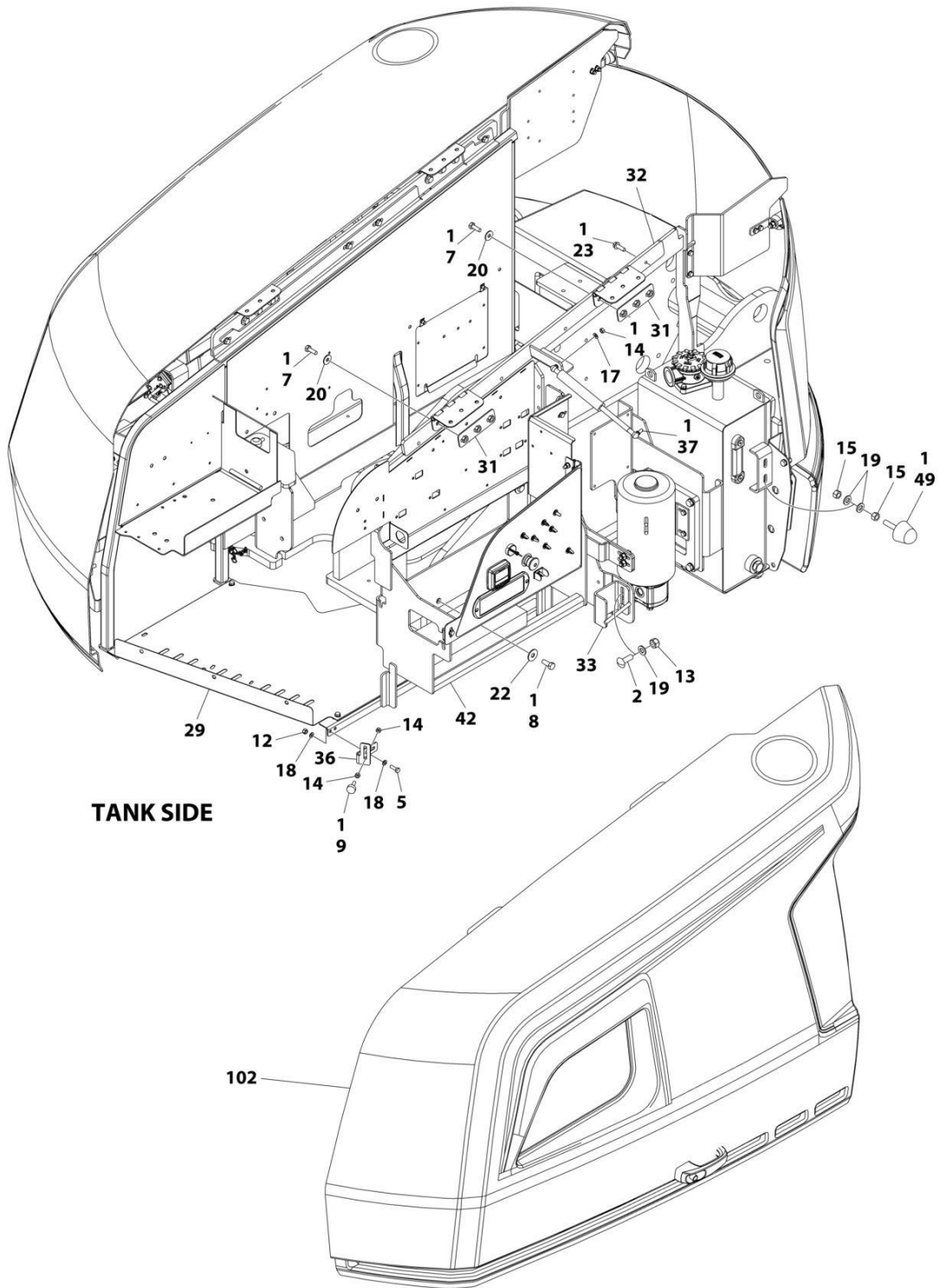
SECTION 2 - TURNTABLE

FIGURE 2-35. CLEARSKY INSTALLATION - CE SPEC (SN C300000398 to Present)

ITEM	PART NUMBER	QTY	DESCRIPTION	REV
	1001286932	Ref	CLEARSKY INSTALLATION - CE SPEC	A
1	4240032	AR	Tie-Strap	
2	4460234	AR	Mount, Tie-Strap	
3	1001129408	1	Connector	
4	1001226739	1	Harness, Clearsky (See Separate Breakdown in ELECTRICAL Section)	
5	1001226799	1	Antenna, ClearSky	
6	1001228954	1	Module, ClearSky	

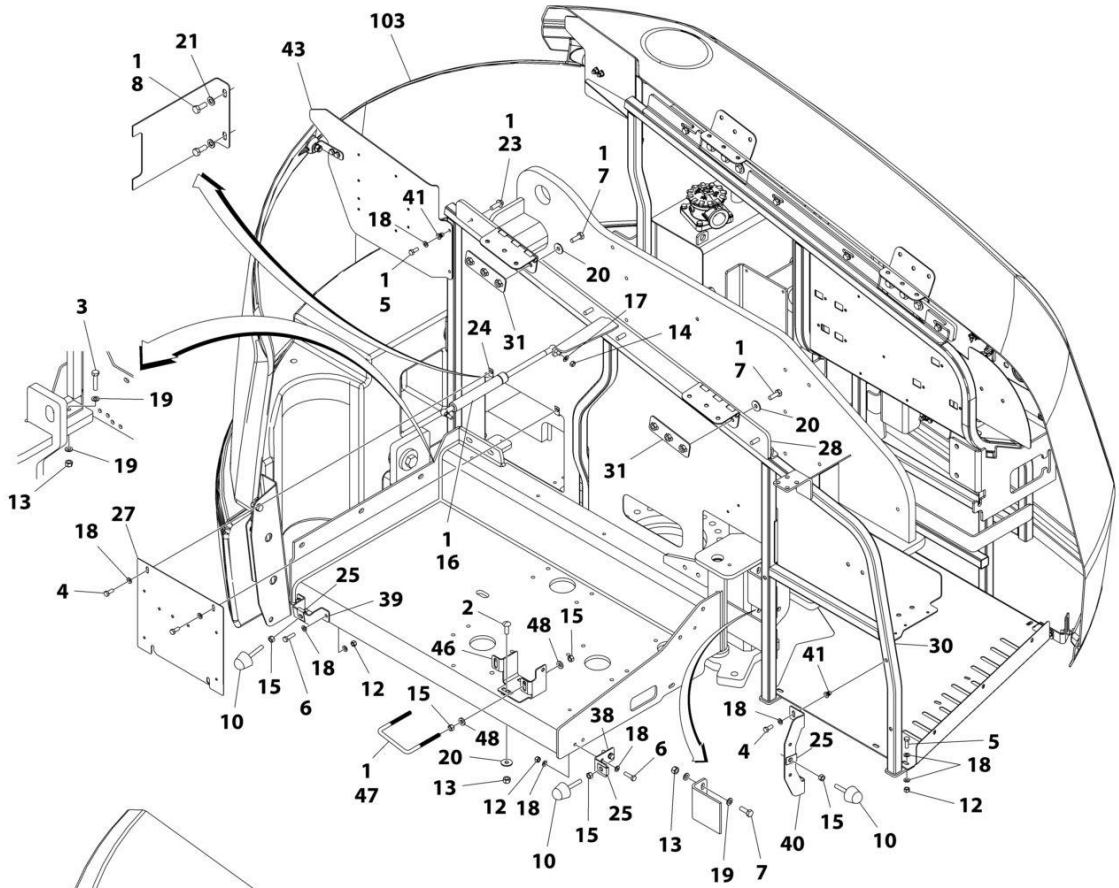
SECTION 2 - TURNTABLE

FIGURE 2-36. HOODS INSTALLATION (SN C300000326 through C300000699)

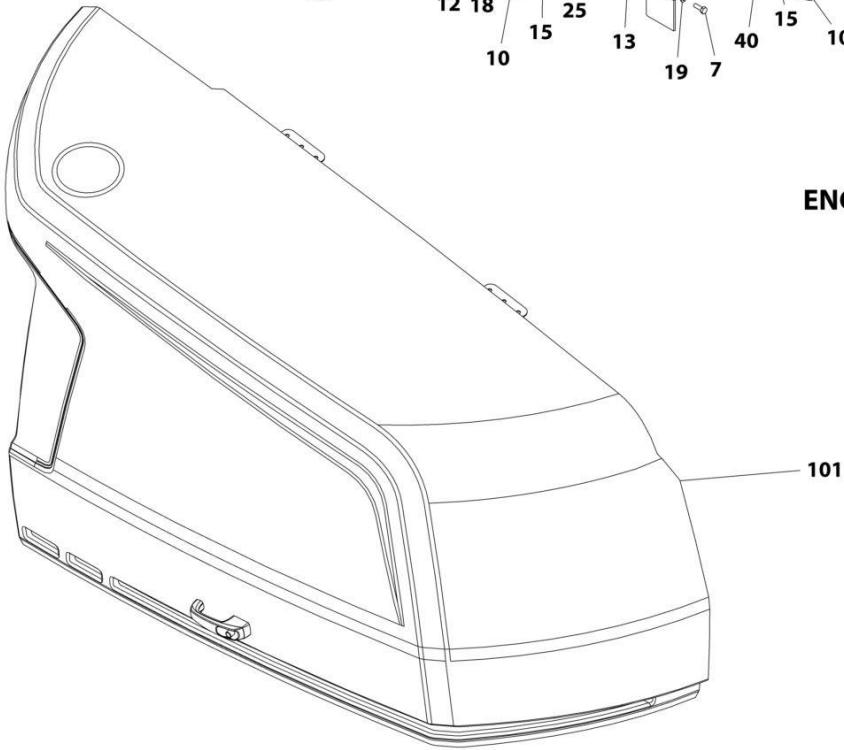


ART_1001254663_1OF2

SECTION 2 - TURNTABLE



ENGINE SIDE



ART_1001254663_20F2

SECTION 2 - TURNTABLE

FIGURE 2-36. HOODS INSTALLATION (SN C300000326 through C300000699)

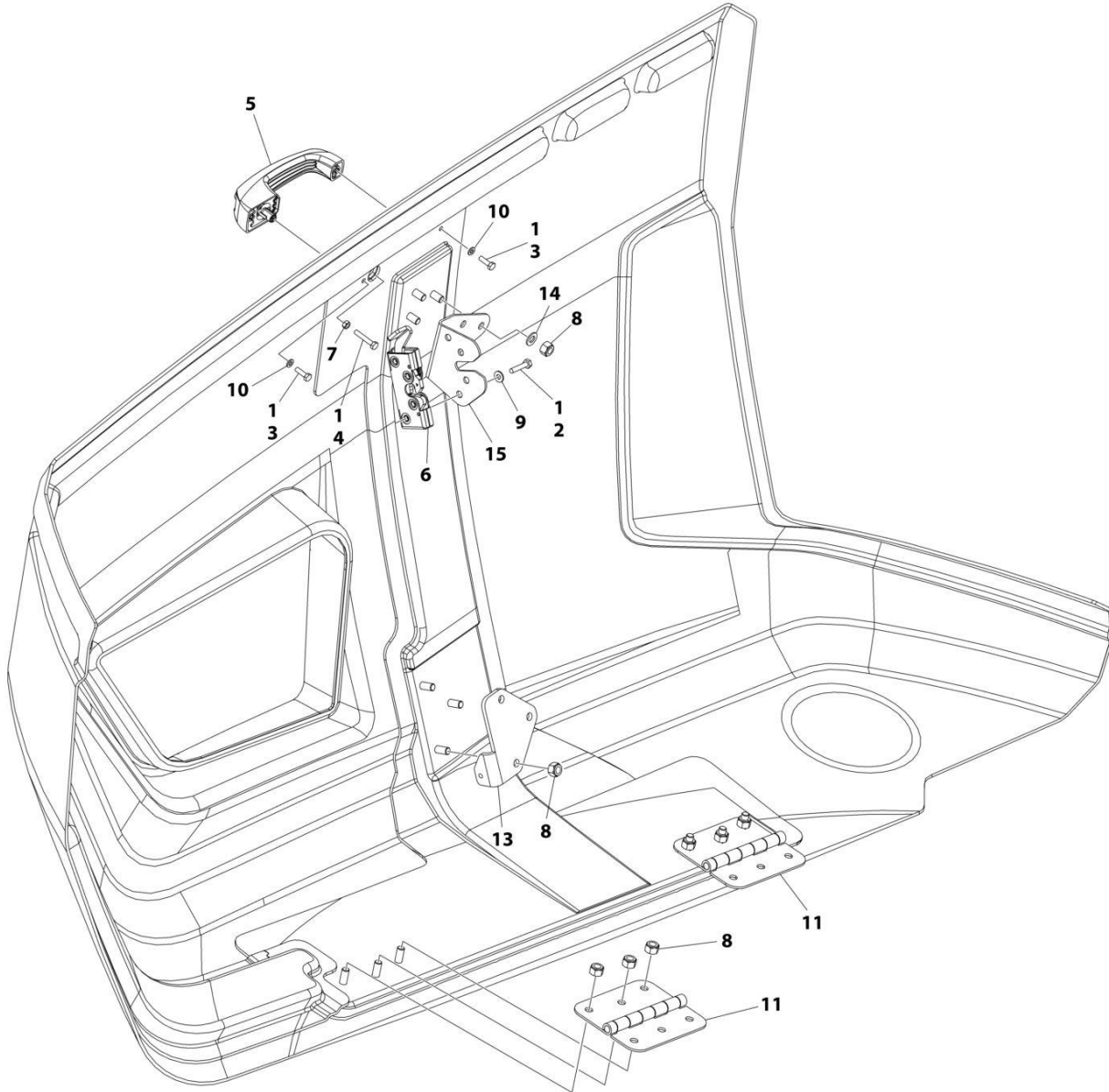
ITEM	PART NUMBER	QTY	DESCRIPTION	REV
	1001254663	Ref	HOODS INSTALLATION	D
1	0100011	AR	Compound, Locking	
2	0630613	4	Bolt M10 x 30	
3	0701018	5	Bolt M10 x 50	
4	0760810	4	Bolt M8 x 20	
5	0760812	4	Bolt M8 x 25	
6	0760814	8	Bolt M8 x 30	
7	0761014	14	Bolt M10 x 30	
8	0761214	6	Bolt M12 x 30	
9	0940049	1	Bumper	
10	0940071	3	Bumper	
11	1701691	2	Decal - No Step	
12	3290805	10	Nut M8	
13	3291005	11	Nut M10	
14	3311501	4	Nut 5/16	
15	3311601	9	Nut 3/8	
16	4160182	1	Spring, Gas	
17	4711500	2	Washer 5/16	
18	4811900	26	Washer M8	
19	4812000	18	Washer M10	
20	4812002	14	Washer M10	
21	4812100	2	Washer M12	
22	4812102	4	Washer M12	
23	5251014	8	Bolt M10 x 30	
24	8310686	2	Nut, Retainer M8	
25	88662523	3	Nut, Tinnerman	
26	1001118274	3	Nut M8	
27	1001167149	1	Panel, Filler	
28	1001167159	1	Mount	
29	1001167163	1	Tray	
30	1001167169	1	Mount	
31	1001169046	4	Nut	
32	1001170018	1	Mount	
33	1001170022	1	Mount	
35	1001171216	1	Cover	
36	1001179904	1	Mount	
37	1001182169	1	Spring, Gas	
38	1001182875	1	Mount	
39	1001182877	1	Mount	
40	1001182879	1	Mount	
41	1001191832	4	Rivnut M8	
42	1001211716	1	Support, Hood	
43	1001211717	1	Panel, Filler	
46	1001250291	1	Bracket	
47	1001243414	1	U-Bolt 3/8	
48	4891600	4	Washer 3/8	
49	1001264238	1	Bumper	
100	1001249433	1	Hood Kit (Includes Items 101-103)	
101	1001249434	1	Hood Assembly - Engine Side (See Separate Breakdown in this Section)	

SECTION 2 - TURNTABLE

ITEM	PART NUMBER	QTY	DESCRIPTION	REV
102	1001241296	1	Hood Assembly - Tank Side (See Separate Breakdown in this Section)	
103	1001241299	1	Hood Assembly - Front	

SECTION 2 - TURNTABLE

FIGURE 2-37. HOOD ASSEMBLY - TANK SIDE



NOTE: REPLACEMENT DECALS MUST BE ORDERED SEPARATELY - SEE DECAL SECTION.

ART_1001241296

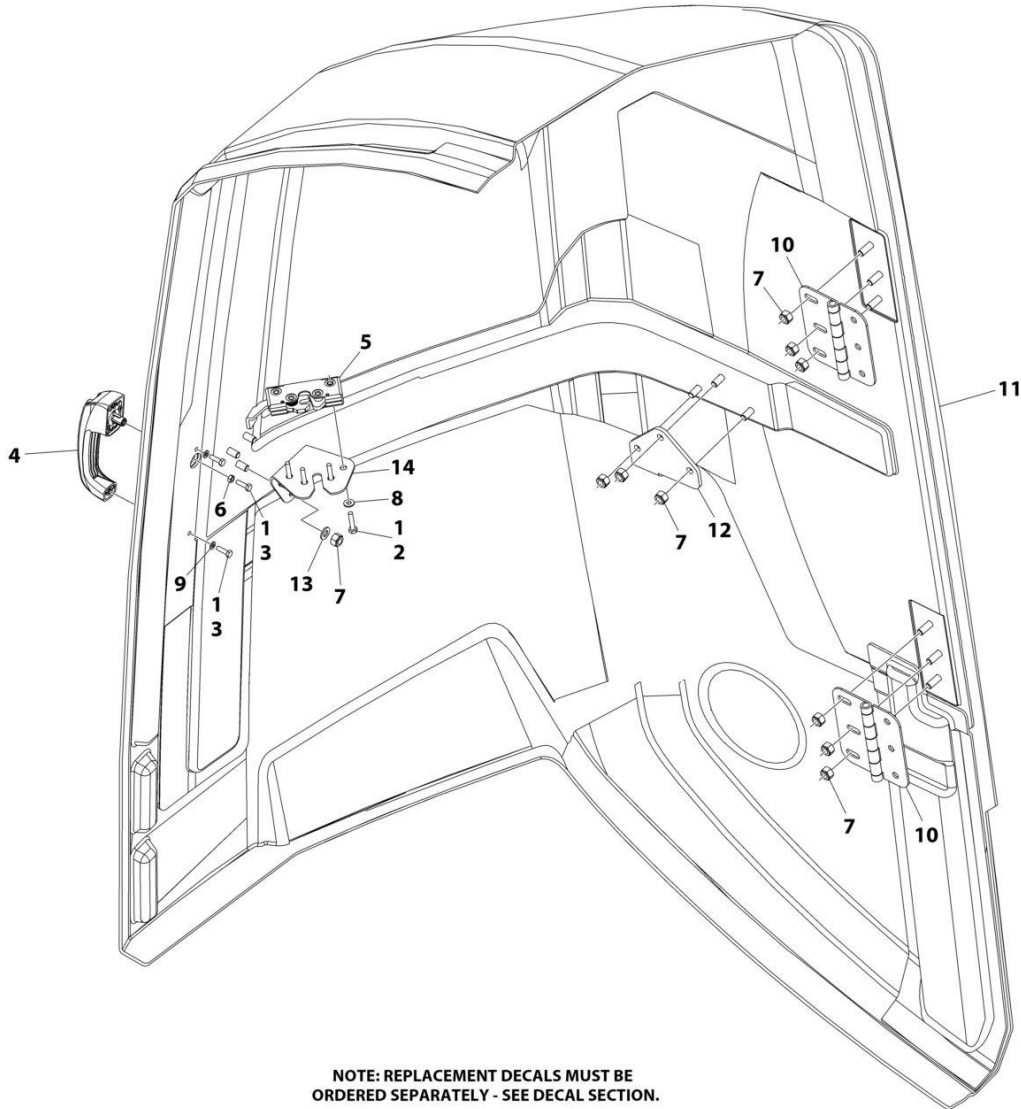
SECTION 2 - TURNTABLE

FIGURE 2-37. HOOD ASSEMBLY - TANK SIDE

ITEM	PART NUMBER	QTY	DESCRIPTION	REV
	1001241296	Ref	HOOD ASSEMBLY - TANK SIDE	C
1	0100011	AR	Compound, Locking	
2	0641410	4	Bolt 1/4 x 1-1/4	
3	0760610	2	Bolt M6 x 20	
4	0760615	1	Bolt M6 x 35	
5	2560187	1	Handle	
6	2940173	1	Latch	
7	3290601	1	Nut M6	
8	3291005	12	Nut M10	
9	4711400	4	Washer 1/4	
10	4811700	2	Washer M6	
11	1001259230	2	Hinge	
13	1001170475	1	Bracket	
14	4812000	3	Washer M10	
15	1001203322	1	Support	

SECTION 2 - TURNTABLE

FIGURE 2-38. HOOD ASSEMBLY - ENGINE SIDE (SN C300000326 through C300000699)



ART_1001249434

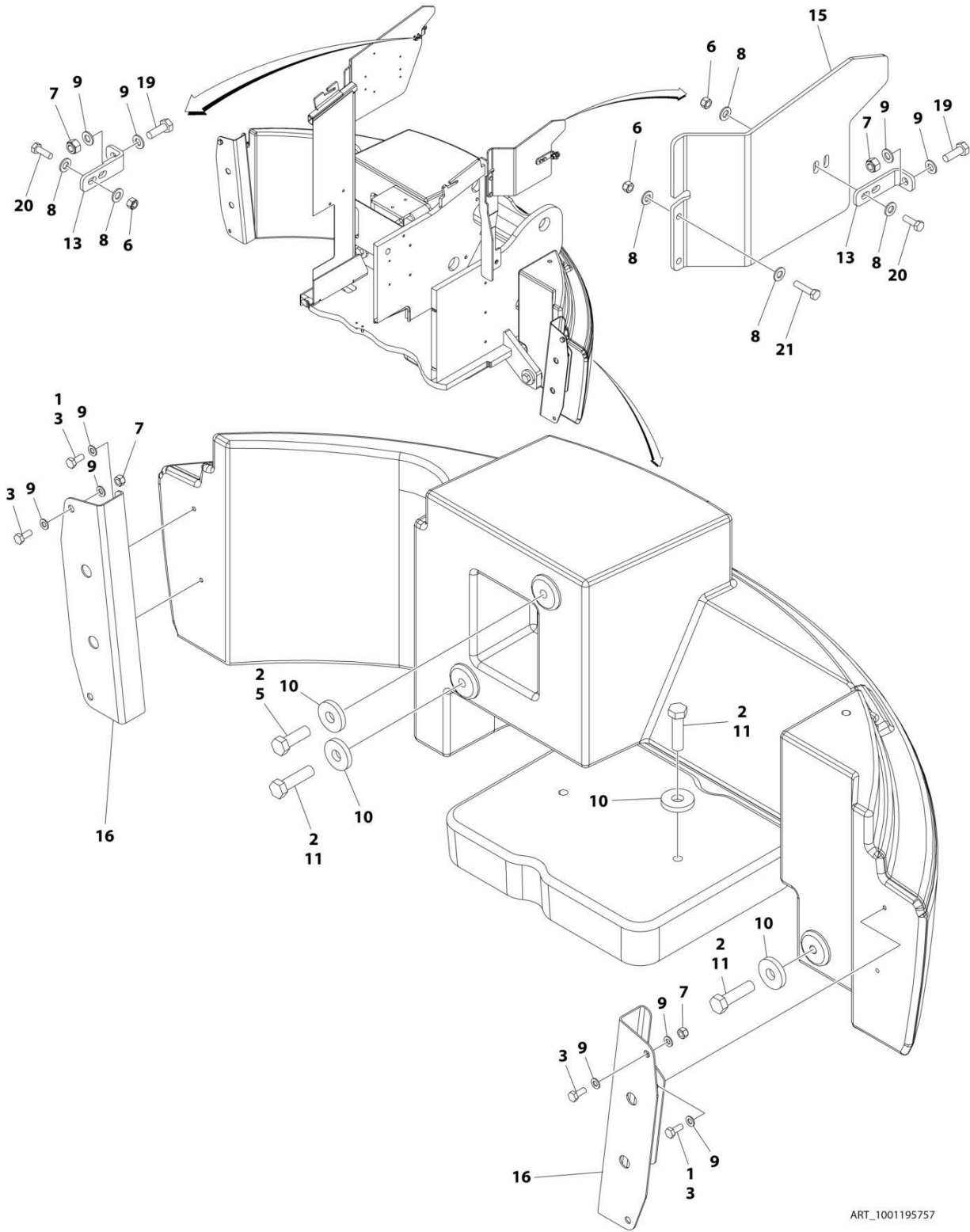
SECTION 2 - TURNTABLE

FIGURE 2-38. HOOD ASSEMBLY - ENGINE SIDE (SN C300000326 through C300000699)

ITEM	PART NUMBER	QTY	DESCRIPTION	REV
	1001249434	Ref	HOOD ASSEMBLY - ENGINE SIDE	B
1	0100011	AR	Compound, Locking	
2	0641410	4	Bolt 1/4 x 1-1/4	
3	0760610	3	Bolt M6 x 20	
4	2560187	1	Handle	
5	2940173	1	Latch	
6	3290601	1	Nut M6	
7	3291005	12	Nut M10	
8	4711400	4	Washer 1/4	
9	4811700	2	Washer M6	
10	1001259230	2	Hinge	
12	1001178228	1	Bracket	
13	4812000	3	Washer M10	
14	1001202830	1	Support	

SECTION 2 - TURNTABLE

FIGURE 2-39. COVERS INSTALLATION - COUNTERWEIGHT



ART_1001195757

SECTION 2 - TURNTABLE

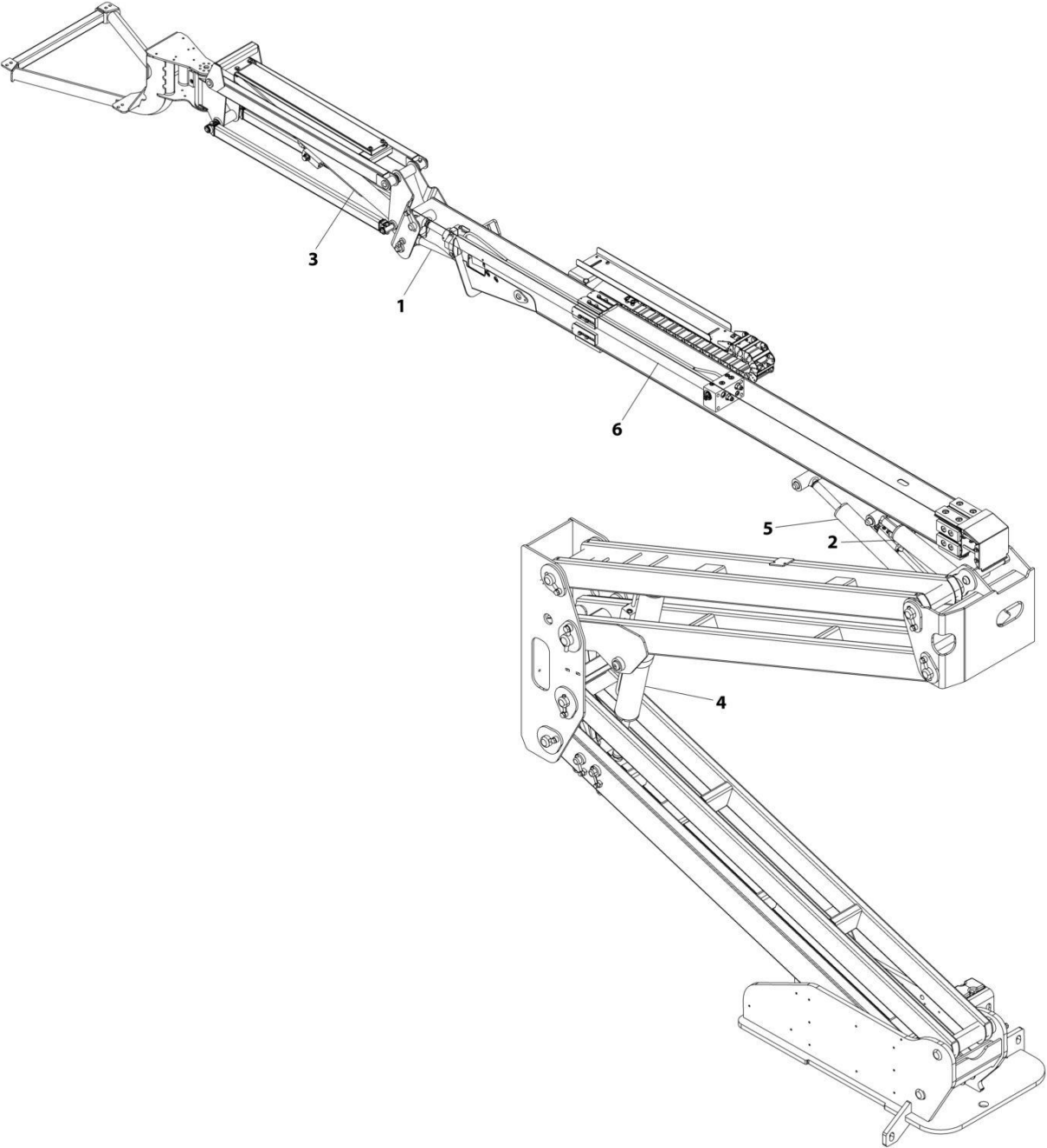
FIGURE 2-39. COVERS INSTALLATION - COUNTERWEIGHT

ITEM	PART NUMBER	QTY	DESCRIPTION	REV
	1001195757	Ref	COVERS INSTALLATION - COUNTERWEIGHT	E
1	0100011	AR	Compound, Locking	
2	0100019	AR	Compound, Locking	
3	0701012	6	Bolt M10 x 25	
5	0762020	1	Bolt M20 x 60	
6	3290805	6	Nut M8	
7	3291005	4	Nut M10	
8	4811900	12	Washer M8	
9	4812000	12	Washer M10	
10	1001119051	5	Washer	
11	1001119057	4	Bolt M20 x 75	
13	1001167825	2	Mount	
15	1001212728	1	Support	
16	1001170131	2	Bracket	
19	0701014	AR	Bolt M10 x 30	
20	0760812	AR	Bolt M8 x 25	
21	0760815	2	Bolt M8 x 35	

SECTION 3 - BOOM

SECTION 3 - BOOM

FIGURE 3-1. CYLINDERS INSTALLATION



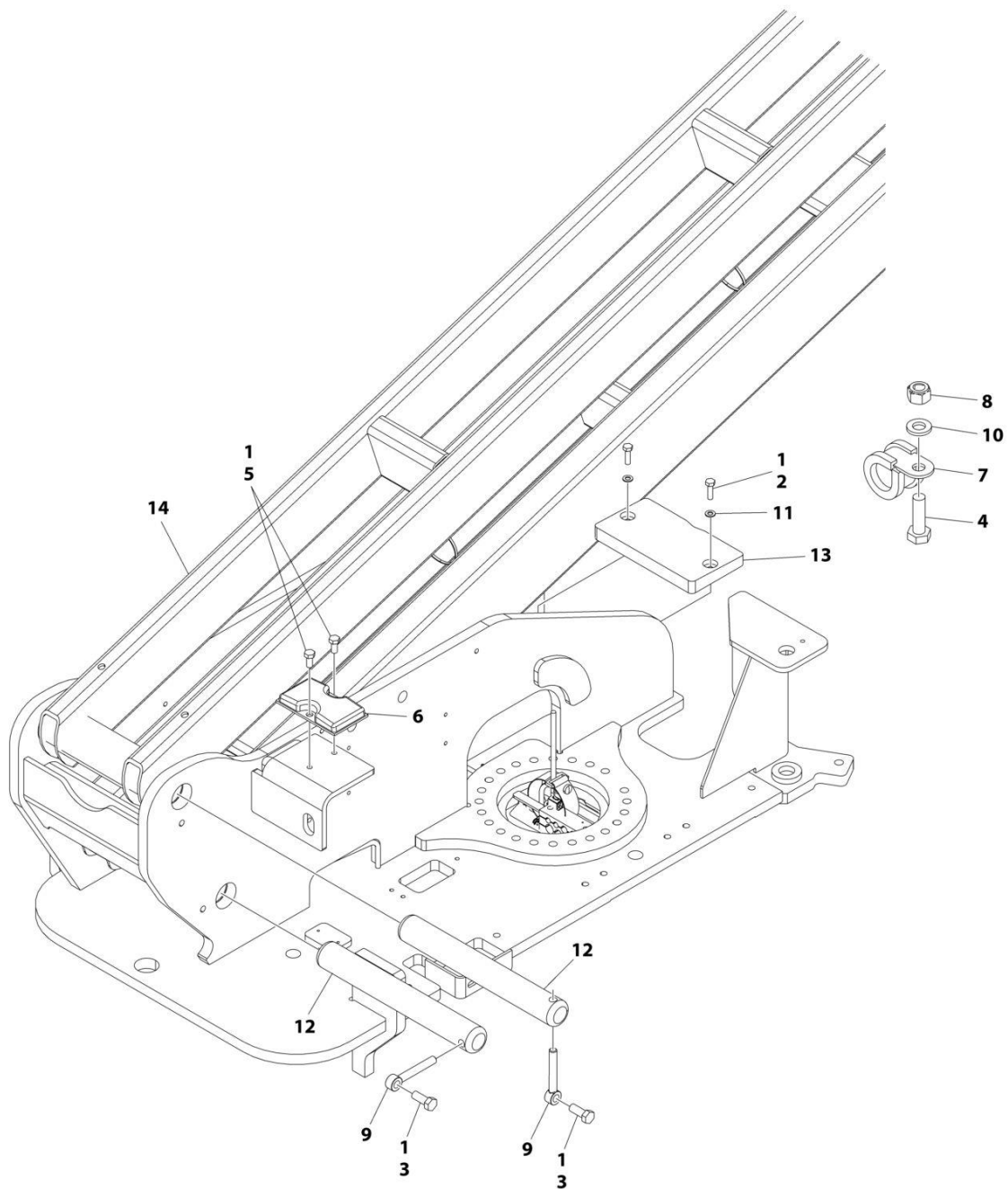
ART_1001273650_B

FIGURE 3-1. CYLINDERS INSTALLATION

ITEM	PART NUMBER	QTY	DESCRIPTION	REV
	1001273650	Ref	CYLINDERS INSTALLATION	B
1	1001161716	1	Level (Platform Slave) Cylinder Assembly (See Separate Breakdown in CYLINDER Section)	
2	1001161717	1	Master Cylinder Assembly (See Separate Breakdown in CYLINDER Section)	
3	1001163767	1	Lift Cylinder Assembly - Jib (See Separate Breakdown in CYLINDER Section)	
4	1001254716	1	Lift Cylinder Assembly - Tower Boom (See Separate Breakdown in CYLINDER Section)	
5	1001254742	1	Lift Cylinder Assembly - Main Boom (See Separate Breakdown in CYLINDER Section)	
6	1001272671	1	Telescope Cylinder Assembly (See Separate Breakdown in CYLINDER Section)	

SECTION 3 - BOOM

FIGURE 3-2. BOOM INSTALLATION - WITHOUT AIRLINES



ART_1001255029_PVC2201

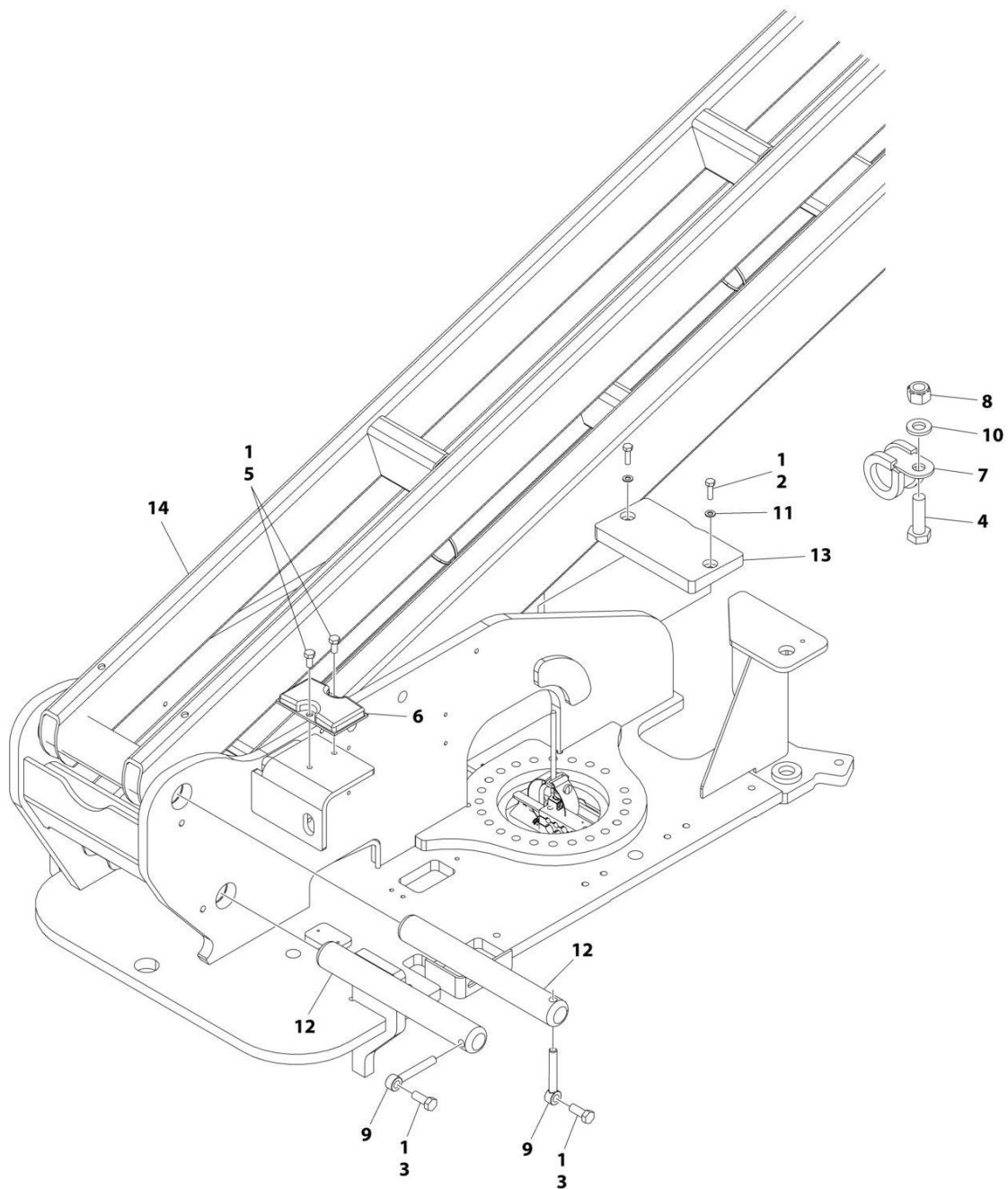
SECTION 3 - BOOM

FIGURE 3-2. BOOM INSTALLATION - WITHOUT AIRLINES

ITEM	PART NUMBER	QTY	DESCRIPTION	REV
	1001255029	Ref	BOOM INSTALLATION	C
1	0100011	AR	Compound, Locking	
2	0701015	2	Bolt M10 x 35	
3	0701616	2	Bolt M16 x 40	
4	0760610	1	Bolt M6 x 20	
5	0761212	2	Bolt M12 x 25	
6	0940048	1	Bumper	
7	1001170231	1	Clamp with Liner	
8	3290605	1	Nut M6	
9	3841258	2	Keeper, Pin	
10	4811700	1	Washer M6	
11	4812000	2	Washer M10	
12	1001169249	2	Pin	
13	1001180056	1	Pad, Wear	
14	1001255037	1	Boom Components Installation (Includes Items 101-106)	C
101	1001273650	1	Cylinder Installation (Not Shown - See Separate Breakdown in This Section)	
103	1001255045	1	Main Boom Installation (Not Shown - See Separate Breakdown in This Section)	
104	1001255047	1	Boom Valves Installation (Not Shown - See Separate Breakdown in This Section)	
105	1001255048	1	Boom Hydraulics Installation (Not Shown - See Separate Breakdown in HYDRAULICS Section)	
106	1001255050	1	Cables and Clamps Installation (Not Shown - See Separate Breakdown in ELECTRICAL Section)	

SECTION 3 - BOOM

FIGURE 3-3. BOOM INSTALLATION - WITH AIRLINE



ART_1001255031_PVC2201

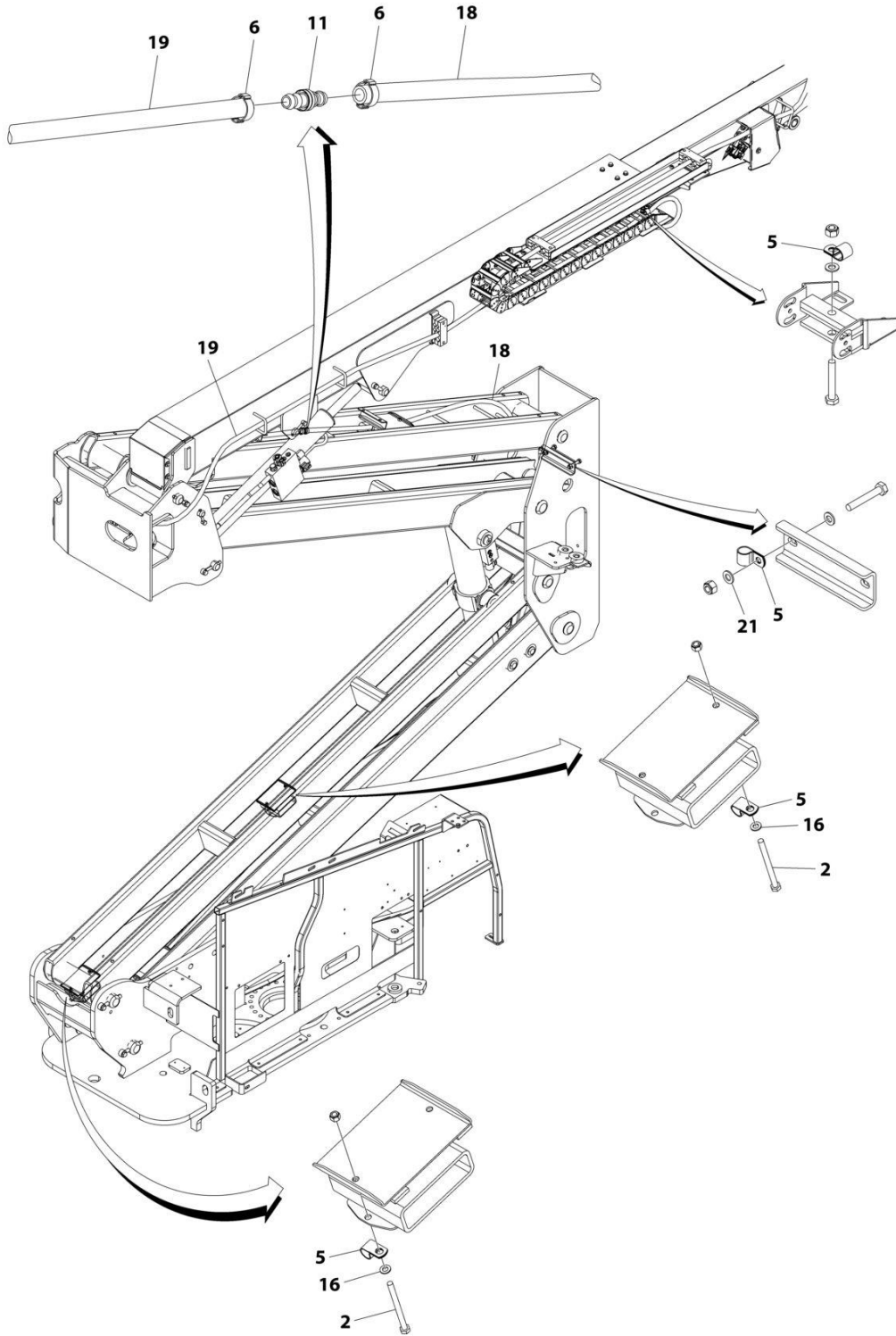
SECTION 3 - BOOM

FIGURE 3-3. BOOM INSTALLATION - WITH AIRLINE

ITEM	PART NUMBER	QTY	DESCRIPTION	REV
	1001255031	Ref	BOOM INSTALLATION - WITH AIRLINE	C
1	0100011	AR	Compound, Locking	
2	0701015	2	Bolt M10 x 35	
3	0701616	2	Bolt M16 x 40	
4	0760610	1	Bolt M6 x 20	
5	0761212	2	Bolt M12 x 25	
6	0940048	1	Bumper	
7	1001170231	1	Clamp with Liner	
8	3290605	1	Nut M6	
9	3841258	2	Keeper, Pin	
10	4811700	1	Washer M6	
11	4812000	2	Washer M10	
12	1001169249	2	Pin	
13	1001180056	1	Pad, Wear	
14	1001255039	1	Boom Components Installation (Includes Items 101-106)	C
15	1001255219	1	Airline Fittings Installation (Not Shown - See Separate Breakdown in This Section)	
101	1001273650	1	Cylinder Installation (Not Shown - See Separate Breakdown in This Section)	
103	1001255045	1	Main Boom Installation (Not Shown - See Separate Breakdown in This Section)	
104	1001255047	1	Boom Valves Installation (Not Shown - See Separate Breakdown in This Section)	
105	1001255048	1	Boom Hydraulics Installation (Not Shown - See Separate Breakdown in HYDRAULICS Section)	
106	1001255050	1	Cables and Clamps Installation (Not Shown - See Separate Breakdown in ELECTRICAL Section)	
107	1001255051	1	Boom Airline Installation (Not Shown - See Separate Breakdown in This Section)	

SECTION 3 - BOOM

FIGURE 3-4. BOOM AIRLINE INSTALLATION



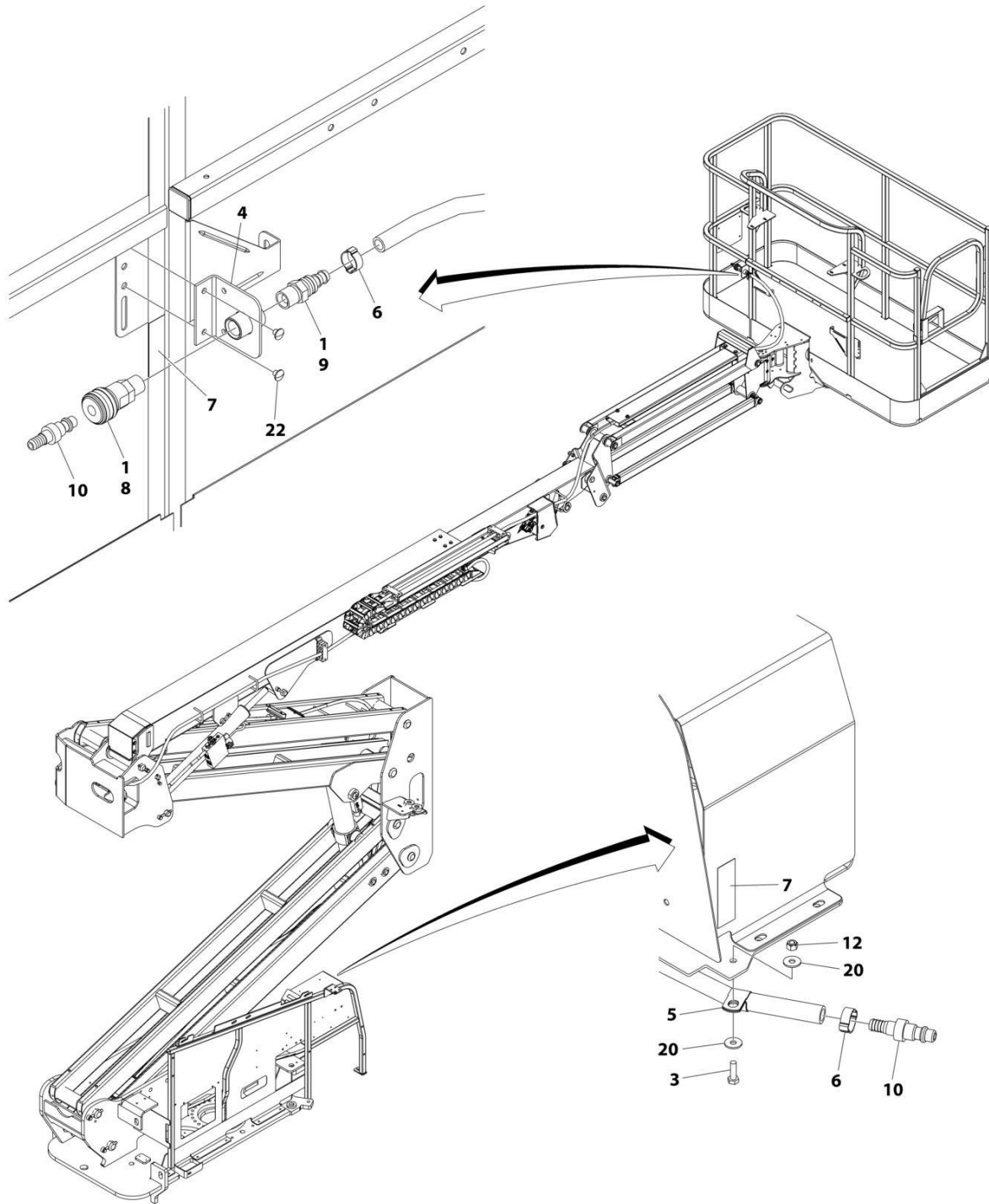
ART_1001255051

FIGURE 3-4. BOOM AIRLINE INSTALLATION

ITEM	PART NUMBER	QTY	DESCRIPTION	REV
	1001255051	Ref	BOOM AIRLINE INSTALLATION	A
2	0700828	2	Bolt M8 x 110	
5	8406105	4	Clip	
6	1320177	2	Clamp	
11	2221037	1	Fitting, Barbed	
16	4811900	2	Washer M8	
18	1001173586	1	Hose	
19	1001173587	1	Hose	
21	4812000	1	Washer M10	

SECTION 3 - BOOM

FIGURE 3-5. AIRLINE FITTINGS INSTALLATION



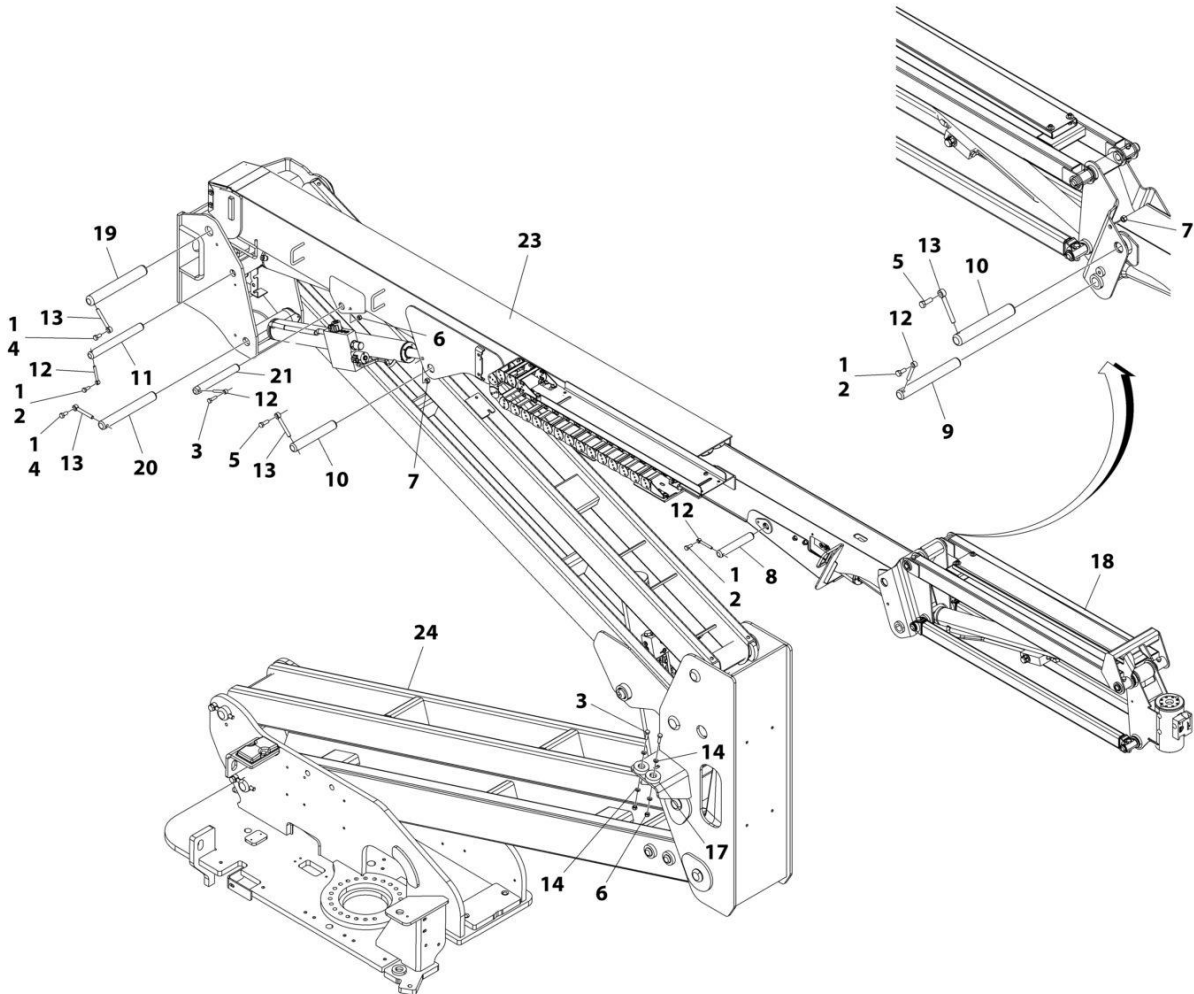
ART_1001255219

FIGURE 3-5. AIRLINE FITTINGS INSTALLATION

ITEM	PART NUMBER	QTY	DESCRIPTION	REV
	1001255219	Ref	AIRLINE FITTINGS INSTALLATION	A
1	0100020	AR	Sealant, Pipe	
3	0760610	1	Bolt M6 x 20	
4	0902317	1	Bracket	
5	8406105	1	Clip	
6	1320177	2	Clamp	
7	1704125	2	Decal - Airline	
8	2220747	1	Fitting, Socket	
9	2220750	1	Fitting, Socketless	
10	2220829	2	Fitting, Plug Stem	
12	3290605	1	Nut M6	
20	4811702	2	Washer M6	
22	2080040	2	Fastener	

SECTION 3 - BOOM

FIGURE 3-6. MAIN BOOM INSTALLATION



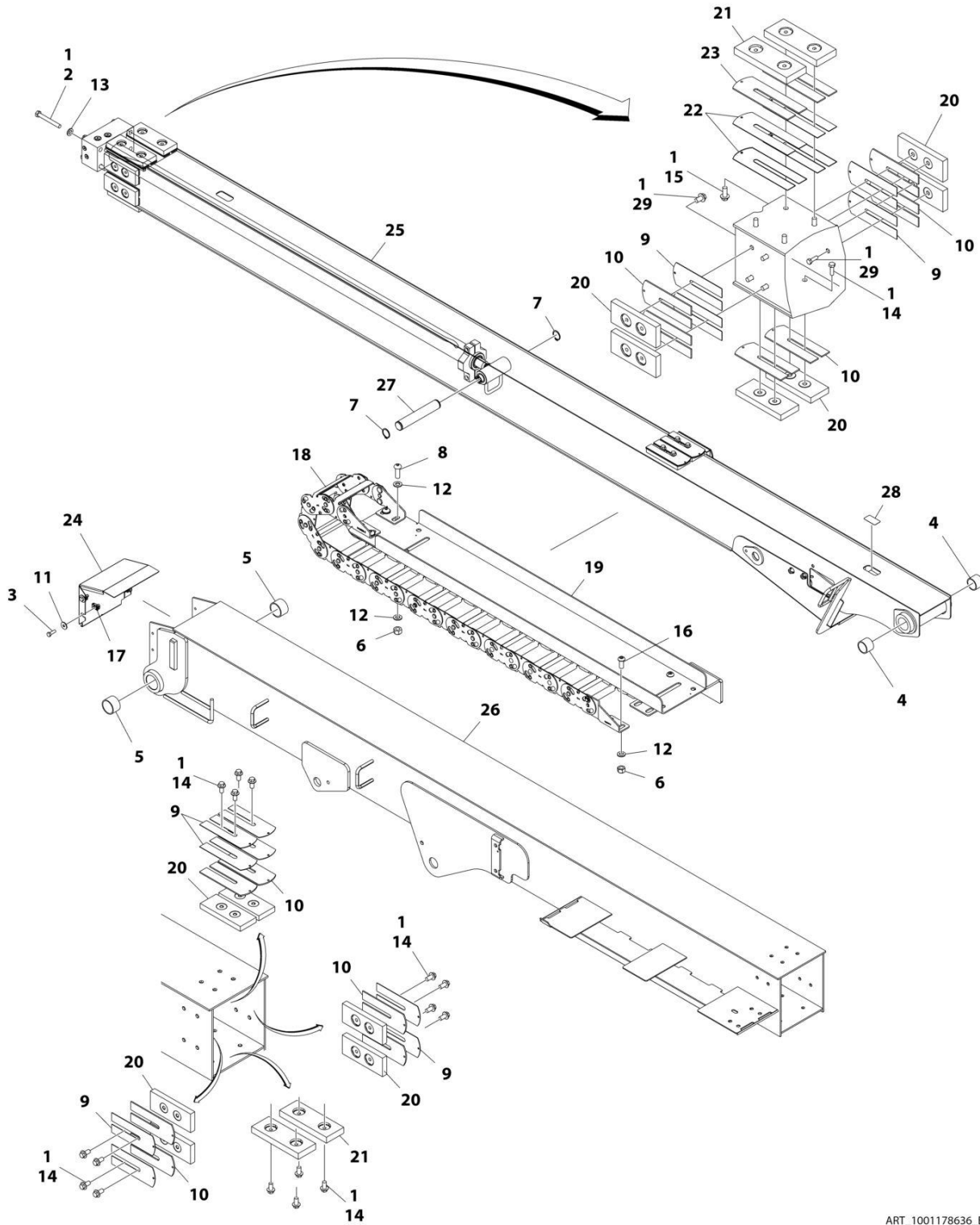
ART_1001255045

FIGURE 3-6. MAIN BOOM INSTALLATION

ITEM	PART NUMBER	QTY	DESCRIPTION	REV
	1001255045	Ref	MAIN BOOM INSTALLATION	A
1	0100011	AR	Compound, Locking	
2	0761012	3	Bolt M10 x 25	
3	0761015	3	Bolt M10 x 35	
4	0761212	2	Bolt M12 x 25	
5	0761215	3	Bolt M12 x 35	
6	3291005	3	Nut M10	
7	3291205	2	Nut M12	
8	3422755	1	Pin	
9	3422792	1	Pin	
10	3422793	2	Pin	
11	3422806	1	Pin	
12	3841143	4	Keeper, Pin	
13	3841203	4	Keeper, Pin	
14	4812000	4	Washer M10	
17	1001112607	2	Block, Boom Rest	
18	1001164017	1	Jib Installation (See Separate Breakdown in This Section)	
19	1001169246	1	Pin	
20	1001169247	1	Pin	
21	3423038	1	Pin	
23	1001178636	1	Main Boom Assembly (See Separate Breakdown in This Section)	
24	1001255053	1	Tower Boom Assembly (See Separate Breakdown in This Section)	

SECTION 3 - BOOM

FIGURE 3-7. MAIN BOOM ASSEMBLY



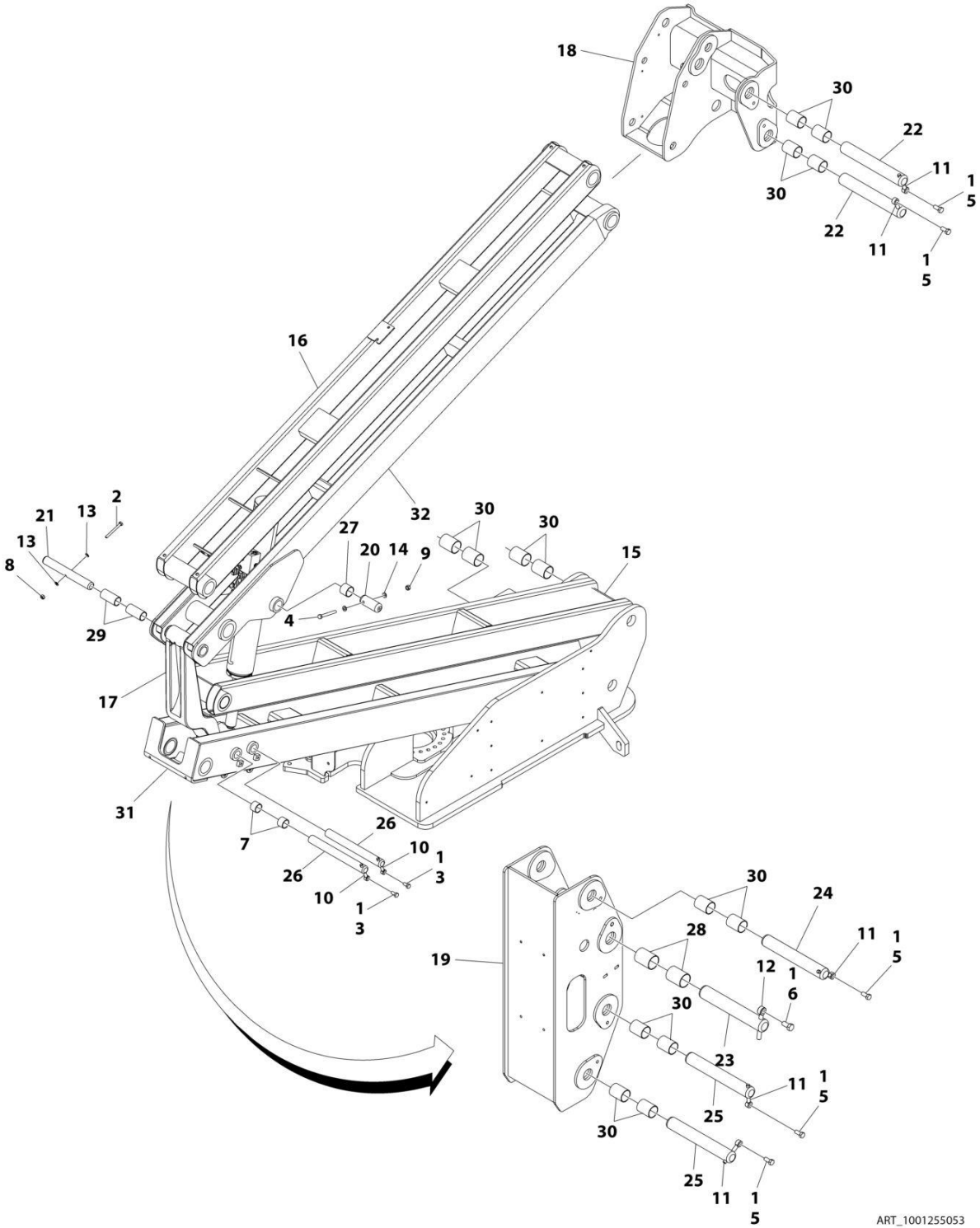
ART_1001178636_E

FIGURE 3-7. MAIN BOOM ASSEMBLY

ITEM	PART NUMBER	QTY	DESCRIPTION	REV
	1001178636	Ref	MAIN BOOM ASSEMBLY	E
1	0100011	AR	Compound, Locking	
2	0711227	4	Bolt M12 x 100	
3	0760812	4	Bolt M8 x 25	
4	0961948	2	Bearing	
5	0961949	2	Bearing	
6	3291005	10	Nut M10	
7	3760115	2	Ring, Retaining	
8	3900351	4	Screw M10 x 30	
9	4070897	12	Shim	
10	4070898	12	Shim	
11	4811902	4	Washer M8	
12	4812000	18	Washer M10	
13	5241200	4	Washer M12	
14	5251010	20	Bolt M10 x 20	
15	5251012	4	Bolt M10 x 25	
16	8310668	6	Screw M10 x 25	
17	1001118274	4	Nut M8	
18	1001224889	1	Powertrack Assembly	
18	70006256	1	Link, Repair	
18	70006271	1	Feet, Mounting	
19	1001166651	1	Tube, Carrier	
20	1001169304	12	Pad, Wear	
21	1001169305	4	Pad, Wear	
22	1001169402	4	Shim	
23	1001169403	2	Shim	
24	1001170226	1	Cover, Boom End	
25	1001177896	1	Fly, Boom	
26	1001177897	1	Base, Boom	
27	1001180540	1	Pin	
28	1670836	1	Cover	
29	5251009	8	Bolt M10 x 18	

SECTION 3 - BOOM

FIGURE 3-8. TOWER BOOM ASSEMBLY



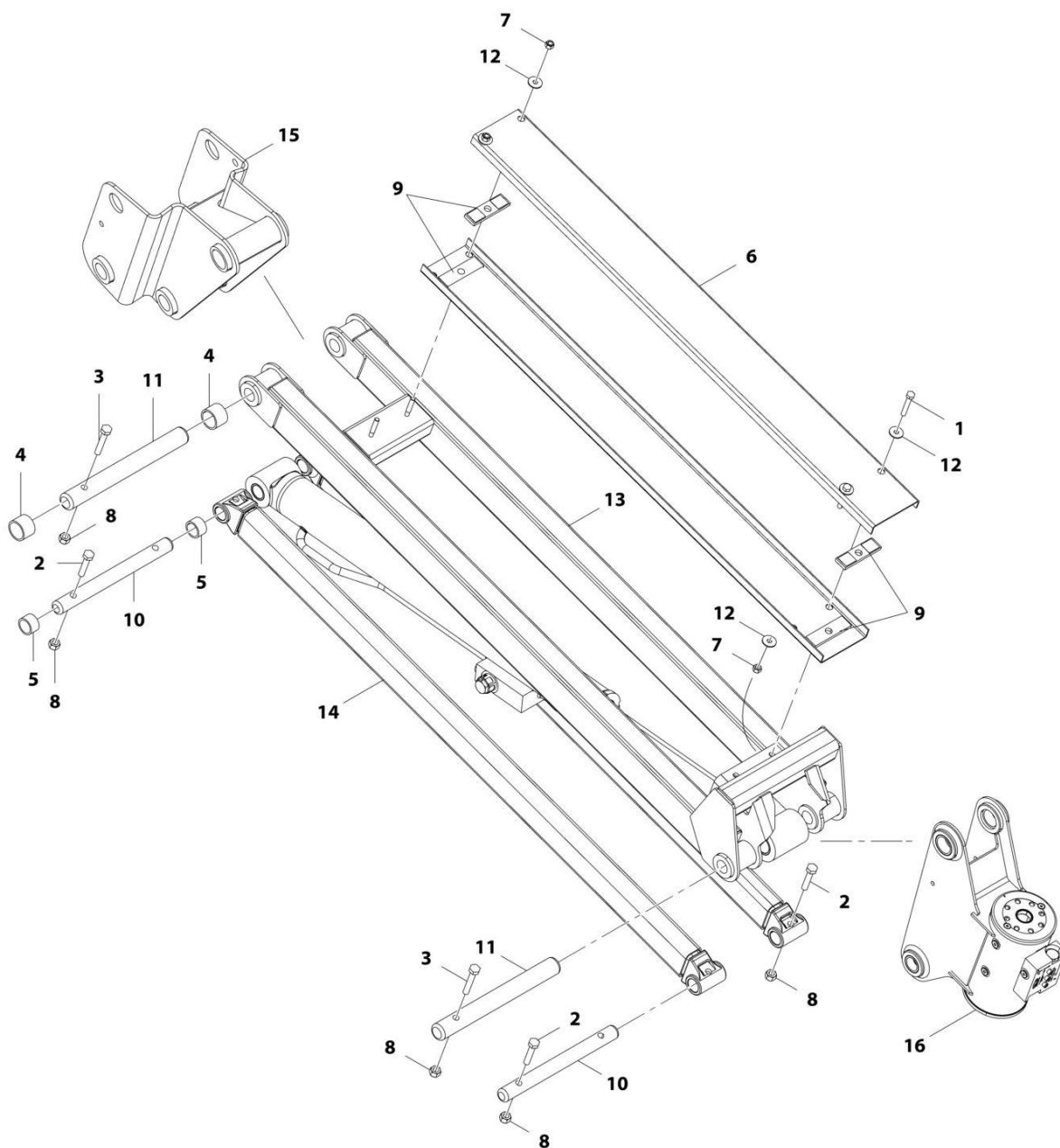
ART_1001255053

FIGURE 3-8. TOWER BOOM ASSEMBLY

ITEM	PART NUMBER	QTY	DESCRIPTION	REV
	1001255053	Ref	TOWER BOOM ASSEMBLY	A
1	0100011	AR	Compound, Locking	
2	0701027	1	Bolt M10 x 100	
3	0761212	2	Bolt M12 x 25	
4	0761227	2	Bolt M12 x 100	
5	0761615	5	Bolt M16 x 35	
6	0762016	1	Bolt M20 x 40	
7	0961948	2	Bearing	
8	3291005	1	Nut M10	
9	3291205	2	Nut M12	
10	3841203	2	Keeper, Pin	
11	3841258	5	Keeper, Pin	
12	3841287	1	Keeper, Pin	
13	4812000	4	Washer M10	
14	4812100	4	Washer M12	
15	1001160859	1	Link, Lower Tower Boom	
16	1001160872	1	Link, Upper Tower Boom	
17	1001166096	1	Link, Timing	
18	1001166852	1	Upright, Upper	
19	1001166853	1	Upright, Lower	
20	1001169240	2	Pin	
21	1001169241	1	Pin	
22	1001169242	2	Pin	
23	1001169295	1	Pin	
24	1001169296	1	Pin	
25	1001169297	2	Pin	
26	1001169298	2	Pin	
27	1001169299	2	Bearing	
28	1001169300	2	Bearing	
29	1001169301	2	Bearing	
30	1001169302	14	Bearing	
31	1001178133	1	Tower Boom (Lower)	
32	1001178135	1	Tower, Boom (Upper)	

SECTION 3 - BOOM

FIGURE 3-9. JIB INSTALLATION



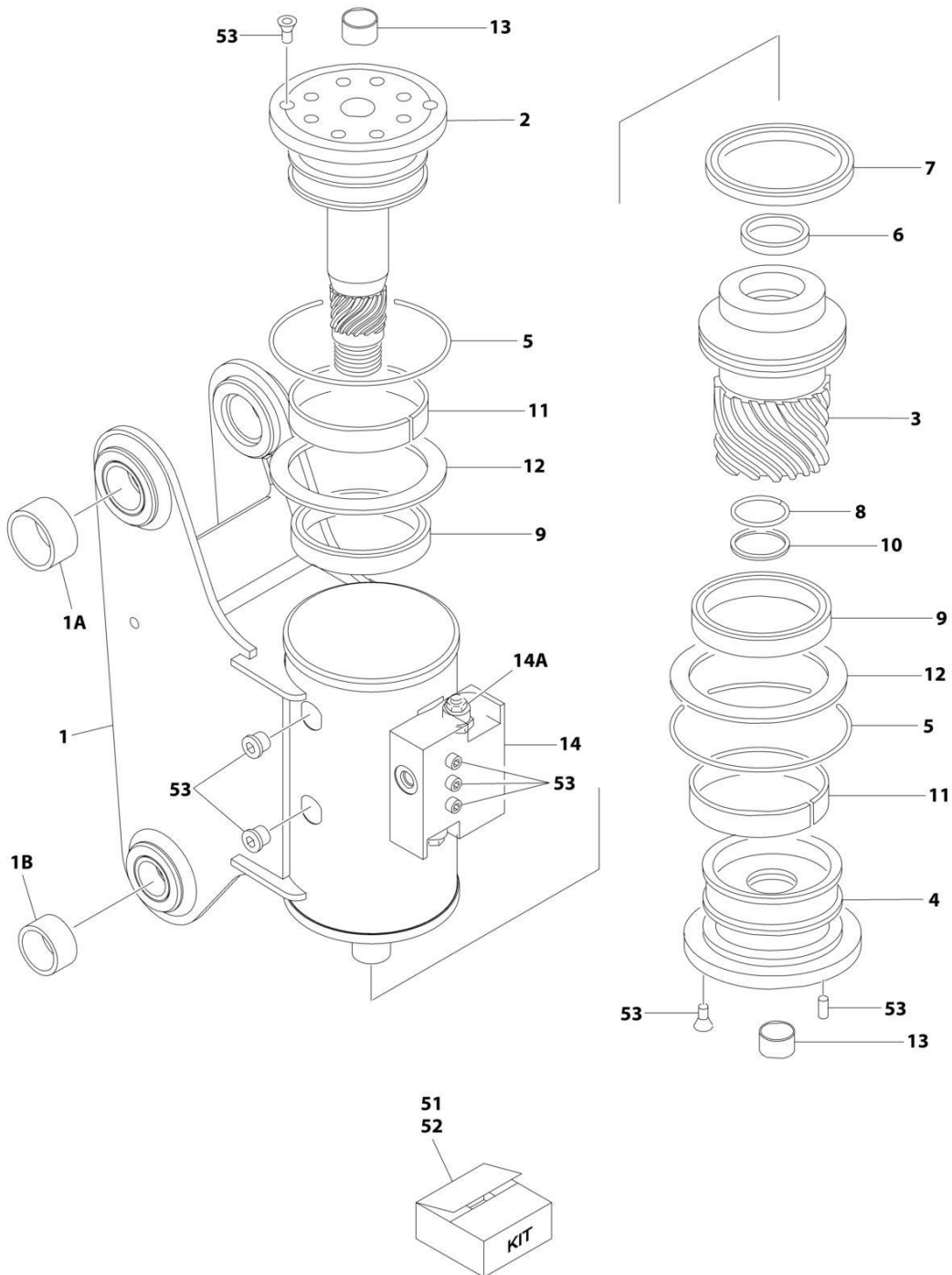
ART_1001164017

FIGURE 3-9. JIB INSTALLATION

ITEM	PART NUMBER	QTY	DESCRIPTION	REV
	1001164017	Ref	JIB INSTALLATION	D
1	0700820	2	Bolt M8 x 60	
2	0701019	4	Bolt M8 x 55	
3	0701020	2	Bolt M10 x 60	
4	0961951	2	Bushing	
5	0962292	2	Bearing	
6	3572551	2	Channel	
7	3290805	4	Nut M8	
8	3291005	6	Nut M10	
9	3340860	4	Pad, Rubber	
10	3422791	2	Pin	
11	1001116550	2	Pin	
12	4811902	6	Washer M8	
13	1001183171	1	Link (Upper)	
14	4846689	2	Link (Lower)	
15	1001163937	1	Pivot	
16	1001217779	1	Rotator Assembly (See Separate Breakdown in this Section)	

SECTION 3 - BOOM

FIGURE 3-10. ROTATOR ASSEMBLY



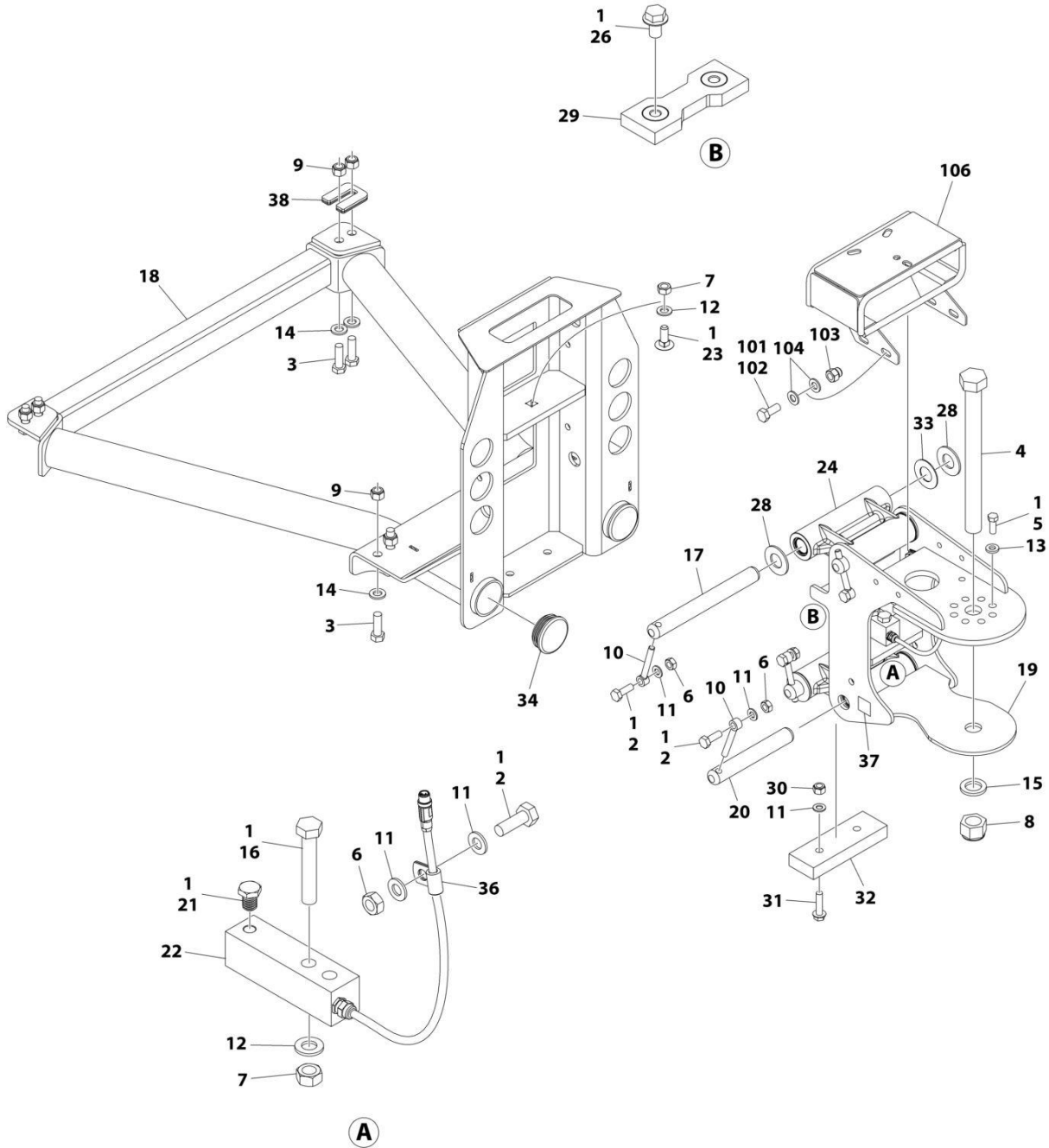
ART_1001217779

FIGURE 3-10. ROTATOR ASSEMBLY

ITEM	PART NUMBER	QTY	DESCRIPTION	REV
	1001217779	Ref	ROTATOR ASSEMBLY	B
1	See Note	NSS	Housing (Note: Purchase Complete Assembly)	
1A	0962257	2	Bushing	
1B	0961947	2	Bushing	
2	7017162	1	Shaft	
3	7017163	1	Piston	
4	7017164	1	Cap, End	
5	See Note	NSS	O-Ring (Note: Use p/n 70000342)	
6	See Note	NSS	Seal, Rod (Note: Purchase p/n 70000342)	
7	See Note	NSS	Seal, Piston (Note: Purchase p/n 70000342)	
8	See Note	NSS	Seal, Cap (Note: Purchase p/n 70000342)	
9	See Note	NSS	Packing, Bearing (Note: Purchase p/n 70000342)	
10	See Note	NSS	Ring, Back-up (Note: Purchase p/n 70000342)	
11	See Note	NSS	Bearing, Shaft (Note: Purchase p/n 7017159)	
12	See Note	NSS	Washer, Thrust (Note: Purchase p/n 7017159)	
13	7017195	2	Bushing	
14	7017172	1	Counterbalance Valve Assembly	
14A	7017192	2	Valve Cartridge (No Seal Kit Available)	
51	70000342	1	Seal Kit (Includes Items 5-10)	
52	7017159	1	Bearing Kit (Includes Items 11 & 12)	
53	7017142	1	Hardware Kit	

SECTION 3 - BOOM

FIGURE 3-11. PLATFORM SUPPORT INSTALLATION



ART_1001167596_N

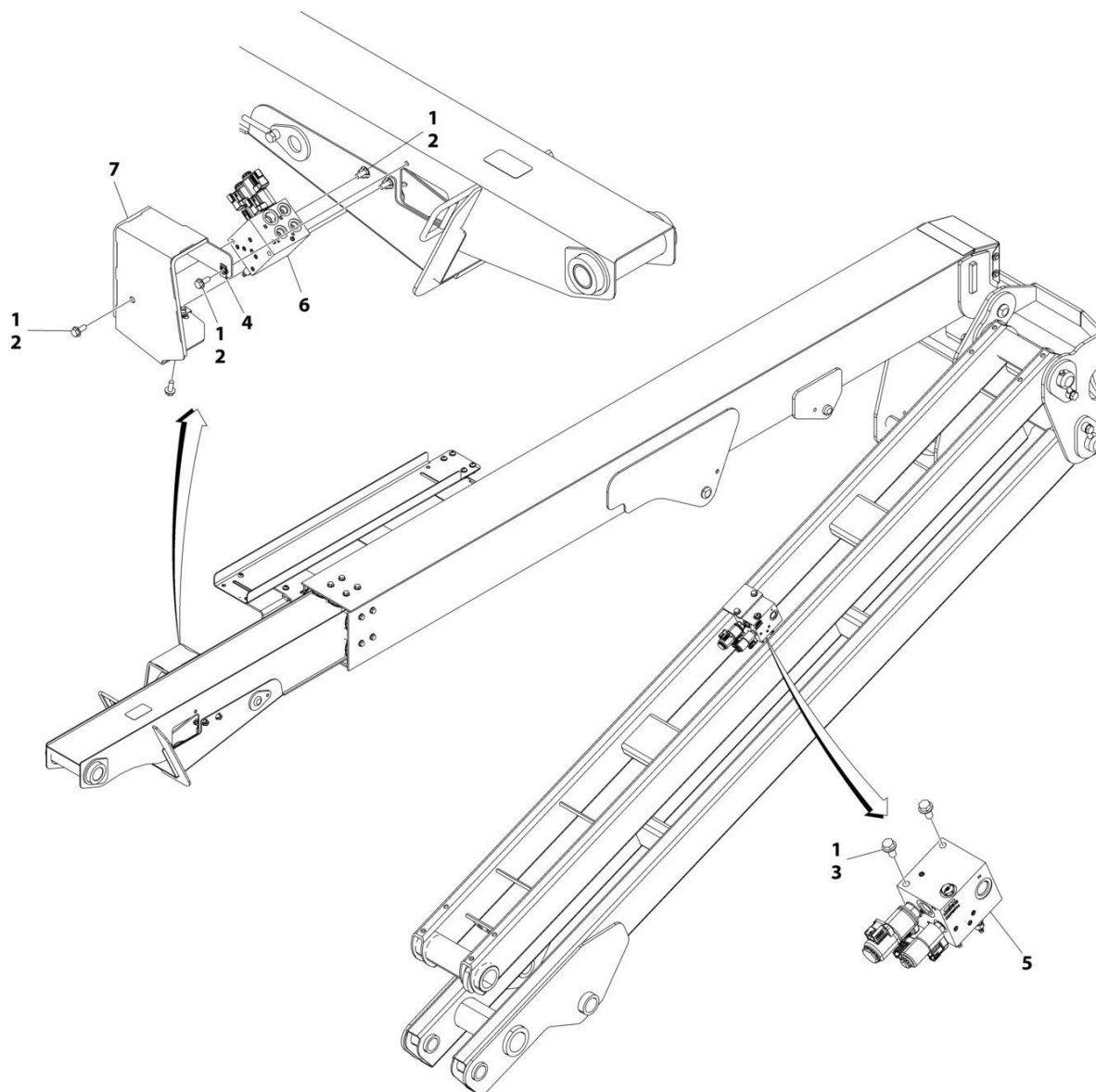
SECTION 3 - BOOM

FIGURE 3-11. PLATFORM SUPPORT INSTALLATION

ITEM	PART NUMBER	QTY	DESCRIPTION	REV
	1001167596	Ref	PLATFORM SUPPORT INSTALLATION	N
1	0100011	AR	Compound, Locking	
2	0761014	5	Bolt M10 x 30	
3	0761216	8	Bolt M12 x 40	
4	1001255133	1	Bolt 1 x 11	
5	0681608	8	Bolt 3/8 x 1	
6	3291001	5	Nut M10	
7	3291201	3	Nut M12	
8	1001174040	1	Nut 1	
9	3291205	8	Nut M12	
10	3841143	4	Keeper, Pin	
11	4812000	8	Washer M10	
12	4812100	3	Washer M12	
13	4891600	8	Washer 3/8	
14	5241200	8	Washer M12	
15	4892600001	1	Washer 1	
16	1001098828	2	Bolt M12 x 70 Grade 10.9	
17	1001167565	2	Pin	
18	1001200494	1	Support, Platform	
19	1001167567	1	Support, Rotator	
20	1001168402	2	Pin	
21	1001188622	1	Screw	
22	1001247468	1	Loadcell	
23	1001188844	1	Bolt M12 x 35	
24	1001201351	2	Link	
24	1001187382	4	Bearing	
24	1001187383	4	Seal	
26	5251008	2	Bolt M10 x 16	
28	1001189002	8	Bearing	
29	1001190985	1	Pad, Wear	
30	3291005	2	Nut M10	
31	5251016	2	Bolt M10 x 40	
32	1001200491	1	Pad, Wear	
33	1001189001	4	Bearing	
34	1001204725	2	Plug	
36	91203039	1	Clamp	
37	1001216630	2	Decal - Tie Down/No Lift	
38	1001238421	Ref	Kit, Platform Leveling (Not Shown)	
	1001202687	Ref	VALVE MOUNT INSTALLATION	B
101	0100011	AR	Compound, Locking	
102	0760810	4	Bolt M8 x 20	
103	3290806	4	Nut M8	
104	4811900	8	Washer M8	
106	1001208994	1	Mount, Valve	

SECTION 3 - BOOM

FIGURE 3-12. BOOM VALVES INSTALLATION



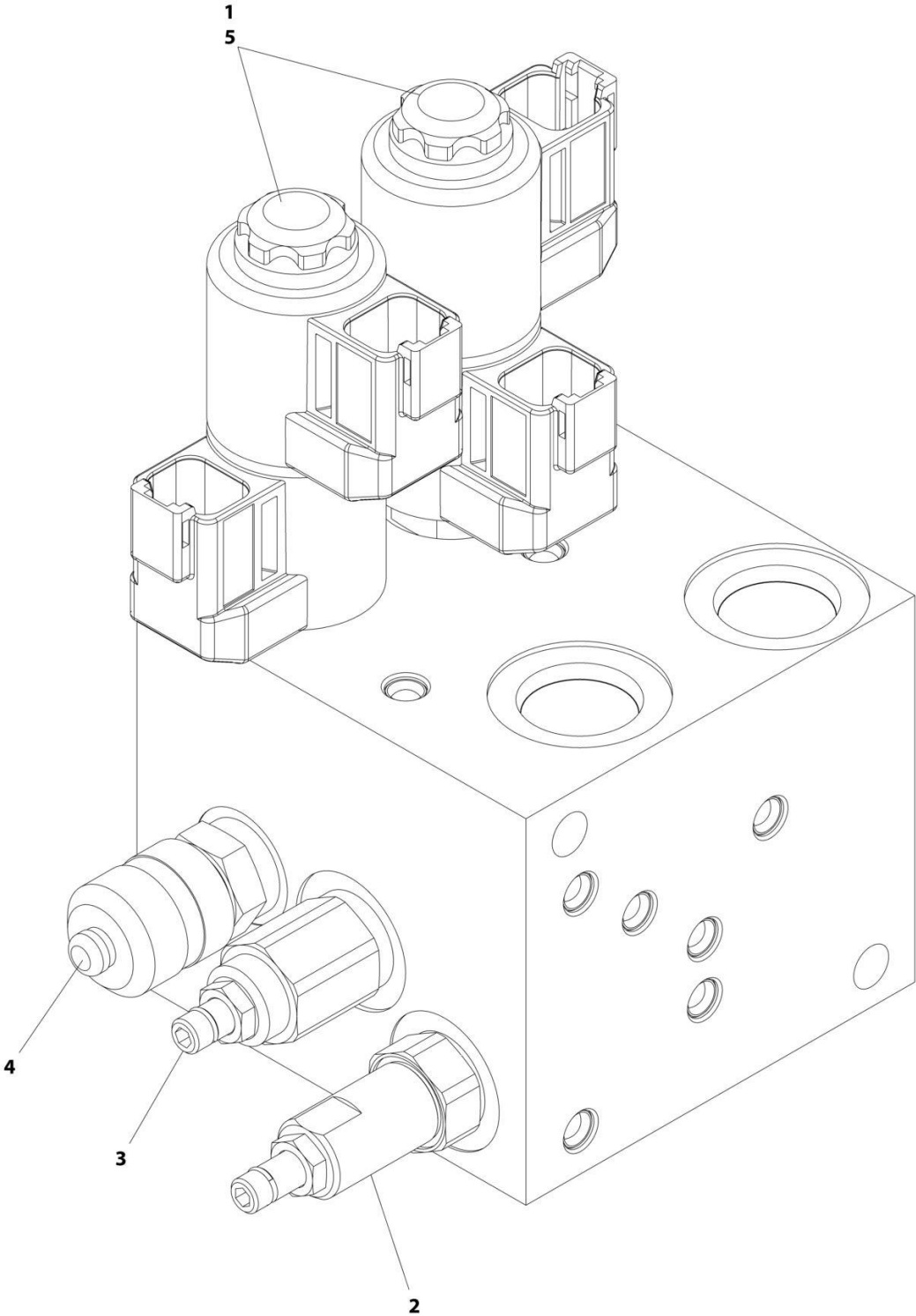
ART_1001255047

FIGURE 3-12. BOOM VALVES INSTALLATION

ITEM	PART NUMBER	QTY	DESCRIPTION	REV
	1001255047	Ref	BOOM VALVES INSTALLATION	A
1	0100011	AR	Compound, Locking	
2	5250810	5	Bolt M8 x 20	
3	5251010	2	Bolt M10 x 20	
4	1001118274	2	Nut M8	
5	1001162535	1	Upright Valve Assembly (See Separate Breakdown in this Section)	
6	1001162536	1	Boom Valve Assembly (See Separate Breakdown in this Section)	
7	1001170375	1	Shield	

SECTION 3 - BOOM

FIGURE 3-13. BOOM VALVE ASSEMBLY



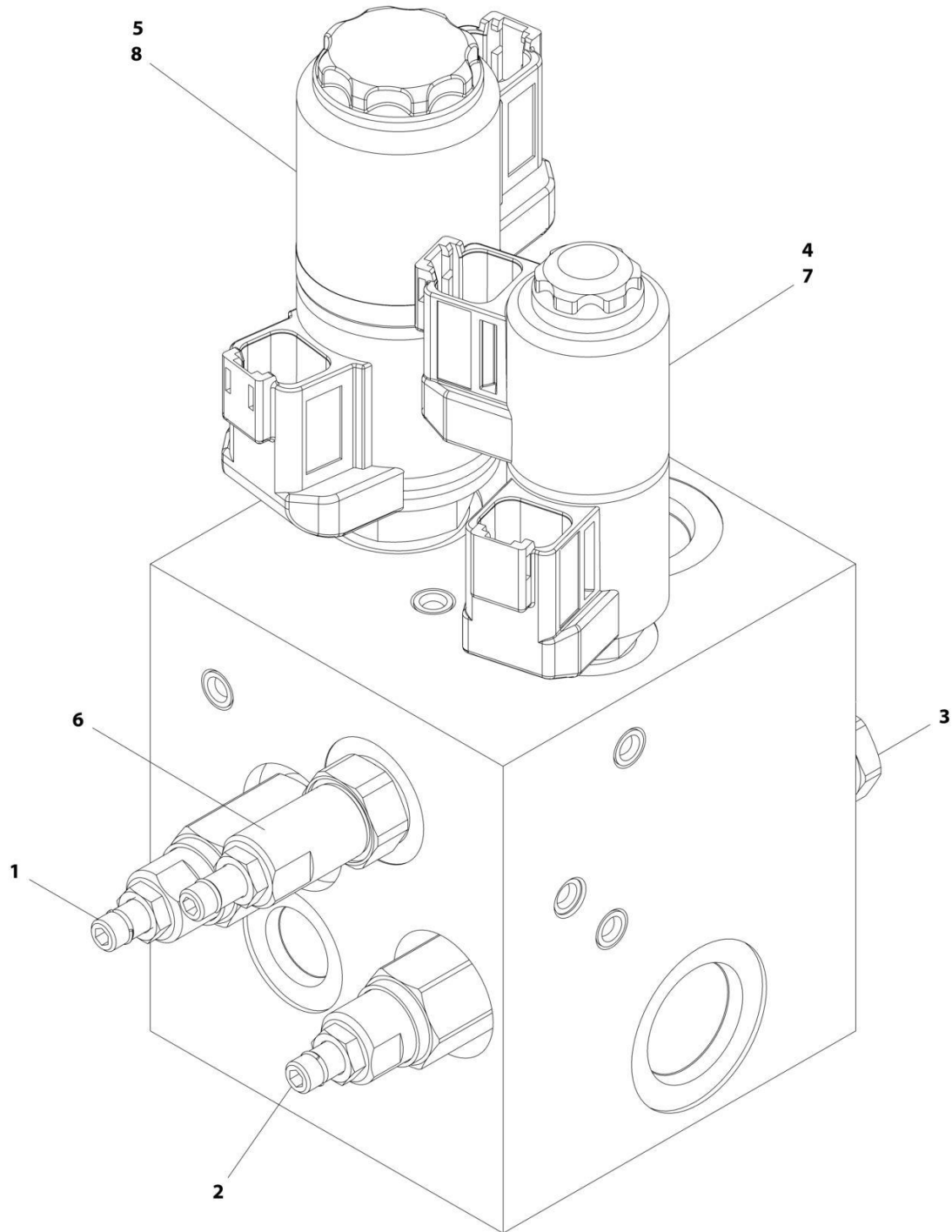
ART_1001162536

FIGURE 3-13. BOOM VALVE ASSEMBLY

ITEM	PART NUMBER	QTY	DESCRIPTION	REV
	1001162536	Ref	BOOM VALVE ASSEMBLY	F
1	70005243	2	Cartridge, Solenoid Valve Less Coil	
1	70004869	2	Seal Kit - 70005243 Valve	
2	70004873	1	Cartridge, Valve	
2	70004867	1	Seal Kit - 70004873 Valve	
3	70006970	1	Cartridge, Valve	
3	70004867	1	Seal Kit - 70006970 Valve	
4	2221086	1	Fitting, Test	
5	70004871	4	Coil	

SECTION 3 - BOOM

FIGURE 3-14. UPRIGHT VALVE ASSEMBLY



ART_1001162535

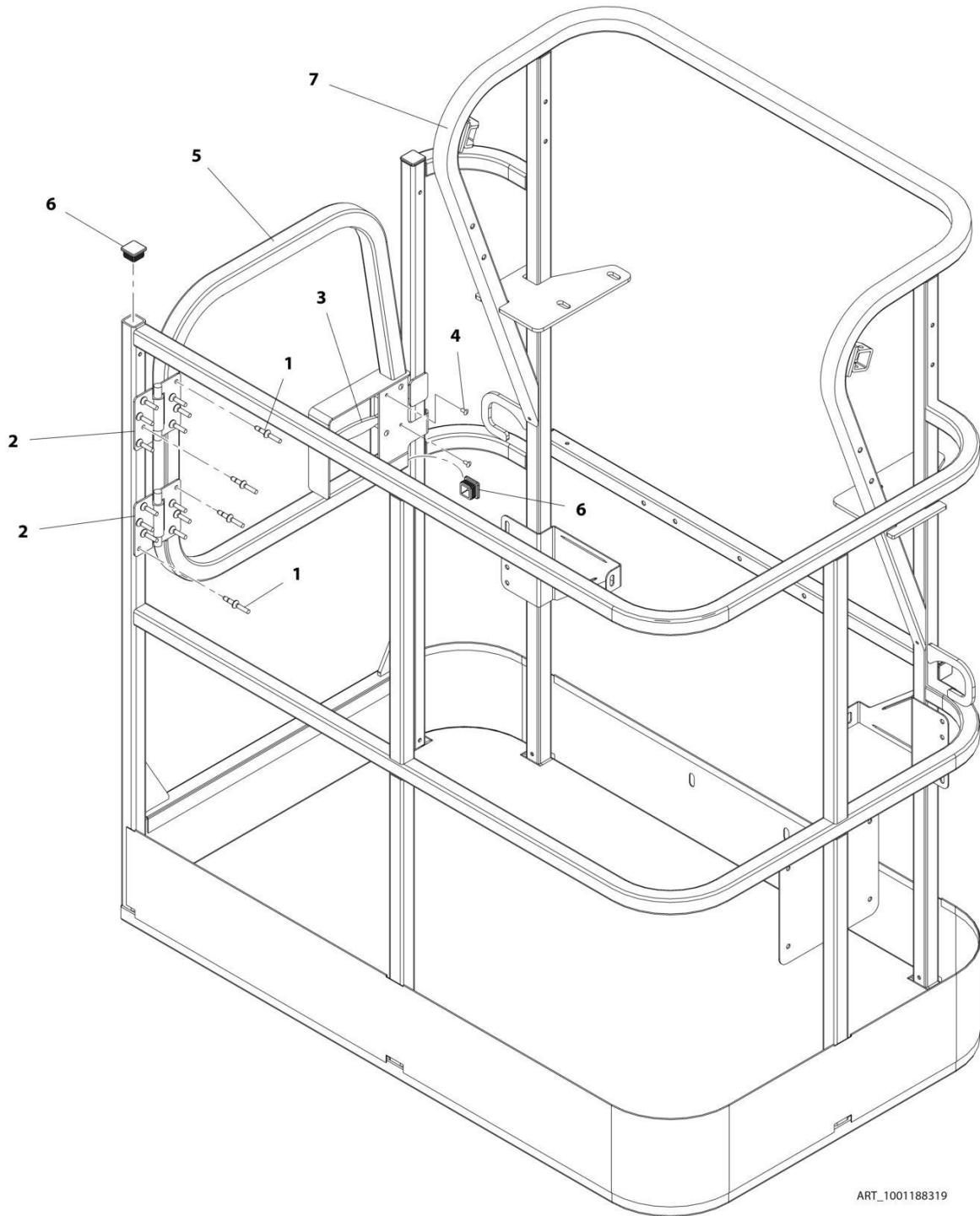
FIGURE 3-14. UPRIGHT VALVE ASSEMBLY

ITEM	PART NUMBER	QTY	DESCRIPTION	REV
	1001162535	Ref	UPRIGHT VALVE ASSEMBLY	D
1	70004864	1	Cartridge, Valve	
1	70004875	1	Seal Kit - 70004864 Valve	
2	70004865	1	Cartridge, Valve	
2	70004875	1	Seal Kit - 70004865 Valve	
3	70004866	1	Cartridge, Relief Valve	
3	70004867	1	Seal Kit - 70004866 Valve	
4	70004868	1	Cartridge, Solenoid Valve Less Coil	
4	70004869	1	Seal Kit - 70004868 Valve	
5	7027625	1	Cartridge, Solenoid Valve Less Coil	
5	70000100	1	Seal Kit - 7027625 Valve	
6	70006660	1	Cartridge, Valve	
6	70004867	1	Seal Kit - 70006660 Valve	
7	70004871	2	Coil	
8	7027628	2	Coil	

SECTION 4 - PLATFORM

SECTION 4 - PLATFORM

FIGURE 4-1. PLATFORM ASSEMBLY - 30IN X 4FT (76CM X 1.22M) - SIDE GATE ENTRY



ART_1001188319

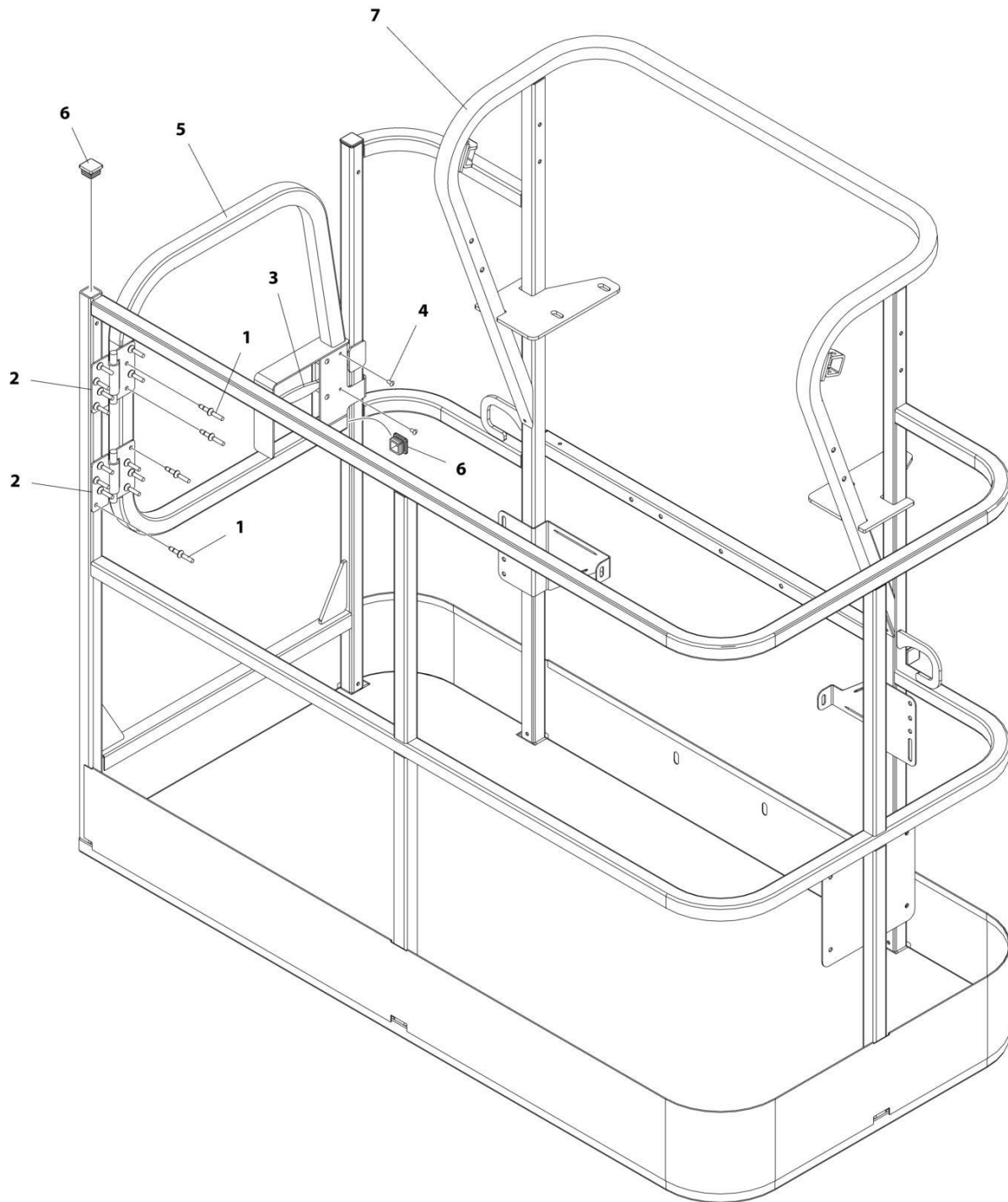
SECTION 4 - PLATFORM

FIGURE 4-1. PLATFORM ASSEMBLY - 30IN X 4FT (76CM X 1.22M) - SIDE GATE ENTRY

ITEM	PART NUMBER	QTY	DESCRIPTION	REV
	1001188319	Ref	PLATFORM ASSEMBLY	D
	See Note	Ref	Note: Platform and Mesh must be ordered separately for Platforms with Mesh. See SPECIAL OPTIONS SECTION for Mesh Installations.	
	See Note	Ref	Note: Replacement Decals Must be Ordered Separately - See DECALS SECTION.	
1	2080040	16	Fastener, Huck	
2	2600281	2	Hinge, Self-Closing	
3	2940074	1	Latch	
4	3820020	4	Rivet	
5	1001144629	1	Gate, Weldment	
6	1001145781	5	Cap, Plug	
7	See Note	NSS	Platform (Note: Not Available - Purchase Platform Assembly)	

SECTION 4 - PLATFORM

FIGURE 4-2. PLATFORM ASSEMBLY - 30IN X 5FT (76CM X 1.52M) - SIDE GATE ENTRY



ART_1001188315

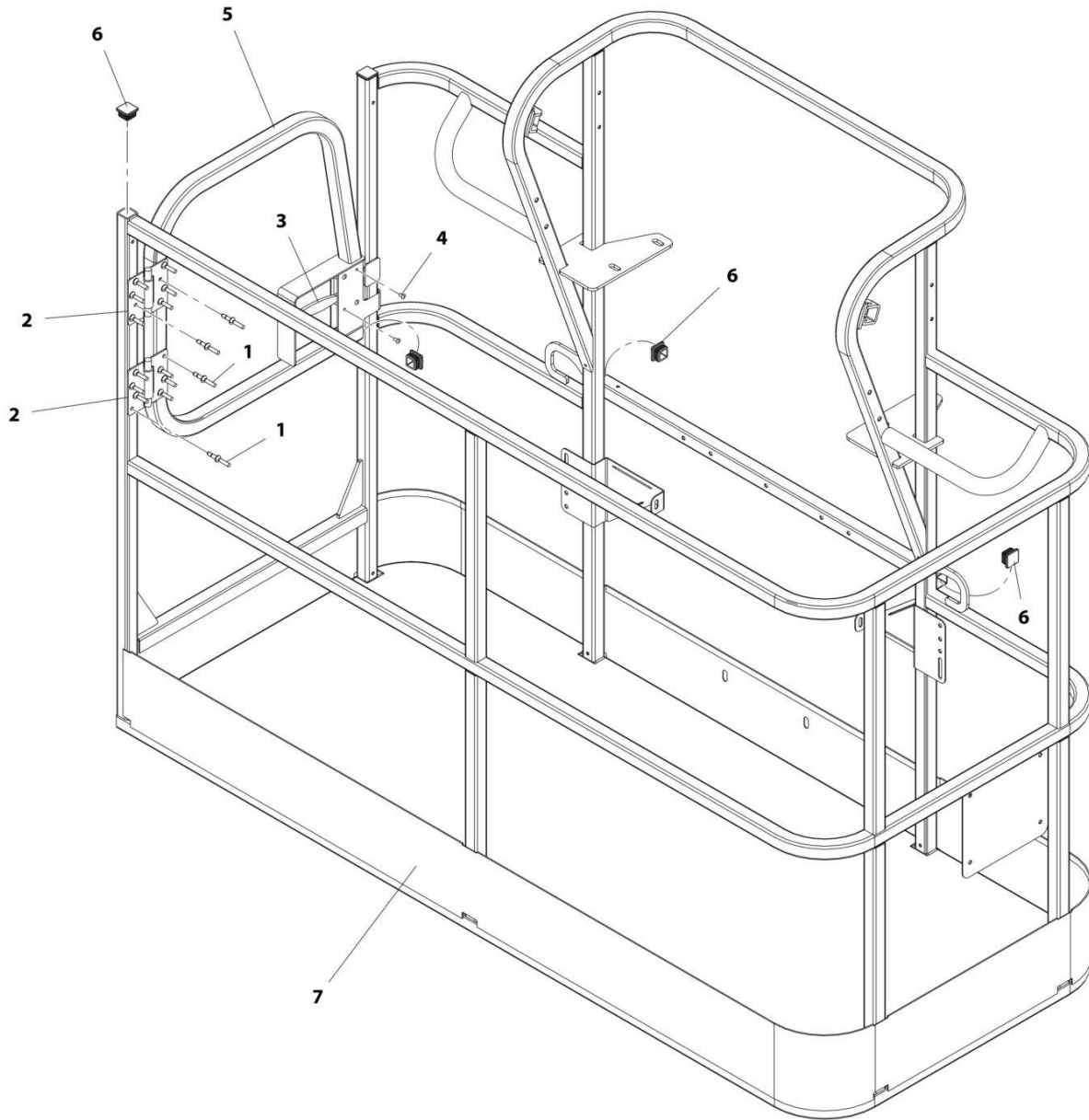
SECTION 4 - PLATFORM

FIGURE 4-2. PLATFORM ASSEMBLY - 30IN X 5FT (76CM X 1.52M) - SIDE GATE ENTRY

ITEM	PART NUMBER	QTY	DESCRIPTION	REV
	1001188315	Ref	PLATFORM ASSEMBLY	E
	See Note	Ref	Note: Platform and Mesh must be ordered separately for Platforms with Mesh. See SPECIAL OPTIONS SECTION for Mesh Installations.	
	See Note	Ref	Note: Replacement Decals Must be Ordered Separately - See DECALS SECTION.	
1	2080040	16	Fastener, Huck	
2	2600281	2	Hinge	
3	2940074	1	Latch	
4	3820020	4	Rivet	
5	1001144629	1	Gate	
6	1001145781	5	Plug	
7	See Note	NSS	Platform (Note: Not Available - Purchase Platform Assembly)	

SECTION 4 - PLATFORM

FIGURE 4-3. PLATFORM ASSEMBLY - 30IN X 6FT (76CM X 1.83M) - SIDE GATE ENTRY



ART_1001188312

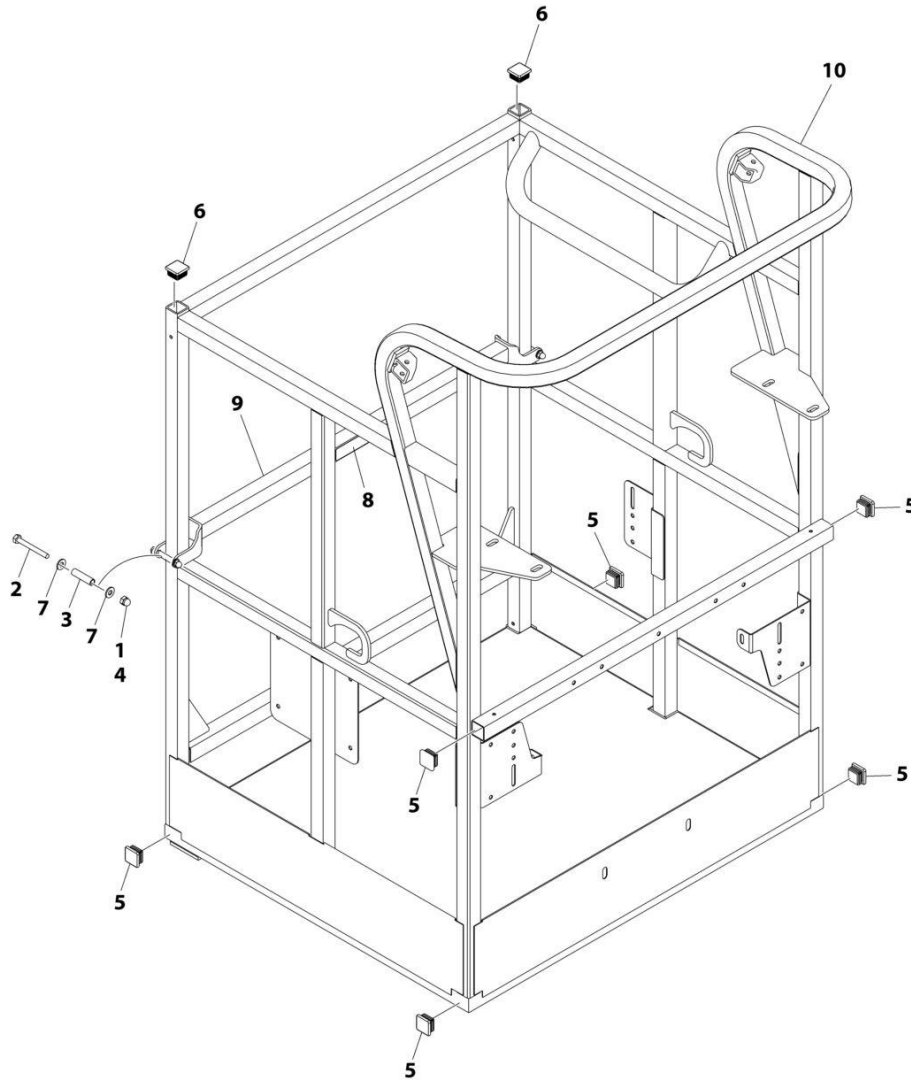
SECTION 4 - PLATFORM

FIGURE 4-3. PLATFORM ASSEMBLY - 30IN X 6FT (76CM X 1.83M) - SIDE GATE ENTRY

ITEM	PART NUMBER	QTY	DESCRIPTION	REV
	1001188312	Ref	PLATFORM ASSEMBLY	F
	See Note	Ref	Note: Platform and Mesh must be ordered separately for Platforms with Mesh. See SPECIAL OPTIONS SECTION for Mesh Installations.	
	See Note	Ref	Note: Replacement Decals Must be Ordered Separately - See DECALS SECTION.	
1	2080040	16	Fastener, Huck	
2	2600281	2	Hinge, Self-Closing	
3	2940074	1	Latch	
4	3820020	4	Rivet	
5	1001144629	1	Gate, Weldment	
6	1001145781	5	Cap, Plug	
7	See Note	NSS	Platform (Note: Not Available - Purchase Platform Assembly)	

SECTION 4 - PLATFORM

FIGURE 4-4. PLATFORM ASSEMBLY - 30IN X 3FT (76CM X .91M) - DROP BAR ENTRY



ART_1001228215

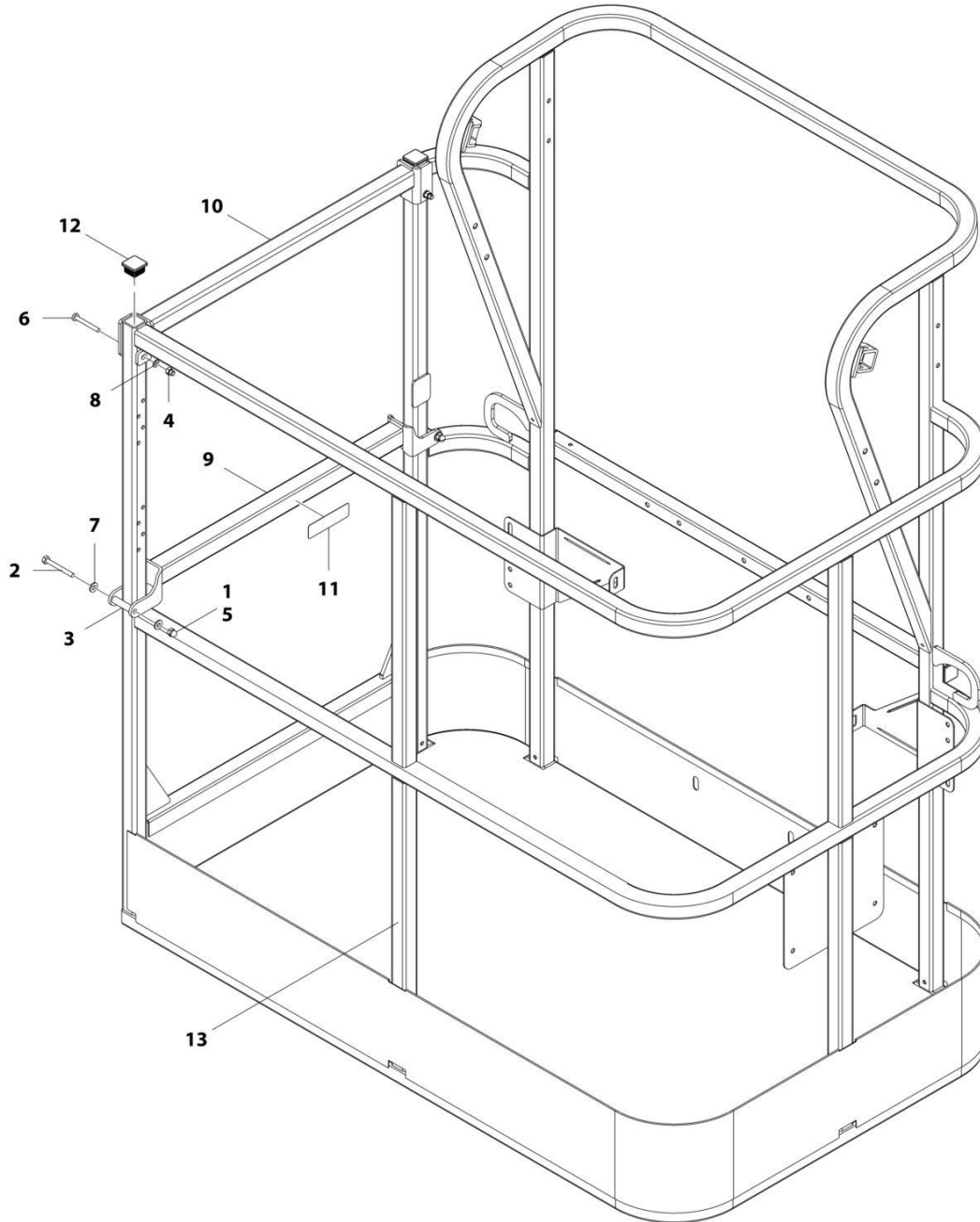
SECTION 4 - PLATFORM

FIGURE 4-4. PLATFORM ASSEMBLY - 30IN X 3FT (76CM X .91M) - DROP BAR ENTRY

ITEM	PART NUMBER	QTY	DESCRIPTION	REV
	1001228215	Ref	PLATFORM ASSEMBLY	A
	See Note	Ref	Note: Platform and Mesh must be ordered separately for Platforms with Mesh. See SPECIAL OPTIONS SECTION for Mesh Installations.	
	See Note	Ref	Note: Replacement Decals Must be Ordered Separately - See DECAL SECTION.	
1	0100011	AR	Compound, Locking	
2	0641418	2	Bolt 1/4 x 2-1/4	
3	0961845	2	Bushing	
4	3300151	2	Nut 1/4	
5	3520072	6	Cap, Plug	
6	3520198	2	Cap, Plug	
7	4711400	4	Washer 1/4	
8	1001140429	1	Decal - Drop Bar	
9	1001226872	1	Bar, Drop	
10	See Note	NSS	Platform (Note: Not Available - Purchase Platform Assembly)	

SECTION 4 - PLATFORM

FIGURE 4-5. PLATFORM ASSEMBLY - 30IN X 4FT (76CM X 1.22M) - WITH DROP BAR



ART_1001188318

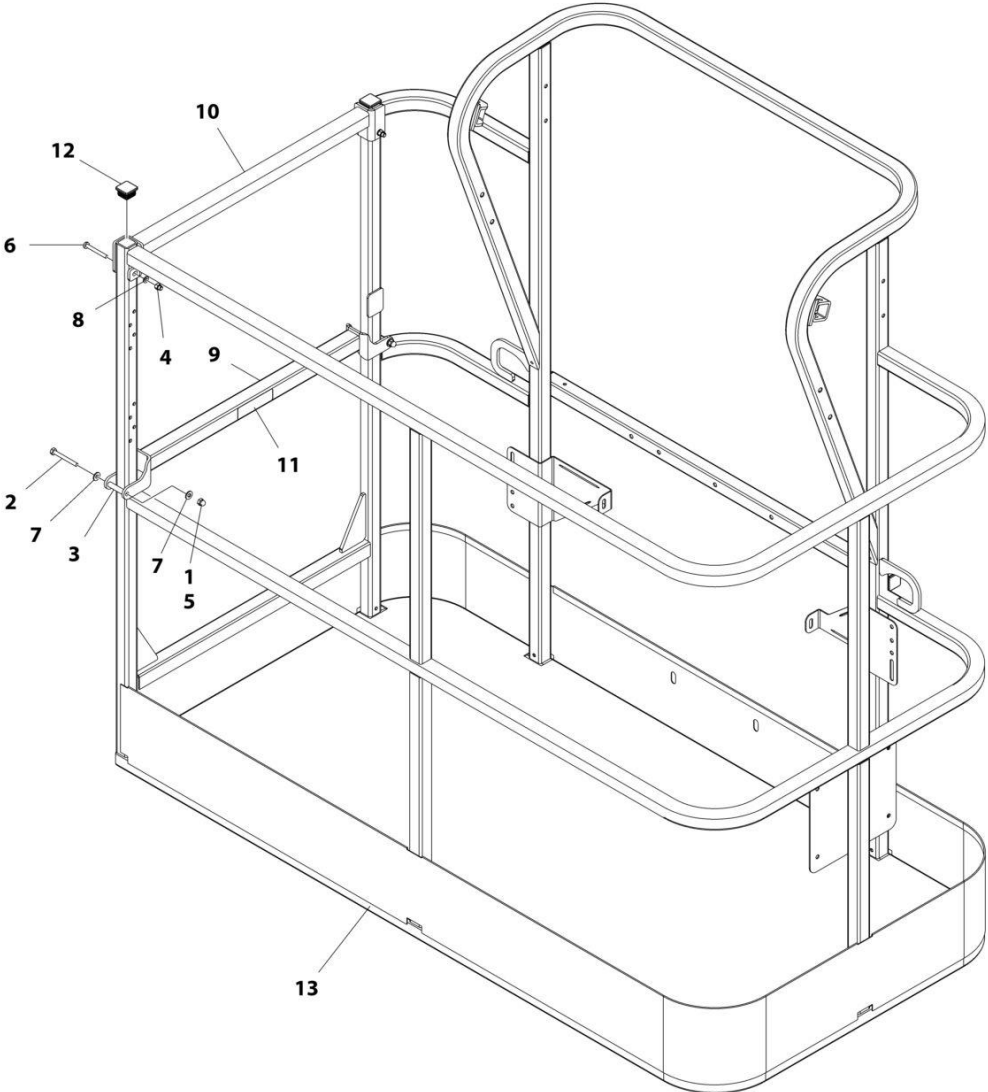
SECTION 4 - PLATFORM

FIGURE 4-5. PLATFORM ASSEMBLY - 30IN X 4FT (76CM X 1.22M) - WITH DROP BAR

ITEM	PART NUMBER	QTY	DESCRIPTION	REV
	1001188318	Ref	PLATFORM ASSEMBLY	C
	See Note	Ref	Note: Platform and Mesh must be ordered separately for Platforms with Mesh. See SPECIAL OPTIONS SECTION for Mesh Installations.	
	See Note	Ref	Note: Replacement Decals Must be Ordered Separately - See DECALS SECTION.	
1	0100011	AR	Compound, Locking	
2	0641418	2	Bolt 1/4 x 2-1/4	
3	0961845	2	Bushing	
4	3290606	2	Nut M6	
5	3300151	2	Nut 1/4	
6	4010618	2	Screw M6 x 50	
7	4711400	4	Washer 1/4	
8	4811700	2	Washer M6	
9	1001138494	1	Bar, Drop	
10	1001138514	1	Rail (Top)	
11	1001140429	1	Decal - Drop Bar	
12	1001145781	4	Cap, Plug	
13	See Note	NSS	Platform (Note: Not Available - Purchase Platform Assembly)	

SECTION 4 - PLATFORM

FIGURE 4-6. PLATFORM ASSEMBLY - 30IN X 5FT (76CM X 1.52M) - WITH DROP BAR



ART_1001188314

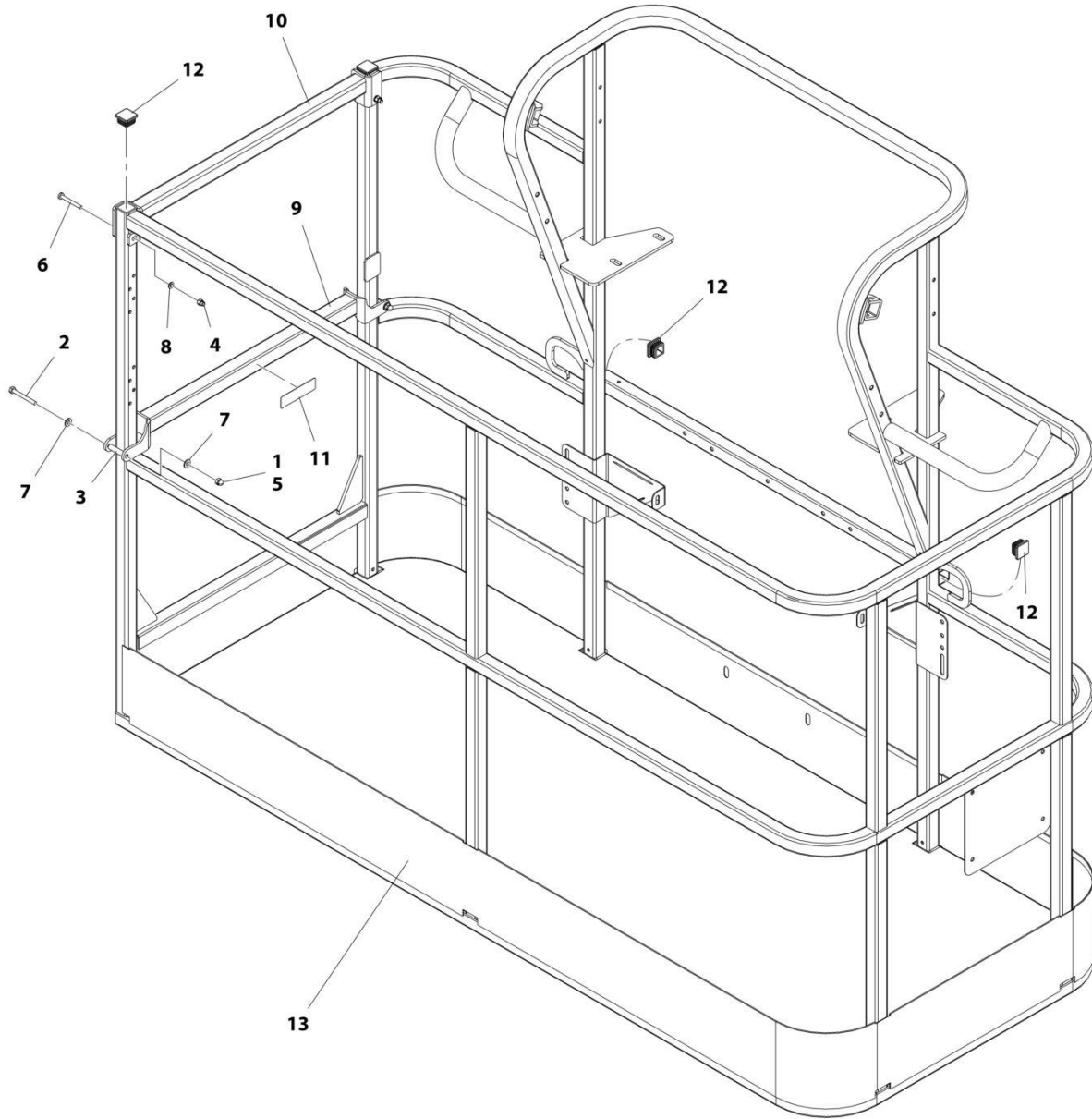
SECTION 4 - PLATFORM

FIGURE 4-6. PLATFORM ASSEMBLY - 30IN X 5FT (76CM X 1.52M) - WITH DROP BAR

ITEM	PART NUMBER	QTY	DESCRIPTION	REV
	1001188314	Ref	PLATFORM ASSEMBLY	C
	See Note	Ref	Note: Platform and Mesh must be ordered separately for Platforms with Mesh. See SPECIAL OPTIONS SECTION for Mesh Installations.	
	See Note	Ref	Note: Replacement Decals Must be Ordered Separately - See DECALS SECTION.	
1	0100011	AR	Compound, Locking	
2	0641418	2	Bolt 1/4 x 2-1/4	
3	0961845	2	Bushing	
4	3290606	2	Nut M6	
5	3300151	2	Nut 1/4	
6	4010618	2	Screw M6 x 50	
7	4711400	4	Washer 1/4	
8	4811700	2	Washer M6	
9	1001138494	1	Bar, Drop	
10	1001138514	1	Rail (Top)	
11	1001140429	1	Decal - Drop Bar	
12	1001145781	4	Plug	
13	See Note	NSS	Platform (Note: Not Available - Purchase Platform Assembly)	

SECTION 4 - PLATFORM

FIGURE 4-7. PLATFORM ASSEMBLY - 30IN X 6FT (76CM X 1.83M) - WITH DROP BAR



ART_1001188311

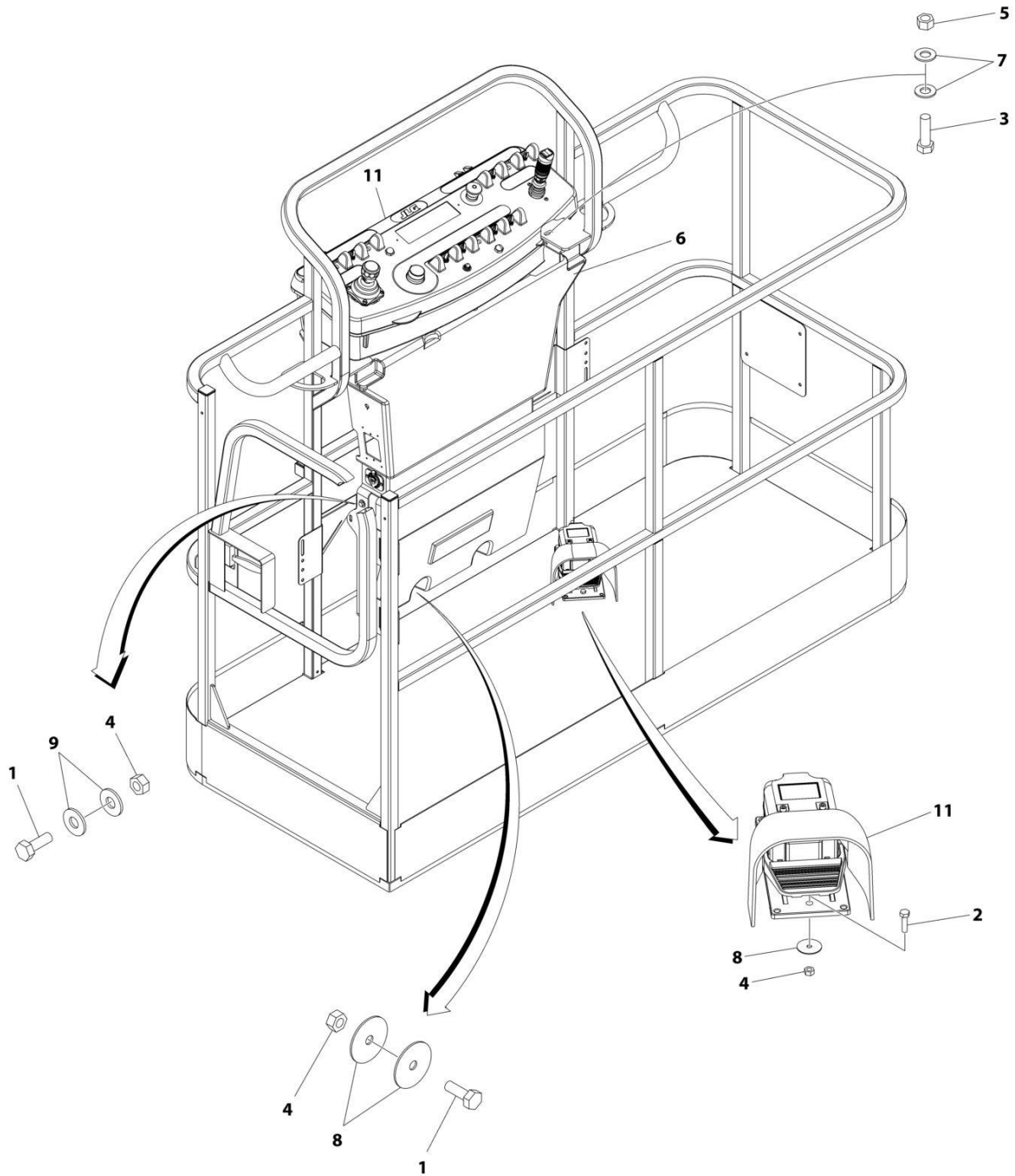
SECTION 4 - PLATFORM

FIGURE 4-7. PLATFORM ASSEMBLY - 30IN X 6FT (76CM X 1.83M) - WITH DROP BAR

ITEM	PART NUMBER	QTY	DESCRIPTION	REV
	1001188311	Ref	PLATFORM ASSEMBLY	D
	See Note	Ref	Note: Platform and Mesh must be ordered separately for Platforms with Mesh. See SPECIAL OPTIONS SECTION for Mesh Installations.	
	See Note	Ref	Note: Replacement Decals Must be Ordered Separately - See DECALS SECTION.	
1	0100011	AR	Compound, Locking	
2	0641418	2	Bolt 1/4 x 2-1/4	
3	0961845	2	Bushing	
4	3290606	2	Nut M6	
5	3300151	2	Nut 1/4	
6	4010618	2	Screw M6 x 50	
7	4711400	4	Washer 1/4	
8	4811700	2	Washer M6	
9	1001138494	1	Bar, Drop	
10	1001138514	1	Rail (Top)	
11	1001140429	1	Decal - Drop Bar	
12	1001145781	4	Cap, Plug	
13	See Note	NSS	Platform (Note: Not Available - Purchase Platform Assembly)	

SECTION 4 - PLATFORM

FIGURE 4-8. CONSOLE BOX INSTALLATION - WITH SKYGUARD



ART_1001264863

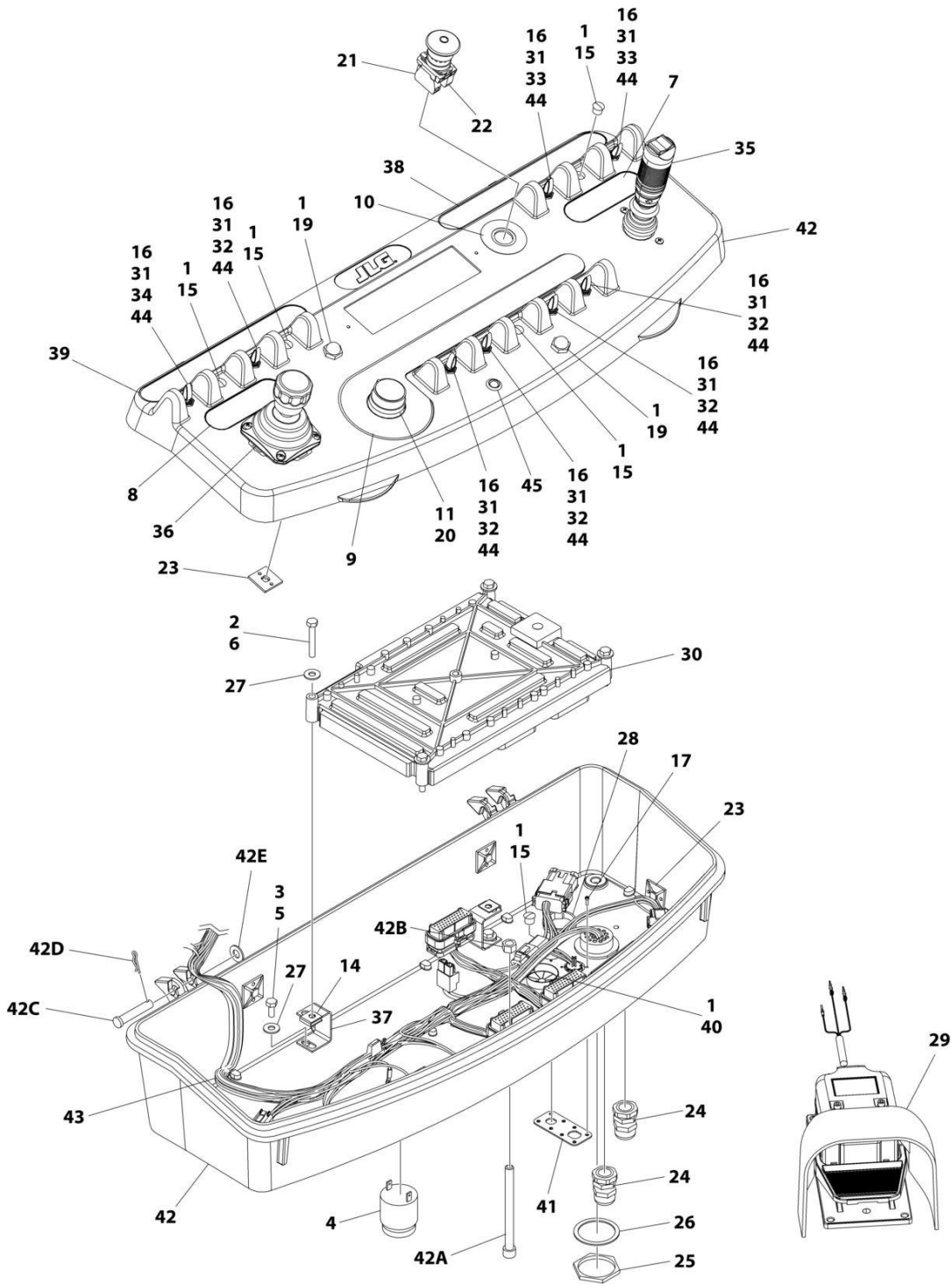
SECTION 4 - PLATFORM

FIGURE 4-8. CONSOLE BOX INSTALLATION - WITH SKYGUARD

ITEM	PART NUMBER	QTY	DESCRIPTION	REV
	1001264863	Ref	CONSOLE AND FOOTSWITCH INSTALLATION	A
1	0641406	4	Bolt 1/4 x 3/4	
2	0641408	3	Bolt 1/4 x 1	
3	0641610	4	Bolt 3/8 x 1-1/4	
4	3311405	7	Nut 1/4	
5	3311605	4	Nut 3/8	
6	3380434	1	Panel	
7	4711600	8	Washer 3/8	
8	4740362	7	Washer, Fender	
9	4751400	4	Washer 1/4	
10	1001169422	1	Platform to Boom Harness (Not Shown - See Separate Breakdown in ELECTRICAL Section)	
11	1001265027	1	Console and Footswitch Assembly (See Separate Breakdown in this Section)	
12	1001265414	1	Platform Valve Harness (Not Shown - See Separate Breakdown in ELECTRICAL Section)	

SECTION 4 - PLATFORM

FIGURE 4-9. PLATFORM CONSOLE BOX ASSEMBLY - WITH SKYGUARD



ART_1001265027

SECTION 4 - PLATFORM

FIGURE 4-9. PLATFORM CONSOLE BOX ASSEMBLY - WITH SKYGUARD

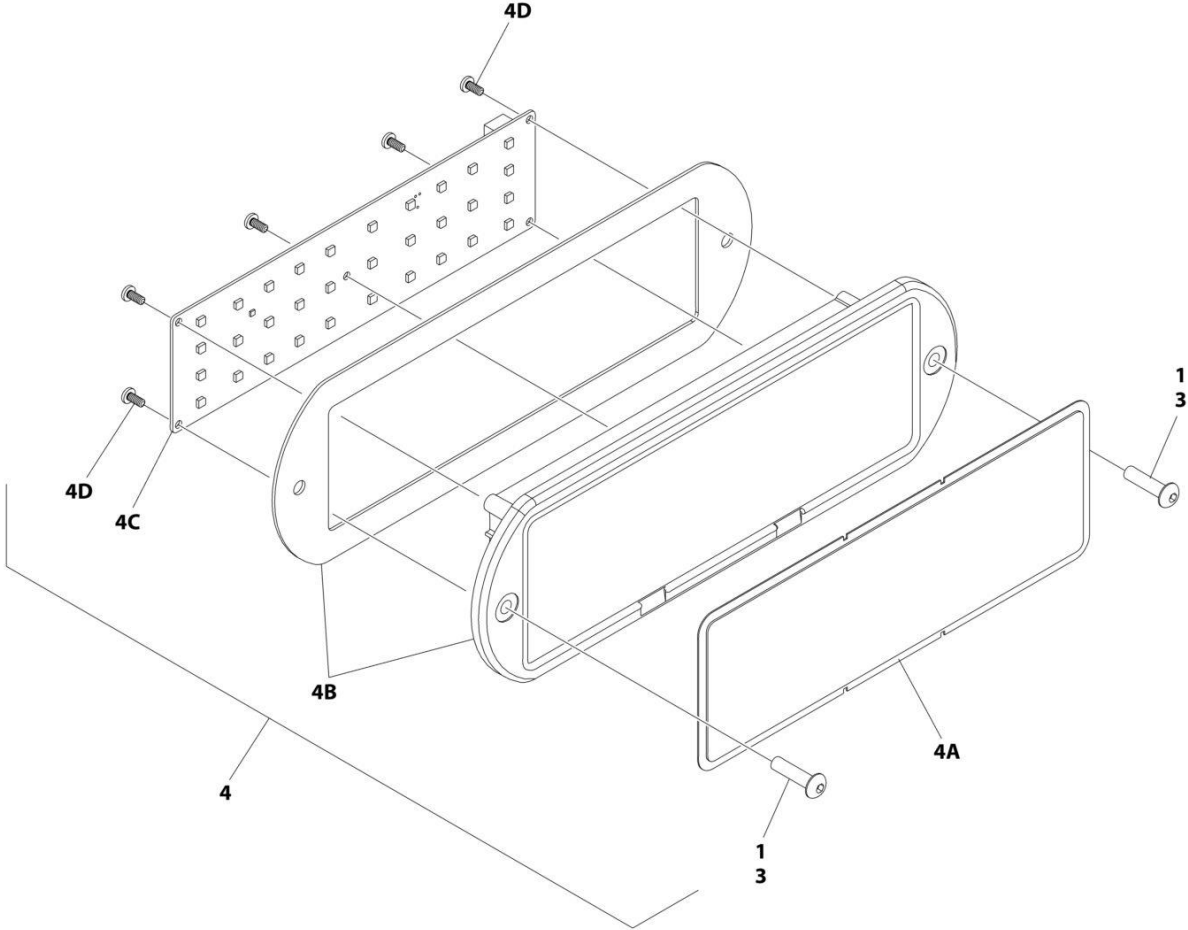
ITEM	PART NUMBER	QTY	DESCRIPTION	REV
	1001265027	Ref	PLATFORM CONSOLE BOX ASSEMBLY	D
1	0100009	AR	Sealant	
2	0100048	AR	Grease, Dielectric	
3	0100035	AR	Compound, Locking	
4	0140011	1	Alarm	
5	0641405	4	Bolt 1/4 x 5/8	
6	0641414	4	Bolt 1/4 x 1-3/4	
7	1702565	1	Decal - Drive and Steer	
8	1702566	1	Decal - Lift and Swing	
9	1702567	1	Decal - Function Speed	
10	1704260	1	Decal - EMS	
11	2560136	1	Handle, Knob	
14	3300353	4	Nut	
15	3520054	5	Plug	
16	3790012	8	O-Ring	
17	3900349	8	Screw	
18	4240099	AR	Tie-Strap (Not Shown)	
19	4360387	2	Switch, Pushbutton	
20	4360407	1	Switch, Potentiometer	
21	1001274559	1	Switch, Emergency	
21	7020175	1	Cap, Red	
21	7020176	1	Contact Block	
22	4360476	1	Block, Contact	
23	4460234	8	Terminal	
24	4460428	2	Connector, Strain Relief	
25	4460470	1	Nut	
26	4460471	1	Washer	
27	4751400	8	Washer 1/4	
28	1001110434	1	Plug	
29	1001117174	1	Footswitch Assembly (See Separate Breakdown in this Section)	
30	1001118412	1	Module, Control (Note: Recalibration Required when Replaced) (Prior to SN C300000159)	
30	1001169594	1	Module, Control (Note: Recalibration Required when Replaced) (SN C300000159 to Present)	
31	1001155044	8	Nut 15/32	
32	1001155045	5	Switch, Toggle	
33	1001159256	2	Switch, Toggle	
34	1001161710	1	Switch, Toggle	
35	1001166538	NLA	Controller Assembly (Drive and Steer) (Use p/n 1001212415) (See Separate Breakdown in this Section)	
36	1001166539	NLA	Controller Assembly (Lift and Swing) (Use p/n 1001129555 as Replacement) (See Separate Breakdown in this Section)	
37	1001172760	4	Bracket	
38	1001257868	1	Decal - Stop	
39	1001169092	1	Decal - Horn	
40	1001185281	1	Plug	
41	1001213882	1	Connector, Mounting	
42	1001215228	1	Platform Console Box	
42A	0630568	1	Capscrew 3/8 x 4-1/2	
42B	3311601	1	Nut 3/8	

SECTION 4 - PLATFORM

ITEM	PART NUMBER	QTY	DESCRIPTION	REV
42C	3430616	2	Pin, Clevis	
42D	3470003	2	Hairpin	
42E	4711600	2	Washer 3/8	
43	1001238254	1	Harness, Platform Console Box (See Separate Breakdown in ELECTRICAL Section)	
44	4740397	8	Washer	
45	1001206532	1	Lamp, LED Indicator (Yellow)	

SECTION 4 - PLATFORM

FIGURE 4-10. LIGHT PANEL INSTALLATION - PLATFORM CONTROL



ART_1001259504_20F2

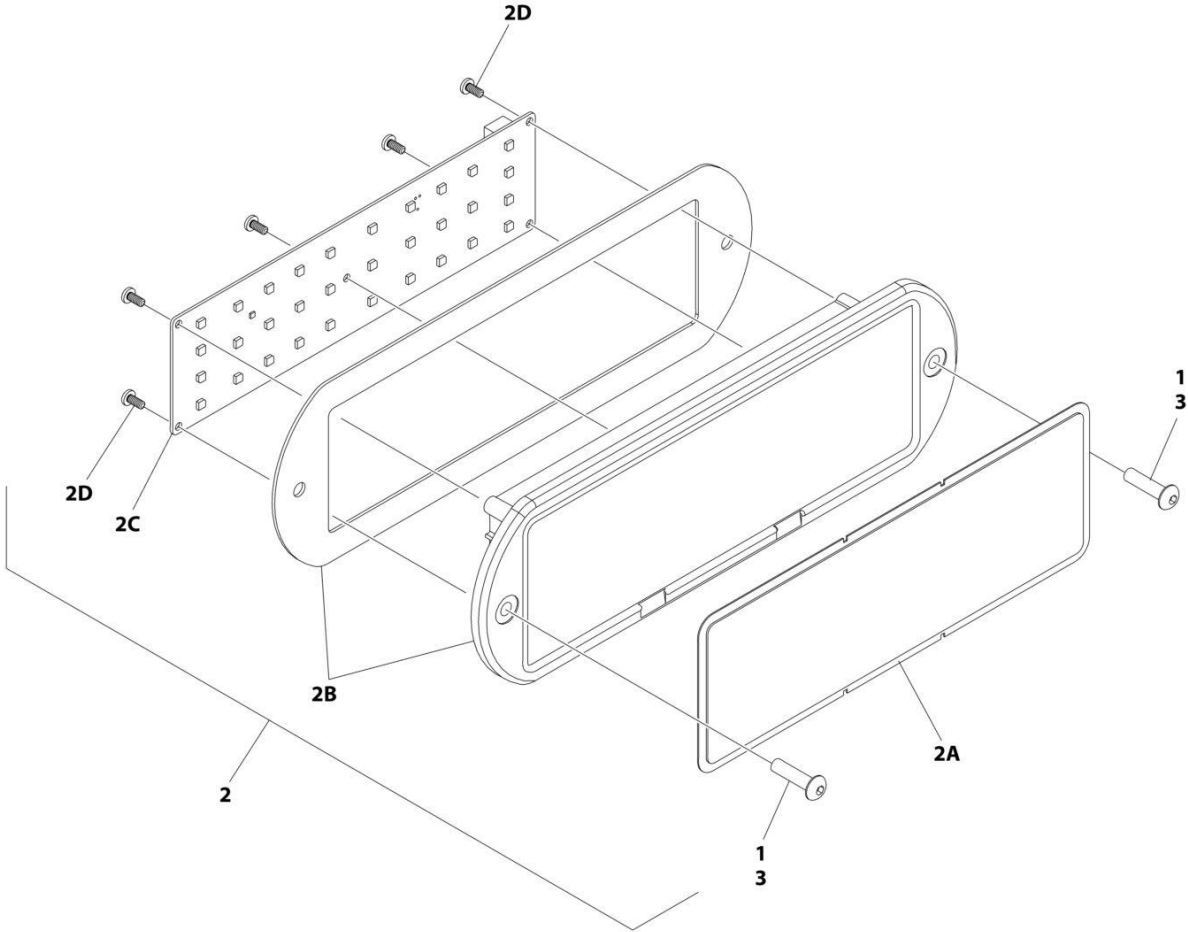
SECTION 4 - PLATFORM

FIGURE 4-10. LIGHT PANEL INSTALLATION - PLATFORM CONTROL

ITEM	PART NUMBER	QTY	DESCRIPTION	REV
	1001259504	Ref	LIGHT PANEL INSTALLATION - PLATFORM CONTROL	A
1	0100035	AR	Compound, Locking	
3	0630518	2	Screw #10 x 3/4	
4	1001259491	1	Light Panel Electrical Assembly	A
4A	1001245164	1	Overlay	
4B	1001259477	1	Housing (Includes Gasket)	
4C	1001187807	1	Panel, LED Light	
4D		Ref	Screw #10 x 3/4	

SECTION 4 - PLATFORM

FIGURE 4-11. LIGHT PANEL INSTALLATION - PLATFORM CONTROL (CE & UK CA SPECS ONLY)



ART_1001265145_20F2

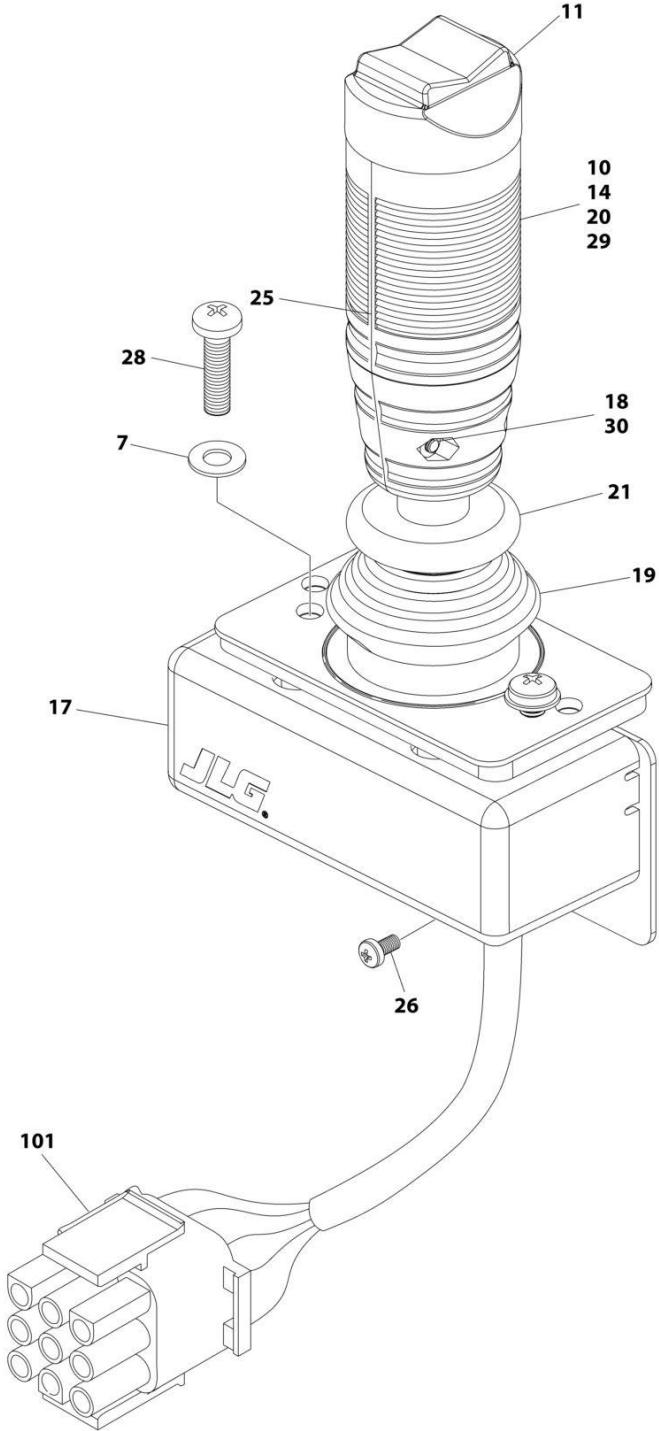
SECTION 4 - PLATFORM

FIGURE 4-11. LIGHT PANEL INSTALLATION - PLATFORM CONTROL (CE & UK CA SPECS ONLY)

ITEM	PART NUMBER	QTY	DESCRIPTION	REV
1	1001265145 0100035	Ref AR	LIGHT PANEL INSTALLATION - PLATFORM CONTROL Compound, Locking	A
2	1001259491	1	Light Panel Electrical Assembly	A
2A	1001245164	1	Overlay	
2B	1001259477	1	Housing (Includes Gasket)	
2C	1001187807	1	Panel, LED Light	
2D		Ref	Screw	
3	0630518	2	Screw #10 x 3/4	

SECTION 4 - PLATFORM

FIGURE 4-12. CONTROLLER ASSEMBLY - DRIVE AND STEER



ART_1001166538

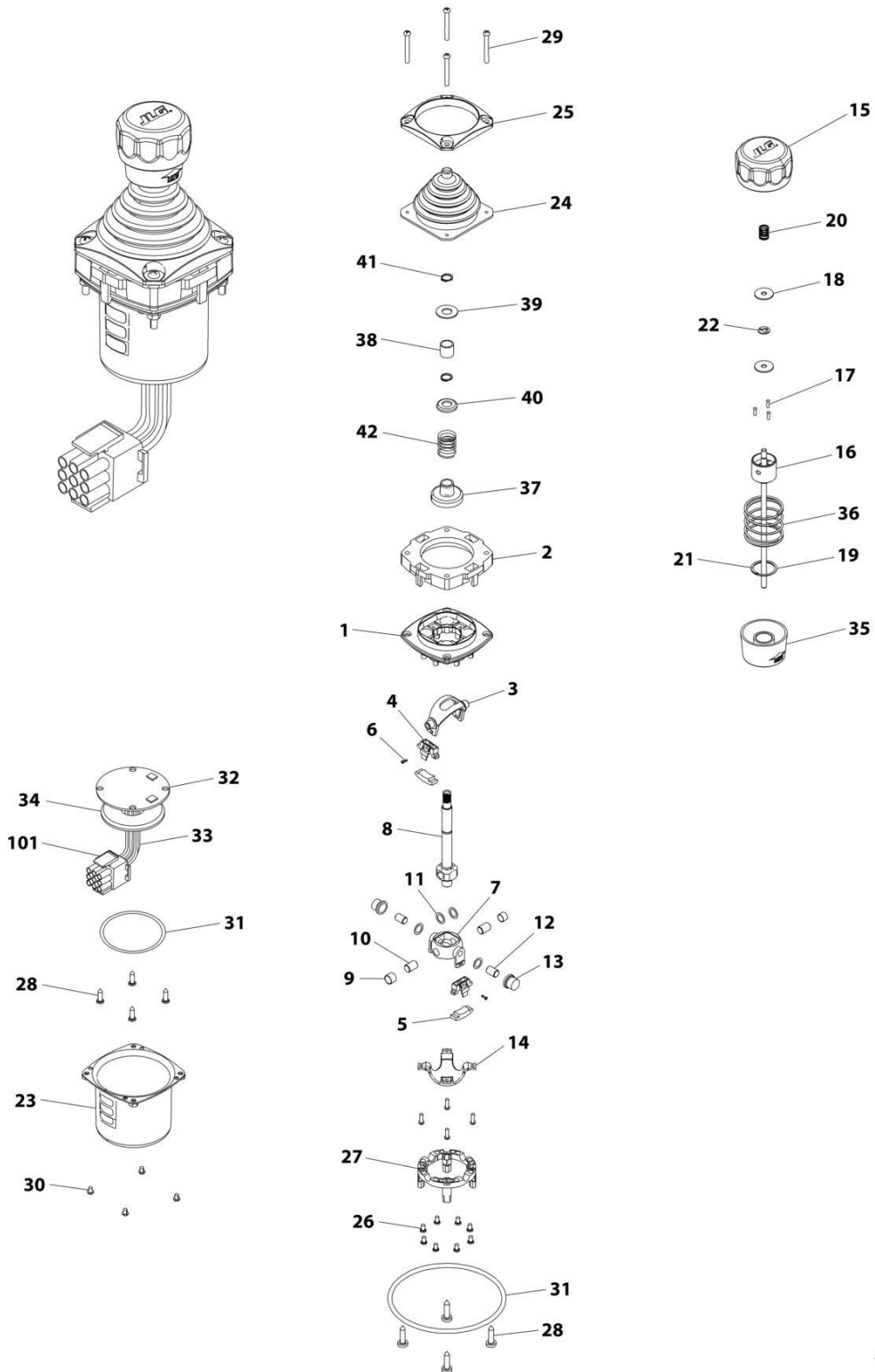
SECTION 4 - PLATFORM

FIGURE 4-12. CONTROLLER ASSEMBLY - DRIVE AND STEER

ITEM	PART NUMBER	QTY	DESCRIPTION	REV
	1001166538	Ref	CONTROLLER ASSEMBLY - DRIVE AND STEER	G
		Ref	Note: For Replacement, Use p/n 1001212415.	
7	70004738	2	Washer	
10	70004739	1	Roller	
11	70004740	1	Boot, Switch	
14	70004741	2	Half, Handle	
17	70004742	1	Enclosure	
18	70004743	4	Nut	
19	70004744	NLA	Boot, Controller (Use p/n 70005230 Boot/Base Assembly)	
20	70004745	NLA	Tube, Locking (Use p/n 70005230 Boot/Base Assembly)	
21	70004746	NLA	Disc, Locking (Use p/n 70005230 Boot/Base Assembly)	
25	70004747	2	Seal, Rope	
26	70004748	1	Screw M3 x 6	
28	70004749	2	Screw M5 x 20	
29	70004750	1	Pin, Dowel	
30	70004751	4	Screw M3 x 16	
101	4460265	1	Connector - 9 Position	
101	4460226	7	Socket, Female	

SECTION 4 - PLATFORM

FIGURE 4-13. CONTROLLER ASSEMBLY - LIFT AND SWING



ART_1001166539

SECTION 4 - PLATFORM

FIGURE 4-13. CONTROLLER ASSEMBLY - LIFT AND SWING

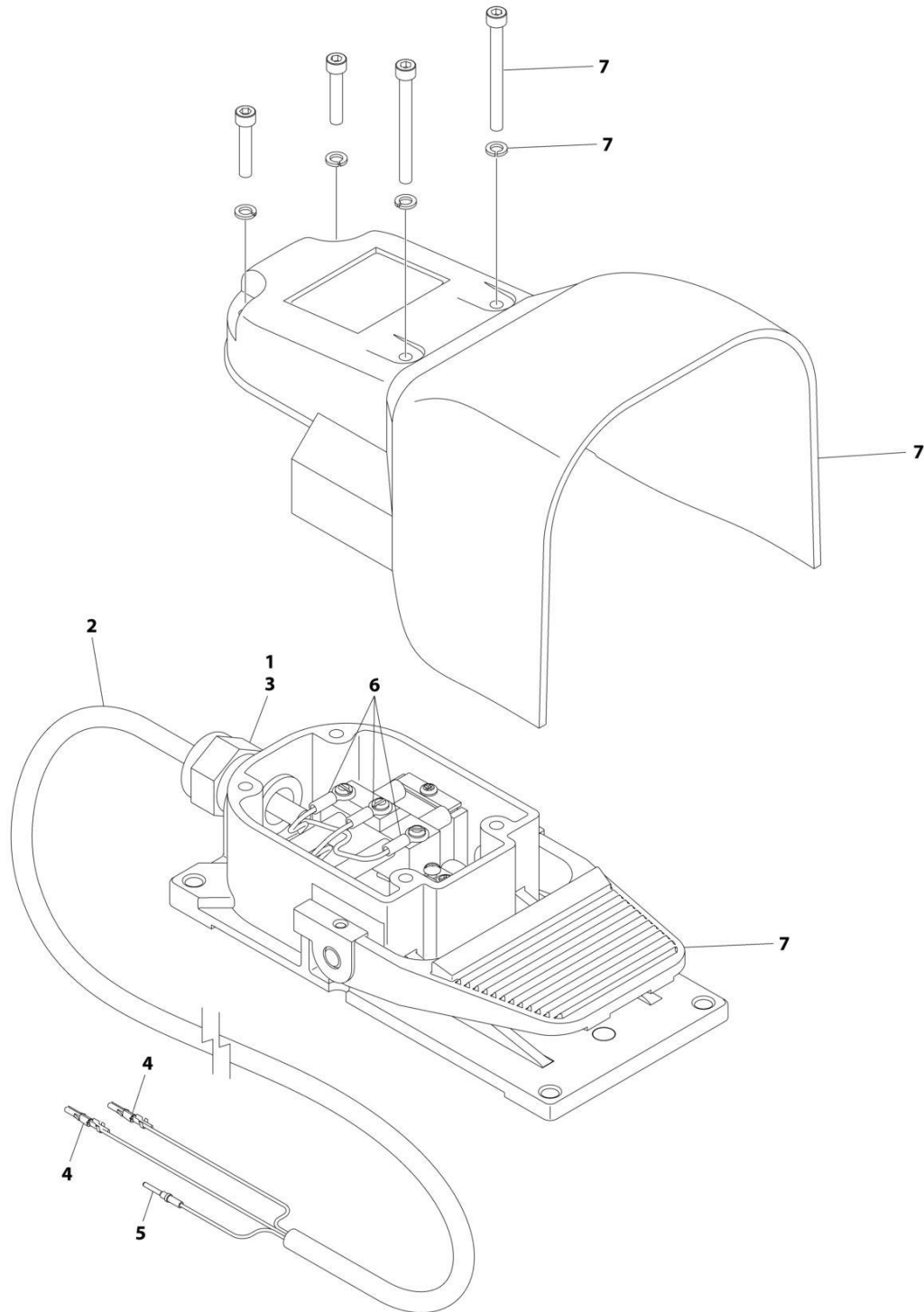
ITEM	PART NUMBER	QTY	DESCRIPTION	REV
	1001166539	Ref	CONTROLLER ASSEMBLY	E
		Ref	Note: Original Equipment Controller May Have Been Replaced with Service Replacement Controller. Visually Identify Controller Before Ordering Parts.	
		Ref	Note: For Replacement, Use p/n 1001129555	
1	See Note	NSS	Main Cast Body (Note: Not Available - Purchase Complete Assembly)	
2	70004752	1	Adapter	
3	See Note	NSS	Pivot Arm, Plastic (Note: Not Available - Purchase Complete Assembly)	
4	See Note	NSS	Holder, Magnet (Note: Not Available - Purchase Complete Assembly)	
5	See Note	NSS	Arc, Magnet (Note: Not Available - Purchase Complete Assembly)	
6	See Note	NSS	Screw (Note: Not Available for Purchase)	
7	See Note	NSS	Pivot Arm, Cast (Note: Not Available - Purchase Complete Assembly)	
8	See Note	NSS	Shaft, Main (Note: Not Available - Purchase Complete Assembly)	
9	See Note	NSS	Bearing (Note: Not Available - Purchase Complete Assembly)	
10	See Note	NSS	Pin (Note: Not Available - Purchase Complete Assembly)	
11	See Note	NSS	Shim (Note: Not Available - Purchase Complete Assembly)	
12	See Note	NSS	Pin (Note: Not Available - Purchase Complete Assembly)	
13	See Note	NSS	Bearing (Note: Not Available - Purchase Complete Assembly)	
14	See Note	NSS	Dome, Centering (Note: Not Available - Purchase Complete Assembly)	
15	70004753	1	Cap	
16	70004754	1	Insert, Cap	
17	70004755	3	Pin	
18	70004756	2	Washer	
19	70004757	1	Pin, Centering	
20	70004758	1	Spring	
21	70004759	1	Ring, Retaining	
22	70004760	1	E-Ring	
23	70004761	1	Can, Enclosure	
24	70004762	1	Boot	
25	70004763	1	Bezel	
26	See Note	NSS	Screw (Note: Not Available for Purchase)	
27	See Note	NSS	Base Mounting (Note: Not Available - Purchase Complete Assembly)	
28	See Note	NSS	Screw (Note: Not Available for Purchase)	
29	70004764	4	Screw	
30	70004765	4	Screw	
31	70004766	1	O-Ring	
32	See Note	NSS	Plate (Note: Not Available - Purchase Complete Assembly)	
33	See Note	NSS	Harness (Note: Not Available - Purchase Complete Assembly)	
34	70004767	1	Grommet, Rubber	
35	70004768	1	Housing	
36	70004769	1	Spring	
37	70004770	1	Stopper	
38	70004771	1	Spacer	
39	70004772	1	Washer	
40	70004773	1	Disc	

SECTION 4 - PLATFORM

ITEM	PART NUMBER	QTY	DESCRIPTION	REV
41	70004774	2	Ring, Retaining	
42	70004775	1	Spring	
101	4460265	1	Connector - 9 Position	
101	4460226	6	Socket, Female	

SECTION 4 - PLATFORM

FIGURE 4-14. FOOTSWITCH ASSEMBLY



ART_1001117174

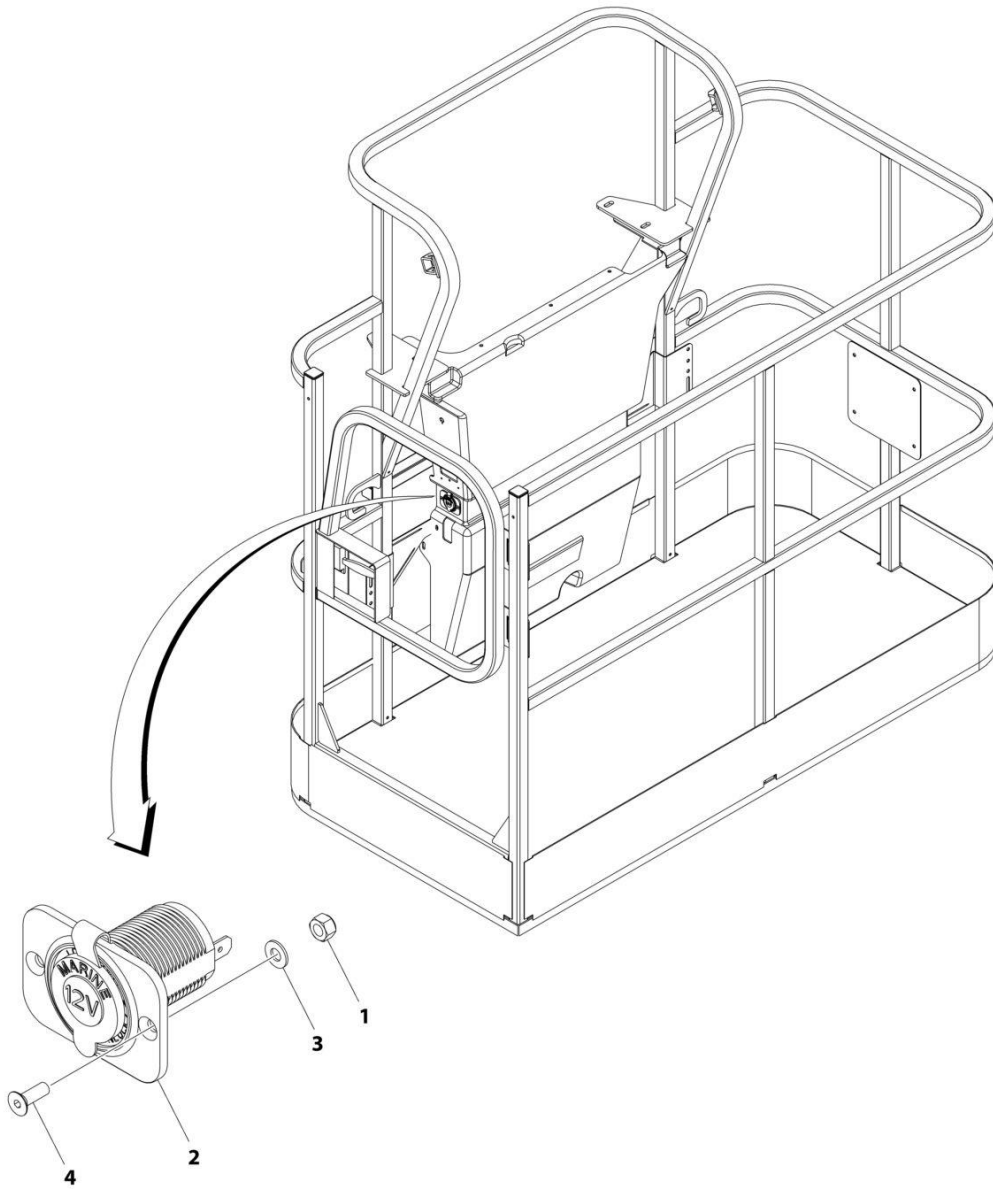
SECTION 4 - PLATFORM

FIGURE 4-14. FOOTSWITCH ASSEMBLY

ITEM	PART NUMBER	QTY	DESCRIPTION	REV
	1001117174	Ref	FOOTSWITCH ASSEMBLY	C
1	0100020	AR	Sealant	
2	1060918	7.5 ft/ 2.3m	Cable, Electrical - 18/3	
3	4460071	1	Connector, Strain Relief	
4	4460226	2	Socket, Female	
5	4460464	1	Pin, Male	
6	1001098122	3	Terminal	
7	1001117172	1	Footswitch	
7	70002902	1	Switch, 20Amp	
7	70002903	1	Gasket	
7	70002905	1	Cover	
7	70002904	1	Kit, Replacement Bolt	

SECTION 4 - PLATFORM

FIGURE 4-15. PLATFORM CHARGER (12V)



ART_1001263608

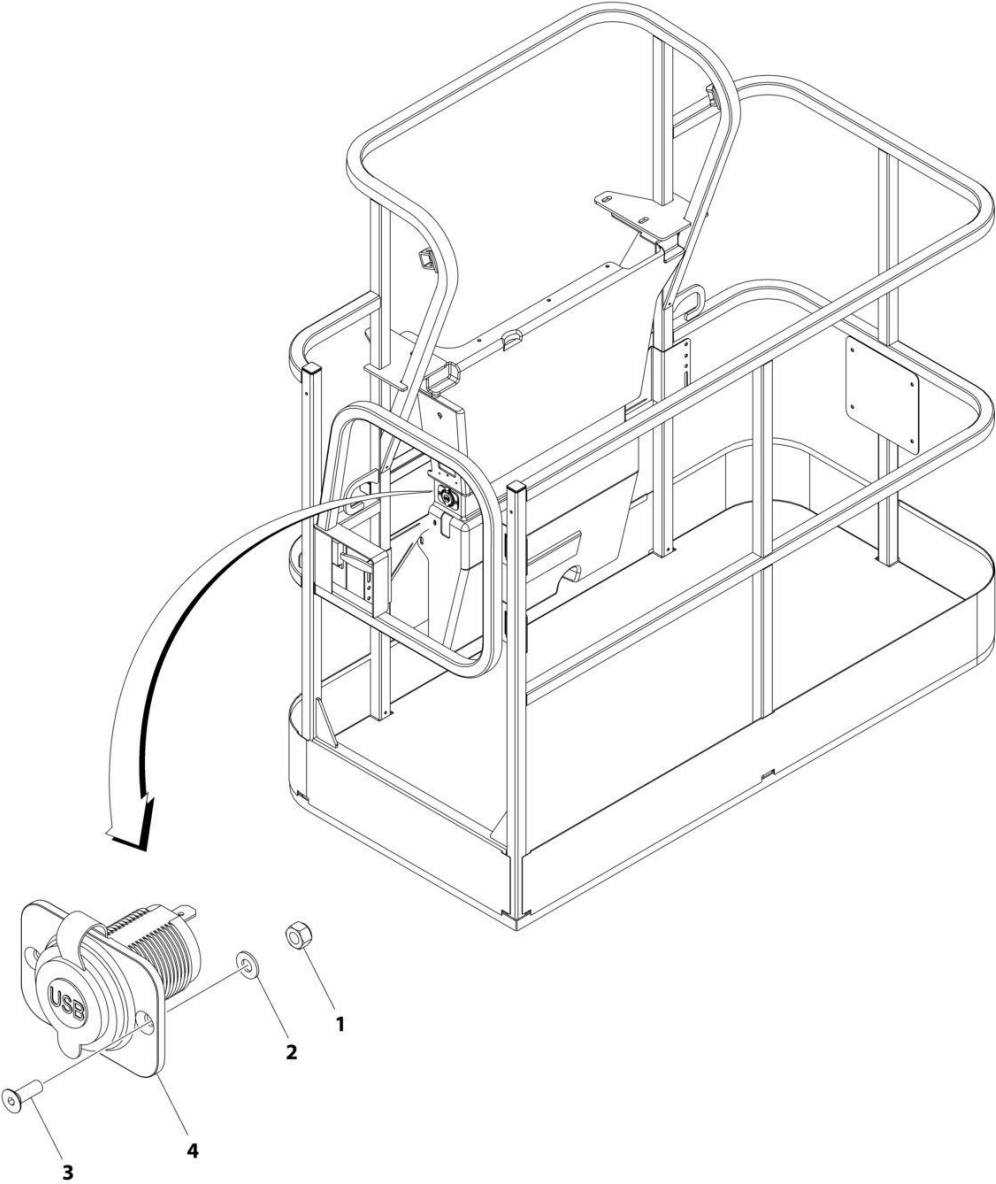
SECTION 4 - PLATFORM

FIGURE 4-15. PLATFORM CHARGER (12V)

ITEM	PART NUMBER	QTY	DESCRIPTION	REV
	1001263608	Ref	PLATFORM CHARGER (12V)	A
1	3290405	2	Nut M4	
2	4461012	1	Receptacle, 12V	
3	4811400	2	Washer M4	
4	1001097244	2	Capscrew M4 x 12	

SECTION 4 - PLATFORM

FIGURE 4-16. PLATFORM CHARGER (USB)



ART_1001263609

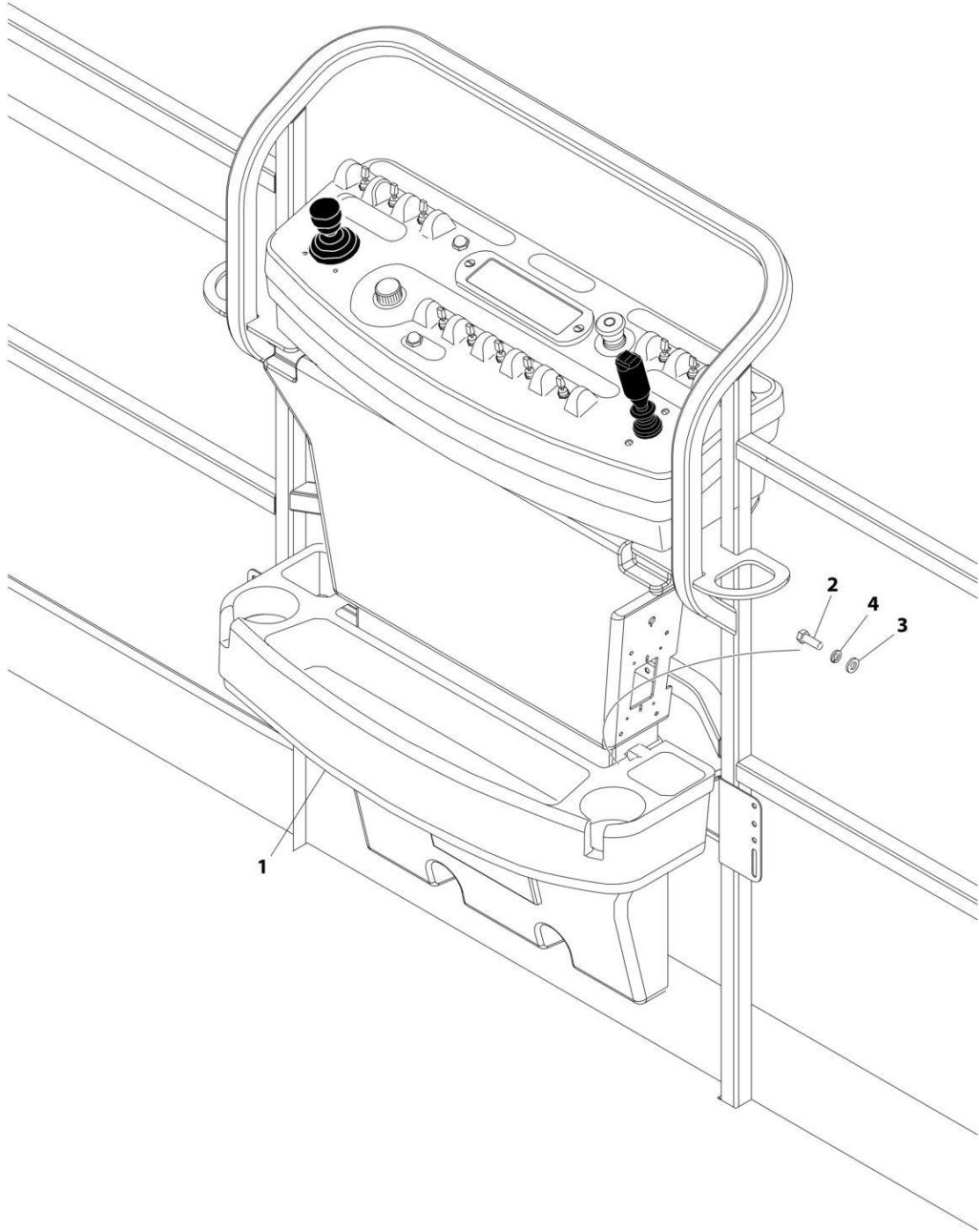
SECTION 4 - PLATFORM

FIGURE 4-16. PLATFORM CHARGER (USB)

ITEM	PART NUMBER	QTY	DESCRIPTION	REV
	1001263609	Ref	PLATFORM CHARGER (USB)	A
1	3290405	2	Nut M4	
2	4811400	2	Washer M4	
3	1001097244	2	Capscrew M4 x 12	
4	1001210636	1	Receptacle, USB	

SECTION 4 - PLATFORM

FIGURE 4-17. TRAY ASSEMBLY



ART_1580012

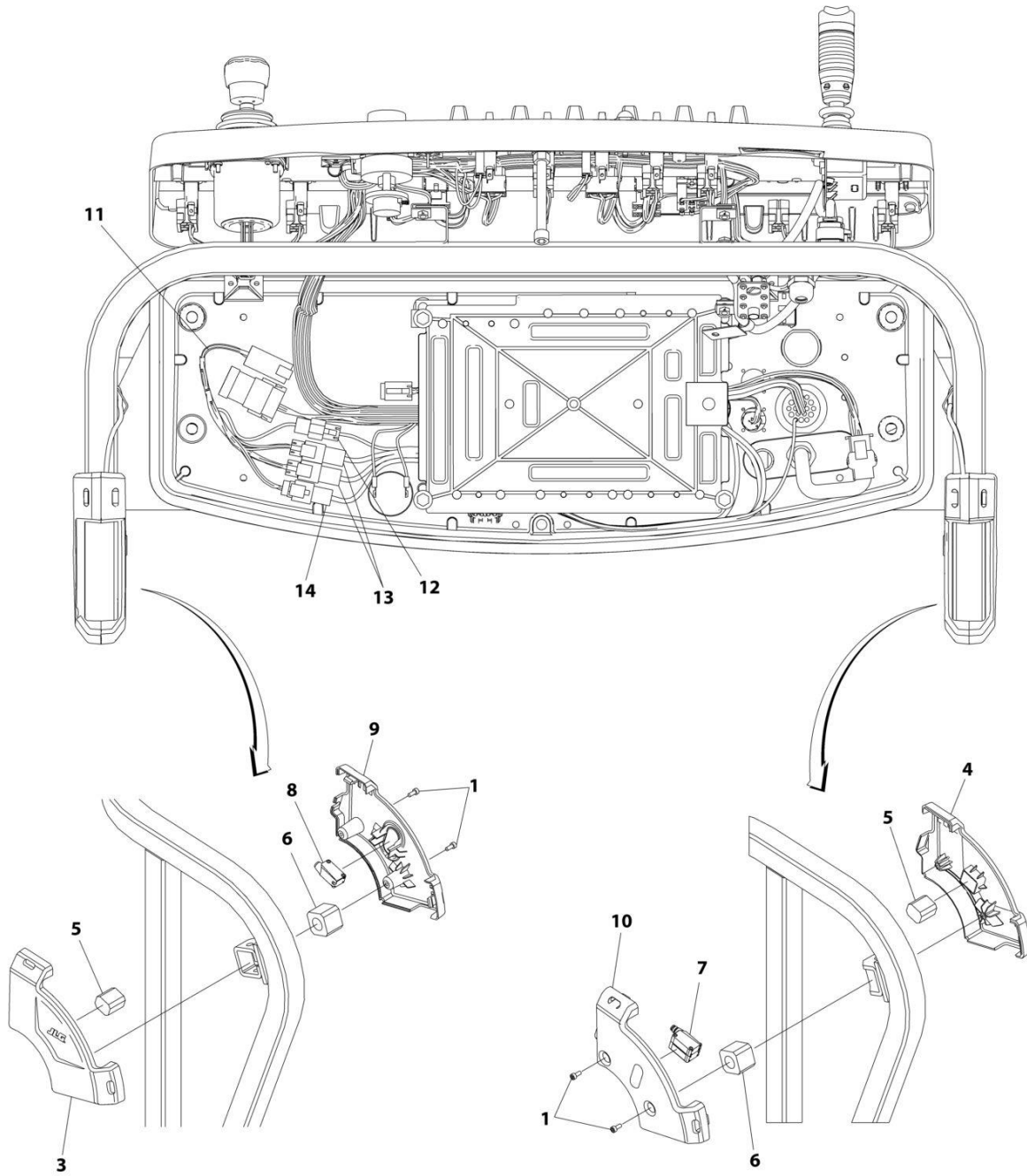
SECTION 4 - PLATFORM

FIGURE 4-17. TRAY ASSEMBLY

ITEM	PART NUMBER	QTY	DESCRIPTION	REV
	1580012	Ref	TRAY ASSEMBLY	C
1	See Note	NSS	Tray, Storage (Center) (Note: Purchase p/n 1580012)	
2	0641406	2	Bolt 1/4 x 3/4	
3	4751400	2	Washer 1/4	
4	4761400	2	Washer 1/4	

SECTION 4 - PLATFORM

FIGURE 4-18. SKYEYE INSTALLATION



ART_1001229341

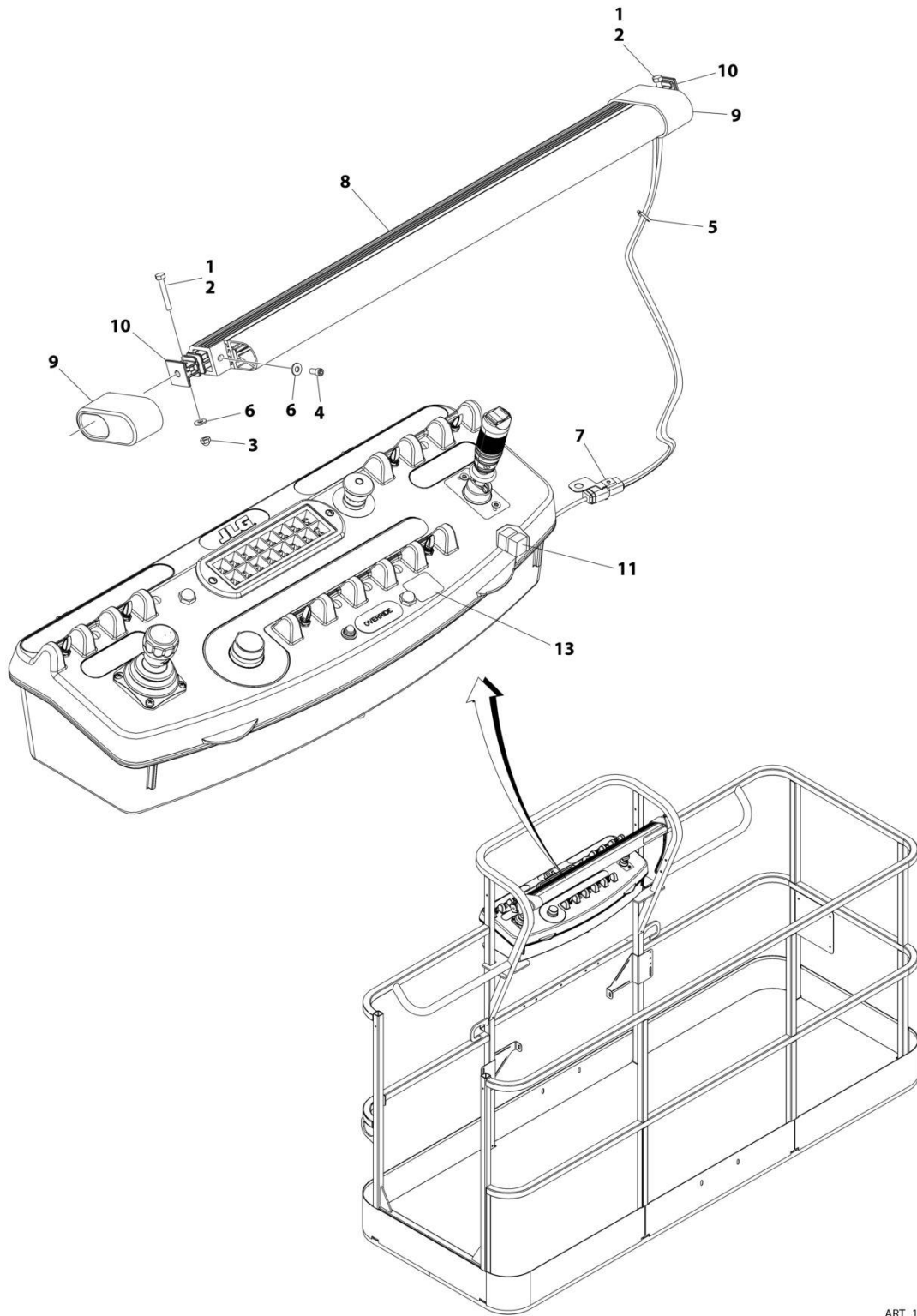
SECTION 4 - PLATFORM

FIGURE 4-18. SKYEYE INSTALLATION

ITEM	PART NUMBER	QTY	DESCRIPTION	REV
	1001229341	Ref	SKYEYE INSTALLATION	B
1	4031505	4	Bolt M4 x 10	
2	4240033	AR	Tie-Strap (Not Shown)	
3	1001227633	1	Housing, LH Outer	
4	1001227634	1	Housing, RH Outer	
5	1001227985	2	Shim	
6	1001227987	2	Shim	
7	1001228224	2	Sensor, Receiver	
8	1001228225	1	Sensor, Emitter	
9	1001232164	1	Housing, LH Inner	
10	1001232165	1	Housing, RH Inner	
11	1001237865	1	Harness, Skyeeye Intermediate (See Separate Breakdown in ELECTRICAL Section)	
12	1001238319	NLA	Harness, Skyeeye Drain Jumper	
12	1001187674	1	Plug, Male - 2 Position	
12	4460942	1	Terminal	
12	4460466	1	Plug, Terminal	
12	4460508	1	Pin, Male	
13	1001237863	2	Harness, Skyeeye Receiver (See Separate Breakdown in ELECTRICAL Section)	
14	1001237864	1	Harness, Skyeeye Emitter (See Separate Breakdown in ELECTRICAL Section)	

SECTION 4 - PLATFORM

FIGURE 4-19. SKYGUARD BAR INSTALLATION



ART_1001238495

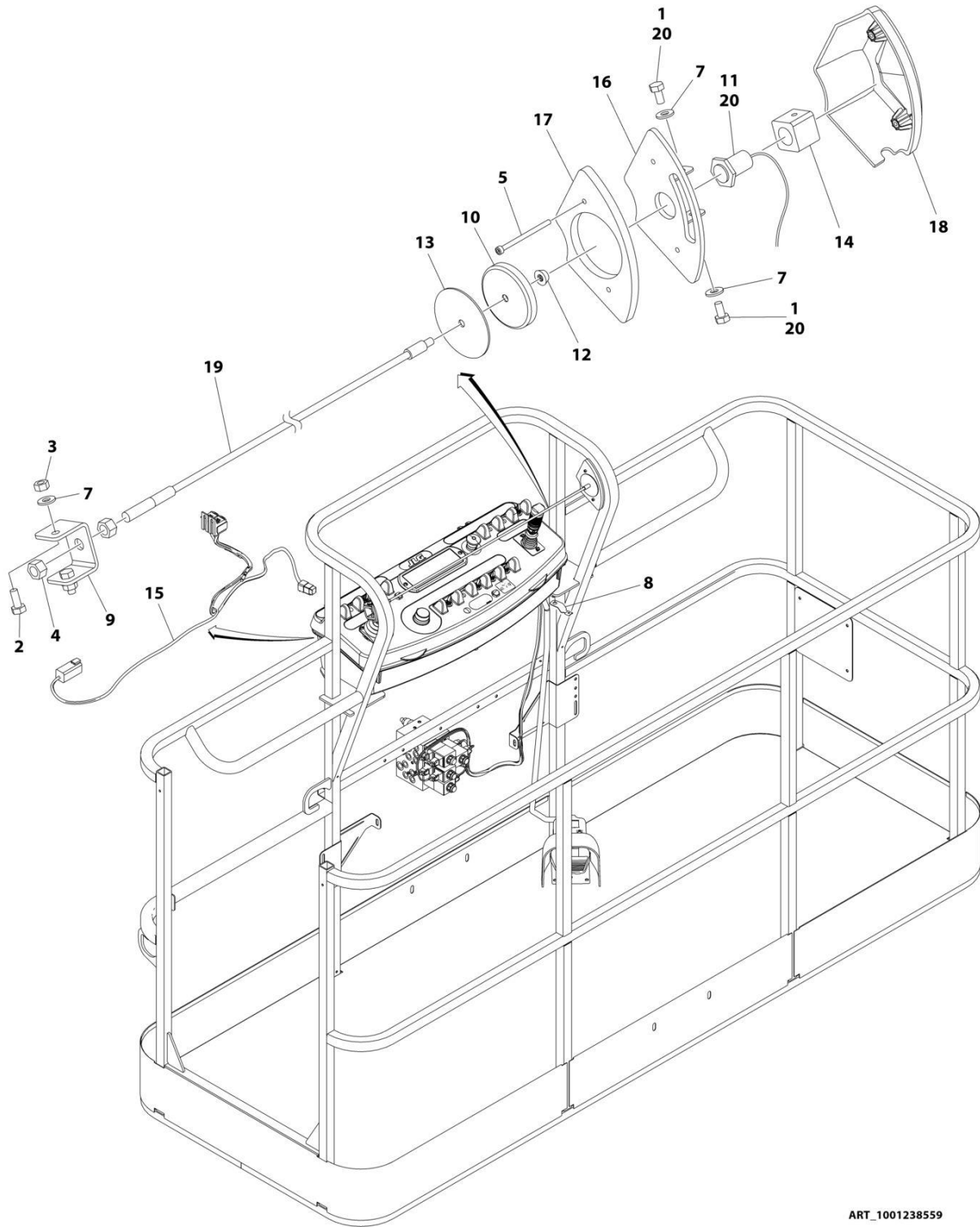
SECTION 4 - PLATFORM

FIGURE 4-19. SKYGUARD BAR INSTALLATION

ITEM	PART NUMBER	QTY	DESCRIPTION	REV
	1001238495	Ref	SKYGUARD BAR INSTALLATION	A
1	0100011	AR	Compound, Locking	
2	0641414	2	Bolt 1/4 x 1-3/4	
3	3300430	2	Nut 1/4	
4	3931408	2	Capscrew 1/4 x 1/2	
5	4240033	8	Tie-Strap	
6	4711400	6	Washer 1/4	
7	1001120328	1	Mount	
8	1001137673	1	SkyGuard Switch Assembly	
9	1001186517	2	Cover, Platform Sensor	
10	1001209664	2	Support, Block	
11	1001186431	2	Relay	
12	1001225580	1	Interface Harness Assembly (Not Shown - Located Inside Console Box) (See Separate Breakdown in ELECTRICAL Section)	
13	1001144433	1	Decal - No Weight SkyGuard	

SECTION 4 - PLATFORM

FIGURE 4-20. SKYLINE INSTALLATION



ART_1001238559

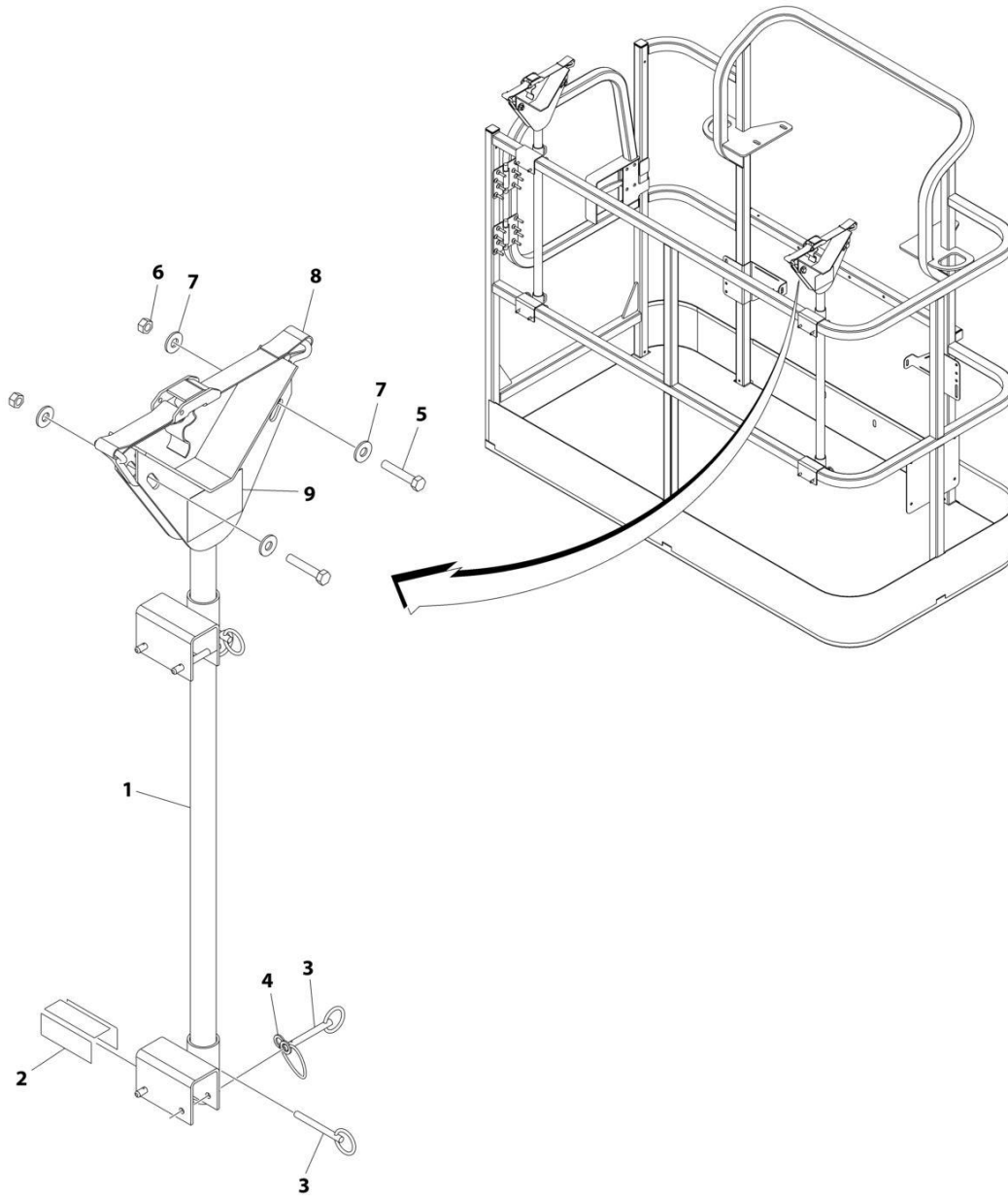
SECTION 4 - PLATFORM

FIGURE 4-20. SKYLINE INSTALLATION

ITEM	PART NUMBER	QTY	DESCRIPTION	REV
	1001238559	Ref	SKYLINE INSTALLATION	B
1	0641404	2	Bolt 1/4 x 1/2	
2	0641405	2	Bolt 1/4 x 5/8	
3	3311405	2	Nut 1/4	
4	3311601	2	Nut 3/8	
5	4031516	2	Capscrew M4 x 60	
6	4240033	AR	Tie-Strap (Not Shown)	
7	4711400	4	Washer 1/4	
8	1001120328	1	Mount	
9	1001232642	1	Bracket	
10	1001232650	1	Magnet	
11	1001232667	1	Sensor, Proximity	
12	1001235011	1	Nut	
13	1001235013	1	Washer	
14	1001236552	1	Block	
15	1001238418	1	Harness, Skyline (See Separate Breakdown in ELECTRICAL Section)	
16	1001238472	1	Mount	
17	1001238477	1	Housing, LH	
18	1001241965	1	Housing, RH	
19	1001238824	1	Rope	
20	0100011	AR	Compound, Locking	

SECTION 4 - PLATFORM

FIGURE 4-21. PIPE RACK INSTALLATION (Prior to SN C30000327)



ART_0257728

SECTION 4 - PLATFORM

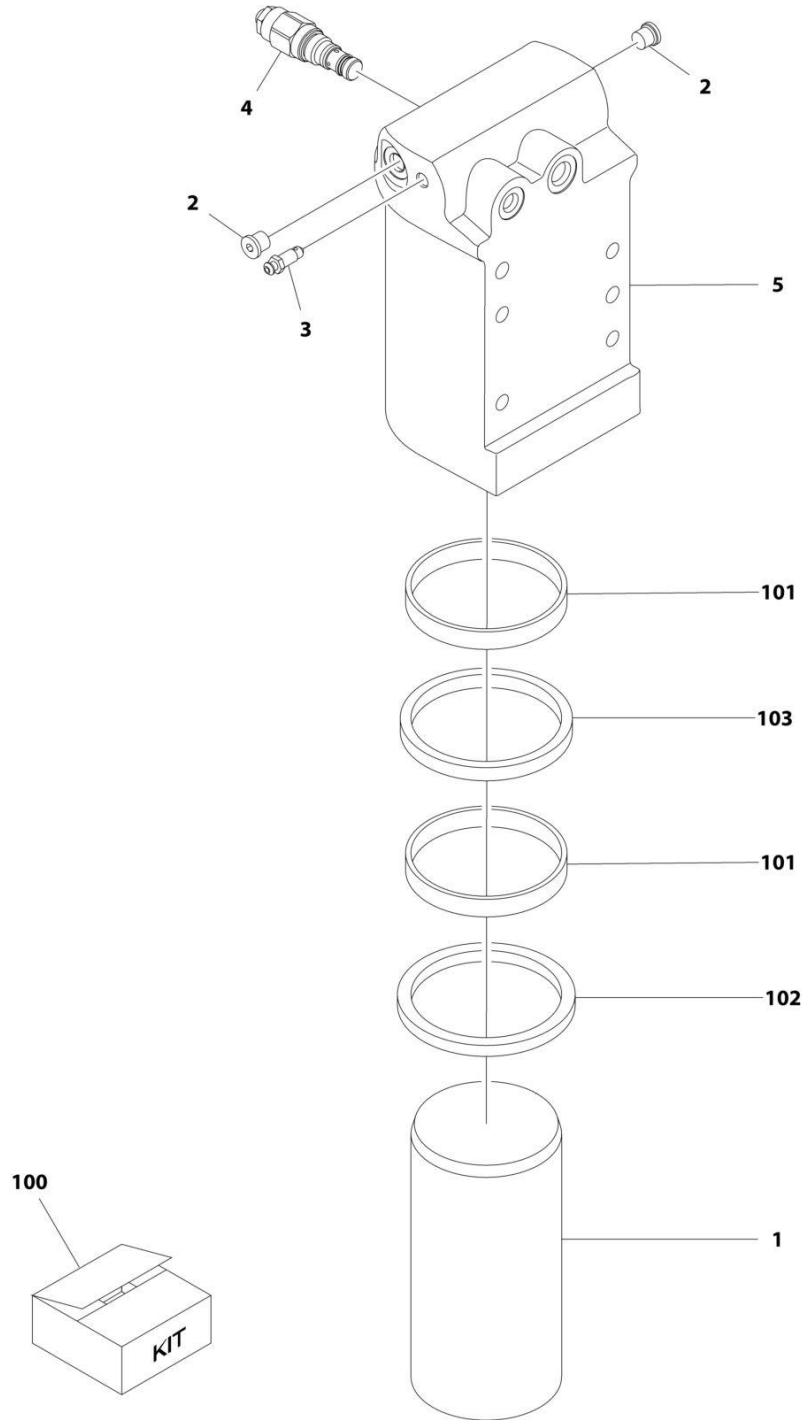
FIGURE 4-21. PIPE RACK INSTALLATION (Prior to SN C300000327)

ITEM	PART NUMBER	QTY	DESCRIPTION	REV
	0257728	Ref	PIPE RACK INSTALLATION	3/E
1	4845582	2	Rack, Pipe	
2	4420062	AR	Tape	
3	3422661	10	Pin	
4	1060379	4	Lanyard	
5	0641514	4	Bolt 5/16 x 1-3/4	
6	3311505	4	Nut 5/16	
7	4751500	8	Washer 5/16	
8	0480100	2	Tie-Down	
11	1001252946	2	Decal - Tube Rack Cap (1)	
12	1001252947	2	Decal - Tube Rack Cap (2)	

SECTION 5 - CYLINDER

SECTION 5 - CYLINDER

FIGURE 5-1. AXLE LOCKOUT CYLINDER ASSEMBLY



ART_1001163580

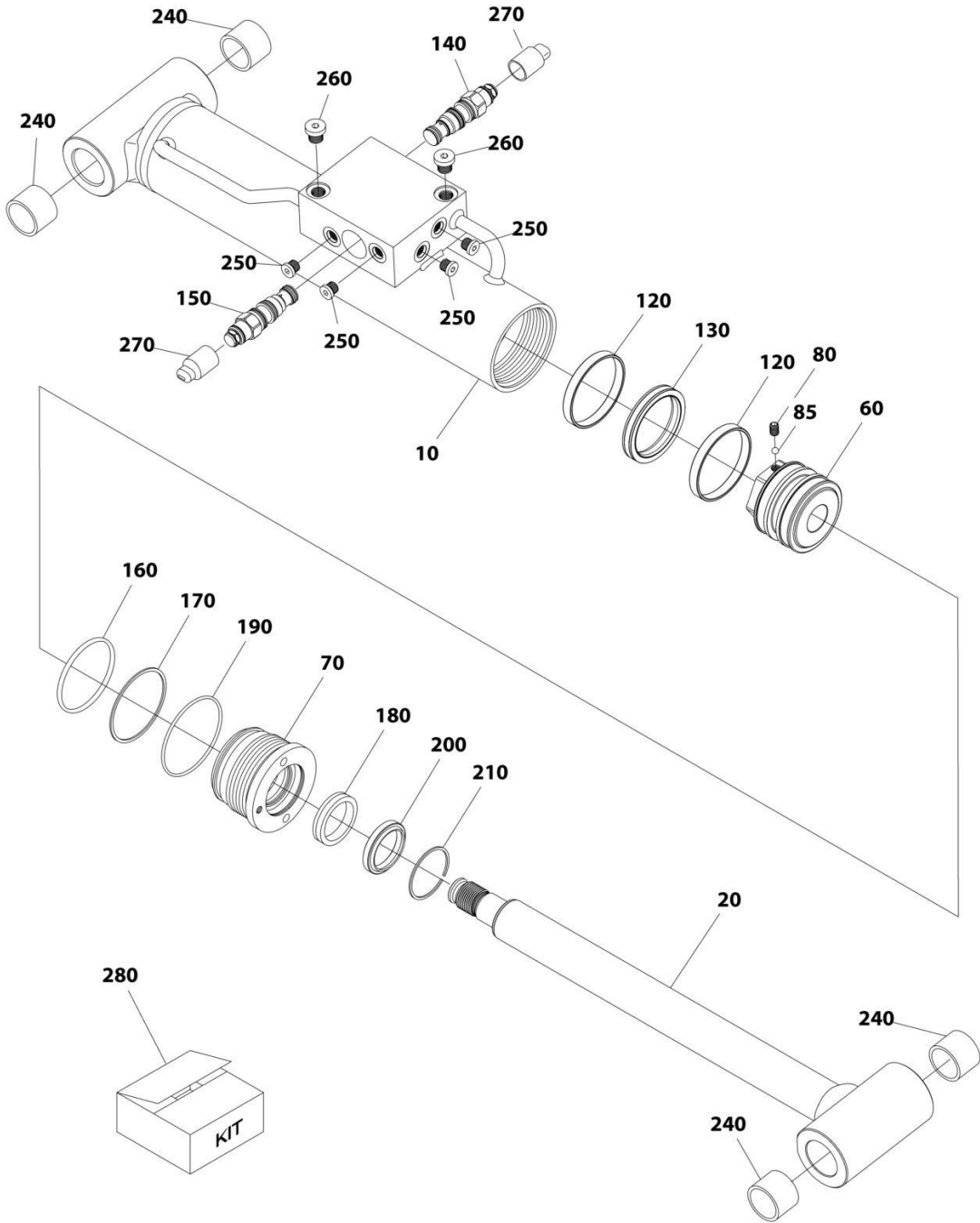
SECTION 5 - CYLINDER

FIGURE 5-1. AXLE LOCKOUT CYLINDER ASSEMBLY

ITEM	PART NUMBER	QTY	DESCRIPTION	REV
	1001163580	Ref	AXLE LOCKOUT CYLINDER ASSEMBLY	I
		Ref	Note: Original Cylinder May Have Been Replaced with Service Replacement. Identify PN Stamped on Cylinder Before Ordering Parts.	
1	1684290	1	Rod	
2	2220883	2	Plug #4	
3	4640858	1	Valve, Bleeder	
4	1001117372	1	Cartridge, Valve	
4	70002842	1	Seal Kit - 1001117372 Valve	
5	1001164817	1	Barrel	
100	2902266	NLA	Seal Kit - 1001163590 Cylinder (Includes Items 101-103)	
101	See Note	NSS	Ring, Wear (Note: Use Item 100)	
102	See Note	NSS	Seal (Note: Use Item 100)	
103	See Note	NSS	Wiper (Note: Use Item 100)	

SECTION 5 - CYLINDER

FIGURE 5-2. LEVEL (PLATFORM SLAVE) CYLINDER ASSEMBLY



ART_1001161716

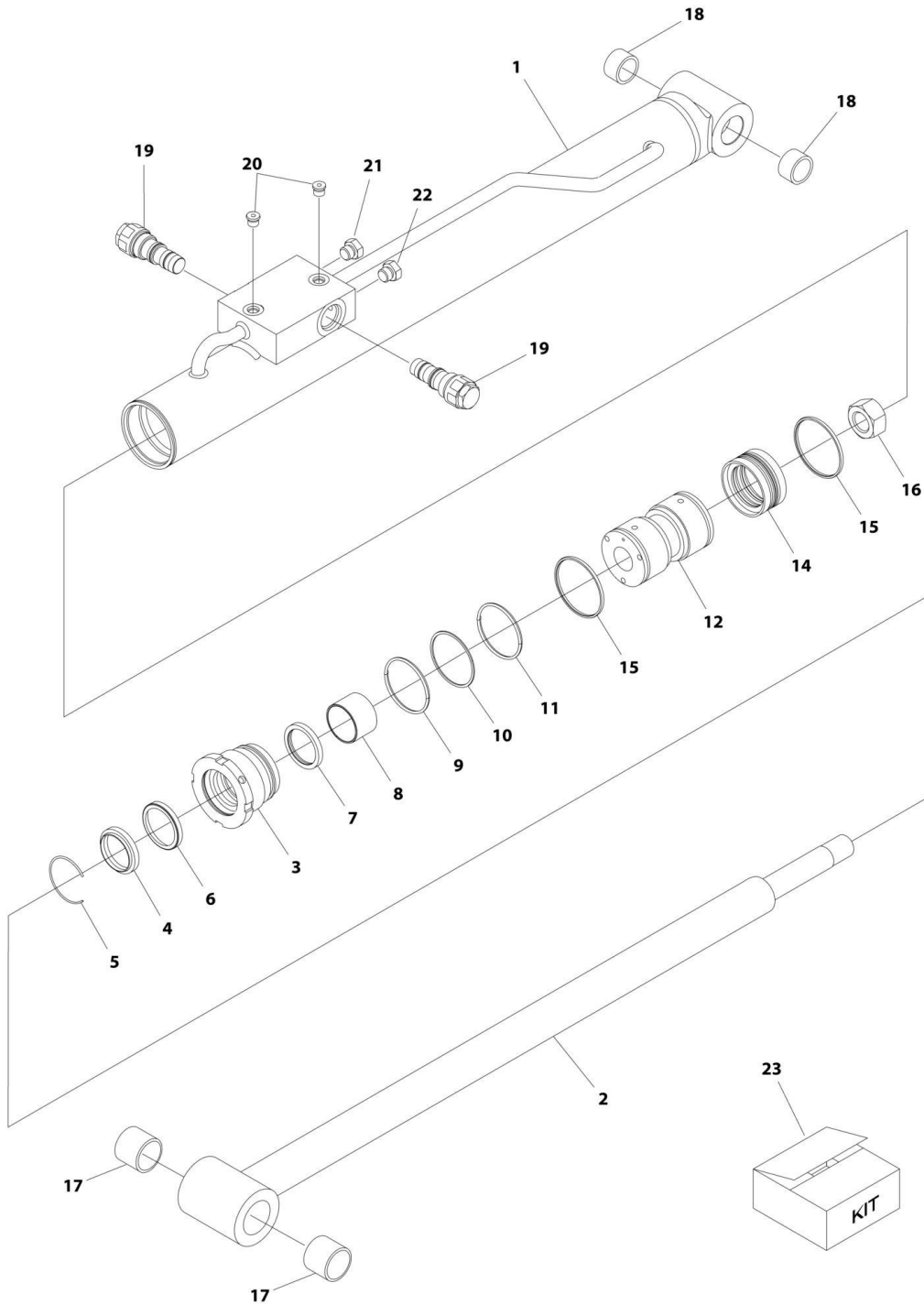
SECTION 5 - CYLINDER

FIGURE 5-2. LEVEL (PLATFORM SLAVE) CYLINDER ASSEMBLY

ITEM	PART NUMBER	QTY	DESCRIPTION	REV
	1001161716	Ref	LEVEL (PLATFORM SLAVE) CYLINDER ASSEMBLY	D
		Ref	Note: Original Cylinder May Have Been Replaced with Service Replacement. Identify PN Stamped on Cylinder Before Ordering Parts.	
10	70005010	1	Barrel	
20	70005011	1	Rod	
60	70005012	1	Piston	
70	70003837	1	Head	
80	70005013	1	Setscrew	
85	70005014	1	Ball	
120	See Note	NSS	Ring, Bearing (Note: Use Item 280)	
130	See Note	NSS	Seal, Piston (Note: Use Item 280)	
140	70002413	1	Cartridge, Valve	
140	2900770	1	Seal Kit - 70002413 Valve	
150	1001168210	1	Cartridge, Valve	
150	2900770	1	Seal Kit - 1001168210 Valve	
160	See Note	NSS	O-Ring (Note: Use Item 280)	
170	See Note	NSS	Seal (Note: Use Item 280)	
180	See Note	NSS	Seal (Note: Use Item 280)	
190	See Note	NSS	O-Ring (Note: Use Item 280)	
200	See Note	NSS	Wiper (Note: Use Item 280)	
210	70003838	1	Ring, Retaining	
240	0961951	4	Bushing	
250	70025619	4	Plug 7/16	
260	70024262	2	Plug 1/4	
270	See Note	2	Plug, Shipping (Note: Not Available for Purchase)	
280	70005016	1	Seal Kit - 1001161716 Cylinder (Includes Items 120 ,130 & 160-200)	

SECTION 5 - CYLINDER

FIGURE 5-3. LIFT CYLINDER ASSEMBLY - JIB



ART_1001163767

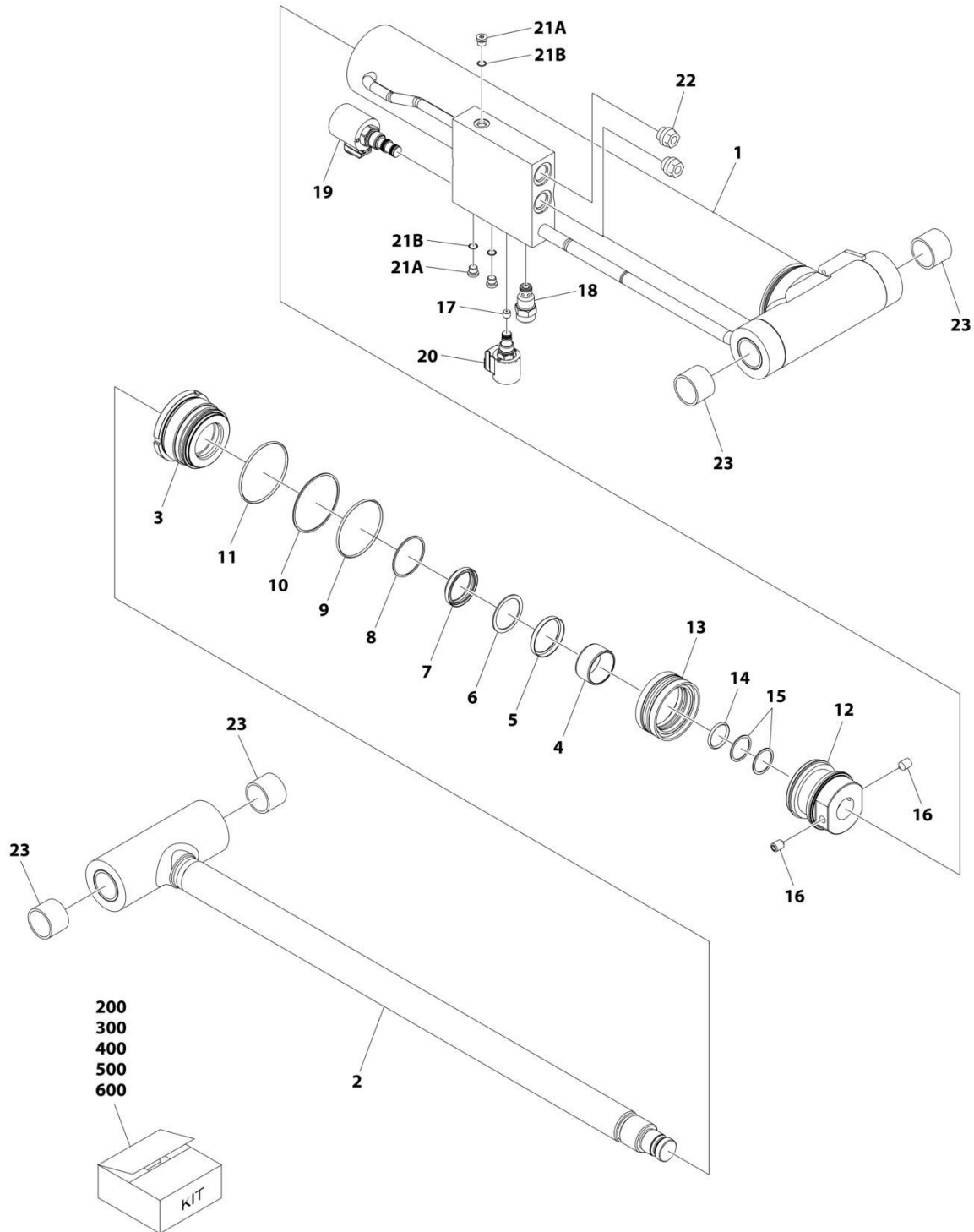
SECTION 5 - CYLINDER

FIGURE 5-3. LIFT CYLINDER ASSEMBLY - JIB

ITEM	PART NUMBER	QTY	DESCRIPTION	REV
	1001163767	Ref	LIFT CYLINDER ASSEMBLY - JIB	B
		Ref	Note: Original Cylinder May Have Been Replaced with Service Replacement. Identify PN Stamped on Cylinder Before Ordering Parts.	
1	70005155	1	Barrel	
2	70005156	1	Rod	
3	70005157	1	Head	
4	See Note	NSS	Wiper (Note: Use Item 23)	
5	70002373	1	Ring, Retaining	
6	See Note	NSS	Seal, Rod (Note: Use Item 23)	
7	See Note	NSS	Ring, Back-up (Note: Use Item 23)	
8	70005143	1	Bearing, Dry	
9	See Note	NSS	O-Ring (Note: Use Item 23)	
10	See Note	NSS	Ring, Back-up (Note: Use Item 23)	
11	See Note	NSS	O-Ring (Note: Use Item 23)	
12	70002371	1	Piston	
13	See Note	NSS	O-Ring (Note: Use Item 23)	
14	See Note	NSS	Seal, Piston (Note: Use Item 23)	
15	See Note	NSS	Ring, Piston (Note: Use Item 23)	
16	70002335	2	Nut	
17	70005158	2	Bushing	
18	70005159	2	Bushing	
19	4640509	2	Cartridge, Valve	
19	2900792	2	Seal Kit - 4640509 Valve	
20	70023370	2	Plug 7/16	
21	See Note	1	Plug 7/16 (Note: Not Available for Purchase)	
22	See Note	1	Plug 9/16 (Note: Not Available for Purchase)	
23	70005160	1	Seal Kit - 1001163767 Cylinder (Includes Items 4, 6, 7, 9-11 & 13-15)	

SECTION 5 - CYLINDER

FIGURE 5-4. LIFT CYLINDER ASSEMBLY - MAIN BOOM



ART_1001254742

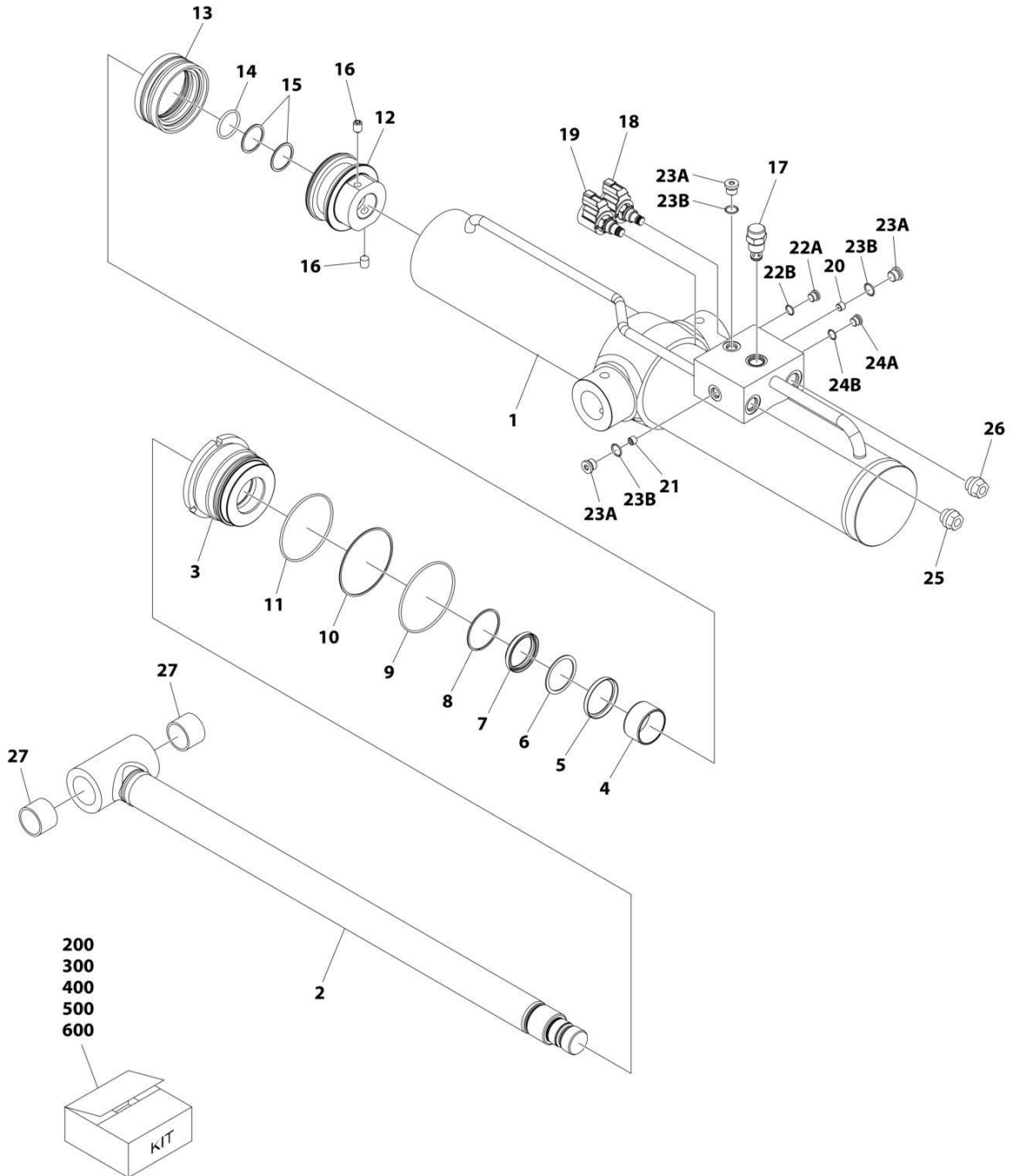
SECTION 5 - CYLINDER

FIGURE 5-4. LIFT CYLINDER ASSEMBLY - MAIN BOOM

ITEM	PART NUMBER	QTY	DESCRIPTION	REV
	1001254742	Ref	LIFT CYLINDER ASSEMBLY	B
		Ref	Note: Original Cylinder May Have Been Replaced with Service Replacement. Identify PN Stamped on Cylinder Before Ordering Parts.	
1	See Note	NSS	Barrel (Note: Use PN 1001254742)	
2	See Note	NSS	Rod (Note: Use Item 200)	
3	See Note	NSS	Head (Note: Use Item 300)	
4	See Note	NSS	Ring, Wear (Note: Use Item 300)	
5	See Note	NSS	Seal (Note: Use Item 400)	
6	See Note	NSS	Ring, Back-up (Note: Use Item 400)	
7	See Note	NSS	Wiper (Note: Use Item 400)	
8	See Note	NSS	Ring, Retaining (Note: Use Item 400)	
9	See Note	NSS	O-Ring (Note: Use Item 400)	
10	See Note	NSS	Ring, Back-up (Note: Use Item 400)	
11	See Note	NSS	O-Ring (Note: Use Item 400)	
12	See Note	NSS	Piston (Note: Use Item 500)	
13	See Note	NSS	Seal (Note: Use Item 400)	
14	See Note	NSS	O-Ring (Note: Use Item 400)	
15	See Note	NSS	Ring, Back-up (Note: Use Item 400)	
16	See Note	NSS	Set Screw (Note: Use Item 500)	
17	See Note	NSS	Orifice (Note: Use PN 1001254742)	
18	4641390	1	Cartridge, Check Valve	
18	7017496	1	Seal Kit - 4641390 Valve	
19	1001206625	1	Cartridge, Solenoid Valve (Includes Coil)	
19	70006104	1	Cartridge, Solenoid Valve Less Coil	
19	70006105	1	Seal Kit - 1001206625 & 70006104 Valves	
19	70003788	1	Coil	
19	7022390	1	Nut, Coil	
20	1001164709	1	Cartridge, Solenoid Valve (Includes Coil)	
20	7017467	1	Cartridge, Solenoid Valve Less Coil	
20	7012998	1	Seal Kit - 1001164709 & 7017467 Valve	
20	70002386	1	Coil	
21A	See Note	NSS	Plug (Note: Use Item 600)	
21B	See Note	NSS	O-Ring (Note: Use Item 600)	
22	See Note	NSS	Dust Cap (Note: Shipping Use Only)	
23	0961948	4	Bushing	
200	70007891	1	Rod Kit (Includes Items 2 & 23)	
300	70007892	1	Head Kit (Includes Items 3 & 4)	
400	70007893	1	Seal Kit (Includes Items 5-11 & 13-15)	
500	70007894	1	Piston Kit (Includes Items 12 & 16)	
600	70007895	1	Plug Kit (Includes Items 21A & 21B)	

SECTION 5 - CYLINDER

FIGURE 5-5. LIFT CYLINDER ASSEMBLY - TOWER BOOM



ART_1001254716

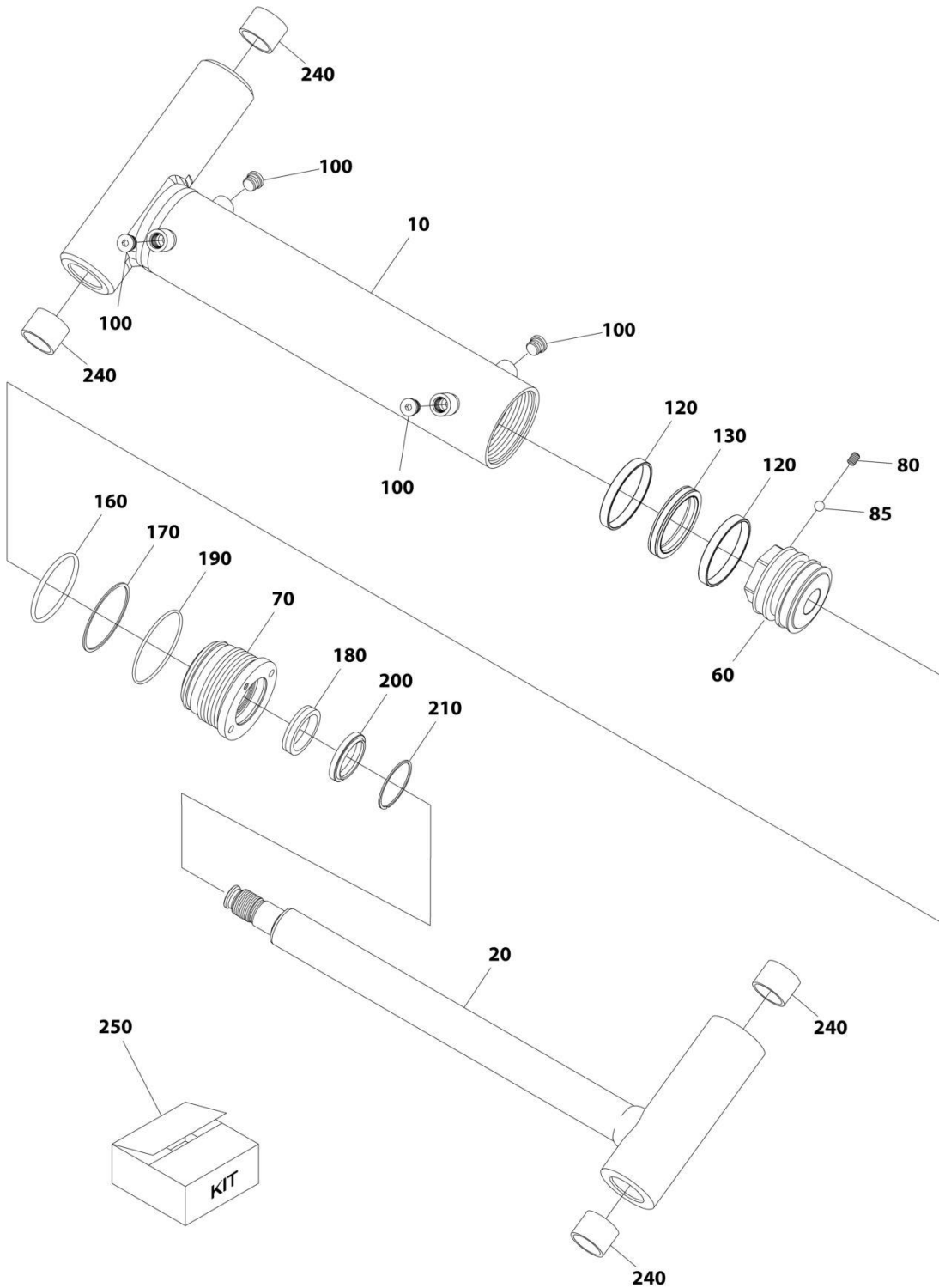
SECTION 5 - CYLINDER

FIGURE 5-5. LIFT CYLINDER ASSEMBLY - TOWER BOOM

ITEM	PART NUMBER	QTY	DESCRIPTION	REV
	1001254716	Ref	LIFT CYLINDER ASSEMBLY - TOWER BOOM	B
		Ref	Note: Original Cylinder May Have Been Replaced with Service Replacement. Identify PN Stamped on Cylinder Before Ordering Parts.	
1	See Note	NSS	Barrel (Note: Use PN 1001254716)	
2	See Note	NSS	Rod (Note: Use Item 200)	
3	See Note	NSS	Head (Note: Use Item 300)	
4	See Note	NSS	Ring, Wear (Note: Use Item 300)	
5	See Note	NSS	Seal (Note: Use Item 400)	
6	See Note	NSS	Ring, Back-up (Note: Use Item 400)	
7	See Note	NSS	Wiper (Note: Use Item 400)	
8	See Note	NSS	Ring, Retaining (Note: Use Item 400)	
9	See Note	NSS	O-Ring (Note: Use Item 400)	
10	See Note	NSS	Ring, Back-up (Note: Use Item 400)	
11	See Note	NSS	O-Ring (Note: Use Item 400)	
12	See Note	NSS	Piston (Note: Use Item 500)	
13	See Note	NSS	Seal (Note: Use Item 400)	
14	See Note	NSS	O-Ring (Note: Use Item 400)	
15	See Note	NSS	Ring, Back-up (Note: Use Item 400)	
16	See Note	NSS	Set Screw (Note: Use Item 500)	
17	4641390	1	Cartridge, Counterbalance Valve	
17	7017496	1	Seal Kit - 4641390 Valve	
18	1001164709	1	Cartridge, Solenoid Valve	
18	7012967	1	Seal Kit - 1001164709 Valve	
18	70002386	1	Coil	
19	1001166208	1	Cartridge, Solenoid Valve	
19	7012967	1	Seal Kit - 1001166208 Valve	
19	70002386	1	Coil	
20	See Note	NSS	Orifice (Note: Use PN 1001254716)	
21	See Note	NSS	Orifice (Note: Use PN 1001254716)	
22A	See Note	NSS	Plug (Note: Use Item 600)	
22B	See Note	NSS	O-Ring (Note: Use Item 600)	
23A	See Note	NSS	Plug (Note: Use Item 600)	
23B	See Note	NSS	O-Ring (Note: Use Item 600)	
24A	See Note	NSS	Plug (Note: Use Item 600)	
24B	See Note	NSS	O-Ring (Note: Use Item 600)	
25	See Note	NSS	Dust Cap (Note: Shipping Use Only)	
26	See Note	NSS	Dust Cap (Note: Shipping Use Only)	
27	0961948	2	Bushing (Note: Use Item 200)	
200	70007886	1	Rod Kit (Includes Items 2 & 27)	
300	70007887	1	Head Kit (Includes Items 3 & 4)	
400	70007888	1	Seal Kit (Includes Items 5-11 & 13-15)	
500	70007889	1	Piston Kit (Includes Items 12 & 16)	
600	70007890	1	Plug Kit (Includes Items 22A-24B)	

SECTION 5 - CYLINDER

FIGURE 5-6. MASTER CYLINDER ASSEMBLY



ART_1001161717

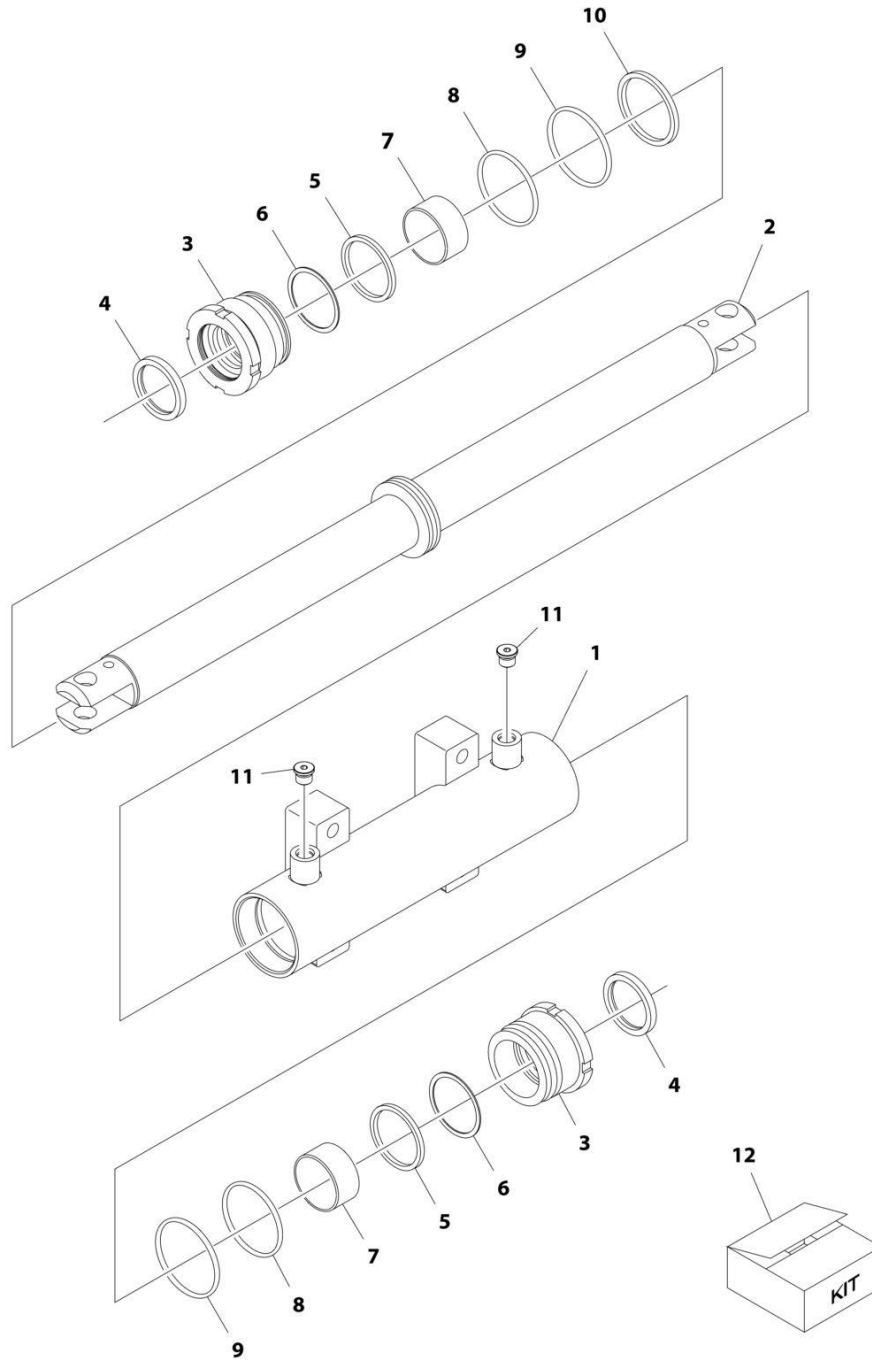
SECTION 5 - CYLINDER

FIGURE 5-6. MASTER CYLINDER ASSEMBLY

ITEM	PART NUMBER	QTY	DESCRIPTION	REV
	1001161717	Ref	MASTER CYLINDER ASSEMBLY	D
		Ref	Note: Original Cylinder May Have Been Replaced with Service Replacement. Identify PN Stamped on Cylinder Before Ordering Parts.	
10	70005017	1	Barrel	
20	70005018	1	Rod	
60	70005012	1	Piston	
70	70003837	1	Head	
80	70005013	1	Setscrew	
85	70005014	1	Ball	
100	70025959	4	Plug 9/16	
120	See Note	NSS	Ring, Piston (Note: Use Item 250)	
130	See Note	NSS	Seal (Note: Use Item 250)	
160	See Note	NSS	O-Ring (Note: Use Item 250)	
170	See Note	NSS	Ring (Note: Use Item 250)	
180	See Note	NSS	Seal (Note: Use Item 250)	
190	See Note	NSS	O-Ring (Note: Use Item 250)	
200	See Note	NSS	Wiper (Note: Use Item 250)	
210	70003838	1	Ring, Retaining	
240	0961951	4	Bushing	
250	70005016	1	Seal Kit - 1001161717 Cylinder (Includes Items 120-200)	

SECTION 5 - CYLINDER

FIGURE 5-7. STEER CYLINDER ASSEMBLY



ART_1001163178

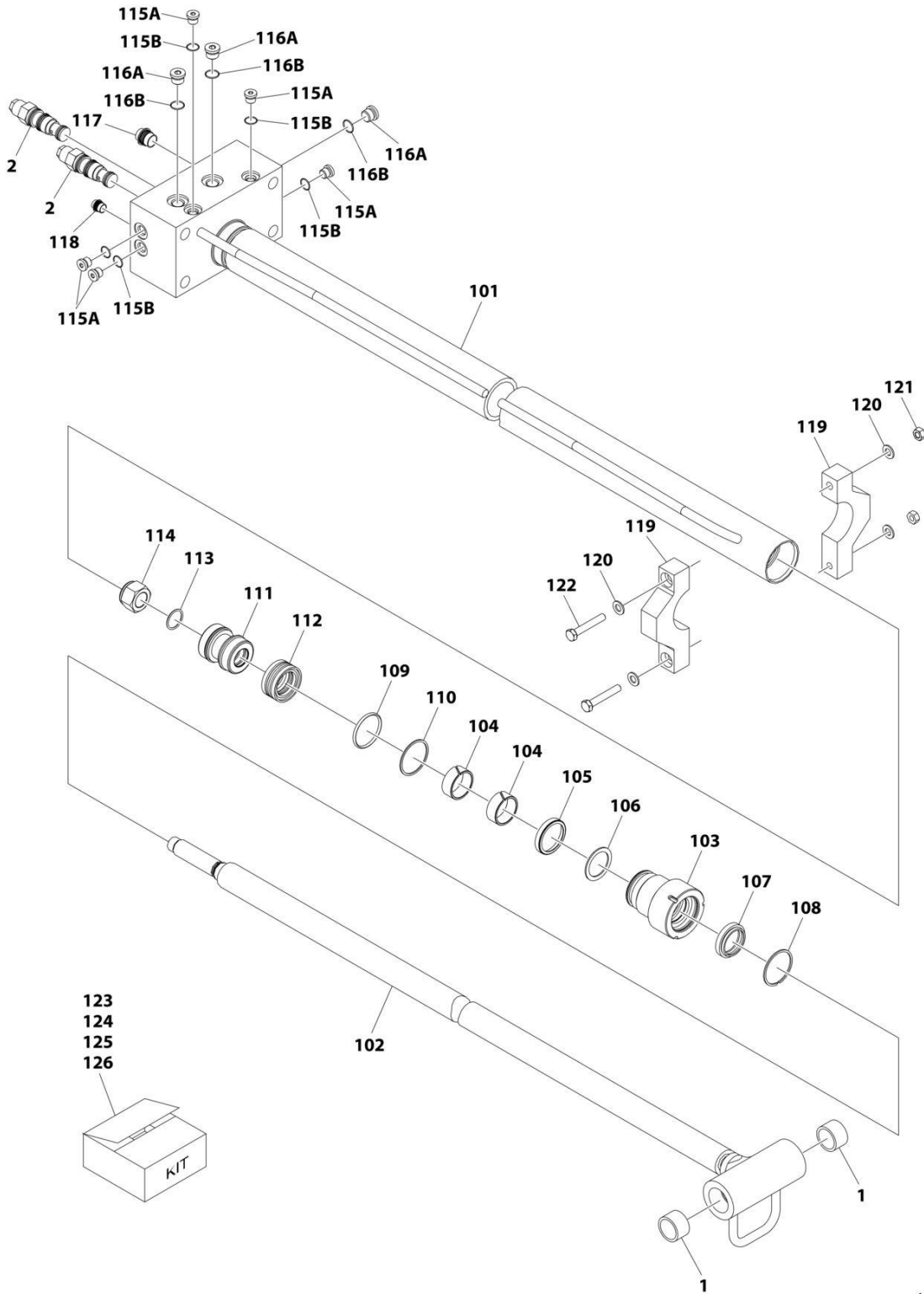
SECTION 5 - CYLINDER

FIGURE 5-7. STEER CYLINDER ASSEMBLY

ITEM	PART NUMBER	QTY	DESCRIPTION	REV
	1001163178	Ref	STEER CYLINDER ASSEMBLY	E
		Ref	Note: Original Cylinder May Have Been Replaced with Service Replacement. Identify PN Stamped on Cylinder Before Ordering Parts.	
1	70005150	1	Barrel	
2	70005151	1	Rod	
3	70005152	2	Head	
4	See Note	NSS	Wiper (Note: Use Item 12)	
5	See Note	NSS	Seal, Rod (Note: Use Item 12)	
6	See Note	NSS	Ring, Back-up (Note: Use Item 12)	
7	70005153	2	Bearing, Dry	
8	See Note	NSS	O-Ring (Note: Use Item 12)	
9	See Note	NSS	O-Ring (Note: Use Item 12)	
10	See Note	NSS	Seal, Piston (Note: Use Item 12)	
11	See Note	2	Plug 9/16 (Note: Not Available for Purchase)	
12	70005154	1	Seal Kit - 1001163178 Cylinder (Includes Items 4-6 & 8-10)	

SECTION 5 - CYLINDER

FIGURE 5-8. TELESCOPE CYLINDER ASSEMBLY



ART_1001272671

SECTION 5 - CYLINDER

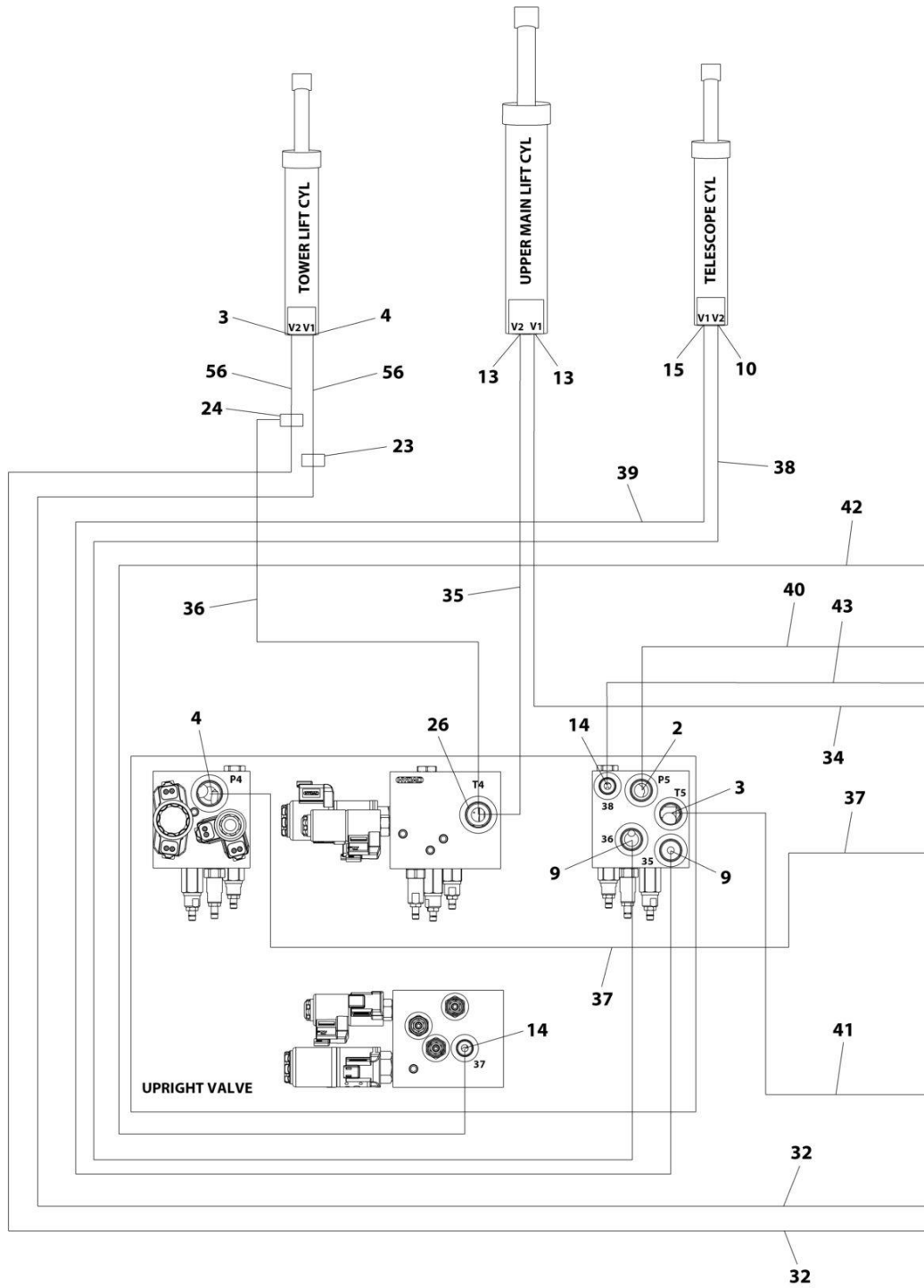
FIGURE 5-8. TELESCOPE CYLINDER ASSEMBLY

ITEM	PART NUMBER	QTY	DESCRIPTION	REV
	1001272671	Ref	TELESCOPE CYLINDER ASSEMBLY	B
		Ref	Note: Original Cylinder May Have Been Replaced with Service Replacement. Identify PN Stamped on Cylinder Before Ordering Parts.	
1	0962292	2	Bushing	
2	4640771	2	Cartridge, Valve	
2	2900770	2	Seal Kit - 4640771 Valve	
101	See Note	NSS	Tube (Note: Not Available for Purchase)	
102	See Note	NSS	Rod (Note: Use Item 123)	
103	70007896	1	Cover, Rod	
104	See Note	NSS	U-Packing (Note: Use Item 124)	
105	See Note	NSS	Ring, Backup (Note: Use Item 124)	
106	See Note	NSS	Ring, Wear (Note: Use Item 124)	
107	See Note	NSS	Wiper, Dust (Note: Use Item 124)	
108	See Note	NSS	Ring, Retaining Ring (Note: Use Item 124)	
109	See Note	NSS	O-Ring (Note: Use Item 124)	
110	See Note	NSS	Ring, Backup (Note: Use Item 124)	
111	70007897	1	Piston	
112	See Note	NSS	Seal (Note: Use Item 124)	
113	See Note	NSS	O-Ring (Note: Use Item 124)	
114	70007360	1	Nut	
115A	See Note	NSS	Plug 7/16 (Note: Use Item 125)	
115B	See Note	NSS	O-Ring (Note: Use Item 125)	
116A	See Note	NSS	Plug 9/16 (Note: Use Item 125)	
116B	See Note	NSS	O-Ring (Note: Use Item 125)	
117	See Note	NSS	Cap, Dust (Note: Not Available for Purchase)	
118	See Note	NSS	Cap, Dust (Note: Not Available for Purchase)	
119	See Note	NSS	Bracket (Note: Use Item 126)	
120	See Note	NSS	Washer (Note: Use Item 126)	
121	See Note	NSS	Nut (Note: Use Item 126)	
122	See Note	NSS	Bolt (Note: Use Item 126)	
123	70007898	1	Rod Kit (Includes Items 102)	
124	70007899	1	Seal Kit (Includes Items 104-110 & 112-113)	
125	70007900	1	Plug Kit (Includes Items 115A-116B)	
126	70008280	1	Wear Pad Kit (Includes Items 119-122)	

SECTION 6 - HYDRAULIC

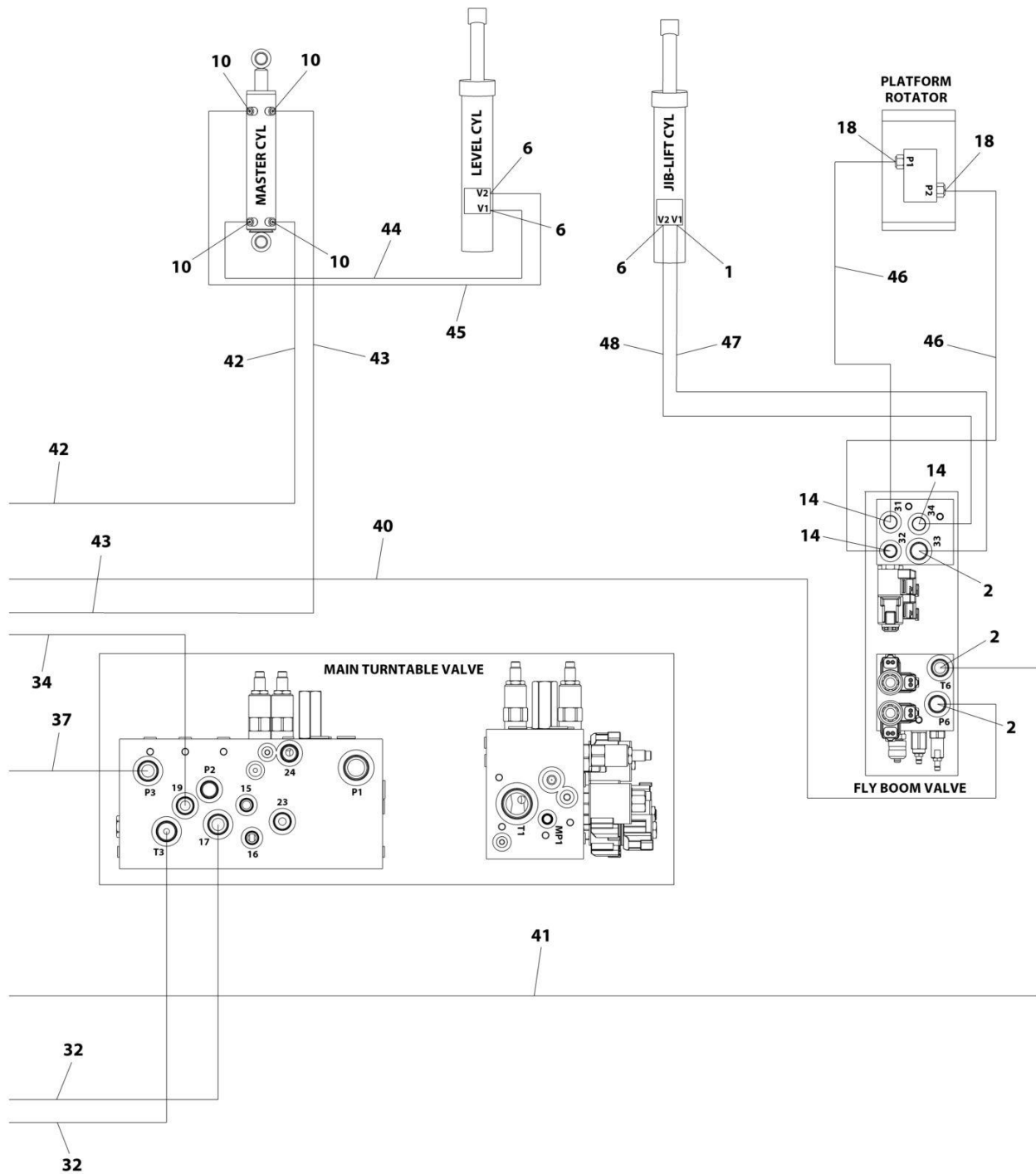
SECTION 6 - HYDRAULIC

FIGURE 6-1. BOOM HYDRAULIC SYSTEM INSTALLATION



ART_1001255048_10F2

SECTION 6 - HYDRAULIC



ART_1001255048_2OF2

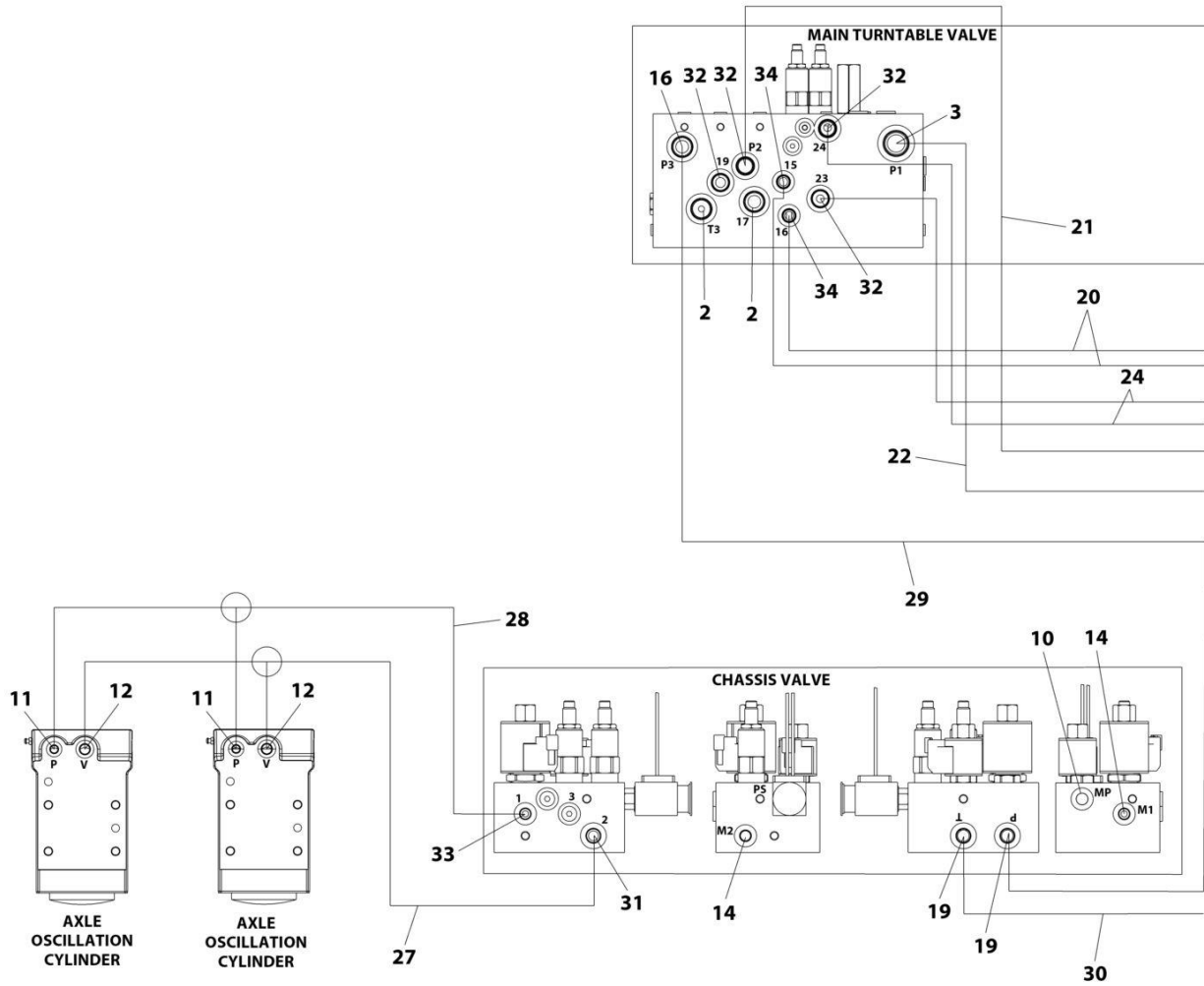
SECTION 6 - HYDRAULIC

FIGURE 6-1. BOOM HYDRAULIC SYSTEM INSTALLATION

ITEM	PART NUMBER	QTY	DESCRIPTION	REV
	1001255048	Ref	BOOM HYDRAULIC SYSTEM INSTALLATION	A
1	2220371	1	Fitting, Straight JIC/ORB	
2	2220372	4	Fitting, Straight JIC/ORB	
3	2220373	2	Fitting, Straight JIC/ORB	
4	2220374	2	Fitting, Straight JIC/ORB	
6	2220415	3	Fitting, Straight JIC/ORB	
9	2220468	2	Fitting, Straight JIC/ORB	
10	2220472	5	Fitting, 90 JIC/ORB	
13	2220577	2	Fitting, Straight JIC/ORB	
14	2220582	5	Fitting, Straight JIC/ORB	
15	2220628	1	Fitting, 90 JIC/ORB	
18	2220940	2	Fitting, Elbow	
23	2230025	1	Fitting, Straight JIC/ORB	
24	8760477	1	Fitting, Tee JIC/JIC/JIC	
26	8770289	1	Fitting, Tee JIC/ORB/JIC	
32	1001173006	2	Hose	
34	1001173034	1	Hose	
35	1001173035	1	Hose	
36	1001173036	1	Hose	
37	1001173037	1	Hose	
38	1001173038	1	Hose	
39	1001173039	1	Hose	
40	1001173040	1	Hose	
41	1001173041	1	Hose	
42	1001173042	1	Hose	
43	1001173043	1	Hose	
44	1001173044	1	Hose	
45	1001173045	1	Hose	
46	1001173046	1	Hose	
47	1001173048	1	Hose	
48	1001173049	1	Hose	
56	1001180035	2	Hose	
57	4240018	12	Tie-Strap (Not Shown)	

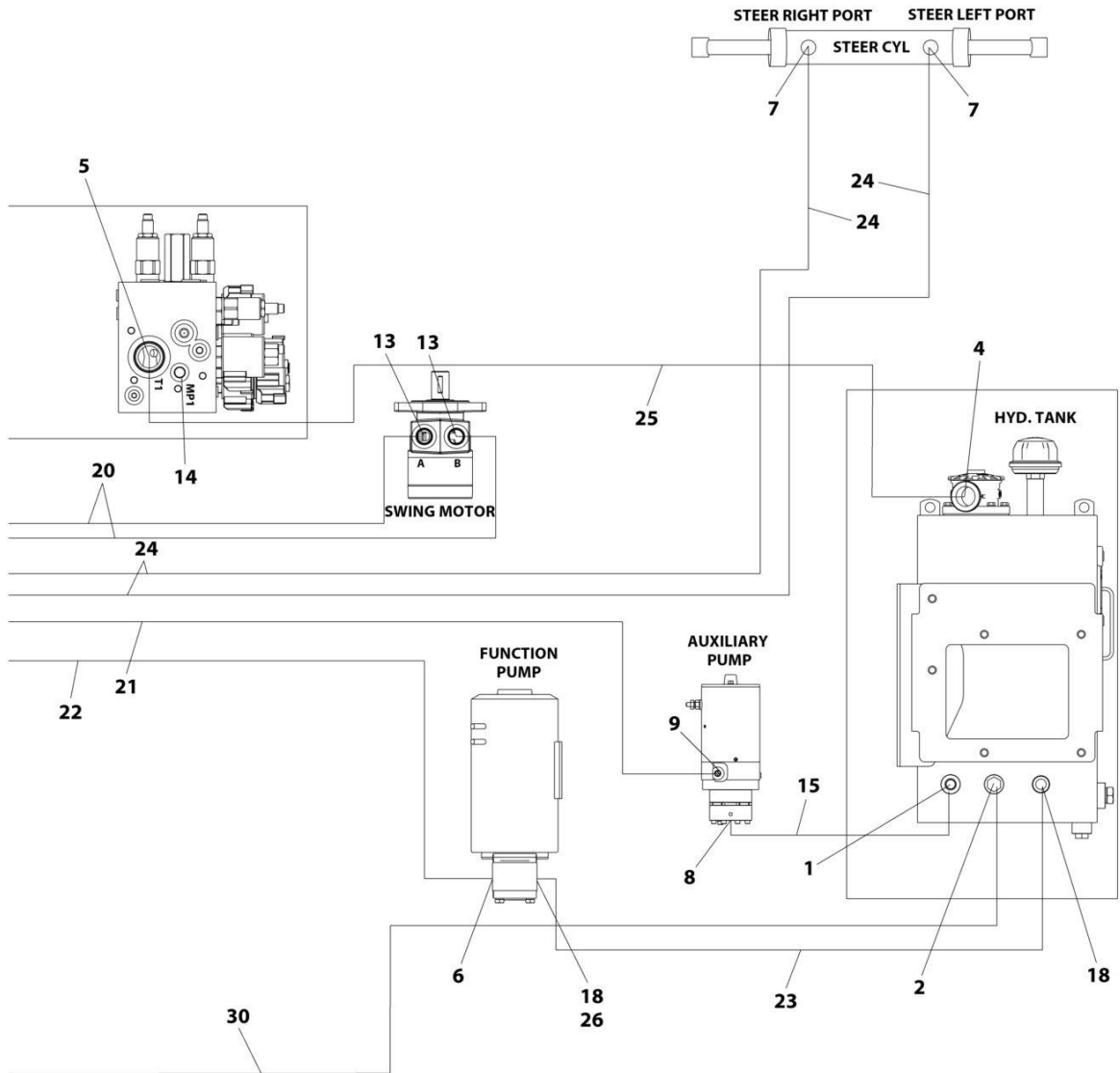
SECTION 6 - HYDRAULIC

FIGURE 6-2. CHASSIS HYDRAULIC SYSTEM INSTALLATION



ART_1001250949_1OF2

SECTION 6 - HYDRAULIC



ART_1001250949_2OF2

SECTION 6 - HYDRAULIC

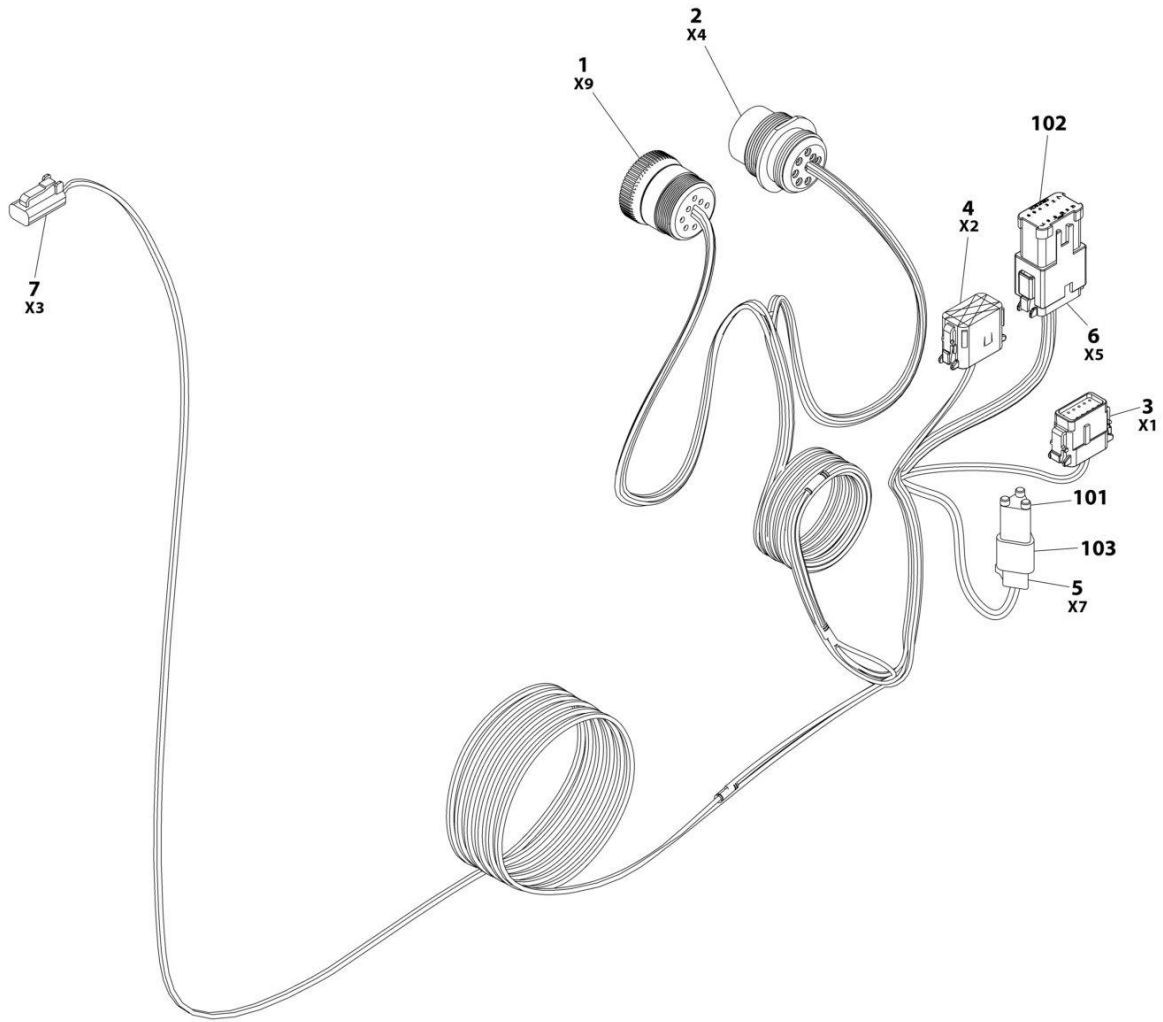
FIGURE 6-2. CHASSIS HYDRAULIC SYSTEM INSTALLATION

ITEM	PART NUMBER	QTY	DESCRIPTION	REV
	1001250949	Ref	CHASSIS HYDRAULIC SYSTEM INSTALLATION	C
1	2220373	1	Fitting, Straight JIC/ORB	
2	2220374	3	Fitting, Straight JIC/ORB	
3	2220375	1	Fitting, Straight JIC/ORB	
4	2220435	1	Fitting, Straight JIC/ORB	
5	2220465	1	Fitting, 90 JIC/ORB	
6	2220499	1	Fitting, 45 JIC/ORB	
7	2220501	2	Fitting, 45 JIC/ORB	
8	2220600	1	Fitting, Straight JIC/ORB	
9	2220603	1	Fitting, Straight JIC/ORB	
10	2220883	1	Plug #4	
11	2220923	2	Fitting, Straight JIC/ORB	
12	2220998	2	Fitting, Straight JIC/ORB	
13	2221033	2	Fitting, Straight JIC/ORB	
14	2221086	3	Fitting, Diagnostic	
15	2752519	1	Hose	
16	8760554	1	Fitting, Tee JIC/ORB/JIC	
18	1001143501	2	Clamp	
19	1001152155	2	Adapter JIC/ORB	
20	1001173027	2	Hose	
21	1001173028	1	Hose	
22	1001177507	1	Hose	
23	1001177511	1	Hose	
24	1001177515	2	Hose	
25	1001178003	1	Tube	
26	1001182142	1	Fitting, Barbed	
27	1001205950	1	Hose	
28	1001205951	1	Hose	
29	1001205952	1	Hose	
30	1001205953	1	Hose	
31	2220371	1	Fitting, Straight JIC/ORB	
32	2220372	4	Fitting, Straight JIC/ORB	
33	2220415	1	Fitting, Straight JIC/ORB	
34	2220582	2	Fitting, Straight JIC/ORB	
35	4240018	5	Tie-Strap (Not Shown)	

SECTION 7 - ELECTRICAL

SECTION 7 - ELECTRICAL

FIGURE 7-1. CLEARSKY BEACON LIGHT HARNESS (SN C30000398 to Present)



ART_1001286936

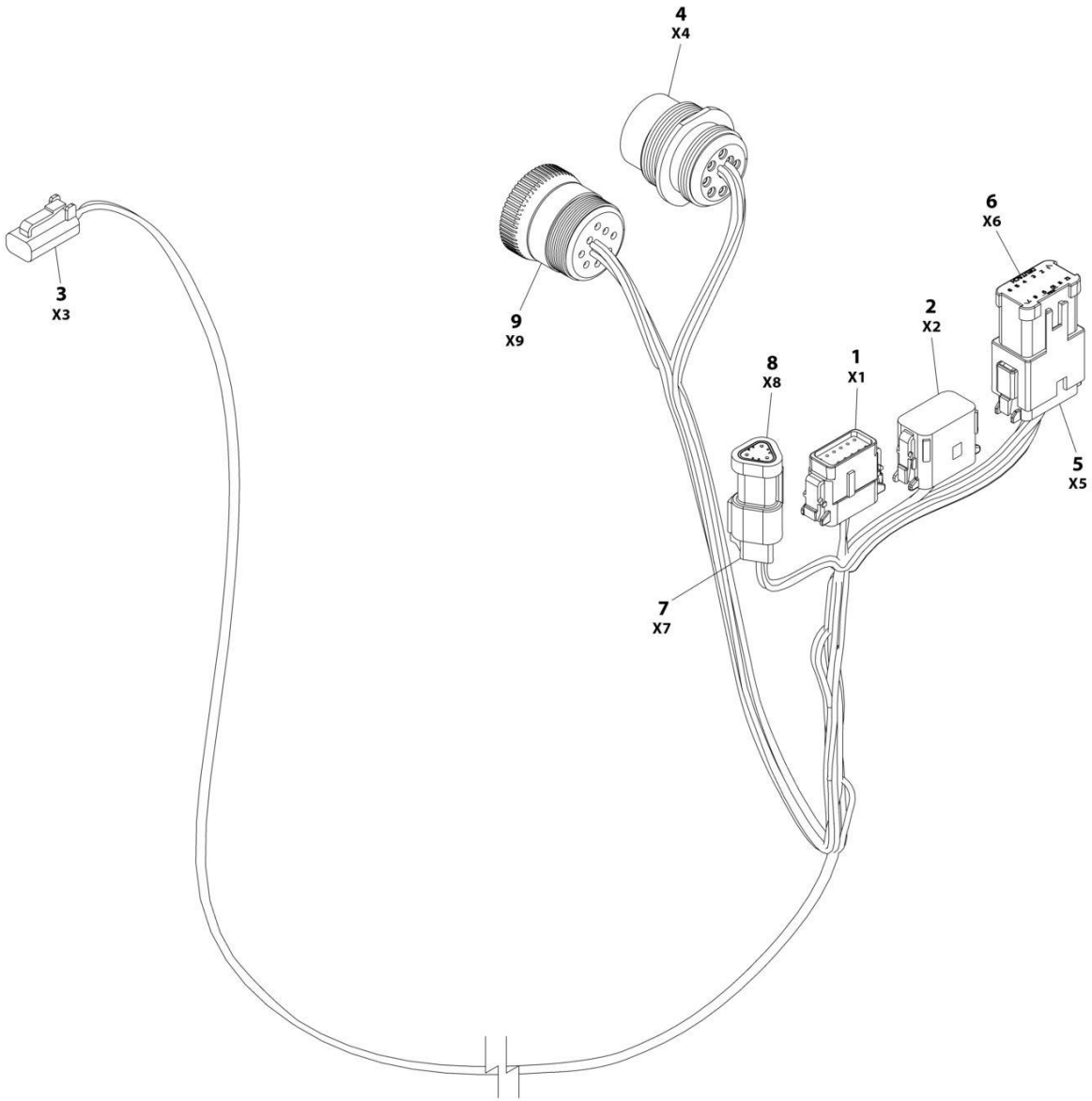
SECTION 7 - ELECTRICAL

FIGURE 7-1. CLEARSKY BEACON LIGHT HARNESS (SN C300000398 to Present)

ITEM	PART NUMBER	QTY	DESCRIPTION	REV
	1001286936	Ref	CLEARSKY BEACON LIGHT HARNESS	A
1	1001112796	1	Connector	
1	4460465	6	Socket	
1	4460466	3	Plug, Terminal	
2	1001112612	1	Connector	
2	4460464	6	Pin	
2	4460466	3	Plug	
3	1001116808	1	Plug	
3	4460928	3	Socket	
3	4460518	9	Plug	
4	1001116774	1	Plug	
4	4460518	9	Plug, Terminal	
4	4460928	3	Socket	
5	4461095	1	Plug	
5	4460465	3	Socket	
6	4460933	1	Plug	
6	4460465	12	Socket	
7	4460891	1	Plug	
7	4460465	2	Socket	
101	4460466	3	Plug	
102	1001119020	1	Bussbar	
103	1001144147	1	Connector	

SECTION 7 - ELECTRICAL

FIGURE 7-2. BEACON LIGHT HARNESS



ART_1001142736

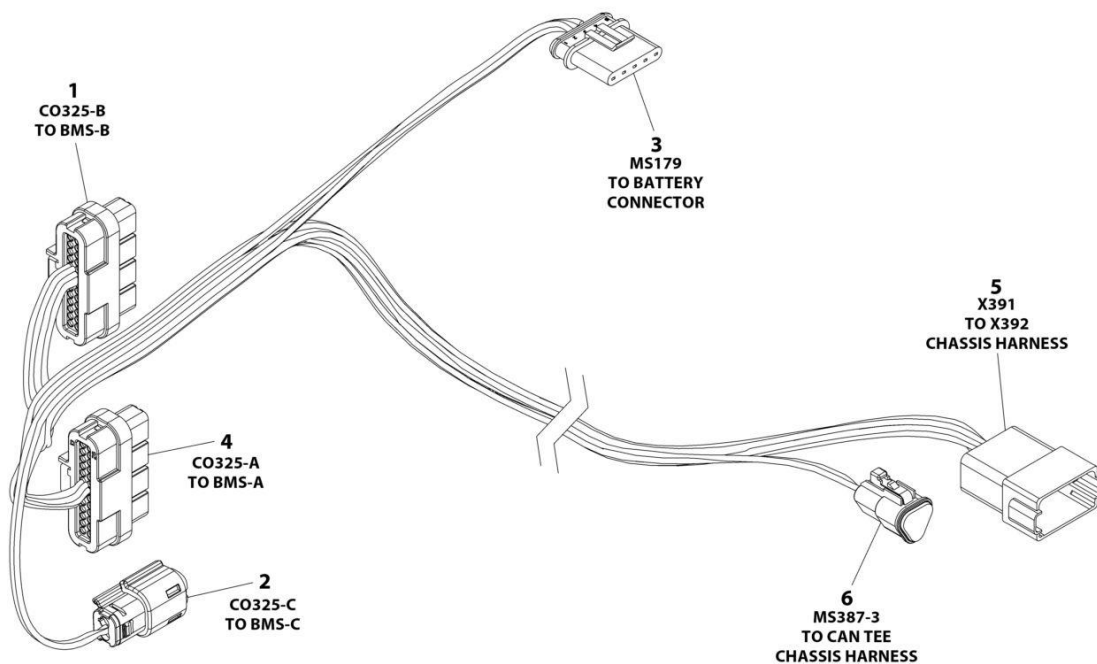
SECTION 7 - ELECTRICAL

FIGURE 7-2. BEACON LIGHT HARNESS

ITEM	PART NUMBER	QTY	DESCRIPTION	REV
	1001142736	Ref	STROBE LIGHT HARNESS	F
1	1001116808	1	Plug, Male - 12 Position	
1	4460928	3	Socket, Female	
1	4460518	9	Plug, Terminal	
2	1001116774	1	Plug, Male - 12 Position	
2	4460928	3	Socket, Female	
2	4460518	9	Plug, Terminal	
3	4460891	1	Plug, Male - 2 Position	
3	4460465	2	Socket, Female	
4	1001112612	1	Connector - 9 Position	
4	4460464	6	Pin, Male	
4	4460466	3	Plug, Terminal	
5	4460933	1	Plug, Male - 12 Position	
5	4460465	12	Socket, Female	
6	1001119020	1	Bussbar - 12 Position	
7	4461095	1	Plug, Male - 3 Position	
7	4460465	3	Socket, Female	
8	4461070	1	Bussbar - 3 Position	
9	1001112796	1	Connector - 9 Position	
9	4460465	6	Socket, Female	
9	4460466	3	Plug, Terminal	

SECTION 7 - ELECTRICAL

FIGURE 7-3. BMS HARNESS



ART_1001262599

SECTION 7 - ELECTRICAL

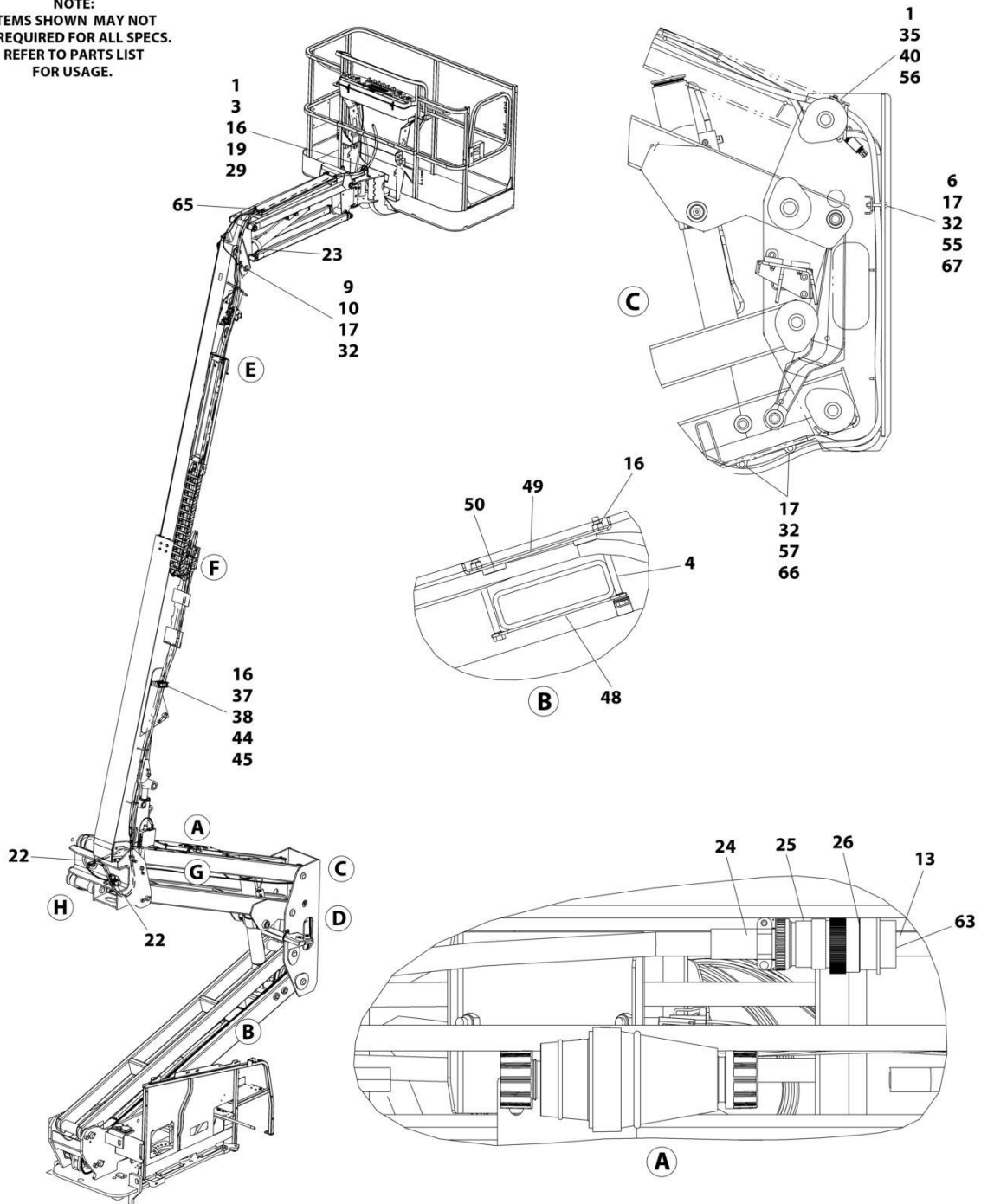
FIGURE 7-3. BMS HARNESS

ITEM	PART NUMBER	QTY	DESCRIPTION	REV
	1001262599	Ref	BMS HARNESS	A
1	1001249069	1	Connector – 26 Position	
1	1001248223	13	Socket, Female	
1	1001248224	13	Plug, Terminal	
2	1001255775	1	Connector – 2 Position	
2	1001255776	2	Socket, Female	
3	4461128	1	Connector – 5 Position	
3	183035-1	5	Socket, Female	
3	1001197457	5	Seal, Terminal	
4	1001249069	1	Connector – 26 Position	
4	1001248223	6	Socket, Female	
4	1001248224	20	Plug, Terminal	
5	4460970	1	Receptacle, Female - 12 Position	
5	4460464	9	Pin, Male	
5	4460466	3	Plug, Terminal	
6	1001116812	1	Connector – 3 Position	
6	4460944	2	Socket, Female	
6	4460466	1	Plug, Terminal	

SECTION 7 - ELECTRICAL

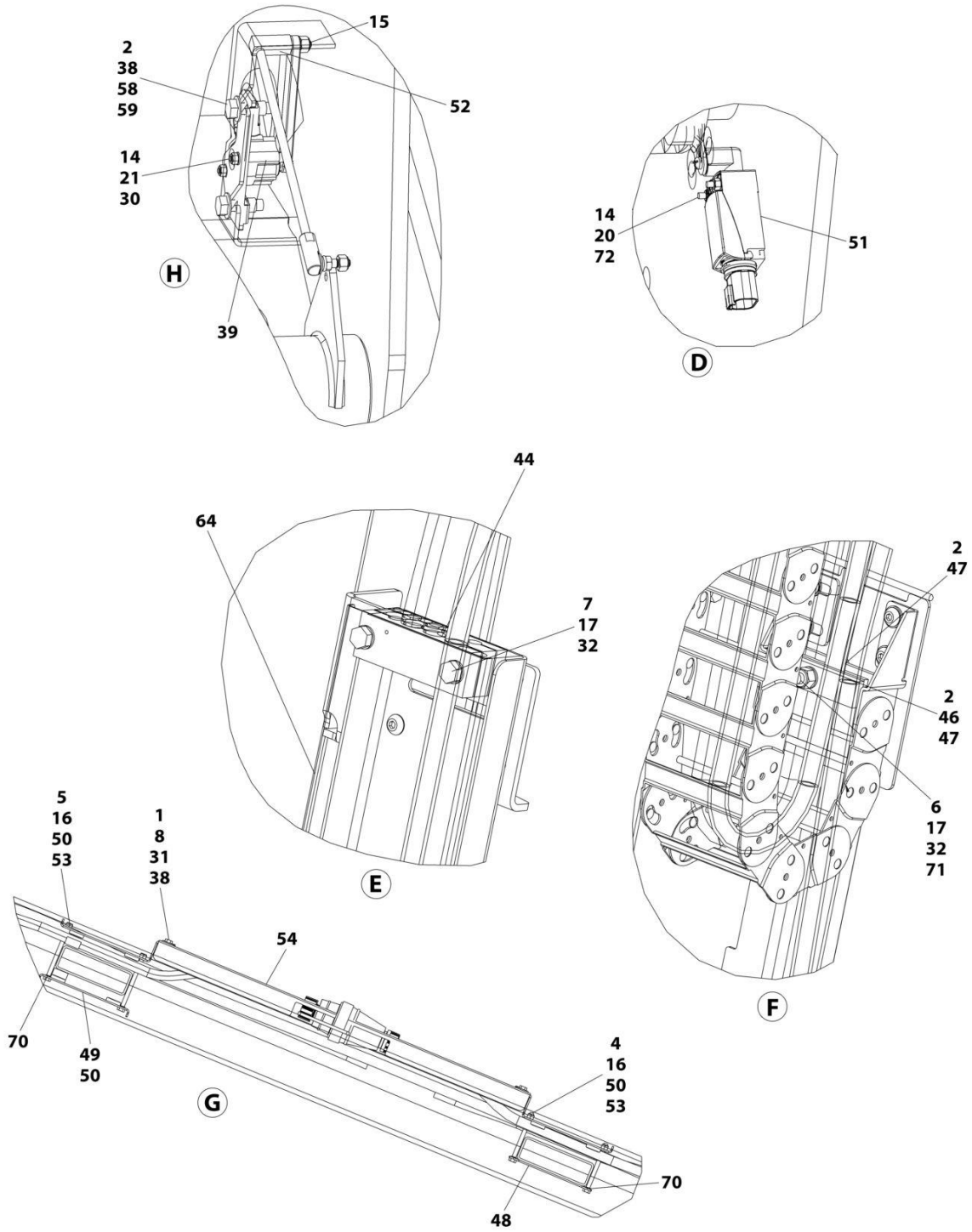
FIGURE 7-4. BOOM CABLES AND CLAMPS

NOTE:
ITEMS SHOWN MAY NOT
BE REQUIRED FOR ALL SPECS.
REFER TO PARTS LIST
FOR USAGE.



ART_1001255050_10F2

SECTION 7 - ELECTRICAL



ART_1001255050_20F2

SECTION 7 - ELECTRICAL

FIGURE 7-4. BOOM CABLES AND CLAMPS

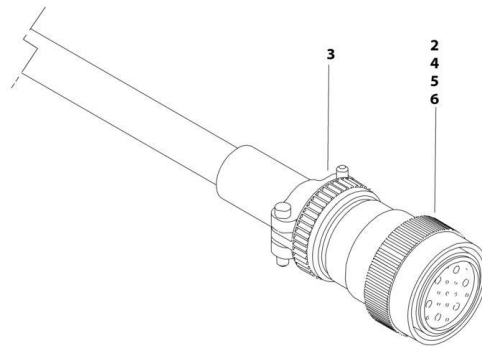
ITEM	PART NUMBER	QTY	DESCRIPTION	REV
	1001179228	Ref	BOOM CABLES AND CLAMPS INSTALLATION - REFERENCE CHART	O
	1001255050	Ref	BOOM CABLES AND CLAMPS INSTALLATION	B
1	0100011	AR	Compound, Locking	
2	0100081	AR	Adhesive	
3	0760814	2	Bolt M8 x 30	
4	0700827	6	Bolt M8 x 100	
5	0700828	2	Bolt M8 x 110	
6	0701021	3	Bolt M10 x 65	
7	0701024	4	Bolt M10 x 80	
8	0760812	4	Bolt M8 x 25	
9	0761012	1	Bolt M10 x 25	
10	1320130	1	Clamp	
13	2820031	AR	Heat Shrink	
14	3290405	4	Nut M4	
15	3290605	2	Nut M6	
16	3290805	12	Nut M8	
17	3291005	10	Nut M10	
19	3841340	1	Loop, Hose	
20	4010418	2	Screw M4 x 50	
21	4031511	2	Capscrew M4 x 35	
22	4060808	27.5 in /8.38m	Flex-Trim	
23	4240156	2	Strap, Clinch	
24	4460473	1	Clamp, Cable	
25	4460865	1	Connector - 19 Position	
26	4460866	1	Connector - 19 Position	
29	4811900	4	Washer M8	
30	4811400	2	Washer M4	
31	4811902	4	Washer M8	
32	4812000	13	Washer M10	
33	1001176951	1	Harness, Tower Boom (Not Shown - See Separate Breakdown in This Section)	
34	1001174749	1	Harness, Tower Boom AC Cable (Not Shown - See Separate Breakdown in This Section)	
35	5251014	2	Bolt M10 x 30	
36	8881800	AR	Tie-Strap (Not Shown)	
37	5281920	2	Screw M8 x 80	
38	1001118274	8	Nut M8	
39	1001118971	1	Sensor, Angle	
40	1001118972	2	Nut M10	
41	1001164730	1	Harness, Main Boom (Not Shown - See Separate Breakdown in This Section)	
42	1001164731	1	Harness, Main Boom AC Cable (Not Shown - See Separate Breakdown in This Section)	
43	1001164738	1	Harness, Boom Valve (Not Shown - See Separate Breakdown in This Section)	
44	1001166656	3	Block, Clamping	
45	1001166662	1	Plate	
46	1001168472	1	Plate, Clamping	
47	1001168473	2	Clamp, Rubber	

SECTION 7 - ELECTRICAL

ITEM	PART NUMBER	QTY	DESCRIPTION	REV
48	1001171553	3	Plate, Clamping	
49	1001171555	3	Plate, Clamping	
50	1001171559	10	Pad	
51	1001172271	1	Switch, Limit	
52	1001238466	1	Link, Sensor (Note: Sold as Assembly Only)	
53	1001178448	2	Plate, Clamping	
54	1001178449	1	Cover	
55	1001178644	1	Plate	
56	1001178958	NLA	Bracket (Use PN 1001260306)	
56	1001260306	1	Bracket	
57	1001182561	2	Roller	
58	5250812	2	Bolt M8 x 25	
59	1001179266	1	Plate, Mounting	
63	4460466	AR	Plug, Terminal	
64	1001181621	1	Cover	
65	1001181923	1	Shield, Hose	
66	1001119280	2	Bolt M10 x 260	
67	1001185747	2	Pad	
70	1001119228	8	Nut M8	
71	8310070	1	Pushnut 3/8	
72	4750800	AR	Washer #8	

SECTION 7 - ELECTRICAL

FIGURE 7-5. BOOM HARNESS - MAIN BOOM



ART_1001164730

SECTION 7 - ELECTRICAL

FIGURE 7-5. BOOM HARNESS - MAIN BOOM

ITEM	PART NUMBER	QTY	DESCRIPTION	REV
	1001164730	Ref	BOOM HARNESS - MAIN BOOM	D
2	4460865	1	Connector - 19 Position	
3	4460473	1	Clamp	
4	4460465	20	Socket, Female	
5	4460509	8	Socket, Female	
6	4460466	5	Plug, Socket	

SECTION 7 - ELECTRICAL

FIGURE 7-6. BOOM HARNESS - MAIN BOOM AC CABLE



ART_1001164731

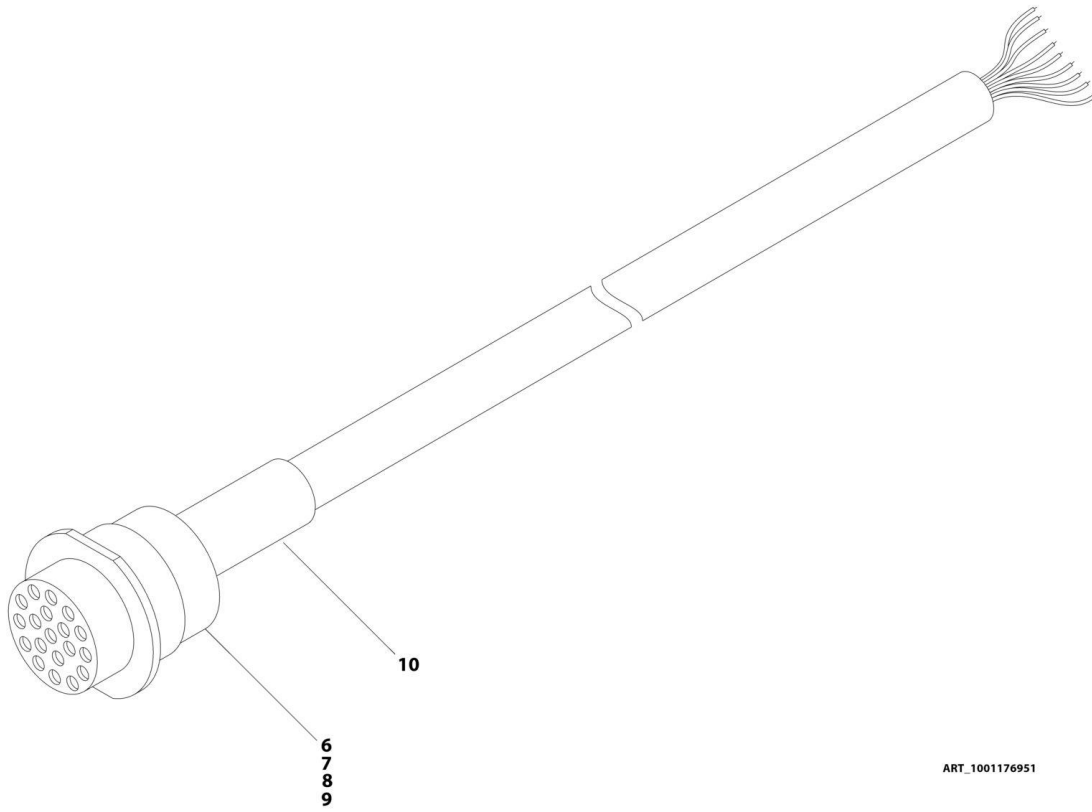
SECTION 7 - ELECTRICAL

FIGURE 7-6. BOOM HARNESS - MAIN BOOM AC CABLE

ITEM	PART NUMBER	QTY	DESCRIPTION	REV
	1001164731	Ref	BOOM HARNESS - MAIN BOOM AC CABLE	C
1	1001120204	1	Plug, Male	
4	1060461	494 in/ 12.6m	Cable, Electrical - 12/3	

SECTION 7 - ELECTRICAL

FIGURE 7-7. BOOM HARNESS - TOWER BOOM



ART_1001176951

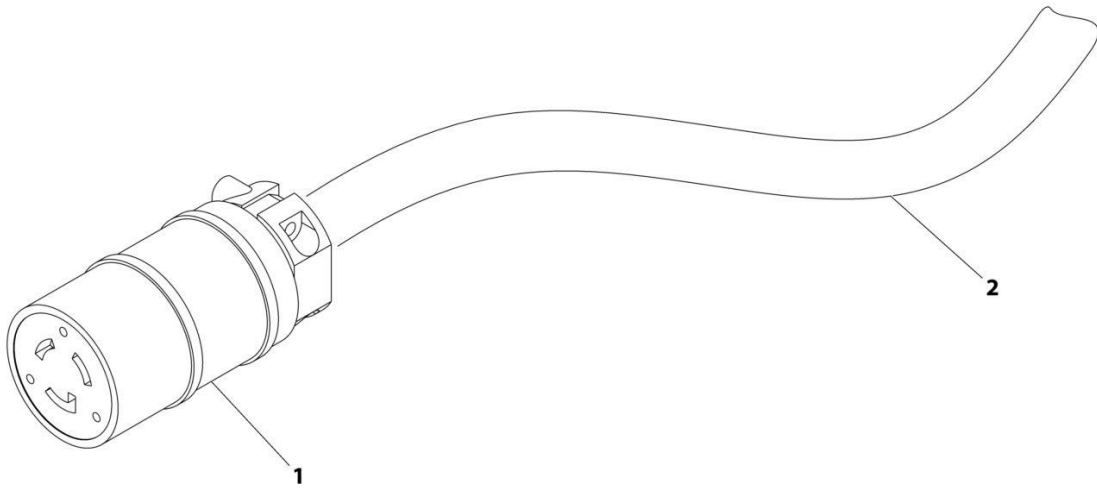
SECTION 7 - ELECTRICAL

FIGURE 7-7. BOOM HARNESS - TOWER BOOM

ITEM	PART NUMBER	QTY	DESCRIPTION	REV
	1001176951	Ref	BOOM HARNESS - TOWER BOOM	E
6	4460466	5	Plug, Terminal	
7	4460464	20	Pin, Male	
8	4460508	8	Pin, Male	
9	4460866	1	Connector - 19 Position	
10	2820031	AR	Heat Shrink	

SECTION 7 - ELECTRICAL

FIGURE 7-8. BOOM HARNESS - TOWER BOOM AC CABLE



ART_1001174749

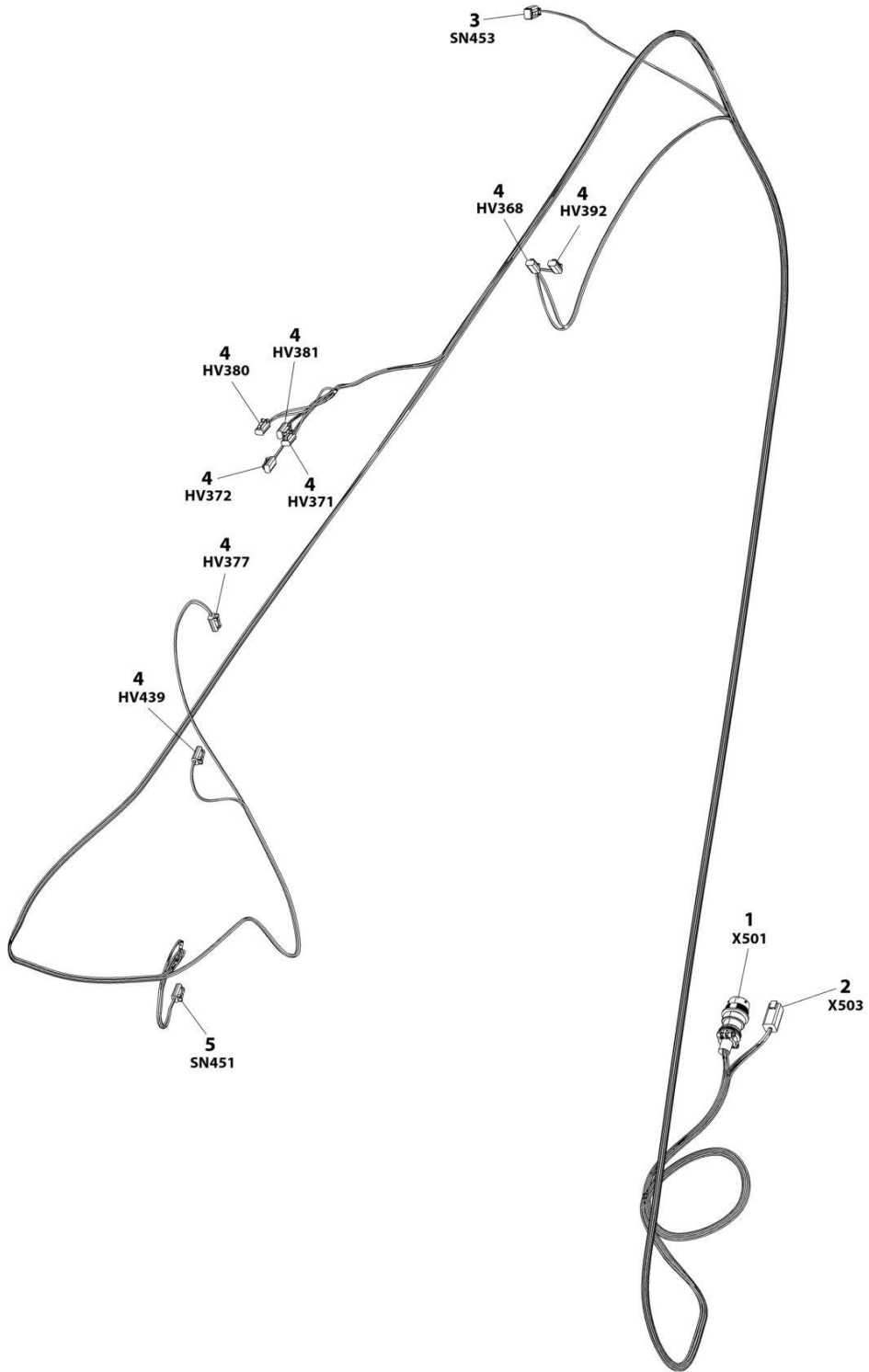
SECTION 7 - ELECTRICAL

FIGURE 7-8. BOOM HARNESS - TOWER BOOM AC CABLE

ITEM	PART NUMBER	QTY	DESCRIPTION	REV
	1001174749	Ref	BOOM HARNESS - TOWER BOOM AC CABLE	C
1	1001120205	1	Connector, Female	
2	1060461	28 ft/ 8.5m	Electrical Cable, 12/3	

SECTION 7 - ELECTRICAL

FIGURE 7-9. BOOM VALVE HARNESS



ART_1001164738

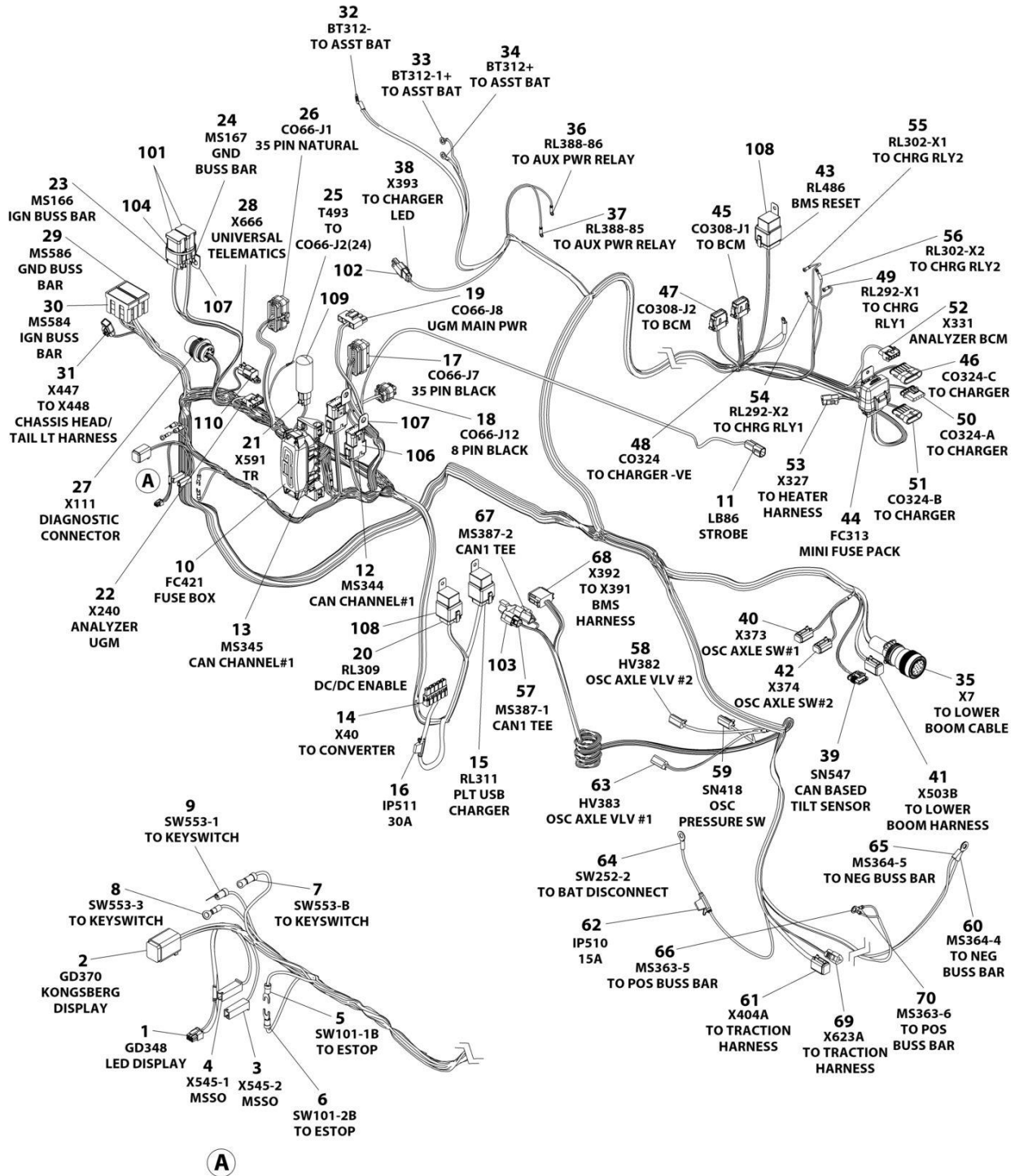
SECTION 7 - ELECTRICAL

FIGURE 7-9. BOOM VALVE HARNESS

ITEM	PART NUMBER	QTY	DESCRIPTION	REV
	1001164738	Ref	BOOM VALVE HARNESS	1
1	1001156541	1	Connector - 19 Position	
1	4460464	13	Pin, Male	
1	4460466	1	Plug, Terminal	
2	4460899	1	Connector - 6 Position	
2	4460464	6	Pin, Male	
3	4460884	1	Plug, Male - 4 Position	
3	4460465	2	Socket, Female	
3	4460466	2	Plug, Terminal	
4	4460891	8	Plug, Male - 2 Position	
4	4460465	16	Socket, Female	
5	1001230931	1	Plug, Male - 6 Position	
5	1001116748	6	Terminal	

SECTION 7 - ELECTRICAL

FIGURE 7-10. CHASSIS HARNESS ASSEMBLY (Prior to SN C30000468)



ART_1001262597

SECTION 7 - ELECTRICAL

FIGURE 7-10. CHASSIS HARNESS ASSEMBLY (Prior to SN C30000468)

ITEM	PART NUMBER	QTY	DESCRIPTION	REV
	1001262597	Ref	CHASSIS HARNESS ASSEMBLY	B
1	1001237667	1	Plug, Male - 6 Position	
1	1001237668	5	Terminal	
2	4460894	1	Plug, Male - 6 Position	
2	4460465	4	Socket, Female	
2	4460466	2	Plug, Terminal	
3	4460260	1	Terminal, Housing	
3	4460259	1	Terminal	
4	4460260	1	Terminal, Housing	
4	4460259	1	Terminal	
5	4460115	1	Terminal, Fork	
6	4460115	1	Terminal, Fork	
7	4460042	1	Terminal, Ring	
8	4460313	1	Terminal, Ring	
9	4460042	1	Terminal, Ring	
10	1001185964	1	Fuse Box Assembly	
10	4460746	13	Terminal, Female	
10	1001234800	12	Terminal, Female	
10	4460748	14	Plug, Terminal	
10	8220125	8	Terminal, Female	
10	1001116747	2	Terminal, Female	
10	4460458	24	Seal, Terminal	
10	80963067	8	Seal (Blue)	
10	8220079	2	Seal, Terminal	
10	4460789	2	Seal, Terminal	
11	4460897	1	Connector - 2 Position	
11	4460464	2	Pin, Male	
12	4460933	1	Connector - 12 Position	
12	4460465	8	Socket, Female	
12	4460466	4	Plug, Terminal	
13	4460933	1	Connector - 12 Position	
13	4460465	12	Socket, Female	
14	1001117012	1	Connector - 5 Position	
14	1001155021	4	Terminal (Gold)	
14	4461271	1	Terminal	
15	4460374	1	Plug, Relay	
15	1001116733	2	Female, Terminal	
15	1001116732	2	Female, Terminal	
15	1001128128	1	Plug, Terminal	
16	2400066	1	Holder, Fuse	
16	8229245	1	Fuse 30Amp	
17	4460873	1	Connector - 35 Position	
17	4460871	24	Socket, Female	
17	4460905	11	Plug, Terminal	
18	1001113961	1	Connector - 8 Position	
18	4460871	3	Socket, Female	
18	4460905	5	Plug, Terminal	
19	4460878	1	Plug, Male - 4 Position	
19	4460887	2	Terminal	
20	4460374	1	Plug, Relay	

SECTION 7 - ELECTRICAL

ITEM	PART NUMBER	QTY	DESCRIPTION	REV
20	1001116733	2	Female, Terminal	
20	1001116732	2	Female, Terminal	
20	1001128128	1	Plug, Terminal	
21	4460884	1	Plug, Male - 4 Position	
21	4460944	4	Socket, Female	
22	4460761	1	Connector - 4 Position	
22	4460227	4	Pin, Male	
23	4460836	1	Connector - 12 Position	
23	4460465	4	Socket, Female	
23	4460466	8	Plug, Terminal	
24	4460836	1	Connector - 12 Position	
24	4460465	7	Socket, Female	
23	4460942	1	Terminal	
24	4460466	4	Plug, Terminal	
25	4460871	1	Socket, Female	
26	4460874	1	Connector - 35 Position	
26	4460871	13	Socket, Female	
26	4460905	22	Plug, Terminal	
27	1001112612	1	Connector - 9 Position	
27	4460943	2	Pin, Male	
27	4460464	3	Pin, Male	
27	4460466	4	Plug, Terminal	
28	4460884	1	Plug, Male - 4 Position	
28	4460465	4	Socket, Female	
29	1001184846	1	Connector - 10 Position	
29	4460509	8	Socket, Female	
29	4460466	2	Plug, Terminal	
30	1001184846	1	Connector - 10 Position	
30	4460509	6	Socket, Female	
30	4460466	4	Plug, Terminal	
31	4461018	1	Connector - 2 Position	
31	4460509	2	Socket, Female	
32	1001117108	1	Terminal, Ring	
33	4460312	1	Terminal, Ring	
34	4460312	1	Terminal, Ring	
35	4460865	1	Connector - 19 Position	
35	4460943	2	Pin, Male	
35	4460464	4	Pin, Male	
35	4460508	4	Pin, Male	
35	4460466	9	Plug, Terminal	
35	4460473	1	Clamp	
36	4460247	1	Terminal, Ring	
37	4460247	1	Terminal, Ring	
38	4460911	1	Connector - 3 Position	
38	4460918	3	Socket, Female	
39	1001103012	1	Connector - 4 Position	
39	1001107854	4	Socket, Female	
40	4460884	1	Plug, Male - 4 Position	
40	4460465	2	Socket, Female	
40	4460466	2	Plug, Terminal	
41	4460894	1	Plug, Male - 6 Position	

SECTION 7 - ELECTRICAL

ITEM	PART NUMBER	QTY	DESCRIPTION	REV
41	4460465	6	Socket, Female	
42	4460884	1	Plug, Male - 4 Position	
42	4460465	2	Socket, Female	
42	4460466	2	Plug, Terminal	
43	4460374	1	Plug, Relay	
43	1001116733	2	Female, Terminal	
43	1001116732	2	Female, Terminal	
43	1001128128	1	Plug, Terminal	
44	1001260788	1	Holder, Fuse and Relay	
44	4460746	12	Terminal, Female	
45	4460908	1	Connector - 12 Position	
45	1001126008	10	Socket, Female	
45	4460518	2	Plug, Terminal	
46	4461228	1	Plug, Male - 6 Position	
46	1001104497	4	Socket, Female	
46	1001116698	2	Plug, Terminal	
47	4460909	1	Connector - 12 Position	
47	1001126008	2	Socket, Female	
47	1001126009	2	Socket, Female	
47	4460518	8	Plug, Terminal	
48	8220022	1	Terminal, Ring	
49	1001098122	1	Terminal, Ring	
50	4461128	1	Connector - 5 Position	
50	1001107854	3	Socket, Female	
50	1001116698	2	Plug, Terminal	
51	4461229	1	Connector - 5 Position	
51	1001104497	2	Socket, Female	
51	1001116698	3	Plug, Terminal	
52	4460761	1	Connector - 4 Position	
52	4460227	4	Pin, Male	
53	4460539	1	Connector - 3 Position	
53	4460465	3	Socket, Female	
54	1001098122	1	Terminal, Ring	
55	1001098122	1	Terminal, Ring	
56	1001098122	1	Terminal, Ring	
57	1001116812	1	Connector - 3 Position	
57	4460944	2	Socket, Female	
57	4460466	1	Plug, Terminal	
58	4460891	1	Connector - 2 Position	
58	4460465	2	Socket, Female	
59	4460891	1	Connector - 2 Position	
59	4460465	2	Socket, Female	
60	8220045	1	Terminal, Ring	
61	4460894	1	Plug, Male - 6 Position	
61	4460465	6	Socket, Female	
62	1001170763	1	Fuseholder - 20Amp (Includes Cover)	
62	8229244	1	Fuse 15Amp	
63	4460891	1	Connector - 2 Position	
63	4460465	2	Socket, Female	
64	8220045	1	Terminal, Ring	
65	8220045	1	Terminal, Ring	

SECTION 7 - ELECTRICAL

ITEM	PART NUMBER	QTY	DESCRIPTION	REV
66	4460670	1	Terminal, Ring	
67	4460966	1	Connector - 3 Position	
67	4460944	2	Socket, Female	
67	4460466	1	Plug, Terminal	
68	4460933	1	Connector - 12 Position	
68	4460465	9	Socket, Female	
68	4460466	3	Plug, Terminal	
69	4460539	1	Connector - 3 Position	
69	4460944	3	Socket, Female	
101	4460837	2	Bussbar - 12 Position	
102	4460910	1	Connector - 3 Position	
103	4460945	1	Receptacle, 3 Way	
104	1001008559	1	Tie-Strap	
105	4460966	1	Connector - 3 Position	
106	1001125677	2	Connector, Bussbar - 12 Position	
107	1001120328	3	Clip, Mounting	
108	1001171295	3	Relay	
109	1001186231	1	Connector - 5 Position	
110	1001192401	1	Dust Cap	

SECTION 7 - ELECTRICAL

FIGURE 7-11. CHASSIS HARNESS ASSEMBLY (SN C300000468 to Present)

ITEM	PART NUMBER	QTY	DESCRIPTION	REV
	1001286738	Ref	CHASSIS HARNESS ASSEMBLY	B
1	1001237667	1	Plug, Male - 6 Position	
1	1001237668	5	Terminal	
2	4460894	1	Plug, Male - 6 Position	
2	4460465	4	Socket, Female	
2	4460466	2	Plug, Terminal	
3	4460260	1	Terminal, Housing	
3	4460259	1	Terminal	
4	4460260	1	Terminal, Housing	
4	4460259	1	Terminal	
5	4460115	1	Terminal, Fork	
6	4460115	1	Terminal, Fork	
7	4460042	1	Terminal, Ring	
8	4460313	1	Terminal, Ring	
9	4460042	1	Terminal, Ring	
10	1001185964	1	Fuse Box Assembly	
10	4460746	13	Terminal, Female	
10	1001234800	12	Terminal, Female	
10	4460748	14	Plug, Terminal	
10	8220125	8	Terminal, Female	
10	1001116747	2	Terminal, Female	
10	4460458	24	Seal, Terminal	
10	80963067	8	Seal (Blue)	
10	8220079	2	Seal, Terminal	
10	4460789	2	Seal, Terminal	
11	4460897	1	Connector - 2 Position	
11	4460464	2	Pin, Male	
12	4460933	1	Connector - 12 Position	
12	4460465	8	Socket, Female	
12	4460466	4	Plug, Terminal	
13	4460933	1	Connector - 12 Position	
13	4460465	12	Socket, Female	
14	1001117012	1	Connector - 5 Position	
14	1001155021	4	Terminal (Gold)	
14	4461271	1	Terminal	
15	4460374	1	Plug, Relay	
15	1001116733	2	Female, Terminal	
15	1001116732	2	Female, Terminal	
15	1001128128	1	Plug, Terminal	
16	2400066	1	Holder, Fuse	
16	8229245	1	Fuse 30Amp	
17	4460873	1	Connector - 35 Position	
17	4460871	24	Socket, Female	
17	4460905	11	Plug, Terminal	
18	1001113961	1	Connector - 8 Position	
18	4460871	3	Socket, Female	
18	4460905	5	Plug, Terminal	
19	4460878	1	Plug, Male - 4 Position	
19	4460887	2	Terminal	
20	4460374	1	Plug, Relay	

SECTION 7 - ELECTRICAL

ITEM	PART NUMBER	QTY	DESCRIPTION	REV
20	1001116733	2	Female, Terminal	
20	1001116732	2	Female, Terminal	
20	1001128128	1	Plug, Terminal	
21	4460884	1	Plug, Male - 4 Position	
21	4460944	4	Socket, Female	
22	4460761	1	Connector - 4 Position	
22	4460227	4	Pin, Male	
23	4460836	1	Connector - 12 Position	
23	4460465	4	Socket, Female	
23	4460466	8	Plug, Terminal	
24	4460836	1	Connector - 12 Position	
24	4460465	7	Socket, Female	
23	4460942	1	Terminal	
24	4460466	4	Plug, Terminal	
25	4460871	1	Socket, Female	
26	4460874	1	Connector - 35 Position	
26	4460871	13	Socket, Female	
26	4460905	22	Plug, Terminal	
27	1001112612	1	Connector - 9 Position	
27	4460943	2	Pin, Male	
27	4460464	3	Pin, Male	
27	4460466	4	Plug, Terminal	
28	4460884	1	Plug, Male - 4 Position	
28	4460465	4	Socket, Female	
29	1001184846	1	Connector - 10 Position	
29	4460509	8	Socket, Female	
29	4460466	2	Plug, Terminal	
30	1001184846	1	Connector - 10 Position	
30	4460509	6	Socket, Female	
30	4460466	4	Plug, Terminal	
31	4461018	1	Connector - 2 Position	
31	4460509	2	Socket, Female	
32	1001117108	1	Terminal, Ring	
33	4460312	1	Terminal, Ring	
34	4460312	1	Terminal, Ring	
35	4460865	1	Connector - 19 Position	
35	4460943	2	Pin, Male	
35	4460464	4	Pin, Male	
35	4460508	4	Pin, Male	
35	4460466	9	Plug, Terminal	
35	4460473	1	Clamp	
36	4460247	1	Terminal, Ring	
37	4460247	1	Terminal, Ring	
38	4460911	1	Connector - 3 Position	
38	4460918	3	Socket, Female	
39	1001103012	1	Connector - 4 Position	
39	1001107854	4	Socket, Female	
40	4460884	1	Plug, Male - 4 Position	
40	4460465	2	Socket, Female	
40	4460466	2	Plug, Terminal	
41	4460894	1	Plug, Male - 6 Position	

SECTION 7 - ELECTRICAL

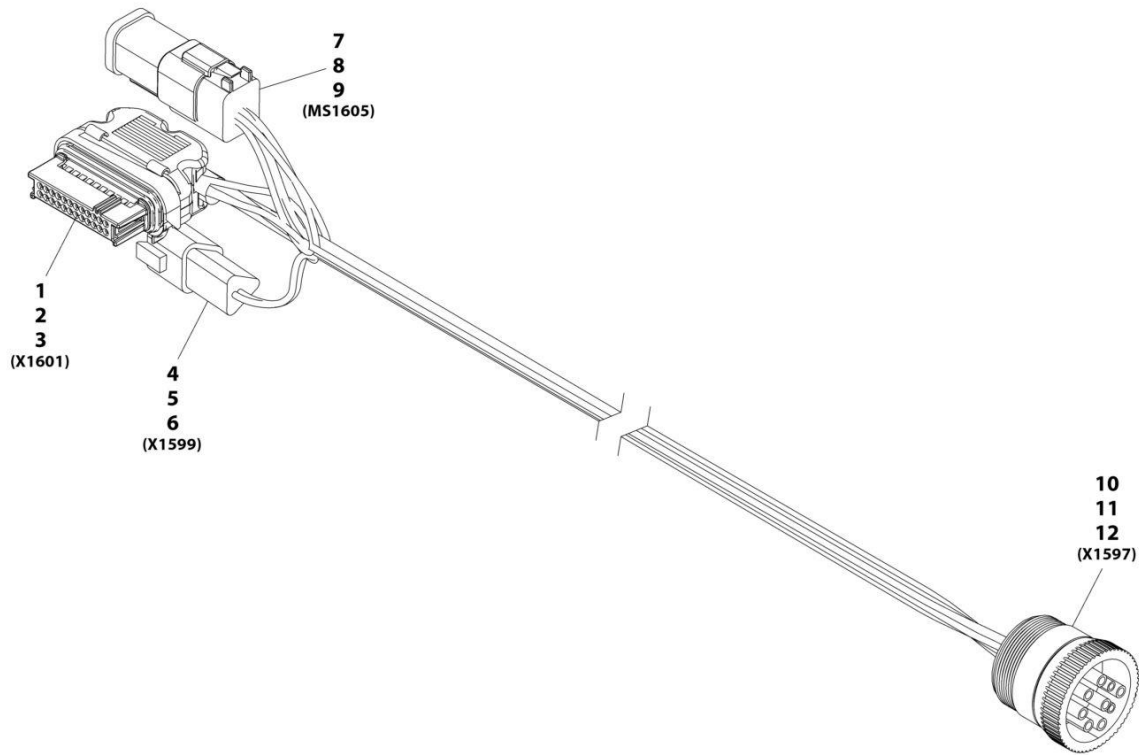
ITEM	PART NUMBER	QTY	DESCRIPTION	REV
41	4460465	6	Socket, Female	
42	4460884	1	Plug, Male - 4 Position	
42	4460465	2	Socket, Female	
42	4460466	2	Plug, Terminal	
43	4460374	1	Plug, Relay	
43	1001116733	2	Female, Terminal	
43	1001116732	2	Female, Terminal	
43	1001128128	1	Plug, Terminal	
44	1001260788	1	Holder, Fuse and Relay	
44	4460746	12	Terminal, Female	
45	4460908	1	Connector - 12 Position	
45	1001126008	10	Socket, Female	
45	4460518	2	Plug, Terminal	
46	4461228	1	Plug, Male - 6 Position	
46	1001104497	4	Socket, Female	
46	1001116698	2	Plug, Terminal	
47	4460909	1	Connector - 12 Position	
47	1001126008	2	Socket, Female	
47	1001126009	2	Socket, Female	
47	4460518	8	Plug, Terminal	
48	8220022	1	Terminal, Ring	
50	4461128	1	Connector - 5 Position	
50	1001107854	3	Socket, Female	
50	1001116698	2	Plug, Terminal	
51	4461229	1	Connector - 5 Position	
51	1001104497	2	Socket, Female	
51	1001116698	3	Plug, Terminal	
52	4460761	1	Connector - 4 Position	
52	4460227	4	Pin, Male	
53	4460539	1	Connector - 3 Position	
53	4460465	3	Socket, Female	
54	1001098122	1	Terminal, Ring	
55	1001098122	1	Terminal, Ring	
57	1001116812	1	Connector - 3 Position	
57	4460944	2	Socket, Female	
57	4460466	1	Plug, Terminal	
58	4460891	1	Connector - 2 Position	
58	4460465	2	Socket, Female	
59	4460891	1	Connector - 2 Position	
59	4460465	2	Socket, Female	
60	8220045	1	Terminal, Ring	
61	4460894	1	Plug, Male - 6 Position	
61	4460465	6	Socket, Female	
62	1001170763	1	Fuseholder - 20Amp (Includes Cover)	
62	8229244	1	Fuse 15Amp	
63	4460891	1	Connector - 2 Position	
63	4460465	2	Socket, Female	
64	8220045	1	Terminal, Ring	
65	8220045	1	Terminal, Ring	
66	4460670	1	Terminal, Ring	
67	4460966	1	Connector - 3 Position	

SECTION 7 - ELECTRICAL

ITEM	PART NUMBER	QTY	DESCRIPTION	REV
67	4460944	2	Socket, Female	
67	4460466	1	Plug, Terminal	
68	4460933	1	Connector - 12 Position	
68	4460465	9	Socket, Female	
68	4460466	3	Plug, Terminal	
69	4460539	1	Connector - 3 Position	
69	4460944	3	Socket, Female	
101	4460837	2	Bussbar - 12 Position	
102	4460910	1	Connector - 3 Position	
103	4460945	1	Receptacle, 3 Way	
104	1001008559	1	Tie-Strap	
105	4460966	1	Connector - 3 Position	
106	1001125677	2	Connector, Bussbar - 12 Position	
107	1001120328	3	Clip, Mounting	
108	1001171295	3	Relay	
109	1001186231	1	Connector - 5 Position	
110	1001192401	1	Dust Cap	

SECTION 7 - ELECTRICAL

FIGURE 7-12. CLEARSKY HARNESS (SN C300000398 to Present)



ART_1001226739-A

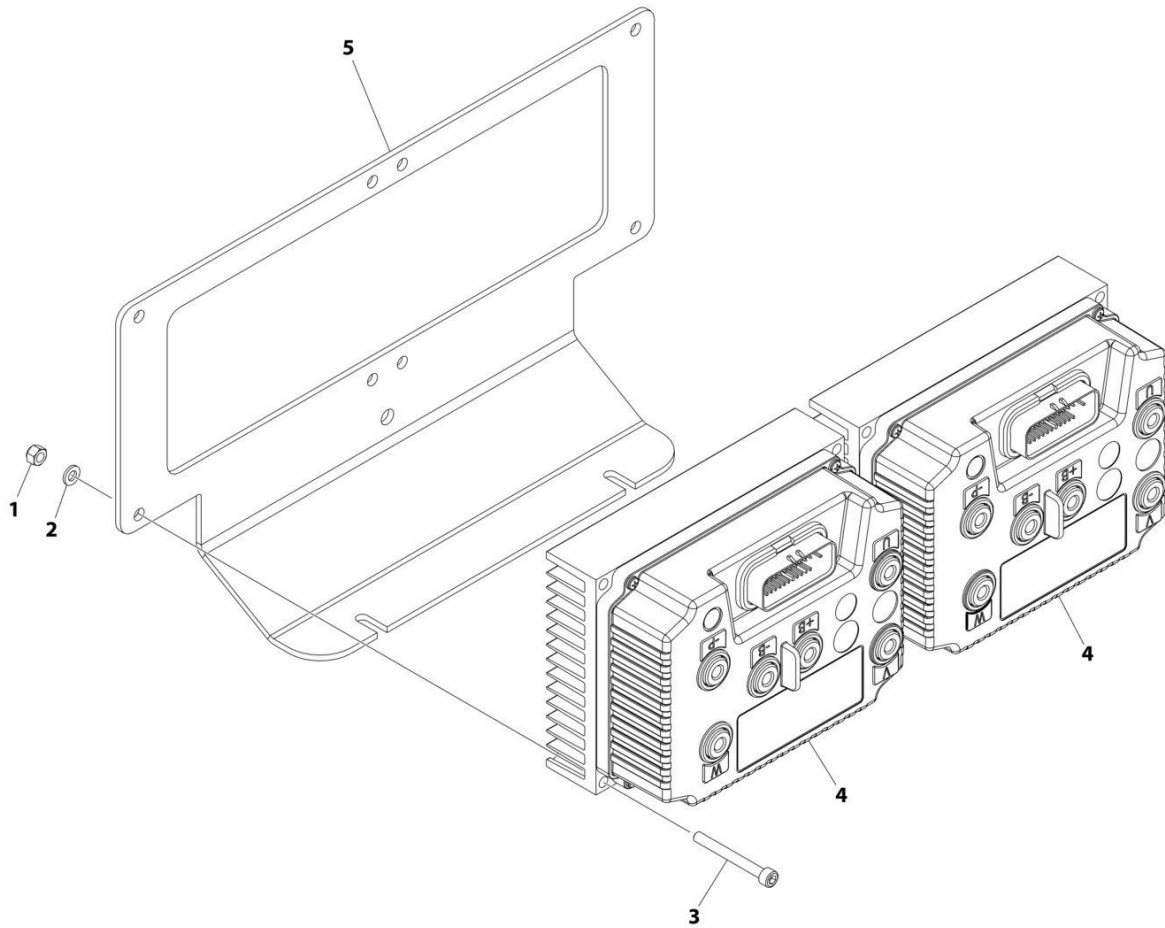
SECTION 7 - ELECTRICAL

FIGURE 7-12. CLEARSKY HARNESS (SN C300000398 to Present)

ITEM	PART NUMBER	QTY	DESCRIPTION	REV
	1001226739	Ref	Clearsky Harness	A
1	1001226636	1	Connector	
2	1001116731	16	Plug, Terminal	
3	1001226637	8	Terminal	
4	1001144147	1	Connector	
5	4460464	2	Terminal	
6	4460466	1	Plug, Terminal	
7	4460894	1	Connector	
8	4460465	6	Terminal	
9	1001226541	1	Connector- 6 Pin Bussbar	
10	1001112796	1	Connector	
11	4460465	8	Terminal	
12	4460466	1	Plug, Terminal	

SECTION 7 - ELECTRICAL

FIGURE 7-13. CONTROLLER BRACKET ASSEMBLY



ART_1001250432

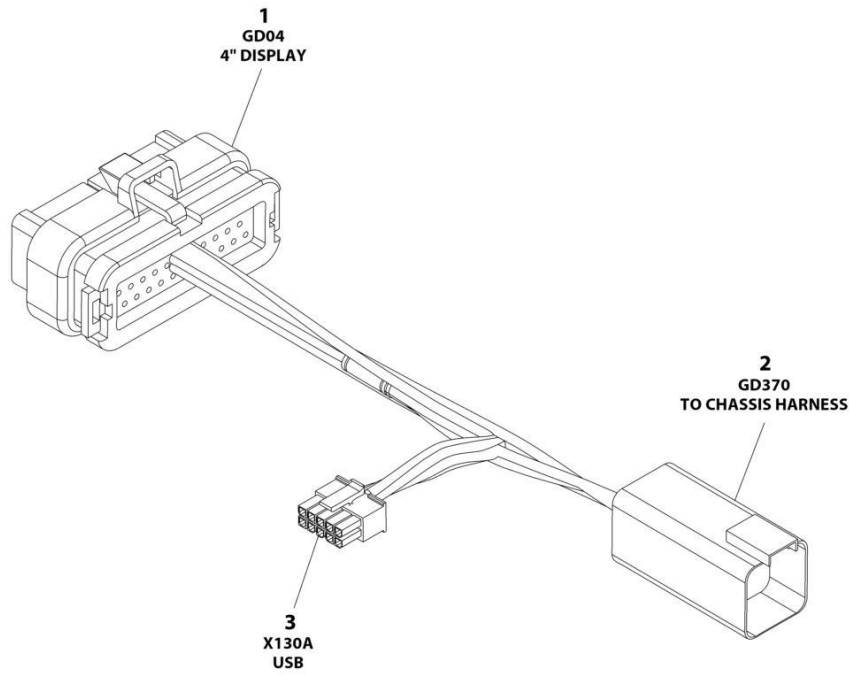
SECTION 7 - ELECTRICAL

FIGURE 7-13. CONTROLLER BRACKET ASSEMBLY

ITEM	PART NUMBER	QTY	DESCRIPTION	REV
	1001250432	Ref	CONTROLLER BRACKET ASSEMBLY	A
1	3290605	8	Nut M6	
2	4811700	8	Washer M6	
3	1001118878	8	Bolt M6 x 55	
4	1001170140	2	Controller, Drive	
5	1001209640	1	Bracket	

SECTION 7 - ELECTRICAL

FIGURE 7-14. DISPLAY ADAPTER HARNESS



ART_1001265415

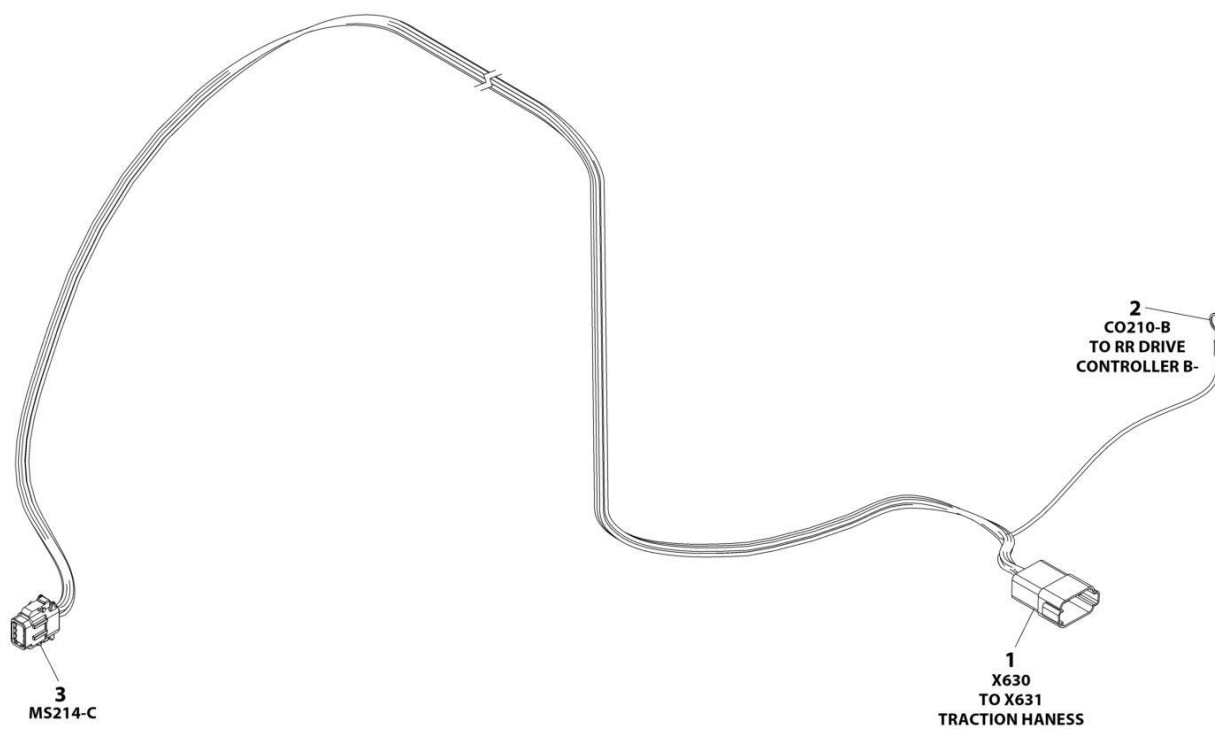
SECTION 7 - ELECTRICAL

FIGURE 7-14. DISPLAY ADAPTER HARNESS

ITEM	PART NUMBER	QTY	DESCRIPTION	REV
	1001265415	Ref	DISPLAY ADAPTER HARNESS	A
1	4460873	1	Connector - 35 Position	
1	4460871	10	Socket, Female	
1	4460905	25	Plug, Terminal	
2	4460899	1	Connector - 6 Position	
2	4460464	4	Pin, Male	
2	4460466	2	Plug, Terminal	
3	1001150735	1	Connector - 10 Position	
3	1001150889	5	Socket, Female	

SECTION 7 - ELECTRICAL

FIGURE 7-15. DRIVE MOTOR HARNESS (RIGHT REAR)



ART_1001265228

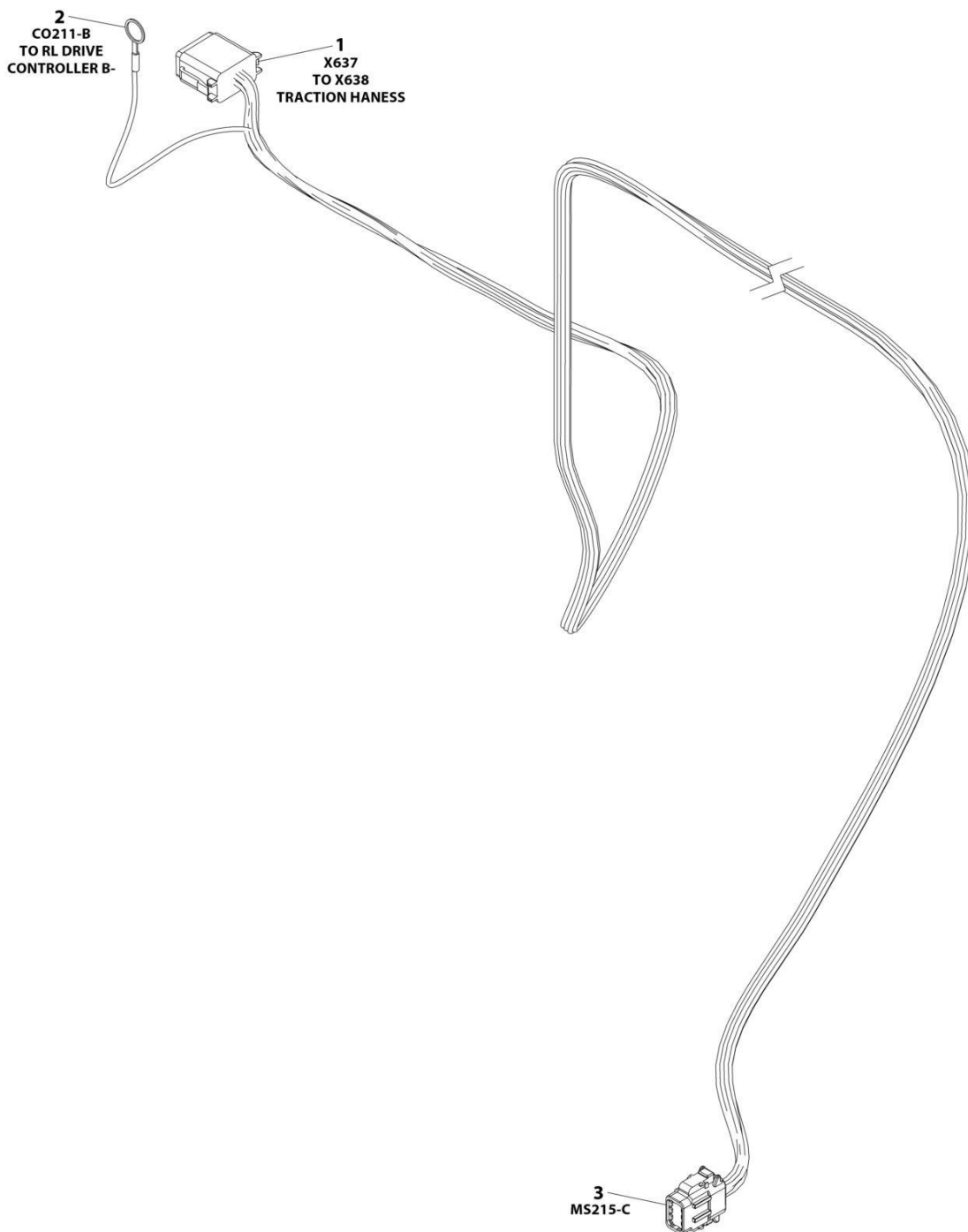
SECTION 7 - ELECTRICAL

FIGURE 7-15. DRIVE MOTOR HARNESS (RIGHT REAR)

ITEM	PART NUMBER	QTY	DESCRIPTION	REV
	1001265228	Ref	DRIVE MOTOR HARNESS (RIGHT REAR)	A
1	4460931	1	Connector - 8 Position	
1	4460464	8	Pin, Male	
2	4460703	1	Terminal, Ring	
3	1001190577	1	Connector - 8 Position	
3	1001126008	8	Socket, Female	

SECTION 7 - ELECTRICAL

FIGURE 7-16. DRIVE MOTOR HARNESS (LEFT REAR)



ART_1001265227

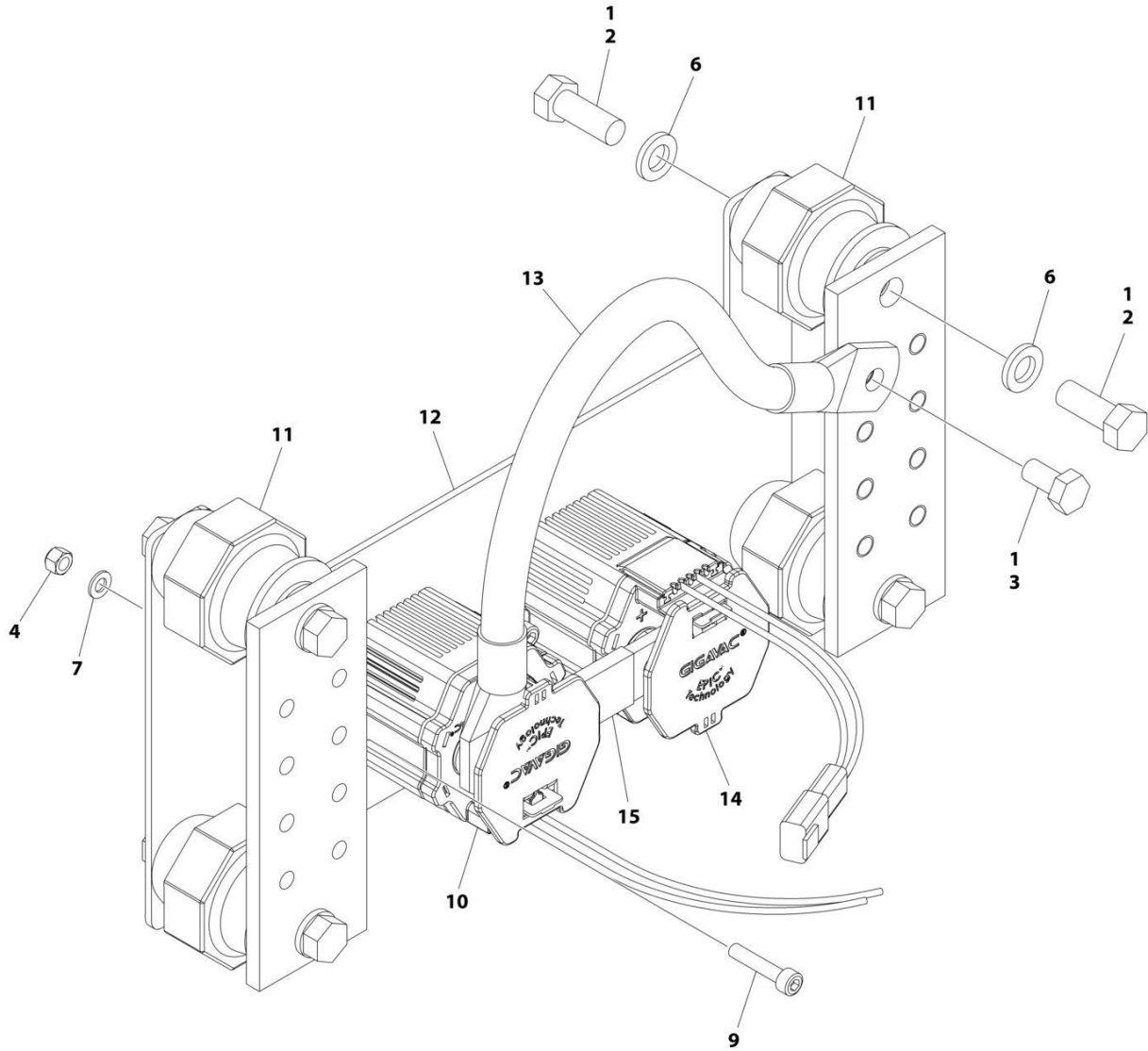
SECTION 7 - ELECTRICAL

FIGURE 7-16. DRIVE MOTOR HARNESS (LEFT REAR)

ITEM	PART NUMBER	QTY	DESCRIPTION	REV
	1001265227	Ref	DRIVE MOTOR HARNESS (LEFT REAR)	A
1	4460930	1	Connector - 8 Position	
1	4460465	8	Socket, Female	
2	4460703	1	Terminal, Ring	
3	1001190577	1	Connector - 8 Position	
3	1001126008	8	Socket, Female	

SECTION 7 - ELECTRICAL

FIGURE 7-17. FUSE PLATE ASSEMBLY



ART_1001250518

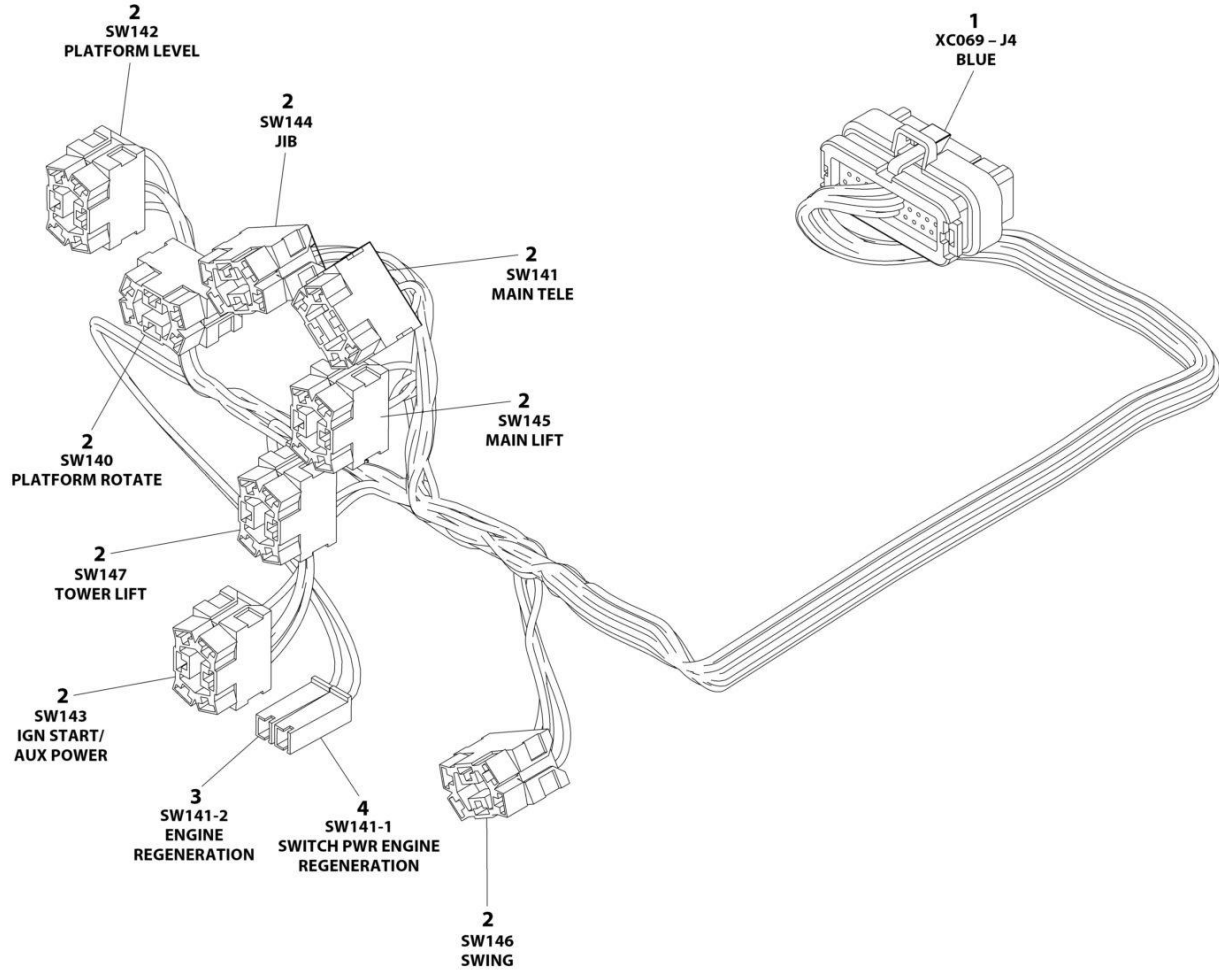
SECTION 7 - ELECTRICAL

FIGURE 7-17. FUSE PLATE ASSEMBLY

ITEM	PART NUMBER	QTY	DESCRIPTION	REV
	1001250518	Ref	FUSE PLATE ASSEMBLY	D
1	0100011	AR	Compound, Locking	
2	0641608	8	Bolt 3/8 x 1	
3	0760812	1	Bolt M8 x 25	
3	0760808	1	Bolt M8 x 16	
4	3290505	4	Nut M5	
6	4761600	8	Washer 3/8	
7	4811600	4	Washer M5	
9	5271609	4	Bolt M5 x 25	
10	1001170367	1	Relay	
11	1001184137	2	Electrical Assembly, Buss Bar	
12	1001250517	1	Plate	
13	1001257316	1	Cable, 4/0 AWG	
13	1001255013	1	Cable, 2/0 AWG	
14	1001248504	1	Relay, 12V	
15	1001261257	1	Plate	

SECTION 7 - ELECTRICAL

FIGURE 7-18. GROUND CONTROL PANEL HARNESS



ART_1001244295

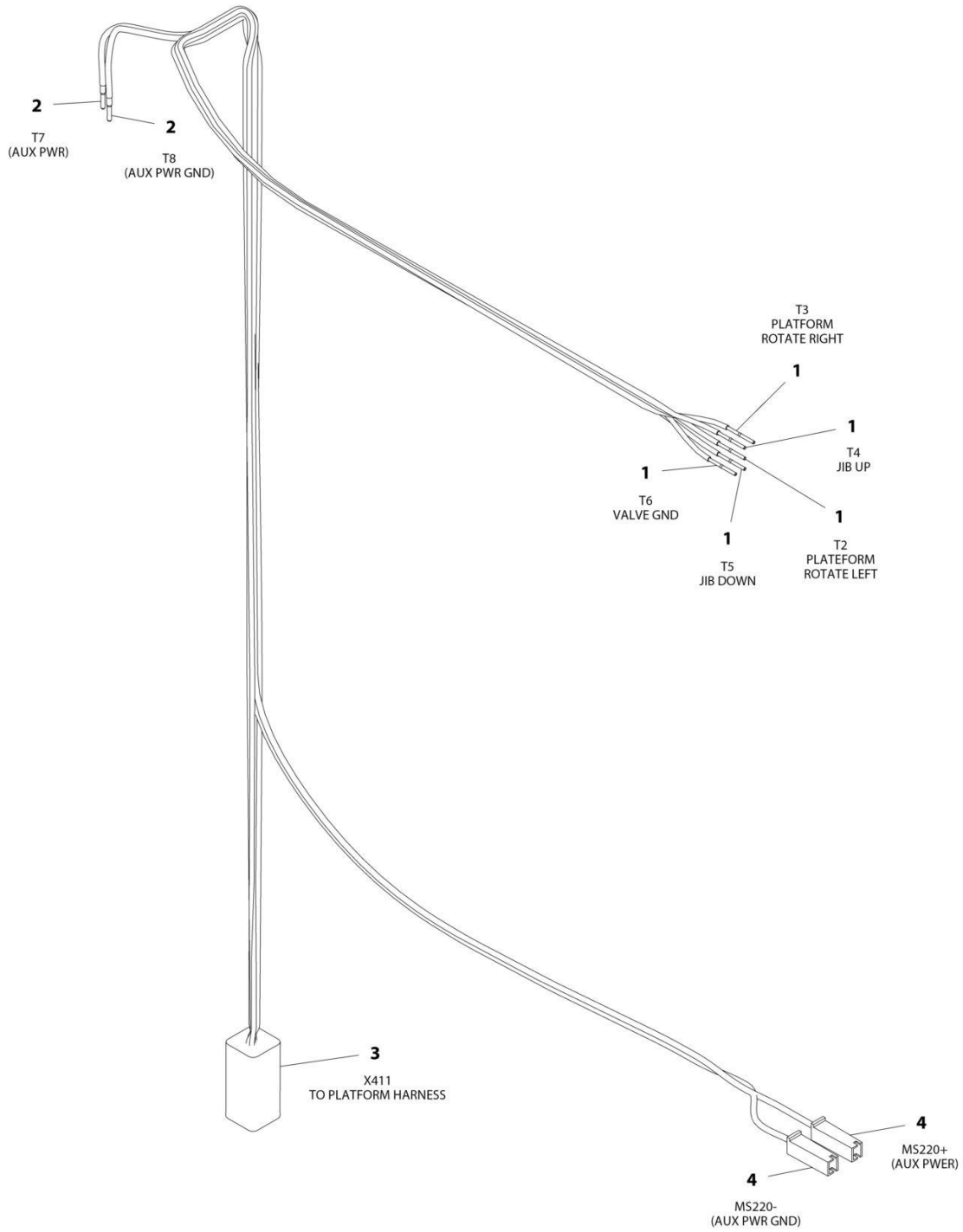
SECTION 7 - ELECTRICAL

FIGURE 7-18. GROUND CONTROL PANEL HARNESS

ITEM	PART NUMBER	QTY	DESCRIPTION	REV
	1001244295	Ref	GROUND CONTROL PANEL HARNESS	C
1	4460876	1	Connector - 35 Position	
1	4460871	18	Socket, Female	
1	4460905	17	Plug, Terminal	
2	4460418	8	Connector - 6 Position	
2	4460419	16	Terminal	
2	1001159186	16	Terminal	
3	4460260	2	Housing, Terminal	
3	4460259	2	Terminal	
4	4460260	1	Terminal, Housing	
4	4460259	1	Terminal	

SECTION 7 - ELECTRICAL

FIGURE 7-19. PLATFORM TO BOOM HARNESS



ART_1001169422

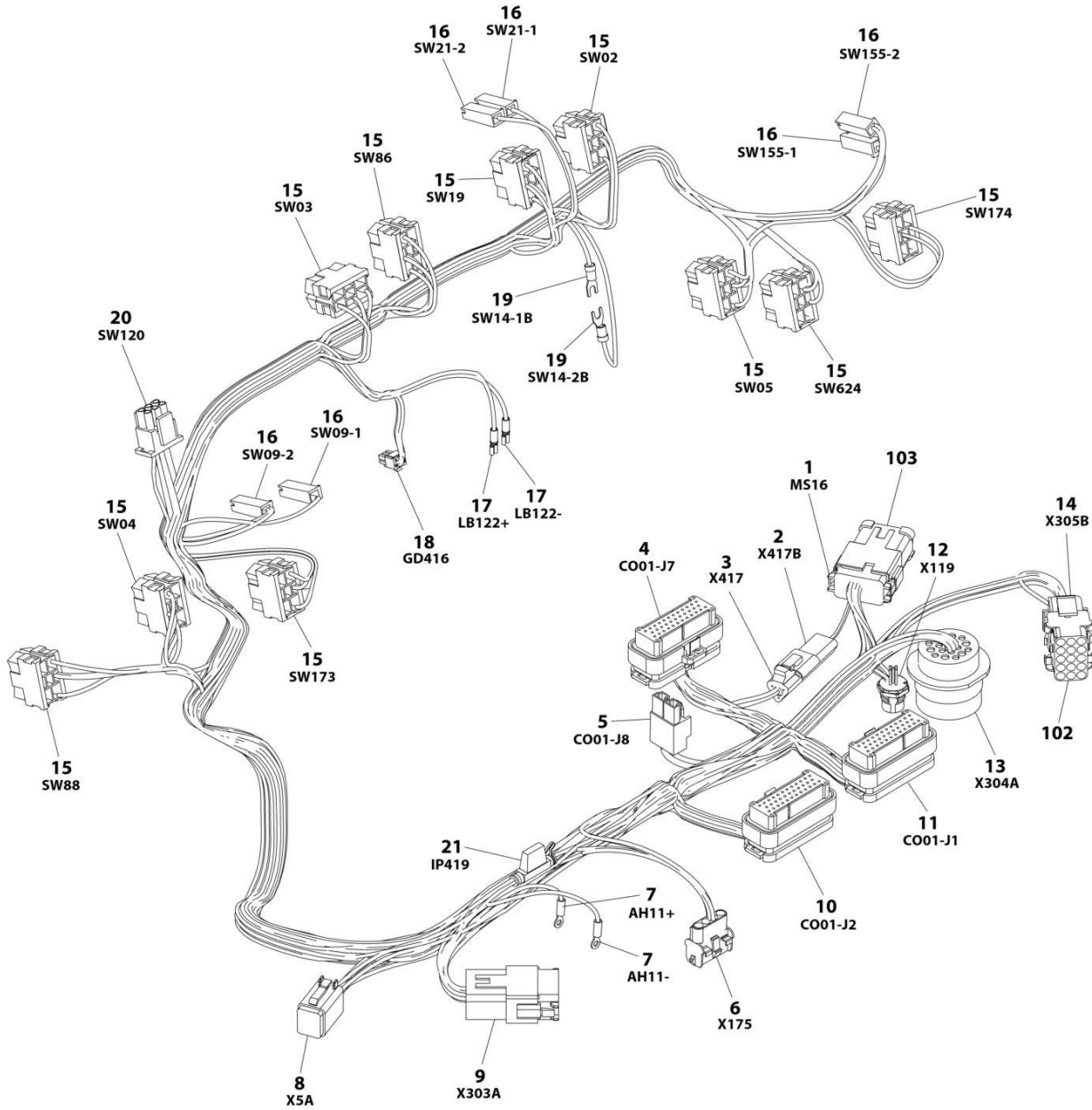
SECTION 7 - ELECTRICAL

FIGURE 7-19. PLATFORM TO BOOM HARNESS

ITEM	PART NUMBER	QTY	DESCRIPTION	REV
	1001169422	Ref	PLATFORM TO BOOM HARNESS	A
1	4460465	5	Socket, Female	
2	4460508	2	Pin, Male	
3	4460899	1	Connector - 6 Position	
3	4460464	5	Pin, Male	
3	4460466	1	Plug, Terminal	
4	4460260	2	Connector - 1 Position	
4	4460259	2	Terminal	

SECTION 7 - ELECTRICAL

FIGURE 7-20. PLATFORM CONSOLE BOX HARNESS



ART_1001238254

SECTION 7 - ELECTRICAL

FIGURE 7-20. PLATFORM CONSOLE BOX HARNESS

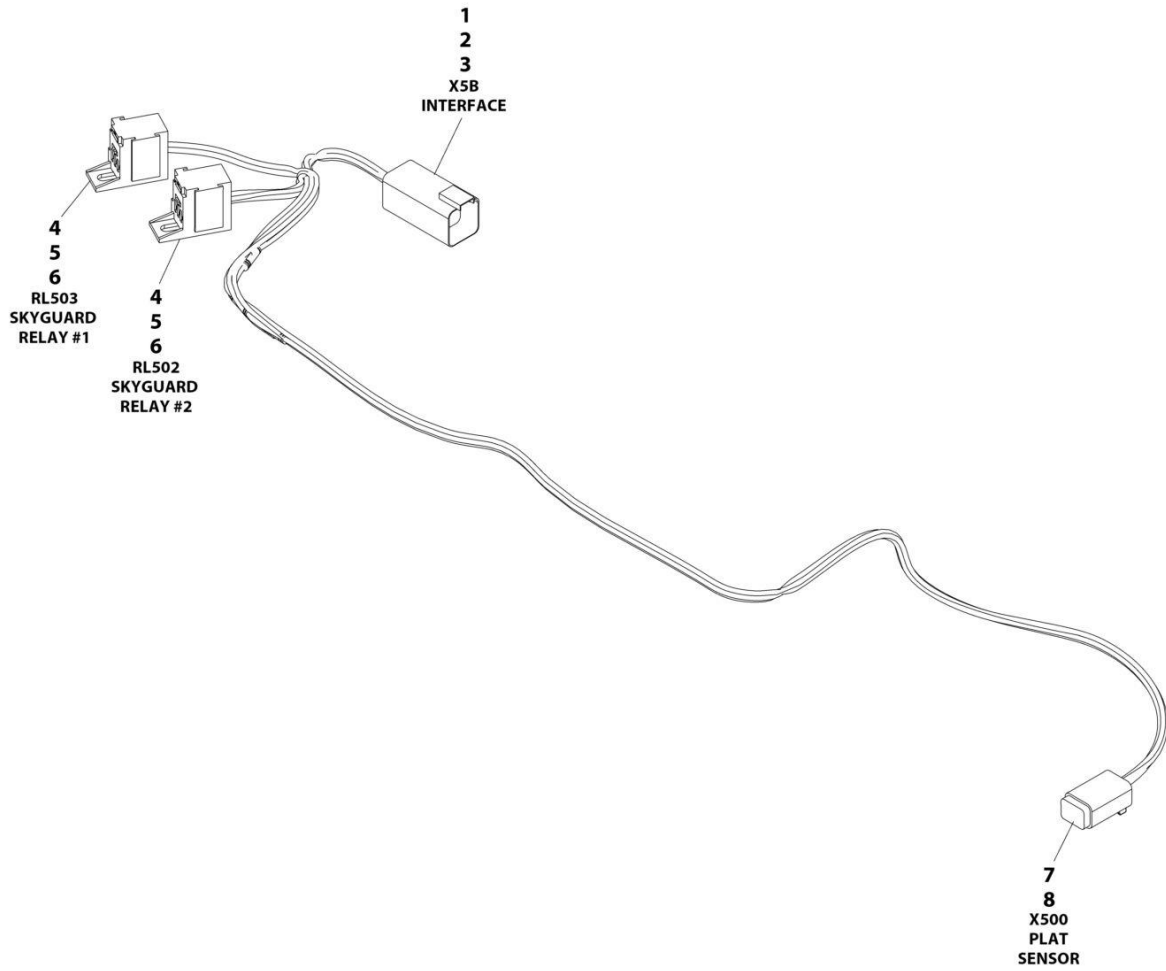
ITEM	PART NUMBER	QTY	DESCRIPTION	REV
	1001238254	Ref	PLATFORM CONSOLE BOX HARNESS	H
1	4460933	1	Plug, Male - 12 Position	
1	4460465	10	Socket, Female	
1	4460466	2	Plug, Terminal	
2	4460536	1	Receptacle, Female - 3 Position	
2	4460464	2	Pin, Male	
2	4460466	1	Plug, Terminal	
3	4460539	1	Plug, Male - 3 Position	
3	4460465	2	Socket, Female	
3	4460466	1	Plug, Terminal	
4	4460873	1	Connector - 35 Position	
4	4460871	21	Socket, Female	
4	4460905	14	Plug, Terminal	
5	4460879	1	Plug, Male - 2 Position	
5	4460887	2	Terminal	
6	4460761	1	Receptacle, Female - 4 Position	
6	4460267	4	Pin, Male	
7	1001098122	2	Terminal, Ring	
8	4460894	1	Plug, Male - 6 Position	
8	4460465	6	Socket, Female	
9	4460970	1	Receptacle, Female - 12 Position	
9	1001116693	9	Pin, Male	
9	4460466	1	Plug, Terminal	
9	4460464	2	Pin, Male	
10	4460875	1	Connector - 35 Position	
10	4460871	12	Socket, Female	
10	4460905	23	Plug, Terminal	
11	4460874	1	Connector - 35 Position	
11	4460871	27	Socket, Female	
11	4460905	8	Plug, Terminal	
12	1001213447	1	Connector - 4 Position	
12	See Note	NSS	Terminal (Note: Purchase p/n 1001213447)	
13	4460866	1	Connector - 19 Position	
13	4460464	5	Pin, Male	
13	4460466	11	Plug, Terminal	
13	4460508	1	Pin, Male	
14	4460434	1	Connector - 15 Position	
14	4460267	8	Pin, Male	
15	4460418	10	Connector - 6 Position	
15	4460419	45	Terminal	
16	4460260	6	Housing, Terminal	
16	4460259	8	Terminal	
17	1001271497	2	Terminal	
18	1001237667	1	Plug, Male - 6 Position	
18	1001237668	4	Terminal	
19	4460183	2	Terminal, Fork	
20	4460225	1	Plug, Male - 6 Position	
20	4460227	6	Pin, Male (Note: Used on Pump Potentiometer Connection Only)	
21	2400060	1	Fuse Holder	
102	4460708	1	Connector, Bussbar - 15 Position	

SECTION 7 - ELECTRICAL

ITEM	PART NUMBER	QTY	DESCRIPTION	REV
103	1001125677	1	Connector, Bussbar - 12 Posititon	

SECTION 7 - ELECTRICAL

FIGURE 7-21. PLATFORM INTERFACE HARNESS



ART_1001225580_E

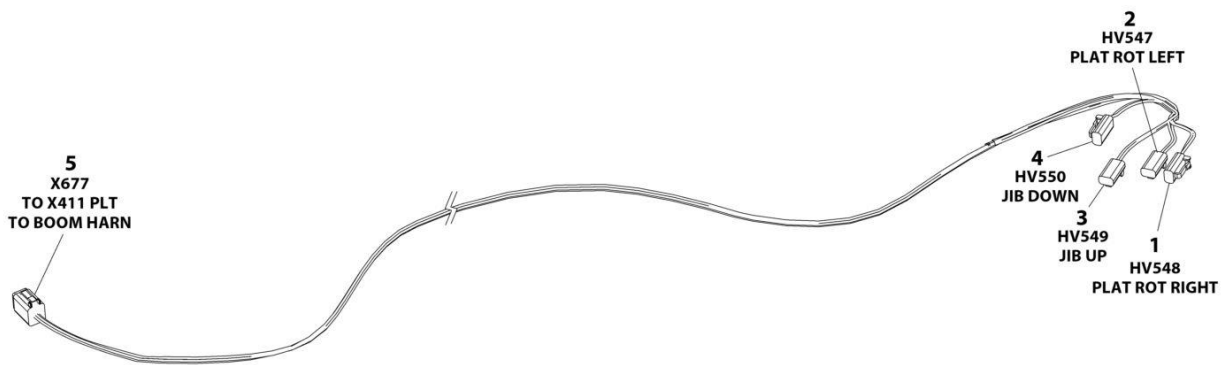
SECTION 7 - ELECTRICAL

FIGURE 7-21. PLATFORM INTERFACE HARNESS

ITEM	PART NUMBER	QTY	DESCRIPTION	REV
	1001225580	Ref	PLATFORM INTERFACE HARNESS - WITH 1 CELL LSS	E
1	4460899	1	Connector	
2	4460464	4	Terminal	
3	4460466	2	Plug	
4	1001186432	2	Connector	
5	1001253375	4	Terminal	
6	1001104519	4	Terminal	
7	4460884	1	Connector	
8	4460465	4	Terminal	

SECTION 7 - ELECTRICAL

FIGURE 7-22. PLATFORM VALVE HARNESS



ART_1001265414

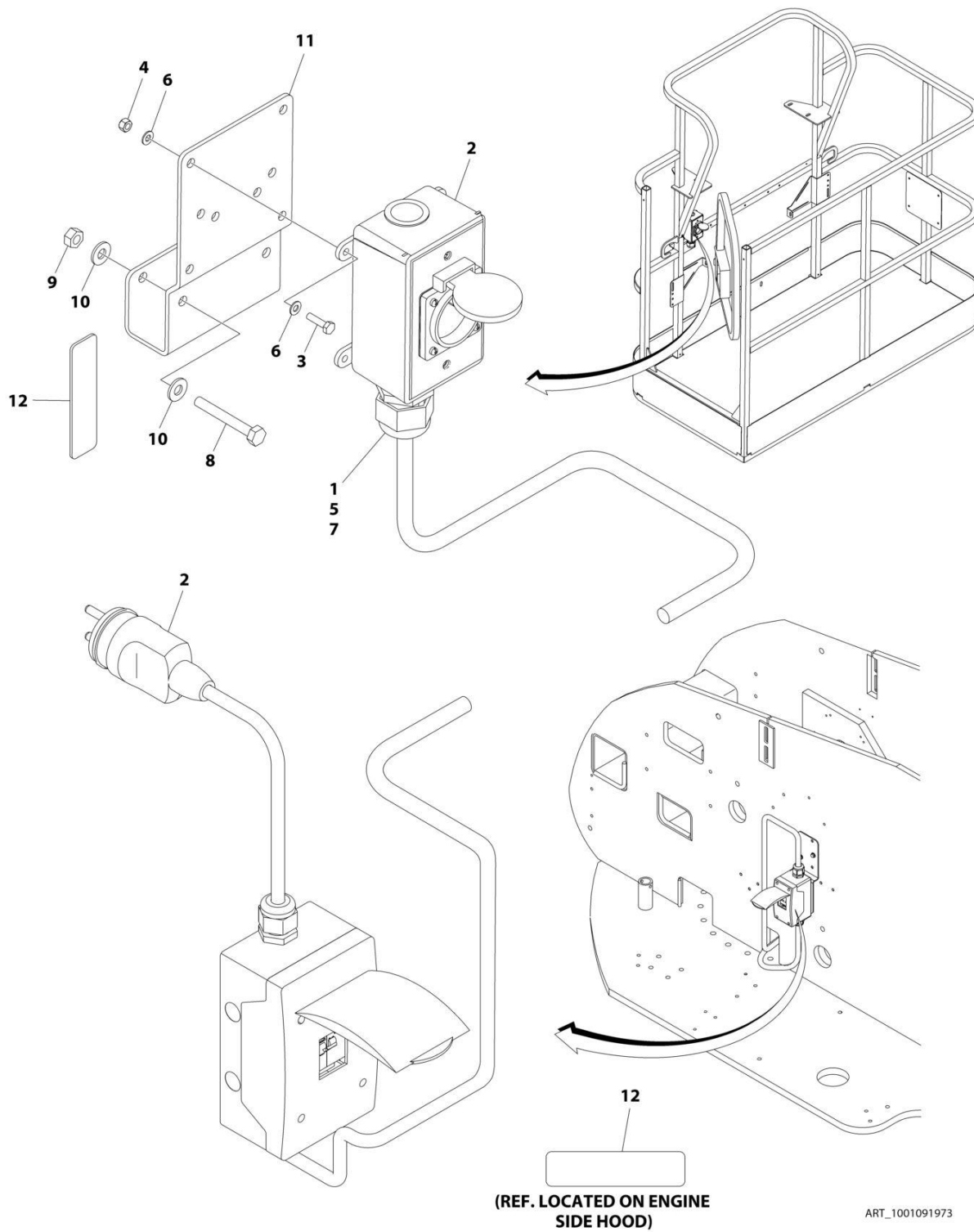
SECTION 7 - ELECTRICAL

FIGURE 7-22. PLATFORM VALVE HARNESS

ITEM	PART NUMBER	QTY	DESCRIPTION	REV
	1001265414	Ref	INTERFACE HARNESS - WITH 1 CELL LSS	A
1	4460891	1	Connector - 2 Position	
1	4460465	2	Socket, Female	
2	4460891	1	Connector - 2 Position	
2	4460465	2	Socket, Female	
3	4460891	1	Connector - 2 Position	
3	4460465	2	Socket, Female	
4	4460891	1	Connector - 2 Position	
4	4460465	2	Socket, Female	
5	4460894	1	Plug, Male - 6 Position	
5	4460465	5	Socket, Female	

SECTION 7 - ELECTRICAL

FIGURE 7-23. AC BOX AT PLATFORM INSTALLATION - 220V CEE7 2X4 BOX POST GROUND (SN C300000457 to Present)



ART_1001091973

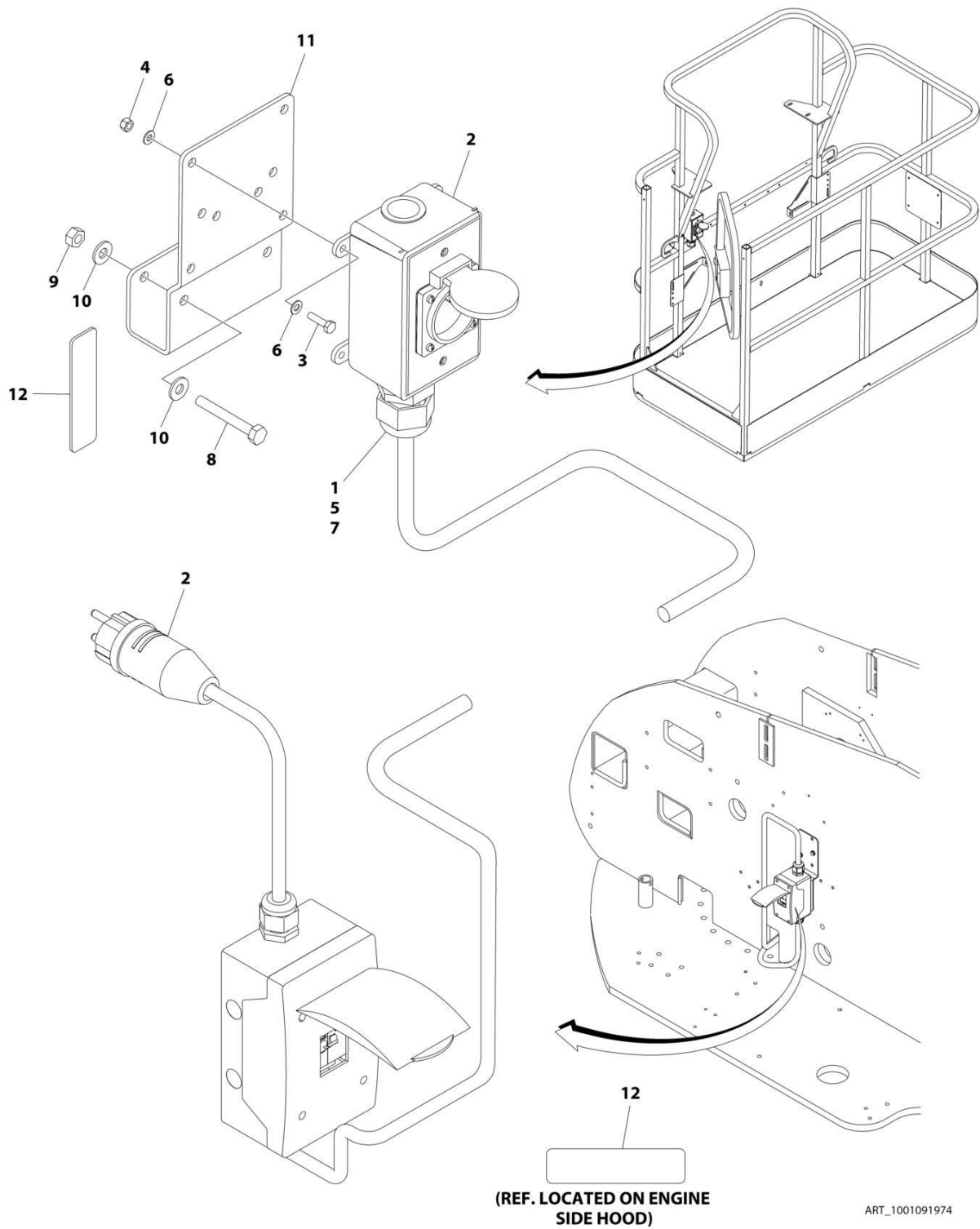
SECTION 7 - ELECTRICAL

FIGURE 7-23. AC BOX AT PLATFORM INSTALLATION - 220V CEE7 2X4 BOX POST GROUND (SN C300000457 to Present)

ITEM	PART NUMBER	QTY	DESCRIPTION	REV
	1001091973	Ref	AC BOX AT PLATFORM INSTALLATION - 220V CEE7 2X4 BOX POST GROUND	F
1	0100020	AR	Sealant, Pipe	
2	0275452	1	Receptacle Box Kit (See Separate Breakdown in this Section)	
3	0700408	4	Bolt M4 x 16	
4	3290405	4	Nut M4	
5	1001101197	1	Adapter	
6	4811400	8	Washer M4	
7	1001101191	1	Connector, Strain Relief	
8	0641416	2	Bolt 1/4 x 2	
9	3311405	2	Nut 1/4	
10	4711400	4	Washer 1/4	
11	1001193018	1	Bracket	
12	3251242	2	Decal - 240V/50Hz	
13	4460806	2	Terminal, Fork (Not Shown)	
14	1001205958	1	Terminal (Not Shown)	

SECTION 7 - ELECTRICAL

FIGURE 7-24. AC BOX AT PLATFORM INSTALLATION - 220V CEE7 2X4 BOX SIDE GROUND (SN C30000457 to Present)



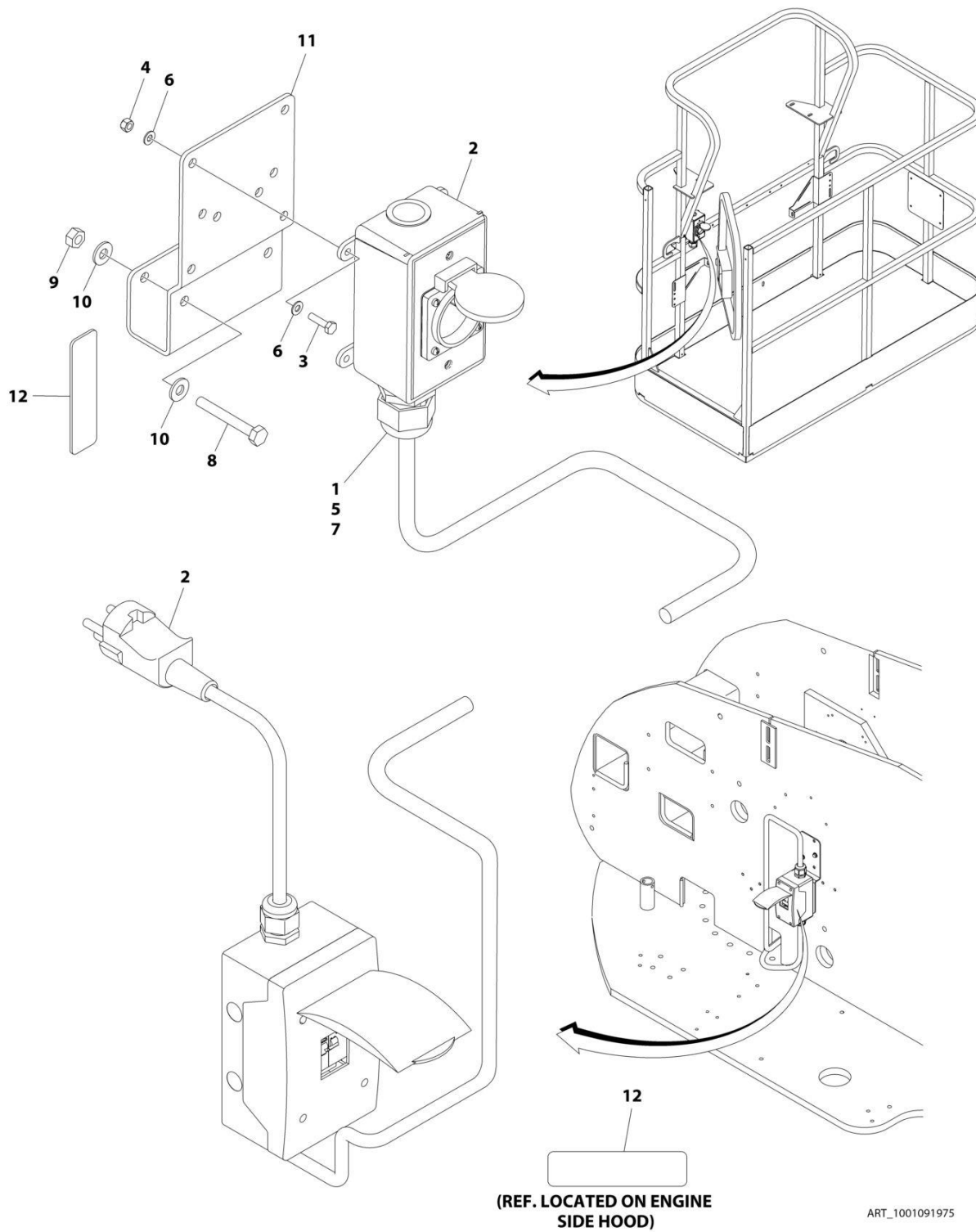
SECTION 7 - ELECTRICAL

FIGURE 7-24. AC BOX AT PLATFORM INSTALLATION - 220V CEE7 2X4 BOX SIDE GROUND (SN C300000457 to Present)

ITEM	PART NUMBER	QTY	DESCRIPTION	REV
	1001091974	Ref	AC BOX AT PLATFORM INSTALLATION - 220V CEE7 2X4 BOX SIDE GROUND	F
1	0100020	AR	Sealant, Pipe	
2	0275453	1	Receptacle Box Kit (See Separate Breakdown in this Section)	
3	0700408	4	Bolt M4 x 16	
4	3290405	4	Nut M4	
5	1001101197	1	Adapter	
6	4811400	8	Washer M4	
7	1001101191	1	Connector, Strain Relief	
8	0641416	2	Bolt 1/4 x 2	
9	3311405	2	Nut 1/4	
10	4711400	4	Washer 1/4	
11	1001193018	1	Bracket	
12	3251242	2	Decal - 240V/50Hz	
13	4460806	2	Terminal, Fork (Not Shown)	
14	1001205958	1	Terminal (Not Shown)	

SECTION 7 - ELECTRICAL

FIGURE 7-25. AC BOX AT PLATFORM INSTALLATION - 220V AFSINT 107 2X4 BOX KEYED GROUND (SN C300000457 to Present)



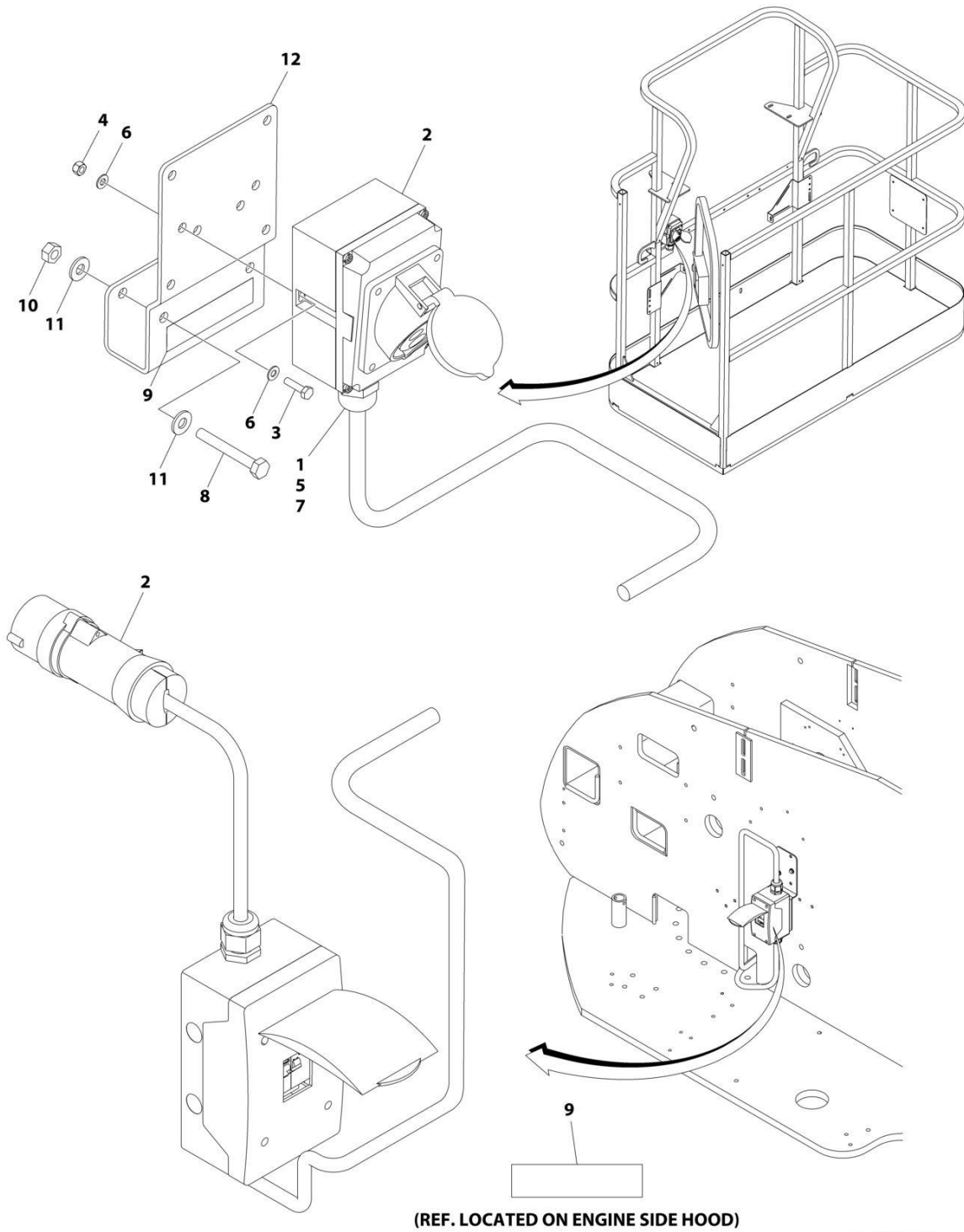
SECTION 7 - ELECTRICAL

**FIGURE 7-25. AC BOX AT PLATFORM INSTALLATION - 220V AFSINT 107 2X4 BOX KEYED GROUND
(SN C300000457 to Present)**

ITEM	PART NUMBER	QTY	DESCRIPTION	REV
	1001091975	Ref	AC BOX AT PLATFORM INSTALLATION - 220V AFSINT 107 2X4 BOX KEYED GROUND	F
1	0100020	AR	Sealant, Pipe	
2	0275454	1	Receptacle Box Kit (See Separate Breakdown in this Section)	
3	0700408	4	Bolt M4 x 16	
4	3290405	4	Nut M4	
5	1001101197	1	Adapter	
6	4811400	8	Washer M4	
7	1001101191	1	Connector, Strain Relief	
8	0641416	2	Bolt 1/4 x 2	
9	3311405	2	Nut 1/4	
10	4711400	4	Washer 1/4	
11	1001193018	1	Bracket	
12	3251242	2	Decal - 240V/50Hz	
13	1001205958	3	Terminal (Not Shown)	

SECTION 7 - ELECTRICAL

FIGURE 7-26. AC BOX AT PLATFORM INSTALLATION - 110V IEC YELLOW (SN C300000457 to Present)



ART_1001091969

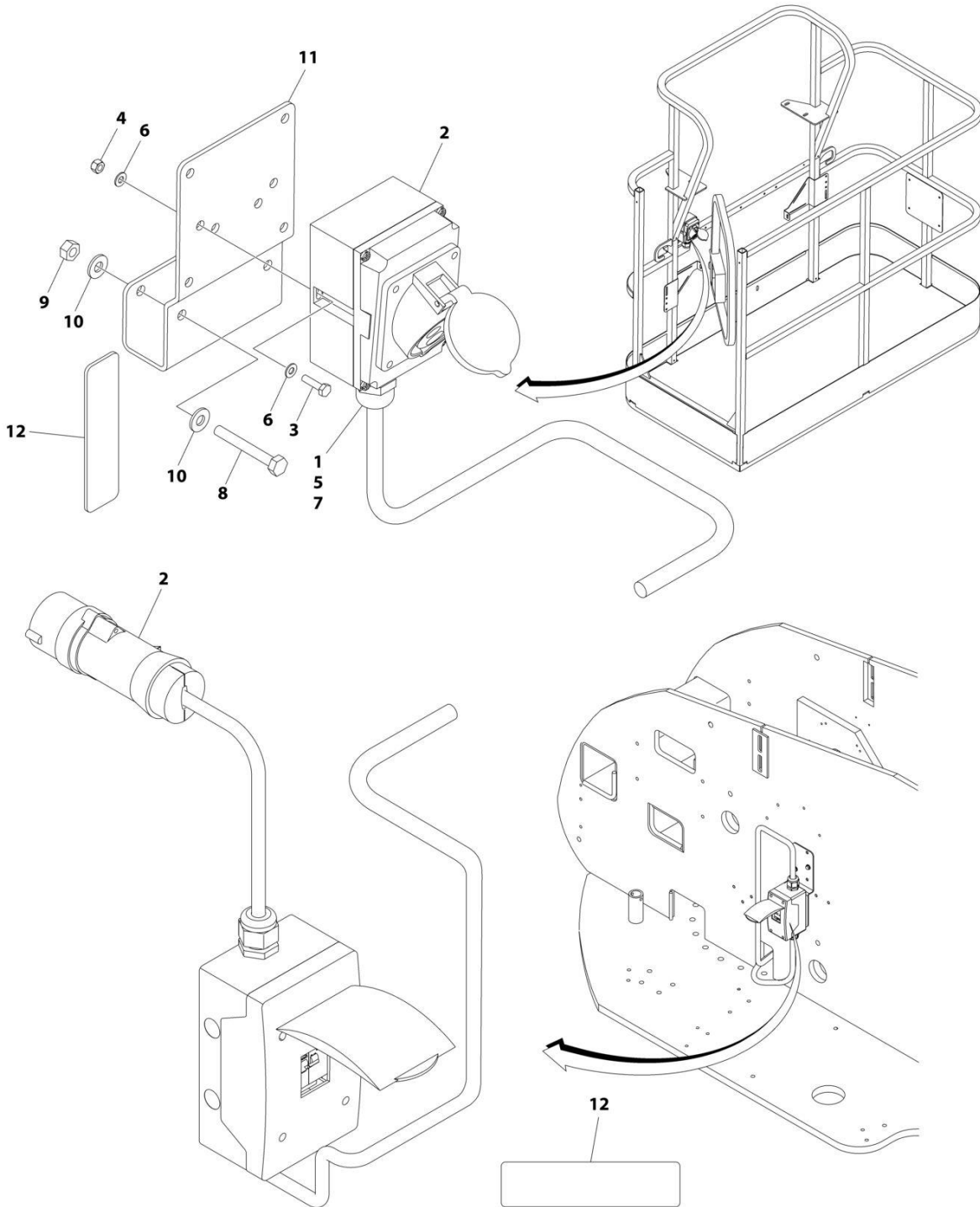
SECTION 7 - ELECTRICAL

FIGURE 7-26. AC BOX AT PLATFORM INSTALLATION - 110V IEC YELLOW (SN C300000457 to Present)

ITEM	PART NUMBER	QTY	DESCRIPTION	REV
	1001091969	Ref	AC BOX AT PLATFORM INSTALLATION - 110V IEC YELLOW	D
1	0100020	AR	Sealant, Pipe	
2	0275216	1	Receptacle Box Kit (See Separate Breakdown in this Section)	
3	0700408	2	Bolt M4 x 16	
4	3290405	2	Nut M4	
5	1001101196	1	Adapter	
6	4811400	4	Washer M4	
7	1001101191	1	Connector, Strain Relief	
8	0641416	2	Bolt 1/4 x 2	
9	1705325	2	Decal - 110V	
10	3311405	2	Nut 1/4	
11	4711400	4	Washer 1/4	
12	1001193018	1	Bracket	

SECTION 7 - ELECTRICAL

FIGURE 7-27. AC BOX AT PLATFORM INSTALLATION - 220V IEC BLUE (SN C300000457 to Present)



(REF. LOCATED ON ENGINE SIDE HOOD)

ART_1001091970

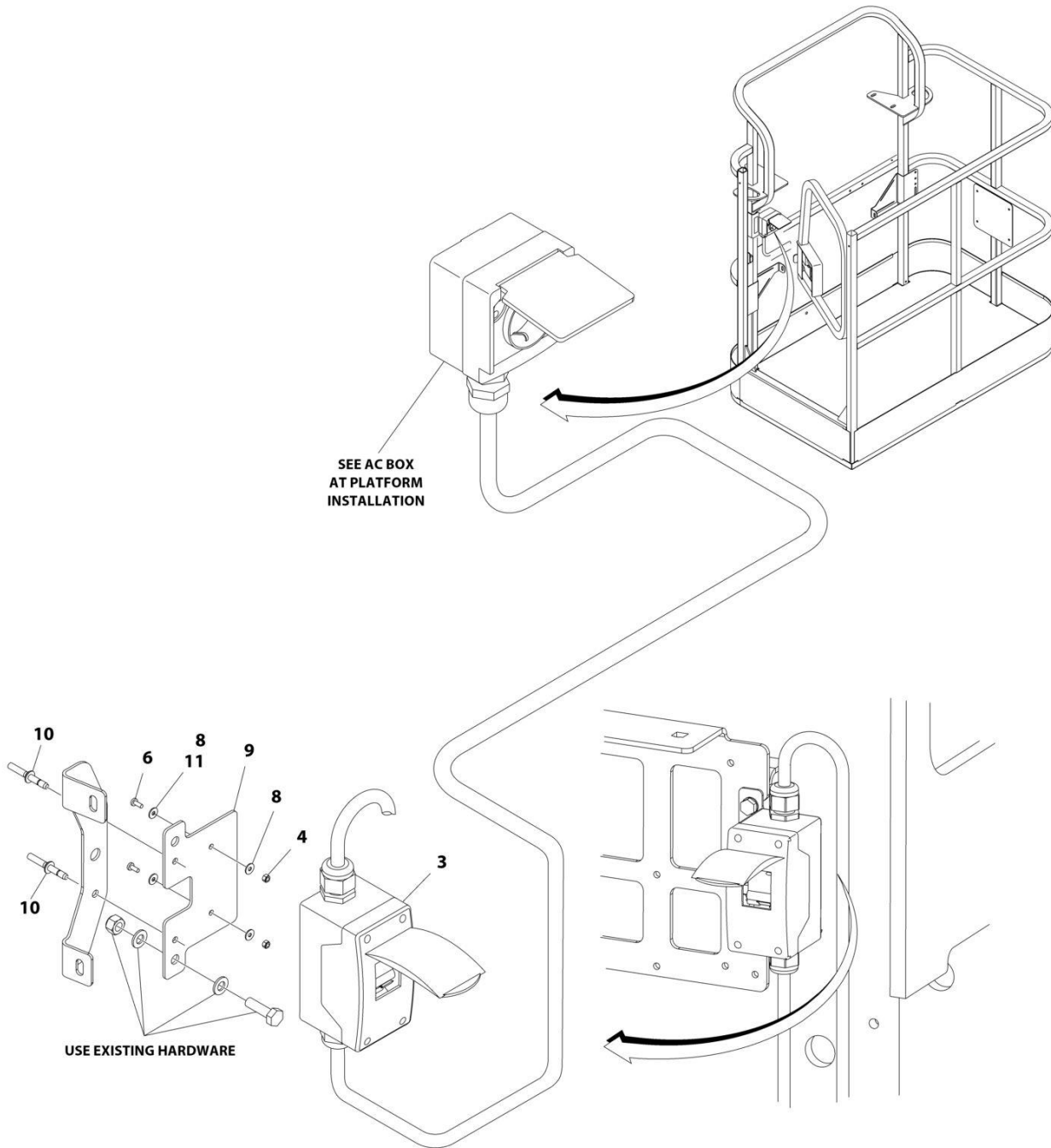
SECTION 7 - ELECTRICAL

FIGURE 7-27. AC BOX AT PLATFORM INSTALLATION - 220V IEC BLUE (SN C300000457 to Present)

ITEM	PART NUMBER	QTY	DESCRIPTION	REV
	1001091970	Ref	AC BOX AT PLATFORM INSTALLATION - 220V IEC BLUE	D
1	0100020	AR	Sealant, Pipe	
2	0275217	1	Receptacle Box Kit (See Separate Breakdown in this Section)	
3	0700408	2	Bolt M4 x 16	
4	3290405	2	Nut M4	
5	1001101196	1	Adapter	
6	4811400	4	Washer M4	
7	1001101191	1	Connector, Strain Relief	
8	0641416	2	Bolt 1/4 x 2	
9	3311405	2	Nut 1/4	
10	4711400	4	Washer 1/4	
11	1001193018	1	Bracket	
12	3251242	2	Decal - 240V/50Hz	

SECTION 7 - ELECTRICAL

FIGURE 7-28. AC CABLE INSTALLATION - WITH TWO BREAKERS (SN C300000457 to Present)



ART_1001167312

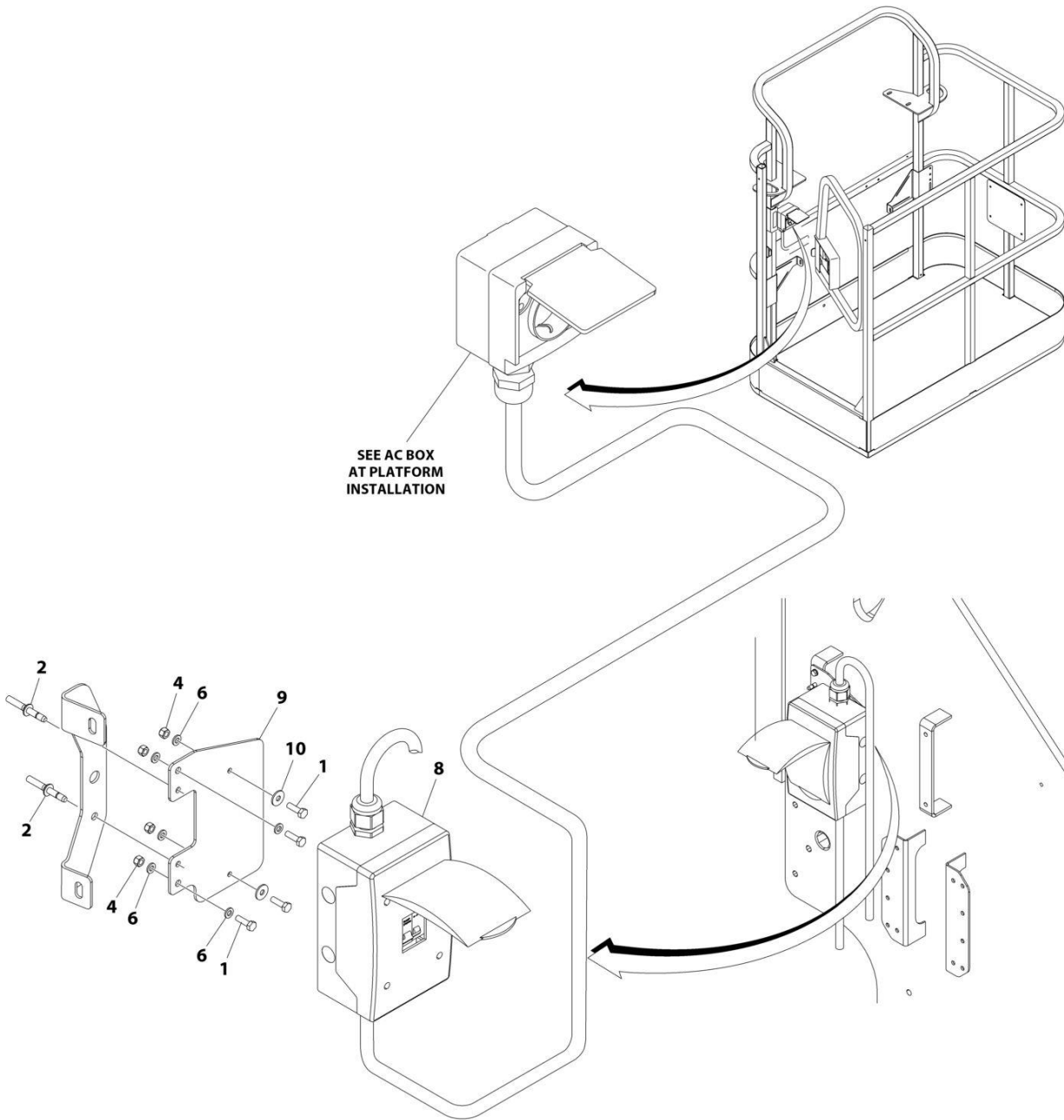
SECTION 7 - ELECTRICAL

FIGURE 7-28. AC CABLE INSTALLATION - WITH TWO BREAKERS (SN C300000457 to Present)

ITEM	PART NUMBER	QTY	DESCRIPTION	REV
	1001167312	Ref	AC CABLE INSTALLATION - WITH TWO BREAKERS	G
3	2902549	1	Breaker Box Kit - CE Spec (See Separate Breakdown in this Section)	
4	3290405	2	Nut M4	
4	3290605	2	Nut M6	
6	4010405	AR	Screw M4 x 10	
6	0760610	AR	Screw M6 x 20	
6	0760614	AR	Screw M6 x 30	
8	1001091102	2	Washer M4	
8	4811700	AR	Washer M6	
9	1001174158	1	Bracket	
10	2080040	2	Fastener, Huck	
11	4811702	2	Washer M6	

SECTION 7 - ELECTRICAL

FIGURE 7-29. AC CABLE INSTALLATION - WITH THREE BREAKERS (SN C30000457 to Present)



ART_1001209677_B

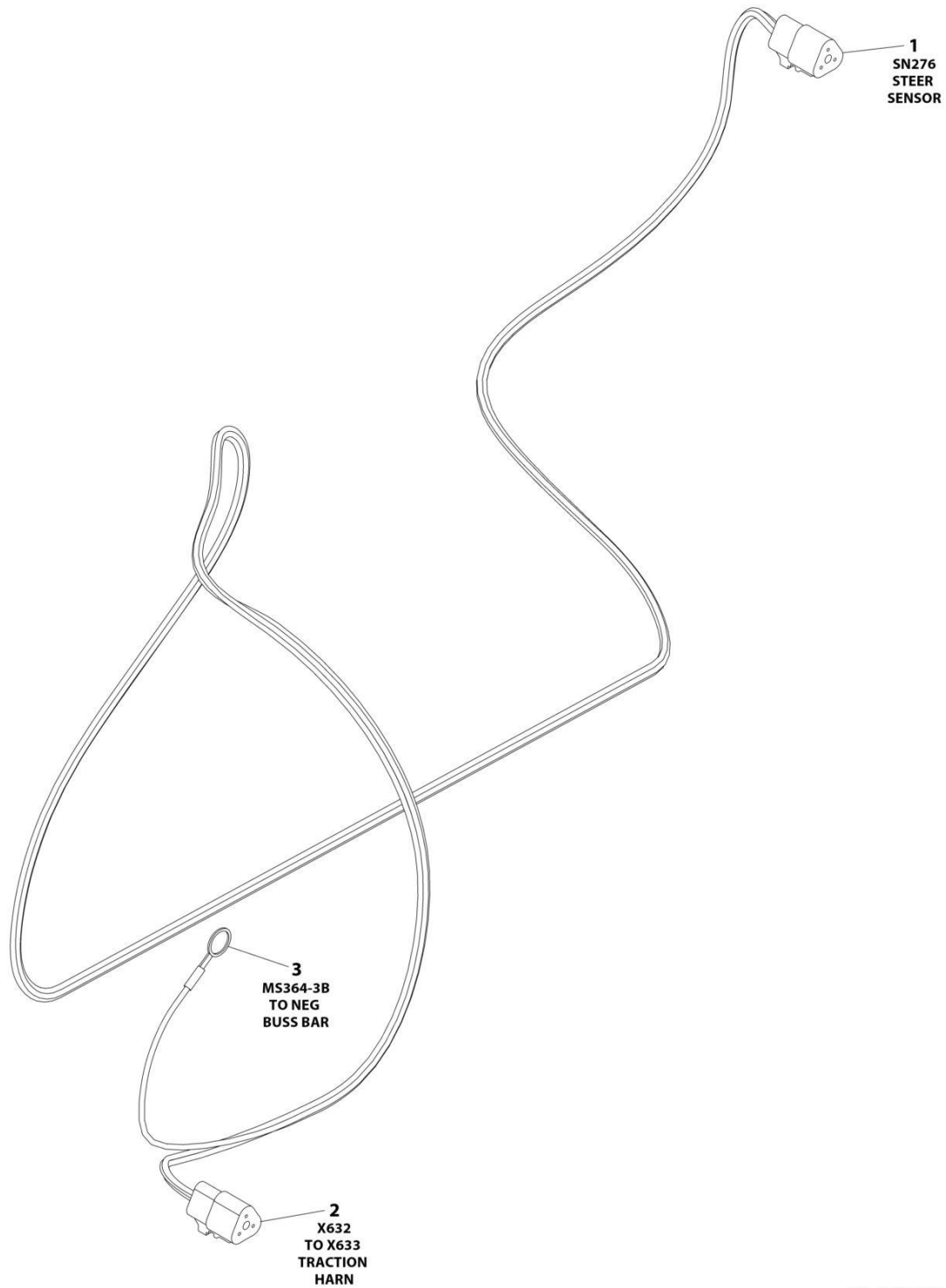
SECTION 7 - ELECTRICAL

FIGURE 7-29. AC CABLE INSTALLATION - WITH THREE BREAKERS (SN C300000457 to Present)

ITEM	PART NUMBER	QTY	DESCRIPTION	REV
	1001209677	Ref	AC CABLE INSTALLATION - WITH THREE BREAKERS	B
1	0760610	4	Bolt M6 x 20	
2	2080040	2	Fastener, Huck	
4	3290605	4	Nut M6	
6	4811700	6	Washer M6	
8	1001152485	1	Breaker Box Kit (See Separate Breakdown in this Section)	
9	1001209832	1	Bracket	
10	4811702	2	Washer M6	

SECTION 7 - ELECTRICAL

FIGURE 7-30. STEER SENSOR HARNESS



ART_1001255829

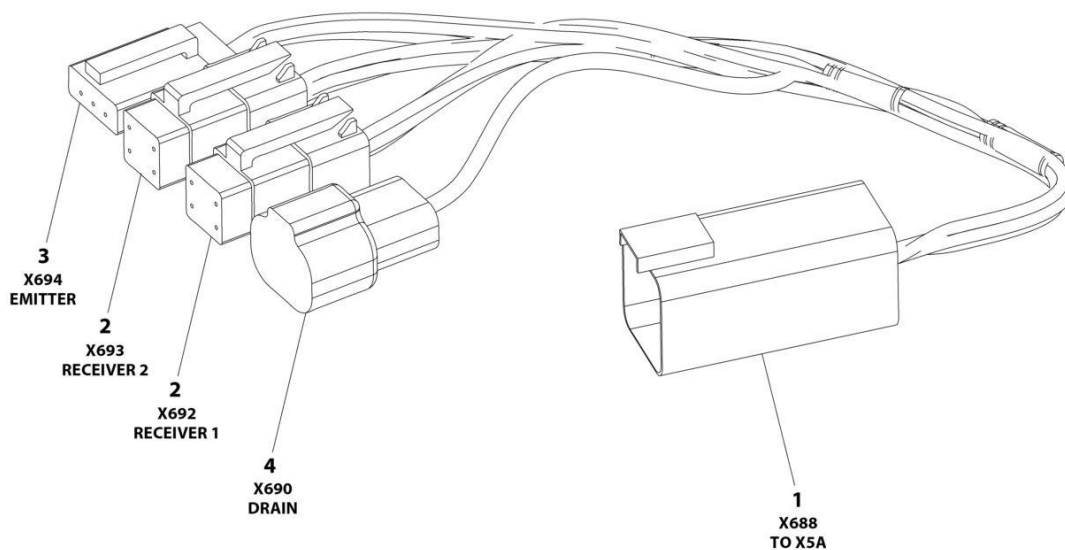
SECTION 7 - ELECTRICAL

FIGURE 7-30. STEER SENSOR HARNESS

ITEM	PART NUMBER	QTY	DESCRIPTION	REV
	1001255829	Ref	STEER SENSOR HARNESS	B
1	4460539	1	Plug, Male - 3 Position	
1	4460944	3	Socket, Female	
2	4460539	1	Plug, Male - 3 Position	
2	4460465	3	Socket, Female	
3	4460703	1	Terminal, Ring	

SECTION 7 - ELECTRICAL

FIGURE 7-31. SKYEYE INTERMEDIATE HARNESS



ART_1001237865

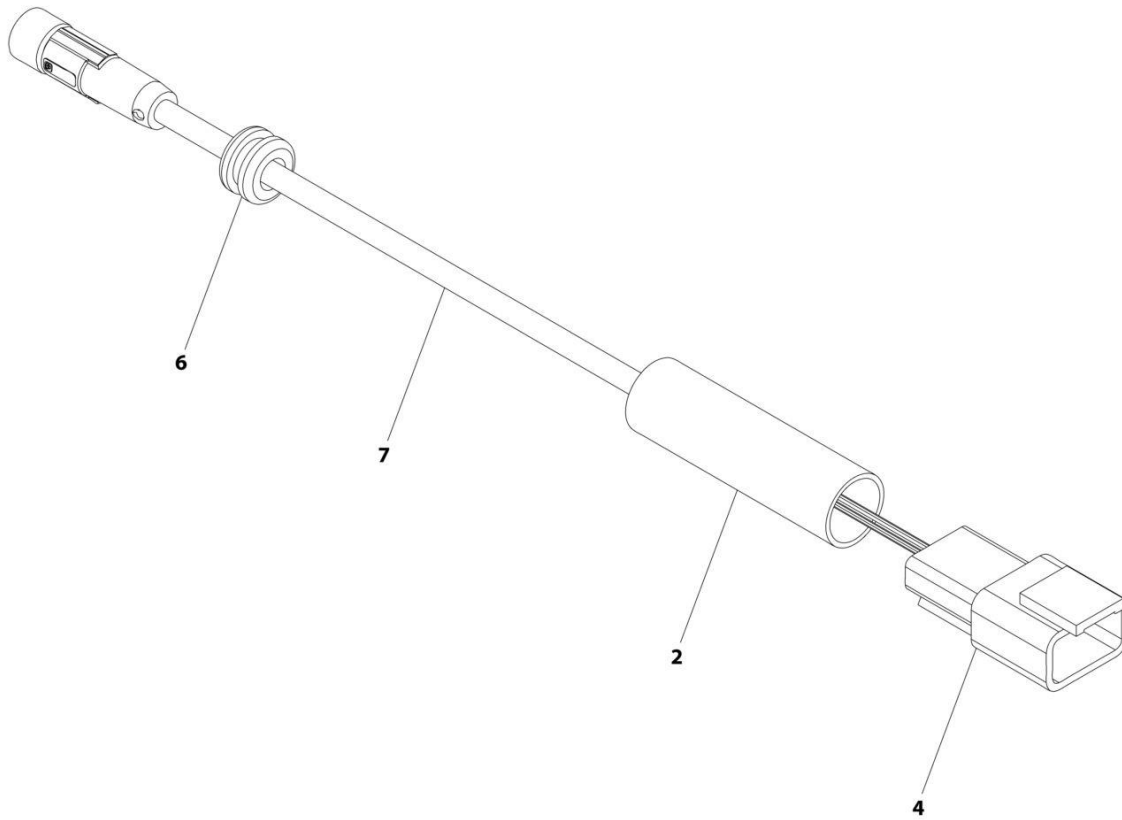
SECTION 7 - ELECTRICAL

FIGURE 7-31. SKYEYE INTERMEDIATE HARNESS

ITEM	PART NUMBER	QTY	DESCRIPTION	REV
	1001237865	Ref	SKYEYE INTERMEDIATE HARNESS	A
1	4460899	1	Connector - 6 Position	
1	4460943	4	Pin, Male	
1	4460466	2	Plug, Terminal	
2	4461077	2	Connector - 4 Position	
2	1001119619	8	Socket, Female	
3	4460911	1	Connector - 3 Position	
3	1001119619	3	Socket, Female	
4	1001187681	1	Connector - 2 Position	
4	4460941	1	Pin, Male	
4	4460466	1	Plug, Terminal	

SECTION 7 - ELECTRICAL

FIGURE 7-32. SKYEYE RECEIVER HARNESS



ART_1001237863_B

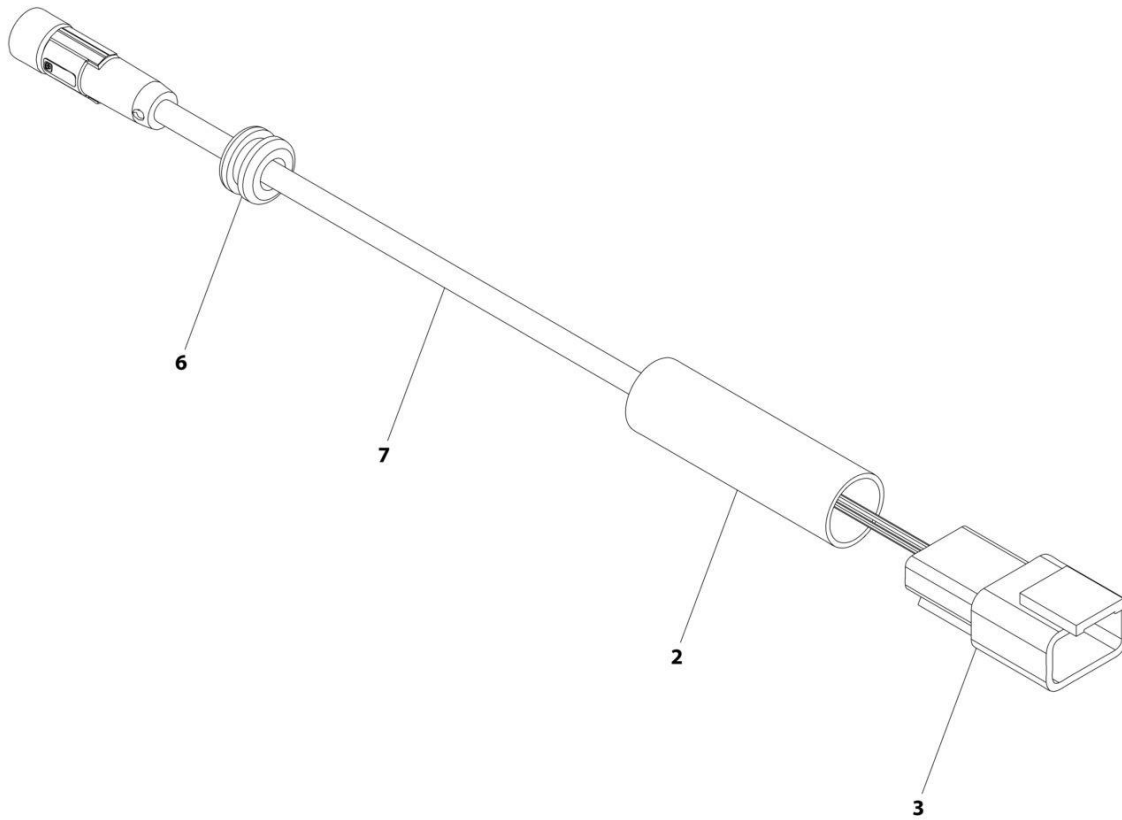
SECTION 7 - ELECTRICAL

FIGURE 7-32. SKYEYE RECEIVER HARNESS

ITEM	PART NUMBER	QTY	DESCRIPTION	REV
	1001237863	Ref	SKYEYE RECEIVER HARNESS	B
2	2820247	AR	Tubing, Heat Shrink	
4	1001097051	1	Connector - 4 Position	
4	1001119620	4	Pin, Male	
6	1001227996	1	Grommet	
7	1001258495	1	Cable, M8 Female Cordset	

SECTION 7 - ELECTRICAL

FIGURE 7-33. SKYEYE EMITTER HARNESS



ART_1001237864_B

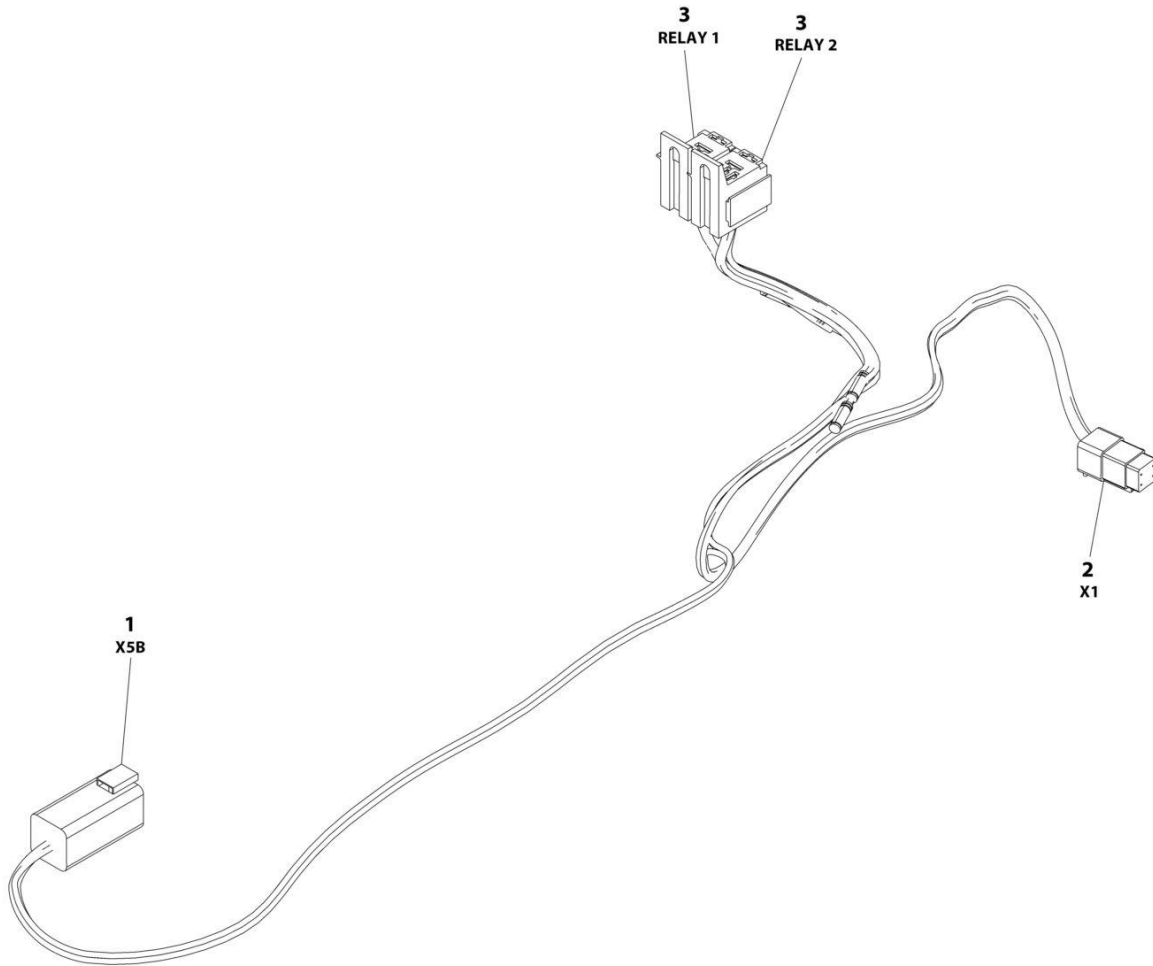
SECTION 7 - ELECTRICAL

FIGURE 7-33. SKYEYE EMITTER HARNESS

ITEM	PART NUMBER	QTY	DESCRIPTION	REV
	1001237864	Ref	SKYEYE EMITTER HARNESS	B
2	2820247	AR	Tubing, Heat Shrink	
3	4460910	1	Connector - 3 Position	
3	1001119620	3	Pin, Male	
6	1001227996	1	Grommet	
7	1001258495	1	Cable, M8 Female Cordset	

SECTION 7 - ELECTRICAL

FIGURE 7-34. SKYLINE HARNESS



ART_1001238418

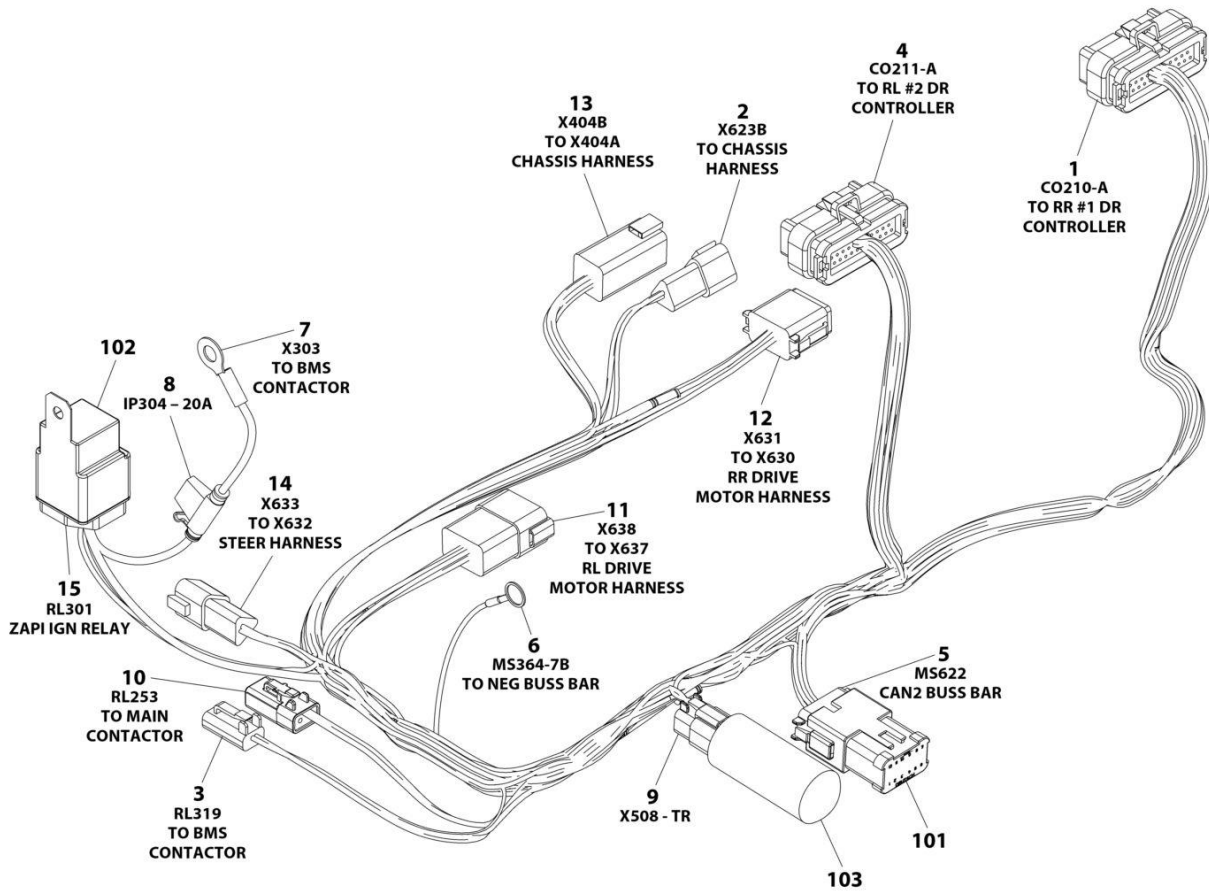
SECTION 7 - ELECTRICAL

FIGURE 7-34. SKYLINE HARNESS

ITEM	PART NUMBER	QTY	DESCRIPTION	REV
	1001238418	Ref	SKYLINE HARNESS	B
1	4460899	1	Connector - 6 Position	
1	4460464	4	Pin, Male	
1	4460466	2	Plug, Terminal	
2	4461077	1	Connector - 4 Position	
2	1001126009	4	Socket, Female	
3	1001186432	2	Plug, Relay	
3	1001118388	5	Terminal	
3	1001118384	3	Terminal	
3	3740086	2	Relay	

SECTION 7 - ELECTRICAL

FIGURE 7-35. TRACTION HARNESS



ART_1001262598

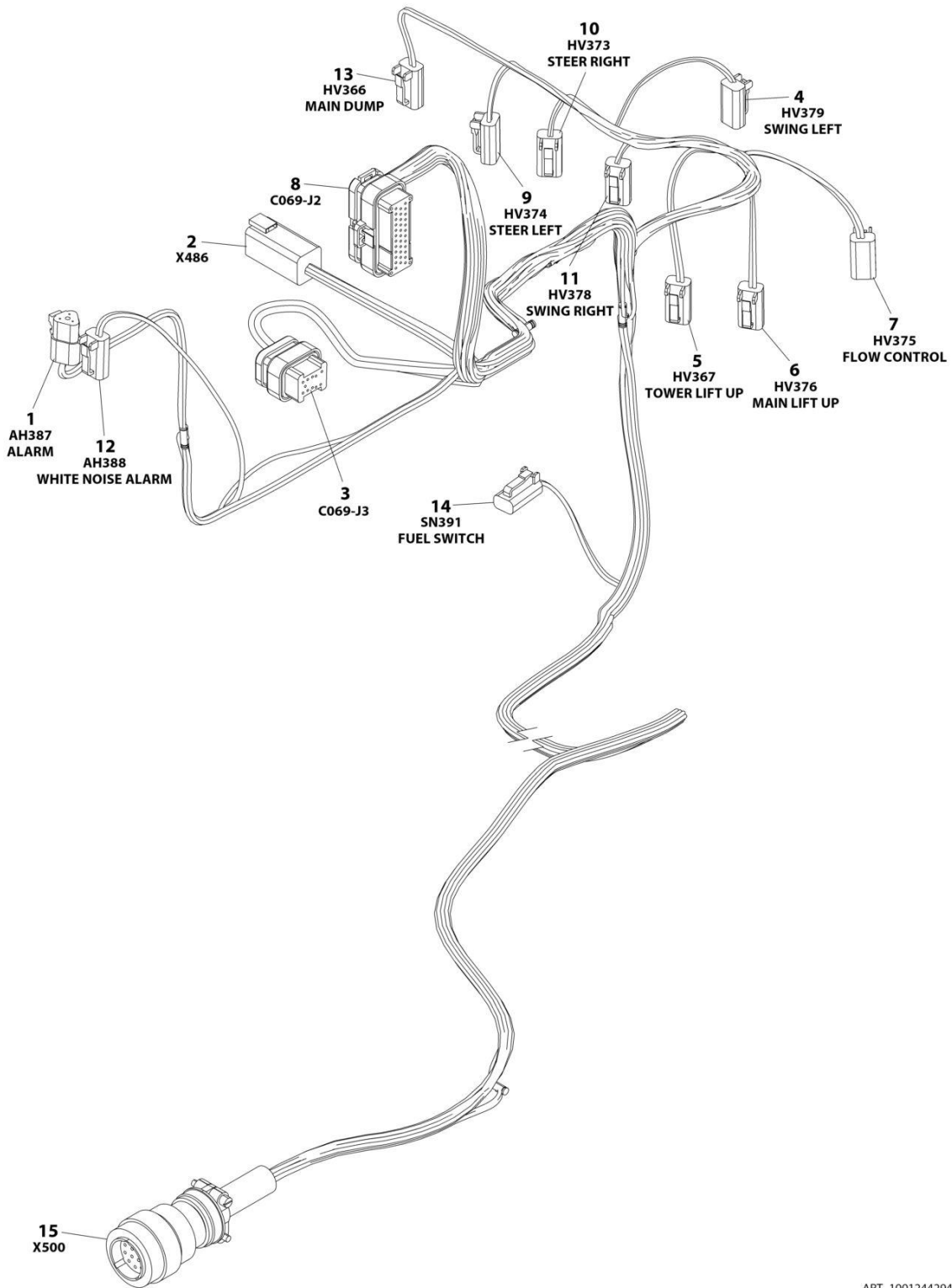
SECTION 7 - ELECTRICAL

FIGURE 7-35. TRACTION HARNESS

ITEM	PART NUMBER	QTY	DESCRIPTION	REV
	1001262598	Ref	TRACTION HARNESS	A
1	4460873	1	Connector - 35 Position	
1	4460871	16	Terminal, Female	
1	4460905	19	Seal, Terminal	
2	4460536	1	Receptacle, Female - 3 Position	
2	4460943	3	Pin, Male	
3	4460891	1	Connector - 2 Position	
3	4460465	2	Socket, Female	
4	4460873	1	Connector - 35 Position	
4	4460871	14	Socket, Female	
4	4460905	21	Plug, Terminal	
5	4460933	1	Connector - 12 Position	
5	4460944	8	Socket, Female (Gold)	
5	4460466	4	Plug, Terminal	
6	4460703	1	Terminal, Ring	
7	8220045	1	Terminal, Ring	
8	1001170763	1	Fuseholder - 20Amp (Includes Cover)	
8	1001170761	1	Fuse - 20Amp	
9	4460884	1	Connector - 4 Position	
9	4460944	4	Socket, Female	
10	1001126245	1	Connector - 2 Position	
10	1001126008	2	Terminal	
11	4460931	1	Connector - 8 Position	
11	4460464	8	Pin, Male	
12	4460930	1	Connector - 8 Position	
12	4460465	8	Socket, Female	
13	4460899	1	Connector - 6 Position	
13	4460464	6	Pin, Male	
14	4460536	1	Connector - 3 Position	
14	4460464	3	Pin, Male	
15	4460374	1	Plug, Relay	
15	1001116734	2	Female, Terminal	
15	1001116732	2	Female, Terminal	
15	1001128128	1	Plug, Terminal	
101	1001119020	1	Connector - 12 Position Bussbar	
102	1001171295	1	Relay	
103	1001186231	1	Connector - 5 Position	

SECTION 7 - ELECTRICAL

FIGURE 7-36. VALVE HARNESS - MAIN



ART_1001244294

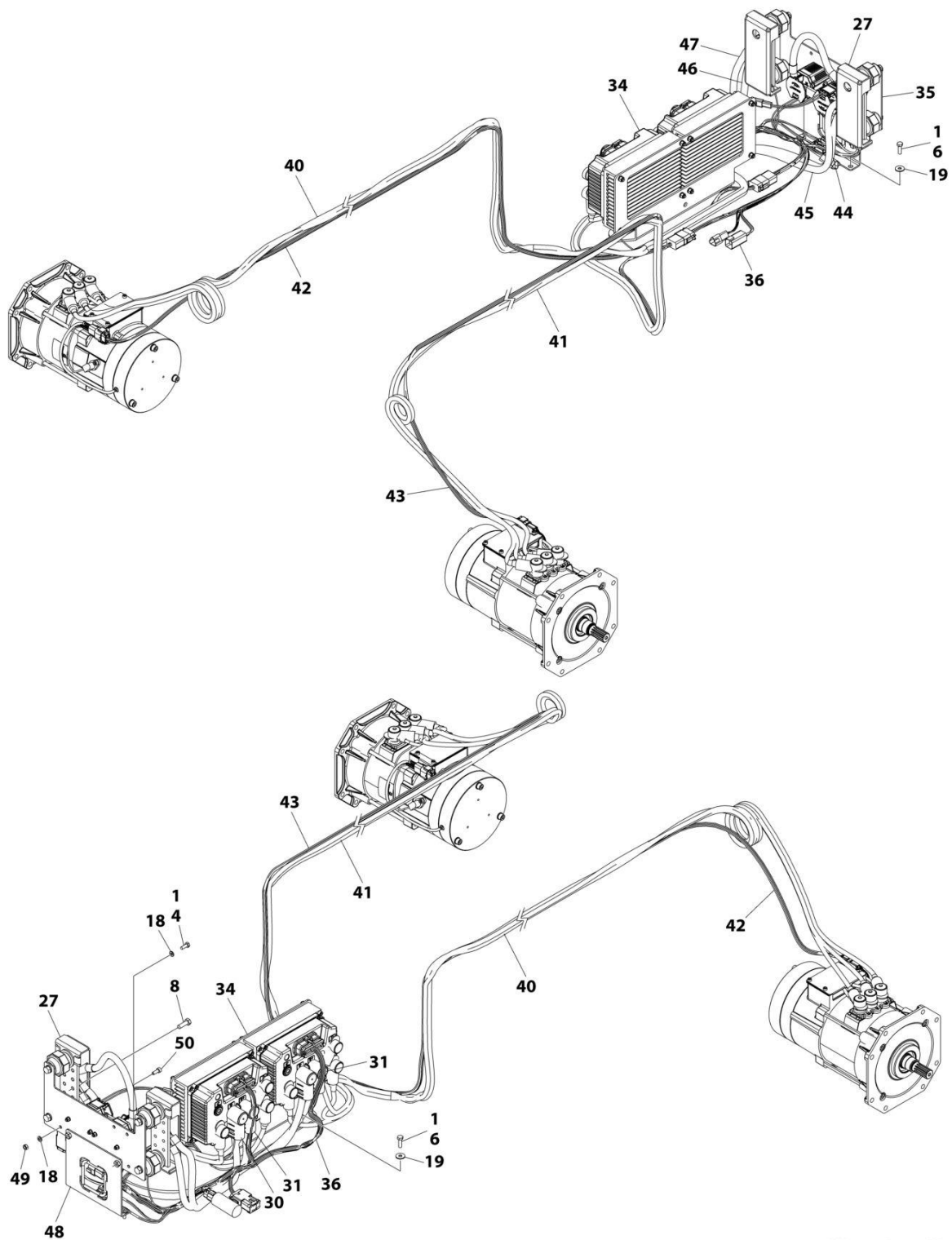
SECTION 7 - ELECTRICAL

FIGURE 7-36. VALVE HARNESS - MAIN

ITEM	PART NUMBER	QTY	DESCRIPTION	REV
	1001244294	Ref	TRACTION HARNESS	B
1	4460539	1	Plug, Male - 3 Position	
1	4460465	3	Socket, Female	
2	4460899	1	Connector - 6 Position	
2	4460464	4	Pin, Male	
2	4460466	2	Plug, Terminal	
3	4460872	1	Connector - 14 Position	
3	4460871	9	Terminal, Female	
3	4460905	5	Seal, Terminal	
4	4460891	1	Connector - 2 Position	
4	4460465	2	Socket, Female	
5	4460891	1	Connector - 2 Position	
5	4460465	2	Socket, Female	
6	4460891	1	Connector - 2 Position	
6	4460465	2	Socket, Female	
7	4460891	1	Connector - 2 Position	
7	4460465	2	Socket, Female	
8	4460875	1	Connector - 35 Position	
8	4460871	26	Socket, Female	
8	4460905	9	Plug, Terminal	
9	4460891	1	Plug, Male - 2 Position	
9	4460465	2	Socket, Female	
10	4460891	1	Connector - 2 Position	
10	4460465	2	Socket, Female	
11	4460891	1	Connector - 2 Position	
11	4460465	2	Socket, Female	
12	4460891	1	Connector - 2 Position	
12	4460465	2	Socket, Female	
13	4460891	1	Connector - 2 Position	
13	4460465	2	Socket, Female	
14	4460424	1	Connector - 2 Position	
14	4460268	2	Socket, Female	
15	4460754	1	Connector - 14 Position	
15	4460465	13	Socket, Female	
15	4460466	1	Plug, Terminal	

SECTION 7 - ELECTRICAL

FIGURE 7-37. WHEEL DRIVE ELECTRICAL HARNESS INSTALLATION (2WD)



ART_1001250422_20F2

SECTION 7 - ELECTRICAL

FIGURE 7-37. WHEEL DRIVE ELECTRICAL HARNESS INSTALLATION (2WD)

ITEM	PART NUMBER	QTY	DESCRIPTION	REV
	1001250422	Ref	WHEEL DRIVE ELECTRICAL HARNESS INSTALLATION	C
1	0100011	AR	Compound, Locking	
4	0760608	2	Bolt M6 x 16	
6	0760610	4	Bolt M6 x 20	
8	0760812	7	Bolt M8 x 25	
8	0760808	7	Bolt M8 x 16	
16	4240018	AR	Tie-Strap (Not Shown)	
18	4811700	3	Washer M6	
19	4811702	4	Washer M6	
27	1001188680	2	Cover	
30	1001225557	2	Boot, Terminal (Black)	
31	1001225558	2	Boot, Terminal (Red)	
34	1001250432	1	Bracket, Controller Assembly (See Separate Breakdown in this Section)	
35	1001250518	1	Plate, Fuse Assembly (See Separate Breakdown in this Section)	
36	1001262598	1	Harness, Traction (See Separate Breakdown in this Section)	
40	1001265229	1	Cable, Motor (RL)	
41	1001265230	1	Cable, Motor (RR)	
42	1001265227	1	Harness, Drive Motor (RL) (See Separate Breakdown in this Section)	
43	1001265228	1	Harness, Drive Motor (RR) (See Separate Breakdown in this Section)	
44	1001256686	1	Cable, + ve to ZAPI Rear Right	
45	1001256687	1	Cable, + ve to ZAPI Rear Left	
46	1001256688	1	Cable, - ve to ZAPI Rear Right	
47	1001256689	1	Cable, - ve to ZAPI Rear Left	
48	1001256690	1	Mount	
49	3290601	1	Nut M6	
50	4031707	1	Bolt M6 x 16	

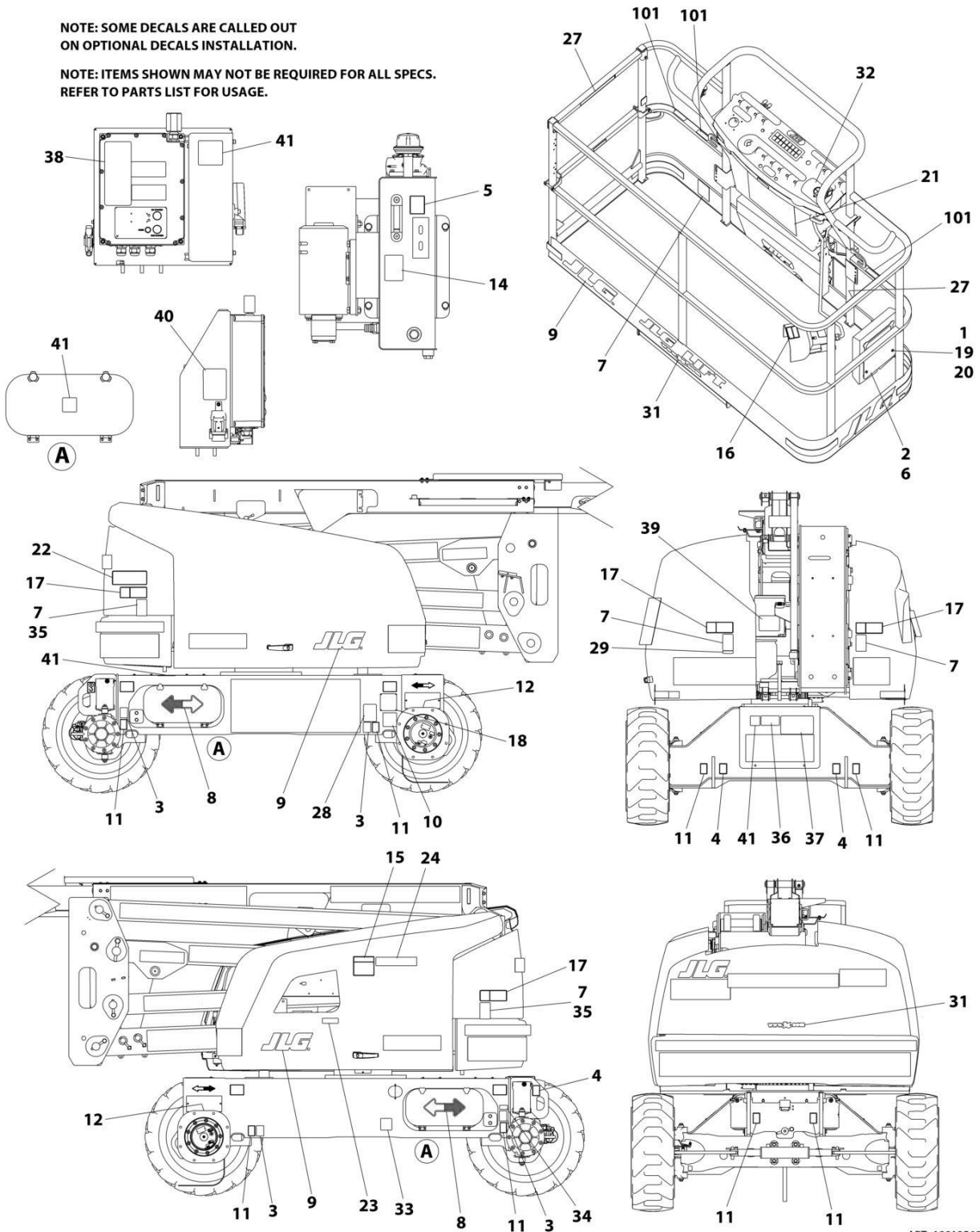
SECTION 8 - DECALS

SECTION 8 - DECALS

FIGURE 8-1. DECAL INSTALLATION - ANSI SPECS

NOTE: SOME DECALS ARE CALLED OUT ON OPTIONAL DECALS INSTALLATION.

NOTE: ITEMS SHOWN MAY NOT BE REQUIRED FOR ALL SPECS. REFER TO PARTS LIST FOR USAGE.



ART_1001256805

SECTION 8 - DECALS

FIGURE 8-1. DECAL INSTALLATION - ANSI SPECS

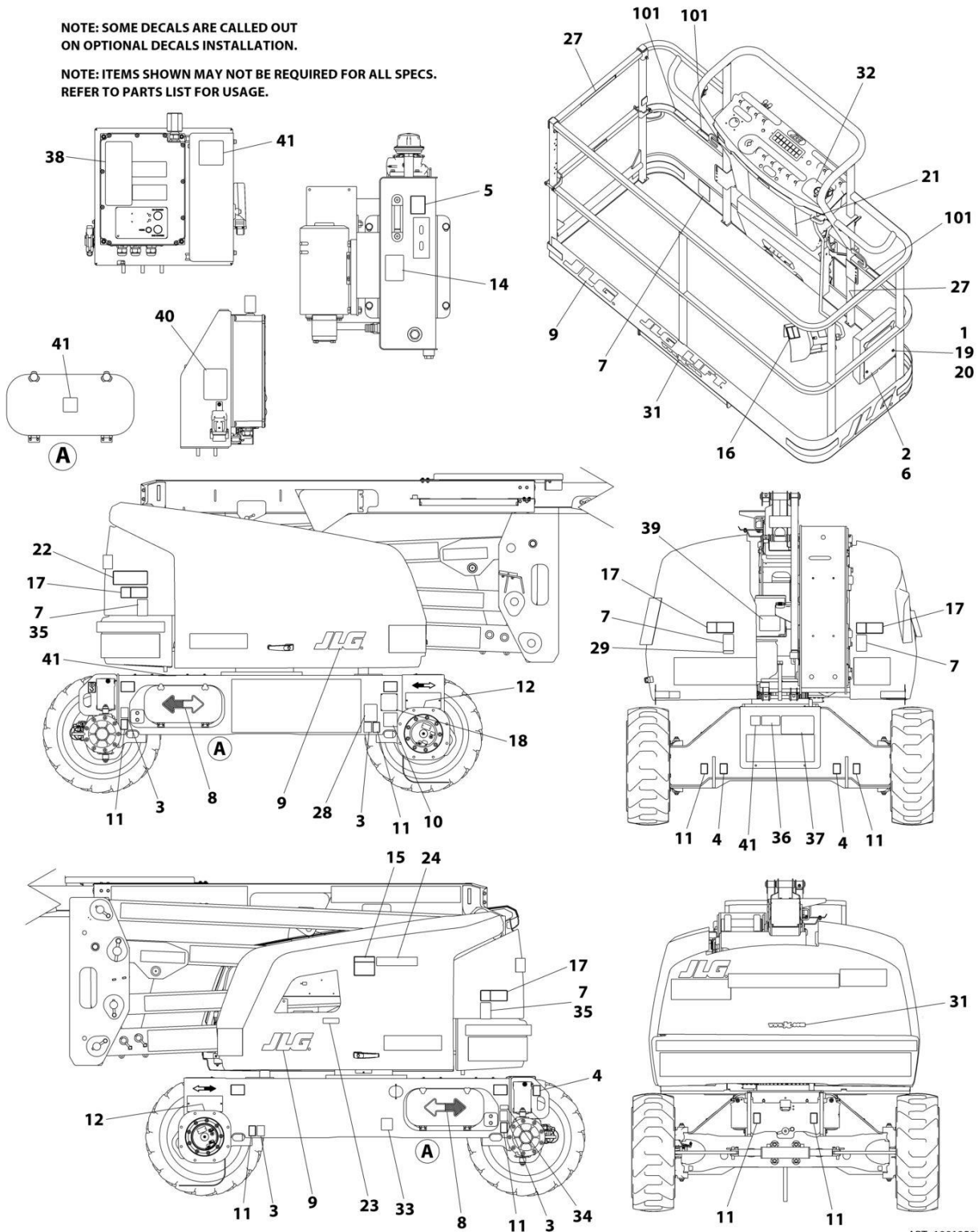
ITEM	PART NUMBER	QTY	DESCRIPTION	REV
	1001253598	Ref	DECAL INSTALLATION - REFERENCE CHART	F
	1001256805	Ref	DECAL INSTALLATION	E
1	0760610	4	Bolt M6 x 20	
2	0860520	1	Box, Manual Storage	
3	1701499	4	Decal - Tie Down /Lift	
4	1701500	4	Decal - Tie Down /Lift	
5	1701504	1	Decal - Hydraulic Oil	
6	1701509	1	Decal - Manual	
7	1703804	4	Decal - Warning/Crushing	
8	1701529	2	Decal - Arrow	
10	See Note	NSS	Decal - Bar Code (Note: Not Available for Purchase)	
11	1702300	8	Decal - Tie Down /Lift	
12	1703687	2	Decal - Arrow	
14	1704412	1	Decal - Hydraulic Fluid	
15	1705336	1	Decal - Warning Inspection	
16	3252347	1	Decal - Footswitch	
17	1703805	4	Decal - Danger Electrocution	
18	2080057	4	Fastener	
19	3290605	4	Nut M6	
20	4811700	8	Washer M6	
21	1703797	1	Decal - Danger/Warning (Platform)	
22	1001172217	1	Decal - Lift Diagram	
24	1001255511	2	Decal - Max Capacity	
27	1702868	2	Decal - No Hands	
28	1001131269	1	Decal - Patent	
29	3251243	1	Decal - 120V	
31	1704885	2	Decal - Website	
32	1705351	1	Decal - Drive/Steer Instructions	
33	1001223055	1	Decal - Yearly Inspection	
34	1001223453	1	Decal - Ices	
35	1703953	2	Decal - Warning/Crushing	
36	1001260939	1	Decal - Warning Tip Over Hazard	
37	1001260941	1	Decal- Cable Routing	
38	1001262795	1	Decal - Led Indicator	
39	1001262796	1	Decal - Led Indicator	
40	1001263924	1	Decal - Fuse Boxes	
41	1001125483	5	Decal - Pressure Wash	
100	1001232026	1	Decal Kit - Platform Lanyard (Not Shown)	
101	1704277	3	Decal - Attach Lanyard Here	

SECTION 8 - DECALS

FIGURE 8-2. DECAL INSTALLATION - AUSTRALIAN SPECS

NOTE: SOME DECALS ARE CALLED OUT ON OPTIONAL DECALS INSTALLATION.

NOTE: ITEMS SHOWN MAY NOT BE REQUIRED FOR ALL SPECS. REFER TO PARTS LIST FOR USAGE.



ART_1001258628

SECTION 8 - DECALS

FIGURE 8-2. DECAL INSTALLATION - AUSTRALIAN SPECS

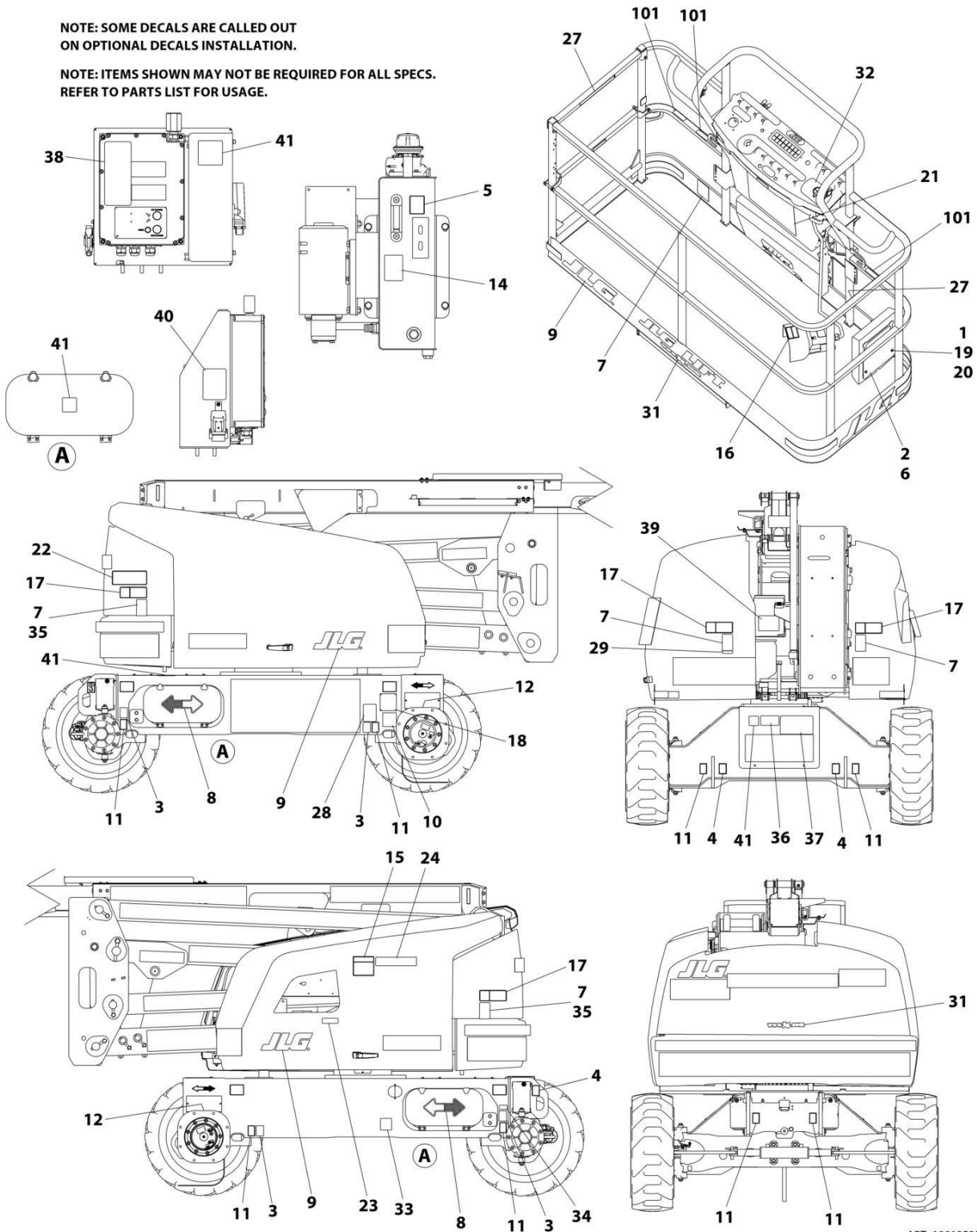
ITEM	PART NUMBER	QTY	DESCRIPTION	REV
	1001253598	Ref	DECAL INSTALLATION - REFERENCE CHART	F
	1001258628	Ref	DECAL INSTALLATION	E
1	0760610	4	Bolt M6 x 20	
2	0860520	1	Box, Manual Storage	
3	1701499	4	Decal - Tie Down /Lift	
4	1701500	4	Decal - Tie Down /Lift	
5	1701504	1	Decal - Hydraulic Oil	
6	1701509	1	Decal - Manual	
7	1701518	6	Decal - Warning/Crushing	
8	1701529	2	Decal - Arrow	
10	See Note	NSS	Decal - Bar Code (Note: Not Available for Purchase)	
11	1702300	8	Decal - Tie Down /Lift	
12	1703687	2	Decal - Arrow	
14	1704412	1	Decal - Hydraulic Fluid	
15	1705822	1	Decal - Electrocutation/Safety Manual	
16	1705828	1	Decal - Footswitch	
17	1705961	4	Decal - Danger Electrocutation	
18	2080057	4	Fastener	
19	3290605	4	Nut M6	
20	4811700	8	Washer M6	
21	1001162429	1	Decal - Tipping/Electrocutation	
22	1001172217	1	Decal - Lift Diagram (Without Turntable Lock)	
23	1001112551	1	Decal - Emergency Controls	
24	1001190913	1	Decal - Max Capacity	
31	1704885	2	Decal - Website	
36	1001260939	1	Decal - Warning Tip Over Hazard	
37	1001260941	1	Decal- Cable Routing	
38	1001262795	1	Decal - Led Indicator	
39	1001262796	1	Decal - Led Indicator	
40	1001263924	1	Decal - Fuse Boxes	
41	1001125483	5	Decal - Pressure Wash	
100	1001232026	1	Decal Kit - Platform Lanyard (Not Shown)	
101	1704277	3	Decal - Attach Lanyard Here	

SECTION 8 - DECALS

FIGURE 8-3. DECAL INSTALLATION – CE & UK CA SPECS

NOTE: SOME DECALS ARE CALLED OUT ON OPTIONAL DECALS INSTALLATION.

NOTE: ITEMS SHOWN MAY NOT BE REQUIRED FOR ALL SPECS. REFER TO PARTS LIST FOR USAGE.



ART_1001253599

SECTION 8 - DECALS

FIGURE 8-3. DECAL INSTALLATION – CE & UK CA SPECS

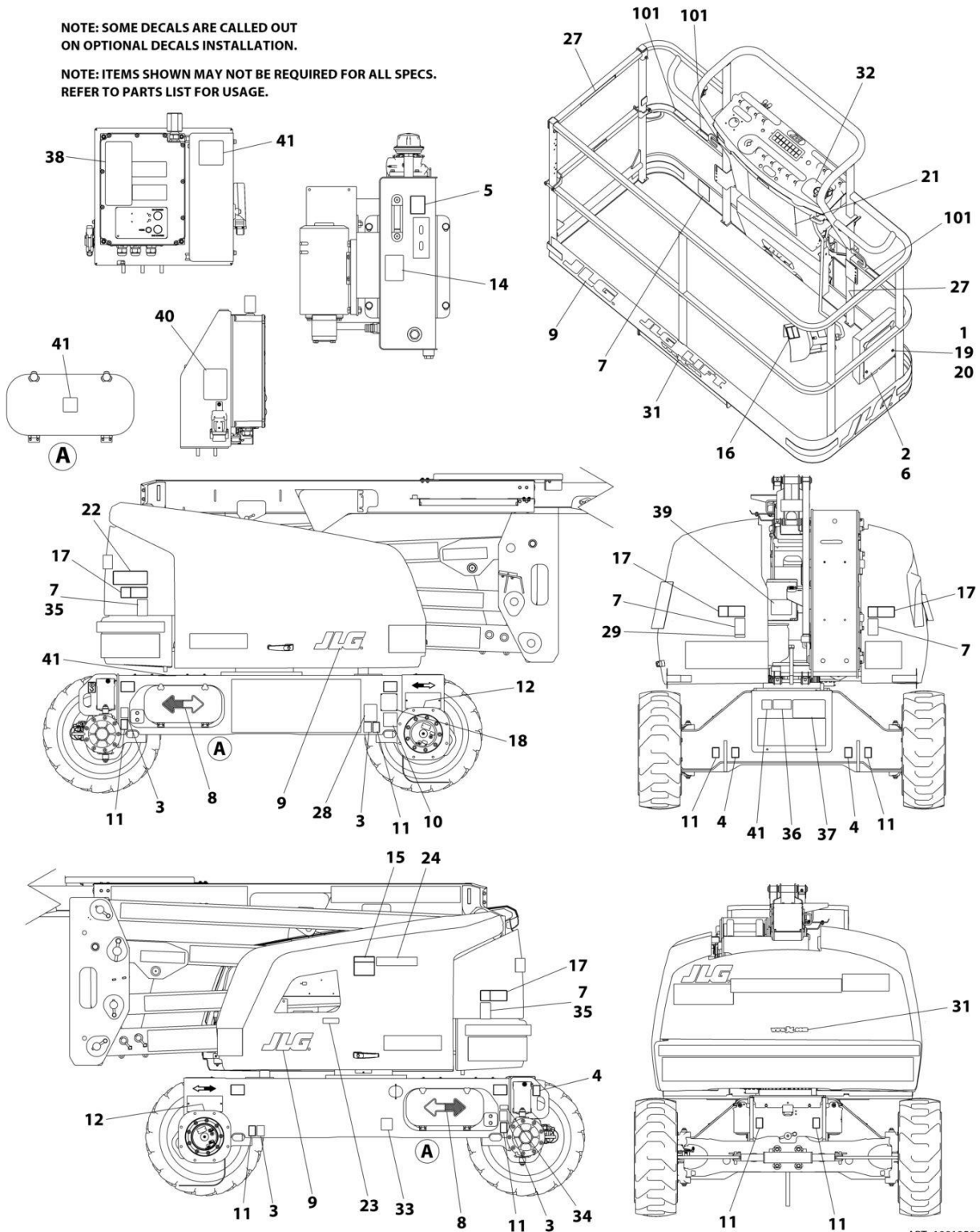
ITEM	PART NUMBER	QTY	DESCRIPTION	REV
	1001253598	Ref	DECAL INSTALLATION - REFERENCE CHART	F
	1001253599	Ref	DECAL INSTALLATION	H
1	0760610	4	Bolt M6 x 20	
2	0860520	1	Box, Manual Storage	
3	1701499	4	Decal - Tie Down /Lift	
4	1701500	4	Decal - Tie Down /Lift	
5	1701504	1	Decal - Hydraulic Oil	
6	1701509	1	Decal - Manual	
7	1701518	6	Decal - Warning/Crushing	
8	1701529	2	Decal - Arrow	
9	1702773	3	Decal - JLG	
10	See Note	NSS	Decal - Bar Code (Note: Not Available for Purchase)	
11	1702300	8	Decal - Tie Down /Lift	
12	1703687	2	Decal - Arrow	
14	1704412	1	Decal - Hydraulic Fluid	
15	1705822	1	Decal - Electrocutation/Safety Manual	
16	1705828	1	Decal - Footswitch	
17	1705961	4	Decal - Danger Electrocutation	
18	2080057	4	Fastener	
19	3290605	4	Nut M6	
20	4811700	8	Washer M6	
21	1001162429	1	Decal - Tipping/Electrocutation	
22	1001172217	1	Decal - Lift Diagram (Without Turntable Lock)	
23	1001189882	1	Decal - MSSO	
24	1001190913	1	Decal - Max Capacity	
36	1001260939	1	Decal - Warning Tip Over Hazard	
37	1001260941	1	Decal- Cable Routing	
38	1001262795	1	Decal - Led Indicator	
39	1001262796	1	Decal - Led Indicator	
40	1001263924	1	Decal - Fuse Boxes	
41	1001125483	5	Decal - Pressure Wash	
100	1001232026	1	Decal Kit - Platform Lanyard (Not Shown)	
101	1704277	3	Decal - Attach Lanyard Here	

SECTION 8 - DECALS

FIGURE 8-4. DECAL INSTALLATION - CSA SPECS

NOTE: SOME DECALS ARE CALLED OUT ON OPTIONAL DECALS INSTALLATION.

NOTE: ITEMS SHOWN MAY NOT BE REQUIRED FOR ALL SPECS. REFER TO PARTS LIST FOR USAGE.



ART_1001258641

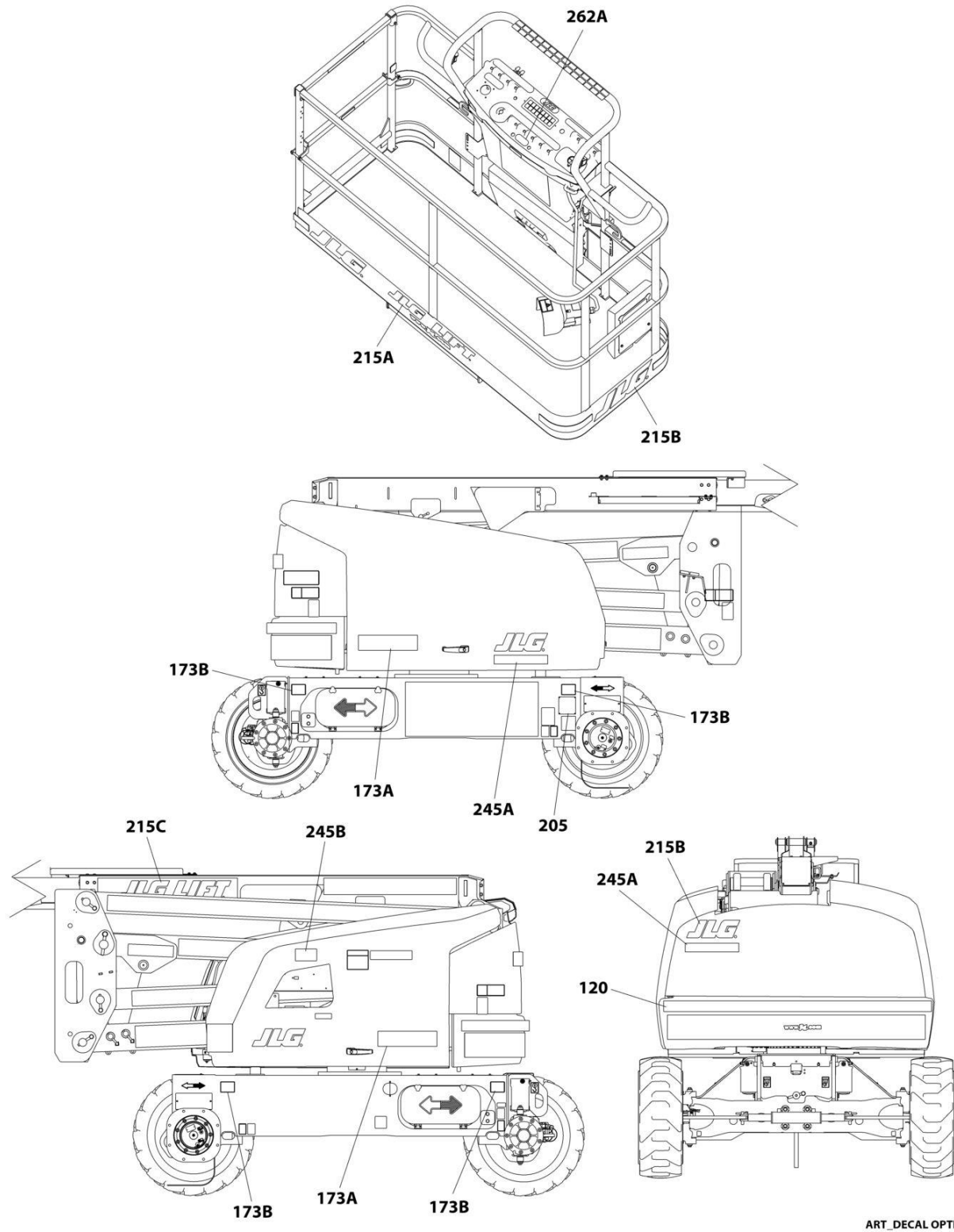
SECTION 8 - DECALS

FIGURE 8-4. DECAL INSTALLATION - CSA SPECS

ITEM	PART NUMBER	QTY	DESCRIPTION	REV
	1001253598	Ref	DECAL INSTALLATION - REFERENCE CHART	F
	1001258641	Ref	DECAL INSTALLATION	E
1	0760610	4	Bolt M6 x 20	
2	0860520	1	Box, Manual Storage	
3	1701499	4	Decal - Tie Down /Lift	
4	1701500	4	Decal - Tie Down /Lift	
5	1701504	1	Decal - Hydraulic Oil	
6	1701509	1	Decal - Manual	
7	1703948	4	Decal - Warning/Crushing	
8	1701529	2	Decal - Arrow	
10	See Note	NSS	Decal - Bar Code (Note: Not Available for Purchase)	
11	1702300	8	Decal - Tie Down /Lift	
12	1703687	2	Decal - Arrow	
14	1704412	1	Decal - Hydraulic Fluid	
15	1705347	1	Decal - Warning Inspection	
16	1703984	1	Decal - Footswitch	
17	1703936	4	Decal - Danger Electrocution	
18	2080057	4	Fastener	
19	3290605	4	Nut M6	
20	4811700	8	Washer M6	
21	1703924	1	Decal - Danger/Warning (Platform)	
22	1001172217	1	Decal - Lift Diagram	
24	1001255512	2	Decal - Max Capacity	
27	1704000	2	Decal - No Hands	
28	1001131269	1	Decal - Patent	
29	3251243	1	Decal - 120V	
31	1704885	2	Decal - Website	
32	1705429	1	Decal - Drive/Steer Instructions	
33	1001223971	1	Decal - Yearly Inspection	
34	1001223453	1	Decal - Ices	
35	1703942	2	Decal - Warning/Crushing	
36	1001260939	1	Decal - Warning Tip Over Hazard	
37	1001260941	1	Decal- Cable Routing	
38	1001262795	1	Decal - Led Indicator	
39	1001262796	1	Decal - Led Indicator	
40	1001263924	1	Decal - Fuse Boxes	
41	1001125483	5	Decal - Pressure Wash	
100	1001232026	1	Decal Kit - Platform Lanyard (Not Shown)	
101	1704277	3	Decal - Attach Lanyard Here	

SECTION 8 - DECALS

FIGURE 8-5. DECAL INSTALLATION - OPTIONS



SECTION 8 - DECALS

FIGURE 8-5. DECAL INSTALLATION - OPTIONS

ITEM	PART NUMBER	QTY	DESCRIPTION	REV
	1001253598	Ref	DECAL INSTALLATION - REFERENCE CHART	E
	1001250808	Ref	DECAL INSTALLATION - OPTIONS	C
120	1001188883	Ref	Warning Stripes Installation	A
120	4420051	21.5 ft/ 6.55m	Tape, Safety	
173	1001255761	Ref	Model Decal Installation	A
173A	1001258490	1	Decal - EC450AJ	
173B	1704752	4	Decal - Max Tire Load	
205	See Note	1	Nameplate - Manufacturers Serial Number (Note: Not Available for Purchase)	
215	1001243697	Ref	JLG Logo Installation (CE Specs)	A
215	1001243698	Ref	JLG Logo Installation (ANSI, CSA and Australian Specs)	A
215A	1702774	1	Decal - JLG Lift (All Specs Except CE Specs)	
215B	1702773	AR	Decal - JLG (All Specs)	
215C	1702860	1	Decal - JLG Lift (All Specs Except CE Specs)	
245	1001127096	Ref	Decal - ClearSky	
245A	1001116208	2	Decal - ClearSky	
245B	1001120989	1	Decal - Radio Frequency	
262A	1001141300	1	Decal - SkyGuard Override	

SECTION 9 - RECOMMENED SERVICE PARTS STOCK

SECTION 9 - RECOMMENED SERVICE PARTS STOCK

SECTION 9 - RECOMMENED SERVICE PARTS STOCK

FIGURE 9-1. RECOMMENDED SERVICE PARTS STOCK

ITEM	PART NUMBER	QTY	DESCRIPTION	REV
		Ref	Note: The following list will service one machine (built to current production per date on the front cover) with emergency repair parts which can be installed in the field. Parts from the list should be replaced when inventory is depleted to keep service parts stock supplied. For further information, contact your JLG dealer or the JLG Industries Parts Department.	
		Ref	STANDARD PARTS	
	70050516	1	Coil	
	70002963	1	Coil	
	70005219	1	Coil	
	70002386	1	Coil	
	70003788	1	Coil	
	70004871	1	Coil	
	7027628	1	Coil	
	1001212415	1	Controller Assembly (Drive and Steer)	
	1001129555	1	Controller Assembly (Lift and Swing)	
	1001162663	1	Element, Filter Hydraulic	
	8229244	1	Fuse - 15Amp	
	1001170761	1	Fuse - 20Amp	
	8229245	1	Fuse - 30Amp	
	1001262472	1	Fuse - 60Amp	
	2400069	1	Fuse - 175Amp	
	2860030	1	Key, Replacement	
	1001222365	1	Relay	
	3740067	1	Relay	
	1001186431	1	Relay	
	3740086	1	Relay	
	4360387	1	Switch, Push Button	
	4360475	1	Switch, Emergency Stop	
	4360476	1	Switch, Contact Block	
	4360407	1	Switch, Potentiometer	
	1001155045	1	Switch, Toggle	
	1001159256	1	Switch, Toggle	
	1001161710	1	Switch, Toggle	
	1001172271	1	Switch, Limit	
		Ref	VARIABLE PARTS	
	2940074	1	Latch (Machines with Gate)	
	1001183213	1	Module, Ground Control	
	1001118412	1	Module, Platform Control	
	1001142683	1	Module, Control (Beacon Light)	
	1001171295	1	Relay, 50Amp (Battery Charger)	
	1001170367	1	Relay, 48Volt	
	1001119176	1	Switch, Limit (Drive Orientation)	
	1001137673	1	Switch, SkyGuard Assembly	

SECTION 10 - SPECIAL OPTIONS

SECTION 10 - SPECIAL OPTIONS

FIGURE 10-1. SPECIAL OPTIONS/ACCESSORIES/KITS

ITEM	PART NUMBER	QTY	DESCRIPTION	REV
	See Note	Ref	Note: This list is to accommodate machines ordered with special equipment. Options may not be applicable to all models. For more specific parts information contact JLG Parts Department.	
		Ref	MISCELLANEOUS SPECIAL OPTIONS	
	1001241254	Ref	Boom Angle Sensor Offset Link Kit	
	1001206438	Ref	Boom Wear Pad Kit	
	1001236123	Ref	Boom Wiper Cover Installation	
		Ref	ClearSky (Telematics) Installations (Dealer Installed)	
	1001242639	Ref	ClearSky (Telematics) Access Control Installation Kit (Dealer Installed) (ANSI, ANSI Export, CSA and CE Specs)	
	1001243183	Ref	ClearSky (Telematics) Added-on Kit (Dealer Installed) (ANSI, ANSI Export & CSA Specs)	
	1001246142	Ref	ClearSky (Telematics) Service Kit (Dealer Installed) (Australian Specs)	
	1001243184	Ref	ClearSky (Telematics) Added-on Kit (Dealer Installed) (CE Specs)	
		Ref	ClearSky Telematics (Factory Installed)	
	1001227278	Ref	ClearSky (Telematics) Installation (Factory Installed) Canbus Connection (ANSI and CSA Specs)	
	1001246433	Ref	ClearSky (Telematics) Installation (Factory Installed) 3-Wire Connection (Australian Specs) (Prior to SN C300000398)	
	1001228960	Ref	ClearSky (Telematics) Installation (Factory Installed) Canbus Connection (CE Specs) (Prior to SN C300000398)	
	1001261106	Ref	Cold Weather Package - Batteries (Prior to SN C300000327)	
	1001196012	Ref	Cylinder Bellows Installation	
	1001241342	Ref	Decal Kit - Platform Console Box	
	1001241333	Ref	Decal Kit - Platform	
	1001148902	Ref	Electrical Connector Kit - Amp/Tyco Electrical Connectors	
	1001148903	Ref	Electrical Connector Kit - Deutsch DT Electrical Connectors	
	1001148904	Ref	Electrical Connector Kit - Deutsch HD Electrical Connectors	
	1001148905	Ref	Electrical Connector Kit - Packard Electrical Connectors	
	1001148906	Ref	Electrical Connector Kit - Various Electrical Connectors	
	1001246867	Ref	Enhanced Detection System (EDS) Level 1 (2-Bar) Installation Kit	
	1001246860	Ref	Enhanced Detection System (EDS) Level 2 (3-Bar) Installation Kit	
	1001220003	Ref	Ground Control and UGM Covers Kit	
	1001241397	Ref	Hostile Environment Kit (Includes Cylinder Bellows, Platform Console Cover and Boom Wiper)	
	1001274480	Ref	Hydraulic Tank Heater Installation	
	1001286293	Ref	Kit, Beacon Strobe Repair	
	1001172001	Ref	Lights Installation - Headlights and Taillights	
	1001120466	Ref	Lights Installation - Platform Worklights	
	1580013	Ref	Platform Corner Storage Tray	
	1001214478	Ref	Platform Mesh to Mid Rail Kit - 30in x 48in Platforms (Use on Platform p/n 1001186387)	
	1001214515	Ref	Platform Mesh to Mid Rail Kit - 30in x 60in Platforms (Use on Platform p/n 1001186386)	
	1001214552	Ref	Platform Mesh to Top Rail Kit - 30in x 48in Platforms (Use on Platform p/n 1001186387)	
	1001214559	Ref	Platform Mesh to Top Rail Kit - 30in x 60in Platforms (Use on Platform p/n 1001186386)	
	1001214560	Ref	Platform Mesh to Top Rail Kit - 30in x 72in Platforms (Use on Platform p/n 1001186385)	

SECTION 10 - SPECIAL OPTIONS

ITEM	PART NUMBER	QTY	DESCRIPTION	REV
	1001239575	Ref	Platform Valve Hose Kit	
	1001250035	Ref	Platform Sensor Retrofit Kit	
	1001209059	Ref	Platform Work Surface Installation	
	1001241547	Ref	SkyEye LH Housing Retrofit Kit	
	1001241548	Ref	SkyEye RH Housing Retrofit Kit	
	1001247073	Ref	SkyEye Retrofit Kit	
	1001249052	Ref	SkyGuard Retrofit Kit	
	1001250595	Ref	SkyGuard 6 Pin Retrofit Kit	
	1001203510	Ref	SkyGuard Platform Sensor Kit	
	1001203511	Ref	SkyGuard Beacon Kit (Blue Light)	
	1001210036	Ref	SkyGuard Beacon Kit (Red Light)	
	1001232643	Ref	SkyLine Kit	
	1001252033	Ref	SkySense Enhanced Detection System (EDS) Level 1 (2-Bar) Add-on Kit (Dealer Installed)	
	1001252034	Ref	SkySense Enhanced Detection System (EDS) Level 2 (3-Bar) Add-on Kit (Dealer Installed)	
	2901443	Ref	Tools - Analyzer Kit	
	1001249695	Ref	Tools - Analyzer and Cable Kit	
	1001249941	Ref	Tools - Analyzer and Cable Kit (Battery Powered)	
	1001137005	Ref	Tools - Cable Kit, Software (Not Shown)	
	7002821	Ref	Tools - Crimper, Wire	
	7002823	Ref	Tools - Pin Extractor - Universal (For Electrical Connectors with Pins and Sockets)	
	4460510	Ref	Tools - Pin Extractor - 12-14 Gauge (For Removal of Pin/sockets from Deutsch Connectors)	
	4460467	Ref	Tools - Pin Extractor - 16-18 Gauge (For Removal of Pin/sockets from Deutsch Connectors)	
	7016654	Ref	Tools - Screwdriver, Magnetic	
	7002822	Ref	Tools - Screwdriver, Potentiometer	
	7004275	Ref	Tools - Seal Tool 1in (For Cylinders)	
	7004276	Ref	Tools - Seal Tool 1-1/2in (For Cylinders)	
	7002828	Ref	Tools - Stripper, Wire	
	1001257686	Ref	Traction Module Cooling Installation	
	1001239574	Ref	Upper Power Track Hose Kit	
	1001262959	Ref	Voltage Regulator Relocation Kit	

PART NUMBER INDEX

SECTION 10 - SPECIAL OPTIONS

0100009.....	179	0701616.....	65, 135, 137	0961948 ...	145, 147, 217, 219	1001117372.....	211
0100011....	13, 15, 17, 23, 28, 32, 35, 43, 49, 55, 63, 65, 67, 73, 75, 77, 79, 86, 89, 91, 93, 95, 97, 99, 101, 103, 105, 122, 125, 127, 129, 135, 137, 143, 145, 147, 153, 155, 169, 171, 173, 175, 203, 205, 244, 279, 321	0711014.....	17	0961949	145	100111827467, 122, 145, 155, 244	
0100019.....	17, 57, 129	0711220.....	15	0961950	13	1001118384.....	315
0100020....	141, 193, 293, 295, 297, 299, 301	0711227.....	145	0961951	55, 149, 213, 221	1001118388.....	315
0100035....	179, 183, 185	0711631.....	57	0962257	151	1001118412.....	179, 336
0100048.....	107, 179	0760405.....	28, 32	0962292	149, 225	1001118511.....	13
0100081.....	244	0760506.....	35	1001008559	260, 266	1001118518.....	13
0100083.....	86	0760512.....	103	1001008999	35	1001118519.....	13
0140011.....	179	0760607.....	35, 86	1001009205 ...	89, 91, 93, 95, 97, 99, 101	1001118878.....	271
0140043.....	86	0760608... ..	28, 32, 43, 73, 86, 89, 91, 93, 99, 101, 321	1001009102	303	1001118971.....	244
0257728.....	207	0760610... ..	35, 55, 86, 89, 91, 93, 95, 97, 99, 101, 103, 105, 125, 127, 135, 137, 141, 303, 305, 321, 325, 327, 329, 331	10010091969	299	1001118972.....	244
0275216.....	299	0760612	103	10010091970	301	100111902086, 237, 239, 317	
0275217.....	301	0760614	109, 111, 113, 115, 303	10010091973	293	1001119051.....	129
0275452.....	293	0760615	125	10010091974	295	1001119057.....	129
0275453.....	295	0760621	86	10010091975	297	1001119176.....	73, 336
0275454.....	297	0760807	23, 28, 32	10010091975	297	1001119228... ..	63, 75, 77, 79, 245
0361810.....	103	0760807	23, 28, 32	1001097051	311	1001119278.....	103
0400075.....	103	0760808	279, 321	1001097244	195, 197	1001119280.....	103, 245
0440162.....	55	0760810... ..	17, 23, 28, 35, 67, 122, 153	1001098122	193, 259, 265, 285	1001119619.....	309
0480100.....	207	0760812	32, 67, 75, 77, 79, 89, 91, 93, 95, 97, 99, 101, 122, 129, 145, 244, 279, 321	1001098828	153	1001119620.....	311, 313
0630518.....	81, 183, 185	0760814	23, 28, 32, 67, 122, 244	1001101191	293, 295, 297, 299, 301	1001120204.....	249
0630568.....	179	0760815	67, 129	1001101196	299, 301	1001120205.....	253
0630613.....	122	0760820	15	1001101197	293, 295, 297	100112032886, 203, 205, 260, 266	
0641404.....	205	0761010.....	49, 73	1001103012	258, 264	1001120466.....	338
0641405.....	179, 205	0761011.....	15, 35	1001104497	259, 265	1001120989.....	333
0641406.....	177, 199	0761012	103, 143, 244	1001104519	289	1001125483.....	325, 327, 329, 331
0641408.....	177	0761014	23, 28, 32, 67, 89, 91, 93, 95, 97, 99, 101, 122, 153	1001104850	57, 59	1001125677.....	260, 266, 286
0641410.....	125, 127	0761015.....	55, 143	1001106736	86	1001126008.....	259, 265, 275, 277, 317
0641414.....	179, 203	0761212	135, 137, 143, 147	1001107854	258, 259, 264, 265	1001126009.....	259, 265, 315
0641416....	293, 295, 297, 299, 301	0761214	35, 67, 122	1001110434	179	1001126245.....	317
0641418....	169, 171, 173, 175	0761215.....	143	1001111424	103	1001126245.....	317
0641504.....	103	0761216	23, 28, 32, 67, 153	1001112551	327	1001127096.....	333
0641514.....	207	0761218	17	1001112607	143	1001127152.....	69
0641608.....	279	0761224	67	1001112612	237, 239, 258, 264	1001128128.....	257, 258, 259, 263, 264, 265, 317
0641610.....	177	0761227	147	1001112796	237, 239, 269	1001129407.....	73
0681608.....	153	0761615	13, 147	1001113047	35	1001129408.....	117, 119
0682014.....	17	0762016	147	1001113961	257, 263	1001129555.....	336
0700408....	293, 295, 297, 299, 301	0762020.....	129	1001116208	333	1001130220.....	86
0700814....	23, 28, 32, 69	0771618.....	17	1001116550	149	1001131269.....	325, 331
0700820.....	149	0860520	325, 327, 329, 331	1001116693	285	1001133972.....	57, 61
0700827.....	244	0902317	141	1001116698	259, 265	1001135196.....	55
0700828.....	139, 244	0940048	135, 137	1001116731	269	1001137005.....	339
0700830.....	55	0940049	122	1001116732	257, 258, 259, 263, 264, 265, 317	1001137673.....	203, 336
0701012.....	129	0940071	122	1001116733	257, 258, 259, 263, 264, 265	1001138494.....	171, 173, 175
0701014.....	129	0961845	169, 171, 173, 175	1001116734	317	1001138514.....	171, 173, 175
0701015.....	135, 137	0961947	151	1001116747	257, 263	1001140429.....	169, 171, 173, 175
0701018.....	122			1001116748	255	1001141300.....	333
0701019.....	149			1001116774	237, 239	1001142683.....	109, 111, 113, 115, 336
0701020.....	149			1001116808	237, 239	1001142736.....	109, 113, 239
0701021.....	244			1001116812	241, 259, 265	1001143501.....	234
0701024.....	244			1001117012	257, 263	1001144147.....	237, 269
0701027.....	147			1001117108	258, 264	1001144295.....	86
0701217.....	13			1001117172	193	1001144433.....	203
				1001117174	179, 193		
				1001117240	103		

SECTION 10 - SPECIAL OPTIONS

1001144629 163, 165, 167	1001166539..... 179, 189	1001170763.....259, 265, 317	1001179904 122
1001145781 163, 165, 167, 171, 173, 175	1001166651..... 145	1001171216.....122	1001180035 230
1001148902 338	1001166656..... 244	1001171295.....260, 266, 317, 336	1001180056 135, 137
1001148903 338	1001166662..... 244	1001171482.....75, 77	1001180540 145
1001148904 338	1001166767..... 73	1001171553.....245	1001181621 245
1001148905 338	1001166768..... 73	1001171555.....245	1001181923 245
1001148906 338	1001166852..... 147	1001171559.....245	1001182142 234
1001150735 273	1001166853..... 147	1001171678.....103	1001182169 122
1001150889 273	1001167149..... 122	1001171679.....103	1001182561 245
1001151393 75, 77, 79	1001167159..... 122	1001171680.....103	1001182806 105
1001152155 234	1001167163..... 122	1001172001 338	1001182875 122
1001152485 305	1001167169..... 122	1001172217.....325, 327, 329, 331	1001182877 122
1001155021 257, 263	1001167312..... 303	1001172271 245, 336	1001182879 122
1001155043 75, 77, 79	1001167512..... 55	1001172760.....179	1001183171 149
1001155044 ... 75, 77, 79, 179	1001167565..... 153	1001173006.....230	1001183213 336
1001155045 ... 75, 77, 79, 179, 336	1001167567..... 153	1001173007.....234	1001184137 279
1001155967 15	1001167759..... 153	1001173027.....234	1001184206 17, 21
1001156541 255	1001167825..... 129	1001173028.....234	1001184846 258, 264
1001157466 65	1001168210..... 213	1001173034.....230	1001184853 17
1001159186 281	1001168402..... 153	1001173035.....230	1001184855 17
1001159256 ... 75, 77, 79, 179, 336	1001168472..... 244	1001173036.....230	1001185030 13
1001160859 147	1001168473..... 244	1001173037 230	1001185281 179
1001160872 147	1001169046..... 122	1001173038.....230	1001185747 245
1001161117 15	1001169058..... 41	1001173039.....230	1001185821 49, 53
1001161710 179, 336	1001169062..... 37	1001173040.....230	1001185964 257, 263
1001161716 133, 213	1001169092..... 179	1001173041.....230	1001186231 260, 266, 317
1001161717 133, 221	1001169240..... 147	1001173042.....230	1001186431 203, 336
1001161874 35	1001169241..... 147	1001173043.....230	1001186432 289, 315
1001162106 73	1001169242..... 147	1001173044.....230	1001186517 203
1001162429 327, 329	1001169246..... 143	1001173045.....230	1001187382 153
1001162534 49, 51	1001169247..... 143	1001173046.....230	1001187383 153
1001162535 155, 159	1001169249..... 135, 137	1001173048.....230	1001187674 201
1001162536 155, 157	1001169295..... 147	1001173049.....230	1001187681 309
1001162661 69	1001169296..... 147	1001173586.....139	1001187807 81, 183, 185
1001162663 69, 336	1001169297..... 147	1001173587.....139	1001188311 175
1001162667 69	1001169298..... 147	1001174040..... 153	1001188312 167
1001162807 75, 77, 79	1001169299..... 147	1001174158.....303	1001188314 173
1001162995 13	1001169300..... 147	1001174535.....67	1001188315 165
1001163178 15, 223	1001169301..... 147	1001174749..... 244, 253	1001188318 171
1001163405 15	1001169302..... 147	1001174976.....107	1001188319 163
1001163580 13, 211	1001169304..... 145	1001176469.....75, 79	1001188622 153
1001163715 15	1001169305..... 145	1001176699.....55	1001188680 321
1001163767 133, 215	1001169402..... 145	1001176848.....15	1001188844 153
1001163937 149	1001169403..... 145	1001176951.....244, 251	1001188883 333
1001164017 143, 149	1001169422..... 177, 283	1001177507.....234	1001189001 153
1001164093 13	1001169594..... 179	1001177511.....234	1001189002 153
1001164209 15	1001169823..... 55	1001177515.....234	1001189882 329
1001164709 217, 219	1001169898..... 67	1001177820.....65	1001190368 15
1001164730 244, 247	1001170018..... 122	1001177821.....65	1001190577 275, 277
1001164731 244, 249	1001170022..... 122	1001177834.....65	1001190663 105
1001164738 244, 255	1001170098..... 37	1001177896.....145	1001190913 327, 329
1001164817 211	1001170099..... 37	1001177897.....145	1001190985 153
1001165144 43, 45	1001170102..... 23, 28, 32	1001178003.....234	1001191832 122
1001165946 57	1001170131..... 129	1001178133.....147	1001192401 260, 266
1001166096 147	1001170140..... 271	1001178135.....147	1001193018 293, 295, 297, 299, 301
1001166153 39, 41	1001170226..... 145	1001178228.....127	1001195757 129
1001166155 39	1001170231..... 89, 91, 93, 95, 97, 99, 101, 135, 137	1001178448.....245	1001196012 338
1001166156 39	1001170367..... 279, 336	1001178449.....245	1001197457 241
1001166157 39	1001170375..... 155	1001178634.....43	1001200491 153
1001166208 219	1001170458..... 41	1001178636.....143, 145	1001200494 153
1001166316 86, 103	1001170459..... 41	1001178644.....245	1001201351 153
1001166538 179, 187	1001170460..... 41	1001178958.....245	1001201939 86
	1001170475..... 125	1001179228.....244	1001202687 153
	1001170483..... 23, 28, 32	1001179266.....245	1001202830 127
	1001170761..... 317, 336	1001179339.....67	1001203322 125

SECTION 10 - SPECIAL OPTIONS

1001203510.....339	1001227996..... 311, 313	1001244295 86, 281	1001251130.... 89, 91, 93, 95, 97, 99, 101
1001203511.....339	1001228215 169	1001245162 81	1001251408..... 15
1001204725..... 153	1001228224 201	1001245164 183, 185	1001252033..... 339
1001205950.....234	1001228225 201	1001246142 338	1001252034..... 339
1001205951.....234	1001228954 119	1001246144 117	1001252533..... 67
1001205952.....234	1001228960 338	1001246433 338	1001252946..... 207
1001205953.....234	1001229341 201	1001246539 67	1001252947..... 207
1001205958.....293, 295, 297	1001230931 255	1001246540 17	1001253375..... 289
1001206436..... 57	1001231886 105	1001246544 17	1001253598..... 325, 327, 329, 331, 333
1001206438..... 338	1001232026..... 325, 327, 329, 331	1001246823 79	1001253599..... 329
1001206532 180	1001232164 201	1001246859 86	1001254641..... 17
1001206625 217	1001232165 201	1001246860 338	1001254648..... 17
1001208994 153	1001232642 205	1001246867 338	1001254663..... 122
1001209059 339	1001232643 339	1001247073 339	1001254716..... 133, 219
1001209617 105	1001232650 205	1001247270 ... 89, 91, 93, 95, 97, 99, 101	1001254742..... 133, 217
1001209640..... 271	1001232667 205	1001247468 153	1001254835..... 32
1001209664..... 203	1001233139 15	1001247677 ... 89, 91, 93, 95, 97, 99, 101	1001254877..... 17
1001209677 305	1001234295 49	1001248054 23, 28	1001255013..... 279
1001209832 305	1001234800 257, 263	1001248089 23	1001255014..... 23, 28
1001210036 339	1001235011 205	1001248119 ... 23, 28, 32	1001255015..... 23, 28
1001210086 35	1001235013 205	1001248164 23, 28	1001255017..... 23, 28, 32
1001210636 197	1001236123 338	1001248173 ... 23, 28, 32	1001255018..... 23, 28, 32
1001211716..... 122	1001236552 205	1001248174 ... 23, 28, 32	1001255029..... 135
1001211717 122	1001237667 257, 263, 285	1001248177 ... 23, 28, 32	1001255031..... 137
1001212415 336	1001237668 257, 263, 285	1001248192 ... 23, 28, 32	1001255037..... 135
1001212728 129	1001237863 201, 311	1001248206 ... 23, 28, 32	1001255039..... 137
1001213447 285	1001237864 201, 313	1001248223 241	1001255045..... 135, 137, 143
1001213882 179	1001237865 201, 309	1001248224 241	1001255047..... 135, 137, 155
1001214174 17, 19	1001238254 180, 285	1001248401 69	1001255048..... 135, 137, 230
1001214478 338	1001238319 201	1001248504 279	1001255050..... 135, 137, 244
1001214515 338	1001238418 205, 315	1001248813 67, 69	1001255051..... 137, 139
1001214552 338	1001238421 153	1001249052 339	1001255053..... 143, 147
1001214559 338	1001238466 245	1001249069 241	1001255133..... 153
1001214560 338	1001238472 205	1001249236 95	1001255219..... 137, 141
1001215228 179	1001238477 205	1001249329 67	1001255511..... 325
1001216630 153	1001238495 203	1001249405 86	1001255512..... 331
1001217779..... 149, 151	1001238559 205	1001249433 122	1001255664..... 35
1001218533 63	1001238824 205	1001249434 122, 127	1001255666..... 35
1001218535 63	1001239209 ... 23, 28, 32	1001249615 69	1001255761..... 333
1001218537 63	1001239217 23, 28	1001249695 339	1001255775..... 241
1001219129 63	1001239289 ... 23, 28, 32	1001249857 67	1001255776..... 241
1001219601 86	1001239406 67	1001249941 339	1001255829..... 15, 307
1001220003 338	1001239574 339	1001250035 339	1001256076..... 15
1001220271 17	1001239575 339	1001250291 122	1001256266..... 35
1001222365.... 89, 91, 93, 95, 97, 99, 101, 336	1001241254 338	1001250343 15	1001256301..... 23, 28, 32
1001223055 325	1001241296 123, 125	1001250344 15	1001256686..... 321
1001223118 65	1001241299 123	1001250346 15	1001256687..... 321
1001223453 325, 331	1001241333 338	1001250347 15	1001256688..... 321
1001223971 331	1001241342 338	1001250422 17, 321	1001256689..... 321
1001224889 145	1001241397 338	1001250432 271, 321	1001256690..... 321
1001225557 321	1001241501 ... 89, 91, 93, 95, 97, 99, 101	1001250486 75	1001256805..... 325
1001225558 321	1001241547 339	1001250517 279	1001256850..... 86
1001225580..... 203, 289	1001241548 339	1001250518 279, 321	1001256851..... 86
1001226541 269	1001241965 205	1001250595 339	1001257316..... 279
1001226636..... 269	1001242639 338	1001250605 35	1001257445.... 89, 91, 93, 95, 97, 99, 101
1001226637 269	1001242855 109	1001250808 333	1001257572.... 89, 91, 93, 95, 97, 99, 101
1001226739..... 117, 119, 269	1001242856 113	1001250946 86	1001257686..... 339
1001226799..... 117, 119	1001242856 113	1001250947 35	1001257691..... 35
1001226872 169	1001243183 338	1001250949 234	
1001227278 338	1001243184 338	1001250950 95	
1001227633 201	1001243414 122	1001250951 55	
1001227634 201	1001243697 333	1001250967 55	
1001227985 201	1001243698 333	1001250971 43, 49	
1001227987 201	1001244294 86, 319	1001250979 35	

SECTION 10 - SPECIAL OPTIONS

1001257868 179	1001263608..... 195	1320130.....244	2220372 230, 234
1001257969 35	1001263609..... 197	1320177 139, 141	2220373 230, 234
1001257970 35	1001263849..... 86	1320223..... 103	2220374 230, 234
1001258143 23, 28	1001263920..... 29, 33	1321140..... 23, 28	2220375 234
1001258490 333	1001263924..... 325, 327, 329, 331	1321293..... 73	2220415 230, 234
1001258495 311, 313	1001263937..... 23, 29	1580012..... 199	2220435 234
1001258628 327	1001263993..... 89, 91, 93, 95, 97, 99, 101	1580013..... 338	2220465 234
1001258641 331	1001264238..... 122	1670836..... 145	2220468 230
1001258655 24, 28, 32	1001264735..... 75, 77	1684290..... 211	2220472 230
1001258966 77	1001264863..... 177	1701499..... 325, 327, 329, 331	2220499 234
1001259230 125, 127	1001265027..... 177, 179	1701500..... 325, 327, 329, 331	2220501 234
1001259476 81	1001265029..... 83	1701504..... 325, 327, 329, 331	2220577 230
1001259477 183, 185	1001265145..... 83, 185	1701509..... 325, 327, 329, 331	2220582 230, 234
1001259491 183, 185	1001265227..... 277, 321	1701518..... 327, 329	2220600 234
1001259492 81	1001265228..... 275, 321	1701529..... 325, 327, 329, 331	2220603 234
1001259504 81, 183	1001265229..... 321	1701518..... 327, 329	2220628 230
1001260297 79	1001265230..... 321	1701529..... 325, 327, 329, 331	2220747 141
1001260298 79	1001265288..... 75	1701691..... 35, 122	2220750 141
1001260299 79	1001265289..... 77	1701529..... 325, 327, 329, 331	2220829 141
1001260306 245	1001265414..... 177, 291	1702300..... 325, 327, 329, 331	2220883 211, 234
1001260534 ... 89, 91, 93, 95, 97, 99, 101	1001265415..... 79, 273	1702565..... 179	2220923 234
1001260661 24, 28	1001265843... 89, 91, 93, 95, 97, 99, 101	1702566..... 179	2220940 230
1001260788 259, 265	1001270412... 89, 91, 93, 95, 97, 99, 101	1702567..... 179	2220998 234
1001260939 325, 327, 329, 331	1001270414... 89, 91, 93, 95, 97, 99, 101	1702773..... 329, 333	2221033 234
1001260941 325, 327, 329, 331	1001270594..... 107	1702774..... 333	2221037 139
1001261106 338	1001271497..... 285	1702860..... 333	2221086 157, 234
1001261107 29, 32	1001272671..... 133, 225	1702868..... 325	2230025 230
1001261108 29, 32	1001272681..... 109, 111	1702868..... 325	2400044 23, 28
1001261109 29, 32	1001272682..... 113, 115	1703687 325, 327, 329, 331	2400060 285
1001261110 29, 32	1001273650..... 133, 135, 137	1703797 325	2400066 257, 263
1001261111 29, 32	1001274315..... 33	1703804 325	2400069 ... 23, 28, 32, 336
1001261112 29, 32	1001274320..... 33	1703805..... 325	2540020 ... 107, 109, 111, 113, 115
1001261116 29, 32	1001274321..... 33	1703924..... 331	2560136 179
1001261256 24, 29	1001274322..... 33	1703936..... 331	2560187 125, 127
1001261257 279	1001274323..... 33	1703942..... 331	2600281 ... 163, 165, 167
1001262061 97	1001274324..... 33	1703948..... 331	2752519 234
1001262062 99	1001274325..... 33	1703953..... 325	2820031 244, 251
1001262063 101	1001274326..... 33	1703984..... 331	2820247 311, 313
1001262064 91	1001274327..... 33	1704000..... 331	2860030 ... 75, 77, 79, 336
1001262065 93	1001274480..... 338	1704125..... 141	2900770 213, 225
1001262066 89	1001274559..... 179	1704260..... 179	2900792 215
1001262067 97	1001276626..... 109, 111, 113, 115	1704277 325, 327, 329, 331	2901443 339
1001262387 ... 89, 91, 93, 95, 97, 99, 101	1001277185..... 107	1704412..... 325, 327, 329, 331	2902266 211
1001262434 ... 23, 29, 32	1001283207..... 28	1704752..... 333	2902549 303
1001262467 ... 89, 91, 93, 95, 97, 99, 101	1001284340..... 86	1704885..... 325, 327, 331	2940074 ... 163, 165, 167, 336
1001262472 ... 89, 91, 93, 95, 97, 99, 101, 336	1001286293..... 338	1705325..... 299	2940173 125, 127
1001262473 ... 89, 91, 93, 95, 97, 99, 101	1001286733..... 33	1705336..... 325	3020008 17
1001262597 86, 257	1001286738..... 86, 263	1705347..... 331	3020037 17
1001262598 317, 321	1001286932..... 119	1705351..... 325	3020039 17
1001262599 ... 23, 29, 32, 241	1001286934..... 111	1705429..... 331	3160252 67, 71
1001262795 325, 327, 329, 331	1001286935..... 115	1705822..... 327, 329	3251242 ... 293, 295, 297, 301
1001262796 325, 327, 329, 331	1001286936..... 111, 115, 237	1705828..... 327, 329	3251243 325, 331
1001262959 339	1001286961..... 117	1705961..... 327, 329	3252347 325
1001262979 ... 89, 91, 93, 95, 97, 99, 101	1001287650..... 32	183035-1..... 241	3290405 ... 23, 28, 35, 73, 107, 109, 111, 113, 115, 195, 197, 244, 293, 295, 297, 299, 301, 303
1001262980 ... 89, 91, 93, 95, 97, 99, 101	1001287811..... 33	2080040 ... 141, 163, 165, 167, 303, 305	3290501 103
	1060379 207	2080057 ... 325, 327, 329, 331	3290505 ... 23, 28, 89, 91, 93, 95, 97, 99, 101, 103, 279
	1060461 249, 253	2160001 57	3290601 ... 23, 28, 32, 86, 103, 105, 125, 127, 321
	1060918 193	2220239..... 69	
	1320043 ... 89, 91, 93, 99, 101	2220240..... 69	
		2220371 230, 234	

SECTION 10 - SPECIAL OPTIONS

3290605...55, 73, 86, 103, 109, 111, 113, 115, 135, 137, 141, 244, 271, 303, 305, 325, 327, 329, 331	3960417 ... 23, 29, 33, 35 4010405 303 4010418 244 4010618 ... 171, 173, 175 4031505 201 4031507 ... 32, 86, 89, 91, 93, 95, 97, 99, 101 4031509 ... 107, 109, 111, 113, 115 4031511 244 4031512 73 4031516 205 4031607 23, 28, 32 4031707 ... 28, 32, 89, 91, 93, 95, 97, 99, 101, 321 4031708 ... 89, 91, 93, 95, 97, 99, 101 4031710 ... 89, 91, 93, 95, 97, 99, 101 4031920 17 4060806 63 4060808 244 4070897 145 4070898 145 4071101 13 4160182 122 4240018 ... 23, 28, 32, 86, 230, 234, 321 4240032 ... 107, 109, 111, 113, 115, 117, 119 4240033 ... 201, 203, 205 4240084 17 4240099 179 4240156 244 4360387 75, 79, 179, 336 4360407 179, 336 4360469 75, 77, 79 4360475 ... 75, 77, 79, 336 4360476 . 75, 77, 79, 179, 336 4420051 333 4420062 207 4460042 257, 263 4460071 193 4460115 257, 263 4460138 91 4460183 285 4460225 285 4460226 ... 187, 190, 193 4460227 ... 258, 259, 264, 265, 285 4460234 ... 107, 117, 119, 179 4460247 258, 264 4460259 ... 257, 263, 281, 283, 285 4460260 ... 257, 263, 281, 283, 285 4460265 187, 190 4460267 285 4460268 319 4460312 258, 264 4460313 257, 263 4460374 ... 257, 259, 263, 265, 317 4460418 281, 285 4460419 281, 285	4460424 319 4460428 179 4460434 285 4460458 257, 263 4460464 73, 109, 111, 113, 115, 193, 237, 239, 241, 251, 255, 257, 258, 263, 264, 269, 273, 275, 283, 285, 289, 315, 317, 319 4460465 ... 105, 107, 237, 239, 247, 255, 257, 258, 259, 260, 263, 264, 265, 266, 269, 277, 283, 285, 289, 291, 307, 317, 319 4460466 86, 201, 237, 239, 241, 245, 247, 251, 255, 257, 258, 259, 260, 263, 264, 265, 266, 269, 273, 283, 285, 289, 309, 315, 317, 319 4460467 339 4460470 179 4460471 179 4460473 ... 244, 247, 258, 264 4460488 ... 109, 111, 113, 115 4460496 86 4460497 86 4460508 ... 201, 251, 258, 264, 283, 285 4460509 247, 258, 264 4460510 339 4460516 21 4460518 ... 237, 239, 259, 265 4460536 86, 285, 317 4460539 ... 259, 260, 265, 266, 285, 307, 319 4460670 260, 265 4460703 ... 275, 277, 307, 317 4460708 285 4460746 ... 257, 259, 263, 265 4460748 257, 263 4460754 319 4460761 ... 258, 259, 264, 265, 285 4460789 257, 263 4460805 93 4460806 293, 295 4460836 258, 264 4460837 86, 260, 266 4460865 ... 244, 247, 258, 264 4460866 ... 244, 251, 285 4460871 ... 105, 257, 258, 263, 264, 273, 281, 285, 317, 319 4460872 319 4460873 ... 257, 263, 273, 285, 317 4460874 258, 264, 285	4460875.....285, 319 4460876.....281 4460878.....257, 263 4460879.....285 4460884....255, 258, 259, 264, 265, 289, 317 4460887....257, 263, 285 4460891....105, 107, 237, 239, 255, 259, 265, 291, 317, 319 4460894.....86, 257, 258, 259, 263, 264, 265, 269, 285, 291 4460897....109, 111, 113, 115, 257, 263 4460899....255, 273, 283, 289, 309, 315, 317, 319 4460905....257, 258, 263, 264, 273, 281, 285, 317, 319 4460908.....259, 265 4460909.....259, 265 4460910....260, 266, 313 4460911....258, 264, 309 4460914....89, 91, 93, 95, 97, 99, 101 4460918.....258, 264 4460928.....237, 239 4460930.....277, 317 4460931.....275, 317 4460933....237, 239, 257, 260, 263, 266, 285, 317 4460941.....309 4460942....201, 258, 264 4460943.....86, 258, 264, 309, 317 4460944....241, 258, 259, 260, 264, 265, 266, 307, 317 4460945.....260, 266 4460966....260, 265, 266 4460970.....241, 285 4461012.....195 4461018.....258, 264 4461070.....239 4461077.....309, 315 4461095.....237, 239 4461128....241, 259, 265 4461205.....99, 101 4461228.....259, 265 4461229.....259, 265 4461271.....257, 263 4520608.....39 4640509.....215 4640771.....225 4640858.....211 4641122.....39, 41 4641129.....45 4641390.....217, 219 4711400....125, 127, 169, 171, 173, 175, 203, 205, 293, 295, 297, 299, 301 4711500.....103, 122 4711600.....177, 180 4740086.....15 4740158.....13
--	---	---	---

SECTION 10 - SPECIAL OPTIONS

4740229.....	13	5261200.....	55	70004756.....	189	70005143.....	215
4740362.....	177	5271609.....	279	70004757.....	189	70005150.....	223
4740397.....	180	5272114.....	57	70004758.....	189	70005151.....	223
4750800.....	245	5281920.....	244	70004759.....	189	70005152.....	223
4751400....	177, 179, 199	70000088.....	59	70004760.....	189	70005153.....	223
4751500.....	207	70000089.....	59	70004761.....	189	70005154.....	223
4761000.....	103	70000100.....	159	70004762.....	189	70005155.....	215
4761400.....	199	70000342.....	151	70004763.....	189	70005156.....	215
4761600.....	279	70000865.....	61	70004764.....	189	70005157.....	215
4811400... 23, 28, 35, 73,		70002206.....	59	70004765.....	189	70005158.....	215
86, 89, 91, 93, 95, 97,		70002207.....	59	70004766.....	189	70005159.....	215
99, 101, 107, 109, 111,		70002335.....	215	70004767.....	189	70005160.....	215
113, 115, 195, 197,		70002371.....	215	70004768.....	189	70005217.....	51
244, 293, 295, 297,		70002373.....	215	70004769.....	189	70005218.....	51
299, 301		70002386... 51, 217, 219,		70004770.....	189	70005219.....	51, 336
4811600... 23, 28, 35, 89,		336		70004771.....	189	70005243.....	157
91, 93, 95, 97, 99, 101,		70002413.....	213	70004772.....	189	70005385.....	21
103, 279		70002649.....	61	70004773.....	189	70005387.....	21
4811700... 23, 28, 32, 35,		70002651.....	61	70004774.....	190	70005388.....	21
55, 73, 86, 89, 91, 93,		70002842.....	211	70004775.....	190	70005389.....	21
95, 97, 99, 101, 103,		70002902.....	193	70004787.....	45	70005390.....	21
105, 109, 111, 113,		70002903.....	193	70004788.....	45	70005391.....	21
115, 125, 127, 135,		70002904.....	193	70004789.....	45	70005392.....	21
137, 171, 173, 175,		70002905.....	193	70004809.....	21	70005393.....	21
271, 303, 305, 321,		70002963.....	45, 336	70004811.....	21	70005394.....	21
325, 327, 329, 331		70003612.....	53	70004820.....	21	70005395.....	21
4811702 43, 86, 103, 141,		70003788... 51, 217, 336		70004864.....	159	70005396.....	21
303, 305, 321		70003837.....	213, 221	70004865.....	159	70005397.....	21
4811900... 15, 17, 23, 28,		70003838.....	213, 221	70004866.....	159	70005400.....	21
32, 35, 43, 55, 67, 69,		70003977.....	51	70004867.....	157, 159	70005401.....	21
75, 77, 79, 89, 91, 93,		70004000.....	53	70004868.....	159	70005402.....	21
95, 97, 99, 101, 122,		70004013.....	53	70004869.....	157, 159	70005403.....	21
129, 139, 153, 244		70004014.....	53	70004871... 157, 159, 336		70005404.....	21
4811902.....	17, 145, 149,	70004249.....	61	70004873.....	157	70005405.....	21
244		70004250.....	61	70004875.....	159	70005406.....	21
4812000... 17, 23, 28, 32,		70004251.....	61	70005010.....	213	70005407.....	21
35, 49, 55, 67, 73, 89,		70004252.....	61	70005011.....	213	70005408.....	21
91, 93, 95, 97, 99, 101,		70004253.....	61	70005012.....	213, 221	70005410.....	21
103, 122, 125, 127,		70004254.....	61	70005013.....	213, 221	70005412.....	21
129, 135, 137, 139,		70004255.....	61	70005014.....	213, 221	70005685.....	21
143, 145, 147, 153, 244		70004256.....	61	70005016.....	213, 221	70005686.....	21
4812002.....	73, 122	70004257.....	61	70005017.....	221	70005687.....	21
4812100. 17, 35, 67, 122,		70004258.....	61	70005018.....	221	70005688.....	21
147, 153		70004259.....	61	70005065.....	53	70005689.....	21
4812102.. 23, 28, 32, 122		70004260.....	61	70005066.....	53	70006104.....	217
4812300.....	65	70004261.....	61	70005067.....	53	70006105.....	217
4845582.....	207	70004262.....	61	70005068.....	53	70006256.....	145
4846689.....	149	70004263.....	61	70005069.....	51	70006271.....	145
4891600.....	122, 153	70004267.....	53	70005071.....	51	70006660.....	159
4892000.....	17	70004738.....	187	70005076.....	51	70006970.....	157
4892600001.....	153	70004739.....	187	70005080.....	51	70007360.....	225
5240800.....	67	70004740.....	187	70005082.....	51	70007886.....	219
5241200. 13, 15, 57, 145,		70004741.....	187	70005084.....	51	70007887.....	219
153		70004742.....	187	70005085.....	51	70007888.....	219
5241600.....	17, 57	70004743.....	187	70005087.....	51	70007889.....	219
5250608.....	86	70004744.....	187	70005088.....	51	70007890.....	219
5250808.....	43	70004745.....	187	70005089.....	51	70007891.....	217
5250810.. 75, 77, 79, 155		70004746.....	187	70005090.....	51	70007892.....	217
5250812.....	35, 63, 245	70004747.....	187	70005092.....	51	70007893.....	217
5251008.....	153	70004748.....	187	70005094.....	51	70007894.....	217
5251009.....	145	70004749.....	187	70005095.....	51	70007895.....	217
5251010.....	49, 145, 155	70004750.....	187	70005096.....	51	70007896.....	225
5251012.....	13, 145	70004751.....	187	70005097.....	51	70007897.....	225
5251014.....	122, 244	70004752.....	189	70005098.....	51	70007898.....	225
5251016.....	153	70004753.....	189	70005099.....	51	70007899.....	225
5251215.....	55	70004754.....	189	70005100.....	51	70007900.....	225
5260800....	63, 75, 77, 79	70004755.....	189	70005139.....	53	70008280.....	225

SECTION 10 - SPECIAL OPTIONS

70023370.....	215	7017172.....	151	7023272.....	71	7027625.....	159
70024262.....	213	7017192.....	151	7023318.....	59	7027628.....	159, 336
70025619.....	213	7017195.....	151	7023900.....	51	80963067.....	257, 263
70025959.....	221	7017408.....	45	7023936.....	51	8220022.....	259, 265
7002821.....	339	7017455.....	45	7024379.....	59	8220045.....	259, 265, 317
7002822.....	339	7017463.....	45	7024380.....	59	8220079.....	257, 263
7002823.....	339	7017467.....	217	7024381.....	59	8220125.....	257, 263
7002828.....	339	7017496.....	217, 219	7024389.....	59	8229244.....	259, 265, 336
7004035.....	59	7020033.....	19	7024390.....	59	8229245.....	257, 263, 336
7004036.....	59	7020035.....	19	7024441.....	69	8310070.....	245
7004043.....	59	7020036.....	19	7024453.....	59	8310559.....	89, 91, 93, 95, 97, 99, 101
7004044.....	59	7020037.....	19	7026042.....	61	8310612.....	23, 28
7004045.....	59	7020038.....	19	7026043.....	61	8310614.....	73
7004047.....	59	7020039.....	19	7026044.....	61	8310668.....	145
7004049.....	59	7020040.....	19	7026045.....	61	8310686.....	35, 122
7004275.....	339	7020041.....	19	7026046.....	61	8406105.....	139, 141
7004276.....	339	7020175...75, 77, 79, 179		7026047.....	61	86683122.....	32
70050516.....	45, 336	7020176...75, 77, 79, 179		7026048.....	61	8760477.....	230
7012540.....	45	7020291.....	71	7026049.....	61	8760554.....	234
7012545.....	71	7020292.....	71	7026050.....	61	8770289.....	230
7012548.....	71	7020293.....	71	7026051.....	61	88662523.....	122
7012549.....	71	7020294.....	71	7026052.....	61	8881800.....	73, 244
7012907.....	45	7020295.....	71	7026053.....	61	91164057.....	51
7012967.....	219	7020296.....	71	7026057.....	61	91164059.....	51
7012998.....	45, 217	7020297.....	71	7026330.....	53	91164079.....	51
7016654.....	339	7020298.....	71	7027350.....	61	91203039.....	153
7017142.....	151	7020299.....	71	7027351.....	61	E900051.....	95, 97
7017159.....	151	7021653.....	45	7027352.....	61		
7017162.....	151	7022390.....	51, 217	7027353.....	61		
7017163.....	151	7022399.....	51	7027354.....	61		
7017164.....	151	7023200.....	71	7027356.....	61		



**Corporate Office
JLG Industries, Inc.
1 JLG Drive
McConnellsburg, PA 17233-9533 USA
☎ (717) 485-5161 (Corporate)
☎ (877) 554-5438 (Customer Support)
📠 (717) 485-6417**

**Visit our website for JLG Worldwide Locations.
www.jlg.com**



OSHKOSH™