



Illustrated Parts Manual

Model EC520AJ

SN C300000326 to C300000700

P/N
31219190
July 14, 2023 - Rev C

CE
UK
CA

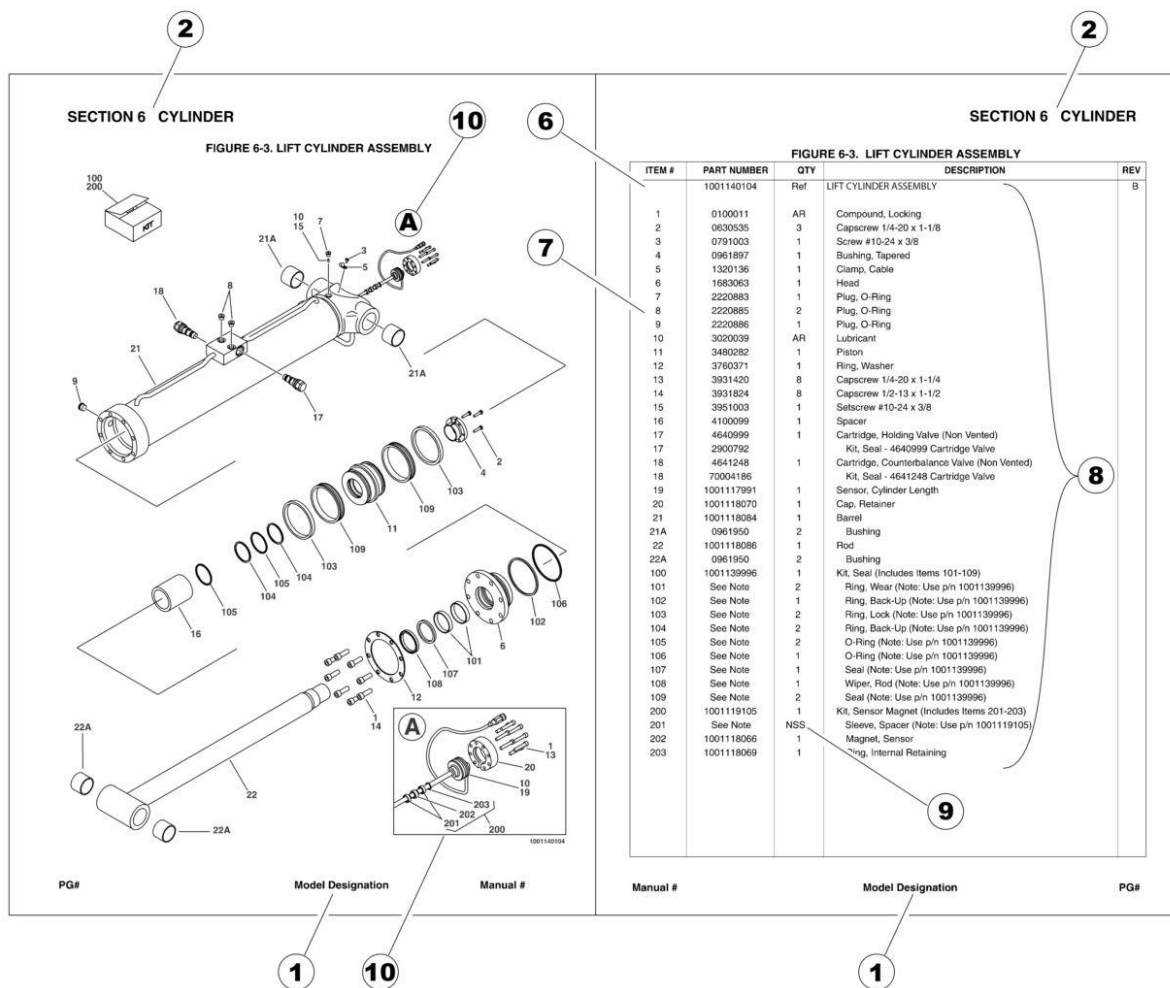


An Oshkosh Corporation Company

REVISION LOG

January 1, 2022 – A – Original Issue of Manual (Edited to 1001250808 Revision G)
December 15, 2022 – B – Revised Manual (Edited to 1001250808 Revision K)
July 14, 2023 - C - Revised Manual (Edited to B/M 1001250808 Revision K)

GENERAL INFORMATION



1) MACHINE IDENTIFICATION

Machines are identified by model and in some cases a combination of models, serial number (SN) or regional standard (i.e ANSI, CE, CSA). Components may also be identified by SN or manufacturer. Common components that may be identified by these characteristics are engines and hydraulic components.

2) PARTS MANUAL ORGANIZATION

Product information in this manual is organized under section titles. Frame, Cylinder, Hydraulic and Electrical are a few examples. Each section is organized by figure and page number. The information within the Figure is then organized by item number, part number, description and corresponding illustration (s).

3) TABLE OF CONTENTS (NOT SHOWN)

A table of contents is found toward the beginning of the manual. Figure number, description and page number are provided for quick reference to the page containing the related information.

4) RECOMMENDED SPARE PARTS (NOT SHOWN)

The Recommended Spare Parts List, located near the end of the manual, reference most frequently used maintenance parts.

5) PART NUMBER INDEX (NOT SHOWN)

A numerical index listing all part numbers and the corresponding page number(s) appears at the back of the manual.

GENERAL INFORMATION

6) NON-SERVICED PARTS

In some instances, it is necessary to display non-serviced parts, assemblies or installations. In the case of assemblies and installations there will be a Ref in the Qty. column. In case of parts that are not available for service within assemblies or components, there will be a NSS (Not Sold Separately) or NLA (No Longer Available) listed in the Qty. column of the manual.

7) PARTS LIST ITEM NUMBERS

Numbers shown in the item# column correspond to numbers used in the associated illustration (s). Item numbers which are missing from the sequence in the parts list are not used on that page.

8) INDENTED PARTS DESCRIPTION

An indented part description is included in the item under which it is indented.

9) ABBREVIATION AND SYMBOLS

AC.....	Alternating Current	L.....	Liter
ADE.....	Advanced Design Electronics	LB(LBS).....	Pounds
AG.....	Agricultural	LCD.....	Liquid Crystal Display
ANSI.....	American National Standards Institute	LED.....	Light Emitting Diodes
AR.....	As Required	LH.....	Left Hand
ASSY.....	Assembly	LRC.....	Low Rated Countries
AUS.....	Australia	LSS.....	Load Sensing System
AUX.....	Auxiliary	M(m).....	Metric/Meter
AWG.....	American Wire Gauge	MM(mm).....	Milimeter
B/M.....	Bill of Material	mA.....	Miliamps
CAC.....	Charge Air Cooler	NLA.....	No Longer Available
CE.....	European Conformity	NPT.....	National Pipe Threads
CCW.....	Counter Clockwise	NSS.....	Not Sold Separately
CM.....	Centimeter	OD.....	Outside Diameter
CW.....	Clockwise	ORB.....	O-Ring Boss
CSA.....	Canadian Standards Association	ORFS.....	O-Ring Face Seal
CYL.....	Cylinder	OZ (oz).....	Ounces
DIA.....	Diameter	PG.....	Page
DC.....	Direct Current	PN.....	Part Number
DEF.....	Diesel Exhaust Fluid	QT(qt.).....	Quarts
EMS.....	Emergency Stop	QTY.....	Quantity
ENG.....	Engine	REF.....	Reference
FT(ft).....	Feet	REV.....	Revision Level
GA(Ga).....	Gauge	RH.....	Right Hand
HRC.....	High Rated Countries	SAE.....	Society of Automotive Engineers
HVAC.....	Heating, Ventilating, and Air Conditioning	SN.....	Serial Number
HYD.....	Hydraulic	SPEC(S).....	Specifications
Hz.....	Hertz	T/T.....	Turntable
ID.....	Inside Diameter	UGM.....	Universal Ground Module
IN.....	inches	V.....	Volts
ISO.....	International Organization for Standards	W.....	Watts
JIC.....	Joint Industry Council	#.....	Number
KG.....	Kilogram		

10) ILLUSTRATION REFERENCE LETTERS

When necessary, illustrations may contain reference letters that are intended to track information (i. e. hoses, harnesses) from one point to another or to track visual enlargement of components to show details that may be located in another area on the illustration.

Note: Due to continuous product improvements, JLG Industries, Inc. reserves the right to make specification changes without prior notification. Contact JLG Industries, Inc. for updated information.

TABLE OF CONTENTS

SECTION 1 - FRAME.....	11
FIGURE 1-1. AXLE INSTALLATION	12
FIGURE 1-2. STEER INSTALLATION.....	14
FIGURE 1-3. WHEEL DRIVE INSTALLATION (2WD) (SN C300000326 through C300000699)	16
FIGURE 1-4. HUB - SPINDLE ASSEMBLY.....	18
FIGURE 1-5. DRIVE MOTOR ASSEMBLY	20
FIGURE 1-6. BATTERY INSTALLATION (4 BATTERIES) (Prior to SN C300000501).....	22
FIGURE 1-7. BATTERY INSTALLATION (4 BATTERIES) (SN C300000326 through C300000699)	26
FIGURE 1-8. BATTERY INSTALLATION (6 BATTERIES) (SN C300000326 through C300000699)	30
FIGURE 1-9. FRAME SHIELD INSTALLATION (SN C300000326 through C300000699).....	34
FIGURE 1-10. TIRE AND WHEEL INSTALLATION - 33 X 12-20 SOLID NON-MARKING	36
FIGURE 1-11. TIRE AND WHEEL INSTALLATION - 315/55 D20 FOAM FILLED	38
FIGURE 1-12. TIRE AND WHEEL INSTALLATION - 315/55 D20 FOAM FILLED NON-MARKING	40
FIGURE 1-13. CONTROL VALVES INSTALLATION - FRAME MOUNTED	42
FIGURE 1-14. OSCILLATING AXLE VALVE ASSEMBLY	44
SECTION 2 - TURNTABLE	47
FIGURE 2-1. CONTROL VALVES INSTALLATION - TURNTABLE MOUNTED.....	48
FIGURE 2-2. MAIN VALVE ASSEMBLY	50
FIGURE 2-3. AUXILIARY PUMP ASSEMBLY.....	52
FIGURE 2-4. ENCLOSURE INSTALLATION (SN C300000326 through C300000699)	54
FIGURE 2-5. SWING DRIVE AND TURNTABLE BEARING INSTALLATION.....	56
FIGURE 2-6. SWING MOTOR ASSEMBLY	58
FIGURE 2-7. TURNTABLE BEARING ASSEMBLY	60
FIGURE 2-8. TURNTABLE COVERS INSTALLATION	62
FIGURE 2-9. TURNTABLE LOCK INSTALLATION.....	64
FIGURE 2-10. TANK AND PUMPS INSTALLATION.....	66
FIGURE 2-11. HYDRAULIC TANK INSTALLATION	68
FIGURE 2-12. MOTOR ASSEMBLY	70
FIGURE 2-13. DRIVE ORIENTATION INSTALLATION	72
FIGURE 2-14. GROUND CONTROL ASSEMBLY (SN C300000326 through C300000699).....	74
FIGURE 2-15. GROUND CONTROL ASSEMBLY (ANSI, AUSTRALIAN AND CSA SPECS) (SN C300000326 through C300000699).....	76
FIGURE 2-16. GROUND CONTROL ASSEMBLY - WITH 4 INCH DISPLAY (CE & UK CA SPECS).....	78
FIGURE 2-17. LIGHT PANEL INSTALLATION – GROUND CONTROL (SN C300000326 through C300000699).....	80
FIGURE 2-18. LIGHT PANEL INSTALLATION – GROUND CONTROL (CE & UK CA SPECS ONLY).....	82
FIGURE 2-19. ELECTRICAL SYSTEM INSTALLATION (SN C300000326 through C300000699)	84
FIGURE 2-20. BATTERY CHARGER INSTALLATION – WITH NO PLUG (SN C300000326 through C300000699).....	88
FIGURE 2-21. BATTERY CHARGER INSTALLATION - 220V (AUSTRALIAN SPECS) (SN C300000326 through C300000699).....	90
FIGURE 2-22. BATTERY CHARGER INSTALLATION – WITH 230 IEC PLUG (CE & UK CA SPECS) (SN C300000326 through C300000699).....	92
FIGURE 2-23. BATTERY CHARGER INSTALLATION – WITH 110V IEC PLUG (YELLOW) (CE & UK CA SPECS) (SN C300000326 through C300000699)	94
FIGURE 2-24. BATTERY CHARGER INSTALLATION - WITH CEE7 PLUG (CE & UK CA SPECS) (SN C300000326 through C300000699).....	96
FIGURE 2-25. BATTERY CHARGER INSTALLATION - WITH ASFINTEY KEYED PLUG (CE & UK CA SPECS) (SN C300000326 through C300000699).....	98
FIGURE 2-26. BATTERY CHARGER INSTALLATION - WITH 110V PLUG (ANSI AND CSA SPECS) (SN C300000326 through C300000699).....	100
FIGURE 2-27. BATTERY AND CABLE INSTALLATION.....	102
FIGURE 2-28. ALARM WHITE NOISE INSTALLATION.....	104
FIGURE 2-29. BEACON LIGHT INSTALLATION - AMBER (Prior to SN C300000398).....	106
FIGURE 2-30. BEACON LIGHT INSTALLATION - BLUE (SN C300000398 to Present)	108
FIGURE 2-31. BEACON LIGHT INSTALLATION - BLUE (SN C300000398 to Present)	110
FIGURE 2-32. BEACON LIGHT INSTALLATION - RED (SN C300000398 to Present)	112
FIGURE 2-33. BEACON LIGHT INSTALLATION - RED	114
FIGURE 2-34. HOODS INSTALLATION (SN C300000326 through C300000699)	116
FIGURE 2-35. HOOD ASSEMBLY - TANK SIDE	120
FIGURE 2-36. HOOD ASSEMBLY - ENGINE SIDE.....	122
FIGURE 2-37. COVERS INSTALLATION - COUNTERWEIGHT	124
FIGURE 2-38. CLEARSKY INSTALLATION - AUSTRALIAN SPEC	126
FIGURE 2-39. CLEARSKY INSTALLATION - CE SPEC.....	128
SECTION 3 - BOOM	131

TABLE OF CONTENTS

FIGURE 3-1. CYLINDERS INSTALLATION.....	132
FIGURE 3-2. BOOM INSTALLATION - WITHOUT AIRLINES	134
FIGURE 3-3. BOOM INSTALLATION - WITH AIRLINE	136
FIGURE 3-4. BOOM AIRLINE INSTALLATION	138
FIGURE 3-5. AIRLINE FITTINGS INSTALLATION	140
FIGURE 3-6. MAIN BOOM INSTALLATION	142
FIGURE 3-7. MAIN BOOM ASSEMBLY	144
FIGURE 3-8. TOWER BOOM ASSEMBLY	146
FIGURE 3-9. JIB INSTALLATION	148
FIGURE 3-10. ROTATOR ASSEMBLY	150
FIGURE 3-11. PLATFORM SUPPORT INSTALLATION	152
FIGURE 3-12. BOOM VALVES INSTALLATION	154
FIGURE 3-13. BOOM VALVE ASSEMBLY	156
FIGURE 3-14. UPRIGHT VALVE ASSEMBLY	158
 SECTION 4 - PLATFORM	 161
FIGURE 4-1. PLATFORM ASSEMBLY - 30IN X 4FT (76CM X 1.22M) - SIDE GATE ENTRY	162
FIGURE 4-2. PLATFORM ASSEMBLY - 30IN X 5FT (76CM X 1.52M) - SIDE GATE ENTRY	164
FIGURE 4-3. PLATFORM ASSEMBLY - 30IN X 6FT (76CM X 1.83M) - SIDE GATE ENTRY	166
FIGURE 4-4. PLATFORM ASSEMBLY - 30IN X 3FT (76CM X .91M) - DROP BAR ENTRY	168
FIGURE 4-5. PLATFORM ASSEMBLY - 30IN X 4FT (76CM X 1.22M) - WITH DROP BAR	170
FIGURE 4-6. PLATFORM ASSEMBLY - 30IN X 5FT (76CM X 1.52M) - WITH DROP BAR	172
FIGURE 4-7. PLATFORM ASSEMBLY - 30IN X 6FT (76CM X 1.83M) - WITH DROP BAR	174
FIGURE 4-8. CONSOLE BOX INSTALLATION - WITH SKYGUARD	176
FIGURE 4-9. PLATFORM CONSOLE BOX ASSEMBLY - WITH SKYGUARD	178
FIGURE 4-10. LIGHT PANEL INSTALLATION - PLATFORM CONTROL	182
FIGURE 4-11. LIGHT PANEL INSTALLATION - PLATFORM CONTROL	184
FIGURE 4-12. CONTROLLER ASSEMBLY - DRIVE AND STEER	186
FIGURE 4-13. CONTROLLER ASSEMBLY - LIFT AND SWING	188
FIGURE 4-14. FOOTSWITCH ASSEMBLY	192
FIGURE 4-15. PLATFORM CHARGER (12V)	194
FIGURE 4-16. PLATFORM CHARGER (USB)	196
FIGURE 4-17. TRAY ASSEMBLY	198
FIGURE 4-18. SKYEYE INSTALLATION	200
FIGURE 4-19. SKYGUARD BAR INSTALLATION	202
FIGURE 4-20. SKYLINE INSTALLATION	204
FIGURE 4-21. PIPE RACK INSTALLATION (Prior to SN C300000330)	206
 SECTION 5 - CYLINDER	 209
FIGURE 5-1. AXLE LOCKOUT CYLINDER ASSEMBLY	210
FIGURE 5-2. LEVEL (PLATFORM SLAVE) CYLINDER ASSEMBLY	212
FIGURE 5-3. LIFT CYLINDER ASSEMBLY - JIB	214
FIGURE 5-4. LIFT CYLINDER ASSEMBLY - MAIN BOOM	216
FIGURE 5-5. LIFT CYLINDER ASSEMBLY - TOWER BOOM	218
FIGURE 5-6. MASTER CYLINDER ASSEMBLY	220
FIGURE 5-7. STEER CYLINDER ASSEMBLY	222
FIGURE 5-8. TELESCOPE CYLINDER ASSEMBLY	224
 SECTION 6 - HYDRAULIC	 227
FIGURE 6-1. BOOM HYDRAULIC SYSTEM INSTALLATION	228
FIGURE 6-2. CHASSIS HYDRAULIC SYSTEM INSTALLATION	232
 SECTION 7 - ELECTRICAL	 235
FIGURE 7-1. CLEARSKY BEACON LIGHT HARNESS	236
FIGURE 7-2. BEACON LIGHT HARNESS	238
FIGURE 7-3. BMS HARNESS	240
FIGURE 7-4. BOOM CABLES AND CLAMPS (Prior to SN C300000185)	242
FIGURE 7-5. BOOM CABLES AND CLAMPS (SN C300000185 to Present)	246
FIGURE 7-6. BOOM HARNESS - MAIN BOOM	250
FIGURE 7-7. BOOM HARNESS - MAIN BOOM AC CABLE	252
FIGURE 7-8. BOOM HARNESS - TOWER BOOM	254
FIGURE 7-9. BOOM HARNESS - TOWER BOOM AC CABLE	256
FIGURE 7-10. BOOM VALVE HARNESS	258

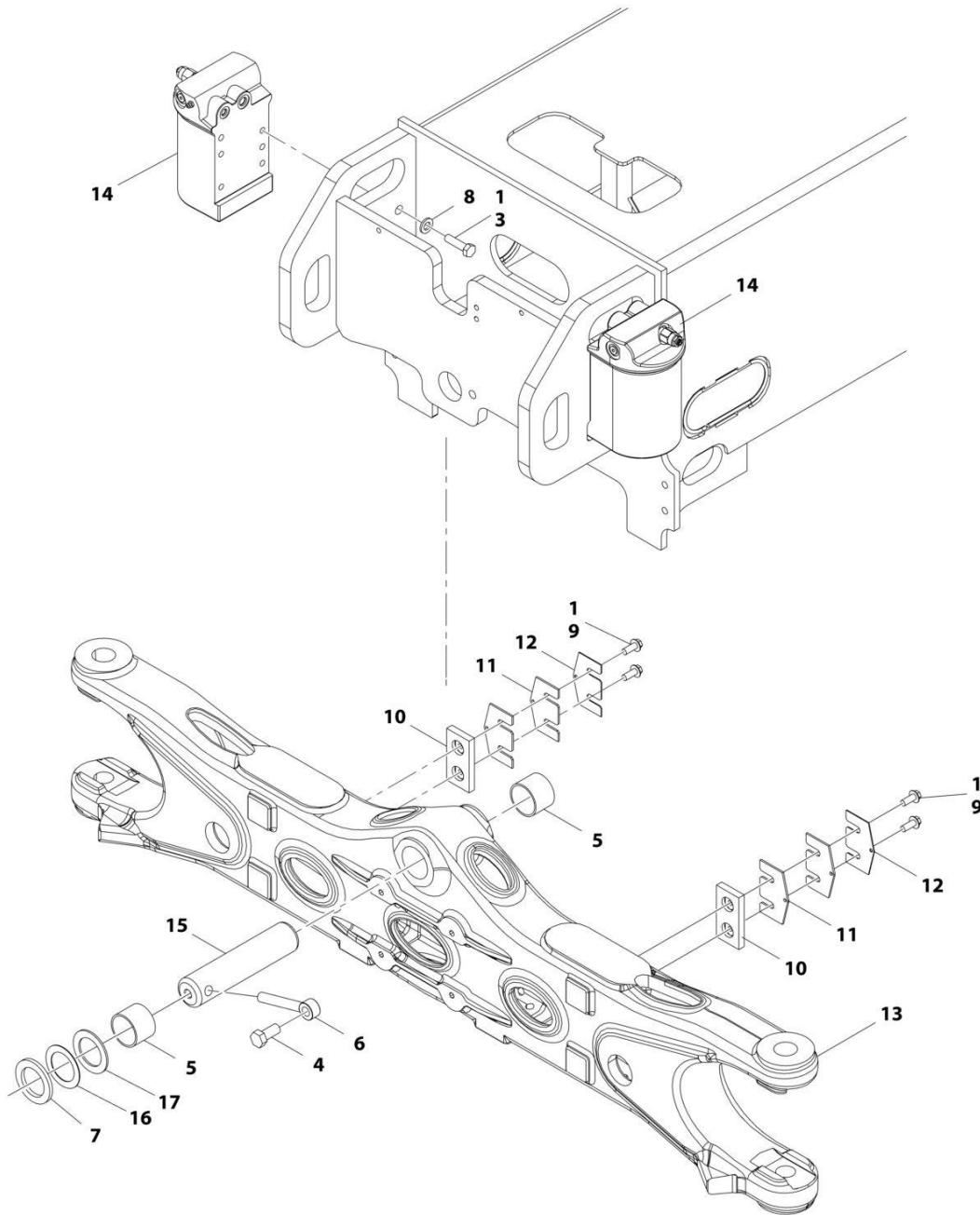
TABLE OF CONTENTS

FIGURE 7-11. CHASSIS HARNESS ASSEMBLY (Prior to SN C300000468)	260
FIGURE 7-12. CHASSIS HARNESS ASSEMBLY	266
FIGURE 7-13. CLEARSKY HARNESS.....	272
FIGURE 7-14. CONTROLLER BRACKET ASSEMBLY	274
FIGURE 7-15. DISPLAY ADAPTER HARNESS.....	276
FIGURE 7-16. DRIVE MOTOR HARNESS (RIGHT REAR)	278
FIGURE 7-17. DRIVE MOTOR HARNESS (LEFT REAR)	280
FIGURE 7-18. FUSE PLATE ASSEMBLY.....	282
FIGURE 7-19. GROUND CONTROL HARNESS	284
FIGURE 7-20. PLATFORM TO BOOM HARNESS	286
FIGURE 7-21. PLATFORM CONSOLE BOX HARNESS	288
FIGURE 7-22. PLATFORM INTERFACE HARNESS	292
FIGURE 7-23. PLATFORM VALVE HARNESS.....	294
FIGURE 7-24. AC BOX AT PLATFORM INSTALLATION - 220V CEE7 2X4 BOX POST GROUND.....	296
FIGURE 7-25. AC BOX AT PLATFORM INSTALLATION - 220V CEE7 2X4 BOX SIDE GROUND	298
FIGURE 7-26. AC BOX AT PLATFORM INSTALLATION - 220V AFSINT 107 2X4 BOX KEYED GROUND	300
FIGURE 7-27. AC BOX AT PLATFORM INSTALLATION - 110V IEC YELLOW.....	302
FIGURE 7-28. AC BOX AT PLATFORM INSTALLATION - 220V IEC BLUE	304
FIGURE 7-29. AC BOX AT PLATFORM INSTALLATION - WITH TWO BREAKERS	306
FIGURE 7-30. AC BOX AT PLATFORM INSTALLATION - WITH THREE BREAKERS	308
FIGURE 7-31. STEER SENSOR HARNESS.....	310
FIGURE 7-32. SKYEYE INTERMEDIATE HARNESS.....	312
FIGURE 7-33. SKYEYE RECEIVER HARNESS	314
FIGURE 7-34. SKYEYE EMITTER HARNESS.....	316
FIGURE 7-35. SKYLINE HARNESS.....	318
FIGURE 7-36. TRACTION HARNESS	320
FIGURE 7-37. VALVE HARNESS - MAIN VALVE.....	322
FIGURE 7-38. WHEEL DRIVE ELECTRICAL HARNESS INSTALLATION (2WD)	324
SECTION 8 - DECALS.....	327
FIGURE 8-1. DECAL INSTALLATION - AUSTRALIAN SPECS.....	328
FIGURE 8-2. DECAL INSTALLATION - CE & UK CA SPECS	330
FIGURE 8-3. DECAL INSTALLATION - OPTIONS	332
SECTION 9 - RECOMMENDED SERVICE PARTS STOCK	335
FIGURE 9-1. RECOMMENDED SERVICE PARTS STOCK	336
SECTION 10 - SPECIAL OPTIONS.....	337
FIGURE 10-1. SPECIAL OPTIONS.....	338
PART NUMBER INDEX	341

SECTION 1 - FRAME

SECTION 1 - FRAME

FIGURE 1-1. AXLE INSTALLATION



ART_1001164093

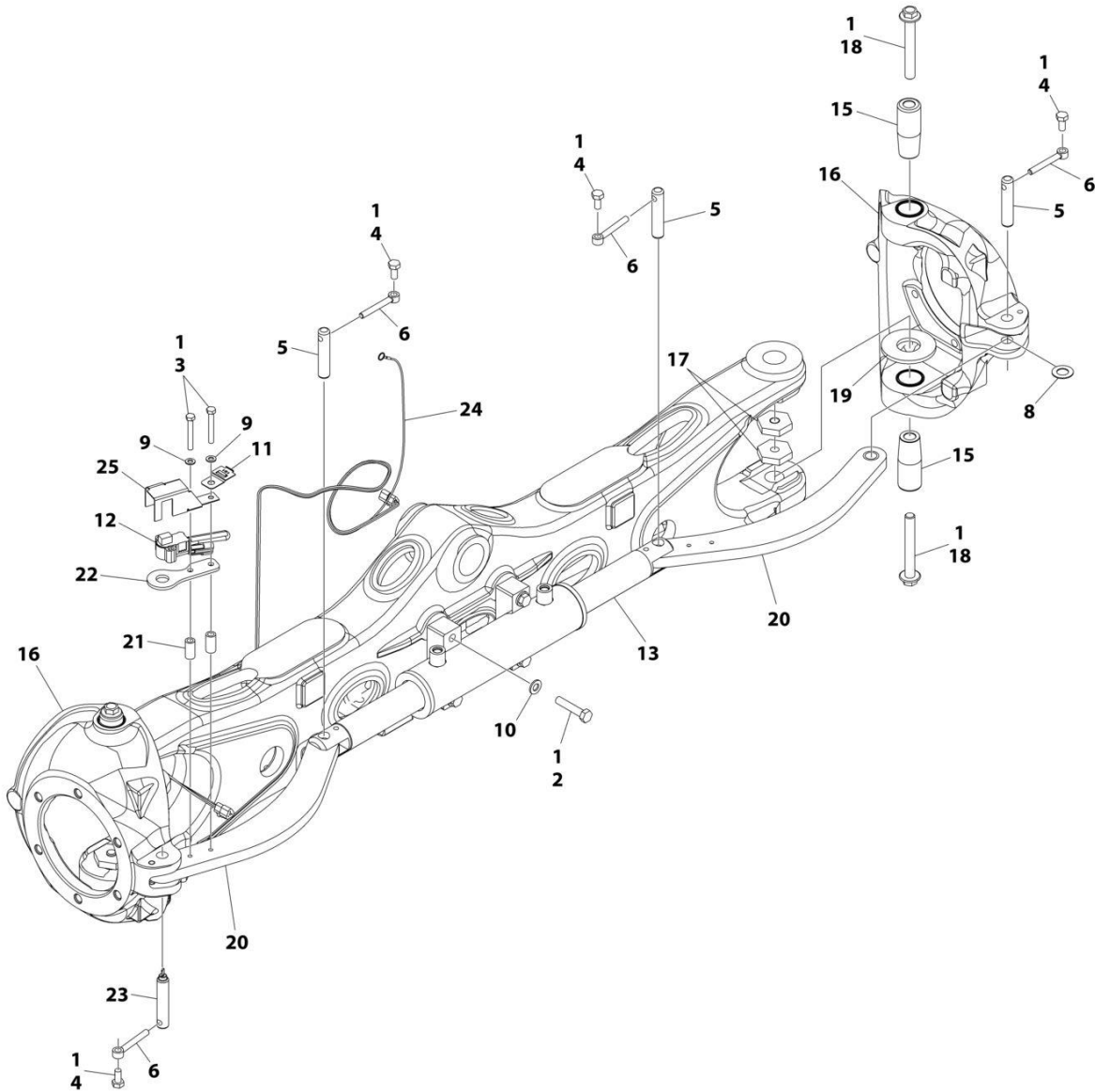
SECTION 1 - FRAME

FIGURE 1-1. AXLE INSTALLATION

ITEM	PART NUMBER	QTY	DESCRIPTION	REV
	1001164093	Ref	AXLE INSTALLATION	D
1	0100011	AR	Compound, Locking	
3	0701217	8	Bolt M12 x 45	
4	0761615	1	Bolt M16 x 35	
5	0961950	2	Bearing	
6	3841258	1	Keeper, Pin	
7	4740158	AR	Washer	
8	5241200	8	Washer M12	
9	5251012	4	Bolt M10 x 25	
10	1001118511	2	Pad, Wear	
11	1001118518	4	Shim 11Ga	
12	1001118519	2	Shim 16Ga	
13	1001162995	1	Axle	
14	1001163580	2	Axle Lockout Cylinder Assembly (See Separate Breakdown in CYLINDER SECTION)	
15	1001185030	1	Pin	
16	4071101	AR	Shim	
17	4740229	AR	Washer	

SECTION 1 - FRAME

FIGURE 1-2. STEER INSTALLATION



ART_1001250343

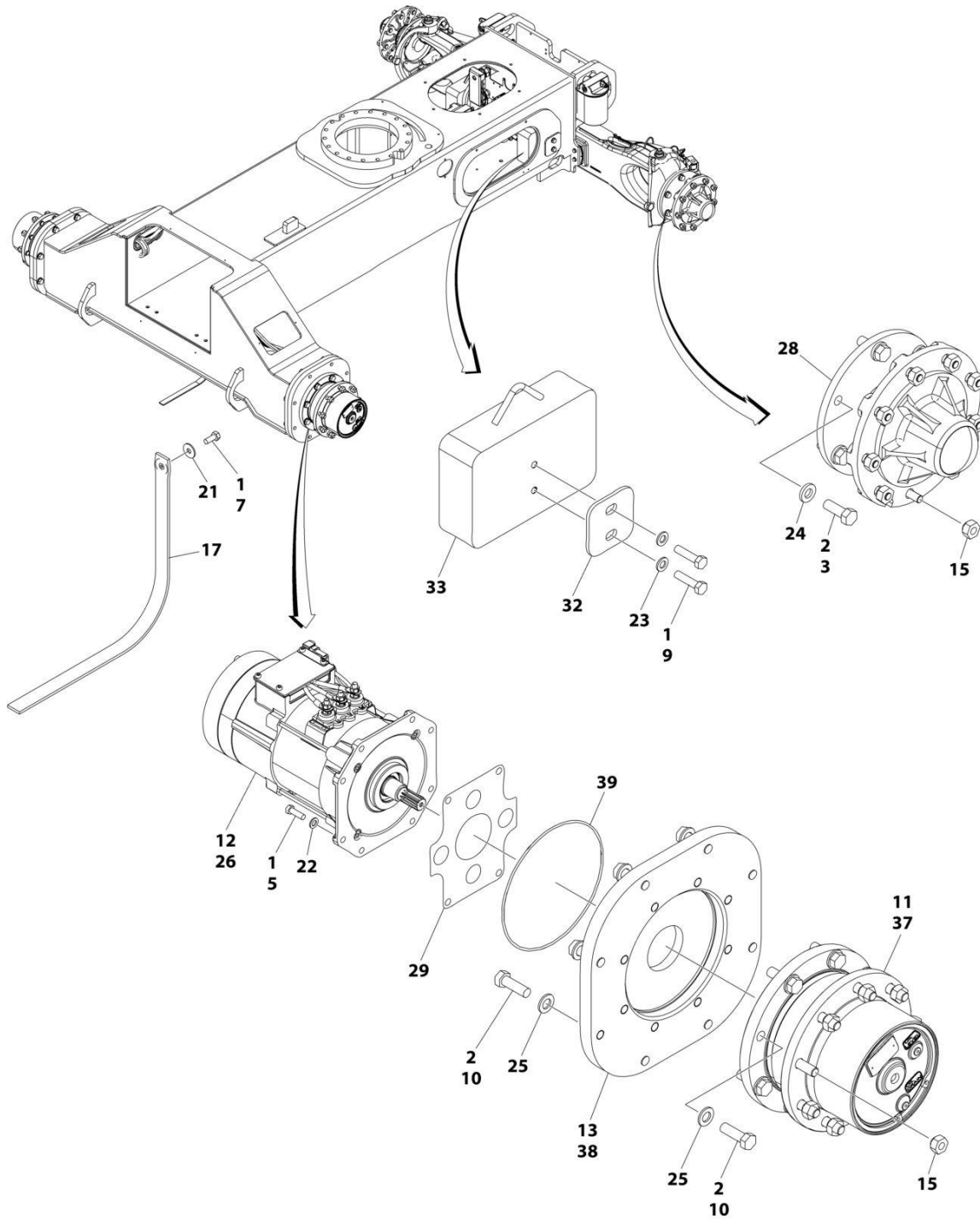
SECTION 1 - FRAME

FIGURE 1-2. STEER INSTALLATION

ITEM	PART NUMBER	QTY	DESCRIPTION	REV
	1001250343	Ref	STEER INSTALLATION	C
1	0100011	AR	Compound, Locking	
2	0711220	4	Bolt M12 x 60 Grade 10.9	
3	0760820	2	Bolt M8 x 60	
4	0761011	4	Bolt M10 x 22	
5	3423304	3	Pin	
6	3841143	4	Keeper, Pin	
8	4740086	4	Washer	
9	4811900	2	Washer M8	
10	5241200	4	Washer M12	
11	1001155967	1	Holder	
12	1001161117	1	Switch, Rotary Angle Sensor	
13	1001163178	1	Steer Cylinder Assembly (See Separate Breakdown in CYLINDER Section)	
15	1001163405	4	Kingpin	
16	1001163715	2	Spindle	
17	1001176848	4	Nut M16	
18	1001190368	4	Bolt M16 x 120	
19	1001233139	2	Bearing, Thrust	
20	1001250344	2	Link	
20	1001164209	4	Bearing	
21	1001250346	2	Spacer	
22	1001250347	1	Plate	
23	1001251408	1	Pin	
24	1001255829	1	Harness, Steer Sensor (See Separate Breakdown in ELECTRICAL Section)	
25	1001256076	1	Bracket	

SECTION 1 - FRAME

FIGURE 1-3. WHEEL DRIVE INSTALLATION (2WD) (SN C30000326 through C30000699)



ART_1001250422_10F2

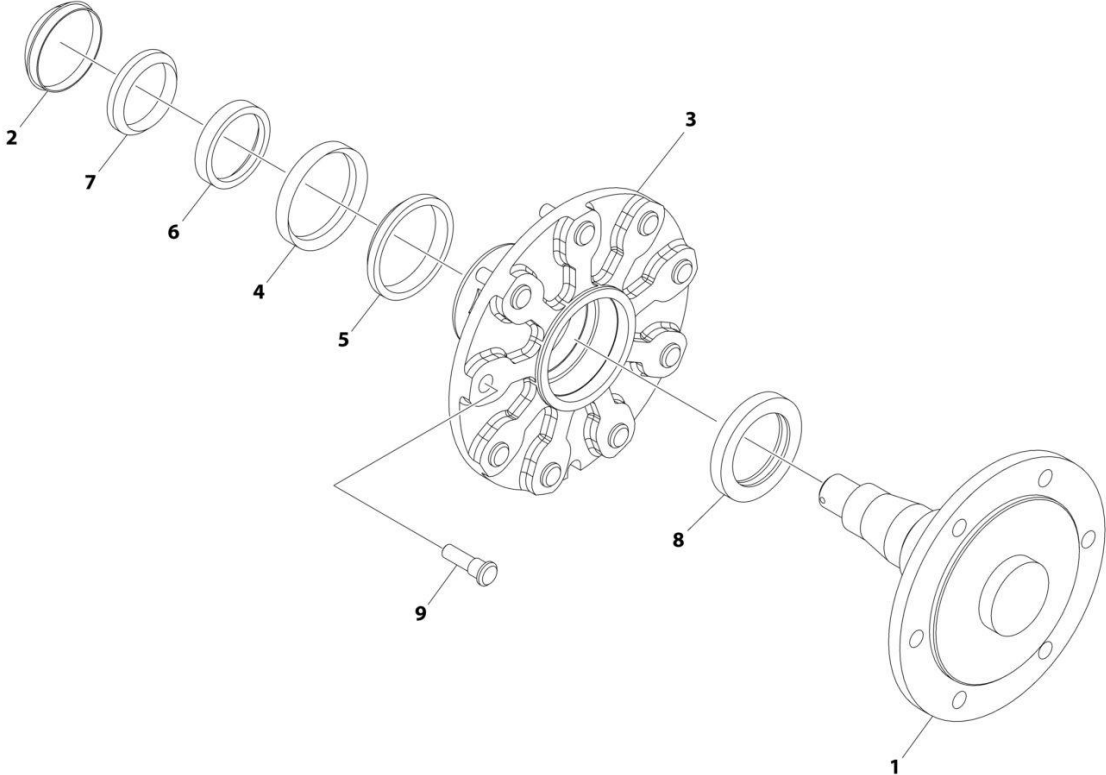
SECTION 1 - FRAME

FIGURE 1-3. WHEEL DRIVE INSTALLATION (2WD) (SN C300000326 through C300000699)

ITEM	PART NUMBER	QTY	DESCRIPTION	REV
	1001250422	Ref	WHEEL DRIVE INSTALLATION (2WD)	C
1	0100011	AR	Compound, Locking	
2	0100019	AR	Compound, Locking	
3	0682014	12	Bolt 5/8 x 1-3/4 Grade 8	
5	0711014	8	Bolt M10 x 30	
7	0760810	1	Bolt M8 x 20	
9	0761218	4	Bolt M12 x 50	
10	0771618	32	Bolt M16 x 50	
11	3020008	AR	Lubricant	
12	3020037	AR	Lube	
13	3020039	AR	Lubricant, Moly	
15	3300106	36	Lugnut	
17	4240084	1	Strap, Anti-Static	
21	4811902	1	Washer M8	
22	4812000	8	Washer M10	
23	4812100	4	Washer M12	
24	4892000	12	Washer 5/8	
25	5241600	32	Washer M16	
26	1001184855	2	Drive Motor/Brake Assembly	
26	1001184206	2	Drive Motor Assembly (See Separate Breakdown in this Section)	
26	1001184853	2	Drive Brake Assembly	
26	4031920	3	Capscrew M8 x 80	
26	4811900	3	Washer M8	
28	1001214174	2	Hub - Spindle Assembly (See Separate Breakdown in this Section)	
29	1001220271	2	Seal	
32	1001246540	2	Plate	
33	1001246544	2	Weight, Ballast	
37	1001254641	2	Drive Hub Assembly	
38	1001254648	2	Drive Flange	
39	1001254877	2	O-Ring	

SECTION 1 - FRAME

FIGURE 1-4. HUB - SPINDLE ASSEMBLY



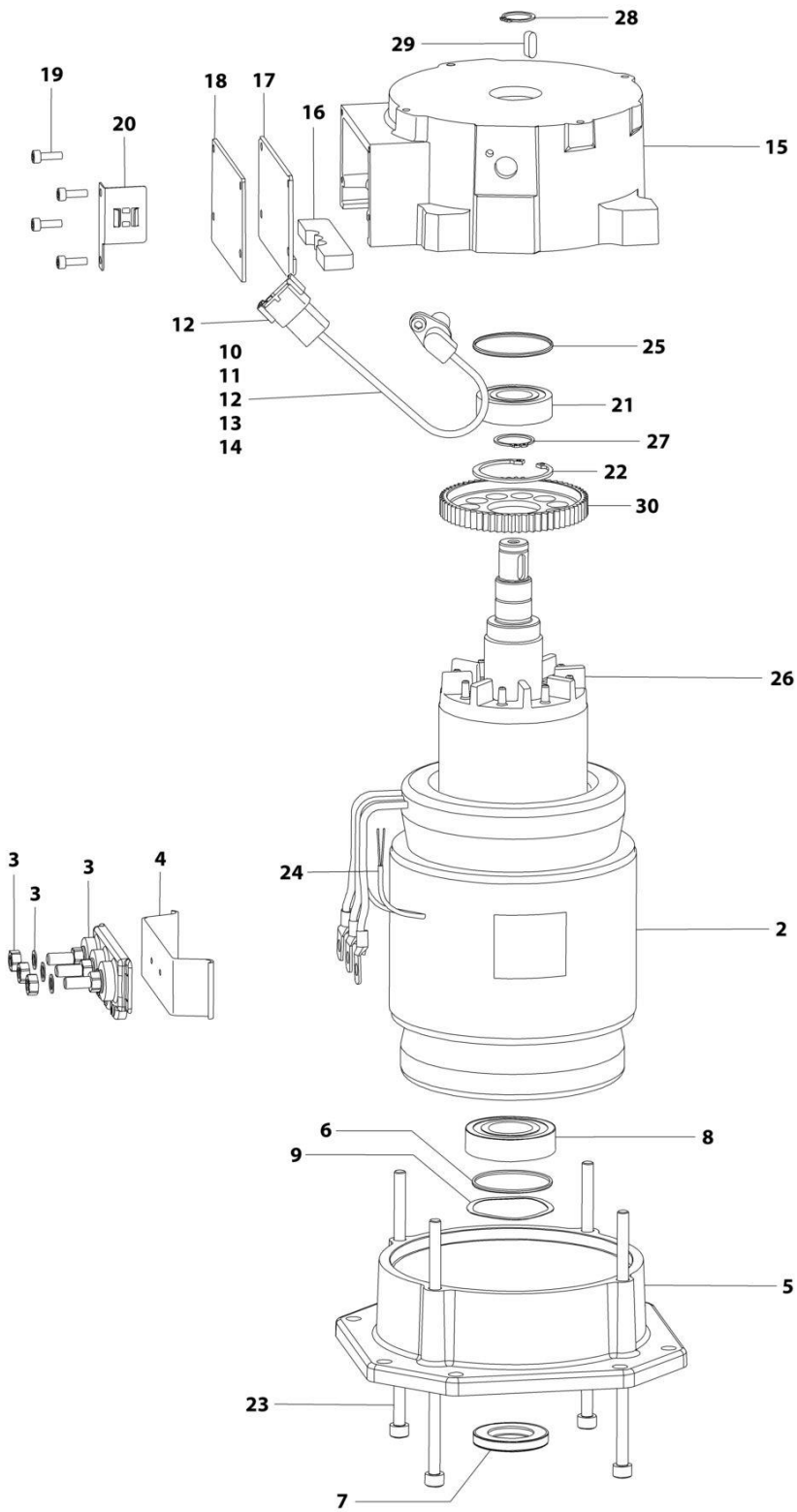
ART_1001214174

FIGURE 1-4. HUB - SPINDLE ASSEMBLY

ITEM	PART NUMBER	QTY	DESCRIPTION	REV
	1001214174	Ref	HUB - SPINDLE ASSEMBLY (2WD)	C
1	See Note	NSS	Spindle, Adapter (Note: Not Available for Purchase)	
2	7020033	1	Cap, Dust	
3	7020035	1	Hub, Casting	
4	7020036	1	Cup, Bearing	
5	7020037	1	Cone, Bearing	
6	7020038	1	Cup, Bearing	
7	7020039	1	Cone, Bearing	
8	7020040	1	Seal	
9	7020041	9	Stud	

SECTION 1 - FRAME

FIGURE 1-5. DRIVE MOTOR ASSEMBLY



ART_1001184206

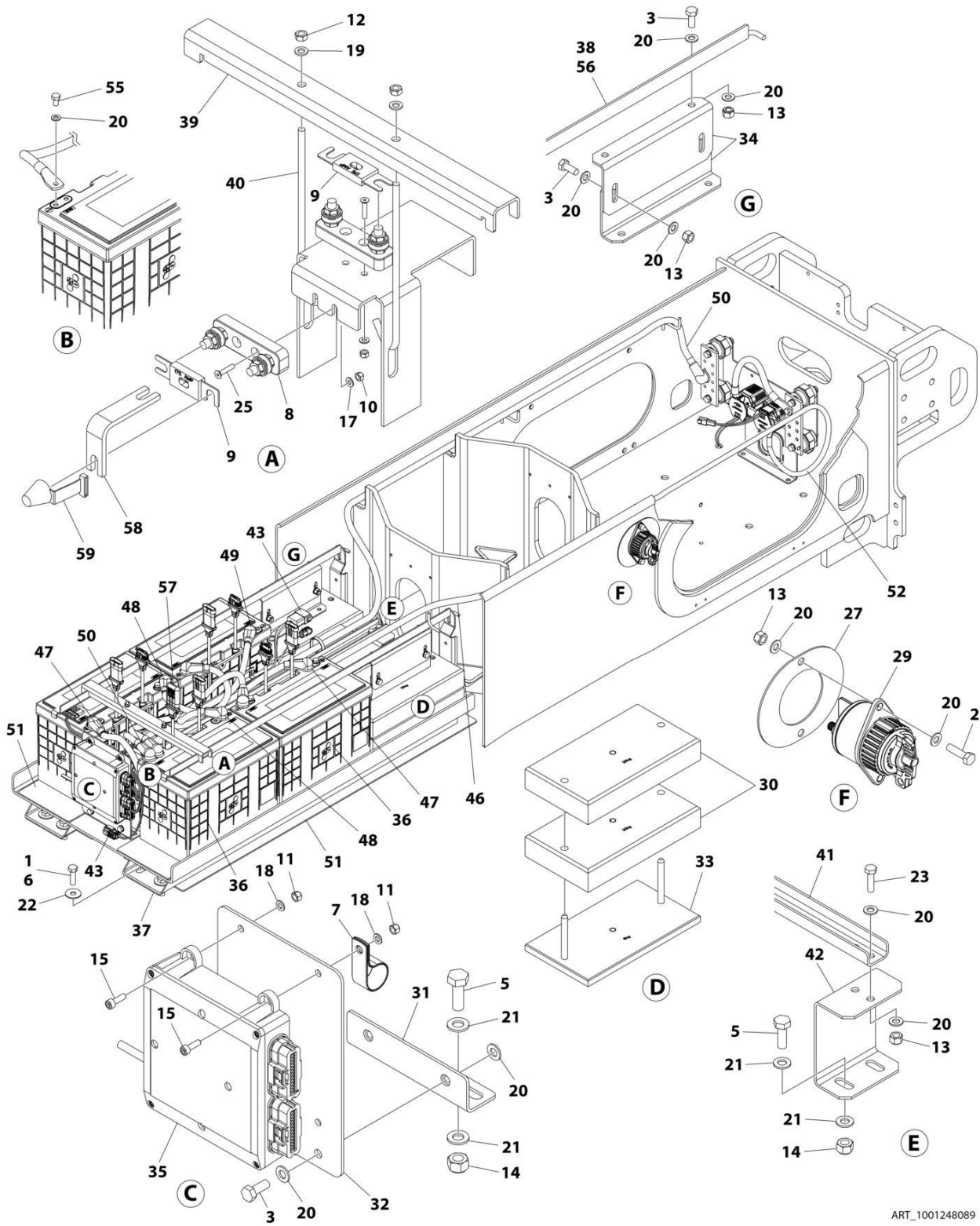
SECTION 1 - FRAME

FIGURE 1-5. DRIVE MOTOR ASSEMBLY

ITEM	PART NUMBER	QTY	DESCRIPTION	REV
	1001184206	Ref	DRIVE MOTOR ASSEMBLY	F
2	70005385	1	Stator	
3	70005685	1	Board, Terminal	
3	70005387	3	Nut M8	
3	70005388	3	Washer M8	
3	70005390	2	Screw M5 x 14	
4	70005389	1	Base, Terminal	
5	70005391	1	Plate, Drive End	
6	70004811	1	O-Ring	
7	70005392	1	Seal, Shaft	
8	70004809	1	Bearing	
9	70005393	1	Washer, Wavy	
10	70005394	1	Sensor (Includes Items 11-14)	
11	70005395	1	Screw M8 x 16	
12	70005397	1	Connector	
13	70005396	1	Wedge	
14	4460516	4	Pin, Male	
15	70005686	1	Shield, End	
16	70005687	1	Seal	
17	70005400	1	Seal	
18	70005401	1	Cover	
19	70005402	4	Screw M5 x 16	
20	70005403	1	Plate, Retaining	
21	70005404	1	Bearing	
22	70005405	1	Clip, Retainer	
23	70005406	4	Screw M8 x 180	
24	70005407	1	Temperature, Sensor	
25	70005408	1	O-Ring	
26	70005688	1	Rotor	
27	70004820	1	Clip, Retainer	
28	70005410	1	Clip, Retainer	
29	70005689	1	Key	
30	70005412	1	Gear	

SECTION 1 - FRAME

FIGURE 1-6. BATTERY INSTALLATION (4 BATTERIES) (Prior to SN C30000501)



ART_1001248089

SECTION 1 - FRAME

FIGURE 1-6. BATTERY INSTALLATION (4 BATTERIES) (Prior to SN C30000501)

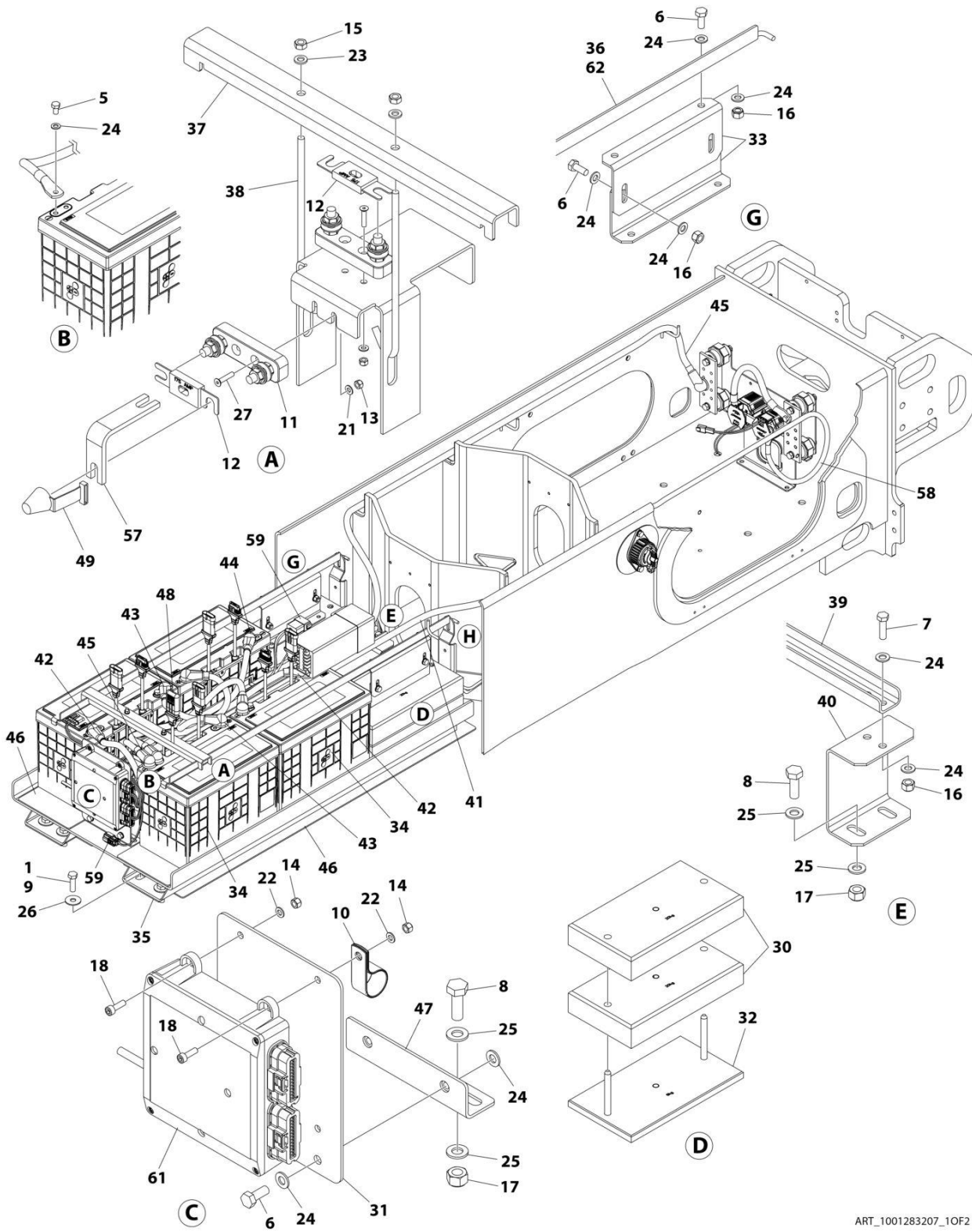
ITEM	PART NUMBER	QTY	DESCRIPTION	REV
	1001248089	Ref	BATTERY INSTALLATION	E
1	0100011	AR	Compound, Locking	
2	0700814	2	Bolt M8 x 30	
3	0760810	10	Bolt M8 x 20	
5	0761014	4	Bolt M10 x 30	
6	0761216	4	Bolt M12 x 40	
7	1321140	1	Clamp	
8	2400044	2	Fuse, Mounting Block	
9	2400069	2	Fuse, 175 AMP	
10	3290405	4	Nut M4	
11	3290505	4	Nut M5	
12	3290601	2	Nut M6	
13	3290805	12	Nut M8	
14	3291005	4	Nut M10	
15	4031607	4	Bolt M5 x 16	
16	4240018	1	Tie-Strap (Not Shown)	
17	4811400	4	Washer M4	
18	4811600	4	Washer M5	
19	4811700	2	Washer M6	
20	4811900	28	Washer M8	
21	4812000	8	Washer M10	
22	4812102	4	Washer M12	
23	0760814	2	Bolt M8 x 30	
25	8310612	4	Bolt M4 x 20	
27	1001170102	1	Plate, Disconnect Cover	
29	1001170483	1	Switch, Disconnect	
30	1001239209	8	Weight, Battery Ballast	
31	1001258143	1	Plate	
32	1001239217	1	Plate	
33	1001239289	4	Weight, Battery Ballast Base	
34	1001248054	4	Bracket	
35	1001263937	1	Battery, Management System	
36	1001248119	4	Battery	
37	1001248164	1	Plate	
38	1001248173	2	Bracket	
39	1001248174	1	Bracket	
40	1001248177	2	Bolt	
41	1001248192	1	Bracket	
42	1001248206	1	Bracket	
43	1001262599	1	Harness, BMS (See Separate Breakdown in ELECTRICAL Section)	
46	1001255014	1	Cable (Contactor to Battery Disconnect)	
47	1001255015	2	Cable (Battery Positive)	
48	1001255016	2	Cable (Battery Positive to Negative)	
49	1001255017	1	Cable (Battery Negative)	
50	1001255018	1	Cable (Battery Negative to Buss-Bar)	
51	1001256301	2	Pad, Battery	
52	1001262434	1	Cable (Battery Disconnect to Contactor)	
55	0760807	2	Bolt M8 x 14	
56	3960417	4 ft /2m	Seal	

SECTION 1 - FRAME

ITEM	PART NUMBER	QTY	DESCRIPTION	REV
57	1001258655	1	Connector	
58	1001261256	1	Plate	
59	1001260661	1	Cover, Fuse	

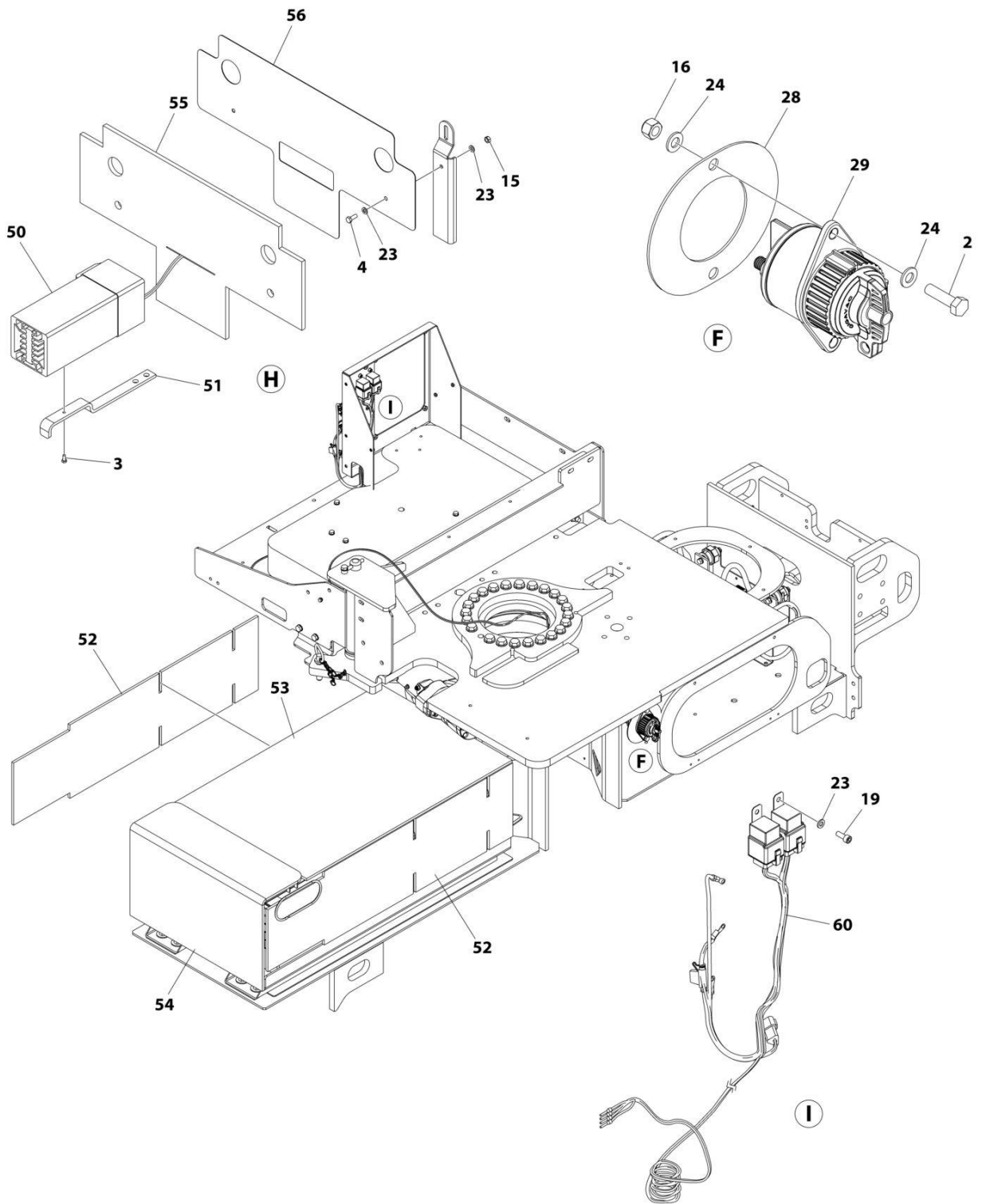
SECTION 1 - FRAME

FIGURE 1-7. BATTERY INSTALLATION (4 BATTERIES) (SN C30000326 through C30000699)



ART_1001283207_10F2

SECTION 1 - FRAME



ART_1001283207_2OF2

SECTION 1 - FRAME

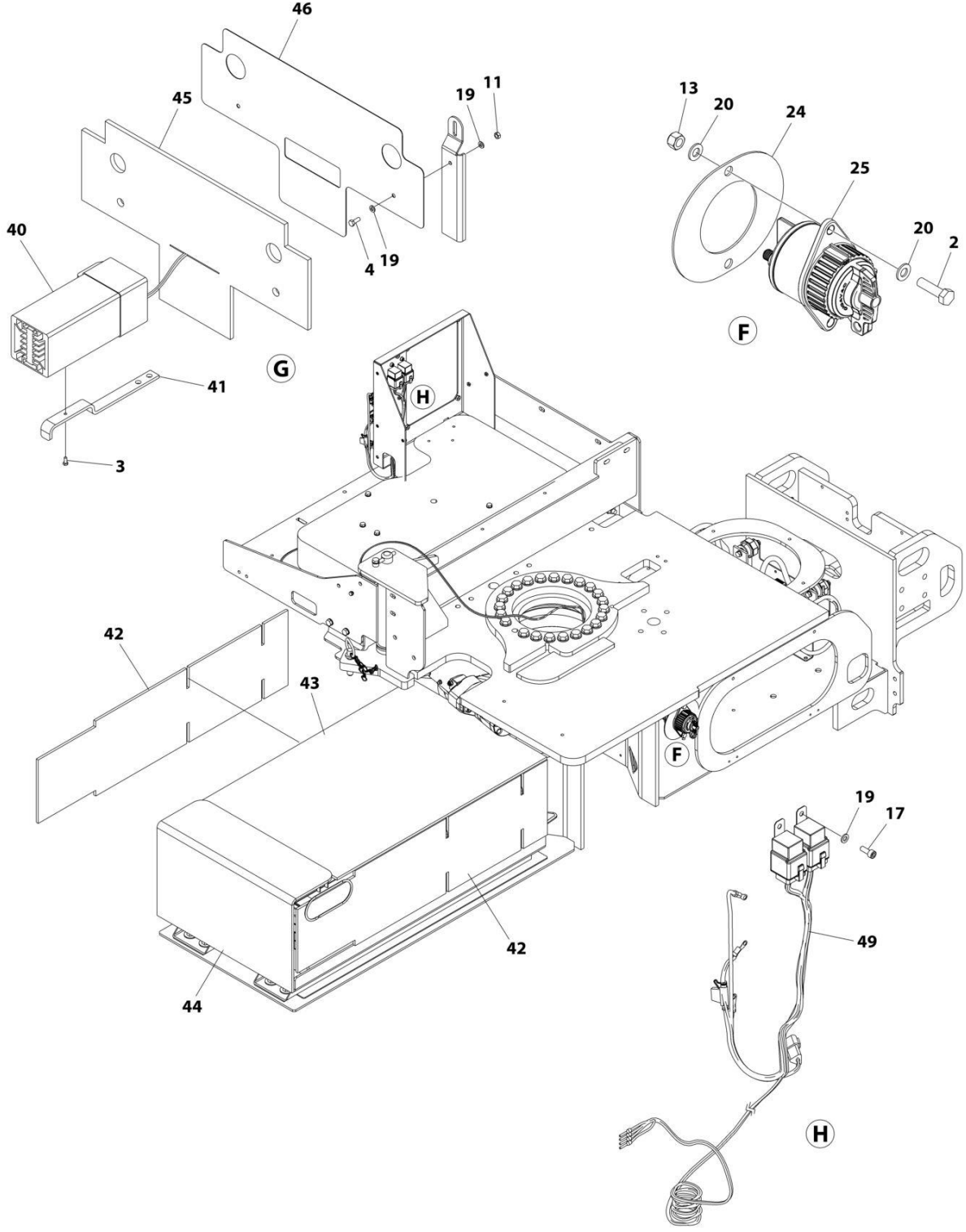
FIGURE 1-7. BATTERY INSTALLATION (4 BATTERIES) (SN C300000326 through C300000699)

ITEM	PART NUMBER	QTY	DESCRIPTION	REV
	1001283207	Ref	BATTERY INSTALLATION	A
1	0100011	AR	Compound, Locking	
2	0700814	2	Bolt M8 x 30	
3	0760405	1	Bolt M4 x 10	
4	0760608	2	Bolt M6 x 16	
5	0760807	2	Bolt M8 x 14	
6	0760810	10	Bolt M8 x 20	
7	0760814	2	Bolt M8 x 30	
8	0761014	4	Bolt M10 x 30	
9	0761216	4	Bolt M12 x 40	
10	1321140	1	Clamp	
11	2400044	2	Fuse, Mounting Block	
12	2400069	2	Fuse, 175 AMP	
13	3290405	4	Nut M4	
14	3290505	4	Nut M5	
15	3290601	4	Nut M6	
16	3290805	12	Nut M8	
17	3291005	4	Nut M10	
18	4031607	4	Bolt M5 x 16	
19	4031707	2	Bolt M6 x 16	
20	4240018	1	Tie-Strap (Not Shown)	
21	4811400	4	Washer M4	
22	4811600	4	Washer M5	
23	4811700	8	Washer M6	
24	4811900	28	Washer M8	
25	4812000	8	Washer M10	
26	4812102	4	Washer M12	
27	8310612	4	Bolt M4 x 20	
28	1001170102	1	Plate, Disconnect Cover	
29	1001170483	1	Switch, Disconnect	
30	1001239209	8	Weight, Battery Ballast	
31	1001239217	1	Plate	
32	1001239289	4	Weight, Battery Ballast Base	
33	1001248054	4	Bracket	
34	1001248119	4	Battery	
35	1001248164	1	Plate	
36	1001248173	2	Bracket	
37	1001248174	1	Bracket	
38	1001248177	2	Bolt	
39	1001248192	1	Bracket	
40	1001248206	1	Bracket	
41	1001255014	1	Cable (Contactor to Battery Disconnect)	
42	1001255015	2	Cable (Battery Positive)	
43	1001255016	2	Cable (Battery Positive to Negative)	
44	1001255017	1	Cable (Battery Negative)	
45	1001255018	1	Cable (Battery Negative to Buss-Bar)	
46	1001256301	2	Pad, Battery	
47	1001258143	1	Plate	
48	1001258655	1	Connector	
49	1001260661	1	Cover, Fuse	

SECTION 1 - FRAME

ITEM	PART NUMBER	QTY	DESCRIPTION	REV
50	1001261107	1	Heater	
51	1001261108	1	Bracket	
52	1001261109	2	Insulate, Side	
53	1001261110	1	Insulate, Top	
54	1001261111	1	Insulate, Rear	
55	1001261112	1	Insulate, Front	
56	1001261116	1	Plate	
57	1001261256	1	Plate	
58	1001262434	1	Cable (Battery Disconnect to Contactor)	
59	1001262599	1	Harness, BMS (See Separate Breakdown in ELECTRICAL Section)	
60	1001263920	1	Harness, Battery Heater (See Separate Breakdown in ELECTRICAL Section)	
61	1001263937	1	Battery, Management System	
62	3960417	4 ft /2 m	Seal	

SECTION 1 - FRAME



ART_1001287650_20F2

SECTION 1 - FRAME

FIGURE 1-8. BATTERY INSTALLATION (6 BATTERIES) (SN C300000326 through C300000699)

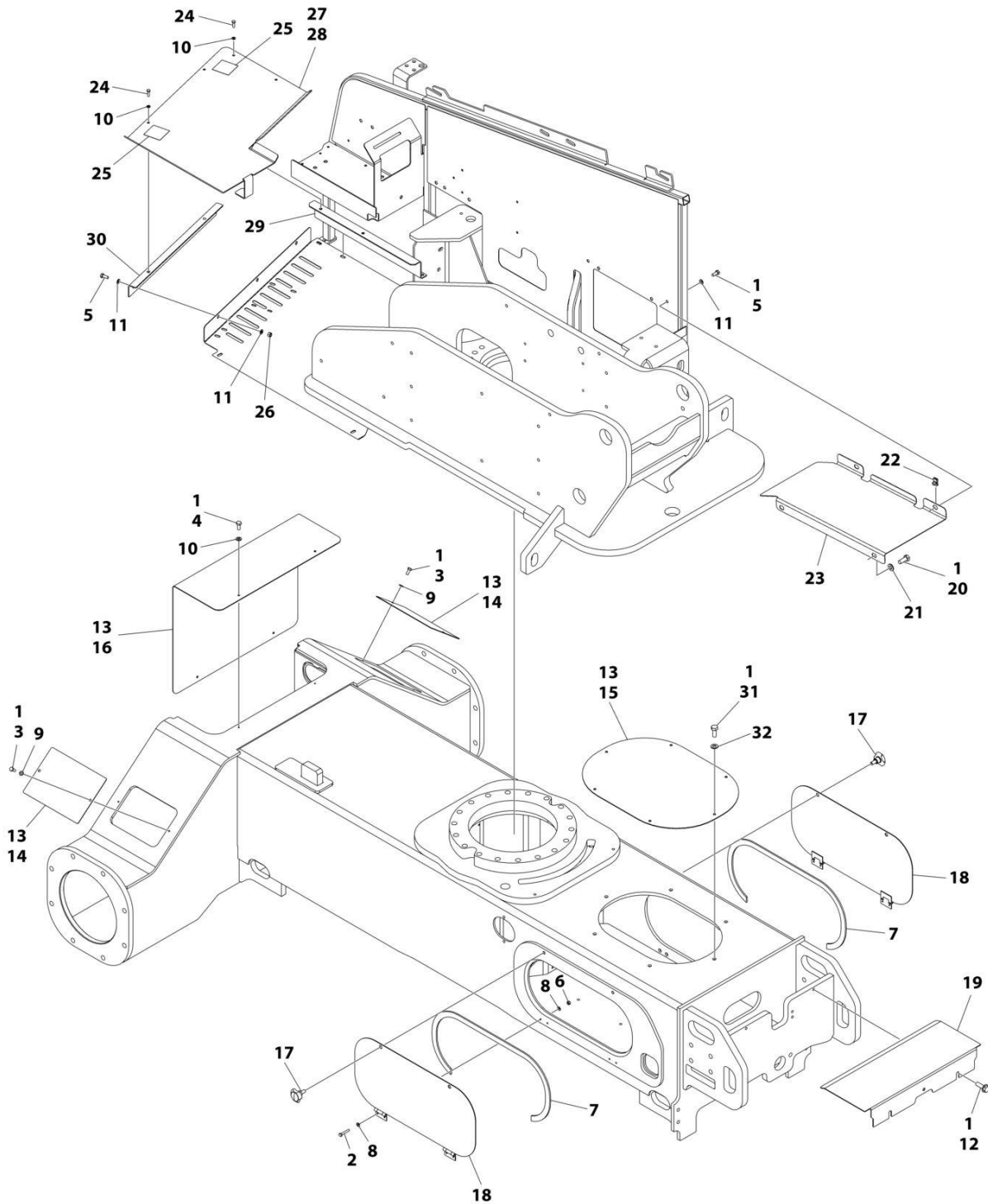
ITEM	PART NUMBER	QTY	DESCRIPTION	REV
	1001287650	Ref	BATTERY INSTALLATION	A
1	0100011	AR	Compound, Locking	
2	0700814	2	Bolt M8 x 30	
3	0760405	1	Bolt M4 x 10	
4	0760608	2	Bolt M6 x 16	
5	0760807	2	Bolt M8 x 14	
6	0760812	1	Bolt M8 x 25	
7	0760814	2	Bolt M8 x 30	
8	0761014	4	Bolt M10 x 30	
9	0761216	4	Bolt M12 x 40	
10	2400069	3	Fuse, 175 AMP	
11	3290601	4	Nut M6	
12	3290801	1	Nut M8	
13	3290805	4	Nut M8	
14	3291005	4	Nut M10	
15	4031507	12	Bolt M4 x 16	
16	4031607	4	Bolt M5 x 16	
17	4031707	2	Bolt M6 x 16	
18	4240018	1	Tie-Strap (Not Shown)	
19	4811700	8	Washer M6	
20	4811900	12	Washer M8	
21	4812000	8	Washer M10	
22	4812102	4	Washer M12	
23	86683122	2	Tie wrap, Short (Not Shown)	
24	1001170102	1	Plate, Disconnect Cover	
25	1001170483	1	Switch, Disconnect	
26	1001239209	4	Weight, Battery Ballast	
27	1001239289	2	Weight, Battery Ballast Base	
28	1001248119	6	Battery	
29	1001248173	2	Bracket	
30	1001248174	1	Bracket	
31	1001248177	2	Bolt	
32	1001248192	1	Bracket	
33	1001248206	1	Bracket	
34	1001254835	3	Fuse, Holder	
35	1001255016	2	Cable (Battery Positive to Negative)	
36	1001255017	1	Cable (Battery Negative)	
37	1001255018	1	Cable (Battery Negative to Buss-Bar)	
38	1001256301	2	Pad, Battery	
39	1001258655	1	Connector	
40	1001261107	1	Heater	
41	1001261108	1	Bracket	
42	1001261109	2	Insulate, Side	
43	1001261110	1	Insulate, Top	
44	1001261111	1	Insulate, Rear	
45	1001261112	1	Insulate, Front	
46	1001261116	1	Plate	
47	1001262434	1	Cable (Battery Disconnect to Contactor)	
48	1001262599	1	Harness, BMS (See Separate Breakdown in ELECTRICAL Section)	

SECTION 1 - FRAME

ITEM	PART NUMBER	QTY	DESCRIPTION	REV
49	1001263920	1	Harness, Battery Heater (See Separate Breakdown in ELECTRICAL Section)	
50	1001274315	1	Plate	
51	1001274320	1	Plate	
52	1001274321	1	Cable (Battery Positive)	
53	1001274322	1	Cable (Fuse to Disconnect)	
54	1001274323	1	Cable (Battery Positive)	
55	1001274324	1	Cable (Battery Positive to Negative)	
56	1001274325	1	Cable (Battery Positive)	
57	1001274326	1	Cable (Battery Negative)	
58	1001286733	1	Module	
59	1001287811	1	Bracket	
60	3960417	4 ft /2 m	Seal	

SECTION 1 - FRAME

FIGURE 1-9. FRAME SHIELD INSTALLATION (SN C30000326 through C30000699)



ART_1001250947

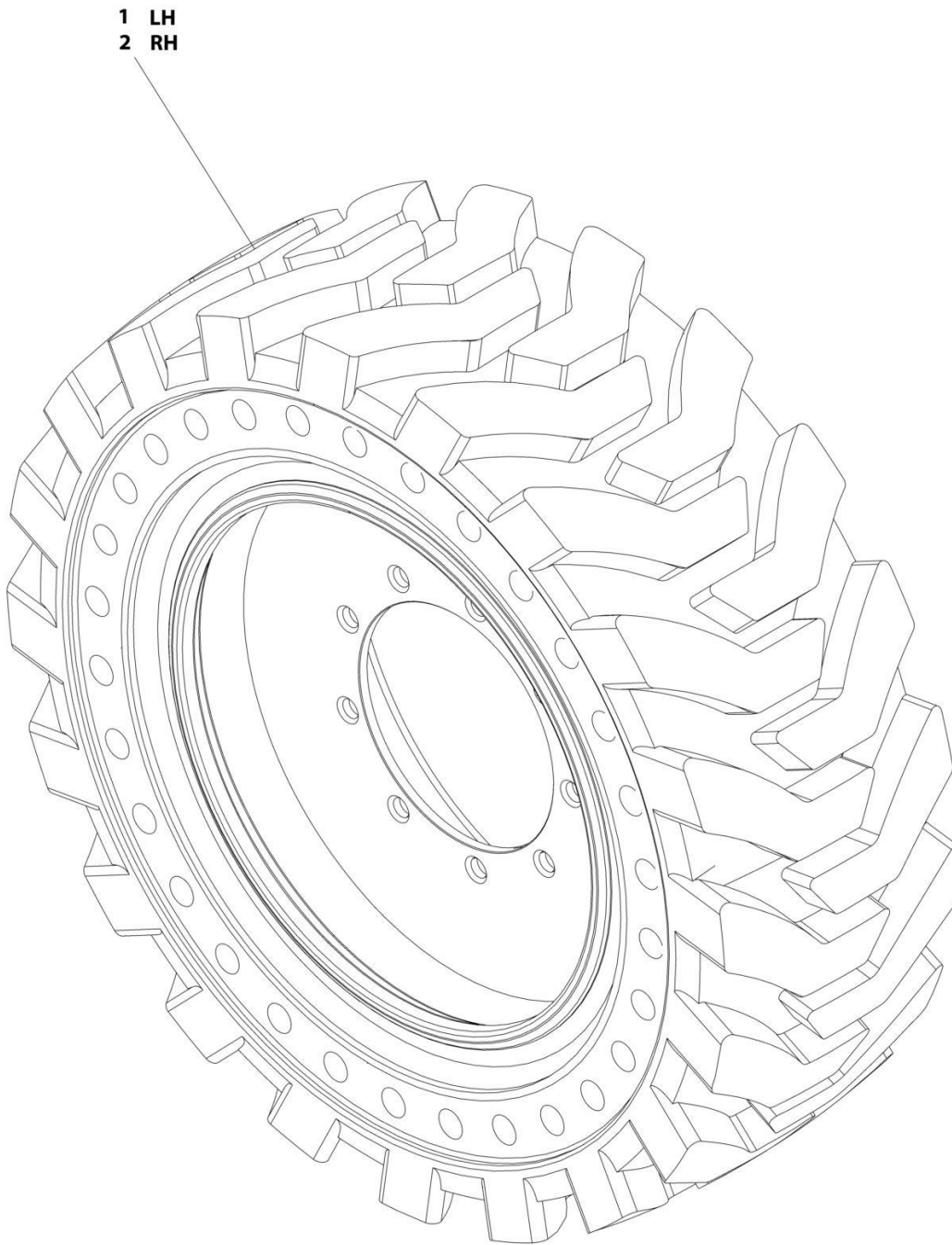
SECTION 1 - FRAME

FIGURE 1-9. FRAME SHIELD INSTALLATION (SN C300000326 through C300000699)

ITEM	PART NUMBER	QTY	DESCRIPTION	REV
	1001250947	Ref	FRAME SHIELD INSTALLATION	D
1	0100011	AR	Compound, Locking	
2	0760412	8	Bolt M4x 25	
3	0760506	4	Bolt M5 x 12	
4	0760607	4	Bolt M6 x 14	
5	0760810	5	Bolt M8 x 20	
6	3290405	8	Nut M4	
7	3960417	6.9ft /2.1m	Seal	
8	4811400	16	Washer M4	
9	4811600	4	Washer M5	
10	4811700	8	Washer M6	
11	4811900	8	Washer M8	
12	5250812	2	Bolt M8 x 25	
13	1001113047	19 ft/ 5.8m	Seal	
14	1001161874	2	Cover, Rear Frame	
15	1001250605	1	Plate	
16	1001250979	1	Cover, Rear Axle	
17	1001255664	4	Screw	
18	1001255666	2	Cover	
19	1001256266	1	Cover, Front Frame	
20	0761214	2	Bolt M12 x 30	
21	4812100	2	Washer M12	
22	8310686	2	Nut, Retainer M8	
23	1001210086	1	Cover	
24	0760610	4	Bolt M6 x 20	
25	1701691	2	Decal - Stop	
26	3290805	3	Nut M8	
27	1001008999	2.5 ft/ 0.76m	Trim-Edge	
28	1001257691	1	Cover	
29	1001257969	1	Bracket	
30	1001257970	1	Bracket	
31	0761011	6	Bolt M10 x 22	
32	4812000	6	Washer M10	

SECTION 1 - FRAME

FIGURE 1-10. TIRE AND WHEEL INSTALLATION - 33 X 12-20 SOLID NON-MARKING



ART_1001169062

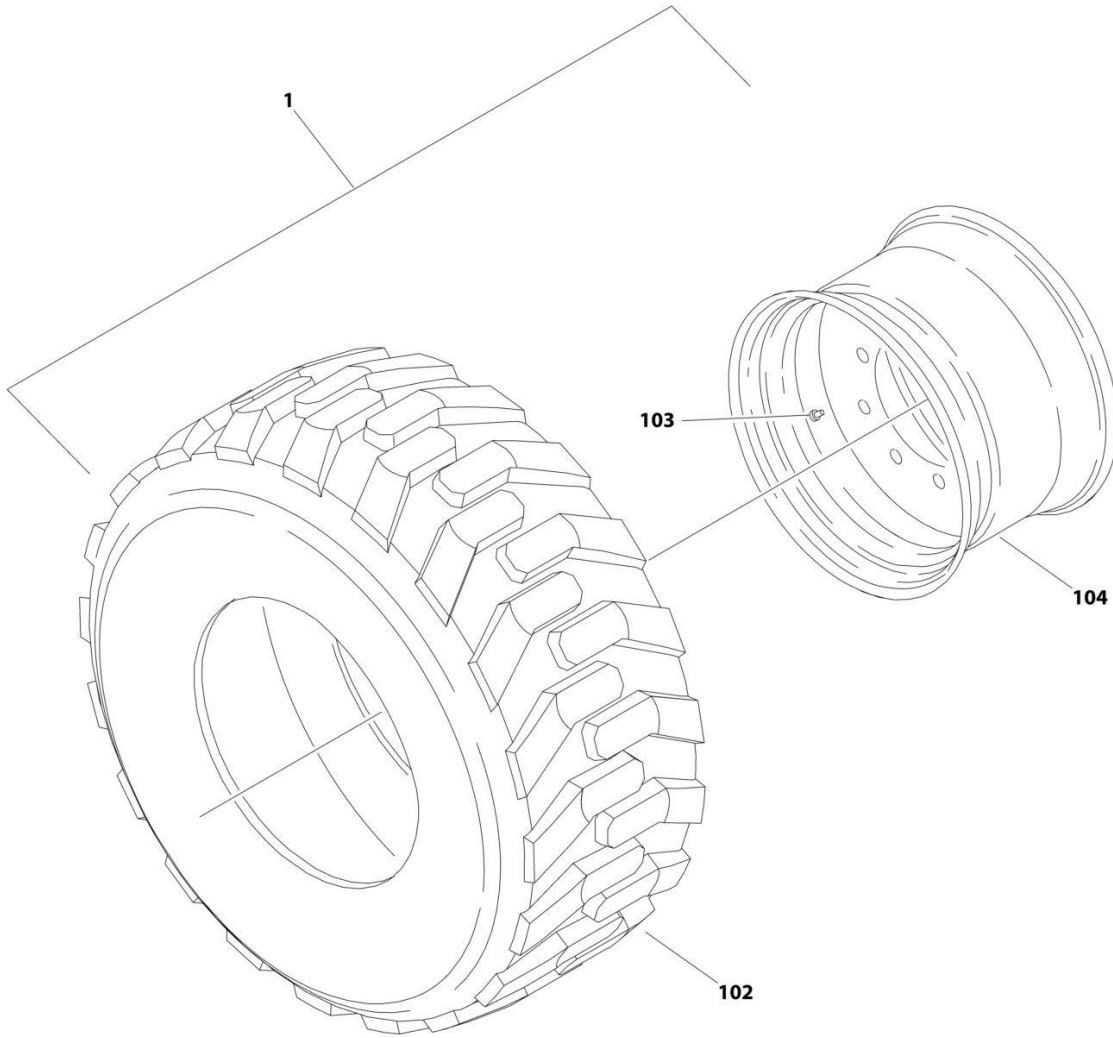
SECTION 1 - FRAME

FIGURE 1-10. TIRE AND WHEEL INSTALLATION - 33 X 12-20 SOLID NON-MARKING

ITEM	PART NUMBER	QTY	DESCRIPTION	REV
	1001169062	Ref	TIRE AND WHEEL INSTALLATION - 33 X 12-20 SOLID NON-MARKING	A
		Ref	Note: Due to critical stable weights, only replace tire and wheel assemblies with like components.	
1	1001170098	2	Tire and Wheel Assembly - 33 x 12-20 Solid Non-Marking (LH Side)	
2	1001170099	2	Tire and Wheel Assembly - 33 x 12-20 Solid Non-Marking (RH Side)	

SECTION 1 - FRAME

FIGURE 1-11. TIRE AND WHEEL INSTALLATION - 315/55 D20 FOAM FILLED



ART_1001166157

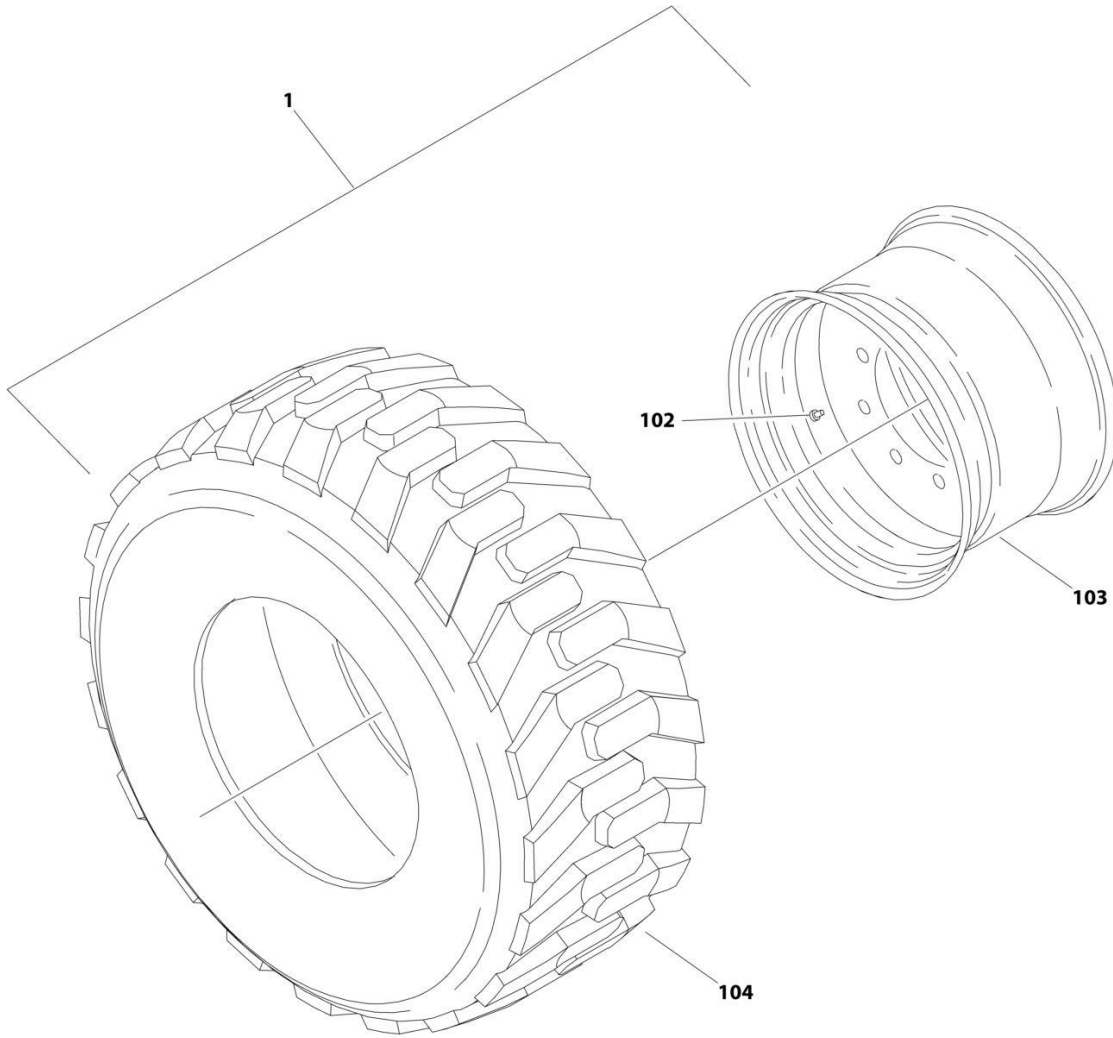
SECTION 1 - FRAME

FIGURE 1-11. TIRE AND WHEEL INSTALLATION - 315/55 D20 FOAM FILLED

ITEM	PART NUMBER	QTY	DESCRIPTION	REV
	1001166157	Ref	TIRE AND WHEEL INSTALLATION - 315/55 D20 FOAM FILLED	A
		Ref	Note: Assemblies may require ballast/foam filling to manufacturer's specifications prior to installing on a machine. Refer to Operation and Safety or Service and Maintenance Manuals. Purchase individual tire and/or rim only if able to foam fill tire and wheel assembly, otherwise, purchase complete assembly.	
1	1001166155	2	Tire and Wheel Assembly (LH Side)	I
1	1001166156	2	Tire and Wheel Assembly (RH Side)	I
102	4520608	4	Tire IN315/55/D20	
103	4641122	4	Valve, Stem	
104	1001166153	4	Rim, Wheel	

SECTION 1 - FRAME

FIGURE 1-12. TIRE AND WHEEL INSTALLATION - 315/55 D20 FOAM FILLED NON-MARKING



ART_1001169058

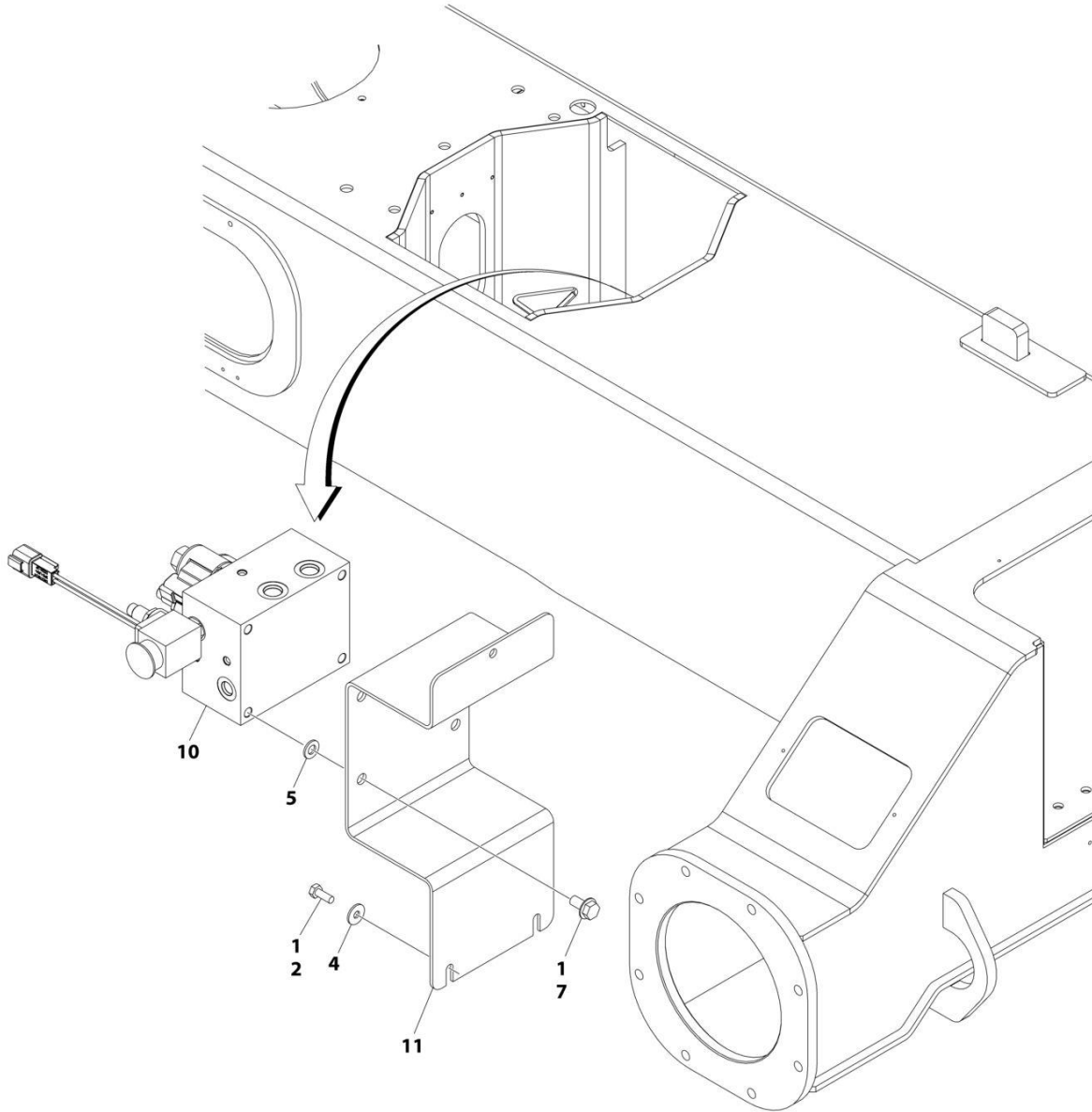
SECTION 1 - FRAME

FIGURE 1-12. TIRE AND WHEEL INSTALLATION - 315/55 D20 FOAM FILLED NON-MARKING

ITEM	PART NUMBER	QTY	DESCRIPTION	REV
	1001169058	Ref	TIRE AND WHEEL INSTALLATION - 315/55 D20 FOAM FILLED NON-MARKING	A
		Ref	Note: Assemblies may require ballast/foam filling to manufacturer's specifications prior to installing on a machine. Refer to Operation and Safety or Service and Maintenance Manuals. Purchase individual tire and/or rim only if able to foam fill tire and wheel assembly, otherwise, purchase complete assembly.	
1	1001170459	2	Tire and Wheel Assembly (RH Side)	F
1	1001170460	2	Tire and Wheel Assembly (LH Side)	F
102	4641122	4	Valve, Stem	
103	1001166153	4	Rim, Wheel	
104	1001170458	4	Tire 315/55 D20 Non Marking	

SECTION 1 - FRAME

FIGURE 1-13. CONTROL VALVES INSTALLATION - FRAME MOUNTED



ART_1001250971_10F2

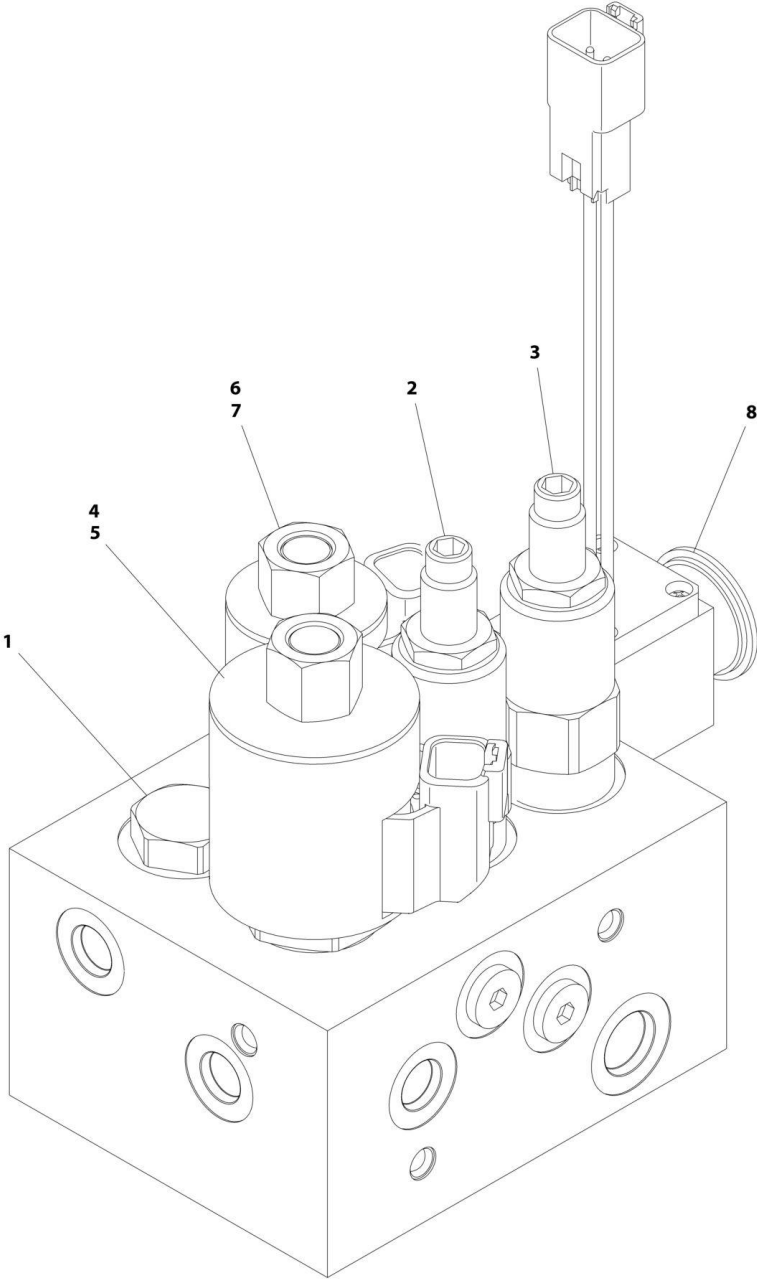
SECTION 1 - FRAME

FIGURE 1-13. CONTROL VALVES INSTALLATION - FRAME MOUNTED

ITEM	PART NUMBER	QTY	DESCRIPTION	REV
	1001250971	Ref	CONTROL VALVES INSTALLATION - FRAME MOUNTED	B
1	0100011	AR	Compound, Locking	
2	0760608	3	Bolt M6 x16	
4	4811702	3	Washer M6	
5	4811900	4	Washer M8	
7	5250808	4	Bolt M8 x 16	
10	1001165144	1	Oscillating Axle Valve Assembly (See Separate Breakdown in this Section)	
11	1001178634	1	Bracket	

SECTION 1 - FRAME

FIGURE 1-14. OSCILLATING AXLE VALVE ASSEMBLY



ART_1001165144

SECTION 1 - FRAME

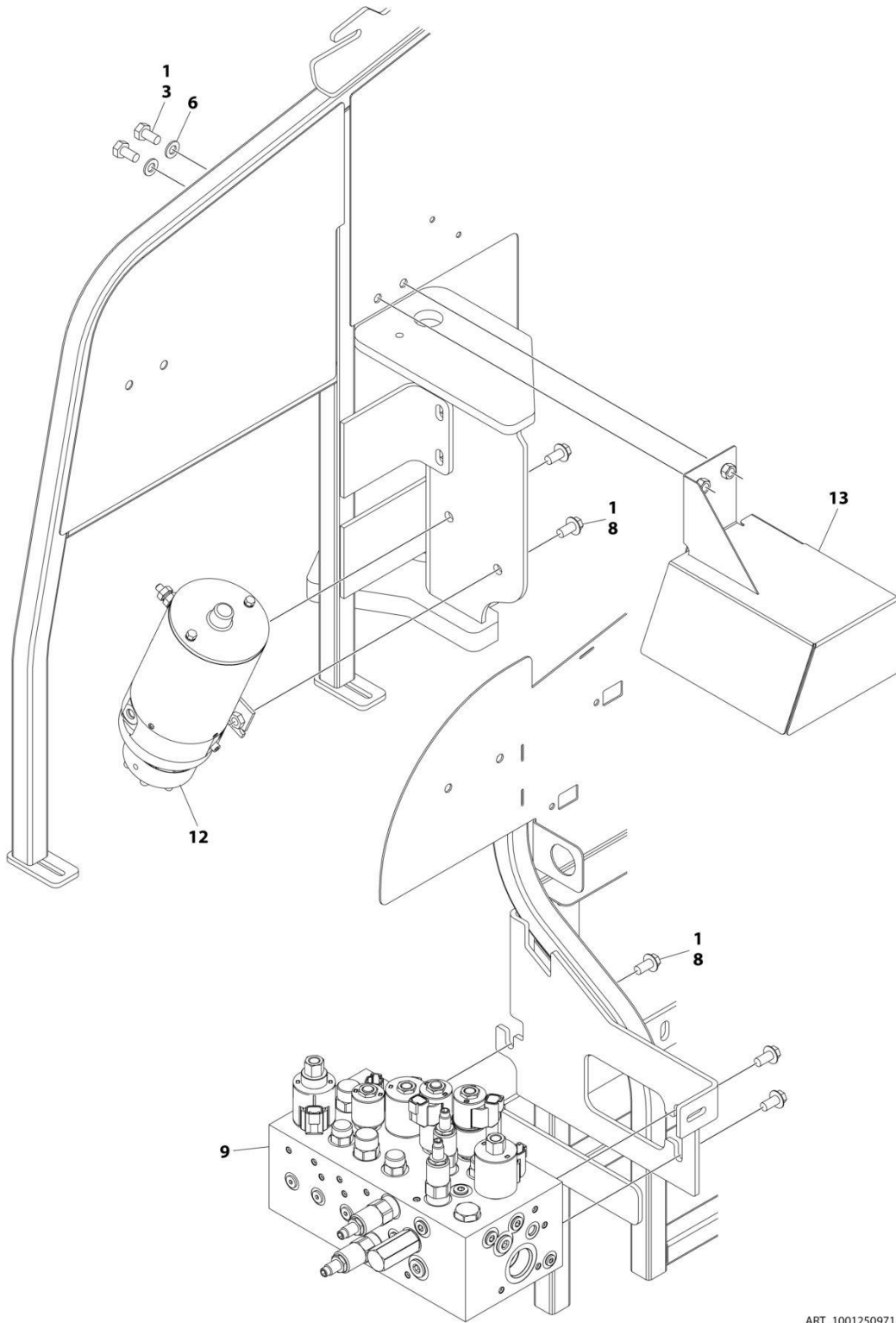
FIGURE 1-14. OSCILLATING AXLE VALVE ASSEMBLY

ITEM	PART NUMBER	QTY	DESCRIPTION	REV
	1001165144	Ref	OSCILLATING AXLE VALVE ASSEMBLY	D
1	4641129	1	Cartridge, Check Valve	
1	7012540	1	Seal Kit - 4641129 Valve	
2	70004787	1	Cartridge, Valve	
2	7021653	1	Seal Kit - 70004787 Valve	
3	70004788	1	Cartridge, Relief Valve	
3	7012998	1	Seal Kit - 70004788 Valve	
4	7017455	1	Cartridge, Valve Less Coil (Primary Axle Release)	
4	7017463	1	Seal Kit - 7017455 Valve	
5	70050516	1	Coil	
6	7017408	1	Cartridge, Valve Less Coil (Secondary Axle Release)	
6	7012907	1	Seal Kit - 7017408 Valve	
7	70002963	1	Coil	
8	70004789	1	Switch, Pressure	

SECTION 2 - TURNTABLE

SECTION 2 - TURNTABLE

FIGURE 2-1. CONTROL VALVES INSTALLATION - TURNTABLE MOUNTED



ART_1001250971_2OF2

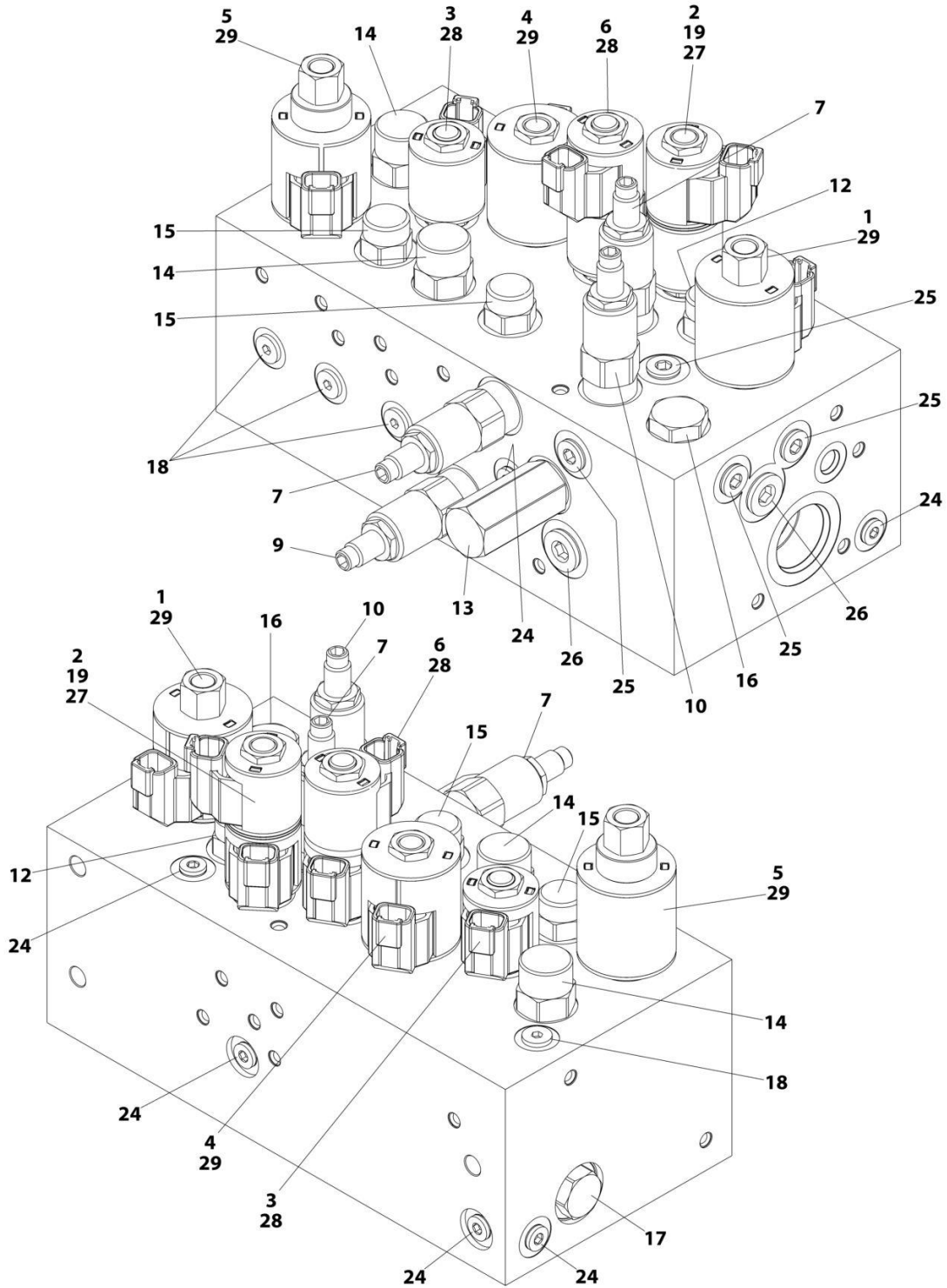
SECTION 2 - TURNTABLE

FIGURE 2-1. CONTROL VALVES INSTALLATION - TURNTABLE MOUNTED

ITEM	PART NUMBER	QTY	DESCRIPTION	REV
	1001250971	Ref	CONTROL VALVES INSTALLATION - TURNTABLE MOUNTED	B
1	0100011	AR	Compound, Locking	
3	0761010	2	Bolt M10 x 20	
6	4812000	2	Washer M10	
8	5251010	5	Bolt M10 x 20	
9	1001162534	1	Main Valve Assembly (See Separate Breakdown in this Section)	
12	1001185821	1	Auxiliary Pump Assembly (See Separate Breakdown in this Section)	
13	1001234295	1	Cover	

SECTION 2 - TURNTABLE

FIGURE 2-2. MAIN VALVE ASSEMBLY



ART_1001162534

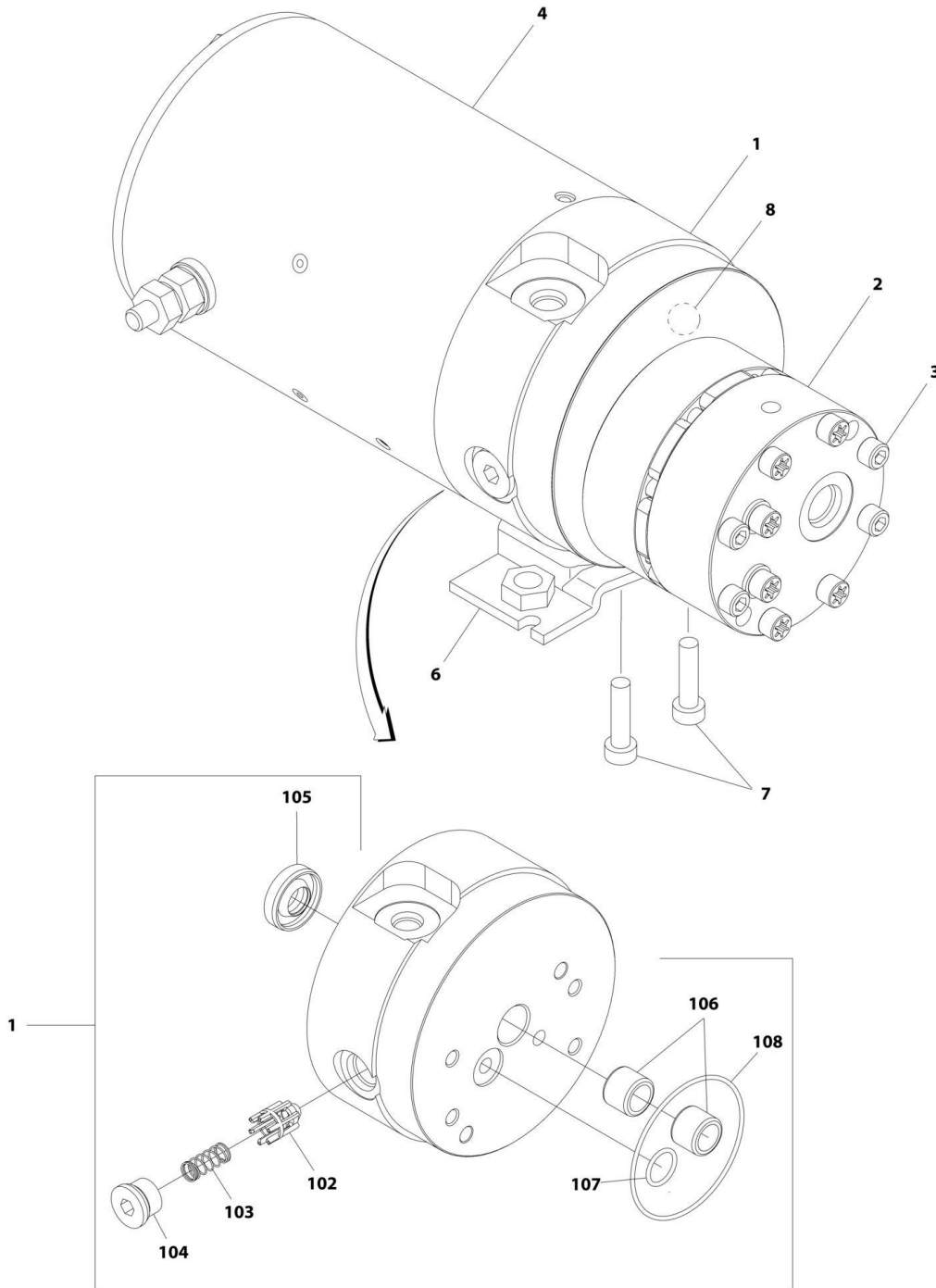
SECTION 2 - TURNTABLE

FIGURE 2-2. MAIN VALVE ASSEMBLY

ITEM	PART NUMBER	QTY	DESCRIPTION	REV
	1001162534	Ref	MAIN VALVE ASSEMBLY	F
1	70005069	1	Cartridge, Solenoid Less Coil (Main Dump)	
1	7022399	1	Seal Kit - 70005069 Valve	
1	70003977	1	Nut, Coil	
2	70005217	1	Cartridge, Solenoid Less Coil (Steer)	
2	70005071	1	Seal Kit - 70005217 Valve	
2	7022390	1	Nut, Coil	
3	70005094	1	Cartridge, Solenoid Less Coil (Main Lift Up)	
3	7023936	1	Seal Kit - 70005094 Valve	
3	7022390	1	Nut, Coil	
4	70005076	1	Cartridge, Solenoid Less Coil (Tower Lift Up)	
4	7022399	1	Seal Kit - 70005076 Valve	
4	7022390	1	Nut, Coil	
5	70005095	1	Cartridge, Solenoid Less Coil (Flow Control)	
5	7022399	1	Seal Kit - 70005095 Valve	
5	70003977	1	Nut, Coil	
6	70005096	1	Cartridge, Solenoid Less Coil (Swing)	
6	70005071	1	Seal Kit - 70005096 Valve	
7	70005097	1	Cartridge, Solenoid Less Coil	
7	70005082	2	Seal Kit - 70005097 Valve	
9	70005098	1	Cartridge, Relief Valve	
9	7023936	1	Seal Kit - 70005098 Valve	
10	70005080	1	Cartridge, Relief Valve	
10	7022399	1	Seal Kit - 70005080 Valve	
12	70005218	1	Cartridge, Valve	
12	70005082	1	Seal Kit - 70005218 Valve	
13	70005084	1	Cartridge, Valve	
13	70005085	1	Seal Kit - 70005084 Valve	
14	70005099	2	Cartridge, Valve	
14	70005087	2	Seal Kit - 70005099 Valve	
15	70005088	2	Cartridge, Valve	
15	7023900	2	Seal Kit - 70005088 Valve	
16	70005100	1	Cartridge, Check Valve	
16	7022399	1	Seal Kit - 70005100 Valve	
17	70005089	1	Cartridge, Check Valve	
17	7023936	1	Seal Kit - 70005089 Valve	
18	70005090	5	Cartridge, Check Valve	
18	70005092	5	Seal Kit - 70005092 Valve	
19	See Note	1	Disc, Check Valve (Note: Not Available for Purchase)	
24	91164059	7	Plug	
25	91164079	4	Plug	
26	91164057	2	Plug	
27	70005219	2	Coil	
28	70002386	3	Coil	
29	70003788	3	Coil	

SECTION 2 - TURNTABLE

FIGURE 2-3. AUXILIARY PUMP ASSEMBLY



ART_1001185821

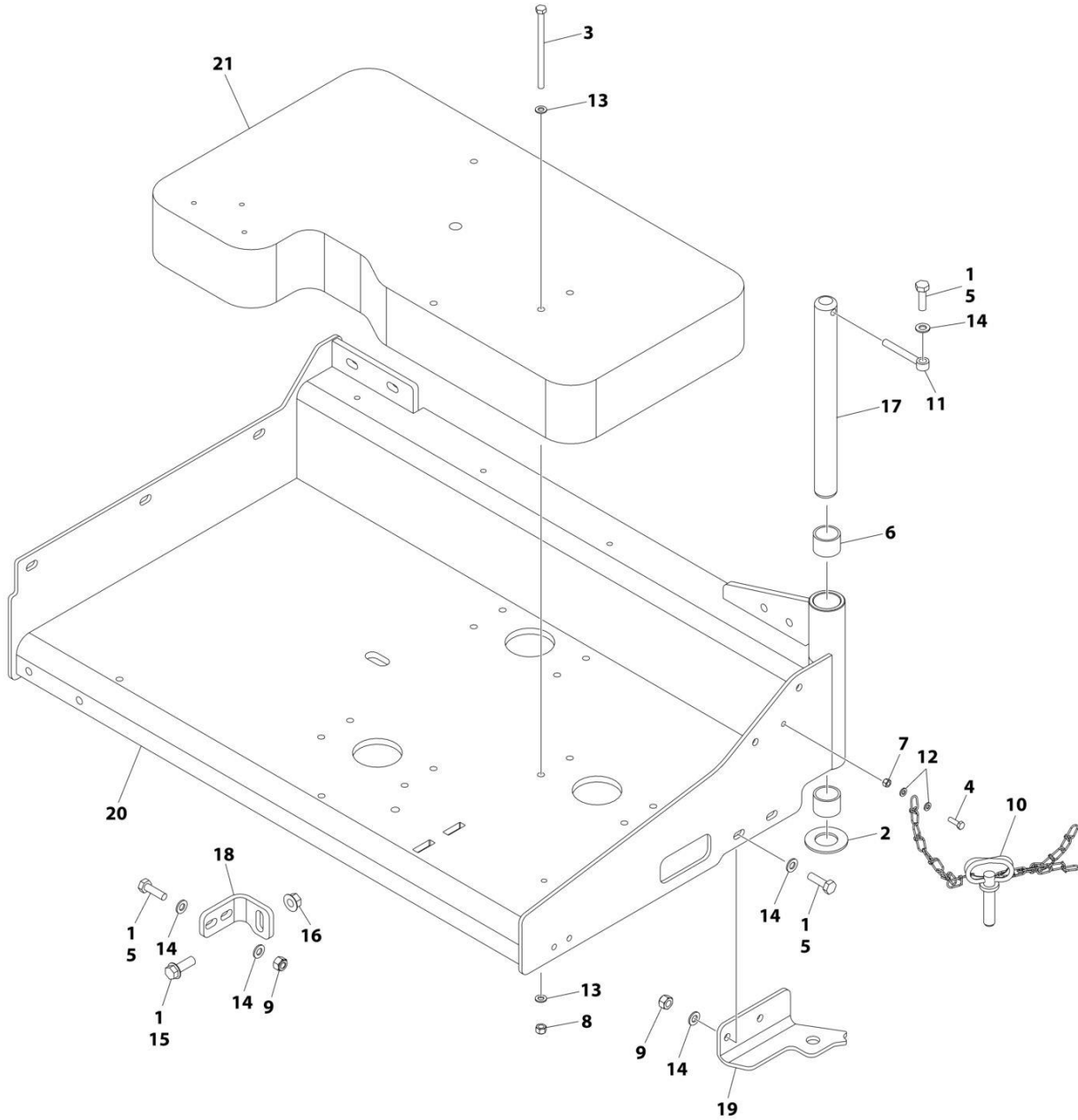
SECTION 2 - TURNTABLE

FIGURE 2-3. AUXILIARY PUMP ASSEMBLY

ITEM	PART NUMBER	QTY	DESCRIPTION	REV
	1001185821	Ref	AUXILIARY PUMP ASSEMBLY	B
1	70005065	1	Base Assembly (See Items 102-108 for Breakdown)	
2	70005066	1	Pump Assembly (Note: No Seal Kit or Internal Components are Available - Purchase Complete Pump Assembly)	
3	70005067	4	Capscrew 1/4 x 2-3/4	
4	70004013	1	Motor Assembly (Note: No Internal Components are Available - Purchase Complete Motor Assembly)	
6	70004014	1	Bracket	
7	70004000	2	Capscrew 3/8 x 1	
8	70005068	1	Relief Valve Assembly	
	70005065	Ref	BASE ASSEMBLY	
102	See Note	NSS	Poppet, Check (Note: Use p/n 70005065)	
103	See Note	NSS	Spring (Note: Use p/n 70005065)	
104	See Note	NSS	Plug (Note: Use p/n 70005065)	
105	7026330	1	Seal, Shaft	
106	70005139	2	Bearing	
107	70003612	1	O-Ring	
108	70004267	1	O-Ring	

SECTION 2 - TURNTABLE

FIGURE 2-4. ENCLOSURE INSTALLATION (SN C300000326 through C300000699)



ART_1001250951

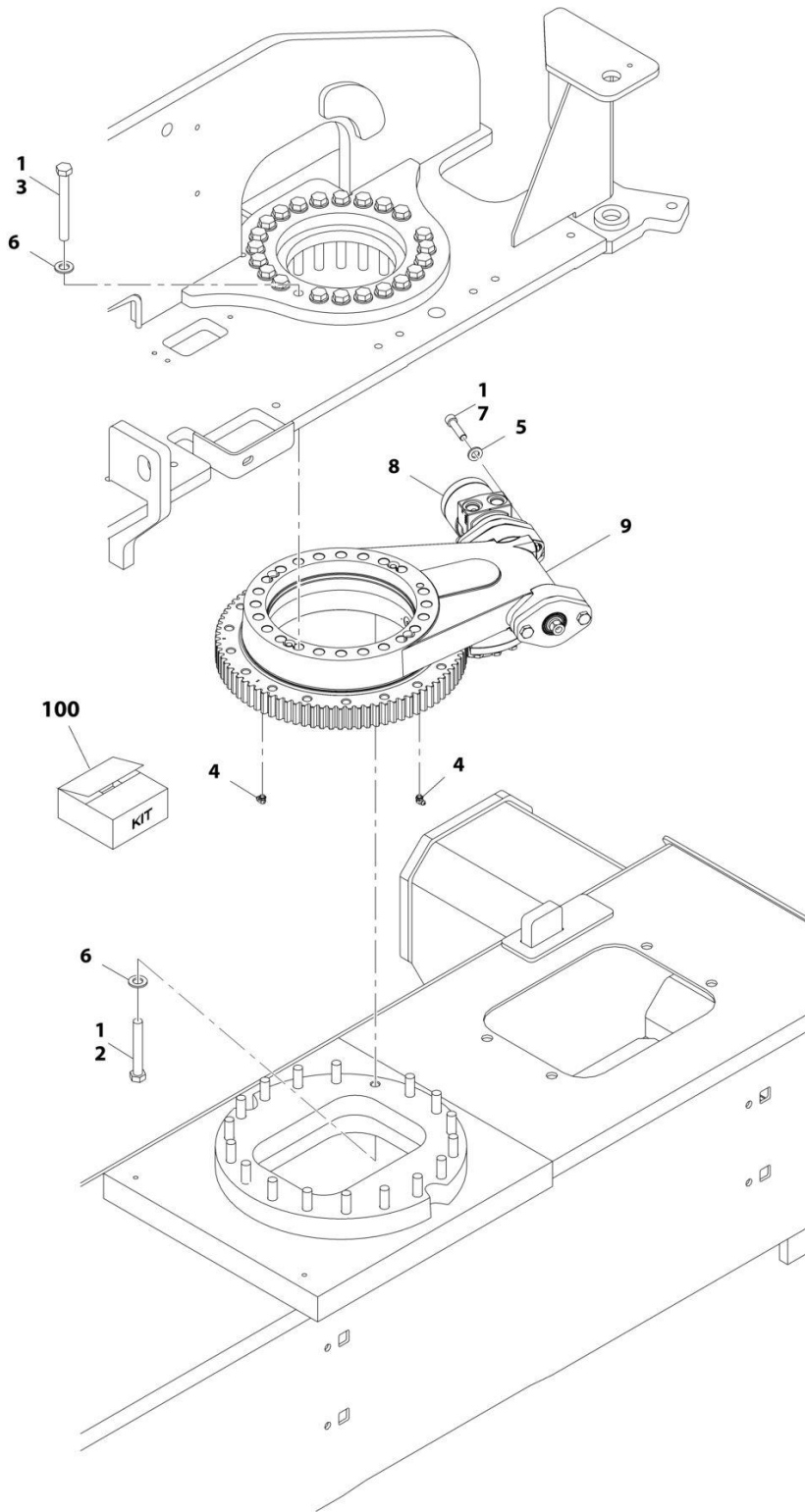
SECTION 2 - TURNTABLE

FIGURE 2-4. ENCLOSURE INSTALLATION (SN C300000326 through C300000699)

ITEM	PART NUMBER	QTY	DESCRIPTION	REV
	1001250951	Ref	ENCLOSURE INSTALLATION	A
1	0100011	AR	Compound, Locking	
2	0440162	1	Bearing	
3	0700830	4	Bolt M8 x 130	
4	0760610	1	Bolt M6 x 20	
5	0761015	5	Bolt M10 x 35	
6	0961951	2	Bushing	
7	3290605	1	Nut M6	
8	3290805	4	Nut M8	
9	3291005	4	Nut M10	
10	3422532	1	Pin	
11	3841143	1	Keeper, Pin	
12	4811700	2	Washer M6	
13	4811900	8	Washer M8	
14	4812000	9	Washer M10	
15	5251215	1	Bolt M12 x 35	
16	5261200	1	Nut M12	
17	1001135196	1	Pin	
18	1001167512	1	Bracket	
19	1001169823	1	Plate	
20	1001176699	1	Support	
21	1001250967	1	Weight, Ballast	

SECTION 2 - TURNTABLE

FIGURE 2-5. SWING DRIVE AND TURNTABLE BEARING INSTALLATION



ART_1001165946

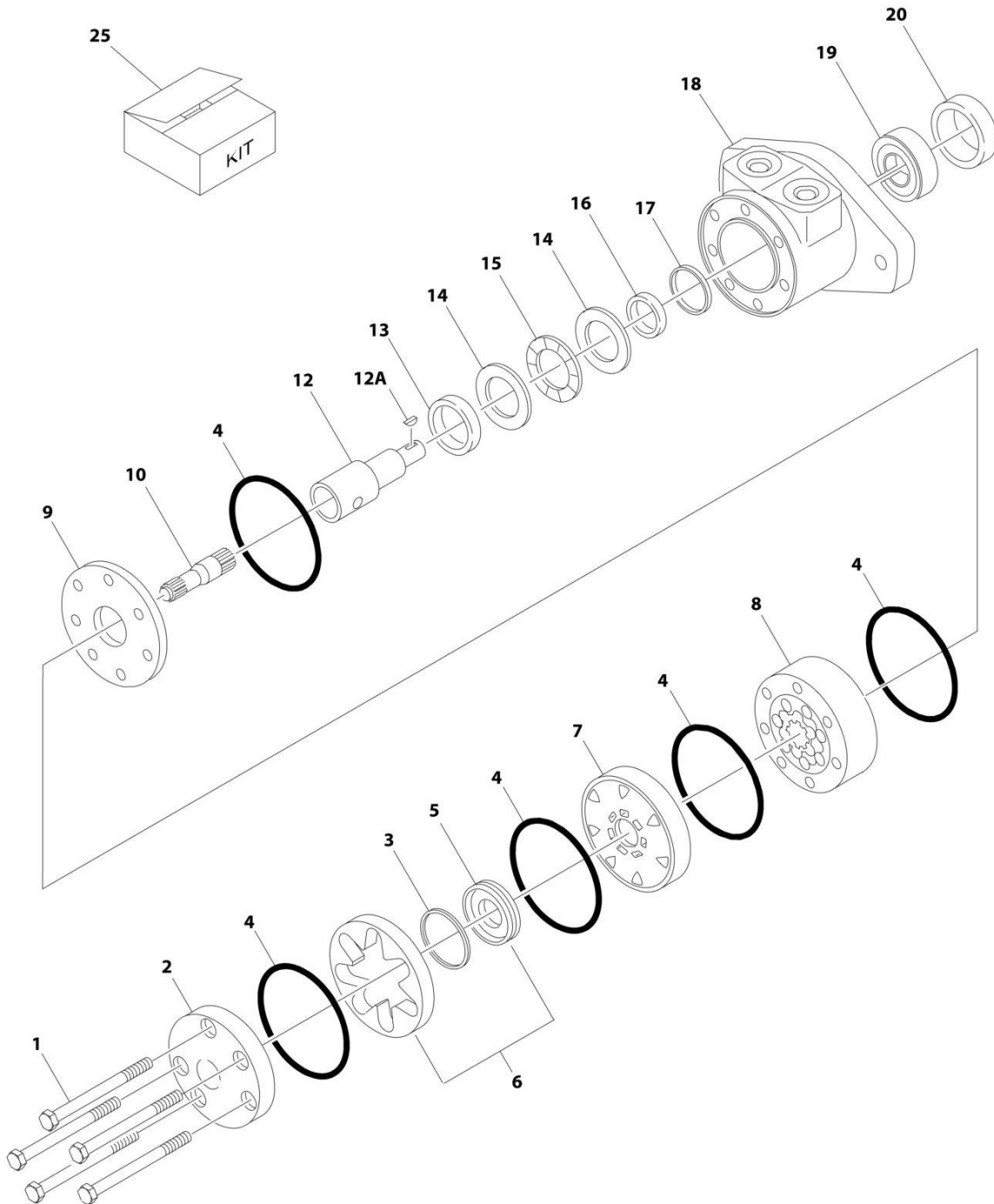
SECTION 2 - TURNTABLE

FIGURE 2-5. SWING DRIVE AND TURNTABLE BEARING INSTALLATION

ITEM	PART NUMBER	QTY	DESCRIPTION	REV
	1001165946	Ref	SWING DRIVE AND TURNTABLE BEARING INSTALLATION	B
1	0100019	AR	Compound, Locking	
2	0711628	18	Bolt M16 x 110 Grade 10.9	
3	0711631	23	Bolt M16 x 140	
4	2160001	2	Fitting, Grease 90	
5	5241200	2	Washer M12	
6	5241600	41	Washer M16	
7	5272114	2	Capscrew M12 x 50 Grade 12.9	
8	1001104850	1	Swing Motor Assembly (See Separate Breakdown in this Section)	
9	1001133972	1	Turntable Bearing Assembly (See Separate Breakdown in this Section)	
100	1001206436	1	Turntable Bearing Kit (Includes Items 2-7 & 9)	

SECTION 2 - TURNTABLE

FIGURE 2-6. SWING MOTOR ASSEMBLY



ART_1001104850

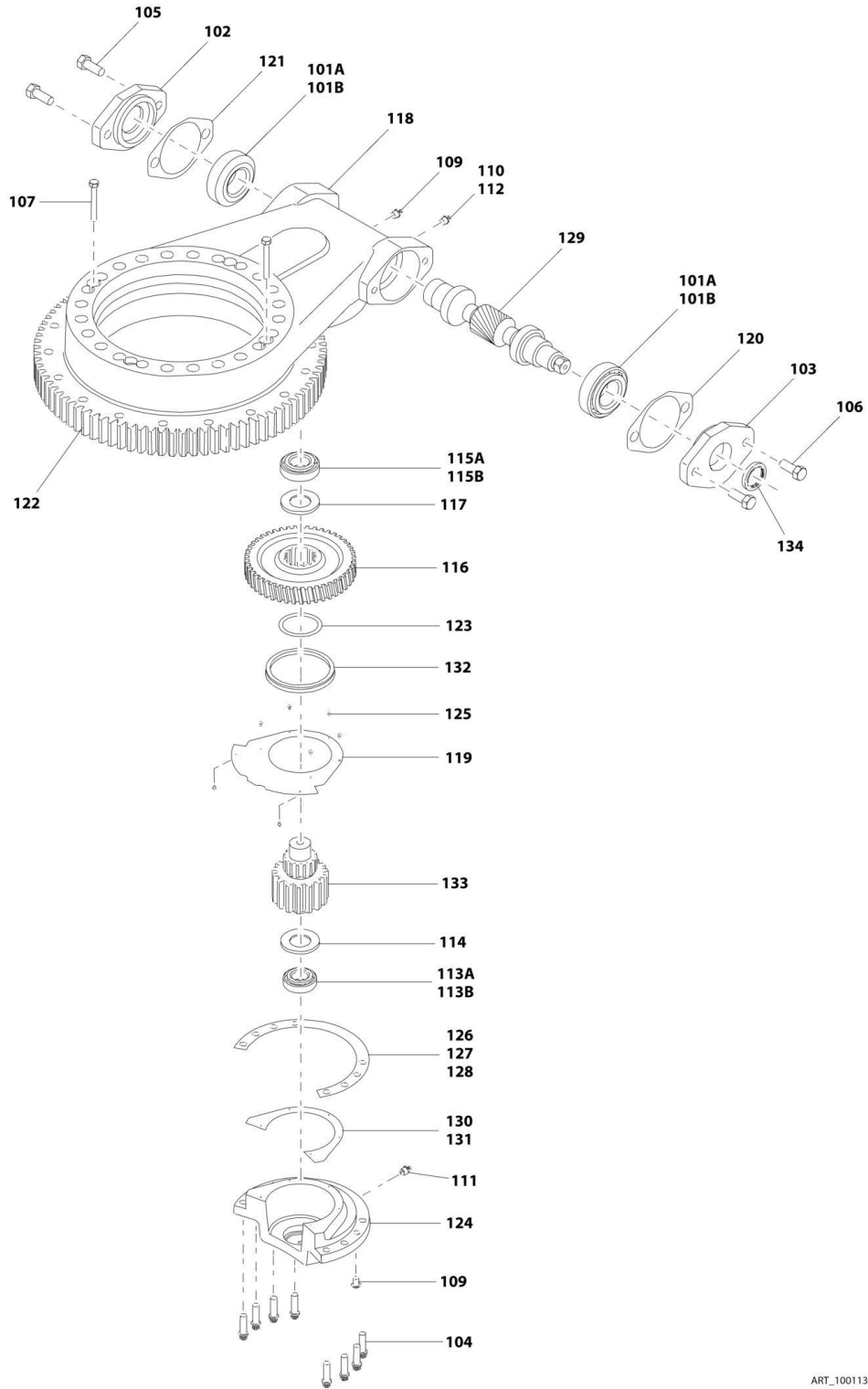
SECTION 2 - TURNTABLE

FIGURE 2-6. SWING MOTOR ASSEMBLY

ITEM	PART NUMBER	QTY	DESCRIPTION	REV
	1001104850	Ref	SWING MOTOR ASSEMBLY	A
1	See Note	5	Bolt (Note: Not Available for Purchase)	
2	7004035	1	Cover, End	
3	7023318	1	Seal, Commutator	
4	7004036	5	O-Ring	
5	See Note	NSS	Commutator (Note: Use Item 6)	
6	7024453	1	Commutator and Ring Assembly (Includes Item 5)	
7	7024379	1	Manifold	
8	70002206	1	Rotor Set	
9	7024380	1	Plate, Wear	
10	70002207	1	Link, Drive	
12	70000088	1	Shaft, Coupling	
12A	70000089	1	Key	
13	7024381	1	Bushing, Inner	
14	7004043	1	Thrustwasher	
15	7004044	1	Bearing, Thrust	
16	7004049	1	Seal, Inner Shaft	
17	7004045	1	Ring, Back-up	
18	See Note	NSS	Housing (Note: Not Available - Purchase Complete Motor)	
19	7024390	1	Bearing	
20	7004047	1	Seal, Outer Shaft	
25	7024389	1	Seal Kit (Includes Items 3, 4, 16, 17 & 20)	

SECTION 2 - TURNTABLE

FIGURE 2-7. TURNTABLE BEARING ASSEMBLY



ART_1001133972

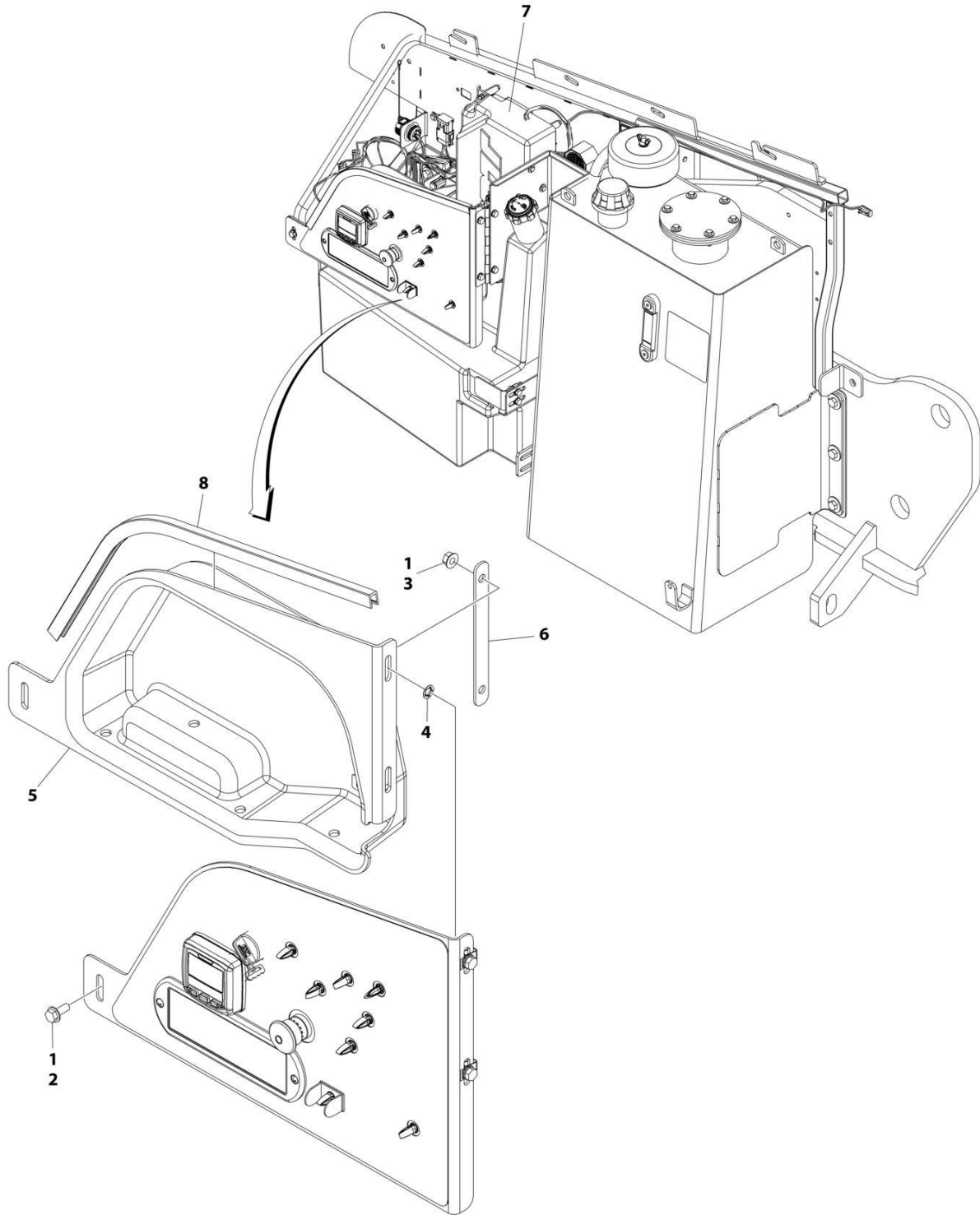
SECTION 2 - TURNTABLE

FIGURE 2-7. TURNTABLE BEARING ASSEMBLY

ITEM	PART NUMBER	QTY	DESCRIPTION	REV
	1001133972	Ref	TURNTABLE BEARING ASSEMBLY	D
101A	7026042	2	Cup, Bearing	
101B	7026043	2	Cone, Bearing	
102	7027356	1	Adapter, Motor	
103	7027354	1	Cap, Worm	
104	70004249	8	Bolt M10 x 35 Grade 10.9	
105	70004250	2	Bolt M12 x 30 Grade 10.9	
106	70004251	2	Bolt M12 x 40 Grade 10.9	
107	70004252	2	Bolt M8 x 65mm	
109	70000865	1	Plug	
110	70002649	1	Vent, Pressure	
111	70002651	1	Fitting, Grease	
112	7026044	1	Bushing, Reducer	
113A	7026045	1	Cup, Bearing	
113B	7026047	1	Cone, Bearing	
114	7026046	1	Ring, Grease	
115A	7026048	1	Cup, Bearing	
115B	7026049	1	Cone, Bearing	
116	7026050	1	Worm-Gear	
117	7026052	1	Spacer, Washer	
118	See Note	1	Housing (Note: Not Available - Purchase Complete Assembly)	
119	7026053	1	Cover, Gear	
120	7027350	AR	Shim, Blue (.005in)	
120	7027351	AR	Shim, Clear (.0075in)	
120	7027352	AR	Shim, Brown (.010in)	
121	7027353		Shim, Yellow (.020in)	
122	70004253	1	Bearing, Turntable	
123	70004254	1	O-Ring	
124	70004255	1	Cap, Gear	
125	70004256	8	Bolt M4 x 8	
126	70004257	AR	Shim, Green (.003)	
127	70004258	AR	Shim, Blue (.005)	
128	70004259	AR	Shim, Natural (.0075)	
129	7026057	1	Gear, Worm	
130	70004260	AR	Shim, Blue (.005)	
131	70004261	AR	Shim, Yellow (.020)	
132	70004262	1	Seal, Oil	
133	7026051	1	Pinion, Output	
134	70004263	1	Seal, Oil	

SECTION 2 - TURNTABLE

FIGURE 2-8. TURNTABLE COVERS INSTALLATION



ART_1001219129

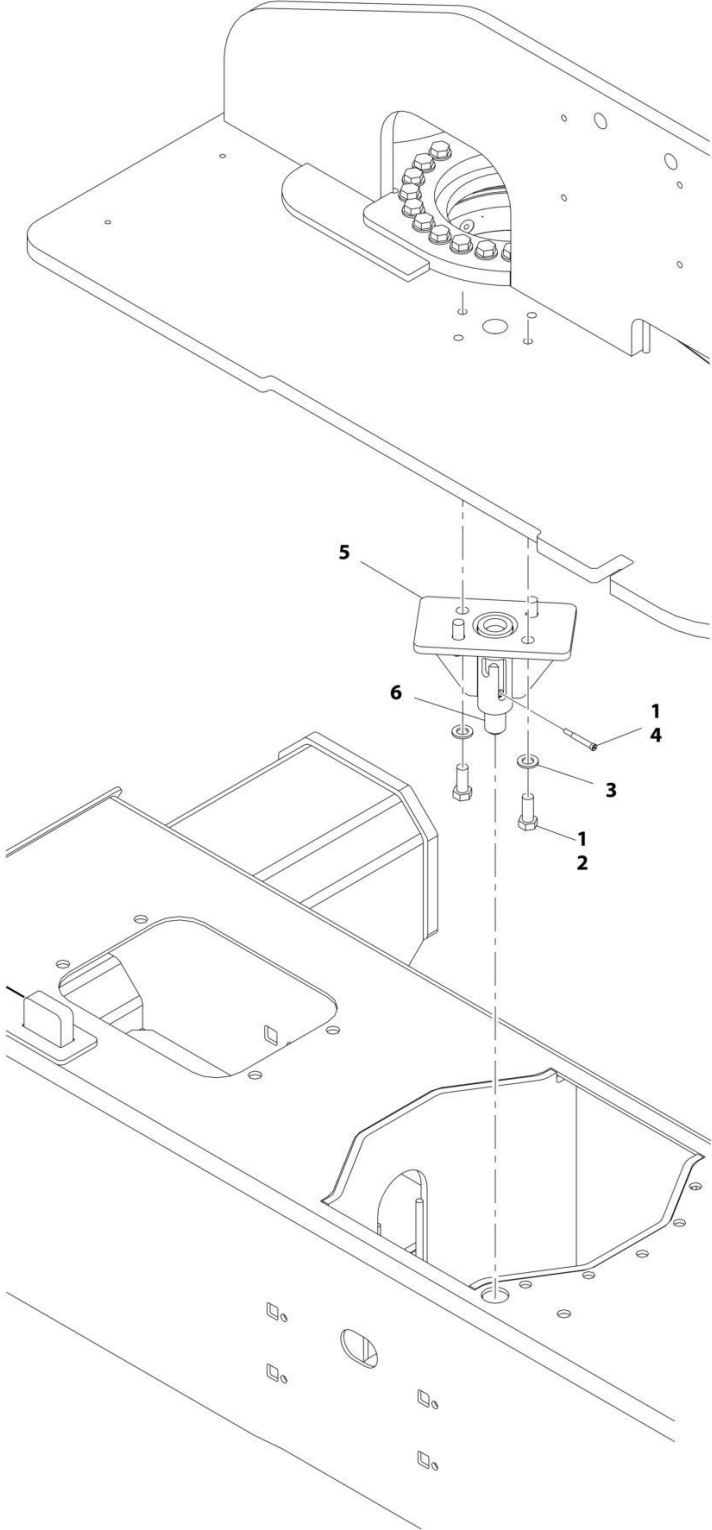
SECTION 2 - TURNTABLE

FIGURE 2-8. TURNTABLE COVERS INSTALLATION

ITEM	PART NUMBER	QTY	DESCRIPTION	REV
	1001219129	Ref	TURNTABLE COVERS INSTALLATION	A
1	0100011	AR	Compound, Locking	
2	5250812	1	Bolt M8 x 25	
3	5260800	2	Nut M8	
4	1001119228	2	Nut M8	
5	1001218533	1	Cover	
6	1001218535	1	Plate, Mounting	
7	1001218537	1	Cover	
8	4060806	2 ft/0.6m	Shield, Flex	

SECTION 2 - TURNTABLE

FIGURE 2-9. TURNTABLE LOCK INSTALLATION



ART_1001177820

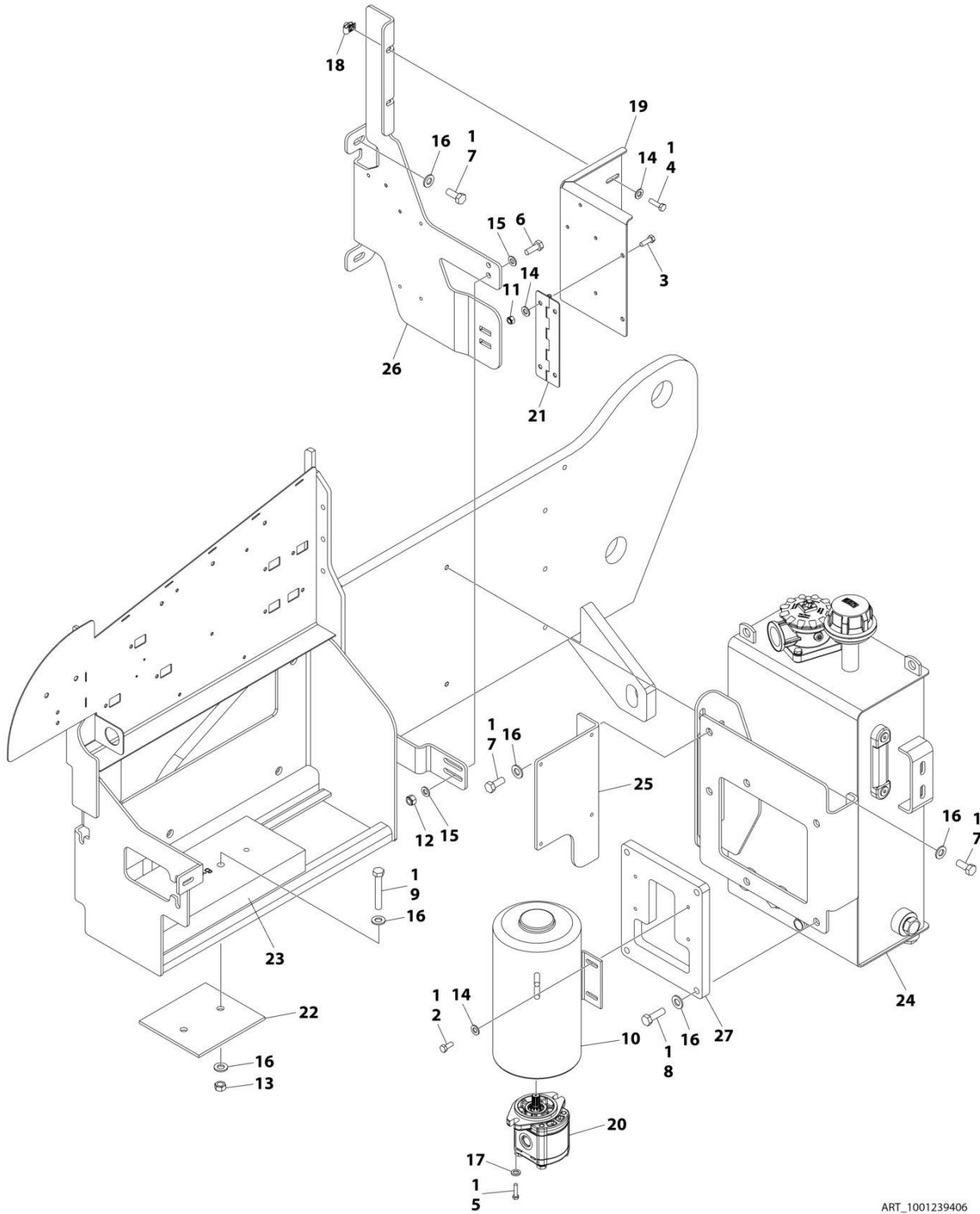
SECTION 2 - TURNTABLE

FIGURE 2-9. TURNTABLE LOCK INSTALLATION

ITEM	PART NUMBER	QTY	DESCRIPTION	REV
	1001177820	Ref	TURNTABLE LOCK INSTALLATION	B
1	0100011	AR	Compound, Locking	
2	0701616	4	Bolt M16 x 40	
3	4812300	4	Washer M16	
4	1001157466	1	Bolt M10 x 30	
5	1001177821	1	Support, Lock	
6	1001177834	1	Pin, Lock	
7	1001223118	1	Decal – Lift Diagram (Not Shown)	

SECTION 2 - TURNTABLE

FIGURE 2-10. TANK AND PUMPS INSTALLATION



ART_1001239406

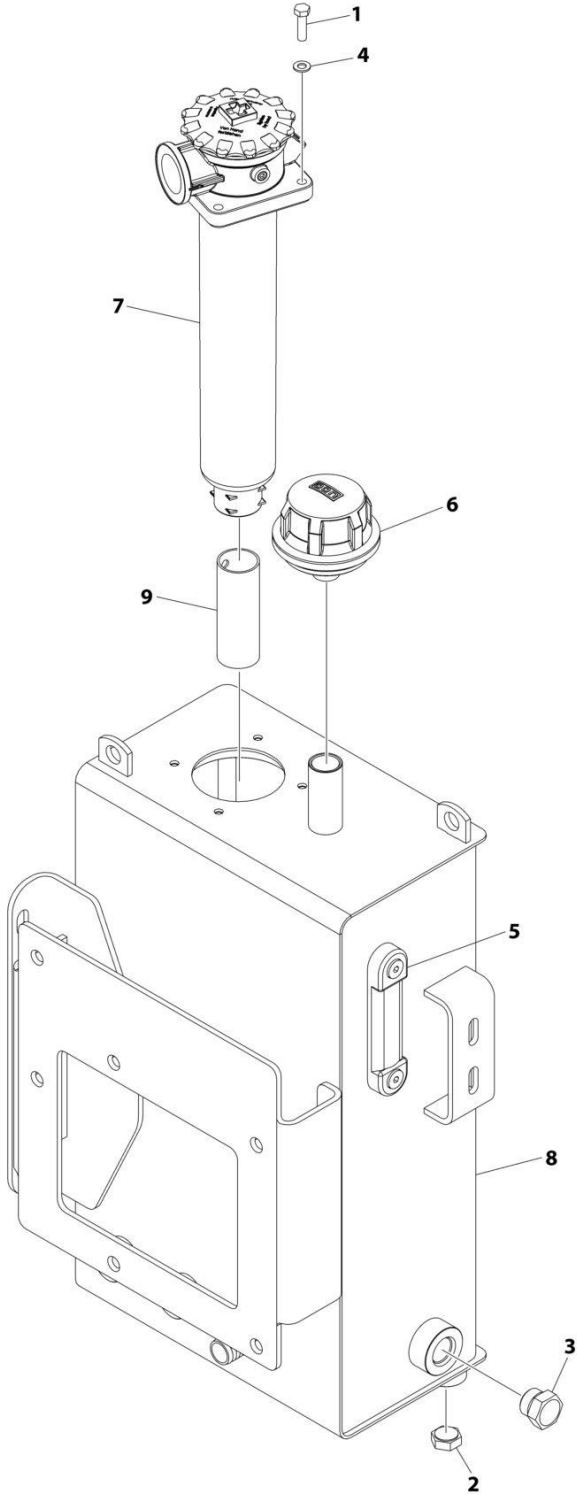
SECTION 2 - TURNTABLE

FIGURE 2-10. TANK AND PUMPS INSTALLATION

ITEM	PART NUMBER	QTY	DESCRIPTION	REV
	1001239406	Ref	TANK AND PUMPS INSTALLATION	A
1	0100011	AR	Compound, Locking	
2	0760810	4	Bolt M8 x 20	
3	0760812	2	Bolt M8 x 25	
4	0760814	2	Bolt M8 x 30	
5	0760815	2	Bolt M8 x 35	
6	0761014	2	Bolt M10 x 30	
7	0761214	8	Bolt M12 x 30	
8	0761216	4	Bolt M12 x 40	
9	0761224	2	Bolt M12 x 80	
10	3160252	1	Electricity Motor Assembly (See Separate Breakdown in this Section)	
11	3290805	2	Nut M8	
12	3291005	2	Nut M10	
13	3291201	2	Nut M12	
14	4811900	10	Washer M8	
15	4812000	4	Washer M10	
16	4812100	16	Washer M12	
17	5240800	2	Washer M8	
18	1001118274	2	Nut M8	
19	1001169898	1	Support, Ground Control	
20	1001174535	1	Gear Pump Assembly	
21	1001179339	1	Hinge	
22	1001246539	1	Plate	
23	1001246543	1	Weight, Ballast	
24	1001248813	1	Hydraulic Tank Installation (See Separate Breakdown in this Section)	
25	1001249329	1	Bracket	
26	1001249857	1	Bracket	
27	1001252533	1	Plate	

SECTION 2 - TURNTABLE

FIGURE 2-11. HYDRAULIC TANK INSTALLATION



ART_1001248813

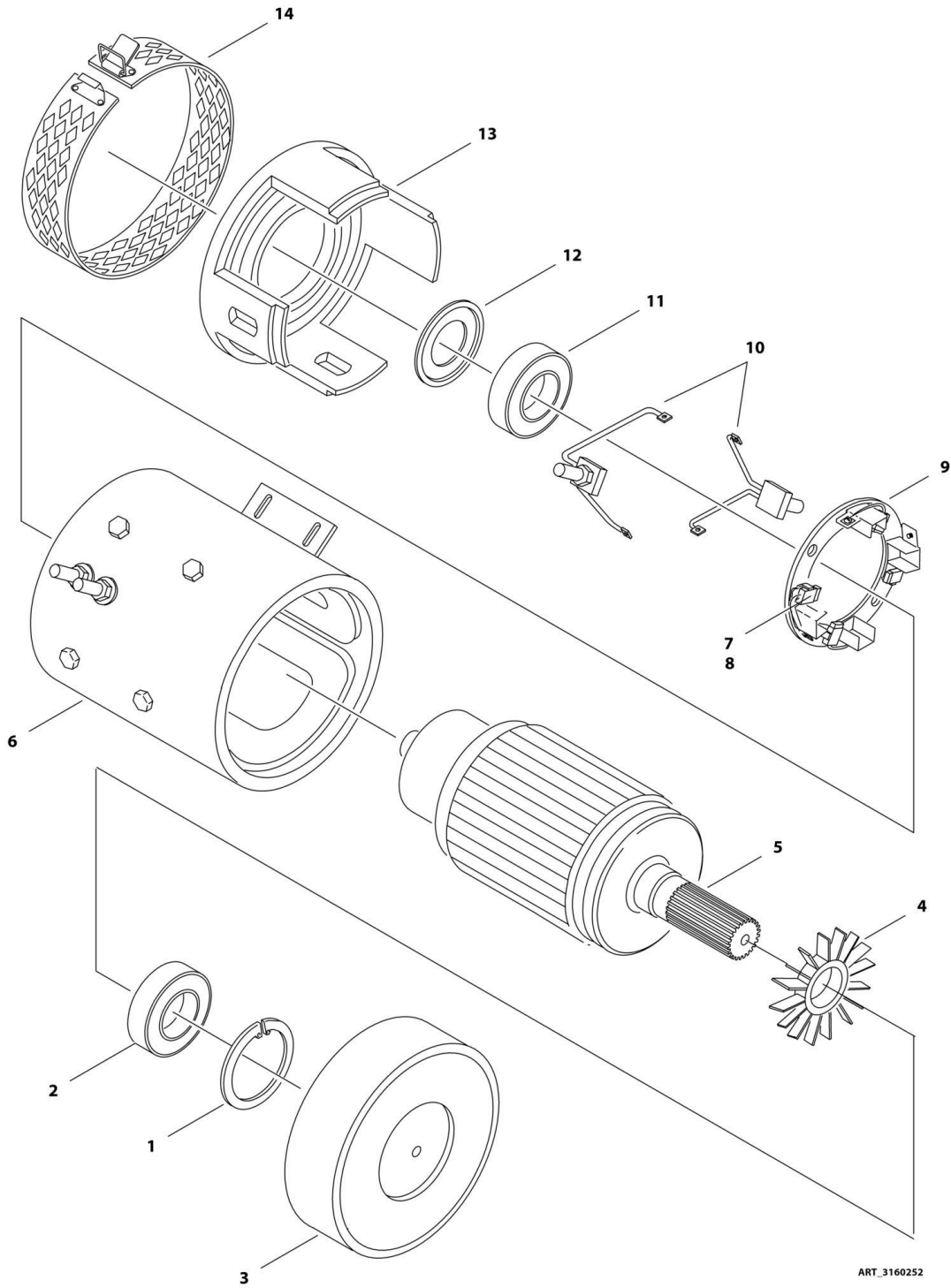
SECTION 2 - TURNTABLE

FIGURE 2-11. HYDRAULIC TANK INSTALLATION

ITEM	PART NUMBER	QTY	DESCRIPTION	REV
	1001248813	Ref	HYDRAULIC TANK INSTALLATION	B
1	0700814	4	Bolt M8 x 30	
2	2220239	1	Plug, ORB	
3	2220240	1	Plug, ORB	
4	4811900	4	Washer M8	
5	7024441	1	Gauge, Sight	
6	1001127152	1	Breather Cap (Vented)	
7	1001162661	1	Filter, Hydraulic	
7	1001162663	1	Element, Filter	
7	1001162667	1	Pipe, Filter Return	
8	1001248401	1	Hydraulic Tank Assembly	
9	1001249615	1	Pipe, Return	

SECTION 2 - TURNTABLE

FIGURE 2-12. MOTOR ASSEMBLY



ART_3160252

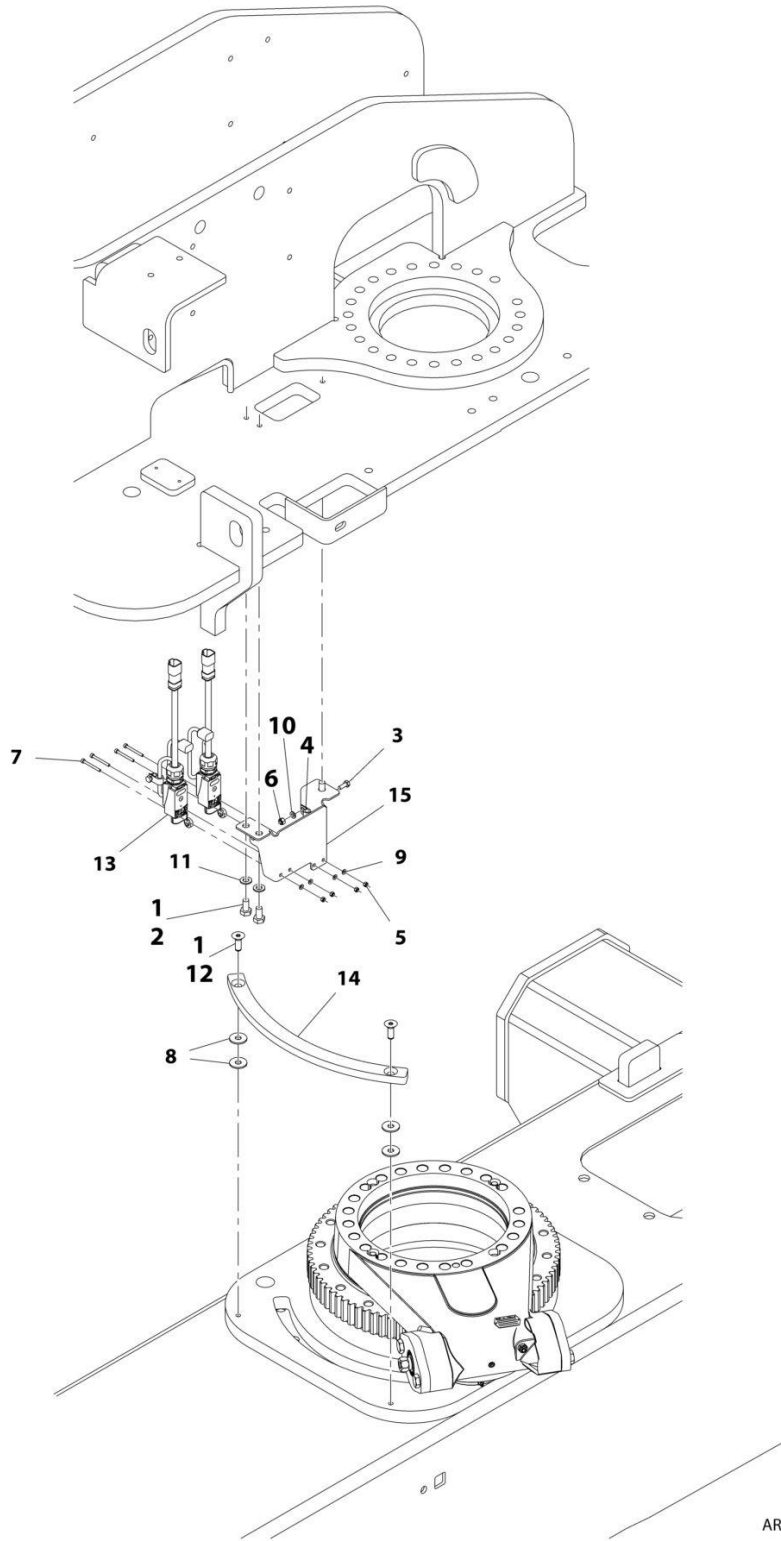
SECTION 2 - TURNTABLE

FIGURE 2-12. MOTOR ASSEMBLY

ITEM	PART NUMBER	QTY	DESCRIPTION	REV
	3160252	Ref	MOTOR ASSEMBLY	C
1	7020291	1	Ring, Retaining	
2	7020292	1	Bearing (Shaft End)	
3	7020293	1	Endhead, Shaft	
4	7020294	1	Fan	
5	7020295	1	Armature Assembly	
6	7020296	1	Field Coil/Case Kit	
7	7012548	8	Spring, Brush	
8	7020297	8	Brush	
9	7020298	1	Box Assembly - Brush	
10	7020299	1	Lead Kit, Brush Wire	
11	7012545	1	Bearing (Commutator End)	
12	7012549	1	Washer	
13	7023200	1	Endhead, Commutator	
14	7023272	1	Headband Assembly	

SECTION 2 - TURNTABLE

FIGURE 2-13. DRIVE ORIENTATION INSTALLATION



ART_1001166767

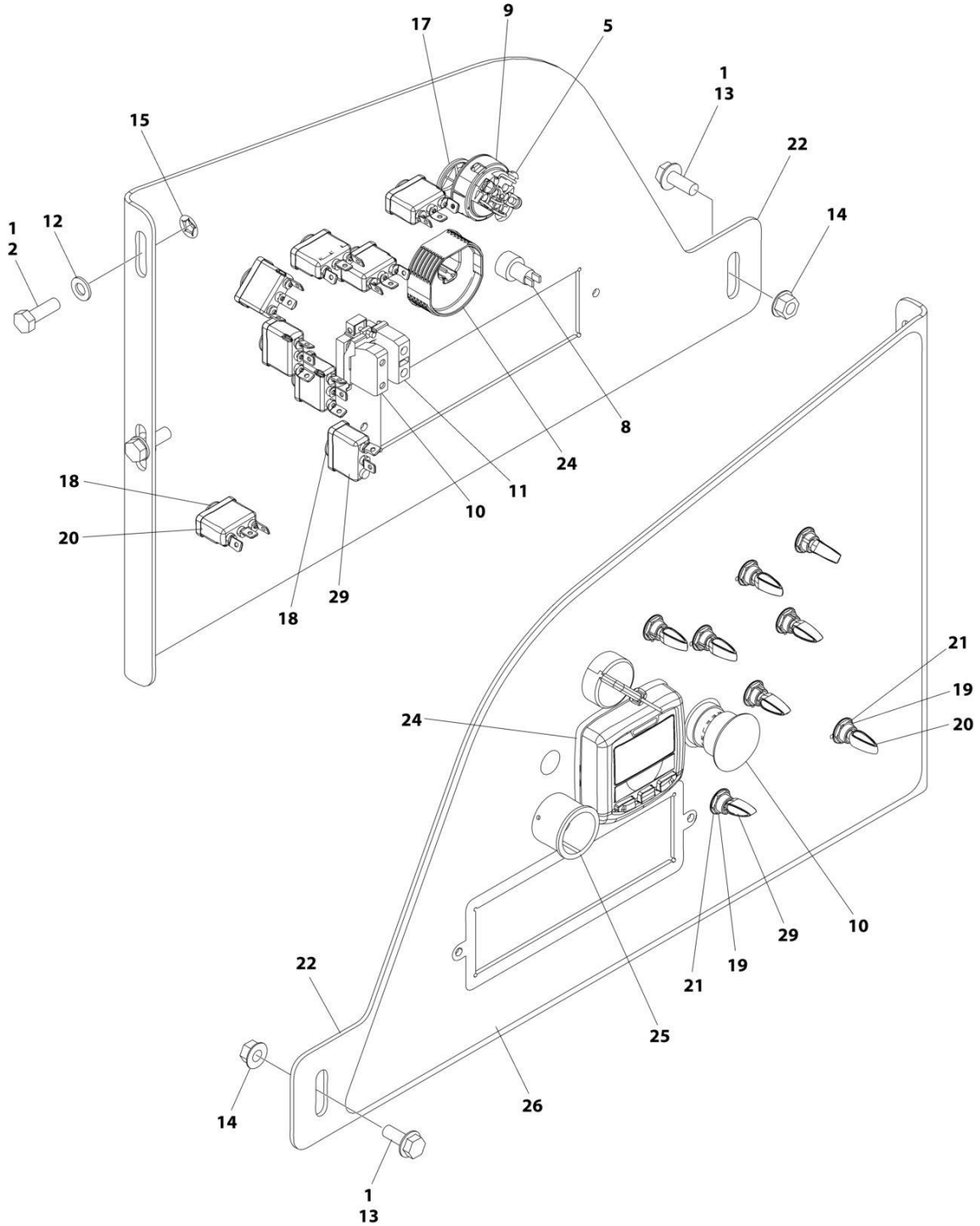
SECTION 2 - TURNTABLE

FIGURE 2-13. DRIVE ORIENTATION INSTALLATION

ITEM	PART NUMBER	QTY	DESCRIPTION	REV
	1001166767	Ref	DRIVE ORIENTATION INSTALLATION	F
1	0100011	AR	Compound, Locking	
2	0761010	3	Bolt M10 x 20	
3	0760608	2	Bolt M6 x 16	
4	1321293	2	Clamp, Cable	
5	3290405	4	Nut M4	
6	3290605	2	Nut M6	
7	4031512	4	Capscrew M4 x 40	
8	4812002	4	Washer M10	
9	4811400	4	Washer M4	
10	4811700	2	Washer M6	
11	4812000	3	Washer M10	
12	8310614	2	Screw M10 x 30	
13	1001119176	2	Switch, Limit	
13	1001129407	1	Receptacle, Female - 4 Position	
13	4460464	4	Pin, Male	
14	1001162106	1	Cam	
15	1001166768	1	Bracket	
16	8881800	AR	Tie-Strap (Not Shown)	

SECTION 2 - TURNTABLE

FIGURE 2-14. GROUND CONTROL ASSEMBLY (SN C300000326 through C300000699)



ART_1001250486

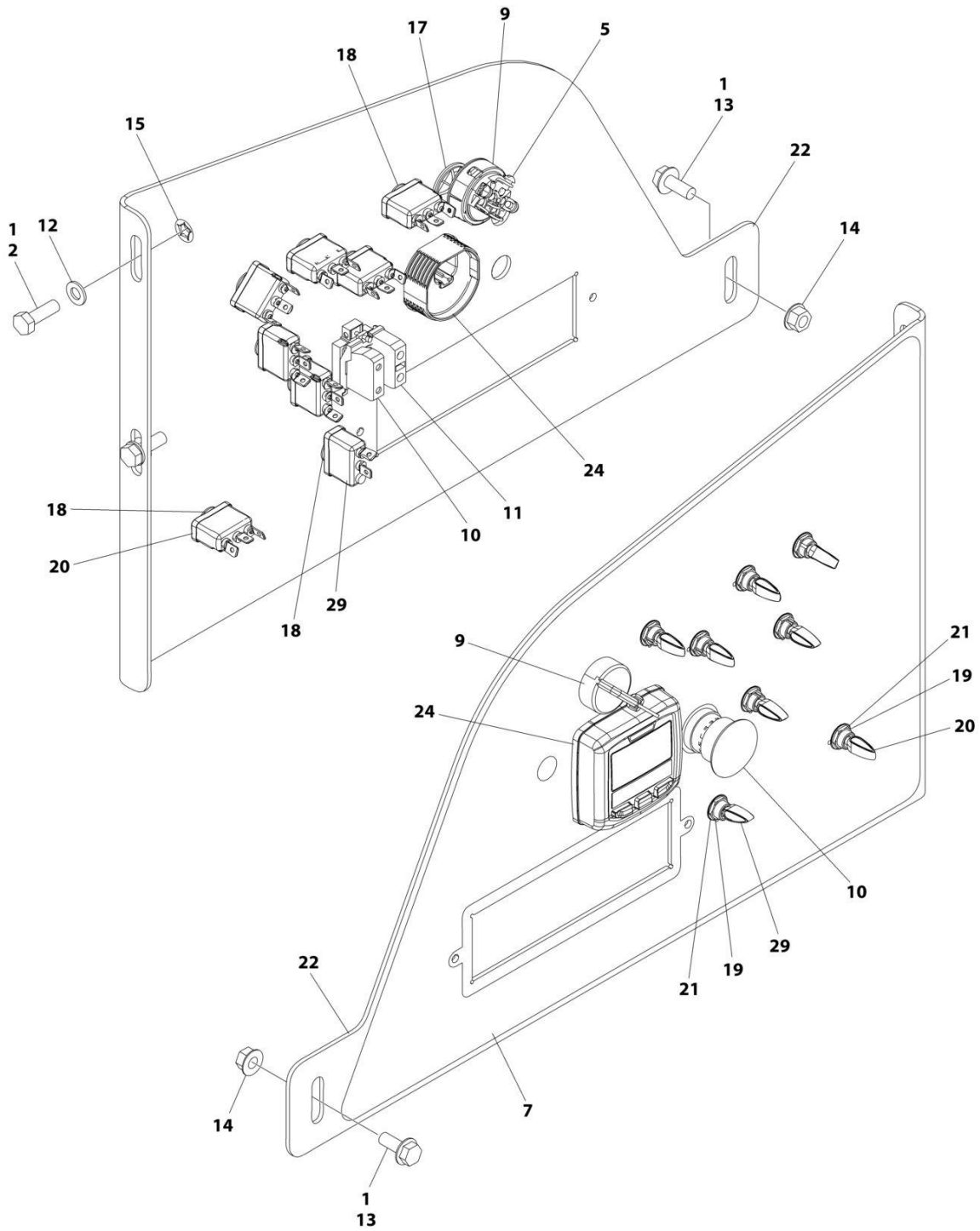
SECTION 2 - TURNTABLE

FIGURE 2-14. GROUND CONTROL ASSEMBLY (SN C300000326 through C300000699)

ITEM	PART NUMBER	QTY	DESCRIPTION	REV
	1001250486	Ref	GROUND CONTROL ASSEMBLY	D
1	0100011	AR	Compound, Locking	
2	0760812	2	Bolt M8 x 25	
5	3910804	3	Screw M8 x 1/4	
8	4360387	1	Switch, Push Button	
9	4360469	1	Switch, Key	
9	2860030	1	Key, Replacement	
10	4360475	1	Switch, Emergency	
10	7020175	1	Cap	
10	7020176	1	Block, Contact	
11	4360476	1	Block, Contact	
12	4811900	2	Washer M8	
13	5250810	1	Bolt M8 x 20	
14	5260800	1	Nut M8	
15	1001119228	2	Nut M8	
17	1001151393	1	Shim .063	
18	1001155043	8	Washer	
19	1001155044	8	Nut	
20	1001155045	7	Switch, Toggle	
21	1001162807	8	Washer	
22	1001264735	1	Panel, Ground Control	
24	1001171482	1	Gauge, Display	
25	1001176469	1	Shroud, Switch	
26	1001265288	1	Decal - Ground Control	
29	1001159256	1	Switch, Toggle	

SECTION 2 - TURNTABLE

FIGURE 2-15. GROUND CONTROL ASSEMBLY (ANSI, AUSTRALIAN AND CSA SPECS) (SN C30000326 through C30000699)



ART_1001258966

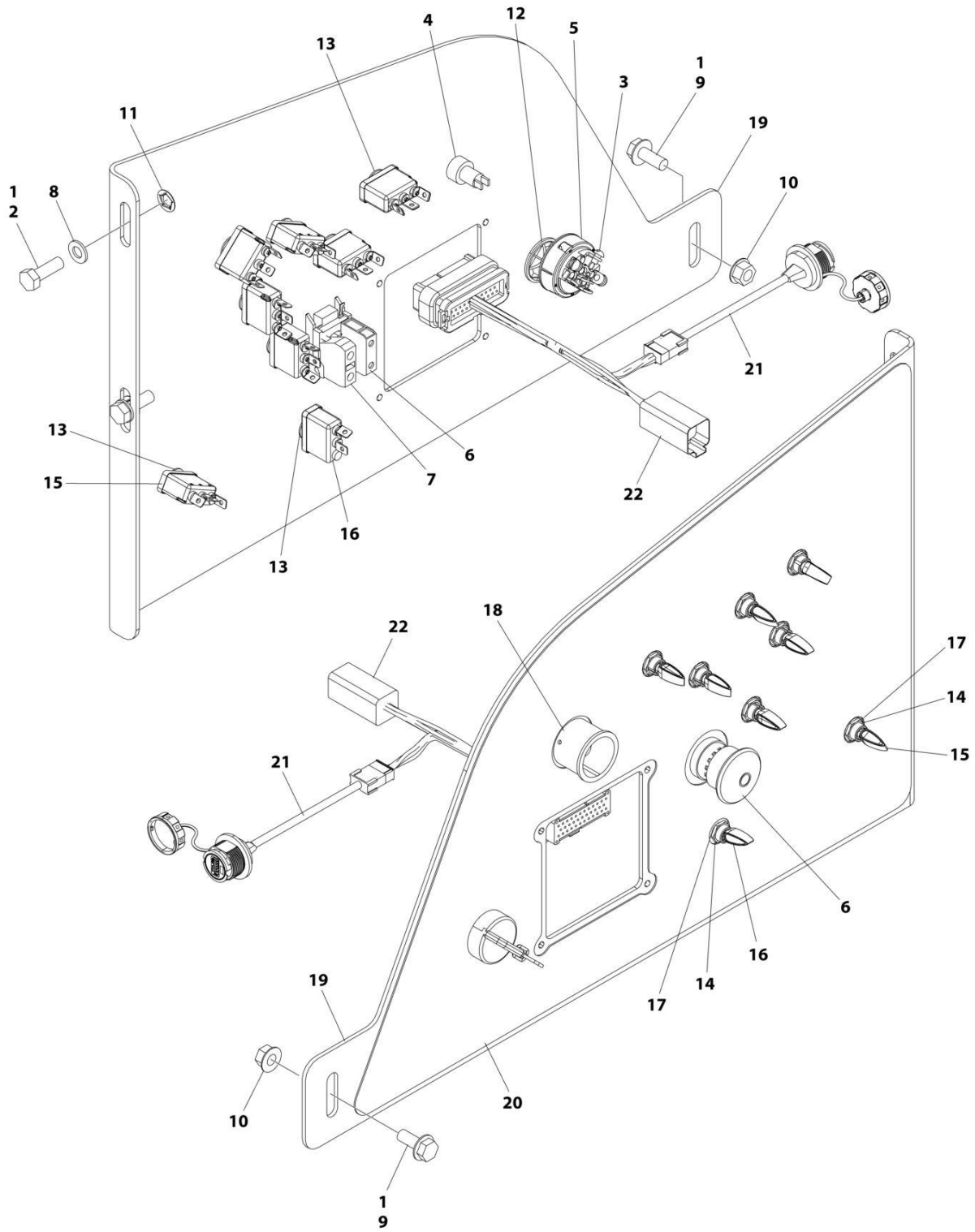
SECTION 2 - TURNTABLE

FIGURE 2-15. GROUND CONTROL ASSEMBLY (ANSI, AUSTRALIAN AND CSA SPECS) (SN C300000326 through C300000699)

ITEM	PART NUMBER	QTY	DESCRIPTION	REV
	1001258966	Ref	GROUND CONTROL ASSEMBLY	C
1	0100011	AR	Compound, Locking	
2	0760812	2	Bolt M8 x 25	
5	3910804	3	Screw M8 x 1/4	
7	1001265289	1	Decal - Ground Control	
9	4360469	1	Switch, Key	
9	2860030	1	Key, Replacement	
10	4360475	1	Switch, Emergency	
10	7020175	1	Cap	
10	7020176	1	Block, Contact	
11	4360476	1	Block, Contact	
12	4811900	2	Washer M8	
13	5250810	1	Bolt M8 x 20	
14	5260800	1	Nut M8	
15	1001119228	2	Nut M8	
17	1001151393	1	Shim .063	
18	1001155043	8	Washer	
19	1001155044	8	Nut	
20	1001155045	7	Switch, Toggle	
21	1001162807	8	Washer	
22	1001264735	1	Panel, Ground Control	
24	1001171482	1	Gauge, Display	
29	1001159256	1	Switch, Toggle	

SECTION 2 - TURNTABLE

FIGURE 2-16. GROUND CONTROL ASSEMBLY - WITH 4 INCH DISPLAY (CE & UK CA SPECS)



ART_1001260297

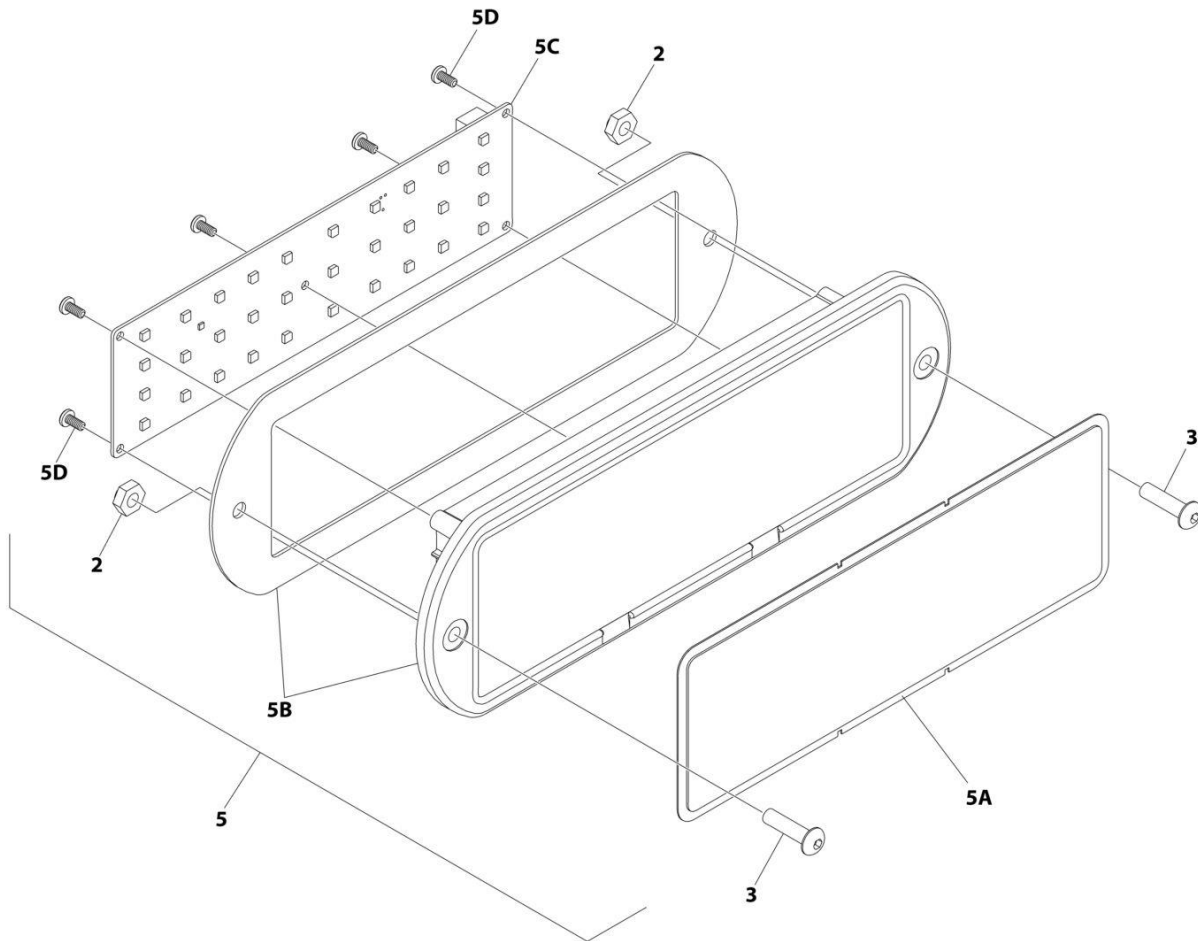
SECTION 2 - TURNTABLE

FIGURE 2-16. GROUND CONTROL ASSEMBLY - WITH 4 INCH DISPLAY (CE & UK CA SPECS)

ITEM	PART NUMBER	QTY	DESCRIPTION	REV
	1001260297	Ref	GROUND CONTROL ASSEMBLY	A
1	0100011	AR	Compound, Locking	
2	0760812	2	Bolt M8 x 25	
3	3910804	3	Screw M8 x 1/4	
4	4360387	1	Switch, Push Button	
5	4360469	1	Switch, Key	
5	2860030	1	Key, Replacement	
6	4360475	1	Switch, Emergency	
6	7020175	1	Cap	
6	7020176	1	Block, Contact	
7	4360476	1	Block, Contact	
8	4811900	2	Washer M8	
9	5250810	1	Bolt M8 x 20	
10	5260800	1	Nut M8	
11	1001119228	2	Nut M8	
12	1001151393	1	Shim .063	
13	1001155043	8	Washer M8	
14	1001155044	8	Nut	
15	1001155045	7	Switch, Toggle	
16	1001159256	1	Switch, Toggle	
17	1001162807	8	Washer	
18	1001176469	1	Shroud, Switch	
19	1001260298	1	Panel, Ground Control	
20	1001260299	1	Decal - Ground Control	
21	1001246823	1	USB Receptacle	
22	1001265415	1	Harness, Display Adapter (See Separate Breakdown in ELECTRICAL Section)	

SECTION 2 - TURNTABLE

FIGURE 2-17. LIGHT PANEL INSTALLATION – GROUND CONTROL (SN C30000326 through C30000699)



ART_1001259504_10F2

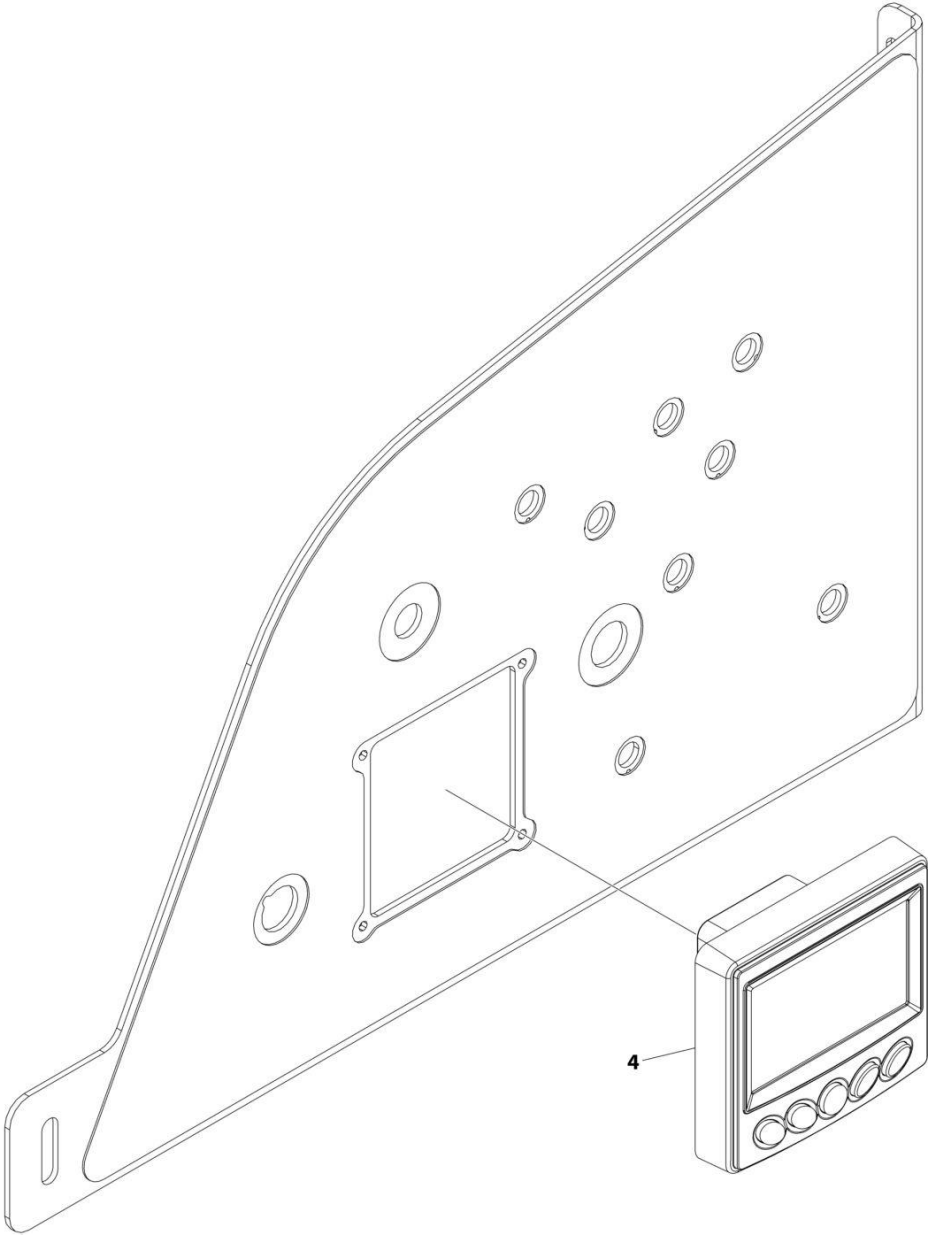
SECTION 2 - TURNTABLE

FIGURE 2-17. LIGHT PANEL INSTALLATION – GROUND CONTROL (SN C300000326 through C300000699)

ITEM	PART NUMBER	QTY	DESCRIPTION	REV
	1001259504	Ref	LIGHT PANEL INSTALLATION - GROUND CONTROL	A
2	3300408	2	Nut, Nylon Insert	
3	0630518	2	Screw #10 x 3/4	
5	1001259492	1	Light Panel Assembly	A
5A	1001245162	1	Lens	
5B	1001259476	1	Bezel (Includes Gasket)	
5C	1001187807	1	Panel, LED Light	
5D		Ref	Screw	

SECTION 2 - TURNTABLE

FIGURE 2-18. LIGHT PANEL INSTALLATION – GROUND CONTROL (CE & UK CA SPECS ONLY)



ART_1001265145_10F2

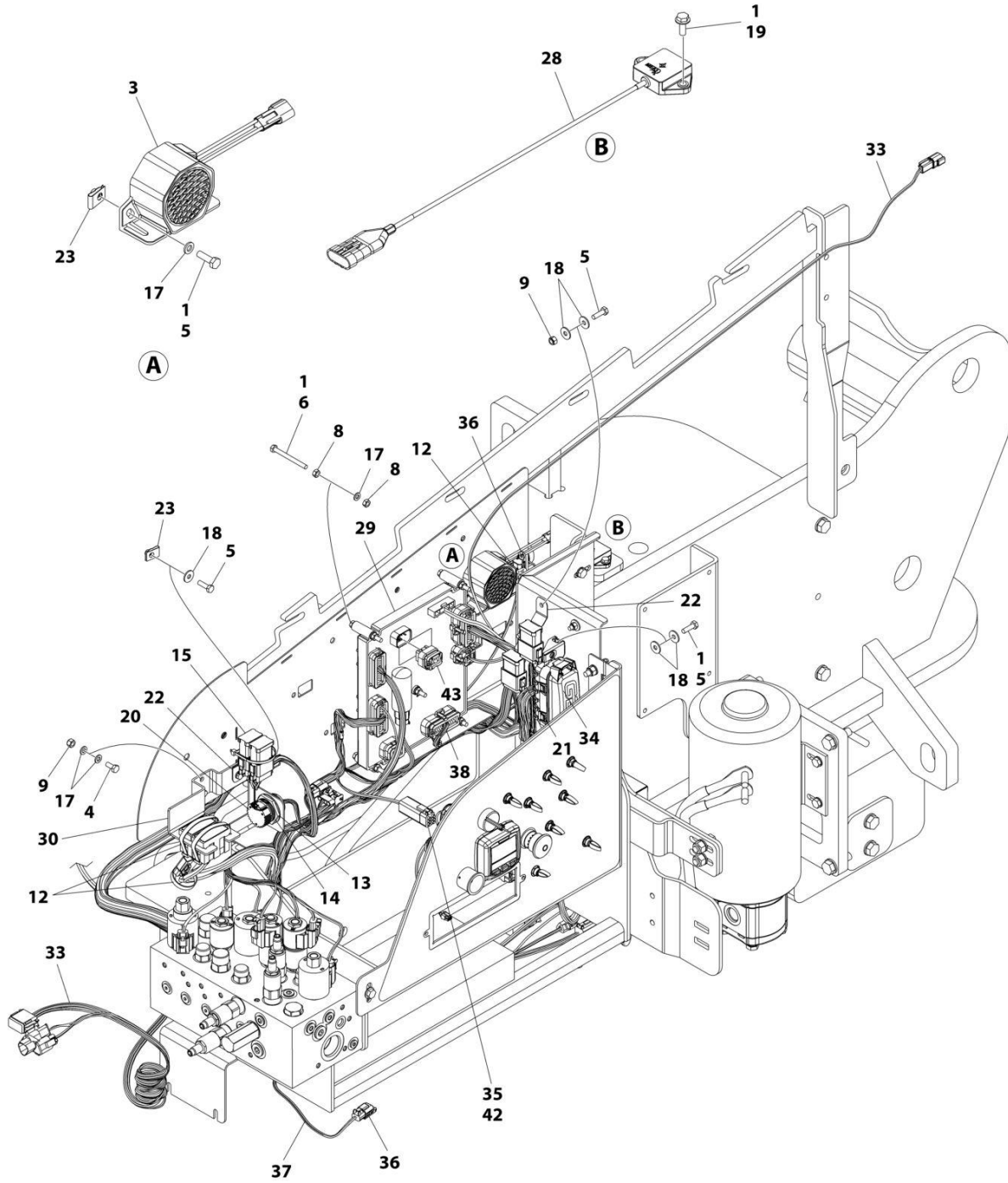
SECTION 2 - TURNTABLE

FIGURE 2-18. LIGHT PANEL INSTALLATION – GROUND CONTROL (CE & UK CA SPECS ONLY)

ITEM	PART NUMBER	QTY	DESCRIPTION	REV
4	1001265145	Ref	LIGHT PANEL INSTALLATION - GROUND CONTROL	A
	1001265029	1	Light Panel Assembly (4inch Display)	

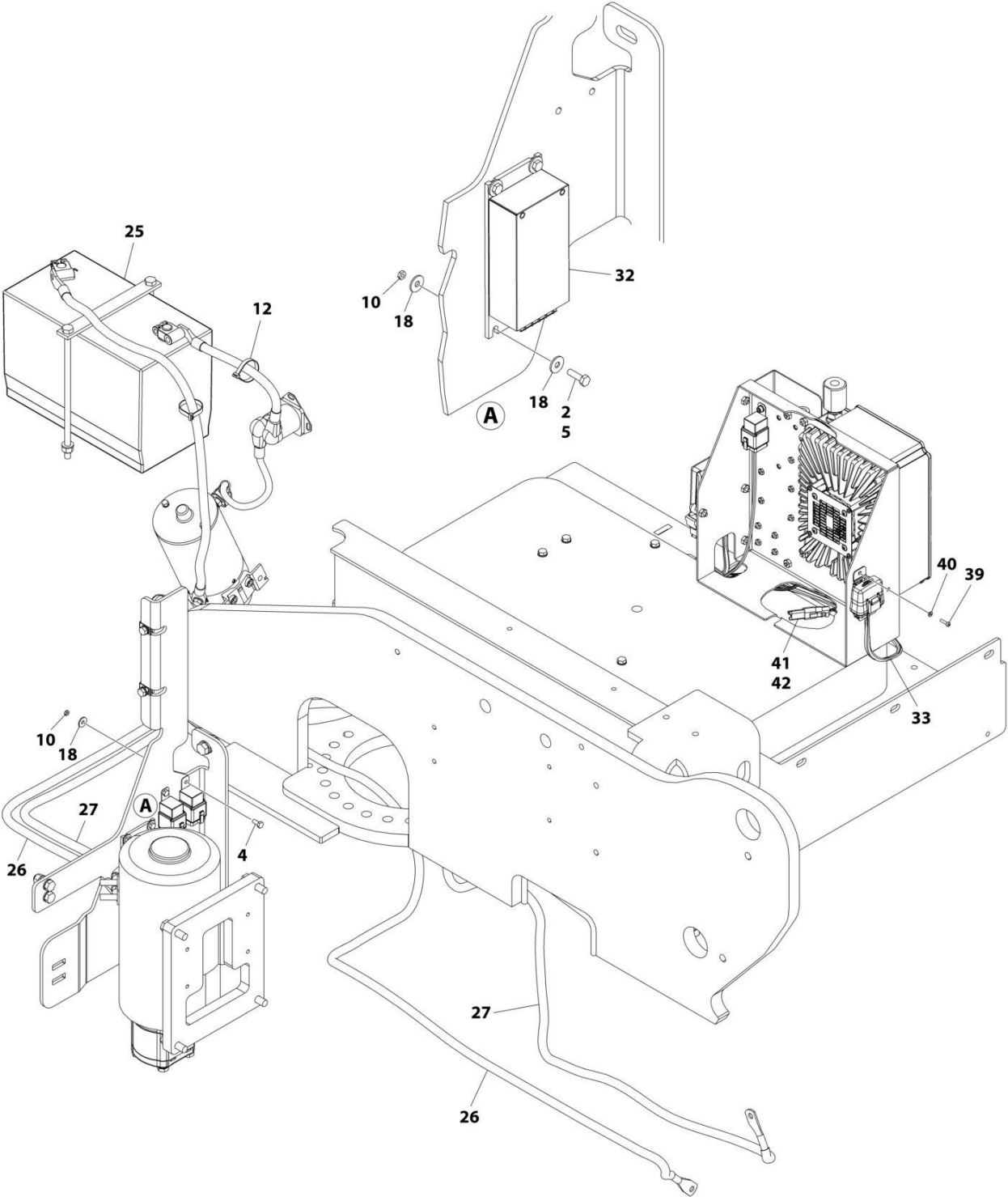
SECTION 2 - TURNTABLE

FIGURE 2-19. ELECTRICAL SYSTEM INSTALLATION (SN C30000326 through C30000699)



ART_1001250946_G_10F2

SECTION 2 - TURNTABLE



ART_1001250946_G_20F2

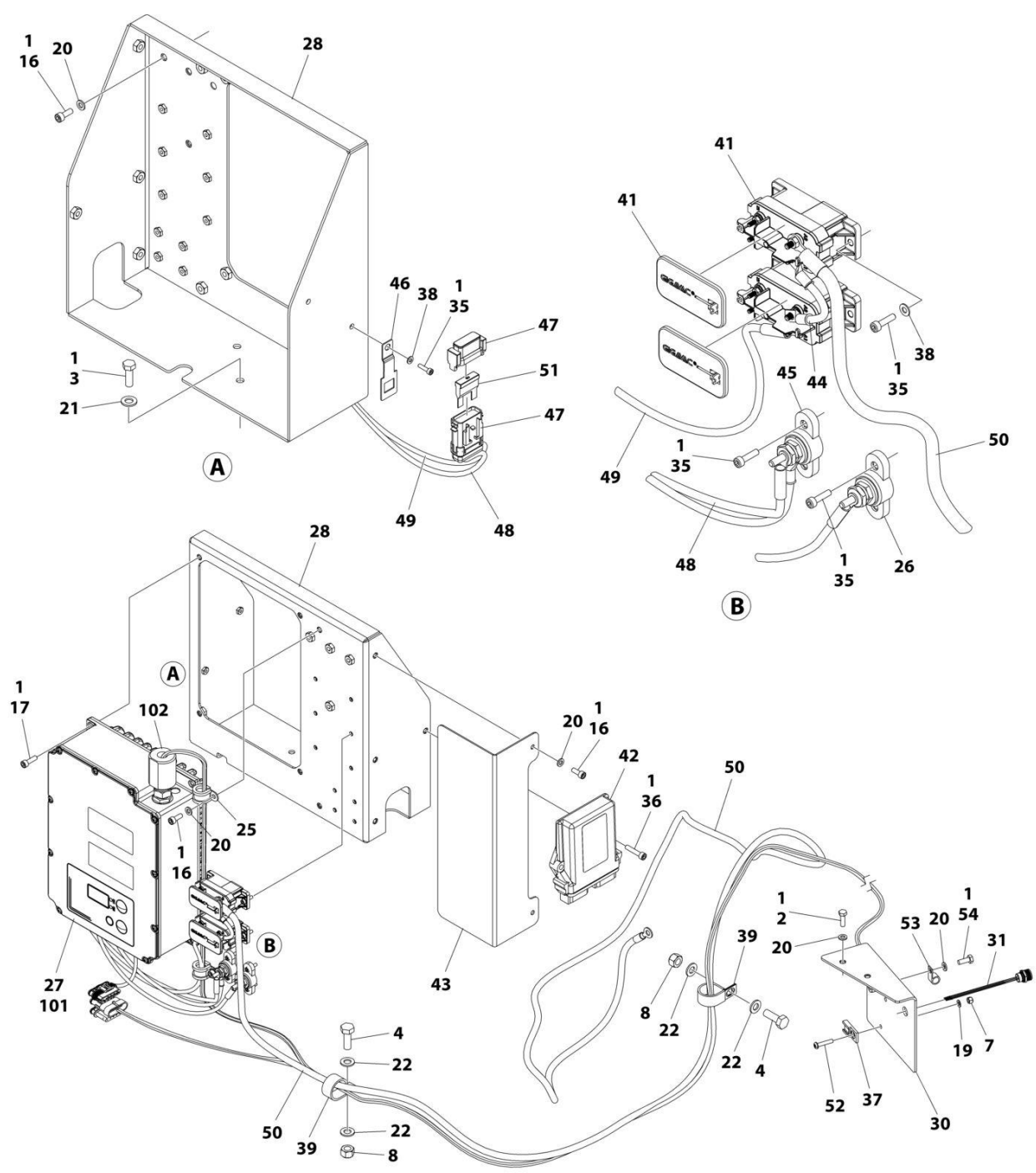
SECTION 2 - TURNTABLE

FIGURE 2-19. ELECTRICAL SYSTEM INSTALLATION (SN C300000326 through C300000699)

ITEM	PART NUMBER	QTY	DESCRIPTION	REV
	1001250946	Ref	ELECTRICAL SYSTEM INSTALLATION	G
1	0100011	AR	Compound, Locking	
2	0100083	AR	Grease	
3	0140043	1	Alarm	
3	4460536	1	Receptacle, Female - 3 Position	
3	4460943	3	Pin, Male	
4	0760607	5	Bolt M6 x 14	
4	0760608	5	Bolt M6 x 16	
5	0760610	12	Bolt M6 x 20	
6	0760621	5	Bolt M6 x 65	
8	3290601	10	Nut M6	
9	3290605	6	Nut M6	
10	3310601	6	Nut #6	
12	4240018	6	Tie-Strap	
13	4460496	1	Washer, Terminal	
14	4460497	1	Nut, Terminal	
15	4460837	2	Bussbar - 12 Position	
17	4811700	18	Washer M6	
18	4811702	21	Washer M6	
19	5250608	2	Bolt M6 x 16	
20	1001106736	1	Cap, Dust	
21	1001119020	2	Bussbar - 12 Position	
22	1001120328	3	Mount	
23	1001130220	3	Nut, Tinnerman M6	
25	1001166316	1	Battery Installation (See Separate Breakdown in this Section)	
26	1001256850	1	Cable, Pump Motor (Positive)	
27	1001256851	1	Cable, Pump Motor (Negative)	
28	1001219601	1	Sensor	
29	1001284340	1	Control, Module	
30	1001201939	1	Bracket	
32	1001249405	1	Electrical Converter Assembly	
33	1001262597	1	Harness, Chassis (See Separate Breakdown in ELECTRICAL Section) (Prior to SN C300000468)	
33	1001286738	1	Harness, Chassis (See Separate Breakdown in ELECTRICAL Section) (SN C300000468 to Present)	
34	1001263849	1	Decal - Fuse Box	
35	4460894	1	Plug, Male - 6 Position	
36	1001144295	2	Cap	
37	1001244294	1	Harness, Main Valve (See Separate Breakdown in ELECTRICAL Section)	
38	1001244295	1	Harness, Ground Control (See Separate Breakdown in ELECTRICAL Section)	
39	4031507	1	Bolt M4 x 16	
40	4811400	1	Washer M4	
41	4460536	1	Connector - 3 Position	
42	4460466	9	Plug, Terminal	
43	1001246859	1	Connector - 14 Position	

SECTION 2 - TURNTABLE

FIGURE 2-20. BATTERY CHARGER INSTALLATION – WITH NO PLUG (SN C300000326 through C300000699)



ART_1001262066

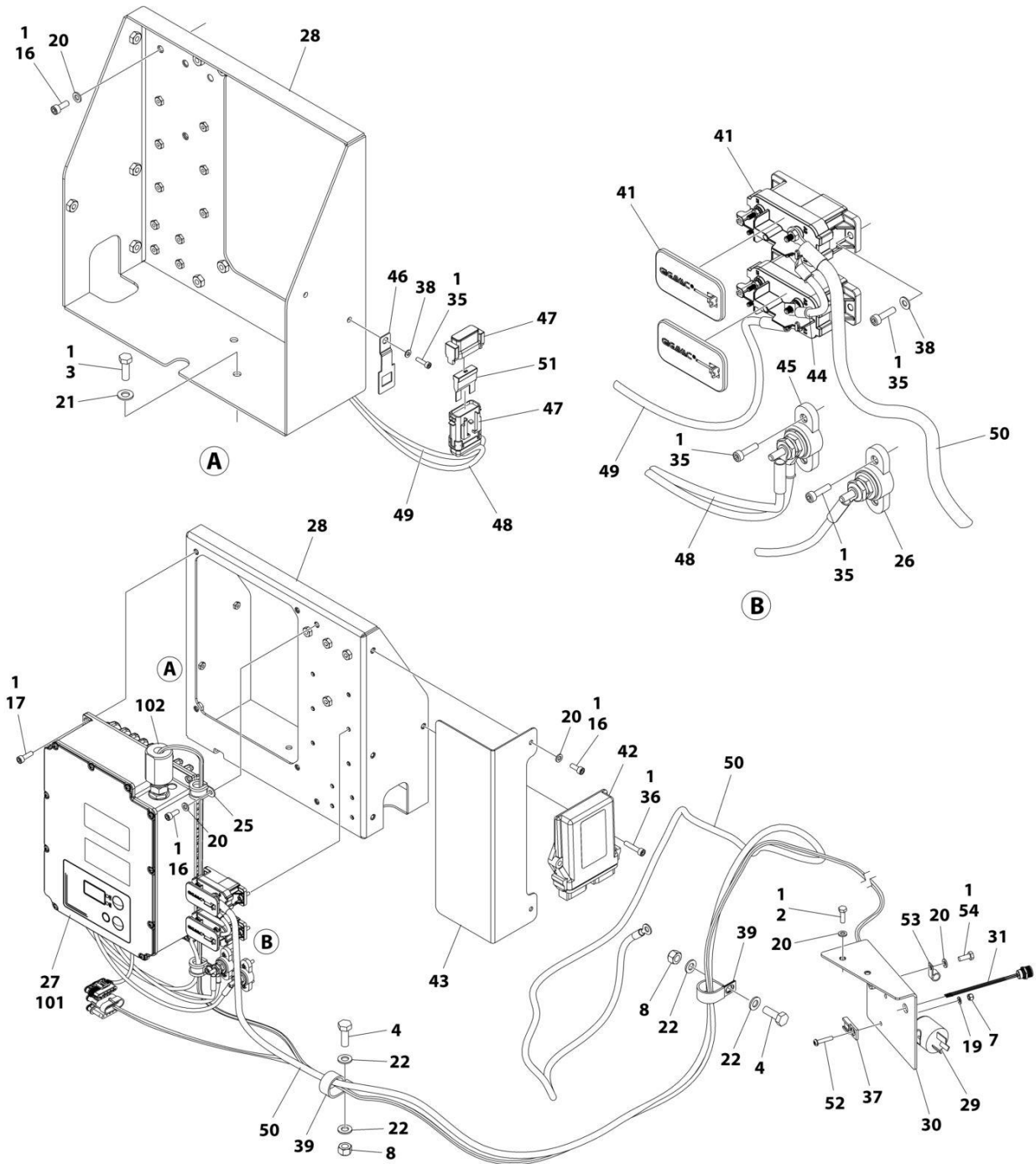
SECTION 2 - TURNTABLE

FIGURE 2-20. BATTERY CHARGER INSTALLATION – WITH NO PLUG (SN C300000326 through C300000699)

ITEM	PART NUMBER	QTY	DESCRIPTION	REV
	1001262066	Ref	BATTERY CHARGER INSTALLATION	B
1	0100011	AR	Compound, Locking	
2	0760610	2	Bolt M6 x 20	
3	0760812	3	Bolt M8 x 25	
4	0761014	2	Bolt M10 x 30	
7	3290505	1	Nut M5	
8	3291005	2	Nut M10	
16	4031707	5	Bolt M6 x 16	
17	4031708	4	Bolt M6 x 20	
19	4811600	1	Washer M5	
20	4811700	8	Washer M6	
21	4811900	3	Washer M8	
22	4812000	4	Washer M10	
25	1001170231	2	Clamp	
26	1001241501	1	Terminal	
27	1001270414	1	Battery Charger Installation (See Items 101 & 102 for Breakdown)	
28	1001247677	1	Bracket	
30	1001251130	1	Bracket	
31	1001263993	1	Light, Indicator	
35	4031507	9	Bolt M4 x 16	
36	4031710	2	Bolt M6 x 30	
37	4460914	1	Mount, Terminal	
38	4811400	5	Washer M4	
39	1001009205	2	Clip	
41	1001222365	2	Relay	
42	1001257445	1	Module, Control	
43	1001257572	1	Cover	
44	1001260534	1	Cable (Charger Relay Jumper)	
45	1001262387	1	Terminal	
46	1001262467	1	Clip	
47	1001262473	1	Holder, Fuse	
48	1001262979	1	Cable (Stud to Relay)	
49	1001262980	1	Cable (Fuse to Relay)	
50	1001265843	1	Cable (Battery Disconnect to Charger Relay)	
51	1001262472	1	Fuse, 60Amp	
52	8310559	1	Screw M5 x 25	
53	1320043	1	Clamp	
54	0760608	1	Bolt M6 x 16	
	1001270414	Ref	Battery Charger Installation	
101	1001247270	1	Charger, Battery	
102	1001270412	1	Connector	

SECTION 2 - TURNTABLE

FIGURE 2-21. BATTERY CHARGER INSTALLATION - 220V (AUSTRALIAN SPECS) (SN C300000326 through C300000699)



ART_1001262065

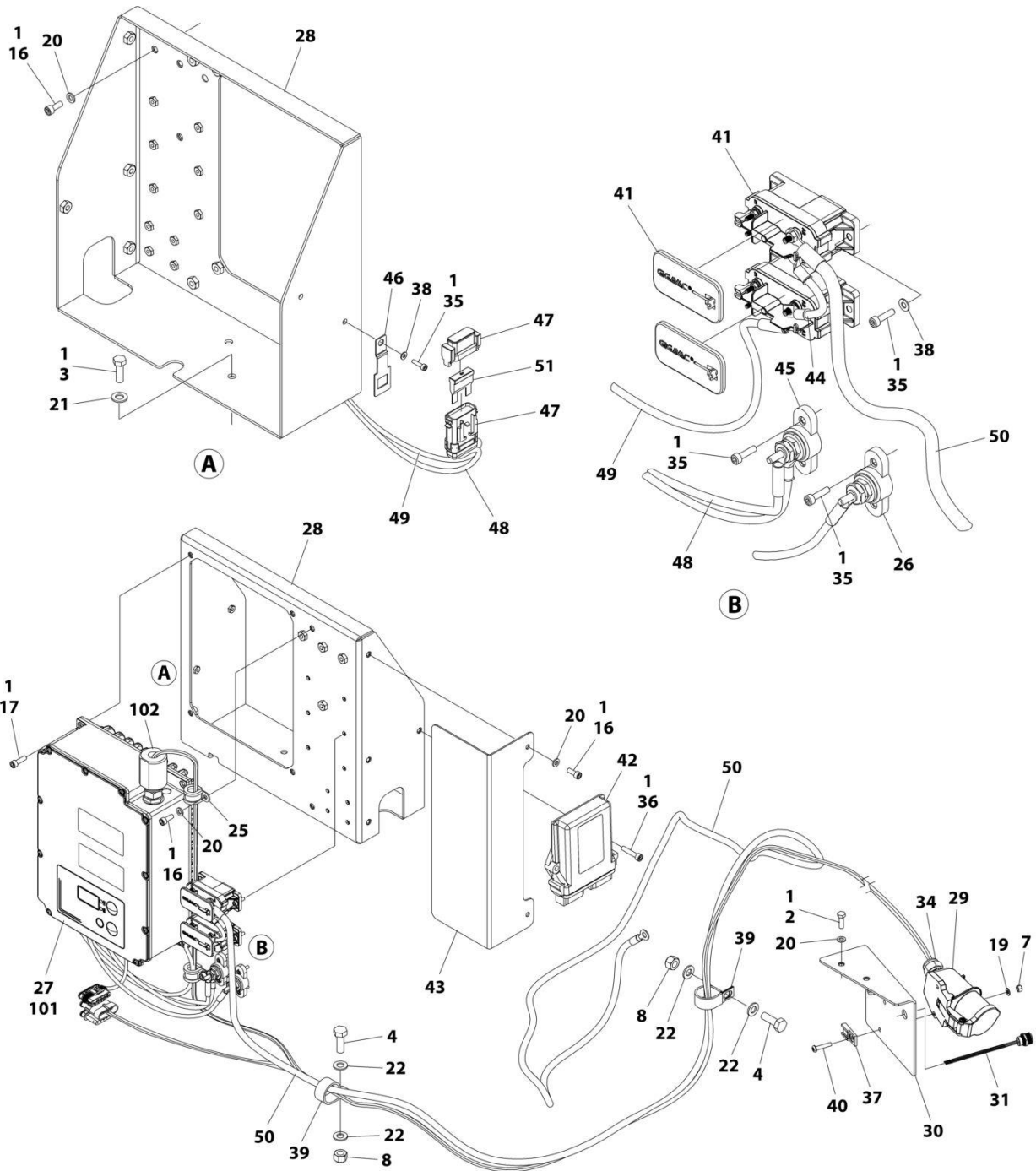
SECTION 2 - TURNTABLE

FIGURE 2-21. BATTERY CHARGER INSTALLATION - 220V (AUSTRALIAN SPECS) (SN C300000326 through C300000699)

ITEM	PART NUMBER	QTY	DESCRIPTION	REV
	1001262065	Ref	BATTERY CHARGER INSTALLATION	B
1	0100011	AR	Compound, Locking	
2	0760610	2	Bolt M6 x 20	
3	0760812	3	Bolt M8 x 25	
4	0761014	2	Bolt M10 x 30	
7	3290505	1	Nut M5	
8	3291005	2	Nut M10	
16	4031707	5	Bolt M6 x 16	
17	4031708	4	Bolt M6 x 20	
19	4811600	1	Washer M5	
20	4811700	8	Washer M6	
21	4811900	3	Washer M8	
22	4812000	4	Washer M10	
25	1001170231	2	Clamp	
26	1001241501	1	Terminal	
27	1001270414	1	Battery Charger Installation (See Items 101 & 102 for Breakdown)	
28	1001247677	1	Bracket	
29	4460805	1	Plug, Male	
30	1001251130	1	Bracket	
31	1001263993	1	Light, Indicator	
35	4031507	9	Bolt M4 x 16	
36	4031710	2	Bolt M6 x 30	
37	4460914	1	Mount, Terminal	
38	4811400	5	Washer M4	
39	1001009205	2	Clip	
41	1001222365	2	Relay	
42	1001257445	1	Module, Control	
43	1001257572	1	Cover	
44	1001260534	1	Cable (Charger Relay Jumper)	
45	1001262387	1	Terminal	
46	1001262467	1	Clip	
47	1001262473	1	Holder, Fuse	
48	1001262979	1	Cable (Stud to Relay)	
49	1001262980	1	Cable (Fuse to Relay)	
50	1001265843	1	Cable (Battery Disconnect to Charger Relay)	
51	1001262472	1	Fuse, 60Amp	
52	8310559	1	Screw M5 x 25	
53	1320043	1	Clamp	
54	0760608	1	Bolt M6 x 16	
	1001270414	Ref	Battery Charger Installation	A
101	1001247270	1	Charger, Battery	
102	1001270412	1	Connector	

SECTION 2 - TURNTABLE

FIGURE 2-22. BATTERY CHARGER INSTALLATION – WITH 230 IEC PLUG (CE & UK CA SPECS) (SN C300000326 through C300000699)



ART_1001250950

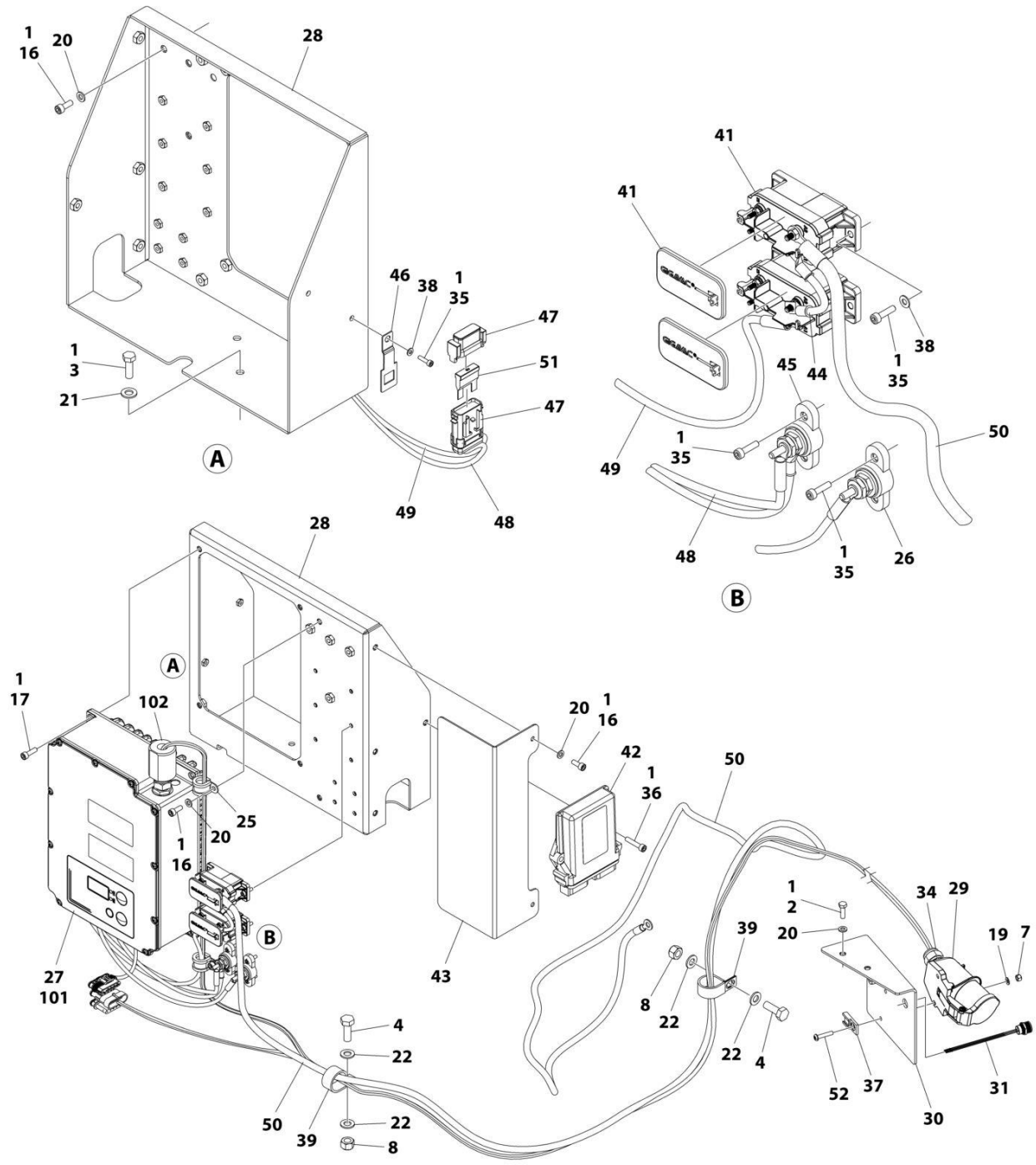
SECTION 2 - TURNTABLE

FIGURE 2-22. BATTERY CHARGER INSTALLATION – WITH 230 IEC PLUG (CE & UK CA SPECS) (SN C300000326 through C300000699)

ITEM	PART NUMBER	QTY	DESCRIPTION	REV
	1001250950	Ref	BATTERY CHARGER INSTALLATION	C
1	0100011	AR	Compound, Locking	
2	0760610	2	Bolt M6 x 20	
3	0760812	3	Bolt M8 x 25	
4	0761014	2	Bolt M10 x 30	
7	3290505	2	Nut M5	
8	3291005	2	Nut M10	
16	4031707	5	Bolt M6 x 16	
17	4031708	4	Bolt M6 x 20	
19	4811600	2	Washer M5	
20	4811700	7	Washer M6	
21	4811900	3	Washer M8	
22	4812000	4	Washer M10	
25	1001170231	2	Clamp	
26	1001241501	1	Terminal	
27	1001270414	1	Battery Charger Installation (See Items 101 & 102 for Breakdown)	
28	1001247677	1	Bracket	
29	1001249236	1	Connector	
30	1001251130	1	Bracket	
31	1001263993	1	Light, Indicator	
34	E900051	1	Connector, Strain Relief	
35	4031507	9	Bolt M4 x 16	
36	4031710	2	Bolt M6 x 30	
37	4460914	1	Mount, Terminal	
38	4811400	5	Washer M4	
39	1001009205	2	Clip	
40	8310559	2	Screw M5 x 25	
41	1001222365	2	Relay	
42	1001257445	1	Module, Control	
43	1001257572	1	Cover	
44	1001260534	1	Cable (Charger Relay Jumper)	
45	1001262387	1	Terminal	
46	1001262467	1	Clip	
47	1001262473	1	Holder, Fuse	
48	1001262979	1	Cable (Stud to Relay)	
49	1001262980	1	Cable (Fuse to Relay)	
50	1001265843	1	Cable (Battery Disconnect to Charger Relay)	
51	1001262472	1	Fuse, 60Amp	
	1001270414	Ref	Battery Charger Installation	A
101	1001247270	1	Charger, Battery	
102	1001270412	1	Connector	

SECTION 2 - TURNTABLE

FIGURE 2-23. BATTERY CHARGER INSTALLATION – WITH 110V IEC PLUG (YELLOW) (CE & UK CA SPECS) (SN C300000326 through C300000699)



ART_1001262061

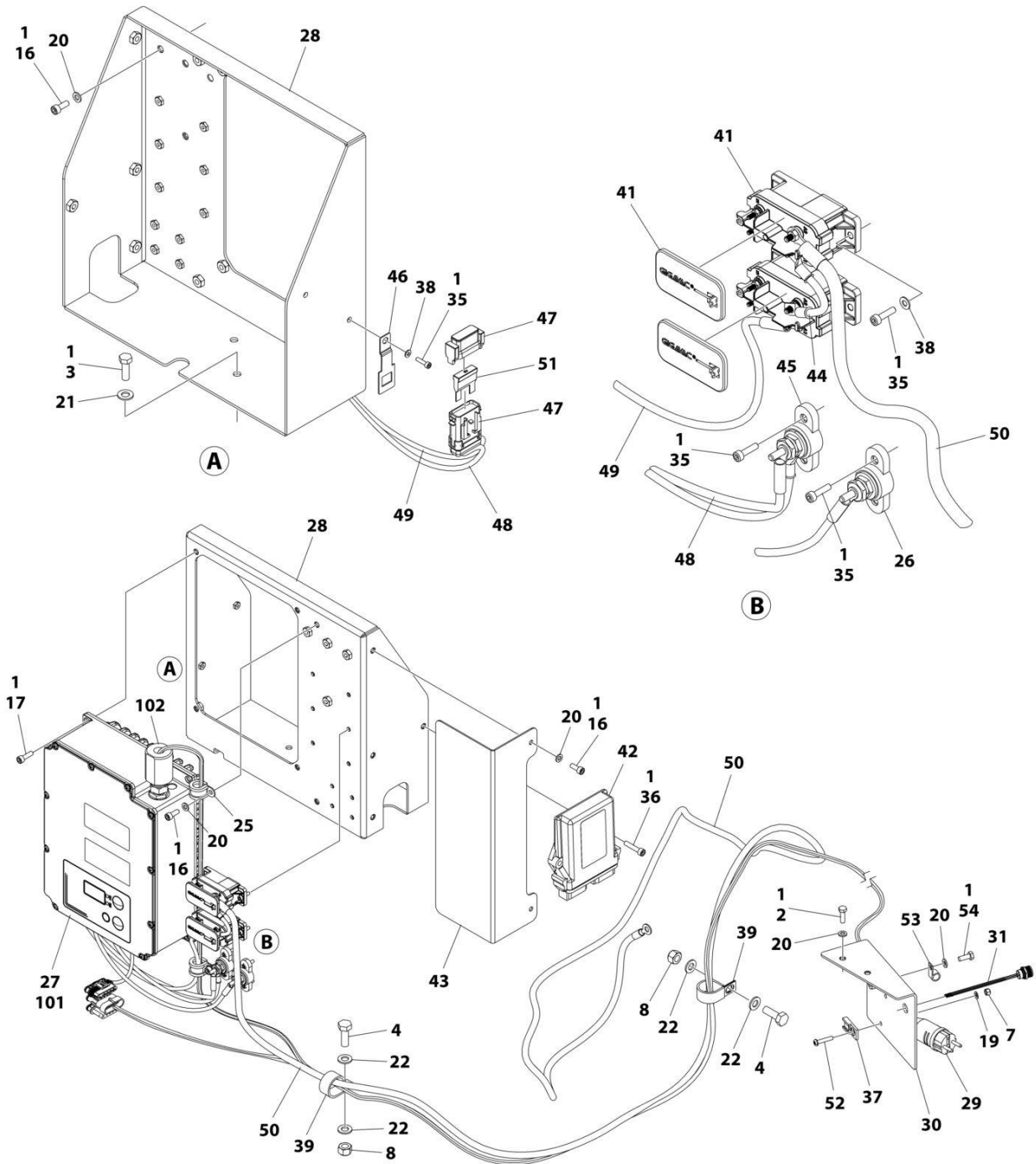
SECTION 2 - TURNTABLE

FIGURE 2-23. BATTERY CHARGER INSTALLATION – WITH 110V IEC PLUG (YELLOW) (CE & UK CA SPECS) (SN C300000326 through C300000699)

ITEM	PART NUMBER	QTY	DESCRIPTION	REV
	1001262061	Ref	BATTERY CHARGER INSTALLATION	B
1	0100011	AR	Compound, Locking	
2	0760610	2	Bolt M6 x 20	
3	0760812	3	Bolt M8 x 25	
4	0761014	2	Bolt M10 x 30	
7	3290505	2	Nut M5	
8	3291005	2	Nut M10	
16	4031707	5	Bolt M6 x 16	
17	4031708	4	Bolt M6 x 20	
19	4811600	2	Washer M5	
20	4811700	7	Washer M6	
21	4811900	3	Washer M8	
22	4812000	4	Washer M10	
25	1001170231	2	Clamp	
26	1001241501	1	Terminal	
27	1001270414	1	Battery Charger Installation (See Items 101 & 102 for Breakdown)	
28	1001247677	1	Bracket	
29	1001262067	1	Connector	
30	1001251130	1	Bracket	
31	1001263993	1	Light, Indicator	
34	E900051	1	Gland, Cable M20	
35	4031507	9	Bolt M4 x 16	
36	4031710	2	Bolt M6 x 30	
37	4460914	1	Mount, Terminal	
38	4811400	5	Washer M4	
39	1001009205	2	Clip	
41	1001222365	2	Relay	
42	1001257445	1	Module, Control	
43	1001257572	1	Cover	
44	1001260534	1	Cable (Charger Relay Jumper)	
45	1001262387	1	Terminal	
46	1001262467	1	Clip	
47	1001262473	1	Holder, Fuse	
48	1001262979	1	Cable (Stud to Relay)	
49	1001262980	1	Cable (Fuse to Relay)	
50	1001265843	1	Cable (Battery Disconnect to Charger Relay)	
51	1001262472	1	Fuse, 60Amp	
52	8310559	2	Screw M5 x 25	
	1001270414	Ref	Battery Charger Installation	A
101	1001247270	1	Charger, Battery	
102	1001270412	1	Connector	

SECTION 2 - TURNTABLE

FIGURE 2-24. BATTERY CHARGER INSTALLATION - WITH CEE7 PLUG (CE & UK CA SPECS) (SN C300000326 through C300000699)



ART_1001262062

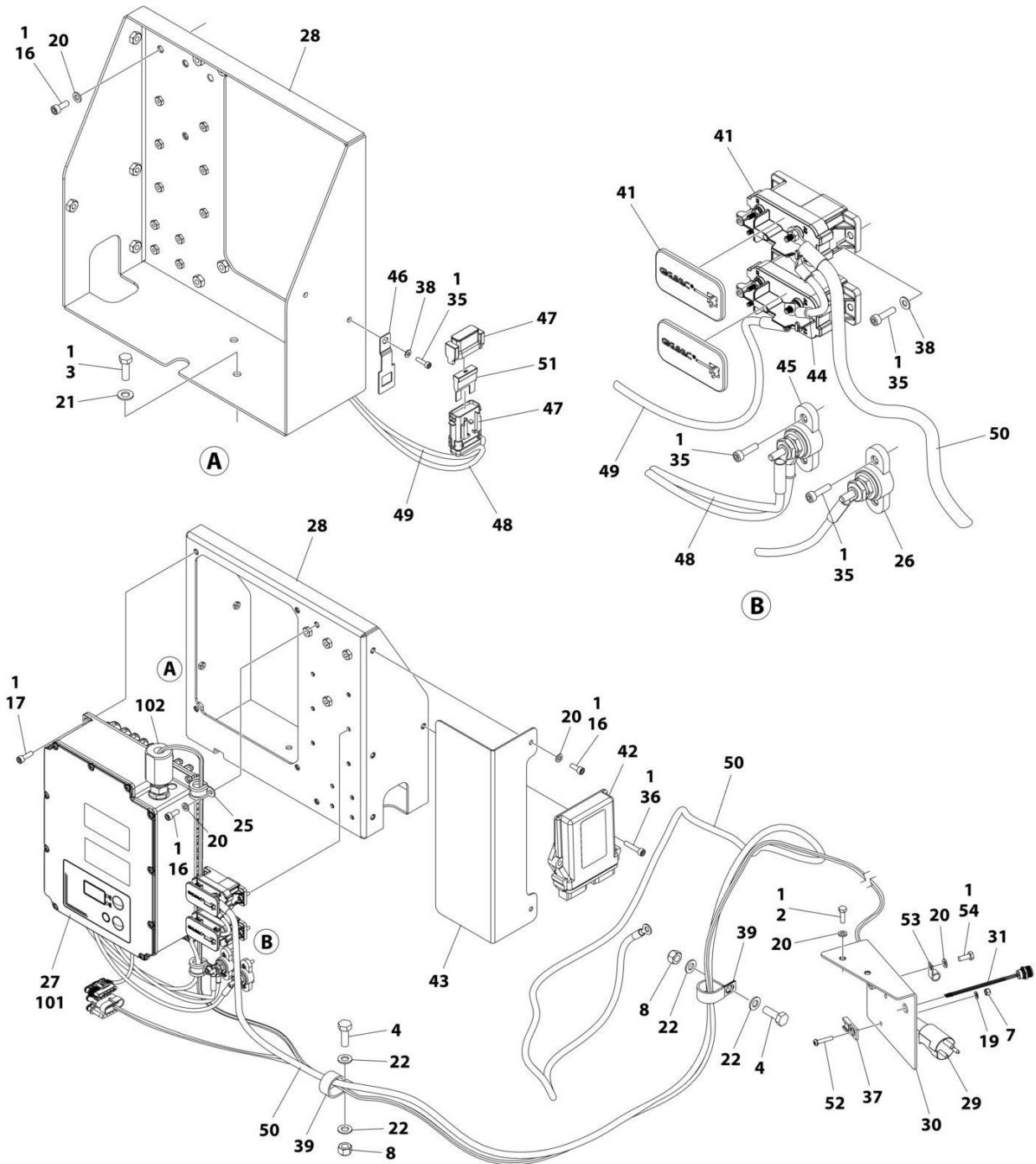
SECTION 2 - TURNTABLE

FIGURE 2-24. BATTERY CHARGER INSTALLATION - WITH CEE7 PLUG (CE & UK CA SPECS) (SN C300000326 through C300000699)

ITEM	PART NUMBER	QTY	DESCRIPTION	REV
	1001262062	Ref	BATTERY CHARGER INSTALLATION	B
1	0100011	AR	Compound, Locking	
2	0760610	2	Bolt M6 x 20	
3	0760812	3	Bolt M8 x 25	
4	0761014	2	Bolt M10 x 30	
7	3290505	2	Nut M5	
8	3291005	2	Nut M10	
16	4031707	5	Bolt M6 x 16	
17	4031708	4	Bolt M6 x 20	
19	4811600	1	Washer M5	
20	4811700	8	Washer M6	
21	4811900	3	Washer M8	
22	4812000	4	Washer M10	
25	1001170231	2	Clamp	
26	1001241501	1	Terminal	
27	1001270414	1	Battery Charger Installation (See Items 101 & 102 for Breakdown)	
28	1001247677	1	Bracket	
29	4461205	1	Plug, Male	
30	1001251130	1	Bracket	
31	1001263993	1	Light, Indicator	
35	4031507	9	Bolt M4 x 16	
36	4031710	2	Bolt M6 x 30	
37	4460914	1	Mount, Terminal	
38	4811400	5	Washer M4	
39	1001009205	2	Clip	
41	1001222365	2	Relay	
42	1001257445	1	Module, Control	
43	1001257572	1	Cover	
44	1001260534	1	Cable (Charger Relay Jumper)	
45	1001262387	1	Terminal	
46	1001262467	1	Clip	
47	1001262473	1	Holder, Fuse	
48	1001262979	1	Cable (Stud to Relay)	
49	1001262980	1	Cable (Fuse to Relay)	
50	1001265843	1	Cable (Battery Disconnect to Charger Relay)	
51	1001262472	1	Fuse, 60Amp	
52	8310559	1	Screw M5 x 25	
53	1320043	1	Clamp	
54	0760608	1	Bolt M6 x 16	
	1001270414	Ref	Battery Charger Installation	A
101	1001247270	1	Charger, Battery	
102	1001270412	1	Connector	

SECTION 2 - TURNTABLE

FIGURE 2-25. BATTERY CHARGER INSTALLATION - WITH ASFINT KEYED PLUG (CE & UK CA SPECS) (SN C300000326 through C300000699)



ART_1001262063

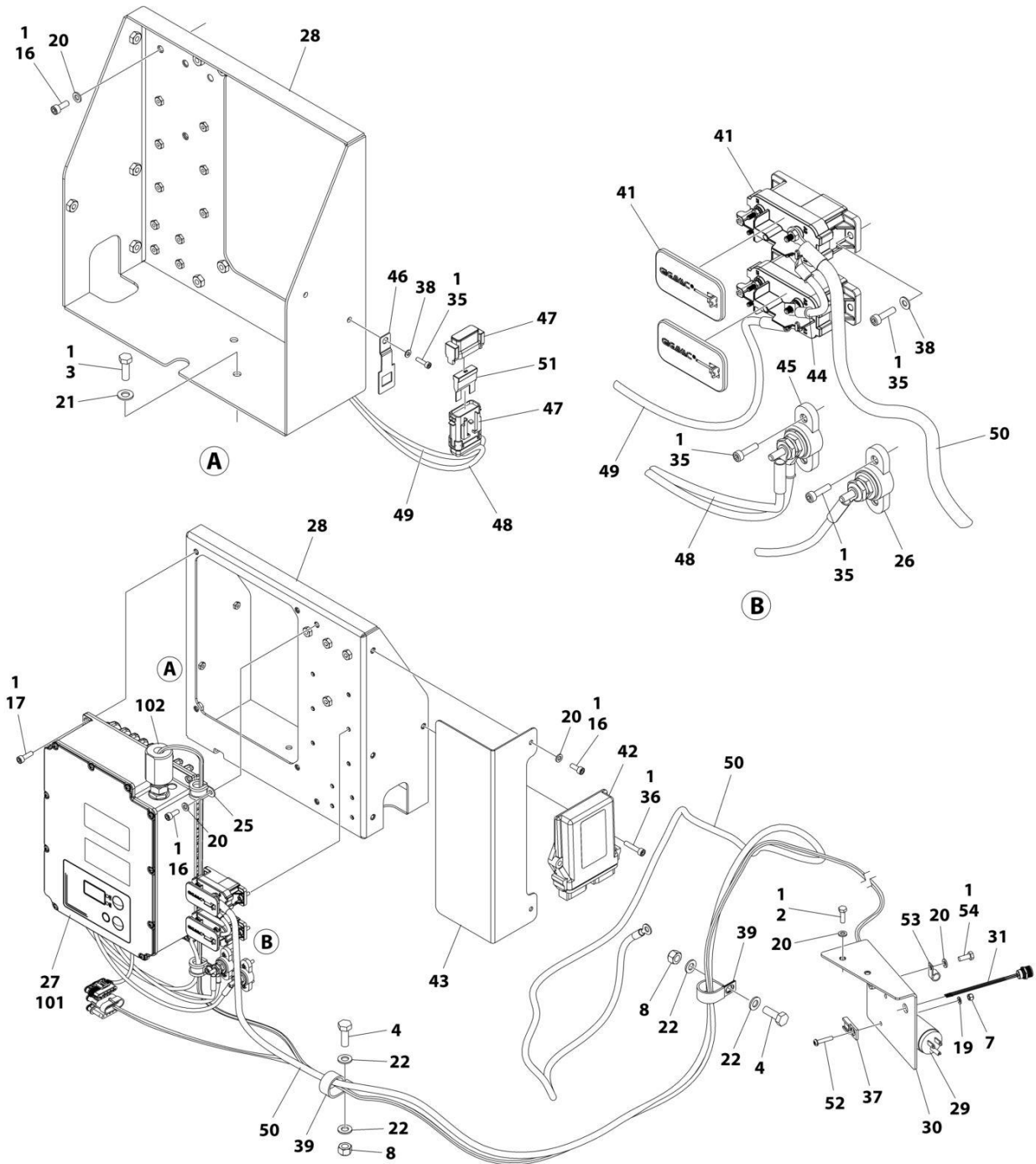
SECTION 2 - TURNTABLE

FIGURE 2-25. BATTERY CHARGER INSTALLATION - WITH ASFINT KEYED PLUG (CE & UK CA SPECS) (SN C30000326 through C30000699)

ITEM	PART NUMBER	QTY	DESCRIPTION	REV
	1001262063	Ref	BATTERY CHARGER INSTALLATION	B
1	0100011	AR	Compound, Locking	
2	0760610	2	Bolt M6 x 20	
3	0760812	3	Bolt M8 x 25	
4	0761014	2	Bolt M10 x 30	
7	3290505	1	Nut M5	
8	3291005	2	Nut M10	
16	4031707	5	Bolt M6 x 16	
17	4031708	4	Bolt M6 x 20	
19	4811600	1	Washer M5	
20	4811700	8	Washer M6	
21	4811900	3	Washer M8	
22	4812000	4	Washer M10	
25	1001170231	2	Clamp	
26	1001241501	1	Terminal	
27	1001270414	1	Battery Charger Installation (See Items 101 & 102 for Breakdown)	
28	1001247677	1	Bracket	
29	4461205	1	Plug, Male	
30	1001251130	1	Bracket	
31	1001263993	1	Light, Indicator	
35	4031507	9	Bolt M4 x 16	
36	4031710	2	Bolt M6 x 30	
37	4460914	1	Mount, Terminal	
38	4811400	5	Washer M4	
39	1001009205	2	Clip	
41	1001222365	2	Relay	
42	1001257445	1	Module, Control	
43	1001257572	1	Cover	
44	1001260534	1	Cable (Charger Relay Jumper)	
45	1001262387	1	Terminal	
46	1001262467	1	Clip	
47	1001262473	1	Holder, Fuse	
48	1001262979	1	Cable (Stud to Relay)	
49	1001262980	1	Cable (Fuse to Relay)	
50	1001265843	1	Cable (Battery Disconnect to Charger Relay)	
51	1001262472	1	Fuse, 60Amp	
52	8310559	1	Screw M5 x 25	
53	1320043	1	Clamp	
54	0760608	1	Bolt M6 x 16	
	1001270414	Ref	Battery Charger Installation	A
101	1001247270	1	Charger, Battery	
102	1001270412	1	Connector	

SECTION 2 - TURNTABLE

FIGURE 2-26. BATTERY CHARGER INSTALLATION - WITH 110V PLUG (ANSI AND CSA SPECS) (SN C300000326 through C300000699)



ART_1001262064

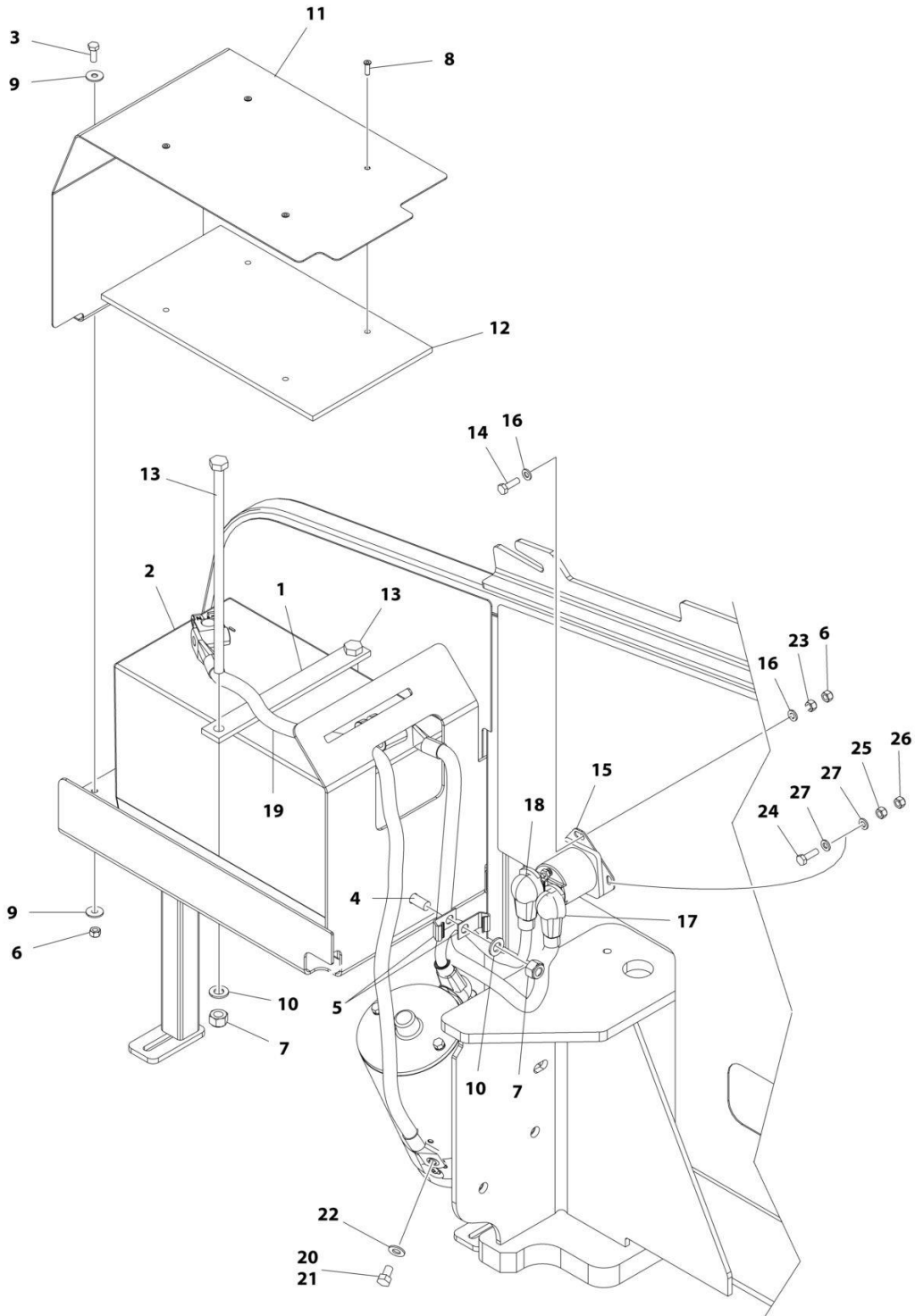
SECTION 2 - TURNTABLE

FIGURE 2-26. BATTERY CHARGER INSTALLATION - WITH 110V PLUG (ANSI AND CSA SPECS) (SN C300000326 through C300000699)

ITEM	PART NUMBER	QTY	DESCRIPTION	REV
	1001262064	Ref	BATTERY CHARGER INSTALLATION	B
1	0100011	AR	Compound, Locking	
2	0760610	2	Bolt M6 x 20	
3	0760812	3	Bolt M8 x 25	
4	0761014	2	Bolt M10 x 30	
7	3290505	1	Nut M5	
8	3291005	2	Nut M10	
16	4031707	5	Bolt M6 x 16	
17	4031708	4	Bolt M6 x 20	
19	4811600	1	Washer M5	
20	4811700	8	Washer M6	
21	4811900	3	Washer M8	
22	4812000	4	Washer M10	
25	1001170231	2	Clamp	
26	1001241501	1	Terminal	
27	1001270414	1	Battery Charger Installation (See Items 101 & 102 for Breakdown)	
28	1001247677	1	Bracket	
29	4460138	1	Plug, Male	
30	1001251130	1	Bracket	
31	1001263993	1	Light, Indicator	
35	4031507	9	Bolt M4 x 16	
36	4031710	2	Bolt M6 x 30	
37	4460914	1	Mount, Terminal	
38	4811400	5	Washer M4	
39	1001009205	2	Clip	
41	1001222365	2	Relay	
42	1001257445	1	Module, Control	
43	1001257572	1	Cover	
44	1001260534	1	Cable (Charger Relay Jumper)	
45	1001262387	1	Terminal	
46	1001262467	1	Clip	
47	1001262473	1	Holder, Fuse	
48	1001262979	1	Cable (Stud to Relay)	
49	1001262980	1	Cable (Fuse to Relay)	
50	1001265843	1	Cable (Battery Disconnect to Charger Relay)	
51	1001262472	1	Fuse, 60Amp	
52	8310559	1	Screw M5 x 25	
53	1320043	1	Clamp	
54	0760608	1	Bolt M6 x 16	
	1001270414	Ref	Battery Charger Installation	A
101	1001247270	1	Charger, Battery	
102	1001270412	1	Connector	

SECTION 2 - TURNTABLE

FIGURE 2-27. BATTERY AND CABLE INSTALLATION



ART_1001166316

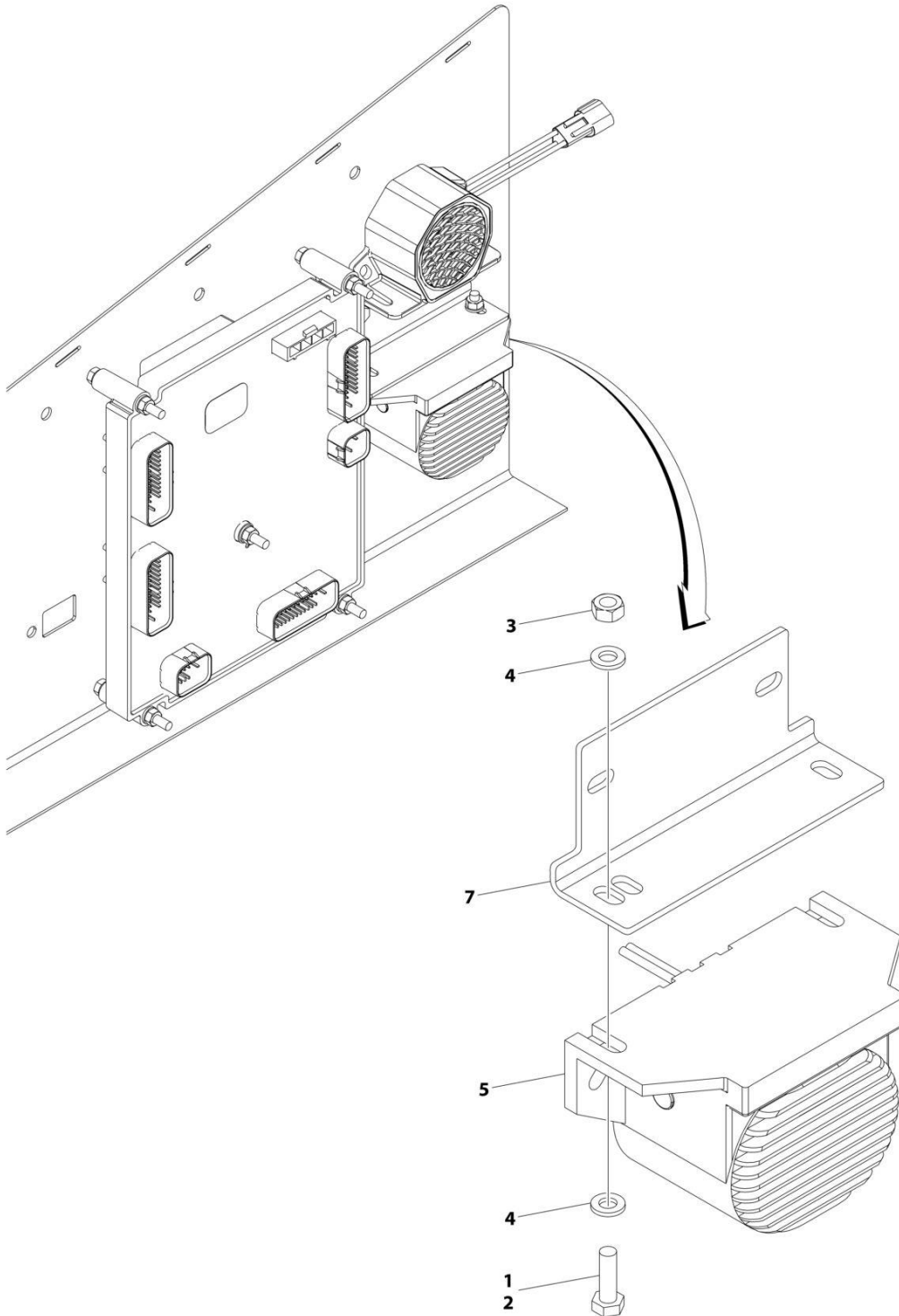
SECTION 2 - TURNTABLE

FIGURE 2-27. BATTERY AND CABLE INSTALLATION

ITEM	PART NUMBER	QTY	DESCRIPTION	REV
	1001166316	Ref	BATTERY AND CABLE INSTALLATION	G
1	0361810	1	Bar, Hold-down	
2	0400075	1	Battery	
3	0760610	2	Bolt M6 x 20	
4	0761012	1	Bolt M10 x 25	
5	1320223	2	J-Clip	
6	3290605	3	Nut M6	
7	3291005	3	Nut M10	
8	3820032	4	Rivet	
9	4811702	4	Washer M6	
10	4812000	4	Washer M10	
11	1001117240	1	Cover	
12	1001119278	1	Insulation	
13	1001119280	2	Bolt M16 x 260	
14	0760612	1	Bolt M6 x 25	
15	3740067	1	Relay	
15	3300220	2	Nut 3/8	
15	1001111424	2	Washer 3/8	
15	3321001	1	Nut #10	
15	4761000	1	Washer #10	
16	4811700	2	Washer M6	
17	1001171678	1	Cable, Battery (Positive + to Aux Relay)	
18	1001171679	1	Cable, Battery (Aux Relay to Aux Pump)	
19	1001171680	1	Cable, Battery (Negative – to Aux Pump)	
20	0100011	AR	Compound, Locking	
21	0641504	1	Bolt 5/16 x 1/2	
22	4711500	1	Washer 5/16	
23	3290601	2	Nut M6	
24	0760512	1	Bolt M5 x 25	
25	3290501	1	Nut M5	
26	3290505	1	Nut M5	
27	4811600	2	Washer M5	

SECTION 2 - TURNTABLE

FIGURE 2-28. ALARM WHITE NOISE INSTALLATION



ART_1001209617

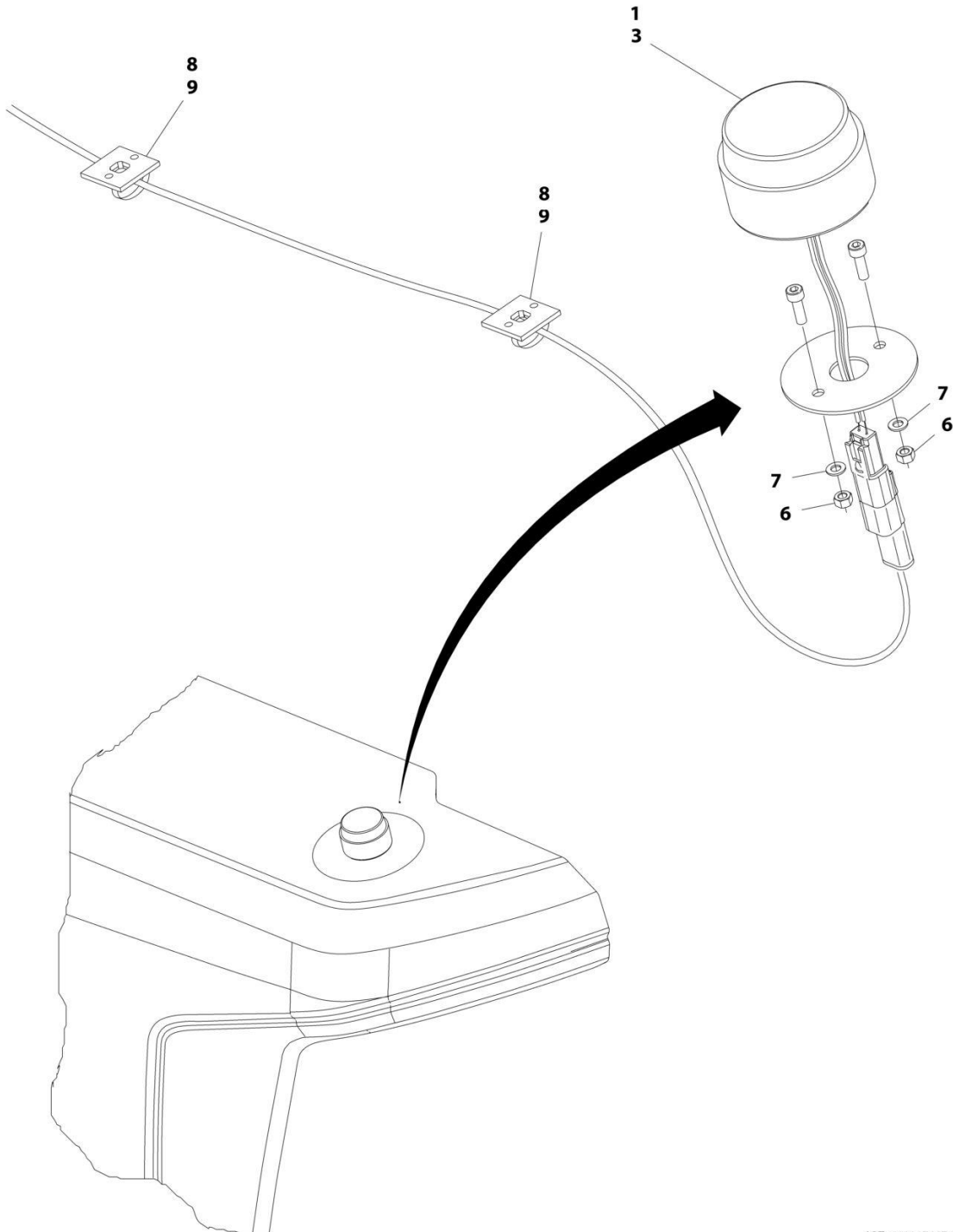
SECTION 2 - TURNTABLE

FIGURE 2-28. ALARM WHITE NOISE INSTALLATION

ITEM	PART NUMBER	QTY	DESCRIPTION	REV
	1001209617	Ref	WHITE NOISE AMBIENT ALARM INSTALLATION	C
1	0100011	AR	Compound, Locking	
2	0760610	2	Bolt M6 x 20	
3	3290601	2	Nut M6	
4	4811700	4	Washer M6	
5	1001182806	1	Alarm	
6	1001190663	1	Harness, Jumper (Not Shown)	
6	4460891	1	Connector – 2 Position	
6	4460465	2	Socket, Female	
6	4460871	2	Socket, Female	
7	1001231886	1	Plate	

SECTION 2 - TURNTABLE

FIGURE 2-29. BEACON LIGHT INSTALLATION - AMBER (Prior to SN C300000398)



ART_1001174976

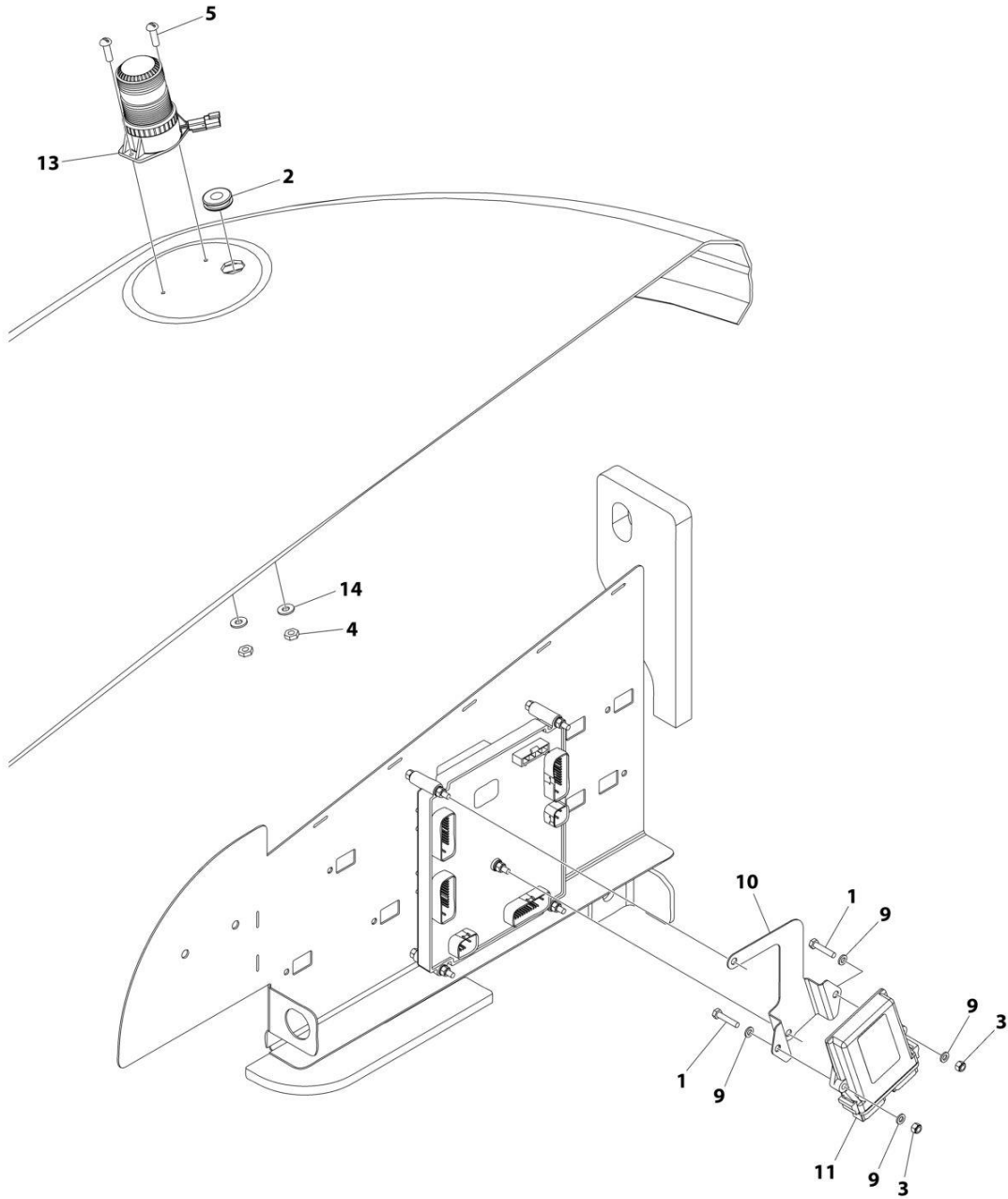
SECTION 2 - TURNTABLE

FIGURE 2-29. BEACON LIGHT INSTALLATION - AMBER (Prior to SN C300000398)

ITEM	PART NUMBER	QTY	DESCRIPTION	REV
	1001174976	Ref	BEACON LIGHT INSTALLATION - AMBER	D
1	0100048	AR	Compound, Silicone	
3	1001181405	1	Lamp, Strobe	
3	4460897	1	Receptacle, Female - 2 Position	
3	4460464	2	Pin, Male	
6	3290505	2	Nut M5	
7	4811600	2	Washer M5	
8	4240032	AR	Tie-Strap	
9	4460234	2	Mount, Tie-Strap	

SECTION 2 - TURNTABLE

FIGURE 2-30. BEACON LIGHT INSTALLATION - BLUE (SN C300000398 to Present)



ART_1001242855_C

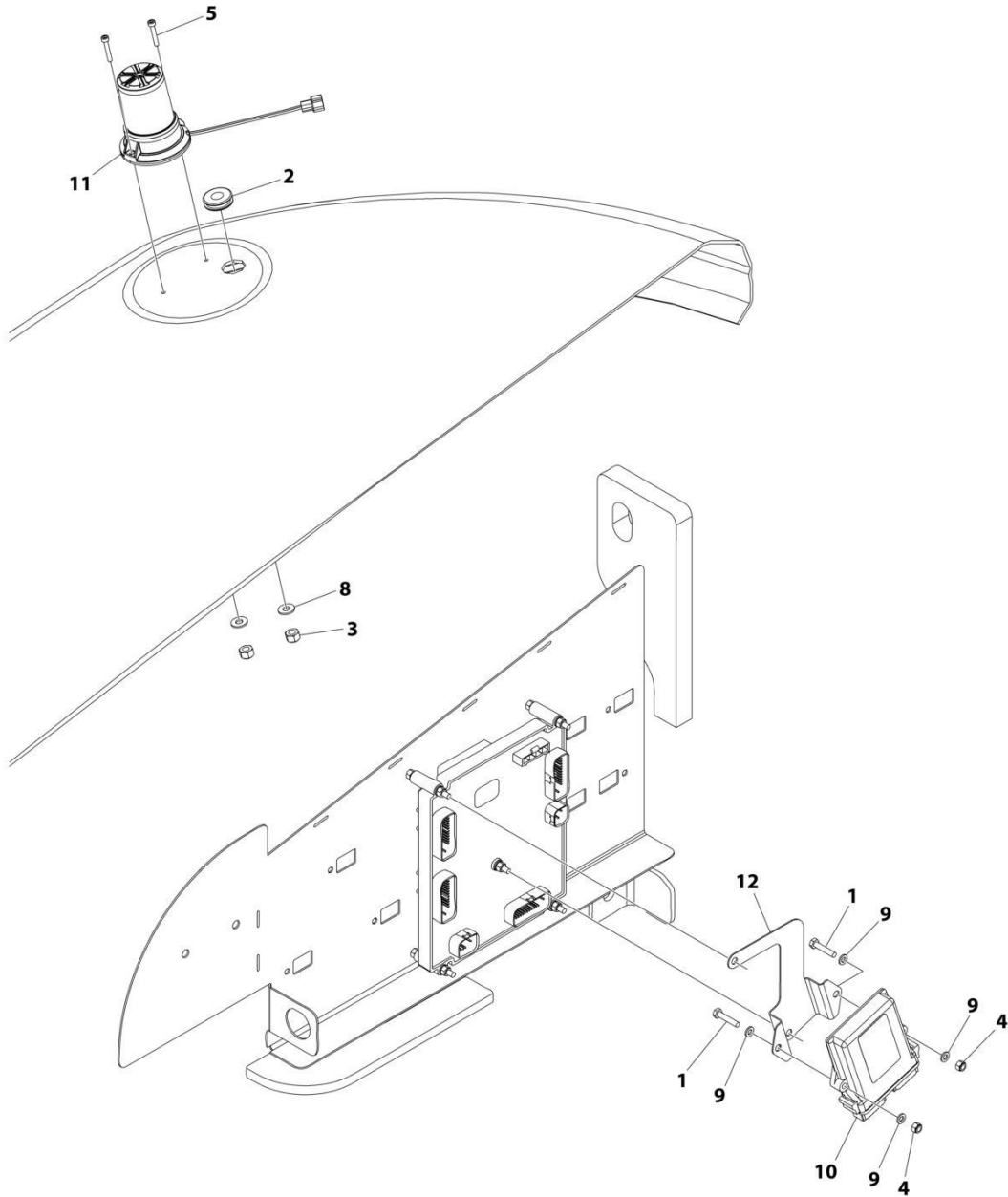
SECTION 2 - TURNTABLE

FIGURE 2-30. BEACON LIGHT INSTALLATION - BLUE (SN C300000398 to Present)

ITEM	PART NUMBER	QTY	DESCRIPTION	REV
	1001242855	Ref	BEACON LIGHT INSTALLATION - BLUE	C
1	0760614	2	Bolt M6 x 30	
2	2540020	1	Grommet	
3	3290605	2	Nut, Lock M6	
4	3290405	2	Nut, Lock M4	
5	4031509	2	Capscrew M4 x 25	
6	4240032	AR	Tie-Strap (Not Shown)	
7	4460488	AR	Mount, Tie-Strap (Not Shown)	
9	4811700	4	Washer M6	
10	1001276626	1	Mount, Module	
11	1001142683	1	Module, Control	
12	1001142736	1	Harness, Beacon (Not Shown - See Separate Breakdown in ELECTRICAL Section)	
13	1001272681	1	Lamp, Strobe	
13	4460897	1	Connector	
13	4460464	2	Pin	
14	4811400	2	Washer M4	

SECTION 2 - TURNTABLE

FIGURE 2-31. BEACON LIGHT INSTALLATION - BLUE (SN C300000398 to Present)



ART_1001286934

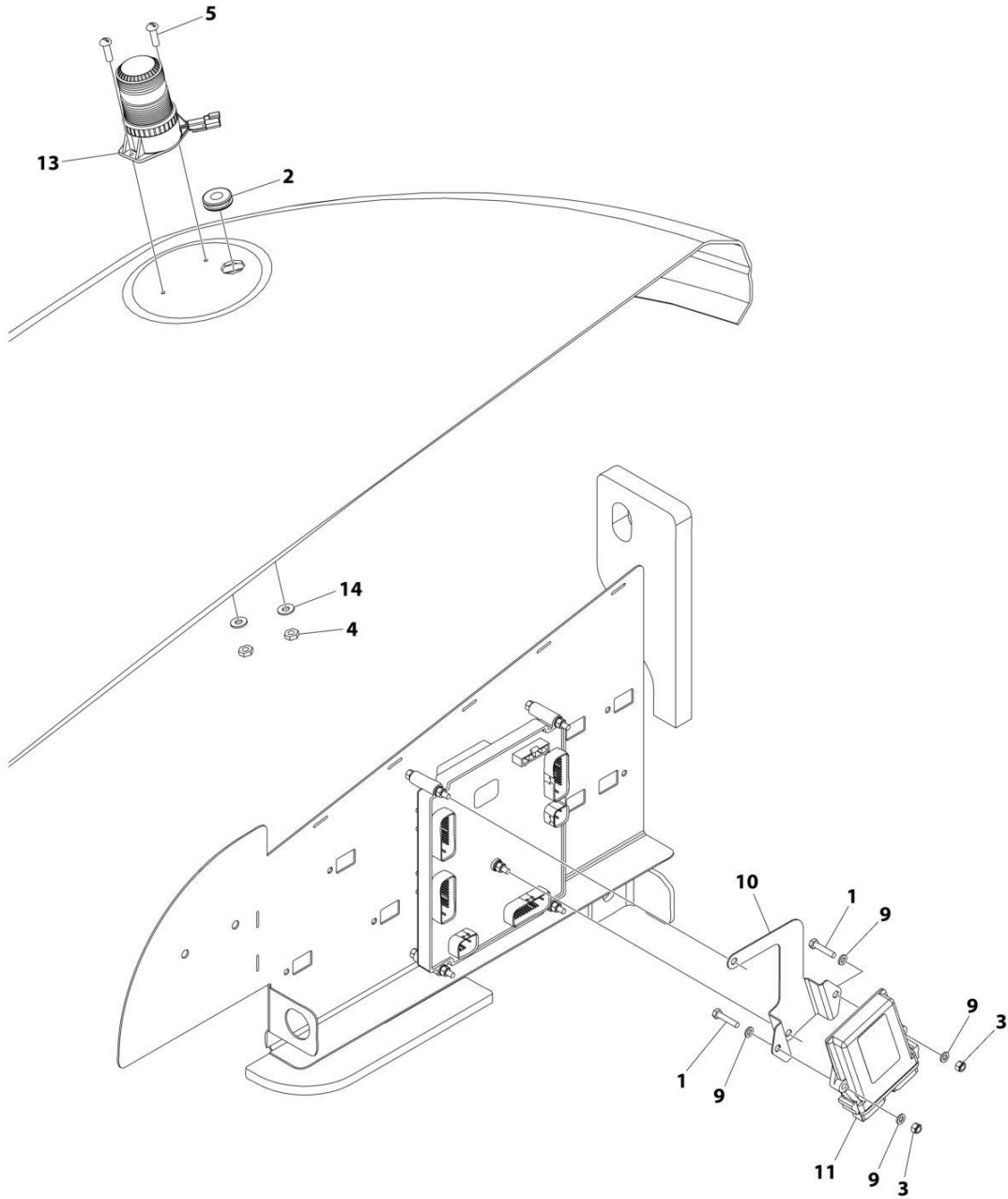
SECTION 2 - TURNTABLE

FIGURE 2-31. BEACON LIGHT INSTALLATION - BLUE (SN C300000398 to Present)

ITEM	PART NUMBER	QTY	DESCRIPTION	REV
	1001286934	Ref	CLEARSKY BEACON LIGHT INSTALLATION - BLUE	A
1	0760614	2	Bolt M6 x 30	
2	2540020	1	Grommet	
3	3290405	2	Nut, Lock M4	
4	3290605	2	Nut, Lock M6	
5	4031509	2	Capscrew M4 x 25	
6	4240032	AR	Tie-Strap (Not Shown)	
7	4460488	AR	Mount, Tie-Strap (Not Shown)	
8	4811400	2	Washer M4	
9	4811700	4	Washer M6	
10	1001142683	1	Module, Control	
11	1001272681	1	Lamp, Strobe	
11	4460897	1	Connector	
11	4460464	2	Pin	
12	1001276626	1	Mount, Module	
13	1001286936	1	Harness, Beacon (Not Shown - See Separate Breakdown in ELECTRICAL Section)	

SECTION 2 - TURNTABLE

FIGURE 2-32. BEACON LIGHT INSTALLATION - RED (SN C300000398 to Present)



ART_1001242856_C

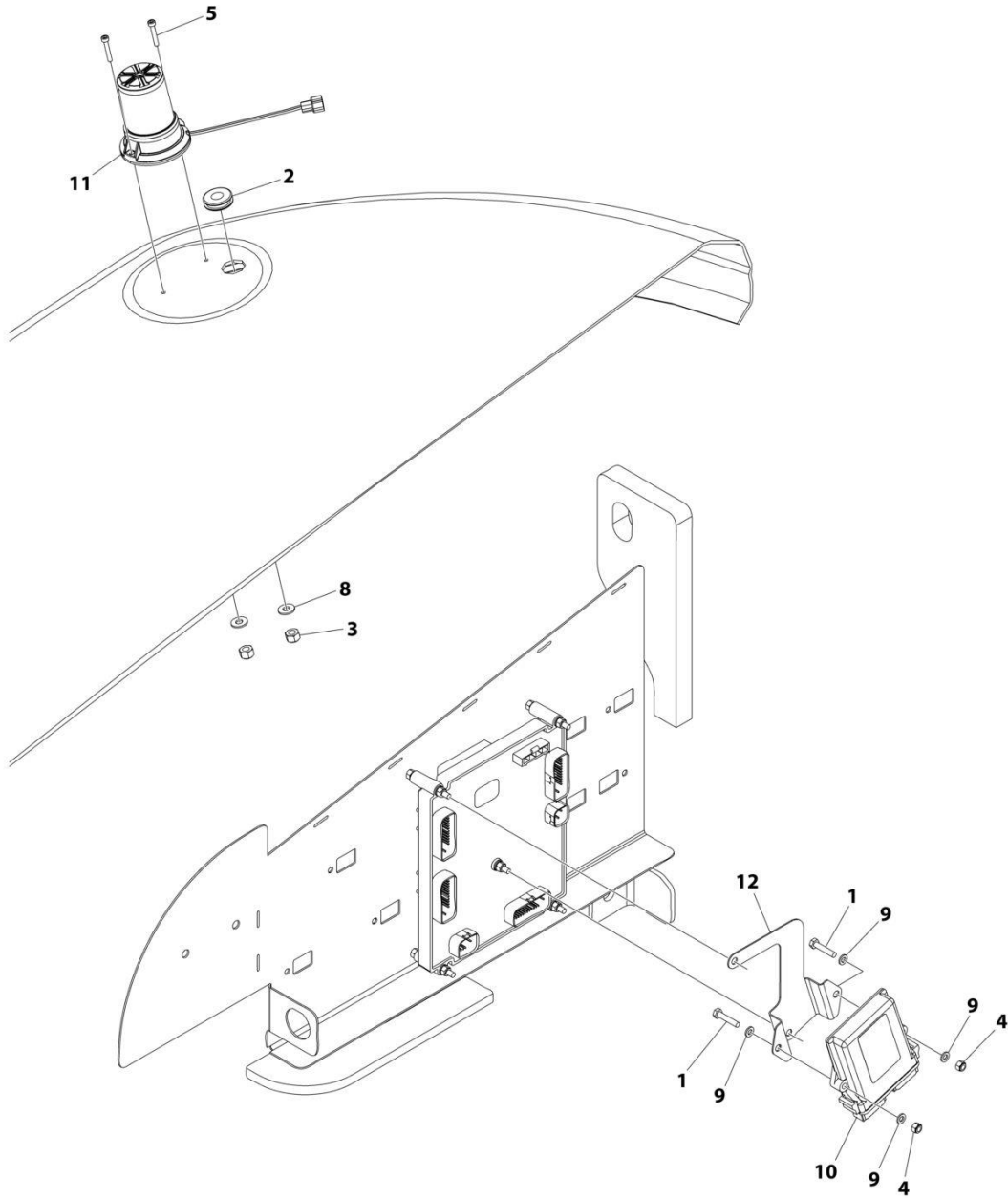
SECTION 2 - TURNTABLE

FIGURE 2-32. BEACON LIGHT INSTALLATION - RED (SN C300000398 to Present)

ITEM	PART NUMBER	QTY	DESCRIPTION	REV
	1001242856	Ref	BEACON LIGHT INSTALLATION - RED	C
1	0760614	2	Bolt M6 x 30	
2	2540020	1	Grommet	
3	3290605	2	Nut, Lock M6	
4	3290405	2	Nut, Lock M4	
5	4031509	2	Capscrew M4 x 25	
6	4240032	AR	Tie-Strap (Not Shown)	
7	4460488	AR	Mount, Tie-Strap (Not Shown)	
9	4811700	4	Washer M6	
10	1001276626	1	Mount, Module	
11	1001142683	1	Module, Control	
12	1001142736	1	Harness, Beacon (Not Shown - See Separate Breakdown in ELECTRICAL Section)	
13	1001272682	1	Lamp, Strobe	
13	4460897	1	Connector	
13	4460464	2	Pin	
14	4811400	2	Washer M4	

SECTION 2 - TURNTABLE

FIGURE 2-33. BEACON LIGHT INSTALLATION - RED



ART_1001286935

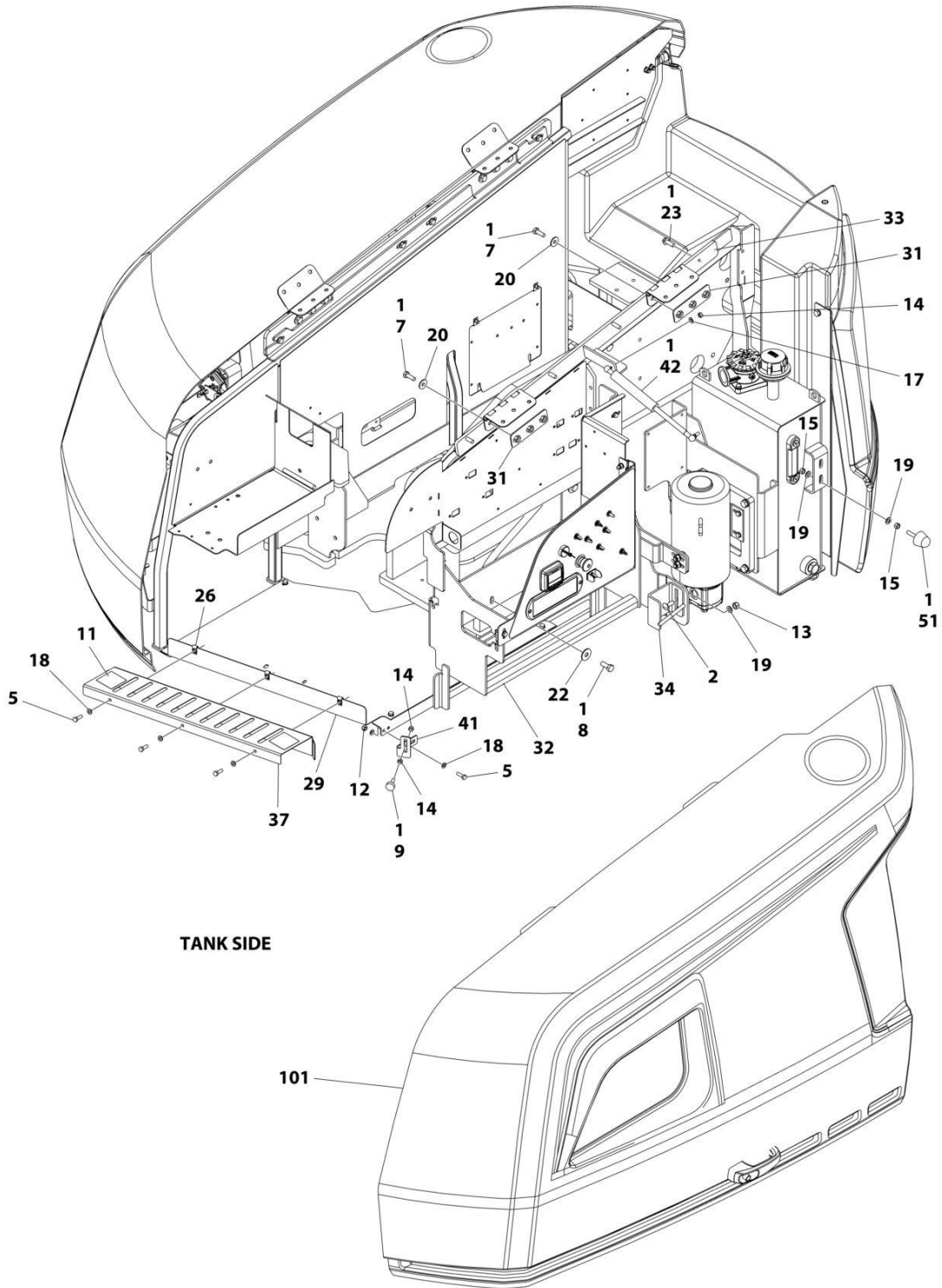
SECTION 2 - TURNTABLE

FIGURE 2-33. BEACON LIGHT INSTALLATION - RED

ITEM	PART NUMBER	QTY	DESCRIPTION	REV
	1001286935	Ref	BEACON LIGHT INSTALLATION - RED	A
1	0760614	2	Bolt M6 x 30	
2	2540020	1	Grommet	
3	3290405	2	Nut, Lock M4	
4	3290605	2	Nut, Lock M6	
5	4031509	2	Capscrew M4 x 25	
6	4240032	AR	Tie-Strap (Not Shown)	
7	4460488	AR	Mount, Tie-Strap (Not Shown)	
8	4811400	2	Washer M4	
9	4811700	4	Washer M6	
10	1001142683	1	Module, Control	
11	1001272682	1	Lamp, Strobe	
11	4460897	1	Connector	
11	4460464	2	Pin	
12	1001276626	1	Mount, Module	
13	1001286936	1	Harness, Beacon (Not Shown - See Separate Breakdown in ELECTRICAL Section)	

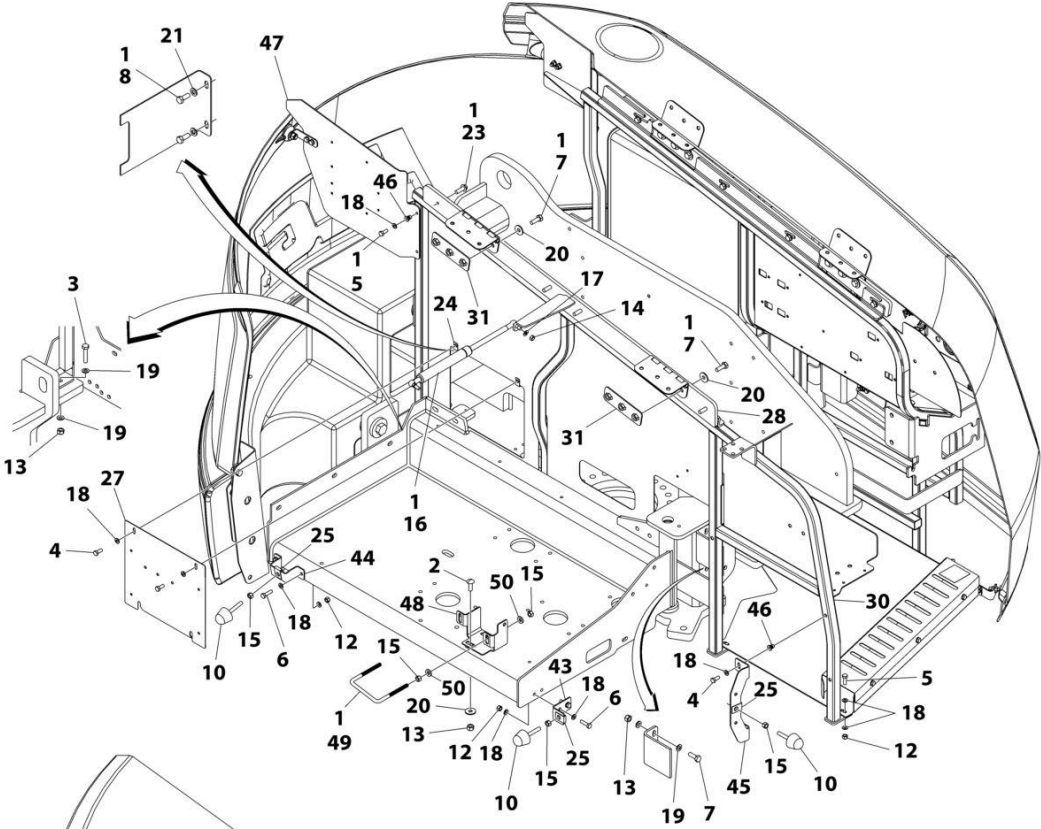
SECTION 2 - TURNTABLE

FIGURE 2-34. HOODS INSTALLATION (SN C30000326 through C30000699)

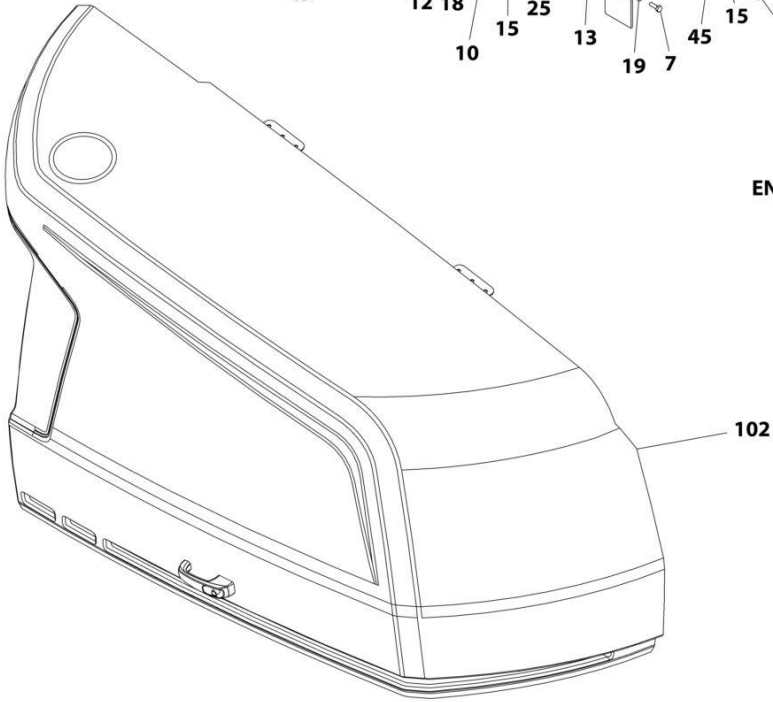


ART_1001254664_1OF2

SECTION 2 - TURNTABLE



ENGINE SIDE



ART_1001254664_20F2

SECTION 2 - TURNTABLE

FIGURE 2-34. HOODS INSTALLATION (SN C300000326 through C300000699)

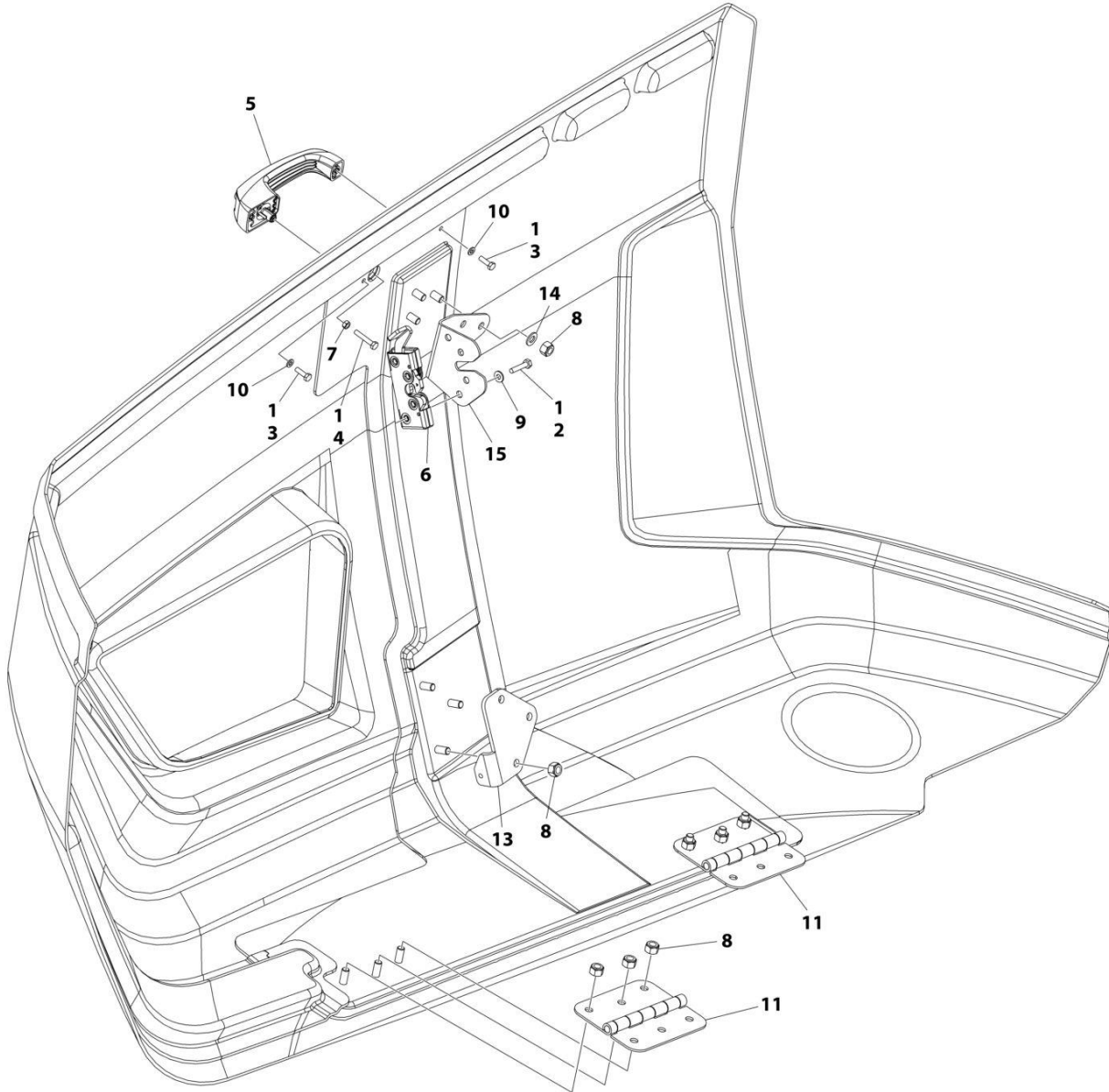
ITEM	PART NUMBER	QTY	DESCRIPTION	REV
	1001254664	Ref	HOODS INSTALLATION	D
1	0100011	AR	Compound, Locking	
2	0630613	4	Bolt M10 x 30	
3	0701018	5	Bolt M10 x 50	
4	0760810	4	Bolt M8 x 20	
5	0760812	11	Bolt M8 x 25	
6	0760814	4	Bolt M8 x 30	
7	0761014	14	Bolt M10 x 30	
8	0761214	6	Bolt M12 x 30	
9	0940049	1	Bumper	
10	0940071	3	Bumper	
11	1701691	2	Decal - No Step	
12	3290805	10	Nut M8	
13	3291005	11	Nut M10	
14	3311501	4	Nut 5/16	
15	3311601	9	Nut 3/8	
16	4160182	1	Spring, Gas	
17	4711500	2	Washer 5/16	
18	4811900	29	Washer M8	
19	4812000	18	Washer M10	
20	4812002	14	Washer M10	
21	4812100	2	Washer M12	
22	4812102	4	Washer M12	
23	5251014	8	Bolt M10 x 30	
24	8310686	2	Nut, Retainer M8	
25	88662523	3	Nut, Tinnerman	
26	1001118274	3	Nut M8	
27	1001167149	1	Panel, Filler	
28	1001167159	1	Mount	
29	1001167163	1	Tray	
30	1001167169	1	Mount	
31	1001169046	4	Nut	
32	1001211716	1	Support	
33	1001170018	1	Mount	
34	1001170022	1	Mount	
37	1001171216	1	Cover	
41	1001179904	1	Mount	
42	1001182169	1	Spring, Gas	
43	1001182875	1	Mount	
44	1001182877	1	Mount	
45	1001182879	1	Mount	
46	1001191832	4	Rivnut M8	
47	1001211717	1	Support	
48	1001250291	1	Bracket	
49	1001243414	1	U-Bolt 3/8	
50	4891600	4	Washer 3/8	
51	1001264238	1	Bumper	
100	1001249436	1	Hood Kit (Includes Items 101-103)	
101	1001241296	1	Hood Assembly - Tank Side (See Separate Breakdown in this Section)	

SECTION 2 - TURNTABLE

ITEM	PART NUMBER	QTY	DESCRIPTION	REV
102	1001249434	1	Hood Assembly - Engine Side (See Separate Breakdown in this Section)	

SECTION 2 - TURNTABLE

FIGURE 2-35. HOOD ASSEMBLY - TANK SIDE



NOTE: REPLACEMENT DECALS MUST BE ORDERED SEPARATELY - SEE DECAL SECTION.

ART_1001241296

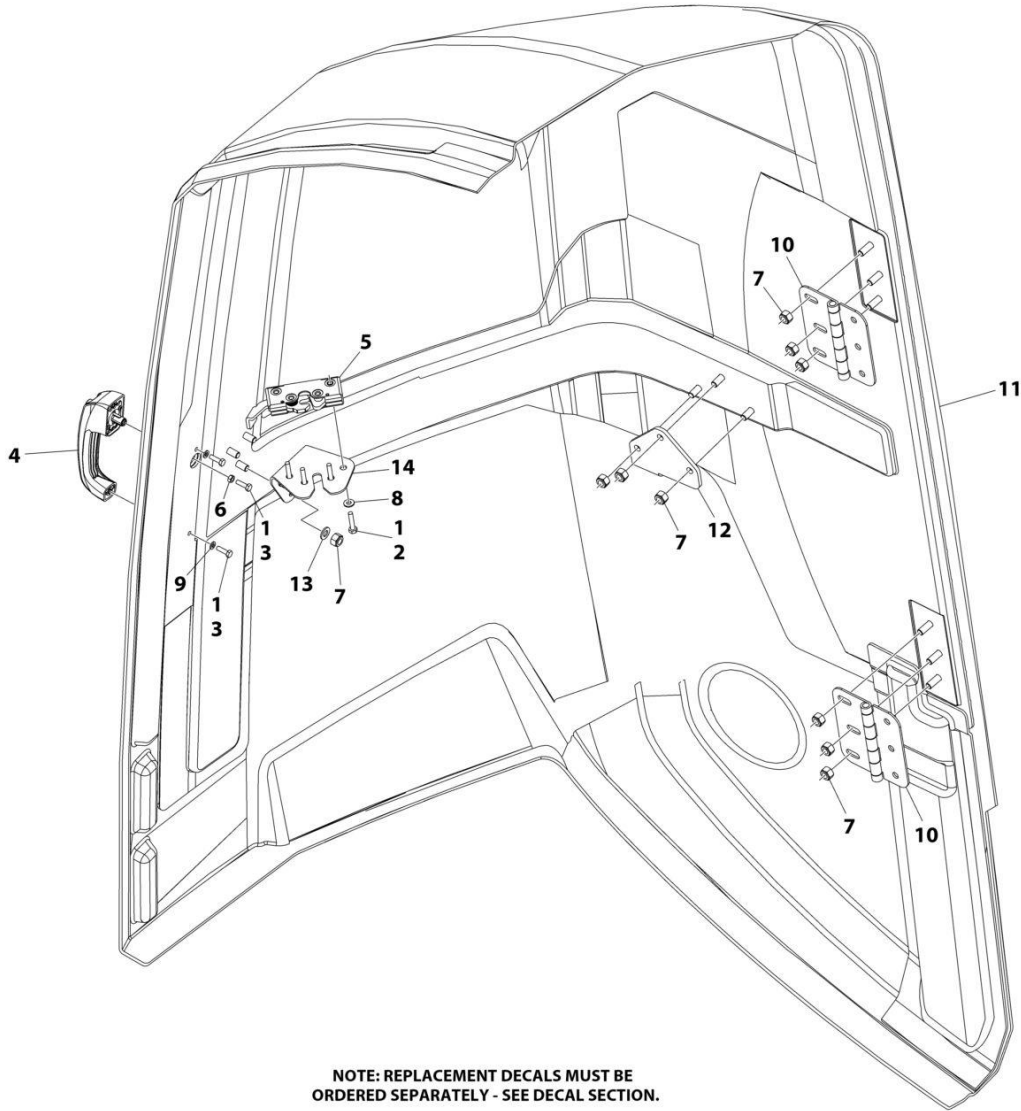
SECTION 2 - TURNTABLE

FIGURE 2-35. HOOD ASSEMBLY - TANK SIDE

ITEM	PART NUMBER	QTY	DESCRIPTION	REV
	1001241296	Ref	HOOD ASSEMBLY - TANK SIDE	C
1	0100011	AR	Compound, Locking	
2	0641410	4	Bolt 1/4 x 1-1/4	
3	0760610	2	Bolt M6 x 20	
4	0760615	1	Bolt M6 x 35	
5	2560187	1	Handle	
6	2940173	1	Latch	
7	3290601	1	Nut M6	
8	3291005	12	Nut M10	
9	4711400	4	Washer 1/4	
10	4811700	2	Washer M6	
11	1001259230	2	Hinge	
13	1001170475	1	Bracket	
14	4812000	3	Washer M10	
15	1001203322	1	Support	

SECTION 2 - TURNTABLE

FIGURE 2-36. HOOD ASSEMBLY - ENGINE SIDE



ART_1001249434

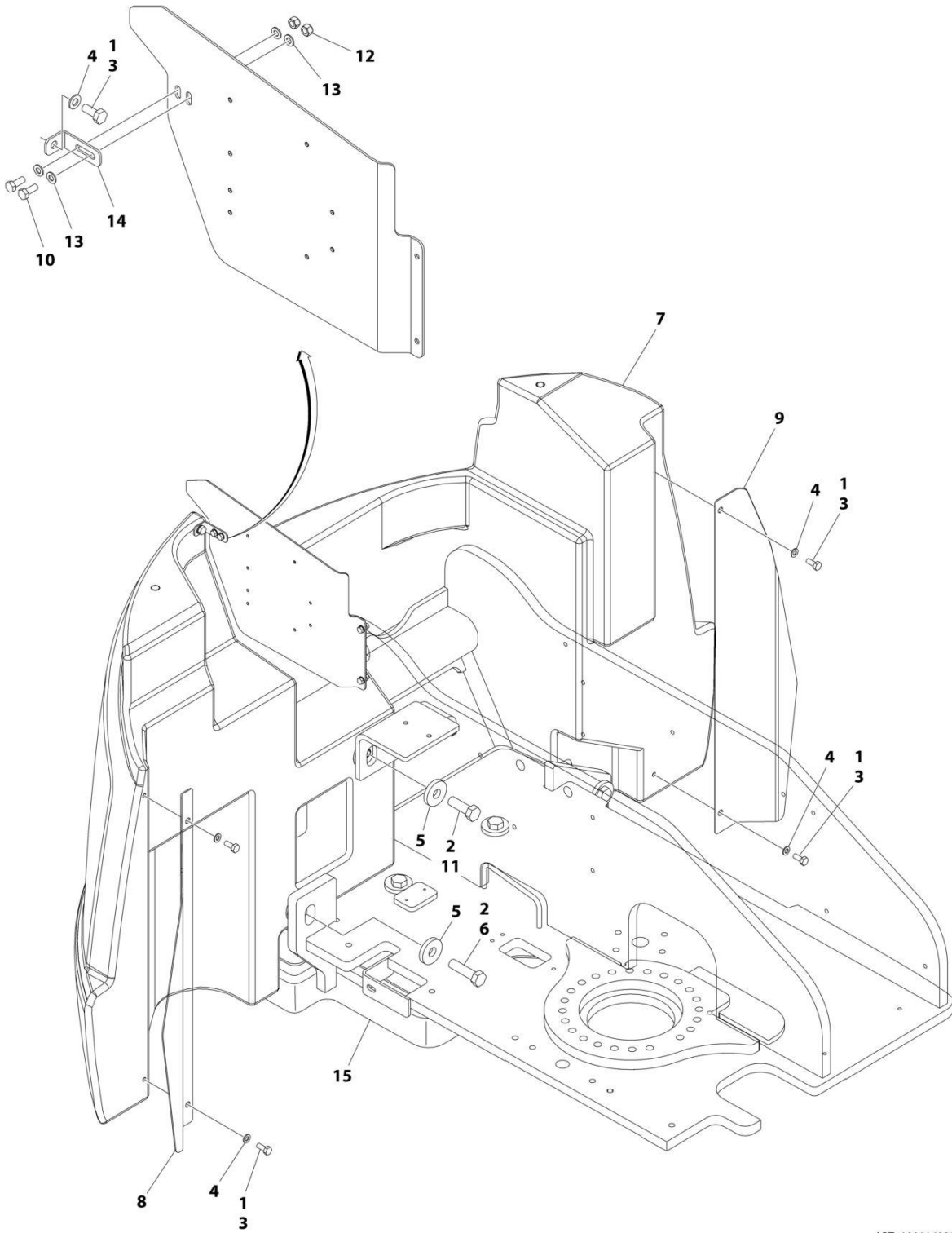
SECTION 2 - TURNTABLE

FIGURE 2-36. HOOD ASSEMBLY - ENGINE SIDE

ITEM	PART NUMBER	QTY	DESCRIPTION	REV
	1001249434	Ref	HOOD ASSEMBLY - ENGINE SIDE	B
1	0100011	AR	Compound, Locking	
2	0641410	4	Bolt 1/4 x 1-1/4	
3	0760610	3	Bolt M6 x 20	
4	2560187	1	Handle	
5	2940173	1	Latch	
6	3290601	1	Nut M6	
7	3291005	12	Nut M10	
8	4711400	4	Washer 1/4	
9	4811700	2	Washer M6	
10	1001259230	2	Hinge	
12	1001178228	1	Bracket	
13	4812000	3	Washer M10	
14	1001202830	1	Support	

SECTION 2 - TURNTABLE

FIGURE 2-37. COVERS INSTALLATION - COUNTERWEIGHT



ART_1001169382

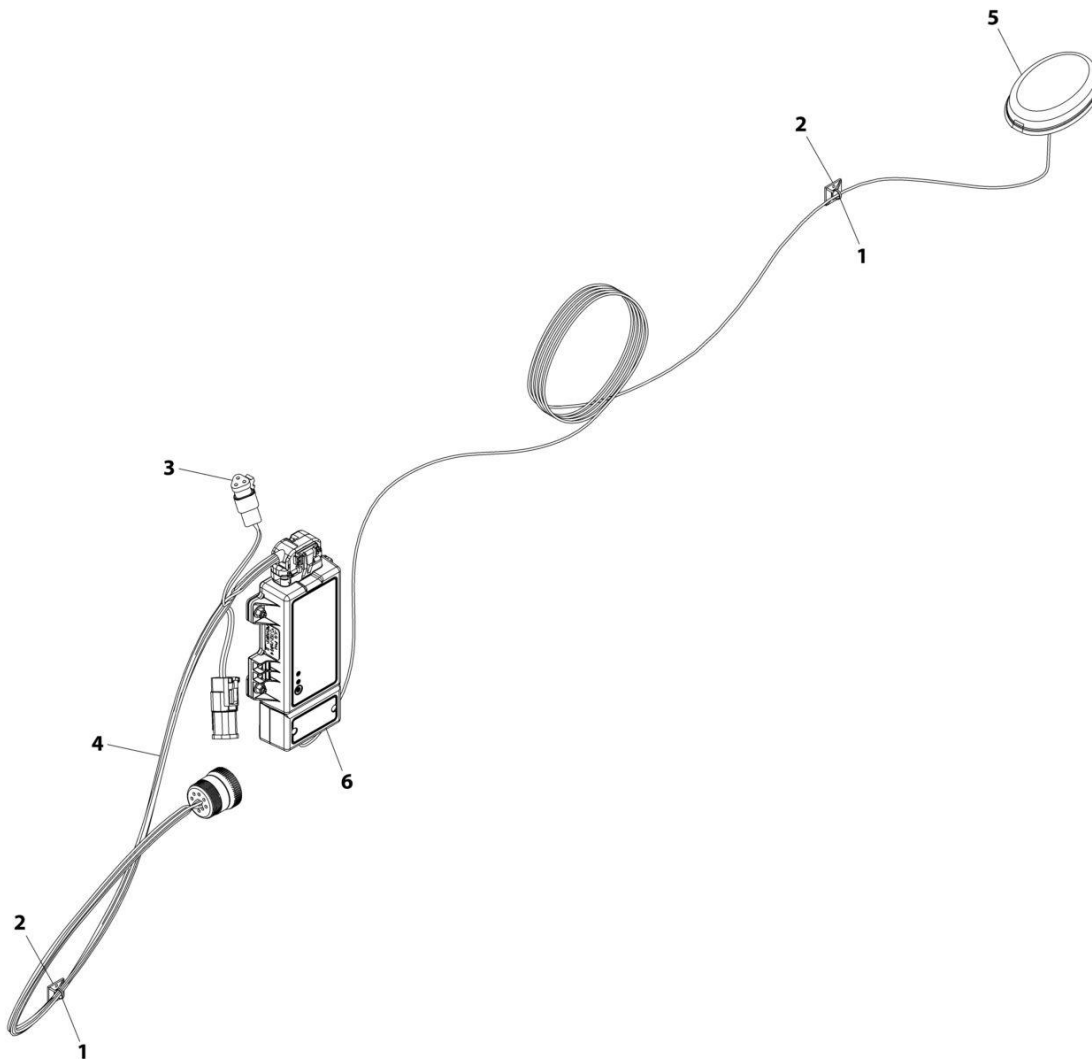
SECTION 2 - TURNTABLE

FIGURE 2-37. COVERS INSTALLATION - COUNTERWEIGHT

ITEM	PART NUMBER	QTY	DESCRIPTION	REV
	1001169382	Ref	COVERS INSTALLATION - COUNTERWEIGHT	D
1	0100011	AR	Compound, Locking	
2	0100019	AR	Compound, Locking	
3	0701012	5	Bolt M10 x 25	
4	4812000	5	Washer M10	
5	1001119051	5	Washer	
6	1001119057	4	Bolt, Grade 8	
7	1001169381	1	Weight, Counter	
8	1001170120	1	Bracket	
9	1001170121	1	Bracket	
10	0760810	2	Bolt M8 x 20	
11	0762020	1	Screw M20 x 60	
12	3290805	2	Nut M8	
13	4811900	4	Washer M8	
14	1001179191	1	Mount, Hood	
15	1001183841	1	Weight, Counter	

SECTION 2 - TURNTABLE

FIGURE 2-38. CLEARSKY INSTALLATION - AUSTRALIAN SPEC



ART_1001286961

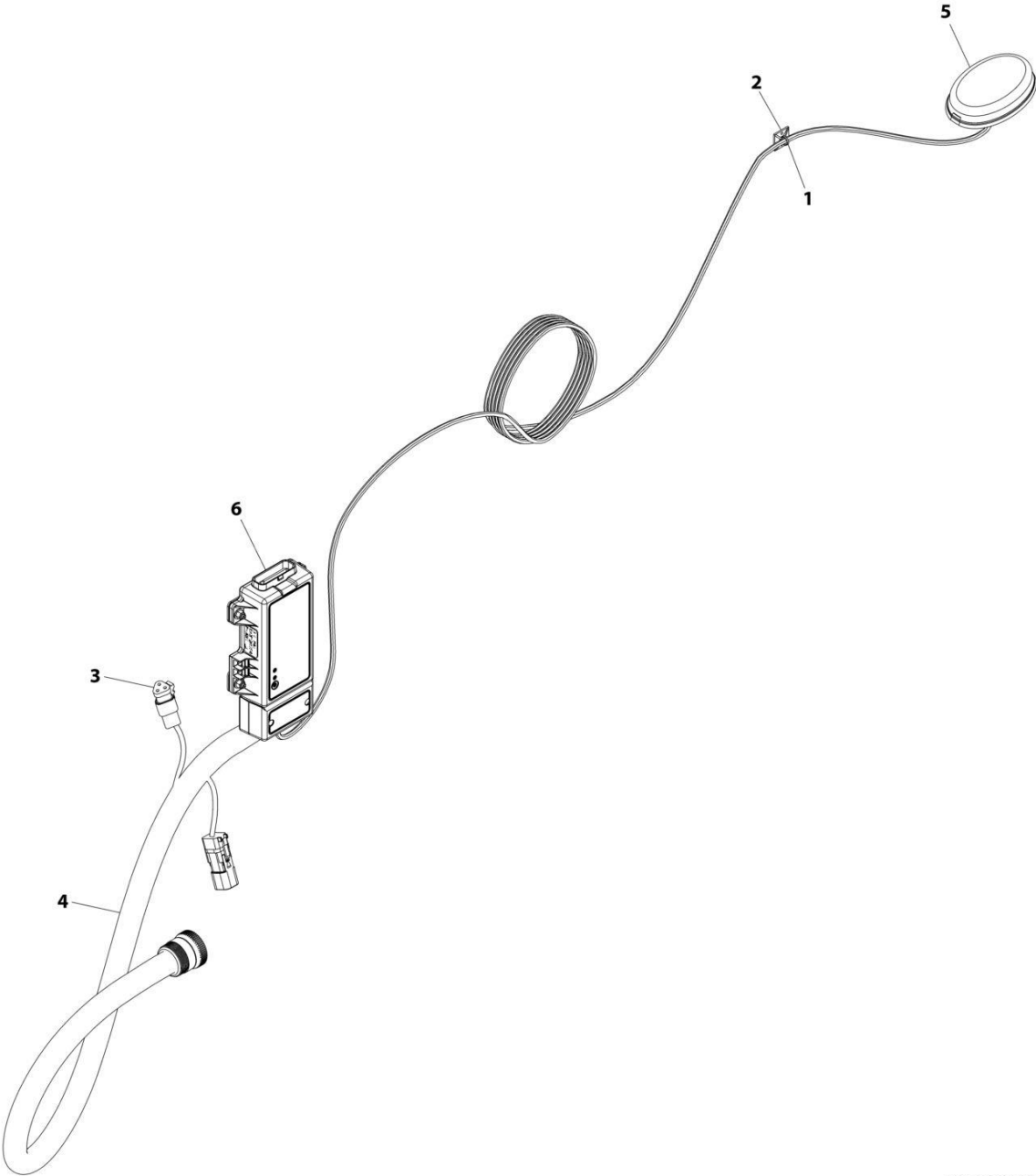
SECTION 2 - TURNTABLE

FIGURE 2-38. CLEARSKY INSTALLATION - AUSTRALIAN SPEC

ITEM	PART NUMBER	QTY	DESCRIPTION	REV
	1001286961	Ref	CLEARSKY INSTALLATION - AUSTRALIAN SPEC	A
1	4240032	AR	Tie-Strap	
2	4460234	AR	Mount, Tie-Strap	
3	1001129408	1	Connector	
4	1001226739	1	Harness, Clearsky (See Separate Breakdown in ELECTRICAL Section)	
5	1001226799	1	Antenna, ClearSky	
6	1001246144	1	Module, ClearSky	

SECTION 2 - TURNTABLE

FIGURE 2-39. CLEARSKY INSTALLATION - CE SPEC



ART_1001286932

SECTION 2 - TURNTABLE

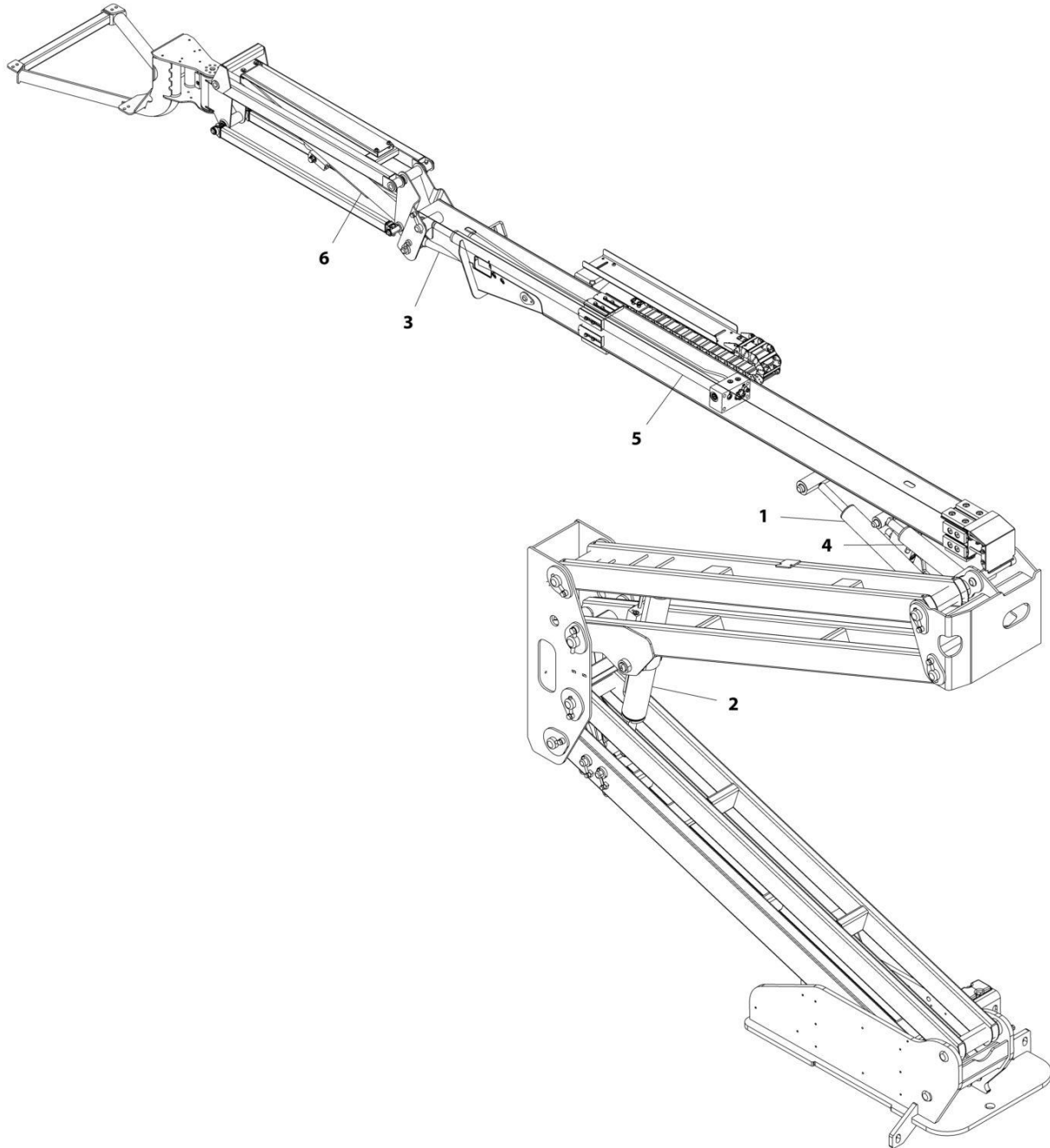
FIGURE 2-39. CLEARSKY INSTALLATION - CE SPEC

ITEM	PART NUMBER	QTY	DESCRIPTION	REV
	1001286932	Ref	CLEARSKY INSTALLATION - CE SPEC	A
1	4240032	AR	Tie-Strap	
2	4460234	AR	Mount, Tie-Strap	
3	1001129408	1	Connector	
4	1001226739	1	Harness, Clearsky (See Separate Breakdown in ELECTRICAL Section)	
5	1001226799	1	Antenna, ClearSky	
6	1001228954	1	Module, ClearSky	

SECTION 3 - BOOM

SECTION 3 - BOOM

FIGURE 3-1. CYLINDERS INSTALLATION



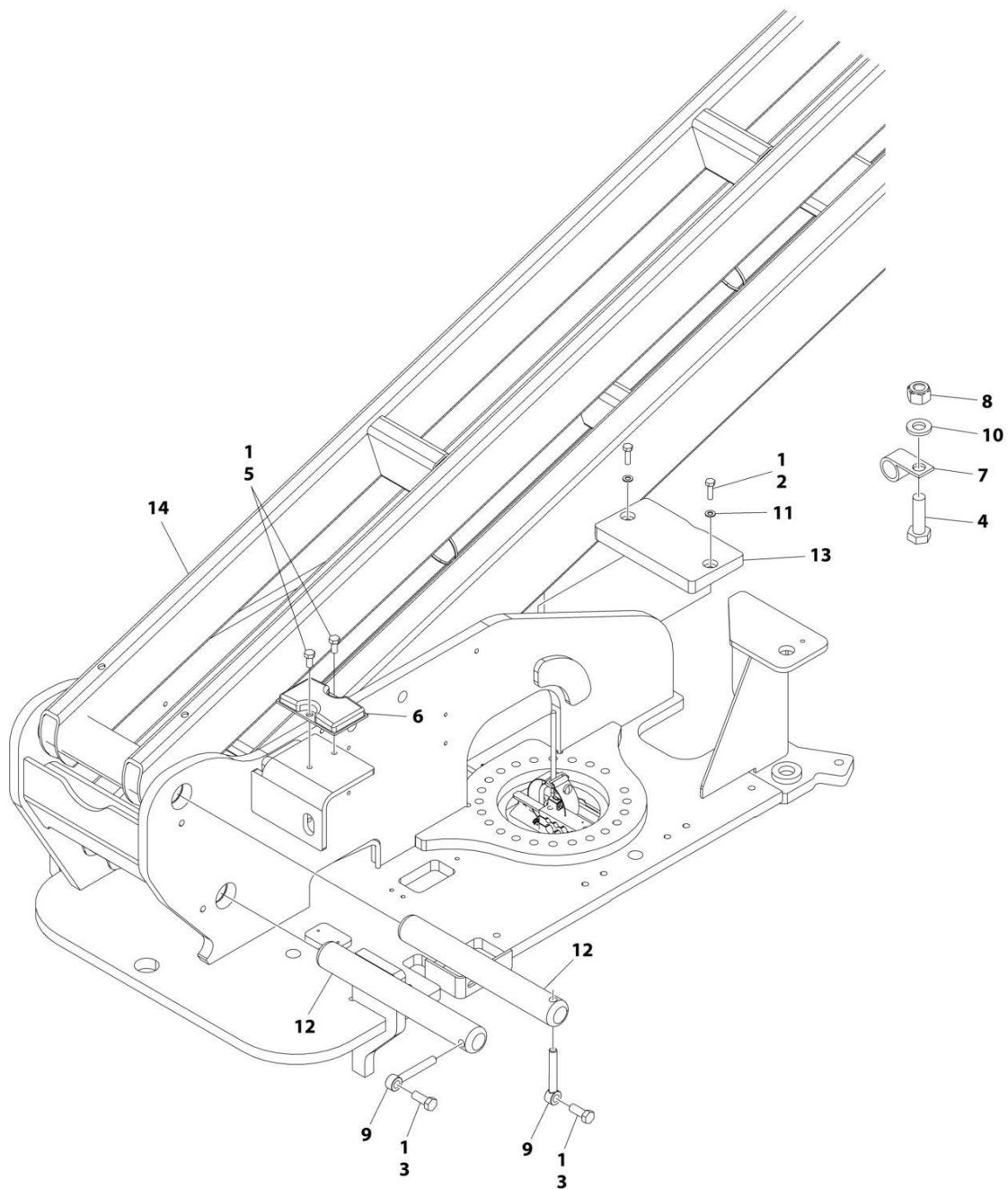
ART_1001163863

FIGURE 3-1. CYLINDERS INSTALLATION

ITEM	PART NUMBER	QTY	DESCRIPTION	REV
	1001163863	Ref	CYLINDERS INSTALLATION	D
1	1001266738	1	Lift Cylinder Assembly - Main Boom (See Separate Breakdown in CYLINDER Section)	
2	1001254716	1	Lift Cylinder Assembly - Tower Boom (See Separate Breakdown in CYLINDER Section)	
3	1001161716	1	Level (Platform Slave) Cylinder Assembly (See Separate Breakdown in CYLINDER Section)	
4	1001161717	1	Master Cylinder Assembly (See Separate Breakdown in CYLINDER Section)	
5	1001266711	1	Telescope Cylinder Assembly (See Separate Breakdown in CYLINDER Section)	
6	1001163767	1	Lift Cylinder Assembly - Jib (See Separate Breakdown in CYLINDER Section)	

SECTION 3 - BOOM

FIGURE 3-2. BOOM INSTALLATION - WITHOUT AIRLINES



ART_1001255033

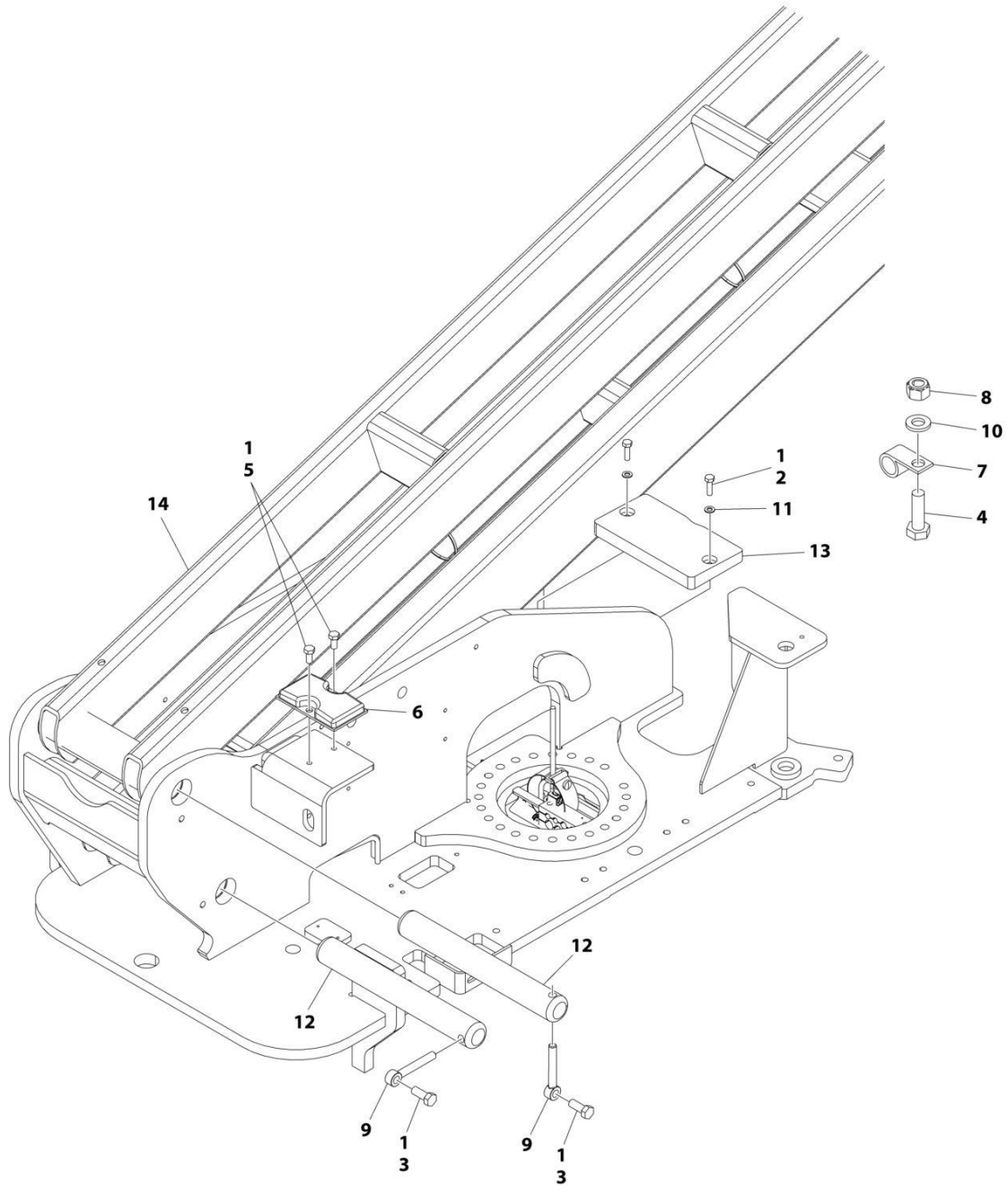
SECTION 3 - BOOM

FIGURE 3-2. BOOM INSTALLATION - WITHOUT AIRLINES

ITEM	PART NUMBER	QTY	DESCRIPTION	REV
	1001255033	Ref	BOOM INSTALLATION	D
1	0100011	AR	Compound, Locking	
2	0701015	2	Bolt M10 x 35	
3	0701616	2	Bolt M16 x 40	
4	0760610	1	Bolt M6 x 20	
5	0761212	2	Bolt M12 x 25	
6	0940048	1	Bumper	
7	1320043	1	Clamp without Liner	
7	1001170231	1	Clamp with Liner	
8	3290605	1	Nut M6	
9	3841258	2	Keeper, Pin	
10	4811700	1	Washer M6	
11	4812000	2	Washer M10	
12	1001169249	2	Pin	
13	1001180056	1	Pad, Wear	
14	1001255041	1	Boom Components Installation (Includes Items 101-106)	C
101	1001163863	1	Cylinder Installation (Not Shown - See Separate Breakdown in this Section)	
103	1001255046	1	Main Boom Installation (Not Shown - See Separate Breakdown in this Section)	
104	1001255047	1	Boom Valves Installation (Not Shown - See Separate Breakdown in this Section)	
105	1001255049	1	Boom Hydraulics Installation (Not Shown - See Separate Breakdown in HYDRAULICS Section)	
106	1001255050	1	Cables and Clamps Installation (Not Shown - See Separate Breakdown in ELECTRICAL Section) (Prior to SN C300000185)	
106	1001274436	1	Cables and Clamps Installation (Not Shown - See Separate Breakdown in ELECTRICAL Section) (SN C300000185 through C300000329)	

SECTION 3 - BOOM

FIGURE 3-3. BOOM INSTALLATION - WITH AIRLINE



ART_1001255035

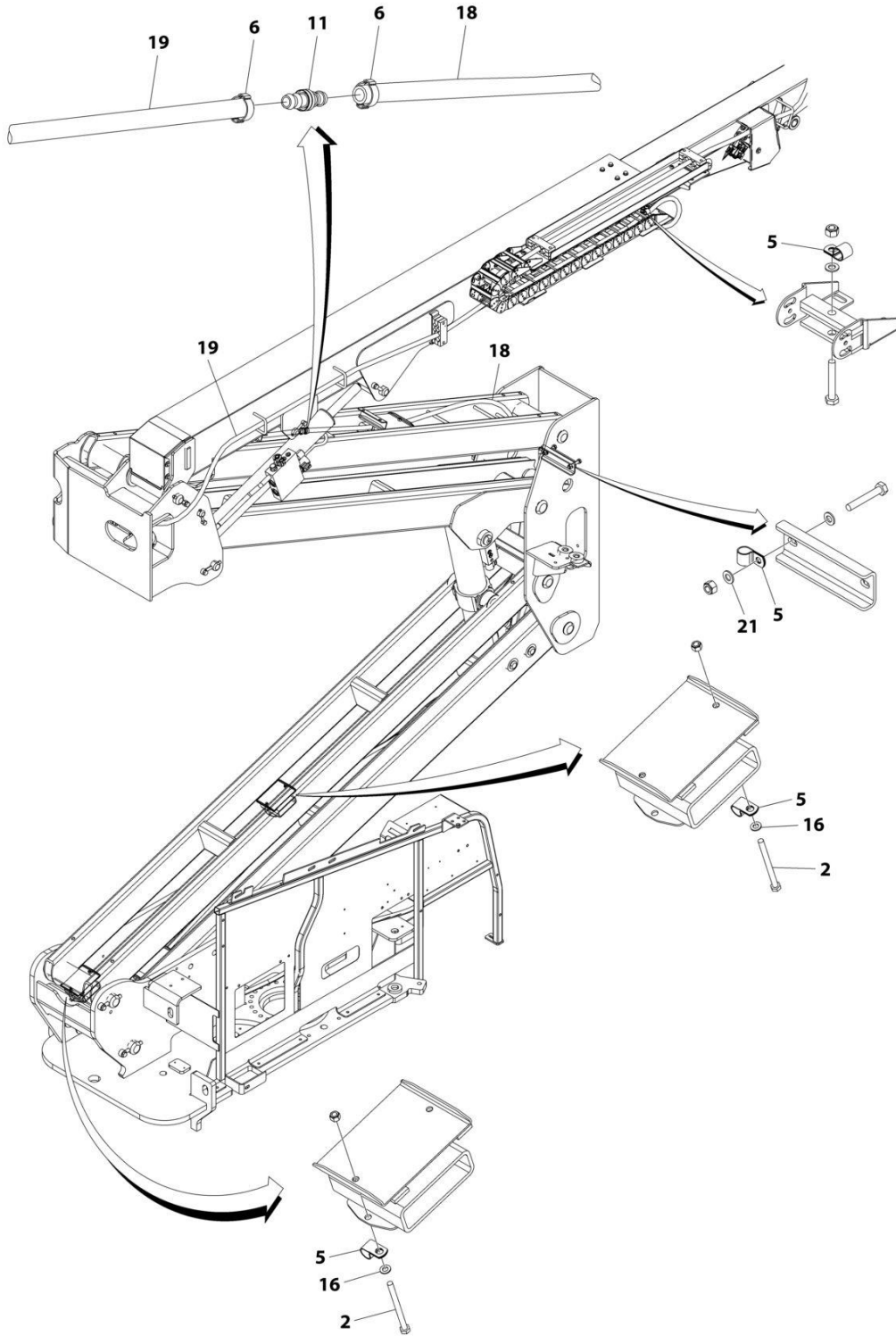
SECTION 3 - BOOM

FIGURE 3-3. BOOM INSTALLATION - WITH AIRLINE

ITEM	PART NUMBER	QTY	DESCRIPTION	REV
	1001255035	Ref	BOOM INSTALLATION - WITH AIRLINE	D
1	0100011	AR	Compound, Locking	
2	0701015	2	Bolt M10 x 35	
3	0701616	2	Bolt M16 x 40	
4	0760610	1	Bolt M6 x 20	
5	0761212	2	Bolt M12 x 25	
6	0940048	1	Bumper	
7	1320043	1	Clamp without Liner	
7	1001170231	1	Clamp with Liner	
8	3290605	1	Nut M6	
9	3841258	2	Keeper, Pin	
10	4811700	1	Washer M6	
11	4812000	2	Washer M10	
12	1001169249	2	Pin	
13	1001180056	1	Pad, Wear	
14	1001255043	1	Boom Components Installation (Includes Items 101-106)	C
15	1001255219	1	Airline Fittings Installation (Not Shown - See Separate Breakdown in this Section)	
101	1001163863	1	Cylinder Installation (Not Shown - See Separate Breakdown in this Section)	
103	1001255046	1	Main Boom Installation (Not Shown - See Separate Breakdown in this Section)	
104	1001255047	1	Boom Valves Installation (Not Shown - See Separate Breakdown in this Section)	
105	1001255049	1	Boom Hydraulics Installation (Not Shown - See Separate Breakdown in HYDRAULICS Section)	
106	1001255050	1	Cables and Clamps Installation (Not Shown - See Separate Breakdown in ELECTRICAL Section) (Prior to SN C300000185)	
106	1001274436	1	Cables and Clamps Installation (Not Shown - See Separate Breakdown in ELECTRICAL Section) (SN C300000185 through C300000329)	
107	1001255052	1	Boom Airline Installation (Not Shown - See Separate Breakdown in this Section)	

SECTION 3 - BOOM

FIGURE 3-4. BOOM AIRLINE INSTALLATION



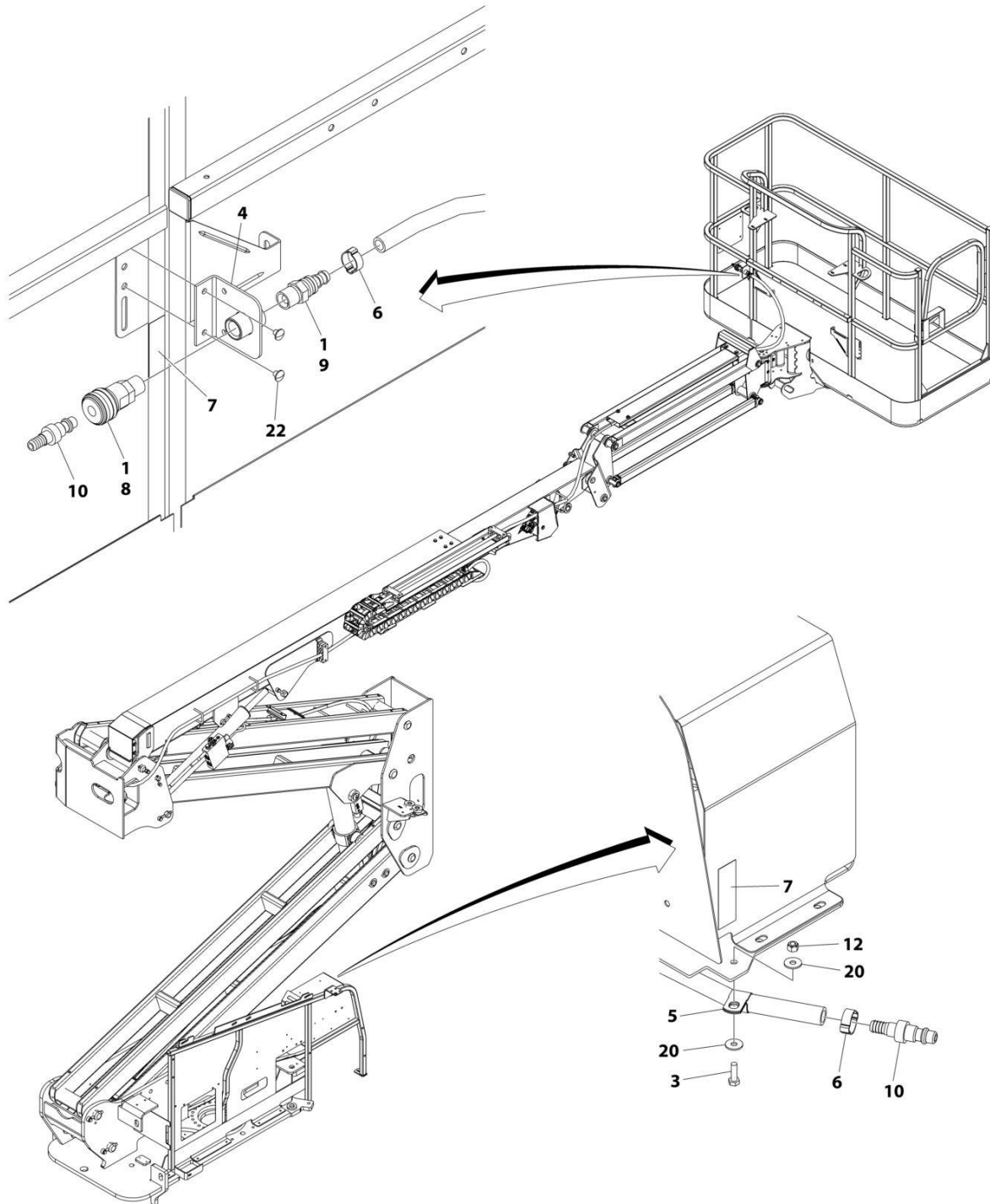
ART_1001255052

FIGURE 3-4. BOOM AIRLINE INSTALLATION

ITEM	PART NUMBER	QTY	DESCRIPTION	REV
	1001255052	Ref	BOOM AIRLINE INSTALLATION	A
2	0700828	2	Bolt M8 x 110	
5	8406105	4	Clip	
6	1320177	2	Clamp	
11	2221037	1	Fitting, Barbed	
16	4811900	2	Washer M8	
18	1001173586	1	Hose	
19	1001174924	1	Hose	
21	4812000	1	Washer M10	

SECTION 3 - BOOM

FIGURE 3-5. AIRLINE FITTINGS INSTALLATION



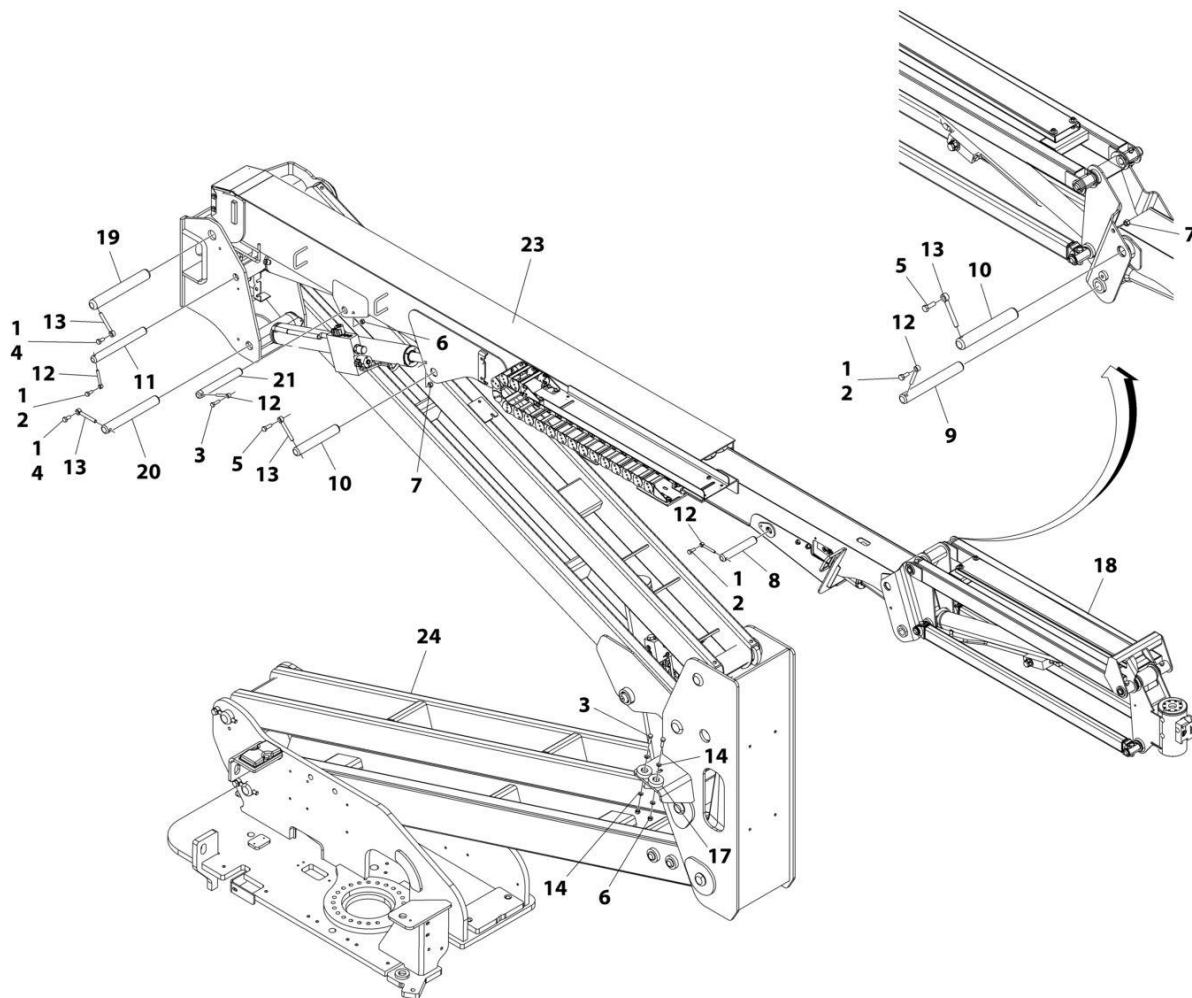
ART_1001255219

FIGURE 3-5. AIRLINE FITTINGS INSTALLATION

ITEM	PART NUMBER	QTY	DESCRIPTION	REV
	1001255219	Ref	AIRLINE FITTINGS INSTALLATION	A
1	0100020	AR	Sealant, Pipe	
3	0760610	1	Bolt M6 x 20	
4	0902317	1	Bracket	
5	8406105	1	Clip	
6	1320177	2	Clamp	
7	1704125	2	Decal - Airline	
8	2220747	1	Fitting, Socket	
9	2220750	1	Fitting, Socketless	
10	2220829	2	Fitting, Plug Stem	
12	3290605	1	Nut M6	
20	4811702	2	Washer M6	
22	2080040	2	Fastener	

SECTION 3 - BOOM

FIGURE 3-6. MAIN BOOM INSTALLATION



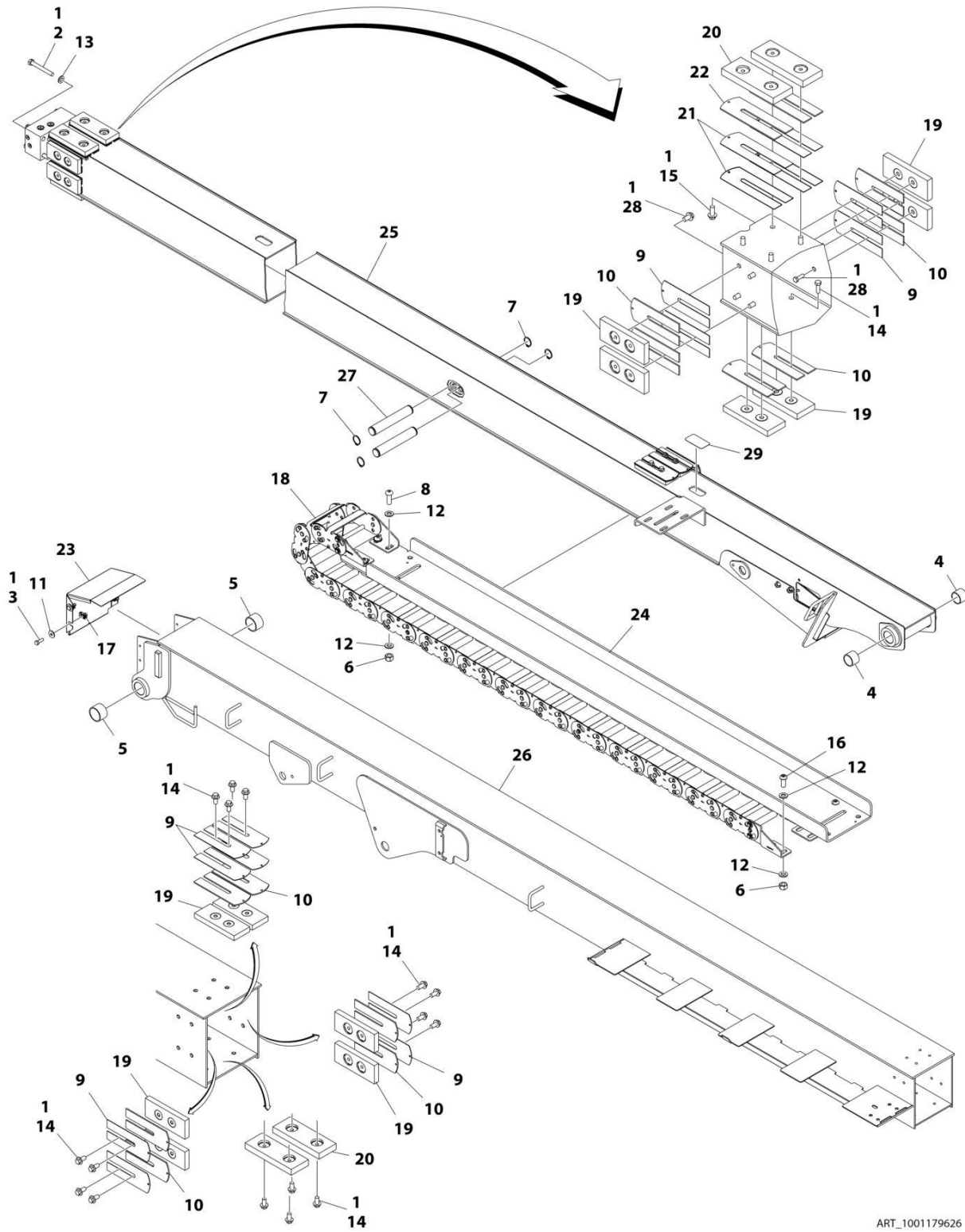
ART_1001255046

FIGURE 3-6. MAIN BOOM INSTALLATION

ITEM	PART NUMBER	QTY	DESCRIPTION	REV
	1001255046	Ref	MAIN BOOM INSTALLATION	A
1	0100011	AR	Compound, Locking	
2	0761012	3	Bolt M10 x 25	
3	0761015	3	Bolt M10 x 35	
4	0761212	2	Bolt M12 x 25	
5	0761215	2	Bolt M12 x 35	
6	3291005	3	Nut M10	
7	3291205	2	Nut M12	
8	3422755	1	Pin	
9	3422792	1	Pin	
10	3422793	2	Pin	
11	3422806	1	Pin	
12	3841143	4	Keeper, Pin	
13	3841203	4	Keeper, Pin	
14	4812000	4	Washer M10	
17	1001112607	2	Block, Boom Rest	
18	1001164017	1	Jib Installation (See Separate Breakdown in This Section)	
19	1001169246	1	Pin	
20	1001169247	1	Pin	
21	3423038	1	Pin	
23	1001179626	1	Main Boom Assembly (See Separate Breakdown in This Section)	
24	1001255054	1	Tower Boom Assembly (See Separate Breakdown in This Section)	

SECTION 3 - BOOM

FIGURE 3-7. MAIN BOOM ASSEMBLY



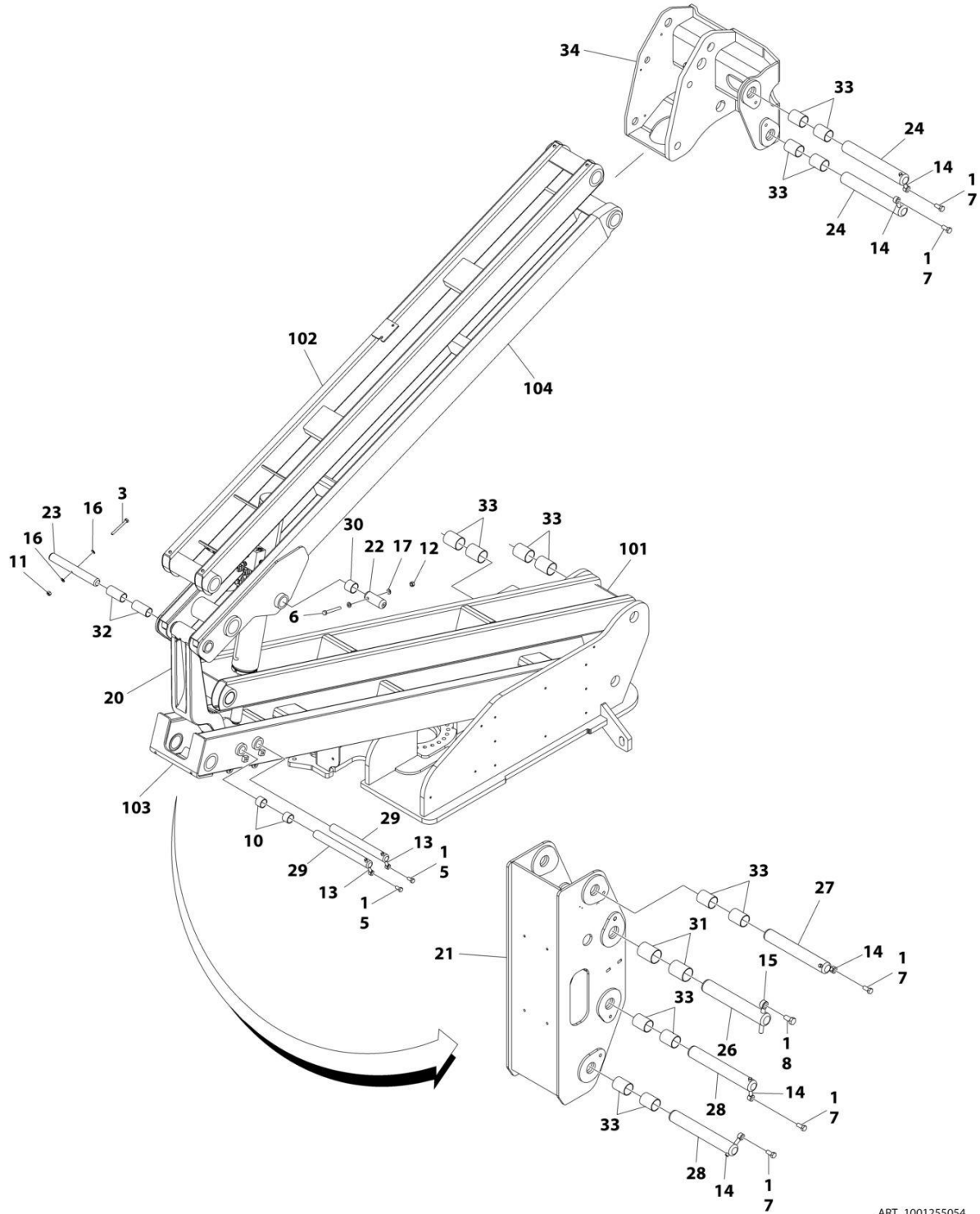
ART_1001179626

FIGURE 3-7. MAIN BOOM ASSEMBLY

ITEM	PART NUMBER	QTY	DESCRIPTION	REV
	1001179626	Ref	MAIN BOOM ASSEMBLY	D
1	0100011	AR	Compound, Locking	
2	0711227	4	Bolt M12 x 100	
3	0760812	4	Bolt M8 x 25	
4	0961948	2	Bearing	
5	0961949	2	Bearing	
6	3291005	10	Nut M10	
7	3760351	4	Ring, Retaining	
8	3900351	4	Screw M10 x 30	
9	4070897	12	Shim	
10	4070898	12	Shim	
11	4811902	4	Washer M8	
12	4812000	18	Washer M10	
13	5241200	4	Washer M12 Hardened	
14	5251010	20	Bolt M10 x 20	
15	5251012	4	Bolt M10 x 25	
16	8310668	6	Screw M10 x 25 Grade 10.9	
17	1001118274	4	Nut M8	
18	1001224894	1	Powertrack Assembly	
18	70006256	1	Link, Repair	
18	70006272	1	Feet, Mounting	
19	1001169304	12	Pad, Wear	
20	1001169305	4	Pad, Wear	
21	1001169402	4	Shim	
22	1001169403	2	Shim	
23	1001170226	1	Cover, Boom End	
24	1001170334	1	Tube, Carrier	
25	1001178554	1	Fly, Boom	
26	1001178555	1	Base, Boom	
27	1001180541	2	Pin	
28	5251009	8	Bolt M10 x 18	
29	1670836	1	Cover	

SECTION 3 - BOOM

FIGURE 3-8. TOWER BOOM ASSEMBLY



ART_1001255054

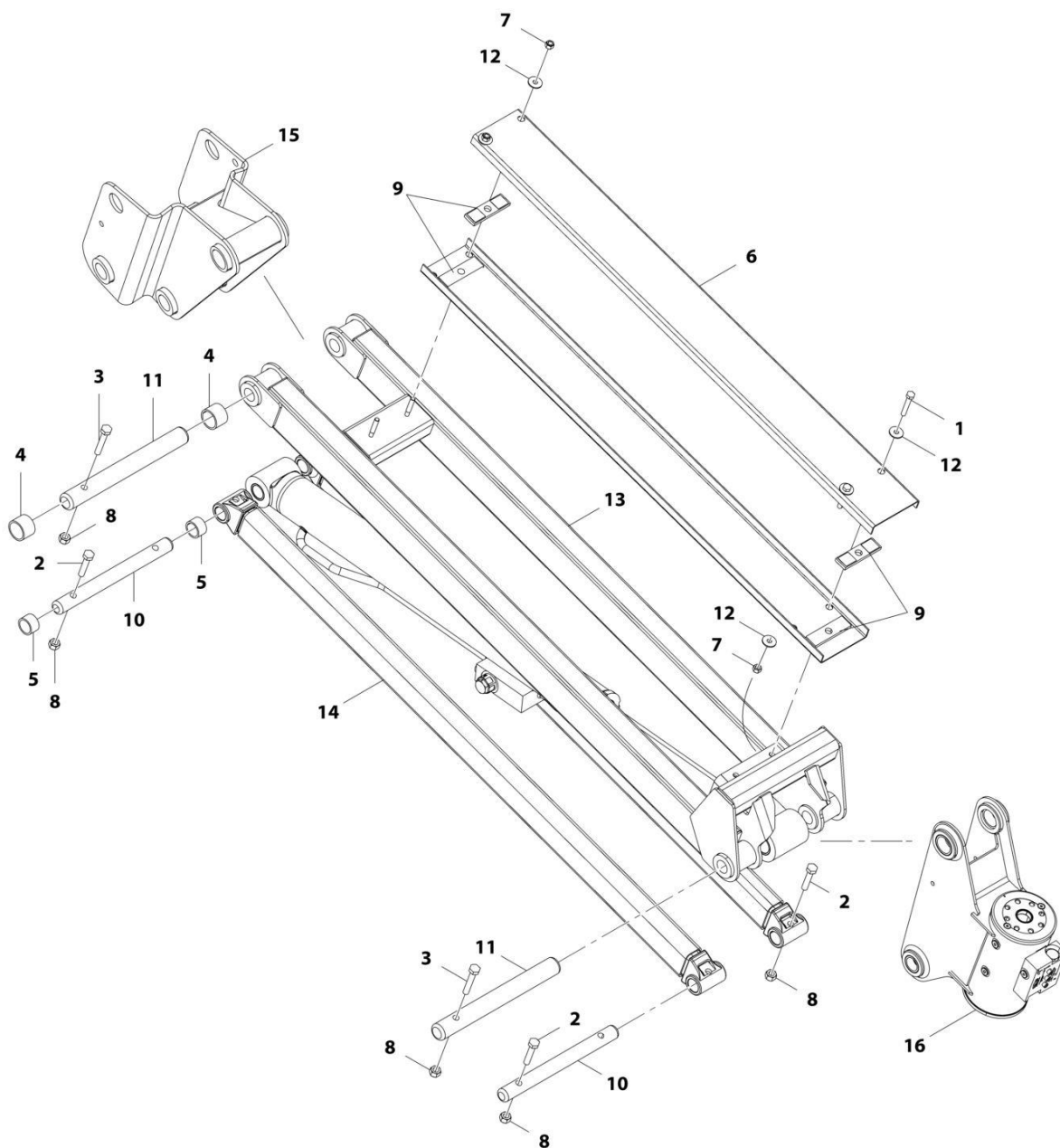
SECTION 3 - BOOM

FIGURE 3-8. TOWER BOOM ASSEMBLY

ITEM	PART NUMBER	QTY	DESCRIPTION	REV
	1001255054	Ref	TOWER BOOM ASSEMBLY	A
1	0100011	AR	Compound, Locking	
3	0701027	1	Bolt M10 x 100	
5	0761212	2	Bolt M12 x 25	
6	0761227	2	Bolt M12 x 100	
7	0761615	5	Bolt M16 x 35	
8	0762016	1	Bolt M20 x 40	
10	0961948	2	Bearing	
11	3291005	1	Nut M10	
12	3291205	2	Nut M12	
13	3841203	2	Keeper, Pin	
14	3841258	5	Keeper, Pin	
15	3841287	1	Keeper, Pin	
16	4812000	4	Washer M10	
17	4812100	4	Washer M12	
20	1001166096	1	Link, Timing	
21	1001166853	1	Upright, Lower	
22	1001169240	2	Pin	
23	1001169241	1	Pin	
24	1001169242	2	Pin	
26	1001169295	1	Pin	
27	1001169296	1	Pin	
28	1001169297	2	Pin	
29	1001169298	2	Pin	
30	1001169299	2	Bearing	
31	1001169300	2	Bearing	
32	1001169301	2	Bearing	
33	1001169302	14	Bearing	
34	1001174065	1	Upright, Upper	
100	1001227993	1	Tower Boom Kit (Includes Items 101-104)	
101	1001160859	1	Link, Lower Tower Boom	
102	1001160872	1	Link, Upper Tower Boom	
103	1001178133	1	Tower Boom (Lower)	
104	1001178135	1	Tower, Boom (Upper)	

SECTION 3 - BOOM

FIGURE 3-9. JIB INSTALLATION



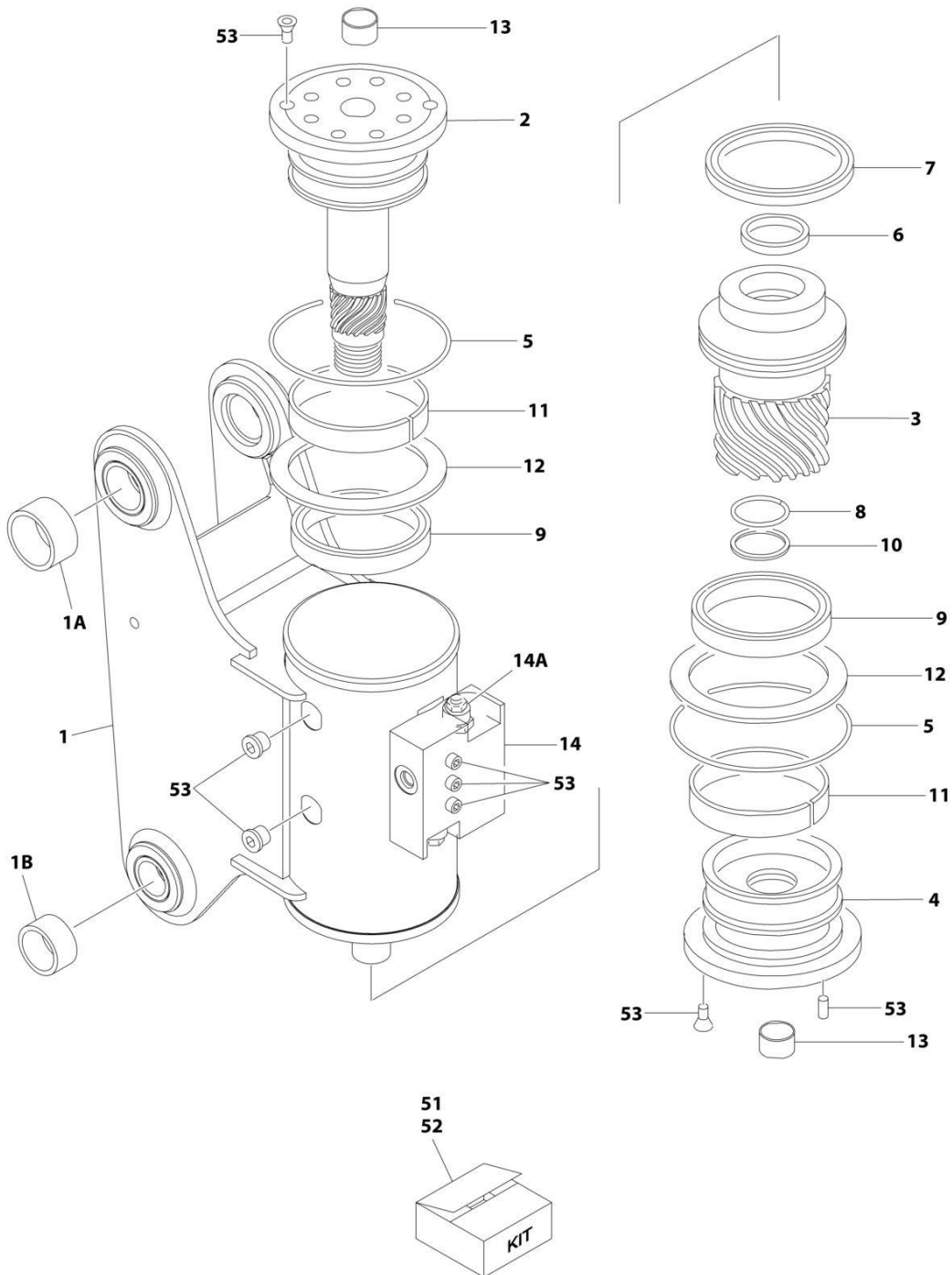
ART_1001164017

FIGURE 3-9. JIB INSTALLATION

ITEM	PART NUMBER	QTY	DESCRIPTION	REV
	1001164017	Ref	JIB INSTALLATION	D
1	0700820	2	Bolt M8 x 60	
2	0701019	4	Bolt M8 x 55	
3	0701020	2	Bolt M10 x 60	
4	0961951	2	Bushing	
5	0962292	2	Bearing	
6	3572551	2	Channel	
7	3290805	4	Nut M8	
8	3291005	6	Nut M10	
9	3340860	4	Pad, Rubber	
10	3422791	2	Pin	
11	1001116550	2	Pin	
12	4811902	6	Washer M8	
13	1001183171	1	Link (Upper)	
14	4846689	2	Link (Lower)	
15	1001163937	1	Pivot	
16	1001217779	1	Rotator Assembly (See Separate Breakdown in this Section)	

SECTION 3 - BOOM

FIGURE 3-10. ROTATOR ASSEMBLY



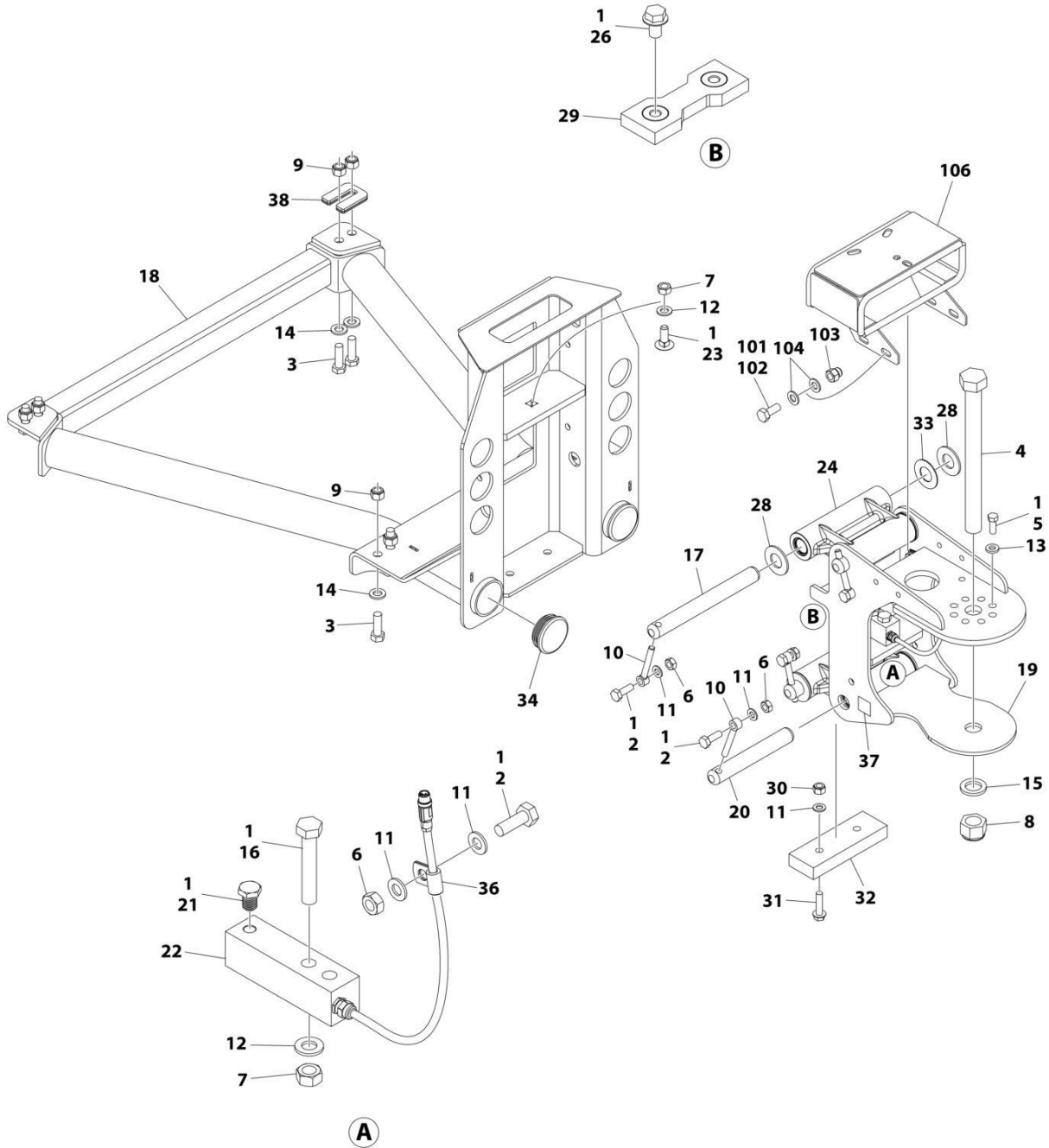
ART_1001217779

FIGURE 3-10. ROTATOR ASSEMBLY

ITEM	PART NUMBER	QTY	DESCRIPTION	REV
	1001217779	Ref	ROTATOR ASSEMBLY	B
1	See Note	NSS	Housing (Note: Purchase Complete Assembly)	
1A	0962257	2	Bushing	
1B	0961947	2	Bushing	
2	7017162	1	Shaft	
3	7017163	1	Piston	
4	7017164	1	Cap, End	
5	See Note	NSS	O-Ring (Note: Use p/n 70000342)	
6	See Note	NSS	Seal, Rod (Note: Purchase p/n 70000342)	
7	See Note	NSS	Seal, Piston (Note: Purchase p/n 70000342)	
8	See Note	NSS	Seal, Cap (Note: Purchase p/n 70000342)	
9	See Note	NSS	Packing, Bearing (Note: Purchase p/n 70000342)	
10	See Note	NSS	Ring, Back-up (Note: Purchase p/n 70000342)	
11	See Note	NSS	Bearing, Shaft (Note: Purchase p/n 7017159)	
12	See Note	NSS	Washer, Thrust (Note: Purchase p/n 7017159)	
13	7017195	2	Bushing	
14	7017172	1	Counterbalance Valve Assembly	
14A	7017192	2	Valve Cartridge (No Seal Kit Available)	
51	70000342	1	Seal Kit (Includes Items 5-10)	
52	7017159	1	Bearing Kit (Includes Items 11 & 12)	
53	7017142	1	Hardware Kit	

SECTION 3 - BOOM

FIGURE 3-11. PLATFORM SUPPORT INSTALLATION



ART_1001167596_N

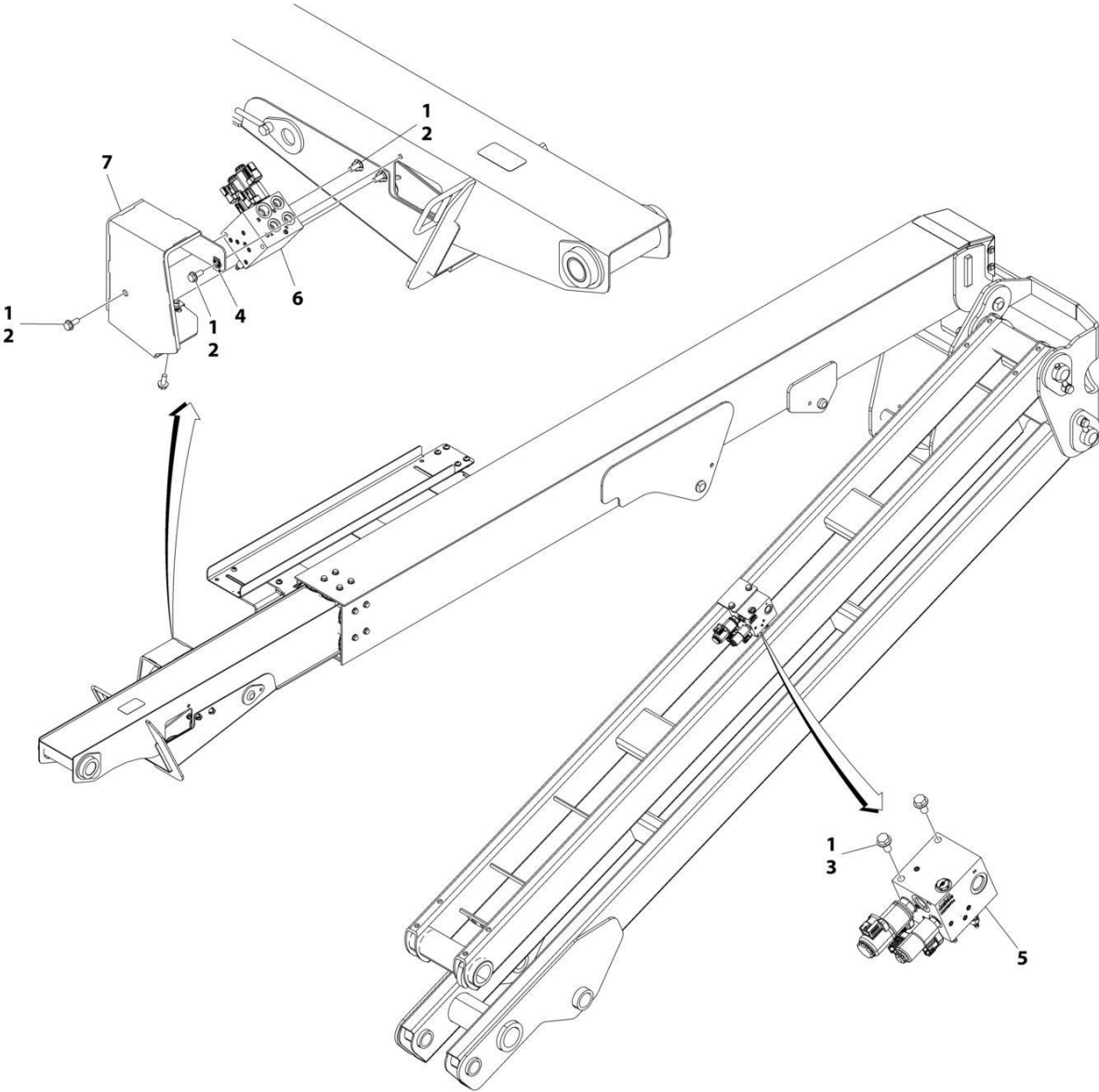
SECTION 3 - BOOM

FIGURE 3-11. PLATFORM SUPPORT INSTALLATION

ITEM	PART NUMBER	QTY	DESCRIPTION	REV
	1001167596	Ref	PLATFORM SUPPORT INSTALLATION	N
1	0100011	AR	Compound, Locking	
2	0761014	5	Bolt M10 x 30	
3	0761216	8	Bolt M12 x 40	
4	1001255133	1	Bolt 1 x 11	
5	0681608	8	Bolt 3/8 x 1	
6	3291001	5	Nut M10	
7	3291201	3	Nut M12	
8	1001174040	1	Nut 1	
9	3291205	8	Nut M12	
10	3841143	4	Keeper, Pin	
11	4812000	8	Washer M10	
12	4812100	3	Washer M12	
13	4891600	8	Washer 3/8	
14	5241200	8	Washer M12	
15	4892600001	1	Washer 1	
16	1001098828	2	Bolt M12 x 70 Grade 10.9	
17	1001167565	2	Pin	
18	1001200494	1	Support, Platform	
19	1001167567	1	Support, Rotator	
20	1001168402	2	Pin	
21	1001188622	1	Screw	
22	1001247468	1	Loadcell	
23	1001188844	1	Bolt M12 x 35	
24	1001201351	2	Link	
24	1001187382	4	Bearing	
24	1001187383	4	Seal	
26	5251008	2	Bolt M10 x 16	
28	1001189002	8	Bearing	
29	1001190985	1	Pad, Wear	
30	3291005	2	Nut M10	
31	5251016	2	Bolt M10 x 40	
32	1001200491	1	Pad, Wear	
33	1001189001	4	Bearing	
34	1001204725	2	Plug	
36	91203039	1	Clamp	
37	1001216630	2	Decal - Tie Down/No Lift	
38	1001238421	Ref	Kit, Platform Leveling (Not Shown)	
	1001202687	Ref	VALVE MOUNT INSTALLATION	B
101	0100011	AR	Compound, Locking	
102	0760810	4	Bolt M8 x 20	
103	3290806	4	Nut M8	
104	4811900	8	Washer M8	
106	1001208994	1	Mount, Valve	

SECTION 3 - BOOM

FIGURE 3-12. BOOM VALVES INSTALLATION



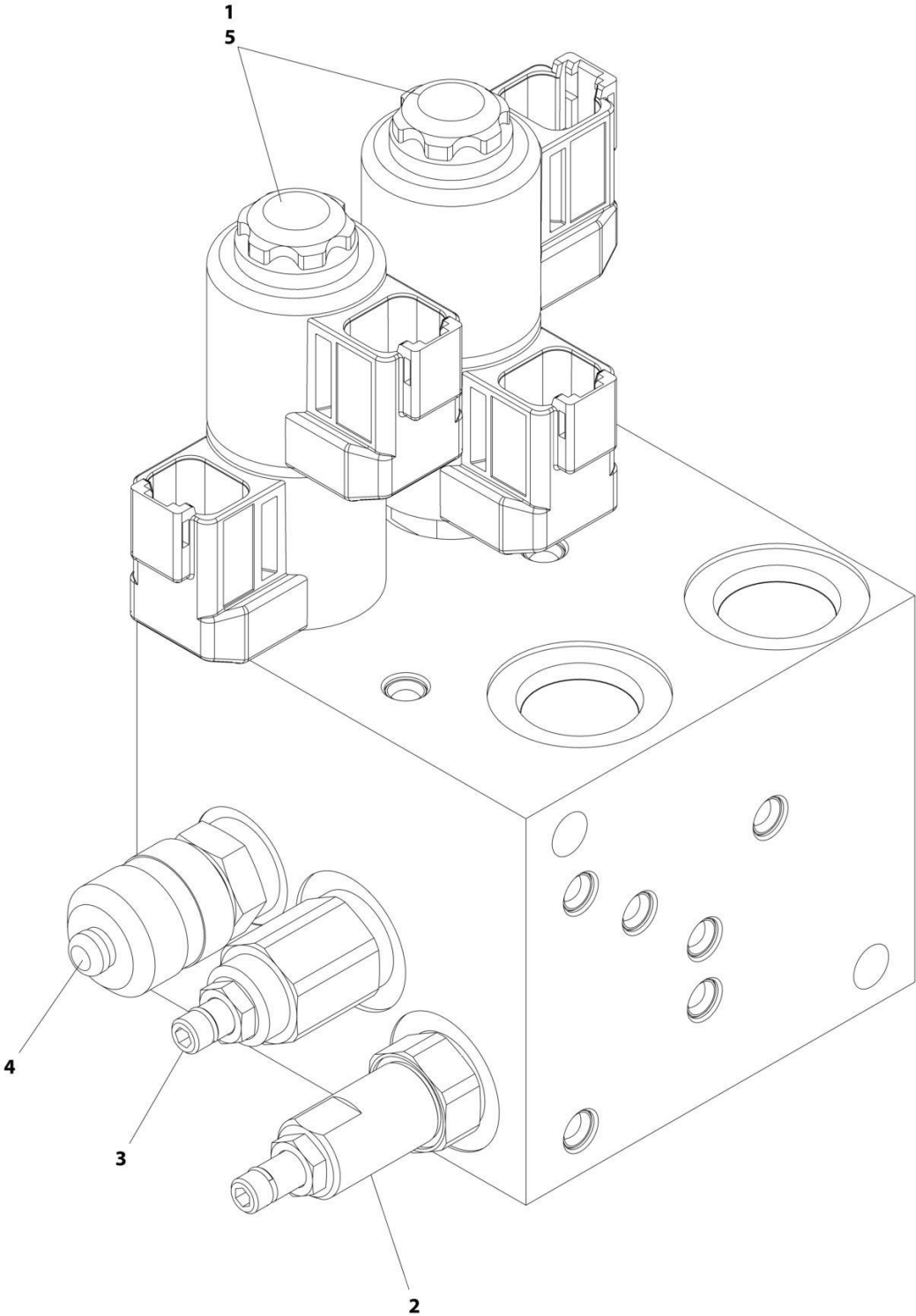
ART_1001255047

FIGURE 3-12. BOOM VALVES INSTALLATION

ITEM	PART NUMBER	QTY	DESCRIPTION	REV
	1001255047	Ref	BOOM VALVES INSTALLATION	A
1	0100011	AR	Compound, Locking	
2	5250810	5	Bolt M8 x 20	
3	5251010	2	Bolt M10 x 20	
4	1001118274	2	Nut M8	
5	1001162535	1	Upright Valve Assembly (See Separate Breakdown in this Section)	
6	1001162536	1	Boom Valve Assembly (See Separate Breakdown in this Section)	
7	1001170375	1	Shield	

SECTION 3 - BOOM

FIGURE 3-13. BOOM VALVE ASSEMBLY



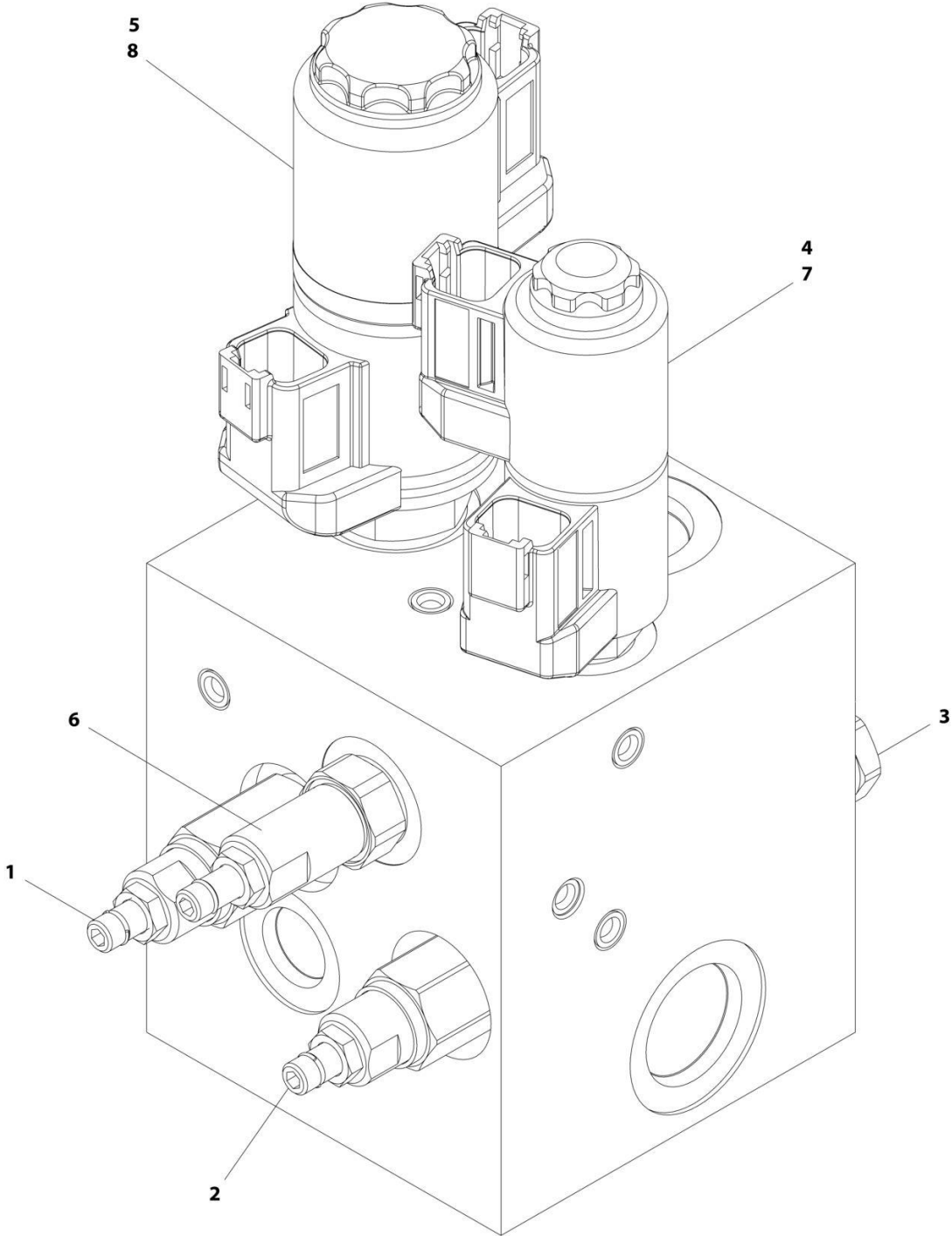
ART_1001162536

FIGURE 3-13. BOOM VALVE ASSEMBLY

ITEM	PART NUMBER	QTY	DESCRIPTION	REV
	1001162536	Ref	BOOM VALVE ASSEMBLY	F
1	70005243	2	Cartridge, Solenoid Valve Less Coil	
1	70004869	2	Seal Kit - 70005243 Valve	
2	70004873	1	Cartridge, Valve	
2	70004867	1	Seal Kit - 70004873 Valve	
3	70006970	1	Cartridge, Valve	
3	70004867	1	Seal Kit - 70006970 Valve	
4	2221086	1	Fitting, Test	
5	70004871	4	Coil	

SECTION 3 - BOOM

FIGURE 3-14. UPRIGHT VALVE ASSEMBLY



ART_1001162535

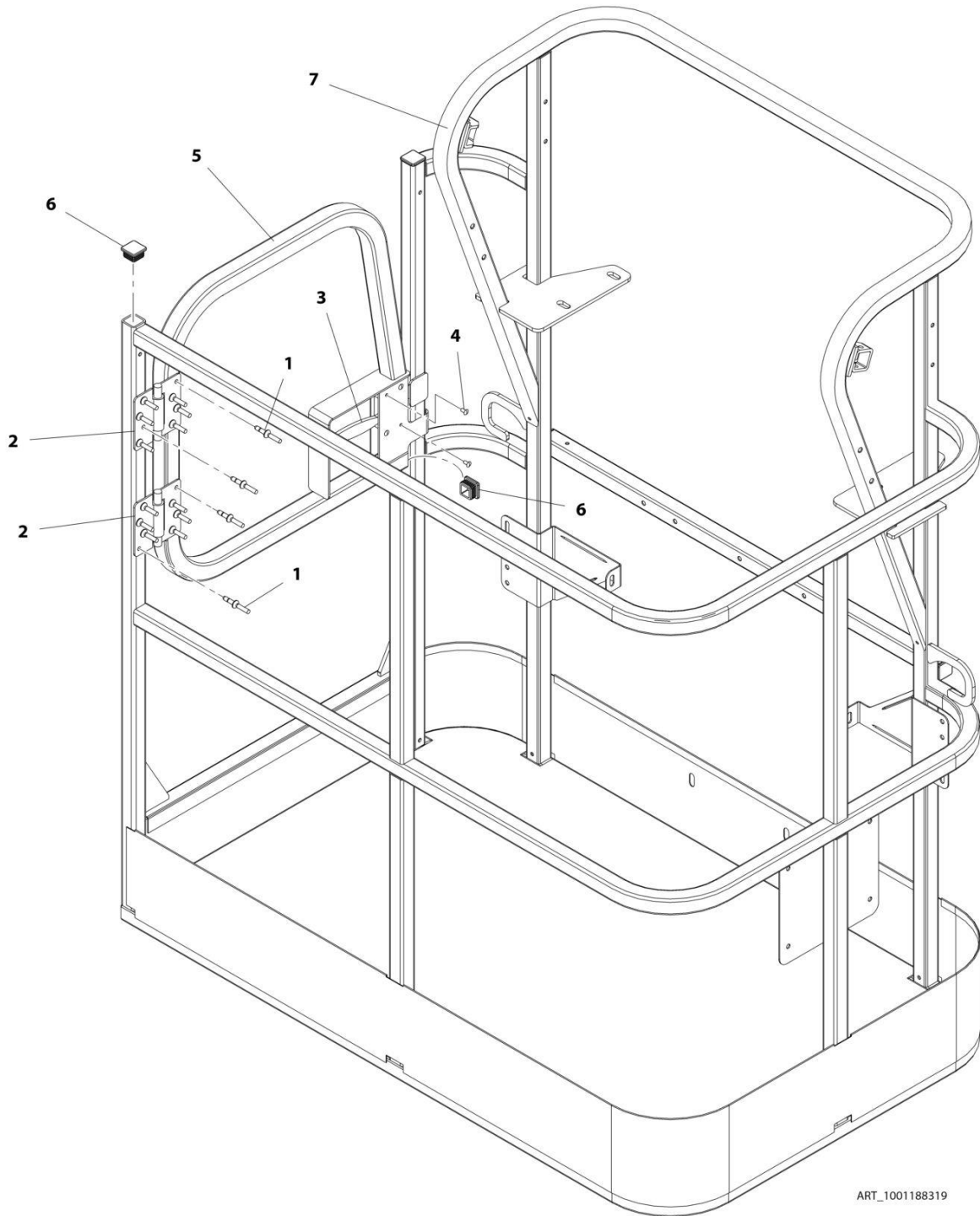
FIGURE 3-14. UPRIGHT VALVE ASSEMBLY

ITEM	PART NUMBER	QTY	DESCRIPTION	REV
	1001162535	Ref	UPRIGHT VALVE ASSEMBLY	D
1	70004864	1	Cartridge, Valve	
1	70004875	1	Seal Kit - 70004864 Valve	
2	70004865	1	Cartridge, Valve	
2	70004875	1	Seal Kit - 70004865 Valve	
3	70004866	1	Cartridge, Relief Valve	
3	70004867	1	Seal Kit - 70004866 Valve	
4	70004868	1	Cartridge, Solenoid Valve Less Coil	
4	70004869	1	Seal Kit - 70004868 Valve	
5	7027625	1	Cartridge, Solenoid Valve Less Coil	
5	70000100	1	Seal Kit - 7027625 Valve	
6	70006660	1	Cartridge, Valve	
6	70004867	1	Seal Kit - 70006660 Valve	
7	70004871	2	Coil	
8	7027628	2	Coil	

SECTION 4 - PLATFORM

SECTION 4 - PLATFORM

FIGURE 4-1. PLATFORM ASSEMBLY - 30IN X 4FT (76CM X 1.22M) - SIDE GATE ENTRY



ART_1001188319

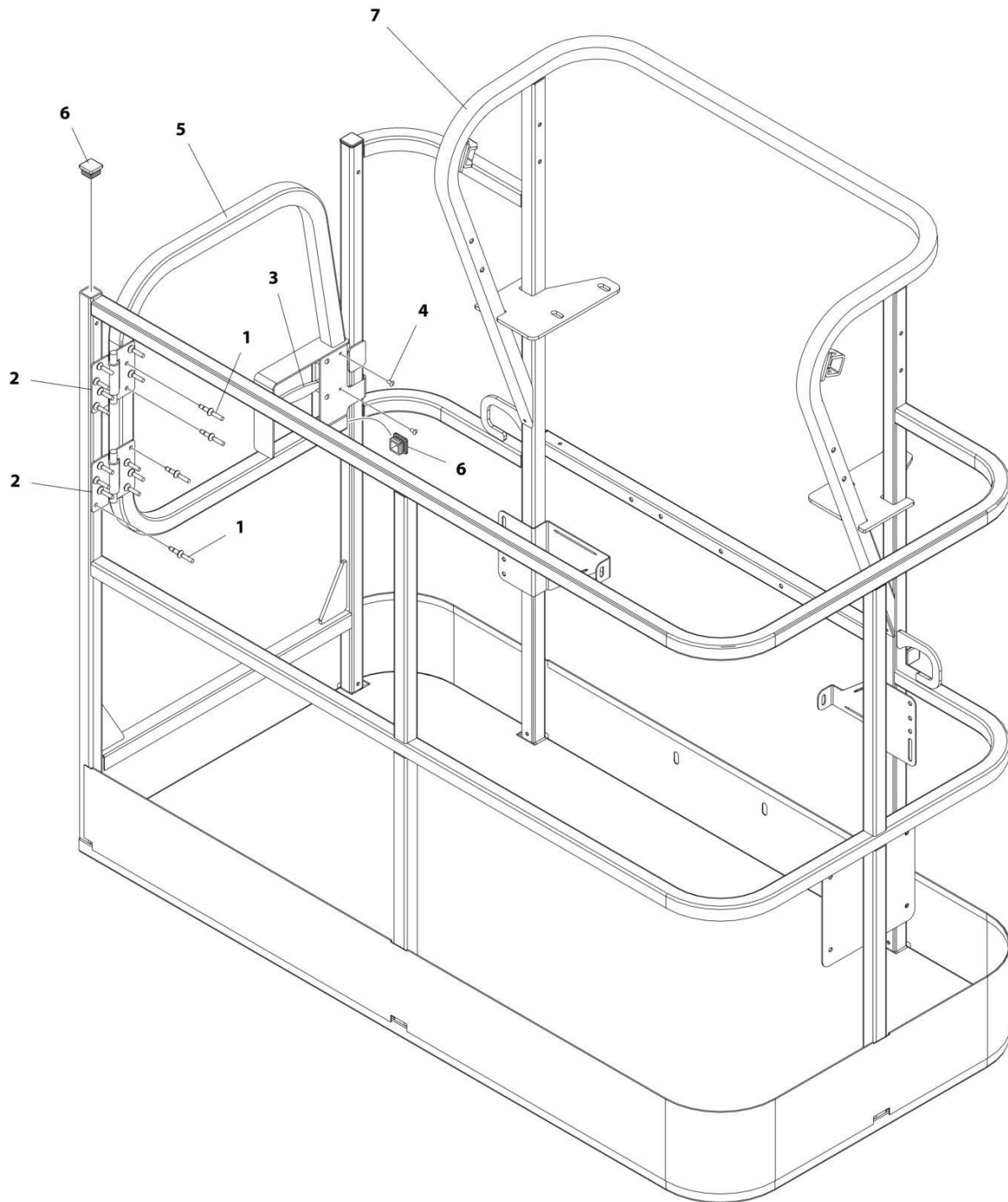
SECTION 4 - PLATFORM

FIGURE 4-1. PLATFORM ASSEMBLY - 30IN X 4FT (76CM X 1.22M) - SIDE GATE ENTRY

ITEM	PART NUMBER	QTY	DESCRIPTION	REV
	1001188319	Ref	PLATFORM ASSEMBLY	D
	See Note	Ref	Note: Platform and Mesh must be ordered separately for Platforms with Mesh. See SPECIAL OPTIONS SECTION for Mesh Installations.	
	See Note	Ref	Note: Replacement Decals Must be Ordered Separately - See DECALS SECTION.	
1	2080040	16	Fastener, Huck	
2	2600281	2	Hinge, Self-Closing	
3	2940074	1	Latch	
4	3820020	4	Rivet	
5	1001144629	1	Gate, Weldment	
6	1001145781	5	Cap, Plug	
7	See Note	NSS	Platform (Note: Not Available - Purchase Platform Assembly)	

SECTION 4 - PLATFORM

FIGURE 4-2. PLATFORM ASSEMBLY - 30IN X 5FT (76CM X 1.52M) - SIDE GATE ENTRY



ART_1001188315

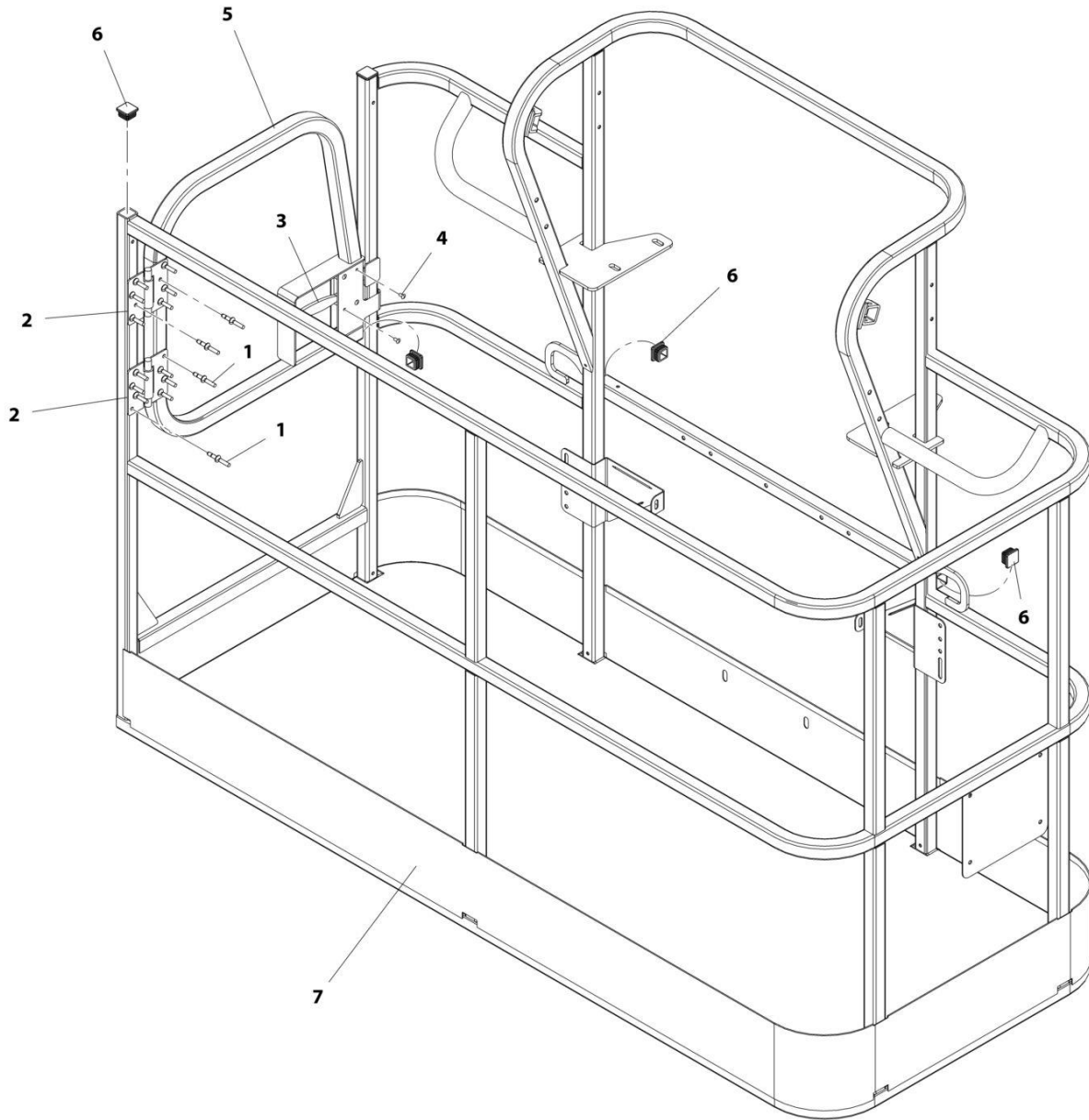
SECTION 4 - PLATFORM

FIGURE 4-2. PLATFORM ASSEMBLY - 30IN X 5FT (76CM X 1.52M) - SIDE GATE ENTRY

ITEM	PART NUMBER	QTY	DESCRIPTION	REV
	1001188315	Ref	PLATFORM ASSEMBLY	E
	See Note	Ref	Note: Platform and Mesh must be ordered separately for Platforms with Mesh. See SPECIAL OPTIONS SECTION for Mesh Installations.	
	See Note	Ref	Note: Replacement Decals Must be Ordered Separately - See DECALS SECTION.	
1	2080040	16	Fastener, Huck	
2	2600281	2	Hinge	
3	2940074	1	Latch	
4	3820020	4	Rivet	
5	1001144629	1	Gate	
6	1001145781	5	Plug	
7	See Note	NSS	Platform (Note: Not Available - Purchase Platform Assembly)	

SECTION 4 - PLATFORM

FIGURE 4-3. PLATFORM ASSEMBLY - 30IN X 6FT (76CM X 1.83M) - SIDE GATE ENTRY



ART_1001188312

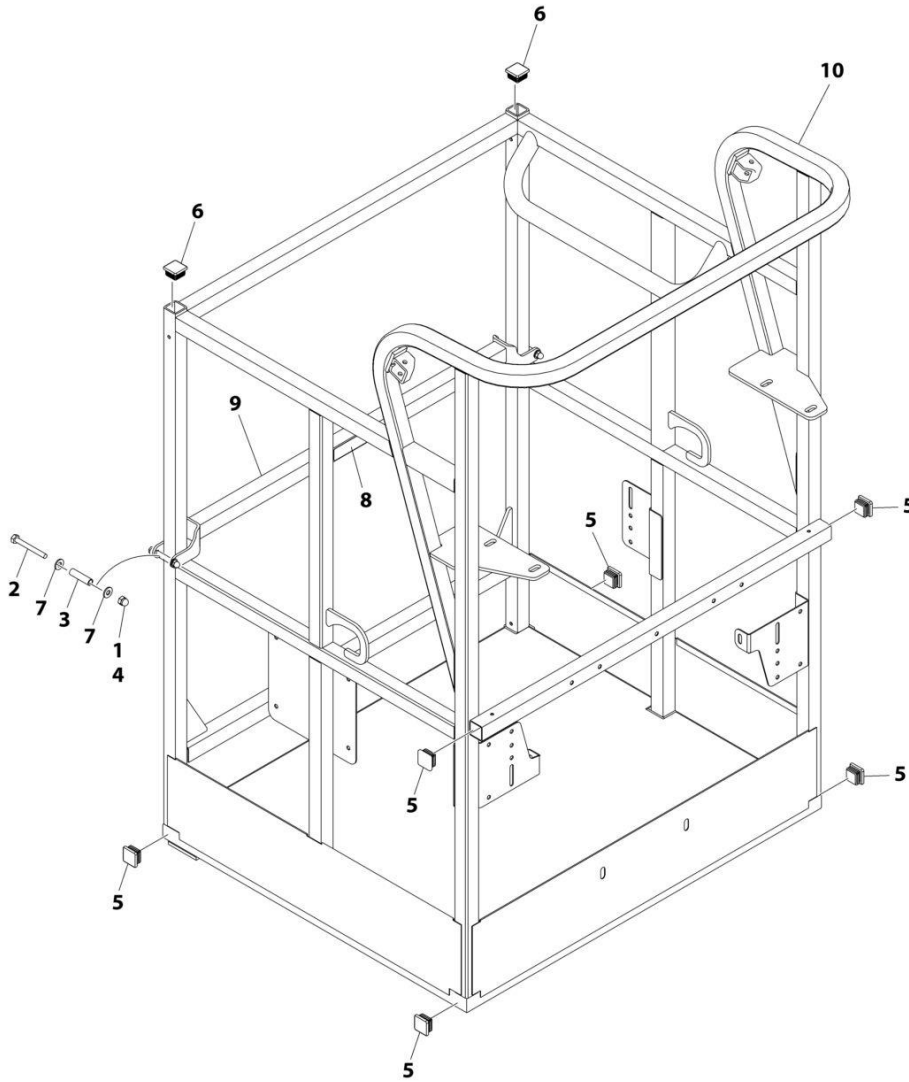
SECTION 4 - PLATFORM

FIGURE 4-3. PLATFORM ASSEMBLY - 30IN X 6FT (76CM X 1.83M) - SIDE GATE ENTRY

ITEM	PART NUMBER	QTY	DESCRIPTION	REV
	1001188312	Ref	PLATFORM ASSEMBLY	F
	See Note	Ref	Note: Platform and Mesh must be ordered separately for Platforms with Mesh. See SPECIAL OPTIONS SECTION for Mesh Installations.	
	See Note	Ref	Note: Replacement Decals Must be Ordered Separately - See DECALS SECTION.	
1	2080040	16	Fastener, Huck	
2	2600281	2	Hinge, Self-Closing	
3	2940074	1	Latch	
4	3820020	4	Rivet	
5	1001144629	1	Gate, Weldment	
6	1001145781	5	Cap, Plug	
7	See Note	NSS	Platform (Note: Not Available - Purchase Platform Assembly)	

SECTION 4 - PLATFORM

FIGURE 4-4. PLATFORM ASSEMBLY - 30IN X 3FT (76CM X .91M) - DROP BAR ENTRY



ART_1001228215

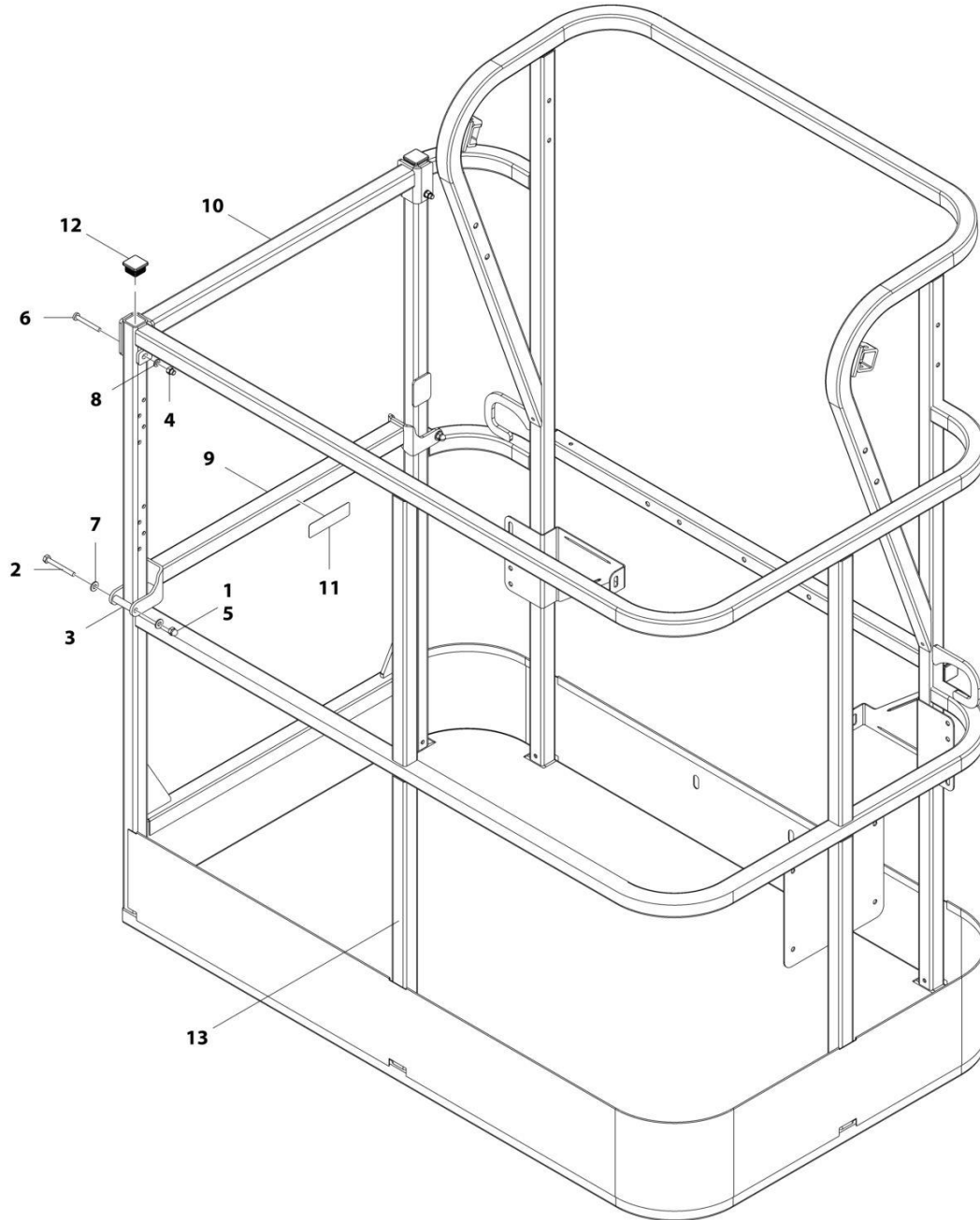
SECTION 4 - PLATFORM

FIGURE 4-4. PLATFORM ASSEMBLY - 30IN X 3FT (76CM X .91M) - DROP BAR ENTRY

ITEM	PART NUMBER	QTY	DESCRIPTION	REV
	1001228215	Ref	PLATFORM ASSEMBLY	A
	See Note	Ref	Note: Platform and Mesh must be ordered separately for Platforms with Mesh. See SPECIAL OPTIONS SECTION for Mesh Installations.	
	See Note	Ref	Note: Replacement Decals Must be Ordered Separately - See DECAL SECTION.	
1	0100011	AR	Compound, Locking	
2	0641418	2	Bolt 1/4 x 2-1/4	
3	0961845	2	Bushing	
4	3300151	2	Nut 1/4	
5	3520072	6	Cap, Plug	
6	3520198	2	Cap, Plug	
7	4711400	4	Washer 1/4	
8	1001140429	1	Decal - Drop Bar	
9	1001226872	1	Bar, Drop	
10	See Note	NSS	Platform (Note: Not Available - Purchase Platform Assembly)	

SECTION 4 - PLATFORM

FIGURE 4-5. PLATFORM ASSEMBLY - 30IN X 4FT (76CM X 1.22M) - WITH DROP BAR



ART_1001188318

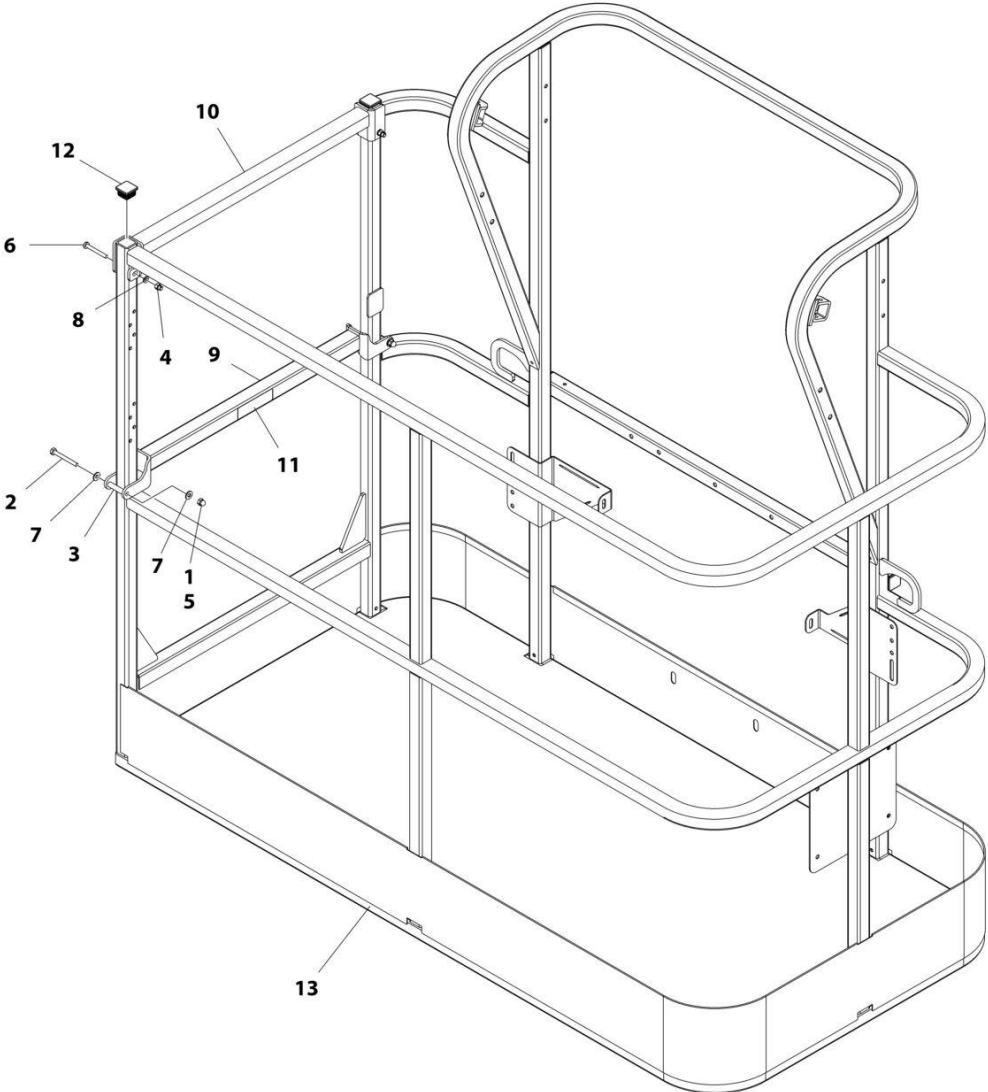
SECTION 4 - PLATFORM

FIGURE 4-5. PLATFORM ASSEMBLY - 30IN X 4FT (76CM X 1.22M) - WITH DROP BAR

ITEM	PART NUMBER	QTY	DESCRIPTION	REV
	1001188318	Ref	PLATFORM ASSEMBLY	C
	See Note	Ref	Note: Platform and Mesh must be ordered separately for Platforms with Mesh. See SPECIAL OPTIONS SECTION for Mesh Installations.	
	See Note	Ref	Note: Replacement Decals Must be Ordered Separately - See DECALS SECTION.	
1	0100011	AR	Compound, Locking	
2	0641418	2	Bolt 1/4 x 2-1/4	
3	0961845	2	Bushing	
4	3290606	2	Nut M6	
5	3300151	2	Nut 1/4	
6	4010618	2	Screw M6 x 50	
7	4711400	4	Washer 1/4	
8	4811700	2	Washer M6	
9	1001138494	1	Bar, Drop	
10	1001138514	1	Rail (Top)	
11	1001140429	1	Decal - Drop Bar	
12	1001145781	4	Cap, Plug	
13	See Note	NSS	Platform (Note: Not Available - Purchase Platform Assembly)	

SECTION 4 - PLATFORM

FIGURE 4-6. PLATFORM ASSEMBLY - 30IN X 5FT (76CM X 1.52M) - WITH DROP BAR



ART_1001188314

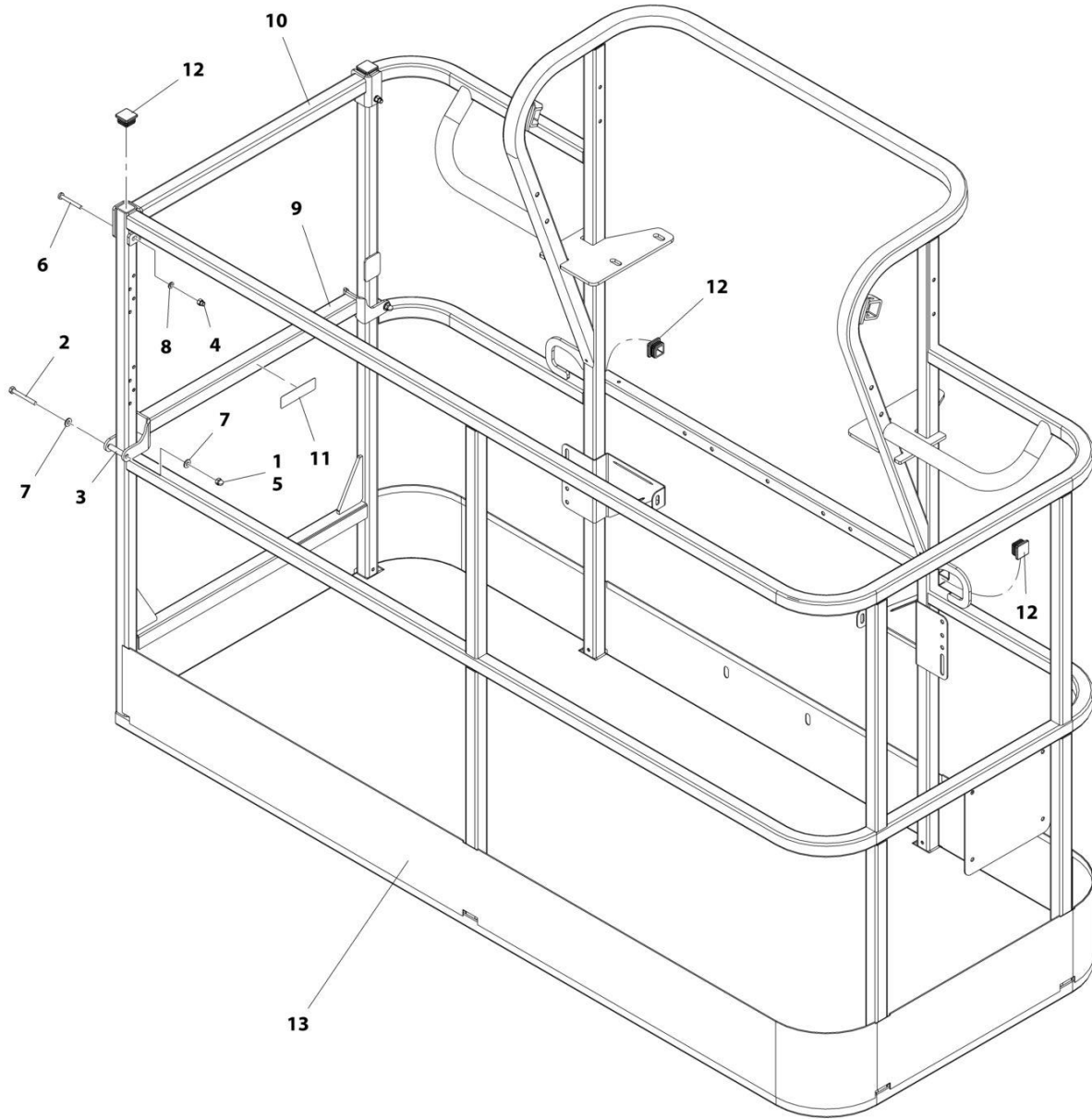
SECTION 4 - PLATFORM

FIGURE 4-6. PLATFORM ASSEMBLY - 30IN X 5FT (76CM X 1.52M) - WITH DROP BAR

ITEM	PART NUMBER	QTY	DESCRIPTION	REV
	1001188314	Ref	PLATFORM ASSEMBLY	C
	See Note	Ref	Note: Platform and Mesh must be ordered separately for Platforms with Mesh. See SPECIAL OPTIONS SECTION for Mesh Installations.	
	See Note	Ref	Note: Replacement Decals Must be Ordered Separately - See DECALS SECTION.	
1	0100011	AR	Compound, Locking	
2	0641418	2	Bolt 1/4 x 2-1/4	
3	0961845	2	Bushing	
4	3290606	2	Nut M6	
5	3300151	2	Nut 1/4	
6	4010618	2	Screw M6 x 50	
7	4711400	4	Washer 1/4	
8	4811700	2	Washer M6	
9	1001138494	1	Bar, Drop	
10	1001138514	1	Rail (Top)	
11	1001140429	1	Decal - Drop Bar	
12	1001145781	4	Plug	
13	See Note	NSS	Platform (Note: Not Available - Purchase Platform Assembly)	

SECTION 4 - PLATFORM

FIGURE 4-7. PLATFORM ASSEMBLY - 30IN X 6FT (76CM X 1.83M) - WITH DROP BAR



ART_1001188311

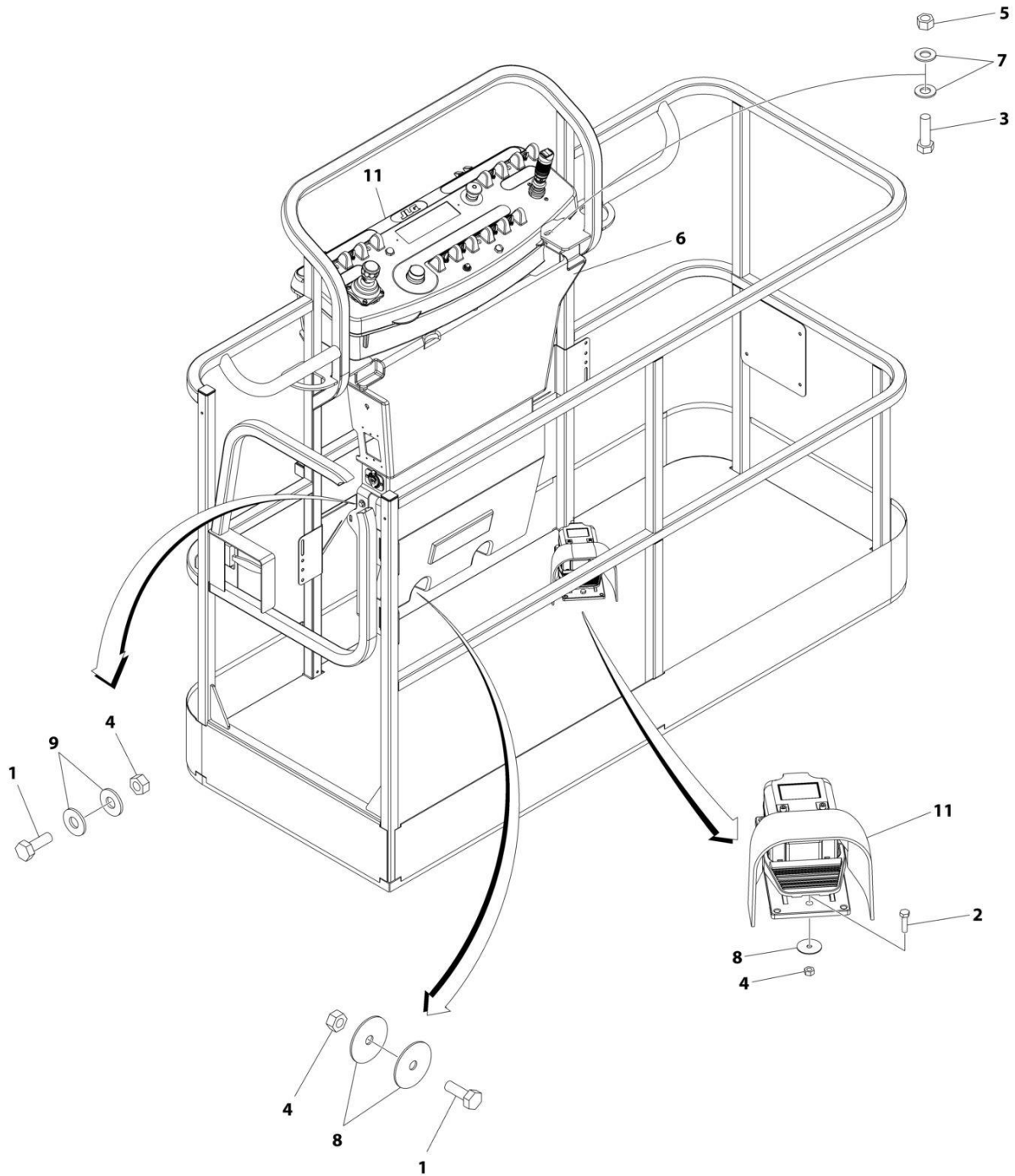
SECTION 4 - PLATFORM

FIGURE 4-7. PLATFORM ASSEMBLY - 30IN X 6FT (76CM X 1.83M) - WITH DROP BAR

ITEM	PART NUMBER	QTY	DESCRIPTION	REV
	1001188311	Ref	PLATFORM ASSEMBLY	D
	See Note	Ref	Note: Platform and Mesh must be ordered separately for Platforms with Mesh. See SPECIAL OPTIONS SECTION for Mesh Installations.	
	See Note	Ref	Note: Replacement Decals Must be Ordered Separately - See DECALS SECTION.	
1	0100011	AR	Compound, Locking	
2	0641418	2	Bolt 1/4 x 2-1/4	
3	0961845	2	Bushing	
4	3290606	2	Nut M6	
5	3300151	2	Nut 1/4	
6	4010618	2	Screw M6 x 50	
7	4711400	4	Washer 1/4	
8	4811700	2	Washer M6	
9	1001138494	1	Bar, Drop	
10	1001138514	1	Rail (Top)	
11	1001140429	1	Decal - Drop Bar	
12	1001145781	4	Cap, Plug	
13	See Note	NSS	Platform (Note: Not Available - Purchase Platform Assembly)	

SECTION 4 - PLATFORM

FIGURE 4-8. CONSOLE BOX INSTALLATION - WITH SKYGUARD



ART_1001264863

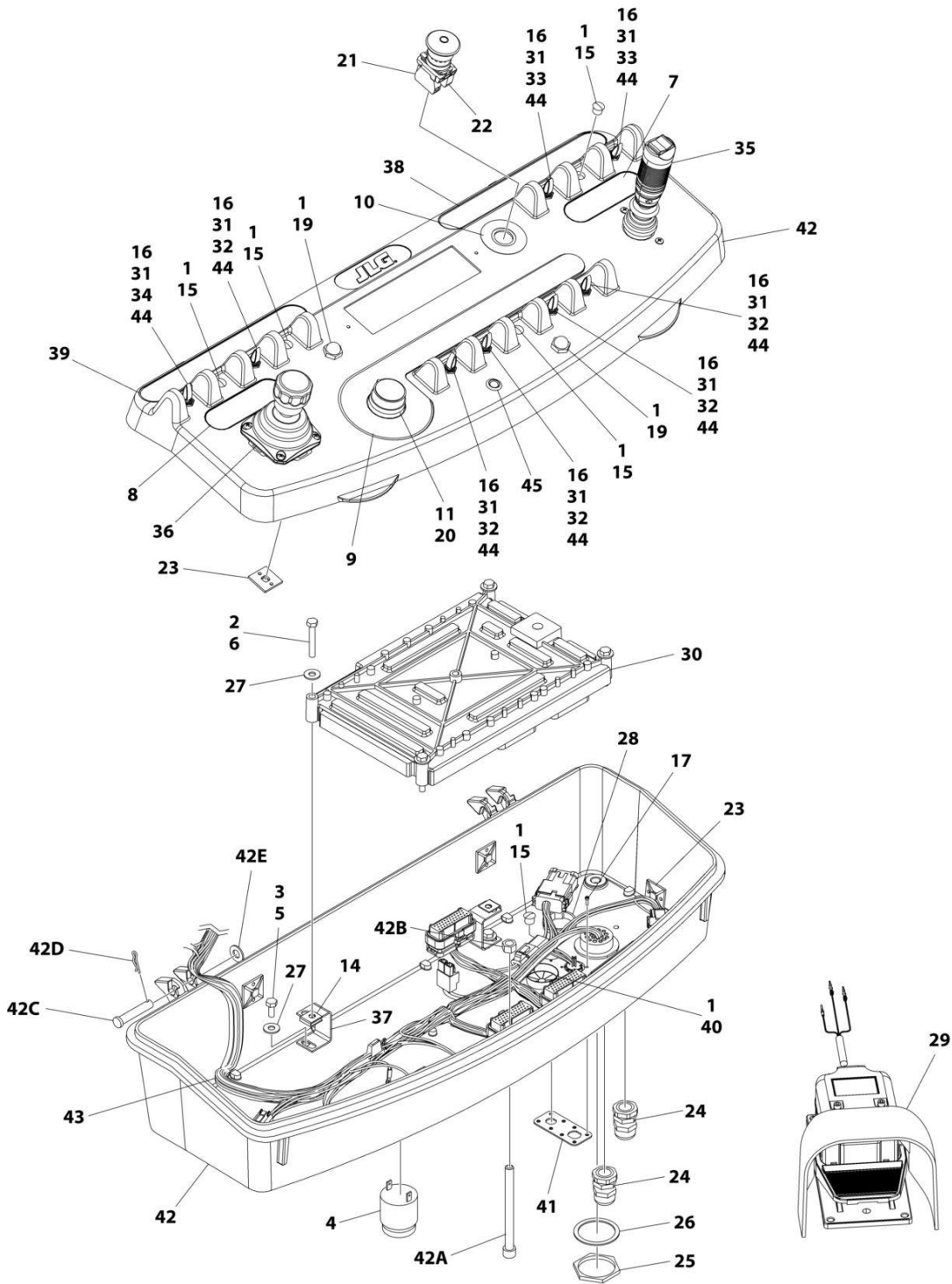
SECTION 4 - PLATFORM

FIGURE 4-8. CONSOLE BOX INSTALLATION - WITH SKYGUARD

ITEM	PART NUMBER	QTY	DESCRIPTION	REV
	1001264863	Ref	CONSOLE AND FOOTSWITCH INSTALLATION	A
1	0641406	4	Bolt 1/4 x 3/4	
2	0641408	3	Bolt 1/4 x 1	
3	0641610	4	Bolt 3/8 x 1-1/4	
4	3311405	7	Nut 1/4	
5	3311605	4	Nut 3/8	
6	3380434	1	Panel	
7	4711600	8	Washer 3/8	
8	4740362	7	Washer, Fender	
9	4751400	4	Washer 1/4	
10	1001169422	1	Platform to Boom Harness (Not Shown - See Separate Breakdown in ELECTRICAL Section)	
11	1001265027	1	Console and Footswitch Assembly (See Separate Breakdown in this Section)	
12	1001265414	1	Platform Valve Harness (Not Shown - See Separate Breakdown in ELECTRICAL Section)	

SECTION 4 - PLATFORM

FIGURE 4-9. PLATFORM CONSOLE BOX ASSEMBLY - WITH SKYGUARD



ART_1001265027

SECTION 4 - PLATFORM

FIGURE 4-9. PLATFORM CONSOLE BOX ASSEMBLY - WITH SKYGUARD

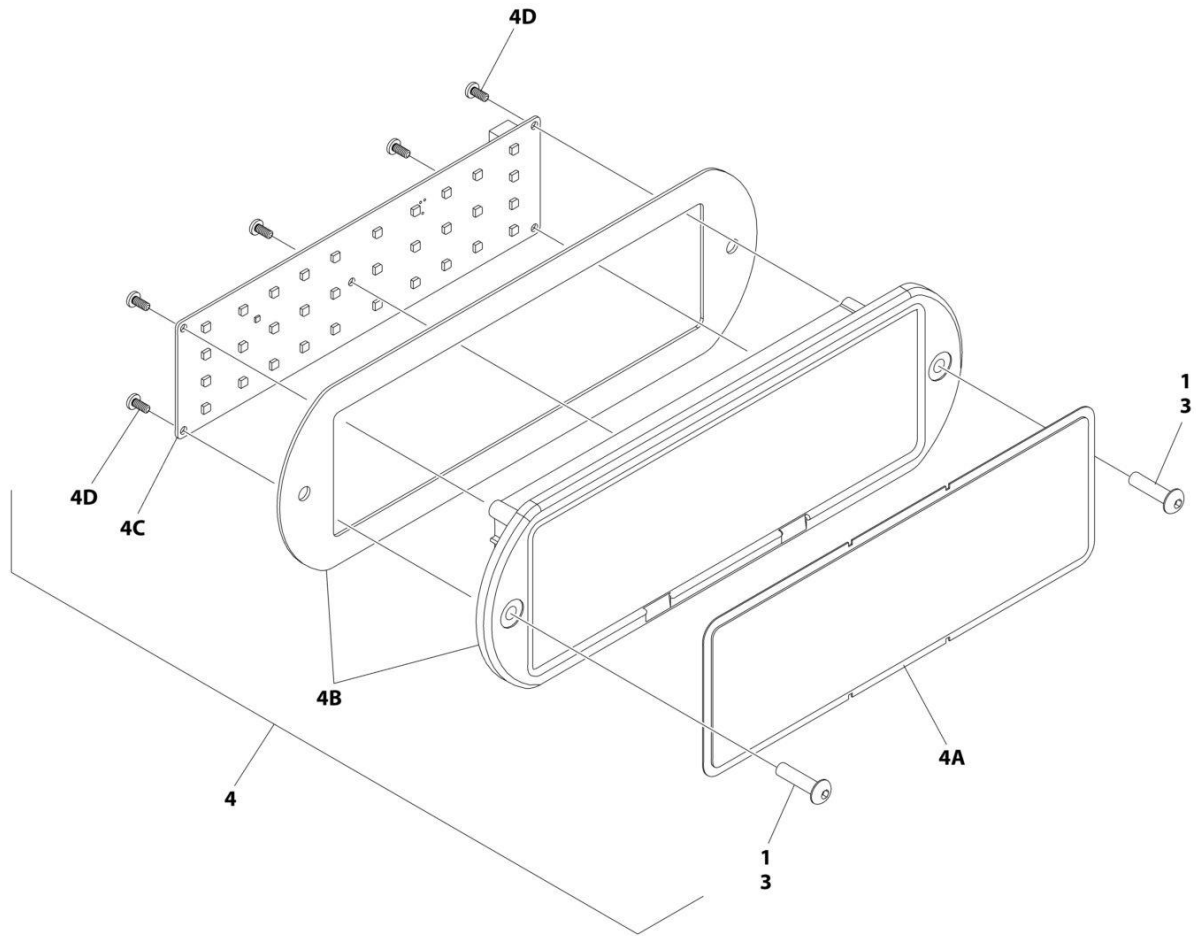
ITEM	PART NUMBER	QTY	DESCRIPTION	REV
	1001265027	Ref	PLATFORM CONSOLE BOX ASSEMBLY	D
1	0100009	AR	Sealant	
2	0100048	AR	Grease, Dielectric	
3	0100035	AR	Compound, Locking	
4	0140011	1	Alarm	
5	0641405	4	Bolt 1/4 x 5/8	
6	0641414	4	Bolt 1/4 x 1-3/4	
7	1702565	1	Decal - Drive and Steer	
8	1702566	1	Decal - Lift and Swing	
9	1702567	1	Decal - Function Speed	
10	1704260	1	Decal - EMS	
11	2560136	1	Handle, Knob	
14	3300353	4	Nut	
15	3520054	5	Plug	
16	3790012	8	O-Ring	
17	3900349	8	Screw	
18	4240099	AR	Tie-Strap (Not Shown)	
19	4360387	2	Switch, Pushbutton	
20	4360407	1	Switch, Potentiometer	
21	1001274559	1	Switch, Emergency	
21	7020175	1	Cap, Red	
21	7020176	1	Contact Block	
22	4360476	1	Block, Contact	
23	4460234	8	Terminal	
24	4460428	2	Connector, Strain Relief	
25	4460470	1	Nut	
26	4460471	1	Washer	
27	4751400	8	Washer 1/4	
28	1001110434	1	Plug	
29	1001117174	1	Footswitch Assembly (See Separate Breakdown in this Section)	
30	1001118412	1	Module, Control (Note: Recalibration Required when Replaced) (Prior to SN C300000150)	
30	1001169594	1	Module, Control (Note: Recalibration Required when Replaced) (SN C300000150 through C300000329)	
31	1001155044	8	Nut 15/32	
32	1001155045	5	Switch, Toggle	
33	1001159256	2	Switch, Toggle	
34	1001161710	1	Switch, Toggle	
35	1001166538	NLA	Controller Assembly (Drive and Steer) (Use p/n 1001212415) (See Separate Breakdown in this Section)	
36	1001166539	NLA	Controller Assembly (Lift and Swing) (Use p/n 1001129555 as Replacement) (See Separate Breakdown in this Section)	
37	1001172760	4	Bracket	
38	1001257868	1	Decal - Stop	
39	1001169092	1	Decal - Horn	
40	1001185281	1	Plug	
41	1001213882	1	Connector, Mounting	
42	1001215228	1	Platform Console Box	
42A	0630568	1	Capscrew 3/8 x 4-1/2	
42B	3311601	1	Nut 3/8	

SECTION 4 - PLATFORM

ITEM	PART NUMBER	QTY	DESCRIPTION	REV
42C	3430616	2	Pin, Clevis	
42D	3470003	2	Hairpin	
42E	4711600	2	Washer 3/8	
43	1001238254	1	Harness, Platform Console Box (See Separate Breakdown in ELECTRICAL Section)	
44	4740397	8	Washer	
45	1001206532	1	Lamp, LED Indicator (Yellow)	

SECTION 4 - PLATFORM

FIGURE 4-10. LIGHT PANEL INSTALLATION - PLATFORM CONTROL



ART_1001259504_20F2

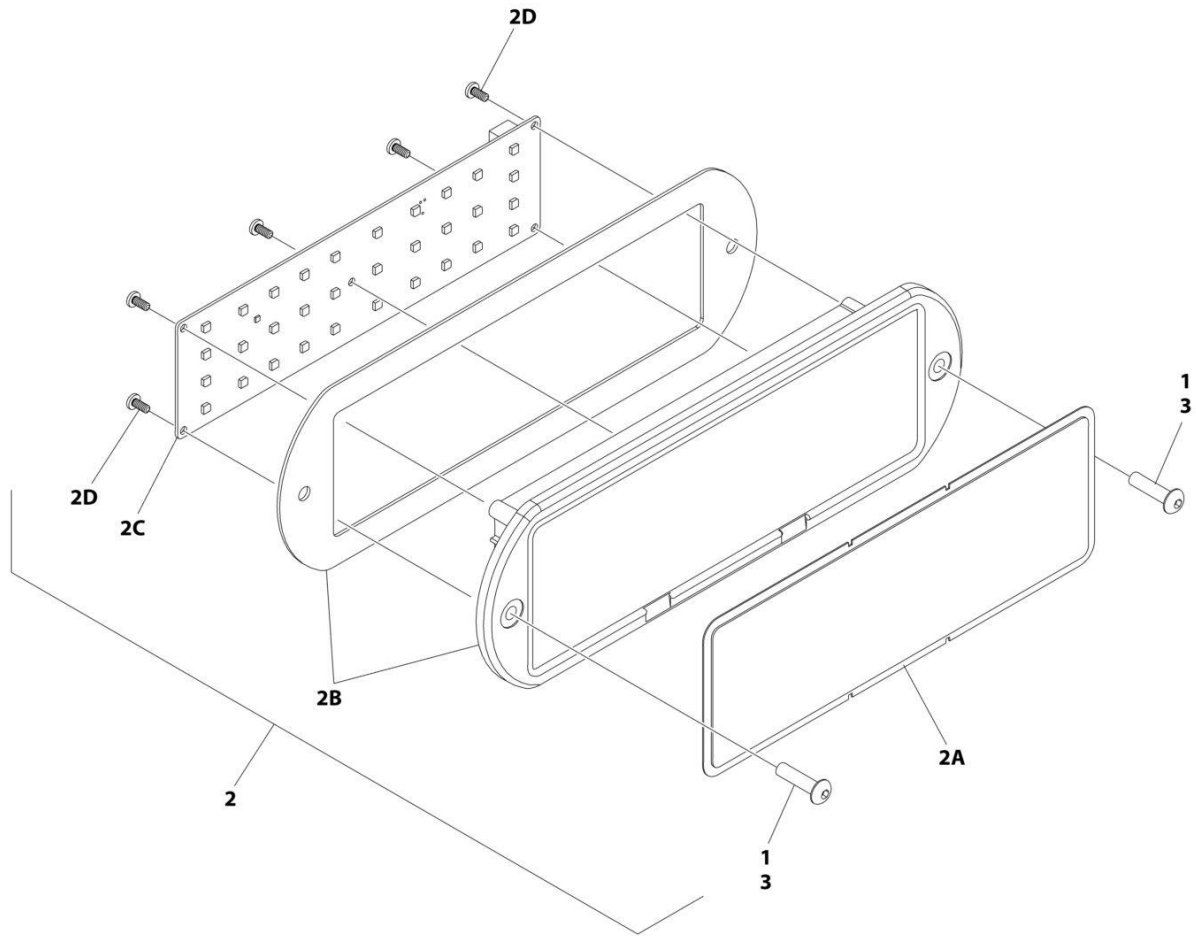
SECTION 4 - PLATFORM

FIGURE 4-10. LIGHT PANEL INSTALLATION - PLATFORM CONTROL

ITEM	PART NUMBER	QTY	DESCRIPTION	REV
	1001259504	Ref	LIGHT PANEL INSTALLATION - PLATFORM CONTROL	A
1	0100035	AR	Compound, Locking	
3	0630518	2	Screw #10 x 3/4	
4	1001259491	1	Light Panel Electrical Assembly	A
4A	1001245164	1	Overlay	
4B	1001259477	1	Housing (Includes Gasket)	
4C	1001187807	1	Panel, LED Light	
4D		Ref	Screw #10 x 3/4	

SECTION 4 - PLATFORM

FIGURE 4-11. LIGHT PANEL INSTALLATION - PLATFORM CONTROL



ART_1001265145_20F2

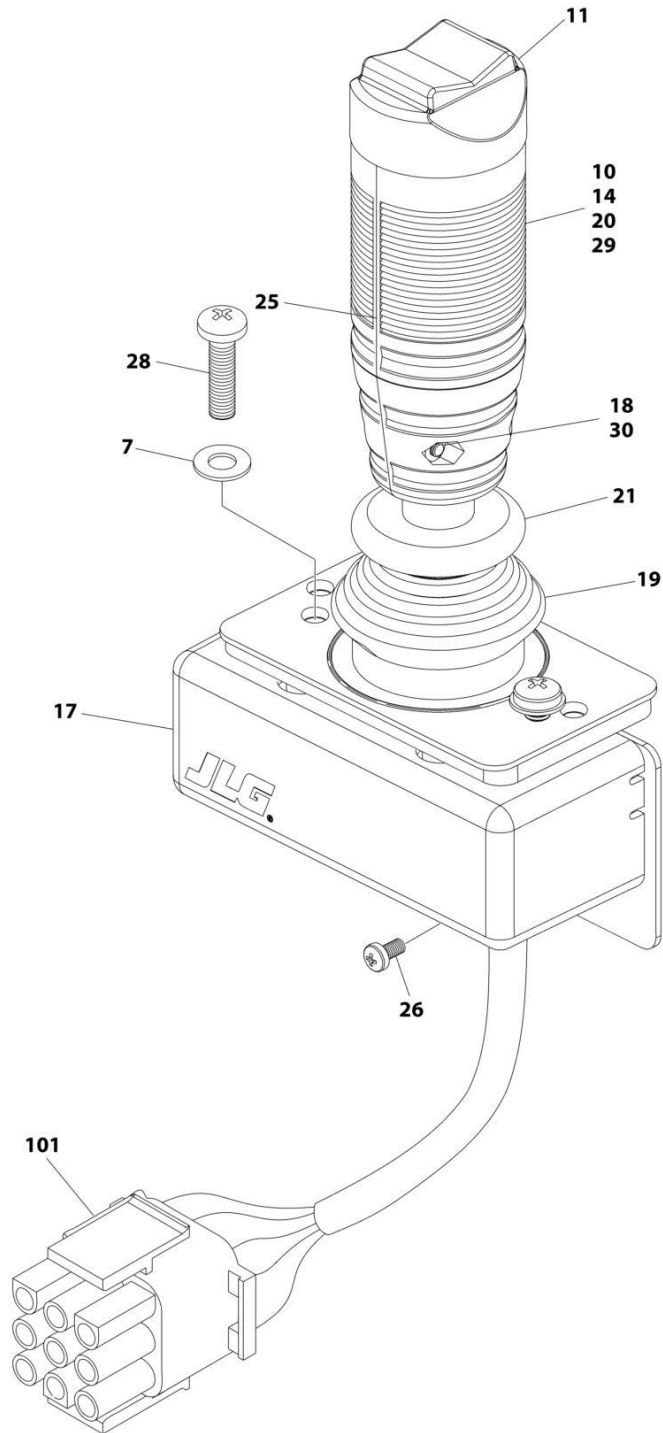
SECTION 4 - PLATFORM

FIGURE 4-11. LIGHT PANEL INSTALLATION - PLATFORM CONTROL

ITEM	PART NUMBER	QTY	DESCRIPTION	REV
	1001265145	Ref	LIGHT PANEL INSTALLATION - PLATFORM CONTROL	A
1	0100035	AR	Compound, Locking	
2	1001259491	1	Light Panel Electrical Assembly	A
2A	1001245164	1	Overlay	
2B	1001259477	1	Housing (Includes Gasket)	
2C	1001187807	1	Panel, LED Light	
2D		Ref	Screw	
3	0630518	2	Screw #10 x 3/4	

SECTION 4 - PLATFORM

FIGURE 4-12. CONTROLLER ASSEMBLY - DRIVE AND STEER



ART_1001166538

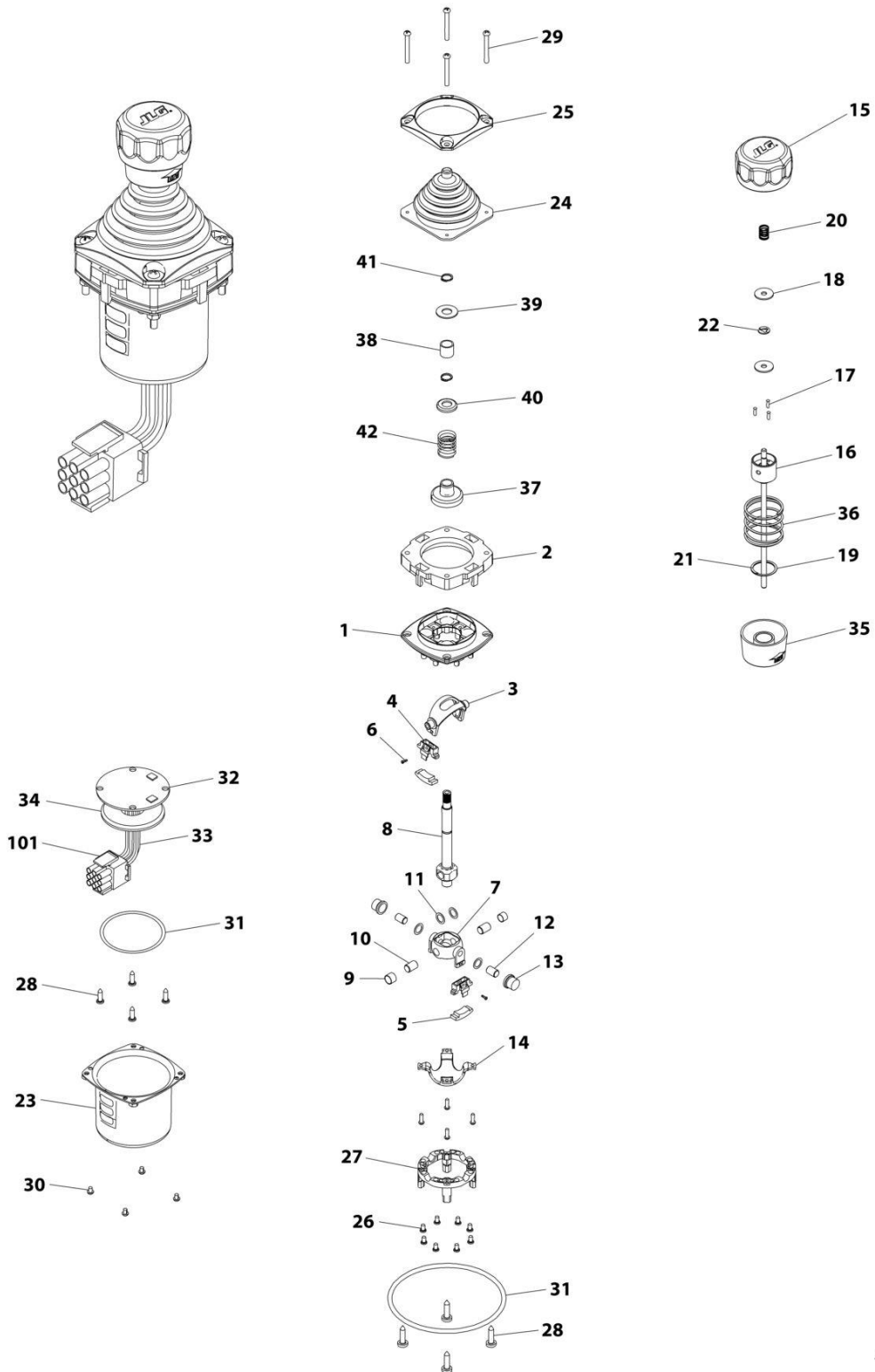
SECTION 4 - PLATFORM

FIGURE 4-12. CONTROLLER ASSEMBLY - DRIVE AND STEER

ITEM	PART NUMBER	QTY	DESCRIPTION	REV
	1001166538	Ref	CONTROLLER ASSEMBLY - DRIVE AND STEER	G
		Ref	Note: For Replacement, Use p/n 1001212415.	
7	70004738	2	Washer	
10	70004739	1	Roller	
11	70004740	1	Boot, Switch	
14	70004741	2	Half, Handle	
17	70004742	1	Enclosure	
18	70004743	4	Nut	
19	70004744	NLA	Boot, Controller (Use p/n 70005230 Boot/Base Assembly)	
20	70004745	NLA	Tube, Locking (Use p/n 70005230 Boot/Base Assembly)	
21	70004746	NLA	Disc, Locking (Use p/n 70005230 Boot/Base Assembly)	
25	70004747	2	Seal, Rope	
26	70004748	1	Screw M3 x 6	
28	70004749	2	Screw M5 x 20	
29	70004750	1	Pin, Dowel	
30	70004751	4	Screw M3 x 16	
101	4460265	1	Connector - 9 Position	
101	4460226	7	Socket, Female	

SECTION 4 - PLATFORM

FIGURE 4-13. CONTROLLER ASSEMBLY - LIFT AND SWING



ART_1001166539

SECTION 4 - PLATFORM

FIGURE 4-13. CONTROLLER ASSEMBLY - LIFT AND SWING

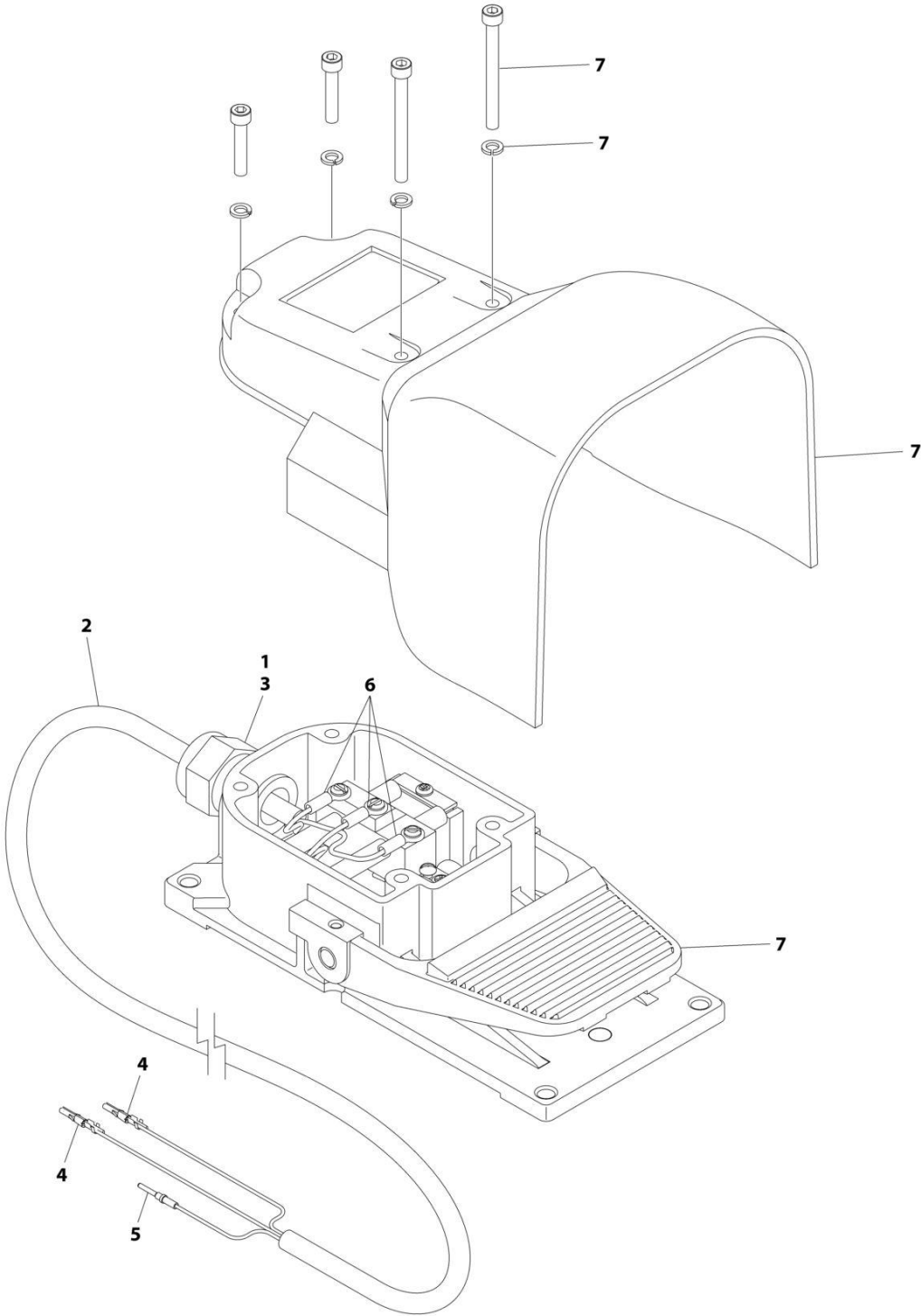
ITEM	PART NUMBER	QTY	DESCRIPTION	REV
	1001166539	Ref	CONTROLLER ASSEMBLY	E
		Ref	Note: Original Equipment Controller May Have Been Replaced with Service Replacement Controller. Visually Identify Controller Before Ordering Parts.	
		Ref	Note: For Replacement, Use p/n 1001129555	
1	See Note	NSS	Main Cast Body (Note: Not Available - Purchase Complete Assembly)	
2	70004752	1	Adapter	
3	See Note	NSS	Pivot Arm, Plastic (Note: Not Available - Purchase Complete Assembly)	
4	See Note	NSS	Holder, Magnet (Note: Not Available - Purchase Complete Assembly)	
5	See Note	NSS	Arc, Magnet (Note: Not Available - Purchase Complete Assembly)	
6	See Note	NSS	Screw (Note: Not Available for Purchase)	
7	See Note	NSS	Pivot Arm, Cast (Note: Not Available - Purchase Complete Assembly)	
8	See Note	NSS	Shaft, Main (Note: Not Available - Purchase Complete Assembly)	
9	See Note	NSS	Bearing (Note: Not Available - Purchase Complete Assembly)	
10	See Note	NSS	Pin (Note: Not Available - Purchase Complete Assembly)	
11	See Note	NSS	Shim (Note: Not Available - Purchase Complete Assembly)	
12	See Note	NSS	Pin (Note: Not Available - Purchase Complete Assembly)	
13	See Note	NSS	Bearing (Note: Not Available - Purchase Complete Assembly)	
14	See Note	NSS	Dome, Centering (Note: Not Available - Purchase Complete Assembly)	
15	70004753	1	Cap	
16	70004754	1	Insert, Cap	
17	70004755	3	Pin	
18	70004756	2	Washer	
19	70004757	1	Pin, Centering	
20	70004758	1	Spring	
21	70004759	1	Ring, Retaining	
22	70004760	1	E-Ring	
23	70004761	1	Can, Enclosure	
24	70004762	1	Boot	
25	70004763	1	Bezel	
26	See Note	NSS	Screw (Note: Not Available for Purchase)	
27	See Note	NSS	Base Mounting (Note: Not Available - Purchase Complete Assembly)	
28	See Note	NSS	Screw (Note: Not Available for Purchase)	
29	70004764	4	Screw	
30	70004765	4	Screw	
31	70004766	1	O-Ring	
32	See Note	NSS	Plate (Note: Not Available - Purchase Complete Assembly)	
33	See Note	NSS	Harness (Note: Not Available - Purchase Complete Assembly)	
34	70004767	1	Grommet, Rubber	
35	70004768	1	Housing	
36	70004769	1	Spring	
37	70004770	1	Stopper	
38	70004771	1	Spacer	
39	70004772	1	Washer	
40	70004773	1	Disc	

SECTION 4 - PLATFORM

ITEM	PART NUMBER	QTY	DESCRIPTION	REV
41	70004774	2	Ring, Retaining	
42	70004775	1	Spring	
101	4460265	1	Connector - 9 Position	
101	4460226	6	Socket, Female	

SECTION 4 - PLATFORM

FIGURE 4-14. FOOTSWITCH ASSEMBLY



ART_1001117174

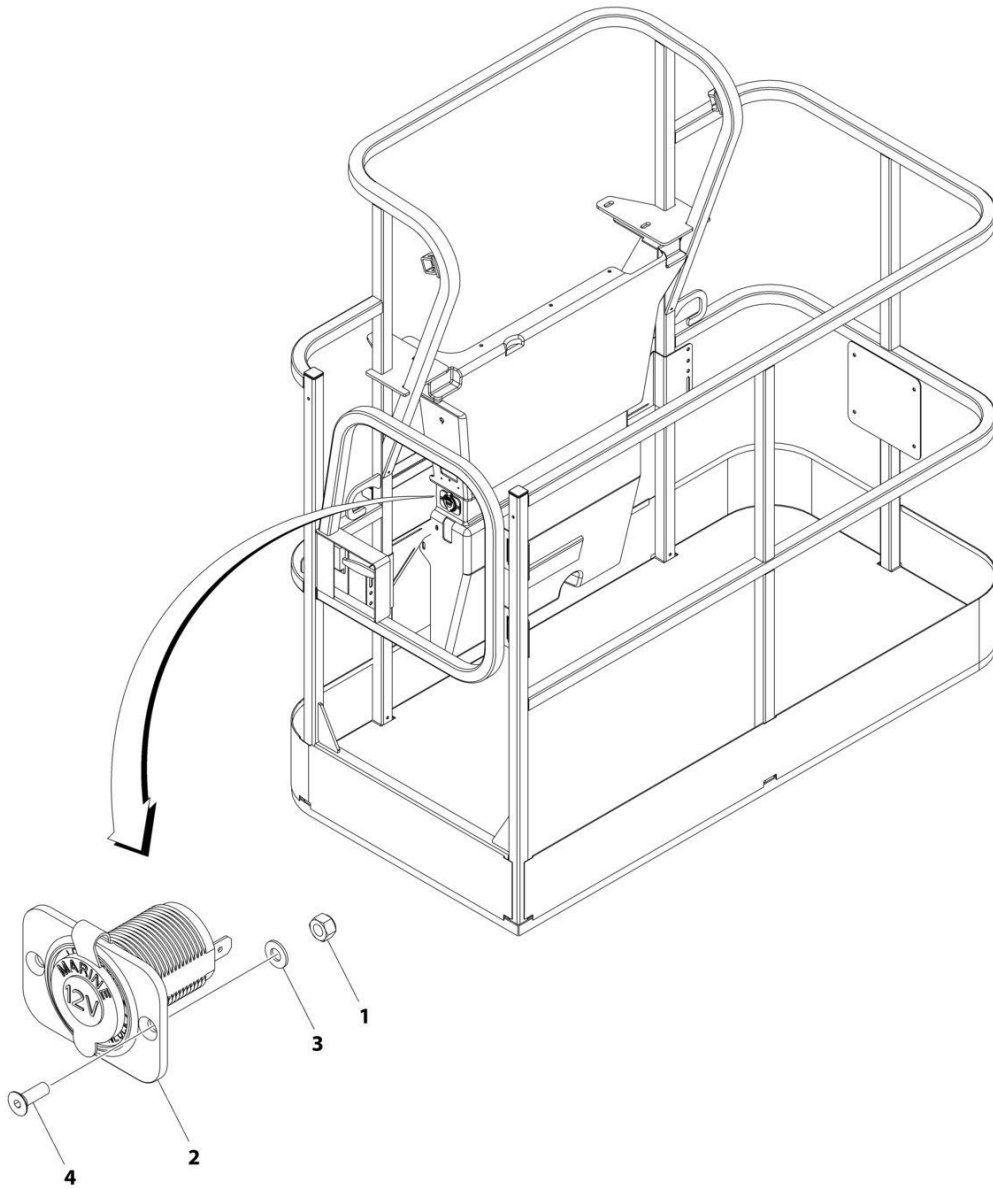
SECTION 4 - PLATFORM

FIGURE 4-14. FOOTSWITCH ASSEMBLY

ITEM	PART NUMBER	QTY	DESCRIPTION	REV
	1001117174	Ref	FOOTSWITCH ASSEMBLY	C
1	0100020	AR	Sealant	
2	1060918	7.5 ft/ 2.3m	Cable, Electrical - 18/3	
3	4460071	1	Connector, Strain Relief	
4	4460226	2	Socket, Female	
5	4460464	1	Pin, Male	
6	1001098122	3	Terminal	
7	1001117172	1	Footswitch	
7	70002902	1	Switch, 20Amp	
7	70002903	1	Gasket	
7	70002905	1	Cover	
7	70002904	1	Kit, Replacement Bolt	

SECTION 4 - PLATFORM

FIGURE 4-15. PLATFORM CHARGER (12V)



ART_1001263608

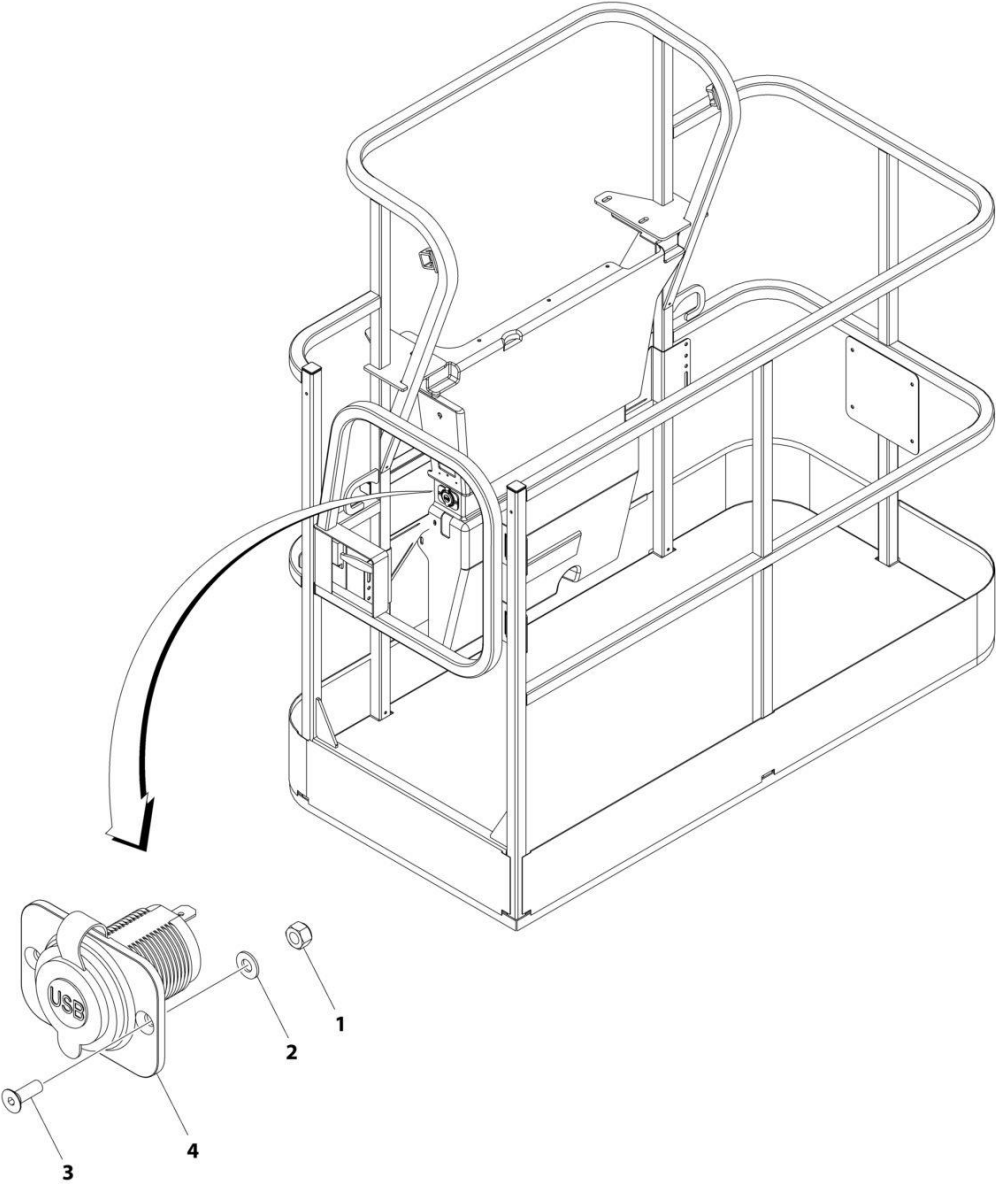
SECTION 4 - PLATFORM

FIGURE 4-15. PLATFORM CHARGER (12V)

ITEM	PART NUMBER	QTY	DESCRIPTION	REV
	1001263608	Ref	PLATFORM CHARGER (12V)	A
1	3290405	2	Nut M4	
2	4461012	1	Receptacle, 12V	
3	4811400	2	Washer M4	
4	1001097244	2	Capscrew M4 x 12	

SECTION 4 - PLATFORM

FIGURE 4-16. PLATFORM CHARGER (USB)



ART_1001263609

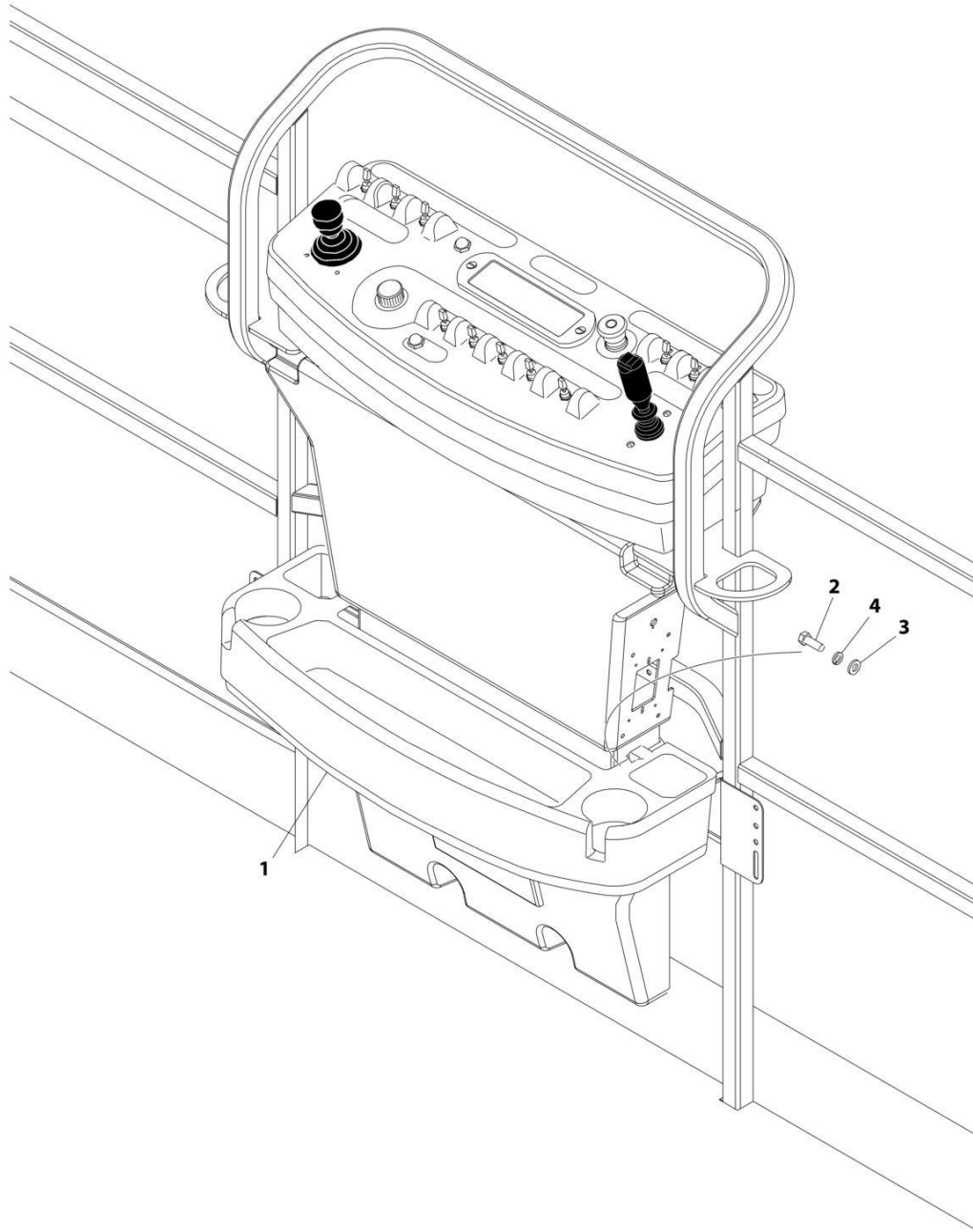
SECTION 4 - PLATFORM

FIGURE 4-16. PLATFORM CHARGER (USB)

ITEM	PART NUMBER	QTY	DESCRIPTION	REV
	1001263609	Ref	PLATFORM CHARGER (USB)	A
1	3290405	2	Nut M4	
2	4811400	2	Washer M4	
3	1001097244	2	Capscrew M4 x 12	
4	1001210636	1	Receptacle, USB	

SECTION 4 - PLATFORM

FIGURE 4-17. TRAY ASSEMBLY



ART_1580012

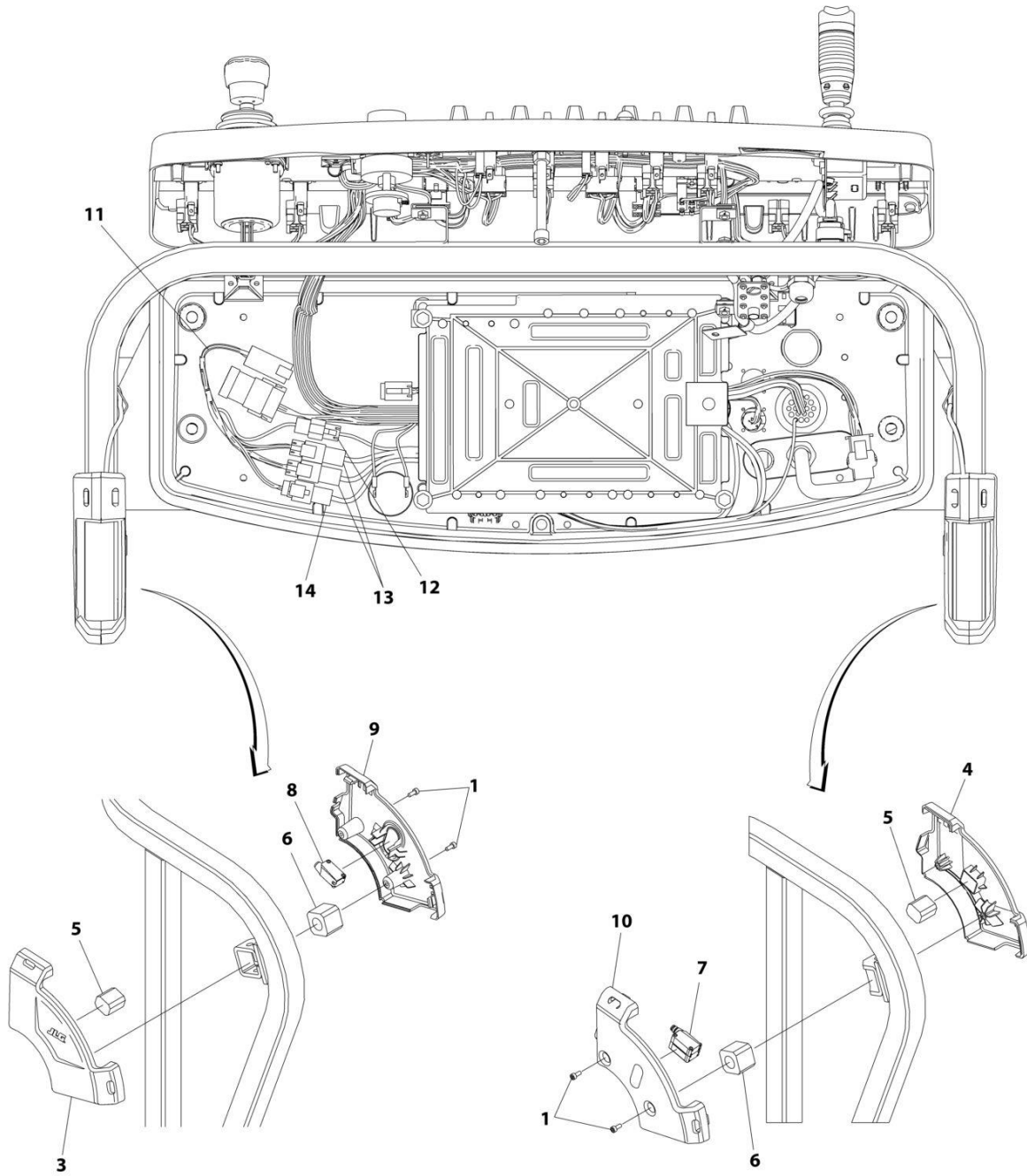
SECTION 4 - PLATFORM

FIGURE 4-17. TRAY ASSEMBLY

ITEM	PART NUMBER	QTY	DESCRIPTION	REV
	1580012	Ref	TRAY ASSEMBLY	C
1	See Note	NSS	Tray, Storage (Center) (Note: Purchase p/n 1580012)	
2	0641406	2	Bolt 1/4 x 3/4	
3	4751400	2	Washer 1/4	
4	4761400	2	Washer 1/4	

SECTION 4 - PLATFORM

FIGURE 4-18. SKYEYE INSTALLATION



ART_1001229341

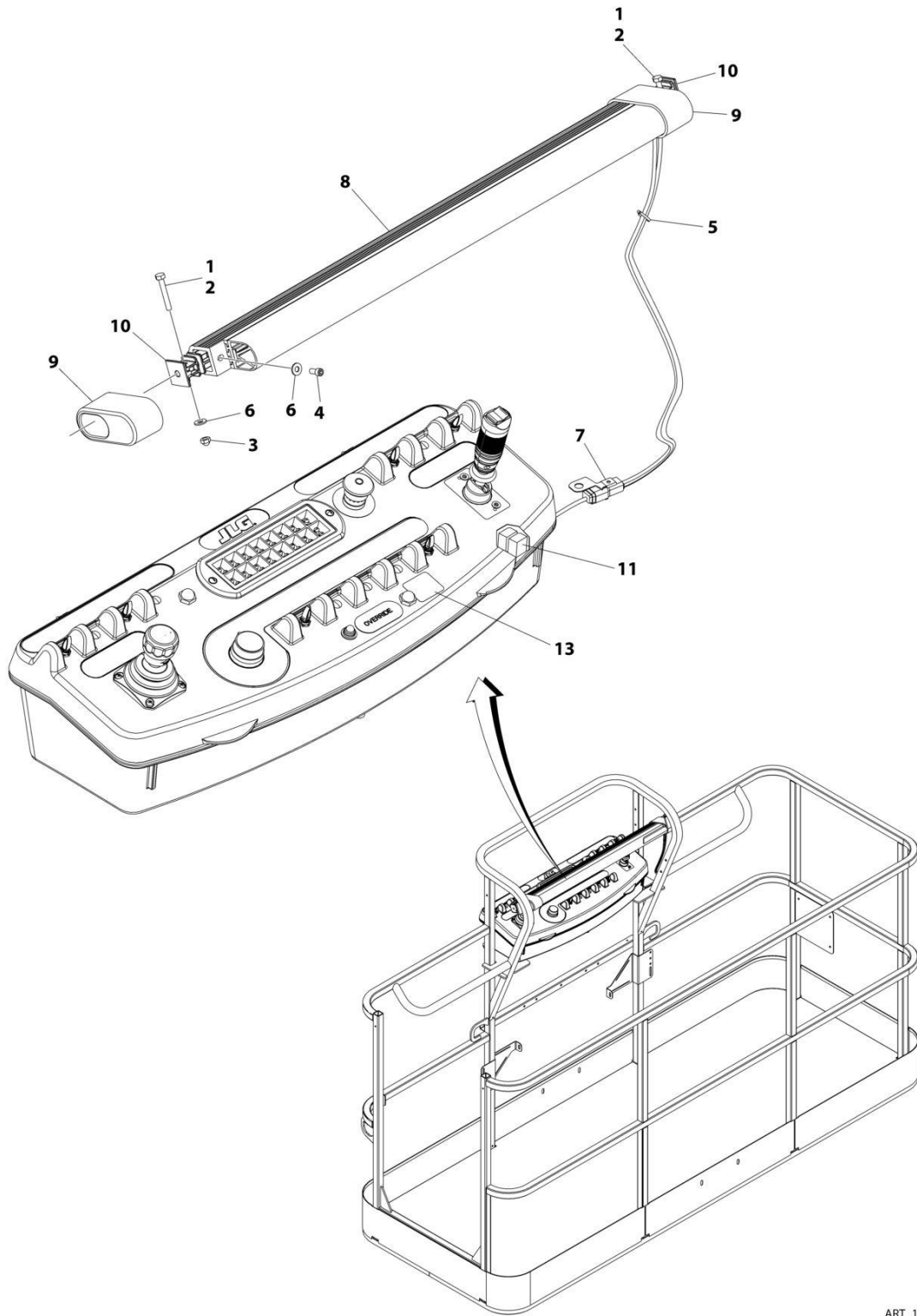
SECTION 4 - PLATFORM

FIGURE 4-18. SKYEYE INSTALLATION

ITEM	PART NUMBER	QTY	DESCRIPTION	REV
	1001229341	Ref	SKYEYE INSTALLATION	B
1	4031505	4	Bolt M4 x 10	
2	4240033	AR	Tie-Strap (Not Shown)	
3	1001227633	1	Housing, LH Outer	
4	1001227634	1	Housing, RH Outer	
5	1001227985	2	Shim	
6	1001227987	2	Shim	
7	1001228224	2	Sensor, Receiver	
8	1001228225	1	Sensor, Emitter	
9	1001232164	1	Housing, LH Inner	
10	1001232165	1	Housing, RH Inner	
11	1001237865	1	Harness, Skyeeye Intermediate (See Separate Breakdown in ELECTRICAL Section)	
12	1001238319	NLA	Harness, Skyeeye Drain Jumper	
12	1001187674	1	Plug, Male - 2 Position	
12	4460942	1	Terminal	
12	4460466	1	Plug, Terminal	
12	4460508	1	Pin, Male	
13	1001237863	2	Harness, Skyeeye Receiver (See Separate Breakdown in ELECTRICAL Section)	
14	1001237864	1	Harness, Skyeeye Emitter (See Separate Breakdown in ELECTRICAL Section)	

SECTION 4 - PLATFORM

FIGURE 4-19. SKYGUARD BAR INSTALLATION



ART_1001238495

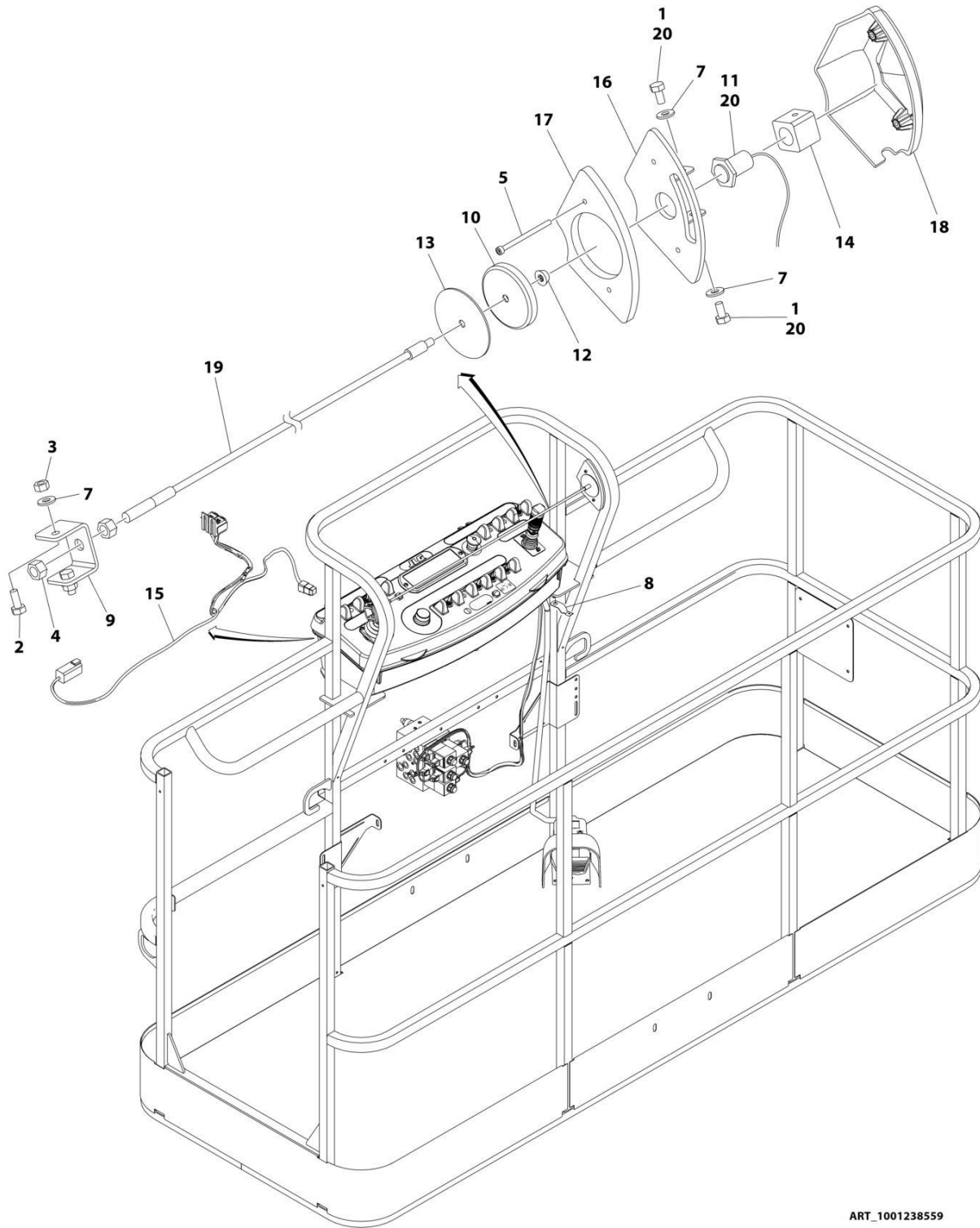
SECTION 4 - PLATFORM

FIGURE 4-19. SKYGUARD BAR INSTALLATION

ITEM	PART NUMBER	QTY	DESCRIPTION	REV
	1001238495	Ref	SKYGUARD BAR INSTALLATION	A
1	0100011	AR	Compound, Locking	
2	0641414	2	Bolt 1/4 x 1-3/4	
3	3300430	2	Nut 1/4	
4	3931408	2	Capscrew 1/4 x 1/2	
5	4240033	8	Tie-Strap	
6	4711400	6	Washer 1/4	
7	1001120328	1	Mount	
8	1001137673	1	SkyGuard Switch Assembly	
9	1001186517	2	Cover, Platform Sensor	
10	1001209664	2	Support, Block	
11	1001186431	2	Relay	
12	1001225580	1	Interface Harness Assembly (Not Shown - Located Inside Console Box) (See Separate Breakdown in ELECTRICAL Section)	
13	1001144433	1	Decal - No Weight SkyGuard	

SECTION 4 - PLATFORM

FIGURE 4-20. SKYLINE INSTALLATION



ART_1001238559

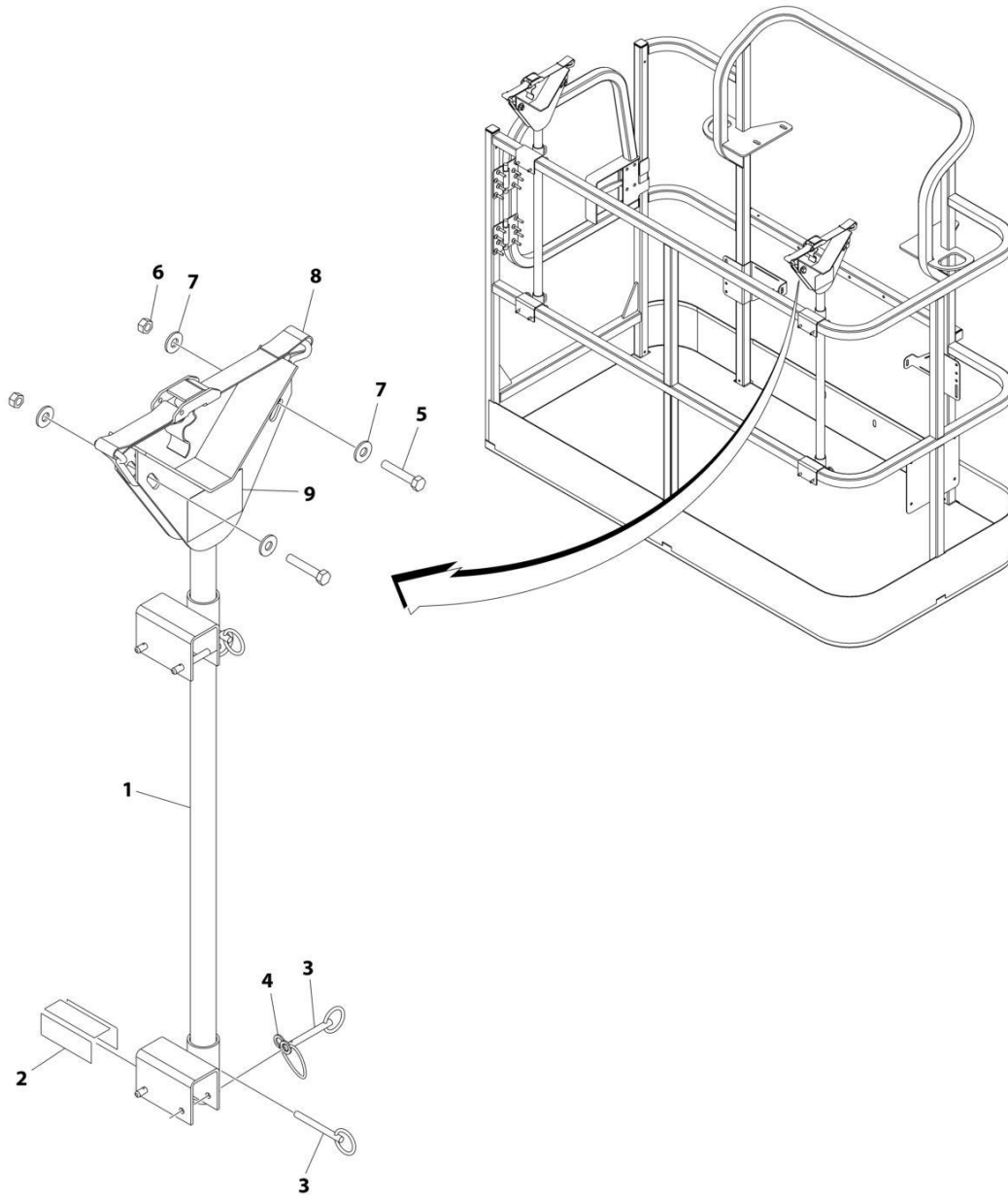
SECTION 4 - PLATFORM

FIGURE 4-20. SKYLINE INSTALLATION

ITEM	PART NUMBER	QTY	DESCRIPTION	REV
	1001238559	Ref	SKYLINE INSTALLATION	B
1	0641404	2	Bolt 1/4 x 1/2	
2	0641405	2	Bolt 1/4 x 5/8	
3	3311405	2	Nut 1/4	
4	3311601	2	Nut 3/8	
5	4031516	2	Capscrew M4 x 60	
6	4240033	AR	Tie-Strap (Not Shown)	
7	4711400	4	Washer 1/4	
8	1001120328	1	Mount	
9	1001232642	1	Bracket	
10	1001232650	1	Magnet	
11	1001232667	1	Sensor, Proximity	
12	1001235011	1	Nut	
13	1001235013	1	Washer	
14	1001236552	1	Block	
15	1001238418	1	Harness, Skyline (See Separate Breakdown in ELECTRICAL Section)	
16	1001238472	1	Mount	
17	1001238477	1	Housing, LH	
18	1001241965	1	Housing, RH	
19	1001238824	1	Rope	
20	0100011	AR	Compound, Locking	

SECTION 4 - PLATFORM

FIGURE 4-21. PIPE RACK INSTALLATION (Prior to SN C30000330)



ART_0257728

SECTION 4 - PLATFORM

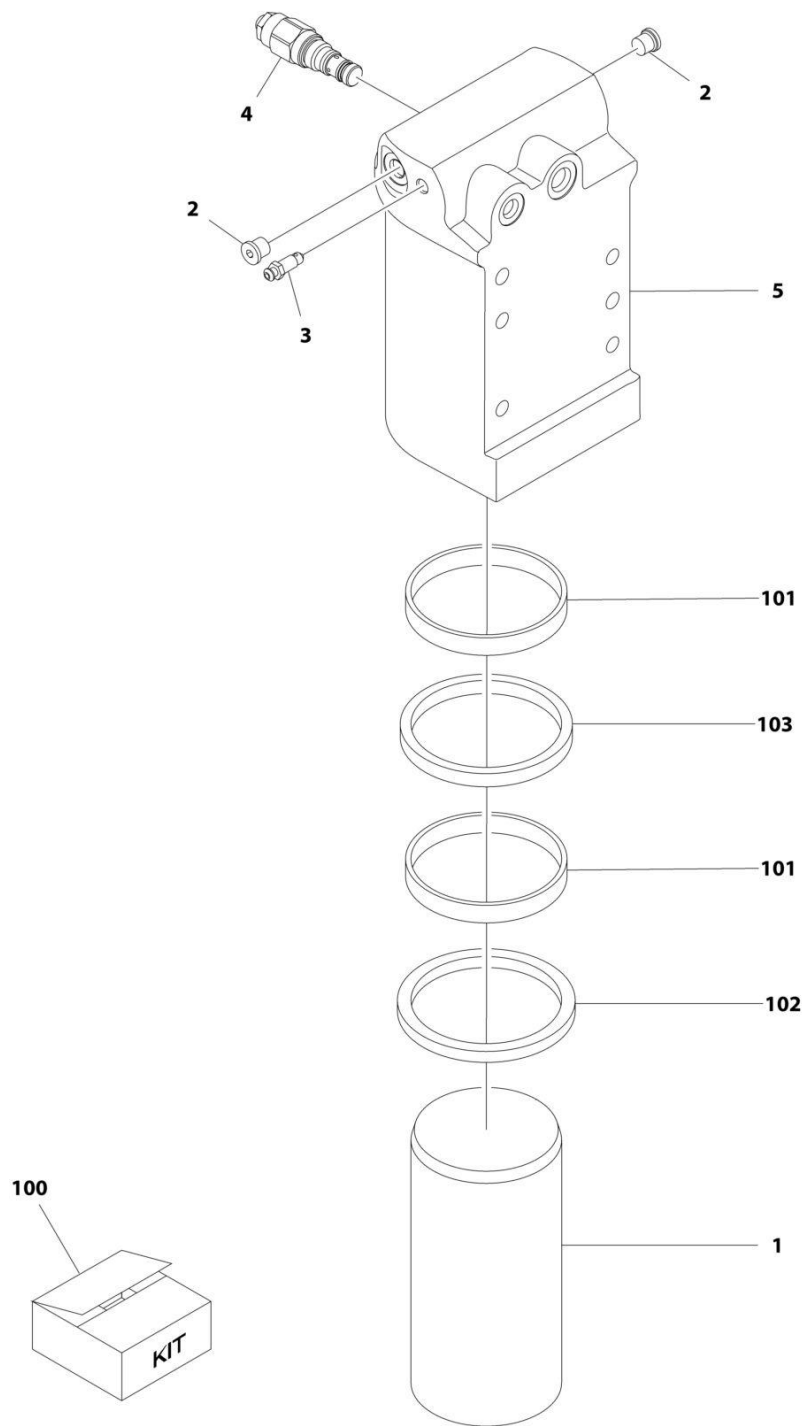
FIGURE 4-21. PIPE RACK INSTALLATION (Prior to SN C300000330)

ITEM	PART NUMBER	QTY	DESCRIPTION	REV
	0257728	Ref	PIPE RACK INSTALLATION	3/E
1	4845582	2	Rack, Pipe	
2	4420062	AR	Tape	
3	3422661	10	Pin	
4	1060379	4	Lanyard	
5	0641514	4	Bolt 5/16 x 1-3/4	
6	3311505	4	Nut 5/16	
7	4751500	8	Washer 5/16	
8	0480100	2	Tie-Down	
11	1001252946	2	Decal - Tube Rack Cap (1)	
12	1001252947	2	Decal - Tube Rack Cap (2)	

SECTION 5 - CYLINDER

SECTION 5 - CYLINDER

FIGURE 5-1. AXLE LOCKOUT CYLINDER ASSEMBLY



ART_1001163580

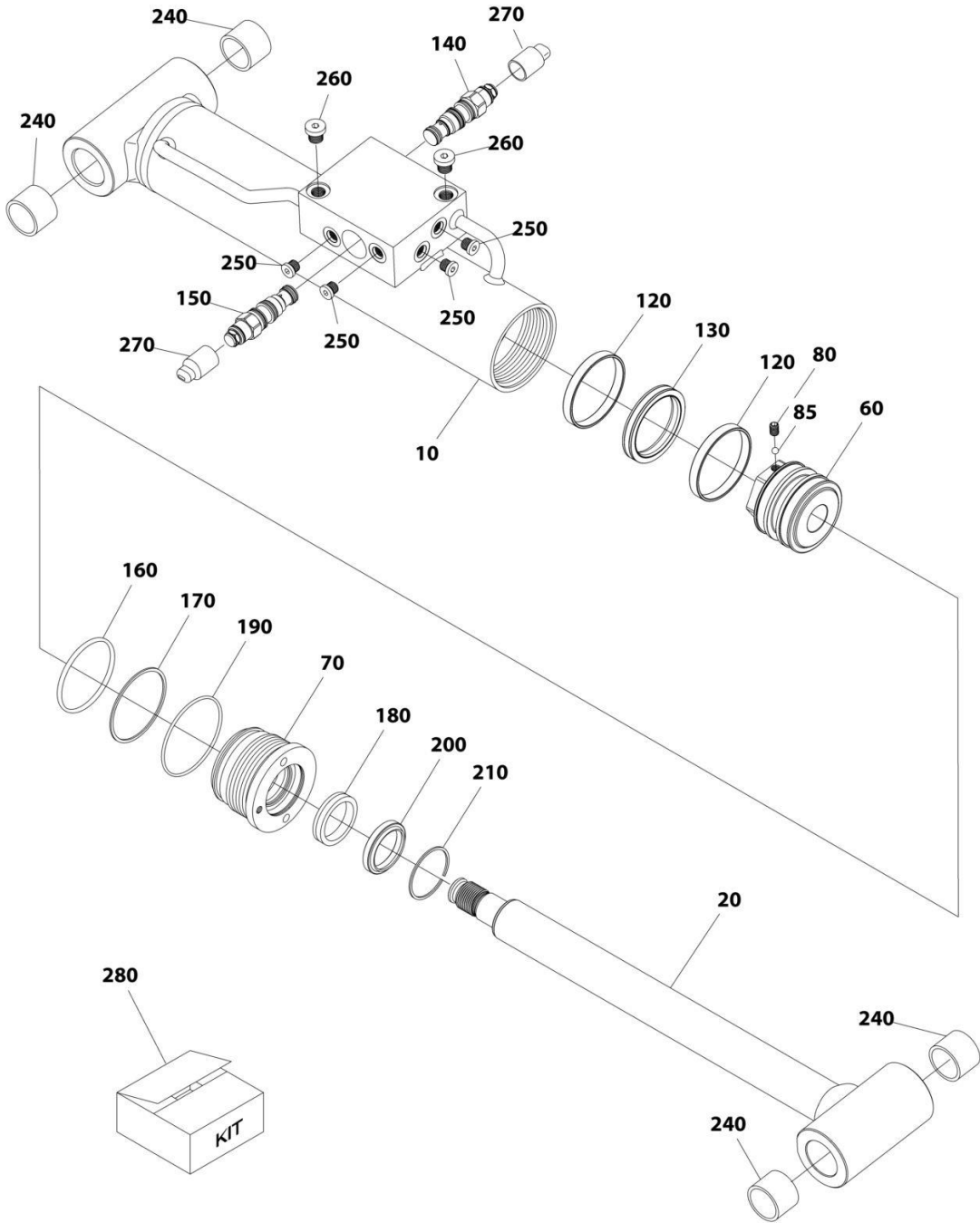
SECTION 5 - CYLINDER

FIGURE 5-1. AXLE LOCKOUT CYLINDER ASSEMBLY

ITEM	PART NUMBER	QTY	DESCRIPTION	REV
	1001163580	Ref	AXLE LOCKOUT CYLINDER ASSEMBLY	I
		Ref	Note: Original Cylinder May Have Been Replaced with Service Replacement. Identify PN Stamped on Cylinder Before Ordering Parts.	
1	1684290	1	Rod	
2	2220883	2	Plug #4	
3	4640858	1	Valve, Bleeder	
4	1001117372	1	Cartridge, Valve	
4	70002842	1	Seal Kit - 1001117372 Valve	
5	1001164817	1	Barrel	
100	2902266	NLA	Seal Kit - 1001163590 Cylinder (Includes Items 101-103)	
101	See Note	NSS	Ring, Wear (Note: Use Item 100)	
102	See Note	NSS	Seal (Note: Use Item 100)	
103	See Note	NSS	Wiper (Note: Use Item 100)	

SECTION 5 - CYLINDER

FIGURE 5-2. LEVEL (PLATFORM SLAVE) CYLINDER ASSEMBLY



ART_1001161716

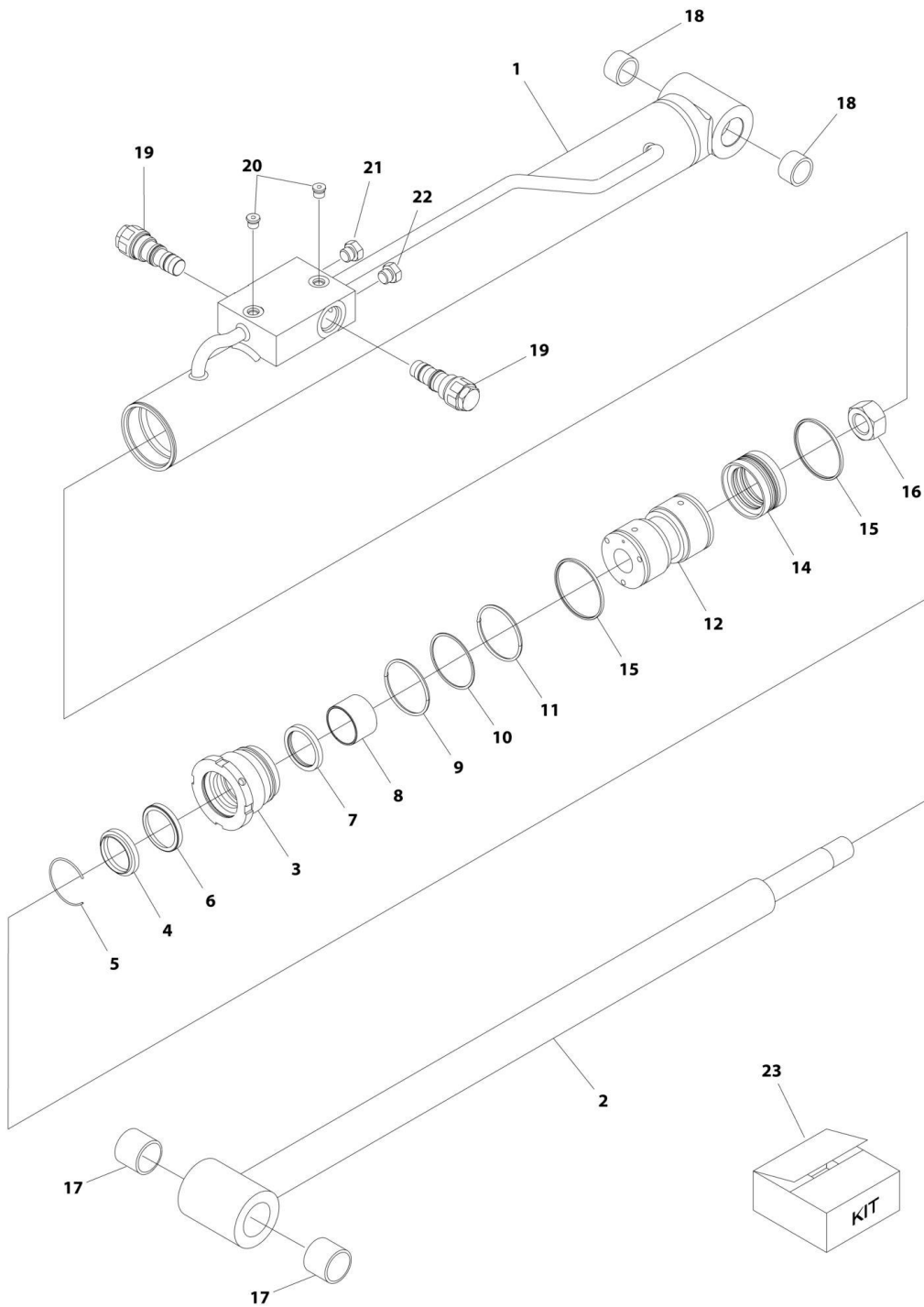
SECTION 5 - CYLINDER

FIGURE 5-2. LEVEL (PLATFORM SLAVE) CYLINDER ASSEMBLY

ITEM	PART NUMBER	QTY	DESCRIPTION	REV
	1001161716	Ref	LEVEL (PLATFORM SLAVE) CYLINDER ASSEMBLY	D
		Ref	Note: Original Cylinder May Have Been Replaced with Service Replacement. Identify PN Stamped on Cylinder Before Ordering Parts.	
10	70005010	1	Barrel	
20	70005011	1	Rod	
60	70005012	1	Piston	
70	70003837	1	Head	
80	70005013	1	Setscrew	
85	70005014	1	Ball	
120	See Note	NSS	Ring, Bearing (Note: Use Item 280)	
130	See Note	NSS	Seal, Piston (Note: Use Item 280)	
140	70002413	1	Cartridge, Valve	
140	2900770	1	Seal Kit - 70002413 Valve	
150	1001168210	1	Cartridge, Valve	
150	2900770	1	Seal Kit - 1001168210 Valve	
160	See Note	NSS	O-Ring (Note: Use Item 280)	
170	See Note	NSS	Seal (Note: Use Item 280)	
180	See Note	NSS	Seal (Note: Use Item 280)	
190	See Note	NSS	O-Ring (Note: Use Item 280)	
200	See Note	NSS	Wiper (Note: Use Item 280)	
210	70003838	1	Ring, Retaining	
240	0961951	4	Bushing	
250	70025619	4	Plug 7/16	
260	70024262	2	Plug 1/4	
270	See Note	2	Plug, Shipping (Note: Not Available for Purchase)	
280	70005016	1	Seal Kit - 1001161716 Cylinder (Includes Items 120 ,130 & 160-200)	

SECTION 5 - CYLINDER

FIGURE 5-3. LIFT CYLINDER ASSEMBLY - JIB



ART_1001163767

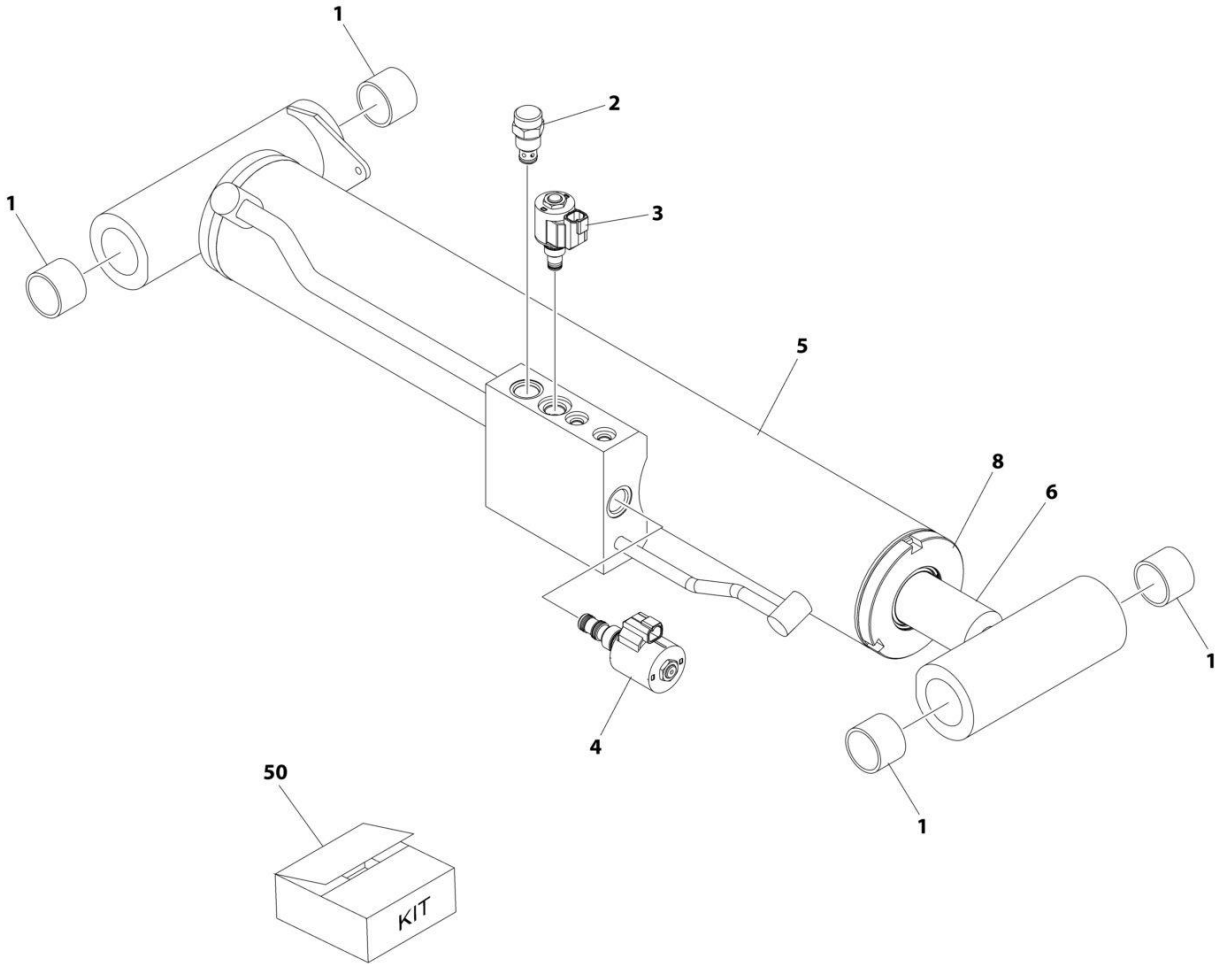
SECTION 5 - CYLINDER

FIGURE 5-3. LIFT CYLINDER ASSEMBLY - JIB

ITEM	PART NUMBER	QTY	DESCRIPTION	REV
	1001163767	Ref	LIFT CYLINDER ASSEMBLY - JIB	B
		Ref	Note: Original Cylinder May Have Been Replaced with Service Replacement. Identify PN Stamped on Cylinder Before Ordering Parts.	
1	70005155	1	Barrel	
2	70005156	1	Rod	
3	70005157	1	Head	
4	See Note	NSS	Wiper (Note: Use Item 23)	
5	70002373	1	Ring, Retaining	
6	See Note	NSS	Seal, Rod (Note: Use Item 23)	
7	See Note	NSS	Ring, Back-up (Note: Use Item 23)	
8	70005143	1	Bearing, Dry	
9	See Note	NSS	O-Ring (Note: Use Item 23)	
10	See Note	NSS	Ring, Back-up (Note: Use Item 23)	
11	See Note	NSS	O-Ring (Note: Use Item 23)	
12	70002371	1	Piston	
13	See Note	NSS	O-Ring (Note: Use Item 23)	
14	See Note	NSS	Seal, Piston (Note: Use Item 23)	
15	See Note	NSS	Ring, Piston (Note: Use Item 23)	
16	70002335	2	Nut	
17	70005158	2	Bushing	
18	70005159	2	Bushing	
19	4640509	2	Cartridge, Valve	
19	2900792	2	Seal Kit - 4640509 Valve	
20	70023370	2	Plug 7/16	
21	See Note	1	Plug 7/16 (Note: Not Available for Purchase)	
22	See Note	1	Plug 9/16 (Note: Not Available for Purchase)	
23	70005160	1	Seal Kit - 1001163767 Cylinder (Includes Items 4, 6, 7, 9-11 & 13-15)	

SECTION 5 - CYLINDER

FIGURE 5-4. LIFT CYLINDER ASSEMBLY - MAIN BOOM



ART_1001266738

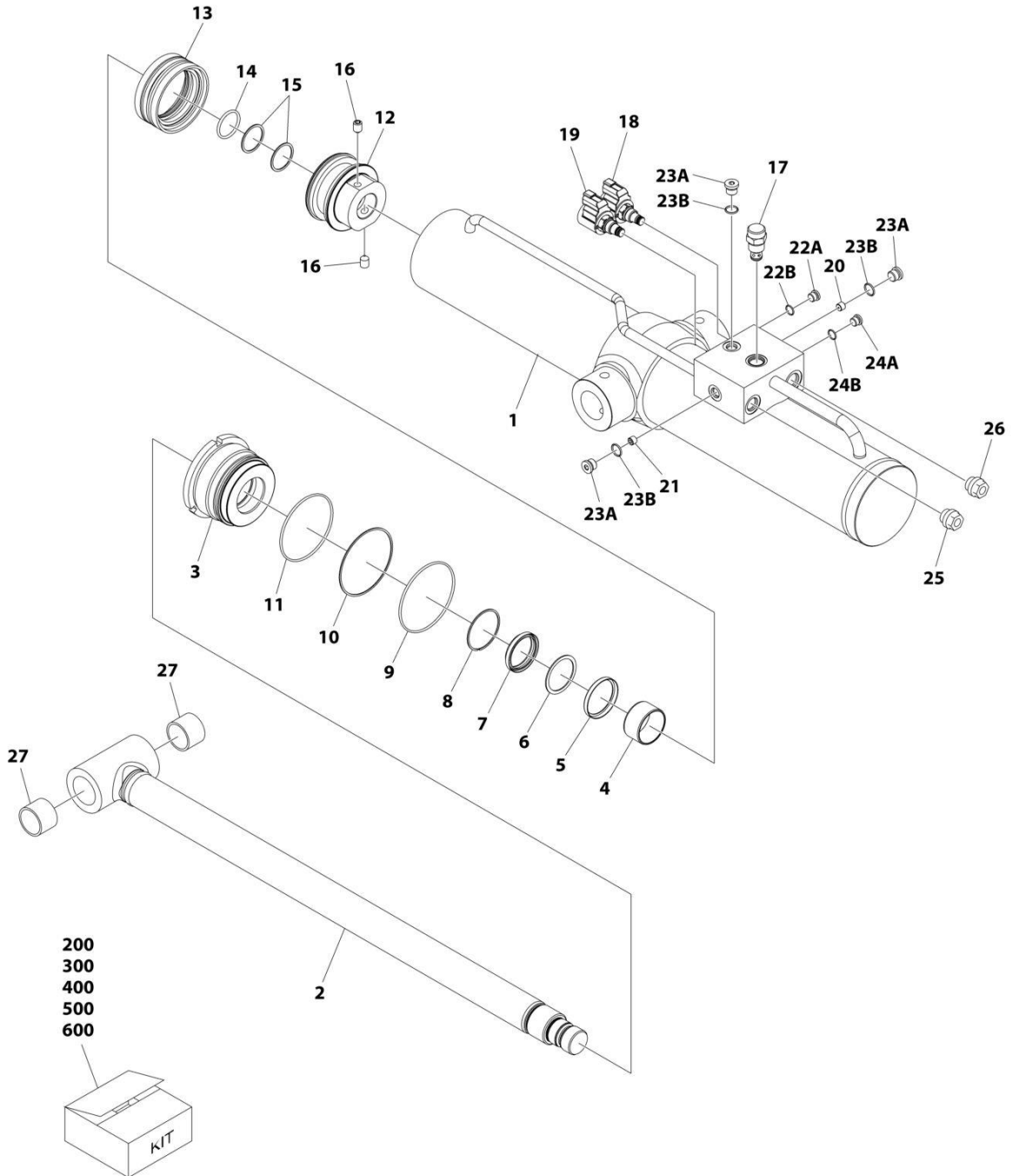
SECTION 5 - CYLINDER

FIGURE 5-4. LIFT CYLINDER ASSEMBLY - MAIN BOOM

ITEM	PART NUMBER	QTY	DESCRIPTION	REV
	1001266738	Ref	LIFT CYLINDER ASSEMBLY - MAIN BOOM	B
		Ref	Note: Original Cylinder May Have Been Replaced with Service Replacement. Identify PN Stamped on Cylinder Before Ordering Parts.	
1	0961948	4	Bushing	
2	4641390	1	Cartridge, Valve - Check	
2	7017496	1	Seal Kit - 4641390 Valve	
3	1001164709	1	Cartridge, Valve - ON/OFF	
3	7017467	1	Cartridge, Valve Less Coil	
3	7012998	1	Seal Kit - 1001164709 & 7017467 Valves	
3	70002386	1	Coil	
4	1001206625	1	Cartridge, Valve - Proportional	
4	70006104	1	Cartridge, Valve Less Coil	
4	70006105	1	Seal Kit - 1001206625 & 70006104 Valves	
4	70003788	1	Coil	
4	7022390	1	Nut, Coil	
5	See Note	NSS	Barrel (Note: Use PN 1001266738)	
6	See Note	NSS	Rod (Note: Use PN 1001266738)	
7	See Note	NSS	Piston (Not Shown) (Note: Use PN 1001266738)	
8	See Note	NSS	Head (Note: Use PN 1001266738)	
50	70007901	1	Seal Kit - 1001266738 Cylinder	

SECTION 5 - CYLINDER

FIGURE 5-5. LIFT CYLINDER ASSEMBLY - TOWER BOOM



ART_1001254716

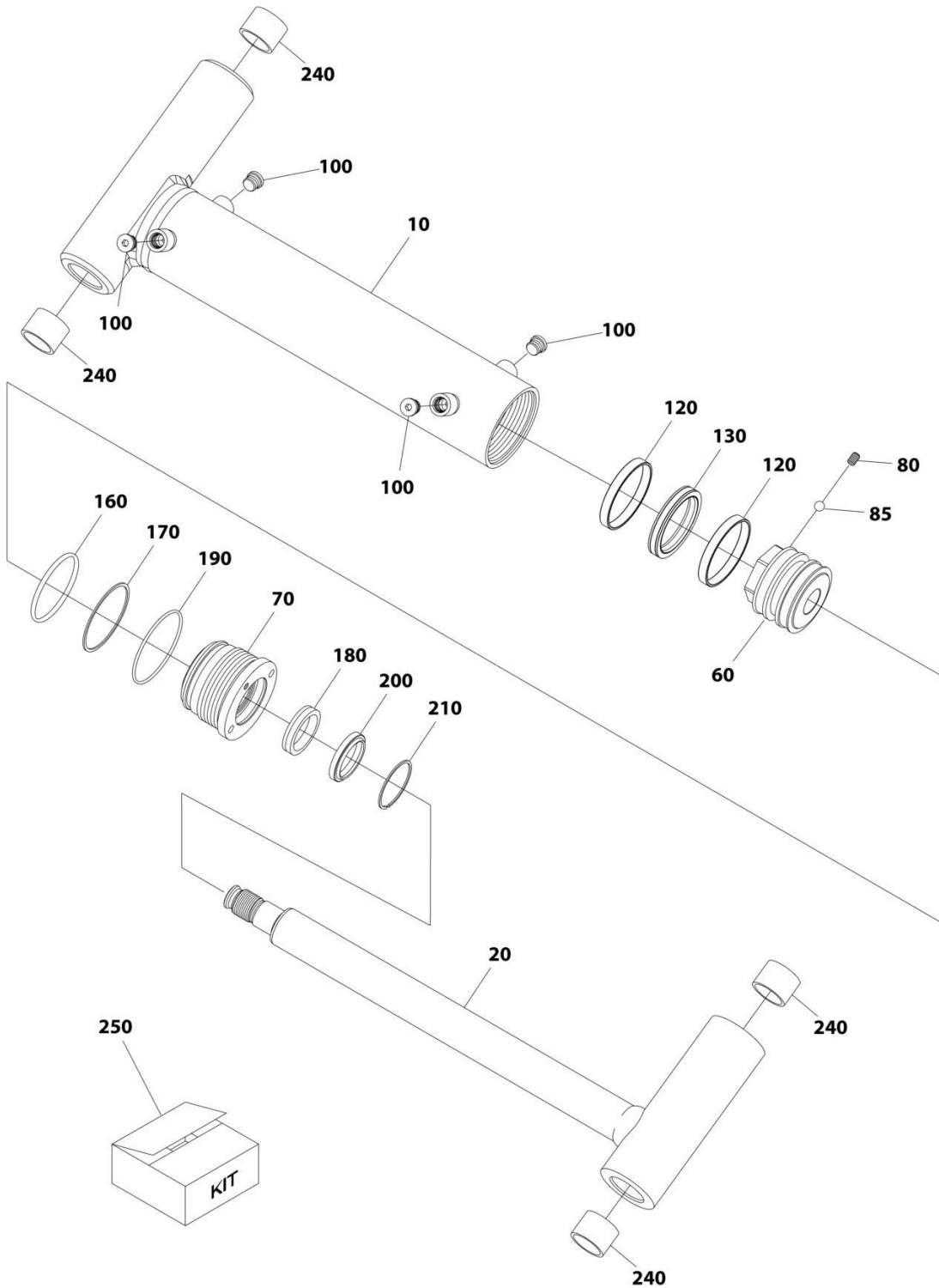
SECTION 5 - CYLINDER

FIGURE 5-5. LIFT CYLINDER ASSEMBLY - TOWER BOOM

ITEM	PART NUMBER	QTY	DESCRIPTION	REV
	1001254716	Ref	LIFT CYLINDER ASSEMBLY - TOWER BOOM	B
		Ref	Note: Original Cylinder May Have Been Replaced with Service Replacement. Identify PN Stamped on Cylinder Before Ordering Parts.	
1	See Note	NSS	Barrel (Note: Use PN 1001254716)	
2	See Note	NSS	Rod (Note: Use Item 200)	
3	See Note	NSS	Head (Note: Use Item 300)	
4	See Note	NSS	Ring, Wear (Note: Use Item 300)	
5	See Note	NSS	Seal (Note: Use Item 400)	
6	See Note	NSS	Ring, Back-up (Note: Use Item 400)	
7	See Note	NSS	Wiper (Note: Use Item 400)	
8	See Note	NSS	Ring, Retaining (Note: Use Item 400)	
9	See Note	NSS	O-Ring (Note: Use Item 400)	
10	See Note	NSS	Ring, Back-up (Note: Use Item 400)	
11	See Note	NSS	O-Ring (Note: Use Item 400)	
12	See Note	NSS	Piston (Note: Use Item 500)	
13	See Note	NSS	Seal (Note: Use Item 400)	
14	See Note	NSS	O-Ring (Note: Use Item 400)	
15	See Note	NSS	Ring, Back-up (Note: Use Item 400)	
16	See Note	NSS	Set Screw (Note: Use Item 500)	
17	4641390	1	Cartridge, Counterbalance Valve	
17	7017496	1	Seal Kit - 4641390 Valve	
18	1001164709	1	Cartridge, Solenoid Valve	
18	7012967	1	Seal Kit - 1001164709 Valve	
18	70002386	1	Coil	
19	1001166208	1	Cartridge, Solenoid Valve	
19	7012967	1	Seal Kit - 1001166208 Valve	
19	70002386	1	Coil	
20	See Note	NSS	Orifice (Note: Use PN 1001254716)	
21	See Note	NSS	Orifice (Note: Use PN 1001254716)	
22A	See Note	NSS	Plug (Note: Use Item 600)	
22B	See Note	NSS	O-Ring (Note: Use Item 600)	
23A	See Note	NSS	Plug (Note: Use Item 600)	
23B	See Note	NSS	O-Ring (Note: Use Item 600)	
24A	See Note	NSS	Plug (Note: Use Item 600)	
24B	See Note	NSS	O-Ring (Note: Use Item 600)	
25	See Note	NSS	Dust Cap (Note: Shipping Use Only)	
26	See Note	NSS	Dust Cap (Note: Shipping Use Only)	
27	0961948	2	Bushing (Note: Use Item 200)	
200	70007886	1	Rod Kit (Includes Items 2 & 27)	
300	70007887	1	Head Kit (Includes Items 3 & 4)	
400	70007888	1	Seal Kit (Includes Items 5-11 & 13-15)	
500	70007889	1	Piston Kit (Includes Items 12 & 16)	
600	70007890	1	Plug Kit (Includes Items 22A-24B)	

SECTION 5 - CYLINDER

FIGURE 5-6. MASTER CYLINDER ASSEMBLY



ART_1001161717

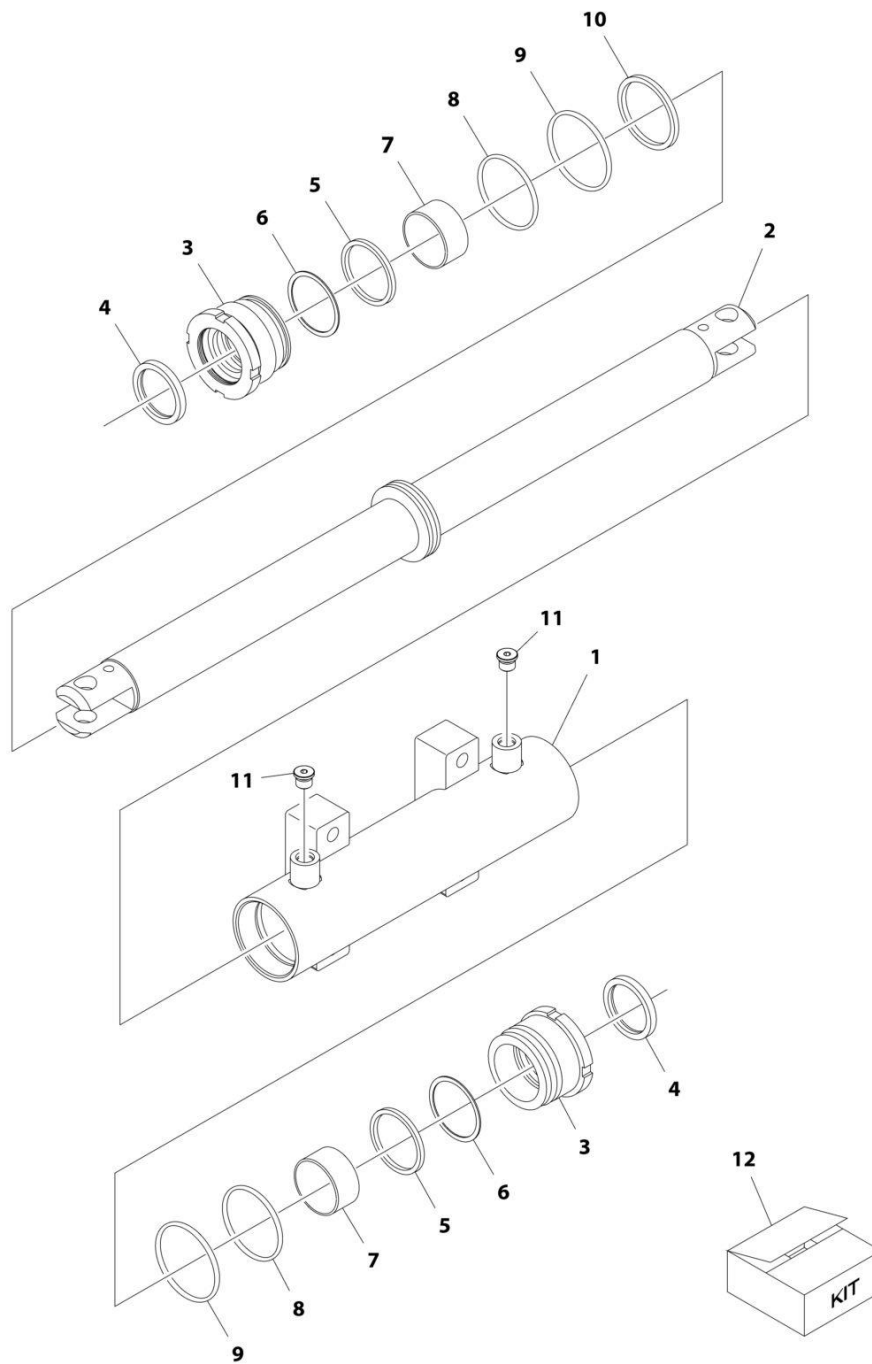
SECTION 5 - CYLINDER

FIGURE 5-6. MASTER CYLINDER ASSEMBLY

ITEM	PART NUMBER	QTY	DESCRIPTION	REV
	1001161717	Ref	MASTER CYLINDER ASSEMBLY	D
		Ref	Note: Original Cylinder May Have Been Replaced with Service Replacement. Identify PN Stamped on Cylinder Before Ordering Parts.	
10	70005017	1	Barrel	
20	70005018	1	Rod	
60	70005012	1	Piston	
70	70003837	1	Head	
80	70005013	1	Setscrew	
85	70005014	1	Ball	
100	70025959	4	Plug 9/16	
120	See Note	NSS	Ring, Piston (Note: Use Item 250)	
130	See Note	NSS	Seal (Note: Use Item 250)	
160	See Note	NSS	O-Ring (Note: Use Item 250)	
170	See Note	NSS	Ring (Note: Use Item 250)	
180	See Note	NSS	Seal (Note: Use Item 250)	
190	See Note	NSS	O-Ring (Note: Use Item 250)	
200	See Note	NSS	Wiper (Note: Use Item 250)	
210	70003838	1	Ring, Retaining	
240	0961951	4	Bushing	
250	70005016	1	Seal Kit - 1001161717 Cylinder (Includes Items 120-200)	

SECTION 5 - CYLINDER

FIGURE 5-7. STEER CYLINDER ASSEMBLY



ART_1001163178

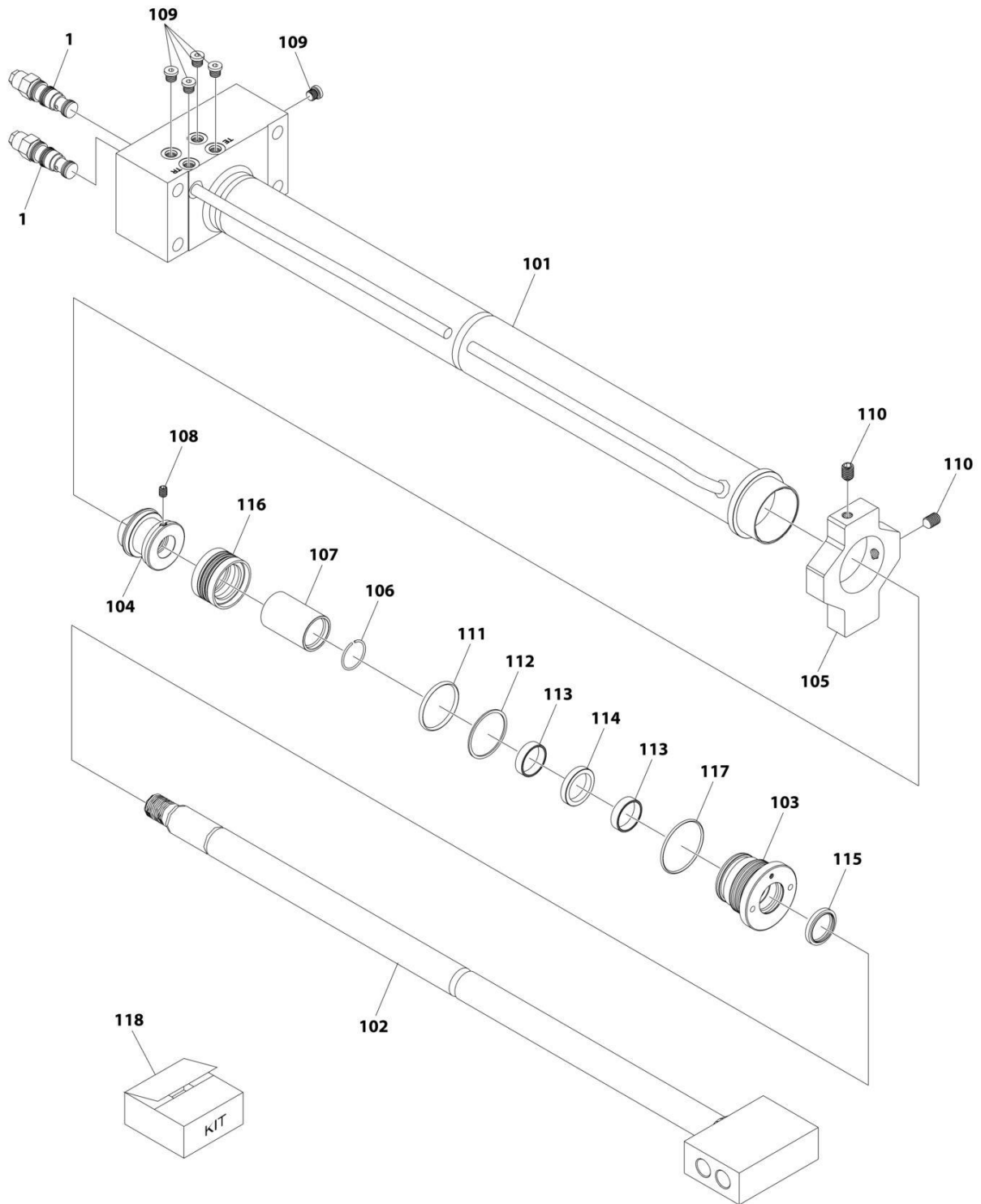
SECTION 5 - CYLINDER

FIGURE 5-7. STEER CYLINDER ASSEMBLY

ITEM	PART NUMBER	QTY	DESCRIPTION	REV
	1001163178	Ref	STEER CYLINDER ASSEMBLY	E
		Ref	Note: Original Cylinder May Have Been Replaced with Service Replacement. Identify PN Stamped on Cylinder Before Ordering Parts.	
1	70005150	1	Barrel	
2	70005151	1	Rod	
3	70005152	2	Head	
4	See Note	NSS	Wiper (Note: Use Item 12)	
5	See Note	NSS	Seal, Rod (Note: Use Item 12)	
6	See Note	NSS	Ring, Back-up (Note: Use Item 12)	
7	70005153	2	Bearing, Dry	
8	See Note	NSS	O-Ring (Note: Use Item 12)	
9	See Note	NSS	O-Ring (Note: Use Item 12)	
10	See Note	NSS	Seal, Piston (Note: Use Item 12)	
11	See Note	2	Plug 9/16 (Note: Not Available for Purchase)	
12	70005154	1	Seal Kit - 1001163178 Cylinder (Includes Items 4-6 & 8-10)	

SECTION 5 - CYLINDER

FIGURE 5-8. TELESCOPE CYLINDER ASSEMBLY



ART_1001266711

SECTION 5 - CYLINDER

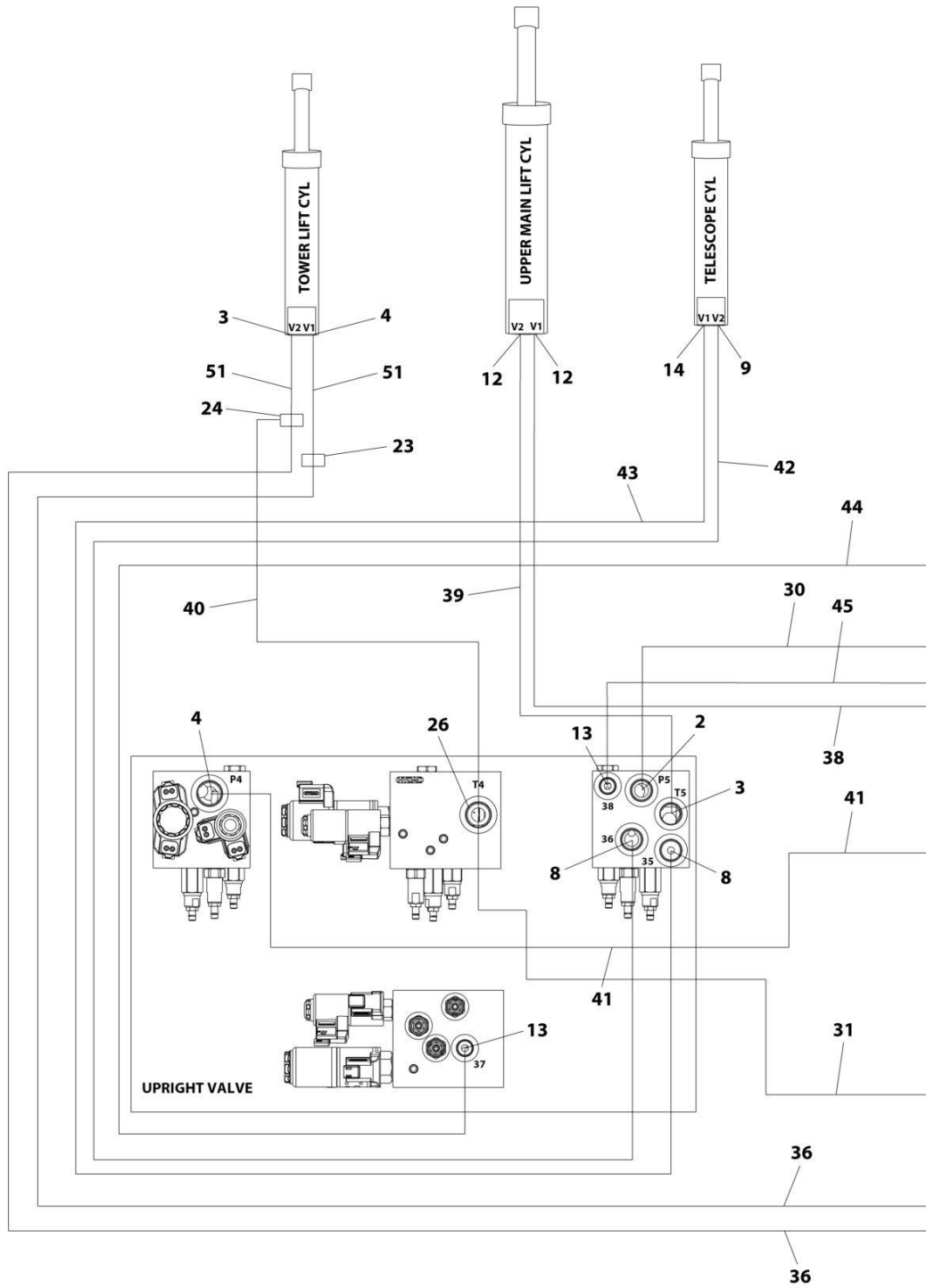
FIGURE 5-8. TELESCOPE CYLINDER ASSEMBLY

ITEM	PART NUMBER	QTY	DESCRIPTION	REV
	1001266711	Ref	TELESCOPE CYLINDER ASSEMBLY	B
		Ref	Note: Original Cylinder May Have Been Replaced with Service Replacement. Identify PN Stamped on Cylinder Before Ordering Parts.	
1	4640771	2	Valve, Motor Control	
1	2900770	2	Seal Kit - 4640771 Valve	
101	See Note	NSS	Barrel (Note: Not Available for Purchase)	
102	See Note	NSS	Rod (Note: Not Available for Purchase)	
103	70008135	1	Head	
104	70008136	1	Piston	
105	70008137	1	Mount	
106	70008138	1	Ring, Wire	
107	70008139	1	Spacer	
108	70027088	1	Setscrew	
109	70025619	5	Plug	
110	70008140	2	Setscrew	
111	See Note	NSS	O-Ring (Note: Use Item 118)	
112	See Note	NSS	Ring, Backup (Note: Use Item 118)	
113	See Note	NSS	Ring (Note: Use Item 118)	
114	See Note	NSS	Seal, Head (Note: Use Item 118)	
115	See Note	NSS	Seal, Wiper (Note: Use Item 118)	
116	See Note	NSS	Seal (Note: Use Item 118)	
117	See Note	NSS	O-Ring (Note: Use Item 118)	
118	70008141	1	Seal Kit (Includes Items 111-117)	

SECTION 6 - HYDRAULIC

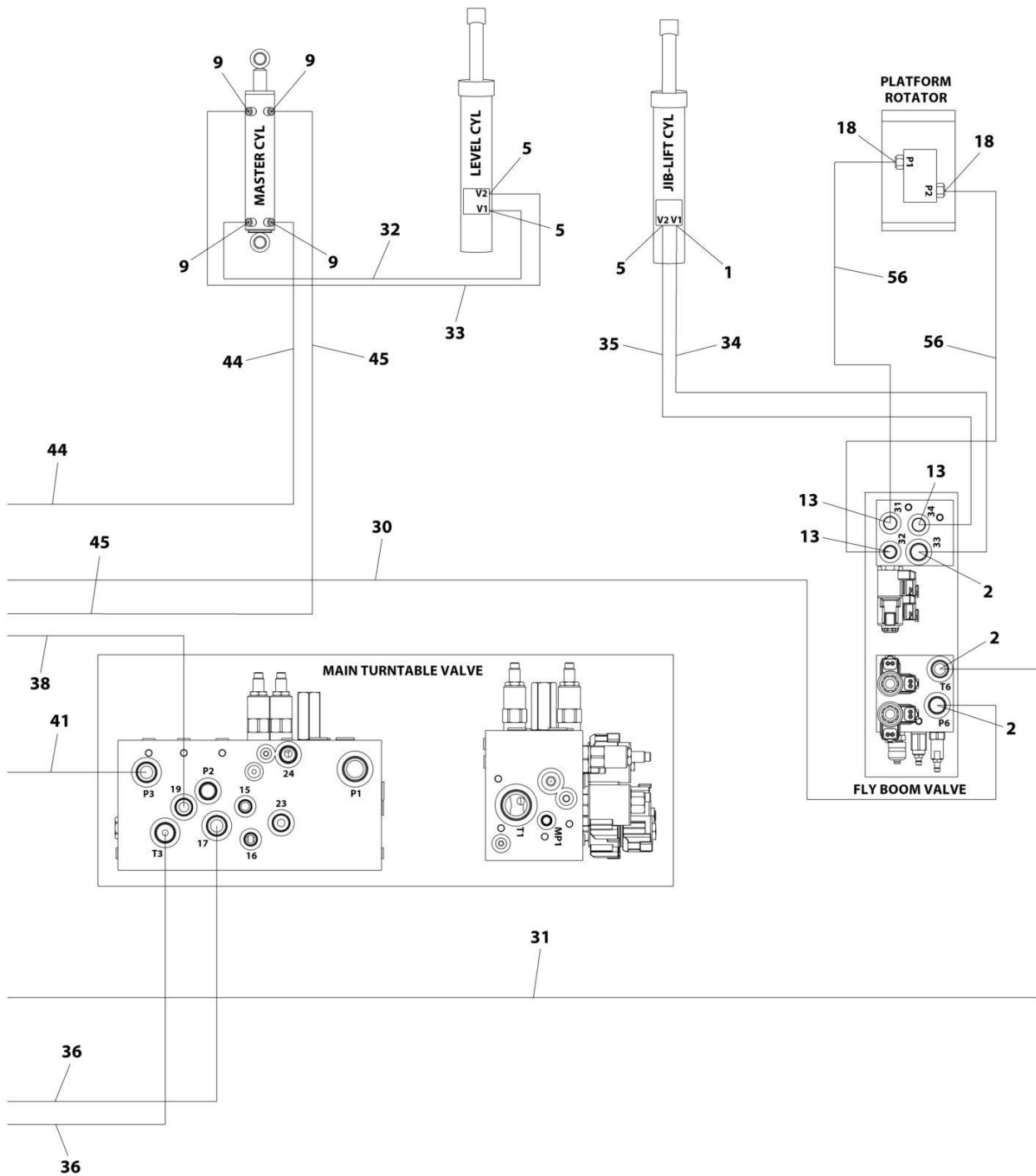
SECTION 6 - HYDRAULIC

FIGURE 6-1. BOOM HYDRAULIC SYSTEM INSTALLATION



ART_1001255049_1OF2

SECTION 6 - HYDRAULIC



ART_1001255049_2OF2

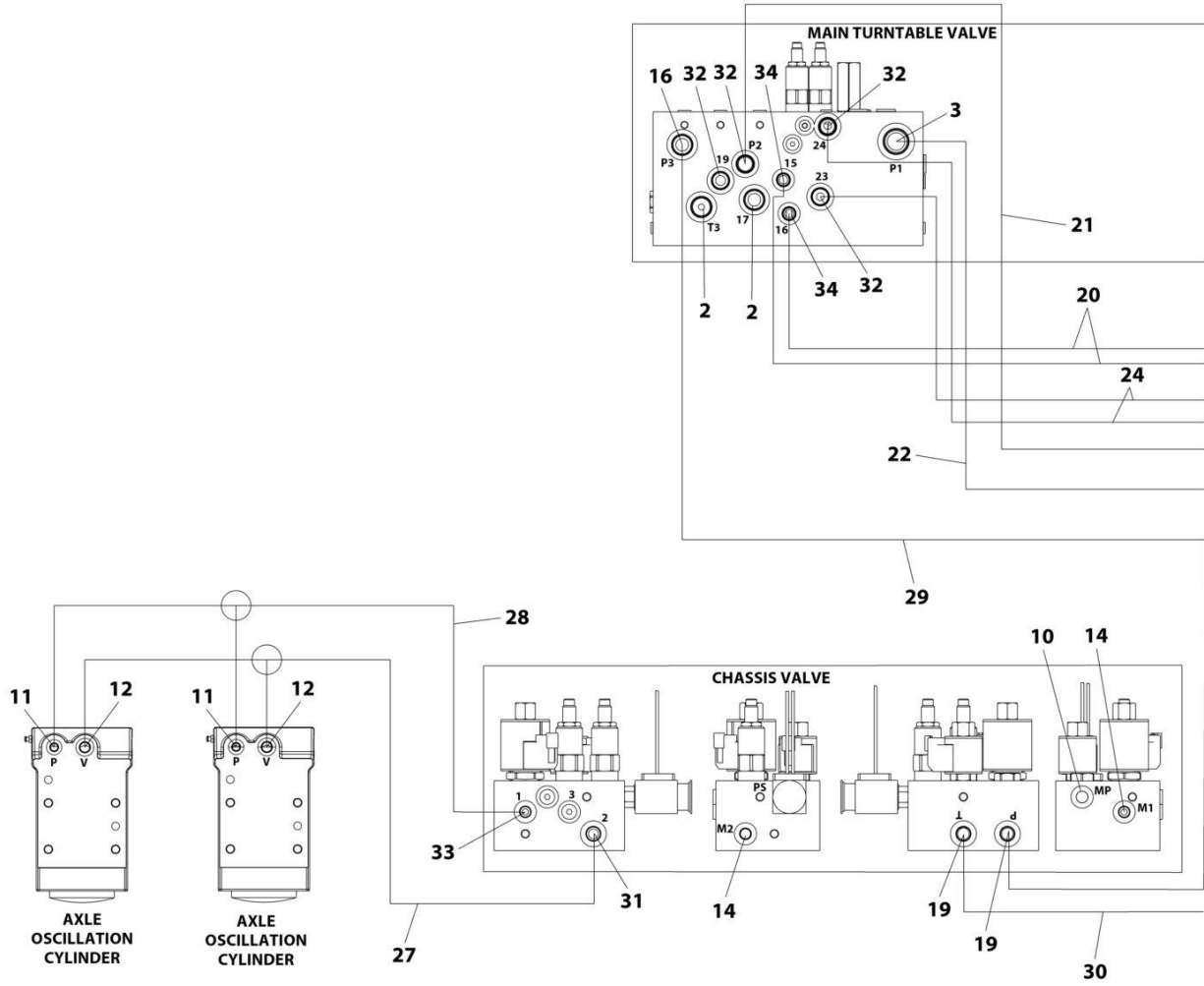
SECTION 6 - HYDRAULIC

FIGURE 6-1. BOOM HYDRAULIC SYSTEM INSTALLATION

ITEM	PART NUMBER	QTY	DESCRIPTION	REV
	1001255049	Ref	BOOM HYDRAULIC SYSTEM INSTALLATION	B
1	2220371	1	Fitting, Straight JIC/ORB	
2	2220372	4	Fitting, Straight JIC/ORB	
3	2220373	2	Fitting, Straight JIC/ORB	
4	2220374	2	Fitting, Straight JIC/ORB	
5	2220415	3	Fitting, Straight JIC/ORB	
8	2220468	2	Fitting, Straight JIC/ORB	
9	2220472	5	Fitting, 90 JIC/ORB	
12	2220577	2	Fitting, Straight JIC/ORB	
13	2220582	5	Fitting, Straight JIC/ORB	
14	2220628	1	Fitting, 90 JIC/ORB	
18	2220940	2	Fitting, Elbow	
23	2230025	1	Fitting, Straight JIC/ORB	
24	8760477	1	Fitting, Tee JIC/JIC/JIC	
26	8770289	1	Fitting, Tee JIC/ORB/JIC	
30	1001176299	1	Hose	
31	1001176300	1	Hose	
32	1001176301	1	Hose	
33	1001176302	1	Hose	
34	1001173048	1	Hose	
35	1001173049	1	Hose	
36	1001173006	2	Hose	
38	1001173034	1	Hose	
39	1001173035	1	Hose	
40	1001173036	1	Hose	
41	1001173037	1	Hose	
42	1001173038	1	Hose	
43	1001173039	1	Hose	
44	1001173042	1	Hose	
45	1001173043	1	Hose	
51	1001180035	2	Hose	
56	1001173046	1	Hose	
57	4240018	12	Tie-Strap (Not Shown)	

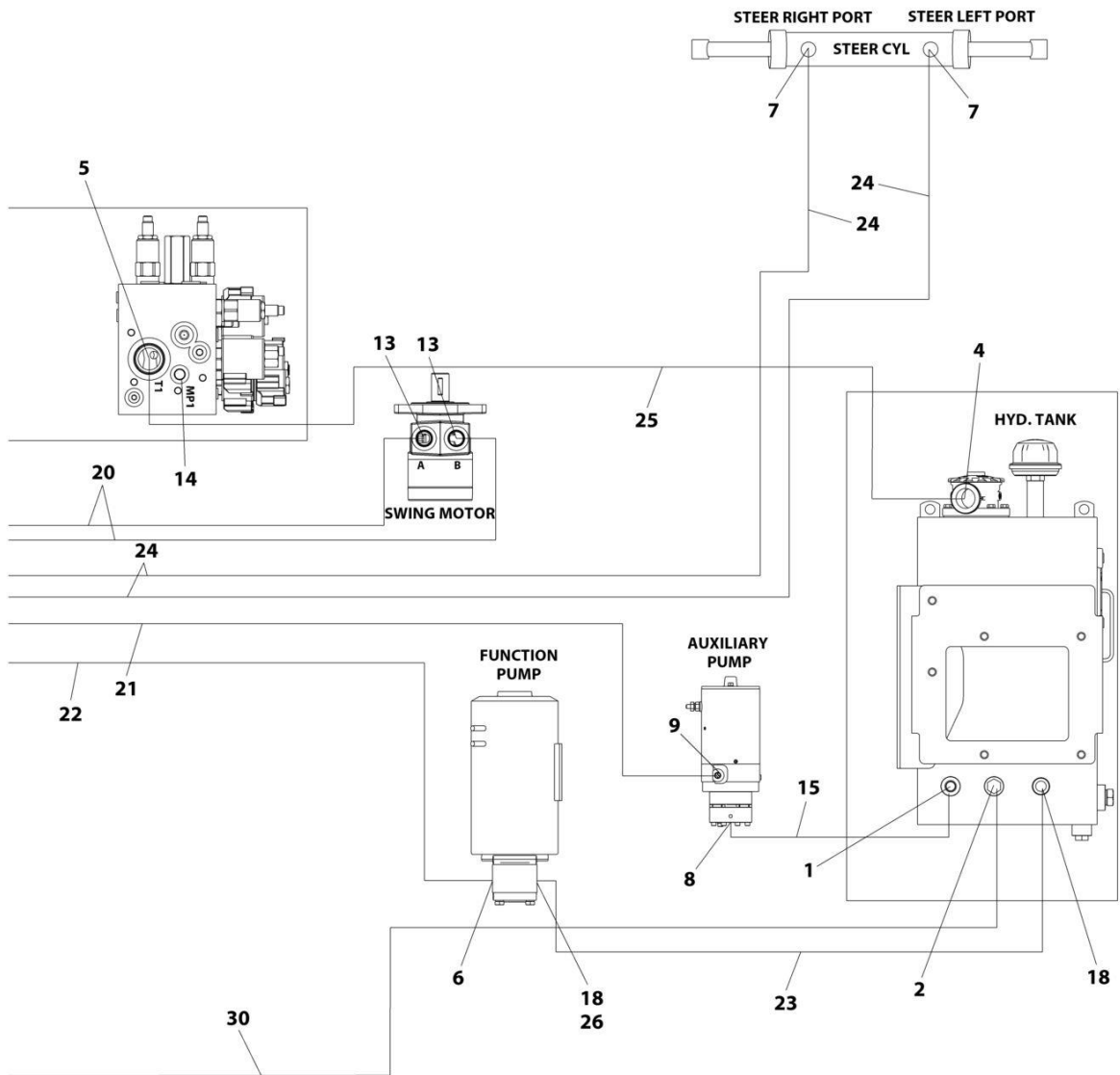
SECTION 6 - HYDRAULIC

FIGURE 6-2. CHASSIS HYDRAULIC SYSTEM INSTALLATION



ART_1001250949_1OF2

SECTION 6 - HYDRAULIC



ART_1001250949_2OF2

SECTION 6 - HYDRAULIC

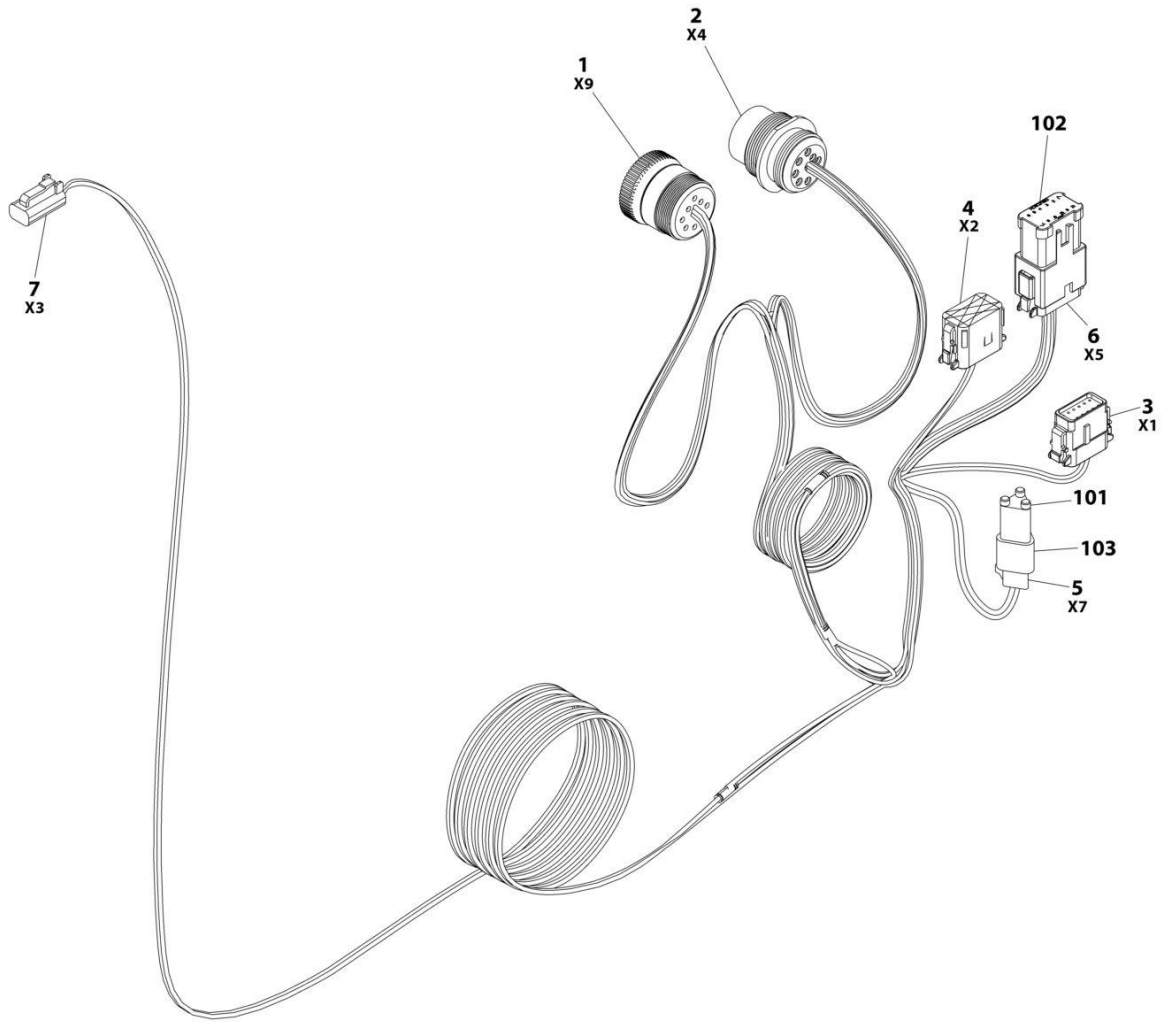
FIGURE 6-2. CHASSIS HYDRAULIC SYSTEM INSTALLATION

ITEM	PART NUMBER	QTY	DESCRIPTION	REV
	1001250949	Ref	CHASSIS HYDRAULIC SYSTEM INSTALLATION	C
1	2220373	1	Fitting, Straight JIC/ORB	
2	2220374	3	Fitting, Straight JIC/ORB	
3	2220375	1	Fitting, Straight JIC/ORB	
4	2220435	1	Fitting, Straight JIC/ORB	
5	2220465	1	Fitting, 90 JIC/ORB	
6	2220499	1	Fitting, 45 JIC/ORB	
7	2220501	2	Fitting, 45 JIC/ORB	
8	2220600	1	Fitting, Straight JIC/ORB	
9	2220603	1	Fitting, Straight JIC/ORB	
10	2220883	1	Plug #4	
11	2220923	2	Fitting, Straight JIC/ORB	
12	2220998	2	Fitting, Straight JIC/ORB	
13	2221033	2	Fitting, Straight JIC/ORB	
14	2221086	3	Fitting, Diagnostic	
15	2752519	1	Hose	
16	8760554	1	Fitting, Tee JIC/ORB/JIC	
18	1001143501	2	Clamp	
19	1001152155	2	Adapter JIC/ORB	
20	1001173027	2	Hose	
21	1001173028	1	Hose	
22	1001177507	1	Hose	
23	1001177511	1	Hose	
24	1001177515	2	Hose	
25	1001178003	1	Tube	
26	1001182142	1	Fitting, Barbed	
27	1001205950	1	Hose	
28	1001205951	1	Hose	
29	1001205952	1	Hose	
30	1001205953	1	Hose	
31	2220371	1	Fitting, Straight JIC/ORB	
32	2220372	4	Fitting, Straight JIC/ORB	
33	2220415	1	Fitting, Straight JIC/ORB	
34	2220582	2	Fitting, Straight JIC/ORB	
35	4240018	5	Tie-Strap (Not Shown)	

SECTION 7 - ELECTRICAL

SECTION 7 - ELECTRICAL

FIGURE 7-1. CLEARSKY BEACON LIGHT HARNESS



ART_1001286936

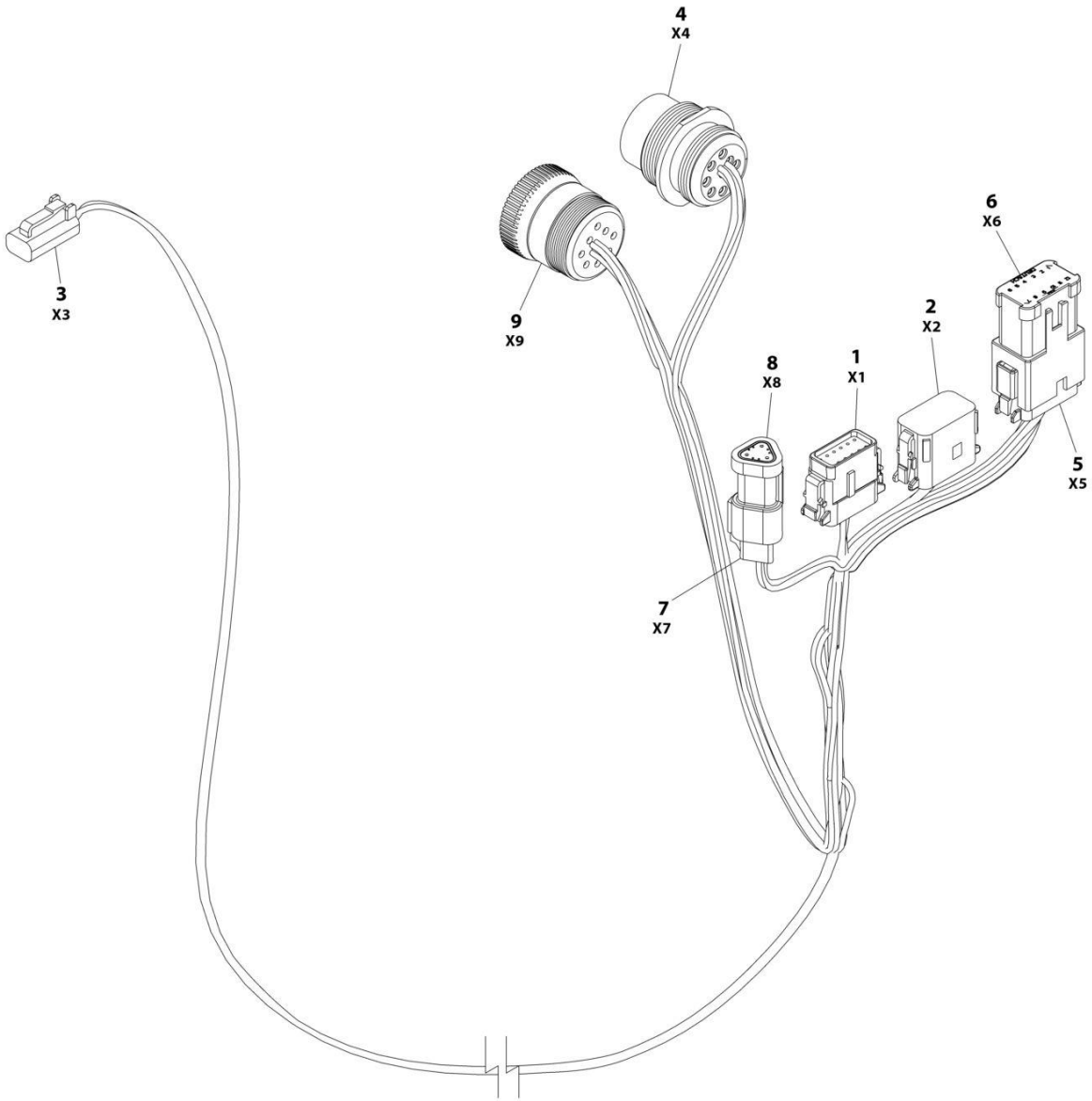
SECTION 7 - ELECTRICAL

FIGURE 7-1. CLEARSKY BEACON LIGHT HARNESS

ITEM	PART NUMBER	QTY	DESCRIPTION	REV
	1001286936	Ref	CLEARSKY BEACON LIGHT HARNESS	A
1	1001112796	1	Connector	
1	4460465	6	Socket	
1	4460466	3	Plug, Terminal	
2	1001112612	1	Connector	
2	4460464	6	Pin	
2	4460466	3	Plug	
3	1001116808	1	Plug	
3	4460928	3	Socket	
3	4460518	9	Plug	
4	1001116774	1	Plug	
4	4460518	9	Plug, Terminal	
4	4460928	3	Socket	
5	4461095	1	Plug	
5	4460465	3	Socket	
6	4460933	1	Plug	
6	4460465	12	Socket	
7	4460891	1	Plug	
7	4460465	2	Socket	
101	4460466	3	Plug	
102	1001119020	1	Bussbar	
103	1001144147	1	Connector	

SECTION 7 - ELECTRICAL

FIGURE 7-2. BEACON LIGHT HARNESS



ART_1001142736

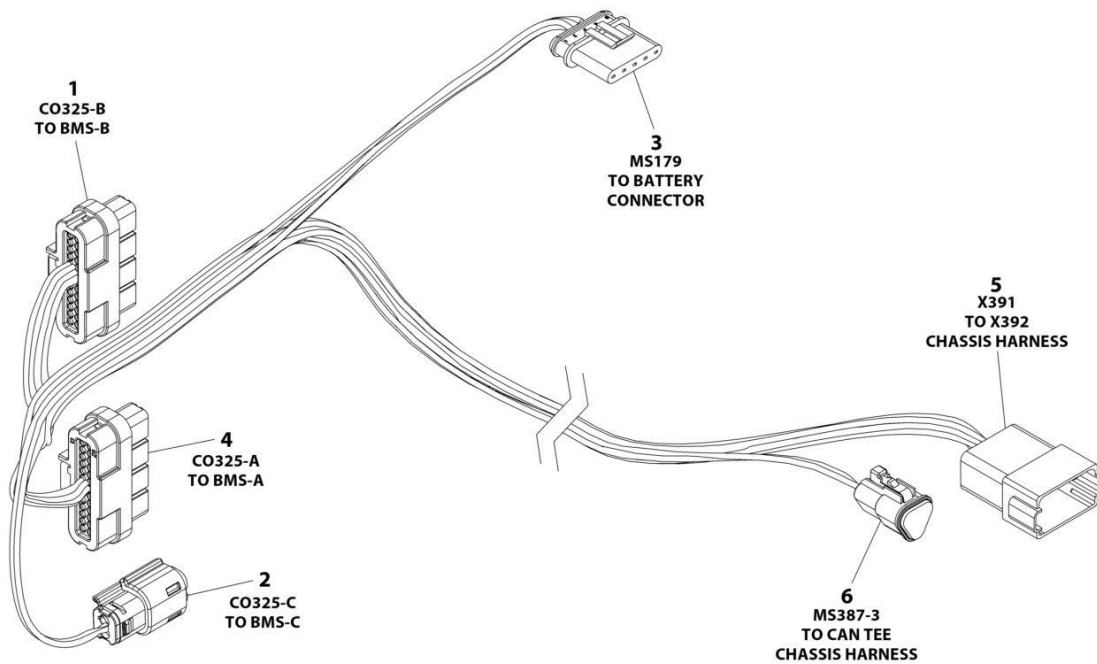
SECTION 7 - ELECTRICAL

FIGURE 7-2. BEACON LIGHT HARNESS

ITEM	PART NUMBER	QTY	DESCRIPTION	REV
	1001142736	Ref	STROBE LIGHT HARNESS	F
1	1001116808	1	Plug, Male - 12 Position	
1	4460928	3	Socket, Female	
1	4460518	9	Plug, Terminal	
2	1001116774	1	Plug, Male - 12 Position	
2	4460928	3	Socket, Female	
2	4460518	9	Plug, Terminal	
3	4460891	1	Plug, Male - 2 Position	
3	4460465	2	Socket, Female	
4	1001112612	1	Connector - 9 Position	
4	4460464	6	Pin, Male	
4	4460466	3	Plug, Terminal	
5	4460933	1	Plug, Male - 12 Position	
5	4460465	12	Socket, Female	
6	1001119020	1	Bussbar - 12 Position	
7	4461095	1	Plug, Male - 3 Position	
7	4460465	3	Socket, Female	
8	4461070	1	Bussbar - 3 Position	
9	1001112796	1	Connector - 9 Position	
9	4460465	6	Socket, Female	
9	4460466	3	Plug, Terminal	

SECTION 7 - ELECTRICAL

FIGURE 7-3. BMS HARNESS



ART_1001262599

SECTION 7 - ELECTRICAL

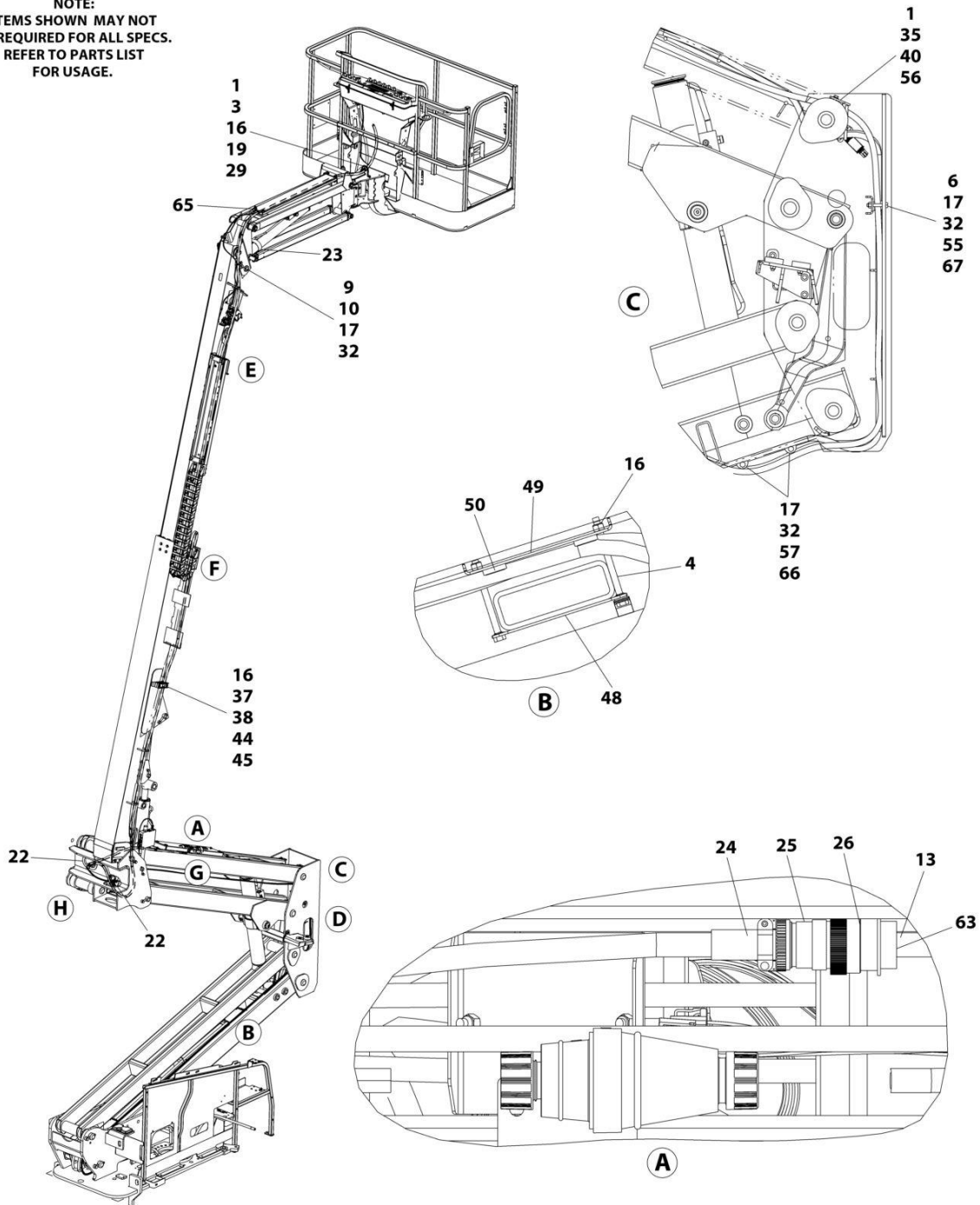
FIGURE 7-3. BMS HARNESS

ITEM	PART NUMBER	QTY	DESCRIPTION	REV
	1001262599	Ref	BMS HARNESS	A
1	1001249069	1	Connector – 26 Position	
1	1001248223	13	Socket, Female	
1	1001248224	13	Plug, Terminal	
2	1001255775	1	Connector – 2 Position	
2	1001255776	2	Socket, Female	
3	4461128	1	Connector – 5 Position	
3	183035-1	5	Socket, Female	
3	1001197457	5	Seal, Terminal	
4	1001249069	1	Connector – 26 Position	
4	1001248223	6	Socket, Female	
4	1001248224	20	Plug, Terminal	
5	4460970	1	Receptacle, Female - 12 Position	
5	4460464	9	Pin, Male	
5	4460466	3	Plug, Terminal	
6	1001116812	1	Connector – 3 Position	
6	4460944	2	Socket, Female	
6	4460466	1	Plug, Terminal	

SECTION 7 - ELECTRICAL

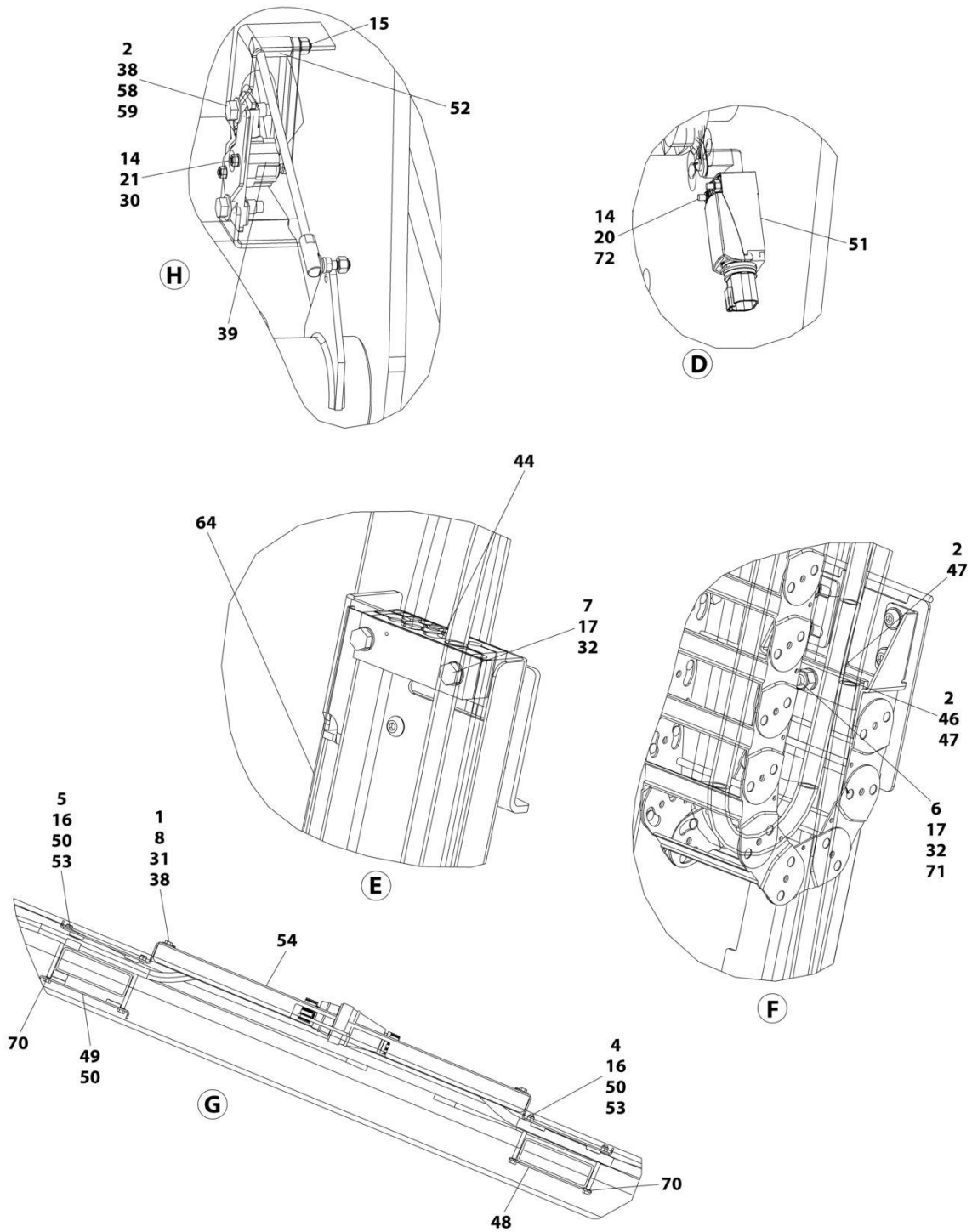
FIGURE 7-4. BOOM CABLES AND CLAMPS (Prior to SN C300000185)

NOTE:
ITEMS SHOWN MAY NOT
BE REQUIRED FOR ALL SPECS.
REFER TO PARTS LIST
FOR USAGE.



ART_1001255050_10F2

SECTION 7 - ELECTRICAL



ART_1001255050_20F2

SECTION 7 - ELECTRICAL

FIGURE 7-4. BOOM CABLES AND CLAMPS (Prior to SN C300000185)

ITEM	PART NUMBER	QTY	DESCRIPTION	REV
	1001179228	Ref	BOOM CABLES AND CLAMPS INSTALLATION - REFERENCE CHART	O
	1001255050	Ref	BOOM CABLES AND CLAMPS INSTALLATION	B
1	0100011	AR	Compound, Locking	
2	0100081	AR	Adhesive	
3	0760814	2	Bolt M8 x 30	
4	0700827	6	Bolt M8 x 100	
5	0700828	2	Bolt M8 x 110	
6	0701021	3	Bolt M10 x 65	
7	0701024	4	Bolt M10 x 80	
8	0760812	4	Bolt M8 x 25	
9	0761012	1	Bolt M10 x 25	
10	1320130	1	Clamp	
13	2820031	AR	Heat Shrink	
14	3290405	4	Nut M4	
15	3290605	2	Nut M6	
16	3290805	12	Nut M8	
17	3291005	10	Nut M10	
19	3841340	1	Loop, Hose	
20	4010418	2	Screw M4 x 50	
21	4031511	2	Capscrew M4 x 35	
22	4060808	27.5 in /8.38m	Flex-Trim	
23	4240156	2	Strap, Clinch	
24	4460473	1	Clamp, Cable	
25	4460865	1	Connector - 19 Position	
26	4460866	1	Connector - 19 Position	
29	4811900	4	Washer M8	
30	4811400	2	Washer M4	
31	4811902	4	Washer M8	
32	4812000	13	Washer M10	
33	1001176951	1	Harness, Tower Boom (Not Shown - See Separate Breakdown in This Section)	
34	1001174749	1	Harness, Tower Boom AC Cable (Not Shown - See Separate Breakdown in This Section)	
35	5251014	2	Bolt M10 x 30	
36	8881800	AR	Tie-Strap (Not Shown)	
37	5281920	2	Screw M8 x 80	
38	1001118274	8	Nut M8	
39	1001118971	1	Sensor, Angle	
40	1001118972	2	Nut M10	
41	1001164730	1	Harness, Main Boom (Not Shown - See Separate Breakdown in This Section)	
42	1001164731	1	Harness, Main Boom AC Cable (Not Shown - See Separate Breakdown in This Section)	
43	1001164738	1	Harness, Boom Valve (Not Shown - See Separate Breakdown in This Section)	
44	1001166656	3	Block, Clamping	
45	1001166662	1	Plate	
46	1001168472	1	Plate, Clamping	
47	1001168473	2	Clamp, Rubber	

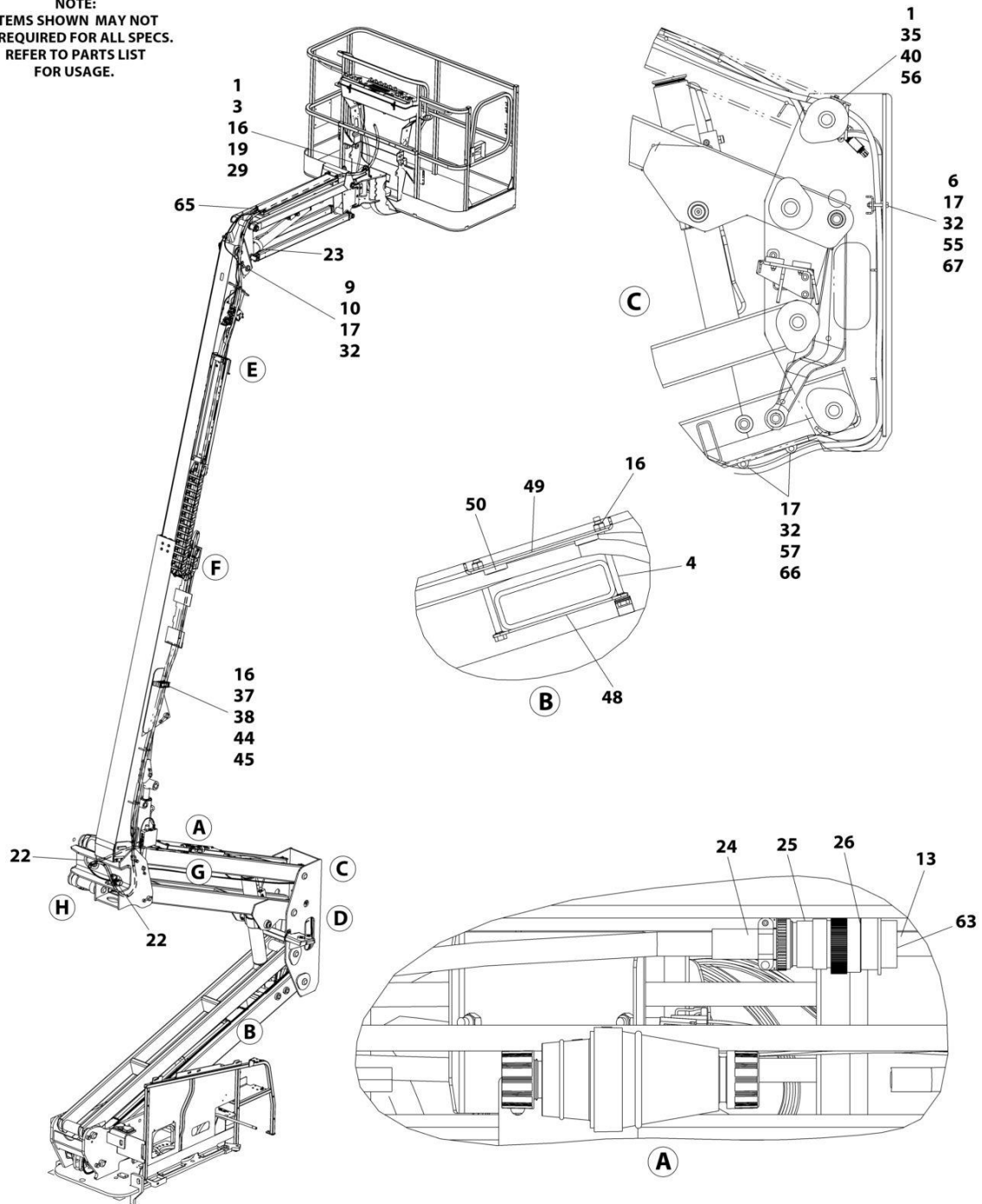
SECTION 7 - ELECTRICAL

ITEM	PART NUMBER	QTY	DESCRIPTION	REV
48	1001171553	3	Plate, Clamping	
49	1001171555	3	Plate, Clamping	
50	1001171559	10	Pad	
51	1001172271	1	Switch, Limit	
52	1001238466	1	Link, Sensor (Note: Sold as Assembly Only)	
53	1001178448	2	Plate, Clamping	
54	1001178449	1	Cover	
55	1001178644	1	Plate	
56	1001178958	NLA	Bracket (Use PN 1001260306)	
56	1001260306	1	Bracket	
57	1001182561	2	Roller	
58	5250812	2	Bolt M8 x 25	
59	1001179266	1	Plate, Mounting	
63	4460466	AR	Plug, Terminal	
64	1001181621	1	Cover	
65	1001181923	1	Shield, Hose	
66	1001119280	2	Bolt M10 x 260	
67	1001185747	2	Pad	
70	1001119228	8	Nut M8	
71	8310070	1	Pushnut 3/8	
72	4750800	AR	Washer #8	

SECTION 7 - ELECTRICAL

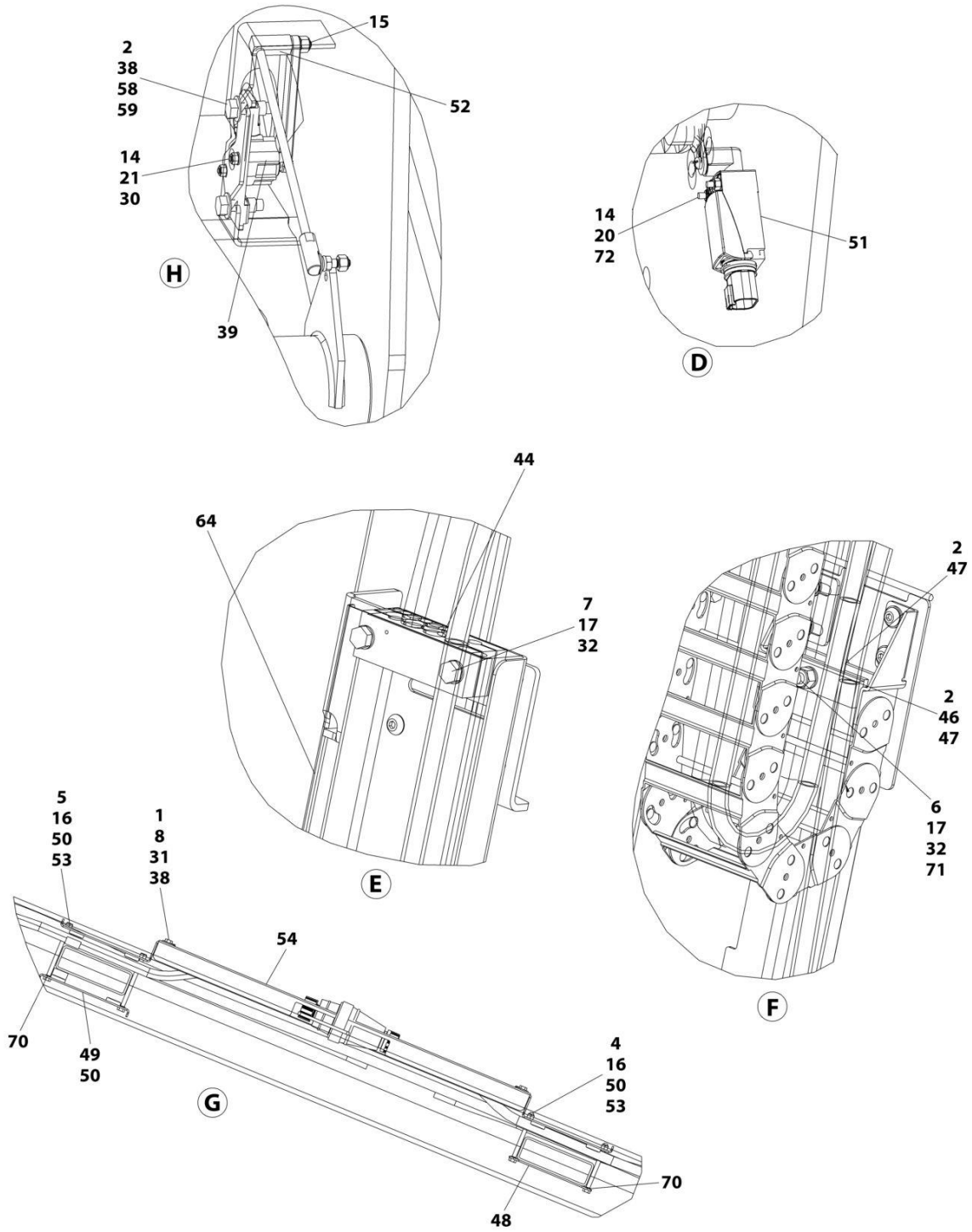
FIGURE 7-5. BOOM CABLES AND CLAMPS (SN C30000185 to Present)

NOTE:
ITEMS SHOWN MAY NOT
BE REQUIRED FOR ALL SPECS.
REFER TO PARTS LIST
FOR USAGE.



ART_1001274436_10F2

SECTION 7 - ELECTRICAL



ART_1001274436_20F2

SECTION 7 - ELECTRICAL

FIGURE 7-5. BOOM CABLES AND CLAMPS (SN C300000185 to Present)

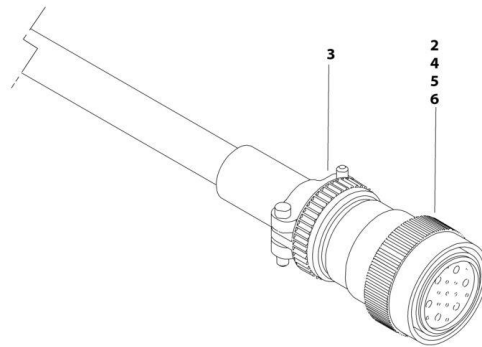
ITEM	PART NUMBER	QTY	DESCRIPTION	REV
	1001179228	Ref	BOOM CABLES AND CLAMPS INSTALLATION - REFERENCE CHART	O
	1001274436	Ref	BOOM CABLES AND CLAMPS INSTALLATION	B
1	0100011	AR	Compound, Locking	
2	0100081	AR	Adhesive	
3	0760814	2	Bolt M8 x 30	
4	0700827	6	Bolt M8 x 100	
5	0700828	2	Bolt M8 x 110	
6	0701021	3	Bolt M10 x 65	
7	0701024	4	Bolt M10 x 80	
8	0760812	4	Bolt M8 x 25	
9	0761012	1	Bolt M10 x 25	
10	1320130	1	Clamp	
13	2820031	AR	Heat Shrink	
14	3290405	4	Nut M4	
15	3290605	2	Nut M6	
16	3290805	12	Nut M8	
17	3291005	10	Nut M10	
19	3841340	1	Loop, Hose	
20	4010418	2	Screw M4 x 50	
21	4031511	2	Capscrew M4 x 35	
22	4060808	27.5 in /8.38m	Flex-Trim	
23	4240156	2	Strap, Clinch	
24	4460473	1	Clamp, Cable	
25	4460865	1	Connector - 19 Position	
26	4460866	1	Connector - 19 Position	
29	4811900	4	Washer M8	
30	4811400	2	Washer M4	
31	4811902	4	Washer M8	
32	4812000	13	Washer M10	
33	1001176951	1	Harness, Tower Boom (Not Shown - See Separate Breakdown in this Section)	
34	1001174749	1	Harness, Tower Boom AC Cable (Not Shown - See Separate Breakdown in this Section)	
35	5251014	2	Bolt M10 x 30	
36	8881800	AR	Tie-Strap (Not Shown)	
37	5281920	2	Screw M8 x 80	
38	1001118274	8	Nut M8	
39	1001118971	1	Sensor, Angle	
40	1001118972	2	Nut M10	
41	1001172335	1	Harness, Main Boom (Not Shown - See Separate Breakdown in this Section)	
42	1001172336	1	Harness, Main Boom AC Cable (Not Shown - See Separate Breakdown in this Section)	
43	1001164738	1	Harness, Boom Valve (Not Shown - See Separate Breakdown in this Section)	
44	1001166656	3	Block, Clamping	
45	1001166662	1	Plate	
46	1001168472	1	Plate, Clamping	
47	1001168473	2	Clamp, Rubber	

SECTION 7 - ELECTRICAL

ITEM	PART NUMBER	QTY	DESCRIPTION	REV
48	1001171553	3	Plate, Clamping	
49	1001171555	3	Plate, Clamping	
50	1001171559	10	Pad	
51	1001172271	1	Switch, Limit	
52	1001238466	1	Link, Sensor (Note: Sold as Assembly Only)	
53	1001178448	2	Plate, Clamping	
54	1001178449	1	Cover	
55	1001178644	1	Plate	
56	1001178958	NLA	Bracket (Use PN 1001260306)	
56	1001260306	1	Bracket	
57	1001182561	2	Roller	
58	5250812	2	Bolt M8 x 25	
59	1001179266	1	Plate, Mounting	
63	4460466	AR	Plug, Terminal	
64	1001181875	1	Cover	
65	1001181923	1	Shield, Hose	
66	1001119280	2	Bolt M10 x 260	
67	1001185747	2	Pad	
70	1001119228	8	Nut M8	
71	8310070	1	Pushnut 3/8	
72	4750800	AR	Washer #8	

SECTION 7 - ELECTRICAL

FIGURE 7-6. BOOM HARNESS - MAIN BOOM



ART_1001164730

SECTION 7 - ELECTRICAL

FIGURE 7-6. BOOM HARNESS - MAIN BOOM

ITEM	PART NUMBER	QTY	DESCRIPTION	REV
	1001164730	Ref	BOOM HARNESS - MAIN BOOM	D
2	4460865	1	Connector - 19 Position	
3	4460473	1	Clamp	
4	4460465	20	Socket, Female	
5	4460509	8	Socket, Female	
6	4460466	5	Plug, Socket	

SECTION 7 - ELECTRICAL

FIGURE 7-7. BOOM HARNESS - MAIN BOOM AC CABLE



ART_1001164731

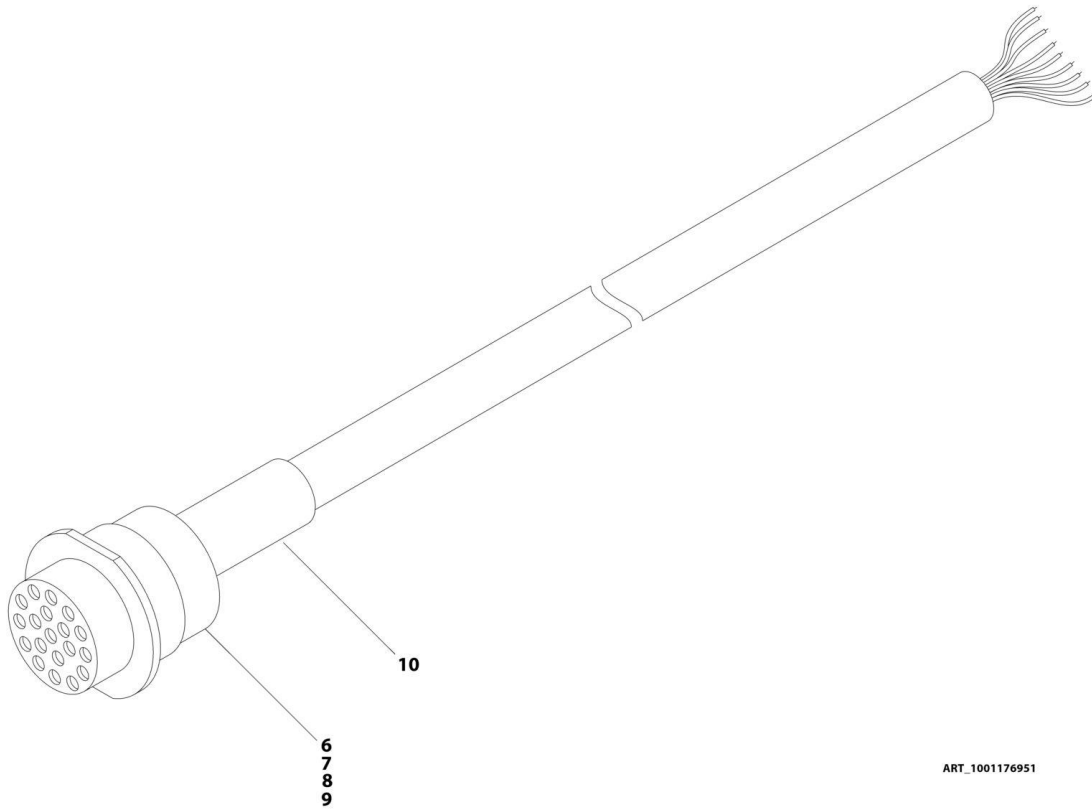
SECTION 7 - ELECTRICAL

FIGURE 7-7. BOOM HARNESS - MAIN BOOM AC CABLE

ITEM	PART NUMBER	QTY	DESCRIPTION	REV
	1001164731	Ref	BOOM HARNESS - MAIN BOOM AC CABLE	C
1	1001120204	1	Plug, Male	
4	1060461	494 in/ 12.6m	Cable, Electrical - 12/3	

SECTION 7 - ELECTRICAL

FIGURE 7-8. BOOM HARNESS - TOWER BOOM



ART_1001176951

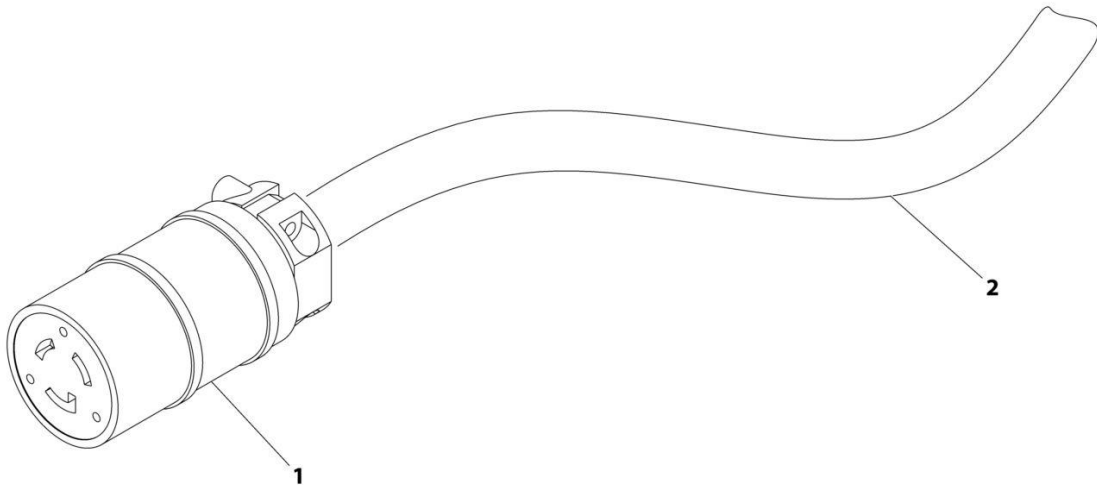
SECTION 7 - ELECTRICAL

FIGURE 7-8. BOOM HARNESS - TOWER BOOM

ITEM	PART NUMBER	QTY	DESCRIPTION	REV
	1001176951	Ref	BOOM HARNESS - TOWER BOOM	E
6	4460466	5	Plug, Terminal	
7	4460464	20	Pin, Male	
8	4460508	8	Pin, Male	
9	4460866	1	Connector - 19 Position	
10	2820031	AR	Heat Shrink	

SECTION 7 - ELECTRICAL

FIGURE 7-9. BOOM HARNESS - TOWER BOOM AC CABLE



ART_1001174749

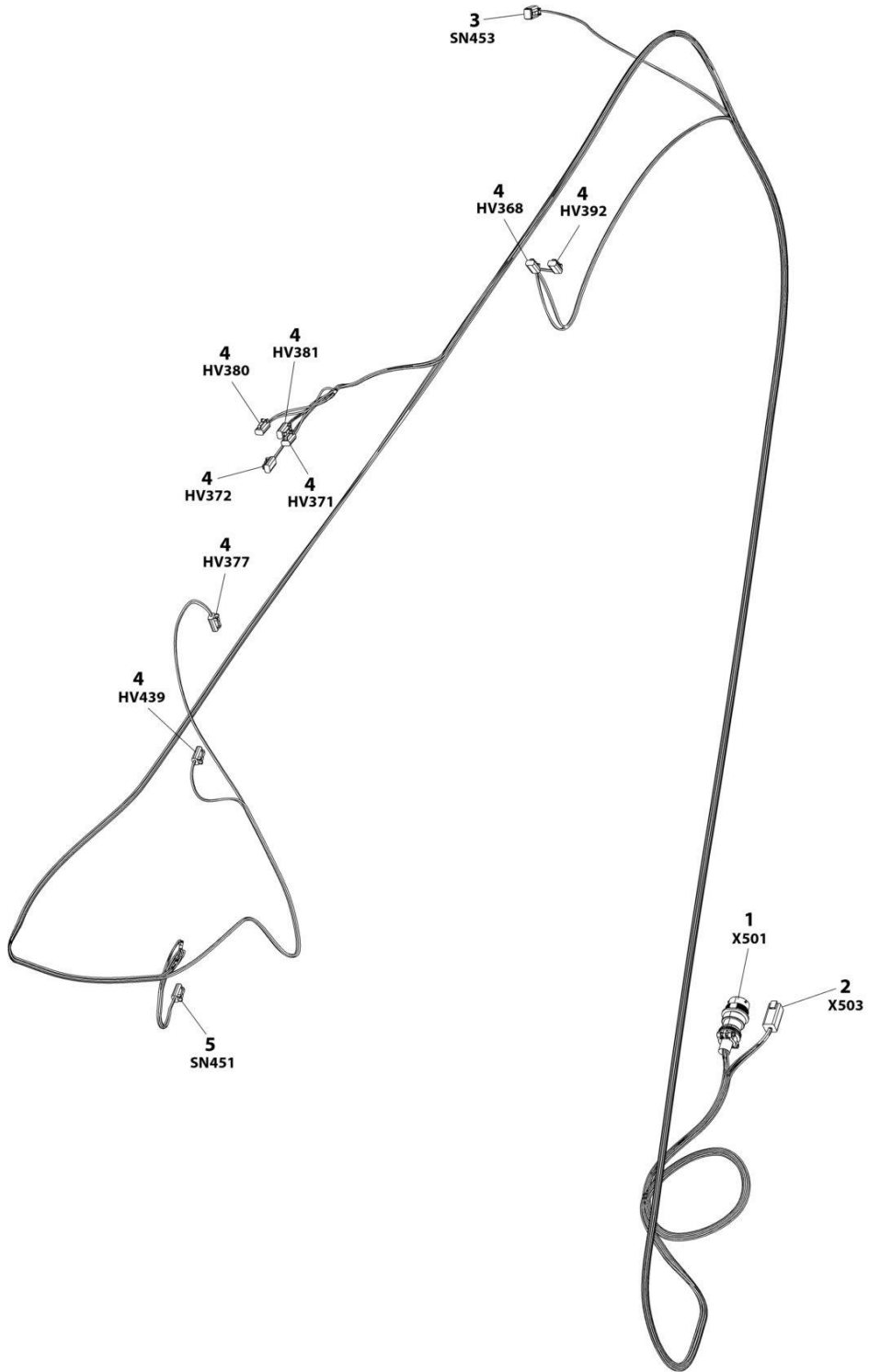
SECTION 7 - ELECTRICAL

FIGURE 7-9. BOOM HARNESS - TOWER BOOM AC CABLE

ITEM	PART NUMBER	QTY	DESCRIPTION	REV
	1001174749	Ref	BOOM HARNESS - TOWER BOOM AC CABLE	C
1	1001120205	1	Connector, Female	
2	1060461	28 ft/ 8.5m	Electrical Cable, 12/3	

SECTION 7 - ELECTRICAL

FIGURE 7-10. BOOM VALVE HARNESS



ART_1001164738

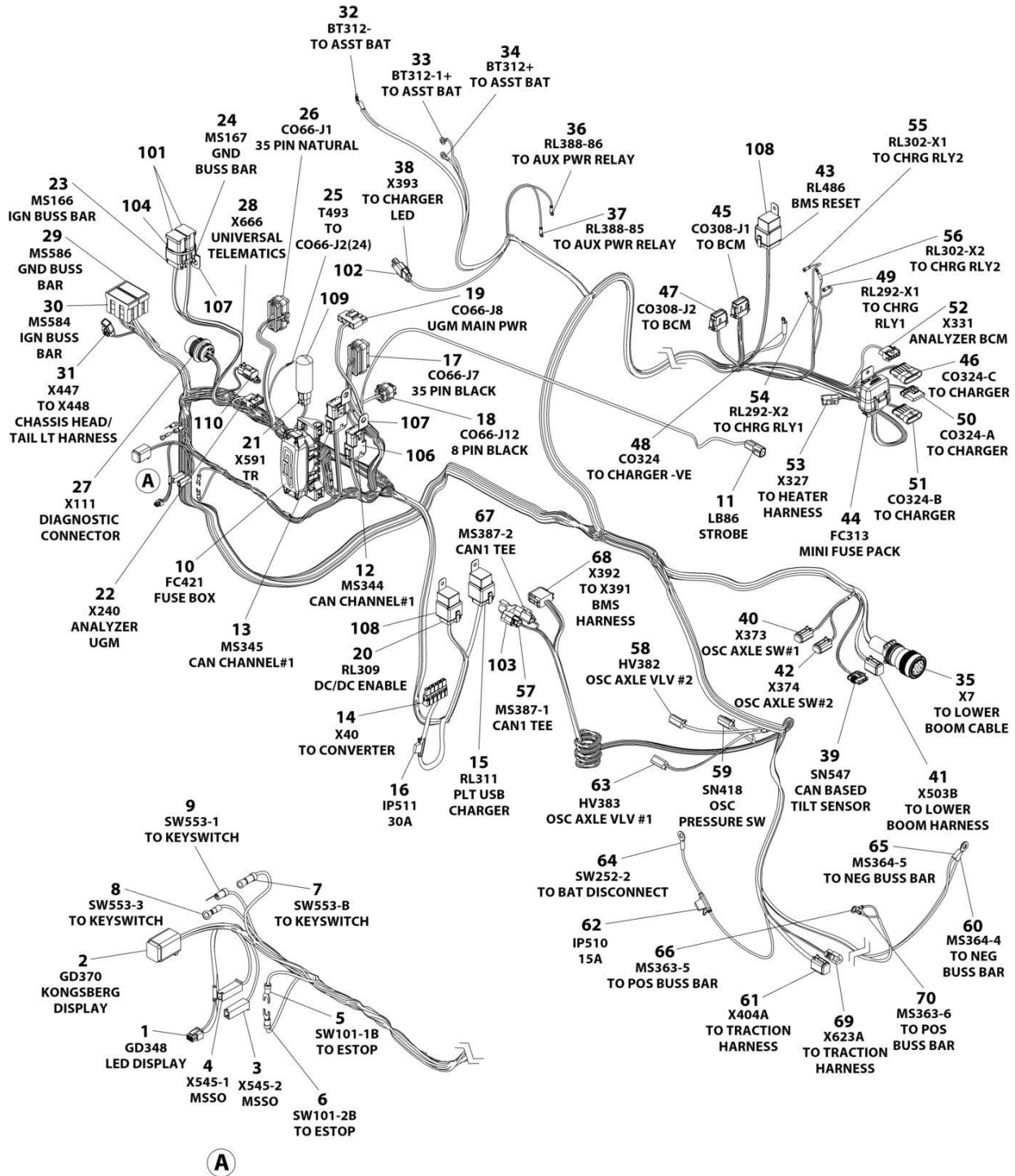
SECTION 7 - ELECTRICAL

FIGURE 7-10. BOOM VALVE HARNESS

ITEM	PART NUMBER	QTY	DESCRIPTION	REV
	1001164738	Ref	BOOM VALVE HARNESS	1
1	1001156541	1	Connector - 19 Position	
1	4460464	13	Pin, Male	
1	4460466	1	Plug, Terminal	
2	4460899	1	Connector - 6 Position	
2	4460464	6	Pin, Male	
3	4460884	1	Plug, Male - 4 Position	
3	4460465	2	Socket, Female	
3	4460466	2	Plug, Terminal	
4	4460891	8	Plug, Male - 2 Position	
4	4460465	16	Socket, Female	
5	1001230931	1	Plug, Male - 6 Position	
5	1001116748	6	Terminal	

SECTION 7 - ELECTRICAL

FIGURE 7-11. CHASSIS HARNESS ASSEMBLY (Prior to SN C30000468)



ART_1001262597

SECTION 7 - ELECTRICAL

FIGURE 7-11. CHASSIS HARNESS ASSEMBLY (Prior to SN C30000468)

ITEM	PART NUMBER	QTY	DESCRIPTION	REV
	1001262597	Ref	CHASSIS HARNESS ASSEMBLY	B
1	1001237667	1	Plug, Male - 6 Position	
1	1001237668	5	Terminal	
2	4460894	1	Plug, Male - 6 Position	
2	4460465	4	Socket, Female	
2	4460466	2	Plug, Terminal	
3	4460260	1	Terminal, Housing	
3	4460259	1	Terminal	
4	4460260	1	Terminal, Housing	
4	4460259	1	Terminal	
5	4460115	1	Terminal, Fork	
6	4460115	1	Terminal, Fork	
7	4460042	1	Terminal, Ring	
8	4460313	1	Terminal, Ring	
9	4460042	1	Terminal, Ring	
10	1001185964	1	Fuse Box Assembly	
10	4460746	13	Terminal, Female	
10	1001234800	12	Terminal, Female	
10	4460748	14	Plug, Terminal	
10	8220125	8	Terminal, Female	
10	1001116747	2	Terminal, Female	
10	4460458	24	Seal, Terminal	
10	80963067	8	Seal (Blue)	
10	8220079	2	Seal, Terminal	
10	4460789	2	Seal, Terminal	
11	4460897	1	Connector - 2 Position	
11	4460464	2	Pin, Male	
12	4460933	1	Connector - 12 Position	
12	4460465	8	Socket, Female	
12	4460466	4	Plug, Terminal	
13	4460933	1	Connector - 12 Position	
13	4460465	12	Socket, Female	
14	1001117012	1	Connector - 5 Position	
14	1001155021	4	Terminal (Gold)	
14	4461271	1	Terminal	
15	4460374	1	Plug, Relay	
15	1001116733	2	Female, Terminal	
15	1001116732	2	Female, Terminal	
15	1001128128	1	Plug, Terminal	
16	2400066	1	Holder, Fuse	
16	8229245	1	Fuse 30Amp	
17	4460873	1	Connector - 35 Position	
17	4460871	24	Socket, Female	
17	4460905	11	Plug, Terminal	
18	1001113961	1	Connector - 8 Position	
18	4460871	3	Socket, Female	
18	4460905	5	Plug, Terminal	
19	4460878	1	Plug, Male - 4 Position	
19	4460887	2	Terminal	
20	4460374	1	Plug, Relay	

SECTION 7 - ELECTRICAL

ITEM	PART NUMBER	QTY	DESCRIPTION	REV
20	1001116733	2	Female, Terminal	
20	1001116732	2	Female, Terminal	
20	1001128128	1	Plug, Terminal	
21	4460884	1	Plug, Male - 4 Position	
21	4460944	4	Socket, Female	
22	4460761	1	Connector - 4 Position	
22	4460227	4	Pin, Male	
23	4460836	1	Connector - 12 Position	
23	4460465	4	Socket, Female	
23	4460466	8	Plug, Terminal	
24	4460836	1	Connector - 12 Position	
24	4460465	7	Socket, Female	
23	4460942	1	Terminal	
24	4460466	4	Plug, Terminal	
25	4460871	1	Socket, Female	
26	4460874	1	Connector - 35 Position	
26	4460871	13	Socket, Female	
26	4460905	22	Plug, Terminal	
27	1001112612	1	Connector - 9 Position	
27	4460943	2	Pin, Male	
27	4460464	3	Pin, Male	
27	4460466	4	Plug, Terminal	
28	4460884	1	Plug, Male - 4 Position	
28	4460465	4	Socket, Female	
29	1001184846	1	Connector - 10 Position	
29	4460509	8	Socket, Female	
29	4460466	2	Plug, Terminal	
30	1001184846	1	Connector - 10 Position	
30	4460509	6	Socket, Female	
30	4460466	4	Plug, Terminal	
31	4461018	1	Connector - 2 Position	
31	4460509	2	Socket, Female	
32	1001117108	1	Terminal, Ring	
33	4460312	1	Terminal, Ring	
34	4460312	1	Terminal, Ring	
35	4460865	1	Connector - 19 Position	
35	4460943	2	Pin, Male	
35	4460464	4	Pin, Male	
35	4460508	4	Pin, Male	
35	4460466	9	Plug, Terminal	
35	4460473	1	Clamp	
36	4460247	1	Terminal, Ring	
37	4460247	1	Terminal, Ring	
38	4460911	1	Connector - 3 Position	
38	4460918	3	Socket, Female	
39	1001103012	1	Connector - 4 Position	
39	1001107854	4	Socket, Female	
40	4460884	1	Plug, Male - 4 Position	
40	4460465	2	Socket, Female	
40	4460466	2	Plug, Terminal	
41	4460894	1	Plug, Male - 6 Position	

SECTION 7 - ELECTRICAL

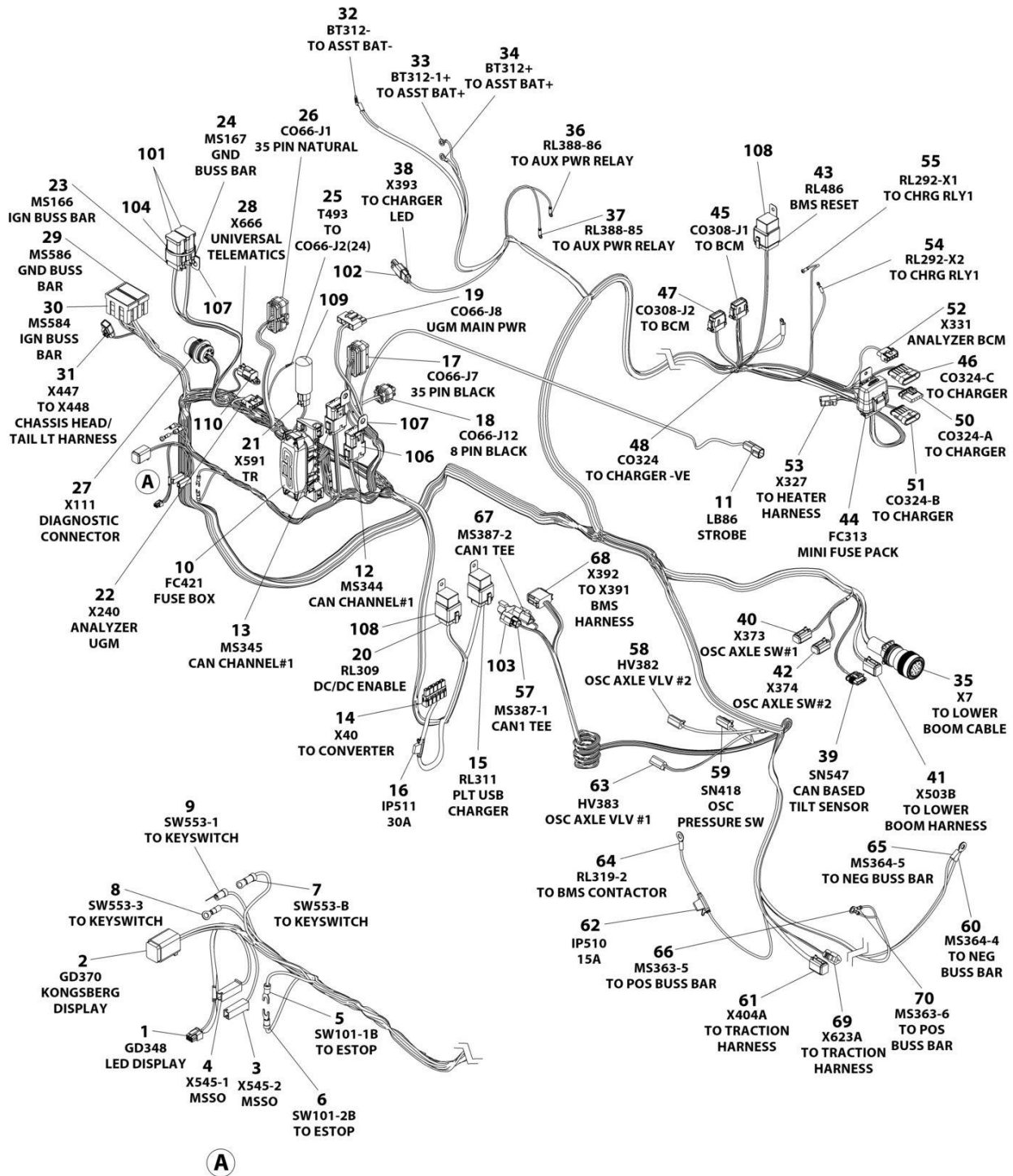
ITEM	PART NUMBER	QTY	DESCRIPTION	REV
41	4460465	6	Socket, Female	
42	4460884	1	Plug, Male - 4 Position	
42	4460465	2	Socket, Female	
42	4460466	2	Plug, Terminal	
43	4460374	1	Plug, Relay	
43	1001116733	2	Female, Terminal	
43	1001116732	2	Female, Terminal	
43	1001128128	1	Plug, Terminal	
44	1001260788	1	Holder, Fuse and Relay	
44	4460746	12	Terminal, Female	
45	4460908	1	Connector - 12 Position	
45	1001126008	10	Socket, Female	
45	4460518	2	Plug, Terminal	
46	4461228	1	Plug, Male - 6 Position	
46	1001104497	4	Socket, Female	
46	1001116698	2	Plug, Terminal	
47	4460909	1	Connector - 12 Position	
47	1001126008	2	Socket, Female	
47	1001126009	2	Socket, Female	
47	4460518	8	Plug, Terminal	
48	8220022	1	Terminal, Ring	
49	1001098122	1	Terminal, Ring	
50	4461128	1	Connector - 5 Position	
50	1001107854	3	Socket, Female	
50	1001116698	2	Plug, Terminal	
51	4461229	1	Connector - 5 Position	
51	1001104497	2	Socket, Female	
51	1001116698	3	Plug, Terminal	
52	4460761	1	Connector - 4 Position	
52	4460227	4	Pin, Male	
53	4460539	1	Connector - 3 Position	
53	4460465	3	Socket, Female	
54	1001098122	1	Terminal, Ring	
55	1001098122	1	Terminal, Ring	
56	1001098122	1	Terminal, Ring	
57	1001116812	1	Connector - 3 Position	
57	4460944	2	Socket, Female	
57	4460466	1	Plug, Terminal	
58	4460891	1	Connector - 2 Position	
58	4460465	2	Socket, Female	
59	4460891	1	Connector - 2 Position	
59	4460465	2	Socket, Female	
60	8220045	1	Terminal, Ring	
61	4460894	1	Plug, Male - 6 Position	
61	4460465	6	Socket, Female	
62	1001170763	1	Fuseholder - 20Amp (Includes Cover)	
62	8229244	1	Fuse 15Amp	
63	4460891	1	Connector - 2 Position	
63	4460465	2	Socket, Female	
64	8220045	1	Terminal, Ring	
65	8220045	1	Terminal, Ring	

SECTION 7 - ELECTRICAL

ITEM	PART NUMBER	QTY	DESCRIPTION	REV
66	4460670	1	Terminal, Ring	
67	4460966	1	Connector - 3 Position	
67	4460944	2	Socket, Female	
67	4460466	1	Plug, Terminal	
68	4460933	1	Connector - 12 Position	
68	4460465	9	Socket, Female	
68	4460466	3	Plug, Terminal	
69	4460539	1	Connector - 3 Position	
69	4460944	3	Socket, Female	
101	4460837	2	Bussbar - 12 Position	
102	4460910	1	Connector - 3 Position	
103	4460945	1	Receptacle, 3 Way	
104	1001008559	1	Tie-Strap	
105	4460966	1	Connector - 3 Position	
106	1001125677	2	Connector, Bussbar - 12 Position	
107	1001120328	3	Clip, Mounting	
108	1001171295	3	Relay	
109	1001186231	1	Connector - 5 Position	
110	1001192401	1	Dust Cap	

SECTION 7 - ELECTRICAL

FIGURE 7-12. CHASSIS HARNESS ASSEMBLY



ART_1001286738

SECTION 7 - ELECTRICAL

FIGURE 7-12. CHASSIS HARNESS ASSEMBLY

ITEM	PART NUMBER	QTY	DESCRIPTION	REV
	1001286738	Ref	CHASSIS HARNESS ASSEMBLY	B
1	1001237667	1	Plug, Male - 6 Position	
1	1001237668	5	Terminal	
2	4460894	1	Plug, Male - 6 Position	
2	4460465	4	Socket, Female	
2	4460466	2	Plug, Terminal	
3	4460260	1	Terminal, Housing	
3	4460259	1	Terminal	
4	4460260	1	Terminal, Housing	
4	4460259	1	Terminal	
5	4460115	1	Terminal, Fork	
6	4460115	1	Terminal, Fork	
7	4460042	1	Terminal, Ring	
8	4460313	1	Terminal, Ring	
9	4460042	1	Terminal, Ring	
10	1001185964	1	Fuse Box Assembly	
10	4460746	13	Terminal, Female	
10	1001234800	12	Terminal, Female	
10	4460748	14	Plug, Terminal	
10	8220125	8	Terminal, Female	
10	1001116747	2	Terminal, Female	
10	4460458	24	Seal, Terminal	
10	80963067	8	Seal (Blue)	
10	8220079	2	Seal, Terminal	
10	4460789	2	Seal, Terminal	
11	4460897	1	Connector - 2 Position	
11	4460464	2	Pin, Male	
12	4460933	1	Connector - 12 Position	
12	4460465	8	Socket, Female	
12	4460466	4	Plug, Terminal	
13	4460933	1	Connector - 12 Position	
13	4460465	12	Socket, Female	
14	1001117012	1	Connector - 5 Position	
14	1001155021	4	Terminal (Gold)	
14	4461271	1	Terminal	
15	4460374	1	Plug, Relay	
15	1001116733	2	Female, Terminal	
15	1001116732	2	Female, Terminal	
15	1001128128	1	Plug, Terminal	
16	2400066	1	Holder, Fuse	
16	8229245	1	Fuse 30Amp	
17	4460873	1	Connector - 35 Position	
17	4460871	24	Socket, Female	
17	4460905	11	Plug, Terminal	
18	1001113961	1	Connector - 8 Position	
18	4460871	3	Socket, Female	
18	4460905	5	Plug, Terminal	
19	4460878	1	Plug, Male - 4 Position	
19	4460887	2	Terminal	
20	4460374	1	Plug, Relay	

SECTION 7 - ELECTRICAL

ITEM	PART NUMBER	QTY	DESCRIPTION	REV
20	1001116733	2	Female, Terminal	
20	1001116732	2	Female, Terminal	
20	1001128128	1	Plug, Terminal	
21	4460884	1	Plug, Male - 4 Position	
21	4460944	4	Socket, Female	
22	4460761	1	Connector - 4 Position	
22	4460227	4	Pin, Male	
23	4460836	1	Connector - 12 Position	
23	4460465	4	Socket, Female	
23	4460466	8	Plug, Terminal	
24	4460836	1	Connector - 12 Position	
24	4460465	7	Socket, Female	
23	4460942	1	Terminal	
24	4460466	4	Plug, Terminal	
25	4460871	1	Socket, Female	
26	4460874	1	Connector - 35 Position	
26	4460871	13	Socket, Female	
26	4460905	22	Plug, Terminal	
27	1001112612	1	Connector - 9 Position	
27	4460943	2	Pin, Male	
27	4460464	3	Pin, Male	
27	4460466	4	Plug, Terminal	
28	4460884	1	Plug, Male - 4 Position	
28	4460465	4	Socket, Female	
29	1001184846	1	Connector - 10 Position	
29	4460509	8	Socket, Female	
29	4460466	2	Plug, Terminal	
30	1001184846	1	Connector - 10 Position	
30	4460509	6	Socket, Female	
30	4460466	4	Plug, Terminal	
31	4461018	1	Connector - 2 Position	
31	4460509	2	Socket, Female	
32	1001117108	1	Terminal, Ring	
33	4460312	1	Terminal, Ring	
34	4460312	1	Terminal, Ring	
35	4460865	1	Connector - 19 Position	
35	4460943	2	Pin, Male	
35	4460464	4	Pin, Male	
35	4460508	4	Pin, Male	
35	4460466	9	Plug, Terminal	
35	4460473	1	Clamp	
36	4460247	1	Terminal, Ring	
37	4460247	1	Terminal, Ring	
38	4460911	1	Connector - 3 Position	
38	4460918	3	Socket, Female	
39	1001103012	1	Connector - 4 Position	
39	1001107854	4	Socket, Female	
40	4460884	1	Plug, Male - 4 Position	
40	4460465	2	Socket, Female	
40	4460466	2	Plug, Terminal	
41	4460894	1	Plug, Male - 6 Position	

SECTION 7 - ELECTRICAL

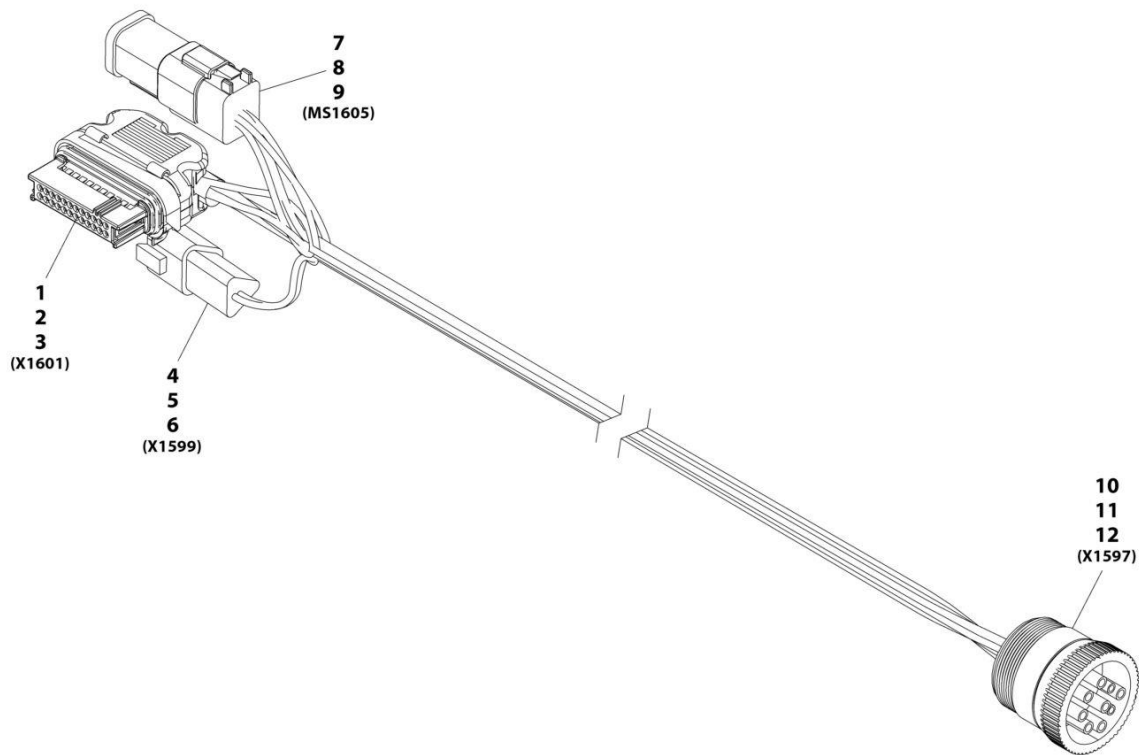
ITEM	PART NUMBER	QTY	DESCRIPTION	REV
41	4460465	6	Socket, Female	
42	4460884	1	Plug, Male - 4 Position	
42	4460465	2	Socket, Female	
42	4460466	2	Plug, Terminal	
43	4460374	1	Plug, Relay	
43	1001116733	2	Female, Terminal	
43	1001116732	2	Female, Terminal	
43	1001128128	1	Plug, Terminal	
44	1001260788	1	Holder, Fuse and Relay	
44	4460746	12	Terminal, Female	
45	4460908	1	Connector - 12 Position	
45	1001126008	10	Socket, Female	
45	4460518	2	Plug, Terminal	
46	4461228	1	Plug, Male - 6 Position	
46	1001104497	4	Socket, Female	
46	1001116698	2	Plug, Terminal	
47	4460909	1	Connector - 12 Position	
47	1001126008	2	Socket, Female	
47	1001126009	2	Socket, Female	
47	4460518	8	Plug, Terminal	
48	8220022	1	Terminal, Ring	
50	4461128	1	Connector - 5 Position	
50	1001107854	3	Socket, Female	
50	1001116698	2	Plug, Terminal	
51	4461229	1	Connector - 5 Position	
51	1001104497	2	Socket, Female	
51	1001116698	3	Plug, Terminal	
52	4460761	1	Connector - 4 Position	
52	4460227	4	Pin, Male	
53	4460539	1	Connector - 3 Position	
53	4460465	3	Socket, Female	
54	1001098122	1	Terminal, Ring	
55	1001098122	1	Terminal, Ring	
57	1001116812	1	Connector - 3 Position	
57	4460944	2	Socket, Female	
57	4460466	1	Plug, Terminal	
58	4460891	1	Connector - 2 Position	
58	4460465	2	Socket, Female	
59	4460891	1	Connector - 2 Position	
59	4460465	2	Socket, Female	
60	8220045	1	Terminal, Ring	
61	4460894	1	Plug, Male - 6 Position	
61	4460465	6	Socket, Female	
62	1001170763	1	Fuseholder - 20Amp (Includes Cover)	
62	8229244	1	Fuse 15Amp	
63	4460891	1	Connector - 2 Position	
63	4460465	2	Socket, Female	
64	8220045	1	Terminal, Ring	
65	8220045	1	Terminal, Ring	
66	4460670	1	Terminal, Ring	
67	4460966	1	Connector - 3 Position	

SECTION 7 - ELECTRICAL

ITEM	PART NUMBER	QTY	DESCRIPTION	REV
67	4460944	2	Socket, Female	
67	4460466	1	Plug, Terminal	
68	4460933	1	Connector - 12 Position	
68	4460465	9	Socket, Female	
68	4460466	3	Plug, Terminal	
69	4460539	1	Connector - 3 Position	
69	4460944	3	Socket, Female	
101	4460837	2	Bussbar - 12 Position	
102	4460910	1	Connector - 3 Position	
103	4460945	1	Receptacle, 3 Way	
104	1001008559	1	Tie-Strap	
105	4460966	1	Connector - 3 Position	
106	1001125677	2	Connector, Bussbar - 12 Position	
107	1001120328	3	Clip, Mounting	
108	1001171295	3	Relay	
109	1001186231	1	Connector - 5 Position	
110	1001192401	1	Dust Cap	

SECTION 7 - ELECTRICAL

FIGURE 7-13. CLEARSKY HARNESS



ART_1001226739-A

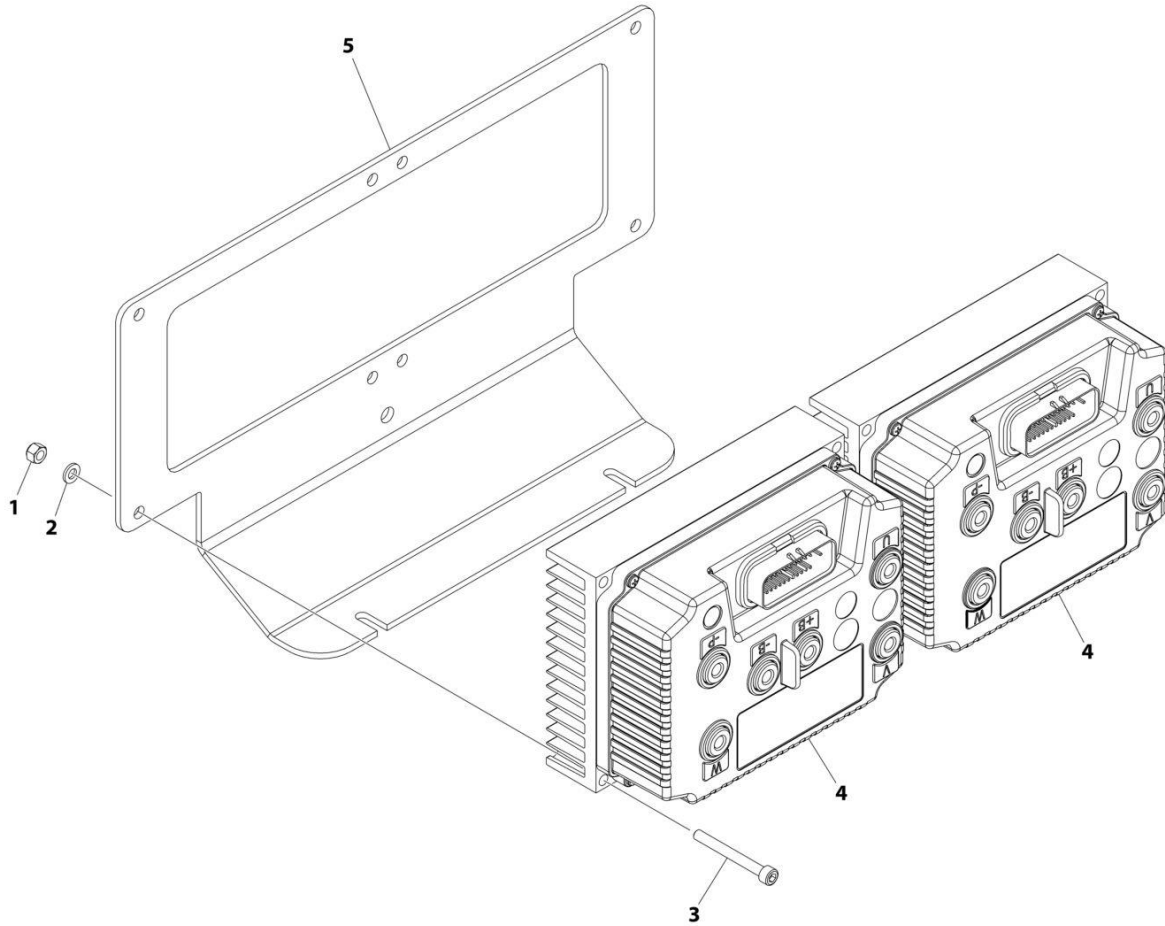
SECTION 7 - ELECTRICAL

FIGURE 7-13. CLEARSKY HARNESS

ITEM	PART NUMBER	QTY	DESCRIPTION	REV
	1001226739	Ref	Clearsky Harness	A
1	1001226636	1	Connector	
2	1001116731	16	Plug, Terminal	
3	1001226637	8	Terminal	
4	1001144147	1	Connector	
5	4460464	2	Terminal	
6	4460466	1	Plug, Terminal	
7	4460894	1	Connector	
8	4460465	6	Terminal	
9	1001226541	1	Connector- 6 Pin Bussbar	
10	1001112796	1	Connector	
11	4460465	8	Terminal	
12	4460466	1	Plug, Terminal	

SECTION 7 - ELECTRICAL

FIGURE 7-14. CONTROLLER BRACKET ASSEMBLY



ART_1001250432

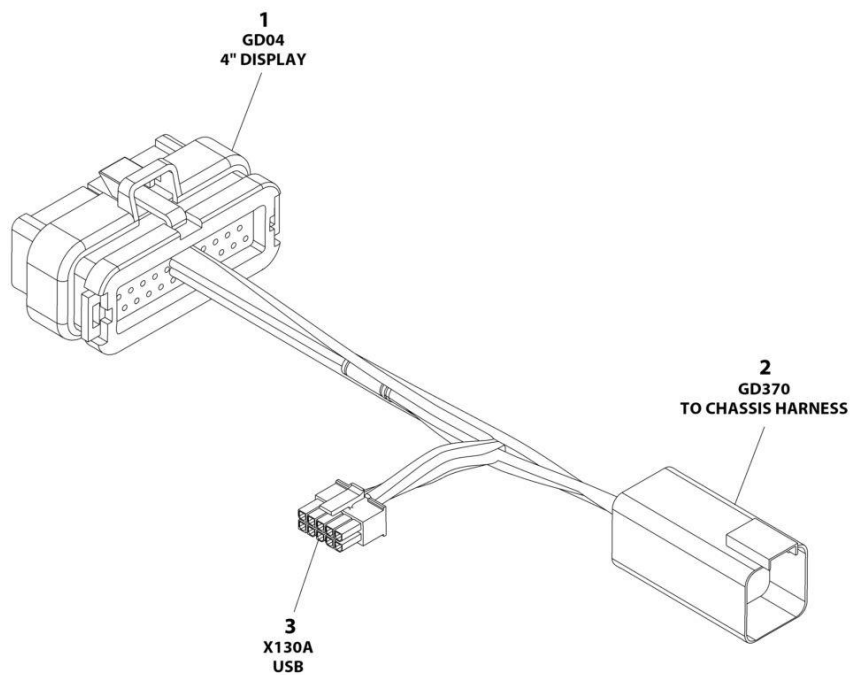
SECTION 7 - ELECTRICAL

FIGURE 7-14. CONTROLLER BRACKET ASSEMBLY

ITEM	PART NUMBER	QTY	DESCRIPTION	REV
	1001250432	Ref	CONTROLLER BRACKET ASSEMBLY	A
1	3290605	8	Nut M6	
2	4811700	8	Washer M6	
3	1001118878	8	Bolt M6 x 55	
4	1001170140	2	Controller, Drive	
5	1001209640	1	Bracket	

SECTION 7 - ELECTRICAL

FIGURE 7-15. DISPLAY ADAPTER HARNESS



ART_1001265415

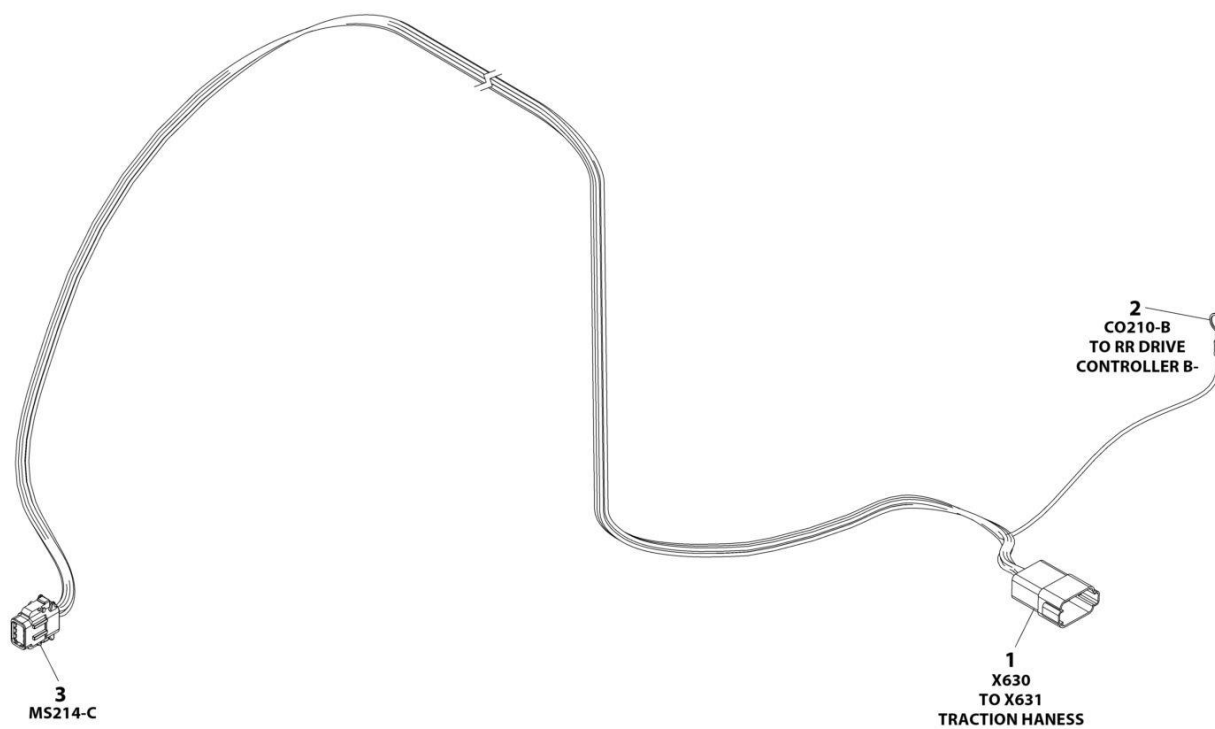
SECTION 7 - ELECTRICAL

FIGURE 7-15. DISPLAY ADAPTER HARNESS

ITEM	PART NUMBER	QTY	DESCRIPTION	REV
	1001265415	Ref	DISPLAY ADAPTER HARNESS	A
1	4460873	1	Connector - 35 Position	
1	4460871	10	Socket, Female	
1	4460905	25	Plug, Terminal	
2	4460899	1	Connector - 6 Position	
2	4460464	4	Pin, Male	
2	4460466	2	Plug, Terminal	
3	1001150735	1	Connector - 10 Position	
3	1001150889	5	Socket, Female	

SECTION 7 - ELECTRICAL

FIGURE 7-16. DRIVE MOTOR HARNESS (RIGHT REAR)



ART_1001265228

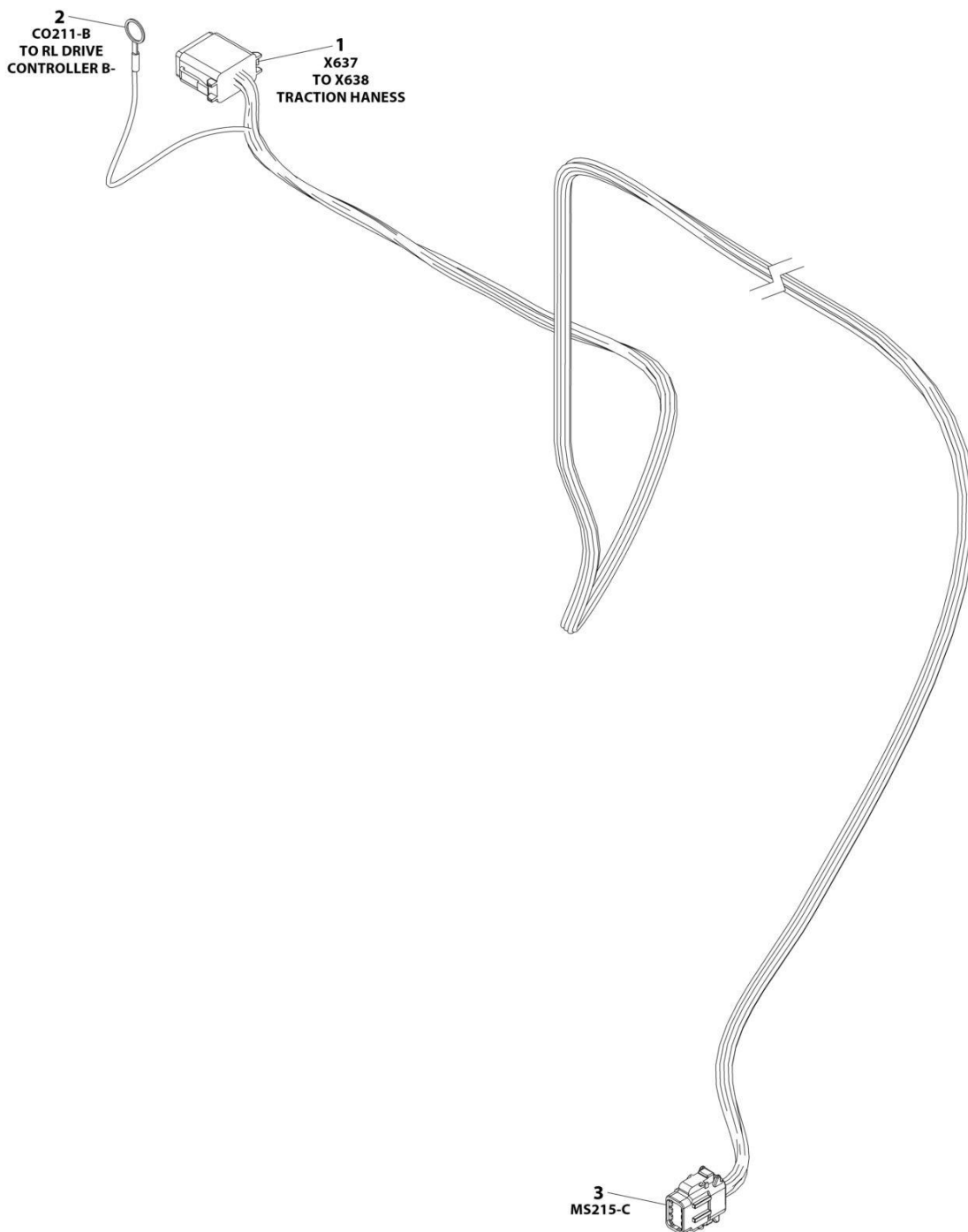
SECTION 7 - ELECTRICAL

FIGURE 7-16. DRIVE MOTOR HARNESS (RIGHT REAR)

ITEM	PART NUMBER	QTY	DESCRIPTION	REV
	1001265228	Ref	DRIVE MOTOR HARNESS (RIGHT REAR)	A
1	4460931	1	Connector - 8 Position	
1	4460464	8	Pin, Male	
2	4460703	1	Terminal, Ring	
3	1001190577	1	Connector - 8 Position	
3	1001126008	8	Socket, Female	

SECTION 7 - ELECTRICAL

FIGURE 7-17. DRIVE MOTOR HARNESS (LEFT REAR)



ART_1001265227

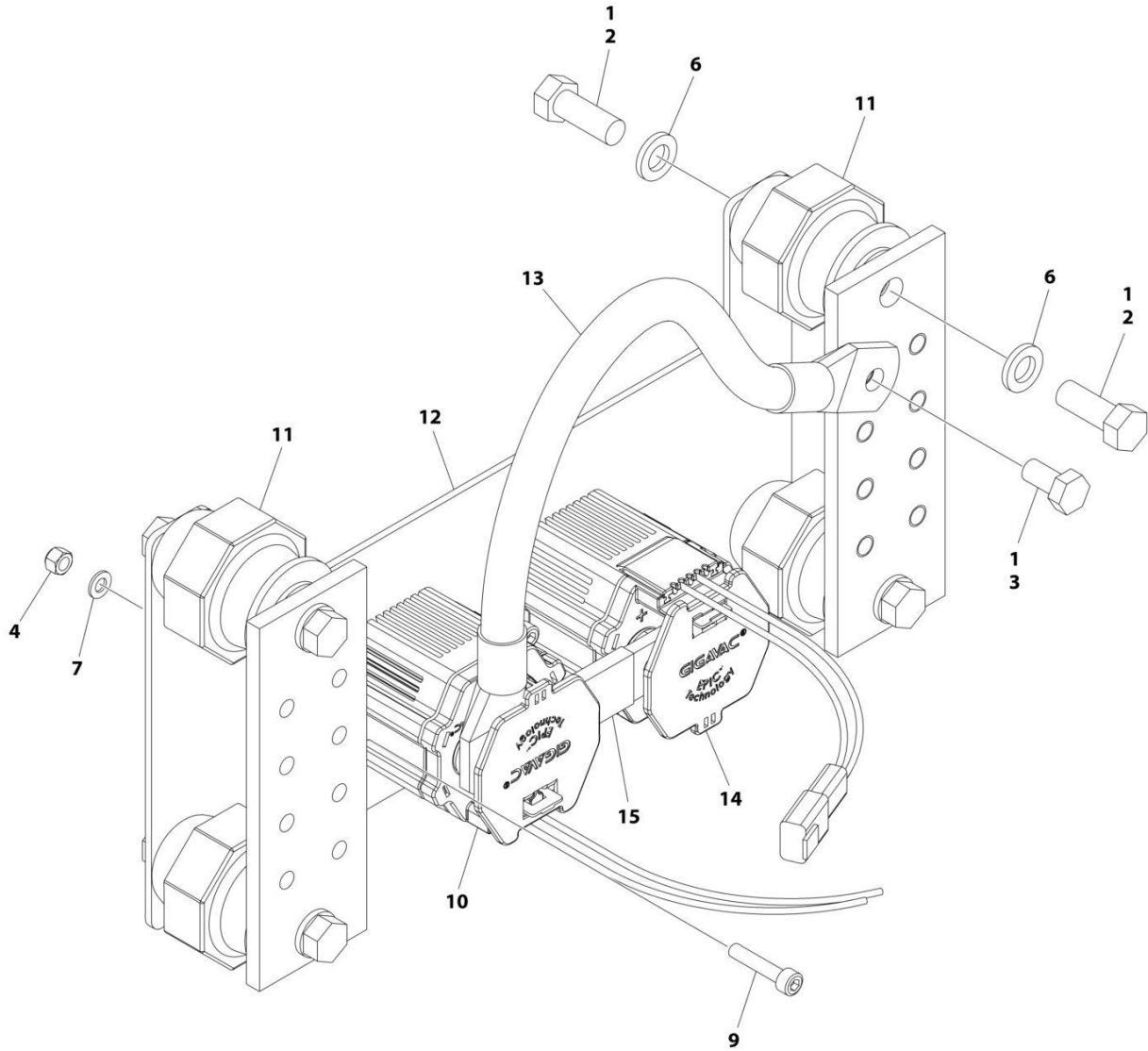
SECTION 7 - ELECTRICAL

FIGURE 7-17. DRIVE MOTOR HARNESS (LEFT REAR)

ITEM	PART NUMBER	QTY	DESCRIPTION	REV
	1001265227	Ref	DRIVE MOTOR HARNESS (LEFT REAR)	A
1	4460930	1	Connector - 8 Position	
1	4460465	8	Socket, Female	
2	4460703	1	Terminal, Ring	
3	1001190577	1	Connector - 8 Position	
3	1001126008	8	Socket, Female	

SECTION 7 - ELECTRICAL

FIGURE 7-18. FUSE PLATE ASSEMBLY



ART_1001250518

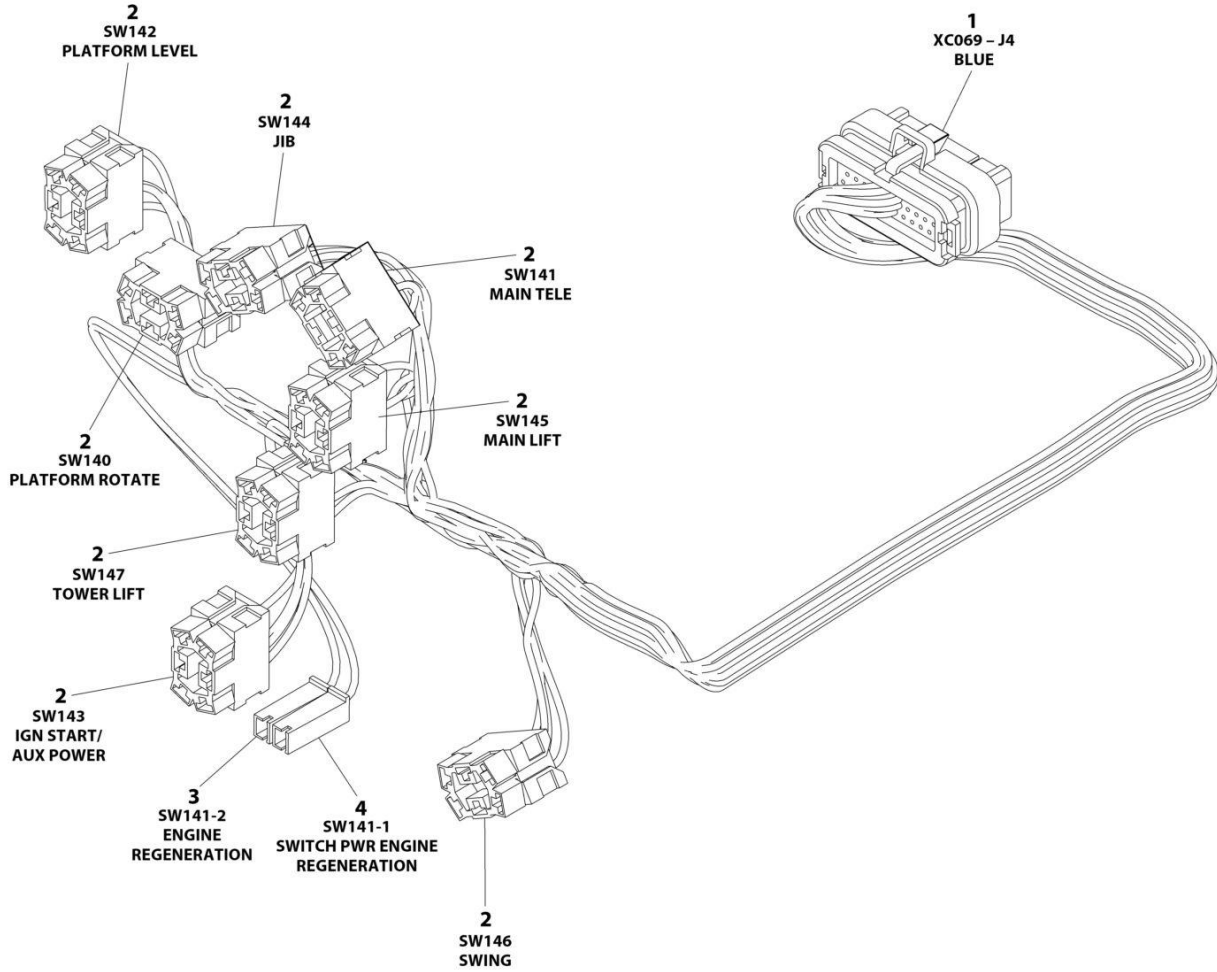
SECTION 7 - ELECTRICAL

FIGURE 7-18. FUSE PLATE ASSEMBLY

ITEM	PART NUMBER	QTY	DESCRIPTION	REV
	1001250518	Ref	FUSE PLATE ASSEMBLY	D
1	0100011	AR	Compound, Locking	
2	0641608	8	Bolt 3/8 x 1	
3	0760812	1	Bolt M8 x 25	
3	0760808	1	Bolt M8 x 16	
4	3290505	4	Nut M5	
6	4761600	8	Washer 3/8	
7	4811600	4	Washer M5	
9	5271609	4	Bolt M5 x 25	
10	1001170367	1	Relay	
11	1001184137	2	Electrical Assembly, Buss Bar	
12	1001250517	1	Plate	
13	1001257316	1	Cable, 4/0 AWG	
13	1001255013	1	Cable, 2/0 AWG	
14	1001248504	1	Relay, 12V	
15	1001261257	1	Plate	

SECTION 7 - ELECTRICAL

FIGURE 7-19. GROUND CONTROL HARNESS



ART_1001244295

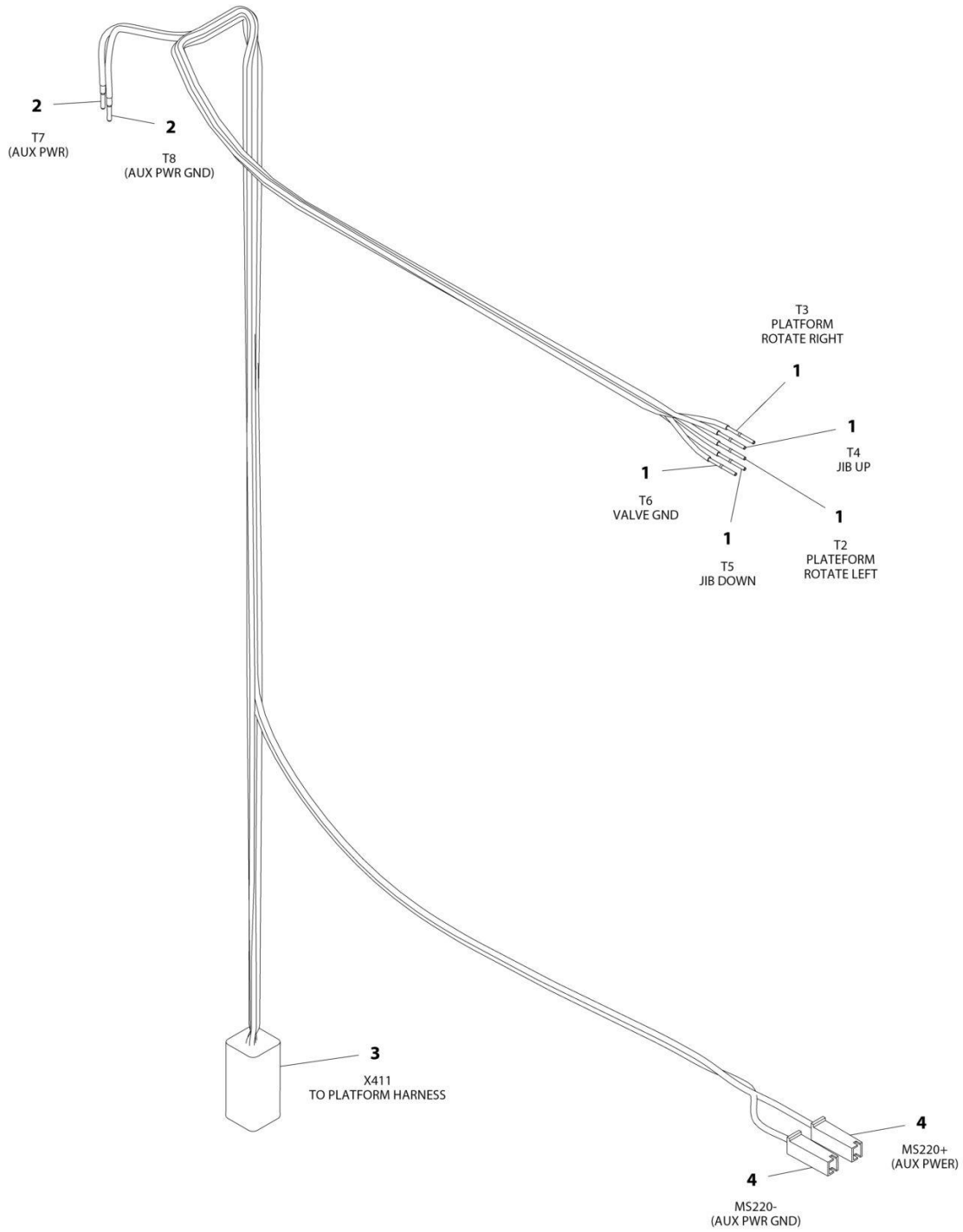
SECTION 7 - ELECTRICAL

FIGURE 7-19. GROUND CONTROL HARNESS

ITEM	PART NUMBER	QTY	DESCRIPTION	REV
	1001244295	Ref	GROUND CONTROL PANEL HARNESS	C
1	4460876	1	Connector - 35 Position	
1	4460871	18	Socket, Female	
1	4460905	17	Plug, Terminal	
2	4460418	8	Connector - 6 Position	
2	4460419	16	Terminal	
2	1001159186	16	Terminal	
3	4460260	2	Housing, Terminal	
3	4460259	2	Terminal	
4	4460260	1	Terminal, Housing	
4	4460259	1	Terminal	

SECTION 7 - ELECTRICAL

FIGURE 7-20. PLATFORM TO BOOM HARNESS



ART_1001169422

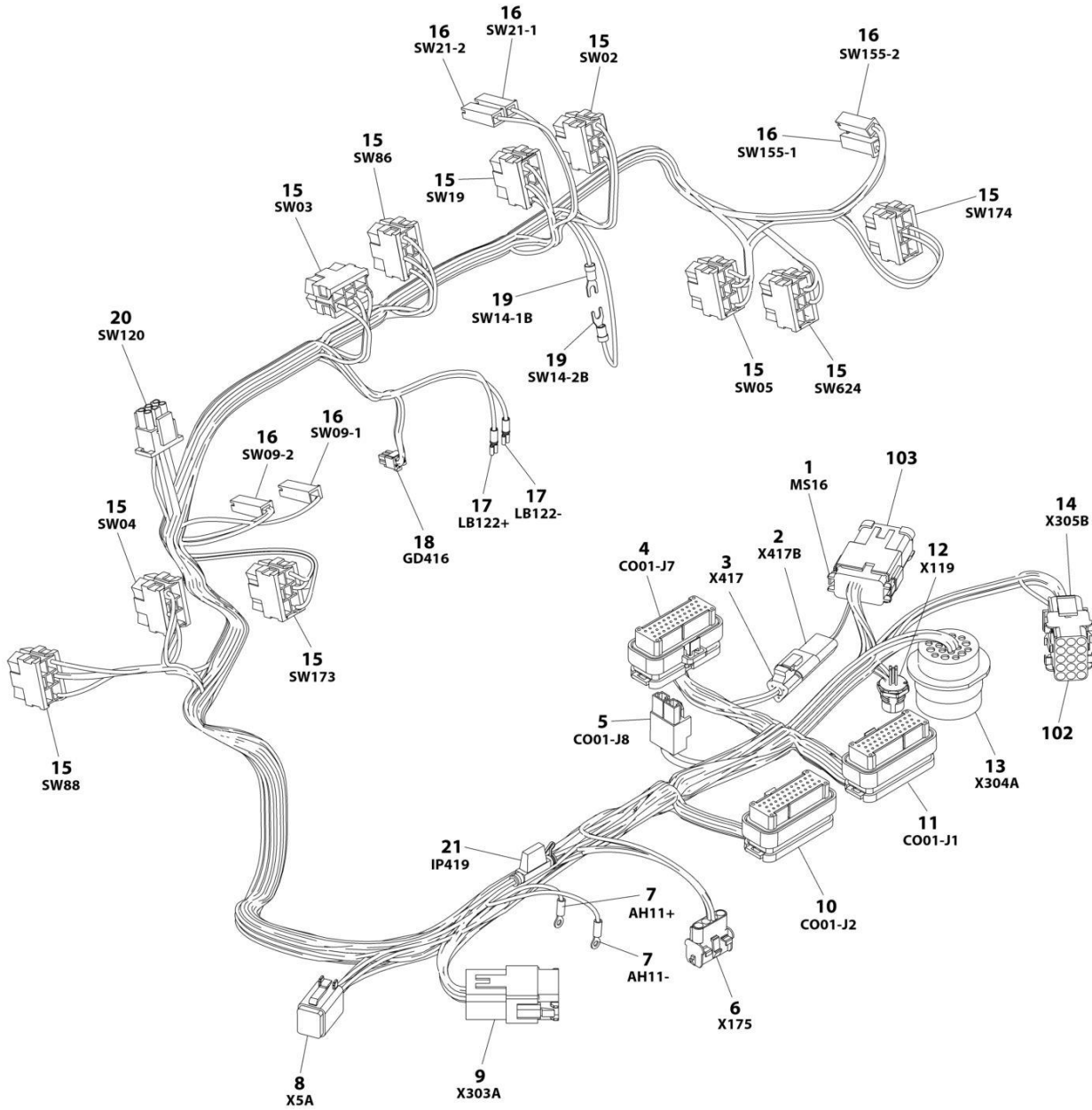
SECTION 7 - ELECTRICAL

FIGURE 7-20. PLATFORM TO BOOM HARNESS

ITEM	PART NUMBER	QTY	DESCRIPTION	REV
	1001169422	Ref	PLATFORM TO BOOM HARNESS	A
1	4460465	5	Socket, Female	
2	4460508	2	Pin, Male	
3	4460899	1	Connector - 6 Position	
3	4460464	5	Pin, Male	
3	4460466	1	Plug, Terminal	
4	4460260	2	Connector - 1 Position	
4	4460259	2	Terminal	

SECTION 7 - ELECTRICAL

FIGURE 7-21. PLATFORM CONSOLE BOX HARNESS



ART_1001238254

SECTION 7 - ELECTRICAL

FIGURE 7-21. PLATFORM CONSOLE BOX HARNESS

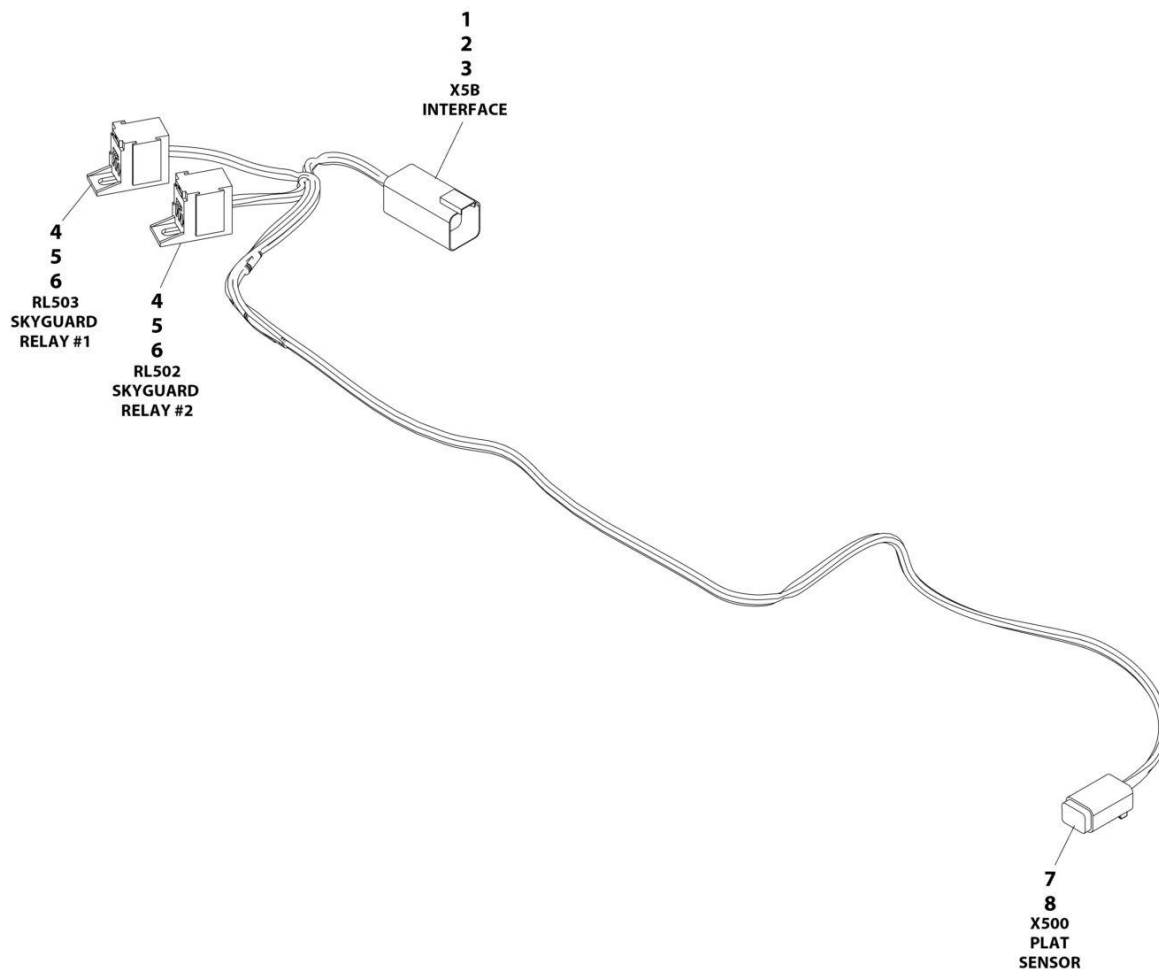
ITEM	PART NUMBER	QTY	DESCRIPTION	REV
	1001238254	Ref	PLATFORM CONSOLE BOX HARNESS	H
1	4460933	1	Plug, Male - 12 Position	
1	4460465	10	Socket, Female	
1	4460466	2	Plug, Terminal	
2	4460536	1	Receptacle, Female - 3 Position	
2	4460464	2	Pin, Male	
2	4460466	1	Plug, Terminal	
3	4460539	1	Plug, Male - 3 Position	
3	4460465	2	Socket, Female	
3	4460466	1	Plug, Terminal	
4	4460873	1	Connector - 35 Position	
4	4460871	21	Socket, Female	
4	4460905	14	Plug, Terminal	
5	4460879	1	Plug, Male - 2 Position	
5	4460887	2	Terminal	
6	4460761	1	Receptacle, Female - 4 Position	
6	4460267	4	Pin, Male	
7	1001098122	2	Terminal, Ring	
8	4460894	1	Plug, Male - 6 Position	
8	4460465	6	Socket, Female	
9	4460970	1	Receptacle, Female - 12 Position	
9	1001116693	9	Pin, Male	
9	4460466	1	Plug, Terminal	
9	4460464	2	Pin, Male	
10	4460875	1	Connector - 35 Position	
10	4460871	12	Socket, Female	
10	4460905	23	Plug, Terminal	
11	4460874	1	Connector - 35 Position	
11	4460871	27	Socket, Female	
11	4460905	8	Plug, Terminal	
12	1001213447	1	Connector - 4 Position	
12	See Note	NSS	Terminal (Note: Purchase p/n 1001213447)	
13	4460866	1	Connector - 19 Position	
13	4460464	5	Pin, Male	
13	4460466	11	Plug, Terminal	
13	4460508	1	Pin, Male	
14	4460434	1	Connector - 15 Position	
14	4460267	8	Pin, Male	
15	4460418	10	Connector - 6 Position	
15	4460419	45	Terminal	
16	4460260	6	Housing, Terminal	
16	4460259	8	Terminal	
17	1001271497	2	Terminal	
18	1001237667	1	Plug, Male - 6 Position	
18	1001237668	4	Terminal	
19	4460183	2	Terminal, Fork	
20	4460225	1	Plug, Male - 6 Position	
20	4460227	6	Pin, Male (Note: Used on Pump Potentiometer Connection Only)	
21	2400060	1	Fuse Holder	
102	4460708	1	Connector, Bussbar - 15 Position	

SECTION 7 - ELECTRICAL

ITEM	PART NUMBER	QTY	DESCRIPTION	REV
103	1001125677	1	Connector, Bussbar - 12 Posititon	

SECTION 7 - ELECTRICAL

FIGURE 7-22. PLATFORM INTERFACE HARNESS



ART_1001225580_E

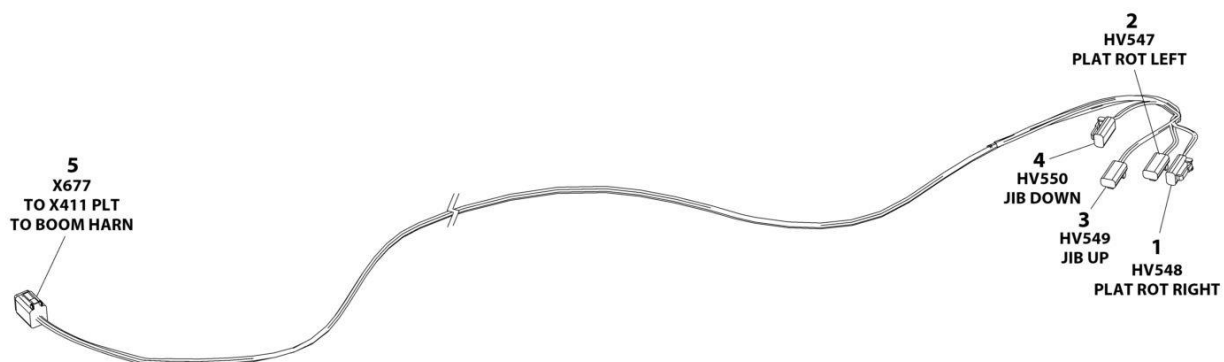
SECTION 7 - ELECTRICAL

FIGURE 7-22. PLATFORM INTERFACE HARNESS

ITEM	PART NUMBER	QTY	DESCRIPTION	REV
	1001225580	Ref	PLATFORM INTERFACE HARNESS - WITH 1 CELL LSS	E
1	4460899	1	Connector	
2	4460464	4	Terminal	
3	4460466	2	Plug	
4	1001186432	2	Connector	
5	1001253375	4	Terminal	
6	1001104519	4	Terminal	
7	4460884	1	Connector	
8	4460465	4	Terminal	

SECTION 7 - ELECTRICAL

FIGURE 7-23. PLATFORM VALVE HARNESS



ART_1001265414

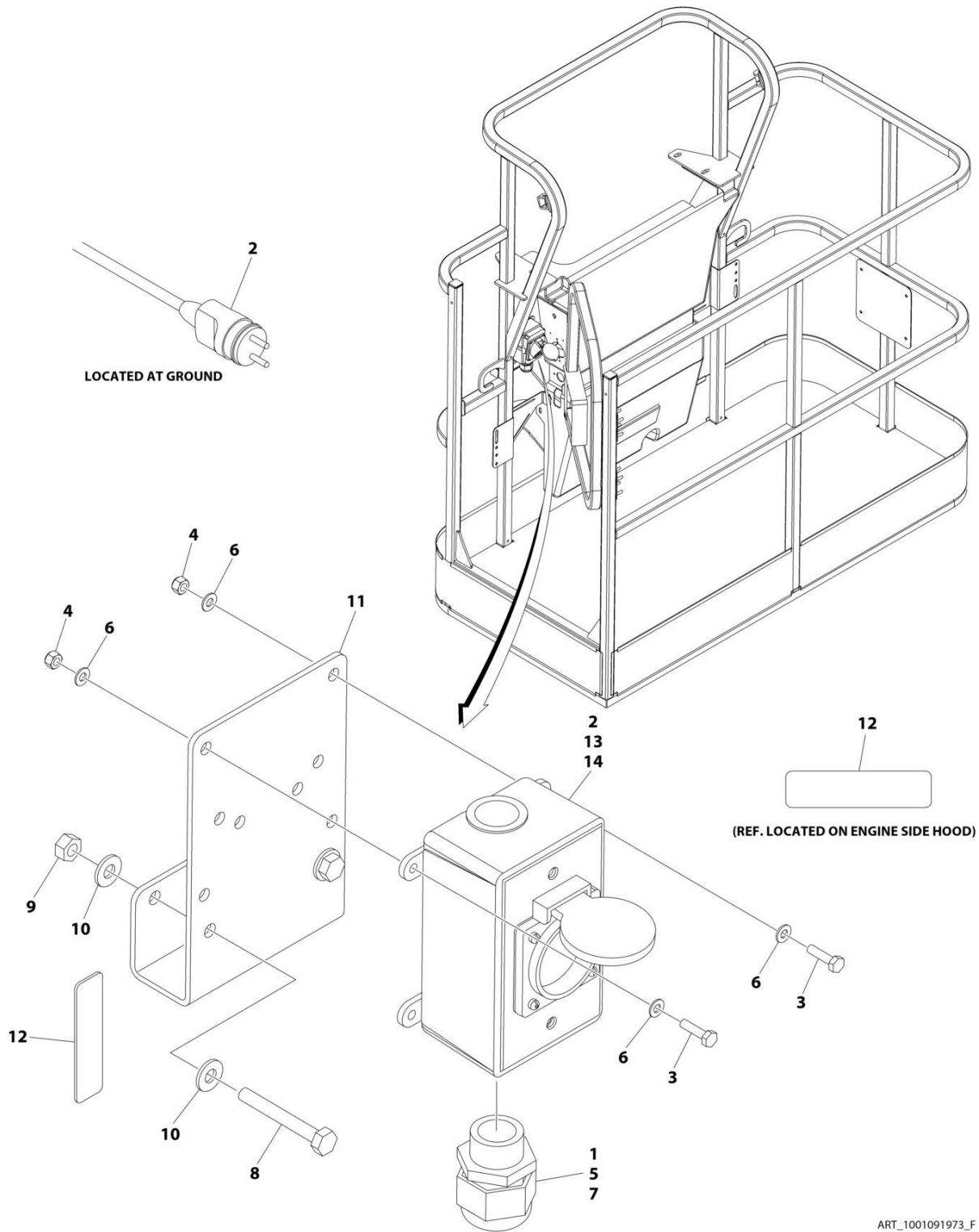
SECTION 7 - ELECTRICAL

FIGURE 7-23. PLATFORM VALVE HARNESS

ITEM	PART NUMBER	QTY	DESCRIPTION	REV
	1001265414	Ref	INTERFACE HARNESS - WITH 1 CELL LSS	A
1	4460891	1	Connector - 2 Position	
1	4460465	2	Socket, Female	
2	4460891	1	Connector - 2 Position	
2	4460465	2	Socket, Female	
3	4460891	1	Connector - 2 Position	
3	4460465	2	Socket, Female	
4	4460891	1	Connector - 2 Position	
4	4460465	2	Socket, Female	
5	4460894	1	Plug, Male - 6 Position	
5	4460465	5	Socket, Female	

SECTION 7 - ELECTRICAL

FIGURE 7-24. AC BOX AT PLATFORM INSTALLATION - 220V CEE7 2X4 BOX POST GROUND



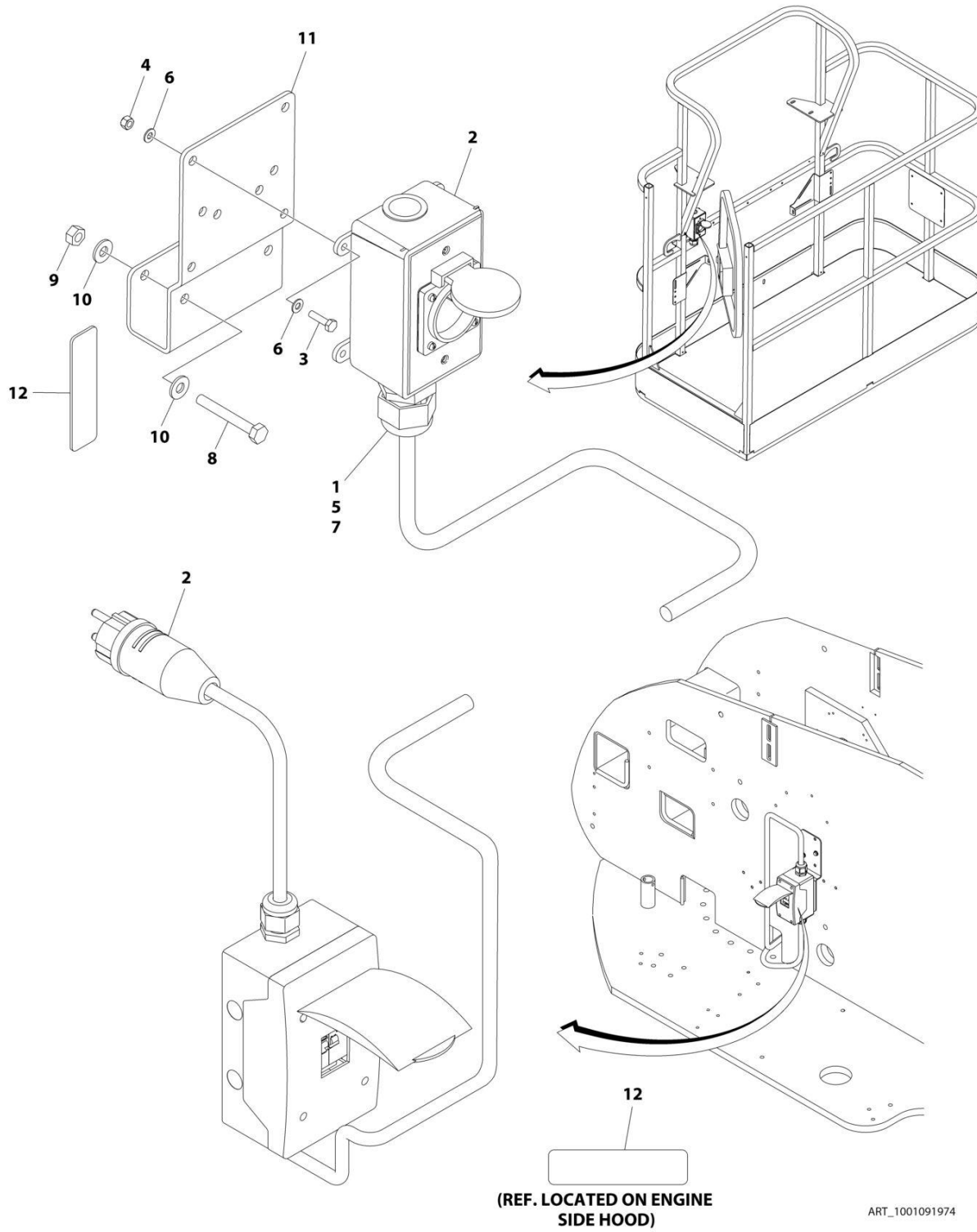
SECTION 7 - ELECTRICAL

FIGURE 7-24. AC BOX AT PLATFORM INSTALLATION - 220V CEE7 2X4 BOX POST GROUND

ITEM	PART NUMBER	QTY	DESCRIPTION	REV
	1001091973	Ref	AC BOX AT PLATFORM INSTALLATION - 220V CEE7 2X4 BOX POST GROUND	F
1	0100020	AR	Sealant, Pipe	
2	0275452	1	Receptacle Box Kit (See Separate Breakdown in this Section)	
3	0700408	4	Bolt M4 x 16	
4	3290405	4	Nut M4	
5	1001101197	1	Adapter	
6	4811400	8	Washer M4	
7	1001101191	1	Connector, Strain Relief	
8	0641416	2	Bolt 1/4 x 2	
9	3311405	2	Nut 1/4	
10	4711400	4	Washer 1/4	
11	1001193018	1	Bracket	
12	3251242	2	Decal - 240V/50Hz	
13	4460806	2	Terminal, Fork (Not Shown)	
14	1001205958	1	Terminal (Not Shown)	

SECTION 7 - ELECTRICAL

FIGURE 7-25. AC BOX AT PLATFORM INSTALLATION - 220V CEE7 2X4 BOX SIDE GROUND



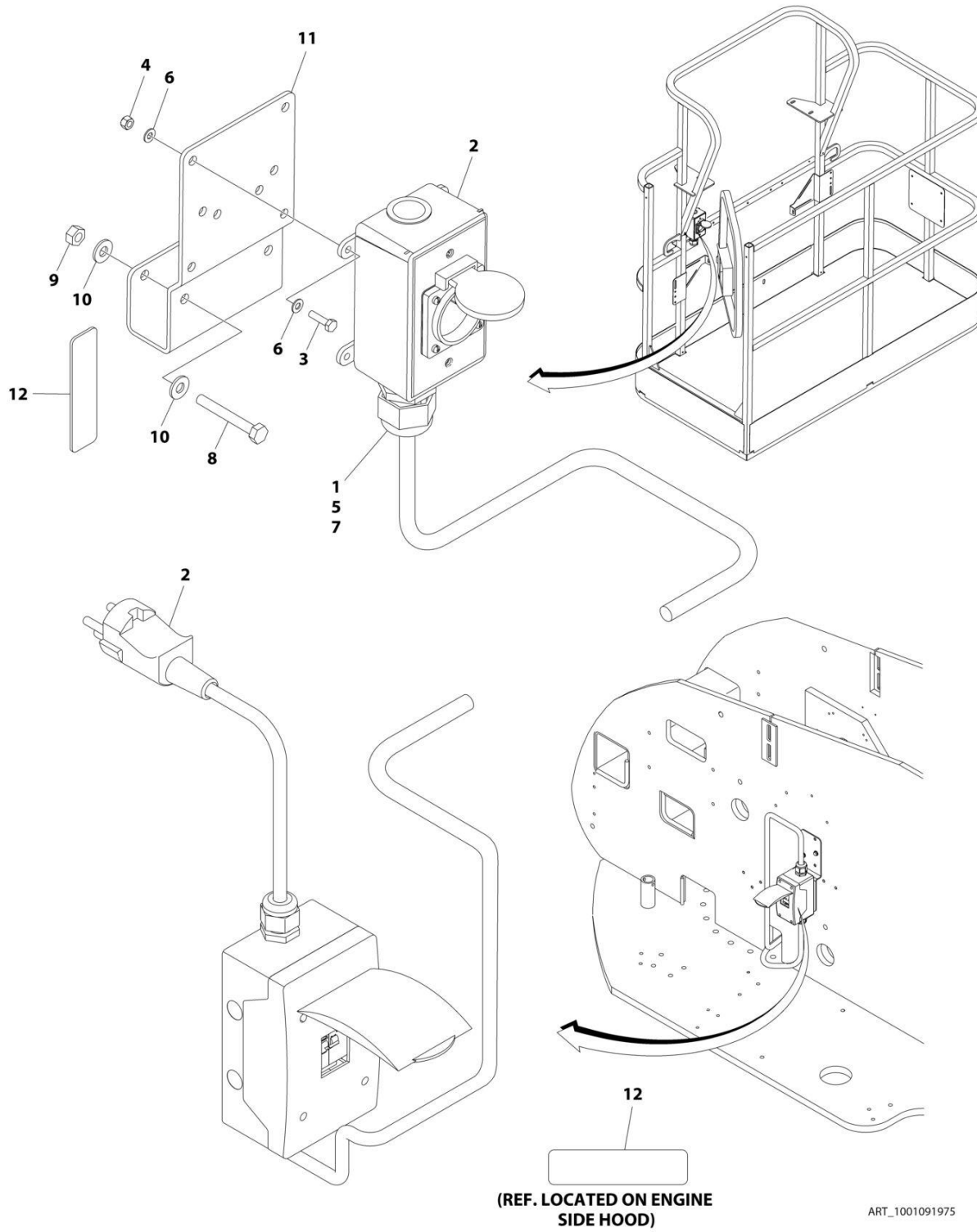
SECTION 7 - ELECTRICAL

FIGURE 7-25. AC BOX AT PLATFORM INSTALLATION - 220V CEE7 2X4 BOX SIDE GROUND

ITEM	PART NUMBER	QTY	DESCRIPTION	REV
	1001091974	Ref	AC BOX AT PLATFORM INSTALLATION - 220V CEE7 2X4 BOX SIDE GROUND	F
1	0100020	AR	Sealant, Pipe	
2	0275453	1	Receptacle Box Kit (See Separate Breakdown in this Section)	
3	0700408	4	Bolt M4 x 16	
4	3290405	4	Nut M4	
5	1001101197	1	Adapter	
6	4811400	8	Washer M4	
7	1001101191	1	Connector, Strain Relief	
8	0641416	2	Bolt 1/4 x 2	
9	3311405	2	Nut 1/4	
10	4711400	4	Washer 1/4	
11	1001193018	1	Bracket	
12	3251242	2	Decal - 240V/50Hz	
13	4460806	2	Terminal, Fork (Not Shown)	
14	1001205958	1	Terminal (Not Shown)	

SECTION 7 - ELECTRICAL

FIGURE 7-26. AC BOX AT PLATFORM INSTALLATION - 220V AFSINT 107 2X4 BOX KEYED GROUND



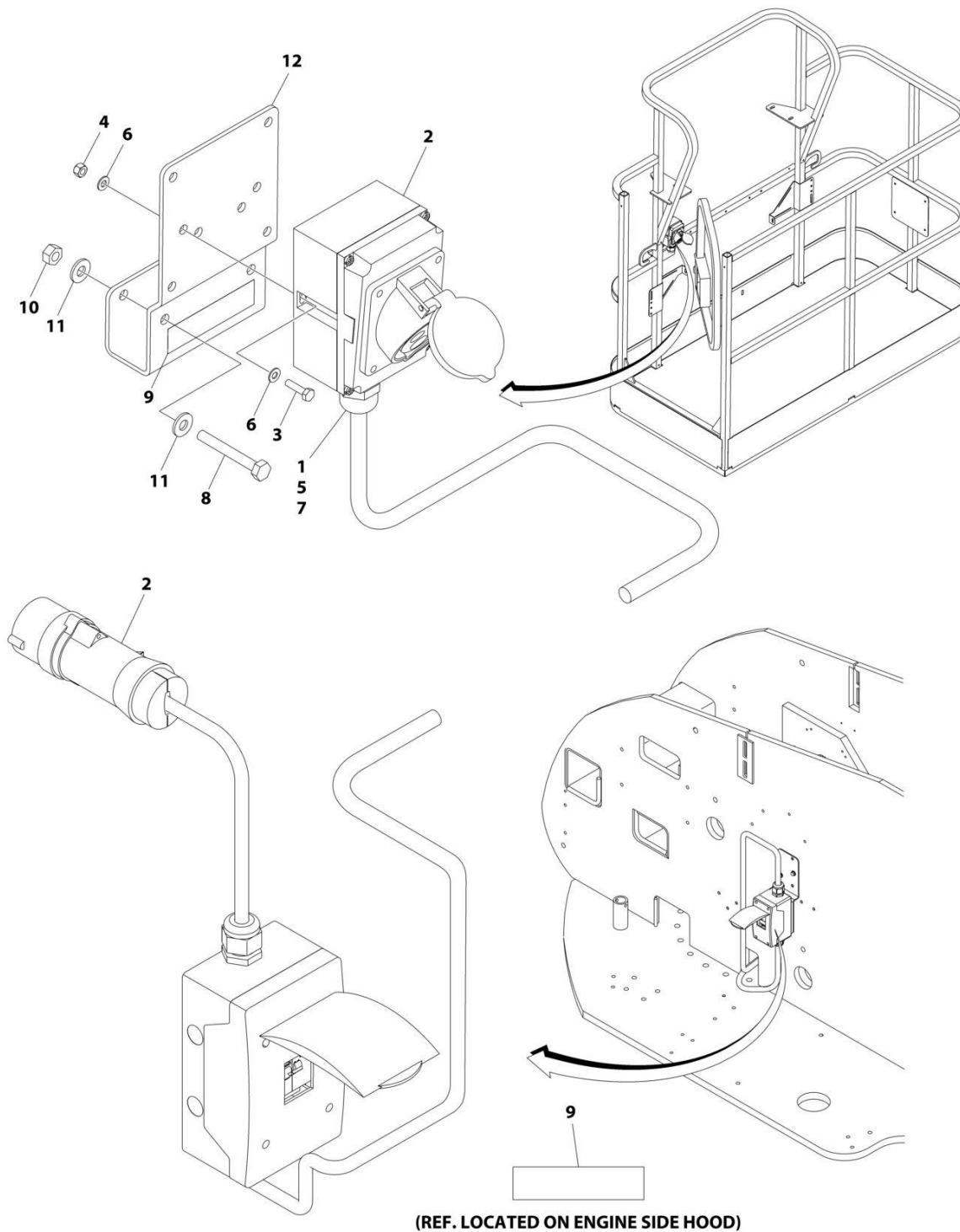
SECTION 7 - ELECTRICAL

FIGURE 7-26. AC BOX AT PLATFORM INSTALLATION - 220V AFSINT 107 2X4 BOX KEYED GROUND

ITEM	PART NUMBER	QTY	DESCRIPTION	REV
	1001091975	Ref	AC BOX AT PLATFORM INSTALLATION - 220V AFSINT 107 2X4 BOX KEYED GROUND	F
1	0100020	AR	Sealant, Pipe	
2	0275454	1	Receptacle Box Kit (See Separate Breakdown in this Section)	
3	0700408	4	Bolt M4 x 16	
4	3290405	4	Nut M4	
5	1001101197	1	Adapter	
6	4811400	8	Washer M4	
7	1001101191	1	Connector, Strain Relief	
8	0641416	2	Bolt 1/4 x 2	
9	3311405	2	Nut 1/4	
10	4711400	4	Washer 1/4	
11	1001193018	1	Bracket	
12	3251242	2	Decal - 240V/50Hz	
13	1001205958	3	Terminal (Not Shown)	

SECTION 7 - ELECTRICAL

FIGURE 7-27. AC BOX AT PLATFORM INSTALLATION - 110V IEC YELLOW



ART_1001091969

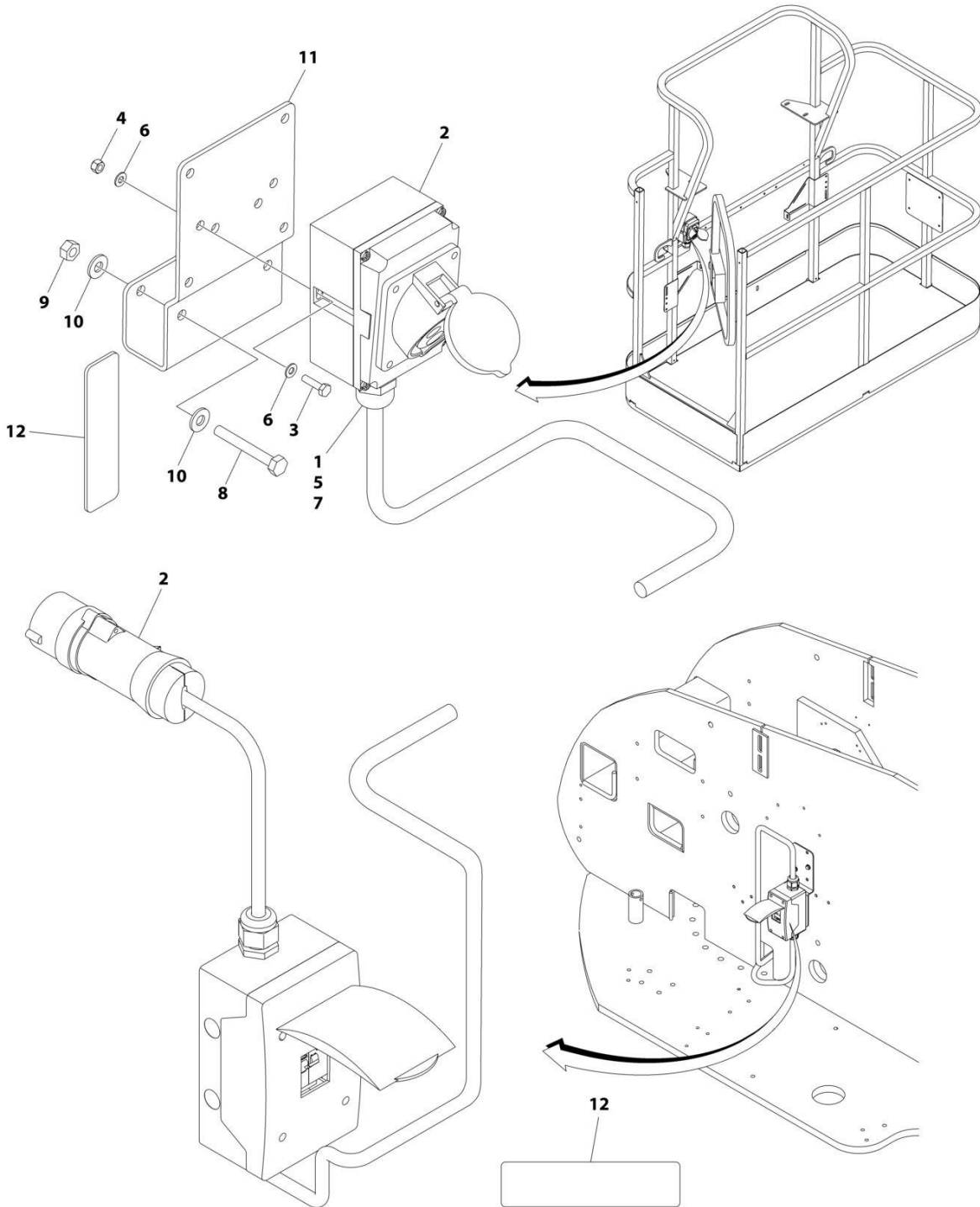
SECTION 7 - ELECTRICAL

FIGURE 7-27. AC BOX AT PLATFORM INSTALLATION - 110V IEC YELLOW

ITEM	PART NUMBER	QTY	DESCRIPTION	REV
	1001091969	Ref	AC BOX AT PLATFORM INSTALLATION - 110V IEC YELLOW	D
1	0100020	AR	Sealant, Pipe	
2	0275216	1	Receptacle Box Kit (See Separate Breakdown in this Section)	
3	0700408	2	Bolt M4 x 16	
4	3290405	2	Nut M4	
5	1001101196	1	Adapter	
6	4811400	4	Washer M4	
7	1001101191	1	Connector, Strain Relief	
8	0641416	2	Bolt 1/4 x 2	
9	1705325	2	Decal - 110V	
10	3311405	2	Nut 1/4	
11	4711400	4	Washer 1/4	
12	1001193018	1	Bracket	

SECTION 7 - ELECTRICAL

FIGURE 7-28. AC BOX AT PLATFORM INSTALLATION - 220V IEC BLUE



(REF. LOCATED ON ENGINE SIDE HOOD)

ART_1001091970

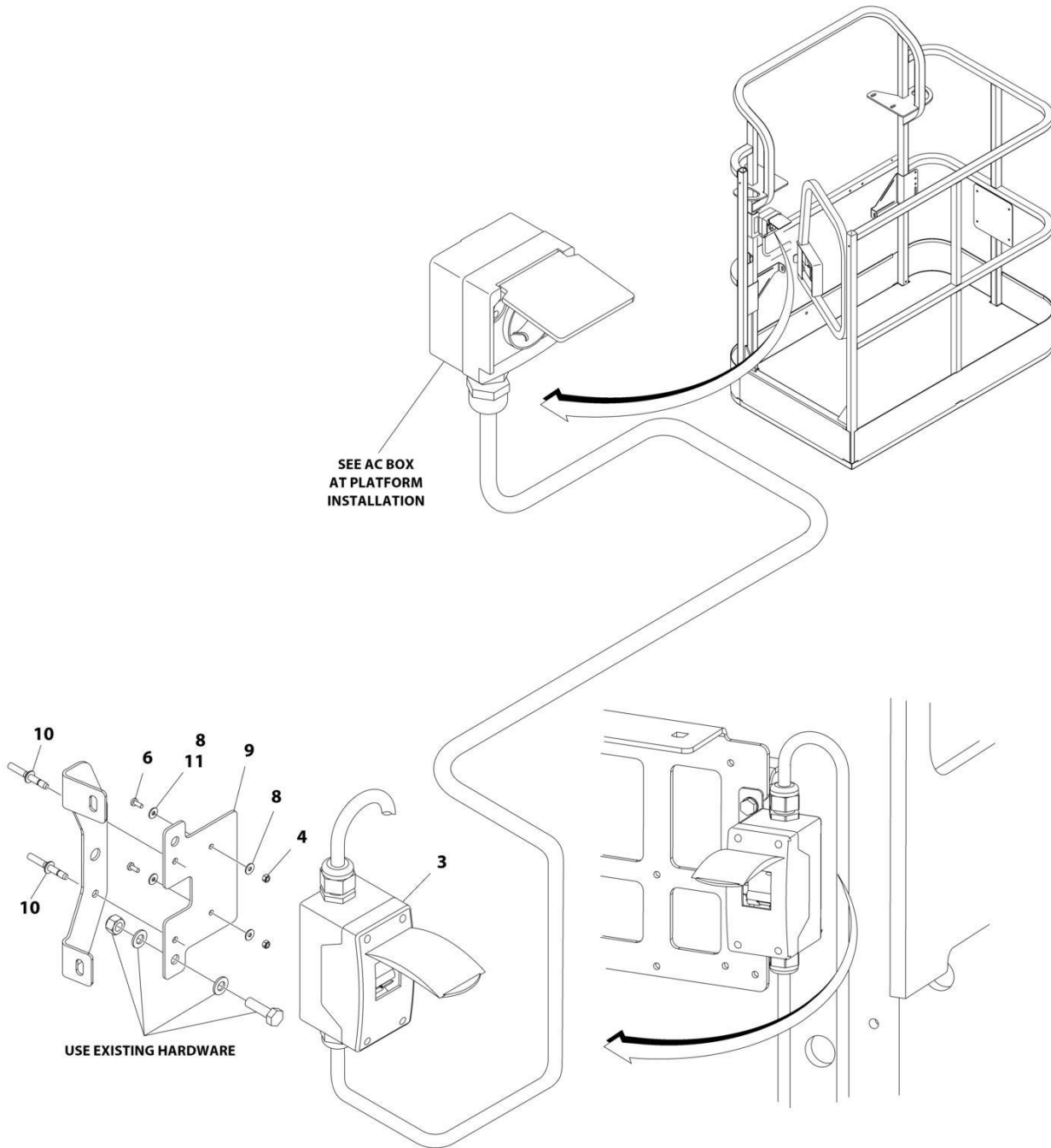
SECTION 7 - ELECTRICAL

FIGURE 7-28. AC BOX AT PLATFORM INSTALLATION - 220V IEC BLUE

ITEM	PART NUMBER	QTY	DESCRIPTION	REV
	1001091970	Ref	AC BOX AT PLATFORM INSTALLATION - 220V IEC BLUE	D
1	0100020	AR	Sealant, Pipe	
2	0275217	1	Receptacle Box Kit (See Separate Breakdown in this Section)	
3	0700408	2	Bolt M4 x 16	
4	3290405	2	Nut M4	
5	1001101196	1	Adapter	
6	4811400	4	Washer M4	
7	1001101191	1	Connector, Strain Relief	
8	0641416	2	Bolt 1/4 x 2	
9	3311405	2	Nut 1/4	
10	4711400	4	Washer 1/4	
11	1001193018	1	Bracket	
12	3251242	2	Decal - 240V/50Hz	

SECTION 7 - ELECTRICAL

FIGURE 7-29. AC BOX AT PLATFORM INSTALLATION - WITH TWO BREAKERS



ART_1001167312

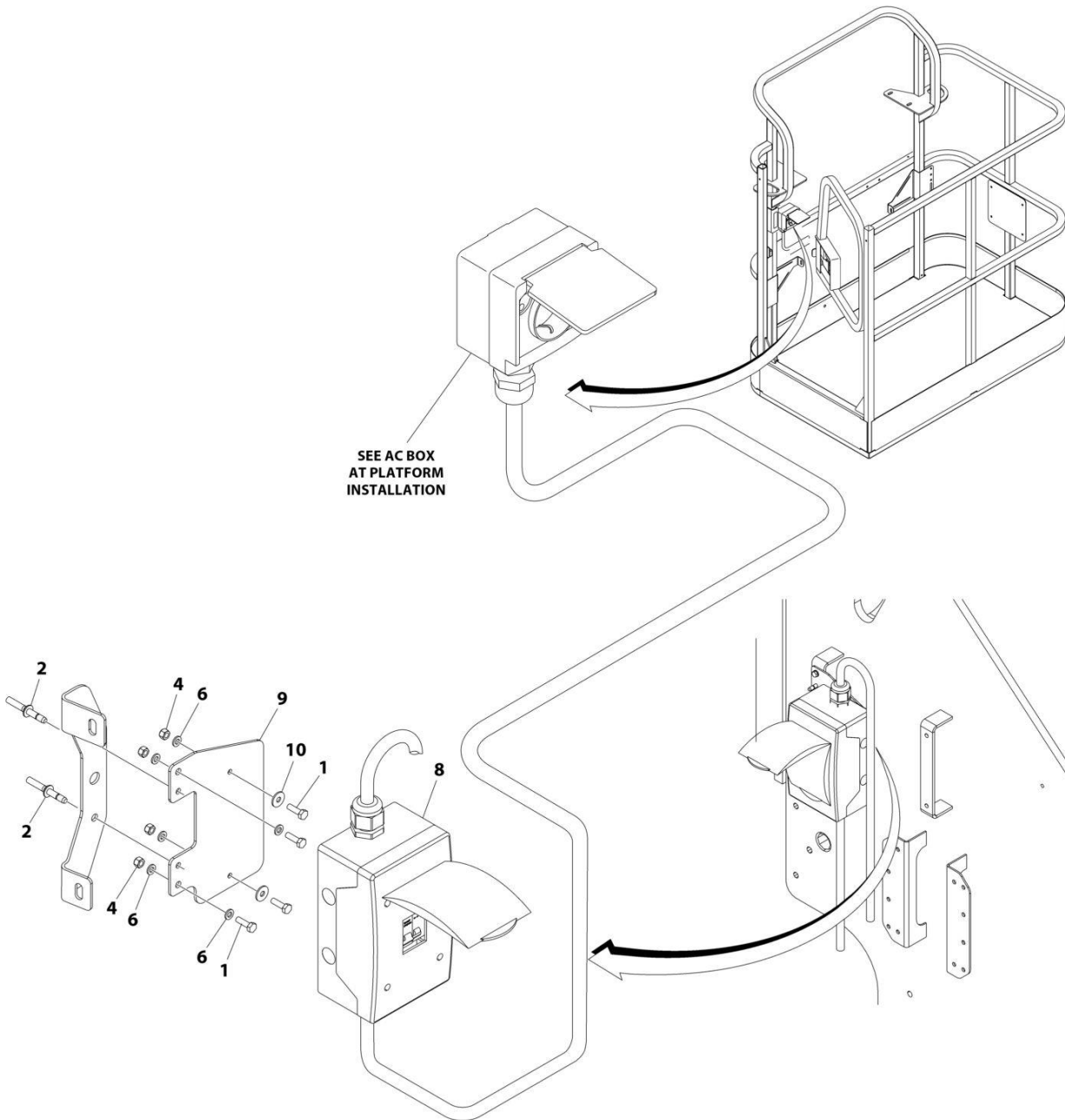
SECTION 7 - ELECTRICAL

FIGURE 7-29. AC BOX AT PLATFORM INSTALLATION - WITH TWO BREAKERS

ITEM	PART NUMBER	QTY	DESCRIPTION	REV
	1001167312	Ref	AC CABLE INSTALLATION - WITH TWO BREAKERS	G
3	2902549	1	Breaker Box Kit - CE Spec (See Separate Breakdown in this Section)	
4	3290405	2	Nut M4	
4	3290605	2	Nut M6	
6	4010405	AR	Screw M4 x 10	
6	0760610	AR	Screw M6 x 20	
6	0760614	AR	Screw M6 x 30	
8	1001091102	2	Washer M4	
8	4811700	AR	Washer M6	
9	1001174158	1	Bracket	
10	2080040	2	Fastener, Huck	
11	4811702	2	Washer M6	

SECTION 7 - ELECTRICAL

FIGURE 7-30. AC BOX AT PLATFORM INSTALLATION - WITH THREE BREAKERS



ART_1001209677_B

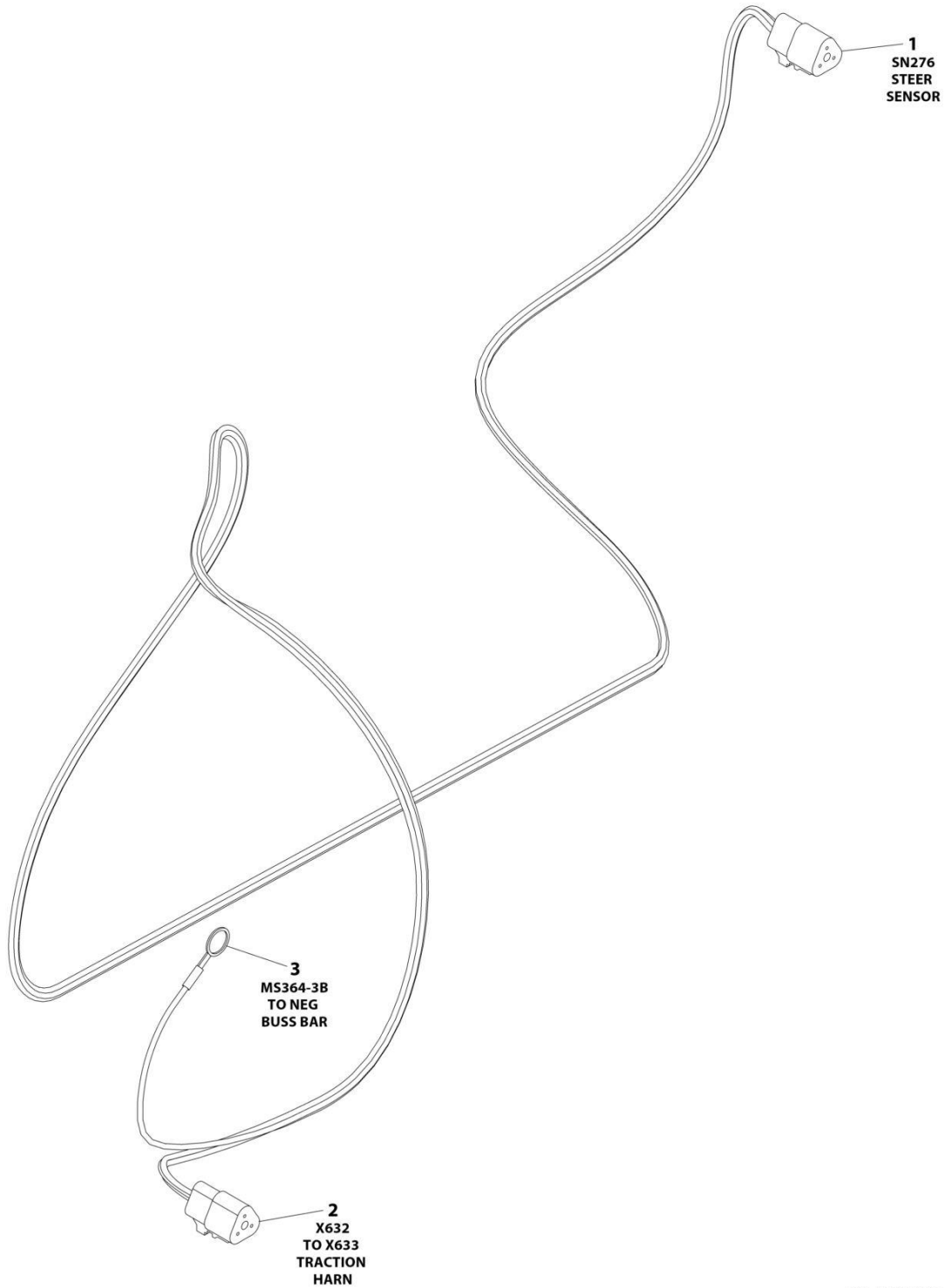
SECTION 7 - ELECTRICAL

FIGURE 7-30. AC BOX AT PLATFORM INSTALLATION - WITH THREE BREAKERS

ITEM	PART NUMBER	QTY	DESCRIPTION	REV
	1001209677	Ref	AC CABLE INSTALLATION - WITH THREE BREAKERS	B
1	0760610	4	Bolt M6 x 20	
2	2080040	2	Fastener, Huck	
4	3290605	4	Nut M6	
6	4811700	6	Washer M6	
8	1001152485	1	Breaker Box Kit (See Separate Breakdown in this Section)	
9	1001209832	1	Bracket	
10	4811702	2	Washer M6	

SECTION 7 - ELECTRICAL

FIGURE 7-31. STEER SENSOR HARNESS



ART_1001255829

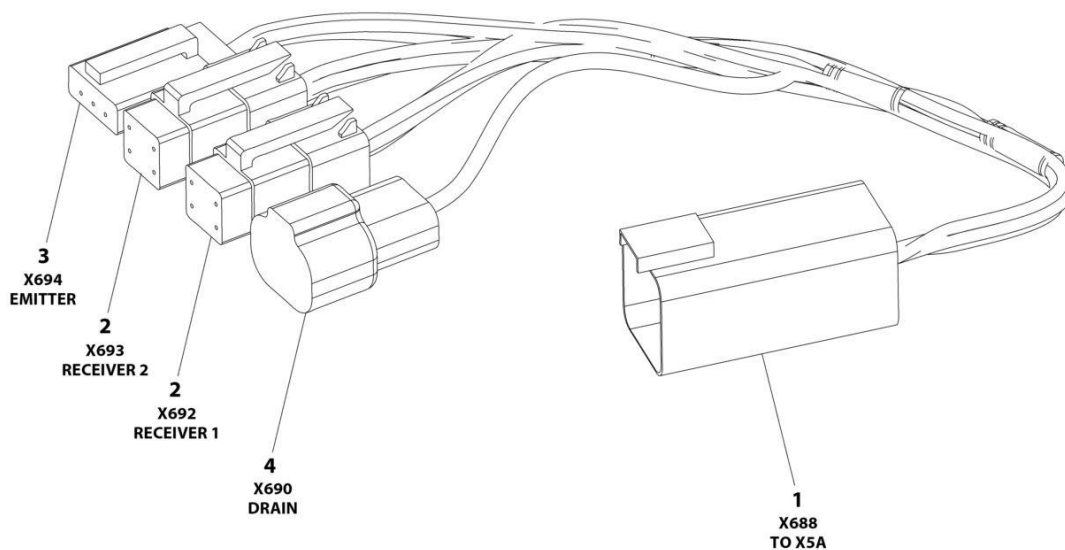
SECTION 7 - ELECTRICAL

FIGURE 7-31. STEER SENSOR HARNESS

ITEM	PART NUMBER	QTY	DESCRIPTION	REV
	1001255829	Ref	STEER SENSOR HARNESS	B
1	4460539	1	Plug, Male - 3 Position	
1	4460944	3	Socket, Female	
2	4460539	1	Plug, Male - 3 Position	
2	4460465	3	Socket, Female	
3	4460703	1	Terminal, Ring	

SECTION 7 - ELECTRICAL

FIGURE 7-32. SKYEYE INTERMEDIATE HARNESS



ART_1001237865

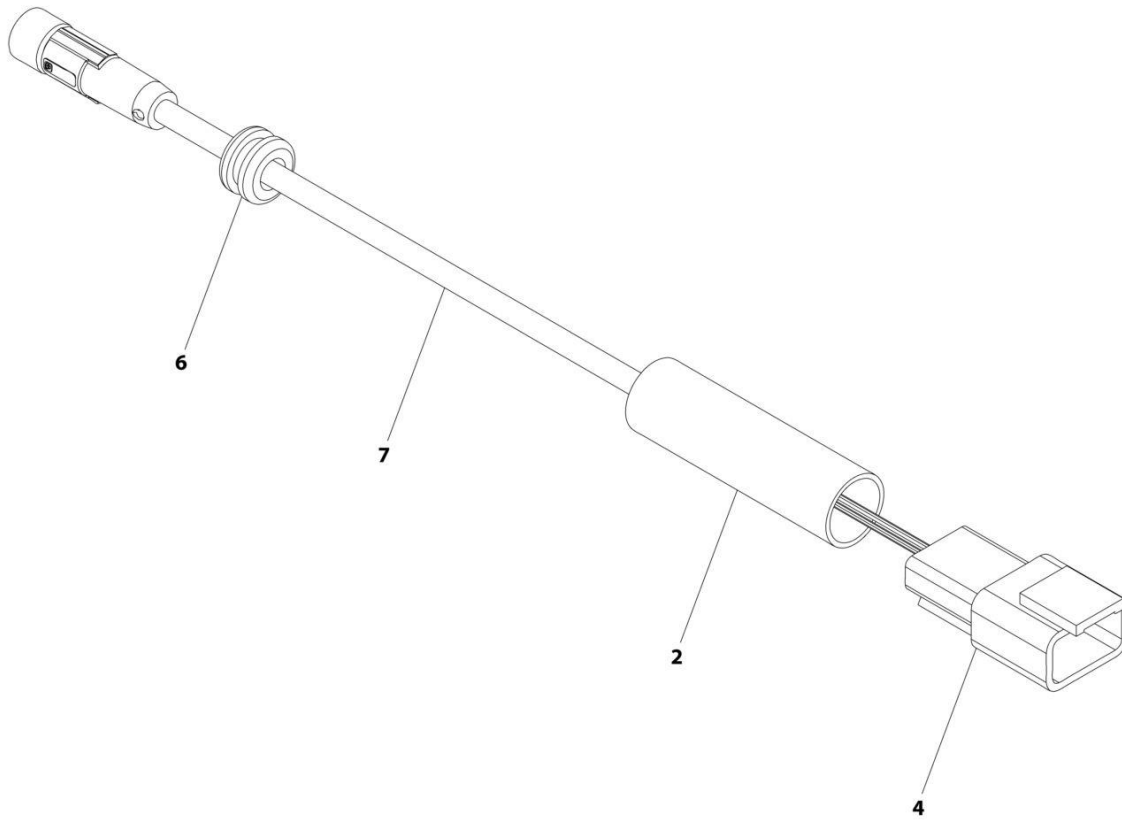
SECTION 7 - ELECTRICAL

FIGURE 7-32. SKYEYE INTERMEDIATE HARNESS

ITEM	PART NUMBER	QTY	DESCRIPTION	REV
	1001237865	Ref	SKYEYE INTERMEDIATE HARNESS	A
1	4460899	1	Connector - 6 Position	
1	4460943	4	Pin, Male	
1	4460466	2	Plug, Terminal	
2	4461077	2	Connector - 4 Position	
2	1001119619	8	Socket, Female	
3	4460911	1	Connector - 3 Position	
3	1001119619	3	Socket, Female	
4	1001187681	1	Connector - 2 Position	
4	4460941	1	Pin, Male	
4	4460466	1	Plug, Terminal	

SECTION 7 - ELECTRICAL

FIGURE 7-33. SKYEYE RECEIVER HARNESS



ART_1001237863_B

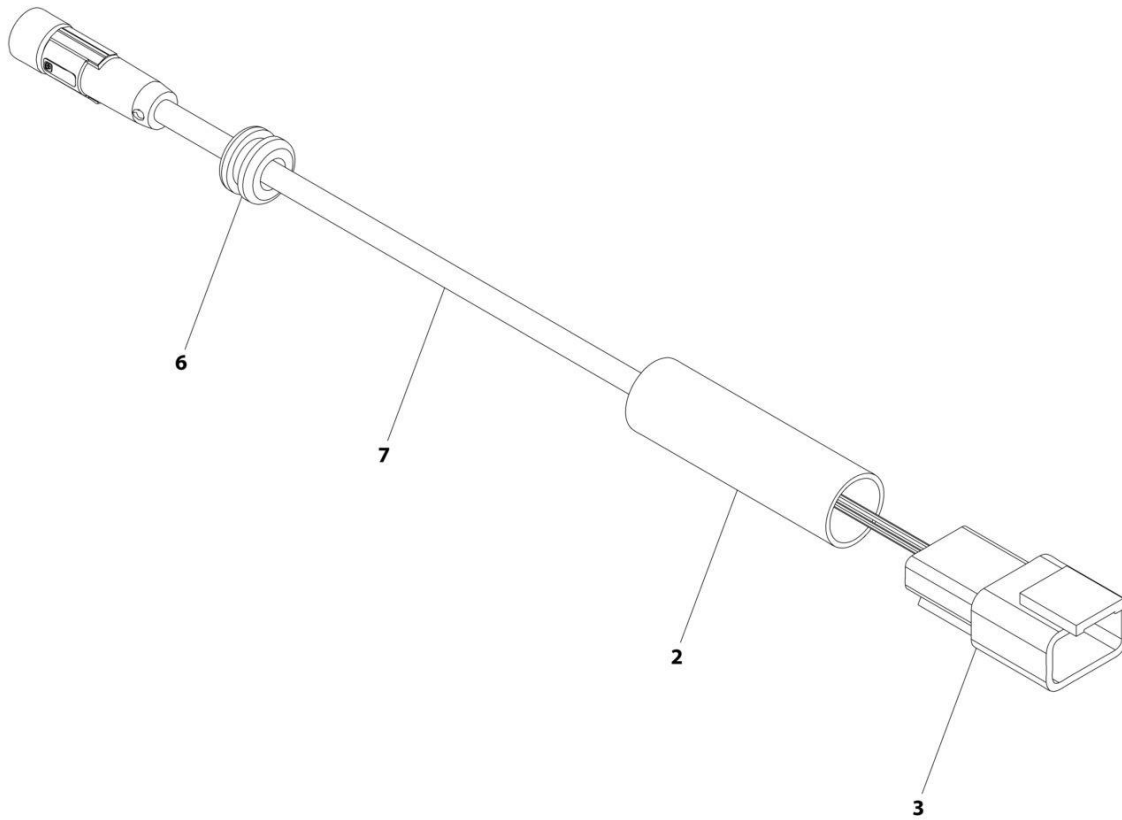
SECTION 7 - ELECTRICAL

FIGURE 7-33. SKYEYE RECEIVER HARNESS

ITEM	PART NUMBER	QTY	DESCRIPTION	REV
	1001237863	Ref	SKYEYE RECEIVER HARNESS	B
2	2820247	AR	Tubing, Heat Shrink	
4	1001097051	1	Connector - 4 Position	
4	1001119620	4	Pin, Male	
6	1001227996	1	Grommet	
7	1001258495	1	Cable, M8 Female Cordset	

SECTION 7 - ELECTRICAL

FIGURE 7-34. SKYEYE EMITTER HARNESS



ART_1001237864_B

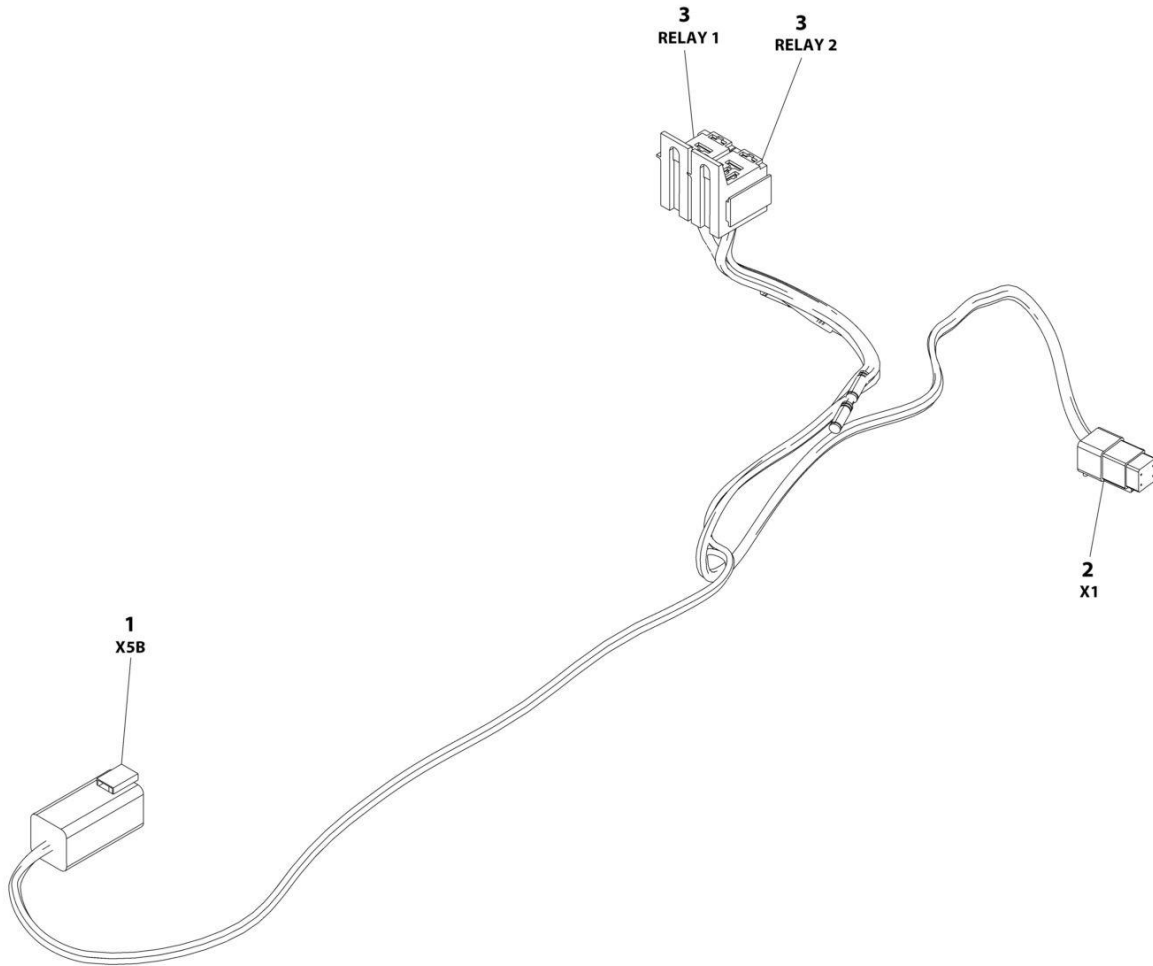
SECTION 7 - ELECTRICAL

FIGURE 7-34. SKYEYE EMITTER HARNESS

ITEM	PART NUMBER	QTY	DESCRIPTION	REV
	1001237864	Ref	SKYEYE EMITTER HARNESS	B
2	2820247	AR	Tubing, Heat Shrink	
3	4460910	1	Connector - 3 Position	
3	1001119620	3	Pin, Male	
6	1001227996	1	Grommet	
7	1001258495	1	Cable, M8 Female Cordset	

SECTION 7 - ELECTRICAL

FIGURE 7-35. SKYLINE HARNESS



ART_1001238418

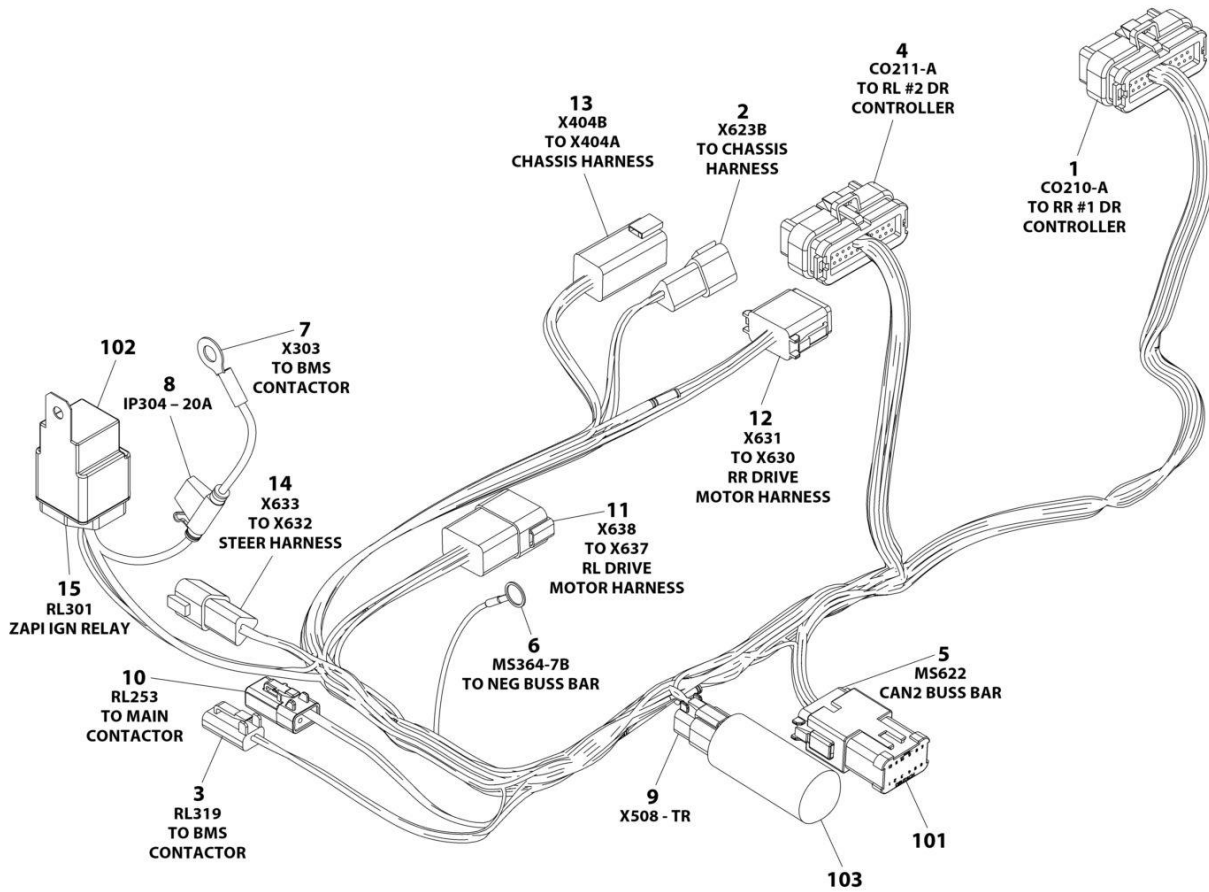
SECTION 7 - ELECTRICAL

FIGURE 7-35. SKYLINE HARNESS

ITEM	PART NUMBER	QTY	DESCRIPTION	REV
	1001238418	Ref	SKYLINE HARNESS	B
1	4460899	1	Connector - 6 Position	
1	4460464	4	Pin, Male	
1	4460466	2	Plug, Terminal	
2	4461077	1	Connector - 4 Position	
2	1001126009	4	Socket, Female	
3	1001186432	2	Plug, Relay	
3	1001118388	5	Terminal	
3	1001118384	3	Terminal	
3	3740086	2	Relay	

SECTION 7 - ELECTRICAL

FIGURE 7-36. TRACTION HARNESS



ART_1001262598

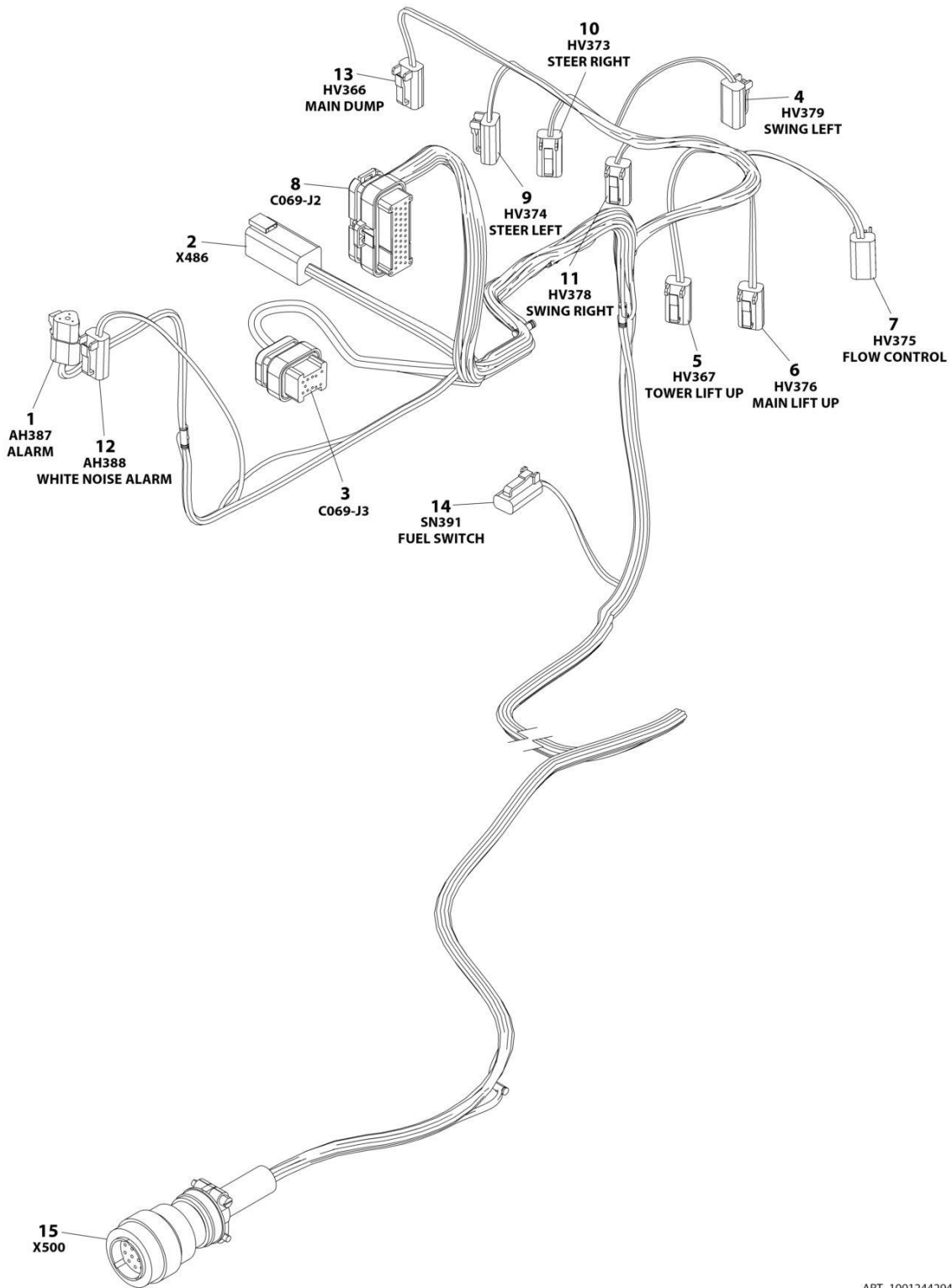
SECTION 7 - ELECTRICAL

FIGURE 7-36. TRACTION HARNESS

ITEM	PART NUMBER	QTY	DESCRIPTION	REV
	1001262598	Ref	TRACTION HARNESS	A
1	4460873	1	Connector - 35 Position	
1	4460871	16	Terminal, Female	
1	4460905	19	Seal, Terminal	
2	4460536	1	Receptacle, Female - 3 Position	
2	4460943	3	Pin, Male	
3	4460891	1	Connector - 2 Position	
3	4460465	2	Socket, Female	
4	4460873	1	Connector - 35 Position	
4	4460871	14	Socket, Female	
4	4460905	21	Plug, Terminal	
5	4460933	1	Connector - 12 Position	
5	4460944	8	Socket, Female (Gold)	
5	4460466	4	Plug, Terminal	
6	4460703	1	Terminal, Ring	
7	8220045	1	Terminal, Ring	
8	1001170763	1	Fuseholder - 20Amp (Includes Cover)	
8	1001170761	1	Fuse - 20Amp	
9	4460884	1	Connector - 4 Position	
9	4460944	4	Socket, Female	
10	1001126245	1	Connector - 2 Position	
10	1001126008	2	Terminal	
11	4460931	1	Connector - 8 Position	
11	4460464	8	Pin, Male	
12	4460930	1	Connector - 8 Position	
12	4460465	8	Socket, Female	
13	4460899	1	Connector - 6 Position	
13	4460464	6	Pin, Male	
14	4460536	1	Connector - 3 Position	
14	4460464	3	Pin, Male	
15	4460374	1	Plug, Relay	
15	1001116734	2	Female, Terminal	
15	1001116732	2	Female, Terminal	
15	1001128128	1	Plug, Terminal	
101	1001119020	1	Connector - 12 Position Bussbar	
102	1001171295	1	Relay	
103	1001186231	1	Connector - 5 Position	

SECTION 7 - ELECTRICAL

FIGURE 7-37. VALVE HARNESS - MAIN VALVE



ART_1001244294

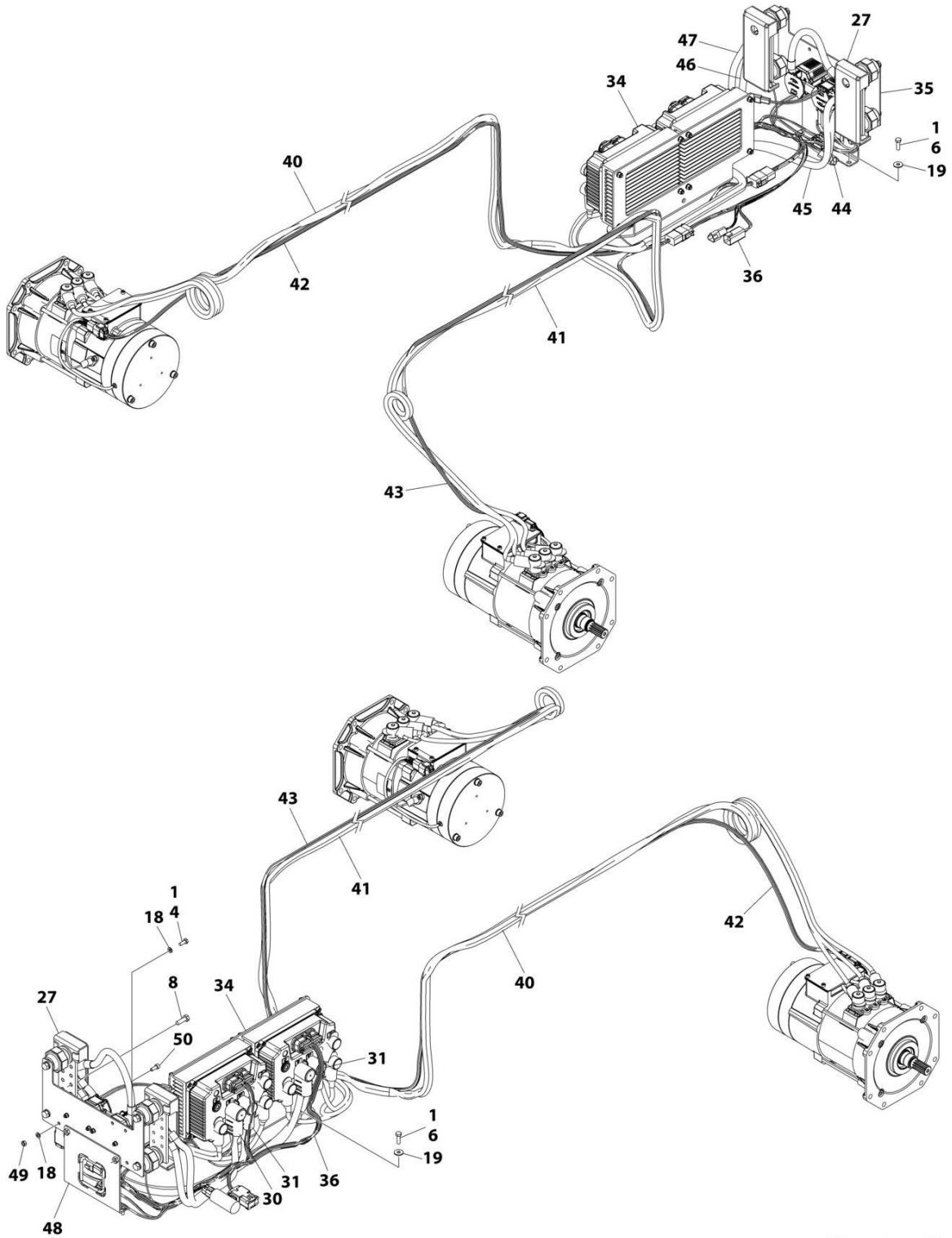
SECTION 7 - ELECTRICAL

FIGURE 7-37. VALVE HARNESS - MAIN VALVE

ITEM	PART NUMBER	QTY	DESCRIPTION	REV
	1001244294	Ref	TRACTION HARNESS	B
1	4460539	1	Plug, Male - 3 Position	
1	4460465	3	Socket, Female	
2	4460899	1	Connector - 6 Position	
2	4460464	4	Pin, Male	
2	4460466	2	Plug, Terminal	
3	4460872	1	Connector - 14 Position	
3	4460871	9	Terminal, Female	
3	4460905	5	Seal, Terminal	
4	4460891	1	Connector - 2 Position	
4	4460465	2	Socket, Female	
5	4460891	1	Connector - 2 Position	
5	4460465	2	Socket, Female	
6	4460891	1	Connector - 2 Position	
6	4460465	2	Socket, Female	
7	4460891	1	Connector - 2 Position	
7	4460465	2	Socket, Female	
8	4460875	1	Connector - 35 Position	
8	4460871	26	Socket, Female	
8	4460905	9	Plug, Terminal	
9	4460891	1	Plug, Male - 2 Position	
9	4460465	2	Socket, Female	
10	4460891	1	Connector - 2 Position	
10	4460465	2	Socket, Female	
11	4460891	1	Connector - 2 Position	
11	4460465	2	Socket, Female	
12	4460891	1	Connector - 2 Position	
12	4460465	2	Socket, Female	
13	4460891	1	Connector - 2 Position	
13	4460465	2	Socket, Female	
14	4460424	1	Connector - 2 Position	
14	4460268	2	Socket, Female	
15	4460754	1	Connector - 14 Position	
15	4460465	13	Socket, Female	
15	4460466	1	Plug, Terminal	

SECTION 7 - ELECTRICAL

FIGURE 7-38. WHEEL DRIVE ELECTRICAL HARNESS INSTALLATION (2WD)



ART_1001250422_20F2

SECTION 7 - ELECTRICAL

FIGURE 7-38. WHEEL DRIVE ELECTRICAL HARNESS INSTALLATION (2WD)

ITEM	PART NUMBER	QTY	DESCRIPTION	REV
	1001250422	Ref	WHEEL DRIVE ELECTRICAL HARNESS INSTALLATION	C
1	0100011	AR	Compound, Locking	
4	0760608	2	Bolt M6 x 16	
6	0760610	4	Bolt M6 x 20	
8	0760812	7	Bolt M8 x 25	
8	0760808	7	Bolt M8 x 16	
16	4240018	AR	Tie-Strap (Not Shown)	
18	4811700	3	Washer M6	
19	4811702	4	Washer M6	
27	1001188680	2	Cover	
30	1001225557	2	Boot, Terminal (Black)	
31	1001225558	2	Boot, Terminal (Red)	
34	1001250432	1	Bracket, Controller Assembly (See Separate Breakdown in this Section)	
35	1001250518	1	Plate, Fuse Assembly (See Separate Breakdown in this Section)	
36	1001262598	1	Harness, Traction (See Separate Breakdown in this Section)	
40	1001265229	1	Cable, Motor (RL)	
41	1001265230	1	Cable, Motor (RR)	
42	1001265227	1	Harness, Drive Motor (RL) (See Separate Breakdown in this Section)	
43	1001265228	1	Harness, Drive Motor (RR) (See Separate Breakdown in this Section)	
44	1001256686	1	Cable, + ve to ZAPI Rear Right	
45	1001256687	1	Cable, + ve to ZAPI Rear Left	
46	1001256688	1	Cable, - ve to ZAPI Rear Right	
47	1001256689	1	Cable, - ve to ZAPI Rear Left	
48	1001256690	1	Mount	
49	3290601	1	Nut M6	
50	4031707	1	Bolt M6 x 16	

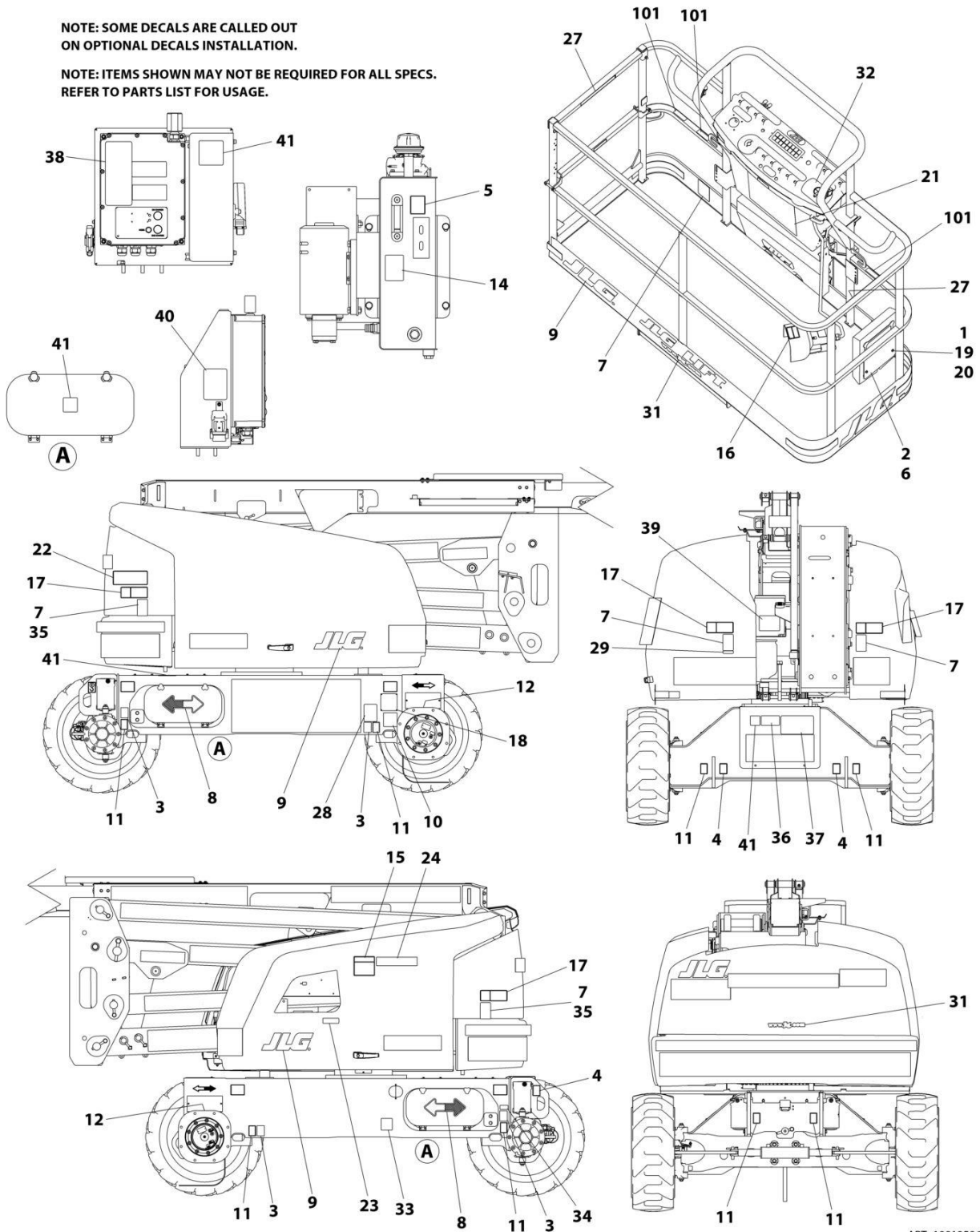
SECTION 8 - DECALS

SECTION 8 - DECALS

FIGURE 8-1. DECAL INSTALLATION - AUSTRALIAN SPECS

NOTE: SOME DECALS ARE CALLED OUT ON OPTIONAL DECALS INSTALLATION.

NOTE: ITEMS SHOWN MAY NOT BE REQUIRED FOR ALL SPECS. REFER TO PARTS LIST FOR USAGE.



ART_1001258628

SECTION 8 - DECALS

FIGURE 8-1. DECAL INSTALLATION - AUSTRALIAN SPECS

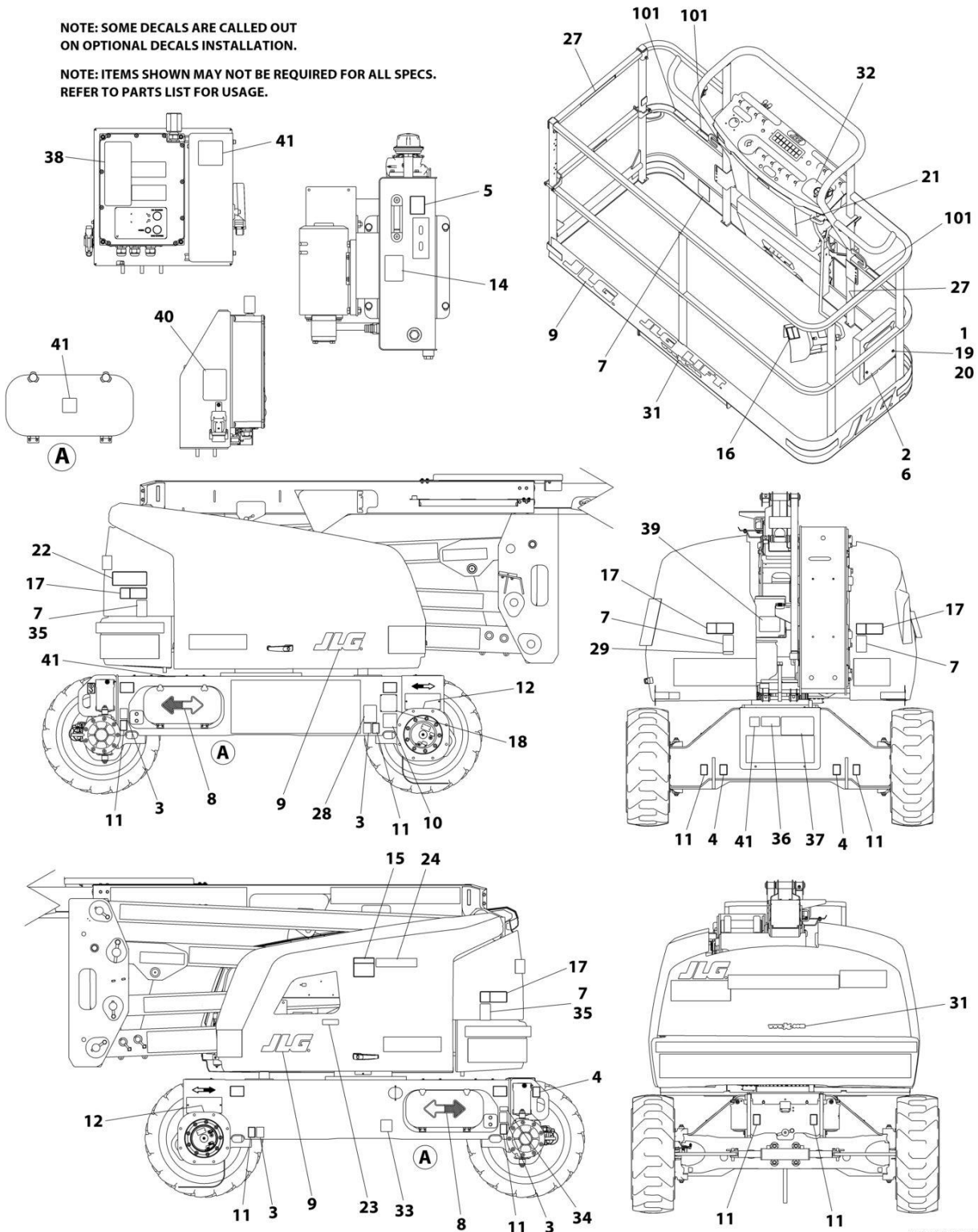
ITEM	PART NUMBER	QTY	DESCRIPTION	REV
	1001253598	Ref	DECAL INSTALLATION - REFERENCE CHART	F
	1001258628	Ref	DECAL INSTALLATION	E
1	0760610	4	Bolt M6 x 20	
2	0860520	1	Box, Manual Storage	
3	1701499	4	Decal - Tie Down /Lift	
4	1701500	4	Decal - Tie Down /Lift	
5	1701504	1	Decal - Hydraulic Oil	
6	1701509	1	Decal - Manual	
7	1701518	6	Decal - Warning/Crushing	
8	1701529	2	Decal - Arrow	
10	See Note	NSS	Decal - Bar Code (Note: Not Available for Purchase)	
11	1702300	8	Decal - Tie Down /Lift	
12	1703687	2	Decal - Arrow	
14	1704412	1	Decal - Hydraulic Fluid	
15	1705822	1	Decal - Electrocutation/Safety Manual	
16	1705828	1	Decal - Footswitch	
17	1705961	4	Decal - Danger Electrocutation	
18	2080057	4	Fastener	
19	3290605	4	Nut M6	
20	4811700	8	Washer M6	
21	1001162429	1	Decal - Tipping/Electrocutation	
22	1001172217	1	Decal - Lift Diagram (Without Turntable Lock)	
23	1001112551	1	Decal - Emergency Controls	
24	1001190913	1	Decal - Max Capacity	
31	1704885	2	Decal - Website	
36	1001260939	1	Decal - Warning Tip Over Hazard	
37	1001260941	1	Decal- Cable Routing	
38	1001262795	1	Decal - Led Indicator	
39	1001262796	1	Decal - Led Indicator	
40	1001263924	1	Decal - Fuse Boxes	
41	1001125483	5	Decal - Pressure Wash	
100	1001232026	1	Decal Kit - Platform Lanyard (Not Shown)	
101	1704277	3	Decal - Attach Lanyard Here	

SECTION 8 - DECALS

FIGURE 8-2. DECAL INSTALLATION - CE & UK CA SPECS

NOTE: SOME DECALS ARE CALLED OUT ON OPTIONAL DECALS INSTALLATION.

NOTE: ITEMS SHOWN MAY NOT BE REQUIRED FOR ALL SPECS. REFER TO PARTS LIST FOR USAGE.



ART_1001253599

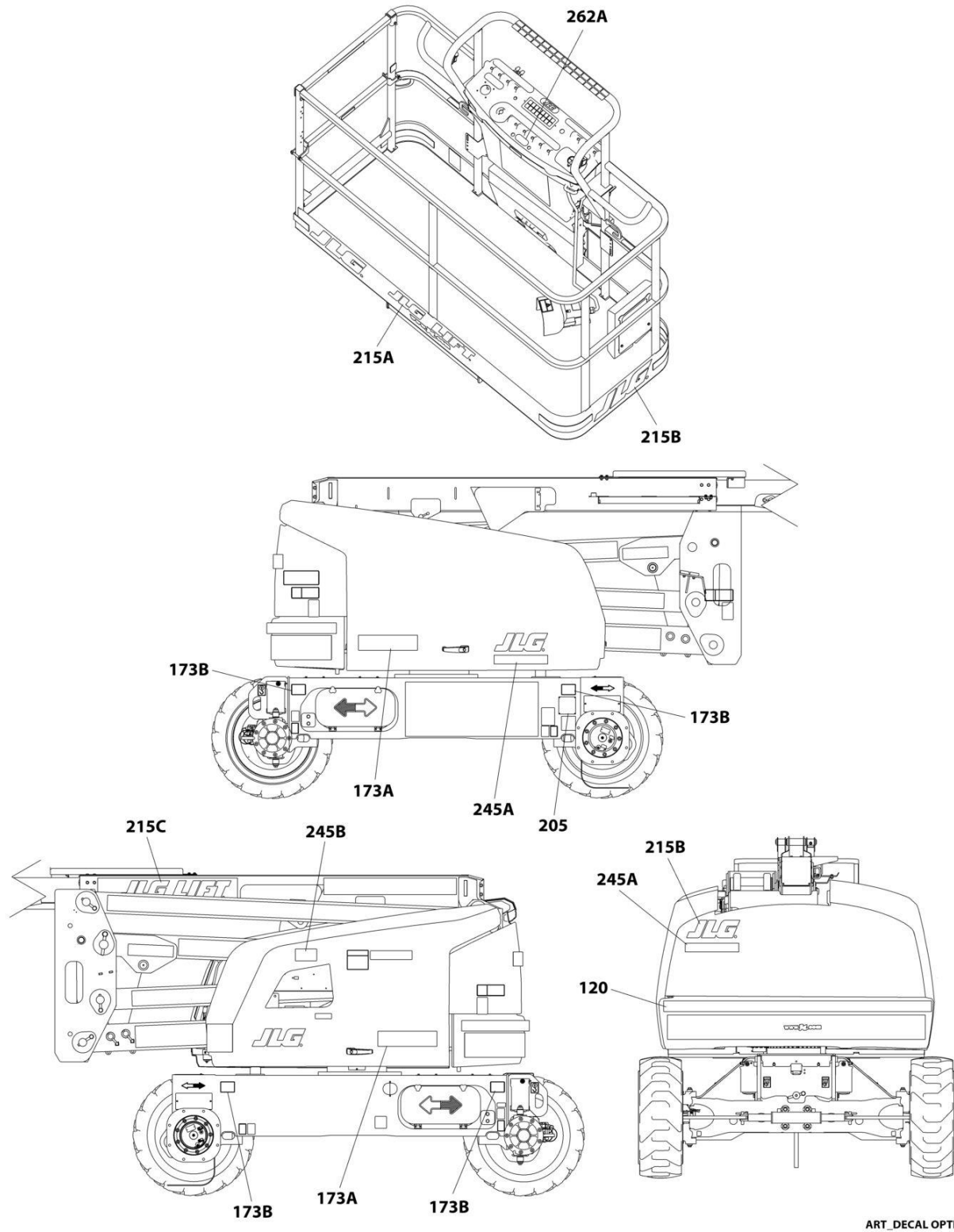
SECTION 8 - DECALS

FIGURE 8-2. DECAL INSTALLATION - CE & UK CA SPECS

ITEM	PART NUMBER	QTY	DESCRIPTION	REV
	1001253598	Ref	DECAL INSTALLATION - REFERENCE CHART	F
	1001253599	Ref	DECAL INSTALLATION	H
1	0760610	4	Bolt M6 x 20	
2	0860520	1	Box, Manual Storage	
3	1701499	4	Decal - Tie Down /Lift	
4	1701500	4	Decal - Tie Down /Lift	
5	1701504	1	Decal - Hydraulic Oil	
6	1701509	1	Decal - Manual	
7	1701518	6	Decal - Warning/Crushing	
8	1701529	2	Decal - Arrow	
9	1702773	3	Decal - JLG	
10	See Note	NSS	Decal - Bar Code (Note: Not Available for Purchase)	
11	1702300	8	Decal - Tie Down /Lift	
12	1703687	2	Decal - Arrow	
14	1704412	1	Decal - Hydraulic Fluid	
15	1705822	1	Decal - Electrocutation/Safety Manual	
16	1705828	1	Decal - Footswitch	
17	1705961	4	Decal - Danger Electrocutation	
18	2080057	4	Fastener	
19	3290605	4	Nut M6	
20	4811700	8	Washer M6	
21	1001162429	1	Decal - Tipping/Electrocutation	
22	1001172217	1	Decal - Lift Diagram (Without Turntable Lock)	
23	1001189882	1	Decal - MSSO	
24	1001190913	1	Decal - Max Capacity	
36	1001260939	1	Decal - Warning Tip Over Hazard	
37	1001260941	1	Decal- Cable Routing	
38	1001262795	1	Decal - Led Indicator	
39	1001262796	1	Decal - Led Indicator	
40	1001263924	1	Decal - Fuse Boxes	
41	1001125483	5	Decal - Pressure Wash	
100	1001232026	1	Decal Kit - Platform Lanyard (Not Shown)	
101	1704277	3	Decal - Attach Lanyard Here	

SECTION 8 - DECALS

FIGURE 8-3. DECAL INSTALLATION - OPTIONS



ART_DECAL OPTIONS

SECTION 8 - DECALS

FIGURE 8-3. DECAL INSTALLATION - OPTIONS

ITEM	PART NUMBER	QTY	DESCRIPTION	REV
	1001253598	Ref	DECAL INSTALLATION - REFERENCE CHART	E
	1001250808	Ref	DECAL INSTALLATION - OPTIONS	C
120	1001188883	Ref	Warning Stripes Installation	A
120	4420051	1 21.5ft	Tape, Safety	
173	1001255762	Ref	Model Decal Installation	C
173A	1001258491	2	Decal - EC450AJ	
173B	1705669	4	Decal - Max Tire Load	
205	See Note	1	Nameplate - Manufacturers Serial Number (Note: Not Available for Purchase)	
215	1001166085	Ref	JLG Logo Installation (CE Specs)	C
215A	1702774	1	Decal – JLG Lift	
215B	1702773	1	Decal - JLG	
215C	1702860	1	Decal – JLG Lift	
245	1001127096	Ref	Decal - ClearSky	
245A	1001116208	2	Decal - ClearSky	
245B	1001120989	1	Decal - Radio Frequency	
262A	1001141300	1	Decal - SkyGuard Override	

SECTION 9 - RECOMMENDED SERVICE PARTS STOCK

SECTION 9 - RECOMMENDED SERVICE PARTS STOCK

SECTION 9 - RECOMMENDED SERVICE PARTS STOCK

FIGURE 9-1. RECOMMENDED SERVICE PARTS STOCK

ITEM	PART NUMBER	QTY	DESCRIPTION	REV
		Ref	Note: The following list will service one machine (built to current production per date on the front cover) with emergency repair parts which can be installed in the field. Parts from the list should be replaced when inventory is depleted to keep service parts stock supplied. For further information, contact your JLG dealer or the JLG Industries Parts Department.	
		Ref	STANDARD PARTS	
	70050516	1	Coil	
	70002963	1	Coil	
	70005219	1	Coil	
	70002386	1	Coil	
	70003788	1	Coil	
	70004871	1	Coil	
	7027628	1	Coil	
	1001212415	1	Controller Assembly (Drive and Steer)	
	1001129555	1	Controller Assembly (Lift and Swing)	
	1001162663	1	Element, Filter Hydraulic	
	8229244	1	Fuse - 15Amp	
	1001170761	1	Fuse - 20Amp	
	8229245	1	Fuse - 30Amp	
	1001262472	1	Fuse - 60Amp	
	2400069	1	Fuse - 175Amp	
	2860030	1	Key, Replacement	
	1001222365	1	Relay	
	3740067	1	Relay	
	1001186431	1	Relay	
	3740086	1	Relay	
	4360387	1	Switch, Push Button	
	4360475	1	Switch, Emergency Stop	
	4360476	1	Switch, Contact Block	
	4360407	1	Switch, Potentiometer	
	1001155045	1	Switch, Toggle	
	1001159256	1	Switch, Toggle	
	1001161710	1	Switch, Toggle	
	1001172271	1	Switch, Limit	
		Ref	VARIABLE PARTS	
	2940074	1	Latch (Machines with Gate)	
	1001183213	1	Module, Ground Control	
	1001118412	1	Module, Platform Control	
	1001142683	1	Module, Control (Beacon Light)	
	1001171295	1	Relay, 50Amp (Battery Charger)	
	1001170367	1	Relay, 48Volt	
	1001119176	1	Switch, Limit (Drive Orientation)	
	1001137673	1	Switch, SkyGuard Assembly	

SECTION 10 - SPECIAL OPTIONS

SECTION 10 - SPECIAL OPTIONS

FIGURE 10-1. SPECIAL OPTIONS

ITEM	PART NUMBER	QTY	DESCRIPTION	REV
	See Note	Ref	Note: This list is to accommodate machines ordered with special equipment. Options may not be applicable to all models. For more specific parts information contact JLG Parts Department.	
		Ref	MISCELLANEOUS SPECIAL OPTIONS	
	1001241254	Ref	Boom Angle Sensor Offset Link Kit	
	1001236123	Ref	Boom Wiper Cover Installation	
		Ref	ClearSky (Telematics) Installations (Dealer Installed)	
	1001242639	Ref	ClearSky (Telematics) Access Control Installation Kit (Dealer Installed) (ANSI, ANSI Export, CSA and CE Specs)	
	1001243183	Ref	ClearSky (Telematics) Added-on Kit (Dealer Installed) (ANSI, ANSI Export, & CSA)	
	1001246142	Ref	ClearSky (Telematics) Service Kit (Dealer Installed) (Australian Specs)	
	1001243184	Ref	ClearSky (Telematics) Added-on Kit (Dealer Installed) (CE Specs)	
		Ref	ClearSky Telematics (Factory Installed)	
	1001227278	Ref	ClearSky (Telematics) Installation (Factory Installed) Canbus Connection (ANSI and CSA Specs)	
	1001246433	Ref	ClearSky (Telematics) Installation (Factory Installed) 3-Wire Connection (Australian Specs) (Prior to SN C30000398)	
	1001228960	Ref	ClearSky (Telematics) Installation (Factory Installed) Canbus Connection (CE Specs) 1001262959 Ref ClearSky Voltage Regulator (Prior to SN C30000398)	
	1001261106	Ref	Cold Weather Package - Batteries (Prior to SN C30000398)	
	1001196012	Ref	Cylinder Bellows Installation	
	1001148902	Ref	Electrical Connector Kit - Amp/Tyco Electrical Connectors	
	1001148903	Ref	Electrical Connector Kit - Deutsch DT Electrical Connectors	
	1001148904	Ref	Electrical Connector Kit - Deutsch HD Electrical Connectors	
	1001148905	Ref	Electrical Connector Kit - Packard Electrical Connectors	
	1001148906	Ref	Electrical Connector Kit - Various Electrical Connectors	
	1001246867	Ref	Enhanced Detection System (EDS) Level 1 (2-Bar) Installation Kit	
	1001253618	Ref	Module Box Assembly Kit (Service Kit for P/N 1001246867)	
	1001246860	Ref	Enhanced Detection System (EDS) Level 2 (3-Bar) Installation Kit	
	1001253619	Ref	Module Box Assembly Kit (Service Kit for P/N 1001246860)	
	1001220003	Ref	Ground Control and UGM Covers Kit	
	1001274480	Ref	Hydraulic Tank Heater Installation	
	1001286293	Ref	Kit, Beacon Strobe Repair	
	1001172001	Ref	Lights Installation - Headlights and Taillights	
	1001120466	Ref	Lights Installation - Platform Worklights	
	1580013	Ref	Platform Corner Storage Tray	
	1001250035	Ref	Platform Sensor Retrofit Kit	
	1001209059	Ref	Platform Work Surface Installation	
	1001241547	Ref	SkyEye LH Housing Retrofit Kit	
	1001241548	Ref	SkyEye RH Housing Retrofit Kit	
	1001247073	Ref	SkyEye Retrofit Kit	
	1001249052	Ref	SkyGuard Retrofit Kit	
	1001250595	Ref	SkyGuard 6 Pin Retrofit Kit	
	1001203510	Ref	SkyGuard Platform Sensor Kit	
	1001203511	Ref	SkyGuard Beacon Kit (Blue Light)	
	1001210036	Ref	SkyGuard Beacon Kit (Red Light)	
	1001232643	Ref	SkyLine Kit	

SECTION 10 - SPECIAL OPTIONS

ITEM	PART NUMBER	QTY	DESCRIPTION	REV
	1001252033	Ref	SkySense Enhanced Detection System (EDS) Level 1 (2-Bar) Add-on Kit (Dealer Installed)	
	1001252034	Ref	SkySense Enhanced Detection System (EDS) Level 2 (3-Bar) Add-on Kit (Dealer Installed)	
	2901443	Ref	Tools - Analyzer Kit	
	1001249695	Ref	Tools - Analyzer and Cable Kit	
	1001249941	Ref	Tools - Analyzer and Cable Kit (Battery Powered)	
	1001137005	Ref	Tools - Cable Kit, Software (Not Shown)	
	7002821	Ref	Tools - Crimper, Wire	
	7002823	Ref	Tools - Pin Extractor - Universal (For Electrical Connectors with Pins and Sockets)	
	4460510	Ref	Tools - Pin Extractor - 12-14 Gauge (For Removal of Pin/Sockets from Deutsch Connectors)	
	4460467	Ref	Tools - Pin Extractor - 16-18 Gauge (For Removal of Pin/Sockets from Deutsch Connectors)	
	7016654	Ref	Tools - Screwdriver, Magnetic	
	7002822	Ref	Tools - Screwdriver, Potentiometer	
	7004275	Ref	Tools - Seal Tool 1in (For Cylinders)	
	7004276	Ref	Tools - Seal Tool 1-1/2in (For Cylinders)	
	7002828	Ref	Tools - Stripper, Wire	
	1001257686	Ref	Traction Module Cooling Installation	
	1001262959	Ref	Voltage Regulator Relocation Kit	

PART NUMBER INDEX

SECTION 10 - SPECIAL OPTIONS

0100009.....179	0711014.....17	0961949.....145	100111827467, 118, 145, 155, 244, 248
0100011....13, 15, 17, 23, 28, 32, 35, 43, 49, 55, 63, 65, 67, 73, 75, 77, 79, 86, 89, 91, 93, 95, 97, 99, 101, 103, 105, 118, 121, 123, 125, 135, 137, 143, 145, 147, 153, 155, 169, 171, 173, 175, 203, 205, 244, 248, 283, 325	0711220.....15	0961950.....13	1001118384.....319
0100019.....17, 57, 125	0711227.....145	0961951.....55, 149, 213, 221	1001118388.....319
0100020....141, 193, 297, 299, 301, 303, 305	0711628.....57	0962257.....151	1001118412.....179, 336
0100035.....179, 183, 185	0760405.....28, 32	0962292.....149	1001118511.....13
0100048.....107, 179	0760412.....35	1001008559.....264, 270	1001118518.....13
0100081.....244, 248	0760506.....35	1001008999.....35	1001118519.....13
0100083.....86	0760512.....103	1001009205...89, 91, 93, 95, 97, 99, 101	1001118878.....275
0140011.....179	0760607.....35, 86	1001091102.....307	1001118971.....244, 248
0140043.....86	0760608...28, 32, 43, 73, 86, 89, 91, 97, 99, 101, 325	1001091969.....303	1001118972.....244, 248
0257728.....207	0760610...35, 55, 86, 89, 91, 93, 95, 97, 99, 101, 103, 105, 121, 123, 135, 137, 141, 307, 309, 325, 329, 331	1001091970.....305	100111902086, 237, 239, 321
0275216.....303	0760612.....103	1001091973.....297	1001119051.....125
0275217.....305	0760614...109, 111, 113, 115, 307	1001091974.....299	1001119057.....125
0275452.....297	0760615.....121	1001091975.....301	1001119176.....73, 336
0275453.....299	0760621.....86	1001097051.....315	1001119228...63, 75, 77, 79, 245, 249
0275454.....301	0760807.....23, 28, 32	1001097244.....195, 197	1001119278.....103
0361810.....103	0760808.....283, 325	1001098122....193, 263, 269, 289	1001119280.....103, 245, 249
0400075.....103	0760810...17, 23, 28, 35, 67, 118, 125, 153	1001098828.....153	1001119619.....313
0440162.....55	0760812...32, 67, 75, 77, 79, 89, 91, 93, 95, 97, 99, 101, 118, 145, 244, 248, 283, 325	1001101191.....297, 299, 301, 303, 305	1001119620.....315, 317
0480100.....207	0760814...23, 28, 32, 67, 118, 244, 248	1001101196.....303, 305	1001120204.....253
0630518.....81, 183, 185	0760815.....67	1001101197....297, 299, 301	1001120205.....257
0630568.....179	0760820.....15	1001103012.....262, 268	100112032886, 203, 205, 264, 270
0630613.....118	0761010.....49, 73	1001104497.....263, 269	1001120466.....338
0641404.....205	0761011.....15, 35	1001104519.....293	1001120989.....333
0641405.....179, 205	0761012...103, 143, 244, 248	1001104850.....57, 59	1001125483.....329, 331
0641406.....177, 199	0761014...23, 28, 32, 67, 89, 91, 93, 95, 97, 99, 101, 118, 153	1001106736.....86	1001125677.....264, 270, 290
0641408.....177	0761015.....55, 143	1001107854....262, 263, 268, 269	1001126008.....263, 269, 279, 281, 321
0641410.....121, 123	0761212...135, 137, 143, 147	1001110434.....179	1001126009.....263, 269, 319
0641414.....179, 203	0761214.....35, 67, 118	1001111424.....103	1001126245.....321
0641416....297, 299, 301, 303, 305	0761215.....143	1001112551.....329	1001127096.....333
0641418....169, 171, 173, 175	0761216...23, 28, 32, 67, 153	1001112607.....143	1001127152.....69
0641504.....103	0761218.....17	1001112612....237, 239, 262, 268	1001128128.....261, 262, 263, 267, 268, 269, 321
0641514.....207	0761224.....67	1001112796....237, 239, 273	1001129407.....73
0641608.....283	0761227.....147	1001113047.....35	1001129408.....127, 129
0641610.....177	0761615.....13, 147	1001113961.....261, 267	1001129555.....336
0681608.....153	0762016.....147	1001116208.....333	1001130220.....86
0682014.....17	0762020.....125	1001116550.....149	1001133972.....57, 61
0700408....297, 299, 301, 303, 305	0771618.....17	1001116693.....289	1001135196.....55
0700814....23, 28, 32, 69	0860520.....329, 331	1001116698.....263, 269	1001137005.....339
0700820.....149	0902317.....141	1001116731.....273	1001137673.....203, 336
0700827.....244, 248	0940048.....135, 137	1001116732....261, 262, 263, 267, 268, 269, 321	1001138494.....171, 173, 175
0700828....139, 244, 248	0940049.....118	1001116733....261, 262, 263, 267, 268, 269	1001138514.....171, 173, 175
0700830.....55	0940071.....118	1001116734.....321	1001140429.....169, 171, 173, 175
0701012.....125	0961845...169, 171, 173, 175	1001116747.....261, 267	1001141300.....333
0701015.....135, 137	0961947.....151	1001116748.....259	1001142683.....109, 111, 113, 115, 336
0701018.....118	0961948...145, 147, 217, 219	1001116774....237, 239	1001142736.....109, 113, 239
0701019.....149		1001116808.....237, 239	1001143501.....234
0701020.....149		1001116812....241, 263, 269	1001144147.....237, 273
0701021.....244, 248		1001117012....261, 267	1001144295.....86
0701024.....244, 248		1001117108....262, 268	1001144433.....203
0701027.....147		1001117172.....193	1001144629.....163, 165, 167
0701217.....13		1001117174....179, 193	
0701616.....65, 135, 137		1001117240.....103	
		1001117372.....211	

SECTION 10 - SPECIAL OPTIONS

1001145781 163, 165, 167, 171, 173, 175	1001166316..... 86, 103	1001170475..... 121	1001178555 145
1001148902 338	1001166538..... 179, 187	1001170483.....23, 28, 32	1001178634 43
1001148903 338	1001166539..... 179, 189	1001170761.....321, 336	1001178644 245, 249
1001148904 338	1001166656..... 244, 248	1001170763.....263, 269, 321	1001178958 245, 249
1001148905 338	1001166662..... 244, 248	1001171216.....118	1001179191 125
1001148906 338	1001166767..... 73	1001171295.....264, 270, 321, 336	1001179228 244, 248
1001150735 277	1001166768..... 73	1001171482.....75, 77	1001179266 245, 249
1001150889 277	1001166853..... 147	1001171553.....245, 249	1001179339 67
1001151393 75, 77, 79	1001167149..... 118	1001171555.....245, 249	1001179626 143, 145
1001152155 234	1001167159..... 118	1001171559.....245, 249	1001179904 118
1001152485 309	1001167163..... 118	1001171678.....103	1001180035 230
1001155021 261, 267	1001167169..... 118	1001171679.....103	1001180056 135, 137
1001155043 75, 77, 79	1001167312..... 307	1001171680.....103	1001180541 145
1001155044 ... 75, 77, 79, 179	1001167512..... 55	1001172001.....338	1001181405 107
1001155045 ... 75, 77, 79, 179, 336	1001167565..... 153	1001172217.....329, 331	1001181621 245
1001155967 15	1001167567..... 153	1001172271.....245, 249, 336	1001181875 249
1001156541 259	1001168210..... 213	1001172335 248	1001181923 245, 249
1001157466 65	1001168402..... 153	1001172336 248	1001182142 234
1001159186 285	1001168472..... 244, 248	1001172760 179	1001182169 118
1001159256 ... 75, 77, 79, 179, 336	1001168473..... 244, 248	1001173006 230	1001182561 245, 249
1001160859 147	1001169046..... 118	1001173027 234	1001182806 105
1001160872 147	1001169058..... 41	1001173028 234	1001182875 118
1001161117 15	1001169062..... 37	1001173034 230	1001182879 118
1001161710 179, 336	1001169092..... 179	1001173035 230	1001183171 149
1001161716 133, 213	1001169240..... 147	1001173036 230	1001183213 336
1001161717 133, 221	1001169241..... 147	1001173037 230	1001183841 125
1001161874 35	1001169242..... 147	1001173038 230	1001184137 283
1001162106 73	1001169246..... 143	1001173039 230	1001184206 17, 21
1001162429 329, 331	1001169247..... 143	1001173042 230	1001184846 262, 268
1001162534 49, 51	1001169249..... 135, 137	1001173043 230	1001184853 17
1001162535 155, 159	1001169295..... 147	1001173046 230	1001184855 17
1001162536 155, 157	1001169296..... 147	1001173048 230	1001185030 13
1001162661 69	1001169297..... 147	1001173049 230	1001185281 179
1001162663 69, 336	1001169298..... 147	1001173586 139	1001185747 245, 249
1001162667 69	1001169299..... 147	1001174040 153	1001185821 49, 53
1001162807 75, 77, 79	1001169300..... 147	1001174065 147	1001185964 261, 267
1001162995 13	1001169301..... 147	1001174158 307	1001186231 264, 270, 321
1001163178 15, 223	1001169302..... 147	1001174535 67	1001186431 203, 336
1001163405 15	1001169304..... 145	1001174749.....244, 248, 257	1001186432 293, 319
1001163580 13, 211	1001169305..... 145	1001174924 139	1001186517 203
1001163715 15	1001169381..... 125	1001174976 107	1001187382 153
1001163767 133, 215	1001169382..... 125	1001176299 230	1001187383 153
1001163863 133, 135, 137	1001169402..... 145	1001176300 230	1001187674 201
1001163937 149	1001169403..... 145	1001176301 230	1001187681 313
1001164017 143, 149	1001169422..... 177, 287	1001176302 230	1001187807 81, 183, 185
1001164093 13	1001169594..... 179	1001176469..... 75, 79	1001188311 175
1001164209 15	1001169823..... 55	1001176699.....55	1001188312 167
1001164709 217, 219	1001169898..... 67	1001176848.....15	1001188314 173
1001164730 244, 251	1001170018..... 118	1001176951.....244, 248, 255	1001188315 165
1001164731 244, 253	1001170022..... 118	1001177507 234	1001188318 171
1001164738 244, 248, 259	1001170098..... 37	1001177511 234	1001188319 163
1001164817 211	1001170102..... 23, 28, 32	1001177515 234	1001188622 153
1001165144 43, 45	1001170120..... 125	1001177820 65	1001188680 325
1001165946 57	1001170121..... 125	1001177821 65	1001188844 153
1001166085 333	1001170140..... 275	1001177834 65	1001188883 333
1001166096 147	1001170226..... 145	1001178003 234	1001189001 153
1001166153 39, 41	1001170231.... 89, 91, 93, 95, 97, 99, 101, 135, 137	1001178133 147	1001189002 153
1001166155 39	1001170334..... 145	1001178135 147	1001189882 331
1001166156 39	1001170367..... 283, 336	1001178228 123	1001190368 15
1001166157 39	1001170375..... 155	1001178448.....245, 249	1001190577 279, 281
1001166208 219	1001170458..... 41	1001178449.....245, 249	1001190663 105
	1001170459..... 41	1001178554 145	1001190913 329, 331
	1001170460..... 41		1001190985 153
			1001191832 118
			1001192401 264, 270

SECTION 10 - SPECIAL OPTIONS

1001193018.....297, 299, 301, 303, 305	1001227987 201	1001246540 17	1001252947.....207
1001196012.....338	1001227993 147	1001246543 67	1001253375.....293
1001197457241	1001227996 315, 317	1001246544 17	1001253598..... 329, 331, 333
1001200491 153	1001228215 169	1001246823 79	1001253599..... 331
1001200494 153	1001228224 201	1001246859 86	1001253618..... 338
1001201351 153	1001228225 201	1001246860 338	1001253619..... 338
100120193986	1001228954 129	1001246867 338	1001254641..... 17
1001202687 153	1001228960 338	1001247073 338	1001254648..... 17
1001202830 123	1001229341 201	1001247270 ... 89, 91, 93, 95, 97, 99, 101	1001254664..... 118
1001203322 121	1001230931 259	1001247468 153	1001254716..... 133, 219
1001203510 338	1001231886 105	1001247677 ... 89, 91, 93, 95, 97, 99, 101	1001254835..... 32
1001203511 338	1001232026 329, 331	1001248054 23, 28	1001254877 17
1001204725 153	1001232164 201	1001248089 23	1001255013..... 283
1001205950 234	1001232165 201	1001248119 23, 28, 32	1001255014..... 23, 28
1001205951 234	1001232642 205	1001248164 23, 28	1001255016..... 23, 28, 32
1001205952 234	1001232643 338	1001248173 23, 28, 32	1001255017..... 23, 28, 32
1001205953 234	1001232650 205	1001248174 23, 28, 32	1001255018..... 23, 28, 32
1001205958297, 299, 301	1001232667 205	1001248177 23, 28, 32	1001255033..... 135
100120643657	1001233139 15	1001248192 23, 28, 32	1001255035..... 137
1001206532 180	1001234295 49	1001248206 ... 23, 28, 32	1001255041..... 135
1001206625 217	1001234800 261, 267	1001248223 241	1001255043..... 137
1001206994 153	1001235011 205	1001248224 241	1001255046..... 135, 137, 143
1001209059 338	1001235013 205	1001248401 69	1001255047..... 135, 137, 155
1001209617 105	1001236123 338	1001248504 283	1001255049..... 135, 137, 230
1001209640 275	1001236552 205	1001248813 67, 69	1001255050..... 135, 137, 244
1001209664 203	1001237667 261, 267, 289	1001249052 338	1001255052..... 137, 139
1001209677 309	1001237668 261, 267, 289	1001249069 241	1001255054..... 143, 147
1001209832 309	1001237863 201, 315	1001249236 93	1001255133..... 153
1001210036 338	1001237864 201, 317	1001249329 67	1001255219..... 137, 141
1001210086 35	1001237865 201, 313	1001249405 86	1001255664..... 35
1001210636 197	1001237865 201, 313	1001249434 119, 123	1001255666..... 35
1001211716 118	1001238254 180, 289	1001249436 118	1001255762..... 333
1001211717 118	1001238319 201	1001249615 69	1001255775..... 241
1001212415 336	1001238418 205, 319	1001249695 339	1001255776..... 241
1001213447 289	1001238421 153	1001249857 67	1001255829..... 15, 311
1001213882 179	1001238466 245, 249	1001249941 339	1001256076..... 15
1001214174 17, 19	1001238472 205	1001250035 338	1001256266..... 35
1001215228 179	1001238477 205	1001250291 118	1001256301..... 23, 28, 32
1001216630 153	1001238495 203	1001250343 15	1001256686..... 325
1001217779 149, 151	1001238559 205	1001250344 15	1001256687..... 325
1001218533 63	1001238824 205	1001250346 15	1001256688..... 325
1001218535 63	1001239209 23, 28, 32	1001250347 15	1001256689..... 325
1001218537 63	1001239217 23, 28	1001250422 17, 325	1001256690..... 325
1001219129 63	1001239289 23, 28, 32	1001250432 275, 325	1001256850..... 86
1001219601 86	1001239406 67	1001250486 75	1001256851..... 86
1001220003 338	1001241254 338	1001250517 283	1001257316..... 283
1001220271 17	1001241296 118, 121	1001250518 283, 325	1001257445... 89, 91, 93, 95, 97, 99, 101
1001222365 ... 89, 91, 93, 95, 97, 99, 101, 336	1001241501 ... 89, 91, 93, 95, 97, 99, 101	1001250595 338	1001257572... 89, 91, 93, 95, 97, 99, 101
1001223118 65	1001241547 338	1001250605 35	1001257686..... 339
1001224894 145	1001241548 338	1001250808 333	1001257691..... 35
1001225557 325	1001241965 205	1001250946 86	1001257868..... 179
1001225558 325	1001242639 338	1001250947 35	1001257969..... 35
1001225580 203, 293	1001242855 109	1001250949 234	1001257970..... 35
1001226541 273	1001242856 113	1001250950 93	1001258143..... 23, 28
1001226636 273	1001243183 338	1001250951 55	1001258491..... 333
1001226637 273	1001243184 338	1001250967 55	1001258495..... 315, 317
1001226739 127, 129, 273	1001243414 118	1001250971 43, 49	1001258628..... 329
1001226799 127, 129	1001244294 86, 323	1001250979 35	1001258655..... 24, 28, 32
1001226872 169	1001244295 86, 285	1001251130 ... 89, 91, 93, 95, 97, 99, 101	1001258966..... 77
1001227278 338	1001245162 81	1001251408 15	
1001227633 201	1001245164 183, 185	1001252033 339	
1001227634 201	1001246142 338	1001252034 339	
1001227985 201	1001246144 127	1001252533 67	
	1001246433 338	1001252946 207	
	1001246539 67		

SECTION 10 - SPECIAL OPTIONS

1001259230 121, 123	1001265227.....281, 325	1702300.....329, 331	2900792..... 215
1001259476 81	1001265228.....279, 325	1702565.....179	2901443 339
1001259477 183, 185	1001265229.....325	1702566.....179	2902266 211
1001259491 183, 185	1001265230.....325	1702567179	2902549 307
1001259492 81	1001265288.....75	1702773.....331, 333	2940074 ... 163, 165, 167, 336
1001259504 81, 183	1001265289.....77	1702774.....333	2940173 121, 123
1001260297 79	1001265414.....177, 295	1702860.....333	3020008 17
1001260298 79	1001265415.....79, 277	1703687.....329, 331	3020037 17
1001260299 79	1001265843....89, 91, 93, 95, 97, 99, 101	1704125.....141	3020039 17
1001260306 245, 249	1001266711.....133, 225	1704260.....179	3160252 67, 71
1001260534 ... 89, 91, 93, 95, 97, 99, 101	1001266738.....133, 217	1704277.....329, 331	3251242 ... 297, 299, 301, 305
1001260661 24, 28	1001270412...89, 91, 93, 95, 97, 99, 101	1704412.....329, 331	3290405 ... 23, 28, 35, 73, 109, 111, 113, 115, 195, 197, 244, 248, 297, 299, 301, 303, 305, 307
1001260788 263, 269	1001270414....89, 91, 93, 95, 97, 99, 101	1704885.....329	3290501 103
1001260939 329, 331	1001271497.....289	1705325.....303	3290505 ... 23, 28, 89, 91, 93, 95, 97, 99, 101, 103, 107, 283
1001260941 329, 331	1001272681.....109, 111	1705669.....333	3290601 ... 23, 28, 32, 86, 103, 105, 121, 123, 325
1001261106 338	1001272682.....113, 115	1705822.....329, 331	3290605 .55, 73, 86, 103, 109, 111, 113, 115, 135, 137, 141, 244, 248, 275, 307, 309, 329, 331
1001261107 29, 32	1001274315.....33	1705961.....329, 331	3290606 171, 173, 175
1001261108 29, 32	1001274320.....33	183035-1.....241	3290801 32
1001261109 29, 32	1001274321.....33	2080040....141, 163, 165, 167, 307, 309	3290805 ... 23, 28, 32, 35, 55, 67, 118, 125, 149, 244, 248
1001261110 29, 32	1001274322.....33	2080057329, 331	3290806 153
1001261111 29, 32	1001274323.....33	216000157	3291001 153
1001261112 29, 32	1001274324.....33	2220239.....69	3291005 ... 23, 28, 32, 55, 67, 89, 91, 93, 95, 97, 99, 101, 103, 118, 121, 123, 143, 145, 147, 149, 153, 244, 248
1001261116 29, 32	1001274325.....33	2220240.....69	3291201 67, 153
1001261256 24, 29	1001274326.....33	2220371.....230, 234	3291205 143, 147, 153
1001261257 283	1001274436.....135, 137, 248	2220372.....230, 234	3300106 17
1001262061 95	1001274480.....338	2220373.....230, 234	3300151 ... 169, 171, 173, 175
1001262062 97	1001274559.....179	2220374.....230, 234	3300220 103
1001262063 99	1001276626.....109, 111, 113, 115	2220375.....234	3300353 179
1001262064 101	1001283207.....28	2220415.....230, 234	3300408 81
1001262065 91	1001284340.....86	2220435.....234	3300430 203
1001262066 89	1001286293.....338	2220465.....234	3310601 86
1001262067 95	1001286733.....33	2220468.....230	3311405 ... 177, 205, 297, 299, 301, 303, 305
1001262387 ... 89, 91, 93, 95, 97, 99, 101	1001286738.....86, 267	2220472.....230	3311501 118
1001262434 ... 23, 29, 32	1001286932.....129	2220499.....234	3311505 207
1001262467 ... 89, 91, 93, 95, 97, 99, 101	1001286934.....111	2220501.....234	3311601 118, 179, 205
1001262472 ... 89, 91, 93, 95, 97, 99, 101, 336	1001286935.....115	2220577.....230	3311605 177
1001262473 ... 89, 91, 93, 95, 97, 99, 101	1001286936.....111, 115, 237	2220582.....230, 234	3321001 103
1001262597 86, 261	1001287811.....33	2220600.....234	3340860 149
1001262598 321, 325	1060379207	2220603.....234	3380434 177
1001262599 ... 23, 29, 32, 241	1060461253, 257	2220628.....230	3422532 55
1001262795 329, 331	1060918193	2220747141	3422661 207
1001262796 329, 331	1320043 ... 89, 91, 97, 99, 101, 135, 137	2220750.....141	3422755 143
1001262959 339	1320130244, 248	2220829.....141	3422791 149
1001262979 ... 89, 91, 93, 95, 97, 99, 101	1320177139, 141	2220883.....211, 234	3422792 143
1001262980 ... 89, 91, 93, 95, 97, 99, 101	1320223103	2220923.....234	3422793 143
1001263608 195	132114023, 28	2220940.....230	3422806 143
1001263609 197	132129373	2220998.....234	
1001263849 86	1580012199	2221033.....234	
1001263920 29, 33	1580013338	2221037.....139	
1001263924 329, 331	1670836145	2221086.....157, 234	
1001263937 23, 29	1684290211	2230025.....230	
1001263993 ... 89, 91, 93, 95, 97, 99, 101	1701499329, 331	2400044.....23, 28	
1001264238 118	1701500329, 331	2400060.....289	
1001264735 75, 77	1701504329, 331	2400066.....261, 267	
1001264863 177	1701509329, 331	2400069...23, 28, 32, 336	
1001265027 177, 179	1701518329, 331	2540020....109, 111, 113, 115	
1001265029 83	1701529329, 331	2560136.....179	
1001265145 83, 185	170169135, 118	2560187121, 123	
		2600281....163, 165, 167	
		2752519.....234	
		2820031....244, 248, 255	
		2820247.....315, 317	
		2860030...75, 77, 79, 336	
		2900770.....213, 225	

SECTION 10 - SPECIAL OPTIONS

3423038.....143	4460071.....193	4460670.....264, 269	4460970.....241, 289
3423304.....15	4460115.....261, 267	4460703 ... 279, 281, 311, 321	4461012.....195
3430616.....180	4460138.....101	4460708.....289	4461018.....262, 268
3470003.....180	4460183.....289	4460746 ... 261, 263, 267, 269	4461070.....239
3520054.....179	4460225.....289	4460748.....261, 267	4461077.....313, 319
3520072.....169	4460226.... 187, 190, 193	4460754.....323	4461095.....237, 239
3520198.....169	4460227 ... 262, 263, 268, 269, 289	4460761 ... 262, 263, 268, 269, 289	4461128....241, 263, 269
3572551.....149	4460234 ... 107, 127, 129, 179	4460789.....261, 267	4461205.....97, 99
3740067.....103, 336	4460247.....262, 268	4460805.....91	4461228.....263, 269
3740086.....319, 336	4460259 ... 261, 267, 285, 287, 289	4460806.....297, 299	4461229.....263, 269
3760351.....145	4460260 ... 261, 267, 285, 287, 289	4460836.....262, 268	4461271.....261, 267
3790012.....179	4460265.....187, 190	4460837.....86, 264, 270	4520608.....39
3820020....163, 165, 167	4460267.....289	4460865 ... 244, 248, 251, 262, 268	4640509.....215
3820032.....103	4460268.....323	4460866 ... 244, 248, 255, 289	4640771.....225
3841143.15, 55, 143, 153	4460312.....262, 268	4460871 ... 105, 261, 262, 267, 268, 277, 285, 289, 321, 323	4640858.....211
3841203.....143, 147	4460313.....261, 267	4460872.....323	4641122.....39, 41
3841258....13, 135, 137, 147	4460374 ... 261, 263, 267, 269, 321	4460873 ... 261, 267, 277, 289, 321	4641129.....45
3841287.....147	4460418.....285, 289	4460874 262, 268, 289	4641390.....217, 219
3841340.....244, 248	4460419.....285, 289	4460875.....289, 323	4711400....121, 123, 169, 171, 173, 175, 203, 205, 297, 299, 301, 303, 305
3900349.....179	4460424.....323	4460876.....285	4711500.....103, 118
3900351.....145	4460428.....179	4460877.....289	4711600.....177, 180
3910804.....75, 77, 79	4460434.....289	4460878.....261, 267	4740086.....15
3931408.....203	4460458.....261, 267	4460879.....289	4740158.....13
3960417....23, 29, 33, 35	4460464.... 73, 107, 109, 111, 113, 115, 193, 237, 239, 241, 255, 259, 261, 262, 267, 268, 273, 277, 279, 287, 289, 293, 319, 321, 323	4460884 ... 259, 262, 263, 268, 269, 293, 321	4740229.....13
4010405.....307	4460465 ... 105, 237, 239, 251, 259, 261, 262, 263, 264, 267, 268, 269, 270, 273, 281, 287, 289, 293, 295, 311, 321, 323	4460887 261, 267, 289	4740362.....177
4010418.....244, 248	4460466 86, 201, 237, 239, 241, 245, 249, 251, 255, 259, 261, 262, 263, 264, 267, 268, 269, 270, 273, 277, 287, 289, 293, 313, 319, 321, 323	4460889 ... 259, 277, 287, 293, 313, 319, 321, 323	4740397.....180
4010618....171, 173, 175	4460467.....339	4460905 ... 261, 262, 267, 268, 277, 285, 289, 321, 323	4750800.....245, 249
4031505.....201	4460470.....179	4460908.....263, 269	4751400....177, 179, 199
4031507....32, 86, 89, 91, 93, 95, 97, 99, 101	4460471.....179	4460909.....263, 269	4751500.....207
4031509....109, 111, 113, 115	4460473 ... 244, 248, 251, 262, 268	4460910 264, 270, 317	4761000.....103
4031511.....244, 248	4460488 ... 109, 111, 113, 115	4460911 262, 268, 313	4761400.....199
4031512.....73	4460496.....86	4460914 ... 89, 91, 93, 95, 97, 99, 101	4761600.....283
4031516.....205	4460497.....86	4460918.....262, 268	4811400....23, 28, 35, 73, 86, 89, 91, 93, 95, 97, 99, 101, 109, 111, 113, 115, 195, 197, 244, 248, 297, 299, 301, 303, 305
4031607.....23, 28, 32	4460508 ... 201, 255, 262, 268, 287, 289	4460928.....237, 239	4811600....23, 28, 35, 89, 91, 93, 95, 97, 99, 101, 103, 107, 283
4031707....28, 32, 89, 91, 93, 95, 97, 99, 101, 325	4460509 ... 251, 262, 268	4460930.....281, 321	4811700....23, 28, 32, 35, 55, 73, 86, 89, 91, 93, 95, 97, 99, 101, 103, 105, 109, 111, 113, 115, 121, 123, 135, 137, 171, 173, 175, 275, 307, 309, 325, 329, 331
4031708....89, 91, 93, 95, 97, 99, 101	4460510.....339	4460931.....279, 321	481170243, 86, 103, 141, 307, 309, 325
4031710....89, 91, 93, 95, 97, 99, 101	4460516.....21	4460933 ... 237, 239, 261, 264, 267, 270, 289, 321	4811900....15, 17, 23, 28, 32, 35, 43, 55, 67, 69, 75, 77, 79, 89, 91, 93, 95, 97, 99, 101, 118, 125, 139, 153, 244, 248
4031920.....17	4460518 ... 237, 239, 263, 269	4460941.....313	4811902.....17, 145, 149, 244, 248
4060806.....63	4460536.....86, 289, 321	4460942 ... 201, 262, 268	4812000....17, 23, 28, 32, 35, 49, 55, 67, 73, 89, 91, 93, 95, 97, 99, 101, 103, 118, 121, 123, 125, 135, 137, 139,
4060808.....244, 248	4460539 ... 263, 264, 269, 270, 289, 311, 323	4460943 86, 262, 268, 313, 321	
4070897.....145		4460944 ... 241, 262, 263, 264, 268, 269, 270, 311, 321	
4070898.....145		4460945.....264, 270	
4071101.....13		4460966 264, 269, 270	
4160182.....118			
4240018....23, 28, 32, 86, 230, 234, 325			
4240032....107, 109, 111, 113, 115, 127, 129			
4240033....201, 203, 205			
4240084.....17			
4240099.....179			
4240156.....244, 248			
4360387.75, 79, 179, 336			
4360407.....179, 336			
4360469.....75, 77, 79			
4360475...75, 77, 79, 336			
4360476...75, 77, 79, 179, 336			
4420051.....333			
4420062.....207			
4460042.....261, 267			

SECTION 10 - SPECIAL OPTIONS

143, 145, 147, 153, 244, 248	70004255 61	70005014 213, 221	70005685 21
4812002 73, 118	70004256 61	70005016 213, 221	70005686 21
4812100 .. 17, 35, 67, 118, 147, 153	70004257 61	70005017 221	70005687 21
4812102 .. 23, 28, 32, 118	70004258 61	70005018 221	70005688 21
4812300 65	70004259 61	70005065 53	70005689 21
4845582 207	70004260 61	70005066 53	70006104 217
4846689 149	70004261 61	70005067 53	70006105 217
4891600 118, 153	70004262 61	70005068 53	70006256 145
4892000 17	70004263 61	70005069 51	70006272 145
4892600001 153	70004267 53	70005071 51	70006660 159
5240800 67	70004738 187	70005076 51	70006970 157
5241200 .. 13, 15, 57, 145, 153	70004739 187	70005080 51	70007886 219
5241600 17, 57	70004740 187	70005082 51	70007887 219
5250608 86	70004741 187	70005084 51	70007888 219
5250808 43	70004742 187	70005085 51	70007889 219
5250810 .. 75, 77, 79, 155	70004743 187	70005087 51	70007890 219
5250812 35, 63, 245, 249	70004744 187	70005088 51	70007901 217
5251008 153	70004745 187	70005089 51	70008135 225
5251009 145	70004746 187	70005090 51	70008136 225
5251010 49, 145, 155	70004747 187	70005092 51	70008137 225
5251012 13, 145	70004748 187	70005094 51	70008138 225
5251014 118, 244, 248	70004749 187	70005095 51	70008139 225
5251016 153	70004750 187	70005096 51	70008140 225
5251215 55	70004751 187	70005097 51	70008141 225
5260800 63, 75, 77, 79	70004752 189	70005098 51	70023370 215
5261200 55	70004753 189	70005099 51	70024262 213
5271609 283	70004754 189	70005100 51	70025619 213, 225
5272114 57	70004755 189	70005139 53	70025959 221
5281920 244, 248	70004756 189	70005143 215	70027088 225
70000088 59	70004757 189	70005150 223	7002821 339
70000089 59	70004758 189	70005151 223	7002822 339
70000100 159	70004759 189	70005152 223	7002823 339
70000342 151	70004760 189	70005153 223	7002828 339
70000865 61	70004761 189	70005154 223	7004035 59
70002206 59	70004762 189	70005155 215	7004036 59
70002207 59	70004763 189	70005156 215	7004043 59
70002335 215	70004764 189	70005157 215	7004044 59
70002371 215	70004765 189	70005158 215	7004045 59
70002373 215	70004766 189	70005159 215	7004047 59
70002386 ... 51, 217, 219, 336	70004767 189	70005160 215	7004049 59
70002413 213	70004768 189	70005217 51	7004275 339
70002649 61	70004769 189	70005218 51	7004276 339
70002651 61	70004770 189	70005219 51, 336	70050516 45, 336
70002842 211	70004771 189	70005243 157	7012540 45
70002902 193	70004772 189	70005385 21	7012545 71
70002903 193	70004773 189	70005387 21	7012548 71
70002904 193	70004774 190	70005388 21	7012549 71
70002905 193	70004775 190	70005389 21	7012907 45
70002963 45, 336	70004787 45	70005390 21	7012967 219
70003612 53	70004788 45	70005391 21	7012998 45, 217
70003788 51, 217, 336	70004789 45	70005392 21	7016654 339
70003837 213, 221	70004809 21	70005393 21	7017142 151
70003838 213, 221	70004811 21	70005394 21	7017159 151
70003977 51	70004820 21	70005395 21	7017162 151
70004000 53	70004864 159	70005396 21	7017163 151
70004013 53	70004865 159	70005397 21	7017164 151
70004014 53	70004866 159	70005400 21	7017172 151
70004249 61	70004867 157, 159	70005401 21	7017192 151
70004250 61	70004868 159	70005402 21	7017195 151
70004251 61	70004869 157, 159	70005403 21	7017408 45
70004252 61	70004871 .. 157, 159, 336	70005404 21	7017455 45
70004253 61	70004873 157	70005405 21	7017463 45
70004254 61	70004875 159	70005406 21	7017467 217
	70005010 213	70005407 21	7017496 217, 219
	70005011 213	70005408 21	7020033 19
	70005012 213, 221	70005410 21	7020035 19
	70005013 213, 221	70005412 21	7020036 19

SECTION 10 - SPECIAL OPTIONS

7020037.....	19	7023272.....	71	7026051.....	61	8310070.....	245, 249
7020038.....	19	7023318.....	59	7026052.....	61	8310559....	89, 91, 93, 95, 97, 99, 101
7020039.....	19	7023900.....	51	7026053.....	61	8310612.....	23, 28
7020040.....	19	7023936.....	51	7026057.....	61	8310614.....	73
7020041.....	19	7024379.....	59	7026330.....	53	8310668.....	145
7020175... 75, 77, 79, 179		7024380.....	59	7027350.....	61	8310686.....	35, 118
7020176... 75, 77, 79, 179		7024381.....	59	7027351.....	61	8406105.....	139, 141
7020291.....	71	7024389.....	59	7027352.....	61	86683122.....	32
7020292.....	71	7024390.....	59	7027353.....	61	8760477.....	230
7020293.....	71	7024441.....	69	7027354.....	61	8760554.....	234
7020294.....	71	7024453.....	59	7027356.....	61	8770289.....	230
7020295.....	71	7026042.....	61	7027625.....	159	88662523.....	118
7020296.....	71	7026043.....	61	7027628.....	159, 336	8881800.....	73, 244, 248
7020297.....	71	7026044.....	61	80963067.....	261, 267	91164057.....	51
7020298.....	71	7026045.....	61	8220022.....	263, 269	91164059.....	51
7020299.....	71	7026046.....	61	8220045	263, 269, 321	91164079.....	51
7021653.....	45	7026047.....	61	8220079.....	261, 267	91203039.....	153
7022390.....	51, 217	7026048.....	61	8220125.....	261, 267	E900051.....	93, 95
7022399.....	51	7026049.....	61	8229244	263, 269, 336		
7023200.....	71	7026050.....	61	8229245	261, 267, 336		



**Corporate Office
JLG Industries, Inc.
1 JLG Drive
McConnellsburg, PA 17233-9533 USA
☎ (717) 485-5161 (Corporate)
☎ (877) 554-5438 (Customer Support)
📠 (717) 485-6417**

**Visit our website for JLG Worldwide Locations.
www.jlg.com**



OSHKOSH™