



Illustrated Parts Manual

Model EC450AJ

SN C300000700 to Present

P/N
31221584

July 14, 2023 - Rev B

CE
UK
CA



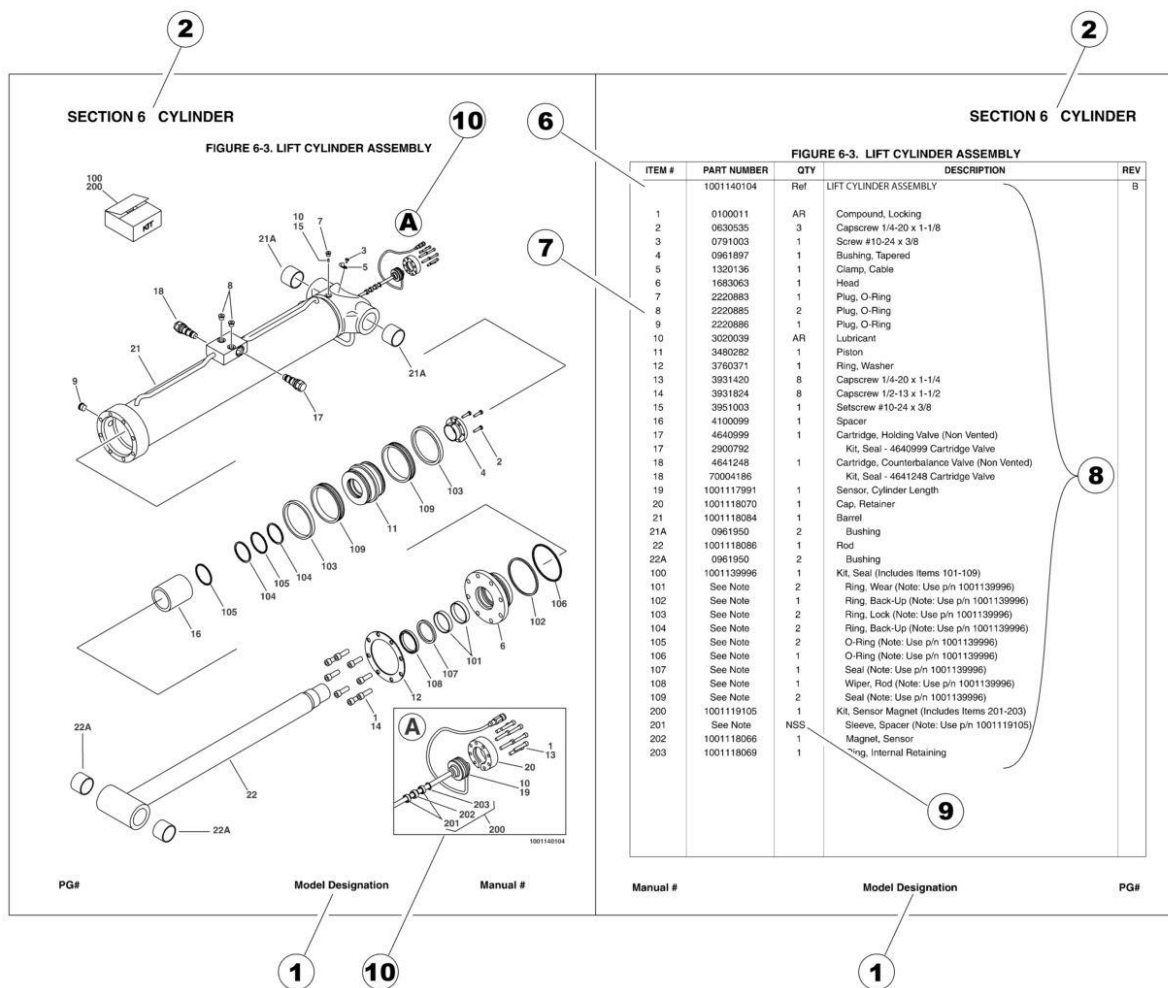
An Oshkosh Corporation Company

REVISION LOG

May 5, 2023 - A - Original Issue of Manual (Edited to 1001250808 Revision L)

July 14, 2023 - B - Original Issue of Manual (Edited to 1001250808 Revision L)

GENERAL INFORMATION



1) MACHINE IDENTIFICATION

Machines are identified by model and in some cases a combination of models, serial number (SN) or regional standard (i.e ANSI, CE, CSA). Components may also be identified by SN or manufacturer. Common components that may be identified by these characteristics are engines and hydraulic components.

2) PARTS MANUAL ORGANIZATION

Product information in this manual is organized under section titles. Frame, Cylinder, Hydraulic and Electrical are a few examples. Each section is organized by figure and page number. The information within the Figure is then organized by item number, part number, description and corresponding illustration (s).

3) TABLE OF CONTENTS (NOT SHOWN)

A table of contents is found toward the beginning of the manual. Figure number, description and page number are provided for quick reference to the page containing the related information.

4) RECOMMENDED SPARE PARTS (NOT SHOWN)

The Recommended Spare Parts List, located near the end of the manual, reference most frequently used maintenance parts.

5) PART NUMBER INDEX (NOT SHOWN)

A numerical index listing all part numbers and the corresponding page number(s) appears at the back of the manual.

GENERAL INFORMATION

6) NON-SERVICED PARTS

In some instances, it is necessary to display non-serviced parts, assemblies or installations. In the case of assemblies and installations there will be a Ref in the Qty. column. In case of parts that are not available for service within assemblies or components, there will be a NSS (Not Sold Separately) or NLA (No Longer Available) listed in the Qty. column of the manual.

7) PARTS LIST ITEM NUMBERS

Numbers shown in the item# column correspond to numbers used in the associated illustration (s). Item numbers which are missing from the sequence in the parts list are not used on that page.

8) INDENTED PARTS DESCRIPTION

An indented part description is included in the item under which it is indented.

9) ABBREVIATION AND SYMBOLS

AC.....	Alternating Current	L.....	Liter
ADE.....	Advanced Design Electronics	LB(LBS).....	Pounds
AG.....	Agricultural	LCD.....	Liquid Crystal Display
ANSI.....	American National Standards Institute	LED.....	Light Emitting Diodes
AR.....	As Required	LH.....	Left Hand
ASSY.....	Assembly	LRC.....	Low Rated Countries
AUS.....	Australia	LSS.....	Load Sensing System
AUX.....	Auxiliary	M(m).....	Metric/Meter
AWG.....	American Wire Gauge	MM(mm).....	Milimeter
B/M.....	Bill of Material	mA.....	Miliamps
CAC.....	Charge Air Cooler	NLA.....	No Longer Available
CE.....	European Conformity	NPT.....	National Pipe Threads
CCW.....	Counter Clockwise	NSS.....	Not Sold Separately
CM.....	Centimeter	OD.....	Outside Diameter
CW.....	Clockwise	ORB.....	O-Ring Boss
CSA.....	Canadian Standards Association	ORFS.....	O-Ring Face Seal
CYL.....	Cylinder	OZ (oz).....	Ounces
DIA.....	Diameter	PG.....	Page
DC.....	Direct Current	PN.....	Part Number
DEF.....	Diesel Exhaust Fluid	QT(qt.).....	Quarts
EMS.....	Emergency Stop	QTY.....	Quantity
ENG.....	Engine	REF.....	Reference
FT(ft).....	Feet	REV.....	Revision Level
GA(Ga).....	Gauge	RH.....	Right Hand
HRC.....	High Rated Countries	SAE.....	Society of Automotive Engineers
HVAC.....	Heating, Ventilating, and Air Conditioning	SN.....	Serial Number
HYD.....	Hydraulic	SPEC(S).....	Specifications
Hz.....	Hertz	T/T.....	Turntable
ID.....	Inside Diameter	UGM.....	Universal Ground Module
IN.....	inches	V.....	Volts
ISO.....	International Organization for Standards	W.....	Watts
JIC.....	Joint Industry Council	#.....	Number
KG.....	Kilogram		

10) ILLUSTRATION REFERENCE LETTERS

When necessary, illustrations may contain reference letters that are intended to track information (i. e. hoses, harnesses) from one point to another or to track visual enlargement of components to show details that may be located in another area on the illustration.

Note: Due to continuous product improvements, JLG Industries, Inc. reserves the right to make specification changes without prior notification. Contact JLG Industries, Inc. for updated information.

TABLE OF CONTENTS

SECTION 1 - FRAME.....	11
FIGURE 1-1. AXLE INSTALLATION	12
FIGURE 1-2. STEER INSTALLATION.....	14
FIGURE 1-3. WHEEL DRIVE INSTALLATION (2WD) (SN C300000700 to Present).....	16
FIGURE 1-4. HUB - SPINDLE ASSEMBLY.....	18
FIGURE 1-5. DRIVE MOTOR ASSEMBLY	20
FIGURE 1-6. BATTERY INSTALLATION (SN C300000700 to Present).....	22
FIGURE 1-7. BATTERY INSTALLATION (SN C300000700 to Present).....	24
FIGURE 1-8. FRAME SHIELD INSTALLATION (SN C300000700 to Present).....	26
FIGURE 1-9. TIRE AND WHEEL INSTALLATION - 33 X 12-20 SOLID NON-MARKING	28
FIGURE 1-10. TIRE AND WHEEL INSTALLATION - 315/55 D20 FOAM FILLED	30
FIGURE 1-11. TIRE AND WHEEL INSTALLATION - 315/55 D20 FOAM FILLED NON-MARKING	32
FIGURE 1-12. CONTROL VALVES INSTALLATION - FRAME MOUNTED	34
FIGURE 1-13. OSCILLATING AXLE VALVE ASSEMBLY	36
SECTION 2 - TURNTABLE.....	39
FIGURE 2-1. CONTROL VALVES INSTALLATION - TURNTABLE MOUNTED.....	40
FIGURE 2-2. MAIN VALVE ASSEMBLY	42
FIGURE 2-3. AUXILIARY PUMP ASSEMBLY.....	44
FIGURE 2-4. SWING DRIVE AND TURNTABLE BEARING INSTALLATION.....	46
FIGURE 2-5. SWING MOTOR ASSEMBLY	48
FIGURE 2-6. TURNTABLE BEARING ASSEMBLY	50
FIGURE 2-7. TURNTABLE COVERS INSTALLATION	52
FIGURE 2-8. TURNTABLE LOCK INSTALLATION.....	54
FIGURE 2-9. TANK AND PUMPS INSTALLATION.....	56
FIGURE 2-10. HYDRAULIC TANK INSTALLATION	58
FIGURE 2-11. MOTOR ASSEMBLY	60
FIGURE 2-12. DRIVE ORIENTATION INSTALLATION	62
FIGURE 2-13. GROUND CONTROL ASSEMBLY	64
FIGURE 2-14. GROUND CONTROL ASSEMBLY - WITH 4 INCH DISPLAY	66
FIGURE 2-15. LIGHT PANEL INSTALLATION – GROUND CONTROL (SN C300000700 to Present).....	68
FIGURE 2-16. ELECTRICAL SYSTEM INSTALLATION (SN C300000700 to Present).....	70
FIGURE 2-17. ELECTRICAL SYSTEM INSTALLATION (SN C300000700 to Present).....	72
FIGURE 2-18. BATTERY CHARGER INSTALLATION - WITH NO PLUG (SN C300000700 to Present).....	74
FIGURE 2-19. BATTERY CHARGER INSTALLATION - 110V (ANSI AND CSA SPECS) (SN C300000700 to Present).....	76
FIGURE 2-20. BATTERY CHARGER INSTALLATION - 220V (AUSTRALIAN SPECS) (SN C300000700 to Present).....	78
FIGURE 2-21. BATTERY CHARGER INSTALLATION (SN C300000700 to Present)	80
FIGURE 2-22. BATTERY CHARGER INSTALLATION - WITH 110 IEC PLUG (SN C300000700 to Present)	82
FIGURE 2-23. BATTERY CHARGER INSTALLATION (CEE7) (SN C300000700 to Present)	84
FIGURE 2-24. BATTERY CHARGER INSTALLATION (ASFINT) (SN C300000700 to Present)	86
FIGURE 2-25. ALARM WHITE NOISE INSTALLATION.....	88
FIGURE 2-26. BEACON LIGHT INSTALLATION - AMBER.....	90
FIGURE 2-27. (CLEARSKY) BEACON LIGHT INSTALLATION - BLUE	92
FIGURE 2-28. BEACON LIGHT INSTALLATION - RED	94
FIGURE 2-29. CLEARSKY INSTALLATION - AUSTRALIAN SPEC	96
FIGURE 2-30. CLEARSKY INSTALLATION - CE SPEC.....	98
FIGURE 2-31. HOODS INSTALLATION (SN C300000700 to Present)	100
FIGURE 2-32. HOODS INSTALLATION (SN C300000700 to Present)	102
FIGURE 2-33. HOOD ASSEMBLY - TANK SIDE (SN C300000700 to Present).....	104
FIGURE 2-34. COVERS INSTALLATION - COUNTERWEIGHT	106
SECTION 3 - BOOM.....	109
FIGURE 3-1. CYLINDERS INSTALLATION	110
FIGURE 3-2. BOOM INSTALLATION - WITHOUT AIRLINES	112
FIGURE 3-3. BOOM INSTALLATION - WITH AIRLINE	114
FIGURE 3-4. BOOM AIRLINE INSTALLATION.....	116
FIGURE 3-5. AIRLINE FITTINGS INSTALLATION	118
FIGURE 3-6. MAIN BOOM INSTALLATION.....	120
FIGURE 3-7. MAIN BOOM ASSEMBLY	122
FIGURE 3-8. TOWER BOOM ASSEMBLY	124
FIGURE 3-9. JIB INSTALLATION	126
FIGURE 3-10. ROTATOR ASSEMBLY	128
FIGURE 3-11. PLATFORM SUPPORT INSTALLATION.....	130

TABLE OF CONTENTS

FIGURE 3-12. BOOM VALVES INSTALLATION	132
FIGURE 3-13. BOOM VALVE ASSEMBLY	134
FIGURE 3-14. UPRIGHT VALVE ASSEMBLY	136
SECTION 4 - PLATFORM	139
FIGURE 4-1. PLATFORM ASSEMBLY - 30IN X 4FT (76CM X 1.22M) - SIDE GATE ENTRY	140
FIGURE 4-2. PLATFORM ASSEMBLY - 30IN X 5FT (76CM X 1.52M) - SIDE GATE ENTRY	142
FIGURE 4-3. PLATFORM ASSEMBLY - 30IN X 6FT (76CM X 1.83M) - SIDE GATE ENTRY	144
FIGURE 4-4. PLATFORM ASSEMBLY - 30IN X 3FT (76CM X .91M) - DROP BAR ENTRY	146
FIGURE 4-5. PLATFORM ASSEMBLY - 30IN X 4FT (76CM X 1.22M) - WITH DROP BAR	148
FIGURE 4-6. PLATFORM ASSEMBLY - 30IN X 5FT (76CM X 1.52M) - WITH DROP BAR	150
FIGURE 4-7. PLATFORM ASSEMBLY - 30IN X 6FT (76CM X 1.83M) - WITH DROP BAR	152
FIGURE 4-8. CONSOLE BOX INSTALLATION - WITH SKYGUARD	154
FIGURE 4-9. PLATFORM CONSOLE BOX ASSEMBLY - WITH SKYGUARD	156
FIGURE 4-10. LIGHT PANEL INSTALLATION - PLATFORM CONTROL	160
FIGURE 4-11. LIGHT PANEL INSTALLATION - PLATFORM CONTROL (CE & UK CA SPECS ONLY)	162
FIGURE 4-12. CONTROLLER ASSEMBLY - DRIVE AND STEER	164
FIGURE 4-13. CONTROLLER ASSEMBLY - LIFT AND SWING	166
FIGURE 4-14. FOOTSWITCH ASSEMBLY	170
FIGURE 4-15. PLATFORM CHARGER (12V)	172
FIGURE 4-16. PLATFORM CHARGER (USB)	174
FIGURE 4-17. TRAY ASSEMBLY	176
FIGURE 4-18. SKYEYE INSTALLATION	178
FIGURE 4-19. SKYGUARD BAR INSTALLATION	180
FIGURE 4-20. SKYLINE INSTALLATION	182
SECTION 5 - CYLINDER	185
FIGURE 5-1. AXLE LOCKOUT CYLINDER ASSEMBLY	186
FIGURE 5-2. LEVEL (PLATFORM SLAVE) CYLINDER ASSEMBLY	188
FIGURE 5-3. LIFT CYLINDER ASSEMBLY - JIB	190
FIGURE 5-4. LIFT CYLINDER ASSEMBLY - MAIN BOOM	192
FIGURE 5-5. LIFT CYLINDER ASSEMBLY - TOWER BOOM	194
FIGURE 5-6. MASTER CYLINDER ASSEMBLY	196
FIGURE 5-7. STEER CYLINDER ASSEMBLY	198
FIGURE 5-8. TELESCOPE CYLINDER ASSEMBLY	200
SECTION 6 - HYDRAULIC	203
FIGURE 6-1. BOOM HYDRAULIC SYSTEM INSTALLATION	204
FIGURE 6-2. CHASSIS HYDRAULIC SYSTEM INSTALLATION	208
SECTION 7 - ELECTRICAL	211
FIGURE 7-1. CLEARSKY BEACON LIGHT HARNESS	212
FIGURE 7-2. BEACON LIGHT HARNESS	214
FIGURE 7-3. BMS HARNESS	216
FIGURE 7-4. BOOM CABLES AND CLAMPS	218
FIGURE 7-5. BOOM HARNESS - MAIN BOOM	222
FIGURE 7-6. BOOM HARNESS - MAIN BOOM AC CABLE	224
FIGURE 7-7. BOOM HARNESS - TOWER BOOM	226
FIGURE 7-8. BOOM HARNESS - TOWER BOOM AC CABLE	228
FIGURE 7-9. BOOM VALVE HARNESS	230
FIGURE 7-10. CHASSIS HARNESS ASSEMBLY	232
FIGURE 7-11. CLEARSKY HARNESS	238
FIGURE 7-12. CONTROLLER BRACKET ASSEMBLY	240
FIGURE 7-13. DISPLAY ADAPTER HARNESS	242
FIGURE 7-14. DRIVE MOTOR HARNESS (RIGHT REAR)	244
FIGURE 7-15. DRIVE MOTOR HARNESS (LEFT REAR)	246
FIGURE 7-16. FUSE PLATE ASSEMBLY	248
FIGURE 7-17. GROUND CONTROL PANEL HARNESS	250
FIGURE 7-18. PLATFORM TO BOOM HARNESS	252
FIGURE 7-19. PLATFORM CONSOLE BOX HARNESS	254
FIGURE 7-20. PLATFORM INTERFACE HARNESS	258
FIGURE 7-21. PLATFORM VALVE HARNESS	260
FIGURE 7-22. AC BOX AT PLATFORM INSTALLATION - 220V CEE7 2X4 BOX POST GROUND	262

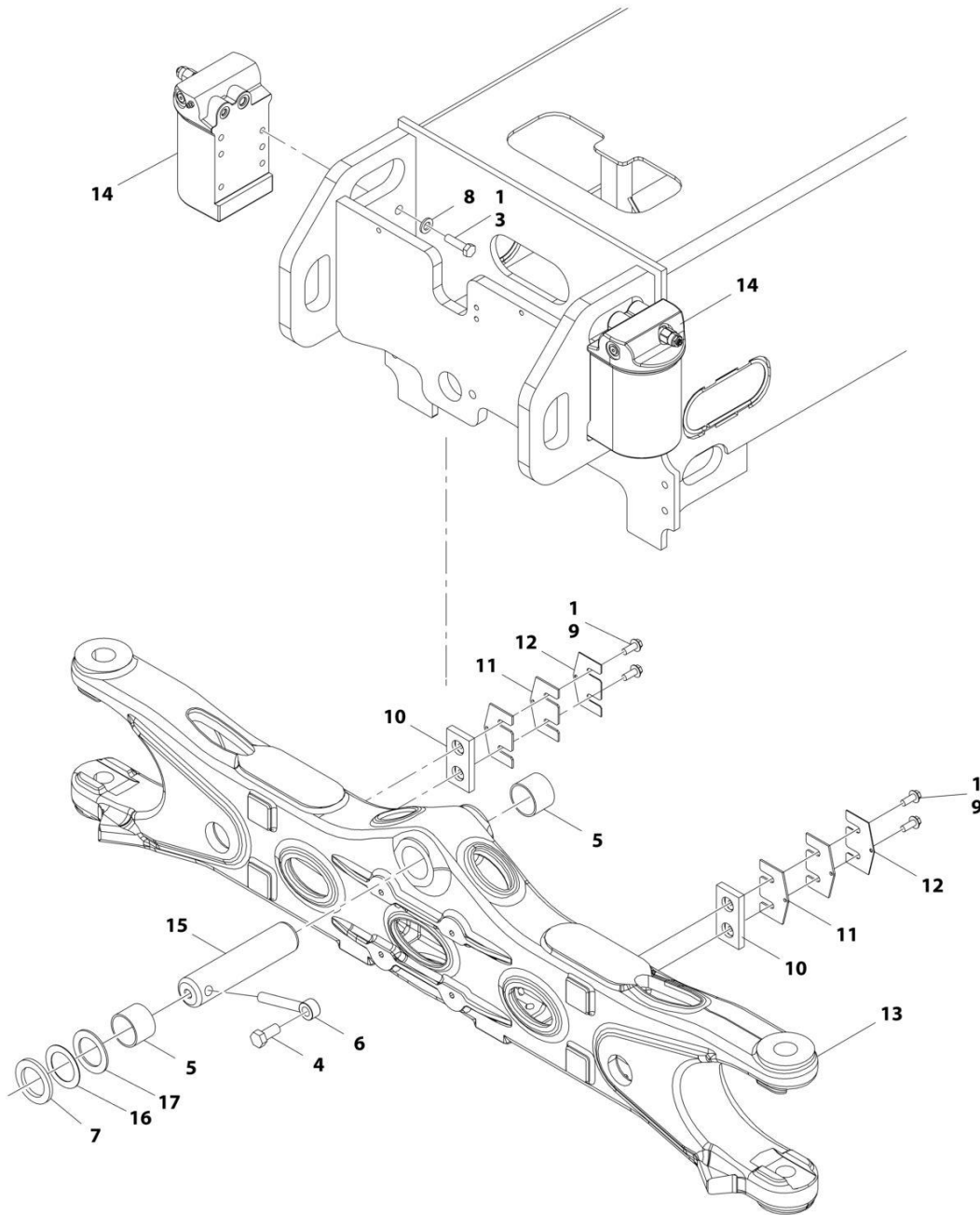
TABLE OF CONTENTS

FIGURE 7-23. AC BOX AT PLATFORM INSTALLATION - 220V CEE7 2X4 BOX SIDE GROUND	264
FIGURE 7-24. AC BOX AT PLATFORM INSTALLATION - 220V AFSINT 107 2X4 BOX KEYED GROUND	266
FIGURE 7-25. AC BOX AT PLATFORM INSTALLATION - 110V IEC YELLOW.....	268
FIGURE 7-26. AC BOX AT PLATFORM INSTALLATION - 220V IEC BLUE	270
FIGURE 7-27. AC CABLE INSTALLATION - WITH TWO BREAKERS.....	272
FIGURE 7-28. AC CABLE INSTALLATION - WITH THREE BREAKERS	274
FIGURE 7-29. STEER SENSOR HARNESS.....	276
FIGURE 7-30. SKYEYE INTERMEDIATE HARNESS.....	278
FIGURE 7-31. SKYEYE RECEIVER HARNESS	280
FIGURE 7-32. SKYEYE EMITTER HARNESS.....	282
FIGURE 7-33. SKYLINE HARNESS.....	284
FIGURE 7-34. TRACTION HARNESS	286
FIGURE 7-35. VALVE HARNESS - MAIN.....	288
FIGURE 7-36. WHEEL DRIVE ELECTRICAL HARNESS INSTALLATION (2WD) (SN C300000700 to Present)	290
SECTION 8 - DECALS.....	293
FIGURE 8-1. DECAL INSTALLATION - ANSI SPECS	294
FIGURE 8-2. DECAL INSTALLATION - AUSTRALIAN SPECS.....	296
FIGURE 8-3. DECAL INSTALLATION - CE & UK CA SPECS	298
FIGURE 8-4. DECAL INSTALLATION - CSA SPECS.....	300
FIGURE 8-5. DECAL INSTALLATION - OPTIONS	302
SECTION 9 - RECOMMENED SERVICE PARTS STOCK.....	305
FIGURE 9-1. RECOMMENDED SERVICE PARTS STOCK	306
SECTION 10 - SPECIAL OPTIONS.....	307
FIGURE 10-1. SPECIAL OPTIONS/ACCESSORIES/KITS	308
PART NUMBER INDEX	311

SECTION 1 - FRAME

SECTION 1 - FRAME

FIGURE 1-1. AXLE INSTALLATION



ART_1001164093

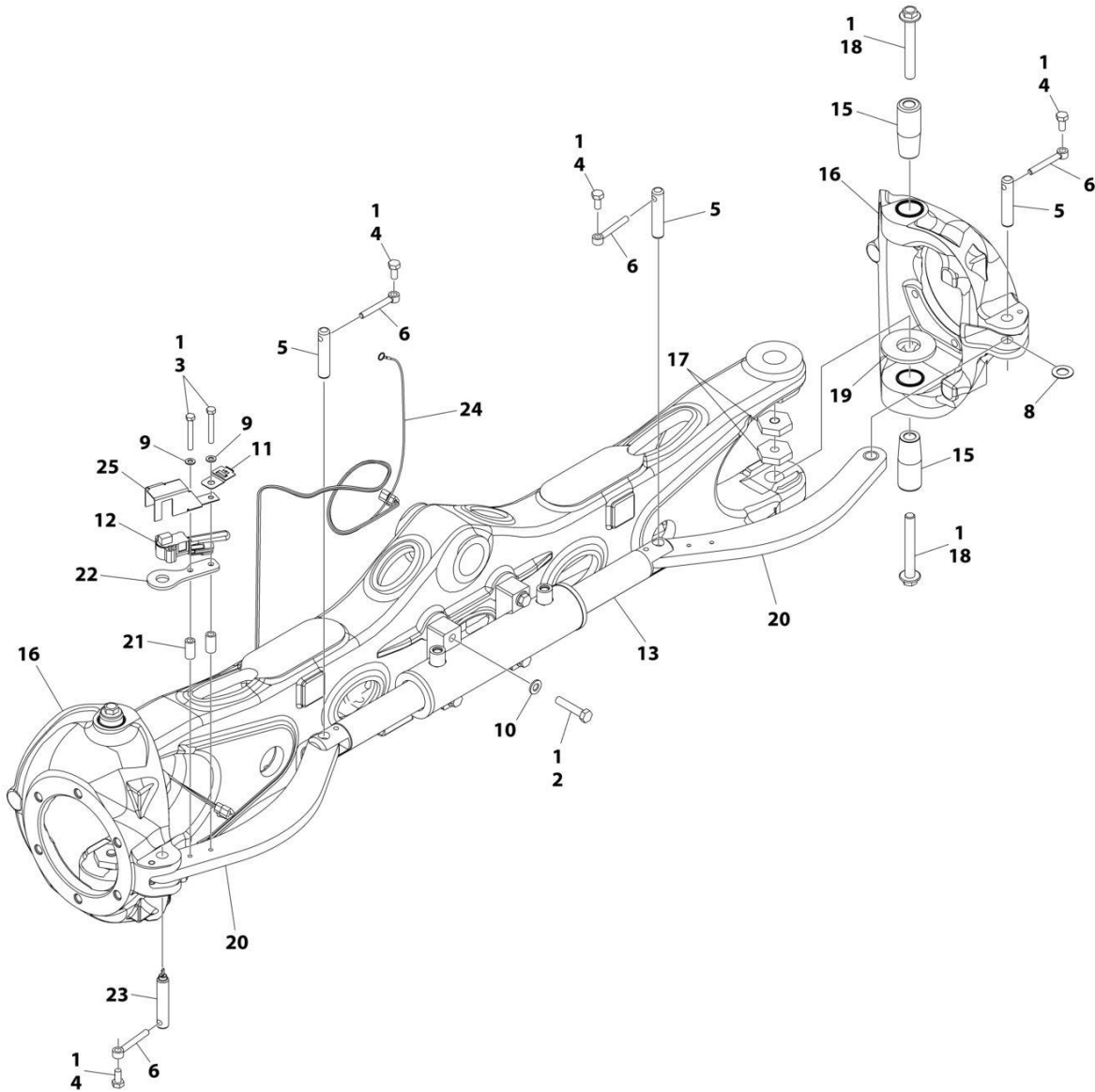
SECTION 1 - FRAME

FIGURE 1-1. AXLE INSTALLATION

ITEM	PART NUMBER	QTY	DESCRIPTION	REV
	1001164093	Ref	AXLE INSTALLATION	D
1	0100011	AR	Compound, Locking	
3	0701217	8	Bolt M12 x 45	
4	0761615	1	Bolt M16 x 35	
5	0961950	2	Bearing	
6	3841258	1	Keeper, Pin	
7	4740158	AR	Washer	
8	5241200	8	Washer M12	
9	5251012	4	Bolt M10 x 25	
10	1001118511	2	Pad, Wear	
11	1001118518	4	Shim 11Ga	
12	1001118519	2	Shim 16Ga	
13	1001162995	1	Axle	
14	1001163580	2	Axle Lockout Cylinder Assembly (See Separate Breakdown in CYLINDER SECTION)	
15	1001185030	1	Pin	
16	4071101	AR	Shim	
17	4740229	AR	Washer	

SECTION 1 - FRAME

FIGURE 1-2. STEER INSTALLATION



ART_1001250343

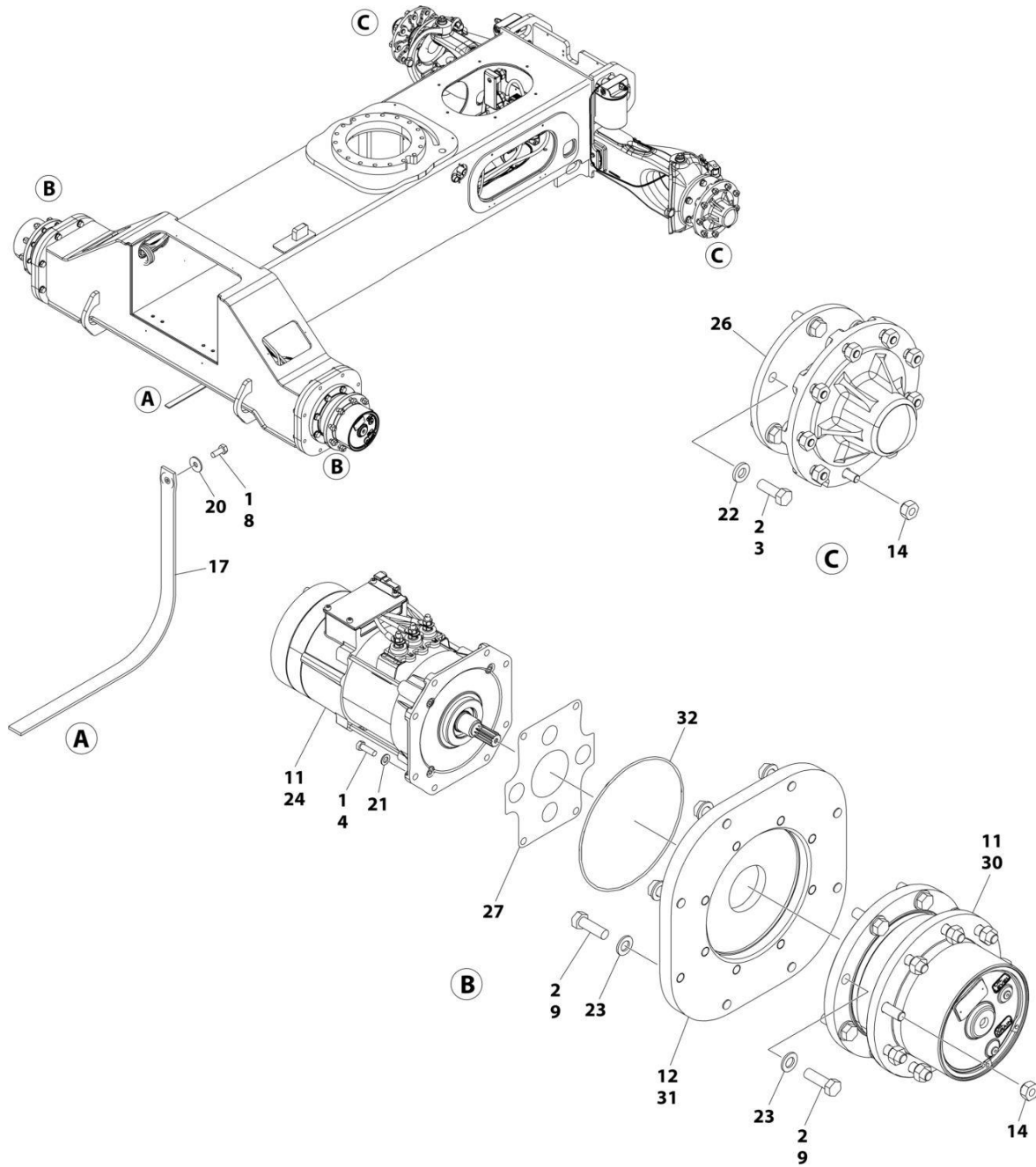
SECTION 1 - FRAME

FIGURE 1-2. STEER INSTALLATION

ITEM	PART NUMBER	QTY	DESCRIPTION	REV
	1001250343	Ref	STEER INSTALLATION	C
1	0100011	AR	Compound, Locking	
2	0711220	4	Bolt M12 x 60 Grade 10.9	
3	0760820	2	Bolt M8 x 60	
4	0761011	4	Bolt M10 x 22	
5	3423304	3	Pin	
6	3841143	4	Keeper, Pin	
8	4740086	4	Washer	
9	4811900	2	Washer M8	
10	5241200	4	Washer M12	
11	1001155967	1	Holder	
12	1001161117	1	Switch, Rotary Angle Sensor	
13	1001163178	1	Steer Cylinder Assembly (See Separate Breakdown in CYLINDER Section)	
15	1001163405	4	Kingpin	
16	1001163715	2	Spindle	
17	1001176848	4	Nut M16	
18	1001190368	4	Bolt M16 x 120	
19	1001233139	2	Bearing, Thrust	
20	1001250344	2	Link	
20	1001164209	4	Bearing	
21	1001250346	2	Spacer	
22	1001250347	1	Plate	
23	1001251408	1	Pin	
24	1001255829	1	Harness, Steer Sensor (See Separate Breakdown in ELECTRICAL Section)	
25	1001256076	1	Bracket	

SECTION 1 - FRAME

FIGURE 1-3. WHEEL DRIVE INSTALLATION (2WD) (SN C30000700 to Present)



ART_1001293065_10F2

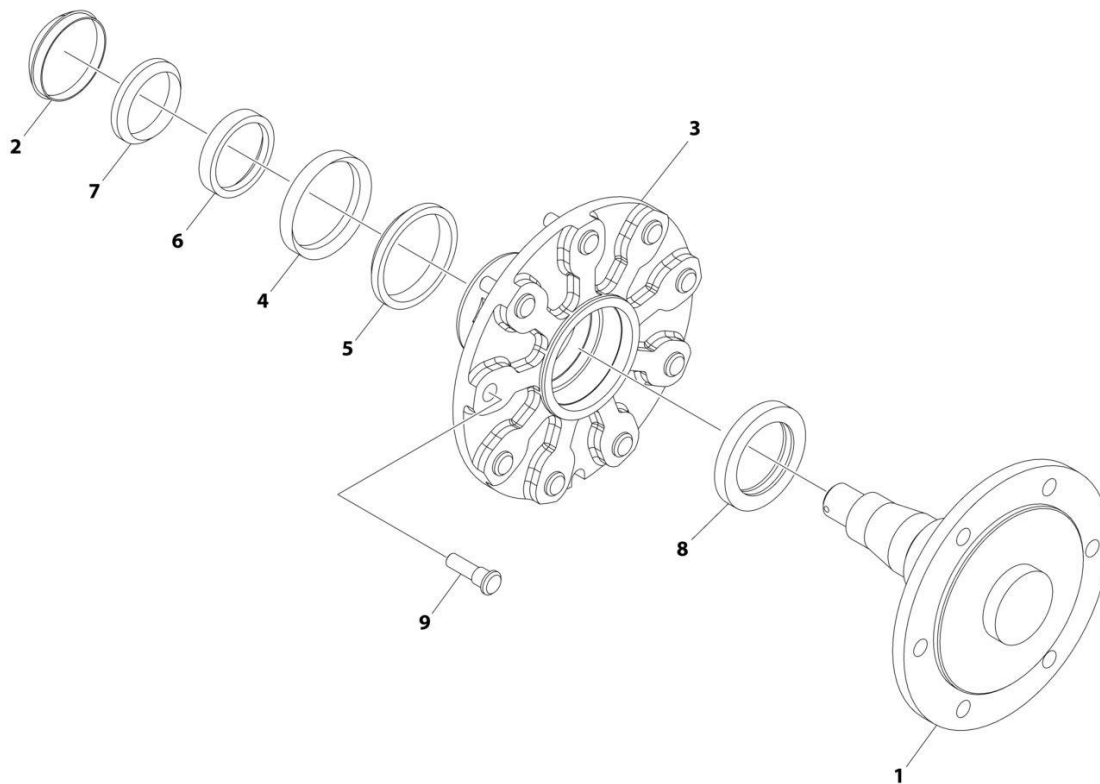
SECTION 1 - FRAME

FIGURE 1-3. WHEEL DRIVE INSTALLATION (2WD) (SN C300000700 to Present)

ITEM	PART NUMBER	QTY	DESCRIPTION	REV
	1001293065	Ref	WHEEL DRIVE INSTALLATION (2WD)	A
1	0100011	AR	Compound, Locking	
2	0100019	AR	Compound, Locking	
3	0682014	12	Bolt 5/8 x 1-3/4 Grade 8	
4	0711014	8	Bolt M10 x 30	
8	0760810	1	Bolt M8 x 20	
9	0771618	32	Bolt M16 x 50	
10	3020008	AR	Lubricant	
11	3020037	AR	Lube	
12	3020039	AR	Lubricant, Moly	
14	3300106	36	Lugnut	
17	4240084	1	Strap, Anti-Static	
20	4811902	1	Washer M8	
21	4812000	8	Washer M10	
22	4892000	12	Washer 5/8	
23	5241600	32	Washer M16	
24	1001184855	2	Drive Motor/Brake Assembly	
26	1001214174	2	Hub - Spindle Assembly (See Separate Breakdown in this Section)	
27	1001220271	2	Seal	
30	1001254641	2	Drive Hub Assembly	
31	1001254648	2	Drive Flange	
32	1001254877	2	O-Ring	

SECTION 1 - FRAME

FIGURE 1-4. HUB - SPINDLE ASSEMBLY



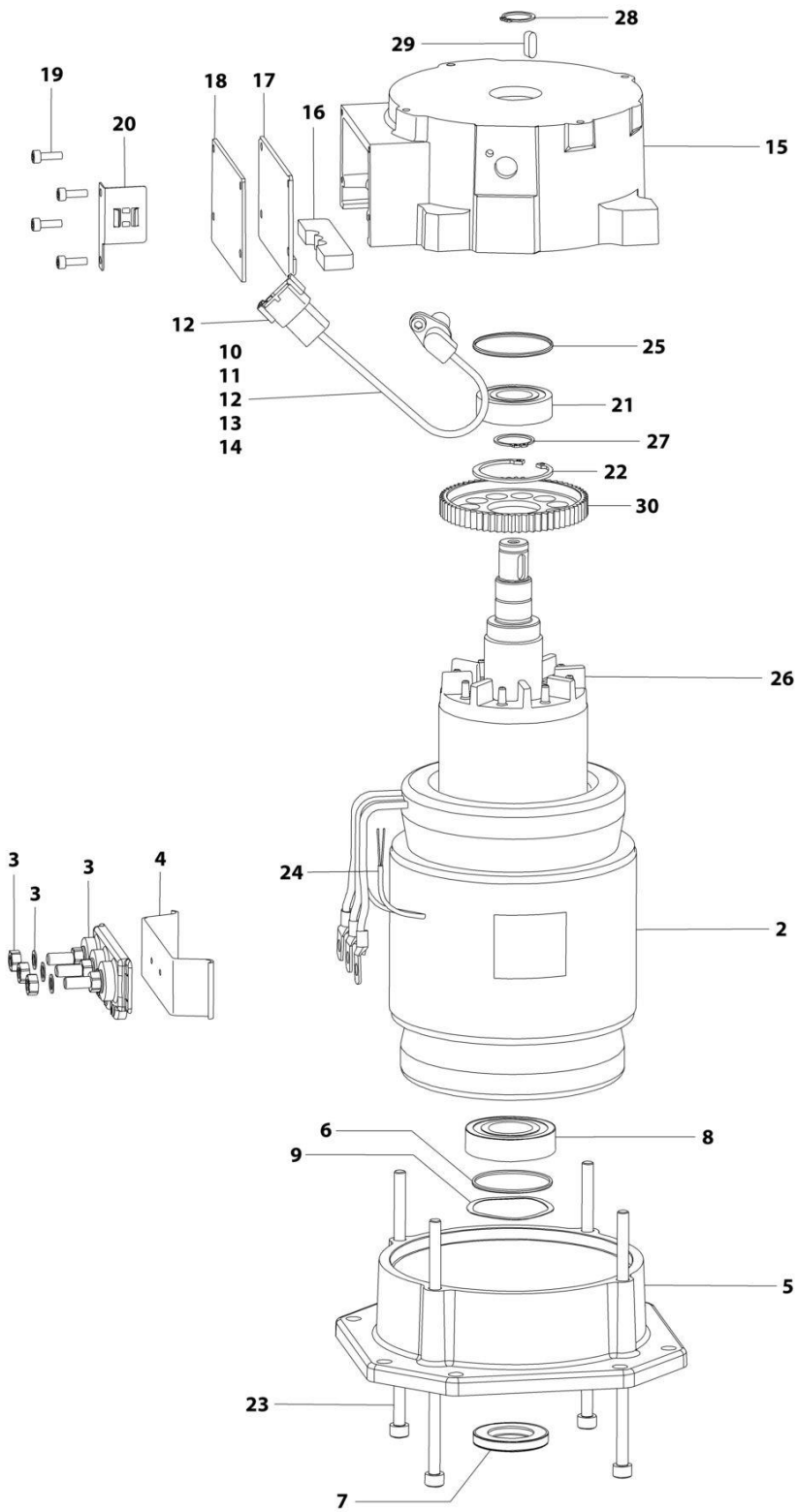
ART_1001214174

FIGURE 1-4. HUB - SPINDLE ASSEMBLY

ITEM	PART NUMBER	QTY	DESCRIPTION	REV
	1001214174	Ref	HUB - SPINDLE ASSEMBLY (2WD)	C
1	See Note	NSS	Spindle, Adapter (Note: Not Available for Purchase)	
2	7020033	1	Cap, Dust	
3	7020035	1	Hub, Casting	
4	7020036	1	Cup, Bearing	
5	7020037	1	Cone, Bearing	
6	7020038	1	Cup, Bearing	
7	7020039	1	Cone, Bearing	
8	7020040	1	Seal	
9	7020041	9	Stud	

SECTION 1 - FRAME

FIGURE 1-5. DRIVE MOTOR ASSEMBLY



ART_1001184206

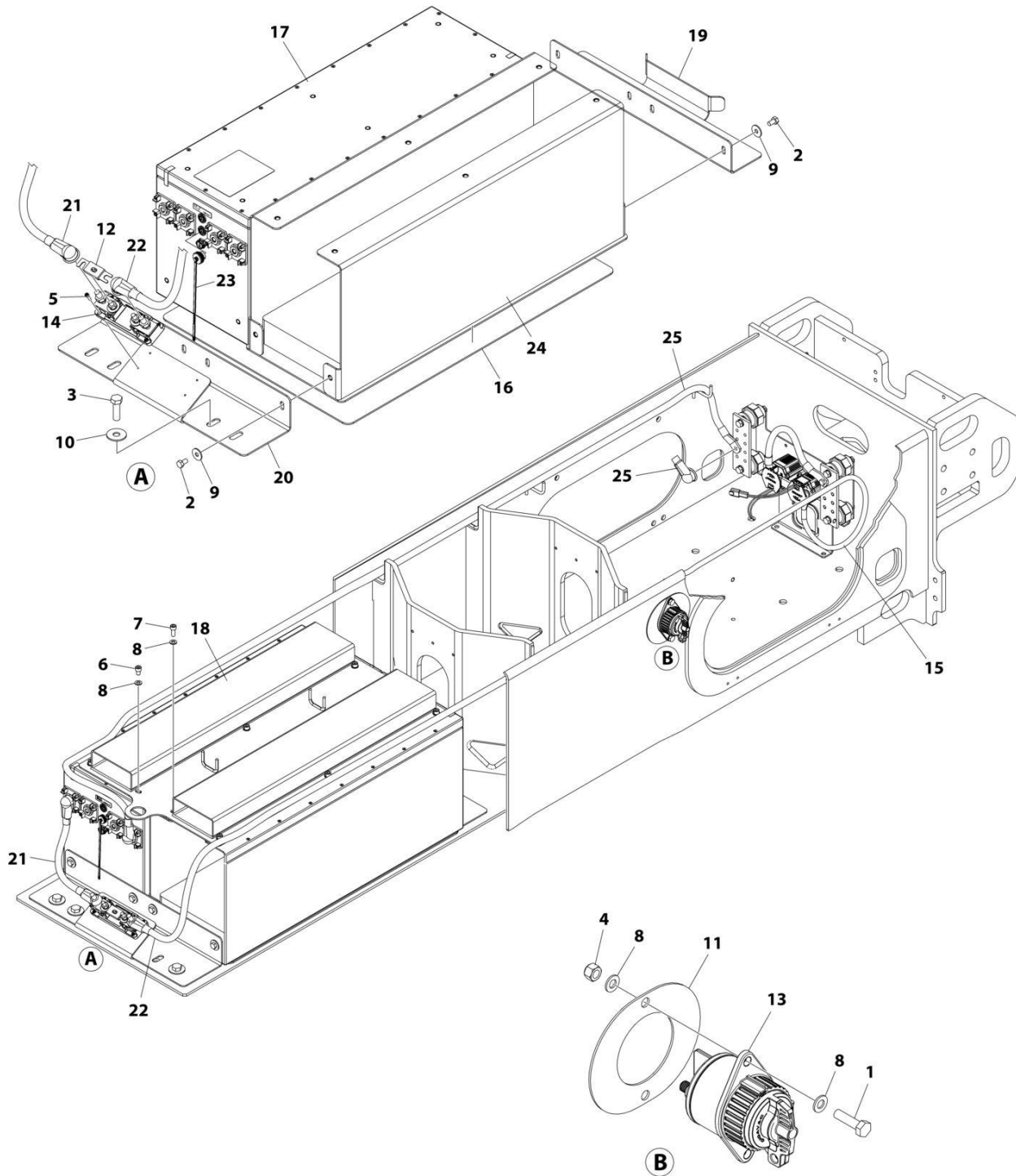
SECTION 1 - FRAME

FIGURE 1-5. DRIVE MOTOR ASSEMBLY

ITEM	PART NUMBER	QTY	DESCRIPTION	REV
	1001184206	Ref	DRIVE MOTOR ASSEMBLY	F
2	70005385	1	Stator	
3	70005685	1	Board, Terminal	
3	70005387	3	Nut M8	
3	70005388	3	Washer M8	
3	70005390	2	Screw M5 x 14	
4	70005389	1	Base, Terminal	
5	70005391	1	Plate, Drive End	
6	70004811	1	O-Ring	
7	70005392	1	Seal, Shaft	
8	70004809	1	Bearing	
9	70005393	1	Washer, Wavy	
10	70005394	1	Sensor (Includes Items 11-14)	
11	70005395	1	Screw M8 x 16	
12	70005397	1	Connector	
13	70005396	1	Wedge	
14	4460516	4	Pin, Male	
15	70005686	1	Shield, End	
16	70005687	1	Seal	
17	70005400	1	Seal	
18	70005401	1	Cover	
19	70005402	4	Screw M5 x 16	
20	70005403	1	Plate, Retaining	
21	70005404	1	Bearing	
22	70005405	1	Clip, Retainer	
23	70005406	4	Screw M8 x 180	
24	70005407	1	Temperature, Sensor	
25	70005408	1	O-Ring	
26	70005688	1	Rotor	
27	70004820	1	Clip, Retainer	
28	70005410	1	Clip, Retainer	
29	70005689	1	Key	
30	70005412	1	Gear	

SECTION 1 - FRAME

FIGURE 1-6. BATTERY INSTALLATION (SN C30000700 to Present)



ART_1001291247

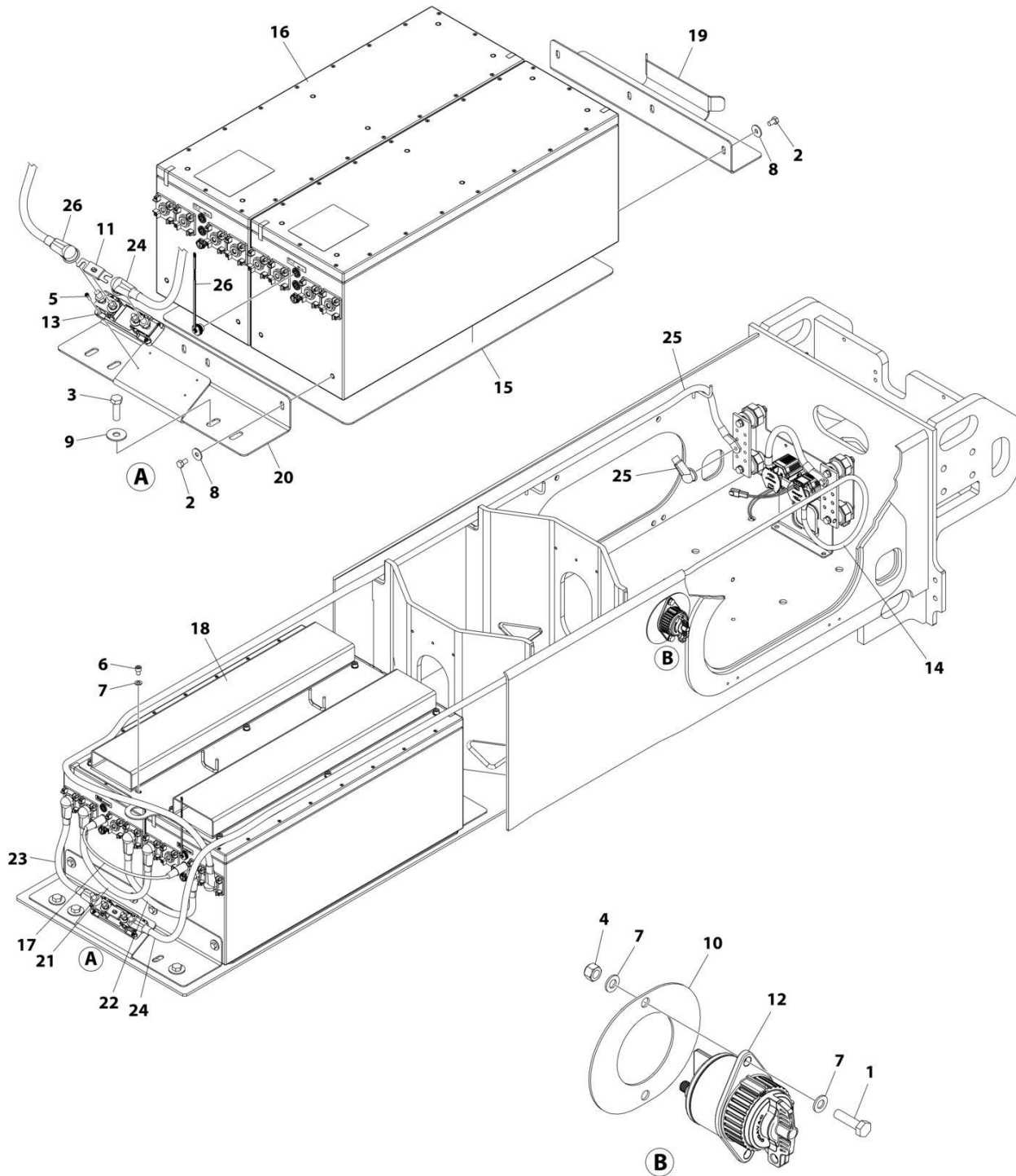
SECTION 1 - FRAME

FIGURE 1-6. BATTERY INSTALLATION (SN C30000700 to Present)

ITEM	PART NUMBER	QTY	DESCRIPTION	REV
	1001291247	Ref	BATTERY INSTALLATION	A
1	0700814	2	Bolt M8 x 30	
2	0760807	8	Bolt M8 x 14	
3	0761216	4	Bolt M12 x 40	
4	3290805	2	Nut M8	
5	4031507	4	Bolt M4 x 16	
6	4031906	6	Bolt	
7	4031908	6	Bolt, M8X20	
8	4811900	16	Washer M8	
9	4811902	8	Washer M8	
10	4812102	4	Washer M12	
11	1001170102	1	Plate, Disconnect Cover	
12	1001170365	1	Fuse, 400 AMP	
13	1001170483	1	Switch, Disconnect	
14	1001254835	1	Fuse, Holder	
15	1001262434	1	Cable (Battery Disconnect to Contactor)	
16	1001284171	1	Pad, Battery	
17	1001284186	1	Battery	
18	1001289168	1	Bracket	
19	1001289171	1	Plate, Battery Back	
20	1001289172	1	Plate, Battery Front	
21	1001289524	1	Cable (Battery Positive to Fuse)	
22	1001289525	1	Cable (Fuse to Disconnect)	
23	1001289967	1	Cap, Protection	
24	1001290081	1	Weight, Single CBAK Assembly	
25	1001289526	1	Cable (Battery Negative to Busbar)	

SECTION 1 - FRAME

FIGURE 1-7. BATTERY INSTALLATION (SN C30000700 to Present)



ART_1001291246

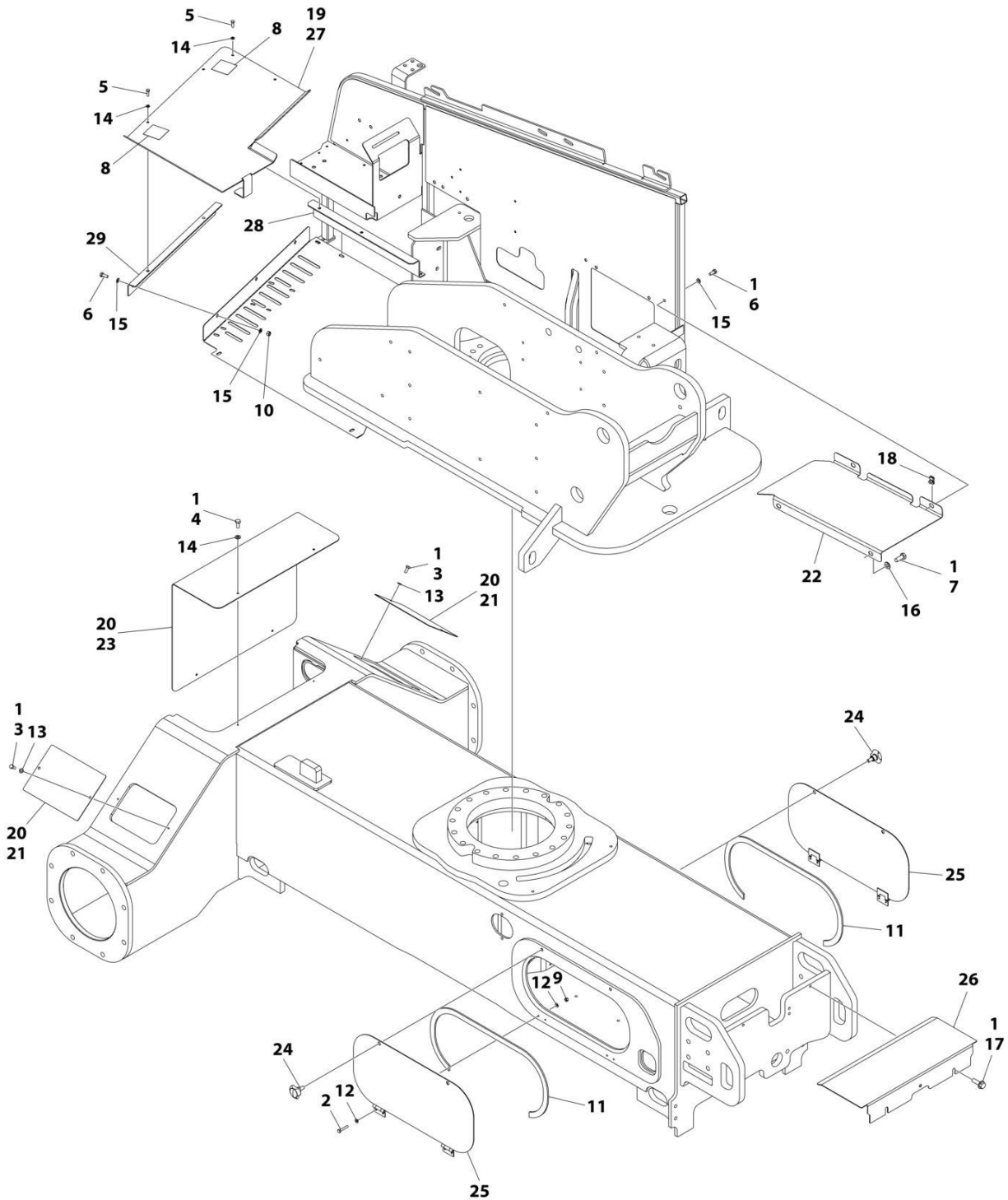
SECTION 1 - FRAME

FIGURE 1-7. BATTERY INSTALLATION (SN C300000700 to Present)

ITEM	PART NUMBER	QTY	DESCRIPTION	REV
	1001291246	Ref	BATTERY INSTALLATION	A
1	0700814	2	Bolt M8 x 30	
2	0760807	8	Bolt M8 x 14	
3	0761216	4	Bolt M12 x 40	
4	3290805	2	Nut M8	
5	4031507	4	Bolt M4 x 16	
6	4031906	12	Bolt	
7	4811900	16	Washer M8	
8	4811902	8	Washer M8	
9	4812102	4	Washer M12	
10	1001170102	1	Plate, Disconnect Cover	
11	1001170365	1	Fuse, 400 AMP	
12	1001170483	1	Switch, Disconnect	
13	1001254835	1	Fuse, Holder	
14	1001262434	1	Cable (Battery Disconnect to Contactor)	
15	1001284171	1	Pad, Battery	
16	1001284186	2	Battery	
17	1001286259	1	Harness, Battery (See Separate Breakdown in ELECTRICAL Section)	
18	1001289168	1	Bracket	
19	1001289171	1	Plate, Battery Back	
20	1001289172	1	Plate, Battery Front	
21	1001289522	1	Cable (Battery Positive)	
22	1001289523	1	Cable (Battery Negative)	
23	1001289524	1	Cable (Battery Positive to Fuse)	
24	1001289525	1	Cable (Fuse to Disconnect)	
25	1001289526	1	Cable (Battery Negative to Bussbar)	
26	1001289967	1	Cap, Protection	

SECTION 1 - FRAME

FIGURE 1-8. FRAME SHIELD INSTALLATION (SN C30000700 to Present)



ART_1001295325

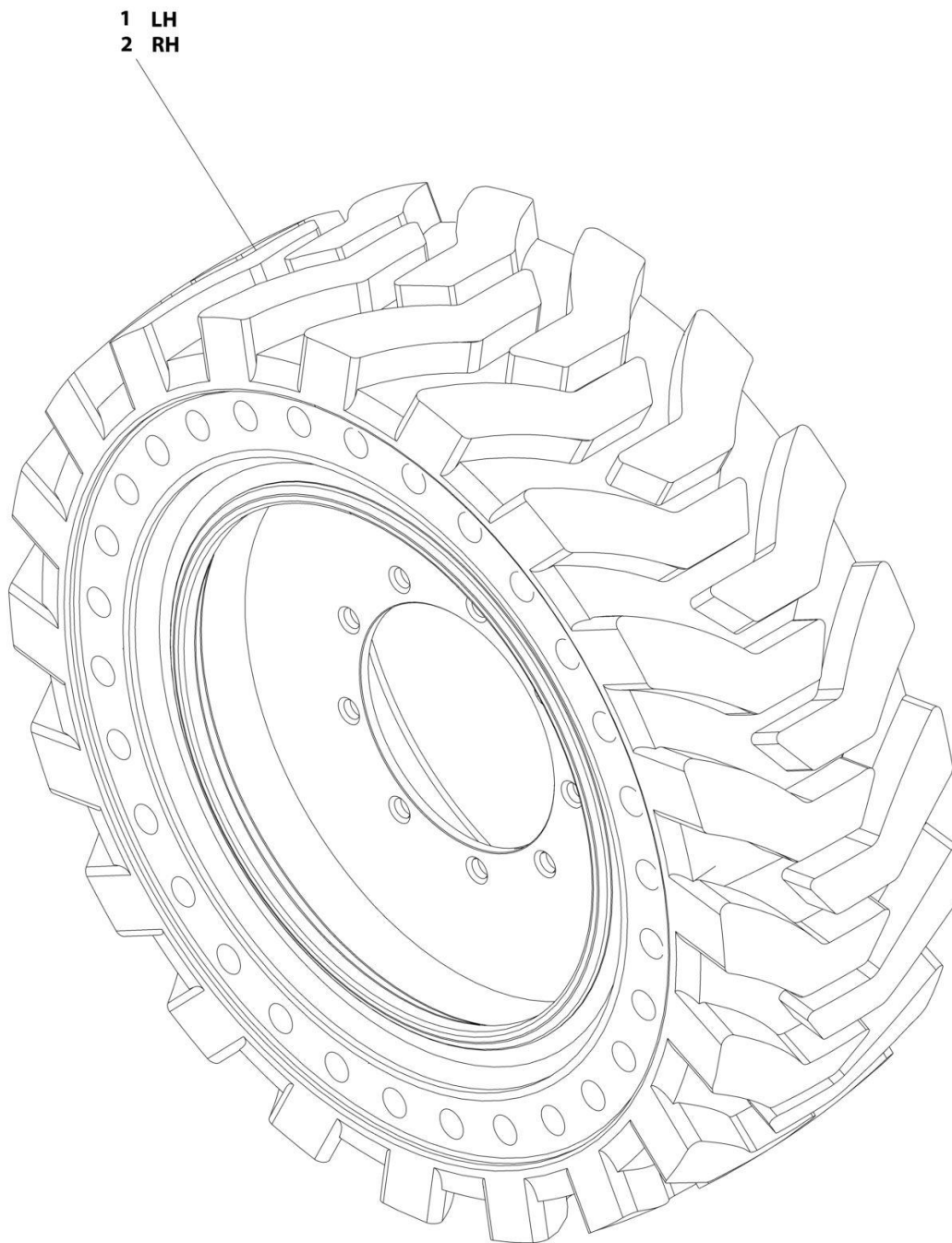
SECTION 1 - FRAME

FIGURE 1-8. FRAME SHIELD INSTALLATION (SN C30000700 to Present)

ITEM	PART NUMBER	QTY	DESCRIPTION	REV
	1001295325	Ref	FRAME SHIELD INSTALLATION	A
1	0100011	AR	Compound, Locking	
2	0760412	8	Bolt M4 x 25	
3	0760506	4	Bolt M5 x 12	
4	0760607	4	Bolt M6 x 14	
5	0760610	4	Bolt M6 x 20	
6	0760810	5	Bolt M8 x 20	
7	0761214	2	Bolt M12 x 30	
8	1701691	2	Decal - Stop	
9	3290405	8	Nut M4	
10	3290805	3	Nut M8	
11	3960417	7 ft/2 m	Seal	
12	4811400	16	Washer M4	
13	4811600	4	Washer M5	
14	4811700	8	Washer M6	
15	4811900	8	Washer M8	
16	4812100	2	Washer M12	
17	5250812	2	Bolt M8 x 25	
18	8310686	2	Nut, Retainer M8	
19	1001008999	25 in/63 cm	Trim-Edge	
20	1001113047	14 ft/5 m	Seal	
21	1001161874	2	Cover, Rear Frame	
22	1001210086	1	Cover	
23	1001250979	1	Cover, Rear Axle	
24	1001255664	4	Screw	
25	1001255666	2	Cover	
26	1001256266	1	Cover, Front Frame	
27	1001257691	1	Cover	
28	1001257969	1	Bracket	
29	1001257970	1	Bracket	

SECTION 1 - FRAME

FIGURE 1-9. TIRE AND WHEEL INSTALLATION - 33 X 12-20 SOLID NON-MARKING



ART_1001169062

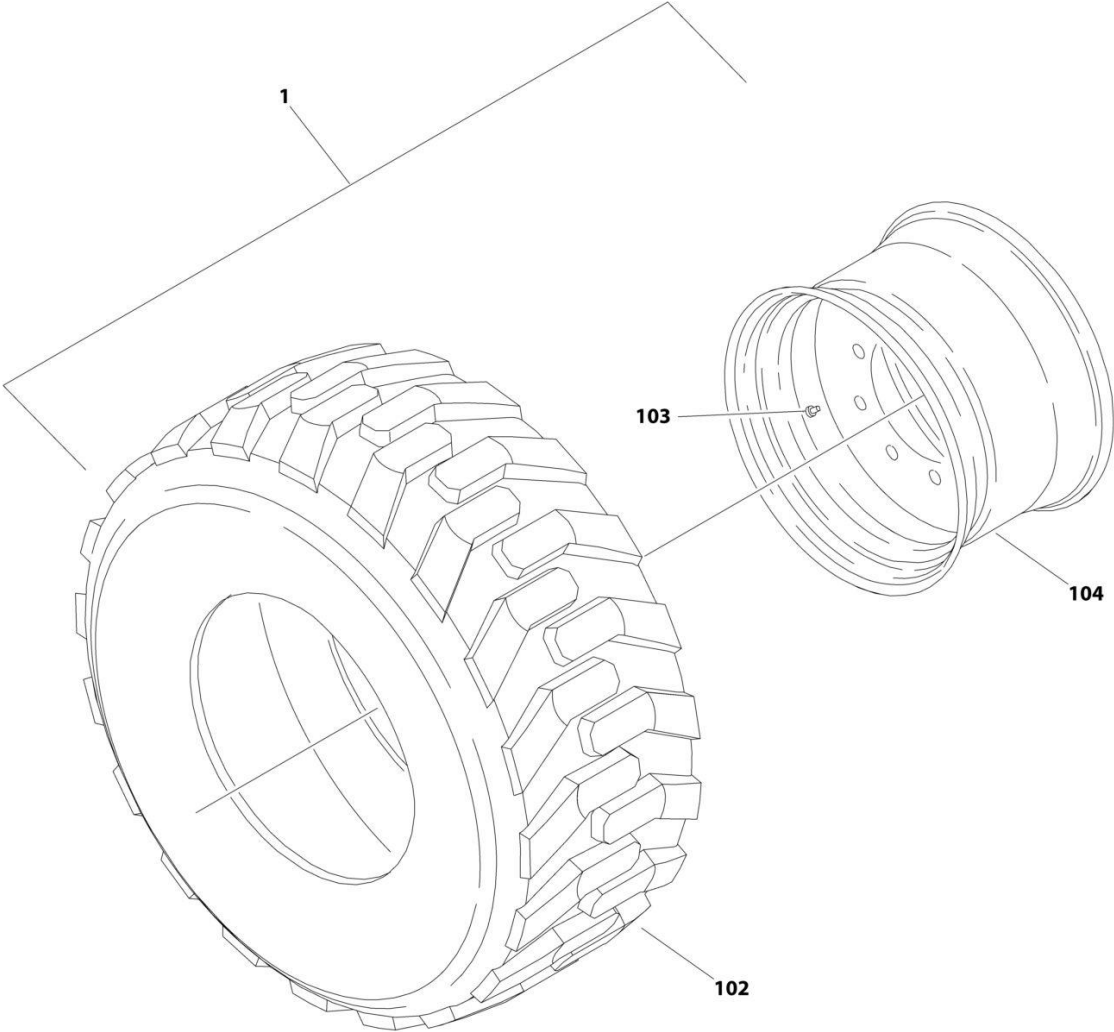
SECTION 1 - FRAME

FIGURE 1-9. TIRE AND WHEEL INSTALLATION - 33 X 12-20 SOLID NON-MARKING

ITEM	PART NUMBER	QTY	DESCRIPTION	REV
	1001169062	Ref	TIRE AND WHEEL INSTALLATION - 33 X 12-20 SOLID NON-MARKING	A
		Ref	Note: Due to critical stable weights, only replace tire and wheel assemblies with like components.	
1	1001170098	2	Tire and Wheel Assembly - 33 x 12-20 Solid Non-Marking (LH Side)	
2	1001170099	2	Tire and Wheel Assembly - 33 x 12-20 Solid Non-Marking (RH Side)	

SECTION 1 - FRAME

FIGURE 1-10. TIRE AND WHEEL INSTALLATION - 315/55 D20 FOAM FILLED



ART_1001166157

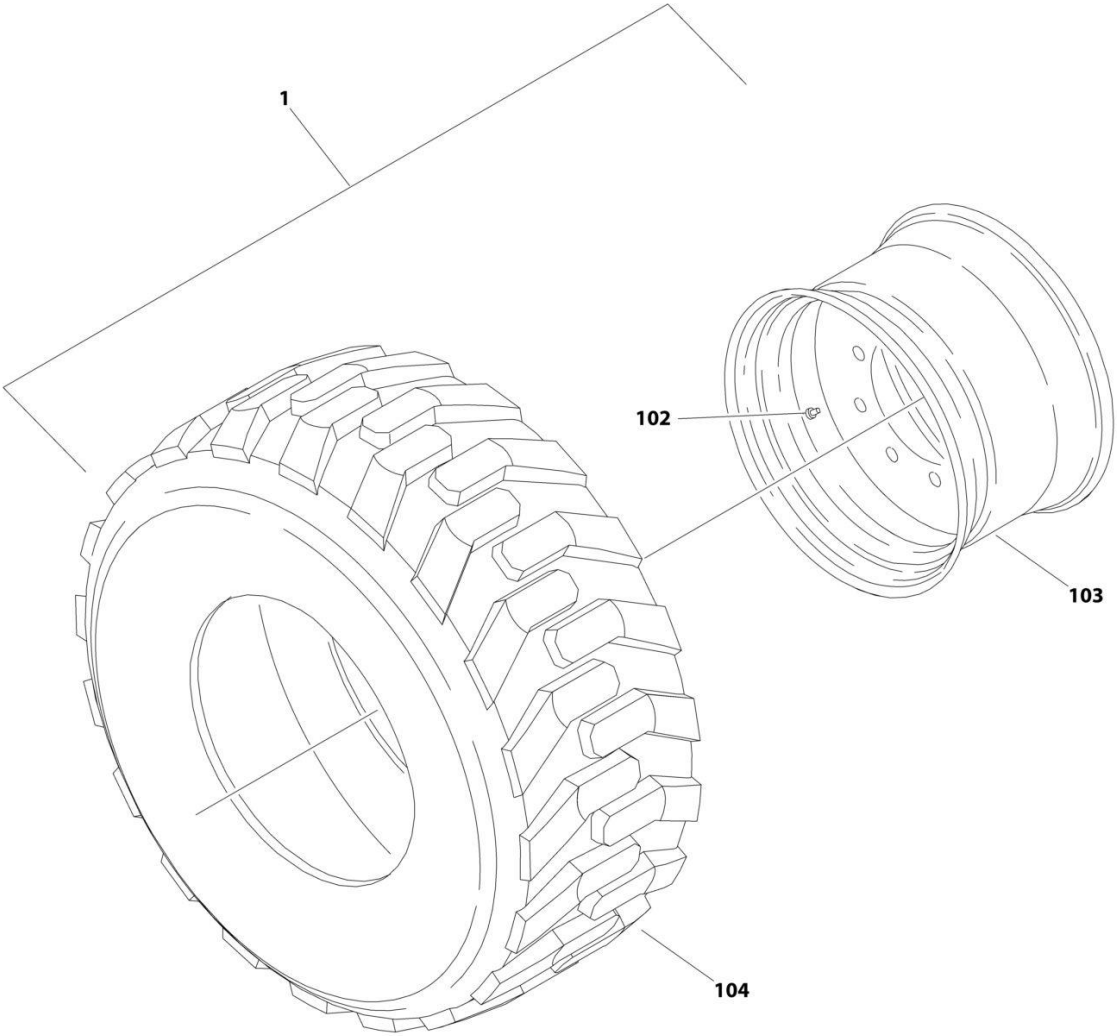
SECTION 1 - FRAME

FIGURE 1-10. TIRE AND WHEEL INSTALLATION - 315/55 D20 FOAM FILLED

ITEM	PART NUMBER	QTY	DESCRIPTION	REV
	1001166157	Ref	TIRE AND WHEEL INSTALLATION - 315/55 D20 FOAM FILLED	A
		Ref	Note: Assemblies may require ballast/foam filling to manufacturer's specifications prior to installing on a machine. Refer to Operation and Safety or Service and Maintenance Manuals. Purchase individual tire and/or rim only if able to foam fill tire and wheel assembly, otherwise, purchase complete assembly.	
1	1001166155	2	Tire and Wheel Assembly (LH Side)	I
1	1001166156	2	Tire and Wheel Assembly (RH Side)	I
102	4520608	4	Tire IN315/55/D20	
103	4641122	4	Valve, Stem	
104	1001166153	4	Rim, Wheel	

SECTION 1 - FRAME

FIGURE 1-11. TIRE AND WHEEL INSTALLATION - 315/55 D20 FOAM FILLED NON-MARKING



ART_1001169058

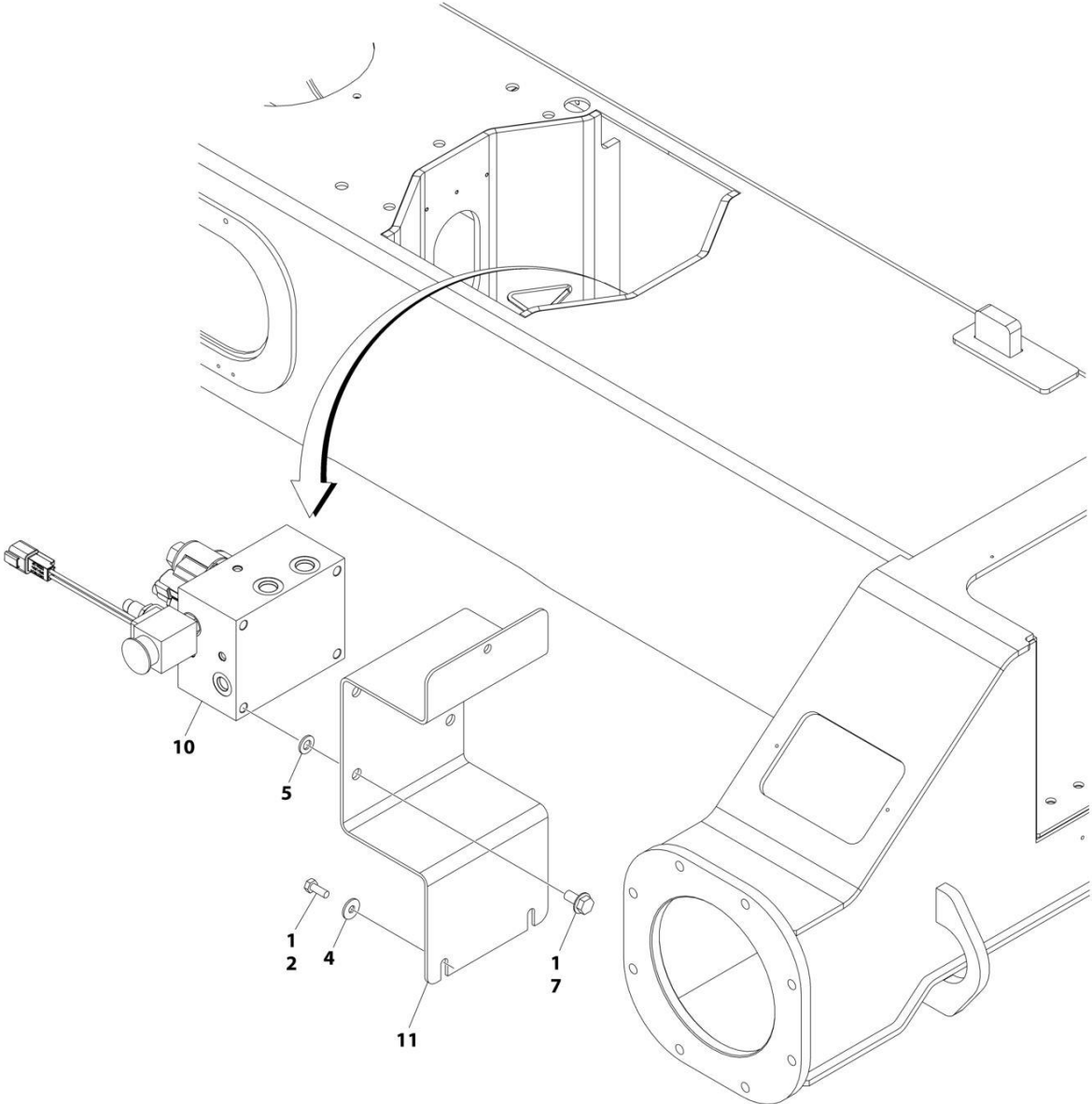
SECTION 1 - FRAME

FIGURE 1-11. TIRE AND WHEEL INSTALLATION - 315/55 D20 FOAM FILLED NON-MARKING

ITEM	PART NUMBER	QTY	DESCRIPTION	REV
	1001169058	Ref	TIRE AND WHEEL INSTALLATION - 315/55 D20 FOAM FILLED NON-MARKING	A
		Ref	Note: Assemblies may require ballast/foam filling to manufacturer's specifications prior to installing on a machine. Refer to Operation and Safety or Service and Maintenance Manuals. Purchase individual tire and/or rim only if able to foam fill tire and wheel assembly, otherwise, purchase complete assembly.	
1	1001170459	2	Tire and Wheel Assembly (RH Side)	F
1	1001170460	2	Tire and Wheel Assembly (LH Side)	F
102	4641122	4	Valve, Stem	
103	1001166153	4	Rim, Wheel	
104	1001170458	4	Tire 315/55 D20 Non Marking	

SECTION 1 - FRAME

FIGURE 1-12. CONTROL VALVES INSTALLATION - FRAME MOUNTED



ART_1001250971_10F2

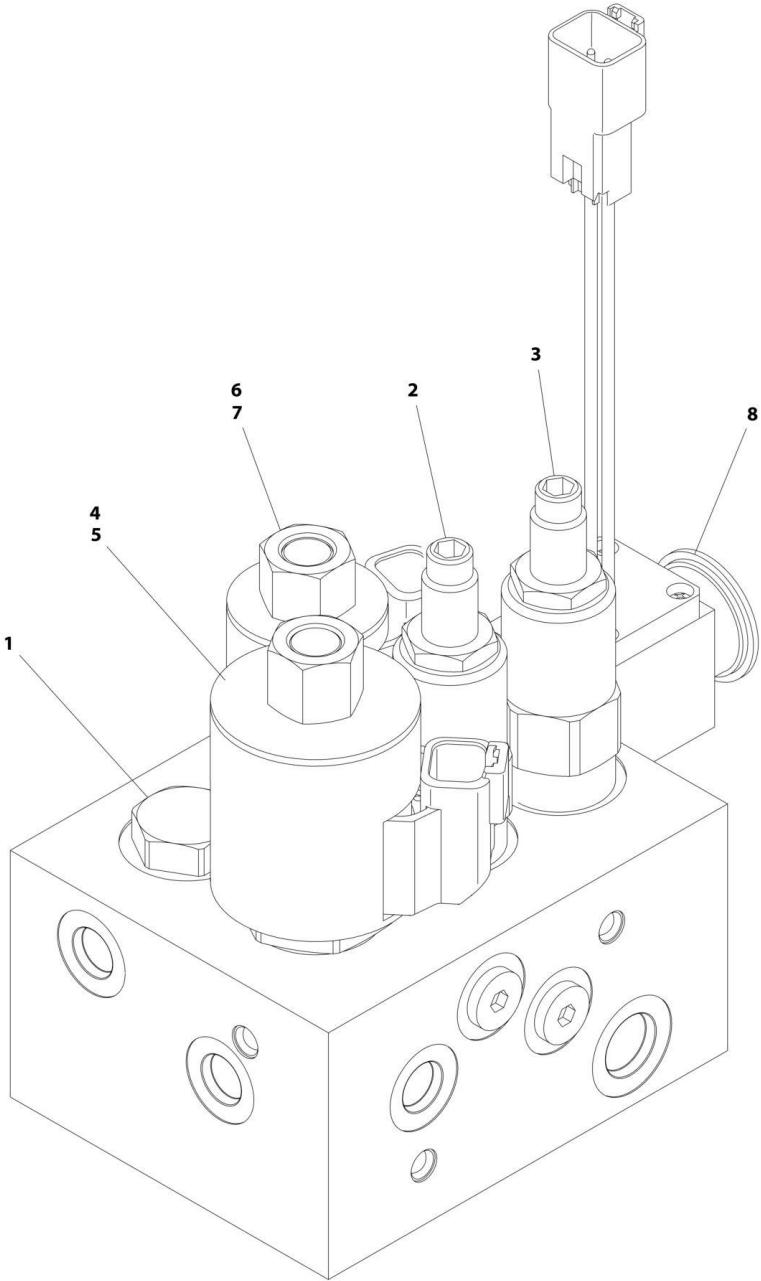
SECTION 1 - FRAME

FIGURE 1-12. CONTROL VALVES INSTALLATION - FRAME MOUNTED

ITEM	PART NUMBER	QTY	DESCRIPTION	REV
	1001250971	Ref	CONTROL VALVES INSTALLATION - FRAME MOUNTED	B
1	0100011	AR	Compound, Locking	
2	0760608	3	Bolt M6 x16	
4	4811702	3	Washer M6	
5	4811900	4	Washer M8	
7	5250808	4	Bolt M8 x 16	
10	1001165144	1	Oscillating Axle Valve Assembly (See Separate Breakdown in this Section)	
11	1001178634	1	Bracket	

SECTION 1 - FRAME

FIGURE 1-13. OSCILLATING AXLE VALVE ASSEMBLY



ART_1001165144

SECTION 1 - FRAME

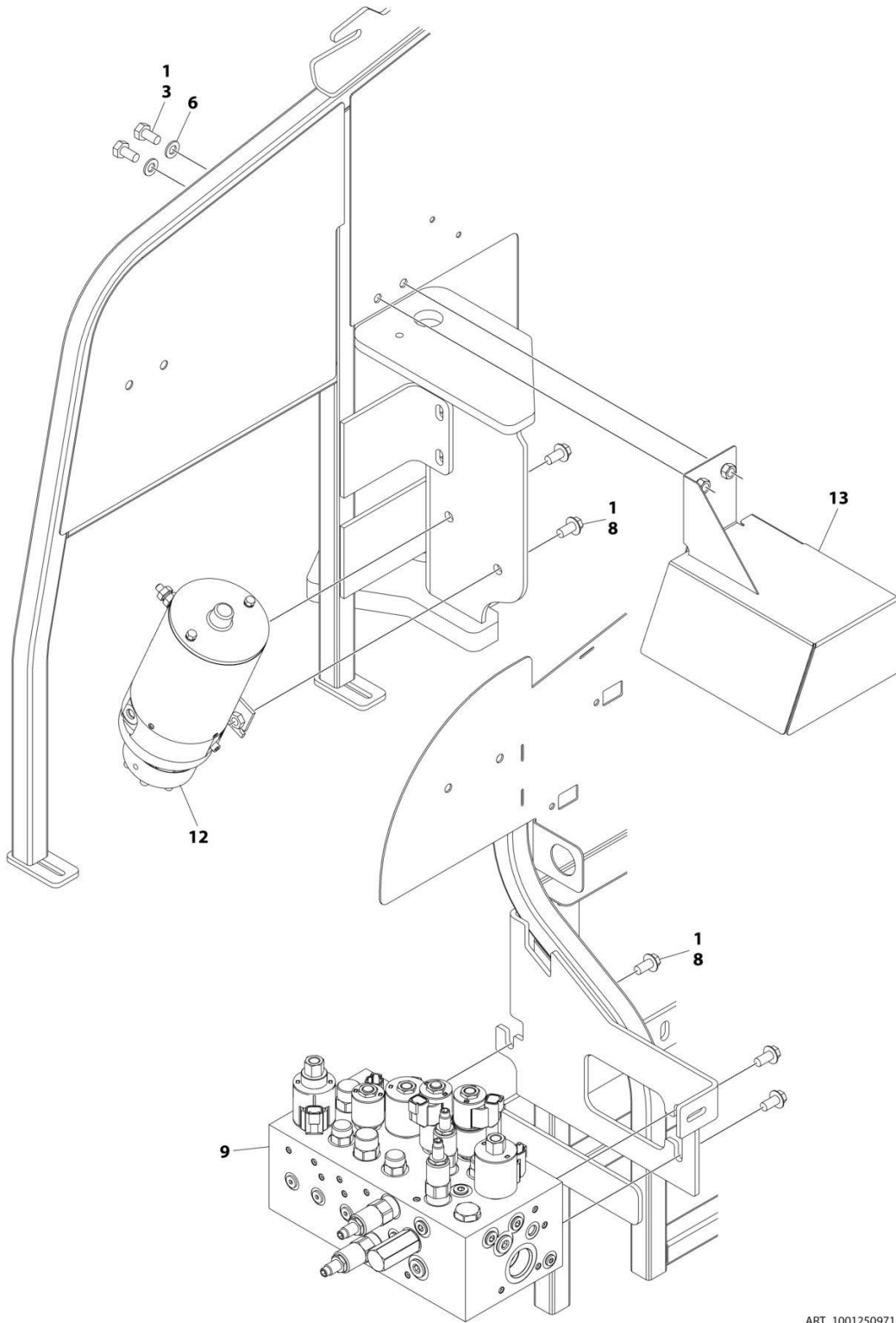
FIGURE 1-13. OSCILLATING AXLE VALVE ASSEMBLY

ITEM	PART NUMBER	QTY	DESCRIPTION	REV
	1001165144	Ref	OSCILLATING AXLE VALVE ASSEMBLY	D
1	4641129	1	Cartridge, Check Valve	
1	7012540	1	Seal Kit - 4641129 Valve	
2	70004787	1	Cartridge, Valve	
2	7021653	1	Seal Kit - 70004787 Valve	
3	70004788	1	Cartridge, Relief Valve	
3	7012998	1	Seal Kit - 70004788 Valve	
4	7017455	1	Cartridge, Valve Less Coil (Primary Axle Release)	
4	7017463	1	Seal Kit - 7017455 Valve	
5	70050516	1	Coil	
6	7017408	1	Cartridge, Valve Less Coil (Secondary Axle Release)	
6	7012907	1	Seal Kit - 7017408 Valve	
7	70002963	1	Coil	
8	70004789	1	Switch, Pressure	

SECTION 2 - TURNTABLE

SECTION 2 - TURNTABLE

FIGURE 2-1. CONTROL VALVES INSTALLATION - TURNTABLE MOUNTED



ART_1001250971_2OF2

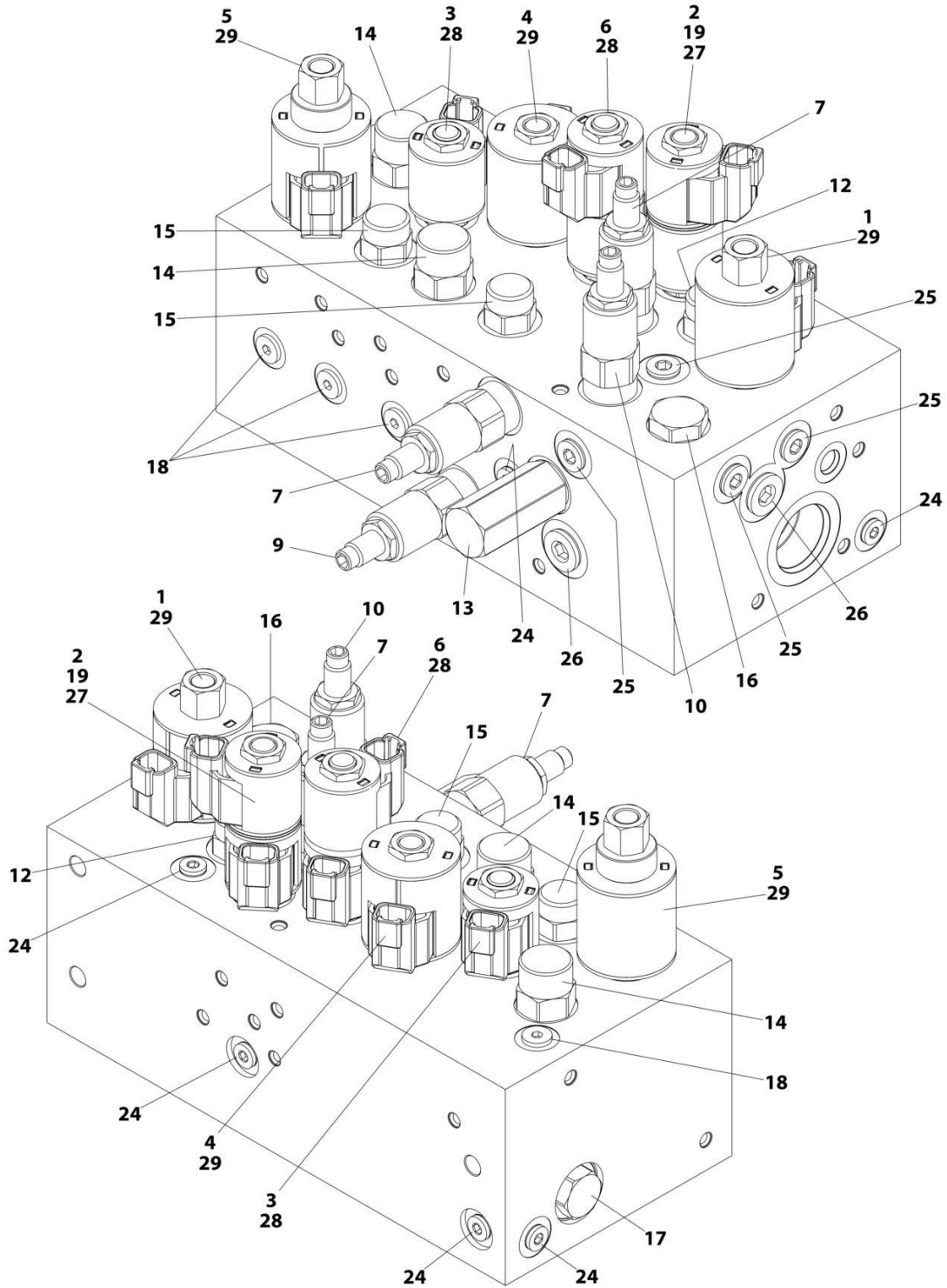
SECTION 2 - TURNTABLE

FIGURE 2-1. CONTROL VALVES INSTALLATION - TURNTABLE MOUNTED

ITEM	PART NUMBER	QTY	DESCRIPTION	REV
	1001250971	Ref	CONTROL VALVES INSTALLATION - TURNTABLE MOUNTED	B
1	0100011	AR	Compound, Locking	
3	0761010	2	Bolt M10 x 20	
6	4812000	2	Washer M10	
8	5251010	5	Bolt M10 x 20	
9	1001162534	1	Main Valve Assembly (See Separate Breakdown in this Section)	
12	1001185821	1	Auxiliary Pump Assembly (See Separate Breakdown in this Section)	
13	1001234295	1	Cover	

SECTION 2 - TURNTABLE

FIGURE 2-2. MAIN VALVE ASSEMBLY



ART_1001162534

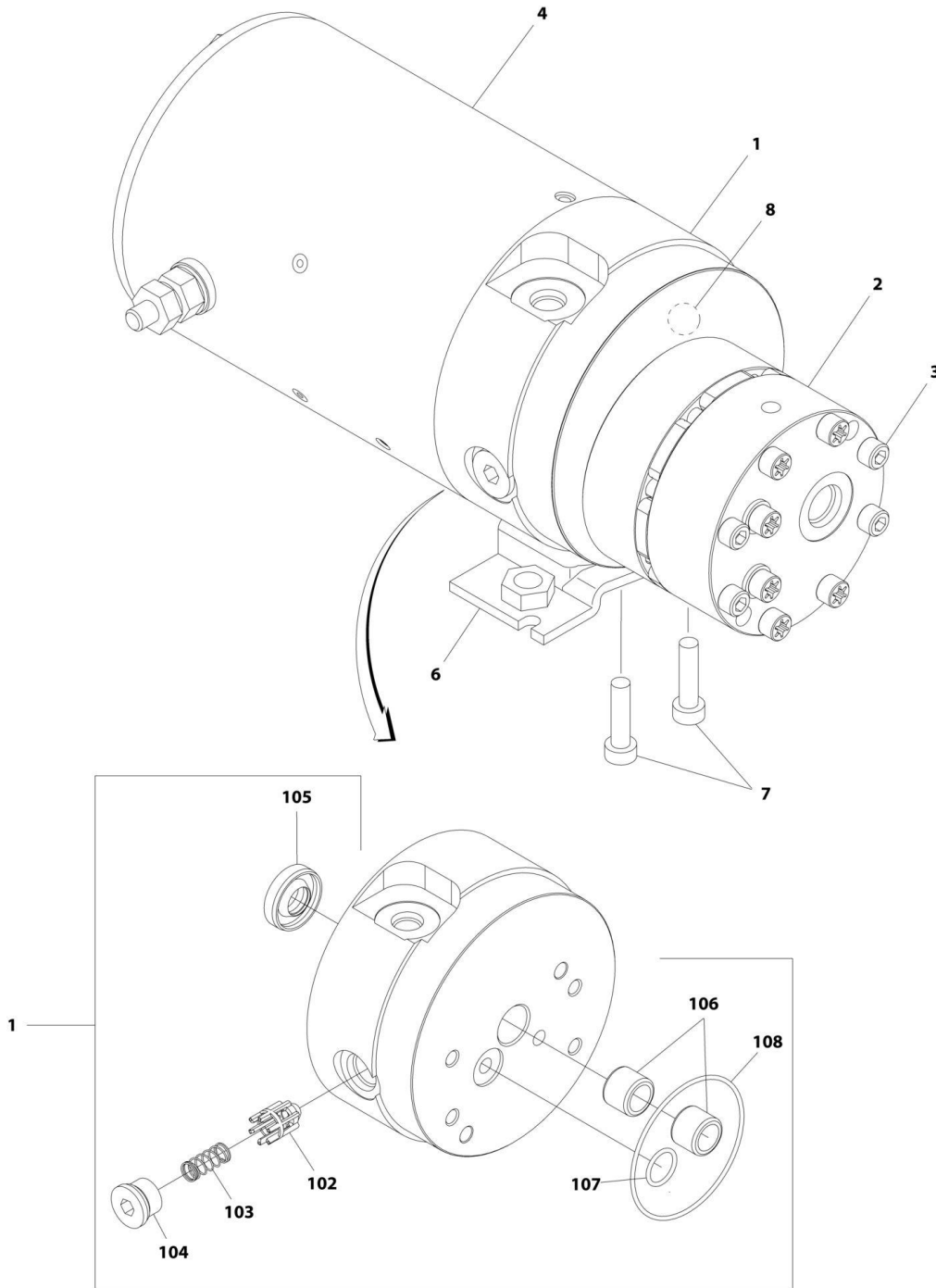
SECTION 2 - TURNTABLE

FIGURE 2-2. MAIN VALVE ASSEMBLY

ITEM	PART NUMBER	QTY	DESCRIPTION	REV
	1001162534	Ref	MAIN VALVE ASSEMBLY	F
1	70005069	1	Cartridge, Solenoid Less Coil (Main Dump)	
1	7022399	1	Seal Kit - 70005069 Valve	
1	70003977	1	Nut, Coil	
2	70005217	1	Cartridge, Solenoid Less Coil (Steer)	
2	70005071	1	Seal Kit - 70005217 Valve	
2	7022390	1	Nut, Coil	
3	70005094	1	Cartridge, Solenoid Less Coil (Main Lift Up)	
3	7023936	1	Seal Kit - 70005094 Valve	
3	7022390	1	Nut, Coil	
4	70005076	1	Cartridge, Solenoid Less Coil (Tower Lift Up)	
4	7022399	1	Seal Kit - 70005076 Valve	
4	7022390	1	Nut, Coil	
5	70005095	1	Cartridge, Solenoid Less Coil (Flow Control)	
5	7022399	1	Seal Kit - 70005095 Valve	
5	70003977	1	Nut, Coil	
6	70005096	1	Cartridge, Solenoid Less Coil (Swing)	
6	70005071	1	Seal Kit - 70005096 Valve	
7	70005097	1	Cartridge, Solenoid Less Coil	
7	70005082	2	Seal Kit - 70005097 Valve	
9	70005098	1	Cartridge, Relief Valve	
9	7023936	1	Seal Kit - 70005098 Valve	
10	70005080	1	Cartridge, Relief Valve	
10	7022399	1	Seal Kit - 70005080 Valve	
12	70005218	1	Cartridge, Valve	
12	70005082	1	Seal Kit - 70005218 Valve	
13	70005084	1	Cartridge, Valve	
13	70005085	1	Seal Kit - 70005084 Valve	
14	70005099	2	Cartridge, Valve	
14	70005087	2	Seal Kit - 70005099 Valve	
15	70005088	2	Cartridge, Valve	
15	7023900	2	Seal Kit - 70005088 Valve	
16	70005100	1	Cartridge, Check Valve	
16	7022399	1	Seal Kit - 70005100 Valve	
17	70005089	1	Cartridge, Check Valve	
17	7023936	1	Seal Kit - 70005089 Valve	
18	70005090	5	Cartridge, Check Valve	
18	70005092	5	Seal Kit - 70005092 Valve	
19	See Note	1	Disc, Check Valve (Note: Not Available for Purchase)	
24	91164059	7	Plug	
25	91164079	4	Plug	
26	91164057	2	Plug	
27	70005219	2	Coil	
28	70002386	3	Coil	
29	70003788	3	Coil	

SECTION 2 - TURNTABLE

FIGURE 2-3. AUXILIARY PUMP ASSEMBLY



ART_1001185821

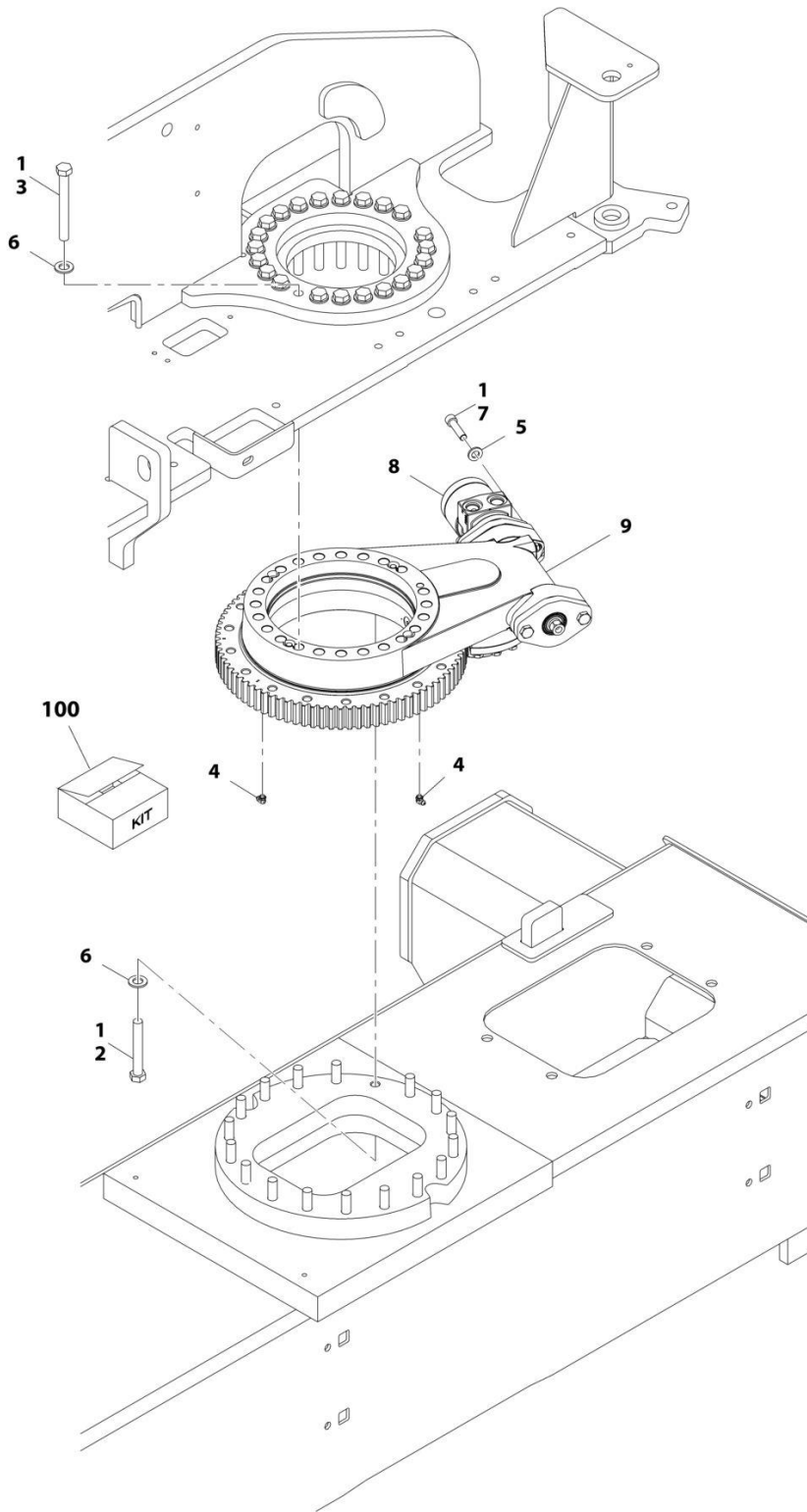
SECTION 2 - TURNTABLE

FIGURE 2-3. AUXILIARY PUMP ASSEMBLY

ITEM	PART NUMBER	QTY	DESCRIPTION	REV
	1001185821	Ref	AUXILIARY PUMP ASSEMBLY	B
1	70005065	1	Base Assembly (See Items 102-108 for Breakdown)	
2	70005066	1	Pump Assembly (Note: No Seal Kit or Internal Components are Available - Purchase Complete Pump Assembly)	
3	70005067	4	Capscrew 1/4 x 2-3/4	
4	70004013	1	Motor Assembly (Note: No Internal Components are Available - Purchase Complete Motor Assembly)	
6	70004014	1	Bracket	
7	70004000	2	Capscrew 3/8 x 1	
8	70005068	1	Relief Valve Assembly	
	70005065	Ref	BASE ASSEMBLY	
102	See Note	NSS	Poppet, Check (Note: Use p/n 70005065)	
103	See Note	NSS	Spring (Note: Use p/n 70005065)	
104	See Note	NSS	Plug (Note: Use p/n 70005065)	
105	7026330	1	Seal, Shaft	
106	70005139	2	Bearing	
107	70003612	1	O-Ring	
108	70004267	1	O-Ring	

SECTION 2 - TURNTABLE

FIGURE 2-4. SWING DRIVE AND TURNTABLE BEARING INSTALLATION



ART_1001165946

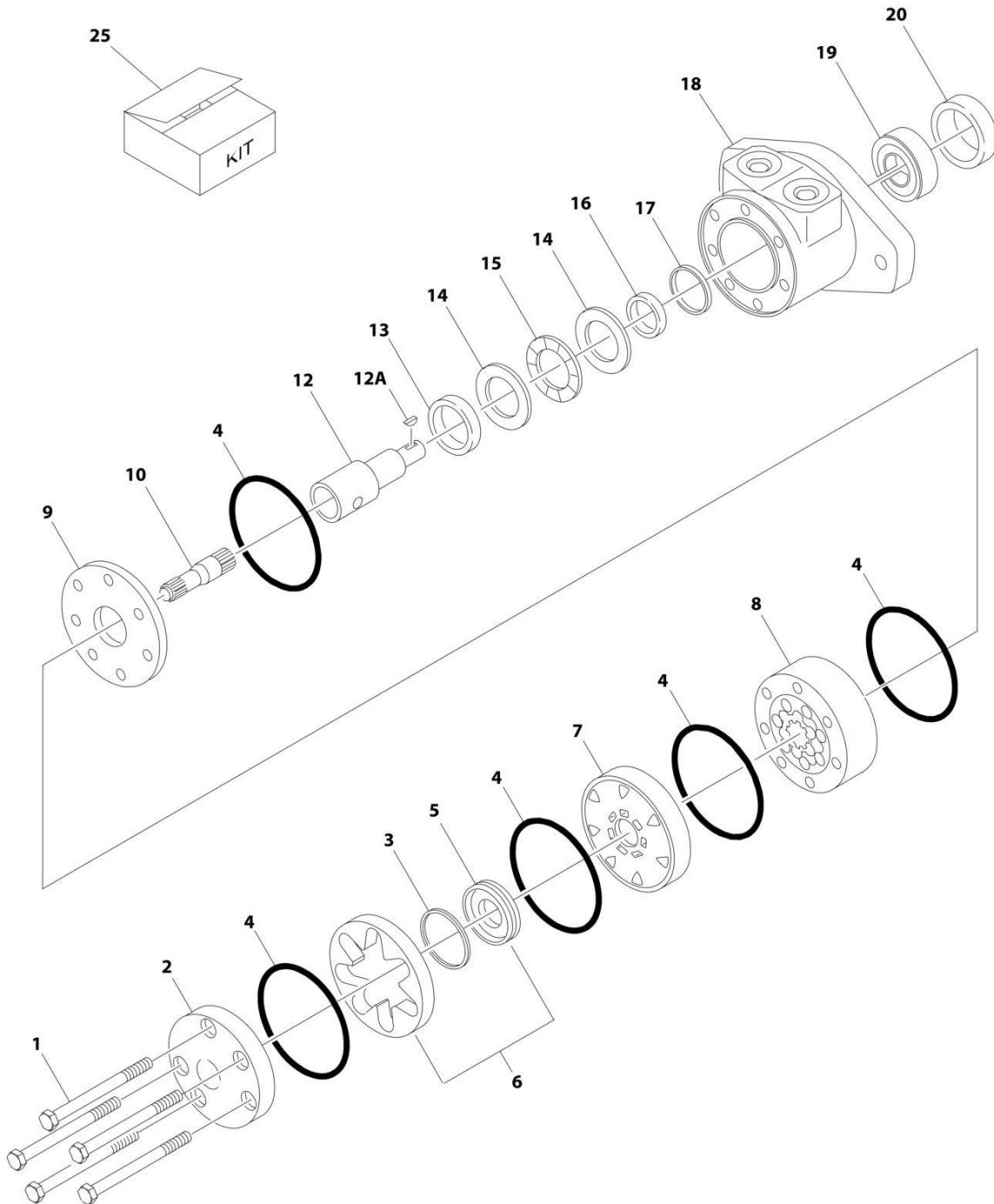
SECTION 2 - TURNTABLE

FIGURE 2-4. SWING DRIVE AND TURNTABLE BEARING INSTALLATION

ITEM	PART NUMBER	QTY	DESCRIPTION	REV
	1001165946	Ref	SWING DRIVE AND TURNTABLE BEARING INSTALLATION	B
1	0100019	AR	Compound, Locking	
2	0711628	18	Bolt M16 x 110 Grade 10.9	
3	0711631	23	Bolt M16 x 140	
4	2160001	2	Fitting, Grease 90	
5	5241200	2	Washer M12	
6	5241600	41	Washer M16	
7	5272114	2	Capscrew M12 x 50 Grade 12.9	
8	1001104850	1	Swing Motor Assembly (See Separate Breakdown in this Section)	
9	1001133972	1	Turntable Bearing Assembly (See Separate Breakdown in this Section)	
100	1001206436	1	Turntable Bearing Kit (Includes Items 2-7 & 9)	

SECTION 2 - TURNTABLE

FIGURE 2-5. SWING MOTOR ASSEMBLY



ART_1001104850

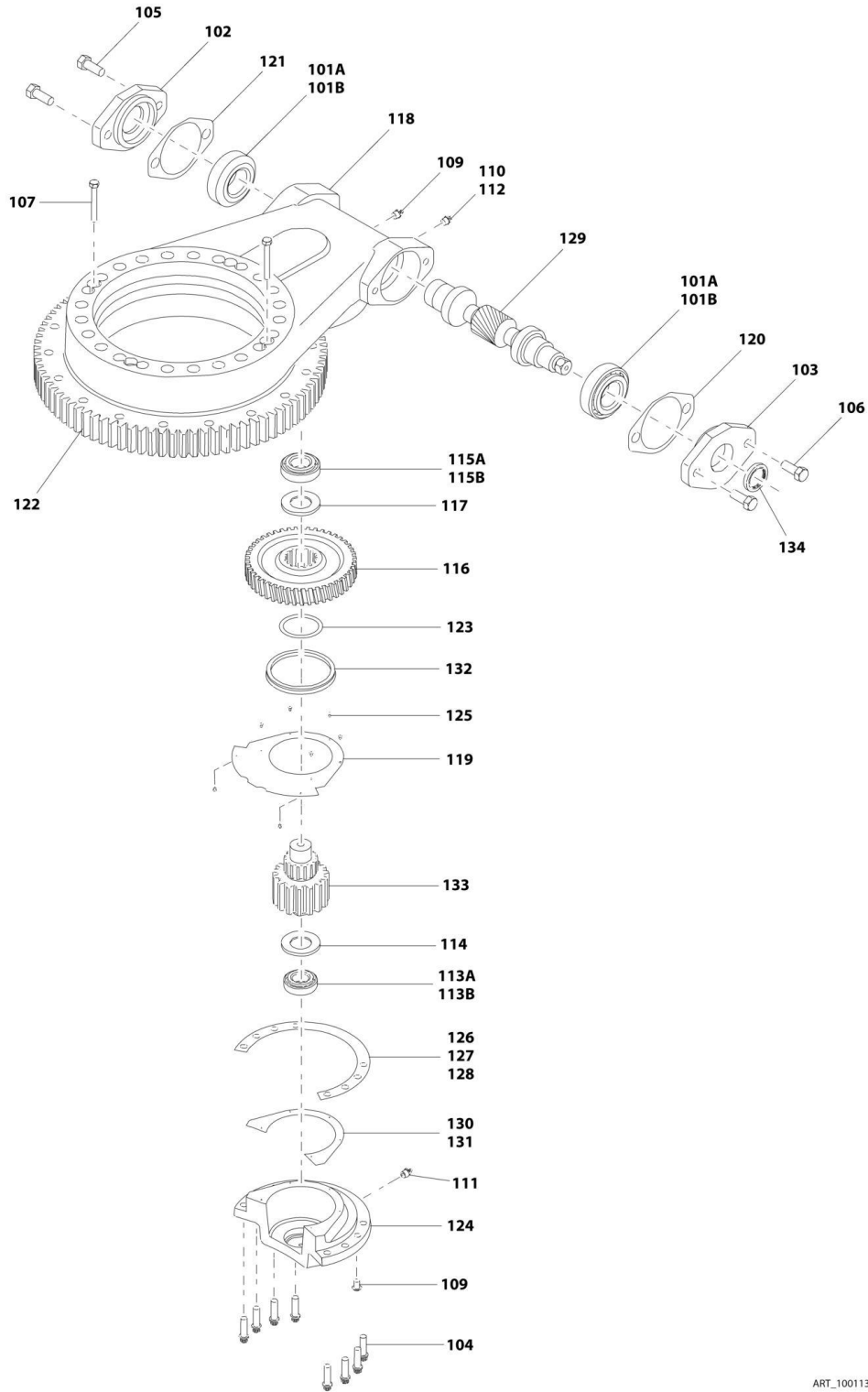
SECTION 2 - TURNTABLE

FIGURE 2-5. SWING MOTOR ASSEMBLY

ITEM	PART NUMBER	QTY	DESCRIPTION	REV
	1001104850	Ref	SWING MOTOR ASSEMBLY	A
1	See Note	5	Bolt (Note: Not Available for Purchase)	
2	7004035	1	Cover, End	
3	7023318	1	Seal, Commutator	
4	7004036	5	O-Ring	
5	See Note	NSS	Commutator (Note: Use Item 6)	
6	7024453	1	Commutator and Ring Assembly (Includes Item 5)	
7	7024379	1	Manifold	
8	70002206	1	Rotor Set	
9	7024380	1	Plate, Wear	
10	70002207	1	Link, Drive	
12	70000088	1	Shaft, Coupling	
12A	70000089	1	Key	
13	7024381	1	Bushing, Inner	
14	7004043	1	Thrustwasher	
15	7004044	1	Bearing, Thrust	
16	7004049	1	Seal, Inner Shaft	
17	7004045	1	Ring, Back-up	
18	See Note	NSS	Housing (Note: Not Available - Purchase Complete Motor)	
19	7024390	1	Bearing	
20	7004047	1	Seal, Outer Shaft	
25	7024389	1	Seal Kit (Includes Items 3, 4, 16, 17 & 20)	

SECTION 2 - TURNTABLE

FIGURE 2-6. TURNTABLE BEARING ASSEMBLY



ART_1001133972

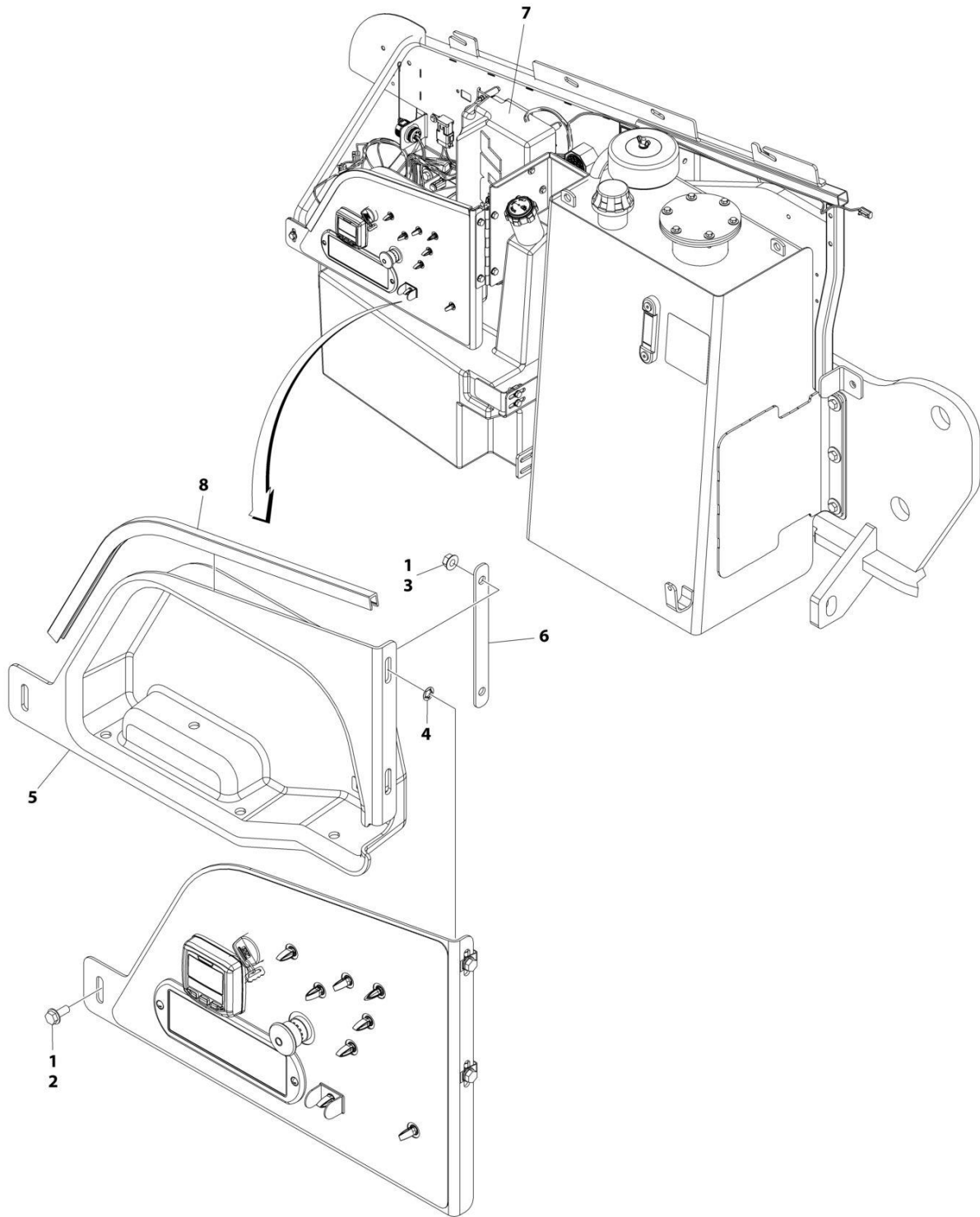
SECTION 2 - TURNTABLE

FIGURE 2-6. TURNTABLE BEARING ASSEMBLY

ITEM	PART NUMBER	QTY	DESCRIPTION	REV
	1001133972	Ref	TURNTABLE BEARING ASSEMBLY	D
101A	7026042	2	Cup, Bearing	
101B	7026043	2	Cone, Bearing	
102	7027356	1	Adapter, Motor	
103	7027354	1	Cap, Worm	
104	70004249	8	Bolt M10 x 35 Grade 10.9	
105	70004250	2	Bolt M12 x 30 Grade 10.9	
106	70004251	2	Bolt M12 x 40 Grade 10.9	
107	70004252	2	Bolt M8 x 65mm	
109	70000865	1	Plug	
110	70002649	1	Vent, Pressure	
111	70002651	1	Fitting, Grease	
112	7026044	1	Bushing, Reducer	
113A	7026045	1	Cup, Bearing	
113B	7026047	1	Cone, Bearing	
114	7026046	1	Ring, Grease	
115A	7026048	1	Cup, Bearing	
115B	7026049	1	Cone, Bearing	
116	7026050	1	Worm-Gear	
117	7026052	1	Spacer, Washer	
118	See Note	1	Housing (Note: Not Available - Purchase Complete Assembly)	
119	7026053	1	Cover, Gear	
120	7027350	AR	Shim, Blue (.005in)	
120	7027351	AR	Shim, Clear (.0075in)	
120	7027352	AR	Shim, Brown (.010in)	
121	7027353		Shim, Yellow (.020in)	
122	70004253	1	Bearing, Turntable	
123	70004254	1	O-Ring	
124	70004255	1	Cap, Gear	
125	70004256	8	Bolt M4 x 8	
126	70004257	AR	Shim, Green (.003)	
127	70004258	AR	Shim, Blue (.005)	
128	70004259	AR	Shim, Natural (.0075)	
129	7026057	1	Gear, Worm	
130	70004260	AR	Shim, Blue (.005)	
131	70004261	AR	Shim, Yellow (.020)	
132	70004262	1	Seal, Oil	
133	7026051	1	Pinion, Output	
134	70004263	1	Seal, Oil	

SECTION 2 - TURNTABLE

FIGURE 2-7. TURNTABLE COVERS INSTALLATION



ART_1001219129

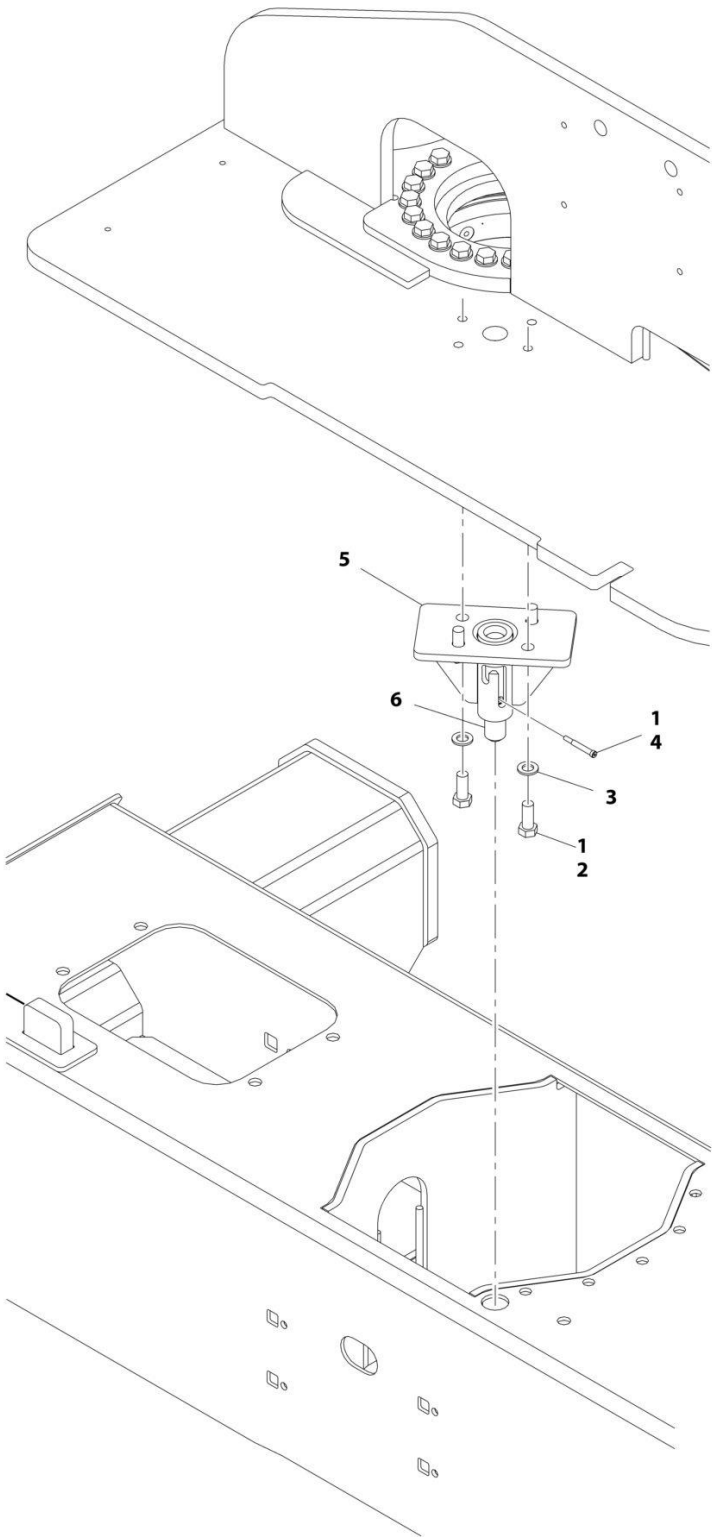
SECTION 2 - TURNTABLE

FIGURE 2-7. TURNTABLE COVERS INSTALLATION

ITEM	PART NUMBER	QTY	DESCRIPTION	REV
	1001219129	Ref	TURNTABLE COVERS INSTALLATION	A
1	0100011	AR	Compound, Locking	
2	5250812	1	Bolt M8 x 25	
3	5260800	2	Nut M8	
4	1001119228	2	Nut M8	
5	1001218533	1	Cover	
6	1001218535	1	Plate, Mounting	
7	1001218537	1	Cover	
8	4060806	2 ft/0.6m	Shield, Flex	

SECTION 2 - TURNTABLE

FIGURE 2-8. TURNTABLE LOCK INSTALLATION



ART_1001177820

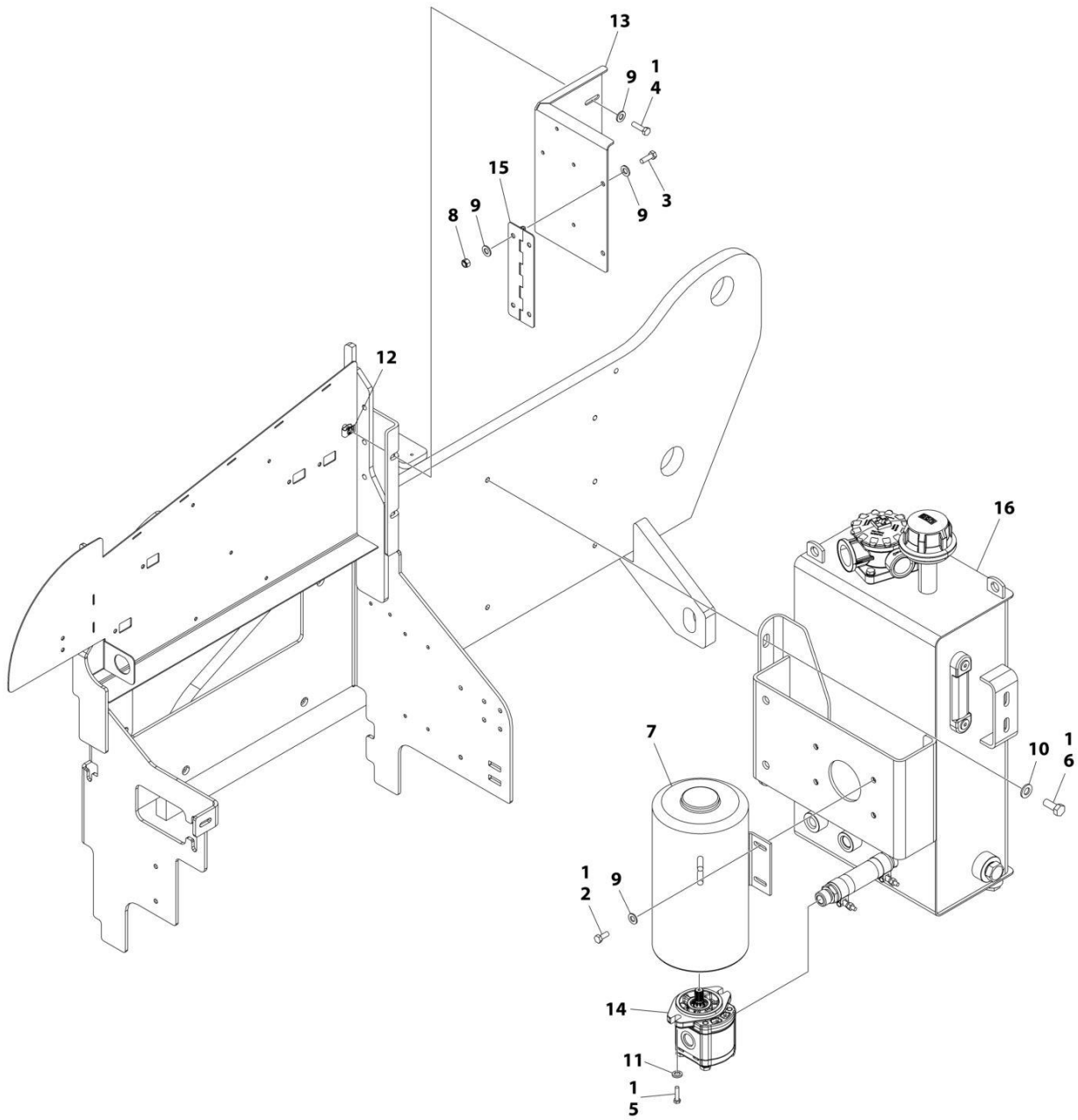
SECTION 2 - TURNTABLE

FIGURE 2-8. TURNTABLE LOCK INSTALLATION

ITEM	PART NUMBER	QTY	DESCRIPTION	REV
	1001177820	Ref	TURNTABLE LOCK INSTALLATION	B
1	0100011	AR	Compound, Locking	
2	0701616	4	Bolt M16 x 40	
3	4812300	4	Washer M16	
4	1001157466	1	Bolt M10 x 30	
5	1001177821	1	Support, Lock	
6	1001177834	1	Pin, Lock	
7	1001223118	1	Decal – Lift Diagram (Not Shown)	

SECTION 2 - TURNTABLE

FIGURE 2-9. TANK AND PUMPS INSTALLATION



ART_1001291450

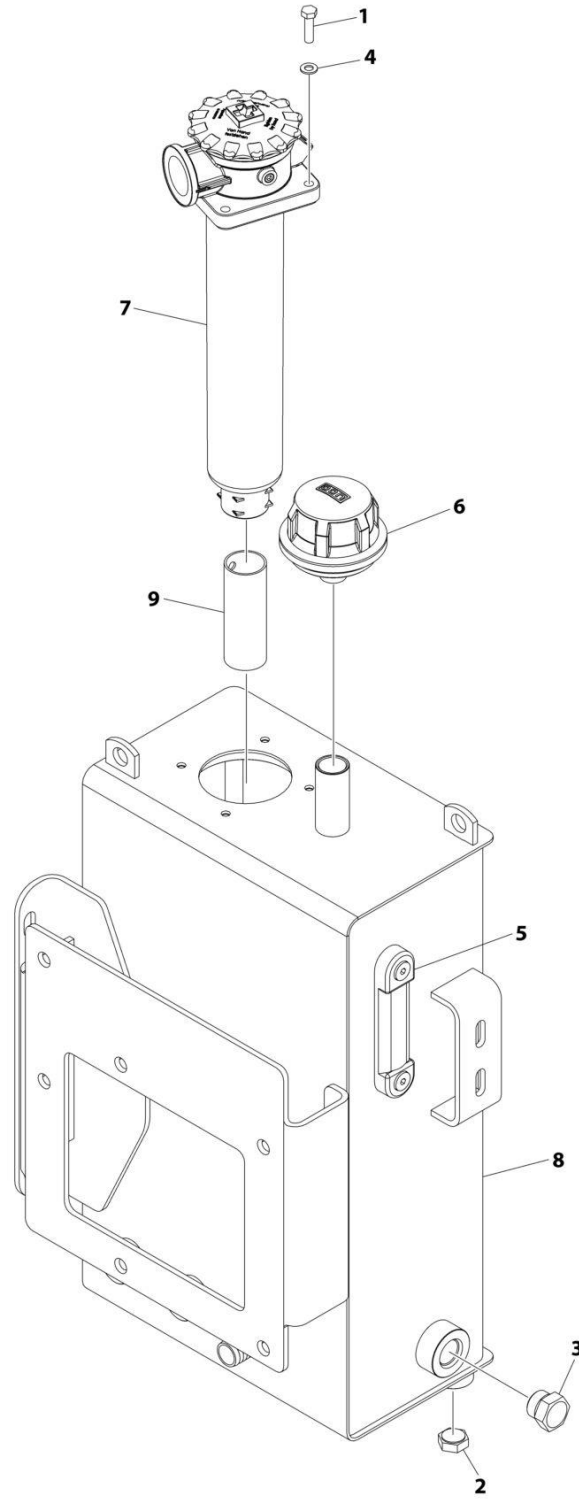
SECTION 2 - TURNTABLE

FIGURE 2-9. TANK AND PUMPS INSTALLATION

ITEM	PART NUMBER	QTY	DESCRIPTION	REV
	1001291450	Ref	TANK AND PUMPS INSTALLATION	A
1	0100011	AR	Compound, Locking	
2	0760810	4	Bolt M8 x 20	
3	0760812	2	Bolt M8 x 25	
4	0760814	2	Bolt M8 x 30	
5	0760815	2	Bolt M8 x 35	
6	0761214	4	Bolt M12 x 30	
7	3160252	1	Electricity Motor Assembly (See Separate Breakdown in this Section)	
8	3290805	2	Nut M8	
9	4811900	10	Washer M8	
10	4812100	4	Washer M12	
11	5240800	2	Washer M8	
12	1001118274	2	Nut M8	
13	1001169898	1	Support, Ground Control	
14	1001174535	1	Gear Pump Assembly	
15	1001179339	1	Hinge	
16	1001291466	1	Hydraulic Tank Installation (See Separate Breakdown in this Section)	

SECTION 2 - TURNTABLE

FIGURE 2-10. HYDRAULIC TANK INSTALLATION



ART_1001248813

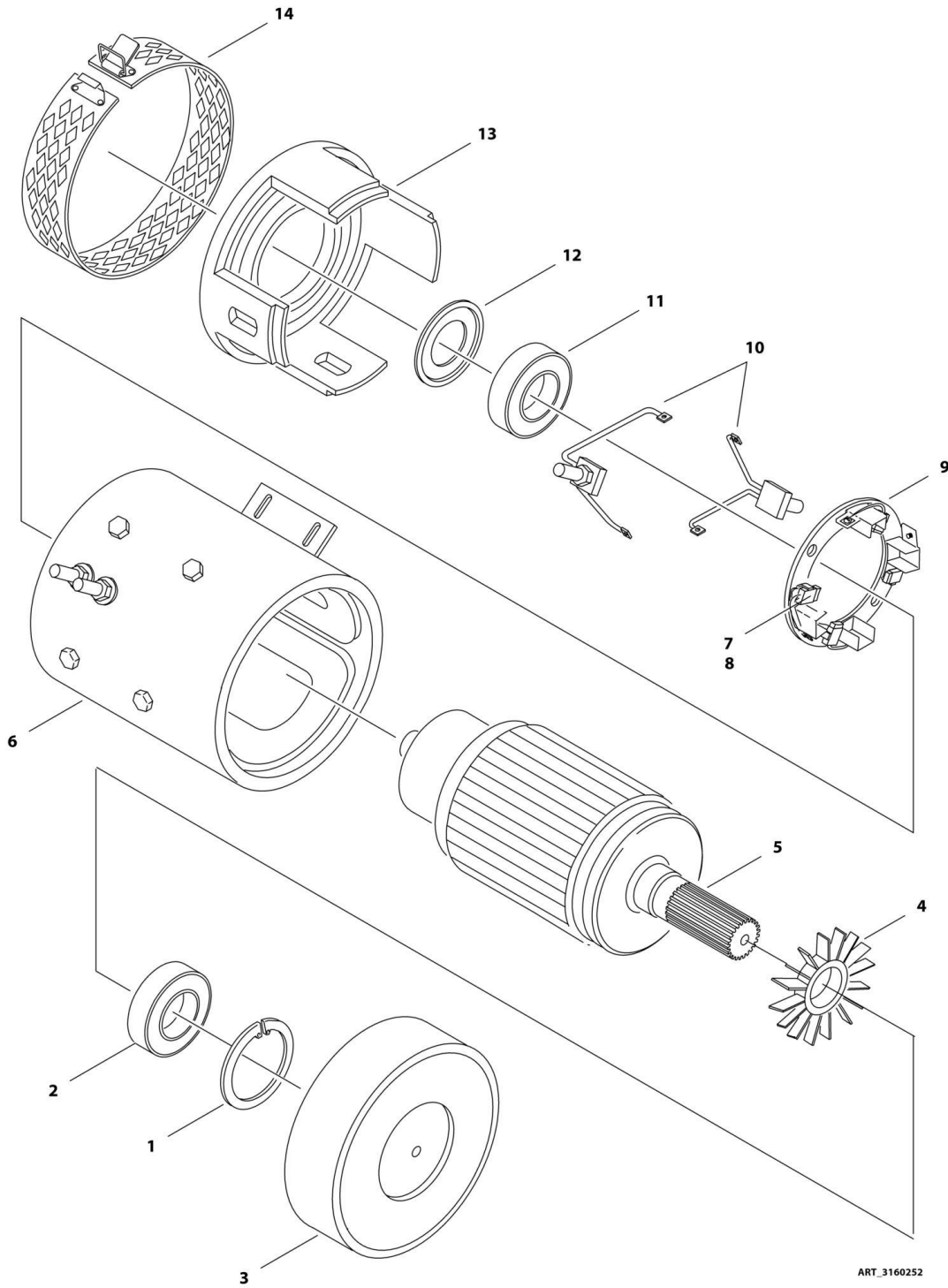
SECTION 2 - TURNTABLE

FIGURE 2-10. HYDRAULIC TANK INSTALLATION

ITEM	PART NUMBER	QTY	DESCRIPTION	REV
	1001248813	Ref	HYDRAULIC TANK INSTALLATION	B
1	0700814	4	Bolt M8 x 30	
2	2220239	1	Plug, ORB	
3	2220240	1	Plug, ORB	
4	4811900	4	Washer M8	
5	7024441	1	Gauge, Sight	
6	1001127152	1	Breather Cap (Vented)	
7	1001162661	1	Filter, Hydraulic	
7	1001162663	1	Element, Filter	
7	1001162667	1	Pipe, Filter Return	
8	1001248401	1	Hydraulic Tank Assembly	
9	1001249615	1	Pipe, Return	

SECTION 2 - TURNTABLE

FIGURE 2-11. MOTOR ASSEMBLY



ART_3160252

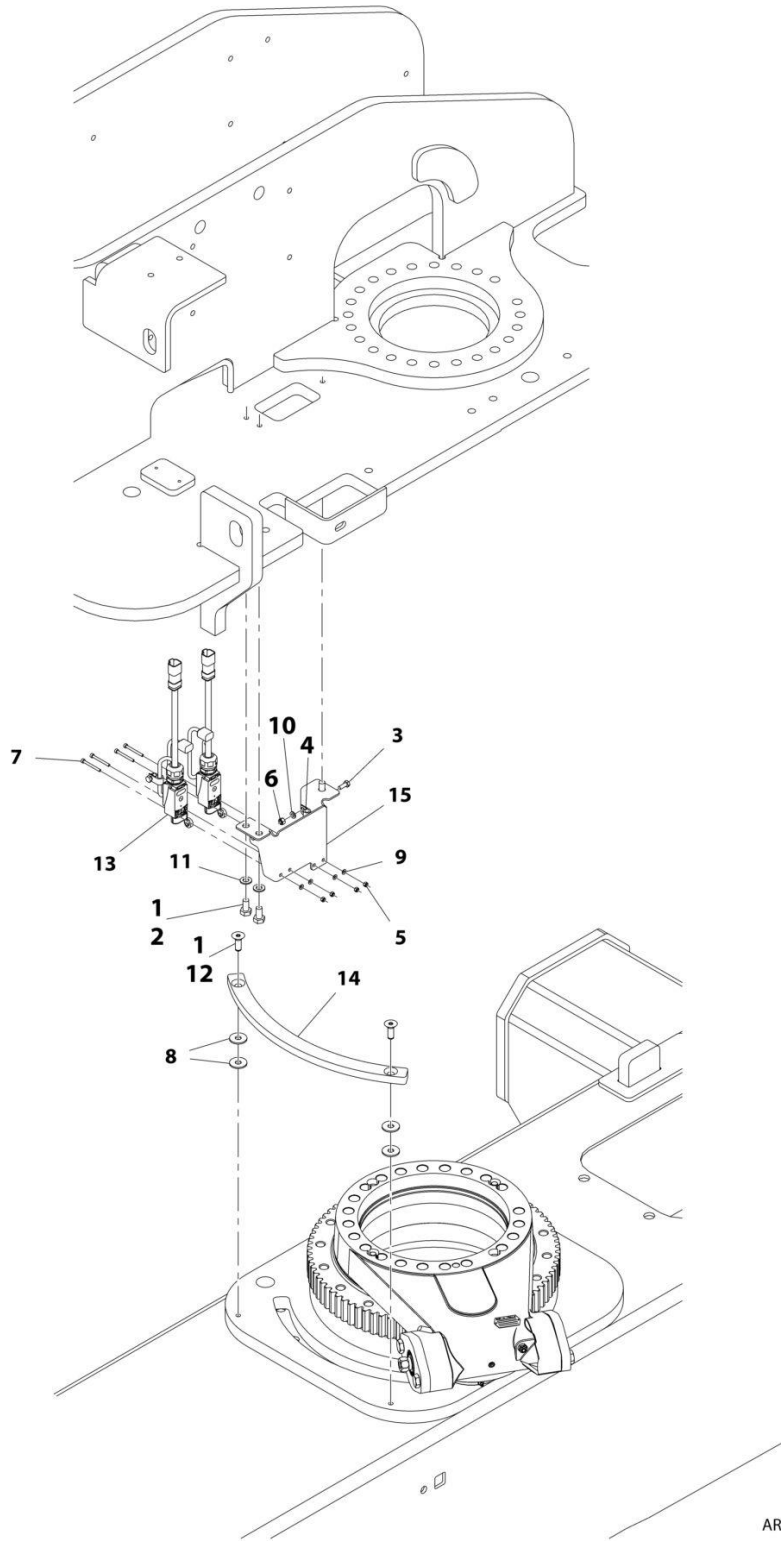
SECTION 2 - TURNTABLE

FIGURE 2-11. MOTOR ASSEMBLY

ITEM	PART NUMBER	QTY	DESCRIPTION	REV
	3160252	Ref	MOTOR ASSEMBLY	C
1	7020291	1	Ring, Retaining	
2	7020292	1	Bearing (Shaft End)	
3	7020293	1	Endhead, Shaft	
4	7020294	1	Fan	
5	7020295	1	Armature Assembly	
6	7020296	1	Field Coil/Case Kit	
7	7012548	8	Spring, Brush	
8	7020297	8	Brush	
9	7020298	1	Box Assembly - Brush	
10	7020299	1	Lead Kit, Brush Wire	
11	7012545	1	Bearing (Commutator End)	
12	7012549	1	Washer	
13	7023200	1	Endhead, Commutator	
14	7023272	1	Headband Assembly	

SECTION 2 - TURNTABLE

FIGURE 2-12. DRIVE ORIENTATION INSTALLATION



ART_1001166767

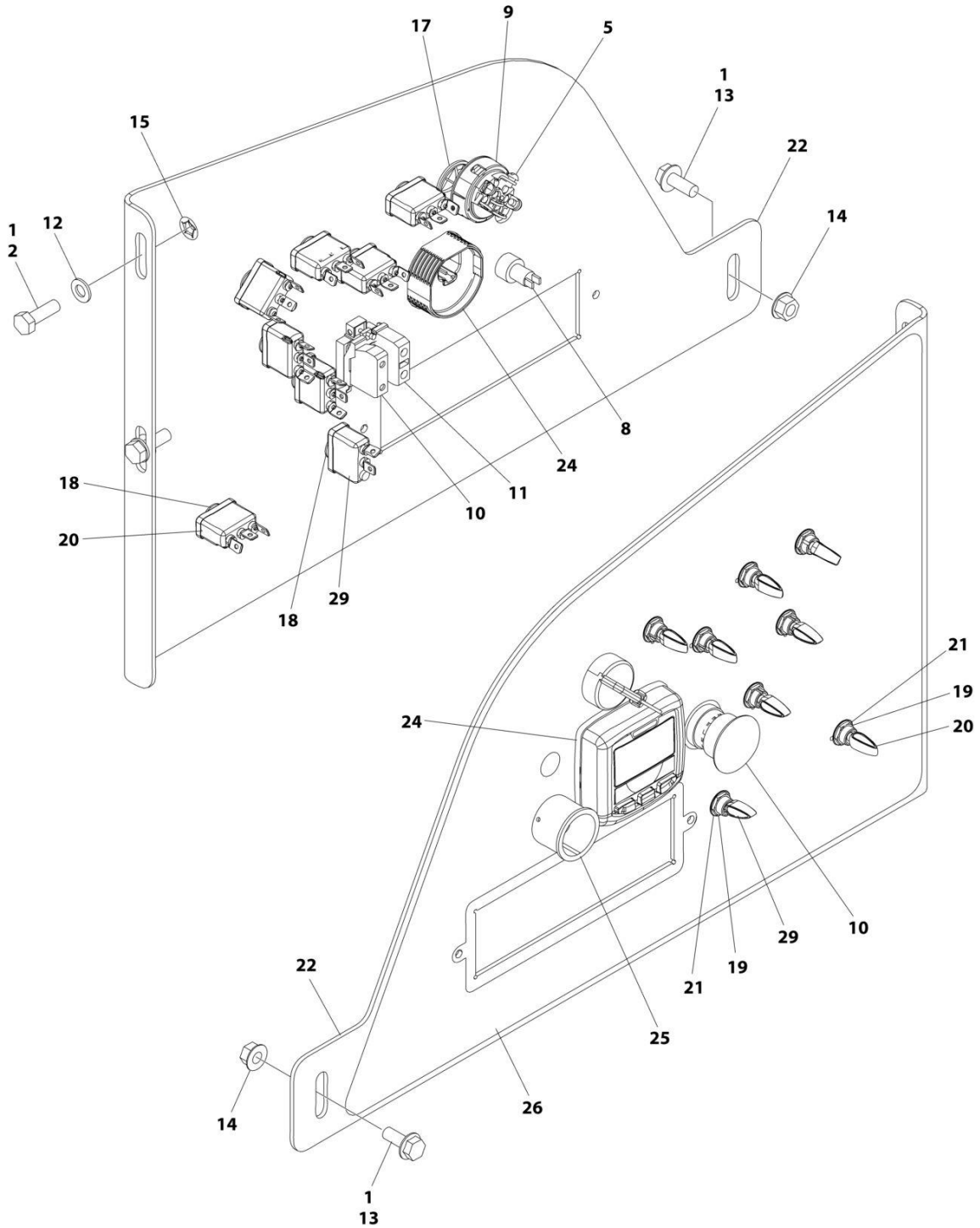
SECTION 2 - TURNTABLE

FIGURE 2-12. DRIVE ORIENTATION INSTALLATION

ITEM	PART NUMBER	QTY	DESCRIPTION	REV
	1001166767	Ref	DRIVE ORIENTATION INSTALLATION	F
1	0100011	AR	Compound, Locking	
2	0761010	3	Bolt M10 x 20	
3	0760608	2	Bolt M6 x 16	
4	1321293	2	Clamp, Cable	
5	3290405	4	Nut M4	
6	3290605	2	Nut M6	
7	4031512	4	Capscrew M4 x 40	
8	4812002	4	Washer M10	
9	4811400	4	Washer M4	
10	4811700	2	Washer M6	
11	4812000	3	Washer M10	
12	8310614	2	Screw M10 x 30	
13	1001119176	2	Switch, Limit	
13	1001129407	1	Receptacle, Female - 4 Position	
13	4460464	4	Pin, Male	
14	1001162106	1	Cam	
15	1001166768	1	Bracket	
16	8881800	AR	Tie-Strap (Not Shown)	

SECTION 2 - TURNTABLE

FIGURE 2-13. GROUND CONTROL ASSEMBLY



ART_1001250486

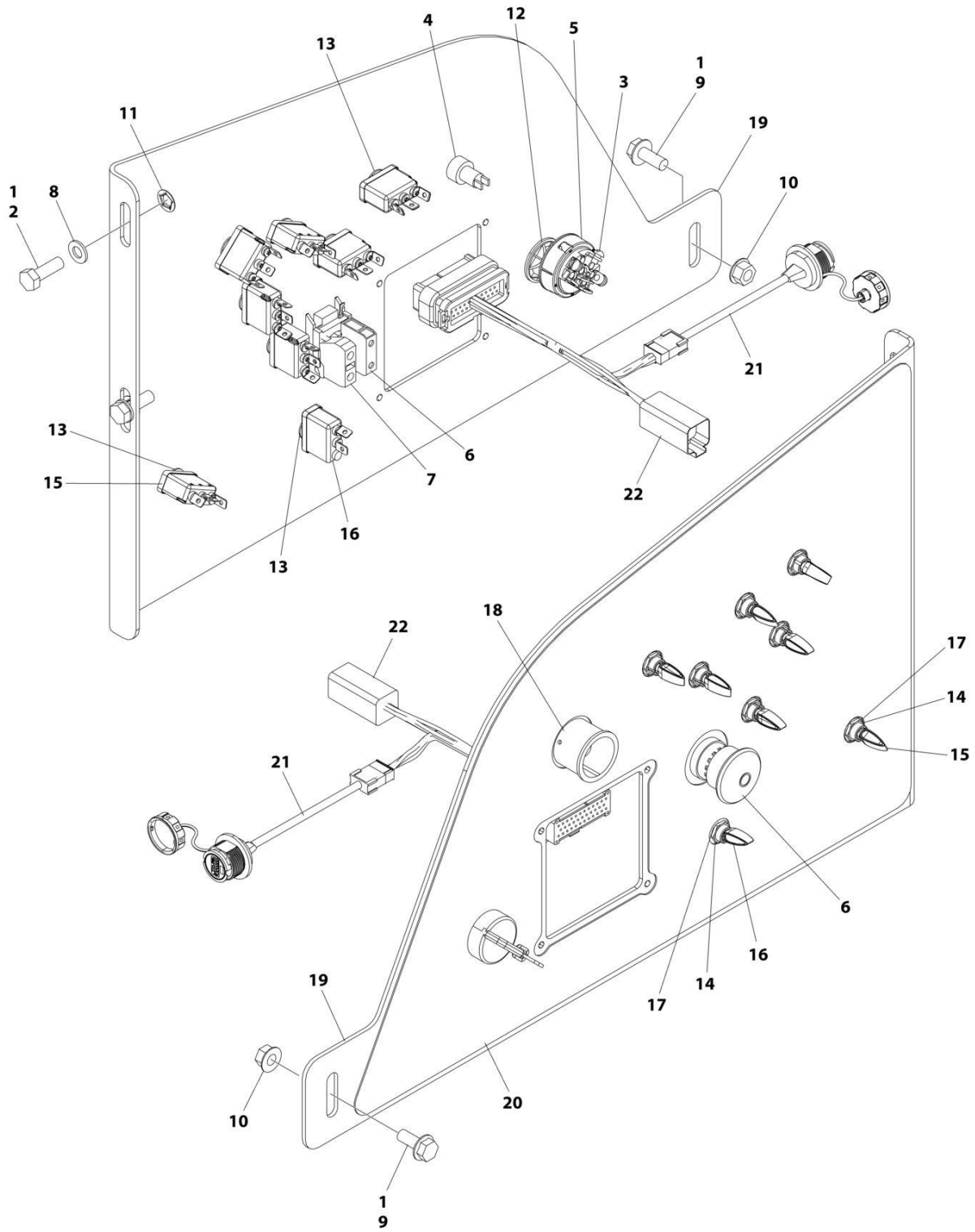
SECTION 2 - TURNTABLE

FIGURE 2-13. GROUND CONTROL ASSEMBLY

ITEM	PART NUMBER	QTY	DESCRIPTION	REV
	1001250486	Ref	GROUND CONTROL ASSEMBLY	D
1	0100011	AR	Compound, Locking	
2	0760812	2	Bolt M8 x 25	
5	3910804	3	Screw M8 x 1/4	
8	4360387	1	Switch, Push Button	
9	4360469	1	Switch, Key	
9	2860030	1	Key, Replacement	
10	4360475	1	Switch, Emergency	
10	7020175	1	Cap	
10	7020176	1	Block, Contact	
11	4360476	1	Block, Contact	
12	4811900	2	Washer M8	
13	5250810	1	Bolt M8 x 20	
14	5260800	1	Nut M8	
15	1001119228	2	Nut M8	
17	1001151393	1	Shim .063	
18	1001155043	8	Washer	
19	1001155044	8	Nut	
20	1001155045	7	Switch, Toggle	
21	1001162807	8	Washer	
22	1001264735	1	Panel, Ground Control	
24	1001171482	1	Gauge, Display	
25	1001176469	1	Shroud, Switch	
26	1001265288	1	Decal - Ground Control	
29	1001159256	1	Switch, Toggle	

SECTION 2 - TURNTABLE

FIGURE 2-14. GROUND CONTROL ASSEMBLY - WITH 4 INCH DISPLAY



ART_1001260297

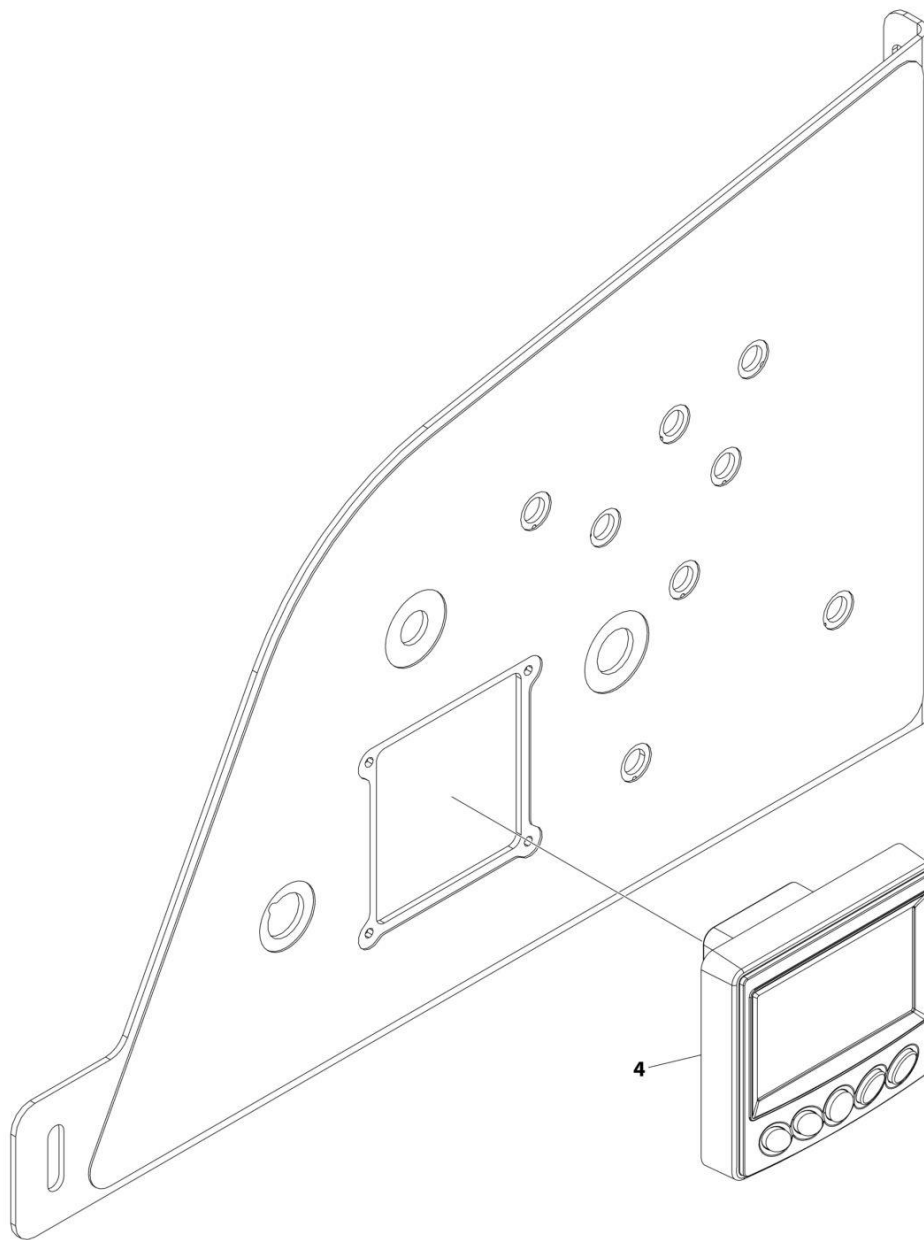
SECTION 2 - TURNTABLE

FIGURE 2-14. GROUND CONTROL ASSEMBLY - WITH 4 INCH DISPLAY

ITEM	PART NUMBER	QTY	DESCRIPTION	REV
	1001260297	Ref	GROUND CONTROL ASSEMBLY	A
1	0100011	AR	Compound, Locking	
2	0760812	2	Bolt M8 x 25	
3	3910804	3	Screw M8 x 1/4	
4	4360387	1	Switch, Push Button	
5	4360469	1	Switch, Key	
5	2860030	1	Key, Replacement	
6	4360475	1	Switch, Emergency	
6	7020175	1	Cap	
6	7020176	1	Block, Contact	
7	4360476	1	Block, Contact	
8	4811900	2	Washer M8	
9	5250810	1	Bolt M8 x 20	
10	5260800	1	Nut M8	
11	1001119228	2	Nut M8	
12	1001151393	1	Shim .063	
13	1001155043	8	Washer M8	
14	1001155044	8	Nut	
15	1001155045	7	Switch, Toggle	
16	1001159256	1	Switch, Toggle	
17	1001162807	8	Washer	
18	1001176469	1	Shroud, Switch	
19	1001260298	1	Panel, Ground Control	
20	1001260299	1	Decal - Ground Control	
21	1001246823	1	USB Receptacle	
22	1001265415	1	Harness, Display Adapter (See Separate Breakdown in ELECTRICAL Section)	

SECTION 2 - TURNTABLE

FIGURE 2-15. LIGHT PANEL INSTALLATION – GROUND CONTROL (SN C30000700 to Present)



ART_1001265145_10F2

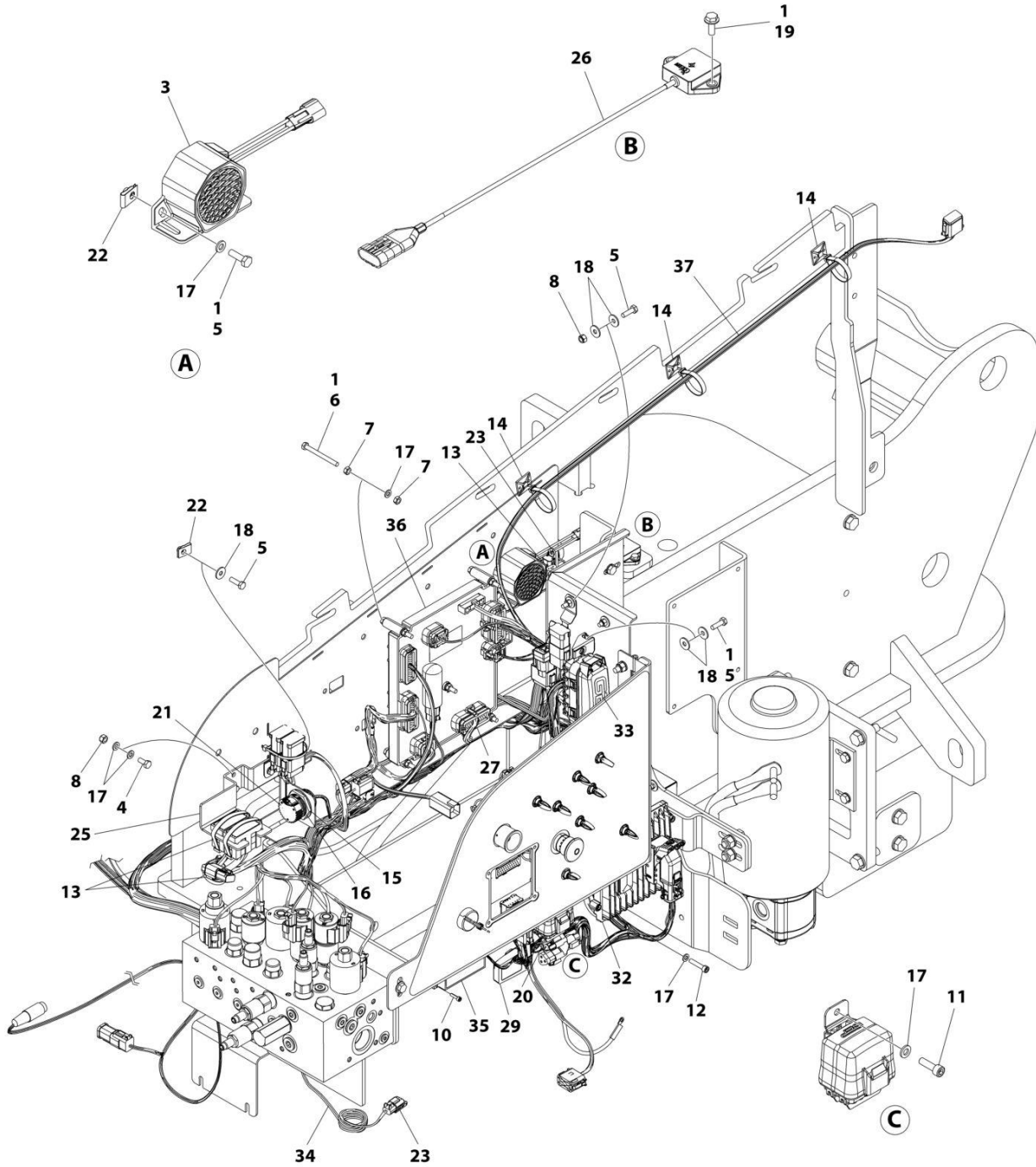
SECTION 2 - TURNTABLE

FIGURE 2-15. LIGHT PANEL INSTALLATION – GROUND CONTROL (SN C300000700 to Present)

ITEM	PART NUMBER	QTY	DESCRIPTION	REV
4	1001265145 1001265029	Ref 1	LIGHT PANEL INSTALLATION - GROUND CONTROL Light Panel Assembly (4inch Display)	A

SECTION 2 - TURNTABLE

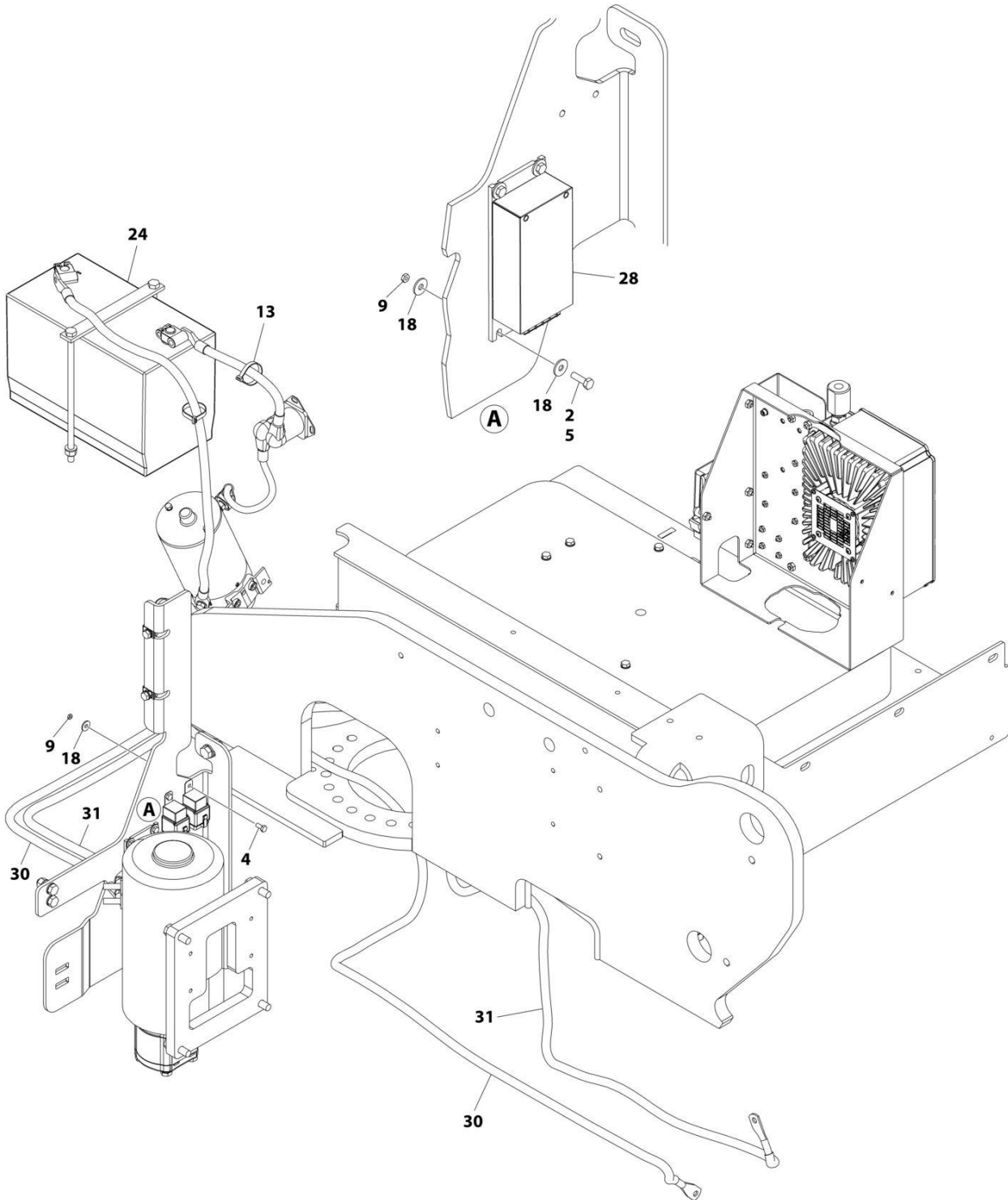
FIGURE 2-16. ELECTRICAL SYSTEM INSTALLATION (SN C30000700 to Present)



ART_1001293347_10F2

SECTION 2 - TURNTABLE

FIGURE 2-17. ELECTRICAL SYSTEM INSTALLATION (SN C30000700 to Present)



ART_1001293347_2OF2

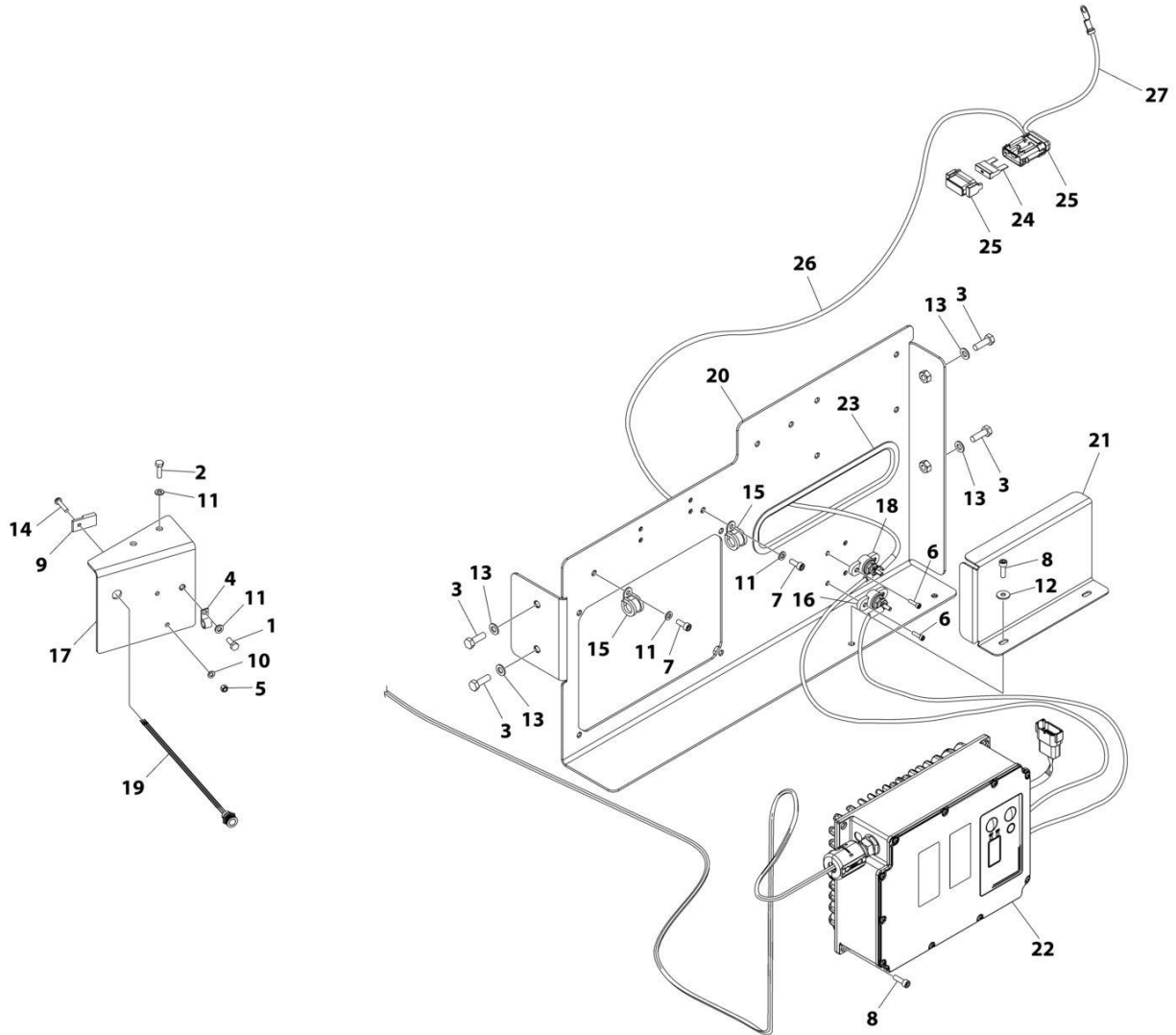
SECTION 2 - TURNTABLE

FIGURE 2-17. ELECTRICAL SYSTEM INSTALLATION (SN C300000700 to Present)

ITEM	PART NUMBER	QTY	DESCRIPTION	REV
	1001293347	Ref	ELECTRICAL SYSTEM INSTALLATION	C
1	0100011	AR	Compound, Locking	
2	0100083	AR	Grease	
3	0140043	1	Alarm	
4	0760608	5	Bolt M6 x 16	
5	0760610	11	Bolt M6 x 20	
6	0760621	5	Bolt M6 x 65	
7	3290601	10	Nut M6	
8	3290605	5	Nut M6	
9	3310601	6	Nut #6	
10	4031507	4	Bolt M4 x 16	
11	4031708	1	Bolt M6 x 20	
12	4031710	4	Bolt M6 x 30	
13	4240018	9	Tie-Strap	
14	4460234	3	Cable, Tie Mount	
15	4460496	1	Washer, Terminal	
16	4460497	1	Nut, Terminal	
17	4811700	23	Washer M6	
18	4811702	19	Washer M6	
19	5250608	2	Bolt M6 x 16	
20	86683122	1	Tie-Strap	
21	1001106736	1	Cap, Dust	
22	1001130220	3	Nut, Tinnerman M6	
23	1001144295	2	Cap	
24	1001166316	1	Battery Installation (See Separate Breakdown in this Section)	
25	1001201939	1	Bracket	
26	1001219601	1	Sensor	
27	1001299782	1	Harness, Ground Control (See Separate Breakdown in ELECTRICAL Section)	
28	1001249405	1	Electrical Converter Assembly	
29	1001249432	1	Module - Control	
30	1001256850	1	Cable, Pump Motor (Positive)	
31	1001256851	1	Cable, Pump Motor (Negative)	
32	1001260949	1	Control, Module	
33	1001296602	1	Decal - Fuse Box	
34	1001282533	1	Harness, Main Valve (See Separate Breakdown in ELECTRICAL Section)	
35	1001283264	1	Electrical Assembly	
36	1001284340	1	Control, Module	
37	1001298907	1	Harness, Turntable	

SECTION 2 - TURNTABLE

FIGURE 2-18. BATTERY CHARGER INSTALLATION - WITH NO PLUG (SN C30000700 to Present)



ART_1001293426

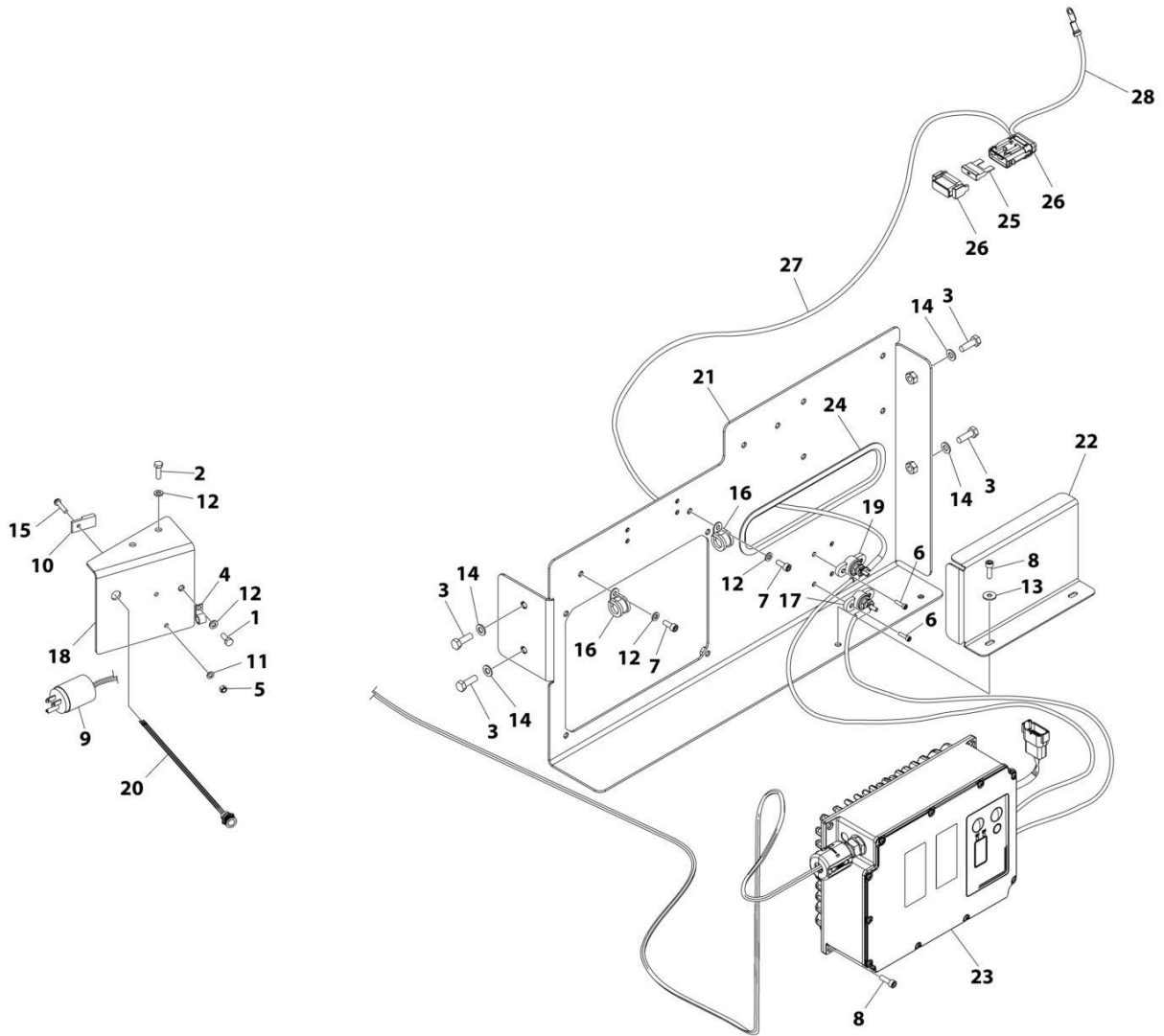
SECTION 2 - TURNTABLE

FIGURE 2-18. BATTERY CHARGER INSTALLATION - WITH NO PLUG (SN C300000700 to Present)

ITEM	PART NUMBER	QTY	DESCRIPTION	REV
	1001293426	Ref	BATTERY CHARGER INSTALLATION	B
1	0760608	1	Bolt M6 x 16	
2	0760610	2	Bolt M6 x 20	
3	0760812	4	Bolt M8 x 25	
4	1320043	1	Clamp	
5	3290505	1	Nut M5	
6	4031507	4	Bolt M4 x 16	
7	4031707	2	Bolt M6 x 16	
8	4031708	6	Bolt M6 x 20	
9	4460914	1	Mount, Terminal	
10	4811600	1	Washer M5	
11	4811700	5	Washer M6	
12	4811702	2	Washer M6	
13	4811900	4	Washer M8	
14	8310559	1	Screw M5 x 25	
15	1001170231	2	Clamp	
16	1001241501	1	Terminal	
17	1001251130	1	Bracket	
18	1001262387	1	Terminal	
19	1001263993	1	Light, Indicator	
20	1001290354	1	Bracket	
21	1001290356	1	Plate	
22	1001291595	1	Battery Charger	
23	1001008999	1	Trim - Edge	
24	1001262472	1	Fuse, 60Amp	
25	1001262473	1	Holder, Fuse	
26	1001300580	1	Cable (+ Ve Stud to Relay)	
27	1001300581	1	Cable (Fuse to Relay)	

SECTION 2 - TURNTABLE

FIGURE 2-19. BATTERY CHARGER INSTALLATION - 110V (ANSI AND CSA SPECS) (SN C300000700 to Present)



ART_1001293433

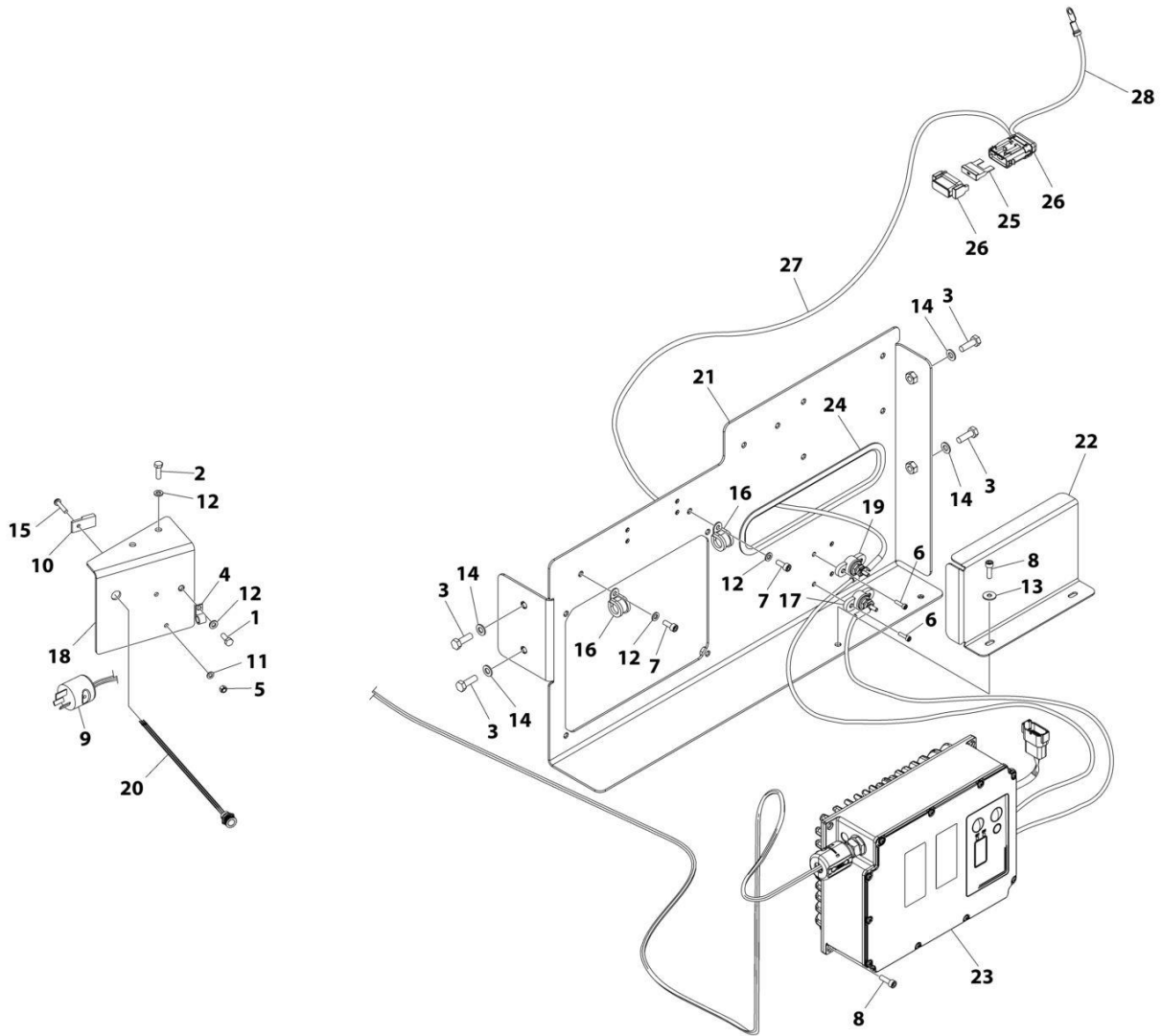
SECTION 2 - TURNTABLE

FIGURE 2-19. BATTERY CHARGER INSTALLATION - 110V (ANSI AND CSA SPECS) (SN C300000700 to Present)

ITEM	PART NUMBER	QTY	DESCRIPTION	REV
	1001293433	Ref	BATTERY CHARGER INSTALLATION	B
1	0760608	1	Bolt M6 x 16	
2	0760610	2	Bolt M6 x 20	
3	0760812	4	Bolt M8 x 25	
4	1320043	1	Clamp	
5	3290505	1	Nut M5	
6	4031507	4	Bolt M4 x 16	
7	4031707	2	Bolt M6 x 16	
8	4031708	6	Bolt M6 x 20	
9	4460138	1	Plug, Terminal	
10	4460914	1	Mount, Terminal	
11	4811600	1	Washer M5	
12	4811700	5	Washer M6	
13	4811702	2	Washer M6	
14	4811900	4	Washer M8	
15	8310559	1	Screw M5 x 25	
16	1001170231	2	Clamp	
17	1001241501	1	Terminal	
18	1001251130	1	Bracket	
19	1001262387	1	Terminal	
20	1001263993	1	Light, Indicator	
21	1001290354	1	Bracket	
22	1001290356	1	Plate	
23	1001291595	1	Battery Charger	
24	1001008999	1	Trim - Edge	
25	1001262472	1	Fuse, 60Amp	
26	1001262473	1	Holder, Fuse	
27	1001300580	1	Cable (+ Ve Stud to Relay)	
28	1001300581	1	Cable (Fuse to Relay)	

SECTION 2 - TURNTABLE

FIGURE 2-20. BATTERY CHARGER INSTALLATION - 220V (AUSTRALIAN SPECS) (SN C300000700 to Present)



ART_1001293434

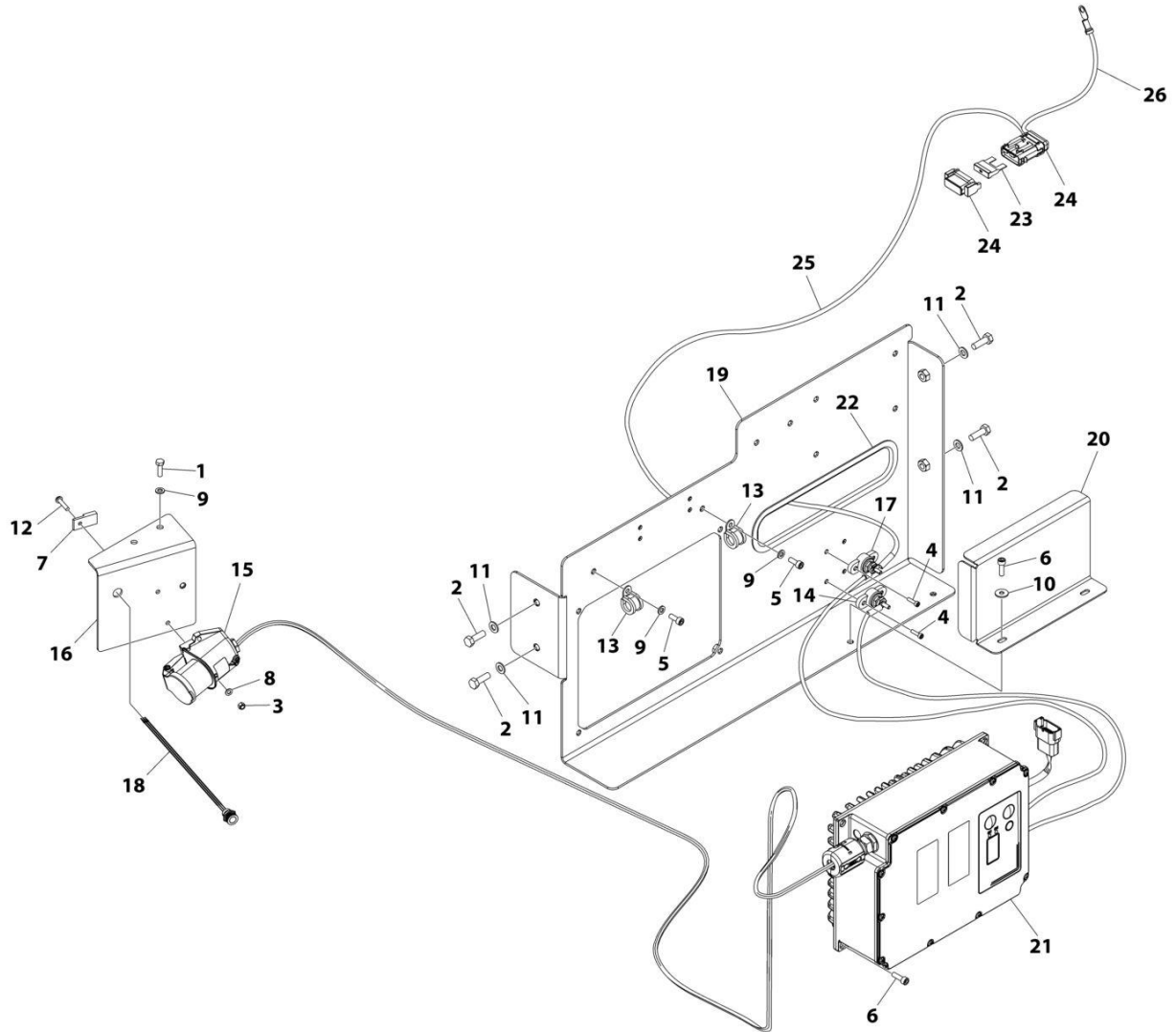
SECTION 2 - TURNTABLE

FIGURE 2-20. BATTERY CHARGER INSTALLATION - 220V (AUSTRALIAN SPECS) (SN C300000700 to Present)

ITEM	PART NUMBER	QTY	DESCRIPTION	REV
	1001293434	Ref	BATTERY CHARGER INSTALLATION	B
1	0760608	1	Bolt M6 x 16	
2	0760610	2	Bolt M6 x 20	
3	0760812	4	Bolt M8 x 25	
4	1320043	1	Clamp	
5	3290505	1	Nut M5	
6	4031507	4	Bolt M4 x 16	
7	4031707	2	Bolt M6 x 16	
8	4031708	6	Bolt M6 x 20	
9	4460805	1	Plug, Australian	
10	4460914	1	Mount, Terminal	
11	4811600	1	Washer M5	
12	4811700	5	Washer M6	
13	4811702	2	Washer M6	
14	4811900	4	Washer M8	
15	8310559	1	Screw M5 x 25	
16	1001170231	2	Clamp	
17	1001241501	1	Terminal	
18	1001251130	1	Bracket	
19	1001262387	1	Terminal	
20	1001263993	1	Light, Indicator	
21	1001290354	1	Bracket	
22	1001290356	1	Plate	
23	1001291595	1	Battery Charger	
24	1001008999	1	Trim - Edge	
25	1001262472	1	Fuse, 60Amp	
26	1001262473	1	Holder, Fuse	
27	1001300580	1	Cable (+ Ve Stud to Relay)	
28	1001300581	1	Cable (Fuse to Relay)	

SECTION 2 - TURNTABLE

FIGURE 2-21. BATTERY CHARGER INSTALLATION (SN C30000700 to Present)



ART_1001291444

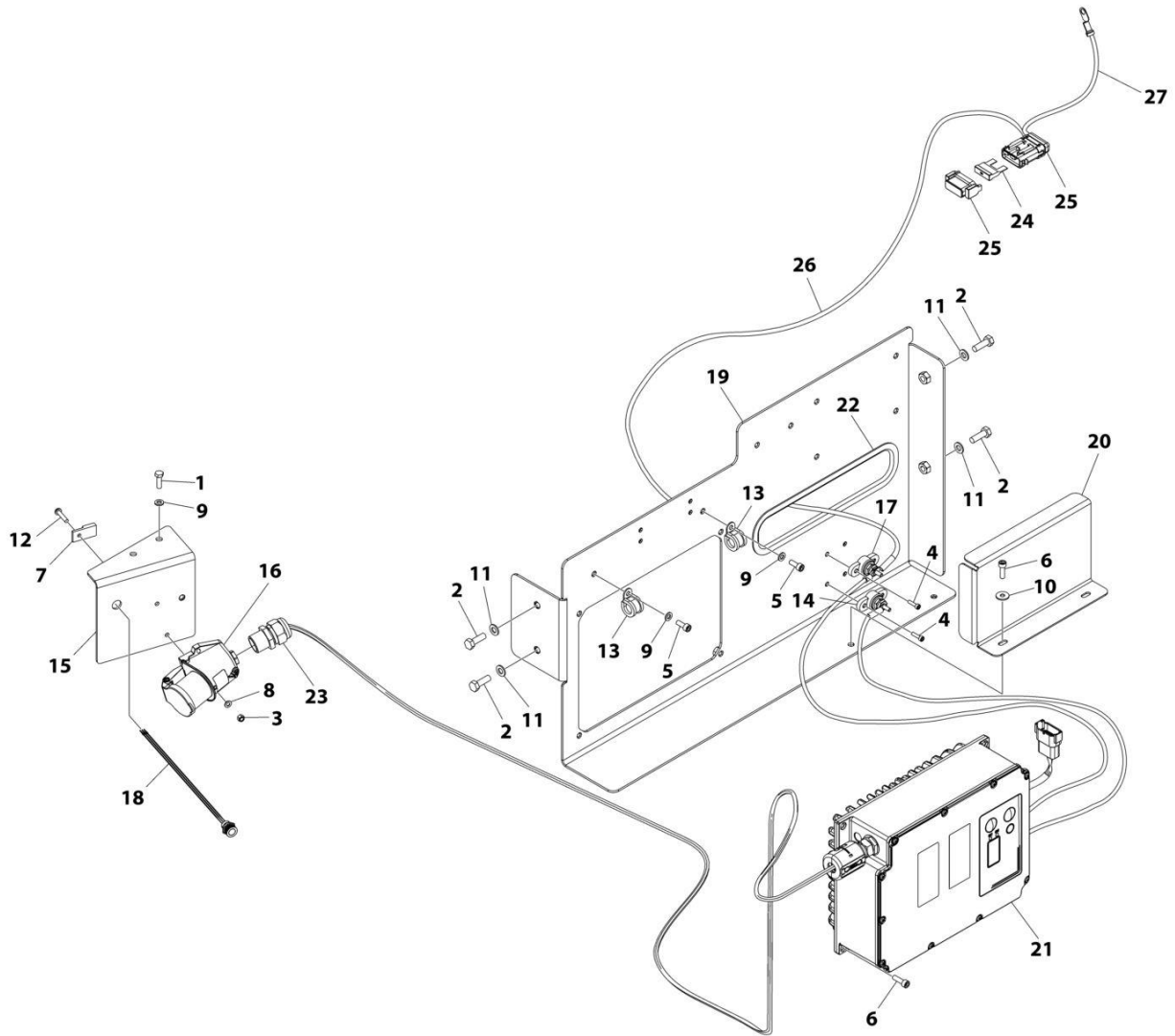
SECTION 2 - TURNTABLE

FIGURE 2-21. BATTERY CHARGER INSTALLATION (SN C300000700 to Present)

ITEM	PART NUMBER	QTY	DESCRIPTION	REV
	1001291444	Ref	BATTERY CHARGER INSTALLATION	B
1	0760610	2	Bolt M6 x 20	
2	0760812	4	Bolt M8 x 25	
3	3290505	2	Nut M5	
4	4031507	4	Bolt M4 x 16	
5	4031707	2	Bolt M6 x 16	
6	4031708	6	Bolt M6 x 20	
7	4460914	1	Mount, Terminal	
8	4811600	2	Washer M5	
9	4811700	4	Washer M6	
10	4811702	2	Washer M6	
11	4811900	4	Washer M8	
12	8310559	2	Screw M5 x 25	
13	1001170231	2	Clamp	
14	1001241501	1	Terminal	
15	1001249236	1	Connector	
16	1001251130	1	Bracket	
17	1001262387	1	Terminal	
18	1001263993	1	Light, Indicator	
19	1001290354	1	Bracket	
20	1001290356	1	Plate	
21	1001291595	1	Battery Charger	
22	1001008999	1	Trim, Edge	
23	1001262472	1	Fuse, 60Amp	
24	1001262473	1	Holder, Fuse	
25	1001300580	1	Cable (+Ve Stud to Relay)	
26	1001300581	1	Cable (Fuse to Relay)	

SECTION 2 - TURNTABLE

FIGURE 2-22. BATTERY CHARGER INSTALLATION - WITH 110 IEC PLUG (SN C300000700 to Present)



ART_1001293429

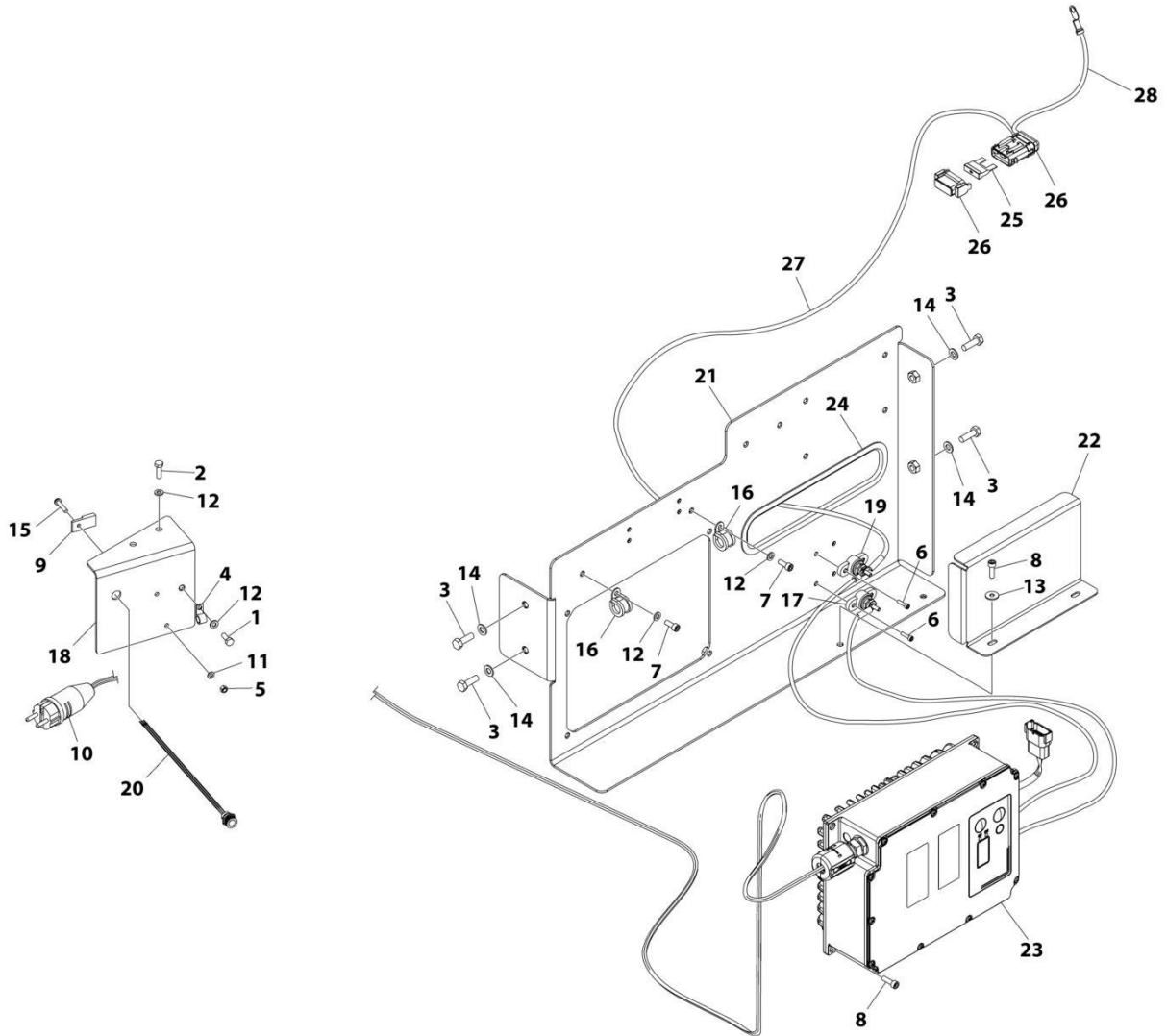
SECTION 2 - TURNTABLE

FIGURE 2-22. BATTERY CHARGER INSTALLATION - WITH 110 IEC PLUG (SN C300000700 to Present)

ITEM	PART NUMBER	QTY	DESCRIPTION	REV
	1001293429	Ref	BATTERY CHARGER INSTALLATION	B
1	0760610	2	Bolt M6 x 20	
2	0760812	4	Bolt M8 x 25	
3	3290505	2	Nut M5	
4	4031507	4	Bolt M4 x 16	
5	4031707	2	Bolt M6 x 16	
6	4031708	6	Bolt M6 x 20	
7	4460914	1	Mount, Terminal	
8	4811600	2	Washer M5	
9	4811700	4	Washer M6	
10	4811702	2	Washer M6	
11	4811900	4	Washer M8	
12	8310559	2	Screw M5 x 25	
13	1001170231	2	Clamp	
14	1001241501	1	Terminal	
15	1001251130	1	Bracket	
16	1001262067	1	Connector	
17	1001262387	1	Terminal	
18	1001263993	1	Light, Indicator	
19	1001290354	1	Bracket	
20	1001290356	1	Plate	
21	1001291595	1	Battery Charger	
22	1001008999	1	Trim - Edge	
23	E900051	1	Gland, Cable M20	
24	1001262472	1	Fuse, 60Amp	
25	1001262473	1	Holder, Fuse	
26	1001300580	1	Cable (+ Ve Stud to Relay)	
27	1001300581	1	Cable (Fuse to Relay)	

SECTION 2 - TURNTABLE

FIGURE 2-23. BATTERY CHARGER INSTALLATION (CEE7) (SN C30000700 to Present)



ART_1001293430

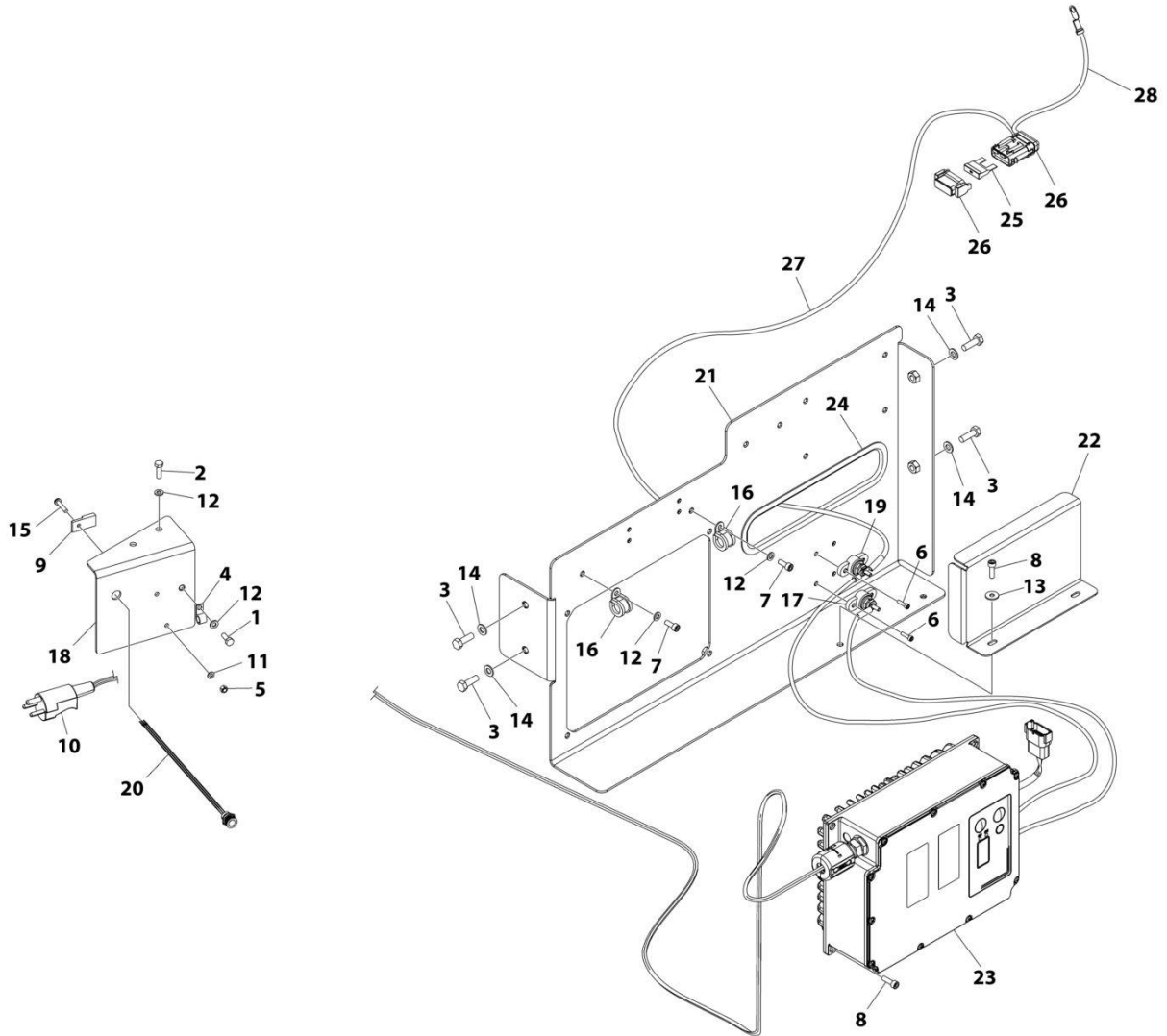
SECTION 2 - TURNTABLE

FIGURE 2-23. BATTERY CHARGER INSTALLATION (CEE7) (SN C300000700 to Present)

ITEM	PART NUMBER	QTY	DESCRIPTION	REV
	1001293430	Ref	BATTERY CHARGER INSTALLATION	B
1	0760608	1	Bolt M6 x 16	
2	0760610	2	Bolt M6 x 20	
3	0760812	4	Bolt M8 x 25	
4	1320043	1	Clamp	
5	3290505	1	Nut M5	
6	4031507	4	Bolt M4 x 16	
7	4031707	2	Bolt M6 x 16	
8	4031708	6	Bolt M6 x 20	
9	4460914	1	Mount, Terminal	
10	4461205	1	Plug, Male	
11	4811600	1	Washer M5	
12	4811700	5	Washer M6	
13	4811702	2	Washer M6	
14	4811900	4	Washer M8	
15	8310559	1	Screw M5 x 25	
16	1001170231	2	Clamp	
17	1001241501	1	Terminal	
18	1001251130	1	Bracket	
19	1001262387	1	Terminal	
20	1001263993	1	Light, Indicator	
21	1001290354	1	Bracket	
22	1001290356	1	Plate	
23	1001291595	1	Battery Charger	
24	1001008999	1	Trim - Edge	
25	1001262472	1	Fuse, 60Amp	
26	1001262473	1	Holder, Fuse	
27	1001300580	1	Cable (+ Ve Stud to Relay)	
28	1001300581	1	Cable (Fuse to Relay)	

SECTION 2 - TURNTABLE

FIGURE 2-24. BATTERY CHARGER INSTALLATION (ASFINT) (SN C300000700 to Present)



ART_1001293431

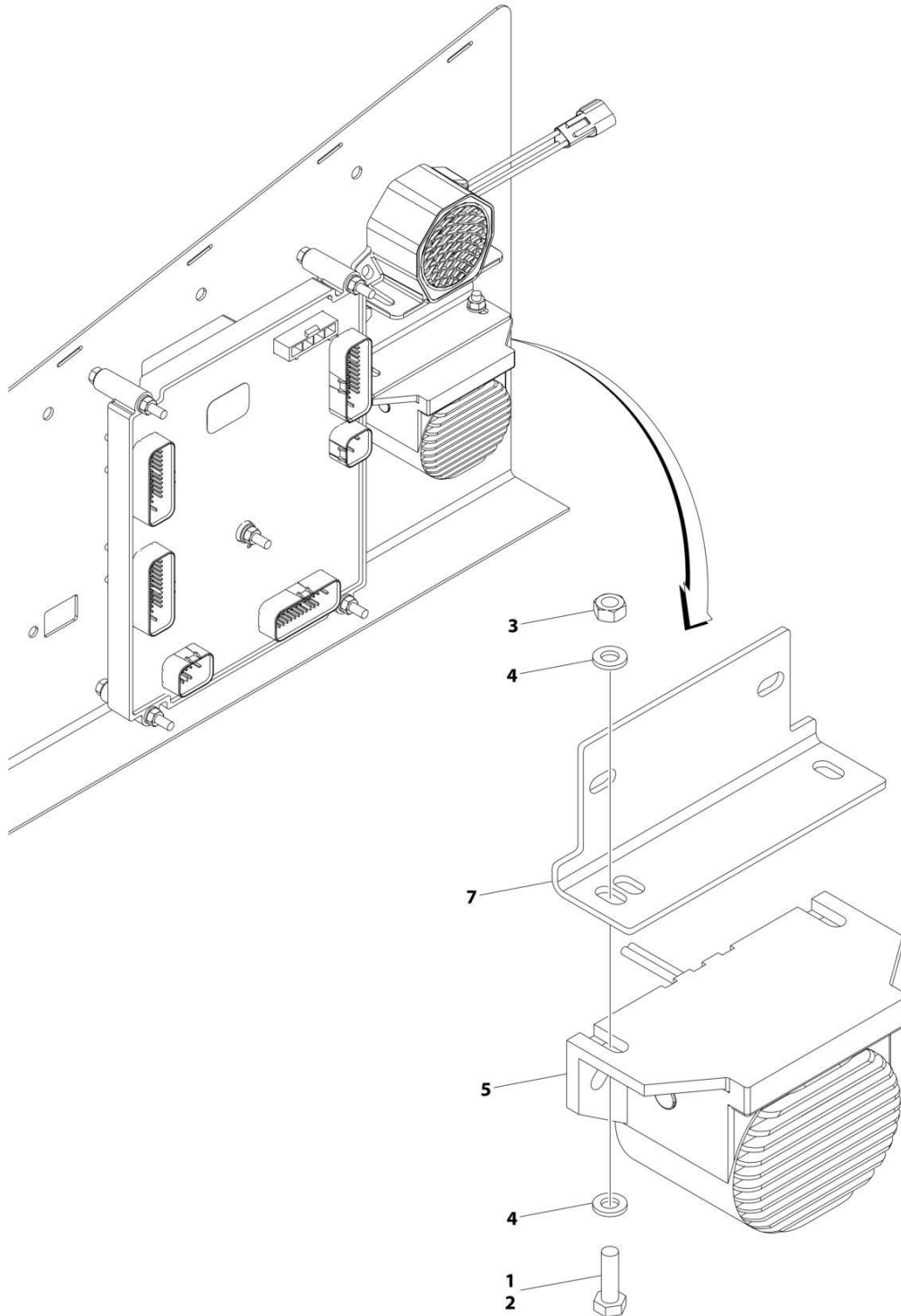
SECTION 2 - TURNTABLE

FIGURE 2-24. BATTERY CHARGER INSTALLATION (ASFINT) (SN C300000700 to Present)

ITEM	PART NUMBER	QTY	DESCRIPTION	REV
	1001293431	Ref	BATTERY CHARGER INSTALLATION	B
1	0760608	1	Bolt M6 x 16	
2	0760610	2	Bolt M6 x 20	
3	0760812	4	Bolt M8 x 25	
4	1320043	1	Clamp	
5	3290505	1	Nut M5	
6	4031507	4	Bolt M4 x 16	
7	4031707	2	Bolt M6 x 16	
8	4031708	6	Bolt M6 x 20	
9	4460914	1	Mount, Terminal	
10	4461249	1	Plug, Male	
11	4811600	1	Washer M5	
12	4811700	5	Washer M6	
13	4811702	2	Washer M6	
14	4811900	4	Washer M8	
15	8310559	1	Screw M5 x 25	
16	1001170231	2	Clamp	
17	1001241501	1	Terminal	
18	1001251130	1	Bracket	
19	1001262387	1	Terminal	
20	1001263993	1	Light, Indicator	
21	1001290354	1	Bracket	
22	1001290356	1	Plate	
23	1001291595	1	Battery Charger	
24	1001008999	1	Trim - Edge	
25	1001262472	1	Fuse, 60Amp	
26	1001262473	1	Holder, Fuse	
27	1001300580	1	Cable (+ Ve Stud to Relay)	
28	1001300581	1	Cable (Fuse to Relay)	

SECTION 2 - TURNTABLE

FIGURE 2-25. ALARM WHITE NOISE INSTALLATION



ART_1001209617

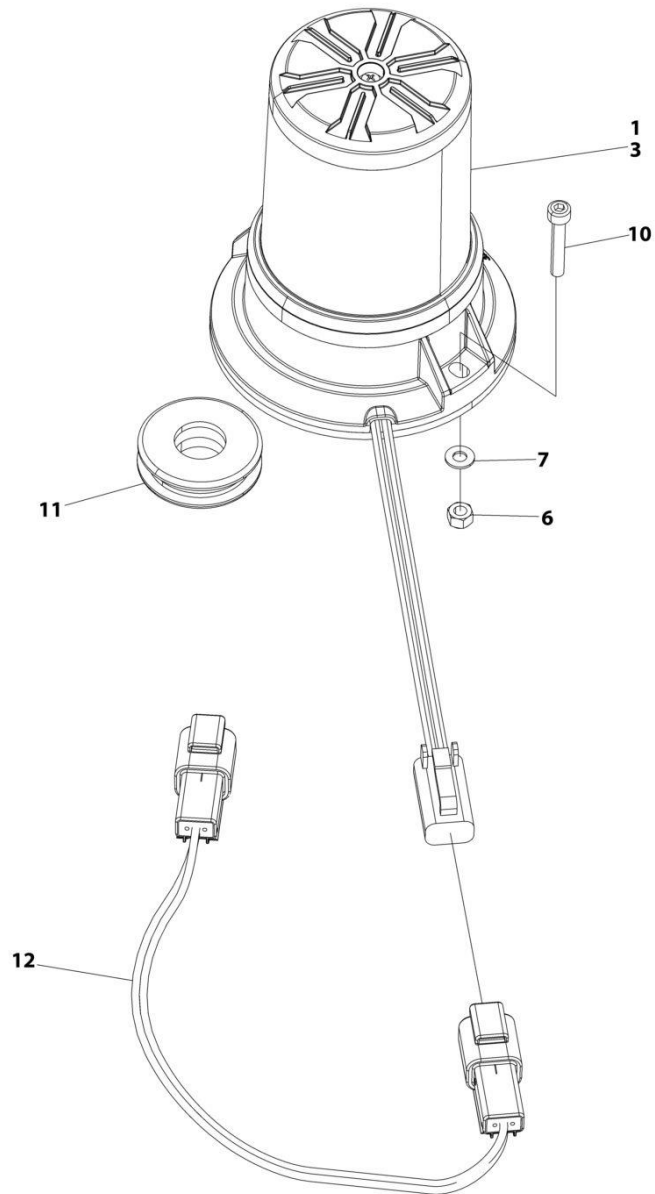
SECTION 2 - TURNTABLE

FIGURE 2-25. ALARM WHITE NOISE INSTALLATION

ITEM	PART NUMBER	QTY	DESCRIPTION	REV
	1001209617	Ref	WHITE NOISE AMBIENT ALARM INSTALLATION	C
1	0100011	AR	Compound, Locking	
2	0760610	2	Bolt M6 x 20	
3	3290601	2	Nut M6	
4	4811700	4	Washer M6	
5	1001182806	1	Alarm	
6	1001190663	1	Harness, Jumper (Not Shown)	
6	4460891	1	Connector – 2 Position	
6	4460465	2	Socket, Female	
6	4460871	2	Socket, Female	
7	1001231886	1	Plate	

SECTION 2 - TURNTABLE

FIGURE 2-26. BEACON LIGHT INSTALLATION - AMBER



ART_1001174976_E

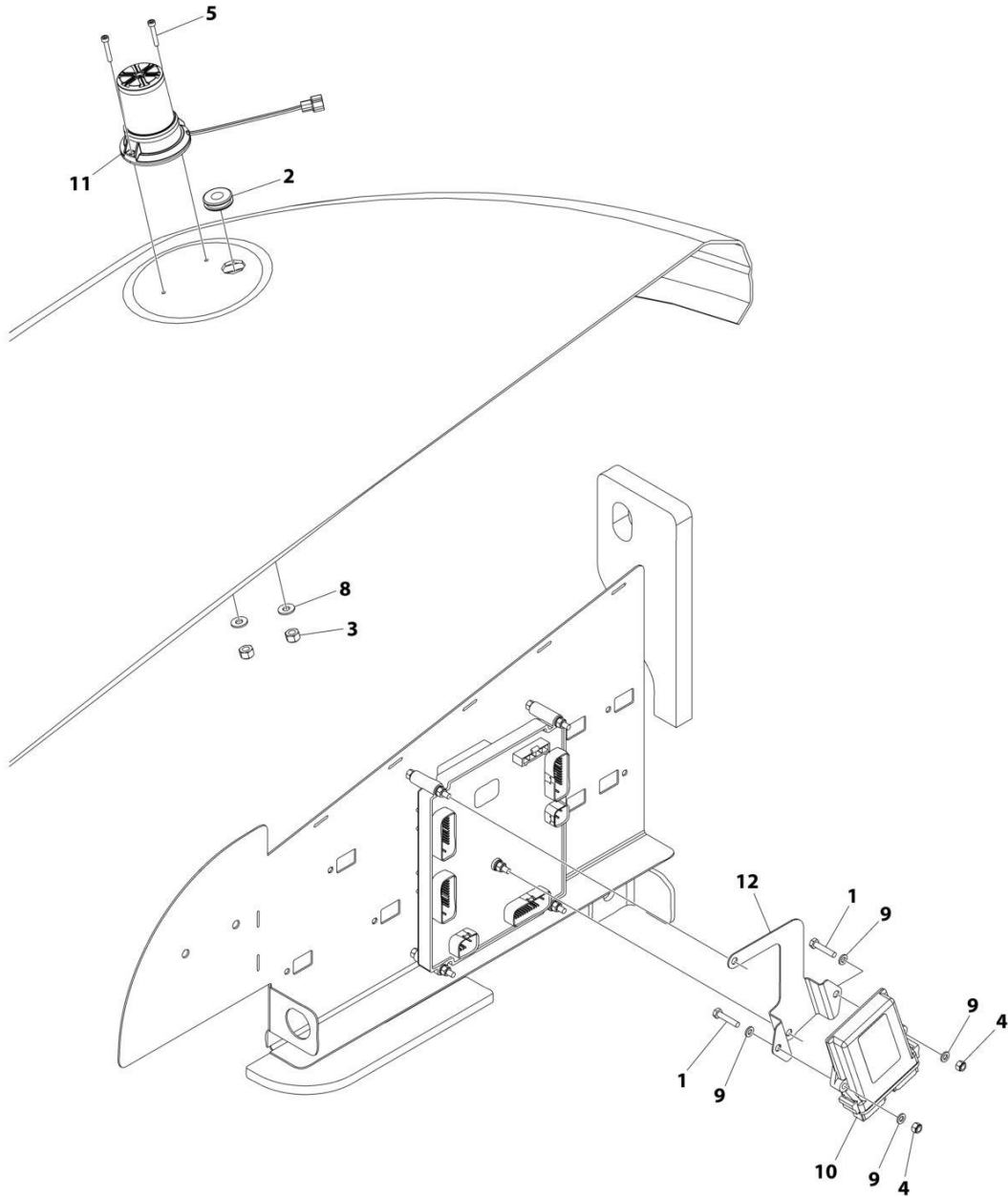
SECTION 2 - TURNTABLE

FIGURE 2-26. BEACON LIGHT INSTALLATION - AMBER

ITEM	PART NUMBER	QTY	DESCRIPTION	REV
	1001174976	Ref	BEACON LIGHT INSTALLATION - AMBER	E
1	0100048	AR	Compound, Silicone	
3	1001270594	1	Lamp, Strobe	
3	4460891	1	Connector	
3	4460465	2	Socket	
6	3290405	2	Nut, Lock M4	
7	4811400	2	Washer M4	
8	4240032	AR	Tie-Strap (Not Shown)	
9	4460234	AR	Mount, Tie-Strap (Noth Shown)	
10	4031509	2	Capscrew M4 x25	
11	2540020	1	Grommet	
12	1001277185	1	Harness, Beacon Jumper (See Separate Breakdown in ELECTRICAL Section)	

SECTION 2 - TURNTABLE

FIGURE 2-27. (CLEARSKY) BEACON LIGHT INSTALLATION - BLUE



ART_1001286934

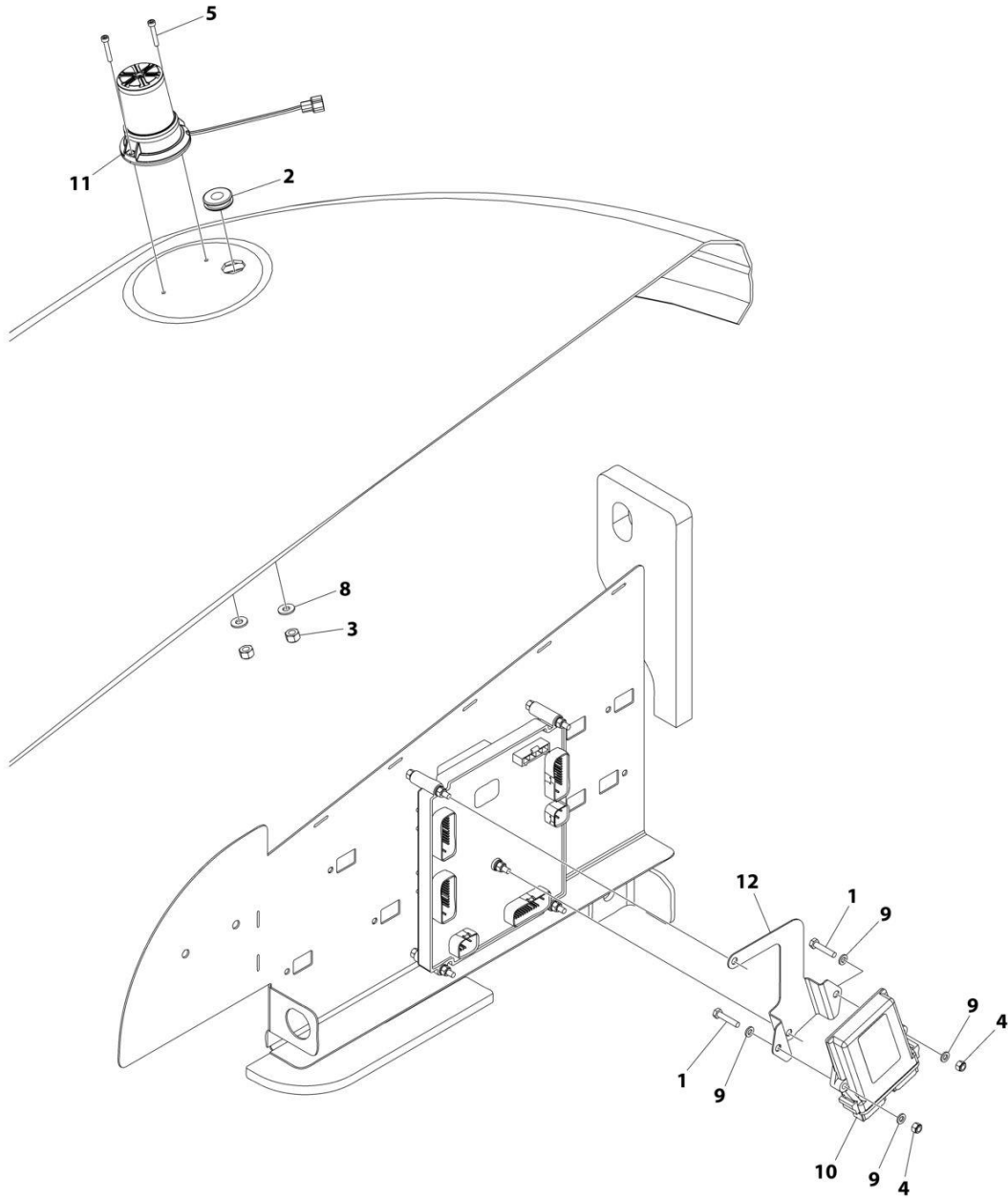
SECTION 2 - TURNTABLE

FIGURE 2-27. (CLEARSKY) BEACON LIGHT INSTALLATION - BLUE

ITEM	PART NUMBER	QTY	DESCRIPTION	REV
	1001286934	Ref	CLEARSKY BEACON LIGHT INSTALLATION - BLUE	A
1	0760614	2	Bolt M6 x 30	
2	2540020	1	Grommet	
3	3290405	2	Nut, Lock M4	
4	3290605	2	Nut, Lock M6	
5	4031509	2	Capscrew M4 x 25	
6	4240032	AR	Tie-Strap (Not Shown)	
7	4460488	AR	Mount, Tie-Strap (Not Shown)	
8	4811400	2	Washer M4	
9	4811700	4	Washer M6	
10	1001142683	1	Module, Control	
11	1001272681	1	Lamp, Strobe	
11	4460897	1	Connector	
11	4460464	2	Pin	
12	1001276626	1	Mount, Module	
13	1001286936	1	Harness, Beacon (Not Shown - See Separate Breakdown in ELECTRICAL Section)	

SECTION 2 - TURNTABLE

FIGURE 2-28. BEACON LIGHT INSTALLATION - RED



ART_1001286935

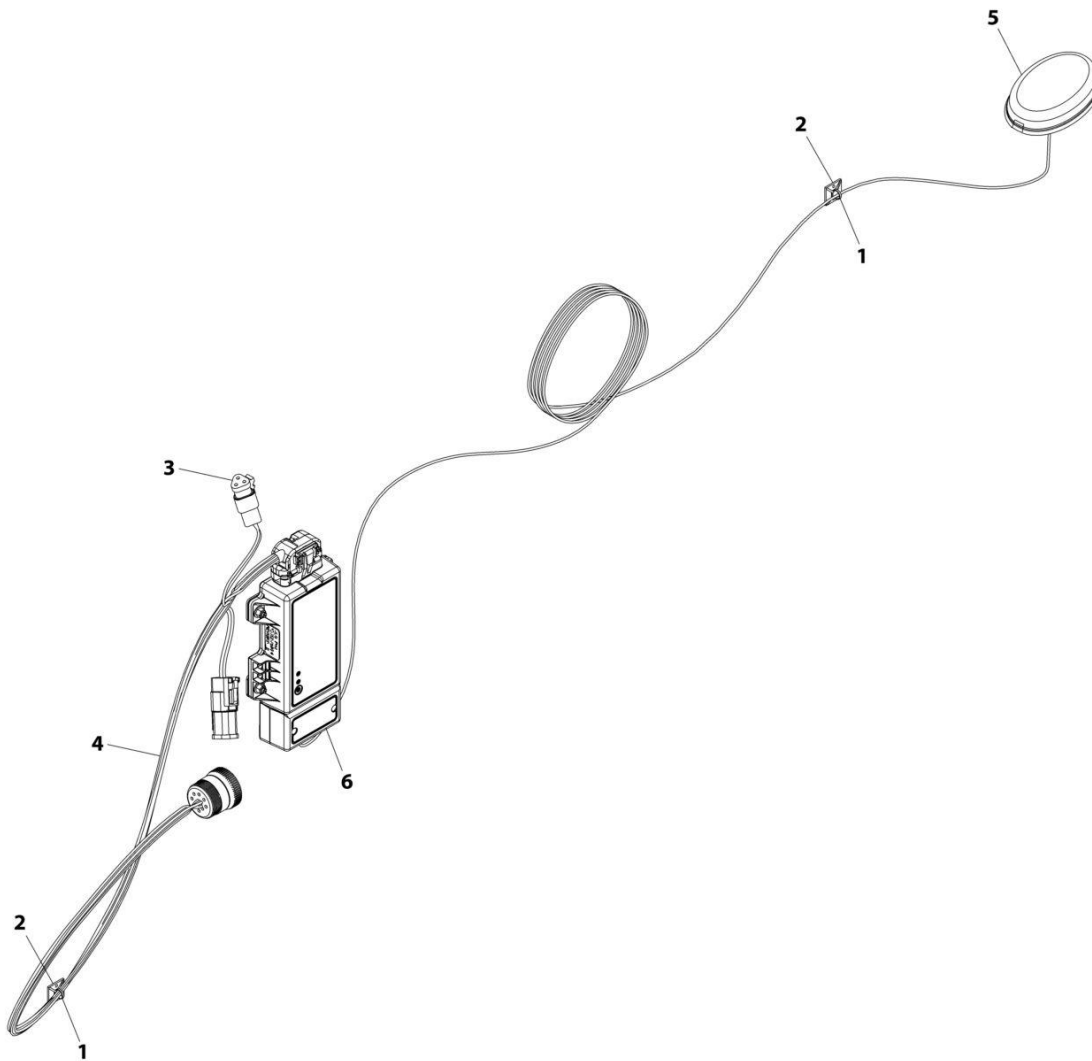
SECTION 2 - TURNTABLE

FIGURE 2-28. BEACON LIGHT INSTALLATION - RED

ITEM	PART NUMBER	QTY	DESCRIPTION	REV
	1001286935	Ref	BEACON LIGHT INSTALLATION - RED	A
1	0760614	2	Bolt M6 x 30	
2	2540020	1	Grommet	
3	3290405	2	Nut, Lock M4	
4	3290605	2	Nut, Lock M6	
5	4031509	2	Capscrew M4 x 25	
6	4240032	AR	Tie-Strap (Not Shown)	
7	4460488	AR	Mount, Tie-Strap (Not Shown)	
8	4811400	2	Washer M4	
9	4811700	4	Washer M6	
10	1001142683	1	Module, Control	
11	1001272682	1	Lamp, Strobe	
11	4460897	1	Connector	
11	4460464	2	Pin	
12	1001276626	1	Mount, Module	
13	1001286936	1	Harness, Beacon (Not Shown - See Separate Breakdown in ELECTRICAL Section)	

SECTION 2 - TURNTABLE

FIGURE 2-29. CLEARSKY INSTALLATION - AUSTRALIAN SPEC



ART_1001286961

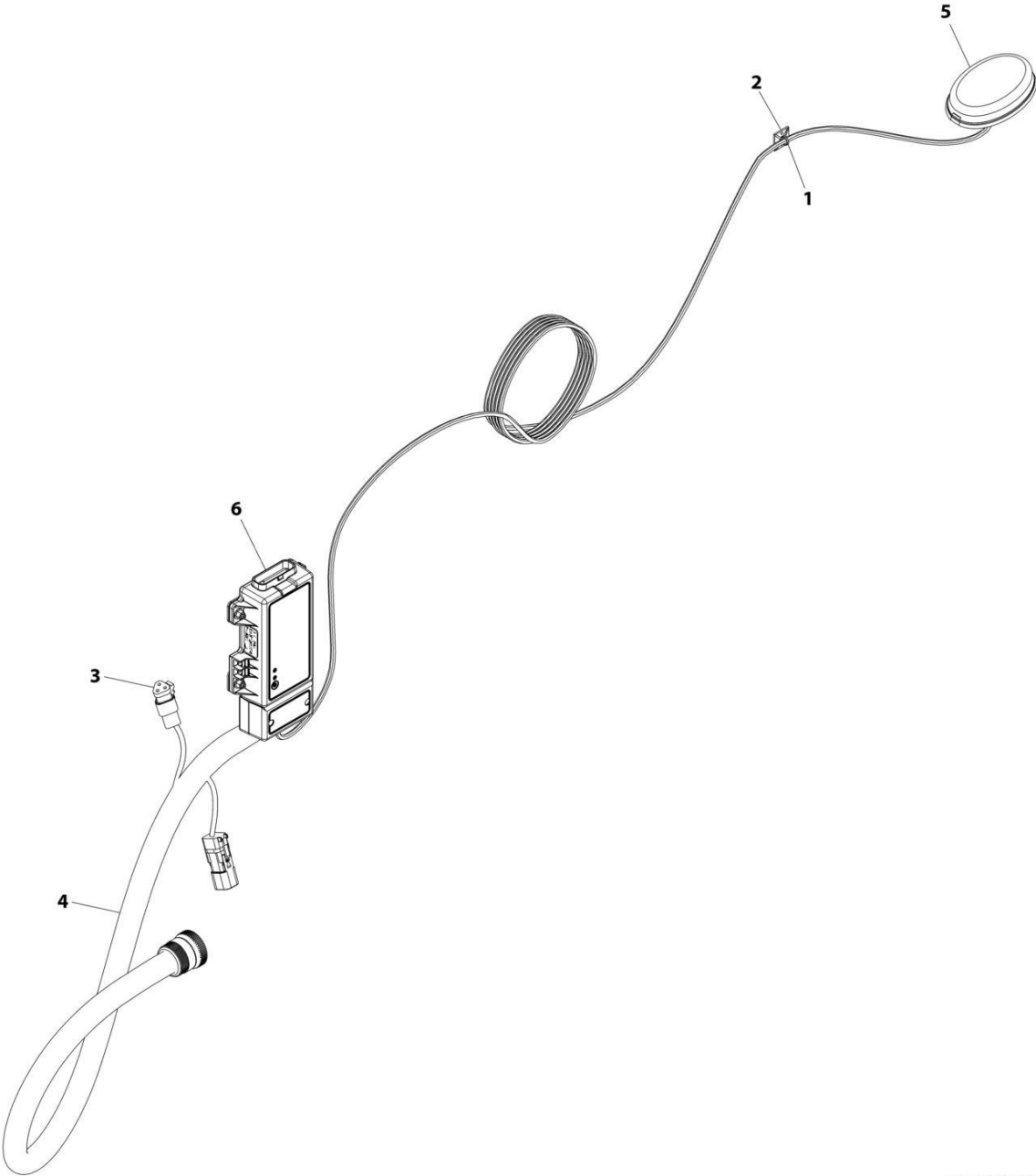
SECTION 2 - TURNTABLE

FIGURE 2-29. CLEARSKY INSTALLATION - AUSTRALIAN SPEC

ITEM	PART NUMBER	QTY	DESCRIPTION	REV
	1001286961	Ref	CLEARSKY INSTALLATION - AUSTRALIAN SPEC	A
1	4240032	AR	Tie-Strap	
2	4460234	AR	Mount, Tie-Strap	
3	1001129408	1	Connector	
4	1001226739	1	Harness, Clearsky (See Separate Breakdown in ELECTRICAL Section)	
5	1001226799	1	Antenna, ClearSky	
6	1001246144	1	Module, ClearSky	

SECTION 2 - TURNTABLE

FIGURE 2-30. CLEARSKY INSTALLATION - CE SPEC



ART_1001286932

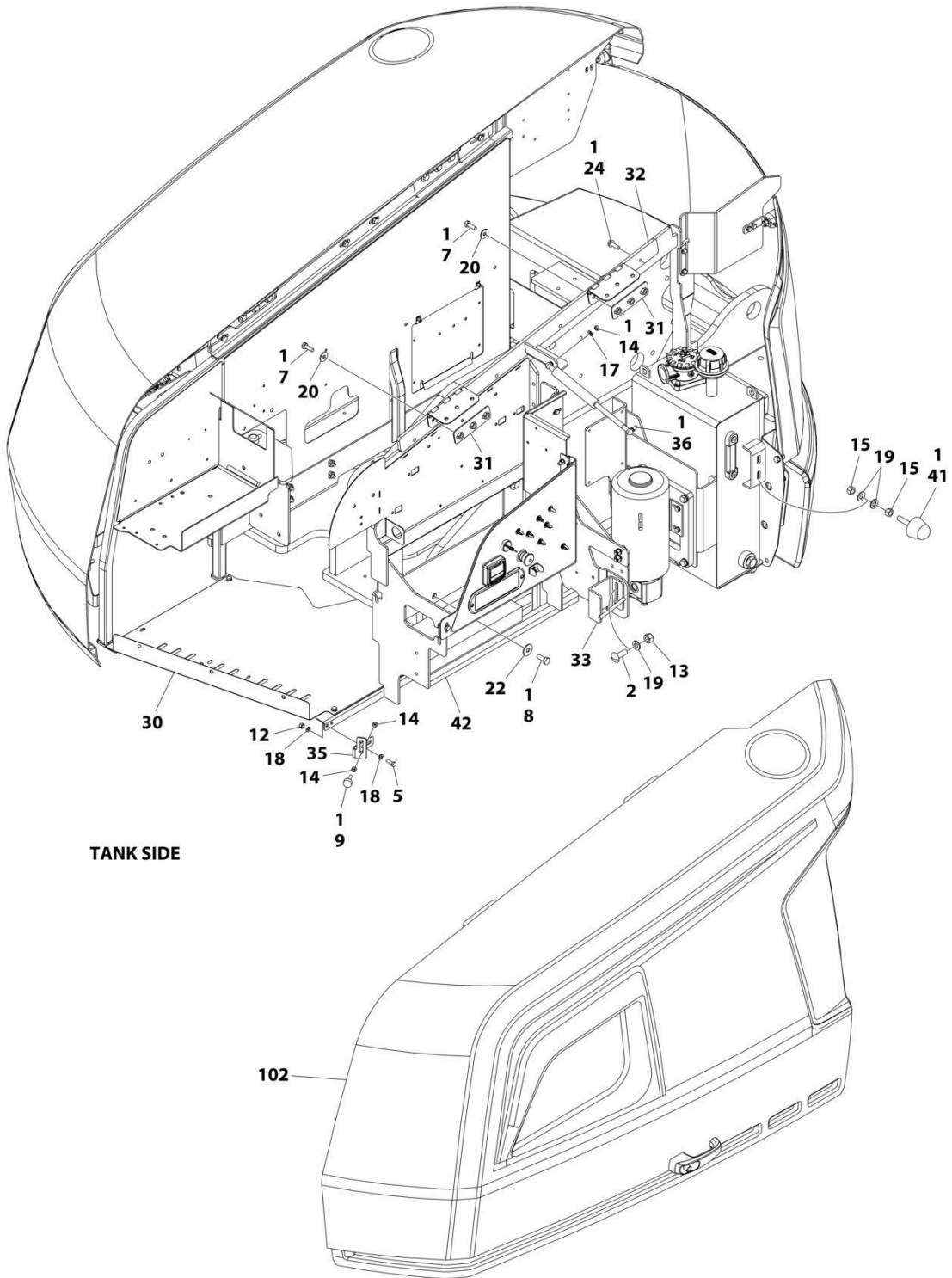
SECTION 2 - TURNTABLE

FIGURE 2-30. CLEARSKY INSTALLATION - CE SPEC

ITEM	PART NUMBER	QTY	DESCRIPTION	REV
	1001286932	Ref	CLEARSKY INSTALLATION - CE SPEC	A
1	4240032	AR	Tie-Strap	
2	4460234	AR	Mount, Tie-Strap	
3	1001129408	1	Connector	
4	1001226739	1	Harness, Clearsky (See Separate Breakdown in ELECTRICAL Section)	
5	1001226799	1	Antenna, ClearSky	
6	1001228954	1	Module, ClearSky	

SECTION 2 - TURNTABLE

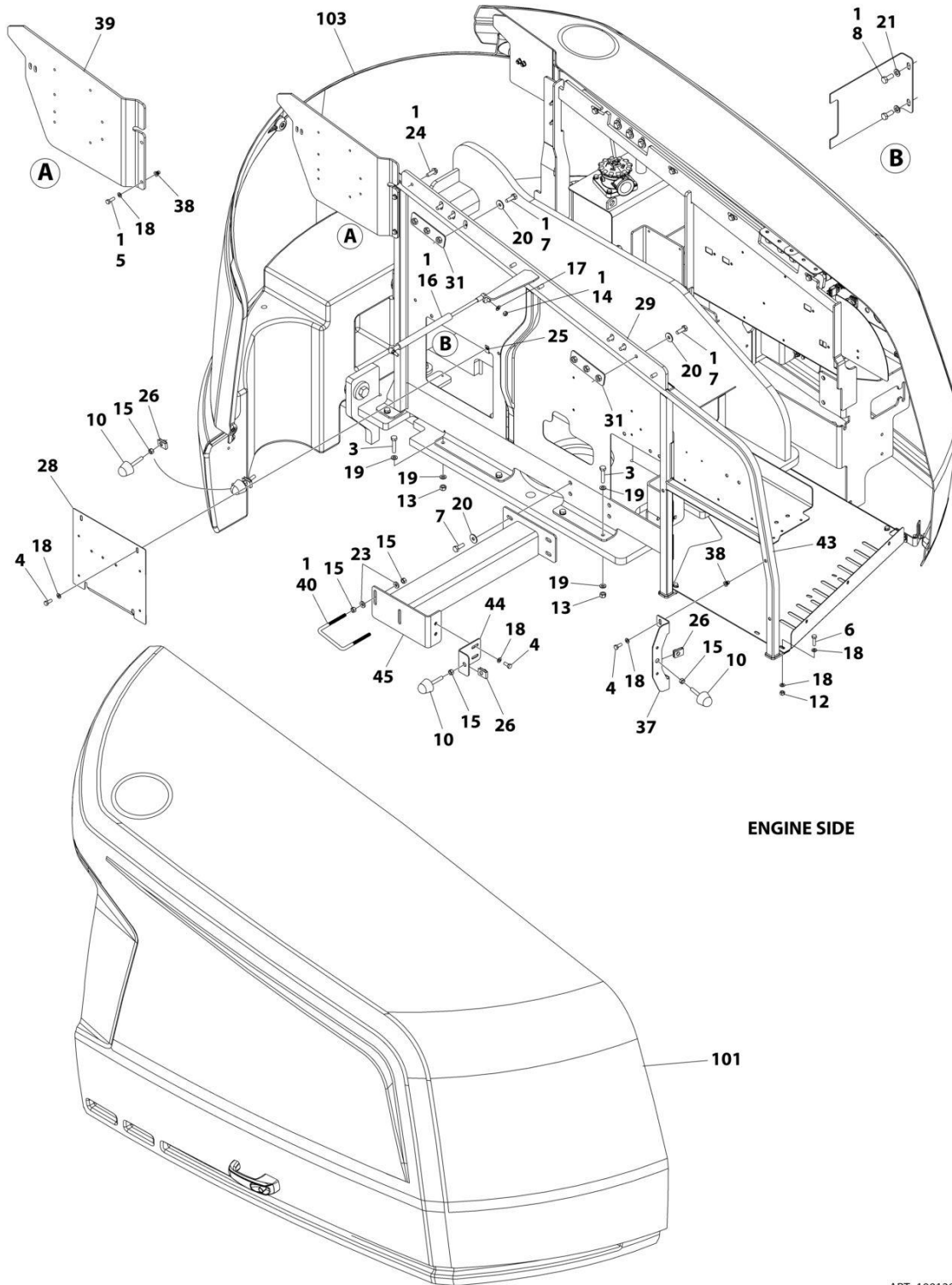
FIGURE 2-31. HOODS INSTALLATION (SN C30000700 to Present)



ART_1001293035_10F2

SECTION 2 - TURNTABLE

FIGURE 2-32. HOODS INSTALLATION (SN C30000700 to Present)



ART_1001293035_20F2

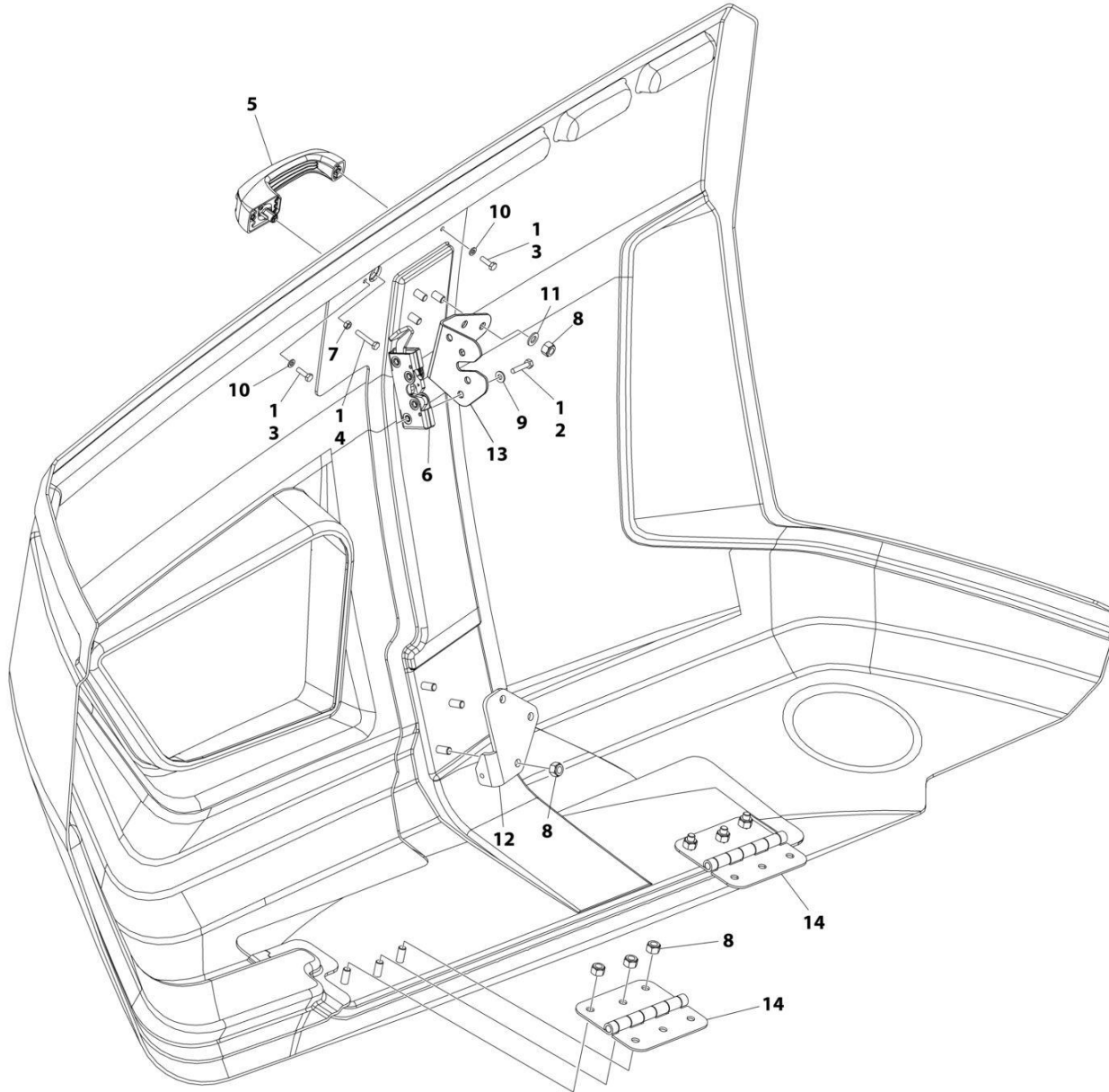
SECTION 2 - TURNTABLE

FIGURE 2-32. HOODS INSTALLATION (SN C30000700 to Present)

ITEM	PART NUMBER	QTY	DESCRIPTION	REV
	1001293035	Ref	HOODS INSTALLATION	C
1	0100011	AR	Compound, Locking	
2	0630613	2	Bolt M10 x 30	
3	0701018	5	Bolt M10 x 50	
4	0760810	6	Bolt M8 x 20	
5	0760812	4	Bolt M8 x 25	
6	0760814	4	Bolt M8 x 30	
7	0761014	16	Bolt M10 x 30	
8	0761214	6	Bolt M12 x 30	
9	0940049	1	Bumper	
10	0940071	3	Bumper	
12	3290805	6	Nut M8	
13	3291005	7	Nut M10	
14	3311501	4	Nut 5/16	
15	3311601	9	Nut 3/8	
16	4160182	1	Spring, Gas	
17	4711500	2	Washer 5/16	
18	4811900	20	Washer M8	
19	4812000	14	Washer M10	
20	4812002	16	Washer M10	
21	4812100	2	Washer M12	
22	4812102	4	Washer M12	
23	4891600	4	Washer 3/8	
24	5251014	8	Bolt M10 x 30	
25	8310686	2	Nut, Retainer M8	
26	88662523	3	Nut, Tinnerman	
28	1001167149	1	Panel, Filler	
29	1001167159	1	Mount	
30	1001167163	1	Tray	
31	1001169046	4	Nut	
32	1001170018	1	Mount	
33	1001170022	1	Mount	
35	1001179904	1	Mount	
36	1001182169	1	Spring, Gas	
37	1001182879	1	Mount	
38	1001191832	4	Rivnut M8	
39	1001211717	1	Panel, Filler	
40	1001243414	1	U-Bolt 3/8	
41	1001264238	1	Bumper	
42	1001291022	1	Support, Hood	
43	1001291982	1	Mount	
44	1001293921	1	Plate	
45	1001293923	1	Bracket, Hood Latch	
100	1001298134	1	Hood Kit (Includes Items 101-103)	
101	1001249434	1	Hood Assembly - Engine Side (See Separate Breakdown in this Section)	
102	1001285788	1	Hood Assembly - Tank Side (See Separate Breakdown in this Section)	
103	1001241299	1	Hood Assembly - Front	

SECTION 2 - TURNTABLE

FIGURE 2-33. HOOD ASSEMBLY - TANK SIDE (SN C30000700 to Present)



NOTE: REPLACEMENT DECALS MUST BE ORDERED SEPARATELY - SEE DECAL SECTION.

ART_1001285788

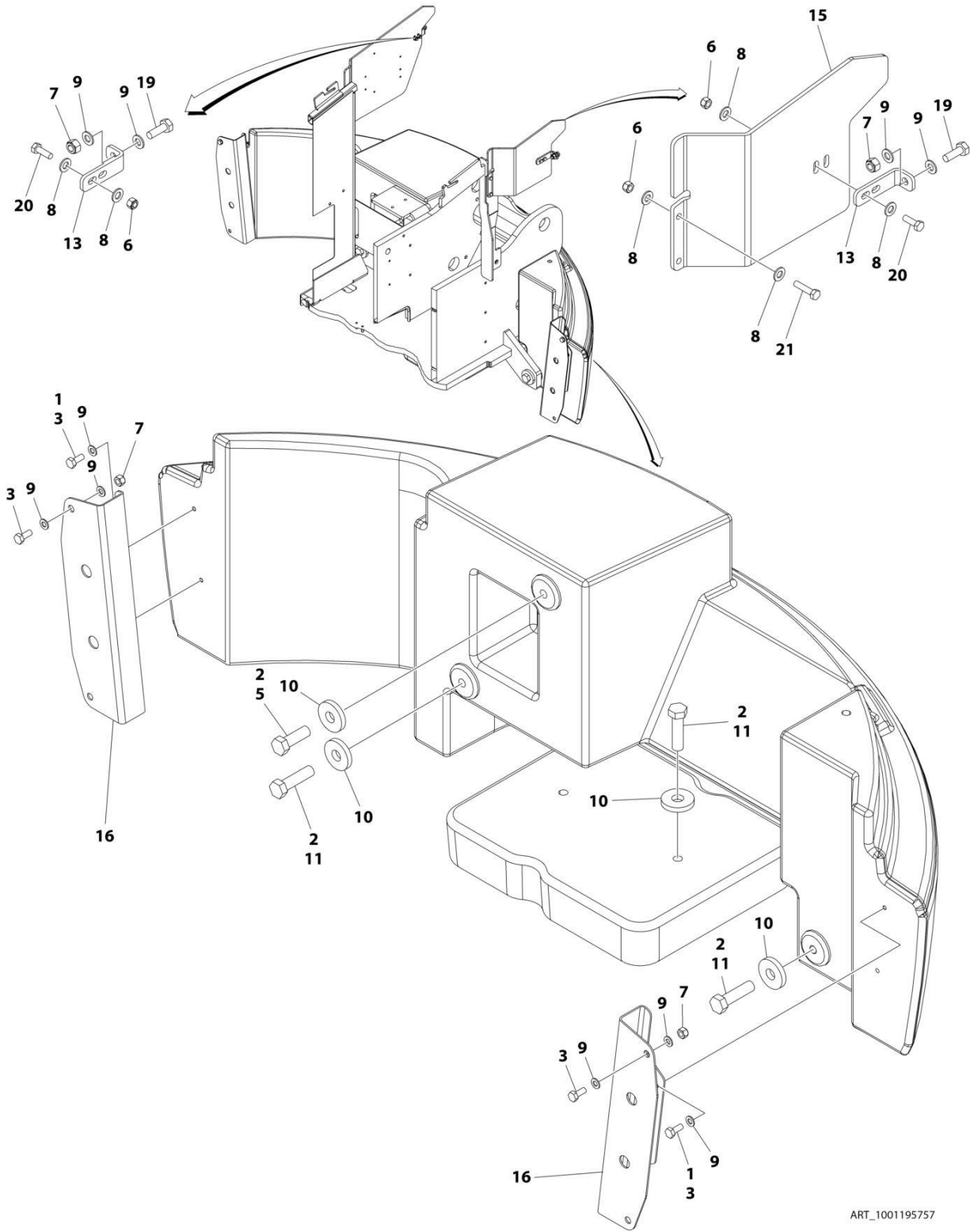
SECTION 2 - TURNTABLE

FIGURE 2-33. HOOD ASSEMBLY - TANK SIDE (SN C30000700 to Present)

ITEM	PART NUMBER	QTY	DESCRIPTION	REV
	1001285788	Ref	HOOD ASSEMBLY - TANK SIDE	A
1	0100011	AR	Compound, Locking	
2	0641410	4	Bolt 1/4 x 1-1/4	
3	0760610	2	Bolt M6 x 20	
4	0760615	1	Bolt M6 x 35	
5	2560187	1	Handle	
6	2940173	1	Latch	
7	3290601	1	Nut M6	
8	3291005	12	Nut, Lock M10	
9	4711400	4	Washer 1/4	
10	4811700	2	Washer M6	
11	4812000	3	Washer M10	
12	1001170475	1	Bracket	
13	1001203322	1	Support	
14	1001259230	2	Hinge	

SECTION 2 - TURNTABLE

FIGURE 2-34. COVERS INSTALLATION - COUNTERWEIGHT



ART_1001195757

SECTION 2 - TURNTABLE

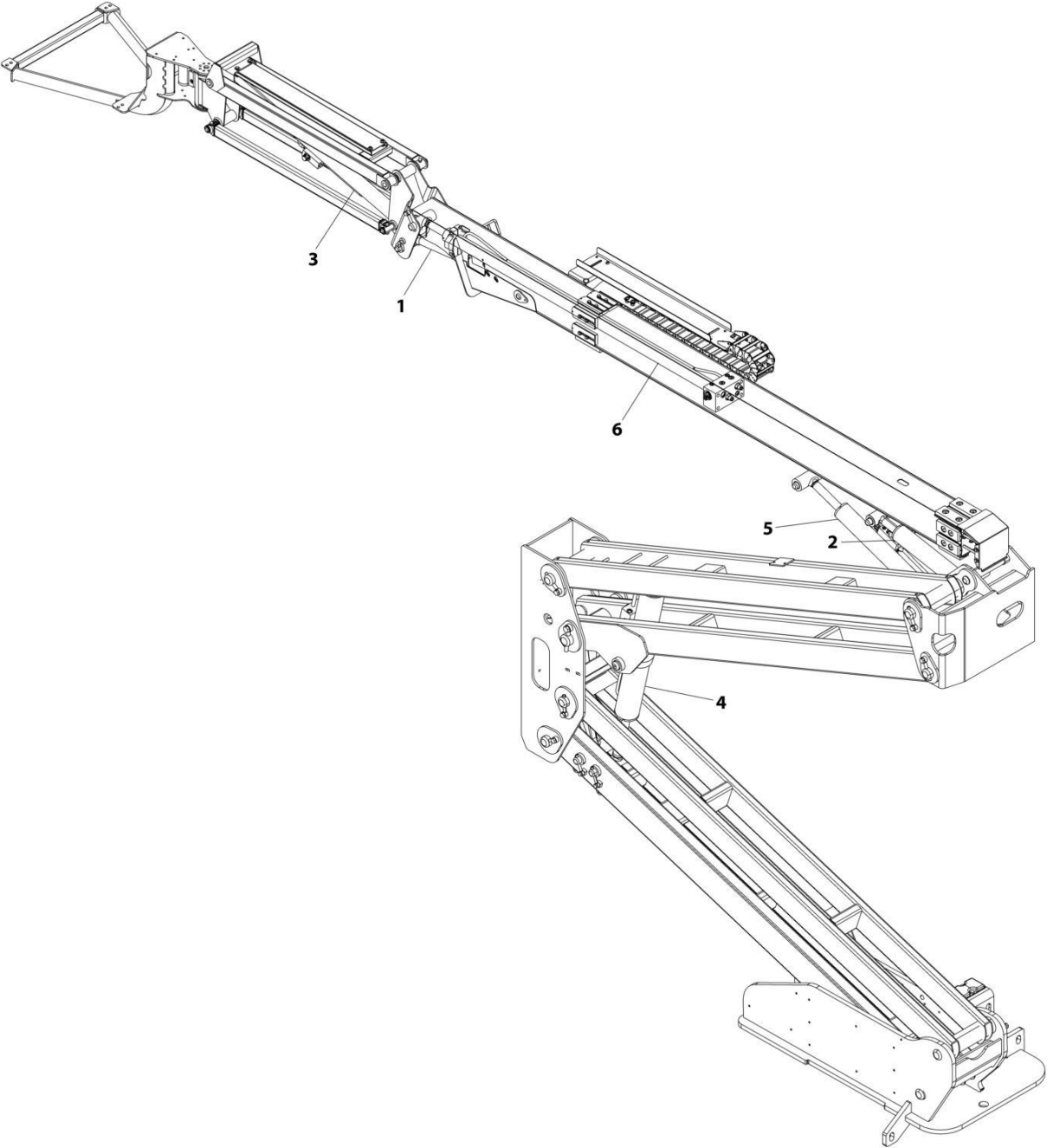
FIGURE 2-34. COVERS INSTALLATION - COUNTERWEIGHT

ITEM	PART NUMBER	QTY	DESCRIPTION	REV
	1001195757	Ref	COVERS INSTALLATION - COUNTERWEIGHT	E
1	0100011	AR	Compound, Locking	
2	0100019	AR	Compound, Locking	
3	0701012	6	Bolt M10 x 25	
5	0762020	1	Bolt M20 x 60	
6	3290805	6	Nut M8	
7	3291005	4	Nut M10	
8	4811900	12	Washer M8	
9	4812000	12	Washer M10	
10	1001119051	5	Washer	
11	1001119057	4	Bolt M20 x 75	
13	1001167825	2	Mount	
15	1001212728	1	Support	
16	1001170131	2	Bracket	
19	0701014	AR	Bolt M10 x 30	
20	0760812	AR	Bolt M8 x 25	
21	0760815	2	Bolt M8 x 35	

SECTION 3 - BOOM

SECTION 3 - BOOM

FIGURE 3-1. CYLINDERS INSTALLATION



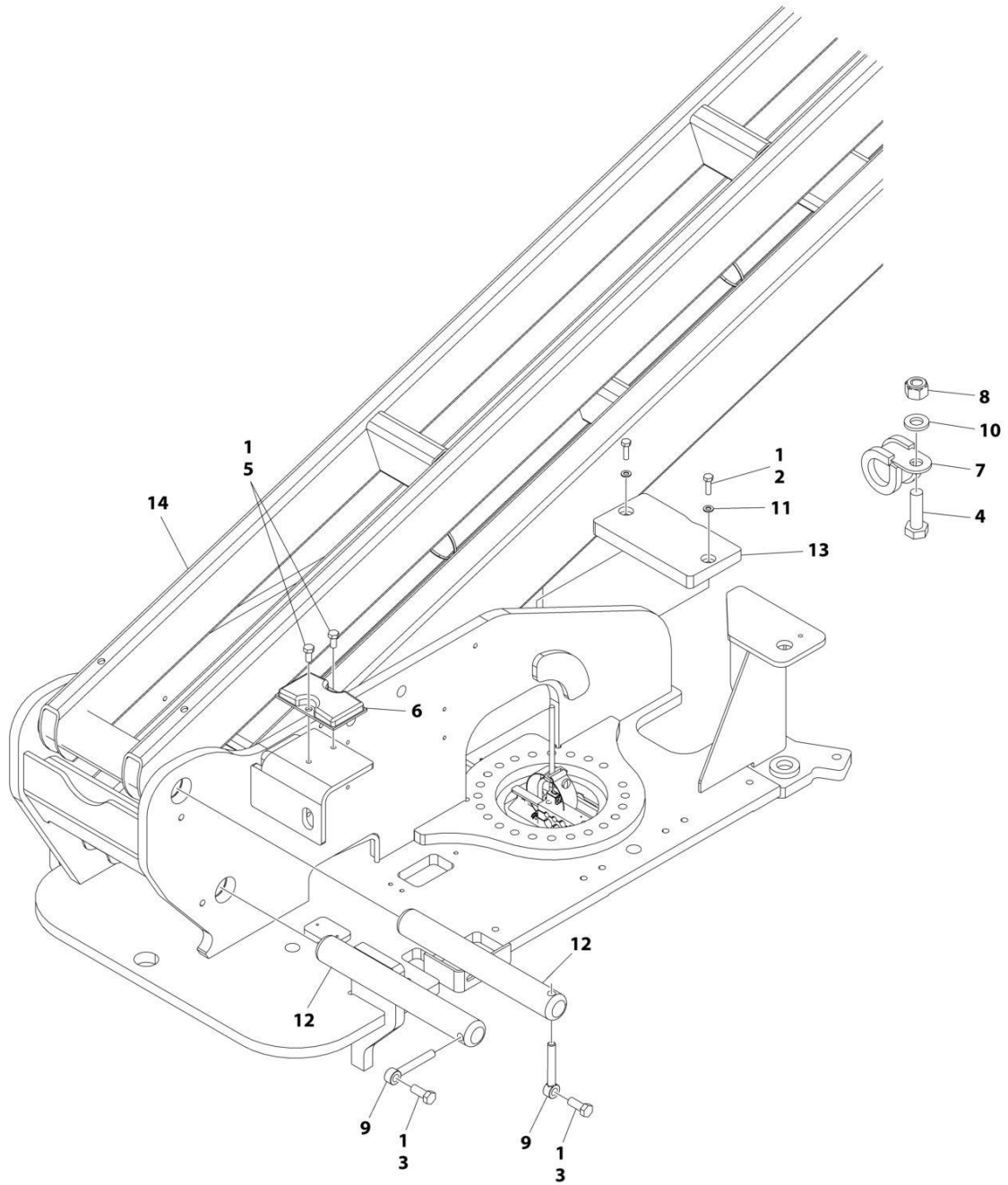
ART_1001273650_B

FIGURE 3-1. CYLINDERS INSTALLATION

ITEM	PART NUMBER	QTY	DESCRIPTION	REV
	1001273650	Ref	CYLINDERS INSTALLATION	B
1	1001161716	1	Level (Platform Slave) Cylinder Assembly (See Separate Breakdown in CYLINDER Section)	
2	1001161717	1	Master Cylinder Assembly (See Separate Breakdown in CYLINDER Section)	
3	1001163767	1	Lift Cylinder Assembly - Jib (See Separate Breakdown in CYLINDER Section)	
4	1001254716	1	Lift Cylinder Assembly - Tower Boom (See Separate Breakdown in CYLINDER Section)	
5	1001254742	1	Lift Cylinder Assembly - Main Boom (See Separate Breakdown in CYLINDER Section)	
6	1001272671	1	Telescope Cylinder Assembly (See Separate Breakdown in CYLINDER Section)	

SECTION 3 - BOOM

FIGURE 3-2. BOOM INSTALLATION - WITHOUT AIRLINES



ART_1001255029_PVC2201

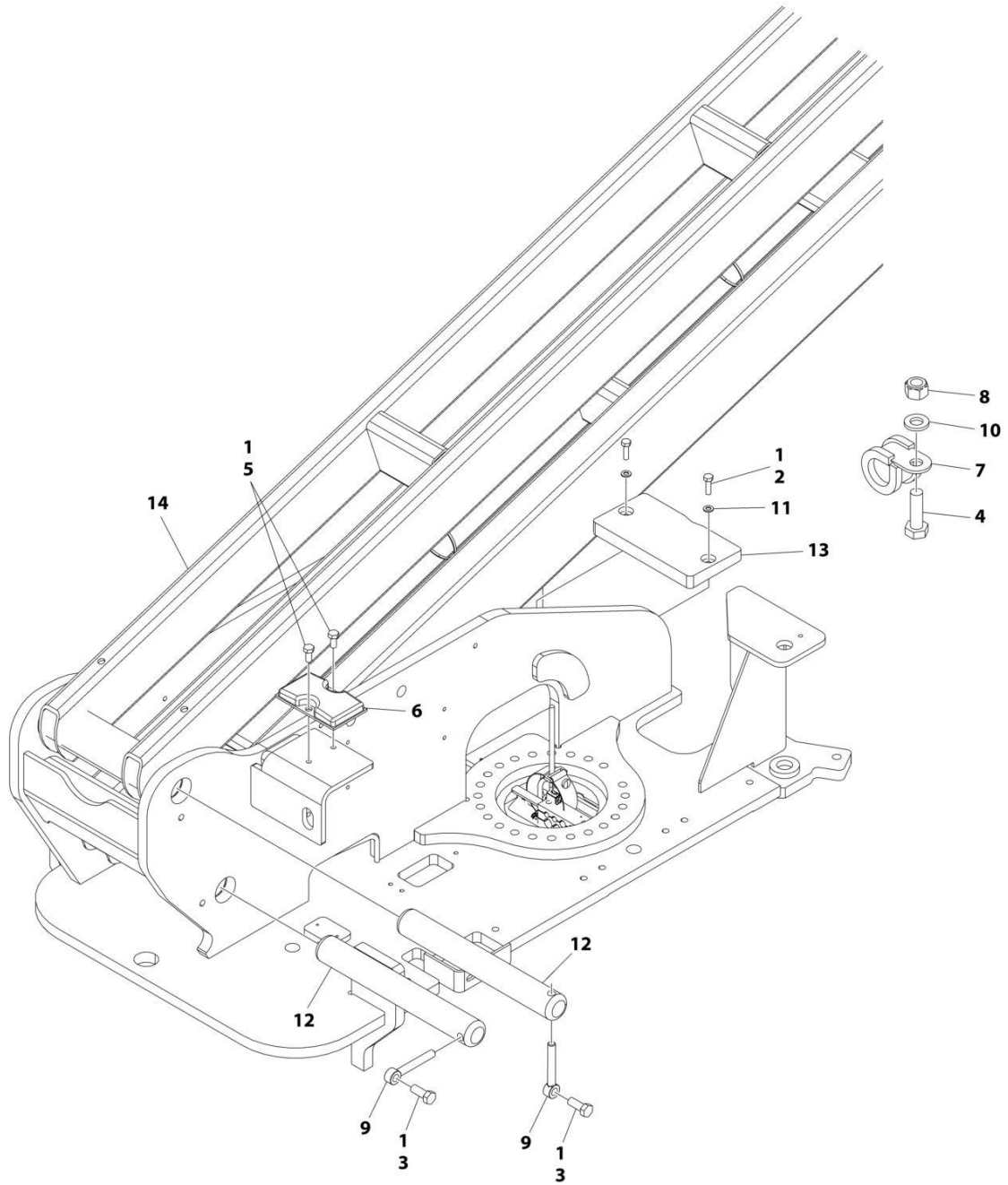
SECTION 3 - BOOM

FIGURE 3-2. BOOM INSTALLATION - WITHOUT AIRLINES

ITEM	PART NUMBER	QTY	DESCRIPTION	REV
	1001255029	Ref	BOOM INSTALLATION	C
1	0100011	AR	Compound, Locking	
2	0701015	2	Bolt M10 x 35	
3	0701616	2	Bolt M16 x 40	
4	0760610	1	Bolt M6 x 20	
5	0761212	2	Bolt M12 x 25	
6	0940048	1	Bumper	
7	1001170231	1	Clamp with Liner	
8	3290605	1	Nut M6	
9	3841258	2	Keeper, Pin	
10	4811700	1	Washer M6	
11	4812000	2	Washer M10	
12	1001169249	2	Pin	
13	1001180056	1	Pad, Wear	
14	1001255037	1	Boom Components Installation (Includes Items 101-106)	C
101	1001273650	1	Cylinder Installation (Not Shown - See Separate Breakdown in This Section)	
103	1001255045	1	Main Boom Installation (Not Shown - See Separate Breakdown in This Section)	
104	1001255047	1	Boom Valves Installation (Not Shown - See Separate Breakdown in This Section)	
105	1001255048	1	Boom Hydraulics Installation (Not Shown - See Separate Breakdown in HYDRAULICS Section)	
106	1001255050	1	Cables and Clamps Installation (Not Shown - See Separate Breakdown in ELECTRICAL Section)	

SECTION 3 - BOOM

FIGURE 3-3. BOOM INSTALLATION - WITH AIRLINE



ART_1001255031_PVC2201

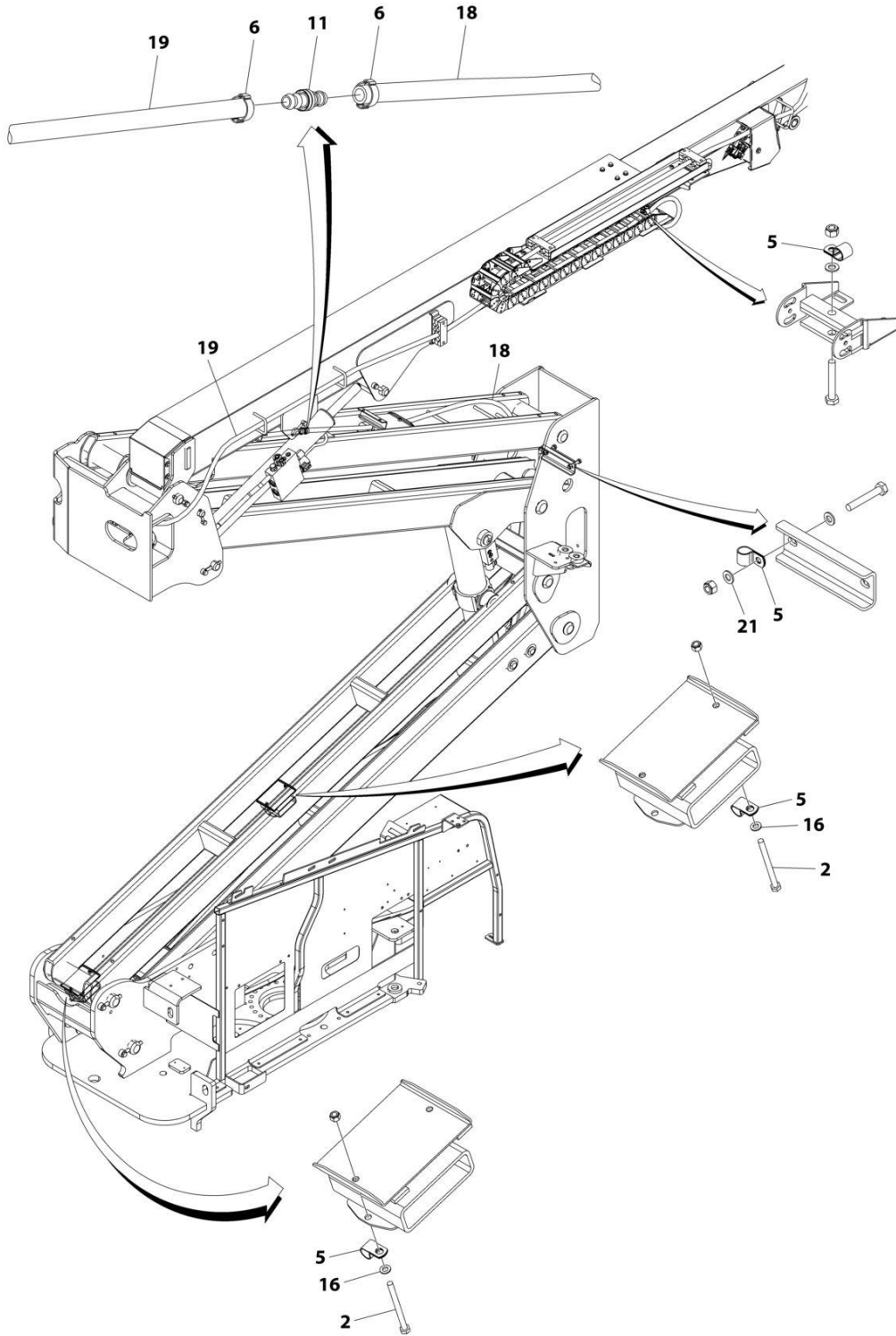
SECTION 3 - BOOM

FIGURE 3-3. BOOM INSTALLATION - WITH AIRLINE

ITEM	PART NUMBER	QTY	DESCRIPTION	REV
	1001255031	Ref	BOOM INSTALLATION - WITH AIRLINE	C
1	0100011	AR	Compound, Locking	
2	0701015	2	Bolt M10 x 35	
3	0701616	2	Bolt M16 x 40	
4	0760610	1	Bolt M6 x 20	
5	0761212	2	Bolt M12 x 25	
6	0940048	1	Bumper	
7	1001170231	1	Clamp with Liner	
8	3290605	1	Nut M6	
9	3841258	2	Keeper, Pin	
10	4811700	1	Washer M6	
11	4812000	2	Washer M10	
12	1001169249	2	Pin	
13	1001180056	1	Pad, Wear	
14	1001255039	1	Boom Components Installation (Includes Items 101-106)	C
15	1001255219	1	Airline Fittings Installation (Not Shown - See Separate Breakdown in This Section)	
101	1001273650	1	Cylinder Installation (Not Shown - See Separate Breakdown in This Section)	
103	1001255045	1	Main Boom Installation (Not Shown - See Separate Breakdown in This Section)	
104	1001255047	1	Boom Valves Installation (Not Shown - See Separate Breakdown in This Section)	
105	1001255048	1	Boom Hydraulics Installation (Not Shown - See Separate Breakdown in HYDRAULICS Section)	
106	1001255050	1	Cables and Clamps Installation (Not Shown - See Separate Breakdown in ELECTRICAL Section)	
107	1001255051	1	Boom Airline Installation (Not Shown - See Separate Breakdown in This Section)	

SECTION 3 - BOOM

FIGURE 3-4. BOOM AIRLINE INSTALLATION



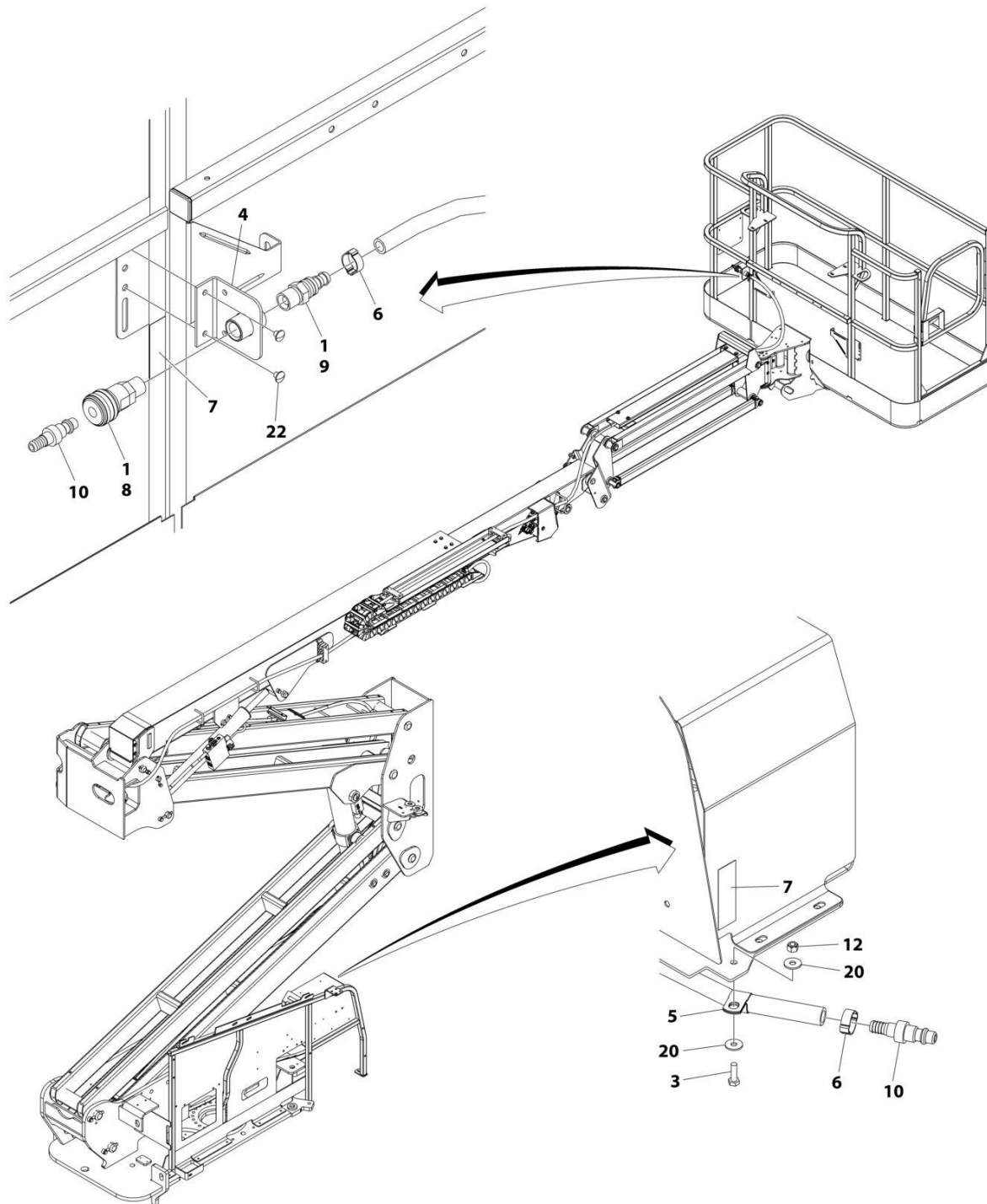
ART_1001255051

FIGURE 3-4. BOOM AIRLINE INSTALLATION

ITEM	PART NUMBER	QTY	DESCRIPTION	REV
	1001255051	Ref	BOOM AIRLINE INSTALLATION	A
2	0700828	2	Bolt M8 x 110	
5	8406105	4	Clip	
6	1320177	2	Clamp	
11	2221037	1	Fitting, Barbed	
16	4811900	2	Washer M8	
18	1001173586	1	Hose	
19	1001173587	1	Hose	
21	4812000	1	Washer M10	

SECTION 3 - BOOM

FIGURE 3-5. AIRLINE FITTINGS INSTALLATION



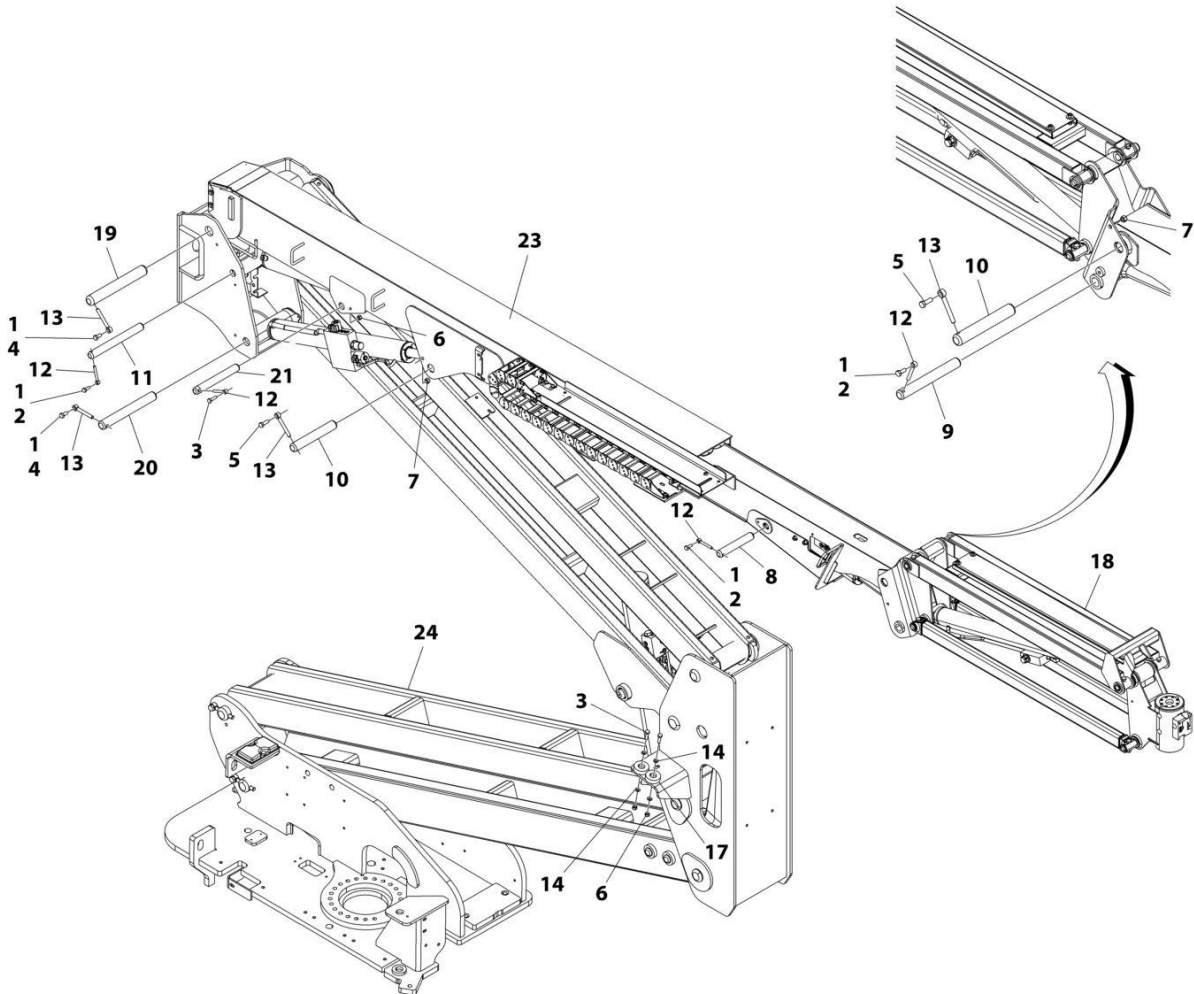
ART_1001255219

FIGURE 3-5. AIRLINE FITTINGS INSTALLATION

ITEM	PART NUMBER	QTY	DESCRIPTION	REV
	1001255219	Ref	AIRLINE FITTINGS INSTALLATION	A
1	0100020	AR	Sealant, Pipe	
3	0760610	1	Bolt M6 x 20	
4	0902317	1	Bracket	
5	8406105	1	Clip	
6	1320177	2	Clamp	
7	1704125	2	Decal - Airline	
8	2220747	1	Fitting, Socket	
9	2220750	1	Fitting, Socketless	
10	2220829	2	Fitting, Plug Stem	
12	3290605	1	Nut M6	
20	4811702	2	Washer M6	
22	2080040	2	Fastener	

SECTION 3 - BOOM

FIGURE 3-6. MAIN BOOM INSTALLATION



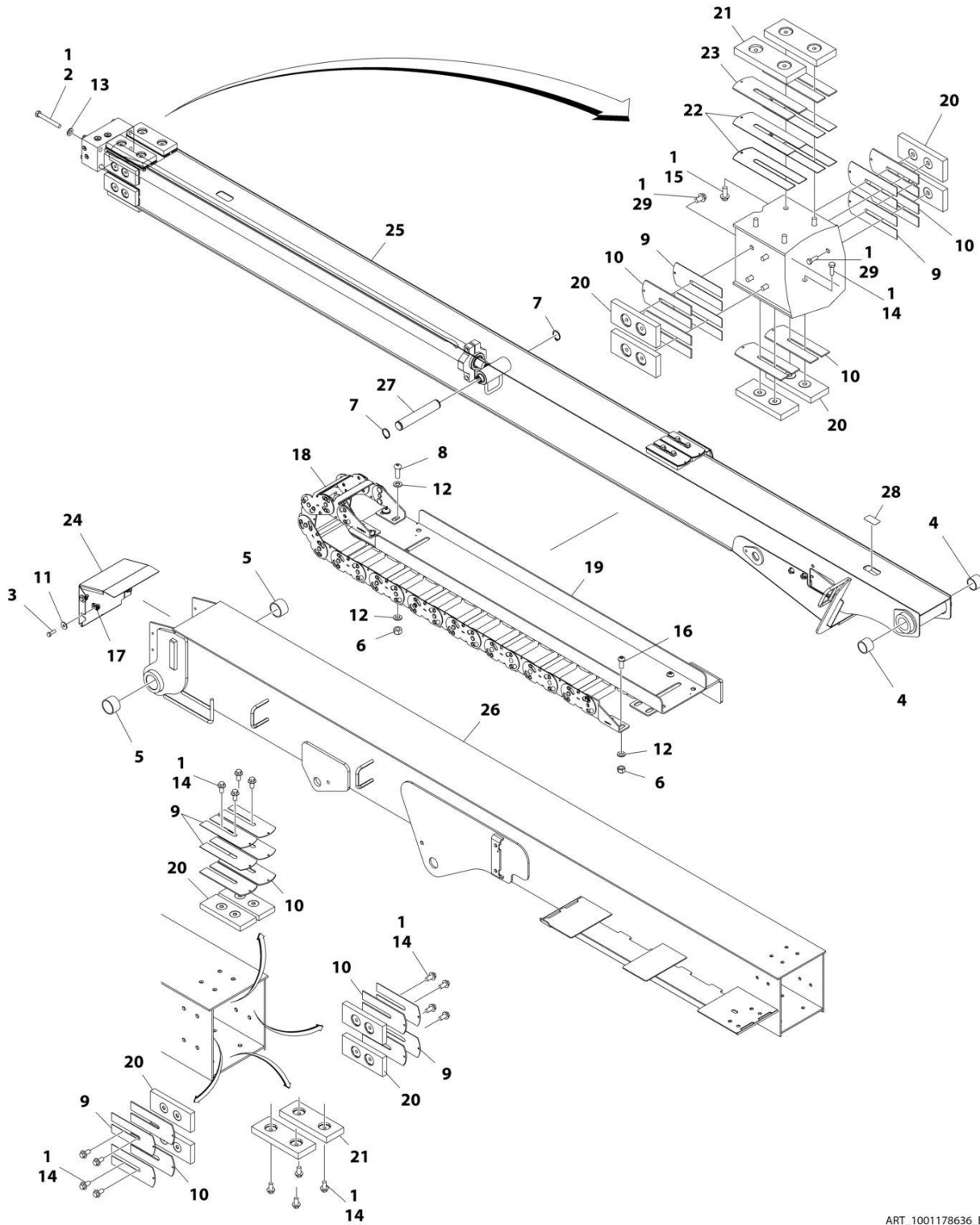
ART_1001255045

FIGURE 3-6. MAIN BOOM INSTALLATION

ITEM	PART NUMBER	QTY	DESCRIPTION	REV
	1001255045	Ref	MAIN BOOM INSTALLATION	A
1	0100011	AR	Compound, Locking	
2	0761012	3	Bolt M10 x 25	
3	0761015	3	Bolt M10 x 35	
4	0761212	2	Bolt M12 x 25	
5	0761215	3	Bolt M12 x 35	
6	3291005	3	Nut M10	
7	3291205	2	Nut M12	
8	3422755	1	Pin	
9	3422792	1	Pin	
10	3422793	2	Pin	
11	3422806	1	Pin	
12	3841143	4	Keeper, Pin	
13	3841203	4	Keeper, Pin	
14	4812000	4	Washer M10	
17	1001112607	2	Block, Boom Rest	
18	1001164017	1	Jib Installation (See Separate Breakdown in This Section)	
19	1001169246	1	Pin	
20	1001169247	1	Pin	
21	3423038	1	Pin	
23	1001178636	1	Main Boom Assembly (See Separate Breakdown in This Section)	
24	1001255053	1	Tower Boom Assembly (See Separate Breakdown in This Section)	

SECTION 3 - BOOM

FIGURE 3-7. MAIN BOOM ASSEMBLY



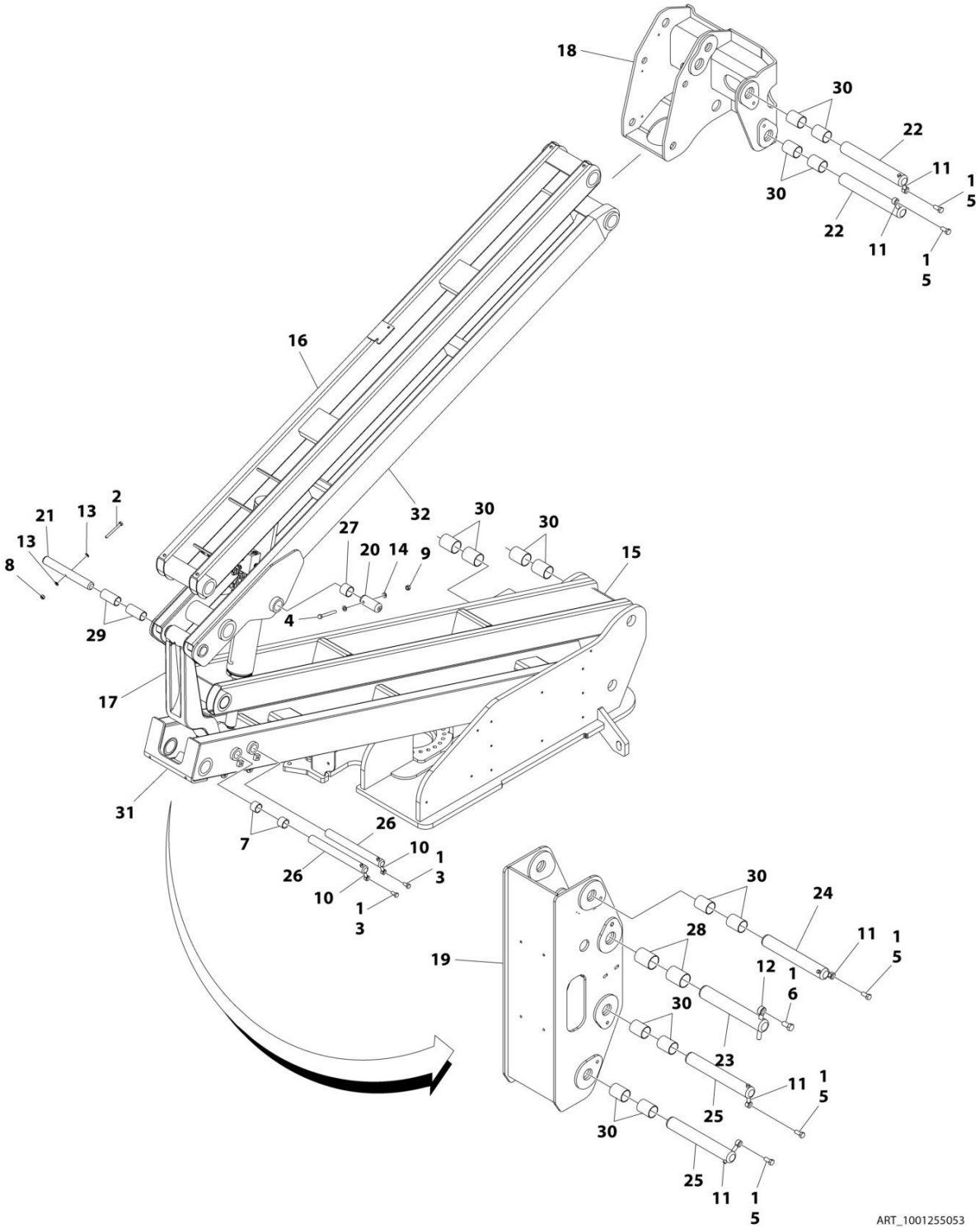
ART_1001178636_E

FIGURE 3-7. MAIN BOOM ASSEMBLY

ITEM	PART NUMBER	QTY	DESCRIPTION	REV
	1001178636	Ref	MAIN BOOM ASSEMBLY	E
1	0100011	AR	Compound, Locking	
2	0711227	4	Bolt M12 x 100	
3	0760812	4	Bolt M8 x 25	
4	0961948	2	Bearing	
5	0961949	2	Bearing	
6	3291005	10	Nut M10	
7	3760115	2	Ring, Retaining	
8	3900351	4	Screw M10 x 30	
9	4070897	12	Shim	
10	4070898	12	Shim	
11	4811902	4	Washer M8	
12	4812000	18	Washer M10	
13	5241200	4	Washer M12	
14	5251010	20	Bolt M10 x 20	
15	5251012	4	Bolt M10 x 25	
16	8310668	6	Screw M10 x 25	
17	1001118274	4	Nut M8	
18	1001224889	1	Powertrack Assembly	
18	70006256	1	Link, Repair	
18	70006271	1	Feet, Mounting	
19	1001166651	1	Tube, Carrier	
20	1001169304	12	Pad, Wear	
21	1001169305	4	Pad, Wear	
22	1001169402	4	Shim	
23	1001169403	2	Shim	
24	1001170226	1	Cover, Boom End	
25	1001177896	1	Fly, Boom	
26	1001177897	1	Base, Boom	
27	1001180540	1	Pin	
28	1670836	1	Cover	
29	5251009	8	Bolt M10 x 18	

SECTION 3 - BOOM

FIGURE 3-8. TOWER BOOM ASSEMBLY



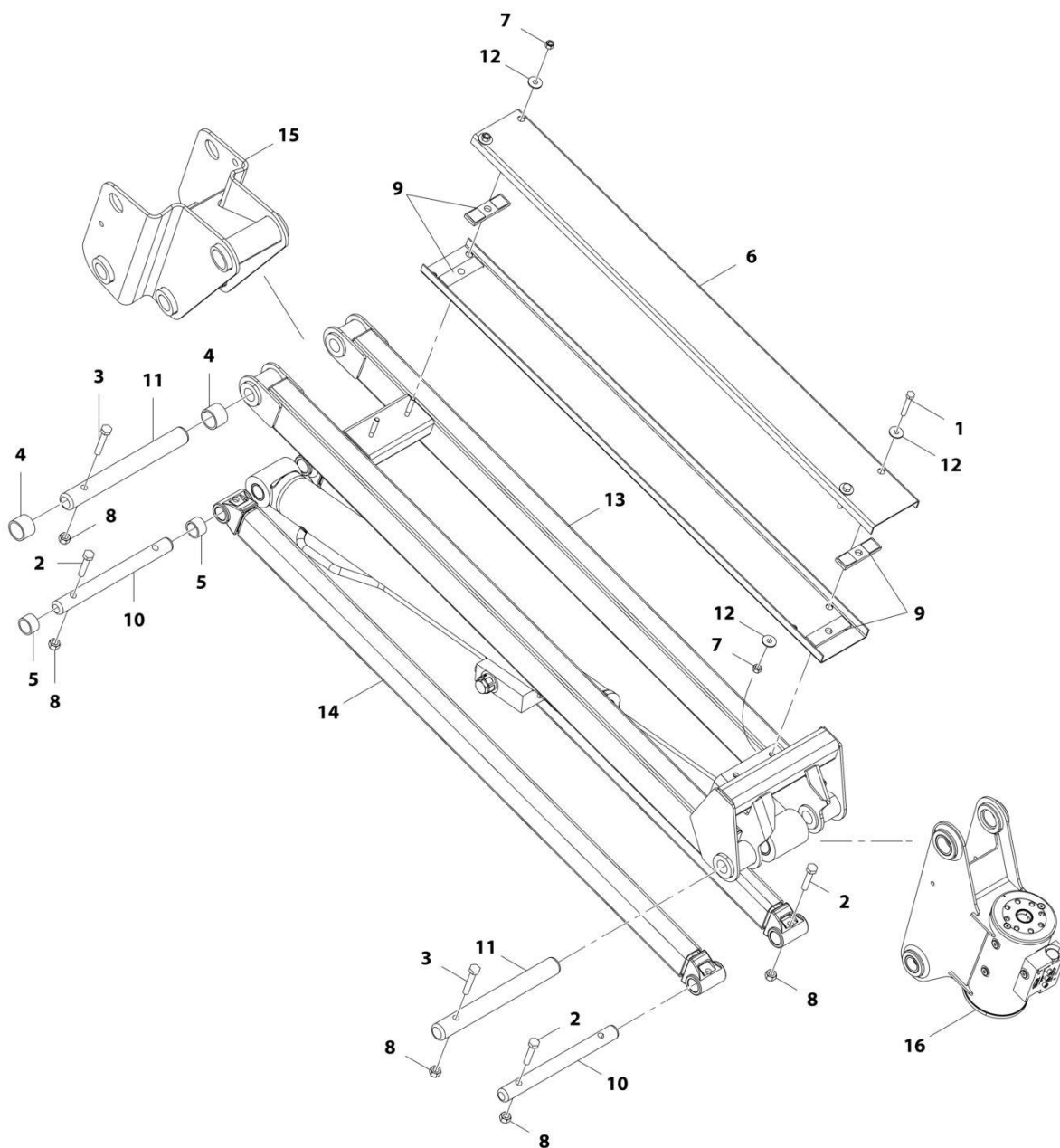
ART_1001255053

FIGURE 3-8. TOWER BOOM ASSEMBLY

ITEM	PART NUMBER	QTY	DESCRIPTION	REV
	1001255053	Ref	TOWER BOOM ASSEMBLY	A
1	0100011	AR	Compound, Locking	
2	0701027	1	Bolt M10 x 100	
3	0761212	2	Bolt M12 x 25	
4	0761227	2	Bolt M12 x 100	
5	0761615	5	Bolt M16 x 35	
6	0762016	1	Bolt M20 x 40	
7	0961948	2	Bearing	
8	3291005	1	Nut M10	
9	3291205	2	Nut M12	
10	3841203	2	Keeper, Pin	
11	3841258	5	Keeper, Pin	
12	3841287	1	Keeper, Pin	
13	4812000	4	Washer M10	
14	4812100	4	Washer M12	
15	1001160859	1	Link, Lower Tower Boom	
16	1001160872	1	Link, Upper Tower Boom	
17	1001166096	1	Link, Timing	
18	1001166852	1	Upright, Upper	
19	1001166853	1	Upright, Lower	
20	1001169240	2	Pin	
21	1001169241	1	Pin	
22	1001169242	2	Pin	
23	1001169295	1	Pin	
24	1001169296	1	Pin	
25	1001169297	2	Pin	
26	1001169298	2	Pin	
27	1001169299	2	Bearing	
28	1001169300	2	Bearing	
29	1001169301	2	Bearing	
30	1001169302	14	Bearing	
31	1001178133	1	Tower Boom (Lower)	
32	1001178135	1	Tower, Boom (Upper)	

SECTION 3 - BOOM

FIGURE 3-9. JIB INSTALLATION



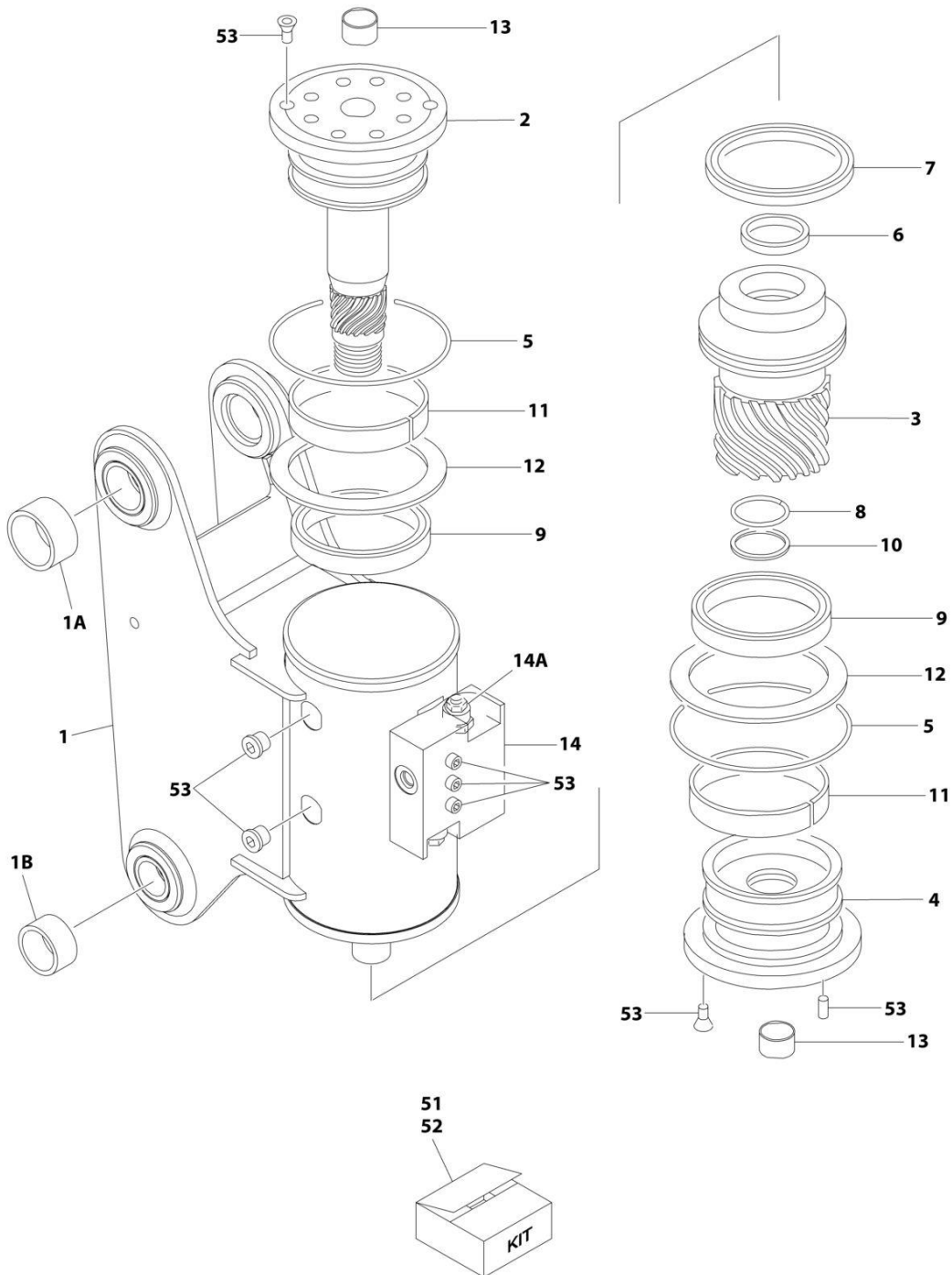
ART_1001164017

FIGURE 3-9. JIB INSTALLATION

ITEM	PART NUMBER	QTY	DESCRIPTION	REV
	1001164017	Ref	JIB INSTALLATION	D
1	0700820	2	Bolt M8 x 60	
2	0701019	4	Bolt M8 x 55	
3	0701020	2	Bolt M10 x 60	
4	0961951	2	Bushing	
5	0962292	2	Bearing	
6	3572551	2	Channel	
7	3290805	4	Nut M8	
8	3291005	6	Nut M10	
9	3340860	4	Pad, Rubber	
10	3422791	2	Pin	
11	1001116550	2	Pin	
12	4811902	6	Washer M8	
13	1001183171	1	Link (Upper)	
14	4846689	2	Link (Lower)	
15	1001163937	1	Pivot	
16	1001217779	1	Rotator Assembly (See Separate Breakdown in this Section)	

SECTION 3 - BOOM

FIGURE 3-10. ROTATOR ASSEMBLY



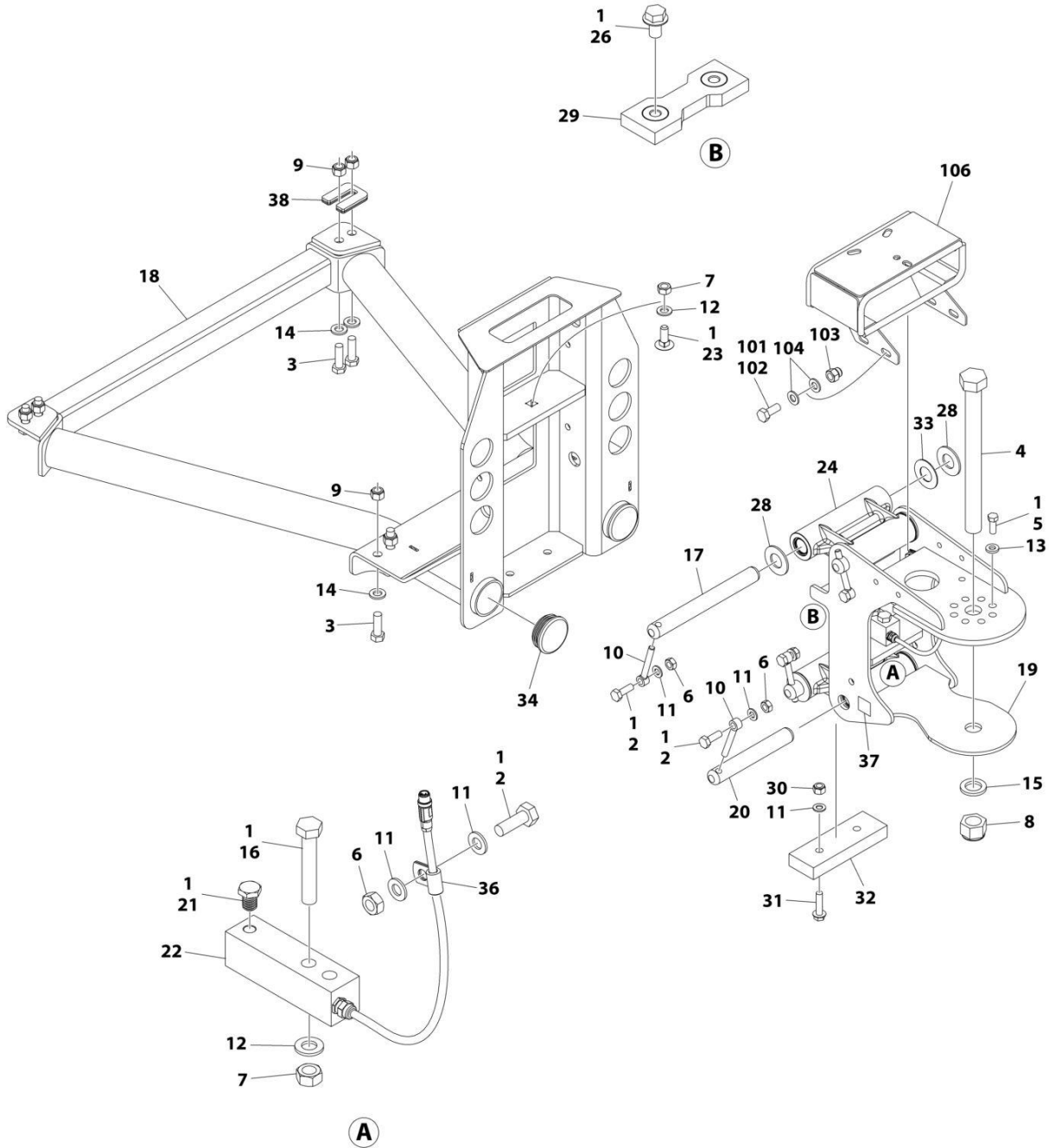
ART_1001217779

FIGURE 3-10. ROTATOR ASSEMBLY

ITEM	PART NUMBER	QTY	DESCRIPTION	REV
	1001217779	Ref	ROTATOR ASSEMBLY	B
1	See Note	NSS	Housing (Note: Purchase Complete Assembly)	
1A	0962257	2	Bushing	
1B	0961947	2	Bushing	
2	7017162	1	Shaft	
3	7017163	1	Piston	
4	7017164	1	Cap, End	
5	See Note	NSS	O-Ring (Note: Use p/n 70000342)	
6	See Note	NSS	Seal, Rod (Note: Purchase p/n 70000342)	
7	See Note	NSS	Seal, Piston (Note: Purchase p/n 70000342)	
8	See Note	NSS	Seal, Cap (Note: Purchase p/n 70000342)	
9	See Note	NSS	Packing, Bearing (Note: Purchase p/n 70000342)	
10	See Note	NSS	Ring, Back-up (Note: Purchase p/n 70000342)	
11	See Note	NSS	Bearing, Shaft (Note: Purchase p/n 7017159)	
12	See Note	NSS	Washer, Thrust (Note: Purchase p/n 7017159)	
13	7017195	2	Bushing	
14	7017172	1	Counterbalance Valve Assembly	
14A	7017192	2	Valve Cartridge (No Seal Kit Available)	
51	70000342	1	Seal Kit (Includes Items 5-10)	
52	7017159	1	Bearing Kit (Includes Items 11 & 12)	
53	7017142	1	Hardware Kit	

SECTION 3 - BOOM

FIGURE 3-11. PLATFORM SUPPORT INSTALLATION



ART_1001167596_N

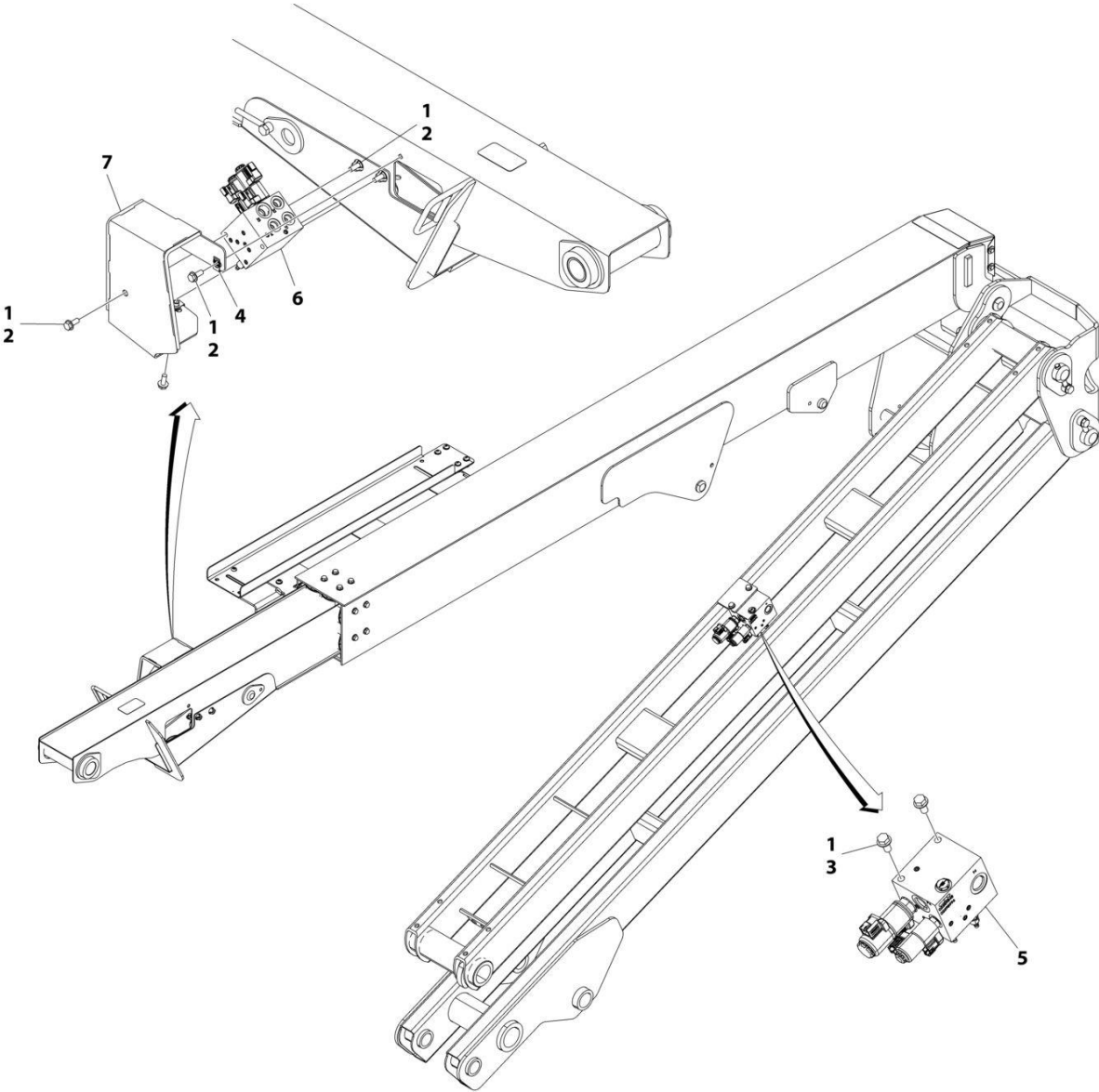
SECTION 3 - BOOM

FIGURE 3-11. PLATFORM SUPPORT INSTALLATION

ITEM	PART NUMBER	QTY	DESCRIPTION	REV
	1001167596	Ref	PLATFORM SUPPORT INSTALLATION	N
1	0100011	AR	Compound, Locking	
2	0761014	5	Bolt M10 x 30	
3	0761216	8	Bolt M12 x 40	
4	1001255133	1	Bolt 1 x 11	
5	0681608	8	Bolt 3/8 x 1	
6	3291001	5	Nut M10	
7	3291201	3	Nut M12	
8	1001174040	1	Nut 1	
9	3291205	8	Nut M12	
10	3841143	4	Keeper, Pin	
11	4812000	8	Washer M10	
12	4812100	3	Washer M12	
13	4891600	8	Washer 3/8	
14	5241200	8	Washer M12	
15	4892600001	1	Washer 1	
16	1001098828	2	Bolt M12 x 70 Grade 10.9	
17	1001167565	2	Pin	
18	1001200494	1	Support, Platform	
19	1001167567	1	Support, Rotator	
20	1001168402	2	Pin	
21	1001188622	1	Screw	
22	1001247468	1	Loadcell	
23	1001188844	1	Bolt M12 x 35	
24	1001201351	2	Link	
24	1001187382	4	Bearing	
24	1001187383	4	Seal	
26	5251008	2	Bolt M10 x 16	
28	1001189002	8	Bearing	
29	1001190985	1	Pad, Wear	
30	3291005	2	Nut M10	
31	5251016	2	Bolt M10 x 40	
32	1001200491	1	Pad, Wear	
33	1001189001	4	Bearing	
34	1001204725	2	Plug	
36	91203039	1	Clamp	
37	1001216630	2	Decal - Tie Down/No Lift	
38	1001238421	Ref	Kit, Platform Leveling (Not Shown)	
	1001202687	Ref	VALVE MOUNT INSTALLATION	B
101	0100011	AR	Compound, Locking	
102	0760810	4	Bolt M8 x 20	
103	3290806	4	Nut M8	
104	4811900	8	Washer M8	
106	1001208994	1	Mount, Valve	

SECTION 3 - BOOM

FIGURE 3-12. BOOM VALVES INSTALLATION



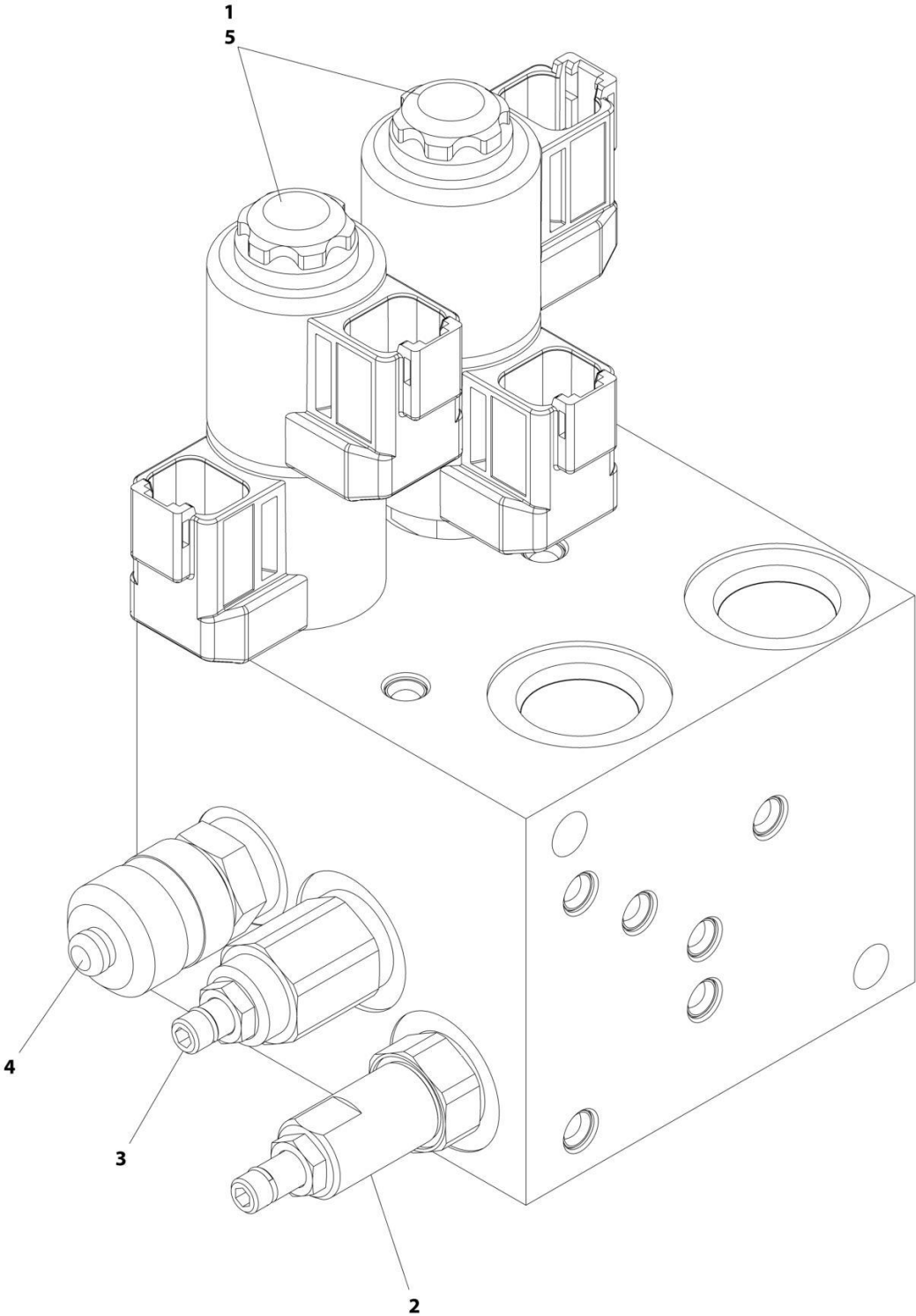
ART_1001255047

FIGURE 3-12. BOOM VALVES INSTALLATION

ITEM	PART NUMBER	QTY	DESCRIPTION	REV
	1001255047	Ref	BOOM VALVES INSTALLATION	A
1	0100011	AR	Compound, Locking	
2	5250810	5	Bolt M8 x 20	
3	5251010	2	Bolt M10 x 20	
4	1001118274	2	Nut M8	
5	1001162535	1	Upright Valve Assembly (See Separate Breakdown in this Section)	
6	1001162536	1	Boom Valve Assembly (See Separate Breakdown in this Section)	
7	1001170375	1	Shield	

SECTION 3 - BOOM

FIGURE 3-13. BOOM VALVE ASSEMBLY



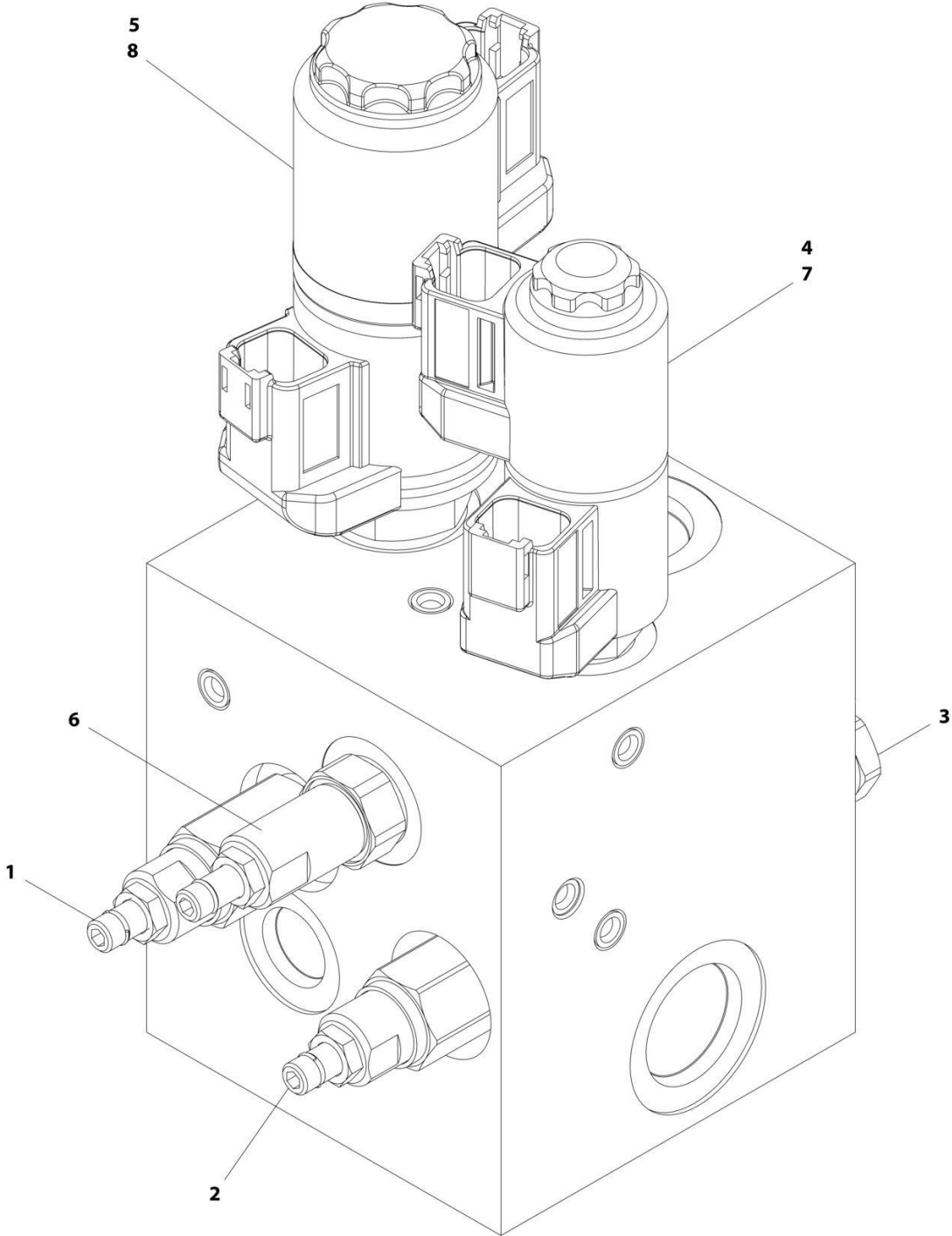
ART_1001162536

FIGURE 3-13. BOOM VALVE ASSEMBLY

ITEM	PART NUMBER	QTY	DESCRIPTION	REV
	1001162536	Ref	BOOM VALVE ASSEMBLY	F
1	70005243	2	Cartridge, Solenoid Valve Less Coil	
1	70004869	2	Seal Kit - 70005243 Valve	
2	70004873	1	Cartridge, Valve	
2	70004867	1	Seal Kit - 70004873 Valve	
3	70006970	1	Cartridge, Valve	
3	70004867	1	Seal Kit - 70006970 Valve	
4	2221086	1	Fitting, Test	
5	70004871	4	Coil	

SECTION 3 - BOOM

FIGURE 3-14. UPRIGHT VALVE ASSEMBLY



ART_1001162535

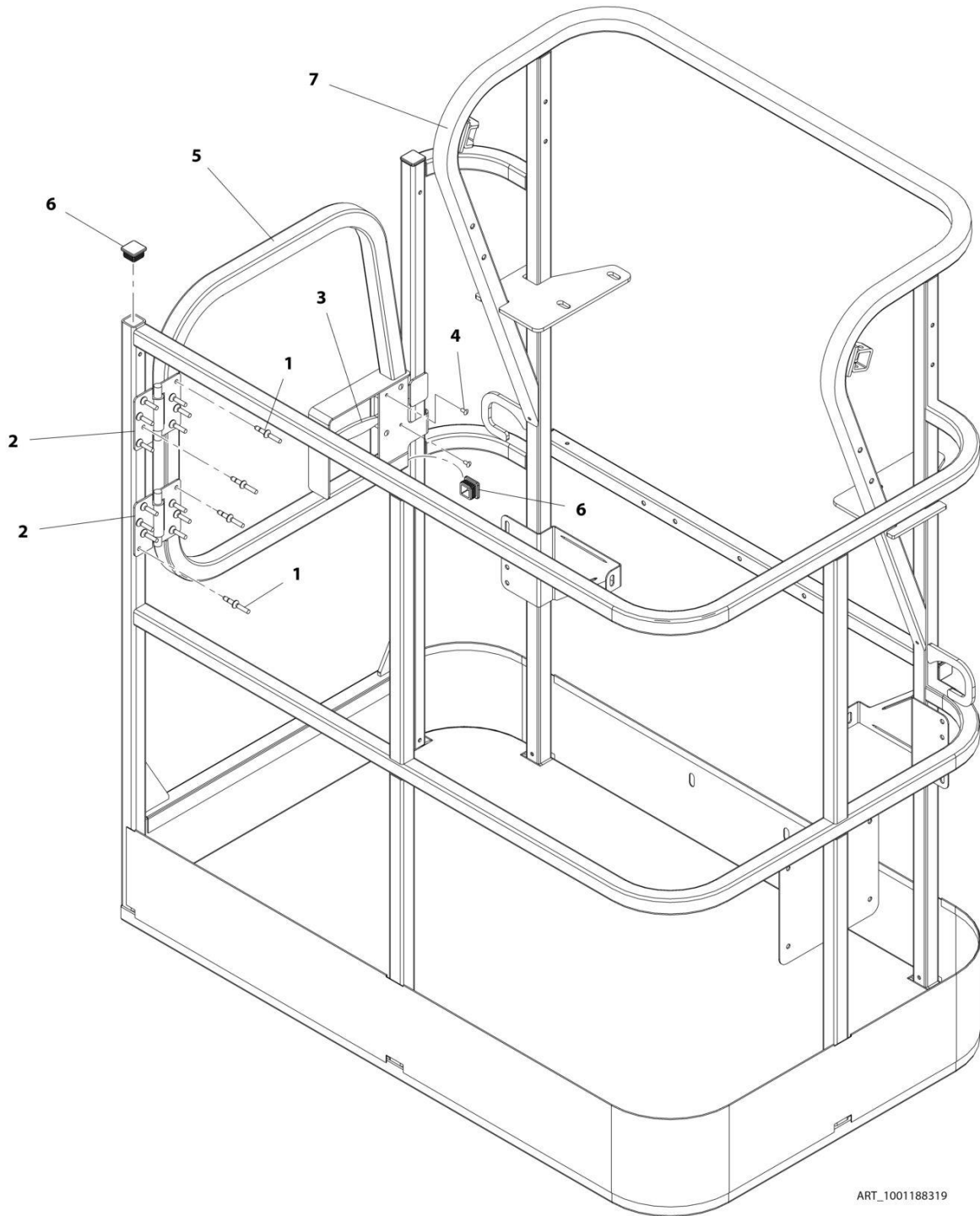
FIGURE 3-14. UPRIGHT VALVE ASSEMBLY

ITEM	PART NUMBER	QTY	DESCRIPTION	REV
	1001162535	Ref	UPRIGHT VALVE ASSEMBLY	D
1	70004864	1	Cartridge, Valve	
1	70004875	1	Seal Kit - 70004864 Valve	
2	70004865	1	Cartridge, Valve	
2	70004875	1	Seal Kit - 70004865 Valve	
3	70004866	1	Cartridge, Relief Valve	
3	70004867	1	Seal Kit - 70004866 Valve	
4	70004868	1	Cartridge, Solenoid Valve Less Coil	
4	70004869	1	Seal Kit - 70004868 Valve	
5	7027625	1	Cartridge, Solenoid Valve Less Coil	
5	70000100	1	Seal Kit - 7027625 Valve	
6	70006660	1	Cartridge, Valve	
6	70004867	1	Seal Kit - 70006660 Valve	
7	70004871	2	Coil	
8	7027628	2	Coil	

SECTION 4 - PLATFORM

SECTION 4 - PLATFORM

FIGURE 4-1. PLATFORM ASSEMBLY - 30IN X 4FT (76CM X 1.22M) - SIDE GATE ENTRY



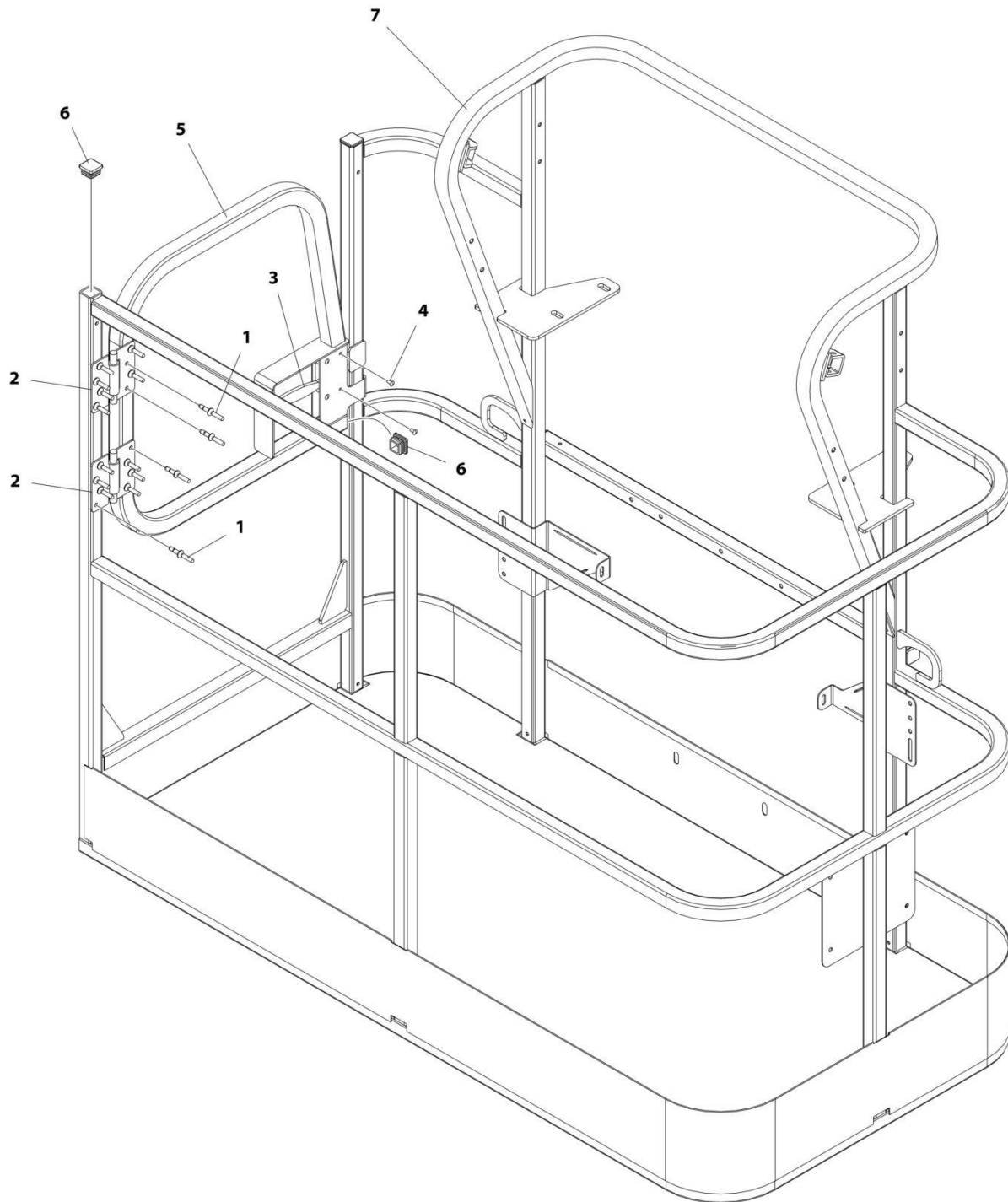
SECTION 4 - PLATFORM

FIGURE 4-1. PLATFORM ASSEMBLY - 30IN X 4FT (76CM X 1.22M) - SIDE GATE ENTRY

ITEM	PART NUMBER	QTY	DESCRIPTION	REV
	1001188319	Ref	PLATFORM ASSEMBLY	D
	See Note	Ref	Note: Platform and Mesh must be ordered separately for Platforms with Mesh. See SPECIAL OPTIONS SECTION for Mesh Installations.	
	See Note	Ref	Note: Replacement Decals Must be Ordered Separately - See DECALS SECTION.	
1	2080040	16	Fastener, Huck	
2	2600281	2	Hinge, Self-Closing	
3	2940074	1	Latch	
4	3820020	4	Rivet	
5	1001144629	1	Gate, Weldment	
6	1001145781	5	Cap, Plug	
7	See Note	NSS	Platform (Note: Not Available - Purchase Platform Assembly)	

SECTION 4 - PLATFORM

FIGURE 4-2. PLATFORM ASSEMBLY - 30IN X 5FT (76CM X 1.52M) - SIDE GATE ENTRY



ART_1001188315

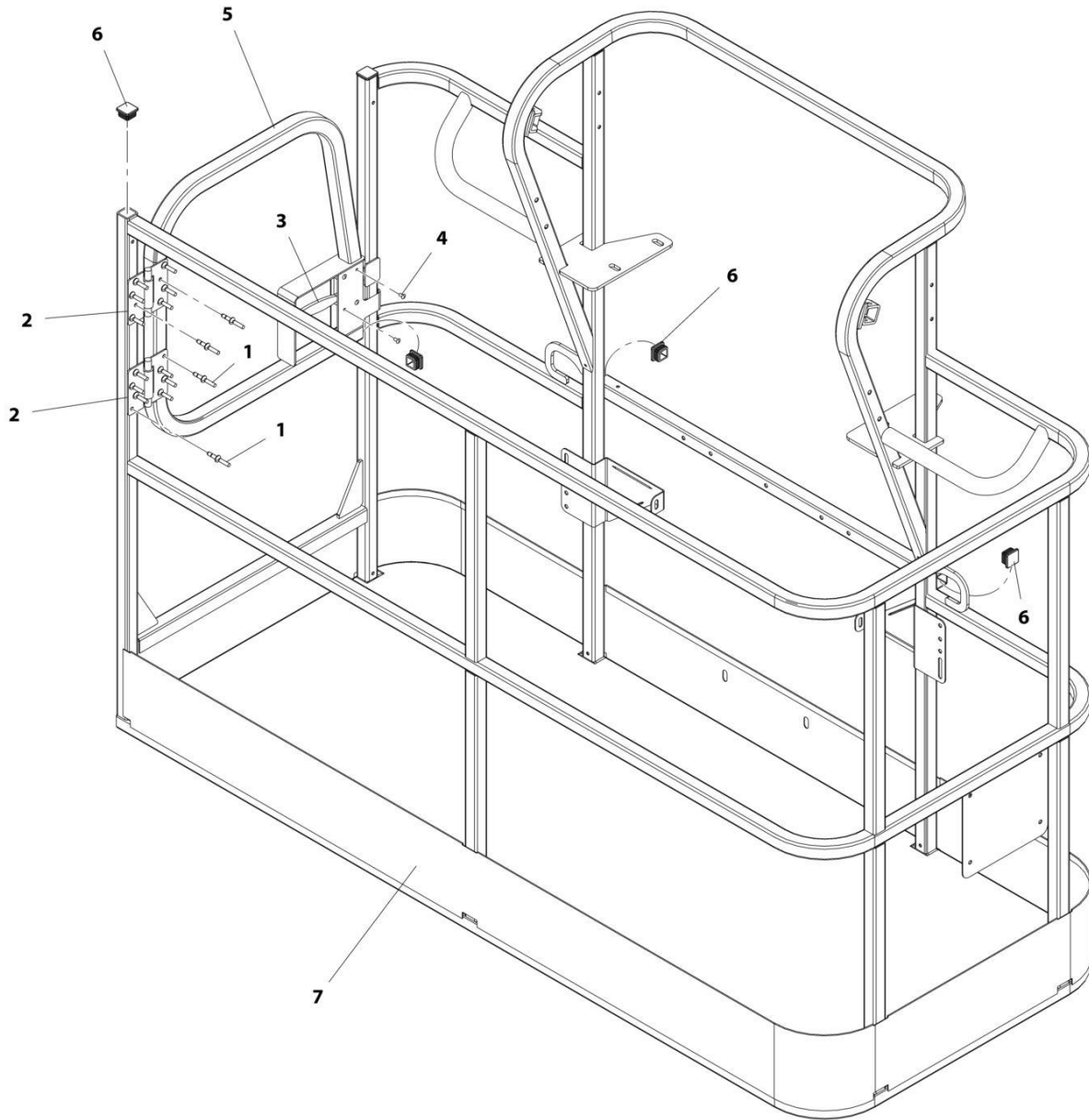
SECTION 4 - PLATFORM

FIGURE 4-2. PLATFORM ASSEMBLY - 30IN X 5FT (76CM X 1.52M) - SIDE GATE ENTRY

ITEM	PART NUMBER	QTY	DESCRIPTION	REV
	1001188315	Ref	PLATFORM ASSEMBLY	E
	See Note	Ref	Note: Platform and Mesh must be ordered separately for Platforms with Mesh. See SPECIAL OPTIONS SECTION for Mesh Installations.	
	See Note	Ref	Note: Replacement Decals Must be Ordered Separately - See DECALS SECTION.	
1	2080040	16	Fastener, Huck	
2	2600281	2	Hinge	
3	2940074	1	Latch	
4	3820020	4	Rivet	
5	1001144629	1	Gate	
6	1001145781	5	Plug	
7	See Note	NSS	Platform (Note: Not Available - Purchase Platform Assembly)	

SECTION 4 - PLATFORM

FIGURE 4-3. PLATFORM ASSEMBLY - 30IN X 6FT (76CM X 1.83M) - SIDE GATE ENTRY



ART_1001188312

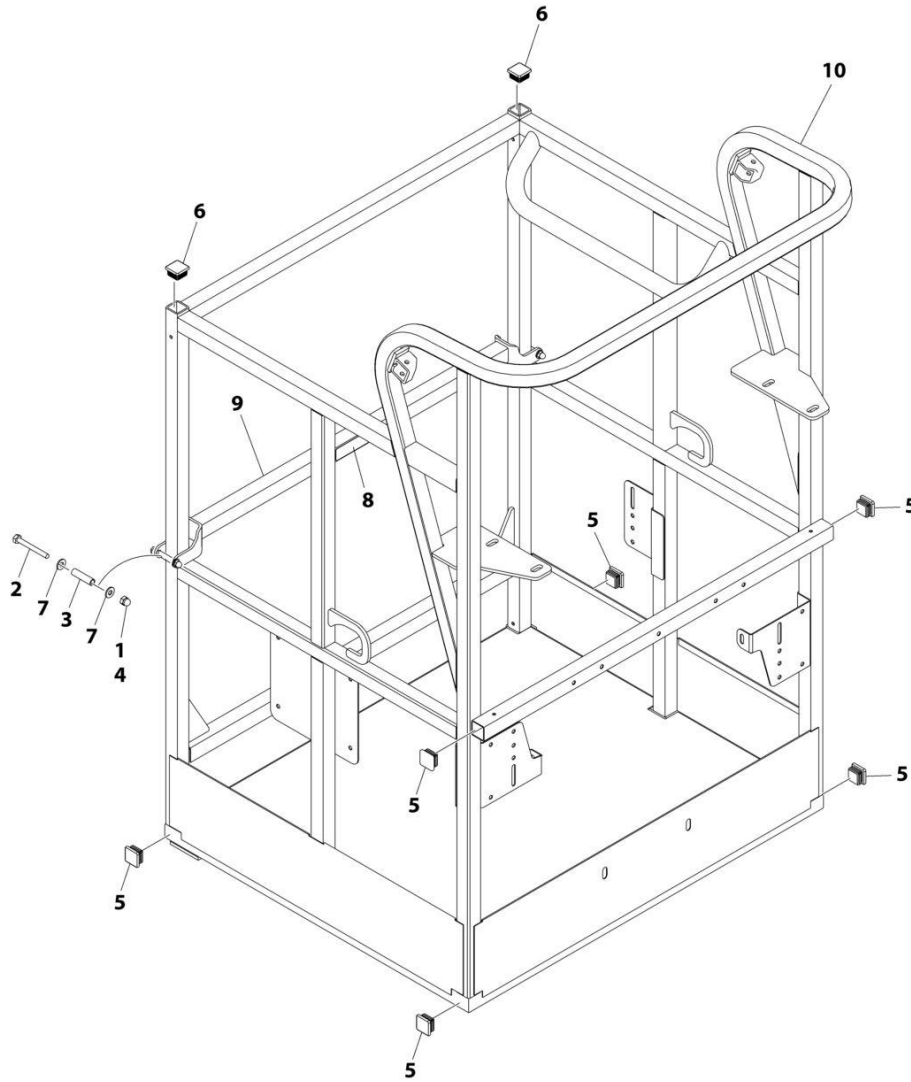
SECTION 4 - PLATFORM

FIGURE 4-3. PLATFORM ASSEMBLY - 30IN X 6FT (76CM X 1.83M) - SIDE GATE ENTRY

ITEM	PART NUMBER	QTY	DESCRIPTION	REV
	1001188312	Ref	PLATFORM ASSEMBLY	F
	See Note	Ref	Note: Platform and Mesh must be ordered separately for Platforms with Mesh. See SPECIAL OPTIONS SECTION for Mesh Installations.	
	See Note	Ref	Note: Replacement Decals Must be Ordered Separately - See DECALS SECTION.	
1	2080040	16	Fastener, Huck	
2	2600281	2	Hinge, Self-Closing	
3	2940074	1	Latch	
4	3820020	4	Rivet	
5	1001144629	1	Gate, Weldment	
6	1001145781	5	Cap, Plug	
7	See Note	NSS	Platform (Note: Not Available - Purchase Platform Assembly)	

SECTION 4 - PLATFORM

FIGURE 4-4. PLATFORM ASSEMBLY - 30IN X 3FT (76CM X .91M) - DROP BAR ENTRY



ART_1001228215

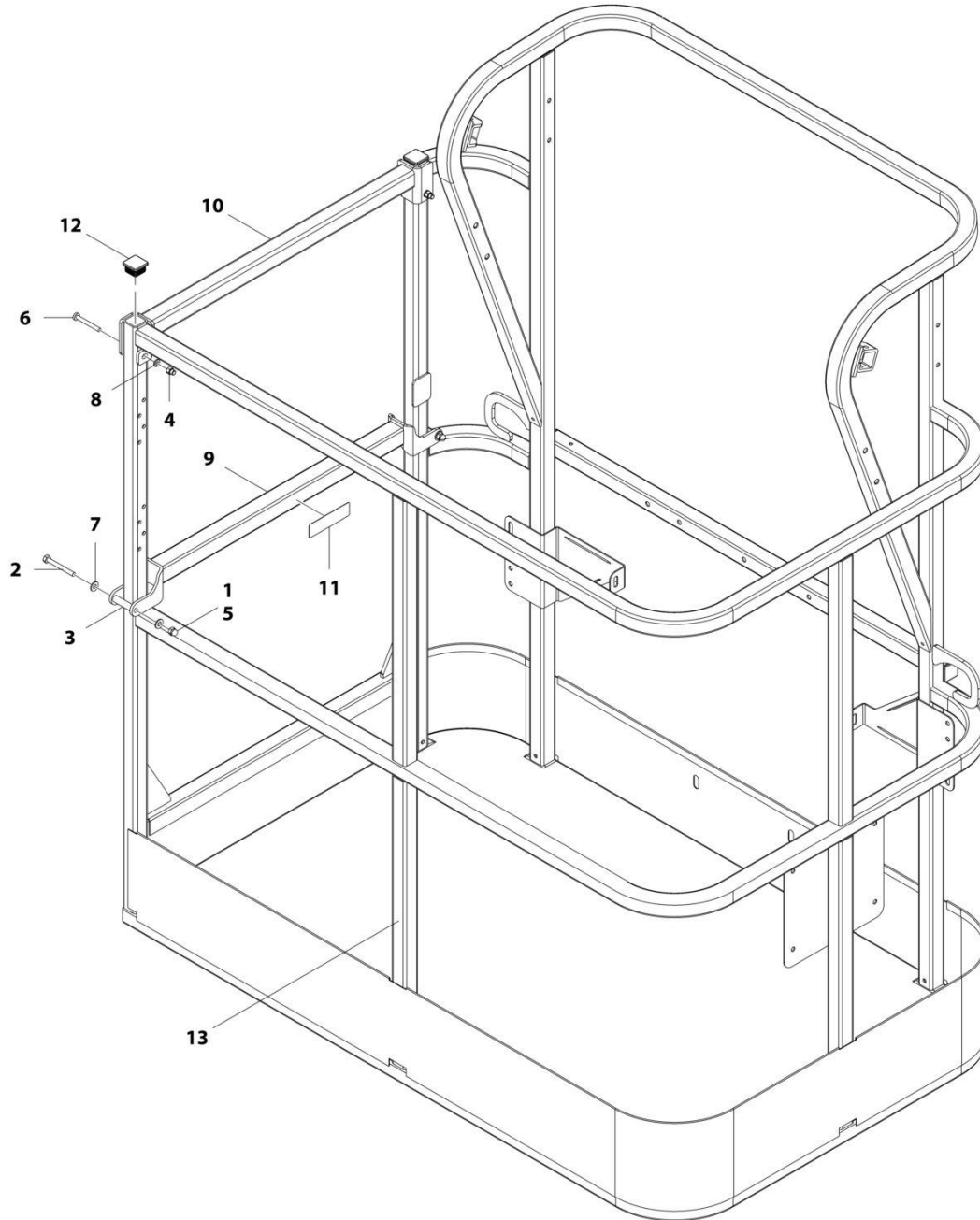
SECTION 4 - PLATFORM

FIGURE 4-4. PLATFORM ASSEMBLY - 30IN X 3FT (76CM X .91M) - DROP BAR ENTRY

ITEM	PART NUMBER	QTY	DESCRIPTION	REV
	1001228215	Ref	PLATFORM ASSEMBLY	A
	See Note	Ref	Note: Platform and Mesh must be ordered separately for Platforms with Mesh. See SPECIAL OPTIONS SECTION for Mesh Installations.	
	See Note	Ref	Note: Replacement Decals Must be Ordered Separately - See DECAL SECTION.	
1	0100011	AR	Compound, Locking	
2	0641418	2	Bolt 1/4 x 2-1/4	
3	0961845	2	Bushing	
4	3300151	2	Nut 1/4	
5	3520072	6	Cap, Plug	
6	3520198	2	Cap, Plug	
7	4711400	4	Washer 1/4	
8	1001140429	1	Decal - Drop Bar	
9	1001226872	1	Bar, Drop	
10	See Note	NSS	Platform (Note: Not Available - Purchase Platform Assembly)	

SECTION 4 - PLATFORM

FIGURE 4-5. PLATFORM ASSEMBLY - 30IN X 4FT (76CM X 1.22M) - WITH DROP BAR



ART_1001188318

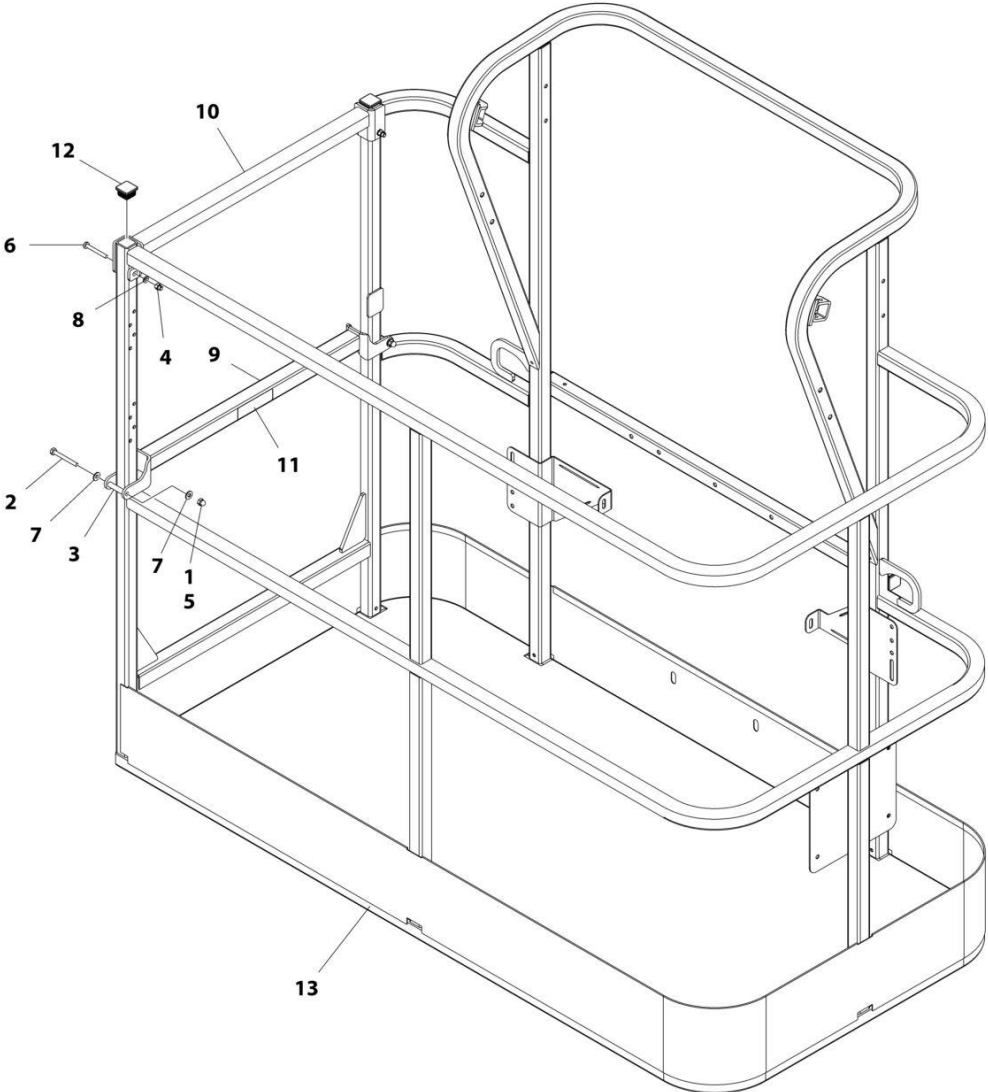
SECTION 4 - PLATFORM

FIGURE 4-5. PLATFORM ASSEMBLY - 30IN X 4FT (76CM X 1.22M) - WITH DROP BAR

ITEM	PART NUMBER	QTY	DESCRIPTION	REV
	1001188318	Ref	PLATFORM ASSEMBLY	C
	See Note	Ref	Note: Platform and Mesh must be ordered separately for Platforms with Mesh. See SPECIAL OPTIONS SECTION for Mesh Installations.	
	See Note	Ref	Note: Replacement Decals Must be Ordered Separately - See DECALS SECTION.	
1	0100011	AR	Compound, Locking	
2	0641418	2	Bolt 1/4 x 2-1/4	
3	0961845	2	Bushing	
4	3290606	2	Nut M6	
5	3300151	2	Nut 1/4	
6	4010618	2	Screw M6 x 50	
7	4711400	4	Washer 1/4	
8	4811700	2	Washer M6	
9	1001138494	1	Bar, Drop	
10	1001138514	1	Rail (Top)	
11	1001140429	1	Decal - Drop Bar	
12	1001145781	4	Cap, Plug	
13	See Note	NSS	Platform (Note: Not Available - Purchase Platform Assembly)	

SECTION 4 - PLATFORM

FIGURE 4-6. PLATFORM ASSEMBLY - 30IN X 5FT (76CM X 1.52M) - WITH DROP BAR



ART_1001188314

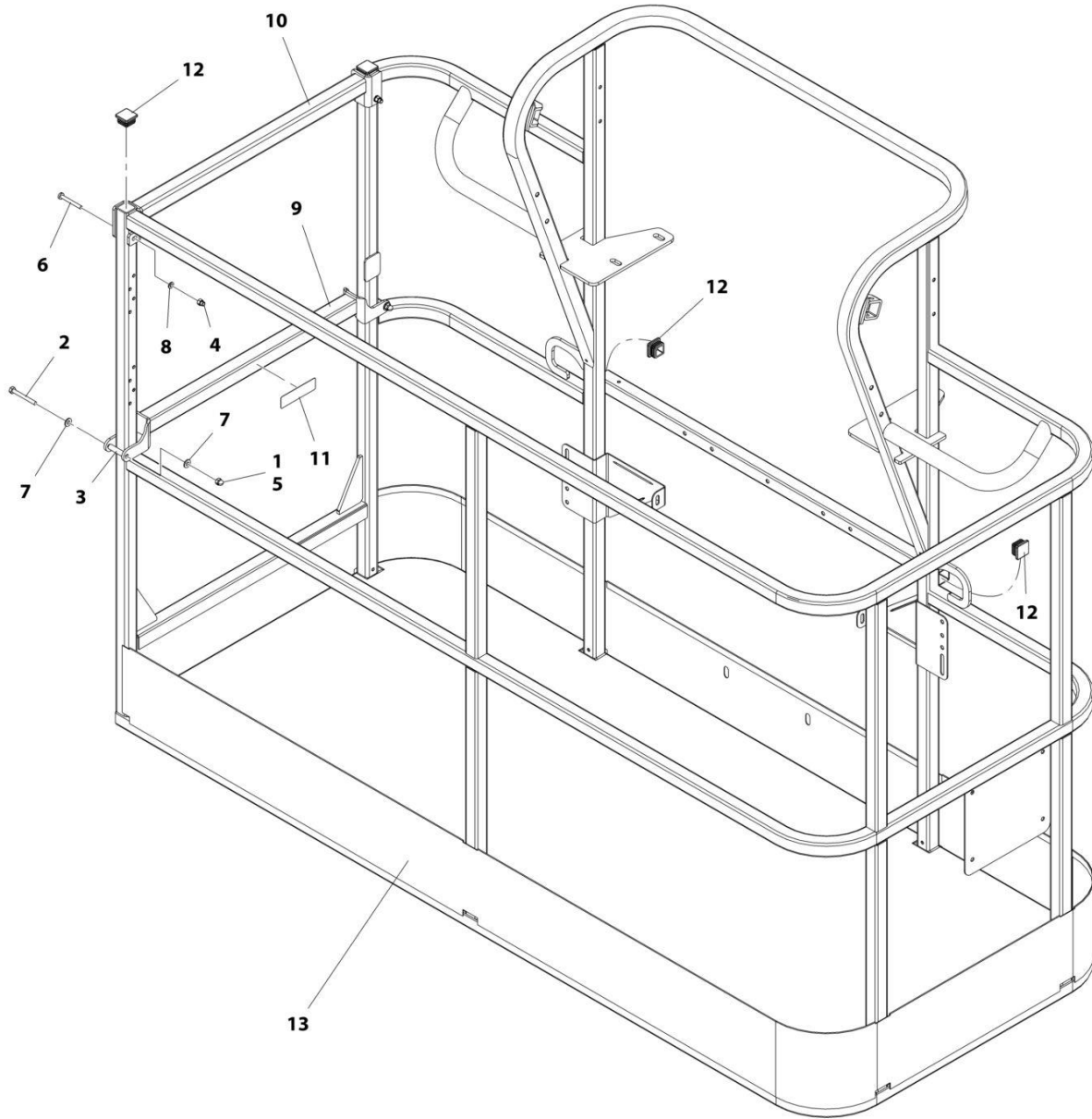
SECTION 4 - PLATFORM

FIGURE 4-6. PLATFORM ASSEMBLY - 30IN X 5FT (76CM X 1.52M) - WITH DROP BAR

ITEM	PART NUMBER	QTY	DESCRIPTION	REV
	1001188314	Ref	PLATFORM ASSEMBLY	C
	See Note	Ref	Note: Platform and Mesh must be ordered separately for Platforms with Mesh. See SPECIAL OPTIONS SECTION for Mesh Installations.	
	See Note	Ref	Note: Replacement Decals Must be Ordered Separately - See DECALS SECTION.	
1	0100011	AR	Compound, Locking	
2	0641418	2	Bolt 1/4 x 2-1/4	
3	0961845	2	Bushing	
4	3290606	2	Nut M6	
5	3300151	2	Nut 1/4	
6	4010618	2	Screw M6 x 50	
7	4711400	4	Washer 1/4	
8	4811700	2	Washer M6	
9	1001138494	1	Bar, Drop	
10	1001138514	1	Rail (Top)	
11	1001140429	1	Decal - Drop Bar	
12	1001145781	4	Plug	
13	See Note	NSS	Platform (Note: Not Available - Purchase Platform Assembly)	

SECTION 4 - PLATFORM

FIGURE 4-7. PLATFORM ASSEMBLY - 30IN X 6FT (76CM X 1.83M) - WITH DROP BAR



ART_1001188311

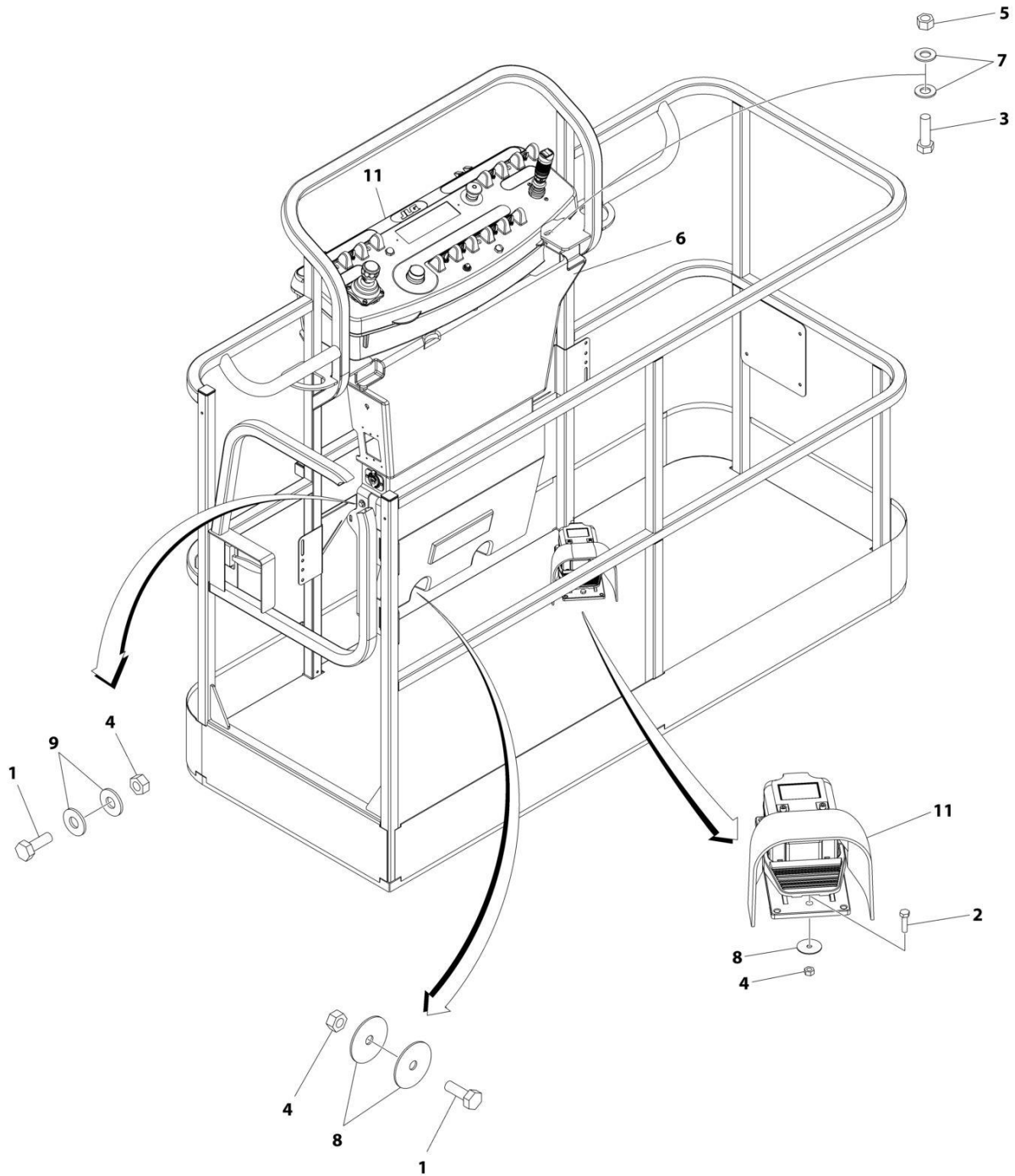
SECTION 4 - PLATFORM

FIGURE 4-7. PLATFORM ASSEMBLY - 30IN X 6FT (76CM X 1.83M) - WITH DROP BAR

ITEM	PART NUMBER	QTY	DESCRIPTION	REV
	1001188311	Ref	PLATFORM ASSEMBLY	D
	See Note	Ref	Note: Platform and Mesh must be ordered separately for Platforms with Mesh. See SPECIAL OPTIONS SECTION for Mesh Installations.	
	See Note	Ref	Note: Replacement Decals Must be Ordered Separately - See DECALS SECTION.	
1	0100011	AR	Compound, Locking	
2	0641418	2	Bolt 1/4 x 2-1/4	
3	0961845	2	Bushing	
4	3290606	2	Nut M6	
5	3300151	2	Nut 1/4	
6	4010618	2	Screw M6 x 50	
7	4711400	4	Washer 1/4	
8	4811700	2	Washer M6	
9	1001138494	1	Bar, Drop	
10	1001138514	1	Rail (Top)	
11	1001140429	1	Decal - Drop Bar	
12	1001145781	4	Cap, Plug	
13	See Note	NSS	Platform (Note: Not Available - Purchase Platform Assembly)	

SECTION 4 - PLATFORM

FIGURE 4-8. CONSOLE BOX INSTALLATION - WITH SKYGUARD



ART_1001264863

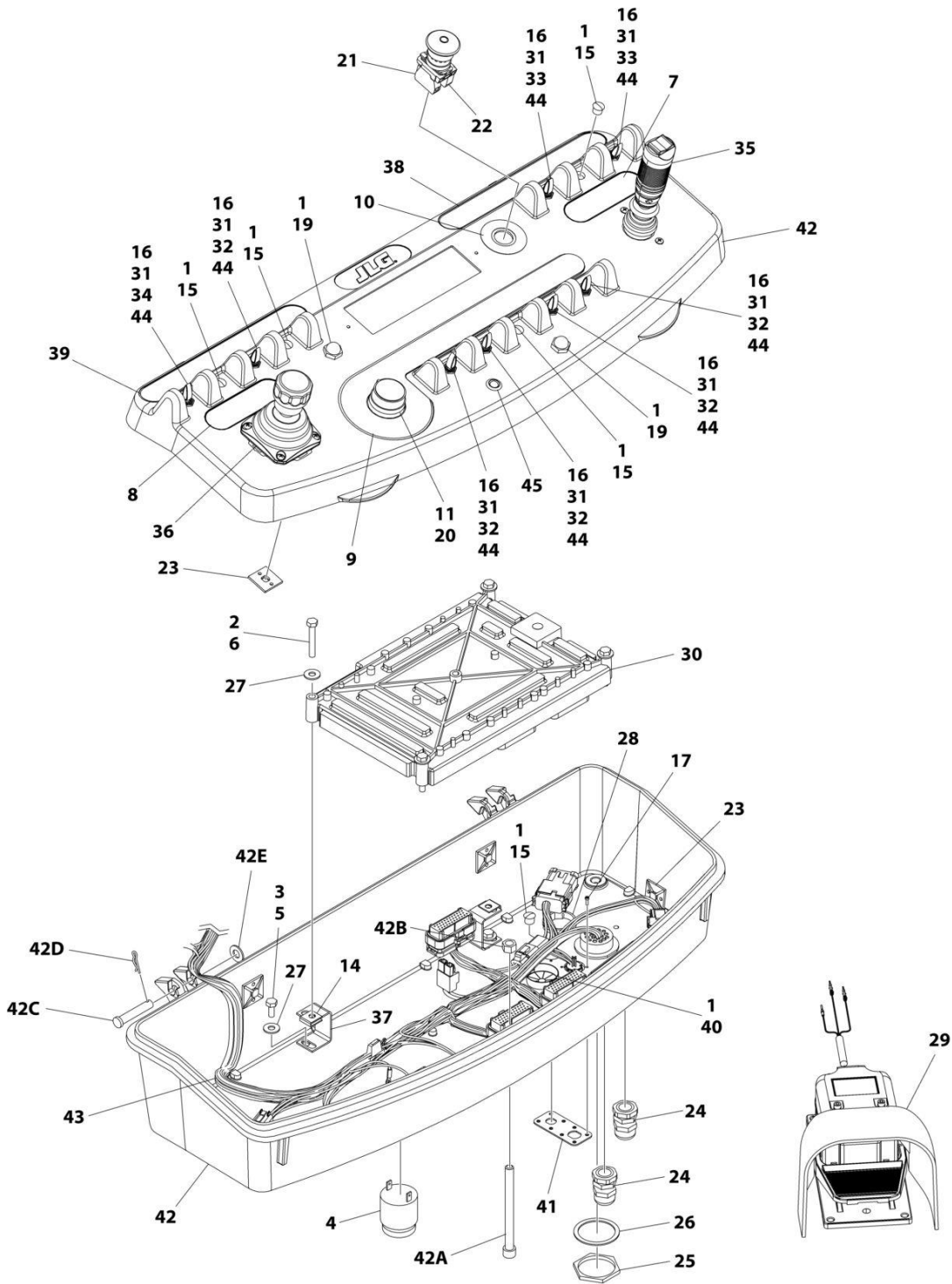
SECTION 4 - PLATFORM

FIGURE 4-8. CONSOLE BOX INSTALLATION - WITH SKYGUARD

ITEM	PART NUMBER	QTY	DESCRIPTION	REV
	1001264863	Ref	CONSOLE AND FOOTSWITCH INSTALLATION	A
1	0641406	4	Bolt 1/4 x 3/4	
2	0641408	3	Bolt 1/4 x 1	
3	0641610	4	Bolt 3/8 x 1-1/4	
4	3311405	7	Nut 1/4	
5	3311605	4	Nut 3/8	
6	3380434	1	Panel	
7	4711600	8	Washer 3/8	
8	4740362	7	Washer, Fender	
9	4751400	4	Washer 1/4	
10	1001169422	1	Platform to Boom Harness (Not Shown - See Separate Breakdown in ELECTRICAL Section)	
11	1001265027	1	Console and Footswitch Assembly (See Separate Breakdown in this Section)	
12	1001265414	1	Platform Valve Harness (Not Shown - See Separate Breakdown in ELECTRICAL Section)	

SECTION 4 - PLATFORM

FIGURE 4-9. PLATFORM CONSOLE BOX ASSEMBLY - WITH SKYGUARD



ART_1001265027

SECTION 4 - PLATFORM

FIGURE 4-9. PLATFORM CONSOLE BOX ASSEMBLY - WITH SKYGUARD

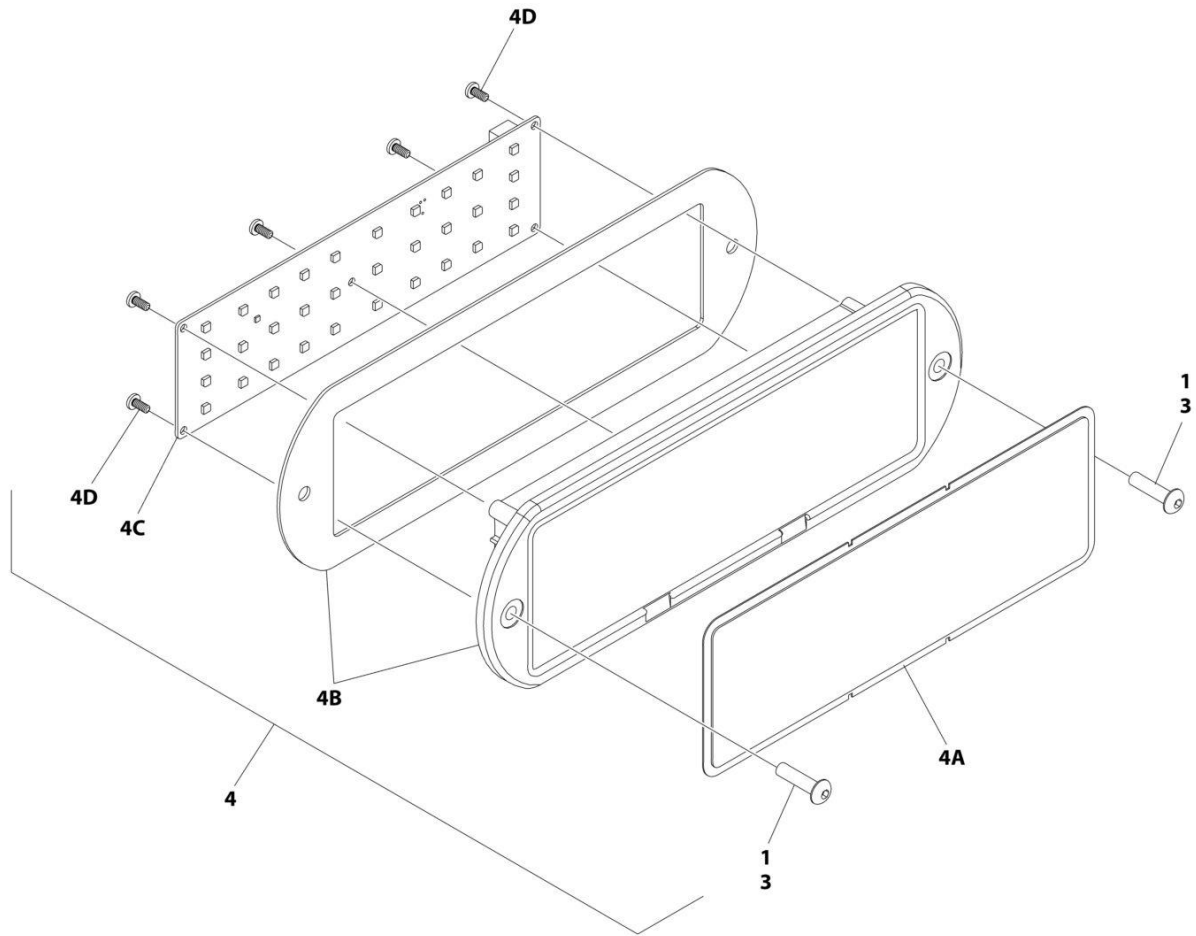
ITEM	PART NUMBER	QTY	DESCRIPTION	REV
	1001265027	Ref	PLATFORM CONSOLE BOX ASSEMBLY	D
1	0100009	AR	Sealant	
2	0100048	AR	Grease, Dielectric	
3	0100035	AR	Compound, Locking	
4	0140011	1	Alarm	
5	0641405	4	Bolt 1/4 x 5/8	
6	0641414	4	Bolt 1/4 x 1-3/4	
7	1702565	1	Decal - Drive and Steer	
8	1702566	1	Decal - Lift and Swing	
9	1702567	1	Decal - Function Speed	
10	1704260	1	Decal - EMS	
11	2560136	1	Handle, Knob	
14	3300353	4	Nut	
15	3520054	5	Plug	
16	3790012	8	O-Ring	
17	3900349	8	Screw	
18	4240099	AR	Tie-Strap (Not Shown)	
19	4360387	2	Switch, Pushbutton	
20	4360407	1	Switch, Potentiometer	
21	1001274559	1	Switch, Emergency	
21	7020175	1	Cap, Red	
21	7020176	1	Contact Block	
22	4360476	1	Block, Contact	
23	4460234	8	Terminal	
24	4460428	2	Connector, Strain Relief	
25	4460470	1	Nut	
26	4460471	1	Washer	
27	4751400	8	Washer 1/4	
28	1001110434	1	Plug	
29	1001117174	1	Footswitch Assembly (See Separate Breakdown in this Section)	
30	1001118412	1	Module, Control (Note: Recalibration Required when Replaced) (Prior to SN C300000159)	
30	1001169594	1	Module, Control (Note: Recalibration Required when Replaced) (SN C300000159 to Present)	
31	1001155044	8	Nut 15/32	
32	1001155045	5	Switch, Toggle	
33	1001159256	2	Switch, Toggle	
34	1001161710	1	Switch, Toggle	
35	1001166538	NLA	Controller Assembly (Drive and Steer) (Use p/n 1001212415) (See Separate Breakdown in this Section)	
36	1001166539	NLA	Controller Assembly (Lift and Swing) (Use p/n 1001129555 as Replacement) (See Separate Breakdown in this Section)	
37	1001172760	4	Bracket	
38	1001257868	1	Decal - Stop	
39	1001169092	1	Decal - Horn	
40	1001185281	1	Plug	
41	1001213882	1	Connector, Mounting	
42	1001215228	1	Platform Console Box	
42A	0630568	1	Capscrew 3/8 x 4-1/2	
42B	3311601	1	Nut 3/8	

SECTION 4 - PLATFORM

ITEM	PART NUMBER	QTY	DESCRIPTION	REV
42C	3430616	2	Pin, Clevis	
42D	3470003	2	Hairpin	
42E	4711600	2	Washer 3/8	
43	1001238254	1	Harness, Platform Console Box (See Separate Breakdown in ELECTRICAL Section)	
44	4740397	8	Washer	
45	1001206532	1	Lamp, LED Indicator (Yellow)	

SECTION 4 - PLATFORM

FIGURE 4-10. LIGHT PANEL INSTALLATION - PLATFORM CONTROL



ART_1001259504_20F2

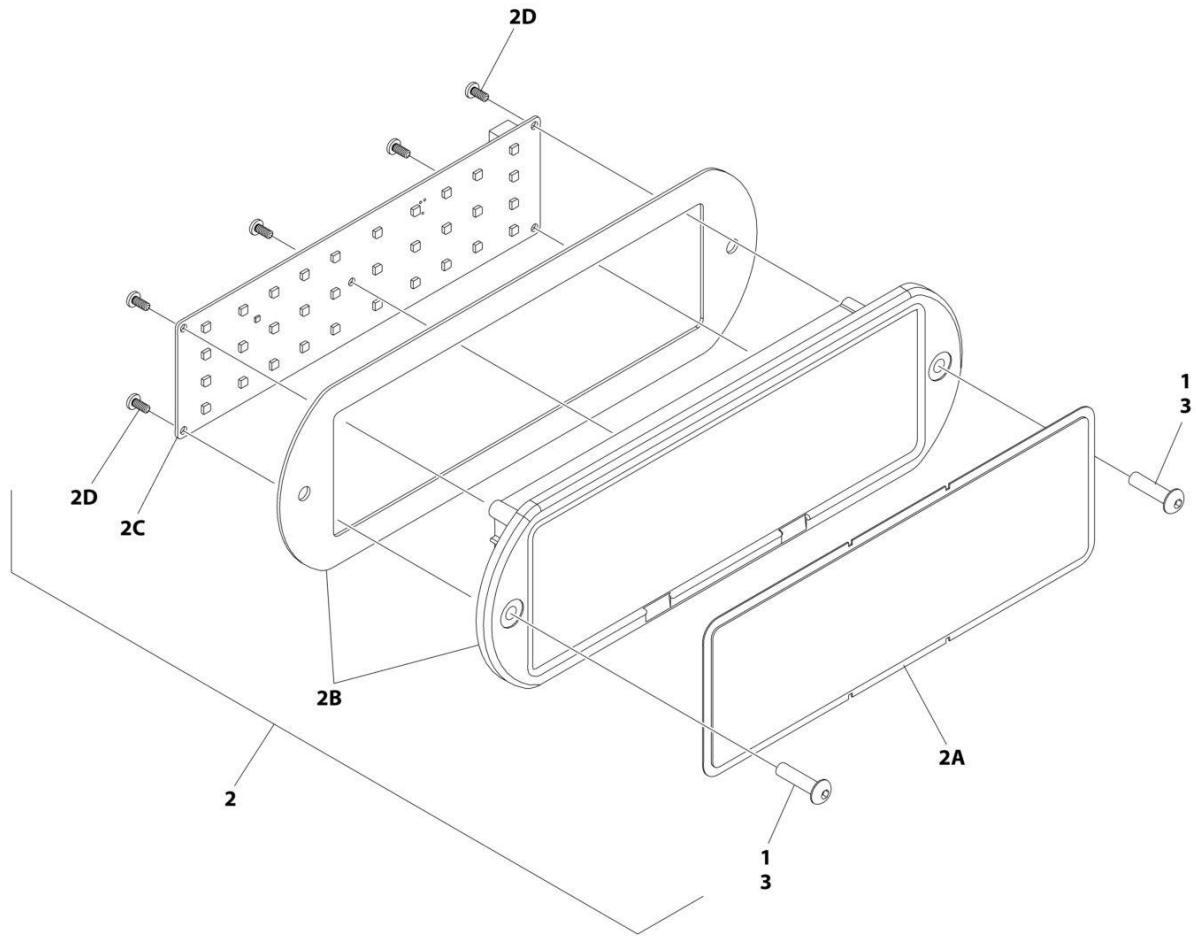
SECTION 4 - PLATFORM

FIGURE 4-10. LIGHT PANEL INSTALLATION - PLATFORM CONTROL

ITEM	PART NUMBER	QTY	DESCRIPTION	REV
	1001259504	Ref	LIGHT PANEL INSTALLATION - PLATFORM CONTROL	A
1	0100035	AR	Compound, Locking	
3	0630518	2	Screw #10 x 3/4	
4	1001259491	1	Light Panel Electrical Assembly	A
4A	1001245164	1	Overlay	
4B	1001259477	1	Housing (Includes Gasket)	
4C	1001187807	1	Panel, LED Light	
4D		Ref	Screw #10 x 3/4	

SECTION 4 - PLATFORM

FIGURE 4-11. LIGHT PANEL INSTALLATION - PLATFORM CONTROL (CE & UK CA SPECS ONLY)



ART_1001265145_20F2

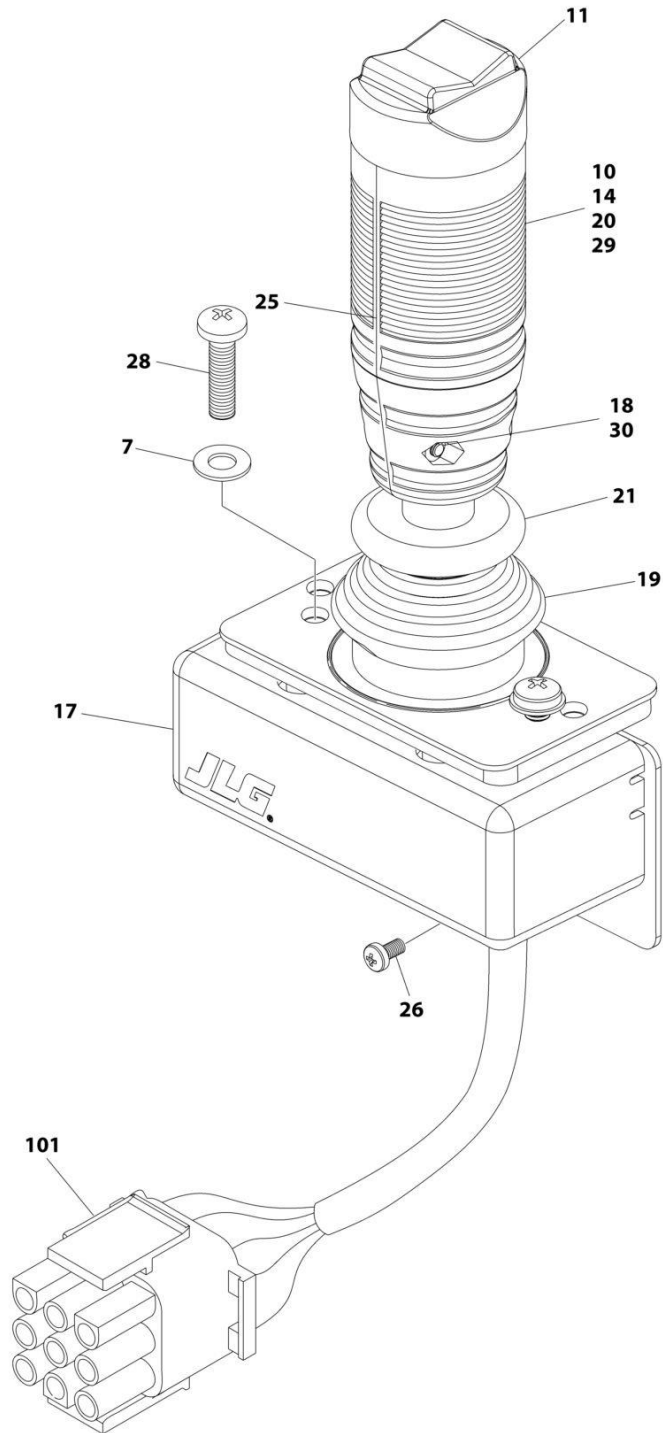
SECTION 4 - PLATFORM

FIGURE 4-11. LIGHT PANEL INSTALLATION - PLATFORM CONTROL (CE & UK CA SPECS ONLY)

ITEM	PART NUMBER	QTY	DESCRIPTION	REV
	1001265145	Ref	LIGHT PANEL INSTALLATION - PLATFORM CONTROL	A
1	0100035	AR	Compound, Locking	
2	1001259491	1	Light Panel Electrical Assembly	A
2A	1001245164	1	Overlay	
2B	1001259477	1	Housing (Includes Gasket)	
2C	1001187807	1	Panel, LED Light	
2D		Ref	Screw	
3	0630518	2	Screw #10 x 3/4	

SECTION 4 - PLATFORM

FIGURE 4-12. CONTROLLER ASSEMBLY - DRIVE AND STEER



ART_1001166538

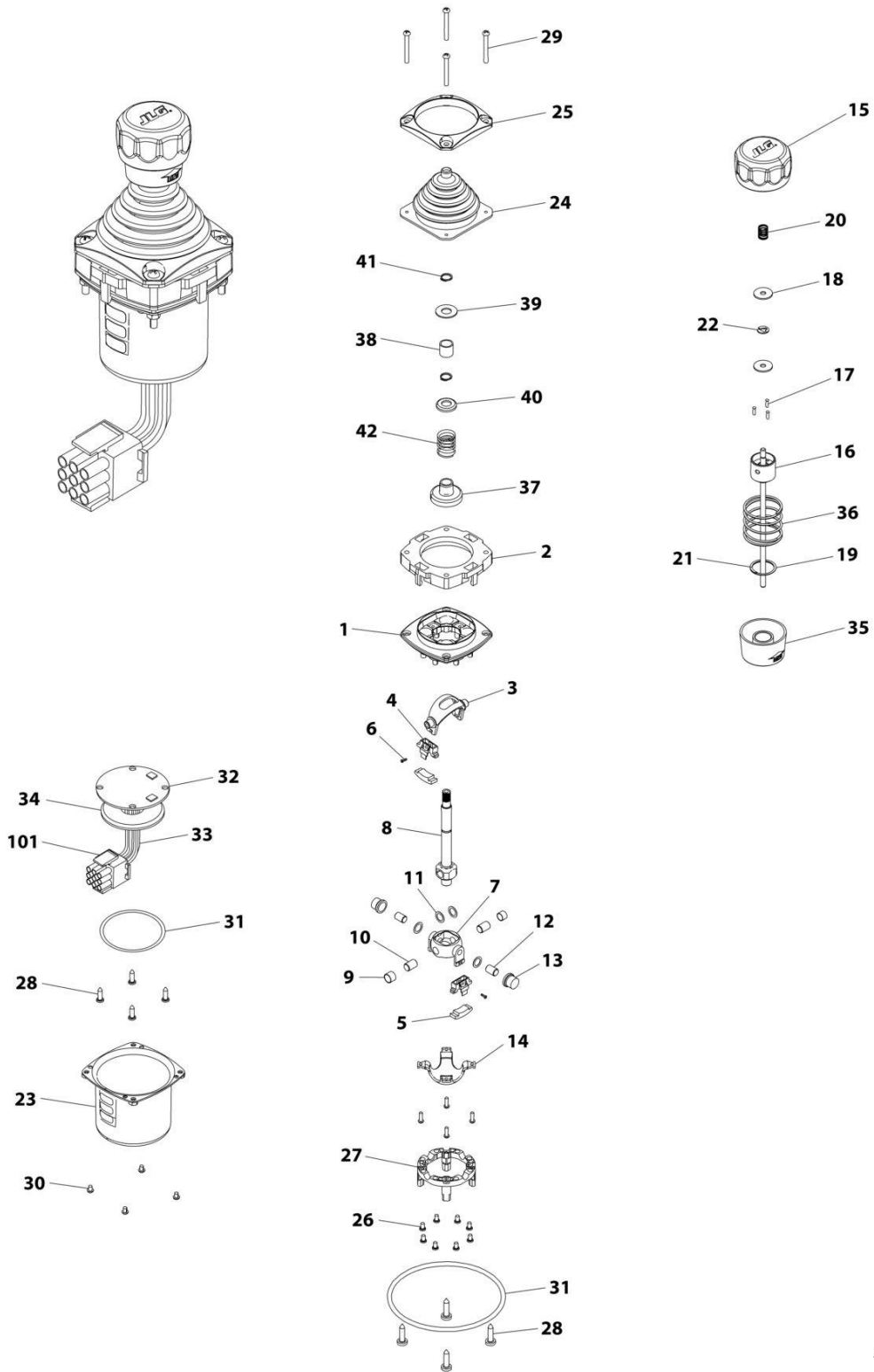
SECTION 4 - PLATFORM

FIGURE 4-12. CONTROLLER ASSEMBLY - DRIVE AND STEER

ITEM	PART NUMBER	QTY	DESCRIPTION	REV
	1001166538	Ref	CONTROLLER ASSEMBLY - DRIVE AND STEER	G
		Ref	Note: For Replacement, Use p/n 1001212415.	
7	70004738	2	Washer	
10	70004739	1	Roller	
11	70004740	1	Boot, Switch	
14	70004741	2	Half, Handle	
17	70004742	1	Enclosure	
18	70004743	4	Nut	
19	70004744	NLA	Boot, Controller (Use p/n 70005230 Boot/Base Assembly)	
20	70004745	NLA	Tube, Locking (Use p/n 70005230 Boot/Base Assembly)	
21	70004746	NLA	Disc, Locking (Use p/n 70005230 Boot/Base Assembly)	
25	70004747	2	Seal, Rope	
26	70004748	1	Screw M3 x 6	
28	70004749	2	Screw M5 x 20	
29	70004750	1	Pin, Dowel	
30	70004751	4	Screw M3 x 16	
101	4460265	1	Connector - 9 Position	
101	4460226	7	Socket, Female	

SECTION 4 - PLATFORM

FIGURE 4-13. CONTROLLER ASSEMBLY - LIFT AND SWING



ART_1001166539

SECTION 4 - PLATFORM

FIGURE 4-13. CONTROLLER ASSEMBLY - LIFT AND SWING

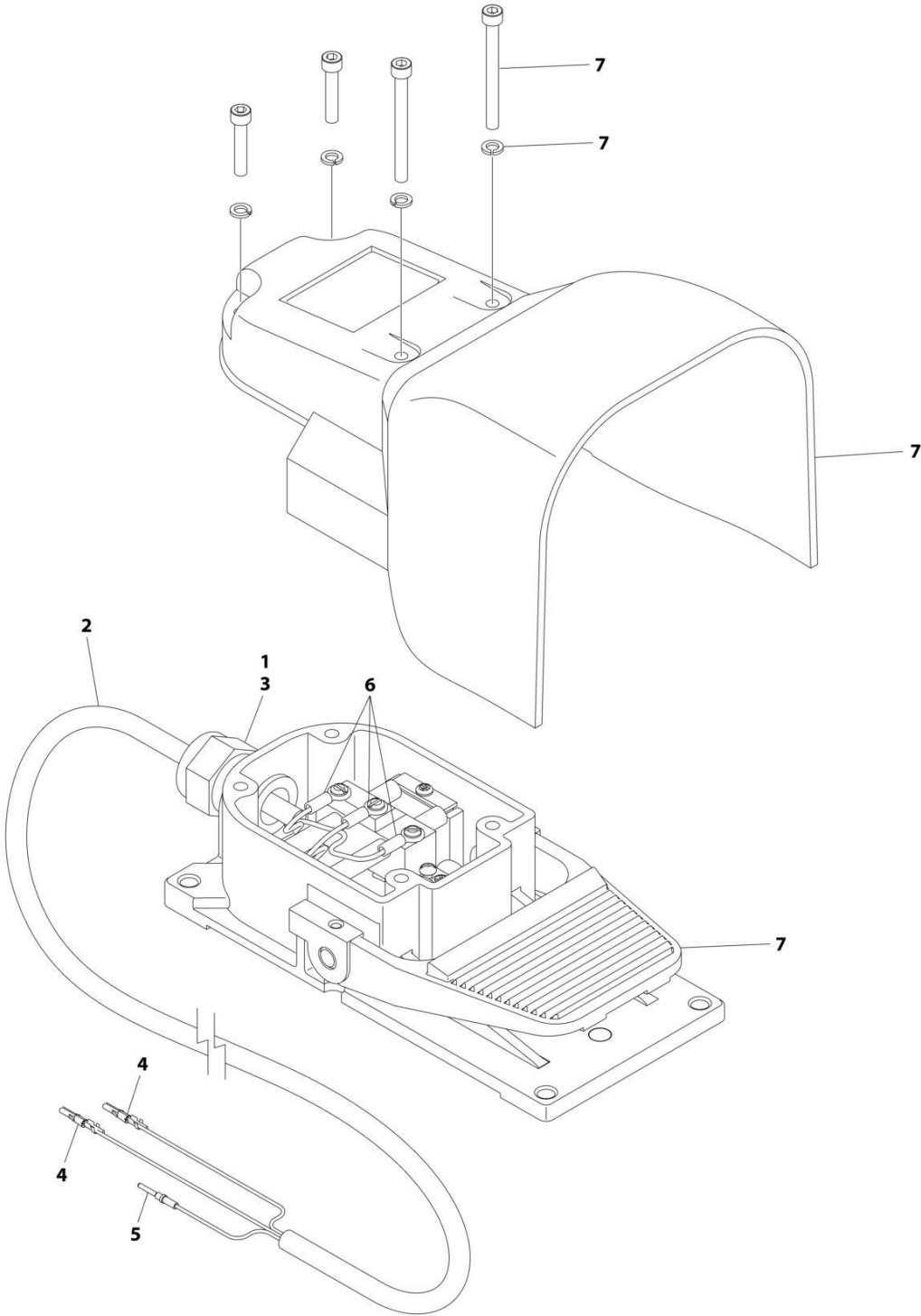
ITEM	PART NUMBER	QTY	DESCRIPTION	REV
	1001166539	Ref	CONTROLLER ASSEMBLY	E
		Ref	Note: Original Equipment Controller May Have Been Replaced with Service Replacement Controller. Visually Identify Controller Before Ordering Parts.	
		Ref	Note: For Replacement, Use p/n 1001129555	
1	See Note	NSS	Main Cast Body (Note: Not Available - Purchase Complete Assembly)	
2	70004752	1	Adapter	
3	See Note	NSS	Pivot Arm, Plastic (Note: Not Available - Purchase Complete Assembly)	
4	See Note	NSS	Holder, Magnet (Note: Not Available - Purchase Complete Assembly)	
5	See Note	NSS	Arc, Magnet (Note: Not Available - Purchase Complete Assembly)	
6	See Note	NSS	Screw (Note: Not Available for Purchase)	
7	See Note	NSS	Pivot Arm, Cast (Note: Not Available - Purchase Complete Assembly)	
8	See Note	NSS	Shaft, Main (Note: Not Available - Purchase Complete Assembly)	
9	See Note	NSS	Bearing (Note: Not Available - Purchase Complete Assembly)	
10	See Note	NSS	Pin (Note: Not Available - Purchase Complete Assembly)	
11	See Note	NSS	Shim (Note: Not Available - Purchase Complete Assembly)	
12	See Note	NSS	Pin (Note: Not Available - Purchase Complete Assembly)	
13	See Note	NSS	Bearing (Note: Not Available - Purchase Complete Assembly)	
14	See Note	NSS	Dome, Centering (Note: Not Available - Purchase Complete Assembly)	
15	70004753	1	Cap	
16	70004754	1	Insert, Cap	
17	70004755	3	Pin	
18	70004756	2	Washer	
19	70004757	1	Pin, Centering	
20	70004758	1	Spring	
21	70004759	1	Ring, Retaining	
22	70004760	1	E-Ring	
23	70004761	1	Can, Enclosure	
24	70004762	1	Boot	
25	70004763	1	Bezel	
26	See Note	NSS	Screw (Note: Not Available for Purchase)	
27	See Note	NSS	Base Mounting (Note: Not Available - Purchase Complete Assembly)	
28	See Note	NSS	Screw (Note: Not Available for Purchase)	
29	70004764	4	Screw	
30	70004765	4	Screw	
31	70004766	1	O-Ring	
32	See Note	NSS	Plate (Note: Not Available - Purchase Complete Assembly)	
33	See Note	NSS	Harness (Note: Not Available - Purchase Complete Assembly)	
34	70004767	1	Grommet, Rubber	
35	70004768	1	Housing	
36	70004769	1	Spring	
37	70004770	1	Stopper	
38	70004771	1	Spacer	
39	70004772	1	Washer	
40	70004773	1	Disc	

SECTION 4 - PLATFORM

ITEM	PART NUMBER	QTY	DESCRIPTION	REV
41	70004774	2	Ring, Retaining	
42	70004775	1	Spring	
101	4460265	1	Connector - 9 Position	
101	4460226	6	Socket, Female	

SECTION 4 - PLATFORM

FIGURE 4-14. FOOTSWITCH ASSEMBLY



ART_1001117174

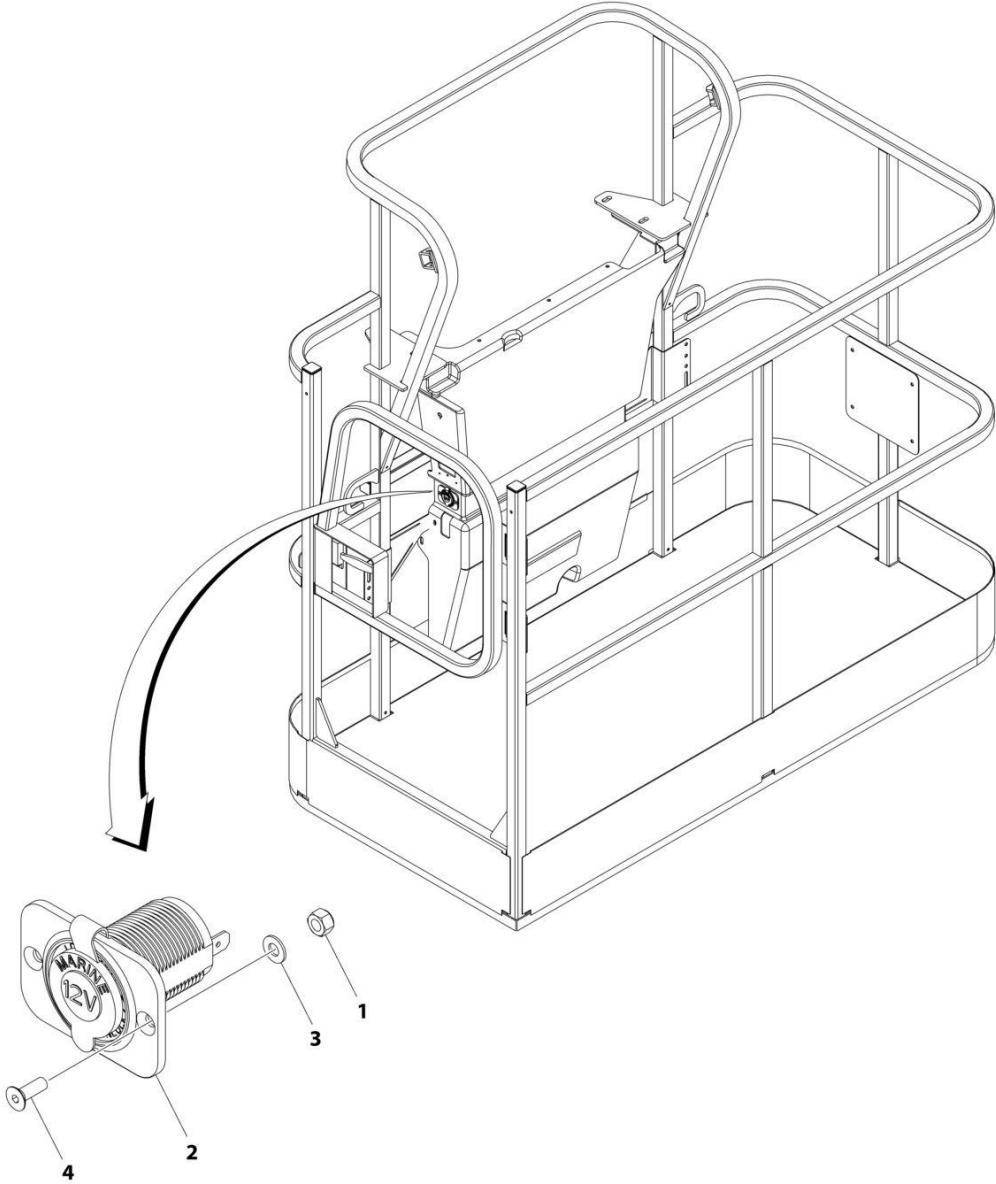
SECTION 4 - PLATFORM

FIGURE 4-14. FOOTSWITCH ASSEMBLY

ITEM	PART NUMBER	QTY	DESCRIPTION	REV
	1001117174	Ref	FOOTSWITCH ASSEMBLY	C
1	0100020	AR	Sealant	
2	1060918	7.5 ft/ 2.3m	Cable, Electrical - 18/3	
3	4460071	1	Connector, Strain Relief	
4	4460226	2	Socket, Female	
5	4460464	1	Pin, Male	
6	1001098122	3	Terminal	
7	1001117172	1	Footswitch	
7	70002902	1	Switch, 20Amp	
7	70002903	1	Gasket	
7	70002905	1	Cover	
7	70002904	1	Kit, Replacement Bolt	

SECTION 4 - PLATFORM

FIGURE 4-15. PLATFORM CHARGER (12V)



ART_1001263608

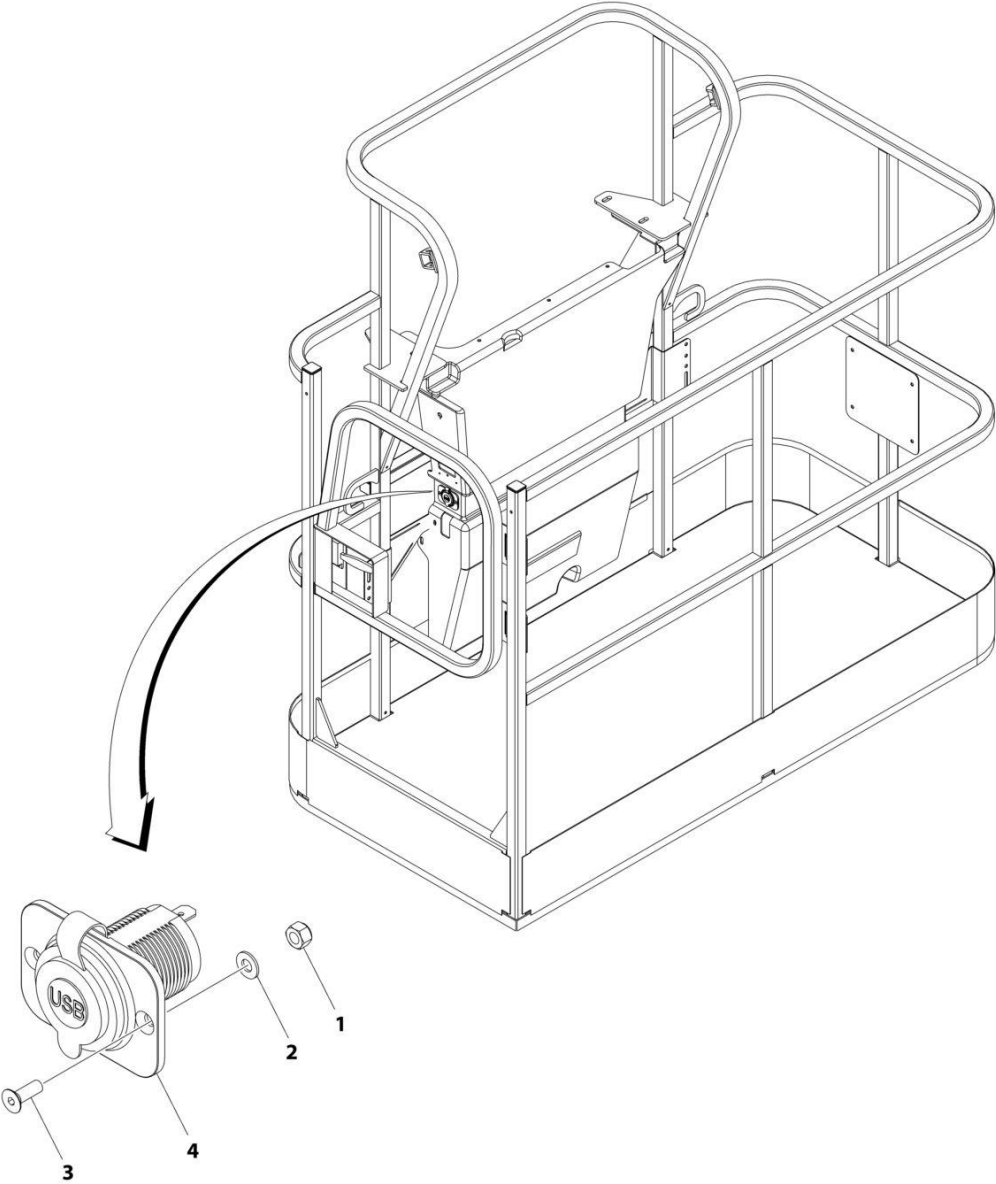
SECTION 4 - PLATFORM

FIGURE 4-15. PLATFORM CHARGER (12V)

ITEM	PART NUMBER	QTY	DESCRIPTION	REV
	1001263608	Ref	PLATFORM CHARGER (12V)	A
1	3290405	2	Nut M4	
2	4461012	1	Receptacle, 12V	
3	4811400	2	Washer M4	
4	1001097244	2	Capscrew M4 x 12	

SECTION 4 - PLATFORM

FIGURE 4-16. PLATFORM CHARGER (USB)



ART_1001263609

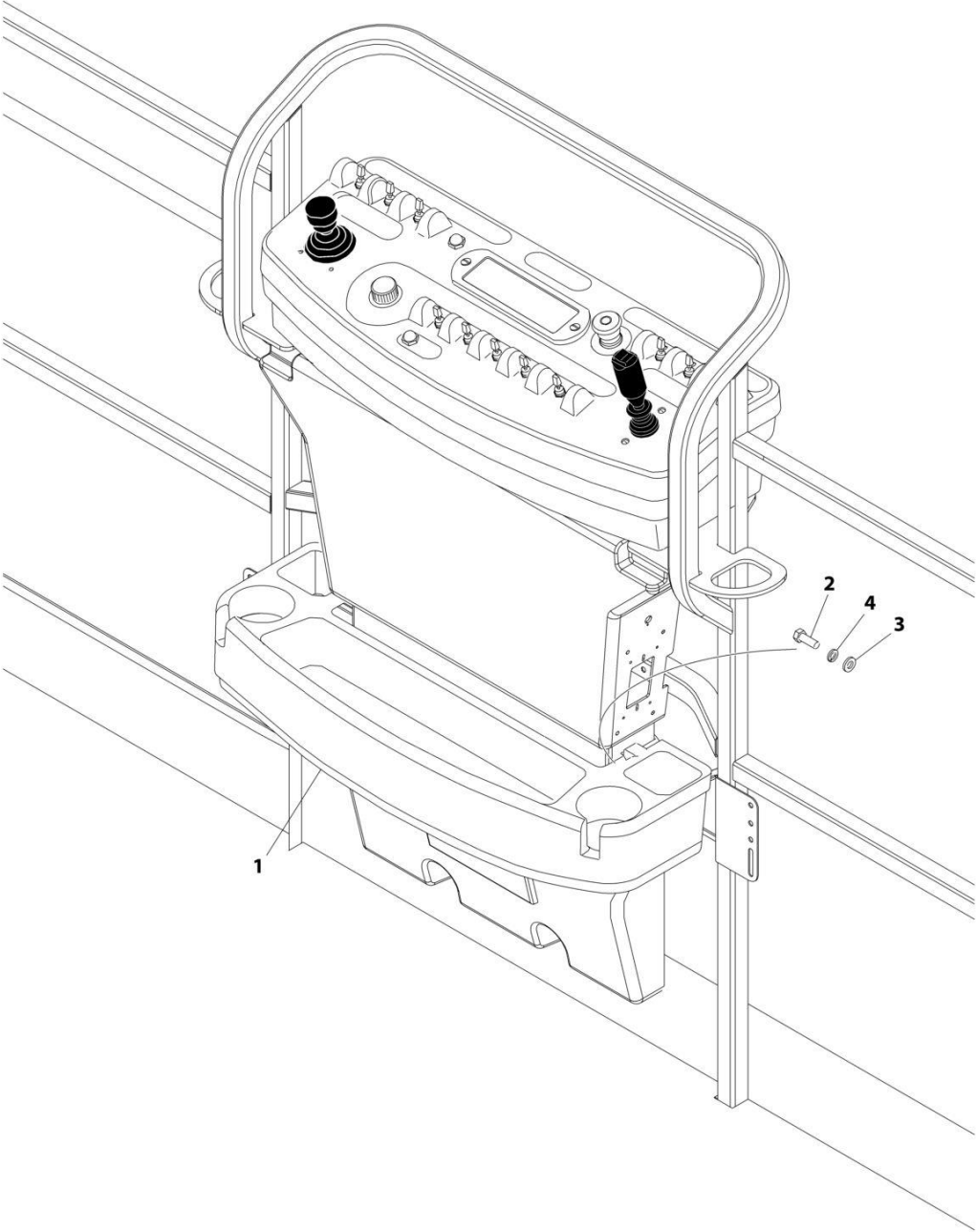
SECTION 4 - PLATFORM

FIGURE 4-16. PLATFORM CHARGER (USB)

ITEM	PART NUMBER	QTY	DESCRIPTION	REV
	1001263609	Ref	PLATFORM CHARGER (USB)	A
1	3290405	2	Nut M4	
2	4811400	2	Washer M4	
3	1001097244	2	Capscrew M4 x 12	
4	1001210636	1	Receptacle, USB	

SECTION 4 - PLATFORM

FIGURE 4-17. TRAY ASSEMBLY



ART_1580012

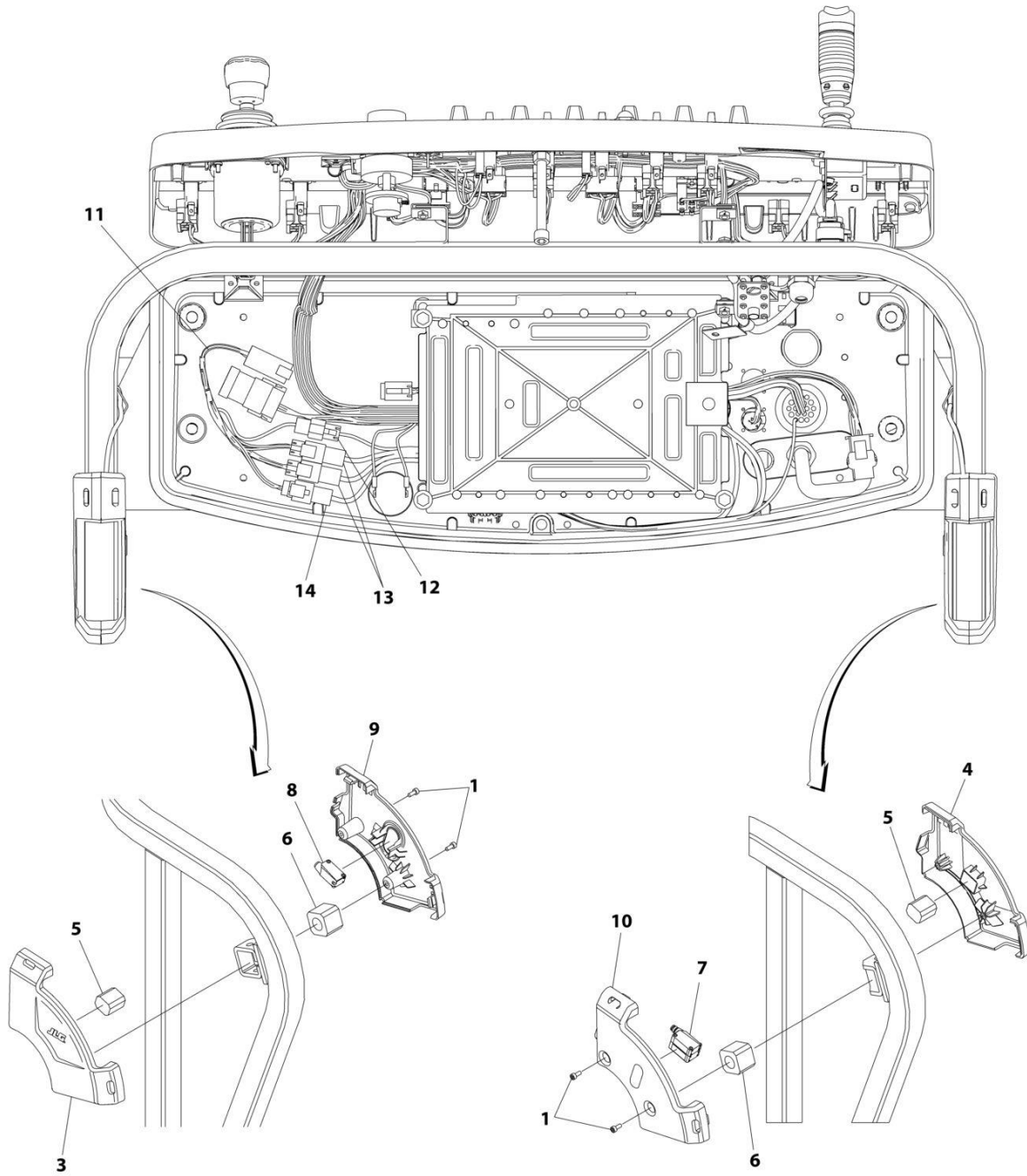
SECTION 4 - PLATFORM

FIGURE 4-17. TRAY ASSEMBLY

ITEM	PART NUMBER	QTY	DESCRIPTION	REV
	1580012	Ref	TRAY ASSEMBLY	C
1	See Note	NSS	Tray, Storage (Center) (Note: Purchase p/n 1580012)	
2	0641406	2	Bolt 1/4 x 3/4	
3	4751400	2	Washer 1/4	
4	4761400	2	Washer 1/4	

SECTION 4 - PLATFORM

FIGURE 4-18. SKYEYE INSTALLATION



ART_1001229341

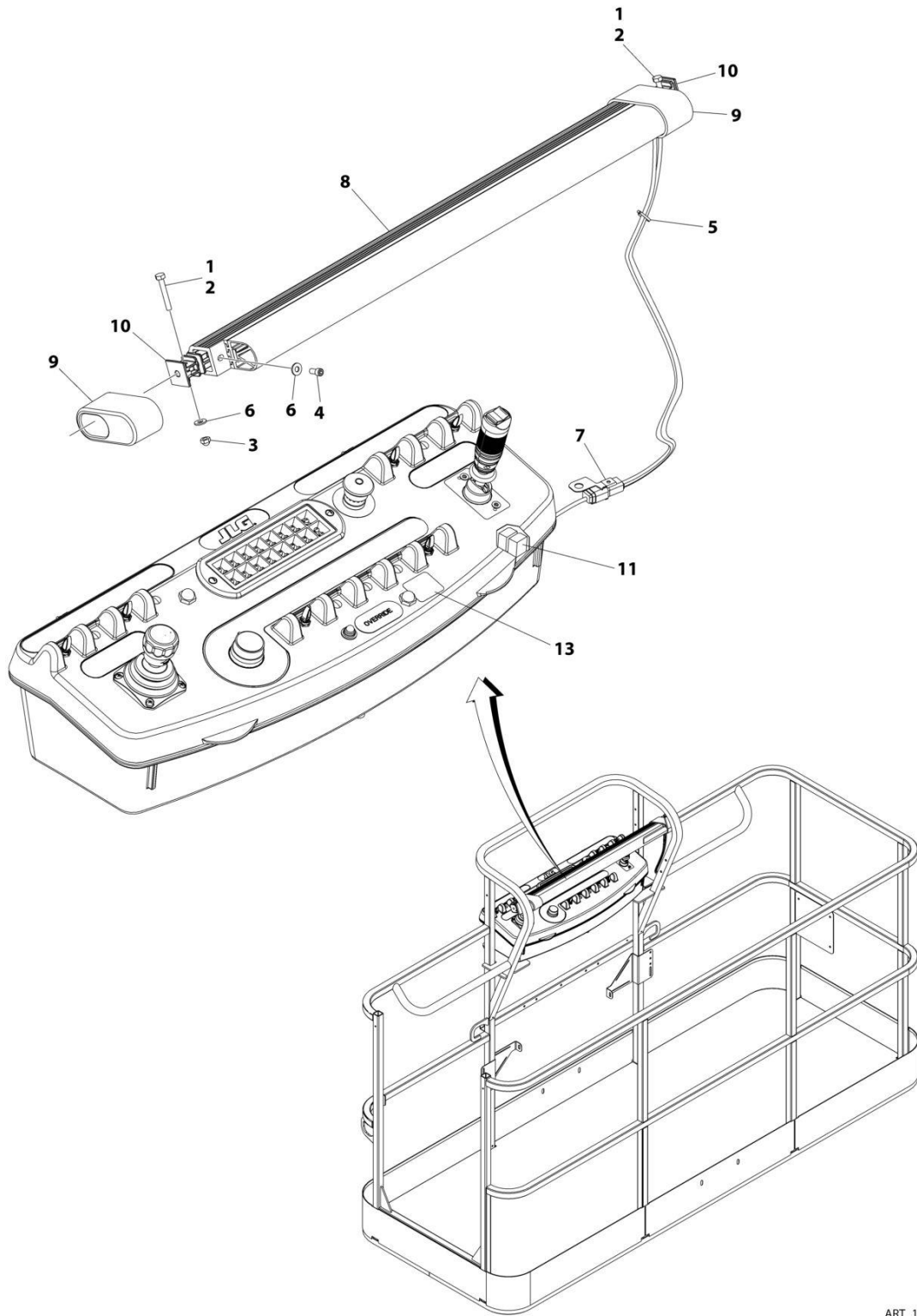
SECTION 4 - PLATFORM

FIGURE 4-18. SKYEYE INSTALLATION

ITEM	PART NUMBER	QTY	DESCRIPTION	REV
	1001229341	Ref	SKYEYE INSTALLATION	B
1	4031505	4	Bolt M4 x 10	
2	4240033	AR	Tie-Strap (Not Shown)	
3	1001227633	1	Housing, LH Outer	
4	1001227634	1	Housing, RH Outer	
5	1001227985	2	Shim	
6	1001227987	2	Shim	
7	1001228224	2	Sensor, Receiver	
8	1001228225	1	Sensor, Emitter	
9	1001232164	1	Housing, LH Inner	
10	1001232165	1	Housing, RH Inner	
11	1001237865	1	Harness, Skyeeye Intermediate (See Separate Breakdown in ELECTRICAL Section)	
12	1001238319	NLA	Harness, Skyeeye Drain Jumper	
12	1001187674	1	Plug, Male - 2 Position	
12	4460942	1	Terminal	
12	4460466	1	Plug, Terminal	
12	4460508	1	Pin, Male	
13	1001237863	2	Harness, Skyeeye Receiver (See Separate Breakdown in ELECTRICAL Section)	
14	1001237864	1	Harness, Skyeeye Emitter (See Separate Breakdown in ELECTRICAL Section)	

SECTION 4 - PLATFORM

FIGURE 4-19. SKYGUARD BAR INSTALLATION



ART_1001238495

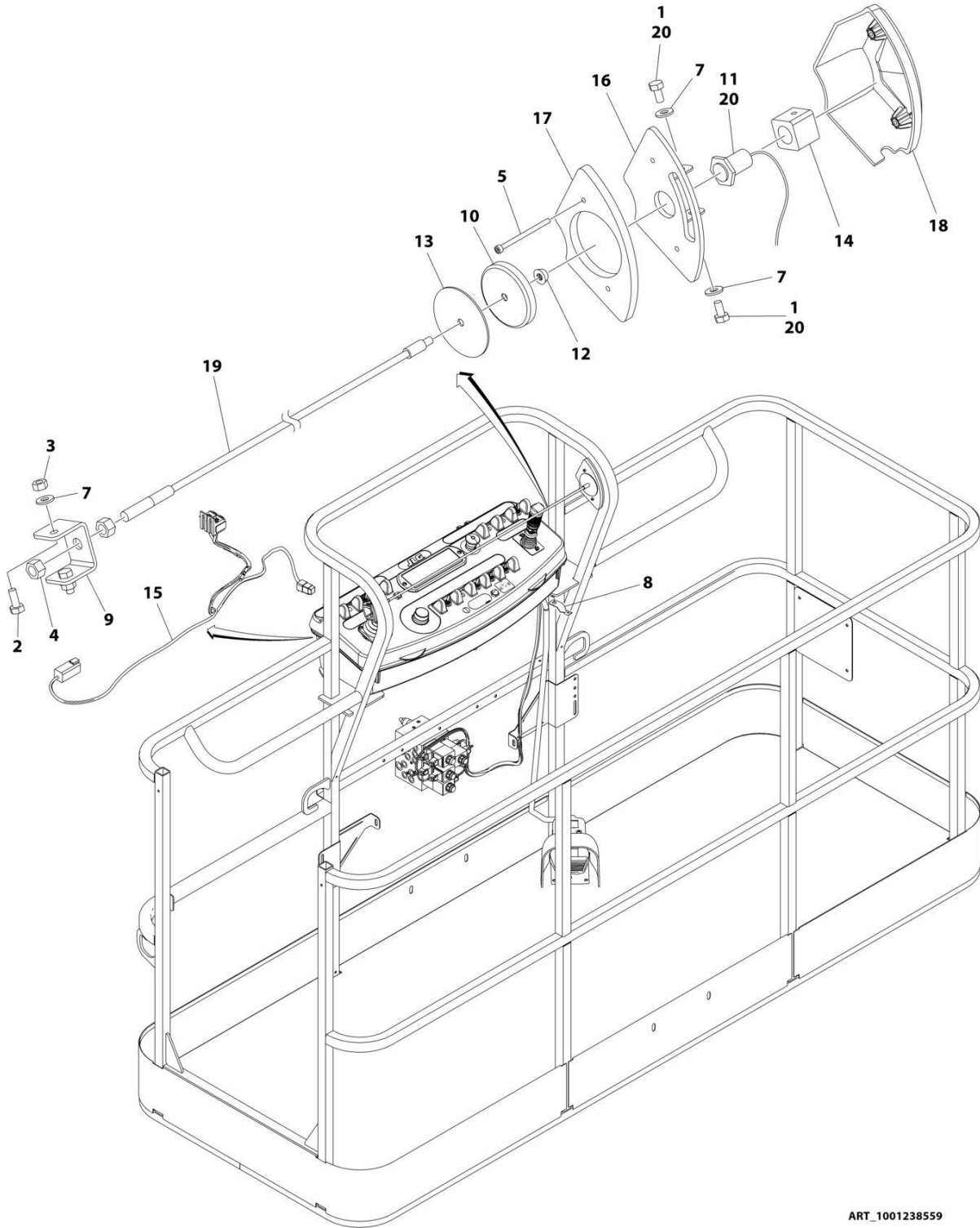
SECTION 4 - PLATFORM

FIGURE 4-19. SKYGUARD BAR INSTALLATION

ITEM	PART NUMBER	QTY	DESCRIPTION	REV
	1001238495	Ref	SKYGUARD BAR INSTALLATION	A
1	0100011	AR	Compound, Locking	
2	0641414	2	Bolt 1/4 x 1-3/4	
3	3300430	2	Nut 1/4	
4	3931408	2	Capscrew 1/4 x 1/2	
5	4240033	8	Tie-Strap	
6	4711400	6	Washer 1/4	
7	1001120328	1	Mount	
8	1001137673	1	SkyGuard Switch Assembly	
9	1001186517	2	Cover, Platform Sensor	
10	1001209664	2	Support, Block	
11	1001186431	2	Relay	
12	1001225580	1	Interface Harness Assembly (Not Shown - Located Inside Console Box) (See Separate Breakdown in ELECTRICAL Section)	
13	1001144433	1	Decal - No Weight SkyGuard	

SECTION 4 - PLATFORM

FIGURE 4-20. SKYLINE INSTALLATION



ART_1001238559

SECTION 4 - PLATFORM

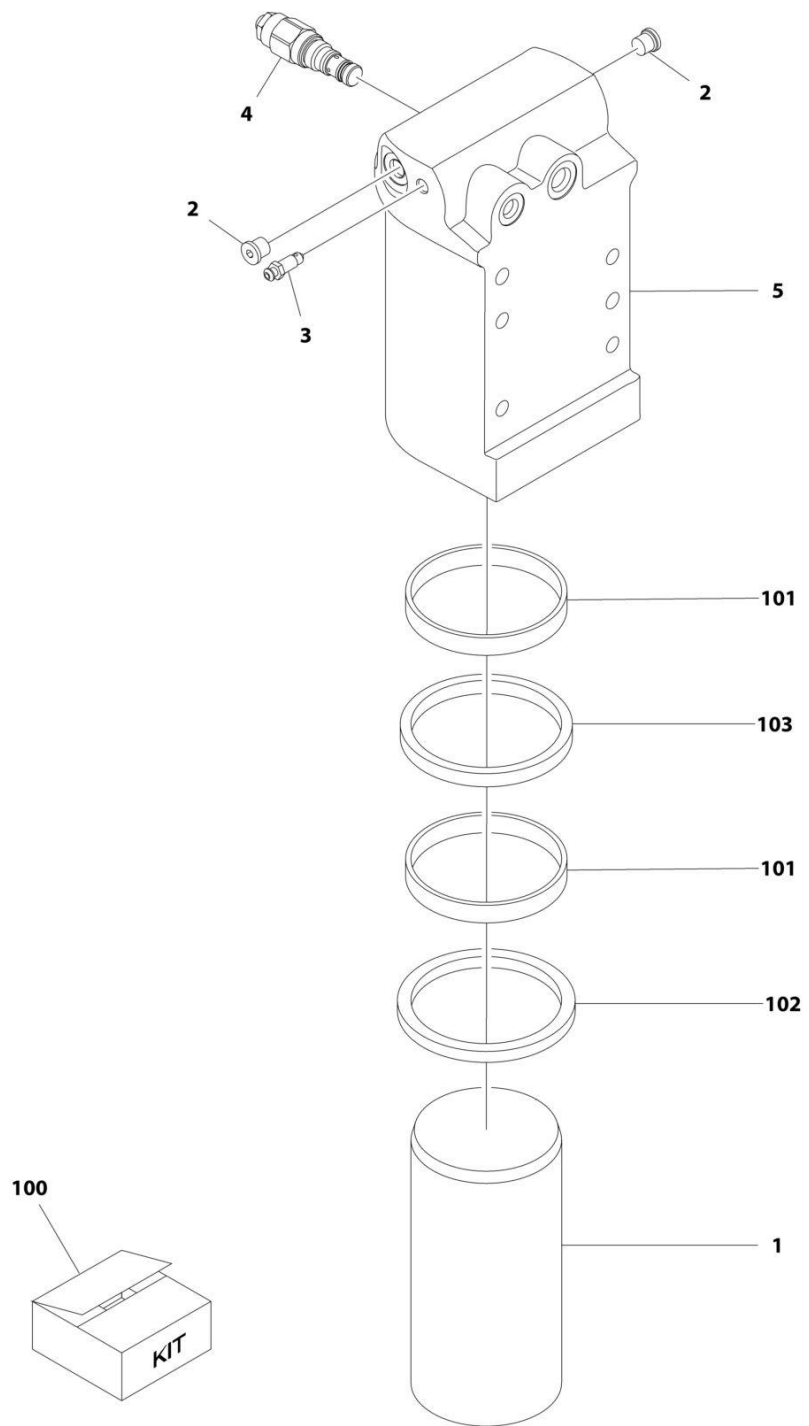
FIGURE 4-20. SKYLINE INSTALLATION

ITEM	PART NUMBER	QTY	DESCRIPTION	REV
	1001238559	Ref	SKYLINE INSTALLATION	B
1	0641404	2	Bolt 1/4 x 1/2	
2	0641405	2	Bolt 1/4 x 5/8	
3	3311405	2	Nut 1/4	
4	3311601	2	Nut 3/8	
5	4031516	2	Capscrew M4 x 60	
6	4240033	AR	Tie-Strap (Not Shown)	
7	4711400	4	Washer 1/4	
8	1001120328	1	Mount	
9	1001232642	1	Bracket	
10	1001232650	1	Magnet	
11	1001232667	1	Sensor, Proximity	
12	1001235011	1	Nut	
13	1001235013	1	Washer	
14	1001236552	1	Block	
15	1001238418	1	Harness, Skyline (See Separate Breakdown in ELECTRICAL Section)	
16	1001238472	1	Mount	
17	1001238477	1	Housing, LH	
18	1001241965	1	Housing, RH	
19	1001238824	1	Rope	
20	0100011	AR	Compound, Locking	

SECTION 5 - CYLINDER

SECTION 5 - CYLINDER

FIGURE 5-1. AXLE LOCKOUT CYLINDER ASSEMBLY



ART_1001163580

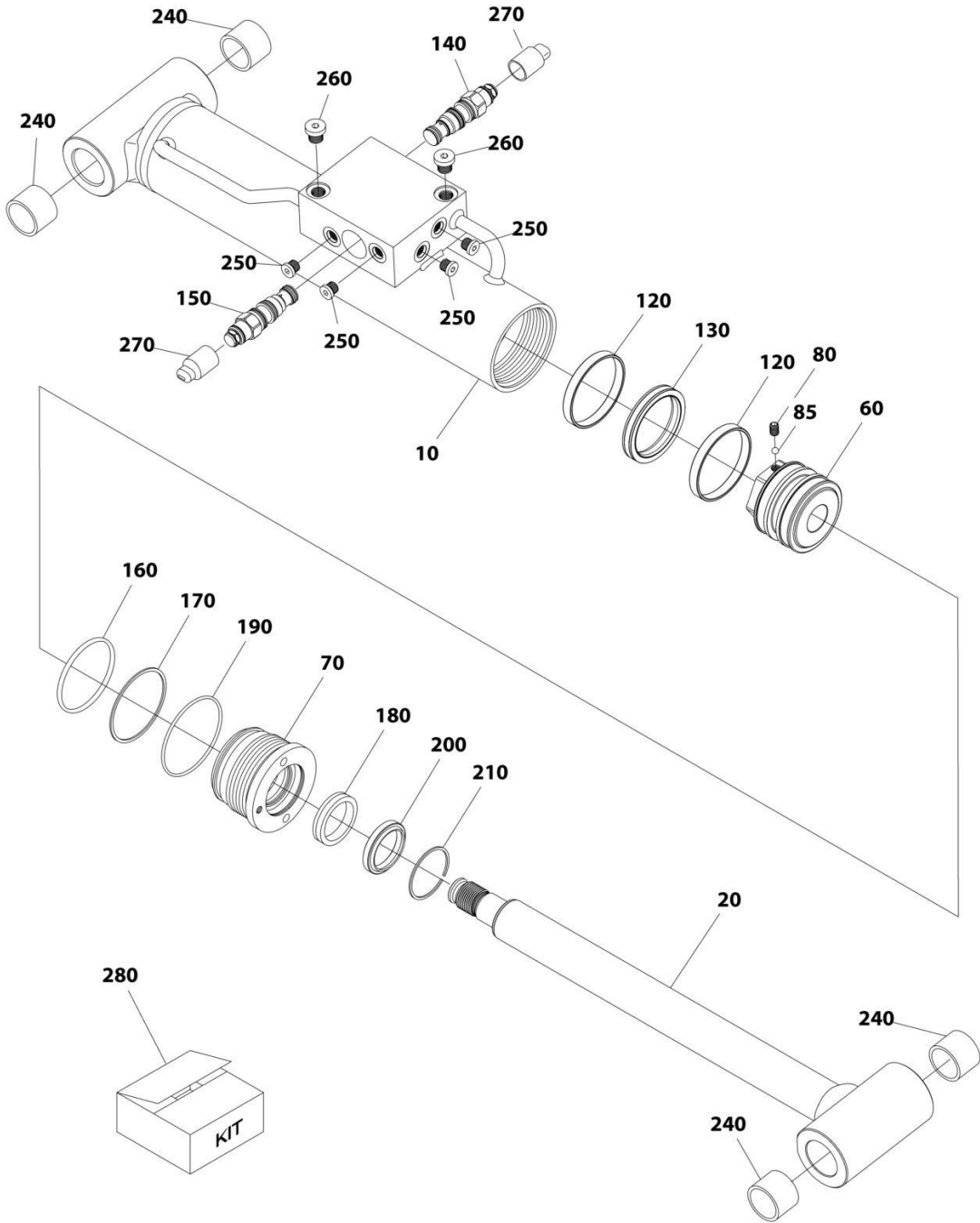
SECTION 5 - CYLINDER

FIGURE 5-1. AXLE LOCKOUT CYLINDER ASSEMBLY

ITEM	PART NUMBER	QTY	DESCRIPTION	REV
	1001163580	Ref	AXLE LOCKOUT CYLINDER ASSEMBLY	I
		Ref	Note: Original Cylinder May Have Been Replaced with Service Replacement. Identify PN Stamped on Cylinder Before Ordering Parts.	
1	1684290	1	Rod	
2	2220883	2	Plug #4	
3	4640858	1	Valve, Bleeder	
4	1001117372	1	Cartridge, Valve	
4	70002842	1	Seal Kit - 1001117372 Valve	
5	1001164817	1	Barrel	
100	2902266	NLA	Seal Kit - 1001163590 Cylinder (Includes Items 101-103)	
101	See Note	NSS	Ring, Wear (Note: Use Item 100)	
102	See Note	NSS	Seal (Note: Use Item 100)	
103	See Note	NSS	Wiper (Note: Use Item 100)	

SECTION 5 - CYLINDER

FIGURE 5-2. LEVEL (PLATFORM SLAVE) CYLINDER ASSEMBLY



ART_1001161716

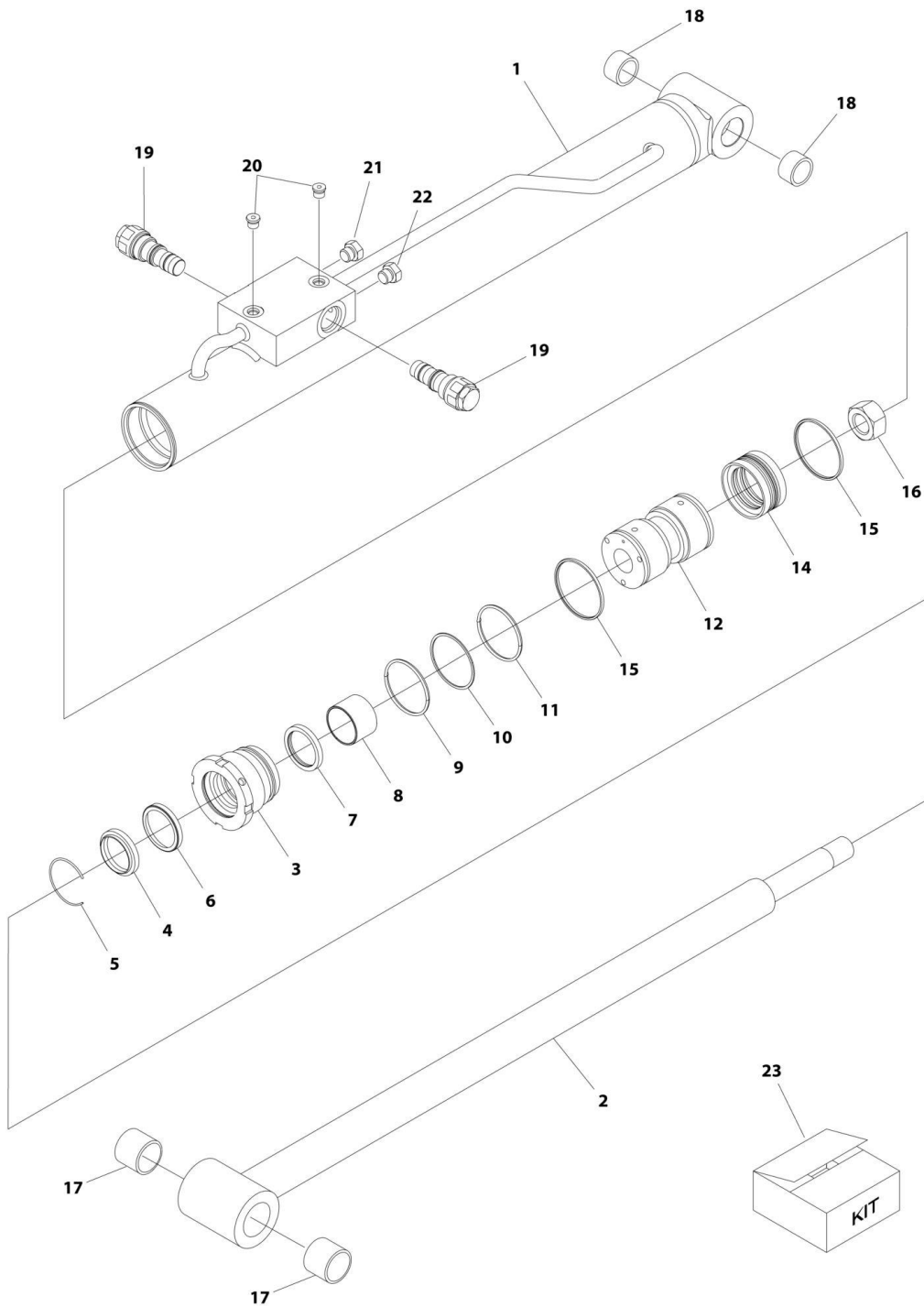
SECTION 5 - CYLINDER

FIGURE 5-2. LEVEL (PLATFORM SLAVE) CYLINDER ASSEMBLY

ITEM	PART NUMBER	QTY	DESCRIPTION	REV
	1001161716	Ref	LEVEL (PLATFORM SLAVE) CYLINDER ASSEMBLY	D
		Ref	Note: Original Cylinder May Have Been Replaced with Service Replacement. Identify PN Stamped on Cylinder Before Ordering Parts.	
10	70005010	1	Barrel	
20	70005011	1	Rod	
60	70005012	1	Piston	
70	70003837	1	Head	
80	70005013	1	Setscrew	
85	70005014	1	Ball	
120	See Note	NSS	Ring, Bearing (Note: Use Item 280)	
130	See Note	NSS	Seal, Piston (Note: Use Item 280)	
140	70002413	1	Cartridge, Valve	
140	2900770	1	Seal Kit - 70002413 Valve	
150	1001168210	1	Cartridge, Valve	
150	2900770	1	Seal Kit - 1001168210 Valve	
160	See Note	NSS	O-Ring (Note: Use Item 280)	
170	See Note	NSS	Seal (Note: Use Item 280)	
180	See Note	NSS	Seal (Note: Use Item 280)	
190	See Note	NSS	O-Ring (Note: Use Item 280)	
200	See Note	NSS	Wiper (Note: Use Item 280)	
210	70003838	1	Ring, Retaining	
240	0961951	4	Bushing	
250	70025619	4	Plug 7/16	
260	70024262	2	Plug 1/4	
270	See Note	2	Plug, Shipping (Note: Not Available for Purchase)	
280	70005016	1	Seal Kit - 1001161716 Cylinder (Includes Items 120 ,130 & 160-200)	

SECTION 5 - CYLINDER

FIGURE 5-3. LIFT CYLINDER ASSEMBLY - JIB



ART_1001163767

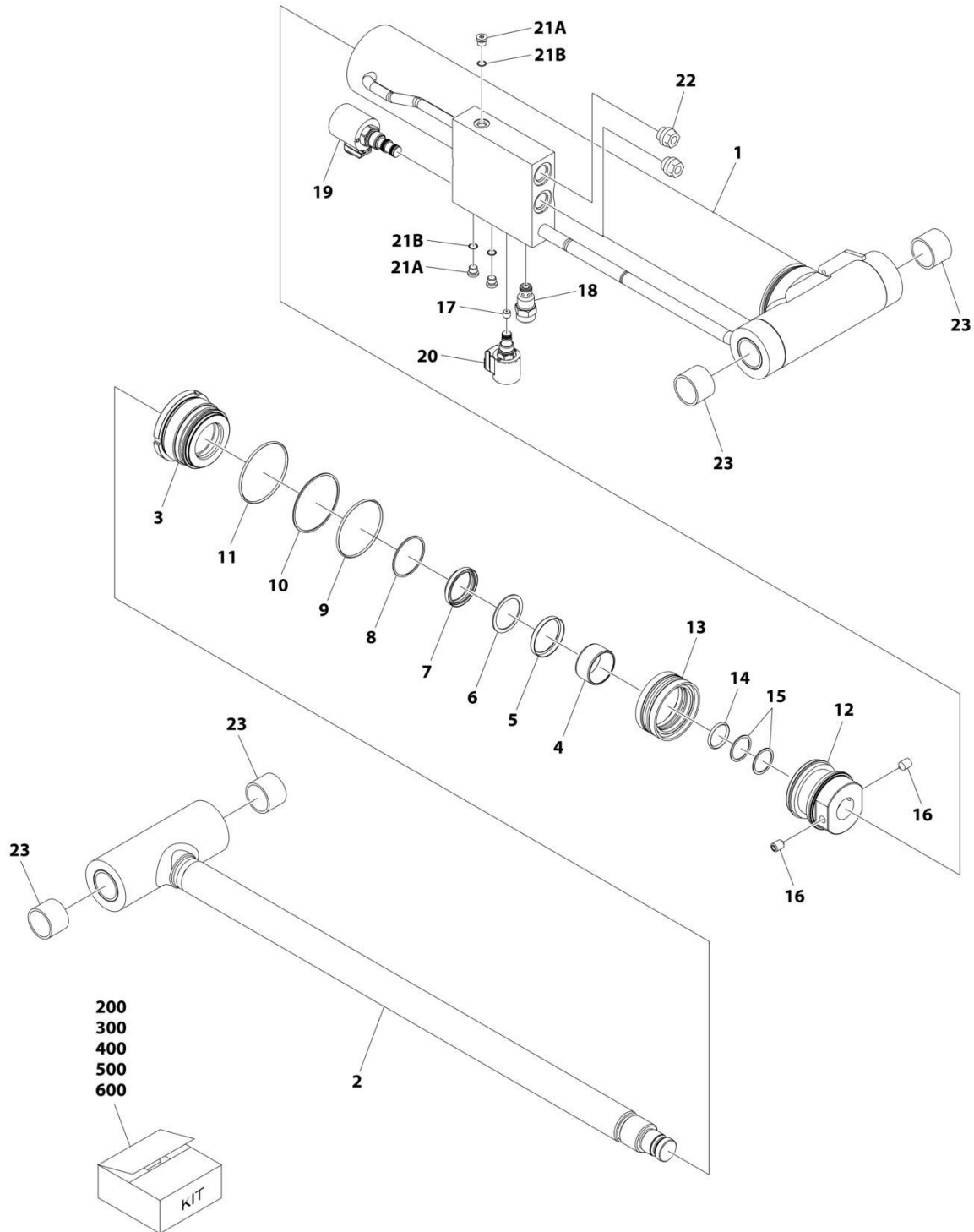
SECTION 5 - CYLINDER

FIGURE 5-3. LIFT CYLINDER ASSEMBLY - JIB

ITEM	PART NUMBER	QTY	DESCRIPTION	REV
	1001163767	Ref	LIFT CYLINDER ASSEMBLY - JIB	B
		Ref	Note: Original Cylinder May Have Been Replaced with Service Replacement. Identify PN Stamped on Cylinder Before Ordering Parts.	
1	70005155	1	Barrel	
2	70005156	1	Rod	
3	70005157	1	Head	
4	See Note	NSS	Wiper (Note: Use Item 23)	
5	70002373	1	Ring, Retaining	
6	See Note	NSS	Seal, Rod (Note: Use Item 23)	
7	See Note	NSS	Ring, Back-up (Note: Use Item 23)	
8	70005143	1	Bearing, Dry	
9	See Note	NSS	O-Ring (Note: Use Item 23)	
10	See Note	NSS	Ring, Back-up (Note: Use Item 23)	
11	See Note	NSS	O-Ring (Note: Use Item 23)	
12	70002371	1	Piston	
13	See Note	NSS	O-Ring (Note: Use Item 23)	
14	See Note	NSS	Seal, Piston (Note: Use Item 23)	
15	See Note	NSS	Ring, Piston (Note: Use Item 23)	
16	70002335	2	Nut	
17	70005158	2	Bushing	
18	70005159	2	Bushing	
19	4640509	2	Cartridge, Valve	
19	2900792	2	Seal Kit - 4640509 Valve	
20	70023370	2	Plug 7/16	
21	See Note	1	Plug 7/16 (Note: Not Available for Purchase)	
22	See Note	1	Plug 9/16 (Note: Not Available for Purchase)	
23	70005160	1	Seal Kit - 1001163767 Cylinder (Includes Items 4, 6, 7, 9-11 & 13-15)	

SECTION 5 - CYLINDER

FIGURE 5-4. LIFT CYLINDER ASSEMBLY - MAIN BOOM



ART_1001254742

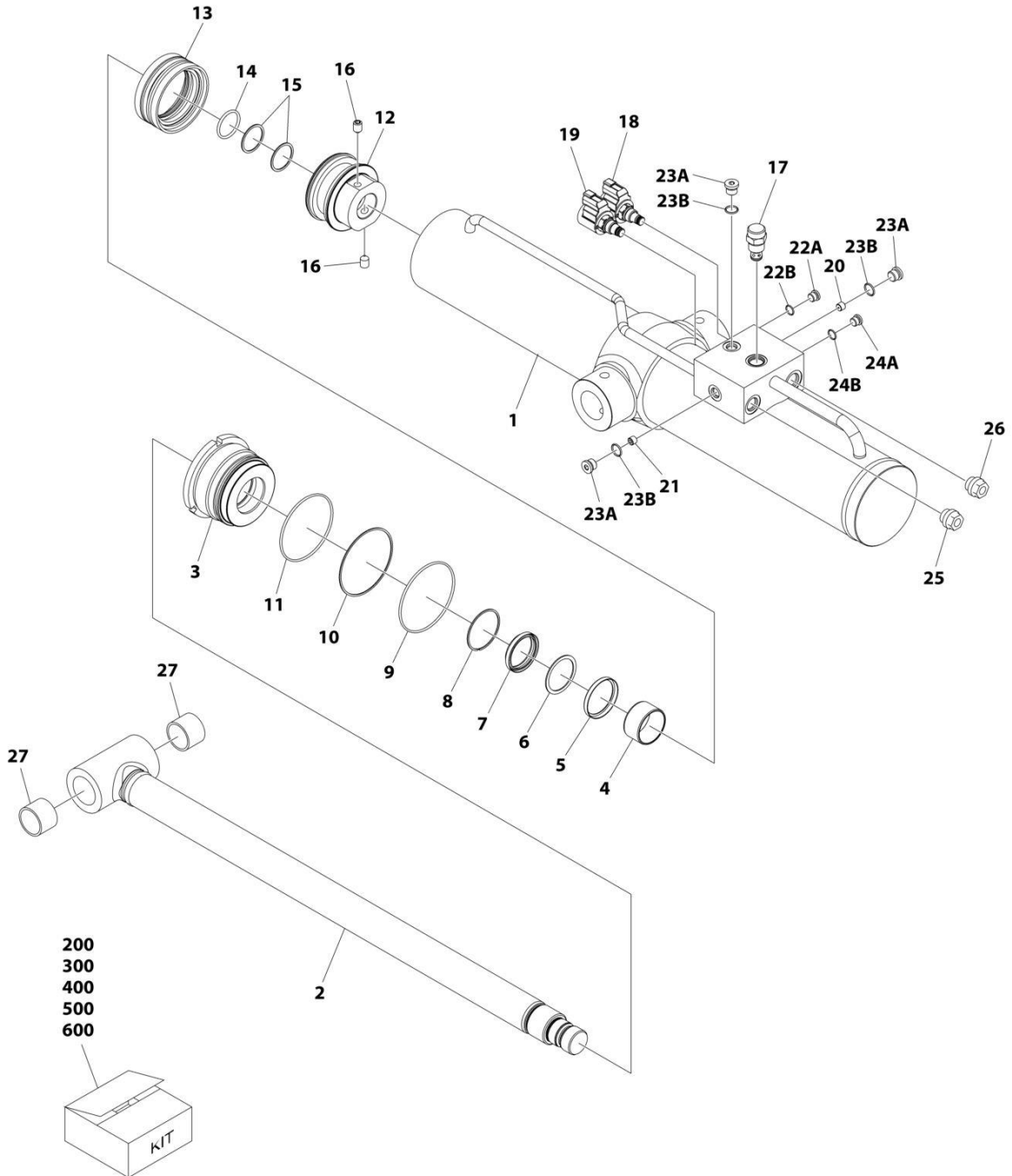
SECTION 5 - CYLINDER

FIGURE 5-4. LIFT CYLINDER ASSEMBLY - MAIN BOOM

ITEM	PART NUMBER	QTY	DESCRIPTION	REV
	1001254742	Ref	LIFT CYLINDER ASSEMBLY	B
		Ref	Note: Original Cylinder May Have Been Replaced with Service Replacement. Identify PN Stamped on Cylinder Before Ordering Parts.	
1	See Note	NSS	Barrel (Note: Use PN 1001254742)	
2	See Note	NSS	Rod (Note: Use Item 200)	
3	See Note	NSS	Head (Note: Use Item 300)	
4	See Note	NSS	Ring, Wear (Note: Use Item 300)	
5	See Note	NSS	Seal (Note: Use Item 400)	
6	See Note	NSS	Ring, Back-up (Note: Use Item 400)	
7	See Note	NSS	Wiper (Note: Use Item 400)	
8	See Note	NSS	Ring, Retaining (Note: Use Item 400)	
9	See Note	NSS	O-Ring (Note: Use Item 400)	
10	See Note	NSS	Ring, Back-up (Note: Use Item 400)	
11	See Note	NSS	O-Ring (Note: Use Item 400)	
12	See Note	NSS	Piston (Note: Use Item 500)	
13	See Note	NSS	Seal (Note: Use Item 400)	
14	See Note	NSS	O-Ring (Note: Use Item 400)	
15	See Note	NSS	Ring, Back-up (Note: Use Item 400)	
16	See Note	NSS	Set Screw (Note: Use Item 500)	
17	See Note	NSS	Orifice (Note: Use PN 1001254742)	
18	4641390	1	Cartridge, Check Valve	
18	7017496	1	Seal Kit - 4641390 Valve	
19	1001206625	1	Cartridge, Solenoid Valve (Includes Coil)	
19	70006104	1	Cartridge, Solenoid Valve Less Coil	
19	70006105	1	Seal Kit - 1001206625 & 70006104 Valves	
19	70003788	1	Coil	
19	7022390	1	Nut, Coil	
20	1001164709	1	Cartridge, Solenoid Valve (Includes Coil)	
20	7017467	1	Cartridge, Solenoid Valve Less Coil	
20	7012998	1	Seal Kit - 1001164709 & 7017467 Valve	
20	70002386	1	Coil	
21A	See Note	NSS	Plug (Note: Use Item 600)	
21B	See Note	NSS	O-Ring (Note: Use Item 600)	
22	See Note	NSS	Dust Cap (Note: Shipping Use Only)	
23	0961948	4	Bushing	
200	70007891	1	Rod Kit (Includes Items 2 & 23)	
300	70007892	1	Head Kit (Includes Items 3 & 4)	
400	70007893	1	Seal Kit (Includes Items 5-11 & 13-15)	
500	70007894	1	Piston Kit (Includes Items 12 & 16)	
600	70007895	1	Plug Kit (Includes Items 21A & 21B)	

SECTION 5 - CYLINDER

FIGURE 5-5. LIFT CYLINDER ASSEMBLY - TOWER BOOM



ART_1001254716

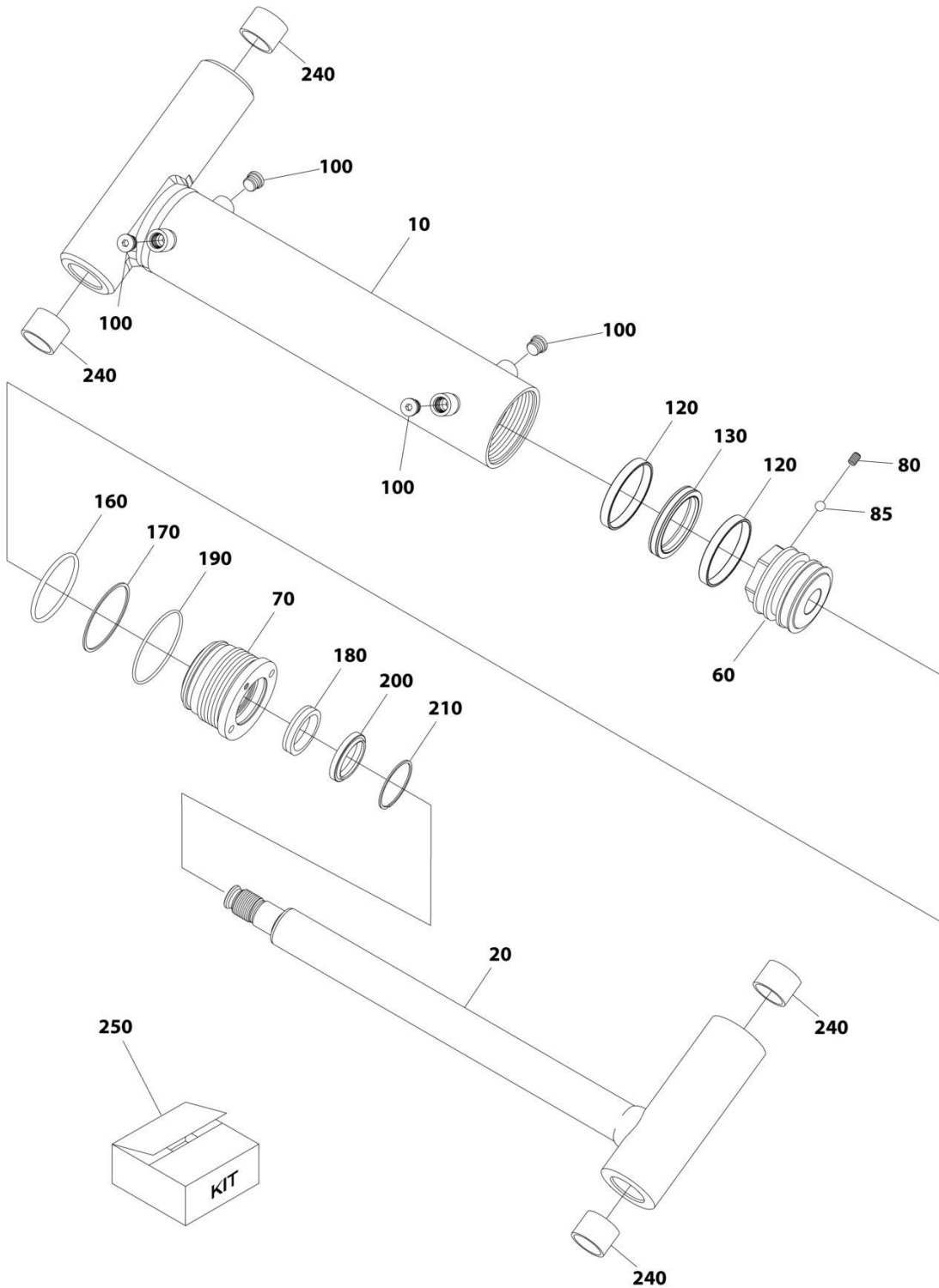
SECTION 5 - CYLINDER

FIGURE 5-5. LIFT CYLINDER ASSEMBLY - TOWER BOOM

ITEM	PART NUMBER	QTY	DESCRIPTION	REV
	1001254716	Ref	LIFT CYLINDER ASSEMBLY - TOWER BOOM	B
		Ref	Note: Original Cylinder May Have Been Replaced with Service Replacement. Identify PN Stamped on Cylinder Before Ordering Parts.	
1	See Note	NSS	Barrel (Note: Use PN 1001254716)	
2	See Note	NSS	Rod (Note: Use Item 200)	
3	See Note	NSS	Head (Note: Use Item 300)	
4	See Note	NSS	Ring, Wear (Note: Use Item 300)	
5	See Note	NSS	Seal (Note: Use Item 400)	
6	See Note	NSS	Ring, Back-up (Note: Use Item 400)	
7	See Note	NSS	Wiper (Note: Use Item 400)	
8	See Note	NSS	Ring, Retaining (Note: Use Item 400)	
9	See Note	NSS	O-Ring (Note: Use Item 400)	
10	See Note	NSS	Ring, Back-up (Note: Use Item 400)	
11	See Note	NSS	O-Ring (Note: Use Item 400)	
12	See Note	NSS	Piston (Note: Use Item 500)	
13	See Note	NSS	Seal (Note: Use Item 400)	
14	See Note	NSS	O-Ring (Note: Use Item 400)	
15	See Note	NSS	Ring, Back-up (Note: Use Item 400)	
16	See Note	NSS	Set Screw (Note: Use Item 500)	
17	4641390	1	Cartridge, Counterbalance Valve	
17	7017496	1	Seal Kit - 4641390 Valve	
18	1001164709	1	Cartridge, Solenoid Valve	
18	7012967	1	Seal Kit - 1001164709 Valve	
18	70002386	1	Coil	
19	1001166208	1	Cartridge, Solenoid Valve	
19	7012967	1	Seal Kit - 1001166208 Valve	
19	70002386	1	Coil	
20	See Note	NSS	Orifice (Note: Use PN 1001254716)	
21	See Note	NSS	Orifice (Note: Use PN 1001254716)	
22A	See Note	NSS	Plug (Note: Use Item 600)	
22B	See Note	NSS	O-Ring (Note: Use Item 600)	
23A	See Note	NSS	Plug (Note: Use Item 600)	
23B	See Note	NSS	O-Ring (Note: Use Item 600)	
24A	See Note	NSS	Plug (Note: Use Item 600)	
24B	See Note	NSS	O-Ring (Note: Use Item 600)	
25	See Note	NSS	Dust Cap (Note: Shipping Use Only)	
26	See Note	NSS	Dust Cap (Note: Shipping Use Only)	
27	0961948	2	Bushing (Note: Use Item 200)	
200	70007886	1	Rod Kit (Includes Items 2 & 27)	
300	70007887	1	Head Kit (Includes Items 3 & 4)	
400	70007888	1	Seal Kit (Includes Items 5-11 & 13-15)	
500	70007889	1	Piston Kit (Includes Items 12 & 16)	
600	70007890	1	Plug Kit (Includes Items 22A-24B)	

SECTION 5 - CYLINDER

FIGURE 5-6. MASTER CYLINDER ASSEMBLY



ART_1001161717

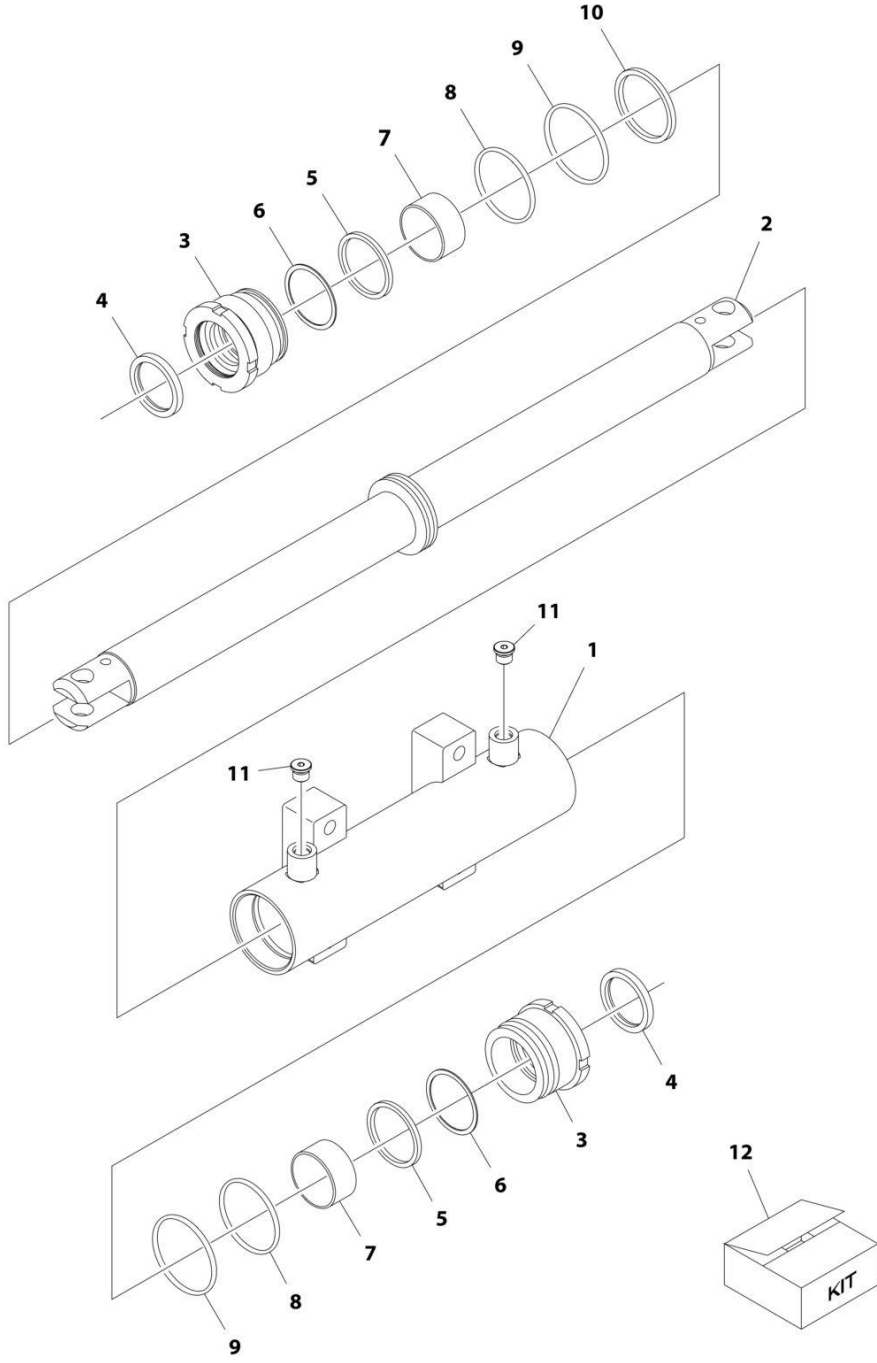
SECTION 5 - CYLINDER

FIGURE 5-6. MASTER CYLINDER ASSEMBLY

ITEM	PART NUMBER	QTY	DESCRIPTION	REV
	1001161717	Ref	MASTER CYLINDER ASSEMBLY	D
		Ref	Note: Original Cylinder May Have Been Replaced with Service Replacement. Identify PN Stamped on Cylinder Before Ordering Parts.	
10	70005017	1	Barrel	
20	70005018	1	Rod	
60	70005012	1	Piston	
70	70003837	1	Head	
80	70005013	1	Setscrew	
85	70005014	1	Ball	
100	70025959	4	Plug 9/16	
120	See Note	NSS	Ring, Piston (Note: Use Item 250)	
130	See Note	NSS	Seal (Note: Use Item 250)	
160	See Note	NSS	O-Ring (Note: Use Item 250)	
170	See Note	NSS	Ring (Note: Use Item 250)	
180	See Note	NSS	Seal (Note: Use Item 250)	
190	See Note	NSS	O-Ring (Note: Use Item 250)	
200	See Note	NSS	Wiper (Note: Use Item 250)	
210	70003838	1	Ring, Retaining	
240	0961951	4	Bushing	
250	70005016	1	Seal Kit - 1001161717 Cylinder (Includes Items 120-200)	

SECTION 5 - CYLINDER

FIGURE 5-7. STEER CYLINDER ASSEMBLY



ART_1001163178

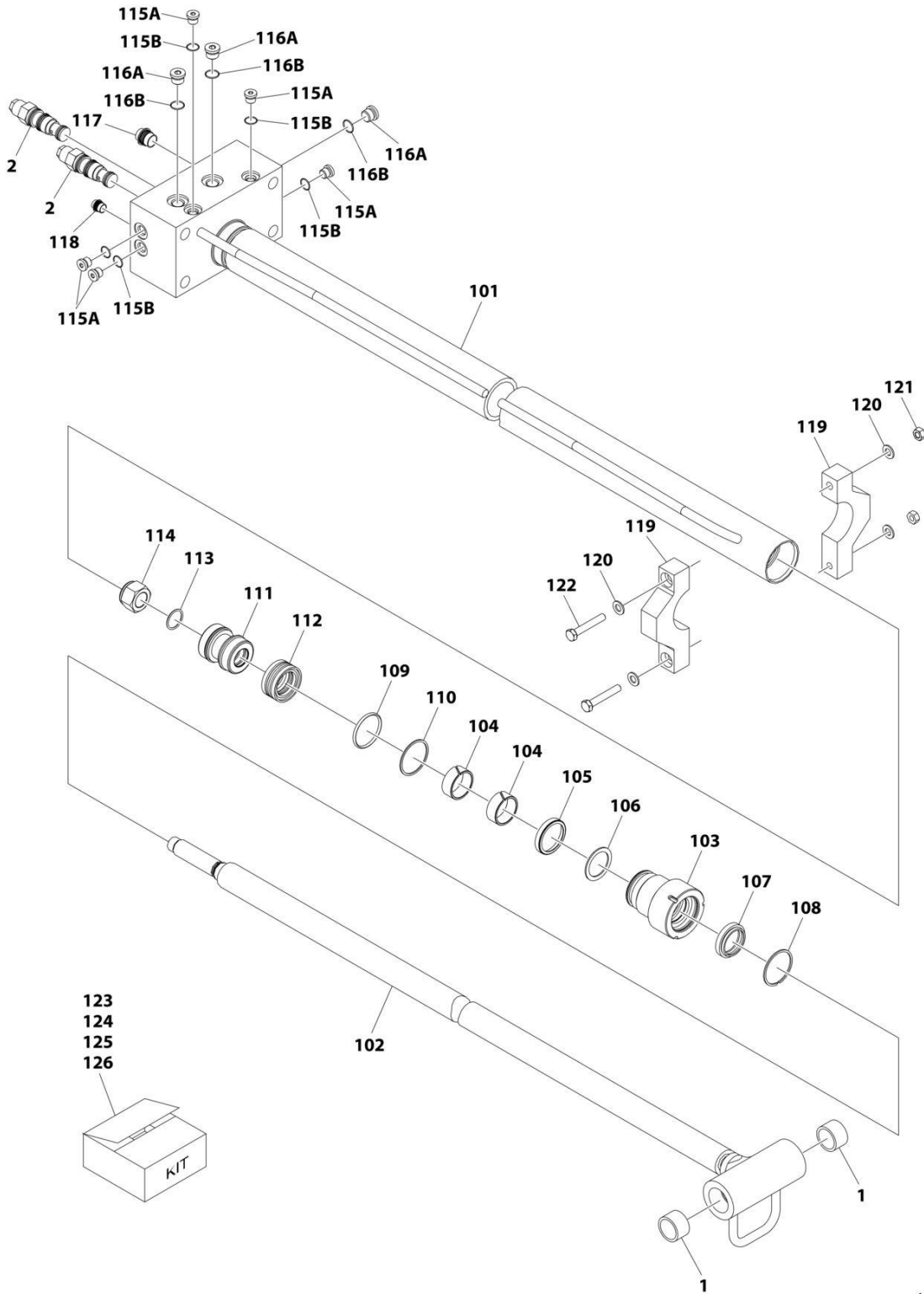
SECTION 5 - CYLINDER

FIGURE 5-7. STEER CYLINDER ASSEMBLY

ITEM	PART NUMBER	QTY	DESCRIPTION	REV
	1001163178	Ref	STEER CYLINDER ASSEMBLY	E
		Ref	Note: Original Cylinder May Have Been Replaced with Service Replacement. Identify PN Stamped on Cylinder Before Ordering Parts.	
1	70005150	1	Barrel	
2	70005151	1	Rod	
3	70005152	2	Head	
4	See Note	NSS	Wiper (Note: Use Item 12)	
5	See Note	NSS	Seal, Rod (Note: Use Item 12)	
6	See Note	NSS	Ring, Back-up (Note: Use Item 12)	
7	70005153	2	Bearing, Dry	
8	See Note	NSS	O-Ring (Note: Use Item 12)	
9	See Note	NSS	O-Ring (Note: Use Item 12)	
10	See Note	NSS	Seal, Piston (Note: Use Item 12)	
11	See Note	2	Plug 9/16 (Note: Not Available for Purchase)	
12	70005154	1	Seal Kit - 1001163178 Cylinder (Includes Items 4-6 & 8-10)	

SECTION 5 - CYLINDER

FIGURE 5-8. TELESCOPE CYLINDER ASSEMBLY



ART_1001272671

SECTION 5 - CYLINDER

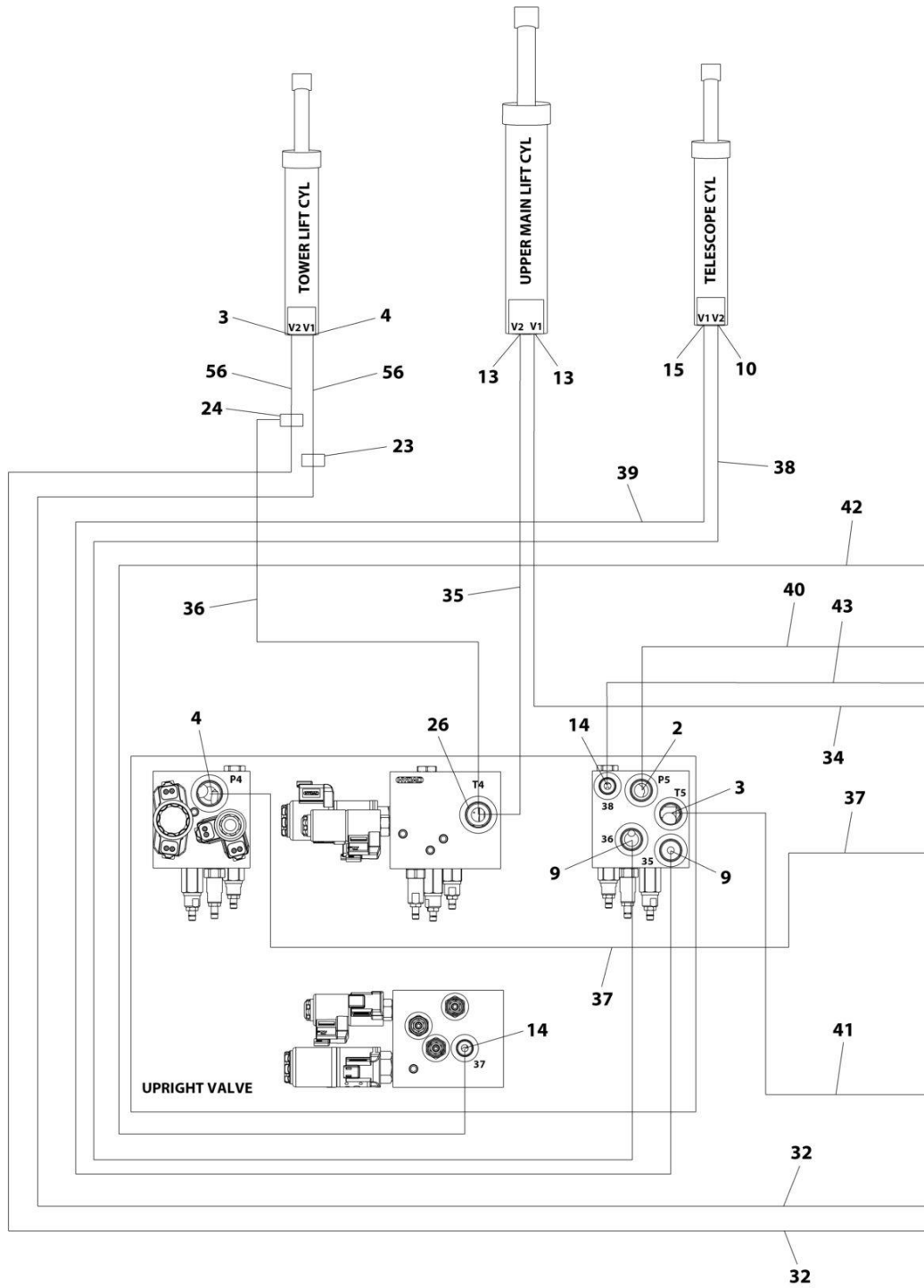
FIGURE 5-8. TELESCOPE CYLINDER ASSEMBLY

ITEM	PART NUMBER	QTY	DESCRIPTION	REV
	1001272671	Ref	TELESCOPE CYLINDER ASSEMBLY	B
		Ref	Note: Original Cylinder May Have Been Replaced with Service Replacement. Identify PN Stamped on Cylinder Before Ordering Parts.	
1	0962292	2	Bushing	
2	4640771	2	Cartridge, Valve	
2	2900770	2	Seal Kit - 4640771 Valve	
101	See Note	NSS	Tube (Note: Not Available for Purchase)	
102	See Note	NSS	Rod (Note: Use Item 123)	
103	70007896	1	Cover, Rod	
104	See Note	NSS	U-Packing (Note: Use Item 124)	
105	See Note	NSS	Ring, Backup (Note: Use Item 124)	
106	See Note	NSS	Ring, Wear (Note: Use Item 124)	
107	See Note	NSS	Wiper, Dust (Note: Use Item 124)	
108	See Note	NSS	Ring, Retaining Ring (Note: Use Item 124)	
109	See Note	NSS	O-Ring (Note: Use Item 124)	
110	See Note	NSS	Ring, Backup (Note: Use Item 124)	
111	70007897	1	Piston	
112	See Note	NSS	Seal (Note: Use Item 124)	
113	See Note	NSS	O-Ring (Note: Use Item 124)	
114	70007360	1	Nut	
115A	See Note	NSS	Plug 7/16 (Note: Use Item 125)	
115B	See Note	NSS	O-Ring (Note: Use Item 125)	
116A	See Note	NSS	Plug 9/16 (Note: Use Item 125)	
116B	See Note	NSS	O-Ring (Note: Use Item 125)	
117	See Note	NSS	Cap, Dust (Note: Not Available for Purchase)	
118	See Note	NSS	Cap, Dust (Note: Not Available for Purchase)	
119	See Note	NSS	Bracket (Note: Use Item 126)	
120	See Note	NSS	Washer (Note: Use Item 126)	
121	See Note	NSS	Nut (Note: Use Item 126)	
122	See Note	NSS	Bolt (Note: Use Item 126)	
123	70007898	1	Rod Kit (Includes Items 102)	
124	70007899	1	Seal Kit (Includes Items 104-110 & 112-113)	
125	70007900	1	Plug Kit (Includes Items 115A-116B)	
126	70008280	1	Wear Pad Kit (Includes Items 119-122)	

SECTION 6 - HYDRAULIC

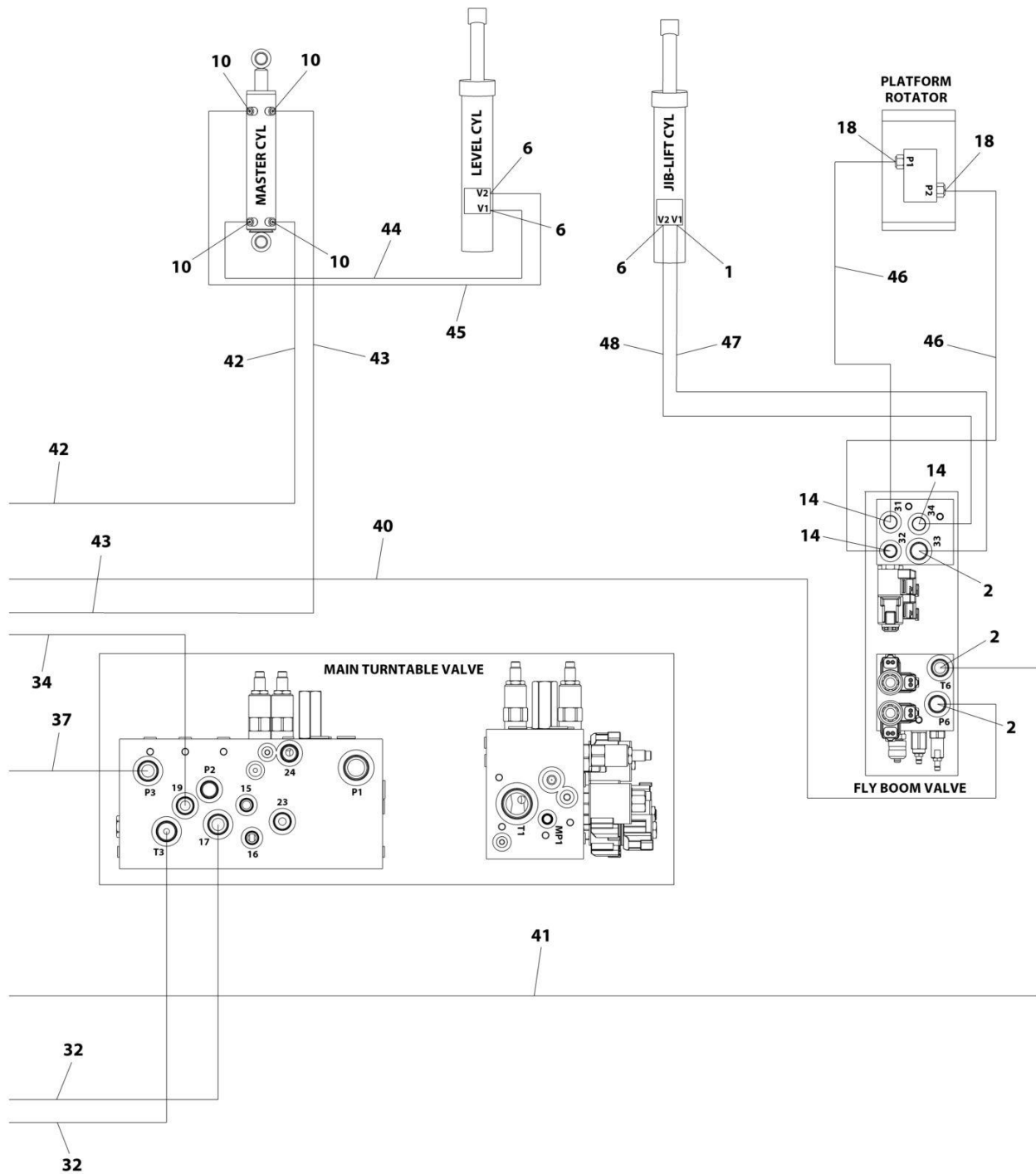
SECTION 6 - HYDRAULIC

FIGURE 6-1. BOOM HYDRAULIC SYSTEM INSTALLATION



ART_1001255048_10F2

SECTION 6 - HYDRAULIC



ART_1001255048_2OF2

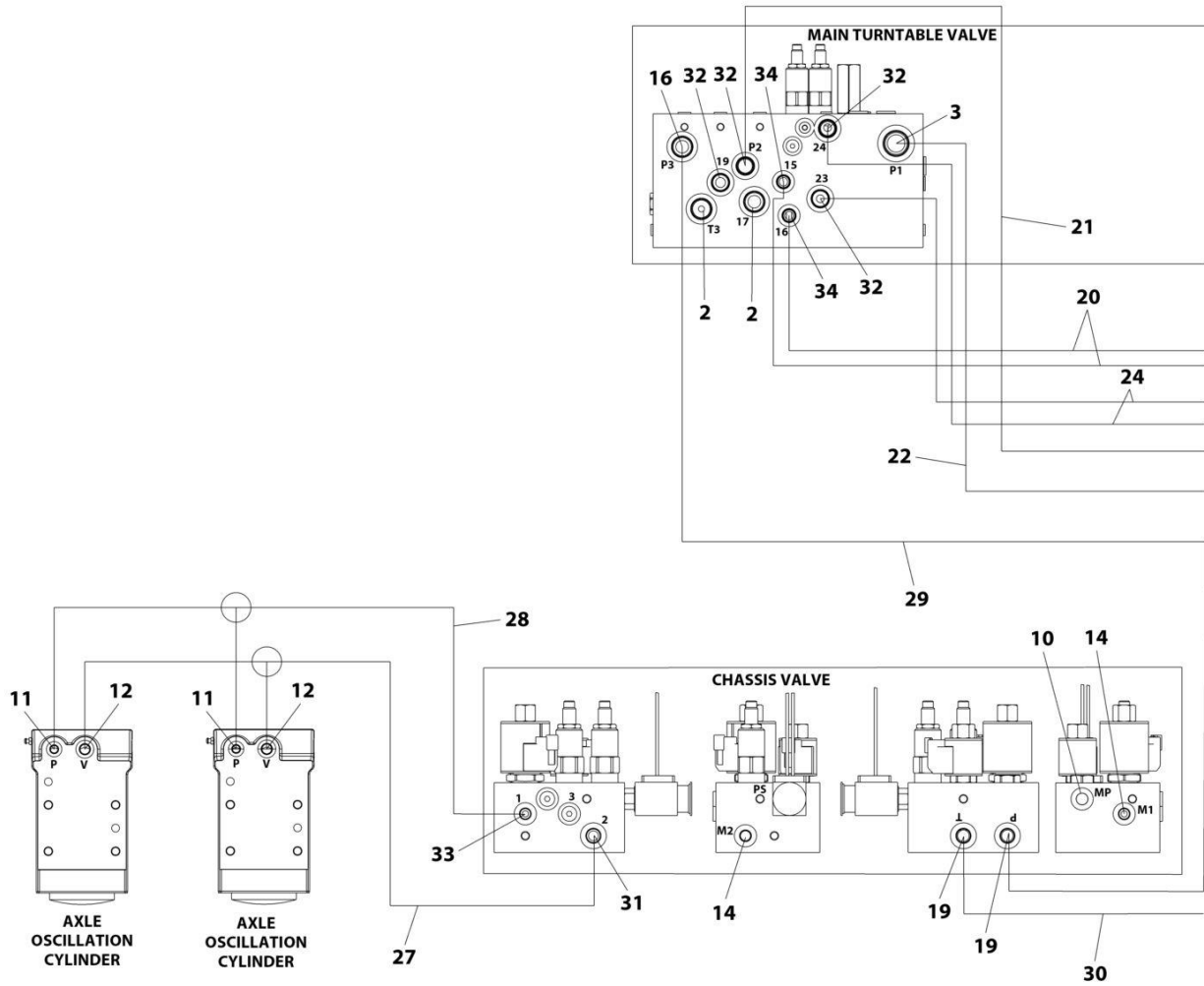
SECTION 6 - HYDRAULIC

FIGURE 6-1. BOOM HYDRAULIC SYSTEM INSTALLATION

ITEM	PART NUMBER	QTY	DESCRIPTION	REV
	1001255048	Ref	BOOM HYDRAULIC SYSTEM INSTALLATION	A
1	2220371	1	Fitting, Straight JIC/ORB	
2	2220372	4	Fitting, Straight JIC/ORB	
3	2220373	2	Fitting, Straight JIC/ORB	
4	2220374	2	Fitting, Straight JIC/ORB	
6	2220415	3	Fitting, Straight JIC/ORB	
9	2220468	2	Fitting, Straight JIC/ORB	
10	2220472	5	Fitting, 90 JIC/ORB	
13	2220577	2	Fitting, Straight JIC/ORB	
14	2220582	5	Fitting, Straight JIC/ORB	
15	2220628	1	Fitting, 90 JIC/ORB	
18	2220940	2	Fitting, Elbow	
23	2230025	1	Fitting, Straight JIC/ORB	
24	8760477	1	Fitting, Tee JIC/JIC/JIC	
26	8770289	1	Fitting, Tee JIC/ORB/JIC	
32	1001173006	2	Hose	
34	1001173034	1	Hose	
35	1001173035	1	Hose	
36	1001173036	1	Hose	
37	1001173037	1	Hose	
38	1001173038	1	Hose	
39	1001173039	1	Hose	
40	1001173040	1	Hose	
41	1001173041	1	Hose	
42	1001173042	1	Hose	
43	1001173043	1	Hose	
44	1001173044	1	Hose	
45	1001173045	1	Hose	
46	1001173046	1	Hose	
47	1001173048	1	Hose	
48	1001173049	1	Hose	
56	1001180035	2	Hose	
57	4240018	12	Tie-Strap (Not Shown)	

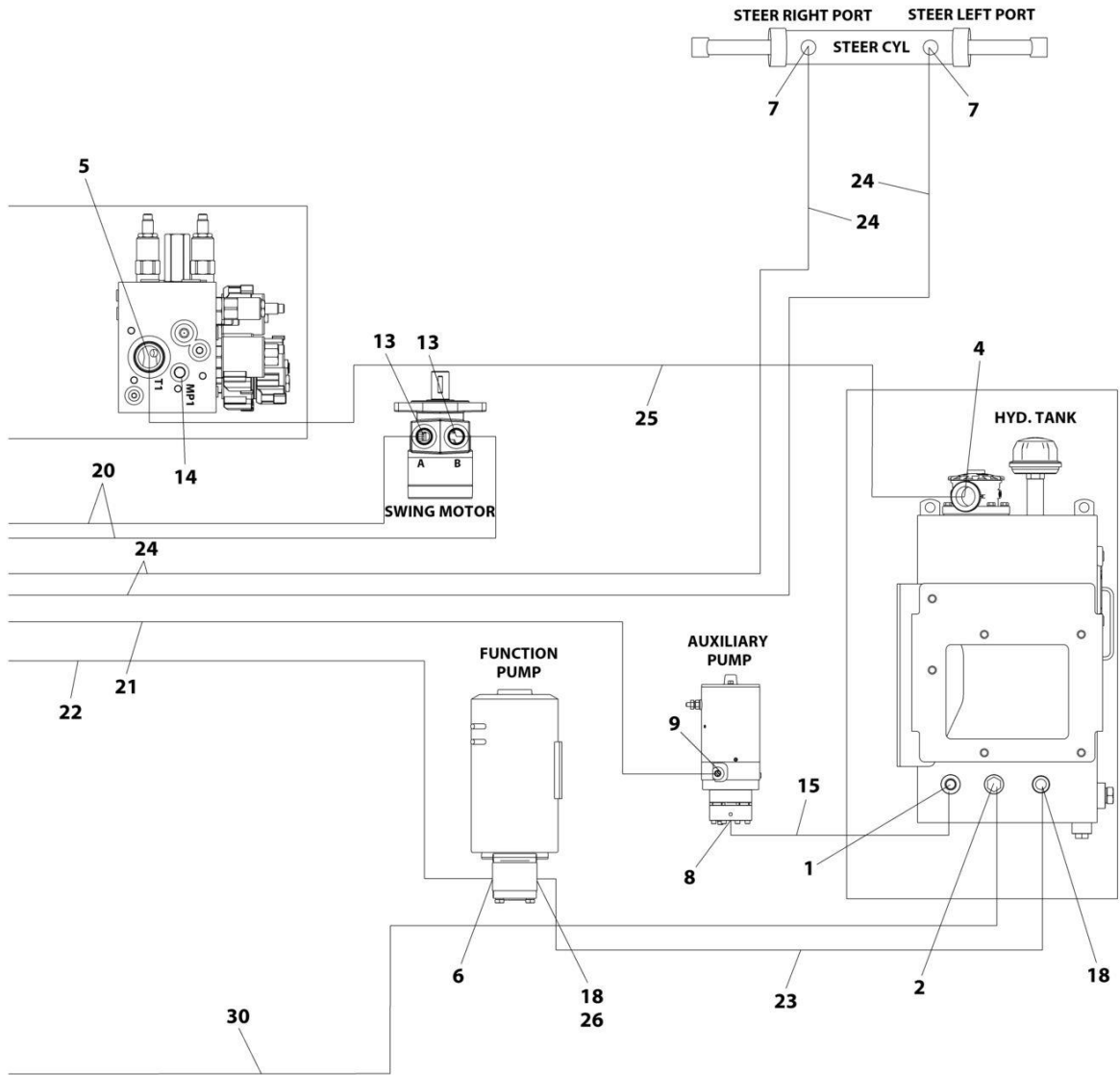
SECTION 6 - HYDRAULIC

FIGURE 6-2. CHASSIS HYDRAULIC SYSTEM INSTALLATION



ART_1001250949_1OF2

SECTION 6 - HYDRAULIC



ART_1001250949_2OF2

SECTION 6 - HYDRAULIC

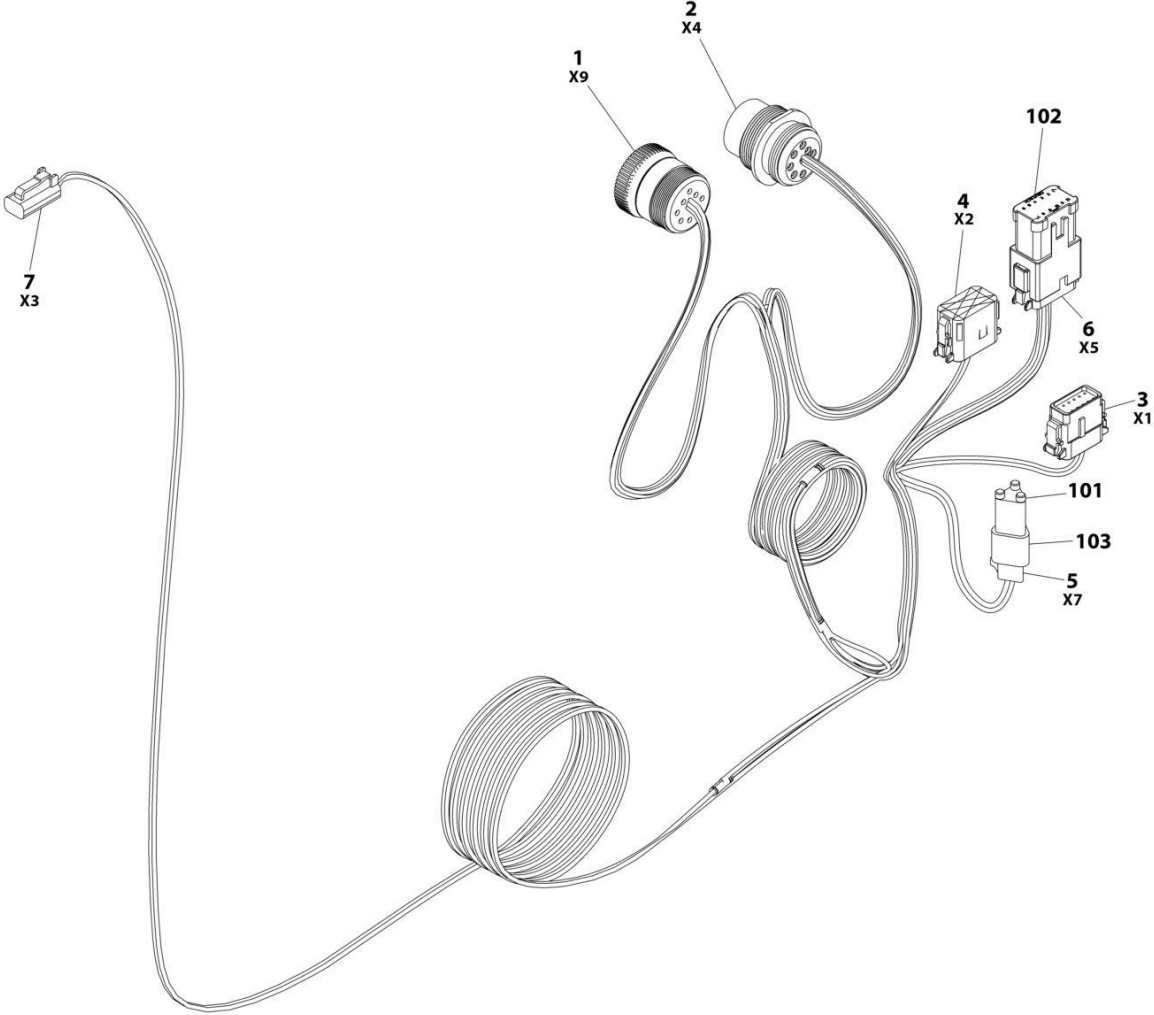
FIGURE 6-2. CHASSIS HYDRAULIC SYSTEM INSTALLATION

ITEM	PART NUMBER	QTY	DESCRIPTION	REV
	1001250949	Ref	CHASSIS HYDRAULIC SYSTEM INSTALLATION	C
1	2220373	1	Fitting, Straight JIC/ORB	
2	2220374	3	Fitting, Straight JIC/ORB	
3	2220375	1	Fitting, Straight JIC/ORB	
4	2220435	1	Fitting, Straight JIC/ORB	
5	2220465	1	Fitting, 90 JIC/ORB	
6	2220499	1	Fitting, 45 JIC/ORB	
7	2220501	2	Fitting, 45 JIC/ORB	
8	2220600	1	Fitting, Straight JIC/ORB	
9	2220603	1	Fitting, Straight JIC/ORB	
10	2220883	1	Plug #4	
11	2220923	2	Fitting, Straight JIC/ORB	
12	2220998	2	Fitting, Straight JIC/ORB	
13	2221033	2	Fitting, Straight JIC/ORB	
14	2221086	3	Fitting, Diagnostic	
15	2752519	1	Hose	
16	8760554	1	Fitting, Tee JIC/ORB/JIC	
18	1001143501	2	Clamp	
19	1001152155	2	Adapter JIC/ORB	
20	1001173027	2	Hose	
21	1001173028	1	Hose	
22	1001177507	1	Hose	
23	1001177511	1	Hose	
24	1001177515	2	Hose	
25	1001178003	1	Tube	
26	1001182142	1	Fitting, Barbed	
27	1001205950	1	Hose	
28	1001205951	1	Hose	
29	1001205952	1	Hose	
30	1001205953	1	Hose	
31	2220371	1	Fitting, Straight JIC/ORB	
32	2220372	4	Fitting, Straight JIC/ORB	
33	2220415	1	Fitting, Straight JIC/ORB	
34	2220582	2	Fitting, Straight JIC/ORB	
35	4240018	5	Tie-Strap (Not Shown)	

SECTION 7 - ELECTRICAL

SECTION 7 - ELECTRICAL

FIGURE 7-1. CLEARSKY BEACON LIGHT HARNESS



ART_1001286936

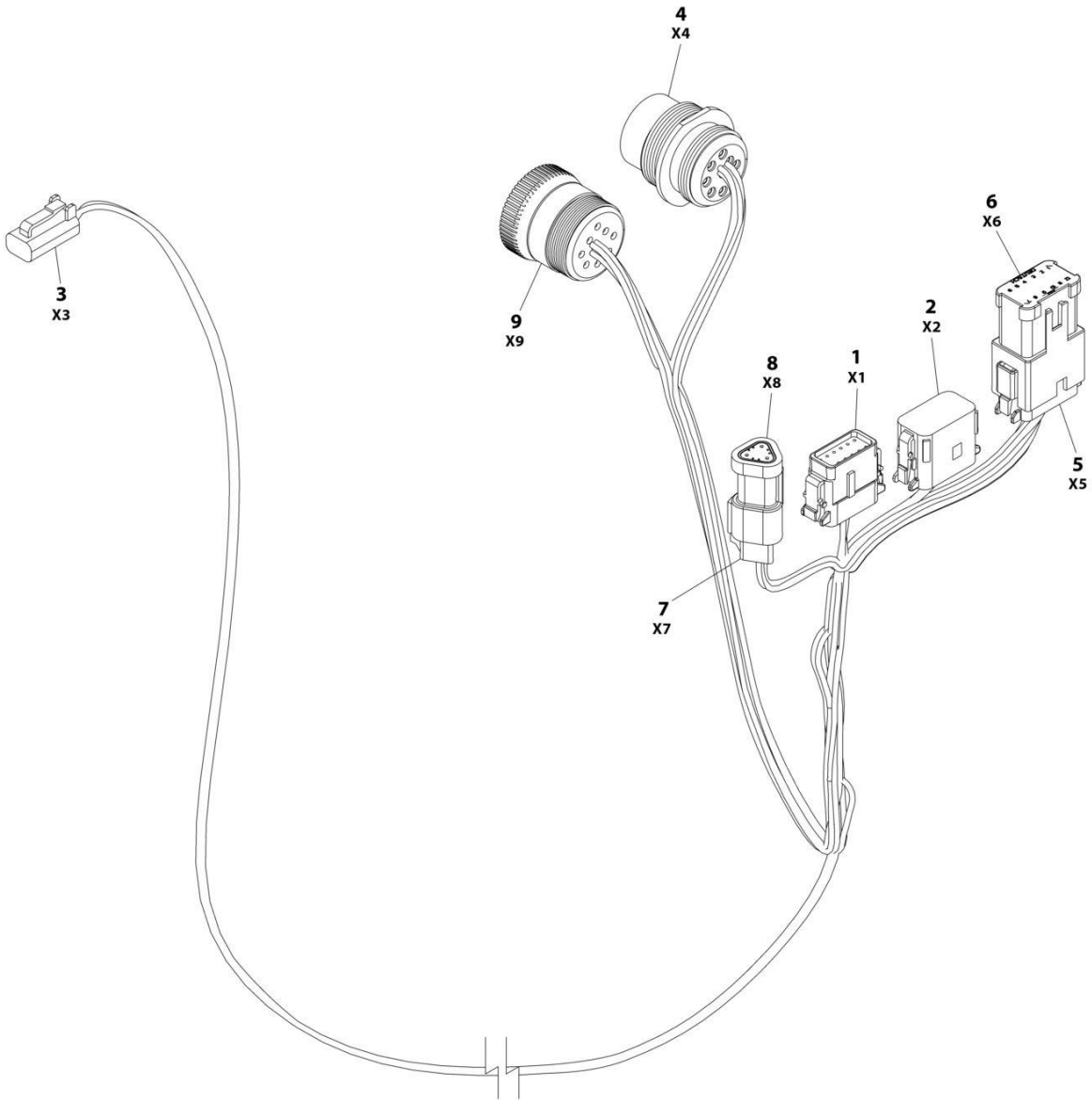
SECTION 7 - ELECTRICAL

FIGURE 7-1. CLEARSKY BEACON LIGHT HARNESS

ITEM	PART NUMBER	QTY	DESCRIPTION	REV
	1001286936	Ref	CLEARSKY BEACON LIGHT HARNESS	A
1	1001112796	1	Connector	
1	4460465	6	Socket	
1	4460466	3	Plug, Terminal	
2	1001112612	1	Connector	
2	4460464	6	Pin	
2	4460466	3	Plug	
3	1001116808	1	Plug	
3	4460928	3	Socket	
3	4460518	9	Plug	
4	1001116774	1	Plug	
4	4460518	9	Plug, Terminal	
4	4460928	3	Socket	
5	4461095	1	Plug	
5	4460465	3	Socket	
6	4460933	1	Plug	
6	4460465	12	Socket	
7	4460891	1	Plug	
7	4460465	2	Socket	
101	4460466	3	Plug	
102	1001119020	1	Bussbar	
103	1001144147	1	Connector	

SECTION 7 - ELECTRICAL

FIGURE 7-2. BEACON LIGHT HARNESS



ART_1001142736

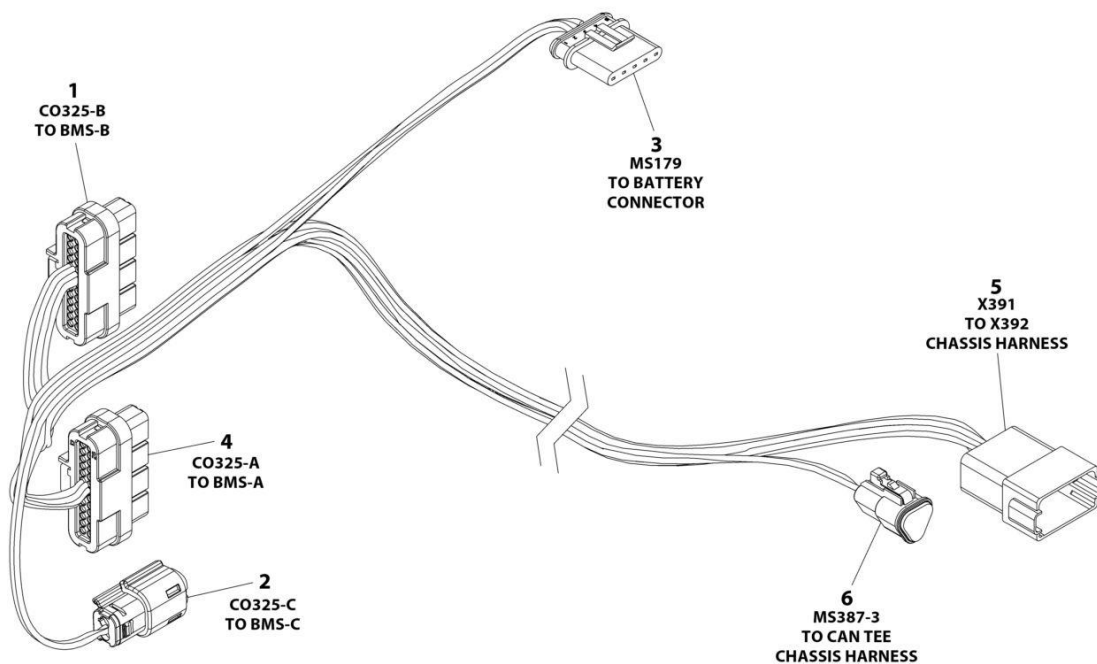
SECTION 7 - ELECTRICAL

FIGURE 7-2. BEACON LIGHT HARNESS

ITEM	PART NUMBER	QTY	DESCRIPTION	REV
	1001142736	Ref	STROBE LIGHT HARNESS	F
1	1001116808	1	Plug, Male - 12 Position	
1	4460928	3	Socket, Female	
1	4460518	9	Plug, Terminal	
2	1001116774	1	Plug, Male - 12 Position	
2	4460928	3	Socket, Female	
2	4460518	9	Plug, Terminal	
3	4460891	1	Plug, Male - 2 Position	
3	4460465	2	Socket, Female	
4	1001112612	1	Connector - 9 Position	
4	4460464	6	Pin, Male	
4	4460466	3	Plug, Terminal	
5	4460933	1	Plug, Male - 12 Position	
5	4460465	12	Socket, Female	
6	1001119020	1	Bussbar - 12 Position	
7	4461095	1	Plug, Male - 3 Position	
7	4460465	3	Socket, Female	
8	4461070	1	Bussbar - 3 Position	
9	1001112796	1	Connector - 9 Position	
9	4460465	6	Socket, Female	
9	4460466	3	Plug, Terminal	

SECTION 7 - ELECTRICAL

FIGURE 7-3. BMS HARNESS



ART_1001262599

SECTION 7 - ELECTRICAL

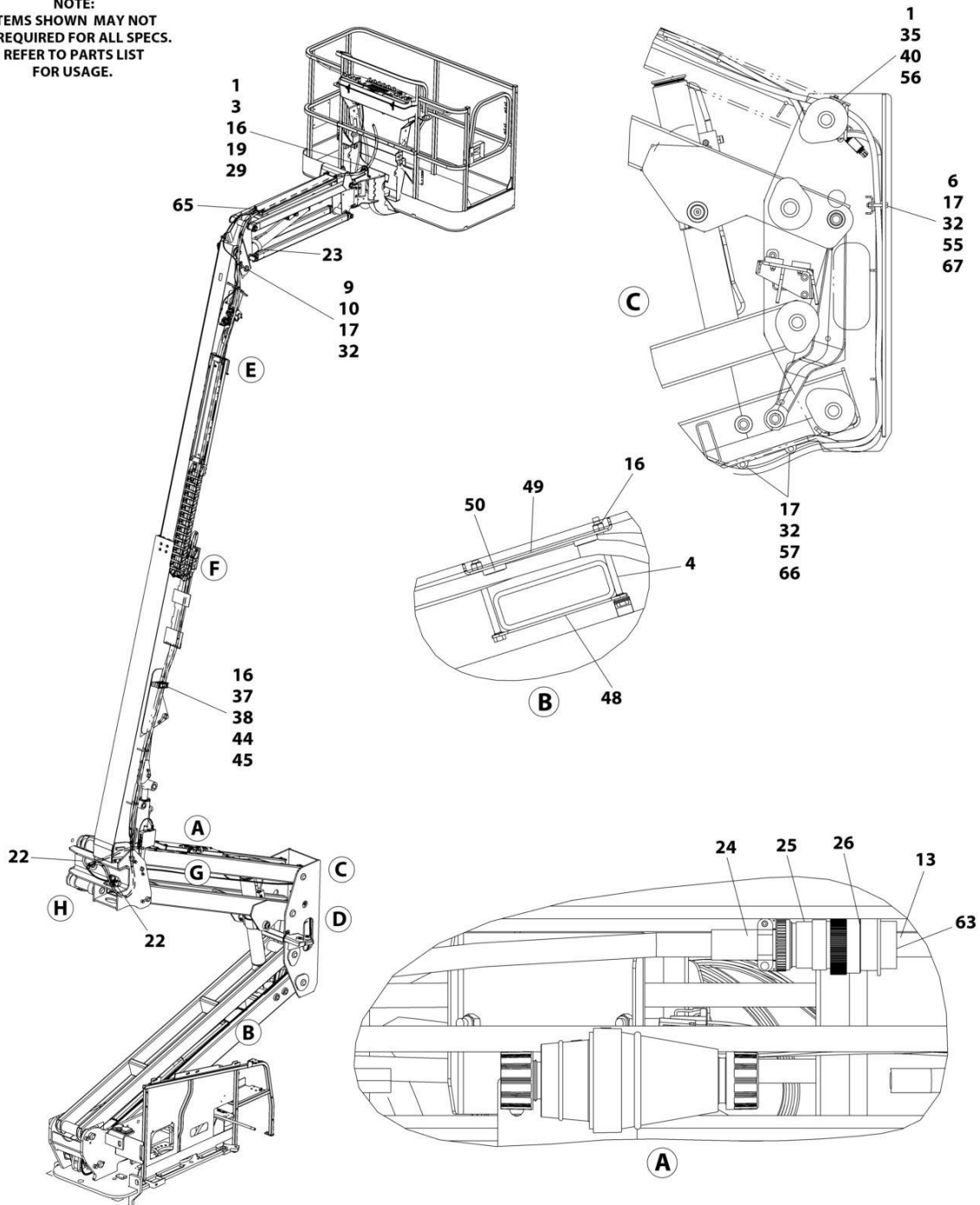
FIGURE 7-3. BMS HARNESS

ITEM	PART NUMBER	QTY	DESCRIPTION	REV
	1001262599	Ref	BMS HARNESS	A
1	1001249069	1	Connector – 26 Position	
1	1001248223	13	Socket, Female	
1	1001248224	13	Plug, Terminal	
2	1001255775	1	Connector – 2 Position	
2	1001255776	2	Socket, Female	
3	4461128	1	Connector – 5 Position	
3	183035-1	5	Socket, Female	
3	1001197457	5	Seal, Terminal	
4	1001249069	1	Connector – 26 Position	
4	1001248223	6	Socket, Female	
4	1001248224	20	Plug, Terminal	
5	4460970	1	Receptacle, Female - 12 Position	
5	4460464	9	Pin, Male	
5	4460466	3	Plug, Terminal	
6	1001116812	1	Connector – 3 Position	
6	4460944	2	Socket, Female	
6	4460466	1	Plug, Terminal	

SECTION 7 - ELECTRICAL

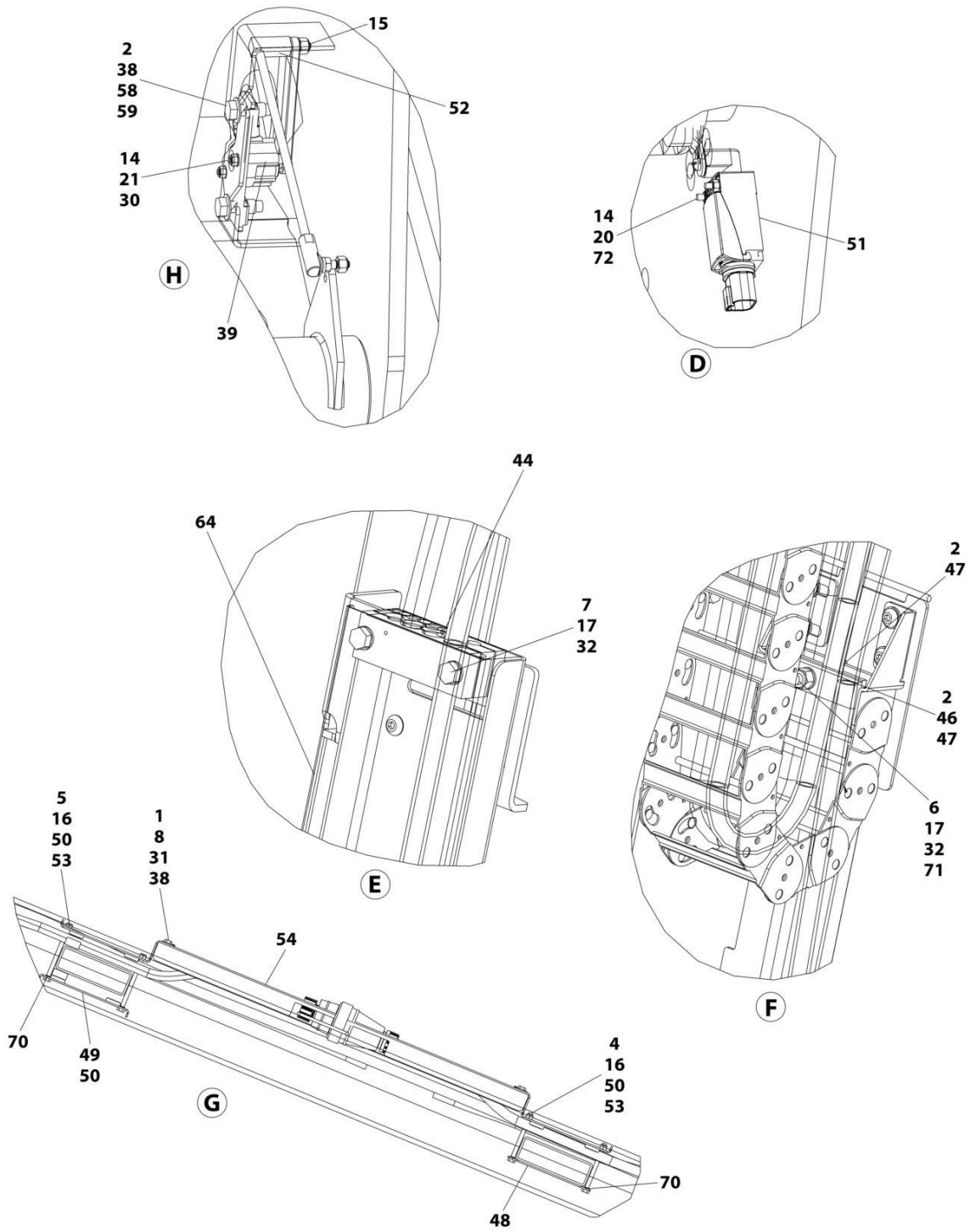
FIGURE 7-4. BOOM CABLES AND CLAMPS

NOTE:
ITEMS SHOWN MAY NOT
BE REQUIRED FOR ALL SPECS.
REFER TO PARTS LIST
FOR USAGE.



ART_1001255050_10F2

SECTION 7 - ELECTRICAL



ART_1001255050_20F2

SECTION 7 - ELECTRICAL

FIGURE 7-4. BOOM CABLES AND CLAMPS

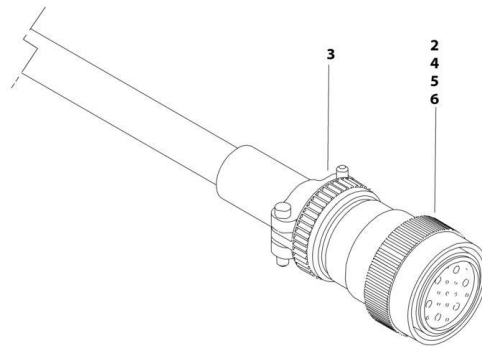
ITEM	PART NUMBER	QTY	DESCRIPTION	REV
	1001179228	Ref	BOOM CABLES AND CLAMPS INSTALLATION - REFERENCE CHART	O
	1001255050	Ref	BOOM CABLES AND CLAMPS INSTALLATION	B
1	0100011	AR	Compound, Locking	
2	0100081	AR	Adhesive	
3	0760814	2	Bolt M8 x 30	
4	0700827	6	Bolt M8 x 100	
5	0700828	2	Bolt M8 x 110	
6	0701021	3	Bolt M10 x 65	
7	0701024	4	Bolt M10 x 80	
8	0760812	4	Bolt M8 x 25	
9	0761012	1	Bolt M10 x 25	
10	1320130	1	Clamp	
13	2820031	AR	Heat Shrink	
14	3290405	4	Nut M4	
15	3290605	2	Nut M6	
16	3290805	12	Nut M8	
17	3291005	10	Nut M10	
19	3841340	1	Loop, Hose	
20	4010418	2	Screw M4 x 50	
21	4031511	2	Capscrew M4 x 35	
22	4060808	27.5 in /8.38m	Flex-Trim	
23	4240156	2	Strap, Clinch	
24	4460473	1	Clamp, Cable	
25	4460865	1	Connector - 19 Position	
26	4460866	1	Connector - 19 Position	
29	4811900	4	Washer M8	
30	4811400	2	Washer M4	
31	4811902	4	Washer M8	
32	4812000	13	Washer M10	
33	1001176951	1	Harness, Tower Boom (Not Shown - See Separate Breakdown in This Section)	
34	1001174749	1	Harness, Tower Boom AC Cable (Not Shown - See Separate Breakdown in This Section)	
35	5251014	2	Bolt M10 x 30	
36	8881800	AR	Tie-Strap (Not Shown)	
37	5281920	2	Screw M8 x 80	
38	1001118274	8	Nut M8	
39	1001118971	1	Sensor, Angle	
40	1001118972	2	Nut M10	
41	1001164730	1	Harness, Main Boom (Not Shown - See Separate Breakdown in This Section)	
42	1001164731	1	Harness, Main Boom AC Cable (Not Shown - See Separate Breakdown in This Section)	
43	1001164738	1	Harness, Boom Valve (Not Shown - See Separate Breakdown in This Section)	
44	1001166656	3	Block, Clamping	
45	1001166662	1	Plate	
46	1001168472	1	Plate, Clamping	
47	1001168473	2	Clamp, Rubber	

SECTION 7 - ELECTRICAL

ITEM	PART NUMBER	QTY	DESCRIPTION	REV
48	1001171553	3	Plate, Clamping	
49	1001171555	3	Plate, Clamping	
50	1001171559	10	Pad	
51	1001172271	1	Switch, Limit	
52	1001238466	1	Link, Sensor (Note: Sold as Assembly Only)	
53	1001178448	2	Plate, Clamping	
54	1001178449	1	Cover	
55	1001178644	1	Plate	
56	1001178958	NLA	Bracket (Use PN 1001260306)	
56	1001260306	1	Bracket	
57	1001182561	2	Roller	
58	5250812	2	Bolt M8 x 25	
59	1001179266	1	Plate, Mounting	
63	4460466	AR	Plug, Terminal	
64	1001181621	1	Cover	
65	1001181923	1	Shield, Hose	
66	1001119280	2	Bolt M10 x 260	
67	1001185747	2	Pad	
70	1001119228	8	Nut M8	
71	8310070	1	Pushnut 3/8	
72	4750800	AR	Washer #8	

SECTION 7 - ELECTRICAL

FIGURE 7-5. BOOM HARNESS - MAIN BOOM



ART_1001164730

SECTION 7 - ELECTRICAL

FIGURE 7-5. BOOM HARNESS - MAIN BOOM

ITEM	PART NUMBER	QTY	DESCRIPTION	REV
	1001164730	Ref	BOOM HARNESS - MAIN BOOM	D
2	4460865	1	Connector - 19 Position	
3	4460473	1	Clamp	
4	4460465	20	Socket, Female	
5	4460509	8	Socket, Female	
6	4460466	5	Plug, Socket	

SECTION 7 - ELECTRICAL

FIGURE 7-6. BOOM HARNESS - MAIN BOOM AC CABLE



ART_1001164731

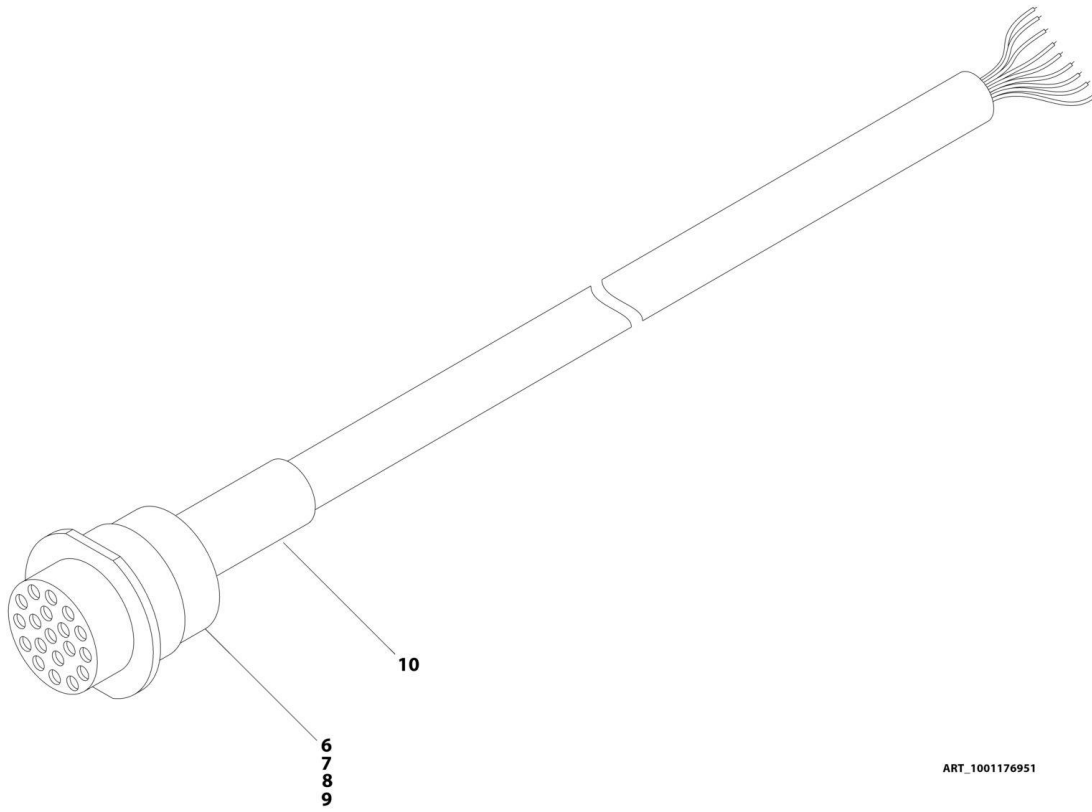
SECTION 7 - ELECTRICAL

FIGURE 7-6. BOOM HARNESS - MAIN BOOM AC CABLE

ITEM	PART NUMBER	QTY	DESCRIPTION	REV
	1001164731	Ref	BOOM HARNESS - MAIN BOOM AC CABLE	C
1	1001120204	1	Plug, Male	
4	1060461	494 in/ 12.6m	Cable, Electrical - 12/3	

SECTION 7 - ELECTRICAL

FIGURE 7-7. BOOM HARNESS - TOWER BOOM



ART_1001176951

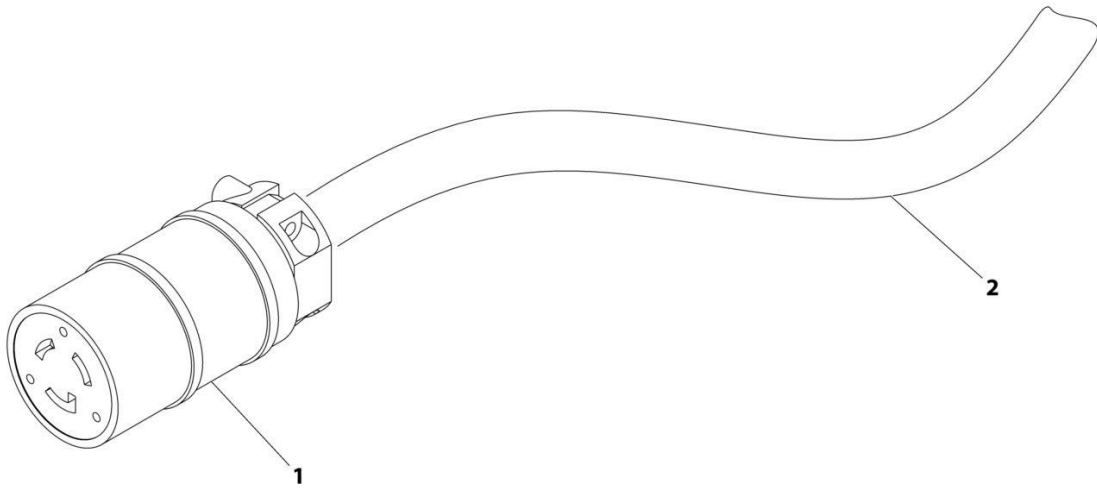
SECTION 7 - ELECTRICAL

FIGURE 7-7. BOOM HARNESS - TOWER BOOM

ITEM	PART NUMBER	QTY	DESCRIPTION	REV
	1001176951	Ref	BOOM HARNESS - TOWER BOOM	E
6	4460466	5	Plug, Terminal	
7	4460464	20	Pin, Male	
8	4460508	8	Pin, Male	
9	4460866	1	Connector - 19 Position	
10	2820031	AR	Heat Shrink	

SECTION 7 - ELECTRICAL

FIGURE 7-8. BOOM HARNESS - TOWER BOOM AC CABLE



ART_1001174749

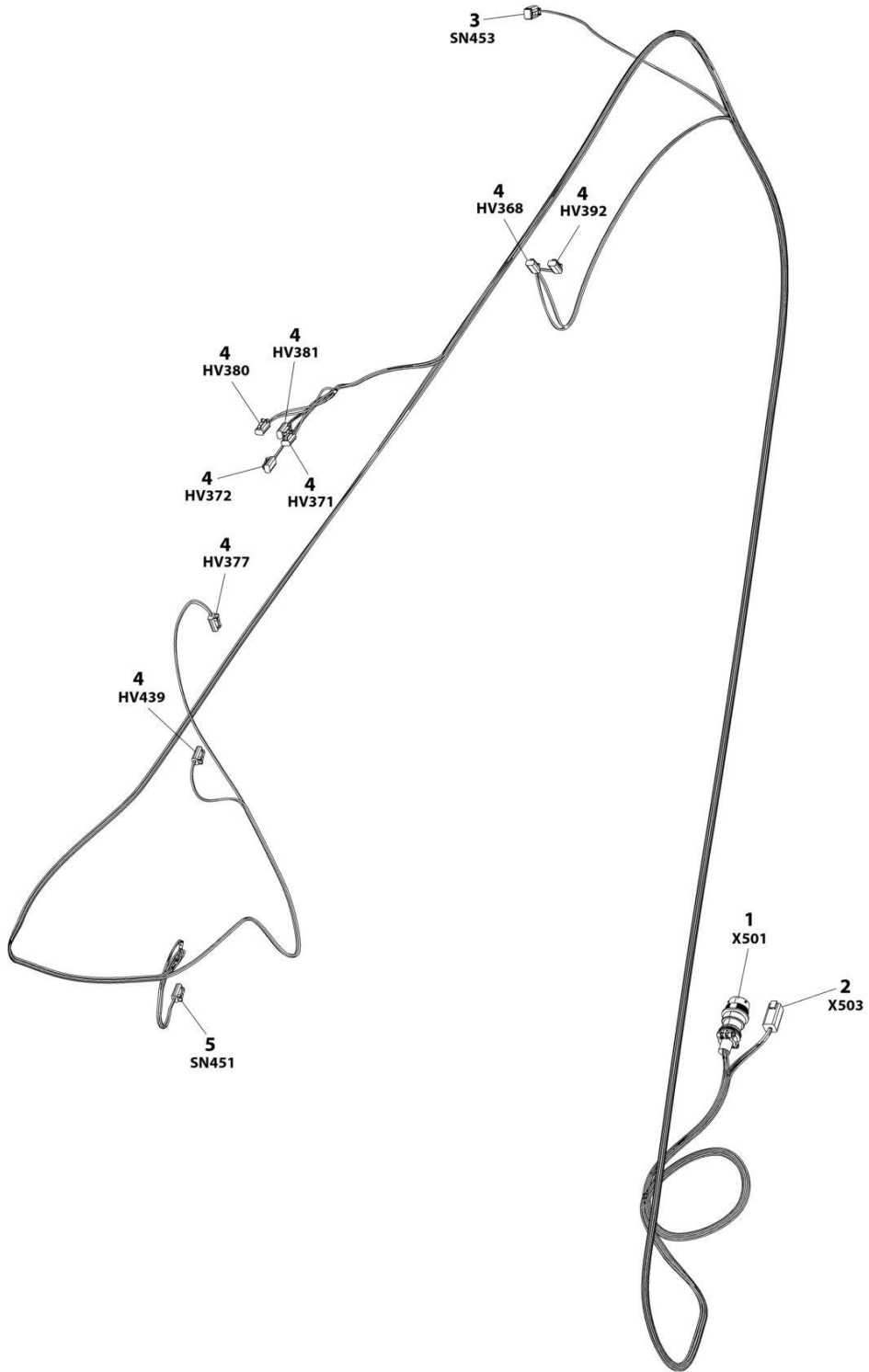
SECTION 7 - ELECTRICAL

FIGURE 7-8. BOOM HARNESS - TOWER BOOM AC CABLE

ITEM	PART NUMBER	QTY	DESCRIPTION	REV
	1001174749	Ref	BOOM HARNESS - TOWER BOOM AC CABLE	C
1	1001120205	1	Connector, Female	
2	1060461	28 ft/ 8.5m	Electrical Cable, 12/3	

SECTION 7 - ELECTRICAL

FIGURE 7-9. BOOM VALVE HARNESS



ART_1001164738

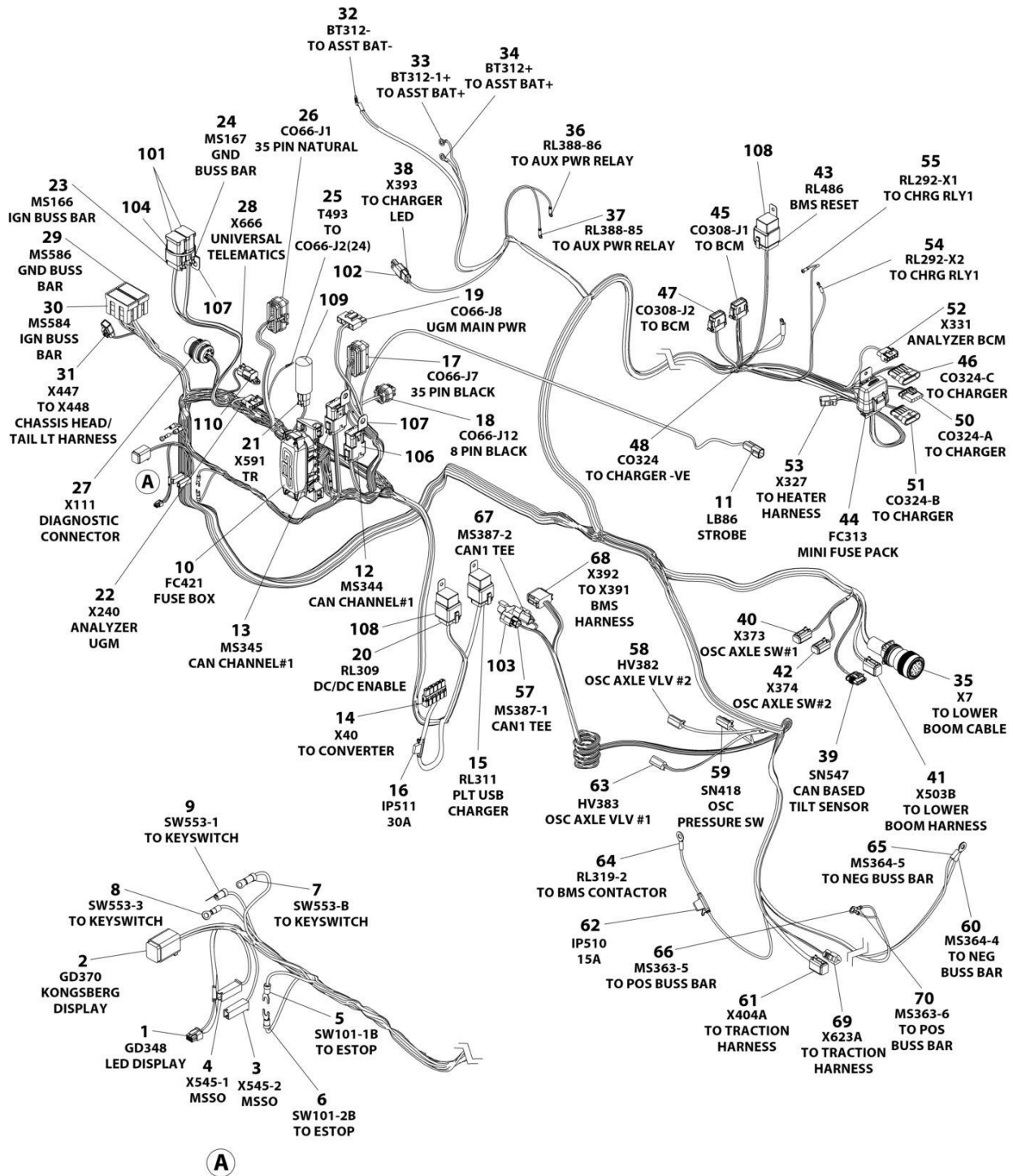
SECTION 7 - ELECTRICAL

FIGURE 7-9. BOOM VALVE HARNESS

ITEM	PART NUMBER	QTY	DESCRIPTION	REV
	1001164738	Ref	BOOM VALVE HARNESS	1
1	1001156541	1	Connector - 19 Position	
1	4460464	13	Pin, Male	
1	4460466	1	Plug, Terminal	
2	4460899	1	Connector - 6 Position	
2	4460464	6	Pin, Male	
3	4460884	1	Plug, Male - 4 Position	
3	4460465	2	Socket, Female	
3	4460466	2	Plug, Terminal	
4	4460891	8	Plug, Male - 2 Position	
4	4460465	16	Socket, Female	
5	1001230931	1	Plug, Male - 6 Position	
5	1001116748	6	Terminal	

SECTION 7 - ELECTRICAL

FIGURE 7-10. CHASSIS HARNESS ASSEMBLY



ART_1001286738

SECTION 7 - ELECTRICAL

FIGURE 7-10. CHASSIS HARNESS ASSEMBLY

ITEM	PART NUMBER	QTY	DESCRIPTION	REV
	1001286738	Ref	CHASSIS HARNESS ASSEMBLY	B
1	1001237667	1	Plug, Male - 6 Position	
1	1001237668	5	Terminal	
2	4460894	1	Plug, Male - 6 Position	
2	4460465	4	Socket, Female	
2	4460466	2	Plug, Terminal	
3	4460260	1	Terminal, Housing	
3	4460259	1	Terminal	
4	4460260	1	Terminal, Housing	
4	4460259	1	Terminal	
5	4460115	1	Terminal, Fork	
6	4460115	1	Terminal, Fork	
7	4460042	1	Terminal, Ring	
8	4460313	1	Terminal, Ring	
9	4460042	1	Terminal, Ring	
10	1001185964	1	Fuse Box Assembly	
10	4460746	13	Terminal, Female	
10	1001234800	12	Terminal, Female	
10	4460748	14	Plug, Terminal	
10	8220125	8	Terminal, Female	
10	1001116747	2	Terminal, Female	
10	4460458	24	Seal, Terminal	
10	80963067	8	Seal (Blue)	
10	8220079	2	Seal, Terminal	
10	4460789	2	Seal, Terminal	
11	4460897	1	Connector - 2 Position	
11	4460464	2	Pin, Male	
12	4460933	1	Connector - 12 Position	
12	4460465	8	Socket, Female	
12	4460466	4	Plug, Terminal	
13	4460933	1	Connector - 12 Position	
13	4460465	12	Socket, Female	
14	1001117012	1	Connector - 5 Position	
14	1001155021	4	Terminal (Gold)	
14	4461271	1	Terminal	
15	4460374	1	Plug, Relay	
15	1001116733	2	Female, Terminal	
15	1001116732	2	Female, Terminal	
15	1001128128	1	Plug, Terminal	
16	2400066	1	Holder, Fuse	
16	8229245	1	Fuse 30Amp	
17	4460873	1	Connector - 35 Position	
17	4460871	24	Socket, Female	
17	4460905	11	Plug, Terminal	
18	1001113961	1	Connector - 8 Position	
18	4460871	3	Socket, Female	
18	4460905	5	Plug, Terminal	
19	4460878	1	Plug, Male - 4 Position	
19	4460887	2	Terminal	
20	4460374	1	Plug, Relay	

SECTION 7 - ELECTRICAL

ITEM	PART NUMBER	QTY	DESCRIPTION	REV
20	1001116733	2	Female, Terminal	
20	1001116732	2	Female, Terminal	
20	1001128128	1	Plug, Terminal	
21	4460884	1	Plug, Male - 4 Position	
21	4460944	4	Socket, Female	
22	4460761	1	Connector - 4 Position	
22	4460227	4	Pin, Male	
23	4460836	1	Connector - 12 Position	
23	4460465	4	Socket, Female	
23	4460466	8	Plug, Terminal	
24	4460836	1	Connector - 12 Position	
24	4460465	7	Socket, Female	
23	4460942	1	Terminal	
24	4460466	4	Plug, Terminal	
25	4460871	1	Socket, Female	
26	4460874	1	Connector - 35 Position	
26	4460871	13	Socket, Female	
26	4460905	22	Plug, Terminal	
27	1001112612	1	Connector - 9 Position	
27	4460943	2	Pin, Male	
27	4460464	3	Pin, Male	
27	4460466	4	Plug, Terminal	
28	4460884	1	Plug, Male - 4 Position	
28	4460465	4	Socket, Female	
29	1001184846	1	Connector - 10 Position	
29	4460509	8	Socket, Female	
29	4460466	2	Plug, Terminal	
30	1001184846	1	Connector - 10 Position	
30	4460509	6	Socket, Female	
30	4460466	4	Plug, Terminal	
31	4461018	1	Connector - 2 Position	
31	4460509	2	Socket, Female	
32	1001117108	1	Terminal, Ring	
33	4460312	1	Terminal, Ring	
34	4460312	1	Terminal, Ring	
35	4460865	1	Connector - 19 Position	
35	4460943	2	Pin, Male	
35	4460464	4	Pin, Male	
35	4460508	4	Pin, Male	
35	4460466	9	Plug, Terminal	
35	4460473	1	Clamp	
36	4460247	1	Terminal, Ring	
37	4460247	1	Terminal, Ring	
38	4460911	1	Connector - 3 Position	
38	4460918	3	Socket, Female	
39	1001103012	1	Connector - 4 Position	
39	1001107854	4	Socket, Female	
40	4460884	1	Plug, Male - 4 Position	
40	4460465	2	Socket, Female	
40	4460466	2	Plug, Terminal	
41	4460894	1	Plug, Male - 6 Position	

SECTION 7 - ELECTRICAL

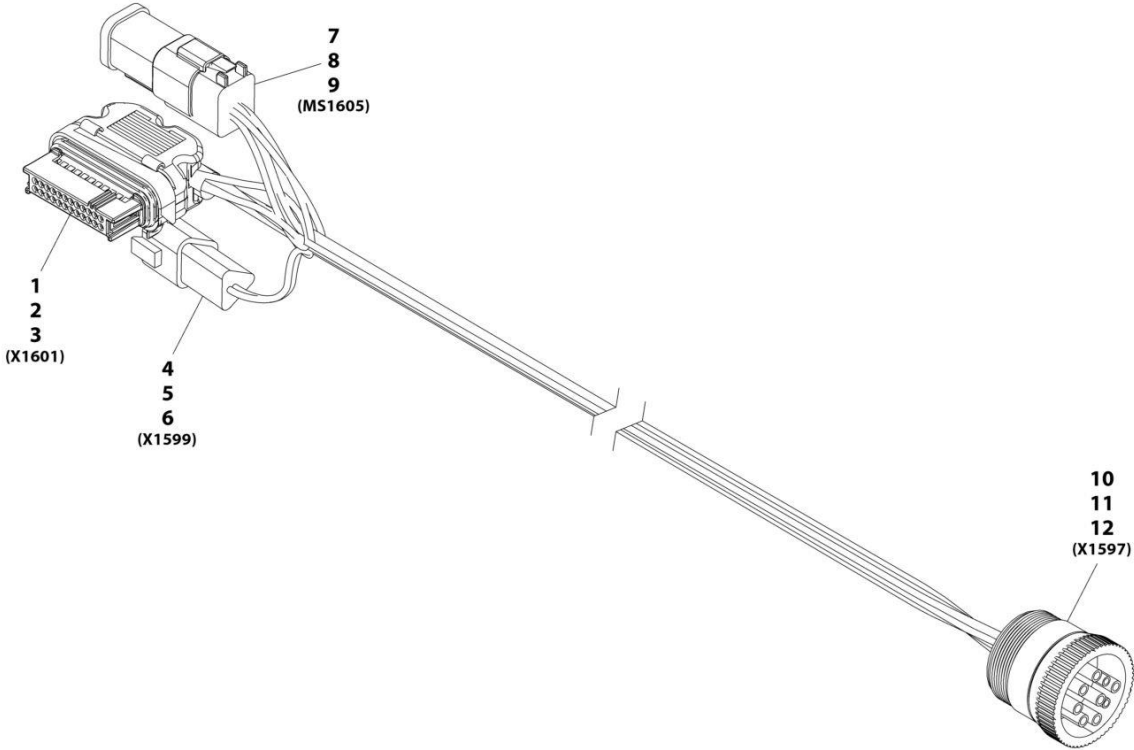
ITEM	PART NUMBER	QTY	DESCRIPTION	REV
41	4460465	6	Socket, Female	
42	4460884	1	Plug, Male - 4 Position	
42	4460465	2	Socket, Female	
42	4460466	2	Plug, Terminal	
43	4460374	1	Plug, Relay	
43	1001116733	2	Female, Terminal	
43	1001116732	2	Female, Terminal	
43	1001128128	1	Plug, Terminal	
44	1001260788	1	Holder, Fuse and Relay	
44	4460746	12	Terminal, Female	
45	4460908	1	Connector - 12 Position	
45	1001126008	10	Socket, Female	
45	4460518	2	Plug, Terminal	
46	4461228	1	Plug, Male - 6 Position	
46	1001104497	4	Socket, Female	
46	1001116698	2	Plug, Terminal	
47	4460909	1	Connector - 12 Position	
47	1001126008	2	Socket, Female	
47	1001126009	2	Socket, Female	
47	4460518	8	Plug, Terminal	
48	8220022	1	Terminal, Ring	
50	4461128	1	Connector - 5 Position	
50	1001107854	3	Socket, Female	
50	1001116698	2	Plug, Terminal	
51	4461229	1	Connector - 5 Position	
51	1001104497	2	Socket, Female	
51	1001116698	3	Plug, Terminal	
52	4460761	1	Connector - 4 Position	
52	4460227	4	Pin, Male	
53	4460539	1	Connector - 3 Position	
53	4460465	3	Socket, Female	
54	1001098122	1	Terminal, Ring	
55	1001098122	1	Terminal, Ring	
57	1001116812	1	Connector - 3 Position	
57	4460944	2	Socket, Female	
57	4460466	1	Plug, Terminal	
58	4460891	1	Connector - 2 Position	
58	4460465	2	Socket, Female	
59	4460891	1	Connector - 2 Position	
59	4460465	2	Socket, Female	
60	8220045	1	Terminal, Ring	
61	4460894	1	Plug, Male - 6 Position	
61	4460465	6	Socket, Female	
62	1001170763	1	Fuseholder - 20Amp (Includes Cover)	
62	8229244	1	Fuse 15Amp	
63	4460891	1	Connector - 2 Position	
63	4460465	2	Socket, Female	
64	8220045	1	Terminal, Ring	
65	8220045	1	Terminal, Ring	
66	4460670	1	Terminal, Ring	
67	4460966	1	Connector - 3 Position	

SECTION 7 - ELECTRICAL

ITEM	PART NUMBER	QTY	DESCRIPTION	REV
67	4460944	2	Socket, Female	
67	4460466	1	Plug, Terminal	
68	4460933	1	Connector - 12 Position	
68	4460465	9	Socket, Female	
68	4460466	3	Plug, Terminal	
69	4460539	1	Connector - 3 Position	
69	4460944	3	Socket, Female	
101	4460837	2	Bussbar - 12 Position	
102	4460910	1	Connector - 3 Position	
103	4460945	1	Receptacle, 3 Way	
104	1001008559	1	Tie-Strap	
105	4460966	1	Connector - 3 Position	
106	1001125677	2	Connector, Bussbar - 12 Position	
107	1001120328	3	Clip, Mounting	
108	1001171295	3	Relay	
109	1001186231	1	Connector - 5 Position	
110	1001192401	1	Dust Cap	

SECTION 7 - ELECTRICAL

FIGURE 7-11. CLEARSKY HARNESS



ART_1001226739-A

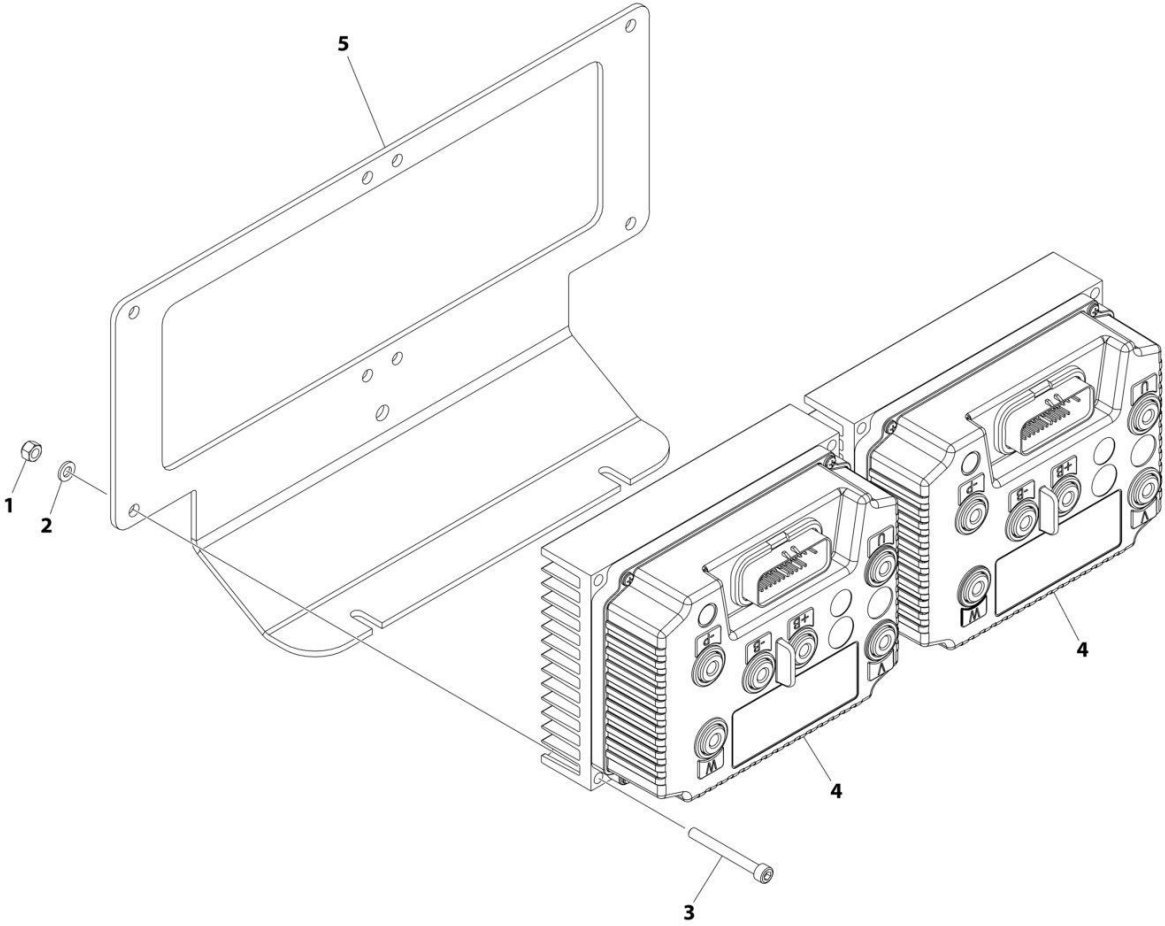
SECTION 7 - ELECTRICAL

FIGURE 7-11. CLEARSKY HARNESS

ITEM	PART NUMBER	QTY	DESCRIPTION	REV
	1001226739	Ref	Clearsky Harness	A
1	1001226636	1	Connector	
2	1001116731	16	Plug, Terminal	
3	1001226637	8	Terminal	
4	1001144147	1	Connector	
5	4460464	2	Terminal	
6	4460466	1	Plug, Terminal	
7	4460894	1	Connector	
8	4460465	6	Terminal	
9	1001226541	1	Connector- 6 Pin Bussbar	
10	1001112796	1	Connector	
11	4460465	8	Terminal	
12	4460466	1	Plug, Terminal	

SECTION 7 - ELECTRICAL

FIGURE 7-12. CONTROLLER BRACKET ASSEMBLY



ART_1001250432

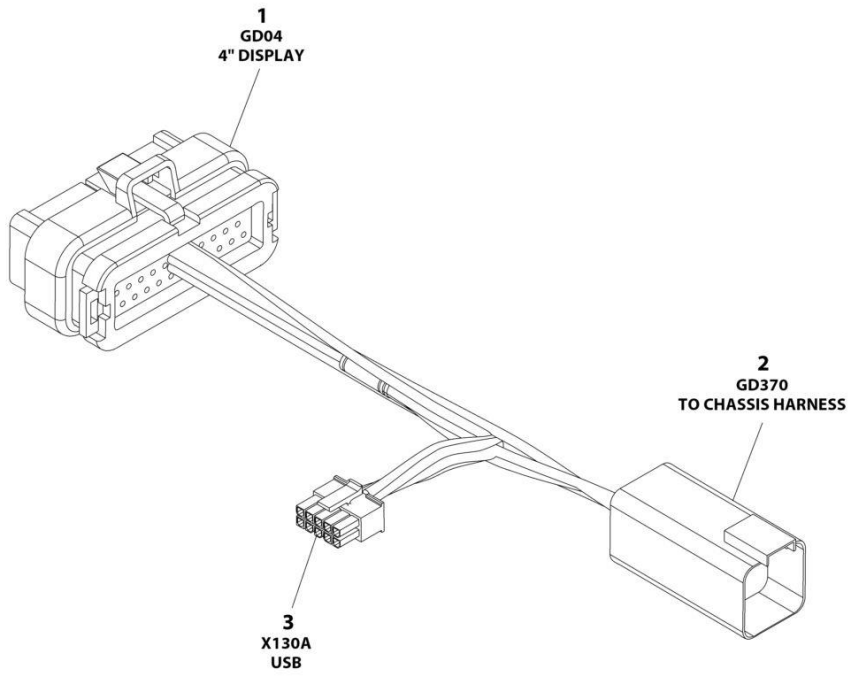
SECTION 7 - ELECTRICAL

FIGURE 7-12. CONTROLLER BRACKET ASSEMBLY

ITEM	PART NUMBER	QTY	DESCRIPTION	REV
	1001250432	Ref	CONTROLLER BRACKET ASSEMBLY	A
1	3290605	8	Nut M6	
2	4811700	8	Washer M6	
3	1001118878	8	Bolt M6 x 55	
4	1001170140	2	Controller, Drive	
5	1001209640	1	Bracket	

SECTION 7 - ELECTRICAL

FIGURE 7-13. DISPLAY ADAPTER HARNESS



ART_1001265415

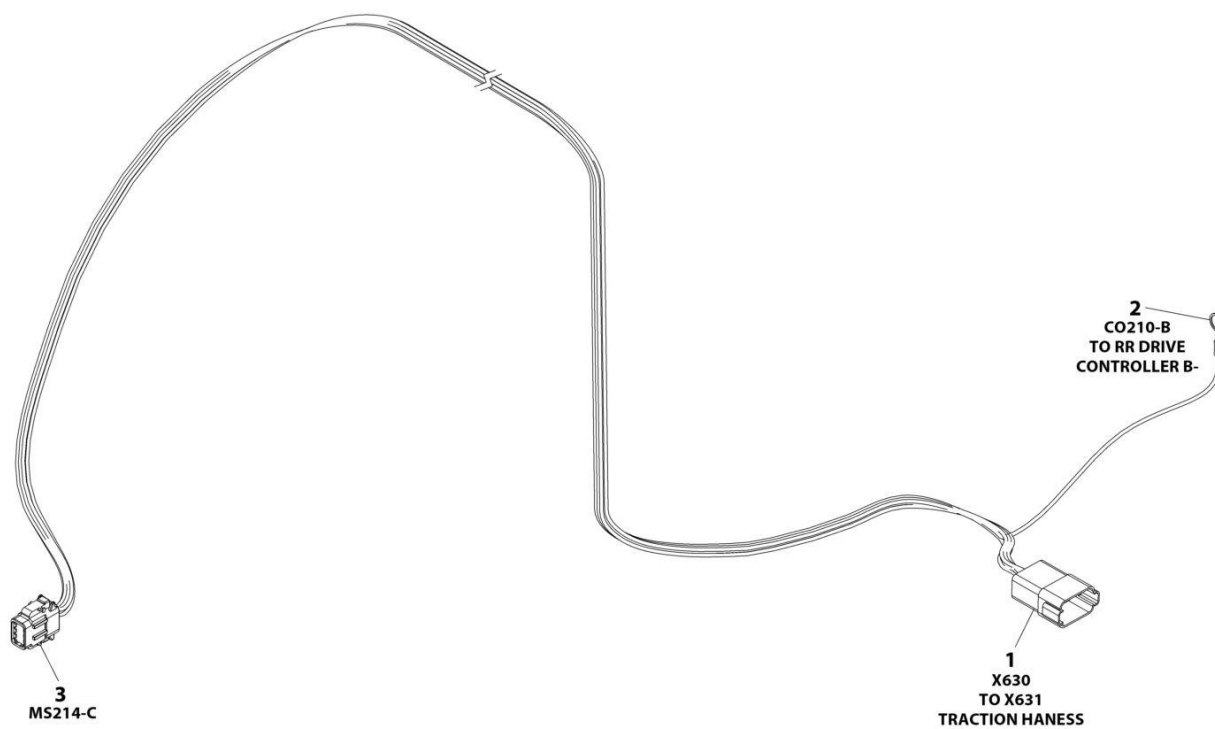
SECTION 7 - ELECTRICAL

FIGURE 7-13. DISPLAY ADAPTER HARNESS

ITEM	PART NUMBER	QTY	DESCRIPTION	REV
	1001265415	Ref	DISPLAY ADAPTER HARNESS	A
1	4460873	1	Connector - 35 Position	
1	4460871	10	Socket, Female	
1	4460905	25	Plug, Terminal	
2	4460899	1	Connector - 6 Position	
2	4460464	4	Pin, Male	
2	4460466	2	Plug, Terminal	
3	1001150735	1	Connector - 10 Position	
3	1001150889	5	Socket, Female	

SECTION 7 - ELECTRICAL

FIGURE 7-14. DRIVE MOTOR HARNESS (RIGHT REAR)



ART_1001265228

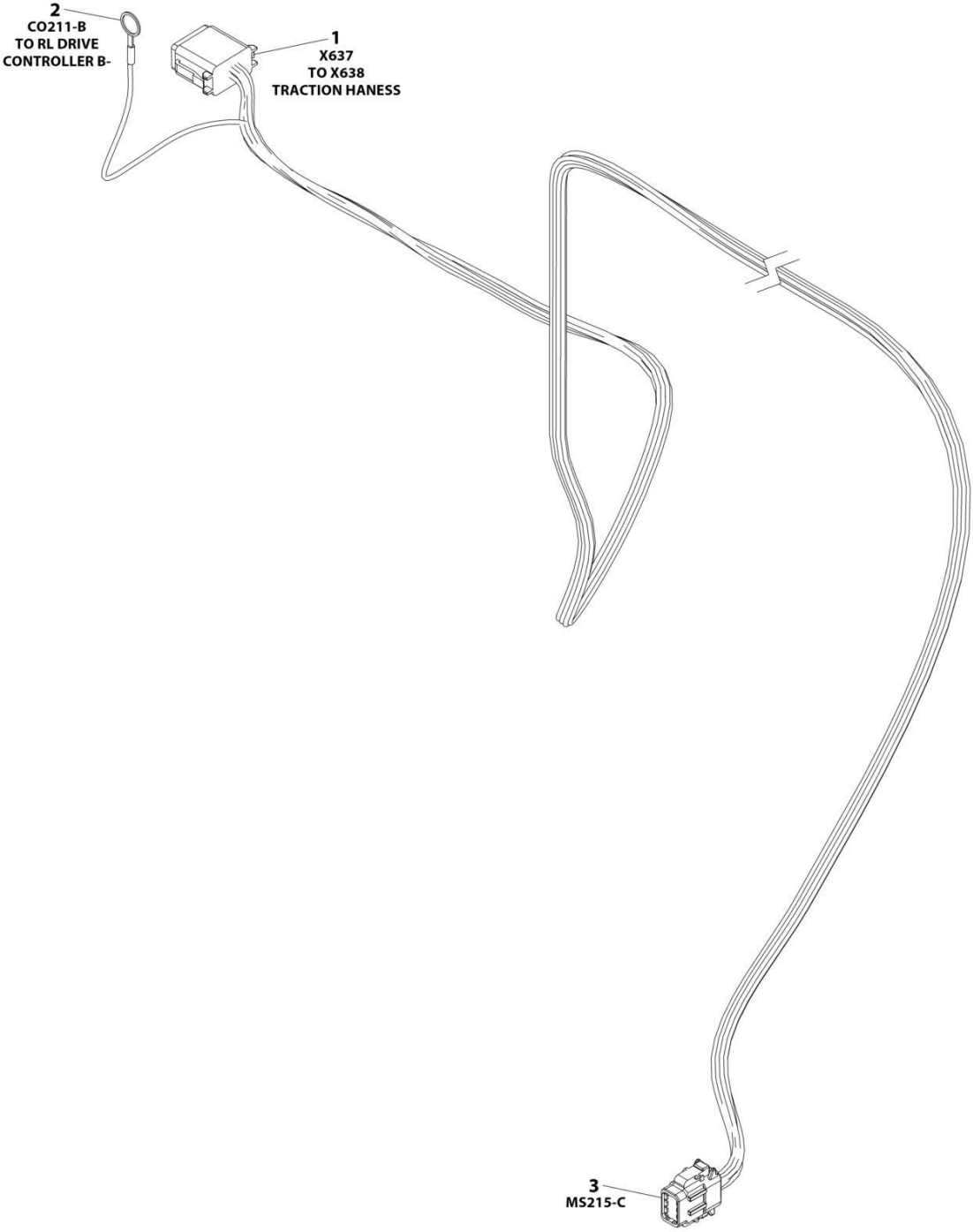
SECTION 7 - ELECTRICAL

FIGURE 7-14. DRIVE MOTOR HARNESS (RIGHT REAR)

ITEM	PART NUMBER	QTY	DESCRIPTION	REV
	1001265228	Ref	DRIVE MOTOR HARNESS (RIGHT REAR)	A
1	4460931	1	Connector - 8 Position	
1	4460464	8	Pin, Male	
2	4460703	1	Terminal, Ring	
3	1001190577	1	Connector - 8 Position	
3	1001126008	8	Socket, Female	

SECTION 7 - ELECTRICAL

FIGURE 7-15. DRIVE MOTOR HARNESS (LEFT REAR)



ART_1001265227

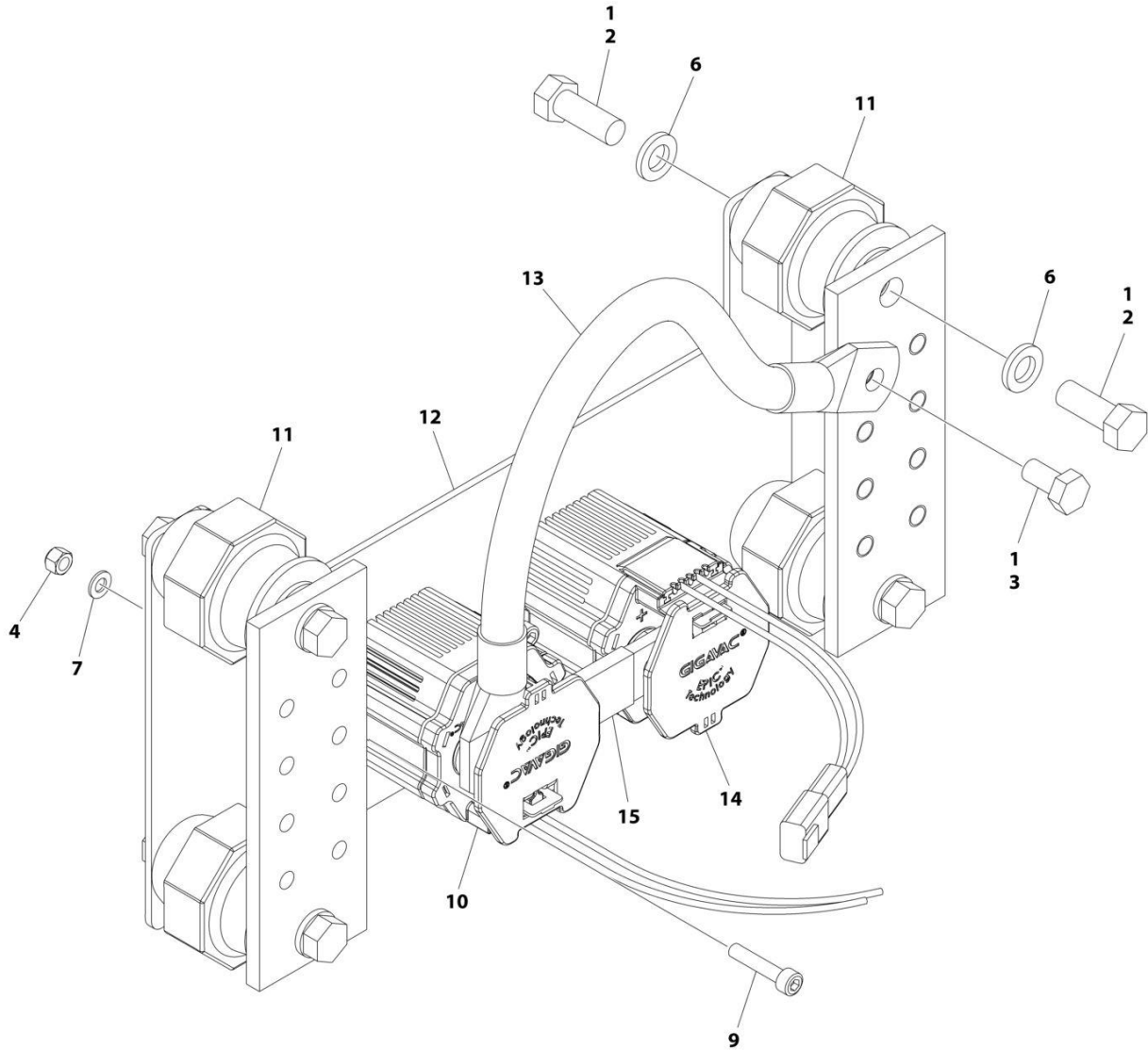
SECTION 7 - ELECTRICAL

FIGURE 7-15. DRIVE MOTOR HARNESS (LEFT REAR)

ITEM	PART NUMBER	QTY	DESCRIPTION	REV
	1001265227	Ref	DRIVE MOTOR HARNESS (LEFT REAR)	A
1	4460930	1	Connector - 8 Position	
1	4460465	8	Socket, Female	
2	4460703	1	Terminal, Ring	
3	1001190577	1	Connector - 8 Position	
3	1001126008	8	Socket, Female	

SECTION 7 - ELECTRICAL

FIGURE 7-16. FUSE PLATE ASSEMBLY



ART_1001250518

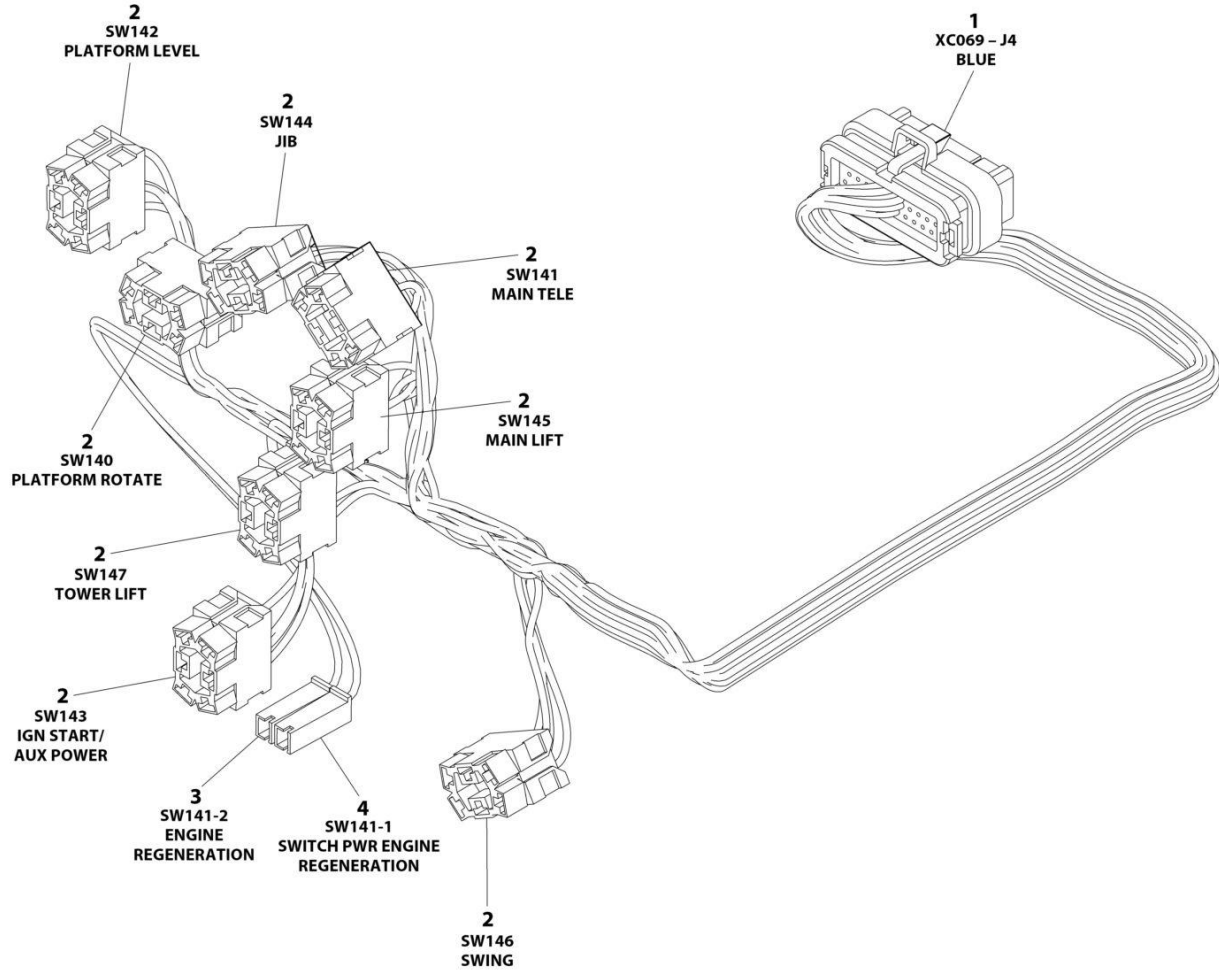
SECTION 7 - ELECTRICAL

FIGURE 7-16. FUSE PLATE ASSEMBLY

ITEM	PART NUMBER	QTY	DESCRIPTION	REV
	1001250518	Ref	FUSE PLATE ASSEMBLY	D
1	0100011	AR	Compound, Locking	
2	0641608	8	Bolt 3/8 x 1	
3	0760812	1	Bolt M8 x 25	
3	0760808	1	Bolt M8 x 16	
4	3290505	4	Nut M5	
6	4761600	8	Washer 3/8	
7	4811600	4	Washer M5	
9	5271609	4	Bolt M5 x 25	
10	1001170367	1	Relay	
11	1001184137	2	Electrical Assembly, Buss Bar	
12	1001250517	1	Plate	
13	1001257316	1	Cable, 4/0 AWG	
13	1001255013	1	Cable, 2/0 AWG	
14	1001248504	1	Relay, 12V	
15	1001261257	1	Plate	

SECTION 7 - ELECTRICAL

FIGURE 7-17. GROUND CONTROL PANEL HARNESS



ART_1001244295

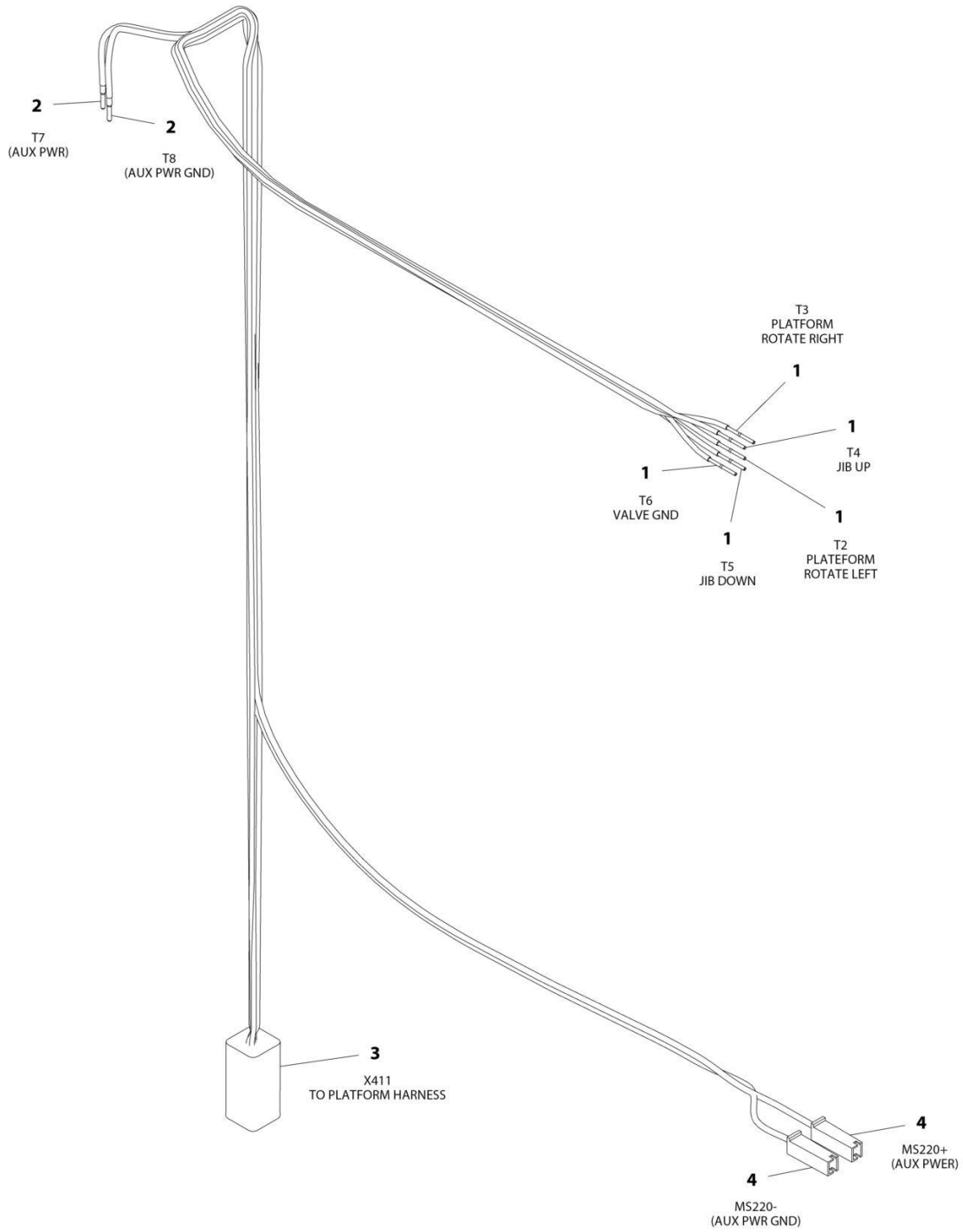
SECTION 7 - ELECTRICAL

FIGURE 7-17. GROUND CONTROL PANEL HARNESS

ITEM	PART NUMBER	QTY	DESCRIPTION	REV
	1001244295	Ref	GROUND CONTROL PANEL HARNESS	C
1	4460876	1	Connector - 35 Position	
1	4460871	18	Socket, Female	
1	4460905	17	Plug, Terminal	
2	4460418	8	Connector - 6 Position	
2	4460419	16	Terminal	
2	1001159186	16	Terminal	
3	4460260	2	Housing, Terminal	
3	4460259	2	Terminal	
4	4460260	1	Terminal, Housing	
4	4460259	1	Terminal	

SECTION 7 - ELECTRICAL

FIGURE 7-18. PLATFORM TO BOOM HARNESS



ART_1001169422

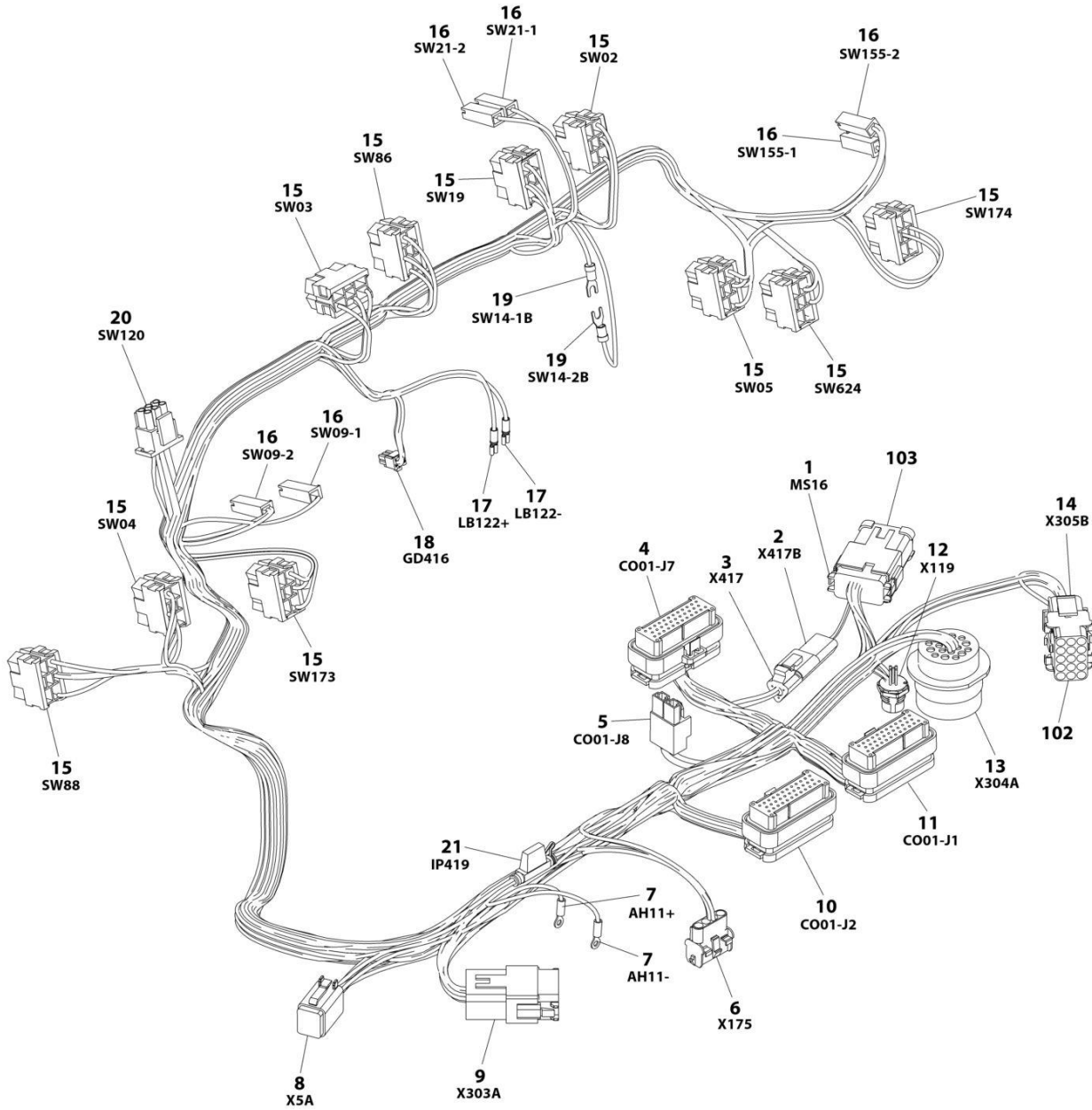
SECTION 7 - ELECTRICAL

FIGURE 7-18. PLATFORM TO BOOM HARNESS

ITEM	PART NUMBER	QTY	DESCRIPTION	REV
	1001169422	Ref	PLATFORM TO BOOM HARNESS	A
1	4460465	5	Socket, Female	
2	4460508	2	Pin, Male	
3	4460899	1	Connector - 6 Position	
3	4460464	5	Pin, Male	
3	4460466	1	Plug, Terminal	
4	4460260	2	Connector - 1 Position	
4	4460259	2	Terminal	

SECTION 7 - ELECTRICAL

FIGURE 7-19. PLATFORM CONSOLE BOX HARNESS



ART_1001238254

SECTION 7 - ELECTRICAL

FIGURE 7-19. PLATFORM CONSOLE BOX HARNESS

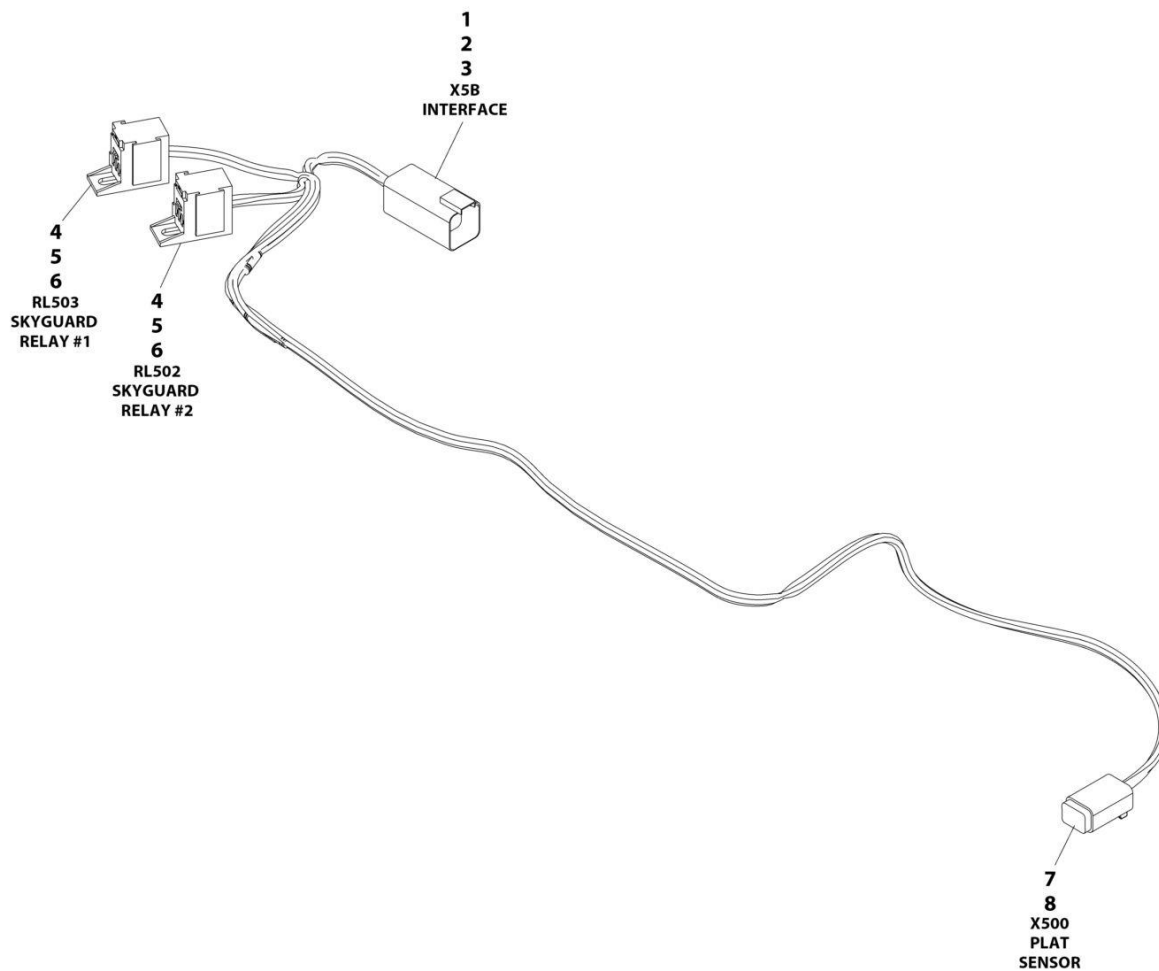
ITEM	PART NUMBER	QTY	DESCRIPTION	REV
	1001238254	Ref	PLATFORM CONSOLE BOX HARNESS	H
1	4460933	1	Plug, Male - 12 Position	
1	4460465	10	Socket, Female	
1	4460466	2	Plug, Terminal	
2	4460536	1	Receptacle, Female - 3 Position	
2	4460464	2	Pin, Male	
2	4460466	1	Plug, Terminal	
3	4460539	1	Plug, Male - 3 Position	
3	4460465	2	Socket, Female	
3	4460466	1	Plug, Terminal	
4	4460873	1	Connector - 35 Position	
4	4460871	21	Socket, Female	
4	4460905	14	Plug, Terminal	
5	4460879	1	Plug, Male - 2 Position	
5	4460887	2	Terminal	
6	4460761	1	Receptacle, Female - 4 Position	
6	4460267	4	Pin, Male	
7	1001098122	2	Terminal, Ring	
8	4460894	1	Plug, Male - 6 Position	
8	4460465	6	Socket, Female	
9	4460970	1	Receptacle, Female - 12 Position	
9	1001116693	9	Pin, Male	
9	4460466	1	Plug, Terminal	
9	4460464	2	Pin, Male	
10	4460875	1	Connector - 35 Position	
10	4460871	12	Socket, Female	
10	4460905	23	Plug, Terminal	
11	4460874	1	Connector - 35 Position	
11	4460871	27	Socket, Female	
11	4460905	8	Plug, Terminal	
12	1001213447	1	Connector - 4 Position	
12	See Note	NSS	Terminal (Note: Purchase p/n 1001213447)	
13	4460866	1	Connector - 19 Position	
13	4460464	5	Pin, Male	
13	4460466	11	Plug, Terminal	
13	4460508	1	Pin, Male	
14	4460434	1	Connector - 15 Position	
14	4460267	8	Pin, Male	
15	4460418	10	Connector - 6 Position	
15	4460419	45	Terminal	
16	4460260	6	Housing, Terminal	
16	4460259	8	Terminal	
17	1001271497	2	Terminal	
18	1001237667	1	Plug, Male - 6 Position	
18	1001237668	4	Terminal	
19	4460183	2	Terminal, Fork	
20	4460225	1	Plug, Male - 6 Position	
20	4460227	6	Pin, Male (Note: Used on Pump Potentiometer Connection Only)	
21	2400060	1	Fuse Holder	
102	4460708	1	Connector, Bussbar - 15 Position	

SECTION 7 - ELECTRICAL

ITEM	PART NUMBER	QTY	DESCRIPTION	REV
103	1001125677	1	Connector, Bussbar - 12 Posititon	

SECTION 7 - ELECTRICAL

FIGURE 7-20. PLATFORM INTERFACE HARNESS



ART_1001225580_E

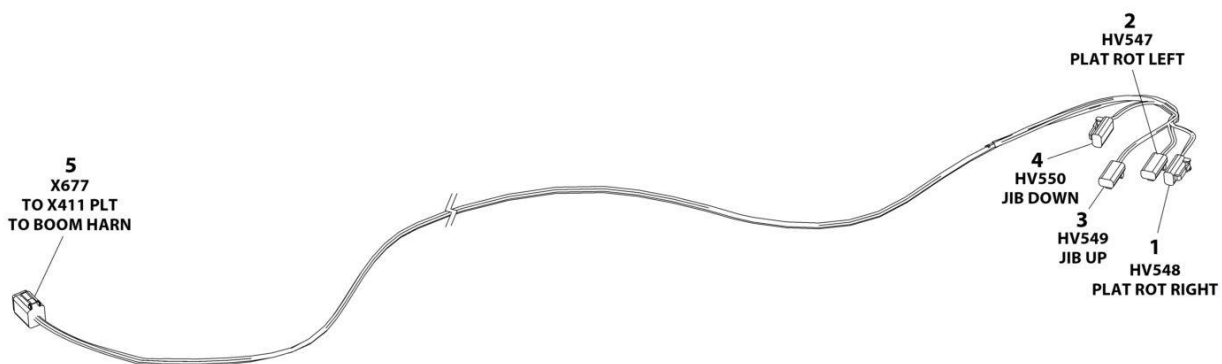
SECTION 7 - ELECTRICAL

FIGURE 7-20. PLATFORM INTERFACE HARNESS

ITEM	PART NUMBER	QTY	DESCRIPTION	REV
	1001225580	Ref	PLATFORM INTERFACE HARNESS - WITH 1 CELL LSS	E
1	4460899	1	Connector	
2	4460464	4	Terminal	
3	4460466	2	Plug	
4	1001186432	2	Connector	
5	1001253375	4	Terminal	
6	1001104519	4	Terminal	
7	4460884	1	Connector	
8	4460465	4	Terminal	

SECTION 7 - ELECTRICAL

FIGURE 7-21. PLATFORM VALVE HARNESS



ART_1001265414

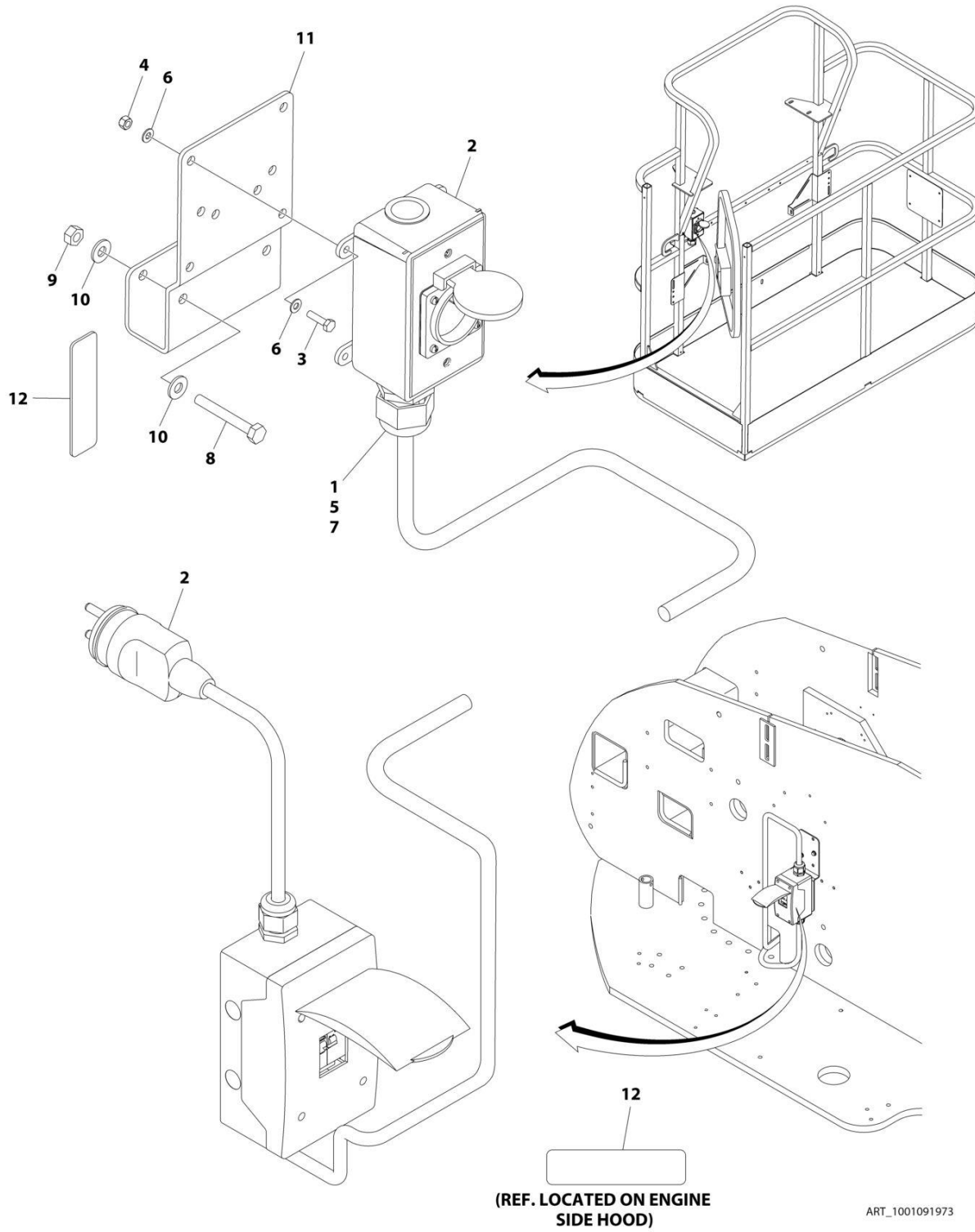
SECTION 7 - ELECTRICAL

FIGURE 7-21. PLATFORM VALVE HARNESS

ITEM	PART NUMBER	QTY	DESCRIPTION	REV
	1001265414	Ref	INTERFACE HARNESS - WITH 1 CELL LSS	A
1	4460891	1	Connector - 2 Position	
1	4460465	2	Socket, Female	
2	4460891	1	Connector - 2 Position	
2	4460465	2	Socket, Female	
3	4460891	1	Connector - 2 Position	
3	4460465	2	Socket, Female	
4	4460891	1	Connector - 2 Position	
4	4460465	2	Socket, Female	
5	4460894	1	Plug, Male - 6 Position	
5	4460465	5	Socket, Female	

SECTION 7 - ELECTRICAL

FIGURE 7-22. AC BOX AT PLATFORM INSTALLATION - 220V CEE7 2X4 BOX POST GROUND



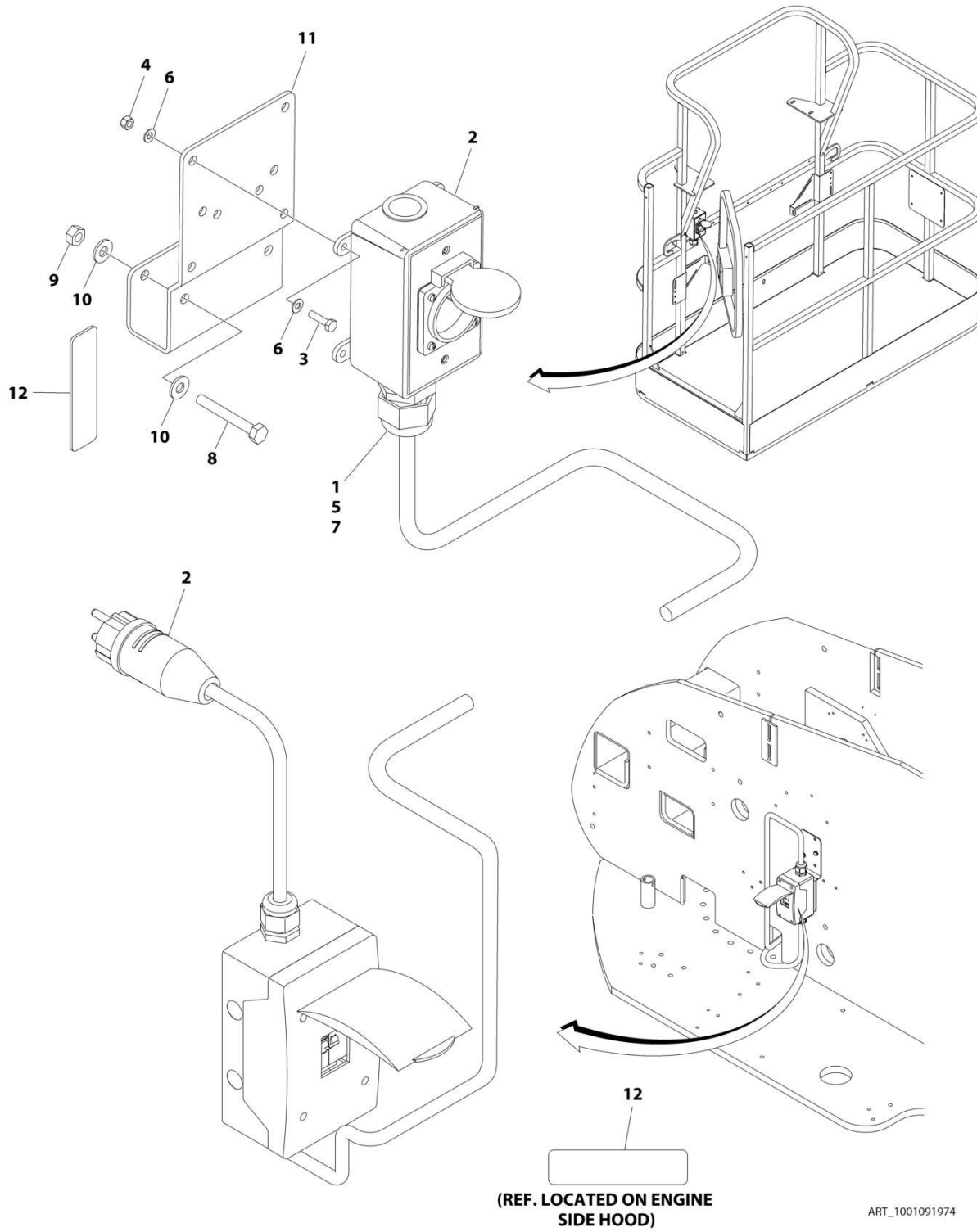
SECTION 7 - ELECTRICAL

FIGURE 7-22. AC BOX AT PLATFORM INSTALLATION - 220V CEE7 2X4 BOX POST GROUND

ITEM	PART NUMBER	QTY	DESCRIPTION	REV
	1001091973	Ref	AC BOX AT PLATFORM INSTALLATION - 220V CEE7 2X4 BOX POST GROUND	F
1	0100020	AR	Sealant, Pipe	
2	0275452	1	Receptacle Box Kit (See Separate Breakdown in this Section)	
3	0700408	4	Bolt M4 x 16	
4	3290405	4	Nut M4	
5	1001101197	1	Adapter	
6	4811400	8	Washer M4	
7	1001101191	1	Connector, Strain Relief	
8	0641416	2	Bolt 1/4 x 2	
9	3311405	2	Nut 1/4	
10	4711400	4	Washer 1/4	
11	1001193018	1	Bracket	
12	3251242	2	Decal - 240V/50Hz	
13	4460806	2	Terminal, Fork (Not Shown)	
14	1001205958	1	Terminal (Not Shown)	

SECTION 7 - ELECTRICAL

FIGURE 7-23. AC BOX AT PLATFORM INSTALLATION - 220V CEE7 2X4 BOX SIDE GROUND



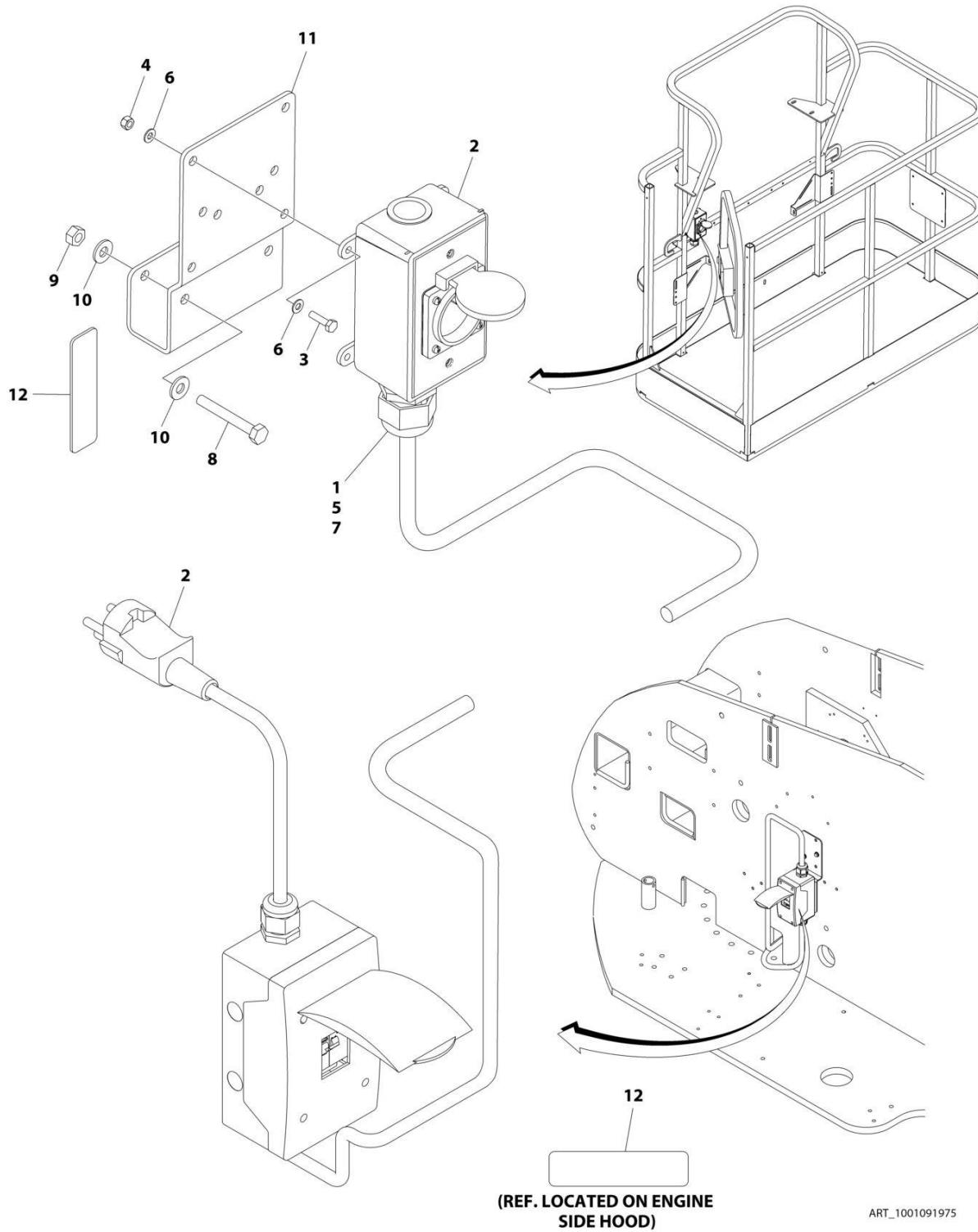
SECTION 7 - ELECTRICAL

FIGURE 7-23. AC BOX AT PLATFORM INSTALLATION - 220V CEE7 2X4 BOX SIDE GROUND

ITEM	PART NUMBER	QTY	DESCRIPTION	REV
	1001091974	Ref	AC BOX AT PLATFORM INSTALLATION - 220V CEE7 2X4 BOX SIDE GROUND	F
1	0100020	AR	Sealant, Pipe	
2	0275453	1	Receptacle Box Kit (See Separate Breakdown in this Section)	
3	0700408	4	Bolt M4 x 16	
4	3290405	4	Nut M4	
5	1001101197	1	Adapter	
6	4811400	8	Washer M4	
7	1001101191	1	Connector, Strain Relief	
8	0641416	2	Bolt 1/4 x 2	
9	3311405	2	Nut 1/4	
10	4711400	4	Washer 1/4	
11	1001193018	1	Bracket	
12	3251242	2	Decal - 240V/50Hz	
13	4460806	2	Terminal, Fork (Not Shown)	
14	1001205958	1	Terminal (Not Shown)	

SECTION 7 - ELECTRICAL

FIGURE 7-24. AC BOX AT PLATFORM INSTALLATION - 220V AFSINT 107 2X4 BOX KEYED GROUND



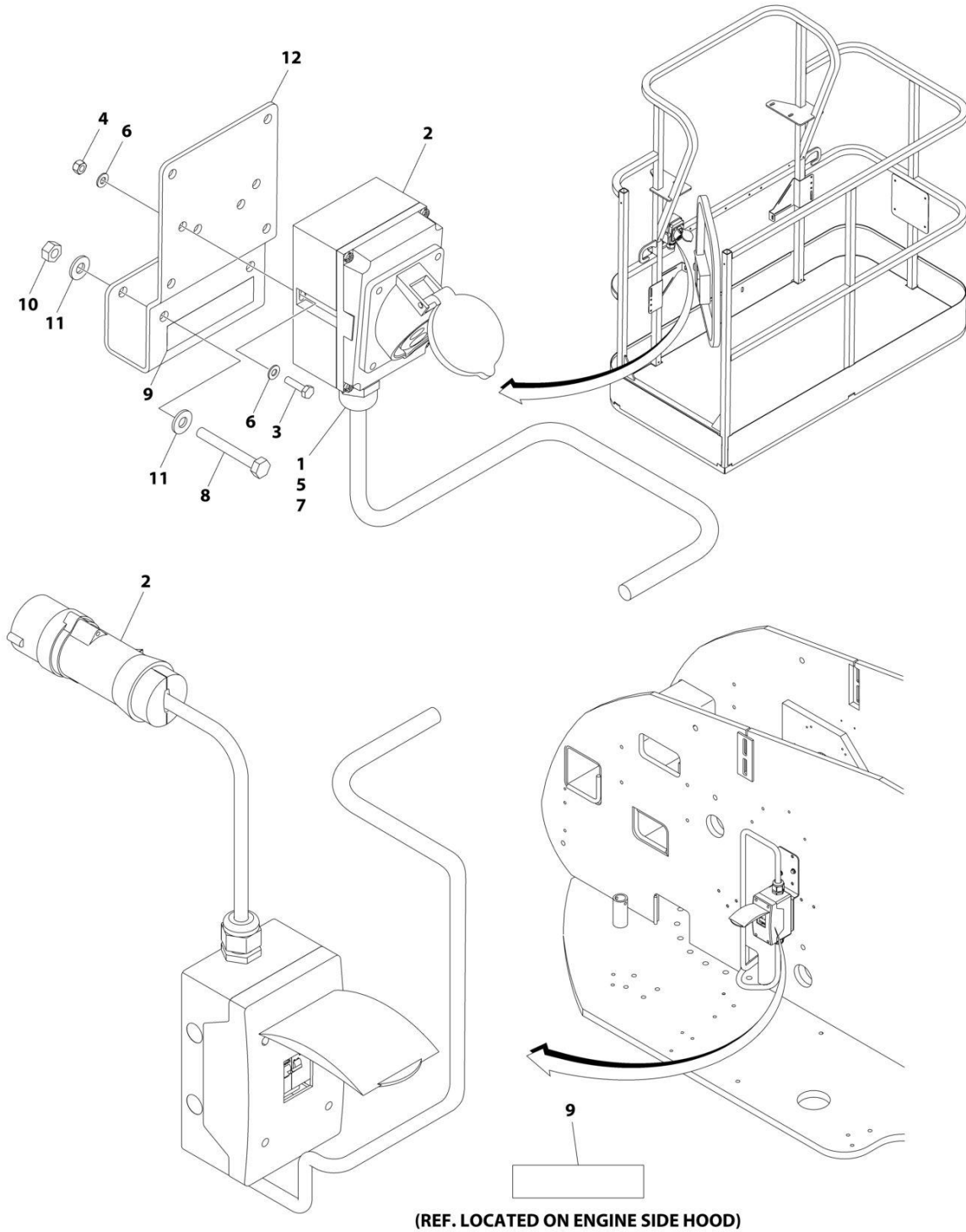
SECTION 7 - ELECTRICAL

FIGURE 7-24. AC BOX AT PLATFORM INSTALLATION - 220V AFSINT 107 2X4 BOX KEYED GROUND

ITEM	PART NUMBER	QTY	DESCRIPTION	REV
	1001091975	Ref	AC BOX AT PLATFORM INSTALLATION - 220V AFSINT 107 2X4 BOX KEYED GROUND	F
1	0100020	AR	Sealant, Pipe	
2	0275454	1	Receptacle Box Kit (See Separate Breakdown in this Section)	
3	0700408	4	Bolt M4 x 16	
4	3290405	4	Nut M4	
5	1001101197	1	Adapter	
6	4811400	8	Washer M4	
7	1001101191	1	Connector, Strain Relief	
8	0641416	2	Bolt 1/4 x 2	
9	3311405	2	Nut 1/4	
10	4711400	4	Washer 1/4	
11	1001193018	1	Bracket	
12	3251242	2	Decal - 240V/50Hz	
13	1001205958	3	Terminal (Not Shown)	

SECTION 7 - ELECTRICAL

FIGURE 7-25. AC BOX AT PLATFORM INSTALLATION - 110V IEC YELLOW



ART_1001091969

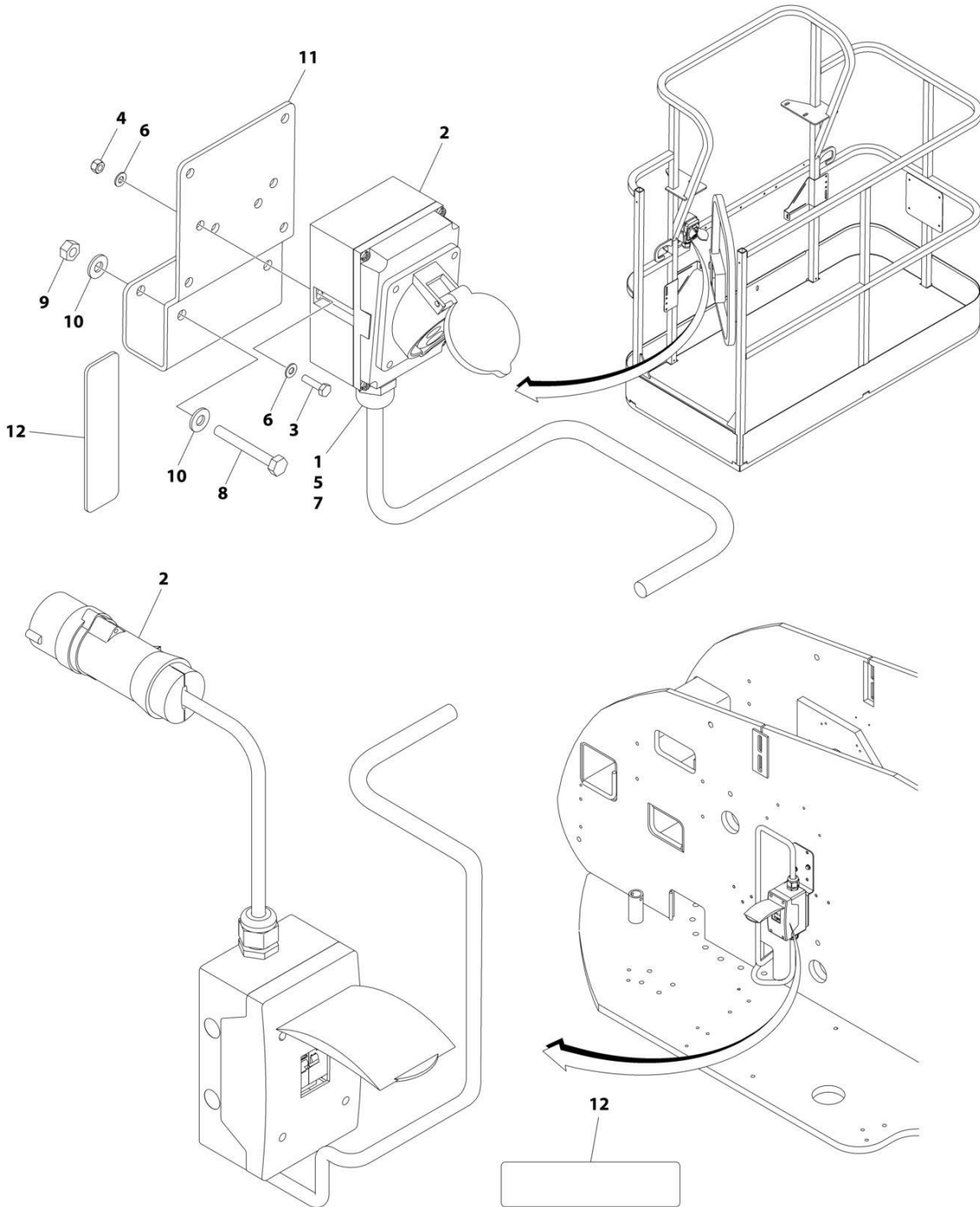
SECTION 7 - ELECTRICAL

FIGURE 7-25. AC BOX AT PLATFORM INSTALLATION - 110V IEC YELLOW

ITEM	PART NUMBER	QTY	DESCRIPTION	REV
	1001091969	Ref	AC BOX AT PLATFORM INSTALLATION - 110V IEC YELLOW	D
1	0100020	AR	Sealant, Pipe	
2	0275216	1	Receptacle Box Kit (See Separate Breakdown in this Section)	
3	0700408	2	Bolt M4 x 16	
4	3290405	2	Nut M4	
5	1001101196	1	Adapter	
6	4811400	4	Washer M4	
7	1001101191	1	Connector, Strain Relief	
8	0641416	2	Bolt 1/4 x 2	
9	1705325	2	Decal - 110V	
10	3311405	2	Nut 1/4	
11	4711400	4	Washer 1/4	
12	1001193018	1	Bracket	

SECTION 7 - ELECTRICAL

FIGURE 7-26. AC BOX AT PLATFORM INSTALLATION - 220V IEC BLUE



(REF. LOCATED ON ENGINE SIDE HOOD)

ART_1001091970

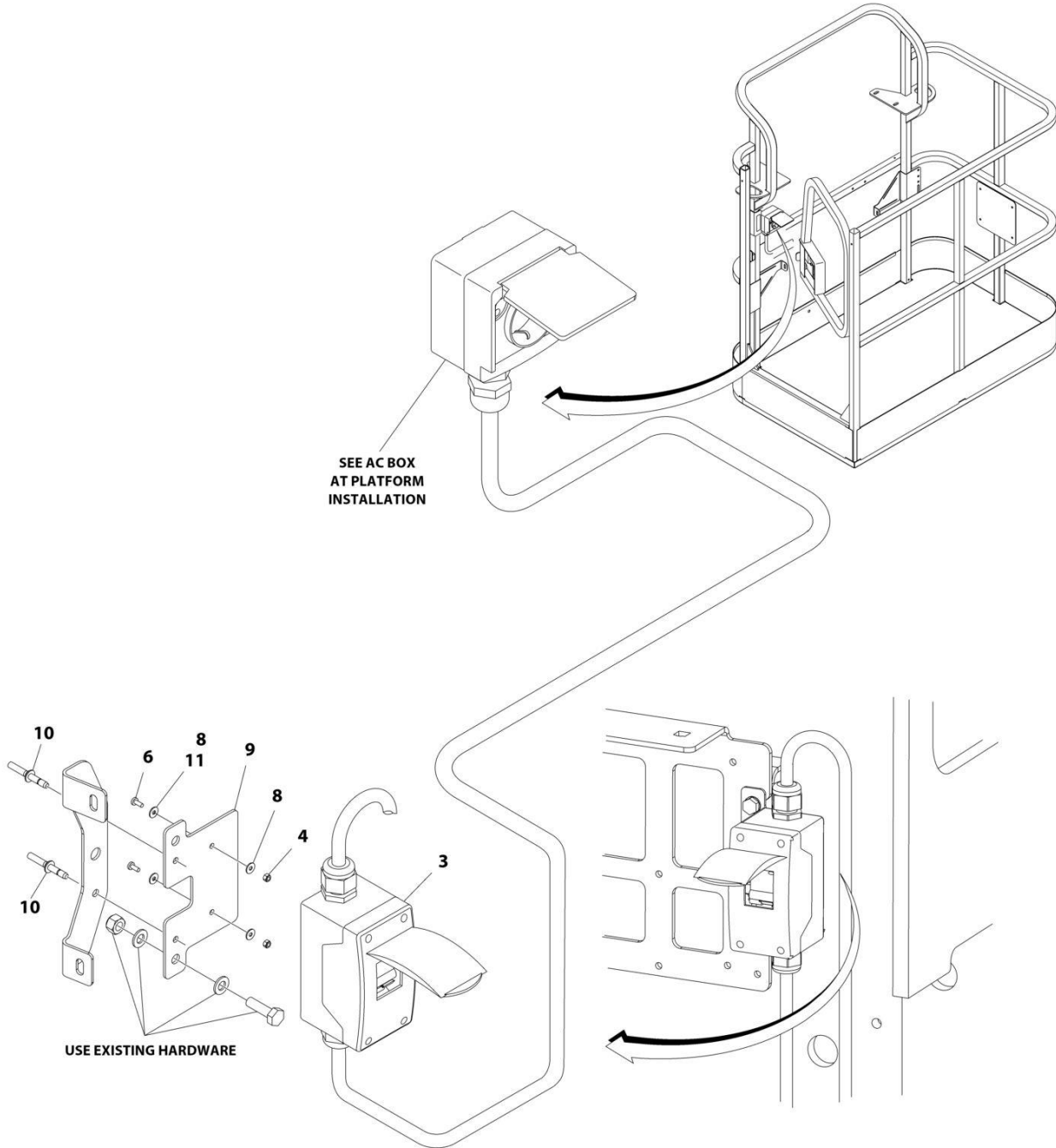
SECTION 7 - ELECTRICAL

FIGURE 7-26. AC BOX AT PLATFORM INSTALLATION - 220V IEC BLUE

ITEM	PART NUMBER	QTY	DESCRIPTION	REV
	1001091970	Ref	AC BOX AT PLATFORM INSTALLATION - 220V IEC BLUE	D
1	0100020	AR	Sealant, Pipe	
2	0275217	1	Receptacle Box Kit (See Separate Breakdown in this Section)	
3	0700408	2	Bolt M4 x 16	
4	3290405	2	Nut M4	
5	1001101196	1	Adapter	
6	4811400	4	Washer M4	
7	1001101191	1	Connector, Strain Relief	
8	0641416	2	Bolt 1/4 x 2	
9	3311405	2	Nut 1/4	
10	4711400	4	Washer 1/4	
11	1001193018	1	Bracket	
12	3251242	2	Decal - 240V/50Hz	

SECTION 7 - ELECTRICAL

FIGURE 7-27. AC CABLE INSTALLATION - WITH TWO BREAKERS



ART_1001167312

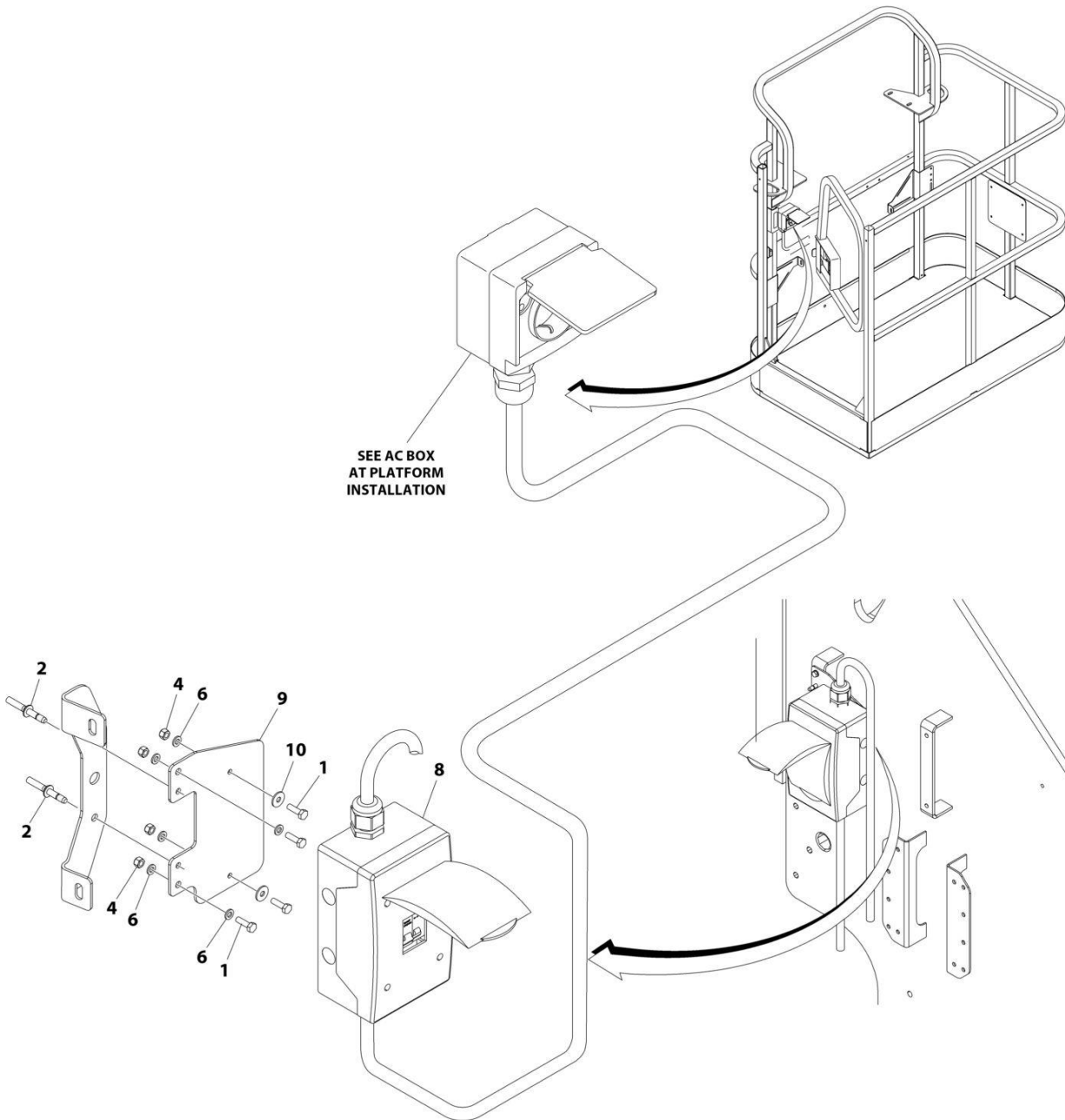
SECTION 7 - ELECTRICAL

FIGURE 7-27. AC CABLE INSTALLATION - WITH TWO BREAKERS

ITEM	PART NUMBER	QTY	DESCRIPTION	REV
	1001167312	Ref	AC CABLE INSTALLATION - WITH TWO BREAKERS	G
3	2902549	1	Breaker Box Kit - CE Spec (See Separate Breakdown in this Section)	
4	3290405	2	Nut M4	
4	3290605	2	Nut M6	
6	4010405	AR	Screw M4 x 10	
6	0760610	AR	Screw M6 x 20	
6	0760614	AR	Screw M6 x 30	
8	1001091102	2	Washer M4	
8	4811700	AR	Washer M6	
9	1001174158	1	Bracket	
10	2080040	2	Fastener, Huck	
11	4811702	2	Washer M6	

SECTION 7 - ELECTRICAL

FIGURE 7-28. AC CABLE INSTALLATION - WITH THREE BREAKERS



ART_1001209677_B

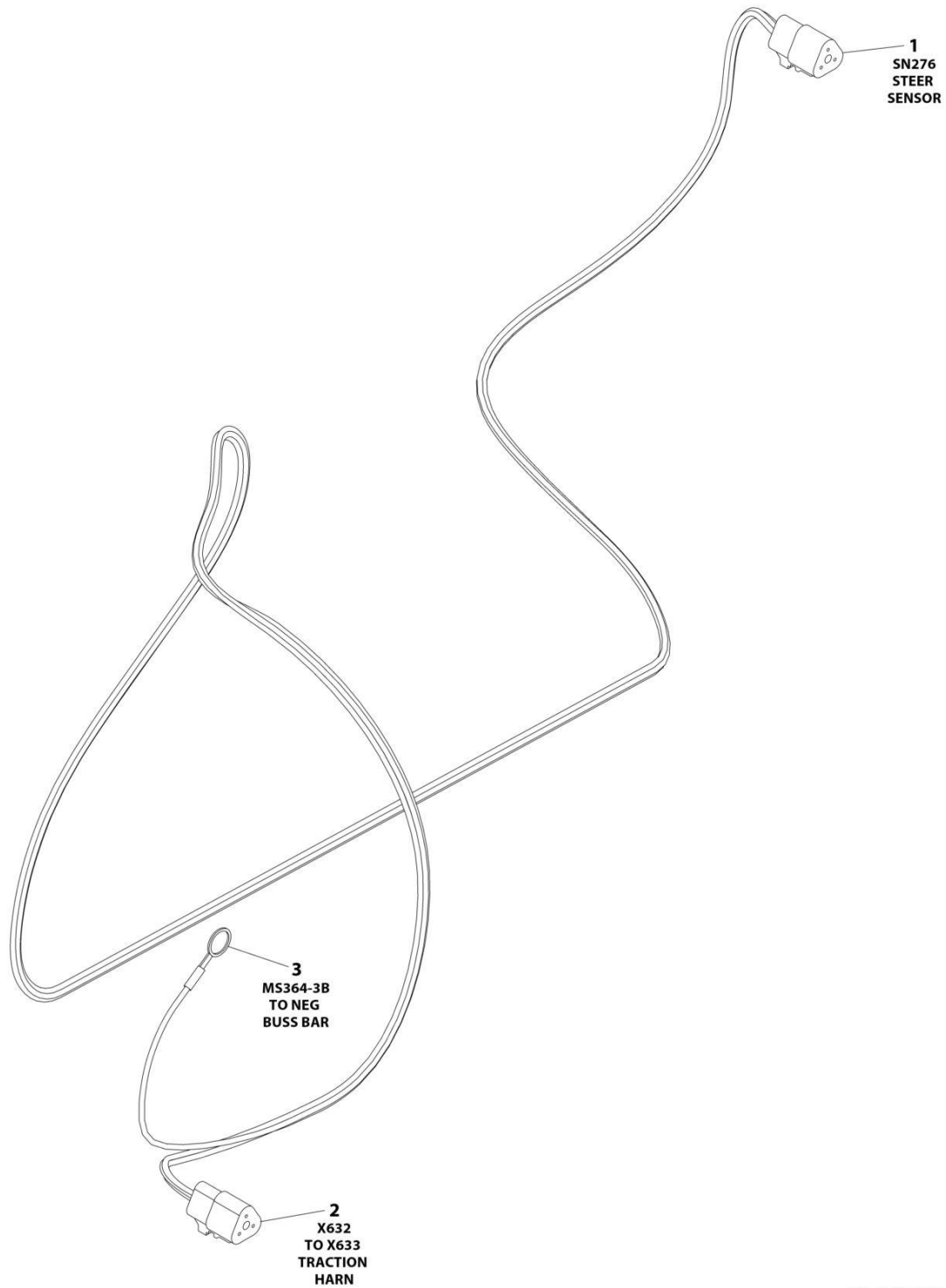
SECTION 7 - ELECTRICAL

FIGURE 7-28. AC CABLE INSTALLATION - WITH THREE BREAKERS

ITEM	PART NUMBER	QTY	DESCRIPTION	REV
	1001209677	Ref	AC CABLE INSTALLATION - WITH THREE BREAKERS	B
1	0760610	4	Bolt M6 x 20	
2	2080040	2	Fastener, Huck	
4	3290605	4	Nut M6	
6	4811700	6	Washer M6	
8	1001152485	1	Breaker Box Kit (See Separate Breakdown in this Section)	
9	1001209832	1	Bracket	
10	4811702	2	Washer M6	

SECTION 7 - ELECTRICAL

FIGURE 7-29. STEER SENSOR HARNESS



ART_1001255829

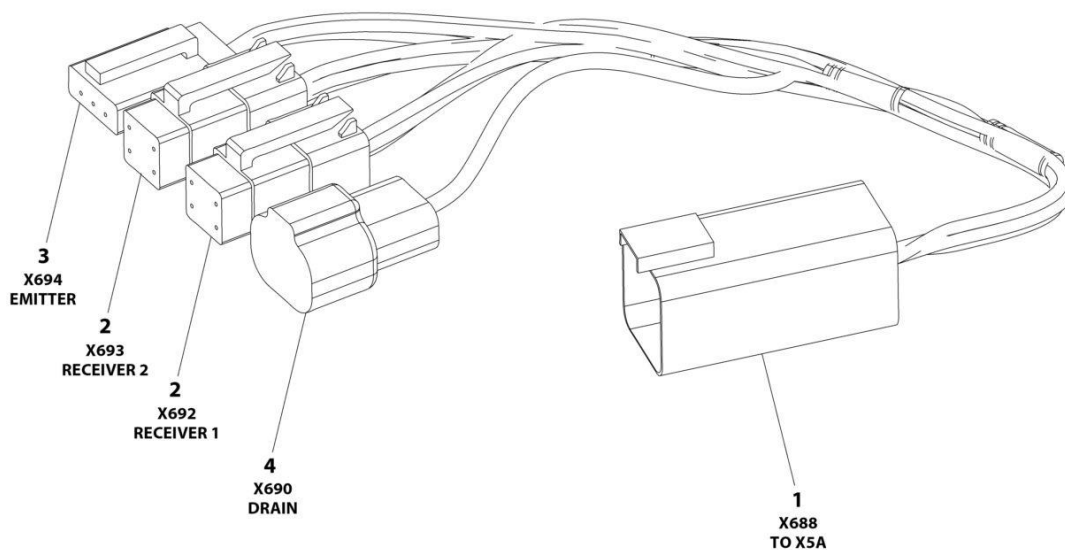
SECTION 7 - ELECTRICAL

FIGURE 7-29. STEER SENSOR HARNESS

ITEM	PART NUMBER	QTY	DESCRIPTION	REV
	1001255829	Ref	STEER SENSOR HARNESS	B
1	4460539	1	Plug, Male - 3 Position	
1	4460944	3	Socket, Female	
2	4460539	1	Plug, Male - 3 Position	
2	4460465	3	Socket, Female	
3	4460703	1	Terminal, Ring	

SECTION 7 - ELECTRICAL

FIGURE 7-30. SKYEYE INTERMEDIATE HARNESS



ART_1001237865

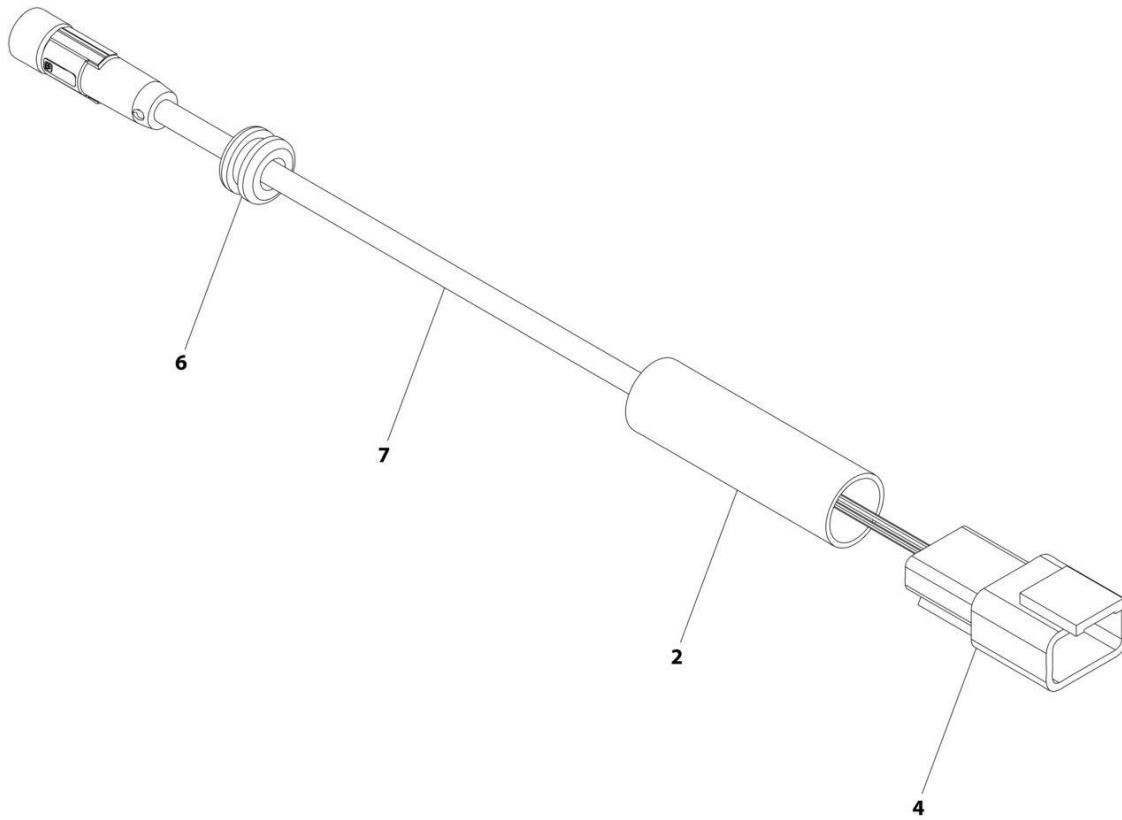
SECTION 7 - ELECTRICAL

FIGURE 7-30. SKYEYE INTERMEDIATE HARNESS

ITEM	PART NUMBER	QTY	DESCRIPTION	REV
	1001237865	Ref	SKYEYE INTERMEDIATE HARNESS	A
1	4460899	1	Connector - 6 Position	
1	4460943	4	Pin, Male	
1	4460466	2	Plug, Terminal	
2	4461077	2	Connector - 4 Position	
2	1001119619	8	Socket, Female	
3	4460911	1	Connector - 3 Position	
3	1001119619	3	Socket, Female	
4	1001187681	1	Connector - 2 Position	
4	4460941	1	Pin, Male	
4	4460466	1	Plug, Terminal	

SECTION 7 - ELECTRICAL

FIGURE 7-31. SKYEYE RECEIVER HARNESS



ART_1001237863_B

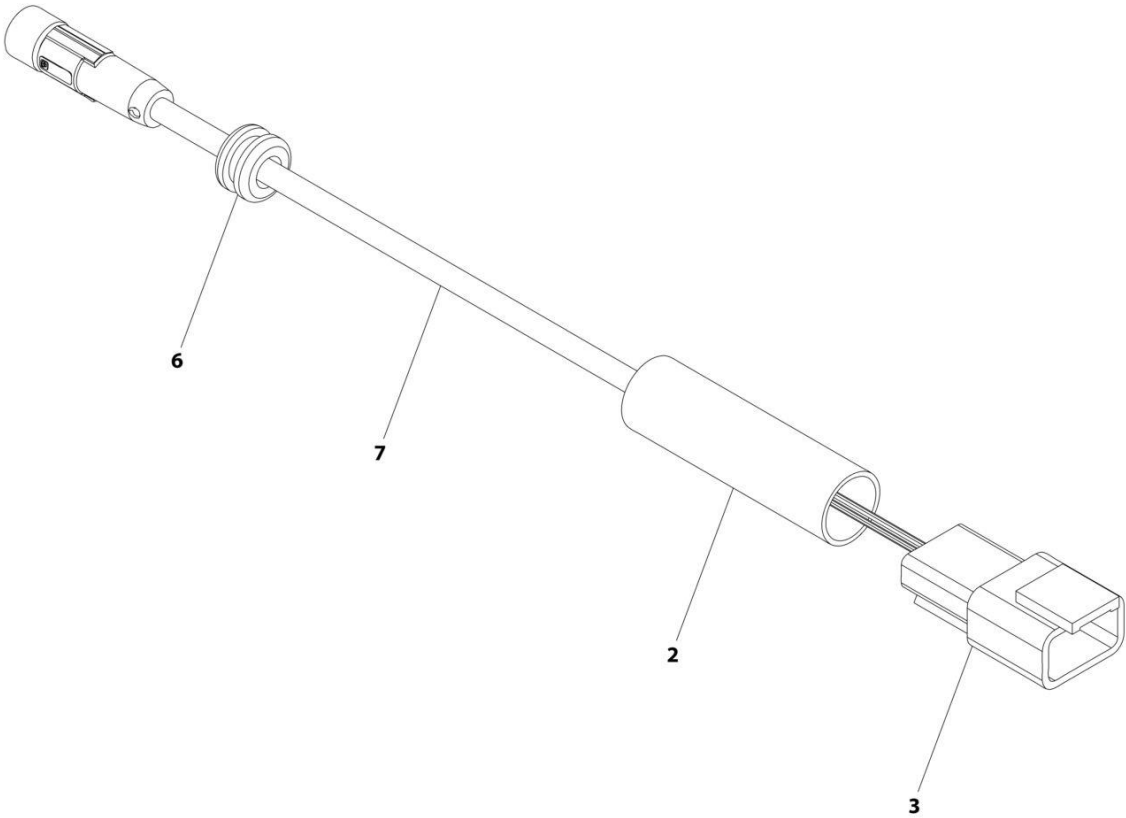
SECTION 7 - ELECTRICAL

FIGURE 7-31. SKYEYE RECEIVER HARNESS

ITEM	PART NUMBER	QTY	DESCRIPTION	REV
	1001237863	Ref	SKYEYE RECEIVER HARNESS	B
2	2820247	AR	Tubing, Heat Shrink	
4	1001097051	1	Connector - 4 Position	
4	1001119620	4	Pin, Male	
6	1001227996	1	Grommet	
7	1001258495	1	Cable, M8 Female Cordset	

SECTION 7 - ELECTRICAL

FIGURE 7-32. SKYEYE EMITTER HARNESS



ART_1001237864_B

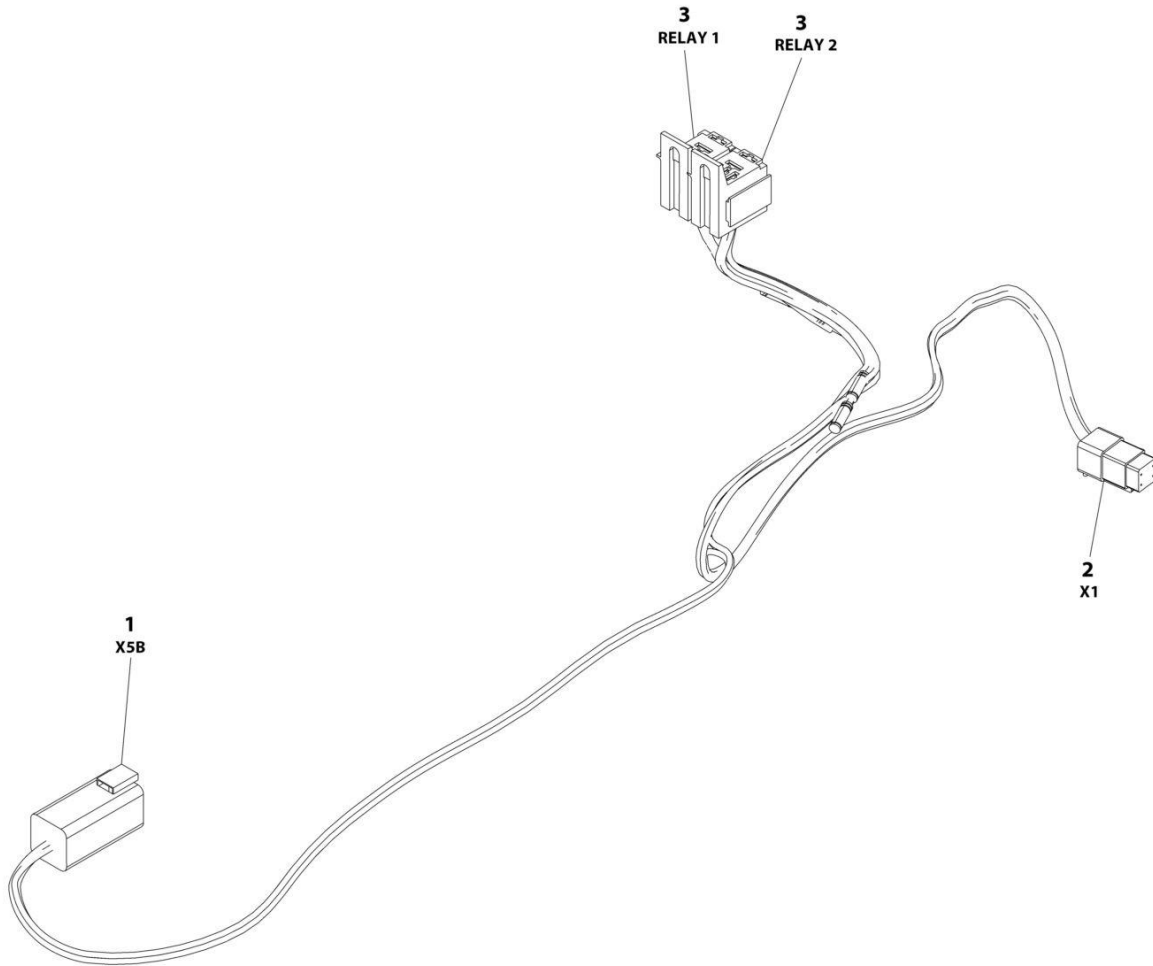
SECTION 7 - ELECTRICAL

FIGURE 7-32. SKYEYE EMITTER HARNESS

ITEM	PART NUMBER	QTY	DESCRIPTION	REV
	1001237864	Ref	SKYEYE EMITTER HARNESS	B
2	2820247	AR	Tubing, Heat Shrink	
3	4460910	1	Connector - 3 Position	
3	1001119620	3	Pin, Male	
6	1001227996	1	Grommet	
7	1001258495	1	Cable, M8 Female Cordset	

SECTION 7 - ELECTRICAL

FIGURE 7-33. SKYLINE HARNESS



ART_1001238418

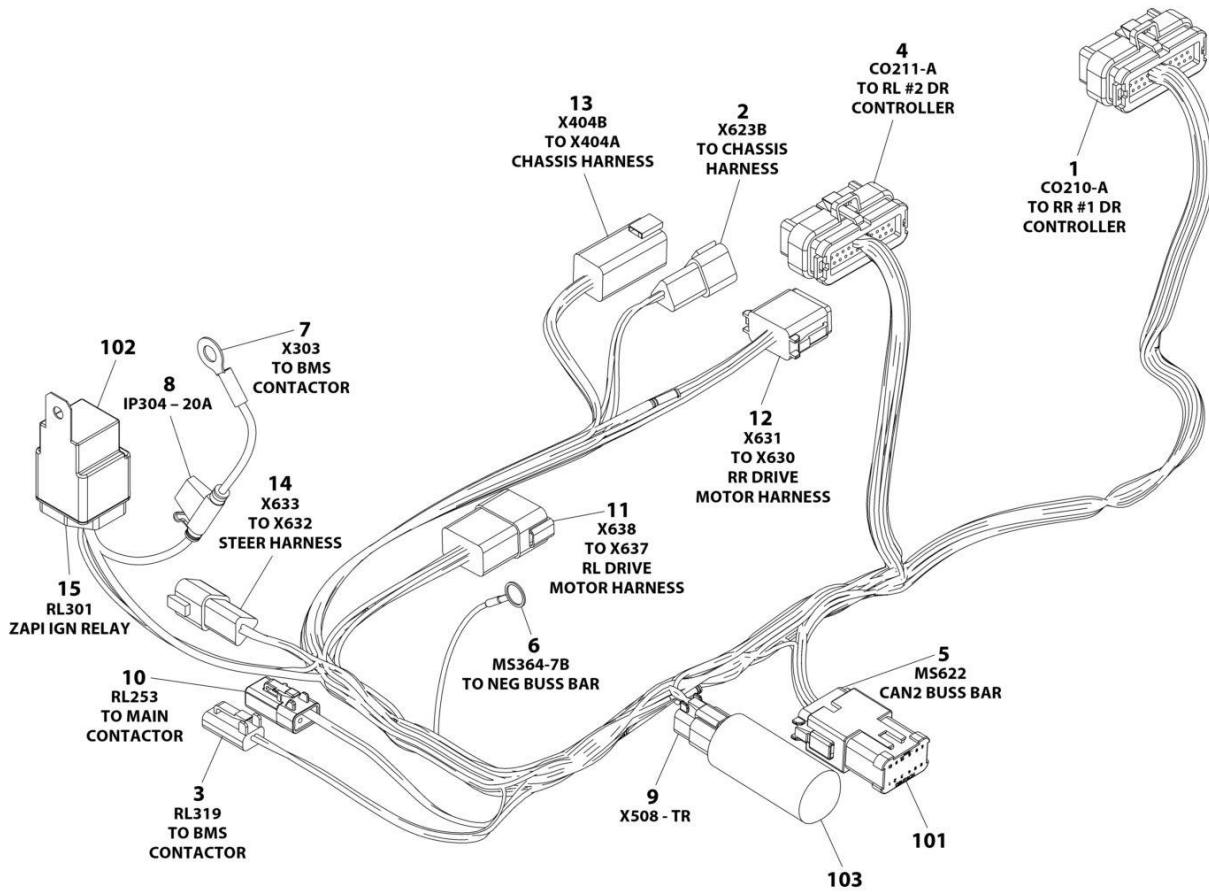
SECTION 7 - ELECTRICAL

FIGURE 7-33. SKYLINE HARNESS

ITEM	PART NUMBER	QTY	DESCRIPTION	REV
	1001238418	Ref	SKYLINE HARNESS	B
1	4460899	1	Connector - 6 Position	
1	4460464	4	Pin, Male	
1	4460466	2	Plug, Terminal	
2	4461077	1	Connector - 4 Position	
2	1001126009	4	Socket, Female	
3	1001186432	2	Plug, Relay	
3	1001118388	5	Terminal	
3	1001118384	3	Terminal	
3	3740086	2	Relay	

SECTION 7 - ELECTRICAL

FIGURE 7-34. TRACTION HARNESS



ART_1001262598

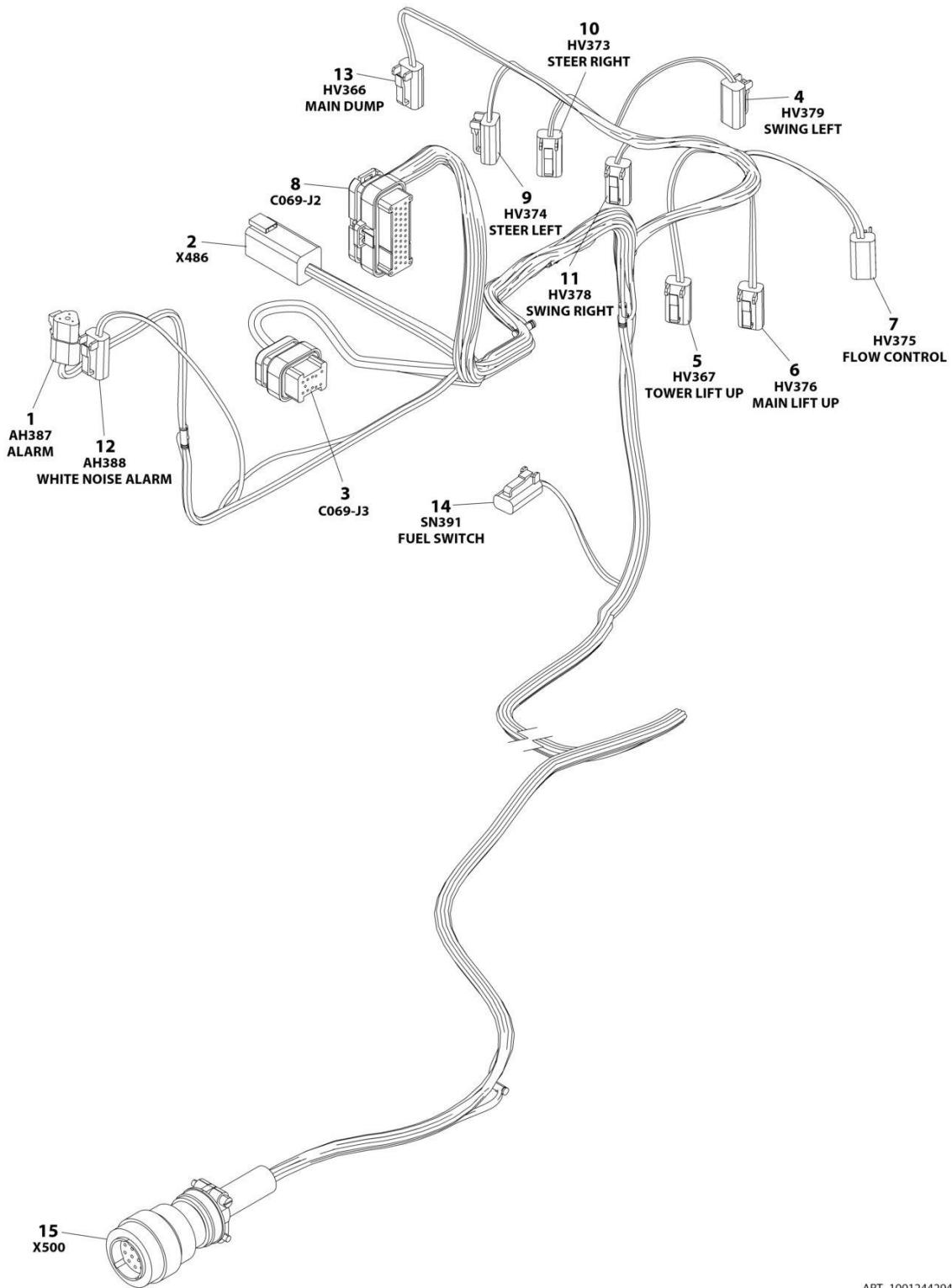
SECTION 7 - ELECTRICAL

FIGURE 7-34. TRACTION HARNESS

ITEM	PART NUMBER	QTY	DESCRIPTION	REV
	1001262598	Ref	TRACTION HARNESS	A
1	4460873	1	Connector - 35 Position	
1	4460871	16	Terminal, Female	
1	4460905	19	Seal, Terminal	
2	4460536	1	Receptacle, Female - 3 Position	
2	4460943	3	Pin, Male	
3	4460891	1	Connector - 2 Position	
3	4460465	2	Socket, Female	
4	4460873	1	Connector - 35 Position	
4	4460871	14	Socket, Female	
4	4460905	21	Plug, Terminal	
5	4460933	1	Connector - 12 Position	
5	4460944	8	Socket, Female (Gold)	
5	4460466	4	Plug, Terminal	
6	4460703	1	Terminal, Ring	
7	8220045	1	Terminal, Ring	
8	1001170763	1	Fuseholder - 20Amp (Includes Cover)	
8	1001170761	1	Fuse - 20Amp	
9	4460884	1	Connector - 4 Position	
9	4460944	4	Socket, Female	
10	1001126245	1	Connector - 2 Position	
10	1001126008	2	Terminal	
11	4460931	1	Connector - 8 Position	
11	4460464	8	Pin, Male	
12	4460930	1	Connector - 8 Position	
12	4460465	8	Socket, Female	
13	4460899	1	Connector - 6 Position	
13	4460464	6	Pin, Male	
14	4460536	1	Connector - 3 Position	
14	4460464	3	Pin, Male	
15	4460374	1	Plug, Relay	
15	1001116734	2	Female, Terminal	
15	1001116732	2	Female, Terminal	
15	1001128128	1	Plug, Terminal	
101	1001119020	1	Connector - 12 Position Bussbar	
102	1001171295	1	Relay	
103	1001186231	1	Connector - 5 Position	

SECTION 7 - ELECTRICAL

FIGURE 7-35. VALVE HARNESS - MAIN



ART_1001244294

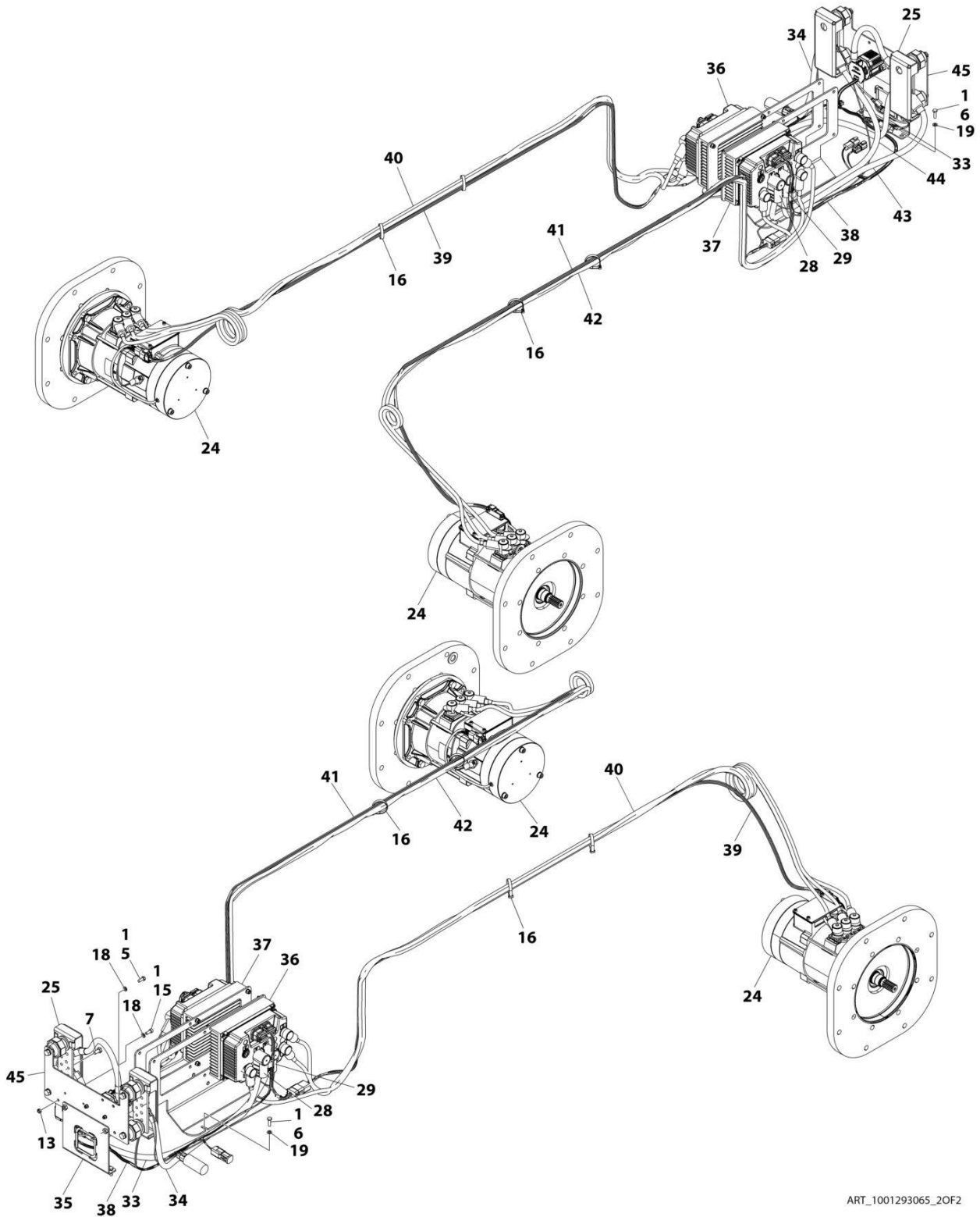
SECTION 7 - ELECTRICAL

FIGURE 7-35. VALVE HARNESS - MAIN

ITEM	PART NUMBER	QTY	DESCRIPTION	REV
	1001244294	Ref	TRACTION HARNESS	B
1	4460539	1	Plug, Male - 3 Position	
1	4460465	3	Socket, Female	
2	4460899	1	Connector - 6 Position	
2	4460464	4	Pin, Male	
2	4460466	2	Plug, Terminal	
3	4460872	1	Connector - 14 Position	
3	4460871	9	Terminal, Female	
3	4460905	5	Seal, Terminal	
4	4460891	1	Connector - 2 Position	
4	4460465	2	Socket, Female	
5	4460891	1	Connector - 2 Position	
5	4460465	2	Socket, Female	
6	4460891	1	Connector - 2 Position	
6	4460465	2	Socket, Female	
7	4460891	1	Connector - 2 Position	
7	4460465	2	Socket, Female	
8	4460875	1	Connector - 35 Position	
8	4460871	26	Socket, Female	
8	4460905	9	Plug, Terminal	
9	4460891	1	Plug, Male - 2 Position	
9	4460465	2	Socket, Female	
10	4460891	1	Connector - 2 Position	
10	4460465	2	Socket, Female	
11	4460891	1	Connector - 2 Position	
11	4460465	2	Socket, Female	
12	4460891	1	Connector - 2 Position	
12	4460465	2	Socket, Female	
13	4460891	1	Connector - 2 Position	
13	4460465	2	Socket, Female	
14	4460424	1	Connector - 2 Position	
14	4460268	2	Socket, Female	
15	4460754	1	Connector - 14 Position	
15	4460465	13	Socket, Female	
15	4460466	1	Plug, Terminal	

SECTION 7 - ELECTRICAL

FIGURE 7-36. WHEEL DRIVE ELECTRICAL HARNESS INSTALLATION (2WD) (SN C30000700 to Present)



ART_1001293065_20F2

SECTION 7 - ELECTRICAL

FIGURE 7-36. WHEEL DRIVE ELECTRICAL HARNESS INSTALLATION (2WD) (SN C300000700 to Present)

ITEM	PART NUMBER	QTY	DESCRIPTION	REV
	1001293065	Ref	WHEEL DRIVE ELECTRICAL HARNESS INSTALLATION	A
1	0100011	AR	Compound, Locking	
5	0760608	2	Bolt M6 x 16	
6	0760610	6	Bolt M6 x 20	
7	0760808	7	Bolt M8 x 16	
13	3290601	1	Nut M6	
15	4031707	1	Bolt M6 x 16	
16	4240018	AR	Tie-Strap	
18	4811700	3	Washer M6	
19	4811702	6	Washer M6	
25	1001188680	2	Cover	
28	1001225557	2	Boot, Terminal (Black)	
29	1001225558	2	Boot, Terminal (Red)	
33	1001256686	1	Cable, + ve to ZAPI Rear Right	
34	1001256688	1	Cable, - ve to ZAPI Rear Right	
35	1001256690	1	Mount	
36	1001293069	1	Bracket, Controller Assembly (See Separate Breakdown in this Section)	
37	1001293775	1	Bracket, Controller Assembly (See Separate Breakdown in this Section)	
38	1001294222	1	Harness, Traction (See Separate Breakdown in this Section)	
39	1001294233	1	Harness, Drive Motor (RL) (See Separate Breakdown in this Section)	
40	1001294234	1	Cable, Motor (RL)	
41	1001294235	1	Harness, Drive Motor (RR) (See Separate Breakdown in this Section)	
42	1001294239	1	Cable, Motor (RL)	
43	1001294618	1	Cable, + ve to ZAPI Rear Right	
44	1001294619	1	Cable, - ve to ZAPI Rear Right	
45	1001295080	1	Plate, Contactor Assembly (See Separate Breakdown in this Section)	

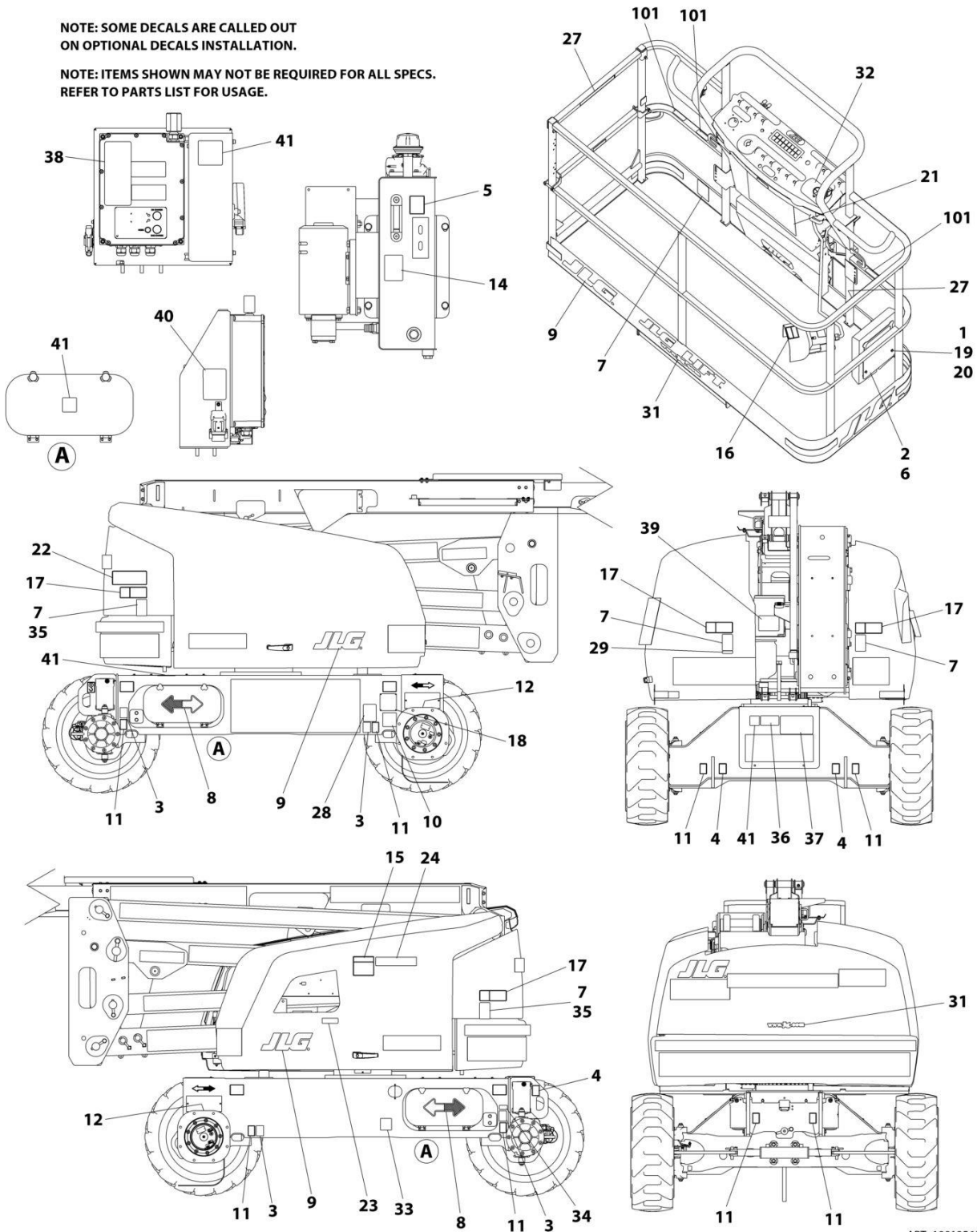
SECTION 8 - DECALS

SECTION 8 - DECALS

FIGURE 8-1. DECAL INSTALLATION - ANSI SPECS

NOTE: SOME DECALS ARE CALLED OUT ON OPTIONAL DECALS INSTALLATION.

NOTE: ITEMS SHOWN MAY NOT BE REQUIRED FOR ALL SPECS. REFER TO PARTS LIST FOR USAGE.



ART_1001256805

SECTION 8 - DECALS

FIGURE 8-1. DECAL INSTALLATION - ANSI SPECS

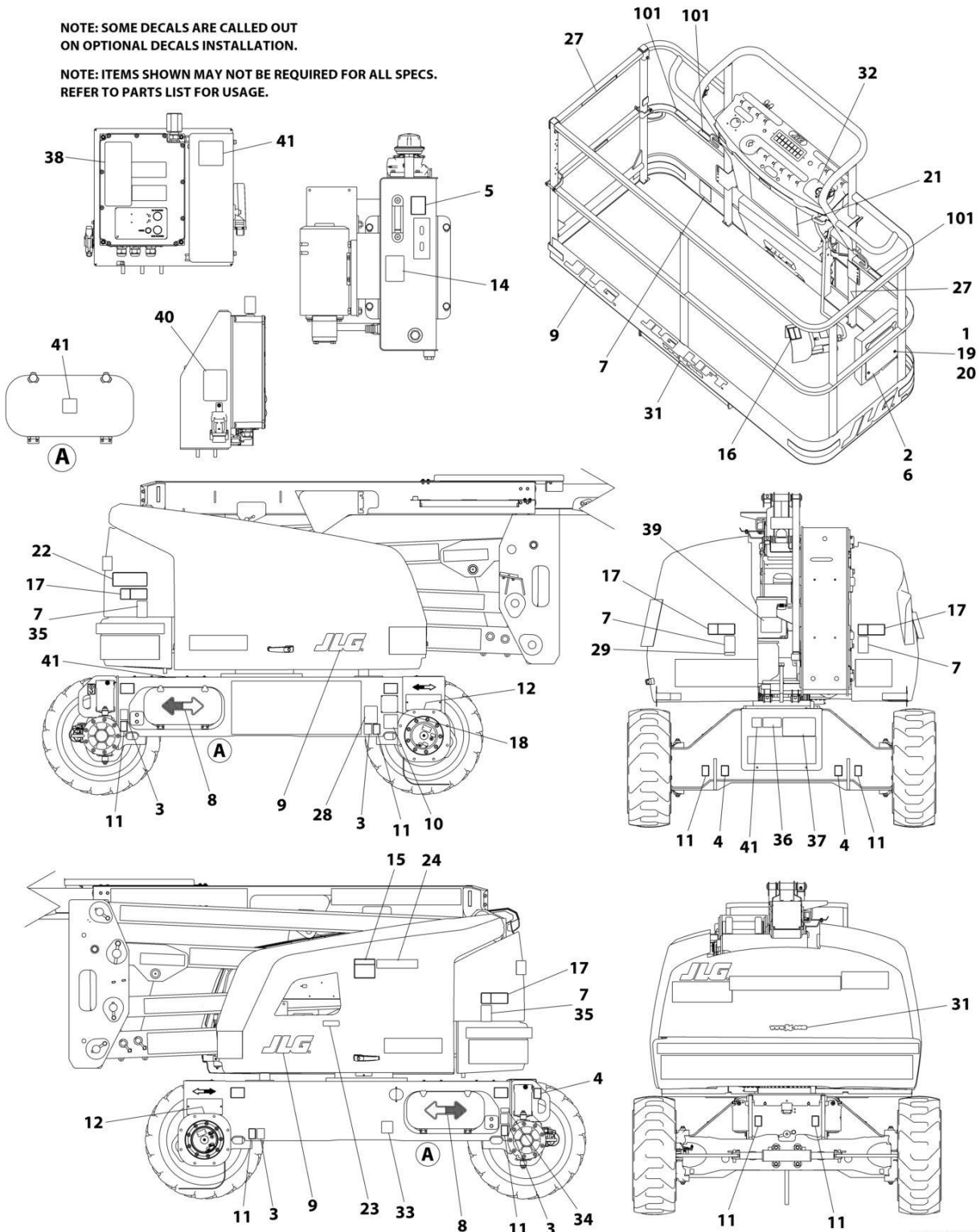
ITEM	PART NUMBER	QTY	DESCRIPTION	REV
	1001253598	Ref	DECAL INSTALLATION - REFERENCE CHART	F
	1001256805	Ref	DECAL INSTALLATION	E
1	0760610	4	Bolt M6 x 20	
2	0860520	1	Box, Manual Storage	
3	1701499	4	Decal - Tie Down /Lift	
4	1701500	4	Decal - Tie Down /Lift	
5	1701504	1	Decal - Hydraulic Oil	
6	1701509	1	Decal - Manual	
7	1703804	4	Decal - Warning/Crushing	
8	1701529	2	Decal - Arrow	
10	See Note	NSS	Decal - Bar Code (Note: Not Available for Purchase)	
11	1702300	8	Decal - Tie Down /Lift	
12	1703687	2	Decal - Arrow	
14	1704412	1	Decal - Hydraulic Fluid	
15	1705336	1	Decal - Warning Inspection	
16	3252347	1	Decal - Footswitch	
17	1703805	4	Decal - Danger Electrocution	
18	2080057	4	Fastener	
19	3290605	4	Nut M6	
20	4811700	8	Washer M6	
21	1703797	1	Decal - Danger/Warning (Platform)	
22	1001172217	1	Decal - Lift Diagram	
24	1001255511	2	Decal - Max Capacity	
27	1702868	2	Decal - No Hands	
28	1001131269	1	Decal - Patent	
29	3251243	1	Decal - 120V	
31	1704885	2	Decal - Website	
32	1705351	1	Decal - Drive/Steer Instructions	
33	1001223055	1	Decal - Yearly Inspection	
34	1001223453	1	Decal - Ices	
35	1703953	2	Decal - Warning/Crushing	
36	1001260939	1	Decal - Warning Tip Over Hazard	
37	1001260941	1	Decal- Cable Routing	
38	1001262795	1	Decal - Led Indicator	
39	1001262796	1	Decal - Led Indicator	
40	1001263924	1	Decal - Fuse Boxes	
41	1001125483	5	Decal - Pressure Wash	
100	1001232026	1	Decal Kit - Platform Lanyard (Not Shown)	
101	1704277	3	Decal - Attach Lanyard Here	

SECTION 8 - DECALS

FIGURE 8-2. DECAL INSTALLATION - AUSTRALIAN SPECS

NOTE: SOME DECALS ARE CALLED OUT ON OPTIONAL DECALS INSTALLATION.

NOTE: ITEMS SHOWN MAY NOT BE REQUIRED FOR ALL SPECS. REFER TO PARTS LIST FOR USAGE.



ART_1001258628

SECTION 8 - DECALS

FIGURE 8-2. DECAL INSTALLATION - AUSTRALIAN SPECS

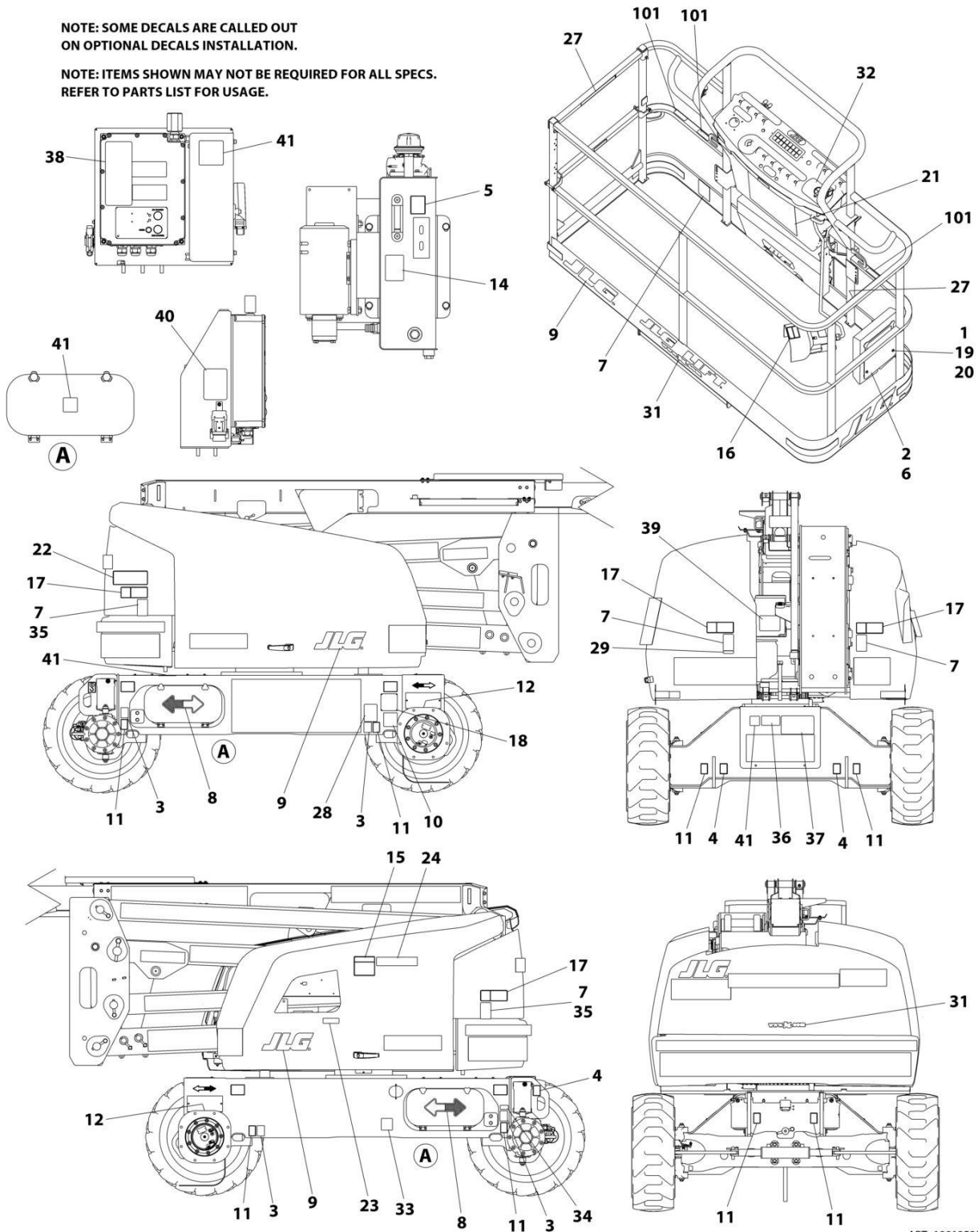
ITEM	PART NUMBER	QTY	DESCRIPTION	REV
	1001253598	Ref	DECAL INSTALLATION - REFERENCE CHART	F
	1001258628	Ref	DECAL INSTALLATION	E
1	0760610	4	Bolt M6 x 20	
2	0860520	1	Box, Manual Storage	
3	1701499	4	Decal - Tie Down /Lift	
4	1701500	4	Decal - Tie Down /Lift	
5	1701504	1	Decal - Hydraulic Oil	
6	1701509	1	Decal - Manual	
7	1701518	6	Decal - Warning/Crushing	
8	1701529	2	Decal - Arrow	
10	See Note	NSS	Decal - Bar Code (Note: Not Available for Purchase)	
11	1702300	8	Decal - Tie Down /Lift	
12	1703687	2	Decal - Arrow	
14	1704412	1	Decal - Hydraulic Fluid	
15	1705822	1	Decal - Electrocutation/Safety Manual	
16	1705828	1	Decal - Footswitch	
17	1705961	4	Decal - Danger Electrocutation	
18	2080057	4	Fastener	
19	3290605	4	Nut M6	
20	4811700	8	Washer M6	
21	1001162429	1	Decal - Tipping/Electrocutation	
22	1001172217	1	Decal - Lift Diagram (Without Turntable Lock)	
23	1001112551	1	Decal - Emergency Controls	
24	1001190913	1	Decal - Max Capacity	
31	1704885	2	Decal - Website	
36	1001260939	1	Decal - Warning Tip Over Hazard	
37	1001260941	1	Decal- Cable Routing	
38	1001262795	1	Decal - Led Indicator	
39	1001262796	1	Decal - Led Indicator	
40	1001263924	1	Decal - Fuse Boxes	
41	1001125483	5	Decal - Pressure Wash	
100	1001232026	1	Decal Kit - Platform Lanyard (Not Shown)	
101	1704277	3	Decal - Attach Lanyard Here	

SECTION 8 - DECALS

FIGURE 8-3. DECAL INSTALLATION – CE & UK CA SPECS

NOTE: SOME DECALS ARE CALLED OUT ON OPTIONAL DECALS INSTALLATION.

NOTE: ITEMS SHOWN MAY NOT BE REQUIRED FOR ALL SPECS. REFER TO PARTS LIST FOR USAGE.



ART_1001253599

SECTION 8 - DECALS

FIGURE 8-3. DECAL INSTALLATION – CE & UK CA SPECS

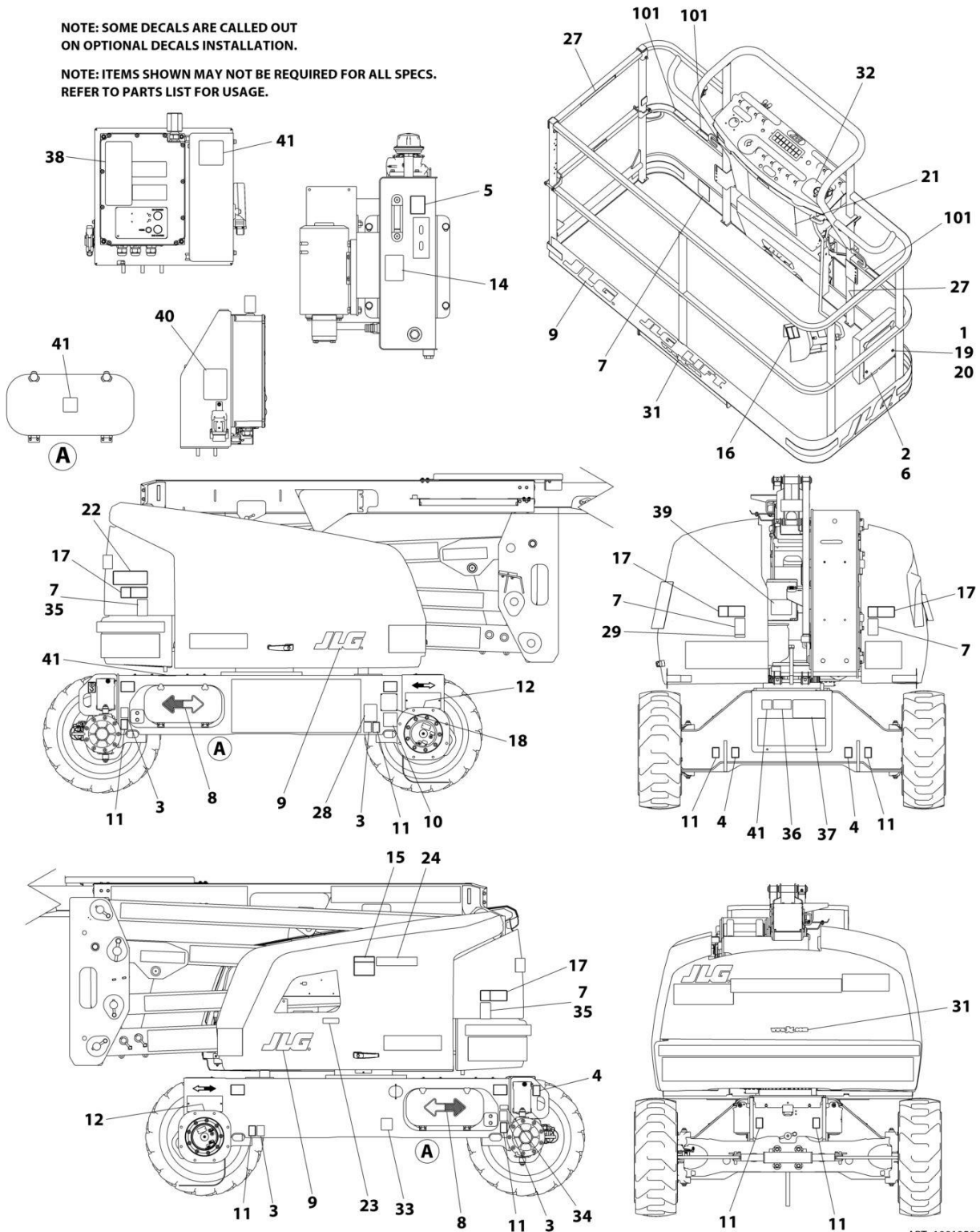
ITEM	PART NUMBER	QTY	DESCRIPTION	REV
	1001253598	Ref	DECAL INSTALLATION - REFERENCE CHART	F
	1001253599	Ref	DECAL INSTALLATION	H
1	0760610	4	Bolt M6 x 20	
2	0860520	1	Box, Manual Storage	
3	1701499	4	Decal - Tie Down /Lift	
4	1701500	4	Decal - Tie Down /Lift	
5	1701504	1	Decal - Hydraulic Oil	
6	1701509	1	Decal - Manual	
7	1701518	6	Decal - Warning/Crushing	
8	1701529	2	Decal - Arrow	
9	1702773	3	Decal - JLG	
10	See Note	NSS	Decal - Bar Code (Note: Not Available for Purchase)	
11	1702300	8	Decal - Tie Down /Lift	
12	1703687	2	Decal - Arrow	
14	1704412	1	Decal - Hydraulic Fluid	
15	1705822	1	Decal - Electrocutation/Safety Manual	
16	1705828	1	Decal - Footswitch	
17	1705961	4	Decal - Danger Electrocutation	
18	2080057	4	Fastener	
19	3290605	4	Nut M6	
20	4811700	8	Washer M6	
21	1001162429	1	Decal - Tipping/Electrocutation	
22	1001172217	1	Decal - Lift Diagram (Without Turntable Lock)	
23	1001189882	1	Decal - MSSO	
24	1001190913	1	Decal - Max Capacity	
36	1001260939	1	Decal - Warning Tip Over Hazard	
37	1001260941	1	Decal- Cable Routing	
38	1001262795	1	Decal - Led Indicator	
39	1001262796	1	Decal - Led Indicator	
40	1001263924	1	Decal - Fuse Boxes	
41	1001125483	5	Decal - Pressure Wash	
100	1001232026	1	Decal Kit - Platform Lanyard (Not Shown)	
101	1704277	3	Decal - Attach Lanyard Here	

SECTION 8 - DECALS

FIGURE 8-4. DECAL INSTALLATION - CSA SPECS

NOTE: SOME DECALS ARE CALLED OUT ON OPTIONAL DECALS INSTALLATION.

NOTE: ITEMS SHOWN MAY NOT BE REQUIRED FOR ALL SPECS. REFER TO PARTS LIST FOR USAGE.



ART_1001258641

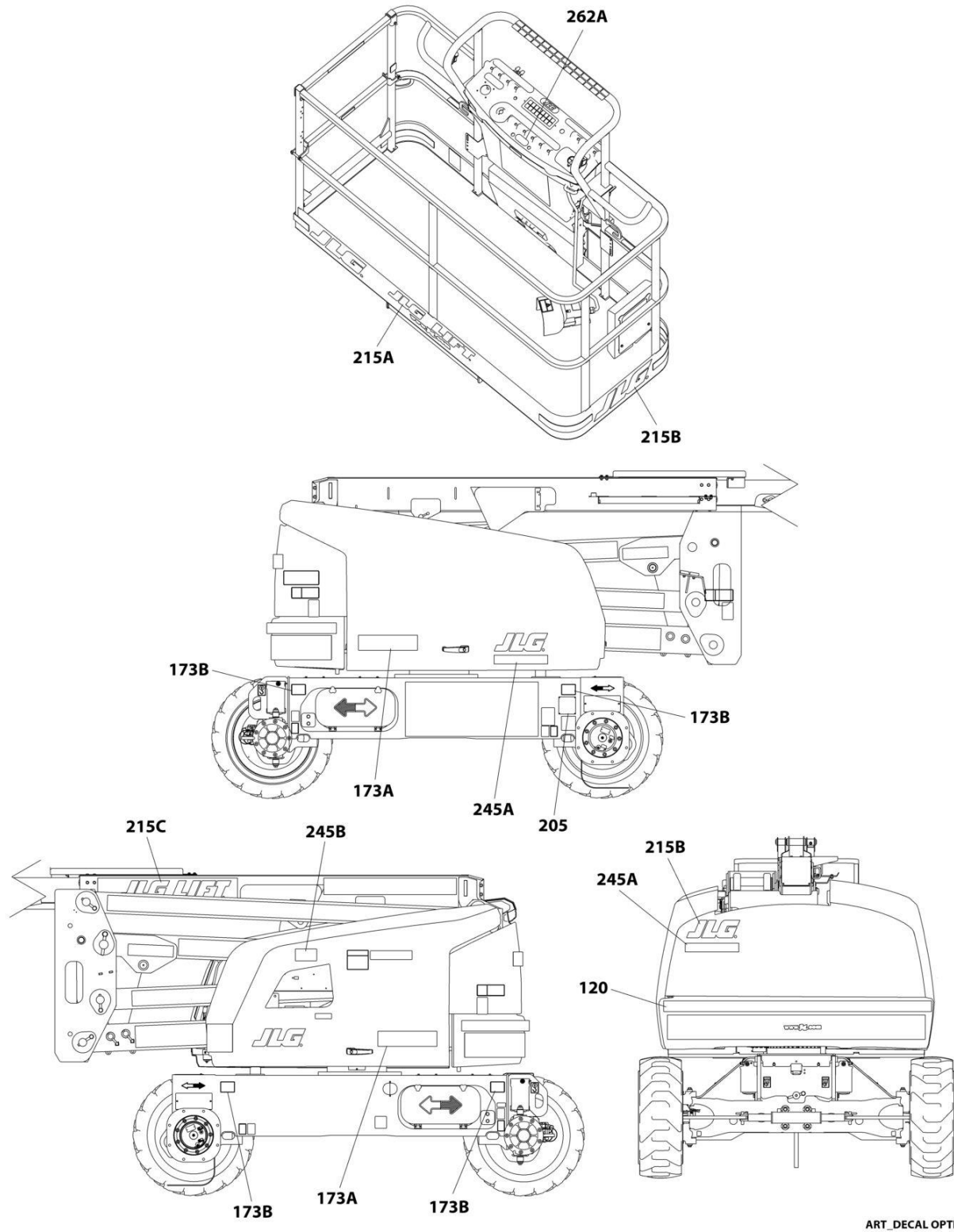
SECTION 8 - DECALS

FIGURE 8-4. DECAL INSTALLATION - CSA SPECS

ITEM	PART NUMBER	QTY	DESCRIPTION	REV
	1001253598	Ref	DECAL INSTALLATION - REFERENCE CHART	F
	1001258641	Ref	DECAL INSTALLATION	E
1	0760610	4	Bolt M6 x 20	
2	0860520	1	Box, Manual Storage	
3	1701499	4	Decal - Tie Down /Lift	
4	1701500	4	Decal - Tie Down /Lift	
5	1701504	1	Decal - Hydraulic Oil	
6	1701509	1	Decal - Manual	
7	1703948	4	Decal - Warning/Crushing	
8	1701529	2	Decal - Arrow	
10	See Note	NSS	Decal - Bar Code (Note: Not Available for Purchase)	
11	1702300	8	Decal - Tie Down /Lift	
12	1703687	2	Decal - Arrow	
14	1704412	1	Decal - Hydraulic Fluid	
15	1705347	1	Decal - Warning Inspection	
16	1703984	1	Decal - Footswitch	
17	1703936	4	Decal - Danger Electrocution	
18	2080057	4	Fastener	
19	3290605	4	Nut M6	
20	4811700	8	Washer M6	
21	1703924	1	Decal - Danger/Warning (Platform)	
22	1001172217	1	Decal - Lift Diagram	
24	1001255512	2	Decal - Max Capacity	
27	1704000	2	Decal - No Hands	
28	1001131269	1	Decal - Patent	
29	3251243	1	Decal - 120V	
31	1704885	2	Decal - Website	
32	1705429	1	Decal - Drive/Steer Instructions	
33	1001223971	1	Decal - Yearly Inspection	
34	1001223453	1	Decal - Ices	
35	1703942	2	Decal - Warning/Crushing	
36	1001260939	1	Decal - Warning Tip Over Hazard	
37	1001260941	1	Decal- Cable Routing	
38	1001262795	1	Decal - Led Indicator	
39	1001262796	1	Decal - Led Indicator	
40	1001263924	1	Decal - Fuse Boxes	
41	1001125483	5	Decal - Pressure Wash	
100	1001232026	1	Decal Kit - Platform Lanyard (Not Shown)	
101	1704277	3	Decal - Attach Lanyard Here	

SECTION 8 - DECALS

FIGURE 8-5. DECAL INSTALLATION - OPTIONS



SECTION 8 - DECALS

FIGURE 8-5. DECAL INSTALLATION - OPTIONS

ITEM	PART NUMBER	QTY	DESCRIPTION	REV
	1001253598	Ref	DECAL INSTALLATION - REFERENCE CHART	E
	1001250808	Ref	DECAL INSTALLATION - OPTIONS	C
120	1001188883	Ref	Warning Stripes Installation	A
120	4420051	21.5 ft/ 6.55m	Tape, Safety	
173	1001255761	Ref	Model Decal Installation	A
173A	1001258490	1	Decal - EC450AJ	
173B	1704752	4	Decal - Max Tire Load	
205	See Note	1	Nameplate - Manufacturers Serial Number (Note: Not Available for Purchase)	
215	1001243697	Ref	JLG Logo Installation (CE Specs)	A
215	1001243698	Ref	JLG Logo Installation (ANSI, CSA and Australian Specs)	A
215A	1702774	1	Decal - JLG Lift (All Specs Except CE Specs)	
215B	1702773	AR	Decal - JLG (All Specs)	
215C	1702860	1	Decal - JLG Lift (All Specs Except CE Specs)	
245	1001127096	Ref	Decal - ClearSky	
245A	1001116208	2	Decal - ClearSky	
245B	1001120989	1	Decal - Radio Frequency	
262A	1001141300	1	Decal - SkyGuard Override	

SECTION 9 - RECOMMENED SERVICE PARTS STOCK

SECTION 9 - RECOMMENED SERVICE PARTS STOCK

SECTION 9 - RECOMMENED SERVICE PARTS STOCK

FIGURE 9-1. RECOMMENDED SERVICE PARTS STOCK

ITEM	PART NUMBER	QTY	DESCRIPTION	REV
		Ref	Note: The following list will service one machine (built to current production per date on the front cover) with emergency repair parts which can be installed in the field. Parts from the list should be replaced when inventory is depleted to keep service parts stock supplied. For further information, contact your JLG dealer or the JLG Industries Parts Department.	
		Ref	STANDARD PARTS	
	70050516	1	Coil	
	70002963	1	Coil	
	70005219	1	Coil	
	70002386	1	Coil	
	70003788	1	Coil	
	70004871	1	Coil	
	7027628	1	Coil	
	1001212415	1	Controller Assembly (Drive and Steer)	
	1001129555	1	Controller Assembly (Lift and Swing)	
	1001162663	1	Element, Filter Hydraulic	
	8229244	1	Fuse - 15Amp	
	1001170761	1	Fuse - 20Amp	
	8229245	1	Fuse - 30Amp	
	1001262472	1	Fuse - 60Amp	
	2400069	1	Fuse - 175Amp	
	2860030	1	Key, Replacement	
	1001222365	1	Relay	
	3740067	1	Relay	
	1001186431	1	Relay	
	3740086	1	Relay	
	4360387	1	Switch, Push Button	
	4360475	1	Switch, Emergency Stop	
	4360476	1	Switch, Contact Block	
	4360407	1	Switch, Potentiometer	
	1001155045	1	Switch, Toggle	
	1001159256	1	Switch, Toggle	
	1001161710	1	Switch, Toggle	
	1001172271	1	Switch, Limit	
		Ref	VARIABLE PARTS	
	2940074	1	Latch (Machines with Gate)	
	1001183213	1	Module, Ground Control	
	1001118412	1	Module, Platform Control	
	1001142683	1	Module, Control (Beacon Light)	
	1001171295	1	Relay, 50Amp (Battery Charger)	
	1001170367	1	Relay, 48Volt	
	1001119176	1	Switch, Limit (Drive Orientation)	
	1001137673	1	Switch, SkyGuard Assembly	

SECTION 10 - SPECIAL OPTIONS

SECTION 10 - SPECIAL OPTIONS

FIGURE 10-1. SPECIAL OPTIONS/ACCESSORIES/KITS

ITEM	PART NUMBER	QTY	DESCRIPTION	REV
	See Note	Ref	Note: This list is to accommodate machines ordered with special equipment. Options may not be applicable to all models. For more specific parts information contact JLG Parts Department.	
		Ref	MISCELLANEOUS SPECIAL OPTIONS	
	1001241254	Ref	Boom Angle Sensor Offset Link Kit	
	1001206438	Ref	Boom Wear Pad Kit	
	1001236123	Ref	Boom Wiper Cover Installation	
		Ref	ClearSky (Telematics) Installations (Dealer Installed)	
	1001242639	Ref	ClearSky (Telematics) Access Control Installation Kit (Dealer Installed) (ANSI, ANSI Export, CSA and CE Specs)	
	1001243183	Ref	ClearSky (Telematics) Added-on Kit (Dealer Installed) (ANSI, ANSI Export & CSA Specs)	
	1001246142	Ref	ClearSky (Telematics) Service Kit (Dealer Installed) (Australian Specs)	
	1001243184	Ref	ClearSky (Telematics) Added-on Kit (Dealer Installed) (CE Specs)	
		Ref	ClearSky Telematics (Factory Installed)	
	1001227278	Ref	ClearSky (Telematics) Installation (Factory Installed) Canbus Connection (ANSI and CSA Specs)	
	1001246433	Ref	ClearSky (Telematics) Installation (Factory Installed) 3-Wire Connection (Australian Specs) (Prior to SN C300000398)	
	1001228960	Ref	ClearSky (Telematics) Installation (Factory Installed) Canbus Connection (CE Specs) (Prior to SN C300000398)	
	1001261106	Ref	Cold Weather Package - Batteries (Prior to SN C300000327)	
	1001196012	Ref	Cylinder Bellows Installation	
	1001241342	Ref	Decal Kit - Platform Console Box	
	1001241333	Ref	Decal Kit - Platform	
	1001148902	Ref	Electrical Connector Kit - Amp/Tyco Electrical Connectors	
	1001148903	Ref	Electrical Connector Kit - Deutsch DT Electrical Connectors	
	1001148904	Ref	Electrical Connector Kit - Deutsch HD Electrical Connectors	
	1001148905	Ref	Electrical Connector Kit - Packard Electrical Connectors	
	1001148906	Ref	Electrical Connector Kit - Various Electrical Connectors	
	1001246867	Ref	Enhanced Detection System (EDS) Level 1 (2-Bar) Installation Kit	
	1001246860	Ref	Enhanced Detection System (EDS) Level 2 (3-Bar) Installation Kit	
	1001220003	Ref	Ground Control and UGM Covers Kit	
	1001241397	Ref	Hostile Environment Kit (Includes Cylinder Bellows, Platform Console Cover and Boom Wiper)	
	1001274480	Ref	Hydraulic Tank Heater Installation	
	1001286293	Ref	Kit, Beacon Strobe Repair	
	1001172001	Ref	Lights Installation - Headlights and Taillights	
	1001120466	Ref	Lights Installation - Platform Worklights	
	1580013	Ref	Platform Corner Storage Tray	
	1001214478	Ref	Platform Mesh to Mid Rail Kit - 30in x 48in Platforms (Use on Platform p/n 1001186387)	
	1001214515	Ref	Platform Mesh to Mid Rail Kit - 30in x 60in Platforms (Use on Platform p/n 1001186386)	
	1001214552	Ref	Platform Mesh to Top Rail Kit - 30in x 48in Platforms (Use on Platform p/n 1001186387)	
	1001214559	Ref	Platform Mesh to Top Rail Kit - 30in x 60in Platforms (Use on Platform p/n 1001186386)	
	1001214560	Ref	Platform Mesh to Top Rail Kit - 30in x 72in Platforms (Use on Platform p/n 1001186385)	

SECTION 10 - SPECIAL OPTIONS

ITEM	PART NUMBER	QTY	DESCRIPTION	REV
	1001239575	Ref	Platform Valve Hose Kit	
	1001250035	Ref	Platform Sensor Retrofit Kit	
	1001209059	Ref	Platform Work Surface Installation	
	1001241547	Ref	SkyEye LH Housing Retrofit Kit	
	1001241548	Ref	SkyEye RH Housing Retrofit Kit	
	1001247073	Ref	SkyEye Retrofit Kit	
	1001249052	Ref	SkyGuard Retrofit Kit	
	1001250595	Ref	SkyGuard 6 Pin Retrofit Kit	
	1001203510	Ref	SkyGuard Platform Sensor Kit	
	1001203511	Ref	SkyGuard Beacon Kit (Blue Light)	
	1001210036	Ref	SkyGuard Beacon Kit (Red Light)	
	1001232643	Ref	SkyLine Kit	
	1001252033	Ref	SkySense Enhanced Detection System (EDS) Level 1 (2-Bar) Add-on Kit (Dealer Installed)	
	1001252034	Ref	SkySense Enhanced Detection System (EDS) Level 2 (3-Bar) Add-on Kit (Dealer Installed)	
	2901443	Ref	Tools - Analyzer Kit	
	1001249695	Ref	Tools - Analyzer and Cable Kit	
	1001249941	Ref	Tools - Analyzer and Cable Kit (Battery Powered)	
	1001137005	Ref	Tools - Cable Kit, Software (Not Shown)	
	7002821	Ref	Tools - Crimper, Wire	
	7002823	Ref	Tools - Pin Extractor - Universal (For Electrical Connectors with Pins and Sockets)	
	4460510	Ref	Tools - Pin Extractor - 12-14 Gauge (For Removal of Pin/Sockets from Deutsch Connectors)	
	4460467	Ref	Tools - Pin Extractor - 16-18 Gauge (For Removal of Pin/Sockets from Deutsch Connectors)	
	7016654	Ref	Tools - Screwdriver, Magnetic	
	7002822	Ref	Tools - Screwdriver, Potentiometer	
	7004275	Ref	Tools - Seal Tool 1in (For Cylinders)	
	7004276	Ref	Tools - Seal Tool 1-1/2in (For Cylinders)	
	7002828	Ref	Tools - Stripper, Wire	
	1001257686	Ref	Traction Module Cooling Installation	
	1001239574	Ref	Upper Power Track Hose Kit	
	1001262959	Ref	Voltage Regulator Relocation Kit	

PART NUMBER INDEX

SECTION 10 - SPECIAL OPTIONS

0100009.....157	0760608... 35, 63, 73, 75, 77, 79, 85, 87, 291	1001101191 263, 265, 267, 269, 271	1001120989.....303
0100011.... 13, 15, 17, 27, 35, 41, 53, 55, 57, 63, 65, 67, 73, 89, 103, 105, 107, 113, 115, 121, 123, 125, 131, 133, 147, 149, 151, 153, 181, 183, 220, 249, 291	0760610... 27, 73, 75, 77, 79, 81, 83, 85, 87, 89, 105, 113, 115, 119, 273, 275, 291, 295, 297, 299, 301	1001101196 269, 271	1001125483..... 295, 297, 299, 301
0100019..... 17, 47, 107	0760614 93, 95, 273	1001101197 263, 265, 267	1001125677..... 236, 256
0100020.... 119, 171, 263, 265, 267, 269, 271	0760615 105	1001103012 234	1001126008..... 235, 245, 247, 287
0100035.... 157, 161, 163	0760621 73	1001104497 235	1001126009..... 235, 285
0100048..... 91, 157	0760807 23, 25	1001104519 259	1001126245..... 287
0100081..... 220	0760808 249, 291	1001104850 47, 49	1001127096..... 303
0100083..... 73	0760810. 17, 27, 57, 103, 131	1001106736 73	1001127152..... 59
0140011..... 157	0760812... 57, 65, 67, 75, 77, 79, 81, 83, 85, 87, 103, 107, 123, 220, 249	1001107854 234, 235	1001128128..... 233, 234, 235, 287
0140043..... 73	0760814 57, 103, 220	1001110434 157	1001129407..... 63
0275216..... 269	0760815 57, 107	1001112551 297	1001129408..... 97, 99
0275217..... 271	0760820 15	1001112607 121	1001129555..... 306
0275452..... 263	0761010 41, 63	1001112612 213, 215, 234	1001130220..... 73
0275453..... 265	0761011 15	1001112796 213, 215, 239	1001131269..... 295, 301
0275454..... 267	0761012 121, 220	1001113047 27	1001133972..... 47, 51
0630518..... 161, 163	0761014 103, 131	1001113961 233	1001137005..... 309
0630568..... 157	0761015 121	1001116208 303	1001137673..... 181, 306
0630613..... 103	0761212... 113, 115, 121, 125	1001116550 127	1001138494..... 149, 151, 153
0641404..... 183	0761214 27, 57, 103	1001116693 255	1001138514..... 149, 151, 153
0641405..... 157, 183	0761215 121	1001116698 235	1001140429..... 147, 149, 151, 153
0641406..... 155, 177	0761216 23, 25, 131	1001116731 239	1001141300..... 303
0641408..... 155	0761227 125	1001116732 233, 234, 235, 287	1001142683... 93, 95, 306
0641410..... 105	0761615 13, 125	1001116733 233, 234, 235	1001142736..... 215
0641414..... 157, 181	0762016 125	1001116734 287	1001143501..... 210
0641416.... 263, 265, 267, 269, 271	0762020 107	1001116747 233	1001144147..... 213, 239
0641418.... 147, 149, 151, 153	0771618 17	1001116748 231	1001144295..... 73
0641608..... 249	0860520... 295, 297, 299, 301	1001116774 213, 215	1001144433..... 181
0641610..... 155	0902317 119	1001116808 213, 215	1001144629..... 141, 143, 145
0681608..... 131	0940048 113, 115	1001116812 217, 235	1001145781..... 141, 143, 145, 149, 151, 153
0682014..... 17	0940049 103	1001117012 233	1001148902..... 308
0700408.... 263, 265, 267, 269, 271	0940071 103	1001117108 234	1001148903..... 308
0700814..... 23, 25, 59	0961845... 147, 149, 151, 153	1001117172 171	1001148904..... 308
0700820..... 127	0961947 129	1001117174 157, 171	1001148905..... 308
0700827 220	0961948... 123, 125, 193, 195	1001117372 187	1001148906..... 308
0700828..... 117, 220	0961949 123	1001118274 57, 123, 133, 220	1001150735..... 243
0701012..... 107	0961950 13	1001118384 285	1001150889..... 243
0701014..... 107	0961951 127, 189, 197	1001118388 285	1001151393..... 65, 67
0701015..... 113, 115	0962257 129	1001118511 13	1001152155..... 210
0701018..... 103	0962292 127, 201	1001118518 13	1001152485..... 275
0701019..... 127	1001008559 236	1001118519 13	1001155021..... 233
0701020..... 127	1001008999... 27, 75, 77, 79, 81, 83, 85, 87	1001118878 241	1001155043..... 65, 67
0701021..... 220	1001091102 273	1001118971 220	1001155044... 65, 67, 157
0701024..... 220	1001091969 269	1001118972 220	1001155045.. 65, 67, 157, 306
0701027..... 125	1001091970 271	1001119020 213, 215, 287	1001155967..... 15
0701217..... 13	1001091973 263	1001119051 107	1001156541..... 231
0701616..... 55, 113, 115	1001091974 265	1001119057 107	1001157466..... 55
0711014..... 17	1001091975 267	1001119176 63, 306	1001159186..... 251
0711220..... 15	1001097051 281	1001119228 ... 53, 65, 67, 221	1001159256.. 65, 67, 157, 306
0711227 123	1001097244 173, 175	1001119280 221	1001160859..... 125
0711628..... 47	1001098122 171, 235, 255	1001119619 279	1001160872..... 125
0711631..... 47	1001098828 131	1001119620 281, 283	1001161117..... 15
0760412..... 27		1001120204 225	1001161710..... 157, 306
0760506..... 27		1001120205 229	1001161716..... 111, 189
0760607 27		1001120328 181, 183, 236	1001161717..... 111, 197
		1001120466 308	1001161874..... 27
			1001162106..... 63

SECTION 10 - SPECIAL OPTIONS

1001162429	297, 299	1001169299	125	1001176469	65, 67	1001190368	15
1001162534	41, 43	1001169300	125	1001176848	15	1001190577	245, 247
1001162535	133, 137	1001169301	125	1001176951	220, 227	1001190663	89
1001162536	133, 135	1001169302	125	1001177507	210	1001190913	297, 299
1001162661	59	1001169304	123	1001177511	210	1001190985	131
1001162663	59, 306	1001169305	123	1001177515	210	1001191832	103
1001162667	59	1001169402	123	1001177820	55	1001192401	236
1001162807	65, 67	1001169403	123	1001177821	55	1001193018	263, 265, 267, 269, 271
1001162995	13	1001169422	155, 253	1001177834	55	1001195757	107
1001163178	15, 199	1001169594	157	1001177896	123	1001196012	308
1001163405	15	1001169898	57	1001177897	123	1001197457	217
1001163580	13, 187	1001170018	103	1001178003	210	1001200491	131
1001163715	15	1001170022	103	1001178133	125	1001200494	131
1001163767	111, 191	1001170098	29	1001178135	125	1001201351	131
1001163937	127	1001170099	29	1001178448	221	1001201939	73
1001164017	121, 127	1001170102	23, 25	1001178449	221	1001202687	131
1001164093	13	1001170131	107	1001178634	35	1001203322	105
1001164209	15	1001170140	241	1001178636	121, 123	1001203510	309
1001164709	193, 195	1001170226	123	1001178644	221	1001203511	309
1001164730	220, 223	1001170231	75, 77, 79, 81, 83, 85, 87, 113, 115	1001178958	221	1001204725	131
1001164731	220, 225	1001170365	23, 25	1001179228	220	1001205950	210
1001164738	220, 231	1001170367	249, 306	1001179266	221	1001205951	210
1001164817	187	1001170375	133	1001179339	57	1001205952	210
1001165144	35, 37	1001170458	33	1001179904	103	1001205953	210
1001165946	47	1001170459	33	1001180035	206	1001205958	263, 265, 267
1001166096	125	1001170460	33	1001180056	113, 115	1001206436	47
1001166153	31, 33	1001170460	33	1001180540	123	1001206438	308
1001166155	31	1001170475	105	1001181621	221	1001206532	158
1001166156	31	1001170483	23, 25	1001181923	221	1001206625	193
1001166157	31	1001170761	287, 306	1001182142	210	1001208994	131
1001166208	195	1001170763	235, 287	1001182169	103	1001209059	309
1001166316	73	1001171295	236, 287, 306	1001182561	221	1001209617	89
1001166538	157, 165	1001171482	65	1001182806	89	1001209640	241
1001166539	157, 167	1001171553	221	1001182879	103	1001209664	181
1001166651	123	1001171555	221	1001183171	127	1001209677	275
1001166656	220	1001171559	221	1001183213	306	1001209832	275
1001166662	220	1001171559	221	1001184137	249	1001210036	309
1001166767	63	1001172001	308	1001184206	21	1001210086	27
1001166768	63	1001172217	295, 297, 299, 301	1001184206	21	1001210636	175
1001166852	125	1001172271	221, 306	1001184846	234	1001211717	103
1001166853	125	1001172760	157	1001184855	17	1001212415	306
1001167149	103	1001173006	206	1001185030	13	1001212728	107
1001167159	103	1001173027	210	1001185281	157	1001213447	255
1001167163	103	1001173028	210	1001185747	221	1001213882	157
1001167312	273	1001173034	206	1001185821	41, 45	1001214174	17, 19
1001167565	131	1001173035	206	1001185964	233	1001214478	308
1001167567	131	1001173036	206	1001186231	236, 287	1001214515	308
1001167596	131	1001173036	206	1001186431	181, 306	1001214552	308
1001167825	107	1001173037	206	1001186432	259, 285	1001214559	308
1001168210	189	1001173037	206	1001186517	181	1001214560	308
1001168402	131	1001173038	206	1001187382	131	1001215228	157
1001168472	220	1001173039	206	1001187383	131	1001216630	131
1001168473	220	1001173040	206	1001187383	131	1001217779	127, 129
1001169046	103	1001173041	206	1001187674	179	1001218533	53
1001169058	33	1001173042	206	1001187681	279	1001218535	53
1001169062	29	1001173043	206	1001187807	161, 163	1001218537	53
1001169062	29	1001173044	206	1001188311	153	1001219129	53
1001169092	157	1001173045	206	1001188312	145	1001219601	73
1001169240	125	1001173045	206	1001188314	151	1001220003	308
1001169241	125	1001173046	206	1001188315	143	1001220271	17
1001169242	125	1001173048	206	1001188318	149	1001222365	306
1001169246	121	1001173049	206	1001188319	141	1001223055	295
1001169247	121	1001173586	117	1001188622	131	1001223118	55
1001169247	121	1001173587	117	1001188680	291	1001223453	295, 301
1001169249	113, 115	1001174040	131	1001188844	131	1001223971	301
1001169295	125	1001174158	273	1001188883	303		
1001169296	125	1001174535	57	1001189001	131		
1001169297	125	1001174749	220, 229	1001189002	131		
1001169298	125	1001174976	91	1001189882	299		

SECTION 10 - SPECIAL OPTIONS

1001224889.....	123	1001243183.....	308	1001255047.....	113, 115, 133	1001263608.....	173
1001225557.....	291	1001243184.....	308	1001255048.....	113, 115, 206	1001263609.....	175
1001225558.....	291	1001243414.....	103	1001255050.....	113, 115, 220	1001263924.....	295, 297, 299, 301
1001225580.....	181, 259	1001243697.....	303	1001255051.....	115, 117	1001263993.....	75, 77, 79, 81, 83, 85, 87
1001226541.....	239	1001243698.....	303	1001255053.....	121, 125	1001264238.....	103
1001226636.....	239	1001244294.....	289	1001255133.....	131	1001264735.....	65
1001226637.....	239	1001244295.....	251	1001255219.....	115, 119	1001264863.....	155
1001226739.....	97, 99, 239	1001245164.....	161, 163	1001255511.....	295	1001265027.....	155, 157
1001226799.....	97, 99	1001246142.....	308	1001255512.....	301	1001265029.....	69
1001226872.....	147	1001246144.....	97	1001255664.....	27	1001265145.....	69, 163
1001227278.....	308	1001246433.....	308	1001255666.....	27	1001265227.....	247
1001227633.....	179	1001246823.....	67	1001255761.....	303	1001265228.....	245
1001227634.....	179	1001246860.....	308	1001255775.....	217	1001265288.....	65
1001227985.....	179	1001246867.....	308	1001255776.....	217	1001265414.....	155, 261
1001227987.....	179	1001247073.....	309	1001255829.....	15, 277	1001265415.....	67, 243
1001227996.....	281, 283	1001247468.....	131	1001256076.....	15	1001270594.....	91
1001228215.....	147	1001248223.....	217	1001256266.....	27	1001271497.....	255
1001228224.....	179	1001248224.....	217	1001256686.....	291	1001272671.....	111, 201
1001228225.....	179	1001248401.....	59	1001256688.....	291	1001272681.....	93
1001228954.....	99	1001248504.....	249	1001256688.....	291	1001272682.....	95
1001228960.....	308	1001248813.....	59	1001256690.....	291	1001273650.....	111, 113, 115
1001229341.....	179	1001249052.....	309	1001256805.....	295	1001274480.....	308
1001230931.....	231	1001249069.....	217	1001256851.....	73	1001274559.....	157
1001231886.....	89	1001249236.....	81	1001257316.....	249	1001276626.....	93, 95
1001232026.....	295, 297, 299, 301	1001249405.....	73	1001257686.....	309	1001277185.....	91
1001232164.....	179	1001249432.....	73	1001257691.....	27	1001282533.....	73
1001232165.....	179	1001249434.....	103	1001257868.....	157	1001283264.....	73
1001232642.....	183	1001249615.....	59	1001257969.....	27	1001284171.....	23, 25
1001232643.....	309	1001249695.....	309	1001257970.....	27	1001284186.....	23, 25
1001232650.....	183	1001249941.....	309	1001258490.....	303	1001284340.....	73
1001232667.....	183	1001250035.....	309	1001258495.....	281, 283	1001285788.....	103, 105
1001233139.....	15	1001250343.....	15	1001258628.....	297	1001286259.....	25
1001234295.....	41	1001250344.....	15	1001258641.....	301	1001286293.....	308
1001234800.....	233	1001250346.....	15	1001259230.....	105	1001286738.....	233
1001235011.....	183	1001250347.....	15	1001259477.....	161, 163	1001286932.....	99
1001235013.....	183	1001250432.....	241	1001259491.....	161, 163	1001286934.....	93
1001236123.....	308	1001250486.....	65	1001259504.....	161	1001286935.....	95
1001236552.....	183	1001250517.....	249	1001260297.....	67	1001286936.....	93, 95, 213
1001237667.....	233, 255	1001250518.....	249	1001260298.....	67	1001286961.....	97
1001237668.....	233, 255	1001250595.....	309	1001260299.....	67	1001289168.....	23, 25
1001237863.....	179, 281	1001250808.....	303	1001260306.....	221	1001289171.....	23, 25
1001237864.....	179, 283	1001250949.....	210	1001260788.....	235	1001289172.....	23, 25
1001237865.....	179, 279	1001250971.....	35, 41	1001260939.....	295, 297, 299, 301	1001289522.....	25
1001238254.....	158, 255	1001250979.....	27	1001260941.....	295, 297, 299, 301	1001289523.....	25
1001238319.....	179	1001251130.....	75, 77, 79, 81, 83, 85, 87	1001261106.....	308	1001289524.....	23, 25
1001238418.....	183, 285	1001251408.....	15	1001261257.....	249	1001289525.....	23, 25
1001238421.....	131	1001252033.....	309	1001262067.....	83	1001289526.....	23, 25
1001238466.....	221	1001252034.....	309	1001262387.....	75, 77, 79, 81, 83, 85, 87	1001289967.....	23, 25
1001238472.....	183	1001253375.....	259	1001262434.....	23, 25	1001290081.....	23
1001238477.....	183	1001253598.....	295, 297, 299, 301, 303	1001262472.....	75, 77, 79, 81, 83, 85, 87, 306	1001290354.....	75, 77, 79, 81, 83, 85, 87
1001238495.....	181	1001253599.....	299	1001262473.....	75, 77, 79, 81, 83, 85, 87	1001290356.....	75, 77, 79, 81, 83, 85, 87
1001238559.....	183	1001254641.....	17	1001262474.....	75, 77, 79, 81, 83, 85, 87, 306	1001291022.....	103
1001238824.....	183	1001254648.....	17	1001262475.....	75, 77, 79, 81, 83, 85, 87	1001291246.....	25
1001239574.....	309	1001254716.....	111, 195	1001262598.....	287	1001291247.....	23
1001239575.....	309	1001254742.....	111, 193	1001262599.....	217	1001291444.....	81
1001241254.....	308	1001254835.....	23, 25	1001262795.....	295, 297, 299, 301	1001291450.....	57
1001241299.....	103	1001254877.....	17	1001262796.....	295, 297, 299, 301	1001291466.....	57
1001241333.....	308	1001255013.....	249	1001262959.....	295, 297, 299, 301	1001291595.....	75, 77, 79, 81, 83, 85, 87
1001241342.....	308	1001255029.....	113	1001262960.....	295, 297, 299, 301	1001291982.....	103
1001241397.....	308	1001255031.....	115	1001262959.....	309	1001293035.....	103
1001241501.....	75, 77, 79, 81, 83, 85, 87	1001255037.....	113			1001293065.....	17, 291
1001241547.....	309	1001255039.....	115				
1001241548.....	309	1001255045.....	113, 115, 121				
1001241965.....	183						
1001242639.....	308						

SECTION 10 - SPECIAL OPTIONS

1001293069	291	1703942	301	2860030.....	65, 67, 306	3820020	141, 143, 145
1001293347	73	1703948	301	2900770.....	189, 201	3841143	15, 121, 131
1001293426	75	1703953	295	2900792.....	191	3841203	121, 125
1001293429	83	1703984	301	2901443.....	309	3841258	13, 113, 115, 125
1001293430	85	1704000	301	2902266.....	187	3841287	125
1001293431	87	1704125	119	2902549.....	273	3841340	220
1001293433	77	1704260	157	2940074....	141, 143, 145, 306	3900349	157
1001293434	79	1704277 ...	295, 297, 299, 301	2940173.....	105	3900351	123
1001293775	291	1704412 ...	295, 297, 299, 301	3020008.....	17	3910804	65, 67
1001293921	103	1704752	303	3020037.....	17	3931408	181
1001293923	103	1704885 ...	295, 297, 301	3020039.....	17	3960417	27
1001294222	291	1705325	269	3160252.....	57, 61	4010405	273
1001294233	291	1705325	269	3251242....	263, 265, 267, 271	4010418	220
1001294234	291	1705336	295	3251243.....	295, 301	4010618	149, 151, 153
1001294235	291	1705347	301	3252347.....	295	4031505	179
1001294239	291	1705351	295	3290405....	27, 63, 91, 93, 95, 173, 175, 220, 263, 265, 267, 269, 271, 273	4031507 ...	23, 25, 73, 75, 77, 79, 81, 83, 85, 87
1001294618	291	1705429	301	3290505....	75, 77, 79, 81, 83, 85, 87, 249	4031509	91, 93, 95
1001294619	291	1705822	297, 299	3290601.73, 89, 105, 291		4031511	220
1001295080	291	1705828	297, 299	3290605....	63, 73, 93, 95, 113, 115, 119, 220, 241, 273, 275, 295, 297, 299, 301	4031512	63
1001295325	27	1705961	297, 299	3290605....	63, 73, 93, 95, 113, 115, 119, 220, 241, 273, 275, 295, 297, 299, 301	4031516	183
1001296602	73	183035-1	217	3290606....	149, 151, 153	4031707 ...	75, 77, 79, 81, 83, 85, 87, 291
1001298134	103	2080040 ...	119, 141, 143, 145, 273, 275	3290805....	23, 25, 27, 57, 103, 107, 127, 220	4031708 ...	73, 75, 77, 79, 81, 83, 85, 87
1001298907	73	2080057 ...	295, 297, 299, 301	3290806.....	131	4031710	73
1001300580 ...	75, 77, 79, 81, 83, 85, 87	2160001	47	3290807....	23, 25, 27, 57, 103, 107, 127, 220	4031906	23, 25
1001300581 ...	75, 77, 79, 81, 83, 85, 87	2220239	59	3290808.....	131	4031908	23
1060461	225, 229	2220240	59	3291000.....	131	4060806	53
1060918	171	2220371	206, 210	3291001.....	131	4060808	220
1320043 ...	75, 77, 79, 85, 87	2220372	206, 210	3291005....	103, 105, 107, 121, 123, 125, 127, 131, 220	4070897	123
1320130	220	2220373	206, 210	3291005....	103, 105, 107, 121, 123, 125, 127, 131, 220	4070898	123
1320177	117, 119	2220374	206, 210	3291201.....	131	4071101	13
1321293	63	2220375	210	3291205....	121, 125, 131	4160182	103
1580012	177	2220415	206, 210	3300106.....	17	4240018	73, 206, 210, 291
1580013	308	2220435	210	3300151....	147, 149, 151, 153	4240032 ...	91, 93, 95, 97, 99
1670836	123	2220465	210	3300353.....	157	4240033	179, 181, 183
1684290	187	2220468	206	3300430.....	181	4240084	17
1701499 ...	295, 297, 299, 301	2220472	206	3310601.....	73	4240099	157
1701500 ...	295, 297, 299, 301	2220499	210	3311405....	155, 183, 263, 265, 267, 269, 271	4240156	220
1701504 ...	295, 297, 299, 301	2220501	210	3311501.....	103	4360387.65, 67, 157, 306	
1701509 ...	295, 297, 299, 301	2220577	206	3311601....	103, 157, 183	4360407	157, 306
1701518	297, 299	2220582	206, 210	3311605.....	155	4360469	65, 67
1701529 ...	295, 297, 299, 301	2220600	210	3311605.....	155	4360475	65, 67, 306
1701691	27	2220603	210	3340860.....	127	4360476.65, 67, 157, 306	
1702300 ...	295, 297, 299, 301	2220628	206	3380434.....	155	4420051	303
1702565	157	2220747	119	3422755.....	121	4460042	233
1702566	157	2220750	119	3422791.....	127	4460071	171
1702567	157	2220829	119	3422792.....	121	4460115	233
1702773	299, 303	2220883	187, 210	3422793.....	121	4460138	77
1702774	303	2220923	210	3422793.....	121	4460183	255
1702860	303	2220940	206	3422806.....	121	4460225	255
1702868	295	2220998	210	3423038.....	121	4460226	165, 168, 171
1703687 ...	295, 297, 299, 301	2221033	210	3423304.....	15	4460227	234, 235, 255
1703797	295	2221037	117	3430616.....	158	4460234 ...	73, 91, 97, 99, 157
1703804	295	2221086	135, 210	3470003.....	158	4460247	234
1703805	295	2230025	206	3520054.....	157	4460259 ...	233, 251, 253, 255
1703924	301	2400060	255	3520072.....	147	4460260 ...	233, 251, 253, 255
1703936	301	2400066	233	3520198.....	147	4460265	165, 168
		2400069	306	3572551.....	127	4460267	255
		2540020	91, 93, 95	3740067.....	306	4460268	289
		2560136	157	3740086.....	285, 306		
		2560187	105	3760115.....	123		
		2600281	141, 143, 145	3790012.....	157		
		2752519	210				
		2820031	220, 227				
		2820247	281, 283				

SECTION 10 - SPECIAL OPTIONS

4460312.....234	4460884 ... 231, 234, 235, 259, 287	4811600 ... 27, 75, 77, 79, 81, 83, 85, 87, 249	70002905.....171
4460313.....233	4460887 233, 255	4811700 ... 27, 63, 73, 75, 77, 79, 81, 83, 85, 87, 89, 93, 95, 105, 113, 115, 149, 151, 153, 241, 273, 275, 291, 295, 297, 299, 301	70002963.....37, 306
4460374.....233, 235, 287	4460891 89, 91, 213, 215, 231, 235, 261, 287, 289	4811702 ... 35, 73, 75, 77, 79, 81, 83, 85, 87, 119, 273, 275, 291	70003612.....45
4460418.....251, 255	4460894 ... 233, 234, 235, 239, 255, 261	4811900 ... 15, 23, 25, 27, 35, 57, 59, 65, 67, 75, 77, 79, 81, 83, 85, 87, 103, 107, 117, 131, 220	70003788.....43, 193, 306
4460419.....251, 255	4460897 93, 95, 233	4811902 . 17, 23, 25, 123, 127, 220	70003837.....189, 197
4460424.....289	4460899 ... 231, 243, 253, 259, 279, 285, 287, 289	4812000 . 17, 41, 63, 103, 105, 107, 113, 115, 117, 121, 123, 125, 131, 220	70003838.....189, 197
4460428.....157	4460905 ... 233, 234, 243, 251, 255, 287, 289	4812002 63, 103	70003977.....43
4460434.....255	4460908 235	4812100 27, 57, 103, 125, 131	70004000.....45
4460458.....233	4460909 235	4812102 23, 25, 103	70004013.....45
4460464...63, 93, 95, 171, 213, 215, 217, 227, 231, 233, 234, 239, 243, 245, 253, 255, 259, 285, 287, 289	4460910 236, 283	4812300 55	70004014.....45
4460465 89, 91, 213, 215, 223, 231, 233, 234, 235, 236, 239, 247, 253, 255, 259, 261, 277, 287, 289	4460911 234, 279	4846689 127	70004250.....51
4460466....179, 213, 215, 217, 221, 223, 227, 231, 233, 234, 235, 236, 239, 243, 253, 255, 259, 279, 285, 287, 289	4460914 ... 75, 77, 79, 81, 83, 85, 87	4891600 103, 131	70004251.....51
4460467 309	4460918 234	4892000 17	70004252.....51
4460470.....157	4460928 213, 215	4892600001 131	70004253.....51
4460471.....157	4460930 247, 287	5240800 57	70004254.....51
4460473.....220, 223, 234	4460931 245, 287	5241200 . 13, 15, 47, 123, 131	70004255.....51
4460488.....93, 95	4460933 ... 213, 215, 233, 236, 255, 287	5241600 17, 47	70004256.....51
4460496.....73	4460941 279	5250608 73	70004257.....51
4460497.....73	4460942 179, 234	5250808 35	70004258.....51
4460508....179, 227, 234, 253, 255	4460943 ... 234, 279, 287	5250810 65, 67, 133	70004259.....51
4460509.....223, 234	4460944 ... 217, 234, 235, 236, 277, 287	5250812 27, 53, 221	70004260.....51
4460510.....309	4460945 236	5251008 131	70004261.....51
4460516.....21	4460966 235, 236	5251009 123	70004262.....51
4460518.....213, 215, 235	4460970 217, 255	5251010 41, 123, 133	70004263.....51
4460536.....255, 287	4461012 173	5251012 13, 123	70004267.....45
4460539....235, 236, 255, 277, 289	4461018 234	5251014 103, 220	70004738.....165
4460670.....235	4461070 215	5251016 131	70004739.....165
4460703....245, 247, 277, 287	4461077 279, 285	5260800 53, 65, 67	70004740.....165
4460708.....255	4461095 213, 215	5271609 249	70004741.....165
4460746.....233, 235	4461128 217, 235	5272114 47	70004742.....165
4460748.....233	4461205 85	5281920 220	70004743.....165
4460754.....289	4461228 235	70000088 49	70004744.....165
4460761....234, 235, 255	4461229 235	70000089 49	70004745.....165
4460789.....233	4461249 87	70000100 137	70004746.....165
4460805.....79	4461271 233	70000342 129	70004747.....165
4460806.....263, 265	4520608 31	70000865 51	70004748.....165
4460836.....234	4640509 191	70002206 49	70004749.....165
4460837.....236	4640771 201	70002207 49	70004750.....165
4460865....220, 223, 234	4640858 187	70002335 191	70004751.....165
4460866....220, 227, 255	4641122 31, 33	70002371 191	70004752.....167
4460871.....89, 233, 234, 243, 251, 255, 287, 289	4641129 37	70002373 191	70004753.....167
4460872.....289	4641390 193, 195	70002386 ... 43, 193, 195, 306	70004754.....167
4460873....233, 243, 255, 287	4711400 ... 105, 147, 149, 151, 153, 181, 183, 263, 265, 267, 269, 271	70002413 189	70004755.....167
4460874.....234, 255	4711500 103	70002649 51	70004756.....167
4460875.....255, 289	4711600 155, 158	70002651 51	70004757.....167
4460876.....251	4740086 15	70002842 187	70004758.....167
4460878.....233	4740158 13	70002902 171	70004759.....167
4460879.....255	4740229 13	70002903 171	70004760.....167
	4740362 155	70002904 171	70004761.....167
	4740397 158		70004762.....167
	4750800 221		70004763.....167
	4751400 ... 155, 157, 177		70004764.....167
	4761400 177		70004765.....167
	4761600 249		70004766.....167
	4811400 ... 27, 63, 91, 93, 95, 173, 175, 220, 263, 265, 267, 269, 271		70004767.....167

SECTION 10 - SPECIAL OPTIONS

70004809	21	70005219	43, 306	7002822	309	7023318	49
70004811	21	70005243	135	7002823	309	7023900	43
70004820	21	70005385	21	7002828	309	7023936	43
70004864	137	70005387	21	7004035	49	7024379	49
70004865	137	70005388	21	7004036	49	7024380	49
70004866	137	70005389	21	7004043	49	7024381	49
70004867	135, 137	70005390	21	7004044	49	7024389	49
70004868	137	70005391	21	7004045	49	7024441	59
70004869	135, 137	70005392	21	7004047	49	7024453	49
70004871	135, 137, 306	70005393	21	7004049	49	7026042	51
70004873	135	70005394	21	7004275	309	7026043	51
70004875	137	70005395	21	7004276	309	7026044	51
70005010	189	70005396	21	70050516	37, 306	7026045	51
70005011	189	70005397	21	7012540	37	7026046	51
70005012	189, 197	70005400	21	7012545	61	7026047	51
70005013	189, 197	70005401	21	7012548	61	7026048	51
70005014	189, 197	70005402	21	7012549	61	7026049	51
70005016	189, 197	70005403	21	7012907	37	7026050	51
70005017	197	70005404	21	7012967	195	7026051	51
70005018	197	70005405	21	7012998	37, 193	7026052	51
70005065	45	70005406	21	7016654	309	7026053	51
70005066	45	70005407	21	7017142	129	7026057	51
70005067	45	70005408	21	7017159	129	7026330	45
70005068	45	70005410	21	7017162	129	7027350	51
70005069	43	70005412	21	7017163	129	7027351	51
70005071	43	70005685	21	7017164	129	7027352	51
70005076	43	70005686	21	7017172	129	7027353	51
70005080	43	70005687	21	7017192	129	7027354	51
70005082	43	70005688	21	7017195	129	7027356	51
70005084	43	70005689	21	7017408	37	7027625	137
70005085	43	70006104	193	7017455	37	7027628	137, 306
70005087	43	70006105	193	7017463	37	80963067	233
70005088	43	70006256	123	7017467	193	8220022	235
70005089	43	70006271	123	7017496	193, 195	8220045	235, 287
70005090	43	70006660	137	7020033	19	8220079	233
70005092	43	70006970	135	7020035	19	8220125	233
70005094	43	70007360	201	7020036	19	8229244	235, 306
70005095	43	70007886	195	7020037	19	8229245	233, 306
70005096	43	70007887	195	7020038	19	8310070	221
70005097	43	70007888	195	7020039	19	8310559	75, 77, 79, 81, 83, 85, 87
70005098	43	70007889	195	7020040	19	8310614	63
70005099	43	70007890	195	7020041	19	8310668	123
70005100	43	70007891	193	7020175	65, 67, 157	8310686	27, 103
70005139	45	70007892	193	7020176	65, 67, 157	8406105	117, 119
70005143	191	70007893	193	7020291	61	86683122	73
70005150	199	70007894	193	7020292	61	8760477	206
70005151	199	70007895	193	7020293	61	8760554	210
70005152	199	70007896	201	7020294	61	8770289	206
70005153	199	70007897	201	7020295	61	88662523	103
70005154	199	70007898	201	7020296	61	8881800	63, 220
70005155	191	70007899	201	7020297	61	91164057	43
70005156	191	70007900	201	7020298	61	91164059	43
70005157	191	70008280	201	7020299	61	91164079	43
70005158	191	70023370	191	7021653	37	91203039	131
70005159	191	70024262	189	7022390	43, 193	E900051	83
70005160	191	70025619	189	7022399	43		
70005217	43	70025959	197	7023200	61		
70005218	43	7002821	309	7023272	61		



**Corporate Office
JLG Industries, Inc.
1 JLG Drive
McConnellsburg, PA 17233-9533 USA
☎ (717) 485-5161 (Corporate)
☎ (877) 554-5438 (Customer Support)
📠 (717) 485-6417**

**Visit our website for JLG Worldwide Locations.
www.jlg.com**



OSHKOSH™