



---

# Illustrated Parts Manual

## Pecolift, Pecolift DC, Pecolift X

31220663

April 15, 2024 - Rev B



## **REVISION LOG**

February 28, 2022 - A - Original Release of Manual

April 15, 2024 - B - Revised Manual (Edited to B/M 1001252000 Rev K)

# GENERAL INFORMATION



## 1) MACHINE IDENTIFICATION

Machines are identified by model and in some cases a combination of models, serial number (SN) or regional standard (i.e ANSI, CE, CSA). Components may also be identified by SN or manufacturer. Common components that may be identified by these characteristics are engines and hydraulic components.

## 2) PARTS MANUAL ORGANIZATION

Product information in this manual is organized under section titles. Frame, Cylinder, Hydraulic and Electrical are a few examples. Each section is organized by figure and page number. The information within the Figure is then organized by item number, part number, description and corresponding illustration (s).

## 3) TABLE OF CONTENTS (NOT SHOWN)

A table of contents is found toward the beginning of the manual. Figure number, description and page number are provided for quick reference to the page containing the related information.

## 4) RECOMMENDED SPARE PARTS (NOT SHOWN)

The Recommended Spare Parts List, located near the end of the manual, reference most frequently used maintenance parts.

## 5) PART NUMBER INDEX (NOT SHOWN)

A numerical index listing all part numbers and the corresponding page number(s) appears at the back of the manual.

## GENERAL INFORMATION

### 6) NON-SERVICED PARTS

In some instances, it is necessary to display non-serviced parts, assemblies or installations. In the case of assemblies and installations there will be a Ref in the Qty. column. In case of parts that are not available for service within assemblies or components, there will be a NSS (Not Sold Separately) or NLA (No Longer Available) listed in the Qty. column of the manual.

### 7) PARTS LIST ITEM NUMBERS

Numbers shown in the item# column correspond to numbers used in the associated illustration (s). Item numbers which are missing from the sequence in the parts list are not used on that page.

### 8) INDENTED PARTS DESCRIPTION

An indented part description is included in the item under which it is indented.

### 9) ABBREVIATION AND SYMBOLS

AC.....	Alternating Current	L.....	Liter
ADE.....	Advanced Design Electronics	LB(LBS).....	Pounds
AG.....	Agricultural	LCD.....	Liquid Crystal Display
ANSI.....	American National Standards Institute	LED.....	Light Emitting Diodes
AR.....	As Required	LH.....	Left Hand
ASSY.....	Assembly	LRC.....	Low Rated Countries
AUS.....	Australia	LSS.....	Load Sensing System
AUX.....	Auxiliary	M(m).....	Metric/Meter
AWG.....	American Wire Gauge	MM(mm).....	Milimeter
B/M.....	Bill of Material	mA.....	Miliamps
CAC.....	Charge Air Cooler	NLA.....	No Longer Available
CE.....	European Conformity	NPT.....	National Pipe Threads
CCW.....	Counter Clockwise	NSS.....	Not Sold Separately
CM.....	Centimeter	OD.....	Outside Diameter
CW.....	Clockwise	ORB.....	O-Ring Boss
CSA.....	Canadian Standards Association	ORFS.....	O-Ring Face Seal
CYL.....	Cylinder	OZ (oz).....	Ounces
DIA.....	Diameter	PG.....	Page
DC.....	Direct Current	PN.....	Part Number
DEF.....	Diesel Exhaust Fluid	QT(qt.).....	Quarts
EMS.....	Emergency Stop	QTY.....	Quantity
ENG.....	Engine	REF.....	Reference
FT(ft).....	Feet	REV.....	Revision Level
GA(Ga).....	Gauge	RH.....	Right Hand
HRC.....	High Rated Countries	SAE.....	Society of Automotive Engineers
HVAC.....	Heating, Ventilating, and Air Conditioning	SN.....	Serial Number
HYD.....	Hydraulic	SPEC(S).....	Specifications
Hz.....	Hertz	T/T.....	Turntable
ID.....	Inside Diameter	UGM.....	Universal Ground Module
IN.....	inches	V.....	Volts
ISO.....	International Organization for Standards	W.....	Watts
JIC.....	Joint Industry Council	#.....	Number
KG.....	Kilogram		

### 10) ILLUSTRATION REFERENCE LETTERS

When necessary, illustrations may contain reference letters that are intended to track information (i. e. hoses, harnesses) from one point to another or to track visual enlargement of components to show details that may be located in another area on the illustration.

*Note: Due to continuous product improvements, JLG Industries, Inc. reserves the right to make specification changes without prior notification. Contact JLG Industries, Inc. for updated information.*



# TABLE OF CONTENTS

SECTION 1 - PECOLIFT (PRIOR TO SN P900018359, PEC00001-PEC0679, EXCLUDING P900016661- P900016664,P900018045-P900018050,P900018258,P900018259,P900018284,P900018303,P900018322- P900018328,P900018350.....	9
FIGURE 1-1. FRAME ASSEMBLY - FRONT.....	10
FIGURE 1-2. FRAME ASSEMBLY - REAR.....	12
FIGURE 1-3. MAST ASSEMBLY.....	14
FIGURE 1-4. PULLEY PANEL COMPONENTS.....	18
FIGURE 1-5. PLATFORM ASSEMBLY.....	22
FIGURE 1-6. DECAL INSTALLATION.....	24
FIGURE 1-7. TETHER PLATE ASSEMBLY.....	26
FIGURE 1-8. TRANSPORT WHEEL INSTALLATION.....	28
SECTION 2 - PECOLIFT (SN P900018359 TO PRESENT, INCLUDING P900016661,P900016663,P900016664,P900018045- P900018050,P900018258,P900018259,P900018284,P900018303).....	31
FIGURE 2-1. FRAME ASSEMBLY - FRONT.....	32
FIGURE 2-2. FRAME ASSEMBLY - REAR.....	34
FIGURE 2-3. MAST ASSEMBLY.....	36
FIGURE 2-4. PULLEY PANEL COMPONENTS.....	40
FIGURE 2-5. PLATFORM ASSEMBLY.....	44
FIGURE 2-6. DECAL INSTALLATION.....	46
FIGURE 2-7. TETHER PLATE ASSEMBLY.....	48
FIGURE 2-8. TRANSPORT WHEEL INSTALLATION.....	50
SECTION 3 - PECOLIFT DC (PRIOR TO SN P900021993).....	53
FIGURE 3-1. FRAME ASSEMBLY - FRONT.....	54
FIGURE 3-2. FRAME ASSEMBLY - REAR.....	56
FIGURE 3-3. MAST ASSEMBLY.....	58
FIGURE 3-4. PULLEY PANEL COMPONENTS.....	62
FIGURE 3-5. PLATFORM ASSEMBLY.....	66
FIGURE 3-6. DECAL INSTALLATION.....	68
FIGURE 3-7. TETHER PLATE ASSEMBLY.....	70
FIGURE 3-8. TRANSPORT WHEEL INSTALLATION.....	72
SECTION 4 - PECOLIFT DC (SN P900021993 TO PRESENT).....	75
FIGURE 4-1. FRAME ASSEMBLY - FRONT.....	76
FIGURE 4-2. FRAME ASSEMBLY - REAR.....	78
FIGURE 4-3. MAST ASSEMBLY.....	80
FIGURE 4-4. PULLEY PANEL COMPONENTS.....	84
FIGURE 4-5. PLATFORM ASSEMBLY.....	88
FIGURE 4-6. DECAL INSTALLATION.....	90
FIGURE 4-7. TRANSPORT WHEEL INSTALLATION.....	92
SECTION 5 - PECOLIFT X.....	95
FIGURE 5-1. FRAME ASSEMBLY (FRONT).....	96
FIGURE 5-2. FRAME ASSEMBLY (REAR).....	98
FIGURE 5-3. MAST ASSEMBLY.....	102
FIGURE 5-4. PULLEY PANEL COMPONENTS.....	106

# TABLE OF CONTENTS

FIGURE 5-5. PLATFORM ASSEMBLY.....	110
FIGURE 5-6. DECAL INSTALLATION .....	112
SECTION 6 - SPECIAL OPTIONS/ACCESSORIES/KITS.....	115
FIGURE 6-1. SPECIAL OPTIONS/ACCESSORIES/KITS.....	116
PART NUMBER INDEX.....	117

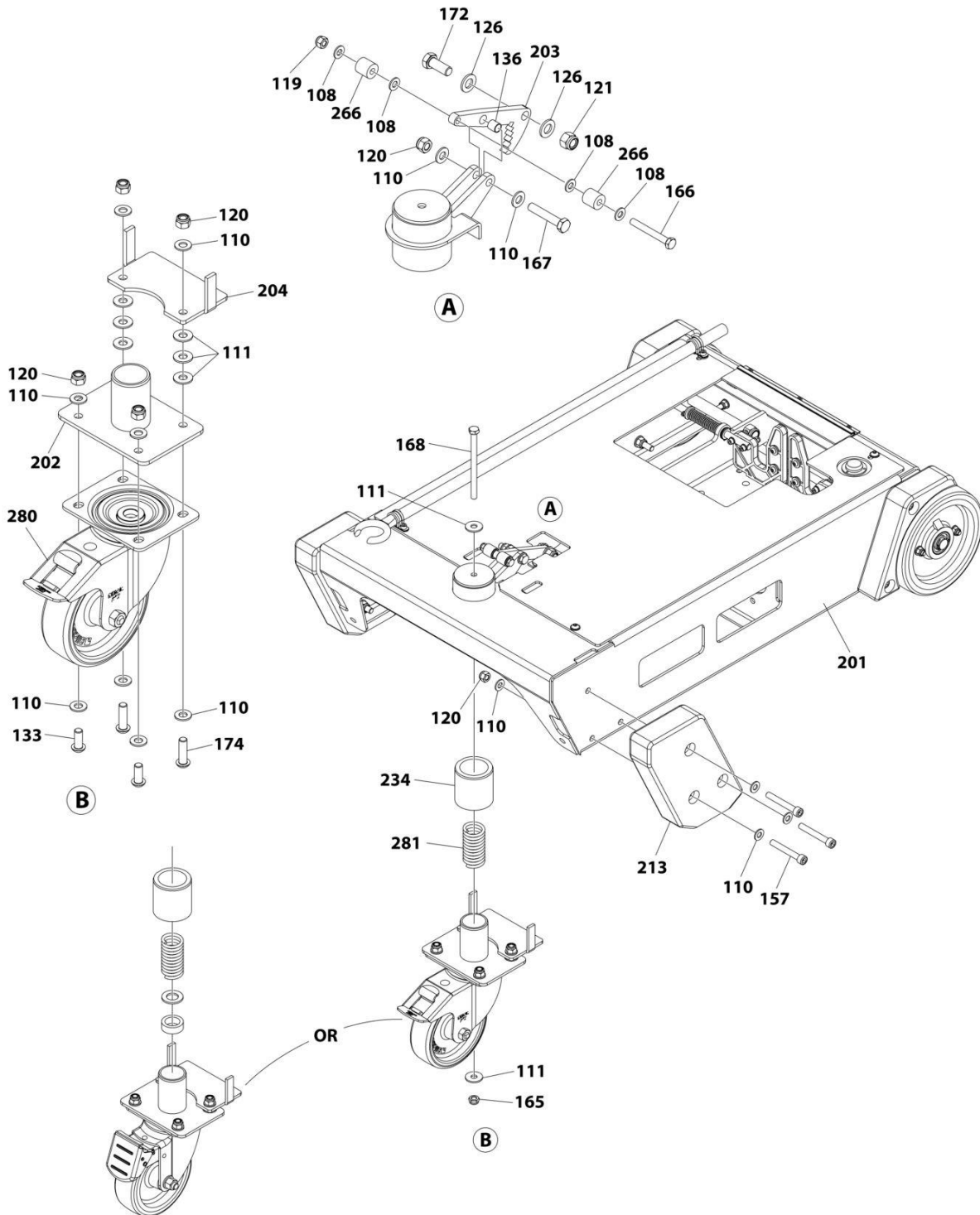


**SECTION 1 - PECOLIFT (PRIOR TO SN P900018359, PEC00001-PEC0679,  
EXCLUDING P900016661-P900016664,P900018045-  
P900018050,P900018258,P900018259,P900018284,P900018303,P900018322-  
P900018328,P900018350**

**SECTION 1 - PECOLIFT (PRIOR TO SN P900018359, PEC00001-  
PEC0679, EXCLUDING P900016661-P900016664,P900018045-  
P900018050,P900018258,P900018259,P900018284,P900018303,P9000  
18322-P900018328,P900018350**

**SECTION 1 - PECOLIFT (PRIOR TO SN P900018359, PEC00001-PEC0679, EXCLUDING P900016661-P900016664,P900018045-P900018050,P900018258,P900018259,P900018284,P900018303,P900018322-P900018328,P900018350**

**FIGURE 1-1. FRAME ASSEMBLY - FRONT**



SN P900000100 through P900007400

ART\_1001217468\_10F6

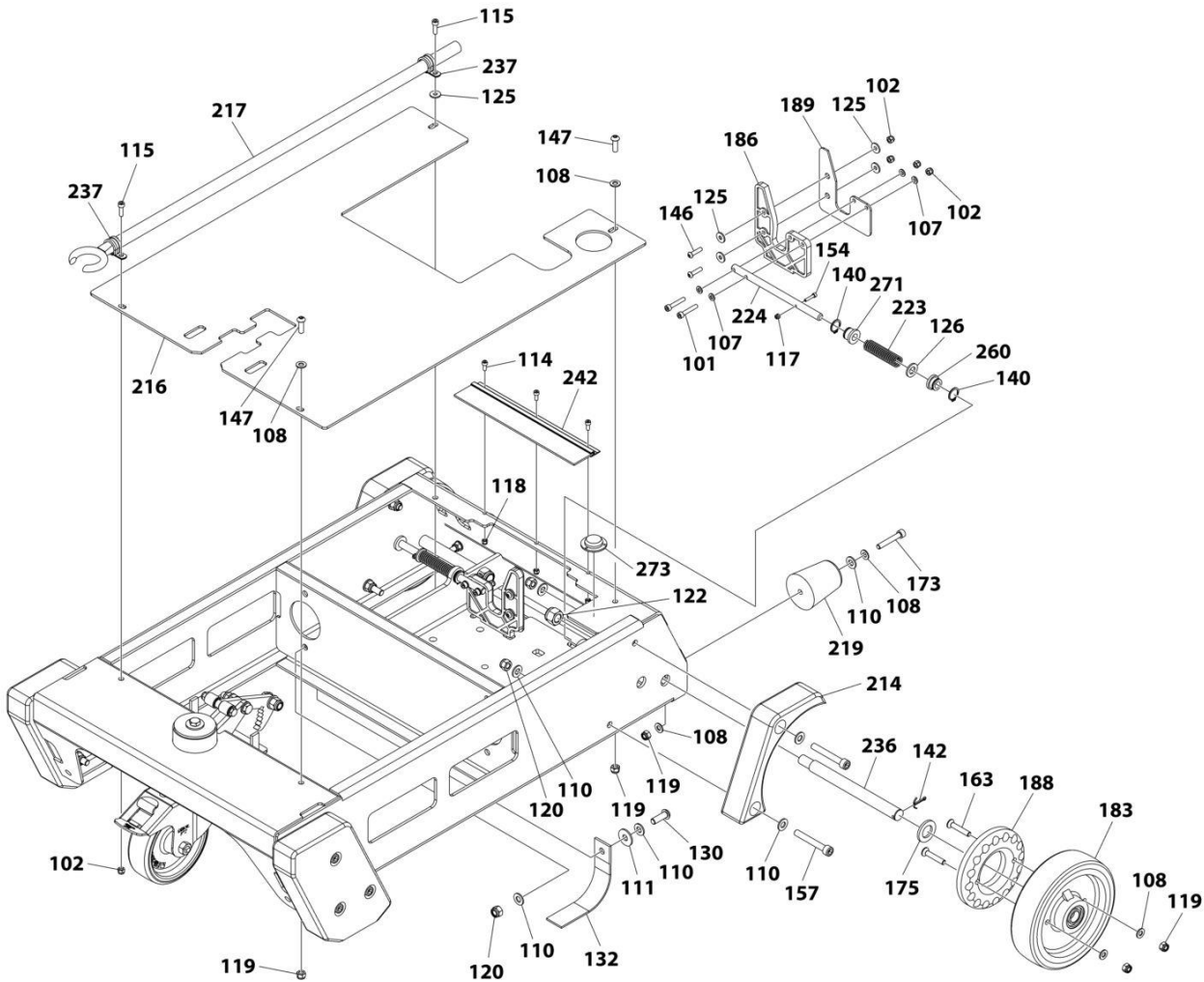
**SECTION 1 - PECOLIFT (PRIOR TO SN P900018359, PEC00001-PEC0679,  
EXCLUDING P900016661-P900016664,P900018045-  
P900018050,P900018258,P900018259,P900018284,P900018303,P900018322-  
P900018328,P900018350**

**FIGURE 1-1. FRAME ASSEMBLY - FRONT**

ITEM	PART NUMBER	QTY	DESCRIPTION	REV
	1001217468	Ref	FRAME ASSEMBLY - FRONT	D
108	1001265113	4	Washer M8	
110	1001265115	14	Washer M10	
111	1001265116	8	Washer M10	
119	1001265135	1	Nut M8	
120	1001265136	6	Nut M10	
121	1001265138	1	Nut M12	
126	1001265462	2	Washer M12	
133	1001265959	2	Screw M10 x 25	
136	1001266099	1	Bushing	
157	1001266125	3	Capscrew M10 x 70	
165	1001266133	1	Nut M10	
166	1001266134	1	Bolt M8 x 65	
167	1001266135	1	Bolt M10 x 55	
168	1001266136	1	Bolt M10 x 140	
172	1001266140	1	Bolt M12 x 30	
174	1001266142	2	Screw M10 x 35	
201	1001266267	1	Frame	
202	1001266268	1	Mount, Castor	
203	1001266269	1	Latch, Castor	
204	1001266270	1	Plate, Catch	
213	PELM403	1	Corner	
234	PELM434	1	Bushing	
266	PELM496	2	Bushing	
280	1001281278	1	Wheel, Castor	
281	1001281306	1	Spring	

**SECTION 1 - PECOLIFT (PRIOR TO SN P900018359, PEC00001-PEC0679,  
EXCLUDING P900016661-P900016664,P900018045-  
P900018050,P900018258,P900018259,P900018284,P900018303,P900018322-  
P900018328,P900018350**

**FIGURE 1-2. FRAME ASSEMBLY - REAR**



ART\_1001217468\_2OF6

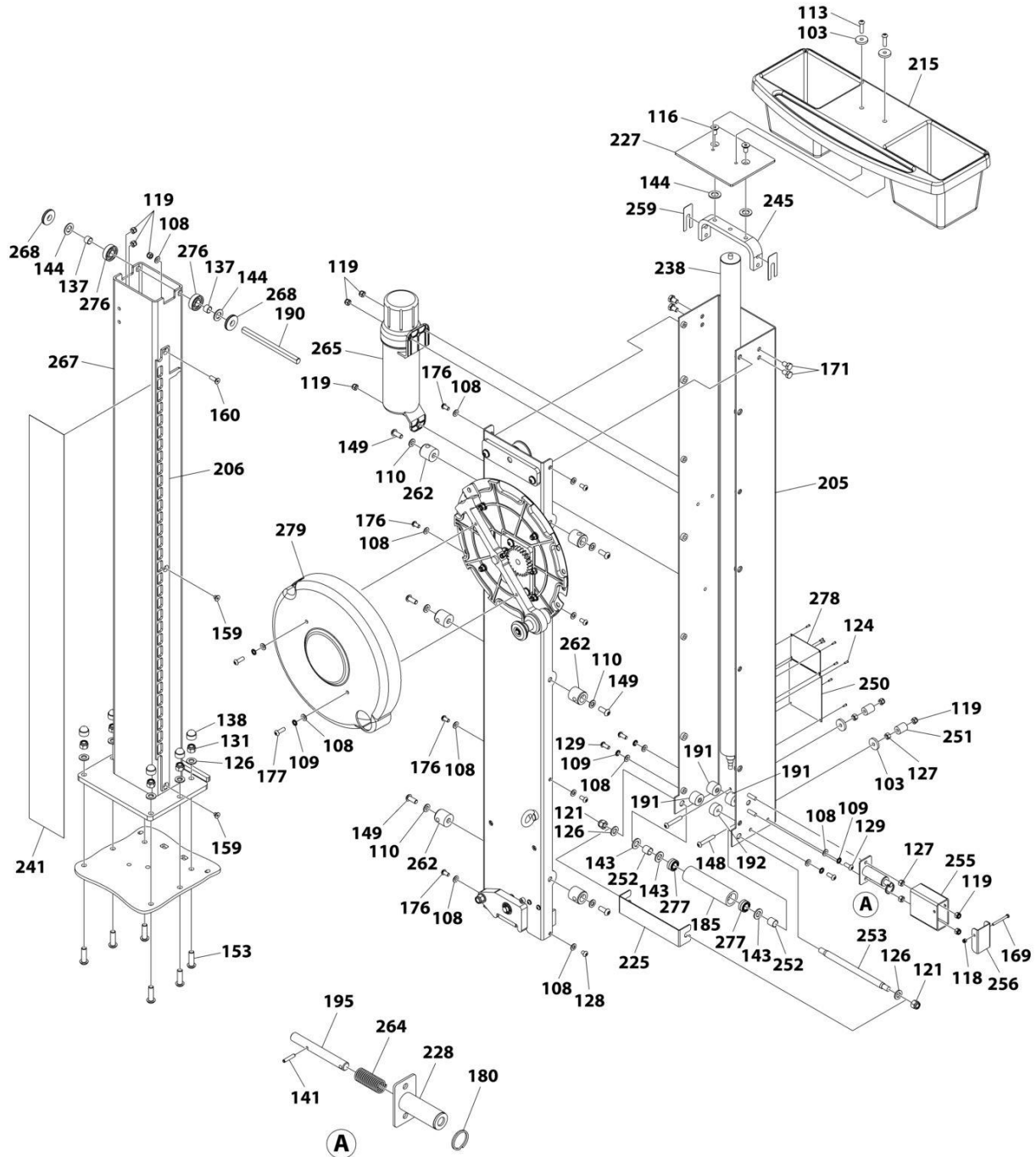
**SECTION 1 - PECOLIFT (PRIOR TO SN P900018359, PEC00001-PEC0679,  
EXCLUDING P900016661-P900016664,P900018045-  
P900018050,P900018258,P900018259,P900018284,P900018303,P900018322-  
P900018328,P900018350**

**FIGURE 1-2. FRAME ASSEMBLY - REAR**

ITEM	PART NUMBER	QTY	DESCRIPTION	REV
	1001217468	Ref	FRAME ASSEMBLY - REAR	D
101	1001264556	2	Bolt M6 x 35	
102	1001264557	5	Nut M6	
107	1001265112	4	Washer M6	
108	1001265113	6	Washer M8	
110	1001265115	7	Washer M10	
111	1001265116	1	Washer M10	
114	1001265124	3	Capscrew M5 x 12	
115	1001265127	2	Capscrew M6 x 20	
117	1001265133	1	Nut M4	
118	1001265134	3	Nut M5	
119	1001265135	5	Nut M8	
120	1001265136	3	Nut M10	
122	1001265139	1	Nut M16	
125	1001265461	5	Washer M6	
126	1001265462	1	Washer M6	
130	1001265508	1	Screw M10 x 30	
132	1001265952	1	Strap, Ground	
140	1001266105	2	Ring, Retaining	
142	1001266108	1	Pin, Cotter 5/32 x 1-1/4	
146	1001266112	2	Screw M6 x 25	
147	1001266113	2	Screw M8 x 25	
154	1001266122	1	Capscrew M4 x 20	
157	1001266125	2	Capscrew M10 x 70	
163	1001266131	2	Capscrew M8 x 45	
173	1001266141	1	Capscrew M8 x 40	
175	1001266143	1	Washer M20	
183	1001266218	1	Wheel, Castor (Fixed)	
186	1001266244	1	Cam Plate, Brake	
188	1001266246	1	Disc, Brake	
189	1001266247	1	Cam Plate, Brake	
214	PELM404	1	Guard	
216	PELM406	1	Cover	
217	PELM407	1	Tube, Emergency Lowering Handle	
219	PELM409	1	Bumper, Rubber	
223	PELM414	1	Spring, Brake	
224	PELM415	1	Pin, Brake	
236	PELM437	1	Axle	
237	PELM438	2	Clip	
242	PELM459	1	Brush	
260	PELM486	1	Bushing, Brake Pin	
271	PELM587	1	Bushing, Brake Pin	
273	PTM106	1	Level	

**SECTION 1 - PECOLIFT (PRIOR TO SN P900018359, PEC00001-PEC0679,  
EXCLUDING P900016661-P900016664,P900018045-  
P900018050,P900018258,P900018259,P900018284,P900018303,P900018322-  
P900018328,P900018350**

**FIGURE 1-3. MAST ASSEMBLY**



ART\_1001217468\_30F6

**SECTION 1 - PECOLIFT (PRIOR TO SN P900018359, PEC00001-PEC0679,  
EXCLUDING P900016661-P900016664,P900018045-  
P900018050,P900018258,P900018259,P900018284,P900018303,P900018322-  
P900018328,P900018350**

**FIGURE 1-3. MAST ASSEMBLY**

ITEM	PART NUMBER	QTY	DESCRIPTION	REV
	1001217468	Ref	MAST ASSEMBLY	D
103	1001264558	4	Washer M8	
108	1001265113	15	Washer M8	
109	1001265114	6	Washer M8	
110	1001265115	6	Washer M10	
113	1001265121	2	Capscrew M8 x 30	
116	1001265131	2	Capscrew M10 x 20	
118	1001265134	1	Nut M5	
119	1001265135	10	Nut M8	
121	1001265138	2	Nut M12	
124	1001265149	8	Rivet	
126	1001265462	7	Washer M12	
127	1001265496	4	Nut M8	
128	1001265506	1	Capscrew M8 x 12	
129	1001265507	4	Capscrew M8 x 20	
131	1001265746	5	Nut M12 Grd 10	
137	1001266100	2	Bearing	
138	1001266101	5	Cap, Nut	
141	1001266107	1	Pin	
143	1001266109	3	Washer M14	
144	1001266110	4	Washer M16	
148	1001266114	2	Screw M8 x 50	
149	1001266115	6	Screw M10 x 25	
153	1001266121	6	Screw M12 x 40	
159	1001266127	2	Capscrew M8 x 10	
160	1001266128	1	Capscrew M8 x 25	
169	1001266137	1	Bolt M5 x 50	
171	1001266139	4	Bolt M10 x 16	
176	1001266144	7	Capscrew M8 x 16	
177	1001266145	2	Capscrew M8 x 25	
180	1001266211	1	Ring	
181	1001266212	1	Key, Security (Not Shown)	
185	1001266243	1	Roller	
190	1001266253	1	Axle	
191	1001266254	3	Disc, Wear 21MM	
192	1001266255	1	Disc, Wear 16MM	
195	1001266259	1	Pin	
205	1001266271	1	Channel, Mast (Outer)	
206	1001266272	1	Strip, Interlock	
215	PELM405	1	Tray, Tool (Plastic)	
215	ECLM601	1	Tray, Tool (Steel)	
225	PELM416	1	Cover	
227	PELM420	1	Cap, Mast	
228	PELM421	1	Housing, Belt Interlock	
238	PELM4402	1	Spring, Gas	
241	PELM454	1	Strip, Wear	

**SECTION 1 - PECOLIFT (PRIOR TO SN P900018359, PEC00001-PEC0679,  
EXCLUDING P900016661-P900016664,P900018045-  
P900018050,P900018258,P900018259,P900018284,P900018303,P900018322-  
P900018328,P900018350**

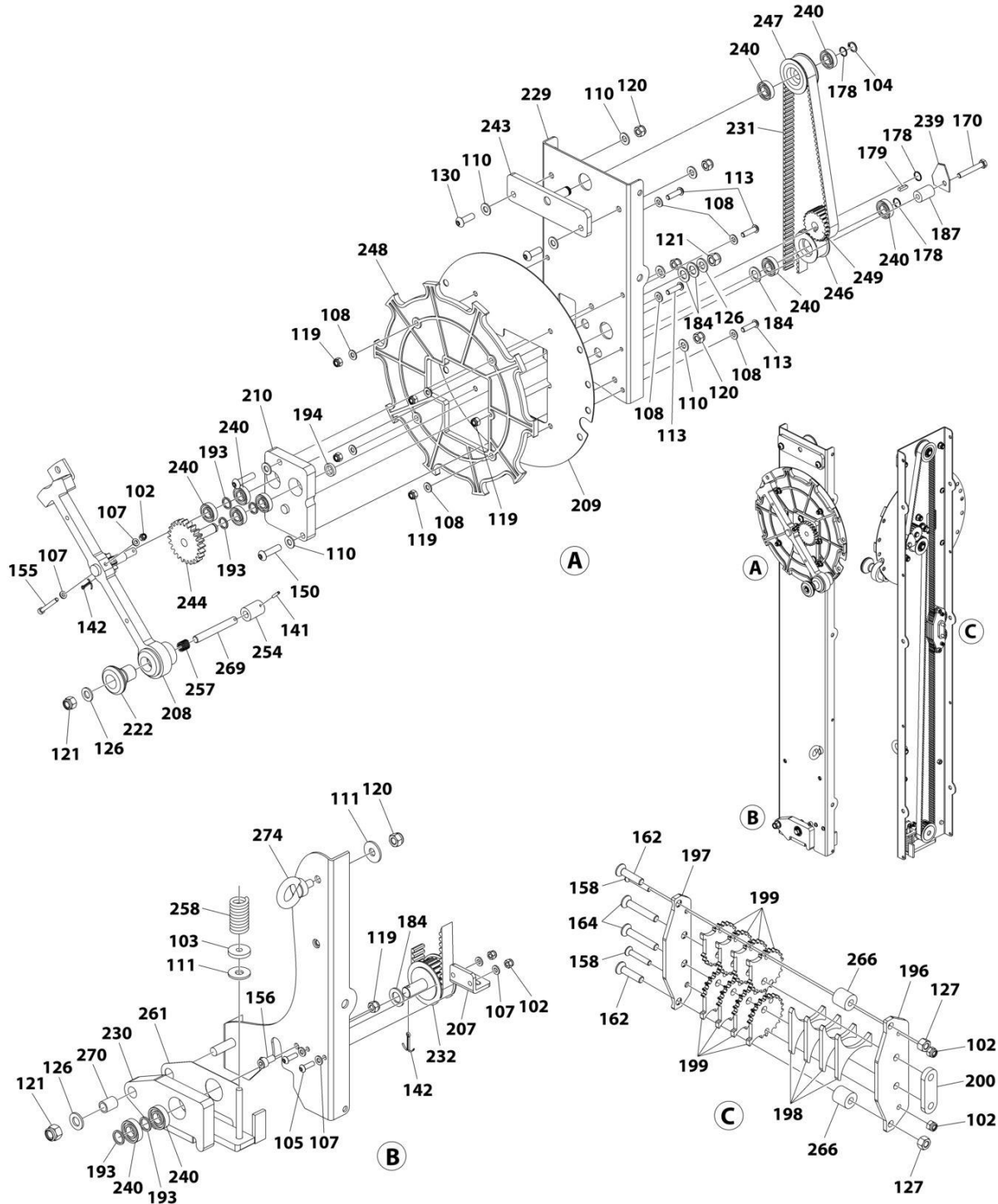
ITEM	PART NUMBER	QTY	DESCRIPTION	REV
245	PELM463	1	Mount, Gas Spring	
250	PELM4742	NSS	Name Plate, Manufacturer's Serial Number (Note: Not Available for Purchase)	
251	PELM475	2	Bushing	
252	PELM478	2	Spacer	
253	PELM479	1	Axle	
255	PELM481	1	Cover, Interlock Housing	
256	PELM482	1	Cap, Interlock Housing	
259	PELM485	2	Spacer, Shim	
262	PELM489	6	Peg, Cage Mounting	
264	PELM494	1	Spring, Compression	
265	PELM495	1	Container, Document	
267	PELM497	1	Channel, Mast (Inner)	
268	PELM498	2	Roller	
276	PTNSPM562	2	Bearing	
277	PTNSPM664	2	Bearing	
278	See Note	NSS	Plate, Spec (Note: Not Available for Purchase)	
279	ECLM603	1	Cover, Handle	





**SECTION 1 - PECOLIFT (PRIOR TO SN P900018359, PEC00001-PEC0679, EXCLUDING P900016661-P900016664,P900018045-P900018050,P900018258,P900018259,P900018284,P900018303,P900018322-P900018328,P900018350**

**FIGURE 1-4. PULLEY PANEL COMPONENTS**



ART\_1001217468\_40F6

**SECTION 1 - PECOLIFT (PRIOR TO SN P900018359, PEC00001-PEC0679,  
EXCLUDING P900016661-P900016664,P900018045-  
P900018050,P900018258,P900018259,P900018284,P900018303,P900018322-  
P900018328,P900018350**

**FIGURE 1-4. PULLEY PANEL COMPONENTS**

ITEM	PART NUMBER	QTY	DESCRIPTION	REV
	1001217468	Ref	PULLEY PANEL COMPONENTS	D
102	1001264557	5	Nut M6	
103	1001264558	1	Washer M8	
104	1001264559	1	Circlip	
105	1001264707	2	Bolt M6 x 20	
107	1001265112	6	Washer M6	
108	1001265113	8	Washer M8	
110	1001265115	8	Washer M10	
111	1001265116	2	Washer M10	
113	1001265121	4	Capscrew M8 x 30	
119	1001265135	6	Nut M8	
120	1001265136	5	Nut M10	
121	1001265138	3	Nut M12	
126	1001265462	3	Washer M12	
127	1001265496	2	Nut M8	
130	1001265508	2	Screw M10 x 30	
141	1001266107	1	Pin	
142	1001266108	2	Pin, Cotter 5/32 x 1-1/4	
150	1001266117	2	Screw M10 x 40	
155	1001266123	1	Capscrew M6 x 50	
156	1001266124	1	Capscrew M8 x 16	
158	1001266126	2	Capscrew M6 x 35	
162	1001266130	2	Capscrew M8 x 35	
164	1001266132	2	Capscrew M8 x 50	
170	1001266138	1	Bolt M8 x 55	
178	1001266146	3	Ring, Spring	
179	1001266210	1	Key, Drive Pulley	
184	1001266219	4	Washer, Plastic	
187	1001266245	1	Guide	
193	1001266257	5	Spacer	
194	1001266258	1	Spacer	
196	1001266260	1	Clamp (Base)	
197	1001266261	1	Clamp (Top)	
198	1001266262	4	Clamp (Middle)	
199	1001266264	8	Cog, Belt Clamp	
200	1001266265	1	Spacer	
207	1001266273	1	Mount, Interlock Spring	
208	1001266274	1	Handle, Crank	
209	1001266275	1	Cover, Lock	
210	1001266434	1	Block, Bearing	
222	PELM412	1	Knob	
229	PELM426	1	Panel, Pulley Mounting	
230	PELM427	1	Plate, Lower Tensioner	
231	PELM428	1	Belt	
232	PELM429	1	Pulley, Lower Axle	
239	PELM441	1	Plate, Drive Belt	

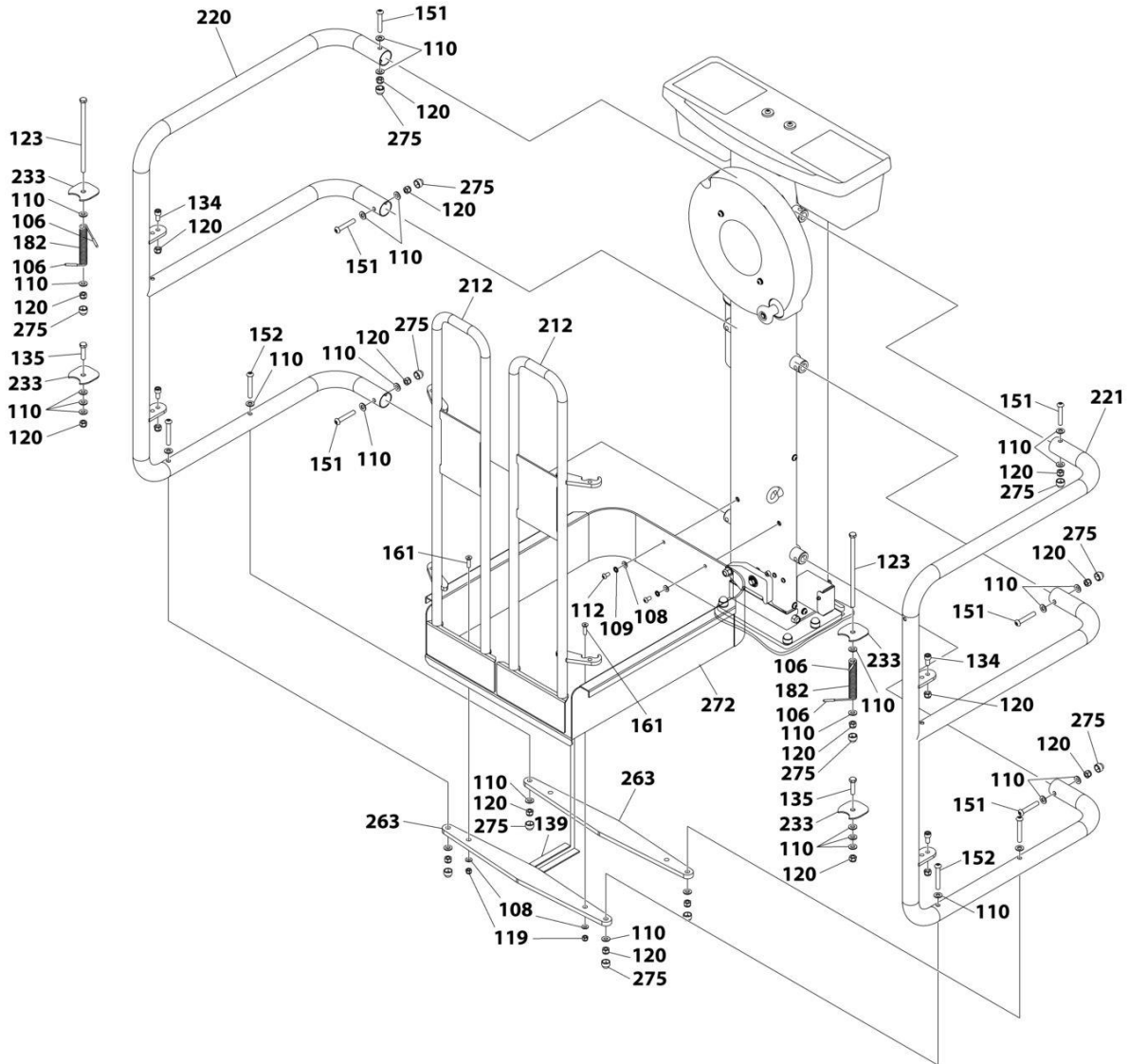
**SECTION 1 - PECOLIFT (PRIOR TO SN P900018359, PEC00001-PEC0679,  
EXCLUDING P900016661-P900016664,P900018045-  
P900018050,P900018258,P900018259,P900018284,P900018303,P900018322-  
P900018328,P900018350**

ITEM	PART NUMBER	QTY	DESCRIPTION	REV
240	PELM442	10	Bearing	
243	1001312130	1	Mount, Freewheel Pulley	
244	PELM462	1	Gear, Drive	
246	PELM467	1	Pulley, Guide Wheel	
247	PELM469	1	Pulley, Freewheel	
248	PELM471	1	Plate, Lock	
249	PELM472	1	Pulley, Drive	
254	PELM480	1	Pin, Lock	
257	PELM483	1	Spring, Handle	
258	PELM484	1	Spring, Belt	
261	PELM488	1	Pulley, Lower Tensioner Plate	
266	PELM496	2	Clamp	
269	PELM499	1	Pin	
270	PELM506	1	Bush, Swivel Plate	
274	PTM149	1	Bolt	



**SECTION 1 - PECOLIFT (PRIOR TO SN P900018359, PEC00001-PEC0679,  
EXCLUDING P900016661-P900016664,P900018045-  
P900018050,P900018258,P900018259,P900018284,P900018303,P900018322-  
P900018328,P900018350**

**FIGURE 1-5. PLATFORM ASSEMBLY**



ART\_1001217468\_SOF6

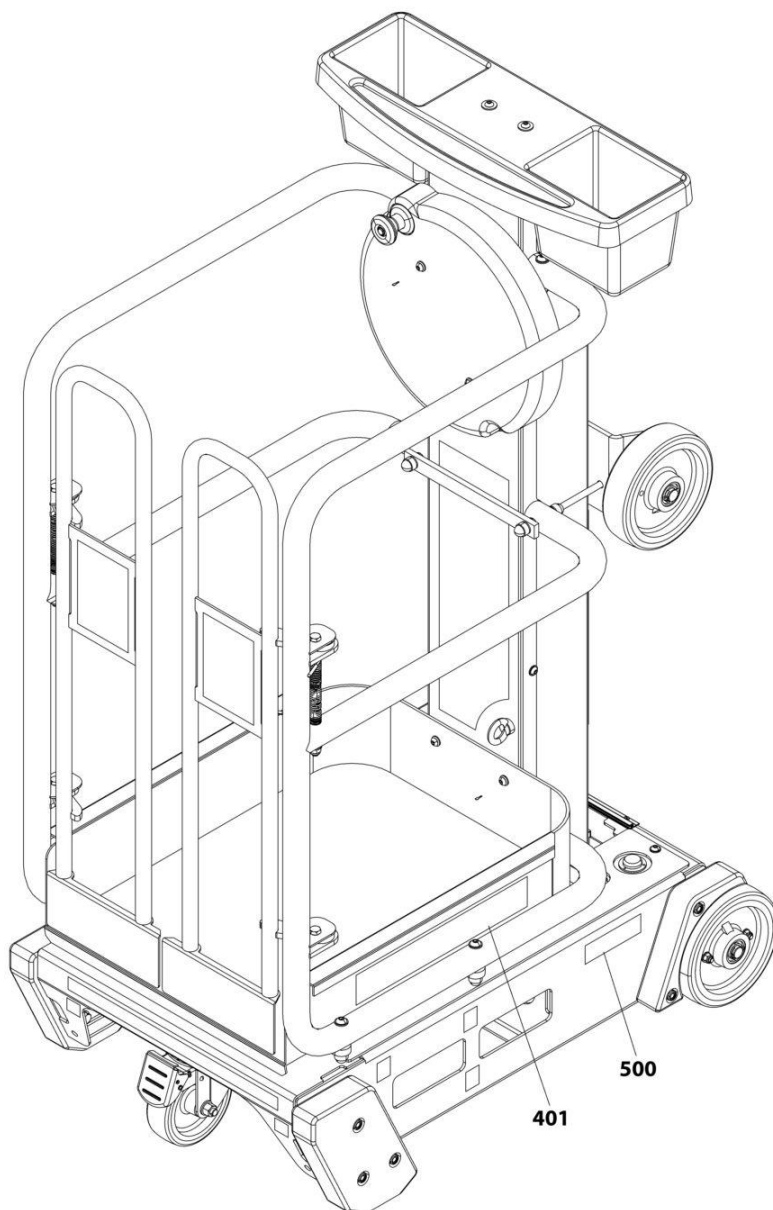
**SECTION 1 - PECOLIFT (PRIOR TO SN P900018359, PEC00001-PEC0679,  
EXCLUDING P900016661-P900016664,P900018045-  
P900018050,P900018258,P900018259,P900018284,P900018303,P900018322-  
P900018328,P900018350**

**FIGURE 1-5. PLATFORM ASSEMBLY**

ITEM	PART NUMBER	QTY	DESCRIPTION	REV
	1001217468	Ref	PLATFORM ASSEMBLY	D
106	1001265092	4	Cap, Spring	
108	1001265113	4	Washer M8	
109	1001265114	2	Washer M8	
110	1001265115	30	Washer M10	
112	1001265120	2	Capscrew M8 x 16	
119	1001265135	2	Nut M8	
120	1001265136	18	Nut M10	
123	1001265144	2	Bolt M10 x 220	
134	1001265961	4	Capscrew M10 x 20	
135	1001265962	2	Bolt M10 x 40	
139	1001266102	1	Trim, Foam	
151	1001266119	6	Screw M10 x 60	
152	1001266120	4	Screw M10 x 70	
161	1001266129	2	Capscrew M8 x 30	
182	1001266216	2	Spring, Gate	
212	PELM402	1	Gate, Platform (Non-Locking Gate)	
220	PELM410	1	Guardrail - Left (Non-Locking Gate)	
221	PELM411	1	Guardrail - Right (Non-Locking Gate)	
233	PELM430	4	Cover, Hinge	
263	PELM490	2	Strap, Platform Tray Support	
272	PELM800	1	Tray, Platform	
275	PTNSPM560	12	Nut M10	

**SECTION 1 - PECOLIFT (PRIOR TO SN P900018359, PEC00001-PEC0679,  
EXCLUDING P900016661-P900016664,P900018045-  
P900018050,P900018258,P900018259,P900018284,P900018303,P900018322-  
P900018328,P900018350**

**FIGURE 1-6. DECAL INSTALLATION**



ART\_1001217468\_6OF6



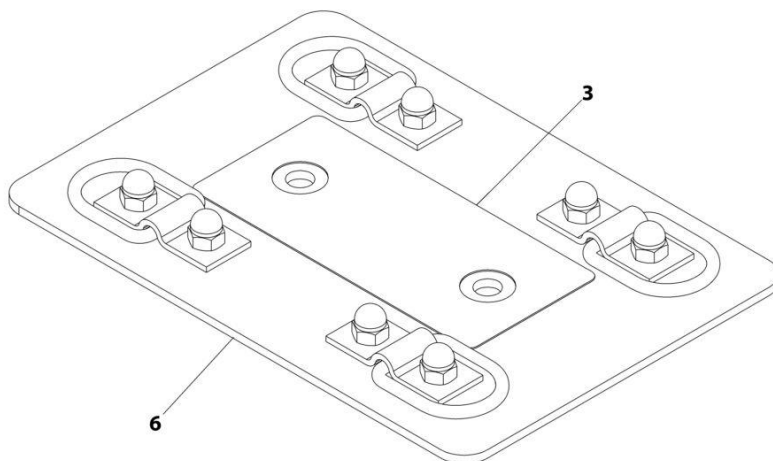
**SECTION 1 - PECOLIFT (PRIOR TO SN P900018359, PEC00001-PEC0679,  
EXCLUDING P900016661-P900016664,P900018045-  
P900018050,P900018258,P900018259,P900018284,P900018303,P900018322-  
P900018328,P900018350**

**FIGURE 1-6. DECAL INSTALLATION**

ITEM	PART NUMBER	QTY	DESCRIPTION	REV
	1001217468	Ref	DECAL INSTALLATION	D
401	PELM602	1 pr	Decal, Peco Logo	
500	See Note	Ref	Kit, Decal (Note: Individual Decals are Not Available for Purchase - Purchase Complete Sheet)	
	PELM600	1	Decal, English Pecolift, Complete Sheet	
	PELM600DAN	1	Decal, Danish Pecolift, Complete Sheet	
	PELM600DU	1	Decal, Dutch Pecolift, Complete Sheet	
	1001266103	1	Decal, Estonian Pecolift, Complete Sheet	
	PELM600FIN	1	Decal, Finnish Pecolift, Complete Sheet	
	PELM600FR	1	Decal, French Pecolift, Complete Sheet	
	PELM600GER	1	Decal, German Pecolift, Complete Sheet	
	PELM600HUN	1	Decal, Hungarian Pecolift, Complete Sheet	
	PELM600IT	1	Decal, Italian Pecolift, Complete Sheet	
	1001266104	1	Decal, Norwegian Pecolift, Complete Sheet	
	PELM600SPA	1	Decal, Spanish Pecolift, Complete Sheet	
	PELM600SW	1	Decal, Swedish Pecolift, Complete Sheet	
	PELM600TUR	1	Decal, Turkish Pecolift, Complete Sheet	
	PELM600GRE	1	Decal, Greek Pecolift, Complete Sheet	
	PELM600POL	1	Decal, Polish Pecolift, Complete Sheet	
	PELM600POR	1	Decal, Portuguese Pecolift, Complete Sheet	

**SECTION 1 - PECOLIFT (PRIOR TO SN P900018359, PEC00001-PEC0679,  
EXCLUDING P900016661-P900016664,P900018045-  
P900018050,P900018258,P900018259,P900018284,P900018303,P900018322-  
P900018328,P900018350**

**FIGURE 1-7. TETHER PLATE ASSEMBLY**



ART\_1001288487

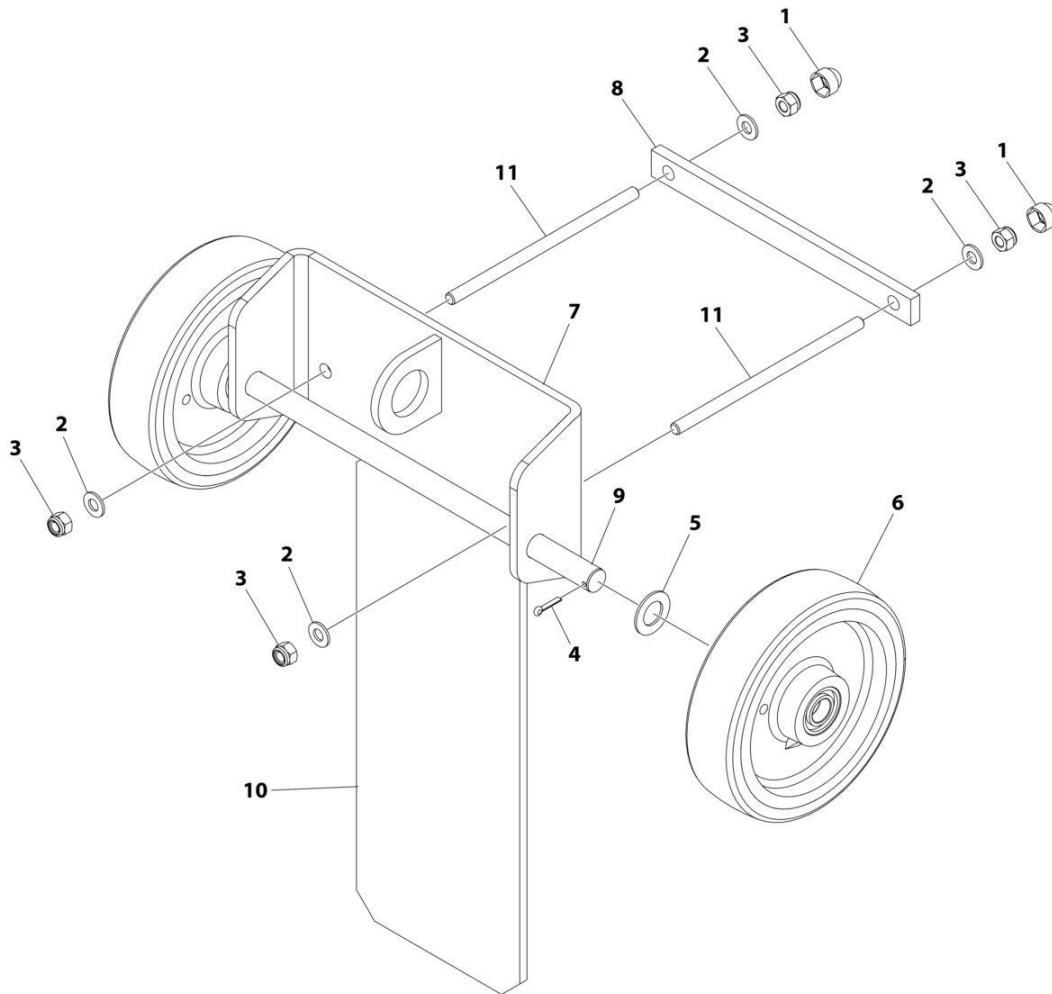
**SECTION 1 - PECOLIFT (PRIOR TO SN P900018359, PEC00001-PEC0679,  
EXCLUDING P900016661-P900016664,P900018045-  
P900018050,P900018258,P900018259,P900018284,P900018303,P900018322-  
P900018328,P900018350**

**FIGURE 1-7. TETHER PLATE ASSEMBLY**

ITEM	PART NUMBER	QTY	DESCRIPTION	REV
	1001288487	Ref	TETHER PLATE ASSEMBLY	C
3	1001288659	1	Decal - Tether Load	
6	1001294643	NSS	Plate, Tether (Note: Use PN 1001288487)	

**SECTION 1 - PECOLIFT (PRIOR TO SN P900018359, PEC00001-PEC0679,  
EXCLUDING P900016661-P900016664,P900018045-  
P900018050,P900018258,P900018259,P900018284,P900018303,P900018322-  
P900018328,P900018350**

**FIGURE 1-8. TRANSPORT WHEEL INSTALLATION**



ART\_1001298091

**SECTION 1 - PECOLIFT (PRIOR TO SN P900018359, PEC00001-PEC0679,  
EXCLUDING P900016661-P900016664,P900018045-  
P900018050,P900018258,P900018259,P900018284,P900018303,P900018322-  
P900018328,P900018350**

**FIGURE 1-8. TRANSPORT WHEEL INSTALLATION**

<b>ITEM</b>	<b>PART NUMBER</b>	<b>QTY</b>	<b>DESCRIPTION</b>	<b>REV</b>
	1001298091	Ref	TRANSPORT WHEEL INSTALLATION	B
1	PTNSPM560	2	Nut M10	
2	1001265115	4	Washer M10	
3	1001265136	4	Nut M10	
4	1001266108	2	Pin, Cotter 5/32 x 1-1/4	
5	1001266143	2	Washer M20	
6	1001266218	2	Wheel, Castor (Fixed)	
7	1001293669	1	Bracket	
8	1001293672	1	Plate	
9	1001293673	1	Axle	
10	1001298080	1	Cover	
11	1001298090	2	Stud	

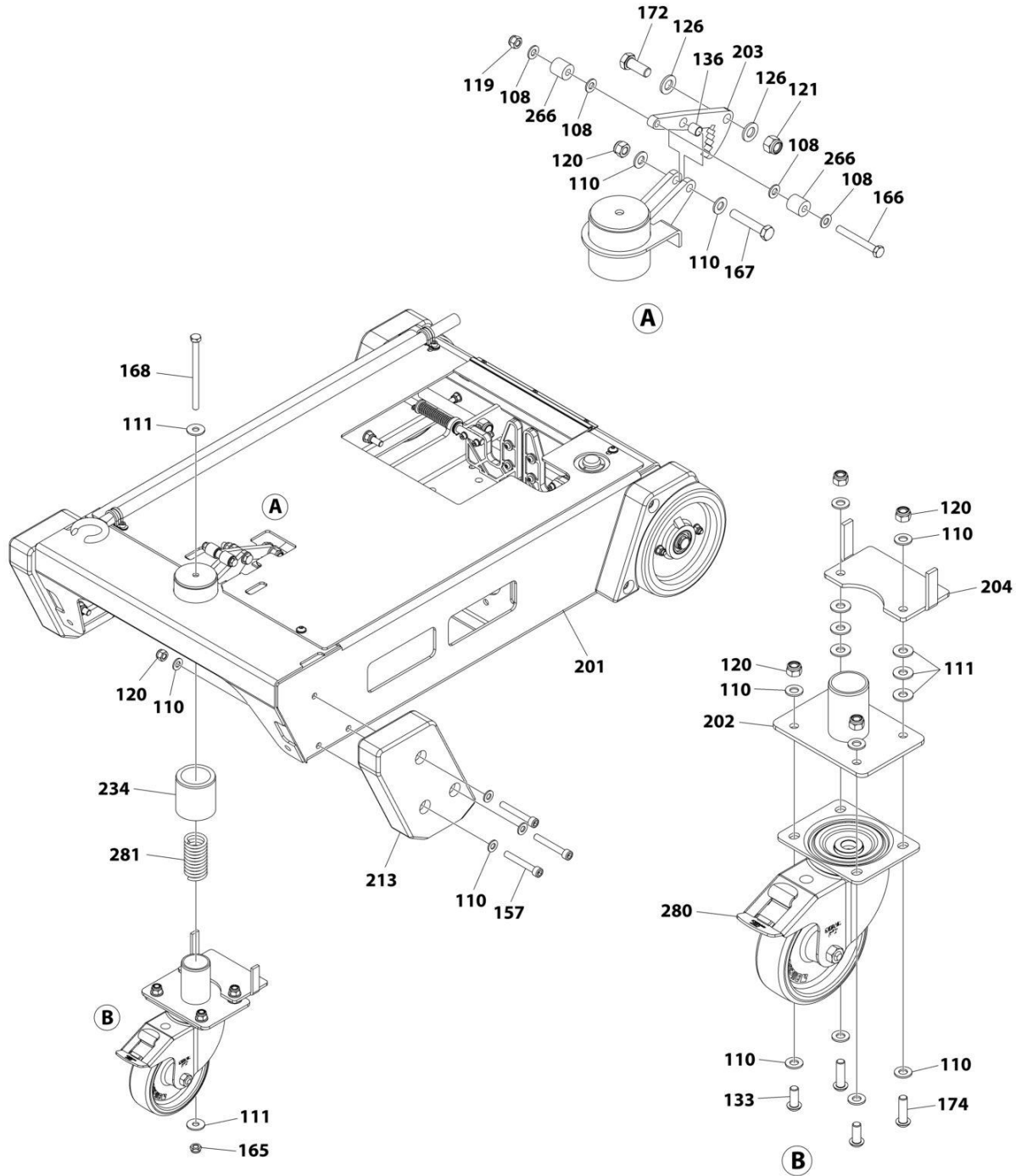


**SECTION 2 - PECOLIFT (SN P900018359 TO PRESENT, INCLUDING  
P900016661,P900016663,P900016664,P900018045-  
P900018050,P900018258,P900018259,P900018284,P900018303)**

**SECTION 2 - PECOLIFT (SN P900018359 TO PRESENT, INCLUDING  
P900016661,P900016663,P900016664,P900018045-  
P900018050,P900018258,P900018259,P900018284,P900018303)**

**SECTION 2 - PECOLIFT (SN P900018359 TO PRESENT, INCLUDING P900016661,P900016663,P900016664,P900018045-P900018050,P900018258,P900018259,P900018284,P900018303)**

**FIGURE 2-1. FRAME ASSEMBLY - FRONT**



ART\_1001290805\_1OF6



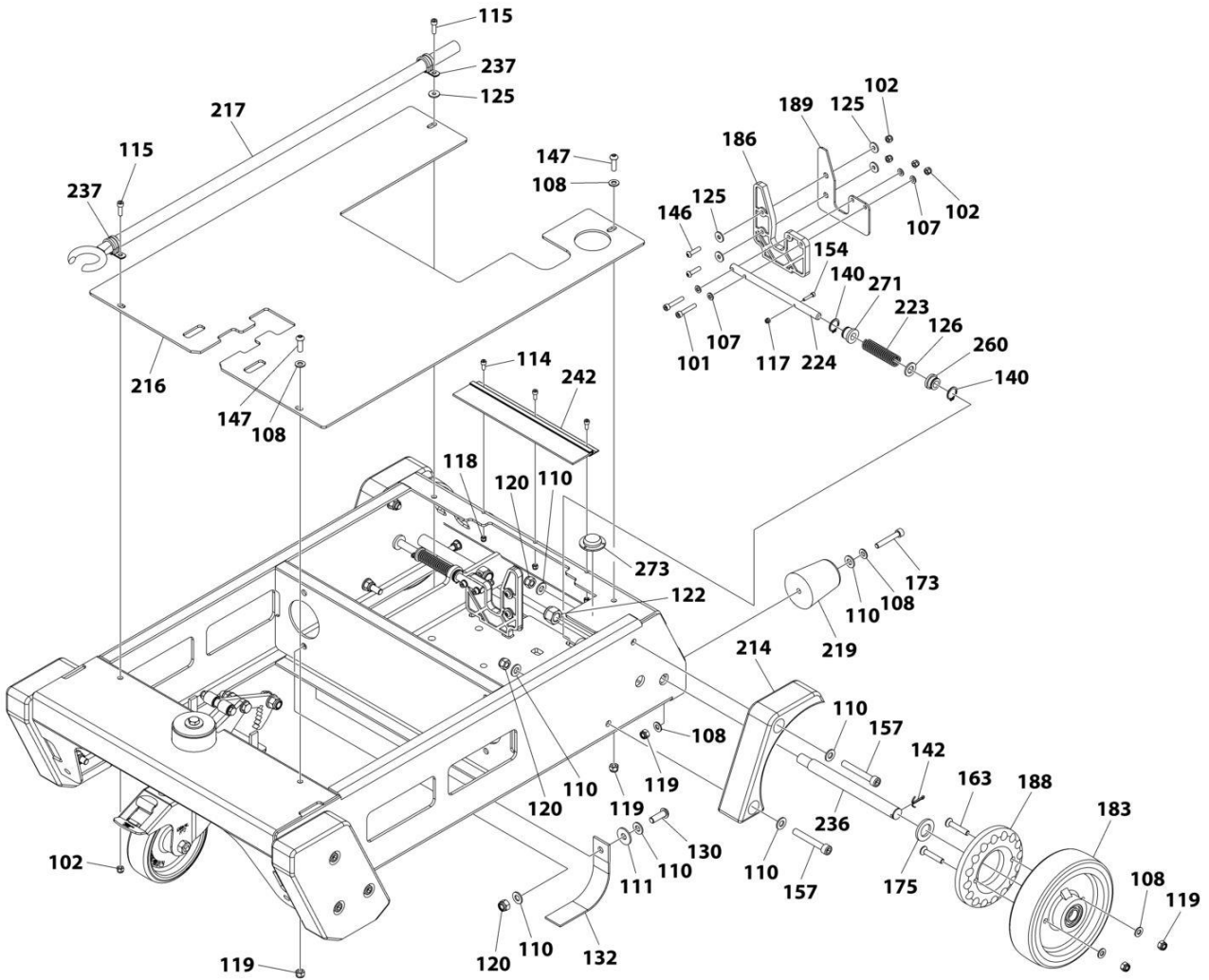
**SECTION 2 - PECOLIFT (SN P900018359 TO PRESENT, INCLUDING  
P900016661,P900016663,P900016664,P900018045-  
P900018050,P900018258,P900018259,P900018284,P900018303)**

**FIGURE 2-1. FRAME ASSEMBLY - FRONT**

ITEM	PART NUMBER	QTY	DESCRIPTION	REV
	1001290805	Ref	FRAME ASSEMBLY - FRONT	D
108	1001265113	4	Washer M8	
110	1001265115	114	Washer M10	
111	1001265116	8	Washer M10	
119	1001265135	1	Nut M8	
120	1001265136	6	Nut M10	
121	1001265138	1	Nut M12	
126	1001265462	2	Washer M12	
133	1001265959	2	Screw M10 x 25	
136	1001266099	1	Bushing	
157	1001266125	3	Capscrew M10 x 70	
165	1001266133	1	Nut M10	
166	1001266134	1	Bolt M8 x 65	
167	1001266135	1	Bolt M10 x 55	
168	1001266136	1	Bolt M10 x 140	
172	1001266140	1	Bolt M12 x 30	
174	1001266142	2	Screw M10 x 35	
201	1001266267	1	Frame	
202	1001266268	1	Mount, Castor	
203	1001266269	1	Latch	
204	1001266270	1	Plate, Catch	
213	PELM403	2	Corner	
234	PELM434	1	Bushing	
266	PELM496	2	Bushing	
280	1001281278	1	Wheel, Castor	
281	1001281306	1	Spring	

**SECTION 2 - PECOLIFT (SN P900018359 TO PRESENT, INCLUDING P900016661,P900016663,P900016664,P900018045-P900018050,P900018258,P900018259,P900018284,P900018303)**

**FIGURE 2-2. FRAME ASSEMBLY - REAR**



ART\_1001290805\_2OF6

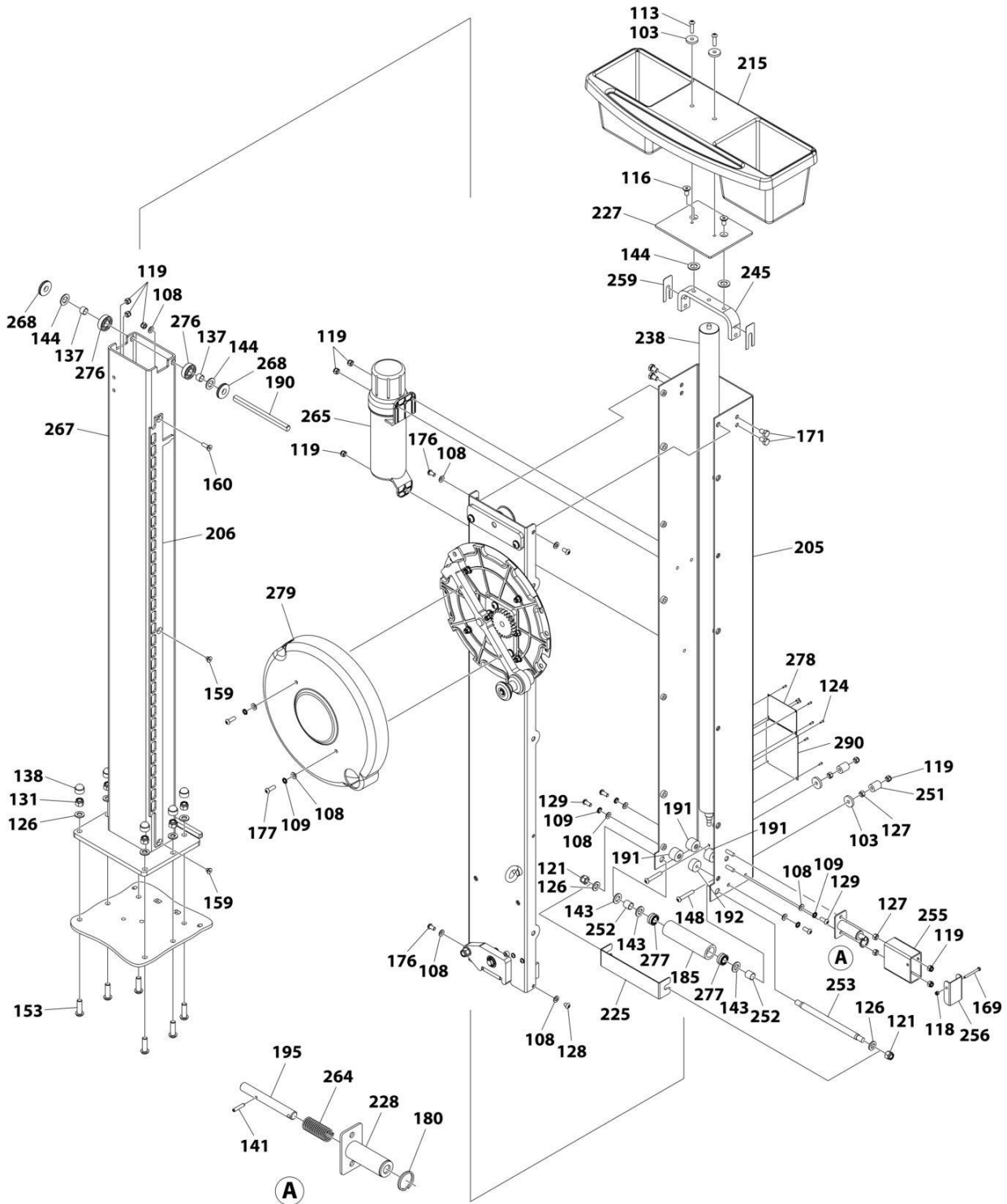
**SECTION 2 - PECOLIFT (SN P900018359 TO PRESENT, INCLUDING  
P900016661,P900016663,P900016664,P900018045-  
P900018050,P900018258,P900018259,P900018284,P900018303)**

**FIGURE 2-2. FRAME ASSEMBLY - REAR**

ITEM	PART NUMBER	QTY	DESCRIPTION	REV
	1001290805	Ref	FRAME ASSEMBLY - REAR	D
101	1001264556	2	Bolt M6 x 35	
102	1001264557	5	Nut M6	
107	1001265112	4	Washer M6	
108	1001265113	6	Washer M8	
110	1001265115	7	Washer M10	
111	1001265116	1	Washer M10	
114	1001265124	3	Capscrew M5 x 12	
115	1001265127	2	Capscrew M6 x 20	
117	1001265133	1	Nut M4	
118	1001265134	3	Nut M5	
119	1001265135	5	Nut M8	
120	1001265136	3	Nut M10	
122	1001265139	1	Nut M16	
125	1001265461	5	Washer M6	
126	1001265462	1	Washer M12	
130	1001265508	1	Screw M10 x 30	
132	1001265952	1	Strap, Ground	
140	1001266105	2	Ring, Retaining	
142	1001266108	1	Pin, Cotter 5/32 x 1-1/4	
146	1001266112	2	Screw M6 x 25	
147	1001266113	2	Screw M8 x 25	
154	1001266122	1	Capscrew M4 x 20	
157	1001266125	2	Capscrew M10 x 70	
163	1001266131	2	Capscrew M8 x 45	
173	1001266141	1	Capscrew M8 x 40	
175	1001266143	1	Washer M20	
183	1001266218	1	Wheel, Castor (Fixed)	
186	1001266244	1	Cam Plate, Brake	
188	1001266246	1	Disc, Brake	
189	1001266247	1	Cam Plate, Brake	
214	PELM404	2	Guard	
216	PELM406	1	Cover	
217	PELM407	1	Tube, Emergency Lowering Handle	
219	PELM409	1	Bumper, Rubber	
223	PELM414	1	Spring, Brake	
224	PELM415	1	Pin, Brake	
236	PELM437	1	Axle	
237	PELM438	2	Clip	
242	PELM459	1	Brush	
260	PELM486	1	Bushing, Brake Pin	
271	PELM587	1	Bushing, Brake Pin	
273	PTM106	1	Level	

**SECTION 2 - PECOLIFT (SN P900018359 TO PRESENT, INCLUDING P900016661,P900016663,P900016664,P900018045-P900018050,P900018258,P900018259,P900018284,P900018303)**

**FIGURE 2-3. MAST ASSEMBLY**



ART\_1001290805\_3OF6

**SECTION 2 - PECOLIFT (SN P900018359 TO PRESENT, INCLUDING  
P900016661,P900016663,P900016664,P900018045-  
P900018050,P900018258,P900018259,P900018284,P900018303)**

**FIGURE 2-3. MAST ASSEMBLY**

ITEM	PART NUMBER	QTY	DESCRIPTION	REV
	1001290805	Ref	MAST ASSEMBLY	D
103	1001264558	4	Washer M8	
108	1001265113	11	Washer M8	
109	1001265114	6	Washer M8	
113	1001265121	2	Capscrew M8 x 30	
116	1001265131	2	Capscrew M10 x 20	
118	1001265134	1	Nut M5	
119	1001265135	10	Nut M8	
121	1001265138	2	Nut M12	
124	1001265149	8	Rivet	
126	1001265462	7	Washer M12	
127	1001265496	4	Nut M8	
128	1001265506	1	Capscrew M8 x 12	
129	1001265507	4	Capscrew M8 x 20	
131	1001265746	5	Nut M12 GRD 10	
137	1001266100	2	Bearing	
138	1001266101	5	Cap, Nut	
141	1001266107	1	Pin	
143	1001266109	3	Washer M14	
144	1001266110	4	Washer M16	
148	1001266114	2	Screw M8 x 50	
153	1001266121	6	Screw M12 x 40	
159	1001266127	2	Capscrew M8 x 10	
160	1001266128	1	Capscrew M8 x 25	
169	1001266137	1	Bolt M5 x 50	
171	1001266139	4	Bolt M10 x 16	
176	1001266144	3	Capscrew M8 x 16	
177	1001266145	2	Capscrew M8 x 25	
180	1001266211	1	Ring	
181	1001266212	1	Key, Security (Not Shown)	
185	1001266243	1	Roller	
190	1001266253	1	Axle	
191	1001266254	3	Disc, Wear 21MM	
192	1001266255	1	Disc, Wear 16MM	
195	1001266259	1	Pin	
205	1001266271	1	Channel, Mast (Outer)	
206	1001266272	1	Strip, Interlock	
215	PELM405	1	Tray, Tool (Plastic)	
215	ECLM601	1	Tray, Tool (Steel)	
225	PELM416	1	Cover	
227	PELM420	1	Cap, Mast	
228	PELM421	1	Housing, Belt Interlock	
238	PELM4402	1	Spring, Gas	
245	PELM463	1	Mount, Gas Spring	
251	PELM475	2	Bushing	
252	PELM478	2	Spacer	
253	PELM479	1	Axle	

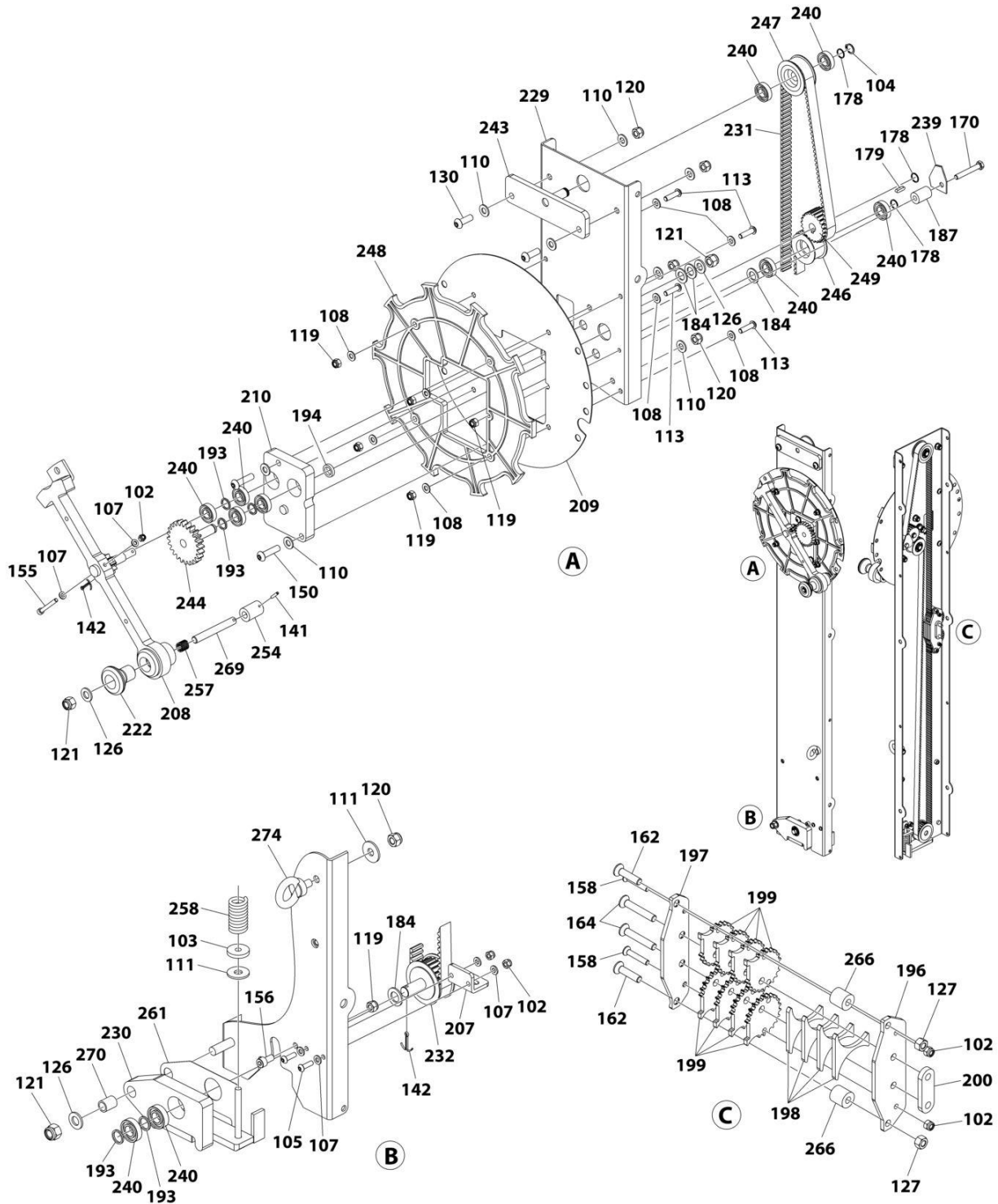
**SECTION 2 - PECOLIFT (SN P900018359 TO PRESENT, INCLUDING P900016661,P900016663,P900016664,P900018045-P900018050,P900018258,P900018259,P900018284,P900018303)**

ITEM	PART NUMBER	QTY	DESCRIPTION	REV
255	PELM481	1	Cover, Interlock Housing	
256	PELM482	1	Cap, Interlock Housing	
259	PELM485	2	Spacer, Shim	
264	PELM494	1	Spring, Compression	
265	PELM495	1	Container, Document	
267	PELM497	1	Channel, Mast (Inner)	
268	PELM498	2	Roller	
276	PTNSPM562	2	Bearing	
277	PTNSPM664	2	Bearing	
278	SEE NOTE	NSS	Plate, Spec (Note: Not Available for Purchase)	
279	ECLM603	1	Cover, Handle	
290	See Note	NSS	Name Plate, Manufacturer's Serial Number (Note: Not Available for Purchase)	



**SECTION 2 - PECOLIFT (SN P900018359 TO PRESENT, INCLUDING P900016661,P900016663,P900016664,P900018045-P900018050,P900018258,P900018259,P900018284,P900018303)**

**FIGURE 2-4. PULLEY PANEL COMPONENTS**



ART\_1001290805\_40F6



**SECTION 2 - PECOLIFT (SN P900018359 TO PRESENT, INCLUDING  
P900016661,P900016663,P900016664,P900018045-  
P900018050,P900018258,P900018259,P900018284,P900018303)**

**FIGURE 2-4. PULLEY PANEL COMPONENTS**

ITEM	PART NUMBER	QTY	DESCRIPTION	REV
	1001290805	Ref	PULLEY PANEL COMPONENTS	D
102	1001264557	5	Nut M6	
103	1001264558	1	Washer M8	
104	1001264559	1	Circlip	
105	1001264707	2	Bolt M6 x 20	
107	1001265112	6	Washer M6	
108	1001265113	8	Washer M8	
110	1001265115	8	Washer M10	
111	1001265116	2	Washer M10	
113	1001265121	4	Capscrew M8 x 30	
119	1001265135	6	Nut M8	
120	1001265136	5	Nut M10	
121	1001265138	3	Nut M12	
126	1001265462	3	Washer M12	
127	1001265496	2	Nut M8	
130	1001265508	2	Screw M10 x 30	
141	1001266107	1	Pin	
142	1001266108	2	Pin, Cotter 5/32 x 1-1/4	
150	1001266117	2	Screw M10 x 40	
155	1001266123	1	Capscrew M6 x 50	
156	1001266124	1	Capscrew M8 x 16	
158	1001266126	2	Capscrew M6 x 35	
162	1001266130	2	Capscrew M8 x 35	
164	1001266132	2	Capscrew M8 x 50	
170	1001266138	1	Bolt M8 x 55	
178	1001266146	3	Ring, Spring	
179	1001266210	1	Key, Drive Pulley	
184	1001266219	4	Washer, Plastic	
187	1001266245	1	Guide	
193	1001266257	5	Spacer	
194	1001266258	1	Spacer	
196	1001266260	1	Clamp (Base)	
197	1001266261	1	Clamp (Top)	
198	1001266262	4	Clamp (Middle)	
199	1001266264	8	Cog, Belt Clamp	
200	1001266265	1	Spacer	
207	1001266273	1	Mount, Interlock Spring	
208	1001266274	1	Handle, Crank	
209	1001266275	1	Cover, Lock	
210	1001266434	1	Block, Bearing	
222	PELM412	1	Knob	
229	PELM426	1	Panel, Pulley Mounting	
230	PELM427	1	Plate, Lower Tensioner	
231	PELM428	1	Belt	
232	PELM429	1	Pulley, Lower Axle	
239	PELM441	1	Plate, Drive Belt	
240	PELM442	10	Bearing	

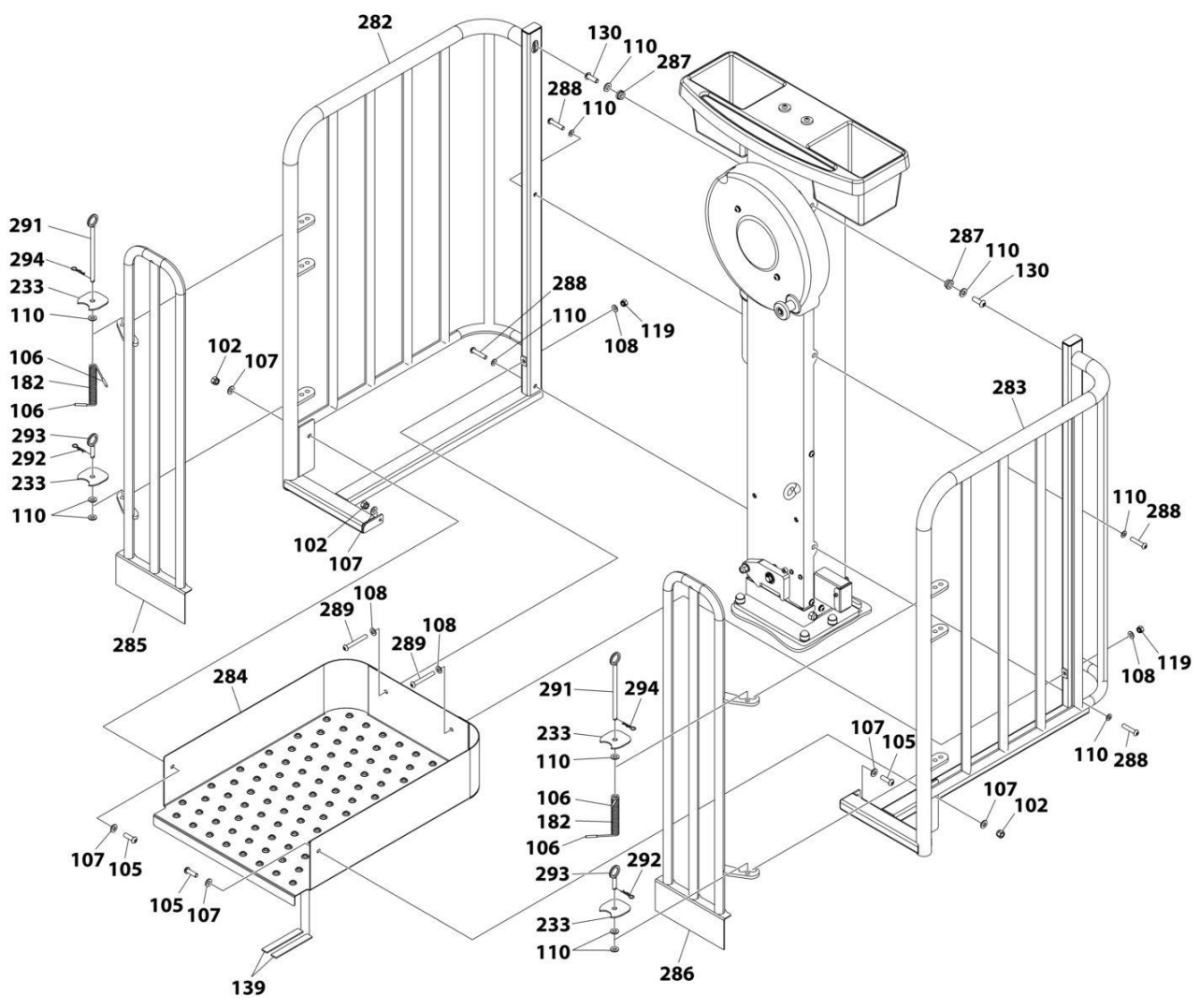
**SECTION 2 - PECOLIFT (SN P900018359 TO PRESENT, INCLUDING P900016661,P900016663,P900016664,P900018045-P900018050,P900018258,P900018259,P900018284,P900018303)**

ITEM	PART NUMBER	QTY	DESCRIPTION	REV
243	1001312130	1	Mount, Freewheel Pulley	
244	PELM462	1	Gear, Drive	
246	PELM467	1	Pulley, Guide Wheel	
247	PELM469	1	Pulley, Freewheel	
248	PELM471	1	Plate, Lock	
249	PELM472	1	Pulley, Drive	
254	PELM480	1	Pin, Lock	
257	PELM483	1	Spring, Handle	
258	PELM484	1	Spring, Belt	
261	PELM488	1	Pulley, Lower Tensioner Plate	
266	PELM496	2	Clamp	
269	PELM499	1	Pin	
270	PELM506	1	Bush, Swivel Plate	
274	PTM149	1	Bolt	



**SECTION 2 - PECOLIFT (SN P900018359 TO PRESENT, INCLUDING P900016661,P900016663,P900016664,P900018045-P900018050,P900018258,P900018259,P900018284,P900018303)**

**FIGURE 2-5. PLATFORM ASSEMBLY**



ART\_1001290805\_5OF6

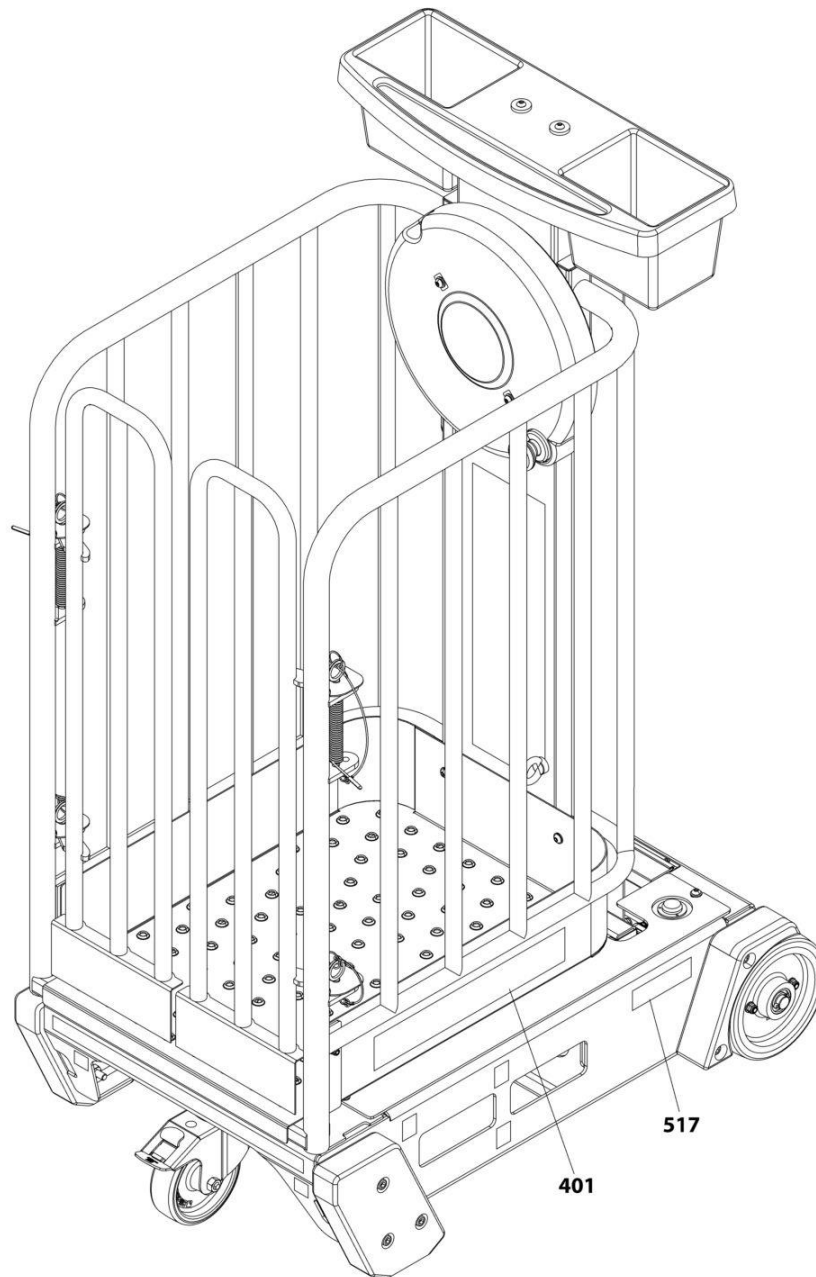
**SECTION 2 - PECOLIFT (SN P900018359 TO PRESENT, INCLUDING  
P900016661,P900016663,P900016664,P900018045-  
P900018050,P900018258,P900018259,P900018284,P900018303)**

**FIGURE 2-5. PLATFORM ASSEMBLY**

ITEM	PART NUMBER	QTY	DESCRIPTION	REV
	1001290805	Ref	PLATFORM ASSEMBLY	D
102	1001264557	3	Nut M6	
105	1001264707	3	Bolt M6 x 20	
106	1001265092	4	Cap	
107	1001265112	6	Washer M6	
108	1001265113	4	Washer M8	
110	1001265115	12	Washer M10	
119	1001265135	2	Nut M8	
130	1001265508	2	Screw M10 x 30	
139	1001266102	2	Trim	
182	1001266216	2	Spring	
233	PELM430	4	Cover, Hinge	
282	1001288758	1	Rail (LH)	
283	1001288763	1	Rail (RH)	
284	1001289035	1	Tray, Platform	
285	1001288852	1	Gate (LH)	
286	1001288853	1	Gate (RH)	
287	1001289242	2	Adapter	
288	1001290778	4	Capscrew M10 x 50	
289	1001290779	2	Screw M8 x 65	
291	1001290784	2	Pin, Gate (Long)	
292	1001293031	2	Lanyard, Gate Pin (Short)	
293	1001290785	2	Pin, Gate (Short)	
294	1001293032	2	Lanyard, Gate Pin (Long)	

**SECTION 2 - PECOLIFT (SN P900018359 TO PRESENT, INCLUDING P900016661,P900016663,P900016664,P900018045-P900018050,P900018258,P900018259,P900018284,P900018303)**

**FIGURE 2-6. DECAL INSTALLATION**



ART\_1001290805\_6OF6

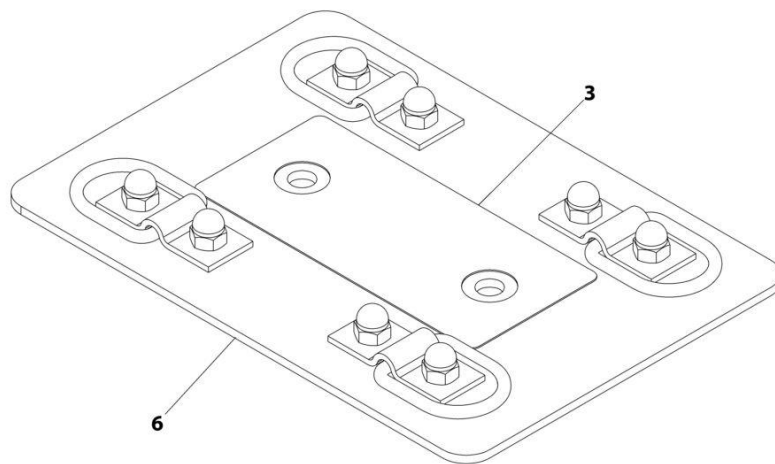
**SECTION 2 - PECOLIFT (SN P900018359 TO PRESENT, INCLUDING  
P900016661,P900016663,P900016664,P900018045-  
P900018050,P900018258,P900018259,P900018284,P900018303)**

**FIGURE 2-6. DECAL INSTALLATION**

ITEM	PART NUMBER	QTY	DESCRIPTION	REV
	1001290805	Ref	DECAL INSTALLATION	D
	1001267918	Ref	DECAL INSTALLATION	B
401	PELM602	1 pr	Decal, Peco	
517	1001287531	1	Kit, Decal (Note: Individual Decals Not Available)	

**SECTION 2 - PECOLIFT (SN P900018359 TO PRESENT, INCLUDING P900016661,P900016663,P900016664,P900018045-P900018050,P900018258,P900018259,P900018284,P900018303)**

**FIGURE 2-7. TETHER PLATE ASSEMBLY**



ART\_1001288487



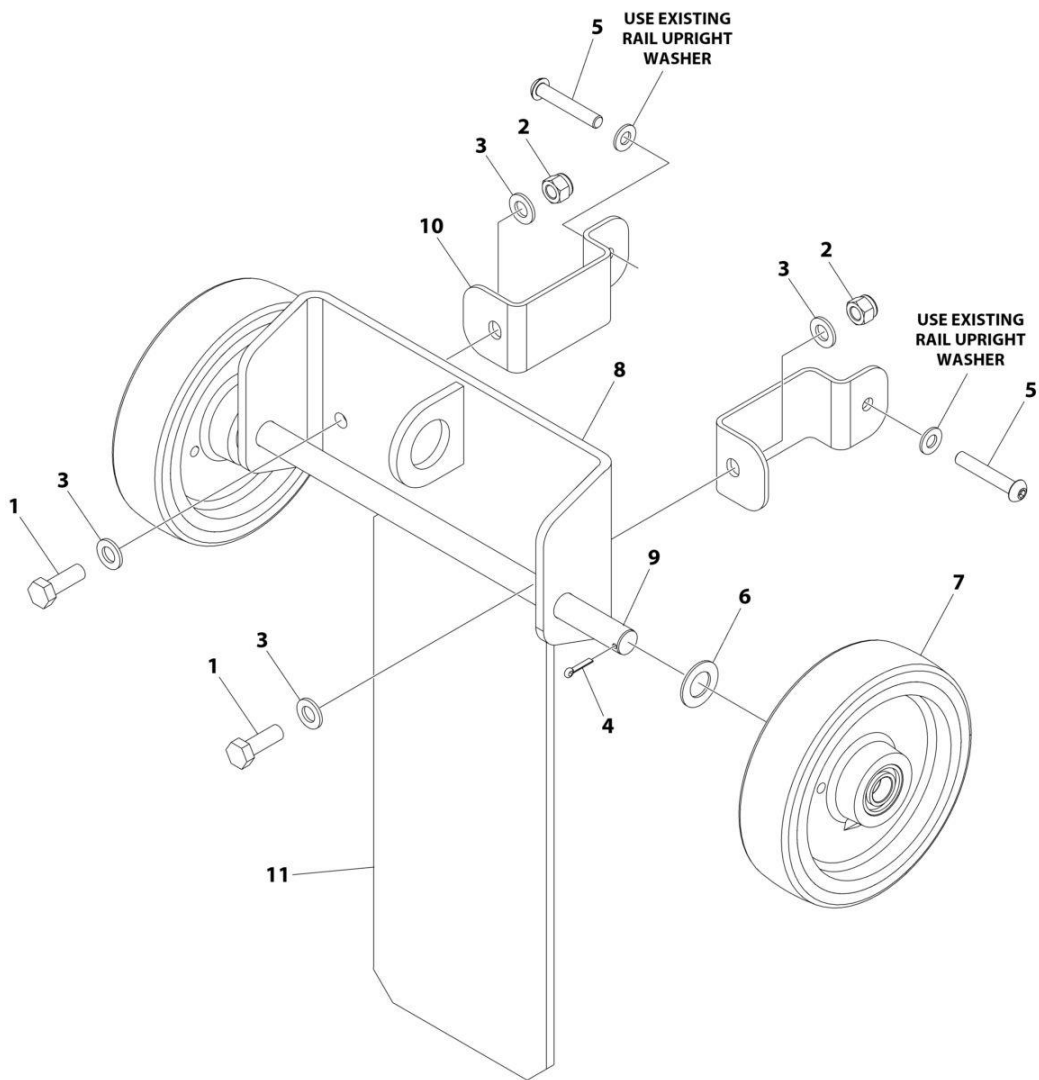
**SECTION 2 - PECOLIFT (SN P900018359 TO PRESENT, INCLUDING  
P900016661,P900016663,P900016664,P900018045-  
P900018050,P900018258,P900018259,P900018284,P900018303)**

**FIGURE 2-7. TETHER PLATE ASSEMBLY**

<b>ITEM</b>	<b>PART NUMBER</b>	<b>QTY</b>	<b>DESCRIPTION</b>	<b>REV</b>
	1001288487	Ref	TETHER PLATE ASSEMBLY	C
3	1001288659	1	Decal - Tether Load	
6	1001294643	NSS	Plate, Tether (Note: Use PN 1001288487)	

**SECTION 2 - PECOLIFT (SN P900018359 TO PRESENT, INCLUDING P900016661,P900016663,P900016664,P900018045-P900018050,P900018258,P900018259,P900018284,P900018303)**

**FIGURE 2-8. TRANSPORT WHEEL INSTALLATION**



ART\_1001297749

**SECTION 2 - PECOLIFT (SN P900018359 TO PRESENT, INCLUDING  
P900016661,P900016663,P900016664,P900018045-  
P900018050,P900018258,P900018259,P900018284,P900018303)**

**FIGURE 2-8. TRANSPORT WHEEL INSTALLATION**

ITEM	PART NUMBER	QTY	DESCRIPTION	REV
	1001297749	Ref	TRANSPORT WHEEL INSTALLATION	B
1	0761215	2	Bolt 12 x 35	
2	1001265138	2	Nut M12	
3	1001265462	4	Washer M12	
4	1001266108	2	Pin, Cotter 5/32 x 1-1/4	
5	1001266119	2	Screw M10 x 60	
6	1001266143	2	Washer M20	
7	1001266218	2	Wheel, Castor (Fixed)	
8	1001293669	1	Bracket, Wheel Bracket	
9	1001293673	1	Axle	
10	1001297725	2	Bracket	
11	1001298080	1	Cover	

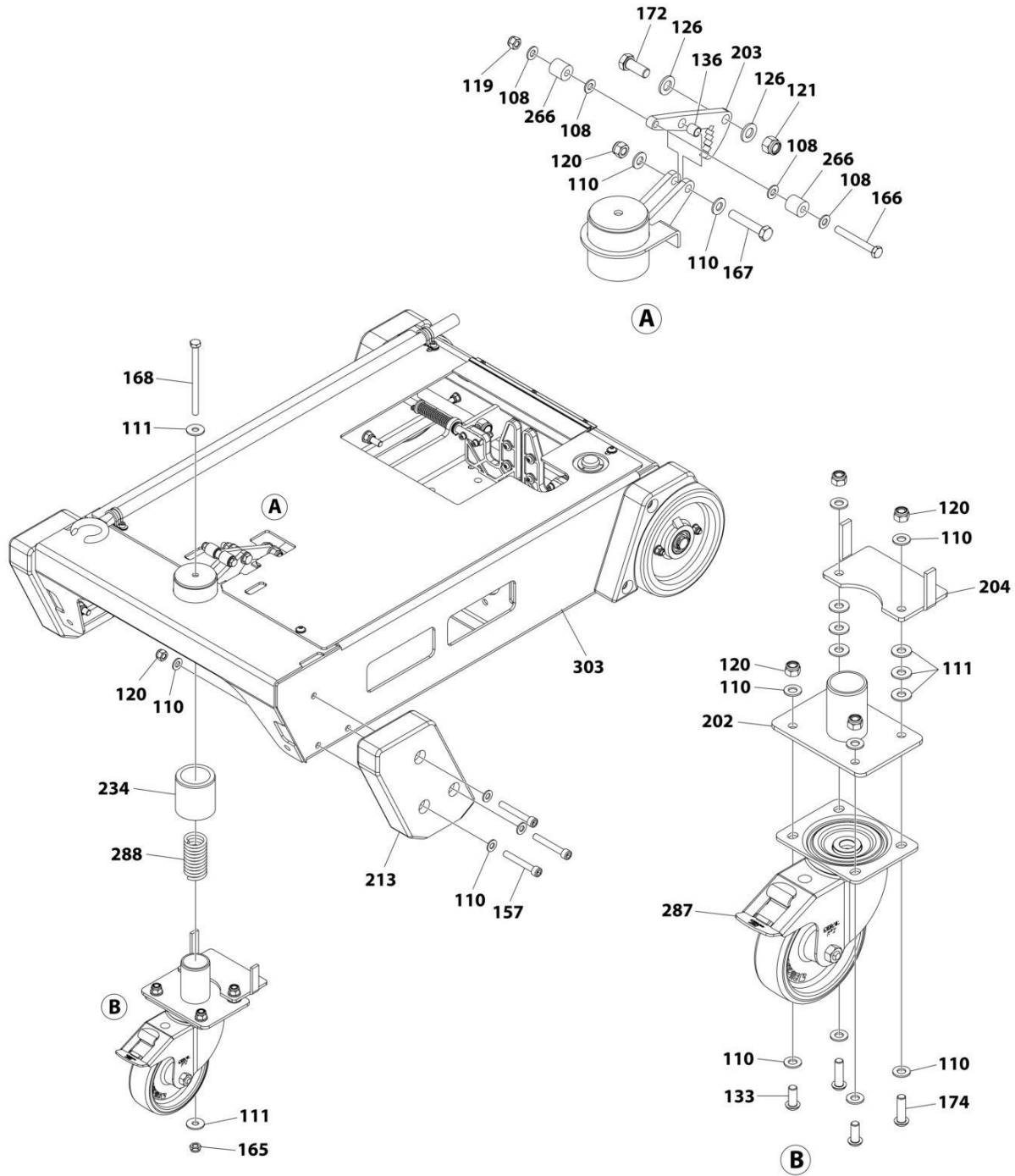


**SECTION 3 - PECOLIFT DC (PRIOR TO SN P900021993)**

**SECTION 3 - PECOLIFT DC (PRIOR TO SN P900021993)**

# SECTION 3 - PECOLIFT DC (PRIOR TO SN P900021993)

## FIGURE 3-1. FRAME ASSEMBLY - FRONT



ART\_PECO-DC\_10F6

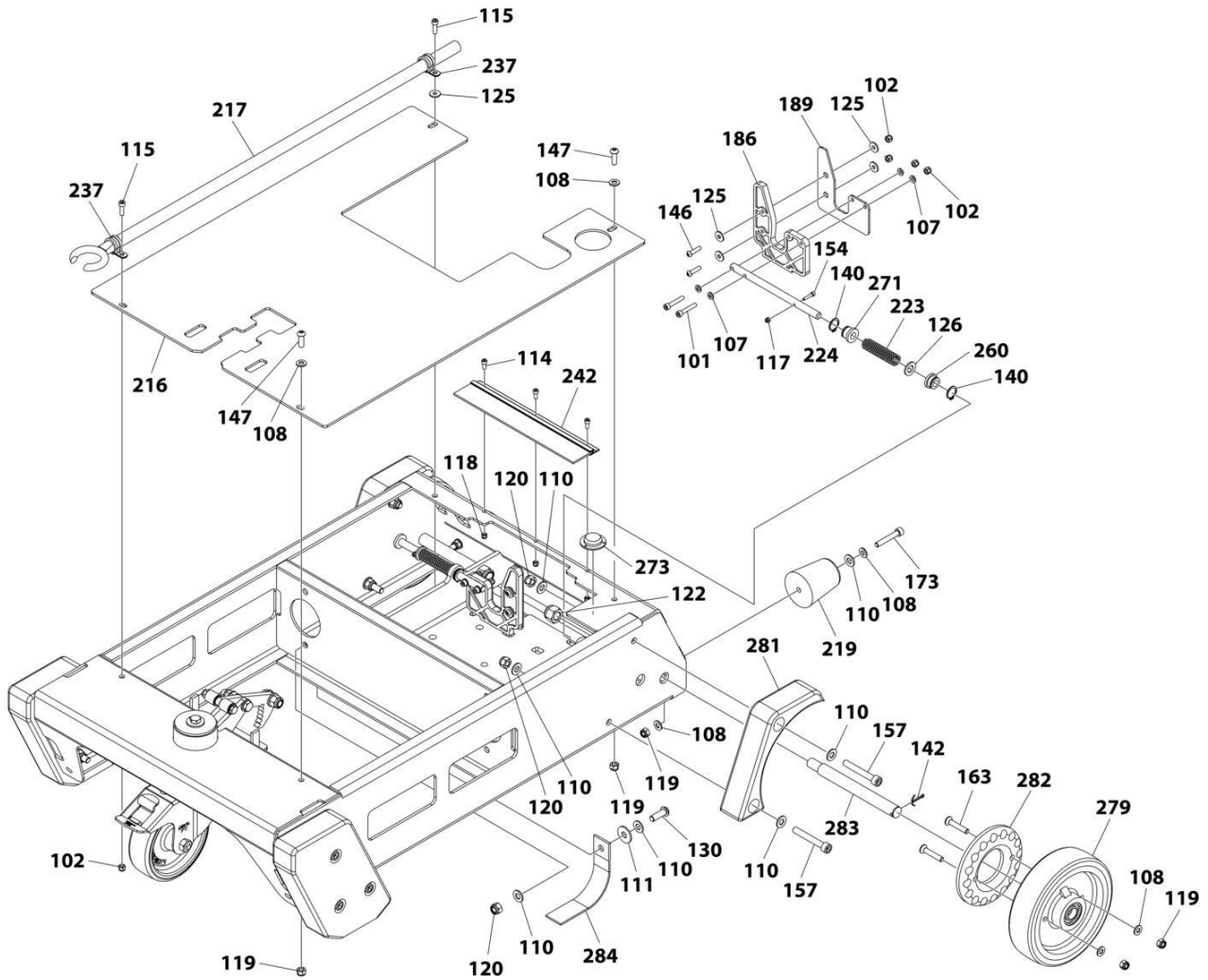
## SECTION 3 - PECOLIFT DC (PRIOR TO SN P900021993)

### FIGURE 3-1. FRAME ASSEMBLY - FRONT

ITEM	PART NUMBER	QTY	DESCRIPTION	REV
		Ref	FRAME ASSEMBLY - FRONT	
108	1001265113	4	Washer M8	
110	1001265115	14	Washer M10	
111	1001265116	8	Washer M10	
119	1001265135	1	Nut M8	
120	1001265136	6	Nut M10	
121	1001265138	1	Nut M12	
126	1001265462	2	Washer M12	
133	1001265959	2	Screw M10 x 25	
136	1001266099	1	Bushing	
157	1001266125	3	Capscrew M10 x 70	
165	1001266133	1	Nut M10	
166	1001266134	1	Bolt M8 x 65	
167	1001266135	1	Bolt M10 x 55	
168	1001266136	1	Bolt M10 x 140	
172	1001266140	1	Bolt M12 x 30	
174	1001266142	2	Screw M10 x 35	
202	1001266268	1	Mount, Castor	
203	1001266269	1	Latch	
204	1001266270	1	Plate, Catch	
213	PELM403	1	Corner	
234	PELM434	1	Bushing	
266	PELM496	2	Bushing	
287	1001281278	1	Wheel, Castor	
288	1001281306	1	Spring	
303	1001298765	1	Frame	

# SECTION 3 - PECOLIFT DC (PRIOR TO SN P900021993)

## FIGURE 3-2. FRAME ASSEMBLY - REAR



ART\_PECO-DC\_20F6



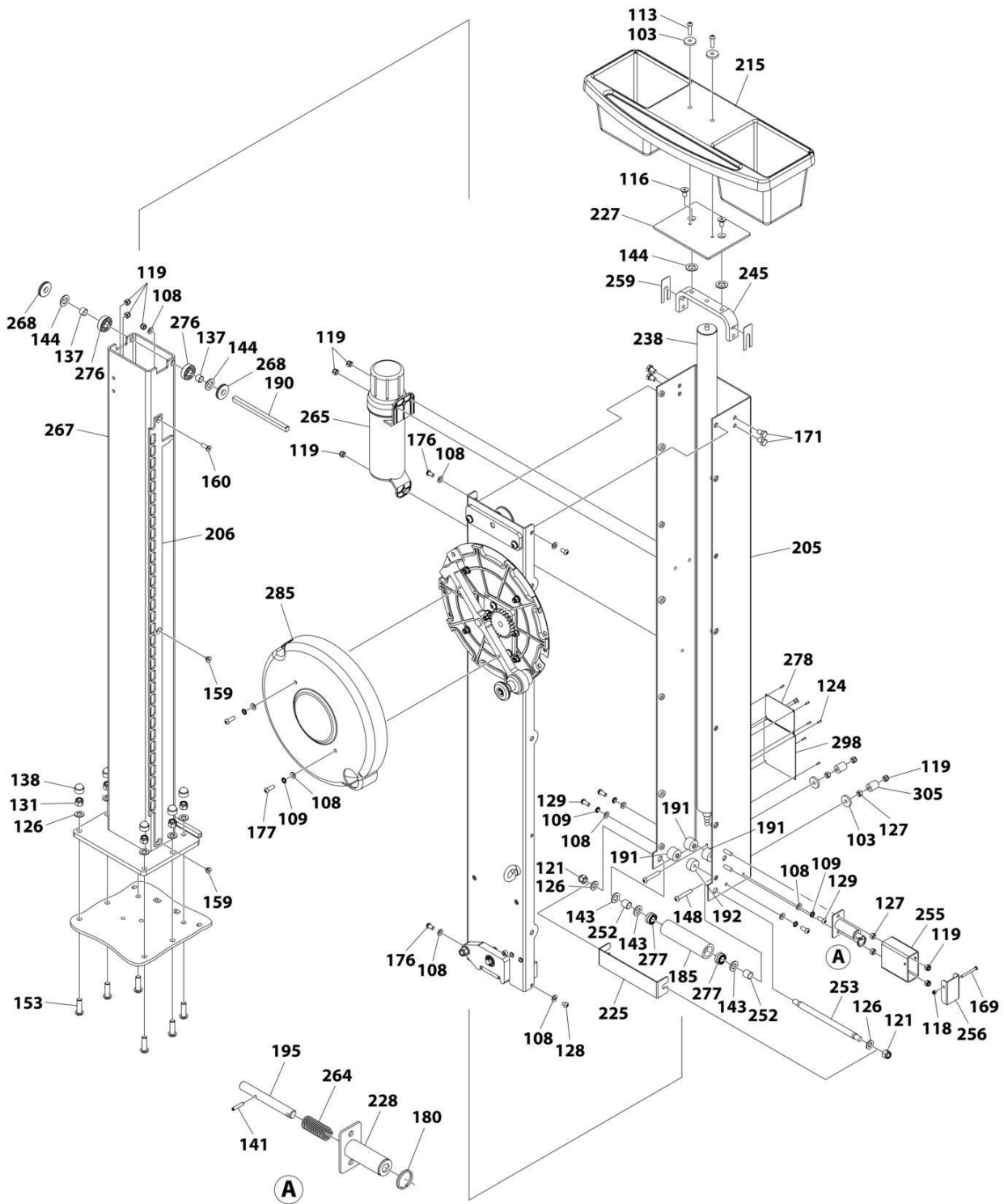
## SECTION 3 - PECOLIFT DC (PRIOR TO SN P900021993)

### FIGURE 3-2. FRAME ASSEMBLY - REAR

ITEM	PART NUMBER	QTY	DESCRIPTION	REV
		Ref	FRAME ASSEMBLY - REAR	
101	1001264556	2	Bolt M6 x 35	
102	1001264557	5	Nut M6	
107	1001265112	4	Washer M6	
108	1001265113	6	Washer M8	
110	1001265115	7	Washer M10	
111	1001265116	1	Washer M10	
114	1001265124	3	Capscrew M5 x 12	
115	1001265127	2	Capscrew M6 x 20	
117	1001265133	1	Nut M4	
118	1001265134	3	Nut M5	
119	1001265135	5	Nut M8	
120	1001265136	3	Nut M10	
122	1001265139	1	Nut M16	
125	1001265461	5	Washer M6	
126	1001265462	1	Washer M12	
130	1001265508	1	Screw M10 x 30	
140	1001266105	2	Ring, Retaining	
142	1001266108	1	Pin, Cotter 5/32 x 1-1/4	
146	1001266112	2	Screw M6 x 25	
147	1001266113	2	Screw M8 x 25	
154	1001266122	1	Capscrew M4 x 20	
157	1001266125	2	Capscrew M10 x 70	
163	1001266131	2	Capscrew M8 x 45	
173	1001266141	1	Capscrew M8 x 40	
186	1001266244	1	Cam Plate, Brake	
189	1001266247	1	Cam Plate, Brake	
216	PELM406	1	Cover	
217	PELM407	1	Tube, Emergency Lowering Handle	
219	PELM409	1	Bumper, Rubber	
223	PELM414	1	Spring, Brake	
224	PELM415	1	Pin, Brake	
237	PELM438	2	Clip	
242	PELM459	1	Brush	
260	PELM486	1	Bushing, Brake Pin	
271	PELM587	1	Bushing, Brake Pin	
273	PTM106	1	Level	
279	1001277256	1	Wheel, Fixed	
281	1001277258	1	Mould, Rear Mudguard	
282	1001277259	2	Brake, Disc	
283	1001277260	2	Axle, Stub	
284	1001277261	1	Cable, Earthing Stainless Steel	

# SECTION 3 - PECOLIFT DC (PRIOR TO SN P900021993)

## FIGURE 3-3. MAST ASSEMBLY



ART\_PECO-DC\_30F6

## SECTION 3 - PECOLIFT DC (PRIOR TO SN P900021993)

### FIGURE 3-3. MAST ASSEMBLY

ITEM	PART NUMBER	QTY	DESCRIPTION	REV
		Ref	MAST ASSEMBLY	
103	1001264558	4	Washer M8	
108	1001265113	11	Washer M8	
109	1001265114	6	Washer M8	
113	1001265121	2	Capscrew M8 x 30	
116	1001265131	2	Capscrew M10 x 20	
118	1001265134	1	Nut M5	
119	1001265135	10	Nut M8	
121	1001265138	2	Nut M12	
124	1001265149	8	Rivet	
126	1001265462	7	Washer M12	
127	1001265496	4	Nut M8	
128	1001265506	1	Capscrew M8 x 12	
129	1001265507	4	Capscrew M8 x 20	
131	1001265746	5	Nut M12 GRD 10	
137	1001266100	2	Bearing	
138	1001266101	5	Cap, Nut	
141	1001266107	1	Pin	
143	1001266109	3	Washer M14	
144	1001266110	4	Washer M16	
148	1001266114	2	Screw M8 x 50	
153	1001266121	6	Screw M12 x 40	
159	1001266127	2	Capscrew M8 x 10	
160	1001266128	1	Capscrew M8 x 25	
169	1001266137	1	Bolt M5 x 50	
171	1001266139	4	Bolt M10 x 16	
176	1001266144	3	Capscrew M8 x 16	
177	1001266145	2	Capscrew M8 x 25	
180	1001266211	1	Ring	
181	1001266212	1	Key, Security (Not Shown)	
185	1001266243	1	Roller	
190	1001266253	1	Axle	
191	1001266254	3	Disc, Wear 21MM	
192	1001266255	1	Disc, Wear 16MM	
195	1001266259	1	Pin	
205	1001266271	1	Channel, Mast (Outer)	
206	1001266272	1	Strip, Interlock	
215	PELM405	1	Tray, Tool (Plastic)	
215	ECLM601	1	Tray, Tool (Steel)	
225	PELM416	1	Cover	
227	PELM420	1	Cap, Mast	
228	PELM421	1	Housing, Belt Interlock	
238	PELM4402	1	Spring, Gas	
245	PELM463	1	Mount, Gas Spring	
252	PELM478	2	Spacer	
253	PELM479	1	Axle	
255	PELM481	1	Cover, Interlock Housing	
256	PELM482	1	Cap, Interlock Housing	
259	PELM485	2	Spacer, Shim	
264	PELM494	1	Spring, Compression	

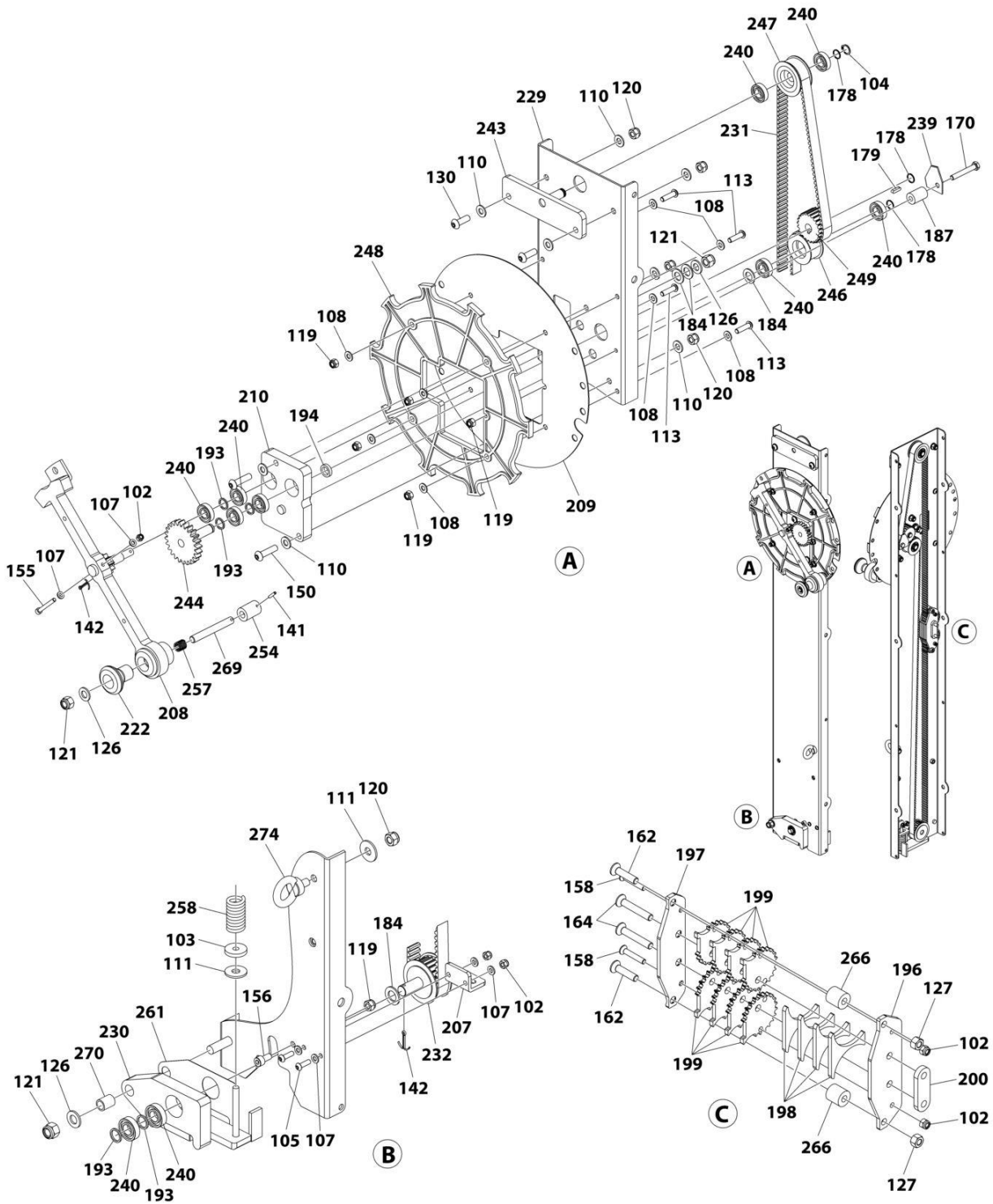
### SECTION 3 - PECOLIFT DC (PRIOR TO SN P900021993)

ITEM	PART NUMBER	QTY	DESCRIPTION	REV
265	PELM495	1	Container, Document	
267	PELM497	1	Channel, Mast (Inner)	
268	PELM498	2	Roller	
276	PTNSPM562	2	Bearing	
277	PTNSPM664	2	Bearing	
278	See Note	NSS	Spec, Plate (Note: Not Available for Purchase)	
285	ECLM603	1	Cover, Handle	
298	See Note	NSS	Name Plate, Manufacturer's Serial Number (Note: Not Available for Purchase)	
305	1001300156	2	Bushing	



# SECTION 3 - PECOLIFT DC (PRIOR TO SN P900021993)

## FIGURE 3-4. PULLEY PANEL COMPONENTS



ART\_PECO-DC\_40F6

## SECTION 3 - PECOLIFT DC (PRIOR TO SN P900021993)

### FIGURE 3-4. PULLEY PANEL COMPONENTS

ITEM	PART NUMBER	QTY	DESCRIPTION	REV
		Ref	PULLEY PANEL COMPONENTS	
102	1001264557	5	Nut M6	
103	1001264558	1	Washer M8	
104	1001264559	1	Circlip	
105	1001264707	2	Bolt M6 x 20	
107	1001265112	6	Washer M6	
108	1001265113	8	Washer M8	
110	1001265115	8	Washer M10	
111	1001265116	2	Washer M10	
113	1001265121	4	Capscrew M8 x 30	
119	1001265135	6	Nut M8	
120	1001265136	5	Nut M10	
121	1001265138	3	Nut M12	
126	1001265462	3	Washer M12	
127	1001265496	2	Nut M8	
130	1001265508	2	Screw M10 x 30	
141	1001266107	1	Pin	
142	1001266108	2	Pin, Cotter 5/32 x 1-1/4	
150	1001266117	2	Screw M10 x 40	
155	1001266123	1	Capscrew M6 x 50	
156	1001266124	1	Capscrew M8 x 16	
158	1001266126	2	Capscrew M6 x 35	
162	1001266130	2	Capscrew M8 x 35	
164	1001266132	2	Capscrew M8 x 50	
170	1001266138	1	Bolt M8 x 55	
178	1001266146	3	Ring, Spring	
179	1001266210	1	Key, Drive Pulley	
184	1001266219	4	Washer, Plastic	
187	1001266245	1	Guide	
193	1001266257	5	Spacer	
194	1001266258	1	Spacer	
196	1001266260	1	Clamp (Base)	
197	1001266261	1	Clamp (Top)	
198	1001266262	4	Clamp (Middle)	
199	1001266264	8	Cog, Belt Clamp	
200	1001266265	1	Spacer	
207	1001266273	1	Mount, Interlock Spring	
208	1001266274	1	Handle, Crank	
209	1001266275	1	Cover, Lock	
210	1001266434	1	Block, Bearing	
222	PELM412	1	Knob	
229	PELM426	1	Panel, Pulley Mounting	
230	PELM427	1	Plate, Lower Tensioner	
231	PELM428	1	Belt	
232	PELM429	1	Pulley, Lower Axle	
239	PELM441	1	Plate, Drive Belt	
240	PELM442	10	Bearing	
243	1001312130	1	Mount, Freewheel Pulley	
244	PELM462	1	Gear, Drive	
246	PELM467	1	Pulley, Guide Wheel	

### SECTION 3 - PECOLIFT DC (PRIOR TO SN P900021993)

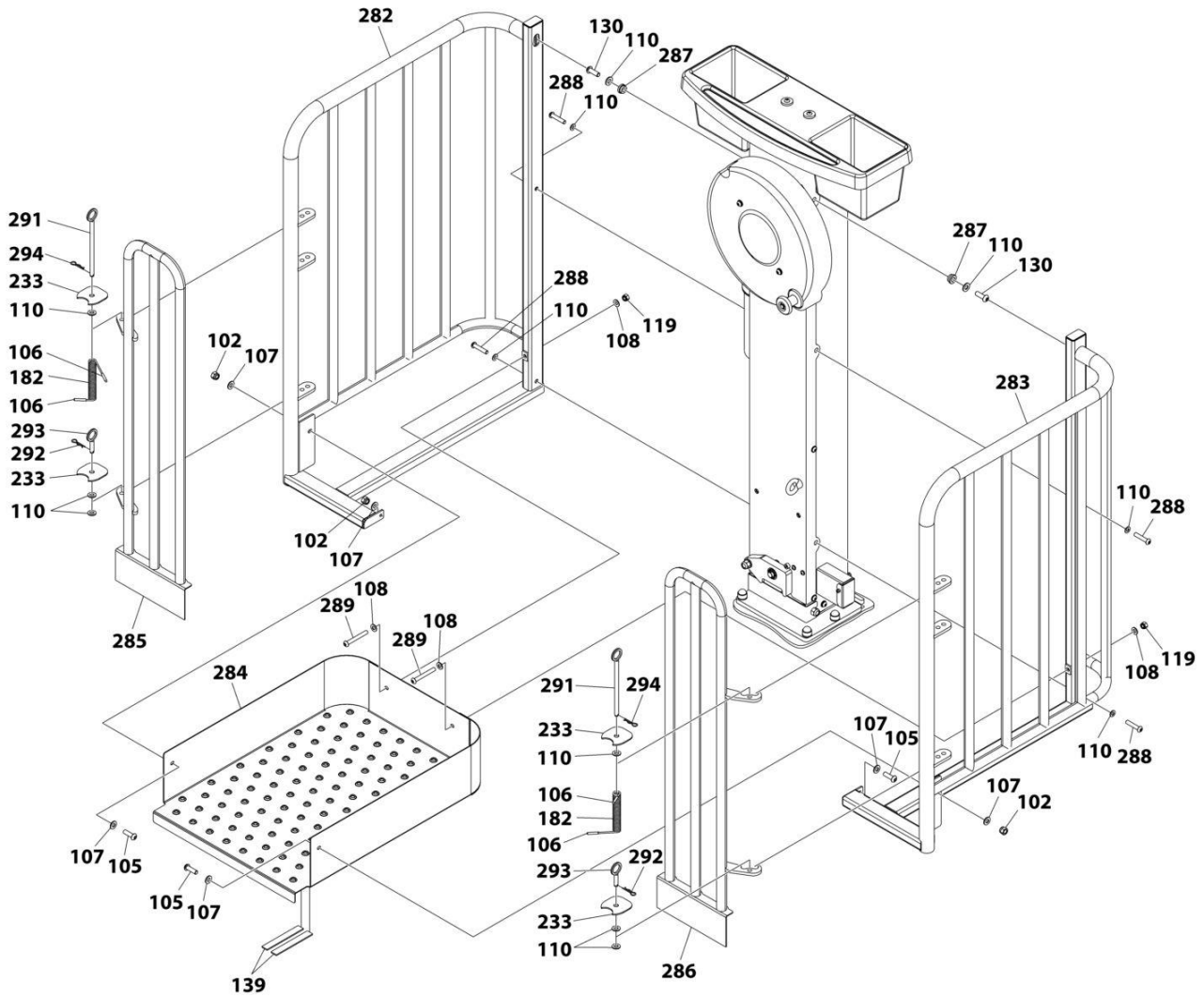
ITEM	PART NUMBER	QTY	DESCRIPTION	REV
247	PELM469	1	Pulley, Freewheel	
248	PELM471	1	Plate, Lock	
249	PELM472	1	Pulley, Drive	
254	PELM480	1	Pin, Lock	
257	PELM483	1	Spring, Handle	
258	PELM484	1	Spring, Belt	
261	PELM488	1	Pulley, Lower Tensioner Plate	
266	PELM496	2	Clamp	
269	PELM499	1	Pin	
270	PELM506	1	Bush, Swivel Plate	
274	PTM149	1	Bolt	





# SECTION 3 - PECOLIFT DC (PRIOR TO SN P900021993)

## FIGURE 3-5. PLATFORM ASSEMBLY



ART\_PECO-DC\_50F6

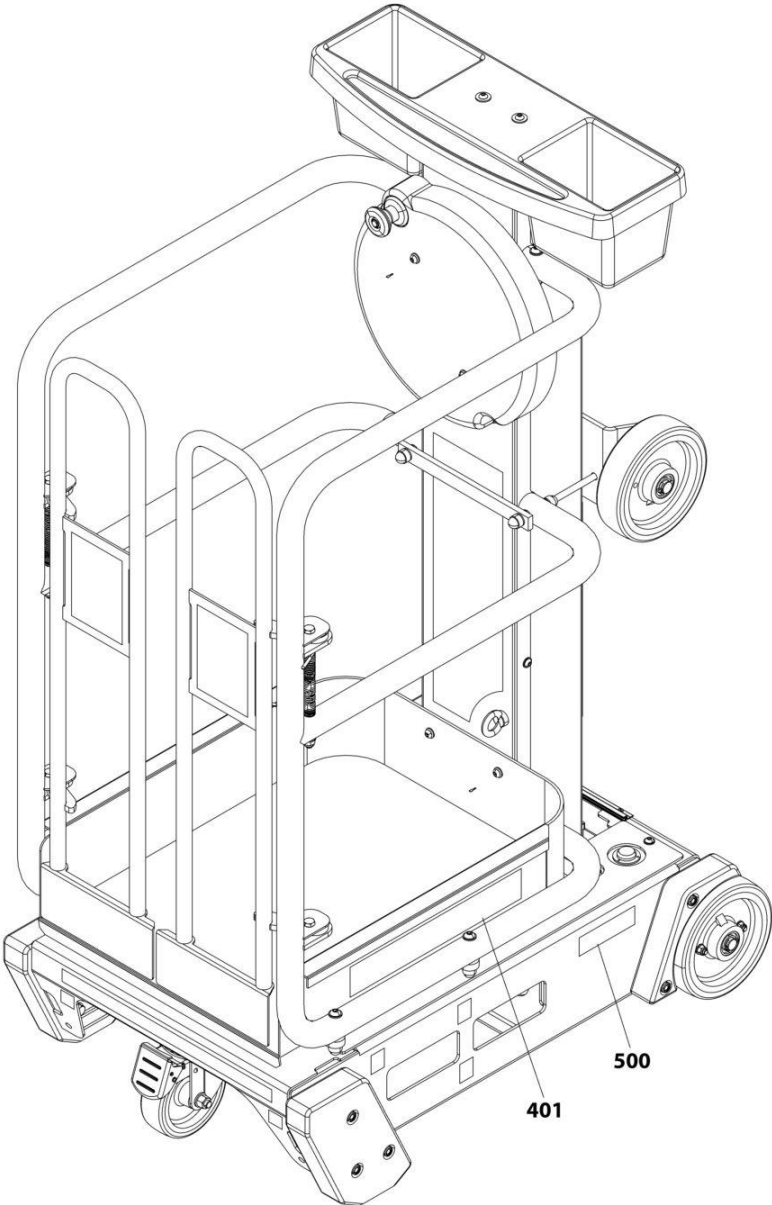
## SECTION 3 - PECOLIFT DC (PRIOR TO SN P900021993)

### FIGURE 3-5. PLATFORM ASSEMBLY

ITEM	PART NUMBER	QTY	DESCRIPTION	REV
		Ref	PLATFORM ASSEMBLY	
102	1001264557	3	Nut M6	
105	1001264707	3	Bolt M6 x 20	
106	1001265092	4	Cap	
107	1001265112	6	Washer M6	
108	1001265113	4	Washer M8	
110	1001265115	12	Washer M10	
119	1001265135	2	Nut M8	
130	1001265508	2	Screw M10 x 30	
139	1001266102	2	Trim	
182	1001266216	2	Spring	
233	PELM430	4	Cover, Hinge	
282	1001288758	1	Rail (LH)	
283	1001288763	1	Rail (RH)	
284	1001289035	1	Tray, Platform	
285	1001288852	1	Gate (LH)	
286	1001288853	1	Gate (RH)	
287	1001289242	2	Adapter	
288	1001290778	4	Capscrew M10 x 50	
289	1001290779	2	Screw M8 x 65	
291	1001290784	2	Pin, Gate (Long)	
292	1001293031	2	Lanyard, Gate Pin (Short)	
293	1001290785	2	Pin, Gate (Short)	
294	1001293032	2	Lanyard, Gate Pin (Long)	

**SECTION 3 - PECOLIFT DC (PRIOR TO SN P900021993)**

**FIGURE 3-6. DECAL INSTALLATION**



ART\_PECO-DC\_60F6

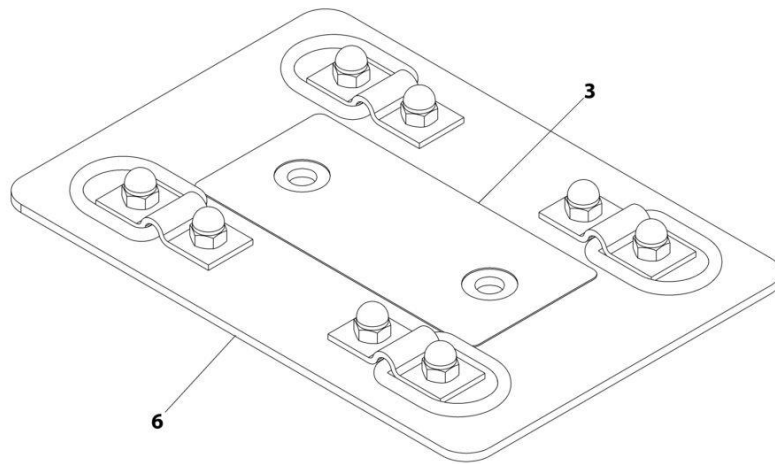
## SECTION 3 - PECOLIFT DC (PRIOR TO SN P900021993)

### FIGURE 3-6. DECAL INSTALLATION

ITEM	PART NUMBER	QTY	DESCRIPTION	REV
		Ref	DECAL INSTALLATION	
401	1001293683	1 pr	Decal, Peco DC Logo	
500	See Note	Ref	Kit, Decal (Note: Individual Decals are Not Available for Purchase - Purchase Complete Sheet)	
	PELM600	1	Decal, English Pecolift, Complete Sheet	
	PELM600DAN	1	Decal, Danish Pecolift, Complete Sheet	
	PELM600DU	1	Decal, Dutch Pecolift, Complete Sheet	
	1001266103	1	Decal, Estonian Pecolift, Complete Sheet	
	PELM600FIN	1	Decal, Finnish Pecolift, Complete Sheet	
	PELM600FR	1	Decal, French Pecolift, Complete Sheet	
	PELM600GER	1	Decal, German Pecolift, Complete Sheet	
	PELM600HUN	1	Decal, Hungarian Pecolift, Complete Sheet	
	PELM600IT	1	Decal, Italian Pecolift, Complete Sheet	
	1001266104	1	Decal, Norwegian Pecolift, Complete Sheet	
	PELM600SPA	1	Decal, Spanish Pecolift, Complete Sheet	
	PELM600SW	1	Decal, Swedish Pecolift, Complete Sheet	
	PELM600TUR	1	Decal, Turkish Pecolift, Complete Sheet	
	PELM600GRE	1	Decal, Greek Pecolift, Complete Sheet	
	PELM600POL	1	Decal, Polish Pecolift, Complete Sheet	
	PELM600POR	1	Decal, Portuguese Pecolift, Complete Sheet	

# SECTION 3 - PECOLIFT DC (PRIOR TO SN P900021993)

## FIGURE 3-7. TETHER PLATE ASSEMBLY



ART\_1001288487

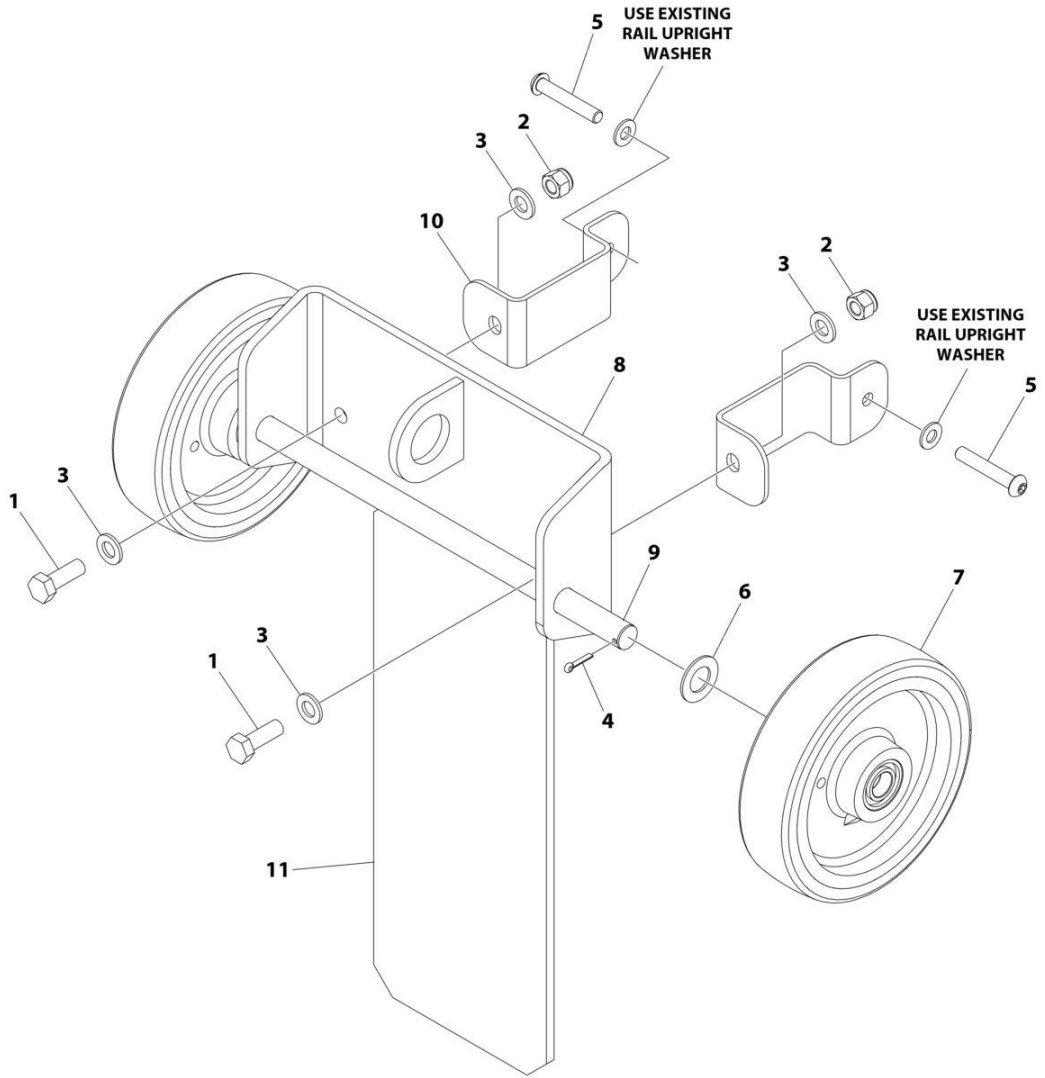
## SECTION 3 - PECOLIFT DC (PRIOR TO SN P900021993)

### FIGURE 3-7. TETHER PLATE ASSEMBLY

ITEM	PART NUMBER	QTY	DESCRIPTION	REV
	1001288487	Ref	TETHER PLATE ASSEMBLY	C
3	1001288659	1	Decal - Tether Load	
6	1001294643	NSS	Plate, Tether (Note: Use PN 1001288487)	

# SECTION 3 - PECOLIFT DC (PRIOR TO SN P900021993)

## FIGURE 3-8. TRANSPORT WHEEL INSTALLATION



ART\_1001297749



## SECTION 3 - PECOLIFT DC (PRIOR TO SN P900021993)

### FIGURE 3-8. TRANSPORT WHEEL INSTALLATION

ITEM	PART NUMBER	QTY	DESCRIPTION	REV
	1001297749	Ref	TRANSPORT WHEEL INSTALLATION	B
1	0761215	2	Bolt 12 x 35	
2	1001265138	2	Nut M12	
3	1001265462	4	Washer M12	
4	1001266108	2	Pin, Cotter 5/32 x 1-1/4	
5	1001266119	2	Screw M10 x 60	
6	1001266143	2	Washer M20	
7	1001266218	2	Wheel, Castor (Fixed)	
8	1001293669	1	Bracket, Wheel Bracket	
9	1001293673	1	Axle	
10	1001297725	2	Bracket	
11	1001298080	1	Cover	

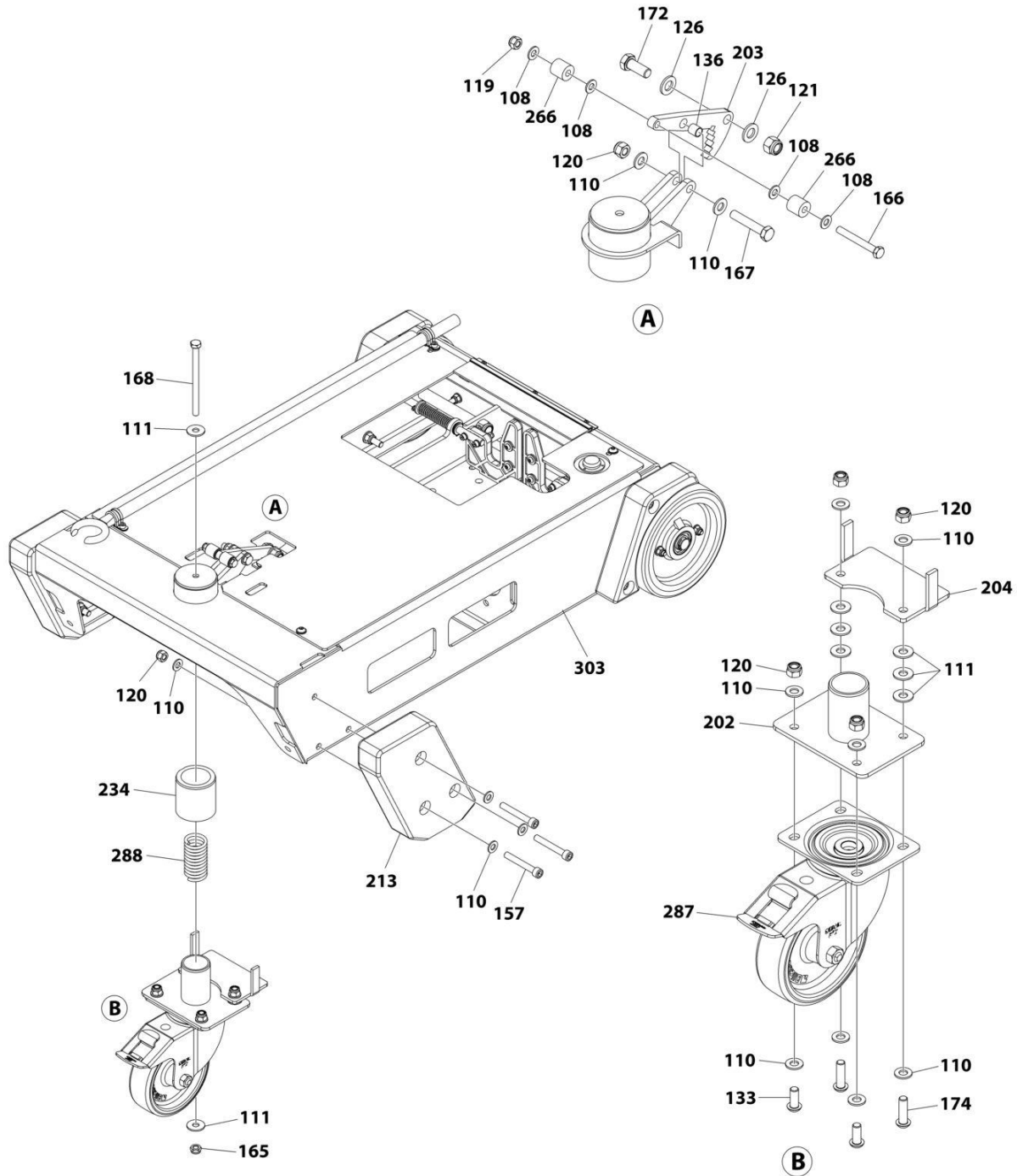


**SECTION 4 - PECOLIFT DC (SN P900021993 TO PRESENT)**

**SECTION 4 - PECOLIFT DC (SN P900021993 TO PRESENT)**

# SECTION 4 - PECOLIFT DC (SN P900021993 TO PRESENT)

## FIGURE 4-1. FRAME ASSEMBLY - FRONT



ART\_1001293177\_10F6

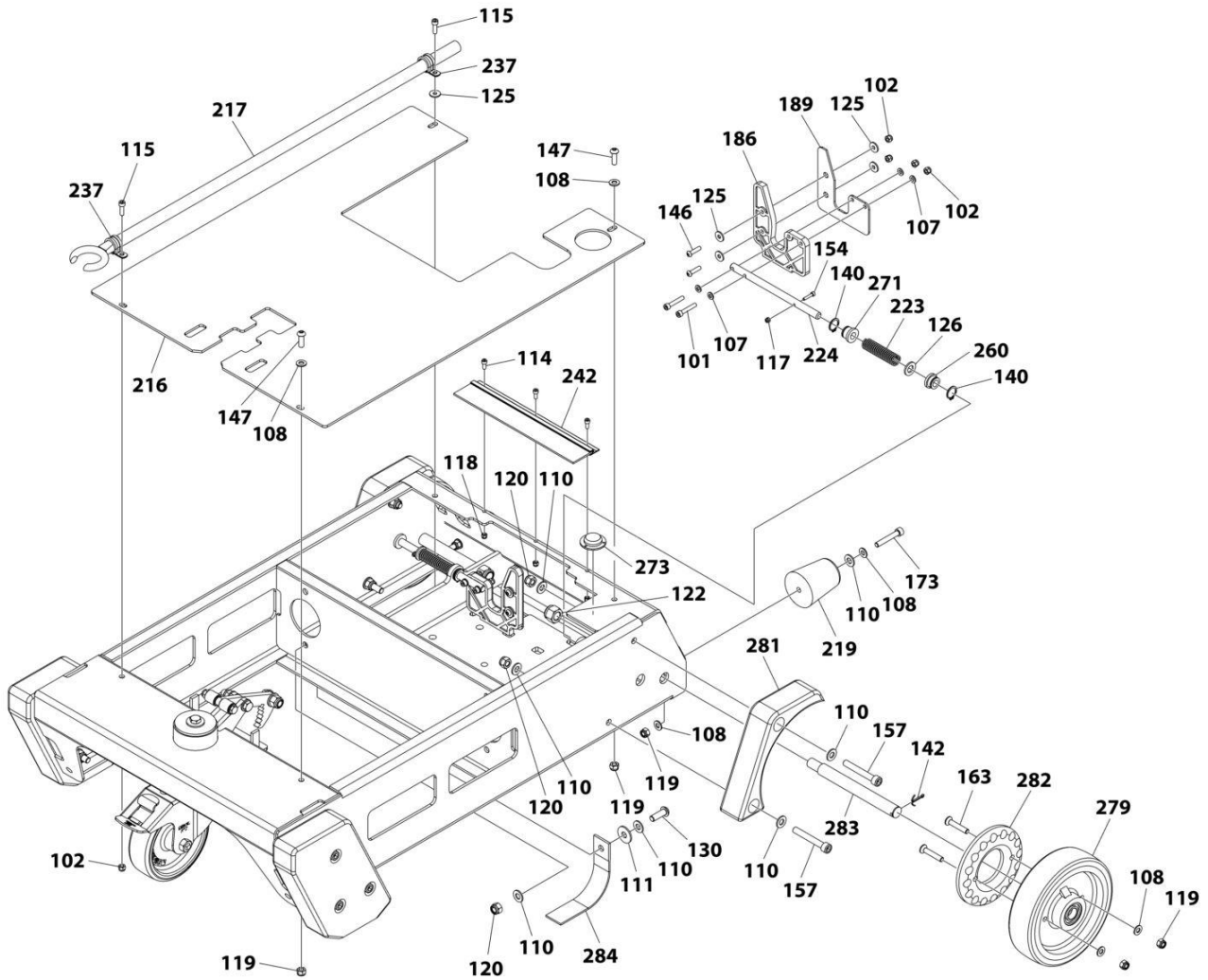
## SECTION 4 - PECOLIFT DC (SN P900021993 TO PRESENT)

### FIGURE 4-1. FRAME ASSEMBLY - FRONT

ITEM	PART NUMBER	QTY	DESCRIPTION	REV
	1001293177	Ref	FRAME ASSEMBLY - FRONT	D
108	1001265113	4	Washer M8	
110	1001265115	14	Washer M10	
111	1001265116	8	Washer M10	
119	1001265135	1	Nut M8	
120	1001265136	6	Nut M10	
121	1001265138	1	Nut M12	
126	1001265462	2	Washer M12	
133	1001265959	2	Screw M10 x 25	
136	1001266099	1	Bushing	
157	1001266125	3	Capscrew M10 x 70	
165	1001266133	1	Nut M10	
166	1001266134	1	Bolt M8 x 65	
167	1001266135	1	Bolt M10 x 55	
168	1001266136	1	Bolt M10 x 140	
172	1001266140	1	Bolt M12 x 30	
174	1001266142	2	Screw M10 x 35	
202	1001266268	1	Mount, Castor	
203	1001266269	1	Latch	
204	1001266270	1	Plate, Catch	
213	PELM403	1	Corner	
234	PELM434	1	Bushing	
266	PELM496	2	Bushing	
287	1001281278	1	Wheel, Castor	
288	1001281306	1	Spring	
303	1001298765	1	Frame	

# SECTION 4 - PECOLIFT DC (SN P900021993 TO PRESENT)

## FIGURE 4-2. FRAME ASSEMBLY - REAR



ART\_1001293177\_20F6

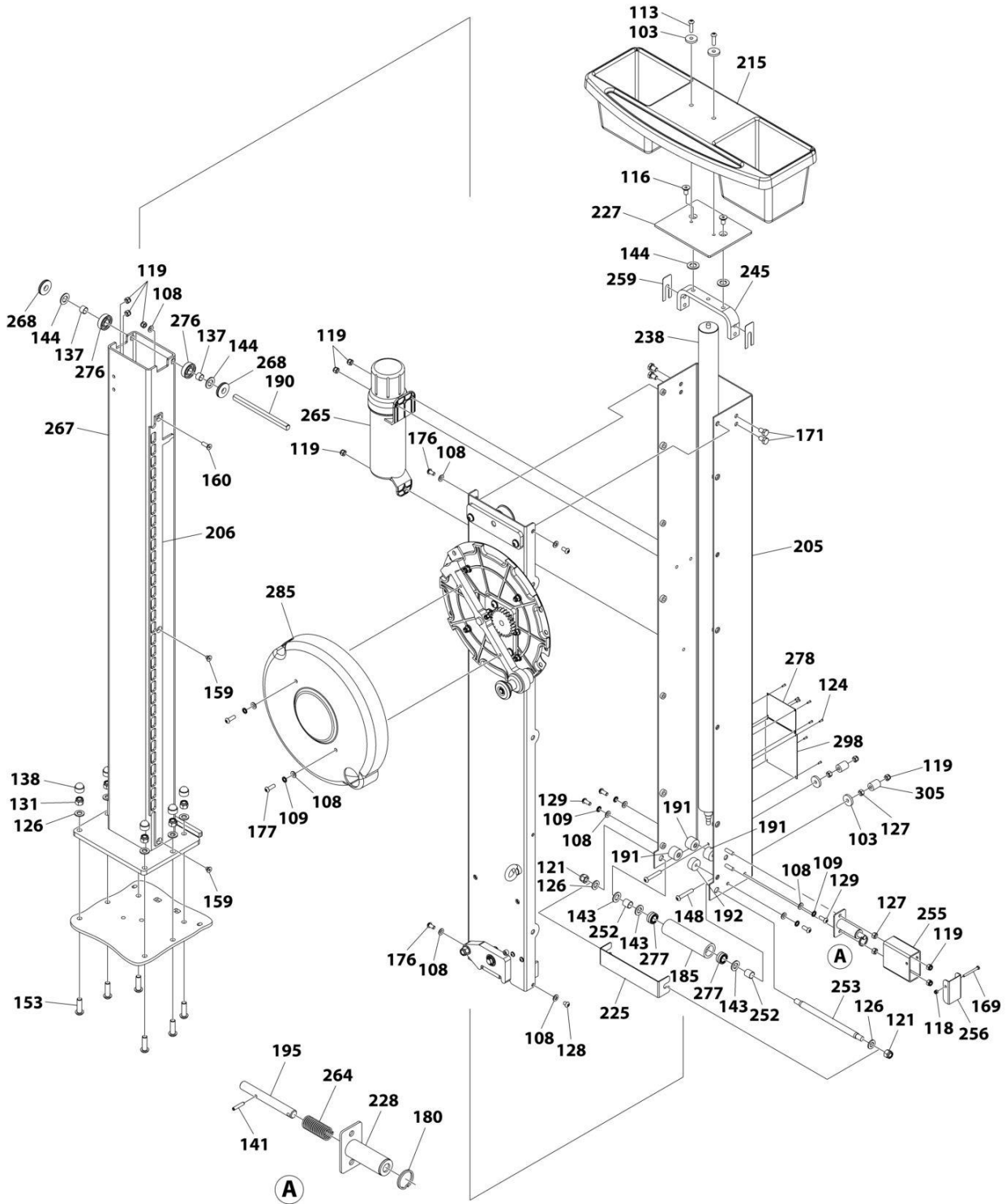
## SECTION 4 - PECOLIFT DC (SN P900021993 TO PRESENT)

### FIGURE 4-2. FRAME ASSEMBLY - REAR

ITEM	PART NUMBER	QTY	DESCRIPTION	REV
	1001293177	Ref	FRAME ASSEMBLY - REAR	D
101	1001264556	2	Bolt M6 x 35	
102	1001264557	5	Nut M6	
107	1001265112	4	Washer M6	
108	1001265113	6	Washer M8	
110	1001265115	7	Washer M10	
111	1001265116	1	Washer M10	
114	1001265124	3	Capscrew M5 x 12	
115	1001265127	2	Capscrew M6 x 20	
117	1001265133	1	Nut M4	
118	1001265134	3	Nut M5	
119	1001265135	5	Nut M8	
120	1001265136	3	Nut M10	
122	1001265139	1	Nut M16	
125	1001265461	5	Washer M6	
126	1001265462	1	Washer M12	
130	1001265508	1	Screw M10 x 30	
140	1001266105	2	Ring, Retaining	
142	1001266108	1	Pin, Cotter 5/32 x 1-1/4	
146	1001266112	2	Screw M6 x 25	
147	1001266113	2	Screw M8 x 25	
154	1001266122	1	Capscrew M4 x 20	
157	1001266125	2	Capscrew M10 x 70	
163	1001266131	2	Capscrew M8 x 45	
173	1001266141	1	Capscrew M8 x 40	
186	1001266244	1	Cam Plate, Brake	
189	1001266247	1	Cam Plate, Brake	
216	PELM406	1	Cover	
217	PELM407	1	Tube, Emergency Lowering Handle	
219	PELM409	1	Bumper, Rubber	
223	PELM414	1	Spring, Brake	
224	PELM415	1	Pin, Brake	
237	PELM438	2	Clip	
242	PELM459	1	Brush	
260	PELM486	1	Bushing, Brake Pin	
271	PELM587	1	Bushing, Brake Pin	
273	PTM106	1	Level	
279	1001277256	1	Wheel, Fixed	
281	1001277258	1	Mould, Rear Mudguard	
282	1001277259	2	Brake, Disc	
283	1001277260	2	Axle, Stub	
284	1001277261	1	Cable, Earthing Stainless Steel	

# SECTION 4 - PECOLIFT DC (SN P900021993 TO PRESENT)

## FIGURE 4-3. MAST ASSEMBLY



ART\_1001293177\_30F6



## SECTION 4 - PECOLIFT DC (SN P900021993 TO PRESENT)

### FIGURE 4-3. MAST ASSEMBLY

ITEM	PART NUMBER	QTY	DESCRIPTION	REV
	1001293177	Ref	MAST ASSEMBLY	D
103	1001264558	4	Washer M8	
108	1001265113	11	Washer M8	
109	1001265114	6	Washer M8	
113	1001265121	2	Capscrew M8 x 30	
116	1001265131	2	Capscrew M10 x 20	
118	1001265134	1	Nut M5	
119	1001265135	10	Nut M8	
121	1001265138	2	Nut M12	
124	1001265149	8	Rivet	
126	1001265462	7	Washer M12	
127	1001265496	4	Nut M8	
128	1001265506	1	Capscrew M8 x 12	
129	1001265507	4	Capscrew M8 x 20	
131	1001265746	5	Nut M12 GRD 10	
137	1001266100	2	Bearing	
138	1001266101	5	Cap, Nut	
141	1001266107	1	Pin	
143	1001266109	3	Washer M14	
144	1001266110	4	Washer M16	
148	1001266114	2	Screw M8 x 50	
153	1001266121	6	Screw M12 x 40	
159	1001266127	2	Capscrew M8 x 10	
160	1001266128	1	Capscrew M8 x 25	
169	1001266137	1	Bolt M5 x 50	
171	1001266139	4	Bolt M10 x 16	
176	1001266144	3	Capscrew M8 x 16	
177	1001266145	2	Capscrew M8 x 25	
180	1001266211	1	Ring	
181	1001266212	1	Key, Security (Not Shown)	
185	1001266243	1	Roller	
190	1001266253	1	Axle	
191	1001266254	3	Disc, Wear 21MM	
192	1001266255	1	Disc, Wear 16MM	
195	1001266259	1	Pin	
205	1001266271	1	Channel, Mast (Outer)	
206	1001266272	1	Strip, Interlock	
215	PELM405	1	Tray, Tool (Plastic)	
215	ECLM601	1	Tray, Tool (Steel)	
225	PELM416	1	Cover	
227	PELM420	1	Cap, Mast	
228	PELM421	1	Housing, Belt Interlock	
238	PELM4402	1	Spring, Gas	
245	PELM463	1	Mount, Gas Spring	
252	PELM478	2	Spacer	
253	PELM479	1	Axle	
255	PELM481	1	Cover, Interlock Housing	
256	PELM482	1	Cap, Interlock Housing	
259	PELM485	2	Spacer, Shim	
264	PELM494	1	Spring, Compression	

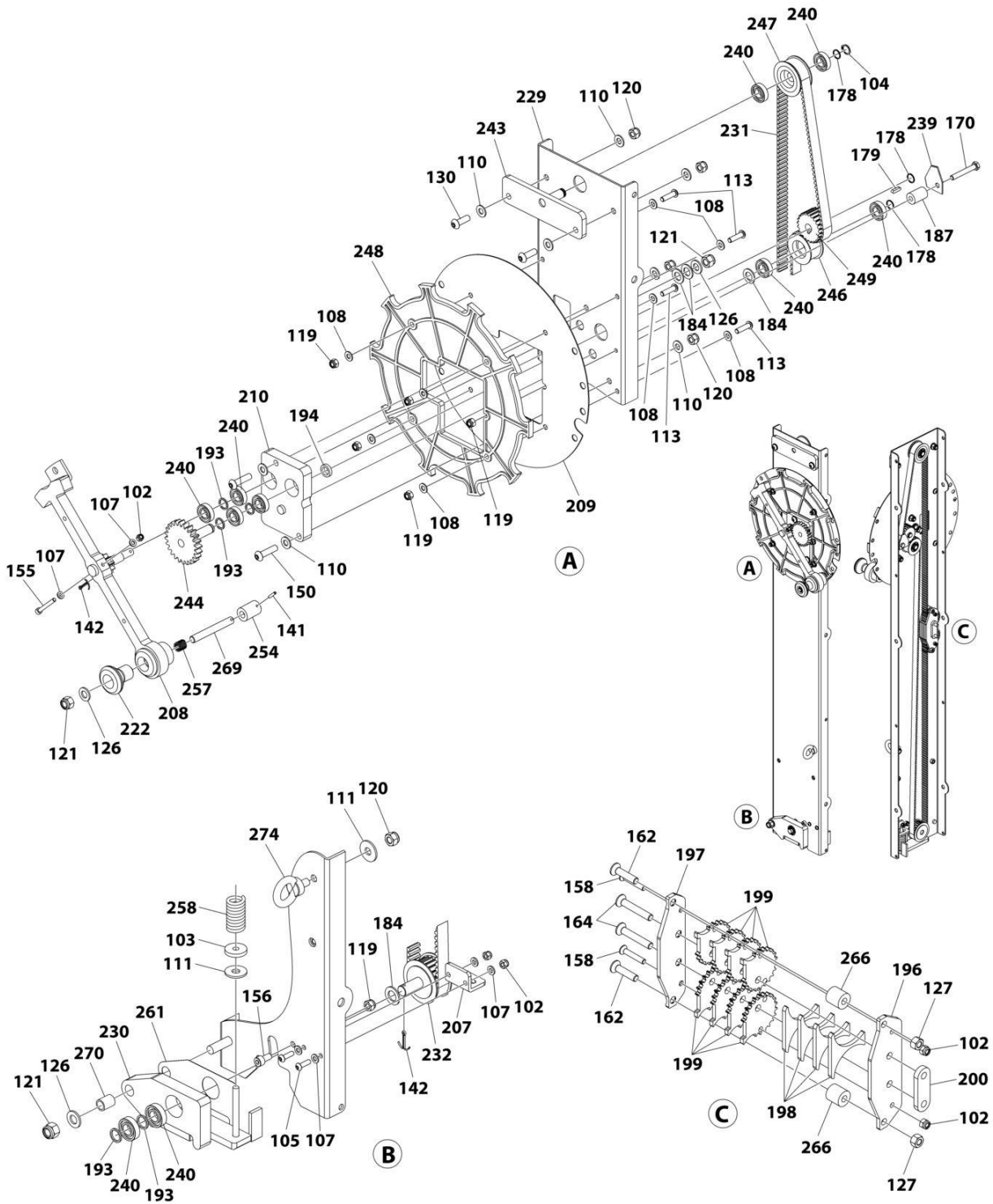
## SECTION 4 - PECOLIFT DC (SN P900021993 TO PRESENT)

ITEM	PART NUMBER	QTY	DESCRIPTION	REV
265	PELM495	1	Container, Document	
267	PELM497	1	Channel, Mast (Inner)	
268	PELM498	2	Roller	
276	PTNSPM562	2	Bearing	
277	PTNSPM664	2	Bearing	
278	1001290782	1	Spec, Plate	
285	ECLM603	1	Cover, Handle	
298	See Note	NSS	Name Plate, Manufacturer's Serial Number (Note: Not Available for Purchase)	
305	1001300156	2	Bushing	



# SECTION 4 - PECOLIFT DC (SN P900021993 TO PRESENT)

## FIGURE 4-4. PULLEY PANEL COMPONENTS



ART\_1001293177\_4OF6

## SECTION 4 - PECOLIFT DC (SN P900021993 TO PRESENT)

### FIGURE 4-4. PULLEY PANEL COMPONENTS

ITEM	PART NUMBER	QTY	DESCRIPTION	REV
	1001293177	Ref	PULLEY PANEL COMPONENTS	D
102	1001264557	5	Nut M6	
103	1001264558	1	Washer M8	
104	1001264559	1	Circlip	
105	1001264707	2	Bolt M6 x 20	
107	1001265112	6	Washer M6	
108	1001265113	8	Washer M8	
110	1001265115	8	Washer M10	
111	1001265116	2	Washer M10	
113	1001265121	4	Capscrew M8 x 30	
119	1001265135	6	Nut M8	
120	1001265136	5	Nut M10	
121	1001265138	3	Nut M12	
126	1001265462	3	Washer M12	
127	1001265496	2	Nut M8	
130	1001265508	2	Screw M10 x 30	
141	1001266107	1	Pin	
142	1001266108	2	Pin, Cotter 5/32 x 1-1/4	
150	1001266117	2	Screw M10 x 40	
155	1001266123	1	Capscrew M6 x 50	
156	1001266124	1	Capscrew M8 x 16	
158	1001266126	2	Capscrew M6 x 35	
162	1001266130	2	Capscrew M8 x 35	
164	1001266132	2	Capscrew M8 x 50	
170	1001266138	1	Bolt M8 x 55	
178	1001266146	3	Ring, Spring	
179	1001266210	1	Key, Drive Pulley	
184	1001266219	4	Washer, Plastic	
187	1001266245	1	Guide	
193	1001266257	5	Spacer	
194	1001266258	1	Spacer	
196	1001266260	1	Clamp (Base)	
197	1001266261	1	Clamp (Top)	
198	1001266262	4	Clamp (Middle)	
199	1001266264	8	Cog, Belt Clamp	
200	1001266265	1	Spacer	
207	1001266273	1	Mount, Interlock Spring	
208	1001266274	1	Handle, Crank	
209	1001266275	1	Cover, Lock	
210	1001266434	1	Block, Bearing	
222	PELM412	1	Knob	
229	PELM426	1	Panel, Pulley Mounting	
230	PELM427	1	Plate, Lower Tensioner	
231	PELM428	1	Belt	
232	PELM429	1	Pulley, Lower Axle	
239	PELM441	1	Plate, Drive Belt	
240	PELM442	10	Bearing	
243	1001312130	1	Mount, Freewheel Pulley	
244	PELM462	1	Gear, Drive	
246	PELM467	1	Pulley, Guide Wheel	

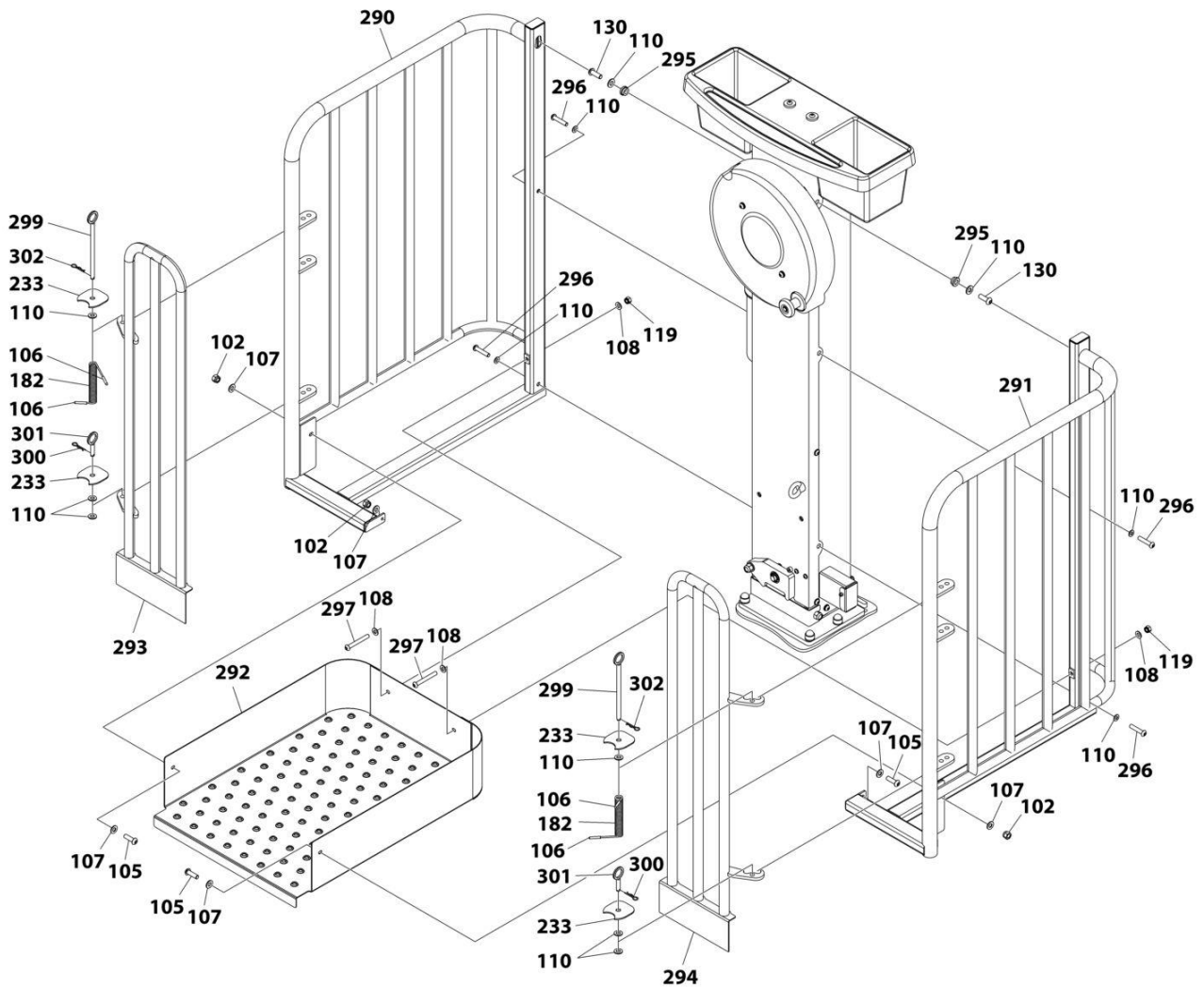
## SECTION 4 - PECOLIFT DC (SN P900021993 TO PRESENT)

ITEM	PART NUMBER	QTY	DESCRIPTION	REV
247	PELM469	1	Pulley, Freewheel	
248	PELM471	1	Plate, Lock	
249	PELM472	1	Pulley, Drive	
254	PELM480	1	Pin, Lock	
257	PELM483	1	Spring, Handle	
258	PELM484	1	Spring, Belt	
261	PELM488	1	Pulley, Lower Tensioner Plate	
266	PELM496	2	Clamp	
269	PELM499	1	Pin	
270	PELM506	1	Bush, Swivel Plate	
274	PTM149	1	Bolt	



# SECTION 4 - PECOLIFT DC (SN P900021993 TO PRESENT)

## FIGURE 4-5. PLATFORM ASSEMBLY



ART\_1001293177\_50F6



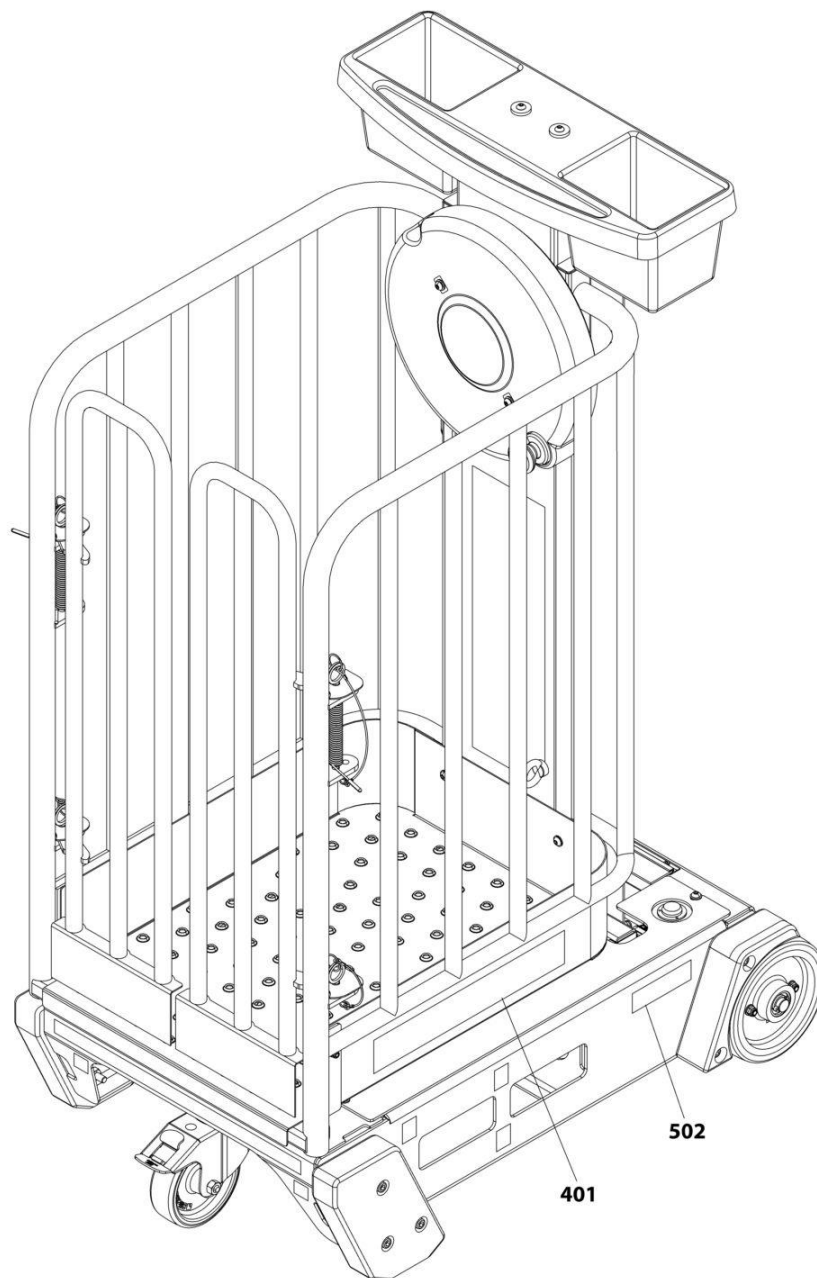
## SECTION 4 - PECOLIFT DC (SN P900021993 TO PRESENT)

### FIGURE 4-5. PLATFORM ASSEMBLY

ITEM	PART NUMBER	QTY	DESCRIPTION	REV
	1001293177	Ref	PLATFORM ASSEMBLY	D
102	1001264557	3	Nut M6	
105	1001264707	3	Bolt M6 x 20	
106	1001265092	4	Cap	
107	1001265112	6	Washer M6	
108	1001265113	4	Washer M8	
110	1001265115	12	Washer M10	
119	1001265135	2	Nut M8	
130	1001265508	2	Screw M10 x 30	
182	1001266216	2	Spring	
233	PELM430	4	Cover, Hinge	
290	1001288758	1	Rail (LH)	
291	1001288763	1	Rail (RH)	
292	1001289035	1	Tray, Platform	
293	1001288852	1	Gate (LH)	
294	1001288853	1	Gate (RH)	
295	1001289242	2	Adapter	
296	1001290778	4	Capscrew M10 x 50	
297	1001290779	2	Screw M8 x 65	
299	1001290784	2	Pin, Gate (Long)	
300	1001293031	2	Lanyard, Gate Pin (Short)	
301	1001290785	2	Pin, Gate (Short)	
302	1001293032	2	Lanyard, Gate Pin (Long)	

# SECTION 4 - PECOLIFT DC (SN P900021993 TO PRESENT)

## FIGURE 4-6. DECAL INSTALLATION



ART\_1001293177\_6OF6

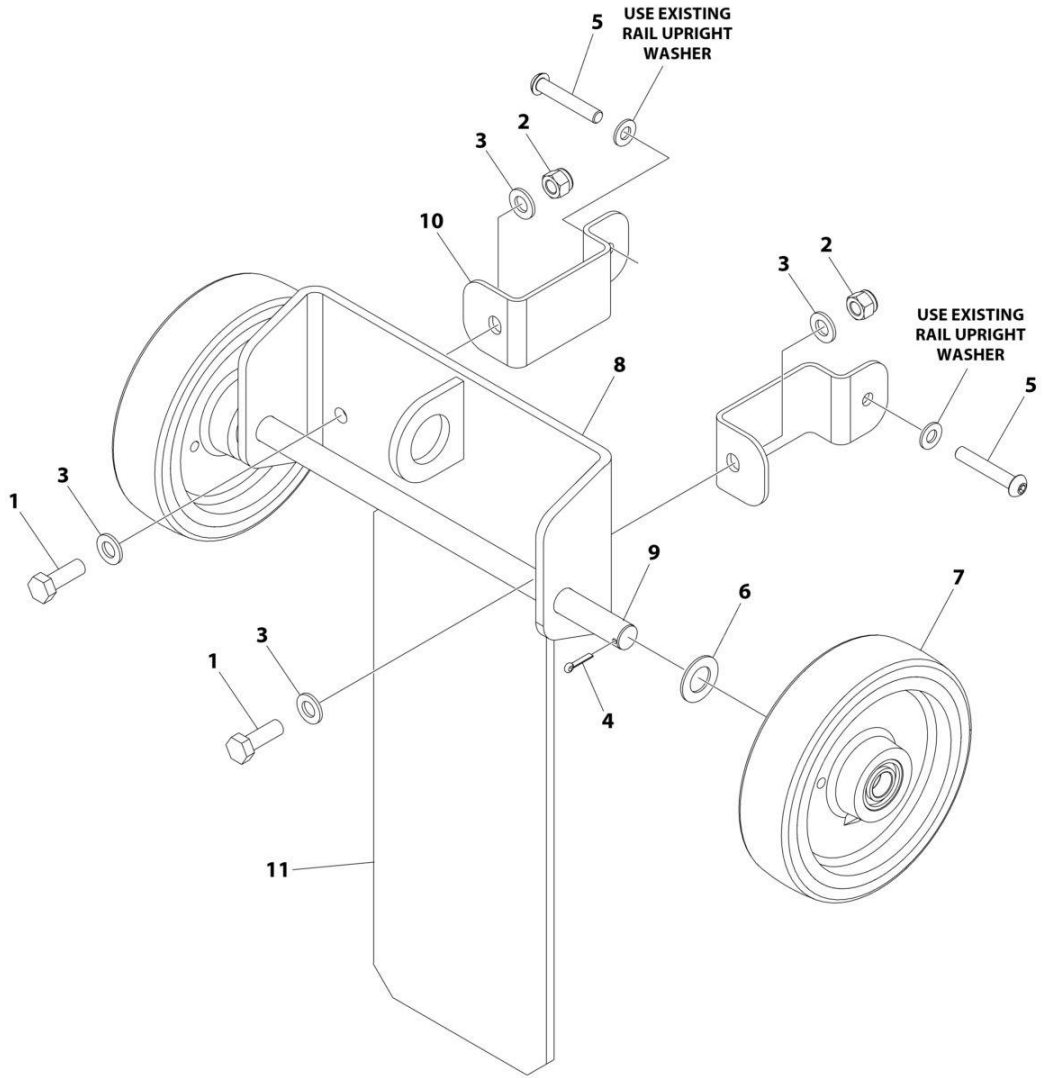
## SECTION 4 - PECOLIFT DC (SN P900021993 TO PRESENT)

### FIGURE 4-6. DECAL INSTALLATION

ITEM	PART NUMBER	QTY	DESCRIPTION	REV
	1001293177	Ref	DECAL INSTALLATION	D
	1001298455	Ref	DECAL INSTALLATION	B
401	1001293683	1 pr	Decal, Peco	
502	1001287531	1	Kit, Decal (Note: Individual Decals Not Available)	

# SECTION 4 - PECOLIFT DC (SN P900021993 TO PRESENT)

## FIGURE 4-7. TRANSPORT WHEEL INSTALLATION



ART\_1001297749

## SECTION 4 - PECOLIFT DC (SN P900021993 TO PRESENT)

### FIGURE 4-7. TRANSPORT WHEEL INSTALLATION

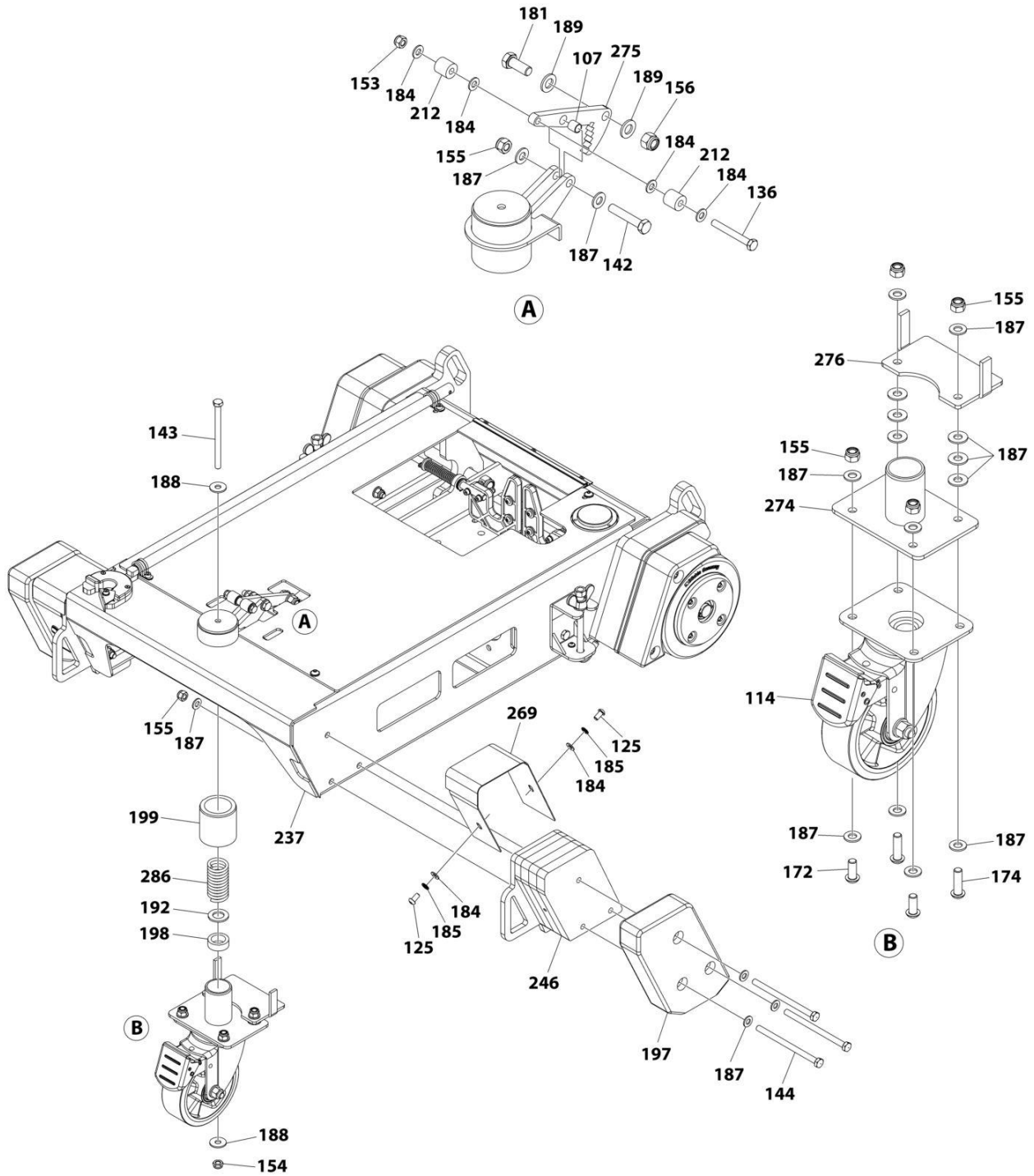
ITEM	PART NUMBER	QTY	DESCRIPTION	REV
	1001297749	Ref	TRANSPORT WHEEL INSTALLATION	B
1	0761215	2	Bolt 12 x 35	
2	1001265138	2	Nut M12	
3	1001265462	4	Washer M12	
4	1001266108	2	Pin, Cotter 5/32 x 1-1/4	
5	1001266119	2	Screw M10 x 60	
6	1001266143	2	Washer M20	
7	1001266218	2	Wheel, Castor (Fixed)	
8	1001293669	1	Bracket, Wheel Bracket	
9	1001293673	1	Axle	
10	1001297725	2	Bracket	
11	1001298080	1	Cover	



**SECTION 5 - PECOLIFT X**

# SECTION 5 - PECOLIFT X

## FIGURE 5-1. FRAME ASSEMBLY (FRONT)



ART\_1001308878\_10F6



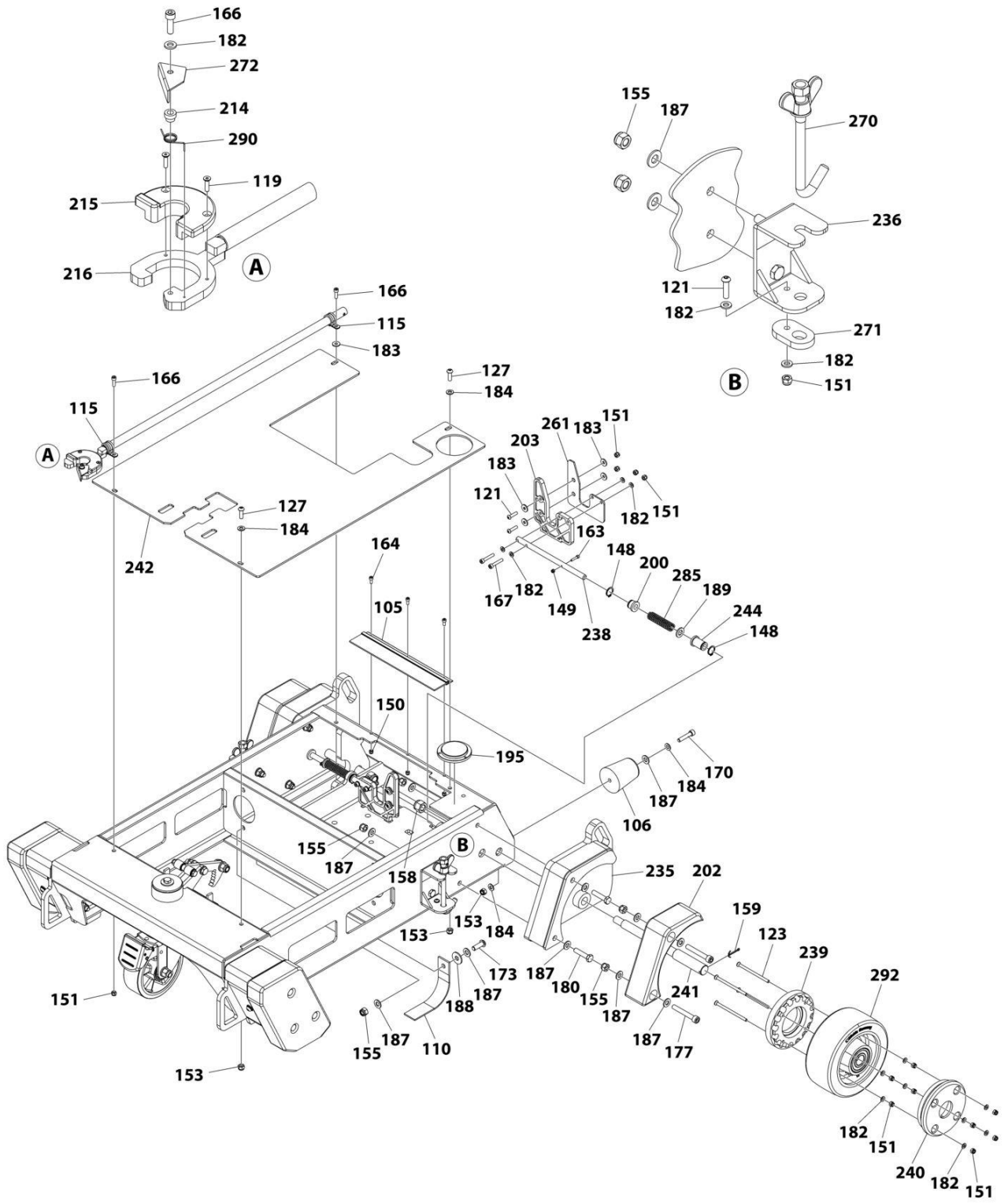
## SECTION 5 - PECOLIFT X

### FIGURE 5-1. FRAME ASSEMBLY (FRONT)

ITEM	PART NUMBER	QTY	DESCRIPTION	REV
	1001308878	Ref	FRAME ASSEMBLY (FRONT)	D
107	1001266099	1	Bushing	
114	PLXM902	1	Castor Assembly	
125	1001267041	4	Screw M8 x 16	
136	1001266134	1	Bolt M8 x 65	
142	1001267052	1	Bolt M10 x 55	
143	1001267053	1	Bolt M10 x 140	
144	1001267054	6	Bolt M10 x 150	
153	1001267060	1	Nut M8	
154	1001266133	1	Nut M10	
155	1001267061	6	Nut M10	
156	1001267063	1	Nut M12	
172	1001267077	2	Screw M10 x 25	
174	1001267079	2	Screw M10 x 35	
181	1001267084	1	Setscrew M12 x 30	
184	1001267089	6	Washer M8	
185	1001267091	4	Washer M8	
187	1001267092	23	Washer M10	
188	1001267093	2	Washer M10	
189	1001267094	2	Washer M12	
192	1001267098	1	Washer M20	
197	PELM403	1	Foot, Corner	
198	PELM435	1	Spacer	
199	PELM434	1	Sleeve	
212	PELM496	2	Clamp	
237	1001267162	1	Frame	
246	1001267164	1	Ballast Block Assembly (1 Pair)	
269	1001267163	1	Cover, Ballast Block (1 Pair)	
274	1001267635	1	Mount, Castor	
275	1001267631	1	Latch, Castor	
276	1001267632	1	Plate, Catch	
286	1001267159	1	Spring, Castor	

# SECTION 5 - PECOLIFT X

## FIGURE 5-2. FRAME ASSEMBLY (REAR)



ART\_1001308878\_2OF6

## SECTION 5 - PECOLIFT X

### FIGURE 5-2. FRAME ASSEMBLY (REAR)

ITEM	PART NUMBER	QTY	DESCRIPTION	REV
	1001308878	Ref	FRAME ASSEMBLY (REAR)	D
105	PELM459	1	Brush	
106	PELM409	1	Bumper	
110	1001265952	1	Strap, Ground	
115	1001267033	2	Clip	
119	1001267035	2	Capscrew M4 x 16	
121	1001267037	3	Screw M6 x 25	
123	1001267039	4	Capscrew M6 x 100	
127	1001267043	2	Screw M8 x 25	
148	1001266105	2	Circlip 20MM	
149	1001267056	1	Nut M4	
150	1001267057	3	Nut M5	
151	1001267058	14	Nut M6	
153	1001267060	3	Nut M8	
155	1001267061	7	Nut M10	
158	1001267065	1	Nut M16	
159	1001267066	2	Cotterpin, 5/32 x 1-1/2	
163	1001267068	1	Capscrew M4 x 20	
164	1001267069	3	Capscrew M5 x 12	
166	1001267071	3	Capscrew M6 x 20	
167	1001267072	2	Capscrew M6 x 35	
170	1001267076	1	Capscrew M8 x 40	
173	1001267078	1	Screw M10 x 30	
177	1001266125	2	Capscrew M10 x 70	
180	1001267083	2	Bolt M10 x 45	
182	1001267087	15	Washer M6	
183	1001267088	5	Washer M6	
184	1001267089	4	Washer M8	
187	1001267092	13	Washer M10	
188	1001267093	1	Washer M10	
189	1001267094	1	Washer M12	
195	PELM451	1	Level	
200	PELM587	1	Bushing	
202	PELM404	1	Mudguard	
203	1001266244	1	Plate, Brake Cam	
214	1001266429	1	Spacer, Finger	
215	1001266430	1	Cradle, Handle	
216	PLXM904	1	Handle, Emergency Lowering	
235	1001267636	1	Support, Axle	
236	1001267166	1	Bracket, Walkway Hook	
238	1001267102	1	Pin, Brake	
239	1001267103	1	Disc, Brake	
240	1001267104	1	Guard, Hub	
241	1001267105	1	Axle	
242	1001267106	1	Cover	
244	1001267107	1	Bushing	
261	1001267143	1	Plate, Brake Cam	
270	1001267165	1	Hook Bolt Assembly	
271	1001267167	1	Plate, Hook Lock	
272	1001267176	1	Finger, Easy Release	

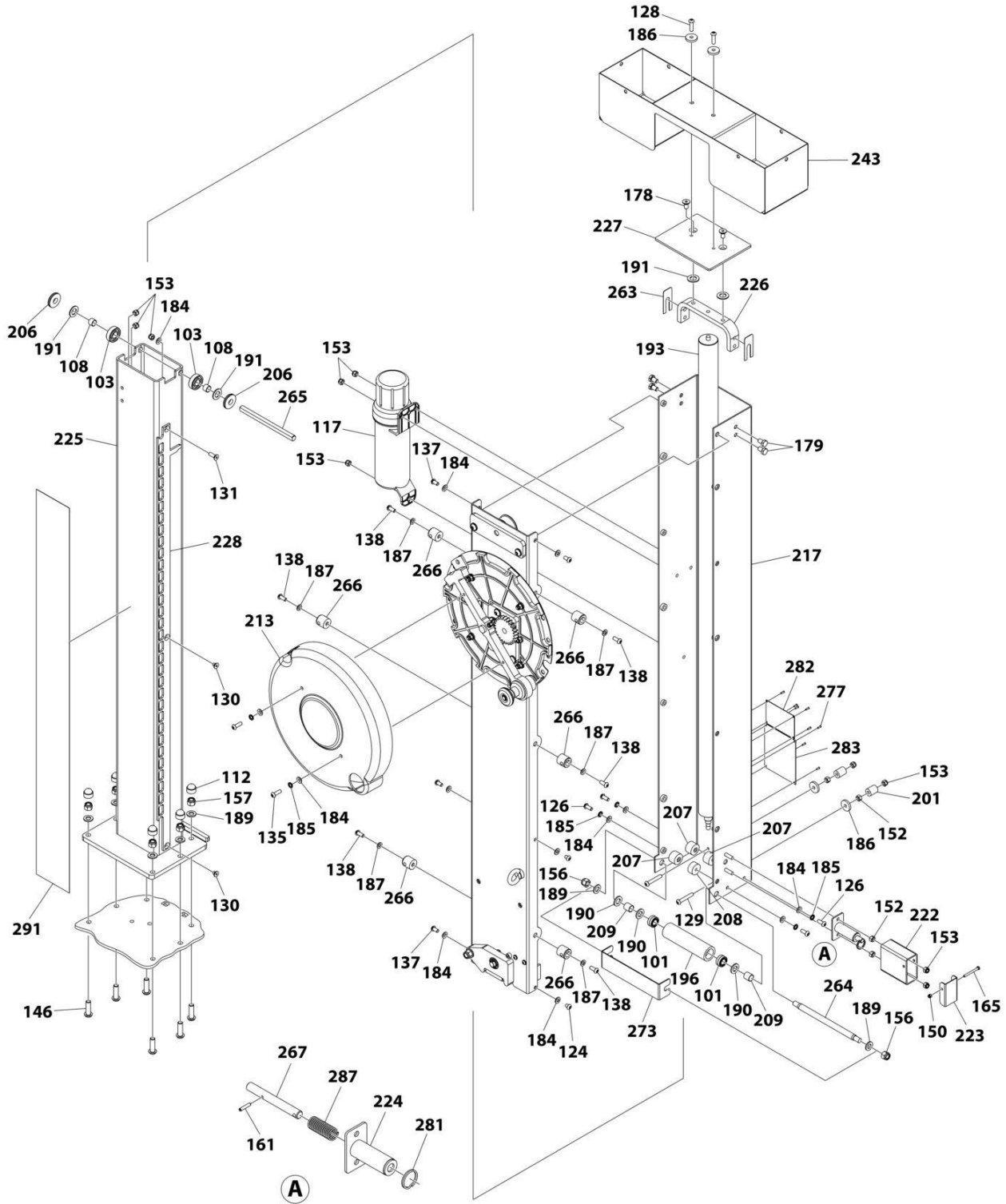
## SECTION 5 - PECOLIFT X

ITEM	PART NUMBER	QTY	DESCRIPTION	REV
285	1001267160	1	Spring, Brake	
290	1001266438	1	Spring, Tool	
292	1001267161	1	Castor, Fixed Wheel	



# SECTION 5 - PECOLIFT X

## FIGURE 5-3. MAST ASSEMBLY



ART\_1001308878\_3OF6

## SECTION 5 - PECOLIFT X

### FIGURE 5-3. MAST ASSEMBLY

ITEM	PART NUMBER	QTY	DESCRIPTION	REV
	1001308878	Ref	MAST ASSEMBLY	D
101	PTNSPM664	2	Bearing	
103	PTNSPM562	2	Bearing	
108	1001266100	2	Bushing	
112	1001266101	5	Nut M12	
117	PELM495	1	Container, Document	
124	1001267040	1	Screw M8 x 12	
126	1001267042	4	Screw M8 x 20	
128	1001267044	2	Screw M8 x 30	
129	1001267045	2	Screw M8 x 50	
130	1001267047	2	Screw M8 x 10	
131	1001267048	1	Screw M8 x 25	
135	1001266145	2	Screw M8 x 35	
137	1001266144	5	Screw M8 x 16	
138	1001266115	6	Screw M10 x 25 GRD 10.9	
146	1001266121	6	Screw M12 x 40 GRD 10.9	
150	1001267057	1	Nut M5	
152	1001267059	4	Nut M8	
153	1001267060	10	Nut M8	
156	1001267063	2	Nut M12	
157	1001265746	5	Nut M10 GRD 10	
161	1001266107	1	Pin, Spring	
165	1001267070	1	Setscrew M5 x 50	
178	1001267082	2	Capscrew M10 x 20	
179	1001266139	4	Setscrew M10 x 16	
184	1001267089	13	Washer M8	
185	1001267091	6	Washer M8	
186	1001264558	4	Washer M8	
187	1001267092	6	Washer M10	
189	1001267094	7	Washer M12	
190	1001267095	3	Washer M14	
191	1001267097	4	Washer M16	
193	PELM4402	1	Strut, Gas	
196	1001266243	1	Roller	
201	PELM475	2	Bushing	
206	PELM498	2	Roller	
207	1001266254	3	Disc, Wear 21MM	
208	1001266255	1	Disc, Wear 16MM	
209	PELM478	2	Spacer	
213	ECLM603	1	Cover, Handle	
217	1001267168	1	Mast (Outer)	
222	1001267177	1	Cover, Belt Interlock Housing	
223	1001267178	1	Cap, Belt Interlock Housing	
224	1001267179	1	Housing, Belt Interlock	
225	1001267637	1	Mast (Inner)	
226	1001267640	1	Mount, Gas Strut Top	
227	1001267639	1	Cap, Mast	
228	1001267638	1	Strip, Interlock	
243	PLXM907	1	Tray, Tool	
263	1001267145	2	Spacer	

## SECTION 5 - PECOLIFT X

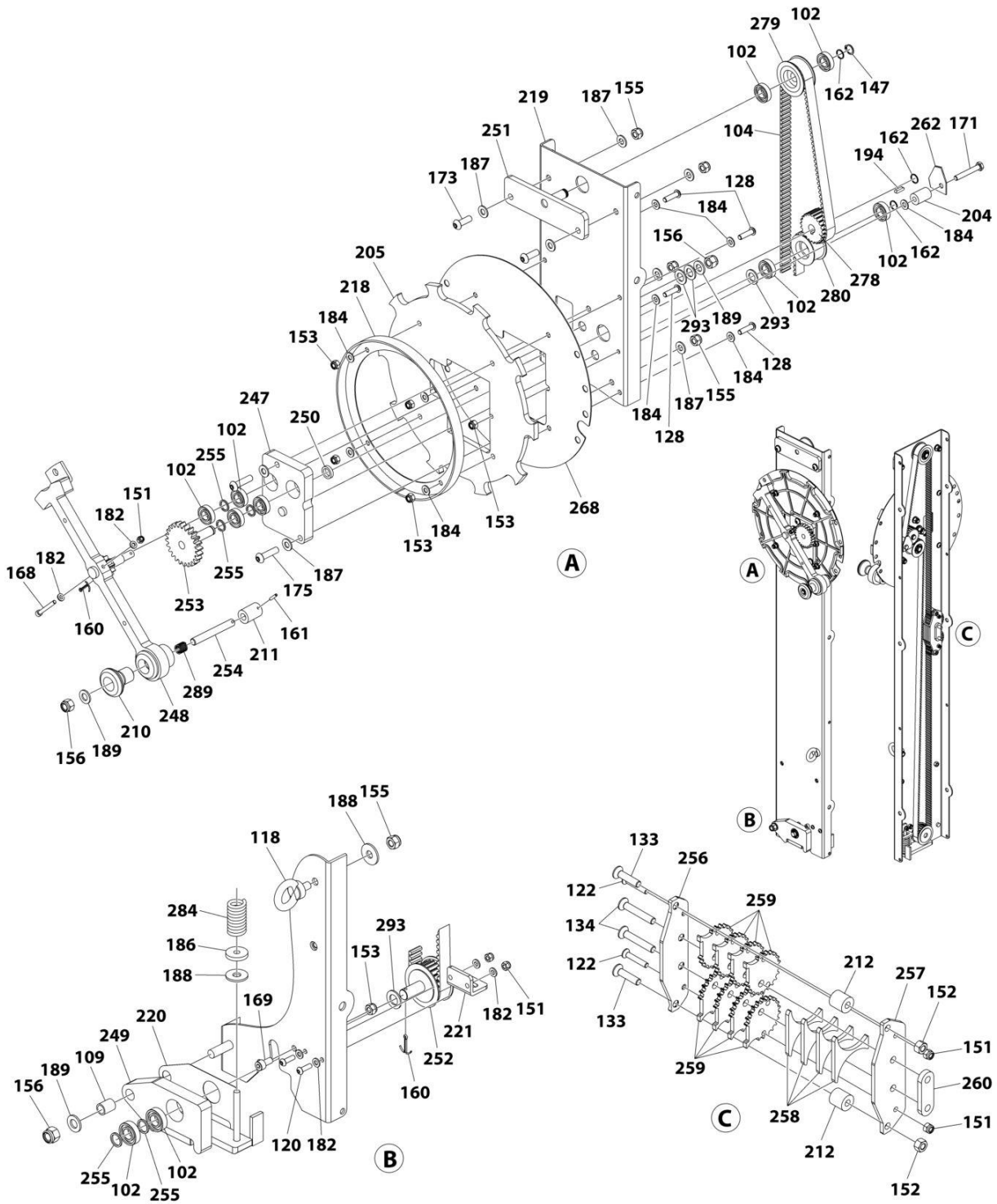
ITEM	PART NUMBER	QTY	DESCRIPTION	REV
264	1001267146	1	Axle, Roller	
265	1001267147	1	Axle, Wheel	
266	1001267148	6	Peg, Cage Mounting	
267	1001267149	1	Pin, Belt Interlock	
273	1001267169	1	Cover, Roller	
277	1001267150	8	Rivet	
281	1001267155	1	Ring, Belt Interlock	
282	See Note	NSS	Plate, Specification (Note: Not Available for Purchase)	
283	See Note	NSS	Plate, Specification (Note: Not Available for Purchase)	
287	PELM494	1	Spring	
291	PELM454	1	Strip	





# SECTION 5 - PECOLIFT X

## FIGURE 5-4. PULLEY PANEL COMPONENTS



ART\_1001308878\_40F6

## SECTION 5 - PECOLIFT X

### FIGURE 5-4. PULLEY PANEL COMPONENTS

ITEM	PART NUMBER	QTY	DESCRIPTION	REV
	1001308878	Ref	PULLEY PANEL COMPONENTS	D
102	PELM442	10	Bearing	
104	PELM428	1	Belt	
109	PELM506	1	Bushing	
118	PTM149	1	Eye, Harness	
120	1001267036	2	Screw M6 x 20	
122	1001267038	2	Capscrew M6 x 35	
128	1001267044	4	Screw M8 x 30	
133	1001267050	2	Capscrew M8 x 35	
134	1001266132	2	Capscrew M8 x 50 GRD 10.9	
147	1001267034	1	Circlip 15MM	
151	1001267058	5	Nut M6	
152	1001267059	2	Nut M8	
153	1001267060	6	Nut M8	
155	1001267061	5	Nut M10	
156	1001267063	3	Nut M12	
160	1001266108	2	Cotterpin, 5/32 x 1-1/4	
161	1001266107	1	Pin, Spring	
162	1001267067	3	Ring	
168	1001267073	1	Capscrew M6 x 50	
169	1001267075	1	Capscrew M8 x 16	
171	1001266138	1	Setscrew M8 x 55	
173	1001267078	2	Screw M10 x 30	
175	1001267080	2	Screw M10 x 40	
182	1001267087	6	Washer M6	
184	1001267089	9	Washer M8	
186	1001264558	1	Washer M8	
187	1001267092	8	Washer M10	
188	1001267093	2	Washer M10	
189	1001267094	3	Washer M12	
194	1001267100	1	Key, Drive Pulley	
204	1001266245	1	Guide	
205	PELM471	1	Plate, Lock	
210	PELM412	1	Knob, Handle	
211	PELM480	1	Tip, Lock Pin	
212	PELM496	2	Clamp	
218	1001267181	1	Guard, Gear	
219	1001267171	1	Panel, Pulley Mounting	
220	PELM488	1	Plate, Lower Pulley Tensioner	
221	1001267186	1	Mount, Interlock Spring	
247	1001267183	1	Drive Bearing Block Assembly	
248	1001267180	1	Crank Handle Assembly	
249	1001267172	1	Belt Interlock Assembly	
250	1001267125	1	Spacer	
251	1001267170	1	Freewheel Pulley Mount Assembly	
252	1001267185	1	Pulley C/W Axle (Lower)	
253	1001267182	1	Drive Pulley Assembly	
254	1001267135	1	Pin, Lock	
255	1001267137	5	Spacer	
256	1001267138	1	Clamp (Base)	

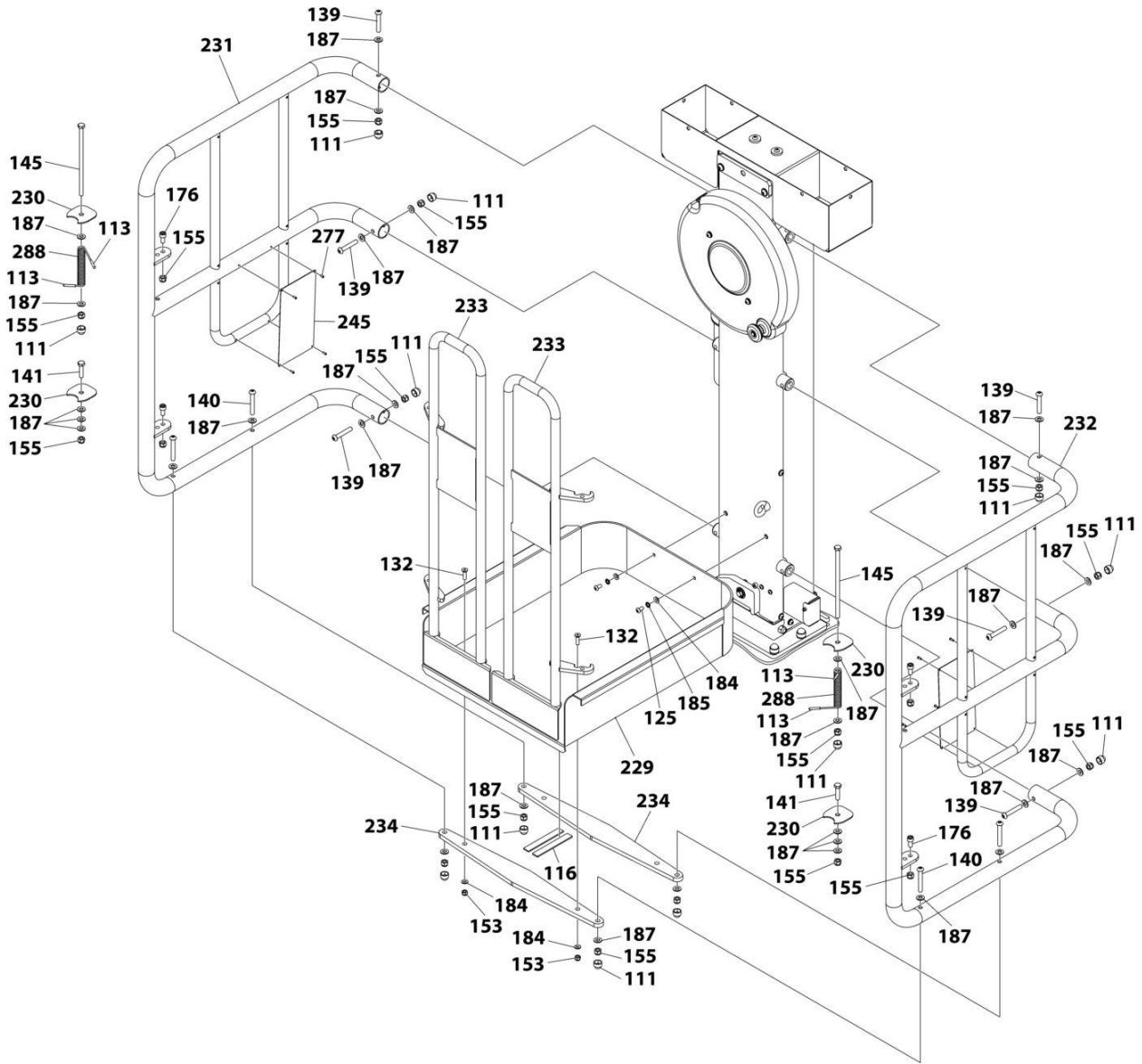
## SECTION 5 - PECOLIFT X

ITEM	PART NUMBER	QTY	DESCRIPTION	REV
257	1001267139	1	Clamp (Top)	
258	1001267140	4	Clamp (Middle)	
259	1001267141	8	Clamp (Cog)	
260	1001267142	1	Spacer, Clamp	
262	1001267144	1	Washer	
268	1001267184	1	Cover, Lock Plate (Rear)	
278	1001267151	1	Gear, Drive Pulley	
279	1001267152	1	Pulley, Freewheel	
280	1001267154	1	Guide, Pulley	
284	1001267158	1	Spring, Belt	
289	PELM483	1	Spring, Handle	
293	1001266219	4	Washer	



# SECTION 5 - PECOLIFT X

## FIGURE 5-5. PLATFORM ASSEMBLY



ART\_1001308878\_5OF6

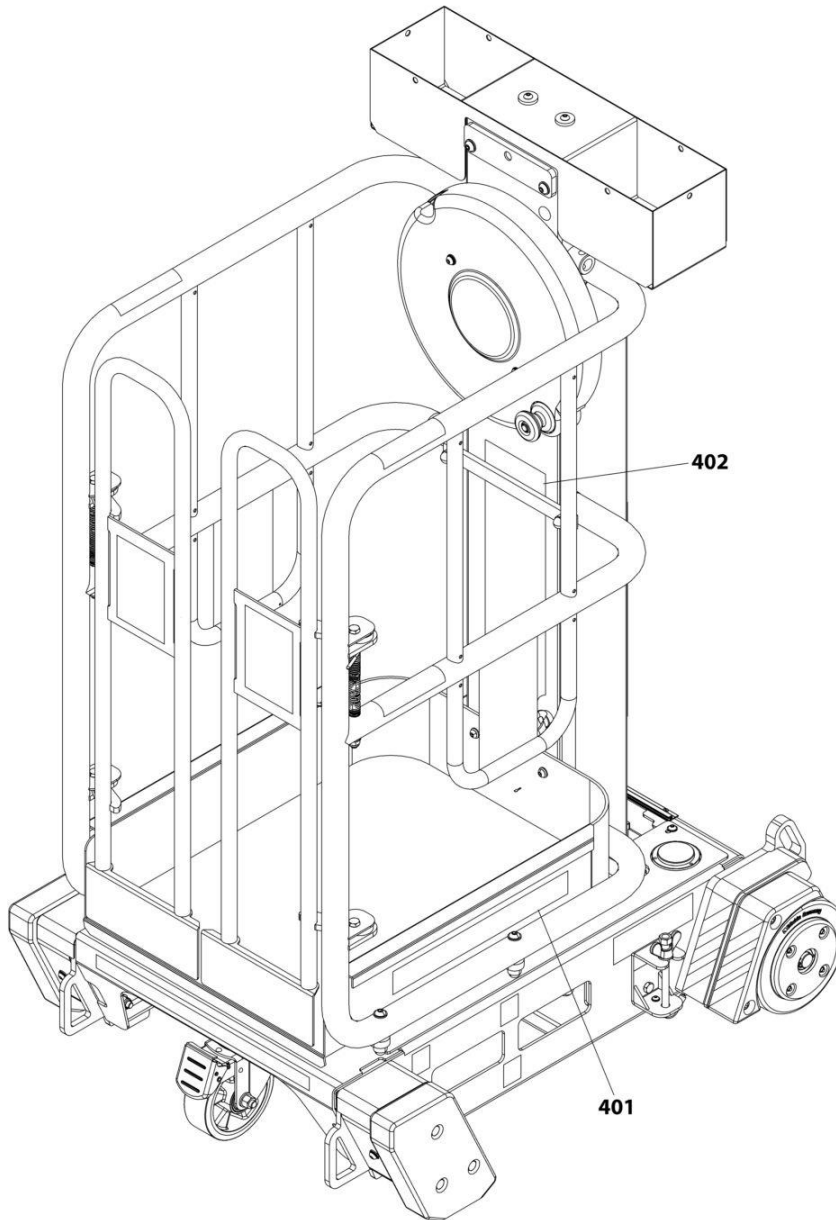
## SECTION 5 - PECOLIFT X

### FIGURE 5-5. PLATFORM ASSEMBLY

ITEM	PART NUMBER	QTY	DESCRIPTION	REV
	1001308878	Ref	PLATFORM ASSEMBLY	D
111	PTNSPM560	12	Cap, Nut M10	
113	1001265092	4	Cap, Spring	
116	1001266102	1	Trim	
125	1001267041	2	Screw M8 x 16	
132	1001267049	2	Capscrew M8 x 30	
139	1001266119	6	Screw M10 x 60	
140	1001266120	4	Screw M10 x 70 GRD 10.9	
141	1001267051	2	Bolt M10 x 40	
145	1001267055	2	Bolt M10 x 220	
153	1001267060	2	Nut M8	
155	1001267061	18	Nut M10	
176	1001267081	4	Capscrew M10 x 20	
184	1001267089	4	Washer M8	
185	1001267091	2	Washer M8	
187	1001267092	30	Washer M10	
229	PELM800	1	Tray	
230	PELM430	4	Cover	
231	1001267173	1	Rail (LH)	
232	1001267174	1	Rail (RH)	
233	1001267642	1	Gate (1 Pair)	
234	1001267643	2	Strap, Tray	
245	1001267175	2	Panel, Stirrup	
277	1001267150	8	Rivet	
288	1001266216	2	Spring, Gate	

# SECTION 5 - PECOLIFT X

## FIGURE 5-6. DECAL INSTALLATION



ART\_1001308878\_6OF6



## SECTION 5 - PECOLIFT X

### FIGURE 5-6. DECAL INSTALLATION

ITEM	PART NUMBER	QTY	DESCRIPTION	REV
	1001308878	Ref	DECAL INSTALLATION	D
401	1001267101	2	Decal, Pecolift X Logo	
402	DCLPLXENG	1	Decal Sheet Complete (English) (Note: Individual Decals Not Available for Purchase)	



## **SECTION 6 - SPECIAL OPTIONS/ACCESSORIES/KITS**

## **SECTION 6 - SPECIAL OPTIONS/ACCESSORIES/KITS**

## SECTION 6 - SPECIAL OPTIONS/ACCESSORIES/KITS

FIGURE 6-1. SPECIAL OPTIONS/ACCESSORIES/KITS

ITEM	PART NUMBER	QTY	DESCRIPTION	REV
		Ref	Note: This list is to accomodate machines ordered with special equipment. Options may not be applicable to all models. For more specific parts information contact JLG Parts Department.	
	1001224466	Ref	ATEX Kit	H
	1001256697	Ref	Kits/Tools/Accessories	
	1001281582	Ref	Kit, Castor (Swivel)	
	1001272187	Ref	Kit, Emergency Lowering Components	
	1001298295	Ref	Kit, Handle Tip Service	
	1001314949	Ref	Kit, Pulley Bracket Service	

## **SECTION 6 - SPECIAL OPTIONS/ACCESSORIES/KITS**

### **PART NUMBER INDEX**

## SECTION 6 - SPECIAL OPTIONS/ACCESSORIES/KITS

0761215.....51, 73, 93	55, 57, 59, 63, 73, 77,	1001266128 ... 15, 37, 59,	1001266258.... 19, 41, 63,
1001217468....11, 13, 15,	79, 81, 85, 93	81	85
19, 23, 25	1001265496 ... 15, 19, 37,	1001266129 ..... 23	1001266259.... 15, 37, 59,
1001224466.....116	41, 59, 63, 81, 85	1001266130 ... 19, 41, 63,	81
1001256697.....116	1001265506 ... 15, 37, 59,	85	1001266260.... 19, 41, 63,
1001264556....13, 35, 57,	81	1001266131 ... 13, 35, 57,	85
79	1001265507 ... 15, 37, 59,	79	1001266261.... 19, 41, 63,
1001264557 .... 13, 19, 35,	81	1001266132 ... 19, 41, 63,	85
41, 45, 57, 63, 67, 79,	1001265508 ... 13, 19, 35,	85, 107	1001266262.... 19, 41, 63,
85, 89	41, 45, 57, 63, 67, 79,	1001266133 ... 11, 33, 55,	85
1001264558.... 15, 19, 37,	85, 89	77, 97	1001266264.... 19, 41, 63,
41, 59, 63, 81, 85, 103,	1001265746 ... 15, 37, 59,	1001266134 ... 11, 33, 55,	85
107	81, 103	77, 97	1001266265.... 19, 41, 63,
1001264559.... 19, 41, 63,	1001265952 .... 13, 35, 99	1001266135 ... 11, 33, 55,	85
85	1001265959 ... 11, 33, 55,	77	1001266267..... 11, 33
1001264707 .... 19, 41, 45,	77	1001266136 ... 11, 33, 55,	1001266268.... 11, 33, 55,
63, 67, 85, 89	1001265961 ..... 23	77	77
1001265092....23, 45, 67,	1001265962 ..... 23	1001266137 ... 15, 37, 59,	1001266269.... 11, 33, 55,
89, 111	1001266099 ... 11, 33, 55,	81	77
1001265112....13, 19, 35,	77, 97	1001266138 ... 19, 41, 63,	1001266270.... 11, 33, 55,
41, 45, 57, 63, 67, 79,	1001266100 ... 15, 37, 59,	85, 107	77
85, 89	81, 103	1001266139 ... 15, 37, 59,	1001266271.... 15, 37, 59,
1001265113.... 11, 13, 15,	1001266101 ... 15, 37, 59,	81, 103	81
19, 23, 33, 35, 37, 41,	81, 103	1001266140 ... 11, 33, 55,	1001266272.... 15, 37, 59,
45, 55, 57, 59, 63, 67,	1001266102 ... 23, 45, 67,	77	81
77, 79, 81, 85, 89	111	1001266141 ... 13, 35, 57,	1001266273.... 19, 41, 63,
1001265114.... 15, 23, 37,	1001266103 ..... 25, 69	79	85
59, 81	1001266104 ..... 25, 69	1001266142 ... 11, 33, 55,	1001266274.... 19, 41, 63,
1001265115.... 11, 13, 15,	1001266105 ... 13, 35, 57,	77	85
19, 23, 29, 33, 35, 41,	79, 99	1001266143 ... 13, 29, 35,	1001266275.... 19, 41, 63,
45, 55, 57, 63, 67, 77,	1001266107 ... 15, 19, 37,	51, 73, 93	85
79, 85, 89	41, 59, 63, 81, 85, 103,	1001266144 ... 15, 37, 59,	1001266429..... 99
1001265116.... 11, 13, 19,	107	81, 103	1001266430..... 99
33, 35, 41, 55, 57, 63,	1001266108 ... 13, 19, 29,	1001266145 ... 15, 37, 59,	1001266434.... 19, 41, 63,
77, 79, 85	35, 41, 51, 57, 63, 73,	81, 103	85
1001265120.....23	79, 85, 93, 107	1001266146 ... 19, 41, 63,	1001266438..... 100
1001265121 .... 15, 19, 37,	1001266109 ... 15, 37, 59,	85	1001267033..... 99
41, 59, 63, 81, 85	81	1001266210 ... 19, 41, 63,	1001267034..... 107
1001265124.... 13, 35, 57,	1001266110 ... 15, 37, 59,	85	1001267035..... 99
79	81	1001266211 ... 15, 37, 59,	1001267036..... 107
1001265127 .... 13, 35, 57,	1001266112 ... 13, 35, 57,	81	1001267037..... 99
79	79	1001266212 ... 15, 37, 59,	1001267038..... 107
1001265131 .... 15, 37, 59,	1001266113... 13, 35, 57,	81	1001267039..... 99
81	79	1001266216 ... 23, 45, 67,	1001267040..... 103
1001265133.... 13, 35, 57,	1001266114 ... 15, 37, 59,	89, 111	1001267041..... 97, 111
79	81	1001266218 ... 13, 29, 35,	1001267042..... 103
1001265134.... 13, 15, 35,	1001266115 ..... 15, 103	51, 73, 93	1001267043..... 99
37, 57, 59, 79, 81	1001266117 ... 19, 41, 63,	1001266219 ... 19, 41, 63,	1001267044..... 103, 107
1001265135.... 11, 13, 15,	85	85, 108	1001267045..... 103
19, 23, 33, 35, 37, 41,	1001266119 ... 23, 51, 73,	1001266243 ... 15, 37, 59,	1001267047..... 103
45, 55, 57, 59, 63, 67,	93, 111	81, 103	1001267048..... 103
77, 79, 81, 85, 89	1001266120 ..... 23, 111	1001266244 ... 13, 35, 57,	1001267049..... 111
1001265136.... 11, 13, 19,	1001266121 ... 15, 37, 59,	79, 99	1001267050..... 107
23, 29, 33, 35, 41, 55,	81, 103	1001266245 ... 19, 41, 63,	1001267051..... 111
57, 63, 77, 79, 85	1001266122 ... 13, 35, 57,	85, 107	1001267052..... 97
1001265138.... 11, 15, 19,	79	1001266246 ..... 13, 35	1001267053..... 97
33, 37, 41, 51, 55, 59,	1001266123 ... 19, 41, 63,	1001266247 ... 13, 35, 57,	1001267054..... 97
63, 73, 77, 81, 85, 93	85	79	1001267055..... 111
1001265139.... 13, 35, 57,	1001266124 ... 19, 41, 63,	1001266253 ... 15, 37, 59,	1001267056..... 99
79	85	81	1001267057..... 99, 103
1001265144.....23	1001266125 ... 11, 13, 33,	1001266254 ... 15, 37, 59,	1001267058..... 99, 107
1001265149.... 15, 37, 59,	35, 55, 57, 77, 79, 99	81, 103	1001267059..... 103, 107
81	1001266126 ... 19, 41, 63,	1001266255 ... 15, 37, 59,	1001267060.. 97, 99, 103,
1001265461 .... 13, 35, 57,	85	81, 103	107, 111
79	1001266127 ... 15, 37, 59,	1001266257 ... 19, 41, 63,	1001267061.. 97, 99, 107,
1001265462.... 11, 13, 15,	81	85	111
19, 33, 35, 37, 41, 51,			1001267063.. 97, 103, 107

## SECTION 6 - SPECIAL OPTIONS/ACCESSORIES/KITS

1001267065..... 99	1001267164..... 97	1001293669....29, 51, 73, 93	PELM463 .. 16, 37, 59, 81
1001267066..... 99	1001267165..... 99	1001293672.....29	PELM467 .. 20, 42, 63, 85
1001267067..... 107	1001267166..... 99	1001293673....29, 51, 73, 93	PELM469 .. 20, 42, 64, 86
1001267068..... 99	1001267167..... 99	1001293683.....69, 91	PELM471 . 20, 42, 64, 86, 107
1001267069..... 99	1001267168..... 103	1001294643....27, 49, 71	PELM472 .. 20, 42, 64, 86
1001267070..... 103	1001267169..... 104	1001297725....51, 73, 93	PELM4742 ..... 16
1001267071..... 99	1001267170..... 107	1001297749....51, 73, 93	PELM475 ..... 16, 37, 103
1001267072..... 99	1001267171..... 107	1001298080....29, 51, 73, 93	PELM478 . 16, 37, 59, 81, 103
1001267073..... 107	1001267172..... 107	1001298090.....29	PELM479 .. 16, 37, 59, 81
1001267075..... 107	1001267173..... 111	1001298091.....29	PELM480 . 20, 42, 64, 86, 107
1001267076..... 99	1001267174..... 111	1001298295.....116	PELM481 .. 16, 38, 59, 81
1001267077..... 97	1001267175..... 111	1001298455.....91	PELM482 .. 16, 38, 59, 81
1001267078..... 99, 107	1001267176..... 99	1001298765.....55, 77	PELM483 . 20, 42, 64, 86, 108
1001267079..... 97	1001267177..... 103	1001300156.....60, 82	PELM484 .. 20, 42, 64, 86
1001267080..... 107	1001267178..... 103	1001308878..97, 99, 103, 107, 111, 113	PELM485 .. 16, 38, 59, 81
1001267081..... 111	1001267179..... 103	1001312130....20, 42, 63, 85	PELM486 .. 13, 35, 57, 79
1001267082..... 103	1001267180..... 107	1001314949.....116	PELM488 . 20, 42, 64, 86, 107
1001267083..... 99	1001267181..... 107	DCLPLXENG .....113	PELM489 ..... 16
1001267084..... 97	1001267182..... 107	ECLM601...15, 37, 59, 81	PELM490 ..... 23
1001267087..... 99, 107	1001267183..... 107	ECLM603..16, 38, 60, 82, 103	PELM494 . 16, 38, 59, 81, 104
1001267088..... 99	1001267184..... 108	PELM402.....23	PELM495 . 16, 38, 60, 82, 103
1001267089 . 97, 99, 103, 107, 111	1001267185..... 107	PELM403..11, 33, 55, 77, 97	PELM496 . 11, 20, 33, 42, 55, 64, 77, 86, 97, 107
1001267091 97, 103, 111	1001267186..... 107	PELM404.....13, 35, 99	PELM497 .. 16, 38, 60, 82
1001267092 . 97, 99, 103, 107, 111	1001267631..... 97	PELM405...15, 37, 59, 81	PELM498 . 16, 38, 60, 82, 103
1001267093 .. 97, 99, 107	1001267632..... 97	PELM406...13, 35, 57, 79	PELM499 .. 20, 42, 64, 86
1001267094 . 97, 99, 103, 107	1001267635..... 97	PELM407...13, 35, 57, 79	PELM506 . 20, 42, 64, 86, 107
1001267095..... 103	1001267636..... 99	PELM409..13, 35, 57, 79, 99	PELM587 . 13, 35, 57, 79, 99
1001267097..... 103	1001267637..... 103	PELM410.....23	PELM600 ..... 25, 69
1001267098..... 97	1001267638..... 103	PELM411 .....23	PELM600DAN..... 25, 69
1001267100..... 107	1001267639..... 103	PELM412..19, 41, 63, 85, 107	PELM600DU ..... 25, 69
1001267101..... 113	1001267640..... 103	PELM414...13, 35, 57, 79	PELM600FIN..... 25, 69
1001267102..... 99	1001267642..... 111	PELM415...13, 35, 57, 79	PELM600FR..... 25, 69
1001267103..... 99	1001267643..... 111	PELM416...15, 37, 59, 81	PELM600GER..... 25, 69
1001267104..... 99	1001267644..... 111	PELM417...15, 37, 59, 81	PELM600GRE..... 25, 69
1001267105..... 99	1001267918..... 47	PELM418...13, 35, 57, 79	PELM600HUN..... 25, 69
1001267106..... 99	1001272187..... 116	PELM419..19, 41, 63, 85, 107	PELM600IT ..... 25, 69
1001267107..... 99	1001277256.....57, 79	PELM420...15, 37, 59, 81	PELM600POL ..... 25, 69
1001267112..... 107	1001277258.....57, 79	PELM421...15, 37, 59, 81	PELM600POR..... 25, 69
1001267113..... 107	1001277259.....57, 79	PELM422...19, 41, 63, 85	PELM600SPA ..... 25, 69
1001267114..... 107	1001277260.....57, 79	PELM423..19, 41, 63, 85, 107	PELM600SW..... 25, 69
1001267115..... 107	1001277261.....57, 79	PELM424...13, 35, 57, 79	PELM600TUR..... 25, 69
1001267116..... 107	1001281278.... 11, 33, 55, 77	PELM425...19, 41, 63, 85	PELM602 ..... 25, 47
1001267117..... 107	1001281306.... 11, 33, 55, 77	PELM426...19, 41, 63, 85	PELM800 ..... 23, 111
1001267118..... 108	1001281582..... 116	PELM427...19, 41, 63, 85	PLXM902 ..... 97
1001267119..... 108	1001287531..... 47, 91	PELM428..19, 41, 63, 85, 107	PLXM904 ..... 99
1001267120..... 108	1001288487.... 27, 49, 71	PELM429...19, 41, 63, 85	PLXM907 ..... 103
1001267121..... 108	1001288659.... 27, 49, 71	PELM430..23, 45, 67, 89, 111	PTM106 .... 13, 35, 57, 79
1001267122..... 108	1001288758.... 45, 67, 89	PELM431..11, 33, 55, 77, 97	PTM149 ... 20, 42, 64, 86, 107
1001267123..... 108	1001288763.... 45, 67, 89	PELM432.....97	PTNSPM560 . 23, 29, 111
1001267124..... 108	1001288852.... 45, 67, 89	PELM433.....13, 35	PTNSPM562.. 16, 38, 60, 82, 103
1001267125..... 107	1001288853.... 45, 67, 89	PELM434...13, 35, 57, 79	PTNSPM664.. 16, 38, 60, 82, 103
1001267126..... 107	1001288854.... 45, 67, 89	PELM4402 15, 37, 59, 81, 103	
1001267127..... 107	1001289035.... 45, 67, 89	PELM441 ... 19, 41, 63, 85	
1001267128..... 108	1001289242.... 45, 67, 89	PELM442 ..20, 41, 63, 85, 107	
1001267129..... 108	1001289778.... 45, 67, 89	PELM451 .....99	
1001267130..... 108	1001290779.... 45, 67, 89	PELM452.....15, 104	
1001267131..... 104, 111	1001290782..... 82	PELM453...13, 35, 57, 79, 99	
1001267132..... 108	1001290784.... 45, 67, 89	PELM454.....99	
1001267133..... 108	1001290785.... 45, 67, 89	PELM455...15, 104	
1001267134..... 104	1001290805.... 33, 35, 37, 41, 45, 47	PELM459..13, 35, 57, 79, 99	
1001267135..... 104	1001293031.... 45, 67, 89	PELM462...20, 42, 63, 85	
1001267136..... 104	1001293032.... 45, 67, 89		
1001267137..... 104	1001293177.... 77, 79, 81, 85, 89, 91		
1001267138..... 104			
1001267139..... 104			
1001267140..... 104			
1001267141..... 104			
1001267142..... 104			
1001267143..... 104			
1001267144..... 104			
1001267145..... 104			
1001267146..... 104			
1001267147..... 104			
1001267148..... 104			
1001267149..... 104			
1001267150..... 104			
1001267151..... 104			
1001267152..... 104			
1001267153..... 104			
1001267154..... 104			
1001267155..... 104			
1001267156..... 104			
1001267157..... 104			
1001267158..... 104			
1001267159..... 104			
1001267160..... 104			
1001267161..... 104			
1001267162..... 97			
1001267163..... 97			



**Corporate Office**  
**JLG Power Towers Limited**  
**Unit 3, Leicester Distribution Park**  
**45 Sunningdale Road**  
**Leicester**  
**LE3 1UX**  
**United Kingdom**  
 **+44 (0) 116 200 1757**  
**[www.powertowers.com](http://www.powertowers.com)**

**Visit our website for JLG Worldwide Locations.**  
**[www.jlg.com](http://www.jlg.com)**



**OSHKOSH™**