



Illustrated Parts Manual

Model Nano SP

SN P130000198
to Present

P/N
31220667
June 24, 2022 - Rev A

CE
UK
CA

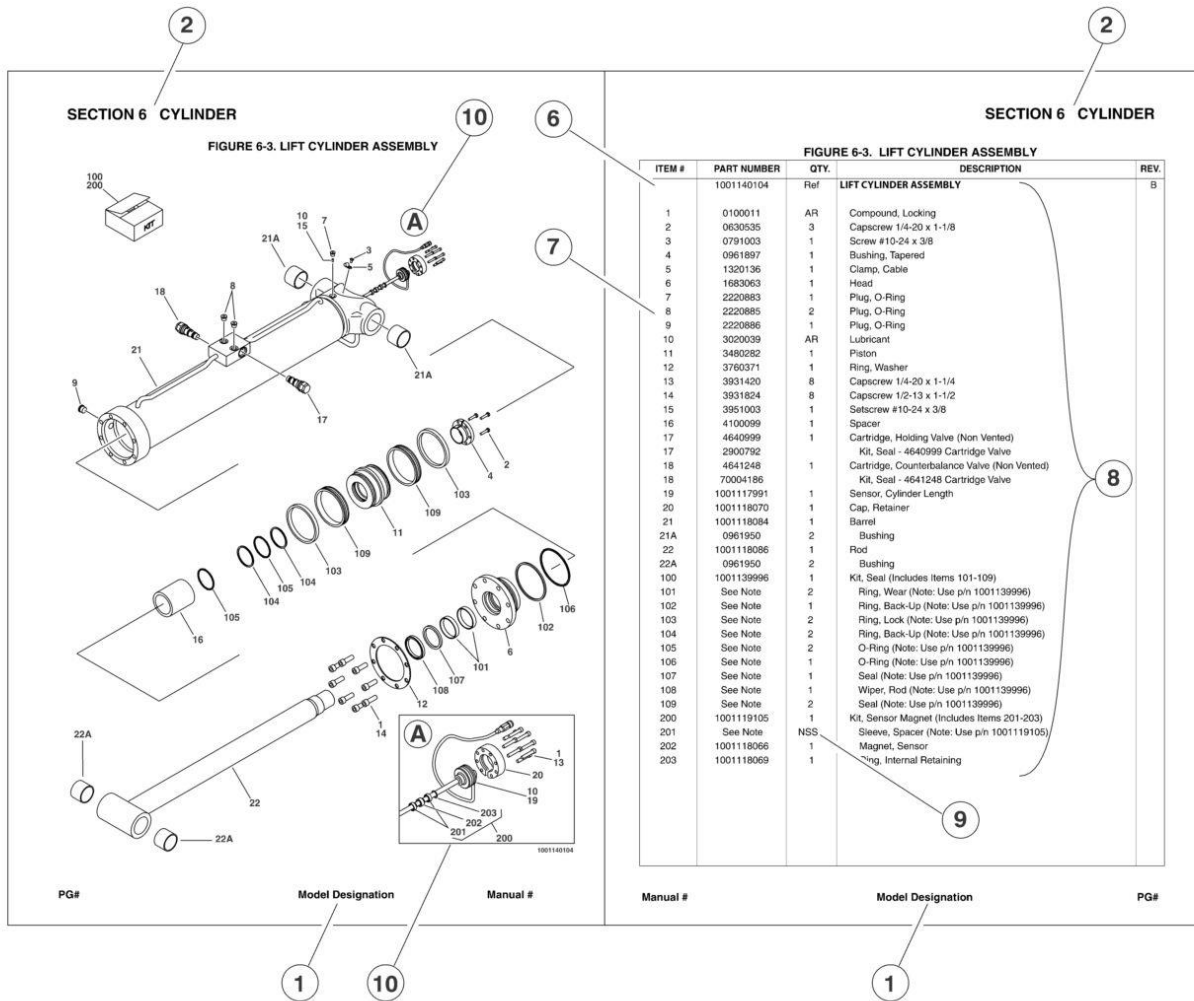


An Oshkosh Corporation Company

REVISION LOG

June 24, 2022 - A - Original Release of Manual

GENERAL INFORMATION



1) MACHINE IDENTIFICATION

Machines are identified by model and in some cases a combination of models, serial number (SN) or regional standard (i.e. ANSI, CE, CSA). Components may also be identified by SN or manufacturer. Common components that may be identified by these characteristics are engines and hydraulic components.

2) PARTS MANUAL ORGANIZATION

Product information in this manual is organized under section titles. Frame, Cylinder, Hydraulic and Electrical are a few examples. Each section is organized by figure and page number. The information within the Figure is then organized by item number, part number, description and corresponding illustration(s).

3) TABLE OF CONTENTS

A table of contents is found toward the beginning of the manual. Figure number, description and page number are provided for quick reference to the page containing the related information.

4) RECOMMENDED SPARE PARTS

The Recommended Spare Parts, located near the end of the manual, reference most frequently used maintenance parts.

5) PART NUMBER INDEX

A numerical index listing all part numbers and the corresponding page number(s) appears at the back of the manual.

GENERAL INFORMATION

6) NON-SERVICED PARTS

In some instances, it is necessary to display non-serviced parts, assemblies or installations. In the case of assemblies and installations there will be a Ref in the Qty column. In case of parts that are not available for service within assemblies and components, there will be a NSS (Not Sold Separately) or NLA (No Longer Available) listed in the Qty. column of the manual.

7) PARTS LIST ITEM NUMBERS

Numbers shown in the item# column correspond to numbers used in the associated illustration (s). Item numbers which are missing from the sequence in the parts list are not used on that page

8) INDENTED PARTS DESCRIPTION

An indented part description is included in the item under which it is indented.

9) ABBREVIATION AND SYMBOLS

AC.....	.. Alternating Current	LCD.....	Liquid Crystal Display
ADE.....	Advanced Design Electronics	LED.....	Light Emitting Diodes
ANSI.....	..American National Standards Institute	LH.....	Left Hand
AR.....	..As Required	LSS.....	..Load Sensing System
ASSY.....	Assembly	M(m).....	Metric/Meter
AUX.....	Auxiliary	MM (mm).....	Milimeter
AWG.....	..American Wire Gauge	mA.....	Miliamps
B/M.....	..Bill of Material	NLA.....	No Longer Available
CE.....	..European Conformity	NPT.....	National Pipe Threads
CCW.....	..Counter Clockwise	NSS.....	Not Sold Separately
cm.....	Centimeter	OD.....	..Outside Diameter
CW.....	..Clockwise	ORB.....	O-Ring Boss
CSA.....	..Canadian Standard Association	ORFS.....	O-Ring Face Seal
CYL.....	Cylinder	OZ (oz).....	..Ounces
DIA.....	Diameter	PG.....	..Page
DC.....	Direct Current	P/N.....	..Part Number
EMS.....	Emergency Stop	qt.....	..Quarts
ENG.....	Engine	QTY.....	..Quantity
FT(ft).....	Feet	REF.....	..Reference
GA(Ga).....	Gauge	REV.....	..Revision Level
HYD.....	Hydraulic	RH.....	..Right Hand
Hz.....	Hertz	SAE.....	Society of Automotive Engineers
ID.....	Inside Diameter	SN.....	..Serial Number
in.....	inches	SPEC(S).....	..Specifications
ISO.....	International Organization for Standards	T/T.....	..Turntable
JIC.....	Joint Industry Council	UGM.....	..Universal Ground Module
KG.....	..Kilogram	V.....	..Volts
L.....	..Liter	W.....	..Watts
LB.....	..Pounds	#.....	..Number

10) ILLUSTRATION REFERENCE LETTERS

When necessary, illustrations may contain reference letters that are intended to track information (i. e. hoses, harness) from one point to another or to track visual enlargement of components to show details that may be located in another area on the illustration.

Note: Due to continuous product improvements, JLG Industries, Inc. reserves the right to make specification changes without prior notification. Contact JLG Industries, Inc. for updated information.

TABLE OF CONTENTS

SECTION 1 - MACHINE COMPONENTS 9

 FIGURE 1-1. NANO SP ASSEMBLY 10

SECTION 2 - DECALS 25

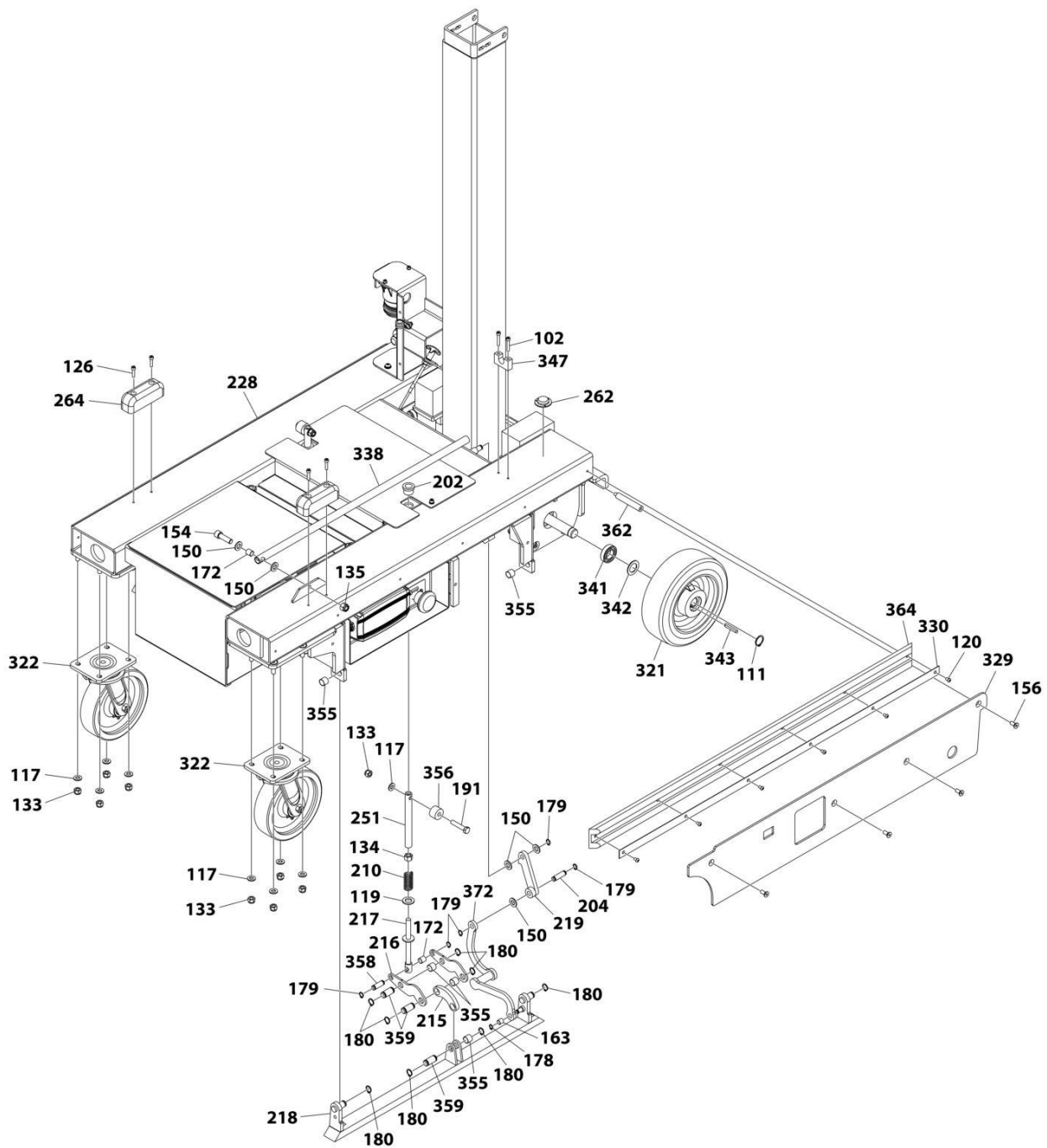
 FIGURE 2-1. DECAL INSTALLATION 26

PART NUMBER INDEX 26

SECTION 1 - MACHINE COMPONENTS

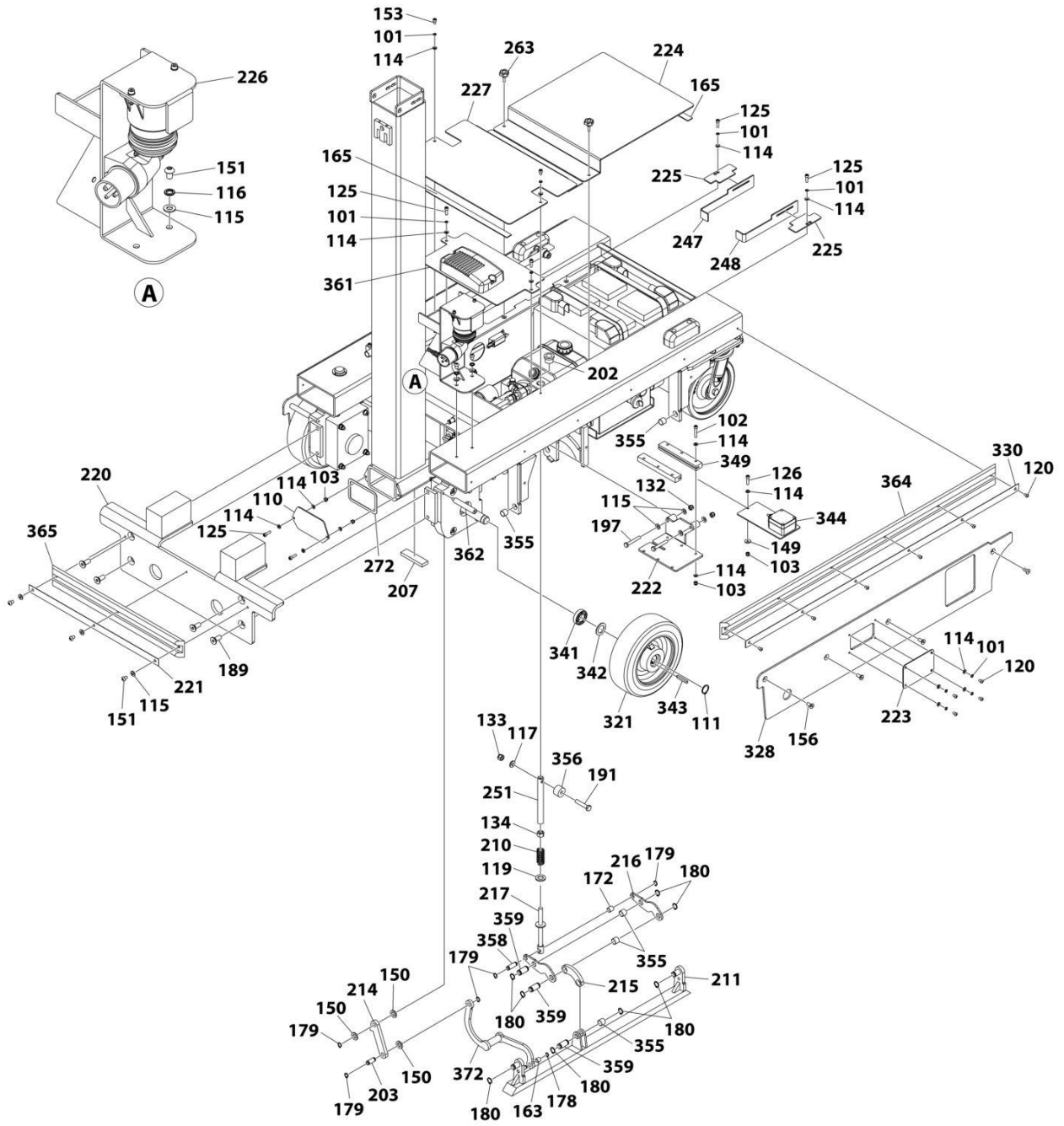
SECTION 1 - MACHINE COMPONENTS

FIGURE 1-1. NANO SP ASSEMBLY



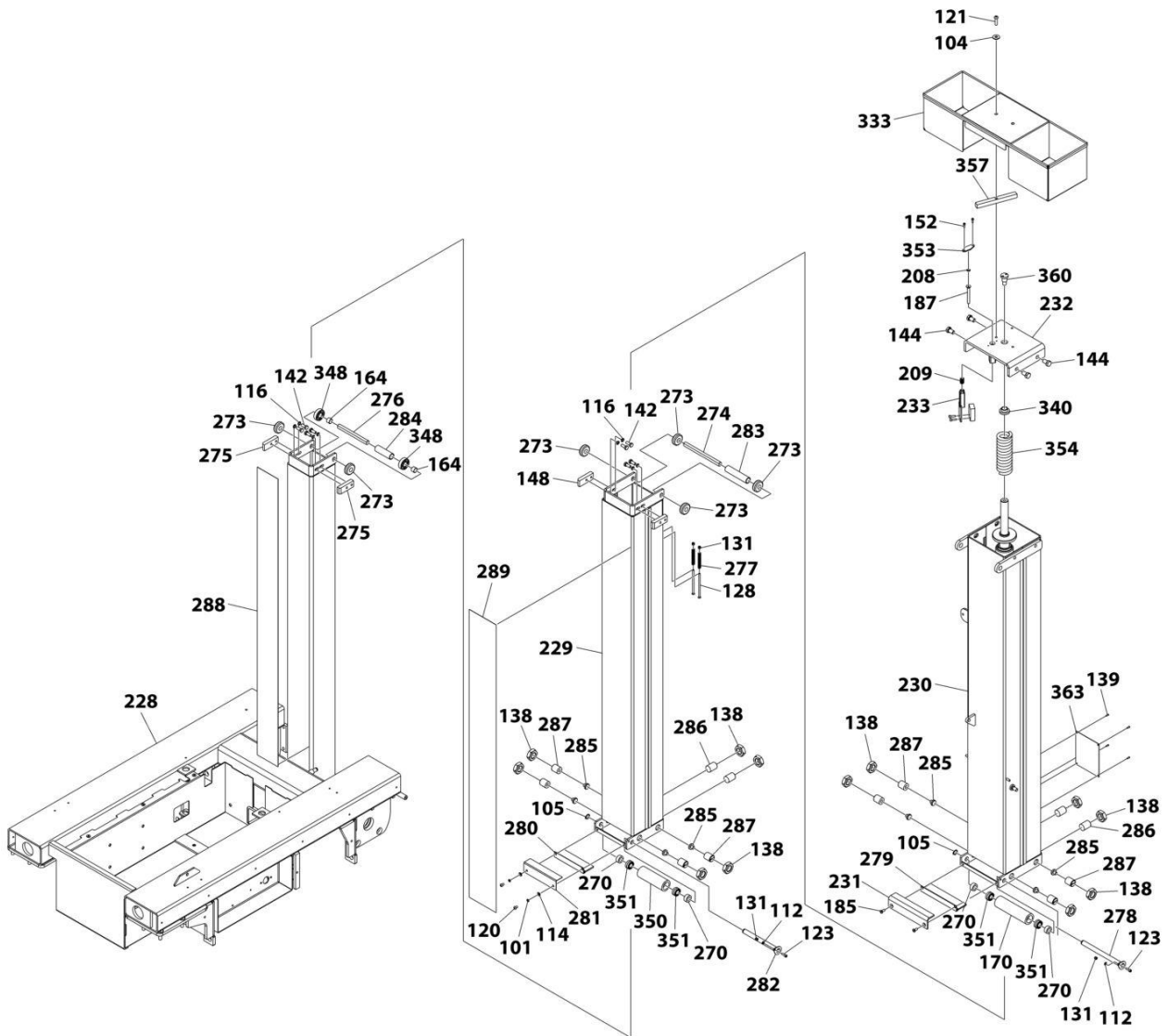
ART_NANO SP_ASSEMBLY_1OF8

SECTION 1 - MACHINE COMPONENTS



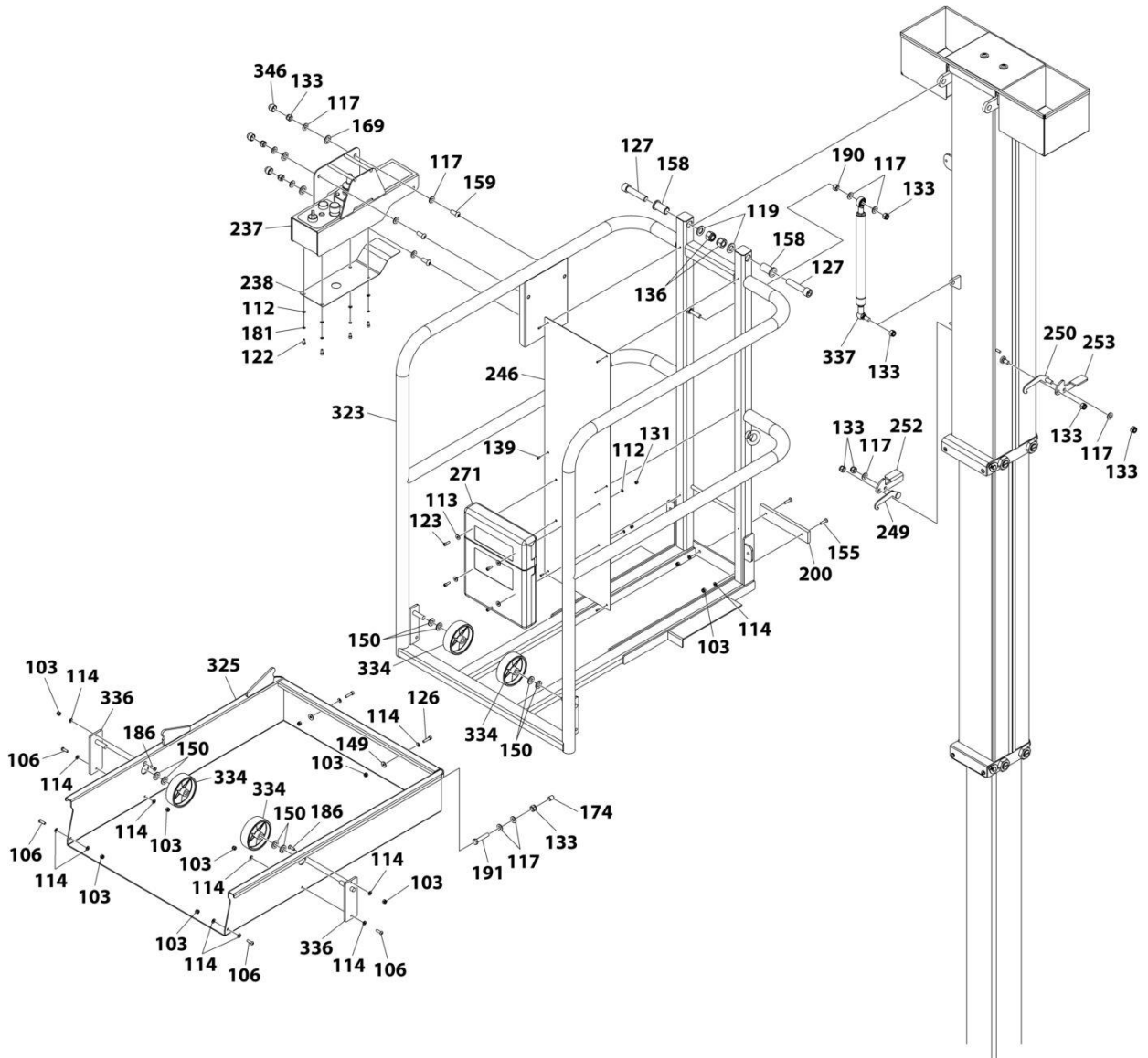
ART_NANO SP_ASSEMBLY_2OF8

SECTION 1 - MACHINE COMPONENTS



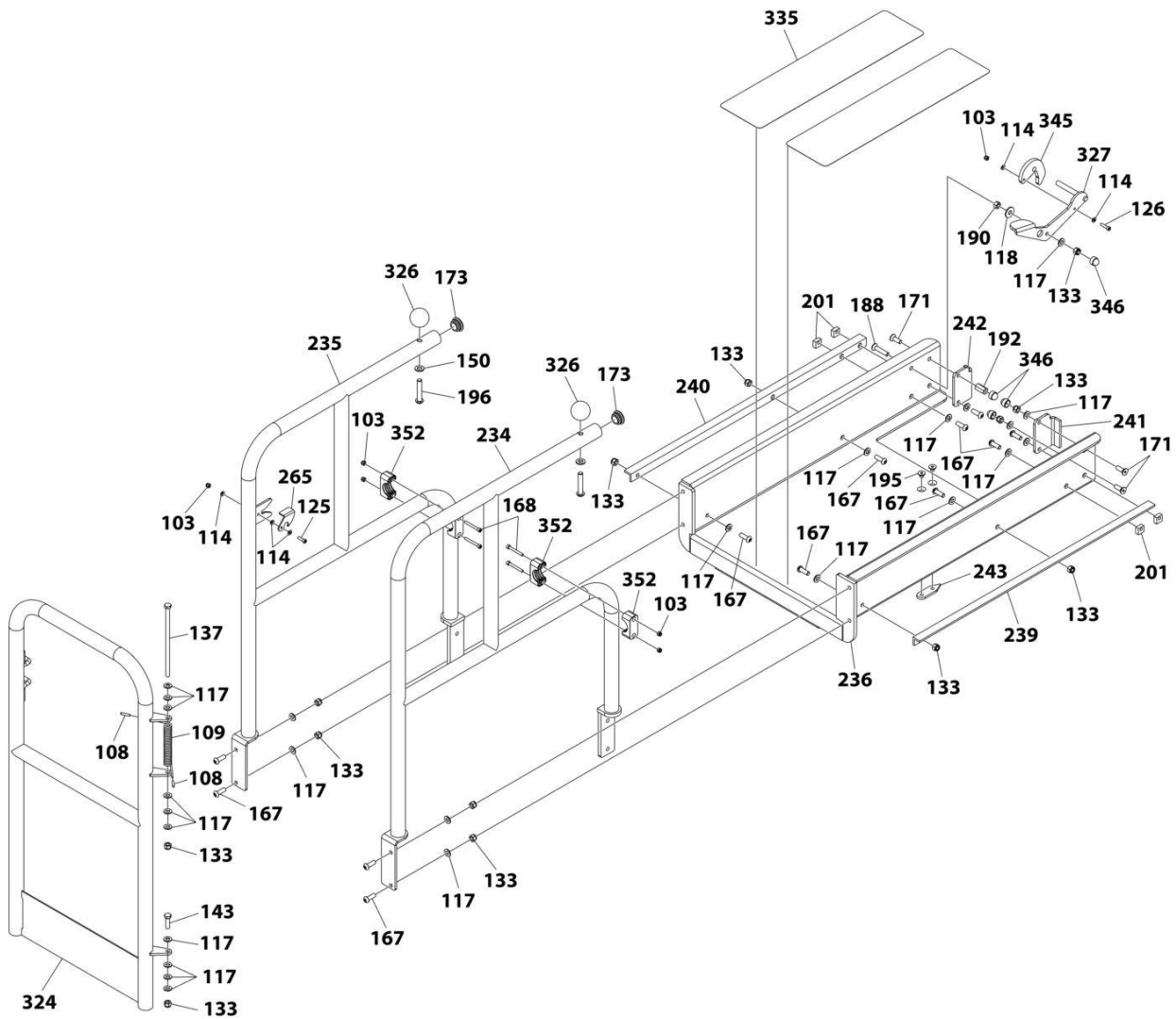
ART_NANO SP_ASSEMBLY_30F8

SECTION 1 - MACHINE COMPONENTS



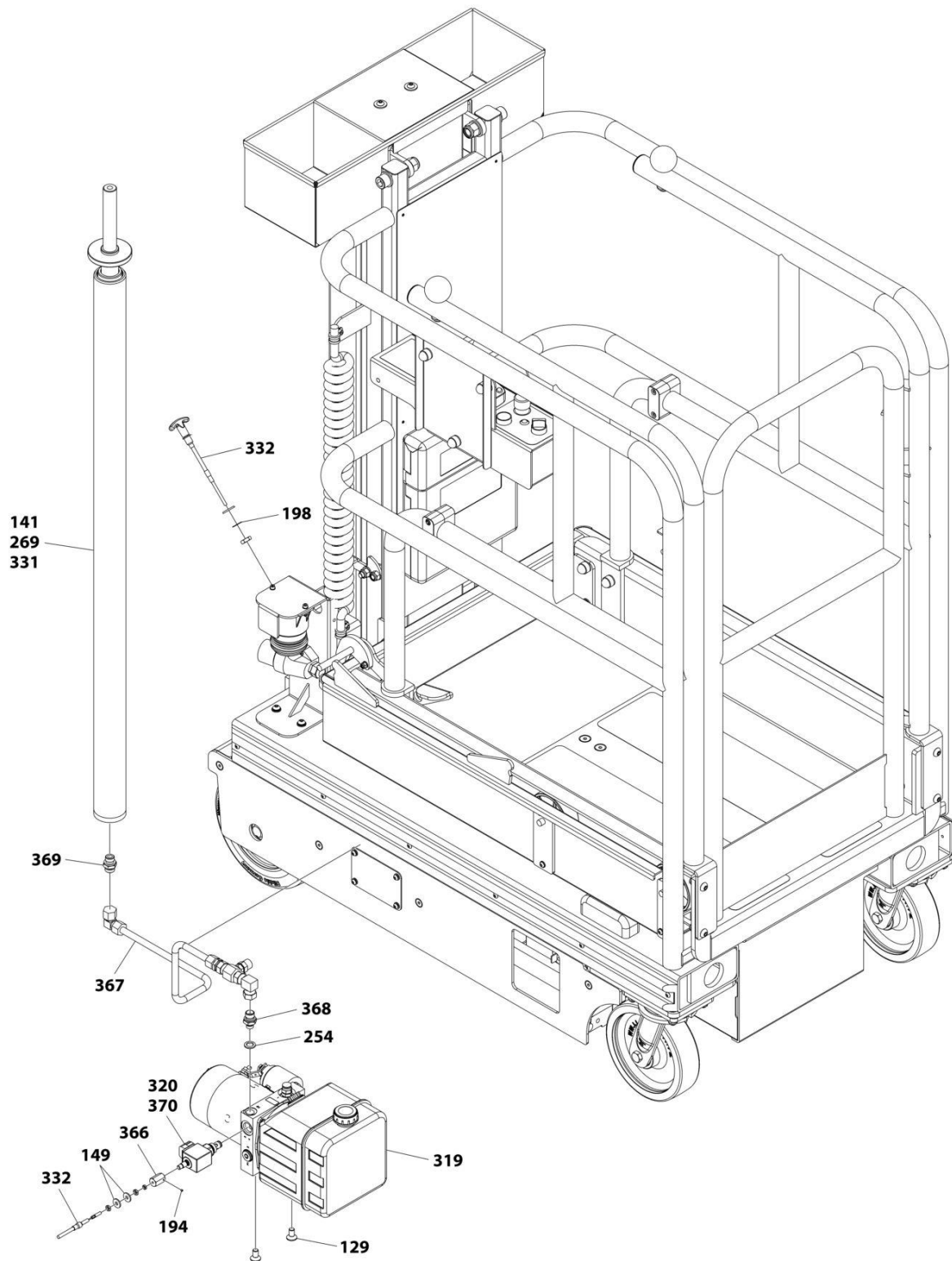
ART_NANO SP_ASSEMBLY_4OF8

SECTION 1 - MACHINE COMPONENTS



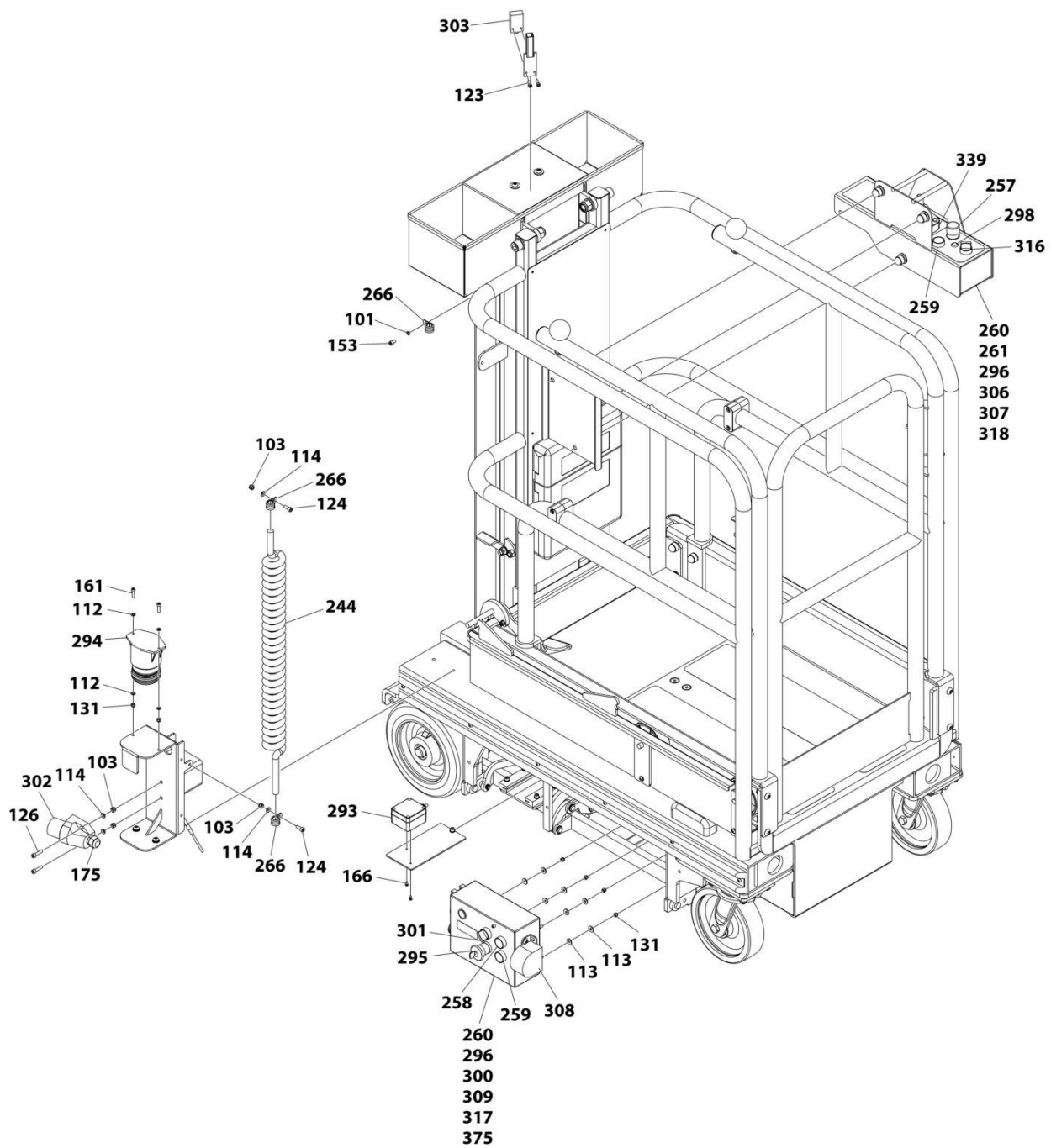
ART_NANO SP_ASSEMBLY_SOF8

SECTION 1 - MACHINE COMPONENTS



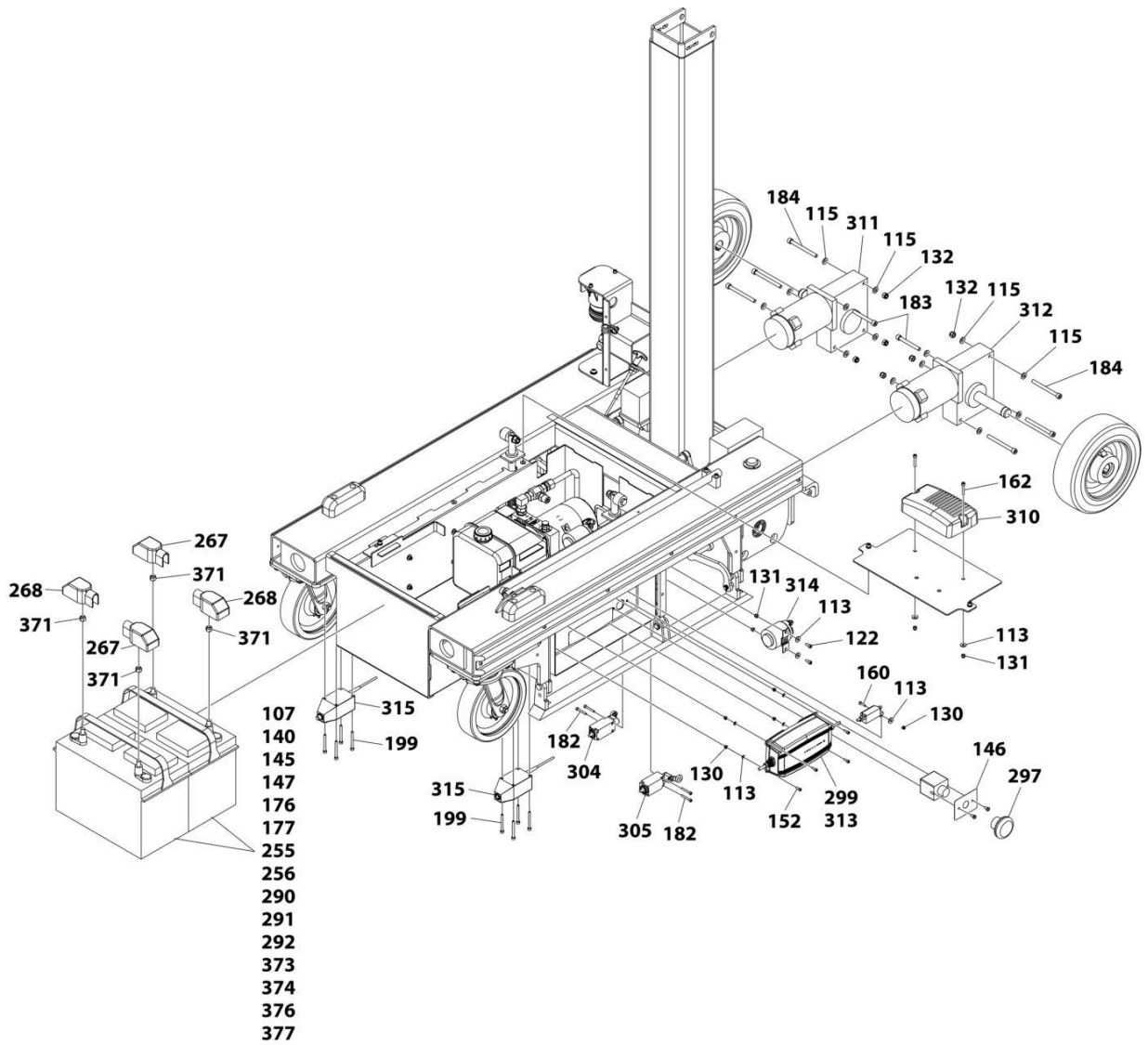
ART_NANO SP_ASSEMBLY_GOF8

SECTION 1 - MACHINE COMPONENTS



ART_NANO SP_ASSEMBLY_70F8

SECTION 1 - MACHINE COMPONENTS



ART_NANO SP_ASSEMBLY_8OF8

SECTION 1 - MACHINE COMPONENTS

FIGURE 1-1. NANO SP ASSEMBLY

ITEM	PART NUMBER	QTY	DESCRIPTION	REV
101	1001264555	11	Washer M6	
102	1001264556	12	Bolt M6 x 35	
103	1001264557	30	Nut M6	
104	1001264558	2	Washer M8	
105	1001264559	2	Circlip	
106	1001264707	5	Bolt M6 x 20	
107	1001265090	1	Cable, Battery Red	
108	1001265092	2	Cap, Spring	
109	1001265099	1	Spring, Gate	
110	1001265100	1	Cover, Spine End	
111	1001265108	2	Circlip	
112	1001265110	14	Washer M5	
113	1001265111	21	Washer M5	
114	1001265112	47	Washer M6	
115	1001265113	23	Washer M8	
116	1001265114	10	Washer M8	
117	1001265115	47	Washer M10	
118	1001265116	1	Washer M10	
119	1001265117	4	Washer M16	
120	1001265119	18	Bolt M6 x 10	
121	1001265121	2	Bolt M8 x 30	
122	1001265124	6	Bolt M5 x 12	
123	1001265125	8	Bolt M5 x 16	
124	1001265126	2	Bolt M6 x 16	
125	1001265127	7	Bolt M6 x 20	
126	1001265128	8	Bolt M6 x 25	
127	1001265129	2	Bolt M16 x 75	
128	1001265130	4	Bolt M5 x 100	
129	1001265131	2	Bolt M10 x 20	
130	1001265133	5	Nut M4	
131	1001265134	20	Nut M5	
132	1001265135	8	Nut M8	
133	1001265136	33	Nut M10	
134	1001265137	2	Nut M12	
135	1001265138	1	Nut M12	
136	1001265139	2	Nut M16	
137	1001265144	1	Bolt M10 x 220	
138	1001265146	12	Nut M24	
139	1001265149	10	Rivet	
140	1001265150	4	Ring Connector	
141	1001265201	4 gl	Fluid (Not Shown)	
142	1001265202	8	Bolt M8 x 20	
143	1001265204	1	Bolt M10 x 35	
144	1001265205	4	Bolt M12 x 20	
145	1001265217	4	Connectors	
146	1001265232	1	Decal, Emergency Stop	
147	1001265235	30	Tie Strap	
148	1001265366	2	Pad, Wear	
149	1001265461	7	Washer M6	
150	1001265462	10	Washer M12	

SECTION 1 - MACHINE COMPONENTS

ITEM	PART NUMBER	QTY	DESCRIPTION	REV
151	1001265506	4	Bolt M8 x 12	
152	1001265509	6	Bolt M4 x 12	
153	1001265511	3	Bolt M6 x 10	
154	1001265513	1	Bolt M12 x 40	
155	1001265514	2	Bolt M6 x 25	
156	1001265515	8	Bolt M8 x 20	
158	1001265748	2	Pivot, Platform	
159	1001265959	3	Bolt M10 x 25	
160	1001265988	1	Bolt M4 x 16	
161	1001265989	2	Bolt M5 x 20	
162	1001265990	2	Bolt M5 x 30	
163	1001266099	2	Sleeve, Castor	
164	1001266100	2	Inner, Bearing	
165	1001266102	1	Foam Trim	
166	1001266106	2	Screw 6 x 3/8	
167	1001265508	15	Bolt M10 x 30	
168	1001266123	4	Bolt M6 x 50	
169	1001266219	3	Washer	
170	1001266243	1	Roller	
171	1001266419	3	Bolt M10 x 30	
172	1001266526	2	Bush	
173	1001266527	2	Cage, Insert Round	
174	1001266528	1	Cage, End Cap	
175	1001266529	1	Cable Gland	
176	1001266534	1	Plug/Wire Harness - LHS Gearbox	
177	1001266535	1	Plug/Wire Harness - RHS Gearbox	
178	1001266536	2	Circlip	
179	1001266537	10	Circlip	
180	1001266538	16	Circlip	
181	1001266539	4	Washer	
182	1001266540	4	Bolt M4 x 30	
183	1001266541	2	Bolt M8 x 70	
184	1001266542	6	Bolt M8 x 90	
185	1001266543	2	Bolt M6 x 16	
186	1001266544	2	Bolt M6 x 20	
187	1001266545	1	Bolt M8 x 70	
188	1001266546	1	Bolt M10 x 50	
189	1001266547	4	Bolt M12 x 30	
190	1001266548	2	Nut M10	
191	1001266549	3	Bolt M10 x 50	
192	1001266550	1	Connector	
194	1001266552	1	Bolt M3 x 4	
195	1001266553	2	Bolt M10 x 12	
196	1001266554	2	Bolt M12 x 65	
197	1001266555	2	Bolt M8 x 55	
198	1001266556	1	Washer M12	
199	1001266557	8	Bolt M5 x 50	
200	1001266558	1	Spacer	
201	1001266559	4	Nut	
202	1001266560	2	Guide	
203	1001266561	1	Pin	

SECTION 1 - MACHINE COMPONENTS

ITEM	PART NUMBER	QTY	DESCRIPTION	REV
204	1001266562	1	Pin	
207	1001266565	1	Mast Stop Block	
208	1001266566	1	O-Ring	
209	1001266567	1	Load Sensing Switch	
210	1001266568	2	Spring	
211	1001266569	1	Bar	
214	1001266572	1	Arm Hook	
215	1001266573	2	Lever Arm	
216	1001266574	4	Crank Arm	
217	1001266576	2	Plunger Assembly	
218	1001266577	1	Bar	
219	1001266578	1	Arm Hook	
220	1001266579	1	Chassis Plate	
221	1001266580	1	Rear Buffer Fixing Strip	
222	1001266581	1	Tilt Switch Mounting Assembly	
223	1001266582	1	Tilt Switch Cover	
224	1001266583	1	Battery Cover	
225	1001266584	2	Battery Clamp Plate	
226	1001266586	1	Beacon Mounting Assembly	
227	1001266587	1	ECU Cover	
228	1001266588	1	Chassis Assembly	
229	1001266589	1	Middle Mast Assembly	
230	1001266590	1	Mast Outer Assembly	
231	1001266591	1	Roller Cover	
232	1001266592	1	Load Sensing Mast Cap Assembly	
233	1001266593	1	Load Sensor Bracket Assembly	
234	1001266596	1	Right Sliding Handrail	
235	1001266597	1	Left Sliding Handrail	
236	1001266598	1	Sliding Tray Assembly	
237	1001266599	1	Box Control	
238	1001266600	1	Plate	
239	1001266601	1	Angle	
240	1001266602	1	Angle	
241	1001266603	1	Bracket	
242	1001266604	1	Bracket	
243	1001266605	1	Support	
244	1001266607	1	Cable	
246	1001266610	1	Plate, Label	
247	1001267018	1	Clamp	
248	1001267019	1	Clamp	
249	1001267020	1	LHS Latch Arm Assembly	
250	1001267021	1	RHS Latch Arm Assembly	
251	1001267017	2	Shaft	
252	1001267281	1	LHS Latch Lever	
253	1001267282	1	RHS Latch Lever	
254	1001274229	1	Washer	
255	1001277683	1	Battery - 12V	
256	PTE002	1	Battery - Standard	
257	PTE003	1	Emergency Stop Button	
258	PTE006	1	Push Button	
259	PTE007	2	Push Button	

SECTION 1 - MACHINE COMPONENTS

ITEM	PART NUMBER	QTY	DESCRIPTION	REV
260	PTE008	3	Block	
261	PTE009	1	Block	
262	PTM106	1	Level	
263	PTM107	2	Knob	
264	PTM126	2	Pad, Rest	
265	PTM133	1	Latch	
266	PTM172	5	Clip	
267	PTNE213	2	Cover, Battery Terminal - Blue/Black	
268	PTNE214	2	Cover, Battery Terminal - Red	
269	PTNH277	1	Kit, Seal	
270	PTNM330	4	Spacer	
271	PTNM342	1	Document Holder	
272	PTNM345	1	Gasket, Spine End Cover	
273	PTNM356	6	Roller, Mast	
274	PTNM3572	1	Axle	
275	PTNM358	2	Pad, Wear	
276	PTNM359	1	Axle	
277	PTNM360	2	Spring	
278	PTNM361	1	Axle	
279	PTNM363A	1	Brush	
280	PTNM363B	1	Brush	
281	PTNM365B	1	Cover, Roller	
282	PTNM366	1	Axle	
283	PTNM370	1	Spacer	
284	PTNM371	1	Spacer	
285	PTNM389	8	Insert, Wear Screw	
286	PTNM390	4	Screw, Plastic Wear	
287	PTNM390SS	8	Screw, Stainless Steel Wear	
288	PTNM393	1	Strip, Wear	
289	PTNM394	1	Strip, Wear	
290	PTNSPEE314	1	Cable, Battery Black	
291	PTNSPEE315	2	Cable, Battery Red	
292	PTNSPEE316	1	Cable, Battery Red	
293	PTNSPE603	1	Tilt Switch	
294	PTNSPE612	1	Lamp	
295	PTNSPE614	1	Switch, Emergency Stop	
296	PTNSPE619	5	Block	
297	PTNSPE621	1	Switch, Battery Emergency Stop	
298	PTNSPE626	1	Lamp	
299	PTNSPE630U	1	Battery Charger	
300	PTNSPE631	1	Block	
301	PTNSPE643	1	Switch Ground	
302	PTNSPE645	1	Plug	
303	PTNSPE648	1	Load Sensing, Switch	
304	PTNSPE649	1	Alarm, Switch	
305	PTNSPE650	1	Mast, Limit Switch	
306	PTNSPE673	1	Warning, Bleeper	
307	PTNSPE674	1	Timer Module	
308	PTNSPE675	1	Alarm	
309	PTNSPE676	4	Relay	
310	PTNSPEE303	1	Power Module	

SECTION 1 - MACHINE COMPONENTS

ITEM	PART NUMBER	QTY	DESCRIPTION	REV
311	PTNSPEE304L	1	Drive Motor, Gearbox LHS	
312	PTNSPEE305R	1	Drive Motor, Gearbox RHS	
313	PTNSPE630E	1	Battery Charger	
314	PTNSPEE307	1	Solenoid	
315	PTNSPEE308	2	Solenoid	
316	PTNSPEE310	1	Lock, Switch	
317	PTNSPEE312	1	Double Capacitor	
318	PTNSPEE313	1	Control Alarm	
319	PTNSPEH401	1	Power Pack	
320	PTNSPEH403	1	Power Pack Solenoid and Valve	
321	PTNSPEM701	2	Drive Wheel	
322	PTNSPEM702	2	Swivel	
323	PTNSPEM705	1	Frame Assembly	
324	PTNSPEM707	1	Gate	
325	PTNSPEM708	1	Tray	
326	PTNSPEM711	2	Knob	
327	PTNSPEM721	1	Pedal	
328	PTNSPEM726	1	Plate Left Hand Skirt	
329	PTNSPEM727	1	Plate Right Hand Skirt	
330	PTNSPEM733	2	Strip	
331	PTNSPH560	1	Cylinder	
332	PTNSPM309	1	Emergency Lowering Cable	
333	PTNSPM505	1	Tool Tray	
334	PTNSPM507	4	Cage Wheel	
335	PTNSPM513	2	Anti Slip Strip	
336	PTNSPM517	2	Tray	
337	PTNSPM520	1	Strut	
338	PTNSPM529	1	Tube	
339	PTNSPE601	1	Joystick	
340	PTNSPM544	1	Sleeve Guide Bush	
341	PTNSPM545	2	Bearing	
342	PTNSPM549	2	Washer	
343	PTNSPM550	2	Shaft Key	
344	PTNSPM551	1	Plate	
345	PTNSPM554	1	Pedal Hook	
346	PTNSPM560	4	Nut Cap M10	
347	PTNSPM561	1	Prop Locator	
348	PTNSPM562	2	Roller Bearing	
349	PTNSPM563	2	Switch, Rubber Slide	
350	PTNSPM663	1	Mid Section Roller	
351	PTNSPM664	4	Roller Bearing	
352	PTNSPM669	2	Wear Pad	
353	PTNSPM678	1	Adjust Screw Cover	
354	PTNSPM681	1	Compression Spring	
355	PTNSPM684	10	Sleeve	
356	PTNSPM685	2	Roller	
357	PTNSPM702	2	Spacer	
358	PTNSPM703	2	Pin	
359	PTNSPM704	6	Pin	
360	PTNSPM705	1	Cylinder Pin	
361	PTNSPM706	1	ECU Mounting Plate	

SECTION 1 - MACHINE COMPONENTS

ITEM	PART NUMBER	QTY	DESCRIPTION	REV
362	PTNSPM712	2	Stud	
363	PTNSPM713	1	Plate	
364	PTNSPM714	2	Strip, Side	
365	PTNSPM715	1	Strip, Rear	
366	PTNSPM737	1	Adapter	
367	1001283539	1	Pipe Assembly	
368	1001283540	1	Adapter	
369	1001283541	1	Coupling	
370	1001283542	1	Valve	
371	1001265140	4	Nut 5/16	
372	1001282841	1	Linkage	
373	1001269249	1	Main Power Lead ECU Assembly	
374	1001283544	1	Link Cable	
375	1001283545	1	Ground Control Box	
376	1001266217	4	Cable Tie	
377	1001265234	2	Tie Strap	

SECTION 2 - DECALS

SECTION 2 - DECALS

FIGURE 2-1. DECAL INSTALLATION

ITEM	PART NUMBER	QTY	DESCRIPTION	REV
		Ref	Note: Individual Decals are Not Available for Purchase - Purchase Complete Sheet.	
	PTNSPEM801DUT	1	Decal, Nano SP Dutch Sheet	
	PTNSPEM801	1	Decal, Nano SP English Sheet	
	PTNSPEM801FIN	1	Decal, Nano SP Finnish Sheet	
	PTNSPEM801FRE	1	Decal, Nano SP French Sheet	
	PTNSPEM801GER	1	Decal, Nano SP German Sheet	
	PTNSPEM801ITA	1	Decal, Nano SP Italian Sheet	
	PTNSPEM801NOR	1	Decal, Nano SP Norwegian Sheet	
	PTNSPEM801SPA	1	Decal, Nano SP Spanish Sheet	
	PTNSPEM801POR	1	Decal, Nano SP Portuguese Sheet	
	PTNSPEM801SW E	1	Decal, Nano SP Swedish Sheet	
	PTNSPEM801DAN	1	Decal, Nano SP Danish Sheet	
	PTNSPEM802	1	Decal, Nano SP Control Box	
	PTNSPM558	1	Decal, Nano SP Logo (Pair)	

PART NUMBER INDEX

SECTION 2 - DECALS

1001264555	18	1001266102	19	1001266598	20	PTNSPE621	21
1001264556	18	1001266106	19	1001266599	20	PTNSPE626	21
1001264557	18	1001266123	19	1001266600	20	PTNSPE630E	22
1001264558	18	1001266217	23	1001266601	20	PTNSPE630U	21
1001264559	18	1001266219	19	1001266602	20	PTNSPE631	21
1001264707	18	1001266243	19	1001266603	20	PTNSPE643	21
1001265090	18	1001266419	19	1001266604	20	PTNSPE645	21
1001265092	18	1001266526	19	1001266605	20	PTNSPE648	21
1001265099	18	1001266527	19	1001266607	20	PTNSPE649	21
1001265100	18	1001266528	19	1001266610	20	PTNSPE650	21
1001265108	18	1001266529	19	1001267017	20	PTNSPE673	21
1001265110	18	1001266534	19	1001267018	20	PTNSPE674	21
1001265111	18	1001266535	19	1001267019	20	PTNSPE675	21
1001265112	18	1001266536	19	1001267020	20	PTNSPE676	21
1001265113	18	1001266537	19	1001267021	20	PTNSPEE303	21
1001265114	18	1001266538	19	1001267281	20	PTNSPEE304L	22
1001265115	18	1001266539	19	1001267282	20	PTNSPEE305R	22
1001265116	18	1001266540	19	1001269249	23	PTNSPEE307	22
1001265117	18	1001266541	19	1001274229	20	PTNSPEE308	22
1001265119	18	1001266542	19	1001277683	20	PTNSPEE310	22
1001265121	18	1001266543	19	1001282841	23	PTNSPEE312	22
1001265124	18	1001266544	19	1001283539	23	PTNSPEE313	22
1001265125	18	1001266545	19	1001283540	23	PTNSPEE314	21
1001265126	18	1001266546	19	1001283541	23	PTNSPEE315	21
1001265127	18	1001266547	19	1001283542	23	PTNSPEE316	21
1001265128	18	1001266548	19	1001283544	23	PTNSPEH401	22
1001265129	18	1001266549	19	1001283545	23	PTNSPEH403	22
1001265130	18	1001266550	19	PTE002	20	PTNSPEM701	22
1001265131	18	1001266552	19	PTE003	20	PTNSPEM702	22
1001265133	18	1001266553	19	PTE006	20	PTNSPEM705	22
1001265134	18	1001266554	19	PTE007	20	PTNSPEM707	22
1001265135	18	1001266555	19	PTE008	21	PTNSPEM708	22
1001265136	18	1001266556	19	PTE009	21	PTNSPEM711	22
1001265137	18	1001266557	19	PTM106	21	PTNSPEM721	22
1001265138	18	1001266558	19	PTM107	21	PTNSPEM726	22
1001265139	18	1001266559	19	PTM126	21	PTNSPEM727	22
1001265140	23	1001266560	19	PTM133	21	PTNSPEM733	22
1001265144	18	1001266561	19	PTM172	21	PTNSPEM801	26
1001265146	18	1001266562	20	PTNE213	21	PTNSPEM801DAN	26
1001265149	18	1001266565	20	PTNE214	21	PTNSPEM801DUT	26
1001265150	18	1001266566	20	PTNH277	21	PTNSPEM801FIN	26
1001265201	18	1001266567	20	PTNM330	21	PTNSPEM801FRE	26
1001265202	18	1001266568	20	PTNM342	21	PTNSPEM801GER	26
1001265204	18	1001266569	20	PTNM345	21	PTNSPEM801ITA	26
1001265205	18	1001266572	20	PTNM356	21	PTNSPEM801NOR	26
1001265217	18	1001266573	20	PTNM3572	21	PTNSPEM801POR	26
1001265232	18	1001266574	20	PTNM358	21	PTNSPEM801SPA	26
1001265234	23	1001266576	20	PTNM359	21	PTNSPEM801SWE	26
1001265235	18	1001266577	20	PTNM360	21	PTNSPEM802	26
1001265366	18	1001266578	20	PTNM361	21	PTNSPH560	22
1001265461	18	1001266579	20	PTNM363A	21	PTNSPM309	22
1001265462	18	1001266580	20	PTNM363B	21	PTNSPM505	22
1001265506	19	1001266581	20	PTNM365B	21	PTNSPM507	22
1001265508	19	1001266582	20	PTNM366	21	PTNSPM513	22
1001265509	19	1001266583	20	PTNM370	21	PTNSPM517	22
1001265511	19	1001266584	20	PTNM371	21	PTNSPM520	22
1001265513	19	1001266586	20	PTNM389	21	PTNSPM529	22
1001265514	19	1001266587	20	PTNM390	21	PTNSPM544	22
1001265515	19	1001266588	20	PTNM390SS	21	PTNSPM545	22
1001265748	19	1001266589	20	PTNM393	21	PTNSPM549	22
1001265959	19	1001266590	20	PTNM394	21	PTNSPM550	22
1001265988	19	1001266591	20	PTNSPE601	22	PTNSPM551	22
1001265989	19	1001266592	20	PTNSPE603	21	PTNSPM554	22
1001265990	19	1001266593	20	PTNSPE612	21	PTNSPM558	26
1001266099	19	1001266596	20	PTNSPE614	21	PTNSPM560	22
1001266100	19	1001266597	20	PTNSPE619	21	PTNSPM561	22

SECTION 2 - DECALS

PTNSPM562	22	PTNSPM678	22	PTNSPM703	22	PTNSPM713	23
PTNSPM563	22	PTNSPM681	22	PTNSPM704	22	PTNSPM714	23
PTNSPM663	22	PTNSPM684	22	PTNSPM705	22	PTNSPM715	23
PTNSPM664	22	PTNSPM685	22	PTNSPM706	22	PTNSPM737	23
PTNSPM669	22	PTNSPM702	22	PTNSPM712	23		



Corporate Office
JLG Power Towers Limited
Unit 3, Leicester Distribution Park
45 Sunningdale Road
Leicester
LE3 1UX
United Kingdom
+44 (0) 116 200 1757
www.powertowers.com

Visit our website for JLG Worldwide Locations.
www.jlg.com



OSHKOSH™