



Illustrated Parts Manual

Model Nano SP Plus

SN P130000152
to Present

P/N
31220668
June 24, 2022 - Rev A

CE
UK
CA

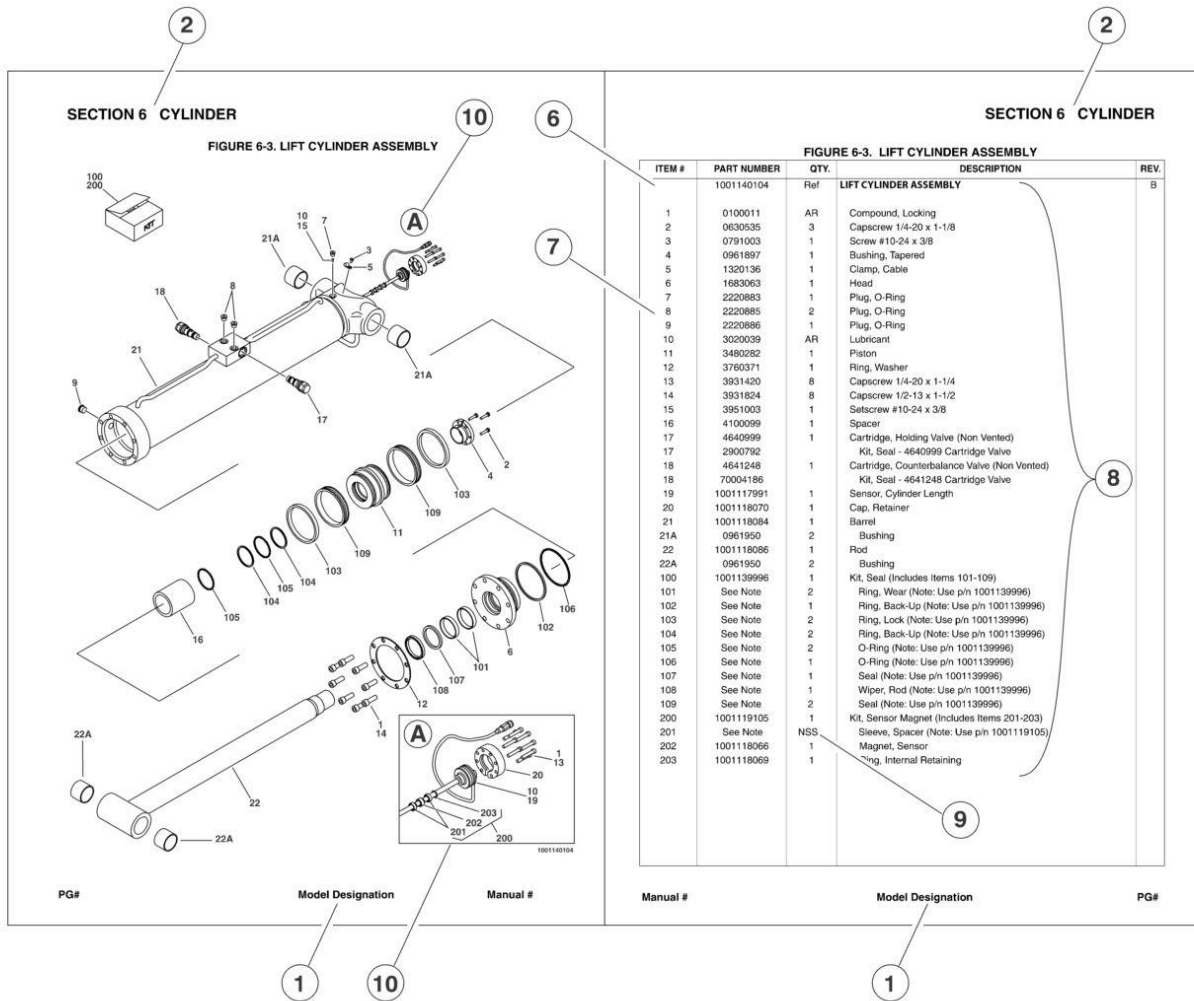


An Oshkosh Corporation Company

REVISION LOG

June 24, 2022 - A - Original Release of Manual

GENERAL INFORMATION



1) MACHINE IDENTIFICATION

Machines are identified by model and in some cases a combination of models, serial number (SN) or regional standard (i.e. ANSI, CE, CSA). Components may also be identified by SN or manufacturer. Common components that may be identified by these characteristics are engines and hydraulic components.

2) PARTS MANUAL ORGANIZATION

Product information in this manual is organized under section titles. Frame, Cylinder, Hydraulic and Electrical are a few examples. Each section is organized by figure and page number. The information within the Figure is then organized by item number, part number, description and corresponding illustration(s).

3) TABLE OF CONTENTS

A table of contents is found toward the beginning of the manual. Figure number, description and page number are provided for quick reference to the page containing the related information.

4) RECOMMENDED SPARE PARTS

The Recommended Spare Parts, located near the end of the manual, reference most frequently used maintenance parts.

5) PART NUMBER INDEX

A numerical index listing all part numbers and the corresponding page number(s) appears at the back of the manual.

GENERAL INFORMATION

6) NON-SERVICED PARTS

In some instances, it is necessary to display non-serviced parts, assemblies or installations. In the case of assemblies and installations there will be a Ref in the Qty column. In case of parts that are not available for service within assemblies and components, there will be a NSS (Not Sold Separately) or NLA (No Longer Available) listed in the Qty. column of the manual.

7) PARTS LIST ITEM NUMBERS

Numbers shown in the item# column correspond to numbers used in the associated illustration (s). Item numbers which are missing from the sequence in the parts list are not used on that page

8) INDENTED PARTS DESCRIPTION

An indented part description is included in the item under which it is indented.

9) ABBREVIATION AND SYMBOLS

AC.....	.. Alternating Current	LCD.....	Liquid Crystal Display
ADE.....	Advanced Design Electronics	LED.....	Light Emitting Diodes
ANSI.....	..American National Standards Institute	LH.....	Left Hand
AR.....	..As Required	LSS.....	..Load Sensing System
ASSY.....	Assembly	M(m).....	Metric/Meter
AUX.....	Auxiliary	MM (mm).....	Milimeter
AWG.....	..American Wire Gauge	mA.....	Miliamps
B/M.....	..Bill of Material	NLA.....	No Longer Available
CE.....	..European Conformity	NPT.....	National Pipe Threads
CCW.....	..Counter Clockwise	NSS.....	Not Sold Separately
cm.....	Centimeter	OD.....	..Outside Diameter
CW.....	..Clockwise	ORB.....	O-Ring Boss
CSA.....	..Canadian Standard Association	ORFS.....	O-Ring Face Seal
CYL.....	Cylinder	OZ (oz).....	..Ounces
DIA.....	Diameter	PG.....	..Page
DC.....	Direct Current	P/N.....	..Part Number
EMS.....	Emergency Stop	qt.....	..Quarts
ENG.....	Engine	QTY.....	..Quantity
FT(ft).....	Feet	REF.....	..Reference
GA(Ga).....	Gauge	REV.....	..Revision Level
HYD.....	Hydraulic	RH.....	..Right Hand
Hz.....	Hertz	SAE.....	Society of Automotive Engineers
ID.....	Inside Diameter	SN.....	..Serial Number
in.....	inches	SPEC(S).....	..Specifications
ISO.....	International Organization for Standards	T/T.....	..Turntable
JIC.....	Joint Industry Council	UGM.....	..Universal Ground Module
KG.....	..Kilogram	V.....	..Volts
L.....	..Liter	W.....	..Watts
LB.....	..Pounds	#.....	..Number

10) ILLUSTRATION REFERENCE LETTERS

When necessary, illustrations may contain reference letters that are intended to track information (i. e. hoses, harness) from one point to another or to track visual enlargement of components to show details that may be located in another area on the illustration.

Note: Due to continuous product improvements, JLG Industries, Inc. reserves the right to make specification changes without prior notification. Contact JLG Industries, Inc. for updated information.

TABLE OF CONTENTS

SECTION 1 - MACHINE COMPONENTS 9

 FIGURE 1-1. NANO SP PLUS ASSEMBLY 10

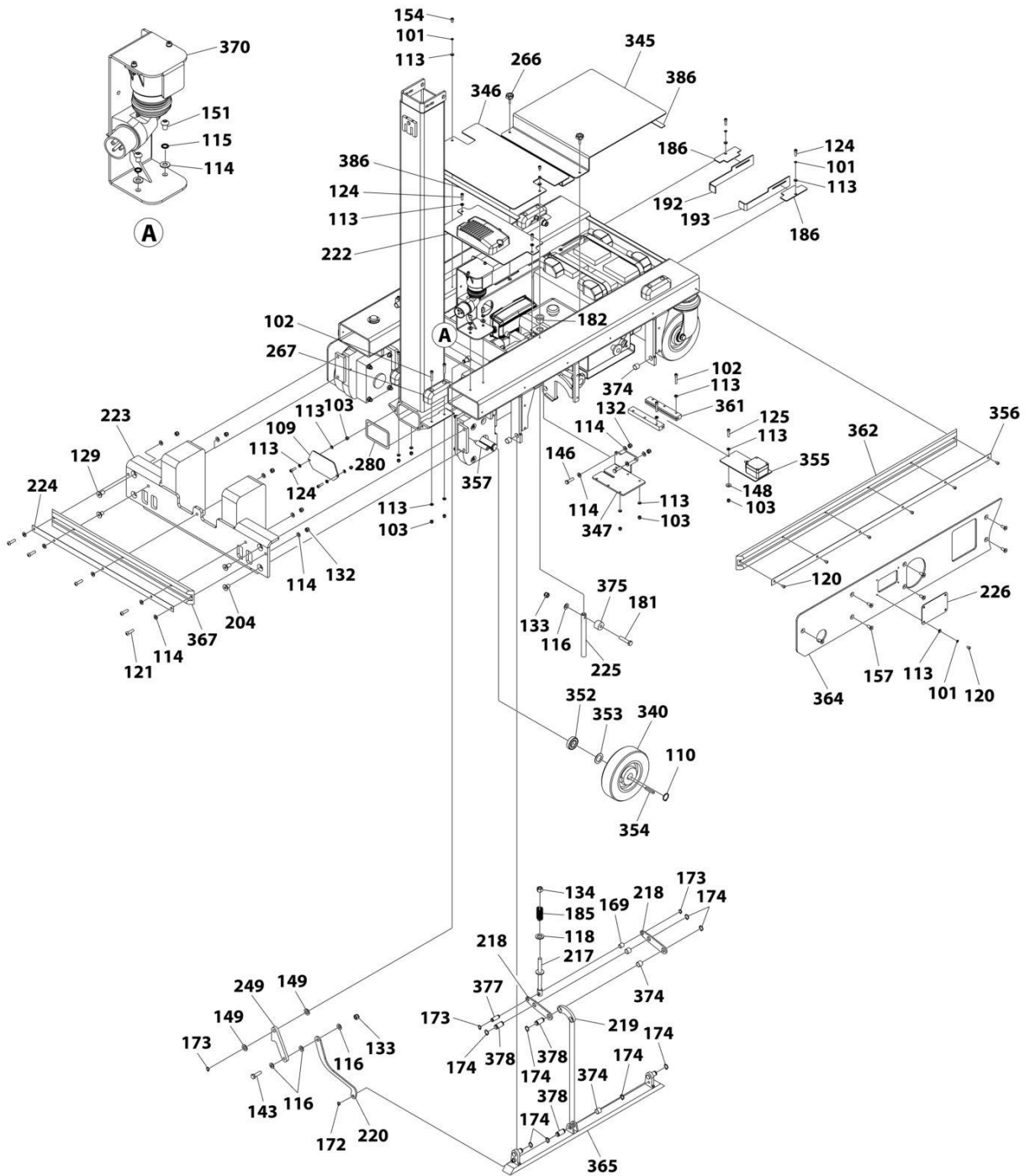
SECTION 2 - DECALS 25

 FIGURE 2-1. DECAL INSTALLATION 26

PART NUMBER INDEX 26

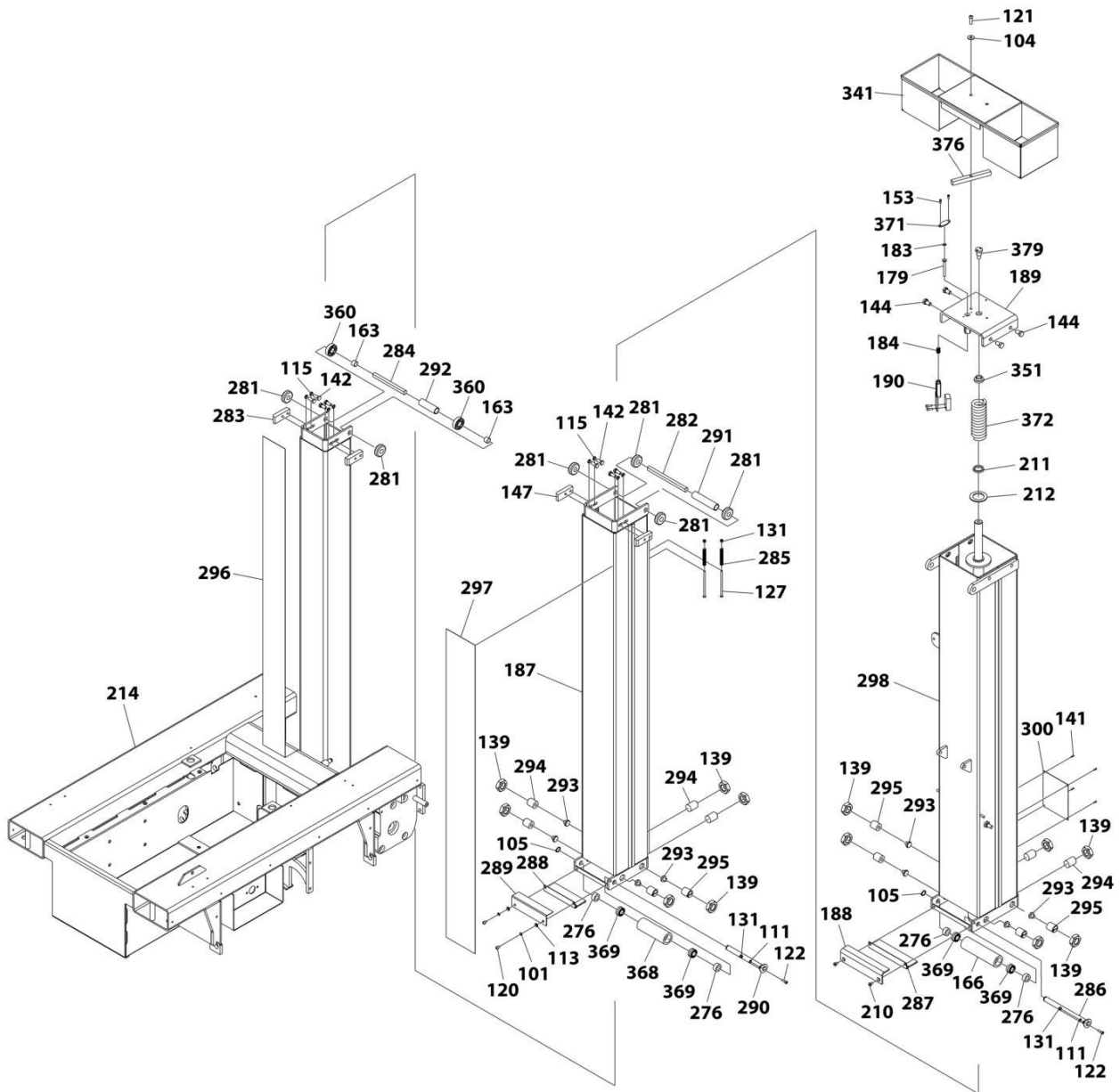
SECTION 1 - MACHINE COMPONENTS

SECTION 1 - MACHINE COMPONENTS



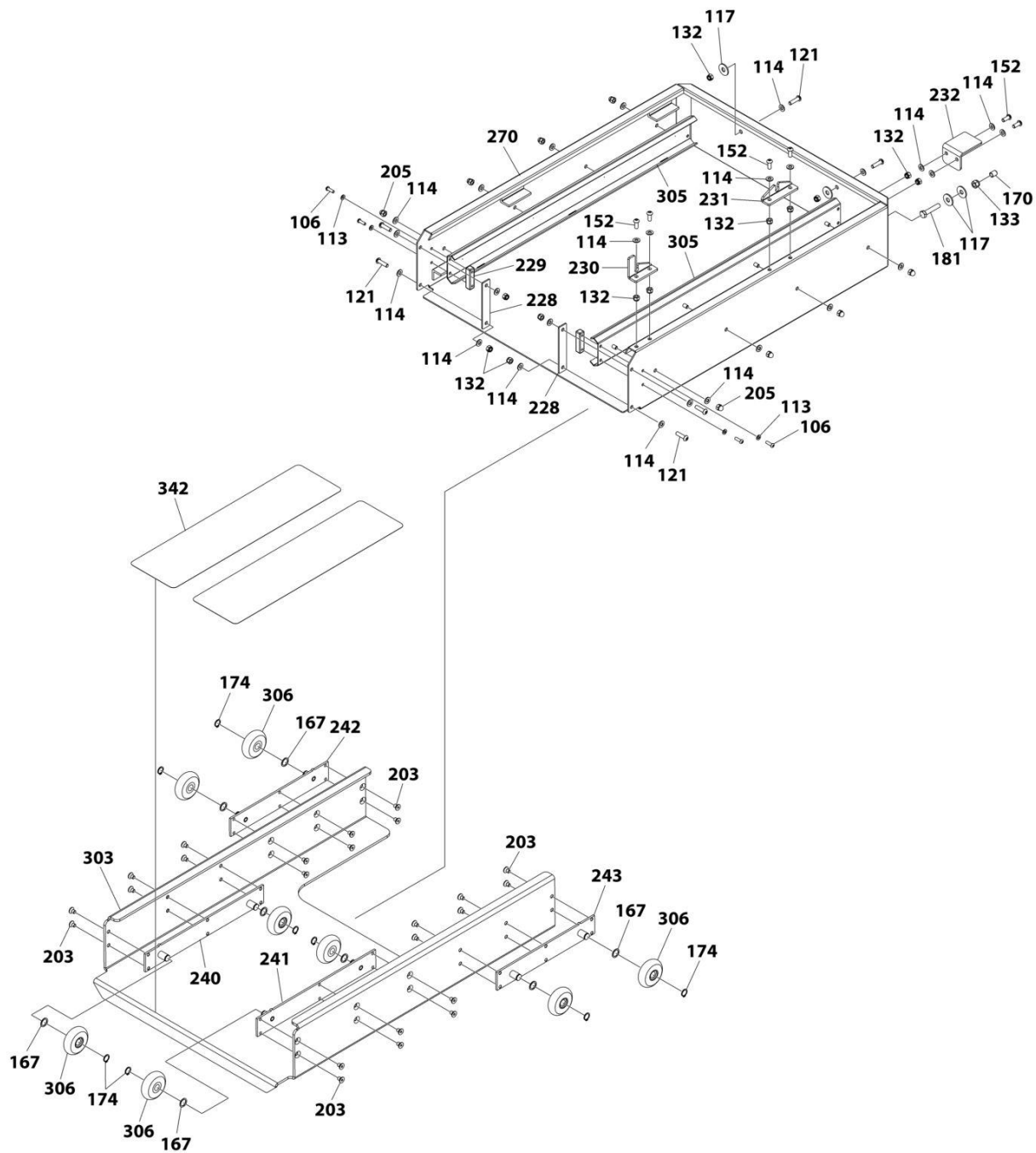
ART_NANO SP PLUS_ASSEMBLY_20F9

SECTION 1 - MACHINE COMPONENTS



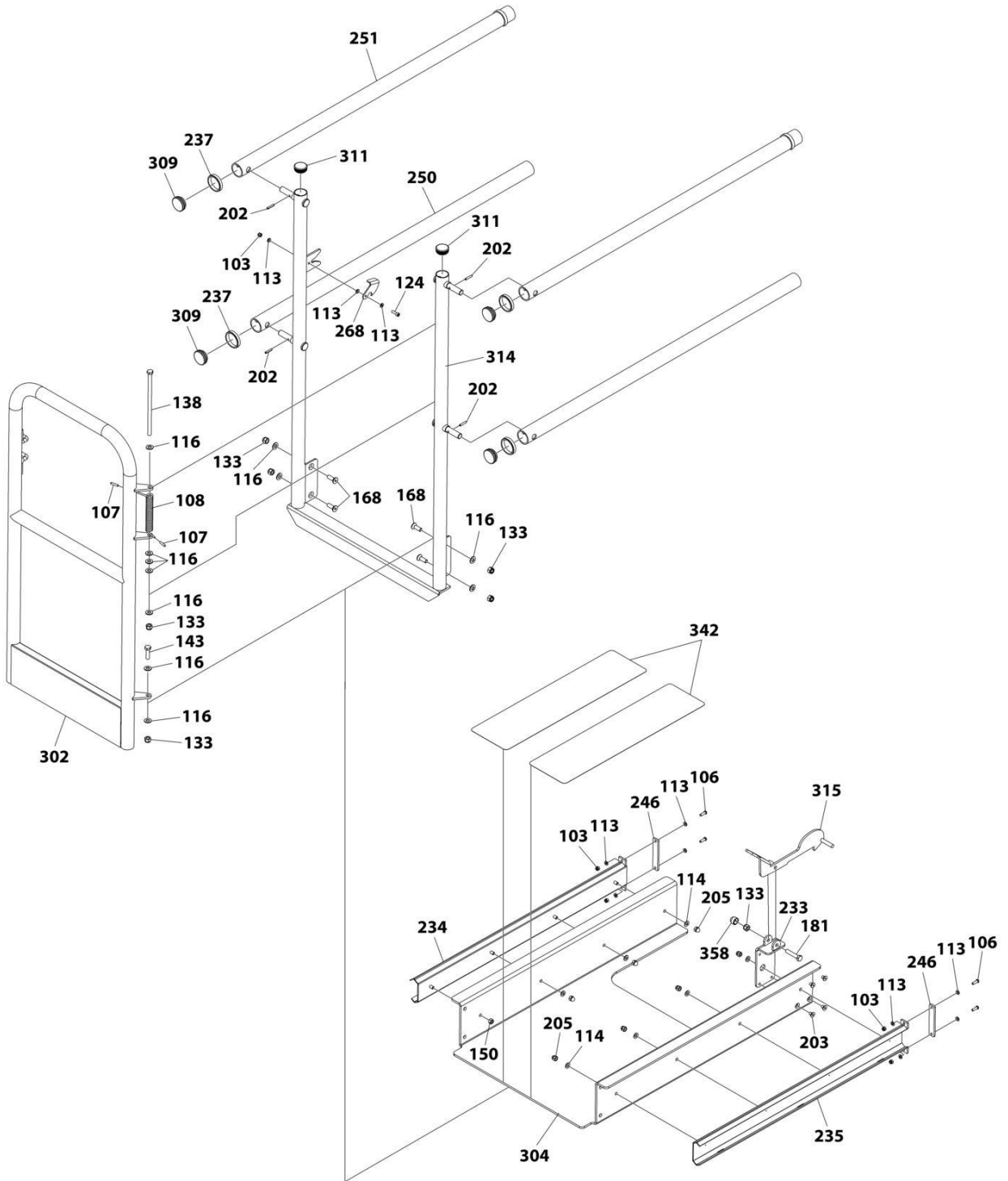
ART_NANO SP PLUS_ASSEMBLY_30F9

SECTION 1 - MACHINE COMPONENTS



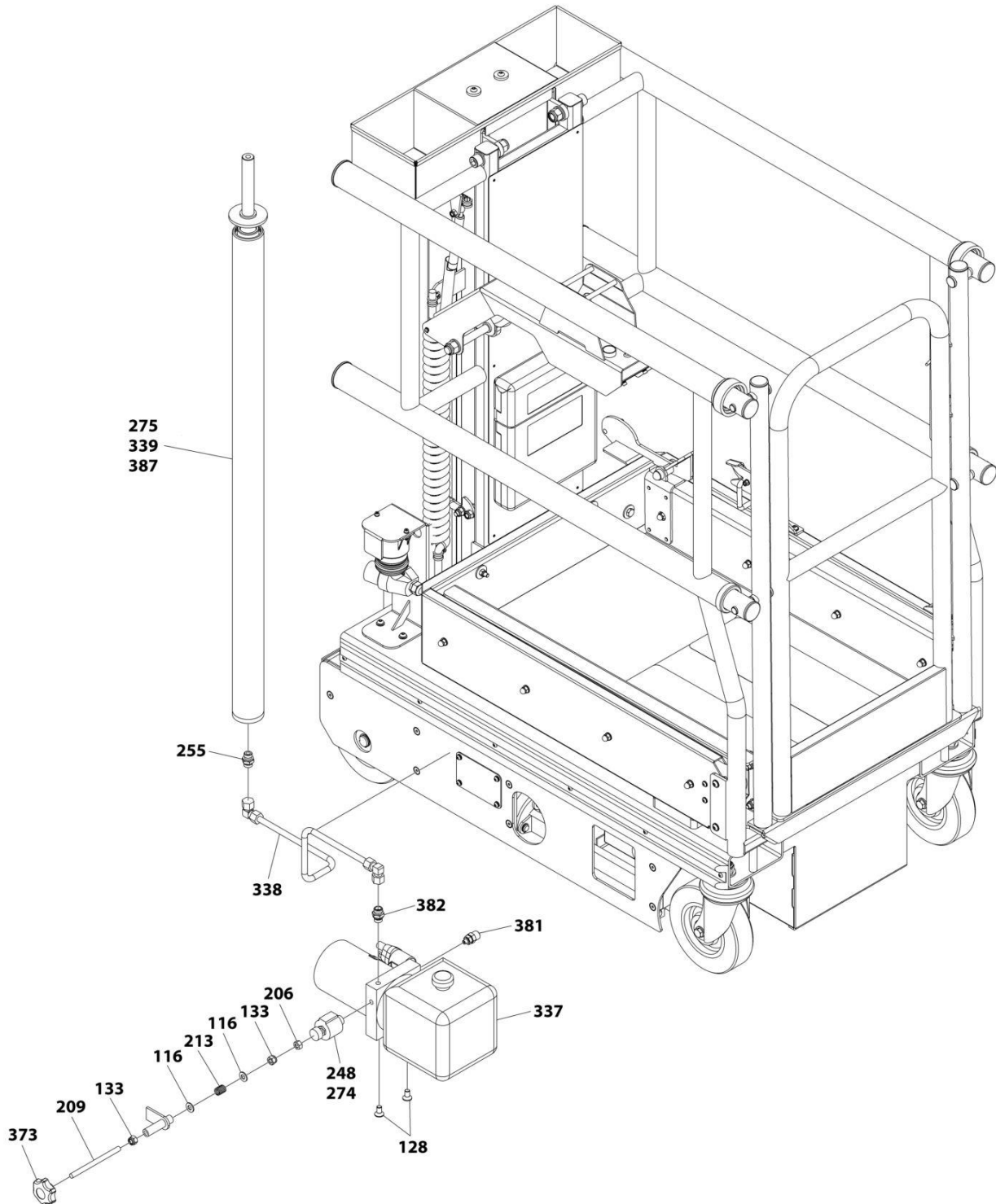
ART_NANO SP PLUS_ASSEMBLY_50F9

SECTION 1 - MACHINE COMPONENTS



ART_NANO SP PLUS_ASSEMBLY_60F9

SECTION 1 - MACHINE COMPONENTS



ART_NANO SP PLUS_ASSEMBLY_7OF9

SECTION 1 - MACHINE COMPONENTS

FIGURE 1-1. NANO SP PLUS ASSEMBLY

ITEM	PART NUMBER	QTY	DESCRIPTION	REV
101	1001264555	17	Washer M6	
102	1001264556	12	Bolt M6 x 35	
103	1001264557	25	Nut M6	
104	1001264558	2	Washer M8	
105	1001264559	2	Circlip	
106	1001264707	8	Bolt M6 x 20	
107	1001265092	2	Cap, Spring	
108	1001265099	1	Spring, Gate	
109	1001265100	1	Cover, Spine End	
110	1001265108	2	Circlip	
111	1001265110	14	Washer M5	
112	1001265111	16	Washer M5	
113	1001265112	59	Washer M6	
114	1001265113	65	Washer M8	
115	1001265114	10	Washer M8	
116	1001265115	29	Washer M10	
117	1001265116	4	Washer M10	
118	1001265117	4	Washer M16	
119	1001265118	4	Washer 3/4	
120	1001265119	22	Bolt M6 x 10	
121	1001265121	13	Bolt M8 x 30	
122	1001265125	8	Bolt M5 x 16	
123	1001265126	3	Bolt M6 x 16	
124	1001265127	7	Bolt M6 x 20	
125	1001265128	9	Bolt M6 x 25	
126	1001265129	2	Bolt M16 x 75	
127	1001265130	2	Bolt M5 x 100	
128	1001265131	2	Bolt M10 x 20	
129	1001265132	2	Bolt M12 x 25	
130	1001265133	2	Nut M4	
131	1001265134	16	Nut M5	
132	1001265135	28	Nut M8	
133	1001265136	22	Nut M10	
134	1001265137	6	Nut M12	
135	1001265138	1	Nut M12	
136	1001265139	3	Nut M16	
137	1001265140	4	Nut 5/16	
138	1001265144	1	Bolt M10 x 220	
139	1001265146	12	Nut M24	
140	1001265147	2	Nut 3/4	
141	1001265149	10	Rivet	
142	1001265202	8	Bolt M8 x 20	
143	1001265204	3	Bolt M10 x 35	
144	1001265205	4	Bolt M12 x 20	
145	1001265232	1	Decal, Emergency Stop	
146	1001265233	2	Bolt M8 x 30	
147	1001265366	2	Pad, Wear	
148	1001265461	1	Washer M6	
149	1001265462	12	Washer M12	
150	1001265496	1	Nut M8	

SECTION 1 - MACHINE COMPONENTS

ITEM	PART NUMBER	QTY	DESCRIPTION	REV
151	1001265506	2	Bolt M8 x 12	
152	1001265507	6	Bolt M8 x 20	
153	1001265509	2	Bolt M4 x 12	
154	1001265511	5	Bolt M6 x 10	
155	1001265513	1	Bolt M12 x 40	
156	1001265514	2	Bolt M6 x 25	
157	1001265515	14	Bolt M8 x 20	
158	1001265748	2	Pivot, Platform	
159	1001265962	4	Bolt M10 x 40	
160	1001265988	2	Bolt M4 x 16	
161	1001265989	2	Bolt M5 x 20	
162	1001265990	2	Bolt M5 x 30	
163	1001266100	2	Inner, Bearing	
164	1001266106	2	Screw 6 x 3/8	
165	1001266122	2	Bolt M4 x 20	
166	1001266243	1	Roller	
167	1001266413	8	Washer M17	
168	1001266419	4	Bolt M10 x 30	
169	1001266526	3	Bush	
170	1001266528	1	Cage, End Cap	
171	1001266529	1	Cable Gland	
172	1001266536	2	Circlip	
173	1001266537	6	Circlip	
174	1001266538	24	Circlip	
175	1001266539	4	Washer	
176	1001266540	4	Bolt M4 x 30	
177	1001266541	2	Bolt M8 x 70	
178	1001266542	6	Bolt M8 x 90	
179	1001266545	1	Bolt M8 x 70	
180	1001266548	3	Nut M10	
181	1001266549	4	Bolt M10 x 50	
182	1001266560	2	Guide	
183	1001266566	1	O-Ring	
184	1001266567	1	Spring	
185	1001266568	2	Spring	
186	1001266584	2	Battery Clamp Plate	
187	1001266589	1	Middle Mast Assembly	
188	1001266591	1	Roller Cover	
189	1001266592	1	Load Sensing Mast Cap Assembly	
190	1001266593	1	Load Sensor Bracket Assembly	
191	1001269254	1	Suzi Assembly	
192	1001267018	1	Clamp	
193	1001267019	1	Clamp	
194	1001267020	1	LHS Latch Arm Assembly	
195	1001267021	1	RHS Latch Arm Assembly	
196	1001267281	1	LHS Latch Lever	
197	1001267282	1	RHS Latch Lever	
198	1001267559	1	Buffer	
199	1001267560	1	Plug	
200	1001267561	1	Plug	
201	1001267566	2	Circlip	

SECTION 1 - MACHINE COMPONENTS

ITEM	PART NUMBER	QTY	DESCRIPTION	REV
202	1001267567	4	Pin	
203	1001267568	28	Bolt M8 x 12	
204	1001267569	2	Bolt M12 x 20	
205	1001267570	15	Nut M8	
206	1001267571	1	Nut M10	
207	1001267572	2	Bolt M12 x 120	
208	1001267573	2	Bolt 3/4	
209	1001267574	1	Bolt M10 x 140	
210	1001267575	2	Bolt M6 x 12	
211	1001267577	1	Spacer	
212	1001267578	1	Spacer	
213	1001267584	1	Spring	
214	1001267585	1	Chassis	
215	1001267586	2	Spacer	
216	1001267587	1	Tube	
217	1001267588	2	Plunger Assembly	
218	1001267589	4	Crank Arm	
219	1001267590	2	Lever Arm	
220	1001267591	2	Interlock Arm	
221	1001267592	1	Hook	
222	1001267593	1	ECU Mounting Plate	
223	1001267594	1	Plate	
224	1001267595	1	Buffer, Strip	
225	1001267596	2	Plunger Shaft	
226	1001267598	1	Tilt Switch Cover	
227	1001267599	1	Switch Cover	
228	1001267600	2	Plate	
229	1001267601	2	Stop Double Cage	
230	1001267603	1	Wedge Plate Double Cage	
231	1001267604	1	Rear Plate Double Cage	
232	1001267605	1	Bracket	
233	1001267606	1	Bracket	
234	1001267612	1	LHS Sliding Tray Channel	
235	1001267613	1	RHS Sliding Tray Channel	
236	1001267841	1	Pressure Plate	
237	1001267843	4	Bushing	
238	1001267844	1	Spacer	
239	1001267845	1	Pin	
240	1001267848	1	LHS Roller, Axle Plate	
241	1001267849	1	RHS Roller, Axle Plate	
242	1001267850	1	LHS Roller, Axle Plate	
243	1001267851	1	RHS Roller, Axle Plate	
244	1001268391	1	Control Arm Assembly	
245	1001268411	1	Alarm Relay - Resistor	
246	1001268414	2	Plate	
247	1001269255	1	Double Mast Limit Switch Assembly	
248	1001268978	1	Solenoid and Valve	
249	1001274956	1	Hook	
250	1001278680	2	Sliding Handrail	
251	1001278681	2	Sliding Handrail with Collar	
252	PTNSPE601	1	Joystick Module	

SECTION 1 - MACHINE COMPONENTS

ITEM	PART NUMBER	QTY	DESCRIPTION	REV
253	1001265120	2	Bolt M8 x 16	
254	1001265124	4	Bolt M5 x 12	
255	1001283541	1	Coupling	
256	PTE002	1	Battery - Standard	
257	PTE003	1	Emergency Stop Button	
258	PTE006	1	Push Button	
259	PTE007	2	Push Button	
260	PTE008	3	Block	
261	PTNSPE631	2	Block	
262	PTNSPE619	2	Block	
263	PTE009	1	Block	
264	PTE022	1	LED	
265	PTM106	1	Level	
266	PTM107	2	Knob	
267	PTM126	4	Pad, Rest	
268	PTM133	1	Latch	
269	PTM172	6	Clip	
270	PTNSP2M805	1	Tray	
271	PTNE213	2	Cover, Battery Terminal - Blue/Black	
272	PTNE214	2	Cover, Battery Terminal - Red	
273	PTNH252	1	Solenoid	
274	PTNH256	1	Valve Cartridge	
275	PTNH277	1	Kit, Seal	
276	PTNM330	4	Spacer	
277	PTNM340	1	Gas Strut	
278	PTNM342	1	Document Holder	
279	PTNM343	1	Plate	
280	PTNM345	1	Gasket, Spine End Cover	
281	PTNM356	6	Roller, Mast	
282	PTNM3572	1	Axle	
283	PTNM358	2	Pad, Wear	
284	PTNM359	1	Axle	
285	PTNM360	2	Spring	
286	PTNM361	1	Axle	
287	PTNM363A	1	Brush	
288	PTNM363B	1	Brush	
289	PTNM365B	1	Cover, Roller	
290	PTNM366	1	Axle	
291	PTNM370	1	Spacer	
292	PTNM371	1	Spacer	
293	PTNM389	8	Insert, Wear Screw	
294	PTNM390	4	Screw, Plastic Wear	
295	PTNM390SS	8	Screw, Stainless Steel Wear	
296	PTNM393	1	Strip, Wear	
297	PTNM394	1	Strip, Wear	
298	PTNSP2M701	1	Mast Outer Assembly	
299	PTNSP2M702	2	Swivel Castor	
300	PTNSP2M703	1	Plate	
301	PTNSP2M801	1	Fixed Frame	
302	PTNSP2M804	1	Gate	
303	PTNSP2M806	1	Middle Tray	

SECTION 1 - MACHINE COMPONENTS

ITEM	PART NUMBER	QTY	DESCRIPTION	REV
304	PTNSP2M807	1	Sliding Tray	
305	PTNSP2M809	2	Channel Assembly	
306	PTNSP2M811	8	Wheel Double Cage	
307	PTNSP2M813	2	Tube Bush (Top Rail)	
308	PTNSP2M814	2	Tube Bush (Bottom Rail)	
309	PTNSP2M815	4	Gate End Cap	
310	PTNSP2M816	4	Mast End Cap	
311	PTNSP2M817	2	Gate Top End Cap	
312	PTNSP2M820	1	Spacer	
313	PTNSP2M821	2	Load Sensing Spring	
314	PTNSP2M822	1	Gate Frame	
315	PTNSP2M823	1	Pedal	
316	PTNSPEE314	1	Cable, Battery Black	
317	PTNSPEE315	2	Cable, Battery Red	
318	PTNSPEE316	1	Cable, Battery Red	
319	PTNSPE602	1	Power Module	
320	PTNSPE603	1	Tilt Switch	
321	PTNSPE612	1	Lamp	
322	PTNSPE614	1	Switch, Emergency Stop	
323	PTNSPE616L	1	Drive Motor, Gearbox LHS	
324	PTNSPE616R	1	Drive Motor, Gearbox RHS	
325	PTNSPE621	1	Switch, Battery Emergency Stop	
326	PTNSPE626	1	Lamp	
327	PTNSPE630U	1	Battery Charger	
328	PTNSPE632	1	Solenoid 24V	
329	PTNSPE643	1	Switch Ground	
330	PTNSPE645	1	Plug	
331	PTNSPE649	1	Alarm, Switch	
332	PTNSPE650	1	Mast, Limit Switch	
333	PTNSPE673	1	Warning, Bleeper	
334	PTNSPE674	1	Timer Module	
335	PTNSPE675	1	Alarm	
336	PTNSPE676	2	Relay	
337	PTNSPH551	1	Power Pack SP	
338	1001283874	1	Tube and Fitting	
339	PTNSPH560	1	Cylinder	
340	PTNSPM500	2	Drive Wheel	
341	PTNSPM505	1	Tool Tray	
342	PTNSPM513	4	Anti Slip Strip	
343	PTNSPM519	1	Gas Strut Small	
344	PTNSPM520	1	Gas Strut Large	
345	PTNSPM521	1	Battery Cover	
346	PTNSPM522	1	ECU Cover	
347	PTNSPM530	1	Switch Mounting	
348	PTNSPM533	1	Control Arm	
349	PTNSPM535	1	Bottom Cap	
350	PTNSPM539	3	Control Arm Pivot Top	
351	PTNSPM544	1	Sleeve Guide Bush	
352	PTNSPM545	2	Bearing	
353	PTNSPM549	2	Washer	
354	PTNSPM550	2	Shaft Key	

SECTION 1 - MACHINE COMPONENTS

ITEM	PART NUMBER	QTY	DESCRIPTION	REV
355	PTNSPM551	1	Plate	
356	PTNSPM552	2	Side Buffer	
357	PTNSPM557	2	Stud	
358	PTNSPM560	1	Nut M10	
359	PTNSPM561	1	Pivot	
360	PTNSPM562	2	Roller Bearing	
361	PTNSPM563	2	Switch, Rubber Slide	
362	PTNSPM651	2	Side Buffer Strip	
363	PTNSPM652	1	Side Skirt RHS	
364	PTNSPM653	1	Side Skirt LHS	
365	PTNSPM654	1	Pivot Bar LHS	
366	PTNSPM654A	1	Pivot Bar RHS	
367	PTNSPM656	1	Rear Buffer Strip	
368	PTNSPM663	1	Mid Section Roller	
369	PTNSPM664	4	Roller Bearing	
370	PTNSPM673	1	Beacon Mounting	
371	PTNSPM678	1	Adjust Screw Cover	
372	PTNSPM681	1	Compression Spring	
373	PTNSPM682	1	Emergency Lowering Button	
374	PTNSPM684	10	Sleeve	
375	PTNSPM685	2	Roller	
376	PTNSPM702	2	Spacer	
377	PTNSPM703	2	Pin	
378	PTNSPM704	6	Pin	
379	PTNSPM705	1	Cylinder Pin	
380	PTNSPE630E	1	Battery Charger	
381	1001282140	1	Test Port	
382	1001283875	1	Stud Coupling	
383	1001269249	1	Main Power Lead ECU Assembly	
384	1001269250	1	Motor Lead Assembly	
385	1001269251	1	Battery Cable	
386	1001266102	1	Foam Trim	
387	1001265201	4 gl	Fluid (Not Shown)	
388	1001269252	1	Ground Control Box	
389	1001267579	1	Cover	
390	1001267580	1	Female Plug	
391	1001267581	2	Male Plug	
392	1001267582	3	Female Plug Pin	
393	1001267583	4	Male Plug Pin	
394	1001268390	1	Double Diode	
395	1001265150	2	Ring Connector	
396	1001266217	4	Cable Tie	
397	1001265234	2	Tie Strap	
398	1001265235	30	Tie Strap	

SECTION 2 - DECALS

SECTION 2 - DECALS

FIGURE 2-1. DECAL INSTALLATION

ITEM	PART NUMBER	QTY	DESCRIPTION	REV
		Ref	Note: Individual Decals are Not Available for Purchase - Purchase Complete Sheet.	
	PTNSP2M902DUT	1	Decal, Nano SP Plus Dutch Sheet	
	PTNSP2M902ENG	1	Decal, Nano SP Plus English Sheet	
	PTNSP2M902FRE	1	Decal, Nano SP Plus French Sheet	
	PTNSP2M902GER	1	Decal, Nano SP Plus German Sheet	
	PTNSP2M902ITA	1	Decal, Nano SP Plus Italian Sheet	
	PTNSP2M902SLO	1	Decal, Nano SP Plus Slovenian Sheet	
	PTNSP2M902SPA	1	Decal, Nano SP Plus Spanish Sheet	
	PTNSP2M902SWE	1	Decal, Nano SP Plus Swedish Sheet	
	PTNSP2M902DAN	1	Decal, Nano SP Plus Danish Sheet	
	PTNSP2M902POR	1	Decal, Nano SP Plus Portuguese Sheet	
	PTNSP2M902NOR	1	Decal, Nano SP Plus Norwegian Sheet	
	PTNSPM543	1	Decal, Nano SP Plus Control Box	
	PTNSP2M900	1	Decal, Nano SP Plus Logo (Pair)	

PART NUMBER INDEX

SECTION 2 - DECALS

1001264555	19	1001265989	20	1001267592	21	PTNM359	22
1001264556	19	1001265990	20	1001267593	21	PTNM360	22
1001264557	19	1001266100	20	1001267594	21	PTNM361	22
1001264558	19	1001266102	24	1001267595	21	PTNM363A	22
1001264559	19	1001266106	20	1001267596	21	PTNM363B	22
1001264707	19	1001266122	20	1001267598	21	PTNM365B	22
1001265092	19	1001266217	24	1001267599	21	PTNM366	22
1001265099	19	1001266243	20	1001267600	21	PTNM370	22
1001265100	19	1001266413	20	1001267601	21	PTNM371	22
1001265108	19	1001266419	20	1001267603	21	PTNM389	22
1001265110	19	1001266526	20	1001267604	21	PTNM390	22
1001265111	19	1001266528	20	1001267605	21	PTNM390SS	22
1001265112	19	1001266529	20	1001267606	21	PTNM393	22
1001265113	19	1001266536	20	1001267612	21	PTNM394	22
1001265114	19	1001266537	20	1001267613	21	PTNSP2M701	22
1001265115	19	1001266538	20	1001267841	21	PTNSP2M702	22
1001265116	19	1001266539	20	1001267843	21	PTNSP2M703	22
1001265117	19	1001266540	20	1001267844	21	PTNSP2M801	22
1001265118	19	1001266541	20	1001267845	21	PTNSP2M804	22
1001265119	19	1001266542	20	1001267848	21	PTNSP2M805	22
1001265120	22	1001266545	20	1001267849	21	PTNSP2M806	22
1001265121	19	1001266548	20	1001267850	21	PTNSP2M807	23
1001265124	22	1001266549	20	1001267851	21	PTNSP2M809	23
1001265125	19	1001266560	20	1001268390	24	PTNSP2M811	23
1001265126	19	1001266566	20	1001268391	21	PTNSP2M813	23
1001265127	19	1001266567	20	1001268411	21	PTNSP2M814	23
1001265128	19	1001266568	20	1001268414	21	PTNSP2M815	23
1001265129	19	1001266584	20	1001268978	21	PTNSP2M816	23
1001265130	19	1001266589	20	1001269249	24	PTNSP2M817	23
1001265131	19	1001266591	20	1001269250	24	PTNSP2M820	23
1001265132	19	1001266592	20	1001269251	24	PTNSP2M821	23
1001265133	19	1001266593	20	1001269252	24	PTNSP2M822	23
1001265134	19	1001267018	20	1001269254	20	PTNSP2M823	23
1001265135	19	1001267019	20	1001269255	21	PTNSP2M900	26
1001265136	19	1001267020	20	1001274956	21	PTNSP2M902DAN	26
1001265137	19	1001267021	20	1001278680	21	PTNSP2M902DUT	26
1001265138	19	1001267281	20	1001278681	21	PTNSP2M902ENG	26
1001265139	19	1001267282	20	1001282140	24	PTNSP2M902FRE	26
1001265140	19	1001267559	20	1001283541	22	PTNSP2M902GER	26
1001265144	19	1001267560	20	1001283874	23	PTNSP2M902ITA	26
1001265146	19	1001267561	20	1001283875	24	PTNSP2M902NOR	26
1001265147	19	1001267566	20	PTE002	22	PTNSP2M902POR	26
1001265149	19	1001267567	21	PTE003	22	PTNSP2M902SLO	26
1001265150	24	1001267568	21	PTE006	22	PTNSP2M902SPA	26
1001265201	24	1001267569	21	PTE007	22	PTNSP2M902SWE	26
1001265202	19	1001267570	21	PTE008	22	PTNSPE601	21
1001265204	19	1001267571	21	PTE009	22	PTNSPE602	23
1001265205	19	1001267572	21	PTE022	22	PTNSPE603	23
1001265232	19	1001267573	21	PTM106	22	PTNSPE612	23
1001265233	19	1001267574	21	PTM107	22	PTNSPE614	23
1001265234	24	1001267575	21	PTM126	22	PTNSPE616L	23
1001265235	24	1001267577	21	PTM133	22	PTNSPE616R	23
1001265366	19	1001267578	21	PTM172	22	PTNSPE619	22
1001265461	19	1001267579	24	PTNE213	22	PTNSPE621	23
1001265462	19	1001267580	24	PTNE214	22	PTNSPE626	23
1001265496	19	1001267581	24	PTNH252	22	PTNSPE630E	24
1001265506	20	1001267582	24	PTNH256	22	PTNSPE630U	23
1001265507	20	1001267583	24	PTNH277	22	PTNSPE631	22
1001265509	20	1001267584	21	PTNM330	22	PTNSPE632	23
1001265511	20	1001267585	21	PTNM340	22	PTNSPE643	23
1001265513	20	1001267586	21	PTNM342	22	PTNSPE645	23
1001265514	20	1001267587	21	PTNM343	22	PTNSPE649	23
1001265515	20	1001267588	21	PTNM345	22	PTNSPE650	23
1001265748	20	1001267589	21	PTNM356	22	PTNSPE673	23
1001265962	20	1001267590	21	PTNM357	22	PTNSPE674	23
1001265988	20	1001267591	21	PTNM358	22	PTNSPE675	23

SECTION 2 - DECALS

PTNSPE676	23	PTNSPM522	23	PTNSPM557	24	PTNSPM664	24
PTNSPEE314	23	PTNSPM530	23	PTNSPM560	24	PTNSPM673	24
PTNSPEE315	23	PTNSPM533	23	PTNSPM561	24	PTNSPM678	24
PTNSPEE316	23	PTNSPM535	23	PTNSPM562	24	PTNSPM681	24
PTNSPH551	23	PTNSPM539	23	PTNSPM563	24	PTNSPM682	24
PTNSPH560	23	PTNSPM543	26	PTNSPM651	24	PTNSPM684	24
PTNSPM500	23	PTNSPM544	23	PTNSPM652	24	PTNSPM685	24
PTNSPM505	23	PTNSPM545	23	PTNSPM653	24	PTNSPM702	24
PTNSPM513	23	PTNSPM549	23	PTNSPM654	24	PTNSPM703	24
PTNSPM519	23	PTNSPM550	23	PTNSPM654A	24	PTNSPM704	24
PTNSPM520	23	PTNSPM551	24	PTNSPM656	24	PTNSPM705	24
PTNSPM521	23	PTNSPM552	24	PTNSPM663	24		



Corporate Office
JLG Power Towers Limited
Unit 3, Leicester Distribution Park
45 Sunningdale Road
Leicester
LE3 1UX
United Kingdom
+44 (0) 116 200 1757
www.powertowers.com

Visit our website for JLG Worldwide Locations.
www.jlg.com



OSHKOSH™