



---

# Illustrated Parts Manual

**Models**  
**1532R**  
**1932R**

P/N  
3121750

*February 7, 2020 - Rev M*

**ANSI**

**CE**



**AS/NZS**



An Oshkosh Corporation Company



## REVISION LOG

### NOTES:

**NOTE: Country of Assembly - The R Scissor Lifts are assembled by JLG Industries in the following countries: Mexico or China. Refer to the Serial Number Tag to identify the country of assembly. R Scissors assembled in Mexico will have a serial number prefix of M2 (i.e. M2XXXXXXXX) and R Scissors manufactured in China will have a serial number prefix of B2 (i.e. B2XXXXXXXX).**

### REVISION LOG:

**July 6, 2016 - A -Original Issue of Manual (1001200000 Rev E)**  
**September 16, 2016 - B - Revised Manual (1001200000 Rev E) (Revision 1)**  
**November 28, 2016 - C - Revised Manual (1001200000 Rev F)**  
**January 23, 2017 - D - Revised Manual (1001200000 Rev F) (Revision 1)**  
**April 30, 2017 - E - Revised Manual (1001200000 Rev J & 1001230000 Rev D) (Revision 1)**  
**July 13, 2017 - F - Revised Manual (1001200000 Rev K & 1001230000 Rev E) (Revision 1)**  
**November 6, 2017 - G - Revised Manual (1001200000 Rev M & 1001230000 Rev G) (Revision 2)**  
**January 20, 2018 - H - Revised Manual (1001200000 Rev O & 1001230000 Rev H) (Revision 1)**  
**April 10, 2018 - I - Revised Manual (1001200000 Rev P & 1001230000 Rev I) (Revision 1)**  
**July 23, 2018 - J - Revised Manual (1001200000 Rev P & 1001230000 Rev J) (Revision 2)**  
**November 9, 2018 - K - Revised Manual (1001200000 Rev P & 1001230000 Rev L)**  
**January 10, 2019 - L - Revised Manual (1001200000 Rev S & 1001230000 Rev N) (Revision 1)**  
**February 7, 2020- M - Revised Manual (1001200000 Rev Z & 1001230000 Rev M)**

# GENERAL INFORMATION

**SECTION 6 CYLINDER**

**FIGURE 6-3. LIFT CYLINDER ASSEMBLY**

PG#      Model Designation      Manual #

1      10

**SECTION 6 CYLINDER**

**FIGURE 6-3. LIFT CYLINDER ASSEMBLY**

ITEM #	PART NUMBER	QTY.	DESCRIPTION	REV.
	1001140104	Ref	LIFT CYLINDER ASSEMBLY	B
1	0100011	AR	Compound, Locking	
2	0630535	3	Capscrew 1/4-20 x 1-1/8	
3	0791003	1	Screw #10-24 x 3/8	
4	0961897	1	Bushing, Tapered	
5	1320136	1	Clamp, Cable	
6	1683063	1	Head	
7	2220683	1	Plug, O-Ring	
8	2220885	2	Plug, O-Ring	
9	2220896	1	Plug, O-Ring	
10	3020039	AR	Lubricant	
11	3480282	1	Piston	
12	3760371	1	Ring, Washer	
13	3931420	8	Capscrew 1/4-20 x 1-1/4	
14	3931824	8	Capscrew 1/2-13 x 1-1/2	
15	3951003	1	Setscrew #10-24 x 3/8	
16	4100099	1	Spacer	
17	4640999	1	Cartridge, Holding Valve (Non Vented)	
17	2900792	1	Kit, Seal - 4640999 Cartridge Valve	
18	4641248	1	Cartridge, Countebalance Valve (Non Vented)	
18	70004186	1	Kit, Seal - 4641248 Cartridge Valve	
19	1001117991	1	Sensor, Cylinder Length	
20	1001118070	1	Cap, Retainer	
21	1001119084	1	Barrel	
21A	0961950	2	Bushing	
22	1001118086	1	Rod	
22A	0961950	2	Bushing	
100	1001139996	1	Kit, Seal (Includes Items 101-109)	
101	See Note	2	Ring, Wear (Note: Use p/n 1001139996)	
102	See Note	1	Ring, Back-Up (Note: Use p/n 1001139996)	
103	See Note	2	Ring, Lock (Note: Use p/n 1001139996)	
104	See Note	2	Ring, Back-Up (Note: Use p/n 1001139996)	
105	See Note	2	O-Ring (Note: Use p/n 1001139996)	
106	See Note	1	O-Ring (Note: Use p/n 1001139996)	
107	See Note	1	Seal (Note: Use p/n 1001139996)	
108	See Note	1	Wiper, Rod (Note: Use p/n 1001139996)	
109	See Note	2	Seal (Note: Use p/n 1001139996)	
200	1001119105	1	Kit, Sensor Magnet (Includes Items 201-203)	
201	See Note		Sleeve, Spacer (Note: Use p/n 1001119105)	
202	1001118066	1	Magnet, Sensor	
203	1001118069	1	Ring, Internal Retaining	

Manual #      Model Designation      PG#

1      8      9

## 1) MACHINE IDENTIFICATION

Machines are identified by model and in some cases a combination of models, serial number (SN) or regional standard (i.e. ANSI, CE, CSA). Components may also be identified by SN or manufacturer. Common components that may be identified by these characteristics are engines and hydraulic components.

## 2) PARTS MANUAL ORGANIZATION

Product information in this manual is organized under section titles. Frame, Cylinder, Hydraulic and Electrical are a few examples. Each section is organized by figure and page number. The information within the Figure is then organized by item number, part number, description and corresponding illustration(s).

## 3) TABLE OF CONTENTS

A table of contents is found toward the beginning of the manual. Figure number, description and page number are provided for quick reference to the page containing the related information.

## 4) RECOMMENDED SPARE PARTS

The Recommended Spare Parts, located near the end of the manual, reference most frequently used maintenance parts.

## 5) PART NUMBER INDEX

A numerical index listing all part numbers and the corresponding page number(s) appears at the back of the manual.



## GENERAL INFORMATION

### 6) NON-SERVICED PARTS

In some instances, it is necessary to display non-serviced parts, assemblies or installations. In the case of assemblies and installations there will be a Ref in the Qty column. In case of parts that are not available for service within assemblies or components, there will be a NSS (Not Sold Separately) or NLA (No Longer Available) listed in the Qty. column of the manual.

### 7) PARTS LIST ITEM NUMBERS

Numbers shown in the item# column correspond to numbers used in the associated illustration (s). Item numbers which are missing from the sequence in the parts list are not used on that page

### 8) INDENTED PARTS DESCRIPTION

An indented part description is included in the item under which it is indented.

### 9) ABB REVIATION AND SYMBOLS

AC.....	.. Alternating Current	LCD .....	.. Liquid Crystal Display
ADE.....	..Advanced Design Electronics	LED .....	.. Light Emitting Diodes
ANSI .....	..American National Standards Institute	LH.....	.. Left Hand
AR.....	..As Required	LSS .....	..Load Sensing System
ASSY .....	.. Assembly	M(m).....	.. Metric/Meter
AUX.....	..Auxiliary	MM (mm) .....	..Milimeter
AWG.....	..American WireGauge	mA.....	.. Milliamps
B/M.....	.. Bill of Material	NLA.....	..No Longer Available
CE.....	..European Conformity	NPT .....	.. National Pipe Threads
CCW .....	..Counter Clockwise	NSS .....	..Not So ld Separately
cm.....	.. Centimeter	OD.....	..Outside Diameter
CW .....	..Clockwise	ORB.....	.. O-Ring Boss
CSA.....	..Canadian Standards Association	ORFS .....	.. O-Ring Face Seal
CYL.....	..Cylinder	OZ (oz).....	..Ounces
DIA.....	..Diameter	PG .....	..Page
DC.....	..Direct Current	P/N.....	..Part Number
EMS .....	.. Emergency Stop	qt.....	..Quarts
ENG .....	..Engine	QTY.....	..Quantity
FT(ft).....	.. Feet	REF .....	..Reference
GA(Ga).....	..Gauge	REV .....	..Revision Level
HYD.....	..Hydraulic	RH.....	.. Right Hand
HZ.....	.. Hertz	SAE.....	.. Society of Automotive Engineers
ID.....	..Inside Diameter	SN.....	..Serial Number
in.....	..inches	SPEC(S).....	..Specifications
ISO .....	..International Organization for Standards	T/T.....	..Turntable
JIC.....	..Joint Industry Council	UGM .....	..Universal Ground Module
KG .....	..Kilogram	V.....	.. Volts
L.....	..Liter	W.....	.. Watts
LB.....	..Pounds	#.....	.. Number

### 10) ILLUSTRATION REFERENCE LETTERS

When necessary, illustrations may contain reference letters that are intended to track information (i. e. hoses, harnesses) from one point to another or to track visual enlargement of components to show details that may be located in another area on the illustration.

*Note: Due to continuous product improvements, JLG Industries, Inc. reserves the right to make specification changes without prior notification. Contact JLG Industries, Inc. for updated information.*



# TABLE OF CONTENTS

SECTION 1 - FRAME.....	11
FIGURE 1-1. STEER INSTALLATION.....	12
FIGURE 1-2. DRIVE/BRAKE INSTALLATION .....	14
FIGURE 1-3. DRIVE MOTOR ASSEMBLY .....	16
FIGURE 1-4. TIRE AND WHEEL INSTALLATION .....	18
FIGURE 1-5. POTHOLE PROTECTION SYSTEM INSTALLATION .....	20
FIGURE 1-6. TILT SENSOR INSTALLATION .....	22
FIGURE 1-7. BATTERY CHARGER INSTALLATION - DELTA-Q (LOCALLY SUPPLIED PLUG).....	24
FIGURE 1-8. BATTERY CHARGER INSTALLATION - DELTA-Q (110V PLUG).....	26
FIGURE 1-9. BATTERY CHARGER INSTALLATION - DELTA-Q (KOREAN PLUG) .....	28
FIGURE 1-10. BATTERY CHARGER INSTALLATION - EAGLE PERFORMANCE (110V PLUG).....	30
FIGURE 1-11. BATTERY CHARGER INSTALLATION - GREEN POWER (LOCALLY SUPPLIED PLUG) .....	32
FIGURE 1-12. BATTERY CHARGER INSTALLATION - GREEN POWER (220V PLUG) .....	34
FIGURE 1-13. STROBE LIGHT INSTALLATION - SINGLE ECCO BRAND (AMBER) (WITHOUT GUARD) .....	36
FIGURE 1-14. STROBE LIGHT INSTALLATION - SINGLE SAMMOON BRAND (WITHOUT GUARD).....	38
FIGURE 1-15. STROBE LIGHT INSTALLATION - SINGLE ECCO BRAND (AMBER) (WITH GUARD).....	40
FIGURE 1-16. STROBE LIGHT INSTALLATION - SINGLE SAMMOON BRAND (WITH GUARD) .....	42
FIGURE 1-17. STROBE LIGHT INSTALLATION - DUAL ECCO BRAND (AMBER) (WITHOUT GUARD).....	44
FIGURE 1-18. STROBE LIGHT INSTALLATION - DUAL SAMMOON BRAND (WITHOUT GUARD) .....	46
FIGURE 1-19. STROBE LIGHT INSTALLATION - DUAL ECCO BRAND (AMBER) (WITH GUARD) .....	48
FIGURE 1-20. STROBE LIGHT INSTALLATION - DUAL SAMMOON BRAND (WITH GUARD).....	50
FIGURE 1-21. STROBE LIGHT INSTALLATION – SINGLE SANMAK BRAND (AMBER) (WITHOUT GUARD).....	52
FIGURE 1-22. STROBE LIGHT INSTALLATION – SINGLE SANMAK BRAND (AMBER) (WITH GUARD) .....	54
FIGURE 1-23. STROBE LIGHT INSTALLATION – DAUL SANMAK BRAND (AMBER) (WITHOUT GUARD) .....	56
FIGURE 1-24. STROBE LIGHT INSTALLATION – DAUL SANMAK BRAND (AMBER) (WITH GUARD).....	58
FIGURE 1-25. ALARM INSTALLATION (AMBIENT/WHITE NOISE) (OPTIONAL).....	60
FIGURE 1-26. LADDER INSTALLATION .....	62
FIGURE 1-27. FRAME COVERS INSTALLATION - DELTA-Q AND GREEN POWER BATTERY CHARGERS (ANSI, ANSI EXPORT, CSA, JAPANESE AND KOREA SPECS).....	64
FIGURE 1-28. FRAME COVERS INSTALLATION - DELTA-Q AND GREEN POWER BATTERY CHARGERS (AUSTRALIAN, CHINA AND CE SPECS).....	66
FIGURE 1-29. FRAME COVERS INSTALLATION - EAGLE PERFORMANCE BATTERY CHARGERS (ANSI AND CSA SPECS) .....	68
SECTION 2 - GROUND CONTROLS .....	71
FIGURE 2-1. HYDRAULIC COMPONENTS INSTALLATION .....	72
FIGURE 2-2. VALVE ASSEMBLY .....	74
FIGURE 2-3. ELECTRICAL COMPONENTS INSTALLATION (WITHOUT LSS).....	76
FIGURE 2-4. ELECTRICAL COMPONENTS INSTALLATION (WITH LSS).....	78
FIGURE 2-5. MDI INSTALLATION.....	80
FIGURE 2-6. BATTERIES INSTALLATION - STANDARD BATTERIES WITHOUT DISCONNECT.....	82
FIGURE 2-7. BATTERIES INSTALLATION - STANDARD BATTERIES WITH DISCONNECT .....	84
FIGURE 2-8. BATTERIES INSTALLATION - AGM BATTERIES WITHOUT DISCONNECT (MEXICO BUILT MACHINES).....	86
FIGURE 2-9. BATTERIES INSTALLATION - AGM BATTERIES WITH DISCONNECT (MEXICO BUILT MACHINES) .....	88
FIGURE 2-10. BATTERIES INSTALLATION - AGM EVCG BATTERIES WITHOUT DISCONNECT (CHINA BUILT MACHINES).....	90
FIGURE 2-11. BATTERIES INSTALLATION - AGM EVCG BATTERIES WITH DISCONNECT (CHINA BUILT MACHINES) .....	92
FIGURE 2-12. BATTERIES INSTALLATION - TROJAN BATTERIES WITHOUT DISCONNECT (CHINA BUILT MACHINES).....	94
FIGURE 2-13. BATTERIES INSTALLATION - TROJAN BATTERIES WITH DISCONNECT (CHINA BUILT MACHINES) .....	96
FIGURE 2-14. INVERTER INSTALLATION (OPTIONAL) .....	98
FIGURE 2-15. DOORS INSTALLATION (1532R).....	100
FIGURE 2-16. DOORS INSTALLATION (1932R).....	102
SECTION 3 - SCISSORS ARMS .....	105
FIGURE 3-1. SCISSORS ARMS INSTALLATION - 1532R WITHOUT LSS.....	106
FIGURE 3-2. SCISSORS ARMS INSTALLATION - 1532R WITH LSS .....	110
FIGURE 3-3. SCISSORS ARMS INSTALLATION - 1532R WITH LSS (KOREA SPECS) .....	114
FIGURE 3-4. SCISSORS ARMS KIT - 1532R.....	118
FIGURE 3-5. SCISSORS ARMS KIT - 1532R (KOREA SPECS).....	120
FIGURE 3-6. SCISSORS ARMS INSTALLATION - 1932R WITHOUT LSS.....	122
FIGURE 3-7. SCISSORS ARMS INSTALLATION - 1932R WITH LSS .....	126
FIGURE 3-8. SCISSORS ARMS KIT - 1932R.....	130
FIGURE 3-9. ARM GUARD INSTALLATION.....	132

# TABLE OF CONTENTS

SECTION 4 - PLATFORM.....	135
FIGURE 4-1. PLATFORM INSTALLATION - 1532R.....	136
FIGURE 4-2. PLATFORM INSTALLATION - 1532R (KOREA SPECS).....	138
FIGURE 4-3. PLATFORM INSTALLATION - 1932R.....	140
FIGURE 4-4. PLATFORM EXTENSION INSTALLATION.....	142
FIGURE 4-5. RAILS INSTALLATION - FIXED RAILS/CHAIN ENTRY (INSIDE TUBE SLIDER).....	144
FIGURE 4-6. RAILS INSTALLATION - FIXED RAILS/GATE ENTRY (INSIDE TUBE SLIDER).....	146
FIGURE 4-7. RAIL KIT - FIXED RAILS (INSIDE TUBE SLIDER).....	148
FIGURE 4-8. RAILS INSTALLATION - FIXED RAILS/CHAIN ENTRY (OUTSIDE TUBE SLIDER).....	150
FIGURE 4-9. RAILS INSTALLATION - FIXED RAILS/GATE ENTRY (OUTSIDE TUBE SLIDER).....	152
FIGURE 4-10. RAILS INSTALLATION - FOLD-DOWN RAILS/GATE ENTRY (INSIDE TUBE SLIDER).....	154
FIGURE 4-11. RAIL KIT - FOLD-DOWN RAILS (INSIDE TUBE SLIDER).....	156
FIGURE 4-12. RAILS INSTALLATION - FOLD-DOWN RAILS/GATE ENTRY (OUTSIDE TUBE SLIDER).....	158
FIGURE 4-13. HANDLE EXTENSION INSTALLATION (OPTIONAL).....	160
FIGURE 4-14. PLATFORM CONTROL BOX INSTALLATION (ANSI, ANSI EXPORT AND JAPAN SPECS) (Prior to SN B200038482, Prior to SN M200015692).....	162
FIGURE 4-15. PLATFORM CONTROL BOX INSTALLATION (AUSTRALIAN, CE, CHINA AND CSA SPECS) (Prior to SN B200038482, Prior to SN M200015692).....	164
FIGURE 4-16. PLATFORM CONTROL BOX ASSEMBLY (ANSI, ANSI EXPORT AND JAPAN SPECS) (Prior to SN B200038482, SN M200000100 to Present).....	166
FIGURE 4-17. PLATFORM CONTROL BOX ASSEMBLY (AUSTRALIAN, CE, CHINA AND CSA SPECS) (Prior to SN B200038482, SN M200000100 to Present).....	168
FIGURE 4-18. PLATFORM CONTROL BOX INSTALLATION (ANSI, ANSI EXPORT, CSA AND JAPANESE SPECS) (SN B200038482 to Present, SN M200015692 to Present).....	170
FIGURE 4-19. PLATFORM CONTROL BOX INSTALLATION (AUSTRALIAN, CE AND CHINESE SPECS) (SN B200038482 through B200054176).....	172
FIGURE 4-20. PLATFORM CONTROL BOX INSTALLATION (AUSTRALIAN, CE AND CHINESE SPECS) (SN B200054177 to Present).....	174
FIGURE 4-21. DRIVE/STEER CONTROLLER ASSEMBLY (1932R AUSTRALIAN & CE SPECS) (SN B200038482 to Present, SN M200015692 to Present).....	176
FIGURE 4-22. GATE LATCH INSTALLATION - OPTIONAL (ALL SPECS EXCEPT KOREAN SPECS).....	178
FIGURE 4-23. GATE LATCH AND FOOTSWITCH INSTALLATION (KOREAN SPECS).....	180
FIGURE 4-24. OVERHEAD PROTECTION INSTALLATION (KOREAN SPECS).....	182
FIGURE 4-25. PANEL CARRIER INSTALLATION (1932R AUSTRALIAN & CE SPECS).....	184
FIGURE 4-26. PIPE RACK INSTALLATION (1932R AUSTRALIAN & CE SPECS).....	186
SECTION 5 - CYLINDER.....	189
FIGURE 5-1. LIFT CYLINDER ASSEMBLY.....	190
FIGURE 5-2. STEER CYLINDER ASSEMBLY.....	192
FIGURE 5-3. STEER CYLINDER ASSEMBLY.....	194
SECTION 6 - HYDRAULIC.....	197
FIGURE 6-1. HYDRAULIC DIAGRAM.....	198
SECTION 7 - ELECTRICAL.....	201
FIGURE 7-1. AC BOX AT PLATFORM INSTALLATION - 110V GFI (ANSI, ANSI EXPORT, CHINA AND JAPANESE SPECS).....	202
FIGURE 7-2. AC BOX AT PLATFORM INSTALLATION - 110V IEC YELLOW (CE SPECS).....	204
FIGURE 7-3. AC BOX AT PLATFORM INSTALLATION - 220V IEC BLUE (CE SPECS).....	206
FIGURE 7-4. AC BOX AT PLATFORM INSTALLATION - 220V CEE7 POST GROUND (CE SPECS).....	208
FIGURE 7-5. AC BOX AT PLATFORM INSTALLATION - 220V CEE7 SIDE GROUND (CE SPECS).....	210
FIGURE 7-6. AC BOX AT PLATFORM INSTALLATION - 220V AFSINT 107 (CE SPECS).....	212
FIGURE 7-7. AC BOX AT PLATFORM INSTALLATION - 220V CHINA PLUG (CHINA SPECS).....	214
FIGURE 7-8. AC BOX AT PLATFORM INSTALLATION - 220V LOCALLY SUPPLIED COMPONENTS (ALL SPECS).....	216
FIGURE 7-9. BREAKER BOX KIT WITH 1 DOUBLE BREAKER.....	218
FIGURE 7-10. BREAKER BOX KIT WITH 3 BREAKERS.....	220
FIGURE 7-11. CHASSIS HARNESS (WITHOUT LSS).....	222
FIGURE 7-12. CHASSIS HARNESS (WITH LSS).....	226
FIGURE 7-13. GROUND TO PLATFORM CABLE INSTALLATION - 1532R WITHOUT PLATFORM COIL CABLE.....	230
FIGURE 7-14. GROUND TO PLATFORM CABLE INSTALLATION - 1532R WITH PLATFORM COIL CABLE.....	232
FIGURE 7-15. GROUND TO PLATFORM CABLE INSTALLATION - 1532R WITHOUT PLATFORM COIL CABLE AND WITH FOOTSWITCH.....	234
FIGURE 7-16. GROUND TO PLATFORM CABLE INSTALLATION - 1532R WITH PLATFORM COIL CABLE AND FOOTSWITCH.....	236

# TABLE OF CONTENTS

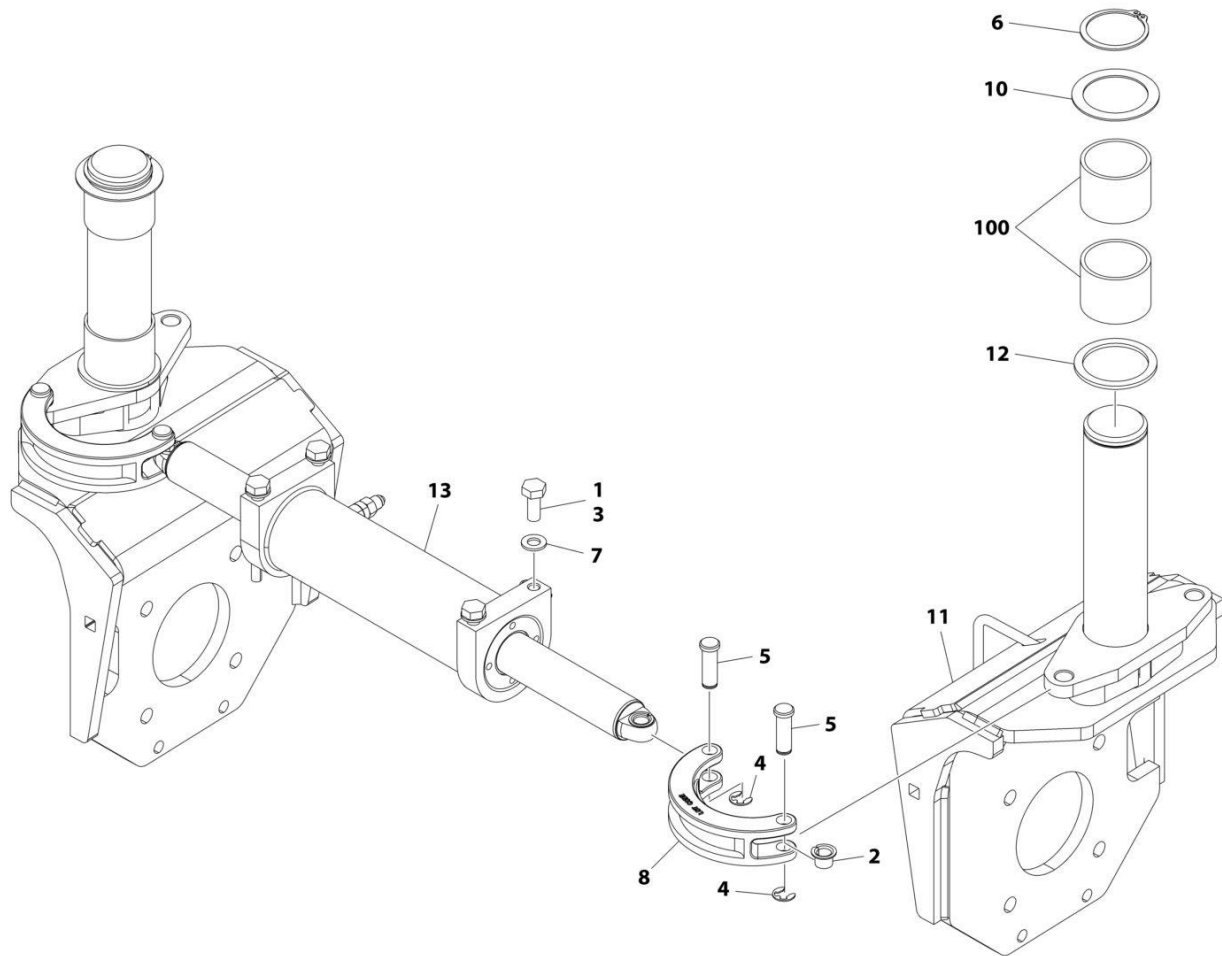
FIGURE 7-17. GROUND TO PLATFORM CABLE INSTALLATION - 1932R WITHOUT PLATFORM COIL CABLE (ALL SPECS EXCEPT AUSTRALIAN SPECS).....	238
FIGURE 7-18. GROUND TO PLATFORM CABLE INSTALLATION - 1932R WITHOUT PLATFORM COIL CABLE (AUSTRALIAN SPECS) .....	240
FIGURE 7-19. GROUND TO PLATFORM CABLE INSTALLATION - 1932R WITH PLATFORM COIL CABLE (ALL SPECS EXCEPT AUSTRALIAN SPECS).....	242
FIGURE 7-20. GROUND TO PLATFORM CABLE INSTALLATION - 1932R WITH PLATFORM COIL CABLE (AUSTRALIAN SPECS) .....	244
FIGURE 7-21. GROUND TO PLATFORM CABLE INSTALLATION - 1932R WITHOUT PLATFORM COIL CABLE AND WITH FOOTSWITCH.....	246
FIGURE 7-22. GROUND TO PLATFORM CABLE INSTALLATION - 1932R WITH PLATFORM COIL CABLE AND FOOTSWITCH .....	248
FIGURE 7-23. LIFT DOWN HARNESS - WITHOUT LSS .....	250
FIGURE 7-24. LIFT DOWN HARNESS - WITH LSS (Prior to SN B200038482, Prior to SN M200007595).....	252
FIGURE 7-25. LIFT DOWN HARNESS - WITH LSS (SN B200038482 to Present, SN M200007595 to Present) .....	254
FIGURE 7-26. PLATFORM BOX HARNESS (Prior to SN B200038482, SN M200000100 to Present).....	256
FIGURE 7-27. PLATFORM BOX HARNESS (SN B200038482 to Present) .....	258
FIGURE 7-28. RECEPTACLE BOX KIT - 110V GFI.....	260
FIGURE 7-29. RECEPTACLE BOX KIT - 110V IEC YELLOW (CE SPEC).....	262
FIGURE 7-30. RECEPTACLE BOX KIT - 220V IEC BLUE (CE SPEC) .....	264
FIGURE 7-31. RECEPTACLE BOX KIT - 220V CEE7 POST GROUND (CE SPEC).....	266
FIGURE 7-32. RECEPTACLE BOX KIT - 220V CEE7 SIDE GROUND (CE SPEC) .....	268
FIGURE 7-33. RECEPTACLE BOX KIT - 220V AFSINT 107 (CE SPEC).....	270
SECTION 8 - DECALS.....	273
FIGURE 8-1. DECAL INSTALLATION (ANSI SPEC) .....	274
FIGURE 8-2. DECAL INSTALLATION (AUSTRALIAN SPECS).....	276
FIGURE 8-3. DECAL INSTALLATION (BRAZIL SPECS).....	278
FIGURE 8-4. DECAL INSTALLATION (CE SPECS) .....	280
FIGURE 8-5. DECAL INSTALLATION (CHINA/ANSI EXPORT SPECS) .....	282
FIGURE 8-6. DECAL INSTALLATION (CHINA/GB SPECS) .....	284
FIGURE 8-7. DECAL INSTALLATION (CSA SPECS).....	286
FIGURE 8-8. DECAL INSTALLATION (KOREAN SPECS) .....	288
FIGURE 8-9. DECAL INSTALLATION (LATIN AMERICAN SPECS) .....	290
FIGURE 8-10. DECAL INSTALLATION - OPTIONS .....	292
SECTION 9 - RECOMMENDED SERVICE PARTS STOCK .....	295
FIGURE 9-1. RECOMMENDED SERVICE PARTS STOCK .....	296
SECTION 10 - SPECIAL OPTIONS.....	297
FIGURE 10-1. SPECIAL OPTIONS.....	298
PART NUMBER INDEX .....	301



**SECTION 1 - FRAME**

# SECTION 1 - FRAME

## FIGURE 1-1. STEER INSTALLATION



ART\_1001202300

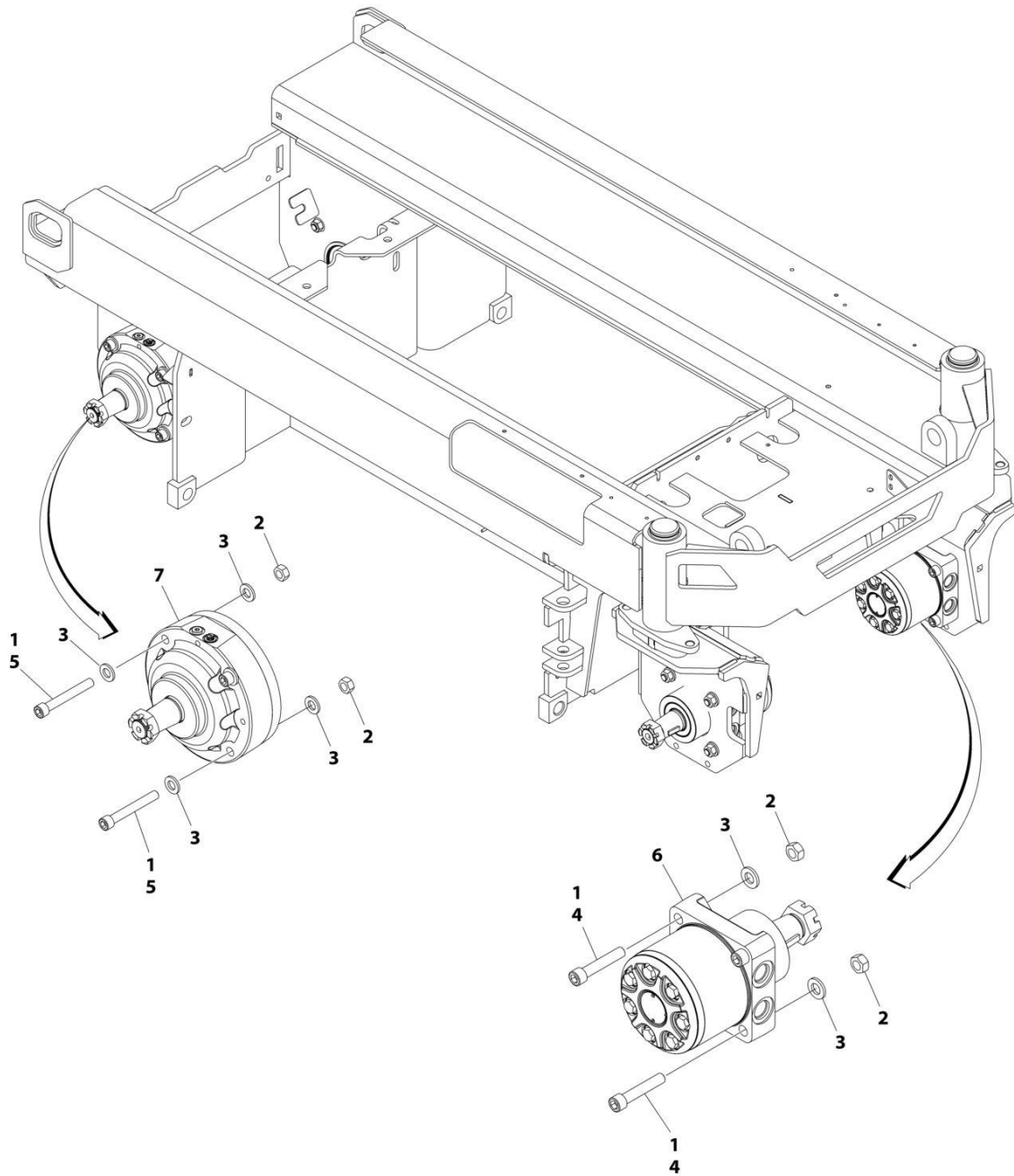


FIGURE 1-1. STEER INSTALLATION

ITEM	PART NUMBER	QTY	DESCRIPTION	REV
	1001202300	Ref	STEER INSTALLATION	C
1	0100011	AR	Compound, Locking	
2	0440259	2	Bearing	
3	0761012	4	Bolt M10 x 25	
4	1380153	4	Clip	
5	3423037	4	Pin	
6	3760217	2	Ring, Retaining	
7	4812000	4	Washer M10	
8	4846757	2	Lug, Steering	
10	1001197396	2	Washer	
11	1001201248	2	Spindle	
12	1001205751	2	Washer	
13	1001206493	NLA	Steer Cylinder Assembly (Note: Use p/n 1001220570) (See Separate Breakdown in CYLINDER SECTION) (Mexico Built Machines) <b>(SN M200000100 through M200006678)</b>	
13	1001220570	1	Steer Cylinder Assembly (See Separate Breakdown in CYLINDER SECTION) (Mexico Built Machines) <b>(SN M200006679 to Present)</b>	
13	1001220570	1	Steer Cylinder Assembly (See Separate Breakdown in CYLINDER SECTION) (China Built Machines) <b>(SN B200035940 to Present)</b>	
100	1001153785	4	Bearing (Part of Frame)	

# SECTION 1 - FRAME

## FIGURE 1-2. DRIVE/BRAKE INSTALLATION



ART\_1001202689

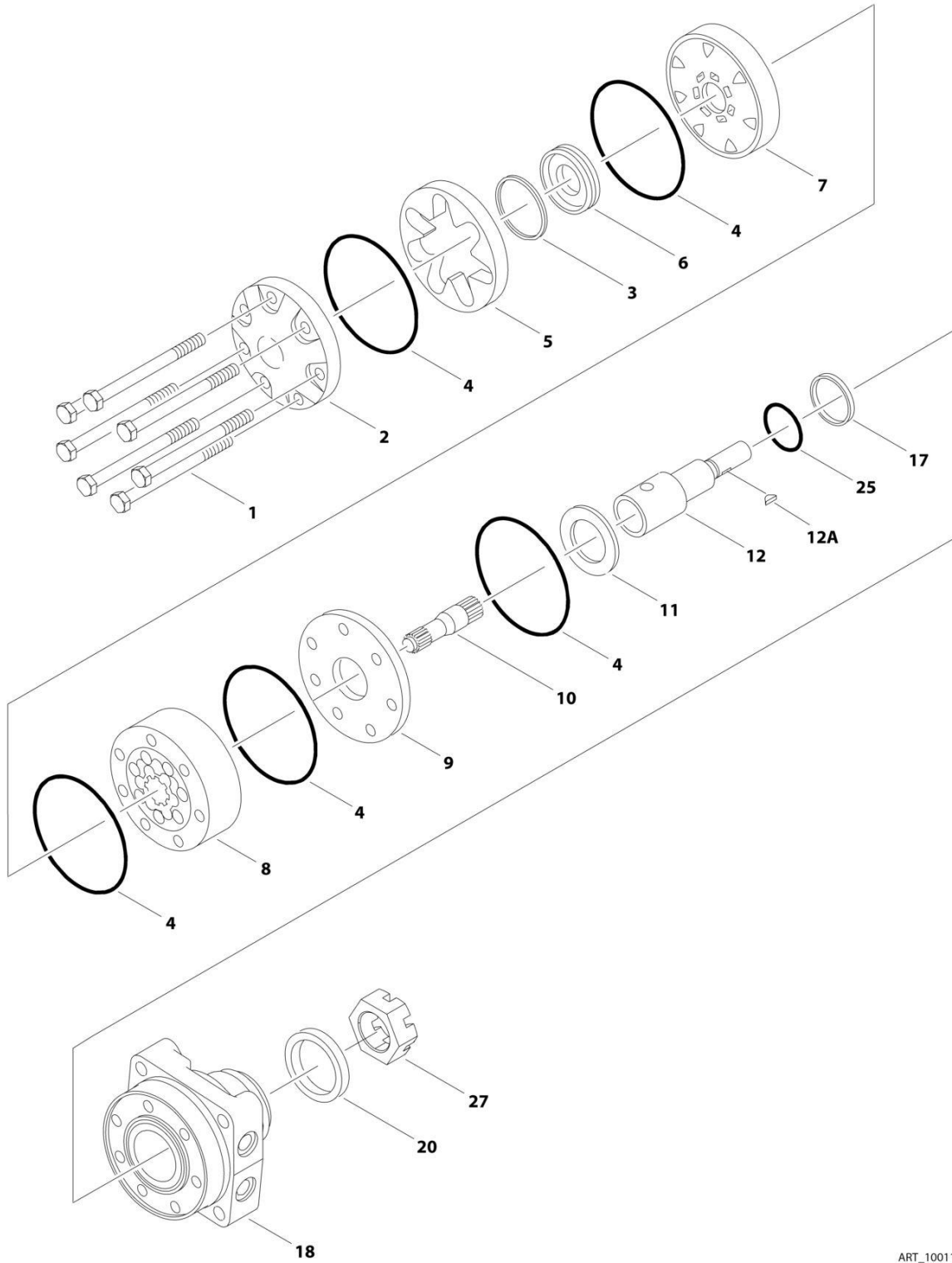
# SECTION 1 - FRAME

## FIGURE 1-2. DRIVE/BRAKE INSTALLATION

ITEM	PART NUMBER	QTY	DESCRIPTION	REV
	1001202689	Ref	DRIVE/BRAKE INSTALLATION	B
1	0100011	AR	Compound, Locking	
2	3331211	16	Nut M12	
3	5241200	24	Washer M12	
4	5272117	8	Capscrew M12 x 65	
5	5272122	8	Capscrew M12 x 90	
6	1001199937	2	Drive Motor Assembly (See Separate Breakdown in this Section)	
7	1001202773	2	Drive Brake Assembly (Note: No Internal Service Parts Available.)	
7	70005918	1	Key, Shaft	
7	70005919	1	Nut 1-1/8	

# SECTION 1 - FRAME

## FIGURE 1-3. DRIVE MOTOR ASSEMBLY



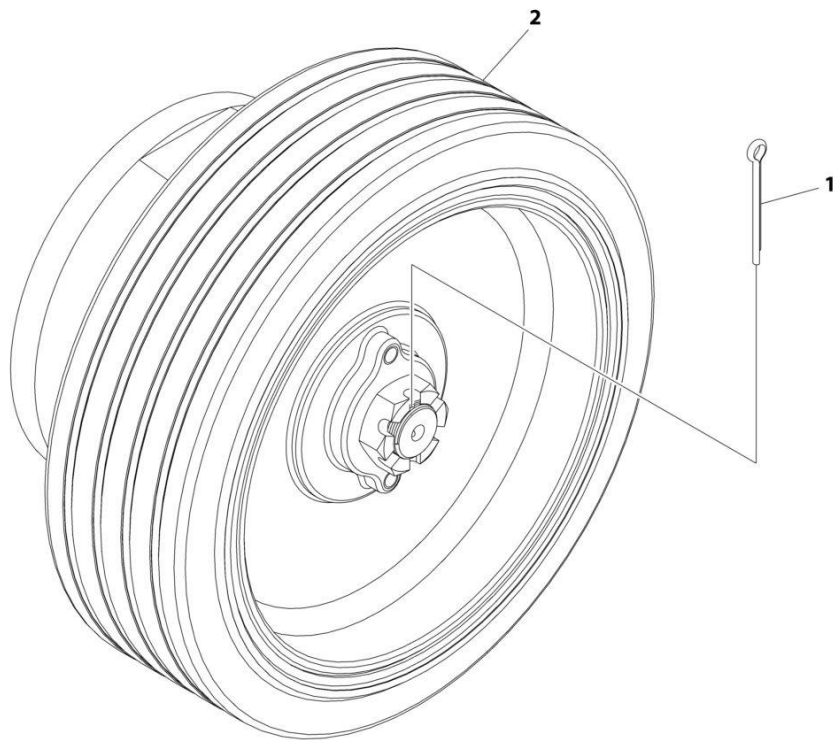
ART\_1001199937

FIGURE 1-3. DRIVE MOTOR ASSEMBLY

ITEM	PART NUMBER	QTY	DESCRIPTION	REV
	1001199937	Ref	DRIVE MOTOR ASSEMBLY	D
1	70005806	7	Bolt	
2	7023328	1	Cover	
3	7023318	1	Seal, Commutator	
4	7023310	5	Ring, Seal	
5	7023315	1	Commutator (Includes Item 6)	
6	See Note	NSS	Ring, Commutator (Use p/n 7023315)	
7	70005812	1	Manifold	
8	70000278	1	Rotor Set	
9	7023311	1	Plate, Wear	
10	70005814	1	Link, Drive	
11	7023308	1	Bearing, Thrust	
12	70005813	1	Shaft	
12A	7023324	1	Key, Shaft	
17	70005809	1	Washer, Backup	
18	See Note	NSS	Housing Assembly (Use p/n 1001199937)	
20	7023319	1	Seal, Dirt and Water	
25	70005808	1	Ring, Backup	
27	70005807	1	Nut	

# SECTION 1 - FRAME

## FIGURE 1-4. TIRE AND WHEEL INSTALLATION



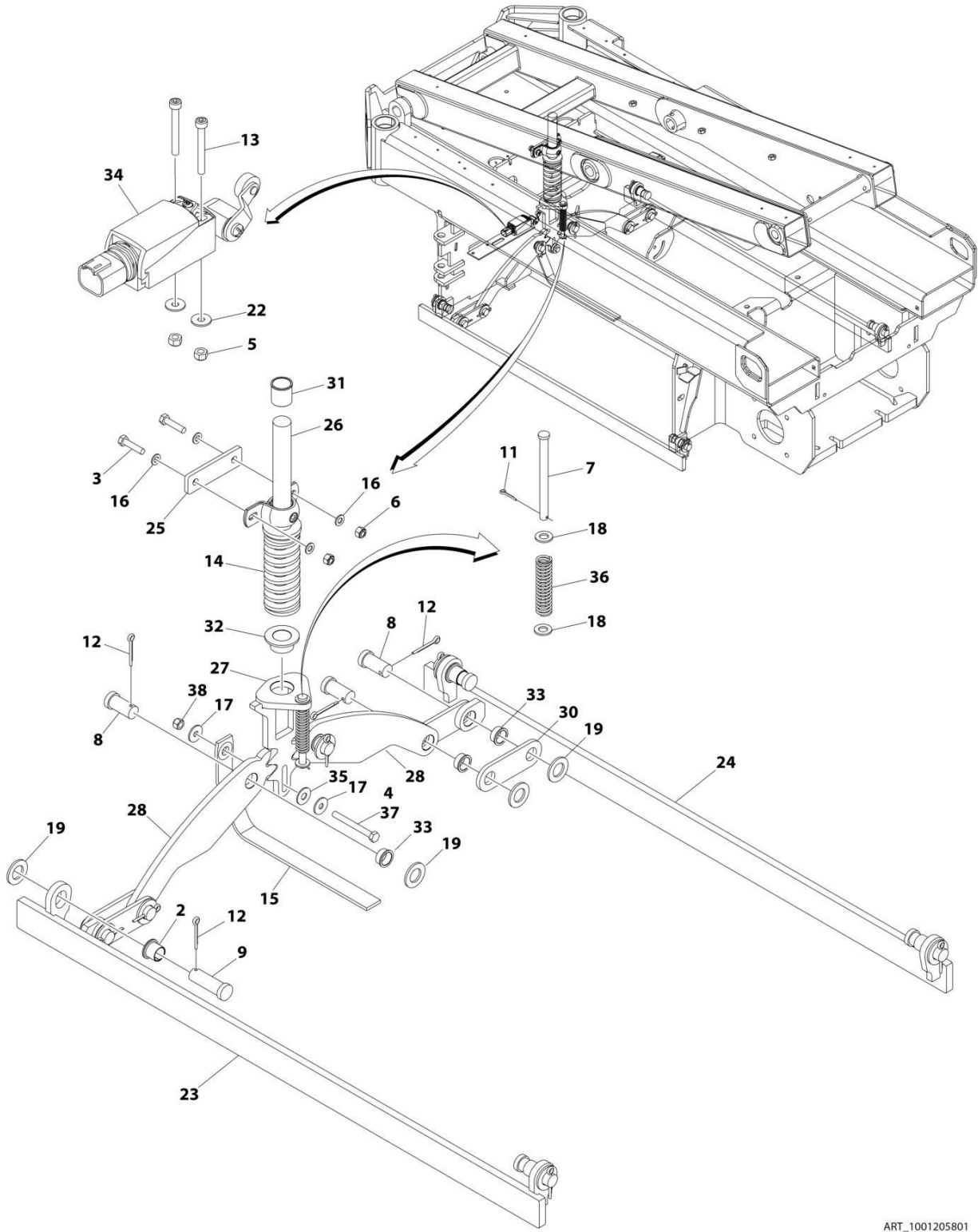
ART\_1001202731

**FIGURE 1-4. TIRE AND WHEEL INSTALLATION**

<b>ITEM</b>	<b>PART NUMBER</b>	<b>QTY</b>	<b>DESCRIPTION</b>	<b>REV</b>
	1001202731	Ref	TIRE AND WHEEL INSTALLATION	B
		Ref	Note: Must Replace Tire and Wheel Assemblies in pairs per axle.	
1	3450508	4	Pin, Cotter 5/32 x 2	
2	1001200441	4	Tire and Wheel	

# SECTION 1 - FRAME

## FIGURE 1-5. POTHOLE PROTECTION SYSTEM INSTALLATION



ART\_1001205801



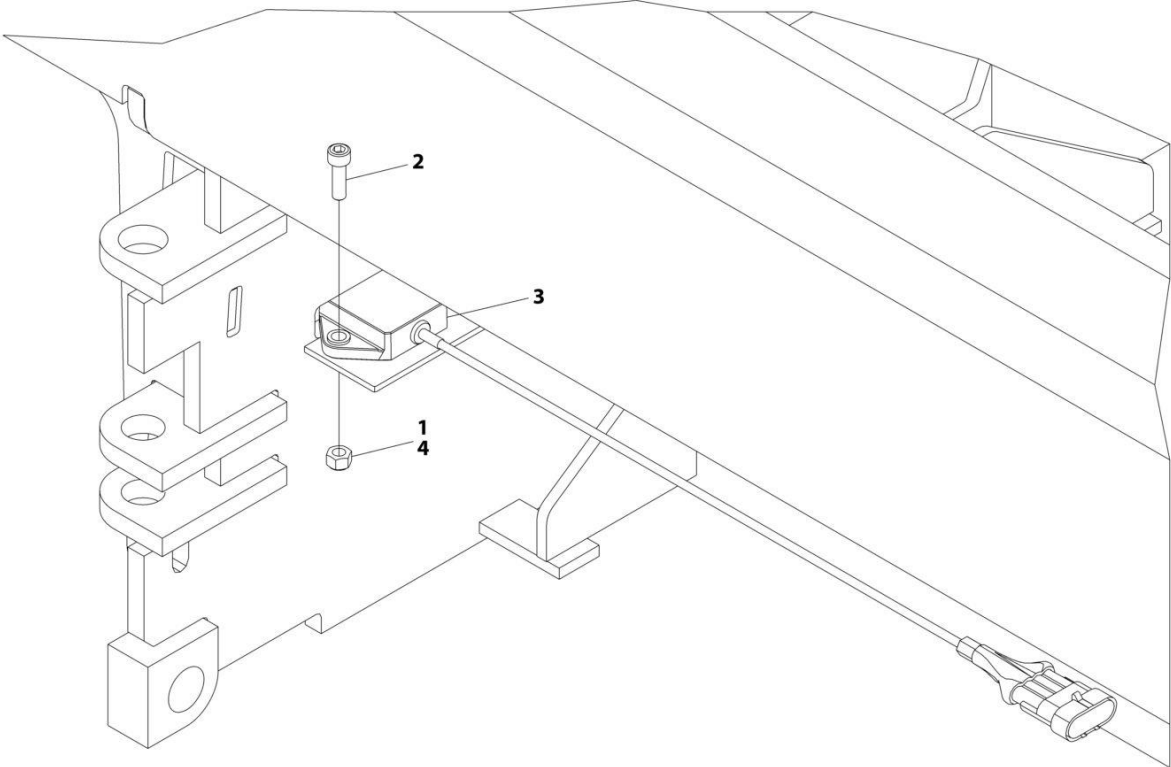
## SECTION 1 - FRAME

**FIGURE 1-5. POTHOLE PROTECTION SYSTEM INSTALLATION**

ITEM	PART NUMBER	QTY	DESCRIPTION	REV
	1001205801	Ref	POTHOLE PROTECTION SYSTEM INSTALLATION	G
2	0440263	4	Bearing	
3	0700815	2	Bolt M8 x 35	
4	0700823	1	Bolt M8 x 75	
5	3290405	2	Nut M4	
6	3290805	2	Nut M8	
7	3430636	1	Pin	
8	3431212	6	Pin	
9	3431218	4	Pin	
11	3450302	1	Pin, Cotter 7/8 x 1/2	
12	3450505	10	Pin, Cotter 5/32 x 1/2	
13	4031511	2	Capscrew M4 x 35	
14	4160202	1	Spring	
15	4240147	1	Strap, Anti-Static	
16	4811900	4	Washer M8	
17	4811902	2	Washer M8	
18	4812000	2	Washer M10	
19	4812500	10	Washer M20	
22	1001091102	2	Washer M4	
23	1001201757	1	Bar (LH)	
24	1001201758	1	Bar (RH)	
25	1001202987	1	Plate, Mounting	
26	1001202988	1	Actuator (Upper)	
27	1001202991	1	Actuator (Lower)	
28	1001202994	2	Plate, Pinion	
30	1001202999	4	Link	
31	1001215953	1	Bearing	
32	1001203869	1	Bearing	
33	1001203870	6	Bearing	
34	1001203871	1	Switch, Limit	
35	1001203872	1	Washer 3/8	
36	1001212068	1	Spring	
37	0100011	AR	Compound, Locking	
38	3290801	1	Nut M8	

**SECTION 1 - FRAME**

**FIGURE 1-6. TILT SENSOR INSTALLATION**



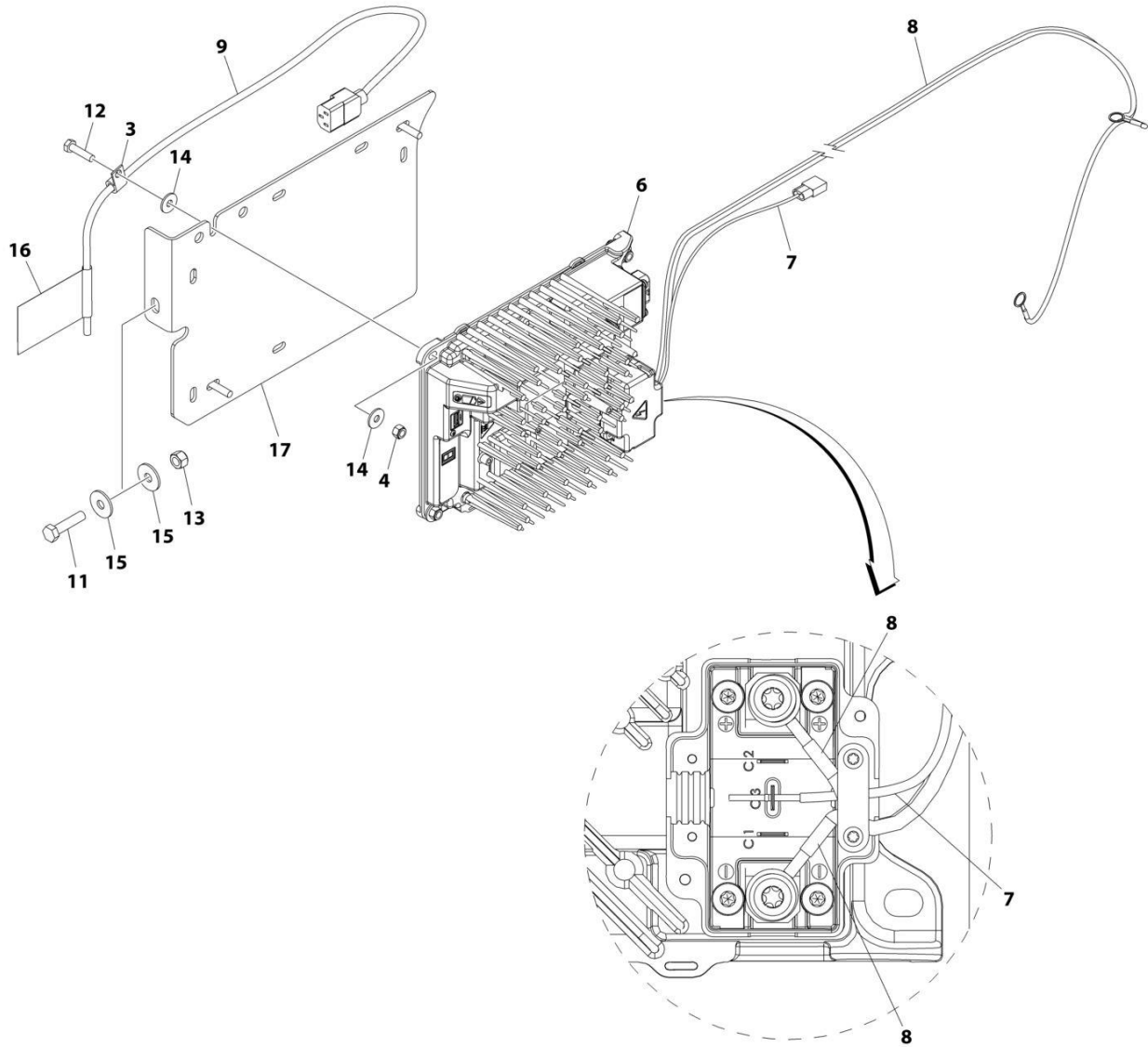
ART\_1001207142

**FIGURE 1-6. TILT SENSOR INSTALLATION**

<b>ITEM</b>	<b>PART NUMBER</b>	<b>QTY</b>	<b>DESCRIPTION</b>	<b>REV</b>
	1001207142	Ref	TILT SENSOR INSTALLATION	C
1	3290605	2	Nut M6	
1	3290601	1	Nut M6	
2	4031708	2	Capscrew M6 x 20	
3	1001186466	1	Sensor, Tilt	
4	0100011	AR	Compound, Locking	

# SECTION 1 - FRAME

## FIGURE 1-7. BATTERY CHARGER INSTALLATION - DELTA-Q (LOCALLY SUPPLIED PLUG)



ART\_1001208767

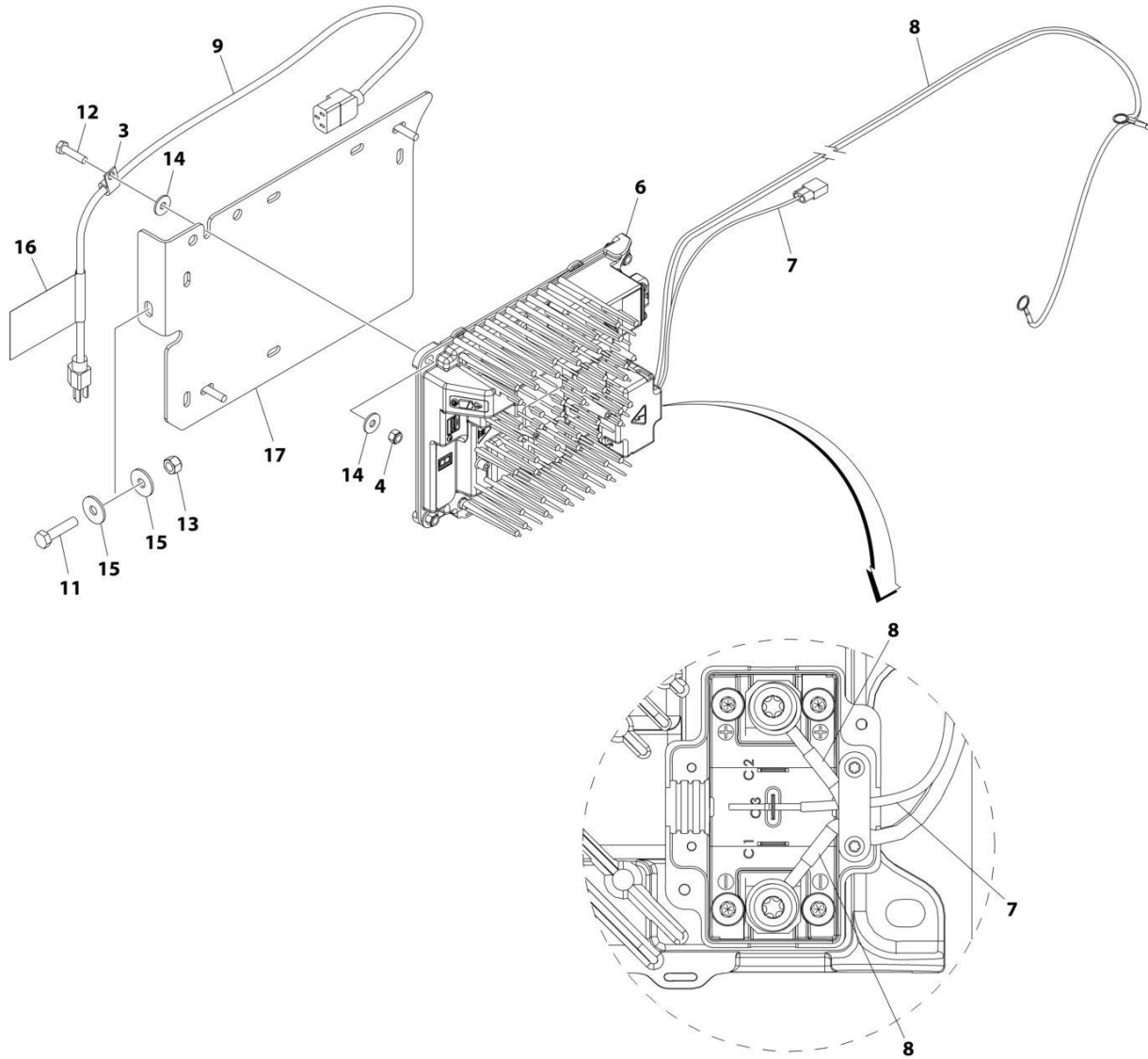
## SECTION 1 - FRAME

**FIGURE 1-7. BATTERY CHARGER INSTALLATION - DELTA-Q (LOCALLY SUPPLIED PLUG)**

ITEM	PART NUMBER	QTY	DESCRIPTION	REV
	1001208767	Ref	BATTERY CHARGER INSTALLATION - DELTA-Q (LOCALLY SUPPLIED PLUG)	D
3	1321293	1	Clamp	
4	3290605	3	Nut M6	
6	1001200561	1	Charger, Battery - Delta-Q	
7	1001207009	1	Charger Interlock Harness	
7	4460424	1	Receptacle, Female - 2 Position	
7	4460227	1	Pin, Male	
8	1001207010	1	Battery DC Connection Harness	
9	1001207974	1	Battery Charger to AC Connection Cable	
10	4240017	AR	Tie-Strap (Not Shown)	
11	0700815	1	Bolt M8 x 35	
12	0760612	3	Bolt M6 x 25	
13	3290805	1	Nut M6	
14	4811702	6	Washer M6	
15	4811902	2	Washer M8	
16	1001102489	1	Decal - Charger Label	
17	1001216682	1	Bracket	

# SECTION 1 - FRAME

## FIGURE 1-8. BATTERY CHARGER INSTALLATION - DELTA-Q (110V PLUG)



ART\_1001201005

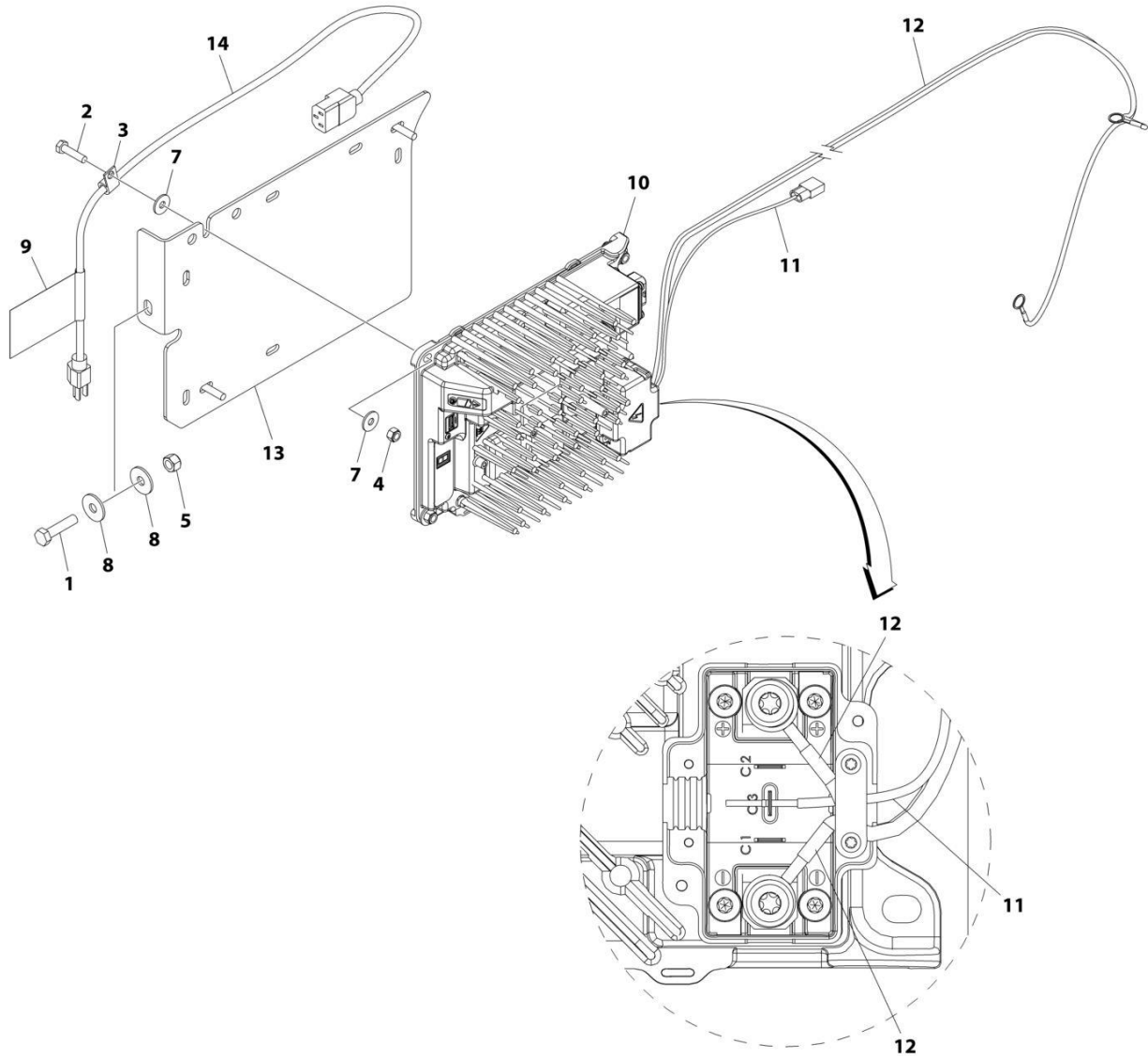
## SECTION 1 - FRAME

**FIGURE 1-8. BATTERY CHARGER INSTALLATION - DELTA-Q (110V PLUG)**

ITEM	PART NUMBER	QTY	DESCRIPTION	REV
	1001201005	Ref	BATTERY CHARGER INSTALLATION - DELTA-Q (110V PLUG)	D
3	1321293	1	Clamp	
4	3290605	3	Nut M6	
6	1001200561	1	Charger, Battery - Delta-Q	
7	1001207009	1	Charger Interlock Harness	
7	4460424	1	Receptacle, Female - 2 Position	
7	4460227	1	Pin, Male	
8	1001207010	1	Battery DC Connection Harness	
9	1001207970	1	Battery Charger to AC Connection Cable	
10	4240017	AR	Tie-Strap (Not Shown)	
11	0700815	1	Bolt M8 x 35	
12	0760612	3	Bolt M6 x 25	
13	3290805	1	Nut M6	
14	4811702	6	Washer M6	
15	4811902	2	Washer M8	
16	1001102489	1	Decal - Charger Label	
17	1001216682	1	Bracket	

# SECTION 1 - FRAME

## FIGURE 1-9. BATTERY CHARGER INSTALLATION - DELTA-Q (KOREAN PLUG)



ART\_1001223278



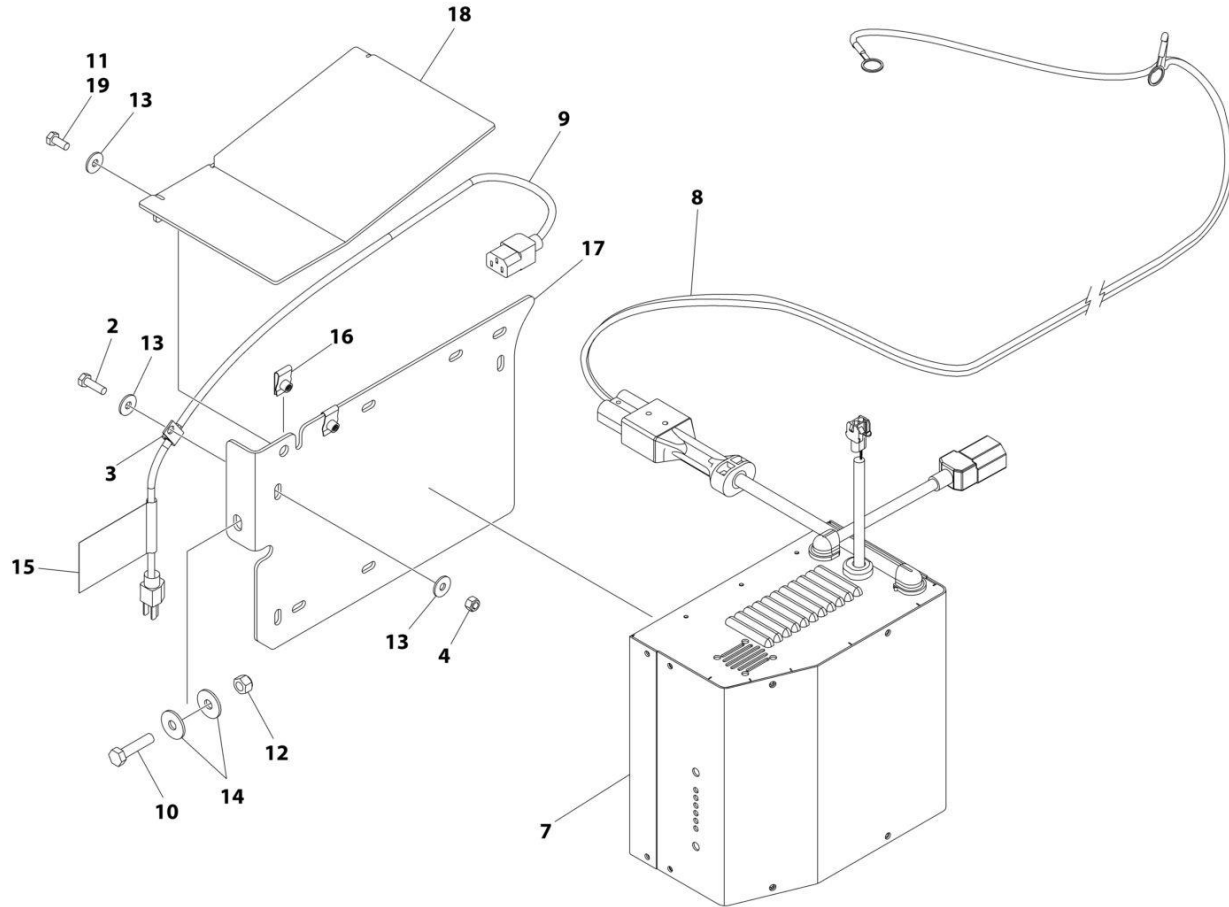
## SECTION 1 - FRAME

**FIGURE 1-9. BATTERY CHARGER INSTALLATION - DELTA-Q (KOREAN PLUG)**

ITEM	PART NUMBER	QTY	DESCRIPTION	REV
	1001223278	Ref	BATTERY CHARGER INSTALLATION - DELTA-Q (KOREAN PLUG)	B
1	0700815	1	Bolt M8 x 35	
2	0760612	3	Bolt M6 x 25	
3	1321293	1	Clamp	
4	3290605	3	Nut M6	
5	3290805	1	Nut M8	
6	4240017	AR	Tie-Strap (Not Shown)	
7	4811702	6	Washer M6	
8	4811902	2	Washer M8	
9	1001102489	1	Decal - Charger Label	
10	1001200561	1	Charger, Battery - Delta-Q	
11	1001207009	1	Charger Interlock Harness	
11	4460424	1	Receptacle, Female - 2 Position	
11	4460227	1	Pin, Male	
12	1001207010	1	Battery DC Connection Harness	
13	1001216682	1	Bracket	
14	1001221949	1	Battery Charger to AC Connection Cable	

# SECTION 1 - FRAME

## FIGURE 1-10. BATTERY CHARGER INSTALLATION - EAGLE PERFORMANCE (110V PLUG)



ART\_1001204238

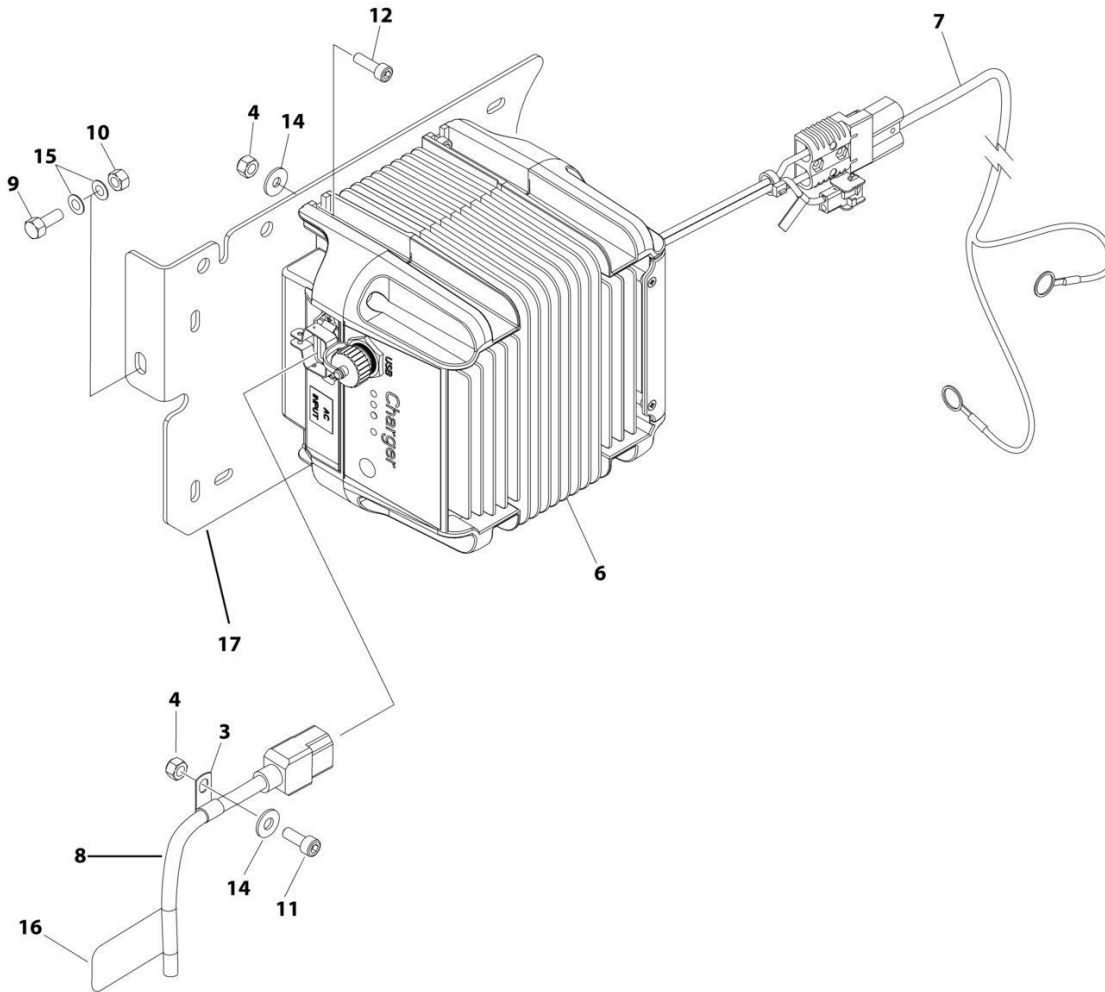
## SECTION 1 - FRAME

**FIGURE 1-10. BATTERY CHARGER INSTALLATION - EAGLE PERFORMANCE (110V PLUG)**

ITEM	PART NUMBER	QTY	DESCRIPTION	REV
	1001204238	Ref	BATTERY CHARGER INSTALLATION - EAGLE PERFORMANCE (110V PLUG)	E
2	0760610	3	Bolt M6 x 20	
3	1321293	1	Clamp	
4	3290605	3	Nut M6	
5	4240017	AR	Tie-Strap (Not Shown)	
7	1001206995	1	Charger, Battery - Eagle Performance	
8	1001207735	1	Battery DC Connection Harness	
8	4460648	1	Connector, Anderson	
9	1001207970	1	Battery Charger to AC Connection Cable	
10	0700815	1	Bolt M8 x 35	
11	0760608	2	Bolt M6 x 16	
12	3290805	1	Nut M6	
13	4811702	8	Washer M6	
14	4811902	2	Washer M8	
15	1001102489	1	Decal - Charger Label	
16	1001130220	2	Nut, Tinnerman M6	
17	1001216682	1	Bracket	
18	1001216683	1	Shield	
19	0100011	AR	Compound, Locking	

# SECTION 1 - FRAME

FIGURE 1-11. BATTERY CHARGER INSTALLATION - GREEN POWER (LOCALLY SUPPLIED PLUG)



ART\_1001208839

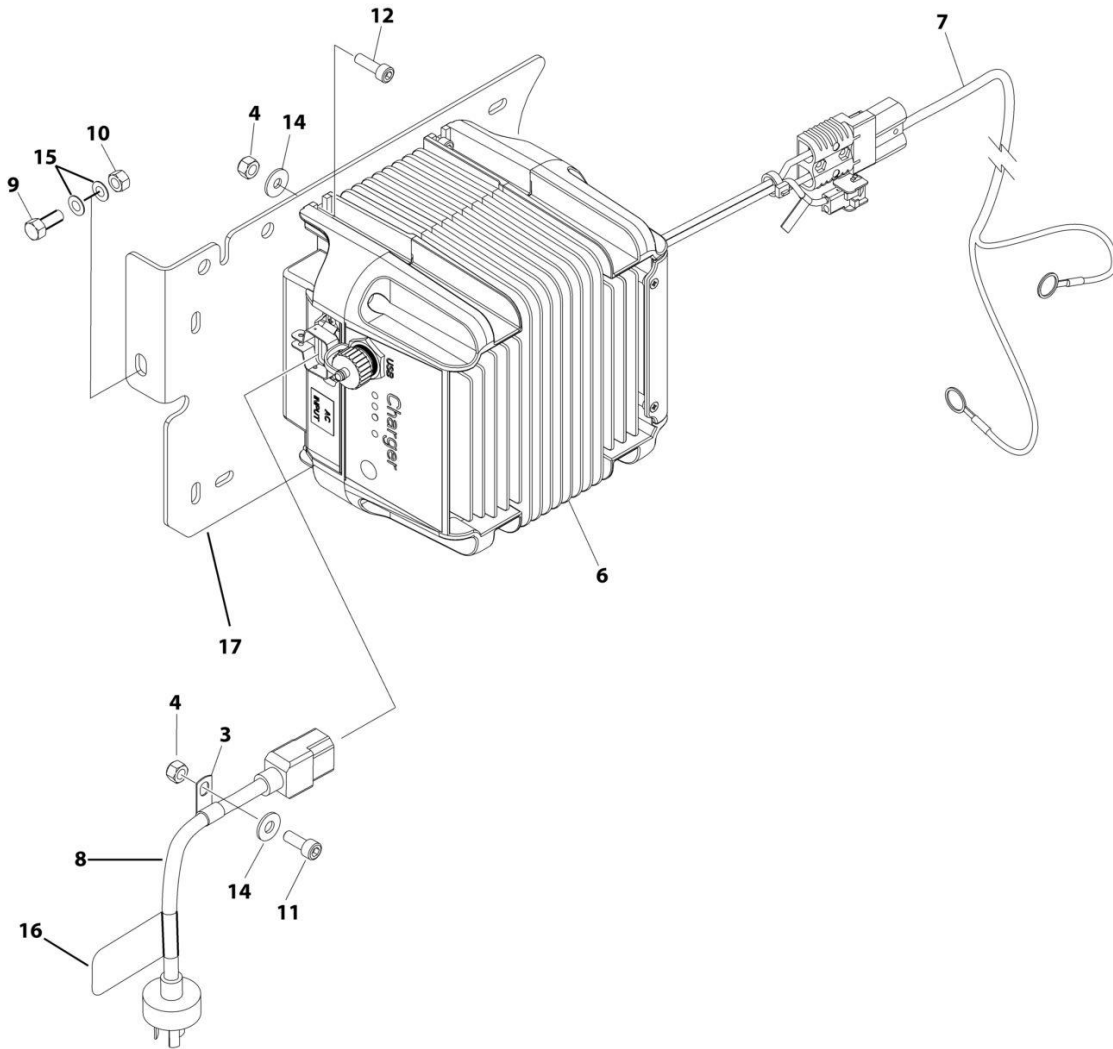
## SECTION 1 - FRAME

**FIGURE 1-11. BATTERY CHARGER INSTALLATION - GREEN POWER (LOCALLY SUPPLIED PLUG)**

ITEM	PART NUMBER	QTY	DESCRIPTION	REV
	1001208839	Ref	BATTERY CHARGER INSTALLATION - GREEN POWER (LOCALLY SUPPLIED PLUG)	C
3	1321293	1	Clamp	
4	3290605	4	Nut M6	
6	1001205598	1	Charger, Battery - Green Power	
7	1001207735	1	Battery DC Connection Harness	
7	4460648	1	Connector, Anderson	
8	1001207974	1	Battery Charger to AC Connection Cable	
9	0700815	1	Bolt M8 x 35	
10	3290805	1	Nut M8	
11	4031707	1	Capscrew M8 x 16	
12	4031708	3	Capscrew M8 x 20	
13	4240017	AR	Tie-Strap (Not Shown)	
14	4811702	4	Washer M6	
15	4811902	2	Washer M8	
16	1001102489	1	Decal - Charger	
17	1001216682	1	Bracket	

# SECTION 1 - FRAME

## FIGURE 1-12. BATTERY CHARGER INSTALLATION - GREEN POWER (220V PLUG)



ART\_1001204562

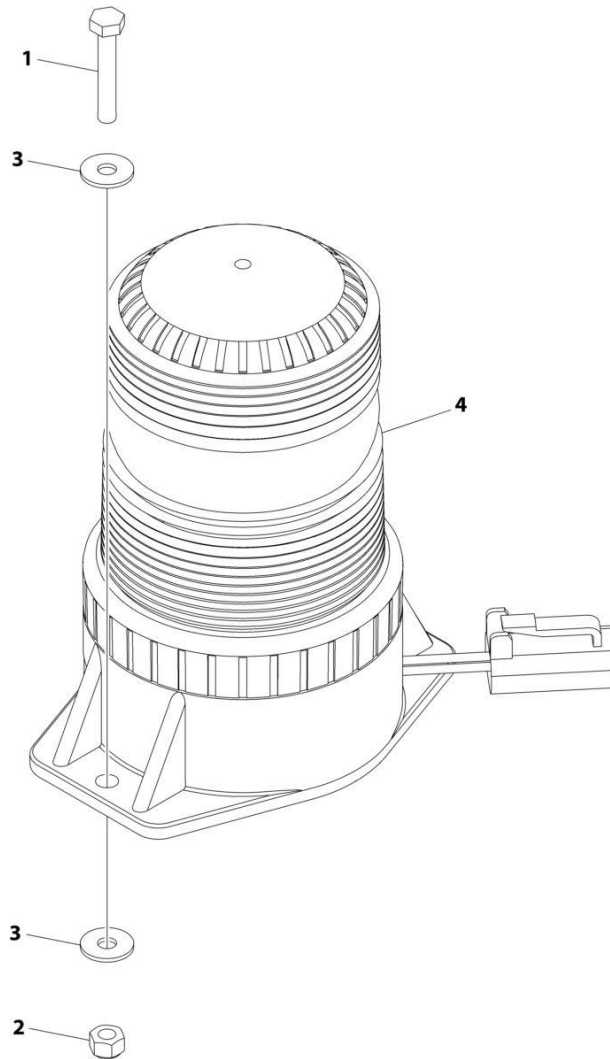
## SECTION 1 - FRAME

**FIGURE 1-12. BATTERY CHARGER INSTALLATION - GREEN POWER (220V PLUG)**

ITEM	PART NUMBER	QTY	DESCRIPTION	REV
	1001204562	Ref	BATTERY CHARGER INSTALLATION - GREEN POWER (220V PLUG)	C
3	1321293	1	Clamp	
4	3290605	4	Nut M6	
6	1001205598	1	Charger, Battery - Green Power	
7	1001207735	1	Battery DC Connection Harness	
7	4460648	1	Connector, Anderson	
8	1001207973	1	Battery Charger to AC Connection Cable	
9	0700815	1	Bolt M8 x 35	
10	3290805	1	Nut M8	
11	4031707	1	Capscrew M6 x 16	
12	4031708	3	Capscrew M6 x 20	
13	4240017	AR	Tie-Strap (Not Shown)	
14	4811702	4	Washer M6	
15	4811902	2	Washer M8	
16	1001102489	1	Decal - Charger	
17	1001216682	1	Bracket	

# SECTION 1 - FRAME

FIGURE 1-13. STROBE LIGHT INSTALLATION - SINGLE ECCO BRAND (AMBER) (WITHOUT GUARD)



ART\_1001201250



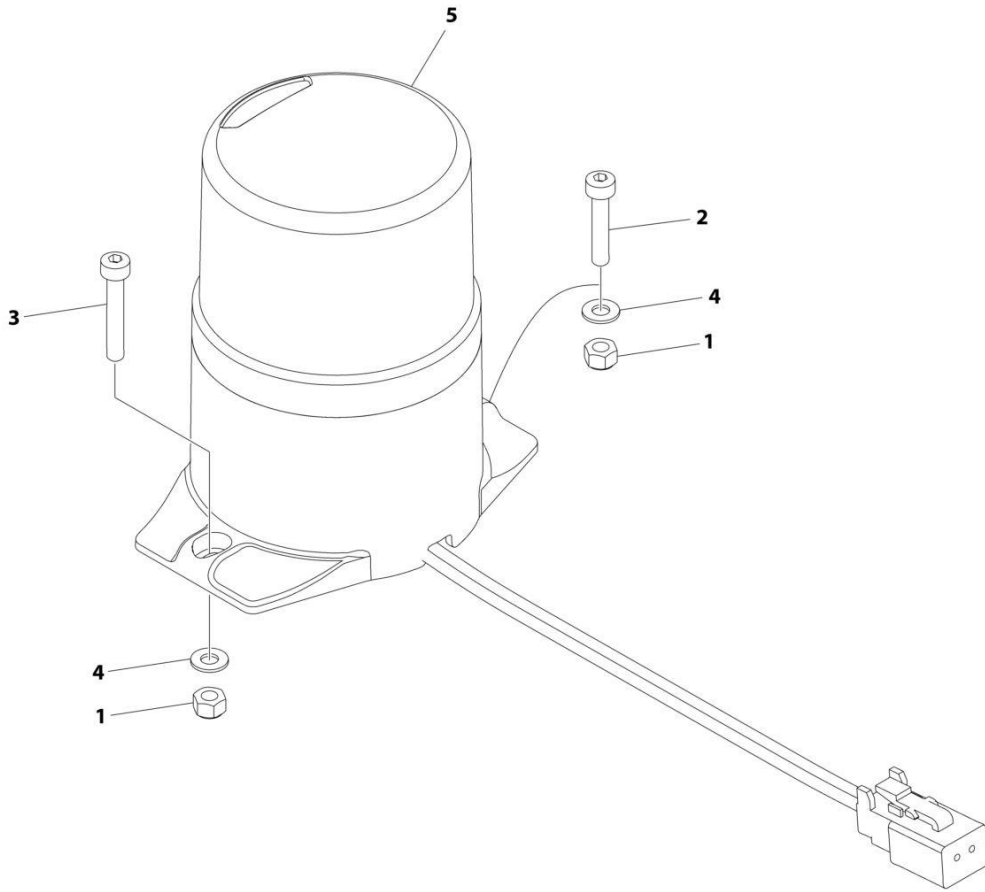
## SECTION 1 - FRAME

**FIGURE 1-13. STROBE LIGHT INSTALLATION - SINGLE ECCO BRAND (AMBER) (WITHOUT GUARD)**

ITEM	PART NUMBER	QTY	DESCRIPTION	REV
	1001201250	Ref	STROBE LIGHT INSTALLATION - SINGLE (AMBER) (WITHOUT GUARD)	C
1	0700412	1	Bolt M4 x 25	
2	3290405	1	Nut M4	
3	1001091102	2	Washer M4	
4	1001191139	1	Light, Strobe (Amber)	
4	4460891	1	Plug, Male - 2 Position	
4	4460465	2	Socket, Female	
4	4060865	1	Guard (Must be Purchased Separately) (Not Shown)	

# SECTION 1 - FRAME

FIGURE 1-14. STROBE LIGHT INSTALLATION - SINGLE SAMMOON BRAND (WITHOUT GUARD)



ART\_1001238970

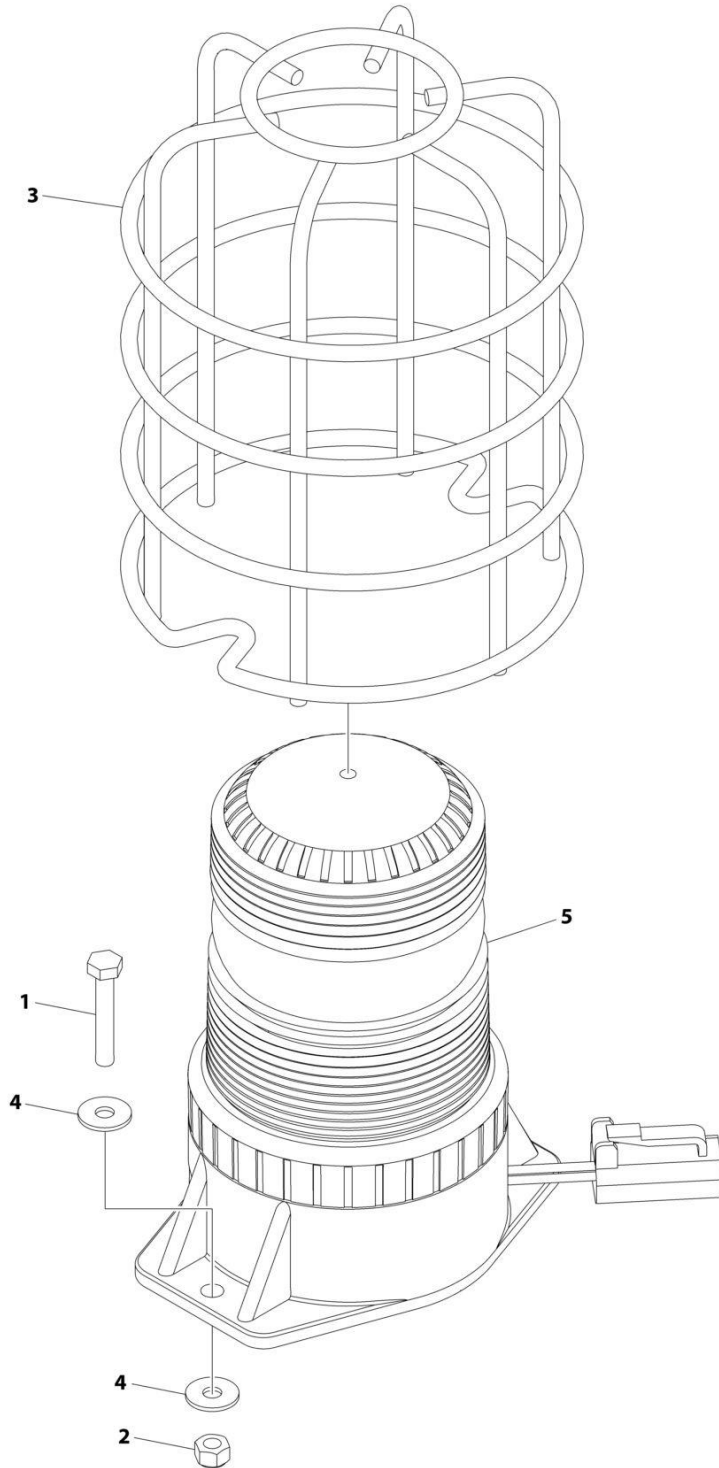
## SECTION 1 - FRAME

**FIGURE 1-14. STROBE LIGHT INSTALLATION - SINGLE SAMMOON BRAND (WITHOUT GUARD)**

ITEM	PART NUMBER	QTY	DESCRIPTION	REV
	1001238970	Ref	STROBE LIGHT INSTALLATION - SINGLE (WITHOUT GUARD)	A
1	3290405	2	Nut M4	
2	4031507	1	Capscrew M4 x 16	
3	4031509	1	Capscrew M4 x 25	
4	4811400	2	Washer M4	
5	1001233479	1	Light, Strobe	
5	4460891	1	Plug, Male - 2 Position	
5	4460465	2	Socket, Female	

# SECTION 1 - FRAME

FIGURE 1-15. STROBE LIGHT INSTALLATION - SINGLE ECCO BRAND (AMBER) (WITH GUARD)



ART\_1001217912

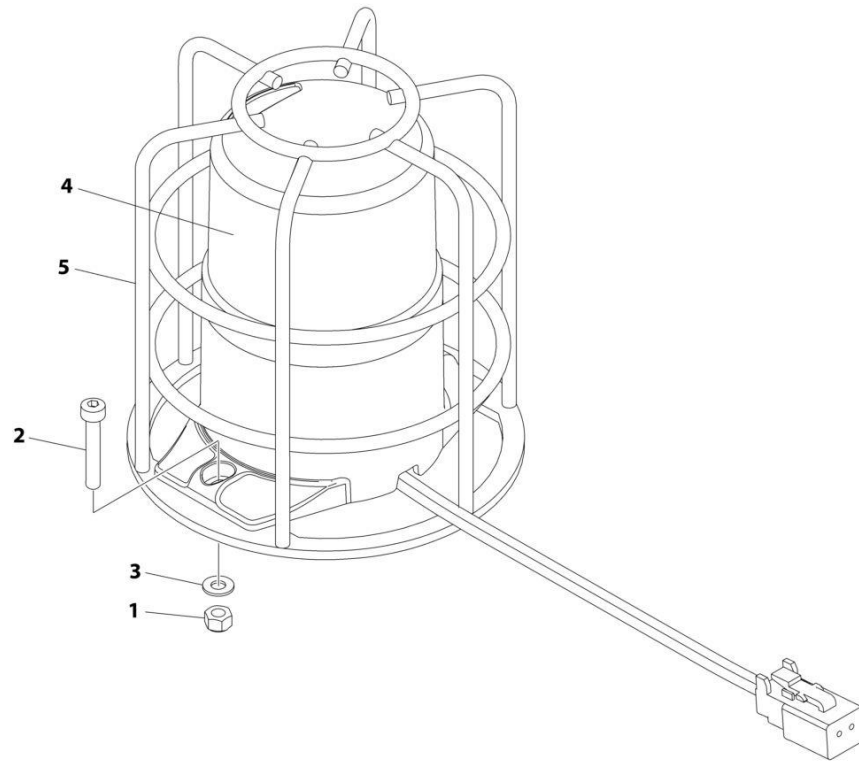
## SECTION 1 - FRAME

**FIGURE 1-15. STROBE LIGHT INSTALLATION - SINGLE ECCO BRAND (AMBER) (WITH GUARD)**

ITEM	PART NUMBER	QTY	DESCRIPTION	REV
	1001217912	Ref	STROBE LIGHT INSTALLATION - SINGLE (AMBER) (WITH GUARD)	A
1	0700412	1	Bolt M4 x 25	
2	3290405	1	Nut M4	
3	4060865	1	Guard	
4	1001091102	2	Washer M4	
5	1001191139	1	Light, Strobe (Amber)	
5	4460891	1	Plug, Male - 2 Position	
5	4460465	2	Socket, Female	

# SECTION 1 - FRAME

FIGURE 1-16. STROBE LIGHT INSTALLATION - SINGLE SAMMOON BRAND (WITH GUARD)



ART\_1001238972

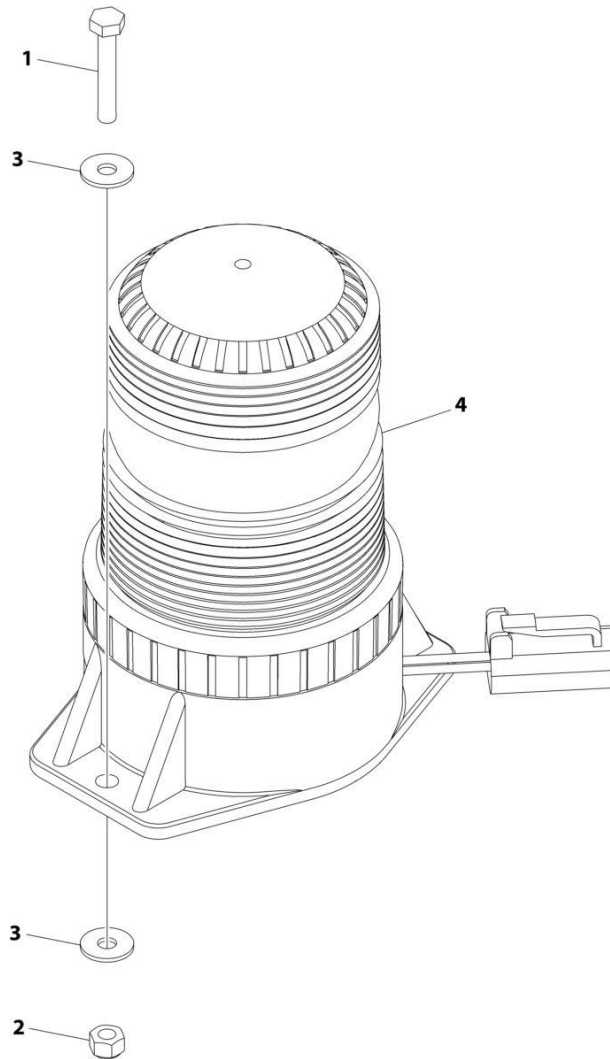
## SECTION 1 - FRAME

**FIGURE 1-16. STROBE LIGHT INSTALLATION - SINGLE SAMMOON BRAND (WITH GUARD)**

ITEM	PART NUMBER	QTY	DESCRIPTION	REV
	1001238972	Ref	STROBE LIGHT INSTALLATION - SINGLE (WITH GUARD)	A
1	3290405	2	Nut M4	
2	4031509	2	Capscrew M4 x 25	
3	4811400	2	Washer M4	
4	1001233479	1	Light, Strobe	
4	4460891	1	Plug, Male - 2 Position	
4	4460465	2	Socket, Female	
5	1001233998	1	Guard	

# SECTION 1 - FRAME

FIGURE 1-17. STROBE LIGHT INSTALLATION - DUAL ECCO BRAND (AMBER) (WITHOUT GUARD)



ART\_1001205014



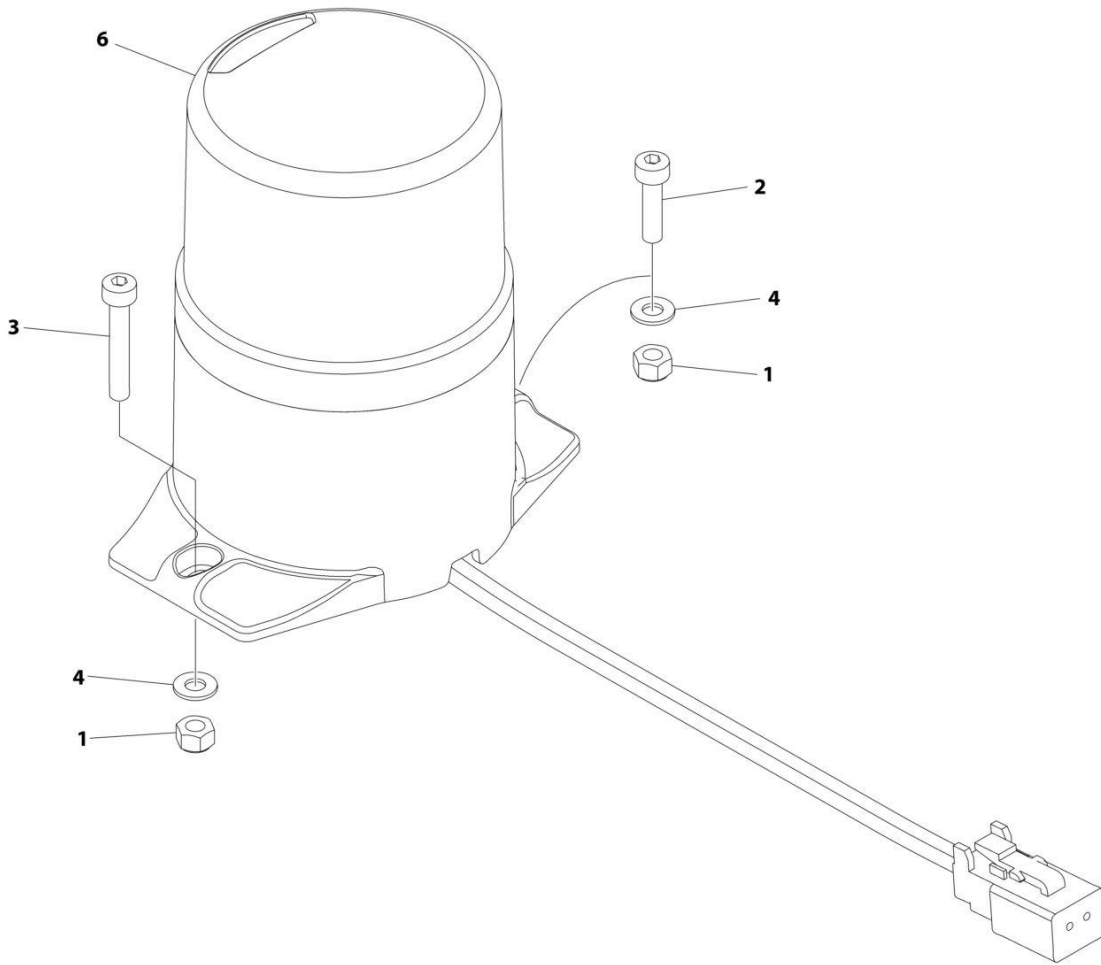
## SECTION 1 - FRAME

**FIGURE 1-17. STROBE LIGHT INSTALLATION - DUAL ECCO BRAND (AMBER) (WITHOUT GUARD)**

ITEM	PART NUMBER	QTY	DESCRIPTION	REV
	1001205014	Ref	STROBE LIGHT INSTALLATION - DUAL (AMBER) (WITHOUT GUARD)	C
1	0700412	3	Bolt M4 x 25	
2	3290405	3	Nut M4	
3	1001091102	6	Washer M4	
4	1001191139	2	Light, Strobe (Amber)	
4	4460891	1	Plug, Male - 2 Position	
4	4460465	2	Socket, Female	
4	4060865	1	Guard (Must be Purchased Separately) (Not Shown)	
5	1001201707	1	Strobe Light Jumper Harness (Not Shown)	
5	4460897	2	Receptacle, Female - 2 Position	
5	4460464	4	Pin, Male	
5	4460891	1	Plug, Male - 2 Position	
5	4460465	2	Socket, Female	

# SECTION 1 - FRAME

FIGURE 1-18. STROBE LIGHT INSTALLATION - DUAL SAMMOON BRAND (WITHOUT GUARD)



ART\_1001238971

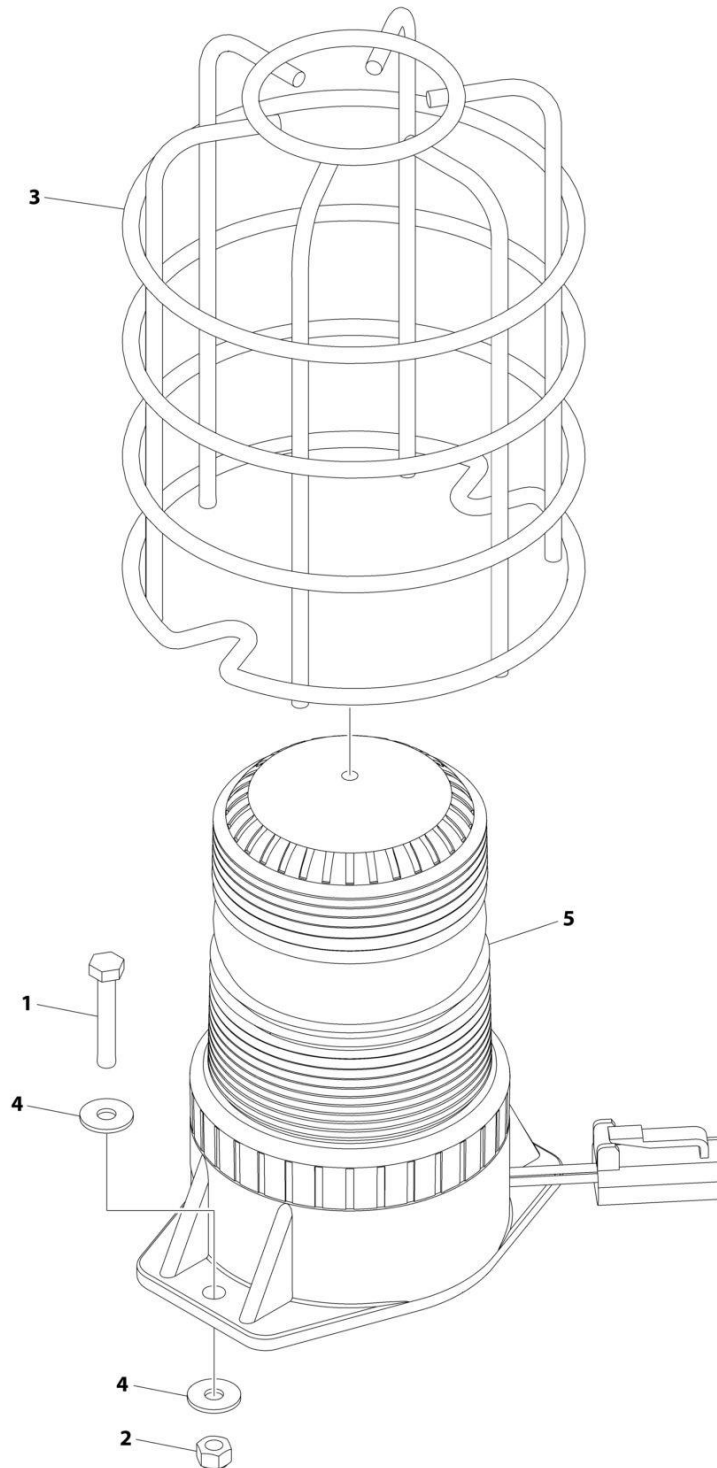
## SECTION 1 - FRAME

**FIGURE 1-18. STROBE LIGHT INSTALLATION - DUAL SAMMOON BRAND (WITHOUT GUARD)**

ITEM	PART NUMBER	QTY	DESCRIPTION	REV
	1001238971	Ref	STROBE LIGHT INSTALLATION - DUAL (WITHOUT GUARD)	A
1	3290405	4	Nut M4	
2	4031507	3	Capscrew M4 x 16	
3	4031509	1	Bolt M4 x 25	
4	4811400	4	Washer M4	
5	1001201707	1	Strobe Light Jumper Harness (Not Shown)	
5	4460897	2	Receptacle, Female - 2 Position	
5	4460464	4	Pin, Male	
5	4460891	1	Plug, Male - 2 Position	
5	4460465	2	Socket, Female	
6	1001233479	2	Light, Strobe	
6	4460891	1	Plug, Male - 2 Position	
6	4460465	2	Socket, Female	

# SECTION 1 - FRAME

FIGURE 1-19. STROBE LIGHT INSTALLATION - DUAL ECCO BRAND (AMBER) (WITH GUARD)



ART\_1001217914

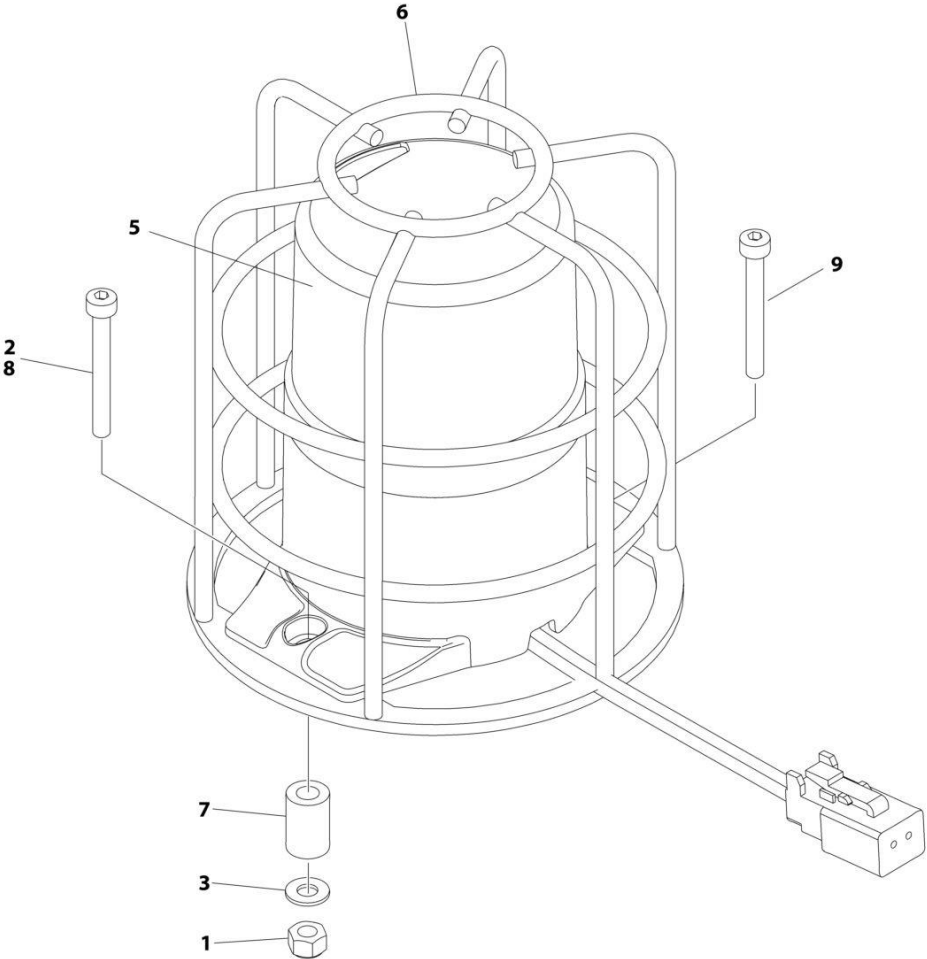
## SECTION 1 - FRAME

**FIGURE 1-19. STROBE LIGHT INSTALLATION - DUAL ECCO BRAND (AMBER) (WITH GUARD)**

ITEM	PART NUMBER	QTY	DESCRIPTION	REV
	1001217914	Ref	STROBE LIGHT INSTALLATION - DUAL (AMBER) (WITH GUARD)	A
1	0700412	3	Bolt M4 x 25	
2	3290405	3	Nut M4	
3	4060865	2	Guard	
4	1001091102	6	Washer M4	
5	1001191139	2	Light, Strobe (Amber)	
5	4460891	1	Plug, Male - 2 Position	
5	4460465	2	Socket, Female	
6	1001201707	1	Strobe Light Jumper Harness (Not Shown)	
6	4460897	2	Receptacle, Female - 2 Position	
6	4460464	4	Pin, Male	
6	4460891	1	Plug, Male - 2 Position	
6	4460465	2	Socket, Female	

**SECTION 1 - FRAME**

**FIGURE 1-20. STROBE LIGHT INSTALLATION - DUAL SAMMOON BRAND (WITH GUARD)**



ART\_1001238973

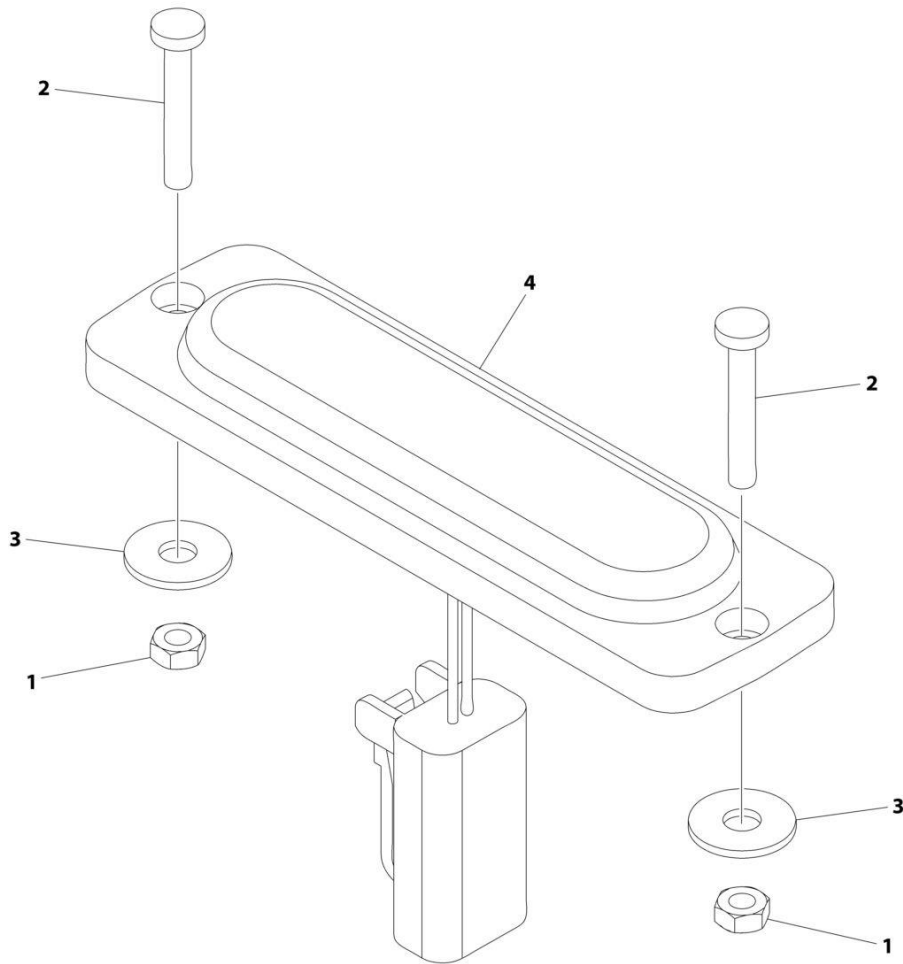
## SECTION 1 - FRAME

**FIGURE 1-20. STROBE LIGHT INSTALLATION - DUAL SAMMOON BRAND (WITH GUARD)**

ITEM	PART NUMBER	QTY	DESCRIPTION	REV
	1001238973	Ref	STROBE LIGHT INSTALLATION - DUAL (WITH GUARD)	B
1	3290405	4	Nut M4	
2	4031511	4	Bolt M4 x 35	
3	4811400	4	Washer M4	
4	1001201707	1	Strobe Light Jumper Harness (Not Shown)	
4	4460897	2	Receptacle, Female - 2 Position	
4	4460464	4	Pin, Male	
4	4460891	1	Plug, Male - 2 Position	
4	4460465	2	Socket, Female	
5	1001233479	2	Light, Strobe	
5	4460891	1	Plug, Male - 2 Position	
5	4460465	2	Socket, Female	
6	1001233998	2	Guard	
7	1001220766	4	Sleeve <b>(Prior to SN B200055421)</b>	
8	4031508	3	Bolt M4 x 20	
9	4031509	1	Bolt M4 x 25	

# SECTION 1 - FRAME

FIGURE 1-21. STROBE LIGHT INSTALLATION – SINGLE SANMAK BRAND (AMBER) (WITHOUT GUARD)



ART\_1001242988



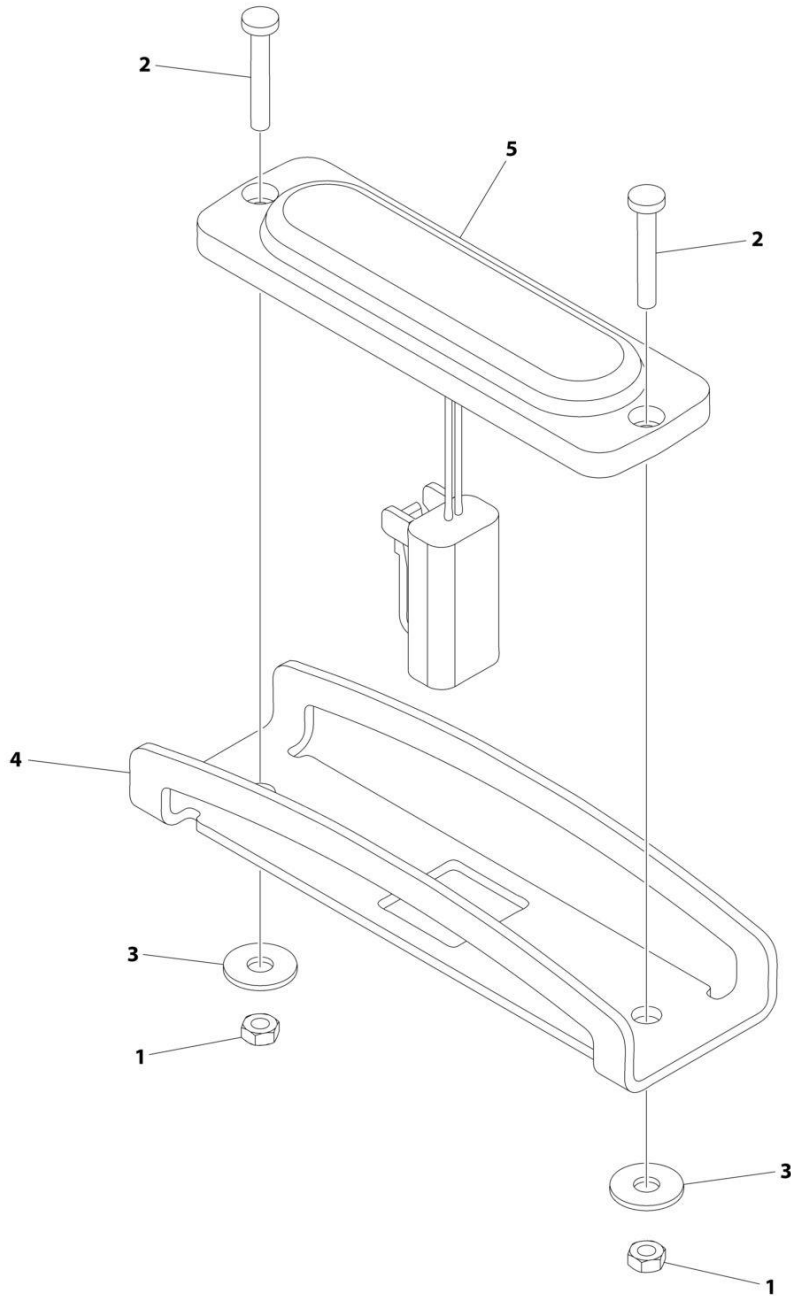
## SECTION 1 - FRAME

**FIGURE 1-21. STROBE LIGHT INSTALLATION – SINGLE SANMAK BRAND (AMBER) (WITHOUT GUARD)**

ITEM	PART NUMBER	QTY	DESCRIPTION	REV
	1001242988	Ref	STROBE LIGHT INSTALLATION - SINGLE (AMBER) (WITHOUT GUARD)	C
1	3290305	2	Nut M3	
2	4010310	2	Screw M3 x 20	
3	1001091102	2	Washer M4	
4	1001239224	1	Light, Strobe	
4	4460891	1	Plug, Male - 2 Position	
4	4460465	2	Socket, Female	

# SECTION 1 - FRAME

FIGURE 1-22. STROBE LIGHT INSTALLATION – SINGLE SANMAK BRAND (AMBER) (WITH GUARD)



ART\_1001242697

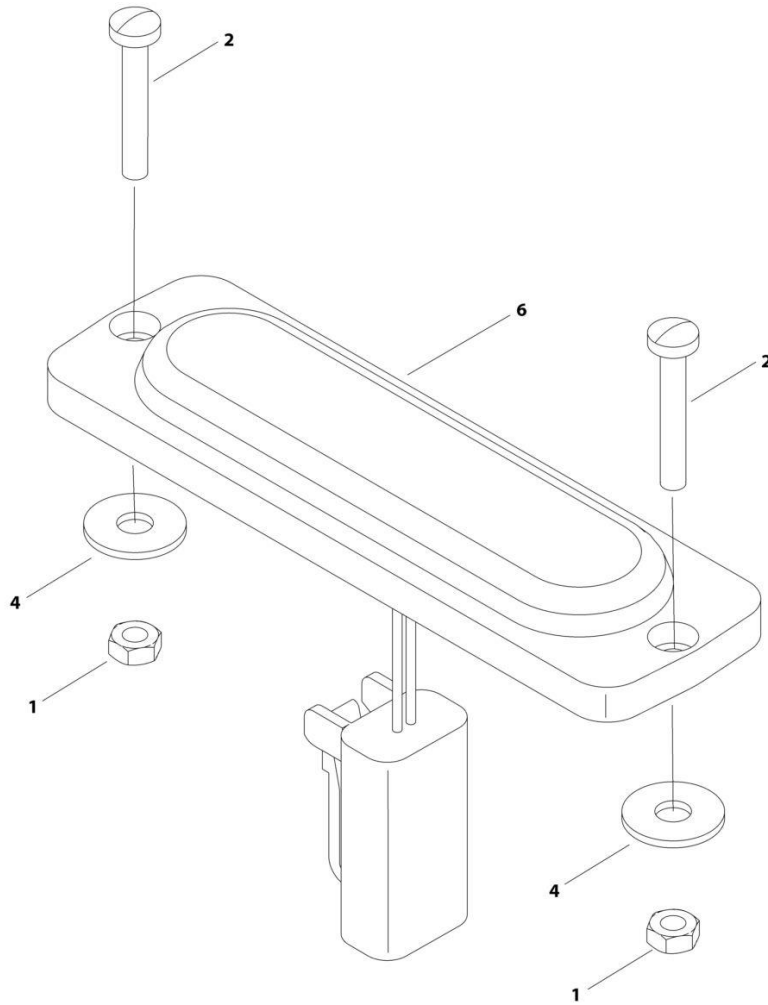
## SECTION 1 - FRAME

**FIGURE 1-22. STROBE LIGHT INSTALLATION – SINGLE SANMAK BRAND (AMBER) (WITH GUARD)**

ITEM	PART NUMBER	QTY	DESCRIPTION	REV
	1001242697	Ref	STROBE LIGHT INSTALLATION - SINGLE (AMBER) (WITH GUARD)	C
1	3290305	2	Nut M3	
2	4010310	2	Screw M3 x 20	
3	1001091102	2	Washer M4	
4	1001242539	1	Guard	
5	1001239224	1	Light, Strobe	
5	4460891	1	Plug, Male - 2 Position	
5	4460465	2	Socket, Female	

# SECTION 1 - FRAME

FIGURE 1-23. STROBE LIGHT INSTALLATION – DAUL SANMAK BRAND (AMBER) (WITHOUT GUARD)



ART\_1001247861

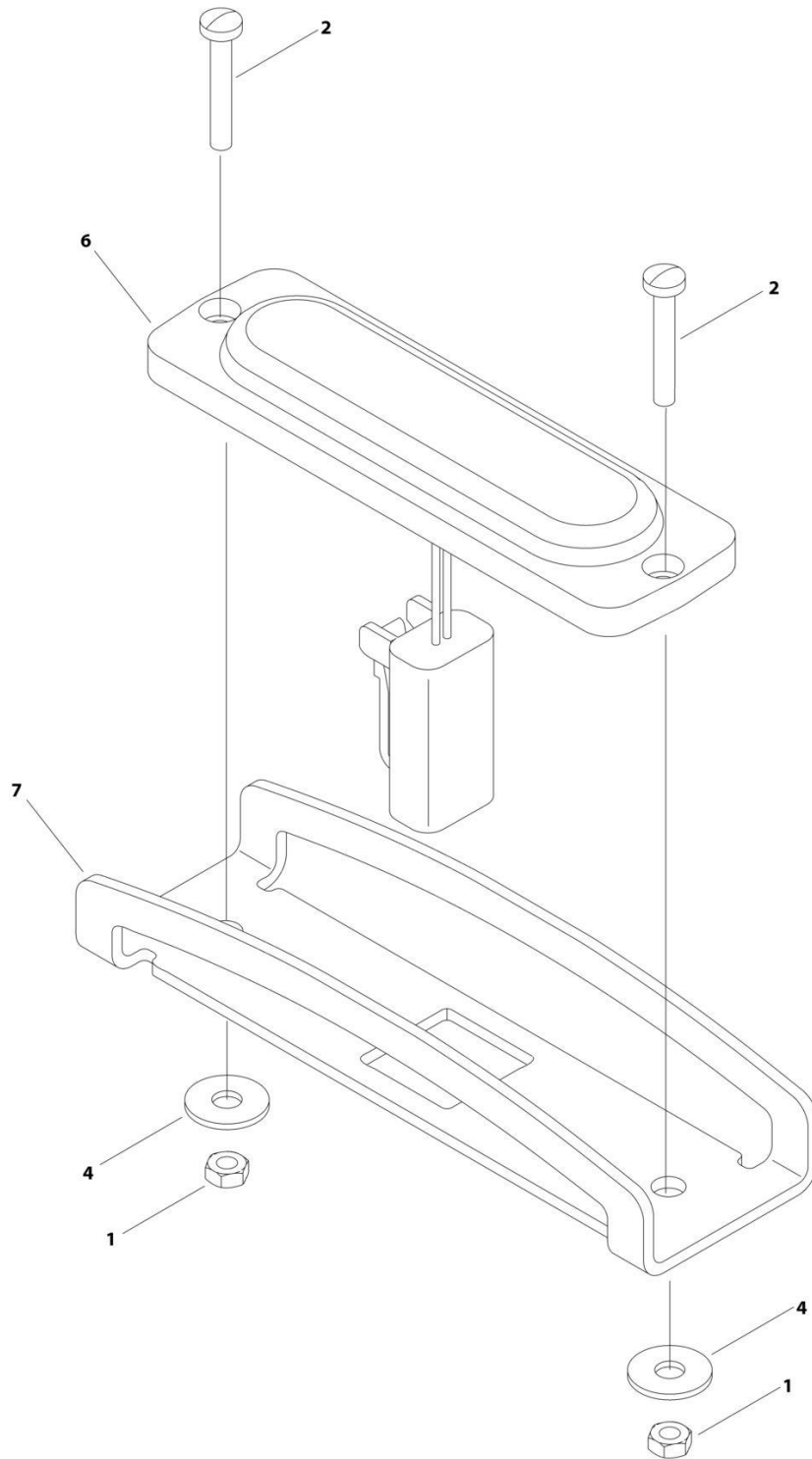
## SECTION 1 - FRAME

**FIGURE 1-23. STROBE LIGHT INSTALLATION – DAUL SANMAK BRAND (AMBER) (WITHOUT GUARD)**

ITEM	PART NUMBER	QTY	DESCRIPTION	REV
	1001247861	Ref	STROBE LIGHT INSTALLATION - DAUL (AMBER) (WITHOUT GUARD)	A
1	3290305	4	Nut M3	
2	4010310	4	Screw M3 x 20	
3	4240018	AR	Tie-Strap (Not Shown)	
4	1001091102	4	Washer M4	
5	1001201707	1	Strobe Light Jumper Harness (Not Shown)	
6	1001239224	1	Light, Strobe	
6	4460891	1	Plug, Male - 2 Position	
6	4460465	2	Socket, Female	

# SECTION 1 - FRAME

FIGURE 1-24. STROBE LIGHT INSTALLATION – DAUL SANMAK BRAND (AMBER) (WITH GUARD)



ART\_1001247862

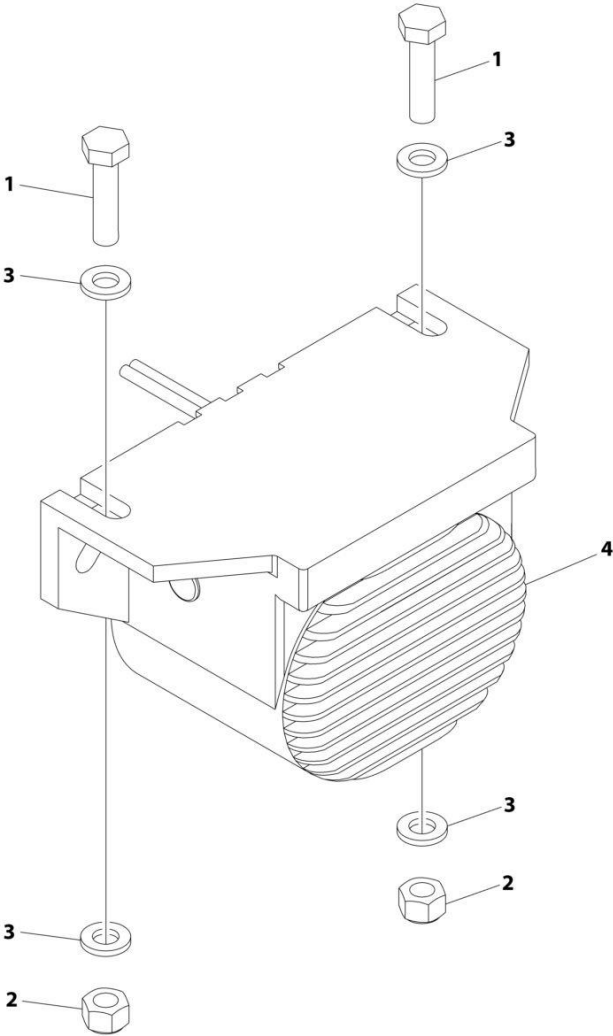
## SECTION 1 - FRAME

**FIGURE 1-24. STROBE LIGHT INSTALLATION – DAUL SANMAK BRAND (AMBER) (WITH GUARD)**

ITEM	PART NUMBER	QTY	DESCRIPTION	REV
	1001247862	Ref	STROBE LIGHT INSTALLATION - DUAL (AMBER) (WITH GUARD)	B
1	3290305	4	Nut M3	
2	4010310	4	Screw M3 x 20	
3	4240018	AR	Tie-Strap (Not Shown)	
4	1001091102	4	Washer M4	
5	1001201707	1	Strobe Light Jumper Harness (Not Shown)	
6	1001239224	1	Light, Strobe	
6	4460891	1	Plug, Male - 2 Position	
6	4460465	2	Socket, Female	
7	1001242539	1	Guard	

**SECTION 1 - FRAME**

**FIGURE 1-25. ALARM INSTALLATION (AMBIENT/WHITE NOISE) (OPTIONAL)**



ART\_1001204495



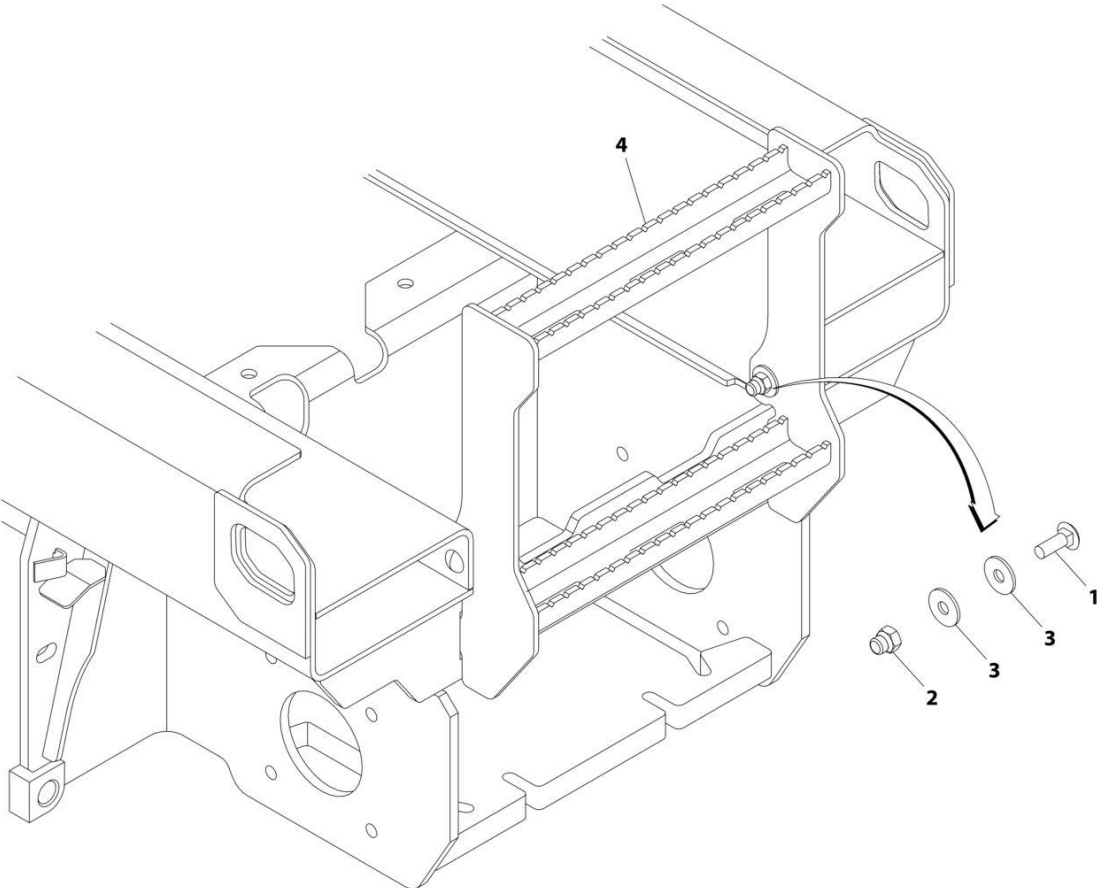
**SECTION 1 - FRAME**

**FIGURE 1-25. ALARM INSTALLATION (AMBIENT/WHITE NOISE) (OPTIONAL)**

<b>ITEM</b>	<b>PART NUMBER</b>	<b>QTY</b>	<b>DESCRIPTION</b>	<b>REV</b>
	1001204495	Ref	ALARM INSTALLATION (AMBIENT/WHITE NOISE)	B
1	0760612	2	Bolt M6 x 25	
2	3290605	2	Nut M6	
3	4811700	4	Washer M6	
4	1001182806	1	Alarm	
4	4460897	1	Receptacle, Female - 2 Position	
4	4460464	2	Pin, Male	

**SECTION 1 - FRAME**

**FIGURE 1-26. LADDER INSTALLATION**



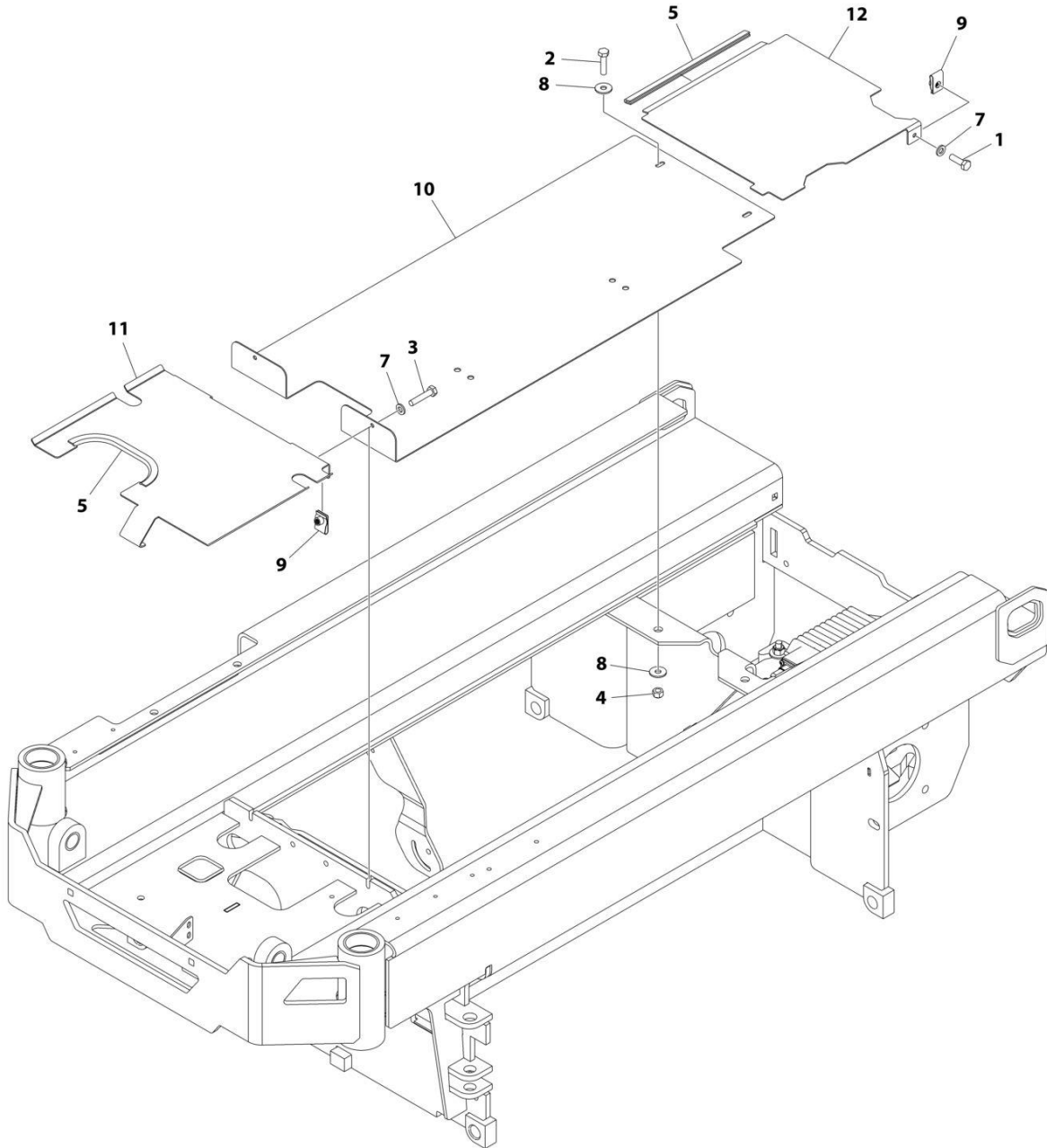
ART\_1001203453

**FIGURE 1-26. LADDER INSTALLATION**

<b>ITEM</b>	<b>PART NUMBER</b>	<b>QTY</b>	<b>DESCRIPTION</b>	<b>REV</b>
	1001203453	Ref	LADDER INSTALLATION	C
1	0630613	2	Bolt M10 x 30	
2	3291006	2	Nut M10	
3	4812002	AR	Washer M10	
4	1001203457	1	Ladder	

# SECTION 1 - FRAME

FIGURE 1-27. FRAME COVERS INSTALLATION - DELTA-Q AND GREEN POWER BATTERY CHARGERS (ANSI, ANSI EXPORT, CSA, JAPANESE AND KOREA SPECS)



ART\_1001228832

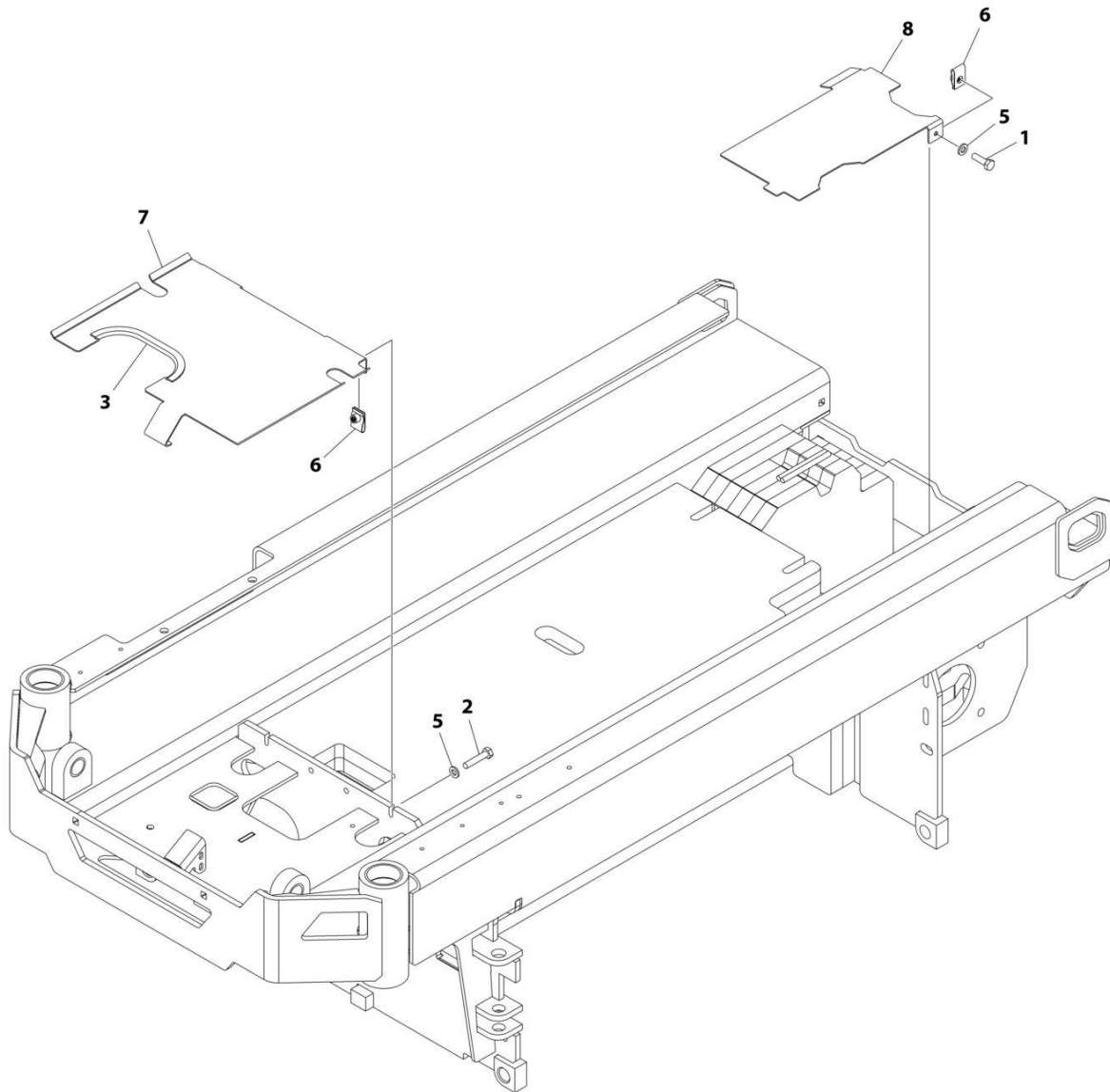
## SECTION 1 - FRAME

**FIGURE 1-27. FRAME COVERS INSTALLATION - DELTA-Q AND GREEN POWER BATTERY CHARGERS (ANSI, ANSI EXPORT, CSA, JAPANESE AND KOREA SPECS)**

ITEM	PART NUMBER	QTY	DESCRIPTION	REV
	1001228832	Ref	FRAME COVERS INSTALLATION - DELTA-Q AND GREEN POWER BATTERY CHARGERS (ANSI, ANSI EXPORT, CSA, JAPANESE AND KOREA SPECS)	A
1	0760610	1	Bolt M6 x 20	
2	0760612	2	Bolt M6 x 25	
3	0760614	2	Bolt M6 x 30	
4	3290605	2	Nut M6	
5	4060803	2 ft/60cm	Flex-Trim	
6	4240018	AR	Tie-Strap (Not Shown)	
7	4811700	3	Washer M6	
8	4811702	4	Washer M6	
9	1001130220	3	Nut, Tinnerman M6	
10	1001207492	1	Cover	
11	1001227966	1	Cover	
12	1001228237	1	Shield	

# SECTION 1 - FRAME

FIGURE 1-28. FRAME COVERS INSTALLATION - DELTA-Q AND GREEN POWER BATTERY CHARGERS (AUSTRALIAN, CHINA AND CE SPECS)



ART\_1001228830

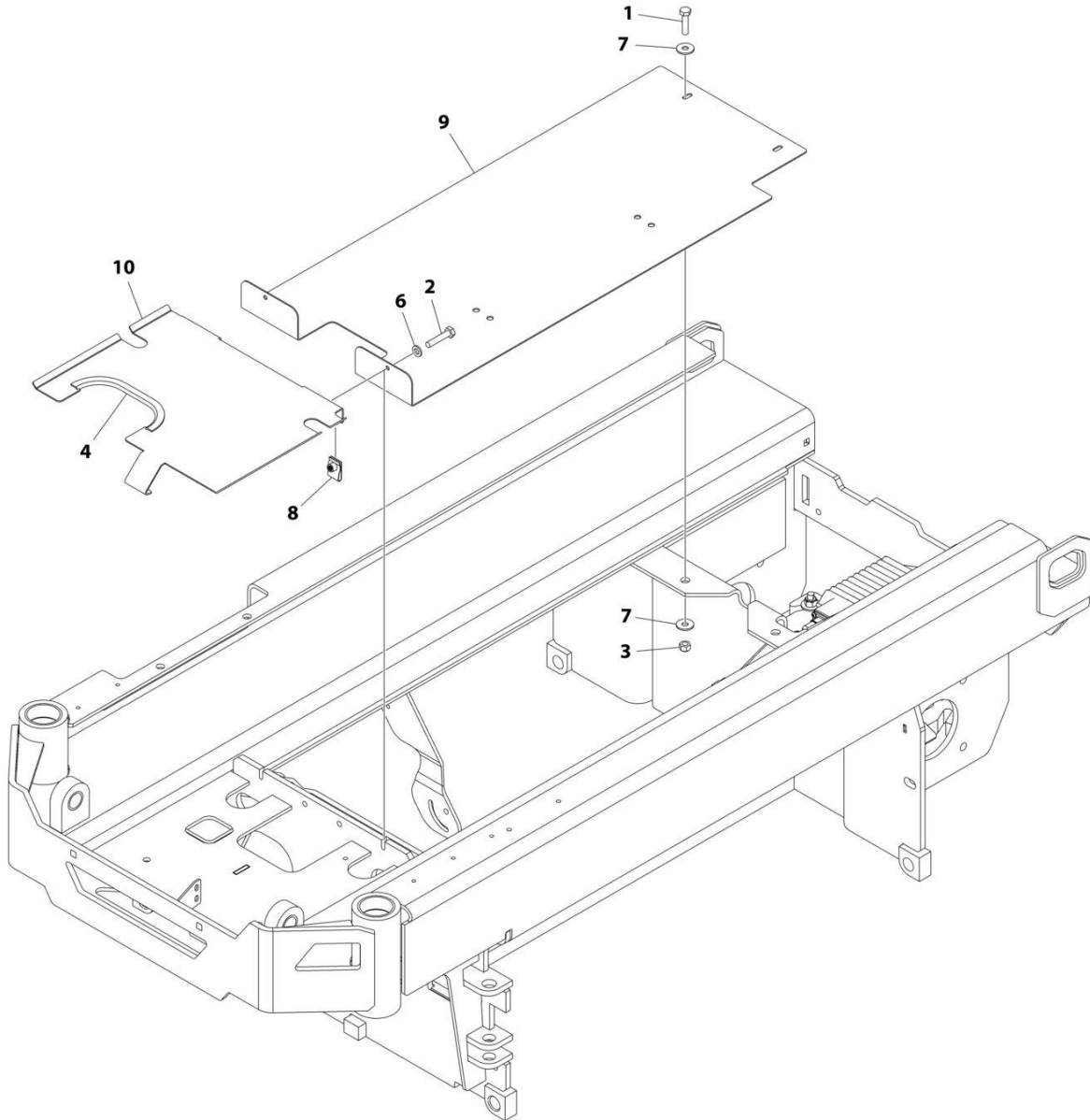
## SECTION 1 - FRAME

**FIGURE 1-28. FRAME COVERS INSTALLATION - DELTA-Q AND GREEN POWER BATTERY CHARGERS (AUSTRALIAN, CHINA AND CE SPECS)**

ITEM	PART NUMBER	QTY	DESCRIPTION	REV
	1001228830	Ref	FRAME COVERS INSTALLATION - DELTA-Q AND GREEN POWER BATTERY CHARGERS (AUSTRALIAN, CHINA AND CE SPECS)	A
1	0760610	1	Bolt M6 x 20	
2	0760614	2	Bolt M6 x 30	
3	4060803	13 in/ 33cm	Flex-Trim	
4	4240017	AR	Tie-Strap (Not Shown)	
5	4811700	3	Washer M6	
6	1001130220	3	Nut, Tinnerman M6	
7	1001227966	1	Cover	
8	1001228238	1	Shield	

# SECTION 1 - FRAME

FIGURE 1-29. FRAME COVERS INSTALLATION - EAGLE PERFORMANCE BATTERY CHARGERS (ANSI AND CSA SPECS)



ART\_1001228833



## SECTION 1 - FRAME

**FIGURE 1-29. FRAME COVERS INSTALLATION - EAGLE PERFORMANCE BATTERY CHARGERS  
(ANSI AND CSA SPECS)**

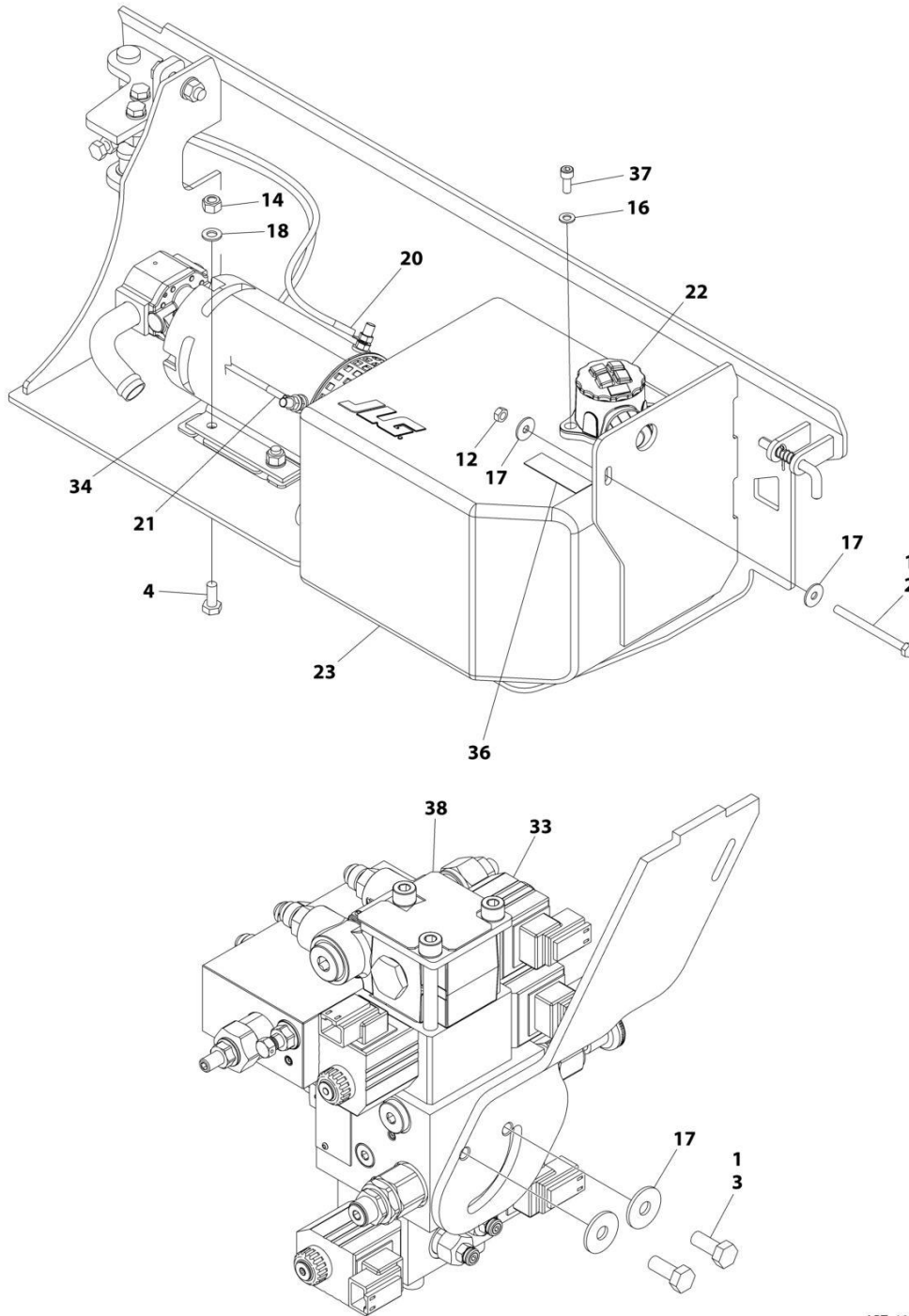
ITEM	PART NUMBER	QTY	DESCRIPTION	REV
	1001228833	Ref	FRAME COVERS INSTALLATION - EAGLE PERFORMANCE BATTERY CHARGERS (ANSI AND CSA SPECS)	A
1	0760612	2	Bolt M6 x 25	
2	0760614	2	Bolt M6 x 30	
3	3290605	2	Nut M6	
4	4060803	13 in/ 33cm	Flex-Trim	
5	4240018	AR	Tie-Strap (Not Shown)	
6	4811700	2	Washer M6	
7	4811702	4	Washer M6	
8	1001130220	2	Nut, Tinnerman M6	
9	1001207492	1	Cover	
10	1001227966	1	Cover	



**SECTION 2 - GROUND CONTROLS**

# SECTION 2 - GROUND CONTROLS

## FIGURE 2-1. HYDRAULIC COMPONENTS INSTALLATION



ART\_1001203832\_1OF2

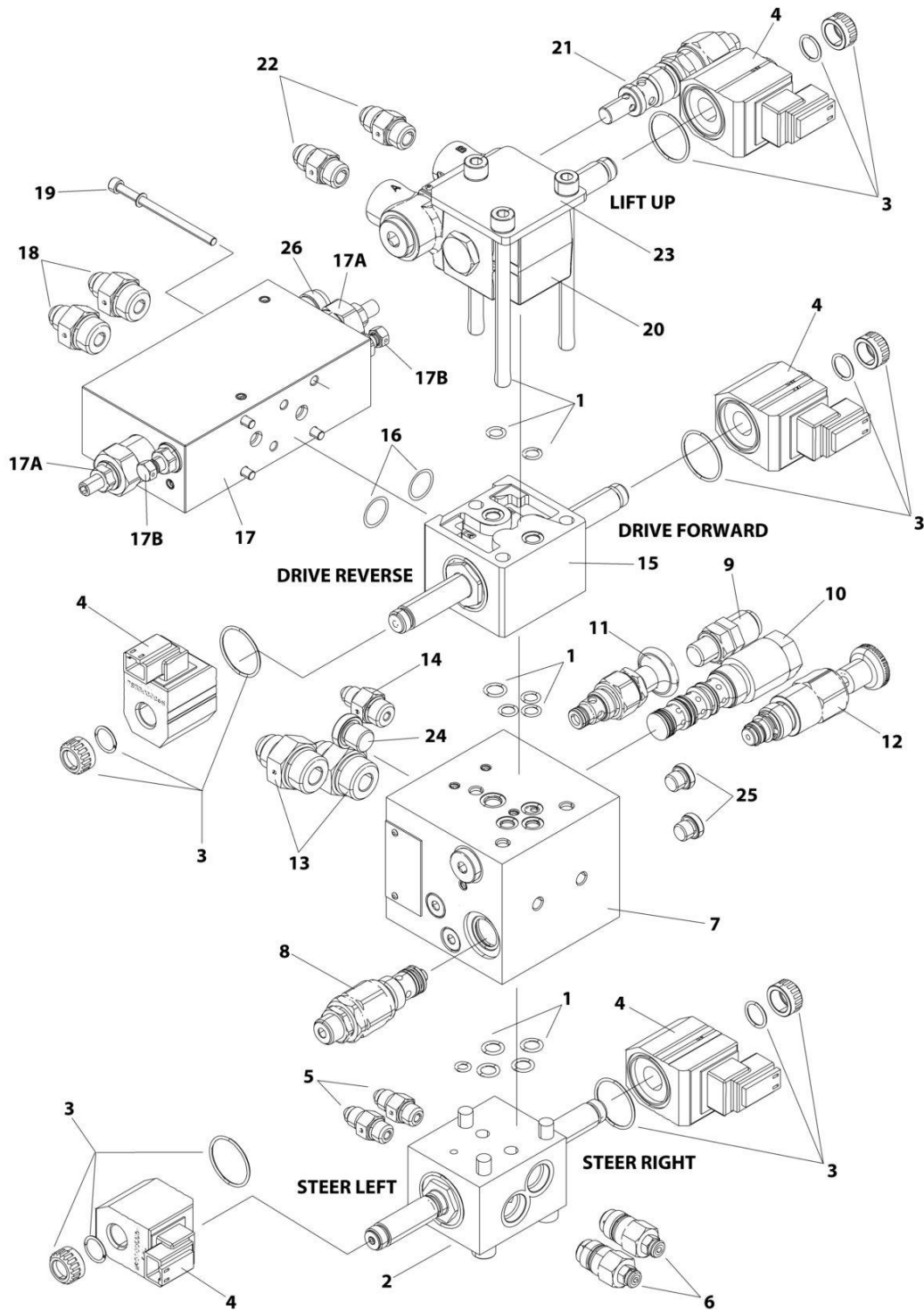
## SECTION 2 - GROUND CONTROLS

**FIGURE 2-1. HYDRAULIC COMPONENTS INSTALLATION**

ITEM	PART NUMBER	QTY	DESCRIPTION	REV
	1001203832	Ref	HYDRAULIC COMPONENTS INSTALLATION	E
1	0100011	AR	Compound, Locking	
2	0760827	1	Bolt M8 x 100	
3	0760810	2	Bolt M8 x 20	
4	0761012	2	Bolt M10 x 25	
12	3290801	1	Nut M8	
14	3291005	2	Nut M10	
16	4811900	2	Washer M8	
17	4811902	4	Washer M8	
18	4812000	2	Washer M10	
20	1001201705	1	Cable, Pump (+)	
21	1001201706	2	Cable, Pump (-)	
22	1001202851	1	Filter, Hydraulic	
22	70005423	1	Filter Element Kit (Includes Element, Cap O-Ring and Bowl O-Ring)	
23	1001203450	1	Tank, Hydraulic	
33	1001204174	1	Valve Assembly (See Separate Breakdown in this Section)	
34	1001204719	1	Motor/Pump Assembly	
34	70005815	1	Replacement Motor	
34	70005817	1	Replacement Pump	
34	70005816	1	Seal and Mounting Kit (Includes Shaft Seal, Retaining Ring, Gasket and Pump Mounting Hardware)	
36	4420062	AR	Tape	
37	5271808	2	Capscrew M8 x 20	
38	1001212294	1	Decal - Valve Rotate	

# SECTION 2 - GROUND CONTROLS

## FIGURE 2-2. VALVE ASSEMBLY



ART\_1001204174

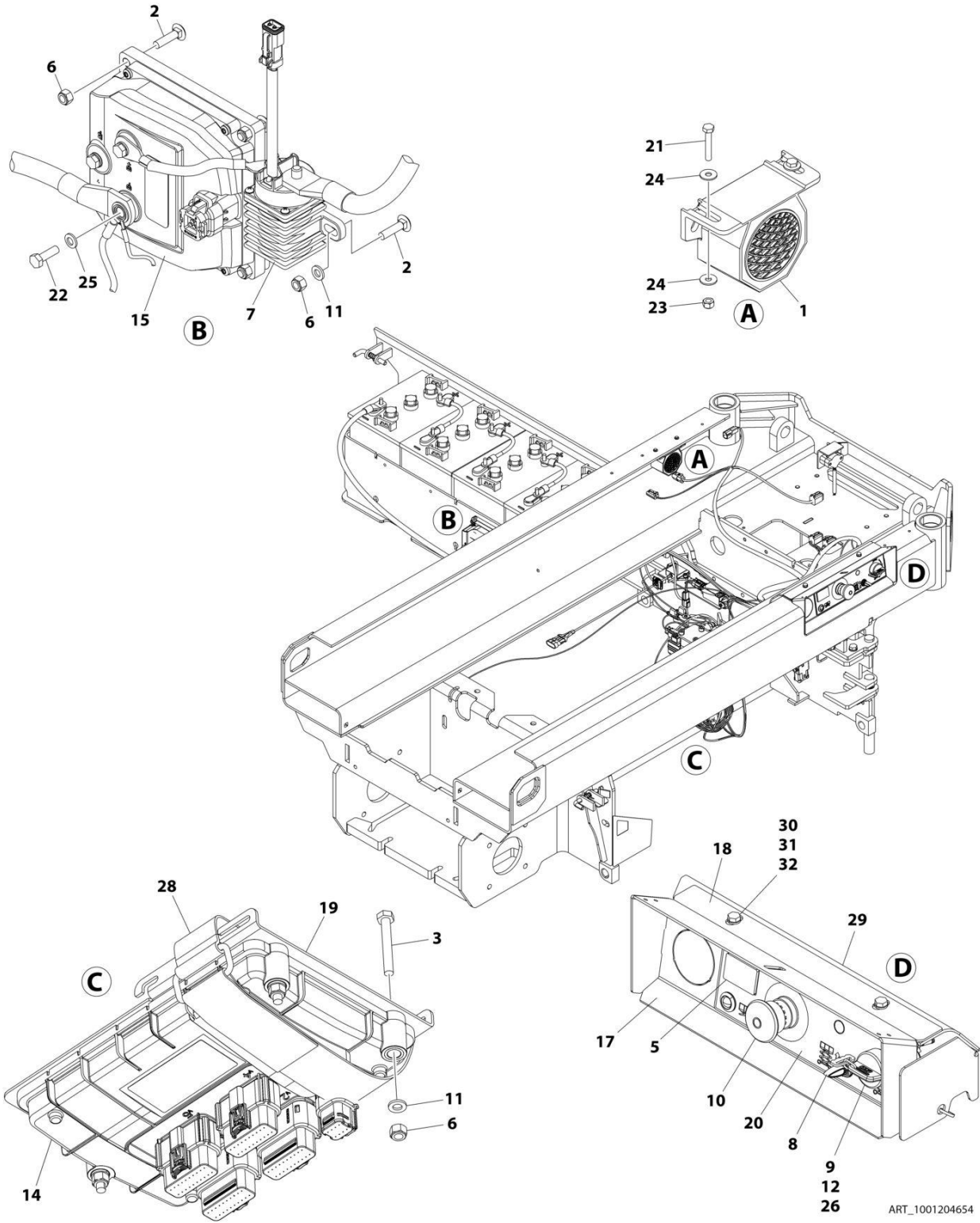
## SECTION 2 - GROUND CONTROLS

### FIGURE 2-2. VALVE ASSEMBLY

ITEM	PART NUMBER	QTY	DESCRIPTION	REV
	1001204174	Ref	VALVE ASSEMBLY	E
1	70005891	1	Assembly Kit (Includes Assembly Hardware and Seals Between Valve Blocks)	
2	70005892	1	Valve Assembly Less Coils (Steer)	
3	70021209	5	Coil Retainer Kit	
4	70005893	5	Coil	
5	2220415	2	Fitting, Straight	
6	70005895	2	Valve, Cartridge (Steer)	
7	See Note	NSS	Block, Valve (Entry Valve) (Note: Use p/n 1001204174)	
8	70005896	1	Valve, Cartridge	
9	2221086	1	Fitting, Hydraulic Test	
10	70005898	1	Valve, Cartridge	
11	70005899	1	Valve, Cartridge	
12	70005900	1	Valve, Cartridge	
13	2220374	2	Fitting, Straight JIC/ORB	
14	2220582	1	Fitting, Straight JIC/ORB	
15	70005903	1	Valve Assembly Less Coils (Lower Drive Valve)	
16	70005904	1	Seal Kit	
17	70005905	1	Valve Assembly (Upper Drive Valve)	
17A	See Note	NSS	Valve, Cartridge (Note: Use p/n 70005905)	
17B	See Note	NSS	Valve, Cartridge (Note: Use p/n 70005905)	
18	2220372	2	Fitting, Straight JIC/ORB	
19	70005907	1	Hardware Kit - Valve Mounting	
20	70005908	1	Valve Assembly Less Coil (Lift)	
21	70005909	1	Valve, Cartridge	
22	2220371	2	Fitting, Straight JIC/ORB	
23	70005911	1	Plate, End	
24	70005912	1	Plug	
25	70005913	2	Plug	
26	70005914	1	Valve, Cartridge	

# SECTION 2 - GROUND CONTROLS

## FIGURE 2-3. ELECTRICAL COMPONENTS INSTALLATION (WITHOUT LSS)





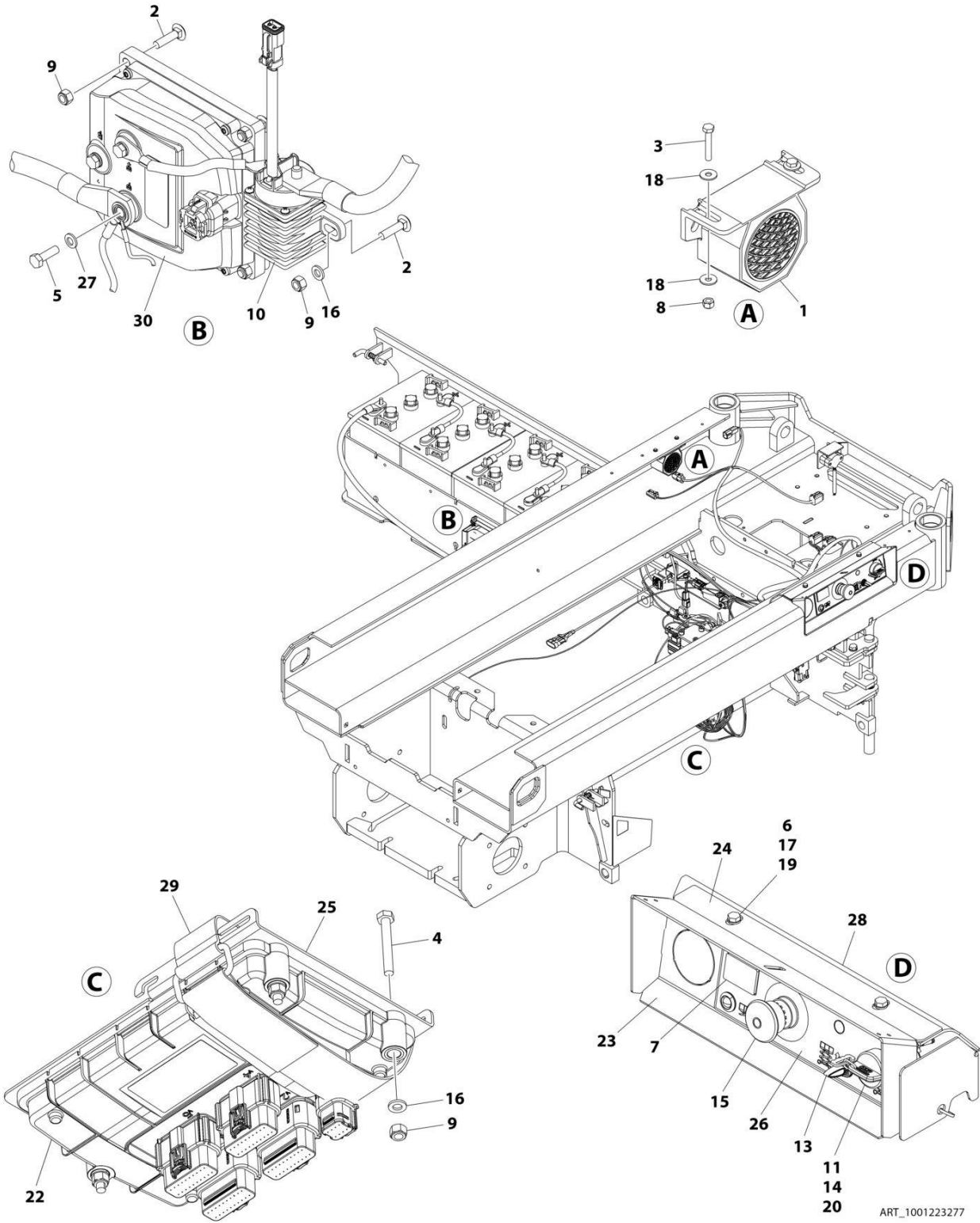
## SECTION 2 - GROUND CONTROLS

**FIGURE 2-3. ELECTRICAL COMPONENTS INSTALLATION (WITHOUT LSS)**

ITEM	PART NUMBER	QTY	DESCRIPTION	REV
	1001204654	Ref	ELECTRICAL COMPONENTS INSTALLATION (WITHOUT LSS)	F
1	0140043	1	Alarm	
2	0630587	4	Bolt M6 x 25	
3	0700617	3	Bolt M6 x 45	
5	2420172	1	Hourmeter	
6	3290605	7	Nut M6	
7	3740150	1	Relay	
8	4360328	1	Switch, Toggle	
9	4360469	1	Switch, Key	
9	2860030	1 set	Key, Replacement	
10	4360475	1	Switch, Emergency Stop	
10	7020175	1	Cap	
10	7020176	1	Block, Contact	
11	4811700	5	Washer M6	
12	1001130590	1	Plate, Key Switch	
13	1001187781	1	Tie-Strap (Not Shown)	
14	1001200629	1	Module, Control (Note: Recalibration Required when Replaced)	
15	1001216062	1	Module, Power (Note: Recalibration Required when Replaced)	
16	1001200820	1	Chassis Harness (Not Shown - See Separate Breakdown in ELECTRICAL SECTION)	
17	1001207214	1	Support	
18	1001207215	1	Bracket	
19	1001207494	1	Bracket	
20	1001209682	1	Decal - Ground Control	
21	0700412	2	Bolt M4 x 25	
22	0760610	3	Bolt M6 x 20	
23	3290405	2	Nut M4	
24	1001091102	4	Washer M4	
25	1001210966	3	Washer	
26	3910804	3	Screw #8 x 1/4	
27	4240017	AR	Tie-Strap (Not Shown)	
28	1001215762	1	Strap, Cinch <b>(SN E300000100 to Present)</b>	
28	1001143645	1	Strap, Cinch <b>(Prior to SN M200006250)</b>	
28	1001215762	1	Strap, Cinch <b>(SN M200006250 to Present)</b>	
29	1001214088	1	Cover, Rubber <b>(Prior to SN M200014396)</b>	
29	1001231264	1	Bracket, Ground Control Back <b>(SN M200014396 to Present)</b>	
30	0760812	2	Bolt M8 x 25	
31	4811900	2	Washer M8	
32	1001118274	2	Nut, Timmerman M8	

# SECTION 2 - GROUND CONTROLS

## FIGURE 2-4. ELECTRICAL COMPONENTS INSTALLATION (WITH LSS)



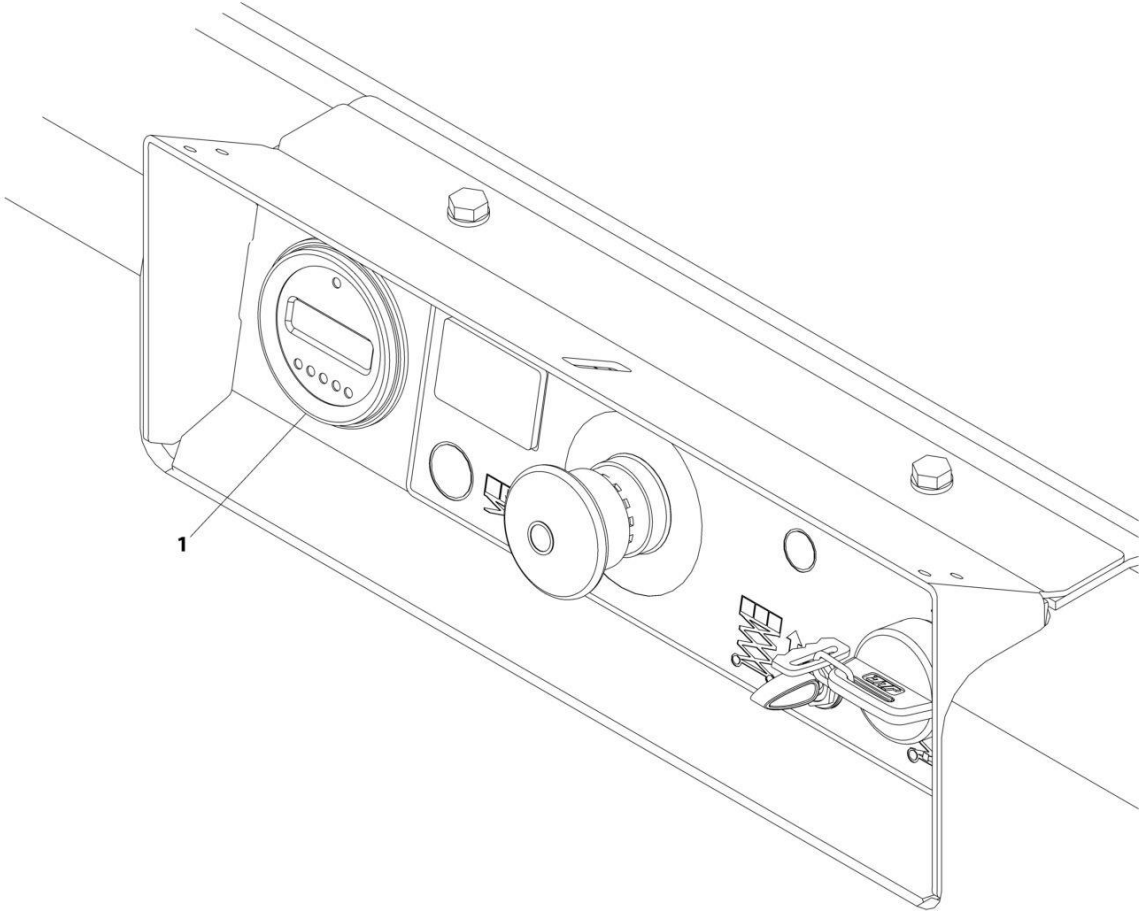
## SECTION 2 - GROUND CONTROLS

**FIGURE 2-4. ELECTRICAL COMPONENTS INSTALLATION (WITH LSS)**

ITEM	PART NUMBER	QTY	DESCRIPTION	REV
	1001223277	Ref	ELECTRICAL COMPONENTS INSTALLATION (WITH LSS)	D
1	0140043	1	Alarm	
2	0630587	4	Bolt M6 x 25	
3	0700412	2	Bolt M4 x 25	
4	0700617	3	Bolt M6 x 45	
5	0760610	3	Bolt M6 x 20	
6	0760812	2	Bolt M8 x 25	
7	2420172	1	Hourmeter	
8	3290405	2	Nut M4	
9	3290605	7	Nut M6	
10	3740150	1	Relay	
11	3910804	3	Screw #8 x 1/4	
12	4240017	AR	Tie-Strap (Not Shown)	
13	4360328	1	Switch, Toggle	
14	4360469	1	Switch, Key	
14	2860030	1 Set	Key, Replacement	
15	4360475	1	Switch, Emergency Stop	
15	7020175	1	Cap	
15	7020176	1	Block, Contact	
16	4811700	5	Washer M6	
17	4811900	2	Washer M8	
18	1001091102	4	Washer M4	
19	1001118274	2	Nut, Tinnerman M8	
20	1001130590	1	Plate, Key Switch	
21	1001187781	1	Tie-Strap (Not Shown)	
22	1001200629	1	Module, Control (Note: Re-calibration Required when Replaced)	
23	1001207214	1	Support	
24	1001207215	1	Bracket	
25	1001207494	1	Bracket	
26	1001209682	1	Decal - Ground Control	
27	1001210966	3	Washer	
28	1001214088	1	Cover, Rubber <b>(Prior to SN M200014396)</b>	
28	1001231264	1	Bracket, Ground Control Back <b>(SN M200014396 to Present)</b>	
29	1001215762	1	Strap, Cinch	
30	1001216062	1	Module, Power (Note: Re-calibration Required when Replaced)	
31	1001222686	1	Chassis Harness (Not Shown - See Separate Breakdown in ELECTRICAL SECTION)	

# SECTION 2 - GROUND CONTROLS

FIGURE 2-5. MDI INSTALLATION



ART\_1001207293

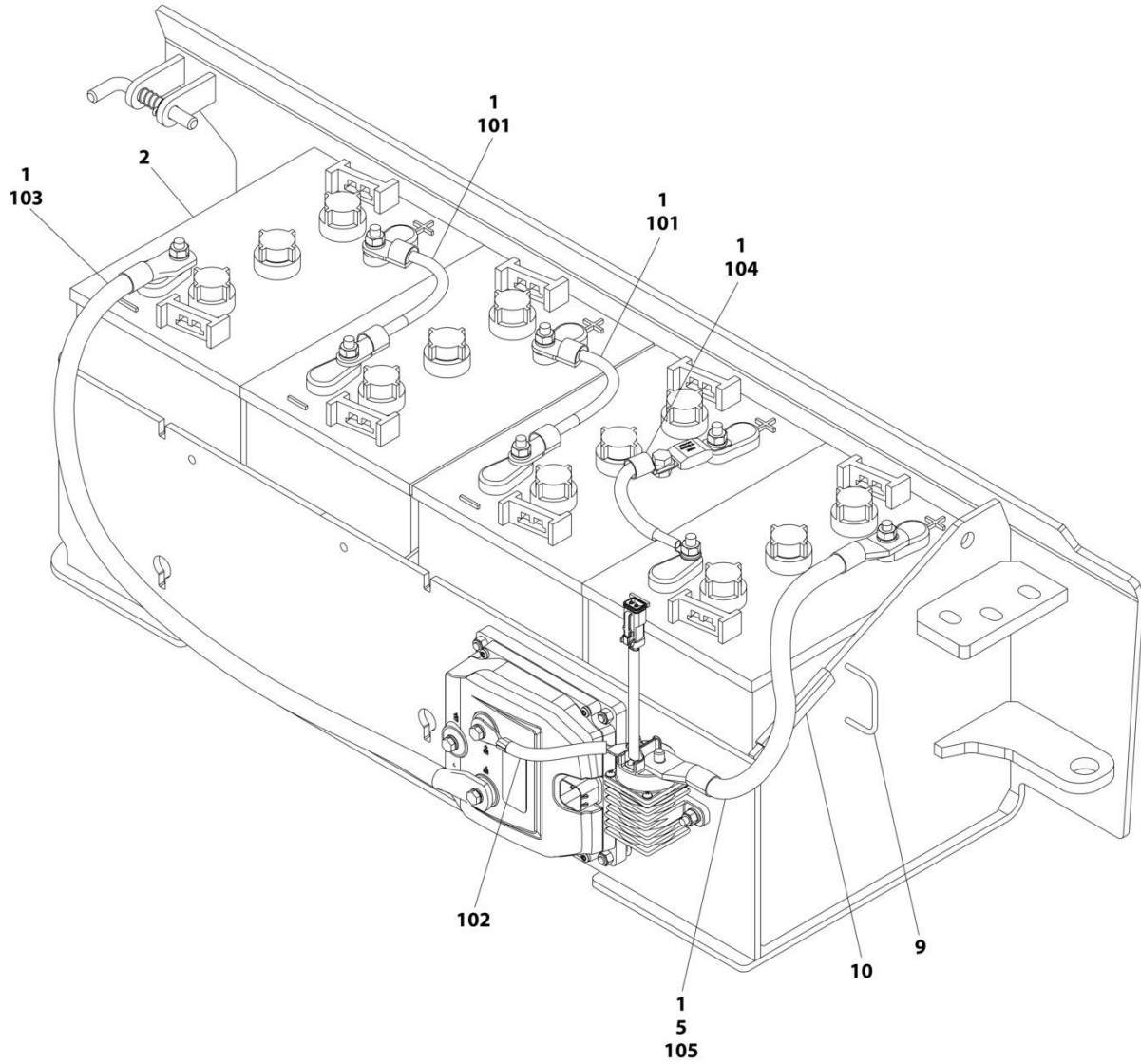
## SECTION 2 - GROUND CONTROLS

FIGURE 2-5. MDI INSTALLATION

ITEM	PART NUMBER	QTY	DESCRIPTION	REV
1	1001207293 1001200632	Ref 1	MDI INSTALLATION Gauge, MDI	B

# SECTION 2 - GROUND CONTROLS

FIGURE 2-6. BATTERIES INSTALLATION - STANDARD BATTERIES WITHOUT DISCONNECT



ART\_1001204138

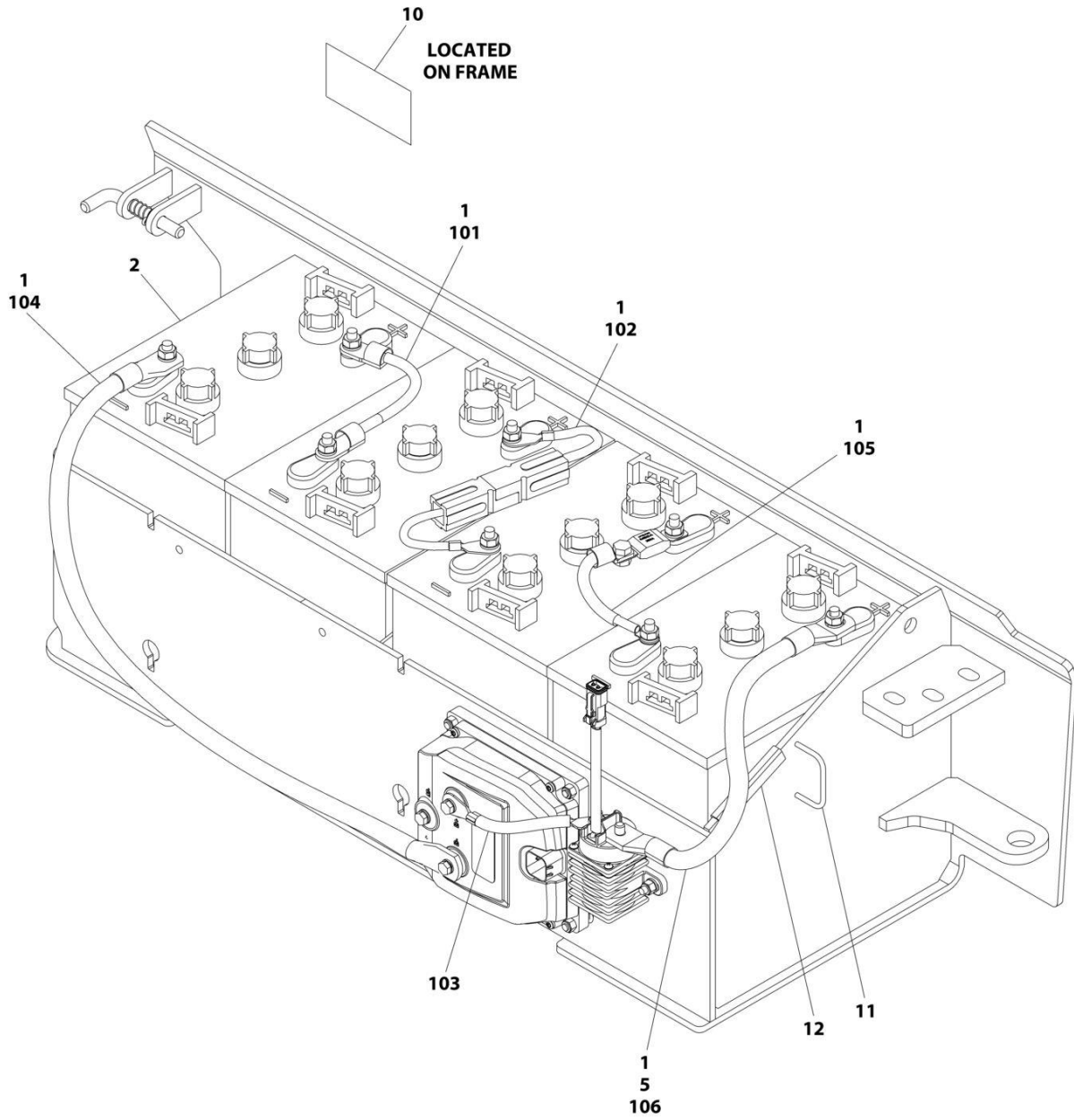
## SECTION 2 - GROUND CONTROLS

**FIGURE 2-6. BATTERIES INSTALLATION - STANDARD BATTERIES WITHOUT DISCONNECT**

ITEM	PART NUMBER	QTY	DESCRIPTION	REV
	1001204138	Ref	BATTERIES INSTALLATION - STANDARD BATTERIES WITHOUT DISCONNECT	F
1	0100051	AR	Grease, Terminal	
2	1001216180	4	Battery	
5	1001201709	1	Cable, Battery Positive to Contactor ( <b>Prior to SN M200016842, Prior to SN B200047253</b> )	
8	4240017	AR	Tie-Strap (Not Shown)	
9	1001229472	14.2 in/ 36cm	Strap, Hook and Loop ( <b>SN M200010461 through M200016841, SN B200041275 through B200047252</b> )	
10	4060805	3.5 in/9cm	Flex-Trim ( <b>SN M200010461 through M200016841, SN B200041275 through B200047252</b> )	
100	1001228122	1	Battery Cable Kit (Not Shown)	A
101	1060998	2	Cable, Positive to Negative	
102	1001201708	1	Cable, Contactor to Pump Control B+	
103	1001201711	1	Cable, Battery Negative to Pump Control B-	
104	1001210401	1	Cable, Battery Fuse	
105	1001229110	1	Cable, Battery Positive to Contactor ( <b>SN M200016842 to Present, SN B200047253 to Present</b> )	

## SECTION 2 - GROUND CONTROLS

FIGURE 2-7. BATTERIES INSTALLATION - STANDARD BATTERIES WITH DISCONNECT



ART\_1001208057



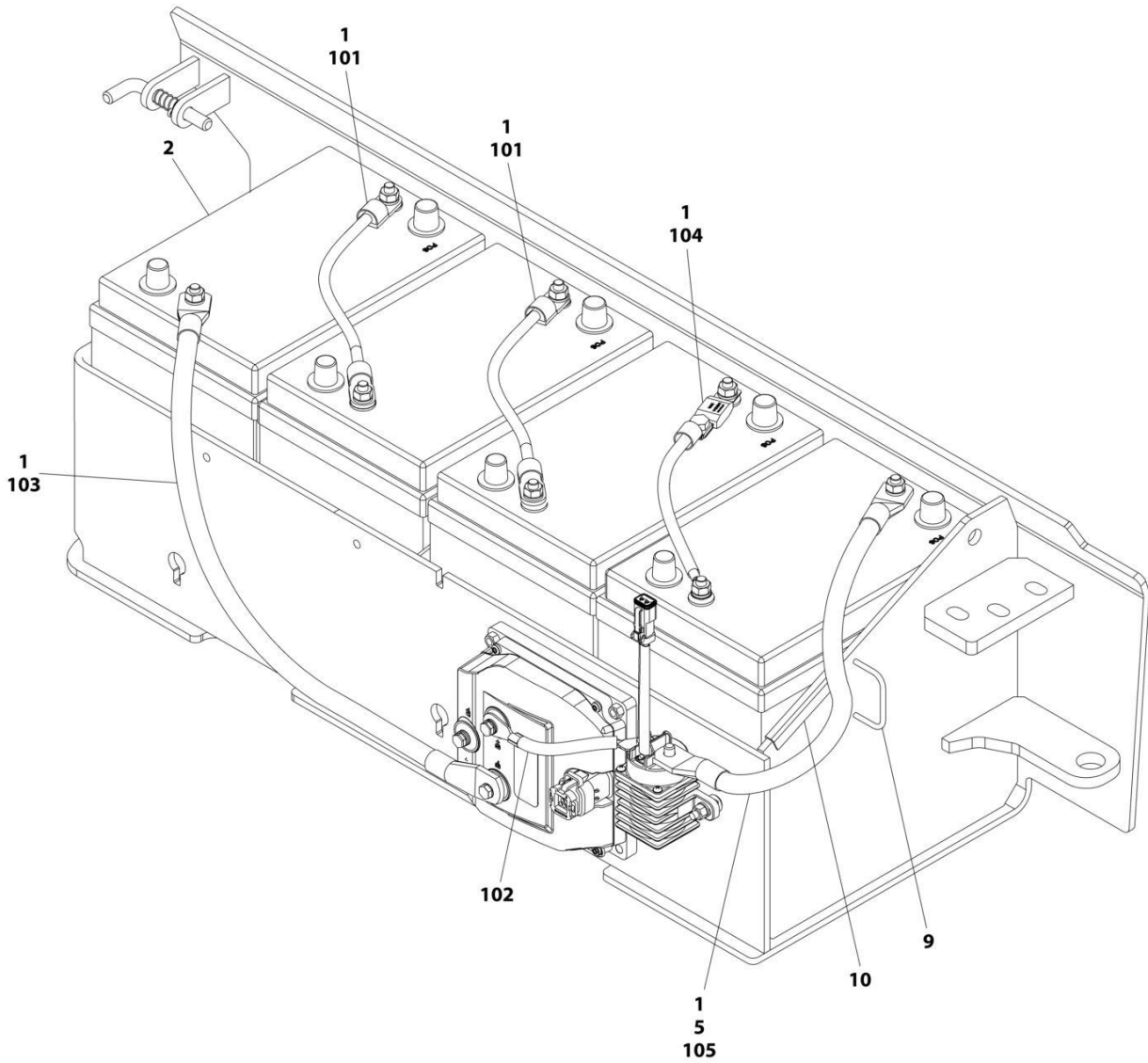
## SECTION 2 - GROUND CONTROLS

**FIGURE 2-7. BATTERIES INSTALLATION - STANDARD BATTERIES WITH DISCONNECT**

ITEM	PART NUMBER	QTY	DESCRIPTION	REV
	1001208057	Ref	BATTERIES INSTALLATION - STANDARD BATTERIES WITH DISCONNECT	F
1	0100051	AR	Grease, Terminal	
2	1001216180	4	Battery	
5	1001201709	1	Cable, Battery Positive to Contactor ( <b>Prior to SN B200047253, Prior to SN M200016842</b> )	
9	4240017	AR	Tie-Strap (Not Shown)	
10	1702155	1	Decal - Battery Disconnect	
11	1001229472	14.2 in/ 36cm	Strap, Hook and Loop ( <b>SN M200010461 through M200016841, SN B200041275 through B200047252</b> )	
12	4060805	3.5 in/ 9cm	Flex-Trim ( <b>SN M200010461 through M200016841, SN B200041275 through B200047252</b> )	
100	1001228123	1	Battery Cable Kit (Not Shown)	A
101	1060998	2	Cable, Positive to Negative	
102	4923328	1	Cable, Positive to Negative	
103	1001201708	1	Cable, Contactor to Pump Control B+	
104	1001201711	1	Cable, Battery Negative to Pump Control B-	
105	1001210401	1	Cable, Battery Fuse	
106	1001229110	1	Cable, Battery Positive to Contactor ( <b>SN M200016842 to Present, SN B200047253 to Present</b> )	

## SECTION 2 - GROUND CONTROLS

FIGURE 2-8. BATTERIES INSTALLATION - AGM BATTERIES WITHOUT DISCONNECT (MEXICO BUILT MACHINES)



ART\_1001208056

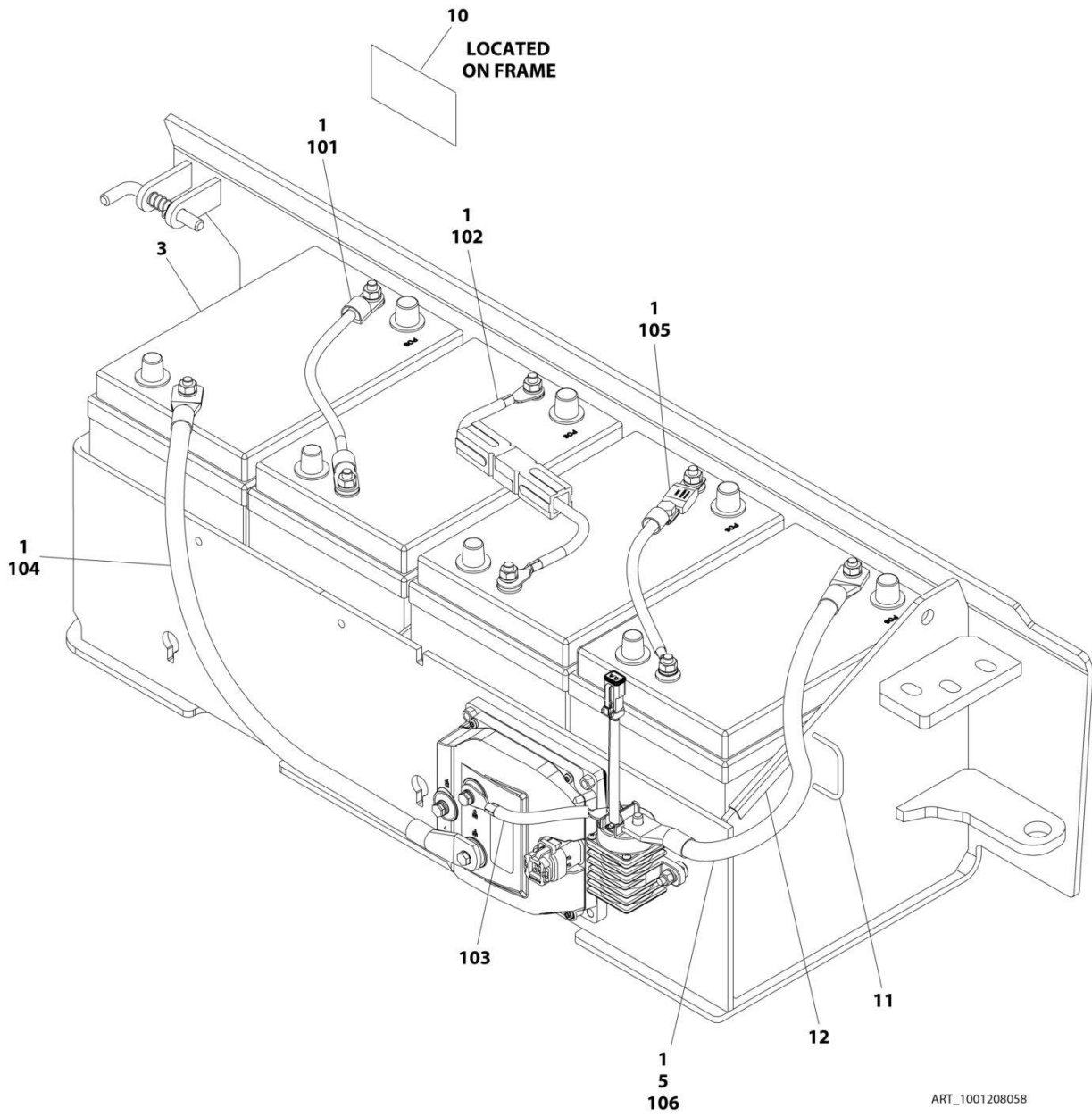
## SECTION 2 - GROUND CONTROLS

**FIGURE 2-8. BATTERIES INSTALLATION - AGM BATTERIES WITHOUT DISCONNECT (MEXICO BUILT MACHINES)**

ITEM	PART NUMBER	QTY	DESCRIPTION	REV
	1001208056	Ref	BATTERIES INSTALLATION - AGM BATTERIES WITHOUT DISCONNECT (MEXICO BUILT MACHINES)	F
1	0100051	AR	Grease, Terminal	
2	1001112112	4	Battery	
5	1001201709	1	Cable, Battery Positive to Contactor ( <b>Prior to SN M200016842</b> )	
8	4240017	AR	Tie-Strap (Not Shown)	
9	1001229472	14.2 in/ 36cm	Strap, Hook and Loop ( <b>SN M200010461 through M200016841</b> )	
10	4060805	3.5 in/ 9cm	Flex-Trim ( <b>SN M200010461 through M200016841</b> )	
100	1001228122	1	Battery Cable Kit (Not Shown)	A
101	1060998	2	Cable, Positive to Negative	
102	1001201708	1	Cable, Contactor to Pump Control B+	
103	1001201711	1	Cable, Battery Negative to Pump Control B-	
104	1001210401	1	Cable, Battery Fuse	
105	1001229110	1	Cable, Battery Positive to Contactor ( <b>SN M200016842 to Present</b> )	

## SECTION 2 - GROUND CONTROLS

FIGURE 2-9. BATTERIES INSTALLATION - AGM BATTERIES WITH DISCONNECT (MEXICO BUILT MACHINES)



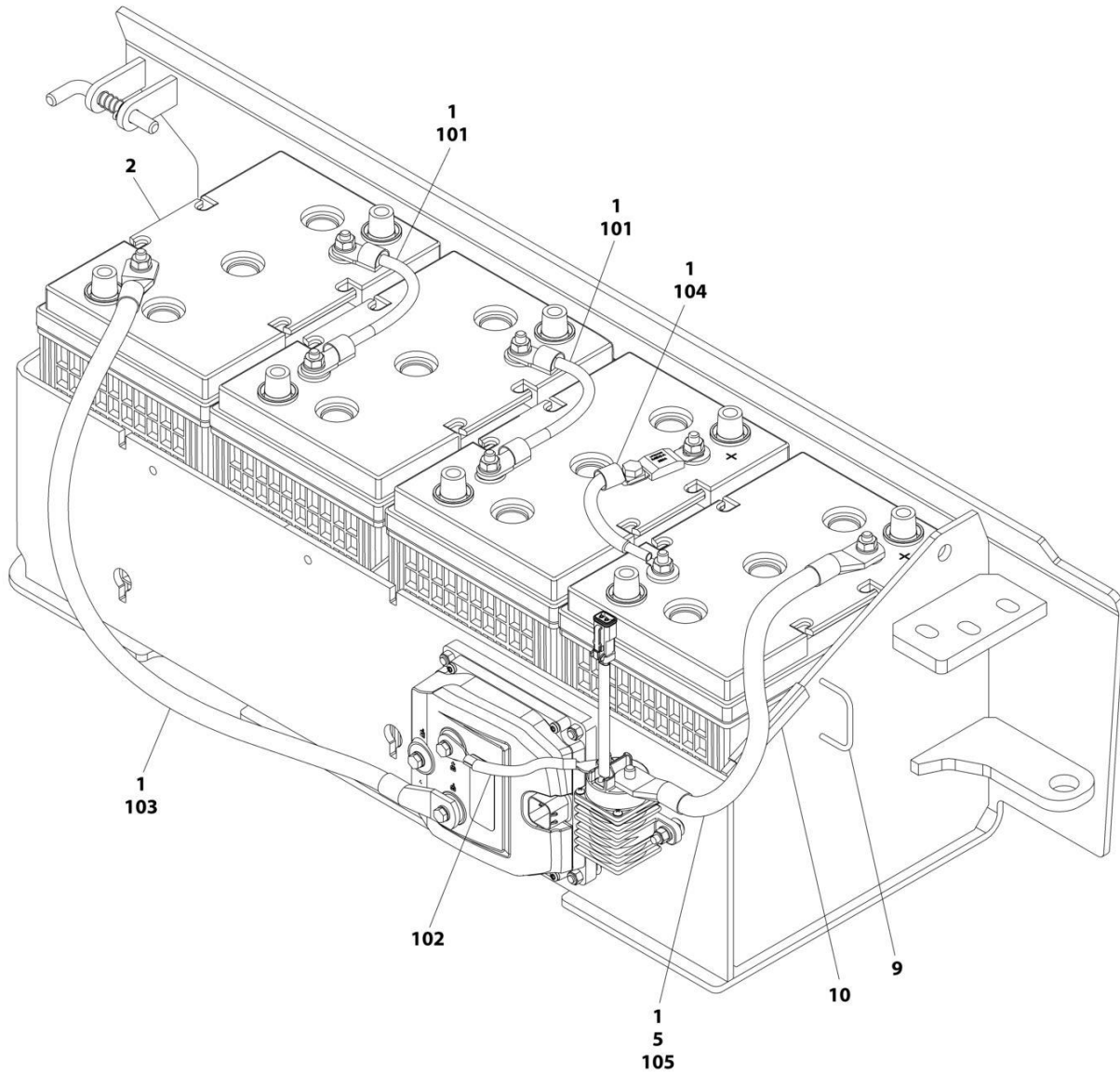
## SECTION 2 - GROUND CONTROLS

**FIGURE 2-9. BATTERIES INSTALLATION - AGM BATTERIES WITH DISCONNECT (MEXICO BUILT MACHINES)**

ITEM	PART NUMBER	QTY	DESCRIPTION	REV
	1001208058	Ref	BATTERIES INSTALLATION - AGM BATTERIES WITH DISCONNECT (MEXICO BUILT MACHINES)	F
1	0100051	AR	Grease, Terminal	
3	1001112112	4	Battery	
5	1001201709	1	Cable, Battery Positive to Contactor ( <b>Prior to SN M200016842</b> )	
9	4240017	AR	Tie-Strap (Not Shown)	
10	1702155	1	Decal - Battery Disconnect	
11	1001229472	14.2 in/ 36cm	Strap, Hook and Loop ( <b>SN M200010461 through M200016841</b> )	
12	4060805	3.5 in/ 9cm	Flex-Trim ( <b>SN M200010461 through M200016841</b> )	
100	1001228123	1	Battery Cable Kit (Not Shown)	A
101	1060998	2	Cable, Positive to Negative	
102	4923328	1	Cable, Positive to Negative	
103	1001201708	1	Cable, Contactor to Pump Control B+	
104	1001201711	1	Cable, Battery Negative to Pump Control B-	
105	1001210401	1	Cable, Battery Fuse	
106	1001229110	1	Cable, Battery Positive to Contactor ( <b>SN M200016842 to Present</b> )	

## SECTION 2 - GROUND CONTROLS

FIGURE 2-10. BATTERIES INSTALLATION - AGM EVCG BATTERIES WITHOUT DISCONNECT (CHINA BUILT MACHINES)



ART\_1001216249

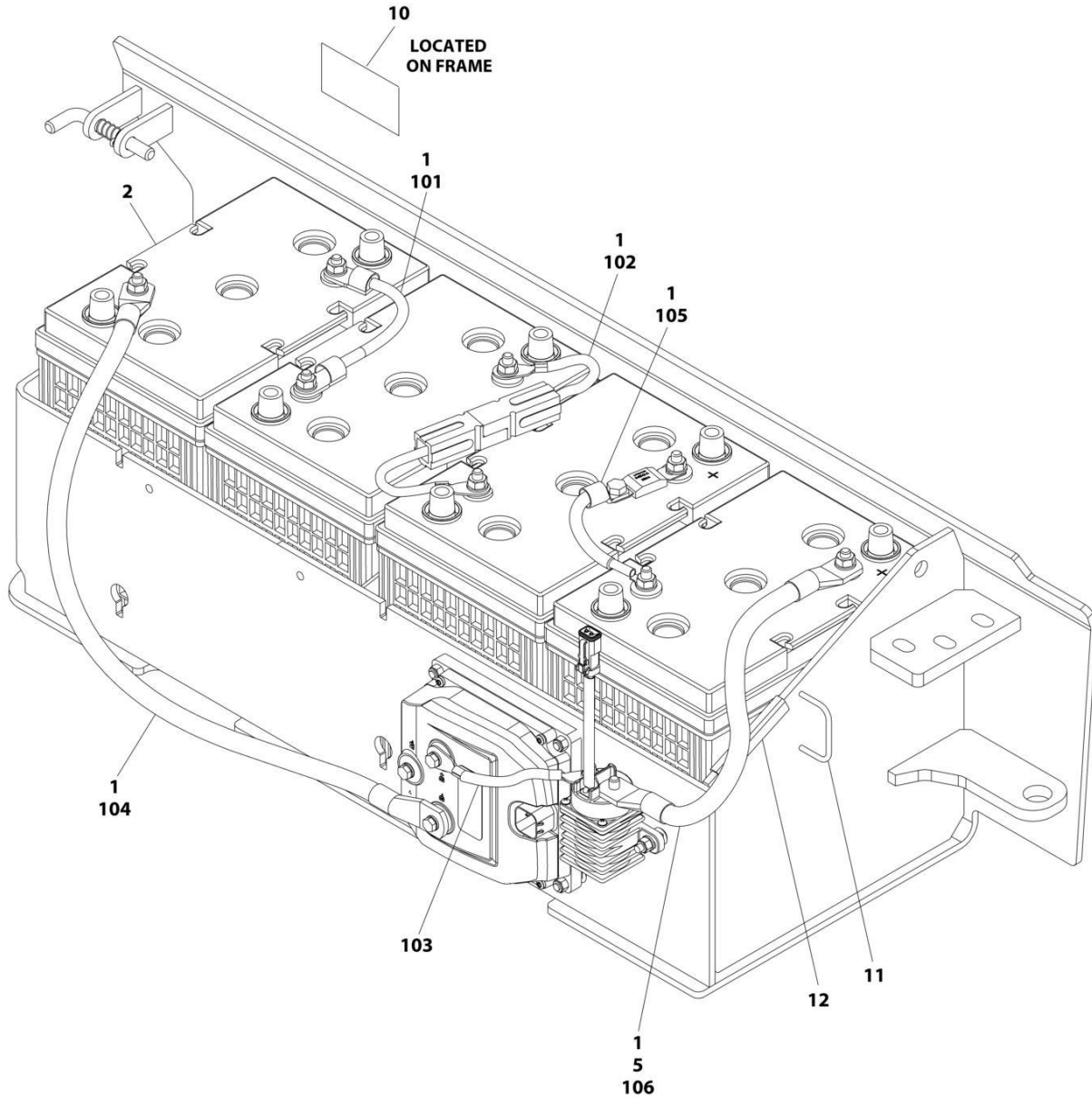
## SECTION 2 - GROUND CONTROLS

**FIGURE 2-10. BATTERIES INSTALLATION - AGM EVCG BATTERIES WITHOUT DISCONNECT (CHINA BUILT MACHINES)**

ITEM	PART NUMBER	QTY	DESCRIPTION	REV
	1001216249	Ref	BATTERIES INSTALLATION - AGM EVCG BATTERIES WITHOUT DISCONNECT (CHINA BUILT MACHINES)	E
1	0100051	AR	Grease, Terminal	
2	1001214347	4	Battery	
5	1001201709	1	Cable, Battery Positive to Contactor <b>(Prior to SN B200047253)</b>	
8	4240017	AR	Tie-Strap (Not Shown)	
9	1001229472	14.2 in/ 36cm	Strap, Hook and Loop <b>(SN B200041275 through B200047252)</b>	
10	4060805	3.5 in/9cm	Flex-Trim <b>(SN B200041275 through B200047252)</b>	
100	1001228122	1	Battery Cable Kit (Not Shown)	A
101	1060998	2	Cable, Positive to Negative	
102	1001201708	1	Cable, Contactor to Pump Control B+	
103	1001201711	1	Cable, Battery Negative to Pump Control B-	
104	1001210401	1	Cable, Battery Fuse	
105	1001229110	1	Cable, Battery Positive to Contactor <b>(SN B200047253 to Present)</b>	

## SECTION 2 - GROUND CONTROLS

FIGURE 2-11. BATTERIES INSTALLATION - AGM EVCG BATTERIES WITH DISCONNECT (CHINA BUILT MACHINES)



ART\_1001216250



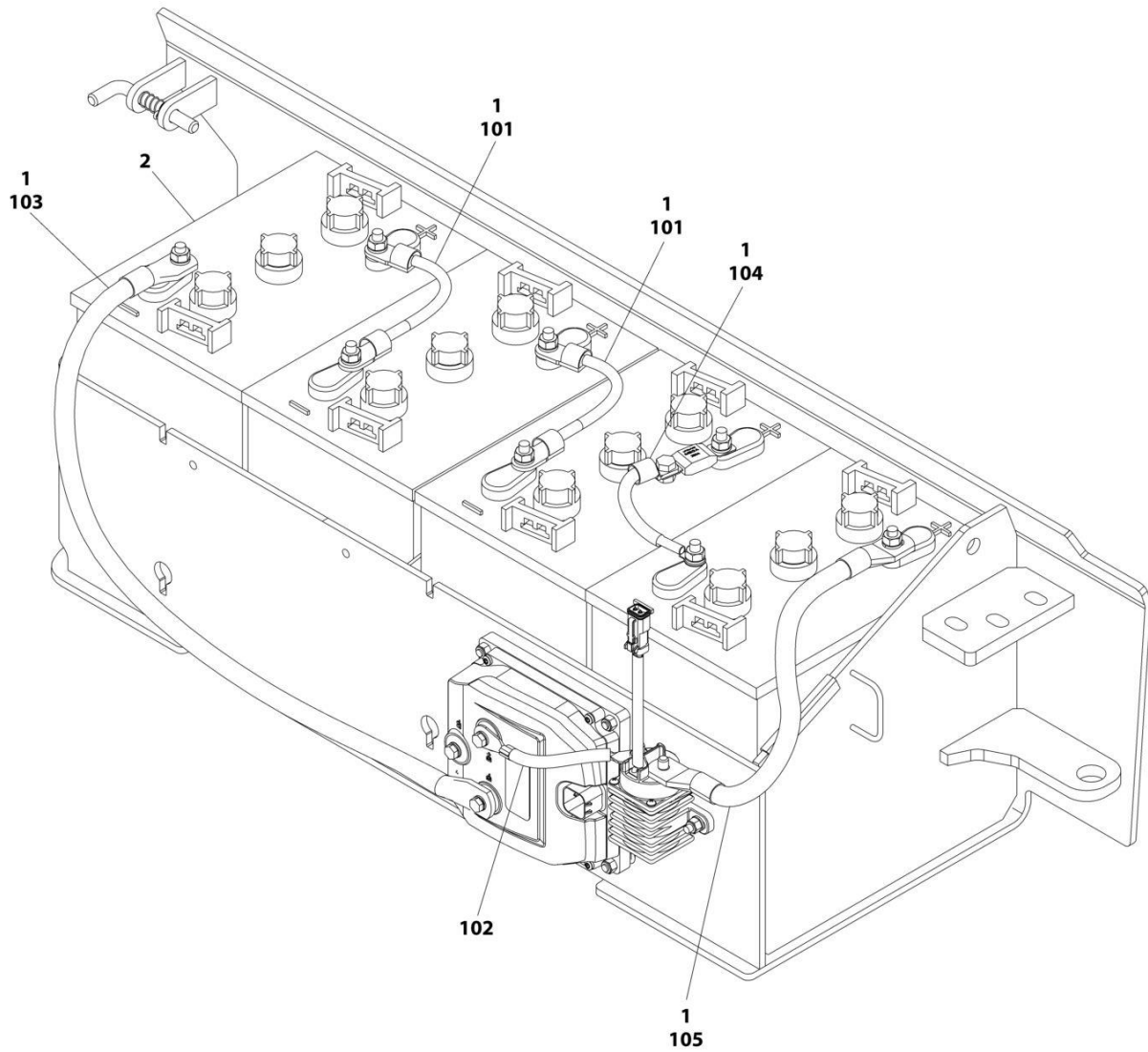
## SECTION 2 - GROUND CONTROLS

**FIGURE 2-11. BATTERIES INSTALLATION - AGM EVCG BATTERIES WITH DISCONNECT (CHINA BUILT MACHINES)**

ITEM	PART NUMBER	QTY	DESCRIPTION	REV
	1001216250	Ref	BATTERIES INSTALLATION - AGM EVCG BATTERIES WITH DISCONNECT (CHINA BUILT MACHINES)	E
1	0100051	AR	Grease, Terminal	
2	1001214347	4	Battery	
5	1001201709	1	Cable, Battery Positive to Contactor ( <b>Prior to SN B200047253</b> )	
9	4240017	AR	Tie-Strap (Not Shown)	
10	1702155	1	Decal - Battery Disconnect	
11	1001229472	14.2 in/ 36cm	Strap, Hook and Loop ( <b>SN B200041275 through B200047252</b> )	
12	4060805	3.5 in/9cm	Flex-Trim ( <b>SN B200041275 through B200047252</b> )	
100	1001228123	1	Battery Cable Kit (Not Shown)	A
101	1060998	1	Cable, Positive to Negative	
102	4923328	1	Cable, Positive to Negative	
103	1001201708	1	Cable, Contactor to Pump Control B+	
104	1001201711	1	Cable, Battery Negative to Pump Control B-	
105	1001210401	1	Cable, Battery Fuse	
106	1001229110	1	Cable, Battery Positive to Contactor ( <b>SN B200047253 to Present</b> )	

## SECTION 2 - GROUND CONTROLS

FIGURE 2-12. BATTERIES INSTALLATION - TROJAN BATTERIES WITHOUT DISCONNECT (CHINA BUILT MACHINES)



ART\_1001247925

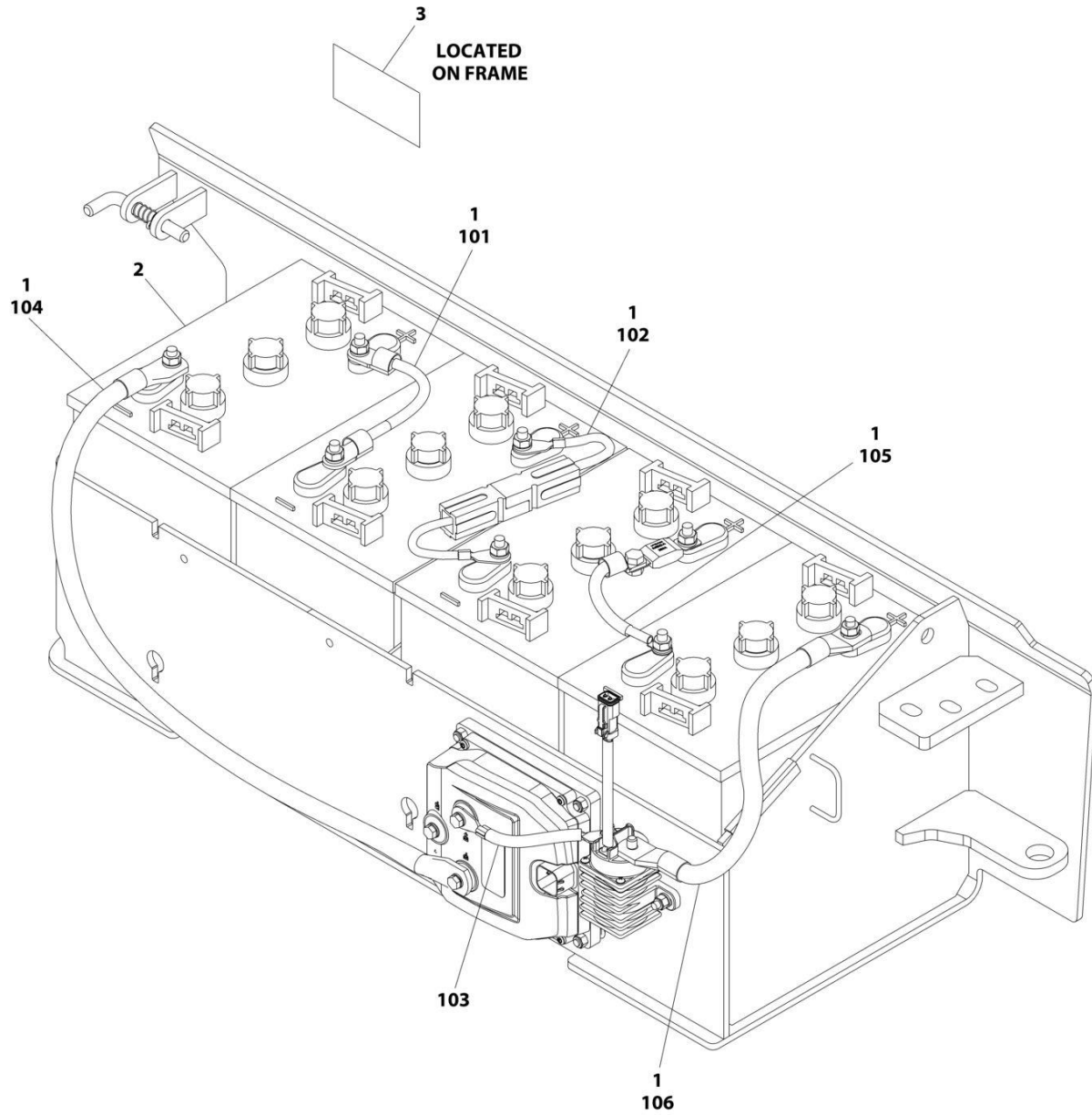
## SECTION 2 - GROUND CONTROLS

**FIGURE 2-12. BATTERIES INSTALLATION - TROJAN BATTERIES WITHOUT DISCONNECT (CHINA BUILT MACHINES)**

ITEM	PART NUMBER	QTY	DESCRIPTION	REV
	1001247925	Ref	BATTERIES INSTALLATION - TROJAN BATTERIES WITHOUT DISCONNECT	A
1	0100051	AR	Grease, Terminal	
2	0400215	1	Battery	
3	4240017	AR	Tie-Strap (Not Shown)	
100	1001228122	1	Battery Cable Kit (Not Shown)	A
101	1060998	2	Cable, Positive to Negative	
102	1001201708	1	Cable, Contactor to Pump Control B+	
103	1001201711	1	Cable, Battery Negative to Pump Control B-	
104	1001210401	1	Cable, Battery Fuse	
105	1001229110	1	Cable, Battery Positive to Contactor	

## SECTION 2 - GROUND CONTROLS

FIGURE 2-13. BATTERIES INSTALLATION - TROJAN BATTERIES WITH DISCONNECT (CHINA BUILT MACHINES)



ART\_1001247926

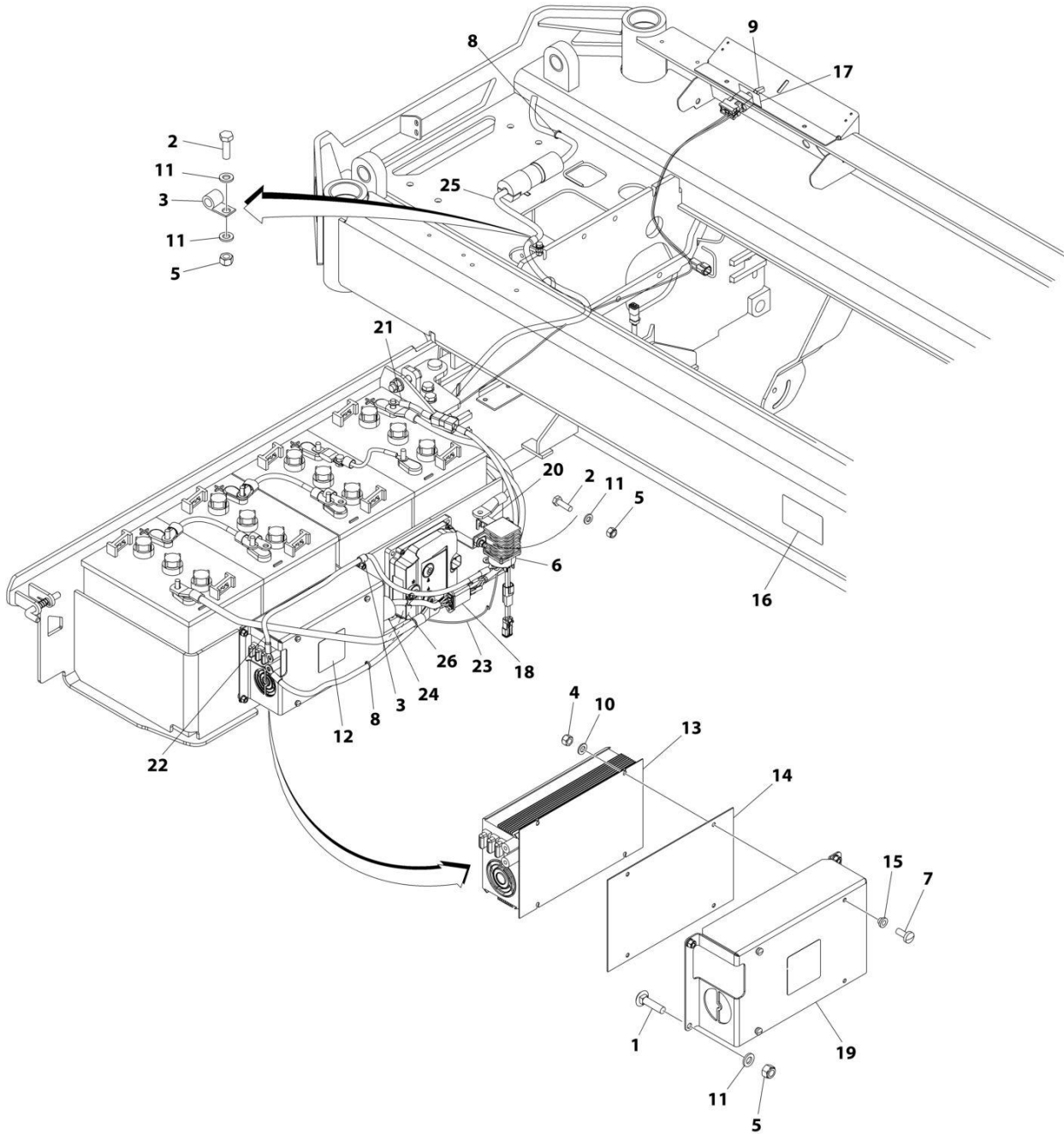
## SECTION 2 - GROUND CONTROLS

**FIGURE 2-13. BATTERIES INSTALLATION - TROJAN BATTERIES WITH DISCONNECT (CHINA BUILT MACHINES)**

ITEM	PART NUMBER	QTY	DESCRIPTION	REV
	1001247926	Ref	BATTERIES INSTALLATION - TROJAN BATTERIES WITH DISCONNECT	A
1	0100051	AR	Grease, Terminal	
2	0400215	4	Battery	
3	1702155	1	Decal - Battery Disconnect	
4	4240017	AR	Tie-Strap (Not Shown)	
100	1001228123	1	Battery Cable Kit (Not Shown)	A
101	1060998	2	Cable, Positive to Negative	
102	4923328	1	Cable, Positive to Negative	
103	1001201708	1	Cable, Contactor to Pump Control B+	
104	1001201711	1	Cable, Battery Negative to Pump Control B-	
105	1001210401	1	Cable, Battery Fuse	
106	1001229110	1	Cable, Battery Positive to Contactor	

# SECTION 2 - GROUND CONTROLS

## FIGURE 2-14. INVERTER INSTALLATION (OPTIONAL)



ART\_1001209920

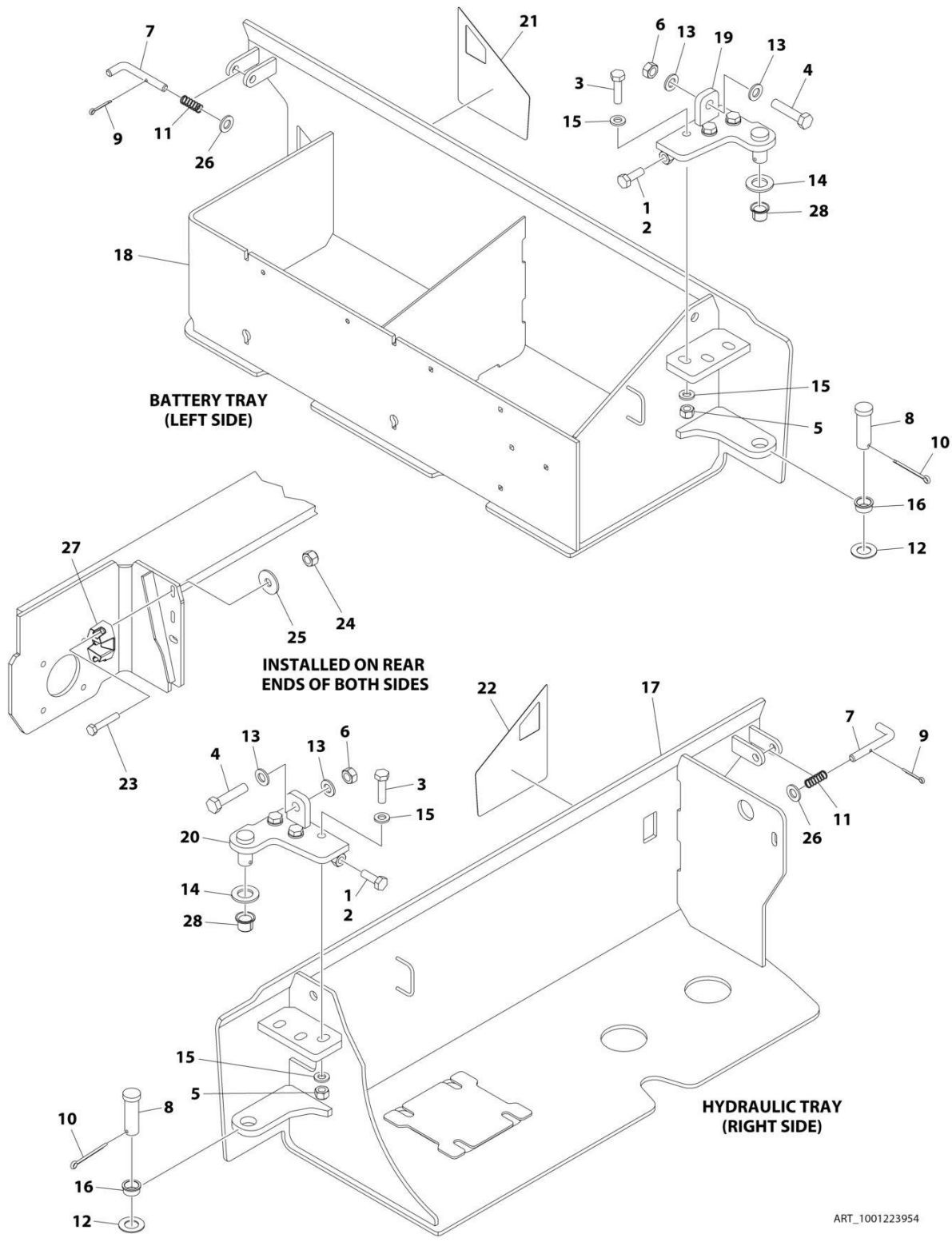
## SECTION 2 - GROUND CONTROLS

**FIGURE 2-14. INVERTER INSTALLATION (OPTIONAL)**

ITEM	PART NUMBER	QTY	DESCRIPTION	REV
	1001209920	Ref	INVERTER INSTALLATION (OPTIONAL)	B
1	0630587	4	Bolt M6 x 25	
2	0760610	3	Bolt M6 x 20	
3	1321293	2	Clamp	
4	3290405	3	Nut M4	
5	3290605	7	Nut M6	
6	3740150	1	Relay	
7	1001101540	3	Screw M4 x 14	
8	4240017	AR	Tie-Strap	
9	4360336	1	Switch, Toggle	
10	4811400	3	Washer M4	
11	4811700	8	Washer M6	
12	1001125483	1	Decal - Pressure Wash	
13	1001136757	1	Inverter	
14	1001142173	1	Insulate	
15	1001142174	3	Washer 1/8	
16	1001143009	1	Decal - Inverter	
17	1001143010	1	Decal - On/Off Inverter	
18	1001157547	1	Filter, AC	
19	1001210440	1	Support	
20	1001210605	1	Support	
21	1001210878	1	Cable, Battery + to Inverter Contactor	
22	1001210879	1	Cable, Inverter Contactor to Inverter +	
23	1001210880	1	Inverter Harness	
23	4460897	2	Receptacle, Female - 2 Position	
23	4460464	4	Pin, Male	
23	4460418	1	Plug, Male - 6 Position	
23	4460419	2	Terminal	
24	1001210881	1	Cable, Inverter to AC Filter	
25	1001210882	1	Cable, AC Filter to AC Plug	
26	1001210967	1	Cable, Pump Control B- to Inverter	

# SECTION 2 - GROUND CONTROLS

## FIGURE 2-15. DOORS INSTALLATION (1532R)



ART\_1001223954



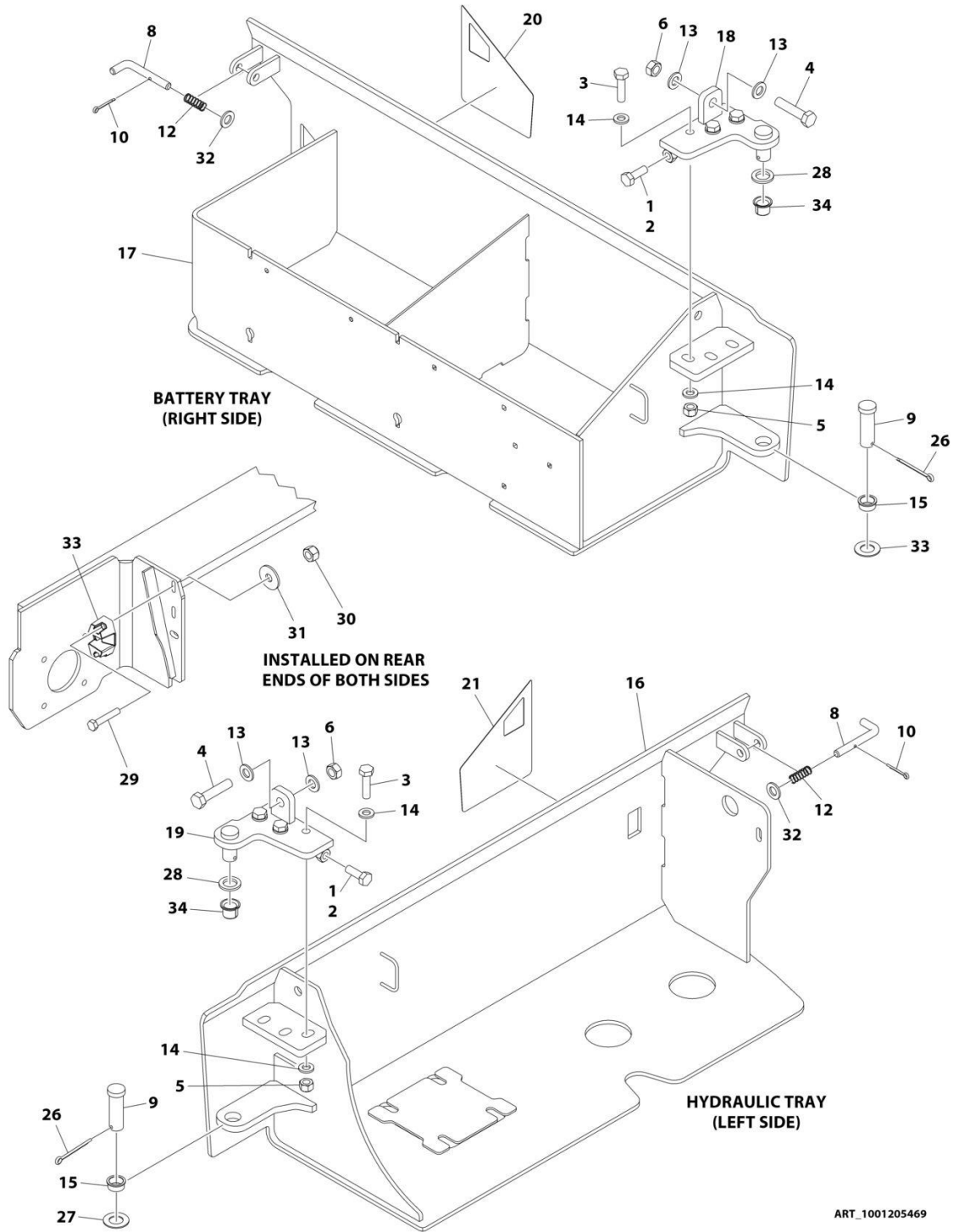
## SECTION 2 - GROUND CONTROLS

### FIGURE 2-15. DOORS INSTALLATION (1532R)

ITEM	PART NUMBER	QTY	DESCRIPTION	REV
	1001223954	Ref	DOORS INSTALLATION (1532R)	B
1	0100011	AR	Compound, Locking	
2	0761014	2	Bolt M10 x 30	
3	0761016	6	Bolt M10 x 40	
4	0761219	2	Bolt M12 x 55	
5	3291005	6	Nut M10	
6	3291201	2	Nut M12	
7	3423243	2	Pin	
8	3431218	2	Pin	
9	3450303	2	Pin, Cotter 3/32 x 3/4	
10	3450508	2	Pin, Cotter 5/32 x 2	
11	4160214	2	Spring	
12	4740086	2	Washer (Prior to SN M200014396, Prior to SN B200045480)	
12	1001229792	AR	Washer (SN M200014396 to Present, SN B200045480 to Present)	
13	4812100	4	Washer M12	
14	4812500	AR	Washer M20	
15	5241000	12	Washer M10	
16	1001203870	2	Bearing	
17	1001205447	1	Tray, Hydraulic (Right Side)	
18	1001205449	1	Tray, Battery (Left Side)	
19	1001208761	1	Bracket	
20	1001208762	1	Bracket	
21	1001223960	1	Decal - Door (Right Side)	
22	1001223961	1	Decal - Door (Left Side)	
23	0700817	4	Bolt M8 x 45 (SN M200014396 to Present, SN B200045480 to Present)	
24	3290805	4	Nut M8 (SN M200014396 to Present, SN B200045480 to Present)	
25	4811902	4	Washer M8 (SN M200014396 to Present, SN B200045480 to Present)	
26	4812000	AR	Washer M10 (SN M200014396 to Present, SN B200045480 to Present)	
27	1001214810	2	Support, Door Latch (SN M200014396 to Present, SN B200045480 to Present)	
28	0440263	2	Bearing, Flange (.750 Dia. Pin) (SN M200014396 to Present, SN B200045480 to Present)	

# SECTION 2 - GROUND CONTROLS

## FIGURE 2-16. DOORS INSTALLATION (1932R)



## SECTION 2 - GROUND CONTROLS

**FIGURE 2-16. DOORS INSTALLATION (1932R)**

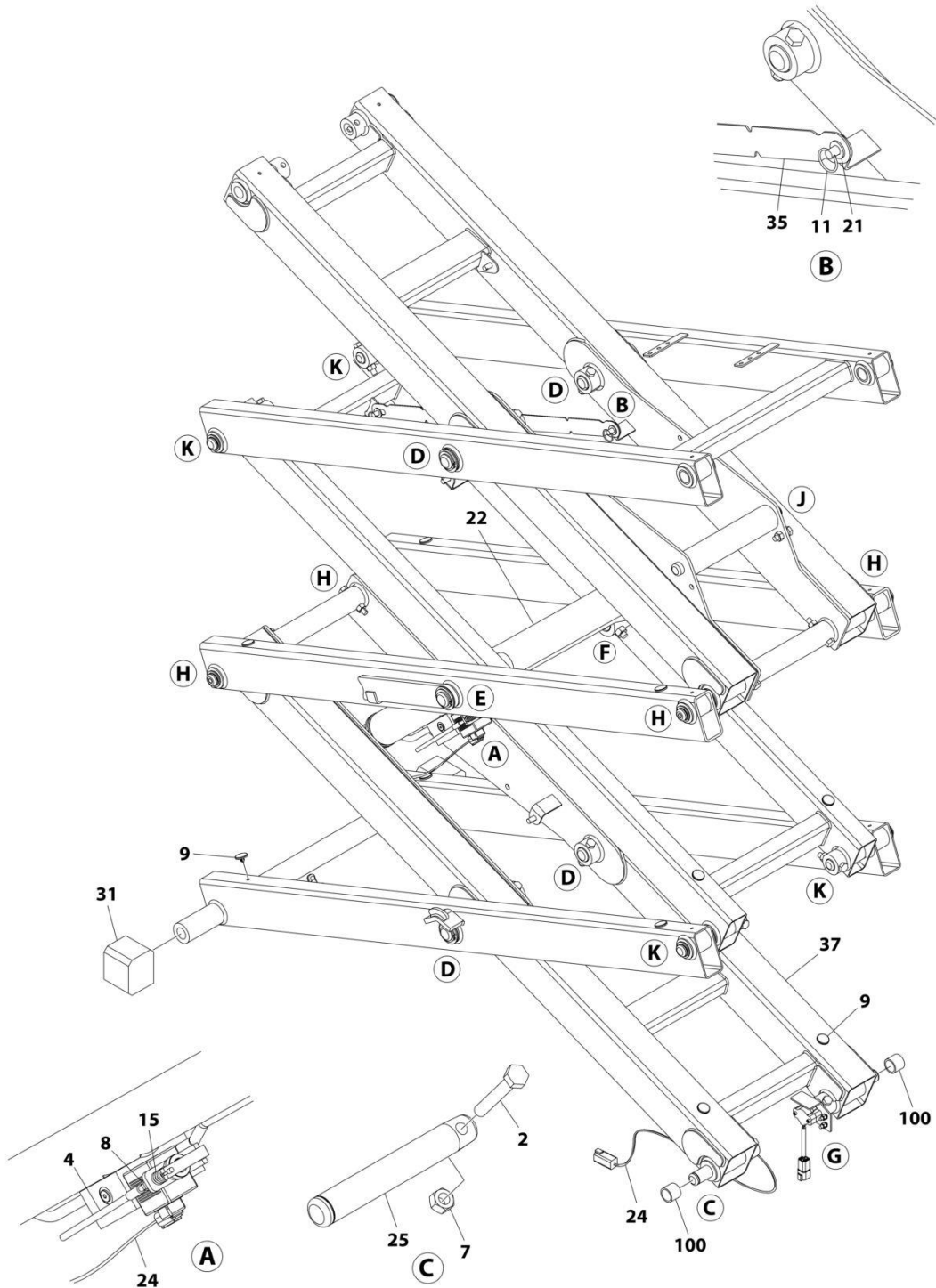
ITEM	PART NUMBER	QTY	DESCRIPTION	REV
	1001205469	Ref	DOORS INSTALLATION (1932R)	F
1	0100011	AR	Compound, Locking	
2	0761014	2	Bolt M10 x 30	
3	0761016	6	Bolt M10 x 40	
4	0761219	2	Bolt M12 x 55	
5	3291005	6	Nut M10	
6	3291201	2	Nut M12	
8	3423243	2	Pin	
9	3431218	2	Pin	
10	3450303	2	Pin, Cotter 3/32 x 3/4	
12	4160214	2	Spring	
13	4812100	4	Washer M12	
14	5241000	12	Washer M10	
15	1001203870	2	Bearing	
16	1001205447	1	Tray, Hydraulic (Right Side)	
17	1001205449	1	Tray, Battery (Left Side)	
18	1001208761	1	Bracket	
19	1001208762	1	Bracket	
20	1001210588	1	Decal - Door (Right Side)	
21	1001210594	1	Decal - Door (Left Side)	
26	3450508	2	Pin, Cotter 5/32 x 2	
27	4740086	2	Washer ( <b>Prior to SN M200014396, Prior to SN B200045480</b> )	
27	1001229792	2	Washer, Thrust ( <b>SN M200014396 to Present, SN B200045480 to Present</b> )	
28	4812500	AR	Washer M20 ( <b>SN M200004903 through M200014396</b> )	
29	0700817	4	Bolt M8 x 45 ( <b>SN M200014396 to Present, SN B200045480 to Present</b> )	
30	3290805	4	Nut M8 ( <b>SN M200014396 to Present, SN B200045480 to Present</b> )	
31	4811902	4	Washer M8 ( <b>SN M200014396 through B200045480</b> )	
32	4812000	AR	Washer M10 ( <b>SN M200014396 to Present, SN B200045480 to Present</b> )	
33	1001214810	2	Support, Door Latch ( <b>SN M200014396 to Present, SN B200045480 to Present</b> )	
34	0440263	2	Bearing, Flange (.750 Dia. Pin) ( <b>SN M200014396 to Present, SN B200045480 to Present</b> )	



**SECTION 3 - SCISSORS ARMS**

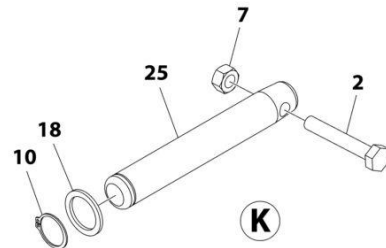
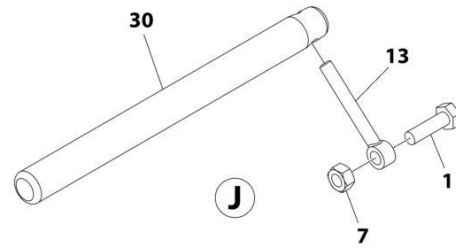
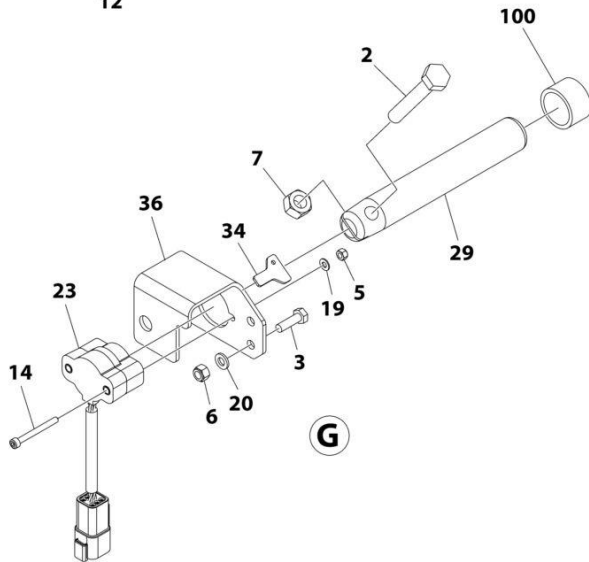
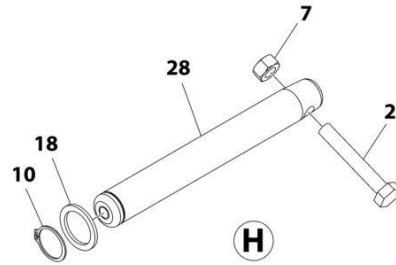
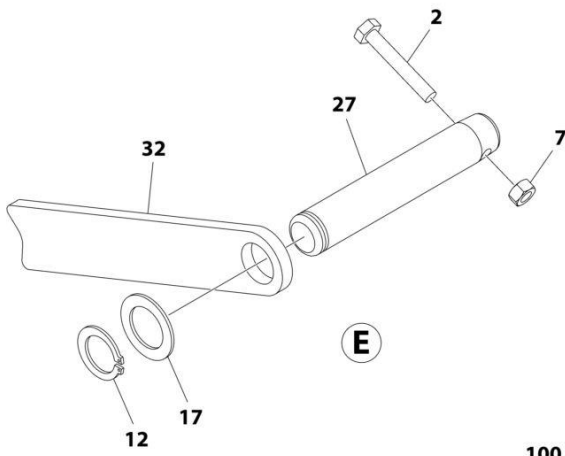
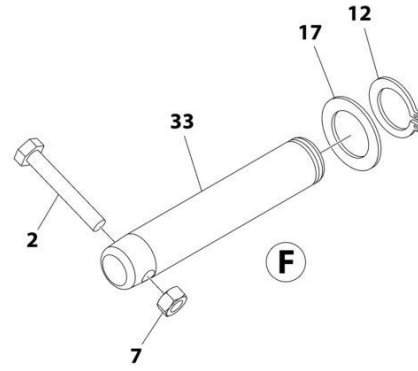
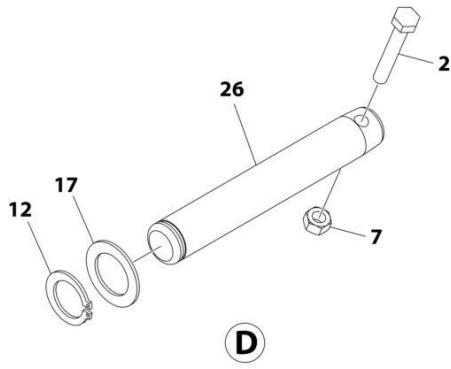
# SECTION 3 - SCISSORS ARMS

## FIGURE 3-1. SCISSORS ARMS INSTALLATION - 1532R WITHOUT LSS



ART\_1001223965\_10F2

# SECTION 3 - SCISSORS ARMS



ART\_1001223965\_20F2

## SECTION 3 - SCISSORS ARMS

FIGURE 3-1. SCISSORS ARMS INSTALLATION - 1532R WITHOUT LSS

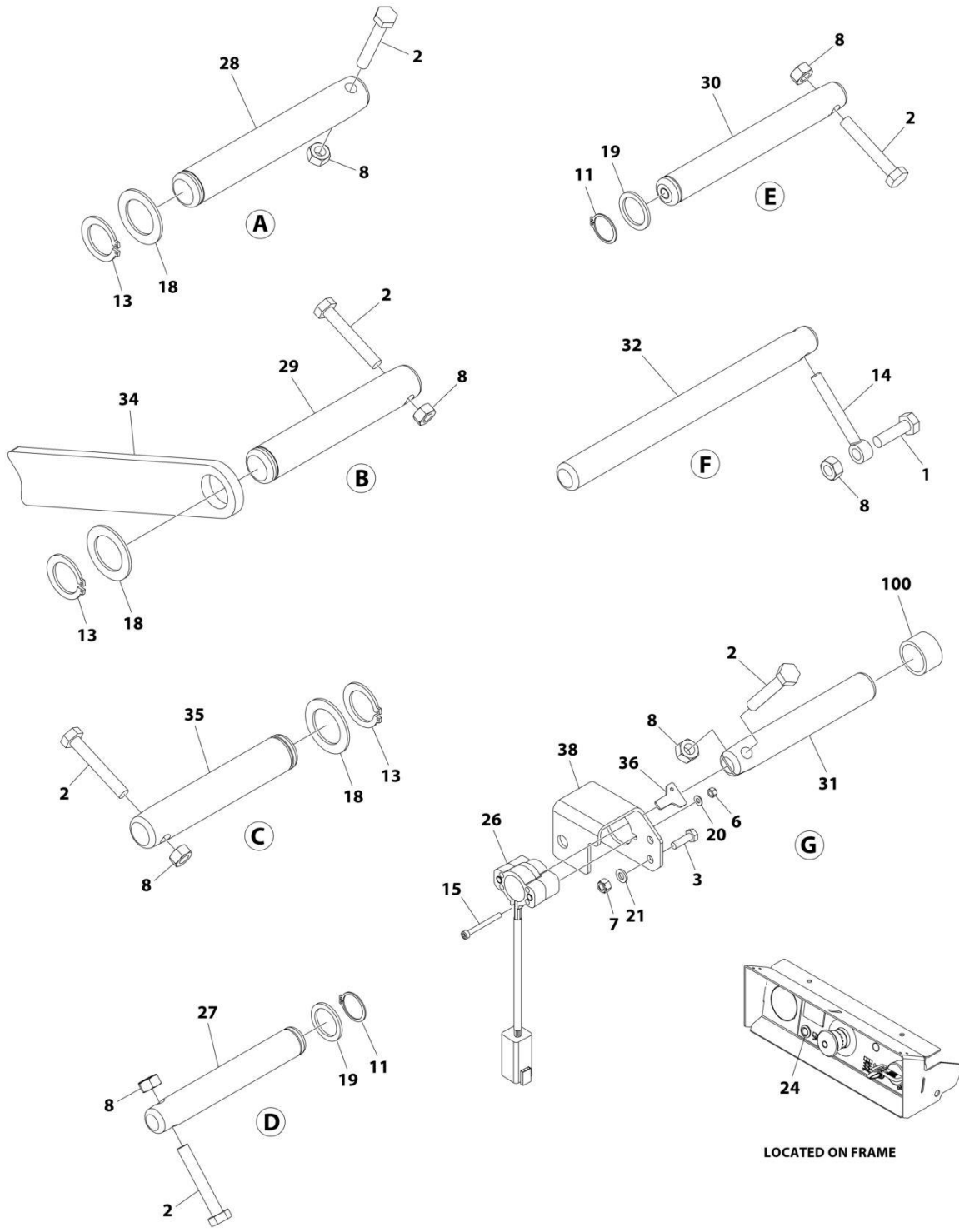
ITEM	PART NUMBER	QTY	DESCRIPTION	REV
	1001223965	Ref	SCISSORS ARMS INSTALLATION - 1532R WITHOUT LSS	B
1	0701015	2	Bolt M10 x 35	
2	0701021	16	Bolt M10 x 65	
3	0760610	2	Bolt M6 x 20	
3	0700620	2	Bolt M6 x 60	
4	1061034	1	Cable, Manual Descent	
4	7020218	1	T-Handle (1/4 Threads)	
4	70001878	1	T-Handle (M5 Threads)	
5	3290405	2	Nut M4	
6	3290605	2	Nut M6	
7	3291007	18	Nut M10	
8	3321402	1	Nut 1/4	
9	3340962	16	Pad	
10	3760115	8	Ring, Retaining	
11	3760170	2	Ring, Split	
12	3760387	6	Ring, Retaining	
13	3841143	2	Keeper, Pin	
14	4031512	2	Capscrew M4 x 40	
15	4160078	1	Spring	
16	4240017	5	Tie-Strap (Not Shown)	
17	4740438	6	Washer	
18	4740531	8	Washer	
19	4811400	2	Washer M4	
20	4811700	2	Washer M6	
21	4812000	2	Washer M10	
22	1001198935	1	Lift Cylinder Assembly (See Separate Breakdown in CYLINDER SECTION)	
23	1001200746	1	Sensor, Angle	
23	4460899	1	Receptacle, Female - 6 Position	
23	4460464	1	Pin, Male	
24	1001200821	1	Lift Down Harness (See Separate Breakdown in ELECTRICAL SECTION)	
25	1001203443	5	Pin	
26	1001203444	4	Pin	
27	1001203445	1	Pin	
28	1001203446	4	Pin	
29	1001203447	1	Pin	
30	1001203448	2	Pin	
31	1001204311	2	Block, Slide	
32	1001204312	1	Plate, Prop	
33	1001204994	1	Pin	
34	1001205345	1	Key, Angle Sensor	
35	1001206487	1	Support	
36	1001212040	1	Mount, Sensor ( <b>Prior to SN B300046614</b> )	
36	1001231268	1	Mount, Sensor ( <b>SN B200046614 to Present</b> )	
37	1001223964	1	Scissors Arms Kit - 1532R (See Separate Breakdown in this Section)	
100	1001134289	2	Bearing (Part of Frame)	







# SECTION 3 - SCISSORS ARMS



ART\_1001223966\_20F2

## SECTION 3 - SCISSORS ARMS

FIGURE 3-2. SCISSORS ARMS INSTALLATION - 1532R WITH LSS

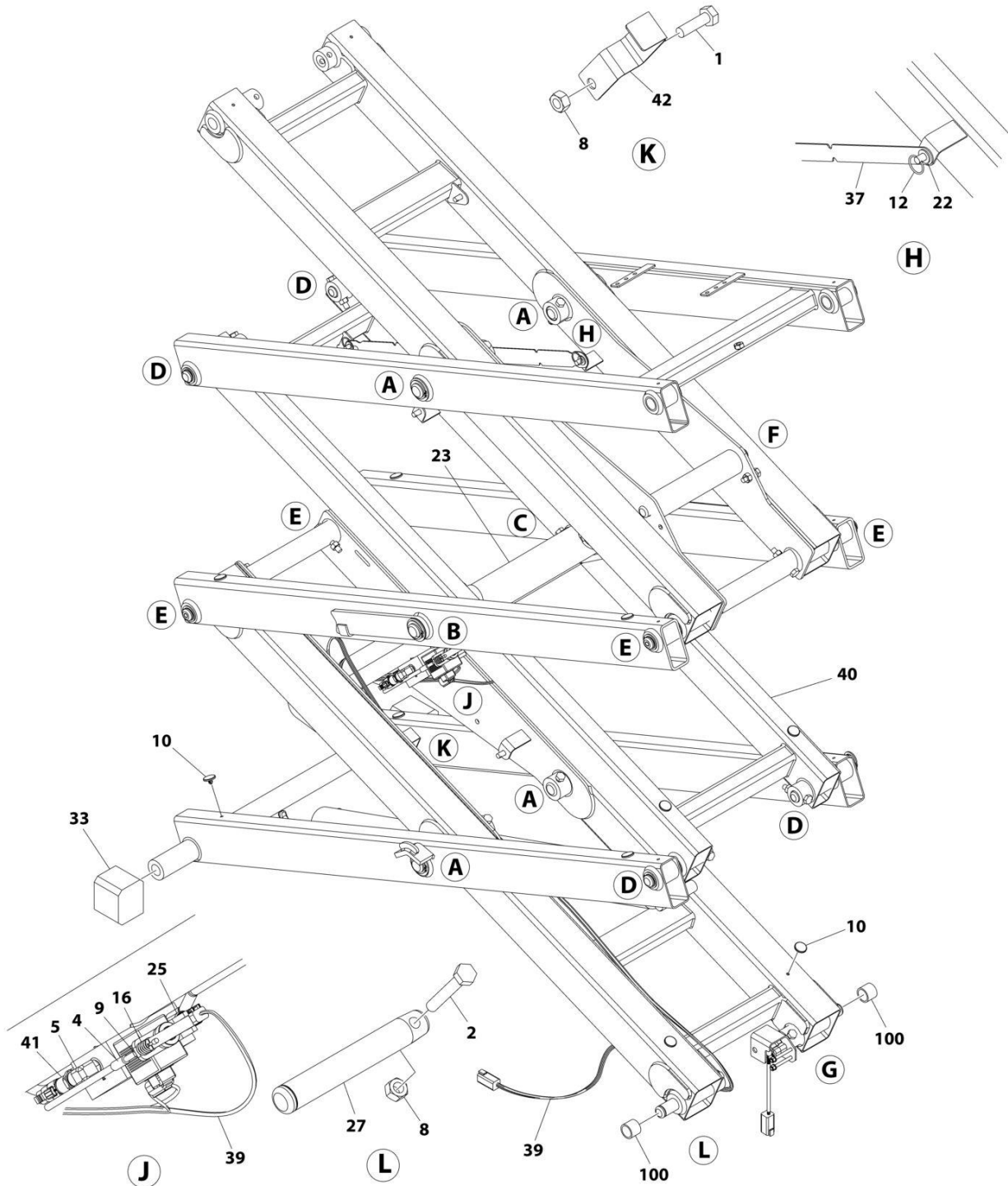
ITEM	PART NUMBER	QTY	DESCRIPTION	REV
	1001223966	Ref	SCISSORS ARMS INSTALLATION - 1532R WITH LSS	C
1	0701015	3	Bolt M10 x 35	
2	0701021	16	Bolt M10 x 65	
3	0760610	2	Bolt M6 x 20	
3	0700620	2	Bolt M6 x 60	
4	1061034	1	Cable, Manual Descent	
4	7020218	1	T-Handle (1/4 Threads)	
4	70001878	1	T-Handle (M5 Threads)	
5	2221116	1	Fitting, 90 ORB/ORB	
6	3290405	2	Nut M4	
7	3290605	2	Nut M6	
8	3291007	19	Nut M10	
9	3321402	1	Nut 1/4	
10	3340962	16	Pad	
11	3760115	8	Ring, Retaining	
12	3760170	2	Ring, Split	
13	3760387	6	Ring, Retaining	
14	3841143	2	Keeper, Pin	
15	4031512	2	Capscrew M4 x 40	
16	4160078	1	Spring	
17	4240017	5	Tie-Strap (Not Shown)	
18	4740438	6	Washer	
19	4740531	8	Washer	
20	4811400	2	Washer M4	
21	4811700	2	Washer M6	
22	4812000	2	Washer M10	
23	1001198935	1	Lift Cylinder Assembly (See Separate Breakdown in CYLINDER SECTION)	
24	1001200631	1	Light, Indicator (Red)	
25	1001200740	1	Transducer, Pressure	
26	1001146963	1	Sensor, Angle	
26	4460899	1	Receptacle, Female - 6 Position	
26	4460464	6	Pin, Male	
27	1001203443	5	Pin	
28	1001203444	4	Pin	
29	1001203445	1	Pin	
30	1001203446	4	Pin	
31	1001203447	1	Pin	
32	1001203448	2	Pin	
33	1001204311	2	Block, Slide	
34	1001204312	1	Plate, Prop	
35	1001204994	1	Pin	
36	1001205345	1	Key, Angle Sensor	
37	1001206487	1	Support	
38	1001212040	1	Mount, Sensor ( <b>Prior to SN B300046614, Prior to SN M200016391</b> )	
38	1001231268	1	Mount, Sensor ( <b>SN B200046614 to Present, SN M200016391 to Present</b> )	
39	1001222687	1	Lift Down Harness (See Separate Breakdown in ELECTRICAL SECTION)	

## SECTION 3 - SCISSORS ARMS

ITEM	PART NUMBER	QTY	DESCRIPTION	REV
40	1001223964	1	Scissors Arms Kit - 1532R (See Separate Breakdown in this Section)	
41	1001225164	1	Transducer, Pressure	
42	1001226791	1	Bracket	
100	1001134289	2	Bearing (Part of Frame)	

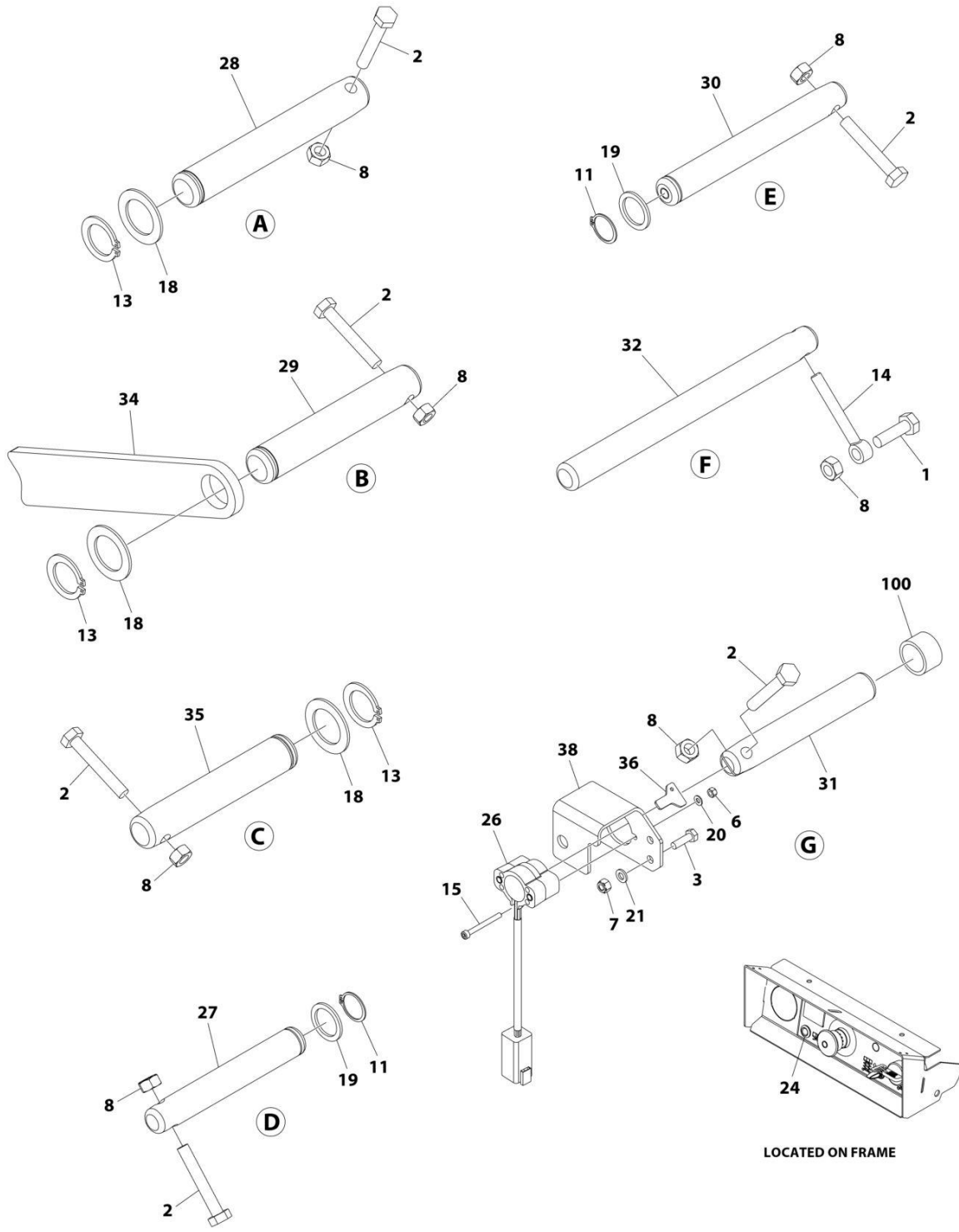
# SECTION 3 - SCISSORS ARMS

## FIGURE 3-3. SCISSORS ARMS INSTALLATION - 1532R WITH LSS (KOREA SPECS)



ART\_1001235060\_10F2

# SECTION 3 - SCISSORS ARMS



ART\_1001235059

## SECTION 3 - SCISSORS ARMS

FIGURE 3-3. SCISSORS ARMS INSTALLATION - 1532R WITH LSS (KOREA SPECS)

ITEM	PART NUMBER	QTY	DESCRIPTION	REV
	1001235060	Ref	SCISSORS ARMS INSTALLATION - 1532R WITH LSS (KOREA SPECS)	A
1	0701015	3	Bolt M10 x 35	
2	0701021	16	Bolt M10 x 65	
3	0700620	2	Bolt M6 x 60	
4	1061034	1	Cable, Manual Descent	
4	7020218	1	T-Handle (1/4 Threads)	
4	70001878	1	T-Handle (M5 Threads)	
5	2221116	1	Fitting, 90 ORB/ORB	
6	3290405	2	Nut M4	
7	3290605	2	Nut M6	
8	3291007	19	Nut M10	
9	3321402	1	Nut 1/4	
10	3340962	16	Pad	
11	3760115	8	Ring, Retaining	
12	3760170	2	Ring, Split	
13	3760387	6	Ring, Retaining	
14	3841143	2	Keeper, Pin	
15	4031512	2	Capscrew M4 x 40	
16	4160078	1	Spring	
17	4240017	5	Tie-Strap (Not Shown)	
18	4740438	6	Washer	
19	4740531	8	Washer	
20	4811400	2	Washer M4	
21	4811700	2	Washer M6	
22	4812000	2	Washer M10	
23	1001198935	1	Lift Cylinder Assembly (See Separate Breakdown in CYLINDER SECTION)	
24	1001200631	1	Light, Indicator (Red)	
25	1001200740	1	Transducer, Pressure	
26	1001146963	1	Sensor, Angle	
26	4460899	1	Receptacle, Female - 6 Position	
26	4460464	6	Pin, Male	
27	1001203443	5	Pin	
28	1001203444	4	Pin	
29	1001203445	1	Pin	
30	1001203446	4	Pin	
31	1001203447	1	Pin	
32	1001203448	2	Pin	
33	1001204311	2	Block, Slide	
34	1001204312	1	Plate, Prop	
35	1001204994	1	Pin	
36	1001205345	1	Key, Angle Sensor	
37	1001206487	1	Support	
38	1001231268	1	Mount, Sensor	
39	1001222687	1	Lift Down Harness (See Separate Breakdown in ELECTRICAL SECTION)	
40	1001235059	1	Scissors Arms Kit - 1532R (See Separate Breakdown in this Section)	
41	1001225164	1	Transducer, Pressure	

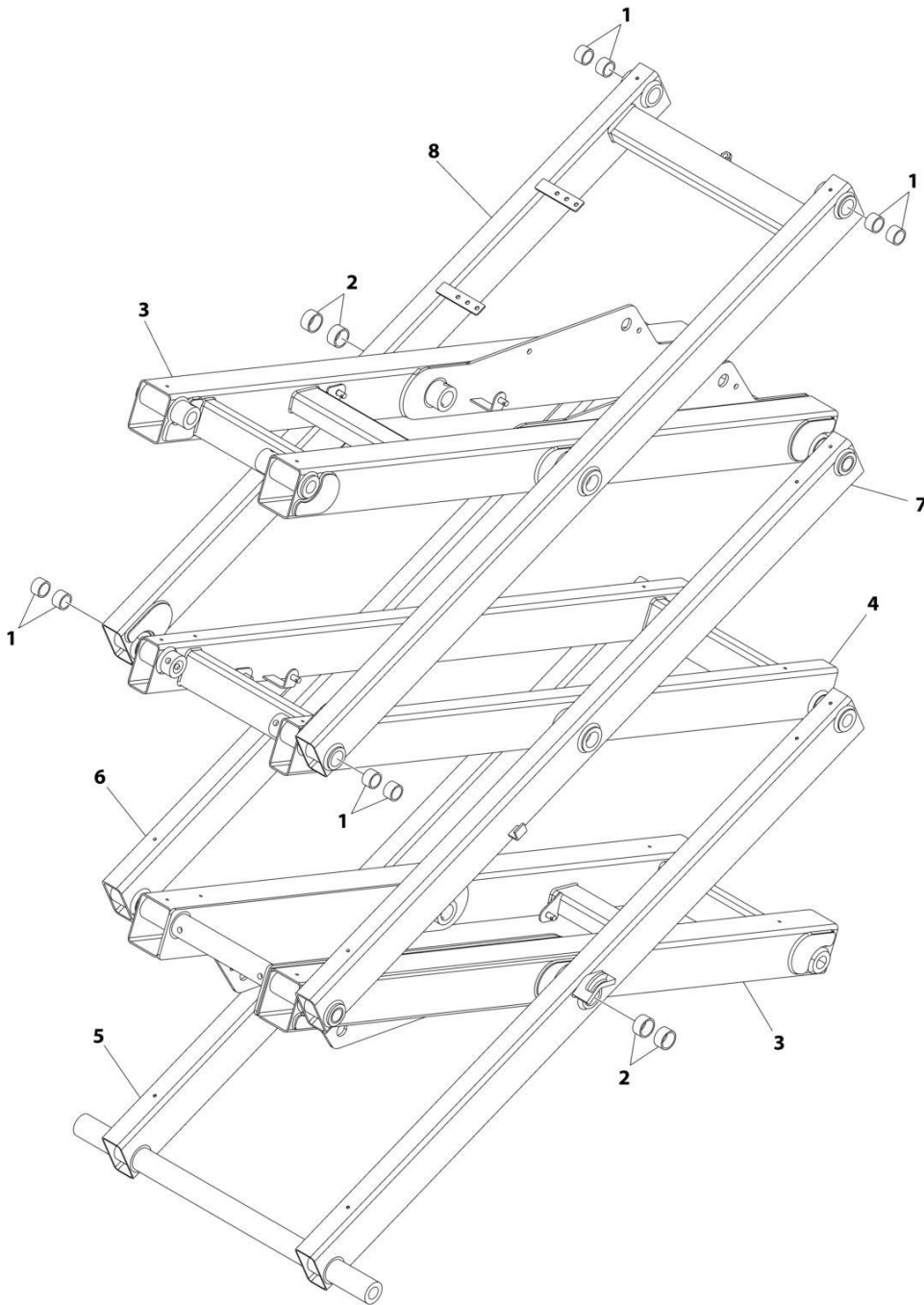


## SECTION 3 - SCISSORS ARMS

ITEM	PART NUMBER	QTY	DESCRIPTION	REV
42	1001226791	1	Bracket	
100	1001134289	2	Bearing (Part of Frame)	

# SECTION 3 - SCISSORS ARMS

## FIGURE 3-4. SCISSORS ARMS KIT - 1532R



ART\_1001223964

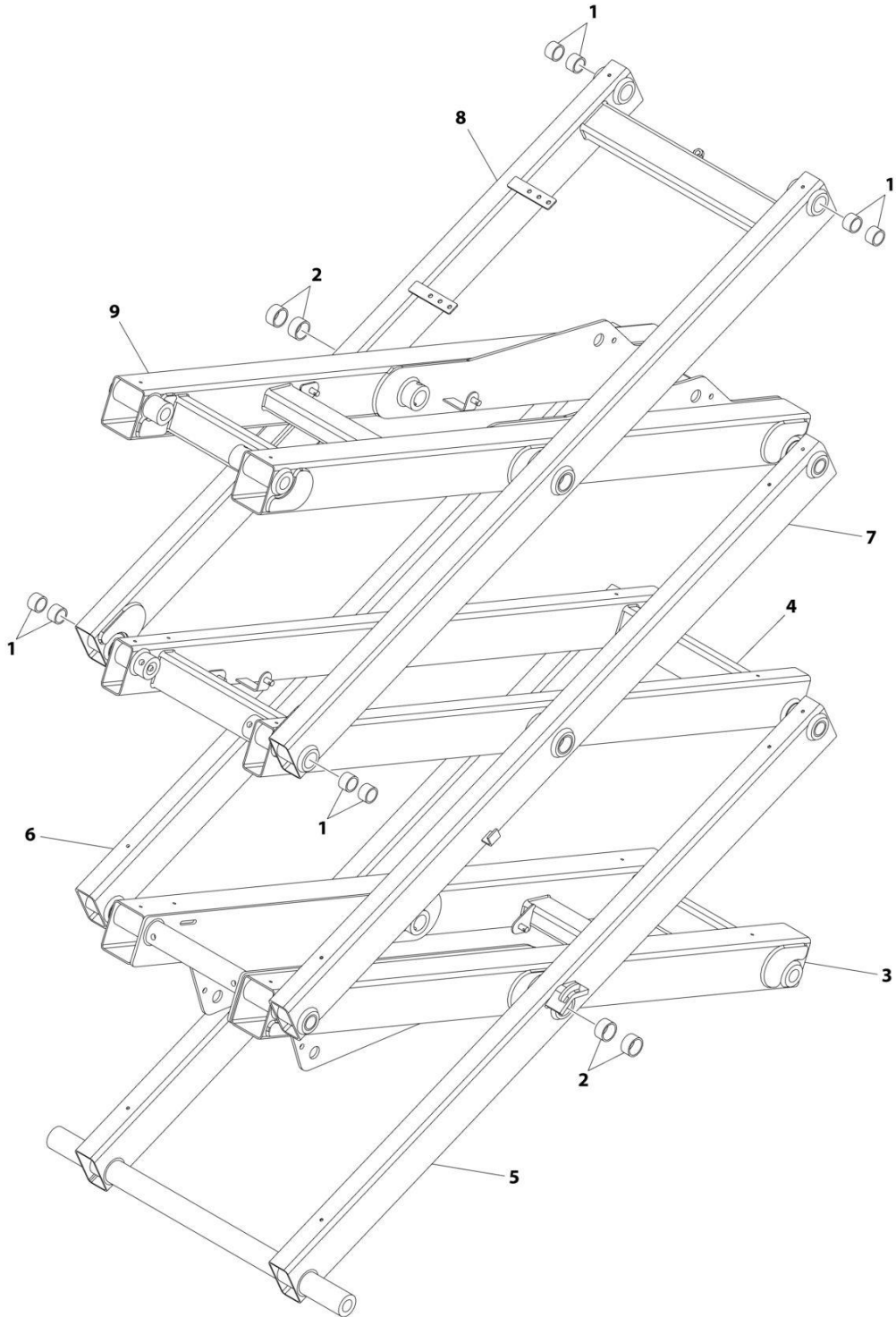
## SECTION 3 - SCISSORS ARMS

### FIGURE 3-4. SCISSORS ARMS KIT - 1532R

ITEM	PART NUMBER	QTY	DESCRIPTION	REV
	1001223964	Ref	SCISSORS ARMS KIT - 1532R	A
1	0440264	20	Bearing	
2	0440265	12	Bearing	
3	1001203973	2	Arm, Inboard (Top and Bottom)	
4	1001203974	1	Arm, Inboard (Mid)	
5	1001203975	1	Arm, Outboard (Bottom)	
6	1001203976	1	Arm, Outboard (Mid Left Side)	
7	1001213554	1	Arm, Outboard (Mid Right Side)	
8	1001204621	1	Arm, Outboard (Top)	

# SECTION 3 - SCISSORS ARMS

FIGURE 3-5. SCISSORS ARMS KIT - 1532R (KOREA SPECS)



ART\_1001235059

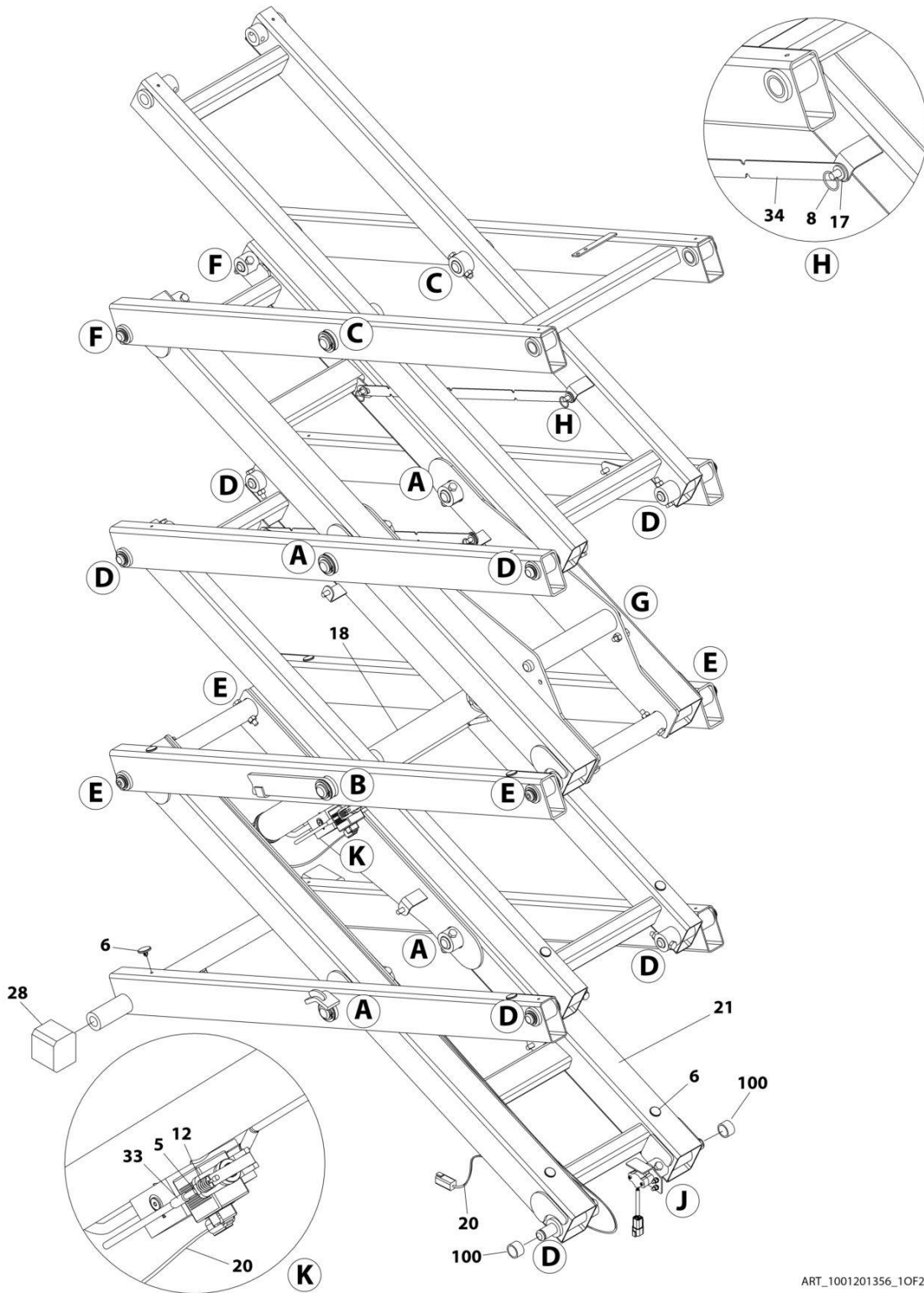
## SECTION 3 - SCISSORS ARMS

**FIGURE 3-5. SCISSORS ARMS KIT - 1532R (KOREA SPECS)**

ITEM	PART NUMBER	QTY	DESCRIPTION	REV
	1001235059	Ref	SCISSORS ARMS KIT - 1532R (KOREA SPECS)	A
1	0440264	20	Bearing	
2	0440265	12	Bearing	
3	1001235024	2	Arm, Inboard (Bottom)	
4	1001203974	1	Arm, Inboard (Mid)	
5	1001203975	1	Arm, Outboard (Bottom)	
6	1001203976	1	Arm, Outboard (Mid Left Side)	
7	1001213554	1	Arm, Outboard (Mid Right Side)	
8	1001204621	1	Arm, Outboard (Top)	
9	1001235025	1	Arm, Inboard (Top)	

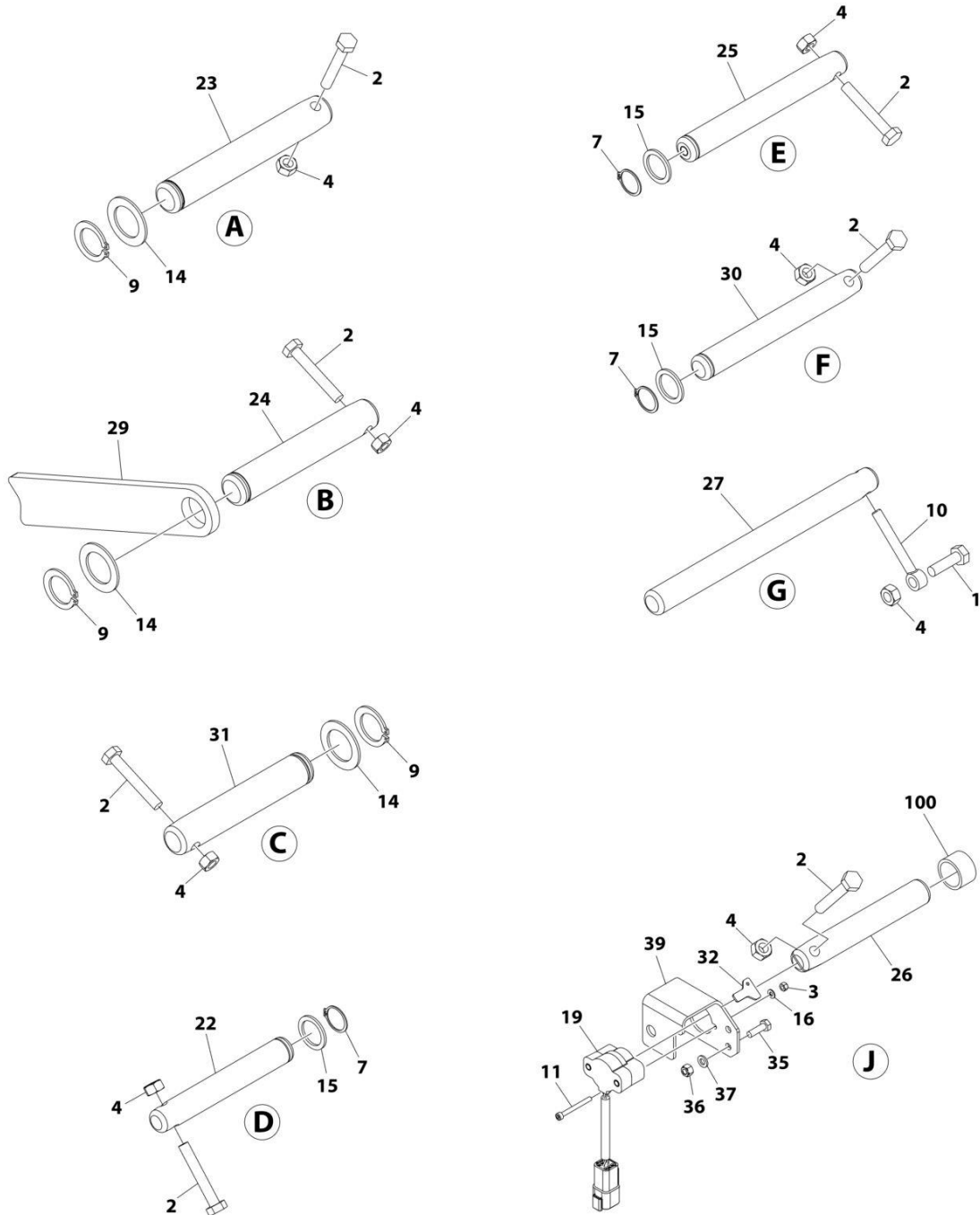
# SECTION 3 - SCISSORS ARMS

## FIGURE 3-6. SCISSORS ARMS INSTALLATION - 1932R WITHOUT LSS



ART\_1001201356\_10F2

# SECTION 3 - SCISSORS ARMS



ART\_1001201356\_2OF2

## SECTION 3 - SCISSORS ARMS

FIGURE 3-6. SCISSORS ARMS INSTALLATION - 1932R WITHOUT LSS

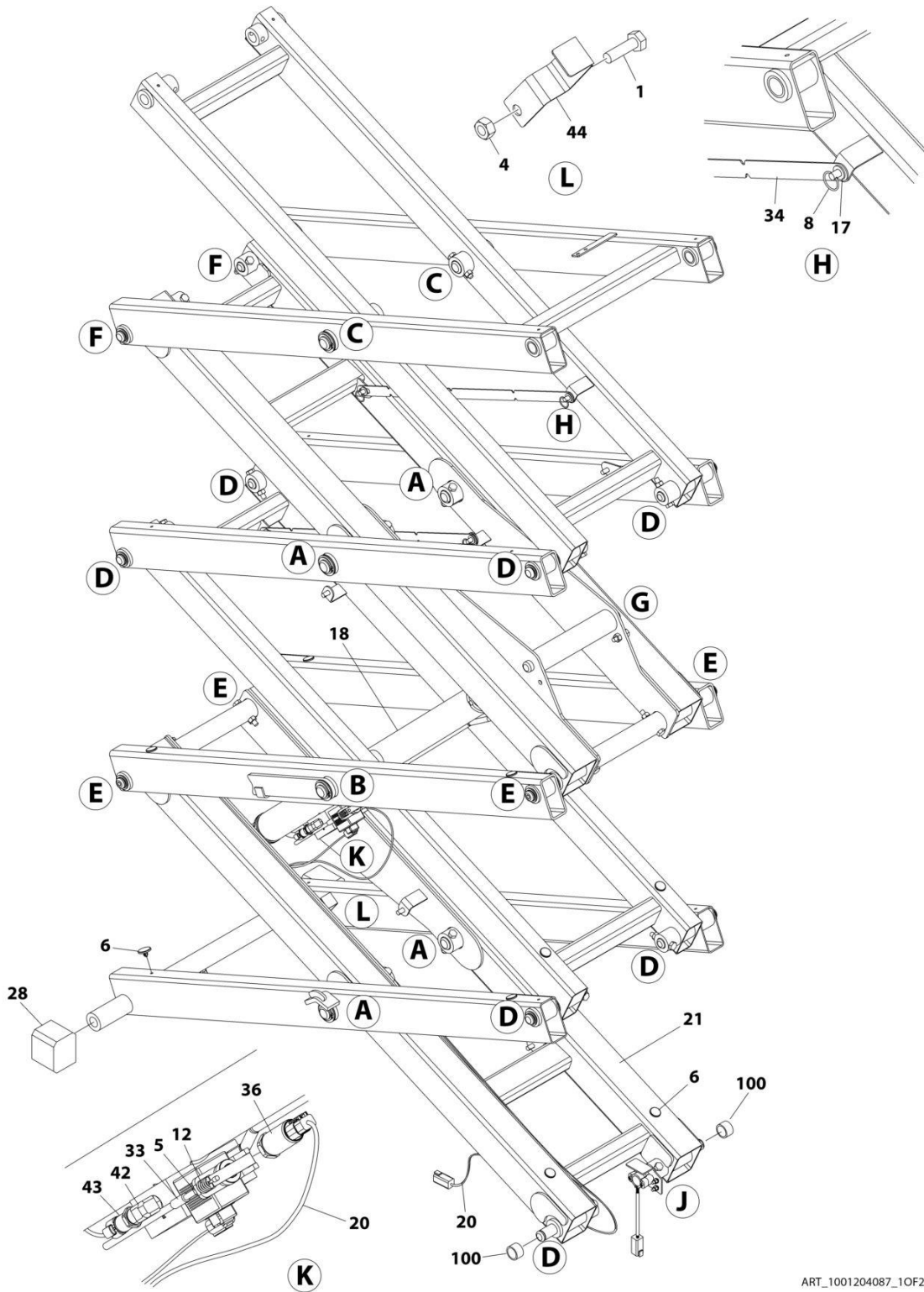
ITEM	PART NUMBER	QTY	DESCRIPTION	REV
	1001201356	Ref	SCISSORS ARMS INSTALLATION - 1932R WITHOUT LSS	F
1	0701015	2	Bolt M10 x 35	
2	0701021	22	Bolt M10 x 65	
3	3290405	2	Nut M4	
4	3291007	24	Nut M10	
5	3321402	1	Nut 1/4	
6	3340962	24	Pad	
7	3760115	12	Ring, Retaining	
8	3760170	4	Ring, Split	
9	3760387	8	Ring, Retaining	
10	3841143	2	Keeper, Pin	
11	4031512	2	Capscrew M4 x 40	
12	4160078	1	Spring	
13	4240017	5	Tie-Strap (Not Shown)	
14	4740438	8	Washer	
15	4740531	12	Washer	
16	4811400	2	Washer M4	
17	4812000	4	Washer M10	
18	1001198935	1	Lift Cylinder Assembly (See Separate Breakdown in CYLINDER SECTION)	
19	1001200746	1	Sensor, Angle	
19	4460899	1	Receptacle, Female - 6 Position	
19	4460464	1	Pin, Male	
20	1001200821	1	Lift Down Harness (See Separate Breakdown in ELECTRICAL SECTION)	
21	1001201355	1	Scissors Arms Kit - 1932R (See Separate Breakdown in this Section)	
22	1001203443	7	Pin	
23	1001203444	4	Pin	
24	1001203445	1	Pin	
25	1001203446	4	Pin	
26	1001203447	1	Pin	
27	1001203448	2	Pin	
28	1001204311	2	Block, Slide	
29	1001204312	1	Plate, Prop	
30	1001204781	2	Pin	
31	1001204994	3	Pin	
32	1001205345	1	Key, Angle Sensor	
33	1061034	1	Cable, Manual Descent	
33	7020218	1	T-Handle (1/4 Threads)	
33	70001878	1	T-Handle (M5 Threads)	
34	1001206487	2	Support	
35	0760610	2	Bolt M6 x 20	
35	0700620	2	Bolt M6 x 60	
36	3290605	2	Nut M6	
37	4811700	2	Washer M6	
39	1001212040	1	Mount, Sensor (Prior to SN B300045794, Prior to SN M200016391)	
39	1001231268	1	Mount, Sensor (SN B200045794 to Present, SN M200016391 to Present)	
100	1001134289	2	Bearing (Part of Frame)	





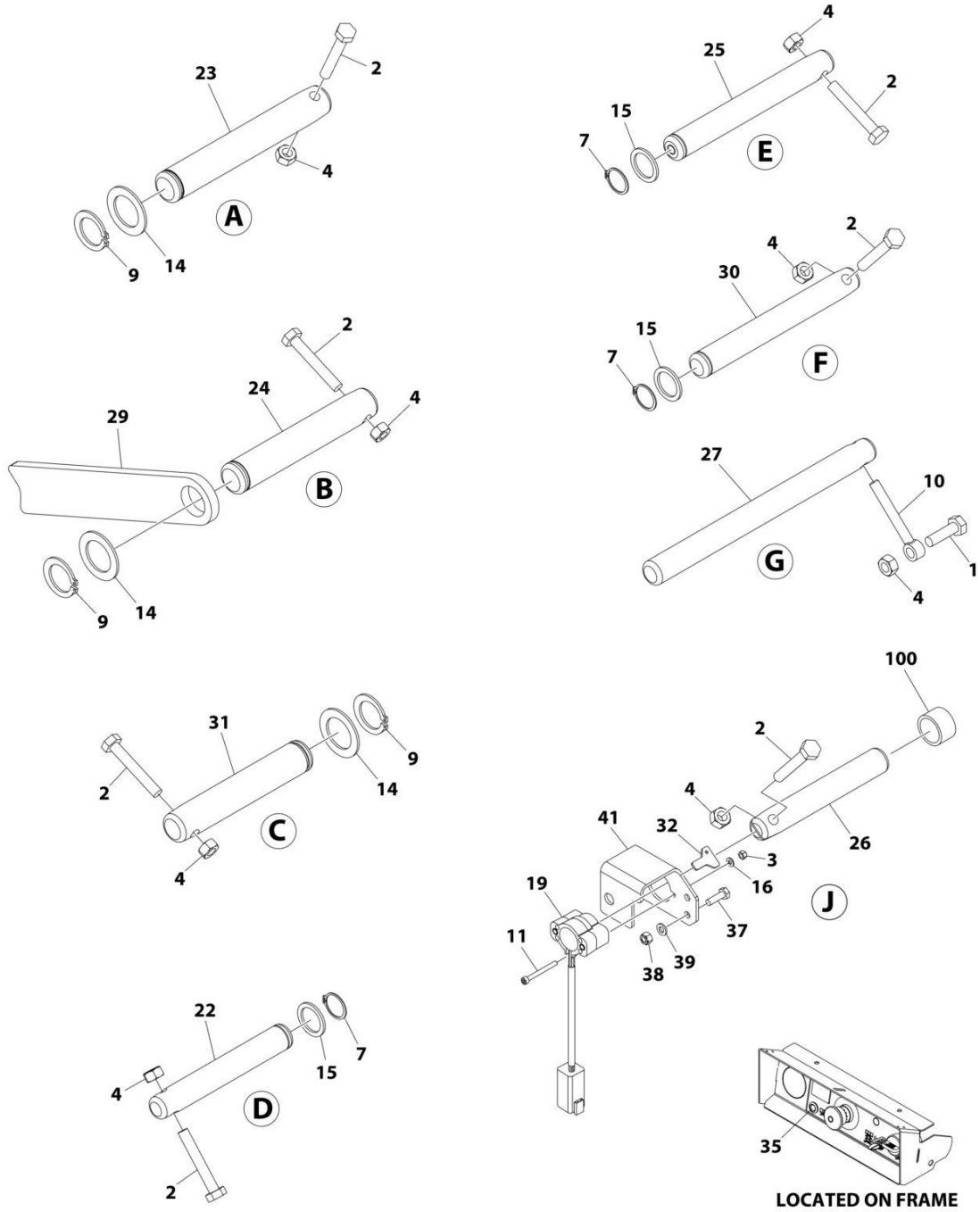
# SECTION 3 - SCISSORS ARMS

## FIGURE 3-7. SCISSORS ARMS INSTALLATION - 1932R WITH LSS



ART\_1001204087\_10F2

# SECTION 3 - SCISSORS ARMS



ART\_1001204087\_2OF2

## SECTION 3 - SCISSORS ARMS

FIGURE 3-7. SCISSORS ARMS INSTALLATION - 1932R WITH LSS

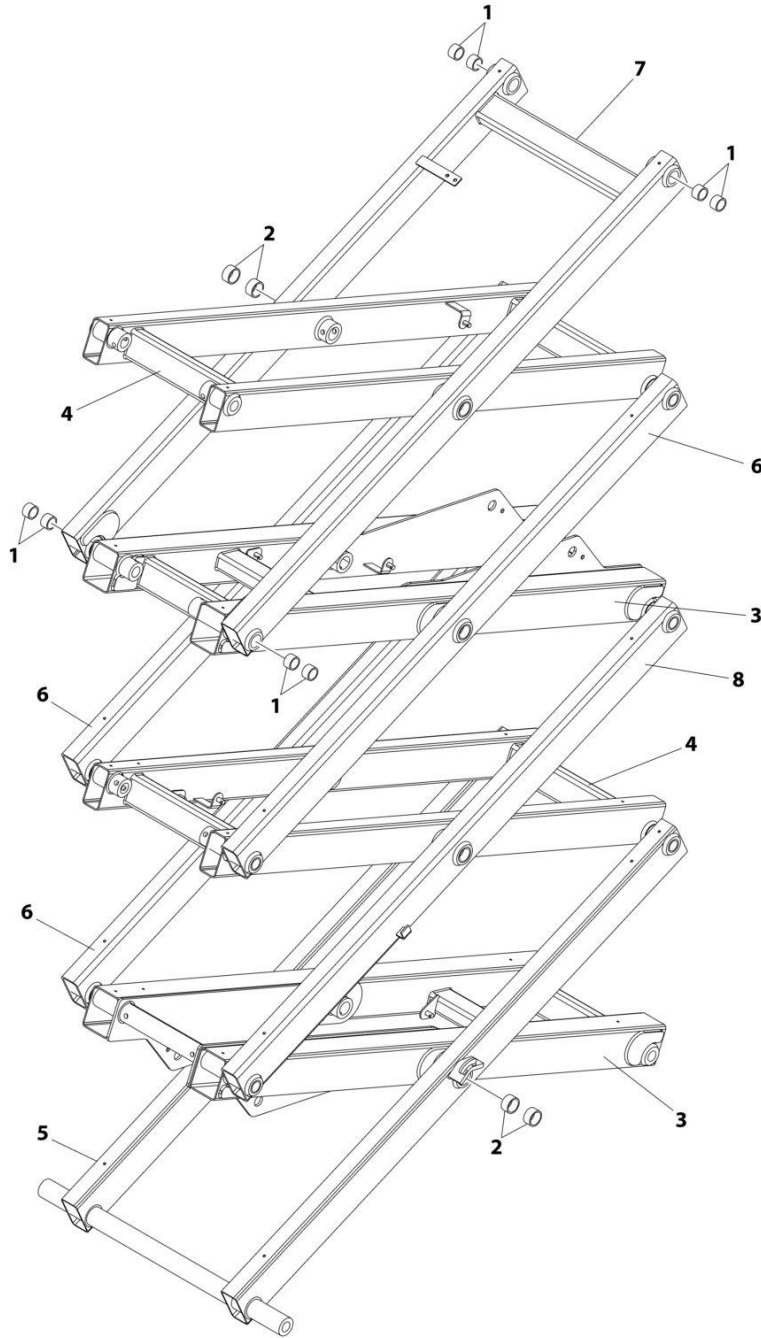
ITEM	PART NUMBER	QTY	DESCRIPTION	REV
	1001204087	Ref	SCISSORS ARMS INSTALLATION - 1932R WITH LSS	F
1	0701015	AR	Bolt M10 x 35	
2	0701021	22	Bolt M10 x 65	
3	3290405	2	Nut M4	
4	3291007	AR	Nut M10	
5	3321402	1	Nut 1/4	
6	3340962	24	Pad	
7	3760115	12	Ring, Retaining	
8	3760170	4	Ring, Split	
9	3760387	8	Ring, Retaining	
10	3841143	2	Keeper, Pin	
11	4031512	2	Capscrew M4 x 40	
12	4160078	1	Spring	
13	4240017	5	Tie-Strap (Not Shown)	
14	4740438	8	Washer	
15	4740531	12	Washer	
16	4811400	2	Washer M4	
17	4812000	4	Washer M10	
18	1001198935	1	Lift Cylinder Assembly (See Separate Breakdown in CYLINDER SECTION)	
19	1001146963	1	Sensor, Angle	
19	4460899	1	Receptacle, Female - 6 Position	
19	4460464	6	Pin, Male	
20	1001200822	NLA	Lift Down Harness (Use p/n 1001222687) (See Separate Breakdown in ELECTRICAL SECTION) <b>(Prior to SN B200038482, Prior to SN M200007595)</b>	
20	1001222687	1	Lift Down Harness (See Separate Breakdown in ELECTRICAL SECTION) <b>(SN B200038482 to Present, SN M200007595 to Present)</b>	
21	1001201355	1	Scissors Arms Kit - 1932R (See Separate Breakdown in this Section)	
22	1001203443	7	Pin	
23	1001203444	4	Pin	
24	1001203445	1	Pin	
25	1001203446	4	Pin	
26	1001203447	1	Pin	
27	1001203448	2	Pin	
28	1001204311	2	Block, Slide	
29	1001204312	1	Plate, Prop	
30	1001204781	2	Pin	
31	1001204994	3	Pin	
32	1001205345	1	Key, Angle Sensor	
33	1061034	1	Cable, Manual Descent	
33	7020218	1	T-Handle (1/4 Threads)	
33	70001878	1	T-Handle (M5 Threads)	
34	1001206487	2	Support	
35	1001200631	1	Light, Indicator (Red)	
36	1001200740	1	Transducer, Pressure	
37	0760610	2	Bolt M6 x 20	
37	0700620	2	Bolt M6 x 60	
38	3290605	2	Nut M6	

## SECTION 3 - SCISSORS ARMS

ITEM	PART NUMBER	QTY	DESCRIPTION	REV
39	4811700	2	Washer M6	
41	1001212040	1	Mount, Sensor <b>(Prior to SN B300045794, Prior to SN M200016391)</b>	
41	1001231268	1	Mount, Sensor <b>(SN B200045794 to Present, SN M200016391 to Present)</b>	
42	2221116	1	Fitting, 90 ORB/ORB <b>(SN M200007595 to Present)</b>	
42	2221116	1	Fitting, 90 ORB/ORB <b>(SN B200038482 to Present)</b>	
43	1001225164	1	Transducer, Pressure <b>(SN M200007595 to Present)</b>	
43	1001225164	1	Transducer, Pressure <b>(SN B200038482 to Present)</b>	
44	1001226791	1	Bracket <b>(SN M200007595 to Present)</b>	
44	1001226791	1	Bracket <b>(SN B200038482 to Present)</b>	
100	1001134289	2	Bearing (Part of Frame)	

# SECTION 3 - SCISSORS ARMS

FIGURE 3-8. SCISSORS ARMS KIT - 1932R



ART\_1001201355

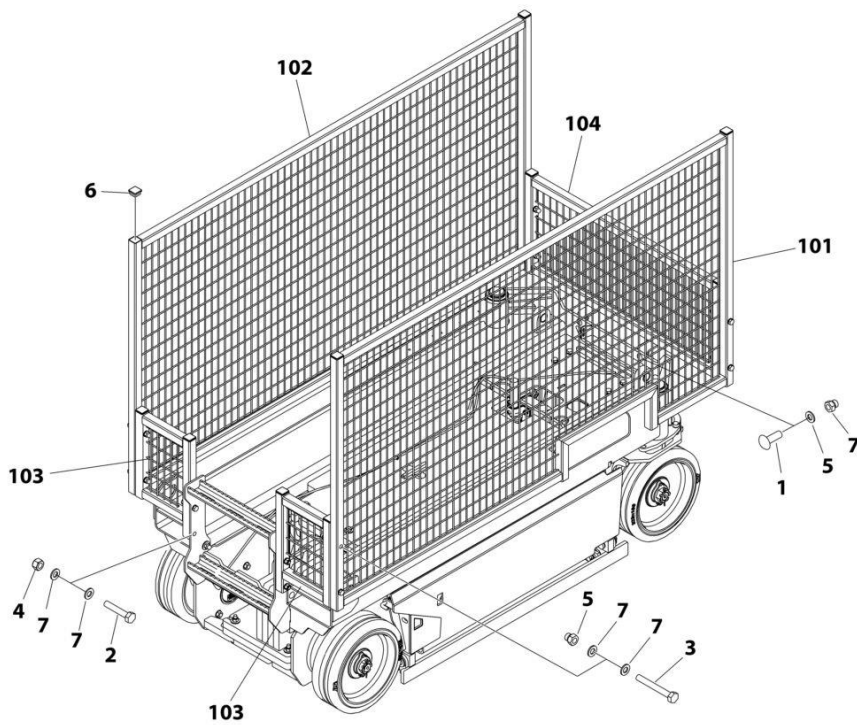
## SECTION 3 - SCISSORS ARMS

### FIGURE 3-8. SCISSORS ARMS KIT - 1932R

ITEM	PART NUMBER	QTY	DESCRIPTION	REV
	1001201355	Ref	SCISSORS ARMS KIT - 1932R	B
1	0440264	28	Bearing	
2	0440265	16	Bearing	
3	1001203973	2	Arm, Inboard (Bottom and Upper Mid)	
4	1001203974	2	Arm, Inboard (Top and Lower Mid)	
5	1001203975	1	Arm, Outboard (Bottom)	
6	1001203976	3	Arm, Outboard (Lower Mid Left Side and Upper Mid Right/Left)	
7	1001204621	1	Arm, Outboard (Top)	
8	1001213554	1	Arm, Outboard (Lower Mid Right Side)	

# SECTION 3 - SCISSORS ARMS

## FIGURE 3-9. ARM GUARD INSTALLATION



ART\_1001224623



## SECTION 3 - SCISSORS ARMS

### FIGURE 3-9. ARM GUARD INSTALLATION

ITEM	PART NUMBER	QTY	DESCRIPTION	REV
	1001224623	Ref	ARM GUARD INSTALLATION	A
1	0630613	2	Bolt M10 x 30	
2	0701019	4	Bolt M10 x 55	
3	0701024	8	Bolt M10 x 80	
4	3291005	4	Nut M10	
5	3291006	10	Nut M10	
6	3520072	10	Plug	
7	4812000	26	Washer M10	
8	1001224622	1	Arm Guard Kit	
101	1001224604	1	Guard, Arm (RH)	
102	1001224608	1	Guard, Arm (LH)	
103	1001224614	2	Guard, Arm (Rear)	
104	1001224620	1	Guard, Arm (Front)	



**SECTION 4 - PLATFORM**



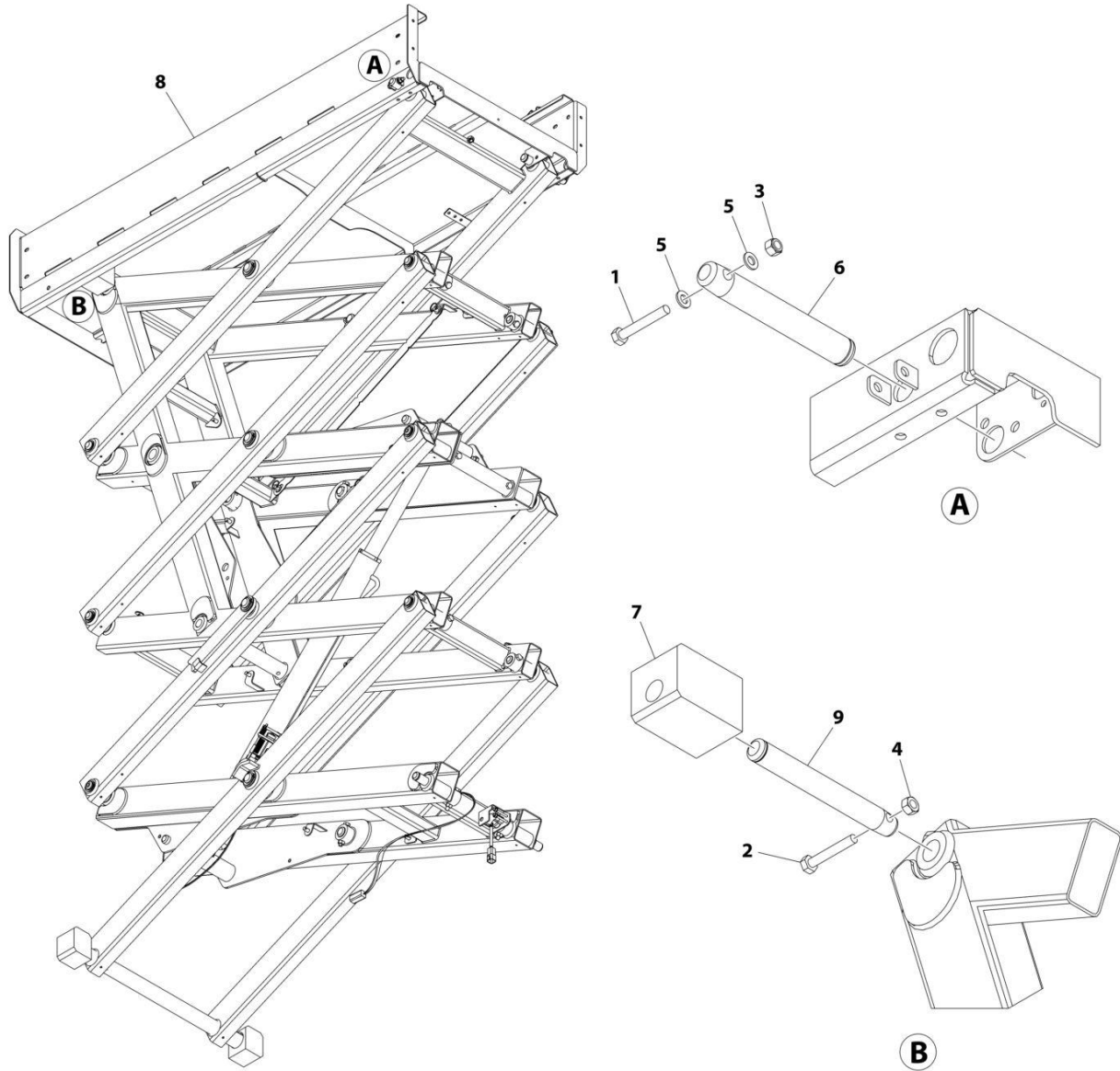
## SECTION 4 - PLATFORM

**FIGURE 4-1. PLATFORM INSTALLATION - 1532R**

ITEM	PART NUMBER	QTY	DESCRIPTION	REV
	1001225314	Ref	PLATFORM INSTALLATION - 1532R	A
1	0440264	4	Bearing	
2	0701021	4	Bolt M10 x 65	
3	0760812	8	Bolt M8 x 25	
4	0761012	2	Bolt M10 x 25	
5	3290805	8	Nut M8	
6	3291007	4	Nut M10	
7	3423104	2	Pin	
8	3760115	4	Ring, Retaining	
9	3841520	2	Keeper, Pin	
10	4740531	4	Washer	
11	4811900	16	Washer M8	
12	4812000	2	Washer M10	
13	1001225316	2	Pin	
14	1001204781	2	Pin	
15	1001205156	2	Block, Slide	
16	1001205414	1	Platform	
17	1001225299	2	Support	
18	1001225309	2	Support	

# SECTION 4 - PLATFORM

## FIGURE 4-2. PLATFORM INSTALLATION - 1532R (KOREA SPECS)



ART\_1001226948

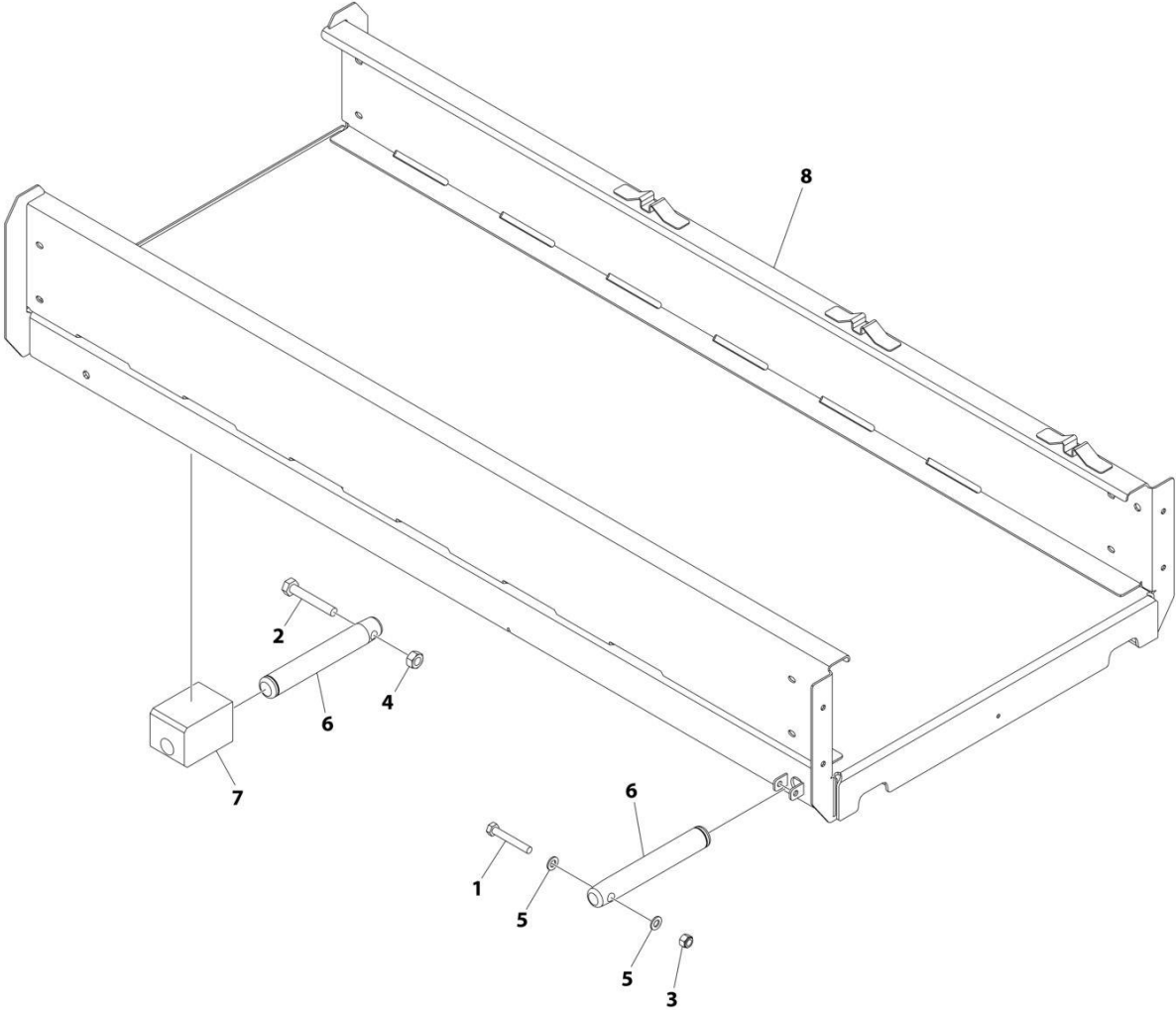
## SECTION 4 - PLATFORM

**FIGURE 4-2. PLATFORM INSTALLATION - 1532R (KOREA SPECS)**

ITEM	PART NUMBER	QTY	DESCRIPTION	REV
	1001235018	Ref	PLATFORM INSTALLATION - 1532R (KOREA SPECS)	A
1	0700819	2	Bolt M8 x 55	
2	0701021	2	Bolt M10 x 65	
3	3290805	2	Nut M8	
4	3291007	2	Nut M10	
5	4811900	4	Washer M8	
6	1001203443	2	Pin	
7	1001205156	2	Block, Slide	
8	1001235541	1	Platform	
9	1001204781	2	Pin	

**SECTION 4 - PLATFORM**

**FIGURE 4-3. PLATFORM INSTALLATION - 1932R**



ART\_1001205709



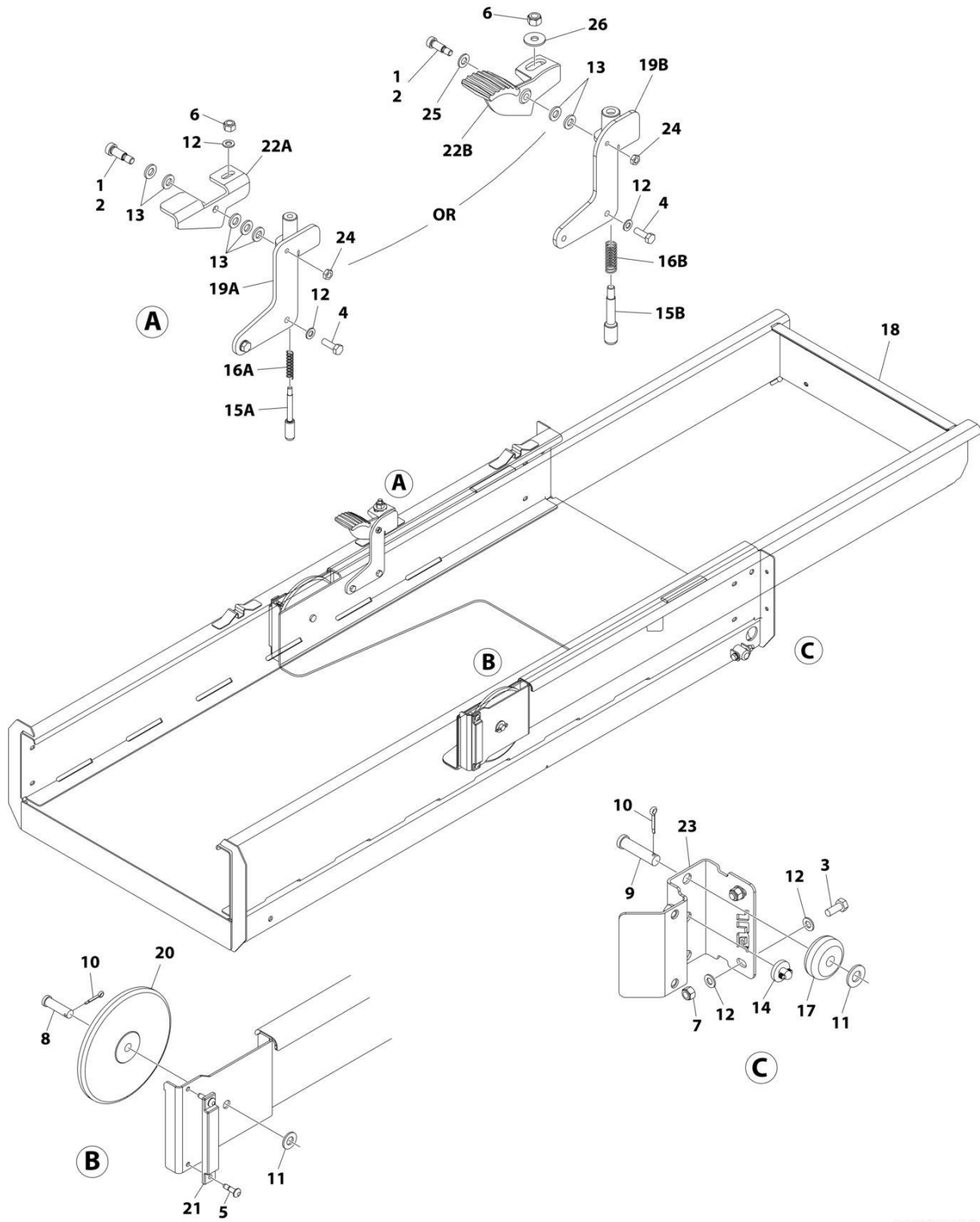
## SECTION 4 - PLATFORM

### FIGURE 4-3. PLATFORM INSTALLATION - 1932R

ITEM	PART NUMBER	QTY	DESCRIPTION	REV
	1001205709	Ref	PLATFORM INSTALLATION - 1932R	B
1	0700819	2	Bolt M8 x 55	
2	0701021	2	Bolt M10 x 65	
3	3290805	2	Nut M8	
4	3291007	2	Nut M10	
5	4811900	4	Washer M8	
6	1001203443	4	Pin	
7	1001205156	2	Block, Slide	
8	1001205414	1	Platform	

# SECTION 4 - PLATFORM

## FIGURE 4-4. PLATFORM EXTENSION INSTALLATION



ART\_1001205423

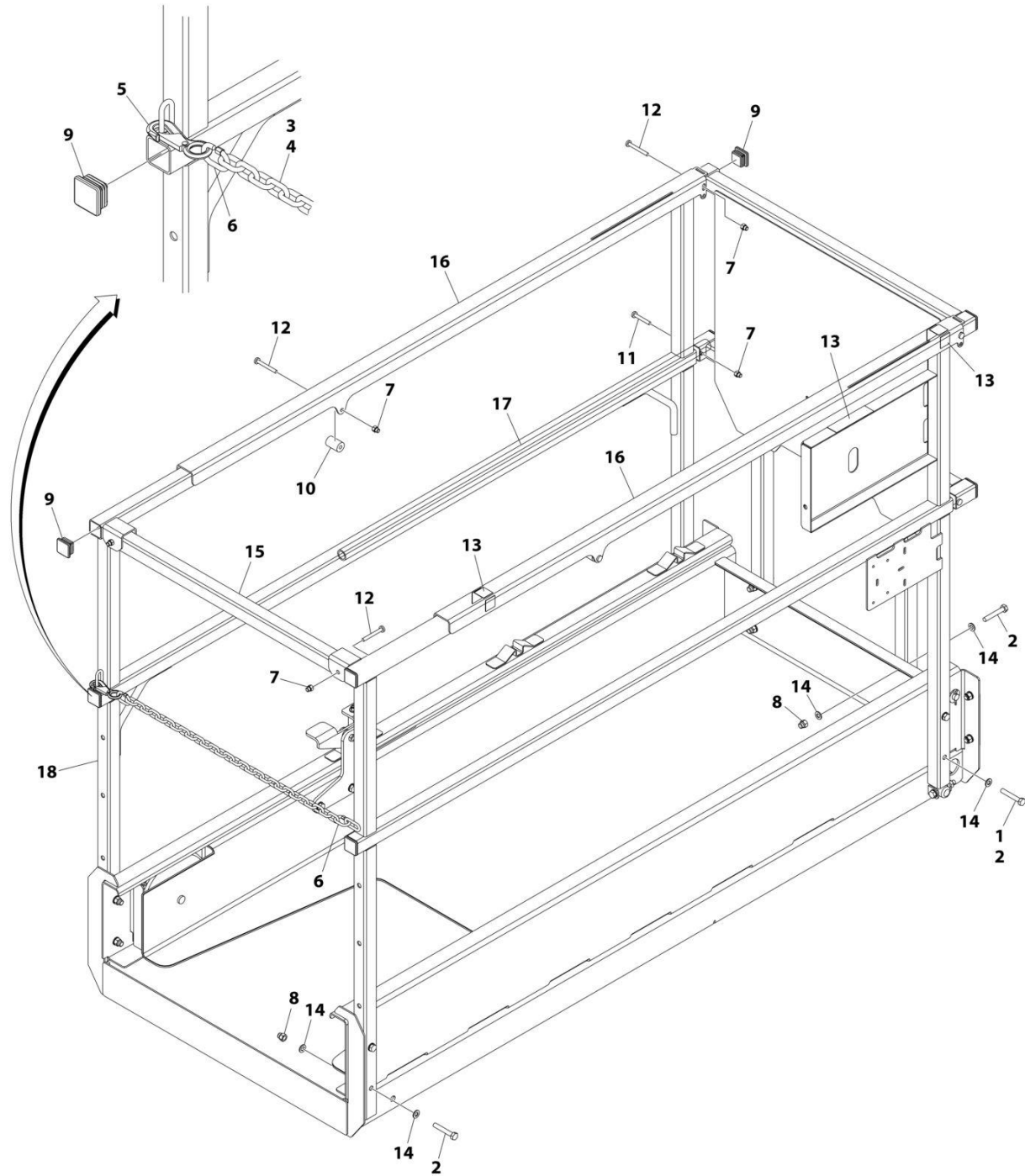
## SECTION 4 - PLATFORM

**FIGURE 4-4. PLATFORM EXTENSION INSTALLATION**

ITEM	PART NUMBER	QTY	DESCRIPTION	REV
	1001205423	Ref	PLATFORM EXTENSION INSTALLATION	C
1	0100011	AR	Compound, Locking	
2	0630183	1	Screw 3/8 x 1	
3	0760810	4	Bolt M8 x 20	
4	0760812	2	Bolt M8 x 25	
5	2080040	4	Fastener	
6	3290605	AR	Nut M6	
6	3291005	AR	Nut M10	
7	3290805	4	Nut M8	
8	3430814	2	Pin	
9	3430816	2	Pin	
10	3450403	4	Pin, Cotter 1/8 x 3/4	
11	4711800	4	Washer 1/2	
12	4811900	11	Washer M8	
13	5241000	5	Washer M10	
14	1001137675	2	Bumper	
15A	1001182305	1	Rod (Prior to SN M200025109, Prior to SN B200051317)	
15B	1001221476	1	Rod (SN M200025109 to Present, SN B200051317 to Present)	
16A	1001182338	1	Spring (Prior to SN M200025109, Prior to SN B200051317)	
16B	1001221475	1	Spring (SN M200025109 to Present, SN B200051317 to Present)	
17	1001205422	2	Roller (Front)	
18	1001205424	1	Extension, Platform	
19A	1001205428	1	Bracket (Prior to SN M200025109, Prior to SN B200051317)	
19B	1001236129	1	Bracket (SN M200025109 to Present, SN B200051317 to Present)	
20	1001205430	2	Roller (Rear)	
21	1001208852	2	Pad	
22A	1001209963	1	Plate (Prior to SN M200025109, Prior to SN B200051317)	
22B	1001217043	1	Plate (SN M200025109 to Present, SN B200051317 to Present)	
23	1001210064	2	Support	
24	3311502	1	Nut 5/16	
25	4812000	AR	Washer M10	
26	4812002	AR	Washer M10	

# SECTION 4 - PLATFORM

FIGURE 4-5. RAILS INSTALLATION - FIXED RAILS/CHAIN ENTRY (INSIDE TUBE SLIDER)



ART\_1001207805

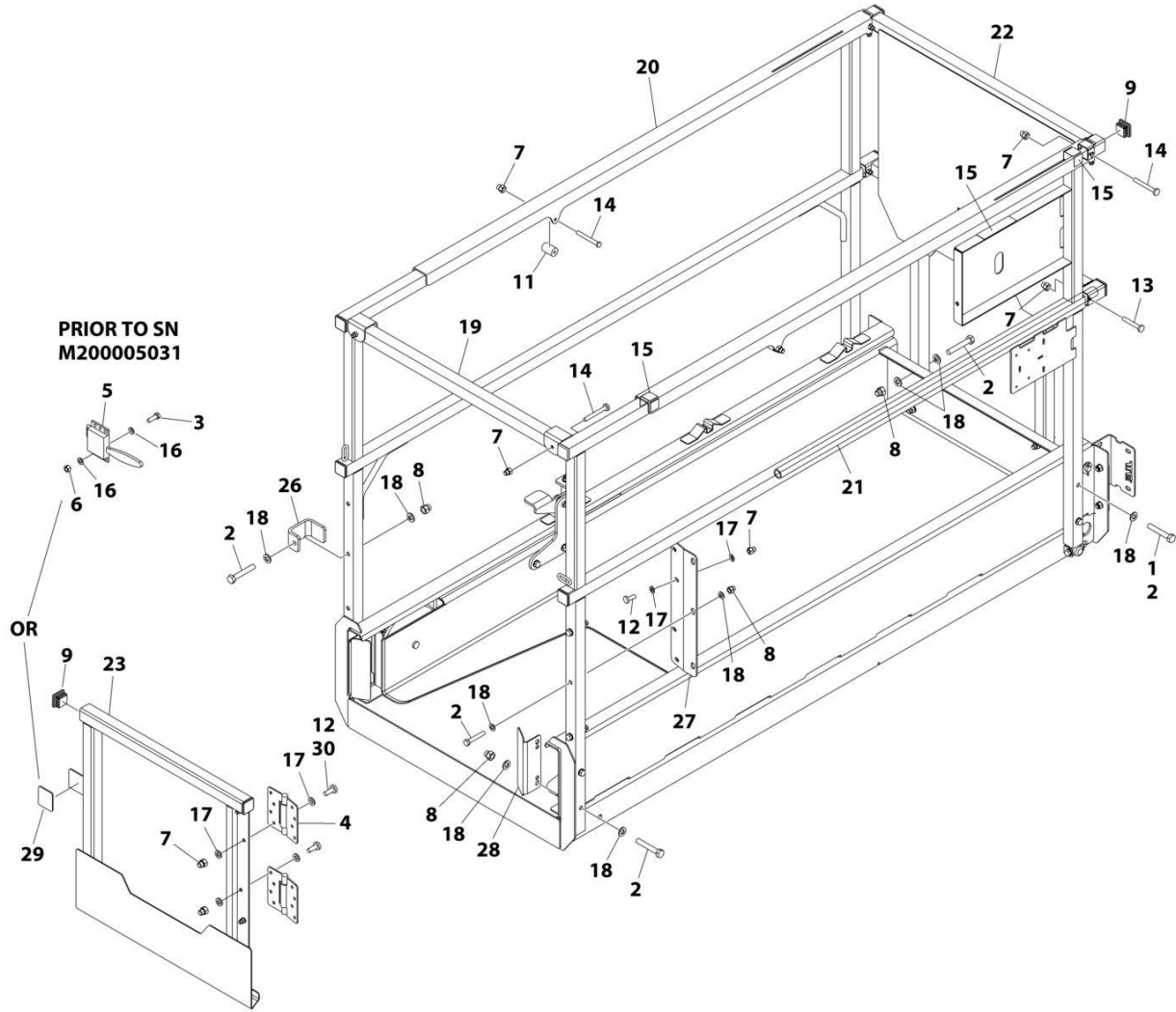
## SECTION 4 - PLATFORM

**FIGURE 4-5. RAILS INSTALLATION - FIXED RAILS/CHAIN ENTRY (INSIDE TUBE SLIDER)**

ITEM	PART NUMBER	QTY	DESCRIPTION	REV
	1001207805	Ref	RAILS INSTALLATION - FIXED RAILS/CHAIN ENTRY (INSIDE TUBE SLIDER)	E
1	0100011	AR	Compound, Locking	
2	0700818	12	Bolt M8 x 50	
3	1260136	24 in / 60cm	Chain	
4	2820097	23 in / 58cm	Cover, Chain	
5	2940064	1	Latch	
6	3010088	2	Link	
7	3290606	8	Nut M6	
8	3290806	8	Nut M8	
9	3520072	8	Plug	
10	3860111	2	Roller	
11	4010616	2	Screw M6 x 40	
12	4010618	6	Screw M6 x 50	
13	4420062	1.3 ft/ 40cm	Tape	
14	4811900	20	Washer M8	
15	1001206224	1	Tube, Rail (Rear)	
16	1001206225	2	Rail, Top Slide	
17	1001206226	2	Rod	
18	1001206228	1	Rail Kit - Fixed Rails (See Separate Breakdown in this Section)	

# SECTION 4 - PLATFORM

## FIGURE 4-6. RAILS INSTALLATION - FIXED RAILS/GATE ENTRY (INSIDE TUBE SLIDER)



ART\_1001207806

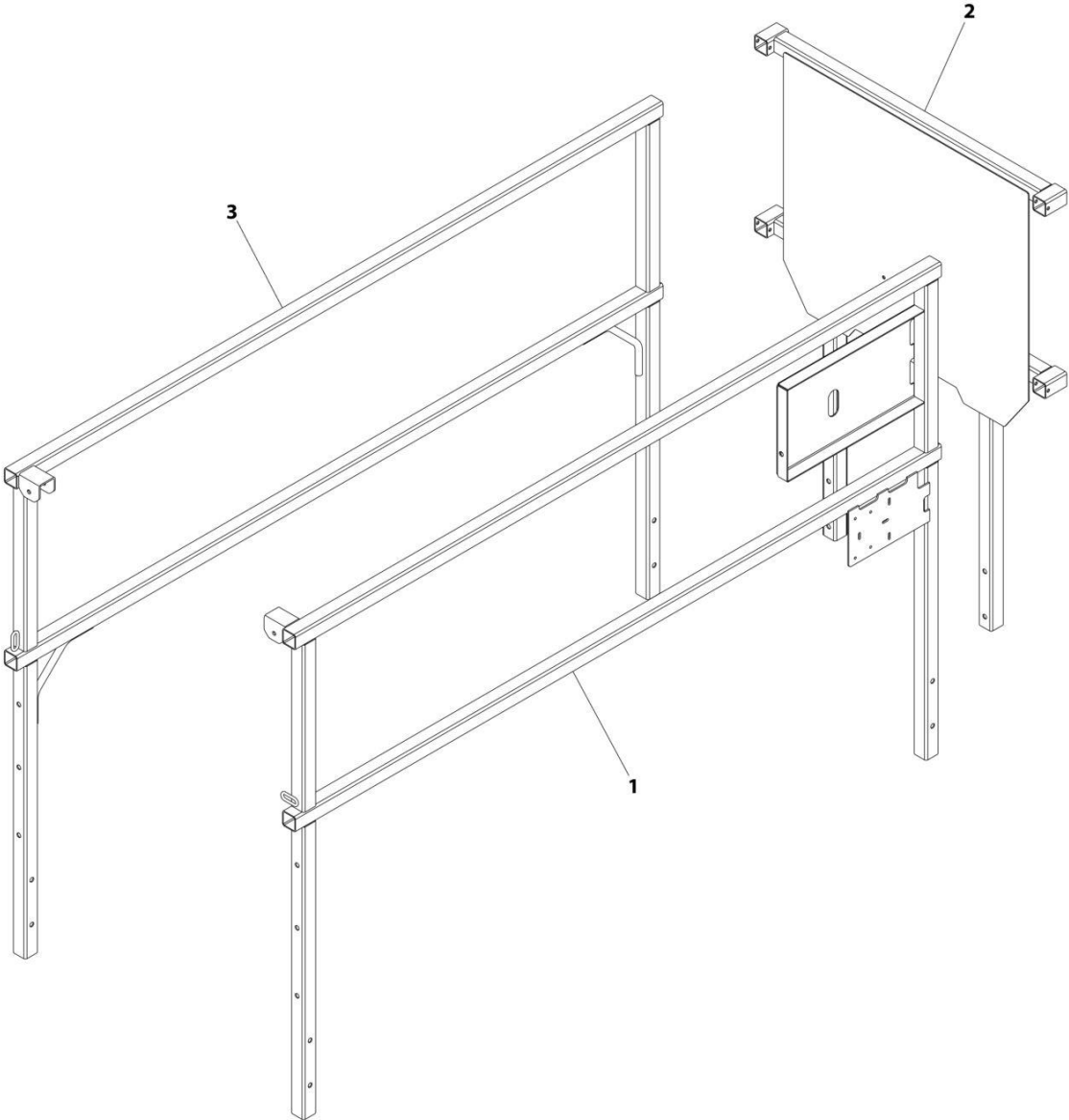
## SECTION 4 - PLATFORM

**FIGURE 4-6. RAILS INSTALLATION - FIXED RAILS/GATE ENTRY (INSIDE TUBE SLIDER)**

ITEM	PART NUMBER	QTY	DESCRIPTION	REV
	1001207806	Ref	RAILS INSTALLATION - FIXED RAILS/GATE ENTRY (INSIDE TUBE SLIDER)	F
1	0100011	AR	Compound, Locking	
2	0700818	AR	Bolt M8 x 50	
3	0760508	AR	Bolt M5 x 16	
4	2600281	2	Hinge	
5	2940074	1	Latch <b>(Prior to SN M200005031)</b>	
6	3290505	4	Nut M5	
7	3290606	AR	Nut M6	
8	3290806	AR	Nut M8	
9	3520072	10	Plug	
11	3860111	2	Roller	
12	4010608	AR	Screw M6 x 16	
13	4010616	2	Screw M6 x 40	
14	4010618	6	Screw M6 x 50	
15	4420062	1.3 ft/ 40cm	Tape	
16	4811600	AR	Washer M5	
17	4811700	AR	Washer M6	
18	4811900	28	Washer M8	
19	1001206224	1	Tube (Rear)	
20	1001206225	2	Rail, Top Slide	
21	1001206226	2	Rod	
22	1001206228	1	Rail Kit - Fixed Rails (See Separate Breakdown in this Section)	
23	1001210302	1	Gate (Note: Gate design has been changed. When replacing the Gate for Machines Prior to SN M200005031, customer must also order Magnet p/n 3080007)	
26	1001210307	1	Plate, Gate Latch <b>(Prior to SN M200005031)</b>	
27	1001210586	1	Plate, Gate Hinge	
28	1001210963	2	Cover	
29	3080007	1	Magnet, Latch <b>(SN M200005031 to Present)</b>	
30	2080040	AR	Fastener	

**SECTION 4 - PLATFORM**

**FIGURE 4-7. RAIL KIT - FIXED RAILS (INSIDE TUBE SLIDER)**



ART\_1001206228



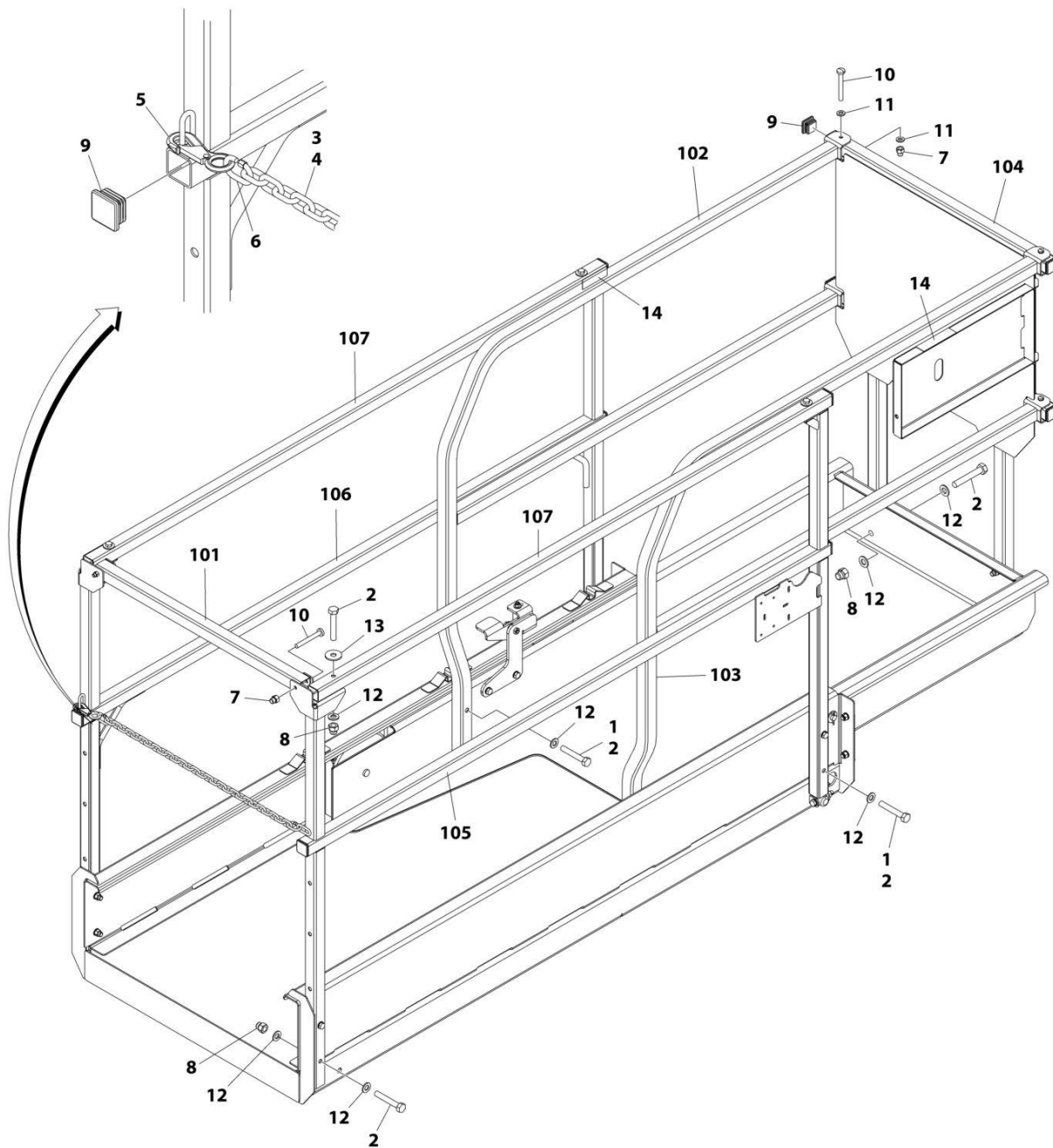
## SECTION 4 - PLATFORM

**FIGURE 4-7. RAIL KIT - FIXED RAILS (INSIDE TUBE SLIDER)**

ITEM	PART NUMBER	QTY	DESCRIPTION	REV
	1001206228	Ref	RAIL KIT - FIXED RAILS (INSIDE TUBE SLIDER)	C
1	1001206207	1	Rail (Right)	
2	1001206217	1	Rail Extension (Front)	
3	1001206222	1	Rail (Left)	

# SECTION 4 - PLATFORM

## FIGURE 4-8. RAILS INSTALLATION - FIXED RAILS/CHAIN ENTRY (OUTSIDE TUBE SLIDER)



ART\_1001222588

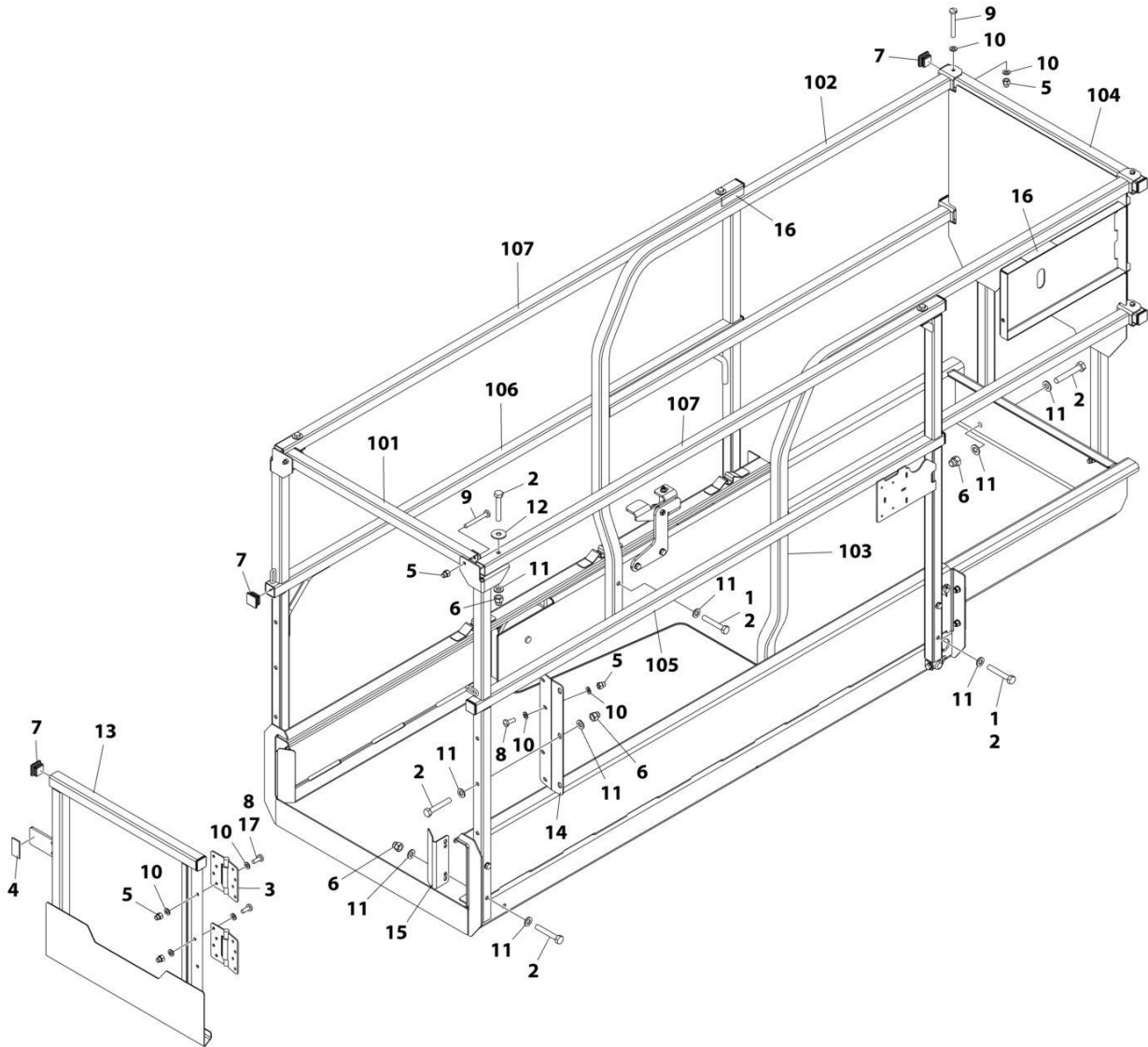
## SECTION 4 - PLATFORM

**FIGURE 4-8. RAILS INSTALLATION - FIXED RAILS/CHAIN ENTRY (OUTSIDE TUBE SLIDER)**

ITEM	PART NUMBER	QTY	DESCRIPTION	REV
	1001222588	Ref	RAILS INSTALLATION - FIXED RAILS/CHAIN ENTRY (OUTSIDE TUBE SLIDER)	D
1	0100011	AR	Compound, Locking	
2	0700818	20	Bolt M8 x 50	
3	1260136	24 in/ 60cm	Chain	
4	2820097	23 in/ 58cm	Cover, Chain	
5	2940064	1	Latch	
6	3010088	2	Link	
7	3290606	6	Nut M6	
8	3290806	12	Nut M8	
9	3520072	10	Plug	
10	4010618	6	Screw M6 x 50	
11	4811700	8	Washer M6	
12	4811900	28	Washer M8	
13	4811902	4	Washer M8	
14	4420062	9.8 in/ 25cm	Tape	
100	1001223839	Ref	Rail Kit (Not Shown)	
101	1001206224	1	Rail (Rear Top)	
102	1001223362	1	Rail (Inside Left)	
103	1001223363	1	Rail (Inside Right)	
104	1001223364	1	Rail (Extension Front)	
105	1001223833	1	Rail (Outside Right)	
106	1001223834	1	Rail (Outside Left)	
107	1001223835	2	Tube (Outside Top)	

# SECTION 4 - PLATFORM

## FIGURE 4-9. RAILS INSTALLATION - FIXED RAILS/GATE ENTRY (OUTSIDE TUBE SLIDER)



ART\_1001222589

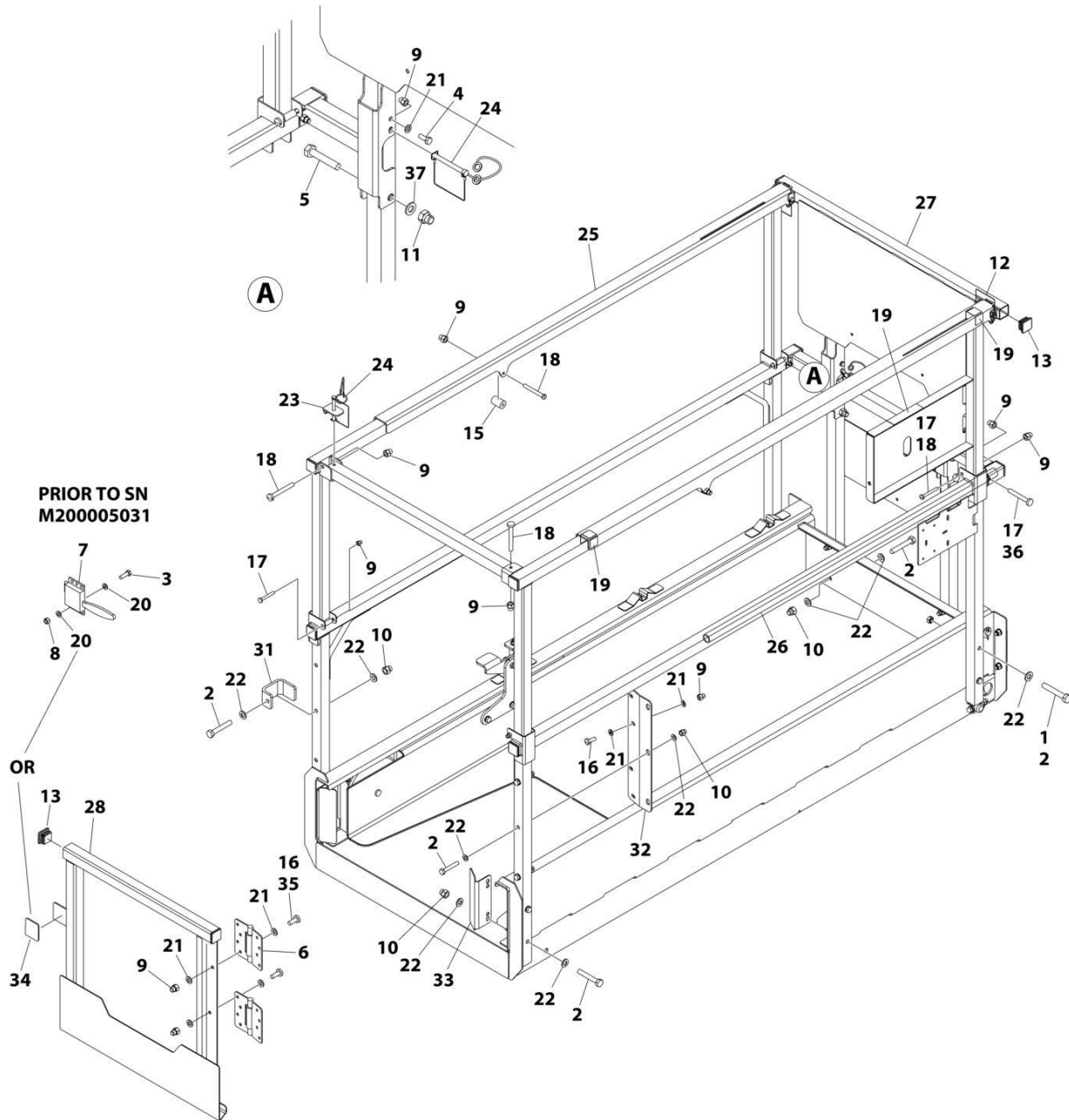
## SECTION 4 - PLATFORM

**FIGURE 4-9. RAILS INSTALLATION - FIXED RAILS/GATE ENTRY (OUTSIDE TUBE SLIDER)**

ITEM	PART NUMBER	QTY	DESCRIPTION	REV
	1001222589	Ref	RAILS INSTALLATION - FIXED RAILS/GATE ENTRY (OUTSIDE TUBE SLIDER)	E
1	0100011	AR	Compound, Locking	
2	0700818	23	Bolt M8 x 50	
3	2600281	2	Hinge	
4	3080007	1	Magnet	
5	3290606	AR	Nut M6	
6	3290806	15	Nut M8	
7	3520072	14	Plug	
8	4010608	AR	Screw M6 x 16	
9	4010618	6	Screw M6 x 50	
10	4811700	AR	Washer M6	
11	4811900	34	Washer M8	
12	4811902	4	Washer M8	
13	1001210302	1	Gate	
14	1001210586	1	Plate, Gate Hinge	
15	1001210963	2	Cover	
16	4420062	9.8 in/ 25cm	Tape	
17	2080040	AR	Fastener	
100	1001223839	Ref	Rail Kit (Not Shown)	
101	1001206224	1	Rail (Rear Top)	
102	1001223362	1	Rail (Inside Left)	
103	1001223363	1	Rail (Inside Right)	
104	1001223364	1	Rail (Extension Front)	
105	1001223833	1	Rail (Outside Right)	
106	1001223834	1	Rail (Outside Left)	
107	1001223835	2	Tube (Outside Top)	

# SECTION 4 - PLATFORM

## FIGURE 4-10. RAILS INSTALLATION - FOLD-DOWN RAILS/GATE ENTRY (INSIDE TUBE SLIDER)



ART\_1001207807

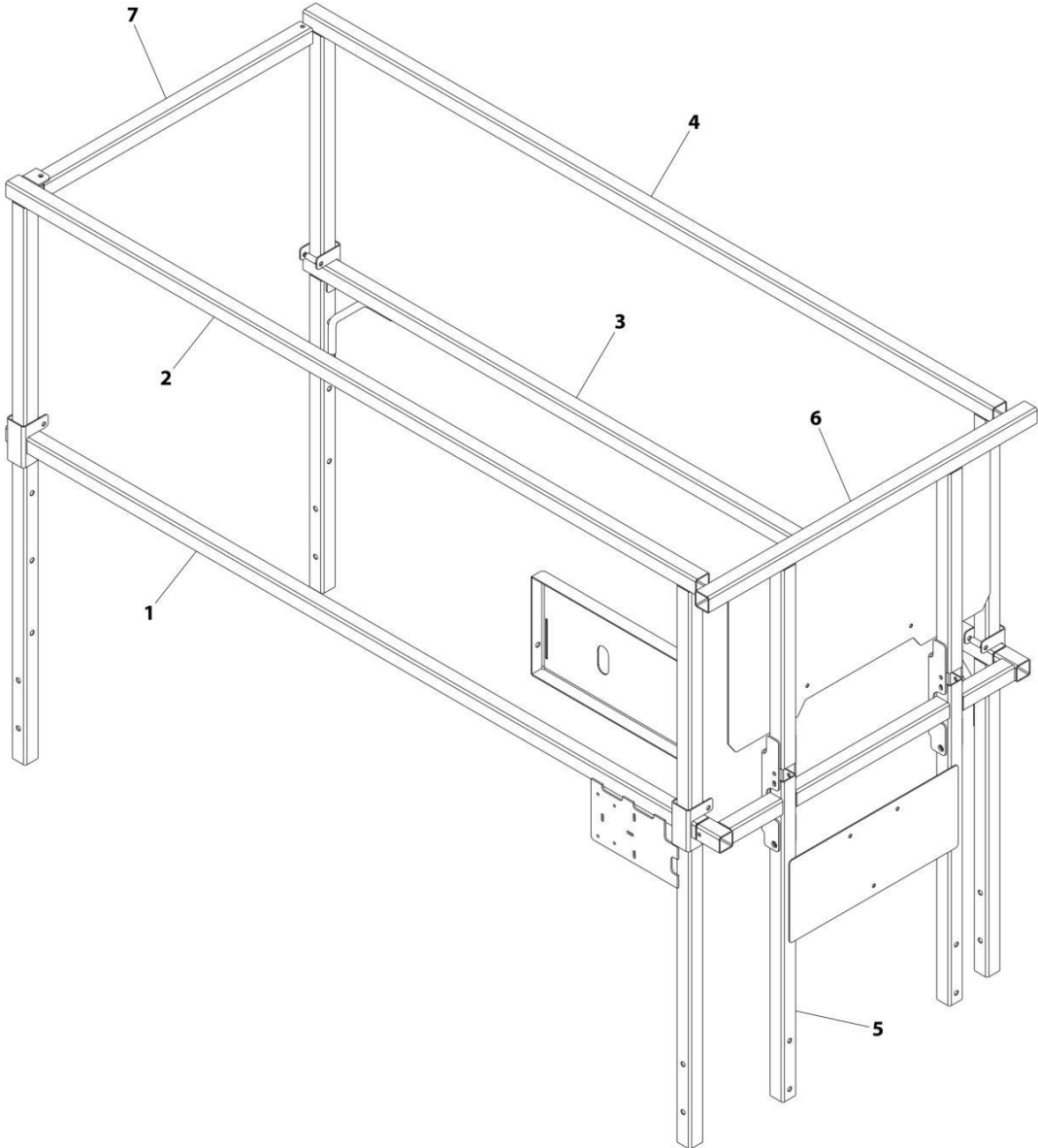
## SECTION 4 - PLATFORM

**FIGURE 4-10. RAILS INSTALLATION - FOLD-DOWN RAILS/GATE ENTRY (INSIDE TUBE SLIDER)**

ITEM	PART NUMBER	QTY	DESCRIPTION	REV
	1001207807	Ref	RAILS INSTALLATION - FOLD-DOWN RAILS/GATE ENTRY (INSIDE TUBE SLIDER)	E
1	0100011	AR	Compound, Locking	
2	0700818	AR	Bolt M8 x 50	
3	0760508	AR	Bolt M5 x 16	
4	0760608	2	Bolt M6 x 16	
5	0761019	2	Bolt M10 x 55	
6	2600281	2	Hinge	
7	2940074	1	Latch ( <b>Prior to SN M200005031</b> )	
8	3290505	AR	Nut M5	
9	3290606	AR	Nut M6	
10	3290806	AR	Nut M8	
11	3291006	2	Nut M10	
12	3422219	2	Pin	
13	3520072	10	Plug	
15	3860111	2	Roller	
16	4010608	AR	Screw M6 x 16	
17	4010617	AR	Screw M6 x 45	
18	4010618	AR	Screw M6 x 50	
19	4420062	1.3 ft/ 40cm	Tape	
20	4811600	AR	Washer M5	
21	4811700	AR	Washer M6	
22	4811900	AR	Washer M8	
23	1001154378	1	Bracket	
24	1001187587	3	Pin	
25	1001206225	2	Rail, Top Slide	
26	1001206226	2	Rod	
27	1001208073	1	Rail Kit - Fold-Down Rails (See Separate Breakdown in this Section)	
28	1001210302	1	Gate (Note: Gate design has been changed. When replacing the Gate for Machines Prior to SN M200005031, customer must also order Magnet p/n 3080007)	
31	1001210307	1	Plate, Gate Latch ( <b>Prior to SN M200005031</b> )	
32	1001210586	1	Plate, Gate Hinge	
33	1001210963	2	Cover	
34	3080007	1	Magnet	
35	2080040	AR	Fastener	
36	4010616	AR	Screw M6 x 40	
37	4812000	AR	Washer M10	

**SECTION 4 - PLATFORM**

**FIGURE 4-11. RAIL KIT - FOLD-DOWN RAILS (INSIDE TUBE SLIDER)**



ART\_1001208073



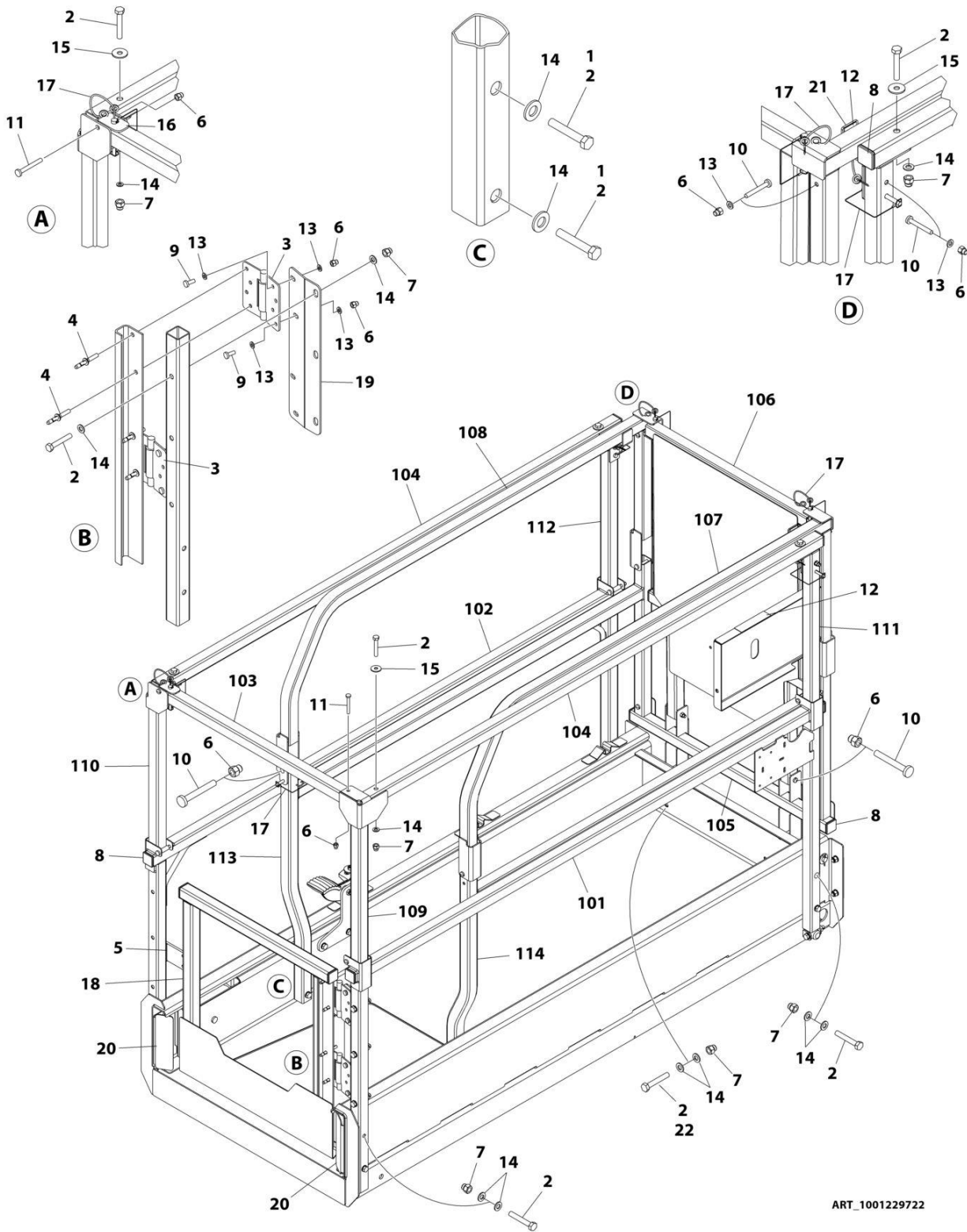
## SECTION 4 - PLATFORM

**FIGURE 4-11. RAIL KIT - FOLD-DOWN RAILS (INSIDE TUBE SLIDER)**

ITEM	PART NUMBER	QTY	DESCRIPTION	REV
	1001208073	Ref	RAIL KIT - FOLD-DOWN RAILS (INSIDE TUBE SLIDER)	B
1	1001210442	1	Rail - Lower (Right)	
2	1001210443	1	Rail - Upper (Right)	
3	1001210444	1	Rail - Lower (Left)	
4	1001210445	1	Rail - Upper (Left)	
5	1001210446	1	Rail - Extension Lower (Front)	
6	1001210447	1	Rail - Extension Upper (Front)	
7	1001210458	1	Rail (Rear)	

# SECTION 4 - PLATFORM

## FIGURE 4-12. RAILS INSTALLATION - FOLD-DOWN RAILS/GATE ENTRY (OUTSIDE TUBE SLIDER)



ART\_1001229722

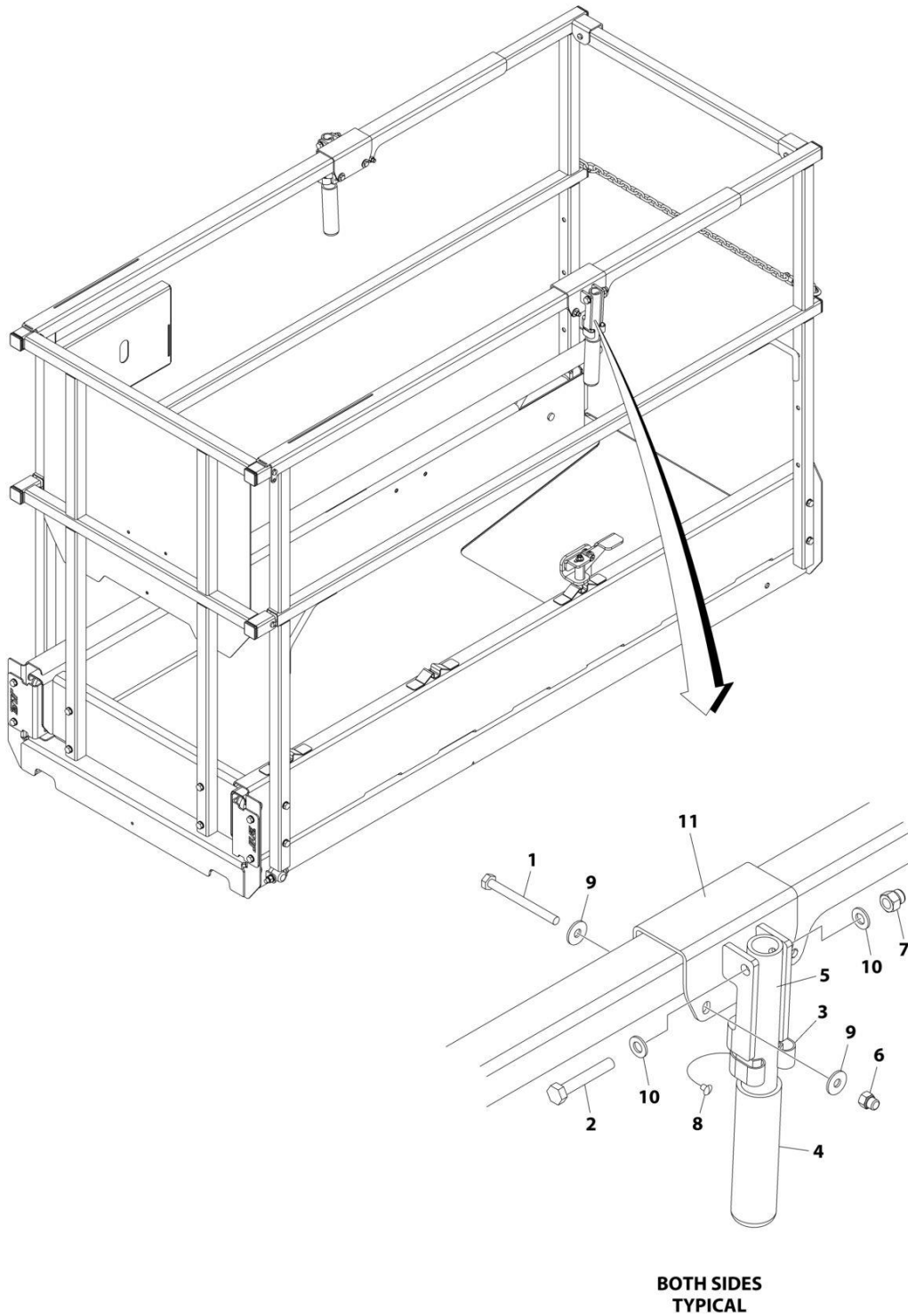
## SECTION 4 - PLATFORM

**FIGURE 4-12. RAILS INSTALLATION - FOLD-DOWN RAILS/GATE ENTRY (OUTSIDE TUBE SLIDER)**

ITEM	PART NUMBER	QTY	DESCRIPTION	REV
	1001229722	Ref	RAILS INSTALLATION - FOLD-DOWN RAILS/GATE ENTRY	D
1	0100011	AR	Compound, Locking	
2	0700818	AR	Bolt M8 x 50	
3	2600281	2	Hinge	
4	2080040	4	Fastener	
5	3080007	1	Magnet	
6	3290606	23	Nut M6	
7	3290806	15	Nut M8	
8	3520072	12	Plug	
9	4010608	5	Screw M6 x 16	
10	4010617	16	Screw M6 x 45	
11	4010618	2	Screw M6 x 50	
12	4420062	15 in/ 37cm	Tape	
13	4811700	13	Washer M6	
14	4811900	30	Washer M8	
15	4811902	4	Washer M8	
16	1001154378	1	Bracket	
17	1001187587	6	Pin	
18	1001210302	1	Gate	
19	1001210586	1	Plate, Gate Support	
20	1001210963	2	Cover (LH)	
21	1001232257	2	Brace	
22	0700820	AR	Bolt M8 x 60	
100	1001229723	1	Rail (Not Shown)	
101	1001210442	1	Rail (Side Lower Right)	
102	1001210444	1	Rail (Side Lower Left)	
103	1001210458	1	Rail (Rear Top)	
104	1001223835	2	Rail (Side Top)	
105	1001231405	1	Rail (Extention Front Lower)	
106	1001229732	1	Rail (Extention Front Upper)	
107	1001229733	1	Rail (Extention Upper Right)	
108	1001229734	1	Rail (Extention Upper Left)	
109	1001229739	1	Rail (Rear Upper Right)	
110	1001229740	1	Rail (Rear Upper Left)	
111	1001229741	1	Rail (Front Upper Right)	
112	1001229742	1	Rail (Front Upper Left)	
113	1001230248	1	Rail (Extention Side Lower Left)	
114	1001230249	1	Rail (Extention Side Lower Right)	

# SECTION 4 - PLATFORM

## FIGURE 4-13. HANDLE EXTENSION INSTALLATION (OPTIONAL)



ART\_1001222587

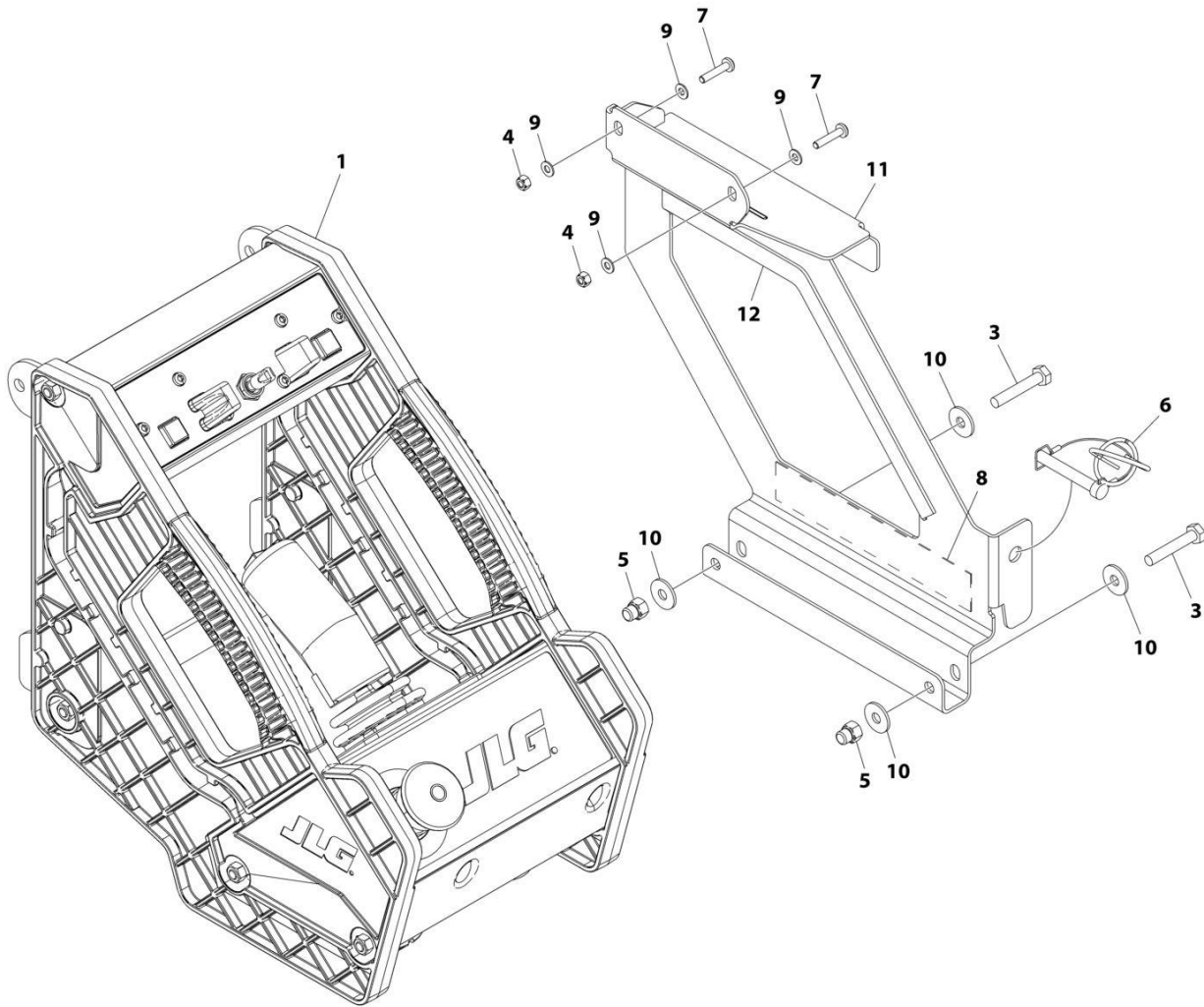
## SECTION 4 - PLATFORM

**FIGURE 4-13. HANDLE EXTENSION INSTALLATION (OPTIONAL)**

ITEM	PART NUMBER	QTY	DESCRIPTION	REV
	1001222587	Ref	HANDLE EXTENSION INSTALLATION (OPTIONAL)	B
1	0700621	4	Bolt M6 x 65	
2	0700818	2	Bolt M8 x 50	
3	1380132	2	Clip	
4	2560088	2	Grip, Handle	
5	2560190	2	Handle	
6	3290606	2	Nut M6	
7	3290806	2	Nut M8	
8	3820019	2	Rivet	
9	4811702	8	Washer M6	
10	4811900	4	Washer M8	
11	1001216823	2	Bracket	

# SECTION 4 - PLATFORM

FIGURE 4-14. PLATFORM CONTROL BOX INSTALLATION (ANSI, ANSI EXPORT AND JAPAN SPECS) (Prior to SN B200038482, Prior to SN M200015692)



ART\_1001215042\_C

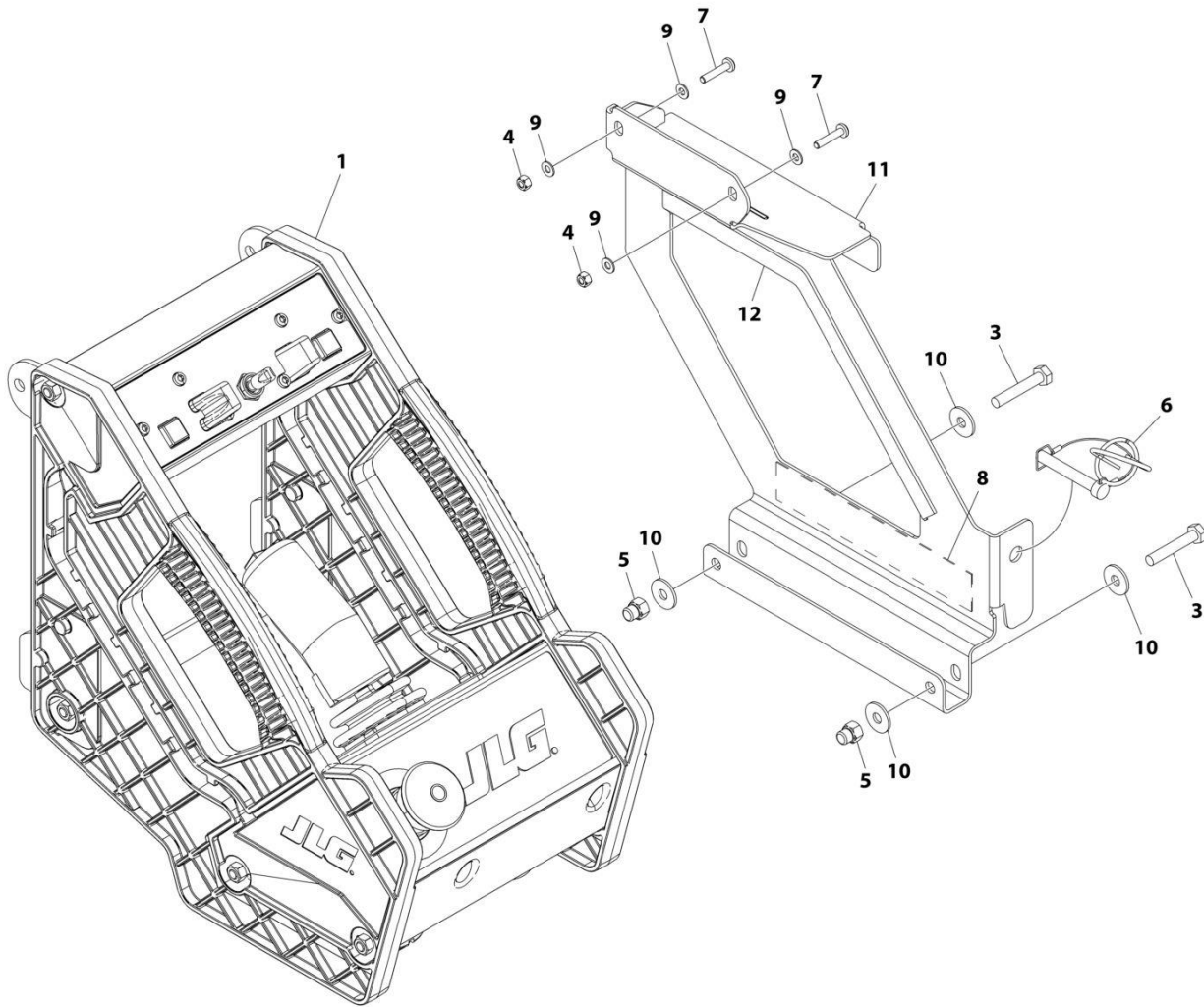
## SECTION 4 - PLATFORM

**FIGURE 4-14. PLATFORM CONTROL BOX INSTALLATION (ANSI, ANSI EXPORT AND JAPAN SPECS) (Prior to SN B200038482, Prior to SN M200015692)**

ITEM	PART NUMBER	QTY	DESCRIPTION	REV
	1001215042	Ref	PLATFORM CONTROL BOX INSTALLATION (ANSI, ANSI EXPORT AND JAPAN SPECS) <b>(Prior to SN B200038482, Prior to SN M200015692)</b>	C
1	1001091153	1	Platform Control Box Assembly (ANSI, ANSI Export and Japan Specs) (See Separate Breakdown in this Section)	
3	0760615	2	Bolt M6 x 35	
4	3290405	2	Nut M4	
5	3290606	2	Nut M6	
6	3423278	1	Pin, Snap	
7	3900338	2	Screw M4 x 20	
8	4420062	6 in /15cm	Tape	
9	4811400	4	Washer M4	
10	4811702	4	Washer M6	
11	1001221712	1	Mount	
12	4060803	10 in /25cm	Flex-Trim	

# SECTION 4 - PLATFORM

FIGURE 4-15. PLATFORM CONTROL BOX INSTALLATION (AUSTRALIAN, CE, CHINA AND CSA SPECS) (Prior to SN B200038482, Prior to SN M200015692)



ART\_1001207562\_C



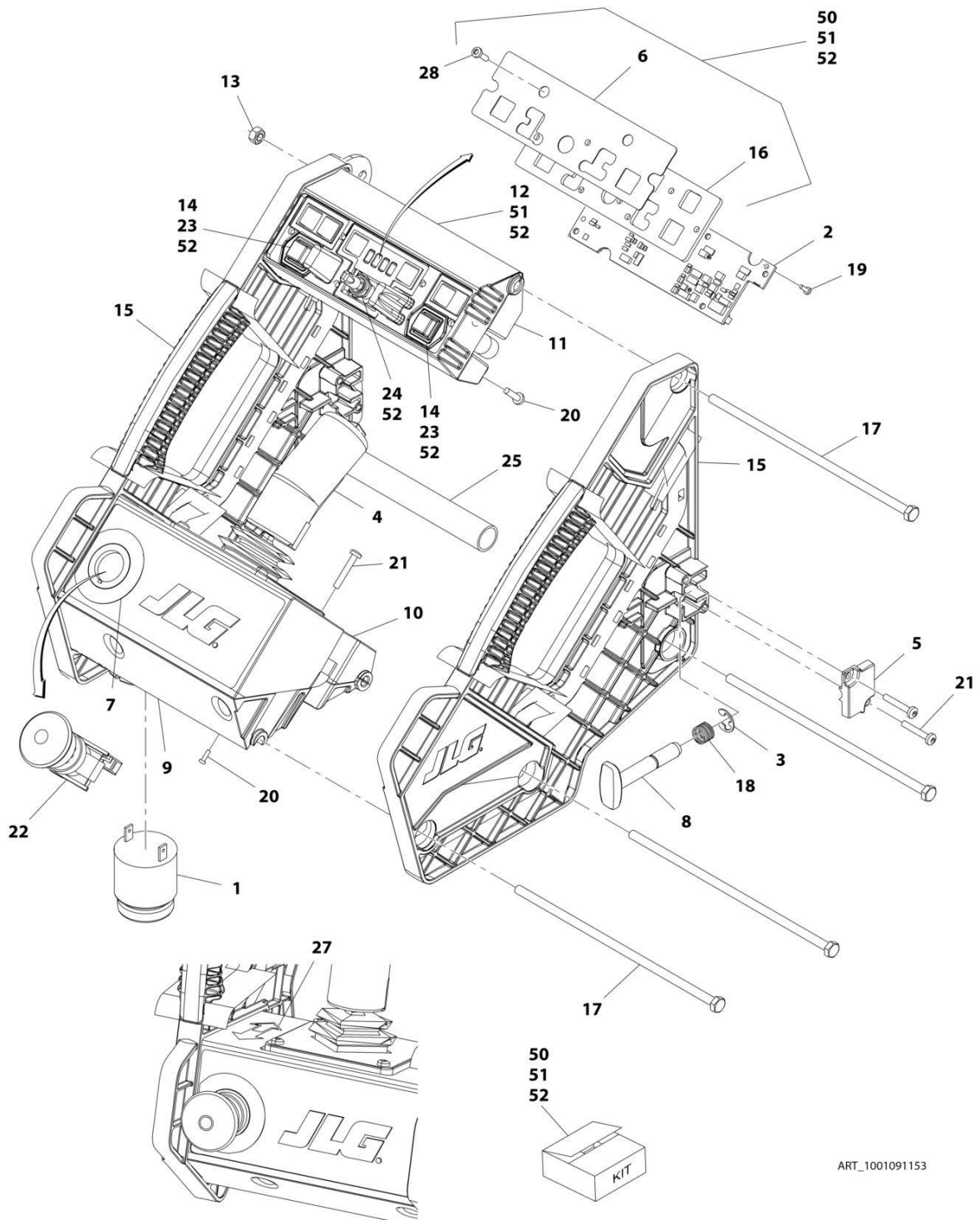
## SECTION 4 - PLATFORM

**FIGURE 4-15. PLATFORM CONTROL BOX INSTALLATION (AUSTRALIAN, CE, CHINA AND CSA SPECS) (Prior to SN B200038482, Prior to SN M200015692)**

ITEM	PART NUMBER	QTY	DESCRIPTION	REV
	1001207562	Ref	PLATFORM CONTROL BOX INSTALLATION (AUSTRALIAN, CE, CHINA AND CSA SPECS) <b>(Prior to SN B200038482, Prior to SN M200015692)</b>	C
1	1001091154	1	Platform Control Box Assembly (Australian, CE, China and CSA Specs) (See Separate Breakdown in this Section)	
3	0760615	2	Bolt M6 x 35	
4	3290405	2	Nut M4	
5	3290606	2	Nut M6	
6	3423278	1	Pin, Snap	
7	3900338	2	Screw M4 x 20	
8	4420062	6 in /15cm	Tape	
9	4811400	4	Washer M4	
10	4811702	4	Washer M6	
11	1001221712	1	Mount	
12	4060803	10 in /25cm	Flex-Trim	

# SECTION 4 - PLATFORM

FIGURE 4-16. PLATFORM CONTROL BOX ASSEMBLY (ANSI, ANSI EXPORT AND JAPAN SPECS)  
(Prior to SN B200038482, SN M200000100 to Present)



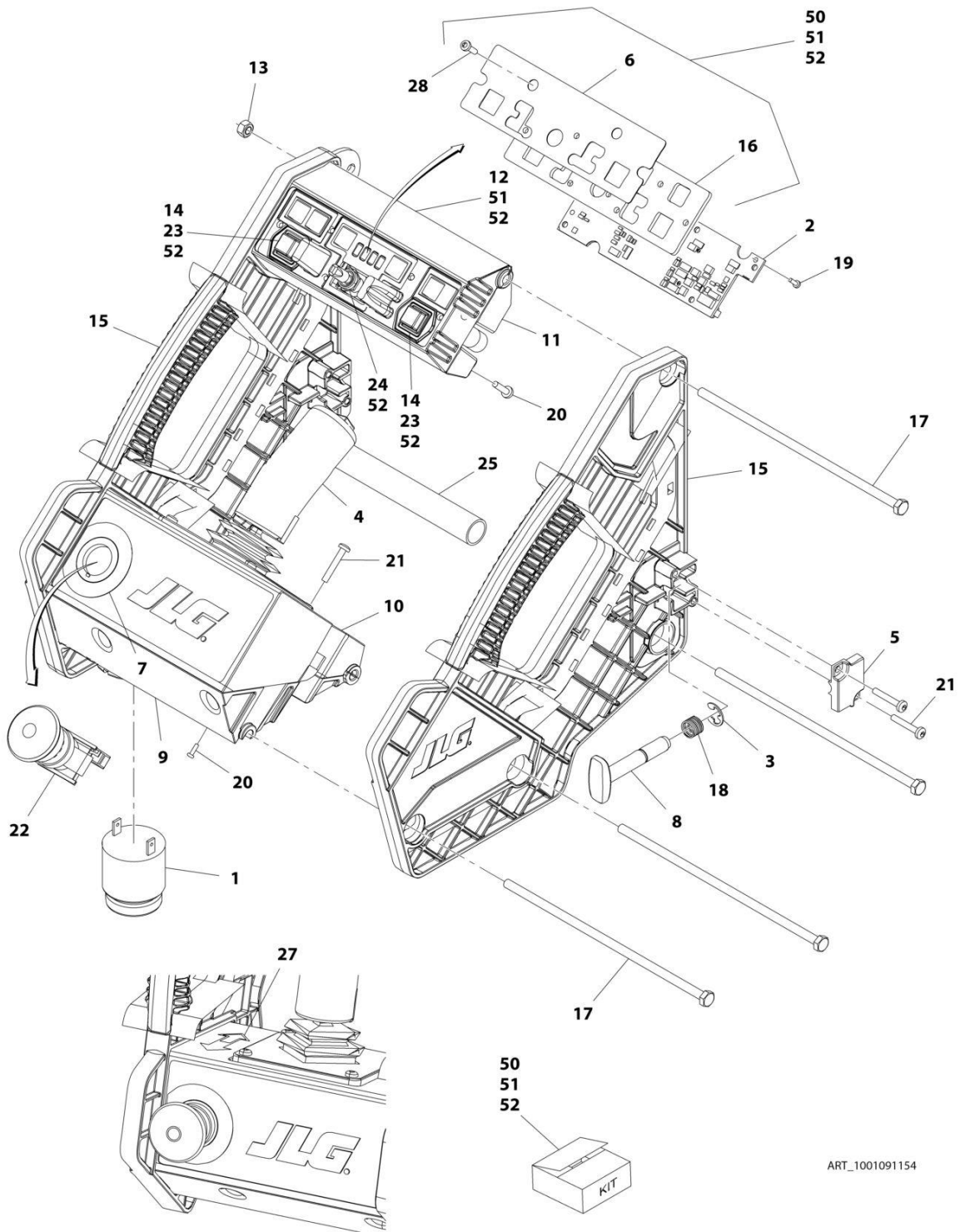
## SECTION 4 - PLATFORM

**FIGURE 4-16. PLATFORM CONTROL BOX ASSEMBLY (ANSI, ANSI EXPORT AND JAPAN SPECS)  
(Prior to SN B200038482, SN M200000100 to Present)**

ITEM	PART NUMBER	QTY	DESCRIPTION	REV
	1001091153	Ref	PLATFORM CONTROL BOX ASSEMBLY (ANSI, ANSI EXPORT AND JAPAN SPECS) (Prior to SN B200038482, SN M200000100 to Present)	L
1	0140011	1	Alarm	
2	1600439	1	PC Board	
3	1380156	1	E-Clip	
4	1600402	1	Drive/Steer Controller Assembly (See Separate Breakdown in this Section)	
5	1671098	1	Latch	
6	1001091272	1	Decal - Icon	
7	1705676	1	Decal - Emergency Stop Ring	
8	2560179	1	Handle, Latch	
9	1001091277	1	Housing, Joystick (Lower)	
10	1001091278	1	Mount, Joystick	
11	1001091279	1	Housing, Module Mounting (Lower)	
12	1001091280	1	Housing, Module Mounting (Upper)	
13	3300473	4	Nut M6	
14	3340968	2	Button (Includes Black Button Only)	
15	3380475	2	Panel, Side	
16	1001091283	1	Plate, Decal	
17	3900333	4	Screw M6 x 190	
18	4160203	1	Spring, Compression	
19	4191306	5	Screw M3.5 x 12	
20	4191407	8	Screw M4 x 16	
21	4191409	6	Screw M4 x 25	
22	4360475	1	Switch, Emergency Stop	
22	7020175	1	Cap	
22	7020176	1	Block, Contact	
23	4360538	2	Strip, Switch and Membrane	
24	4360539	1	Switch, Toggle	
25	4568738	1	Tube, Spacer	
26	4922870	1	Harness, Platform Box (Not Shown - See Separate Breakdown in ELECTRICAL SECTION)	
27	1703819	1	Decal - Directional Arrow	
28	1001091396	6	Screw M3.5 x 12	
29	See Note	NSS	Decal - Control Module (Not Shown - Located on Bottom of Box) (Note: Not Available for Purchase)	
50	1001091968	1	Decal Kit (Includes Items 6, 16 & 28) (Note: Two Item 6's are included in the kit - 1 for All Specs except CE/Australian Specs and 1 for CE/Australian Specs. Use decal required for applicable spec. Dispose of the decal not used)	A
51	1001091393	1	Decal and Housing Kit (Includes Items 6, 12, 16 & 28) (Note: Two Item 6's are included in the kit - 1 for All Specs except CE/Australian Specs and 1 for CE/Australian Specs. Use decal required for applicable spec. Dispose of the decal not used)	C
52	1001091965	1	Decal, Housing and PC Board Kit (Includes Items 2, 6, 12, 14, 16, 19, 23, 24 & 28) (Note: Two Item 6's are included in the kit - 1 for All Specs except CE/Australian Specs and 1 for CE/Australian Specs. Use decal required for applicable spec. Dispose of the decal not used)	C

# SECTION 4 - PLATFORM

FIGURE 4-17. PLATFORM CONTROL BOX ASSEMBLY (AUSTRALIAN, CE, CHINA AND CSA SPECS)  
(Prior to SN B200038482, SN M200000100 to Present)



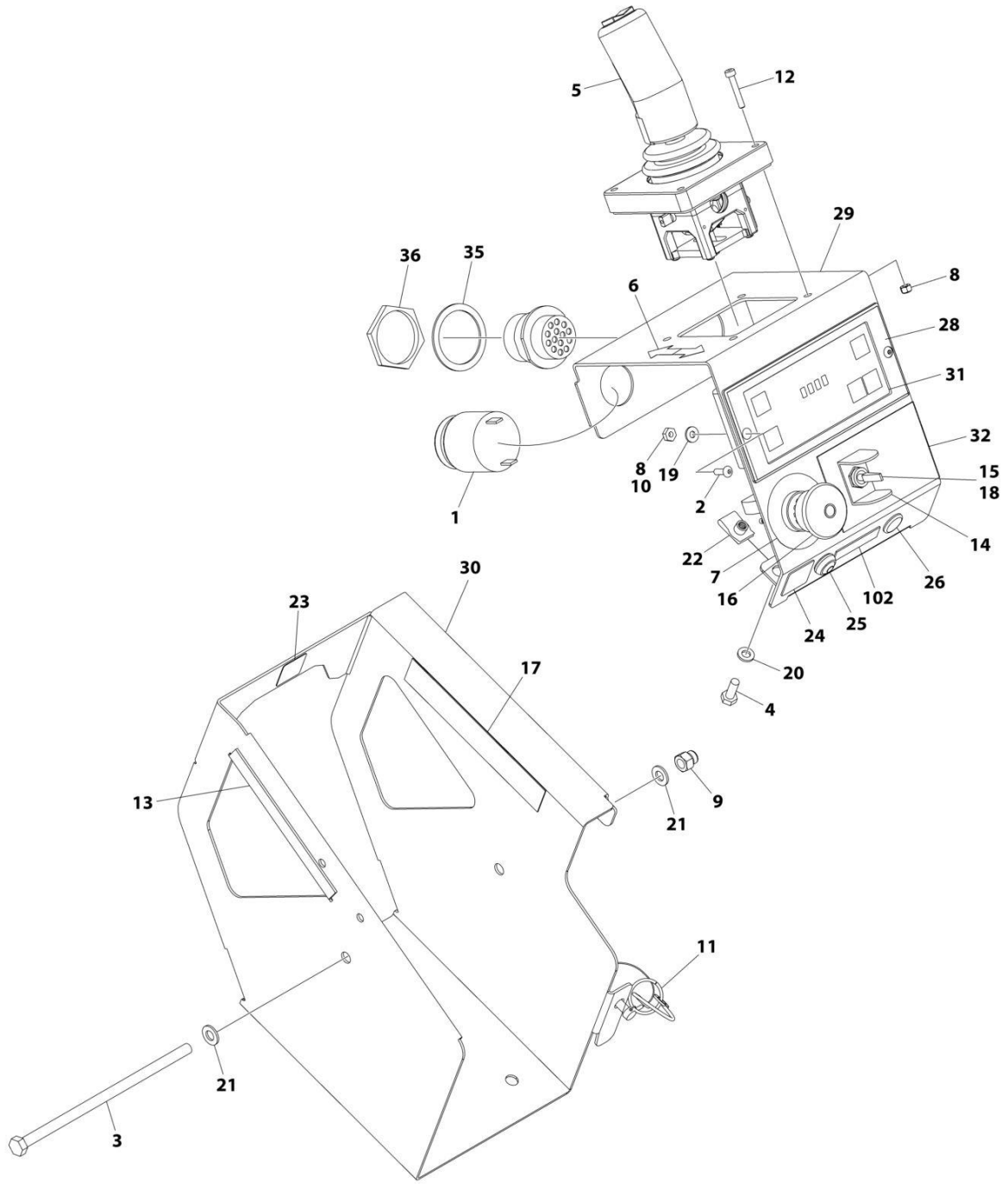
## SECTION 4 - PLATFORM

**FIGURE 4-17. PLATFORM CONTROL BOX ASSEMBLY (AUSTRALIAN, CE, CHINA AND CSA SPECS)  
(Prior to SN B200038482, SN M200000100 to Present)**

ITEM	PART NUMBER	QTY	DESCRIPTION	REV
	1001091154	Ref	PLATFORM CONTROL BOX ASSEMBLY (AUSTRALIAN, CE, CHINA AND CSA SPECS) (Prior to SN B200038482, SN M200000100 to Present)	J
1	0140011	1	Alarm	
2	1600439	1	PC Board	
3	1380156	1	E-Clip	
4	1600402	1	Drive/Steer Controller Assembly (See Separate Breakdown in this Section)	
5	1671098	1	Latch	
6	1001091275	1	Decal - Icon	
7	1705676	1	Decal - Emergency Stop Ring	
8	2560179	1	Handle, Latch	
9	1001091277	1	Housing, Joystick (Lower)	
10	1001091278	1	Mount, Joystick	
11	1001091279	1	Housing, Module Mounting (Lower)	
12	1001091280	1	Housing, Module Mounting (Upper)	
13	3300473	4	Nut M6	
14	3340968	2	Button (Includes Black Button Only)	
15	3380475	2	Panel, Side	
16	1001091283	1	Plate, Decal	
17	3900333	4	Screw M6 x 190	
18	4160203	1	Spring, Compression	
19	4191306	5	Screw M3.5 x 12	
20	4191407	8	Screw M4 x 16	
21	4191409	6	Screw M4 x 25	
22	4360475	1	Switch, Emergency Stop	
22	7020175	1	Cap	
22	7020176	1	Block, Contact	
23	4360538	2	Strip, Switch and Membrane	
24	4360539	1	Switch, Toggle	
25	4568738	1	Tube, Spacer	
26	4922870	1	Harness, Platform Box (Not Shown - See Separate Breakdown in ELECTRICAL SECTION)	
27	1703819	1	Decal - Directional Arrow	
28	1001091396	6	Screw M3.5 x 12	
29	See Note	NSS	Decal - Control Module (Not Shown - Located on Bottom of Box) (Note: Not Available for Purchase)	
50	1001091968	1	Decal Kit (Includes Items 6, 16 & 28) (Note: Two Item 6's are included in the kit - 1 for All Specs except CE/Australian Specs and 1 for CE/Australian Specs. Use decal required for applicable spec. Dispose of the decal not used)	A
51	1001091393	1	Decal and Housing Kit (Includes Items 6, 12, 16 & 28) (Note: Two Item 6's are included in the kit - 1 for All Specs except CE/Australian Specs and 1 for CE/Australian Specs. Use decal required for applicable spec. Dispose of the decal not used)	C
52	1001091965	1	Decal, Housing and PC Board Kit (Includes Items 2, 6, 12, 14, 16, 19, 23, 24 & 28) (Note: Two Item 6's are included in the kit - 1 for All Specs except CE/Australian Specs and 1 for CE/Australian Specs. Use decal required for applicable spec. Dispose of the decal not used)	C

# SECTION 4 - PLATFORM

FIGURE 4-18. PLATFORM CONTROL BOX INSTALLATION (ANSI, ANSI EXPORT, CSA AND JAPANESE SPECS) (SN B200038482 to Present, SN M200015692 to Present)



ART\_1001215013

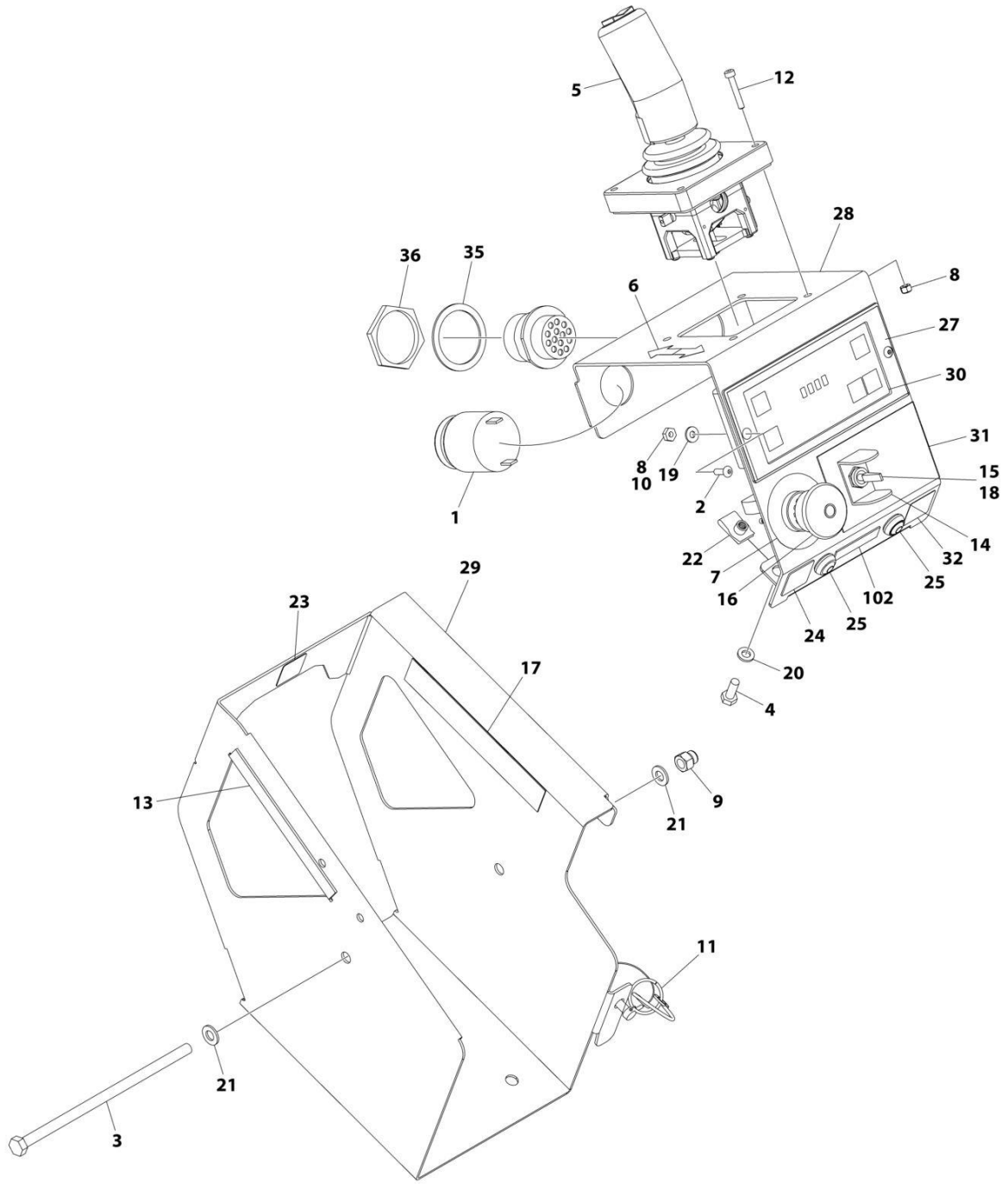
## SECTION 4 - PLATFORM

**FIGURE 4-18. PLATFORM CONTROL BOX INSTALLATION (ANSI, ANSI EXPORT, CSA AND JAPANESE SPECS) (SN B200038482 to Present, SN M200015692 to Present)**

ITEM	PART NUMBER	QTY	DESCRIPTION	REV
	1001215013	Ref	PLATFORM CONTROL BOX INSTALLATION	G
1	0140030	1	Alarm	
2	0630473	2	Screw #8 x 1/2	
2	1001047064	2	Screw M4 X 15	
3	0700835	1	Bolt M8 x 180	
4	0760610	2	Bolt M6 x 20	
5	1600402	1	Controller Assembly (See Separate Breakdown in this Section)	
6	1703819	1	Decal - Arrow	
7	1704260	1	Decal - Emergency Stop	
8	3290405	AR	Nut M4	
9	3290806	1	Nut M8	
10	3290805	2	Nut #8	
11	3423278	1	Pin, Snap with Lanyard	
12	4031509	4	Capscrew M4 x 25	
13	4060803	6 in/14cm	Flex-Trim	
14	4060906	1	Guard, Switch	
15	4360345	1	Switch, Toggle	
16	4360475	1	Switch, Emergency Stop	
16	7020175	1	Cap	
16	7020176	1	Block, Contact	
17	4420062	12 in/ 30cm	Tape	
18	4711700	1	Washer 7/16	
19	4750800	2	Washer #8	
19	4811400	2	Washer M4	
20	4811700	2	Washer M6	
21	4811900	2	Washer M8	
22	1001130220	2	Nut, Tinnerman M6	
23	1001132358	1	Decal - Steer	
24	1001132361	1	Decal - Horn	
25	1001176626	1	Plug	
26	1001200633	1	Switch, Push Button	
27	1001200819	1	Platform Control Box Harness (Not Shown) (See Separate Breakdown in ELECTRICAL SECTION)	
28	1001224873	1	Module, Platform Control (Note: Recalibration Required when Replaced.)	
29	1001209595	1	Plate, Box (Inside)	
30	1001209596	1	Plate, Box (Outside)	
31	1001210436	1	Decal - Platform Control	
32	1001213491	1	Decal - Lift/Drive Function	
35	4460496	1	Washer, Terminal	
36	4460497	1	Nut, Terminal	
	1001224869	Ref	PLATFORM CONTROL BOX INSTALLATION	C
102	1001219173	1	Decal - 1532R/1932R	

# SECTION 4 - PLATFORM

FIGURE 4-19. PLATFORM CONTROL BOX INSTALLATION (AUSTRALIAN, CE AND CHINESE SPECS)  
(SN B200038482 through B200054176)



ART\_1001201529



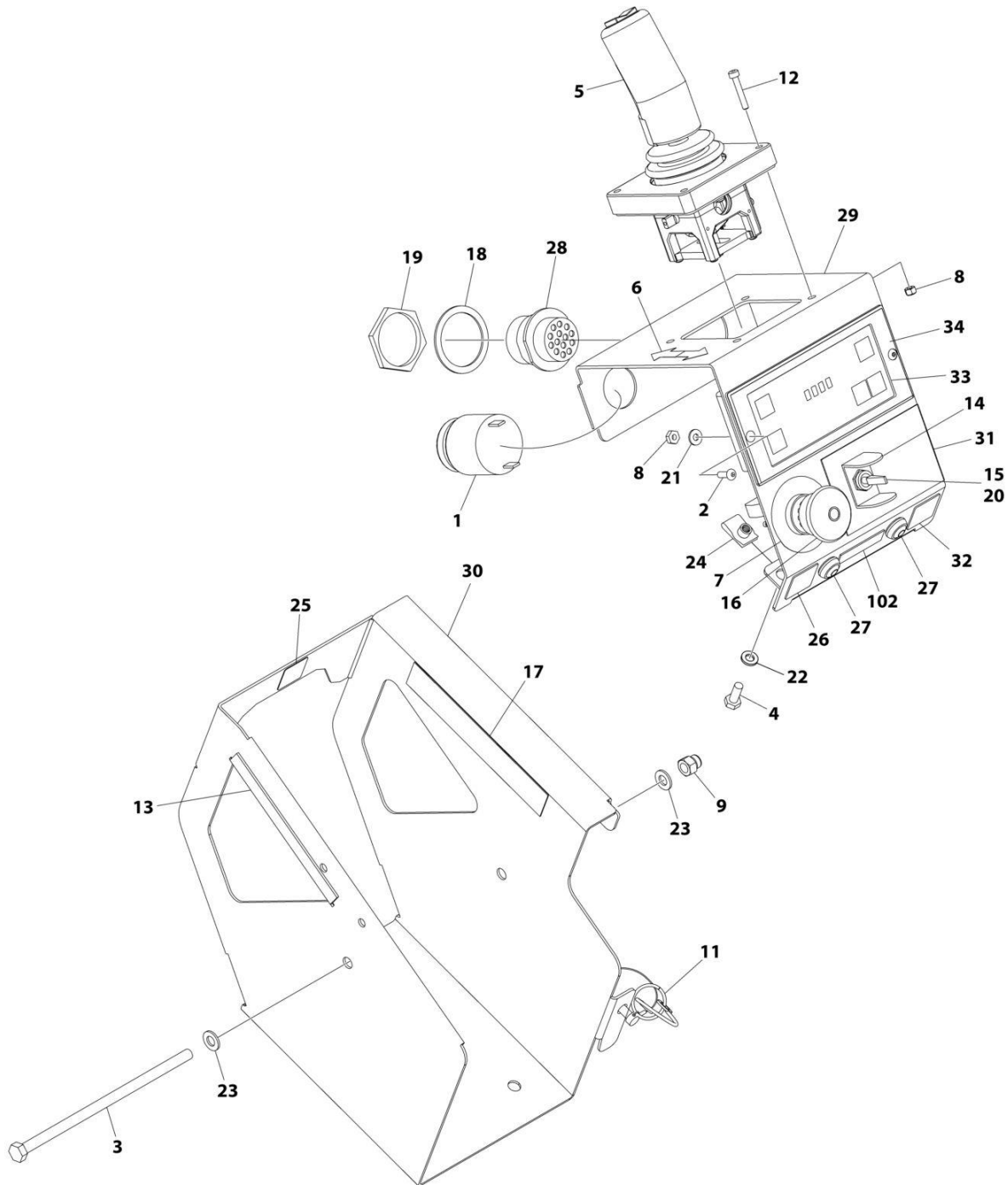
## SECTION 4 - PLATFORM

**FIGURE 4-19. PLATFORM CONTROL BOX INSTALLATION (AUSTRALIAN, CE AND CHINESE SPECS)  
(SN B200038482 through B200054176)**

ITEM	PART NUMBER	QTY	DESCRIPTION	REV
	1001201529	Ref	PLATFORM CONTROL BOX INSTALLATION (SN B200038482 through B200054176)	G
1	0140030	1	Alarm	
2	0630473	2	Screw #8 x 1/2	
2	1001047064	2	Screw M4 x 15	
3	0700835	1	Bolt M8 x 180	
4	0760610	2	Bolt M6 x 20	
5	1600402	1	Controller Assembly (See Separate Breakdown in this Section)	
6	1703819	1	Decal - Arrow	
7	1704260	1	Decal - Emergency Stop	
8	3290405	AR	Nut M4	
9	3290806	1	Nut M8	
10	3310805	2	Nut #8	
11	3423278	1	Pin, Snap with Lanyard	
12	4031509	4	Capscrew M4 x 25	
13	4060803	6 in/14cm	Flex-Trim	
14	4060906	1	Guard, Switch	
15	4360345	1	Switch, Toggle	
16	4360475	1	Switch, Emergency Stop	
16	7020175	1	Cap	
16	7020176	1	Block, Contact	
17	4420062	12 in/ 30cm	Tape	
18	4711700	1	Washer 7/16	
19	4750800	2	Washer #8	
19	4811400	2	Washer M4	
20	4811700	2	Washer M6	
21	4811900	2	Washer M8	
22	1001130220	2	Nut, Tinnerman M6	
23	1001132358	1	Decal - Steer	
24	1001132361	1	Decal - Horn	
25	1001200633	2	Switch - Push Button	
26	1001200819	1	Platform Control Box Harness (Not Shown) (See Separate Breakdown in ELECTRICAL SECTION)	
27	1001224873	1	Module, Platform Control	
28	1001209595	1	Plate, Box (Inside)	
29	1001209596	1	Plate, Box (Outside)	
30	1001210436	1	Decal - Platform Control	
31	1001220893	1	Decal - Lift/Drive Function	
32	1001213886	1	Decal - Indoor/Outdoor	
35	4460496	1	Washer, Terminal	
36	4460497	1	Nut, Terminal	
	1001224868	Ref	PLATFORM CONTROL BOX INSTALLATION	C
102	1001219173	1	Decal - 1532R/1932R/2632R	

# SECTION 4 - PLATFORM

FIGURE 4-20. PLATFORM CONTROL BOX INSTALLATION (AUSTRALIAN, CE AND CHINESE SPECS)  
(SN B200054177 to Present)



ART\_1001236880

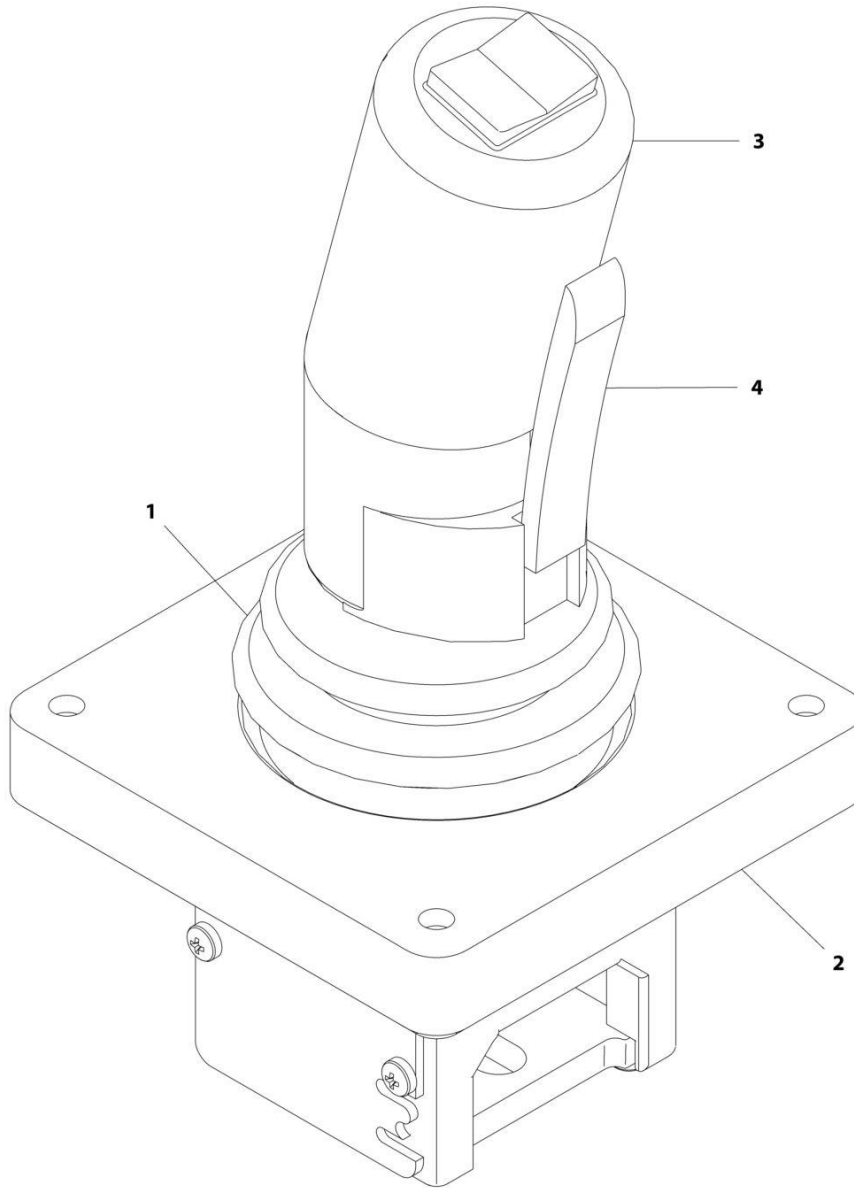
## SECTION 4 - PLATFORM

**FIGURE 4-20. PLATFORM CONTROL BOX INSTALLATION (AUSTRALIAN, CE AND CHINESE SPECS)  
(SN B200054177 to Present)**

ITEM	PART NUMBER	QTY	DESCRIPTION	REV
	1001236880	Ref	PLATFORM CONTROL BOX INSTALLATION	C
1	0140030	1	Alarm	
2	1001047064	2	Screw	
3	0700835	1	Bolt M8 x 180	
4	0760610	2	Bolt M6 x 20	
5	1600402	1	Controller Assembly (See Separate Breakdown in this Section)	
6	1703819	1	Decal - Arrow	
7	1704260	1	Decal - Emergency Stop	
8	3290405	6	Nut M4	
9	3290806	1	Nut M8	
11	3423278	1	Pin, Snap with Lanyard	
12	4031509	4	Capscrew M4 x 25	
13	4060803	6 in/14cm	Flex-Trim	
14	4060906	1	Guard, Switch	
15	4360345	1	Switch, Toggle	
16	4360475	1	Switch, Emergency Stop	
16	7020175	1	Cap	
16	7020176	1	Block, Contact	
17	4420062	12 in/ 30cm	Tape	
18	4460496	1	Washer, Terminal	
19	4460497	1	Nut, Terminal	
20	4711700	1	Washer 7/16	
21	4811400	2	Washer M4	
22	4811700	2	Washer M6	
23	4811900	2	Washer M8	
24	1001130220	2	Nut, Tinnerman M6	
25	1001132358	1	Decal - Steer	
26	1001132361	1	Decal - Horn	
27	1001200633	2	Switch, Push Button	
28	1001200819	1	Platform Control Box Harness (Not Shown) (See Separate Breakdown in ELECTRICAL SECTION)	
29	1001209595	1	Plate, Box (Inside)	
30	1001209596	1	Plate, Box (Outside)	
31	1001213491	1	Decal - Lift/Drive Function	
32	1001213886	1	Decal - Indoor/Outdoor	
33	1001218285	1	Decal - Platform Control	
34	1001228112	1	Module, Platform Control	
	1001224868	1	PLATFORM CONTROL BOX INSTALLATION	D
102	1001219173	1	Decal - 1532R/1932R/2632R	

# SECTION 4 - PLATFORM

FIGURE 4-21. DRIVE/STEER CONTROLLER ASSEMBLY (1932R AUSTRALIAN & CE SPECS) (SN B200038482 to Present, SN M200015692 to Present)



ART\_1600402

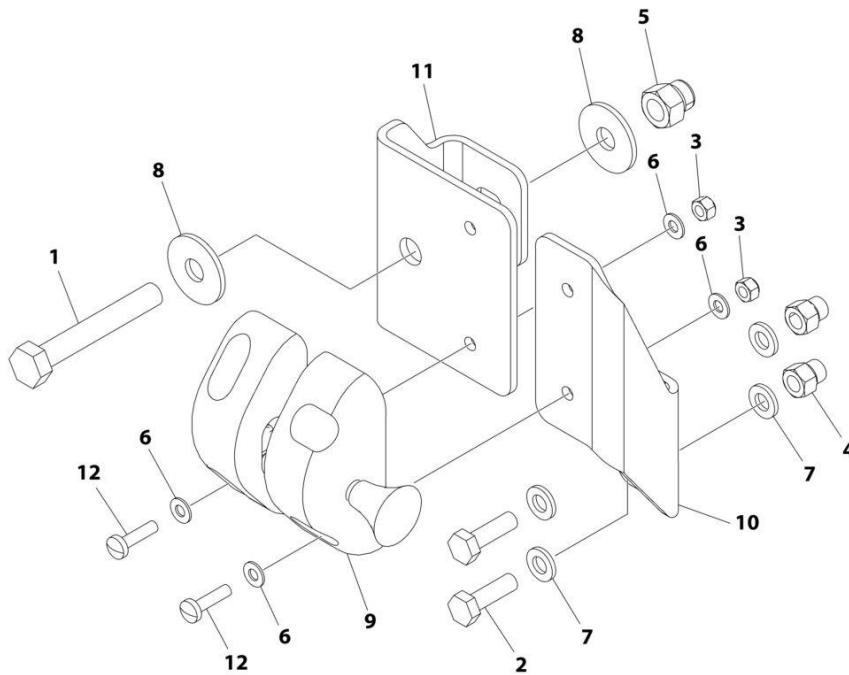
## SECTION 4 - PLATFORM

**FIGURE 4-21. DRIVE/STEER CONTROLLER ASSEMBLY (1932R AUSTRALIAN & CE SPECS) (SN B200038482 to Present, SN M200015692 to Present)**

ITEM	PART NUMBER	QTY	DESCRIPTION	REV
	1600402	Ref	DRIVE/STEER CONTROLLER ASSEMBLY	A
1	70001250	1	Boot, Panel	
2	70001252	1	Gasket, Mounting	
2	70001251	1	Bezel, Mounting	
3	70003650	1	Handle Repair Kit (Includes handle gasket, item#4 push button and item #4 lever installed in front handle half, back handle half, top actuator, boot and hardware.)	
3	70000084	1	Cap, Rubber	
3	70000082	1	Microswitch	
3	7027766	1	Ring, Retaining	
3	7027365	1	Actuator, Handle	
3	70001253	1	Gasket, Handle	
3	70000683	4	Washer, Neoprene	
3	70000685	2	Spacer, Plastic	
3	70000686	2	Screw (Top)	
3	70000684	2	Screw (Bottom)	
4	7027367	1	Switch, Push Button	
4	7027765	1	Lever, Enable	

# SECTION 4 - PLATFORM

FIGURE 4-22. GATE LATCH INSTALLATION - OPTIONAL (ALL SPECS EXCEPT KOREAN SPECS)



ART\_1001220995

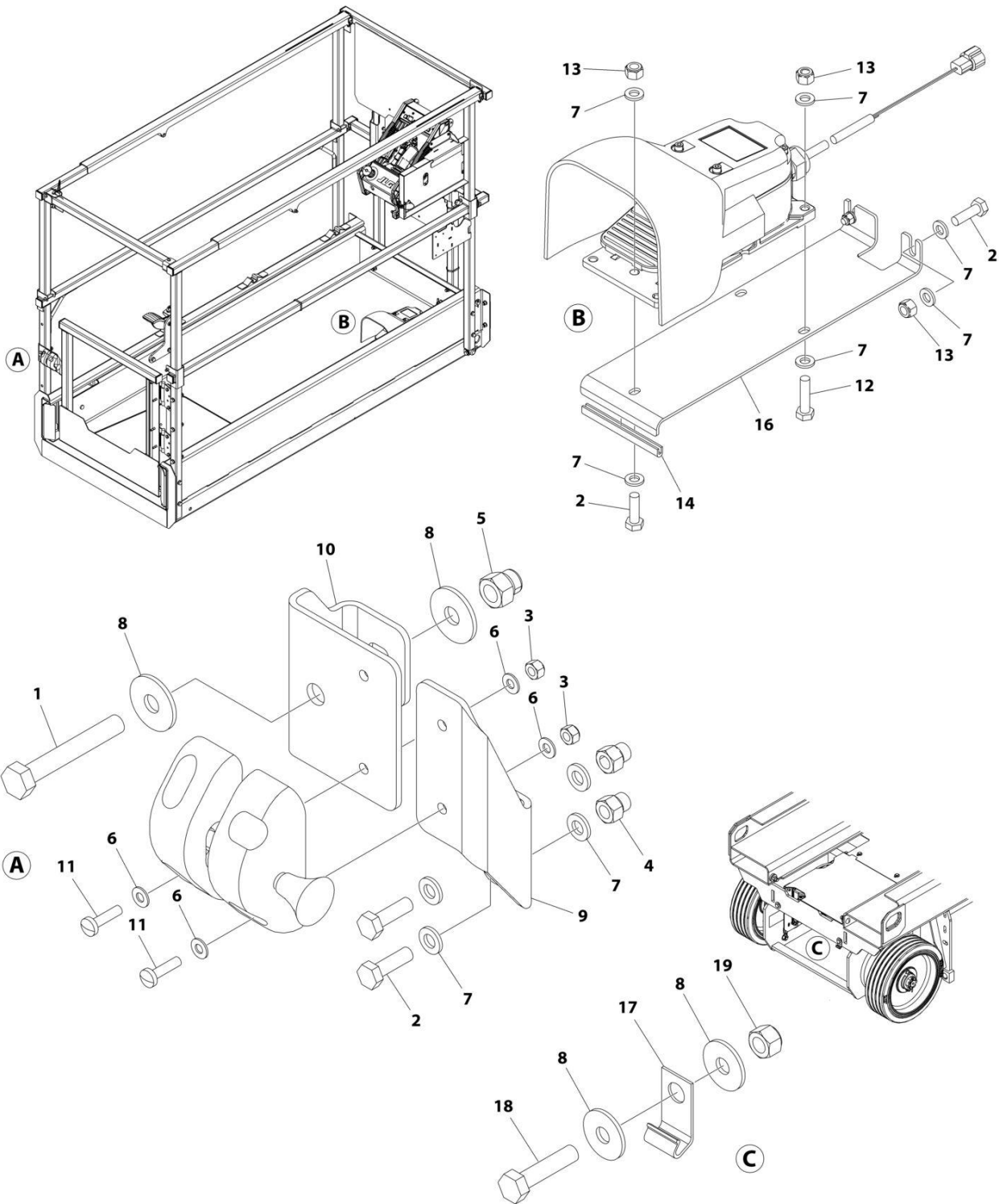
## SECTION 4 - PLATFORM

**FIGURE 4-22. GATE LATCH INSTALLATION - OPTIONAL (ALL SPECS EXCEPT KOREAN SPECS)**

ITEM	PART NUMBER	QTY	DESCRIPTION	REV
	1001220995	Ref	GATE LATCH INSTALLATION	B
1	0700819	1	Bolt M8 x 55	
2	0760610	2	Bolt M6 x 20	
3	3290405	4	Nut M4	
4	3290606	2	Nut M6	
5	3290806	1	Nut M8	
6	4811400	8	Washer M4	
7	4811700	4	Washer M6	
8	4811902	2	Washer M8	
9	1001134821	1	Latch	
10	1001220409	1	Mount	
11	1001220410	1	Plate	
12	4010408	4	Screw M4 x 16	

# SECTION 4 - PLATFORM

## FIGURE 4-23. GATE LATCH AND FOOTSWITCH INSTALLATION (KOREAN SPECS)



ART\_1001237752



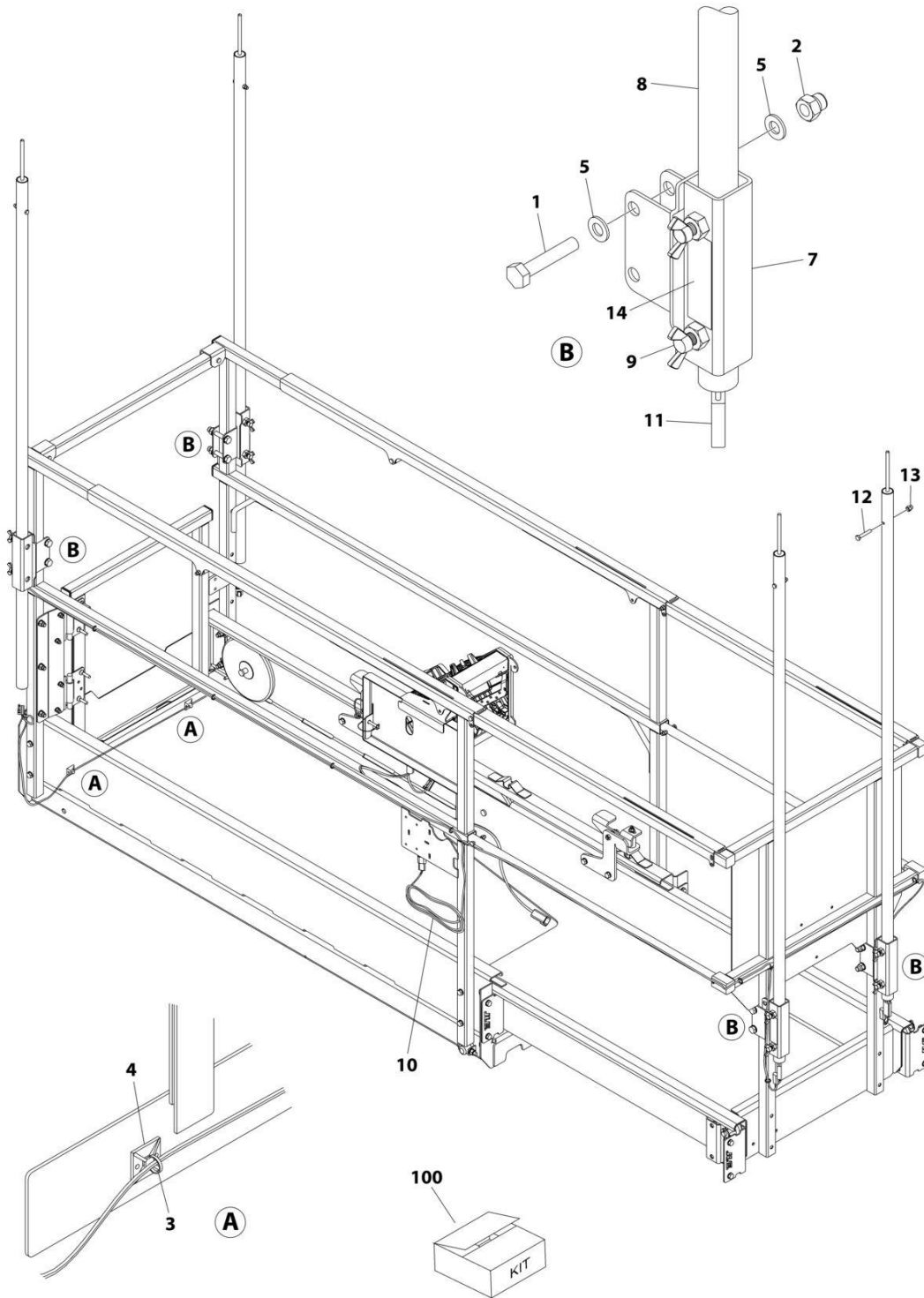
## SECTION 4 - PLATFORM

**FIGURE 4-23. GATE LATCH AND FOOTSWITCH INSTALLATION (KOREAN SPECS)**

ITEM	PART NUMBER	QTY	DESCRIPTION	REV
	1001237752	Ref	GATE LATCH AND FOOTSWITCH INSTALLATION	B
1	0700819	1	Bolt M8 x 55	
2	0760610	5	Bolt M6 x 20	
3	3290405	4	Nut M4	
4	3290606	2	Nut M6	
5	3290806	1	Nut M8	
6	4811400	8	Washer M4	
7	4811700	14	Washer M6	
8	4811902	4	Washer M8	
9	1001220409	1	Mount	
10	1001220410	1	Plate	
11	4010408	4	Screw M4 x 16	
12	0760612	2	Bolt M6 x 25	
13	3290605	5	Nut M6	
14	4060803	2 ft/ 60cm	Flex-Trim	
15	4240033	AR	Tie-Strap (Not Shown)	
16	1001217147	1	Bracket	
17	1320223	1	Clip	
18	0700815	1	Bolt M8 x 35	
19	3290805	1	Nut M8	
20	4460234	2	Mount, Tie-Strap (Not Shown)	

# SECTION 4 - PLATFORM

## FIGURE 4-24. OVERHEAD PROTECTION INSTALLATION (KOREAN SPECS)



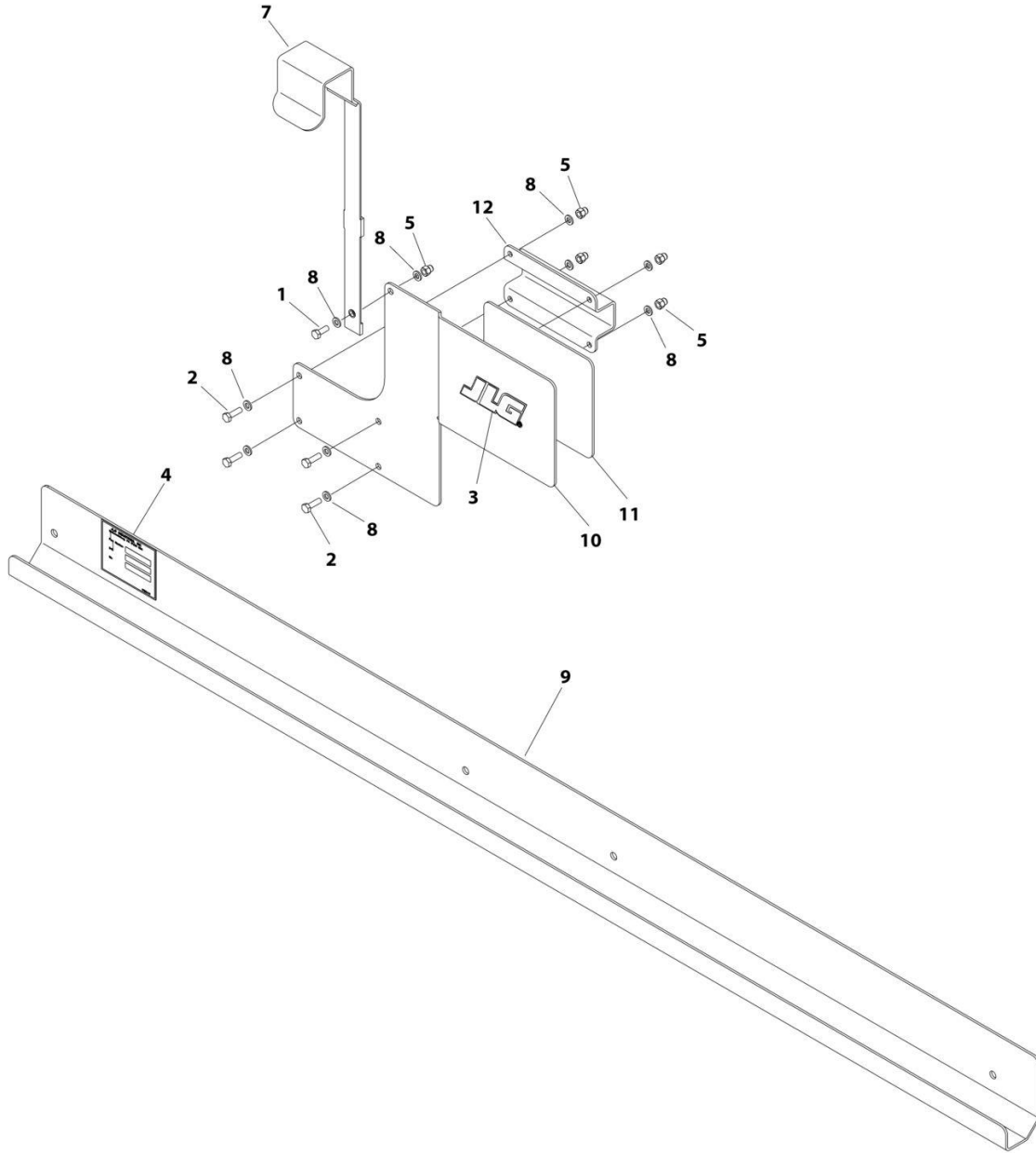
## SECTION 4 - PLATFORM

**FIGURE 4-24. OVERHEAD PROTECTION INSTALLATION (KOREAN SPECS)**

ITEM	PART NUMBER	QTY	DESCRIPTION	REV
	1001220216	Ref	OVERHEAD PROTECTION INSTALLATION (KOREAN SPECS)	B
1	0701019	8	Bolt M10 x 55	
2	3291006	8	Nut M10	
3	4240017	AR	Tie-Strap	
4	4460234	2	Mount, Tie-Strap	
5	4812000	16	Washer M10	
7	1001221275	4	Bracket	
8	1001221276	4	Tube	
9	1001222914	8	Thumb Screw	
10	1001224468	1	Overhead Protection Harness	
10	4460891	4	Plug, Male - 2 Position (SW03-SW06)	
10	4460465	8	Socket, Female	
10	4460536	1	Receptacle, Female - 3 Position (X567)	
10	4460464	2	Pin, Male	
10	4460466	1	Plug, Terminal	
11	1001226277	4	Switch, Overhead Protection	
12	0700616	4	Bolt M6 x 40	
13	3290606	4	Nut M6	
14	1001228184	1	Decal - Overhead Protection Weight	
100	1001221244	1	Overhead Protection Kit (Includes Items 1, 2, 5-9 & 11-14)	

# SECTION 4 - PLATFORM

FIGURE 4-25. PANEL CARRIER INSTALLATION (1932R AUSTRALIAN & CE SPECS)



ART\_1001235924

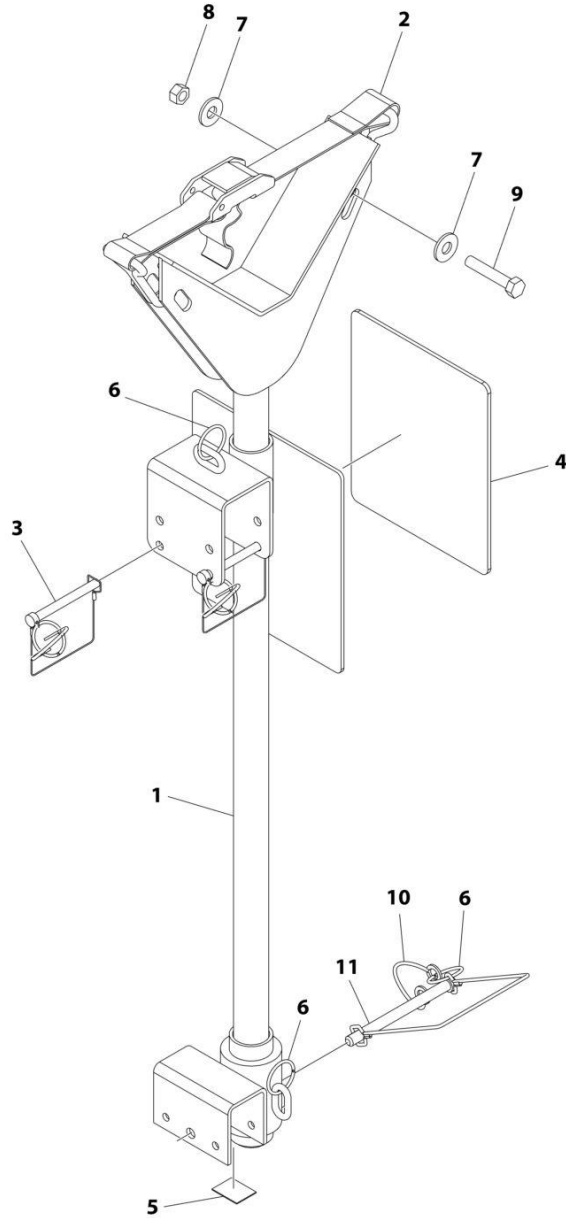
## SECTION 4 - PLATFORM

**FIGURE 4-25. PANEL CARRIER INSTALLATION (1932R AUSTRALIAN & CE SPECS)**

ITEM	PART NUMBER	QTY	DESCRIPTION	REV
	1001235924	Ref	PANEL CARRIER INSTALLATION	A
1	0760608	1	Bolt M6 x 16	
2	0760610	4	Bolt M6 x 20	
3	1702010	1	Decal - JLG	
4	See Note	NSS	Nameplate - Accessory SN (Note: Not Available for Purchase)	
5	3290606	5	Nut M6	
6	3574505	1	Plate	
7	4240165	1	Strap	
8	4811700	10	Washer M6	
9	1001235536	1	Channel	
10	1001235863	1	Plate	
11	1001236507	1	Decal – Panel Carrier Capacity	
8	4420037	6 in /15cm	Tape	

# SECTION 4 - PLATFORM

## FIGURE 4-26. PIPE RACK INSTALLATION (1932R AUSTRALIAN & CE SPECS)



ART\_1001229469

## SECTION 4 - PLATFORM

**FIGURE 4-26. PIPE RACK INSTALLATION (1932R AUSTRALIAN & CE SPECS)**

ITEM	PART NUMBER	QTY	DESCRIPTION	REV
	1001229469	Ref	PIPE RACK INSTALLATION	A
1	1001199189	2	Rack Pipe	
2	0480100	2	Tie-Strap	
3	1001187587	4	Pin	
4	1001229441	2	Decal - Pipe Rack Capacity	
5	4420062	3 ft/ 1m	Tape	
6	3760170	6	Ring	
7	4751500	8	Washer 5/16	
8	3311505	4	Nut 5/16	
9	0641514	4	Bolt 5/16 x 1-3/4	
10	1060379	2	Lanyard	
11	3421854	2	Pin	

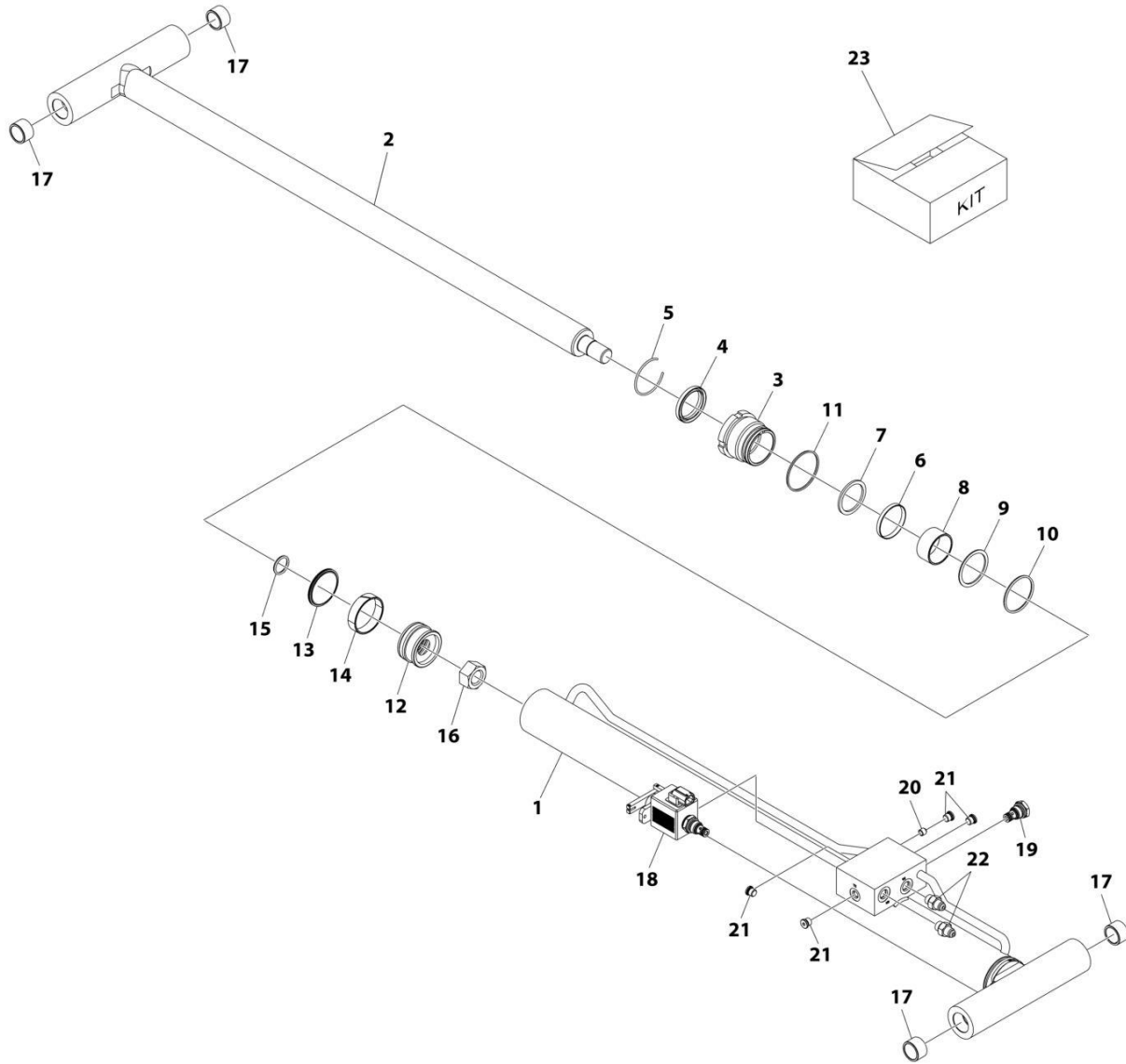




**SECTION 5 - CYLINDER**

# SECTION 5 - CYLINDER

## FIGURE 5-1. LIFT CYLINDER ASSEMBLY



ART\_1001198935

## SECTION 5 - CYLINDER

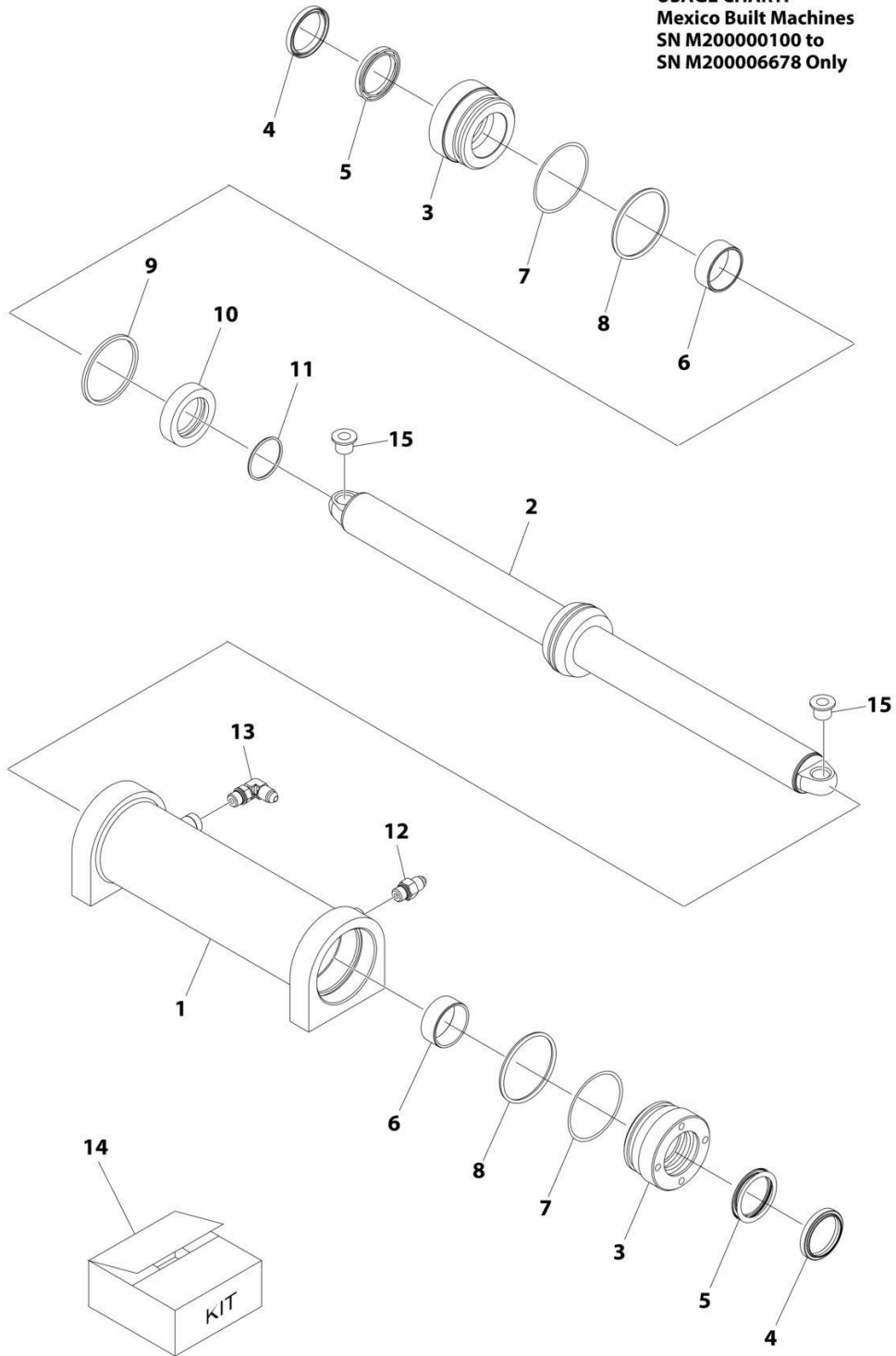
### FIGURE 5-1. LIFT CYLINDER ASSEMBLY

ITEM	PART NUMBER	QTY	DESCRIPTION	REV
	1001198935	Ref	LIFT CYLINDER ASSEMBLY	C
1	70005790	1	Barrel	
2	70005791	1	Rod	
3	70005792	1	Head	
4	See Note	1	Wiper (Note: Use Item 23)	
5	70002410	1	Ring, Retaining	
6	See Note	1	Seal, Rod (Note: Use Item 23)	
7	See Note	1	Ring, Back-up (Note: Use Item 23)	
8	70005793	1	Spacer	
9	See Note	1	O-Ring (Note: Use Item 23)	
10	See Note	1	Ring, Back-up (Note: Use Item 23)	
11	See Note	1	O-Ring (Note: Use Item 23)	
12	70005794	1	Piston	
13	See Note	1	Seal, Piston (Note: Use Item 23)	
14	See Note	1	Ring, Wear (Note: Use Item 23)	
15	See Note	1	O-Ring (Note: Use Item 23)	
16	70005796	1	Nut	
17	0962292	4	Bearing	
18	70004233	1	Valve, Manual Descent	
19	70004232	1	Valve, Check	
20	70004231	1	Orifice	
21	70023370	4	Plug	
22	70005795	2	Fitting, Straight JIC	
23	70005797	1	Seal Kit - Cylinder (Includes Items 4, 6, 7, 9-11 & 13-15)	

# SECTION 5 - CYLINDER

## FIGURE 5-2. STEER CYLINDER ASSEMBLY

**USAGE CHART:**  
Mexico Built Machines  
SN M200000100 to  
SN M200006678 Only



ART\_1001206493

## SECTION 5 - CYLINDER

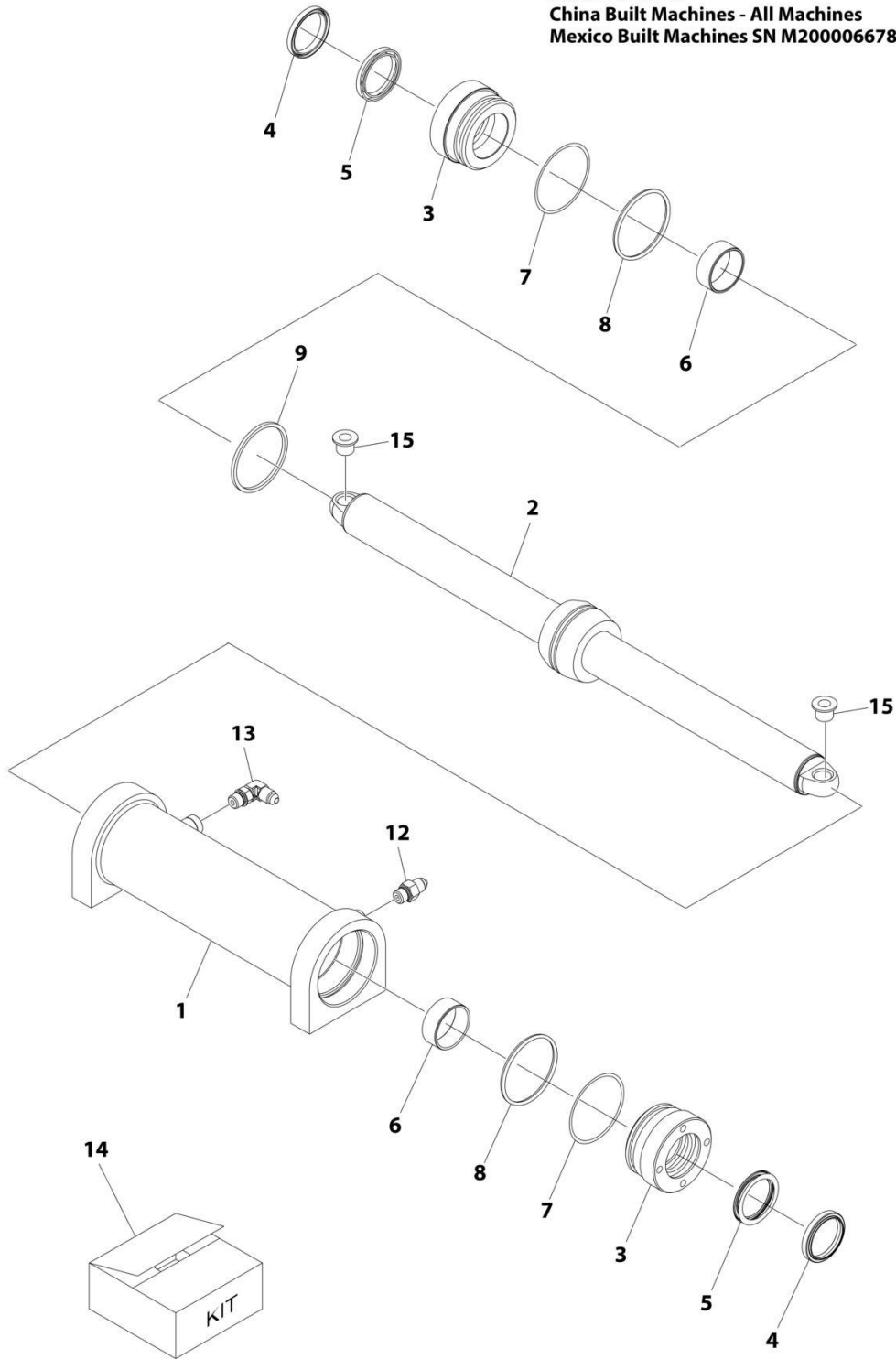
**FIGURE 5-2. STEER CYLINDER ASSEMBLY**

ITEM	PART NUMBER	QTY	DESCRIPTION	REV
	1001206493	Ref	STEER CYLINDER ASSEMBLY	C
		Ref	Note: See Usage Chart on Illustration before ordering parts.	
1	70005798	1	Barrel	
2	70005799	NLA	Rod (Note: Use p/n 70006143 and do NOT reinstall Spacer Item 10)	
3	70004241	2	Head	
4	See Note	NSS	Wiper (Note: Use Item 14)	
5	See Note	NSS	Seal (Note: Use Item 14)	
6	70005800	2	Spacer	
7	See Note	NSS	O-Ring (Note: Use Item 14)	
8	See Note	NSS	Ring, Back-up (Note: Use Item 14)	
9	See Note	NSS	Seal, Piston (Note: Use Item 14)	
10	70005801	NLA	Spacer (Note: Use p/n 70006143 and do NOT reinstall Spacer Item 10)	
11	70005802	NLA	O-Ring (Note: Use Item 14)	
12	70005803	1	Fitting, Straight JIC	
13	70005804	1	Fitting, 90 JIC	
14	70005805	1	Seal Kit - Cylinder (Includes Items 4, 5 & 7-9)	
15	0440259	2	Bushing	

# SECTION 5 - CYLINDER

## FIGURE 5-3. STEER CYLINDER ASSEMBLY

**USAGE CHART:**  
China Built Machines - All Machines  
Mexico Built Machines SN M200006678 to Present



ART\_1001220570

## SECTION 5 - CYLINDER

**FIGURE 5-3. STEER CYLINDER ASSEMBLY**

ITEM	PART NUMBER	QTY	DESCRIPTION	REV
	1001220570	Ref	STEER CYLINDER ASSEMBLY	A
		Ref	Note: See Usage Chart on Illustration before ordering parts.	
1	70005798	1	Barrel	
2	70006143	1	Rod	
3	70004241	2	Head	
4	See Note	NSS	Wiper (Note: Use Item 14)	
5	See Note	NSS	Seal (Note: Use Item 14)	
6	70005800	2	Spacer	
7	See Note	NSS	O-Ring (Note: Use Item 14)	
8	See Note	NSS	Ring, Back-up (Note: Use Item 14)	
9	See Note	NSS	Seal, Piston (Note: Use Item 14)	
12	70005803	1	Fitting, Straight JIC	
13	70005804	1	Fitting, 90 JIC	
14	70005805	1	Seal Kit - Cylinder (Includes Items 4, 5 & 7-9)	
15	0440259	2	Bushing	





**SECTION 6 - HYDRAULIC**



## SECTION 6 - HYDRAULIC

### FIGURE 6-1. HYDRAULIC DIAGRAM

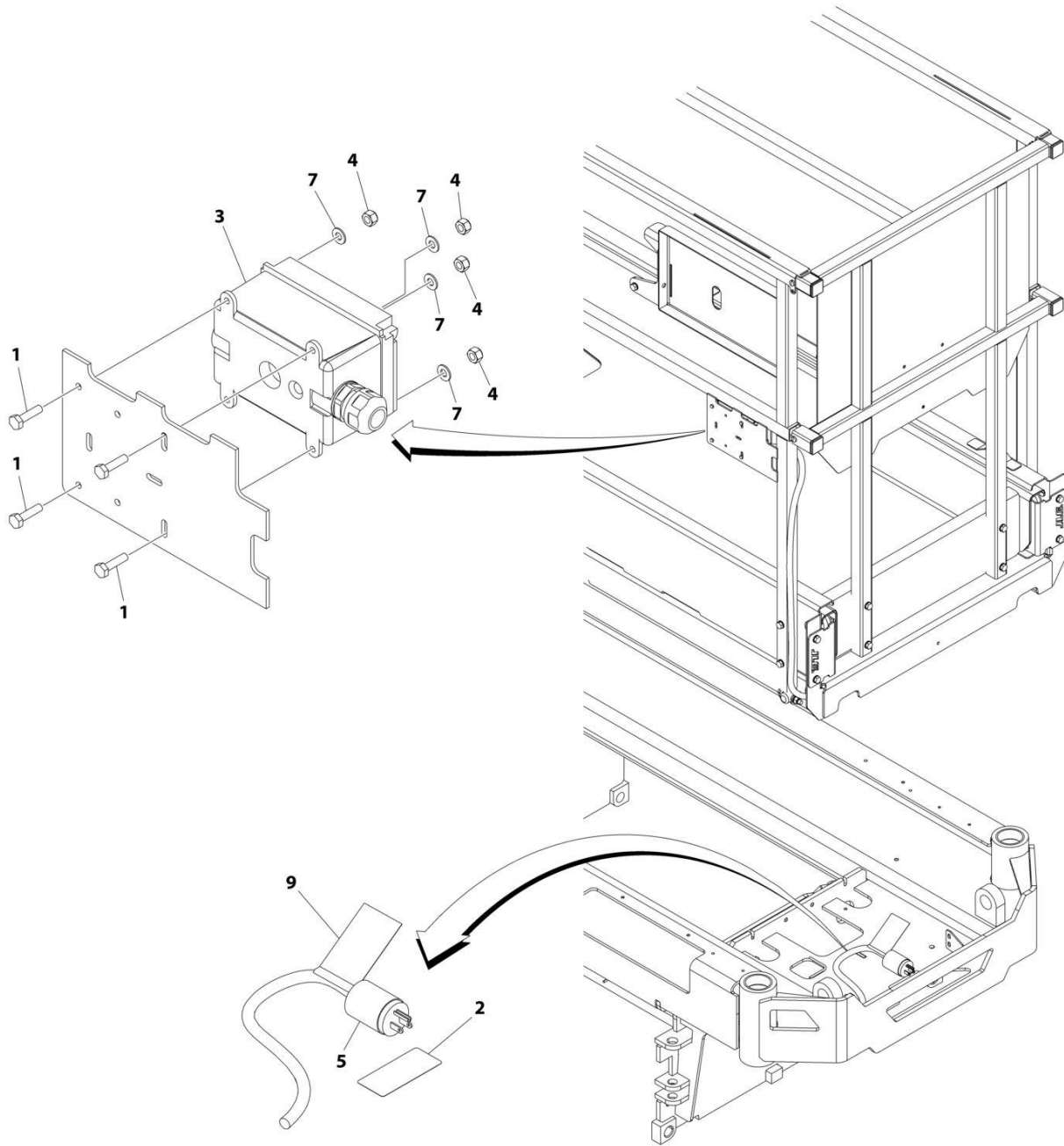
ITEM	PART NUMBER	QTY	DESCRIPTION	REV
	1001203832	Ref	HYDRAULIC DIAGRAM	E
2	0760827	1	Bolt M8 x 100	
5	1320187	2	Clamp	
6	1321752	2	Clamp	
7	2220375	1	Fitting, Straight JIC/ORB	
8	2220373	1	Fitting, Straight JIC/ORB	
9	2220497	3	Fitting, Straight JIC/ORB	
10	2220415	3	Fitting, Straight JIC/ORB	
11	2220828	1	Fitting, 90 JIC/ORB	
13	3290805	1	Nut M8	
15	4240017	AR	Tie-Strap (Not Shown)	
16	4811900	2	Washer M8	
19	1001143501	2	Clamp	
100	1001227464	1	Hose Kit (Not Shown)	A
101	1001203835	1	Hose	
102	1001203836	1	Hose	
103	1001203837	1	Hose	
104	1001203838	2	Hose	
105	1001203839	1	Hose	
106	1001203840	2	Hose	
107	1001203841	1	Hose	
108	1001203844	1	Hose	
109	1001203846	1	Hose	
110	1001208626	1	Hose	



**SECTION 7 - ELECTRICAL**

# SECTION 7 - ELECTRICAL

FIGURE 7-1. AC BOX AT PLATFORM INSTALLATION - 110V GFI (ANSI, ANSI EXPORT, CHINA AND JAPANESE SPECS)



ART\_1001208930

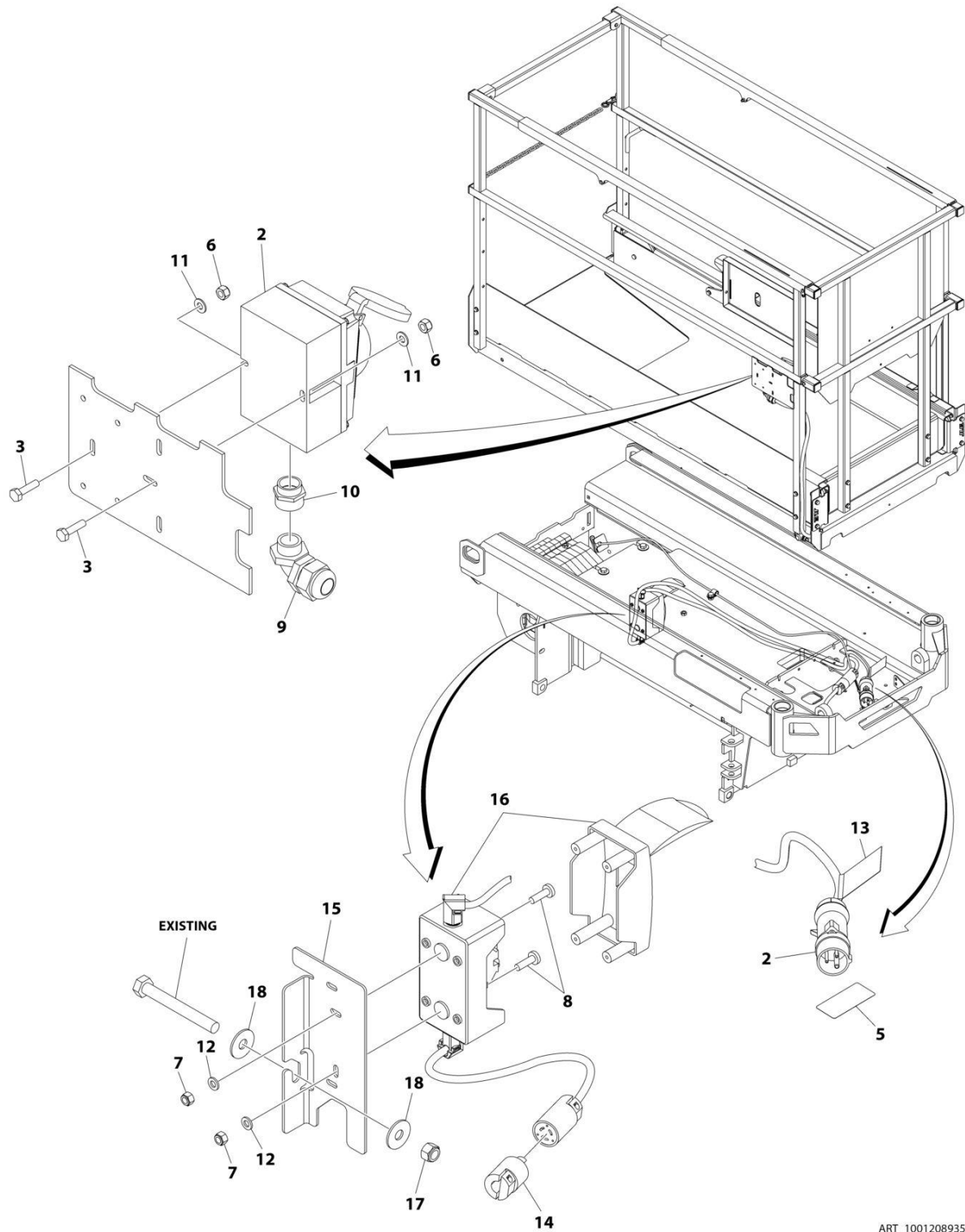
## SECTION 7 - ELECTRICAL

**FIGURE 7-1. AC BOX AT PLATFORM INSTALLATION - 110V GFI (ANSI, ANSI EXPORT, CHINA AND JAPANESE SPECS)**

ITEM	PART NUMBER	QTY	DESCRIPTION	REV
	1001208930	Ref	AC BOX AT PLATFORM INSTALLATION - 110V GFI (ANSI, ANSI EXPORT, CHINA AND JAPANESE SPECS)	C
1	0760408	4	Bolt M4 x 16	
2	1703464	1	Decal - AC Power	
3	2902431	1	Receptacle Box Kit (See Separate Breakdown in this Section)	
4	3290405	4	Nut M4	
5	4460138	1	Plug, Male - AC	
6	4460315	1	Terminal (Not Shown)	
7	4811400	4	Washer M4	
9	1001102258	1	Decal - AC Label	
10	4240017	AR	Tie-Strap (Not Shown)	

# SECTION 7 - ELECTRICAL

## FIGURE 7-2. AC BOX AT PLATFORM INSTALLATION - 110V IEC YELLOW (CE SPECS)



ART\_1001208935



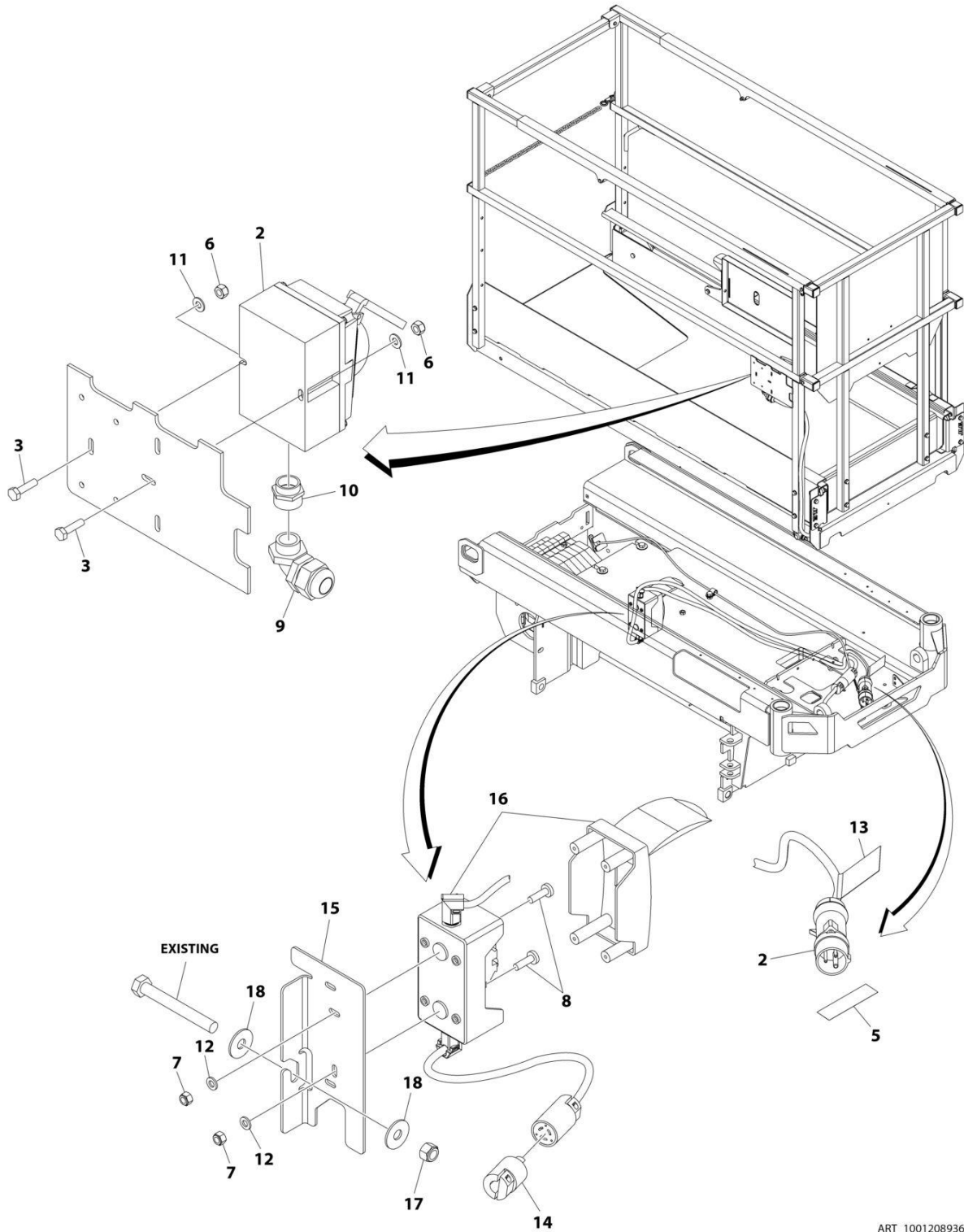
## SECTION 7 - ELECTRICAL

**FIGURE 7-2. AC BOX AT PLATFORM INSTALLATION - 110V IEC YELLOW (CE SPECS)**

ITEM	PART NUMBER	QTY	DESCRIPTION	REV
	1001208935	Ref	AC BOX AT PLATFORM INSTALLATION - 110V IEC YELLOW (CE SPECS)	B
1	0100011	AR	Compound, Locking (Not Shown)	
2	0275216	1	Receptacle Box Kit - 110V IEC Yellow (See Separate Breakdown in this Section)	
3	0760408	2	Bolt M4 x 16	
5	1703464	1	Decal - AC Power	
6	3290405	2	Nut M4	
7	3290605	2	Nut M6	
8	4010610	2	Screw M6 x 20	
9	4461257	1	Connector, Strain Relief	
10	4461258	1	Connector, Adapter	
11	4811400	2	Washer M4	
12	4811700	4	Washer M6	
13	1001102258	1	Decal - AC Label	
14	1001120204	1	Plug, Male Twist	
15	1001216928	1	Bracket	
16	1001209776	1	Breaker Box Kit (See Separate Breakdown in this Section)	
17	3291205	1	Nut M12	
18	4812102	2	Washer M12	
19	4240017	AR	Tie-Strap (Not Shown)	

# SECTION 7 - ELECTRICAL

## FIGURE 7-3. AC BOX AT PLATFORM INSTALLATION - 220V IEC BLUE (CE SPECS)



ART\_1001208936

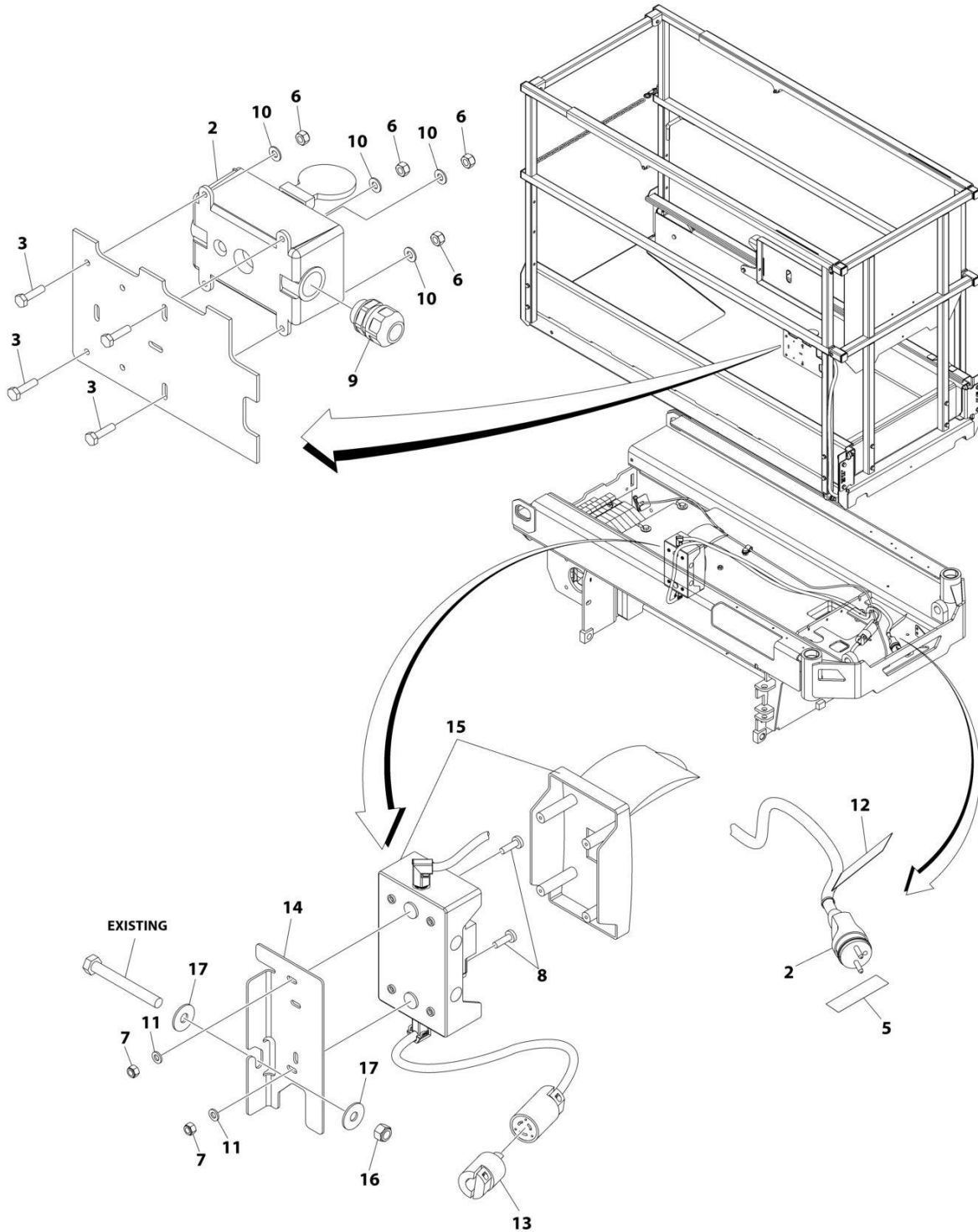
## SECTION 7 - ELECTRICAL

**FIGURE 7-3. AC BOX AT PLATFORM INSTALLATION - 220V IEC BLUE (CE SPECS)**

ITEM	PART NUMBER	QTY	DESCRIPTION	REV
	1001208936	Ref	AC BOX AT PLATFORM INSTALLATION - 220V IEC BLUE (CE SPECS)	B
1	0100011	AR	Compound, Locking (Not Shown)	
2	0275217	1	Receptacle Box Kit - 220V IEC Blue (See Separate Breakdown in this Section)	
3	0760408	2	Bolt M4 x 16	
5	3252507	1	Decal - AC Power	
6	3290405	2	Nut M4	
7	3290605	2	Nut M6	
8	4010610	2	Screw M6 x 20	
9	4461257	1	Connector, Strain Relief	
10	4461258	1	Connector, Adapter	
11	4811400	2	Washer M4	
12	4811700	4	Washer M6	
13	1001102258	1	Decal - AC Label	
14	1001120204	1	Plug, Male Twist	
15	1001216928	1	Bracket	
16	1001209776	1	Breaker Box Kit (See Separate Breakdown in this Section)	
17	3291205	1	Nut M12	
18	4812102	2	Washer M12	
19	4240017	AR	Tie-Strap (Not Shown)	

# SECTION 7 - ELECTRICAL

## FIGURE 7-4. AC BOX AT PLATFORM INSTALLATION - 220V CEE7 POST GROUND (CE SPECS)



ART\_1001208932

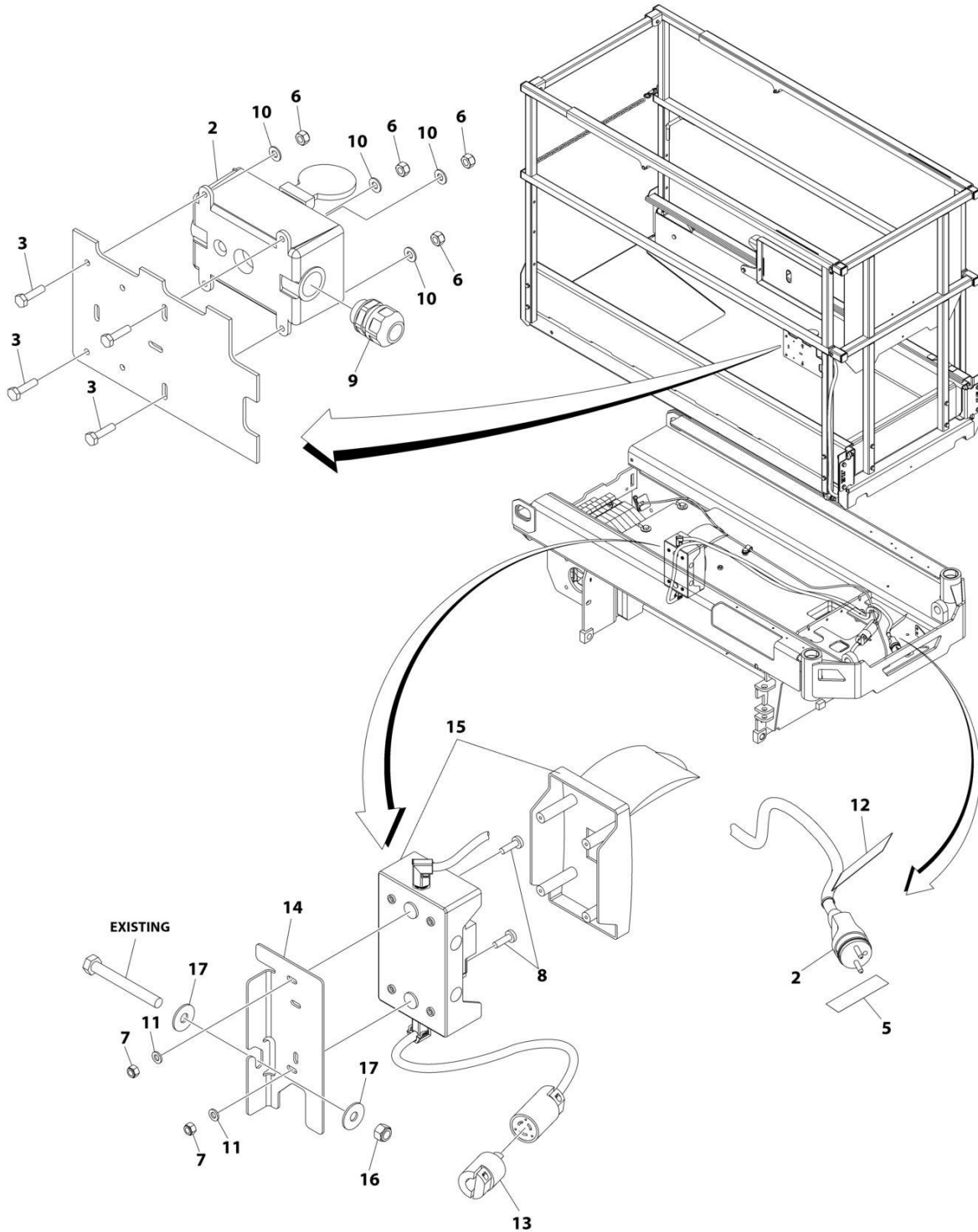
## SECTION 7 - ELECTRICAL

**FIGURE 7-4. AC BOX AT PLATFORM INSTALLATION - 220V CEE7 POST GROUND (CE SPECS)**

ITEM	PART NUMBER	QTY	DESCRIPTION	REV
	1001208932	Ref	AC BOX AT PLATFORM INSTALLATION - 220V CEE7 POST GROUND (CE SPECS)	C
1	0100011	AR	Compound, Locking (Not Shown)	
2	0275452	1	Receptacle Box Kit - 220V CEE7 Post Ground (See Separate Breakdown in this Section)	
3	0760408	4	Bolt M4 x 16	
5	3252507	1	Decal - AC Power	
6	3290405	4	Nut M4	
7	3290605	2	Nut M6	
8	4010610	2	Screw M6 x 20	
9	4460662	1	Connector, Strain Relief	
10	4811400	4	Washer M4	
11	4811700	4	Washer M6	
12	1001102258	1	Decal - AC Label	
13	1001120204	1	Plug, Male Twist	
14	1001216928	1	Bracket	
15	1001209482	1	Breaker Box Kit (See Separate Breakdown in this Section)	
16	3291205	1	Nut M12	
17	4812102	2	Washer M12	
18	4240017	AR	Tie-Strap (Not Shown)	

# SECTION 7 - ELECTRICAL

FIGURE 7-5. AC BOX AT PLATFORM INSTALLATION - 220V CEE7 SIDE GROUND (CE SPECS)



ART\_1001208933

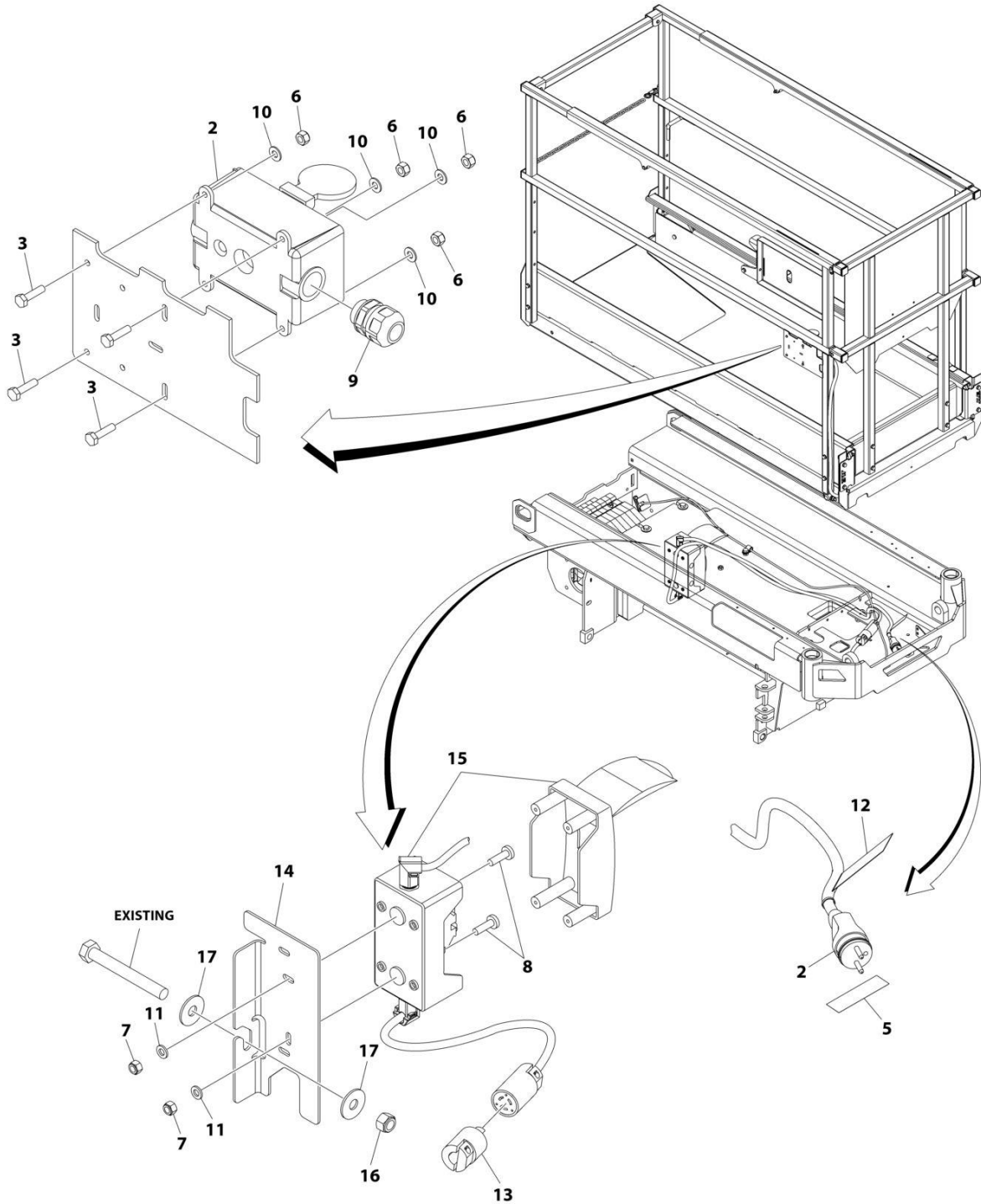
## SECTION 7 - ELECTRICAL

**FIGURE 7-5. AC BOX AT PLATFORM INSTALLATION - 220V CEE7 SIDE GROUND (CE SPECS)**

ITEM	PART NUMBER	QTY	DESCRIPTION	REV
	1001208933	Ref	AC BOX AT PLATFORM INSTALLATION - 220V CEE7 SIDE GROUND (CE SPECS)	C
1	0100011	AR	Compound, Locking (Not Shown)	
2	0275453	1	Receptacle Box Kit - 220V CEE7 Side Ground (See Separate Breakdown in this Section)	
3	0760408	4	Bolt M4 x 16	
5	3252507	1	Decal - AC Power	
6	3290405	4	Nut M4	
7	3290605	2	Nut M6	
8	4010610	2	Screw M6 x 20	
9	4460662	1	Connector, Strain Relief	
10	4811400	4	Washer M4	
11	4811700	4	Washer M6	
12	1001102258	1	Decal - AC Label	
13	1001120204	1	Plug, Male Twist	
14	1001216928	1	Bracket	
15	1001209482	1	Breaker Box Kit (See Separate Breakdown in this Section)	
16	3291205	1	Nut M12	
17	4812102	2	Washer M12	
18	4240017	AR	Tie-Strap (Not Shown)	

# SECTION 7 - ELECTRICAL

## FIGURE 7-6. AC BOX AT PLATFORM INSTALLATION - 220V AFSINT 107 (CE SPECS)



ART\_1001208934



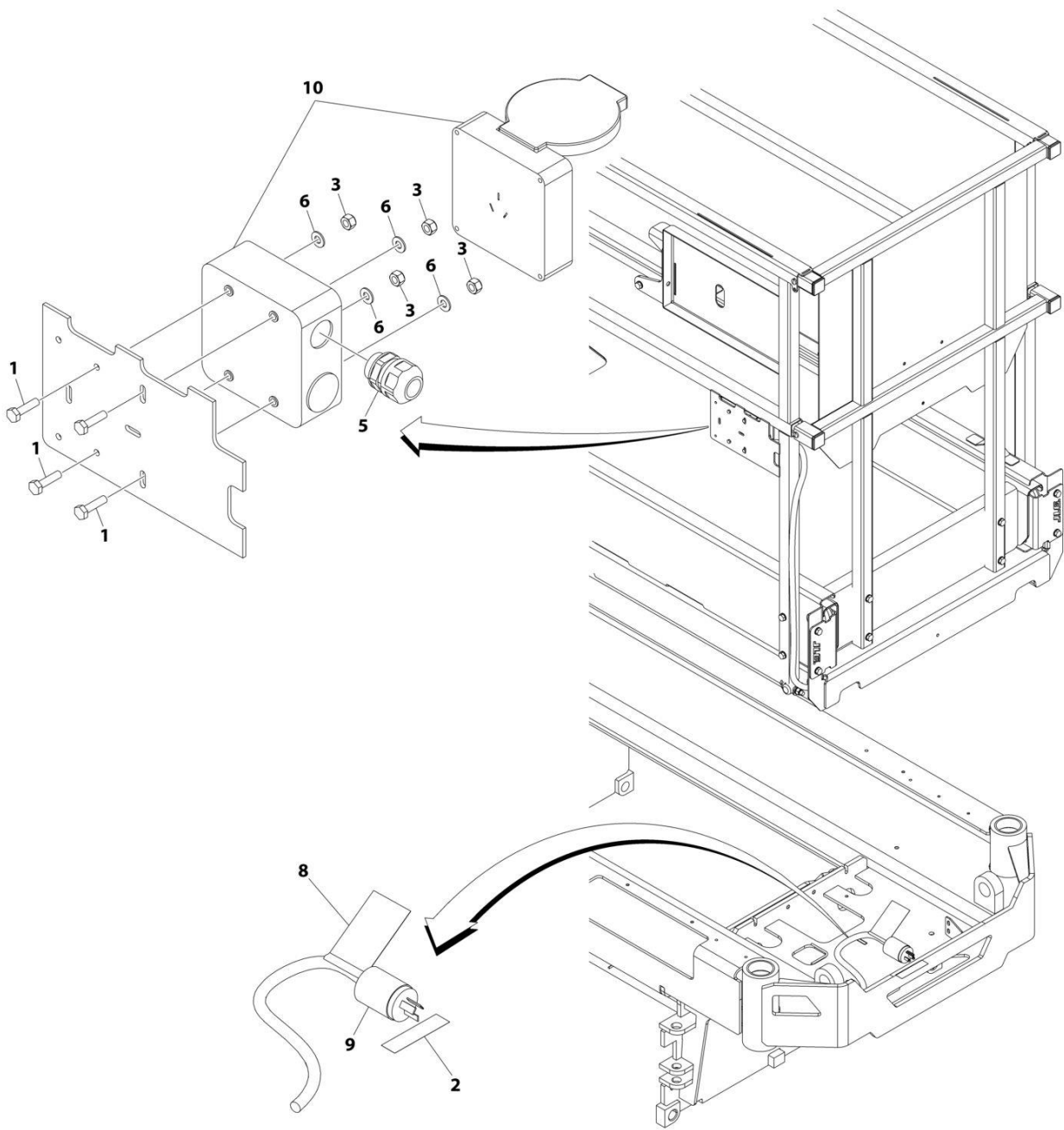
## SECTION 7 - ELECTRICAL

**FIGURE 7-6. AC BOX AT PLATFORM INSTALLATION - 220V AFSINT 107 (CE SPECS)**

ITEM	PART NUMBER	QTY	DESCRIPTION	REV
	1001208934	Ref	AC BOX AT PLATFORM INSTALLATION - 220V AFSINT 107 (CE SPECS)	B
1	0100011	AR	Compound, Locking (Not Shown)	
2	0275454	1	Receptacle Box Kit - 220V AFSINT 107 (See Separate Breakdown in this Section)	
3	0760408	4	Bolt M4 x 16	
5	3252507	1	Decal - AC Power	
6	3290405	4	Nut M4	
7	3290605	2	Nut M6	
8	4010610	2	Screw M6 x 20	
9	4460662	1	Connector, Strain Relief	
10	4811400	4	Washer M4	
11	4811700	4	Washer M6	
12	1001102258	1	Decal - AC Label	
13	1001120204	1	Plug, Male Twist	
14	1001216928	1	Bracket	
15	1001209776	1	Breaker Box Kit (See Separate Breakdown in this Section)	
16	3291205	1	Nut M12	
17	4812102	2	Washer M12	
18	4240017	AR	Tie-Strap (Not Shown)	

# SECTION 7 - ELECTRICAL

FIGURE 7-7. AC BOX AT PLATFORM INSTALLATION - 220V CHINA PLUG (CHINA SPECS)



ART\_1001208938

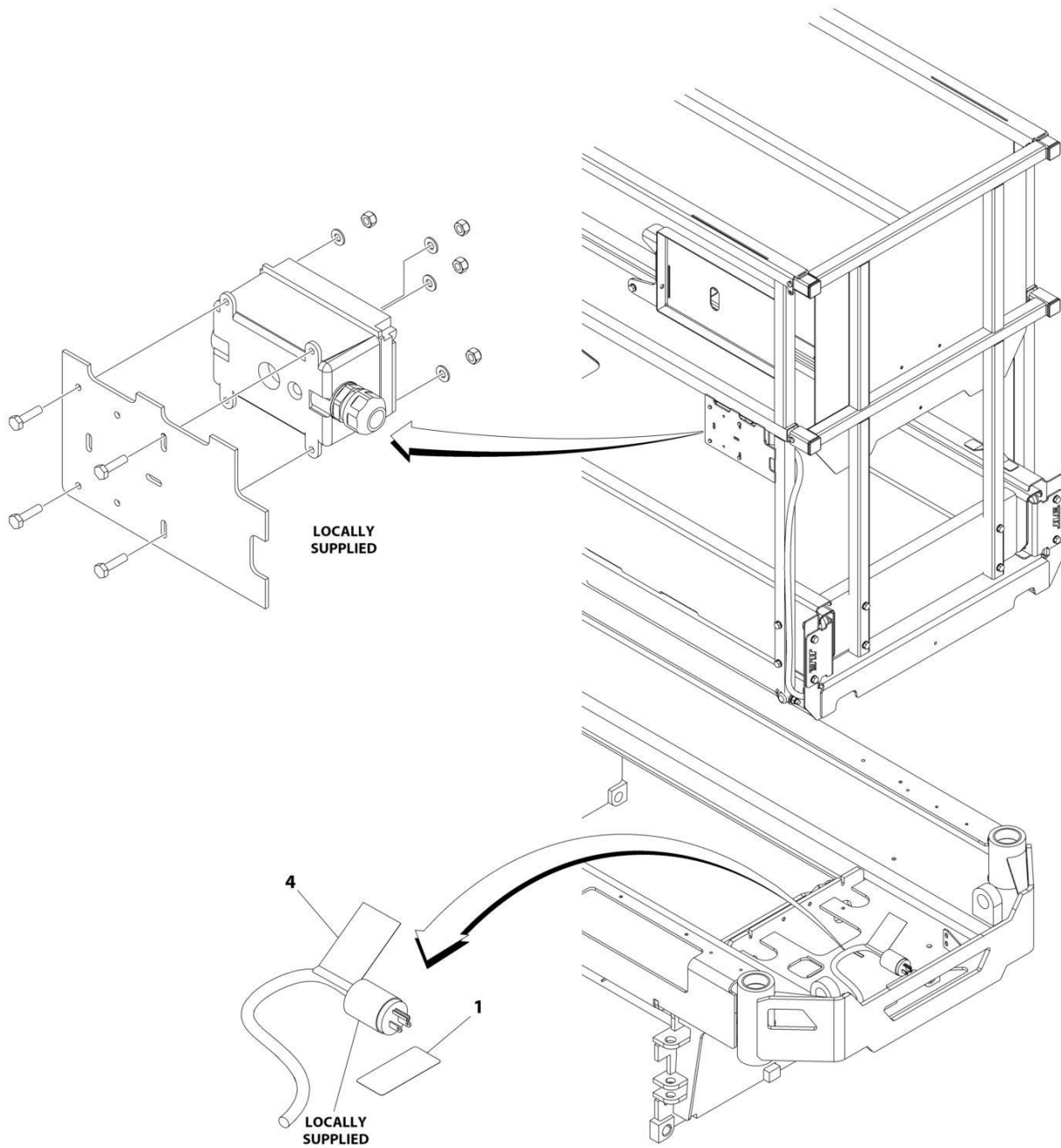
## SECTION 7 - ELECTRICAL

**FIGURE 7-7. AC BOX AT PLATFORM INSTALLATION - 220V CHINA PLUG (CHINA SPECS)**

ITEM	PART NUMBER	QTY	DESCRIPTION	REV
	1001208938	Ref	AC BOX AT PLATFORM INSTALLATION - 220V CHINA PLUG (CHINA SPECS)	B
1	0760408	4	Bolt M4 x 16	
2	3252507	1	Decal - 220 Volt	
3	3290405	4	Nut M4	
4	4460315	1	Terminal (Not Shown)	
5	4460968	1	Connector, Strain Relief	
6	4811400	4	Washer M4	
8	1001102258	1	Decal - AC Label	
9	1001187816	1	Plug	
10	1001188116	1	Box	
11	4240017	AR	Tie-Strap (Not Shown)	

# SECTION 7 - ELECTRICAL

## FIGURE 7-8. AC BOX AT PLATFORM INSTALLATION - 220V LOCALLY SUPPLIED COMPONENTS (ALL SPECS)



ART\_1001208931

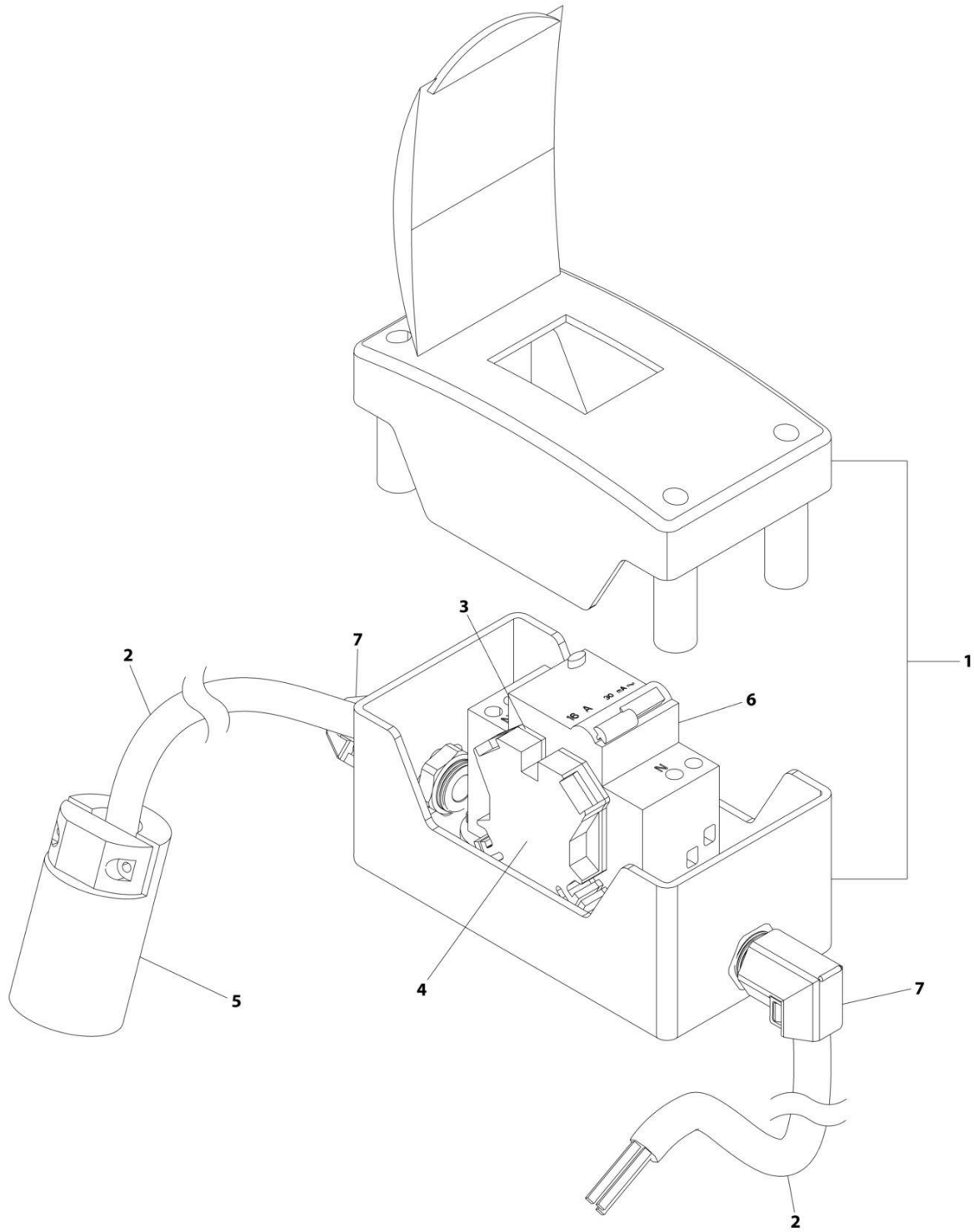
## SECTION 7 - ELECTRICAL

**FIGURE 7-8. AC BOX AT PLATFORM INSTALLATION - 220V LOCALLY SUPPLIED COMPONENTS  
(ALL SPECS)**

ITEM	PART NUMBER	QTY	DESCRIPTION	REV
	1001208931	Ref	AC BOX AT PLATFORM INSTALLATION - 220V LOCALLY SUPPLIED COMPONENTS (ALL SPECS)	C
1	3252507	1	Decal - 220 Volt	
4	1001102258	1	Decal - AC Label	
5	4240017	AR	Tie-Strap (Not Shown)	

# SECTION 7 - ELECTRICAL

## FIGURE 7-9. BREAKER BOX KIT WITH 1 DOUBLE BREAKER



ART\_1001209776

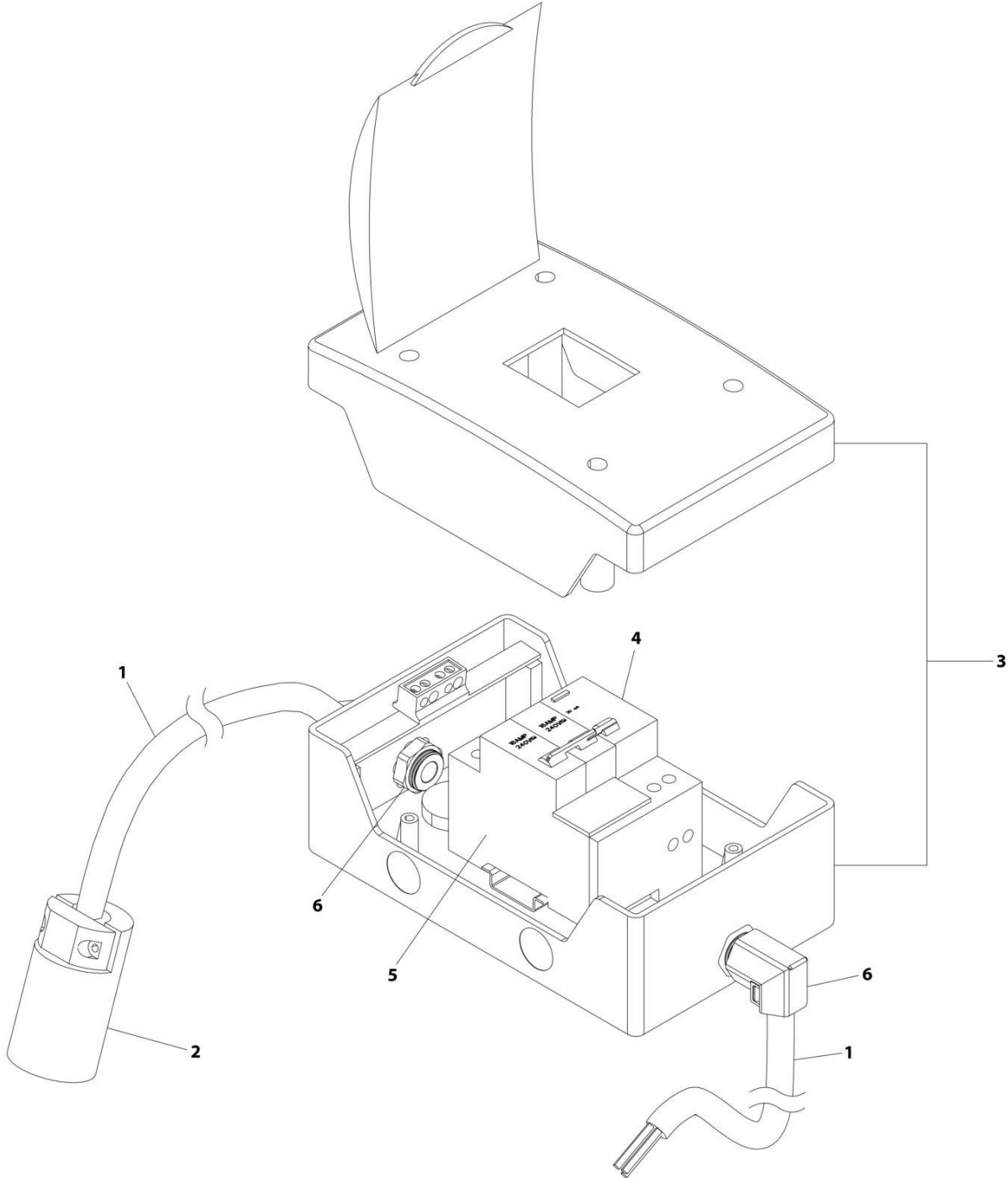
## SECTION 7 - ELECTRICAL

**FIGURE 7-9. BREAKER BOX KIT WITH 1 DOUBLE BREAKER**

ITEM	PART NUMBER	QTY	DESCRIPTION	REV
	1001209776	Ref	BREAKER BOX KIT WITH 1 DOUBLE BREAKER	C
1	0861880	1	Box	
2	1060908	9.5 ft /2.8m	Cable, 12/3	
3	4460956	1	Barrier, Terminal	
4	4460957	1	Block, Terminal	
5	1001120205	1	Connector, Female Twist	
6	1001181045	1	Breaker 30mAmp/16 Amp	
7	1001217164	2	Connector, Strain Relief 90	

**SECTION 7 - ELECTRICAL**

**FIGURE 7-10. BREAKER BOX KIT WITH 3 BREAKERS**



ART\_1001209482



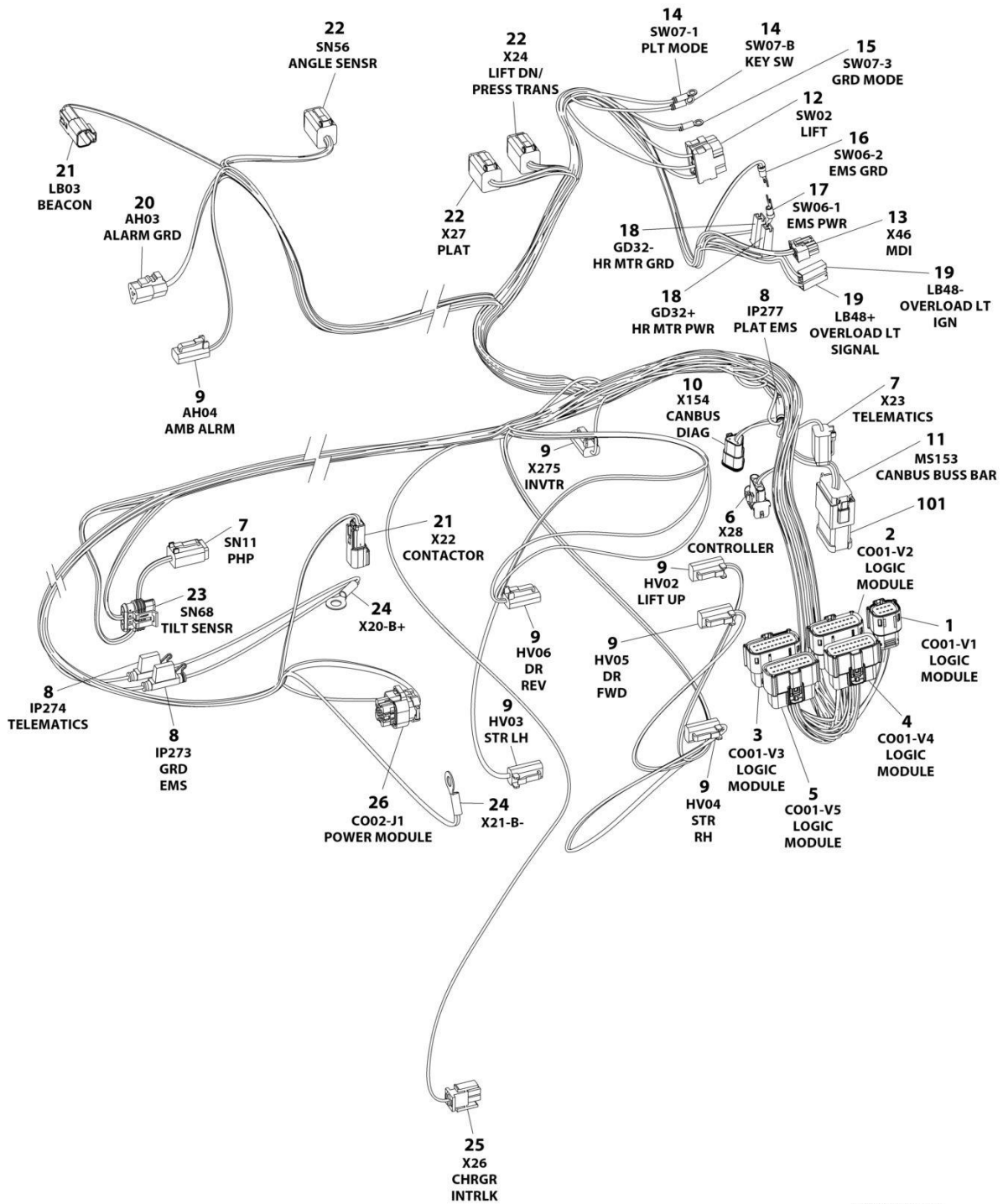
## SECTION 7 - ELECTRICAL

### FIGURE 7-10. BREAKER BOX KIT WITH 3 BREAKERS

ITEM	PART NUMBER	QTY	DESCRIPTION	REV
1	1001209482	Ref	BREAKER BOX KIT WITH 3 BREAKERS	C
	1060908	9.5 ft /2.8m	Cable, 12/3	
2	1001120205	1	Connector, Female Twist	
3	1001152483	1	Box	
4	1001189171	1	Breaker, 30mAmp	
5	1001189172	1	Breaker 16 Amp, Double	
6	1001217164	2	Connector, Strain Relief 90	

# SECTION 7 - ELECTRICAL

## FIGURE 7-11. CHASSIS HARNESS (WITHOUT LSS)



ART\_1001200820

## SECTION 7 - ELECTRICAL

### FIGURE 7-11. CHASSIS HARNESS (WITHOUT LSS)

ITEM	PART NUMBER	QTY	DESCRIPTION	REV
	1001200820	Ref	CHASSIS HARNESS (WITHOUT LSS)	B
1	1001205409	1	Connector - 8 Position	
1	1001162887	6	Terminal	
1	1001163340	2	Plug, Terminal	
2	1001205410	1	Connector - 20 Position	
2	1001162887	11	Terminal	
2	1001163340	9	Plug, Terminal	
3	1001162886	1	Connector - 20 Position	
3	1001162887	9	Terminal	
3	1001163340	11	Plug, Terminal	
4	1001205411	1	Connector - 20 Position	
4	1001162887	16	Terminal	
4	1001163340	4	Plug, Terminal	
5	1001205412	1	Connector - 20 Position	
5	1001162887	19	Terminal	
5	1001163340	1	Plug, Terminal	
6	4460761	1	Plug, Male - 4 Position	
6	4460227	4	Socket, Female	
7	4460884	2	Plug, Male - 4 Position	
7	4460465	8	Socket, Female	
7	1001192401	1	Cover	
8	2400060	3	Holder/Cover, Fuse	
8	8229242	3	Fuse 5 Amp	
9	4460891	7	Plug, Male - 2 Position	
9	4460465	13	Socket, Female	
9	4460466	1	Plug, Terminal	
9	See Note	NSS	Cover (Note: Purchase Locally - Use Deutsch p/n 1011-334-0205)	
10	1001116812	1	Receptacle, Female - 3 Position	
10	4460944	2	Pin, Male	
10	1001144296	1	Cover	
11	4460933	1	Plug, Male - 12 Position	
11	4460944	12	Socket, Female	
12	4460418	1	Connector - 6 Position	
12	4460419	3	Terminal	
13	1001151629	1	Plug, Male - 8 Position	
13	4461023	2	Terminal	
13	4460877	2	Terminal	
14	4460247	2	Terminal, Ring	
15	4460042	1	Terminal, Ring	
16	4460115	1	Terminal, Ring	
17	4460183	1	Terminal, Ring	
18	4460260	2	Cover, Terminal	
18	4460259	2	Terminal	
19	1001117000	2	Cover, Terminal	
19	1001118387	2	Terminal	
20	4460539	1	Plug, Male - 3 Position	
20	4460465	3	Socket, Female	
21	4460897	2	Receptacle, Female - 2 Position	
21	4460464	4	Pin, Male	
22	4460894	3	Plug, Male - 6 Position	

## SECTION 7 - ELECTRICAL

ITEM	PART NUMBER	QTY	DESCRIPTION	REV
22	4460465	18	Socket, Female	
23	1001103012	1	Plug, Male - 4 Position	
23	1001107854	4	Socket, Female	
24	4460256	2	Terminal	
25	4460320	1	Plug, Male - 2 Position	
25	4460226	1	Socket, Female	
26	1001113961	1	Connector - 8 Position	
26	4460871	4	Socket, Female	
26	4460905	4	Plug, Terminal	
101	1001125677	1	Receptacle, Female Buss Bar - 2x6 Position	





## SECTION 7 - ELECTRICAL

**FIGURE 7-12. CHASSIS HARNESS (WITH LSS)**

ITEM	PART NUMBER	QTY	DESCRIPTION	REV
	1001222686	Ref	CHASSIS HARNESS (WITH LSS)	C
1	1001205409	1	Connector- 8 Position	
1	1001162887	6	Terminal	
1	1001163340	2	Plug, Terminal	
2	1001205410	1	Connector - 20 Position	
2	1001162887	11	Terminal	
2	1001163340	9	Plug, Terminal	
3	1001162886	1	Connector - 20 Position	
3	1001162887	5	Terminal	
3	1001163340	15	Plug, Terminal	
4	1001205411	1	Connector - 20 Position	
4	1001162887	16	Terminal	
4	1001163340	4	Plug, Terminal	
5	1001205412	1	Connector - 20 Position	
5	1001162887	18	Terminal	
5	1001163340	2	Plug, Terminal	
6	4460761	1	Plug, Male - 4 Position	
6	4460227	4	Socket, Female	
7	4460884	2	Plug, Male - 4 Position	
7	4460465	8	Socket, Female	
7	1001192401	1	Cover	
8	2400060	3	Holder/Cover, Fuse	
8	8229242	3	Fuse 5 Amp	
9	4460891	7	Plug, Male - 4 Position	
9	4460465	13	Socket, Female	
9	4460466	1	Plug, Terminal	
9	See Note	NSS	Cover (Note: Purchase Locally - Use Deutsch p/n 1011-334-0205)	
10	1001116812	1	Receptacle, Female - 3 Position	
10	4460944	2	Pin, Male	
10	See Note	NSS	Cover (Note: Purchase Locally - Use Deutsch p/n 1011-334-0305)	
11	4460933	2	Plug, Male - 12 Position	
11	4460944	12	Socket, Female	
11	4460465	10	Socket, Female	
11	4460466	2	Plug, Terminal	
12	4460418	1	Connector - 6 Position	
12	4460419	3	Terminal	
13	1001151629	1	Plug, Male - 8 Position	
13	4461023	2	Terminal	
13	4460877	2	Terminal	
14	4460247	2	Terminal, Ring	
15	4460042	1	Terminal, Ring	
16	4460115	1	Terminal, Ring	
17	4460183	1	Terminal, Ring	
18	4460260	4	Cover, Terminal	
18	4460259	4	Terminal	
19	1001117000	2	Cover, Terminal	
19	1001118387	2	Terminal	
20	4460539	1	Plug, Male - 3 Position	
20	4460465	3	Socket, Female	
21	4460897	2	Receptacle, Female - 2 Position	

## SECTION 7 - ELECTRICAL

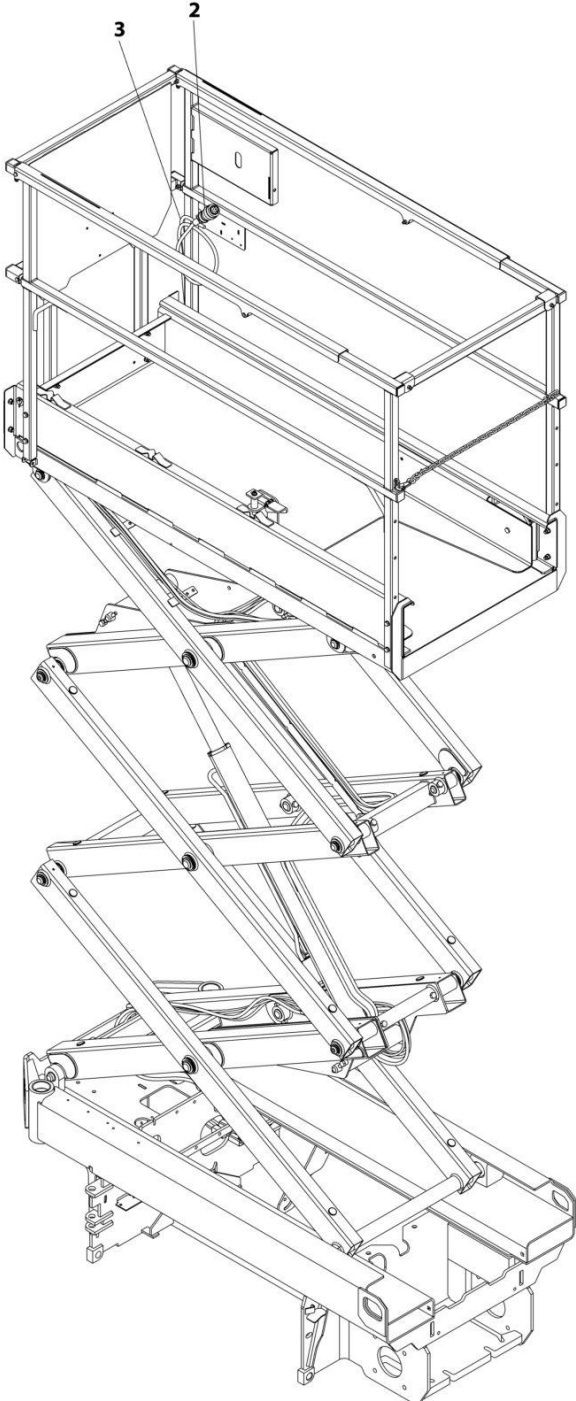
ITEM	PART NUMBER	QTY	DESCRIPTION	REV
21	4460464	4	Pin, Male	
22	4460894	2	Plug, Male - 6 Position	
22	4460465	12	Socket, Female	
23	1001103012	1	Plug, Male - 4 Position	
23	1001107854	4	Socket, Female	
24	4460256	2	Terminal	
25	4460320	1	Plug, Male - 2 Position	
25	4460226	1	Socket, Female	
26	1001113961	1	Connector - 8 Position	
26	4460871	4	Socket, Female	
26	4460905	4	Plug, Terminal	
101	1001125677	1	Receptacle, Female Buss Bar - 2x6 Position	





**SECTION 7 - ELECTRICAL**

**FIGURE 7-13. GROUND TO PLATFORM CABLE INSTALLATION - 1532R WITHOUT PLATFORM COIL CABLE**



ART\_1001225490

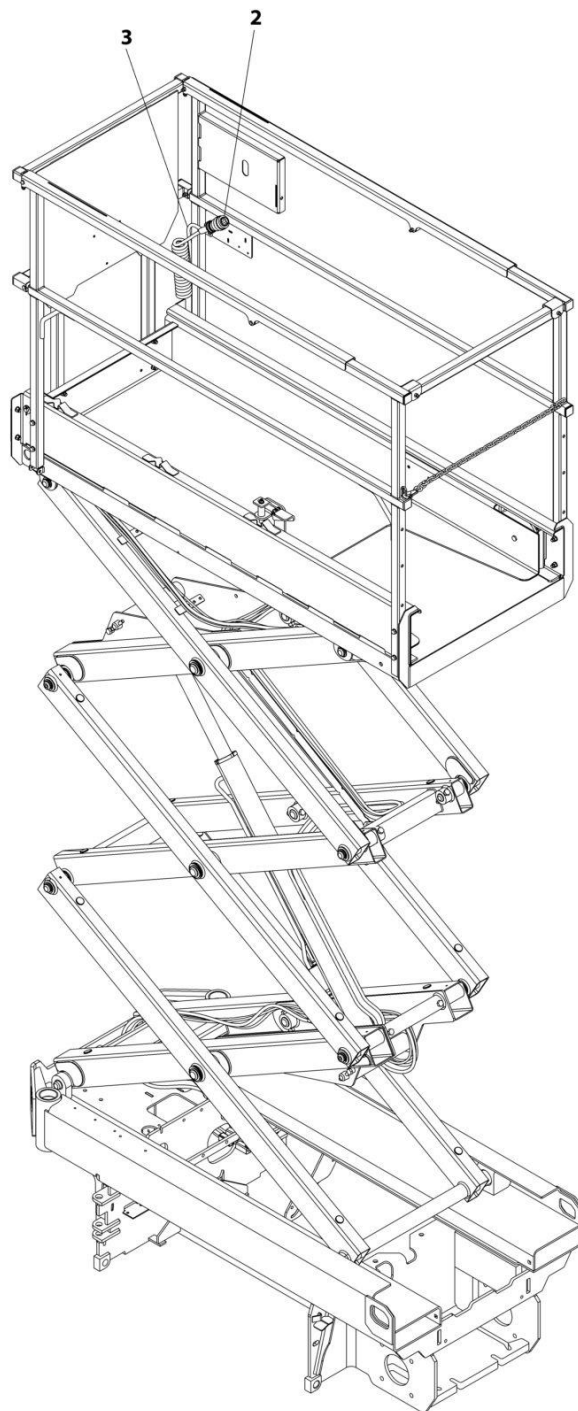
## SECTION 7 - ELECTRICAL

**FIGURE 7-13. GROUND TO PLATFORM CABLE INSTALLATION - 1532R WITHOUT PLATFORM COIL CABLE**

ITEM	PART NUMBER	QTY	DESCRIPTION	REV
	1001225490	Ref	GROUND TO PLATFORM CABLE INSTALLATION - 1532R WITHOUT PLATFORM COIL CABLE	A
1	4240017	AR	Tie-Strap (Not Shown)	
2	1001200812	1	Platform Harness	
2	4460899	1	Receptacle, Female - 6 Position (To Item 3)	
2	4460464	4	Pin, Male	
2	4460943	2	Pin, Male	
2	4460754	1	Connector - 14 Position (To Console Box)	
2	4460465	8	Socket, Female	
2	4460466	6	Plug, Terminal	
3	1001225377	1	Cable Assembly - Ground to Platform	
3	4460894	1	Plug, Male - 6 Position (To Platform Harness Item 2)	
3	4460465	4	Socket, Female	
3	4460944	2	Socket, Female	
3	4460899	1	Receptacle, Female - 6 Position (To Chassis Harness)	
3	4460464	4	Pin, Male	
3	4460943	2	Pin, Male	

## SECTION 7 - ELECTRICAL

FIGURE 7-14. GROUND TO PLATFORM CABLE INSTALLATION - 1532R WITH PLATFORM COIL CABLE



ART\_1001225491

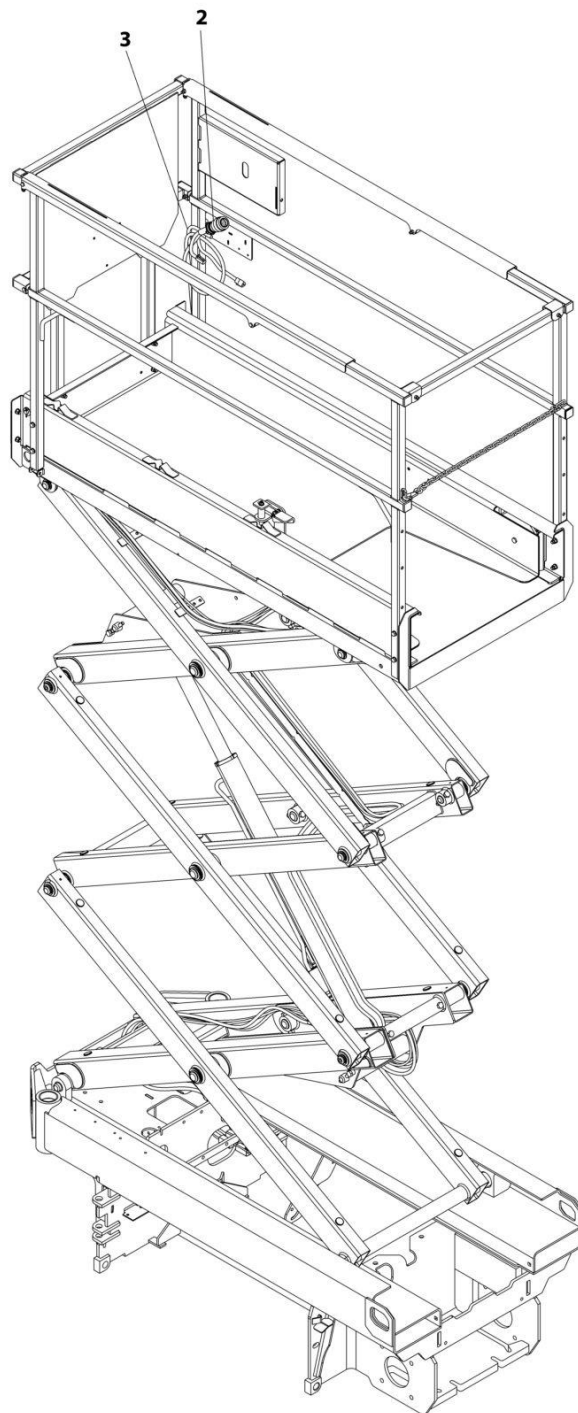
## SECTION 7 - ELECTRICAL

**FIGURE 7-14. GROUND TO PLATFORM CABLE INSTALLATION - 1532R WITH PLATFORM COIL CABLE**

ITEM	PART NUMBER	QTY	DESCRIPTION	REV
	1001225491	Ref	GROUND TO PLATFORM CABLE INSTALLATION - 1532R WITH PLATFORM COIL CABLE	A
1	4240017	AR	Tie-Strap (Not Shown)	
2	1001202184	1	Platform Harness	
2	4460899	1	Receptacle, Female - 6 Position (To Item 3)	
2	4460464	4	Pin, Male	
2	4460943	2	Pin, Male	
2	4460754	1	Connector - 14 Position (To Console Box)	
2	4460465	8	Socket, Female	
2	4460466	6	Plug, Terminal	
3	1001225377	1	Cable Assembly - Ground to Platform	
3	4460894	1	Plug, Male - 6 Position (To Platform Harness Item 2)	
3	4460465	4	Socket, Female	
3	4460944	2	Socket, Female	
3	4460899	1	Receptacle, Female - 6 Position (To Chassis Harness)	
3	4460464	4	Pin, Male	
3	4460943	2	Pin, Male	

## SECTION 7 - ELECTRICAL

FIGURE 7-15. GROUND TO PLATFORM CABLE INSTALLATION - 1532R WITHOUT PLATFORM COIL CABLE AND WITH FOOTSWITCH



ART\_1001225492

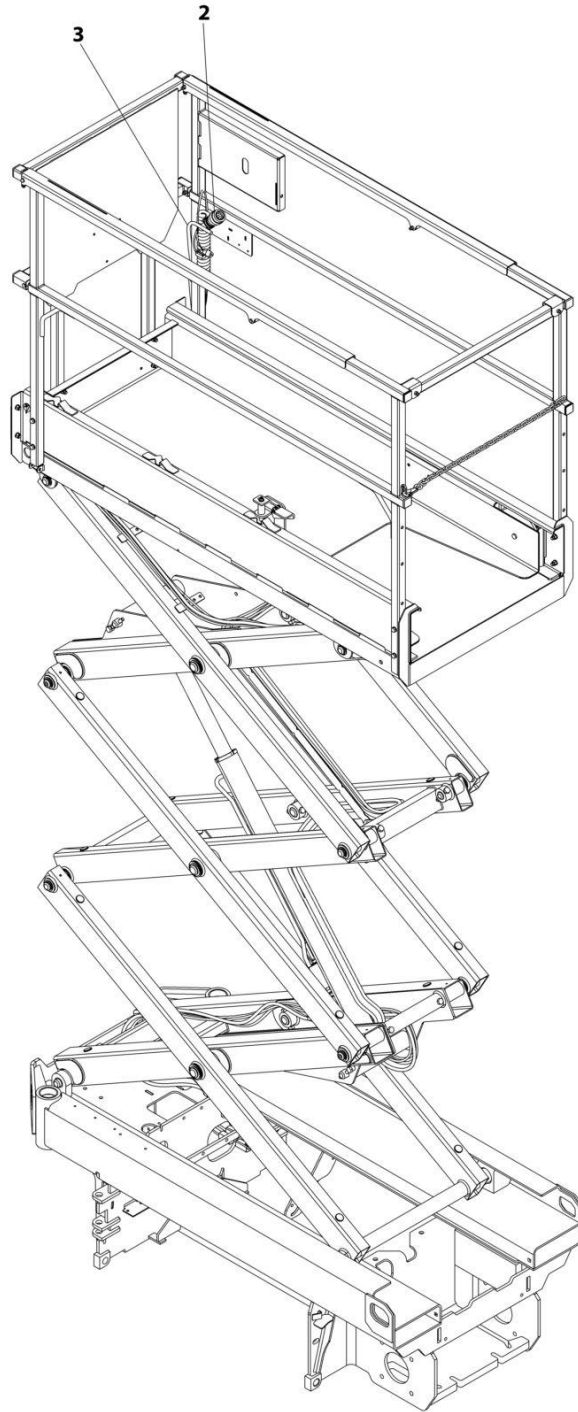
## SECTION 7 - ELECTRICAL

**FIGURE 7-15. GROUND TO PLATFORM CABLE INSTALLATION - 1532R WITHOUT PLATFORM COIL CABLE AND WITH FOOTSWITCH**

ITEM	PART NUMBER	QTY	DESCRIPTION	REV
	1001225492	Ref	GROUND TO PLATFORM CABLE INSTALLATION - 1532R WITHOUT PLATFORM COIL CABLE AND WITH FOOTSWITCH	A
		Ref	Note: Only Available on Japanese Specs.	
1	4240017	AR	Tie-Strap (Not Shown)	
2	1001223263	1	Platform Harness	
2	4460899	1	Receptacle, Female - 6 Position (To Item 3)	
2	4460464	4	Pin, Male	
2	4460943	2	Pin, Male	
2	4460754	1	Connector - 14 Position (To Console Box)	
2	4460465	8	Socket, Female	
2	4460944	2	Socket, Female	
2	4460466	4	Plug, Terminal	
2	4460891	1	Plug, Male - 2 Position (To Footswitch)	
2	4460465	2	Socket, Female	
2	4460897	1	Receptacle, Female - 2 Position (Footswitch Jumper)	
2	4460464	2	Pin, Male	
2	4460539	1	Plug, Male - 3 Position (To Overhead Switches)	
2	4460465	2	Socket, Female	
2	4460466	1	Plug, Terminal	
3	1001225377	1	Cable Assembly - Ground to Platform	
3	4460894	1	Plug, Male - 6 Position (To Platform Harness Item 2)	
3	4460465	4	Socket, Female	
3	4460944	2	Socket, Female	
3	4460899	1	Receptacle, Female - 6 Position (To Chassis Harness)	
3	4460464	4	Pin, Male	
3	4460943	2	Pin, Male	

## SECTION 7 - ELECTRICAL

FIGURE 7-16. GROUND TO PLATFORM CABLE INSTALLATION - 1532R WITH PLATFORM COIL CABLE AND FOOTSWITCH



ART\_1001225493



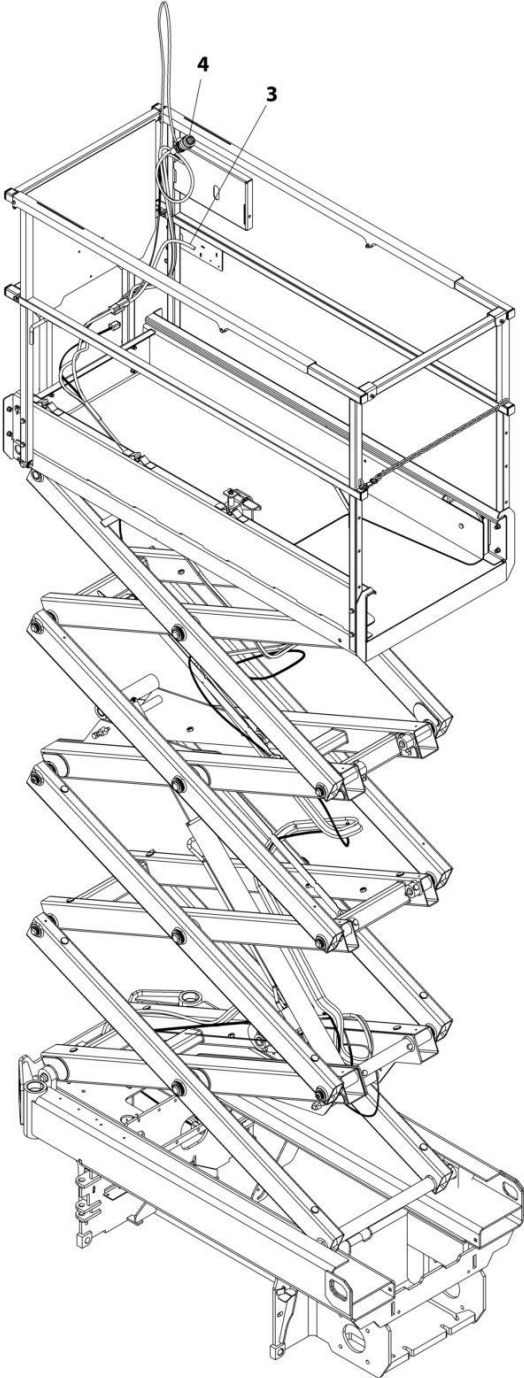
## SECTION 7 - ELECTRICAL

**FIGURE 7-16. GROUND TO PLATFORM CABLE INSTALLATION - 1532R WITH PLATFORM COIL CABLE AND FOOTSWITCH**

ITEM	PART NUMBER	QTY	DESCRIPTION	REV
	1001225493	Ref	GROUND TO PLATFORM CABLE INSTALLATION - 1532R WITH PLATFORM COIL CABLE AND FOOTSWITCH	A
		Ref	Note: Only Available on Japanese Specs.	
1	4240017	AR	Tie-Strap (Not Shown)	
2	1001223262	1	Platform Harness	
2	4460899	1	Receptacle, Female - 6 Position (To Item 3)	
2	4460464	4	Pin, Male	
2	4460943	2	Pin, Male	
2	4460754	1	Connector - 14 Position (To Console Box)	
2	4460465	8	Socket, Female	
2	4460944	2	Socket, Female	
2	4460466	4	Plug, Terminal	
2	4460891	1	Plug, Male - 2 Position (To Footswitch)	
2	4460465	2	Socket, Female	
2	4460897	1	Receptacle, Female - 2 Position (Footswitch Jumper)	
2	4460464	2	Pin, Male	
2	4460539	1	Plug, Male - 3 Position (To Overhead Switches)	
2	4460465	2	Socket, Female	
2	4460466	1	Plug, Terminal	
3	1001225377	1	Cable Assembly - Ground to Platform	
3	4460894	1	Plug, Male - 6 Position (To Platform Harness Item 2)	
3	4460465	4	Socket, Female	
3	4460944	2	Socket, Female	
3	4460899	1	Receptacle, Female - 6 Position (To Chassis Harness)	
3	4460464	4	Pin, Male	
3	4460943	2	Pin, Male	

**SECTION 7 - ELECTRICAL**

**FIGURE 7-17. GROUND TO PLATFORM CABLE INSTALLATION - 1932R WITHOUT PLATFORM COIL CABLE (ALL SPECS EXCEPT AUSTRALIAN SPECS)**



ART\_1001201087

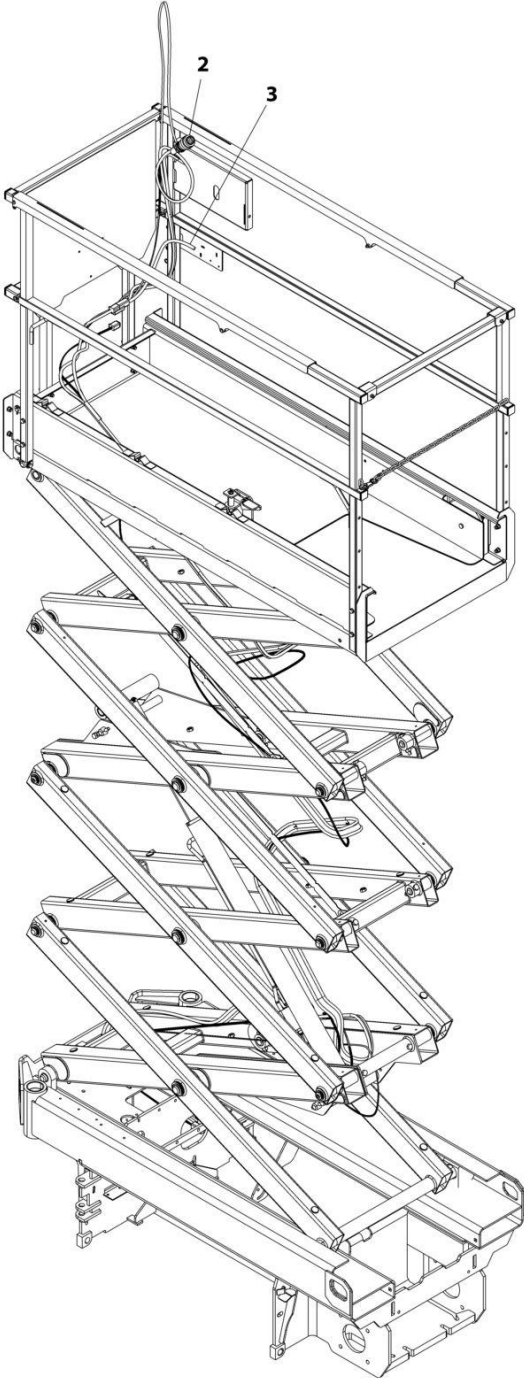
## SECTION 7 - ELECTRICAL

**FIGURE 7-17. GROUND TO PLATFORM CABLE INSTALLATION - 1932R WITHOUT PLATFORM COIL CABLE (ALL SPECS EXCEPT AUSTRALIAN SPECS)**

ITEM	PART NUMBER	QTY	DESCRIPTION	REV
	1001201087	Ref	GROUND TO PLATFORM CABLE INSTALLATION - 1932R WITHOUT PLATFORM COIL CABLE (ALL SPECS EXCEPT AUSTRALIAN SPECS)	D
1	4240017	AR	Tie-Strap (Not Shown)	
3	1001200811	1	Cable Assembly - Ground to Platform	
3	4460894	1	Plug, Male - 6 Position (To Platform Harness Item 4)	
3	4460465	4	Socket, Female	
3	4460944	2	Socket, Female	
3	4460899	1	Receptacle, Female - 6 Position (To Chassis Harness)	
3	4460464	4	Pin, Male	
3	4460943	2	Pin, Male	
4	1001200812	1	Platform Harness	
4	4460899	1	Receptacle, Female - 6 Position (To Item 3)	
4	4460464	4	Pin, Male	
4	4460943	2	Pin, Male	
4	4460754	1	Connector - 14 Position (To Console Box)	
4	4460465	8	Socket, Female	
4	4460466	6	Plug, Terminal	

**SECTION 7 - ELECTRICAL**

**FIGURE 7-18. GROUND TO PLATFORM CABLE INSTALLATION - 1932R WITHOUT PLATFORM COIL CABLE (AUSTRALIAN SPECS)**



ART\_1001230932

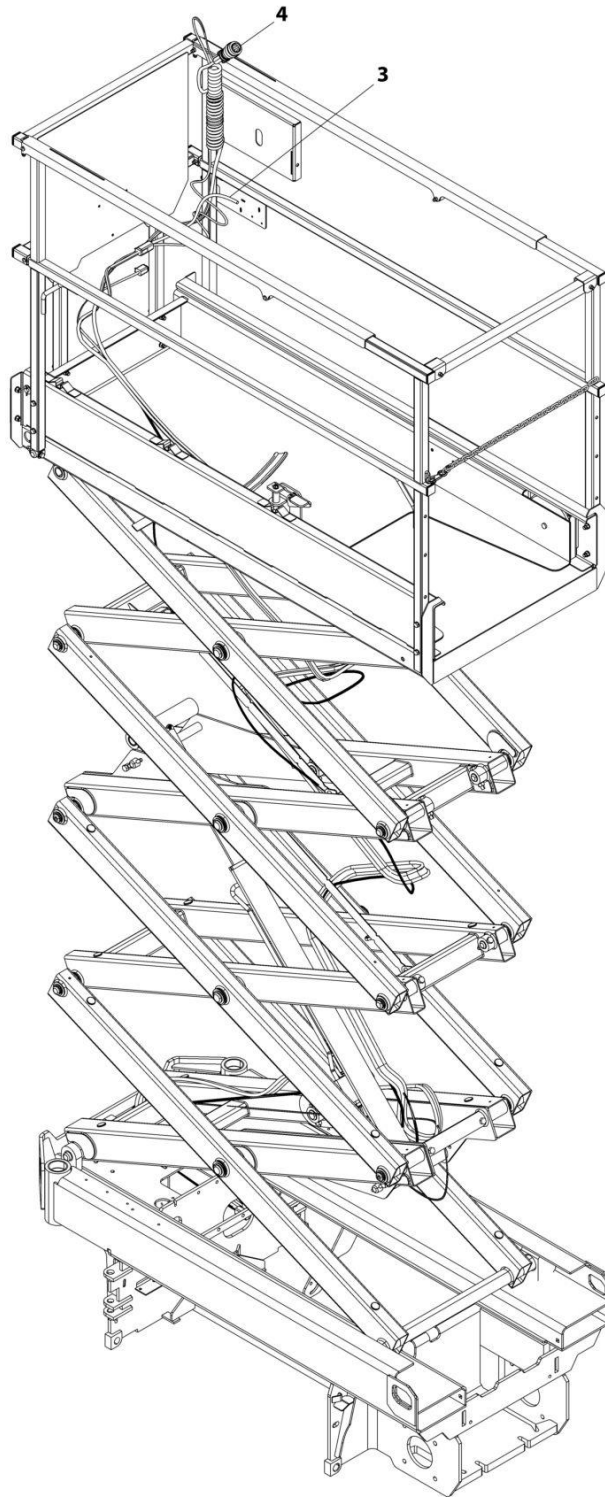
## SECTION 7 - ELECTRICAL

**FIGURE 7-18. GROUND TO PLATFORM CABLE INSTALLATION - 1932R WITHOUT PLATFORM COIL CABLE (AUSTRALIAN SPECS)**

ITEM	PART NUMBER	QTY	DESCRIPTION	REV
	1001230932	Ref	GROUND TO PLATFORM CABLE INSTALLATION - 1932R WITHOUT PLATFORM COIL CABLE (AUSTRALIAN SPECS)	A
1	4240017	AR	Tie-Strap (Not Shown)	
2	1001200812	1	Platform Harness	
2	4460899	1	Receptacle, Female - 6 Position (To Item 3)	
2	4460464	4	Pin, Male	
2	4460943	2	Pin, Male	
2	4460754	1	Connector - 14 Position (To Console Box)	
2	4460465	8	Socket, Female	
2	4460466	6	Plug, Terminal	
3	1001230839	1	Cable Assembly - Ground to Platform	
3	4460894	1	Plug, Male - 6 Position (To Platform Harness Item 2)	
3	4460465	4	Socket, Female	
3	4460944	2	Socket, Female	
3	4460899	1	Receptacle, Female - 6 Position (To Chassis Harness)	
3	4460464	4	Pin, Male	
3	4460943	2	Pin, Male	

## SECTION 7 - ELECTRICAL

FIGURE 7-19. GROUND TO PLATFORM CABLE INSTALLATION - 1932R WITH PLATFORM COIL CABLE (ALL SPECS EXCEPT AUSTRALIAN SPECS)



ART\_1001203630

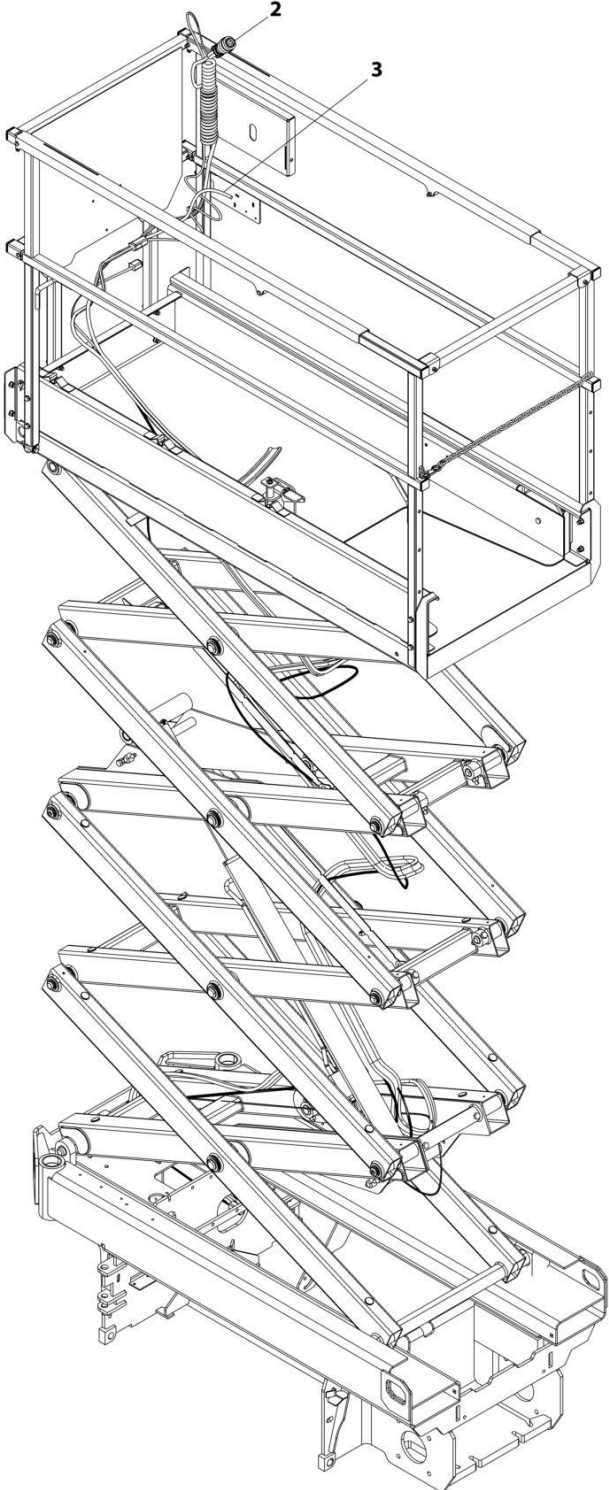
## SECTION 7 - ELECTRICAL

**FIGURE 7-19. GROUND TO PLATFORM CABLE INSTALLATION - 1932R WITH PLATFORM COIL CABLE (ALL SPECS EXCEPT AUSTRALIAN SPECS)**

ITEM	PART NUMBER	QTY	DESCRIPTION	REV
	1001203630	Ref	GROUND TO PLATFORM CABLE INSTALLATION - 1932R WITH PLATFORM COIL CABLE (ALL SPECS EXCEPT AUSTRALIAN SPECS)	D
1	4240017	AR	Tie-Strap (Not Shown)	
3	1001200811	1	Cable Assembly - Ground to Platform	
3	4460894	1	Plug, Male - 6 Position (To Platform Harness Item 4)	
3	4460465	4	Socket, Female	
3	4460944	2	Socket, Female	
3	4460899	1	Receptacle, Female - 6 Position (To Chassis Harness)	
3	4460464	4	Pin, Male	
3	4460943	2	Pin, Male	
4	1001202184	1	Platform Harness	
4	4460899	1	Receptacle, Female - 6 Position (To Item 3)	
4	4460464	4	Pin, Male	
4	4460943	2	Pin, Male	
4	4460754	1	Connector - 14 Position (To Console Box)	
4	4460465	8	Socket, Female	
4	4460466	6	Plug, Terminal	

**SECTION 7 - ELECTRICAL**

**FIGURE 7-20. GROUND TO PLATFORM CABLE INSTALLATION - 1932R WITH PLATFORM COIL CABLE (AUSTRALIAN SPECS)**



ART\_1001230933



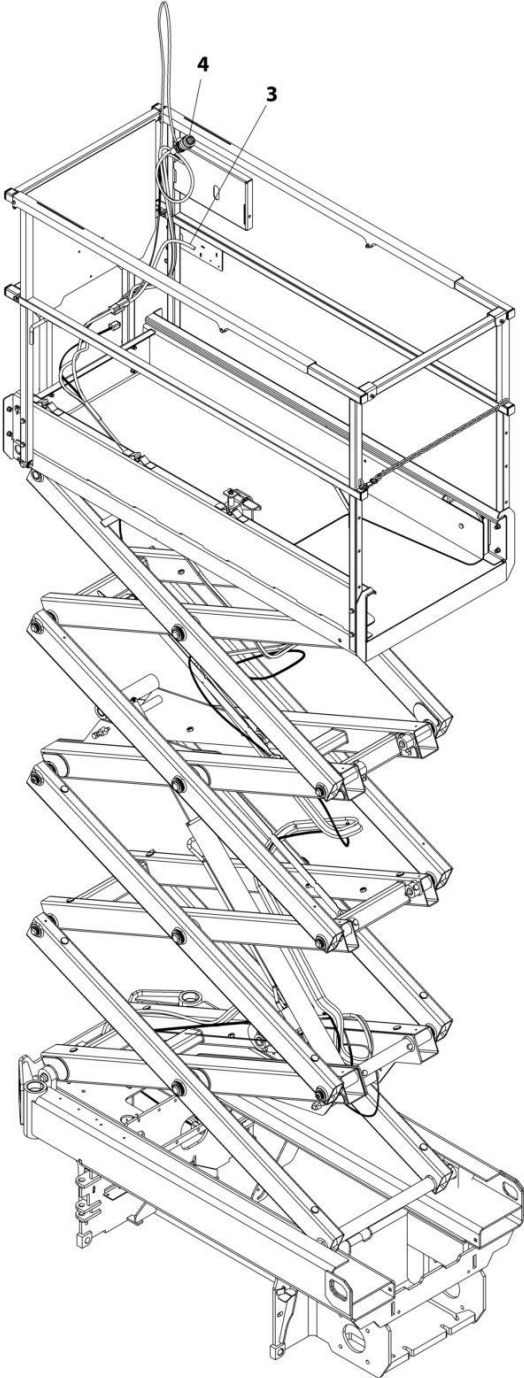
## SECTION 7 - ELECTRICAL

**FIGURE 7-20. GROUND TO PLATFORM CABLE INSTALLATION - 1932R WITH PLATFORM COIL CABLE (AUSTRALIAN SPECS)**

ITEM	PART NUMBER	QTY	DESCRIPTION	REV
	1001230933	Ref	GROUND TO PLATFORM CABLE INSTALLATION - 1932R WITH PLATFORM COIL CABLE (AUSTRALIAN SPECS)	A
1	4240017	AR	Tie-Strap (Not Shown)	
2	1001202184	1	Platform Harness	
2	4460899	1	Receptacle, Female - 6 Position (To Item 3)	
2	4460464	4	Pin, Male	
2	4460943	2	Pin, Male	
2	4460754	1	Connector - 14 Position (To Console Box)	
2	4460465	8	Socket, Female	
2	4460466	6	Plug, Terminal	
3	1001230839	1	Cable Assembly - Ground to Platform	
3	4460894	1	Plug, Male - 6 Position (To Platform Harness Item 2)	
3	4460465	4	Socket, Female	
3	4460944	2	Socket, Female	
3	4460899	1	Receptacle, Female - 6 Position (To Chassis Harness)	
3	4460464	4	Pin, Male	
3	4460943	2	Pin, Male	

**SECTION 7 - ELECTRICAL**

**FIGURE 7-21. GROUND TO PLATFORM CABLE INSTALLATION - 1932R WITHOUT PLATFORM COIL CABLE AND WITH FOOTSWITCH**



ART\_1001201129

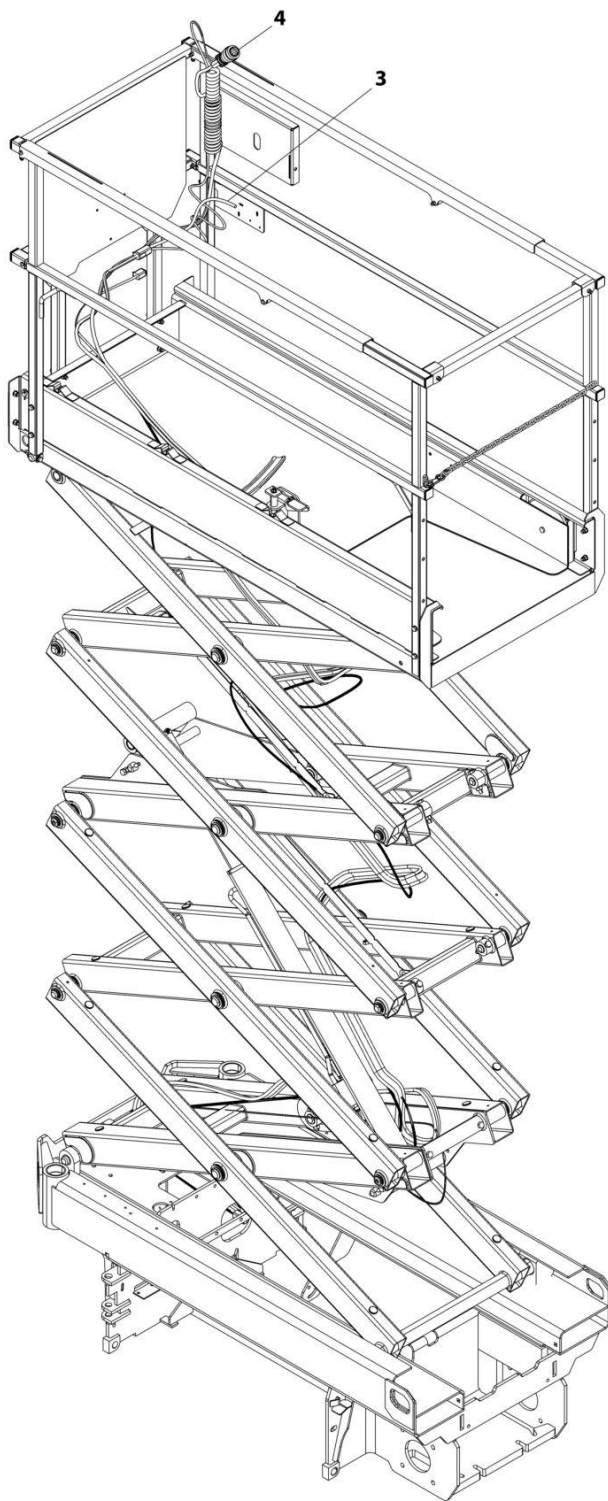
## SECTION 7 - ELECTRICAL

**FIGURE 7-21. GROUND TO PLATFORM CABLE INSTALLATION - 1932R WITHOUT PLATFORM COIL CABLE AND WITH FOOTSWITCH**

ITEM	PART NUMBER	QTY	DESCRIPTION	REV
	1001201129	Ref	GROUND TO PLATFORM CABLE INSTALLATION - 1932R WITHOUT PLATFORM COIL CABLE AND WITH FOOTSWITCH	E
		Ref	Note: Only Available on Japanese Specs.	
1	4240017	AR	Tie-Strap (Not Shown)	
3	1001200811	1	Cable Assembly - Ground to Platform	
3	4460894	1	Plug, Male - 6 Position (To Platform Harness Item 4)	
3	4460465	4	Socket, Female	
3	4460944	2	Socket, Female	
3	4460899	1	Receptacle, Female - 6 Position (To Chassis Harness)	
3	4460464	4	Pin, Male	
3	4460943	2	Pin, Male	
4	1001200814	NLA	Platform Harness (Use p/n 1001223263) <b>(Prior to SN B200038482, Prior to SN M200007595)</b>	
4	1001223263	1	Platform Harness <b>(SN B200038482 to Present, SN M200007595 to Present)</b>	
4	4460899	1	Receptacle, Female - 6 Position (To Item 3)	
4	4460464	4	Pin, Male	
4	4460943	2	Pin, Male	
4	4460754	1	Connector - 14 Position (To Console Box)	
4	4460465	8	Socket, Female	
4	4460944	2	Socket, Female	
4	4460466	4	Plug, Terminal	
4	4460891	1	Plug, Male - 2 Position (To Footswitch)	
4	4460465	2	Socket, Female	
4	4460897	1	Receptacle, Female - 2 Position (Footswitch Jumper)	
4	4460464	2	Pin, Male	
4	4460539	1	Plug, Male - 3 Position (To Overhead Switches)	
4	4460465	2	Socket, Female	
4	4460466	1	Plug, Terminal	

## SECTION 7 - ELECTRICAL

FIGURE 7-22. GROUND TO PLATFORM CABLE INSTALLATION - 1932R WITH PLATFORM COIL CABLE AND FOOTSWITCH



ART\_1001203631

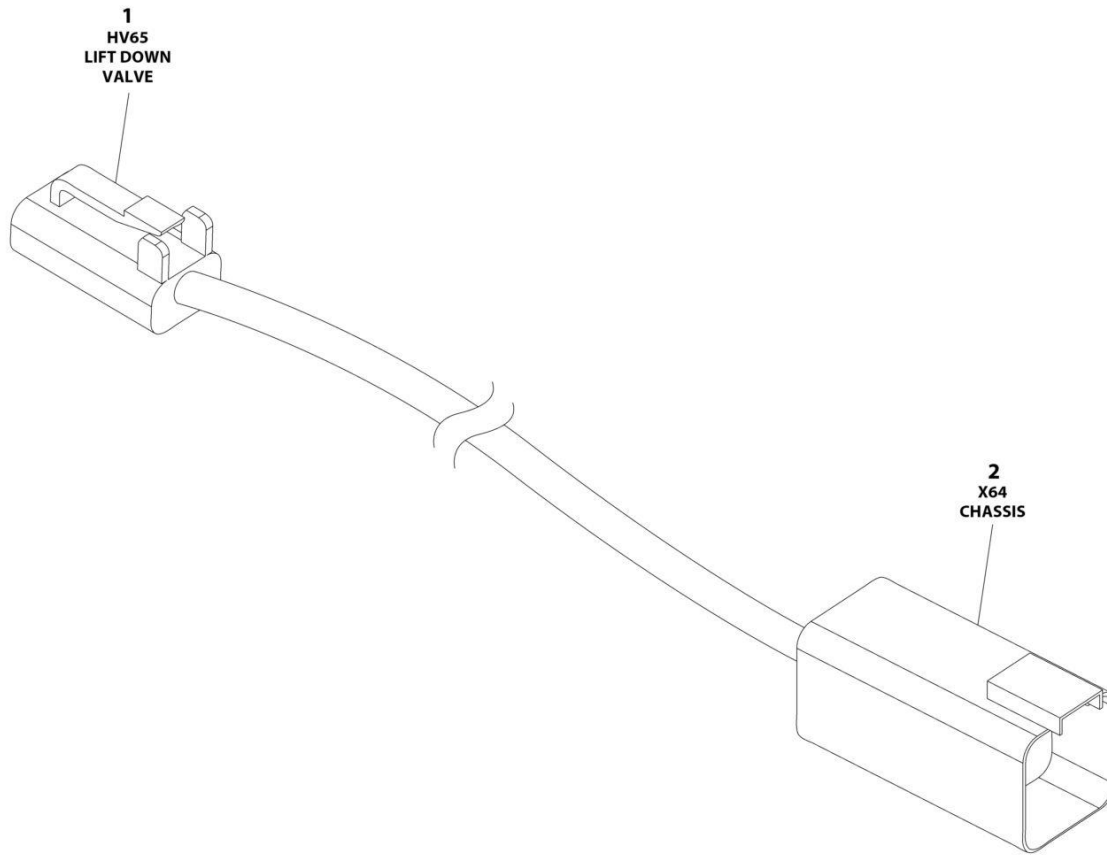
## SECTION 7 - ELECTRICAL

**FIGURE 7-22. GROUND TO PLATFORM CABLE INSTALLATION - 1932R WITH PLATFORM COIL CABLE AND FOOTSWITCH**

ITEM	PART NUMBER	QTY	DESCRIPTION	REV
	1001203631	Ref	GROUND TO PLATFORM CABLE INSTALLATION - 1932R WITH PLATFORM COIL CABLE AND FOOTSWITCH	E
		Ref	Note: Only Available on Japanese Specs.	
1	4240017	AR	Tie-Strap (Not Shown)	
3	1001200811	1	Cable Assembly - Ground to Platform	
3	4460894	1	Plug, Male - 6 Position (To Platform Harness Item 4)	
3	4460465	4	Socket, Female	
3	4460944	2	Socket, Female	
3	4460899	1	Receptacle, Female - 6 Position (To Chassis Harness)	
3	4460464	4	Pin, Male	
3	4460943	2	Pin, Male	
4	1001202185	NLA	Platform Harness (Use p/n 1001223262) <b>(Prior to SN B200038482, Prior to SN M200007595)</b>	
4	1001223262	1	Platform Harness <b>(SN B200038482 to Present, SN M200007595 to Present)</b>	
4	4460899	1	Receptacle, Female - 6 Position (To Item 3)	
4	4460464	4	Pin, Male	
4	4460943	2	Pin, Male	
4	4460754	1	Connector - 14 Position (To Console Box)	
4	4460465	8	Socket, Female	
4	4460944	2	Socket, Female	
4	4460466	4	Plug, Terminal	
4	4460891	1	Plug, Male - 2 Position (To Footswitch)	
4	4460465	2	Socket, Female	
4	4460897	1	Receptacle, Female - 2 Position (Footswitch Jumper)	
4	4460464	2	Pin, Male	
4	4460539	1	Plug, Male - 3 Position (To Overhead Switches)	
4	4460465	2	Socket, Female	
4	4460466	1	Plug, Terminal	

# SECTION 7 - ELECTRICAL

## FIGURE 7-23. LIFT DOWN HARNESS - WITHOUT LSS



ART\_1001200821

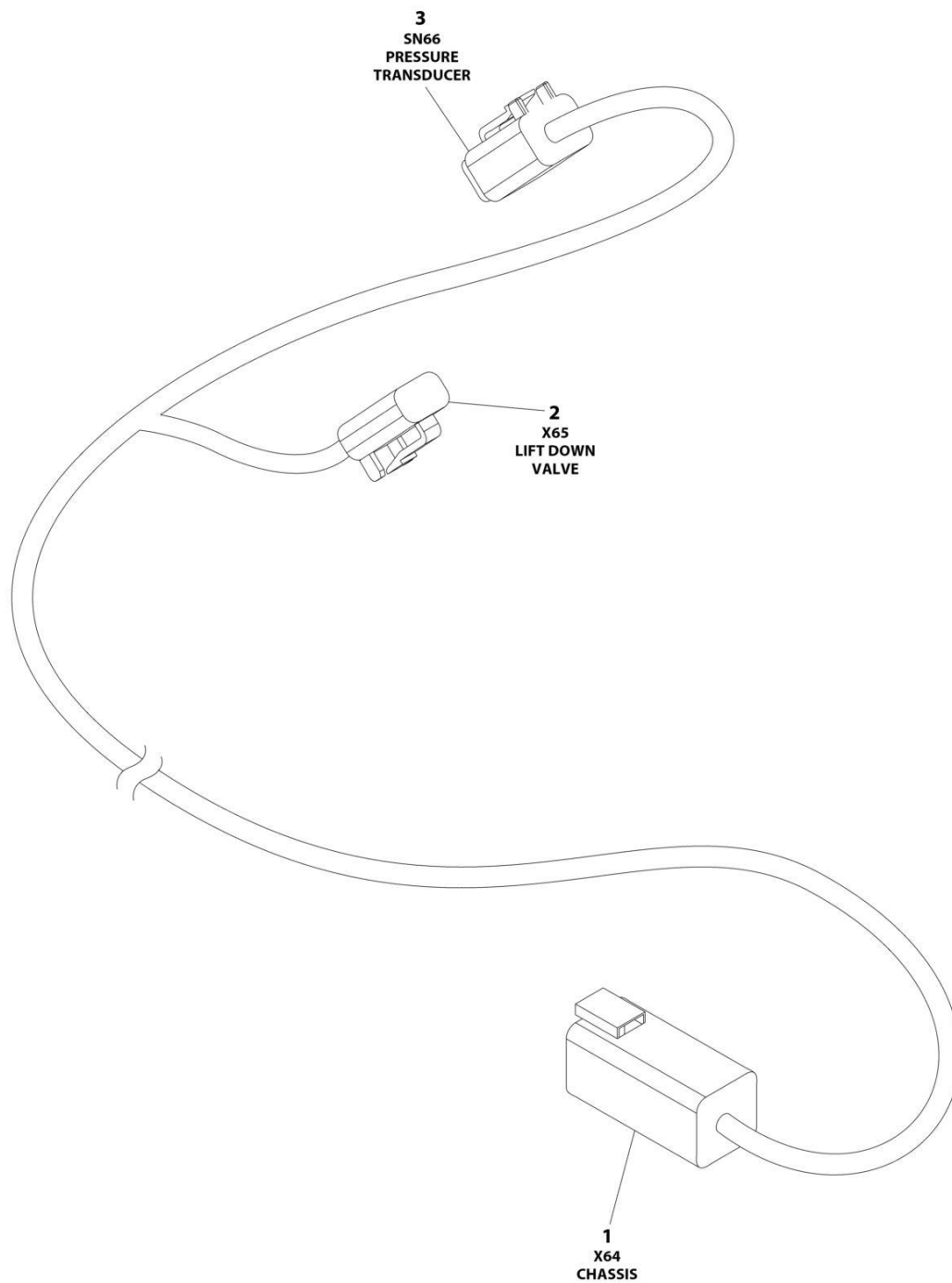
## SECTION 7 - ELECTRICAL

### FIGURE 7-23. LIFT DOWN HARNESS - WITHOUT LSS

ITEM	PART NUMBER	QTY	DESCRIPTION	REV
	1001200821	Ref	LIFT DOWN HARNESS - WITHOUT LSS	B
1	4460891	1	Plug, Male - 2 Position	
1	4460465	2	Socket, Female	
2	4460899	1	Receptacle, Female - 6 Position	
2	4460464	2	Pin, Male	
2	4460466	4	Plug, Terminal	

## SECTION 7 - ELECTRICAL

FIGURE 7-24. LIFT DOWN HARNESS - WITH LSS (Prior to SN B200038482, Prior to SN M200007595)



ART\_1001200822



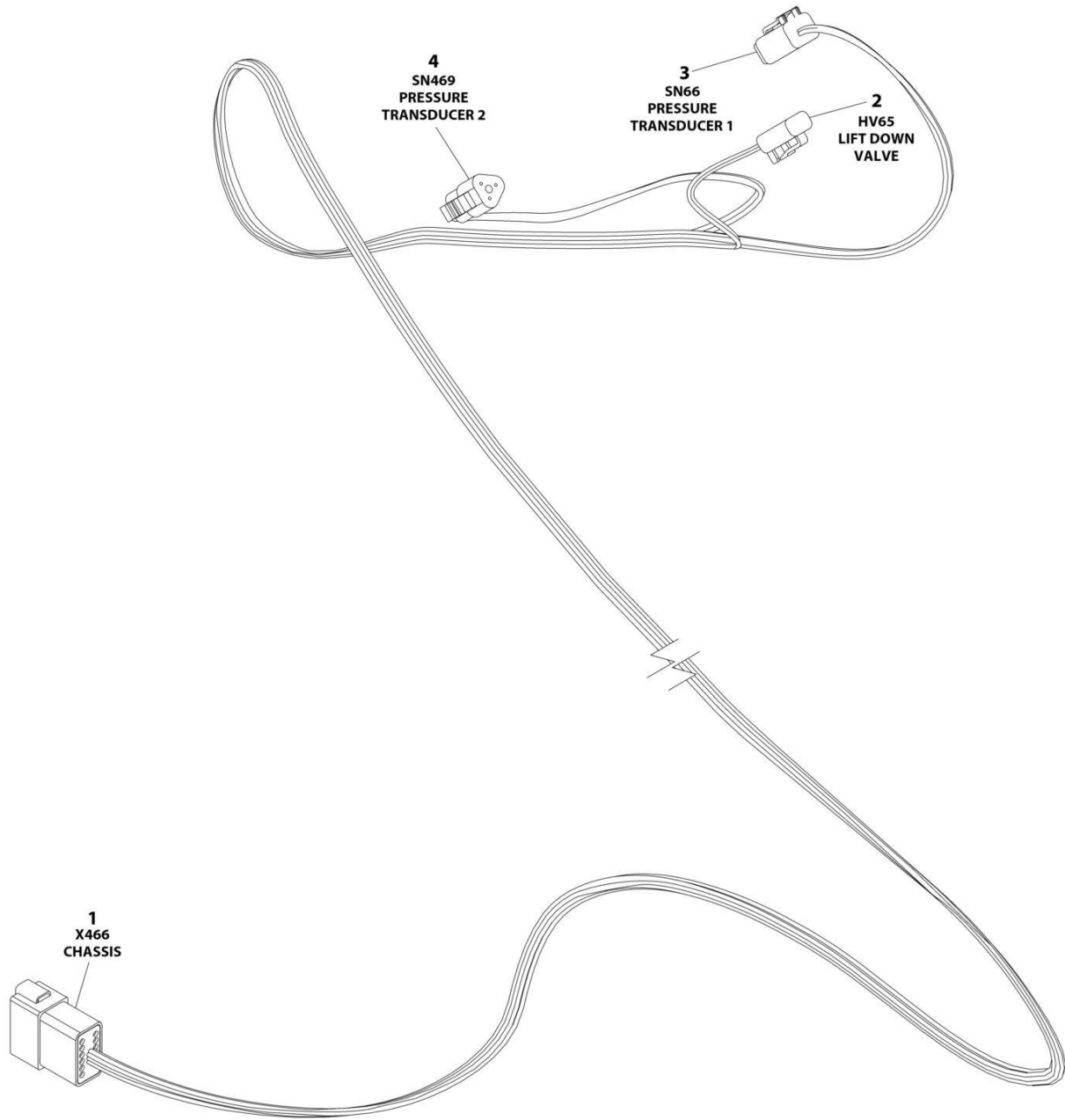
## SECTION 7 - ELECTRICAL

**FIGURE 7-24. LIFT DOWN HARNESS - WITH LSS (Prior to SN B200038482, Prior to SN M200007595)**

ITEM	PART NUMBER	QTY	DESCRIPTION	REV
	1001200822	Ref	LIFT DOWN HARNESS - WITH LSS (Prior to SN B200038482, <b>Prior to SN M200007595)</b>	C
1	4460899	1	Receptacle, Female - 6 Position	
1	4460464	6	Pin, Male	
2	4460891	1	Plug, Male - 2 Position	
2	4460465	2	Socket, Female	
3	4460884	1	Plug, Male - 4 Position	
3	4460465	4	Socket, Female	

# SECTION 7 - ELECTRICAL

FIGURE 7-25. LIFT DOWN HARNESS - WITH LSS (SN B200038482 to Present, SN M200007595 to Present)



ART\_1001222687

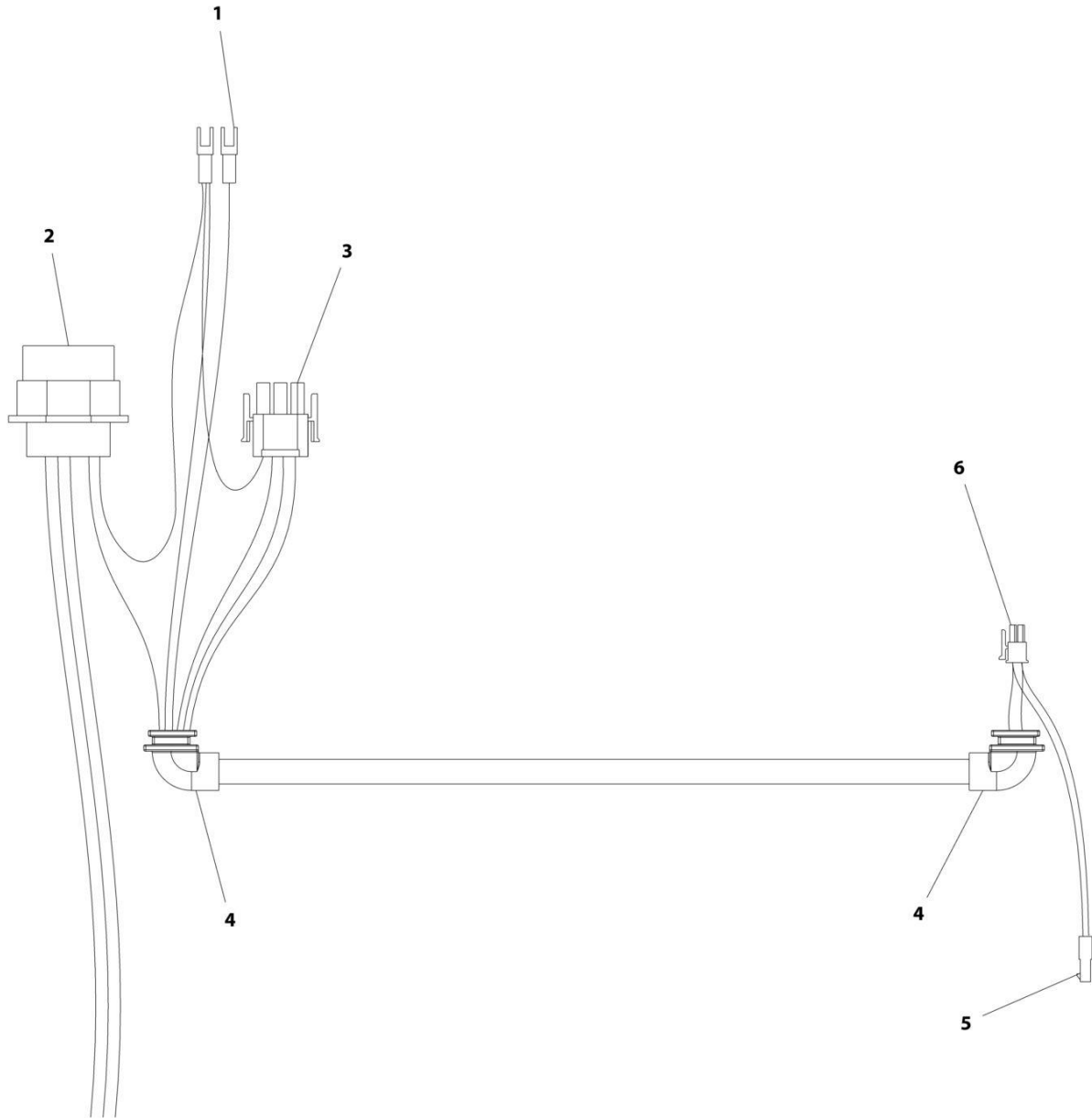
## SECTION 7 - ELECTRICAL

**FIGURE 7-25. LIFT DOWN HARNESS - WITH LSS (SN B200038482 to Present, SN M200007595 to Present)**

ITEM	PART NUMBER	QTY	DESCRIPTION	REV
	1001222687	Ref	LIFT DOWN HARNESS - WITH LSS (SN B200038482 to Present, SN M200007595 to Present)	B
1	4460970	1	Receptacle, Female - 12 Position	
1	4460464	9	Pin, Male	
1	4460466	3	Plug, Terminal	
2	4460891	1	Plug, Male - 4 Position	
2	4460465	2	Socket, Female	
3	4460884	1	Plug, Male - 4 Position	
3	4460465	4	Socket, Female	
4	4460539	1	Plug, Male - 3 Position	
4	4460465	3	Socket, Female	

# SECTION 7 - ELECTRICAL

FIGURE 7-26. PLATFORM BOX HARNESS (Prior to SN B200038482, SN M200000100 to Present)



ART\_4922870

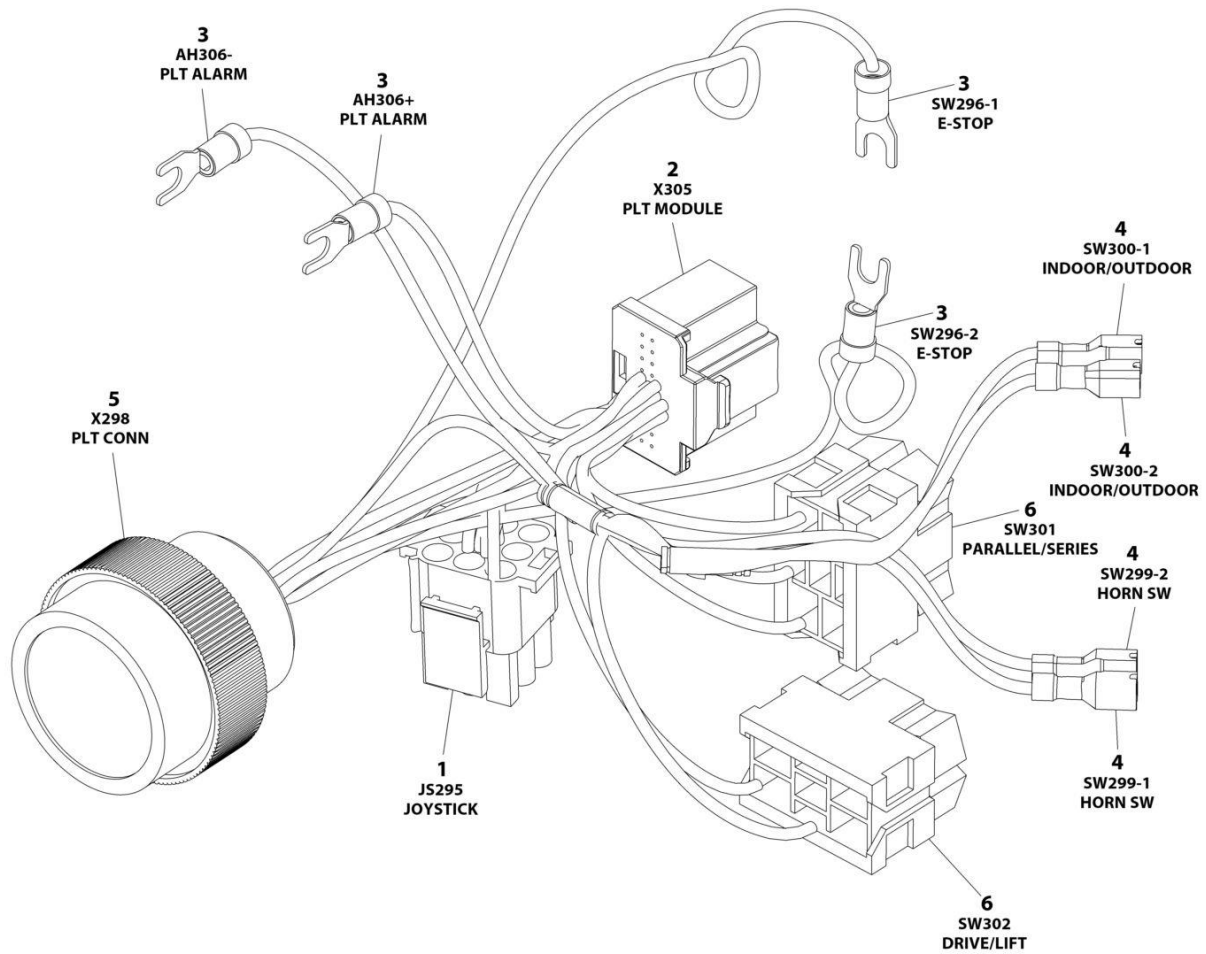
## SECTION 7 - ELECTRICAL

**FIGURE 7-26. PLATFORM BOX HARNESS (Prior to SN B200038482, SN M200000100 to Present)**

ITEM	PART NUMBER	QTY	DESCRIPTION	REV
1	4922870	Ref	PLATFORM BOX HARNESS	D
2	4461016	1	Connector - 14 Position	
2	4460464	6	Pin, Male	
2	4460466	8	Plug, Sealing	
2	4460496	1	Lockwasher	
2	4460497	1	Nut, Panel	
3	4460265	1	Plug, Male - 9 Position	
3	4460267	8	Pin, Male	
4	2540042	2	Grommet 90	
5	See Note	NSS	Receptacle, Female - Position (Note: Not Available for Purchase)	
6	4461057	1	Plug, Male - 16 Position	

# SECTION 7 - ELECTRICAL

## FIGURE 7-27. PLATFORM BOX HARNESS (SN B200038482 to Present)



ART\_1001200819

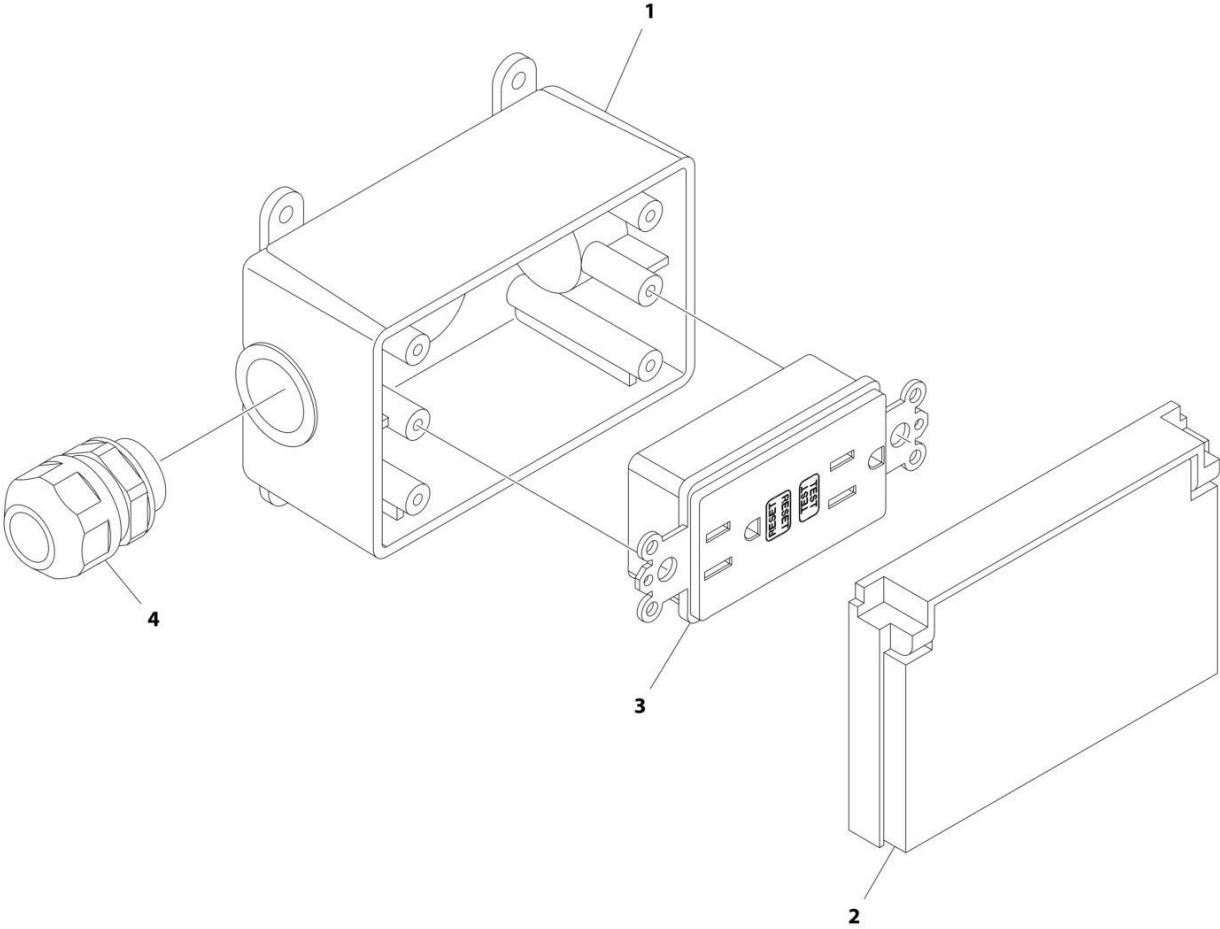
## SECTION 7 - ELECTRICAL

**FIGURE 7-27. PLATFORM BOX HARNESS (SN B200038482 to Present)**

ITEM	PART NUMBER	QTY	DESCRIPTION	REV
	1001200819	Ref	PLATFORM CONTROL BOX HARNESS	C
1	4460265	1	Plug, Male - 9 Position	
1	4460267	6	Pin, Male	
2	1001212036	1	Connector - 20 Position	
2	1001212035	16	Terminal	
3	4460183	4	Terminal, Fork	
4	1001201885	4	Terminal with Cover	
5	4461016	1	Connector - 14 Position	
5	4460464	8	Pin, Male	
5	4460466	6	Plug, Terminal	
6	4460418	2	Connector - 6 Position	
6	1001159186	5	Terminal	

**SECTION 7 - ELECTRICAL**

**FIGURE 7-28. RECEPTACLE BOX KIT - 110V GFI**



ART\_2902431



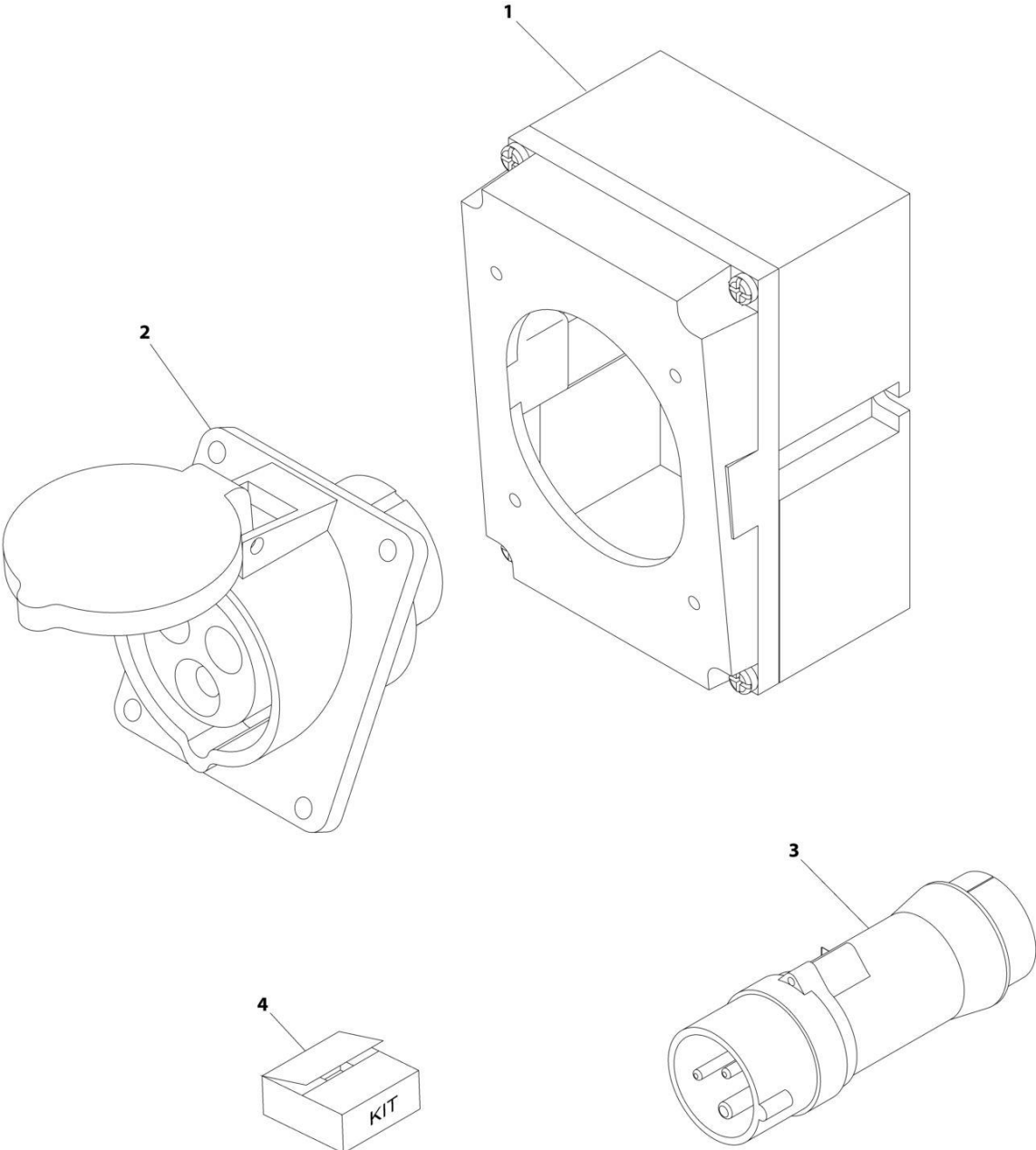
## SECTION 7 - ELECTRICAL

**FIGURE 7-28. RECEPTACLE BOX KIT - 110V GFI**

ITEM	PART NUMBER	QTY	DESCRIPTION	REV
	2902431	Ref	RECEPTACLE BOX KIT - 110V GFI	D
1	0861731	1	Box, Receptacle	
2	1671207	1	Cover, Receptacle	
3	4460346	1	Receptacle	
4	4460662	1	Connector, Strain Relief	

**SECTION 7 - ELECTRICAL**

**FIGURE 7-29. RECEPTACLE BOX KIT - 110V IEC YELLOW (CE SPEC)**



ART\_0275216

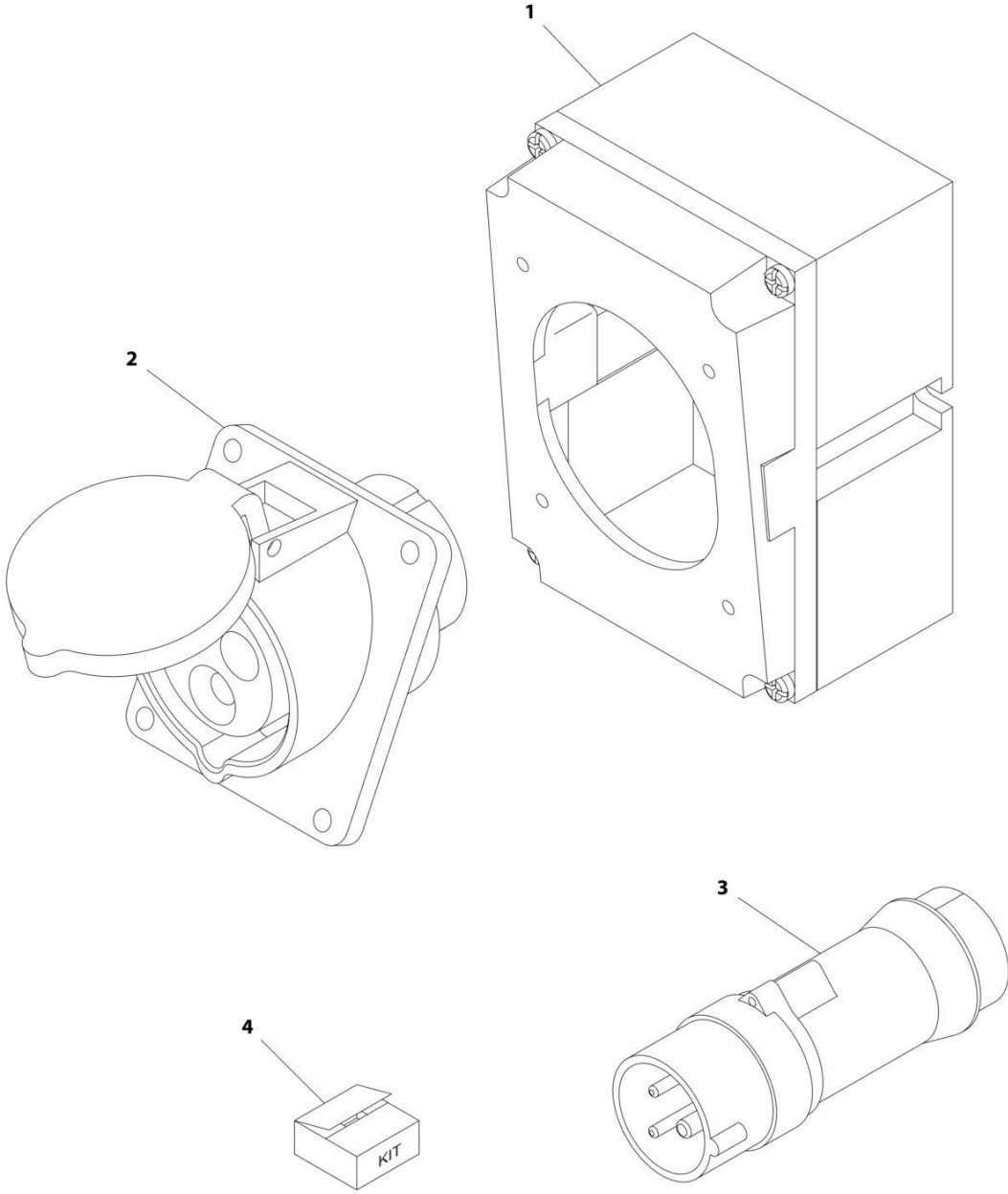
## SECTION 7 - ELECTRICAL

**FIGURE 7-29. RECEPTACLE BOX KIT - 110V IEC YELLOW (CE SPEC)**

ITEM	PART NUMBER	QTY	DESCRIPTION	REV
	0275216	Ref	RECEPTACLE BOX KIT - 110V IEC YELLOW	1
1	0861781	1	Box, Switch	
2	4461198	1	Receptacle	
3	4461196	1	Plug, Male	
4	1001100341	1	Plug and Socket Kit (Includes Items 1-3 and Female Plug p/n 4461197)	

**SECTION 7 - ELECTRICAL**

**FIGURE 7-30. RECEPTACLE BOX KIT - 220V IEC BLUE (CE SPEC)**



ART\_0275217

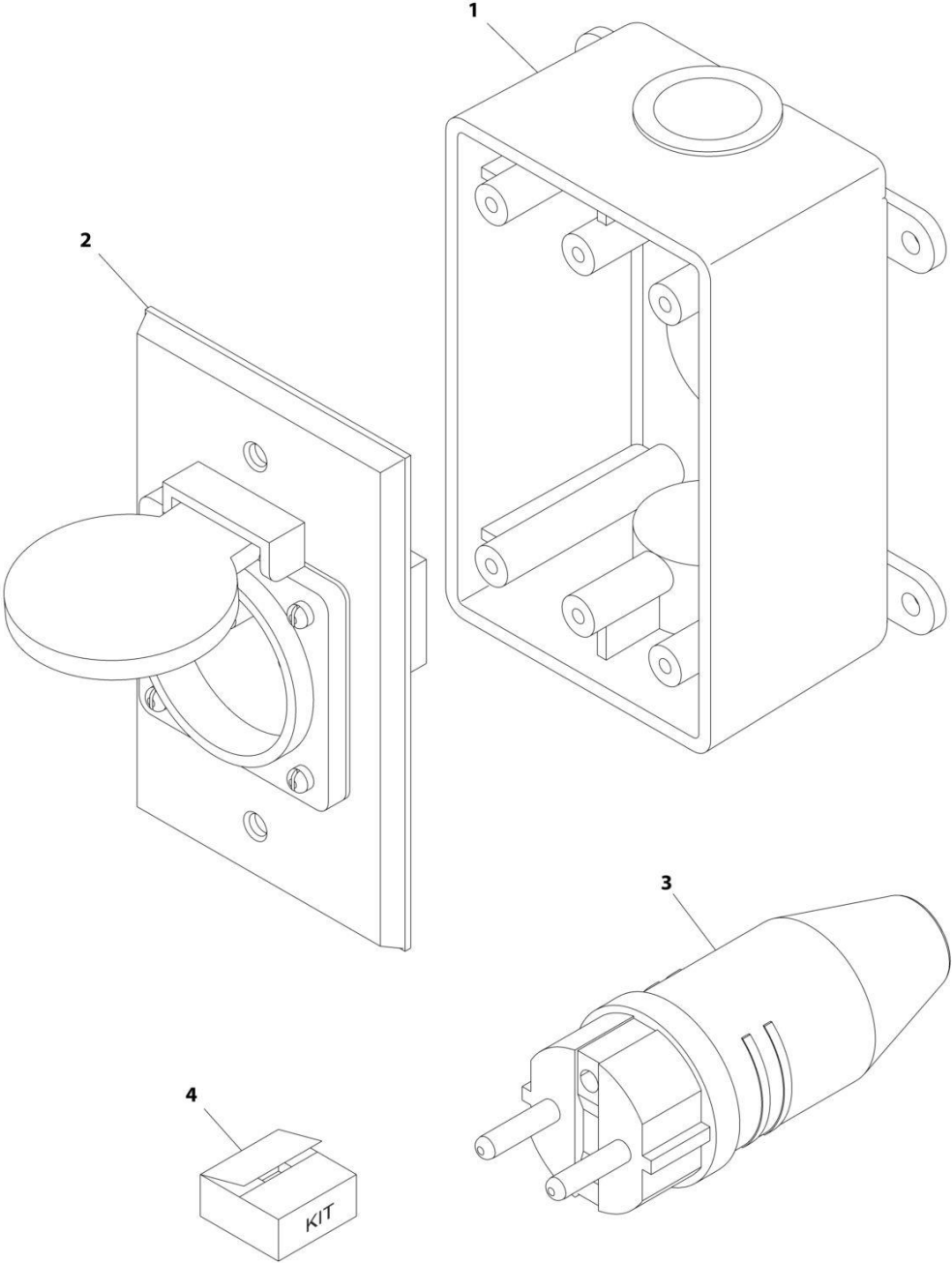
## SECTION 7 - ELECTRICAL

**FIGURE 7-30. RECEPTACLE BOX KIT - 220V IEC BLUE (CE SPEC)**

ITEM	PART NUMBER	QTY	DESCRIPTION	REV
	0275217	Ref	RECEPTACLE BOX KIT - 220V IEC BLUE	1
1	0861781	1	Box, Switch	
2	4461201	1	Receptacle	
3	4461199	1	Plug, Male	
4	1001100342	1	Plug and Socket Kit (Includes Items 1-3 and Female Plug p/n 4461200)	

**SECTION 7 - ELECTRICAL**

**FIGURE 7-31. RECEPTACLE BOX KIT - 220V CEE7 POST GROUND (CE SPEC)**



ART\_0275452-C

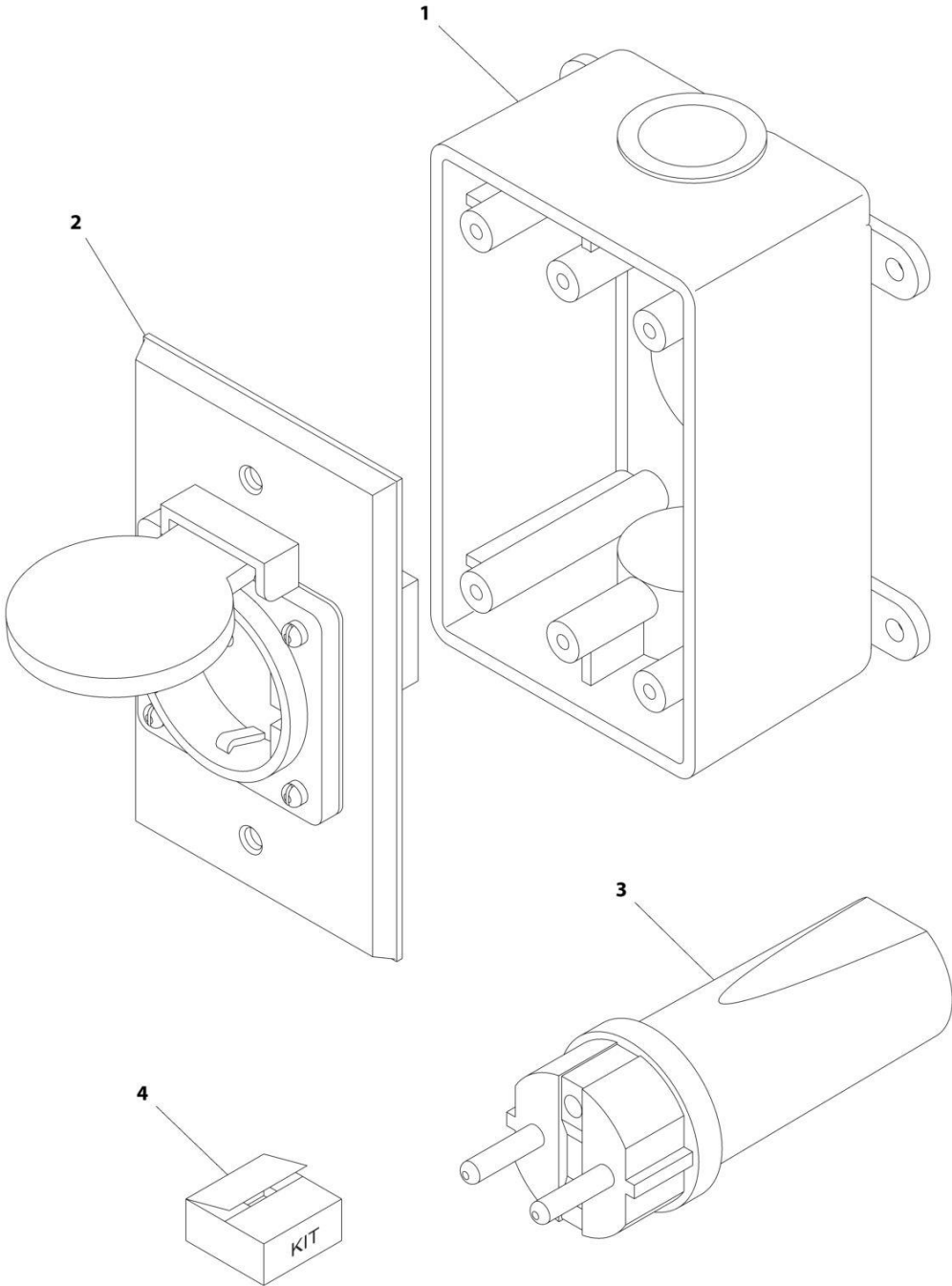
## SECTION 7 - ELECTRICAL

**FIGURE 7-31. RECEPTACLE BOX KIT - 220V CEE7 POST GROUND (CE SPEC)**

ITEM	PART NUMBER	QTY	DESCRIPTION	REV
	0275452	Ref	RECEPTACLE BOX KIT - 220V CEE7 POST GROUND	C
1	0861731	1	Box, Switch	
2	4461244	1	Receptacle	
3	4461205	1	Plug, Male	
4	1001100345	1	Plug and Socket Kit (Includes Items 1-3 and Female Plug p/n 4461203)	

**SECTION 7 - ELECTRICAL**

**FIGURE 7-32. RECEPTACLE BOX KIT - 220V CEE7 SIDE GROUND (CE SPEC)**



ART\_0275453



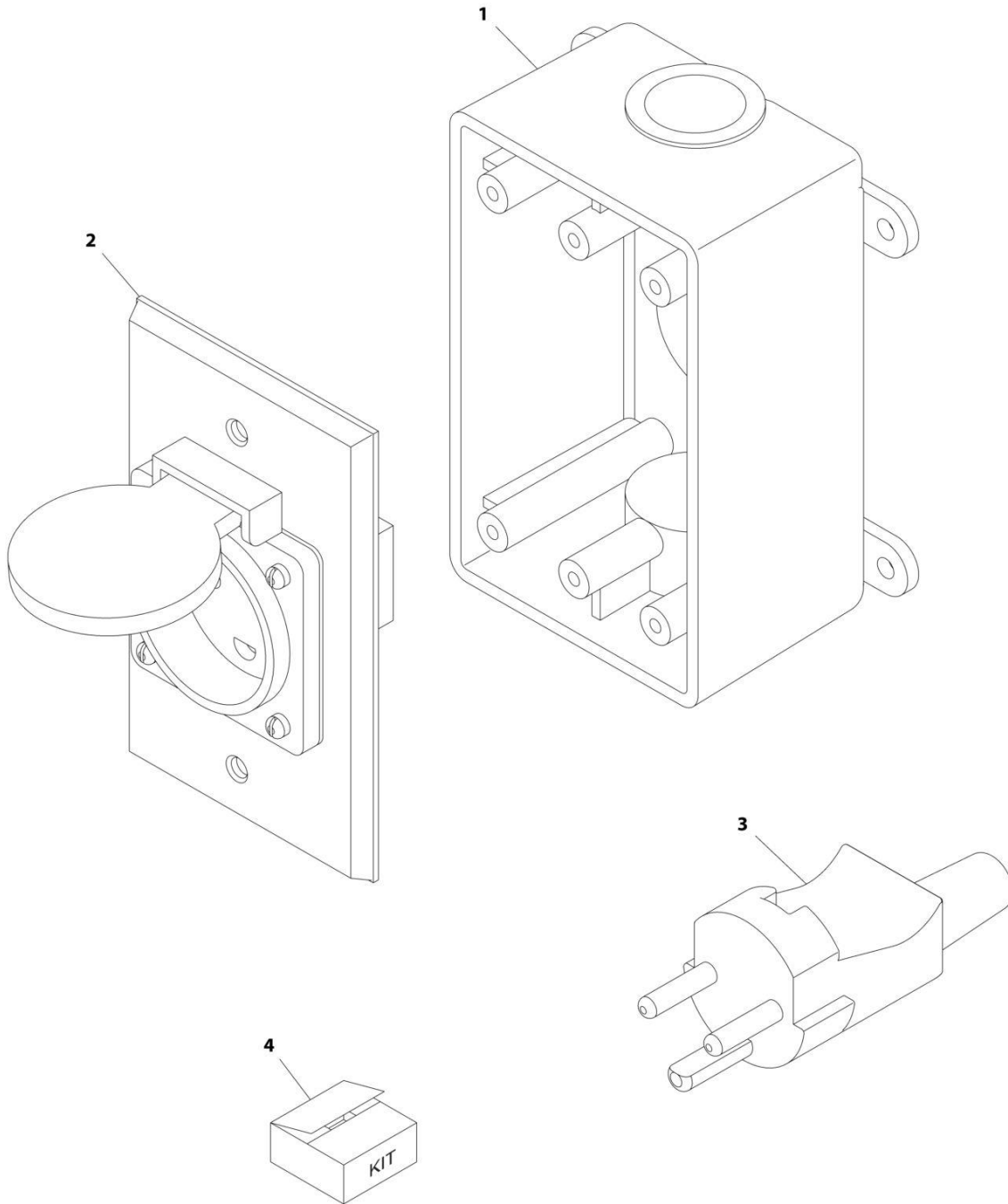
## SECTION 7 - ELECTRICAL

**FIGURE 7-32. RECEPTACLE BOX KIT - 220V CEE7 SIDE GROUND (CE SPEC)**

ITEM	PART NUMBER	QTY	DESCRIPTION	REV
	0275453	Ref	RECEPTACLE BOX KIT - 220V CEE7 SIDE GROUND	1
1	0861731	1	Box, Switch	
2	4461245	1	Receptacle	
3	4461205	1	Plug, Male	
4	1001100347	1	Plug and Socket Kit (Includes Items 1-3 and Female Plug p/n 4461206)	

# SECTION 7 - ELECTRICAL

FIGURE 7-33. RECEPTACLE BOX KIT - 220V AFSINT 107 (CE SPEC)



ART\_0275454

## SECTION 7 - ELECTRICAL

**FIGURE 7-33. RECEPTACLE BOX KIT - 220V AFSINT 107 (CE SPEC)**

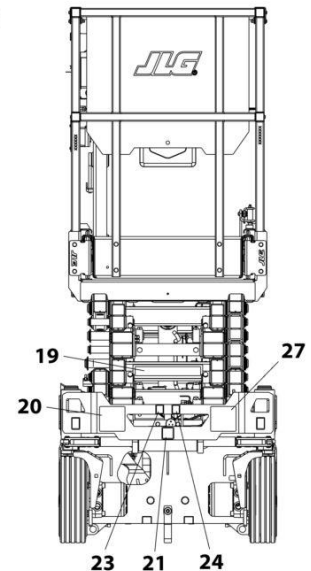
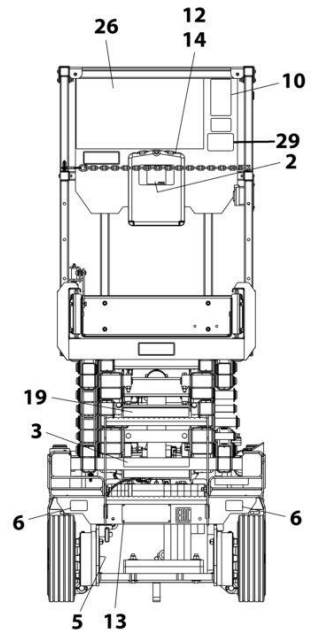
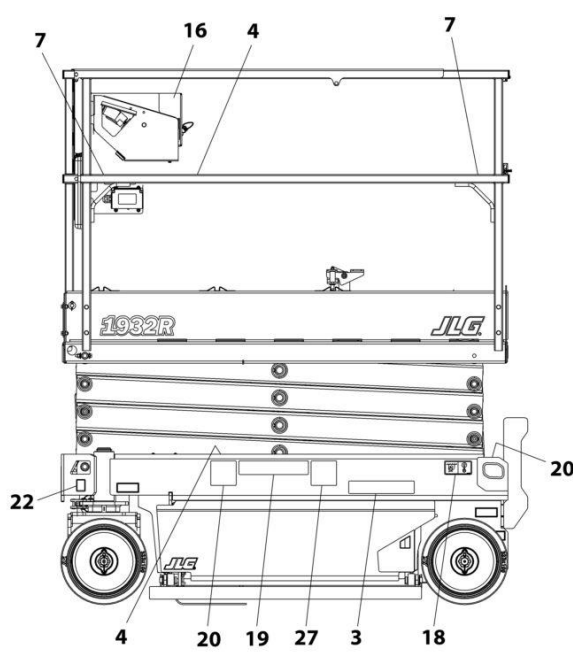
ITEM	PART NUMBER	QTY	DESCRIPTION	REV
	0275454	Ref	RECEPTACLE BOX KIT - 220V AFSINT 107	1
1	0861731	1	Box, Switch	
2	4461246	1	Receptacle	
3	4461249	1	Plug, Male	
4	1001100346	1	Plug and Socket Kit (Includes Items 1-3 and Female Plug p/n 4461250)	



**SECTION 8 - DECALS**

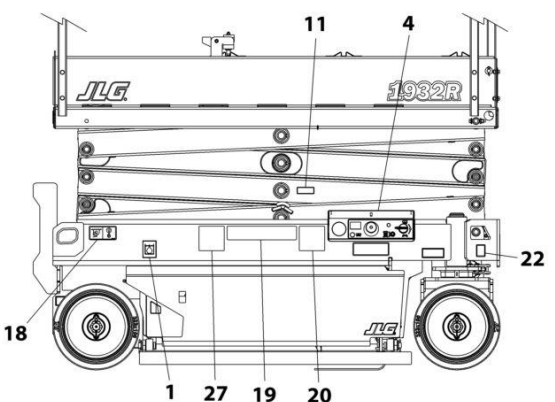
# SECTION 8 - DECALS

## FIGURE 8-1. DECAL INSTALLATION (ANSI SPEC)

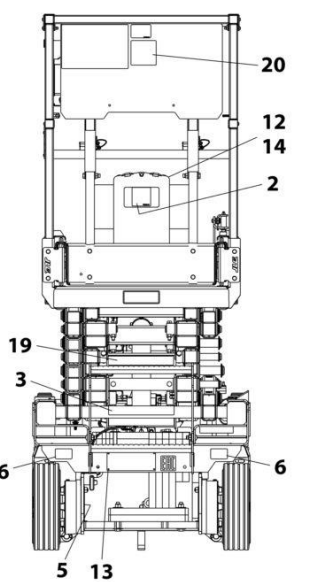
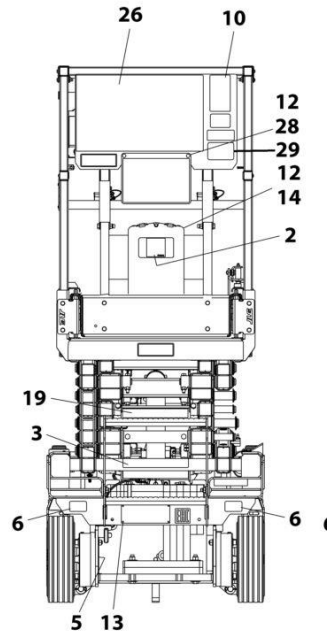


REAR VIEW - FIXED RAILS  
(LADDER AND PLATFORM BOX  
REMOVED FOR CLARITY)

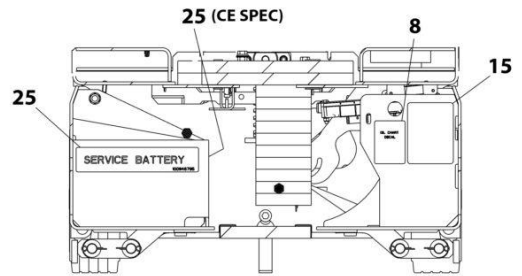
FRONT VIEW



**NOTE: ITEMS SHOWN MAY NOT BE REQUIRED FOR ALL SPECS. REFER TO PARTS LISTS FOR USAGE.**  
**NOTE: ADDITIONAL DECALS CALLED OUT ON DECAL INSTALLATION - OPTIONS.**



REAR VIEW - FOLD-DOWN RAILS  
(LADDER AND PLATFORM BOX REMOVED FOR CLARITY)



DETAIL OF COMPONENTS  
INSIDE FRAME TRAYS

ART\_1001209907

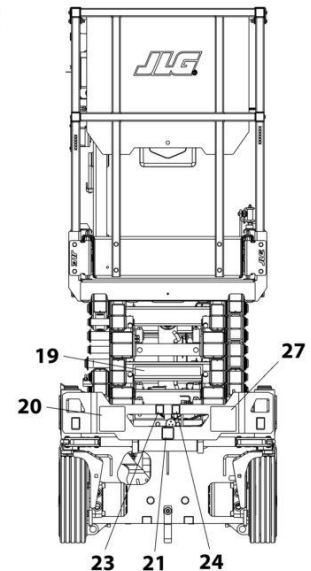
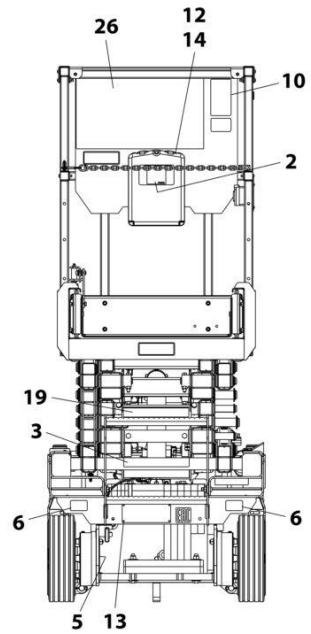
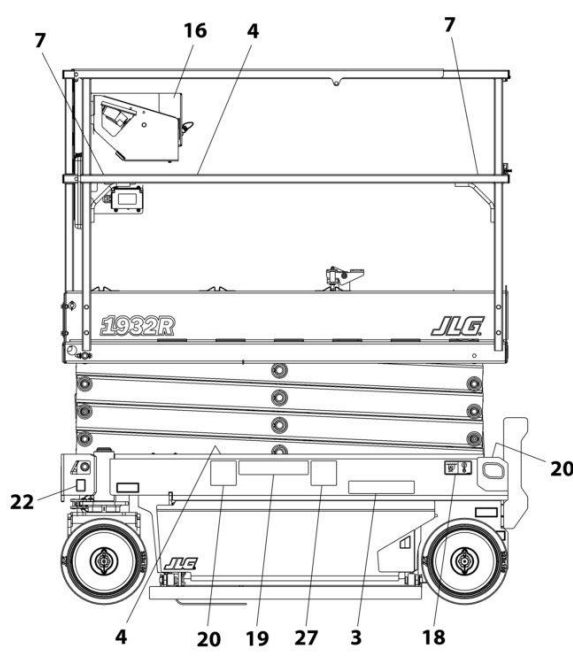
## SECTION 8 - DECALS

**FIGURE 8-1. DECAL INSTALLATION (ANSI SPEC)**

ITEM	PART NUMBER	QTY	DESCRIPTION	REV
	1001209907	Ref	DECAL INSTALLATION (ANSI SPECS)	D
1	1701504	1	Decal - Hydraulic Oil	
2	1701640_JUNK_D O_NOT_USE	1	Decal - Manual	
3	1703813	2	Decal - Warning Battery Ventilation	
4	1703819	4	Decal - Direction Arrow	
5	1703822	1	Decal - Manual Descent Instruction	
6	1704016	2	Decal - Fork Lift	
7	1704277	2	Decal - Lanyard Attach	
8	1704412	1	Decal - Hydraulic Oil	
10	1705686	1	Decal - Legend	
11	1001220430	1	Decal - Safety Prop <b>(SN B300000100 to Present)</b>	
11	1705693	NLA	Decal - Safety Prop (Use p/n 1001220430) <b>(Prior to SN M200005066)</b>	
11	1001220430	1	Decal - Safety Prop <b>(SN M200005066 to Present)</b>	
12	2080040	3	Fastener	
13	2080057	4	Fastener	
14	8990147	1	Holder, Manual	
15	1001131270	1	Decal - Patent	
16	1001132359	1	Decal - Control Box Locate	
18	1001162864	2	Decal - Lift Up/Tie Down	
19	1001211777	4	Decal - Crushing Hazard	
20	1001211779	4	Decal - Electrocutation	
21	1001212290	1	Decal - Tie Down	
22	1001212291	2	Decal - Lifting Lug	
23	1001212292	1	Decal - No Lifting	
24	1001212293	1	Decal - No Forklift	
25	1001146794	1	Decal - Battery/Charger Service	
26	1703816	1	Decal - Danger/Warning	
29	1001231801	1	Decal - Prop 65 Warning <b>(SN B200053298 to Present, SN M20002944 to Present)</b>	

# SECTION 8 - DECALS

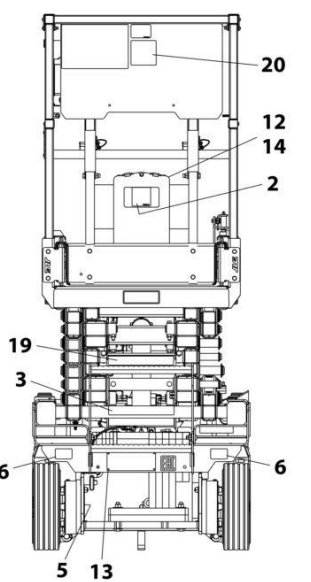
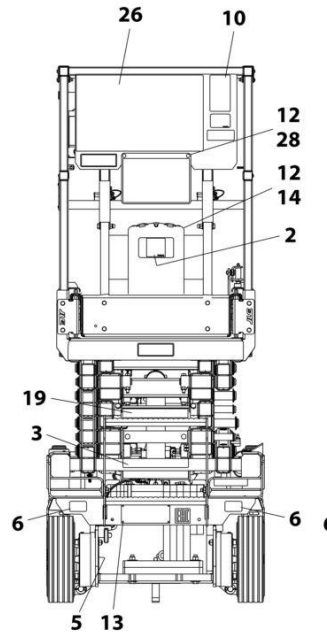
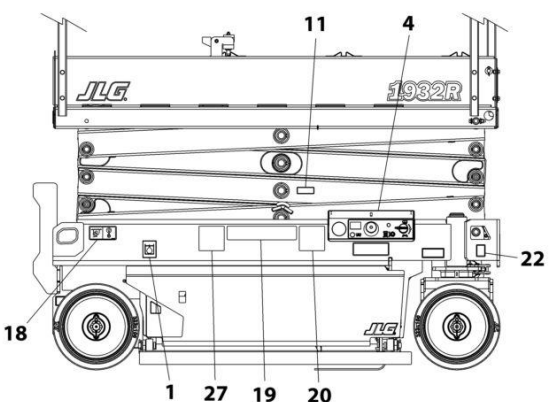
## FIGURE 8-2. DECAL INSTALLATION (AUSTRALIAN SPECS)



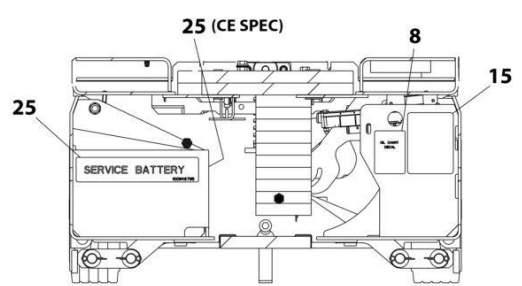
REAR VIEW - FIXED RAILS  
(LADDER AND PLATFORM BOX  
REMOVED FOR CLARITY)

FRONT VIEW

**NOTE: ITEMS SHOWN MAY NOT BE REQUIRED FOR ALL SPECS. REFER TO PARTS LISTS FOR USAGE.**  
**NOTE: ADDITIONAL DECALS CALLED OUT ON DECAL INSTALLATION - OPTIONS.**



REAR VIEW - FOLD-DOWN RAILS  
(LADDER AND PLATFORM BOX REMOVED FOR CLARITY)



DETAIL OF COMPONENTS  
INSIDE FRAME TRAYS

ART\_1001209914



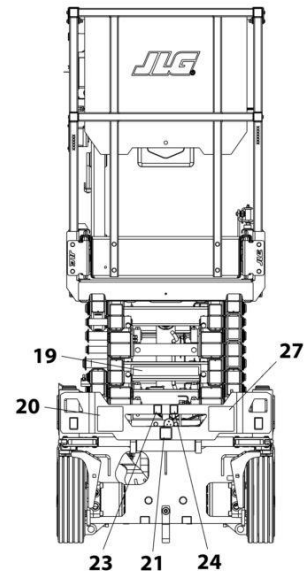
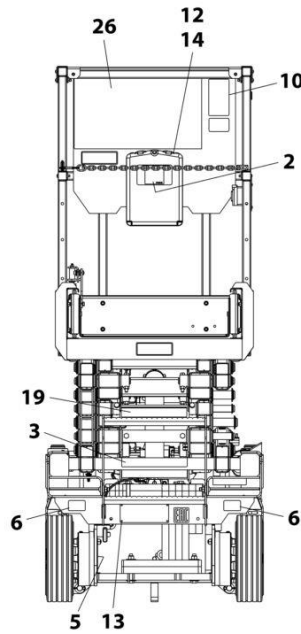
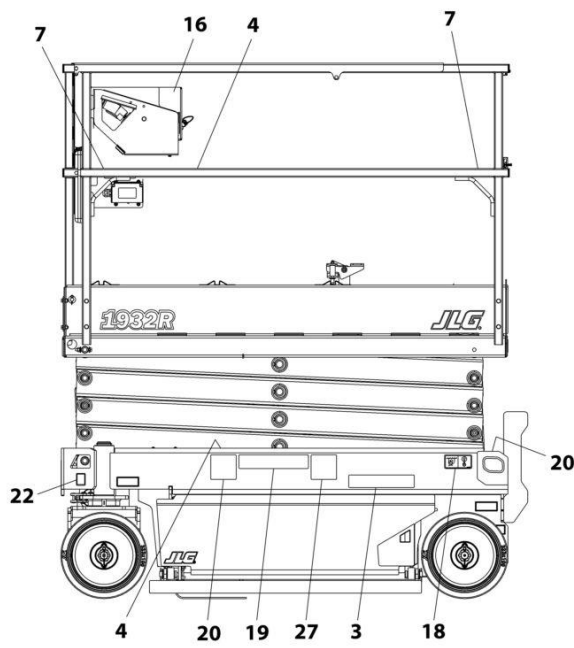
## SECTION 8 - DECALS

**FIGURE 8-2. DECAL INSTALLATION (AUSTRALIAN SPECS)**

ITEM	PART NUMBER	QTY	DESCRIPTION	REV
	1001209914	Ref	DECAL INSTALLATION (AUSTRALIAN SPECS)	C
1	1701504	1	Decal - Hydraulic Oil	
2	1701640	1	Decal - Manual	
3	1705670	2	Decal - Fire Hazard	
4	1703819	4	Decal - Direction Arrow	
5	1703822	1	Decal - Manual Descent Instruction	
6	1704016	2	Decal - Fork Lift	
7	1704277	2	Decal - Lanyard Attach	
8	1704412	1	Decal - Hydraulic Oil	
11	1001220430	1	Decal - Safety Prop <b>(SN E200000100 to Present)</b>	
11	1705693	NLA	Decal - Safety Prop (Use p/n 1001220430) <b>(Prior to SN M200005066)</b>	
11	1001220430	1	Decal - Safety Prop <b>(SN M200005066 to Present)</b>	
12	2080040	3	Fastener	
13	2080057	4	Fastener	
14	8990147	1	Holder, Manual	
16	1001132359	1	Decal - Control Box Locate	
18	1001162864	2	Decal - Lift Up/Tie Down	
19	1001219172	4	Decal - Crushing	
20	1001219171	5	Decal - Electrocutation	
21	1001212290	1	Decal - Tie Down	
22	1001212291	2	Decal - Lifting Lug	
23	1001212292	1	Decal - No Lifting	
24	1001212293	1	Decal - No Forklift	
25	1001146794	1	Decal - Battery/Charger Service	

# SECTION 8 - DECALS

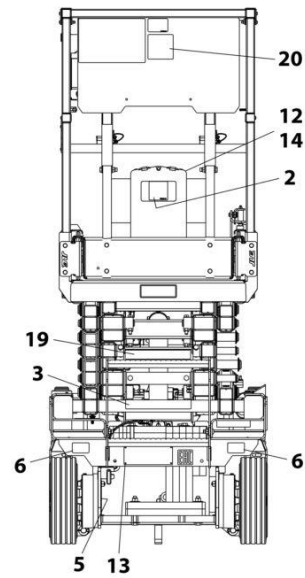
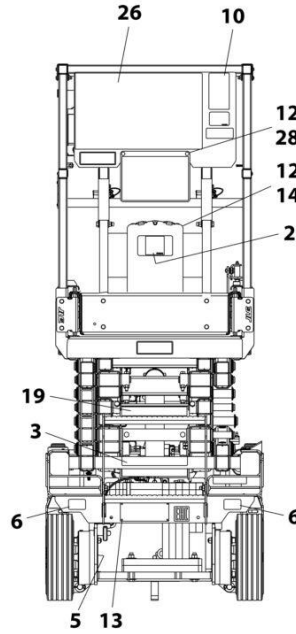
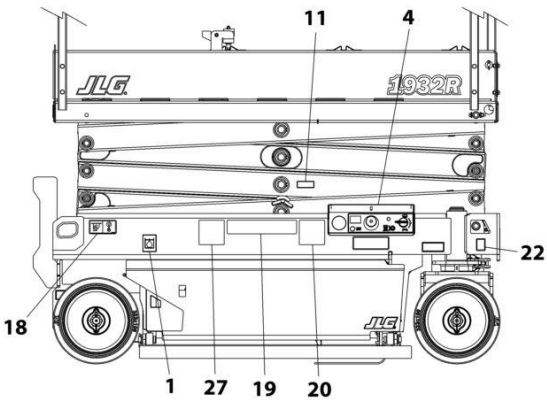
## FIGURE 8-3. DECAL INSTALLATION (BRAZIL SPECS)



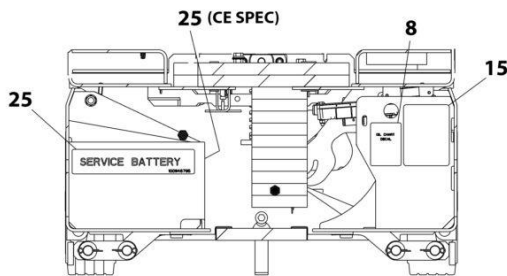
REAR VIEW - FIXED RAILS  
(LADDER AND PLATFORM BOX  
REMOVED FOR CLARITY)

FRONT VIEW

**NOTE: ITEMS SHOWN MAY NOT BE REQUIRED FOR ALL SPECS. REFER TO PARTS LISTS FOR USAGE.**  
**NOTE: ADDITIONAL DECALS CALLED OUT ON DECAL INSTALLATION - OPTIONS.**



REAR VIEW - FOLD-DOWN RAILS  
(LADDER AND PLATFORM BOX REMOVED FOR CLARITY)



DETAIL OF COMPONENTS  
INSIDE FRAME TRAYS

ART\_1001209910

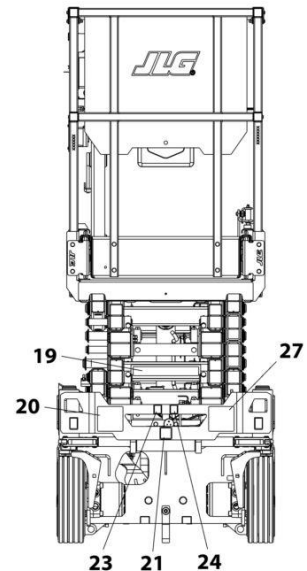
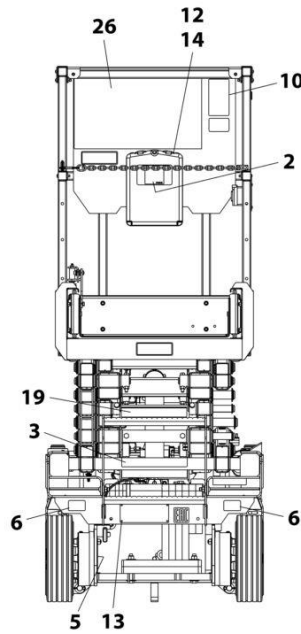
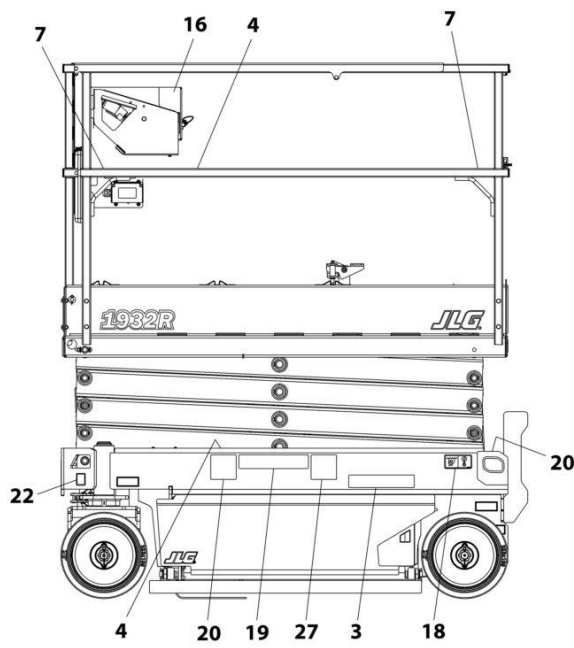
## SECTION 8 - DECALS

**FIGURE 8-3. DECAL INSTALLATION (BRAZIL SPECS)**

ITEM	PART NUMBER	QTY	DESCRIPTION	REV
	1001209910	Ref	DECAL INSTALLATION (BRAZIL SPECS)	B
1	1701504	1	Decal - Hydraulic Oil	
2	1701640	1	Decal - Manual	
3	1704341	2	Decal - Warning Battery Ventilation	
4	1703819	4	Decal - Direction Arrow	
5	1703822	1	Decal - Manual Descent Instruction	
6	1704016	2	Decal - Fork Lift	
7	1704277	2	Decal - Lanyard Attach	
8	1704412	1	Decal - Hydraulic Oil	
10	1705726	1	Decal - Legend	
11	1001220430	1	Decal - Safety Prop <b>(SN E200000100 to Present)</b>	
11	1705693	NLA	Decal - Safety Prop (Use p/n 1001220430) <b>(Prior to SN M200005066)</b>	
11	1001220430	1	Decal - Safety Prop <b>(SN M200005066 to Present)</b>	
12	2080040	3	Fastener	
13	2080057	4	Fastener	
14	8990147	1	Holder, Manual	
16	1001132359	1	Decal - Control Box Locate	
18	1001162864	2	Decal - Lift Up/Tie Down	
19	1001216650	4	Decal - Crushing Hazard	
20	1001215748	4	Decal - Danger Electrocution	
21	1001212290	1	Decal - Tie Down	
22	1001212291	2	Decal - Lifting Lug	
23	1001212292	1	Decal - No Lifting	
24	1001212293	1	Decal - No Forklift	
25	1001146794	1	Decal - Battery/Charger Service	
26	1704699	1	Decal - Danger/Warning	
27	1001216648	4	Decal - Danger Electrocution	

# SECTION 8 - DECALS

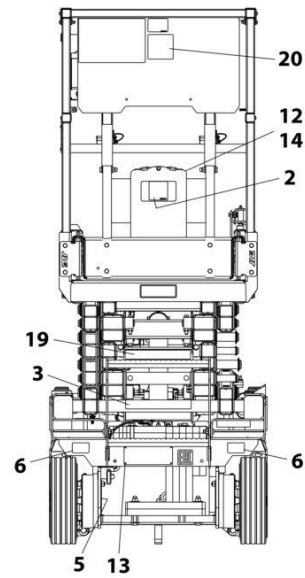
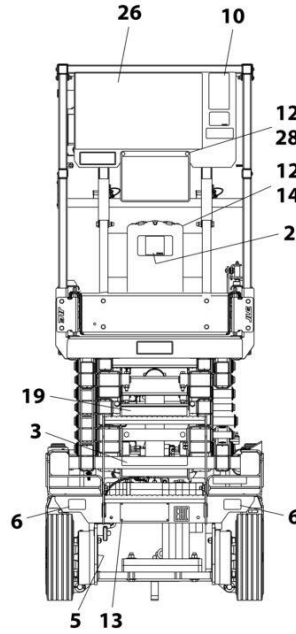
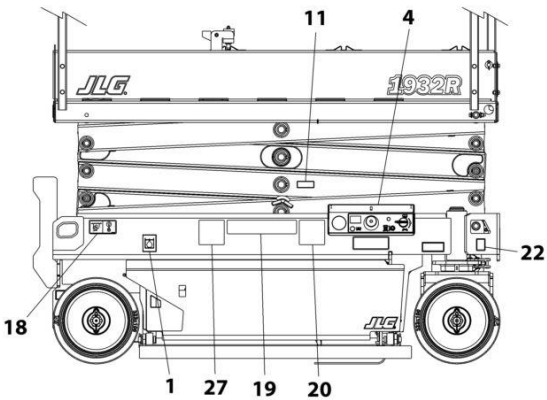
## FIGURE 8-4. DECAL INSTALLATION (CE SPECS)



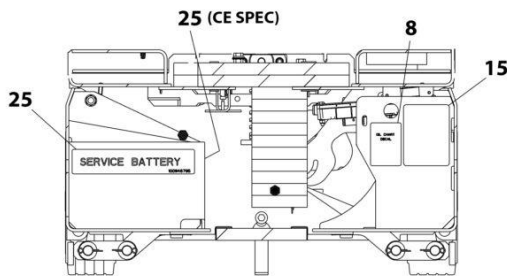
REAR VIEW - FIXED RAILS  
(LADDER AND PLATFORM BOX  
REMOVED FOR CLARITY)

FRONT VIEW

**NOTE: ITEMS SHOWN MAY NOT BE REQUIRED FOR ALL SPECS. REFER TO PARTS LISTS FOR USAGE.**  
**NOTE: ADDITIONAL DECALS CALLED OUT ON DECAL INSTALLATION - OPTIONS.**



REAR VIEW - FOLD-DOWN RAILS  
(LADDER AND PLATFORM BOX REMOVED FOR CLARITY)



DETAIL OF COMPONENTS  
INSIDE FRAME TRAYS

ART\_1001209913

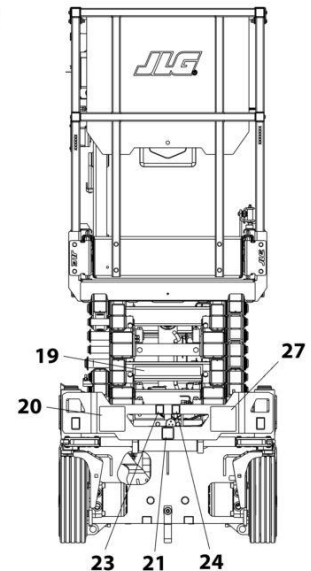
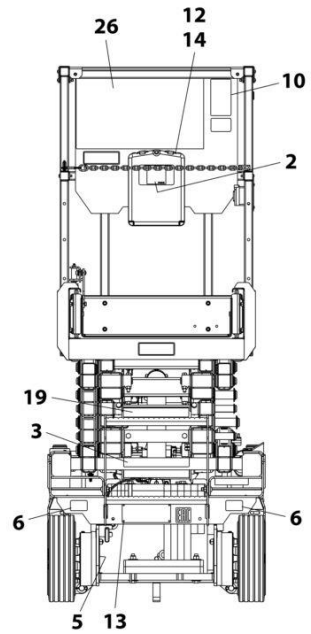
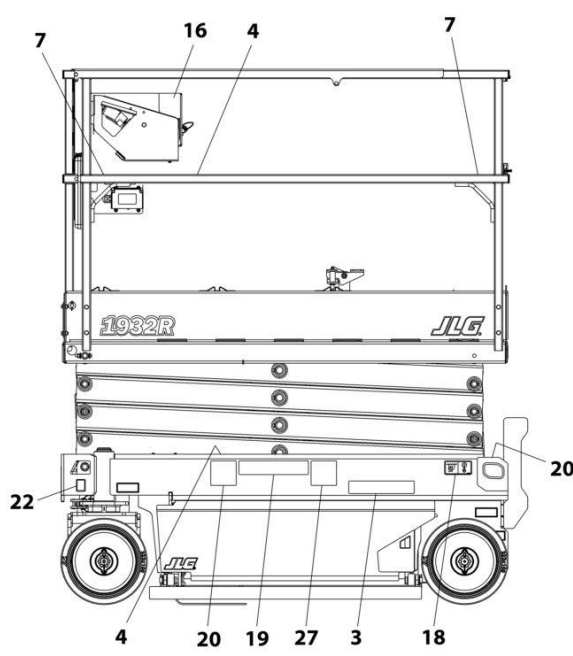
## SECTION 8 - DECALS

**FIGURE 8-4. DECAL INSTALLATION (CE SPECS)**

ITEM	PART NUMBER	QTY	DESCRIPTION	REV
	1001209913	Ref	DECAL INSTALLATION (CE SPECS)	C
1	1701504	1	Decal - Hydraulic Oil	
2	1701640	1	Decal - Manual	
3	1705670	2	Decal - Fire Hazard	
4	1703819	4	Decal - Direction Arrow	
5	1703822	1	Decal - Manual Descent Instruction	
6	1704016	2	Decal - Fork Lift	
7	1704277	2	Decal - Lanyard Attach	
8	1704412	1	Decal - Hydraulic Oil	
11	1001220430	1	Decal - Safety Prop <b>(SN E200000100 to Present)</b>	
11	1705693	NLA	Decal - Safety Prop (Use p/n 1001220430) <b>(Prior to SN M200005066)</b>	
11	1001220430	1	Decal - Safety Prop <b>(SN M200005066 to Present)</b>	
12	2080040	3	Fastener	
13	2080057	4	Fastener	
14	8990147	1	Holder, Manual	
16	1001132359	1	Decal - Control Box Locate	
18	1001162864	2	Decal - Lift Up/Tie Down	
19	1001219172	4	Decal - Crushing	
20	1001219171	5	Decal - Electrocutation	
21	1001212290	1	Decal - Tie Down	
22	1001212291	2	Decal - Lifting Lug	
23	1001212292	1	Decal - No Lifting	
24	1001212293	1	Decal - No Forklift	
25	1001146795	1	Decal - See Manual	

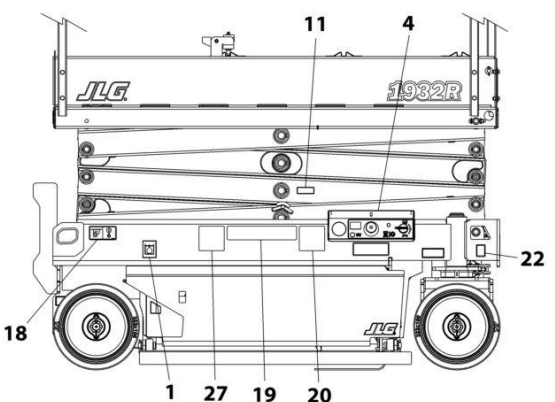
# SECTION 8 - DECALS

## FIGURE 8-5. DECAL INSTALLATION (CHINA/ANSI EXPORT SPECS)

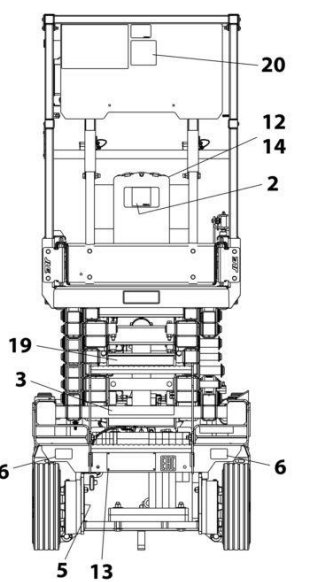
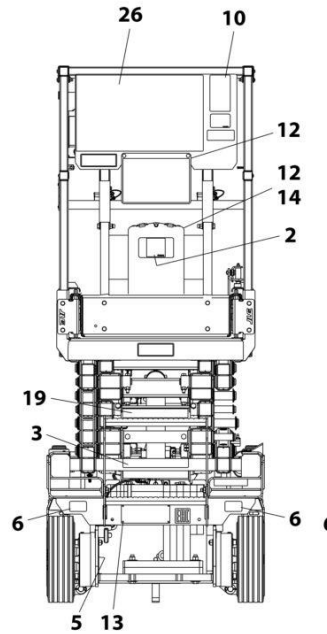


REAR VIEW - FIXED RAILS  
(LADDER AND PLATFORM BOX  
REMOVED FOR CLARITY)

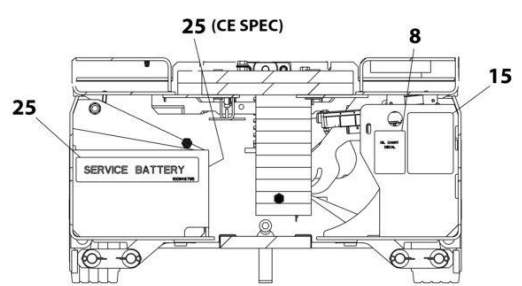
FRONT VIEW



**NOTE: ITEMS SHOWN MAY NOT BE REQUIRED FOR ALL SPECS. REFER TO PARTS LISTS FOR USAGE.**  
**NOTE: ADDITIONAL DECALS CALLED OUT ON DECAL INSTALLATION - OPTIONS.**



REAR VIEW - FOLD-DOWN RAILS  
(LADDER AND PLATFORM BOX REMOVED FOR CLARITY)



DETAIL OF COMPONENTS  
INSIDE FRAME TRAYS

ART\_1001222745

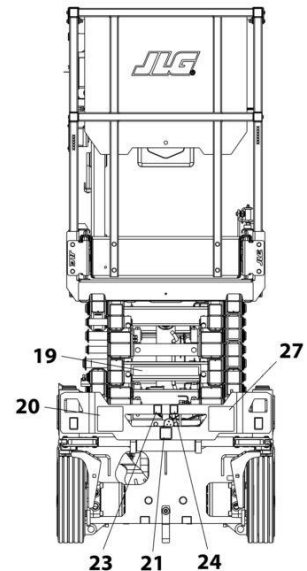
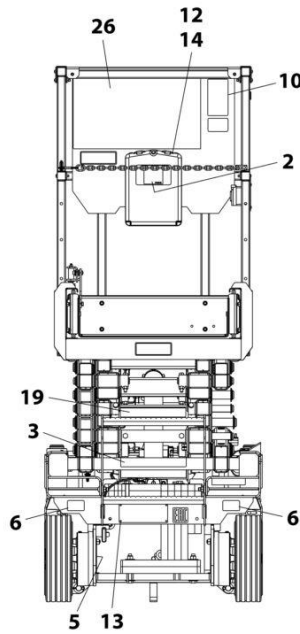
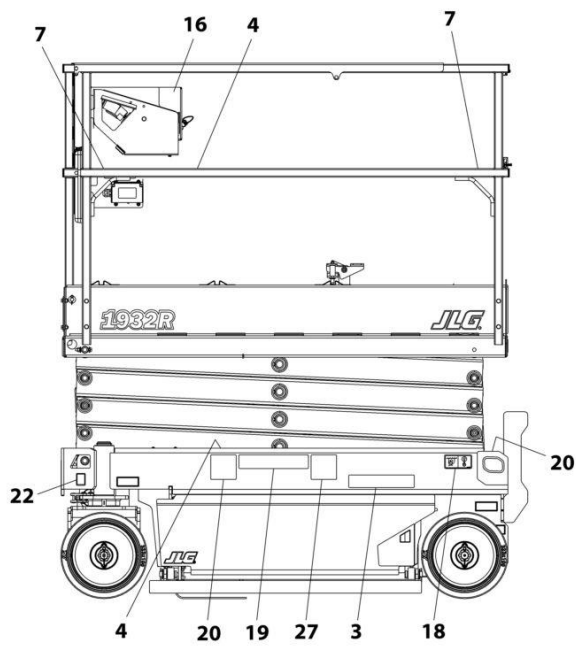
## SECTION 8 - DECALS

**FIGURE 8-5. DECAL INSTALLATION (CHINA/ANSI EXPORT SPECS)**

ITEM	PART NUMBER	QTY	DESCRIPTION	REV
	1001222745	Ref	DECAL INSTALLATION (CHINA/ANSI EXPORT SEPCS)	A
1	1701504	1	Decal - Hydraulic Oil	
2	1701640	1	Decal - Manual	
3	1704344	2	Decal - Warning Battery Ventilation	
4	1703819	4	Decal - Direction Arrow	
5	1703822	1	Decal - Manual Descent Instruction	
6	1704016	2	Decal - Fork Lift	
7	1704277	2	Decal - Lanyard Attach	
8	1704412	1	Decal - Hydraulic Oil	
10	1705946	1	Decal - Legend	
11	1001220430	1	Decal - Safety Prop	
12	2080040	3	Fastener	
13	2080057	4	Fastener	
14	8990147	1	Holder, Manual	
16	1001132359	1	Decal - Control Box Locate	
18	1001162864	2	Decal - Lift Up/Tie Down	
19	1001215752	4	Decal - Crushing Hazard	
20	1001211779	4	Decal - Electrocution	
21	1001212290	1	Decal - Tie Down	
22	1001212291	2	Decal - Lifting Lug	
23	1001212292	1	Decal - No Lifting	
24	1001212293	1	Decal - No Forklift	
25	1001146794	1	Decal - Battery/Charger Service	
26	1705195	1	Decal - Danger/Warning	
27	1001215747	4	Decal - Danger Electrocution	

# SECTION 8 - DECALS

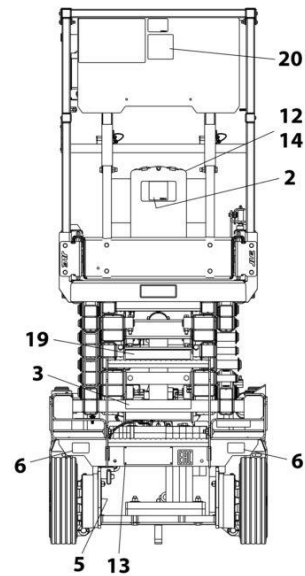
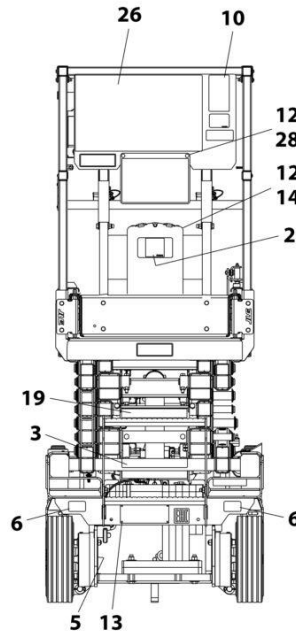
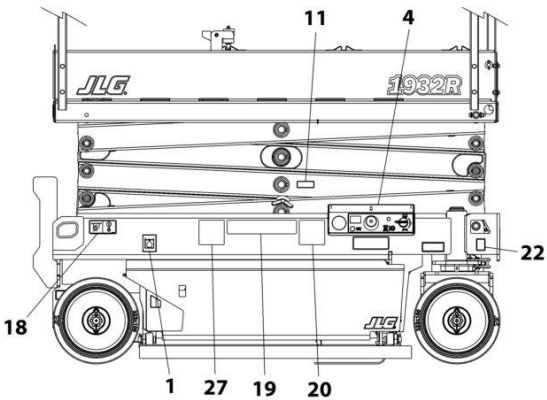
## FIGURE 8-6. DECAL INSTALLATION (CHINA/GB SPECS)



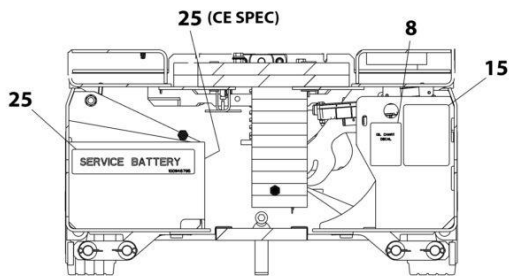
REAR VIEW - FIXED RAILS  
(LADDER AND PLATFORM BOX  
REMOVED FOR CLARITY)

FRONT VIEW

**NOTE: ITEMS SHOWN MAY NOT BE REQUIRED FOR ALL SPECS. REFER TO PARTS LISTS FOR USAGE.**  
**NOTE: ADDITIONAL DECALS CALLED OUT ON DECAL INSTALLATION - OPTIONS.**



REAR VIEW - FOLD-DOWN RAILS  
(LADDER AND PLATFORM BOX REMOVED FOR CLARITY)



DETAIL OF COMPONENTS  
INSIDE FRAME TRAYS

ART\_1001209909



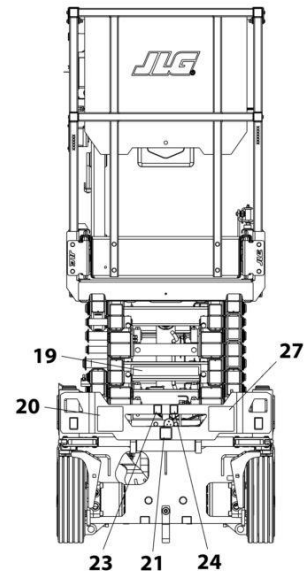
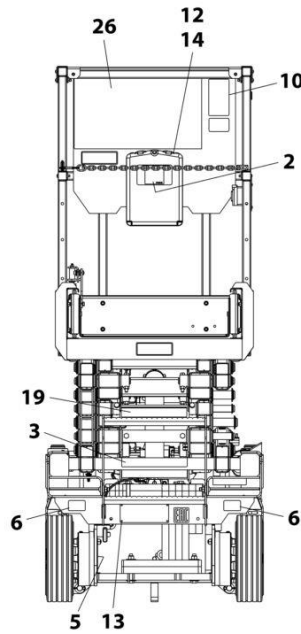
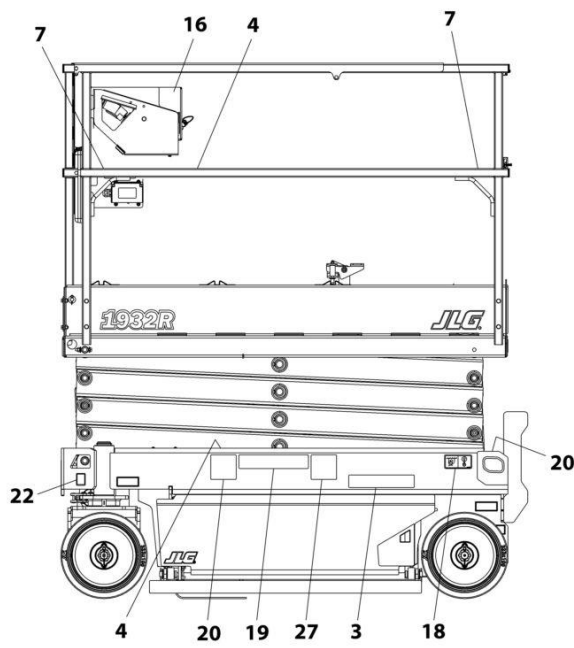
## SECTION 8 - DECALS

**FIGURE 8-6. DECAL INSTALLATION (CHINA/GB SPECS)**

ITEM	PART NUMBER	QTY	DESCRIPTION	REV
	1001209909	Ref	DECAL INSTALLATION (CHINA/GB SPECS)	C
1	1701504	1	Decal - Hydraulic Oil	
2	1701640	1	Decal - Manual	
3	1704344	2	Decal - Warning Battery Ventilation	
4	1703819	4	Decal - Direction Arrow	
5	1703822	1	Decal - Manual Descent Instruction	
6	1704016	2	Decal - Fork Lift	
7	1704277	2	Decal - Lanyard Attach	
8	1704412	1	Decal - Hydraulic Oil	
10	1705946	1	Decal - Legend	
11	1001220430	1	Decal - Safety Prop <b>(SN E200000100 to Present)</b>	
11	1705693	NLA	Decal - Safety Prop (Use p/n 1001220430) <b>(Prior to SN M200005066)</b>	
11	1001220430	1	Decal - Safety Prop <b>(SN M200005066 to Present)</b>	
12	2080040	5	Fastener	
13	2080057	4	Fastener	
14	8990147	1	Holder, Manual	
16	1001132359	1	Decal - Control Box Locate	
18	1001162864	2	Decal - Lift Up/Tie Down	
19	1001215752	4	Decal - Crushing Hazard	
20	1001211779	4	Decal - Electrocution	
21	1001212290	1	Decal - Tie Down	
22	1001212291	2	Decal - Lifting Lug	
23	1001212292	1	Decal - No Lifting	
24	1001212293	1	Decal - No Forklift	
25	1001146794	1	Decal - Battery/Charger Service	
26	1705195	1	Decal - Danger/Warning	
27	1001215747	4	Decal - Danger Electrocution	
28	1001216865	1	Plate, Decal	

# SECTION 8 - DECALS

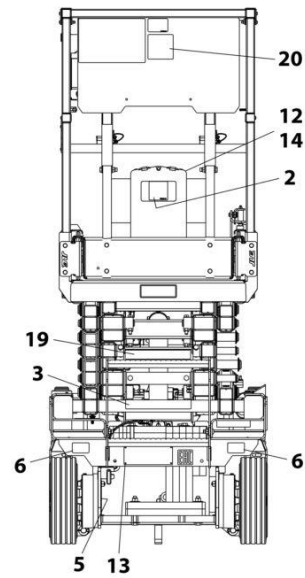
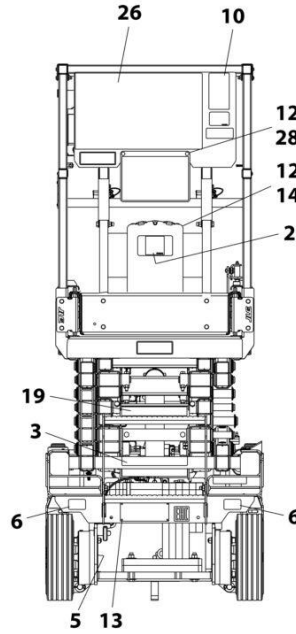
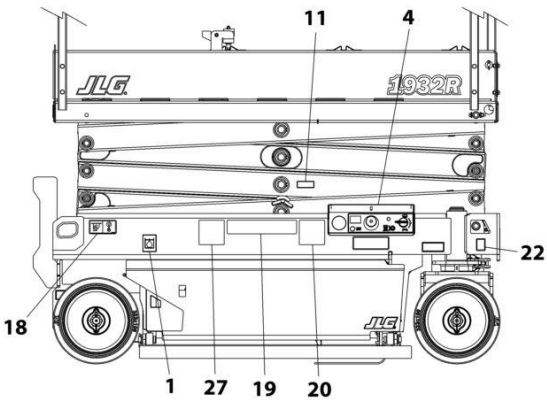
## FIGURE 8-7. DECAL INSTALLATION (CSA SPECS)



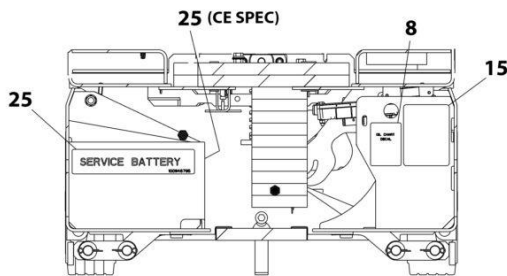
REAR VIEW - FIXED RAILS  
(LADDER AND PLATFORM BOX  
REMOVED FOR CLARITY)

FRONT VIEW

**NOTE: ITEMS SHOWN MAY NOT BE REQUIRED FOR ALL SPECS. REFER TO PARTS LISTS FOR USAGE.**  
**NOTE: ADDITIONAL DECALS CALLED OUT ON DECAL INSTALLATION - OPTIONS.**



REAR VIEW - FOLD-DOWN RAILS  
(LADDER AND PLATFORM BOX REMOVED FOR CLARITY)



DETAIL OF COMPONENTS  
INSIDE FRAME TRAYS

ART\_1001219265

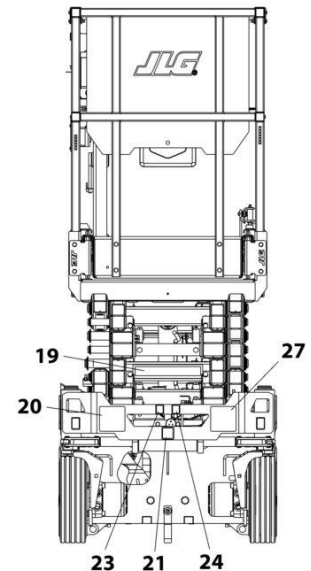
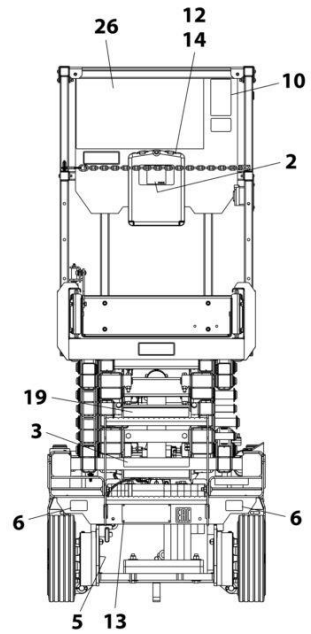
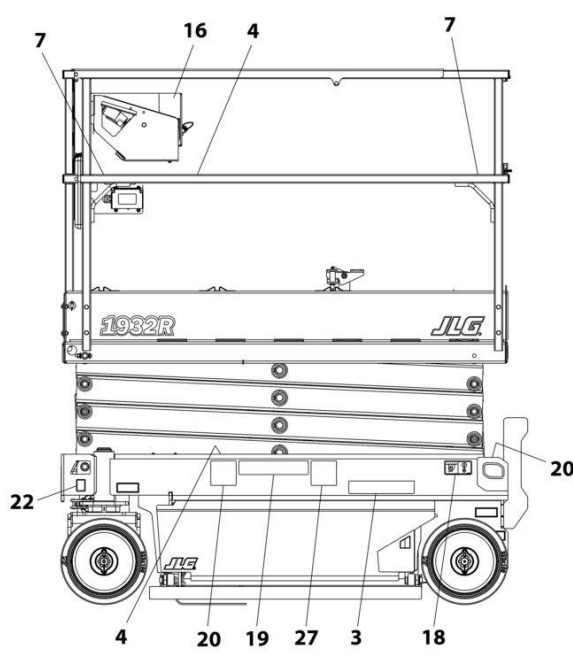
## SECTION 8 - DECALS

**FIGURE 8-7. DECAL INSTALLATION (CSA SPECS)**

ITEM	PART NUMBER	QTY	DESCRIPTION	REV
	1001219265	Ref	DECAL INSTALLATION (CSA SPECS)	B
1	1701504	1	Decal - Hydraulic Oil	
2	1701640	1	Decal - Manual	
3	1704340	2	Decal - Warning Battery Ventilation	
4	1703819	4	Decal - Direction Arrow	
5	1703822	1	Decal - Manual Descent Instruction	
6	1704016	2	Decal - Fork Lift	
7	1704277	2	Decal - Lanyard Attach	
8	1704412	1	Decal - Hydraulic Oil	
10	1705723	1	Decal - Legend	
11	1001220430	1	Decal - Safety Prop <b>(SN E200000100 to Present)</b>	
11	1705693	NLA	Decal - Safety Prop (Use p/n 1001220430) <b>(Prior to SN M200005066)</b>	
11	1001220430	1	Decal - Safety Prop <b>(SN M200005066 to Present)</b>	
12	2080040	5	Fastener	
13	2080057	4	Fastener	
14	8990147	1	Holder, Manual	
15	1001131270	1	Decal - Patent	
16	1001132359	1	Decal - Control Box Locate	
18	1001162864	2	Decal - Lift Up/Tie Down	
19	1001215755	4	Decal - Crushing Hazard	
20	1001211779	4	Decal - Electrocution	
21	1001212290	1	Decal - Tie Down	
22	1001212291	2	Decal - Lifting Lug	
23	1001212292	1	Decal - No Lifting	
24	1001212293	1	Decal - No Forklift	
25	1001146794	1	Decal - Battery/Charger Service	
26	1704684	1	Decal - Danger/Warning	
27	1001215749	4	Decal - Danger Electrocution	

# SECTION 8 - DECALS

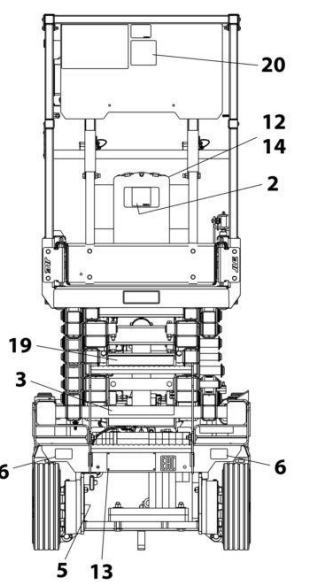
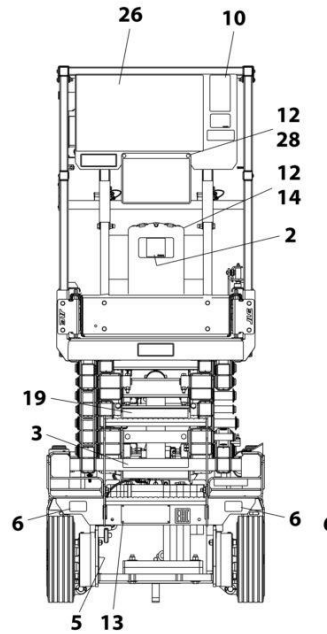
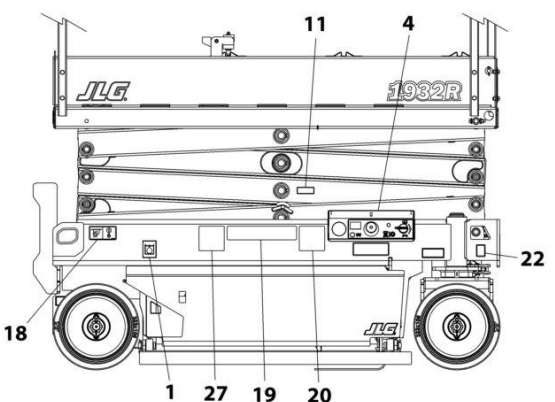
## FIGURE 8-8. DECAL INSTALLATION (KOREAN SPECS)



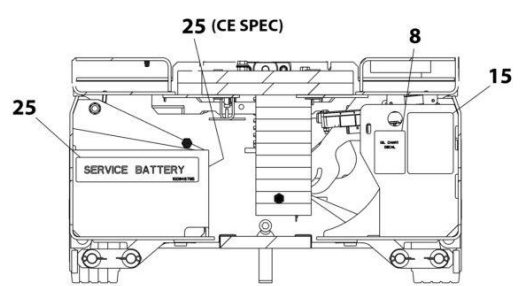
REAR VIEW - FIXED RAILS  
(LADDER AND PLATFORM BOX  
REMOVED FOR CLARITY)

FRONT VIEW

**NOTE: ITEMS SHOWN MAY NOT BE REQUIRED FOR ALL SPECS. REFER TO PARTS LISTS FOR USAGE.**  
**NOTE: ADDITIONAL DECALS CALLED OUT ON DECAL INSTALLATION - OPTIONS.**



REAR VIEW - FOLD-DOWN RAILS  
(LADDER AND PLATFORM BOX REMOVED FOR CLARITY)



DETAIL OF COMPONENTS  
INSIDE FRAME TRAYS

ART\_1001209908

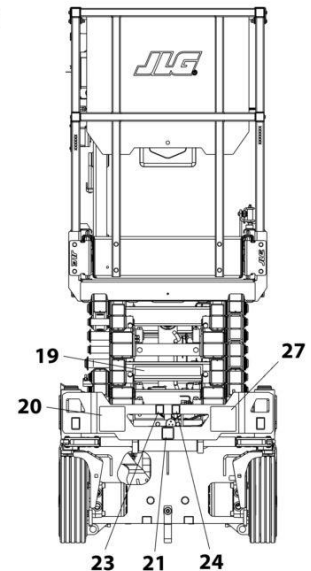
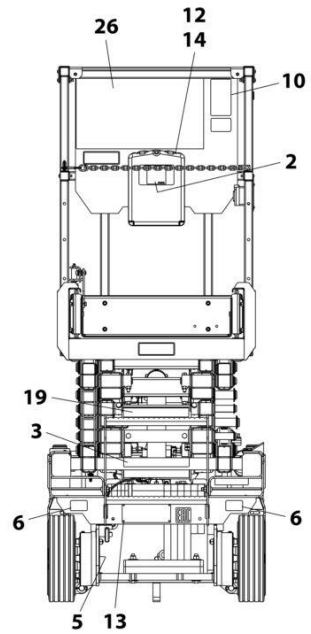
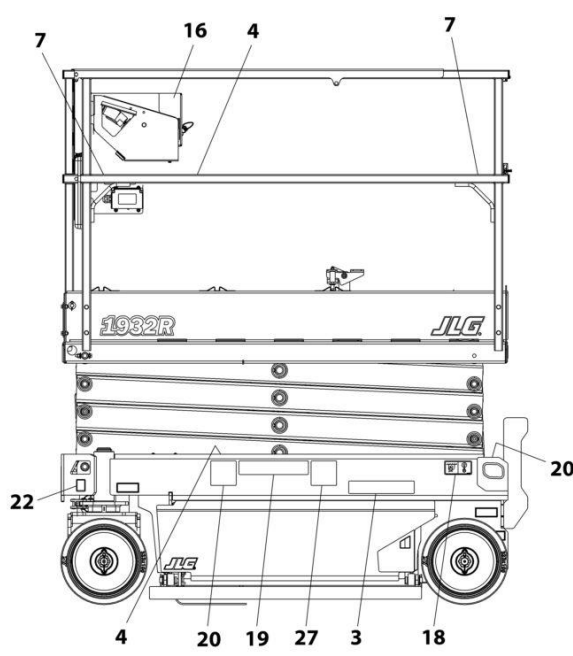
## SECTION 8 - DECALS

**FIGURE 8-8. DECAL INSTALLATION (KOREAN SPECS)**

ITEM	PART NUMBER	QTY	DESCRIPTION	REV
	1001209908	Ref	DECAL INSTALLATION (KOREAN SPECS)	B
1	1701504	1	Decal - Hydraulic Oil	
2	1701640	1	Decal - Manual	
3	1707022	2	Decal - Warning Battery Ventilation	
4	1703819	4	Decal - Direction Arrow	
5	1703822	1	Decal - Manual Descent Instruction	
6	1704016	2	Decal - Fork Lift	
7	1704277	2	Decal - Lanyard Attach	
8	1704412	1	Decal - Hydraulic Oil	
10	1706057	1	Decal - Legend	
11	1001220430	1	Decal - Safety Prop <b>(SN E200000100 to Present)</b>	
11	1705693	NLA	Decal - Safety Prop (Use p/n 1001220430) <b>(Prior to SN M200005066)</b>	
11	1001220430	1	Decal - Safety Prop <b>(SN M200005066 to Present)</b>	
12	2080040	3	Fastener	
13	2080057	4	Fastener	
14	8990147	1	Holder, Manual	
16	1001132359	1	Decal - Control Box Locate	
18	1001162864	2	Decal - Lift Up/Tie Down	
19	1001215751	4	Decal - Crushing Hazard	
20	1001211779	4	Decal - Electrocution	
21	1001212290	1	Decal - Tie Down	
22	1001212291	2	Decal - Lifting Lug	
23	1001212292	1	Decal - No Lifting	
24	1001212293	1	Decal - No Forklift	
25	1001146794	1	Decal - Battery/Charger Service	
26	1001162115	1	Decal - Danger/Warning	
27	1001215750	4	Decal - Danger Electrocution	

# SECTION 8 - DECALS

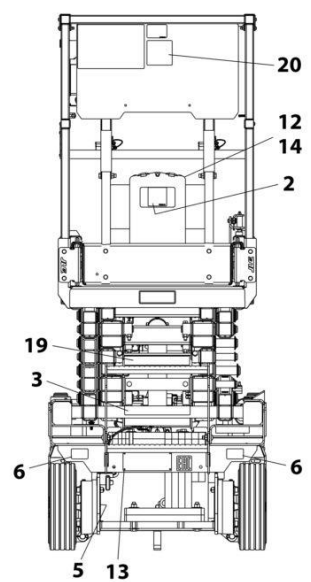
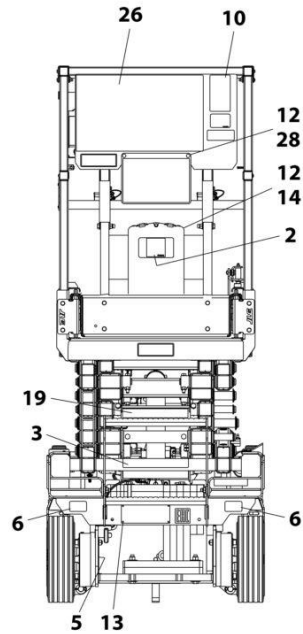
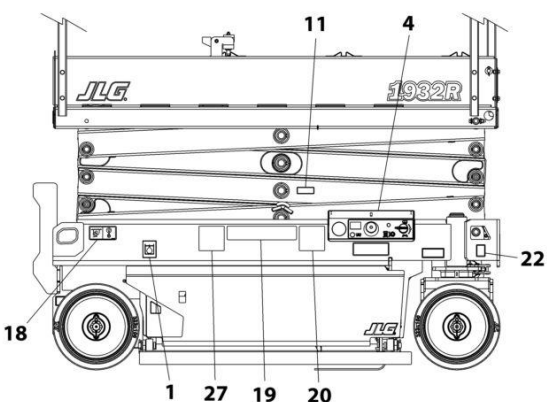
## FIGURE 8-9. DECAL INSTALLATION (LATIN AMERICAN SPECS)



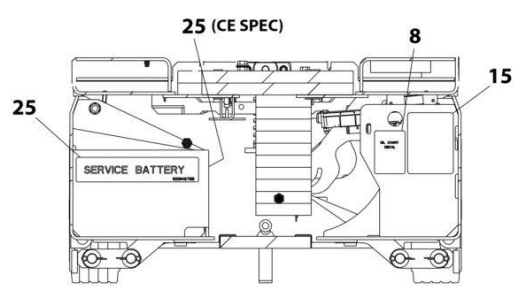
REAR VIEW - FIXED RAILS  
(LADDER AND PLATFORM BOX  
REMOVED FOR CLARITY)

FRONT VIEW

**NOTE: ITEMS SHOWN MAY NOT BE REQUIRED FOR ALL SPECS. REFER TO PARTS LISTS FOR USAGE.**  
**NOTE: ADDITIONAL DECALS CALLED OUT ON DECAL INSTALLATION - OPTIONS.**



REAR VIEW - FOLD-DOWN RAILS  
(LADDER AND PLATFORM BOX REMOVED FOR CLARITY)



DETAIL OF COMPONENTS  
INSIDE FRAME TRAYS

ART\_1001209911

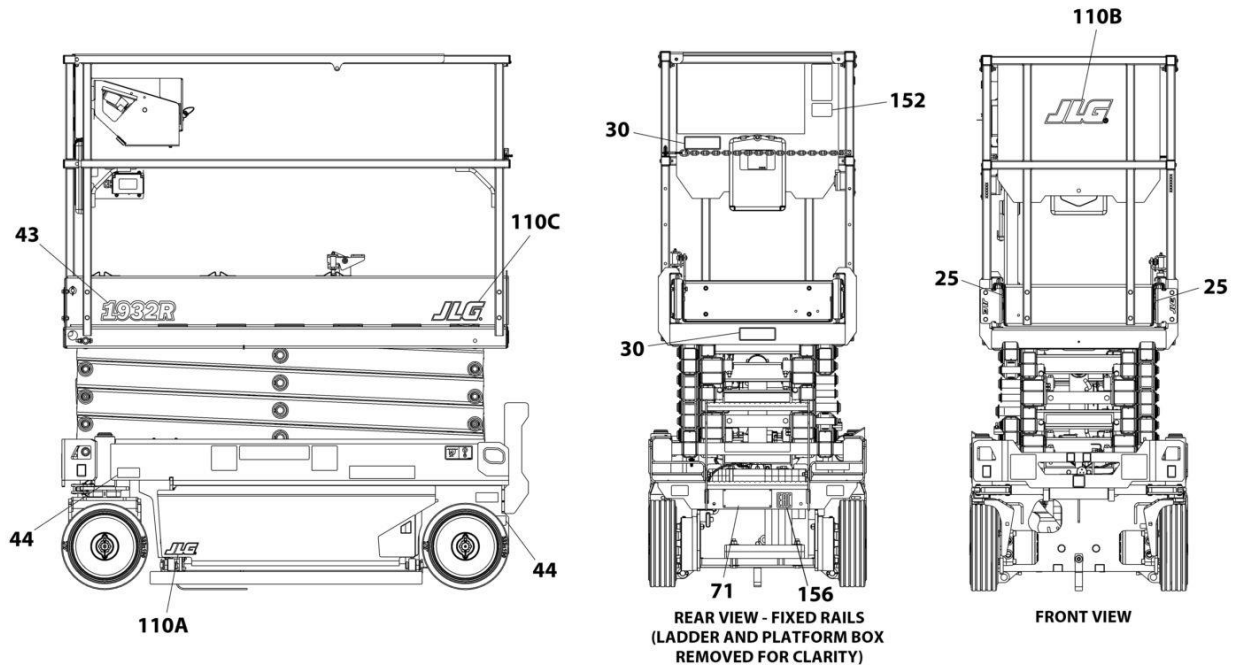
## SECTION 8 - DECALS

**FIGURE 8-9. DECAL INSTALLATION (LATIN AMERICAN SPECS)**

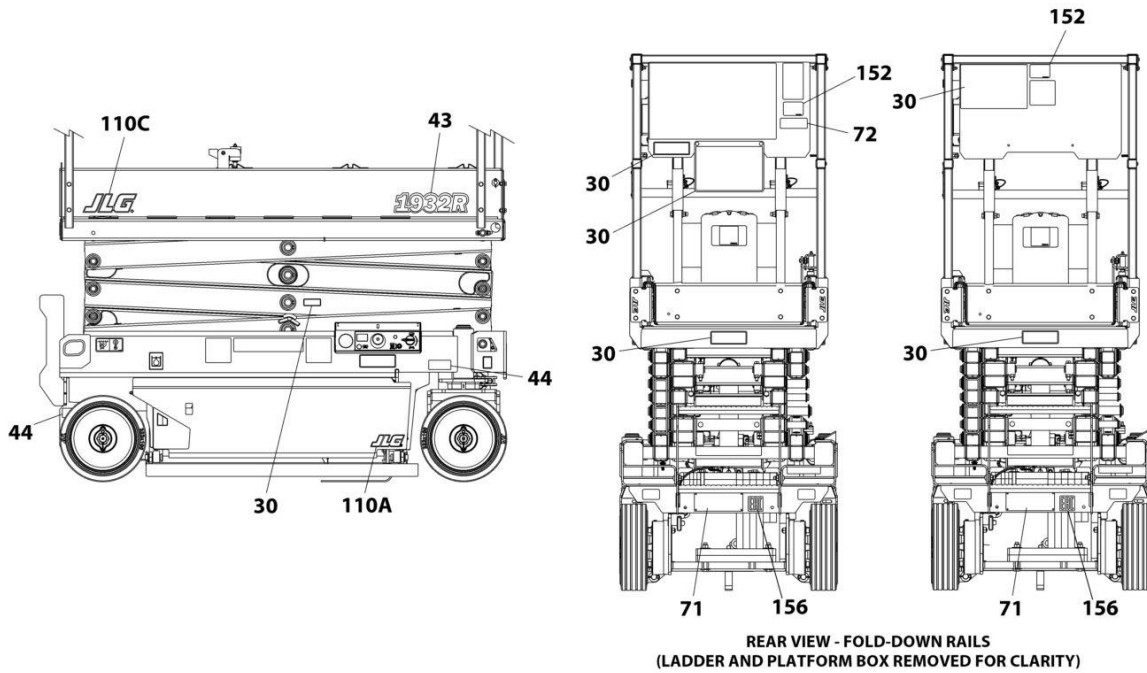
ITEM	PART NUMBER	QTY	DESCRIPTION	REV
	1001209911	Ref	DECAL INSTALLATION (LATIN AMERICAN SPECS)	B
1	1701504	1	Decal - Hydraulic Oil	
2	1701640	1	Decal - Manual	
3	1704339	2	Decal - Warning Battery Ventilation	
4	1703819	4	Decal - Direction Arrow	
5	1703822	1	Decal - Manual Descent Instruction	
6	1704016	2	Decal - Fork Lift	
7	1704277	2	Decal - Lanyard Attach	
8	1704412	1	Decal - Hydraulic Oil	
10	1705720	1	Decal - Legend	
11	1001220430	1	Decal - Safety Prop <b>(SN E200000100 to Present)</b>	
11	1705693	NLA	Decal - Safety Prop (Use p/n 1001220430) <b>(Prior to SN M200005066)</b>	
11	1001220430	1	Decal - Safety Prop <b>(SN M200005066 to Present)</b>	
12	2080040	3	Fastener	
13	2080057	4	Fastener	
14	8990147	1	Holder, Manual	
16	1001132359	1	Decal - Control Box Locate	
18	1001162864	2	Decal - Lift Up/Tie Down	
19	1001215754	4	Decal - Crushing Hazard	
20	1001211779	4	Decal - Electrocution	
21	1001212290	1	Decal - Tie Down	
22	1001212291	2	Decal - Lifting Lug	
23	1001212292	1	Decal - No Lifting	
24	1001212293	1	Decal - No Forklift	
25	1001146794	1	Decal - Battery/Charger Service	
26	1704691	1	Decal - Danger/Warning	
27	1001215748	4	Decal - Danger Electrocution	

# SECTION 8 - DECALS

## FIGURE 8-10. DECAL INSTALLATION - OPTIONS



NOTE: ITEMS SHOWN MAY NOT BE REQUIRED FOR ALL SPECS. REFER TO PARTS LISTS FOR USAGE.



ART\_DECAL\_OPTIONS



## SECTION 8 - DECALS

**FIGURE 8-10. DECAL INSTALLATION - OPTIONS**

ITEM	PART NUMBER	QTY	DESCRIPTION	REV
		Ref	DECAL INSTALLATION - OPTIONS	
25	1001209906	Ref	Corner Stripes Installation	
25	4420051	2.5 ft/ 75cm	Tape, Safety	
30		Ref	Decal - Capacity Options:	
		Ref	1532R:	
30	1001225494	3	Decal - Capacity (600LB/272KG) (ANSI, ANSI Export, CSA, Japanese and Korea Specs)	
30	1001225495	1	Decal - Capacity (275KG/607LB)	
30	1001225496	1	Decal - Capacity (275KG) (Australian, CE and China Specs)	
		Ref	1932R:	
30	1001209915	3	Decal - Capacity (550LB/250KG) (ANSI, ANSI Export, CSA AND Japanese Sepcs)	
30	1001209916	1	Decal - Capacity (230KG/507LB)	
30	1001215746	1	Decal - Capacity (230KG) (Australian, CE and China Specs)	
43		Ref	Decal - Model Designation Options:	
43	1001223963	2	Decal - Model Designation (1532R)	
43	1001211619	2	Decal - Model Designation (1932R)	
44		Ref	Decal - Maximum Tire Load Options:	
44	1001227703	4	Decal - Maximum Tire Load (1532R) (ANSI, ANSI Export, CSA and Japanese Specs)	
44	1705647	4	Decal - Maximum Tire Load (1932R) (ANSI, ANSI Export, CSA and Japanese Specs)	
44	1705647	4	Decal - Maximum Tire Load (1532R) (Australian, CE and China Specs)	
44	1705648	4	Decal - Maximum Tire Load (1932R) (Australian, CE, China and CSA Specs)	
71	See Note	NSS	Decal - Manufacturers Serial Number (Note: Not Available for Purchase)	
72	1705303	1	Nameplate - CSA (CSA Specs Only)	
110	1001214779	Ref	JLG Decals Installation	C
110A	1703177	2	Decal - JLG	
110B	1705754	1	Decal - JLG	
110C	1705781	2	Decal - JLG	
152		Ref	Decal - No Pipe Racks Allowed Options:	
152	1001092071	1	Decal - No Pipe Racks Allowed (English) (ANSI, ANSI Export and China Specs)	
152	1001092497	1	Decal - No Pipe Racks Allowed (English) (Australian, CE & Japanese Specs)	
152	1001231066	1	Decal - No Panel Carriers Allowed (English) (ANSI Export Specs)	
152	1001092497	1	Decal - No Pipe Racks Allowed (English) (Japanese Specs)	
152	1001120623	1	Decal - No Pipe Racks Allowed (Spanish/Portuguese) (Brazil Specs)	
152	1001120622	1	Decal - No Pipe Racks Allowed (English/Chinese) (China Specs)	
152	1001092580	1	Decal - No Pipe Racks Allowed (English/French) (CSA Specs)	
152	1001120621	1	Decal - No Pipe Racks Allowed (English/Korean) (Korean Specs)	
152	1001120629	1	Decal - No Pipe Racks Allowed (English/Spanish) (Latin American Specs)	
156	1001173703	1	Decal - EAC (Russian/CIS Specs)	



## **SECTION 9 - RECOMMENDED SERVICE PARTS STOCK**

## **SECTION 9 - RECOMMENDED SERVICE PARTS STOCK**

## SECTION 9 - RECOMMENDED SERVICE PARTS STOCK

FIGURE 9-1. RECOMMENDED SERVICE PARTS STOCK

ITEM	PART NUMBER	QTY	DESCRIPTION	REV
		Ref	Note: The following list will service one machine (built to current production per date on the front cover) with emergency repair parts which can be installed in the field. Parts from the list should be replaced when inventory is depleted to keep service parts stock supplied. For further information, contact your JLG dealer or the JLG Industries Parts Department.	
		Ref	STANDARD PARTS	
	70005423	6	Element, Filter	
	3740150	1	Relay	
	4360328	1	Switch, Toggle	
	4360469	1	Switch, Key (All Specs except CE Specs)	
	2860030	1	Key, Replacement	
	4360475	1	Switch, Emergency Stop	
	1600402	1	Controller, Drive/Steer	
	4360345	1	Switch, Toggle	
	1001200633	1	Switch, Push Button	
	8229242	2	Fuse 5Amp	
		Ref	VARIABLE PARTS	
	1001203871	1	Switch, Roller	
	1001186466	1	Sensor, Tilt	
	1001200629	1	Module, Control	
	1001216062	1	Module, Power	
	4360336	1	Switch, Toggle (Machines with Inverter)	
	1001200746	1	Sensor, Angle (Machines without LSS)	
	1001146963	1	Sensor, Angle (Machines with LSS)	
	2940064	1	Latch, Snap (Machines with Chain Entry)	
	3080007	1	Magnet, Latch (Machines with Gate Entry)	
	1001224873	1	Module, Platform	
	1001181045	1	Breaker 30mAmp/16Amp (CE Specs Machines)	
	1001189171	1	Breaker 30mAmp (CE Specs Machines)	
	1001189172	1	Breaker 16Amp Double (CE Specs Machines)	

**SECTION 10 - SPECIAL OPTIONS**

## SECTION 10 - SPECIAL OPTIONS

FIGURE 10-1. SPECIAL OPTIONS

ITEM	PART NUMBER	QTY	DESCRIPTION	REV
		Ref	Note: This list is to accommodate machines ordered with special equipment. Options may not be applicable to all models. For more specific parts information contact the JLG Parts Department.	
		Ref	SPECIAL OPTIONS	
	1001209921	Ref	Antivandalism Package	
	1001225792	Ref	Beacon Light Add-on Kit (Dual Lights)	
	1001225791	Ref	Beacon Light Add-on Kit (Single Light)	
	1001244925	Ref	Check Valve Installation Kit	
		Ref	ClearSky Installation Options:	
	1001229107	Ref	ClearSky Installation - 3-Wire (ANSI & CSA Specs)	
	1001233237	Ref	ClearSky Installation - 3-Wire (ANSI Export & CE Specs)	
	1001235697	Ref	ClearSky Installation - Canbus (ANSI & CSA Specs)	
	1001236982	Ref	ClearSky Installation - Canbus (ANSI Export & CE Specs)	
	1001246530	Ref	ClearSky Installation - Canbus (Australian Specs)	
	1001246531	Ref	ClearSky Installation - Canbus (China Specs)	
		Ref	Decal Options:	
	1001236984	Ref	Decal - ClearSky	
		Ref	Decal Kit Options:	
	1001233421	Ref	Decal Kit - Common (1932R) (English Language)	
	1001091968	Ref	Decal Kit - Platform Box <b>(Prior to SN B200038482, SN M200000100 to Present)</b>	
	1001091393	Ref	Decal and Housing Kit - Platform Box <b>(Prior to SN B200038482, SN M200000100 to Present)</b>	
	1001091965	Ref	Decal, Housing and PC Board Kit - Platform Box <b>(Prior to SN B200038482, SN M200000100 to Present)</b>	
	1001218012	Ref	Drive Motor Covers installation	
	1001229076	Ref	Drive Noise Reduction Add-on Kit	
		Ref	Electrical Connector Kits	
	1001148902	Ref	Amp/Tyco Electrical Connector Kit	
	1001148903	Ref	Deutsch DT Electrical Connector Kit	
	1001148904	Ref	Deutsch HD Electrical Connector Kit	
	1001148905	Ref	Packard Electrical Connector Kit	
	1001148906	Ref	Various Electrical Connector Kit	
	1001217667	Ref	Fire Extinguisher Installation	
		Ref	Fluid Options	
	2300014	Ref	Hydraulic Fluid - Mobil 424 (Machines with Standard Oil)	
	2300042	Ref	Hydraulic Fluid - Mobil EAL H 32 (Machines with Biodegradeable Oil)	
	1001241486	Ref	Foot Latch Add-on Kit	
	1001208061	Ref	Footswitch Installation (ANSI Export & Japanese Specs Only)	
		Ref	Frame Cover Kit Options:	
	1001231189	Ref	Frame Cover Kit (ANSI Specs)	
	1001231190	Ref	Frame Cover Kit (CE Specs)	
	1001231191	Ref	Frame Cover Kit (Eagle Charger)	
	1001223243	Ref	Ground to Platform Cable Installation - Without Platform Coil Cable (Korean Spec Machines with Overhead Protection)	
	1001223244	Ref	Ground to Platform Cable Installation - With Platform Coil Cable (Korean Spec Machines with Overhead Protection)	
	1001225925	Ref	Inverter Add-on Kit (ANSI USA Specs Only)	
	1001220933	Ref	Height Restrictor Switch Installation	

## SECTION 10 - SPECIAL OPTIONS

ITEM	PART NUMBER	QTY	DESCRIPTION	REV
	1001229727	Ref	Overhead Protection Add-on Kit (ANSI Export Specs Only)	
	1001238838	Ref	Platform Chain Entry Add-on Kit	
	1001225790	Ref	Platform Extension Deployment Handles Add-on Kit	
	1001224583	Ref	Service Kits List	
		Ref	Tools for Service	
	2901443	1	Analyzer Kit	
	1001232474	1	Benchtop Harness	
	8896941	1	Wire Stripper	
	7002821	1	Wire Crimper (To install wire ends to wires)	
	7002823	1	Pin/Socket Extractor - Universal (To Remove Pins/Sockets from Connectors)	
	4460467	1	Extractor - 16-18 Gauge (For Removal Pins/Sockets from Deutsch Connectors)	
	4460510	1	Extractor - 12-14 Gauge (For Removal of Pins/Sockets from Deutsch Connectors)	
	7002822	1	Screwdriver, Potentiometer (To Adjust Drive Controllers)	
	7016654	1	Screwdriver, Magnetic	
	7004275	1	Seal Installation Tool - 1in	
	7004276	1	Seal Installation Tool - 1-1/2in	
	7002826	1	Seal Installation Tool - 2in	





**PART NUMBER INDEX**

## SECTION 10 - SPECIAL OPTIONS

0100011.....13, 15, 21, 23, 31, 73, 101, 103, 143, 145, 147, 151, 153, 155, 159, 205, 207, 209, 211, 213	0761014..... 101, 103 0761016..... 101, 103 0761019..... 155 0761219..... 101, 103 0861731 ... 261, 267, 269, 271 0861781 ..... 263, 265 0861880 ..... 219 0962292 ..... 191 1001047064 .... 171, 173, 175 1001091102 ... 21, 37, 41, 45, 49, 53, 55, 57, 59, 77, 79 1001091153 ..... 163, 167 1001091154 ..... 165, 169 1001091272 ..... 167 1001091275 ..... 169 1001091277 ..... 167, 169 1001091278 ..... 167, 169 1001091279 ..... 167, 169 1001091280 ..... 167, 169 1001091283 ..... 167, 169 1001091393 .... 167, 169, 298 1001091396 ..... 167, 169 1001091965 .... 167, 169, 298 1001091968 .... 167, 169, 298 1001092071 ..... 293 1001092497 ..... 293 1001092580 ..... 293 1001100341 ..... 263 1001100342 ..... 265 1001100345 ..... 267 1001100346 ..... 271 1001100347 ..... 269 1001101540 ..... 99 1001102258 .... 203, 205, 207, 209, 211, 213, 215, 217 1001102489 ... 25, 27, 29, 31, 33, 35 1001103012 ..... 224, 228 1001107854 ..... 224, 228 1001112112 ..... 87, 89 1001113961 ..... 224, 228 1001116812 ..... 223, 227 1001117000 ..... 223, 227 1001118274 ..... 77, 79 1001118387 ..... 223, 227 1001120204 .... 205, 207, 209, 211, 213 1001120205 ..... 219, 221 1001120621 ..... 293 1001120622 ..... 293 1001120623 ..... 293 1001120629 ..... 293 1001125483 ..... 99 1001125677 ..... 224, 228 1001130220 ... 31, 65, 67, 69, 171, 173, 175 1001130590 ..... 77, 79 1001131270 ..... 275, 287	1001132358 ..... 171, 173, 175 1001132359 ..... 275, 277, 279, 281, 283, 285, 287, 289, 291 1001132361 .... 171, 173, 175 1001134289 ..... 108, 113, 117, 124, 129 1001134821 ..... 179 1001136757 ..... 99 1001137675 ..... 143 1001142173 ..... 99 1001142174 ..... 99 1001143009 ..... 99 1001143010 ..... 99 1001143501 ..... 199 1001143645 ..... 77 1001144296 ..... 223 1001146794 .... 275, 277, 279, 283, 285, 287, 289, 291 1001146795 ..... 281 1001146963 .... 112, 116, 128, 296 1001148902 ..... 298 1001148903 ..... 298 1001148904 ..... 298 1001148905 ..... 298 1001148906 ..... 298 1001151629 ..... 223, 227 1001152483 ..... 221 1001153785 ..... 13 1001154378 ..... 155, 159 1001157547 ..... 99 1001159186 ..... 259 1001162115 ..... 289 1001162864 .... 275, 277, 279, 281, 283, 285, 287, 289, 291 1001162886 ..... 223, 227 1001162887 ..... 223, 227 1001163340 ..... 223, 227 1001173703 ..... 293 1001176626 ..... 171 1001181045 ..... 219, 296 1001182305 ..... 143 1001182338 ..... 143 1001182806 ..... 61 1001186466 ..... 23, 296 1001187587 .... 155, 159, 187 1001187781 ..... 77, 79 1001187816 ..... 215 1001188116 ..... 215 1001189171 ..... 221, 296 1001189172 ..... 221, 296 1001191139 ... 37, 41, 45, 49 1001192401 ..... 223, 227 1001197396 ..... 13 1001198935 .... 108, 112, 116, 124, 128, 191 1001199189 ..... 187 1001199937 ..... 15, 17 1001200441 ..... 19	1001200561.....25, 27, 29 1001200629...77, 79, 296 1001200631..... 112, 116, 128 1001200632.....81 1001200633..... 171, 173, 175, 296 1001200740..... 112, 116, 128 1001200746..... 108, 124, 296 1001200811.....239, 243, 247, 249 1001200812.....231, 239, 241 1001200814.....247 1001200819..... 171, 173, 175, 259 1001200820..... 77, 223 1001200821..... 108, 124, 251 1001200822..... 128, 253 1001201005.....27 1001201087.....239 1001201129.....247 1001201248..... 13 1001201250.....37 1001201355..... 124, 128, 131 1001201356.....124 1001201529.....173 1001201705.....73 1001201706.....73 1001201707....45, 47, 49, 51, 57, 59 1001201708...83, 85, 87, 89, 91, 93, 95, 97 1001201709...83, 85, 87, 89, 91, 93 1001201711...83, 85, 87, 89, 91, 93, 95, 97 1001201757.....21 1001201758.....21 1001201885.....259 1001202184.....233, 243, 245 1001202185.....249 1001202300.....13 1001202689.....15 1001202731.....19 1001202773.....15 1001202851.....73 1001202987.....21 1001202988.....21 1001202991.....21 1001202994.....21 1001202999.....21 1001203443..... 108, 112, 116, 124, 128, 139, 141 1001203444..... 108, 112, 116, 124, 128 1001203445..... 108, 112, 116, 124, 128 1001203446..... 108, 112, 116, 124, 128
--	--	---	--

## SECTION 10 - SPECIAL OPTIONS

1001203447 ..... 108, 112, 116, 124, 128	1001205709..... 141	1001209911.....291	1001215013 ..... 171
1001203448 ..... 108, 112, 116, 124, 128	1001205751..... 13	1001209913.....281	1001215042 ..... 163
1001203450 ..... 73	1001205801..... 21	1001209914.....277	1001215746 ..... 293
1001203453 ..... 63	1001206207..... 149	1001209915.....293	1001215747 ..... 283, 285
1001203457 ..... 63	1001206217..... 149	1001209916.....293	1001215748 ..... 279, 291
1001203630 ..... 243	1001206222..... 149	1001209920.....99	1001215749 ..... 287
1001203631 ..... 249	1001206224..... 145, 147, 151, 153	1001209921.....298	1001215750 ..... 289
1001203832 ..... 73, 199	1001206225..... 145, 147, 155	1001209963.....143	1001215751 ..... 289
1001203835 ..... 199	1001206226..... 145, 147, 155	1001210064.....143	1001215752 ..... 283, 285
1001203836 ..... 199	1001206228..... 145, 147, 149	1001210302..... 147, 153, 155, 159	1001215754 ..... 291
1001203837 ..... 199	1001206487..... 108, 112, 116, 124, 128	1001210307..... 147, 155	1001215755 ..... 287
1001203838 ..... 199	1001206493..... 13, 193	1001210401.....83, 85, 87, 89, 91, 93, 95, 97	1001215762 ..... 77, 79
1001203839 ..... 199	1001206995..... 31	1001210436..... 171, 173	1001215953 ..... 21
1001203840 ..... 199	1001207009..... 25, 27, 29	1001210440.....99	1001216062 .. 77, 79, 296
1001203841 ..... 199	1001207010..... 25, 27, 29	1001210442..... 157, 159	1001216180 ..... 83, 85
1001203844 ..... 199	1001207142..... 23	1001210443..... 157	1001216249 ..... 91
1001203846 ..... 199	1001207214..... 77, 79	1001210444..... 157, 159	1001216250 ..... 93
1001203869 ..... 21	1001207215..... 77, 79	1001210445..... 157	1001216648 ..... 279
1001203870 21, 101, 103	1001207293..... 81	1001210446..... 157	1001216650 ..... 279
1001203871 ..... 21, 296	1001207492..... 65, 69	1001210447..... 157	1001216682 ... 25, 27, 29, 31, 33, 35
1001203872 ..... 21	1001207494..... 77, 79	1001210458..... 157, 159	1001216683 ..... 31
1001203973 ..... 119, 131	1001207562..... 165	1001210586..... 147, 153, 155, 159	1001216823 ..... 161
1001203974 ..... 119, 121, 131	1001207735..... 31, 33, 35	1001210588..... 103	1001216865 ..... 285
1001203975 ..... 119, 121, 131	1001207805..... 145	1001210594..... 103	1001216928 ..... 205, 207, 209, 211, 213
1001203976 ..... 119, 121, 131	1001207806..... 147	1001210605.....99	1001217043 ..... 143
1001204087 ..... 128	1001207807..... 155	1001210878.....99	1001217147 ..... 181
1001204138 ..... 83	1001207970..... 27, 31	1001210879.....99	1001217164 ..... 219, 221
1001204174 ..... 73, 75	1001207973..... 35	1001210880.....99	1001217667 ..... 298
1001204238 ..... 31	1001207974..... 25, 33	1001210881.....99	1001217912 ..... 41
1001204311 ..... 108, 112, 116, 124, 128	1001208056..... 87	1001210882.....99	1001217914 ..... 49
1001204312 ..... 108, 112, 116, 124, 128	1001208057..... 85	1001210882.....99	1001218012 ..... 298
1001204495 ..... 61	1001208058..... 89	1001210963..... 147, 153, 155, 159	1001218285 ..... 175
1001204562 ..... 35	1001208061..... 298	1001210966..... 77, 79	1001219171 ..... 277, 281
1001204621 ..... 119, 121, 131	1001208073..... 155, 157	1001210967.....99	1001219172 ..... 277, 281
1001204654 ..... 77	1001208626..... 199	1001211619..... 293	1001219173 ..... 171, 173, 175
1001204719 ..... 73	1001208761..... 101, 103	1001211777..... 275	1001219265 ..... 287
1001204781 ..... 124, 128, 137, 139	1001208762..... 101, 103	1001211779..... 275, 283, 285, 287, 289, 291	1001220216 ..... 183
1001204994 ..... 108, 112, 116, 124, 128	1001208767..... 25	1001212035..... 259	1001220409 ..... 179, 181
1001205014 ..... 45	1001208839..... 33	1001212036..... 259	1001220410 ..... 179, 181
1001205156 ..... 137, 139, 141	1001208852..... 143	1001212040..... 108, 112, 124, 129	1001220430 ..... 275, 277, 279, 281, 283, 285, 287, 289, 291
1001205345 ..... 108, 112, 116, 124, 128	1001208930..... 203	1001212068..... 21	1001220570 ..... 13, 195
1001205409 ..... 223, 227	1001208931..... 217	1001212290..... 275, 277, 279, 281, 283, 285, 287, 289, 291	1001220766 ..... 51
1001205410 ..... 223, 227	1001208932..... 209	1001212291..... 275, 277, 279, 281, 283, 285, 287, 289, 291	1001220893 ..... 173
1001205411 ..... 223, 227	1001208933..... 211	1001212292..... 275, 277, 279, 281, 283, 285, 287, 289, 291	1001220933 ..... 298
1001205412 ..... 223, 227	1001208934..... 213	1001212293..... 275, 277, 279, 281, 283, 285, 287, 289, 291	1001220995 ..... 179
1001205414 ..... 137, 141	1001208935..... 205	1001212294..... 73	1001221244 ..... 183
1001205422 ..... 143	1001208936..... 207	1001213491..... 171, 175	1001221275 ..... 183
1001205424 ..... 143	1001208938..... 215	1001213554..... 119, 121, 131	1001221276 ..... 183
1001205428 ..... 143	1001209482..... 209, 211, 221	1001213886..... 173, 175	1001221475 ..... 143
1001205430 ..... 143	1001209595..... 171, 173, 175	1001214088..... 77, 79	1001221476 ..... 143
1001205447 ..... 101, 103	1001209596..... 171, 173, 175	1001214347..... 91, 93	1001221712 ..... 163, 165
1001205449 ..... 101, 103	1001209682..... 77, 79	1001214779..... 293	1001221949 ..... 29
1001205469 ..... 103	1001209776..... 205, 207, 213, 219	1001214810..... 101, 103	1001222587 ..... 161
1001205598 ..... 33, 35	1001209906..... 293		1001222588 ..... 151
	1001209907..... 275		1001222589 ..... 153
	1001209908..... 289		1001222686 ..... 79, 227
	1001209909..... 285		1001222687 ..... 112, 116, 128, 255
	1001209910..... 279		1001222745 ..... 283
			1001222914 ..... 183
			1001223243 ..... 298
			1001223244 ..... 298

## SECTION 10 - SPECIAL OPTIONS

1001223262.....	237, 249	1001228833.....	69	1001242988.....	53	1705647.....	293
1001223263.....	235, 247	1001229076.....	298	1001244925.....	298	1705648.....	293
1001223277.....	79	1001229107.....	298	1001246530.....	298	1705670.....	277, 281
1001223278.....	29	1001229110... 83, 85, 87,		1001246531.....	298	1705676.....	167, 169
1001223362.....	151, 153	89, 91, 93, 95, 97		1001247861.....	57	1705686.....	275
1001223363.....	151, 153	1001229441.....	187	1001247862.....	59	1705693....	275, 277, 279,
1001223364.....	151, 153	1001229469.....	187	1001247925.....	95	281, 285, 287, 289, 291	
1001223833.....	151, 153	1001229472... 83, 85, 87,		1001247926.....	97	1705720.....	291
1001223834.....	151, 153	89, 91, 93		1060379.....	187	1705723.....	287
1001223835.....	151, 153,	1001229722.....	159	1060908.....	219, 221	1705726.....	279
159		1001229723.....	159	1060998... 83, 85, 87, 89,		1705754.....	293
1001223839.....	151, 153	1001229727.....	299	91, 93, 95, 97		1705781.....	293
1001223954.....	101	1001229732.....	159	1061034... 108, 112, 116,		1705946.....	283, 285
1001223960.....	101	1001229733.....	159	124, 128		1706057.....	289
1001223961.....	101	1001229734.....	159	1260136.....	145, 151	1707022.....	289
1001223963.....	293	1001229739.....	159	1320187.....	199	2080040....	143, 147, 153,
1001223964.....	108, 113,	1001229740.....	159	1320223.....	181	155, 159, 275, 277,	
119		1001229741.....	159	1321293... 25, 27, 29, 31,		279, 281, 283, 285,	
1001223965.....	108	1001229742.....	159	33, 35, 99		287, 289, 291	
1001223966.....	112	1001229792.....	101, 103	1321752.....	199	2080057....	275, 277, 279,
1001224468.....	183	1001230248.....	159	1380132.....	161	281, 283, 285, 287,	
1001224583.....	299	1001230249.....	159	1380153.....	13	289, 291	
1001224604.....	133	1001230839.....	241, 245	1380156.....	167, 169	2220371.....	75
1001224608.....	133	1001230932.....	241	1600402... 167, 169, 171,		2220372.....	75
1001224614.....	133	1001230933.....	245	173, 175, 177, 296		2220373.....	199
1001224620.....	133	1001231066.....	293	1600439.....	167, 169	2220374.....	75
1001224622.....	133	1001231189.....	298	1671098.....	167, 169	2220375.....	199
1001224623.....	133	1001231190.....	298	1671207.....	261	2220415.....	75, 199
1001224868.....	173, 175	1001231191.....	298	1701504... 275, 277, 279,		2220497.....	199
1001224869.....	171	1001231264.....	77, 79	281, 283, 285, 287,		2220582.....	75
1001224873.....	171, 173,	1001231268....	108, 112,	289, 291		2220828.....	199
296		116, 124, 129		1701640... 277, 279, 281,		2221086.....	75
1001225164.....	113, 116,	1001231405.....	159	283, 285, 287, 289, 291		2221116....	112, 116, 129
129		1001231801.....	275	1701640_JUNK_DO_NO		2300014.....	298
1001225299.....	137	1001232257.....	159	T_USE.....	275	2300042.....	298
1001225309.....	137	1001232474.....	299	1702010.....	185	2400060.....	223, 227
1001225314.....	137	1001233237.....	298	1702155... 85, 89, 93, 97		2420172.....	77, 79
1001225316.....	137	1001233421.....	298	1703177.....	293	2540042.....	257
1001225377.....	231, 233,	1001233479... 39, 43, 47,		1703464.....	203, 205	2560088.....	161
235, 237		51		1703813.....	275	2560179.....	167, 169
1001225490.....	231	1001233998.....	43, 51	1703816.....	275	2560190.....	161
1001225491.....	233	1001235018.....	139	1703819... 167, 169, 171,		2600281....	147, 153, 155,
1001225492.....	235	1001235024.....	121	173, 175, 275, 277,		159	
1001225493.....	237	1001235025.....	121	279, 281, 283, 285,		2820097.....	145, 151
1001225494.....	293	1001235059.....	116, 121	287, 289, 291		2860030.....	77, 79, 296
1001225495.....	293	1001235060.....	116	1703822... 275, 277, 279,		2901443.....	299
1001225496.....	293	1001235536.....	185	281, 283, 285, 287,		2902431.....	203, 261
1001225790.....	299	1001235541.....	139	289, 291		2940064....	145, 151, 296
1001225791.....	298	1001235697.....	298	1704016... 275, 277, 279,		2940074.....	147, 155
1001225792.....	298	1001235863.....	185	281, 283, 285, 287,		3010088.....	145, 151
1001225925.....	298	1001235924.....	185	289, 291		3080007....	147, 153, 155,
1001226277.....	183	1001236129.....	143	1704260... 171, 173, 175		159, 296	
1001226791.....	113, 117,	1001236507.....	185	1704277... 275, 277, 279,		3252507....	207, 209, 211,
129		1001236880.....	175	281, 283, 285, 287,		213, 215, 217	
1001227464.....	199	1001236982.....	298	289, 291		3290305....	53, 55, 57, 59
1001227703.....	293	1001236984.....	298	1704339.....	291	3290405....	21, 37, 39, 41,
1001227966.....	65, 67, 69	1001237752.....	181	1704340.....	287	43, 45, 47, 49, 51, 77,	
1001228112.....	175	1001238838.....	299	1704341.....	279	79, 99, 108, 112, 116,	
1001228122... 83, 87, 91,		1001238970.....	39	1704344.....	283, 285	124, 128, 163, 165,	
95		1001238971.....	47	1704412... 275, 277, 279,		171, 173, 175, 179,	
1001228123... 85, 89, 93,		1001238972.....	43	281, 283, 285, 287,		181, 203, 205, 207,	
97		1001238973.....	51	289, 291		209, 211, 213, 215	
1001228184.....	183	1001239224... 53, 55, 57,		1704684.....	287	3290505.....	147, 155
1001228237.....	65	59		1704691.....	291	3290601.....	23
1001228238.....	67	1001241486.....	298	1704699.....	279	3290605....	23, 25, 27, 29,
1001228830.....	67	1001242539.....	55, 59	1705195.....	283, 285	31, 33, 35, 61, 65, 69,	
1001228832.....	65	1001242697.....	55	1705303.....	293	77, 79, 99, 108, 112,	

## SECTION 10 - SPECIAL OPTIONS

116, 124, 128, 143, 181, 205, 207, 209, 211, 213	3860111 .... 145, 147, 155	4460115.....223, 227	4460897 ... 45, 47, 49, 51, 61, 99, 223, 227, 235, 237, 247, 249
3290606 ... 145, 147, 151, 153, 155, 159, 161, 163, 165, 179, 181, 183, 185	3900333 ..... 167, 169	4460138.....203	4460899... 108, 112, 116, 124, 128, 231, 233, 235, 237, 239, 241, 243, 245, 247, 249, 251, 253
3290801 ..... 21, 73	3900338 ..... 163, 165	4460183.....223, 227, 259	4460905 ..... 224, 228
3290805 ... 21, 25, 27, 29, 31, 33, 35, 101, 103, 137, 139, 141, 143, 171, 181, 199	3910804 ..... 77, 79	4460226.....224, 228	4460933 ..... 223, 227
3290806 ... 145, 147, 151, 153, 155, 159, 161, 171, 173, 175, 179, 181	4010310 .... 53, 55, 57, 59	4460227..25, 27, 29, 223, 227	4460943... 231, 233, 235, 237, 239, 241, 243, 245, 247, 249
3291005 ..... 73, 101, 103, 133, 143	4010408 ..... 179, 181	4460234.....181, 183	4460944... 223, 227, 231, 233, 235, 237, 239, 241, 243, 245, 247, 249
3291006 ..... 63, 133, 155, 183	4010608 ... 147, 153, 155, 159	4460247.....223, 227	4460956 ..... 219
3291007 ... 108, 112, 116, 124, 128, 137, 139, 141	4010610 ... 205, 207, 209, 211, 213	4460256.....224, 228	4460957 ..... 219
3291201 ..... 101, 103	4010616 .... 145, 147, 155	4460259.....223, 227	4460968 ..... 215
3291205 ... 205, 207, 209, 211, 213	4010617 ..... 155, 159	4460260.....223, 227	4460970 ..... 255
3300473 ..... 167, 169	4010618 ... 145, 147, 151, 153, 155, 159	4460265.....257, 259	4461016 ..... 257, 259
3310805 ..... 173	4010618 ... 145, 147, 151, 153, 155, 159	4460267.....257, 259	4461023 ..... 223, 227
3311502 ..... 143	4031507 ..... 39, 47	4460315.....203, 215	4461057 ..... 257
3311505 ..... 187	4031508 ..... 51	4460320.....224, 228	4461196 ..... 263
3321402 ... 108, 112, 116, 124, 128	4031509 ... 39, 43, 47, 51, 171, 173, 175	4460346.....261	4461198 ..... 263
3331211 ..... 15	4031511 ..... 21, 51	4460418.....99, 223, 227, 259	4461199 ..... 265
3340962 ... 108, 112, 116, 124, 128	4031512 ... 108, 112, 116, 124, 128	4460419.....99, 223, 227	4461201 ..... 265
3340968 ..... 167, 169	4031707 ..... 33, 35	4460424.....25, 27, 29	4461205 ..... 267, 269
3380475 ..... 167, 169	4031708 ..... 23, 33, 35	4460464....45, 47, 49, 51, 61, 99, 108, 112, 116, 124, 128, 183, 223, 228, 231, 233, 235, 237, 239, 241, 243, 245, 247, 249, 251, 253, 255, 257, 259	4461244 ..... 267
3421854 ..... 187	4060803 . 65, 67, 69, 163, 165, 171, 173, 175, 181	4460465....37, 39, 41, 43, 45, 47, 49, 51, 53, 55, 57, 59, 183, 223, 224, 227, 228, 231, 233, 235, 237, 239, 241, 243, 245, 247, 249, 251, 253, 255	4461245 ..... 269
3422219 ..... 155	4060805 ... 83, 85, 87, 89, 91, 93	4460466....183, 223, 227, 231, 233, 235, 237, 239, 241, 243, 245, 247, 249, 251, 255, 257, 259	4461246 ..... 271
3423037 ..... 13	4060865 .... 37, 41, 45, 49	4460467.....299	4461249 ..... 271
3423104 ..... 137	4060906 .... 171, 173, 175	4460496....171, 173, 175, 257	4461257 ..... 205, 207
3423243 ..... 101, 103	4160078 ... 108, 112, 116, 124, 128	4460497....171, 173, 175, 257	4461258 ..... 205, 207
3423278 ... 163, 165, 171, 173, 175	4160202 ..... 21	4460510.....299	4568738 ..... 167, 169
3430636 ..... 21	4160203 ..... 167, 169	4460536.....183	4711700 .... 171, 173, 175
3430814 ..... 143	4160214 ..... 101, 103	4460539....223, 227, 235, 237, 247, 249, 255	4711800 ..... 143
3430816 ..... 143	4191306 ..... 167, 169	4460648.....31, 33, 35	4740086 ..... 101, 103
3431212 ..... 21	4191407 ..... 167, 169	4460662....209, 211, 213, 261	4740438 ... 108, 112, 116, 124, 128
3431218 ..... 21, 101, 103	4191409 ..... 167, 169	4460754....231, 233, 235, 237, 239, 241, 243, 245, 247, 249	4740531 ... 108, 112, 116, 124, 128, 137
3450302 ..... 21	4240017 ... 25, 27, 29, 31, 33, 35, 67, 77, 79, 83, 85, 87, 89, 91, 93, 95, 97, 99, 108, 112, 116, 124, 128, 183, 199, 203, 205, 207, 209, 211, 213, 215, 217, 231, 233, 235, 237, 239, 241, 243, 245, 247, 249	4460871.....224, 228	4750800 ..... 171, 173
3450303 ..... 101, 103	4240018 .... 57, 59, 65, 69	4460877 ..... 223, 227	4751500 ..... 187
3450403 ..... 143	4240033 ..... 181	4460884....223, 227, 253, 255	4811400 ... 39, 43, 47, 51, 99, 108, 112, 116, 124, 128, 163, 165, 171, 173, 175, 179, 181, 203, 205, 207, 209, 211, 213, 215
3450505 ..... 21	4240147 ..... 21	4460891....37, 39, 41, 43, 45, 47, 49, 51, 53, 55, 57, 59, 183, 223, 227, 235, 237, 247, 249, 251, 253, 255	4811600 ..... 147, 155
3450508 ..... 19, 101, 103	4240165 ..... 185	4460894....223, 228, 231, 233, 235, 237, 239, 241, 243, 245, 247, 249	4811700 ... 61, 65, 67, 69, 77, 79, 99, 108, 112, 116, 124, 129, 147, 151, 153, 155, 159, 171, 173, 175, 179, 181, 185, 205, 207, 209, 211, 213
3520072 ... 133, 145, 147, 151, 153, 155, 159	4360328 ..... 77, 79, 296		4811702 ... 25, 27, 29, 31, 33, 35, 65, 69, 161, 163, 165
3574505 ..... 185	4360336 ..... 99, 296		4811900 ... 21, 73, 77, 79, 137, 139, 141, 143, 145, 147, 151, 153, 155, 159, 161, 171, 173, 175, 199
3740150 .. 77, 79, 99, 296	4360345 ... 171, 173, 175, 296		
3760115 ... 108, 112, 116, 124, 128, 137	4360469 ..... 77, 79, 296		
3760170 ... 108, 112, 116, 124, 128, 187	4360475 77, 79, 167, 169, 171, 173, 175, 296		
3760217 ..... 13	4360538 ..... 167, 169		
3760387 ... 108, 112, 116, 124, 128	4360539 ..... 167, 169		
3820019 ..... 161	4420037 ..... 185		
3841143 ... 108, 112, 116, 124, 128	4420051 ..... 293		
3841520 ..... 137	4420062 .... 73, 145, 147, 151, 153, 155, 159, 163, 165, 171, 173, 175, 187		
	4460042 ..... 223, 227		

## SECTION 10 - SPECIAL OPTIONS

4811902.....21, 25, 27, 29, 31, 33, 35, 73, 101, 103, 151, 153, 159, 179, 181	70001252..... 177	70005809 ..... 17	7002821.....299
4812000..13, 21, 73, 101, 103, 108, 112, 116, 124, 128, 133, 137, 143, 155, 183	70001253..... 177	70005812 ..... 17	7002822.....299
4812002.....63, 143	70001878. 108, 112, 116, 124, 128	70005813 ..... 17	7002823.....299
4812100.....101, 103	70002410 ..... 191	70005814 ..... 17	7002826.....299
4812102.....205, 207, 209, 211, 213	70003650 ..... 177	70005815 ..... 73	7004275.....299
4812500.....21, 101, 103	70004231 ..... 191	70005816 ..... 73	7004276.....299
4846757 ..... 13	70004232 ..... 191	70005817 ..... 73	7016654.....299
4922870.....167, 169, 257	70004233 ..... 191	70005891 ..... 75	702017577, 79, 167, 169, 171, 173, 175
4923328.....85, 89, 93, 97	70004241 ..... 193, 195	70005892 ..... 75	702017677, 79, 167, 169, 171, 173, 175
5241000.....101, 103, 143	70005423 ..... 73, 296	70005895 ..... 75	7020218.....108, 112, 116, 124, 128
5241200.....15	70005790 ..... 191	70005896 ..... 75	7023308.....17
5271808.....73	70005791 ..... 191	70005898 ..... 75	7023310.....17
5272117.....15	70005792 ..... 191	70005899 ..... 75	7023311.....17
5272122.....15	70005793 ..... 191	70005900 ..... 75	7023315.....17
70000082.....177	70005794 ..... 191	70005903 ..... 75	7023318.....17
70000084.....177	70005795 ..... 191	70005904 ..... 75	7023319.....17
70000278.....17	70005796 ..... 191	70005905 ..... 75	7023324.....17
70000683.....177	70005797 ..... 191	70005907 ..... 75	7023328.....17
70000684.....177	70005798 ..... 193, 195	70005908 ..... 75	7027365.....177
70000685.....177	70005799 ..... 193	70005909 ..... 75	7027367.....177
70000686.....177	70005800 ..... 193, 195	70005911 ..... 75	7027765.....177
70001250.....177	70005801 ..... 193	70005912 ..... 75	7027766.....177
70001251.....177	70005802 ..... 193	70005913 ..... 75	8229242.....223, 227, 296
	70005803 ..... 193, 195	70005914 ..... 75	8896941.....299
	70005804 ..... 193, 195	70005918 ..... 15	8990147....275, 277, 279, 281, 283, 285, 287, 289, 291
	70005805 ..... 193, 195	70005919 ..... 15	
	70005806 ..... 17	70006143 ..... 195	
	70005807 ..... 17	70021209 ..... 75	
	70005808 ..... 17	70023370 ..... 191	





3121750



An Oshkosh Corporation Company

**Corporate Office**  
**JLG Industries, Inc.**  
**1 JLG Drive**  
**McConnellsburg, PA 17233-9533 USA**  
**☎ (717) 485-5161 (Corporate)**  
**☎ (877) 554-5438 (Customer Support)**  
**📠 (717) 485-6417**

**Visit our website for JLG Worldwide Locations.**  
**[www.jlg.com](http://www.jlg.com)**