



Illustrated Parts Manual

Models
400S
460SJ
Prior to
SN 0300096000

P/N
3120896

July 17, 2018 - Rev AL



An Oshkosh Corporation Company

REVISION LOG

Notes:

Most 400S and 460SJ machines from SN 0300064404 to Present incorporate the ADE System, but no exact SN break exists. A machine that incorporates the ADE System can be outwardly identified by the analyzer connection at the base of the platform console box.

ADE SYSTEM IDENTIFICATION



Revision Log:

March 15, 2000 - A-Original Issue Of Manual (Edited to B/M 0010561 Revision 1)

July 1, 2000 - B - Revised Manual (Revised to B/M 0010561 Revision 2)

January 31, 2001 - C - Revised Manual (Revised to B/M 0010561 Revision 11)

October 16, 2001 - D - Revised (Manual Edited to B/M 0010561 Revision 23)

(Manual Revised to B/M 0010579 Revision 7 With ADE System)

September 30, 2002 - E - Revised (Manual Edited to B/M 0010579 Revision 23 With ADE System)

June 30, 2003 - F - Revised (Manual Edited to B/M 0010579 Revision 33 With ADE System)

September 15, 2003 - G - Revised (Manual Edited to B/M 0010579 Revision 43 With ADE System)

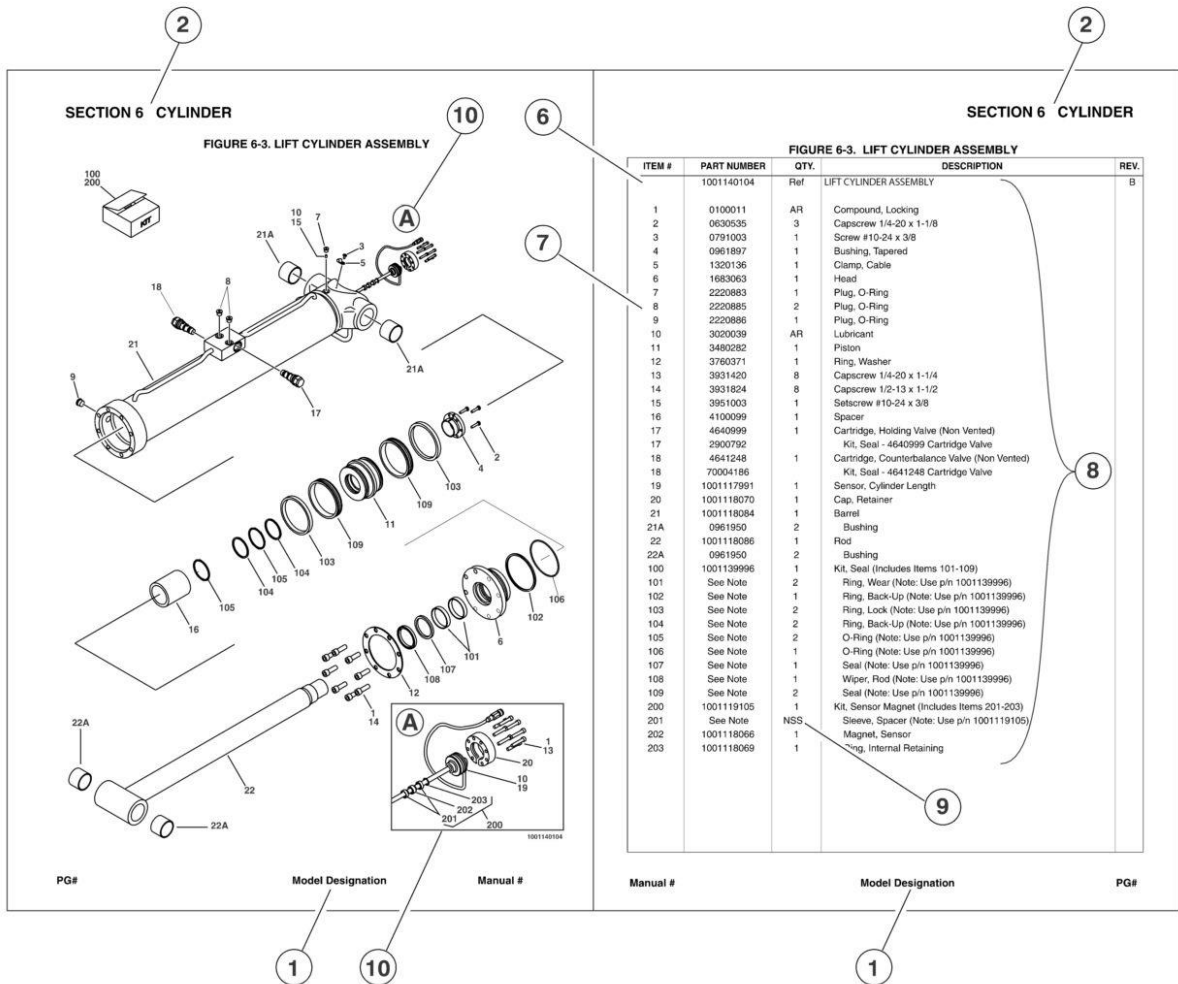
February 6, 2004 - H - Revised (Manual Edited to B/M 0010579 Revision 43 With ADE System)

REVISION LOG

Revision Log (Continued):

August 1, 2004 - I - Revised (Manual edited to B/M 0010579 Revision 51 With ADE system)
December 15, 2004 - J - Revised (Manual edited to B/M 0010579 Revision 52 With ADE syst
April 30, 2005 - K - Revised (Manual edited to B/M 0010579 Revision 58 With ADE system)
October 13, 2005 - L - Revised (Manual edited to B/M 0010579 Revision 64 With ADE syst
April 30, 2006 - M - Revised (Manual edited to B/M 0010579 Revision 67 With ADE system)
September 12, 2006 - N - Revised
January 3, 2007 - O - Revised
April 2, 2007 - P - Revised
August 31, 2007 - Q - Revised
January 11, 2008 - R - Revised
July 15, 2008 - S - Revised
March 1, 2009 - T - Revised
October 2, 2009 - U - Revised
July 21, 2010 - V - Revised
January 27, 2011 - W - Revised
May 16, 2011 - X - Revised
August 12, 2011 - Y - Revised
December 8, 2011 - Z - Revised
March 30, 2012 - AA - Revised
July 19, 2012 - AB - Revised
October 19, 2012- AC - Revised
February 28, 2013 - AD - Revised
May 13, 2013 - AE - Revised
August 21, 2013 - AF - Revised
November 27, 2013 - AG - Revised
June 1, 2015 - AH - Revised
November 20, 2015 - AI - Revised
July 15, 2016 - AJ - Revised
June 30, 2017 - AK - Revised
July 17, 2018 - AL - Revised

GENERAL INFORMATION



1) MACHINE IDENTIFICATION

Machines are identified by model and in some cases a combination of models, serial number (SN) or regional standard (i.e ANSI, CE, CSA). Components may also be identified by SN or manufacturer. Common components that may be identified by these characteristics are engines and hydraulic components.

2) PARTS MANUAL ORGANIZATION

Product information in this manual is organized under section titles. Frame, Cylinder, Hydraulic and Electrical are a few examples. Each section is organized by figure and page number. The information within the Figure is then organized by item number, part number, description and corresponding illustration (s).

3) TABLE OF CONTENTS

A table of contents is found toward the beginning of the manual. Figure number, description and page number are provided for quick reference to the page containing the related information.

4) RECOMMENDED SPARE PARTS

The Recommended Spare Parts, located near the end of the manual, reference most frequently used maintenance parts.

5) PART NUMBER INDEX

A numerical index listing all part numbers and the corresponding page number(s) appears at the back of the manual.

GENERAL INFORMATION

6) NON-SERVICED PARTS

In some instances, it is necessary to display non-serviced parts, assemblies or installations. In the case of assemblies and installations there will be a Ref in the Qty column. In case of parts that are not available for service within assemblies or components, there will be a NSS (Not Sold Separately) or NLA (No Longer Available) listed in the Qty. column of the manual.

7) PARTS LIST ITEM NUMBERS

Numbers shown in the item# column correspond to numbers used in the associated illustration (s). Item numbers which are missing from the sequence in the parts list are not used on that page

8) INDENTED PARTS DESCRIPTION

An indented part description is included in the item under which it is indented.

9) ABB REVIATION AND SYMBOLS

AC.....	.. Alternating Current	LCD Liquid Crystal Display
ADE.Advanced Design Electronics	LED Light Emitting Diodes
ANSIAmerican National Standards Institute	LH... Left Hand
AR.As Required	LSSLoad Sensing System
ASSY Assembly	M(m)...	.. Metric/Meter
AUX...A uxiliary	MM (mm)Milimeter
AWG.....	..American Wire Gauge	mA.....	.. Milliamps
B/M.....	.. Bill of Material	NLA.....	..No Longer Available
CE.....	..European Conformity	NPT National Pipe Threads
CCWCounter Clockwise	NSSNot Sold Separately
cm.....	.. Centimeter	OD.....	..Outside Diameter
CW.....	..Clockwise	ORB.....	.. O-Ring Bos s
CSA.Canadian Standards Association	ORFS.....	.. O-Ring Face Seal
CYL.....	..Cylinder	OZ (oz).Ounces
DIA.Diameter	PGPage
DC.....	..Direct Current	P/N.....	..Part Number
EMS Emergency Stop	qt.....	..Quarts
ENGEngine	QTY.....	..Quantity
FT (ft).....	.. Feet	REFReference
GA(Ga).. Gauge	REVRevision Level
HYDHydraulic	RH... Right Hand
Hz.....	..Her tz	SAE.....	.. Society of Automotive E ngineers
ID.....	..Inside Diameter	SN.....	..Serial Number
in.....	.. inches	SPEC(S).....	..Specifications
ISO.....	..I nternational Organ ization for Stand ards	T/T.....	..T urntable
JIC.....	..Joint Indust ry Council	UGMUniv ersal G round Module
KGKilogram	V.....	..Volts
L.....	..Liter	W.....	.. Watts
LB.....	..P ounds	#.....	.. Number

10) ILLUSTRATION REFERENCE LETTERS

When necessary, illustrations may contain reference letters that are intended to track information (i. e. hoses, harnesses) from one point to another or to track visual enlargement of components to show details that may be located in another area on the illustration.

Note: Due to continuous product improvements, JLG Industries, Inc. reserves the right to make specification changes without prior notification. Contact JLG Industries, Inc. for updated information.

TABLE OF CONTENTS

SECTION 1 - FRAME.....	9
FIGURE 1-1. AXLE AND STEERING INSTALLATION - 2WD WITHOUT TOW PACKAGE	10
FIGURE 1-2. AXLE AND STEERING INSTALLATION - 2WD WITH TOW PACKAGE	14
FIGURE 1-3. AXLE AND STEERING INSTALLATION - 4WD	18
FIGURE 1-4. TIRE AND WHEEL DRIVE INSTALLATIONS	24
FIGURE 1-5. DRIVE HUB ASSEMBLY (4WD FRONT) (Prior to SN 0300076633)	28
FIGURE 1-6. DRIVE HUB/BRAKE ASSEMBLY (REAR) (Prior to SN 0300076633)	30
FIGURE 1-7. DRIVE HUB AND HUB WITH BRAKE ASSEMBLIES (SN 0300076633 through 0300096000)	34
FIGURE 1-8. DRIVE MOTOR ASSEMBLY (ORIGINAL EQUIPMENT - 4 BOLT ASSEMBLY)	38
FIGURE 1-9. DRIVE MOTOR ASSEMBLY (FIELD SERVICE REPLACEMENT - 5 BOLT ASSEMBLY)	42
FIGURE 1-10. FRAME VALVES AND SHIELDS INSTALLATION	46
FIGURE 1-11. SEMI-TRACK INSTALLATION	50
FIGURE 1-12. TOW PACKAGE INSTALLATION	54
SECTION 2 - TURNTABLE	57
FIGURE 2-1. VALVES AND TILT INDICATOR INSTALLATIONS	58
FIGURE 2-2. MAIN CONTROL VALVE ASSEMBLY	62
FIGURE 2-3. ARTICULATING JIB VALVE ASSEMBLY	66
FIGURE 2-4. TURNTABLE AND SWING DRIVE INSTALLATIONS	68
FIGURE 2-5. SWING BRAKE ASSEMBLY	72
FIGURE 2-6. SWING HUB ASSEMBLY	74
FIGURE 2-7. SWING MOTOR ASSEMBLY	76
FIGURE 2-8. CATERPILLAR ENGINE INSTALLATION	78
FIGURE 2-9. DEUTZ ENGINE INSTALLATION (Prior to SN 0300077682)	86
FIGURE 2-10. DEUTZ ENGINE INSTALLATION (SN 0300077682 through 0300096000)	92
FIGURE 2-11. PISTON PUMP ASSEMBLY	100
FIGURE 2-12. GEAR PUMP ASSEMBLY	104
FIGURE 2-13. AUXILIARY PUMP ASSEMBLY	106
FIGURE 2-14. TANK INSTALLATIONS	110
FIGURE 2-15. GROUND CONTROL BOX ASSEMBLY WITHOUT ADE SYSTEM	114
FIGURE 2-16. GROUND CONTROL BOX ASSEMBLY WITH ADE SYSTEM	118
FIGURE 2-17. ELECTRICAL OPTIONS INSTALLATION (TURNTABLE MOUNTED)	122
FIGURE 2-18. HOODS INSTALLATION	126
FIGURE 2-19. GENERATOR INSTALLATION - CATERPILLAR MACHINES (OPTIONAL)	130
FIGURE 2-20. GENERATOR INSTALLATION - DEUTZ MACHINES (OPTIONAL)	132
FIGURE 2-21. 7500W SKYPOWER GENERATOR INSTALLATION - CATERPILLAR AND DEUTZ ENGINES	136
SECTION 3 - BOOM	141
FIGURE 3-1. BOOM INSTALLATIONS	142
FIGURE 3-2. BOOM ASSEMBLY - 400S	146
FIGURE 3-3. BOOM ASSEMBLY - 460SJ	150
FIGURE 3-4. ROTATOR ASSEMBLIES	154
FIGURE 3-5. PLATFORM SUPPORT INSTALLATION - WITH LSS	158
SECTION 4 - PLATFORM	161
FIGURE 4-1. PLATFORM INSTALLATION (FRONT ENTRY PLATFORM)	162
FIGURE 4-2. PLATFORM INSTALLATION - SIDE ENTRY PLATFORM	166
FIGURE 4-3. SOFT TOUCH INSTALLATION (FRONT ENTRY PLATFORM) (OPTIONAL)	170
FIGURE 4-4. SOFT TOUCH INSTALLATION (SIDE ENTRY PLATFORM) (OPTIONAL)	172
FIGURE 4-5. PLATFORM CONSOLE ASSEMBLY WITHOUT ADE SYSTEM	174
FIGURE 4-6. PLATFORM CONSOLE ASSEMBLY WITH ADE SYSTEM	180
FIGURE 4-7. CONTROLLER ASSEMBLY (SWING AND LIFT) (WITHOUT ADE SYSTEM)	184
FIGURE 4-8. CONTROLLER ASSEMBLY (LIFT AND SWING) (WITH ADE SYSTEM)	186
FIGURE 4-9. CONTROLLER ASSEMBLY (LIFT AND SWING) (WITH ADE SYSTEM)	188
FIGURE 4-10. CONTROLLER ASSEMBLY (LIFT AND SWING) (WITH ADE SYSTEM)	190
FIGURE 4-11. CONTROLLER ASSEMBLY (DRIVE AND STEER) (WITHOUT ADE SYSTEM)	194
FIGURE 4-12. CONTROLLER ASSEMBLY (DRIVE AND STEER) (WITH ADE SYSTEM)	196
FIGURE 4-13. CONTROLLER ASSEMBLY (DRIVE AND STEER) (WITH ADE SYSTEM)	198
FIGURE 4-14. CONTROLLER ASSEMBLY (DRIVE AND STEER) (WITH ADE SYSTEM)	200
FIGURE 4-15. SKYCUTTER INSTALLATION	202
FIGURE 4-16. PLASMA CUTTER ASSEMBLY	204
FIGURE 4-17. SKYWELDER INSTALLATION (Prior to SN 0300068333)	206

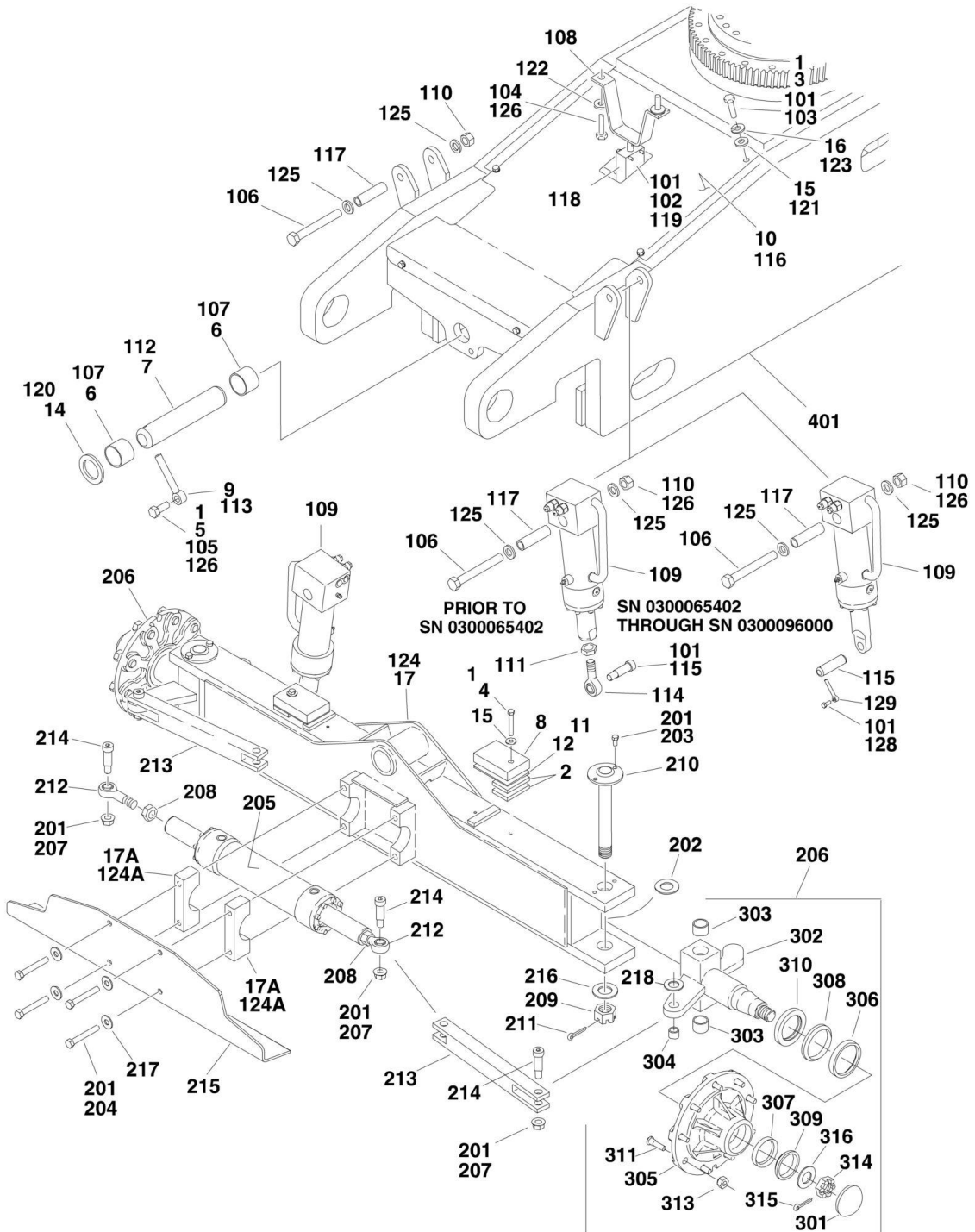
TABLE OF CONTENTS

FIGURE 4-18. SKYWELDER INSTALLATION (50HZ) (SN 0300068333 through 0300096000)	212
FIGURE 4-19. WELDER ASSEMBLY	214
FIGURE 4-20. PIPE RACKS INSTALLATION.....	216
SECTION 5 - CYLINDER.....	219
FIGURE 5-1. AXLE LOCKOUT CYLINDER ASSEMBLY.....	220
FIGURE 5-2. LEVEL (PLATFORM SLAVE) CYLINDER ASSEMBLY.....	222
FIGURE 5-3. LEVEL (PLATFORM SLAVE) CYLINDER ASSEMBLY (400S - SERVICE REPLACEMENT CYLINDER)	224
FIGURE 5-4. LIFT CYLINDER ASSEMBLY - JIB (460SJ) (ORIGINAL EQUIPMENT)	226
FIGURE 5-5. LIFT CYLINDER ASSEMBLY - JIB (460SJ) (USAGE MAY VARY) (SERVICE REPLACEMENT).....	228
FIGURE 5-6. LIFT CYLINDER ASSEMBLY - JIB (460SJ) (USAGE MAY VARY) (SERVICE REPLACEMENT).....	230
FIGURE 5-7. LIFT CYLINDER ASSEMBLY - MAIN.....	232
FIGURE 5-8. MASTER CYLINDER ASSEMBLY (ORIGINAL EQUIPMENT).....	234
FIGURE 5-9. MASTER CYLINDER ASSEMBLY (SERVICE REPLACEMENT)	236
FIGURE 5-10. STEER CYLINDER ASSEMBLY (ORIGINAL EQUIPMENT) (Prior to SN 0300087392).....	238
FIGURE 5-11. STEER CYLINDER ASSEMBLY (SERVICE REPLACEMENT AND ORIGINAL EQUIPMENT) (Prior to SN 0300087392, SN 0300087392 through 0300096000)	240
FIGURE 5-12. TELESCOPE CYLINDER ASSEMBLY.....	242
SECTION 6 - HYDRAULIC	245
FIGURE 6-1. AXLE LOCKOUT HYDRAULIC DIAGRAM.....	246
FIGURE 6-2. DRIVE HYDRAULIC DIAGRAM - 2WD	248
FIGURE 6-3. DRIVE HYDRAULIC DIAGRAM - 4WD	250
FIGURE 6-4. STANDARD HYDRAULIC DIAGRAM.....	254
FIGURE 6-5. HYDRAULIC DIAGRAM LIST.....	258
SECTION 7 - ELECTRICAL.....	259
FIGURE 7-1. ELECTRICAL DIAGRAM LIST	260
FIGURE 7-2. HARNESS COMPONENTS INSTALLATION (WITHOUT ADE SYSTEM)	262
FIGURE 7-3. HARNESS COMPONENTS INSTALLATION (WITH ADE SYSTEM).....	270
SECTION 8 - DECALS	281
FIGURE 8-1. DECAL INSTALLATION (Prior to SN 0300085617)	282
FIGURE 8-2. DECAL INSTALLATION (SN 0300085617 through 0300095670)	288
FIGURE 8-3. DECAL INSTALLATION (SN 0300095671 through 0300096000).....	292
SECTION 9 - RECOMMENDED SERVICE PARTS STOCK.....	295
FIGURE 9-1. MODEL 400S/460SJ STANDARD PARTS.....	296
FIGURE 9-2. MODEL 400S/460SJ VARIABLE PARTS.....	298
SECTION 10 - SPECIAL OPTIONS	299
FIGURE 10-1. SPECIAL OPTIONS LIST.....	300
PART NUMBER INDEX.....	305

SECTION 1 - FRAME

SECTION 1 - FRAME

FIGURE 1-1. AXLE AND STEERING INSTALLATION - 2WD WITHOUT TOW PACKAGE



SECTION 1 - FRAME

FIGURE 1-1. AXLE AND STEERING INSTALLATION - 2WD WITHOUT TOW PACKAGE

ITEM	PART NUMBER	QTY	DESCRIPTION	REV
		Ref	FIXED AXLE INSTALLATION OPTIONS:	
	0259152	Ref	All Machines (Prior to SN 0300067471)	C
	0272274	Ref	Fixed Axle Installation (SN 0300067471 through 0300072505)	A
	0272902	Ref	Fixed Axle Installation (SN 0300072506 through 0300096000)	A
1	0100011	AR	Compound, Locking	
2	0362932	2	Bar, Stop	
3	0641607	4	Bolt 3/8in-16NC x 7/8in	
4	0641626	2	Bolt 3/8in-16NC x 3-1/4in	
5	0642012	1	Bolt 5/8in-11NC x 1-1/2in	
6	0961950	2	Bushing	
7	3422592	1	Pin, Axle Pivot	
8	0362954	2	Plate, Stop	
9	3841258	1	Keeper, Pin	
10		Ref	Shield, Frame Options:	
10	4060978	1	Shield, Frame (Prior to SN 0300072506)	
10	3574254	1	Shield, Frame (SN 0300072506 through 0300096000)	
11	4071002	AR	Shim, 20-Gauge	
12	4070973	AR	Shim 1/8in	
14	4740158	1	Thrustwasher	
15	4751600	6	Flatwasher 3/8in Regular	
16	4761600	4	Lockwasher 3/8in	
17		Ref	Axle Weldment Options:	
17	4846072	1	Axle Weldment (Prior to SN 0300067471)	
17	4846551	1	Axle Weldment (SN 0300067471 through 0300096000)	
17A	0561300	2	Steer Cylinder Mounting Block Assembly	
		Ref	OSCILLATING AXLE INSTALLATION OPTIONS:	
	0259150	Ref	Australian Spec (Prior to SN 0300065402)	E
	0271977	Ref	Australian Spec (SN 0300065402 through 0300072505)	A
	0272900	Ref	Australian Spec (SN 0300072506 through 0300096000)	A
	0270715	Ref	CE Spec (Prior to SN 0300065402)	A
	0271979	Ref	CE Spec (SN 0300065402 through 0300072505)	B
	0272904	Ref	CE Spec (SN 0300072506 through 0300096000)	A
101	0100011	AR	Compound, Locking	
102		Ref	Bolt Options:	
102	0641414	4	Bolt 1/4in-20NC x 1-3/4in (Australian Spec)	
102	0641424	4	Bolt 1/4in-20NC x 3in (CE Spec)	
103	0641607	4	Bolt 3/8in-16NC x 7/8in	
104	0642010	2	Bolt 5/8in-11NC x 1-1/4in	
105	0642012	1	Bolt 5/8in-11NC x 1-1/2in	
106	0682248	2	Bolt 3/4in-10NC x 6in (Grade 8)	
107	0961950	2	Bushing	
108		Ref	Cam, Lockout Options:	
108	1100118	1	Australian Spec	
108	1100123	1	CE Spec	
109		Ref	Lockout Cylinder Assembly Options (See CYLINDER SECTION for Breakdown):	
109	1683575	NLA	Lockout Cylinder Assembly (Use p/n 1684139) (Prior to SN 0300065402)	
109	1684139	2	Lockout Cylinder Assembly (SN 0300065402 through 0300096000)	

SECTION 1 - FRAME

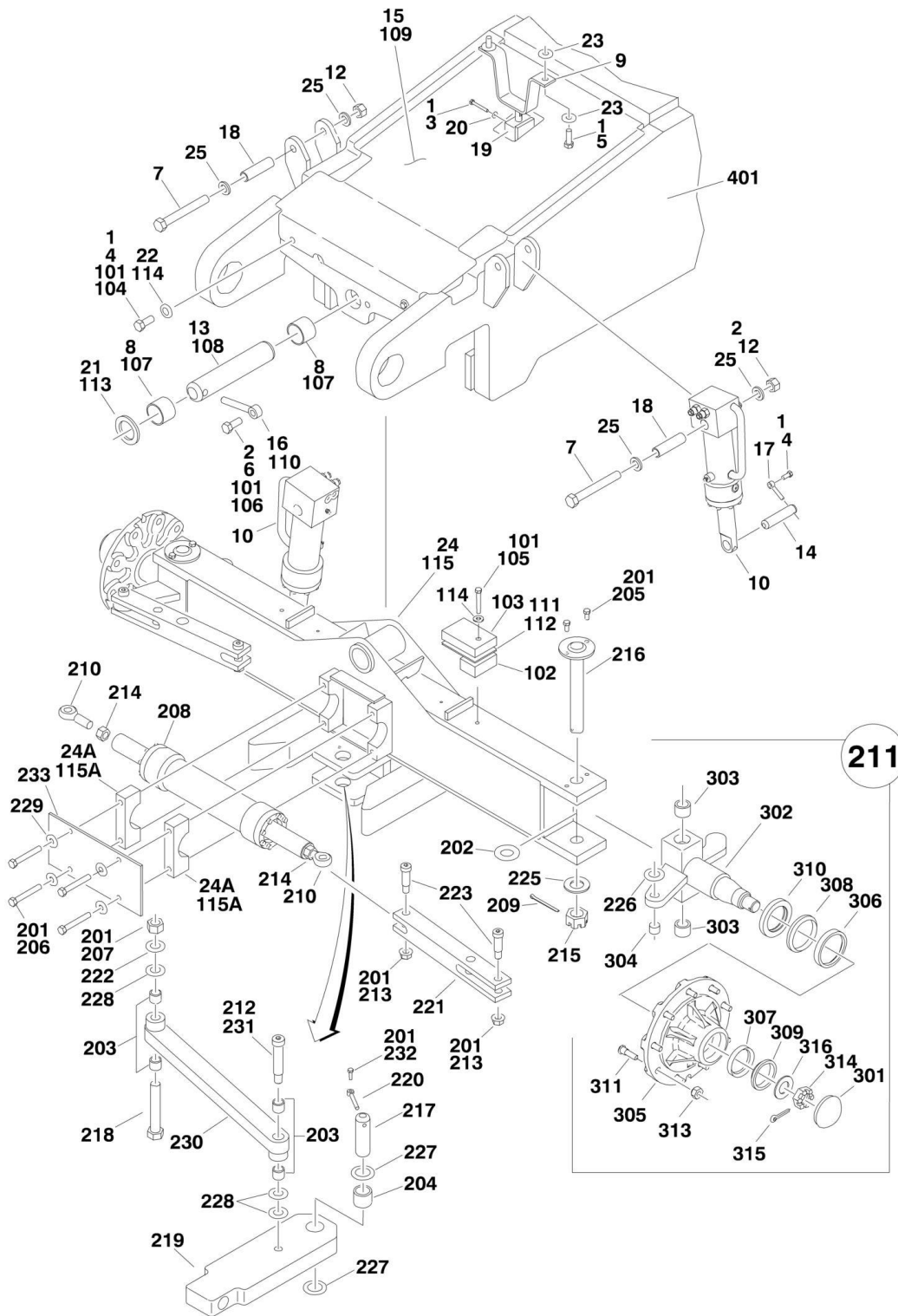
ITEM	PART NUMBER	QTY	DESCRIPTION	REV
110	3272201	2	Nut 3/4in-10NC	
111	3322201	2	Nut 3/4in-16NF (Prior to SN 0300065402)	
112	3422592	1	Pin, Axle Pivot	
113	3841258	1	Keeper, Pin	
114	3841367	2	Rod-End with Grease Fitting (Prior to SN 0300065402)	
114	7020180	1	Grease Fitting	
115		Ref	Hardware Options:	
115	3900109	2	Screw, Shoulder (Prior to SN 0300065402)	
115	3422936	2	Pin (SN 0300065402 through 0300096000)	
116		Ref	Shield, Frame Options:	
116	4060978	1	Shield, Frame (Prior to SN 0300072506)	
116	3574254	1	Shield, Frame (SN 0300072506 through 0300096000)	
117	4567462	2	Tube, Mounting	
118	4640871	AR	Lockout Valve Assembly	
118		Ref	Australian Spec	
118		Ref	CE Spec	
118	7012693	AR	Seal Kit - 4640871 Valve	
118	7002840	1	Anti-Rotation Pin Removal Tool	
119	4711400	4	Flatwasher 1/4in Thin	
120	4740158	1	Thrustwasher	
121	4751600	4	Flatwasher 3/8in Regular	
122	4752000	4	Flatwasher 5/8in Regular	
123	4761600	2	Lockwasher 3/8in	
124		Ref	Axle Weldment Options:	
124	4846072	1	Axle Weldment (Prior to SN 0300065402)	
124	4846551	1	Axle Weldment (SN 0300065402 through 0300096000)	
124A	0561300	2	Steer Cylinder Mounting Block Assembly	
125	4892200	4	Flatwasher 3/4in Hardened	
126	0100019	AR	Compound, Locking	
128	0641607	2	Bolt 3/8in-16NC x 7/8in (SN 0300065402 through 0300096000)	
129	3841520	2	Keeper, Pin (SN 0300065402 through 0300096000)	
	0259148	Ref	STEERING INSTALLATION	H
201	0100011	AR	Compound, Locking	
202	0440162	2	Thrustwasher	
203	0641606	4	Bolt 3/8in-16NC x 3/4in	
204	0681828	4	Bolt 1/2in-13NC x 3-1/2in	
205		Ref	Steer Cylinder Assembly Options (See CYLINDER SECTION for Breakdown):	
205	1683614	NLA	Steer Cylinder Assembly (Use p/n 1684412) (Prior to SN 0300087392)	
205	1001140283	NLA	Steer Cylinder Assembly (Use p/n 1684412) (SN 0300087392 through 0300096000)	
206	2780230	2	Hub/Spindle Assembly (See Item 301-316 for Breakdown)	
207	3312008	4	Nut 5/8in-11NC	
208	3322201	2	Nut 3/4in-16NF	
209	3323003	2	Nut 1-1/4in-12NF	
210	3422692	2	Kingpin	
211	3450808	2	Pin, Cotter 1/4in x 2in	
212	3841367	NLA	Rod-End (Use p/n 3841517 Rod-End with p/n 7020180 Grease Fitting)	
		Ref	Note: Qty (1) p/n 4740086 Thrustwasher required between bottom of p/n 3841517 Rod-End and Tie Rod.	

SECTION 1 - FRAME

ITEM	PART NUMBER	QTY	DESCRIPTION	REV
213	3841442	2	Tie-Rod	
214	3900109	4	Screw, Shoulder	
215		Ref	Shield, Frame Options:	
215	4060950	1	Shield, Frame (Prior to SN 0300072506)	
215	Not Required	0	Shield, Frame (SN 0300072506 through 0300096000)	
216	4713000	2	Flatwasher 1-1/4in Thin	
217	4751800	4	Flatwasher 1/2in Regular	
218	4740086	2	Thrustwasher	
	2780230	Ref	HUB ASSEMBLY	A
301	7020033	2	Cap, Dust (1 per Assembly)	
302	7020034	2	Spindle Assembly (1 per Assembly)	
303	0961951	4	Bushing (2 Per Assembly)	
304	0962140	2	Bearing (1 per Assembly)	
305	7020035	2	Hub (1 per Assembly) (Includes 306 & 307)	
306	7020036	2	Cup, Bearing - Inner(1 per Assembly)	
307	7020038	2	Cup, Bearing - Outer (1 per Assembly)	
308	7020037	2	Cone, Bearing - Inner (1 per Assembly)	
309	7020039	2	Cone, Bearing - Outer (1 per Assembly)	
310	7020040	2	Seal (1 Per Assembly)	
311	7020041	18	Stud, Wheel (9 Per Assembly)	
313	7020042	18	Lugnut (9 per Assembly)	
314	7020054	2	Nut, Castle (1 per Assembly)	
315	3450608	2	Pin, Cotter (1 Per Assembly)	
316	7020055	2	Washer, Spindle (1 Per Assembly)	
401		Ref	FRAME WELDMENTS	
401	2360539	Ref	Frame Weldments 400S with 500Lbs Capacity (Prior to SN 0300072506)	
401	2360625	Ref	Frame Weldments 400S with 500Lbs Capacity (SN 0300072506 through 0300076632)	
401	2360650	Ref	Frame Weldments 400S with 500Lbs Capacity (SN 0300076633 through 0300096000)	
401	2360540	Ref	Frame Weldments 400S with 750Lbs Capacity (Prior to SN 0300072506)	
401	2360626	Ref	Frame Weldments 400S with 750Lbs Capacity (SN 0300072506 through 0300076632)	
401	2360651	Ref	Frame Weldments 400S with 750Lbs Capacity (SN 0300076633 through 0300096000)	
401	2360541	Ref	Frame Weldments 460SJ (Prior to SN 0300072506)	
401	2360627	Ref	Frame Weldments 460SJ (SN 0300072506 through 0300076632)	
401	2360652	Ref	Frame Weldments 460SJ (SN 0300076633 through 0300096000)	
401	2360551	Ref	Frame Weldments 460SJ CE Spec with Pneumatic Tires (Prior to SN 0300072506)	
401	2360628	Ref	Frame Weldments 460SJ CE Spec with Pneumatic Tires (SN 0300072506 through 0300076632)	
401	2360653	Ref	Frame Weldments 460SJ CE Spec with Pneumatic Tires (SN 0300076633 through 0300096000)	

SECTION 1 - FRAME

FIGURE 1-2. AXLE AND STEERING INSTALLATION - 2WD WITH TOW PACKAGE



SECTION 1 - FRAME

FIGURE 1-2. AXLE AND STEERING INSTALLATION - 2WD WITH TOW PACKAGE

ITEM	PART NUMBER	QTY	DESCRIPTION	REV
	0273473	Ref	OSCILLATING AXLE INSTALLATION	A
1	0100011	AR	Compound, Locking	
2	0100019	AR	Compound, Locking	
3	0641424	4	Bolt 1/4in-20NC x 3in	
4	0641607	2	Bolt 3/8in-16NC x 7/8in	
5	0642010	2	Bolt 5/8in-11NC x 1-1/4in	
6	0642012	1	Bolt 5/8in-11NC x 1-1/2in	
7	0682248	2	Bolt 3/4in-10NC x 6in	
8	0961950	2	Bushing	
9	1100123	1	Cam, Lockout	
10	1684139	2	Lockout Cylinder Assembly (See CYLINDER SECTION for Breakdown)	
12	3272201	2	Nut 3/4in-10NC	
13	3422592	1	Pin, Axle Pivot	
14	3422936	2	Pin	
15	3574254	1	Shield, Frame	
16	3841258	1	Keeper, Pin	
17	3841520	2	Keeper, Pin	
18	4567462	2	Tube, Mounting	
19	4640871	1	Lockout Valve Assembly	
19	7012693	1	Seal Kit - 4640871 Valve	
19	7002840	1	Anit-Rotation Pin Removal Tool	
20	4711400	4	Flatwasher 1/4in Thin	
21	4740158	1	Thrustwasher	
22	4751600	2	Flatwasher 3/8in Regular	
23	4752000	4	Flatwasher 5/8in Regular	
24	4846801	1	Axle Weldment	
24A	0561300	2	Steer Cylinder Mounting Block Assembly	
25	4892200	4	Flatwasher 3/4in Hardened	
		Ref	FIXED AXLE INSTALLATION	
	0272803	Ref	Fixed Axle Installation (Prior to SN 0300072506)	A
	0272906	Ref	Fixed Axle Installation (SN 0300072506 through 0300096000)	A
101	0100011	AR	Compound, Locking	
102	0362932	2	Bar, Stop	
103	0362954	2	Bar, Stop	
104	0641607	2	Bolt 3/8in-16NC x 7/8in	
105	0641626	2	Bolt 3/8in-16NC x 3-1/4in	
106	0642012	1	Bolt 5/8in-11NC x 1-1/2in	
107	0961950	2	Bushing	
108	3422592	1	Pin, Axle Pivot	
109		Ref	Shield, Frame Options:	
109	4060978	1	Shield, Frame (Prior to SN 0300072506)	
109	3574254	1	Shield, Frame (SN 0300072506 through 0300096000)	
110	3841258	1	Keeper, Pin	
111	4070973	2	Shim 11Ga	
112	4071002	4	Shim 20Ga	
113	4740158	1	Thrustwasher	
114	4751600	2	Flatwasher 3/8in Regular	
115	4846426	1	Axle Weldment	
115A	0561300	2	Steer Cylinder Mounting Block Assembly	

SECTION 1 - FRAME

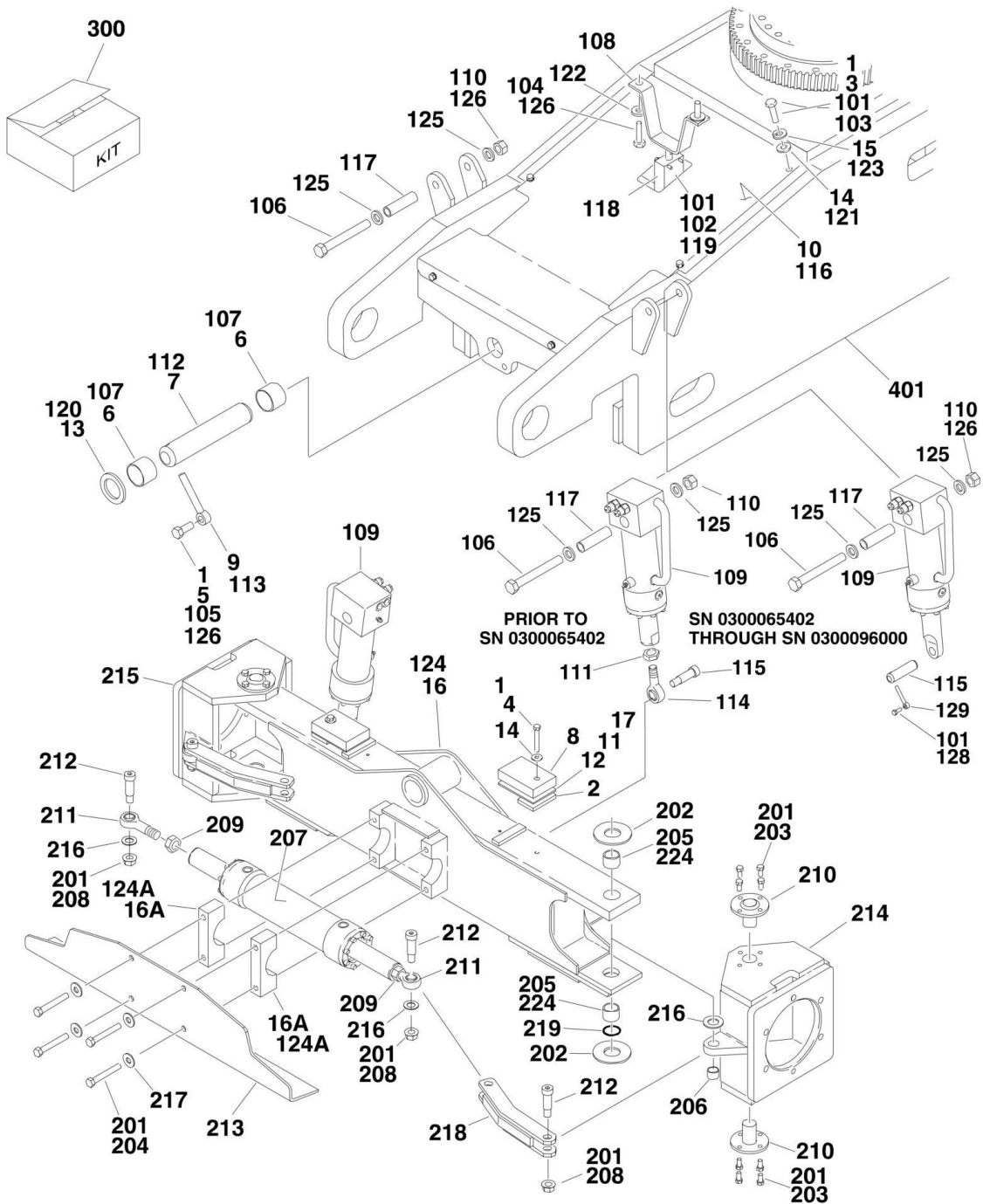
ITEM	PART NUMBER	QTY	DESCRIPTION	REV
	0272804	Ref	STEERING INSTALLATION	G
201	0100011	AR	Compound, Locking	
202	0440162	2	Thrustwasher	
203	0962292	4	Bushing	
204	0962348	1	Bushing	
205	0641606	4	Bolt 3/8in-16NC x 3/4in	
206		Ref	Bolt Options:	
206	0681828	4	Bolt 1/2in-13NC x 3-1/2in (With Cylinder Shield)	
206	0681824	4	Bolt 1/2in-13NC x 3in (Without Cylinder Shield)	
207	3272205	2	Locknut 3/4in-16NF	
208		Ref	Steer Cylinder Assembly Options (See CYLINDER SECTION for Breakdown):	
208	1683614	NLA	Steer Cylinder Assembly (Use p/n 1684412) (Prior to SN 0300087392)	
208	1001140283	NLA	Steer Cylinder Assembly (Use p/n 1684412) (SN 0300087392 through 0300096000)	
209	3450808	2	Pin, Cotter 1/4in x 2in	
210	3841367	NLA	Rod-End (Use p/n 3841517 Rod-End with p/n 7020180 Grease Fitting)	
		Ref	Note: Qty (1) p/n 4740086 Thrustwasher required between bottom of p/n 3841517 Rod-End and Tie Rod.	
211	2780230	2	Hub/Spindle Assembly (See Items 201-213 for Breakdown)	
212	3900295	1	Bolt, Shoulder 1in x 3in	
213	3312008	4	Nut 5/8in-11NC	
214	3322201	2	Nut 3/4in-16NF	
215	3323003	2	Nut 1-1/4in-12NF	
216	3422692	2	Kingpin	
217	3422848	1	Pin, Hitch	
218	3900296	1	Bolt, Shoulder 1in x 4-1/2in	
219	3574235	1	Plate, Tow Bar Pivot	
220	3841143	1	Keeper	
221	3841619	2	Tie-Rod	
222	4712400	1	Flatwasher 7/8in Thin	
223	3900109	4	Screw, Shoulder	
225	4713000	2	Flatwasher 1-1/4in Thin	
226	4740086	2	Thrustwasher	
227	4740155	2	Thrustwasher	
228	4740491	3	Thrustwasher	
229	4751800	4	Flatwasher 1/2in Regular	
230	4846802	1	Weldment, Link	
231	0100019	AR	Compound, Locking	
232	0641508	1	Bolt 5/16in-18NC x 1in	
233	4061048	1	Shield, Cylinder Only (Prior to SN 0300073804)	
	2780230	Ref	HUB ASSEMBLY	A
301	7020033	2	Cap, Dust (1 per Assembly)	
302	7020034	2	Spindle Assembly (1 per Assembly)	
303	0961951	4	Bushing (2 Per Assembly)	
304	0962140	2	Bearing (1 per Assembly)	
305	7020035	2	Hub (1 per Assembly) (Includes Items 306 & 307)	
306	7020036	2	Cup, Bearing - Inner(1 per Assembly)	
307	7020038	2	Cup, Bearing - Outer (1 per Assembly)	
308	7020037	2	Cone, Bearing - Inner (1 per Assembly)	

SECTION 1 - FRAME

ITEM	PART NUMBER	QTY	DESCRIPTION	REV
309	7020039	2	Cone, Bearing - Outer (1 per Assembly)	
310	7020040	2	Seal (1 Per Assembly)	
311	7020041	18	Stud, Wheel (9 Per Assembly)	
313	7020042	18	Lugnut (9 per Assembly)	
314	7020054	2	Nut, Castle (1 per Assembly)	
315	3450608	2	Pin, Cotter (1 Per Assembly)	
316	7020055	2	Washer, Spindle (1 Per Assembly)	
401		Ref	FRAME WELDMENT OPTIONS:	
401	2360539	Ref	Frame Weldment 400S with 500Lbs Capacity (Prior to SN 0300072506)	
401	2360625	Ref	Frame Weldment 400S with 500Lbs Capacity (SN 0300072506 through 0300076632)	
401	2360650	Ref	Frame Weldment 400S with 500Lbs Capacity (SN 0300076633 through 0300096000)	
401	2360540	Ref	Frame Weldment 400S with 750Lbs Capacity (Prior to SN 0300072506)	
401	2360626	Ref	Frame Weldment 400S with 750Lbs Capacity (SN 0300072506 through 0300076632)	
401	2360651	Ref	Frame Weldment 400S with 750Lbs Capacity (SN 0300076633 through 0300096000)	
401	2360541	Ref	Frame Weldment 460SJ (Prior to SN 0300072506)	
401	2360627	Ref	Frame Weldment 460SJ (SN 0300072506 through 0300076632)	
401	2360652	Ref	Frame Weldment 460SJ (SN 0300076633 through 0300096000)	
401	2360551	Ref	Frame Weldment 460SJ CE Spec with Pneumatic Tires (Prior to SN 0300072506)	
401	2360628	Ref	Frame Weldment 460SJ CE Spec with Pneumatic Tires (SN 0300072506 through 0300076632)	
401	2360653	Ref	Frame Weldment 460SJ CE Spec with Pneumatic Tires (SN 0300076633 through 0300096000)	

SECTION 1 - FRAME

FIGURE 1-3. AXLE AND STEERING INSTALLATION - 4WD



SECTION 1 - FRAME

FIGURE 1-3. AXLE AND STEERING INSTALLATION - 4WD

ITEM	PART NUMBER	QTY	DESCRIPTION	REV
		Ref	FIXED AXLE INSTALLATION OPTIONS:	
	0259153	Ref	Fixed Axle Installation (Prior to SN 0300067471)	C
	0272275	Ref	Fixed Axle Installation (SN 0300067471 through 0300072505)	A
	0272903	Ref	Fixed Axle Installation (SN 0300072506 through 0300096000)	A
1	0100011	AR	Compound, Locking	
2	0362965	2	Bar, Stop	
3	0641606	4	Bolt 3/8in-16NC x 3/4in	
4	0641620	2	Bolt 3/8in-16NC x 2-1/2in	
5	0642012	1	Bolt 5/8in-11NC x 1-1/2in	
6	0961950	2	Bushing	
7	3422592	1	Pin, Axle Pivot	
8	0362954	2	Plate, Stop	
9	3841258	1	Keeper, Pin	
10		Ref	Shield, Frame Options:	
10	4060978	1	Shield, Frame (Prior to SN 0300072506)	
10	3574254	1	Shield, Frame (SN 0300072506 through 0300096000)	
11	4070973	AR	Shim 1/8in	
12	4070972	AR	Shim 3/16in	
13	4740158	1	Thrustwasher	
14	4751600	6	Flatwasher 3/8in Regular	
15	4761600	4	Lockwasher 3/8in	
16		Ref	Axle Weldment Options:	
16	4846069	1	Axle Weldment (Prior to SN 0300067471)	
16	4846550	1	Axle Weldment (SN 0300067471 through 0300096000)	
		Ref	Note: If kingpin holes in axle measure 1.503in diameter or larger in any direction, axle weldment must be replaced. See Field Service Bulletin AWP-04-11.	
17	4071002	AR	Shim 20-Gauge	
		Ref	OSCILLATING AXLE INSTALLATION OPTIONS:	
	0259151	Ref	Australian Spec (Prior to SN 0300065402)	E
	0271978	Ref	Australian Spec (SN 0300065402 through 0300072505)	A
	0272901	Ref	Australian Spec (SN 0300072506 through 0300096000)	A
	0270716	Ref	CE Spec (Prior to SN 0300065402)	A
	0271980	Ref	CE Spec (SN 0300065402 through 0300072505)	B
	0272905	Ref	CE Spec (SN 0300072506 through 0300096000)	A
101	0100011	AR	Compound, Locking	
102		Ref	Bolt Options:	
102	0641414	4	Bolt 1/4in-20NC x 1-3/4in (Australian Spec)	
102	0641424	4	Bolt 1/4in-20NC x 3in (CE Spec)	
103	0641606	4	Bolt 3/8in-16NC x 3/4in	
104	0642010	2	Bolt 5/8in-11NC x 1-1/4in	
105	0642012	1	Bolt 5/8in-11NC x 1-1/2in	
106	0682248	2	Bolt 3/4in-10NC x 6in (Grade 8)	
107	0961950	2	Bushing	
108		Ref	Cam, Lockout Options:	
108	1100118	1	Australian Spec	
108	1100123	1	CE Spec	
109		Ref	Lockout Cylinder Assembly Options (See CYLINDER SECTION for Breakdown):	
109	1683575	NLA	Lockout Cylinder Assembly (Use p/n 1684139) (Prior to SN	

SECTION 1 - FRAME

ITEM	PART NUMBER	QTY	DESCRIPTION	REV
109	1684139	2	0300065402) Lockout Cylinder Assembly (SN 0300065402 through 0300096000)	
110	3272201	2	Nut 3/4in-10NC	
111	3322201	2	Nut 3/4in-16NF (Prior to SN 0300065402)	
112	3422592	1	Pin, Axle Pivot	
113	3841258	1	Keeper, Pin	
114	3841367	2	Rod-End with Grease Fitting (Prior to SN 0300065402)	
114	7020180	1	Grease Fitting	
115		Ref	Hardware Options:	
115	3900109	2	Screw, Shoulder (Prior to SN 0300065402)	
115	3422936	2	Pin (SN 0300065402 through 0300096000)	
116		Ref	Shield, Frame Options:	
116	4060978	1	Shield, Frame (Prior to SN 0300072506)	
116	3574254	1	Shield, Frame (SN 0300072506 through 0300096000)	
117	4567462	2	Tube, Mounting	
118	4640871	AR	Lockout Valve Assembly	
118		Ref	Australian Spec	
118		Ref	CE Spec	
118	7012693	AR	Seal Kit - 4640871 Valve	
118	7002840	1	Anti-Rotation Pin Removal Tool	
119	4711400	4	Flatwasher 1/4in Thin	
120	4740158	1	Thrustwasher	
121	4751600	4	Flatwasher 3/8in Regular	
122	4752000	4	Flatwasher 5/8in Regular	
123	4761600	4	Lockwasher 3/8in	
124		Ref	Axle Weldment Options:	
124	4846069	1	Axle Weldment (Prior to SN 0300067471)	
124	4846550	1	Axle Weldment (SN 0300067471 through 0300096000)	
		Ref	Note: If kingpin holes in axle measure 1.503in diameter or larger in any direction, axle weldment must be replaced. See Field Service Bulletin AWP-04-11.	
125	4892200	4	Flatwasher 3/4in Hardened	
126	0100019	AR	Compound, Locking	
128	0641607	2	Bolt 3/8in-16NC x 7/8in (SN 0300065402 through 0300096000)	
129	3841520	2	Keeper, Pin (SN 0300065402 through 0300096000)	
		Ref	STEERING INSTALLATION	
	0259149	Ref	Steering Installation (Prior to SN 0300076633)	D
	0272927	Ref	Steering Installation (SN 0300076633 through 0300096000)	G
201	0100011	AR	Compound, Locking	
202		Ref	Thrustwasher Options:	
202	0440161	4	Thrustwasher (Top and Bottom Kingpin Location) (Note: See Kit) (Prior to SN 0300079125)	
202	4740537	AR	Thrustwasher (.0625) (Top Kingpin Location) (SN 0300079125 through 0300096000)	
202	4740538	AR	Thrustwasher (.125) (Top Kingpin Location) (SN 0300079125 through 0300096000)	
202	4740539	AR	Thrustwasher (.188) (Top Kingpin Location) (SN 0300079125 through 0300096000)	
202	4740540	AR	Thrustwasher (.250) (Top Kingpin Location) (SN 0300079125 through 0300096000)	
202	0440271	2	Thrustwasher (Bottom Kingpin Location) (SN 0300079125 through 0300096000)	

SECTION 1 - FRAME

ITEM	PART NUMBER	QTY	DESCRIPTION	REV
203	0641606	AR	Bolt 3/8in-16NC x 3/4in	
203		Ref	Bolt 3/8in-16NC x 3/4in (Prior to SN 0300079125)	
203		Ref	Bolt 3/8in-16NC x 3/4in (SN 0300079125 through 0300096000)	
204	0681828	4	Bolt 1/2in-13NC x 3-1/2in	
205		Ref	Bushing Options:	
205	0961951	4	Bushing (Top and Bottom Kingpin Locations) (Note: See Kit) (Prior to SN 0300079125)	
205	0440291	2	Bushing (Top Kingpin Location) (SN 0300079125 through 0300096000)	
205	0440274	2	Bushing (Bottom Kingpin Location) (SN 0300079125 through 0300096000)	
206	0962140	2	Bearing	
207		Ref	Steer Cylinder Assembly Options (See CYLINDER SECTION for Breakdown):	
207	1683614	NLA	Steer Cylinder Assembly (Use p/n 1684412) (Prior to SN 0300087392)	
207	1001140283	NLA	Steer Cylinder Assembly (Use p/n 1684412) (SN 0300087392 through 0300096000)	
208	3312008	4	Nut 5/8in-11NC	
209	3322201	2	Nut 3/4in-16NF	
210		Ref	Kingpin Options:	
210	3422716	4	Kingpin (2 Bolt Mounting) (Note: See Kit) (Prior to SN 0300079125)	
210	3423081	4	Kingpin (4 Bolt Mounting) (SN 0300079125 through 0300096000)	
211	3841367	NLA	Rod-End (Use p/n 3841367 Rod-End with p/n 7020180 Grease Fitting)	
		Ref	Note: Qty (1) p/n 4740086 Thrustwasher required between bottom of p/n 3841517 Rod-End and Tie Rod.	
212	3900109	4	Screw, Shoulder	
213	4060950	1	Shield, Frame Only (Prior to SN 0300072506)	
214		Ref	Spindle (Left Side) Options:	
214	4130368	NLA	Spindle (Left Side) (Use p/n 4130403) (Prior to SN 0300079125)	
214	4130405	1	Spindle (Left Side) (SN 0300079125 through 0300096000)	
215		Ref	Spindle (Right Side) Options:	
215	4130369	NLA	Spindle (Right Side) (Use p/n 4130404) (Prior to SN 0300079125)	
215	4130406	1	Spindle (Right Side) (SN 0300079125 through 0300096000)	
216	4740086	4	Thrustwasher	
217	4751800	4	Flatwasher 1/2in Regular	
218	4846070	2	Tie-Rod	
219	3780182	2	O-Ring Only (Bottom Kingpin Location Only) (SN 0300079125 through 0300096000)	
224	3020029	AR	Grease, Bearing	
300	2902400	1	Kingpin and Bushings Update Kit for Machines Built (Includes Newer Design Items 202, 203, 205, 210 & 219). See Field Service Bulletin AWP-04-11. (Prior to SN 0300079125, SN 0300079125 through 0300096000)	
		Ref	Note: Newer bushings will fit in "Prior to SN 0300079125" axles however if kingpin holes measure 1.503in diameter or larger in any direction, axle weldment must be replaced before installation of kit.	
		Ref	Note: Spindles require drilling and tapping for 8 additional kingpin mtg bolts. Newer design kingpins require 4 mtg	

SECTION 1 - FRAME

ITEM	PART NUMBER	QTY	DESCRIPTION	REV
			bolts each.	
401		Ref	FRAME WELDMENT OPTIONS	
401	2360539	Ref	Frame Weldment 400S with 500Lbs Capacity (Prior to SN 0300072506)	
401	2360625	Ref	Frame Weldment 400S with 500Lbs Capacity (SN 0300072506 through 0300076632)	
401	2360650	Ref	Frame Weldment 400S with 500Lbs Capacity (SN 0300076633 through 0300096000)	
401	2360540	Ref	Frame Weldment 400S with 750Lbs Capacity (Prior to SN 0300072506)	
401	2360626	Ref	Frame Weldment 400S with 750Lbs Capacity (SN 0300072506 through 0300076632)	
401	2360651	Ref	Frame Weldment 400S with 750Lbs Capacity (SN 0300076633 through 0300096000)	
401	2360541	Ref	Frame Weldment 460SJ (Prior to SN 0300072506)	
401	2360627	Ref	Frame Weldment 460SJ (SN 0300072506 through 0300076632)	
401	2360652	Ref	Frame Weldment 460SJ (SN 0300076633 through 0300096000)	
401	2360551	Ref	Frame Weldment 460SJ CE Spec with Pneumatic Tires (Prior to SN 0300072506)	
401	2360628	Ref	Frame Weldment 460SJ CE Spec with Pneumatic Tires (SN 0300072506 through 0300076632)	
401	2360653	Ref	Frame Weldment 460SJ CE Spec with Pneumatic Tires (SN 0300076633 through 0300096000)	

SECTION 1 - FRAME

FIGURE 1-4. TIRE AND WHEEL DRIVE INSTALLATIONS

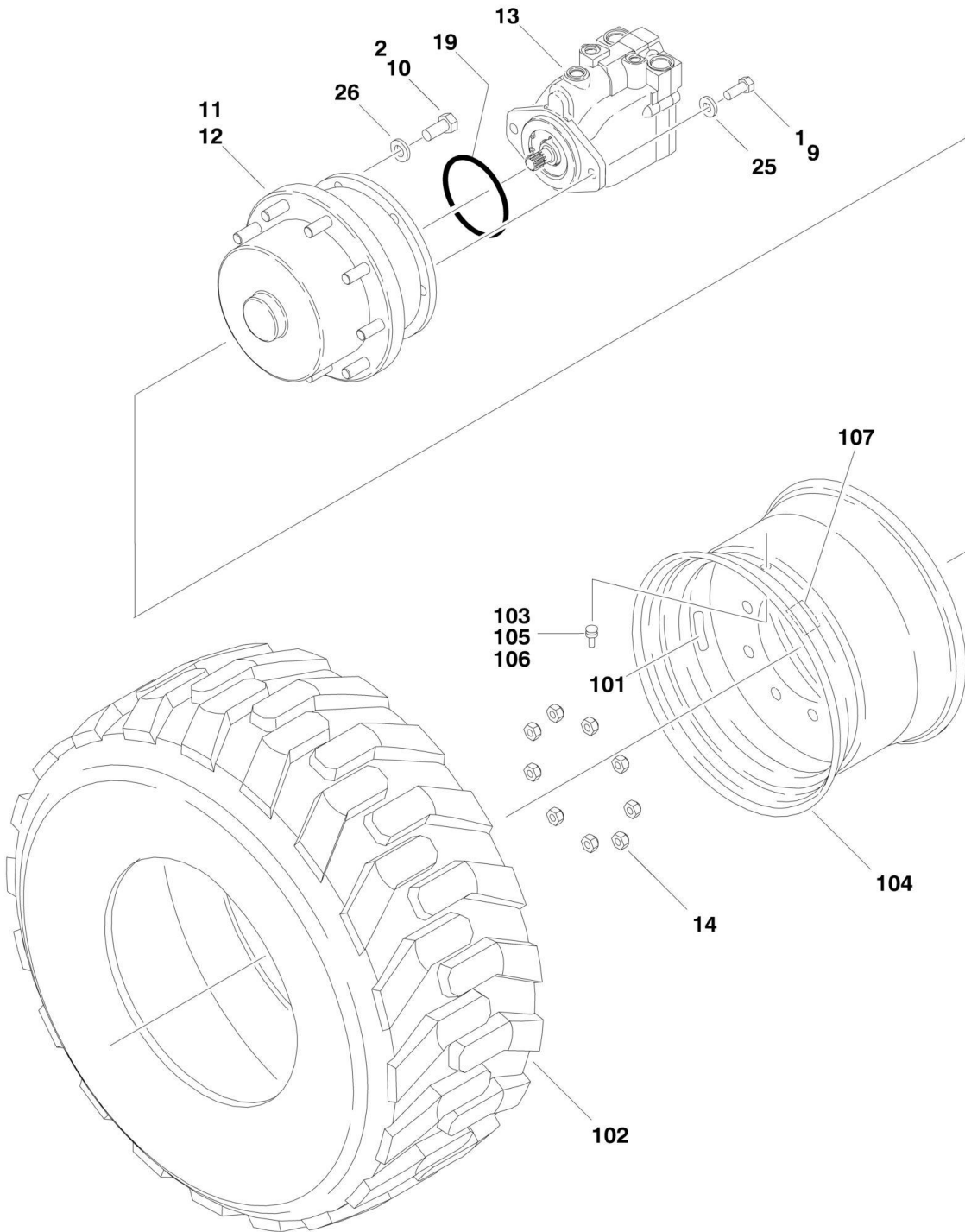


FIGURE 1-4. TIRE AND WHEEL DRIVE INSTALLATIONS

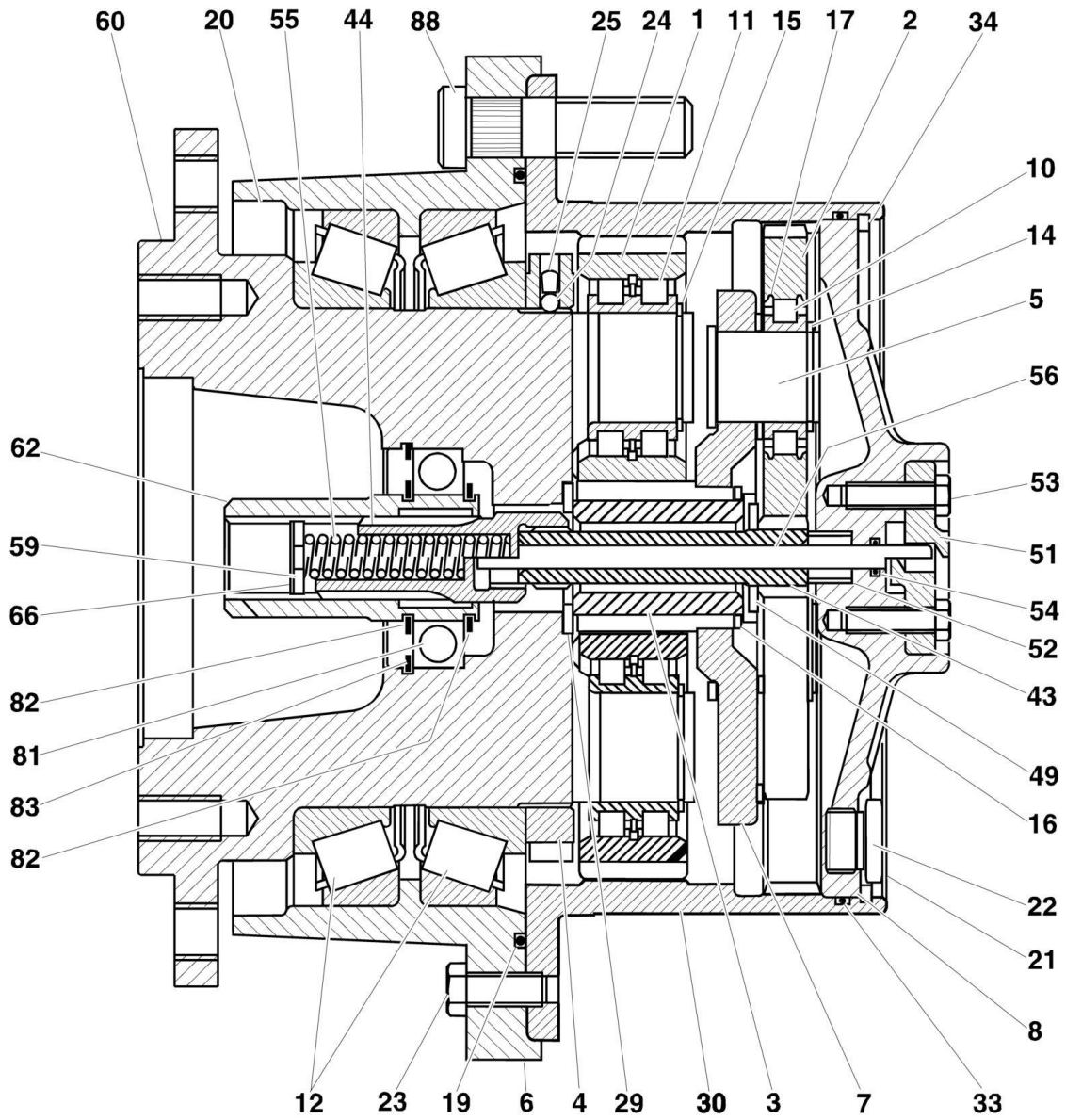
ITEM	PART NUMBER	QTY	DESCRIPTION	REV
		Ref	WHEEL DRIVE INSTALLATIONS	
	0259145	Ref	2WD (Prior to SN 0300072506)	H
	0272784	Ref	2WD (SN 0300072506 through 0300076632)	A
	0272926	Ref	2WD (SN 0300076633 through 0300096000)	A
	0259146	Ref	4WD (Prior to SN 0300072506)	J
	0272783	Ref	4WD (SN 0300072506 through 0300076632)	A
	0272925	Ref	4WD (SN 0300076633 through 0300096000)	C
1	0100011	AR	Compound, Locking	
2	0100019	AR	Compound, Locking	
9		Ref	Hardware Options:	
9	0681810	AR	Bolt 1/2in-13NC x 1-1/4in (Grade 8)	
9	3311801	AR	Nut 1/2in-13NC (2WD Only) (Not Shown) (SN 0300076633 through 0300096000)	
10		Ref	Bolt 5/8in-11NC x 1-1/2in (Grade 8)	
10	0682012	AR	Bolt 5/8in-11NC x 1-1/2in (Grade 8) (Prior to SN 0300076633)	
10	0682014	AR	Bolt 5/8in-11NC x 1-3/4in (Grade 8) (SN 0300076633 through 0300096000)	
11		Ref	Drive Hub Assembly Options:	
11	Not Required	0	2WD Front	
11	2780246	2	4WD Front (See DRIVE HUB ASSEMBLY for Breakdown) (Prior to SN 0300076633)	
11	2780268	2	4WD Front (See DRIVE HUB AND HUB WITH BRAKE ASSEMBLIES for Breakdown) (SN 0300076633 through 0300096000)	
12		Ref	Drive Hub/Brake Assembly Options:	
12	2780243	2	2WD Rear (See DRIVE HUB/BRAKE ASSEMBLY (REAR) for Breakdown) (Prior to SN 0300064140)	
12	2780253	2	2WD Rear (See DRIVE HUB/BRAKE ASSEMBLY (REAR) for Breakdown) (SN 0300064140 through 0300076632)	
12	2780267	2	2WD Rear (See DRIVE HUB AND HUB WITH BRAKE ASSEMBLIES for Breakdown) (SN 0300076633 through 0300096000)	
12	2780244	2	4WD Rear (See DRIVE HUB/BRAKE ASSEMBLY (REAR) for Breakdown) (Prior to SN 0300057477)	
12	2780254	2	4WD Rear (See DRIVE HUB/BRAKE ASSEMBLY (REAR) for Breakdown) (SN 0300057477 through 0300076632)	
12	2780267	2	4WD Rear (See DRIVE HUB AND HUB WITH BRAKE ASSEMBLIES for Breakdown) (SN 0300076633 through 0300096000)	
13		Ref	Drive Motor Assembly Options:	
13	3160242	NLA	2WD Rear (Use p/n 3160353 - See DRIVE MOTOR ASSEMBLY (4 BOLT) for Breakdown) (For 3160353 - See DRIVE MOTOR ASSEMBLY (5 BOLT) for Breakdown) (Prior to SN 0300076633)	
13	3160298	NLA	2WD Rear (Use p/n 3160351 - See DRIVE MOTOR ASSEMBLY (4 BOLT) for Breakdown) (For 3160351 - See DRIVE MOTOR ASSEMBLY (5 BOLT) for Breakdown) (SN 0300076633 through 0300096000)	
13	3160243	NLA	4WD Front and Rear (Use p/n 3160354 - See DRIVE MOTOR ASSEMBLY (4 BOLT) for Breakdown) (For 3160354 - See DRIVE MOTOR ASSEMBLY (5 BOLT) for Breakdown) (Prior to SN 0300076633)	
13	3160266	NLA	4WD Front and Rear (Use p/n 3160348 - See DRIVE MOTOR ASSEMBLY (4 BOLT) for Breakdown) (For 3160348 - See FDRIVE MOTOR ASSEMBLY (5 BOLT) for Breakdown) (SN	

SECTION 1 - FRAME

ITEM	PART NUMBER	QTY	DESCRIPTION	REV
			0300076633 through 0300096000)	
14	3300106	AR	Lugnut (9 Per Hub)	
19	3790045	AR	O-Ring (1 Per Motor)	
25	4891800	AR	Flatwasher 1/2in Hardened	
26	4892000	AR	Flatwasher 5/8in Hardened	
27	2300016	AR	Fluid, Hydraulic (Not Shown - Use with Brake)	
		Ref	TIRE AND WHEEL INSTALLATIONS	
	0270092	Ref	12 x 16.5 Foam-Filled	A
	0270653	Ref	12 x 16.5 Foam-Filled (Non-Marking)	A
	0270094	Ref	14 x 16.1 Foam-Filled	A
	0259354	Ref	14 x 17.5 Foam-Filled (Prior to SN 0300064803)	A
	0271998	Ref	14 x 17.5 Foam-Filled (SN 0300064803 through 0300096000)	A
	0270094	Ref	33/16LL x 16.1 Foam-Filled	A
	0270076	2	12 x 16.5 Foam-Filled Right Side (See Note)	A
	0270077	2	12 x 16.5 Foam-Filled Left Side (See Note)	A
	0270654	2	12 x 16.5 Foam-Filled Right Side (Non-Marking) (See Note)	A
	0270655	2	12 x 16.5 Foam-Filled Left Side (Non-Marking) (See Note)	A
	0270079	4	14 x 16.1 Foam-Filled (See Note)	A
	0259355	2	14 x 17.5 Foam-Filled Right Side (See Note) (Prior to SN 0300064803)	B
	0271997	2	14 x 17.5 Foam-Filled Right Side (See Note) (SN 0300064803 through 0300096000)	A
	0259356	2	14 x 17.5 Foam-Filled Left Side (See Note) (Prior to SN 0300064803)	B
	0271996	2	14 x 17.5 Foam-Filled Left Side (See Note) (SN 0300064803 through 0300096000)	A
	0270079	4	33/16LL x 16.1 Foam-Filled (See Note)	A
		Ref	Note: Assemblies may require ballast/foam filling to manufacturer's specifications prior to installing on a machine. Refer to Operation and Safety or Service and Maintenance Manuals. Purchase individual tire and/or rim only if able to foam fill tire and wheel assembly, otherwise, purchase complete assembly.	
101	Not Required	0	Decal	
102		Ref	Tire Options:	
102	4520216	1	12 x 16.5 NHS	
102	4520240	1	12 x 16.5 NHS (Non-Marking)	
102	4520212	1	14 x 16.1	
102	4520171	NLA	14 x 17.5 NHS (Use p/n 4520259) (Prior to SN 0300064803)	
102	4520259	1	14 x 17.5 NHS (SN 0300064803 through 0300096000)	
102	4520212	1	33/16LL x 16.1	
103	4640113	1	Valve, Air (Pneumatic Only)	
104		Ref	Rim, Wheel	
104	4860214	1	16.1 x 14 (Use with 33/16LL x 16.1 & 14 x 16.1 Tires)	
104	4860213	1	16.5 x 9.75 (Use with 12 x 16.5 Tires)	
104	4860198	1	17.5 x 10.50 (Use with 14 x 17.5 Tires)	
105	Not Required	0	Cap, Valve Stem (Green) (Required with Tire Sealant)	
106	Not Required	0	Chemical, Tire Sealant	
107	Not Required	0	Decal - Tire Sealant (Required with Tire Sealant)	

SECTION 1 - FRAME

FIGURE 1-5. DRIVE HUB ASSEMBLY (4WD FRONT) (Prior to SN 0300076633)



- 100A
- 100B
- 100C
- 100D
- 100E

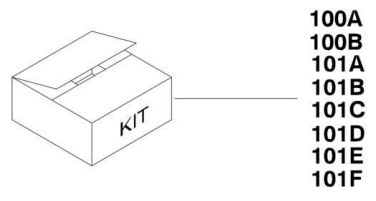
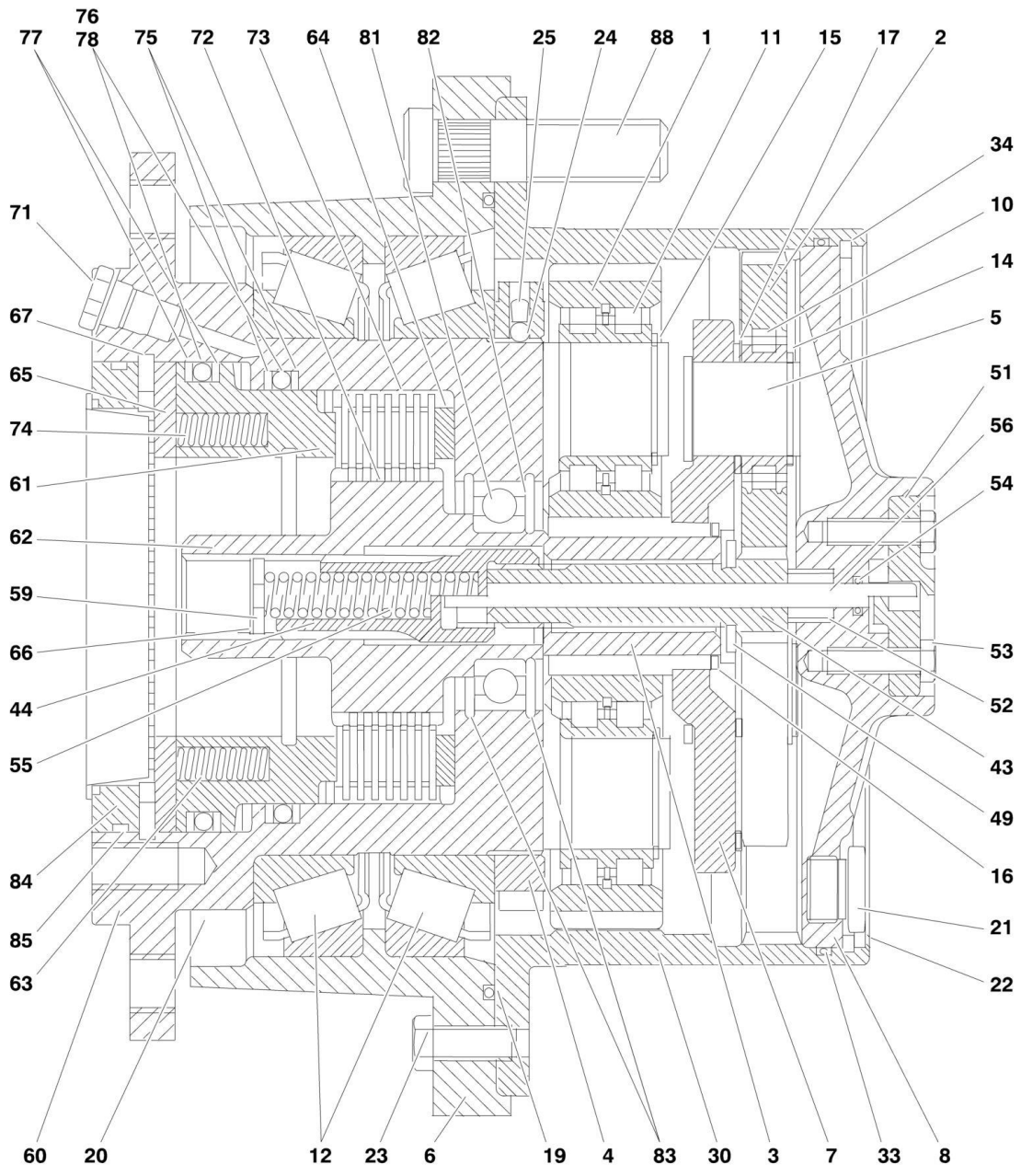
SECTION 1 - FRAME

FIGURE 1-5. DRIVE HUB ASSEMBLY (4WD FRONT) (Prior to SN 0300076633)

ITEM	PART NUMBER	QTY	DESCRIPTION	REV
	2780246	Ref	DRIVE HUB ASSEMBLY (4WD FRONT)	A
1	See Note	NSS	Gear, Planet (Note: Use Item 100A)	
2	See Note	NSS	Gear, Planet (Note: Use Item 100B)	
3	7021325	1	Gear, Sun	
4	See Note	NSS	Nut, Shaft (Note: Use Item 100D)	
		Ref	Note: Unless there is capability to torque shaft nut (Item 4) to 626 ft/lbs. (850Nm) Repair beyond this level is not advised.	
5	7021326	3	Bolt, Planet	
6	7021327	1	Ring, Support	
7	7021328	1	Carrier, Planet	
8	See Note	NSS	Cover (Note: Use Item 100C)	
10	See Note	NSS	Bearing, Roller (Note: Use Item 100B)	
11	See Note	NSS	Bearing, Roller (Note: Use Item 100A)	
12	See Note	NSS	Bearing, Roller (Note: Use Item 100D)	
14	See Note	NSS	Ring, Retaining (Note: Use Item 100B)	
15	See Note	NSS	Ring, Retaining (Note: Use Item 100A)	
17	See Note	NSS	Disk, Support (Note: Use Item 100B)	
20	See Note	NSS	Seal, Ring (Note: Use Item 100D)	
21	See Note	NSS	Plug (Note: Use Item 100C)	
22	See Note	NSS	Seal, Ring (Note: Use Item 100C)	
23	7021342	3	Bolt	
24	See Note	NSS	Ball (Note: Use Item 100D)	
25	See Note	NSS	Expander (Note: Use Item 100D)	
30	7021346	1	Gear, Ring	
33	See Note	NSS	O-Ring (Note: Use Item 100C)	
34	See Note	NSS	Ring, Retaining (Note: Use Item 100C)	
43	7021347	1	Shaft, Sun Gear	
44	7021337	1	Shaft, Input	
51	See Note	NSS	Cover (Note: Use Item 100C)	
52	See Note	NSS	Disk (Note: Use Item 100C)	
53	See Note	NSS	Bolt (Note: Use Item 100C)	
54	See Note	NSS	O-Ring (Note: Use Item 100C or 100E)	
55	See Note	NSS	Spring, Pressure (Note: Use Item 100E)	
56	See Note	NSS	Rod, Shaft (Note: Use Item 100E)	
59	See Note	NSS	Disk, Rotor (Note: Use Item 100E)	
60	7021339	1	Spindle	
62	7021340	1	Coupler	
66	See Note	NSS	Ring, Retaining (Note: Use Item 100E)	
81	See Note	NSS	Bearing, Ball (Note: Use Item 100D)	
88	7021344	9	Stud, Wheel	
100		Ref	Repair Kit Options:	
100A	7022544	1	Planet Gear (Includes Qty 4 of Items 1, 11 & 15)	
100B	7022545	1	Planet Gear (Includes Qty 3 of Items 2, 10, 14 & 17)	
100C	7021329	1	Cover Kit (Includes Items 8, 21, 22, 33, 34, 51, 52, 53 & 54)	
100D	7021330	1	Bearing Kit (Includes Items 4, 12, 20, 24, 25 & 81)	
		Ref	Note: Unless there is capability to torque shaft nut (Item 4) to 626 ft/lbs. (850Nm) Repair beyond this level is not advised.	
100E	7021338	1	Mechanical Disconnect Kit (Includes Items 54-56, 59 & 66)	

SECTION 1 - FRAME

FIGURE 1-6. DRIVE HUB/BRAKE ASSEMBLY (REAR) (Prior to SN 0300076633)



SECTION 1 - FRAME

FIGURE 1-6. DRIVE HUB/BRAKE ASSEMBLY (REAR) (Prior to SN 0300076633)

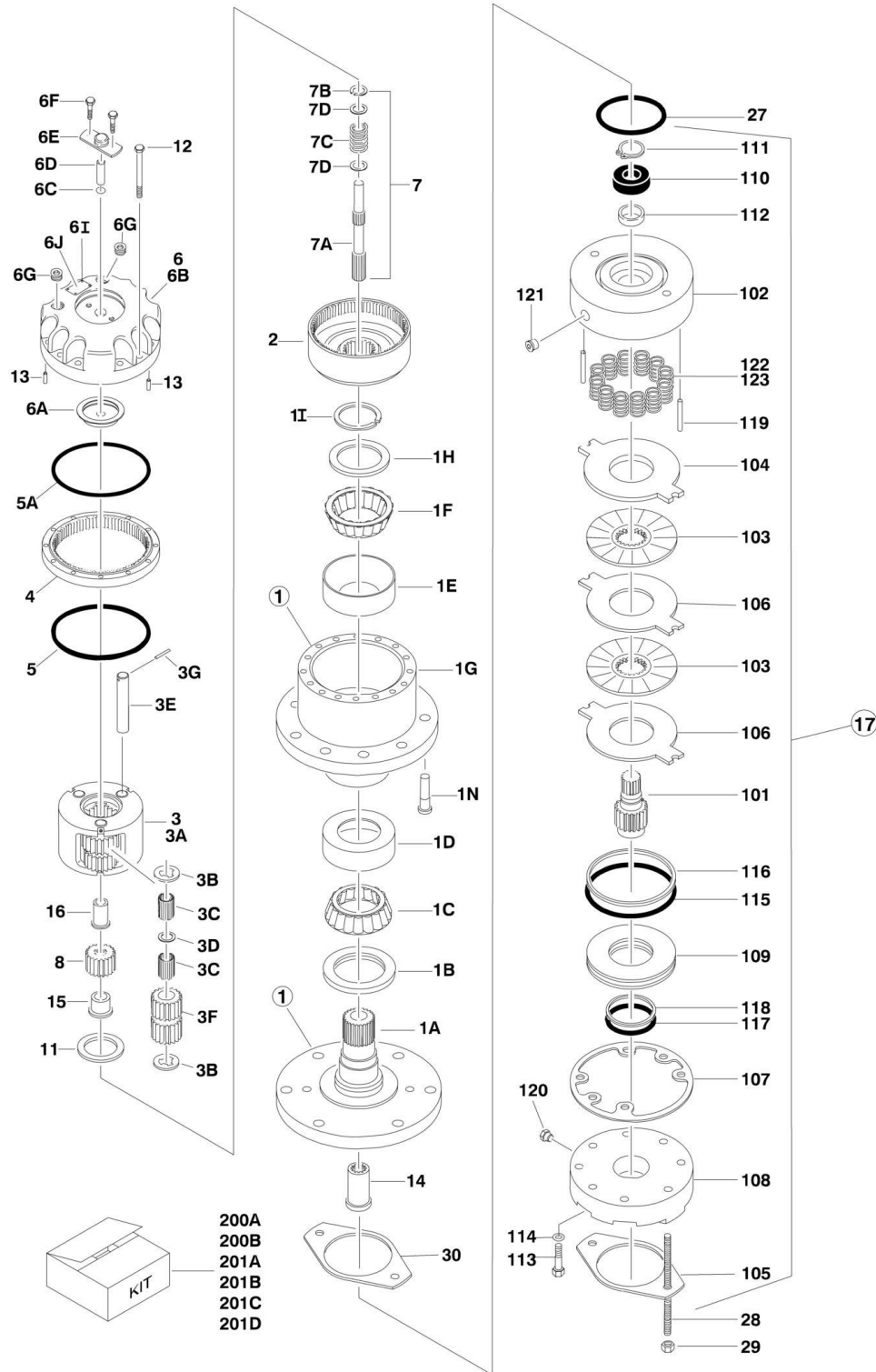
ITEM	PART NUMBER	QTY	DESCRIPTION	REV
		Ref	DRIVE HUB/BRAKE ASSEMBLIES	
	2780243	Ref	2WD Rear (Prior to SN 0300064140)	A
	2780253	Ref	2WD Rear (SN 0300064140 through 0300096000)	A
	2780244	Ref	4WD Rear (Prior to SN 0300057477)	A
	2780254	Ref	4WD Rear (SN 0300057477 through 0300096000)	A
1	See Note	NSS	Gear, Planet (Note: Use Item 101A)	
2	See Note	NSS	Gear, Planet (Note: Use Item 101B)	
3	7021325	1	Gear, Sun	
4	See Note	NSS	Nut, Shaft (Note: Use Item 101D)	
		Ref	Note: Unless there is capability to torque shaft nut (Item 4) to 626 ft/lbs. (850Nm) Repair beyond this level is not advised.	
5	7021326	3	Pin, Planet	
6	7021327	1	Ring, Support	
7		Ref	Carrier, Planet Options:	
7	7021349	1	2780243 & 2780253 Hub (2WD Rear)	
7	7021328	1	2780244 & 2780254 Hub (4WD Rear)	
8	See Note	NSS	Cover (Note: Use Item 101C)	
10	See Note	NSS	Bearing, Roller (Note: Use Item 101B)	
11	See Note	NSS	Bearing, Roller (Note: Use Item 101A)	
12	See Note	NSS	Bearing, Roller (Note: Use Item 101D)	
14	See Note	NSS	Ring, Retaining (Note: Use Item 101B)	
15	See Note	NSS	Ring, Retaining (Note: Use Item 101A)	
16	7021341	1	Ring, Retaining	
17	See Note	NSS	Disk, Support (Note: Use Item 101B)	
19	See Note	NSS	O-Ring (Note: Use Item 101D)	
20	See Note	NSS	Seal, Ring (Note: Use Item 101D)	
21	See Note	NSS	Plug (Note: Use Item 101C)	
22	See Note	NSS	Seal, Ring (Note: Use Item 101C)	
23	7021342	3	Bolt	
24	See Note	NSS	Ball (Note: Use Item 101D)	
25	See Note	NSS	Expander (Note: Use Item 101D)	
30		Ref	Gear, Ring Options:	
30	7021335	1	2780243 & 2780253 Hub (2WD Rear)	
30	7021346	1	2780244 & 2780254 Hub (4WD Rear)	
33	See Note	NSS	O-Ring (Note: Use Item 101C)	
34	See Note	NSS	Ring, Retaining (Note: Use Item 101C)	
43		Ref	Shaft, Sun Gear Options:	
43	7021351	1	2780243 & 2780253 Hub (2WD Rear)	
43	7021347	1	2780244 & 2780254 Hub (4WD Rear)	
44	7021337	1	Shaft, Input	
51	See Note	NSS	Cover (Note: Use Item 101C)	
52	See Note	NSS	Disk (Note: Use Item 101C)	
53	See Note	NSS	Bolt (Note: Use Item 101C or 101E)	
54	See Note	NSS	O-Ring (Note: Use Item 101C or 101E)	
55	See Note	NSS	Spring, Pressure (Note: Use Item 101E)	
56	See Note	NSS	Rod, Shaft (Note: Use Item 101E)	
59	See Note	NSS	Disk, Rotor (Note: Use Item 101E)	
60		Ref	Spindle Options:	
60	7021352	1	2780243/2780253 Hub (2WD Rear)/2780244 Hub (4WD Rear)	

SECTION 1 - FRAME

ITEM	PART NUMBER	QTY	DESCRIPTION	REV
60	2780254	1	2780254 Hub (4WD Rear) (Note: Not Available - Purchase Complete Drive Hub/Brake Assembly)	
61	See Note	1	Housing, Brake (Note: Not Available for Purchase)	
62		Ref	Coupler Options:	
62	7021340	1	2780243 & 2780253 Hub (2WD Rear)	
62	7021359	1	2780244 & 2780254 Hub (4WD Rear)	
63		Ref	Ring, Spacer Options:	
63	Not Required	0	2780243 Hub (2WD Rear)/2780244 Hub (4WD Rear)	
63	7022549	1	2780253 Hub (2WD Rear)/2780254 Hub (4WD Rear)	
64		Ref	Plate, Back-up Options:	
64	7021354	1	2780243 Hub (2WD Rear)/2780244 Hub (4WD Rear)	
64	Not Required	0	2780253 Hub (2WD Rear)/2780254 Hub (4WD Rear)	
65	7021355	1	Plate, Back-up	
66	7021338	1	Ring, Retaining	
67	7021356	1	Ring, Retaining	
71		Ref	Plug Options:	
71	7021357	1	2780243 Hub (2WD Rear)/2780244 Hub (4WD Rear)	
71	7022551	1	2780253 Hub (2WD Rear)/2780254 Hub (4WD Rear)	
72	See Note	6	Disc, Brake (Note: Use Item 101F)	
73	See Note	7	Disc, Brake (Note: Use Item 101F)	
74	See Note	8	Spring (Note: Use Item 101F)	
75	See Note	NSS	Ring, Back-up (Note: Use Item 101B)	
76	See Note	NSS	O-Ring (Note: Use Item 101B)	
77	See Note	NSS	Ring, Back-up (Note: Use Item 101B)	
78	See Note	NSS	O-Ring (Note: Use Item 101B)	
81	See Note	NSS	Bearing, Ball (Note: Use Item 101D)	
84	7021358	1	Ring, Seal	
85	7024980	1	Seal	
88	7021344	9	Stud, Wheel	
100		Ref	Seal Kit Options:	
100A	See Note	1	Hub Seal Kit (Note: Purchase Repair Kit that includes Seals Needed)	
100B	7022547	1	Brake Seal Kit (Includes Items 75, 76, 77 & 78)	
101		Ref	Repair Kit Options:	
101A	7022544	1	Planet Gear (Includes Qty 4 of Items 1, 11 & 15)	
101B		Ref	Planet Gear (Includes Qty 3 of Items 2, 10, 14 & 17) Options:	
101B	7024017	1	2780243/2780253 Hub (2WD Rear)	
101B	7022545	1	2780244/2780254 Hub (4WD Rear)	
101C	7021329	1	Cover Kit (Includes Items 8,21, 22, 33, 34, 51, 52, 53 & 54)	
101D	7021330	1	Bearing Kit (Includes Items 4, 12, 19, 20, 24, 25 & 81)	
		Ref	Note: Unless there is capability to torque shaft nut (Item 4) to 626 ft/lbs. (850Nm) Repair beyond this level is not advised.	
101E	7021338	1	Mechanical Disconnect Kit (Includes Items 53, 54, 55, 56, 59 & 66)	
101F		Ref	Brake Kit (Includes Items 72, 73 & 74)	
101F	7024026	1	2780243 (2WD Rear)/2780244 Hub (4WD Rear)	
101F	7022548	1	2780253 Hub (2WD Rear)/2780254 Hub (4WD Rear)	

SECTION 1 - FRAME

FIGURE 1-7. DRIVE HUB AND HUB WITH BRAKE ASSEMBLIES (SN 0300076633 through 0300096000)



SECTION 1 - FRAME

FIGURE 1-7. DRIVE HUB AND HUB WITH BRAKE ASSEMBLIES (SN 0300076633 through 0300096000)

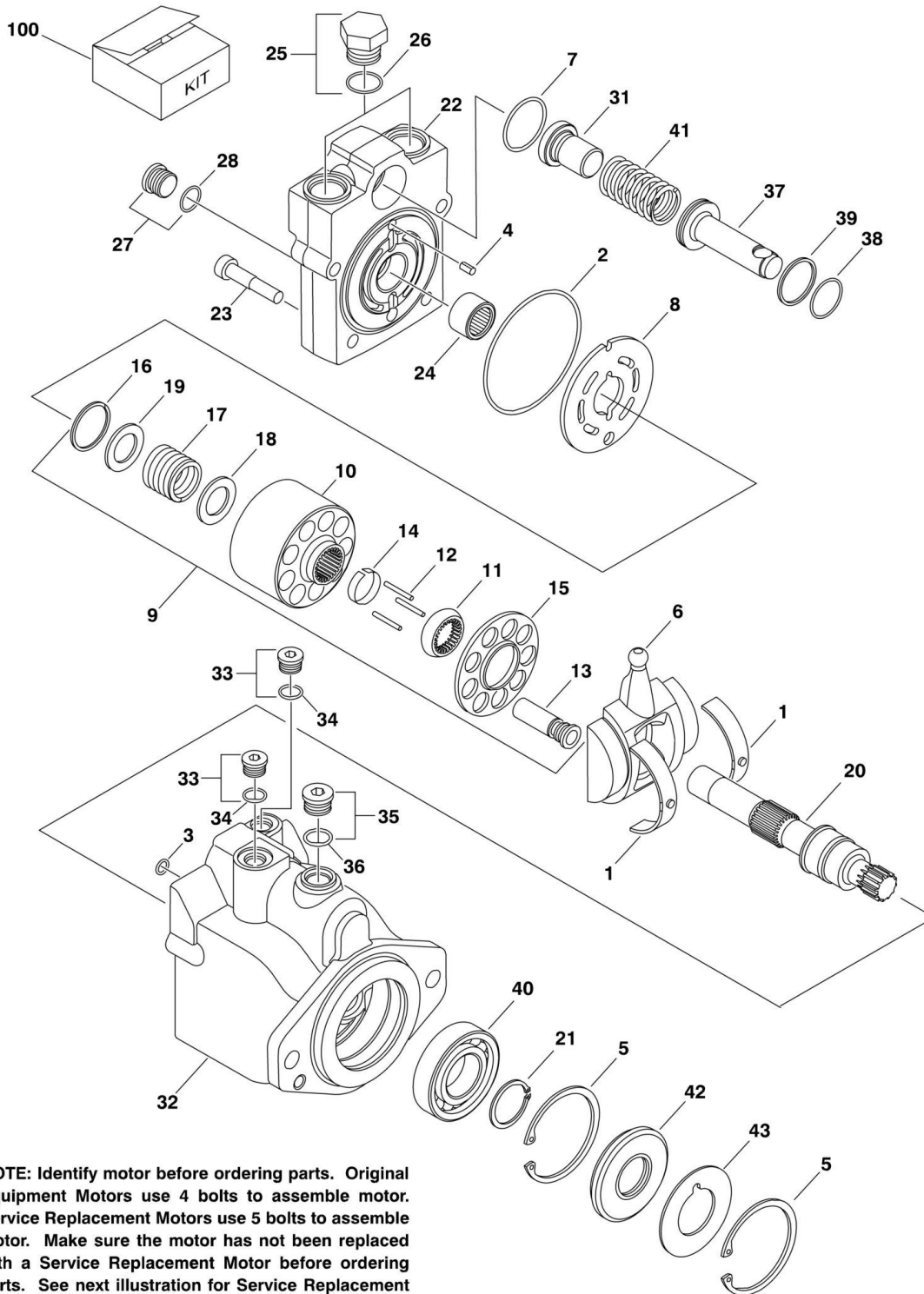
ITEM	PART NUMBER	QTY	DESCRIPTION	REV
		Ref	DRIVE HUB ASSEMBLIES	
	2780268	Ref	Drive Hub without Brake Assembly (4WD Front) (Includes Items 1-16)	D
	2780267	Ref	Drive Hub with Brake Assembly (2WD & 4WD Rear) (Includes Items 1-123)	F
1	See Note	1	Spindle/Housing Assembly (Note: Not Available - Purchase Complete Drive Hub Assembly)	
1A	7017059	1	Spindle	
1B	7001998	1	Seal	
1C	7010429	1	Cone, Bearing (Includes Item 1D)	
1D	7010429	1	Cup, Bearing (Includes Item 1C)	
1E	7000257	1	Cup, Bearing	
1F	7000258	1	Cone, Bearing	
1G	7007601	1	Housing/Ring Gear	
1H	7000232	1	Thrustwasher	
1I	7000229	1	Ring, Retaining	
1N	7007640	9	Stud, Wheel	
2	7000246	1	Gear, Internal	
3	7024712	1	Carrier Assembly (Purchase p/n 7024712 for items 3A-3G)	
3A	See Note	NSS	Carrier (Note: Use Item 3)	
3B	See Note	NSS	Ring, Retaining (Note: Use Item 3)	
3C	See Note	NSS	Bearing, Needle (Note: Use Item 3)	
3D	See Note	NSS	Thrustwasher (Note: Use Item 3)	
3E	See Note	NSS	Shaft, Planet (Note: Use Item 3)	
3F	See Note	NSS	Gear, Planet (Note: Use Item 3)	
3G	See Note	NSS	Roll Pin (Note: Use Item 3)	
4	7000248	1	Ring Gear	
5	7000230	1	O-Ring	
5A	7017070	1	O-Ring	
6	7017090	NLA	Cover Assembly (Use p/n 70001349 Kit - Includes Items 6A-6J)	
6A	7017097	NLA	Spacer, Thrust	
6B	7017091	NLA	Plate, Cover	
6C	7017095	NLA	O-Ring	
6D	7017092	NLA	Rod, Disconnect	
6E	7017093	NLA	Cap, Disengage	
6F	0641404	2	Bolt 1/2in-20NC x 1/2in	
6G	7017094	NLA	Plug, Pipe	
6I	See Note	NSS	Rivet (Note: Not Available for Purchase)	
6J	See Note	NSS	Plate, ID (Note: Not Available for Purchase)	
7		Ref	Input Shaft Assembly	
7A	7024714	1	Shaft	
7B	7000261	1	Ring, Retaining	
7C	7000262	1	Spring	
7D	7000263	2	Spacer, Thrust	
8	7024713	1	Gear, Sun	
11	7000253	1	Thrustwasher	
12	7017067	12	Bolt	
13	7017080	4	Pin, Dowell	
14	7000206	1	Coupling	

SECTION 1 - FRAME

ITEM	PART NUMBER	QTY	DESCRIPTION	REV
15	7024715	1	Spacer, Input	
16	7024716	1	Spacer, Input	
17	7024182	1	Brake Assembly (See Items 101-123 for Breakdown)	
27	7024705	1	O-Ring	
28	7024717	2	Rod, Threaded	
29	7024718	2	Nut 1/2in-13NC	
30	70005483	1	Gasket	
	7024182	Ref	BRAKE ASSEMBLY	
101	7024189	1	Shaft	
102	7024182	1	Housing (Note: Not Available - Purchase Complete Brake Assembly)	
103	See Note	NSS	Plate, Friction (Note: Use Item 201C)	
104	See Note	NSS	Plate, Pressure (Note: Use Item 201C)	
105	7000731	1	Gasket	
106	See Note	NSS	Plate, Outer (Note: Use Item 201C)	
107	See Note	NSS	Gasket (Note: Use Item 200B, 201C or 201D)	
108	7024191	1	Cylinder	
109	7024192	1	Piston	
110	See Note	NSS	Bearing, Ball (Note: Use Item 201D)	
111	See Note	NSS	Ring, Retaining (Note: Use Item 201D)	
112	See Note	NSS	Seal, Shaft (Note: Use Item 201D)	
113	See Note	6	Capscrew (Note: Not Available - Purchase Locally)	
114	See Note	6	Lockwasher (Note: Not Available - Purchase Locally)	
115	See Note	NSS	O-Ring (Note: Use Item 200B)	
116	See Note	NSS	Ring, Back-up (Note: Use Item 200B)	
117	See Note	NSS	O-Ring (Note: Use Item 200B)	
118	See Note	NSS	Ring, Back-up (Note: Use Item 200B)	
119	7024190	2	Pin, Dowel	
120	See Note	1	Plug (Note: Not Available - Purchase Locally)	
121	See Note	2	Plug (Note: Not Available - Purchase Locally)	
122	See Note	NSS	Spring Kit (Natural) (Note: Use Item 201B)	
123	See Note	NSS	Spring Kit (Blue) (Note: Use Item 201B)	
200		Ref	Seal Kit Options:	
200A	See Note	1	Hub Seal Kit (Note: Not Available - Purchase Individual Components)	
200B	7024194	1	Brake Seal Kit (Includes Items 105, 107 & 115-118)	
201		Ref	Repair Kit Options:	
201A	7024195	NLA	Spring Kit - 7024182 Brake (Includes 12 Natural Colored Springs) (Use p/n 7024196)	
201B	7024196	1	Brake Spring Kit (Includes 12 Natural & 2 Blue Colored Springs)	
201C	7024193	1	Brake Friction Disc Kit (Includes Items 103, 104, 106 & 107)	
201D	7024197	1	Brake Bearing Kit (Includes Items 107 & 110-112)	

SECTION 1 - FRAME

FIGURE 1-8. DRIVE MOTOR ASSEMBLY (ORIGINAL EQUIPMENT - 4 BOLT ASSEMBLY)



NOTE: Identify motor before ordering parts. Original Equipment Motors use 4 bolts to assemble motor. Service Replacement Motors use 5 bolts to assemble motor. Make sure the motor has not been replaced with a Service Replacement Motor before ordering parts. See next illustration for Service Replacement Motor components.

SECTION 1 - FRAME

FIGURE 1-8. DRIVE MOTOR ASSEMBLY (ORIGINAL EQUIPMENT - 4 BOLT ASSEMBLY)

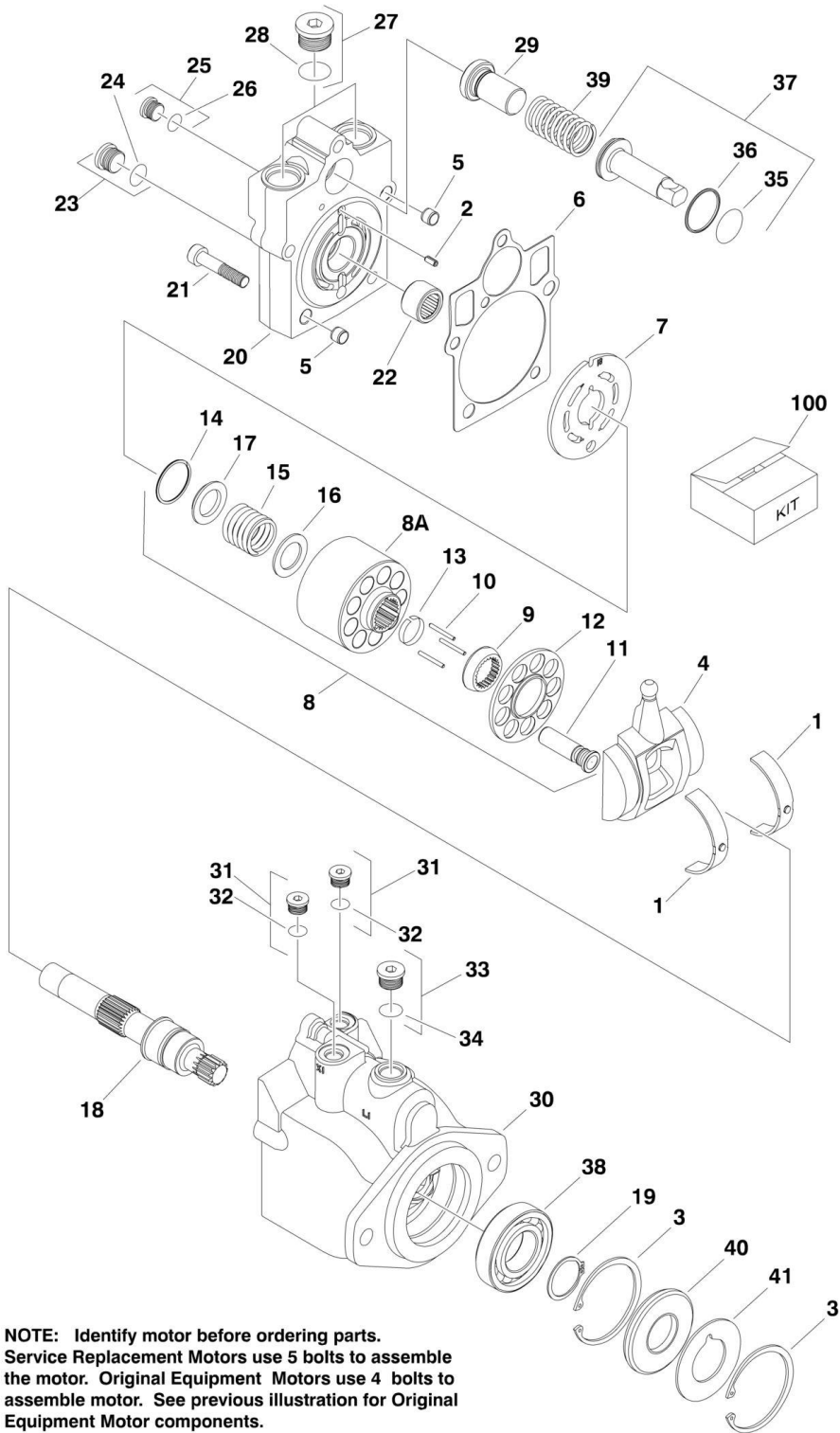
ITEM	PART NUMBER	QTY	DESCRIPTION	REV
		Ref	DRIVE MOTOR ASSEMBLY	
	3160242	Ref	2WD Rear (Prior to SN 0300076633)	F
	3160298	Ref	2WD Rear (SN 0300076633 through 0300096000)	C
	3160243	Ref	4WD Front and Rear (Prior to SN 0300076633)	D
	3160266	Ref	4WD Front and Rear (SN 0300076633 through 0300096000)	D
		Ref	NOTE: Identify motor before ordering parts. Original Equipment Motors use 4 bolts to assemble motor. Service Replacement Motors use 5 bolts to assemble motor. Make sure the motor has not been replaced with a Service Replacement Motor before ordering parts. See DRIVE MOTOR ASSEMBLY (FIELD SERVICE REPLACEMENT - 5 BOLT ASSEMBLY) for Service Replacement Motor components.	
1	7022302	2	Bearing, Journal	
2	See Note	NSS	O-Ring (Note: Use Item 100)	
3	See Note	NSS	O-Ring (Note: Use Item 100)	
4	7007446	1	Pin	
5	7007438	2	Ring, Retaining	
6	7022305	1	Swashplate	
7	See Note	NSS	O-Ring (Note: Use Item 100)	
8		Ref	Plate, Valve Options:	
8	7022307	1	3160242 & 3160243 Motors	
8	7023908	1	3160266 & 3160298 Motors	
9		Ref	Cylinder Block Assembly Options (Includes Items 10-19):	
9	7022306	1	3160242 & 3160243 Motors	
9	7023907	1	3160266 & 3160298 Motors	
10		Ref	Block, Cylinder Options:	
10	7022306	1	3160242 & 3160243 Motors (was p/n 7022308)	
10	7023907	1	3160266 & 3160298 Motors (Note: Not Available for Purchase)	
11	7021277	1	Guide, Slipper Retainer (Prior to Motor SN S-09-50-XXXXX)	
11	70000856	1	Guide, Slipper Retainer (Motor SN S-09-50-XXXXX to Present)	
		Ref	Note: If motor 3160242 or 3160243 has been updated to use p/n 7022306 assy, use p/n 70000856 as replacement.	
12	7021275	3	Pin, Slipper Hold Down	
13		Ref	Piston Assembly	
13	7022309	9	3160242 & 3160243 Motors	
13	7023907	9	3160266 & 3160298 Motors (Note: Not Available for Purchase)	
14	7021276	1	Retainer, Hold Down Pin	
15	7022310	1	Retainer, Slipper	
16	7022311	1	Ring, Retaining	
17	7022312	1	Spring	
18		Ref	Washer Options:	
18	7022313	1	3160242 & 3160243 Motors	
18	7024868	1	3160266 & 3160298 Motors	
19	7022314	1	Retainer, Spring	
20		Ref	Shaft Options:	
20	7022366	1	3160242 & 3160243 Motors	
20	7023910	1	3160266 & 3160298 Motor	
21	7007439	1	Ring, Retaining	
22		Ref	Cap, End - Axial Options:	

SECTION 1 - FRAME

ITEM	PART NUMBER	QTY	DESCRIPTION	REV
22	7022367	1	3160242, 3160243 & 3160266 Motors	
22	7024852	1	3160298 Motor	
23	7022368	4	Screw	
24	7021249	1	Bearing, Needle	
25	7022321	2	Plug (Includes Item 26)	
26	See Note	NSS	O-Ring (Note: Use Item 25 or 100)	
27	7022318	1	Plug (Includes Item 28)	
28	See Note	NSS	O-Ring (Note: Use Item 27 or 100)	
29		Ref	Plug Options (Includes Item 30) (Not Shown):	
29	7022318	1	3160242 & 3160243 Motors	
29	7027419	1	3160266 & 3160298 Motor	
30	See Note	NSS	O-Ring (Not Shown) (Note: Use Item 29 or 100)	
31		Ref	Seat, Spring Options:	
31	7022369	1	3160242 Motor	
31	7022372	1	3160243 & 3160266 Motors	
31	7024853	1	3160298 Motor	
32	7022370	1	Housing	
33	7022318	2	Plug (Includes Items 34)	
34	See Note	NSS	O-Ring (Note: Use Item 33 or 100)	
35	7022321	1	Plug (Includes Items 36)	
36	See Note	NSS	O-Ring (Note: Use Item 35 or 100)	
37		Ref	Piston, Servo Options:	
37	7022326	1	3160242, 3160243 & 3160266 Motors	
37	7024854	1	3160298 Motor	
38	See Note	NSS	O-Ring (Note: Use Item 100)	
39	See Note	NSS	Ring, Seal (Note: Use Item 100)	
40	7007437	1	Bearing	
41	7022326	1	Spring	
42	See Note	NSS	Seal, Lip (Note: Use Item 100)	
43	7022371	1	Washer, Support	
100	7022328	1	Seal Kit (Includes Items 2, 3, 7, 26, 28, 30, 34, 36, 38, 39 & 42)	

SECTION 1 - FRAME

FIGURE 1-9. DRIVE MOTOR ASSEMBLY (FIELD SERVICE REPLACEMENT - 5 BOLT ASSEMBLY)



NOTE: Identify motor before ordering parts.
Service Replacement Motors use 5 bolts to assemble the motor. Original Equipment Motors use 4 bolts to assemble motor. See previous illustration for Original Equipment Motor components.

SECTION 1 - FRAME

FIGURE 1-9. DRIVE MOTOR ASSEMBLY (FIELD SERVICE REPLACEMENT - 5 BOLT ASSEMBLY)

ITEM	PART NUMBER	QTY	DESCRIPTION	REV
		Ref	DRIVE MOTOR ASSEMBLIES:	
	3160351	Ref	2WD (Service Replacement Motor) (Prior to SN 0300076633)	B
	3160353	Ref	2WD (Service Replacement Motor) (SN 0300076633 through 0300096000)	A
	3160348	Ref	4WD (Service Replacement Motor) (Prior to SN 0300076633)	B
	3160354	Ref	4WD (Service Replacement Motor) (SN 0300076633 through 0300096000)	A
		Ref	NOTE: Identify motor before ordering parts. Service Replacement Motors use 5 bolts to assemble the motor. Original Equipment Motors use 4 bolts to assemble motor. See DRIVE MOTOR ASSEMBLY (ORIGINAL EQUIPMENT - 4 BOLT ASSEMBLY) for Original Equipment Motor components.	
1	7022302	2	Bearing, Journal	
2	7007446	1	Pin	
3	7007438	2	Ring, Retaining	
4	7022305	1	Swashplate	
5	See Note	2	Pin (Note: Not Available for Purchase)	
6	See Note	NSS	Gasket (Note: Use Item 100)	
7		Ref	Plate, Valve Options:	
7	7023908	1	Drive Motor p/n 3160351 & 3160348	
7	7022307	1	Drive Motor p/n 3160353 & 3160354	
8		Ref	Cylinder Block Assembly Options (Includes Items 8A & 9-17):	
8	7023907	1	Drive Motor p/n 3160351 & 3160348	
8	7022306	1	Drive Motor p/n 3160353 & 3160354	
8A	See Note	1	Block, Cylinder (Note: Not Available - Purchase Complete Cylinder Block Assembly)	
9	7021277	1	Guide, Slipper Retainer	
10	7021275	3	Pin, Slipper Hold Down	
11		Ref	Piston Assembly	
11	See Note	9	Drive Motor p/n 3160351 & 3160348 (Note: Not Available - Purchase Complete Cylinder Block Assembly)	
11	7022309	9	Drive Motor p/n 3160353 & 3160354	
12	7021276	1	Retainer, Hold Down Pin	
13	7022310	1	Retainer, Slipper	
14	7022311	1	Ring, Retaining	
15	7022312	1	Spring	
16	7024868	1	Washer	
17	7022314	1	Retainer, Spring	
18	7023910	1	Shaft	
19	7007439	1	Ring, Retaining	
20	70000797	1	Cap, End - Axial	
21	7022368	5	Screw	
22	7021249	1	Bearing, Needle	
23	2220886	1	Plug (Includes Item 24)	
24	See Note	NSS	O-Ring (Note: Use Item 23 or 100)	
25	2220883	1	Plug (Includes Item 26)	
26	See Note	NSS	O-Ring (Note: Use Item 25 or 100)	
27		Ref	Plug (Includes Item 28) Options:	
27	7027419	2	2WD	
27	2220888	2	4WD	
28	See Note	NSS	O-Ring (Note: Use Item 27 or 100)	

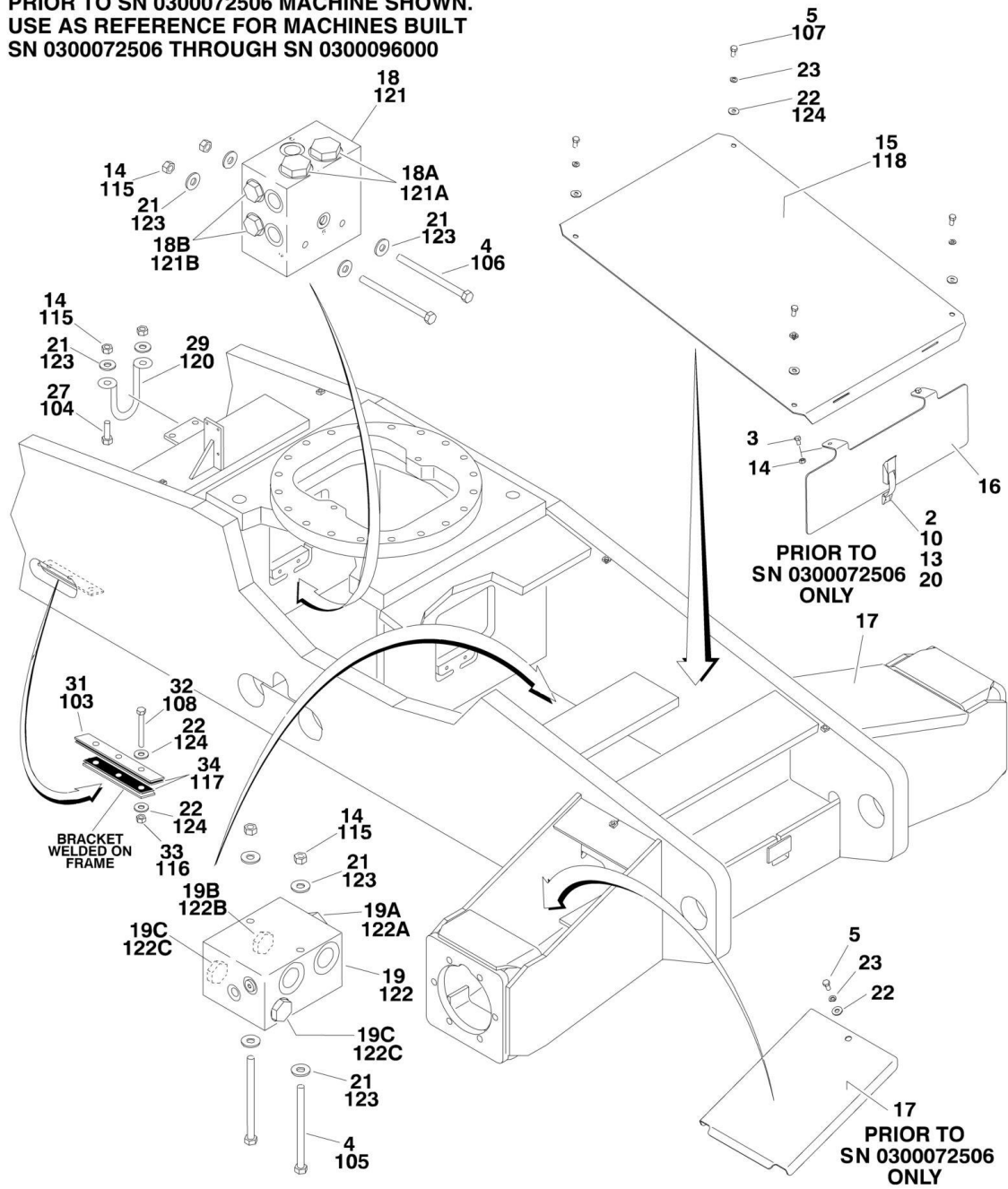
SECTION 1 - FRAME

ITEM	PART NUMBER	QTY	DESCRIPTION	REV
29		Ref	Seat, Spring Options:	
29		Ref	2WD Options:	
29	7024853	1	Drive Motor p/n 3160351	
29	7022369	1	Drive Motor p/n 3160353	
29	7022372	1	4WD	
30	See Note	1	Housing (Note: Not Available - Purchase Complete Drive Motor Assembly)	
31	2220883	2	Plug (Items Item 32)	
32	See Note	NSS	O-Ring (Note: Use Item 31 or 100)	
33	2220886	1	Plug (Items Item 34)	
34	See Note	NSS	O-Ring (Note: Use Item 33 or 100)	
35	See Note	NSS	O-Ring (Note: Use Item 100)	
36	See Note	NSS	Ring, Seal (Note: Use Item 100)	
37	7024854	1	Piston, Servo (Includes Items 35 & 36)	
38	7007437	1	Bearing	
39	7022326	1	Spring	
40	See Note	NSS	Seal, Lip (Note: Use Item 100)	
41	7022371	1	Washer, Support	
100	7022328	1	Seal Kit (Includes Items 6, 24, 26, 28, 32, 34, 35, 36 & 40)	

SECTION 1 - FRAME

FIGURE 1-10. FRAME VALVES AND SHIELDS INSTALLATION

PRIOR TO SN 0300072506 MACHINE SHOWN.
USE AS REFERENCE FOR MACHINES BUILT
SN 0300072506 THROUGH SN 0300096000



SECTION 1 - FRAME

FIGURE 1-10. FRAME VALVES AND SHIELDS INSTALLATION

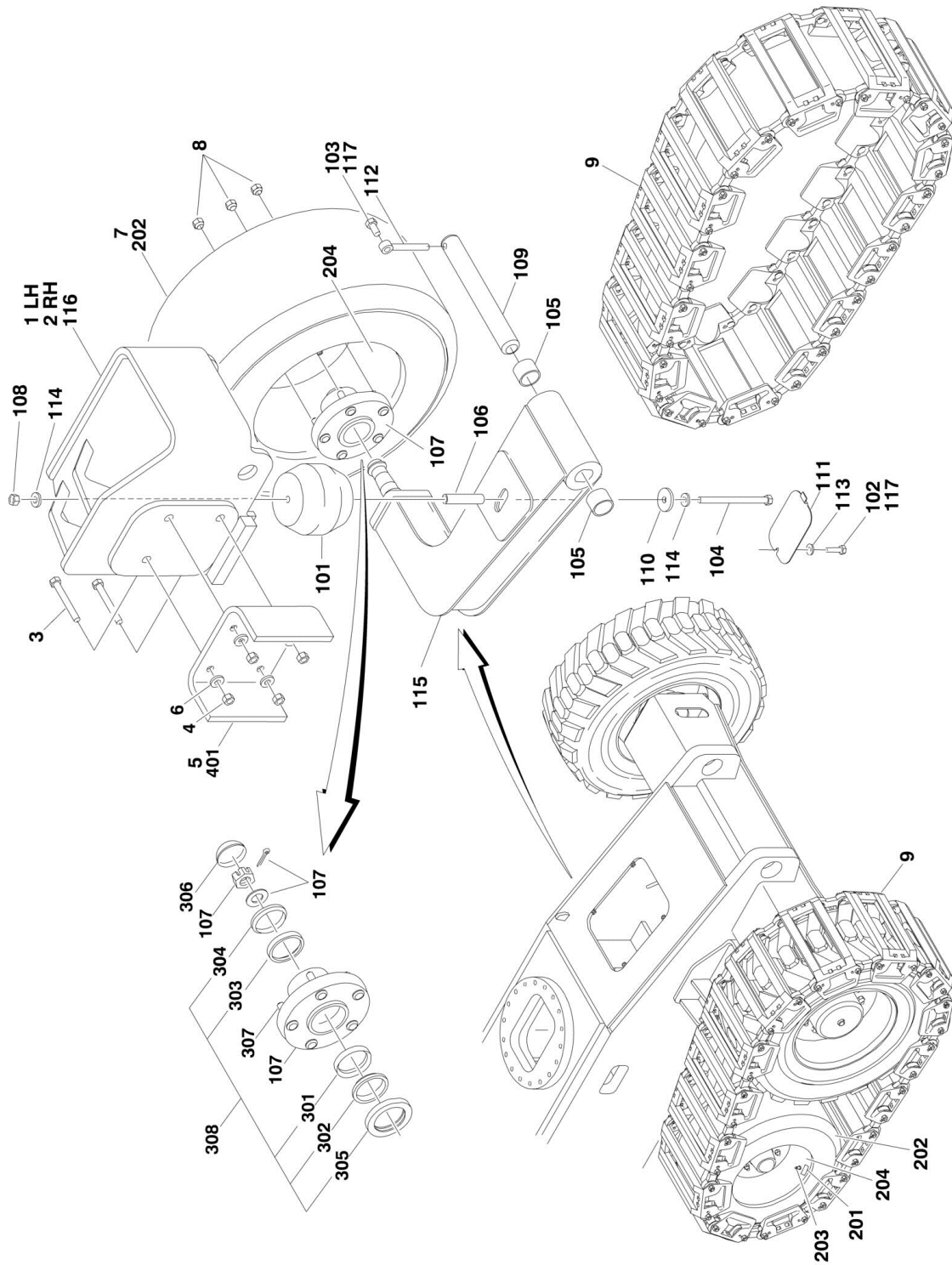
ITEM	PART NUMBER	QTY	DESCRIPTION	REV
		Ref	VALVES AND SHIELDS INSTALLATIONS	
	0259145	Ref	2WD (Prior to SN 0300072506)	H
	0259146	Ref	4WD (Prior to SN 0300072506)	J
		Ref	Note: See AXLE AND STEERING INSTALLATIONS for Oscillating Axle Lockout Valve.	
2	0630464	2	Screw, Button	
3	0641504	2	Bolt 5/16in-18NC x 1/2in	
4	0641530	2	Bolt 5/16in-18NC x 3-3/4in	
5	0641606	6	Bolt 3/8in-16NC x 3/4in	
10	2940118	1	Latch	
13	3311005	2	Locknut #10-24NC	
14	3311505	AR	Locknut 5/16in-18NC	
15	4060979	1	Shield, Frame - Rear Top	
16	4060980	1	Shield, Frame - Rear Side	
17	4060981	2	Shield, Frame - Axle Top	
18		Ref	Flow Divider Valve Assembly Options:	
18	Not Required	0	2WD Machines	
18	4641107	1	4WD Machines	C
18A	7021654	2	Valve, Cartridge (Flow Divider)	
18A	7021655	2	Seal Kit - Flow Divider Cartridge	
18B	7017412	4	Valve, Cartridge (Check)	
18B	7012967	4	Seal Kit - Check Cartridge	
19	4641115	1	Flow Divider Valve Assembly	C
19A	7021656	1	Valve, Cartridge (Flow Divider)	
19A	7021625	1	Seal Kit - 7021656 Cartridge	
19B	7012930	1	Valve, Cartridge (Check)	
19B	2900708	1	Seal Kit - 7012930 Cartridge	
19C	7010542	2	Valve, Cartridge (Load Shuttle)	
19C	7010543	2	Seal Kit - 7010542 Cartridge	
20	4751000	2	Flatwasher #10 Regular	
21	4751500	AR	Flatwasher 5/16in Regular	
22	4751600	AR	Flatwasher 3/8in Regular	
23	4761600	6	Lockwasher 3/8in	
27	0641508	2	Bolt 5/16in-18NC x 1/2in (4WD Only)	
28	0641538	2	Bolt 5/16in-18NC x 4-3/4in	
29	3841340	1	Loop, Hose (4WD Only)	
31	0362936	2	Bar, Hose Clamp (4WD Only)	
32	0641618	6	Bolt 3/8in-16NC x 2-1/4in (4WD Only)	
33	3311605	6	Nut 3/8in-16NC (4WD Only)	
34	3340898	4	Pad, Rubber (4WD Only)	
		Ref	VALVES AND SHIELDS INSTALLATIONS	
	0272784	Ref	2WD (SN 0300072506 through 0300076632)	A
	0272926	Ref	2WD (SN 0300076633 through 0300096000)	A
	0272783	Ref	4WD (SN 0300072506 through 0300076632)	A
	0272925	Ref	4WD (SN 0300076633 through 0300096000)	A
		Ref	Note: See AXLE AND STEERING INSTALLATIONS for Oscillating Axle Lockout Valve.	
103	0362936	2	Bar, Hose Clamp (4WD Only)	
104	0641508	2	Bolt 5/16in-18NC x 1/2in (4WD Only)	
105	0641530	2	Bolt 5/16in-18NC x 3-3/4in	

SECTION 1 - FRAME

ITEM	PART NUMBER	QTY	DESCRIPTION	REV
106	0641538	2	Bolt 5/16in-18NC x 4-3/4in (4WD Only)	
107	0641607	6	Bolt 3/8in-16NC x 7/8in	
108	0641618	8	Bolt 3/8in-16NC x 2-1/4in (4WD Only)	
115	3311505	AR	Locknut 5/16in-18NC	
116	3311605	6	Nut 3/8in-16NC (4WD Only)	
117	3340898	4	Pad, Rubber (4WD Only)	
118	3574210	1	Shield, Frame - Rear Top	
120	3841340	1	Loop, Hose (4WD Only)	
121		Ref	Flow Divider Valve Assembly Options:	
121	Not Required	0	2WD Machines	
121	4641107	1	4WD Machines (SN 0300072506 through 0300076632)	C
121	4641208	1	4WD Machines (SN 0300076633 through 0300096000)	A
121A		Ref	Valve, Cartridge (Flow Divider) Options:	
121A	7021654	2	Cartridge for (SN 0300072506 through 0300076632)	
121A	7023934	2	Cartridge For (SN 0300076633 through 0300096000)	
121A	7021655	2	Seal Kit - 7021654 & 7023934 Cartridge	
121B		Ref	Valve, Cartridge (Check) Options:	
121B	7017412	4	Cartridge for (SN 0300072506 through 0300076632)	
121B	7012967	4	Seal Kit - 7017412 Check Cartridge	
121B	7023935	4	Cartridge For (SN 0300076633 through 0300096000)	
121B	7023936	4	Seal Kit - 7023935 Check Cartridge	
122		Ref	Flow Divider Valve Assembly Options:	
122	4641115	1	Flow Divider Valve Assembly (SN 0300072506 through 0300076632)	C
122	4641207	1	Flow Divider Valve Assembly (SN 0300076633 through 0300096000)	A
122A		Ref	Valve, Cartridge (Flow Divider) Options:	
122A	7021656	1	Cartridge for (SN 0300072506 through 0300076632)	
122A	7023917	1	Cartridge for (SN 0300076633 through 0300096000)	
122A	7021625	1	Seal Kit - 7021656 & 7023917 Cartridges	
122B		Ref	Valve, Cartridge (Check) Options:	
122B	7012930	1	Cartridge for (SN 0300072506 through 0300076632)	
122B	2900708	1	Seal Kit - 7012930 Cartridge	
122B	7022397	1	Cartridge for (SN 0300076633 through 0300096000)	
122B	7022399	1	Seal Kit - 7022397 Cartridges	
122C	7010542	2	Valve, Cartridge (Load Shuttle)	
122C	7010543	2	Seal Kit - 7010542 Cartridge	
123	4751500	AR	Flatwasher 5/16in Regular	
124	4751600	AR	Flatwasher 3/8in Regular	

SECTION 1 - FRAME

FIGURE 1-11. SEMI-TRACK INSTALLATION



SECTION 1 - FRAME

FIGURE 1-11. SEMI-TRACK INSTALLATION

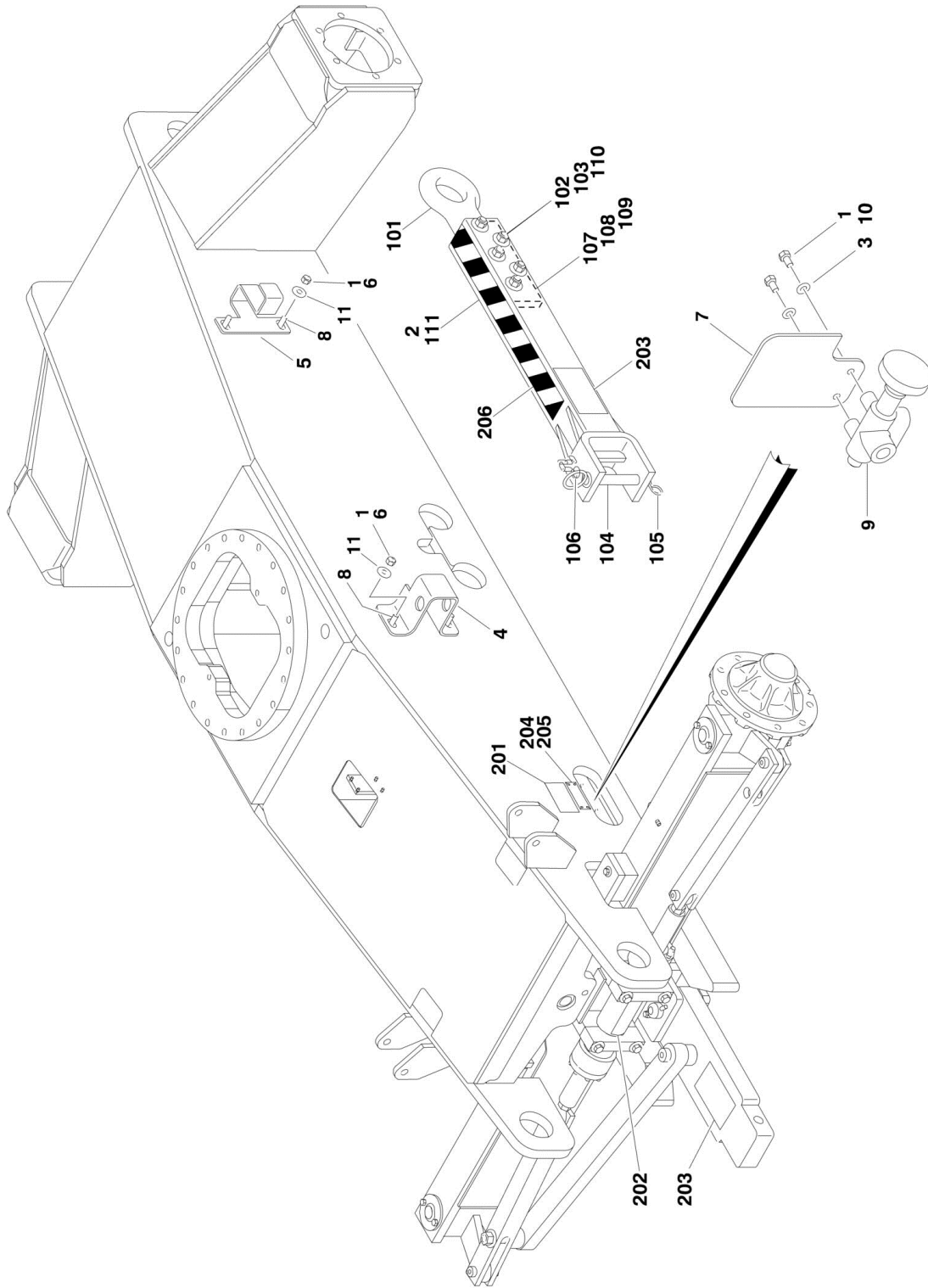
ITEM	PART NUMBER	QTY	DESCRIPTION	REV
		Ref	SEMI-TRACK INSTALLATIONS	
	0270193	Ref	IDLER INSTALLATION	3
1		Ref	Mount, Idler (Left) (See Items 101-116 for Breakdown)	
1	0259665	1	Mount, Idler (Left) (Prior to SN 0300062886)	
1	0271212	1	Mount, Idler (Left) (SN 0300062886 through 0300096000)	
2		Ref	Mount, Idler (Right) (See Items 101-116 for Breakdown)	
2	0259674	1	Mount, Idler (Right) (Prior to SN 0300062886)	
2	0271211	1	Mount, Idler (Right) (SN 0300062886 through 0300096000)	
3	0681822	8	Bolt 1/2in-13NC x 2-3/4in (Grade 8)	
4	3271805	8	Locknut 1/2in-13NC (Grade 8)	
5	3572032	2	Plate, Spacer	
6	4891800	8	Flatwasher 1/2in Hardened	
		Ref	TRACK INSTALLATIONS	
		Ref	12in Steel Track Options:	
	0270184	Ref	12in Steel Track (Prior to SN 0300062886)	2
	0271218	Ref	12in Steel Track (SN 0300062886 through 0300096000)	1
	0270192	Ref	14in Steel Track	3
7		Ref	Wheel Assembly Options (See Items 201-204 for Breakdown):	
7	0270029	2	12in Track	
7	0270030	2	14in Track	
8	3300255	10	Nut	
9		Ref	Track Options:	
9		Ref	12in Steel Track Options:	
9	0270086	1	12in Steel Track (Prior to SN 0300062886)	
9	0271213	1	12in Steel Track (SN 0300062886 through 0300096000)	
9		Ref	14in Steel Track Options:	
9	0270259	1	14in Steel Track (Prior to SN 0300062886)	
9	0271215	1	14in Steel Track (SN 0300062886 through 0300096000)	
		Ref	IDLER MOUNT ASSEMBLIES	
		Ref	Left Side Options:	
	0259665	Ref	Left Side (Prior to SN 0300062886)	C
	0271212	Ref	Left Side (SN 0300062886 through 0300096000)	A
		Ref	Right Side Options:	
	0259674	Ref	Right Side (Prior to SN 0300062886)	C
	0271211	Ref	Right Side (SN 0300062886 through 0300096000)	A
		Ref	Note: Qty shown is for one side.	
101		Ref	Absorber, Rubber Spring Options:	
101	0020005	1	Absorber, Rubber Spring (Prior to SN 0300062886)	
101	0020006	1	Absorber, Rubber Spring (SN 0300062886 through 0300096000)	
102	0641408	1	Bolt 1/4in-20NC x 1in	
103	0641808	1	Bolt 1/2in-13NC x 1in	
104		Ref	Bolt Options:	
104	0681856	1	Bolt 1/2in-13NC x 7in (Grade 8)	
104	0681872	1	Bolt 1/2in-13NC x 9in (Grade 8)	
105	0961948	2	Bearing	
106	0962293	1	Bushing, Track Spring	
107	2780221	1	Hub Assembly (See Items 301-307 for Breakdown)	
108	3271805	1	Locknut 1/2in-13NC (Grade 8)	
109	3422786	1	Pin	

SECTION 1 - FRAME

ITEM	PART NUMBER	QTY	DESCRIPTION	REV
110	3571818	1	Plate	
111	3571833	1	Cover, Bottom	
112	3841203	1	Keeper, Pin	
113	4711400	1	Flatwasher 1/4in Narrow	
114	4891800	2	Flatwasher 1/2in Hardened	
115		Ref	Arm Weldment Options:	
115	4846113	1	Left Side	
115	4846112	1	Right Side	
116		Ref	Bracket Weldment Options:	
116		Ref	Left Side Options:	
116	4846114	1	Left Side (Prior to SN 0300062886)	
116	4846394	1	Left Side (SN 0300062886 through 0300096000)	
116		Ref	Right Side Options:	
116	4846126	1	Right Side (Prior to SN 0300062886)	
116	4846393	1	Right Side (SN 0300062886 through 0300096000)	
117	0100011	AR	Compound, Locking	
		Ref	WHEEL ASSEMBLIES	
	0270029	Ref	12in Track	B
	0270030	Ref	14in Track	A
		Ref	Note: Qty shown is for one side.	
201	1704586	1	Decal, Tire Pressure	
202		Ref	Tire Options:	
202	4520224	1	12in Track	
202	4520234	1	14in Track	
203	4640113	1	Valve, Air	
204		Ref	Rim, Wheel Options:	
204	4860218	1	12in Track	
204	4860215	1	14in Track	
	2780221	Ref	HUB ASSEMBLY	-
		Ref	Note: Qty shown is for one side.	
301	7012519	1	Cup, Inner Bearing	
302	7012520	1	Cone, Inner Bearing	
303	7012521	1	Cup, Outer Bearing	
304	7012522	1	Cone, Outer Bearing	
305	7012523	1	Seal	
306	1001102354	1	Cap, Dust (was p/n 7012524)	
307	7016360	5	Stud, Wheel 1/2in-20NF	
308	2900804		Bearing Kit (Includes Qty 1 of Items 301-305)	
	0270193	Ref	SEMI-TRACK installations	A
401	3572032	2	Plate, Spacer (Welded to Frame)	
		Ref	TREAD ACCESSORIES (NOT SHOWN)	
	0270180	Ref	Soft Puck	B
	0240049	64	Puck, Soft	
	0270186	Ref	Flotation Plate	A
	0240050	64	Plate, Flotation	
	0270187	Ref	Ice Pick	A
	0240047	32	Plate, Flotation	

SECTION 1 - FRAME

FIGURE 1-12. TOW PACKAGE INSTALLATION



SECTION 1 - FRAME

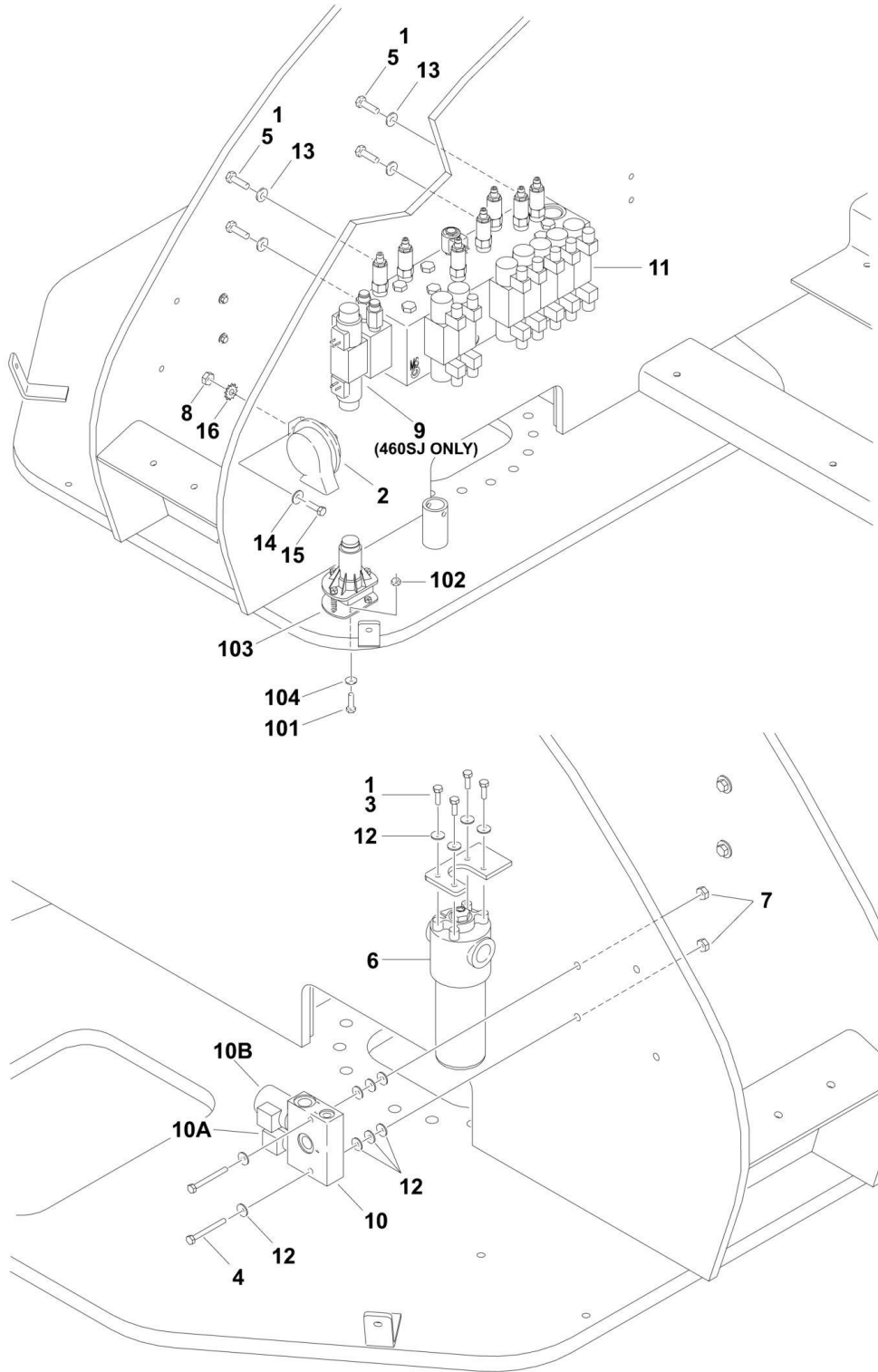
FIGURE 1-12. TOW PACKAGE INSTALLATION

ITEM	PART NUMBER	QTY	DESCRIPTION	REV
	0272805	Ref	TOW BAR INSTALLATION - 2WD	B
1	0100011	AR	Compound, Locking	
2	0363019	1	Tow Bar Assembly	
3	0641504	2	Bolt 5/16in-18NC x 1/2in	
4	0902733	1	Bracket, Storage (Front)	
5	0902734	1	Bracket, Storage (Rear)	
6	3311801	4	Nut 1/2in-13NC	
7	3572506	1	Plate, Valve Mounting (Welded on Plate)	
8	4300048	4	Stud (Welded on Plate)	
9	4640261	1	Steer/Tow Select Valve	
10	4711500	2	Flatwasher 5/16in Narrow	
11	4751800	4	Flatwasher 1/2in Wide	
	0363019	Ref	TOW BAR ASSEMBLY	B
101	0360406	1	Pintle, Draw Eye	
102	0682040	5	Bolt 5/8in-11NC x 5in	
103	3312005	5	Locknut 5/8in-11NC	
104	3420352	1	Pin, Towing	
105	3420372	1	Hairpin	
106	3760170	1	Ring, Split	
107	4070450	2	Shim (.07)	
108	4070560	2	Shim (.88)	
109	4070561	2	Shim (.12)	
110	4752000	10	Flatwasher 5/8in Wide	
111	0363019	1	Tow Bar Weldment	
	0272828	Ref	TOW BAR DECAL INSTALLATION	B
201	1703450	1	Decal - Warning	
202	1702968	1	Decal - Tow Instructions	
203	1704578	2	Decal - Crushing	
204	3250872	1	Nameplate - Steer/Tow Select Valve	
205	3820001	4	Rivet	
206	4420051	56 in/1.4m	Tape	

SECTION 2 - TURNTABLE

SECTION 2 - TURNTABLE

FIGURE 2-1. VALVES AND TILT INDICATOR INSTALLATIONS



SECTION 2 - TURNTABLE

FIGURE 2-1. VALVES AND TILT INDICATOR INSTALLATIONS

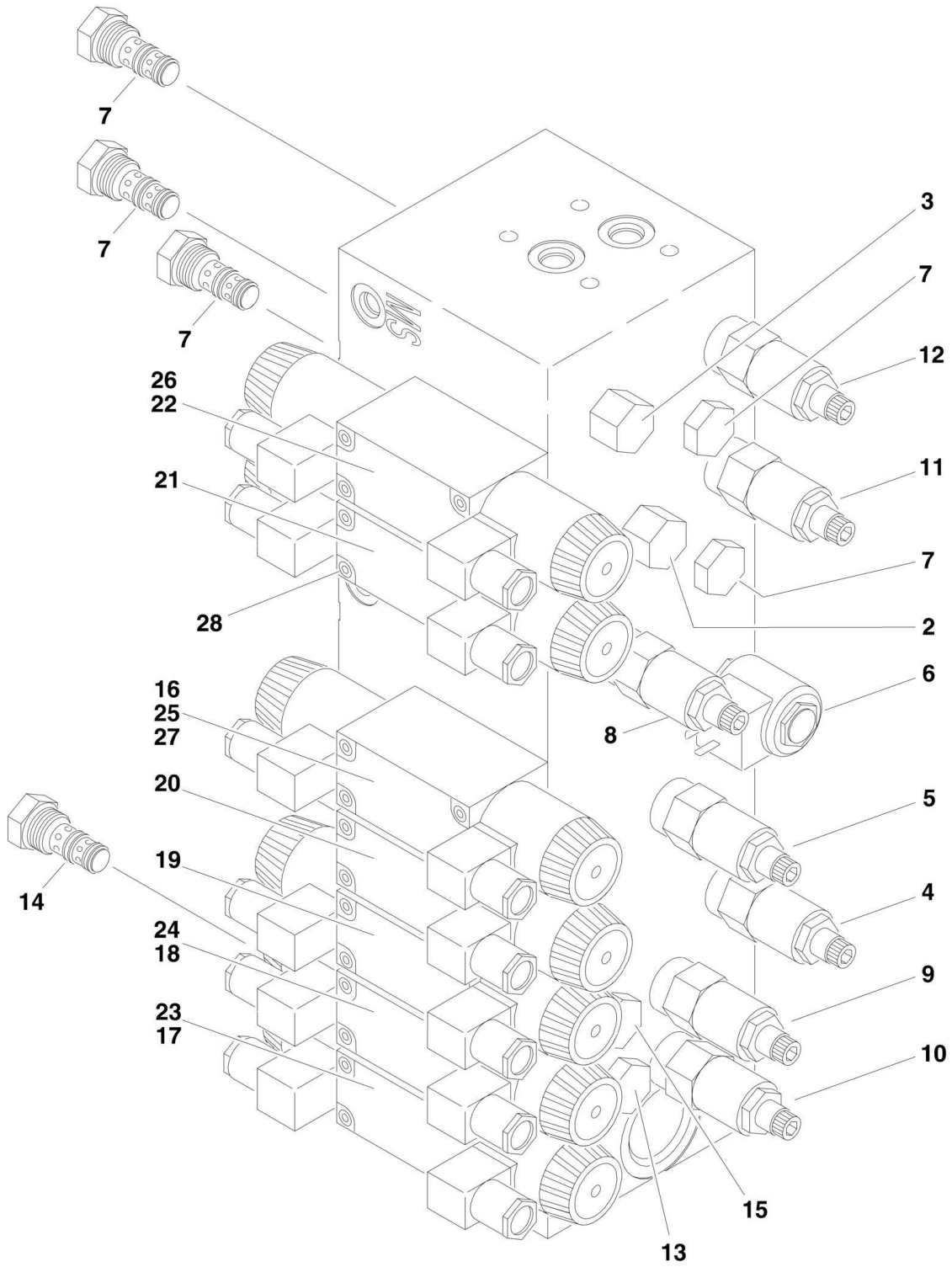
ITEM	PART NUMBER	QTY	DESCRIPTION	REV
		Ref	VALVES INSTALLATIONS	
	0259640	Ref	Valves Installations 400S (Prior to SN 0300087630)	F
	0274600	Ref	Valves Installations 400S (SN 0300087630 through 0300096000)	B
	0259641	Ref	Valves Installations 460SJ (Prior to SN 0300087630)	F
	0274601	Ref	Valves Installations 460SJ (SN 0300087630 through 0300096000)	B
1	0100011	AR	Compound, Locking	
2	0140001	1	Horn	
3	0651406	AR	Bolt 1/4in-28NF x 3/4in	
4	0641420	2	Bolt 1/4in-20NC x 2-1/2in	
5	0641610	4	Bolt 3/8in-16NC x 1-1/4in	
6	2120163	1	Pressure Filter Assembly (Prior to SN 0300087630)	
6	2120150	1	Element, Filter	
6	7020020	1	Indicator	
6	7023206	1	O-Ring	
6	7023207	1	Ring, Back-up	
6	2120209	1	Pressure Filter Assembly (SN 0300087630 through 0300096000)	
6	2120210	1	Element, Filter - p/n 2120209	
6	7020020	1	Manual Indicator - p/n 2120209	
7	3311405	2	Locknut 1/4in-20NC	
8	3311505	1	Locknut 5/16in-18NC	
9		Ref	Valve Assembly - Jib	
9	Not Required	0	Valve Assembly - Jib 400S	
9	4640921	1	Valve Assembly - Jib 460SJ (See ACCESSORY VALVE ASSEMBLY for Breakdown)	
10	4641108	NLA	Dual Select Valve Assembly (Use p/n 1001099391)	
10A	7012944	1	Coil	
10A	7012941	1	Cartridge without Coil (was p/n 7012974)	
10A	7010543	1	Seal Kit - 7012974 & 701941 Cartridges	
10B	7012943	1	Coil	
10B	7012995	1	Cartridge without Coil	
10B	7012518	1	Seal Kit - 7012995 Cartridge	
11		Ref	Main Control Valve Assembly Options (See MAIN CONTROL VALVE ASSEMBLY for Breakdown):	
11	4641117	NLA	Main Control Valve Assembly (Use p/n 4641499) (Prior to SN 0300095896)	
11	4641499	1	Main Control Valve Assembly (SN 0300095896 through 0300096000)	
12	4751400	14	Flatwasher 1/4in Regular	
13	4751600	AR	Flatwasher 3/8in Regular	
14	4751500	2	Flatwasher 5/16in Regular	
15	0641510	1	Bolt 5/16in-18NC x 1-1/4in	
16	4791500	1	Starwasher 5/16in	
17	4921927	1	Harness, Sub (See ELECTRICAL SECTION for Breakdown) (Not Shown) (460SJ Only)	
	0259187	Ref	TILT INDICATOR INSTALLATION (Prior to SN 0300064404)	A
101	0641412	2	Bolt 1/4in-20NC x 1-1/2in	
102	3311405	2	Locknut 1/4in-20NC	
103	4360495	1	Sensor, Level	

SECTION 2 - TURNTABLE

ITEM	PART NUMBER	QTY	DESCRIPTION	REV
104	4751400	2	Flatwasher 1/4in Regular	

SECTION 2 - TURNTABLE

FIGURE 2-2. MAIN CONTROL VALVE ASSEMBLY



SECTION 2 - TURNTABLE

FIGURE 2-2. MAIN CONTROL VALVE ASSEMBLY

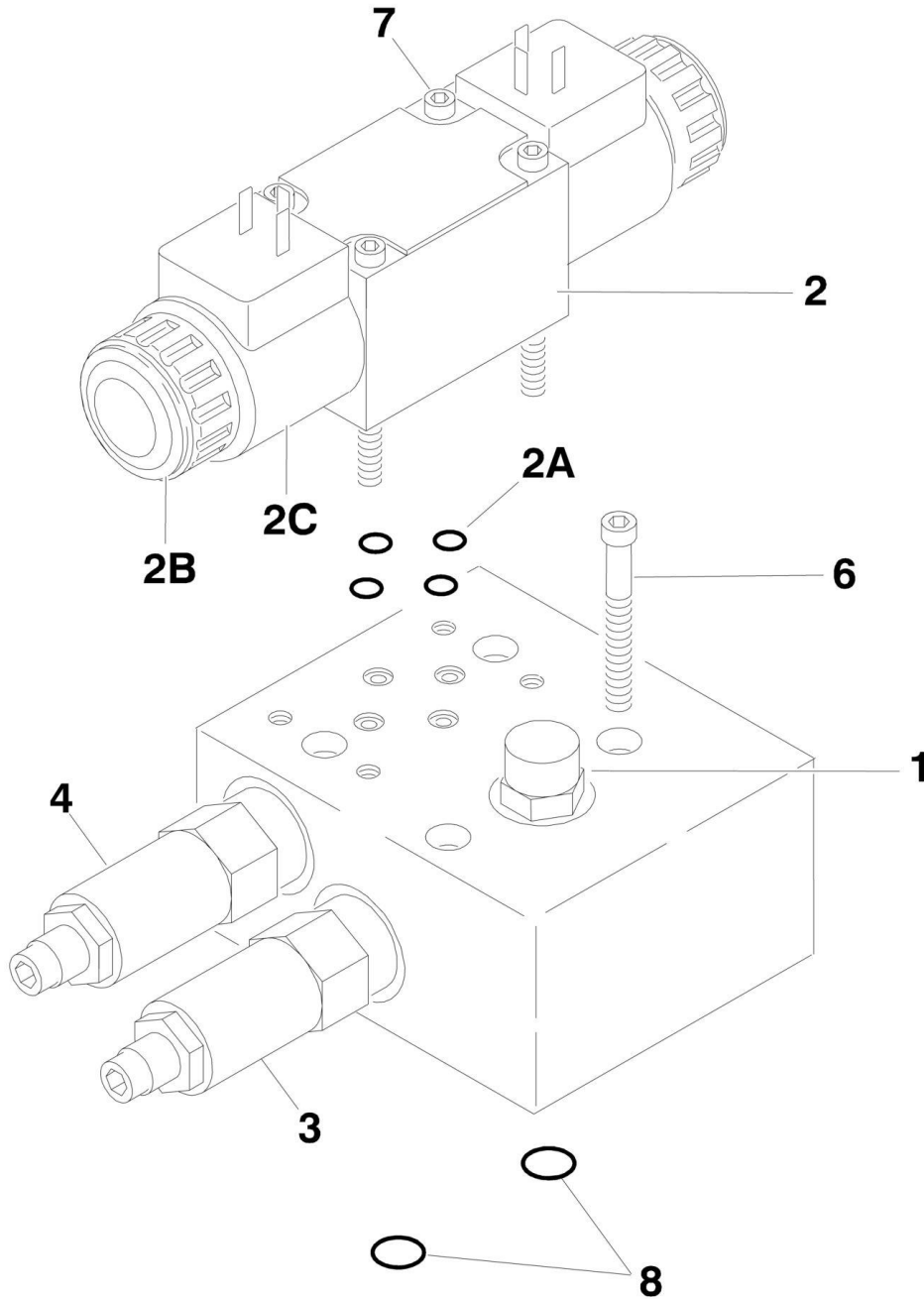
ITEM	PART NUMBER	QTY	DESCRIPTION	REV
		Ref	MAIN CONTROL VALVE ASSEMBLY	
	4641117	Ref	Main Control Valve Assembly (Prior to SN 0300095896)	C
	4641499	Ref	Main Control Valve Assembly (SN 0300095896 through 0300096000)	A
2	7017411	1	Cartridge, Pilot Valve (Bang-Bang Controls)	
2	7012518	1	Seal Kit - 7017411 Cartridge	
3	7017411	1	Cartridge, Pilot Valve (Proportional Controls)	
3	7012518	1	Seal Kit - 7017411 Cartridge	
4	7021647	1	Cartridge, Relief Valve (Bang-Bang Main)	
4	7012998	1	Seal Kit - 7021647 Cartridge	
5	7017422	1	Cartridge, Relief Valve (Proportional Main)	
5	7012998	1	Seal Kit - 7017422 Cartridge	
6	7017410	1	Cartridge without Coil (Proportional Dump)	
6	7012967	1	Seal Kit - 7017410 Cartridge	
6	7012944	1	Coil	
7	7010542	5	Cartridge, Load Shuttle Valve	
7	7010543	5	Seal Kit - 7010542 Cartridge	
8	7017422	1	Cartridge, Relief Valve (Steer)	
8	7012998	1	Seal Kit - 7017422 Cartridge	
9	7017427	1	Cartridge, Relief Valve (Platform)	
9	7012998	1	Seal Kit - 7017427 Cartridge	
10	7017428	1	Cartridge, Relief Valve (Platform Level)	
10	7012998	1	Seal Kit - 7017428 Cartridge	
11	7021648	1	Cartridge, Relief Valve (Lift Down)	
11	7012998	1	Seal Kit - 7021648 Cartridge	
12	7017428	1	Cartridge, Relief Valve (Swing)	
12	7012998	1	Seal Kit - 7017428 Cartridge	
13	7012914	1	Cartridge, Pilot Check Valve (Platform Level)	
13	7012918	1	Seal Kit - 7012914 Cartridge	
14	7012914	1	Cartridge, Pilot Check Valve (Platform Level)	
14	7012918	1	Seal Kit - 7012914 Cartridge	
15	7012975	1	Cartridge, Check Valve (Platform Rotate)	
15	7012967	1	Seal Kit - 7012975 Cartridge	
16		Ref	Control Valve Assembly (Steer) Options:	
16	7021365	1	Valve Assembly (Prior to SN 0300095896)	
16		Ref	Repair Components:	
16	7012773	1	Seal Kit - 7021365 Valve	
16	7021375	2	Nut	
16	7021376	2	Coil	
16	70001256	1	Valve Assembly (SN 0300095896 through 0300096000)	
16		Ref	Repair Components:	
16	70001256	1	Seal Kit (Note: Not Available for Purchase)	
16	70001256	2	Nut (Note: Not Available for Purchase)	
16	70001256	2	Coil (Note: Not Available for Purchase)	
17		Ref	Control Valve Assembly (Platform Level) Options:	
17	7021373	1	Valve Assembly (Prior to SN 0300095896)	
17		Ref	Repair Components:	
17	7012773	1	Seal Kit - 7021373 Valve	
17	7021375	2	Nut	
17	7021376	2	Coil	

SECTION 2 - TURNTABLE

ITEM	PART NUMBER	QTY	DESCRIPTION	REV
17	7012799	1	Lanyard Assembly	
17	70001976	1	Valve Assembly (was p/n 7012770) (SN 0300095896 through 0300096000)	
17		Ref	Repair Components:	
17	7012773	1	Seal Kit	
17	7021375	2	Nut	
17	7018991	2	Coil	
18	7021373	1	Control Valve Assembly (Platform Rotate) Options:	
18	7021373	1	Valve Assembly (Prior to SN 0300095896)	
18		Ref	Repair Components:	
18	7012773	1	Seal Kit - 7021373 Valve	
18	7021375	2	Nut	
18	7021376	2	Coil	
18	7012799	1	Lanyard Assembly	
18	70001976	1	Valve Assembly (was p/n 7012770) (SN 0300095896 through 0300096000)	
18		Ref	Repair Components:	A
18	7012773	1	Seal Kit	
18	7021375	2	Nut	
18	7018991	2	Coil	
19		Ref	Control Valve Assembly (Telescope) Options:	
19	7021373	1	Valve Assembly (Prior to SN 0300095896)	
19		Ref	Repair Components:	
19	7012773	1	Seal Kit - 7021373 Valve	
19	7021375	2	Nut	
19	7021376	2	Coil	
19	7012799	1	Lanyard Assembly	
19	70001976	1	Valve Assembly (was p/n 7012770) (SN 0300095896 through 0300096000)	
19		Ref	Repair Components:	
19	7012773	1	Seal Kit	
19	7021375	2	Nut	
19	7018991	2	Coil	
20	7021374	1	Control Valve Assembly (Flow Control)	
20	7012773	1	Seal Kit - 7021374 Valve	
20	7021375	1	Nut	
20	7018991	1	Coil	
21	7012775	1	Control Valve Assembly (Upper Lift)	
21	7012773	1	Seal Kit - 7012775 Valve	
21	7018912	2	Nut	
21	7012772	2	Coil	
22	7012775	1	Control Valve Assembly (Swing)	
22	7012773	1	Seal Kit - 7012775 Valve	
22	7018912	2	Nut	
22	7018991	2	Coil	
23	7018900	2	Orifice (Platform Level)	
24	7023821	1	Orifice (Platform Rotate)	
25	7023822	1	Orifice (Steer)	
26	7023823	1	Orifice (Swing)	
27	7023824	2	Orifice (Steer)	
28	7018942	28	Capscrew, Socket #10-24NC x 2in	

SECTION 2 - TURNTABLE

FIGURE 2-3. ARTICULATING JIB VALVE ASSEMBLY



**NOTE: TORQUE ITEMS 6 & 7
TO 60 IN/LBS.**

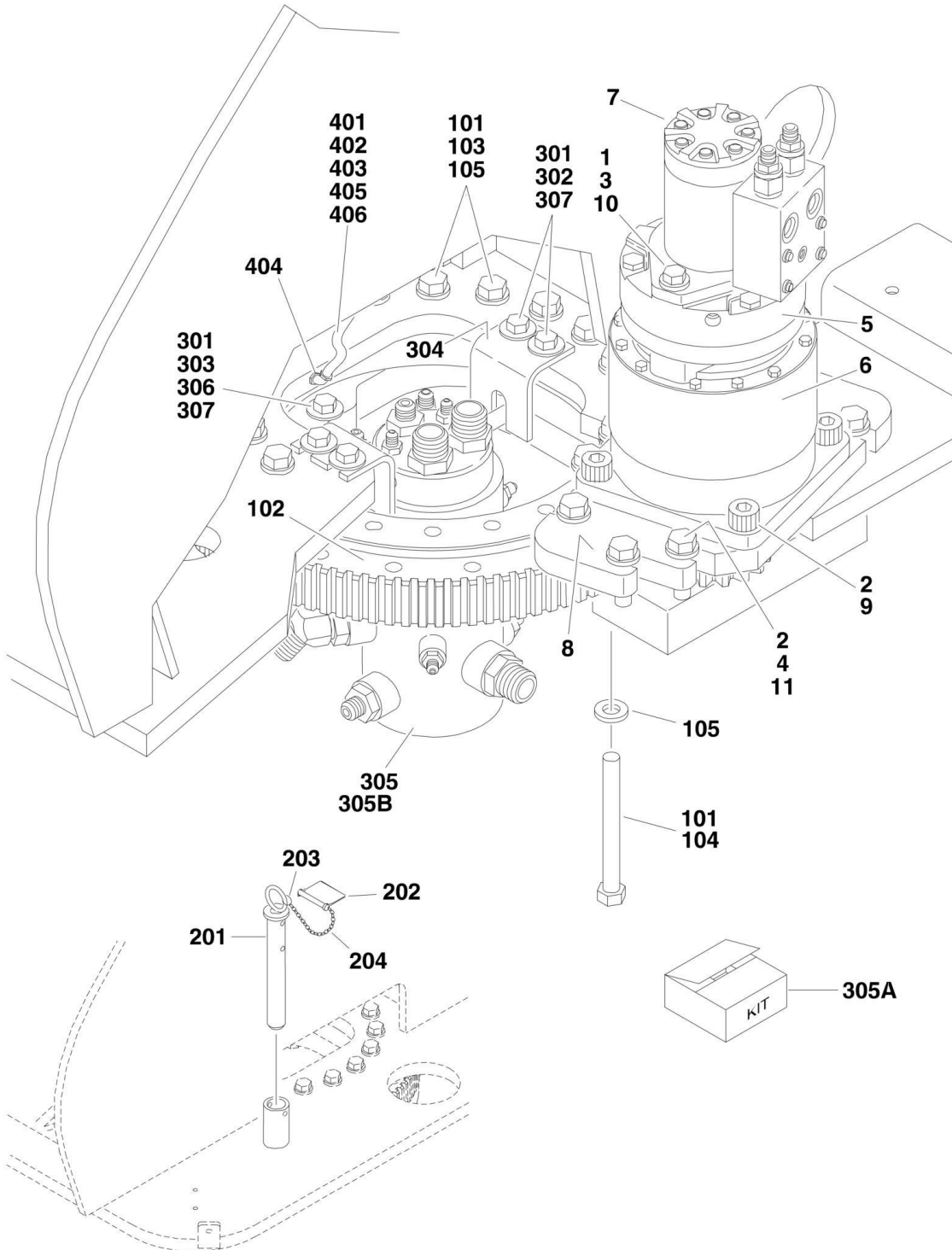
SECTION 2 - TURNTABLE

FIGURE 2-3. ARTICULATING JIB VALVE ASSEMBLY

ITEM	PART NUMBER	QTY	DESCRIPTION	REV
	4640921	Ref	ARTICULATING JIB VALVE ASSEMBLY	D
1	7012965	1	Cartridge, Flow Control	
1	7012953	1	Seal Kit - 7012965 Cartridge	
2	7012770	1	Directional Control Valve Assembly	
2	7012773	1	Seal Kit	
2A	7018945	4	O-Ring	
2B	7018912	2	Nut	
2C	7012772	2	Coil	
3	7017421	1	Cartridge, Relief	
3	7012998	1	Seal Kit - 7017421 Cartridge	
4	7017422	1	Cartridge, Relief	
4	7012998	1	Seal Kit - 7017422 Cartridge	
5	4460499	2	Connector, DIN with Diode (Not Shown - Part of Valve Harness)	
6	7012777	4	Capscrew, Socket Head 5/16in-18NC x 2-1/4in (Used to Mount Valve Assembly)	
7	7018942	4	Capscrew, Socket Head #10-24NC x 2in	
8	7012776	2	O-Ring (Used to Mount Main Valve)	

SECTION 2 - TURNTABLE

FIGURE 2-4. TURNTABLE AND SWING DRIVE INSTALLATIONS



SECTION 2 - TURNTABLE

FIGURE 2-4. TURNTABLE AND SWING DRIVE INSTALLATIONS

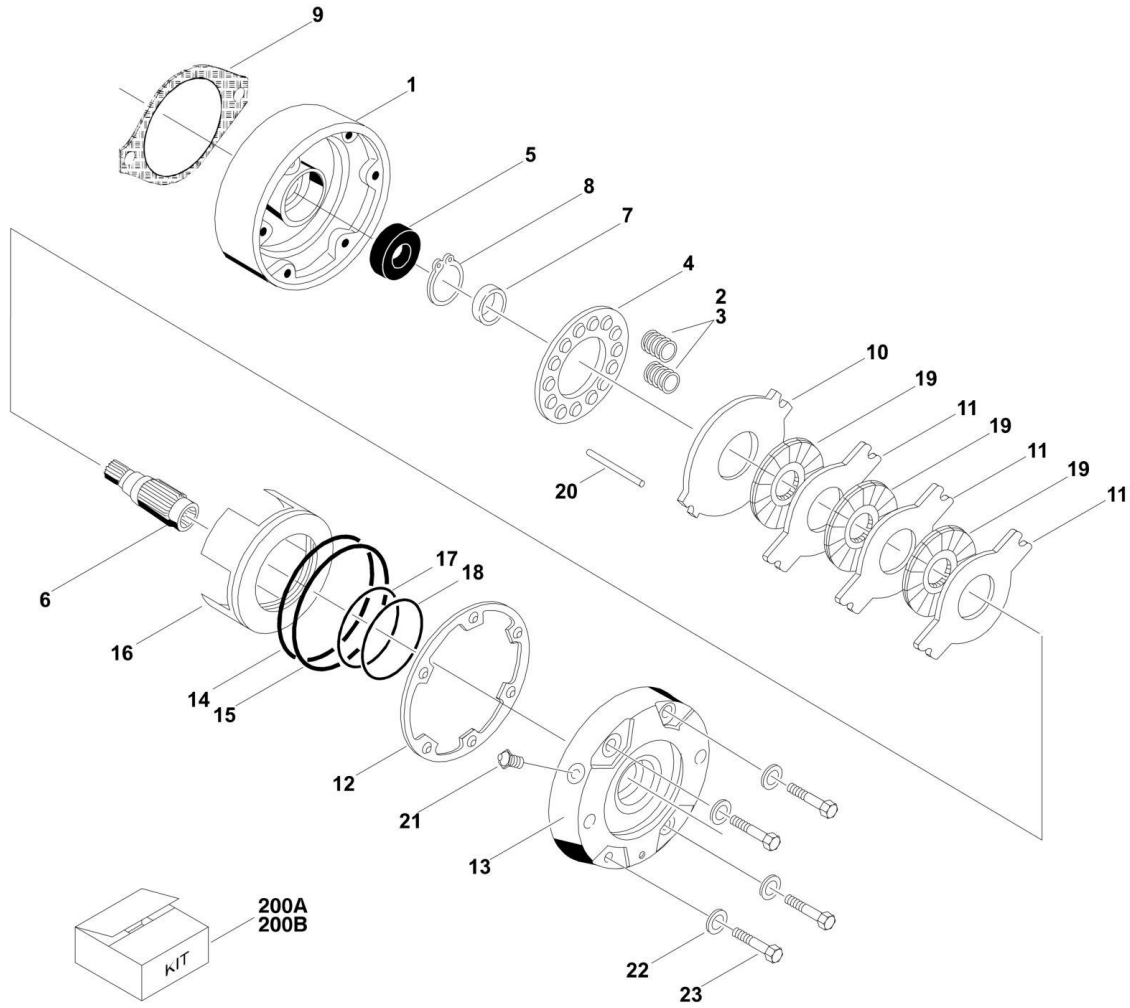
ITEM	PART NUMBER	QTY	DESCRIPTION	REV
		Ref	TURNTABLE WELDMENT	
	4620128	Ref	Turntable Weldment (Prior to SN 0300074573)	
	4620141	Ref	Turntable Weldment (SN 0300074573 through 0300096000)	
		Ref	SWING DRIVE INSTALLATION OPTIONS:	
	0259875	Ref	Swing Drive Installation (Prior to SN 0300063791)	B
	0270326	Ref	Swing Drive Installation (SN 0300063791 through 0300096000)	B
1	0100011	AR	Compound, Locking	
2	0100019	AR	Compound, Locking	
3	0681832	2	Bolt 1/2in-13NC x 4in (Grade 8)	
4	0682018	8	Bolt 5/8in-11NC x 2-1/4in (Grade 8)	
5		Ref	Swing Brake Assembly Options (See SWING BRAKE ASSEMBLY for Breakdown):	
5	0920116	1	Swing Brake Assembly (Prior to SN 0300063791)	
5	0920119	1	Swing Brake Assembly (SN 0300063791 through 0300096000)	
6	2780247	1	Swing Hub Assembly (See SWING HUB ASSEMBLY for Breakdown)	
7		Ref	Swing Motor Assembly Options (See SWING MOTOR ASSEMBLY for Breakdown):	
7	3160249	1	Swing Motor Assembly (Prior to SN 0300064259)	
7	3160280	1	Swing Motor Assembly (SN 0300064259 through 0300096000)	
8	3572041	1	Plate, Mount	
9	3932224	4	Capscrew, Socket Head 3/4in-1NC x 1-1/2in	
10	4891800	2	Flatwasher 1/2in Hardened	
11	4892000	6	Flatwasher 5/8in Hardened	
	0259156	Ref	SWING BEARING AND ROTATION BOX ASSEMBLY	D
101	0100019	AR	Compound, Locking	
102	0440240	NLA	Bearing, Turntable (Use p/n 2915078)	
103	0682026	20	Bolt 5/8in-11NC x 3-1/4in (Grade 8)	
104	0682048	20	Bolt 5/8in-11NC x 6in (Grade 8)	
105	4892000	40	Flatwasher 5/8in Hardened	
	0259147	Ref	TURNTABLE LOCK INSTALLATION	A
201	4844958	1	Pin Weldment	
202	3421565	1	Pin, Snap	
203	3760170	2	Ring, Quick Release	
204	1260017	9 in/23cm	Chain	
	0259155	Ref	ROTARY COUPLING INSTALLATION	C
301	0100011	AR	Compound, Locking	
302	0641810	4	Bolt 1/2in-13NC x 1-1/4in	
303	0641826	2	Bolt 1/2in-13NC x 3-1/4in	
304	0902556	2	Bracket	
305	1660219	1	Coupling, Rotary	
305A	7013187	1	Seal Kit	
305B	1660219RR	1	Rebuilt Coupling	
306	3311801	2	Nut 1/2in-13NC	
307	4751800	8	Flatwasher 1/2in Regular	
	0259158	Ref	REMOTE BEARING LUBE INSTALLATION	B
401	2160002	1	Fitting, Grease	
402	2180344	1	Fitting, Bulkhead	
403	2220001	1	Fitting, Straight	
404	2220124	1	Fitting, Elbow	

SECTION 2 - TURNTABLE

ITEM	PART NUMBER	QTY	DESCRIPTION	REV
405	2751095	1	Hose	
406	2220273	1	Fitting, Reducer	

SECTION 2 - TURNTABLE

FIGURE 2-5. SWING BRAKE ASSEMBLY



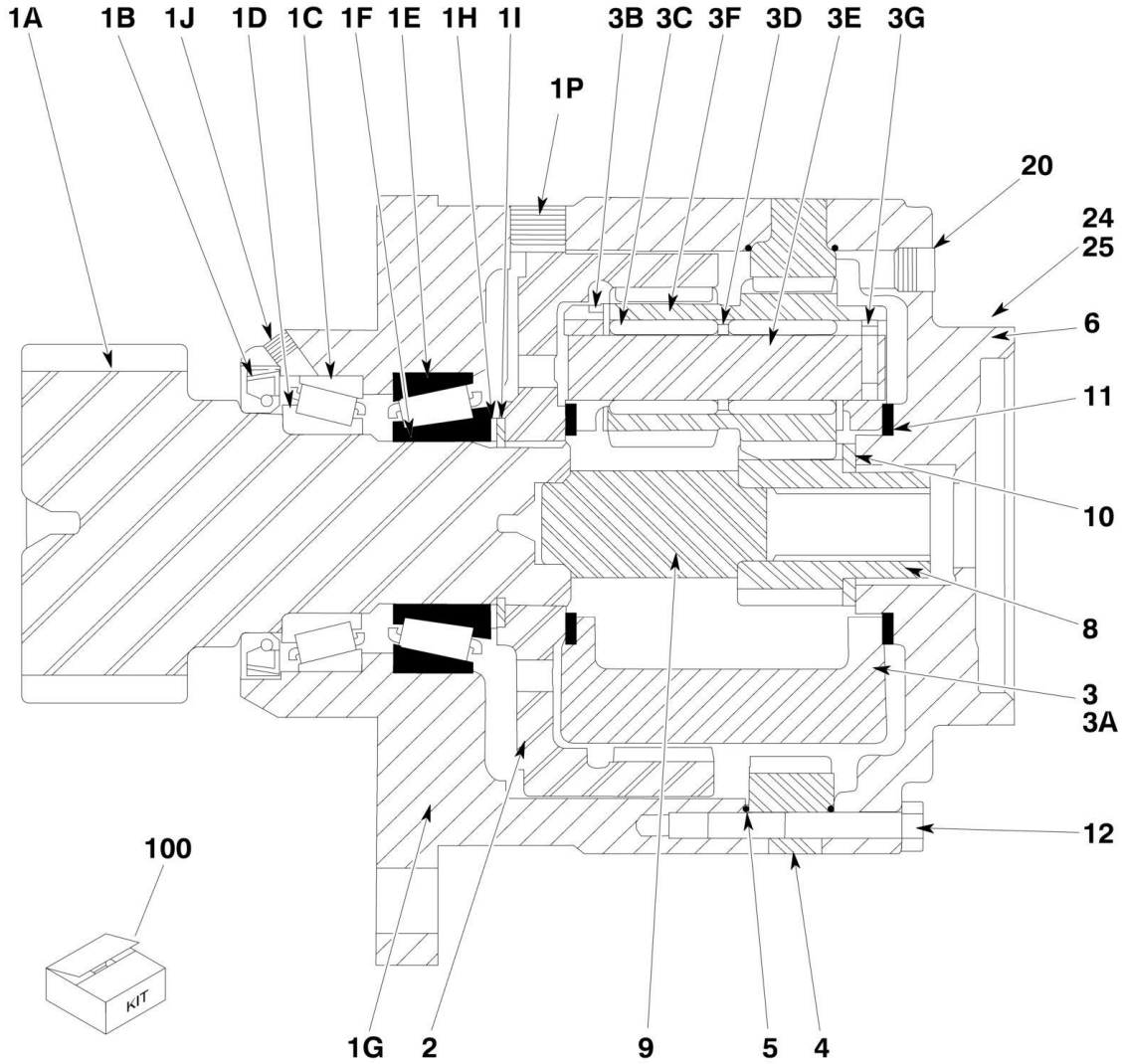
SECTION 2 - TURNTABLE

FIGURE 2-5. SWING BRAKE ASSEMBLY

ITEM	PART NUMBER	QTY	DESCRIPTION	REV
		Ref	SWING BRAKE ASSEMBLIES	
	0920116	Ref	Swing Brake Assembly (Prior to SN 0300063791)	B
1	See Note	NSS	Housing (Note: Use p/n 0920116)	
2	7000782	7	Spring, Compression	
3	7000798	7	Spring, Compression	
4	7003454	1	Retainer, Spring	
5	7003049	1	Bearing	
6	0920116	1	Shaft (Note: Not Available for Purchase)	
7	7003050	1	Seal, Lip	
8	7003453	1	Ring, Snap	
9	7000731	1	Gasket	
10	0920116	1	Disc, Primary (Note: Not Available for Purchase)	
11	7003459	3	Disc, Stationary	
12	7003452	1	Gasket	
13	0920116	1	Plate, Power (Note: Not Available for Purchase)	
14	7000724	1	Ring, Back-up	
15	7000725	1	O-Ring	
16	0920116	1	Piston (Note: Not Available for Purchase)	
17	7000722	1	Ring, Back-up	
18	7000723	1	O-Ring	
19	7003457	3	Disc, Rotating	
20	7003094	2	Pin, Torque	
21	7003078	1	Plug	
22	7003462	4	Flatwasher (Hardened)	
23	See Note	4	Bolt 1/2in-13NC (Note: Not Available - Purchase Locally)	
24	See Note	1	Plug, Protective (Not Shown) (Note: Not Available - Purchase Locally)	
100	0920119	Ref	Swing Brake Assembly (Not Shown) (SN 0300063791 through 0300096000)	B
100	7007933	1	Gasket, Mounting Face	
100	7007990	1	O-Ring, Mounting Face	
		Ref	Note: Other than Gasket and O-Ring, Item 200B Repair Kit is only part available.	
		Ref	REPAIR KIT OPTIONS	
200A	See Note	1	Repair Kit for 0920116 Brake (Note: Purchase Individual Parts) (Prior to SN 0300063791)	
200B	7018612	1	Repair Kit for 0920119 Brake (SN 0300063791 through 0300096000)	

SECTION 2 - TURNTABLE

FIGURE 2-6. SWING HUB ASSEMBLY



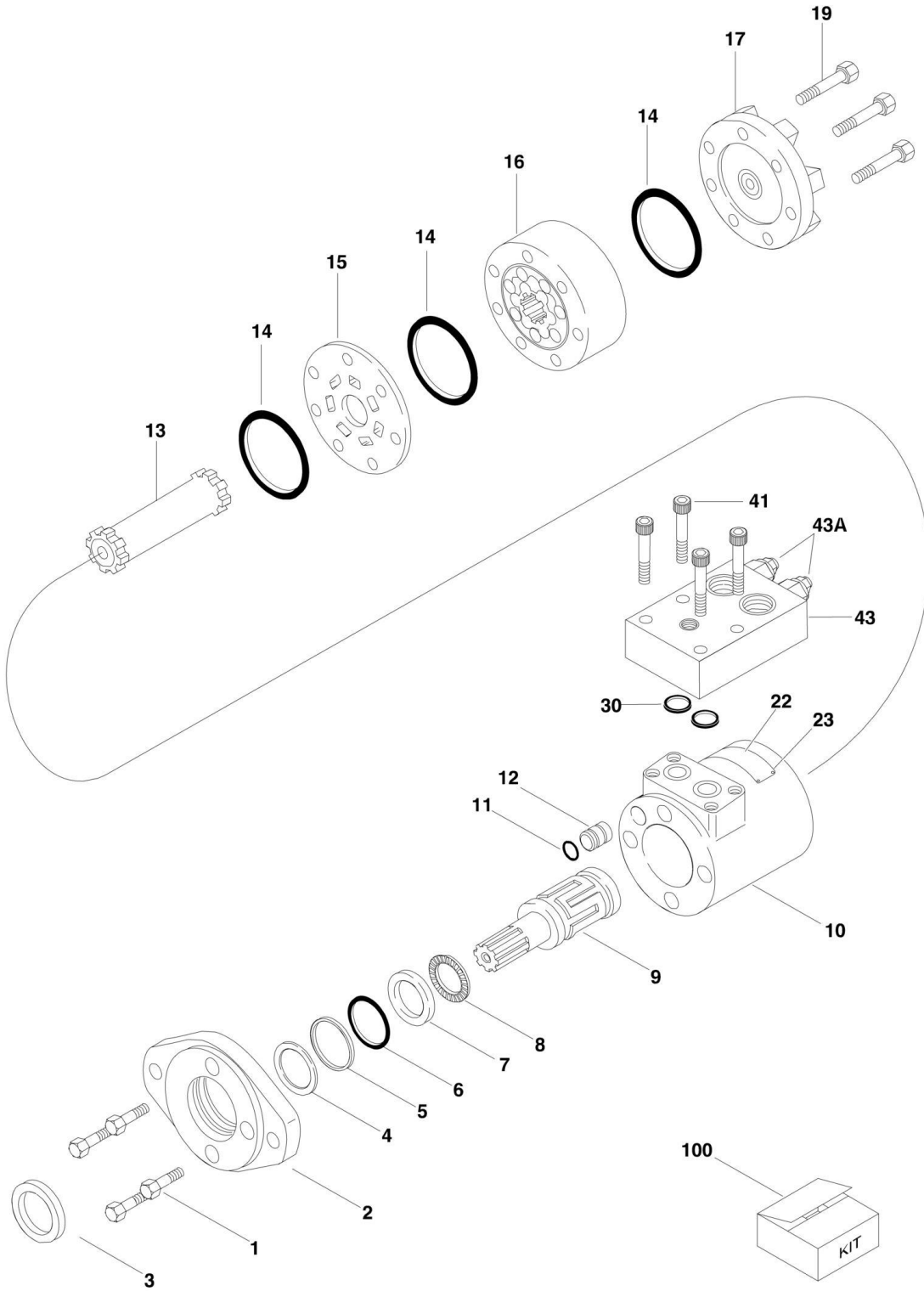
SECTION 2 - TURNTABLE

FIGURE 2-6. SWING HUB ASSEMBLY

ITEM	PART NUMBER	QTY	DESCRIPTION	REV
	2780247	Ref	SWING HUB ASSEMBLY	A
1	See Note	NSS	Housing and Shaft Assembly (Note: Use p/n 2780247)	
1A	7017064	1	Shaft, Output	
1B	7000228	1	Seal, Lip	
1C	7000255	1	Cup, Bearing	
1D	7000256	1	Cone, Bearing	
1E	7000257	1	Cup, Bearing	
1F	7000258	1	Cone, Bearing	
1G	7017065	1	Housing	
1H	7007633	1	Thrustwasher	
1I	7000229	1	Ring, Retaining	
1J	7010494	1	Plug, Pipe	
1P	See Note	2	Plug, Pipe (Note: Not Available - Purchase Locally)	
2	7000246	1	Gear, Internal	
3	7017066	1	Carrier Assembly (Includes Items 3A-3G)	
3A	See Note	NSS	Housing, Carrier (Note: Use Item 3)	
3B	See Note	NSS	Washer, Special (Note: Use Item 3)	
3C	See Note	NSS	Bearing, Needle (Note: Use Item 3)	
3D	See Note	NSS	Thrustwasher (Note: Use Item 3)	
3E	See Note	NSS	Pin (Note: Use Item 3)	
3F	See Note	NSS	Gear (Note: Use Item 3)	
3G	See Note	NSS	Pin, Retaining (Note: Use Item 3)	
4	7001988	1	Gear, Ring	
5	7000230	2	O-Ring	
6	7000209	1	Cover, Input	
8	7010488	1	Gear, Sun	
9	7000269	1	Spacer, Input	
10	7000270	1	Thrustwasher	
11	7000253	2	Thrustwasher	
12	7000217	8	Bolt	
20	2200222	1	Plug, Pipe	
24	See Note	1	Plate, ID (Note: Not Available for Purchase)	
25	7000281	2	Screw, Drive	
100	7024100	1	Seal Kit	

SECTION 2 - TURNTABLE

FIGURE 2-7. SWING MOTOR ASSEMBLY



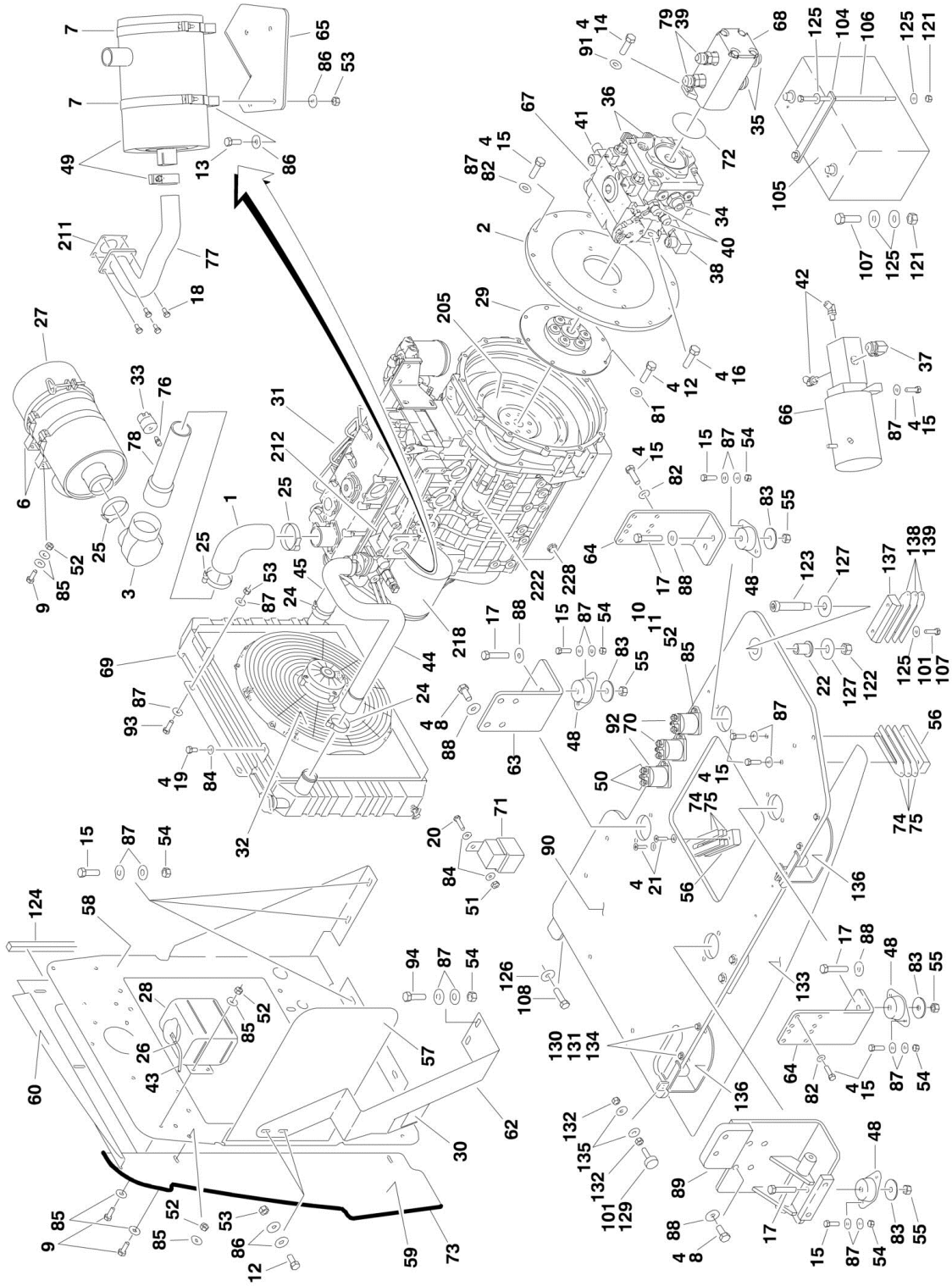
SECTION 2 - TURNTABLE

FIGURE 2-7. SWING MOTOR ASSEMBLY

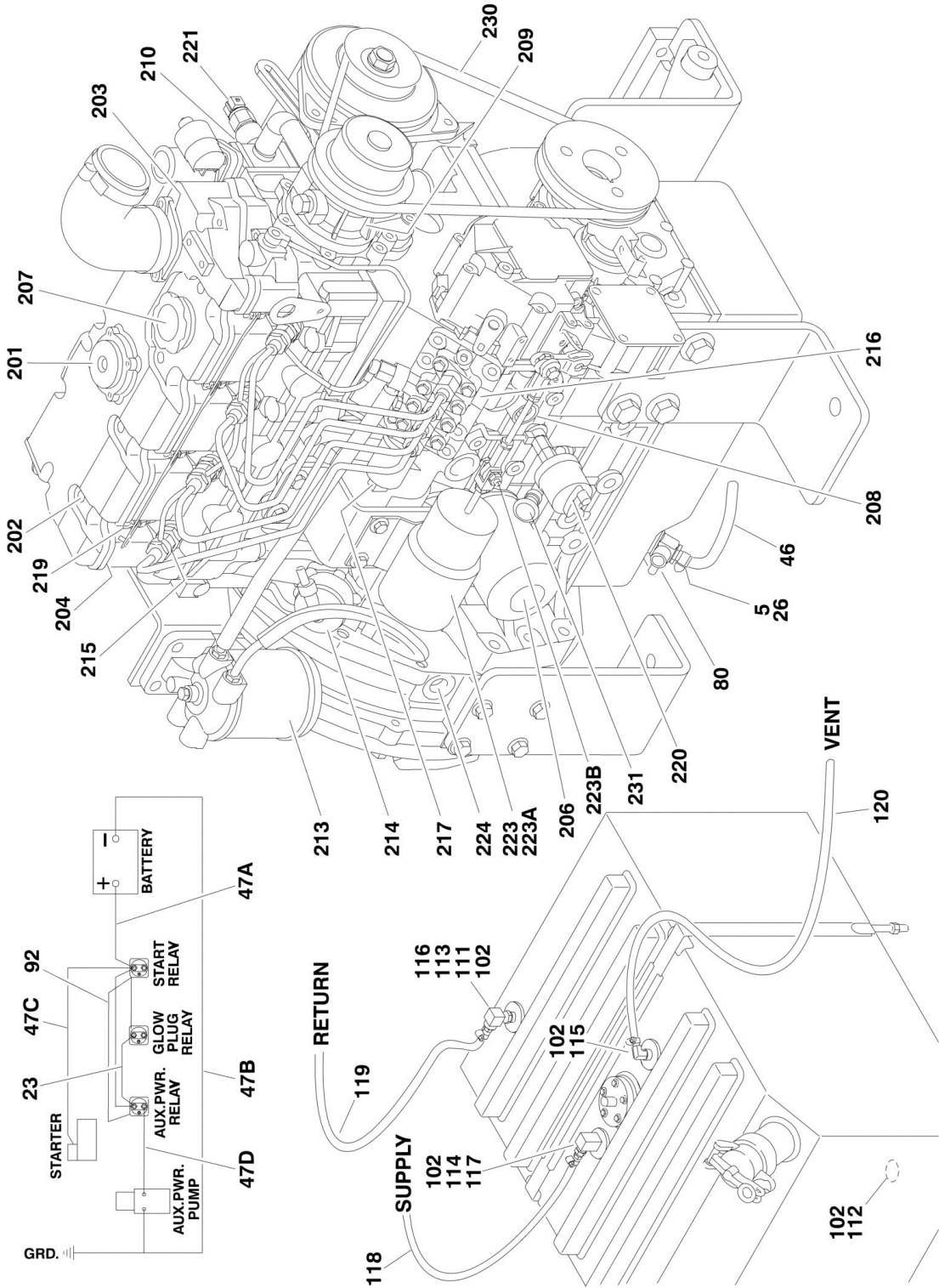
ITEM	PART NUMBER	QTY	DESCRIPTION	REV
		Ref	SWING MOTOR ASSEMBLY OPTIONS:	
	3160249	Ref	Swing Motor Assembly (Prior to SN 0300064259)	B
	3160280	Ref	Swing Motor Assembly (SN 0300064259 through 0300096000)	B
1		Ref	Capscrew Options:	
1	7009995	4	3160249 Motor (Prior to SN 0300064259)	
1	7020357	4	3160280 Motor (SN 0300064259 through 0300096000)	
2	7009996	1	Flange, Mounting	
3	See Note	NSS	Seal, Exclusion (Note: Use Item 100)	
4	See Note	NSS	Washer, Back-up (Note: Use Item 100)	
5	See Note	NSS	Seal, Pressure (Note: Use Item 100)	
6	See Note	NSS	Seal (Note: Use Item 100)	
7	7002117	1	Race, Bearing	
8	7002111	1	Bearing, Thrust Needle	
9	7009998	1	Shaft, Output	
10	7020352	1	Housing	
11	See Note	NSS	O-Ring (Note: Use Item 100)	
12	7009992	1	Plug, Housing	
13	7002112	1	Drive	
14	See Note	NSS	Seal (Note: Use Item 100)	
15	7002110	1	Plate, Spacer	
16	7002125	1	Gerotor Sub-Assembly	
17	7002107	1	Cap, End	
19	7014900	7	Capscrew	
22	See Note	1	Nameplate (Note: Not Available for Purchase)	
23	See Note	2	Rivet (Note: Not Available for Purchase)	
30	See Note	NSS	O-Ring (Note: Use Item 100)	
41	7020353	4	Capscrew	
43		Ref	Cartridge, Counterbalance Valve Options:	
43	7020343	1	Cartridge, Counterbalance Valve (Prior to SN 0300064259)	
43	7020359	1	Cartridge, Counterbalance Valve (SN 0300064259 through 0300096000)	
43A	7020356	2	Cartridge (Use on p/n 7020343)	
43A	7020362	2	Cartridge (Use on p/n 7020359)	
100	2900733	1	Seal Kit - Includes Items 3-6, 11, 14 & 30	

SECTION 2 - TURNTABLE

FIGURE 2-8. CATERPILLAR ENGINE INSTALLATION



SECTION 2 - TURNTABLE



SECTION 2 - TURNTABLE

FIGURE 2-8. CATERPILLAR ENGINE INSTALLATION

ITEM	PART NUMBER	QTY	DESCRIPTION	REV
		Ref	CATERPILLAR ENGINE ASSEMBLY	
	0272989	Ref	Caterpillar Engine Assembly (Prior to SN 0300086916)	G
	2000313	Ref	Caterpillar Engine Assembly (SN 0300086916 through 0300096000)	A
1	2180482	1	Elbow, Rubber	
2	0080181	1	Adaptor, Pump Mounting Plate	
3	0080201	1	Elbow, Rubber	
4	0100011	AR	Compound, Locking	
5	0100020	AR	Sealant	
6	0340041	2	Band, Air Cleaner Mounting	
7	0340046	2	Band, Muffler Mounting	
8	0630569	8	Bolt M14 x 30mm	
9	0641406	13	Bolt 1/4in-20NC x 3/4in	
10	0641408	5	Bolt 1/4in-20NC x 1in	
11	0641410	1	Bolt 1/4in-20NC x 1-1/4in	
12	0641506	10	Bolt 5/16in-18NC x 3/4in	
13	0641507	4	Bolt 5/16in-18NC x 7/8in	
14	0641608	2	Bolt 3/8in-16NC x 1in	
15	0641610	36	Bolt 3/8in-16NC x 1-1/4in	
16	0641812	2	Bolt 1/2in13NC x 1-1/2in	
17	0641820	4	Bolt 1/2in-13NC x 2-1/2in	
18	0700808	4	Bolt M8 x 16mm	
19	0721004	4	Screw #10-24NC x 1/2in	
20	0721006	1	Screw #10-24NC x 3/4in	
21	0741610	2	Screw, Countersunk 3/8in-16NC x 1-1/4in	
22	0962172	1	Bushing, Flanged	
23	1060904	1	Cable, Jumper	
24	1320012	4	Clamp	
25	1320016	4	Clamp	
26	1320022	3	Clamp	
27	1340060	1	Air Cleaner Assembly	
27	7012664	1	Element, Air Cleaner	
28	1580011	1	Container, Overflow	
29	1660255	1	Pump, Coupling	
30	1703162	2	Decal - Fan Blade	
31	2000195	1	Caterpillar Engine Assembly	
32	2060032	1	Fan, Electric	
33	2180798	1	Fitting, Indicator Restriction (Prior to SN 0300086916)	
34	2220376	1	Fitting, Straight (Prior to SN 0300086916)	
35	2220479	2	Fitting, Straight (Prior to SN 0300086916)	
36	2220498	2	Fitting, Elbow (Prior to SN 0300086916)	
37	2220567	1	Fitting, Elbow	
38	2220578	1	Fitting (Prior to SN 0300086916)	
39	2220810	2	Fitting, Reducer (Prior to SN 0300086916)	
40	2220947	2	Fitting, Straight (Prior to SN 0300086916)	
41	2221041	1	Fitting, Tee (Prior to SN 0300086916)	
42	2221045	2	Fitting	
43	2720058	4 in/10cm	Hose	
44	2720507	NLA	Hose, Radiator (Top) (Note: Use 1001102308 Kit - Includes Items Indented Below)	

SECTION 2 - TURNTABLE

ITEM	PART NUMBER	QTY	DESCRIPTION	REV
44	1001101232	1	Hose (Block to Adapter)	
44	1001101233	1	Hose (Adapter to Radiator)	
44	1001101228	1	Adapter	
44	1320012	2	Clamp	
45	2720508	1	Hose, Radiator (Bottom)	
46	2750532	6 in/25cm	Hose	
47	2901880	1	Battery Cable Kit	D
47A	7016843	1	Cable - Battery to Starter Relay	
47B	7016835	1	Cable - Battery and Auxiliary Pump to Ground	
47C	7016834	1	Cable - Starter Relay to Starter	
47D	7016820	1	Cable - Auxiliary Relay to Auxiliary Pump	
48	3200378	4	Mount, Motor	
49	3220113	1	Muffler	
49	70001017	1	Clamp, Muffler	
50	3300220	6	Nut, Washer	
51	3311005	1	Locknut #10-24NC	
52	3311405	19	Locknut 1/4in-20NC	
53	3311505	6	Locknut 5/16in-18NC	
54	3311605	18	Locknut 3/8in-16NC	
55	3311805	4	Locknut 1/2in-13NC	
56	3340399	2	Pad, Wear	
57	3571019	1	Plate, Air Panel	
58	3571692	1	Plate, Radiator Mounting	
59	3572502	1	Plate, Air Flow (Side)	
60	3572503	1	Plate, Air Flow (Top)	
62	3573667	1	Plate, Radiator Support	
63	3574253	1	Plate, Engine Mounting (Front)	
64	3574259	2	Plate, Engine Mounting (Rear)	
65	3574264	1	Plate, Muffler Support	
66	3600279	NLA	Auxiliary Pump Assembly (Use p/n 3600423) (See AUXILIARY PUMP ASSEMBLY for Breakdown)	
67		Ref	Piston Pump Assembly Options (See PISTON PUMP ASSEMBLY for Breakdown):	
67	3600296	1	Piston Pump Assembly (Prior to SN 0300073424)	
67	3600385	1	Piston Pump Assembly (SN 0300073424 through 0300078266)	
67	3600404	1	Piston Pump Assembly (SN 0300078267 through 0300096000)	
68		Ref	Gear Pump Assembly Options:	
68	3600368	1	Gear Pump Assembly (No Serviceable Parts Available) (Prior to SN 0300078267)	
68	3600405	1	Gear Pump Assembly (See GEAR PUMP ASSEMBLY for Breakdown) (SN 0300078267 through 0300096000)	
69	3620046	1	Radiator	
69	8180311	1	Cap, Radiator (was p/n 7019656)	
70	3740067	3	Relay	
71	3740080	1	Relay	
72	3790152	1	O-Ring	
73	3960389	10 ft/3m	Seal	
74	4070497	4	Shim	
75	4070498	2	Shim	
76	4360392	1	Switch, Restrictor Indicator (Prior to SN 0300086916)	
77	4568743	1	Pipe, Exhaust	

SECTION 2 - TURNTABLE

ITEM	PART NUMBER	QTY	DESCRIPTION	REV
78		Ref	Tube, Air Intake Options:	
78	4558765	1	Tube, Air Intake (Prior to SN 0300086916)	
78	4569176	1	Tube, Air Intake (SN 0300086916 through 0300096000)	
79	4640744	1	Valve, Check (Prior to SN 0300086916)	
80	4641272	1	Valve, Oil Drain	
81	4711500	8	Flatwasher 5/16in Thin	
82	4711600	18	Flatwasher 3/8in Thin	
83	4740274	4	Washer, Snubbing	
84	4751000	6	Flatwasher #10 Regular	
85	4751400	38	Flatwasher 1/4in Regular	
86	4751500	12	Flatwasher 5/16in Regular	
87	4751600	42	Flatwasher 3/8in Regular	
88	4751800	11	Flatwasher 1/2in Regular	
89	4846821	1	Mount, Motor/Generator	
90	4846852	1	Tray	
91	4891600	2	Flatwasher 3/8in Hardened	
92	4922737	1	Harness, Engine Grounding	
93	0641609	4	Bolt 3/8in-16NC x 1-1/8in	
94	0941611	2	Bolt 3/8in-16NC x 1-3/8in	
		Ref	CATERPILLAR ENGINE INSTALLATION	
	0272994	Ref	Caterpillar Engine Installation (Prior to SN 0300086916)	D
	0274605	Ref	Caterpillar Engine Installation (SN 0300086916 through 0300096000)	A
101	0100011	AR	Compound, Locking	
102	0100020	AR	Sealant	
104	0361810	1	Bar, Battery Hold-Down	
105	0400075	1	Battery	
106	0630541	2	Bolt, Battery	
107	0641616	3	Bolt 3/8in-16NC x 2in	
108	0642010	1	Bolt 5/8in-11NC x 1-1/4in	
109	1320022	1	Clamp	
110	1320223	1	J-Clip	
111	2180536	1	Fitting, Straight Barbed	
112	2200222	1	Plug	
113	2220250	1	Fitting, Reducer	
114	2220273	1	Fitting, Reducer	
115	2220313	1	Fitting, Elbow Barbed	
116	2220459	1	Fitting, Elbow	
117	2220794	1	Fitting, Straight Barbed	
118	2720058	12 ft/3.7m	Hose	
119	2720271	12 ft/3.7m	Hose	
120	2750532	5 ft/1.5m	Hose	
121	3311605	3	Locknut 3/8in-16NC	
122	3312005	1	Locknut 5/8in-11NC	
123	3900255	1	Screw, Shoulder	
124	3960469	1	Seal, Foam Gasket	
125	4751600	8	Flatwasher 3/8in Regular	
126	4752000	1	Flatwasher 5/8in Regular	
127	4752200	2	Flatwasher 3/4in Regular	
128	1701505	1	Decal - Diesel Fuel (Not Shown - See DECAL SECTION)	
129	0940049	2	Bumper, Hood	
130	0641410	4	Bolt 1/4in-20NC x 1-1/4in	

SECTION 2 - TURNTABLE

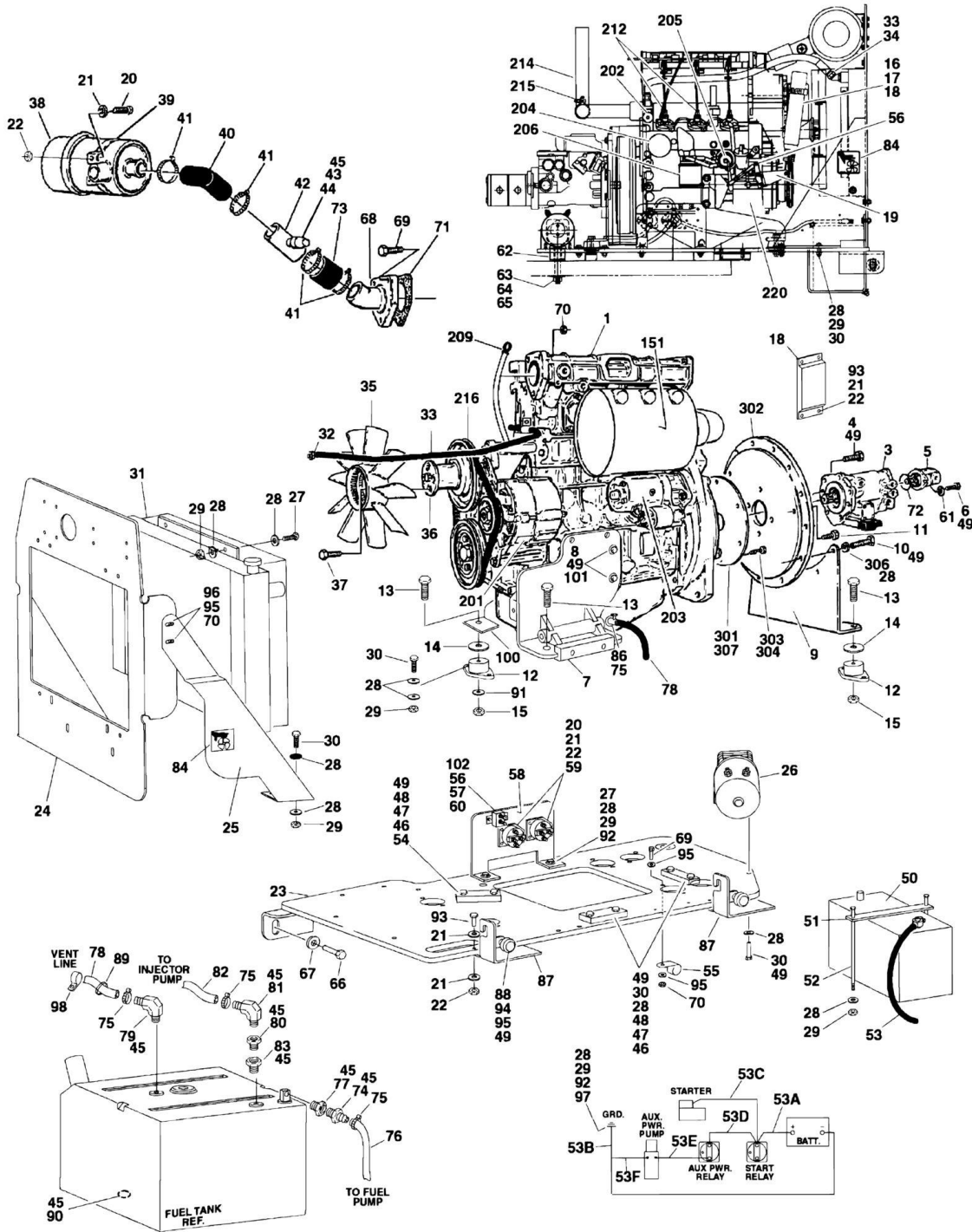
ITEM	PART NUMBER	QTY	DESCRIPTION	REV
131	3311405	4	Locknut 1/4in-20NC	
132	3311501	4	Nut 5/16in-18NC	
133	3572504	1	Plate	
134	4751400	8	Flatwasher 1/4in Regular	
135	4751500	4	Flatwasher 5/16in Regular	
136	4846096	2	Latch, Hood	
137	3340399	1	Pad, Wear	
138	4070498	1	Shim (16 Ga.)	
139	4070497	2	Shim (11 Ga.)	
	2000195	Ref	CATERPILLAR ENGINE COMPONENTS	C
201	7026848	1	Breather, Valve	
201	7026846	1	Gauze, Breather Valve	
202	7026847	4	Seal, Valve Cover Nut	
203	7026849	1	Gasket, Air Intake	
204	7026850	1	Seal, Valve Cover	
205	7026852	1	Flywheel with Starter Gear Set	
206	7026855	1	Filter, Oil	
207	7026860	1	Cap, Oil Fill	
207	7026856	1	Seal, Oil Fill Cap	
208	7026858	1	Valve, Relief	
208	7026857	1	Seal	
209	7026864	1	Pump, Water	
209	7026863	1	Gasket, Water Pump (Fits Between Pump and Pump Rear Plate)	
209	7026865	1	Gasket, Water Pump (Fits Between Pump Rear Plate and Engine Block)	
210	7026867	1	Thermostat	
210	See Note	1	Regulator, Water (Note: Not Available for Purchase)	
210	7026866	1	Gasket (Fits Between Regulator and Engine Block)	
210	7026868	1	Gasket, Thermostat (Fits Between Regulator and Hose Adapter)	
211	7026869	1	Gasket, Exhaust	
212	7026870	1	Gasket, Exhaust Manifold	
213	70001695	1	Filter Assembly	
213	7026871	1	Element, Fuel Filter	
213	7026872	2	Gasket, Fuel Filter Element	
214	7026873	1	Pump, Fuel Transfer	
214	7026874	1	Seal	
215	7026875	4	Injector, Fuel	
216	See Note	1	Pump, Fuel Injection (Note: Not Available for Purchase)	
217	70001990	1	Solenoid, Fuel Shut-Off (was p/n 7026876) (Note: P/N 70001990 includes adapter harness if required.)	
218		Ref	Alternator Options:	
218	70000544	1	Alternator (was p/n 7026877) (Prior to SN 0300091230)	
218	70000544	1	Alternator (SN 0300091230 through 0300096000)	
218	70000544	1	Kit, Alternator Conversion Kit (Includes Alternator, Adapter Harness, Alternator Bracket, Lever and Mounting Hardware)	
218	70001180	1	Bolt, Lower Pivot	
218	70001257	1	Bracket, Adjustment	
219	7026878	4	Glowplug	
220	1001097554	1	Switch, Oil Pressure (was p/n 7026844)	
221	7026840	1	Switch, Water Temperature	
221	7026882	1	Seal, Sensor	
222	7026879	1	Starter	

SECTION 2 - TURNTABLE

ITEM	PART NUMBER	QTY	DESCRIPTION	REV
223	See Note	1	Actuator/Linkage Assembly - Throttle (was p/n 1600351 which is not available as a service part. (Note: Use service replacement parts below.)	
223A	7026884		Actuator and Electrical Connector Kit	
223A	7026835	1	Connector, Actuator	
223B	7026843		Linkage Kit	
224	7026883	1	Speed Sensor Kit	
224	7026836	1	Connector, Speed Sensor	
225	7026851	1	Seal, Rear Main (Not Shown - Located on Rear of Engine Block)	
226	7026854	1	Seal, Front Main (Not Shown - Located on Front of Engine Block)	
227	7026859	1	Gasket, Oil Pan (Not Shown)	
228	7026861	1	Plug, Drain	
229	7026862	1	Gasket, Valve Bracket (Not Shown - Located on Between Valve Bracket and Head)	
230	7026880	1	Belt	
231	7026885	1	Dipstick Oil Level	
231	7026886	1	Tube, Dipstick	
231	7026881	1	O-Ring, Dipstick Tube	

SECTION 2 - TURNTABLE

FIGURE 2-9. DEUTZ ENGINE INSTALLATION (Prior to SN 0300077682)



SECTION 2 - TURNTABLE

FIGURE 2-9. DEUTZ ENGINE INSTALLATION (Prior to SN 0300077682)

ITEM	PART NUMBER	QTY	DESCRIPTION	REV
		Ref	DEUTZ ENGINE INSTALLATIONS	
	0259138	Ref	Standard Machines (Prior to SN 0300064404)	11/H
	0271245	Ref	ADE System Machines (SN 0300064404 through 0300077682)	13/I
1		Ref	Engine Assembly Options:	
1	2000162	1	Engine Assembly (Prior to SN 0300064404)	
1	2000175	1	Engine Assembly (SN 0300064404 through 0300065459)	
1	2000190	1	Engine Assembly (SN 0300065460 through 0300077682)	
3		Ref	Piston Pump Assembly Options (See PISTON PUMP ASSEMBLY for Breakdown):	
3	3600296	1	Piston Pump Assembly (Prior to SN 0300073424)	
3	3600385	1	Piston Pump Assembly (SN 0300073424 through 0300077682)	
4	0641812	2	Bolt 1/2in-13NC x 1-1/2in	
5		Ref	Gear Pump Assembly Options:	
5	3600297	1	Gear Pump Assembly (See GEAR PUMP ASSEMBLY for Breakdown) (Prior to SN 0300070763)	
5	3600368	1	Gear Pump Assembly (No Service Parts Available) (SN 0300070763 through 0300077682)	
6	0641608	2	Capscrew, Socket Head 3/8in-16NC x 1in	
7		Ref	Plate, Front Mounting Options:	
7	3570800	1	Plate, Front Mounting (Prior to SN 0300064404)	
7	4846478	1	Plate, Front Mounting (SN 0300064404 through 0300068835)	
7	4846567	1	Plate, Front Mounting (SN 0300068836 through 0300077682)	
8	0701414	4	Bolt, Metric 14mm x 30mm	
9	3570801	1	Plate, Rear Mounting	
10	0701015	4	Bolt, Metric 10mm x 35mm	
11	0701012	4	Bolt, Metric 10mm x 25mm	
12	3200378	4	Mount, Rubber Motor	
13	0641820	4	Bolt 1/2in-13NC x 2-1/2in	
14	4740274	4	Washer, Snubbing	
15	3311805	4	Locknut 1/2in-13NC	
16	0902461	1	Bracket, Throttle Mount (Part of Item 17) (Prior to SN 0300064404)	
17	2901637	1	Throttle Mounting Kit (Prior to SN 0300064404)	
18	0060033	NLA	Actuator Assembly (Use p/n 2910000) (See ELECTRICAL SECTION for Breakdown) (Prior to SN 0300064404)	
19	0902464	1	Bracket, Throttle Mounting (Part of Item 17) (Prior to SN 0300064404)	
20	0641406	8	Bolt 1/4in-20NC x 3/4in	
21	4751400	24	Flatwasher 1/4in Regular	
22	3311405	14	Locknut 1/4in-20NC	
23		Ref	Tray, Engine Options:	
23	4846080	1	Tray, Engine (Prior to SN 0300075078)	
23	4846809	1	Tray, Engine (SN 0300075078 through 0300077682)	
24	3571692	1	Plate, Radiator Mount	
25		Ref	Plate, Radiator Support Options:	
25	3570607	1	Plate, Radiator Support (Prior to SN 0300069030)	
25	3573667	1	Plate, Radiator Support (SN 0300069030 through 0300077682)	
26	3600279	NLA	Auxiliary Pump Assembly (Use p/n 3600423) (See AUXILIARY PUMP ASSEMBLY for Breakdown)	
27	0641610	6	Bolt 3/8in-16NC x 1-1/4in	

SECTION 2 - TURNTABLE

ITEM	PART NUMBER	QTY	DESCRIPTION	REV
28	4751600	50	Flatwasher 3/8in Regular	
29	3311605	23	Locknut 3/8in-16NC	
30	0641611	18	Bolt 3/8in-16NC x 1-3/8in	
31	3620033	1	Cooler, Oil	
32	2220451	2	Fitting, Straight	
33	2720398	60 in/1.5m	Hose (Qty 2 of 30in length)	
34	2220409	1	Fitting, Elbow (Prior to SN 0300075502)	
35	2060025	1	Fan	
36	0080231	1	Spacer, Fan	
37	0700816	4	Bolt, Metric 8mm x 40mm	
38	1340060	1	Air Cleaner Assembly	
38	7012664	1	Element, Air Cleaner	
39	0340041	2	Band, Mounting	
40	2720434	1	Elbow	
41	1320016	4	Clamp, Hose	
42	4567495	1	Tube, Air Intake	
43	4360392	1	Switch, Restrictor Indicator	
44	2180798	1	Fitting	
45	0100020	AR	Sealant, Pipe	
46	3340399	3	Pad, Wear	
47	4070497	4	Shim 1/8in	
48	4070498	2	Shim 1/16in	
49	0100011	AR	Compound, Locking	
50		Ref	Battery Options:	
50	0400075	1	Battery (Wet)	
50	7016180	1	Battery (Dry)	
51		Ref	Battery Tie-Down Options:	
51	0360541	1	Battery Tie-Down (Prior to SN 0300054188)	
51	0361810	1	Battery Tie-Down (SN 0300054188 through 0300077682)	
52		Ref	Bolt, Tie-Down Options:	
52	0630498	2	Bolt, Tie-Down (Prior to SN 0300064404)	
52	0630541	2	Bolt, Tie-Down (SN 0300064404 through 0300077682)	
53	2901880	1	Cable Kit - Battery	D
53A	7016817	1	Cable - Battery to Starter Relay (Prior to SN 0300063791)	
53A	7016843	1	Cable - Battery to Starter Relay (SN 0300063791 through 0300077682)	
53B	7016833	1	Cable - Battery and Auxiliary Pump to Ground (Prior to SN 0300063791)	
53B	7016835	1	Cable - Battery and Auxiliary Pump to Ground (SN 0300063791 through 0300077682)	
53C	7016834	1	Cable - Starter Relay to Starter	
53D	7016803	1	Cable - Starter Relay to Auxiliary Relay (Prior to SN 0300063791)	
53E	7016820	1	Cable - Auxiliary Relay to Auxiliary Pump	
54	0741610	2	Screw, Flathead 3/8in-16NC x 2in	
55	1320222	1	J-Clamp	
56	4751000	3	Flatwasher #10 Regular	
57	3311005	2	Locknut #10-24NC (Prior to SN 0300064404)	
58	3570808	1	Plate, Relay Mounting	
59	3740067	2	Relay	
60	4360294	1	Breaker, Circuit (Prior to SN 0300064404)	
61	4891600	2	Flatwasher 3/8in Hardened	

SECTION 2 - TURNTABLE

ITEM	PART NUMBER	QTY	DESCRIPTION	REV
62	0962172	1	Bushing, Flanged	
63	3900255	1	Bolt Shoulder 3/4in x 3in	
64	4752200	2	Flatwasher 3/4in Regular	
65	3312005	1	Locknut 5/8in-11NC	
66	0642010	1	Bolt 5/8in-11NC x 1-1/4in	
67	4752000	1	Flatwasher 5/8in Regular	
68	4845395	1	Air Intake Adapter Weldment	
69	0641510	4	Bolt 5/16in-18NC x 1-1/4in	
70	3311505	6	Locknut 5/16in-18NC	
71	3960407	1	Gasket	
72	3790152	1	O-Ring	
73		Ref	Coupling, Rubber Options:	
73	2720351	4 in/10cm	Coupling, Rubber (Prior to SN 0300068062)	
73	2720449	1	Coupling, Rubber (SN 0300068062 through 0300077682)	
74	2220794	1	Fitting, Barb	
75	1320022	6	Clamp, Hose	
76	2720058	12 ft/3.7m	Hose	
77	2220273	1	Fitting, Reducer	
78	2750532	7 ft/2.1m	Hose	
79	2220313	1	Fitting, Elbow	
80	2220250	1	Fitting, Reducer	
81	2220459	1	Fitting, Elbow	
82	2720271	12 ft/3.7m	Hose	
83	2180536	1	Fitting, Straight	
84	1703162	2	Decal - Fan	
85	1701505	1	Decal - Diesel Fuel (Not Shown - Located on Hood Near Tank)	
86	4640751	1	Valve, Oil Drain	
87	4846096	2	Bracket, Hood Latch	
88	0940049	2	Bumper, Hood	
89	4240099	1	Tie-Strap	
90	2200222	1	Plug, Pipe	
91	4751800	4	Flatwasher 1/2in Regular	
92	4791600	3	Starwasher 3/8in	
93	0641410	6	Bolt 1/4in-20NC x 1-1/4in	
94	3311501	4	Nut 5/16in-18NC	
95	4751500	9	Flatwasher 5/16in Regular	
96	0641506	2	Bolt 5/16in-18NC x 3/4in	
97	0641616	1	Bolt 3/8in-16NC x 2in	
98	1320223	1	Camp, Hose	
99	2820128	1	Insulation, Heat Shield (Not Shown)	
100	0902740	1	Bracket, Engine Mount (Right Side) (SN 0300064404 through 0300077682)	
101	4711900	6	Flatwasher 9/16in Regular (SN 0300064404 through 0300077682)	
		Ref	MUFFLER INSTALLATION OPTIONS	
151		Ref	Muffler Options:	
151	3220110	1	Standard Spark Arrestor	
151	3220112	1	Catalytic	
151	1320176	1	Clamp	
		Ref	ENGINE COMPONENTS	
	2000162	Ref	Engine Components (Prior to SN 0300064404)	
	2000175	Ref	Engine Components (SN 0300064404 through 0300065459)	

SECTION 2 - TURNTABLE

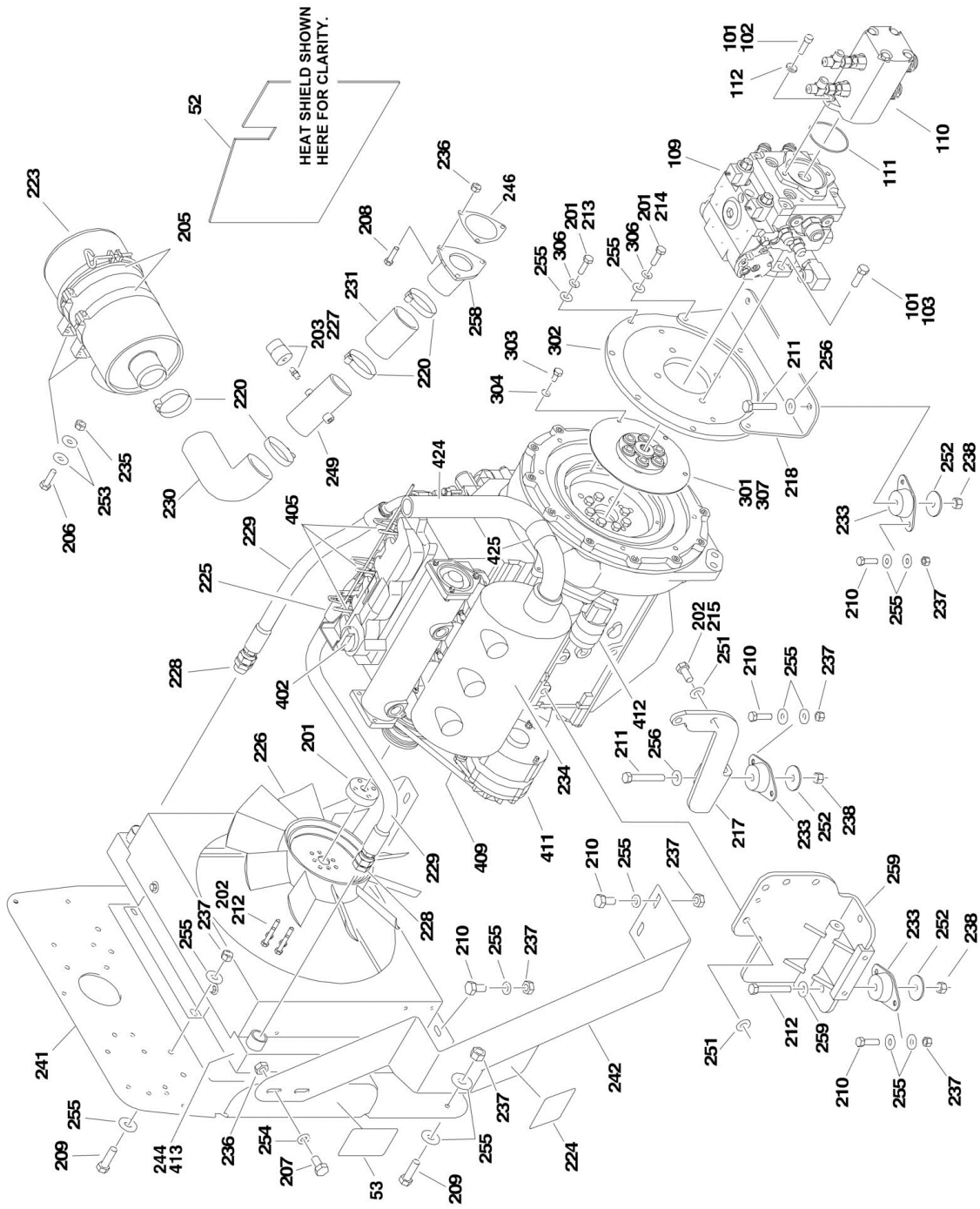
ITEM	PART NUMBER	QTY	DESCRIPTION	REV
	2000190	Ref	Engine Components (SN 0300065460 through 0300077682)	
201		Ref	Alternator Options:	
201	7000663	1	2000162 Engine (was p/n 7016329 & 7020410)	
201	7000663	1	2000175/2000190 Engines (was p/n 7020410)	
201	70002234	1	Bracket, Adjusting	
201	70000851	1	Bracket, Alternator Mounting	
201	7020464	1	Regulator, Voltage (Not Shown)	
202		Ref	Switch, Oil Pressure Options:	
202	7016330	1	2000162 Engine	
202	7020461	1	2000175/2000190 Engines	
203		Ref	Starter Options:	
203	7016332	1	2000162 Engine	
203	7020479	1	2000175/2000190 Engines	
204	7016331	1	Filter, Oil (was p/n 7016641)	
205		Ref	Pump, Fuel Supply Options:	
205	7020463	1	2000162 Engine	
205	7020463	1	2000175/2000190 Engine (was p/n 7024413)	
205	7020411	1	2000175/2000190 Engine - O-Seal Between Fuel Pump and Engine Block (Not Shown)	
206	7020023	1	Filter, Fuel	
207	7020024	1	Breather, Crankcase (Not Shown) (2000162 Engine Only)	
208		Ref	Actuator, Throttle Options (Not Shown):	
208	7016359	1	2000162 Engine	
208	7020458	1	2000175/2000190 Engines	
208	7027250	1	Spring for 7016359 Actuator	
208	7027276	2	Spring for 7020458 Actuator	
209	7020026	1	Dipstick	
209	70001002	1	Tube (2000162 Engine Only)	
210	7020027	1	Flywheel (Not Shown) (2000162/2000175 Engine Only)	
210	70000264	1	Flywheel (Not Shown) (2000190 Engine Only)	
210	7020477	1	Ring, Gear (Not Shown) (2000162/2000175 Engine Only)	
210	7024579	1	Ring, Gear (Not Shown) (2000190 Engine Only)	
211		Ref	Switch, Oil Temperature (Not Shown) Options:	
211	7020025	1	2000162 Engine	
211	7020168	1	2000175/2000190 Engines	
211	7020480	1	2000175/2000190 Engines - Seal, Temperature Switch	
212		Ref	Pump, Fuel Injection Options:	
212	7024318	3	2000162 Engine	
212	7024318	3	2000175 Engine (was p/n 7020462)	
212	7024318	3	2000190 Engine	
213		Ref	Sensor, Tach/Speed Options (Not Shown):	
213	See Note	1	2000162 Engine (Note: Not Available for Purchase)	
213	7024565	1	2000175/2000190 Engines (Was p/n 7020481)	
213	70003932	1	Spacer, Sleeve - 2000175/2000190 Engines	
214	7020169	1	Pipe, Exhaust Pipe	
215	1320176	1	Clamp, Exhaust	
216	7020408	1	V-Belt	
217	7020446	1	Timing Kit, Belt and Idler (Not Shown)	
218	7020465	1	Cap, Filler (Not Shown)	
219	7020471	3	Gasket, Exhaust Manifold (Not Shown)	
219	7020449	3	Gasket, Intake Manifold (Not Shown)	
220		Ref	Pump, Oil Options:	

SECTION 2 - TURNTABLE

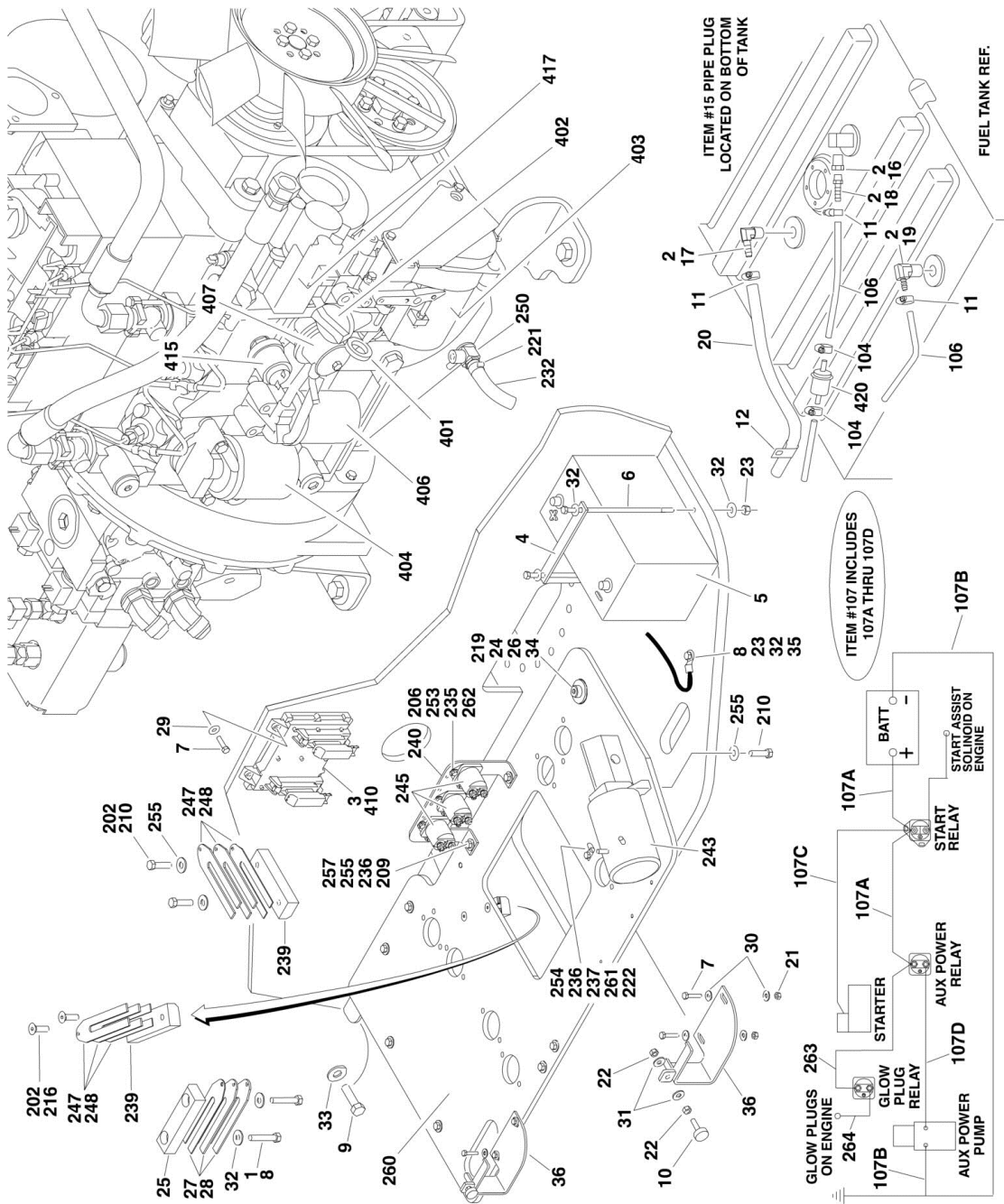
ITEM	PART NUMBER	QTY	DESCRIPTION	REV
220	See Note	3	2000162 Engine (Note: Not Available for Purchase)	
220	7020467	3	2000175/2000190 Engine	
220	7020468	3	2000175/2000190 Engine - Seal Between Oil Pump and Engine Block (Not Shown)	
221	7020482	1	Gasket, Kit (Not Shown) (2000190 Engine Only)	
222	7020488	1	Connector Plug-In (Not Shown) (2000190 Engine Only)	
223	70000787	1	Support, Fan (Not Shown) (2000162 Engine Only)	
224		Ref	Gasket, Head Options (Not Shown) (2000162 Engine Only):	
224	70003039	1	Gasket - 1 Notch	
224	70003040	1	Gasket - 2 Notch	
224	70003041	1	Gasket - 3 Notch	
	0256847	Ref	PUMP COUPLING INSTALLATION	2
301	1660234	1	Coupling, Hayes	
302	0080163	1	Plate, Pump Adapter	
303	0700810	6	Bolt Metric 8mm x 20mm	
304	4831900	6	Lockwasher 8mm	
306	4832000	8	Lockwasher 10mm	
307	3020021	AR	Grease, Coupling	

SECTION 2 - TURNTABLE

FIGURE 2-10. DEUTZ ENGINE INSTALLATION (SN 0300077682 through 0300096000)



SECTION 2 - TURNTABLE



SECTION 2 - TURNTABLE

FIGURE 2-10. DEUTZ ENGINE INSTALLATION (SN 0300077682 through 0300096000)

ITEM	PART NUMBER	QTY	DESCRIPTION	REV
		Ref	DEUTZ ENGINE INSTALLATIONS	
	0273944	Ref	Deutz Engine Installations (SN 0300077682 through 0300085616)	D
	0274334	Ref	Deutz Engine Installations (SN 0300085617 through 0300096000)	C
1	0100011	AR	Compound, Locking	
2	0100020	AR	Sealant, Pipe	
3	0100048	AR	Grease, Dielectric (Not Shown) (Prior to SN 0300085617)	
4	0361810	1	Bar, Battery Hold-Down	
5	0400075	1	Battery	
6	0630541	2	Bolt, Battery	
7	0641410	4	Bolt 1/4in-20NC x 1-1/4in	
8	0641616	3	Bolt 3/8in-16NC x 2in	
9	0642010	1	Bolt 5/8in-11NC x 1-1/4in	
10	0940049	2	Bumper, Hood	
11	1320022	3	Clamp	
12	1320223	1	J-Clip (Not Shown - Located on Fuel Vent Line)	
13	1701515	1	Decal - Diesel Fuel (Not Shown - See DECAL SECTION for Location)	
15	2200222	1	Plug, Pipe (Not Shown - Located on Bottom of Fuel Tank)	
16	2220273	1	Fitting, Reducer	
17	2220313	1	Fitting, Elbow Barbed	
18	2220794	1	Fitting, Straight Barbed	
19	2221176	1	Fitting, Elbow	
20	2750532	AR	Hose Options:	
20	2750532	7 ft/2.1m	Hose (SN 0300077682 through 0300085616)	
20	2750532	5 ft/1.5m	Hose (SN 0300085617 through 0300096000)	
21	3311405	4	Locknut 1/4in-20NC	
22	3311501	4	Nut 5/16in-18NC	
23	3311605	3	Locknut 3/8in-16NC	
24	3312005	1	Locknut 5/8in-11NC	
25	3340399	1	Pad, Wear	
26	3900255	1	Bolt, Shoulder	
27	4070498	1	Shim (16 Ga.)	
28	4070497	2	Shim (11 Ga.)	
29	4711400	4	Flatwasher 1/4in Thin	
30	4751400	8	Flatwasher 1/4in Regular	
31	4751500	4	Flatwasher 5/16in Regular	
32	4751600	8	Flatwasher 3/8in Regular	
33	4752000	1	Flatwasher 5/8in Regular	
34	4752200	2	Flatwasher 3/4in Regular	
35	4791600	1	Starwasher 3/8in	
36	4846096	2	Latch, Hood	
51	4922978	1	Harness, Start Assist (Not Shown - See ELECTRICAL SECTION for Breakdown)	
52	2820128	1	Insulation, Heat Shield	
53	1706098	1	Decal - Warning Explosion/Fire	
		Ref	ENGINE AND PUMPS SUB-ASSEMBLY	
	2000245	Ref	Engine and Pumps Sub-Assembly (SN 0300077682 through 0300085616)	B
	2000286	Ref	Engine and Pumps Sub-Assembly (SN 0300085617 through	B

SECTION 2 - TURNTABLE

ITEM	PART NUMBER	QTY	DESCRIPTION	REV
			0300096000)	
101	0100011	AR	Compound, Locking	
102	0641608	2	Bolt 3/8in-16NC x 1in	
103	0641812	2	Bolt 1/2in-13NC x 1-1/2in	
104	1320022	2	Clamp	
106	2720058	12 ft/3.7m	Hose	
107	2901880	1	Battery Cable Kit	D
107A	7016843	1	Cable - Battery to Starter and Auxiliary Relays (Includes Red Boot at Battery Terminal)	
107B	7016835	1	Cable - Battery and Auxiliary Pump to Ground (Includes Red Boot at Battery Terminal)	
107C	7016834	1	Cable - Starter Relay to Starter	
107D	7016820	1	Cable - Auxiliary Relay to Auxiliary Pump	
109	3600404	1	Piston Pump Assembly with Fittings Options (See PISTON PUMP ASSEMBLY for Breakdown)	
110	3600405	1	Gear Pump Assembly with Fittings (See GEAR PUMP ASSEMBLY for Breakdown)	
111	3790152	1	O-Ring	
112	4891600	2	Flatwasher 3/8in Hardened	
		Ref	ENGINE ASSEMBLY	
	2000247	Ref	Engine Assembly (SN 0300077682 through 0300085616)	F
	2000287	Ref	Engine Assembly (SN 0300085617 through 0300092801)	B
	2000347	Ref	Engine Assembly (SN 0300092802 through 0300096000)	B
201	0080231	1	Adapter, Fan Spacer	
202	0100011	AR	Compound, Locking	
203	0100020	AR	Sealant, Pipe	
205	0340041	2	Band, Air Cleaner	
206	0641406	8	Bolt 1/4in-20NC x 3/4in	
207	0641507	2	Bolt 5/16in-18NC x 7/8in	
208	0641510	AR	Bolt 5/16in-18NC x 1-1/4in	
208	0641512	AR	Bolt 5/16in-18NC x 1-1/2in	
209	0641609	6	Bolt 3/8in-16NC x 1-1/8in	
210	0641611	18	Bolt 3/8in-16NC x 1-3/8in	
211	0641820	4	Bolt 1/2in-13NC x 2-1/2in	
212	0700816	4	Bolt 8mm x 40mm	
213	0771012	4	Bolt 10mm x 25mm	
214		Ref	Bolt 10mm Options:	
214	0701015	4	Bolt 10mm (35 mm Length) (SN 0300077682 through 0300085616)	
214	0701014	4	Bolt 10mm (30 mm Length) (SN 0300085617 through 0300096000)	
215	0701414	6	Bolt 14mm x 30mm	
216	0741610	2	Screw, Countersunk 3/8-16NC x 1-1/4in	
217	0902740	1	Bracket, Engine Mounting (Right Side)	
218	0903063	1	Plate, Engine, Mounting	
219	0962172	1	Bushing, Flanged	
220	1320016	4	Clamp, Hose	
221	1320022	1	Clamp, Hose	
222		Ref	J-Clip	
222	1320223	1	J-Clip (SN 0300077682 through 0300085616)	
222	1320222	1	J-Clip (SN 0300085617 through 0300092801)	
222	1320223	1	J-Clip (SN 0300092802 through 0300096000)	
223	1340060	1	Air Cleaner Assembly Filter Element	

SECTION 2 - TURNTABLE

ITEM	PART NUMBER	QTY	DESCRIPTION	REV
223	7012664	1	Element, Filter (Not Shown)	
224	1703162	2	Decal - Caution Fan Blade	
225		Ref	Engine, Deutz - F3M2011 Options:	
225	2000217	1	Engine, Deutz - F3M2011 (SN 0300077682 through 0300085616)	
225	2000273	1	Engine, Deutz - F3M2011 (SN 0300085617 through 0300092801)	
225	2000338	1	Engine, Deutz - F3M2011 (SN 0300092802 through 0300096000)	
226	2060025	1	Fan	
227		Ref	Fitting Options:	
227	2180798	1	Fitting (SN 0300077682 through 0300085616)	
227	4360392	1	Fitting (Indicator, Restriction) (SN 0300077682 through 0300085616)	
227	2200221	1	Fitting (Plug) (SN 0300085617 through 0300096000)	
228	2220451	2	Fitting, Straight	
229	2720398	2	Hose, Oil Cooler	
230	2720434	1	Elbow, Rubber	
231	2720449	1	Hose, Air Cleaner	
232	2750532	1 ft/30cm	Hose, Oil Drain	
233	3200406	4	Mount, Motor	
234		Ref	Muffler Options:	
234	3220110	1	Standard	
234	3220112	1	Catalytic	
234	1320176	1	Clamp	
235	3311405	8	Locknut 1/4in-20NC	
236	3311505	6	Locknut 5/16in-18NC	
237	3311605	20	Locknut 3/8in-16NC	
238	3311805	4	Locknut 1/2in-13NC	
239	3340399	2	Pad, Wear	
240	3570808	1	Plate, Relay Mounting	
241	3571692	1	Plate, Radiator Mounting	
242	3573667	1	Support, Radiator	
243	3600279	NLA	Auxiliary Pump Assembly (Use p/n 3600423) (See AUXILIARY PUMP ASSEMBLY for Breakdown)	
244	3620033	1	Radiator	
245	3740067	AR	Relay Options:	
245		Ref	Relay (Prior to SN 0300092802)	
245		Ref	Relay (SN 0300092802 through 0300096000)	
246	3960407	1	Gasket, Air Intake	
247	4070497	4	Shim (11 Ga.)	
248	4070498	2	Shim (16 Ga.)	
249	4567495	1	Tube, Tee	
250	4640751	1	Valve, Oil Drain	
251	4812200	6	Flatwasher 14mm	
252	4740274	4	Washer, Snubbing	
253	4751400	12	Flatwasher 1/4in Regular	
254	4751500	5	Flatwasher 5/16in Regular	
255	4751600	44	Flatwasher 3/8in Regular	
256	4751800	4	Flatwasher 1/2in Regular	
257	4791600	2	Starwasher 3/8in	
258	4845395	1	Plate, Adapter	

SECTION 2 - TURNTABLE

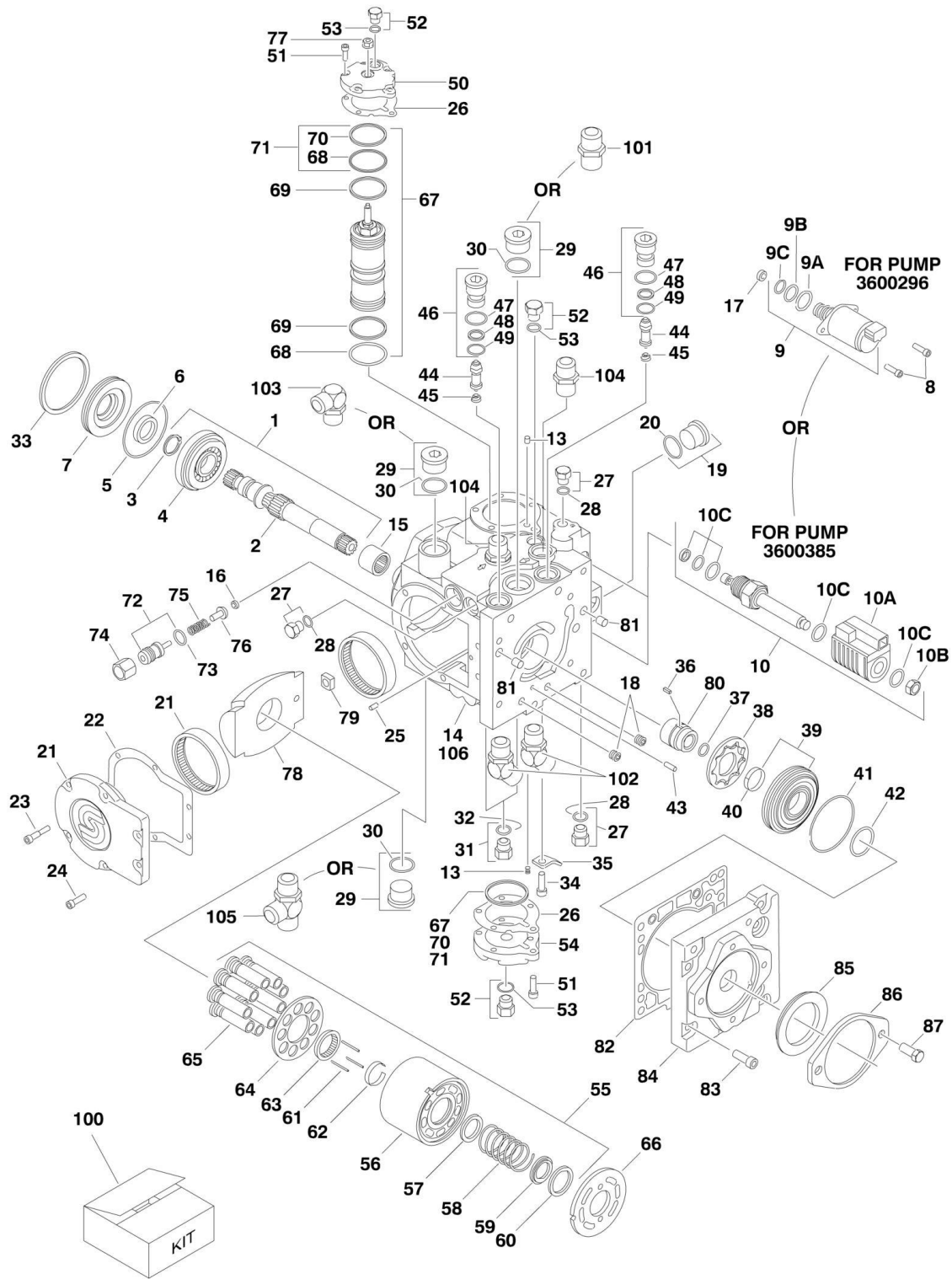
ITEM	PART NUMBER	QTY	DESCRIPTION	REV
259	4846567	1	Bracket, Engine Mounting (Left Side)	
260		Ref	Tray Options:	
260	4846080	1	Tray (SN 0300077682 through 0300082439)	
260	4846809	1	Tray (SN 0300082440 through 0300096000)	
261	0641510	AR	Bolt 5/16in-18NC x 1-1/4in	
261	0641608	AR	Bolt 3/8in-16NC x 1in	
262	4791400	6	Starwasher 1/4in	
263	1060904	1	Cable, Jumper Only (SN 0300092802 through 0300096000)	
264	4923451	1	Harness, Glow Plug Only (SN 0300092802 through 0300096000)	
	0256847	Ref	PUMP COUPLING INSTALLATION	2
301	1660234	1	Coupling, Hayes	
302	0080163	1	Plate, Pump Adapter	
303	0700810	63	Bolt Metric 8mm x 20mm	
304	4831900	6	Lockwasher 8mm	
306	4832000	8	Lockwasher 10mm Only (SN 0300077682 through 0300085025)	
307	3020021	AR	Grease, Coupling	
		Ref	ENGINE COMPONENTS	
	2000217	Ref	Engine Components (SN 0300077682 through 0300085616)	
	2000273	Ref	Engine Components (SN 0300085617 through 0300092801)	B
	2000338	Ref	Engine Components (SN 0300092802 through 0300096000)	B
401	7020026	1	Dipstick	
402	7020465	2	Cap, Filler	
403	7020495	1	Pump, Oil Lube	
403	7020468	1	Seal Between Oil Pump and Engine Block (Not Shown)	
404	7016331	1	Filter, Oil	
404	7027236	1	Sensor, Oil Temperature (Not Shown - Located in Rear Of Filter Mount)	
405		Ref	Pump, Injector Options:	
405	7027246	3	Series A Pump	
405	7027608	3	Series B Pump	
405	7027609	3	Series C Pump	
405	7027610	3	Series D Pump	
405	7020447	3	Gasket, Injector Pump	
406	7020023	1	Filter, Fuel	
406	70001423	1	Bracket, Fuel Filter	
407	70000916	1	Pump Fuel Supply (was p/n 7027238)	
407	7020411	1	O-Seal Between Fuel Pump and Engine Block (Not Shown)	
408	7020449	3	Gasket, Intake Manifold (Not Shown)	
408	7020471	3	Gasket, Exhaust Manifold (Not Shown)	
409	7020408	1	V-Belt	
410	7027795	1	Control, EMR2 (2000273/2000338 Engine Only)	
410	7027793	1	Connector, EMR2 Control (2000273/2000338 Engine Only)	
410	7027796	1	Harness, EMR2 Control (2000273/2000338 Engine Only)	
411	7000663	1	Alternator (was p/n 7020410)	
411	7020464		Regulator, Voltage (Not Shown)	
412	7020479	1	Starter	
412	7026608	1	Relay, Starter	
413	7027769	1	Radiator Connector Kit	
414		Ref	Sender, Oil Temperature Options (Not Shown):	
414	7027241	1	2000217 Engine Only	
414	7027791	1	2000273/2000338 Engine Only	

SECTION 2 - TURNTABLE

ITEM	PART NUMBER	QTY	DESCRIPTION	REV
415		Ref	Sensor, Oil Pressure Options:	
415	7020461	1	2000217 Engine Only	
415	7027790	1	2000273/2000338 Engine Only	
416	7024565	1	Sensor, Speed (Not Shown)	
416	70003932	1	Spacer, Sleeve (Not Shown)	
417		Ref	Actuator, Throttle Options:	
417	7020458	1	2000217 Engine Only	
417	7027792	1	2000273/2000338 Engine Only	
417	7027276	2	Spring for Actuators	
418	7020459	1	Thermostat	
418	7020460	1	Spring, Compression	
419	See Note	1	Flywheel (Not Shown) (Note: Not Available for Purchase)	
419	7024579	1	Rim, Gear (Not Shown)	
420	7027245	1	Filter, Fuel	
421	7027239	1	Solenoid, Start (Not Shown - Located near Throttle Actuator)	
422		Ref	Engine Harness Options:	
422	See Note	1	2000217 Engine Only (Note: Not Available for Purchase)	
422	7027794	1	2000273/2000338 Engine Only	
423	70000345	3	Plug, Glow (Deutz Factory Installed - Not Shown) (2000338 Engine Only)	
424	7020169	1	Pipe, Exhaust Pipe	
425	1320176	1	Clamp, Exhaust	
426		Ref	Gasket, Head Options (Not Shown):	
426	70003479	1	Gasket - 1 Notch	
426	70003480	1	Gasket - 2 Notch	
426	70003481	1	Gasket - 3 Notch	
427	70001181	1	Valve, Oil Pressure Relief (Not Shown)	

SECTION 2 - TURNTABLE

FIGURE 2-11. PISTON PUMP ASSEMBLY



SECTION 2 - TURNTABLE

FIGURE 2-11. PISTON PUMP ASSEMBLY

ITEM	PART NUMBER	QTY	DESCRIPTION	REV
		Ref	PISTON PUMP ASSEMBLY	
	3600296	Ref	Piston Pump Assembly (Prior to SN 0300073424)	D
	3600385	Ref	Piston Pump Assembly (SN 0300073424 through 0300096000)	A
1	7021240	1	Shaft Assembly (Includes Items 2-4)	
2	7021237	1	Shaft	
3	7021238	1	Ring, Retaining	
4	7021239	1	Bearing, Roller	
5	See Note	NSS	O-Ring (Note: Use Item 100)	
6	7021242	1	Seal, Lip	
7	7021243	1	Carrier, Seal Shaft	
8	See Note	4	Screw (Note: Not Available for Purchase)	
9	7022373	2	Solenoid Assembly (Includes Items 9A-9C) (3600296 Pump)	
9A	7022374	2	O-Ring (3600296 Pump Only)	
9B	7022375	2	O-Ring (3600296 Pump Only)	
9C	7022376	2	O-Ring (3600296 Pump Only)	
10	7024855	1	Solenoid Assembly (Includes Items 10A-10C) (3600385 Pump)	
10A	7024856	2	Coil (3600385 Pump Only)	
10B	7024857	2	Nut (3600385 Pump Only)	
10C	7024858	2	Seal Kit - 7024855 Cartridge (3600385 Pump Only)	
13	7022377	2	Orifice	
14	7022378	1	Housing Assembly (Includes Items 15-20)	
15	7021249	1	Bearing, Needle	
16	7021254	1	Screen, Filter (3600296 Pump Only)	
17	7022379	2	Screen, Filter (3600296 Pump Only)	
18	7001485	2	Plug	
19	7022380	1	Plug (Includes Item 20)	
20	7022381	1	O-Ring	
21	7021248	1	Side Cover Assembly (Includes Item 22)	
22	See Note	NSS	Gasket (Note: Use Item 100)	
23	7021255	4	Screw	
24	7021251	2	Screw	
25	7021250	1	Pin	
26	See Note	NSS	Gasket (Note: Use Item 100)	
27	7021283	2	Plug Assembly (3600296 Pump Only)	
28	7021284	2	O-Ring (3600296 Pump Only)	
29	7007419	2	Plug Assembly	
30	See Note	NSS	O-Ring (Note: Use Item 29 or 100)	
31	7007470	2	Plug Assembly	
32	See Note	NSS	O-Ring (Note: Use Item 31 or 100)	
33	7021257	1	Ring, Retaining	
34	7021251	1	Screw	
35	7022340	1	Bracket, Lifting	
36	7022342	1	Key	
37	7022341	1	Ring, Retaining	
38	7021258	1	Gerotor	
39	7021260	1	Gerotor Cover Assembly	
40	7021259	1	Bearing, Journal	
41	See Note	1	O-Ring (3600296 Pump Only) (Note: No Longer Available for Purchase)	
42	See Note	NSS	O-Ring (Note: Use Item 100)	

SECTION 2 - TURNTABLE

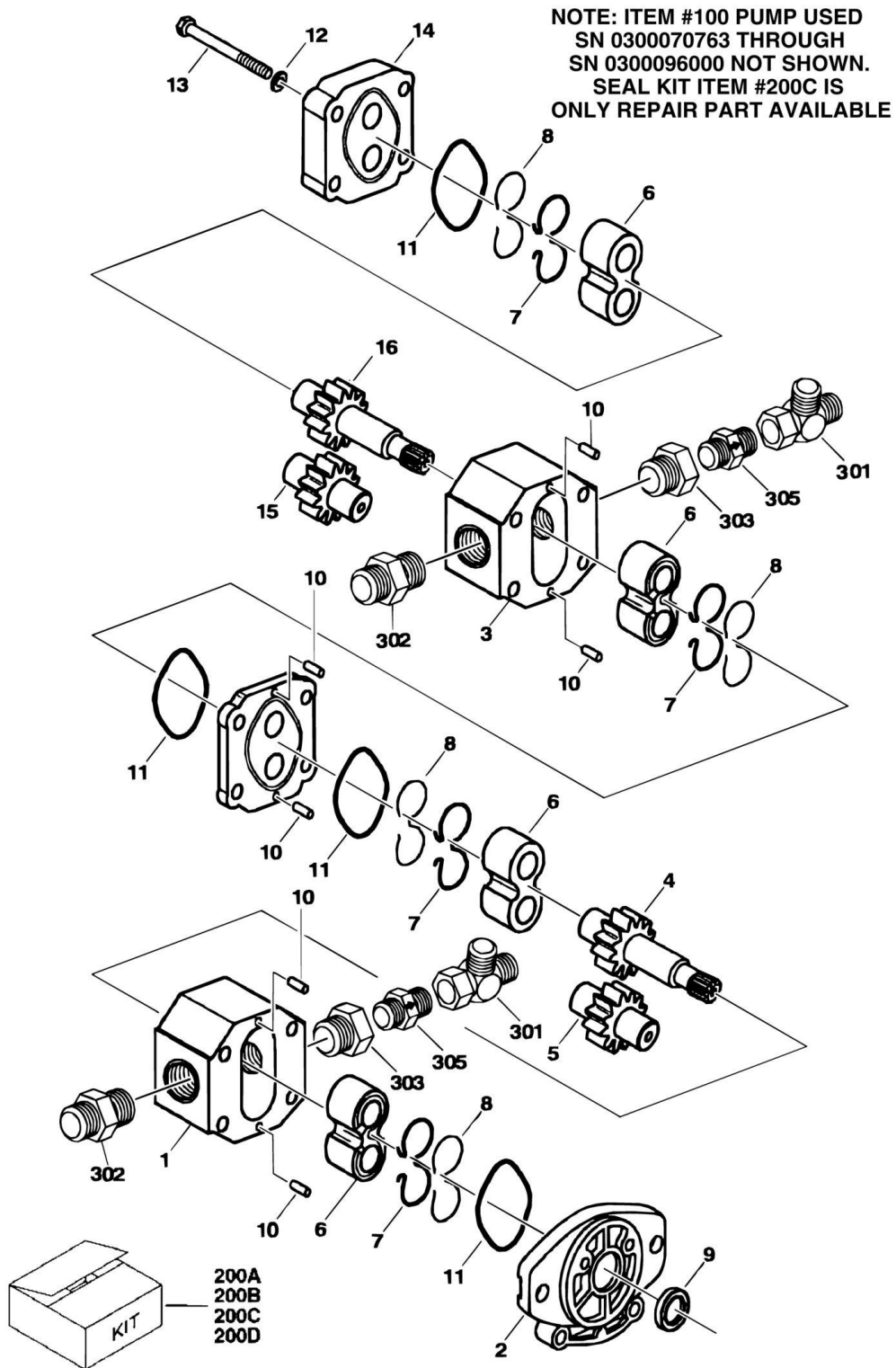
ITEM	PART NUMBER	QTY	DESCRIPTION	REV
43	See Note	1	Pin (Note: Not Available for Purchase)	
44	7021263	2	SCR Valve	
45		Ref	Spring Options:	
45	7021264	2	3600296 Pump Only	
45	7024800	2	3600385 Pump Only	
46	7021265	2	Bypass Valve Assembly (Includes Items 47-49)	
47	See Note	NSS	O-Ring (Note: Use Item 46 or 100)	
48	See Note	NSS	Ring, Back-up (Note: Use Item 46 or 100)	
49	See Note	NSS	O-Ring (Note: Use Item 46 or 100)	
50	7022382	1	Cover, Servo	
51	7021255	10	Screw	
52	7007470	1	Plug Assembly	
53	See Note	NSS	O-Ring (Note: Use Item 52 or 100)	
54	7021268	1	Cover, Servo	
55		Ref	Cylinder Block Assembly Options (Includes Items 56-65):	
55	7022383	1	3600385 Pump Only	
55	7021269	1	3600296 Pump Only	
56		Ref	Cylinder Block Options:	
56	7022384	1	3600385 Pump Only	
56	7021270	1	3600296 Pump Only	
57	7021271	1	Washer	
58	7021272	1	Spring	
59	7021273	1	Washer	
60	7021274	1	Ring, Retaining	
61	7021275	3	Pin, Slipper Hold Down	
62	7021276	1	Retainer, Hold Down Pin	
63	7021277	1	Guide, Slipper Retainer	
64	7021278	1	Retainer, Slipper	
65	7021279	9	Piston Assembly	
66	7021281	1	Plate, Valve	
67	7022385	1	Servo Piston Assembly (Includes Items 68-70)	
68	See Note	NSS	O-Ring (Note: Use Item 67, 71 or 100)	
69	See Note	NSS	Ring, Bearing (Note: Use Item 67 or 100)	
70	See Note	NSS	Ring, Piston (Note: Use Item 67, 71 or 100)	
71	7007412	1	Servo Piston Ring Kit (Includes Items 68 & 70 Only)	
72		Ref	Plug Assembly Options:	
72	7022346	1	3600385 Pump Only	
72	7021288	1	3600296 Pump Only	
73	See Note	NSS	O-Ring (Note: Use Item 72 or 100)	
74	7021290	1	Nut	
75		Ref	Spring Options:	
75	7022347	1	3600385 Pump Only	
75	7021291	1	3600296 Pump Only	
76		Ref	Poppet Options:	
76	7024804	1	3600385 Pump Only	
76	7021292	1	3600296 Pump Only	
77	See Note	NSS	Nut, Seal (Note: Use Item 100)	
78	7022386	1	Swashplate	
79	7022387	1	Slider, Block	
80	7021294	1	Coupling	
81	7001481	2	Pin	

SECTION 2 - TURNTABLE

ITEM	PART NUMBER	QTY	DESCRIPTION	REV
82	70002257	1	Gasket	
83	7021296	7	Screw	
84	7021297	1	Cover, Charge Pump	
85	7021298	1	Seal	
86	7021299	1	Plate, Cover	
87	7007289	2	Screw	
100	7021280	1	Seal Kit (Includes Items 5-6, 22, 26, 30, 32, 42, 47-49, 53, 68-70, 73, 77 & 82)	
	3600404	Ref	PISTON PUMP SUB-ASSEMBLY	A
		Ref	Usage:	
		Ref	Caterpillar Engine Machines (SN 0300078267 through 0300096000)	
		Ref	Deutz Engine Machines (SN 0300077683 through 0300096000)	
101	2220376	1	Fitting, Straight	
102	2220498	2	Fitting, Elbow	
103	2220578	1	Fitting, Elbow	
104	2220947	2	Fitting, Straight	
105	2221041	1	Fitting, Tee	
106	3600385	1	Pump Assembly (Includes Items 1-87)	

SECTION 2 - TURNTABLE

FIGURE 2-12. GEAR PUMP ASSEMBLY



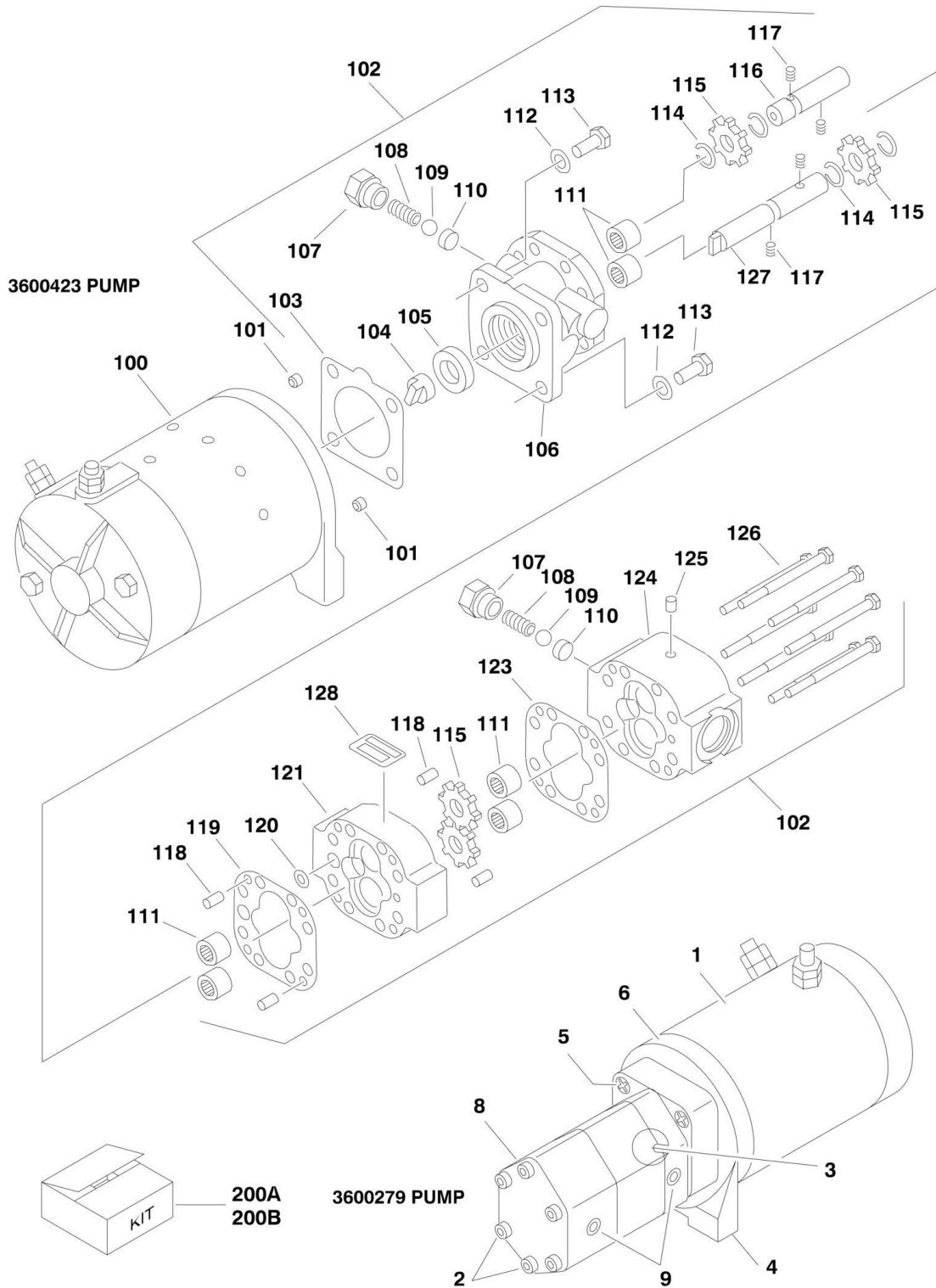
SECTION 2 - TURNTABLE

FIGURE 2-12. GEAR PUMP ASSEMBLY

ITEM	PART NUMBER	QTY	DESCRIPTION	REV
		Ref	GEAR PUMP ASSEMBLY	
	3600297	Ref	Pump (Prior to SN 0300070763)	C
1	See Note	NSS	Body, Front (Note: Use p/n 3600297)	
2	See Note	NSS	Cover (Note: Use p/n 3600297)	
3	See Note	NSS	Body, Rear (Note: Use p/n 3600297)	
4	7023811	1	Gear, Drive	
5	7023812	1	Gear, Idler	
6	See Note	NSS	Block, Bearing (Note: Use Item 200B)	
7	See Note	NSS	Seal, Load (Note: Use Item 200A or 200B)	
8	See Note	NSS	Seal, Anti/Extrusion (Note: Use Item 200A or 200B)	
9	See Note	NSS	Seal, Shaft (Note: Use Item 200A or 200B)	
10	See Note	NSS	Pin, Dowel (Note: Not Available for Purchase)	
11	See Note	NSS	Seal, Static (Note: Use Item 200A or 200B)	
12	7023813	4	Washer	
13	7023814	4	Capscrew	
14	3600297	1	Cover, Rear (Note: Not Available - Purchase Complete)	
15	7023812	1	Gear, Idler	
16	7023815	1	Gear, Drive	
100	3600368	Ref	Pump (Not Shown) (SN 0300070763 through 0300096000)	A
		Ref	Note: Seal Kit Item 200C is only service part available for this pump.	
200		Ref	Seal Kit Options:	
200A	7023820	1	3600297 Minor Seal Kit - (Includes Items - 7, 8, 9 & 11)	
200B	7023802	1	3600297 Major Seal Kit - (Includes Items - 6, 7, 8, 9 & 11)	
200C	7024962	1	3600368 Minor Seal Kit - (Includes Items - 7, 8, 9, 11 and O-Ring Between Intermediate Cover Plates)	
200D	See Note	NLA	3600368 Major Seal Kit (Note: Use p/n 3600368)	
	3600405	Ref	GEAR PUMP SUB-ASSEMBLY	A
		Ref	Usage:	
		Ref	Caterpillar Engine Machines (SN 0300078267 through 0300096000)	
		Ref	Deutz Engine Machines (SN 0300077683 through 0300096000)	
301	2220385	2	Fitting, Tee	
302	2220479	2	Fitting, Straight	
303	2220810	2	Fitting, Reducer	
304	3600368	1	Gear Pump Assembly (Not Shown)	
305	4640744	2	Valve, Check	

SECTION 2 - TURNTABLE

FIGURE 2-13. AUXILIARY PUMP ASSEMBLY



SECTION 2 - TURNTABLE

FIGURE 2-13. AUXILIARY PUMP ASSEMBLY

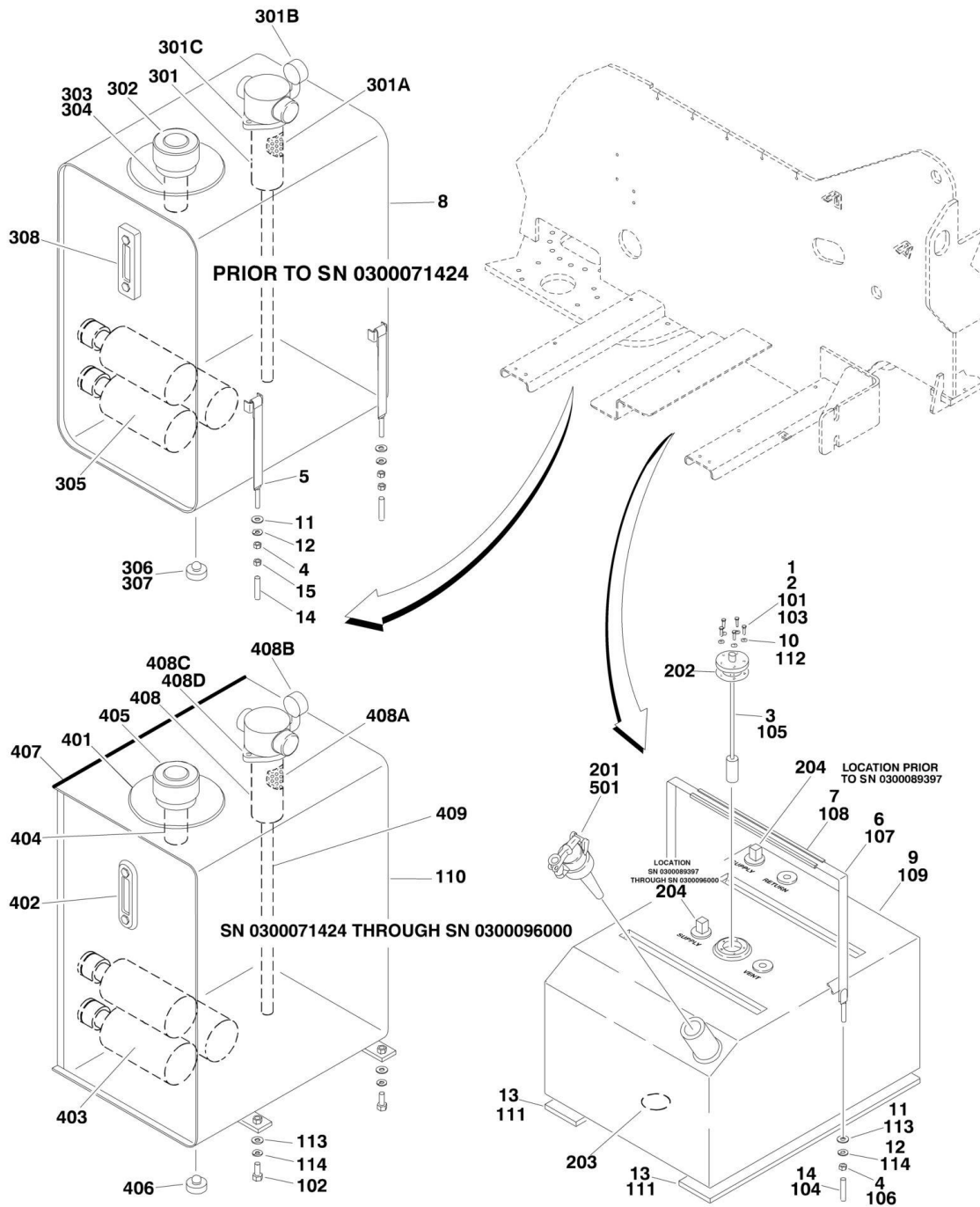
ITEM	PART NUMBER	QTY	DESCRIPTION	REV
		Ref	AUXILIARY PUMP ASSEMBLIES	
		Ref	Usage:	
	3600279	Ref	Original Equipment	
	3600423	Ref	Service Replacement	
		Ref	Note: Original Equipment pump may have been replaced with Service Replacement pump. Identify Pump by p/n before ordering replacement parts.	
	3600279	Ref	AUXILIARY PUMP ASSEMBLY (ORIGINAL EQUIPMENT)	B
1	7016768	1	Motor, Replacement	
1	7013757	1	Brush Kit	
2	7016745	4	Capscrew, Socket Head 5/16in-24NF x 4-3/4in	
3	7013711	1	Coupling, Drive	
4	7016769	1	Bracket, Mounting	
5	7016744	2	Screw 5/16in-18NC x 1in	
6	7016746	1	Adapter, Mounting	
7	7013766	2	Pin (Not Shown)	
8	7013771	1	Pump, Replacement	
8	7013701	1	Seal Kit - 7013701 Pump	
9	See Note	2	Valve, Check (Note: Not Available for Purchase)	
	3600423	Ref	AUXILIARY PUMP ASSEMBLY (SERVICE REPLACEMENT)	A
100	7011067	1	Motor and Adapter	
101	See Note	2	Setscrew (Note: Not Available - Purchase Locally)	
102	70000978	1	Pump Assembly (Includes Items 103-127)	
103	7011044	1	Gasket, Mounting	
104	7011016	1	Coupling	
105	70000969	1	Seal, Shaft	
106	See Note	NSS	Stator (Note: Use Item 200B)	
107	See Note	NSS	Cap Assembly (Note: Use Item 200B)	
108	See Note	NSS	Spring (Note: Use Item 200B)	
109	See Note	NSS	Ball (Note: Use Item 200B)	
110	See Note	NSS	Seat (Note: Use Item 200B)	
111	70000976	6	Bearing, Needle	
112	See Note	NSS	Washer (Note: Use Item 200B)	
113	See Note	NSS	Screw (Note: Use Item 200B)	
114	70000970	4	Ring, Retaining	
115	70000971	4	Gear	
116	70000972	1	Shaft, Idler	
117	See Note	NSS	Pin, Drive (Note: Use Item 200B)	
118	See Note	NSS	Pin, Dowel (Note: Use Item 200B)	
119	70000973	1	Gasket	
120	See Note	NSS	O-Ring (Note: Use Item 200A or 200B)	
121	See Note	NSS	Housing, Gear (Note: Use Item 200B)	
122	See Note	1	Label (Note: Not Available for Purchase)	
123	7000974	1	Gasket	
124	See Note	NSS	Housing, Gear (Note: Use Item 200B)	
125	See Note	NSS	Plug (Note: Use Item 200B)	
126	See Note	NSS	Screw (Note: Use Item 200B)	
127	70000975	1	Shaft, Drive	
128	See Note	1	Label (Note: Not Available for Purchase)	
200		Ref	SEAL KIT OPTIONS	

SECTION 2 - TURNTABLE

ITEM	PART NUMBER	QTY	DESCRIPTION	REV
200A	70000977	1	Seal Kit - 3600423 Assembly (Includes Items 103,105, 120 and Qty 2 O-Rings for Item 107)	
200B	70000978	1	Replacement Pump Kit (Includes Items 103-121 & 123-127)	

SECTION 2 - TURNTABLE

FIGURE 2-14. TANK INSTALLATIONS



SECTION 2 - TURNTABLE

FIGURE 2-14. TANK INSTALLATIONS

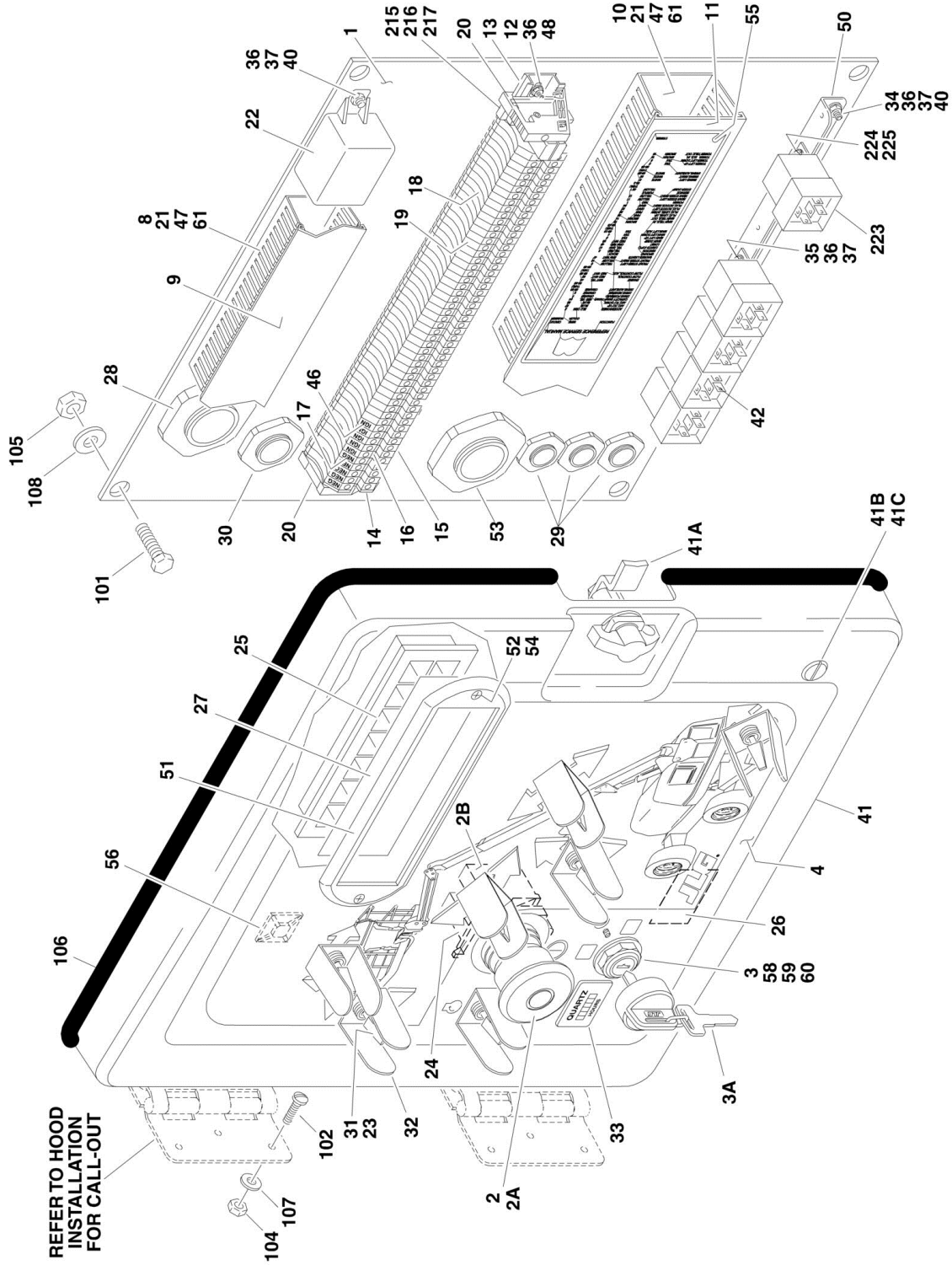
ITEM	PART NUMBER	QTY	DESCRIPTION	REV
		Ref	TANKS INSTALLATION OPTIONS	
	0259143	Ref	Tanks Installation (Prior to SN 0300071424)	E
1	0100011	AR	Compound, Locking	
2	0731007	5	Screw, Indented #10-24NC	
3	2420191	1	Gauge, Fuel Level	
3	3960525	1	Gasket	
4	3311601	6	Nut 3/8in-16NC	
5	4240112	4	Strap, Tank Mount	
6	4240135	1	Strap, Tank Mount	
7	4280295	24 in/61cm	Strip, Bumper	
8	4400423	1	Hydraulic Tank Assembly (See Items 301-308 for Breakdown)	
9	4400429	1	Tank, Fuel (See Items 201-204 for Breakdown)	
10	4751000	5	Flatwasher #10 Regular	
11	4751600	6	Flatwasher 3/8in Regular	
12	4761600	6	Lockwasher 3/8in	
13	4420038	4 ft/1.3m	Tape, Rubber	
14	1120532	5	Cap, Protector	
15	3311602	4	Nut Jam 3/8in-16NC	
	0272731	Ref	Tank Installation (SN 0300071424 through 0300096000)	B
101	0100011	AR	Compound, Locking	
102	0641608	4	Bolt 3/8in-16NC x 1in	
103	0731007	5	Screw, Indented #10-24NC	
104	1120532	2	Cap, Protector	
105	2420191	1	Gauge, Fuel Level	
105	3960525	1	Gasket	
106	3311601	2	Nut 3/8in-16NC	
107	4240135	1	Strap, Tank Mount	
108	4280295	2.2 ft/0.7m	Strip, Bumper	
109	4400429	1	Tank, Fuel (See Items 201-204 for Breakdown)	
110	4400450	1	Hydraulic Tank Assembly (See Items 401-409 for Breakdown)	
111	4420038	6 ft/1.8m	Tape, Rubber	
112	4751000	5	Flatwasher #10 Regular	
113	4751600	6	Flatwasher 3/8in Regular	
114	4761600	6	Lockwasher 3/8in	
	4400429	Ref	FUEL TANK ASSEMBLY	H
201	See Note	1	Cap, Fill (Note: Tank Includes Non-Locking Cap) (Note: See Item 501)	
202	7016680	1	Gasket, Cover Plate	
203	See Note	1	Plug (Note: Not Available - Purchase Locally)	
204	7020043	1	Tube	
	4400423	Ref	Hydraulic Tank Assembly Options	
	4400423	Ref	Hydraulic Tank Assembly (Prior to SN 0300071424)	D
301	7020226	1	Filter	
301A	7023205	1	Element	
301B	See Note	1	Gauge, Pressure (Note: Not Available for Purchase)	
301C	7023306	1	Seal	
302	7020252	1	Cap, Fill	
303	7014810	1	Filler Neck Assembly	

SECTION 2 - TURNTABLE

ITEM	PART NUMBER	QTY	DESCRIPTION	REV
304	7014816	1	Screen	C
305	7014801	3	Strainer	
306	7014813	1	Plug, Magnetic	
307	7014812	1	Magnet	
308	7014802	1	Gauge, Sight	
	4400450	Ref	Hydraulic Tank Assembly (SN 0300071424 through 0300096000)	
401	7024439	1	Cover	
401	7024440		Gasket	
402	7024441	1	Gauge, Sight	
403	7024442	3	Strainer	
404	7024443	1	Filler Neck Assembly	
404	7024445	1	Strainer	
405	7024444	1	Cap, Fill	
406	7024446	1	Plug, Magnetic	
407	4060803	22 in/56cm	Flex-Trim	
408	7020226	1	Filter	
408A	7023205	1	Element	
408B	See Note	1	Gauge, Pressure (Note: Not Available for Purchase)	
408C	7023306	1	Seal	
408D	70002768	1	Spring	
409	70001863	1	Pipe	
501		Ref	FUEL CAP OPTIONS:	
501	1120484	Ref	Locking Cap (Red)	
501	1120487	Ref	Locking Cap (Blue)	
501	7016314	Ref	Standard Non-Locking Cap	

SECTION 2 - TURNTABLE

FIGURE 2-15. GROUND CONTROL BOX ASSEMBLY WITHOUT ADE SYSTEM



SECTION 2 - TURNTABLE

FIGURE 2-15. GROUND CONTROL BOX ASSEMBLY WITHOUT ADE SYSTEM

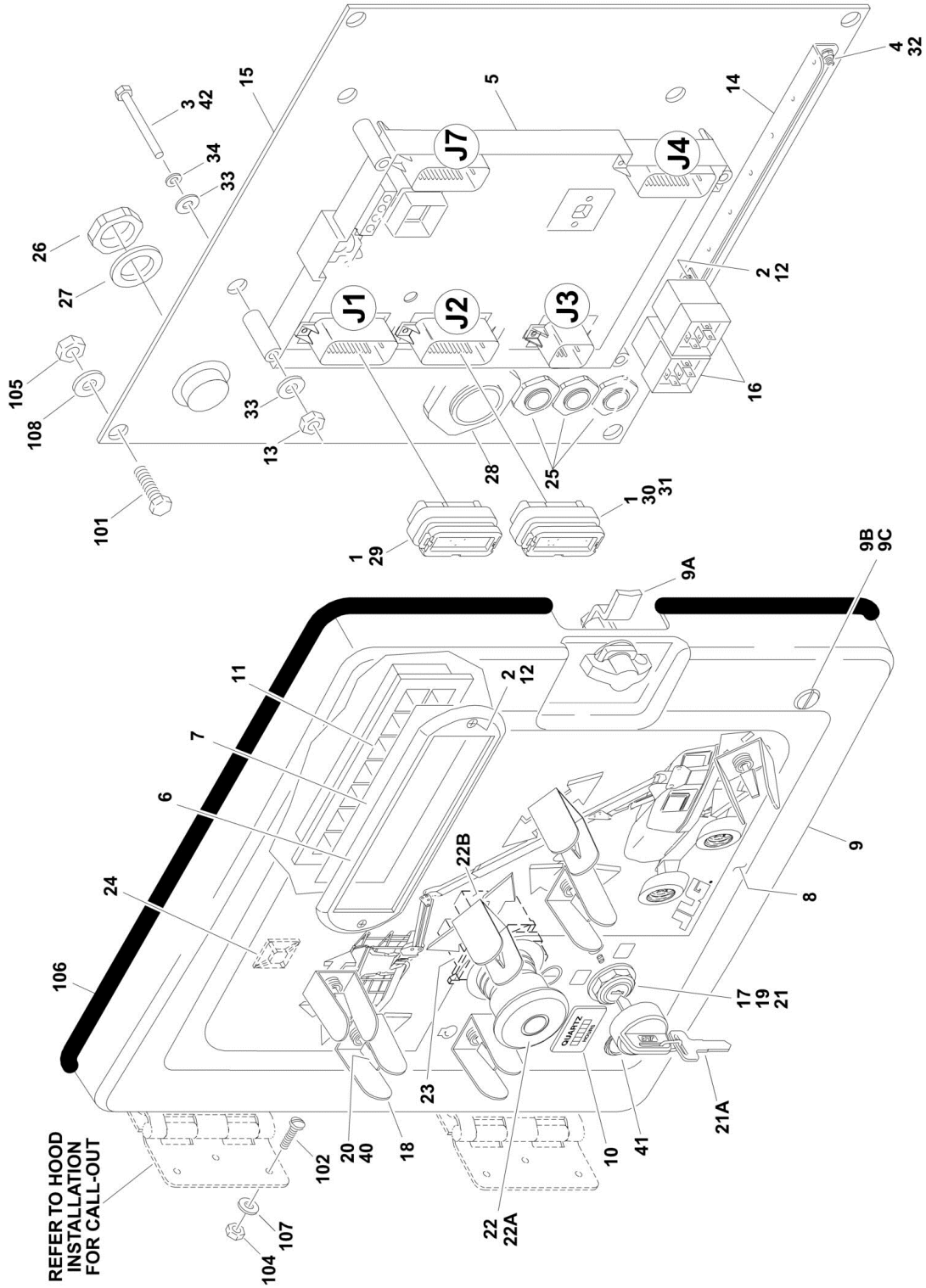
ITEM	PART NUMBER	QTY	DESCRIPTION	REV
		Ref	GROUND CONTROL BOX ASSEMBLIES	
	0861360	Ref	Ground Control Box Assemblies 400S	1/A
	0861361	Ref	Ground Control Box Assemblies 460SJ	1/A
1	3572003	1	Plate	
2	4360475	1	Switch, Emergency Stop	
2A	7020175	1	Cap, Mushroom Head	
2B	7020176	1	Block, Contact	
3	4360470	1	Switch, Key	
3A	2860030	1	Key	
4		Ref	Decal - Faceplate Options:	
4	1704465	1	Decal - Faceplate 400S	
4	1704466	1	Decal - Faceplate 460SJ	
5	4922347	1	Engine Harness Assembly (Not Shown - See ELECTRICAL SECTION for Breakdown)	
6	4922346	1	Valve Harness Assembly (Not Shown - See ELECTRICAL SECTION for Breakdown)	
7	4922349	1	Ground Control Box Harness Assembly (Not Shown - See ELECTRICAL SECTION for Breakdown)	
8	1840020	1	Duct, Wiring - 2in/5cm	
9	1840013	1	Duct, Cover - 2in/5cm	
10	1840014	1	Duct, Wiring - 3in/7.6cm	
11	1840015	1	Duct, Cover - 3in/7.6cm	
12	0731004	2	Screw #10-32NF x 1/2in	
13	3641182	1	Rail	
14	4460602	1	Barrier, Terminal	
15	4460601	10	Block, Terminal	
16	4460603	1	Bussbar - 10 Position (Requires being cut into (2) 5 position bussbars)	
17	4460631	1	Marker, Terminal (Negative)	
18	4460600	46	Block, Terminal	
19	4460628	2	Marker, Terminal (1-50)	
20	4460607	2	Stop, Terminal	
21	4750600	4	Flatwasher #6 Regular	
22	3740112	1	Relay, Bosch	
23	4360314	AR	Switch, Toggle	
24	4360476	1	Switch, Contact Block	
25	2760105	1	Housing, Display Light	
26	4420038	1 ft/.3m	Insulation, Adhesive Foam	
27	1702610	1	Decal - Ground Control Display	
28	4460526	1	Connector, Strain Relief	
29	4460428	3	Connector, Strain Relief	
30	4460426	1	Connector, Strain Relief	
31	4740444	6	Washer, Special	
32	4060906	6	Shield, Toggle Switch	
33	2420172	1	Gauge, Hourmeter	
36	4751000	4	Flatwasher #10 Regular	
37	0721004	10	Screw #10-24NC x 1/2in	
40	0100011	AR	Compound, Locking	
41	1780307	1	Lid Assembly	
41A	2940073	1	Latch	

SECTION 2 - TURNTABLE

ITEM	PART NUMBER	QTY	DESCRIPTION	REV
41B	7024319	2	Screw	
41C	7024320	2	Retainer	
42	3740049	AR	Relay	
46	4460630	1	Marker, Terminal (Ignition)	
47	4760600	4	Lockwasher #6	
48	4761000	2	Lockwasher #10	
50	3539275	1	Bracket, Relay Mounting	
51	1670829	1	Bezel	
52	0630518	2	Capscrew, Button Head	
53	4460711	1	Connector, Strain Relief	
54	3300408	AR	Locknut, Plastic Insert	
55	1703622	1	Decal - Service Manual Reference	
56	4460234	AR	Base, Tie-Strap	
58	4070991	1	Shim .125	
59	4070987	1	Shim .015	
60	3910804	6	Screw #8-32NC x 1/4in	
61	3910608	4	#6-32NC x 1/2in	
		Ref	GROUND CONTROL BOX INSTALLATIONS	
	0861284	Ref	Ground Control Box Installations 400S	1
	0861285	Ref	Ground Control Box Installations 460SJ	1
101	0641406	4	Bolt 1/4in-20NC x 3/4in	
102	0720805	6	Screw, Machine #8-32NC	
104	3310805	6	Locknut #8-32NC	
105	3311405	4	Locknut 1/4in-20NC	
106	3960438	AR	Seal	
107	4750800	6	Flatwasher #8 Regular	
108	4751400	8	Flatwasher 1/4in Regular	
		Ref	PLATFORM OVERLOADINSTALLATIONS	
	0271474	Ref	Overload - Lift Down (Prior to SN 0300062886)	1/B
	0271542	Ref	Overload - Lift Down (SN 0300062886 through 0300064715)	1/A
215	3740057	1	Relay	
216	4120012	1	Base, Relay	
217	3740066	1	Spring, Relay	
223	3740049	1	Relay	
224	3300408	1	Locknut #10-24NC	
225	0721006	1	Screw #10-24NC x 3/4in	

SECTION 2 - TURNTABLE

FIGURE 2-16. GROUND CONTROL BOX ASSEMBLY WITH ADE SYSTEM



SECTION 2 - TURNTABLE

FIGURE 2-16. GROUND CONTROL BOX ASSEMBLY WITH ADE SYSTEM

ITEM	PART NUMBER	QTY	DESCRIPTION	REV
		Ref	GROUND CONTROL BOX ASSEMBLIES	
	0861593	Ref	Ground Control Box Assemblies 400S with Caterpillar Engine (Prior to SN 0300087630)	D
	0861708	Ref	Ground Control Box Assemblies 400S with Caterpillar Engine (SN 0300087630 through 0300096000)	D
	0861436	Ref	Ground Control Box Assemblies 400S with Deutz Engine (Prior to SN 0300064404)	D
	0861497	Ref	Ground Control Box Assemblies 400S with Deutz Engine (SN 0300064404 through 0300085616)	G
	0861737	Ref	Ground Control Box Assemblies 400S with Deutz Engine (SN 0300085617 through 0300096000)	B
	0861594	Ref	Ground Control Box Assemblies 460SJ with Caterpillar Engine (Prior to SN 0300087630)	D
	0861709	Ref	Ground Control Box Assemblies 460SJ with Caterpillar Engine (SN 0300087630 through 0300096000)	D
	0861437	Ref	Ground Control Box Assemblies 460SJ with Deutz Engine (Prior to SN 0300064404)	D
	0861498	Ref	Ground Control Box Assemblies 460SJ with Deutz Engine (SN 0300064404 through 0300085616)	G
	0861738	Ref	Ground Control Box Assemblies 460SJ with Deutz Engine (SN 0300085617 through 0300096000)	B
1	0100048	AR	Grease, Dielectric	
2	0630518	5	Capscrew, Button Head	
3	0630548	5	Tap Bolt, 2-1/2in	
4	0721004	2	Screw #10-24NC x 1/2in	
5		Ref	Module, Ground Control Options (Re-calibration Required when Replaced):	
5	1600312	NLA	Module, Ground Control (Caterpillar/Deutz Engine) (Use p/n 2910752) (Prior to SN 0300064404)	
5	1600327	NLA	Module, Ground Control (Caterpillar/Deutz Engine) (Use p/n 2915014) (SN 0300064404 through 0300077553)	
5	1600364	1	Module, Ground Control (Caterpillar Engine) (SN 0300077554 through 0300096000)	
5	1600364	1	Module, Ground Control (Deutz Engine) (SN 0300077554 through 0300085616)	
5	1600411	1	Module, Ground Control (Deutz Engine) (SN 0300085617 through 0300096000)	
5	2915014	1	Update Kit (Includes Module, Cables, Programming Instructions and CD Software) (Used with module p/n 1000364)	
6	1670829	1	Bezel	
7		Ref	Decal - Ground Control Display	
7	1702610	1	Caterpillar Engine Machines (Prior to SN 0300085617)	
7	1705753	1	Caterpillar Engine Machines (SN 0300085617 through 0300093232)	
7	1706712	1	Caterpillar Engine Machines (SN 0300093233 through 0300096000)	
7	1702610	1	Deutz Engine Machines (Prior to SN 0300072566)	
7	1705752	1	Deutz Engine Machines (SN 0300072566 through 0300085616)	
7	1705753	1	Deutz Engine Machines (SN 0300085617 through 0300093232)	
7	1706712	1	Deutz Engine Machines (SN 0300093233 through 0300096000)	
8		Ref	Decal - Faceplate Options:	

SECTION 2 - TURNTABLE

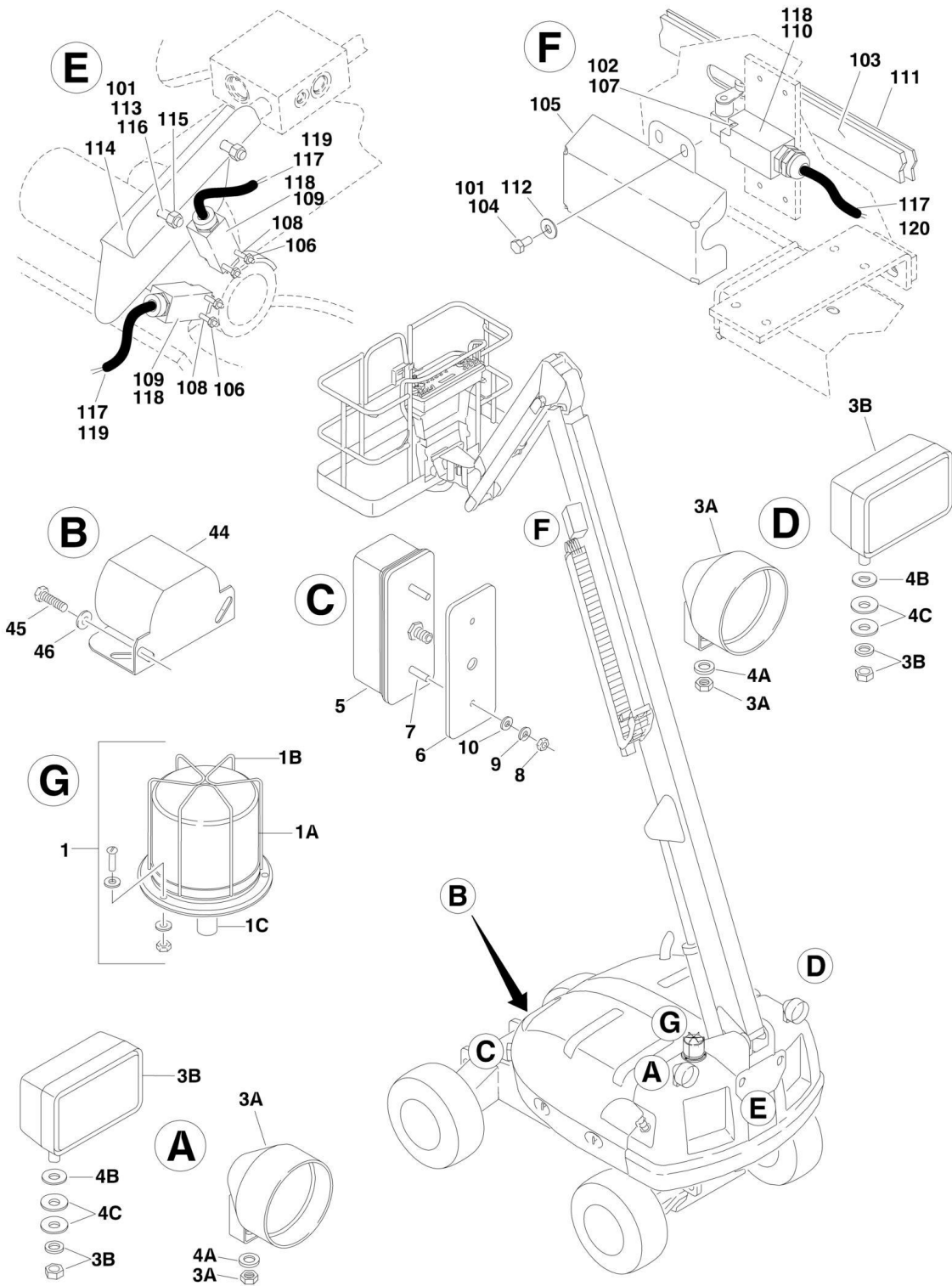
ITEM	PART NUMBER	QTY	DESCRIPTION	REV
8	1704465	1	Decal - Faceplate 400S	
8	1704466	1	Decal - Faceplate 460SJ	
9	1780307	1	Lid Assembly	
9A	2940073	1	Latch	
9B	7024319	2	Screw	
9C	7024320	2	Retainer	
10	2420172	1	Gauge, Hourmeter	
11	2760105	1	Housing, Display Light	
12	3300408	5	Locknut, Plastic Insert	
13	3311401	10	Nut 1/4in-20NC	
14	3539275	1	Bracket, Relay Mounting	
15	3572827	1	Plate	
16	3740049	AR	Relay	
17	3910804	6	Screw #8-32NC x 1/4in	
18	4060906	7	Shield, Toggle Switch	
19	4070987	1	Shim.015	
20	4360328	7	Switch, Toggle	
21	4360470	1	Switch, Key	
21A	2860030	1	Key	
22	4360475	1	Switch, Emergency Stop	
22A	7020175	1	Cap, Mushroom Head	
22B	7020176	1	Block, Contact	
23	4360476	1	Switch, Contact Block	
24	4460234	AR	Base, Tie-Strap	
25	4460428	3	Connector, Strain Relief	
26	4460470	1	Nut, Terminal	
27	4460471	1	Washer, Terminal	
28	4460526	1	Connector, Strain Relief	
29	4460874	1	Connector, Natural	
30	4460875	1	Connector, Gray	
31	4460905	4	Connector, Amp Seal Plug	
32	4751000	2	Flatwasher #10 Regular	
33	4751400	20	Flatwasher 1/4in Regular	
34	4761400	15	Lockwasher 1/4in	
35		Ref	Engine Harness Assembly (Not Shown - See ELECTRICAL SECTION for Breakdown)	
35	4922880	1	Caterpillar Engine Machines (Prior to SN 0300087630)	
35	4923234	1	Caterpillar Engine Machines (SN 0300087630 through 0300091229)	
35	4923356	1	Caterpillar Engine Machines (SN 0300091230 through 0300096000)	
35	4922537	1	Deutz Engine Machines (Prior to SN 0300085617)	
35	4923260	1	Deutz Engine Machines (SN 0300085617 through 0300096000)	
36	4922538	1	Valve Harness Assembly (Not Shown - See ELECTRICAL SECTION for Breakdown)	
37		Ref	Ground Control Box Harness Assembly (Not Shown - See ELECTRICAL SECTION for Breakdown)	
37	4922664	1	Caterpillar Engine Machines (Prior to SN 0300087630)	
37	4923236	1	Caterpillar Engine Machines (SN 0300087630 through 0300091229)	
37	4923456	1	Caterpillar Engine Machines (SN 0300091230 through 0300096000)	

SECTION 2 - TURNTABLE

ITEM	PART NUMBER	QTY	DESCRIPTION	REV
37	4922540	1	Deutz Engine Machines (Prior to SN 0300064404)	
37	4922664	1	Deutz Engine Machines (SN 0300064404 through 0300085616)	
37	4923261	1	Deutz Engine Machines (SN 0300085617 through 0300096000)	
38		Ref	Harness, Analyzer Cable Options (Not Shown - See ELECTRICAL SECTION for Breakdown):	
38	4922485	1	All Machines (Prior to SN 0300064404)	
38	4922666	1	All Machines (SN 0300064404 through 0300085616)	
38	4922666	1	Caterpillar Engine Machines (SN 0300085617 through 0300096000)	
38	Not Required	0	Deutz Engine Machines (SN 0300085617 through 0300096000)	
40	3790012	7	O-Ring	
41	1705132	1	Decal - ADE Control (SN 0300067471 through 0300096000)	
42	0100011	AR	Compound, Locking	
		Ref	GROUND CONTROL BOX INSTALLATIONS	
	0272940	Ref	Ground Control Box Installations 400S with Caterpillar Engine (Prior to SN 0300087630)	2
	0274417	Ref	Ground Control Box Installations 400S with Caterpillar Engine (SN 0300087630 through 0300096000)	1
	0271080	Ref	Ground Control Box Installations 400S with Deutz Engine (Prior to SN 0300064404)	3
	0271660	Ref	Ground Control Box Installations 400S with Deutz Engine (SN 0300064404 through 0300096000)	4
	0272941	Ref	Ground Control Box Installations 460SJ with Caterpillar Engine (Prior to SN 0300087630)	2
	0274418	Ref	Ground Control Box Installations 460SJ with Caterpillar Engine (SN 0300087630 through 0300096000)	1
	0271081	Ref	Ground Control Box Installations 460SJ with Deutz Engine (Prior to SN 0300064404)	3
	0271658	Ref	Ground Control Box Installations 460SJ with Deutz Engine (SN 0300064404 through 0300096000)	4
101	0641406	4	Bolt 1/4in-20NC x 3/4in	
102	0720805	6	Screw, Machine #8-32NC	
104	3310805	6	Locknut #8-32NC	
105	3311405	4	Locknut 1/4in-20NC	
106	3960438	AR	Seal	
107	4750800	6	Flatwasher #8 Regular	
108	4751400	8	Flatwasher 1/4in Regular	

SECTION 2 - TURNTABLE

FIGURE 2-17. ELECTRICAL OPTIONS INSTALLATION (TURNTABLE MOUNTED)



SECTION 2 - TURNTABLE

FIGURE 2-17. ELECTRICAL OPTIONS INSTALLATION (TURNTABLE MOUNTED)

ITEM	PART NUMBER	QTY	DESCRIPTION	REV
		Ref	STROBE LIGHT INSTALLATIONS (AMBER) (OPTIONAL)	
	0270160	Ref	Without ADE System	1
	0271342	Ref	With ADE System	2
		Ref	Note: If machine is equipped with BLUE Strobe Light, See SPECIAL OPTIONS SECTION for SkyGuard Kit.	
1	0255917	1	Strobe Light/Guard/Harness Assembly	2/B
1A	2920130	NLA	Strobe Light - ECCO Model 6640 (Use p/n 0255917)	
1A	2920214	NLA	Strobe Light - ECCO Model 6650 (Use p/n 0255917)	
1A		Ref	Bulb, Replacement Options:	
1A	7016380	1	Bulb for ECCO Model 6640	
1A	70001941	1	Bulb for ECCO Model 6650	
1B		Ref	Guard Options:	
1B	4060907	1	Used with ECCO Model 6640	
1B	2920215	1	Used with ECCO Model 6650	
1C		Ref	Adapter Options:	
1C	0630491	1	Used with ECCO Model 6640	
1C	0080241	1	Used with ECCO Model 6650	
2	0100048	AR	Sealant, Silicone (Not Shown)	
		Ref	LIGHTS INSTALLATIONS (OPTIONAL)	
	0270159	Ref	Headlights and Taillights Without ADE System	2
	0271343	Ref	Headlights and Taillights With ADE System (Prior to SN 0300064509)	2
	0272018	Ref	Headlights and Taillights With ADE System (SN 0300064509 through 0300096000)	1
	0274574	Ref	Chassis Illumination Lights	1/A
3		Ref	Light Options:	
3A	2920110	2	Headlight Assembly (Round) (Includes Mounting Hardware)	
3A	7016628	2	Bulb, Replacement (1 Per Assembly)	
3B	2920157	2	Chassis Illumination Light Assembly (Rectangular) (Includes Mounting Hardware)	
3B	7024452	2	Bulb, Replacement (1 Per Assembly)	
4		Ref	Washer Options:	
4A	4740076	2	Washer, Fender (Use with Headlights and Taillights)	
4B	4740274	2	Washer, Snubbing (Use with Illumination Lights)	
4C	4740546	4	Washer, Rubber Cushioning (Use with Illumination Lights)	
5	2920113	2	Taillight Assembly	
6	3960461	2	Gasket	
7	3911040	4	Screw, Machine #10-24NC x 2-1/2in	
8	3311005	4	Nut #10-24NC	
9	4751000	4	Flatwasher #10 Regular	
10	4740362	4	Washer, Fender	
11	4460234	14	Mount, Tie-Strap (Not Shown)	
12	4240032	14	Tie-Strap (Not Shown)	
14	4360336	1	Switch, Toggle - SPST (Not Shown - Located on Console)	
15	3790012	1	O-Ring (Not Shown - Located on Console)	
	0258308	Ref	ALARMS INSTALLATIONS	2
44	See Note	1	Alarm/Harness Assembly (was p/n 0257887) (Note: Not Available - Purchase individual parts)	
44	0140032	1	Alarm	
44	2820035	6 in/15cm	Loom	
44	4460424	1	Plug, Male - 2 Position	

SECTION 2 - TURNTABLE

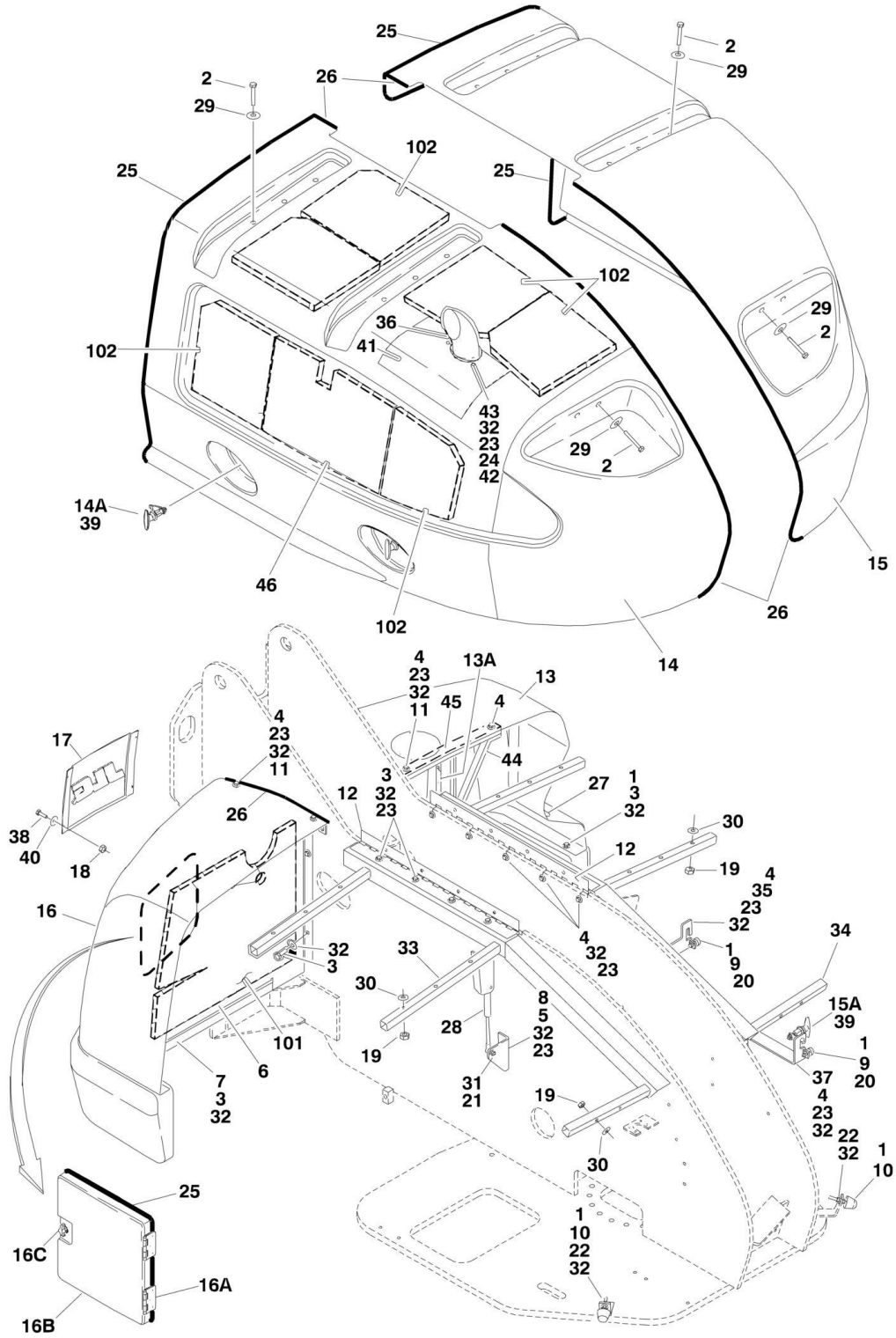
ITEM	PART NUMBER	QTY	DESCRIPTION	REV
44	4460268	2	Socket, Female	
45	0641406	2	Bolt 1/4in-20NC x 3/4in	
46	4711400	2	Flatwasher 1/4in Regular	
47	0100048	AR	Sealant, Silicone (Not Shown)	
		Ref	LIMIT SWITCHES INSTALLATIONS - 400S	
	0259157	Ref	Australian Spec 400S with 500/1000LB. Capacity (Without ADE System)	I
	0271164	Ref	Australian Spec 400S with 500/1000LB. Capacity (With ADE System)	F
	0259852	Ref	Australian Spec 400S with 750/1000LB. Capacity (Without ADE System)	I
	0271165	Ref	Australian Spec 400S with 750/1000LB. Capacity (With ADE System)	F
	0259857	Ref	Australian Spec 460SJ (Without ADE System)	E
	0271166	Ref	Australian Spec 460SJ (With ADE System)	D
	0270270	Ref	CE Spec 400S/460SJ (Without ADE System)	E
	0271163	Ref	CE Spec 400S/460SJ (With ADE System)	F
101	0100011	AR	Compound, Locking	
102	0100035	AR	Compound, Locking	
103		Ref	Bar, Fiberglass Options:	
103	0362528	1	Australian Spec 400S with 500/1000lb. Capacity	
103	0362909	1	Australian Spec 400S with 750/1000lb. Capacity	
103	Not Required	0	Australian Spec 460SJ	
103	0362610	1	CE Spec 400S & 460SJ	
104	0641404	4	Bolt #8-32NC x 1/2in	
105		Ref	Cover, Limit Switch Options:	
105	1670824	1	Australian Spec 400S	
105	Not Required	0	Australian Spec 460SJ	
105	1670824	1	CE Spec 400S & 460SJ	
106	3311005	AR	Locknut #10-24NC	
107	3930816	AR	Capscrew, Socket Head #8-32NC x 1in	
108	3931028	4	Capscrew, Socket Head #10-24NC x 1-3/4in	
109		Ref	Switch, Limit Options:	
109	4360321	NLA	Switch, Limit (Use p/n 4360548) (Prior to SN 0300074316)	
109	4360548	2	Switch, Limit (SN 0300074316 through 0300096000)	
110		Ref	Switch, Limit Options:	
110	4360322	NLA	Australian Spec 400S (Use p/n 4360549) (Prior to SN 0300074316)	
110	4360549	1	Australian Spec 400S (SN 0300074316 through 0300096000)	
110	Not Required	0	Australian Spec 460SJ	
110	4360322	NLA	CE Spec 400S & 460SJ (Use p/n 4360578) (Prior to SN 0300074316)	
110	4360549	NLA	CE Spec 400S & 460SJ (Use p/n 4360578) (SN 0300074316 through 0300080967)	
110	4360578	1	CE Spec 400S & 460SJ (SN 0300080968 through 0300096000)	
111	4420060	9 ft/2.7m	Tape, Double Sided	
112	4751400	AR	Flatwasher 1/4in Regular	
113	0641610	2	Bolt 3/8in-16NC x 1-1/4in	
114	1670956	1	Cover, Limit Switch	
115	3311601	2	Nut 3/8in-16NC	
116	4711600	4	Flatwasher 3/8in Thin	

SECTION 2 - TURNTABLE

ITEM	PART NUMBER	QTY	DESCRIPTION	REV
117		Ref	Cable, Electrical Options:	
117	1060341	AR	Cable, Electrical - 16/2 (Without ADE System)	
117	1060341	37 ft/11.3m	Australian Spec 400S	
117	1060341	6 ft/1.8m	Australian Spec 460SJ	
117	1060341	37 ft/11.3m	CE Spec 400S & 460SJ	
117	1060680	AR	Cable, Electrical - 18/2 (With ADE System) (Prior to SN 0300068739)	
117	1060680	42.5 ft/13m	Australian Spec 400S	
117	1060680	8.5 ft/2.6m	Australian Spec 460SJ	
117	1060680	42.5 ft/13m	CE Spec 400S & 460SJ	
118		Ref	Connector, Strain Relief Options:	
118	4460428	AR	Connector, Strain Relief (Use with p/n 4360322 & 4360321) (Prior to SN 0300074316)	
118	4460968	AR	Connector, Strain Relief (Use with p/n 4360549 & 4360548) (SN 0300074316 through 0300096000)	
119	4922714	2	Cable, Electrical - 18/2 (Includes Items 109 & 118) (SN 0300068739 through 0300096000)	B
119	1060609	8.5 ft/2.6m	Cable, Electrical - 18/2	
120	4922769	1	Cable, Electrical - 18/2 (SN 0300068739 through 0300096000)	
120	1060680	26.5 ft/8.1m	Cable, Electrical - 18/2	

SECTION 2 - TURNTABLE

FIGURE 2-18. HOODS INSTALLATION



SECTION 2 - TURNTABLE

FIGURE 2-18. HOODS INSTALLATION

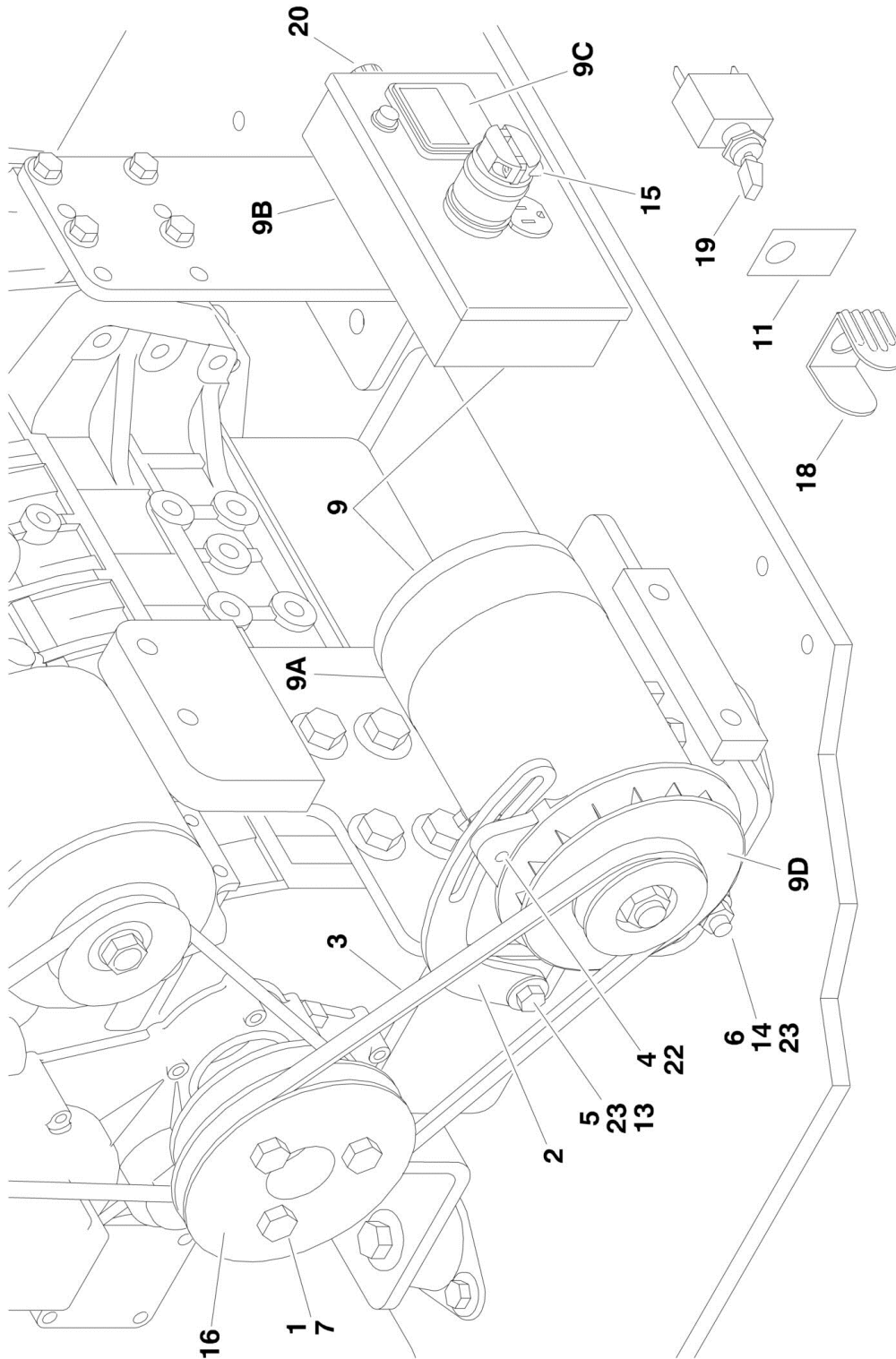
ITEM	PART NUMBER	QTY	DESCRIPTION	REV
	0259141	Ref	HOODS INSTALLATION	
1	0100011	AR	Compound, Locking (Not Shown)	
2	0641416	16	Bolt 1/4in-20NC x 2in	
3	0641608	13	Bolt 3/8in-16NC x 1in	
4	0641610	18	Bolt 3/8in-16NC x 1-1/4in	
5	0641612	5	Bolt 3/8in-16NC x 1-3/4in	
6	0861320	1	Plate, Storage (Prior to SN 0300072073)	
7	0861327	1	Plate, Storage (Prior to SN 0300072073)	
8	0902669	2	Angle, Mounting	
9	0940049	2	Stopper, Hood	
10	0940071	2	Bumper	
11	2540035	5	Grommet	
12	2600209	2	Hinge, Hood	
13	2680463	1	Cover, Hood (Front Right Side)	G
13A	2600258	2	Hinge, Ground Control Lid	
14	2680464	NLA	Hood (Use Kit p/n 1001146992 - Kit Includes Non-Lockable Hood, Current Heat Shields and Items 36 & 102 Installed)	E
14	2680464	NLA	Hood (Use Kit p/n 1001146956 - Kit Includes Non-Lockable Hood, Current Heat Shields and Item 36 Installed)	H
14	2680464	NLA	Hood (Use Kit p/n 1001097963 - Kit Includes Non-Lockable Hood and Current Heat Shields. Purchase Item 36 Separately)	H
		Ref	Note: Replacement Decals Must be Ordered Separately - See DECAL SECTION.	
14A		Ref	Latch Options:	
14A	2940117	2	Non-Lockable	
14A	7027858	2	Lockable	
14B	0902668	2	Catch, Hood Latch (SN 0300067320 through 0300096000)	
15	2680465	1	Hood (Tank Side)	G
		Ref	Note: Replacement Decals Must be Ordered Separately - See DECAL SECTION.	
15A		Ref	Latch Options:	
15A	2940117	2	Non-Lockable	
15A	7027858	2	Lockable	
15B	0902668	2	Catch, Hood Latch (SN 0300067320 through 0300096000)	
16		Ref	Cover, Hood (Front Left Side) Options:	
16	2680516	1	Cover without Storage Compartment (SN 0300072073 through 0300096000)	A
16	2680466	1	Cover with Storage Compartment (Includes Items 16A, 16B & 16C) (Prior to SN 0300072073)	G
16A	2600258	2	Hinge, Door	
16B	1780305	1	Door	
16C	2940073	1	Latch	
17	2680471	1	Cover, Hood (Front Center)	D
18	3300441	4	Nut, Tinnerman	
19	3311405	16	Locknut 1/4in-20NC	
20	3311501	4	Nut 5/16in-18NC	
21	3311505	4	Locknut 5/16in-18NC	
22	3311601	4	Nut 3/8in-16NC	
23	3311605	34	Locknut 3/8in-16NC	
24	3900232	3	Capscrew, Button Head 3/8in-16NC 1-1/4in	
25	3960438	10 ft/3m	Seal, Hood Only (Prior to SN 0300072073)	

SECTION 2 - TURNTABLE

ITEM	PART NUMBER	QTY	DESCRIPTION	REV
26	3960389	27 ft/8.2m	Seal, Hood	
27	4060805	1 ft/30cm	Flex-Trim	
28	4160182	2	Spring, Gas	
29	4740362	16	Washer, Fender	
30	4751400	16	Flatwasher 1/4in Regular	
31	4751500	4	Flatwasher 5/16in Regular	
32	4751600	74	Flatwasher 3/8in Regular	
33	4846092	1	Hood Mounting Weldment (Engine Side)	
34	4846095	1	Hood Mounting Weldment (Tank Side)	
35	4846100	1	Latch, Hood	
36	4846110	1	Exhaust Tube Weldment	
37	4846111	1	Latch, Hood	
38	0750808	4	Screw	
39	0902668	4	Catch, Hood Latch (Prior to SN 0300067320)	
40	4740120	4	Washer, Nylon	
41	2820129	NLA	Insulation, Heat Shield (Silver) (Use p/n 1001152837)	
		Ref	Note: Customer required to cut hole for exhaust stack on replacement head shield p/n 2820181.	
42	4061010	1	Shield, Heat Gasket	
43	4740500	3	Shoulder Washer, Nylon	
44	0902673	1	Bracket, Front Cover Support	
45	0902674	1	Bracket, Front Cover Support	
46	2820128	NLA	Insulation, Heat Shield (Silver) (Use p/n 1001101835)	
	0270354	Ref	NOISE REDUCTION INSTALLATION (DEUTZ MACHINES)	B
101	2820080	1	Insulation, Foam (Black Only) (Prior to SN 0300072073)	
102	2820099	9	Insulation, Foam (Black)	

SECTION 2 - TURNTABLE

FIGURE 2-19. GENERATOR INSTALLATION - CATERPILLAR MACHINES (OPTIONAL)



MOUNTED ON PLATFORM CONTROL BOX.

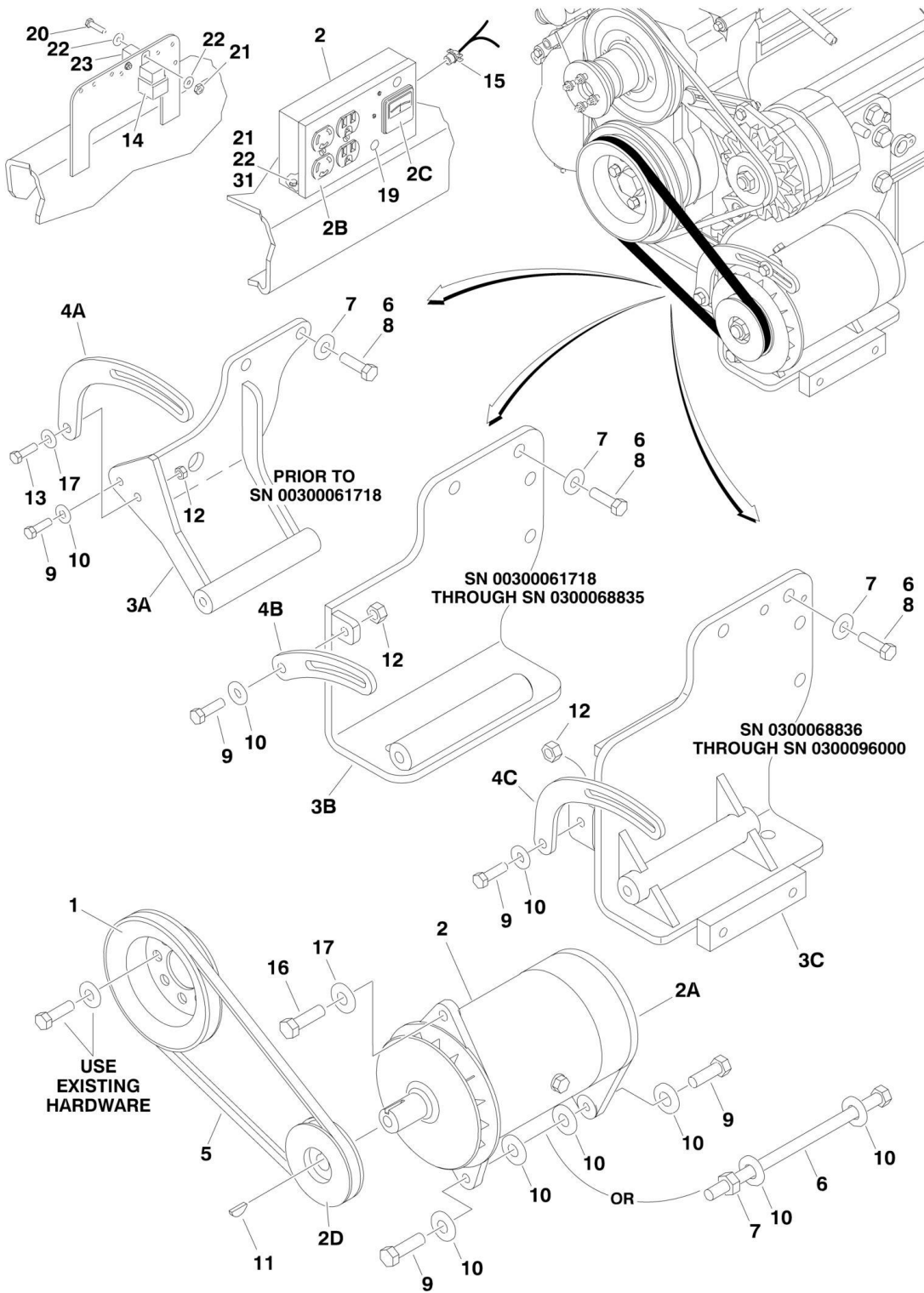
SECTION 2 - TURNTABLE

FIGURE 2-19. GENERATOR INSTALLATION - CATERPILLAR MACHINES (OPTIONAL)

ITEM	PART NUMBER	QTY	DESCRIPTION	REV
		Ref	GENERATOR INSTALLATION	
	0273051	Ref	220V/50HZ Generator Only (Prior to SN 0300082708)	B
		Ref	Note: Aftermarket installation kit not available.	
1	0100011	AR	Compound, Locking	
2	0200742	1	Arm, Adjusting	
3	0480120	1	V-Belt	
4	0641508	1	Bolt 5/16in-18NC x 1in	
5	0641610	1	Bolt 3/8in-16NC x 1-1/4in	
6	0641772	1	Bolt 7/16in-14NC x 9in	
7	0701217	3	Bolt, Metric 12mm x 45mm	
8	0721008	2	Bolt #10-24NC x 1in	
9	2460013	1	Generator and Control Box Assembly	
9A	1001100321	1	Generator Only - 220V/50Hz	
9A	70000123	1	Armature with Slip Rings	
9A	7012513	4	Cap, Brush Holder	
9A	7020108	4	Brush	
9A	7020109	4	Holder, Brush	
9A	7012514	1	Fan	
9A	7020110	1	Bell, Front	
9A	7020111	1	Bell, Rear	
9A	7020190	2	Bearing	
9A	7020193	1	Cord, Power	
9B	70002235	1	Box, Control - 220V/50Hz	
9B		Ref	Receptacle Options:	
9B	70000124	1	Receptacle, Double (220V/50Hz Only)	
9B	70000125	1	Receptacle, Single (220V/50Hz Only)	
9B	70000126	1	Breaker, Circuit	
9B	3520028	1	Plug, Hole	
9B	2920162	1	Lamp Assembly	
9B	7020191	1	Switch, Toggle	
9C	7020192	1	Voltmeter	
9D	3580134	1	Pulley	
9D	7027887	1	Key, Woodruff	
10	2820031	1	Heat Shrink (Not Shown - Located at Platform)	
11	3251102	1	Decal (Located at Platform)	
12	3311005	2	Locknut #10-24NC	
13	3311605	1	Locknut 3/8in-16NC	
14	3311705	1	Locknut 7/16in-14NC	
15	3520028	1	Plug, Hole	
16	3580315	1	Pulley	
17	3740080	1	Relay (Not Shown - Located Back Side of Engine Tray with Existing Relays)	
18	4060802	1	Guard, Switch (Located at Platform)	
19	4360336	1	Switch, Toggle - SPST (Located at Platform)	
20	4460023	1	Connector, Strain Relief	
21	4751000	8	Flatwasher #10 Regular	
22	4751500	1	Flatwasher 5/16in Regular	
23	4751600	6	Flatwasher 3/8in Regular	

SECTION 2 - TURNTABLE

FIGURE 2-20. GENERATOR INSTALLATION - DEUTZ MACHINES (OPTIONAL)



SECTION 2 - TURNTABLE

FIGURE 2-20. GENERATOR INSTALLATION - DEUTZ MACHINES (OPTIONAL)

ITEM	PART NUMBER	QTY	DESCRIPTION	REV
		Ref	GENERATOR INSTALLATION OPTIONS:	
	0272294	Ref	110V Generator (SN 0300066478 through 0300068835)	1/A
	0272616	Ref	110V Generator (SN 0300068836 through 0300082707)	3/C
	0274089	Ref	110V Generator (SN 0300082708 through 0300096000)	1/A
	0270499	Ref	220V Generator (Prior to SN 0300064404)	3/A
	0271347	Ref	220V Generator (SN 0300064404 through 0300064508)	3/C
	0272010	Ref	220V Generator (SN 0300064509 through 0300068835)	4/B
	0272615	Ref	220V Generator (SN 0300068836 through 0300082707)	2/B
	0274085	Ref	220V Generator (SN 0300082708 through 0300096000)	1/A
		Ref	Note: See SPECIAL OPTIONS SECTION for 4000W Generator	
1	3580158	1	Pulley	
2		Ref	Generator and Control Box Assembly Options:	
2	2460039	1	110Volt Assembly (Prior to SN 0300082708)	
2	2460057	1	110Volt Assembly (SN 0300082708 through 0300096000)	
2	2460013	1	220Volt Assembly (Prior to SN 0300066060)	
2	2460034	1	220Volt Assembly (SN 0300066060 through 0300066685)	
2	2460013	1	220Volt Assembly (SN 0300066686 through 0300082707)	
2	2460056	1	220Volt Assembly (SN 0300082708 through 0300096000)	
2A	2460049	1	Generator Only - 110V	
2A	1001100321	1	Generator Only - 220V	
		Ref	Note: Replacement Generators come standard with p/n 3580134 pulley. This pulley may not be correct for all applications. Refer to pulley options below.	
2A		Ref	Armature with Slip Rings Options:	
2A	70000122	1	Armature with Slip Rings - 110V	
2A	70000123	1	Armature with Slip Rings - 220V	
2A	7012513	4	Cap, Brush Holder	
2A	7020108	4	Brush	
2A	7020109	4	Holder, Brush	
2A	7012514	1	Fan	
2A	7020110	1	Bell, Front	
2A	7020111	1	Bell, Rear	
2A	7020190	2	Bearing	
2A	7020193	1	Cord, Power	
2B	7002239	1	Box, Control - 110V (Prior to SN 0300082708)	
2B	7019680	1	Box, Control - 110V (SN 0300082708 through 0300096000)	
2B	70002235	1	Box, Control - 220V (Prior to SN 0300082708)	
2B	70000127	1	Box, Control - 220V (SN 0300082708 through 0300096000)	
2B		Ref	Receptacle Options:	
2B	4460190	1	Receptacle, Standard (110V Only)	
2B	4460027	1	Receptacle, Twistlock (110V Only)	
2B	70000124	1	Receptacle, Double (220V/50Hz Only)	
2B	70000125	1	Receptacle, Single (220V/50Hz Only)	
2B		Ref	Breaker, Circuit Options:	
2B	70002240	1	Breaker 110V (Prior to SN 0300082708)	
2B	4360542	1	Breaker 110V (SN 0300082708 through 0300096000)	
2B	70000126	1	Breaker 220V/50Hz	
2B	3520028	1	Plug, Hole	
2B	2920162	1	Lamp Assembly (Not Required on 2460057 & 2460056 Generator Assemblies)	

SECTION 2 - TURNTABLE

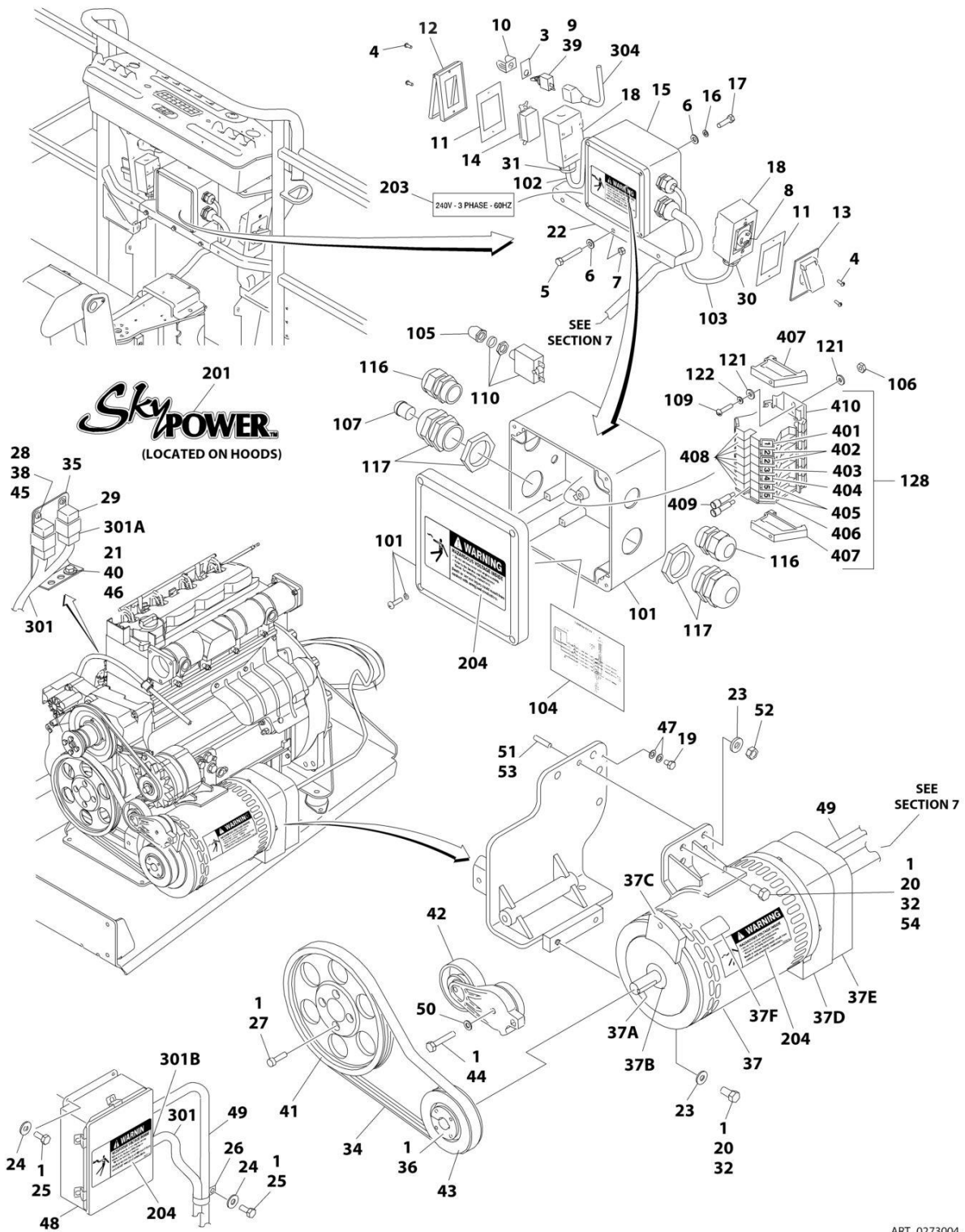
ITEM	PART NUMBER	QTY	DESCRIPTION	REV
2B	7020191	1	Switch, Toggle (Not Required on 2460057 & 2460056 Generator Assemblies)	
2C		Ref	Voltmeter Options:	
2C	2420203	1	Voltmeter - 110V	
2C	7020192	1	Voltmeter - 220V	
2D		Ref	Pulley Options:	
2D	3580134	1	Pulley 110V	
2D	3580134	1	Pulley 220V (Prior to SN 0300066060)	
2D	3580276	1	Pulley 220V (SN 0300066060 through 0300066685)	
2D	3580134	1	Pulley 220V (SN 0300066686 through 0300096000)	
2D	7027887	1	Key, Woodruff	
3		Ref	Bracket, Generator Mounting Options:	
3A	4845531	1	Bracket, Generator Mounting (Prior to SN 0300064404)	
3B	4846478	1	Bracket, Generator Mounting (Part of Engine Assembly) (SN 0300064404 through 0300068835)	
3C	4846567	1	Bracket, Generator Mounting (Part of Engine Assembly) (SN 0300068836 through 0300096000)	
4		Ref	Arm, Adjusting Options:	
4A	0200530	1	Arm, Adjusting (Prior to SN 0300064404)	
4B	0200741	1	Arm, Adjusting (SN 0300064404 through 0300068835)	
4C	0200742	1	Arm, Adjusting (SN 0300068836 through 0300096000)	
5		Ref	V-Belt Options:	
5	0480118	1	V-Belt (Prior to SN 0300064509)	
5	0480120	1	V-Belt (SN 0300064509 through 0300096000)	
6		Ref	Bolt Options:	
6	0701414	2	Bolt, Metric 14mm x 30mm (Prior to SN 0300064509)	
6	0641772	1	Bolt 7/16in-14NC x 9in (SN 0300064509 through 0300096000)	
7		Ref	Hardware Options:	
7	4751900	2	Flatwasher 9/16in Regular (Prior to SN 0300064509)	
7	3311705	1	Locknut 7/16in-14NC (SN 0300064509 through 0300096000)	
8	0100011	AR	Compound, Locking	
9		Ref	Bolt Options:	
9	0681612	3	Bolt 3/8in-16NC x 1-1/2in (Grade 8) (Prior to SN 0300064509)	
9	0641610	1	Bolt 3/8in-16NC x 1-1/4in (SN 0300064509 through 0300096000)	
10	4751600	6	Flatwasher 3/8in Regular	
11	2860012	1	Key, Woodruff	
12	3311605	1	Locknut 3/8in-16NC	
13	0700819	1	Bolt, Metric 8mm x 55mm (Prior to SN 0300064509)	
14	3740080	1	Relay	
15	4460023	1	Connector, Strain Relief	
16	0641508	1	Bolt 5/16in-18NC x 1in	
17	4751500	2	Flatwasher 5/16in Regular	
19	3520028	1	Plug, Hole	
20	0721006	AR	Bolt #10-24NC x 3/4in	
21	3311005	AR	Locknut #10-24NC	
22	4751000	AR	Flatwasher #10 Regular	
23	4360294	1	Breaker, Circuit - 30 Amp	
25	4360336	1	Switch, Toggle - SPST (Not Shown - Located at Platform)	
26	4740397	1	Washer (Not Shown - Located at Platform)	
27	4060802	1	Guard, Switch (Not Shown - Located at Platform)	
29	2820031	1	Heat Shrink (Not Shown - Located at Platform)	

SECTION 2 - TURNTABLE

ITEM	PART NUMBER	QTY	DESCRIPTION	REV
30	3251102	1	Decal (Not Shown - Located at Platform)	
31	0721008	2	Bolt #10-24NC x 1in	
32	1705325	1	Decal - 120V 50HZ (110 Volt Generator Only) (Not Shown)	

SECTION 2 - TURNTABLE

FIGURE 2-21. 7500W SKYPOWER GENERATOR INSTALLATION - CATERPILLAR AND DEUTZ ENGINES



SECTION 2 - TURNTABLE

FIGURE 2-21. 7500W SKYPOWER GENERATOR INSTALLATION - CATERPILLAR AND DEUTZ ENGINES

ITEM	PART NUMBER	QTY	DESCRIPTION	REV
		Ref	7500W SKYPOWER GENERATOR INSTALLATION	
	0273004	Ref	50Hz and Caterpillar Engine (ANSI Export, Australian, CE and Japanese Specs)	G
	0272596	Ref	50Hz and Deutz Engine (ANSI Export, Australian, CE and Japanese Specs)	J
1	0100011	AR	Compound, Locking	
2	4933264	1	Electrical Diagram (Not Shown) (See Items 301-304 For Breakdown)	
3	3252764	1	Nameplate	
4	3910606	8	Screw #6 x 3/8	
5	0641516	3	Bolt 5/16 x 2	
6	4711500	10	Washer 5/16	
7	3311505	3	Locknut 5/16	
8	See Note	NSS	Receptacle, Female Twist-Lock (Note: Not Available - Purchase Locally)	
9	4360336	1	Switch, Toggle	
10	4060802	1	Guard, Switch	
11	See Note	NSS	Gasket (Note: Not Available - Purchase Locally)	
12	See Note	NSS	Cover, Receptacle (Note: Not Available - Purchase Locally)	
13	See Note	NSS	Cover, Receptacle (Note: Not Available - Purchase Locally)	
14	See Note	NSS	Receptacle (Note: Not Available - Purchase Locally)	
15	0861567	1	Junction Box Assembly (See Items 101-128 for Breakdown)	
16	4751500	4	Washer 5/16	
17	0641505	4	Bolt 5/16 x 5/8	
18	See Note	NSS	Box, Switch (Note: Not Available - Purchase Locally)	
19	0641403	1	Bolt 1/4 x 3/8	
20	0641808	1	Bolt 1/2 x 1	
21	0641408	1	Bolt 1/4 x 1	
22	0902888	1	Bracket, Box Mounting	
23	4711800	4	Washer 1/2	
24	4711400	5	Washer 1/4	
25	0641404	5	Bolt 1/4 x 1/2	
26	1320318	1	Clamp	
27		Ref	Bolt Options:	
27	0701217	3	Bolt M12 x 45 (Caterpillar Engine)	
27	4032015	4	Bolt M10 x 55 (Deutz Engine)	
28	0721004	2	Screw #10 x 1/2	
29	3740080	2	Relay	
30	4460051	1	Connector, Strain Relief	
31	4460071	1	Connector, Strain Relief	
32	0100019	AR	Compound, Locking	
33	4240018	1	Tie-Strap (Not Shown)	
34		Ref	Belt Options:	
34	0480126	1	Caterpillar Engine	
34	0480128	1	Deutz Engine	
35		Ref	Bracket (Caterpillar Engine)	
35	3574163	1	Caterpillar Engine	
35	See Note	NSS	Deutz Engine	
36	0962520	1	Bushing, Split Taper	
37		Ref	Generator Assembly Options:	

SECTION 2 - TURNTABLE

ITEM	PART NUMBER	QTY	DESCRIPTION	REV
37	2460048	1	Generator Assembly (Caterpillar Engine)	D
37	2460048	1	Generator Assembly (Deutz Engine)	
37	70001100	1	Rotor (Includes p/ns 70001384 & 70000863) (Not Shown)	
37	70001384	1	Bearing, Ball Radial (Not Shown)	
37	70000863	1	Fan (Not Shown)	
37	70002088	1	Stator (Not Shown)	
37	70002297	1	Stud	
37	7024484	NLA	Brushholder Assembly (Not Shown) (Use p/n 70003631)	
37A	7024561	NLA	Key (was p/n 70004171)	
37B	70001966	1	Bearing, Ball Radial (Located in Belt Tensioner Endbell)	
37B	70003708	1	Ring, Internal Retaining (Located in Belt Tensioner Endbell)	
37B	70003709	1	Ring, External Retaining (Located in Belt Tensioner Endbell)	
37C	70001953	1	Endbell, Belt Tensioner	
37D		Ref	Endbell, Brush Block Options	
37D	70001385	NLA	Caterpillar Engine Machines (Use p/n 70004170)	
37D	70001385	NLA	Deutz Engine Machines (Use p/n 70004169)	
37E		Ref	Shroud Options:	
37E	70004170	1	Caterpillar Engine	
37E	70002290	NLA	Deutz Engine (Use p/n 70004169)	
37E	7027799	1	Block, Connector 6 Position (Not Shown)	
37E	7026626	1	Connector - 6 Position with Seal (Not Shown)	
37E	70002460	1	Nut, Brass (Attaches p/n 7027799 to Cover) (Not Shown)	
37E	7024485	1	Breaker, Circuit 30Amp (Not Shown)	
37E	7024486	NLA	Boot, Breaker (Use p/n 70001696 - Not Shown)	
37E	7026597	1	Connector, with Leads (Not Shown)	
37E	7026188	1	Clamp, Cable (Not Shown)	
37E		Ref	Plate, End Panel Options:	
37E	70001972	NLA	Caterpillar Engine (Use p/n 70004170)	
37E	70002255	NLA	Deutz Engine (Use p/n 70004169)	
37E	70001974	1	Decal - Terminal Connections	
37F	70001973	1	Decal - Warning Moving Parts	
38	3311005	2	Nut #10	
39	2820031	1	Insulator	
40	3311405	1	Nut 1/4	
41		Ref	Pulley Options:	
41	3580316	1	Pulley (Caterpillar Engine)	
41	3580320	1	Pulley (Deutz Engine)	
42	3580317	1	Tensioner, Belt	
43	3580318	1	Pulley	
44	0641618	1	Bolt 3/8 x 2-1/4	
45	4751000	4	Washer #10	
46	4751400	2	Washer 1/4	
47	4791400	2	Washer 1/4	
48	0861572	1	Control Box Assembly	
48	7024488	1	Card, Circuit - Generator Power	
48	See Note	NSS	Fuse (Note: Not Available - Purchase Locally)	
48	7024489	1	Card, Circuit - Control	
		Ref	Note: Same Circuit Card (P/N 7024489) is used for both 60Hz & 50Hz. When replacing card, rocker switch on card must be set for required application.	
48	70000619	1	Harness, Circuit Card	
49	4922925	1	Harness, Generator	

SECTION 2 - TURNTABLE

ITEM	PART NUMBER	QTY	DESCRIPTION	REV
50	4711600	1	Washer 3/8	
51	4300157	1	Stud (Deutz Engine)	
52	3311801	1	Nut 1/2	
53	0100062	1	Loctite, #RC680	
54	0771415	1	Bolt M14 x 35 Grade 10.9 (Deutz Engine)	
	0861567	Ref	JUNCTION BOX ASSEMBLY	B
101	0861541	1	Box, Junction	
102	See Note	NSS	Cable, Electrical 12/3 (Note: Not Available - Purchase Locally)	
103	See Note	NSS	Cable, Electrical 10/3 (Note: Not Available - Purchase Locally)	
104	1705376	1	Decal - Wiring Schematic	
105	3300396	1	Cover, Fuse	
106	3310601	2	Nut 6-32NC	
107	3520189	1	Plug	
109	3910610	2	Bolt #6 x 5/8	
110	4360070	1	Circuit Breaker - 15Amp	
116	4460425	2	Strain Relief, Terminal	
117	4460426	2	Connector, Strain Relief	
121	4750600	4	Washer #6 Regular	
122	4760600	2	Washer #6	
128		Ref	Terminal Block Assembly Options (See Items 401-410 for Breakdown):	
128	NPN	1	Gray Terminal Block Assembly	
128	1001121340	1	Tan Terminal Block Assembly	
	0272589	Ref	DECAL INSTALLATION	A
201	1705460	2	Decal - SkyPower	
203	1705461	1	Decal - 240V - 3 Phase	
204	1705489	3	Decal, Hazardous Voltage	
	4933264	Ref	ELECTRICAL DIAGRAM COMPONENTS	C
301	4922757	1	Generator Harnes (See ELECTRICAL SECTION for Breakdown)	3-C
301A	4460374	2	Plug, Sealed Relay	
301A	4460375	7	Terminal	
301B	4460967	1	Plug, Male - 3 Position	
301B	4460465	3	Socket, Female	
301C	2400060	1	Fuseholder (Not Shown)	
301C	2400064	1	Fuse - 5Amp (Not Shown)	
304	4922641	1	Switch Harness	
		Ref	TERMINAL BLOCK ASSEMBLY	
	NPN	Ref	Gray Terminal Block Assembly (Complete Assembly Not Available - Purchase Individual Components)	
	1001121340	Ref	Tan Terminal Block Assembly	A
401		Ref	Marker Strip #1 Options:	
401	4460411	2	Gray Terminal Block Assembly	
401	70002818	2	Tan Terminal Block Assembly	
402		Ref	Marker Strip #2 Options:	
402	4460412	4	Gray Terminal Block Assembly	
402	70002819	4	Tan Terminal Block Assembly	
403		Ref	Marker Strip #3 Options:	
403	4460413	2	Gray Terminal Block Assembly	
403	70002820	2	Tan Terminal Block Assembly	
404		Ref	Marker Strip #4 Options:	
404	4460414	2	Gray Terminal Block Assembly	
404	70002821	2	Tan Terminal Block Assembly	

SECTION 2 - TURNTABLE

ITEM	PART NUMBER	QTY	DESCRIPTION	REV
405		Ref	Marker Strip #5 Options:	
405	4460415	AR	Gray Terminal Block Assembly	
405	70002822	4	Tan Terminal Block Assembly	
406		Ref	Terminal, End Barrier Options:	
406	4460956	1	Gray Terminal Block Assembly	
406	70002823	1	Tan Terminal Block Assembly	
407		Ref	Terminal, End Block Options:	
407	4460607	2	Gray Terminal Block Assembly	
407	70002824	2	Tan Terminal Block Assembly	
408		Ref	Terminal, Block Options:	
408	4460957	AR	Gray Terminal Block Assembly	
408	70002825	7	Tan Terminal Block Assembly	
409		Ref	Terminal, Cross Connector Jumper Options:	
409	4461001	2	Gray Terminal Block Assembly	
409	70002826	2	Tan Terminal Block Assembly	
410	3641533	1	Rail, Relay	

SECTION 3 - BOOM

SECTION 3 - BOOM

FIGURE 3-1. BOOM INSTALLATIONS

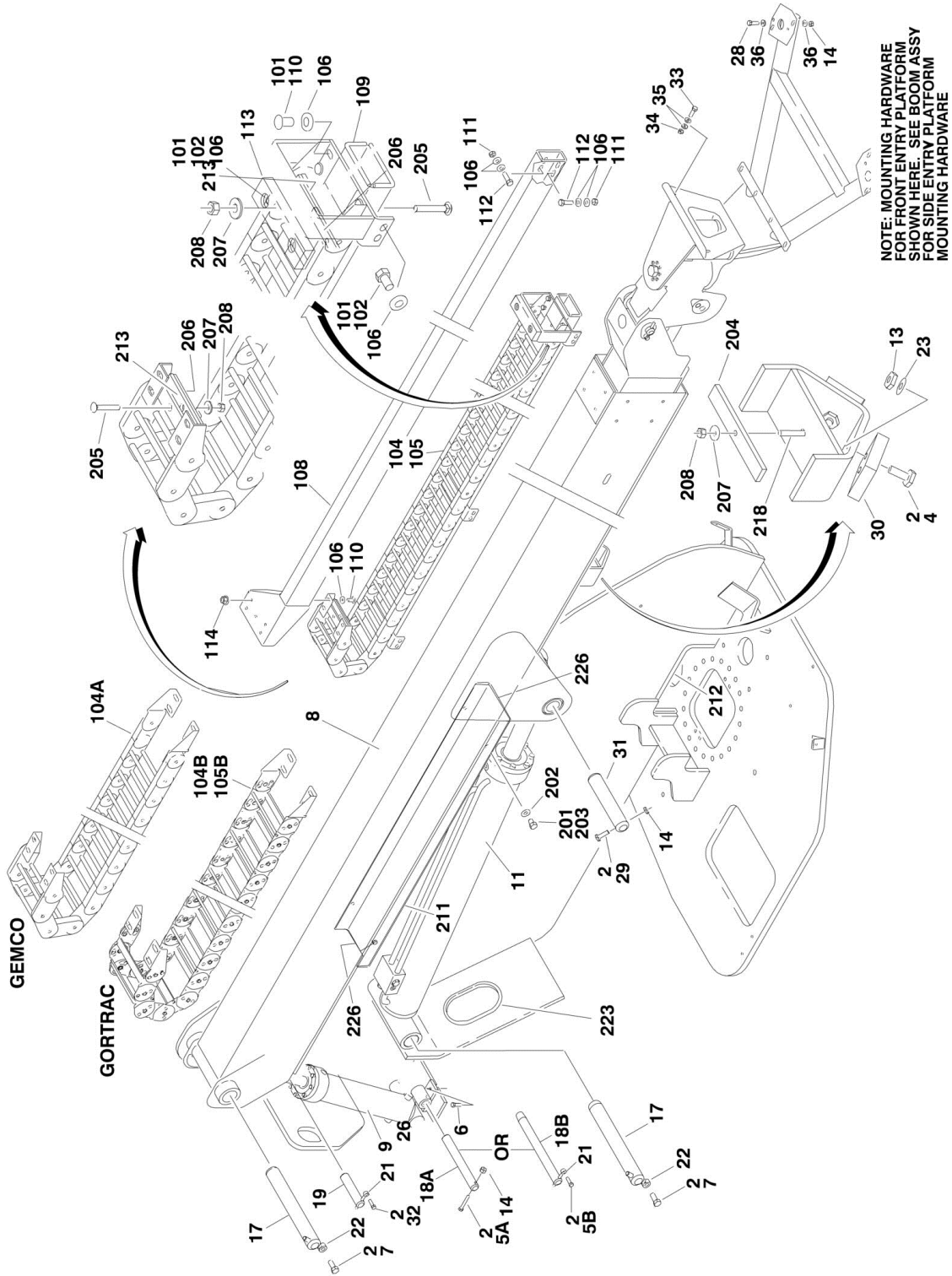


FIGURE 3-1. BOOM INSTALLATIONS

ITEM	PART NUMBER	QTY	DESCRIPTION	REV
		Ref	BOOM AND CYLINDERS INSTALLATION	
	0259135	Ref	Australian Spec 400S (Front Entry Platform)	H
	0259136	Ref	Australian Spec 460SJ (Front Entry Platform)	F
	0270295	Ref	CE Spec 400S (Front Entry Platform)	B
	0270296	Ref	CE Spec 460SJ (Front Entry Platform)	B
	0272591	Ref	Australian and CE Specs 400S (Side Entry Platform) (Prior to SN 0300074573)	A
	0273065	Ref	Australian and CE Specs 400S (Side Entry Platform) (SN 0300074573 through 0300096000)	A
	0272592	Ref	Australian and CE Specs 460SJ (Side Entry Platform) (Prior to SN 0300074573)	A
	0272999	Ref	Australian and CE Specs 460SJ (Side Entry Platform) (SN 0300074573 through 0300096000)	A
2	0100011	AR	Compound, Locking	
4	0641610	4	Bolt 3/8in-16NC x 1-1/4in	
5		Ref	Bolt Options:	
5A	0641620	1	Bolt 3/8in-16NC x 2-1/2in (Prior to SN 0300074573)	
5B	0641608	1	Bolt 3/8in-16NC x 1in (SN 0300074573 through 0300096000)	
6	0641814	4	Bolt 1/2in-13NC x 1-3/4in (Prior to SN 0300074573)	
7	0642012	2	Bolt 5/8in-11NC x 1-1/2in	
8		Ref	Boom Assembly Options:	
8		Ref	Boom Assembly 400S (See BOOM ASSEMBLY - 400S for Breakdown)	
8	0801223	1	Australian Spec (Front Entry Platform)	
8	0801244	1	CE Spec (Front Entry Platform)	
8	0801359	1	Australian/CE Spec (Side Entry Platform)	
8		Ref	Boom Assembly 460SJ (See BOOM ASSEMBLY - 460SJ for Breakdown)	
8	0801186	1	Australian Spec (Front Entry Platform)	
8	0801245	1	CE Spec (Front Entry Platform)	
8	0801360	1	Australian/CE Spec (Side Entry Platform)	
9		Ref	Master Cylinder Assembly Options (See CYLINDER SECTION for Breakdown):	
9	1683951	1	Cylinder,Master (Prior to SN 0300074573)	
9	1684284	NLA	Cylinder,Master (Use p/n 1001140587) (SN 0300074573 through 0300096000)	
11	1683776	1	Lift Cylinder Assembly (See CYLINDER SECTION for Breakdown)	
13	3311601	4	Nut 3/8in-16NC	
14	3311605	AR	Locknut 3/8in-16NC	
17	3422564	2	Pin, Pivot	
18		Ref	Pin, Pivot Options:	
18A	3422690	1	Pin, Pivot (Prior to SN 0300074573)	
18B	3422566	1	Pin, Pivot (SN 0300074573 through 0300096000)	
19	3422561	1	Pin, Pivot	
21	3841143	AR	Keeper, Pin - 3/8in	
22	3841258	2	Keeper, Pin - 5/8in	
23	4711600	8	Flatwasher 3/8in Thin	
26	4846128	2	Cylinder Mount Weldment Only (Prior to SN 0300074573)	
28	0681610	6	Bolt 3/8in-16NC x 1-1/4in (Grade 8) (Front Entry Platform)	
29	0681632	1	Bolt 3/8in-16NC x 4in (Grade 8)	
30	3340853	2	Pad, Boom Rest	

SECTION 3 - BOOM

ITEM	PART NUMBER	QTY	DESCRIPTION	REV
31	3422851	1	Pin, Boom Lift	
32	0641605	1	Bolt 3/8in-16NC x 5/8in	
33	0641820	2	Bolt 1/2in-13NC x 2-1/2in (Front Entry Platform)	
34	3311805	2	Locknut 1/2in-13NC (Front Entry Platform)	
35	4751800	4	Flatwasher 1/2in Regular (Front Entry Platform)	
36	4751600	12	Flatwasher 3/8in Regular (Front Entry Platform)	
		Ref	POWERTRACK INSTALLATION	
	0270213	Ref	Standard Powertrack	C
	0272897	Ref	Inverted Powertrack	B
101	0100011	AR	Compound, Locking	
102	0641605	10	Bolt 3/8in-16NC x 5/8in	
104		Ref	Power Track Assembly Options:	
		Ref	Note: Original Power Track may have been replaced with a Service Replacement. Visually identify the power track before ordering parts.	
104	1180336	NLA	Standard Power Track Assembly (Original Equipment) (Use p/n 1001225901)	
104	1001099830	NLA	Standard Power Track Assembly (Service Replacement) (Use p/n 1001225901)	
104	1001225901	1	Standard Power Track Assembly (Service Replacement)	
104A		Ref	Gemco Brand Replacement Parts:	
104A	7006140	AR	Repair Section for p/n 1180336 Power Track (Includes 10 Link Pins, 4 Radius Links, 8 Carrier Links, 4 Rod Carrier, 8 Screws, 10 Slugs and 20 Bearing Plates)	
104A	7006151	2 pr.	Feet, Mounting for p/n 1180336 Power Track (Includes 2 Round Spacers, Left and Right Mounting Feet)	
104A	7006152	AR	Pin Kit for p/n 1180336 Power Track (Includes 1 Pin, 1 Retaining Ring and Set of 4 Washers (Different Sizes))	
104B		Ref	Gortrac Brand Replacement Parts:	
104B	70001994	AR	Repair Section - 1001099830 Power Track	
104B	70001995	1	Mounting Bracket Kit for 1001099830 Power Track	
104B	70006268	AR	Repair Section - 1001225901 Power Track	
104B	70006277	1	Mounting Bracket Kit for 1001225901 Power Track	
105	1180379	1	Inverted Power Track Assembly	
105B	7016505	AR	Repair Section for 1180379 Power Track (Includes extra pin assemblies for each end but no mounting feet)	
105B	7016524	2 pr.	Feet, Mounting for 1180379 Power Track (Includes 1 each of Left and Right Mounting Feet)	
105B	7006137	AR	Pin Kit for 1180379 Power Track (Includes 1 Pin, 1 Retaining Ring and Set of 4 Washers (Different Sizes))	
106	4711600	26	Flatwasher 3/8in Thin	
108	4846216	1	Tube, Push	
109	4846186	1	Tube, Carrier	
110	3900283	8	Screw, Button Head 3/8in-16NC x 3/4in	
111	3311601	4	Nut 3/8in-16NC	
112	0641609	4	Bolt 3/8in-16NC x 1-1/8in	
113	3340453	1	Pad, Wear	
114	3311608	4	Nut, Flanged 3/8in-16NC	
		Ref	BOOM CABLES INSTALLATION	
	0259191	Ref	Boom Cables Installation 400S (Prior to SN 0300064404)	9
	0271162	Ref	Boom Cables Installation 400S (SN 0300064404 through 0300096000)	8
	0272612	Ref	Boom Cables Installation 400S (7500w 60Hz Generator - SkyPower)	4

SECTION 3 - BOOM

ITEM	PART NUMBER	QTY	DESCRIPTION	REV
	0259192	Ref	Boom Cables Installation 460SJ (Prior to SN 0300064404)	9
	0271161	Ref	Boom Cables Installation 460SJ (SN 0300064404 through 0300096000)	8
	0272613	Ref	Boom Cables Installation 460SJ (7500w 60Hz Generator - SkyPower)	4
201	0100011	AR	Compound, Locking	
202	4711600	4	Flatwasher 3/8in Thin	
203	0641604	4	Bolt 3/8in-16NC x 1/2in	
204	3572200	1	Clamp, Block	
205	0630566	2	Bolt, Carriage 5/16in-18NC x 2-1/4in	
206	3572345	4	Clamp, Block	
207	4751500	3	Flatwasher 5/16in Regular	
208	3311505	3	Locknut 5/16in-18NC	
211	3572165		Cover	
212	4060919	6 ft/1.8m	Trim, Protection	
213	3340897	2	Pad	
218	0641516	1	Bolt 5/16in-18NC x 2in	
223	4060808	5 ft/1.5m	Trim, Protection	
226	4060805	1.5 ft/ 0.5m	Trim, Protection	

SECTION 3 - BOOM

FIGURE 3-2. BOOM ASSEMBLY - 400S

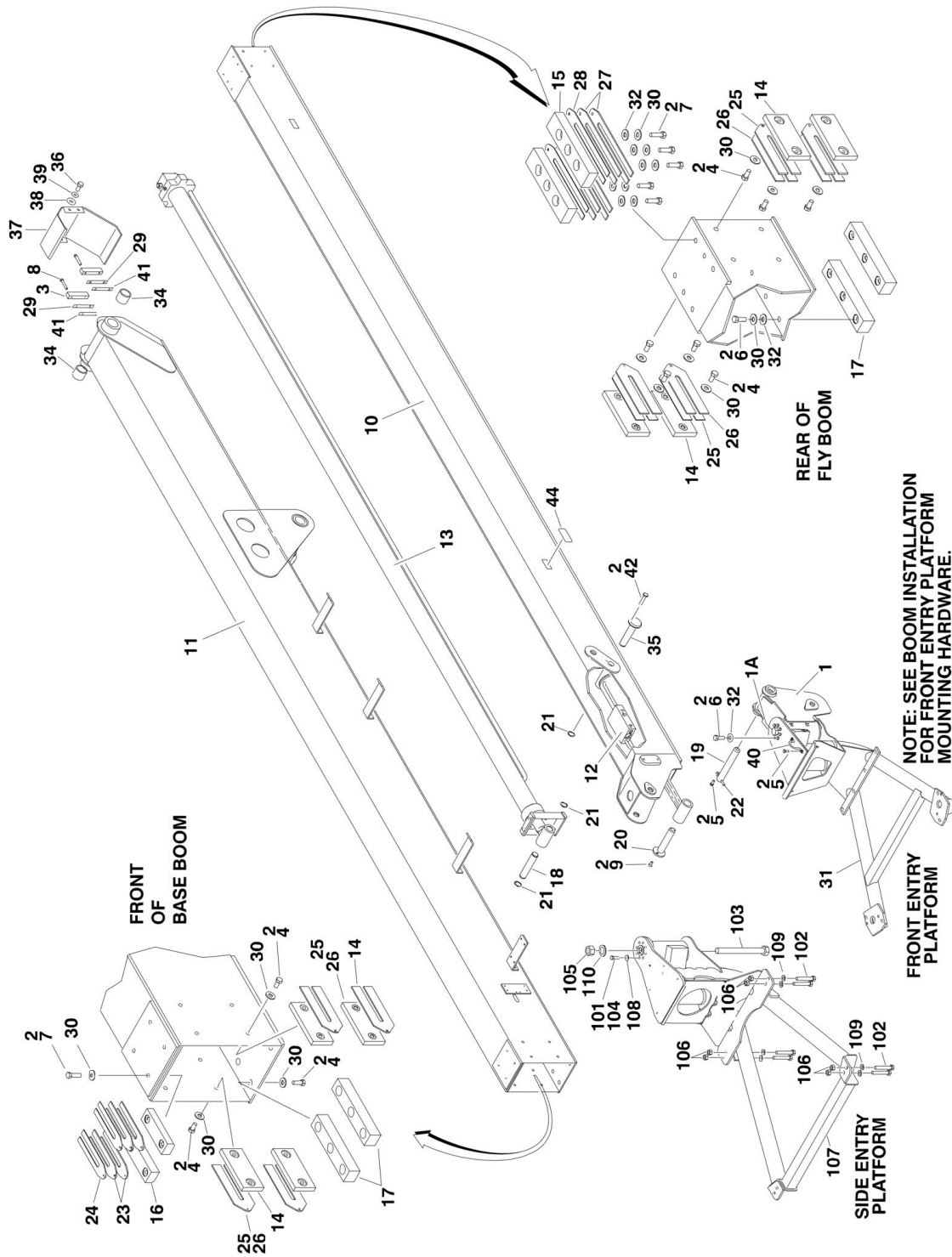


FIGURE 3-2. BOOM ASSEMBLY - 400S

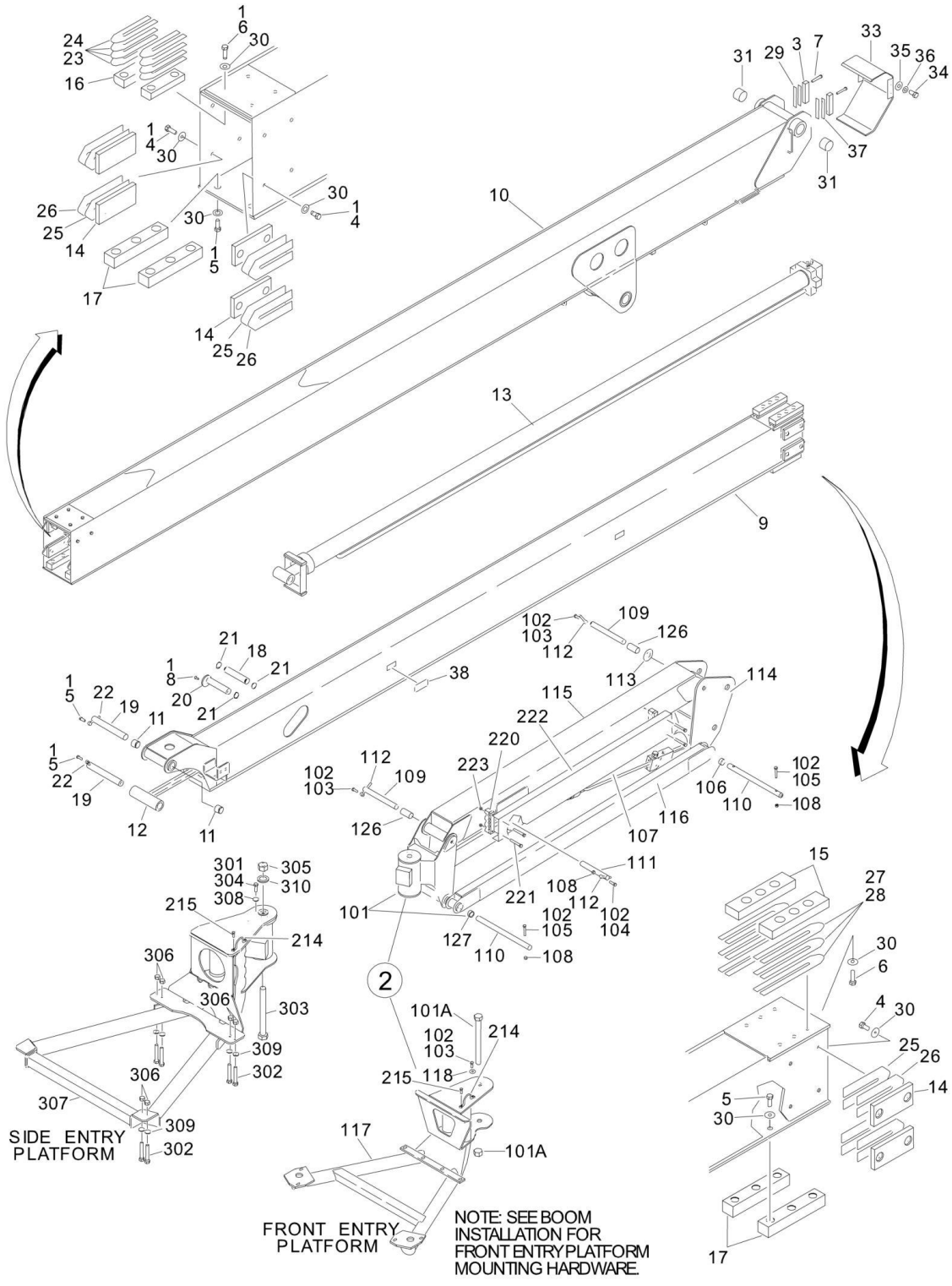
ITEM	PART NUMBER	QTY	DESCRIPTION	REV
		Ref	BOOM ASSEMBLIES - 400S	
	0801223	Ref	Australian Spec (Front Entry Platform)	N
	0801244	Ref	CE Spec (Front Entry Platform)	F
	0801359	Ref	Australian/CE Spec (Side Entry Platform)	A
1		Ref	Rotator Assembly Options (See ROTATOR ASSEMBLIES for Breakdown):	
1	0060047	NLA	Rotator Assembly (Use p/n 0060059) (Prior to SN 0300052800)	
1	0060059	1	Rotator Assembly (SN 0300052800 through 0300096000)	
1A	See Note	AR	Hardware Kit (Note: Use items 103, 105 & 110 as Service Replacement)	
2	0100011	AR	Compound, Locking	
3	0561185	2	Block, Telescope Cylinder Attach	
4	0641606	16	Bolt 3/8in-16NC x 3/4in	
5	0641605	1	Bolt 3/8in-16NC x 5/8in	
6	0641608	20	Bolt 3/8in-16NC x 1in	
7	0641610	10	Bolt 3/8in-16NC x 1-1/4in	
8	0641616	2	Bolt 3/8in-16NC x 2in	
9	0741607	1	Screw, Flathead Socket 3/8in-16NC x 7/8in (Prior to SN 0300066372)	
10	0801213	1	Boom, Fly	
11	0801215	1	Boom, Base	
12	1683778	NLA	Level (Platform Slave) Cylinder Assembly (Use p/n 1001140586) (See CYLINDER SECTION for Breakdown)	
13		Ref	Telescope Cylinder Assembly Options (See CYLINDER SECTION for Breakdown):	
13	1683897	NLA	Telescope Cylinder Assembly (Use p/n 1684194) (Prior to SN 0300066372)	
13	1684194	1	Telescope Cylinder Assembly (SN 0300066372 through 0300096000)	
14	3340867	8	Pad, Wear (Fly Rear Sides and Base Front Sides)	
15	3340868	2	Pad, Wear (Fly Rear Top)	
16	3340869	2	Pad, Wear (Base Front Top)	
17	3340870	4	Pad, Wear (Fly Rear Bottom and Base Front Bottom)	
18	3422457	1	Pin, Telescope Cylinder	
19	3422582	1	Pin, Pivot	
20	3422865	1	Pin, Pivot	
21	3760133	3	Ring, Retaining	
22	3841143	1	Keeper, Pin	
23	4070497	4	Shim 1/8in	
24	4070498	2	Shim 1/16in	
25	4070501	8	Shim 1/8in	
26	4070502	2	Shim 1/16in	
27	4070503	4	Shim 1/8in	
28	4070504	2	Shim 1/16in	
29	4070929	2	Shim 1/8in	
30	4751600	26	Flatwasher 3/8in Regular	
31		Ref	Support Weldment Options:	
31	4846137	1	Australian Spec with Front Entry Platform	
31	4846263	1	CE Spec with Front Entry Platform	
31	See Note	1	All Side Entry Platform (Note: See Items 101-110 for Breakdown)	

SECTION 3 - BOOM

ITEM	PART NUMBER	QTY	DESCRIPTION	REV
32	4711600	20	Flatwasher 3/8in Thin	
33	0961951	2	Bushing	
34	0961950	2	Bushing	
35	3422859	1	Pin	
36	0641406	4	Bolt 1/4in-20NC x 3/4in	
37	4060995	1	Shield, Rear	
38	4751400	4	Flatwasher 1/4in Regular	
39	4761400	4	Lockwasher 1/4in	
40	3841340	1	Rod, Hose Loop (Front Entry Platform)	
41	4071007	2	Shim, 20 Gauge	
42	0741605	AR	Screw, Flathead Socket 3/8in-16NC x 5/8in	
44	1670836	6	Cover (SN 0300066372 through 0300096000)	
		Ref	PLATFORM SUPPORT INSTALLATIONS (SIDE ENTRY PLATFORM)	
	0272070	Ref	Australian Spec	B
	See Note	Ref	CE Spec	
	See Note	Ref	Machines without Load Sensing and with SkyGlazier (Note: For Replacement Parts, Contact JLG Customer Service and Request Manual p/n 3124242)	
	See Note	Ref	Machines with Load Sensing and without SkyGlazier (Note: For Replacement Parts, Contact JLG Customer Service and Request Manual p/n 3124287)	
	See Note	Ref	Machines with Load Sensing and with SkyGlazier (Note: For Replacement Parts, Contact JLG Customer Service and Request Manual p/n 3124287)	
101	0100011	AR	Compound, Locking	
102	0641812	8	Bolt 1/2in-13NC x 1-1/2in	
103	0642682	1	Bolt 1in-8NC x 10-1/4in	
104	0681608	8	Bolt 3/8in-16NC x 1in	
105	3272605	1	Locknut 1in-8NC	
106	3311805	8	Locknut 1/2in-13NC	
107		Ref	Support Weldment	
107	4846573	1	Australian Spec	
107	See Note	1	CE Spec (Note: See JLG Supplement p/n 3124287)	
108	4891600	8	Flatwasher 3/8in Hardened	
109	4891800	8	Flatwasher 1/2in Hardened	
110	4892600	1	Flatwasher 1in Hardened	

SECTION 3 - BOOM

FIGURE 3-3. BOOM ASSEMBLY - 460SJ



SECTION 3 - BOOM

FIGURE 3-3. BOOM ASSEMBLY - 460SJ

ITEM	PART NUMBER	QTY	DESCRIPTION	REV
		Ref	BOOM ASSEMBLIES - 460SJ	
	0801186	Ref	Australian Spec (Front Entry Platform)	K
	0801245	Ref	CE Spec (Front Entry Platform)	D
	0801360	Ref	Australian/CE Spec (Side Entry Platform)	K
1	0100011	AR	Compound, Locking	
2		Ref	Jib Assembly Options (See Items 101-127 for Breakdown):	
2	0259856	1	Australian Spec with Front Entry Platform	
2	0270294	1	CE Spec with Front Entry Platform	
2	0272593	1	All Specs with Side Entry Platform	
3	0561185	2	Block, Telescope Cylinder Attach	
4	0641606	16	Bolt 3/8in-16NC x 3/4in	
5	0641608	14	Bolt 3/8in-16NC x 1in	
6	0641610	10	Bolt 3/8in-16NC x 1-1/4in	
7	0641616	2	Bolt 3/8in-16NC x 2in	
8	0741605	1	Screw, Flathead Socket 3/8in-16NC x 5/8in	
9	0801214	1	Boom, Fly	
10	0801216	1	Boom, Base	
11	0961951	2	Bushing	
12	1684013	1	Platform Level Cylinder Assembly (See CYLINDER SECTION for Breakdown)	
13		Ref	Telescope Cylinder Assembly Options (See CYLINDER SECTION for Breakdown):	
13	1683897	NLA	Front Entry Platform (Use p/n 1684194)	
13	1684194	1	Side Entry Platform	
14	3340867	8	Pad, Wear (Fly Rear Sides and Base Front Sides)	
15	3340868	2	Pad, Wear (Fly Rear Top)	
16	3340869	2	Pad, Wear (Base Front Top)	
17	3340870	4	Pad, Wear (Fly Rear Bottom and Base Front Bottom)	
18	3422457	1	Pin, Telescope Cylinder	
19	3422561	2	Pin, Pivot	
20	3422859	1	Pin, Pivot	
21	3760133	3	Ring, Retaining	
22	3841143	2	Keeper, Pin	
23	4070497	4	Shim 1/8in	
24	4070498	4	Shim 1/16in	
25	4070501	8	Shim 1/8in	
26	4070502	8	Shim 1/16in	
27	4070503	2	Shim 1/8in	
28	4070504	4	Shim 1/16in	
29	4070929	2	Shim 1/8in	
30	4751600	26	Flatwasher 3/8in Regular	
31	0961950	2	Bearing	
32	4711600	12	Flatwasher 3/8in Regular	
33	4060995	1	Cover, Rear	
34	0641406	4	Bolt 1/4in-20NC x 3/4in	
35	4751400	4	Flatwasher 1/4in Regular	
36	4761400	4	Lockwasher 1/4in	
37	4071007	2	Shim, 20 Gauge	
38	1670836	6	Cover (SN 0300066372 through 0300096000)	
		Ref	JIB ASSEMBLIES	

SECTION 3 - BOOM

ITEM	PART NUMBER	QTY	DESCRIPTION	REV
	0259856	Ref	Australian Spec with Front Entry Platform	G
	0270294	Ref	CE Spec with Front Entry Platform	C
	0272593	Ref	All Specs with Side Entry Platform	A
101	0060048	1	Rotator Assembly (See ROTATOR ASSEMBLIES for Breakdown)	
101A	See Note	AR	Hardware Kit (Note: Use items 303, 305 & 310 as Service Replacement)	
102	0100011	AR	Compound, Locking	
103	0641608	AR	Bolt 3/8in-16NC x 1in	
104	0641610	1	Bolt 3/8in-16NC x 1-1/4in	
105	0641618	4	Bolt 3/8in-16NC x 2-1/4in	
106	0961947	AR	Bushing	
		Ref	Note: When replacing 106, recommend using qty 4. Original Equipment qty was 2.	
107	1683609	NLA	Jib Lift Cylinder Assembly (Use p/n 1001248012) (Original Equipment) (See CYLINDER SECTION for Breakdown)	
107	1001228012	NLA	Jib Lift Cylinder Assembly (Use p/n 1001248012) (Service Replacement) (See CYLINDER SECTION for Breakdown)	
107	1001248012	1	Jib Lift Cylinder Assembly (Service Replacement) (See CYLINDER SECTION for Breakdown)	
108	3311605	5	Locknut 3/8in-16NC	
109	3422860	2	Pin, Pivot	
110	3422861	2	Pin, Pivot	
111	3422867	1	Pin, Pivot	
112	3841143	3	Keeper, Pin - 3/8in	
113	4740439	2	Thrustwasher	
114	4844815	1	Pivot Weldment	
115	4844816	1	Tube (Top) (Includes Item 126 p/n 0962335)	
116	4844817	2	Tube (Bottom)	
117		Ref	Support Weldment Options:	
117	4846137	1	Australian Spec with Front Entry Platform	
117	4846263	1	CE Spec with Front Entry Platform	
117	See Note	1	All Specs with Side Entry Platform (Note: See Items 301-310)	
118	4711600	8	Flatwasher 3/8in Thin (Front Entry Platform)	
126	0961947	NLA	Bushing (Part of Item 115) (Use p/n 0962335)	
127	0961947	2	Bushing (Part of Item 101)	
		Ref	BOOM CABLES INSTALLATION	
	0259192	Ref	Boom Cables Installation 460SJ (Prior to SN 0300064404)	9
	0271161	Ref	Boom Cables Installation 460SJ (SN 0300064404 through 0300096000)	8
	0272613	Ref	Boom Cables Installation 460SJ (7500w 60Hz Generator - SkyPower)	4
214	3841340	1	Rod, Hose Loop	
215	0641605	2	Bolt 3/8in-16NC x 5/8in	
220	0561237	2	Clamp, Block	
221	0641416	4	Bolt 1/4in-20NC x 2in	
222	1670769	1	Cover	
223	2080044	4	Fastener, Rivnut	
		Ref	PLATFORM SUPPORT INSTALLATIONS (SIDE ENTRY PLATFORM)	
	0272070	Ref	Australian Spec	
	See Note	Ref	CE Spec(Note: Refer to JLG Supplement p/n 3124287 unless equipped with SkyGlazier)	B
301	0100011	AR	Compound, Locking	

SECTION 3 - BOOM

ITEM	PART NUMBER	QTY	DESCRIPTION	REV
302	0641812	8	Bolt 1/2in-13NC x 10-1/2in	
303	0642682	1	Bolt 1in-8NC x 10-1/4in	
304	0681608	8	Bolt 3/8in-16NC x 1in	
305	3272605	1	Locknut 1in-8NC	
306	3311805	8	Locknut 1/2in-13NC	
307		Ref	Support Weldment	
307	4846573	1	Australian Spec	
307	See Note	1	CE Spec (Note: See JLG Supplement p/n 3124287)	
308	4891600	8	Flatwasher 3/8in Hardened	
309	4891800	8	Flatwasher 1/2in Hardened	
310	4892600	1	Flatwasher 1in Hardened	

SECTION 3 - BOOM

FIGURE 3-4. ROTATOR ASSEMBLIES

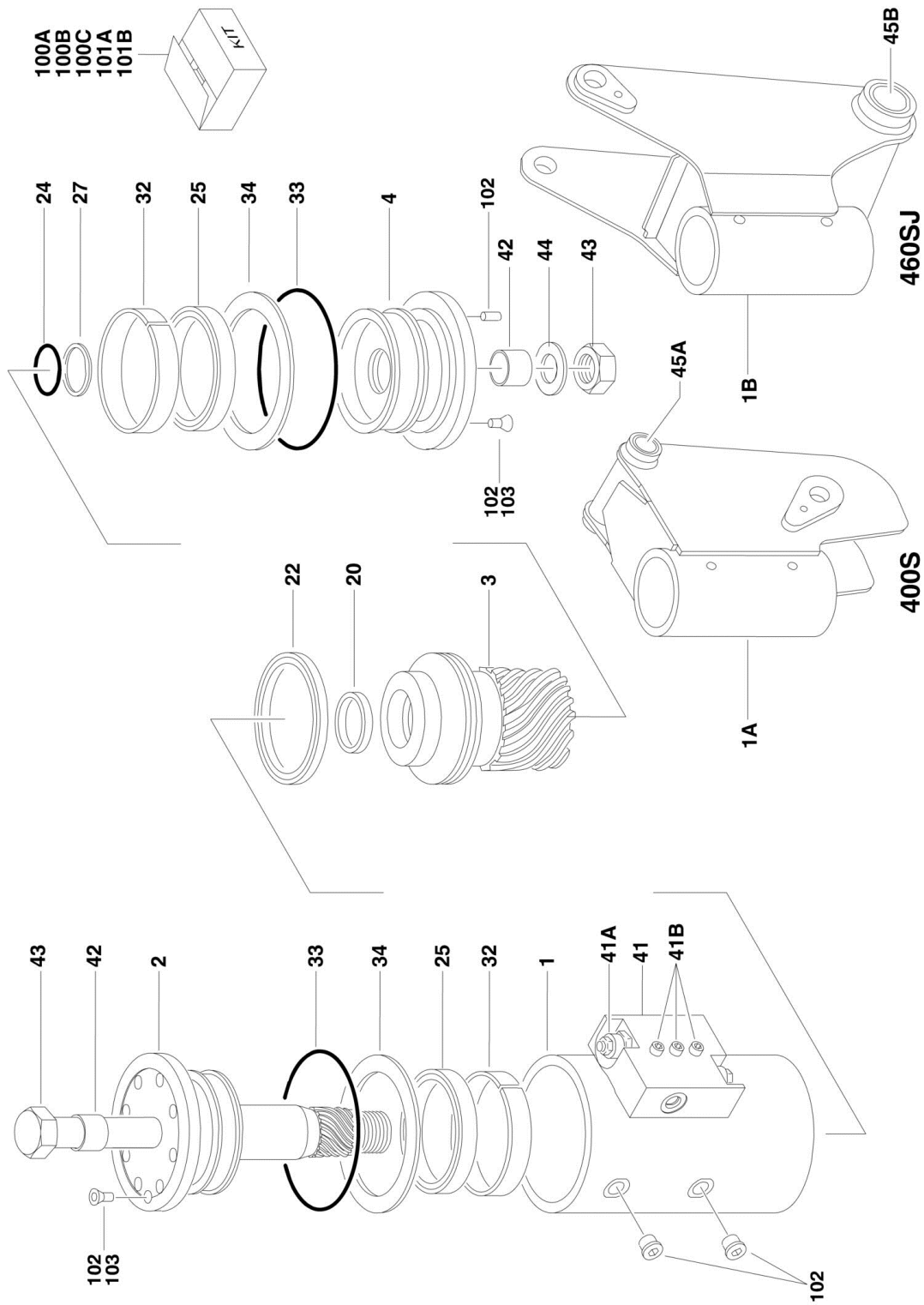


FIGURE 3-4. ROTATOR ASSEMBLIES

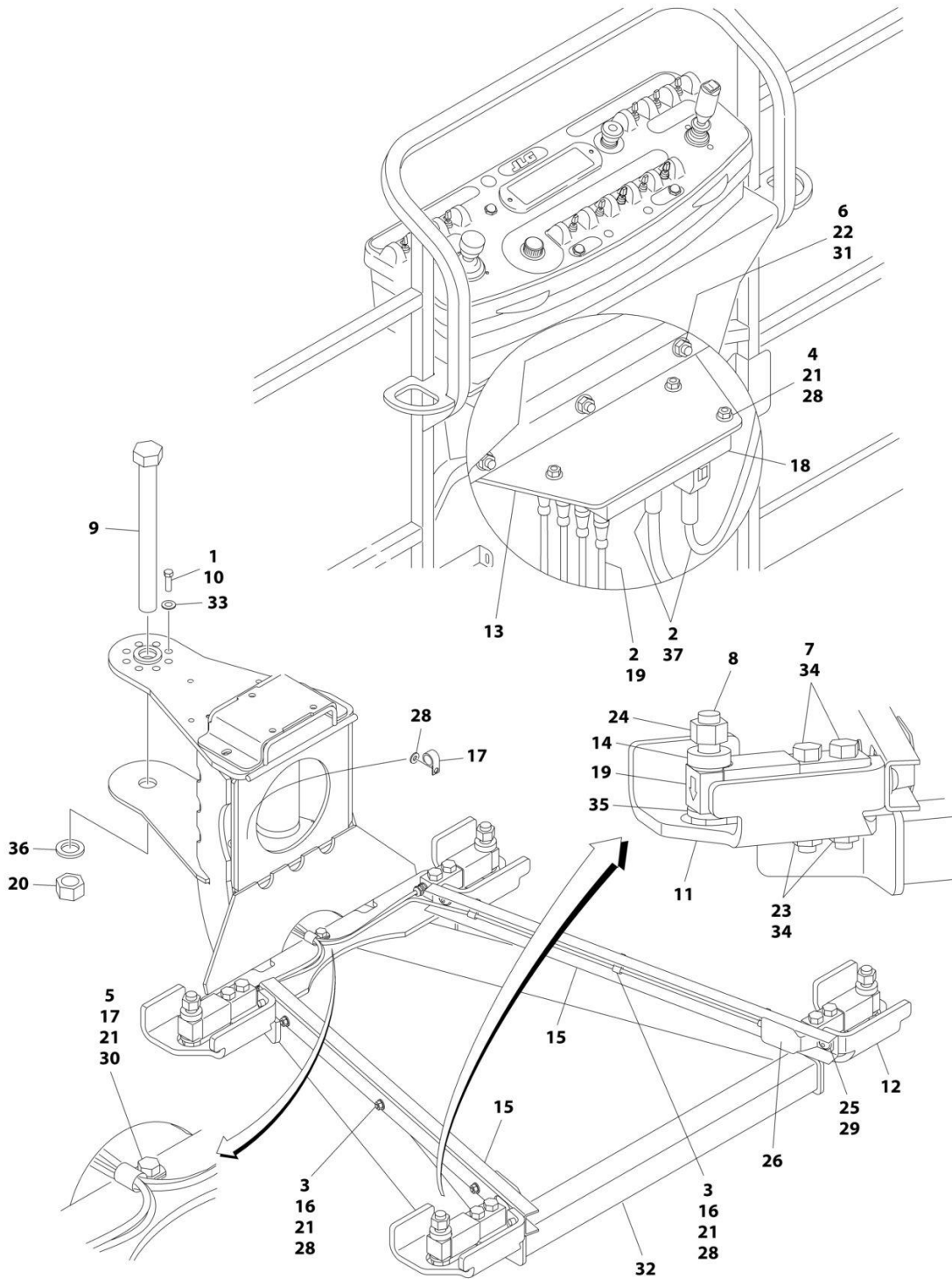
ITEM	PART NUMBER	QTY	DESCRIPTION	REV
		Ref	ROTATOR ASSEMBLIES	
	See Note	Ref	Rotator Assemblies 400S (Note: Was p/n 0060047 - use p/n 0060059 as Service Replacement) (Prior to SN 0300054365)	E
	0060059	Ref	Rotator Assemblies 400S (SN 0300054365 through 0300096000)	E
	0060048	Ref	Rotator Assemblies 460SJ	G
1	See Note	1	Housing/Ring Gear Assembly (Note: Not Available - Purchase Complete Rotator Assembly)	
2		Ref	Shaft Weldment Options:	
2	7017140	1	Shaft Weldment (Prior to SN 0300052800)	
2	7017162	1	Shaft Weldment (SN 0300052800 through 0300096000)	
3		Ref	Piston/Sleeve Assembly Options:	
3	7017139	1	Piston/Sleeve Assembly (Prior to SN 0300052800)	
3	7017163	1	Piston/Sleeve Assembly (SN 0300052800 through 0300096000)	
4		Ref	Cap, End Options:	
4	7017148	1	Cap, End (Prior to SN 0300052800)	
4	7017164	1	Cap, End (SN 0300052800 through 0300096000)	
20	See Note	1	T-Seal (Note: Use Item 100A, 100B or 100C)	
22	See Note	1	T-Seal (Note: Use Item 100A, 100B or 100C)	
24	See Note	1	O-Ring (Note: Use Item 100A, 100B or 100C)	
25	See Note	2	Seal (Note: Use Item 100A, 100B or 100C)	
27	See Note	1	Ring, Back-up (Note: Use Item 100A, 100B or 100C)	
32	See Note	2	Ring, Wear (Note: Use Item 101A or 101B)	
33	See Note	2	Ring, Wiper (Note: Use Item 100A, 100B or 100C)	
34	See Note	2	Thrustwasher (Note: Use Item 101A or 101B)	
41		Ref	Valve Assembly Options:	
41	7017125	NLA	Valve Used (Use p/n 7017172) (Prior to SN 0300052800)	
41	7017172	1	Valve used (SN 0300052800 through 0300096000)	
41A		Ref	Cartridge, Valve Options:	
41A	7011323	2	Cartridge Used (Prior to SN 0300052800)	
41A	2900770	2	Seal Kit - 7011323 Valve	
41A	7017192	2	Cartridge Used (SN 0300052800 through 0300096000)	
41A	See Note	2	Seal Kit - 7017192 Valve (Note: Not Available for Purchase)	
41B	See Note	3	Bolt 1/4 x 1-1/2 (Grade 8) (Note: Not Available - Purchase Locally)	
42		Ref	Bushing Options:	
42	7017136	2	Bushing (Prior to SN 0300052800)	
42	7017195	2	Bushing (SN 0300052800 through 0300096000)	
43	See Note	1	Bolt and Nut (Note: Was p/n 7017143 for Machines Built Prior to SN 0300068836. P/N 7017143 is no longer available. Use hardware called out on Boom Assembly for Service Replacement)	
44	4892600	1	Flatwasher, Hardened Only - See Boom Assembly for (Prior to SN 0300068836, SN 0300068836 through 0300096000)	
45		Ref	Bushing Options:	
45A	0961951	2	Bushing 400S	
45B	0961947	2	Bushing 460SJ	
100		Ref	Seal Kit Options (Includes Items 20, 22, 24, 25, 27 & 33):	
100A	7017137	1	Standard (Prior to SN 0300052800)	
100B	7017158	1	Standard (SN 0300052800 through 0300096000)	

SECTION 3 - BOOM

ITEM	PART NUMBER	QTY	DESCRIPTION	REV
100C	70000342	1	Low Temperature (SN 0300052800 through 0300096000)	
101		Ref	Bearing Kit Options (Includes Items 32 & 34):	
101A	7017138	1	Bearing Kit (Prior to SN 0300052800)	
101B	7017159	1	Bearing Kit (SN 0300052800 through 0300096000)	
102	7017142	1	Hardware Kit	
103	70001697	4	Screw, Countersunk 1/4in-20NC x 3/8in (Grade 8)	

SECTION 3 - BOOM

FIGURE 3-5. PLATFORM SUPPORT INSTALLATION - WITH LSS



ART_0272703

SECTION 3 - BOOM

FIGURE 3-5. PLATFORM SUPPORT INSTALLATION - WITH LSS

ITEM	PART NUMBER	QTY	DESCRIPTION	REV
	0272703	Ref	PLATFORM SUPPORT INSTALLATION - WITH LSS & WITHOUT SKYGLAZIER	K
1	0100011	AR	Compound, Locking	
2	0100048	AR	Grease, Dielectric	
3	0641405	6	Bolt 1/4 x 5/8	
4	0641416	3	Bolt 1/4 x 2	
5	0641407	1	Bolt 1/4 x 7/8	
6	0641516	3	Bolt 5/16 x 2	
7	0641822	8	Bolt 1/2 x 2-3/4	
8	0642024	4	Bolt 5/8 x 3	
9	0642684	1	Bolt 1 x 10-1/2	
10	0681608	8	Bolt 3/8 x 1 Grade 8	
11	0902919	2	Bracket, Cell Guard	
12	0902920	2	Bracket, Cell Guard	
13	0902894	1	Bracket, Module Mount	
14	0962450	4	Bushing, Spacer	
15	1271538	2	Channel	
16	1320136	6	Clamp	
17	1320224	2	Clamp	
18	1600387	1	Module, Control - LSS (Note: Recalibration Required When Replaced)	
19	2420202	4	Cell, Load (Includes Cable)	
20	3272605	1	Nut 1 Grade 8	
21	3311405	10	Nut 1/4	
22	3311508	3	Nut 5/16	
23	3311805	8	Nut 1/2	
24	3312005	4	Nut 5/8	
25	3900283	4	Screw 3/8 x 3/4	
26	4061054	2	Shield	
27	4240033	AR	Tie-Strap (Not Shown)	
28	4711400	10	Washer 1/4	
29	4711600	4	Washer 3/8	
30	4751400	1	Washer 1/4	
31	4751500	3	Washer 5/16	
32	4846573	1	Support, Platform	
33	4891600	8	Washer 3/8	
34	4891800	8	Washer 1/2	
35	4892000	4	Washer 5/8	
36	4892600	1	Washer 1	
37	4922869	1	LSS Harness	
37	4922705	1	Analyzer Harness (Not Shown)	
37	4460761	1	Receptacle, Female - 4 Position (Not Shown)	
37	4460226	2	Socket, Female	
37	4460836	1	Connector - 12 Position (Black) (J2)	
37	4460465	2	Socket, Female	
37	4460466	10	Plug, Terminal	
37	0840055	1	Boot	
37	4460933	1	Connector - 12 Position (Grey) (J1)	
37	4460465	3	Socket, Female	
37	4460466	9	Plug, Terminal	

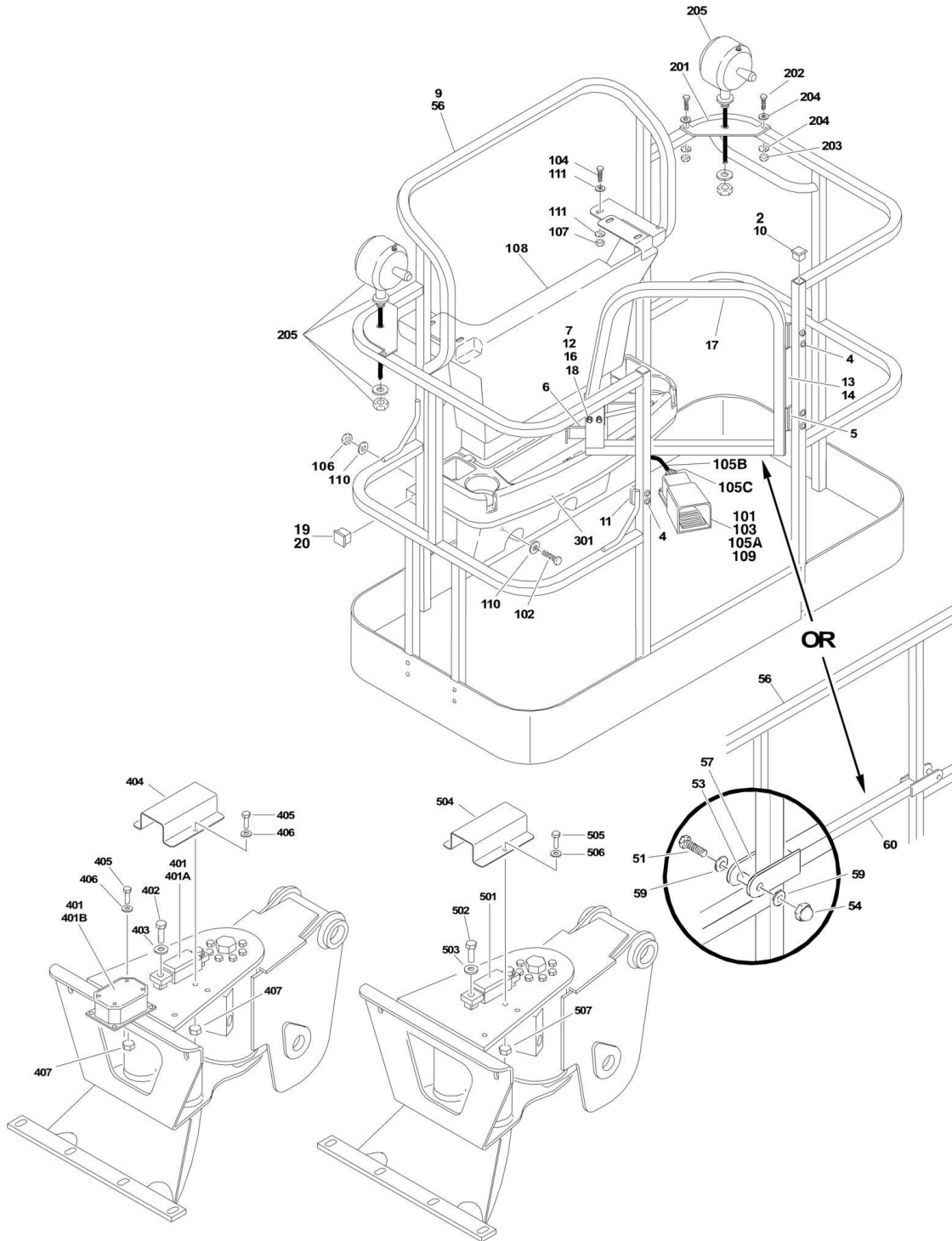
SECTION 3 - BOOM

ITEM	PART NUMBER	QTY	DESCRIPTION	REV
37	0840055	1	Boot	

SECTION 4 - PLATFORM

SECTION 4 - PLATFORM

FIGURE 4-1. PLATFORM INSTALLATION (FRONT ENTRY PLATFORM)



SECTION 4 - PLATFORM

FIGURE 4-1. PLATFORM INSTALLATION (FRONT ENTRY PLATFORM)

ITEM	PART NUMBER	QTY	DESCRIPTION	REV
		Ref	PLATFORM ASSEMBLIES (WITH GATE)	
	3510714	Ref	4ft (1.22m) with No Mesh (Australian Specs)	C
	3510725	Ref	4ft (1.22m) with Mesh to Top Rail (Australian Specs)	C
	3510742	Ref	6ft (1.83m) with No Mesh (Australian Specs)	E
	3510754	Ref	6ft (1.83m) with Mesh to Top Rail (Australian Specs)	F
	3510749	Ref	8ft (2.44m) with No Mesh (Australian Specs)	E
	3510753	Ref	8ft (2.44m) with Mesh to Top Rail (Australian Specs)	F
		Ref	Note: Replacement Decals Must be purchased separately - See DECAL SECTION.	
2	0100040	AR	Sealant, RTV Silicone	
4	2080040	13	Fastener, Huck	
5		Ref	Hinge Options:	
5	2600219	2	Hinge (Prior to SN 0300068521)	
5	2600287	2	Hinge (SN 0300068521 through 0300096000)	
6	2940074	1	Latch	
7	3311005	4	Locknut #10-24NC	
9	See Note	1	Platform Weldment (Note: Not Available - Purchase Platform Assembly)	
10	3520072	3	Cap-Plug	
11	3539685	1	Plate, Latch	
12	3911008	4	Screw #10-24NC x 1in	
13	4060803	6 in/15cm	Trim	
14	4220165	1	Stop, Gate	
16	4751000	8	Flatwasher #10 Regular	
17		Ref	Gate Weldment Options:	
17	4845426	1	No Mesh/Self-Closing Gate	
17	4845951	1	Mesh to Top Rail/Self-Closing Gate	
18	4761000	4	Lockwasher #10	
19	0100010	AR	Adhesive	
20	3520172	2	Plug	
		Ref	PLATFORM ASSEMBLIES (WITH LIFT BAR)	
	3510696	Ref	4ft (1.22m) (CE Specs)	B
	3510716	Ref	6ft (1.83m) (CE Specs)	1/B
	3510717	Ref	8ft (2.44m) (CE Specs)	1/B
	3510774	Ref	8ft (2.44m) (CE Specs)	A
51	0641418	2	Bolt 1/4in-20NC x 2-1/4in	
53	0961845	2	Bushing	
54	3300151	2	Nut, Acorn 1/4in-20NC	
56	See Note	1	Platform Weldment Note: Not Available - Purchase Platform Assembly)	
57	4420055	4	Tape	
59	4740411	4	Washer, Nylon	
60	4845288	1	Weldment, Slidebar	
		Ref	FOOTSWITCH AND COVERS INSTALLATION	
	0272035	Ref	Aluminum Box Installation	A
	0272036	Ref	Poly Box Installation	A
101	0100020	AR	Sealant, Pipe	
102	0641406	4	Bolt 1/4in-20NC x 3/4in	
103	0641408	3	Bolt 1/4in-20NC x 1in	
104	0641610	4	Bolt 3/8in-16NC x 1-1/4in	

SECTION 4 - PLATFORM

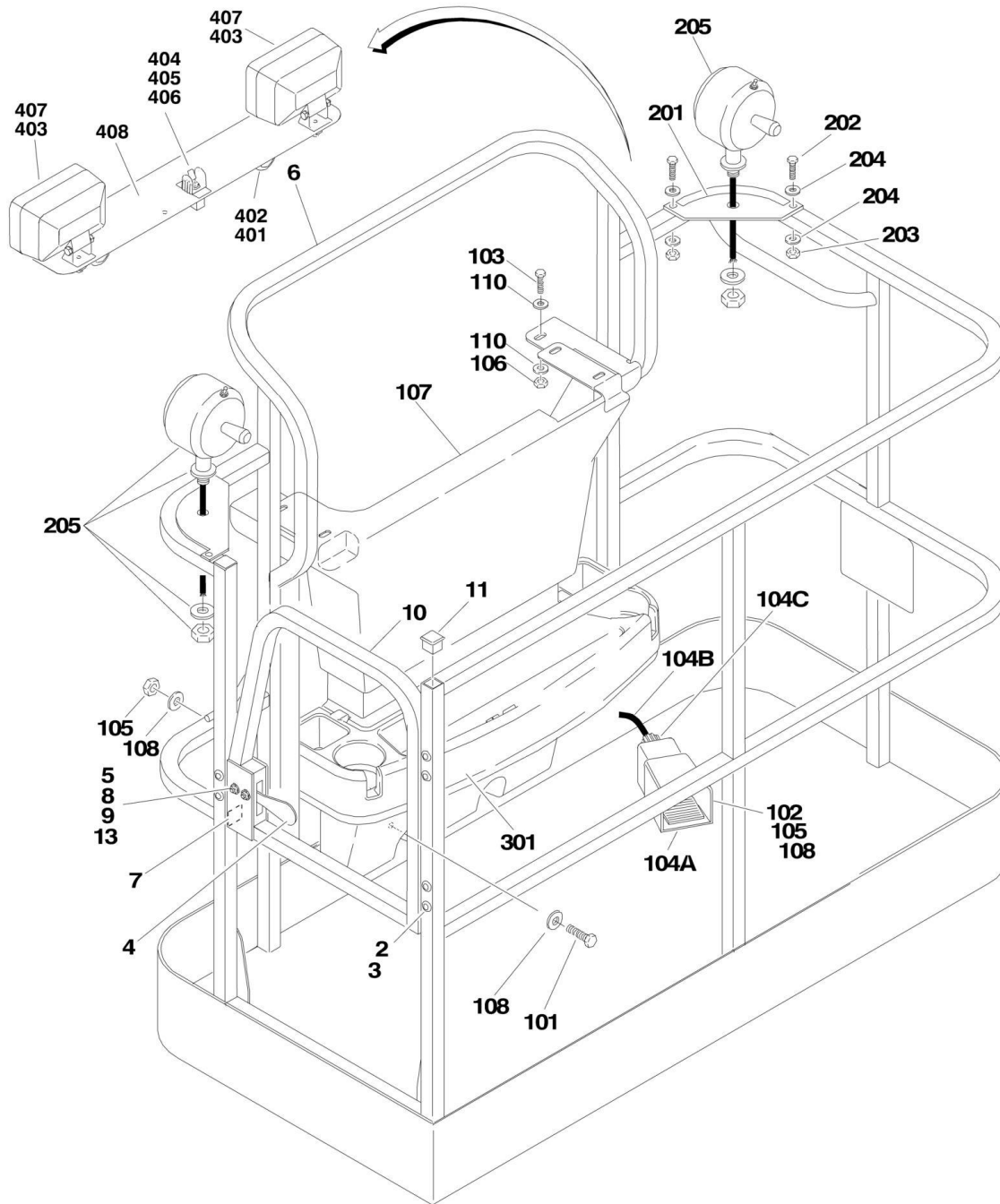
ITEM	PART NUMBER	QTY	DESCRIPTION	REV
105		Ref	Console Box Assembly (Not Shown - See PLATFORM CONSOLE ASSEMBLY WITHOUT ADE SYSTEM AND PLATFORM CONSOLE ASSEMBLY WITH ADE SYSTEM For Breakdown)	
105A	4360031	1	Footswitch Options:	
105A	7000625	2	Block, Contact for 4360031 Footswitch	
105B	1060918	8 ft/2.4m	Cable, Electrical - 18/3	
105C	4460071	1	Connector, Strain Relief	
106	3311405	4	Locknut 1/4in-20NC	
107	3311605	4	Locknut 3/8in-16NC	
108	3380434	1	Panel, Poly	
109	4740362	7	Washer, Fender	
110	4751400	5	Flatwasher 1/4in Regular	
111	4751600	8	Flatwasher 3/8in Regular	
		Ref	WORKLIGHTS INSTALLATION (optional)	
	0258309	Ref	Standard (Prior to SN 0300064404)	1/A
	0270814	Ref	ADE System (SN 0300064404 through 0300096000)	3/E
201	3536089	2	Plate, Mounting	
202	0641414	4	Bolt 1/4in-20NC x 1-3/4in	
203	3311405	4	Locknut 1/4in-20NC	
204	4711400	8	Flatwasher 1/4in Thin	
205	2920140	2	Worklight	
206	4240099	10	Tie-Strap (Not Shown)	
207	2820035	9	Loom, Vinyl (Not Shown)	
209	4460598	1	Connector, Strain Relief (Not Shown - Located at Console Box)	
210	4920018	18	Wire, Black (Not Shown)	
		in/46cm		
		Ref	TRAY INSTALLATIONS (OPTIONAL)	
301	1580012	1	Tray, Storage (Center)	
302	1580013	1	Tray, Storage (Rail Mounted - Not Shown)	
		Ref	PLATFORM OVERLOAD INSTALLATION	
	0270392	Ref	Overload (Prior to SN 0300058378)	B
	0259233	Ref	Overload (SN 0300058378 through 0300062885)	4/C
	0270392	Ref	Overload (SN 0300062886 through 0300064259)	B
	0271474	Ref	Overload - Lift Down (Prior to SN 0300062886)	2/B
	0271542	Ref	Overload - Lift Down (SN 0300062886 through 0300064259)	1/A
401		Ref	Load Sensing Assembly Options:	
401	2901943	1	Load Sensing Assembly (Prior to SN 0300058378)	
401	2901811	1	Load Sensing Assembly (SN 0300058378 through 0300062885)	
401	2901943	1	Load Sensing Assembly (SN 0300062886 through 0300096000)	
401A		Ref	Transducer, Pressure	
401A	See Note	1	Transducer, Pressure (Note: Not Available for Purchase) (Prior to SN 0300058378)	
401A	3990109	1	Transducer, Pressure (SN 0300058378 through 0300062885)	
401A	See Note	1	Transducer, Pressure (Note: Not Available for Purchase) (SN 0300062886 through 0300096000)	
401B		Ref	Card, Control Options:	
401B	See Note	1	Card, Control (Note: Not Available for Purchase) (Prior to SN 0300058378)	
401B	7023332	1	Card, Control (SN 0300058378 through 0300062885)	
401B	See Note	1	Card, Control (Note: Not Available for Purchase) (SN	

SECTION 4 - PLATFORM

ITEM	PART NUMBER	QTY	DESCRIPTION	REV
			0300062886 through 0300096000)	
401B	7023331	1	Fuse	
401B	7023333	1	Holder, Fuse	
402	0701010	2	Bolt 10mm x 20mm	
403	4812000	2	Flatwasher 10mm	
404		Ref	Cover, Load Cell Options:	
404	1670905	1	Cover, Load Cell (Prior to SN 0300058378)	
404	1670900	1	Cover, Load Cell (SN 0300058378 through 0300062885)	
404	1670905	1	Cover, Load Cell (SN 0300062886 through 0300096000)	
405	0641407	4	Bolt 1/4in-20NC x 7/8in	
406	4761400	4	Lockwasher 1/4in	
407	3311401	4	Nut 1/4in-20NC	
	0271543	Ref	PLATFORM LOAD SENSING DEVICE INSTALLATION (FRENCH SPEC) (WITH ADE SYSTEM) (SN 0300064259 through 0300064508)	1A
	0272169	Ref	PLATFORM LOAD SENSING DEVICE INSTALLATION (FRENCH SPEC) (WITH ADE SYSTEM) (SN 0300064509 through 0300096000)	1A
501		Ref	Transducer, Pressure Options:	
501	3990109	1	Transducer, Pressure (Prior to SN 0300064509)	
501	3990108	1	Transducer, Pressure (SN 0300064509 through 0300096000)	
502	0701010	2	Bolt 10mm x 20mm	
503	4812000	2	Flatwasher 10mm	
504		Ref	Cover, Load Cell Options:	
504	1670900	1	Cover, Load Cell (Prior to SN 0300064509)	
504	1670905	1	Cover, Load Cell (SN 0300064509 through 0300096000)	
505	0641407	2	Bolt 1/4in-20NC x 7/8in	
506	4761400	2	Lockwasher 1/4in	
507	3311401	2	Nut 1/4in-20NC	
509	4460226	4	Terminal, Socket (Not Shown) (Located in Console Box)	

SECTION 4 - PLATFORM

FIGURE 4-2. PLATFORM INSTALLATION - SIDE ENTRY PLATFORM



SECTION 4 - PLATFORM

FIGURE 4-2. PLATFORM INSTALLATION - SIDE ENTRY PLATFORM

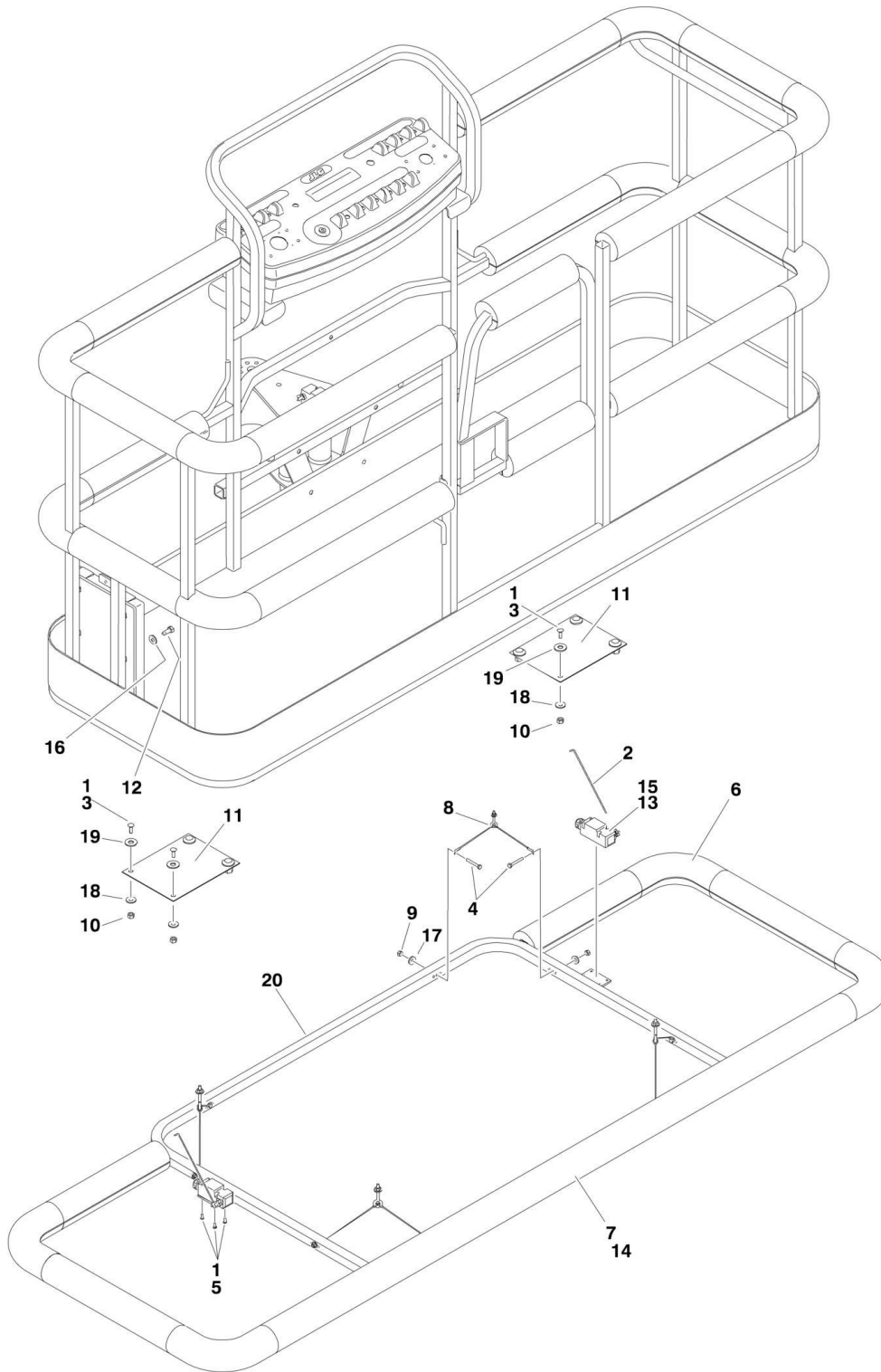
ITEM	PART NUMBER	QTY	DESCRIPTION	REV
		Ref	PLATFORM ASSEMBLIES:	
	3510822	Ref	36in x 8ft (91.5cm x 2.44m) with No Mesh (Use p/n 1001144023)	B/J
	3510832	Ref	30in x 6ft (76cm x 1.83m) with No Mesh (Use p/n 1001144025)	B/L
	3510833	Ref	36in x 6ft (91.5cm x 1.83m) with No Mesh (Use p/n 1001144024)	B/I
	3510831	Ref	30in x 5ft (76cm x 1.52m) with No Mesh (Use p/n 1001144026)	B/L
	3510830	Ref	30in x 4ft (76cm x 1.22m) (Use p/n 1001144027)	B/M
		Ref	Note: Original Equipment platform may have been replaced with Service Replacement platform. Identify platform before ordering parts.	
		Ref	Note: Platform and Mesh must be ordered separately for Platforms with Mesh. See ELECTRICAL SECTION for Mesh Installations.	
		Ref	Note: Replacement Decals Must be purchased separately - See DECAL SECTION.	
2	2080040	16	Fastener, Huck	
3	2600281	2	Hinge, Self-Closing	
4	2940074	1	Latch	
5	3311001	4	Nut #10-24NC Only (Prior to SN 0300077394)	
6	See Note	1	Platform Weldment (Note: Not Available - Purchase Platform Assembly)	
7	3520072	1	Cap-Plug	
8		Ref	Fastener Options:	
8	3911008	4	Screw #10-24NC x 1in (Prior to SN 0300076465)	
8	3900205	4	Screw #10-24NC x 5/8in (SN 0300076465 through 0300077393)	
8	3820020	4	Rivet (SN 0300077394 through 0300096000)	
9	4751000	8	Flatwasher #10 Regular Only (Prior to SN 0300077394)	
10		Ref	Gate Weldment Options:	
10	4846452	1	Gate for Original Equipment Platform p/n 3510822, 3510830, 3510831, 3510832 & 3510833	
10	1001144629	1	Gate for Service Replacement Platform p/ns 1001144023, 1001144024, 1001144025, 1001144026 & 1001144027	
11	3520072	2	Cap-Plug	
13	4761000	4	Lockwasher #10 Only (Prior to SN 0300077394)	
	0272609	Ref	CONSOLE BOX INSTALLATIONS	A
101	0641406	4	Bolt 1/4in-20NC x 3/4in	
102	0641408	3	Bolt 1/4in-20NC x 1in	
103	0641610	4	Bolt 3/8in-16NC x 1-1/4in	
104		Ref	Platform Console Box Assembly (Not Shown) (See PLATFORM CONSOLE ASSEMBLY WITHOUT ADE SYSTEM AND PLATFORM CONSOLE ASSEMBLY WITH ADE SYSTEM for Breakdown)	
104A	0272970	1	Footswitch Assembly (Includes Footswitch and Items 104B & 104C)	B
		Ref	Note: Assembly p/n 0272970 may use either p/n 4360031 or p/n 1001117320. If Original Equipment was replaced as an "assembly," p/n 1001117320 may have been used as part of the Service Replacement. Identify component before ordering parts.	
104A		Ref	Footswitch Less Cable Options:	
104A	4360031	1	Original Equipment	
104A	1001117320	1	Service Replacement	

SECTION 4 - PLATFORM

ITEM	PART NUMBER	QTY	DESCRIPTION	REV
104A		Ref	Block, Contact Options (See Note Above):	
104A	7000625	2	Contact Block for 4360031 Footswitch	
104A	70003483	1	Contact Block for 1001117320 Footswitch	
104A	3252347	1	Nameplate (Note: See DECAL SECTION for Other Languages)	
104B	1060918	7 ft/2.14m	Cable, Electrical - 18/3	
104C	4460071	1	Connector, Strain Relief	
105	3311405	7	Locknut 1/4in-20NC	
106	3311605	4	Locknut 3/8in-16NC	
107	3380434	1	Panel, Decal Mount	
108	4740362	7	Washer, Fender 1/4in	
109	4751400	4	Flatwasher 1/4in Regular	
110	4751600	8	Flatwasher 3/8in Regular	
		Ref	WORKLIGHTS INSTALLATIONS (optional)	
	0270814	Ref	Worklights Installations (Optional) (Prior to SN 0300074316)	3/E
	0273493	Ref	Worklights Installations (Optional) 400S (SN 0300074316 through 0300096000)	B
	0273494	Ref	Worklights Installations (Optional) 460SJ (SN 0300074316 through 0300096000)	B
201	3536089	2	Plate, Mounting	
202		Ref	Fastener Options:	
202	0641414	4	Bolt 1/4in-20NC x 1-3/4in	
202	2080040	4	Rivet 1/4in	
203	3311405	AR	Locknut 1/4in-20NC	
204	4711400	AR	Flatwasher 1/4in Thin	
205	2920140	2	Worklight	
205	7016399	2	Bulb, Replacement (1 Per Worklight)	
206	4240099	10	Tie-Strap (Not Shown)	
207	2820035	9	Loom, Vinyl (Not Shown)	
209	4460598	1	Connector, Strain Relief (Not Shown - Located at Console Box)	
		Ref	TRAY INSTALLATIONS (OPTIONAL)	
301	1580012	1	Tray, Storage (Center)	
302	1580013	1	Tray, Storage (Rail Mounted - Not Shown)	
		Ref	FLOODLIGHT INSTALLATION	
	0274570	Ref	Floodlight Installation 400S	A
	0274584	Ref	Floodlight Installation 460SJ	A
401	0641518	2	Bolt 5/16in-18NC x 2-1/4in	
402	2560173	2	Handle	
403	2920157	2	Lamp, Work Light	
404	3250585	1	Nameplate - Light On	
405	4060802	1	Guard, Switch	
406	4360336	1	Switch, Toggle	
407	4751800	2	Flatwasher 1/2in Regular	
408	4846561	1	Mount, Light	
409		Ref	Harness 12/3 (Not Shown)	
409	1060983	63	Harness 12/3 (Not Shown) 400S	
		ft/19.2m		
409	4922965	1	Harness 12/3 (Not Shown) 460SJ	
411	4420037	1	Tape, Insulation (Not Shown)	

SECTION 4 - PLATFORM

FIGURE 4-3. SOFT TOUCH INSTALLATION (FRONT ENTRY PLATFORM) (OPTIONAL)



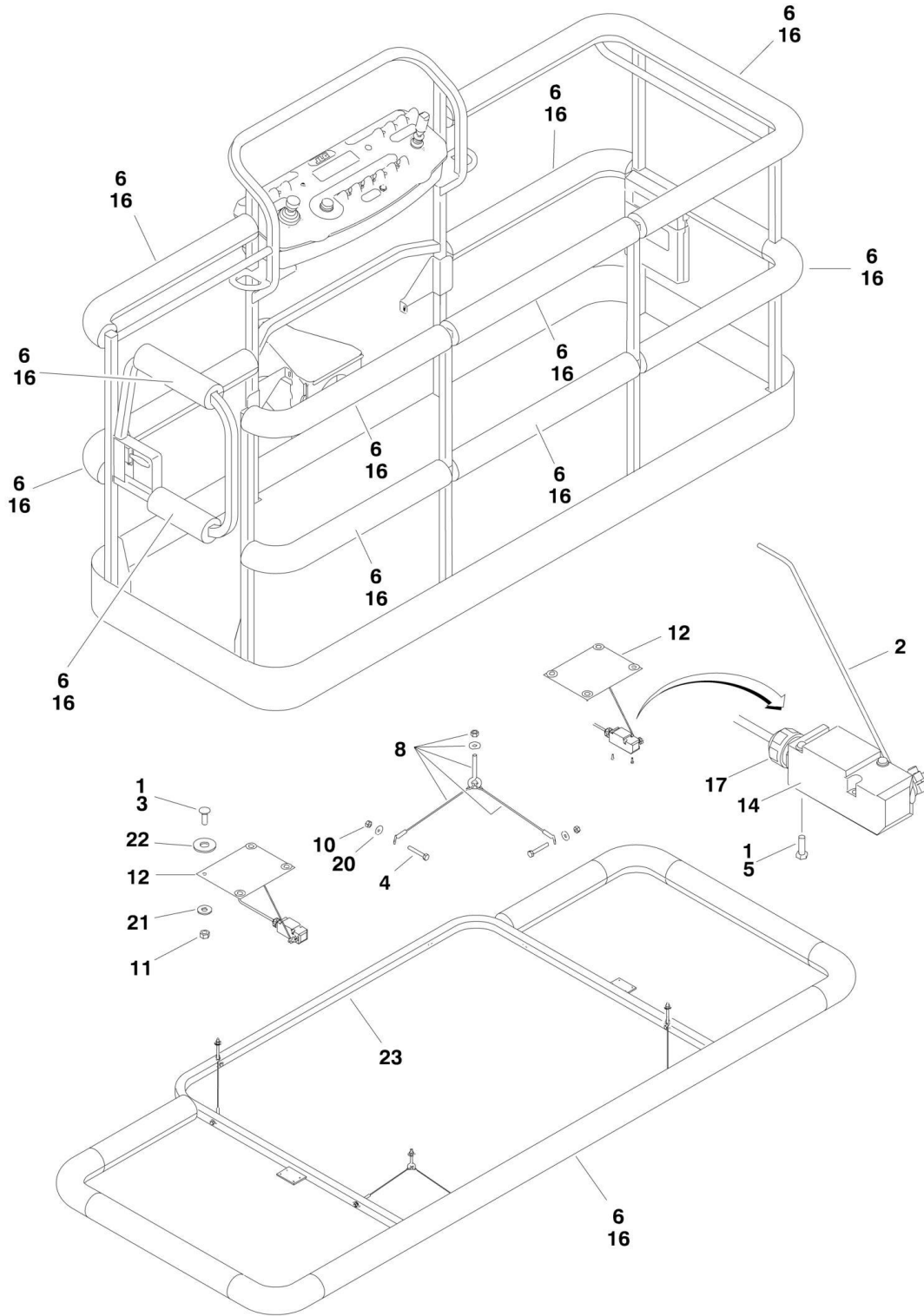
SECTION 4 - PLATFORM

FIGURE 4-3. SOFT TOUCH INSTALLATION (FRONT ENTRY PLATFORM) (OPTIONAL)

ITEM	PART NUMBER	QTY	DESCRIPTION	REV
		Ref	SOFT TOUCH INSTALLATION	
	0271040	Ref	30in x 96in Without Mesh With Swing Gate (Prior to SN 0300064404)	B
	0271355	Ref	30in x 96in Without Mesh With Swing Gate (SN 0300064404 through 0300064508)	B
	0272007	Ref	30in x 96in Without Mesh With Swing Gate (SN 0300064509 through 0300096000)	C
1	0100011	AR	Compound, Locking	
2	0200048	2	Arm, Switch Activator	
3	0630462	8	Bolt, Carriage	
4	0641414	8	Bolt 1/4in-20NC x 1-3/4in	
5	0731005	4	Screw #10-32NF x 5/8in	
6	0940092	12	Bumper (Corner) (Prior to SN 0300066686)	
7		Ref	Bumper Options:	
7	0940094	3	Bumper (Center) (Prior to SN 0300066686)	
7	0940101	1	Bumper (Precut Kit) (SN 0300066686 through 0300096000)	
8	1060903	4	Wire Rope and Eyebolt Assembly	
9	3311401	8	Nut 1/4in-20NC	
10	3311501	8	Nut 5/16in-18NC	
11	3539719	2	Plate, Switch Strike	
12	3941405	2	Screw, Self-Tapping 1/4in-20NC x 5/8in	
13	4360057	2	Switch, Limit	
14	4420068	AR	Tape, Yellow Adhesive	
15	4460049	2	Connector, Strain Relief	
16	4711400	2	Flatwasher 1/4in Thin	
17	4751400	8	Flatwasher 1/4in Regular	
18	4751500	12	Flatwasher 5/16in Regular	
19	4751800	8	Flatwasher 1/2in Regular	
20	4846390	1	Weldment, Soft Touch Rail	

SECTION 4 - PLATFORM

FIGURE 4-4. SOFT TOUCH INSTALLATION (SIDE ENTRY PLATFORM) (OPTIONAL)



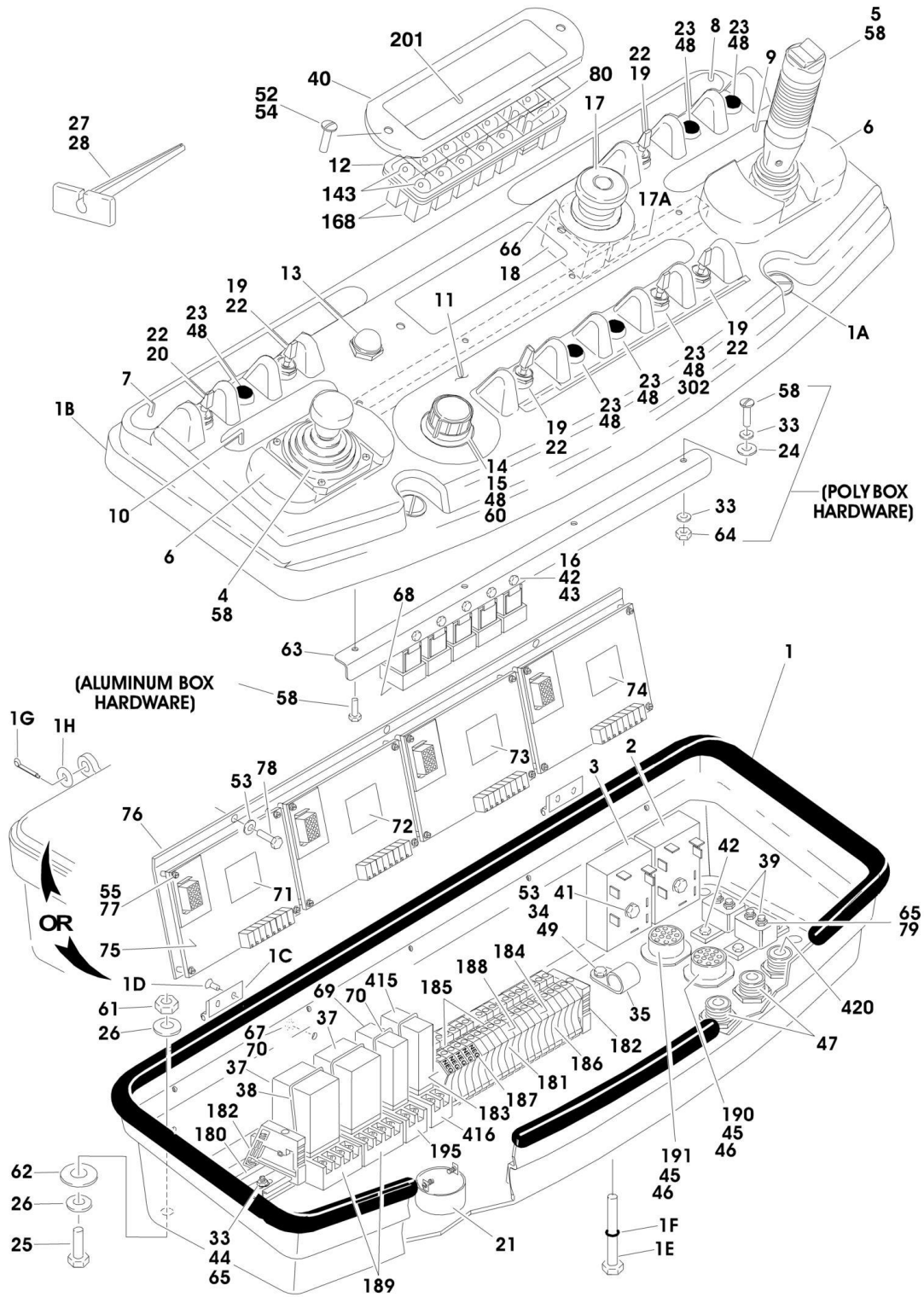
SECTION 4 - PLATFORM

FIGURE 4-4. SOFT TOUCH INSTALLATION (SIDE ENTRY PLATFORM) (OPTIONAL)

ITEM	PART NUMBER	QTY	DESCRIPTION	REV
		Ref	SOFT TOUCH SYSTEM INSTALLATIONS OPTIONS:	
	See Note	Ref	6ft/1.8m Platforms (Note: Not Available for Purchase)	
	0272427	Ref	8ft/2.4m Platforms	C
1	0100011	AR	Compound, Locking	
2	0200048	2	Arm, Switch Activator	
3	0630462	8	Bolt, Carriage	
4	0641414	8	Bolt 1/4in-20NC x 1-3/4in	
5	0731005	NLA	Screw, Machine #10-32 x 5/8in (Use p/n 0721005)	
6	0940103	1	Bumper Kit	
8	1060903	4	Wire Rope and Eyebolt Assembly	
10	3311401	8	Nut 1/4in-20NC	
11	3311501	8	Nut 5/16in-18NC	
12	3574091	2	Plate, Striker	
13	4240099	7	Tie-Strap (Not Shown)	
14	4360057	2	Switch, Limit	
16	4420068	1	Tape, Yellow Adhesive	
17	4460049	2	Connector, Strain Relief	
18	4460234	7	Base, Tie-Strap Mounting (Not Shown)	
20	4751400	8	Flatwasher 1/4in Regular	
21	4751500	12	Flatwasher 5/16in Regular	
22	4751800	8	Flatwasher 1/2in Regular	
23	4846673	1	Rail, Soft-Touch	
	0272444	Ref	SOFT TOUCH COUNTERWEIGHT INSTALLATION (NOT SHOWN)	C
	4821397	1	Counterweight (Located in Frame)	

SECTION 4 - PLATFORM

FIGURE 4-5. PLATFORM CONSOLE ASSEMBLY WITHOUT ADE SYSTEM



SECTION 4 - PLATFORM

FIGURE 4-5. PLATFORM CONSOLE ASSEMBLY WITHOUT ADE SYSTEM

ITEM	PART NUMBER	QTY	DESCRIPTION	REV
		Ref	CONSOLE BOX ASSEMBLY OPTIONS:	
	0861270	Ref	Poly Box (Australian Spec)	7/E
	0861273	Ref	Poly Box (CE Spec)	3/C
	0861271	Ref	Aluminum Box (Australian Spec)	6/D
	0861359	Ref	Aluminum Box (CE Spec)	2/B
1		Ref	Box, Console Options:	
1	0861195	1	Poly Box (Prior to SN 0300066471)	
1	0860984	1	Alum Box (Prior to SN 0300066471)	
1	0861535	1	Die Cast Box (SN 0300066471 through 0300096000)	
1		Ref	Box Components:	
1A	7020099	2	Screw (Poly Box Only)	
1A	3760308	2	Retainer (Poly Box Only)	
1A	7020100	2	Clip with Bracket (Poly Box Only)	
1B	See Note	1	Lid (Note: Not Available for Purchase)	
1C		Ref	Hinge Options:	
1C	See Note	1	Poly Box (Note: Not Available for Purchase)	
1C	2600211	2	Alum Box	
1C	Not Required	0	Die Cast Box	
1D	3900224	8	Screw, Countersunk 6mm x 16mm (Alum Box Only)	
1E	3931664	1	Capscrew 3/8in-16NC x 4in (Alum Box Only)	
1E	3931672	1	Capscrew 3/8in-16NC x 4-1/2in (Die Cast Box Only)	
1F	3790109	1	O-Ring (Alum Box Only)	
1F	3311601	1	Nut 3/8 x 16NC (Die Cast Box Only)	
1G	3450304	2	Pin, Cotter (Die Cast Box Only)	
1H	4711500	2	Flatwasher 5/16in Regular (Die Cast Box Only)	
2	3740113	1	Relay, Time Delay (5 Pin)	
3	3740115	1	Relay, Time Delay (3 Pin)	
4	1600284	1	Controller Assembly (Lift and Swing) (See CONTROLLER ASSEMBLY (LIFT AND SWING) (WITHOUT ADE SYSTEM) for Breakdown)	
5	1600283	1	Controller Assembly (Drive and Steer) (See CONTROLLER ASSEMBLY (DRIVE AND STEER) (WITHOUT ADE SYSTEM) for Breakdown)	
6		Ref	Pad, Hand Options:	
6	Not Required	0	Poly Box	
6	4340678	1	Alum Box (Left Side)	
6	4340684	1	Alum Box (Right Side)	
7	1703776	1	Decal (Horn)	
8	1702564	1	Decal (Stop)	
9	1702565	1	Decal (Drive and Steer)	
10	1702566	1	Decal (Lift and Swing)	
11	1702567	1	Decal (Lower Lift/Tele/Rotate/Jib)	
12	2760109	1	Housing, Display Light	
13	4360387	1	Switch, Pushbutton	
14	2560136	1	Knob, Speed Control	
15	4360407	1	Speed Controller Assembly	
15	See Note	1	Gasket, "Top Hat" (Included with Switch) (Note: Not Available - Purchase Complete Controller)	
15	70003784	Ref	Seal	
16	3311005	Ref	Locknut #10-24NC	
17	4360475	1	Switch, Emergency Stop	

SECTION 4 - PLATFORM

ITEM	PART NUMBER	QTY	DESCRIPTION	REV
17	7020175	1	Cap, Mushroom	
17A	7020176	1	Block, Contact	
18	4360476	1	Block, Contact	
19	4360314	4	Switch, Toggle	
20	4360331	1	Switch, Toggle	
21	0140026	1	Alarm	
22	3790012	5	O-Ring	
23	3520028	6	Plug, Hole (For switch call-outs at these locations, refer to option installation)	
24	4740120	4	Washer, Nylon #10 (Poly Box Only)	
25	0641611	4	Bolt 3/8in-16NC x 1-3/8in	
26	4751600	8	Flatwasher 3/8in Regular	
27	4460467	1	Tool, Pin Extraction (Blue 16-18 Gauge) (Not Shown)	
28	4460510	1	Tool, Pin Extraction (Yellow 12-14 Gauge) (Not Shown)	
33	4711000	6	Flatwasher #10 Thin	
34	3311401	1	Nut 1/4in-20NC	
35	1320060	1	Clamp	
36		Ref	Mount, Tie-Strap Options (Not Shown):	
36	4460234	6	Poly Box	
36	4460488	10	Alum Box	
37	3740058	2	Relay - DPDT	
38	3740063	2	Spring, Relay	
39	4360232	2	Breaker, Circuit - 15 Amp	
40	1670829	1	Bezel, Light Panel	
41	0721010	2	Screw, Machine #10-24NC x 1-1/4in	
42	0721003	AR	Screw, Machine #10-24NC x 3/8in	
43	4751000	AR	Flatwasher #10 Regular	
44	0731004	2	Screw, Machine #10-32NC x 1/2in	
45	4460470	2	Nut, Terminal	
46	4460471	2	Washer, Terminal	
47	4460428	2	Connector, Strain Relief	
48	0100009	AR	Silicone (Not Shown)	
49	0641406	1	Bolt 1/4in-20NC x 3/4in	
50	4420038	6 in/15cm	Foam (Not Shown - Located on top of item 180) (Poly Box Only)	
52	0630464	2	Screw, Button Head #10-24NC x 1/2in	
53	4751400	AR	Flatwasher 1/4in Regular	
54	0100011	AR	Compound, Locking (Not Shown)	
55	0100035	AR	Compound, Locking (Not Shown)	
58		Ref	Hardware Options:	
58	0630518	4	Screw, Button Head #10-24NC x 3/4in (Poly Box)	
58	0641404	4	Bolt 1/4in-20NC x 1/2in (Alum Box)	
59	4761400	3	Lockwasher 1/4in (Poly Box Only)	
60	7019181	1	Gasket (Poly Box Only)	
61	3311605	4	Locknut 3/8in-16NC	
62	4751800	4	Flatwasher 1/2in Regular (Poly Box Only)	
63	3571222	1	Plate, Relay Mounting	
64	3300408	4	Locknut #10-24NC (Poly Box Only)	
65	4761000	6	Lockwasher #10	
66	1704260	1	Decal - EMS	
67	3520173	4	Plug, Hole (Poly Box Only)	
68	3740049	5	Relay, Bosch	
69		Ref	Relay - DPDT Options:	

SECTION 4 - PLATFORM

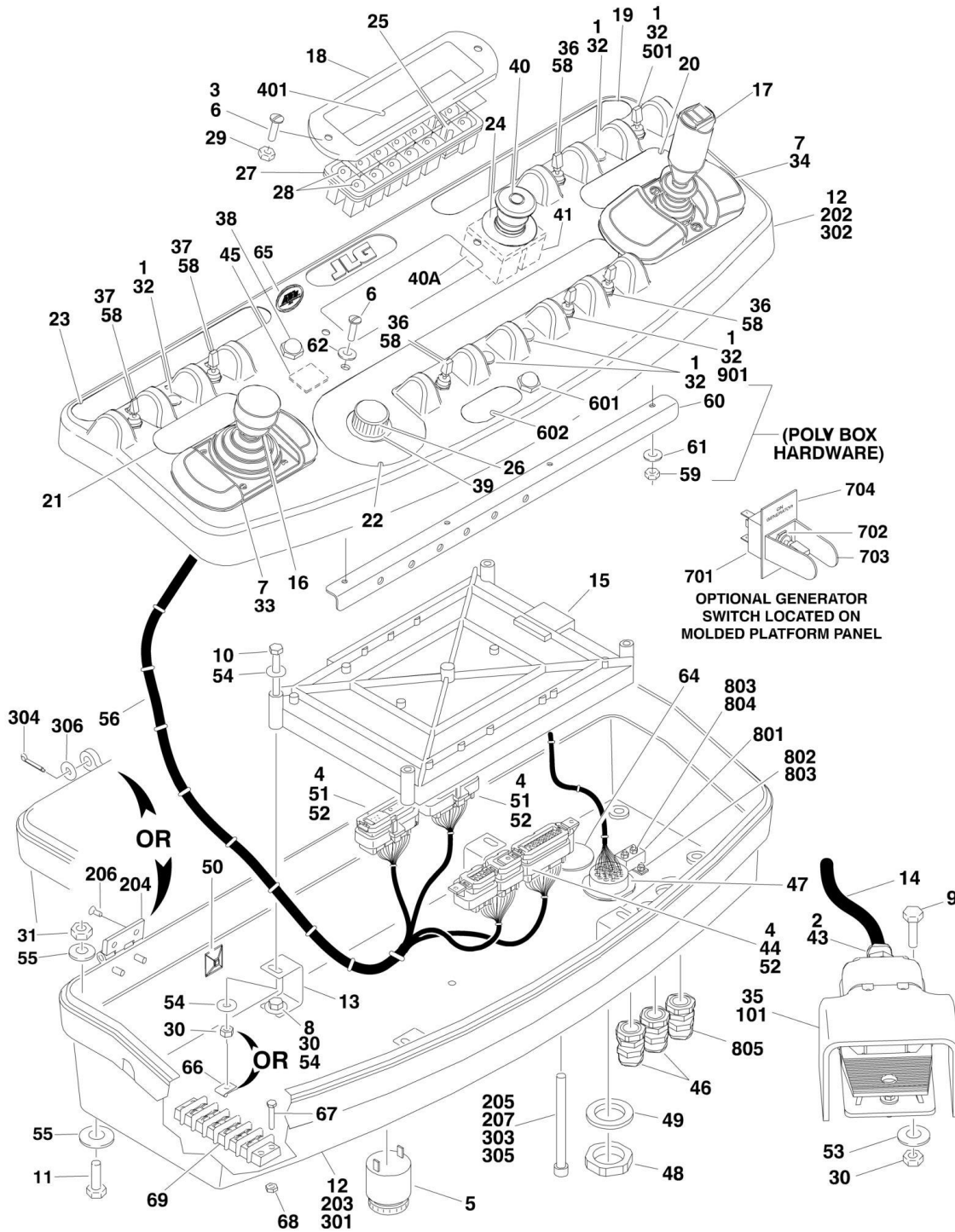
ITEM	PART NUMBER	QTY	DESCRIPTION	REV
69	Not Required	0	Australian Spec	
69	3740057	1	CE Spec	
70		Ref	Spring, Relay Options	
70	Not Required	0	Australian Spec	
70	3740066	1	CE Spec	
71	1703090	1	Decal - Control Card (Lift)	
72	1703091	1	Decal - Control Card (Swing)	
73	1703092	1	Decal - Control Card (Flow Control)	
74	1703093	1	Decal - Control Card (Drive)	
75	1600218	4	Card, Control	
76	3538819	1	Plate, Mounting	
77	3910610	16	Screw, Machine #6-32NC x 5/8in	
78	3931412	3	Capscrew, Socket Head 1/4in-20NC x 3/4in	
79	3311001	4	Nut #10-32NC	
80	2420194	1	Gauge, Fuel	
81	4420038	AR	Tape, Foam (Not Shown)	
82	0100020	AR	Sealant (Not Shown)	
		Ref	ELECTRICAL COMPONENTS INSTALLATIONS	
	4922340	Ref	Poly Box (CE Spec)	7/F
	4922393	Ref	Aluminum Box (Australian Spec)	4/C
142	4460234	10	Base, Tie-Strap (Not Shown)	
143	2920129	10	Bulb, Light	
168	4120035	10	Socket, Light	
180	3641182	1	Track	
181	4460601	10	Block, Terminal	
182	4460607	2	Stop, End	
183	4460602	1	Barrier, Terminal	
184	4460629	2	Marker, Terminal (6-15)	
185	4460603	1	Bar, Buss - 10 Position (Cut into [2] 5 Position Bars)	
186	4460600	10	Block, Terminal	
187	4460631	1	Marker, Terminal (Negative)	
188	4460632	4	Marker, Terminal (1-5)	
189	4120013	2	Socket, Relay	
190	4460613	1	Connector - 21 Position	
191	4460503	1	Connector - 31 Position	
195		Ref	Socket, Relay Options:	
195	Not Required	0	Australian Spec	
195	4120012	1	CE Spec	
		Ref	LIGHT PANEL DECAL INSTALLATIONS	
	0259964	Ref	Australian Spec 400S with 230KG Capacity	1
	0259968	Ref	Australian Spec 400S with 750LB Capacity	1
	0259964	Ref	Australian Spec 460SJ	1
	0259963	Ref	CE Spec 400S	1
	0259963	Ref	CE Spec 460SJ	1
201		Ref	Decal Options:	
201	1704486	1	Australian Spec 400S with 230KG Capacity	
201	1704514	1	Australian Spec 400S with 750LB Capacity	
201	1704486	1	Australian Spec 460SJ	
201	1704485	1	CE Spec 400S & 460SJ	
		Ref	OPTIONAL SWITCH INSTALLATIONS	
302	0258608	Ref	Jib Switch Installation	A

SECTION 4 - PLATFORM

ITEM	PART NUMBER	QTY	DESCRIPTION	REV
302	4360314	1	Switch, Toggle	
302	3790012	1	O-Ring	
	0270392	Ref	PLATFORM OVERLOAD COMPONENTS	
	0259233	Ref	Overload (Prior to SN 0300058378)	B
	0270392	Ref	Overload (SN 0300058378 through 0300062885)	4/C
	0271474	Ref	Overload (SN 0300062886 through 0300096000)	B
	0271542	Ref	Overload - Lift Down (Prior to SN 0300062886)	2/B
		Ref	Overload - Lift Down (SN 0300062886 through 0300096000)	1/A
415	3740057	1	Relay	
415	3740066	1	Spring, Relay	
416	4120012	1	Base, Relay	
420	4460428	1	Terminal, Strain Relief	
	4932980	Ref	SOFT TOUCH PLATFORM COMPONENTS (OPTIONAL) (NOT SHOWN)	2/C
	3740057	1	Relay	
	4120012	1	Relay, Socket	
	3740066	1	Spring, Relay Hold-Down	
	3740049	1	Relay, SPDT	

SECTION 4 - PLATFORM

FIGURE 4-6. PLATFORM CONSOLE ASSEMBLY WITH ADE SYSTEM



SECTION 4 - PLATFORM

FIGURE 4-6. PLATFORM CONSOLE ASSEMBLY WITH ADE SYSTEM

ITEM	PART NUMBER	QTY	DESCRIPTION	REV
		Ref	PLATFORM CONSOLE ASSEMBLIES	
	0861510	Ref	Poly Box (Prior to SN 0300068222)	D
	0861509	Ref	Aluminum Box (Prior to SN 0300068222)	D
	0861571	Ref	Die Cast Box (SN 0300068222 through 0300096000)	E
1	0100009	AR	Sealant	
2	0100020	AR	Sealant	
3	0100035	AR	Compound, Locking	
4	0100048	AR	Grease, Dielectric	
5	0140011	1	Alarm	
6	0630464	2	Screw, Button Head #10-24NC x 1/2in	
7	0641404	AR	Bolt 1/4in-20NC x 1/2in	
8	0641406	4	Bolt 1/4in-20NC x 3/4in	
9	0641408	3	Bolt 1/4in-20NC x 1in (Prior to SN 0300065174)	
10	0641414	4	Bolt 1/4in-20NC x 1-3/4in	
11	0641610	4	Bolt 3/8in-16NC x 1-1/4in (Prior to SN 0300065174)	
12		Ref	Box, Console Options:	
12	0861414	1	Box, Console - Aluminum (See Items 201-208 for Breakdown) (Prior to SN 0300068222)	
12	0861392	1	Box, Console - Poly (Prior to SN 0300068222)	
12	0861537	1	Box, Console - Aluminum (See Items 301-306 for Breakdown) (SN 0300068222 through 0300096000)	
13	0902751	4	Bracket, Support	
14	1060918	8 ft /2.4mm	Cable, Electrical - 18/3	
15		Ref	Controller, Module Options:	
15	1600313	1	Controller, Module (Prior to SN 0300077683)	
15	1600375	1	Controller, Module (SN 0300077683 through 0300096000)	
16	1600317	NLA	Controller Assembly (Lift and Swing) (See CONTROLLER ASSEMBLY (LIFT AND SWING) (WITH ADE SYSTEM) for Breakdown) (Use p/n 1001129555)	
17	1600318	NLA	Controller Assembly (Drive and Steer) (See CONTROLLER ASSEMBLY (DRIVE AND STEER) (WITH ADE SYSTEM) for Breakdown) (Use p/n 1001166538)	
18	1670829	1	Bezel	
19		Ref	Decal (Stop) Options:	
19	1702564	1	Decal (Stop) (Prior to SN 0300073084)	
19	1704997	1	Decal (Stop) (SN 0300073084 through 0300096000)	
20	1702565	1	Decal (Drive and Steer)	
21	1702566	1	Decal (Lift and Swing)	
22	1702567	1	Decal (Function Speed)	
23	1702676	1	Decal (Horn)	
24	1704260	1	Decal - EMS	
25	2420197	1	Gauge, Fuel	
26	2560136	1	Handle, Knob	
27	2760109	1	Housing, Display Light	
28	2920129	11	Bulb, Light	
29	3300408	2	Insert, Nylon	
30	3311405	8	Locknut 1/4in-20NC	
31	3311605	4	Locknut 3/8in-16NC (Prior to SN 0300065174)	
32		Ref	Plug, Hole Options:	
32	3520028	6	Plug, Hole (1/2in) (Prior to SN 0300077683)	

SECTION 4 - PLATFORM

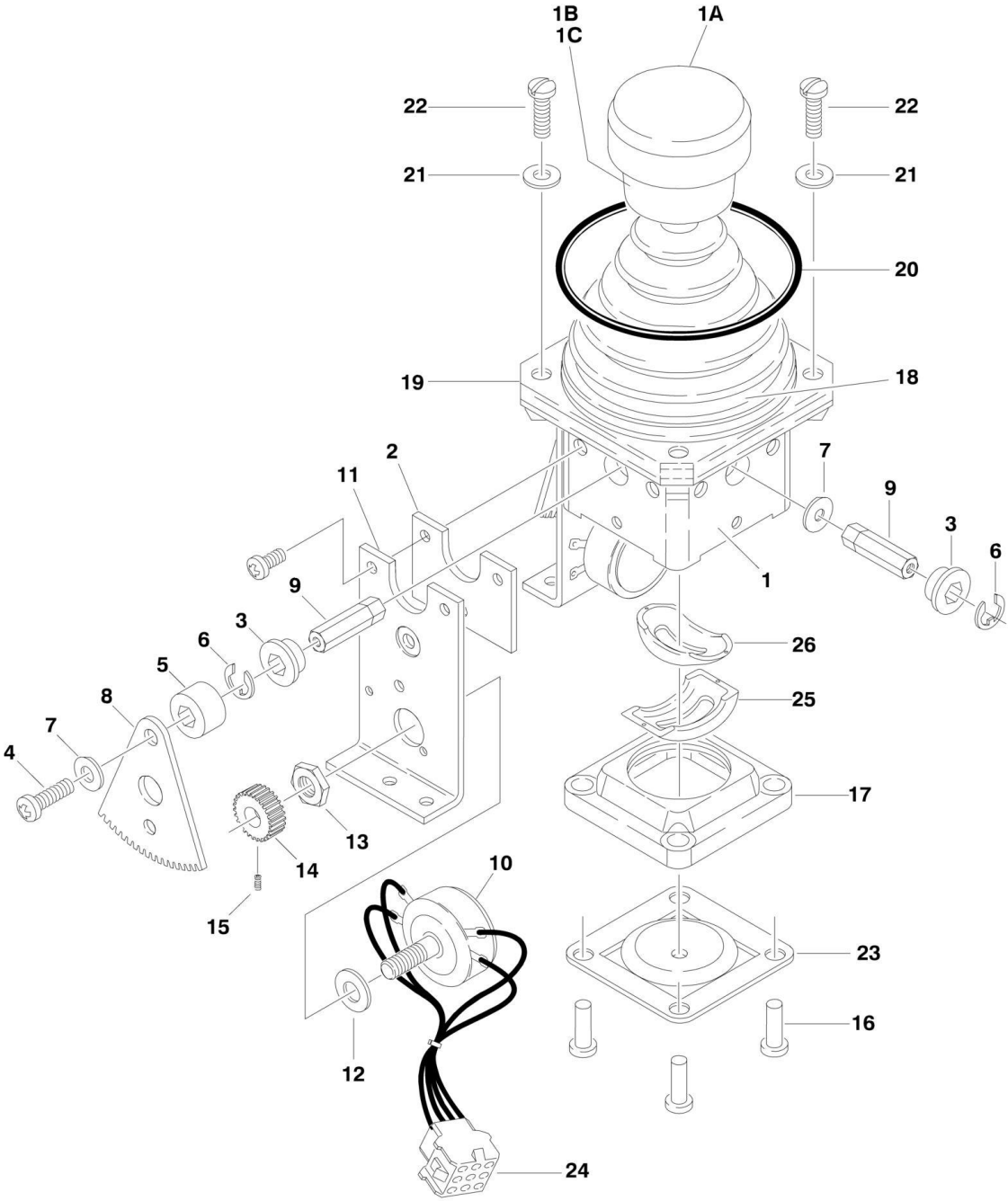
ITEM	PART NUMBER	QTY	DESCRIPTION	REV
32	3520054	6	Plug, Hole (7/16in) (SN 0300077683 through 0300096000)	
33	4340678	1	Support, Hand (Aluminum Box) (Left Side) (Prior to SN 0300068222)	
34	4340684	1	Support, Hand (Aluminum Box) (Right Side) (Prior to SN 0300068222)	
35	4360031	1	Footswitch	
36	4360328	4	Switch, Toggle	
37	4360331	1	Switch, Toggle	
38	4360387	1	Switch, Pushbutton	
39	4360407	1	Controller, Speed	
40	4360475	1	Switch, Emergency Stop	
40	7020175	1	Cap, Red	
40A	7020176	1	Contact Block	
41	4360476	1	Block, Contact	
43	4460071	1	Connector, Strain Relief	
44	4460226	2	Socket, Contact	
45	4460234	3	Mount, Tie-Strap	
46	4460428	2	Connector, Strain Relief	
47	4460464	1	Terminal, Deutsch	
48	4460470	1	Nut, Terminal	
49	4460471	1	Lockwasher, Terminal	
50	4460488	1	Base, Mounting	
51	4460708	2	Receptacle - 15 Position	
52	4460905	5	Seal, Plug	
53	4740362	3	Washer, Fender (Prior to SN 0300065174)	
54	4751400	AR	Flatwasher 1/4in Regular	
55	4751600	9	Flatwasher 3/8in Regular (Prior to SN 0300065174)	
56	4922665	1	Harness, Platform Box (See ELECTRICAL SECTION for Breakdown)	
57	4922666	1	Harness, Analyzer Cable (Not Shown - See ELECTRICAL SECTION for Breakdown)	
58	3790012	5	O-Ring	
59	3311005	4	Locknut #10-24NC	
60	3571222	1	Plate, Relay Mounting	
61	4751000	4	Flatwasher #10 Regular	
62	4740120	4	Washer Nylon (SN 0300066372 through 0300096000)	
63	0100081	AR	Loctite #454 (Not Shown) (SN 0300068222 through 0300096000)	
64	1671037	1	Cover (SN 0300068222 through 0300096000)	
65	1705132	1	Decal - ADE (SN 0300068222 through 0300096000)	
66	3300353	4	Nut, Tinnerman (SN 0300068222 through 0300096000)	
67	0721008	1	Screw #10-24NC x 1in (SN 0300073084 through 0300096000)	
68	3311001	1	Nut #10-24NC Only (SN 0300073084 through 0300096000)	
69	4460007	1	Strip, Terminal Only (SN 0300073084 through 0300096000)	
101	0272970	1	Footswitch Kit - Preassembled (Includes Items 2, 14, 35 & 43)	A
	0861414	Ref	CONSOLE BOX ASSEMBLY (Prior to SN 0300068222)	C
201	0100011	AR	Compound, Locking (Not Shown)	
202	0861414	1	Console Top (Note: Not Available for Purchase)	
203	0861414	1	Console Bottom (Note: Not Available for Purchase)	
204	2600211	2	Hinge	
205	3311601	1	Nut 3/8in-16NC	
206	3900224	8	Screw Countersunk	

SECTION 4 - PLATFORM

ITEM	PART NUMBER	QTY	DESCRIPTION	REV
207	3931672	1	Screw 3/8in-16NC x 4-1/2in	
208	3520174	3	Plug, Hole (Not Shown - Located in Back of Lid)	
	0861537	Ref	CONSOLE BOX ASSEMBLY (SN 0300068222 through 0300096000)	C
301	0861537	1	Console Bottom (Note: Not Available for Purchase)	
302	0861537	1	Console Top (Note: Not Available for Purchase)	
303	3311601	1	Nut 3/8in-16NC	
304		Ref	Pin Options:	
304	3450304	2	Pin, Cotter	
304	3420156	2	Hairpin	
305	0630568	1	Screw 3/8in-16NC x 4-1/2in	
306	4711500	2	Flatwasher 5/16in Thin	
		Ref	LIGHT PANEL DECAL INSTALLATIONS	
	0259964	Ref	Australian Spec 400S with 500LB Capacity	1
	0259968	Ref	Australian Spec 400S with 750LB Capacity	1
	0259964	Ref	Australian Spec 460SJ	1
	0259963	Ref	CE Spec 400S	1
	0259963	Ref	CE Spec 460SJ	1
401		Ref	Decal Options:	
401	1704486	1	Australian Spec 400S with 230KG Capacity	
401	1704514	1	Australian Spec 400S with 750LB Capacity	
401	1704486	1	Australian Spec 460SJ	
401	1704485	1	CE Spec 400S & 460SJ	
		Ref	LIGHTS INSTALLATION (OPTIONAL)	
	0271343	Ref	Headlights and Taillights (Prior to SN 0300064509)	2
	0272018	Ref	Headlights and Taillights (SN 0300064509 through 0300096000)	1
	0274574	Ref	Chassis Illumination Lights (SN 0300064509 through 0300096000)	1
501	4360336	1	Switch, Toggle	
501	3790012	1	O-Ring	
	0271355	Ref	SOFT TOUCH SYSTEM INSTALLATION (OPTIONAL)	B
601	4360387	1	Switch, Pushbutton	
602	1702938	1	Decal - Soft Touch Override	
		Ref	GENERATOR INSTALLATION (OPTIONAL)	
701	4360336	1	Switch, Toggle	
702	4740397	1	Bushing	
703	4060802	1	Guard, Switch	
704	3251102	1	Decal - Generator ON/OFF	
	0270814	Ref	PLATFORM WORKLIGHT INSTALLATION (OPTIONAL)	3
801	4360232	1	Breaker, Circuit - 15Amp	
802	0721003	2	Bolt #10-24NC x 3/8in	
803	4761000	4	Lockwasher #10	
804	3311001	2	Nut #10-24NC	
805	4460598	1	Connector, Strain Relief	
	0271340	Ref	JIB SWITCH INSTALLATION (460SJ ONLY)	1/A
901	4360328	1	Switch, Toggle	
901	3790012	1	O-Ring	

SECTION 4 - PLATFORM

FIGURE 4-7. CONTROLLER ASSEMBLY (SWING AND LIFT) (WITHOUT ADE SYSTEM)



SECTION 4 - PLATFORM

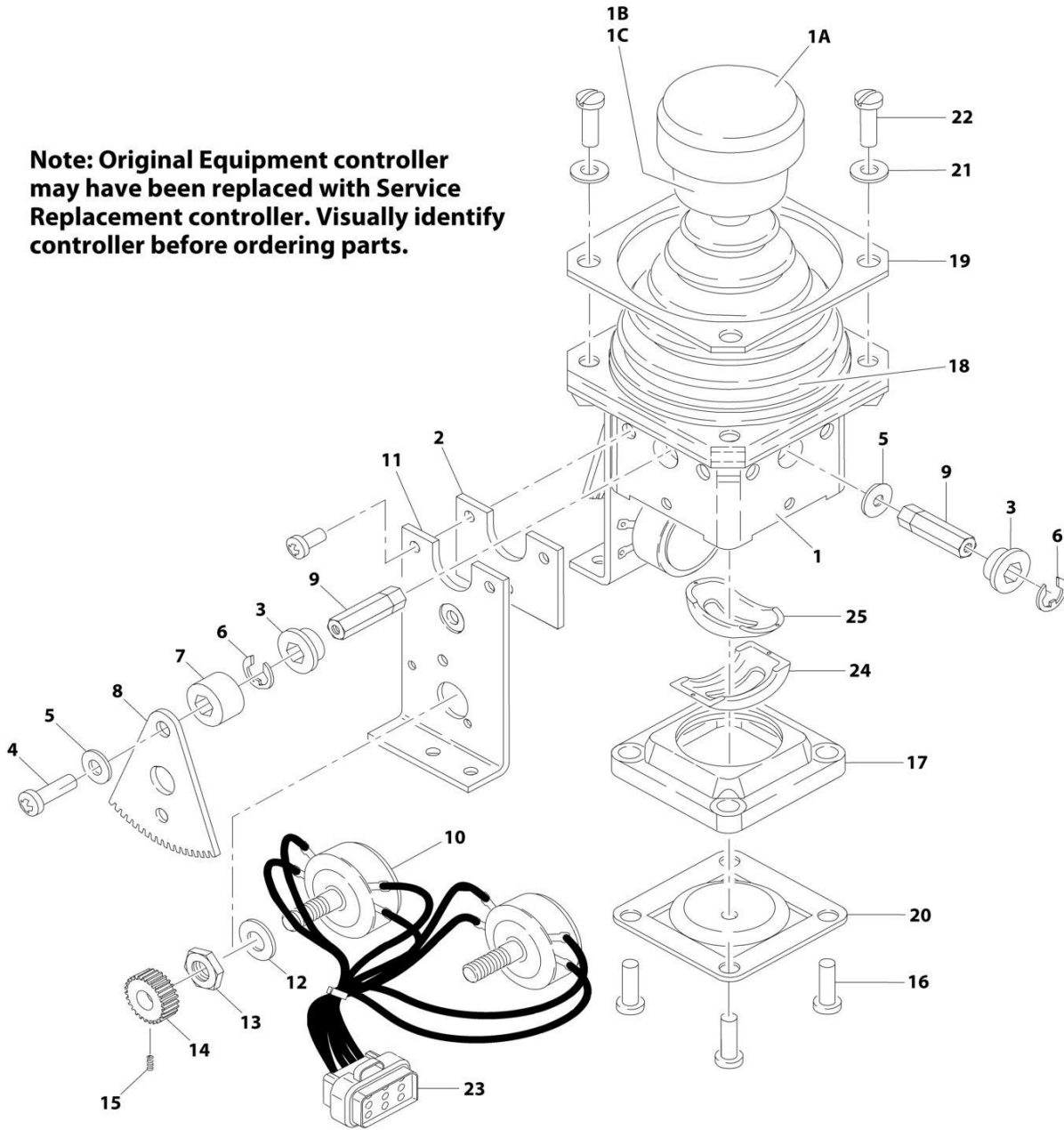
FIGURE 4-7. CONTROLLER ASSEMBLY (SWING AND LIFT) (WITHOUT ADE SYSTEM)

ITEM	PART NUMBER	QTY	DESCRIPTION	REV
	1600284	Ref	CONTROLLER ASSEMBLY	A
1	7019141	1	Mechanical Assembly (Includes Base, Handle Stem and Items 1A, 1B, 1C & 18)	
1A	7019197	1	Cap and Rod	
1B	7003928	1	Spring	
1C	7022808	1	Cap, Lift	
2	7019171	2	Plate	
3	7019111	4	Bearing, Gear	
4	7019143	2	Screw	
5	7019144	2	Spacer, Cam	
6	7019145	4	E-Clip	
7	7019174	2	Spacer	
8	7003977	2	Gear, Drive	
9	7019147	4	Shaft	
10	7003974	2	Potentiometer	
11	7019142	2	Plate	
12	7003992	2	Washer	
13	7003993	2	Nut	
14	7003976	2	Gear, Slave	
15	7019149	2	Setscrew	
16	7003952	4	Screw	
17	7019150	1	Gate	
18	7022813	1	Boot (was p/n 7003955)	
19	7022813	1	Plate, Plastic (was p/n 7003954)	
20	7003956	1	O-Ring	
21	7003953	4	Washer	
22	7019137	4	Screw	
23	See Note	1	Center, Detent (Note: Not Available for Purchase)	
24	4460266	1	Connector - 9 Pin	
24	4460268	8	Socket, Female	
24	4460265	1	Plug - 9 Pin (Part of Platform Wiring) (Not Shown)	
24	4460267	8	Pin, Male (Part of Platform Wiring) (Not Shown)	
25	7019122	1	Gimble, Outer	
26	7019123	1	Gimble, Inner	

SECTION 4 - PLATFORM

FIGURE 4-8. CONTROLLER ASSEMBLY (LIFT AND SWING) (WITH ADE SYSTEM)

Note: Original Equipment controller may have been replaced with Service Replacement controller. Visually identify controller before ordering parts.



ART_1600317

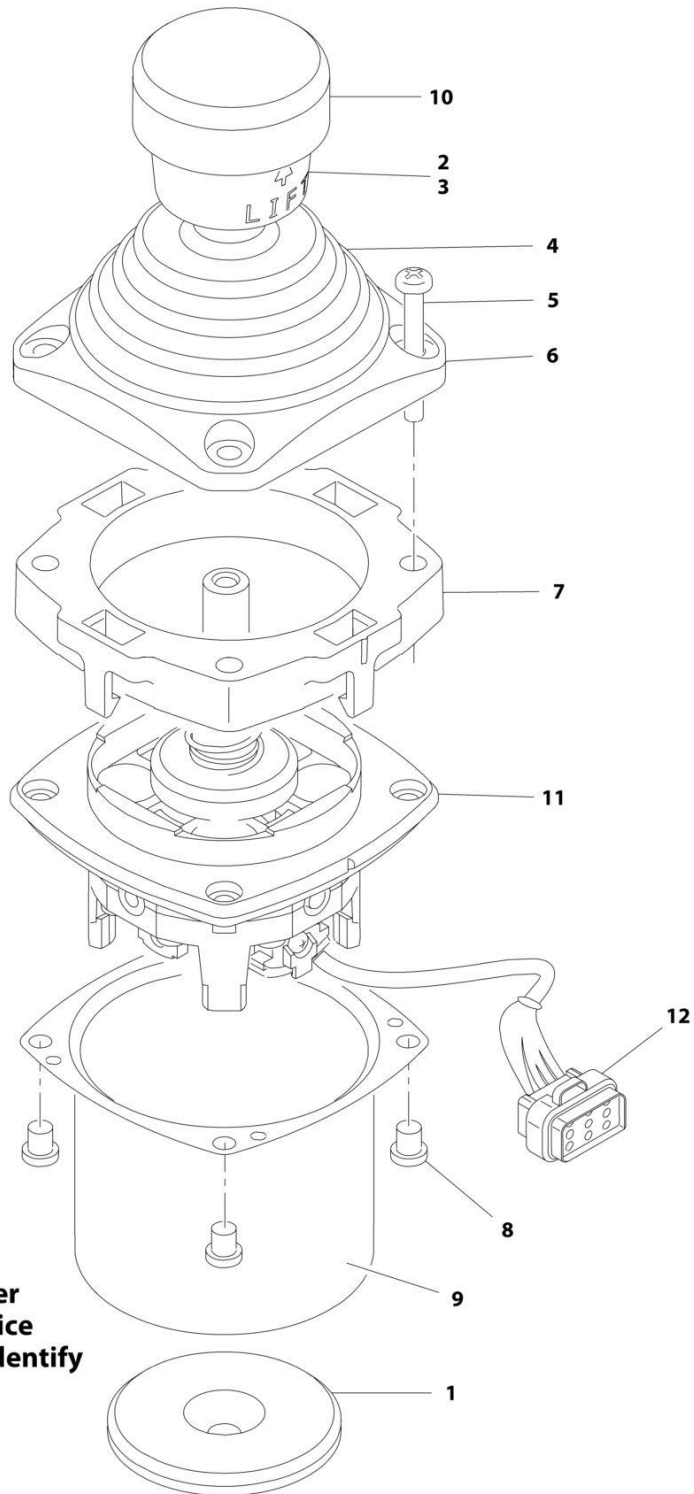
SECTION 4 - PLATFORM

FIGURE 4-8. CONTROLLER ASSEMBLY (LIFT AND SWING) (WITH ADE SYSTEM)

ITEM	PART NUMBER	QTY	DESCRIPTION	REV
		Ref	Note: Original Equipment controller may have been replaced with Service Replacement controller. Visually identify controller before ordering parts.	
	1600317	Ref	CONTROLLER ASSEMBLY	C
		Ref	Note: Use p/n 1001129555 Kit as Replacement.	
1	7019141	1	Mechanical Assembly (Includes Base, Handle Stem and Items 1A, 1B, 1C & 18)	
1A	7019197	1	Handle Cap and Rod	
1B	7003928	1	Spring	
1C	7022808	1	Cap, Lift	
2	7019171	2	Plate	
3	7019111	4	Bearing, Gear	
4	7019143	2	Screw	
5	7019144	2	Spacer, Cam	
6	7019145	4	E-Clip	
7	7019174	2	Spacer	
8	7003977	2	Gear, Drive	
9		Ref	Shaft Options:	
9	7019147	2	Shaft, Short	
9	7019177	2	Shaft, Long	
10	7022818	2	Potentiometer	
11	7019142	2	Plate	
12	7003992	2	Washer	
13	7003993	2	Nut	
14	7003976	2	Gear, Slave	
15	7019149	2	Setscrew	
16	7022816	4	Screw	
17	7019150	1	Gate	
18	7022814	1	Boot	
19	7022815	1	Bezel	
20	See Note	NSS	Center, Detent (Note: Not Available for Purchase)	
21	7003953	4	Washer	
22	7022817	4	Screw	
23	7022819	1	Plug, Male 8 Position (Natural)	
23	4460871	8	Socket, Female	
24	7019122	1	Gimble, Outer	
25	7019123	1	Gimble, Inner	

SECTION 4 - PLATFORM

FIGURE 4-9. CONTROLLER ASSEMBLY (LIFT AND SWING) (WITH ADE SYSTEM)



Note: Original Equipment controller may have been replaced with Service Replacement controller. Visually identify controller before ordering parts.

ART_100118417

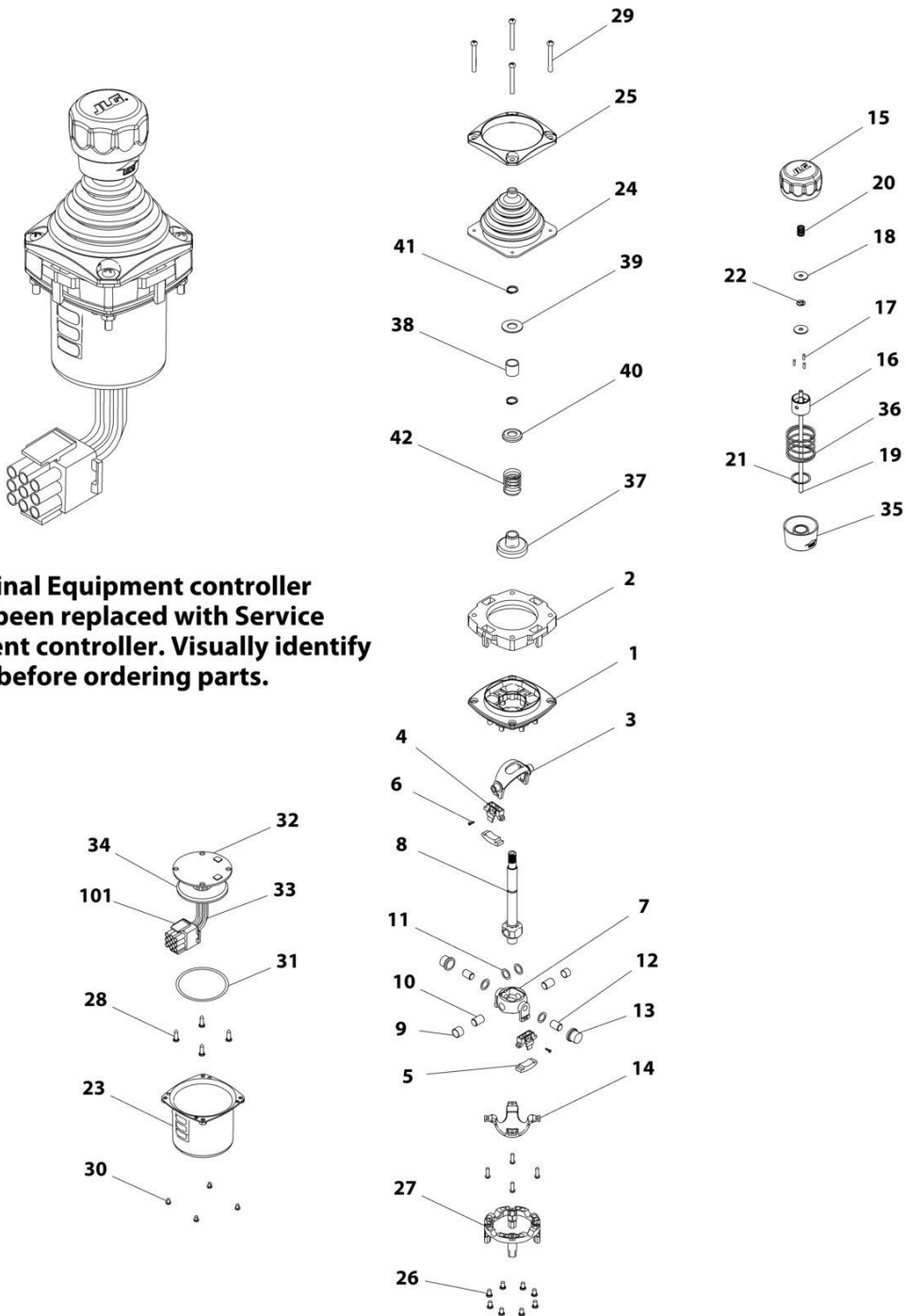
SECTION 4 - PLATFORM

FIGURE 4-9. CONTROLLER ASSEMBLY (LIFT AND SWING) (WITH ADE SYSTEM)

ITEM	PART NUMBER	QTY	DESCRIPTION	REV
		Ref	Note: Original Equipment controller may have been replaced with Service Replacement controller. Visually identify controller before ordering parts.	
	1001118417	Ref	CONTROLLER ASSEMBLY (LIFT AND SWING)	E
		Ref	Note: Use p/n 1001129555 as Replacement.	
1	70002730	1	Gasket	
2	7003928	1	Spring	
3	7022808	1	Cap, Lift	
4	70002731	1	Boot	
5	70002732	4	Screw	
6	7022815	1	Bezel	
7	70002733	1	Adapter	
8	70002734	4	Screw	
9	70002735	1	Can, Enclosure	
10	70002906	1	Cap	
11	See Note	NSS	Mechanical Assembly (Note: Use p/n 1001129555)	
12	7022819	1	Connector - 8 Position	
12	4460871	6	Socket, Female	

SECTION 4 - PLATFORM

FIGURE 4-10. CONTROLLER ASSEMBLY (LIFT AND SWING) (WITH ADE SYSTEM)



ART_1001166539

SECTION 4 - PLATFORM

FIGURE 4-10. CONTROLLER ASSEMBLY (LIFT AND SWING) (WITH ADE SYSTEM)

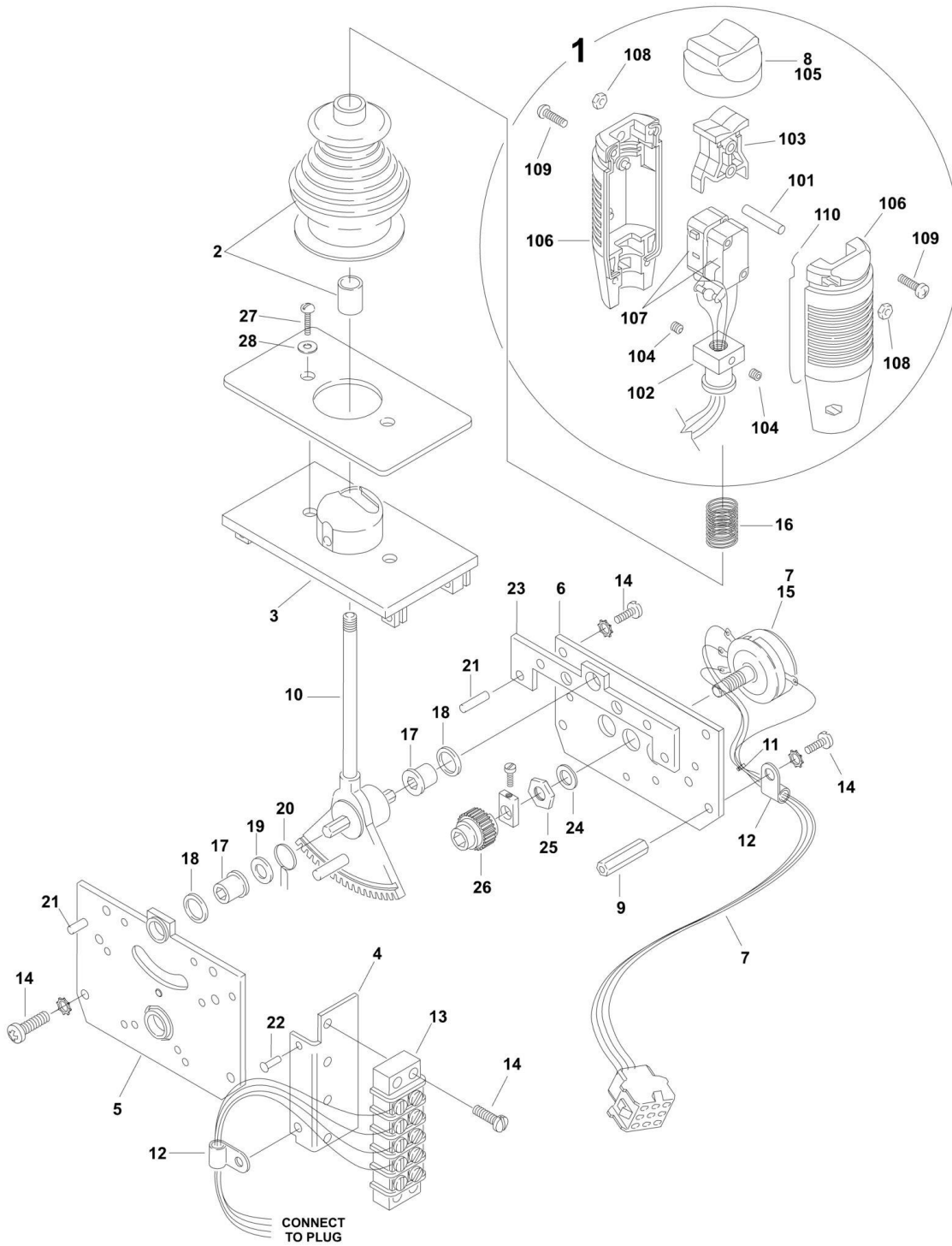
ITEM	PART NUMBER	QTY	DESCRIPTION	REV
		Ref	Note: Original Equipment controller may have been replaced with Service Replacement controller. Visually identify controller before ordering parts.	
	1001166539	Ref	CONTROLLER ASSEMBLY (LIFT AND SWING)	A
		Ref	Note: Use p/n 1001129555 as Replacement.	
1	See Note	NSS	Main Cast Body (Note: Not Available - Purchase Complete Assembly)	
2	70004752	1	Adapter	
3	See Note	NSS	Pivot Arm, Plastic (Note: Not Available - Purchase Complete Assembly)	
4	See Note	NSS	Holder, Magnet (Note: Not Available - Purchase Complete Assembly)	
5	See Note	NSS	Arc, Magnet (Note: Not Available - Purchase Complete Assembly)	
6	See Note	NSS	Screw (Note: Not Available for Purchase)	
7	See Note	NSS	Pivot Arm, Cast (Note: Not Available - Purchase Complete Assembly)	
8	See Note	NSS	Shaft, Main (Note: Not Available - Purchase Complete Assembly)	
9	See Note	NSS	Bearing (Note: Not Available - Purchase Complete Assembly)	
10	See Note	NSS	Pin (Note: Not Available - Purchase Complete Assembly)	
11	See Note	NSS	Shim (Note: Not Available - Purchase Complete Assembly)	
12	See Note	NSS	Pin (Note: Not Available - Purchase Complete Assembly)	
13	See Note	NSS	Bearing (Note: Not Available - Purchase Complete Assembly)	
14	See Note	NSS	Dome, Centering (Note: Not Available - Purchase Complete Assembly)	
15	70004753	1	Cap	
16	70004754	1	Insert, Cap	
17	70004755	3	Pin	
18	70004756	2	Washer	
19	70004757	1	Pin, Centering	
20	70004758	1	Spring	
21	70004759	1	Ring, Retaining	
22	70004760	1	E-Ring	
23	70004761	1	Can, Enclosure	
24	70004762	1	Boot	
25	70004763	1	Bezel	
26	See Note	NSS	Screw (Note: Not Available for Purchase)	
27	See Note	NSS	Base Mounting (Note: Not Available - Purchase Complete Assembly)	
28	See Note	NSS	Screw (Note: Not Available for Purchase)	
29	70004764	4	Screw	
30	70004765	4	Screw	
31	70004766	1	O-Ring	
32	See Note	NSS	Plate (Note: Not Available - Purchase Complete Assembly)	
33	See Note	NSS	Harness (Note: Not Available - Purchase Complete Assembly)	
34	70004767	1	Grommet, Rubber	
35	70004768	1	Housing	
36	70004769	1	Spring	
37	70004770	1	Stopper	
38	70004771	1	Spacer	
39	70004772	1	Washer	
40	70004773	1	Disc	

SECTION 4 - PLATFORM

ITEM	PART NUMBER	QTY	DESCRIPTION	REV
41	70004774	2	Ring, Retaining	
42	70004775	1	Spring	
101	4460265	1	Connector - 9 Position	
101	4460226	6	Socket, Female	

SECTION 4 - PLATFORM

FIGURE 4-11. CONTROLLER ASSEMBLY (DRIVE AND STEER) (WITHOUT ADE SYSTEM)



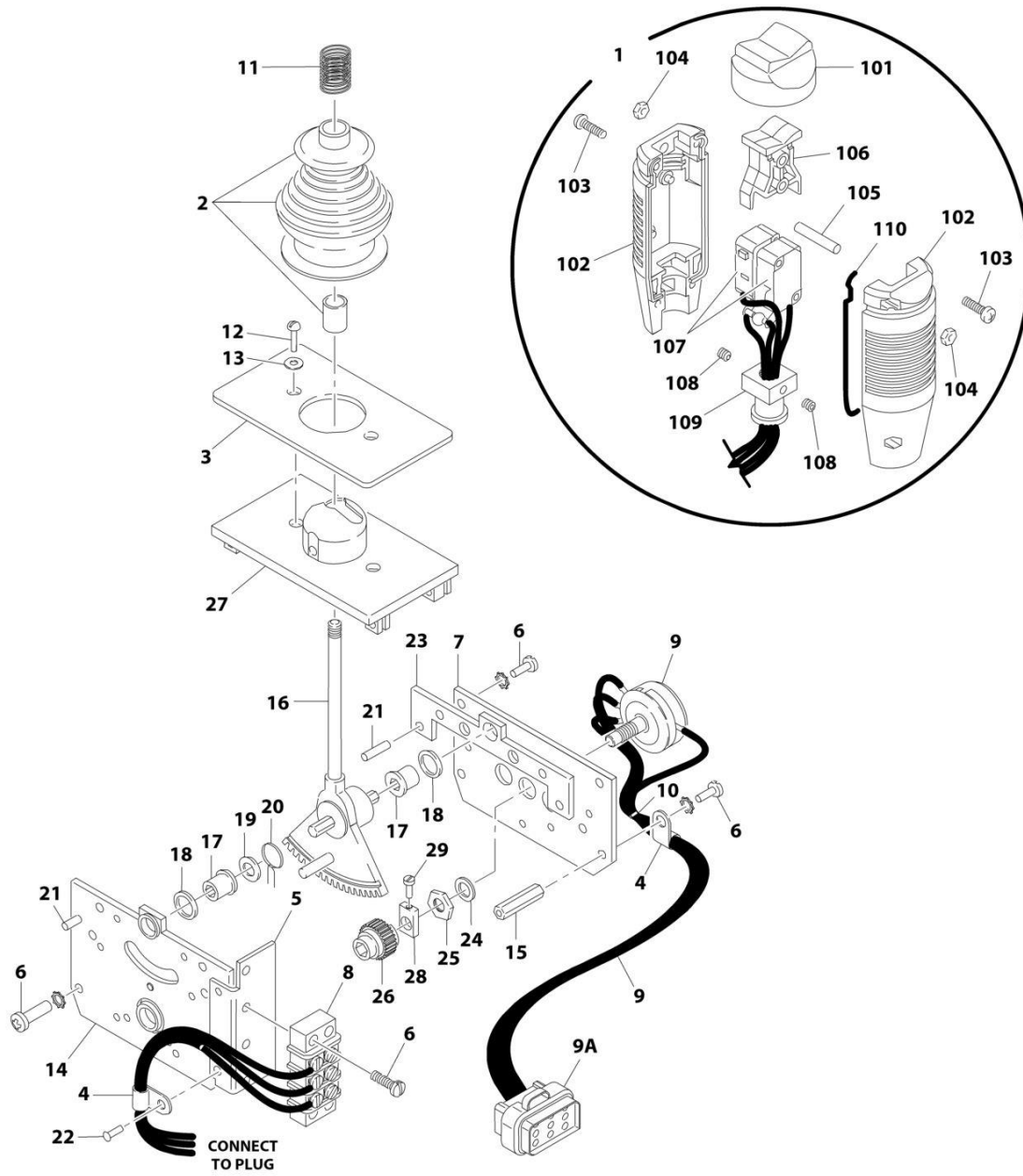
SECTION 4 - PLATFORM

FIGURE 4-11. CONTROLLER ASSEMBLY (DRIVE AND STEER) (WITHOUT ADE SYSTEM)

ITEM	PART NUMBER	QTY	DESCRIPTION	REV
	1600283	Ref	CONTROLLER ASSEMBLY	A
1		Ref	Handle Assembly (See items 101-110 for Breakdown)	
2	7019161	1	Boot and Sleeve	
3	7019160	1	Cast Housing Assembly	
4	7019159	1	Bracket, Mounting	
5	7019158	1	Plate, Mounting (Left Side)	
6	7019157	1	Plate, Pot Mounting	
7	7019156	1	Electric Assembly	
8	7003972	1	Boot, Rocker	
9	7019115	2	Stand-Off	
10	7019155	1	Shaft 8mm	
11	7019151	AR	Tie-Strap	
12	7019154	2	Clamp, Wire	
13	7019153	1	Strip, Terminal - 5 Position	
14	7019117	8	Screw	
15	7019163	1	Potentiometer Coupling Assembly	
16	7019162	1	Spring	
17	7019111	2	Bearing	
18	7019110	2	Spacer, Head Gear	
19	7019112	1	Washer	
20	7003946	1	Spring, Return	
21	7019103	4	Pin	
22	See Note	1	Rivet (Note: Not Available for Purchase)	
23	7019168	1	Plate, Mounting (Right Side)	
24	7003992	1	Washer	
25	7003993	1	Nut	
26	7003935	1	Gear, Slave	
27	7003969	2	Screw	
28	7003941	2	Washer	
		Ref	HANDLE ASSEMBLY	
101	7019164	1	Axle	
102	7019194	1	Coupling	
103	7019165	1	Rocker	
104	7003983	2	Setscrew	
105	7003972	1	Boot, Switch	
106	7003973	2	Half, Handle	
107	7019166	2	Switch, Micro	
108	7019167	4	Nut	
109	7003980	4	Screw	
110	7003989	2	Gasket	

SECTION 4 - PLATFORM

FIGURE 4-12. CONTROLLER ASSEMBLY (DRIVE AND STEER) (WITH ADE SYSTEM)



Note: Original Equipment controller may have been replaced with Service Replacement controller. Visually identify controller before ordering parts.

ART_1600318

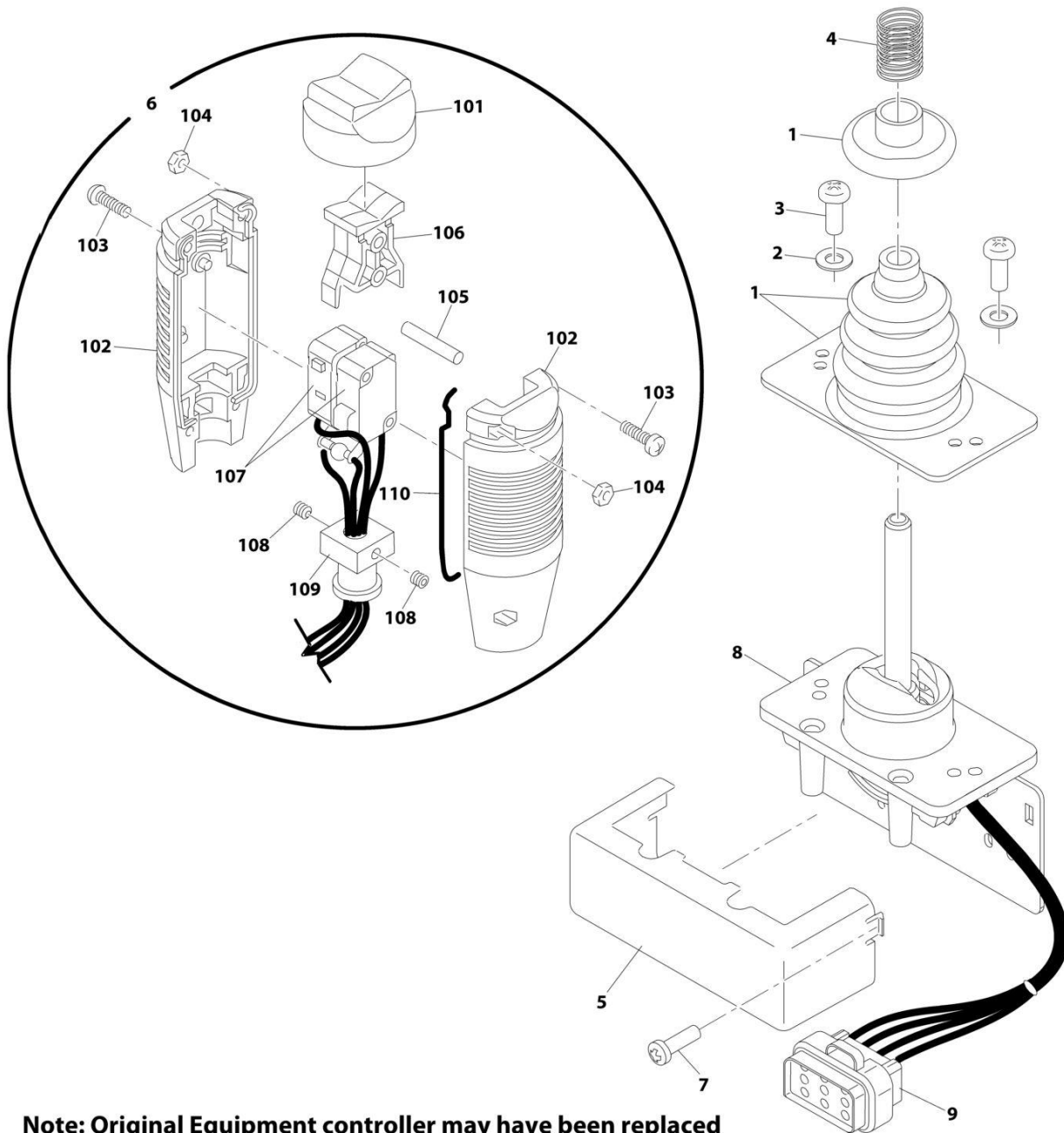
SECTION 4 - PLATFORM

FIGURE 4-12. CONTROLLER ASSEMBLY (DRIVE AND STEER) (WITH ADE SYSTEM)

ITEM	PART NUMBER	QTY	DESCRIPTION	REV
		Ref	Note: Original Equipment controller may have been replaced with Service Replacement controller. Visually identify controller before ordering parts.	
	1600318	Ref	CONTROLLER ASSEMBLY	C
		Ref	Note: Use p/n 1001166538 as Replacement.	
1	7022812	1	Handle Assembly (See Items 101-110 for Breakdown)	
2	7019161	1	Boot and Sleeve	
3	7003933	1	Gasket	
4	7019154	2	Clamp, Wire	
5	7022823	1	Bracket, Mounting	
6	7003994	1	Screw	
7	7022822	1	Plate, Pot Mounting	
8	7003986	1	Strip, Terminal - 3 Position	
9	7022824	1	Electric Assembly	
9A	1001113961	1	Plug, Male - 8 Position (Black) (was p/n 7022825)	
9A	4460871	7	Socket, Female	
10	7019151	AR	Tie-Strap	
11	7019162	1	Spring	
12	7003969	2	Screw	
13	7003941	2	Washer	
14	See Note	NSS	Plate, Mounting (Left Side) (Note: Not Available for Purchase)	
15	7019115	2	Stand-Off	
16	7019155	1	Shaft 8mm	
17	7019111	2	Bearing	
18	7019110	2	Spacer, Head Gear	
19	7019112	1	Washer	
20	7003946	1	Spring, Return	
21	7019103	4	Pin	
22	See Note	NSS	Rivet (Note: Not Available - Purchase Locally)	
23	7019168	1	Plate, Mounting (Right Side)	
24	7003992	1	Washer	
25	7003993	1	Nut	
26	7003935	1	Gear, Slave	
27	7019160	1	Plate, Base	
28	7019114	1	Coupling, Potentiometer	
29	See Note	NSS	Cup Point Screw (Note: Not Available for Purchase)	
	7022812	Ref	HANDLE ASSEMBLY	
101	7003972	1	Boot, Switch	
102	7003973	2	Half, Handle	
103	7003980	4	Screw	
104	7019167	4	Nut	
105	7019164	1	Axle	
106	7019165	1	Rocker	
107	See Note	NSS	Wiring for Controller Assembly p/n 1600318 (Note: Use p/n 1001166538)	
107	7019166	2	Switch, Micro	
108	7003983	2	Setscrew	
109	7019194	1	Coupling	
110	7003989	2	Gasket	

SECTION 4 - PLATFORM

FIGURE 4-13. CONTROLLER ASSEMBLY (DRIVE AND STEER) (WITH ADE SYSTEM)



Note: Original Equipment controller may have been replaced with Service Replacement controller. Visually identify controller before ordering parts.

ART_1001118416

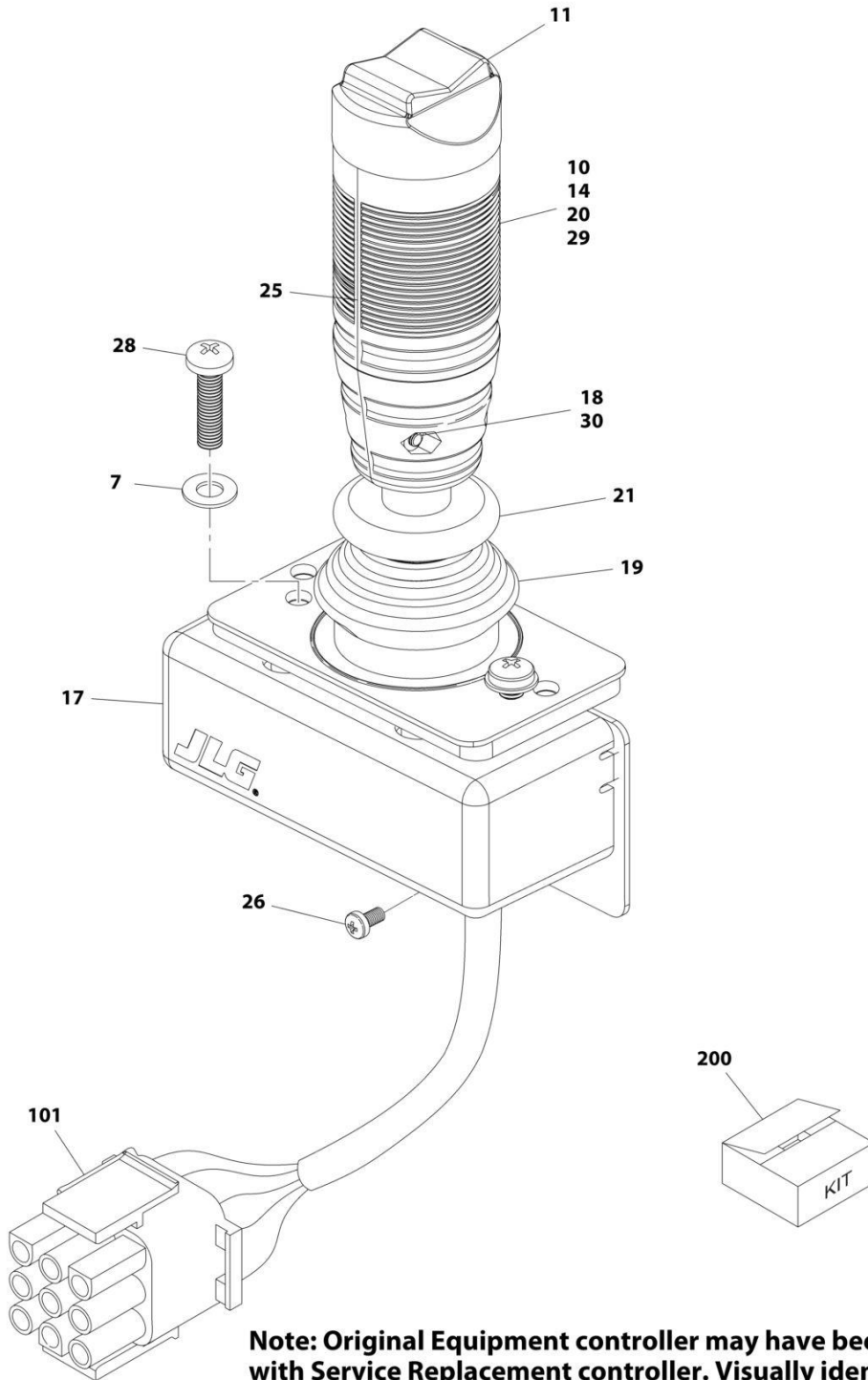
SECTION 4 - PLATFORM

FIGURE 4-13. CONTROLLER ASSEMBLY (DRIVE AND STEER) (WITH ADE SYSTEM)

ITEM	PART NUMBER	QTY	DESCRIPTION	REV
		Ref	Note: Original Equipment controller may have been replaced with Service Replacement controller. Visually identify controller before ordering parts.	
	1001118416	Ref	CONTROLLER ASSEMBLY (DRIVE AND STEER)	D
		Ref	Note: Use p/n 1001166538 as Replacement.	
1	70002724	1	Boot and Control Lock Assembly	
2	7003941	2	Washer	
3	70002725	2	Screw	
4	7019162	1	Spring	
5	70002726	1	Enclosure	
6	70002727	1	Handle Assembly (See Items 101-110 for Breakdown)	
7	70002728	1	Screw	
8	See Note	NSS	Mechanical Assembly (Note: Use p/n 1001166538)	
9	1001113961	1	Plug, Male - 8 Position (Black) (was p/n 7022825)	
9	4460871	7	Socket, Female	
	70002727	Ref	HANDLE ASSEMBLY	
101	7003972	1	Boot, Switch	
102	7003973	2	Half, Handle	
103	7003980	4	Screw	
104	7019167	4	Nut	
105	7019164	1	Axle	
106	7019165	1	Rocker	
107	70002729	1	Wiring Assembly	
107	7003982	2	Switch, Micro	
108	7003983	2	Set Screw	
109	7019194	1	Coupling	
110	7003989	2	Gasket	

SECTION 4 - PLATFORM

FIGURE 4-14. CONTROLLER ASSEMBLY (DRIVE AND STEER) (WITH ADE SYSTEM)



Note: Original Equipment controller may have been replaced with Service Replacement controller. Visually identify controller before ordering parts.

ART_1001166538

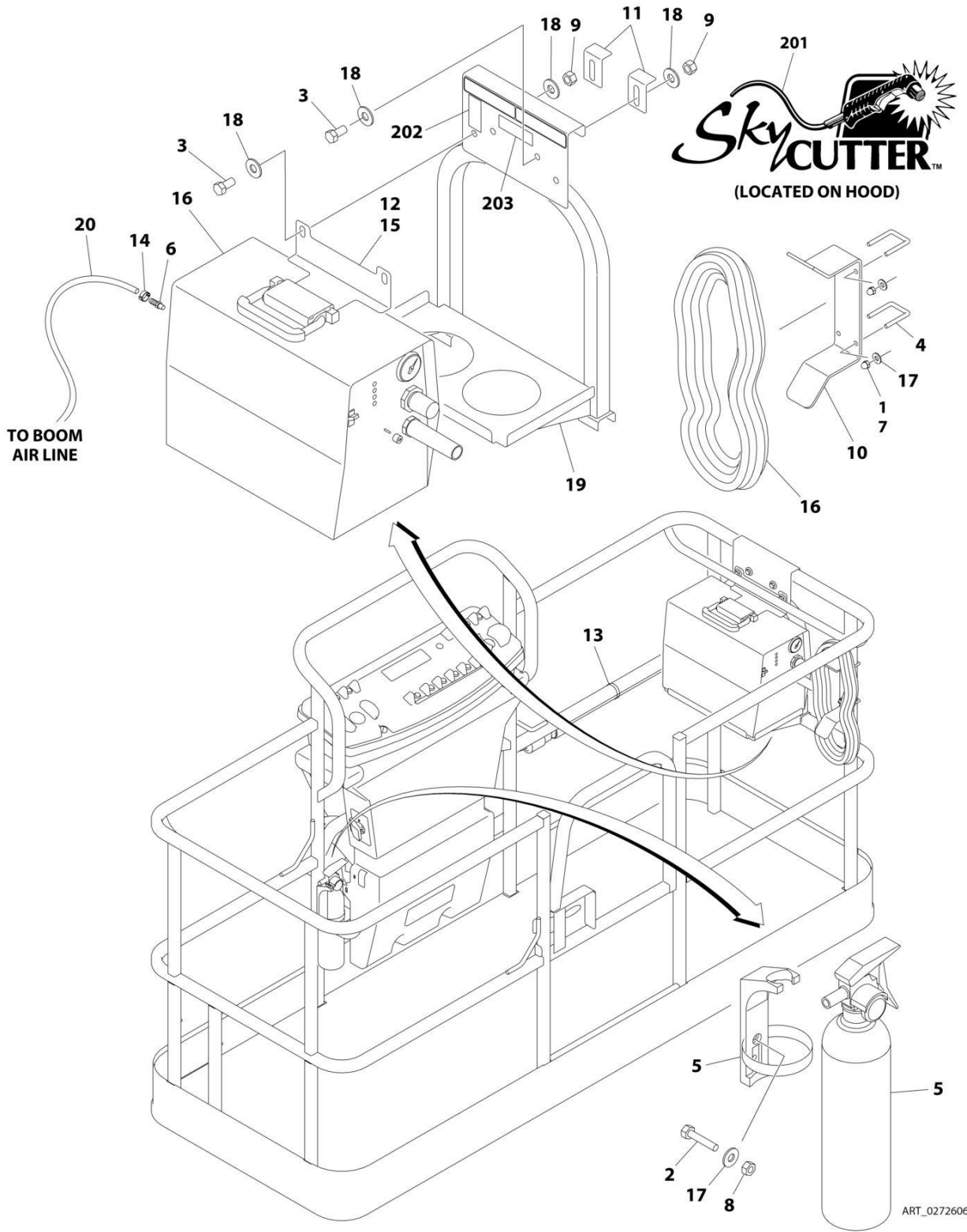
SECTION 4 - PLATFORM

FIGURE 4-14. CONTROLLER ASSEMBLY (DRIVE AND STEER) (WITH ADE SYSTEM)

ITEM	PART NUMBER	QTY	DESCRIPTION	REV
		Ref	Note: Original Equipment controller may have been replaced with Service Replacement controller. Visually identify controller before ordering parts.	
	1001166538	Ref	CONTROLLER ASSEMBLY (DRIVE AND STEER)	E
7	70004738	2	Washer	
10	70004739	1	Roller	
11	70004740	1	Boot, Switch	
14	70004741	2	Half, Handle	
17	70004742	1	Enclosure	
18	70004743	4	Nut	
19	70004744	NLA	Boot, Controller (Note: Use Item 200)	
20	70004745	NLA	Tube, Locking (Note: Use Item 200)	
21	70004746	NLA	Disc, Locking (Note: Use Item 200)	
25	70004747	2	Seal, Rope	
26	70004748	1	Screw, M3 x 6	
28	70004749	2	Screw, M5 x 20	
29	70004750	1	Pin, Dowel	
30	70004751	4	Screw, M3 x 16	
101	4460265	1	Connector - 9 Position	
101	4460226	7	Socket, Female	
200	70005230	1	Boot Kit (Includes Items 19-21)	

SECTION 4 - PLATFORM

FIGURE 4-15. SKYCUTTER INSTALLATION



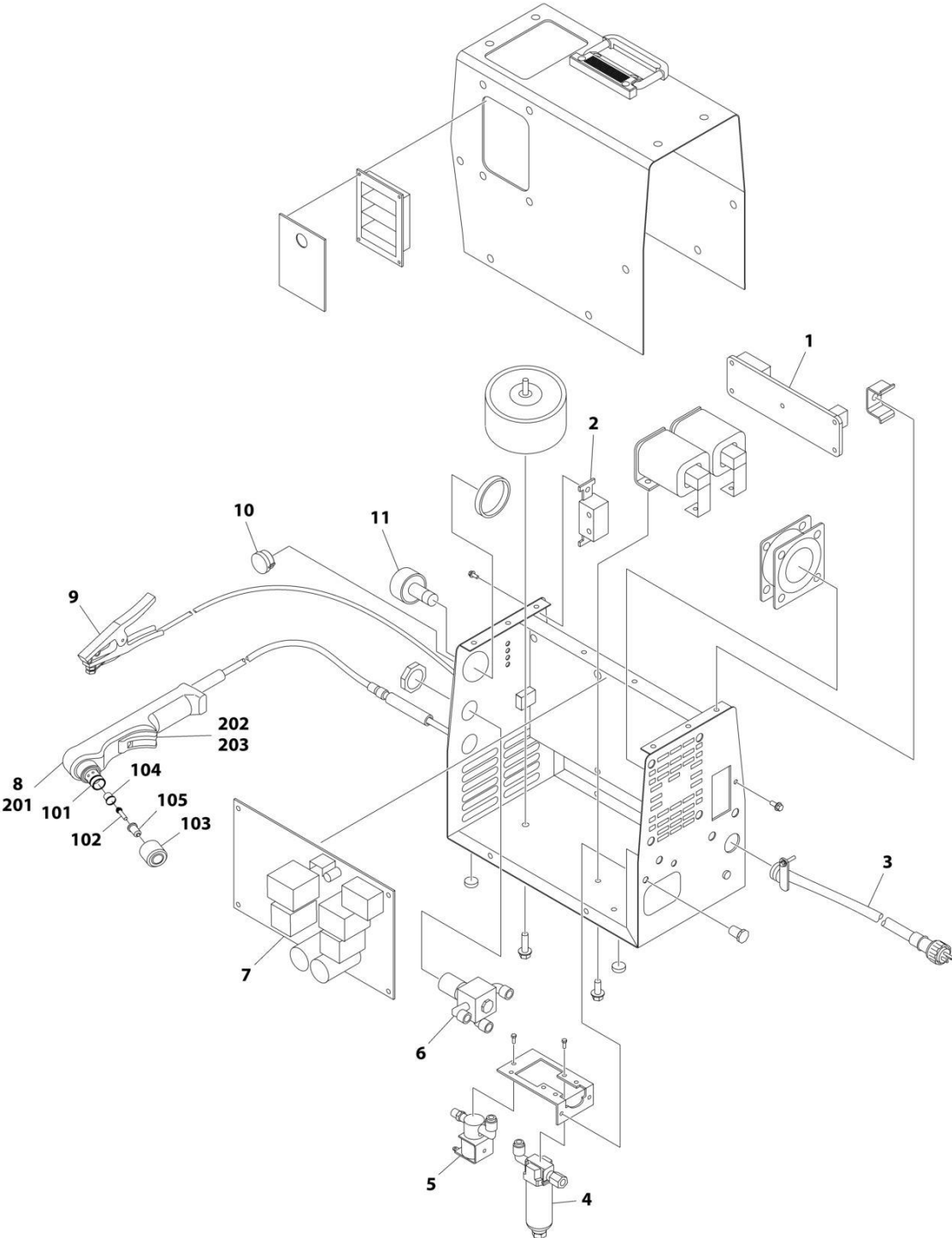
SECTION 4 - PLATFORM

FIGURE 4-15. SKYCUTTER INSTALLATION

ITEM	PART NUMBER	QTY	DESCRIPTION	REV
	0272606	Ref	SKYCUTTER INSTALLATION	D
		Ref	Note: When replacing platform on machines with SkyCutter option, new bracket p/n 1001145405 must be purchased to accommodate SkyCutter components.	
1	0100011	AR	Compound, Locking	
2	0641406	2	Bolt 1/4 x 3/4	
3	0641606	4	Bolt 3/8 x 3/4	
4	1320302	2	Clamp	
5	2030010	1	Extinguisher, Fire	
6	2180832	1	Fitting, NPT/Barbed	
7	3300151	4	Nut 1/4	
8	3311405	2	Nut 1/4	
9	3311605	4	Nut 3/8	
10	3573400	1	Bracket, Cable	
11	3573641	2	Plate, Clamp (Use p/n 3577121)	
12	3573643	1	Plate, Top Support	
13	4240099	AR	Tie, Wire	
14	1320177	2	Clamp, Hose	
15	4420037	AR	Tape, Insulation	
16	4530025	1	Plasma Cutter Assembly (See PLASMA CUTTER ASSEMBLY for Breakdown)	
17	4751400	6	Washer 1/4	
18	4751600	8	Washer 3/8	
19	4846571	1	Support	
20	2720160	4 ft/1.2m	Hose	
	0272607	Ref	SKYCUTTER DECAL INSTALLATION	A
201	1705490	2	Decal - SkyCutter	
202	1705305	1	Decal - Weld Lead	
203	1705466	1	Decal - Weight	

SECTION 4 - PLATFORM

FIGURE 4-16. PLASMA CUTTER ASSEMBLY



ART_4530025

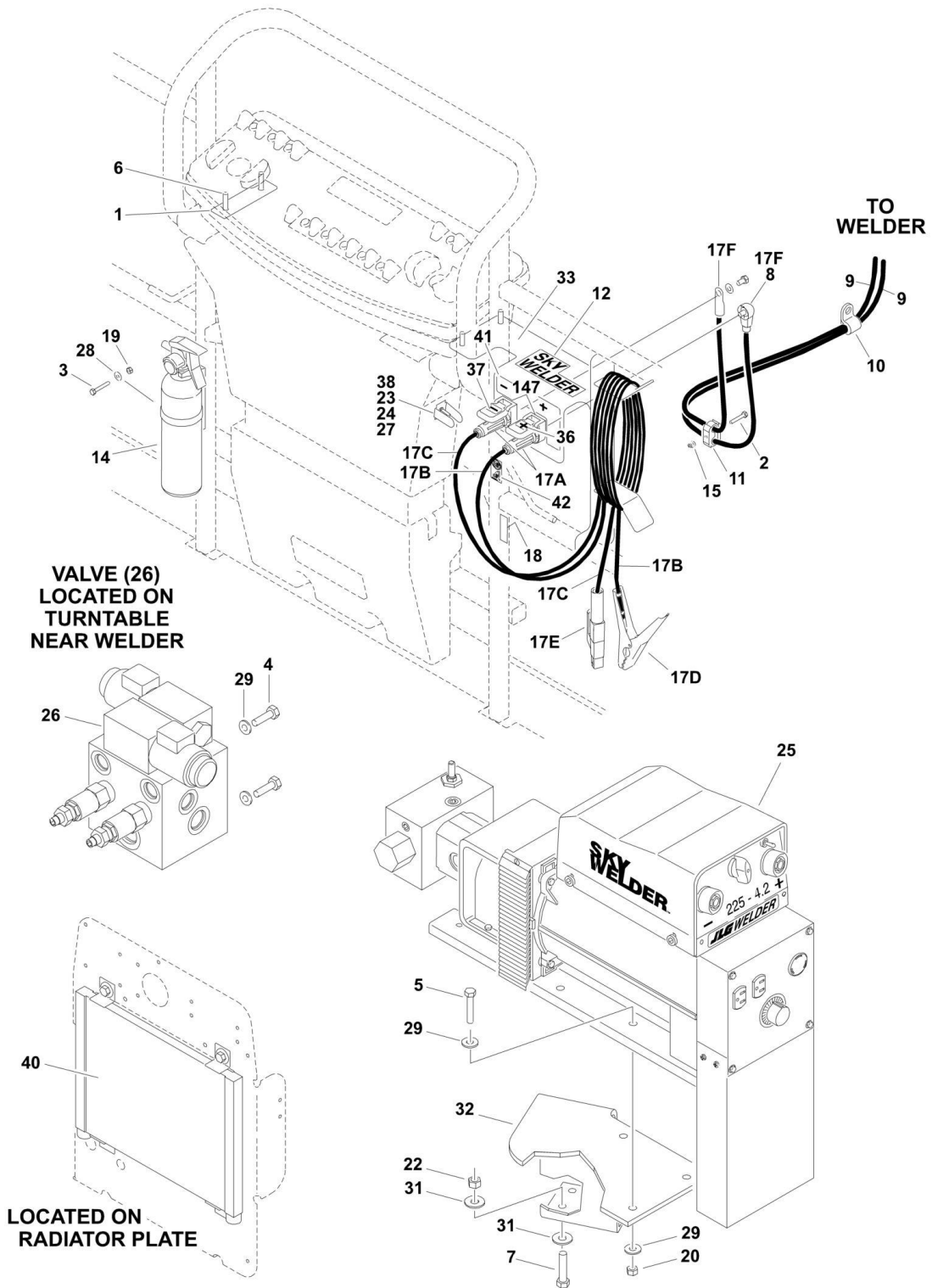
SECTION 4 - PLATFORM

FIGURE 4-16. PLASMA CUTTER ASSEMBLY

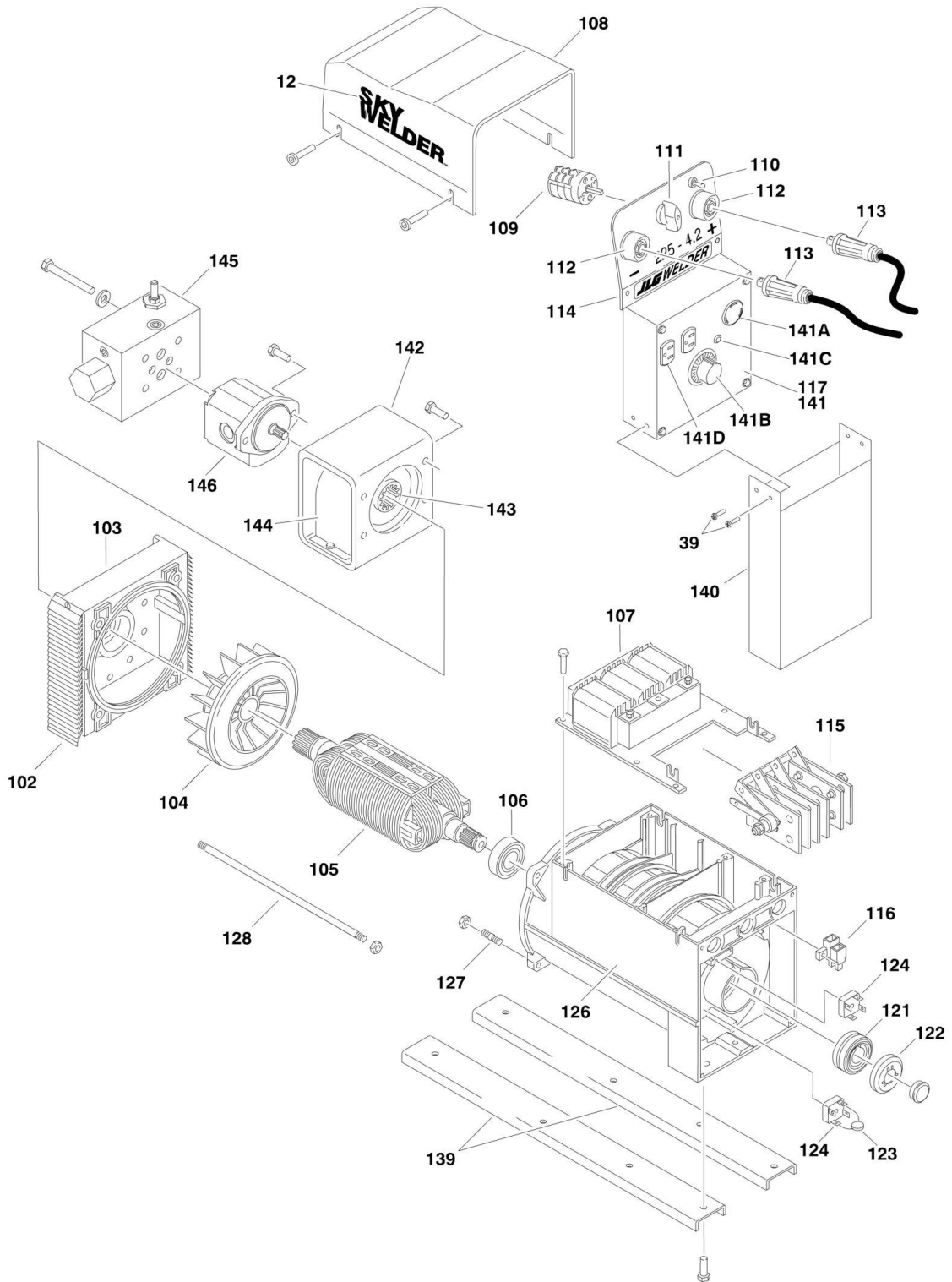
ITEM	PART NUMBER	QTY	DESCRIPTION	REV
	4530025	Ref	PLASMA CUTTER ASSEMBLY	A
		Ref	Note: For other components see your Miller Dealer.	
1	7024538	1	Circuit Card	
2	7024520	1	Switch	
3	7024539	10 ft/3m	Cable, Power	
4	7024522	1	Filter, Air	
5	7024540	1	Valve, Air	
6	7024524	1	Regulator, Air	
7	7024541	1	Circuit Card	
8	7024526	1	Torch Assembly (See Items 101-203 for Breakdown)	
9	7024527	1	Clamp	
10	7024528	1	Knob	
11	7024529	1	Gauge, Air	
		Ref	TORCH ASSEMBLY	
101	7024530	1	O-Ring	
102	7024531	1	Electrode	
103	7024532	1	Cup, Retaining	
104	7024533	1	Swirl Ring	
105	7024534	1	Tip	
201	7024535	1	Handle, Torch	
202	7024536	1	Switch	
203	7024537	1	Trigger	

SECTION 4 - PLATFORM

FIGURE 4-17. SKYWELDER INSTALLATION (Prior to SN 0300068333)



SECTION 4 - PLATFORM



SECTION 4 - PLATFORM

FIGURE 4-17. SKYWELDER INSTALLATION (Prior to SN 0300068333)

ITEM	PART NUMBER	QTY	DESCRIPTION	REV
		Ref	SKYWELDER INSTALLATIONS	
	0270044	Ref	225A -400S (Prior to SN 0300064404)	E
	0271579	Ref	200A -400S (Prior to SN 0300064404)	A
	0271358	Ref	225A - 400S - ADE System (SN 0300064404 through 0300064508)	D
	0272025	Ref	225A - 400S - ADE System (SN 0300064509 through 0300068333)	B
	0270361	Ref	225A -460SJ (Prior to SN 0300064404)	E
	0271580	Ref	200A -460SJ (Prior to SN 6030004404)	A
	0271359	Ref	225A - 460SJ - ADE System (SN 0300064404 through 0300064508)	D
	0272024	Ref	225A - 460SJ - ADE System (SN 0300064509 through 0300068333)	B
1	0362949	2	Bar, Space	
2	0641412	1	Bolt 1/4in-20NC x 1-1/2in	
3	0641414	2	Bolt 1/4in-20NC x 1-3/4in	
4	0641510	2	Bolt 5/16in-18NC x 1-1/4in	
5	0641514	4	Bolt 5/16in-18NC x 1-3/4in	
6	0641613	4	Bolt 3/8in-16NC x 1-5/8in	
7	0641810	4	Bolt 1/2in-13NC x 1-1/4in	
8	0840041	1	Boot, Cable	
9	1060883	AR	Cable, Weld	
9	1060883	110 ft/33.5m	Cable, Weld 400S	
9	1060883	125 ft/38.1m	Cable, Weld 460SJ	
10		Ref	Clamp, Hose	
10	Not Required	0	Clamp, Hose 400S	
10	1320130	4	Clamp, Hose 460SJ	
11		Ref	Clamp, Hose Options:	
11	1320146	1	Clamp, Hose (Prior to SN 0300064404)	
11	1320291	1	Clamp, Hose (SN 0300064404 through 0300068333)	
12	1704895	2	Decal - SkyWelder	
13	1704896	1	Decal - SkyWelder (Not Shown - Located on Hood)	
14	2030010	1	Extinguisher, Fire	
15	2080044	1	Rivnut, Fastener	
17	2901971	1	Platform Weld Leads Kit	B
17A	7023413	2	Connector, Cable	
17B	7023414	1	Cable, #1 Weld - Black (12ft Length)	
17C	7023418	1	Cable, #1 Weld - Red (12ft Length)	
17D	7023415	1	Clamp, Ground	
17E	7023416	1	Holder, Electrode	
17F	7023417	2	Lugs, Cable	
18	3251963	1	Nameplate - Welding Leads	
19	3311405	2	Locknut 1/4in-20NC	
20	3311505	4	Locknut 5/16in-18NC	
22	3311805	4	Locknut 1/2in-13NC	
23	4060802	1	Guard, Switch	
24	4360336	1	Switch, Toggle	
25		Ref	Hydraulic Welder Assembly Options (See Items 101-147 for Breakdown):	

SECTION 4 - PLATFORM

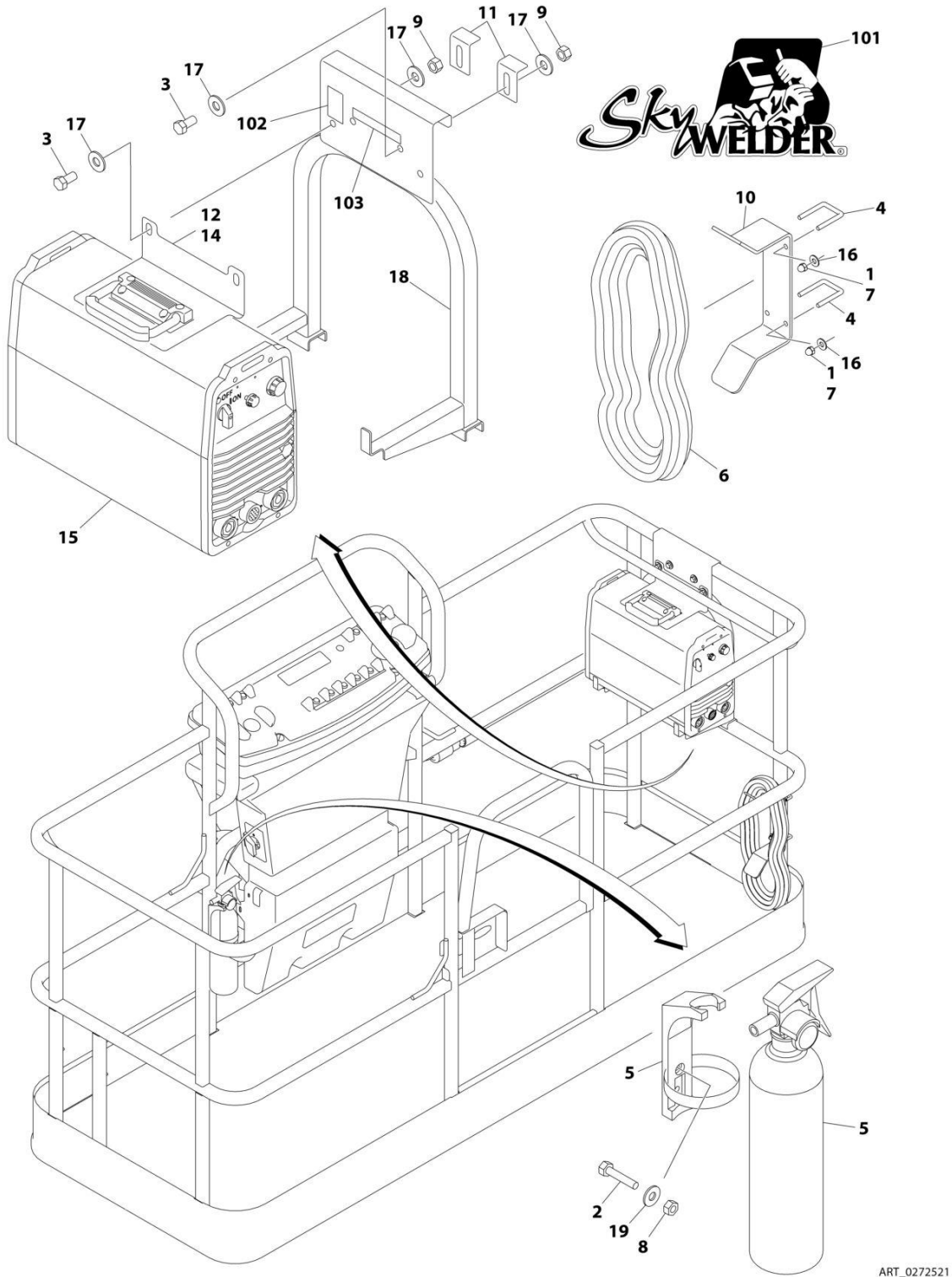
ITEM	PART NUMBER	QTY	DESCRIPTION	REV
25	4530016	1	225A	
25	4530020	1	200A	
26	4641164	1	Diverter Valve Assembly	
27	4740397	1	Spacer, Washer	
28	4751400	2	Flatwasher 1/4in	
29	4751500	12	Flatwasher 5/16in	
31	4751800	4	Flatwasher 1/2in	
32	4846213	1	Support, Welder	
33	4846231	1	Support, Weld Lead	
34	4922442	1	Harness, Electrical (Not Shown) (Prior to SN 0300064404)	1/A
34	3990001	1	Diode 3Amp	
34	4460741	1	Connector, Relay	
36	1704919	1	Decal - Positive	
37	1704920	1	Decal - Negative	
38	3252764	1	Nameplate - AC and Weld	
39	0750605	4	Screw	
40	3620034	1	Oil Cooler Assembly	
41	1705000	1	Decal - SkyWelder (Platform)	
42	1705305	1	Decal - Weld Lead (SN 0300066961 through 0300068333)	
		Ref	HYDRAULIC WELDER ASSEMBLIES	
	4530016	Ref	225A	C
	4530020	Ref	200A	B
102	7023444	2	Grid - Front	
103	7023445	1	Shield Front	
104	7023446	1	Fan	
105	7023251	1	Rotor	
106	7023252	1	Bearing	
107		Ref	Impedance, Weld Options:	
107	7023253	1	225A	
107	7024313	1	200A	
108	7023447	1	Cover	
109	7023254	1	Switch, Step	
110	7023255	1	Selector, Range	
111	7023256	1	Knob, Switch	
112	7023257	2	Terminal, Female Weld Cable Attached	
113	7023258	2	Terminal, Male Weld Cable Attached	
114	See Note	1	Panel, Front (Note: Not Available - Purchase Complete Welder Assembly)	
115	7023259	1	Bridge, Rectifier	
116	7023260	1	Brushes and Holder	
117		Ref	Panel, Receptacle Options (Panel Only):	
117	7023419	1	225A	
117	7024315	1	200A	
121	7023261	1	Ring, Slip	
122	7023262	1	Cover, Slip Ring	
123	7022363	1	Varistor	
124	7023264	2	Bridge, Single Phase Rectifier	
126		Ref	Housing and Stator Options:	
126	7023265	1	225A	
126	7024316	1	200A	
127	7023266	4	Bolt, Stay M8 x 30mm	
128	7023267	4	Bolt, Stay	

SECTION 4 - PLATFORM

ITEM	PART NUMBER	QTY	DESCRIPTION	REV
139	7023448	1	Rail Set	
140	7023449	1	Duct	
141		Ref	Panel Assembly (Complete) Options:	
141	7023420	1	225A	
141	See Note	1	200A (Note: Not Available for Purchase)	
141A		Ref	Receptacle, Twistlock Options:	
141A	7023421	1	225A	
141A	See Note	1	200A (Note: Not Available for Purchase)	
141B	7023422	1	Control, Fine	
141B	7024436	1	Knob	
141C	7023423	1	Light - AC	
141D		Ref	Receptacle Options:	
141D	7023424	1	225A	
141D	See Note	1	200A (Note: Not Available for Purchase)	
141E	7023425	1	Harness (Not Shown)	
142	See Note	1	Mount, Motor (Note: Not Available for Purchase)	
143	7023426	1	Coupling	
144	See Note	1	Guard, Coupling (Note: Not Available for Purchase)	
145	7023427	1	Valve Assembly	
146		Ref	Motor Assembly Options:	
146	7023428	1	225A	
146	7024317	1	200A	
147	7024559	2	Cover, Weld Receptacle W/Cover	

SECTION 4 - PLATFORM

FIGURE 4-18. SKYWELDER INSTALLATION (50HZ) (SN 0300068333 through 0300096000)



ART_0272521

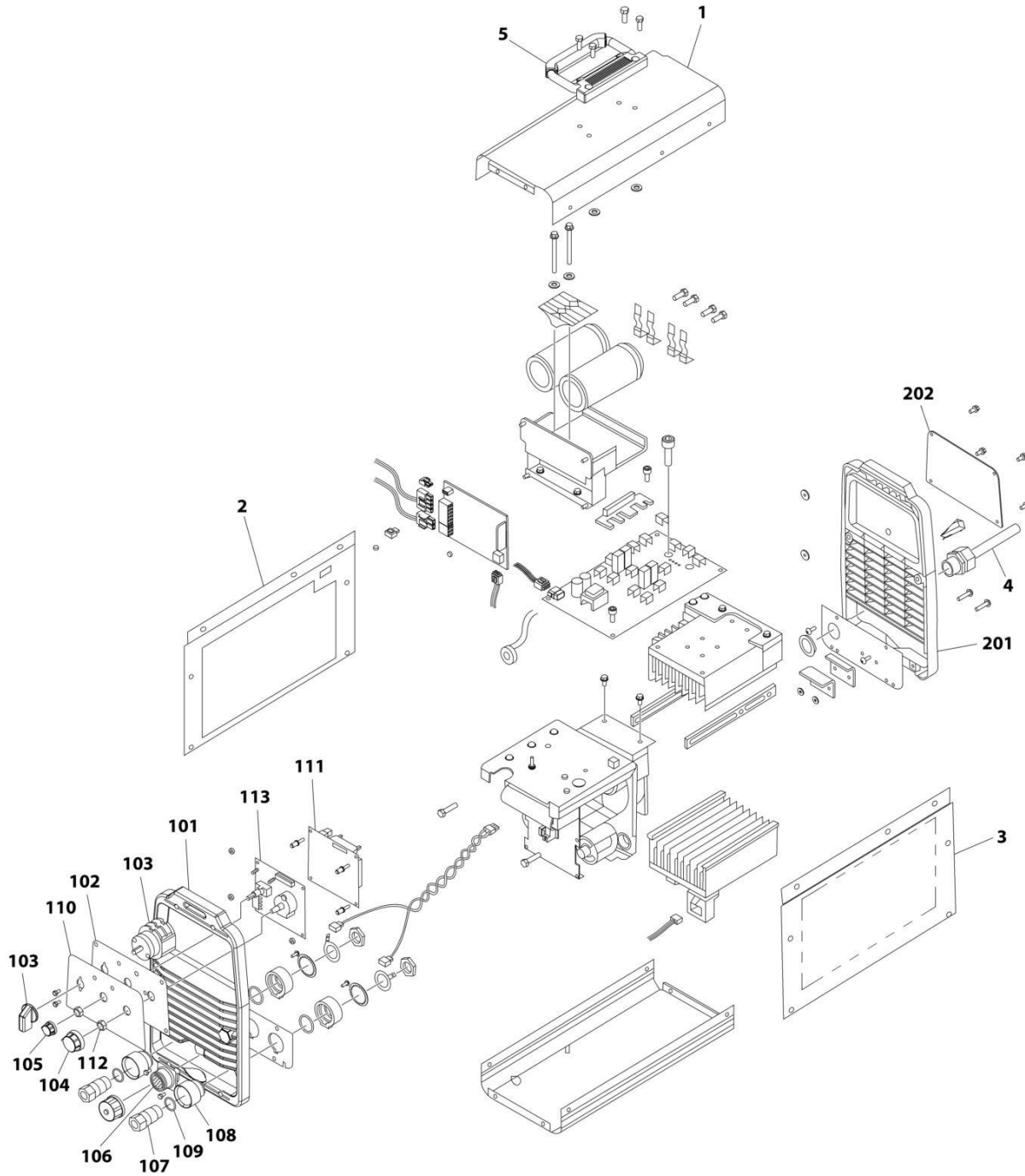
SECTION 4 - PLATFORM

FIGURE 4-18. SKYWELDER INSTALLATION (50HZ) (SN 0300068333 through 0300096000)

ITEM	PART NUMBER	QTY	DESCRIPTION	REV
	0272521	Ref	SKYWELDER INSTALLATION (50HZ) (SN 0300068333 through 0300096000)	F
1	0100011	AR	Compound, Locking	
2	0630518	2	Screw #10 x 3/4	
3	0641606	4	Bolt 3/8 x 3/4	
4	1320302	2	U-Clamp	
5	2030010	1	Extinguisher, Fire	
6	2902217	1	Weld Leads Kit	
7	3300151	4	Nut 1/4	
8	3311005	2	Nut #10	
9	3311605	4	Nut 3/8	
10	3573400	1	Bracket	
11	3577121	2	Angle	
12	3573642	1	Plate	
13	4240099	AR	Tie-Strap (Not Shown)	
14	4420037	AR	Tape	
15		Ref	Welder Assembly Options (See WELDER ASSEMBLY for Breakdown):	
15	4530022	1	Miller Model CST250 (Prior to SN 0300083533)	
15	4530028	1	Miller Model CST280 (SN 0300083533 through 0300096000)	
16	4751400	4	Washer 1/4	
17	4751600	8	Washer 3/8	
18	4846627	1	Support	
19	4751000	2	Washer #10	
	0272588	Ref	SKYWELDER DECAL INSTALLATION	A
101	1705355	2	Decal - SkyWelder	
102	1705305	1	Decal - Weld Lead	
103	1705466	1	Decal - Weight	

SECTION 4 - PLATFORM

FIGURE 4-19. WELDER ASSEMBLY



ART_4530028

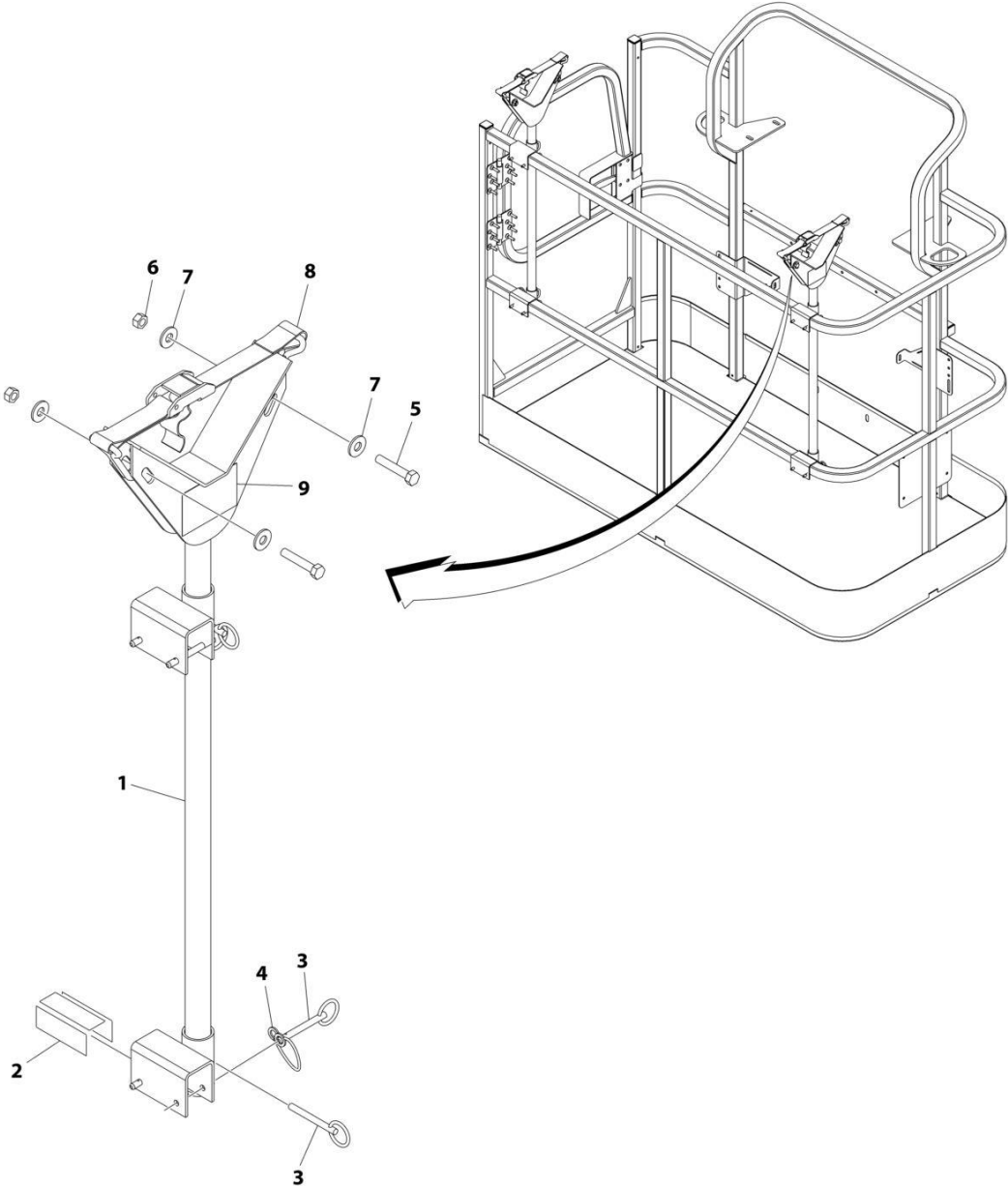
SECTION 4 - PLATFORM

FIGURE 4-19. WELDER ASSEMBLY

ITEM	PART NUMBER	QTY	DESCRIPTION	REV
	4530028	Ref	WELDER ASSEMBLY	B
		Ref	Note: For Other Components, contact your Miller Welder Dealer.	
1		Ref	Cover, Top Options:	
1	7024464	1	Miller Model CST250 (Prior to SN 0300083533)	
1	7027773	1	Miller Model CST280 (SN 0300083533 through 0300096000)	
1	7027774	1	Decal - Static Precautionary Warning (SN 0300083533 through 0300096000)	
2		Ref	Panel, LH Side Options	
2	7024465	1	Miller Model CST250 (Prior to SN 0300083533)	
2	See Note	NSS	Miller Model CST280 (Note: Part of Item 1. Purchase Item 1) (SN 0300083533 through 030009600)	
3		Ref	Panel, RH Side Options:	
3	7024466	1	Miller Model CST250 (Prior to SN 0300083533)	
3	See Note	NSS	Miller Model CST280 (Note: Part of Item 1. Purchase Item 1) (SN 0300083533 through 0300096000)	
4	7024467	1	Cable, Power	
4	7024467	1	Decal - Electrical Shock Warning (Not Shown) (SN 0300083533 through 0300096000)	
5		Ref	Handle, Carrying Options:	
5	7024468	1	Miller Model CST250 (Prior to SN 0300083533)	
5	7027776	1	Miller Model CST280 (SN 0300083533 through 0300096000)	
101	7024462	1	Panel, Front	
102	7024463	1	Panel, Console	
103	7024469	1	Switch with Lead	
104	7024470	1	Knob	
105	7024471	1	Knob	
106	7024472	1	Receptacle with Leads and Plugs	
107	7024473	2	Receptacle, Twistlock Female	
108	7024474	2	Insulator	
109	7024475	2	O-Ring	
110		Ref	Nameplate Options:	
110	7024476	1	Miller Model CST250 (Prior to SN 0300083533)	
110	7027777	1	Miller Model CST280 (SN 0300083533 through 0300096000)	
111		Ref	Circuit Card Assembly (Process Control) Options:	
111	7024477	1	Miller Model CST250 (Prior to SN 0300083533)	
111	7027779	1	Miller Model CST280 (SN 0300083533 through 0300096000)	
112	7024478	2	Nut	
113		Ref	Circuit Card Assembly (Operator Interface) Options:	
113	See Note	NSS	Miller Model CST250 (Note: Not Available for Purchase) (Prior to SN 0300083533)	
113	7027778	1	Miller Model CST280 (SN 0300083533 through 0300096000)	
201	7024462	1	Panel, Rear	
202		Ref	Panel, Cover Options:	
202	7024479	1	Miller Model CST250 (Prior to SN 0300083533)	
202	7027780	1	Miller Model CST280 (SN 0300083533 through 0300096000)	

SECTION 4 - PLATFORM

FIGURE 4-20. PIPE RACKS INSTALLATION



ART_0257728

SECTION 4 - PLATFORM

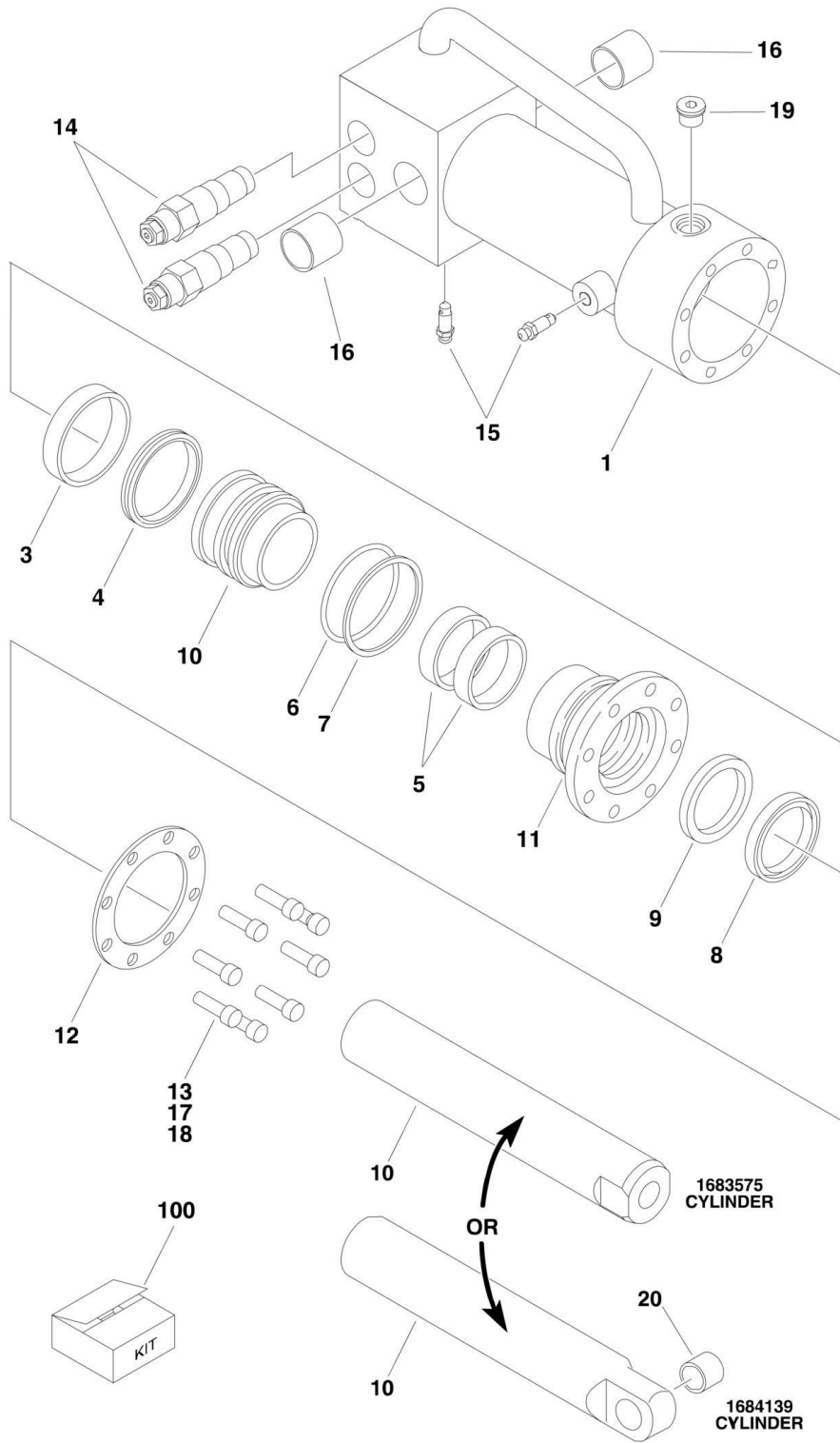
FIGURE 4-20. PIPE RACKS INSTALLATION

ITEM	PART NUMBER	QTY	DESCRIPTION	REV
	0257728	Ref	PIPE RACKS INSTALLATION	2/C
1	4845582	2	Rack, Pipe	
2	4420062	AR	Tape	
3	3422661	10	Pin	
4	1060379	4	Lanyard	
5	0641514	4	Bolt 5/16 x 1-3/4	
6	3311505	4	Nut 5/16	
7	4751500	8	Washer 5/16	
8	0480100	2	Tie-Down	
9	1703683	2	Decal - Capacity	

SECTION 5 - CYLINDER

SECTION 5 - CYLINDER

FIGURE 5-1. AXLE LOCKOUT CYLINDER ASSEMBLY



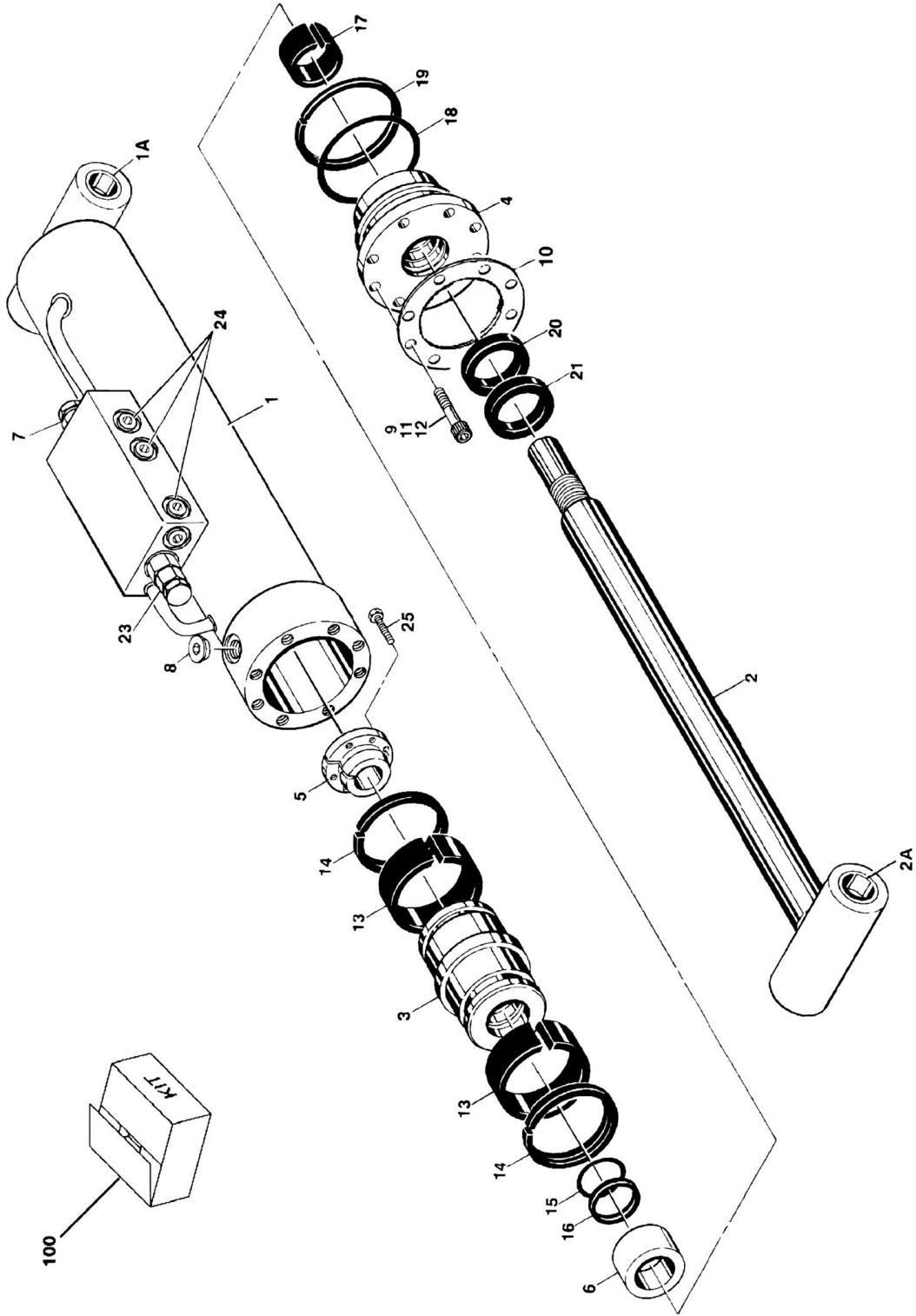
SECTION 5 - CYLINDER

FIGURE 5-1. AXLE LOCKOUT CYLINDER ASSEMBLY

ITEM	PART NUMBER	QTY	DESCRIPTION	REV
		Ref	Note: Original Equipment Cylinder may have been replaced with Service Replacement Cylinder. Identify p/n stamped on cylinder before ordering parts.	
		Ref	AXLE LOCKOUT CYLINDER ASSEMBLIES	
	1683575	Ref	Axle Lockout Cylinder Assemblies (Original Equipment) (Prior to SN 0300065402)	E
	1684139	Ref	Axle Lockout Cylinder Assemblies (Service Replacement) (Prior to SN 0300065402)	D
	1684139	Ref	Axle Lockout Cylinder Assemblies (SN 0300065402 through 0300096000)	D
1	1683572	1	Barrel Weldment	
3	See Note	NSS	Ring, Wear (Note: Use Item 100)	
4	See Note	NSS	T-Seal (Note: Use Item 100)	
5	See Note	NSS	Ring, Wear (Note: Use Item 100)	
6	See Note	NSS	O-Ring (Note: Use Item 100)	
7	See Note	NSS	Ring, Back-up (Note: Use Item 100)	
8	See Note	NSS	Wiper (Note: Use Item 100)	
9	See Note	NSS	Seal (Note: Use Item 100)	
10		Ref	Rod Weldment Options:	
10	1683574	1	1683575 Cylinder	
10	1684138	1	1684139 Cylinder	
11	1683076	1	Cap	
12	3760367	1	Ring, Washer	
13	3931516	8	Bolt, Socket Head 5/16in-18NC x 2in	
14	4641162	2	Cartridge, Valve (Counterbalance)	
14	2900770	2	Seal Kit - 4641162 Valve (1 Per Assembly)	
15	4640858	2	Valve, Bleeder	
16		Ref	Bushing Options:	
16	0961890	NLA	1683575 Cylinder (Use p/n 0962474)	
16	0962474	2	1684139 Cylinder	
17	0100011	AR	Compound, Locking	
18	0100038	AR	Primer, Locking	
19	2220885	1	Plug, O-Ring	
20	0962140	1	Bushing (1684139 Cylinder Only)	
100	2901548	1	Seal Kit (Includes Items 3-9)	

SECTION 5 - CYLINDER

FIGURE 5-2. LEVEL (PLATFORM SLAVE) CYLINDER ASSEMBLY



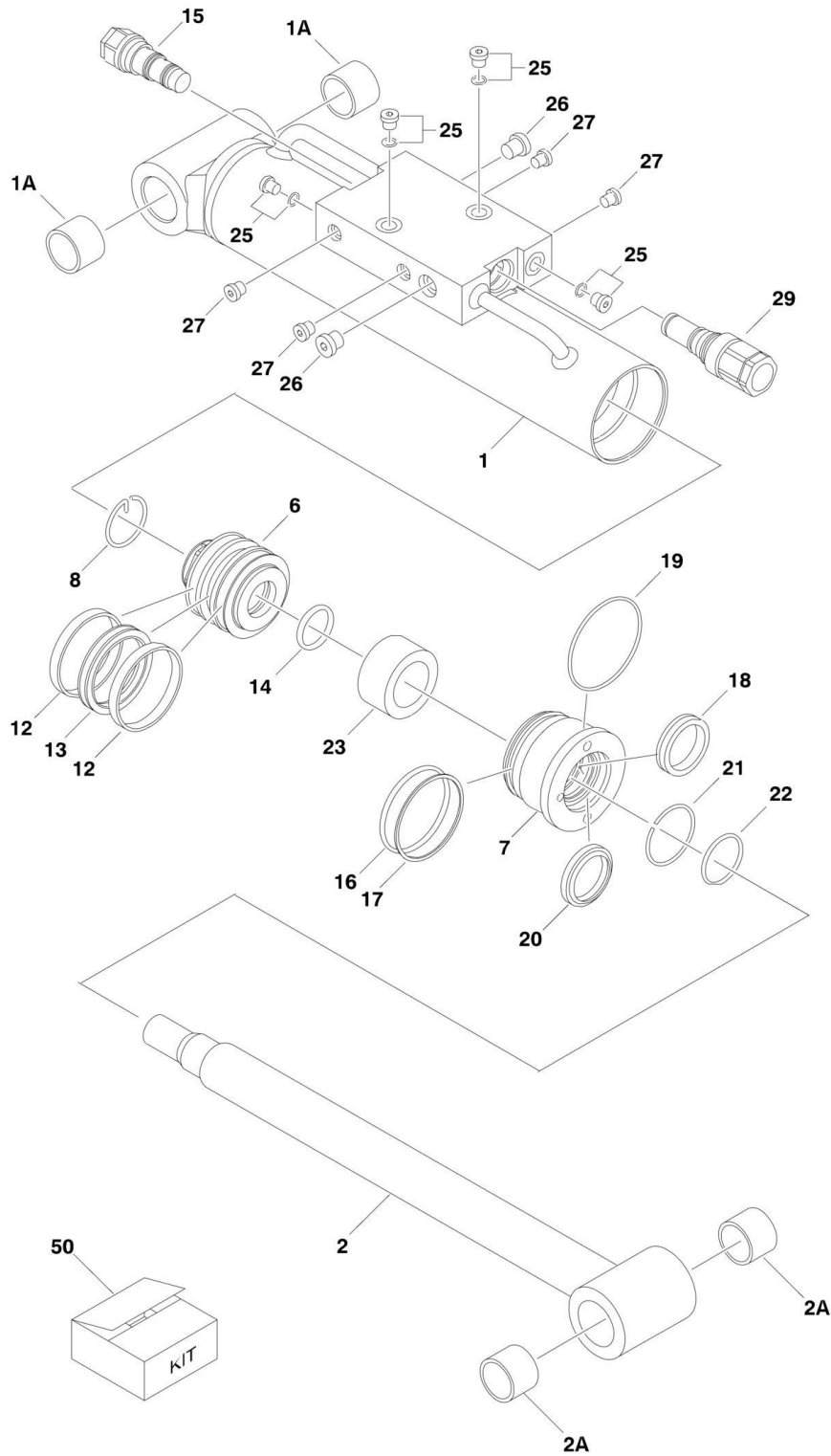
SECTION 5 - CYLINDER

FIGURE 5-2. LEVEL (PLATFORM SLAVE) CYLINDER ASSEMBLY

ITEM	PART NUMBER	QTY	DESCRIPTION	REV
		Ref	Note: Original Equipment Cylinder may have been replaced with Service Replacement Cylinder. Identify p/n stamped on cylinder before ordering parts.	
	See Note	Ref	PLATFORM LEVEL CYLINDER ASSEMBLIES	
		Ref	Platform Level Cylinder Assemblies 400S (Original Equipment was p/n 1683778) (Note: See LEVEL (PLATFORM SLAVE) CYLINDER ASSEMBLY (400S - SERVICE REPLACEMENT CYLINDER) for Service Replacement)	E
	1684013	Ref	Platform Level Cylinder Assemblies 460SJ	A
1	1683952	1	Barrel Weldment (Note: Does not Include Item 1A - Purchase Separately)	
1A	0961951	2	Bushing	
2		Ref	Rod Weldment Options (Note: Does not Include Item 2A - Purchase Separately):	
2	1683861	1	Rod Weldment 400S	
2	1684012	1	Rod Weldment 460SJ	
2A	0961951	2	Bushing	
3	3480188	1	Piston	
4	1683055	1	Head	
5	0961894	1	Bushing, Tapered	
6	4566468	1	Spacer	
7	4640509	1	Cartridge, Valve	
7	2900792	1	Seal Kit - 4640509 Valve	
8	2220885	1	Plug, O-Ring	
9	3931620	8	Capscrew, Socket Head 3/8in-16NC x 1-1/4in	
10	3760369	1	Ring, Washer	
11	0100011	AR	Compound, Locking	
12	0100038	AR	Primer, Locking	
13	See Note	NSS	Seal (Note: Use Item 100)	
14	See Note	NSS	Ring, Lock (Note: Use Item 100)	
15	See Note	NSS	O-Ring (Note: Use Item 100)	
16	See Note	NSS	Ring, Back-up (Note: Use Item 100)	
17	See Note	NSS	Ring, Wear (Note: Use Item 100)	
18	See Note	NSS	O-Ring (Note: Use Item 100)	
19	See Note	NSS	Ring, Back-up (Note: Use Item 100)	
20	See Note	NSS	Seal, Rod (Note: Use Item 100)	
21	See Note	NSS	Wiper (Note: Use Item 100)	
23	4640932	1	Cartridge, Valve	
23	7011112	1	Seal Kit	
24	2220883	8	Plug, O-Ring	
25	0630535	3	Screw, Socket Head 1/4in-20NC x 1-1/8in	
100	2901301	1	Seal Kit (Includes Items 13-21)	

SECTION 5 - CYLINDER

FIGURE 5-3. LEVEL (PLATFORM SLAVE) CYLINDER ASSEMBLY (400S - SERVICE REPLACEMENT CYLINDER)



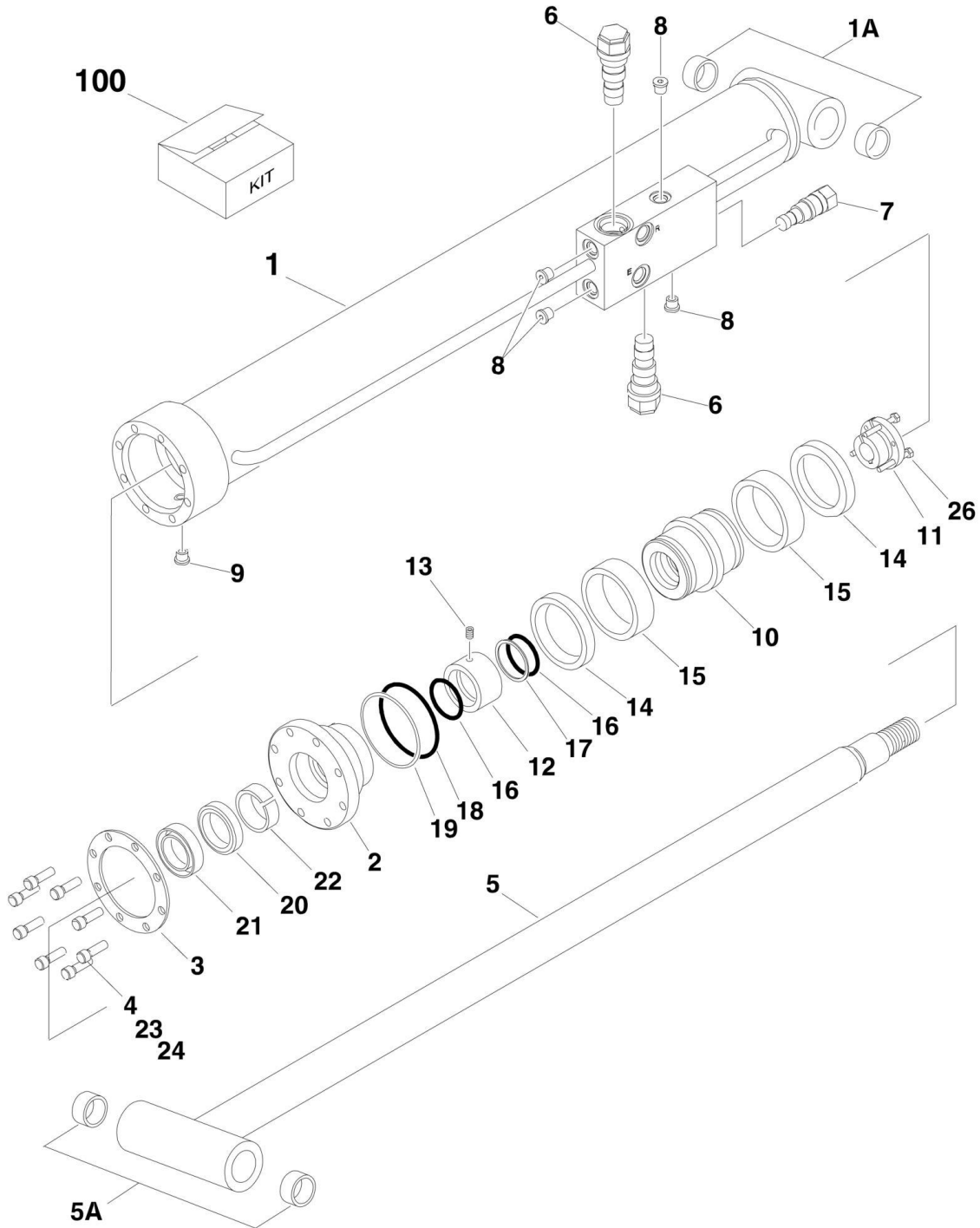
SECTION 5 - CYLINDER

FIGURE 5-3. LEVEL (PLATFORM SLAVE) CYLINDER ASSEMBLY (400S - SERVICE REPLACEMENT CYLINDER)

ITEM	PART NUMBER	QTY	DESCRIPTION	REV
		Ref	Note: Original Equipment Cylinder may have been replaced with Service Replacement Cylinder. Identify p/n stamped on cylinder before ordering parts.	
	1001140586	Ref	PLATFORM LEVEL CYLINDER ASSEMBLY	
		Ref	Platform Level Cylinder Assembly 400S (Service Replacement for p/n 1683778)	B
1	70004137	1	Barrel	
1A	0961951	2	Bushing	
2	70004138	1	Rod	
2A	0961951	2	Bushing	
6	70003848	1	Head	
7	70004136	1	Piston	
8	70002224	1	Retainer	
12	See Note	NSS	Ring, Wear (Note: Use Item 50)	
13	See Note	NSS	Seal (Note: Use Item 50)	
14	See Note	NSS	O-Ring (Note: Use Item 50)	
15	4640509	1	Cartridge, Counterbalance Valve	
15	2900792	1	Seal Kit - 4640509 Valve	
16	See Note	NSS	O-Ring (Note: Use Item 50)	
17	See Note	NSS	Ring, Back-up (Note: Use Item 50)	
18	See Note	NSS	Seal (Note: Use Item 50)	
19	See Note	NSS	O-Ring (Note: Use Item 50)	
20	See Note	NSS	Wiper (Note: Use Item 50)	
21	70003838	1	Ring, Retaining	
22	70003856	1	O-Ring	
23	70003839	1	Spacer	
25	See Note	2	Plug (Note: Not Available for Purchase)	
26	See Note	2	Plug (Note: Not Available for Purchase)	
27	See Note	4	Plug (Note: Not Available for Purchase)	
29	4640932	1	Cartridge, Counterbalance Valve	
29	7011112	1	Seal Kit - 4640932 Valve	
50	70004128	1	Seal Kit - 1001140596 Cylinder (Includes Items 12-14 & 16-20)	

SECTION 5 - CYLINDER

FIGURE 5-4. LIFT CYLINDER ASSEMBLY - JIB (460SJ) (ORIGINAL EQUIPMENT)



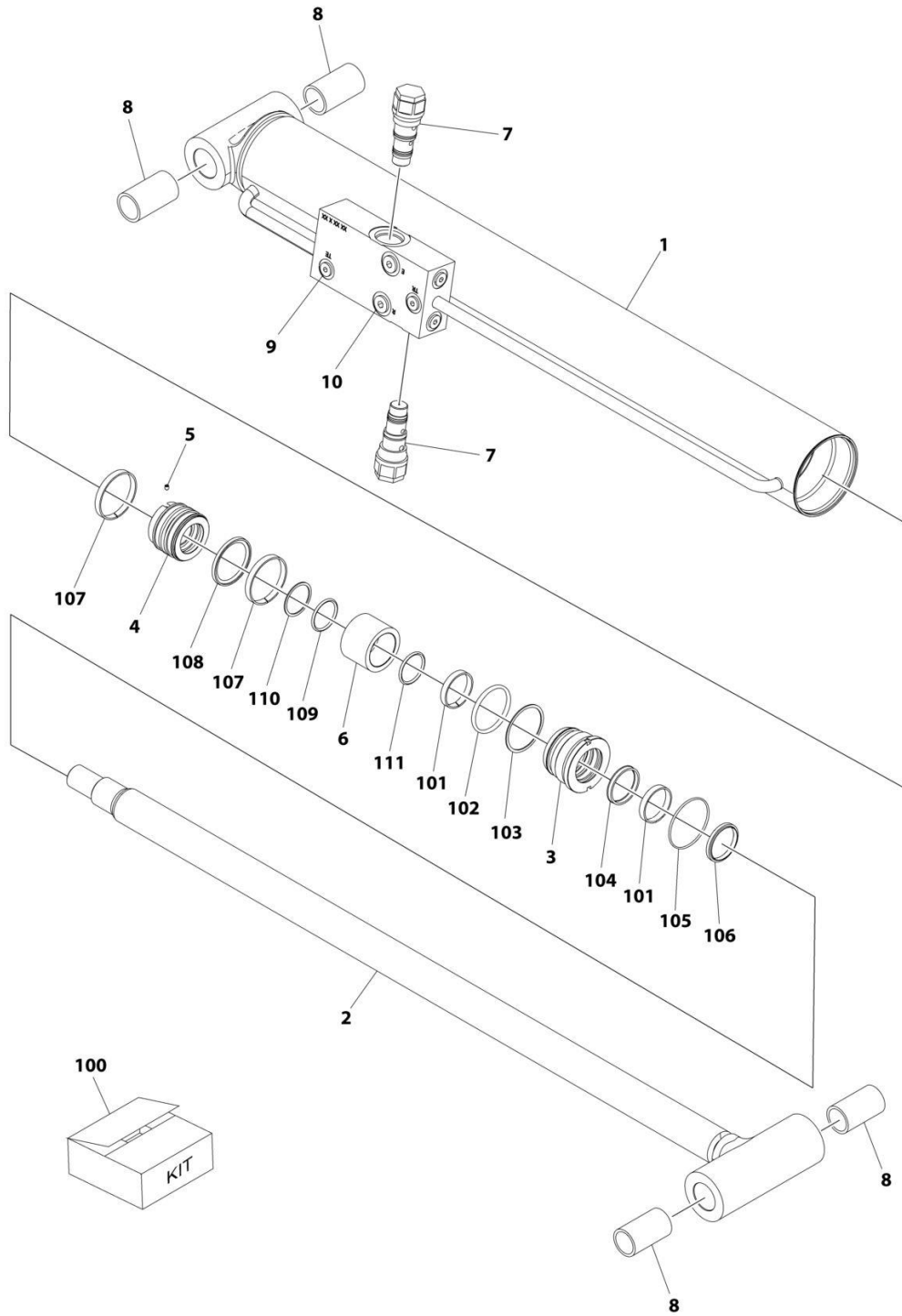
SECTION 5 - CYLINDER

FIGURE 5-4. LIFT CYLINDER ASSEMBLY - JIB (460SJ) (ORIGINAL EQUIPMENT)

ITEM	PART NUMBER	QTY	DESCRIPTION	REV
	1683609	Ref	JIB LIFT CYLINDER ASSEMBLY (460SJ) Note: Original Cylinder may have been replaced with Service Replacement. Identify PN Stamped on Cylinder Before Ordering Parts.	G
		Ref		
1	1683687	1	Barrel Weldment	
1A	0962336	2	Bushing	
2	1683053	1	Head	
3	3760368	1	Washer, Ring	
4	3931516	8	Bolt, Socket Head 5/16in-18NC x 2in	
5	1683261	1	Rod Weldment	
5A	0962336	2	Bushing	
6	4640509	2	Cartridge, Valve (Counterbalance Non-Vented)	
6	2900792	2	Seal Kit - 4640509 Valve	
7	4641062	1	Plug (Prior to SN 0300069330)	
8	2220883	4	Plug, O-Ring	
9	2220885	1	Plug, O-Ring	
10	3480210	1	Piston	
11	0961893	1	Bushing, Tapered	
12		Ref	Spacer, Tube Options:	
12	4566471	1	Spacer, Tube (Uses Setscrew) (Prior to SN 0300079702)	
12	4100100	1	Spacer, Tube (Uses O-Ring) (SN 0300079702 through 0300096000)	
13	3900141	1	Setscrew 1/4in-20NC x 1/4in Only (Prior to SN 0300079702)	
14	See Note	NSS	Ring, Lock (Note: Use Item 100)	
15	See Note	NSS	Seal, Piston (Note: Use Item 100)	
16	See Note	NSS	O-Ring (Note: Use Item 100)	
17	See Note	NSS	Ring, Back-up (Note: Use Item 100)	
18	See Note	NSS	O-Ring (Note: Use Item 100)	
19	See Note	NSS	Ring, Back-up (Note: Use Item 100)	
20	See Note	NSS	Seal (Note: Use Item 100)	
21	See Note	NSS	Wiper (Note: Use Item 100)	
22	See Note	NSS	Ring, Wear (Note: Use Item 100)	
23	0100011	AR	Compound, Locking	
24	0100038	AR	Primer, Locking	
26	0630534	3	Capscrew, Socket Head #10-24NC x 1in	
100	2901303	1	Seal Kit (Includes Items 14-22)	

SECTION 5 - CYLINDER

FIGURE 5-5. LIFT CYLINDER ASSEMBLY - JIB (460SJ) (USAGE MAY VARY) (SERVICE REPLACEMENT)



ART_1001228012

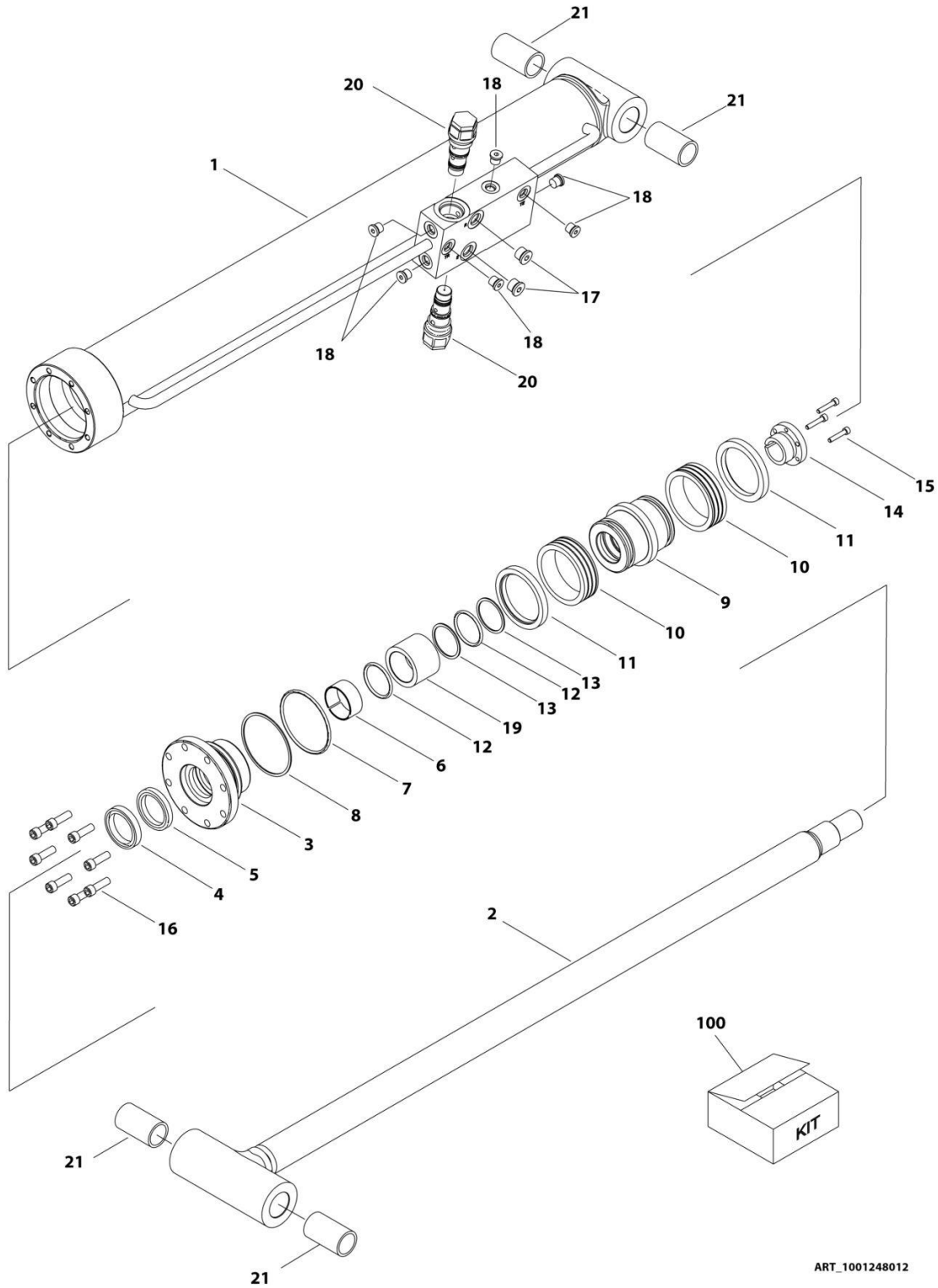
SECTION 5 - CYLINDER

FIGURE 5-5. LIFT CYLINDER ASSEMBLY - JIB (460SJ) (USAGE MAY VARY) (SERVICE REPLACEMENT)

ITEM	PART NUMBER	QTY	DESCRIPTION	REV
	1001228012	Ref	LIFT CYLINDER ASSEMBLY - JIB	C
		Ref	Note: Original Cylinder May Have Been Replaced with Service Replacement. Identify PN Stamped on Cylinder Before Ordering Parts.	
1	See Note	NSS	Barrel (Note: Not Available for Purchase)	
2	70006572	1	Rod	
3	70006571	1	Head	
4	70006570	1	Piston	
5	70023915	1	Screw	
6	70006569	1	Spacer	
7	4640509	2	Cartridge, Valve	
7	2900792	2	Seal Kit - 4640509 Valve	
8	0962336	4	Bushing	
9	2220883	6	Plug, O-Ring	
10	2220885	2	Plug, O-Ring	
100	70006568	1	Seal Kit (Includes Items 101-111)	
101	See Note	NSS	Ring, Wear (Note: Use Item 100)	
102	See Note	NSS	O-Ring (Note: Use Item 100)	
103	See Note	NSS	Ring, Back-up (Note: Use Item 100)	
104	See Note	NSS	Seal, Rod (Note: Use Item 100)	
105	See Note	NSS	O-Ring (Note: Use Item 100)	
106	See Note	NSS	Wiper (Note: Use Item 100)	
107	See Note	NSS	Ring, Wear (Note: Use Item 100)	
108	See Note	NSS	Seal (Note: Use Item 100)	
109	See Note	NSS	O-Ring (Note: Use Item 100)	
110	See Note	NSS	Ring, Back-up (Note: Use Item 100)	
111	See Note	NSS	O-Ring (Note: Use Item 100)	

SECTION 5 - CYLINDER

FIGURE 5-6. LIFT CYLINDER ASSEMBLY - JIB (460SJ) (USAGE MAY VARY) (SERVICE REPLACEMENT)



ART_1001248012

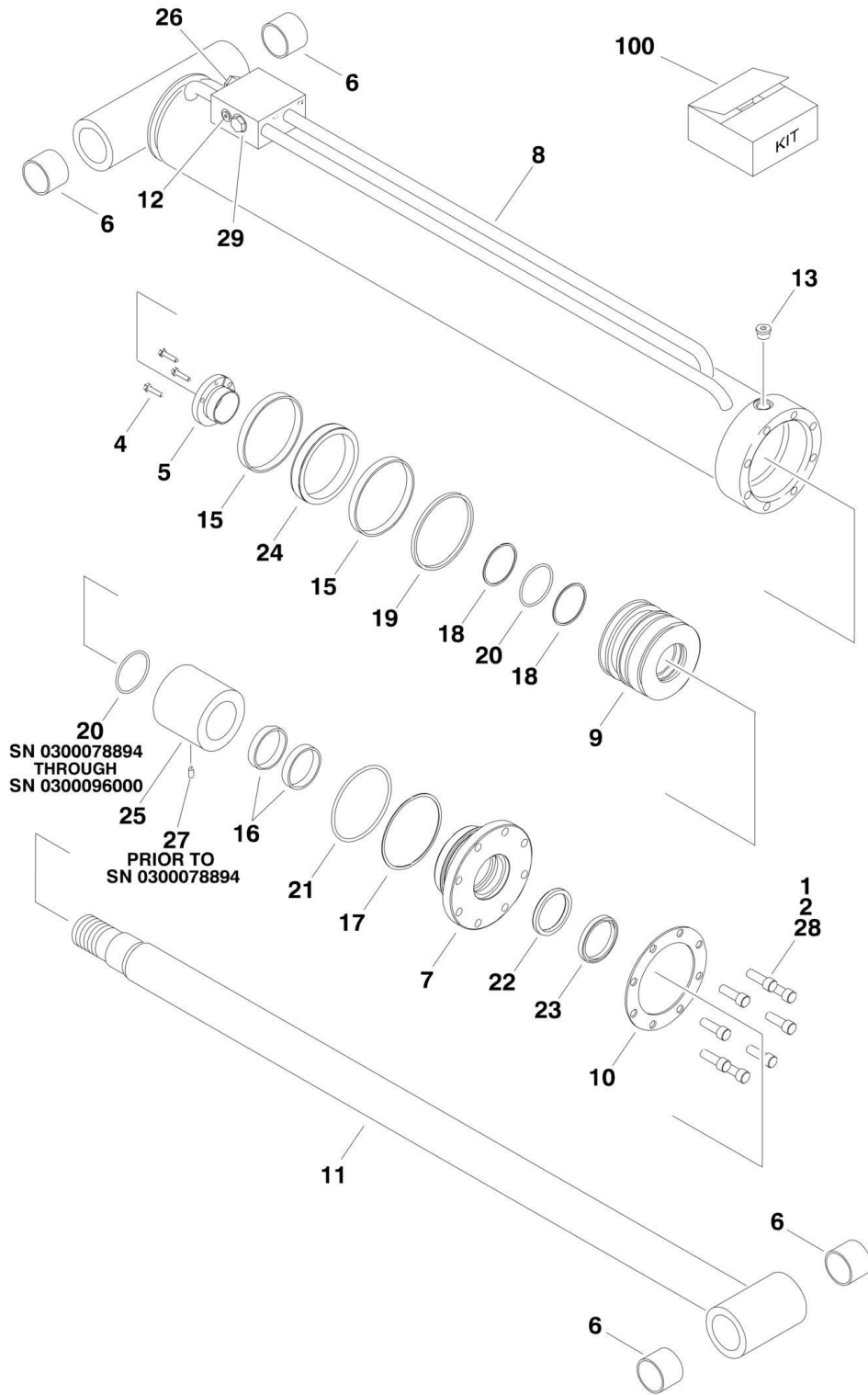
SECTION 5 - CYLINDER

FIGURE 5-6. LIFT CYLINDER ASSEMBLY - JIB (460SJ) (USAGE MAY VARY) (SERVICE REPLACEMENT)

ITEM	PART NUMBER	QTY	DESCRIPTION	REV
	1001248012	Ref	LIFT CYLINDER ASSEMBLY - JIB	A
		Ref	Note: Original Cylinder May Have Been Replaced with Service Replacement. Identify PN Stamped on Cylinder Before Ordering Parts.	
1	See Note	NSS	Barrel (Note: Not Available for Purchase)	
2	70006734	1	Rod	
3	70006649	1	Head	
4	See Note	NSS	Wiper (Note: Use Item 100)	
5	See Note	NSS	Seal, Rod (Note: Use Item 100)	
6	See Note	NSS	Ring, Wear (Note: Use Item 100)	
7	See Note	NSS	O-Ring (Note: Use Item 100)	
8	See Note	NSS	Ring, Back-up (Note: Use Item 100)	
9	70006650	1	Piston	
10	See Note	NSS	Seal (Note: Use Item 100)	
11	See Note	NSS	Ring, Lock (Note: Use Item 100)	
12	See Note	NSS	O-Ring (Note: Use Item 100)	
13	See Note	NSS	Ring, Back-up (Note: Use Item 100)	
14	0961893	1	Bushing, Tapered	
15	0630534	3	Capscrew, Socket Head #10 x 1	
16	70006735	8	Capscrew 5/16	
17	2220885	2	Plug, O-Ring	
18	2220883	6	Plug, O-Ring	
19	70006736	1	Spacer	
20	4640509	2	Cartridge, Valve	
20	2900792	2	Seal Kit - 4640509 Valve	
21	0962336	4	Bushing	
100	1001138795	1	Seal Kit (Includes Items 4-8 & 10-13)	

SECTION 5 - CYLINDER

FIGURE 5-7. LIFT CYLINDER ASSEMBLY - MAIN



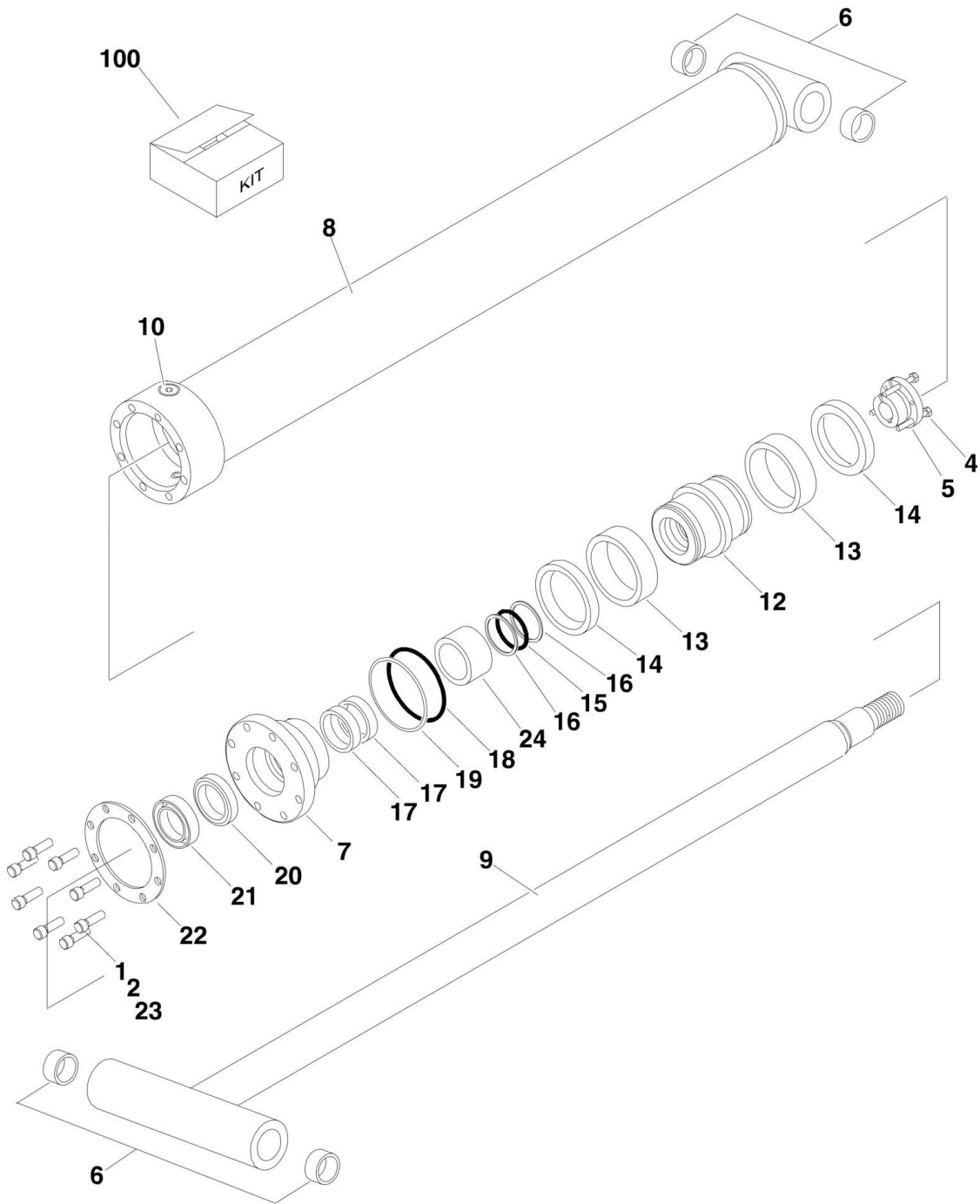
SECTION 5 - CYLINDER

FIGURE 5-7. LIFT CYLINDER ASSEMBLY - MAIN

ITEM	PART NUMBER	QTY	DESCRIPTION	REV
	1683776	Ref	LIFT CYLINDER ASSEMBLY	D
1	0100011	AR	Compound, Locking	
2	0100038	AR	Primer, Locking	
4	0630535	3	Bolt, Socket Head #10-24NC x 1-1/8in	
5	0961897	1	Bushing, Tapered	
6	0961950	4	Bushing	
7	1683063	1	Head	
8	1683844	1	Barrel Weldment	
9	3480253	1	Piston	
10	3760371	1	Ring, Wear	
11	1683846	1	Rod Weldment	
12	2220883	1	Plug, O-Ring #4	
13	2220886	1	Plug, O-Ring #8	
15	See Note	NSS	Ring, Wear (Note: Use Item 100)	
16	See Note	NSS	Ring, Wear (Note: Use Item 100)	
17	See Note	NSS	Ring, Back-up (Note: Use Item 100)	
18	See Note	NSS	Ring, Back-up (Note: Use Item 100)	
19	See Note	NSS	Seal (Note: Use Item 100)	
20	See Note	NSS	O-Ring (Note: Use Item 100)	
21	See Note	NSS	O-Ring (Note: Use Item 100)	
22	See Note	NSS	Seal, Poly (Note: Use Item 100)	
23	See Note	NSS	Wiper (Note: Use Item 100)	
24	See Note	NSS	T-Seal (Note: Use Item 100)	
25		Ref	Spacer, Tube Options:	
25	See Note	1	Spacer, Tube (was p/n 4567949) (Note: Use p/ns 4100099 Sleeve and 3790230 O-Ring as a Replacement) (Prior to SN 0300078894)	
25	4100099	1	Spacer, Tube (SN 0300078894 through 0300096000)	
26	4640509	1	Valve, Counterbalance	
26	2900792	1	Seal Kit - 4640509	
27	3900139	1	Setscrew 1/4in-20NC x 1/2in Only (Prior to SN 0300078894)	
28	3931824	8	Capscrew 1/2in-18NC x 1-1/2in	
29	4641144	1	Cartridge, Valve	
29	7012967	1	Seal Kit - 4641144 Valve	
100	2901841	1	Seal Kit (Includes Items 15-24)	

SECTION 5 - CYLINDER

FIGURE 5-8. MASTER CYLINDER ASSEMBLY (ORIGINAL EQUIPMENT)



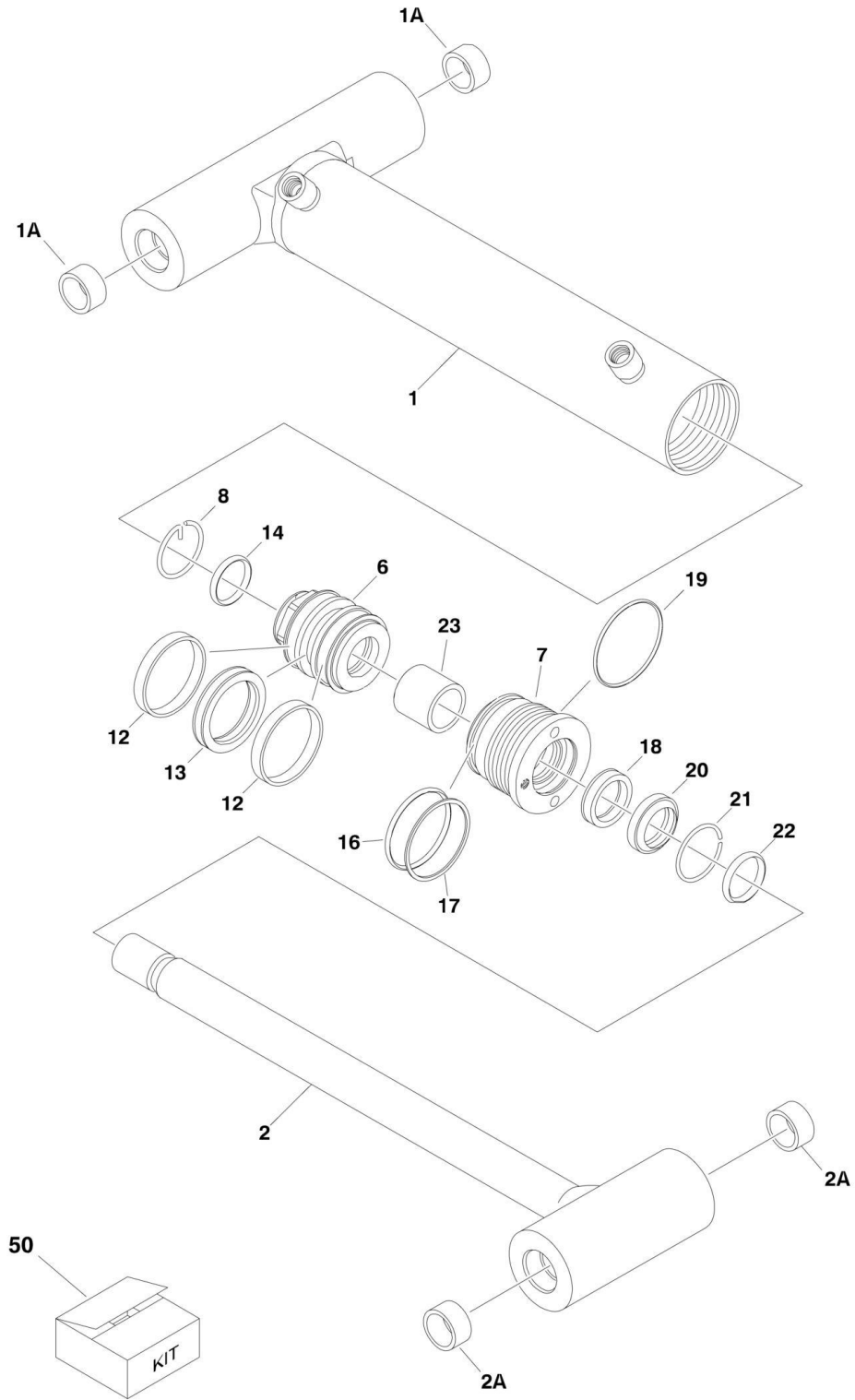
SECTION 5 - CYLINDER

FIGURE 5-8. MASTER CYLINDER ASSEMBLY (ORIGINAL EQUIPMENT)

ITEM	PART NUMBER	QTY	DESCRIPTION	REV
		Ref	Note: Original Equipment Cylinder may have been replaced with Service Replacement Cylinder. Identify p/n stamped on cylinder before ordering parts.	
		Ref	MASTER CYLINDER ASSEMBLY	
	1683951	Ref	Master Cylinder Assembly (Prior to SN 0300074573)	A
	1684284	Ref	Master Cylinder Assembly (SN 0300074573 through 0300096000)	B
1	0100011	AR	Compound, Locking	
2	0100038	AR	Primer, Locking	
4	0630535	3	Bolt, Socket Head #10-24NC x 1-1/8in	
5	0961894	1	Bushing, Tapered	
6	0961951	4	Bushing	
7	1683055	1	Head	
8		Ref	Barrel Weldment	
8	1683949	1	Barrel Weldment (Prior to SN 0300074573)	
8	1684283	1	Barrel Weldment (SN 0300074573 through 0300096000)	
9	1683950	1	Rod Weldment	
10	2220885	1	Plug, O-Ring #6	
12	3480188	1	Piston	
13	See Note	NSS	Ring, Hydrolock (Note: Use Item 100)	
14	See Note	NSS	Ring, Guidelock (Note: Use Item 100)	
15	See Note	NSS	O-Ring (Note: Use Item 100)	
16	See Note	NSS	Ring, Back-up (Note: Use Item 100)	
17	See Note	NSS	Ring, Wear (Note: Use Item 100)	
18	See Note	NSS	O-Ring (Note: Use Item 100)	
19	See Note	NSS	Ring, Back-up (Note: Use Item 100)	
20	See Note	NSS	Seal, Poly (Note: Use Item 100)	
21	See Note	NSS	Wiper (Note: Use Item 100)	
22	3760369	1	Ring, Washer	
23	3931620	8	Capscrew 3/8in-16NC x 1-1/4in	
24	4566468	1	Spacer, Tube	
100	2901301	1	Seal Kit (Includes Items 13-21)	

SECTION 5 - CYLINDER

FIGURE 5-9. MASTER CYLINDER ASSEMBLY (SERVICE REPLACEMENT)



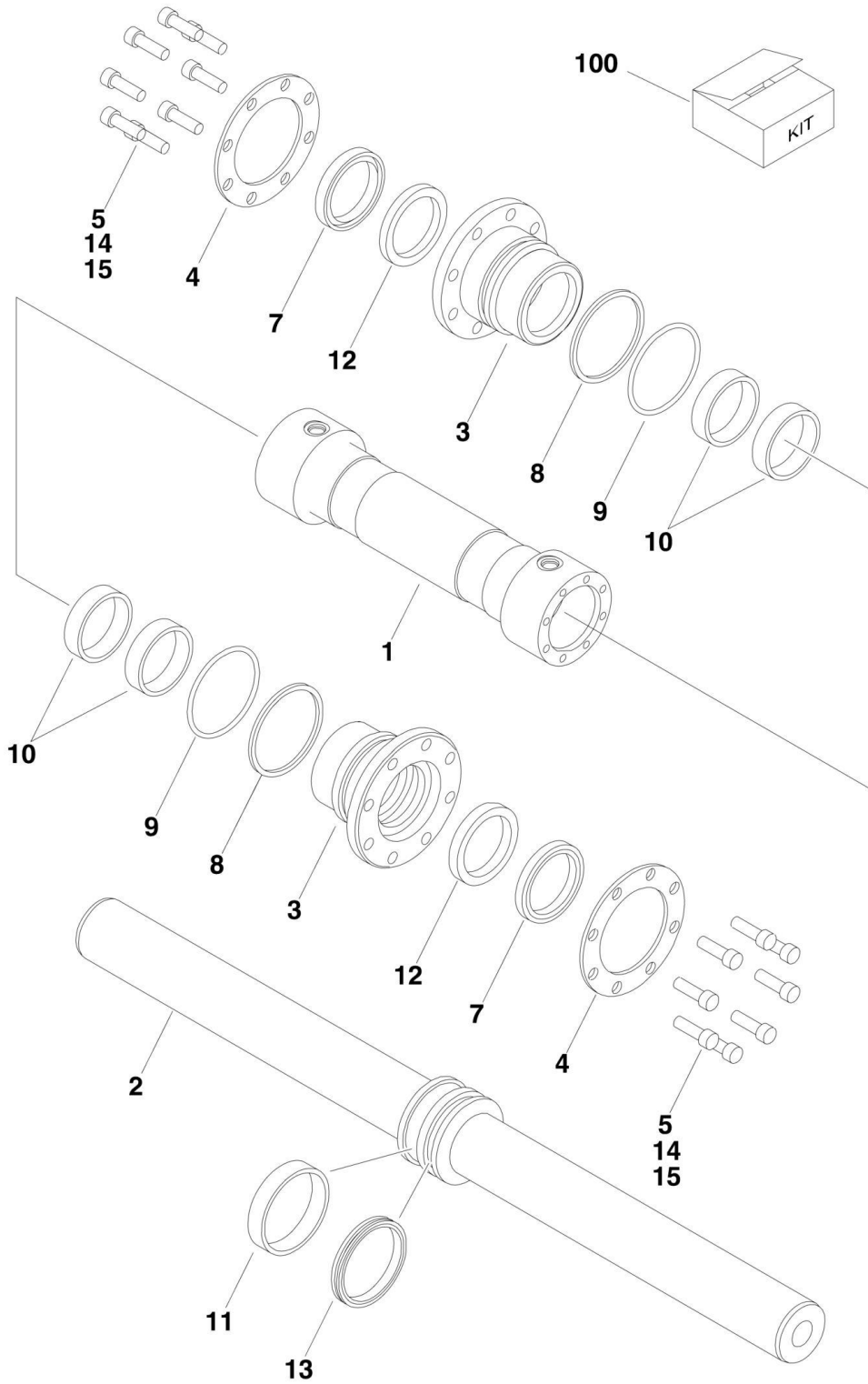
SECTION 5 - CYLINDER

FIGURE 5-9. MASTER CYLINDER ASSEMBLY (SERVICE REPLACEMENT)

ITEM	PART NUMBER	QTY	DESCRIPTION	REV
		Ref	Note: Original Equipment Cylinder may have been replaced with Service Replacement Cylinder. Identify p/n stamped on cylinder before ordering parts.	
	1001140587	Ref	MASTER CYLINDER ASSEMBLY	A
1	70004139	1	Barrel	
1A	0961951	2	Bushing	
2	70004140	1	Rod	
2A	0961951	2	Bushing	
6	70003848	1	Piston	
7	70004136	1	Head	
8	70002224	1	Retainer	
12	See Note	NSS	Ring, Wear (Note: Use Item 50)	
13	See Note	NSS	Seal (Note: Use Item 50)	
14	7026113	1	O-Ring	
16	See Note	NSS	O-Ring (Note: Use Item 50)	
17	See Note	NSS	Ring, Back-up (Note: Use Item 50)	
18	See Note	NSS	Seal (Note: Use Item 50)	
19	See Note	NSS	O-Ring (Note: Use Item 50)	
20	See Note	NSS	Wiper (Note: Use Item 50)	
21	70003838	1	Ring, Retaining	
22	70003856	1	O-Ring	
23	70003839	1	Spacer	
50	70004129	1	Seal Kit (Includes Items 12, 13 & 16-20)	

SECTION 5 - CYLINDER

FIGURE 5-10. STEER CYLINDER ASSEMBLY (ORIGINAL EQUIPMENT) (Prior to SN 0300087392)



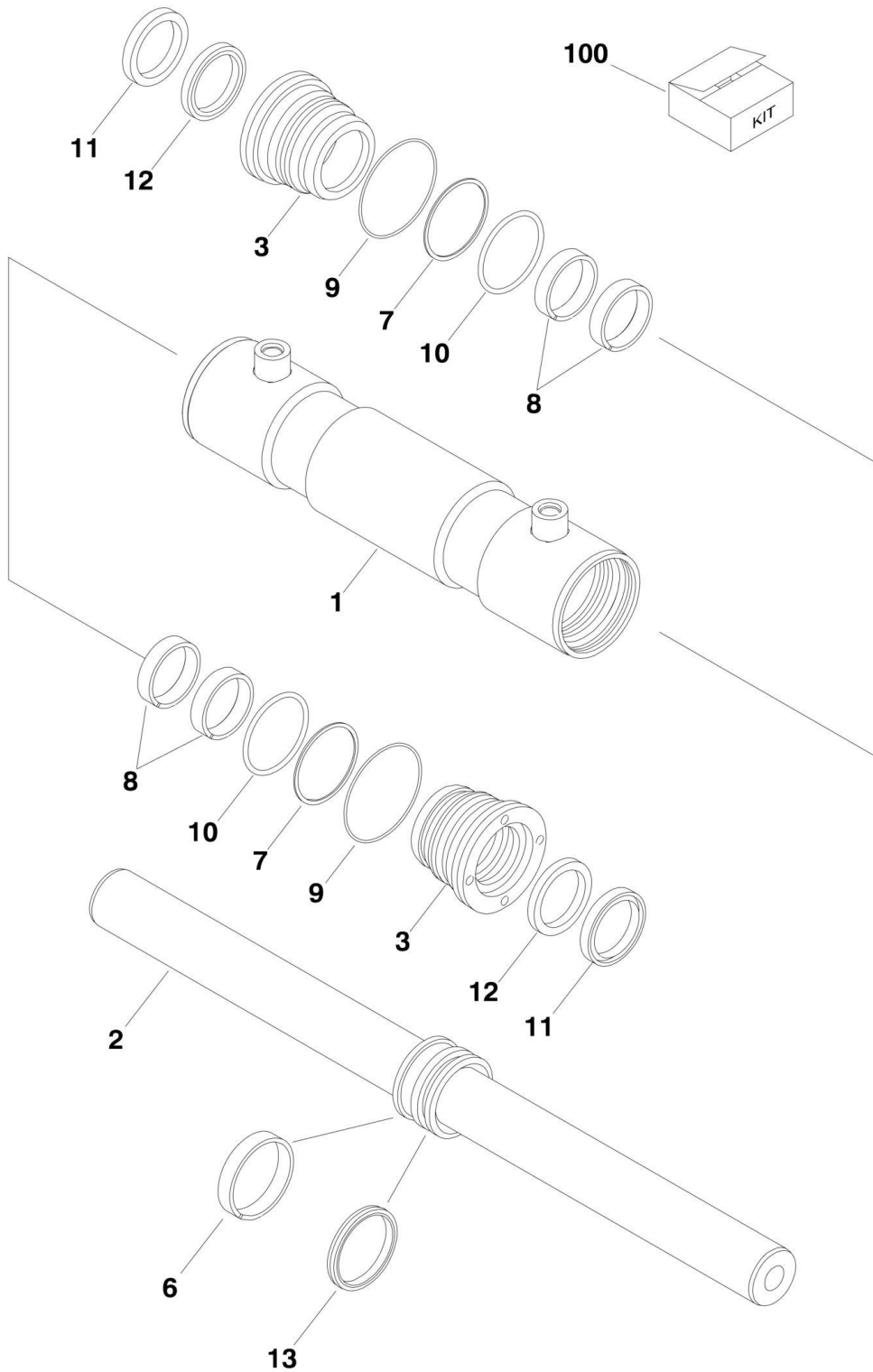
SECTION 5 - CYLINDER

FIGURE 5-10. STEER CYLINDER ASSEMBLY (ORIGINAL EQUIPMENT) (Prior to SN 0300087392)

ITEM	PART NUMBER	QTY	DESCRIPTION	REV
		Ref	Note: Original Equipment Cylinder may have been replaced with Service Replacement Cylinder. Identify p/n stamped on cylinder before ordering parts.	
	1683614	Ref	STEER CYLINDER ASSEMBLY	C
1	1683615	1	Barrel Weldment	
2	1683658	1	Rod Weldment	
3	1683076	2	Cap	
4	3760367	2	Washer, Ring	
5	3931516	16	Bolt, Socket Head 5/16in-18NC x 2in	
7	See Note	NSS	Wiper (Note: Use Item 100)	
8	See Note	NSS	Ring, Back-up (Note: Use Item 100)	
9	See Note	NSS	O-Ring (Note: Use Item 100)	
10	See Note	NSS	Ring, Wear (Note: Use Item 100)	
11	See Note	NSS	Ring, Wear (Note: Use Item 100)	
12	See Note	NSS	Seal (Note: Use Item 100)	
13	See Note	NSS	T-Seal (Note: Use Item 100)	
14	0100011	AR	Compound, Locking	
15	0100038	AR	Primer, Locking	
100	2901547	1	Seal Kit (Includes Items 7-13)	

SECTION 5 - CYLINDER

FIGURE 5-11. STEER CYLINDER ASSEMBLY (SERVICE REPLACEMENT AND ORIGINAL EQUIPMENT) (Prior to SN 0300087392, SN 0300087392 through 0300096000)



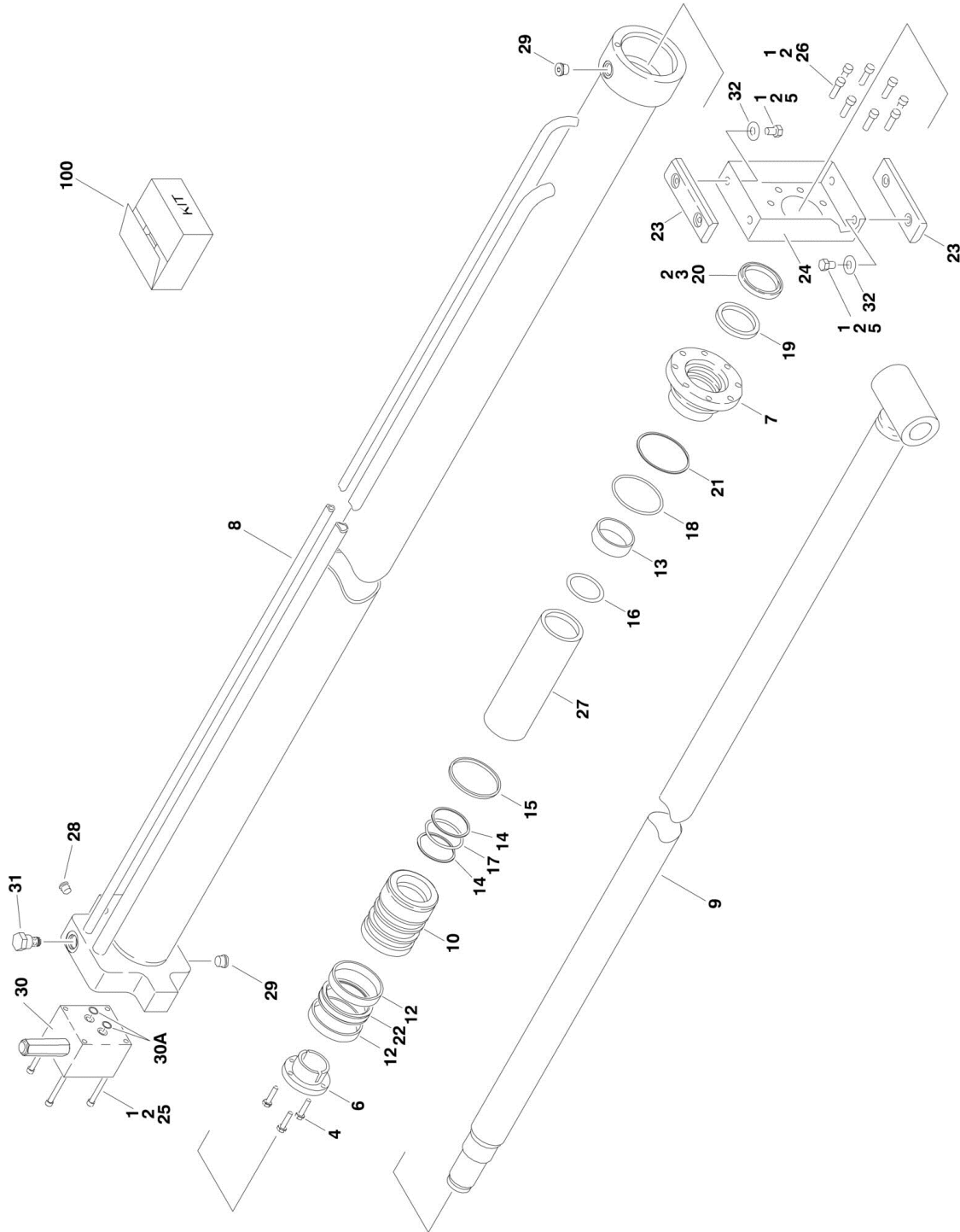
SECTION 5 - CYLINDER

FIGURE 5-11. STEER CYLINDER ASSEMBLY (SERVICE REPLACEMENT AND ORIGINAL EQUIPMENT) (Prior to SN 0300087392, SN 0300087392 through 0300096000)

ITEM	PART NUMBER	QTY	DESCRIPTION	REV
		Ref	Note: Original Equipment Cylinder may have been replaced with Service Replacement Cylinder. Identify p/n stamped on cylinder before ordering parts.	
	1684412	Ref	STEER CYLINDER ASSEMBLY	A
1	0370024	1	Barrel Weldment	
2	1683658	1	Rod Weldment	
3	2570008	2	Head, Cylinder	
4	3020043	1	Lube, Anti-Seize (Not Shown - Apply Only to Threads on Item 3)	
6	See Note	NSS	Ring, Wear (Note: Use Item 100)	
7	See Note	NSS	Ring, Back-up (Note: Use Item 100)	
8	See Note	NSS	Ring, Wear (Note: Use Item 100)	
9	See Note	NSS	O-Ring (Note: Use Item 100)	
10	See Note	NSS	O-Ring (Note: Use Item 100)	
11	See Note	NSS	Wiper (Note: Use Item 100)	
12	See Note	NSS	Seal (Note: Use Item 100)	
13	See Note	NSS	T-Seal (Note: Use Item 100)	
100	2902409	1	Seal Kit (Includes Items 6-13)	

SECTION 5 - CYLINDER

FIGURE 5-12. TELESCOPE CYLINDER ASSEMBLY



SECTION 5 - CYLINDER

FIGURE 5-12. TELESCOPE CYLINDER ASSEMBLY

ITEM	PART NUMBER	QTY	DESCRIPTION	REV
		Ref	Note: Original Equipment Cylinder may have been replaced with Service Replacement Cylinder. Identify p/n stamped on cylinder before ordering parts.	
		Ref	TELESCOPE CYLINDER ASSEMBLIES	
	1683897	Ref	Telescope Cylinder Assemblies (Original Equipment) (Prior to SN 0300066372)	B
	1684194	Ref	Telescope Cylinder Assemblies (Service Replacement) (Prior to SN 0300066372)	C
	1684194	Ref	Telescope Cylinder Assemblies (SN 0300066372 through 0300096000)	C
1	0100011	AR	Compound, Locking	
2	0100038	AR	Primer, Locking	
3	0100063	AR	Adhesive	
4	0630535	3	Bolt, Socket Head 1/4in-20NC x 1-1/8in	
5	0641604	4	Bolt 3/8in-16NC x 1/2in	
6	0961896	1	Bushing, Tapered	
7	1683054	1	Head	
8		Ref	Barrel Weldment Options:	
8	1683893	1	Cylinder p/n 1683897	
8	1684193	1	Cylinder p/n 1684194	
9		Ref	Rod Weldment Options:	
9	1683895	1	Cylinder p/n 1683897	
9	1684312	1	Cylinder p/n 1684194	
10		Ref	Piston Options:	
10	3480255	1	Cylinder p/n 1683897	
10	3480274	1	Cylinder p/n 1684194	
12	See Note	NSS	Ring, Wear (Note: Use Item 100)	
13	See Note	NSS	Ring, Wear (Note: Use Item 100)	
14	See Note	NSS	Ring, Back-up (Note: Use Item 100)	
15	3760436	1	Seal (Cylinder p/n 1683897 Only)	
16	See Note	NSS	O-Ring (Note: Use Item 100)	
17	See Note	NSS	O-Ring (Note: Use Item 100)	
18	See Note	NSS	O-Ring (Note: Use Item 100)	
19	See Note	NSS	Seal, Rod (Note: Use Item 100)	
20	See Note	NSS	Wiper (Note: Use Item 100)	
21	See Note	NSS	Ring, Back-up (Note: Use Item 100)	
22	See Note	NSS	Seal (Note: Use Item 100)	
23	3340608	2	Pad, Wear	
24	3571795	1	Plate, Wear Pad Mounting	
25	3931448	4	Capscrew 1/4in-20NC x 3in	
26	3931516	8	Capscrew 5/16in-18NC x 1in	
27	4566425	1	Spacer, Tube	
28	2220883	1	Plug, O-Ring #4 (Cylinder p/n 1683897 Only)	
29	2220885	2	Plug, O-Ring #6	
30	4641033	1	Valve, Counterbalance	
30A	7024508	2	O-Ring	
31		Ref	Options:	
31	4641114	1	Cartridge, Valve - Restrictor/Check (Cylinder p/n 1683897 Only)	
31	7012967	1	Seal Kit - 4641114 Valve	
31	2220886	1	Plug, O-Ring #8 (Cylinder p/n 1683897 Only)	
32	4751600	4	Flatwasher 3/8in Regular	

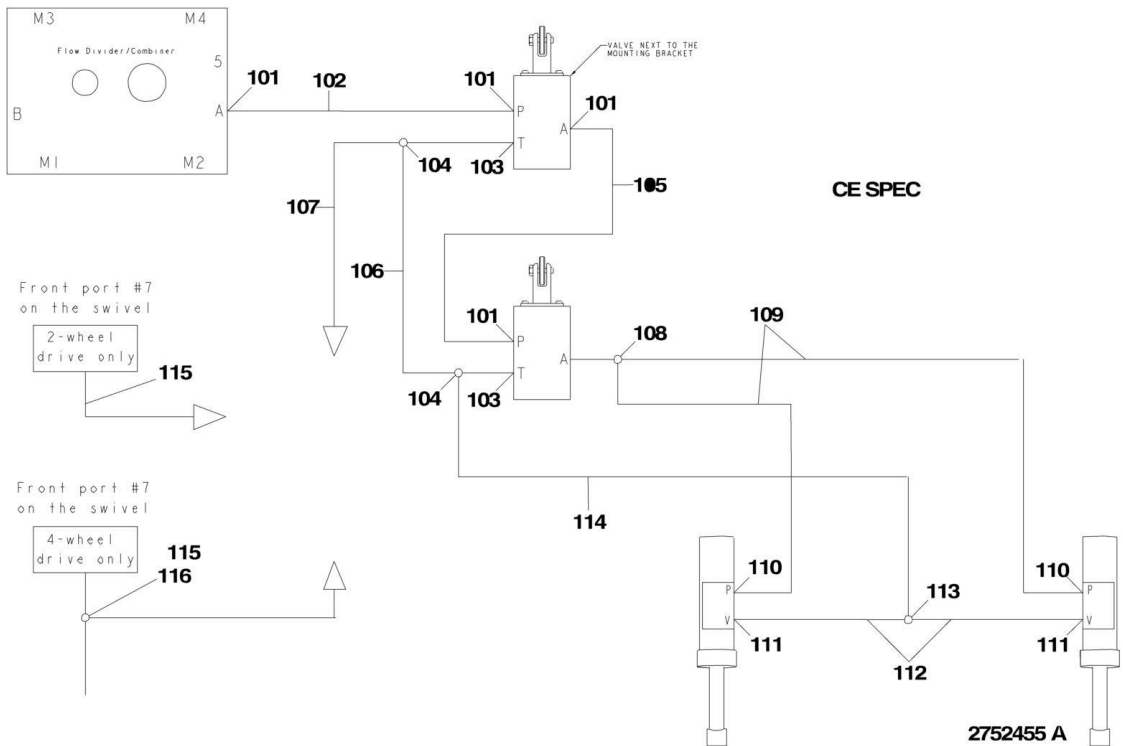
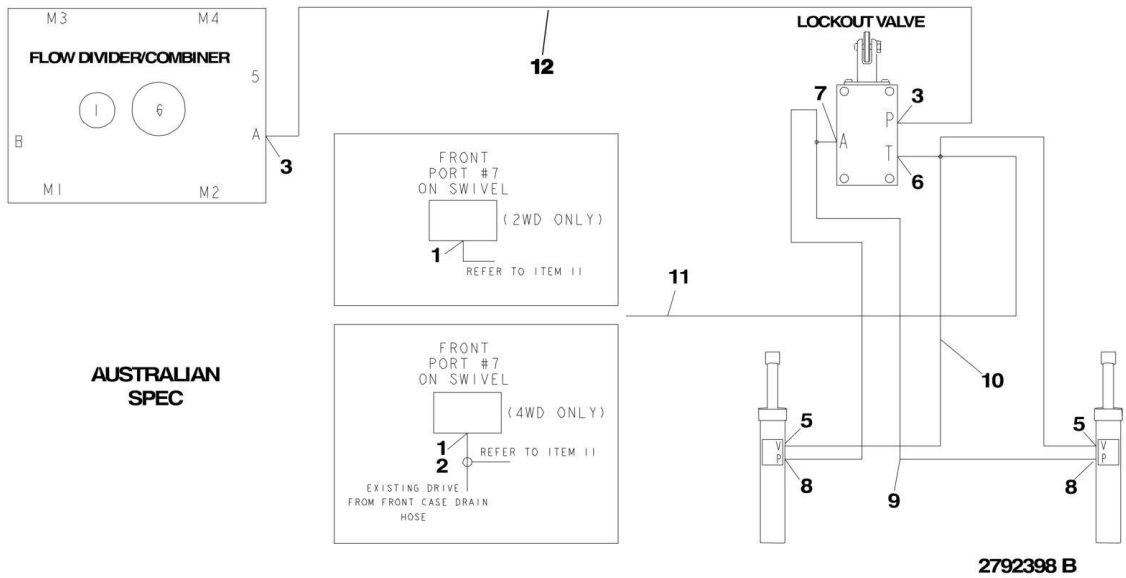
SECTION 5 - CYLINDER

ITEM	PART NUMBER	QTY	DESCRIPTION	REV
100	2901861	1	Seal Kit (Includes Items 12-14 & 16-22)	

SECTION 6 - HYDRAULIC

SECTION 6 - HYDRAULIC

FIGURE 6-1. AXLE LOCKOUT HYDRAULIC DIAGRAM



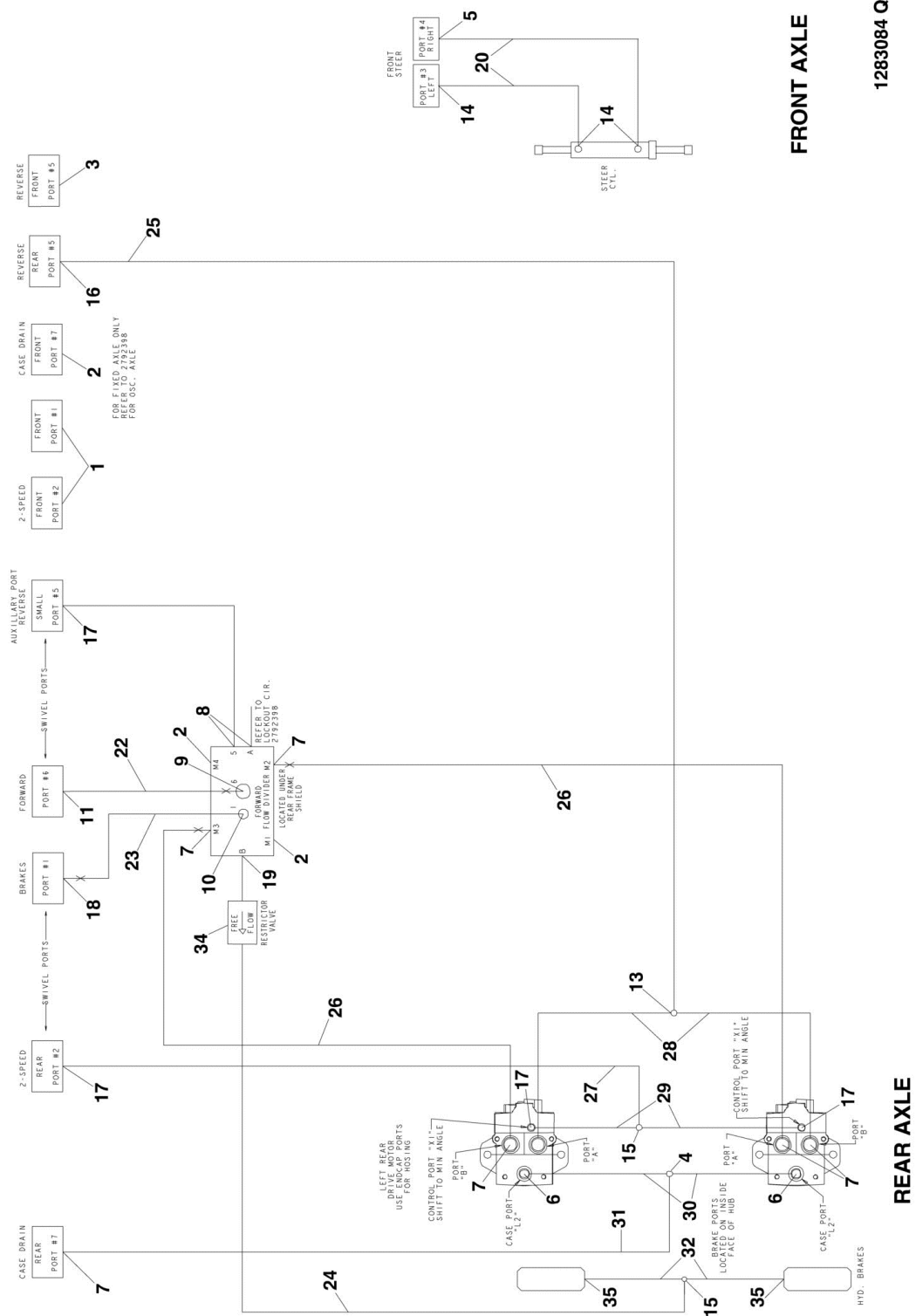
SECTION 6 - HYDRAULIC

FIGURE 6-1. AXLE LOCKOUT HYDRAULIC DIAGRAM

ITEM	PART NUMBER	QTY	DESCRIPTION	REV
	2792398	Ref	AXLE LOCKOUT HYDRAULIC DIAGRAM (AUSTRALIAN SPEC)	2
1	2220375	1	Fitting, Straight	
2	2220385	1	Fitting, Tee	
3	2220415	2	Fitting, Straight	
5	2220501	2	Fitting, Elbow	
6	2221043	1	Fitting, Tee	
7	2220711	1	Fitting, Tee	
8	2221040	2	Fitting, Elbow	
9	2753035	2	Hose	
10	2752632	2	Hose	
11	2753342	1	Hose	
12	2753339	1	Hose	
	2792455	Ref	AXLE LOCKOUT HYDRAULIC DIAGRAM (CE SPEC)	2
101	2220415	4	Fitting, Straight	
102	2753339	1	Hose	
103	2220603	2	Fitting	
104	2220635	2	Fitting	
105	2751013	1	Hose	
106	2752471	1	Hose	
107	2753342	1	Hose	
108	2221034	1	Fitting, Tee	
109	2753035	2	Hose	
110	2221040	2	Fitting, Elbow	
111	2220501	2	Fitting, Elbow	
112	2753118	2	Hose	
113	2220490	1	Fitting, Tee	
114	2752469	1	Hose	
115	2220375	1	Fitting	
116	2220385	1	Fitting, Tee	

SECTION 6 - HYDRAULIC

FIGURE 6-2. DRIVE HYDRAULIC DIAGRAM - 2WD



FRONT AXLE

1283084 Q

REAR AXLE

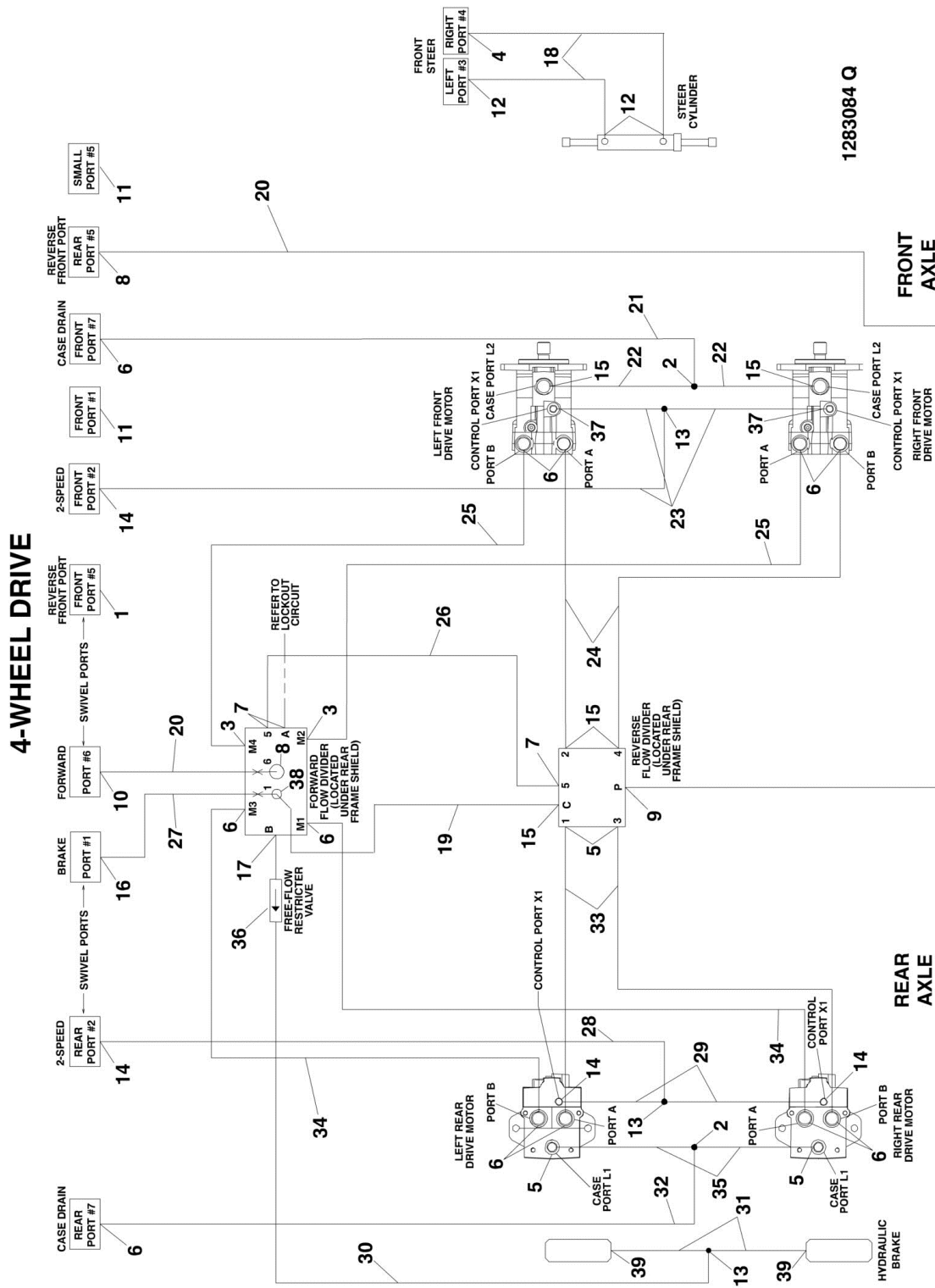
SECTION 6 - HYDRAULIC

FIGURE 6-2. DRIVE HYDRAULIC DIAGRAM - 2WD

ITEM	PART NUMBER	QTY	DESCRIPTION	REV
	2792385	Ref	DRIVE HYDRAULIC DIAGRAM - 2WD	9/Q
	1283084	Ref	DRIVE HYDRAULIC DIAGRAM - 2WD	9/Q
1	2220237	2	Fitting, Plug	
2	2220240	3	Fitting, Plug	
3	2220242	1	Fitting, Plug	
4	2220362	1	Fitting, Tee	
5	2220371	1	Fitting, Straight	
6	2220373	2	Fitting, Straight (Fittings moved to Pump Assembly)	
7	2220375	AR	Fitting, Straight	
7		Ref	Pump Assy without Fittings	
7		Ref	Pump Assy with Fittings	
8	2220415	2	Fitting, Straight	
9	2220435	1	Fitting, Straight	
10	2220596	2	Fitting, Elbow	
11	2220465	1	Fitting, Elbow	
13	2220481	1	Fitting, Tee	
14	2220501	3	Fitting, Elbow	
15	2220504	2	Fitting, Tee	
16	2220568	1	Fitting, Elbow	
17	2220582	AR	Fitting, Straight	
17		Ref	Pump Assy without Fittings	
17		Ref	Pump Assy with Fittings	
18	2220600	1	Fitting, Straight	
19	2221030	1	Fitting, Straight Only (Prior to SN 0300074316)	
20	2752466	2	Hose	
22	2753346	1	Hose	
23	2752495	1	Hose	
24	2752442	1	Hose	
25	2753347	1	Hose	
26	2753343	2	Hose	
27	2752977	1	Hose	
28	2753344	2	Hose	
29		Ref	Hose Options:	
29	2753341	2	Hose (Prior to SN 0300088029)	
29	2752908	2	Hose (SN 0300088029 through 0300096000)	
30		Ref	Hose Options:	
30	2752492	2	Hose (Prior to SN 0300088029)	
30	2752496	2	Hose (SN 0300088029 through 0300096000)	
31	2752506	1	Hose	
32		Ref	Hose Options:	
32	2753340	2	Hose (Prior to SN 0300088029)	
32	2754229	2	Hose (SN 0300088029 through 0300096000)	
34		Ref	Valve, Restrictor Options:	
34	4641076	1	Valve, Restrictor (.021) (Prior to SN 0300074316)	
34	4641282	1	Valve, Restrictor (.020) (SN 0300074316 through 0300096000)	
35	2220466	2	Fitting, Elbow	

SECTION 6 - HYDRAULIC

FIGURE 6-3. DRIVE HYDRAULIC DIAGRAM - 4WD



SECTION 6 - HYDRAULIC

FIGURE 6-3. DRIVE HYDRAULIC DIAGRAM - 4WD

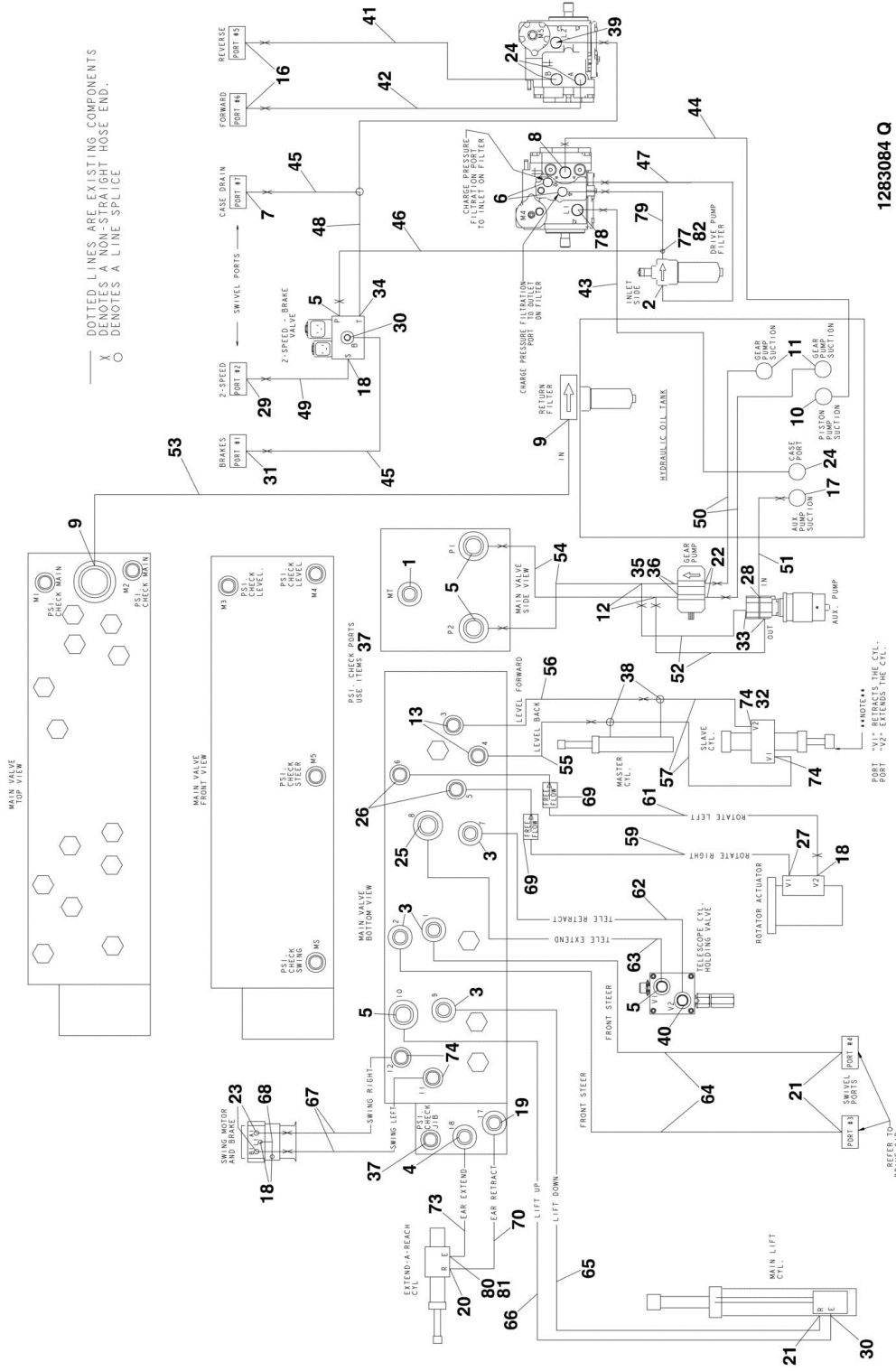
ITEM	PART NUMBER	QTY	DESCRIPTION	REV
	2792386	Ref	DRIVE HYDRAULIC DIAGRAM - 4WD	7/Q
	1283084	Ref	DRIVE HYDRAULIC DIAGRAM - 4WD	7/Q
1	2220242	1	Fitting, Plug	
2	2220362	2	Fitting, Tee	
3	2220366	2	Fitting, Elbow	
4	2220371	1	Fitting, Straight	
5	2220373	AR	Fitting, Straight Options:	
5		Ref	Pump Assy without Fittings	
5		Ref	Pump Assy with Fittings	
6	2220375	AR	Fitting, Straight Options:	
6		Ref	Pump Assy without Fittings	
6		Ref	Pump Assy with Fittings	
7	2220415	3	Fitting, Straight	
8	2220435	2	Fitting, Straight	
9	2220578	1	Fitting, Elbow	
10	2220465	1	Fitting, Elbow	
11	2220237	2	Plug	
12	2220501	3	Fitting, Elbow	
13	2220504	3	Fitting, Tee	
14	2220582	AR	Fitting, Straight Options:	
14		Ref	Pump Assy without Fittings	
14		Ref	Pump Assy with Fittings	
15	2220596	AR	Fitting, Elbow Options:	
15		Ref	Pump Assy without Fittings	
15		Ref	Pump Assy with Fittings	
16	2220600	1	Fitting, Straight	
17	2221030	1	Fitting, Straight Only (Prior to SN 0300074316)	
18	2752466	2	Hose	
19	2752502	2	Hose	
20	2753346	2	Hose	
21	2752944	1	Hose	
22	2753416	2	Hose	
23	2752594	3	Hose	
24	2753417	2	Hose	
25	2753345	2	Hose	
26	2753035	1	Hose	
27	2752495	1	Hose	
28	2752977	1	Hose	
29		Ref	Hose Options:	
29	2753341	2	Hose (Prior to SN 0300088029)	
29	2752908	2	Hose (SN 0300088029 through 0300096000)	
30	2752443	1	Hose	
31		Ref	Hose Options:	
31	2753340	2	Hose (Prior to SN 0300088029)	
31	2754229	2	Hose (SN 0300088029 through 0300096000)	
32	2752506	1	Hose	
33	2753162	2	Hose	
34	2753343	2	Hose	
35		Ref	Hose Options:	
35	2752492	2	Hose (Prior to SN 0300088029)	

SECTION 6 - HYDRAULIC

ITEM	PART NUMBER	QTY	DESCRIPTION	REV
35	2752496	2	Hose (SN 0300088029 through 0300096000)	
36		Ref	Valve, Restrictor Options:	
36	4641076	1	Valve, Restrictor (.021) (Prior to SN 0300074316)	
36	4641282	1	Valve, Restrictor (.020) (SN 0300074316 through 0300096000)	
37	2220472	2	Fitting, Elbow (Fitting moved to Pump Assembly)	
38	2220602	1	Fitting, Tee	
39	2220466	2	Fitting, Elbow	

SECTION 6 - HYDRAULIC

FIGURE 6-4. STANDARD HYDRAULIC DIAGRAM



SECTION 6 - HYDRAULIC

FIGURE 6-4. STANDARD HYDRAULIC DIAGRAM

ITEM	PART NUMBER	QTY	DESCRIPTION	REV
		Ref	STANDARD HYDRAULIC DIAGRAM	
	2792383	Ref	Standard Hydraulic Diagram 400S (Prior to SN 0300087630)	12/Q
	1283084	Ref	Standard Hydraulic Diagram 400S (Prior to SN 0300087630)	12/Q
	2792704	Ref	Standard Hydraulic Diagram 400S (SN 0300087630 through 0300096000)	1/Q
	1283084	Ref	Standard Hydraulic Diagram 400S (SN 0300087630 through 0300096000)	1/Q
	2792384	Ref	Standard Hydraulic Diagram 460SJ (Prior to SN 0300087630)	12/Q
	1283084	Ref	Standard Hydraulic Diagram 460SJ (Prior to SN 0300087630)	12/Q
	2792705	Ref	Standard Hydraulic Diagram 460SJ (SN 0300087630 through 0300096000)	1/Q
	1283084	Ref	Standard Hydraulic Diagram 460SJ (SN 0300087630 through 0300096000)	1/Q
1	2220237	1	Fitting, Plug	
2		Ref	Fitting, Elbow Options:	
2	2220906	1	Fitting, Elbow (Prior to SN 0300086916)	
2	2221042	1	Fitting, Elbow (SN 0300086916 through 0300096000)	
3	2220371	4	Fitting, Straight	
4	2220372	1	Fitting, Straight (460SJ Only)	
5	2220373	7	Fitting, Straight	
6	2220947	2	Fitting, Straight (Fitting moved to Pump Assembly)	
7	2220375	1	Fitting, Straight	
8	2220376	1	Fitting, Straight (Fitting moved to Pump Assembly)	
9	2220377	2	Fitting, Straight	
10	2220379	1	Fitting, Straight	
11	2220380	2	Fitting, Straight	
12	2220385	2	Fitting, Tee (Fitting moved to Pump Assembly)	
13	2220415	AR	Fitting, Straight	
14	2220428	1	Fitting, Quick Disconnect (Prior to SN 0300074935)	
15	2220429	1	Fitting, Dust Cap (Prior to SN 0300074935)	
16	2220435	2	Fitting, Straight	
17	2220451	1	Fitting, Straight	
18	2220466	4	Fitting, Elbow	
19	2220468	1	Fitting, Straight (460SJ Only)	
20	2220472	1	Fitting, Elbow (460SJ Only)	
21	2220473	3	Fitting, Elbow	
22	2220479	2	Fitting, Straight (Fitting moved to Pump Assembly)	
23	2220497	2	Fitting, Straight	
24	2220498	AR	Fitting, Elbow	
24		Ref	Pump Assy without Fittings	
24		Ref	Pump Assy with Fittings	
25	2220500	1	Fitting, Elbow	
26	2221030	2	Fitting, Straight (Prior to SN 0300074935)	
27	2220502	AR	Fitting, Elbow	
28	2220567	1	Fitting, Elbow	
29	2220582	1	Fitting, Straight	
30	2220596	2	Fitting, Elbow	
31	2220600	1	Fitting, Straight	
32	4567139	1	Tube	
33	2221045	2	Fitting, Elbow	

SECTION 6 - HYDRAULIC

ITEM	PART NUMBER	QTY	DESCRIPTION	REV
34	2220775	1	Fitting, Elbow	
35	2220810	2	Fitting, Reducer (Fitting moved to Pump Assembly)	
36	4640744	2	Fitting, Check Valve (Fitting moved to Pump Assembly)	
37	2221086	6	Fitting, Pressure Check	
38	2220899	2	Fitting, Tee	
39	2221041	1	Fitting, Tee (Fitting moved to Pump Assembly)	
40	2221044	1	Fitting, Elbow	
41	2753352	1	Hose	
42	2753353	1	Hose	
43	2753354	1	Hose	
44	2753357	1	Hose	
45	2753351	2	Hose	
46	2752942	1	Hose	
47	2752763	1	Hose	
48	2753350	1	Hose	
49	2752430	1	Hose	
50	2753358	2	Hose	
51	2753355	1	Hose	
52	2753349	2	Hose	
53	2753356	1	Hose	
54	2752519	2	Hose	
55	2753360	1	Hose	
56	2753359	1	Hose	
57	2753514	2	Hose	
59		Ref	Hose Options:	
59	2753517	1	Hose 400S	
59	2753512	1	Hose 460SJ	
61		Ref	Hose Options:	
61	2753516	1	Hose 400S	
61	2753513	1	Hose 460SJ	
62	2753368	1	Hose	
63	2753372	1	Hose	
64	2753348	2	Hose	
65	2753369	1	Hose	
66	2753373	1	Hose	
67	2752471	2	Hose	
68	2752443	1	Hose	
69		Ref	Valve, Restrictor Options:	
69	4641076	2	Valve, Restrictor (.021) (Prior to SN 0300074935)	
69	4641282	2	Valve, Restrictor (.020) (SN 0300074935 through 0300096000)	
70	2753511	1	Hose (460SJ Only)	
73	2753515	1	Hose (460SJ Only)	
74	2220603	4	Fitting, Straight	
75	2752573	1	Hose (Prior to SN 0300074935)	
76	2220414	1	Fitting, Straight (Prior to SN 0300074935)	
77	2221063	1	Fitting, Tee	
78	2220578	1	Fitting, Straight (Fitting moved to Pump Assembly)	
79	2753502	1	Hose	
80	2180724	1	Fitting, Modified Elbow (460SJ Only)	
81	2180422	1	Fitting, Plug (460SJ Only)	
82	2221216	1	Fitting, Straight (SN 0300087630 through 0300096000)	

SECTION 6 - HYDRAULIC

FIGURE 6-5. HYDRAULIC DIAGRAM LIST

ITEM	PART NUMBER	QTY	DESCRIPTION	REV
		Ref	Note: Information on diagrams not shown is available from JLG Service/Parts Departments.	
		Ref	AXLE LOCKOUT HYDRAULIC DIAGRAM	
	2792398	Ref	Australian Spec	
	2792455	Ref	CE Spec	
		Ref	Drive Hydraulic Diagrams:	
	2792385	Ref	2WD Machines without Tow Package	
	1283084	Ref	2WD Machines without Tow Package	
	2792598	Ref	2WD Machines with Tow Package	
	1283084	Ref	2WD Machines with Tow Package	
	2792386	Ref	4WD Machines	
	1283084	Ref	4WD Machines	
		Ref	Standard Hydraulic Diagrams:	
	2792383	Ref	Standard Hydraulic Diagram 400S (Prior to SN 0300087630)	
	1283084	Ref	Standard Hydraulic Diagram 400S (Prior to SN 0300087630)	
	2792704	Ref	Standard Hydraulic Diagram 400S (SN 0300087630 through 0300096000)	
	2792384	Ref	Standard Hydraulic Diagram 460SJ (Prior to SN 0300087630)	
	1283084	Ref	Standard Hydraulic Diagram 460SJ (Prior to SN 0300087630)	
	2792705	Ref	Standard Hydraulic Diagram 460SJ (SN 0300087630 through 0300096000)	
	1283084	Ref	Standard Hydraulic Diagram 460SJ (SN 0300087630 through 0300096000)	
	2792387	Ref	Standard Hydraulic Schematic	
	2792432	Ref	SkyWelder Hydraulic Diagram (Optional)	
	2792598	Ref	Tow Hydraulic Diagram	
	1283084	Ref	Tow Hydraulic Diagram	

SECTION 7 - ELECTRICAL

SECTION 7 - ELECTRICAL

FIGURE 7-1. ELECTRICAL DIAGRAM LIST

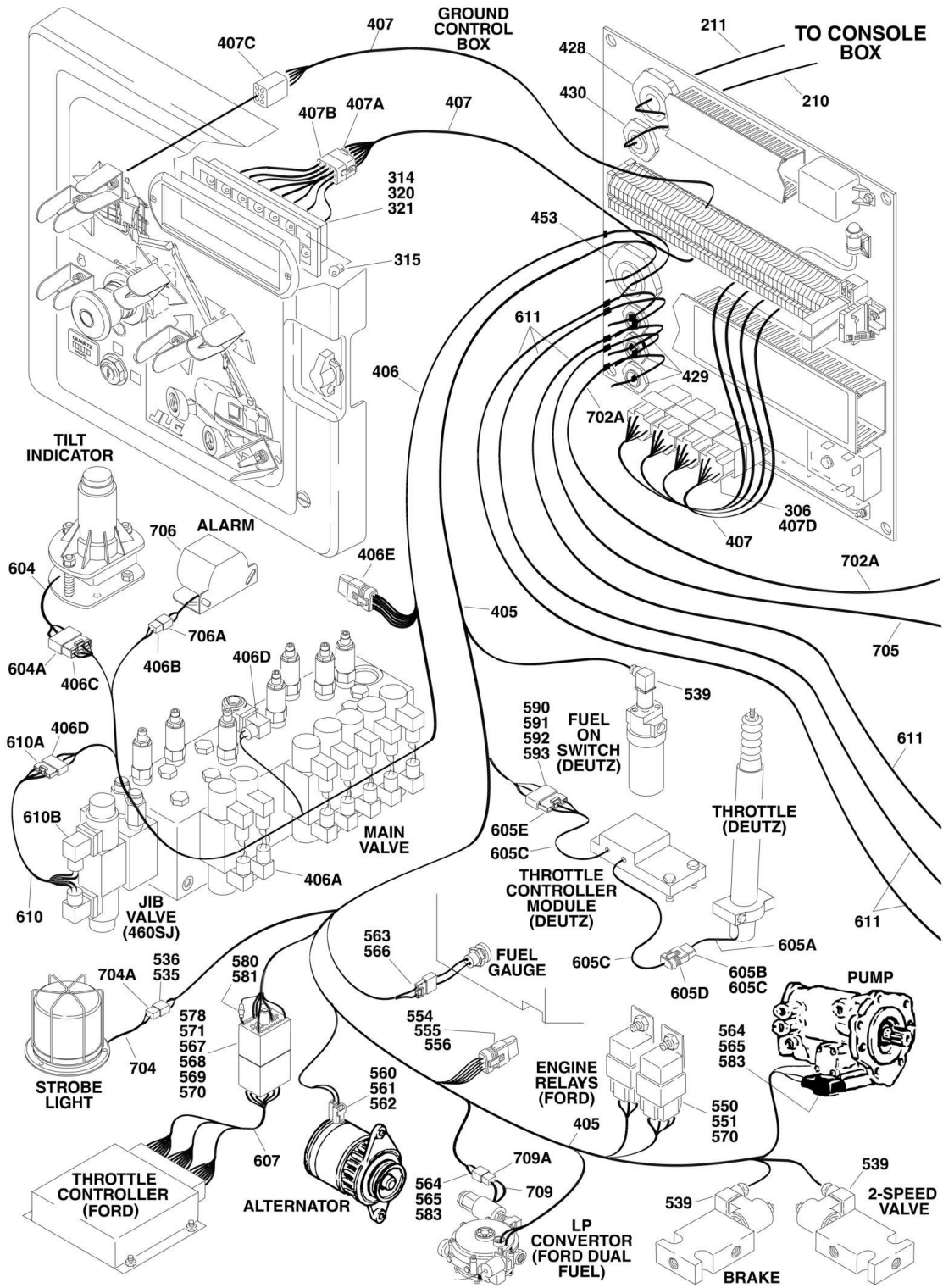
ITEM	PART NUMBER	QTY	DESCRIPTION	REV
		Ref	ALARM ELECTRICAL DIAGRAMS	
	4933025	Ref	Motion Alarm	
	1282937	Ref	Motion Alarm	
	4933026	Ref	Travel Alarm	
	1282937	Ref	Travel Alarm	
		Ref	COLD WEATHER KITS WIRING DIAGRAM	
	0270646	Ref	Deutz Engine Machines (Ether)	
		Ref	Deutz Engine Machines (Glow Plugs) Options:	
	0270647	Ref	Without ADE System	
	0271333	Ref	With ADE System (Prior to SN 0300064571)	
	0271912	Ref	With ADE System (SN 0300064571 through 0300096000)	
	2902393	Ref	DRIVE/STEER CUTOUT WIRING DIAGRAM	
	4933307	Ref	DRIVE/STEER CUTOUT WIRING DIAGRAM	
	0270649	Ref	ETHER START WIRING DIAGRAM (DEUTZ ENGINE MACHINES)	
		Ref	GENERATOR ELECTRICAL DIAGRAMS:	
		Ref	(Note: See JLG Supplement p/n 3124242 for SkyPower Miller 7500W Generator)	
	4933153	Ref	110Volt (Without ADE System)	
	4933190	Ref	110Volt (Without ADE System) (Prior to SN 0300069030)	
	4933238	Ref	110Volt (With ADE System) (SN 0300069030 through 0300096000)	
	4933300	Ref	110 Volt (With ADE System) (SN 0300077682 through 0300096000)	
	4933154	Ref	220 Volt (Without ADE System)	
	4933191	Ref	220 Volt (With ADE System) (Prior to SN 0300069030)	
	4933239	Ref	220 Volt (With ADE System) (SN 0300069030 through 0300077681)	
	4933300	Ref	220 Volt (With ADE System) (SN 0300077682 through 0300096000)	
		Ref	GLOW PLUG WIRING DIAGRAM (DEUTZ ENGINE MACHINES) OPTIONS:	
	4933175	Ref	Without ADE System	
	4933189	Ref	With ADE System (Prior to SN 0300064571)	
	4933217	Ref	With ADE System (SN 0300064571 through 0300096000)	
		Ref	LIGHTS ELECTRICAL DIAGRAM OPTIONS:	
	4932917	Ref	Without ADE System	
	4933157	Ref	With ADE System (Prior to SN 0300064509)	
	4933219	Ref	With ADE System (SN 0300064509 through 0300096000)	
	3740049	1	Relay	
		Ref	PLATFORM ELECTRICAL DIAGRAM OPTIONS:	
	4922340	Ref	Australian Spec Without ADE System	
	4922393	Ref	CE Spec Without ADE System	
	4922665	Ref	All Specs With ADE System	
		Ref	PLATFORM OVERLOAD ELECTRICAL DIAGRAM OPTIONS:	
	0259233	Ref	Without ADE System	
	1060079	6 ft/1.8m	Cable, Electrical - 16/4	
	4922304	1	Harness, Wiring (Console)	
	3990010	1	Diode 6 Amp	
	3740057	1	Relay	

SECTION 7 - ELECTRICAL

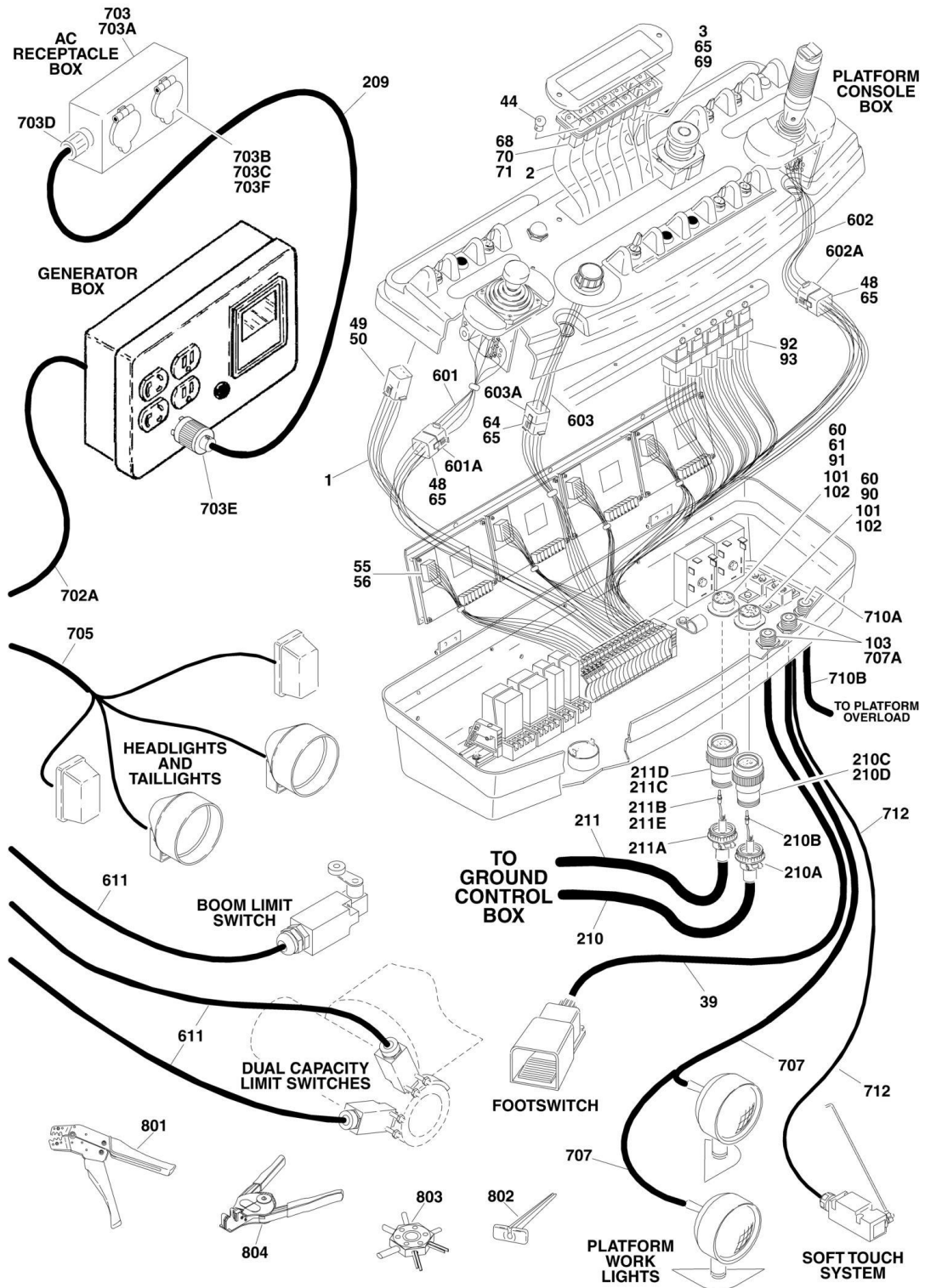
ITEM	PART NUMBER	QTY	DESCRIPTION	REV
	0271543	Ref	With ADE System (Prior to SN 0300064509)	
	0272169	Ref	With ADE System (SN 0300064509 through 0300069277)	
	4933265	Ref	With ADE System (SN 0300069278 through 0300096000)	
	4922766	Ref	EIM Load Cell Harness	
	4933313	Ref	PLATFORM FLOODLIGHTS ELECTRICAL DIAGRAM	
		Ref	PLATFORM WORKLIGHTS ELECTRICAL DIAGRAM OPTIONS:	
	0258309	Ref	Without ADE System	
	0270814	Ref	With ADE System	
		Ref	SOFT TOUCH ELECTRICAL DIAGRAM	
	4932980	Ref	Without ADE System	
	4933192	Ref	With ADE System (Prior to SN 0300064509)	
	4933237	Ref	With ADE System (SN 0300064509 through 0300096000)	
		Ref	STANDARD ELECTRICAL DIAGRAMS	
	4933279	Ref	Caterpillar Engine Machines (Prior to SN 0300087630)	
	4933335	Ref	Caterpillar Engine Machines (SN 0300087630 through 0300091229)	
	4933353	Ref	Caterpillar Engine Machines (SN 0300091230 through 0300096000)	
	4933177	Ref	Deutz Engine Machines (Prior to SN 0300064404)	
	4933230	Ref	Deutz Engine Machines (SN 0300064404 through 0300085616)	
	4933325	Ref	Deutz Engine Machines (SN 0300085617 through 0300096000)	
		Ref	STANDARD ELECTRICAL SCHEMATICS	
	1870119	Ref	Deutz (Without ADE System)	
	1870132	Ref	Caterpillar/Deutz (With ADE System)	
	1870191	Ref	Deutz EMR2/GM	
	4933027	Ref	STROBE LIGHT ELECTRICAL DIAGRAM (WITHOUT ADE SYSTEM)	
		Ref	SKYWELDER ELECTRICAL DIAGRAM (OPTIONAL)	
	4933151	Ref	Without ADE System	
	4933193	Ref	With ADE System (Prior to SN 0300064509)	
	4933240	Ref	With ADE System (SN 0300064509 through 0300096000)	

SECTION 7 - ELECTRICAL

FIGURE 7-2. HARNESS COMPONENTS INSTALLATION (WITHOUT ADE SYSTEM)



SECTION 7 - ELECTRICAL



SECTION 7 - ELECTRICAL

FIGURE 7-2. HARNESS COMPONENTS INSTALLATION (WITHOUT ADE SYSTEM)

ITEM	PART NUMBER	QTY	DESCRIPTION	REV
		Ref	HARNESS COMPONENTS INSTALLATION	
		Ref	PLATFORM BOX HARNESS ASSEMBLY	
	4922340	Ref	Australian Spec	7/F
	4922393	Ref	CE Spec	4/C
1	See Note	AR	Switch Harness (Made up of Individual Wires) (Note: Not Available for Purchase)	
2	See Note	AR	Light Display Harness (Made up of Individual Wires) (Note: Not Available for Purchase)	
3	See Note	AR	Fuel Gauge Harness (Made up of Individual Wires) (Note: Not Available for Purchase)	
39	1060515	7 ft/2.13m	Cable, Electrical - 12/4	
44	2920129	10	Bulb, Light	
48	4460265	2	Connector - 9 Position	
49	4460418	5	Connector - 6 Position	
50	4460419	26	Terminal, Female	
55	4460720	4	Connector - 15 Position	
56	4460721	44	Socket, Female	
60	4460464	31	Pin, Male (16 Gauge)	
61	4460508	4	Pin, Male (12 Gauge)	
62	3990001	23	Diode - 3 Amp (Not Shown)	
64	4460225	1	Connector - 6 Position	
65	4460267	36	Pin, Male	
66	3990010	9	Diode - 6 Amp (Not Shown)	
68	4120035	10	Socket, Light	
69	4460326	1	Connector - 3 Position	
70	4460634	10	Insert, Terminal (Single Wire)	
71	4460635	8	Insert, Terminal (Double Wire)	
90	4460613	1	Connector - 21 Position	
91	4460503	1	Connector - 31 Position	
92	4460741	5	Connector - 5 Position	
93	4460420	22	Terminal	
		Ref	PLATFORM BOX ASSEMBLY COMPONENTS	
101	4460470	2	Nut, Conduit	
102	4460471	2	Washer, Conduit	
103	4460428	2	Connector, Strain Relief	
		Ref	BOOM CABLES INSTALLATION	
	0259191	Ref	Boom Cables Installation 400S	9
	0259192	Ref	Boom Cables Installation 460SJ	10
209	1060461	63 ft/19.2m	Cable, Electrical - 12/3	
210		Ref	Cable, Electrical - 16/30 Options:	
210	4922387	1	Cable, Electrical - 16/30 400S	1
210	4922375	1	Cable, Electrical - 16/30 460SJ	1
210	1060516	AR	Cable, Electrical - 16/30	
210	1060516	54 ft/16.5m	Cable, Electrical - 16/30 400S	
210	1060516	60 ft/18.3m	Cable, Electrical - 16/30 460SJ	
210A	4460473	1	Clamp, Cable	
210B	4460465	30	Socket, Female	
210C	4460502	1	Connector, Female - 31 Position	

SECTION 7 - ELECTRICAL

ITEM	PART NUMBER	QTY	DESCRIPTION	REV
210D	4460466	1	Plug, Seal	
211		Ref	Cable, Electrical - 6/4 & 12/4	
211	4922388	AR	Cable, Electrical - 6/4 & 12/4 400S	3/C
211	4922376	AR	Cable, Electrical - 6/4 & 12/4 460SJ	4/C
211	1060602	AR	Cable, Electrical - 16/10 & 12/4 Options: (Does not Include Terminals)	
211	1060602	54 ft/16.5m	Cable, Electrical - 16/10 & 12/4 400S	
211	1060602	60 ft/18.3m	Cable, Electrical - 16/10 & 12/4 460SJ	
211A	4460473	1	Clamp, Cable	
211B	4460465	4	Socket, Female	
211C	4460614	1	Connector, Female - 21 Position	
211D	4460466	13	Plug, Seal	
211E	4460509	4	Socket, Female	
		Ref	GROUND CONTROL BOX DIAGRAMS	
	4933127	Ref	Deutz Engine	4/D
306	4460420	AR	Connector, Relay	
312	3990010	6	Diode 6 Amp (Not Shown)	
314	4120035	7	Base, Light	
315	2920129	7	Bulb, Light	
319	3730023	1	Resistor 500 Ohm (Not Shown - Located at Alternator Light)	
320	4460634	3	Insert, Terminal (Single Wire)	
321	4460635	AR	Insert, Terminal (Double Wire)	
		Ref	GROUND CONTROL BOX ASSY COMPONENTS	
405	4922347	1	Engine Harness Assembly (See Items 501-575 for Breakdown)	
406	4922346	1	Valve Harness Assembly	3/C
406A	4460499	14	DIN Connector with Diode	
406B	4460320	2	Connector - 2 Position	
406B	4460267	2	Pin, Male	
406C	4460225	1	Housing, Terminal - 6 Position	
406C	4460267	4	Pin, Male	
406D	4460445	1	Connector - 3 Position	
406D	4460268	3	Socket, Female	
406E	4460836	2	Connector, Deutsch - 12 Position	
406E	4460837	2	Housing, Terminal Connector	
406E	4460465	20	Socket, Female	
407	4922349	1	Ground Control Box Harness Assembly	5/E
407	3990010	13	Diode 6 Amp (Not Shown)	
407A	4460224	1	Connector - 6 Position	
407A	4460268	6	Socket, Female	
407B	4460225	1	Connector - 6 Position	
407B	4460267	6	Pin, Male	
407C	4460418	9	Connector - 6 Position	
407C	4460419	46	Terminal, Female	
407D	4460268	AR	Socket, Female	
407E	3730099	1	Resistor (Not Shown)	
407F	4460420	6	Plug, Relay	
407F	4460741	13	Terminal, Relay Plug	
428	4460526	1	Connector, Strain Relief	
429	4460428	3	Connector, Strain Relief	
430	4460426	1	Connector, Strain Relief	

SECTION 7 - ELECTRICAL

ITEM	PART NUMBER	QTY	DESCRIPTION	REV
453	4460711	1	Connector, Strain Relief	
	4922347	Ref	ENGINE HARNESS ASSEMBLY - DEUTZ ENGINE	6/G
535	4460424	1	Connector - 2 Position	
536	4460268	2	Socket, Female	
539	4460499	AR	DIN Connector with Diode	
550 to 551	Not Required	0	Not Required	
554	4460837	1	Housing, Deutsch	
555	4460836	1	Connector, Deutsch	
556	4460465	12	Terminal	
560 to 562	Not Required	0	Not Required	
563	4460834	1	Connector - 2 Position	
564	4460457	4	Terminal, Female	
565	4460458	4	Seal, Terminal	
566	4460842	2	Terminal, Female	
567 to 578	Not Required	0	Not Required	
580 to 581	Not Required	0	Not Required	
583	4460742	2	Connector - 2 Position	
590	4460591	1	Terminal, Lock	
591	4460589	3	Socket	
592	4460608	3	Seal, Cable	
593	4460777	1	Housing - 4 Position	
		Ref	STANDARD HARNESS COMPONENTS	
601	See Note	1	Controller Harness Assembly (Lift and Swing) (Note: Not Available for Purchase)	
601A	4460266	1	Connector - 9 Position	
601A	4460268	7	Socket, Female	
602	See Note	1	Controller Harness/Circuit Board Assembly (Drive and Steer) (Note: Not Available for Purchase)	
602A	4460266	1	Connector - 9 Position	
602A	4460268	7	Socket, Female	
603	See Note	1	Controller Harness - Speed (Note: Not Available for Purchase)	
603A	4460224	1	Connector - 6 Position	
603A	4460268	6	Socket, Female	
604	See Note	1	Tilt Indicator Harness (Note: Not Available for Purchase)	
604A	4460224	1	Connector - 6 Position	
604A	4460268	6	Socket, Female	
605	See Note	1	Throttle Actuator/Controller Harness (Deutz/Isuzu) (Note: Not Available for Purchase)	
605	0060033	NLA	Throttle Actuator and Controller Assembly (Use p/n 2910000)	
605	7008833	1	Mounting Clamp Kit (Not Shown)	
605	7008836	1	Spring, Retract (Not Shown)	
605A	2910000	1	Throttle Actuator and Harness (Note: Not Available for Purchase)	
605A	7016336	1	Boot Kit	
605B	2910000	9	Pin, Male (Note: Not Available for Purchase)	
605B	2910000	1	Connector, Male (Note: Not Available for Purchase)	
605C	2910001	1	Controller and Harness (Purchase p/n 2910000)	
605D	2910000	9	Socket, Female (Note: Not Available for Purchase)	
605D	2910000	1	Connector (Note: Not Available for Purchase)	
605E	2910000	1	Connector - 4 Position (Note: Not Available for Purchase)	
605E	4460693	4	Pin, Male	
605E	4460591	1	Clip	

SECTION 7 - ELECTRICAL

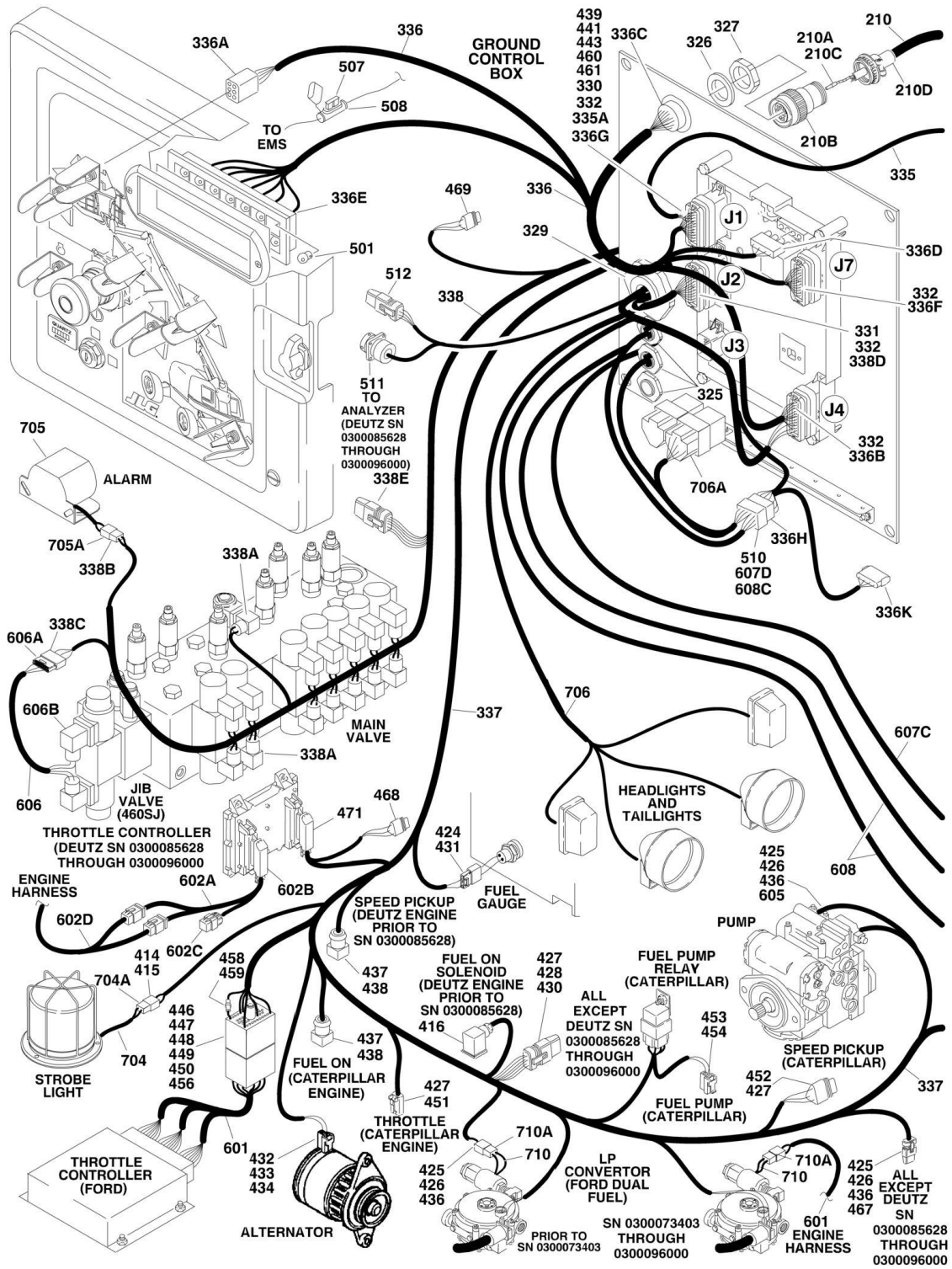
ITEM	PART NUMBER	QTY	DESCRIPTION	REV
605E	4460608	4	Seal, Terminal	
606	Not Required	0	Not Required	
607	Not Required	0	Not Required	
608	Not Required	0	Not Required	
609	Not Required	0	Not Required	
610	4921927	1	Jib Valve Harness (460SJ Only)	
610A	4460326	1	Connector - 3 Position	
610A	4460267	3	Pin, Male	
610B	4460499	2	Connector, DIN with Diode	
611	See Note	AR	Limit Switch Harness (Note: Not Available for Purchase)	
611	1060341	37	Cable, Electrical - 16/2	
		ft/11.3m		
		Ref	OPTIONAL HARNESS COMPONENTS	
702	4932989	Ref	Generator Electrical Components	1/A
702	3990010	1	Diode - 6 Amp (Not Shown)	
702A	4921938	1	Harness - On/Off Switch (Powermite Control Box to Ground Control Box)	
702B	4460125	1	Receptacle, Electrical (220V)	
702C	4460125	1	Receptacle, Electrical (220V)	
703	0270023	Ref	AC to Platform Receptacle Components	1
703A	See Note	1	Box, Switch (Note: Not Available - Purchase Locally)	
703B	See Note	1	Receptacle (Note: Not Available - Purchase Locally)	
703C	See Note	1	Shield, Cover (Note: Not Available - Purchase Locally)	
703D	See Note	1	Connector, Strain Relief (Note: Not Available - Purchase Locally)	
703E	See Note	2	Plug, Male (Note: Not Available - Purchase Locally)	
703F	See Note	1	Gasket (Note: Not Available - Purchase Locally)	
704	See Note	1	Strobe Light Harness (Note: Not Available - Purchase Locally)	-
704A	4460320	1	Connector - 2 Position	
704A	4460267	2	Pin, Male	
705	See Note	1	Lights Harness (Note: Not Available - Purchase Locally)	
705	3740049	1	Relay (Not Shown)	
705	1060341	37	Cable, Electrical - 16/2	
		ft/11.3m		
706	See Note	1	Alarm Harness (Includes Alarm) (Note: Not Available - Purchase Locally)	
706A	4460424	1	Connector - 2 Position	
706A	4460268	2	Socket, Female	
706A	1060341	37	Cable, Electrical - 16/2	
		ft/11.3m		
707	See Note	2	Platform Worklights Harness (Note: Not Available - Purchase Locally)	
707	2820035	9 ft/2.8m	Loom, Vinyl	
707A	4460598	1	Connector, Strain Relief	
707A	4460442	2	Terminal (Not Shown-Located in Platform Console)	
709	Not Required	0	Not Required	
710	See Note	1	Platform Overload Harness - External (Note: Not Available - Purchase Locally)	
710A	4460428	1	Connector, Strain Relief	
710B	1060079	6 ft/1.8m	Cable, Electrical - 16/14	
711		Ref	Platform Overload Harness Options: - Internal (Inside Platform Box - Not Shown)	
711	4922433	1	Platform Overload Harness (Prior to SN 0300058378)	

SECTION 7 - ELECTRICAL

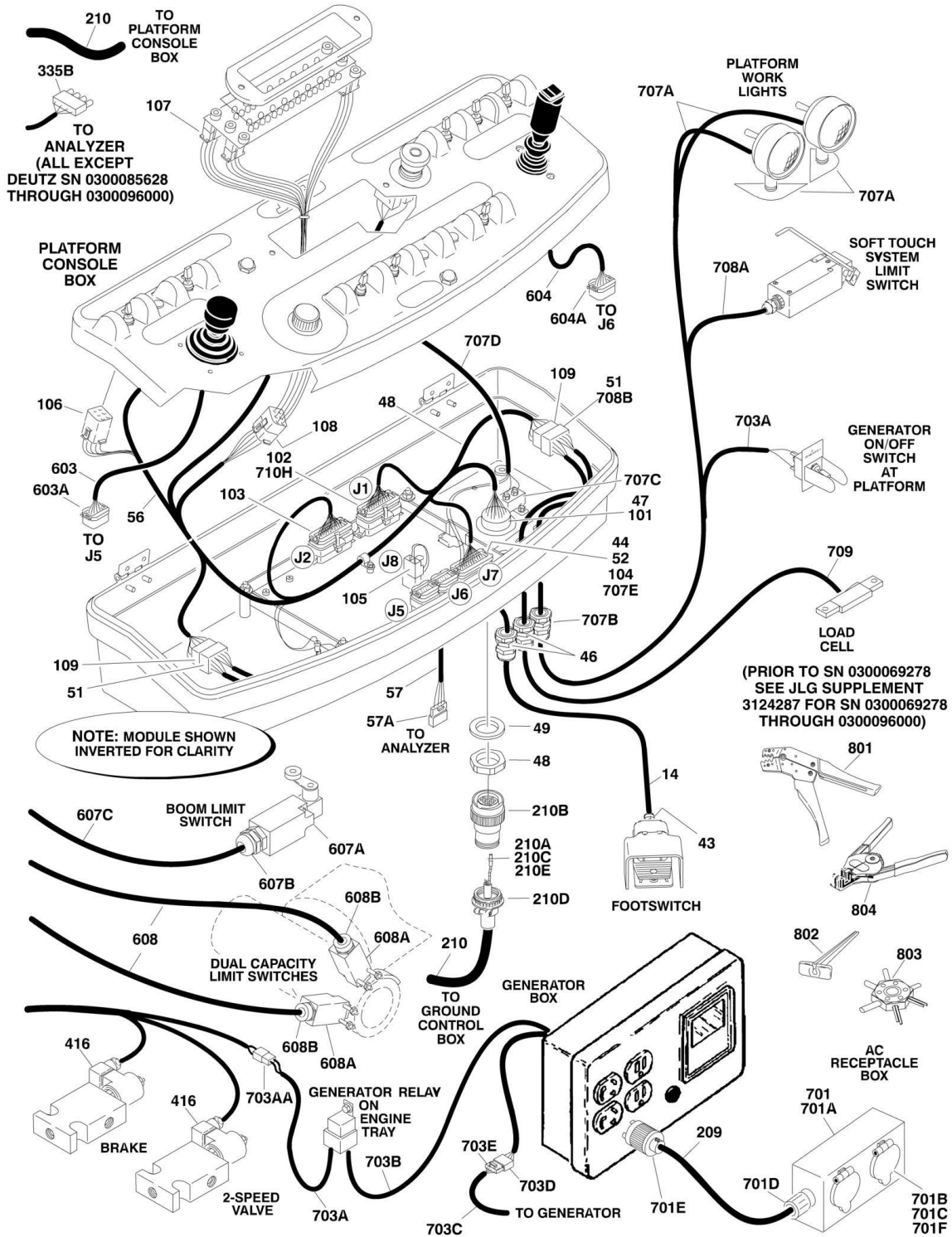
ITEM	PART NUMBER	QTY	DESCRIPTION	REV
711	4922403	1	Platform Overload Harness (SN 0300058378 through 0300096000)	
711	3990010	1	Diode 6Amp	
712	See Note	1	Soft Touch System Harness (Note: Not Available for Purchase)	
		Ref	TOOLS	
	4921850	1	Service Harness (For Setting Deutz Throttle Actuator)	
	4922021	1	Service Harness (For Setting Circuit Cards)	
801	7002821	1	Crimper (For Wire to Pin/Socket Connections)	
802	7002823	1	Extractor (For Removal of Pin/Socket from Connectors)	
803	4460467	1	Extractor, Pin (Blue 16-18 Gauge) (For Removal of Pin/Socket from Connectors)	
803	4460510	1	Extractor, Pin (Yellow 12-14 Gauge) (For Removal of Pin/Socket from Connectors)	
804	7002828	1	Stripper, Wire	

SECTION 7 - ELECTRICAL

FIGURE 7-3. HARNESS COMPONENTS INSTALLATION (WITH ADE SYSTEM)



SECTION 7 - ELECTRICAL



SECTION 7 - ELECTRICAL

FIGURE 7-3. HARNESS COMPONENTS INSTALLATION (WITH ADE SYSTEM)

ITEM	PART NUMBER	QTY	DESCRIPTION	REV
		Ref	PLATFORM CONSOLE BOX COMPONENTS	
4	0100048	AR	Grease, Dielectric (Not Shown)	
14	1060918	7 ft/2.14m	Cable, Electrical - 18/3	
43	4460071	1	Connector, Strain Relief	
44	4460226	2	Socket, Female	
46	4460428	2	Connector, Strain Relief	
47	4460464	1	Pin, Male Deutsch	
48	4460470	1	Nut, Terminal	
49	4460471	1	Lockwasher, Terminal	
51	4460708	2	Connector - 15 Position	
52	4460905	5	Seal, Plug	
56	4922665	1	Harness, Platform Box (See Items 101-109 for Breakdown)	
57	4922666	1	Harness, Analyzer Cable	2/B
57	4460226	4	Socket, Female (Not Shown - Located at J2)	
57A	4460761	1	Connector - 4 Position	
57A	4460227	4	Pin, Male	
	4922665	Ref	PLATFORM BOX HARNESS ASSEMBLY	3/C
101	4460866	1	Connector - 19 Pin	
101	4460464	7	Pin, Male Deutsch 16 Ga	
101	4460508	3	Pin, Male Deutsch 12 Ga	
102	4460874	1	Connector - 35 Position (Natural)	
102	4460871	23	Socket, Female	
103	4460875	1	Connector - 35 Position (Gray)	
103	4460871	18	Socket, Female	
104	4460873	1	Connector - 35 Position (Black)	
104	4460871	8	Socket, Female	
105	4460879	1	Connector 2 Position	
105	4460887	2	Terminal (12 Gauge)	
106	4460418	6	Connector - 6 Position	
106	4460419	18	Socket, Female	
107	4460225	2	Plug, Male - 6 Position	
107	4460226	18	Terminal (16 Gauge)	
108	4460225	1	Connector - 6 Position	
108	4460227	16	Pin	
109	4460434	2	Connector - 15 Position	
109	4460227	16	Pin	
		Ref	BOOM CABLES INSTALLATION	
	0271162	Ref	Boom Cables Installation 400S	8
	0271161	Ref	Boom Cables Installation 460SJ	8
	0272612	Ref	Boom Cables Installation 400S (7500w 60Hz Generator - SKYPOWER)	4
	0272613	Ref	Boom Cables Installation 460SJ (7500w 60Hz Generator - SKYPOWER)	4
209		Ref	Cable, Electrical Options:	
209	1060461	63 ft/19.2m	Cable, Electrical - 12/3 (Prior to SN 0300068444)	
209	1060986	1	Cable, Electrical - 12/3 (400S) (57ft/17.4m) (SN 0300068444 through 0300096000)	
209	1060984	1	Cable, Electrical - 12/3 (460SJ) (63ft/19.2m) (SN 0300068444 through 0300096000)	
209	4922802	1	Harness, Electrical - 8/5 (400S) (With 7500w 60Hz Generator)	

SECTION 7 - ELECTRICAL

ITEM	PART NUMBER	QTY	DESCRIPTION	REV
209	4922803	1	Harness, Electrical - 8/5 (460SJ) (With 7500w 60Hz Generator)	
210		Ref	Harness Assembly (12/4 - 18/8)	
210	4922548	1	Harness Assembly (12/4 - 18/8) 400S	3/C
210	4922547	1	Harness Assembly (12/4 - 18/8) 460SJ	3/C
210	1060896	AR	Cable, Electrical - 12/4 & 18/8 Options:	
210	1060896	54 ft/16.5m	Cable, Electrical - 12/4 & 18/8 400S	
210	1060896	60 ft/18.3m	Cable, Electrical - 12/4 & 18/8 460SJ	
210A	4460465	22	Socket, Female 18 Gauge	
210B	4460865	1	Connector Deutsch - 19 Position	
210C	4460509	8	Socket, Female 12 Gauge	
210D	4460473	1	Clamp, Cable	
210E	4460466	4	Seal, Plug	
224	4460865	1	Connector Deutsch - 19 Position	
225	4460473	1	Clamp, Cable	
		Ref	GROUND CONTROL BOX COMPONENTS	
325	4460428	3	Connector, Strain Relief	
326	4460470	1	Washer, Terminal	
327	4460471	1	Locknut, Terminal	
329	4460526	1	Connector, Strain Relief	
330	4460874	1	Connector (Natural)	
331	4460875	1	Connector (Gray)	
332	4460905	4	Seal, Plug	
335		Ref	Cable, Analyzer Options:	
335	4922485	1	Cable, Analyzer (Prior to SN 0300064404)	3
335	4922666	1	Cable, Analyzer (SN 0300064404 through 0300085616)	1
335	Not Required	0	Not Required (SN 0300085617 through 0300096000)	
335A		Ref	Socket, Female (Not Shown - Located at J1)	
335A	4460871	4	Socket, Female (Prior to SN 0300064404)	
335A	4460226	4	Socket, Female (SN 0300064404 through 0300085616)	
335A	Not Required	0	Not Required (SN 0300085617 through 0300096000)	
335B	4460761	1	Connector - 4 Position	
335B	4460227	4	Pin, Male	
336		Ref	Ground Control Box Harness Assembly	
336	4922664	1	Caterpillar Engine Machines (Prior to SN 0300087630)	6/G
336	4923236	1	Caterpillar Engine Machines (SN 0300087630 through 0300091229)	1/B
336	4923456	1	Caterpillar Engine Machines (SN 0300091230 through 0300096000)	B
336	4922540	1	Deutz Engine Machines (Prior to SN 0300064404)	5/E
336	4922664	1	Deutz Engine Machines (SN 0300064404 through 0300085616)	5/F
336	4923261	1	Deutz Engine Machines (SN 0300085617 through 0300096000)	C
336	3990010	2	Diode 6 Amp	
336A	4460418	7	Connector - 6 Position	
336A	4460419	21	Socket, Female	
336B	4460876	1	Connector - 35 Position (Blue)	
336B	4460871	24	Socket, Female	
336B	4460905	28	Seal, Plug	
336C	4460866	1	Connector - 19 Pin	
336C	4460464	7	Pin, Male Deutsch 16 Ga	

SECTION 7 - ELECTRICAL

ITEM	PART NUMBER	QTY	DESCRIPTION	REV
336C	4460508	3	Pin, Male (12 Gauge)	
336D	4460878	1	Housing, Terminal - 4 Position	
336D	4460887	3	Terminal (12 Gauge)	
336E	4120035	6	Base, Light	
336E	4460634	7	Terminal (16 Gauge)	
336F	4460873	1	Connector - 35 Position (Black)	
336F	4460871	20	Socket, Female	
336F	4460905	1	Seal, Plug	
336G	4460871	3	Socket, Female	
336H	4460434	1	Connector - 15 Position	
336H	4460227	14	Pin	
336J	4460536	1	Connector - 3 Position (Deutz Engines Only) (SN 0300085617 through 0300096000)	
336J	4460943	3	Socket, Female (Deutz Engines Only) (SN 0300085617 through 0300096000)	
336K	4460761	1	Connector - 4 Position (Deutz Engines Only/Caterpillar Engines) (SN 0300085617 through 0300096000, SN 0300087630 through 0300096000)	
336K	4460227	4	Pin, Male (Deutz Engines Only/Caterpillar Engines) (SN 0300085617 through 0300096000, SN 0300087630 through 0300096000)	
337		Ref	Engine Harness Assembly (See Items 401-460 for Breakdown)	
337	4922880	1	Caterpillar Engine Machines (Prior to SN 0300087630)	
337	4923234	1	Caterpillar Engine Machines (SN 0300087630 through 0300096000)	
337	4922537	1	Deutz Engine Machines (Prior to SN 0300085617)	
337	4923260	1	Deutz Engine Machines (SN 0300085617 through 0300096000)	
338	4922538	1	Valve Harness Assembly	4/D
338A	4460880	14	DIN Connector	
338B	4460320	2	Connector - 2 Position	
338B	4460267	4	Pin, Male	
338C	4460445	1	Connector - 3 Position	
338C	4460268	3	Socket, Female	
338D	4460871	20	Socket, Female	
338E	4460836	2	Connector, Deutsch - 12 Position	
338E	4460837	2	Housing, Terminal Connector	
338E	4460465	22	Socket, Female	
339		Ref	Ground Control Box Wiring Diagram (Not Shown - See Items 501-512 for Breakdown)	
339	4933279	Ref	Caterpillar Engine Machines (Prior to SN 0300087630)	
339	4933335	Ref	Caterpillar Engine Machines (SN 0300087630 through 0300091229)	
339	4933353	Ref	Caterpillar Engine Machines (SN 0300091230 through 0300096000)	
339	4933177	Ref	Deutz Engine Machines (Prior to SN 0300064404)	
339	4933230	Ref	Deutz Engine Machines (SN 0300064404 through 0300085616)	
339	4933325	Ref	Deutz Engine Machines (SN 0300085617 through 0300096000)	
		Ref	ENGINE HARNESS ASSEMBLY	
	4922880	Ref	Caterpillar Engine (Prior to SN 0300087630)	5/D
	4923234	Ref	Caterpillar Engine (SN 0300087630 through 0300091229)	3/C
	4923356	Ref	Caterpillar Engine (SN 0300091230 through 0300096000)	1/A

SECTION 7 - ELECTRICAL

ITEM	PART NUMBER	QTY	DESCRIPTION	REV
	4922537	Ref	Deutz Engine (Prior to SN 0300085617)	7/F
	4923260	Ref	Deutz Engine (SN 0300085617 through 0300096000)	D
414	4460424	1	Connector - 2 Position	
415	4460268	2	Socket, Female	
416	4460880	AR	DIN Connector without Diode	
424	4460834	1	Connector - 2 Position	
425	4460457	AR	Terminal, Female	
426	4460458	AR	Seal, Terminal	
427	4460465	AR	Socket, Female	
428	4460836	1	Connector, Deutsch - 12 Position (Deutz Only) (Prior to SN 0300085617)	
430	4460837	1	Housing, Terminal Connector (Deutz Only) (Prior to SN 0300085617)	
431	4460842	2	Terminal, Female	
432	Not Required	0	Terminal (Ford Engine Only)	
433	Not Required	0	Lock, Terminal (Ford Engine Only)	
434	Not Required	0	Housing - 3 Position (Ford Engine Only)	
436	4460742	AR	Connector - 2 Position	
437	4460890	1	Housing - 2 Position (Deutz and All Caterpillar Engines Only) (Prior to SN 0300085617)	
438	4460889	2	Terminal (Deutz and All Caterpillar Engines Only) (Prior to SN 0300085617)	
439	4460887	2	Terminal (12 Gauge)	
441	4460464	1	Pin, Male	
443	4460871	14	Socket, Female	
446	Not Required	0	Connector, Housing 42 Position (Ford Engine Only)	
447	Not Required	0	Connector Wedge Lock, Center (Ford Engine Only)	
448	Not Required	0	Connector Wedge Lock, Side (Ford Engine Only)	
449	Not Required	0	Connector, Plug (Ford Engine Only)	
450	Not Required	0	Pin, Male (Ford Engine Only)	
451	4460891	1	Connector - 2 Position	
452	4460539	1	Connector 3 Position (Caterpillar Engine Only)	
453	4460993	2	Terminal, Spade (Caterpillar Engine Only)	
454	4460994	1	Connector 2 Position (Caterpillar Engine Only)	
456	Not Required	0	Pin, Male (Ford Engine Only)	
458	Not Required	0	Fuse (Ford Engine Only)	
459	Not Required	0	Holder, Fuse (Ford Engine Only)	
460		Ref	Socket, Female Options:	
460	Not Required	0	All Machines (Prior to SN 0300066372)	
460	4460226	1	Caterpillar Engines (SN 0300066372 through 0300096000)	
460	4460226	1	Deutz Engines (SN 0300066372 through 0300085616)	
460	4460465	1	Deutz Engines (SN 0300085617 through 0300096000)	
461	3990001	1	Diode (Caterpillar Engine Only) (SN 0300087630 through 0300096000)	
468	4461070	1	Connector - 3 Position with Resistor (Deutz Only) (SN 0300085617 through 0300096000)	
468	4460944	3	Socket, Female (Deutz Only) (SN 0300085617 through 0300096000)	
468	4461095	1	Connector - 3 Position (Deutz Only) (SN 0300085617 through 0300096000)	
469	4460539	1	Connector - 3 Position (Deutz Only) (SN 0300085617 through 0300096000)	
469	4460944	3	Socket, Female (Deutz Only) (SN 0300085617 through 0300096000)	

SECTION 7 - ELECTRICAL

ITEM	PART NUMBER	QTY	DESCRIPTION	REV
470	4922099	AR	Can Buss Cable (Deutz Only) (SN 0300085617 through 0300096000)	
471	4461052	1	Connector - 25 Position (Deutz Only) (SN 0300085617 through 0300096000)	
471	4461053	1	Cover, Receptacle (Deutz Only) (SN 0300085617 through 0300096000)	
471	4461005	5	Terminal (Deutz Only) (SN 0300085617 through 0300096000)	
471	4461006	5	Seal (Used with p/n 4461005) (Deutz Only) (SN 0300085617 through 0300096000)	
471	4461060	2	Terminal (Deutz Only) (SN 0300085617 through 0300096000)	
471	4461054	2	Seal (Used with p/n 4461060) (Deutz Only) (SN 0300085617 through 0300096000)	
471	4461008	18	Plug, Hole (Deutz Only) (SN 0300085617 through 0300096000)	
		Ref	GROUND CONTROL BOX WIRING DIAGRAM	
	4933279	Ref	Caterpillar Engine Machines (Prior to SN 0300087630)	3/D
	4933335	Ref	Caterpillar Engine Machines (SN 0300087630 through 0300091229)	3/C
	4933353	Ref	Caterpillar Engine Machines (SN 0300091230 through 0300096000)	1/A
	4933177	Ref	Deutz Engine Machines (Prior to SN 0300064404)	2/C
	4933230	Ref	Deutz Engine Machines (SN 0300064404 through 0300085616)	4/F
	4933325	Ref	Deutz Engine Machines (SN 0300085617 through 0300096000)	D
501	2920129	AR	Bulb, Light	
507	2400065	1	Fuse, 30Amp	
508	2400066	1	Fuse, Holder	
510	4460708	2	Connector - 15 Position (SN 0300064404 through 0300096000)	
510	4460226	AR	Socket, Female	
510	4922637	1	Harness, Jumper (Not Shown)	
510	4922636	1	Harness, Jumper (Not Shown) (Caterpillar Machines Only)	
511	2902443	1	Receptacle Kit (Deutz Only) (SN 0300085617 through 0300096000)	
511	4461072		Connector - 12 Position (Deutz Only) (SN 0300085617 through 0300096000)	
511	4461074	1	Shell, Receptacle (Deutz Only) (SN 0300085617 through 0300096000)	
511	4461071	4	Socket, Female (Gold) (Deutz Only) (SN 0300085617 through 0300096000)	
511	4461073	1	Cap, Dust (Deutz Only) (SN 0300085617 through 0300096000)	
512	4460894	1	Connector - 6 Position (Deutz Only) (SN 0300085617 through 0300096000)	
512	4460892	1	Connector, Terminal (Deutz Only) (SN 0300085617 through 0300096000)	
		Ref	STANDARD HARNESS COMPONENTS	
601	Not Required	0	Ford Engine Harness (For replacement parts refer to Ford engine dealer) (Ford Engine Machines)	
602		Ref	Deutz Engine Harness Components (For replacement parts refer to Deutz engine dealer) (SN 0300085617 through 0300096000)	
602A	7027796	1	Deutz Engine Harness (For replacement parts refer to Deutz engine dealer) (SN 0300085617 through 0300096000)	
602B	See Note	1	Connector - 25 Position (Deutz Only) (Note: Not Available for Purchase) (SN 0300085617 through 0300096000)	

SECTION 7 - ELECTRICAL

ITEM	PART NUMBER	QTY	DESCRIPTION	REV
602C	7027793	1	Plug-In, Connector (SN 0300085617 through 0300096000)	
602D	7027794	1	Deutz Engine Harness (SN 0300085617 through 0300096000)	
603	See Note	1	Controller Harness Assembly (Lift and Swing) (Note: Not Available for Purchase)	
603A	7022819	1	Connector - 8 Position (Natural)	
603A	4460871	8	Socket, Female	
604	7022824	1	Controller Harness/Circuit Board Assembly (Drive and Steer)	
604A	7022825	1	Connector - 8 Position Black	
604A	4460871	7	Socket, Female	
605	See Note	1	Pump Harness (Note: Not Available for Purchase)	
605	7007497	1	Plug (Pump)	
605	7007498	1	Plug (Valve Harness)	
606	4921927	1	Jib Valve Harness (460SJ Only)	
606A	4460326	1	Connector - 3 Position	
606A	4460267	3	Pin, Male	
606B	4460499	2	Connector, DIN with Diode	
607	See Note	AR	Limit Switch Harness Components (400S Only) (Note: Not Available for Purchase):	
607A		Ref	Switch, Limit Options:	
607A	4360322	NLA	Australian Spec 400S (Use p/n 4360549) (Prior to SN 0300074316)	
607A	4360549	1	Australian Spec 400S (SN 0300074316 through 0300096000)	
607A	Not Required	0	Australian Spec 460SJ	
607A	4360322	NLA	CE Spec 400S & 460SJ (Use p/n 4360549) (Prior to SN 0300074316)	
607A	4360549	1	CE Spec 400S & 460SJ (SN 0300074316 through 0300096000)	
607B		Ref	Connector, Strain Relief Options:	
607B	4460428	1	Connector, Strain (Use with p/n 4360322) (Prior to SN 0300074316)	
607B	4460968	1	Connector, Strain (Use with p/n 4360549) (SN 0300074316 through 0300096000)	
607C	4922769	1	Cable, Electrical - 18/2	
607D	4460226	2	Socket, Female	
608	4922714	2	Capacity/Elevation Cut-out Switch Harnesses	
608	1060902	8.5 ft/2.6m	Cable, Electrical - 18/2	
608A		Ref	Switch, Limit Options:	
608A	4360321	NLA	Switch, Limit (Use p/n 4360548) (Prior to SN 0300074316)	
608A	4360548	1	Switch, Limit (SN 0300074316 through 0300096000)	
608B		Ref	Connector, Strain Relief Options:	
608B	4460428	1	Connector, Strain Relief (Use with p/n 4360321) (Prior to SN 0300074316)	
608B	4460968	1	Connector, Strain Relief (Use with p/n 4360548) (SN 0300074316 through 0300096000)	
608C	4460226	2	Socket, Female	
609	4922978	1	Start Assist Solenoid Harness (Deutz Engine Machines Only) (Located between Start Relay and Start Assist Solenoid on Engine) (SN 0300077682 through 0300085617)	2/B
610	4923451	1	Glow Plugs Harness (Deutz Engine Machines Only) (Not Shown - Located between Glow Plug Relay and Glow Plugs on Engine) (SN 0300092802 through 0300096000)	A
		Ref	OPTIONAL HARNESS COMPONENTS	
701	0270023	Ref	AC to Platform Receptacle Components	1

SECTION 7 - ELECTRICAL

ITEM	PART NUMBER	QTY	DESCRIPTION	REV
701A	See Note	1	Box, Switch (Note: Not Available - Purchase Locally)	
701B	See Note	1	Receptacle (Note: Not Available - Purchase Locally)	
701C	See Note	1	Shield, Cover (Note: Not Available - Purchase Locally)	
701D	See Note	1	Connector, Strain Relief (Note: Not Available - Purchase Locally)	
701E	See Note	2	Plug, Male (Note: Not Available - Purchase Locally)	
701F	See Note	1	Gasket (Note: Not Available - Purchase Locally)	
703		Ref	Generator Electrical Components	
703	4933191	1	220V (Prior to SN 0300064509)	2/B
703	4933239	1	220V (SN 0300064509 through 0300077681)	1/A
703	4933300	1	220V (SN 0300077682 through 0300096000)	2/A
703	3990010	1	Diode - 6 Amp (Not Shown)	
703A		Ref	Harness - On/Off Switch Options:	
703A	4922483	1	Harness - On/Off Switch (Prior to SN 0300064509)	
703A	4922641	1	Harness - On/Off Switch (SN 0300064509 through 0300096000)	
703AA	Not Required	0	Not Required	
703B		Ref	Powermite Control Box to Relay Options:	
703B	4922482	1	Powermite Control Box to Relay (Prior to SN 0300077682)	
703B	4922940	1	Powermite Control Box to Relay (SN 0300077682 through 0300096000)	
703C		Ref	Generator to Control Box Harness	
703C	See Note	1	Hardwired (Note: Not Available for Purchase) (Prior to SN 0300077682)	
703C	See Note	1	Harness (Note: Not Available for Purchase) (SN 0300077682 through 0300096000)	
703D	4460961	1	Connector - 4 Position	
703D	4460705	4	Pin, Male	
703E	4460321	1	Connector - 4 Position	
703E	4460906	4	Socket, Female	
704	0255917	1	Strobe Light Harness (Includes Strobe Light)	
704A	4460320	1	Connector - 2 Position	
704A	4460267	2	Pin, Male	
705	0257887	1	Alarm Harness (Includes Alarm)	
705A	4460424	1	Connector - 2 Position	
705A	4460268	2	Socket, Female	
706	See Note	1	Lights Harness (Note: Not Available for Purchase)	
706	1060341	37 ft/11.3m	Cable, Electrical - 16/2	
706A	3740049	1	Relay	
706A		Ref	Harness, Bag (Located at Ground Control Box) (Not Shown) Options:	
706A	4922484	1	Harness, Bag (Prior to SN 0300064509)	
706A	4922643	1	Harness, Bag (SN 0300064509 through 0300096000)	
707		Ref	Platform Worklights Components	
707A		Ref	Platform Worklights/Floodlights and Harness Components:	
707A	2920140	2	Platform Worklights External Harness (Includes Light and Wire Only)	
707A	2920157	2	Platform Floodlights External Harness (Includes Lights and Wire Only) (Not Shown)	
707A	4460320	2	Connector - 2 Position	
707A	4460227	4	Pin, Male	
707A	4922764	2	Platform Floodlights Harness (Lights to Switch) (Not Shown)	1/A

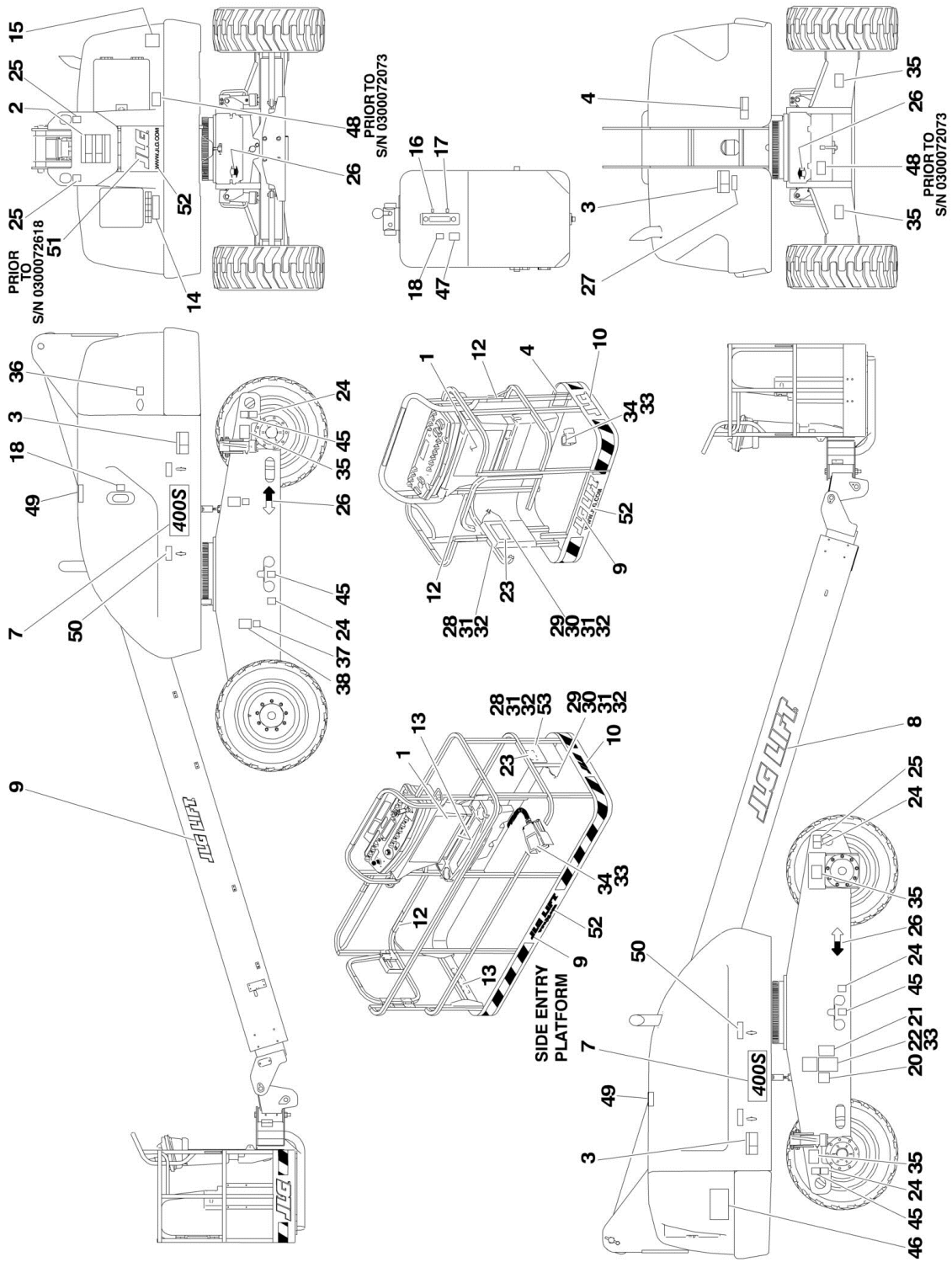
SECTION 7 - ELECTRICAL

ITEM	PART NUMBER	QTY	DESCRIPTION	REV
707A	4460424	2	Connector - 2 Position	
707A	4460226	4	Socket, Female	
707B		Ref	Connector, Strain Relief Options:	
707B	4460598	1	Platform Worklights (Prior to SN 0300074316)	
707B	4460426	1	Platform Worklights (SN 0300074316 through 0300096000)	
707B	4460425	1	Platform Floodlights	
707C		Ref	Circuit Breaker, 15Amp Options:	
707C	4360232	1	Platform Worklights (Prior to SN 0300074316)	
707C	Not Required	0	Platform Worklights (SN 0300074316 through 0300096000)	
707C	4360232	1	Platform Floodlights	
707D		Ref	Platform Worklights/Floodlights Console Box to Ground Harness	
707D	4922498	1	All Internal Console Box Harness (Prior to SN 0300074316)	
707D	1060983	1	Console Box to Aux Relay 400S (SN 0300074316 through 0300096000)	
707D	4922965	1	Console Box to Aux Relay 460SJ (SN 0300074316 through 0300096000)	
707D	2400070	1	Fuse 20 AMP (Not Shown - Located Aux Relay Only) (SN 0300074316 through 0300096000)	
707D	2400066	1	Fuseholder (Not Shown - Located Aux Relay Only) (SN 0300074316 through 0300096000)	
707E	4460871	3	Socket, Female Only (Prior to SN 0300074316)	
708	See Note	1	Soft-Touch System Harness (Note: Not Available for Purchase)	
708A	1060902	16 ft/4.9m	Cable, Electrical - 18/2	
708B	4460871	2	Socket, Female	
709	See Note	1	Load Cell Harness (Purchase Load Cell) (Note: Not Available for Purchase) (Prior to SN 0300069278)	
710	Not Required	0	Not Required	
		Ref	TOOLS	
801	7002821	1	Crimper (For Wire to Pin/Socket Connections)	
802	7002823	1	Extractor (For Removal of Pin/Socket from Connectors)	
803	4460467	1	Extractor, Pin (Blue 16-18 Gauge) (For Removal of Pin/Socket from Connectors)	
803	4460510	1	Extractor, Pin (Yellow 12-14 Gauge) (For Removal of Pin/Socket from Connectors)	
804	7002828	1	Stripper, Wire	
805	2901443	1	Analyzer Kit (Not Shown)	

SECTION 8 - DECALS

SECTION 8 - DECALS

FIGURE 8-1. DECAL INSTALLATION (Prior to SN 0300085617)



SECTION 8 - DECALS

FIGURE 8-1. DECAL INSTALLATION (Prior to SN 0300085617)

ITEM	PART NUMBER	QTY	DESCRIPTION	REV
		Ref	STANDARD DECAL INSTALLATIONS	
	0270398	Ref	Decals JLG	4
		Ref	Standard Decal Installations 400S with 500LB Capacity	
	0259161	Ref	Australian Spec	13
	0259167	Ref	Dutch Spec	16
	See Note	Ref	Finnish Spec (Note: Not Available for Purchase)	
	0259171	Ref	French Spec	15
	0259165	Ref	German Spec	15
	0259169	Ref	Italian Spec	15
	0273181	Ref	Norwegian Spec	5
	0259173	Ref	Spanish Spec	15
	0259163	Ref	UK Spec	15
		Ref	Standard Decal Installations 400S with 750LB Capacity	
	0259982	Ref	Australian Spec	11
	0259985	Ref	Dutch Spec	11
	See Note	Ref	Finnish Spec (Note: Not Available for Purchase)	
	0259987	Ref	French Spec	11
	0259984	Ref	German Spec	11
	0259986	Ref	Italian Spec	11
	0273183	Ref	Norwegian Spec	5
	0259988	Ref	Spanish Spec	11
	0259983	Ref	UK Spec	11
		Ref	Standard Decal Installations 460SJ	
	0259162	Ref	Australian Spec	12
	0259168	Ref	Dutch Spec	15
	0259172	Ref	French Spec	14
	0274589	Ref	Finnish Spec	1
	0259166	Ref	German Spec	13
	0259170	Ref	Italian Spec	14
	0273182	Ref	Norwegian Spec	4
	0259174	Ref	Spanish Spec	14
	0259164	Ref	UK Spec	14
1		Ref	Decal - Danger/Warning (Platform) Options:	
1	1703992	1	Decal - Danger/Warning (Platform) 400S with 500Lbs Capacity (Australian Spec)	
1	1704809	1	Decal - Danger/Warning (Platform) 400S with 500Lbs Capacity (Dutch Spec)	
1	See Note	1	Decal - Danger/Warning (Platform) 400S with 500Lbs Capacity (Finnish Spec) (Note: Not Available for Purchase)	
1	1704811	1	Decal - Danger/Warning (Platform) 400S with 500Lbs Capacity (French Spec)	
1	1704767	1	Decal - Danger/Warning (Platform) 400S with 500Lbs Capacity (German Spec)	
1	1704810	1	Decal - Danger/Warning (Platform) 400S with 500Lbs Capacity (Italian Spec)	
1	1705270	1	Decal - Danger/Warning (Platform) 400S with 500Lbs Capacity (Norwegian Spec)	
1	1704812	1	Decal - Danger/Warning (Platform) 400S with 500Lbs Capacity (Spanish Spec)	
1	1704808	1	Decal - Danger/Warning (Platform) 400S with 500Lbs Capacity (UK Spec)	
1	1704503	1	Decal - Danger/Warning (Platform) 400S with 750LB Capacity	

SECTION 8 - DECALS

ITEM	PART NUMBER	QTY	DESCRIPTION	REV
1	1704506	1	(Australian Spec) Decal - Danger/Warning (Platform) 400S with 750LB Capacity (Dutch Spec)	
1	See Note	1	Decal - Danger/Warning (Platform) 400S with 750Lbs Capacity (Finnish Spec) (Note: Not Available for Purchase)	
1	1704508	1	Decal - Danger/Warning (Platform) 400S with 750LB Capacity (French Spec)	
1	1704505	1	Decal - Danger/Warning (Platform) 400S with 750LB Capacity (German Spec)	
1	1704507	1	Decal - Danger/Warning (Platform) 400S with 750LB Capacity (Italian Spec)	
1	1705825	1	Decal - Danger/Warning (Platform) 400S with 750Lbs Capacity (Norwegian Spec)	
1	1704509	1	Decal - Danger/Warning (Platform) 400S with 750LB Capacity (Spanish Spec)	
1	1704504	1	Decal - Danger/Warning (Platform) 400S with 750LB Capacity (UK Spec)	
1	1703992	1	Decal - Danger/Warning (Platform) 460SJ (Australian Spec)	
1	1704809	1	Decal - Danger/Warning (Platform) 460SJ (Dutch Spec)	
1	1705921	1	Decal - Danger/Warning (Platform) 460SJ (Finnish Spec)	
1	1703917	1	Decal - Danger/Warning (Platform) 460SJ (French Spec)	
1	1703799	1	Decal - Danger/Warning (Platform) 460SJ (German Spec)	
1	1703915	1	Decal - Danger/Warning (Platform) 460SJ (Italian Spec)	
1	1705270	1	Decal - Danger/Warning (Platform) 460SJ (Norwegian Spec)	
1	1703919	1	Decal - Danger/Warning (Platform) 460SJ (Spanish Spec)	
1	1704808	1	Decal - Danger/Warning (Platform) 460SJ (UK Spec)	
2		Ref	Decal - Danger/Warning (Ground Control) Options:	
2	1704819	1	Decal - Danger/Warning (Ground Control) 400S with 500Lbs Capacity (Australian Spec)	
2	1704821	1	Decal - Danger/Warning (Ground Control) 400S with 500Lbs Capacity (Dutch Spec) (Prior to SN 0300071114)	
2	1705410	1	Decal - Danger/Warning (Ground Control) 400S with 500Lbs Capacity (Dutch Spec) (SN 0300071114 through 0300085617)	
2	See Note	1	Decal - Danger/Warning (Ground Control) 400S with 500Lbs Capacity (Finnish Spec) (Note: Not Available for Purchase)	
2	1704823	1	Decal - Danger/Warning (Ground Control) 400S with 500Lbs Capacity (French Spec)	
2	1704820	1	Decal - Danger/Warning (Ground Control) 400S with 500Lbs Capacity (German Spec)	
2	1704822	1	Decal - Danger/Warning (Ground Control) 400S with 500Lbs Capacity (Italian Spec)	
2	1705272	1	Decal - Danger/Warning (Ground Control) 400S with 500Lbs Capacity (Norwegian Spec)	
2	1704824	1	Decal - Danger/Warning (Ground Control) 400S with 500Lbs Capacity (Spanish Spec)	
2	1704819	1	Decal - Danger/Warning (Ground Control) 400S with 500Lbs Capacity (UK Spec)	
2	1703807	1	Decal - Danger/Warning (Ground Control) 400S with 750LB Capacity (Australian Spec)	
2	1703914	1	Decal - Danger/Warning (Ground Control) 400S with 750LB Capacity (Dutch Spec)	
2	See Note	1	Decal - Danger/Warning (Ground Control) 400S with 750Lbs Capacity (Finnish Spec) (Note: Not Available for Purchase)	
2	1703918	1	Decal - Danger/Warning (Ground Control) 400S with 750LB Capacity (French Spec)	

SECTION 8 - DECALS

ITEM	PART NUMBER	QTY	DESCRIPTION	REV
2	1703800	1	Decal - Danger/Warning (Ground Control) 400S with 750LB Capacity (German Spec)	
2	1703916	1	Decal - Danger/Warning (Ground Control) 400S with 750LB Capacity (Italian Spec)	
2	1705255	1	Decal - Danger/Warning (Ground Control) 400S with 750Lbs Capacity (Norwegian Spec)	
2	1703920	1	Decal - Danger/Warning (Ground Control) 400S with 750LB Capacity (Spanish Spec)	
2	1703807	1	Decal - Danger/Warning (Ground Control) 400S with 750LB Capacity (UK Spec)	
2	1703807	1	Decal - Danger/Warning (Ground Control) 460SJ (Australian Spec)	
2	1704821	1	Decal - Danger/Warning (Ground Control) 460SJ (Dutch Spec) (Prior to SN 0300071114)	
2	1705410	1	Decal - Danger/Warning (Ground Control) 460SJ (Dutch Spec) (SN 0300071114 through 0300085617)	
2	1705822	1	Decal - Danger/Warning (Ground Control) 460SJ (Finnish Spec)	
2	1704823	1	Decal - Danger/Warning (Ground Control) 460SJ (French Spec)	
2	1704820	1	Decal - Danger/Warning (Ground Control) 460SJ (German Spec)	
2	1704822	1	Decal - Danger/Warning (Ground Control) 460SJ (Italian Spec)	
2	1705272	1	Decal - Danger/Warning (Ground Control) 460SJ (Norwegian Spec)	
2	1704824	1	Decal - Danger/Warning (Ground Control) 460SJ (Spanish Spec)	
2	1704819	1	Decal - Danger/Warning (Ground Control) 460SJ (UK Spec)	
3		Ref	Decal - Electrocution	
3	1705961	3	Finnish Spec	
3	Not Required	0	All Other Specs	
4	1701518	3	Decal - Warning Crushing	
7		Ref	Decal - Model Designation Options:	
7	1704472	2	Decal - Model Designation Model 400S	
7	1704473	2	Decal - Model Designation Model 460SJ	
8	1702861	AR	Decal - JLG Lift (8in)	
8		Ref	Decal - JLG Lift (8in) (Prior to SN 0300069278)	
8		Ref	Decal - JLG Lift (8in) (SN 0300069278 through 0300085617)	
9	1702774	AR	Decal - JLG Lift (3.5in)	
9		Ref	Decal - JLG Lift (3.5in) (Prior to SN 0300069278)	
9		Ref	Decal - JLG Lift (3.5in) (SN 0300069278 through 0300085617)	
10	1702773	AR	Decal - JLG (5in)	
10		Ref	Front Entry Platform	
10		Ref	Side Entry Platform	
12		Ref	Decal - Attach Lanyard Here	
12	1704277	3	Australian/Finnish/Norwegian Spec	
12	Not Required	0	Dutch/ French/ German/ Italian/ Spanish/ UK Spec (Prior to SN 0300062886)	
12	1704277	3	Dutch/ French/ German/ Italian/ Spanish/ UK Spec (SN 0300062886 through 0300085617)	
13		Ref	Decal - 230kg Capacity	
13	1705978	2	Finnish Spec	
13	Not Required	0	All Other Specs	
14		Ref	Decal - 230kg Capacity	

SECTION 8 - DECALS

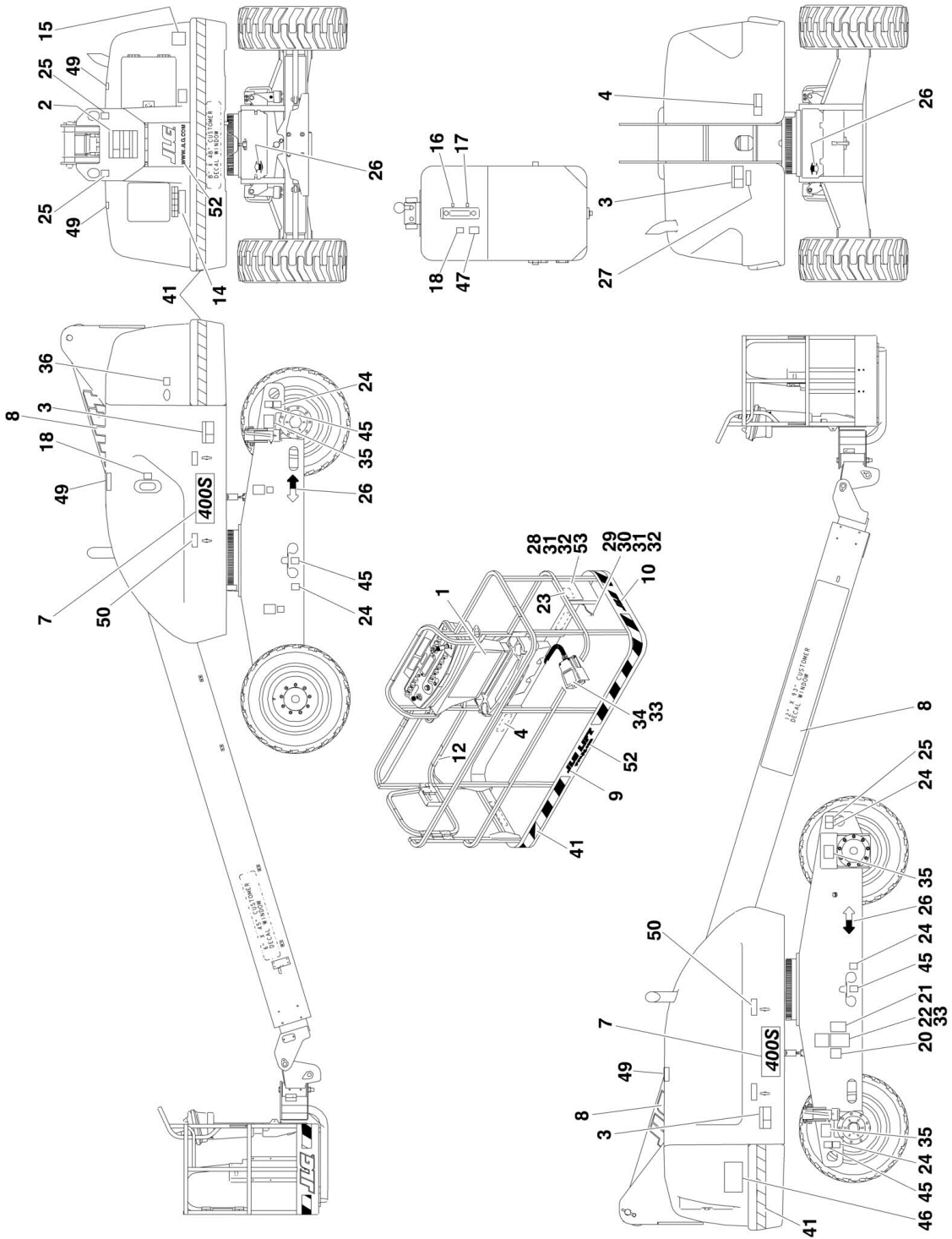
ITEM	PART NUMBER	QTY	DESCRIPTION	REV
14	1705978	1	Finnish Spec	
14	Not Required	0	All Other Specs	
15		Ref	Decal - CE	
15	Not Required	0	Australian Spec	
15	1702928	NLA	All Other Specs (Use p/n 1705084)	
16	1701502	1	Decal - High Oil Level	
17	1701503	1	Decal - Low Oil Level	
18	1701504	2	Decal - Hydraulic Oil	
20	See Note	1	Decal - Bar Code (Note: Not Available for Purchase)	
21	1700584	1	Decal - Patent	
22	See Note	1	Nameplate - Serial Number (Note: Not Available for Purchase)	
23	1701509	1	Decal - Manual	
24	1702300	6	Decal - Tie Down	
25	1701500	4	Decal - Lift	
26	1701529	4	Decal - Arrow	
27		Ref	Nameplate - 240V-50Hz	
27	3251242	1	Australian Spec	
27	Not Required	0	All Other Specs	
28	0860520	1	Box, Manual Storage	
29	1060279	1	Cable, Lanyard	
30	0641408	1	Bolt 1/4in-20NC x 1in	
31	4751400	6	Flatwasher 1/4in	
32	3311405	1	Locknut 1/4in-20NC	
33	3820001	AR	Rivet	
34		Ref	Decal - Footswitch	
34	3252347	1	Australian Spec	
34	1403518	1	Dutch Spec	
34	1705828	1	Finnish Spec	
34	1693292	1	French Spec	
34	1693294	1	German Spec	
34	1701600	1	Italian Spec	
34	1705275	1	Norwegian Spec	
34	1701791	1	Spanish Spec	
34	3252347	1	UK Spec	
35		Ref	Decal - Maximum Tire Load Options:	
35	1704827	NLA	Decal - Maximum Tire Load 400S with 500LB Capacity (Use p/n 1706126)	
35	1704829	4	Decal - Maximum Tire Load 400S with 750LB Capacity	
35	1704828	4	Decal - Maximum Tire Load 460SJ	
36	1701505	1	Decal - Fuel	
45	1701499	4	Decal - No Lift	
46		Ref	Decal - Lift Diagram Options:	
46	3252672	1	Australian Spec	
46	3252676	1	Dutch Spec	
46	1705276	1	Finnish Spec	
46	3252678	1	French Spec	
46	3252675	1	German Spec	
46	3252677	1	Italian Spec	
46	1705276	1	Norwegian Spec	
46	3252679	1	Spanish Spec	
46	3252672	1	UK Spec	
47	1704412	1	Decal - Hydraulic Oil Chart	

SECTION 8 - DECALS

ITEM	PART NUMBER	QTY	DESCRIPTION	REV
48	1704540	AR	Decal - Storage Capacity Only (Prior to SN 0300072073)	
49	1701691	4	Decal - No Step	
50	1704726	4	Decal - Lock Latch	
51	1704825	1	Decal - JLG Only (Prior to SN 0300072618)	
52	1704885	2	Decal - WWW.JLG.COM	
53	0641406	4	Bolt 1/4in-20NC x 3/4in	

SECTION 8 - DECALS

FIGURE 8-2. DECAL INSTALLATION (SN 0300085617 through 0300095670)



SECTION 8 - DECALS

FIGURE 8-2. DECAL INSTALLATION (SN 0300085617 through 0300095670)

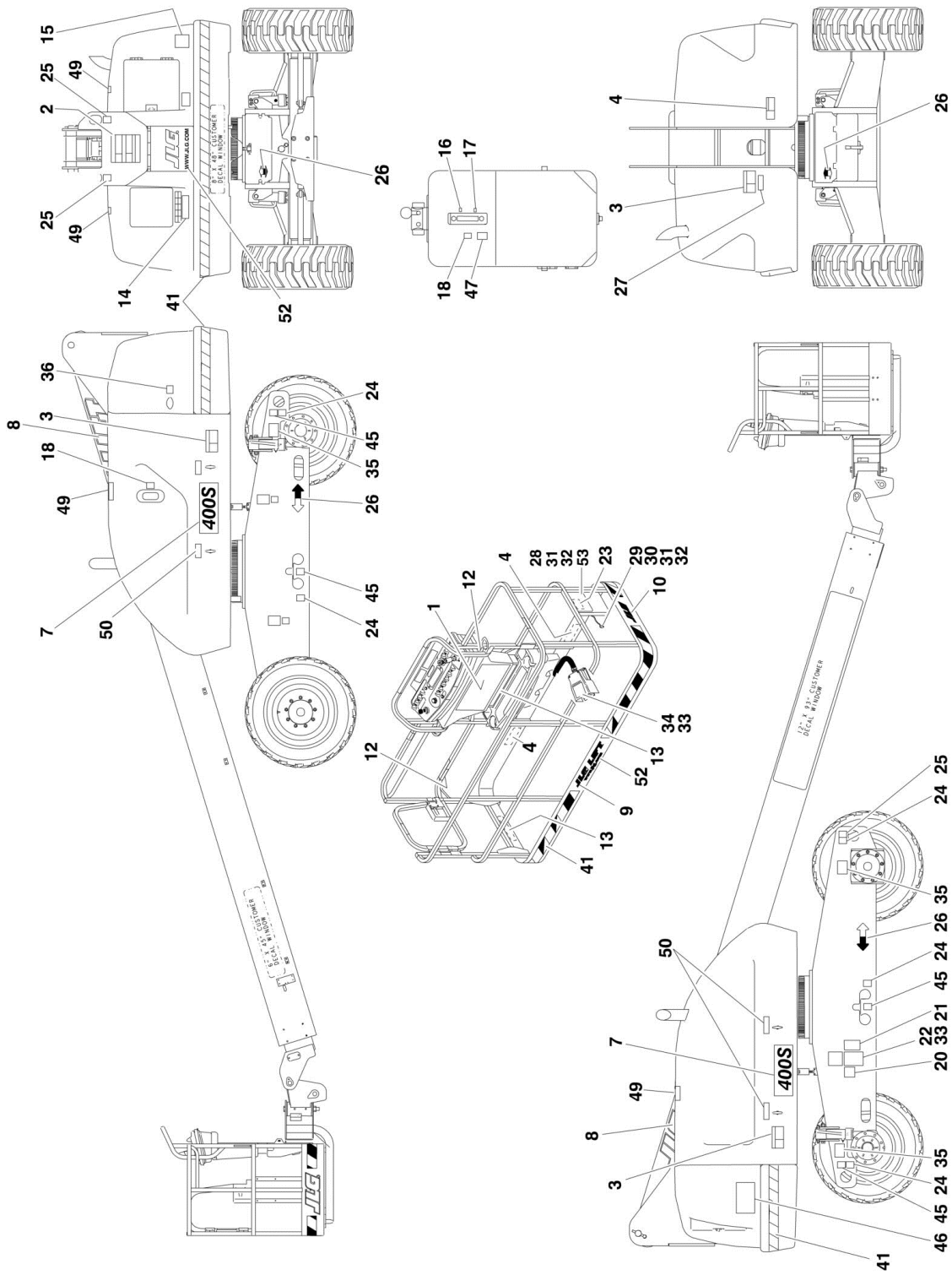
ITEM	PART NUMBER	QTY	DESCRIPTION	REV
		Ref	STANDARD DECAL INSTALLATIONS	
	0270398	Ref	Decals JLG	4
		Ref	Standard Decal Installations 400S with 500LB Capacity	
	0259161	Ref	Australian and CE Spec	13
		Ref	Standard Decal Installations 400S with 750LB Capacity	
	0259982	Ref	Australian and CE Spec	10
		Ref	Standard Decal Installations 460SJ	
	0259162	Ref	Australian and CE Spec	12
1		Ref	Decal - Danger/Warning (Platform) Options:	
1	1703992	1	Decal - Danger/Warning (Platform) 400S with 500Lbs Capacity	
1	1704503	1	Decal - Danger/Warning (Platform) 400S with 750LB Capacity (Australian Spec)	
1	1703992	1	Decal - Danger/Warning (Platform) 460SJ	
2	1704819	1	Decal - Danger/Warning (Ground Control)	
4	1701518	3	Decal - Warning Crushing	
7		Ref	Decal - Model Designation Options:	
7	1704472	2	Decal - Model Designation Model 400S	
7	1704473	2	Decal - Model Designation Model 460SJ	
8	1702861	2	Decal - JLG Lift (8in)	
9	1702774	1	Decal - JLG Lift (3.5in)	
10	1702773	1	Decal - JLG (5in)	
12	1704277	3	Decal - Attach Lanyard Here	
16	1701502	1	Decal - High Oil Level	
17	1701503	1	Decal - Low Oil Level	
18	1701504	2	Decal - Hydraulic Oil	
20	See Note	1	Decal - Bar Code (Note: Not Available for Purchase)	
21	1700584	1	Decal - Patent	
22	See Note	1	Nameplate - Serial Number (Note: Not Available for Purchase)	
23	1701509	1	Decal - Manual	
24	1702300	6	Decal - Tie Down	
25	1701500	4	Decal - Lift	
26	1701529	4	Decal - Arrow	
27	3251242	1	Nameplate - 240V-50Hz	
28	0860520	1	Box, Manual Storage	
29	1060279	1	Cable, Lanyard	
30	0641408	1	Bolt 1/4in-20NC x 1in	
31	4751400	6	Flatwasher 1/4in	
32	3311405	5	Locknut 1/4in-20NC	
33	3820001	4	Rivet	
35		Ref	Decal - Maximum Tire Load Options:	
35	1706126	4	Decal - Maximum Tire Load 400S with 500LB Capacity	
35	1704829	4	Decal - Maximum Tire Load 400S with 750LB Capacity	
35	1704828	4	Decal - Maximum Tire Load 460SJ	
36	1701505	1	Decal - Fuel	
45	1701499	4	Decal - No Lift	
46	3252672	1	Decal - Lift Diagram	
47	1704412	1	Decal - Hydraulic Oil Chart	
49	1701691	4	Decal - No Step	
50	1704726	4	Decal - Lock Latch	

SECTION 8 - DECALS

ITEM	PART NUMBER	QTY	DESCRIPTION	REV
52	1704885	2	Decal - WWW.JLG.COM	
53	0641406	4	Bolt 1/4in-20NC x 3/4in	

SECTION 8 - DECALS

FIGURE 8-3. DECAL INSTALLATION (SN 0300095671 through 0300096000)



SECTION 8 - DECALS

FIGURE 8-3. DECAL INSTALLATION (SN 0300095671 through 0300096000)

ITEM	PART NUMBER	QTY	DESCRIPTION	REV
		Ref	STANDARD DECAL INSTALLATIONS	
	0270398	Ref	JLG Decals	4
	0275066	Ref	Standard Decal Installations 400S with 500LB Capacity	1
	0275067	Ref	Standard Decal Installations 400S with 750LB Capacity	1
	0275068	Ref	Standard Decal Installations 460SJ	1
1	1705921	1	Decal - Tipping/Electrocution (Platform) Options:	
2	1705822	1	Decal - Electrocution/Safety Manual	
3	1705961	3	Decal - Electrocution	
4	1701518	3	Decal - Warning Crushing	
7		Ref	Decal - Model Designation Options:	
7	1704472	2	Decal - Model Designation Model 400S	
7	1704473	2	Decal - Model Designation Model 460SJ	
8	1702861	2	Decal - JLG Lift (8in)	
9	1702774	1	Decal - JLG Lift (3.5in)	
10	1702773	1	Decal - JLG (5in)	
12	1704277	3	Decal - Attach Lanyard Here	
13		Ref	Decal - Capacity Options:	
13	1705978	2	Decal - Capacity 400S with 230kg Capacity	
13	1706382	2	Decal - Capacity 400S with 340kg Capacity	
13	1705978	2	Decal - Capacity 460SJ	
14		Ref	Decal - Capacity Options:	
14	1705978	1	Decal - Capacity 400S with 230kg Capacity	
14	1706382	1	Decal - Capacity 400S with 340kg Capacity	
14	1705978	1	Decal - Capacity 460SJ	
15	1705084	1	Decal - Sound Power Level	
16	1701502	1	Decal - High Oil Level	
17	1701503	1	Decal - Low Oil Level	
18	1701504	2	Decal - Hydraulic Oil	
20	See Note	1	Decal - Bar Code (Note: Not Available for Purchase)	
21	1700584	1	Decal - Patent	
22	See Note	1	Nameplate - Serial Number (Note: Not Available for Purchase)	
23	1701509	1	Decal - Manual	
24	1702300	6	Decal - Tie Down	
25	1701500	4	Decal - Lift	
26	1701529	4	Decal - Arrow	
27	3251242	1	Nameplate - 240V-50Hz	
28	0860520	1	Box, Manual Storage	
29	1060279	1	Cable, Lanyard	
30	0641408	1	Bolt 1/4in-20NC x 1in	
31	4751400	6	Flatwasher 1/4in	
32	3311405	5	Locknut 1/4in-20NC	
33	3820001	4	Rivet	
34	1705828	1	Decal - Footswitch	
35		Ref	Decal - Maximum Tire Load Options:	
35	1706126	4	Decal - Maximum Tire Load 400S with 230kg Capacity	
35	1704829	4	Decal - Maximum Tire Load 400S with 340kg Capacity	
35	1704828	4	Decal - Maximum Tire Load 460SJ	
36	1701505	1	Decal - Fuel	
41	4420051	209 in/5.3m	Decal - Warning Stripes	

SECTION 8 - DECALS

ITEM	PART NUMBER	QTY	DESCRIPTION	REV
45	1701499	4	Decal - No Lift	
46	1705276	1	Decal - Lift Diagram	
47	1704412	1	Decal - Hydraulic Oil Chart	
49	1701691	4	Decal - No Step	
50	1704726	4	Decal - Lock Latch	
52	1704885	2	Decal - WWW.JLG.COM	
53	0641406	4	Bolt 1/4in-20NC x 3/4in	

SECTION 9 - RECOMMENDED SERVICE PARTS STOCK

SECTION 9 - RECOMMENDED SERVICE PARTS STOCK

SECTION 9 - RECOMMENDED SERVICE PARTS STOCK

FIGURE 9-1. MODEL 400S/460SJ STANDARD PARTS

ITEM	PART NUMBER	QTY	DESCRIPTION	REV
	Note	Ref	Note: The following list will service one machine (built to current production per date on the front cover) with emergency repair parts which can be installed in the field. Parts from the list should be replaced when inventory is depleted to keep service parts stock supplied. For further information, contact your JLG dealer or the JLG Industries Parts Department.	
		Ref	STANDARD PARTS	
	2120210	4	Element, Filter	
	7012944	1	Coil	
	7012943	1	Coil	
	7021376	1	Coil	
	7018991	1	Coil	
	7012772	1	Coil	
	7012664	4	Element, Air Cleaner	
	3740067	1	Relay	
	7023205	4	Filter	
	4360475	1	Switch, Mushroom	
	4360470	1	Switch, Key	
	2860030	1	Key, Replacement	
	4360328	1	Switch, Toggle	
	4360476	1	Contact, Switch Block	
	3740049	1	Relay	
	2940074	1	Latch	
	1001129555	1	Controller (Lift and Swing)	
	1001118416	1	Controller (Drive and Steer)	
	4360387	1	Switch, Push Button	
	4360407	1	Controller, Speed	
	4360331	1	Switch, Toggle	
	4360232	1	Breaker, Circuit	
	7022818	1	Potentiometer	
	7022824	1	PC Board Assembly	
	7019166	1	Microswitch	
	3990010	2	Diode	

SECTION 9 - RECOMMENDED SERVICE PARTS STOCK

FIGURE 9-2. MODEL 400S/460SJ VARIABLE PARTS

ITEM	PART NUMBER	QTY	DESCRIPTION	REV
	Note	Ref	Note: The following list will service one machine (built to current production per date on the front cover) with emergency repair parts which can be installed in the field. Parts from the list should be replaced when inventory is depleted to keep service parts stock supplied. For further information, contact your JLG dealer or the JLG Industries Parts Department.	
		Ref	VARIABLE PARTS	
	7026855	1 Dozen	Filter, Oil (Caterpillar Engine Machines)	
	7026871	4	Filter, Fuel (Caterpillar Engine Machines)	
	70001990	1	Solenoid, Shutdown (Caterpillar Engine Machines)	
	7016331	1 Dozen	Filter, Oil (Deutz Engine Machines)	
	7020023	4	Filter, Fuel (Deutz Engine Machines)	
	7027245	4	Filter, Fuel (Deutz Engine Machines)	
	7020458	1	Solenoid, Shutdown (Deutz Engine Machines)	
	7027795	1	Module, Deutz EMR2 (Deutz Engine Machines)	
	3740080	1	Relay (Machines with Generator Option)	
	4360336	1	Switch, Toggle (Machines with Generator Option)	
	1600364	1	Module, Controller (Ground Control) (Caterpillar Engine)	
	1600411	1	Module, Controller (Ground Control) (Deutz Engine)	
	4360548	1	Switch, Limit	
	4360549	1	Switch, Limit	
	1600375	1	Module, Controller (Platform Control)	

SECTION 10 - SPECIAL OPTIONS

SECTION 10 - SPECIAL OPTIONS

FIGURE 10-1. SPECIAL OPTIONS LIST

ITEM	PART NUMBER	QTY	DESCRIPTION	REV
		Ref	Note: This list is to accommodate machines ordered with special equipment. Options may not be applicable to all models. For more specific parts information contact JLG Parts Department.	
		Ref	MISCELLANEOUS SPECIAL OPTIONS	
	1340061	Ref	Air Cleaner with Dust Evacuator Valve	
	0271239	Ref	Air Line at Platform Installation - 400S	
	0271445	Ref	Air Line at Platform Installation - 460SJ	
	1001204996	Ref	Arctic Package with SkyPower Installation Kit (400S Only)	
	1001204997	Ref	Arctic Package without SkyPower Installation Kit (400S Only)	
	1001205008	Ref	Arctic Package with SkyPower Installation Kit (460SJ Only)	
	1001205009	Ref	Arctic Package without SkyPower Installation Kit (460SJ Only)	
		Ref	Bellows Installations	
	0259194	Ref	Bellows Installations 400S with Oscillating Axle	
	0259193	Ref	Bellows Installations 400S with Fixed Axle	
	0259196	Ref	Bellows Installations 460SJ with Oscillating Axle	
	0259195	Ref	Bellows Installations 460SJ with Fixed Axle	
	1001106689	Ref	Boom Wear Pad Kit	
	0259197	Ref	Boom Wiper Installation	
		Ref	Cold Weather Start Kits	
	0273064	Ref	Caterpillar Engine Machines	
	0270646	Ref	Deutz Engine Machines (Ether Only) (Prior to SN 0300085617)	
	0270647	Ref	Deutz Engine Machines (Glow Plugs) (Prior to SN 0300064404)	
	0271912	Ref	Deutz Engine Machines - ADE System (SN 0300064404 through 0300085617)	
	0270670	Ref	Ford Engine Machines	
	0258999	Ref	Isuzu Engine Machines	
		Ref	Decal Installations	
	1702788	1	Decal - Biodegradable Hydraulic Fluid (All except German Spec)	
	1704174	1	Decal - Biodegradable Synthetic Hydraulic Fluid (All except German Spec)	
	1703479	1	Decal - Biodegradable Hydraulic Fluid (German Spec Only)	
	1704175	1	Decal - Biodegradable Synthetic Hydraulic Fluid (German Spec Only)	
	0257195	Ref	Decal - Government Warranty Installation	
	1704150	1	Decal - Glow Plug Warning	
	0273250	Ref	Decal - Hertz	
	0273370	Ref	Decal - Nations Rent	
	1703175	1	Decal - Lanyard Attach (GM K-1 Spec)	
	1702868	2	Decal - No Hands (English Language) (Used with Mesh to Top Rail Platform)	
	1704000	2	Decal - No Hands (English and French Dual Language) (Used with Mesh to Top Rail Platform)	
	1702962	1	Decal - Prop 65 Warning (Diesel Machines) (California Spec)	
	1702961	1	Decal - Prop 65 Warning (Gasoline Machines) (California Spec)	
	0272607	Ref	Decal - SkyCutter	
	0272418	Ref	Decal - SkyGlazier (400S Only)	
		Ref	Decal - SkyPower Options:	
	0272435	Ref	ANSI Spec	

SECTION 10 - SPECIAL OPTIONS

ITEM	PART NUMBER	QTY	DESCRIPTION	REV
	0272589	Ref	ANSI Export Spec	
		Ref	Decal - SkyWelder Options:	
	0272448	Ref	ANSI Spec	
	0272588	Ref	ANSI Export Spec	
	0270575	Ref	Decal - Sunbelt	
	0270574	Ref	Decal - United Rentals (Prior to SN 0300069278)	
	0271892	Ref	Decal - United Rentals (SN 0300069278 through 0300096000)	
	0257733	Ref	Decal Installation - Warning Stripes	
		Ref	Decal Kits	
	2910478	Ref	Decal Kit - Machine	
	1001108717	Ref	Decal Kit - Platform	
	1001109194	Ref	Decal Kit - Platform Console Box (without ADE)	
	2910865	Ref	Decal Kit - Platform Console Box (with ADE)	
	2902393	Ref	Drive/Steer Cutout Kit	
		Ref	Electrical Connector Kits	
	1001148902	Ref	Amp/Tyco Electrical Connector Kit	
	1001148903	Ref	Deutsch DT Electrical Connector Kit	
	1001148904	Ref	Deutsch HD Electrical Connector Kit	
	1001148905	Ref	Packard Electrical Connector Kit	
	1001148906	Ref	Various Electrical Connectors Kit	
	0258922	Ref	Engine Block Heater Installation (Ford Engines)	
	0270649	Ref	Ether Start Installation (Deutz Engine Machines Only) (Prior to SN 0300085617)	
		Ref	Filter Kits:	
		Ref	Combined Filter Kit (Hydraulic/Air and Fuel/Engine Oil)	
		Ref	Combined Filter Kit (Prior to SN 0300087630)	
	1001114035	NLA	Caterpillar Engine (Use p/n 1001110998)	
	2910495	NLA	Deutz Engine (Use p/n 1001110997)	
	1001114129	NLA	Deutz Engine (Use p/n 1001110997)	
		Ref	Combined Filter Kit (SN 0300087630 through 0300096000)	
	1001114034	NLA	Caterpillar Engine (Use p/n 1001111000)	
	1001114128	NLA	Deutz Engine (Use p/n 1001110999)	
		Ref	Hydraulic/Air Filter	
	1001114060	NLA	Hydraulic/Air Filter (Use p/n 1001109694) (Prior to SN 0300087630)	
	1001114120	NLA	Hydraulic/Air Filter (Use p/n 1001109694) (Prior to SN 0300087630)	
	1001114061	NLA	Hydraulic/Air Filter (Use p/n 1001109698) (SN 0300087630 through 0300096000)	
	1001114121	NLA	Hydraulic/Air Filter (Use p/n 1001109698) (SN 0300087630 through 0300096000)	
		Ref	Engine - Fuel/Engine Oil Filter	
	1001110139	1	Caterpillar Engine	
	1001110138	1	Deutz Engine	
		Ref	Footswitch Shield Installation	
	4060959	1	Shield, Footswitch (Prior to SN 0300091439)	
	3380652	1	Shield, Footswitch (SN 0300091439 through 0300096000)	
	1001175930	Ref	Generator (4000W) Kit	
		Ref	Glow Plug Installations (Deutz Engine Machines)	
	0270648	Ref	Glow Plug Installation (Prior to SN 0300064404)	
	0271548	Ref	Glow Plug Installation - ADE System (SN 0300064404 through 0300085617)	
		Ref	Hose Kits	

SECTION 10 - SPECIAL OPTIONS

ITEM	PART NUMBER	QTY	DESCRIPTION	REV
	1001187481	Ref	Hose Kit - Boom (400S)	
	1001187482	Ref	Hose Kit - Boom (460SJ)	
	1001204921	Ref	Hostile Environment Kit, 400S	
	1001204922	Ref	Hostile Environment Kit, 400SJ	
		Ref	Hydraulic Fluids Options:	
	2300014	Ref	Mobil 424	
	2300027	Ref	Mobil 224H Bio	
	2300029	Ref	Mobil EAL ISO 46 Bio	
	2300016	Ref	Mobil DTE 13M	
	2300019	Ref	Quaker State Quintolubric 888-46 Fire Res.	
		Ref	Hydraulic Welder Assemblies	
	0270044	1	225A - 400S (Prior to SN 0300064404)	
	0271579	1	200A - 400S (Prior to SN 0300064404)	
	0271358	1	225A - 400S - ADE System (SN 0300064404 through 0300064508)	
	0272025	1	225A - 400S - ADE System (SN 0300064509 through 0300096000)	
	0270361	1	225A - 460SJ (Prior to SN 0300064404)	
	0271580	1	200A - 460SJ (Prior to SN 0300064404)	
	0271359	1	225A - 460SJ - ADE System (SN 0300064404 through 6030004508)	
	0272024	1	225A - 460SJ - ADE System (SN 0300064509 through 0300096000)	
		Ref	Hydraulic Oil Cooler Installations	
	0256765	1	Deutz (Prior to SN 0300063791)	
	0256778	1	Ford (Prior to SN 0300063791)	
	0271607	1	Ford/Deutz (SN 0300063791 through 0300096000)	
	1001148971	Ref	Lanyard (Bolt-On) Kit Installation	
		Ref	Lift Companion Components	
		Ref	Data Recorder Installations:	
	0258584	Ref	Lift Companion 5	
	0258585	Ref	Lift Companion 6	
	2901662	Ref	Start up Kit	
		Ref	Collection Box Kits:	
	2901659	Ref	All Specs except Latin American	
	2901663	Ref	Latin American Spec	
	1001183407	Ref	Low Temperature Cutout Installation	
		Ref	Platform Cover Installations	
	0258703	Ref	Clear Plastic Construction	
	1670870	1	Cover	
		Ref	Steel Construction Options:	
	0258981	Ref	Steel Construction (Prior to SN 0300065099)	
	0271675	Ref	Steel Construction (SN 0300065099 through 0300096000)	
		Ref	Cover Weldment Options:	
	4845950	1	Cover Weldment (Prior to SN 0300065099)	
	4846506	1	Cover Weldment (SN 0300065099 through 0300096000)	
	1670894	1	Cover, Rubber	
	2915227	Ref	Platform Conversion Kit - Rear Entry to Side Entry	
		Ref	Platform Entry Kit	
	1001142504	Ref	Kit, Replace Swing Gate with Drop Bar	
	1001142505	Ref	Kit, Replace Drop Bar with Swing Gate	
		Ref	Platform Mesh to Top Rail Add-on Kits (Side Entry Platform):	

SECTION 10 - SPECIAL OPTIONS

ITEM	PART NUMBER	QTY	DESCRIPTION	REV
	1001214552	Ref	30in x 4ft (76cm x 1.22m) with Gate	
	1001214559	Ref	30in x 5ft (76cm x 1.52m) with Gate	
	1001214561	Ref	36in x 6ft (91.5cm x 1.83m) with Gate	
	1001214562	Ref	36in x 8ft (91.5cm x 2.44m) with Gate	
		Ref	Platform Mesh to Top Rail Installations (Side Entry Platform):	
	0273147	Ref	30in x 4ft (76cm x 1.22m)	
	0273146	Ref	30in x 5ft (76cm x 1.52m)	
	0273149	Ref	36in x 6ft (91.5cm x 1.83m)	
	0273145	Ref	36in x 8ft (91.5cm x 2.44m)	
		Ref	Platform Mesh to Mid Rail Add-on Kits (Side Entry Platform):	
	1001214478	Ref	30in x 4ft (76cm x 1.22m) with Gate	
	1001214515	Ref	30in x 5ft (76cm x 1.52m) with Gate	
	1001214540	Ref	36in x 6ft (91.5cm x 1.83m) with Gate	
	1001214548	Ref	36in x 8ft (91.5cm x 2.44m) with Gate	
		Ref	Platform Mesh to Mid Rail Installation (Side Entry Platform):	
	1001140318	Ref	30in x 4ft (76cm x 1.22m)	
	1001140315	Ref	30in x 5ft (76cm x 1.52m)	
	1001138772	Ref	36in x 6ft (91.5cm x 1.83m)	
	1001138773	Ref	36in x 8ft (91.5cm x 2.44m)	
	1001149730	Ref	Platform Mid Rail Repair Kit	
		Ref	Platform Rail Extension Installations	
	0271603	Ref	30in x 6ft Platforms (Front Entry Platform)	
	0272733	Ref	36in x 6ft Platforms (Side Entry Platform)	
	0272725	Ref	36in x 8ft Platforms (Side Entry Platform)	
	0861575	Ref	Proportional Valve Drive Installation (SN 0300069278 through 0300096000)	
	1600344	2	Controller	
	4922829	1	Harness, Feed Back	
		Ref	SkyGuard Component Options:	
	1001149560	Ref	SkyGuard Complete Add-On Kit (Non-UGM Machines)	
	1001137672	Ref	SkyGuard Platform Sensor Kit	
	1001143256	Ref	SkyGuard Blue Beacon Kit	
	1001228357	Ref	Telematics Retrofit Harness Kit (Machines with UGM)	
		Ref	Tire Sealant Installations	
	0272307	Ref	12 x 16.5	
	0272301	Ref	14 x 17.5	
		Ref	Tools for Service	
	2901443	1	Analyzer Kit (SN 0300064404 through 0300096000)	
	8896941	1	Wire Stripper	
	7002821	1	Wire Crimper (To install wire ends to wires)	
	7002823	1	Pin/Socket Extractor - Universal (To Remove Pins/ Sockets from Connectors)	
	4460467	1	Extractor - 16-18 Gauge (For Removal of Pin/ Sockets from Deutsch Connectors)	
	4460510	1	Extractor - 12-14 Gauge (For Removal of Pin/ Sockets from Deutsch Connectors)	
	7002822	1	Screwdriver, Potentiometer (To Adjust Drive Controllers)	
	7016654	1	Screwdriver, Magnetic	
	7004275	1	Seal Installation Tool - 1in	
	7004276	1	Seal Installation Tool - 1-1/2in	
	7002826	1	Seal Installation Tool - 2in	
	7016655	1	Wire Rope Sheave Gauge	

SECTION 10 - SPECIAL OPTIONS

ITEM	PART NUMBER	QTY	DESCRIPTION	REV
	4922012	1	Horsepower Card Service Harness	
		Ref	Weld Leads at Platform Installations	
	0271240	Ref	Weld leads at Platform Installations 400S	
	0271446	Ref	Weld leads at Platform Installations 460SJ	

PART NUMBER INDEX

PART NUMBER INDEX

0020005.....51	0259138..... 87	0270079.....26	0271542..... 116, 164, 178
0020006.....51	0259141..... 127	0270086..... 51	0271543..... 165, 261
0060033.....87, 266	0259143..... 111	0270092..... 26	0271548..... 301
0060047..... 147	0259145..... 25, 47	0270094..... 26	0271579..... 208, 302
0060048..... 152, 155	0259146..... 25, 47	0270159..... 123	0271580..... 208, 302
0060059..... 147, 155	0259147..... 69	0270160..... 123	0271603..... 303
0080163.....91, 97	0259148..... 12	0270180..... 52	0271607..... 302
0080181.....80	0259149..... 20	0270184..... 51	0271658..... 121
0080201.....80	0259150..... 11	0270186..... 52	0271660..... 121
0080231.....88, 95	0259151..... 19	0270187..... 52	0271675..... 302
0080241..... 123	0259152..... 11	0270192..... 51	0271892..... 301
0100009..... 176, 181	0259153..... 19	0270193..... 51, 52	0271912..... 260, 300
0100010..... 163	0259155..... 69	0270213..... 144	0271977..... 11
0100011.... 11, 12, 15, 16, 19, 20, 25, 52, 55, 59, 69, 80, 82, 88, 94, 95, 111, 115, 121, 124, 127, 131, 134, 137, 143, 144, 145, 147, 148, 151, 152, 159, 171, 173, 176, 182, 203, 213, 221, 223, 227, 233, 235, 239, 243	0259156..... 69	0270259..... 51	0271978..... 19
0100019.... 12, 15, 16, 20, 25, 69, 137	0259157..... 124	0270270..... 124	0271979..... 11
0100020.... 80, 82, 88, 94, 95, 163, 177, 181	0259158..... 69	0270294..... 151, 152	0271980..... 19
0100035.... 124, 176, 181	0259161..... 283, 289	0270295..... 143	0271996..... 26
0100038.... 221, 223, 227, 233, 235, 239, 243	0259162..... 283, 289	0270296..... 143	0271997..... 26
0100040..... 163	0259163..... 283	0270326..... 69	0271998..... 26
0100048.....94, 119, 123, 124, 159, 181, 272	0259164..... 283	0270354..... 128	0272007..... 171
0100062..... 139	0259165..... 283	0270361..... 208, 302	0272010..... 133
0100063..... 243	0259166..... 283	0270392..... 164, 178	0272018..... 123, 183
0100081..... 182	0259167..... 283	0270398.... 283, 289, 293	0272024..... 208, 302
0140001..... 59	0259168..... 283	0270499..... 133	0272025..... 208, 302
0140011..... 181	0259169..... 283	0270574..... 301	0272035..... 163
0140026..... 176	0259170..... 283	0270575..... 301	0272036..... 163
0140032..... 123	0259171..... 283	0270646..... 260, 300	0272070..... 148, 152
0200048..... 171, 173	0259172..... 283	0270647..... 260, 300	0272169..... 165, 261
0200530..... 134	0259173..... 283	0270648..... 301	0272274..... 11
0200741..... 134	0259174..... 283	0270649..... 260, 301	0272275..... 19
0200742..... 131, 134	0259187..... 59	0270653..... 26	0272294..... 133
0240047..... 52	0259191..... 144, 264	0270654..... 26	0272301..... 303
0240049..... 52	0259192.... 145, 152, 264	0270655..... 26	0272307..... 303
0240050..... 52	0259193..... 300	0270670..... 300	0272418..... 300
0255917..... 123, 278	0259194..... 300	0270715..... 11	0272427..... 173
0256765..... 302	0259195..... 300	0270716..... 19	0272435..... 300
0256778..... 302	0259196..... 300	0270814... 164, 168, 183, 261	0272444..... 173
0256847.....91, 97	0259197..... 300	0271040..... 171	0272448..... 301
0257195..... 300	0259233.... 164, 178, 260	0271080..... 121	0272521..... 213
0257728..... 217	0259354..... 26	0271081..... 121	0272588..... 213, 301
0257733..... 301	0259355..... 26	0271161.... 145, 152, 272	0272589..... 139, 301
0257887..... 278	0259356..... 26	0271162..... 144, 272	0272591..... 143
0258308..... 123	0259640..... 59	0271163..... 124	0272592..... 143
0258309..... 164, 261	0259641..... 59	0271164..... 124	0272593..... 151, 152
0258584..... 302	0259665..... 51	0271165..... 124	0272596..... 137
0258585..... 302	0259674..... 51	0271166..... 124	0272606..... 203
0258608..... 177	0259852..... 124	0271166..... 124	0272607..... 203, 300
0258703..... 302	0259856..... 151, 152	0271211..... 51	0272609..... 167
0258922..... 301	0259857..... 124	0271212..... 51	0272612..... 144, 272
0258981..... 302	0259875..... 69	0271213..... 51	0272613.... 145, 152, 272
0258999..... 300	0259963..... 177, 183	0271215..... 51	0272615..... 133
0259135..... 143	0259964..... 177, 183	0271218..... 51	0272616..... 133
0259136..... 143	0259968..... 177, 183	0271239..... 300	0272703..... 159
	0259982..... 283, 289	0271240..... 304	0272725..... 303
	0259983..... 283	0271245..... 87	0272731..... 111
	0259984..... 283	0271333..... 260	0272733..... 303
	0259985..... 283	0271340..... 183	0272783..... 25, 47
	0259986..... 283	0271342..... 123	0272784..... 25, 47
	0259987..... 283	0271343..... 123, 183	0272803..... 15
	0259988..... 283	0271347..... 133	0272804..... 16
	0270023..... 267, 277	0271355..... 171, 183	0272805..... 55
	0270029..... 51, 52	0271358..... 208, 302	0272828..... 55
	0270030..... 51, 52	0271359..... 208, 302	0272897..... 144
	0270044..... 208, 302	0271445..... 300	0272900..... 11
	0270076..... 26	0271446..... 304	0272901..... 19
	0270077..... 26	0271474.... 116, 164, 178	0272902..... 11

PART NUMBER INDEX

0272903..... 19	0480100.....217	147, 151, 152, 163,	0750605..... 209
0272904..... 11	0480118..... 134	167, 181	0750808..... 128
0272905..... 19	0480120..... 131, 134	0641611.....88, 95, 176	0771012..... 95
0272906..... 15	0480126..... 137	0641612.....127	0771415..... 139
0272925..... 25, 47	0480128..... 137	0641613.....208	0801186..... 143, 151
0272926..... 25, 47	0561185..... 147, 151	0641616..82, 89, 94, 147,	0801213..... 147
0272927..... 20	0561237..... 152	151	0801214..... 151
0272940..... 121	0561300..... 11, 12, 15	0641618.47, 48, 138, 152	0801215..... 147
0272941..... 121	0630462..... 171, 173	0641620.....19, 143	0801216..... 151
0272970..... 167, 182	0630464..... 47, 176, 181	0641626..... 11, 15	0801223..... 143, 147
0272989..... 80	0630491..... 123	0641772.....131, 134	0801244..... 143, 147
0272994..... 82	0630498..... 88	0641808.....51, 137	0801245..... 143, 151
0272999..... 143	0630518 ... 116, 119, 176,	0641810.....69, 208	0801359..... 143, 147
0273004..... 137	213	0641812..80, 87, 95, 148,	0801360..... 143, 151
0273051..... 131	0630534.....227, 231	153	0840041..... 208
0273064..... 300	0630535 ... 223, 233, 235,	0641814.....143	0840055..... 159, 160
0273065..... 143	243	0641820...80, 87, 95, 144	0860520.... 286, 289, 293
0273145..... 303	0630541..... 82, 88, 94	0641822.....159	0860984..... 175
0273146..... 303	0630548..... 119	0641826.....69	0861195..... 175
0273147..... 303	0630566..... 145	0642010....11, 15, 19, 82,	0861270..... 175
0273149..... 303	0630568..... 183	89, 94	0861271..... 175
0273181..... 283	0630569..... 80	0642012... 11, 15, 19, 143	0861273..... 175
0273182..... 283	0641403..... 137	0642024.....159	0861284..... 116
0273183..... 283	0641404 35, 124, 137,	0642682..... 148, 153	0861285..... 116
0273250..... 300	176, 181	0642684.....159	0861320..... 127
0273370..... 300	0641405..... 159	0651406.....59	0861327..... 127
0273473..... 15	0641406 .80, 87, 95, 116,	0681608.... 148, 153, 159	0861359..... 175
0273493..... 168	121, 124, 148, 151,	0681610.....143	0861360..... 115
0273494..... 168	163, 167, 176, 181,	0681612.....134	0861361..... 115
0273944..... 94	203, 287, 290, 294	0681632..... 143	0861392..... 181
0274085..... 133	0641407..... 159, 165	0681810.....25	0861414..... 181, 182
0274089..... 133	0641408.51, 80, 137, 163,	0681822.....51	0861436..... 119
0274334..... 94	167, 181, 286, 289, 293	0681824.....16	0861437..... 119
0274417..... 121	0641410 80, 82, 89, 94	0681828.....12, 16, 21	0861497..... 119
0274418..... 121	0641412..... 59, 208	0681832.....69	0861498..... 119
0274570..... 168	0641414.11, 19, 164, 168,	0681856.....51	0861509..... 181
0274574..... 123, 183	171, 173, 181, 208	0681872.....51	0861510..... 181
0274584..... 168	0641416 127, 152, 159	0682012.....25	0861535..... 175
0274589..... 283	0641418..... 163	0682014.....25	0861537..... 181, 183
0274600..... 59	0641420..... 59	0682018.....69	0861541..... 139
0274601..... 59	0641424..... 11, 15, 19	0682026.....69	0861567..... 137, 139
0274605..... 82	0641504..... 47, 55	0682040.....55	0861571..... 181
0275066..... 293	0641505..... 137	0682048.....69	0861572..... 138
0275067..... 293	0641506..... 80, 89	0682248.....11, 15, 19	0861575..... 303
0275068..... 293	0641507..... 80, 95	0700808.....80	0861593..... 119
0340041..... 80, 88, 95	0641508 16, 47, 131, 134	0700810.....91, 97	0861594..... 119
0340046..... 80	0641510 ... 59, 89, 95, 97,	0700816.....88, 95	0861708..... 119
0360406..... 55	208	0700819..... 134	0861709..... 119
0360541..... 88	0641512..... 95	0701010.....165	0861737..... 119
0361810..... 82, 88, 94	0641514..... 208, 217	0701012.....87	0861738..... 119
0362528..... 124	0641516 137, 145, 159	0701014.....95	0902461..... 87
0362610..... 124	0641518..... 168	0701015.....87, 95	0902464..... 87
0362909..... 124	0641530..... 47	0701217..... 131, 137	0902556..... 69
0362932..... 11, 15	0641538..... 47, 48	0701414.....87, 95, 134	0902668..... 127, 128
0362936..... 47	0641604..... 145, 243	0720805.....116, 121	0902669..... 127
0362949..... 208	0641605 144, 147, 152	0721003.....176, 183	0902673..... 128
0362954..... 11, 15, 19	0641606 ... 12, 16, 19, 21,	0721004.....80, 115, 119,	0902674..... 128
0362965..... 19	47, 147, 151, 203, 213	137	0902733..... 55
0363019..... 55	0641607 ... 11, 12, 15, 20,	0721006.....80, 116, 134	0902734..... 55
0370024..... 241	48	0721008.... 131, 135, 182	0902740..... 89, 95
0400075..... 82, 88, 94	0641608 ... 80, 87, 95, 97,	0721010.....176	0902751..... 181
0440161..... 20	111, 127, 143, 147,	0731004.....115, 176	0902888..... 137
0440162..... 12, 16	151, 152	0731005..... 171, 173	0902894..... 159
0440240..... 69	0641609 82, 95, 144	0731007.....111	0902919..... 159
0440271..... 20	0641610 .59, 80, 87, 124,	0741605.....148, 151	0902920..... 159
0440274..... 21	127, 131, 134, 143,	0741607..... 147	0903063..... 95
0440291..... 21		0741610.....80, 88, 95	0920116..... 69, 73

PART NUMBER INDEX

0920119.....69, 73	1001143256.....303	1320016.....80, 88, 95	1683861.....223
0940049...82, 89, 94, 127	1001144629.....167	1320022...80, 82, 89, 94, 95	1683893.....243
0940071.....127	1001148902.....301	1320060.....176	1683895.....243
0940092.....171	1001148903.....301	1320130.....208	1683897....147, 151, 243
0940094.....171	1001148904.....301	1320136.....159	1683949.....235
0940101.....171	1001148905.....301	1320146.....208	1683950.....235
0940103.....173	1001148906.....301	1320176...89, 90, 96, 98	1683951.....143, 235
0941611.....82	1001148971.....302	1320177.....203	1683952.....223
0961845.....163	1001149560.....303	1320222.....88, 95	1684012.....223
0961890.....221	1001149730.....303	1320223...82, 89, 94, 95	1684013.....151, 223
0961893.....227, 231	1001166538.....201	1320224.....159	1684138.....221
0961894.....223, 235	1001166539.....191	1320291.....208	1684139...11, 15, 20, 221
0961896.....243	1001175930.....301	1320302.....203, 213	1684193.....243
0961897.....233	1001183407.....302	1320318.....137	1684194....147, 151, 243
0961947.....152, 155	1001187481.....302	1340060.....80, 88, 95	1684283.....235
0961948.....51	1001187482.....302	1340061.....300	1684284.....143, 235
0961950..11, 15, 19, 148, 151, 233	1001204921.....302	1403518.....286	1684312.....243
0961951..13, 16, 21, 148, 151, 155, 223, 225, 235, 237	1001204922.....302	1580011.....80	1684412.....241
0962140...13, 16, 21, 221	1001204996.....300	1580012.....164, 168	1693292.....286
0962172.....80, 89, 95	1001204997.....300	1580013.....164, 168	1693294.....286
0962292.....16	1001205008.....300	1600218.....177	1700584....286, 289, 293
0962293.....51	1001205009.....300	1600283.....175, 195	1701499....286, 289, 294
0962336....227, 229, 231	1001214478.....303	1600284.....175, 185	1701500....286, 289, 293
0962348.....16	1001214515.....303	1600312.....119	1701502....286, 289, 293
0962450.....159	1001214540.....303	1600313.....181	1701503....286, 289, 293
0962474.....221	1001214548.....303	1600317.....181, 187	1701504....286, 289, 293
0962520.....137	1001214552.....303	1600318.....181, 197	170150582, 89, 286, 289, 293
1001097554.....83	1001214559.....303	1600327.....119	1701509....286, 289, 293
1001099830.....144	1001214561.....303	1600344.....303	1701515.....94
1001100321.....131, 133	1001214562.....303	1600364.....119, 298	1701518....285, 289, 293
1001101228.....81	1001225901.....144	1600375.....181, 298	1701529....286, 289, 293
1001101232.....81	1001228012....152, 229	1600387.....159	1701600.....286
1001101233.....81	1001228357.....303	1600411.....119, 298	1701691....287, 289, 294
1001102354.....52	1001248012....152, 231	1660219.....69	1701791.....286
1001106689.....300	1060079.....260, 267	1660219RR.....69	1702300....286, 289, 293
1001108717.....301	1060279...286, 289, 293	1660234.....91, 97	1702564.....175, 181
1001109194.....301	1060341...125, 267, 278	1660255.....80	1702565.....175, 181
1001110138.....301	1060379.....217	1670769.....152	1702566.....175, 181
1001110139.....301	1060461.....264, 272	1670824.....124	1702567.....175, 181
1001113961....197, 199	1060515.....264	1670829...116, 119, 176, 181	1702610.....115, 119
1001114034.....301	1060516.....264	1670836.....148, 151	1702676.....181
1001114035.....301	1060602.....265	1670870.....302	1702773....285, 289, 293
1001114060.....301	1060609.....125	1670874.....302	1702774....285, 289, 293
1001114061.....301	1060680.....125	1670894.....302	1702788.....300
1001114120.....301	1060883.....208	1670900.....165	1702861....285, 289, 293
1001114121.....301	1060896.....273	1670905.....165	1702868.....300
1001114128.....301	1060902.....277, 279	1670956.....124	1702928.....286
1001114129.....301	1060903.....171, 173	1671037.....182	1702938.....183
1001117320.....167	1060904.....80, 97	1683053.....227	1702961.....300
1001118416....199, 296	1060918...164, 168, 181, 272	1683054.....243	1702962.....300
1001118417.....189	1060983.....168, 279	1683055.....223, 235	1702968.....55
1001121340.....139	1060984.....272	1683063.....233	1703090.....177
1001129555.....296	1060986.....272	1683076.....221, 239	1703091.....177
1001137672.....303	1100118.....11, 19	1683261.....227	1703092.....177
1001138772.....303	1100123.....11, 15, 19	1683572.....221	1703093.....177
1001138773.....303	1120484.....112	1683574.....221	1703162.....80, 89, 96
1001138795.....231	1120487.....112	1683575.....11, 19, 221	1703175.....300
1001140283....12, 16, 21	1120532.....111	1683609.....152, 227	1703450.....55
1001140315.....303	1180336.....144	1683614..12, 16, 21, 239	1703479.....300
1001140318.....303	1180379.....144	1683615.....239	1703622.....116
1001140586.....225	1260017.....69	1683658.....239, 241	1703683.....217
1001140587.....237	1271538.....159	1683687.....227	1703776.....175
1001142504.....302	1282937.....260	1683776.....143, 233	1703799.....284
1001142505.....302	1283084...249, 251, 255, 258	1683778.....147	1703800.....285
	1320012.....80, 81	1683844.....233	1703807.....284, 285
		1683846.....233	1703914.....284

PART NUMBER INDEX

1703915	284	1705460	139	2220366.....	251	2221176	94
1703916	285	1705461	139	2220371.....	249, 251, 255	2221216	256
1703917	284	1705466	203, 213	2220372.....	255	2300014	302
1703918	284	1705489	139	2220373.....	249, 251, 255	2300016	26, 302
1703919	284	1705490	203	2220375.....	247, 249, 251, 255	2300019	302
1703920	285	1705752	119	2220376.....	80, 103, 255	2300027	302
1703992	283, 284, 289	1705753	119	2220377.....	255	2300029	302
1704000	300	1705822	285, 293	2220379.....	255	2360539	13, 17, 22
1704150	300	1705825	284	2220380.....	255	2360540	13, 17, 22
1704174	300	1705828	286, 293	2220385.....	105, 247, 255	2360541	13, 17, 22
1704175	300	1705921	284, 293	2220409.....	88	2360551	13, 17, 22
1704260	176, 181	1705961	285, 293	2220414.....	256	2360625	13, 17, 22
1704277	285, 289, 293	1705978	285, 286, 293	2220415.....	247, 249, 251, 255	2360626	13, 17, 22
1704412	286, 289, 294	1706098	94	2220428.....	255	2360627	13, 17, 22
1704465	115, 120	1706126	289, 293	2220429.....	255	2360628	13, 17, 22
1704466	115, 120	1706382	293	2220435.....	249, 251, 255	2360650	13, 17, 22
1704472	285, 289, 293	1706712	119	2220451.....	88, 96, 255	2360651	13, 17, 22
1704473	285, 289, 293	1780305	127	2220459.....	82, 89	2360652	13, 17, 22
1704485	177, 183	1780307	115, 120	2220465.....	249, 251	2360653	13, 17, 22
1704486	177, 183	1840013	115	2220466.....	249, 252, 255	2400060	139
1704503	283, 289	1840014	115	2220468.....	255	2400064	139
1704504	284	1840015	115	2220472.....	252, 255	2400065	276
1704505	284	1840020	115	2220473.....	255	2400066	276, 279
1704506	284	1870119	261	2220479.....	80, 105, 255	2400070	279
1704507	284	1870132	261	2220481.....	249	2420172	115, 120
1704508	284	1870191	261	2220490.....	247	2420191	111
1704509	284	2000162	87, 89	2220497.....	255	2420194	177
1704514	177, 183	2000175	87, 89	2220498.....	80, 103, 255	2420197	181
1704540	287	2000190	87, 90	2220500.....	255	2420202	159
1704578	55	2000195	80, 83	2220501.....	247, 249, 251	2420203	134
1704586	52	2000217	96, 97	2220502.....	255	2460013	131, 133
1704726	287, 289, 294	2000245	94	2220504.....	249, 251	2460034	133
1704767	283	2000247	95	2220506.....	80, 255	2460039	133
1704808	283, 284	2000273	96, 97	2220567.....	80, 255	2460048	138
1704809	283, 284	2000286	94	2220568.....	249	2460049	133
1704810	283	2000287	95	2220578.....	80, 103, 251, 256	2460056	133
1704811	283	2000313	80	2220582.....	249, 251, 255	2540035	127
1704812	283	2000338	96, 97	2220596.....	249, 251, 255	2560136	175, 181
1704819	284, 285, 289	2000347	95	2220600.....	249, 251, 255	2560173	168
1704820	284, 285	2030010	203, 208, 213	2220602.....	252	2570008	241
1704821	284, 285	2060025	88, 96	2220603.....	247, 256	2600209	127
1704822	284, 285	2060032	80	2220635.....	247	2600211	175, 182
1704823	284, 285	2080040	163, 167, 168	2220711.....	247	2600219	163
1704824	284, 285	2080044	152, 208	2220775.....	256	2600258	127
1704825	287	2120150	59	2220794.....	82, 89, 94	2600281	167
1704827	286	2120163	59	2220810.....	80, 105, 256	2600287	163
1704828	286, 289, 293	2120209	59	2220883 43, 44, 223, 227,		2680463	127
1704829	286, 289, 293	2120210	59, 296	229, 231, 233, 243		2680464	127
1704885	287, 290, 294	2160002	69	2220885.....	221, 223, 227, 229, 231, 235, 243	2680465	127
1704895	208	2180344	69	2220886. 43, 44, 233, 243		2680466	127
1704896	208	2180422	256	2220888.....	43	2680471	127
1704919	209	2180482	80	2220899.....	256	2680516	127
1704920	209	2180536	82, 89	2220906.....	255	2720058	80, 82, 89, 95
1704997	181	2180724	256	2220947.....	80, 103, 255	2720160	203
1705000	209	2180798	80, 88, 96	2221030.....	249, 251, 255	2720271	82, 89
1705084	293	2180832	203	2221034.....	247	2720351	89
1705132	121, 182	2200221	96	2221040.....	247	2720398	88, 96
1705255	285	2200222	75, 82, 89, 94	2221041.....	80, 103, 256	2720434	88, 96
1705270	283, 284	2220001	69	2221042.....	255	2720449	89, 96
1705272	284, 285	2220124	69	2221043.....	247	2720507	80
1705275	286	2220237	249, 251, 255	2221044.....	256	2720508	81
1705276	286, 294	2220240	249	2221045.....	80, 255	2750532 ...	81, 82, 89, 94, 96
1705305	203, 209, 213	2220242	249, 251	2221063.....	256	2751013	247
1705325	135	2220250	82, 89	2221086.....	256	2751095	70
1705355	213	2220273	70, 82, 89, 94			2752430	256
1705376	139	2220313	82, 89, 94				
1705410	284, 285	2220362	249, 251				

PART NUMBER INDEX

2752442.....	249	2780253.....	25, 31	2940073	115, 120, 127	3311508.....	159
2752443.....	251, 256	2780254.....	25, 31, 32	2940074	163, 167, 296	3311601....	111, 124, 127,
2752466.....	249, 251	2780267.....	25, 35	2940117.....	127	143, 144, 175, 182, 183	
2752469.....	247	2780268.....	25, 35	2940118.....	47	3311602.....	111
2752471.....	247, 256	2792383.....	255, 258	3020021.....	91, 97	3311605....	47, 48, 81, 82,
2752492.....	249, 251	2792384.....	255, 258	3020029.....	21	88, 94, 96, 127, 131,	
2752495.....	249, 251	2792385.....	249, 258	3020043.....	241	134, 143, 152, 164,	
2752496.....	249, 252	2792386.....	251, 258	3160242.....	25, 39	168, 176, 181, 203, 213	
2752502.....	251	2792387.....	258	3160243.....	25, 39	3311608.....	144
2752506.....	249, 251	2792398.....	247, 258	3160249.....	69, 77	3311705.....	131, 134
2752519.....	256	2792432.....	258	3160266.....	25, 39	3311801... 25, 55, 69, 139	
2752573.....	256	2792455.....	247, 258	3160280.....	69, 77	3311805.. 81, 87, 96, 144,	
2752594.....	251	2792598.....	258	3160298.....	25, 39	148, 153, 159, 208	
2752632.....	247	2792704.....	255, 258	3160348.....	43	3312005....	55, 82, 89, 94,
2752763.....	256	2792705.....	255, 258	3160351.....	43	159	
2752908.....	249, 251	2820031 ...	131, 134, 138	3160353.....	43	3312008.....	12, 16, 21
2752942.....	256	2820035 ...	123, 164, 168,	3160354.....	43	3322201....	12, 16, 20, 21
2752944.....	251	267		3200378.....	81, 87	3323003.....	12, 16
2752977.....	249, 251	2820080.....	128	3200406.....	96	3340399....	81, 83, 88, 94,
2753035.....	247, 251	2820099.....	128	3220110.....	89, 96	96	
2753118.....	247	2820128.....	89, 94, 128	3220112.....	89, 96	3340453.....	144
2753162.....	251	2820129.....	128	3220113.....	81	3340608.....	243
2753339.....	247	2860012.....	134	3250585.....	168	3340853.....	143
2753340.....	249, 251	2860030 ...	115, 120, 296	3250872.....	55	3340867.....	147, 151
2753341.....	249, 251	2900708.....	47, 48	3251102 ...	131, 135, 183	3340868.....	147, 151
2753342.....	247	2900733.....	77	3251242 ...	286, 289, 293	3340869.....	147, 151
2753343.....	249, 251	2900770.....	155, 221	3251963.....	208	3340870.....	147, 151
2753344.....	249	2900792 ...	223, 225, 227,	3252347.....	168, 286	3340897.....	145
2753345.....	251	229, 231, 233		3252672.....	286, 289	3340898.....	47, 48
2753346.....	249, 251	2900804.....	52	3252675.....	286	3380434.....	164, 168
2753347.....	249	2901301.....	223, 235	3252676.....	286	3380652.....	301
2753348.....	256	2901303.....	227	3252677.....	286	3420156.....	183
2753349.....	256	2901443.....	279, 303	3252678.....	286	3420352.....	55
2753350.....	256	2901547.....	239	3252679.....	286	3420372.....	55
2753351.....	256	2901548.....	221	3252764.....	137, 209	3421565.....	69
2753352.....	256	2901637.....	87	3271805.....	51	3422457.....	147, 151
2753353.....	256	2901659.....	302	3272201.....	12, 15, 20	3422561.....	143, 151
2753354.....	256	2901662.....	302	3272205.....	16	3422564.....	143
2753355.....	256	2901663.....	302	3272605 ...	148, 153, 159	3422566.....	143
2753356.....	256	2901811.....	164	3300106.....	26	3422582.....	147
2753357.....	256	2901841.....	233	3300151 ...	163, 203, 213	3422592....	11, 12, 15, 19,
2753358.....	256	2901861.....	244	3300220.....	81	20	
2753359.....	256	2901880.....	81, 88, 95	3300255.....	51	3422661.....	217
2753360.....	256	2901943.....	164	3300353.....	182	3422690.....	143
2753368.....	256	2901971.....	208	3300396.....	139	3422692.....	12, 16
2753369.....	256	2902217.....	213	3300408 ...	116, 120, 176,	3422716.....	21
2753372.....	256	2902393.....	260, 301	181		3422786.....	51
2753373.....	256	2902400.....	21	3300441.....	127	3422848.....	16
2753416.....	251	2902409.....	241	3310601.....	139	3422851.....	144
2753417.....	251	2902443.....	276	3310805.....	116, 121	3422859.....	148, 151
2753502.....	256	2910000.....	266	3311001 ...	167, 177, 182,	3422860.....	152
2753511.....	256	2910001.....	266	183		3422861.....	152
2753512.....	256	2910478.....	301	3311005 .	47, 81, 88, 123,	3422865.....	147
2753513.....	256	2910495.....	301	124, 131, 134, 138,		3422867.....	152
2753514.....	256	2910865.....	301	163, 175, 182, 213		3422936.....	12, 15, 20
2753515.....	256	2915014.....	119	3311401 ...	120, 165, 171,	3423081.....	21
2753516.....	256	2915227.....	302	173, 176		3450304.....	175, 183
2753517.....	256	2920110.....	123	3311405 ...	59, 81, 83, 87,	3450608.....	13, 17
2754229.....	249, 251	2920113.....	123	94, 96, 116, 121, 127,		3450808.....	12, 16
2760105.....	115, 120	2920129 ...	177, 181, 264,	138, 159, 164, 168,		3480188.....	223, 235
2760109.....	175, 181	265, 276		181, 203, 208, 286,		3480210.....	227
2780221.....	51, 52	2920130.....	123	289, 293		3480253.....	233
2780230.....	12, 13, 16	2920140 ...	164, 168, 278	3311501 .	83, 89, 94, 127,	3480255.....	243
2780243.....	25, 31	2920157 ...	123, 168, 278	171, 173		3480274.....	243
2780244.....	25, 31	2920162.....	131, 133	3311505 ...	47, 48, 59, 81,	3510696.....	163
2780246.....	25, 29	2920214.....	123	89, 96, 127, 137, 145,		3510714.....	163
2780247.....	69, 75	2920215.....	123	208, 217		3510716.....	163

PART NUMBER INDEX

3510717	163	3580318	138	3900296.....	16	4071007	148, 151	
3510725	163	3580320	138	3910606.....	137	4100099	233	
3510742	163	3600279	81, 87, 96, 107	3910608.....	116	4100100	227	
3510749	163	3600296	81, 87, 101	3910610.....	139, 177	4120012	116, 177, 178	
3510753	163	3600297	87, 105	3910804.....	116, 120	4120013	177	
3510754	163	3600368	81, 87, 105	3911008.....	163, 167	4120035 ...	177, 264, 265,	
3510774	163	3600385	81, 87, 101, 103	3911040.....	123	274		
3510822	167	3600404	81, 95, 103	3930816.....	124	4130368	21	
3510830	167	3600405	81, 95, 105	3931028.....	124	4130369	21	
3510831	167	3600423	107	3931412.....	177	4130405	21	
3510832	167	3620033	88, 96	3931448.....	243	4130406	21	
3510833	167	3620034	209	3931516....	221, 227, 239,	4160182	128	
3520028 ...	131, 133, 134,	3620046	81	243	3931620.....	223, 235	4220165	163
176, 181		3641182	115, 177	3931664.....	175	4240018	137	
3520054	182	3641533	140	3931672.....	175, 183	4240032	123	
3520072	163, 167	3730023	265	3931824.....	233	4240033	159	
3520172	163	3730099	265	3932224.....	69	4240099	89, 164, 168,	
3520173	176	3740049 ...	116, 120, 176,	3941405.....	171	173, 203, 213		
3520174	183	178, 260, 267, 278, 296		3960389.....	81, 128	4240112	111	
3520189	139	3740057 ...	116, 177, 178,	3960407	89, 96	4240135	111	
3536089	164, 168	260		3960438....	116, 121, 127	4280295	111	
3538819	177	3740058	176	3960461.....	123	4300048	55	
3539275	116, 120	3740063	176	3960469.....	82	4300157	139	
3539685	163	3740066 ...	116, 177, 178	3960525.....	111	4340678	175, 182	
3539719	171	3740067	81, 88, 96, 296	3960525.....	111	4340684	175, 182	
3570607	87	3740080	81, 131, 134,	3990001....	209, 264, 275	4360031	164, 167, 182	
3570800	87	137, 298		3990010....	260, 264, 265,	4360057	171, 173	
3570801	87	3740112	115	267, 268, 273, 278, 296	3990108.....	165	4360070	139
3570808	88, 96	3740113	175	3990109.....	165	4360232 ...	176, 183, 279,	
3571019	81	3740115	175	4032015.....	137	296		
3571222	176, 182	3760133	147, 151	4060802....	131, 134, 137,	4360294	88, 134	
3571692	81, 87, 96	3760170	55, 69	168, 183, 208	4060803.....	112, 163	4360314	115, 176, 178
3571795	243	3760308	175	4060805.....	128, 145	4360321	124, 277	
3571818	52	3760367	221, 239	4060808.....	145	4360322	124, 277	
3571833	52	3760368	227	4060906.....	115, 120	4360328 ...	120, 182, 183,	
3572003	115	3760369	223, 235	4060907.....	123	296		
3572032	51, 52	3760371	233	4060919.....	145	4360331	176, 182, 296	
3572041	69	3760436	243	4060950.....	13, 21	4360336 ...	123, 131, 134,	
3572165	145	3780182	21	4060959.....	301	137, 168, 183, 208, 298		
3572200	145	3790012 ...	121, 123, 176,	4060978....	11, 12, 15, 19,	4360387 ...	175, 182, 183,	
3572345	145	178, 182, 183		20	4060979.....	47	4360392	81, 88, 96
3572502	81	3790045	26	4060980.....	47	4360407	175, 182, 296	
3572503	81	3790109	175	4060981.....	47	4360470	115, 120, 296	
3572504	83	3790152	81, 89, 95	4060995.....	148, 151	4360475 ...	115, 120, 175,	
3572506	55	3820001	55, 286, 289,	4061010.....	128	182, 296		
3572827	120	293		4061048.....	16	4360476 ...	115, 120, 176,	
3573400	203, 213	3820020	167	4061054.....	159	182, 296		
3573641	203	3841143	16, 143, 147,	4070450.....	55	4360495	59	
3573642	213	151, 152		4070497....	81, 83, 88, 94,	4360542	133	
3573643	203	3841203	52	96, 147, 151	4070498....	81, 83, 88, 94,	4360548	124, 277, 298
3573667	81, 87, 96	3841258 ...	11, 12, 15, 19,	4070501.....	147, 151	4360549	124, 277, 298	
3574091	173	20, 143		4070502.....	147, 151	4360578	124	
3574163	137	3841340 47, 48, 148, 152		4070503.....	147, 151	4400423	111	
3574210	48	3841367 ...	12, 16, 20, 21	4070504.....	147, 151	4400429	111	
3574235	16	3841442	13	4070560.....	55	4400450	111, 112	
3574253	81	3841520	12, 15, 20	4070561.....	55	4420037	168, 203, 213	
3574254 ...	11, 12, 15, 19,	3841619	16	4070929.....	147, 151	4420038 ...	111, 115, 176,	
20		3900109 ...	12, 13, 16, 20,	4070972.....	19	177		
3574259	81	21		4070973.....	11, 15, 19	4420051	55, 293	
3574264	81	3900139	233	4070987.....	116, 120	4420055	163	
3577121	213	3900141	227	4070991.....	116	4420060	124	
3580134	131, 134	3900205	167	4071002.....	11, 15, 19	4420062	217	
3580158	133	3900224	175, 182			4420068	171, 173	
3580276	134	3900232	127			4460007	182	
3580315	131	3900255	82, 89, 94			4460023	131, 134	
3580316	138	3900283	144, 159			4460027	133	
3580317	138	3900295	16					

PART NUMBER INDEX

4460049.....171, 173	4460503 177, 264	4460943 274	4641207.....48
4460051137	4460508 264, 272, 274	4460944 275	4641208.....48
4460071 137, 164, 168, 182, 272	4460509 265, 273	4460956 140	4641272.....82
4460125.....267	4460510 ... 176, 268, 279, 303	4460957 140	4641282....249, 252, 256
4460190.....133	4460526 ... 115, 120, 265, 273	4460961 278	4641499.....59, 63
4460224.....265, 266	4460536 274	4460967 139	4711000.....176
4460225....264, 265, 272	4460539 275	4460968 125, 277	4711400....12, 15, 20, 52, 94, 124, 137, 159, 164, 168, 171
4460226....159, 165, 182, 192, 201, 272, 273, 275, 276, 277, 279	4460589 266	4460993 275	471150055, 82, 137, 175, 183
4460227272, 273, 274, 278	4460591 266	4461001 140	4711600.....82, 124, 139, 143, 144, 145, 148, 151, 152, 159
4460234....116, 120, 123, 173, 176, 177, 182	4460598 ... 164, 168, 183, 267, 279	4461005 276	4711800.....137
4460265....185, 192, 201, 264	4460600 115, 177	4461006 276	4711900.....89
4460266.....185, 266	4460601 115, 177	4461008 276	4712400.....16
4460267185, 264, 265, 267, 274, 277, 278	4460602 115, 177	4461052 276	4713000.....13, 16
4460268....124, 185, 265, 266, 267, 274, 275, 278	4460603 115, 177	4461053 276	4740076.....123
4460320....265, 267, 274, 278	4460607 ... 115, 140, 177	4461054 276	4740086.....13, 16, 21
4460321278	4460608 266, 267	4461070 275	4740120....128, 176, 182
4460326....264, 267, 277	4460613 177, 264	4461071 276	4740155.....16
4460374.....139	4460614 265	4461072 276	4740158....11, 12, 15, 19, 20
4460375.....139	4460628 115	4461073 276	4740274...82, 87, 96, 123
4460411139	4460629 177	4461074 276	4740362....123, 128, 164, 168, 182
4460412139	4460630 116	4461095 275	4740397....134, 183, 209
4460413139	4460631 115, 177	452017126	4740411.....163
4460414139	4460632 177	452021226	4740439.....152
4460415140	4460633 ... 264, 265, 274	452021626	4740444.....115
4460418....264, 265, 272, 273	4460634 264, 265, 274	452022452	4740491.....16
4460419....264, 265, 272, 273	4460635 264, 265	452023452	4740500.....128
4460420.....264, 265	4460693 266	452024026	4740537.....20
4460424....123, 266, 267, 275, 278, 279	4460705 278	452025926	4740538.....20
4460425.....139, 279	4460708 ... 182, 272, 276	4530016209	4740540.....20
4460426....115, 139, 265, 279	4460711 116, 266	4530020209	4740546.....123
4460428....115, 120, 125, 176, 178, 182, 264, 265, 267, 272, 273, 277	4460720 264	4530022213	4750600.....115, 139
4460434.....272, 274	4460721 264	4530025203, 205	4750800.....116, 121
4460442.....267	4460741 ... 209, 264, 265	4530028213, 215	4751000..47, 82, 88, 111, 115, 120, 123, 131, 134, 138, 163, 167, 176, 182, 213
4460445.....265, 274	4460742 266, 275	4558765 82	4751400....59, 60, 82, 83, 87, 94, 96, 116, 120, 121, 124, 128, 138, 148, 151, 159, 164, 168, 171, 173, 176, 182, 203, 209, 213, 286, 289, 293
4460457266, 275	4460761 ... 159, 272, 273, 274	4566425 243	4751500....47, 48, 59, 82, 83, 89, 94, 96, 128, 131, 134, 137, 145, 159, 171, 173, 209, 217
4460458.....266, 275	4460777 266	4566468 223, 235	4751600....11, 12, 15, 19, 20, 47, 48, 59, 82, 88, 94, 96, 111, 128, 131, 134, 144, 147, 151, 164, 168, 176, 182, 203, 213, 243
4460464....182, 264, 272, 273, 275	4460834 266, 275	4566471 227	4751800....13, 16, 21, 55, 69, 82, 89, 96, 144, 168, 171, 173, 176, 209
4460465....139, 159, 264, 265, 266, 273, 274, 275	4460836 ... 159, 265, 266, 274, 275	4567139 255	4751900.....134
4460466....159, 265, 273	4460837 ... 265, 266, 274, 275	4567462 12, 15, 20	4752000....12, 15, 20, 55, 82, 89, 94
4460467176, 268, 279, 303	4460842 266, 275	4567495 88, 96	
4460470....120, 176, 182, 264, 272, 273	4460865 273	4568743 81	
4460471120, 176, 182, 264, 272, 273	4460866 272, 273	4569176 82	
4460473....264, 265, 273	4460871 ... 187, 189, 197, 199, 272, 273, 274, 275, 277, 279	4620128 69	
4460488.....176, 182	4460873 272, 274	4620141 69	
4460499....67, 265, 266, 267, 277	4460874 120, 272, 273	4640113 26, 52	
4460502.....264	4460875 120, 272, 273	4640261 55	
	4460876 273	4640509 ... 223, 225, 227, 229, 231, 233	
	4460877 274	4640744 82, 105, 256	
	4460878 274	4640751 89, 96	
	4460879 272	4640858 221	
	4460880 274, 275	4640871 12, 15, 20	
	4460887 ... 272, 274, 275	4640921 59, 67	
	4460889 275	4640932 223, 225	
	4460890 275	4641033 243	
	4460891 275	4641062 227	
	4460892 276	4641076 249, 252, 256	
	4460894 276	4641107 47, 48	
	4460905 ... 120, 182, 272, 273, 274	4641108 59	
	4460906 278	4641114 243	
	4460933 159	4641115 47, 48	
		4641117 59, 63	
		4641144 233	
		4641162 221	
		4641164 209	

PART NUMBER INDEX

4752200 82, 89, 94	4846852 82	4922978..... 94, 277	70000978 107, 108
4760600 116, 139	4860198 26	4923234 120, 274	70001002 90
4761000 ... 116, 163, 167, 176, 183	4860213 26	4923236 120, 273	70001017 81
4761400 ... 120, 148, 151, 165, 176	4860214 26	4923260 120, 274, 275	70001100 138
4761600 ... 11, 12, 19, 20, 47, 111	4860215 52	4923261 121, 273	70001180 83
4791400 97, 138	4860218 52	4923356 120, 274	70001181 98
4791500 59	4891600 .82, 88, 95, 148, 153, 159	4923451 97, 277	70001256 63
4791600 89, 94, 96	4891800 ... 26, 51, 52, 69, 148, 153, 159	4923456 120, 273	70001257 83
4812000 165	4892000 26, 69, 159	4932917 260	70001384 138
4812200 96	4892200 12, 15, 20	4932980 178, 261	70001385 138
4821397 173	4892600 ... 148, 153, 155, 159	4932989 267	70001423 97
4831900 91, 97	4920018 164	4933025 260	70001695 83
4832000 91, 97	4921850 268	4933026 260	70001697 156
4844815 152	4921927 59, 267, 277	4933027 261	70001863 112
4844816 152	4921938 267	4933127 265	70001941 123
4844817 152	4922012 304	4933151 261	70001953 138
4844958 69	4922021 268	4933153 260	70001966 138
4845288 163	4922099 276	4933154 260	70001972 138
4845395 89, 96	4922304 260	4933157 260	70001973 138
4845426 163	4922340 ... 177, 260, 264	4933175 260	70001974 138
4845531 134	4922346 115, 265	4933177 261, 274, 276	70001976 64
4845582 217	4922347 ... 115, 265, 266	4933189 260	70001990 83, 298
4845950 302	4922349 115, 265	4933190 260	70001994 144
4845951 163	4922375 264	4933191 260, 278	70001995 144
4846069 19, 20	4922376 265	4933192 261	7000206 35
4846070 21	4922387 264	4933193 261	70002088 138
4846072 11, 12	4922388 265	4933217 260	7000209 75
4846080 87, 97	4922393 ... 177, 260, 264	4933219 260	7000217 75
4846092 128	4922403 268	4933230 261, 274, 276	70002224 225, 237
4846095 128	4922433 267	4933237 261	70002234 90
4846096 83, 89, 94	4922442 209	4933238 260	70002235 131, 133
4846100 128	4922482 278	4933239 260, 278	70002240 133
4846110 128	4922483 278	4933240 261	70002255 138
4846111 128	4922484 278	4933264 137, 139	70002257 103
4846112 52	4922485 121, 273	4933265 261	7000228 75
4846113 52	4922498 279	4933279 261, 274, 276	7000229 35, 75
4846114 52	4922537 ... 120, 274, 275	4933300 260, 278	70002290 138
4846126 52	4922538 120, 274	4933307 260	70002297 138
4846128 143	4922540 121, 273	4933313 261	7000230 35, 75
4846137 147, 152	4922547 273	4933325 261, 274, 276	7000232 35
4846186 144	4922548 273	4933335 261, 274, 276	7000246 35, 75
4846213 209	4922636 276	4933353 261, 274, 276	70002460 138
4846216 144	4922637 276	70000122 133	7000248 35
4846231 209	4922641 139, 278	70000123 131, 133	7000253 35, 75
4846263 147, 152	4922643 278	70000124 131, 133	7000255 75
4846390 171	4922664 ... 120, 121, 273	70000125 131, 133	7000256 75
4846393 52	4922665 ... 182, 260, 272	70000126 131, 133	7000257 35, 75
4846394 52	4922666 ... 121, 182, 272, 273	70000127 133	7000258 35, 75
4846426 15	4922705 159	70000264 90	7000261 35
4846452 167	4922714 125, 277	70000342 156	7000262 35
4846478 87, 134	4922737 82	70000345 98	7000263 35
4846506 302	4922757 139	70000544 83	7000269 75
4846550 19, 20	4922764 278	70000619 138	7000270 75
4846551 11, 12	4922766 261	70000787 91	70002724 199
4846561 168	4922769 125, 277	70000797 43	70002725 199
4846567 87, 97, 134	4922802 272	70000851 90	70002726 199
4846571 203	4922803 273	70000856 39	70002727 199
4846573 ... 148, 153, 159	4922829 303	70000863 138	70002728 199
4846627 213	4922869 159	70000916 97	70002729 199
4846673 173	4922880 120, 274	70000969 107	70002730 189
4846801 15	4922925 138	70000970 107	70002731 189
4846802 16	4922940 278	70000971 107	70002732 189
4846809 87, 97	4922965 168, 279	70000972 107	70002733 189
4846821 82		70000973 107	70002734 189
		70000975 107	70002735 189
		70000976 107	70002768 112
		70000977 108	7000281 75

PART NUMBER INDEX

70002818.....	139	70004772.....	191	7003974.....	185	7012914.....	63
70002819.....	139	70004773.....	191	7003976.....	185, 187	7012918.....	63
70002820.....	139	70004774.....	192	7003977.....	185, 187	7012930.....	47, 48
70002821.....	139	70004775.....	192	7003980....	195, 197, 199	7012941.....	59
70002822.....	140	70005230.....	201	7003982.....	199	7012943.....	59, 296
70002823.....	140	70005483.....	36	7003983....	195, 197, 199	7012944.....	59, 63, 296
70002824.....	140	7000625.....	164, 168	7003986.....	197	7012953.....	67
70002825.....	140	70006268.....	144	7003989....	195, 197, 199	7012965.....	67
70002826.....	140	70006277.....	144	7003992... 185, 187, 195,		7012967..	47, 48, 63, 233,
70002906.....	189	70006568.....	229	197		243	
70003039.....	91	70006569.....	229	7003993... 185, 187, 195,		7012975.....	63
70003040.....	91	70006570.....	229	197		7012995.....	59
70003041.....	91	70006571.....	229	7003994.....	197	7012998.....	63, 67
70003479.....	98	70006572.....	229	7004275.....	303	7013187.....	69
70003480.....	98	7000663.....	90, 97	7004276.....	303	7013701.....	107
70003481.....	98	70006649.....	231	7006137.....	144	7013711.....	107
70003483.....	168	70006650.....	231	7006140.....	144	7013757.....	107
70003708.....	138	70006734.....	231	7006151.....	144	7013766.....	107
70003709.....	138	70006735.....	231	7006152.....	144	7013771.....	107
70003784.....	175	70006736.....	231	7007289.....	103	7014801.....	112
70003838.....	225, 237	7000722.....	73	7007412.....	102	7014802.....	112
70003839.....	225, 237	7000723.....	73	7007419.....	101	7014810.....	111
70003848.....	225, 237	7000724.....	73	7007437.....	40, 44	7014812.....	112
70003856.....	225, 237	7000725.....	73	7007438.....	39, 43	7014813.....	112
70003932.....	90, 98	7000731.....	36, 73	7007439.....	39, 43	7014816.....	112
70004128.....	225	7000782.....	73	7007446.....	39, 43	7014900.....	77
70004129.....	237	7000798.....	73	7007470.....	101, 102	7016180.....	88
70004136.....	225, 237	7000974.....	107	7007497.....	277	7016314.....	112
70004137.....	225	7001481.....	102	7007498.....	277	7016330.....	90
70004138.....	225	7001485.....	101	7007601.....	35	7016331.....	90, 97, 298
70004139.....	237	7001988.....	75	7007633.....	75	7016332.....	90
70004140.....	237	7001998.....	35	7007640.....	35	7016336.....	266
70004170.....	138	7002107.....	77	7007933.....	73	7016359.....	90
70004738.....	201	7002110.....	77	7007990.....	73	7016360.....	52
70004739.....	201	7002111.....	77	7008833.....	266	7016380.....	123
70004740.....	201	7002112.....	77	7008836.....	266	7016399.....	168
70004741.....	201	7002117.....	77	7009992.....	77	7016505.....	144
70004742.....	201	7002125.....	77	7009995.....	77	7016524.....	144
70004743.....	201	7002239.....	133	7009996.....	77	7016628.....	123
70004744.....	201	70023915.....	229	7009998.....	77	7016654.....	303
70004745.....	201	7002821... 268, 279, 303		7010429.....	35	7016655.....	303
70004746.....	201	7002822.....	303	7010488.....	75	7016680.....	111
70004747.....	201	7002823... 268, 279, 303		7010494.....	75	7016744.....	107
70004748.....	201	7002826.....	303	7010542.....	47, 48, 63	7016745.....	107
70004749.....	201	7002828.....	268, 279	7010543... 47, 48, 59, 63		7016746.....	107
70004750.....	201	7002840.....	12, 15, 20	7011016.....	107	7016768.....	107
70004751.....	201	7003049.....	73	7011044.....	107	7016769.....	107
70004752.....	191	7003050.....	73	7011067.....	107	7016803.....	88
70004753.....	191	7003078.....	73	7011112.....	223, 225	7016817.....	88
70004754.....	191	7003094.....	73	7011323.....	155	7016820.....	81, 88, 95
70004755.....	191	7003452.....	73	7012513.....	131, 133	7016833.....	88
70004756.....	191	7003453.....	73	7012514.....	131, 133	7016834.....	81, 88, 95
70004757.....	191	7003454.....	73	7012518.....	59, 63	7016835.....	81, 88, 95
70004758.....	191	7003457.....	73	7012519.....	52	7016843.....	81, 88, 95
70004759.....	191	7003459.....	73	7012520.....	52	7017059.....	35
70004760.....	191	7003462.....	73	7012521.....	52	7017064.....	75
70004761.....	191	7003928.... 185, 187, 189		7012522.....	52	7017065.....	75
70004762.....	191	7003933.....	197	7012523.....	52	7017066.....	75
70004763.....	191	7003935.....	195, 197	7012664.. 80, 88, 96, 296		7017067.....	35
70004764.....	191	7003941... 195, 197, 199		7012693.....	12, 15, 20	7017070.....	35
70004765.....	191	7003946.....	195, 197	7012770.....	67	7017080.....	35
70004766.....	191	7003952.....	185	7012772.....	64, 67, 296	7017090.....	35
70004767.....	191	7003953.....	185, 187	7012773.....	63, 64, 67	7017091.....	35
70004768.....	191	7003956.....	185	7012775.....	64	7017092.....	35
70004769.....	191	7003969.....	195, 197	7012776.....	67	7017093.....	35
70004770.....	191	7003972... 195, 197, 199		7012777.....	67	7017094.....	35
70004771.....	191	7003973... 195, 197, 199		7012799.....	64	7017095.....	35

PART NUMBER INDEX

7017097	35	7019174	185, 187	7020479	90, 97	7021352	31
7017125	155	7019177	187	7020480	90	7021354	32
7017136	155	7019181	176	7020482	91	7021355	32
7017137	155	7019194	195, 197, 199	7020488	91	7021356	32
7017138	156	7019197	185, 187	7020495	97	7021357	32
7017139	155	7019680	133	7021237	101	7021358	32
7017140	155	7020020	59	7021238	101	7021359	32
7017142	156	7020023	90, 97, 298	7021239	101	7021365	63
7017148	155	7020024	90	7021240	101	7021373	63, 64
7017158	155	7020025	90	7021242	101	7021374	64
7017159	156	7020026	90, 97	7021243	101	7021375	63, 64
7017162	155	7020027	90	7021248	101	7021376	63, 64, 296
7017163	155	7020033	13, 16	7021249	40, 43, 101	7021625	47, 48
7017164	155	7020034	13, 16	7021250	101	7021647	63
7017172	155	7020035	13, 16	7021251	101	7021648	63
7017192	155	7020036	13, 16	7021254	101	7021654	47, 48
7017195	155	7020037	13, 16	7021255	101, 102	7021655	47, 48
7017410	63	7020038	13, 16	7021257	101	7021656	47, 48
7017411	63	7020039	13, 17	7021258	101	7022302	39, 43
7017412	47, 48	7020040	13, 17	7021259	101	7022305	39, 43
7017421	67	7020041	13, 17	7021260	101	7022306	39, 43
7017422	63, 67	7020042	13, 17	7021263	102	7022307	39, 43
7017427	63	7020043	111	7021264	102	7022309	39, 43
7017428	63	7020054	13, 17	7021265	102	7022310	39, 43
7018612	73	7020055	13, 17	7021268	102	7022311	39, 43
7018900	64	7020099	175	7021269	102	7022312	39, 43
7018912	64, 67	7020100	175	7021270	102	7022313	39
7018942	64, 67	7020108	131, 133	7021271	102	7022314	39, 43
7018945	67	7020109	131, 133	7021272	102	7022318	40
7018991	64, 296	7020110	131, 133	7021273	102	7022321	40
7019103	195, 197	7020111	131, 133	7021274	102	7022326	40, 44
7019110	195, 197	7020168	90	7021275	39, 43, 102	7022328	40, 44
7019111 ...	185, 187, 195, 197	7020169	90, 98	7021276	39, 43, 102	7022340	101
7019112	195, 197	7020175 ...	115, 120, 176, 182	7021277	39, 43, 102	7022341	101
7019114	197	7020176 ...	115, 120, 176, 182	7021278	102	7022342	101
7019115	195, 197	7020180	12, 20	7021279	102	7022346	102
7019117	195	7020190	131, 133	7021280	103	7022347	102
7019122	185, 187	7020191	131, 134	7021281	102	7022363	209
7019123	185, 187	7020192	131, 134	7021283	101	7022366	39
7019137	185	7020193	131, 133	7021284	101	7022367	40
7019141	185, 187	7020226	111, 112	7021288	102	7022368	40, 43
7019142	185, 187	7020252	111	7021290	102	7022369	40, 44
7019143	185, 187	7020255	111	7021291	102	7022370	40
7019144	185, 187	7020343	77	7021292	102	7022371	40, 44
7019145	185, 187	7020344	77	7021294	102	7022372	40, 44
7019147	185, 187	7020352	77	7021296	103	7022373	101
7019149	185, 187	7020353	77	7021297	103	7022374	101
7019150	185, 187	7020356	77	7021298	103	7022375	101
7019151	195, 197	7020357	77	7021299	103	7022376	101
7019153	195	7020359	77	7021325	29, 31	7022377	101
7019154	195, 197	7020362	77	7021326	29, 31	7022378	101
7019155	195, 197	7020408	90, 97	7021327	29, 31	7022379	101
7019156	195	7020411	90, 97	7021328	29, 31	7022380	101
7019157	195	7020446	90	7021329	29, 32	7022381	101
7019158	195	7020447	97	7021330	29, 32	7022382	102
7019159	195	7020449	90, 97	7021335	31	7022383	102
7019160	195, 197	7020458	90, 98, 298	7021337	29, 31	7022384	102
7019161	195, 197	7020459	98	7021338	29, 32	7022385	102
7019162	195, 197, 199	7020460	98	7021339	29	7022386	102
7019163	195	7020461	90, 98	7021340	29, 32	7022387	102
7019164	195, 197, 199	7020463	90	7021341	31	7022397	48
7019165	195, 197, 199	7020464	90, 97	7021342	29, 31	7022399	48
7019166	195, 197, 296	7020465	90, 97	7021344	29, 32	7022544	29, 32
7019167	195, 197, 199	7020467	91	7021346	29, 31	7022545	29, 32
7019168	195, 197	7020468	91, 97	7021347	29, 31	7022547	32
7019171	185, 187	7020471	90, 97	7021349	31	7022548	32
		7020477	90	7021351	31	7022549	32

PART NUMBER INDEX

7022551.....	32	7023814.....	105	7024485.....	138	7026852.....	83
7022808.....	185, 187, 189	7023815.....	105	7024486.....	138	7026854.....	84
7022812.....	197	7023820.....	105	7024488.....	138	7026855.....	83, 298
7022813.....	185	7023821.....	64	7024489.....	138	7026856.....	83
7022814.....	187	7023822.....	64	7024508.....	243	7026857.....	83
7022815.....	187, 189	7023823.....	64	7024520.....	205	7026858.....	83
7022816.....	187	7023824.....	64	7024522.....	205	7026859.....	84
7022817.....	187	7023907.....	39, 43	7024524.....	205	7026860.....	83
7022818.....	187, 296	7023908.....	39, 43	7024526.....	205	7026861.....	84
7022819.....	187, 189, 277	7023910.....	39, 43	7024527.....	205	7026862.....	84
7022822.....	197	7023917.....	48	7024528.....	205	7026863.....	83
7022823.....	197	7023934.....	48	7024529.....	205	7026864.....	83
7022824.....	197, 277, 296	7023935.....	48	7024530.....	205	7026865.....	83
7022825.....	277	7023936.....	48	7024531.....	205	7026866.....	83
7023205.....	111, 112, 296	7024017.....	32	7024532.....	205	7026867.....	83
7023206.....	59	7024026.....	32	7024533.....	205	7026868.....	83
7023207.....	59	7024100.....	75	7024534.....	205	7026869.....	83
7023251.....	209	7024182.....	36	7024535.....	205	7026870.....	83
7023252.....	209	7024189.....	36	7024536.....	205	7026871.....	83, 298
7023253.....	209	7024190.....	36	7024537.....	205	7026872.....	83
7023254.....	209	7024191.....	36	7024538.....	205	7026873.....	83
7023255.....	209	7024192.....	36	7024539.....	205	7026874.....	83
7023256.....	209	7024193.....	36	7024540.....	205	7026875.....	83
7023257.....	209	7024194.....	36	7024541.....	205	7026878.....	83
7023258.....	209	7024195.....	36	7024559.....	210	7026879.....	83
7023259.....	209	7024196.....	36	7024561.....	138	7026880.....	84
7023260.....	209	7024197.....	36	7024565.....	90, 98	7026881.....	84
7023261.....	209	7024313.....	209	7024579.....	90, 98	7026882.....	83
7023262.....	209	7024315.....	209	7024705.....	36	7026883.....	84
7023264.....	209	7024316.....	209	7024712.....	35	7026884.....	84
7023265.....	209	7024317.....	210	7024713.....	35	7026885.....	84
7023266.....	209	7024318.....	90	7024714.....	35	7026886.....	84
7023267.....	209	7024319.....	116, 120	7024715.....	36	7027236.....	97
7023306.....	111, 112	7024320.....	116, 120	7024716.....	36	7027239.....	98
7023331.....	165	7024436.....	210	7024717.....	36	7027241.....	97
7023332.....	164	7024439.....	112	7024718.....	36	7027245.....	98, 298
7023333.....	165	7024440.....	112	7024800.....	102	7027246.....	97
7023413.....	208	7024441.....	112	7024804.....	102	7027250.....	90
7023414.....	208	7024442.....	112	7024852.....	40	7027276.....	90, 98
7023415.....	208	7024443.....	112	7024853.....	40, 44	7027419.....	40, 43
7023416.....	208	7024444.....	112	7024854.....	40, 44	7027608.....	97
7023417.....	208	7024445.....	112	7024855.....	101	7027609.....	97
7023418.....	208	7024446.....	112	7024856.....	101	7027610.....	97
7023419.....	209	7024452.....	123	7024857.....	101	7027769.....	97
7023420.....	210	7024462.....	215	7024858.....	101	7027773.....	215
7023421.....	210	7024463.....	215	7024868.....	39, 43	7027774.....	215
7023422.....	210	7024464.....	215	7024962.....	105	7027776.....	215
7023423.....	210	7024465.....	215	7024980.....	32	7027777.....	215
7023424.....	210	7024466.....	215	7026113.....	237	7027778.....	215
7023425.....	210	7024467.....	215	7026188.....	138	7027779.....	215
7023426.....	210	7024468.....	215	7026597.....	138	7027780.....	215
7023427.....	210	7024469.....	215	7026608.....	97	7027790.....	98
7023428.....	210	7024470.....	215	7026626.....	138	7027791.....	97
7023444.....	209	7024471.....	215	7026835.....	84	7027792.....	98
7023445.....	209	7024472.....	215	7026836.....	84	7027793.....	97, 277
7023446.....	209	7024473.....	215	7026840.....	83	7027794.....	98, 277
7023447.....	209	7024474.....	215	7026843.....	84	7027795.....	97, 298
7023448.....	210	7024475.....	215	7026846.....	83	7027796.....	97, 276
7023449.....	210	7024476.....	215	7026847.....	83	7027799.....	138
7023802.....	105	7024477.....	215	7026848.....	83	7027858.....	127
7023811.....	105	7024478.....	215	7026849.....	83	7027887.....	131, 134
7023812.....	105	7024479.....	215	7026850.....	83	8180311.....	81
7023813.....	105	7024484.....	138	7026851.....	84	8896941.....	303



An Oshkosh Corporation Company

Corporate Office
JLG Industries, Inc.
1 JLG Drive
McConnellsburg, PA 17233-9533 USA
☎ (717) 485-5161 (Corporate)
☎ (877) 554-5438 (Customer Support)
📠 (717) 485-6417

Visit our website for JLG Worldwide Locations.
www.jlg.com