



Illustrated Parts Manual

Models **800AJ HC3**

PVC 2007

P/N
31215888
August 15, 2023 - Rev E

ANSI

CE



AS/NZS



An Oshkosh Corporation Company

REVISION LOG

August 15, 2020 - A - Original Issue Of Manual (Manual edited to 1001248000 Revision E)

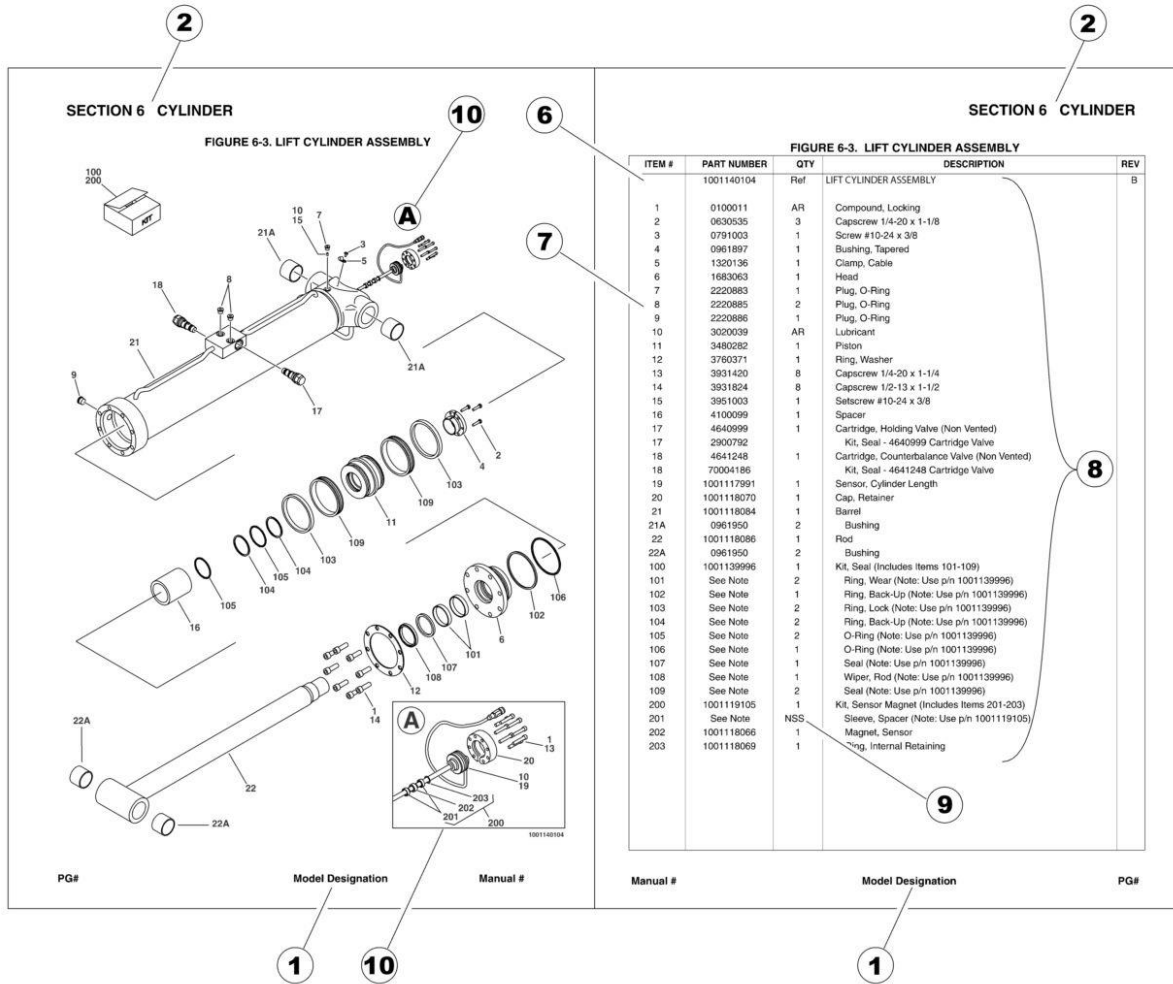
January 31, 2021 - B - Revised Manual (Edited to B/M 1001248000 Revision J)

July 12, 2021 - C - Revised Manual (Edited to B/M 1001248000 Revision J)

July 11, 2022 - D - Revised Manual (Edited to B/M 1001248000 Revision J)

August 15, 2023 - E - Revised Manual (Edited to B/M 1001248000 Revision J)

GENERAL INFORMATION



1) MACHINE IDENTIFICATION

Machines are identified by model and in some cases a combination of models, serial number (SN) or regional standard (i.e ANSI, CE, CSA). Components may also be identified by SN or manufacturer. Common components that may be identified by these characteristics are engines and hydraulic components.

2) PARTS MANUAL ORGANIZATION

Product information in this manual is organized under section titles. Frame, Cylinder, Hydraulic and Electrical are a few examples. Each section is organized by figure and page number. The information within the Figure is then organized by item number, part number, description and corresponding illustration (s).

3) TABLE OF CONTENTS (NOT SHOWN)

A table of contents is found toward the beginning of the manual. Figure number, description and page number are provided for quick reference to the page containing the related information.

4) RECOMMENDED SPARE PARTS (NOT SHOWN)

The Recommended Spare Parts List, located near the end of the manual, reference most frequently used maintenance parts.

5) PART NUMBER INDEX (NOT SHOWN)

A numerical index listing all part numbers and the corresponding page number(s) appears at the back of the manual.

GENERAL INFORMATION

6) NON-SERVICED PARTS

In some instances, it is necessary to display non-serviced parts, assemblies or installations. In the case of assemblies and installations there will be a Ref in the Qty. column. In case of parts that are not available for service within assemblies or components, there will be a NSS (Not Sold Separately) or NLA (No Longer Available) listed in the Qty. column of the manual.

7) PARTS LIST ITEM NUMBERS

Numbers shown in the item# column correspond to numbers used in the associated illustration (s). Item numbers which are missing from the sequence in the parts list are not used on that page.

8) INDENTED PARTS DESCRIPTION

An indented part description is included in the item under which it is indented.

9) ABBREVIATION AND SYMBOLS

AC.....	Alternating Current	L.....	Liter
ADE.....	Advanced Design Electronics	LB(LBS).....	Pounds
AG.....	Agricultural	LCD.....	Liquid Crystal Display
ANSI.....	American National Standards Institute	LED.....	Light Emitting Diodes
AR.....	As Required	LH.....	Left Hand
ASSY.....	Assembly	LRC.....	Low Rated Countries
AUS.....	Australia	LSS.....	Load Sensing System
AUX.....	Auxiliary	M(m).....	Metric/Meter
AWG.....	American Wire Gauge	MM(mm).....	Milimeter
B/M.....	Bill of Material	mA.....	Miliamps
CAC.....	Charge Air Cooler	NLA.....	No Longer Available
CE.....	European Conformity	NPT.....	National Pipe Threads
CCW.....	Counter Clockwise	NSS.....	Not Sold Separately
CM.....	Centimeter	OD.....	Outside Diameter
CW.....	Clockwise	ORB.....	O-Ring Boss
CSA.....	Canadian Standards Association	ORFS.....	O-Ring Face Seal
CYL.....	Cylinder	OZ (oz).....	Ounces
DIA.....	Diameter	PG.....	Page
DC.....	Direct Current	PN.....	Part Number
DEF.....	Diesel Exhaust Fluid	QT(qt.).....	Quarts
EMS.....	Emergency Stop	QTY.....	Quantity
ENG.....	Engine	REF.....	Reference
FT(ft).....	Feet	REV.....	Revision Level
GA(Ga).....	Gauge	RH.....	Right Hand
HRC.....	High Rated Countries	SAE.....	Society of Automotive Engineers
HVAC.....	Heating, Ventilating, and Air Conditioning	SN.....	Serial Number
HYD.....	Hydraulic	SPEC(S).....	Specifications
Hz.....	Hertz	T/T.....	Turntable
ID.....	Inside Diameter	UGM.....	Universal Ground Module
IN.....	inches	V.....	Volts
ISO.....	International Organization for Standards	W.....	Watts
JIC.....	Joint Industry Council	#.....	Number
KG.....	Kilogram		

10) ILLUSTRATION REFERENCE LETTERS

When necessary, illustrations may contain reference letters that are intended to track information (i. e. hoses, harnesses) from one point to another or to track visual enlargement of components to show details that may be located in another area on the illustration.

Note: Due to continuous product improvements, JLG Industries, Inc. reserves the right to make specification changes without prior notification. Contact JLG Industries, Inc. for updated information.

TABLE OF CONTENTS

SECTION 1 - FRAME.....	13
FIGURE 1-1. AXLE INSTALLATION - OSCILLATING	14
FIGURE 1-2. AXLE INSTALLATION - OSCILLATING WITH TOW PACKAGE	16
FIGURE 1-3. STEER INSTALLATION - 2WS	18
FIGURE 1-4. STEER INSTALLATION - 2WS WITH TOW PACKAGE	20
FIGURE 1-5. WHEEL DRIVE AND FRAME VALVES INSTALLATION - 4WD/2WS	22
FIGURE 1-6. DRIVE HUB/BRAKE ASSEMBLY	24
FIGURE 1-7. DRIVE MOTOR ASSEMBLY - 4WD	26
FIGURE 1-8. TIRE AND WHEEL INSTALLATION 18-625 NHS FOAM-FILLED TIRE	28
FIGURE 1-9. TIRE AND WHEEL INSTALLATION 18-625 NHS FOAM-FILLED NON-MARKING TIRE	30
FIGURE 1-10. TIRE AND WHEEL INSTALLATION 18-625 NHS FOAM-FILLED SAND TIRE	32
FIGURE 1-11. LP TANK BRACKETS INSTALLATIONS	34
FIGURE 1-12. FRAME SHIELDS INSTALLATION - 2WS	36
FIGURE 1-13. TOW PACKAGE INSTALLATION - 2WS (ENGLISH LANGUAGE DECALS)	38
FIGURE 1-14. TOW PACKAGE INSTALLATION - 2WS (CE SPECS)	40
FIGURE 1-15. TOW BAR ASSEMBLY	42
SECTION 2 - TURNTABLE	45
FIGURE 2-1. CONTROL VALVES INSTALLATION - WITH 2WS	46
FIGURE 2-2. CONTROL VALVE ASSEMBLY - 2WS MACHINES	48
FIGURE 2-3. SWING DRIVE INSTALLATION	52
FIGURE 2-4. SWING MOTOR/HUB ASSEMBLY	54
FIGURE 2-5. TURNTABLE BEARING INSTALLATION	58
FIGURE 2-6. TURNTABLE LOCK INSTALLATION	60
FIGURE 2-7. ROTARY COUPLING INSTALLATION - 2WS MACHINES	62
FIGURE 2-8. TANK INSTALLATION - DIESEL MACHINE (FUEL TANK WITHOUT SIGHT GLASS)	64
FIGURE 2-9. TANK INSTALLATION - DIESEL MACHINE (FUEL TANK WITH SIGHT GLASS)	66
FIGURE 2-10. TANK INSTALLATION - GAS ENGINES	68
FIGURE 2-11. HYDRAULIC TANK ASSEMBLY	70
FIGURE 2-12. HYDRAULIC TANK ASSEMBLY WITH LOCK	72
FIGURE 2-13. AUXILIARY POWER INSTALLATION - WITHOUT BATTERY DISCONNECT	74
FIGURE 2-14. AUXILIARY POWER INSTALLATION - WITH BATTERY DISCONNECT	76
FIGURE 2-15. AUXILIARY POWER PUMP/MOTOR ASSEMBLY	78
FIGURE 2-16. GROUND CONTROL BOX ASSEMBLY - WITH DEUTZ D2011 ENGINES (ANSI EXPORT LRC AND AUSTRALIAN SPECS)	80
FIGURE 2-17. GROUND CONTROL BOX ASSEMBLY - WITH DEUTZ D2011 ENGINES (CE LRC SPECS)	84
FIGURE 2-18. GROUND CONTROL BOX ASSEMBLY - WITH DEUTZ TD2.9L4 ENGINES (ANSI, ANSI EXPORT, CHINA & JAPANESE SPECS)	88
FIGURE 2-19. GROUND CONTROL BOX ASSEMBLY - WITH DEUTZ TD2.9L4 (STAGE V) ENGINES (CE SPECS)	92
FIGURE 2-20. GROUND CONTROL BOX ASSEMBLY - WITH FORD ENGINES	96
FIGURE 2-21. LIGHT PANEL INSTALLATION	100
FIGURE 2-22. ALARM INSTALLATION	102
FIGURE 2-23. WHITE NOISE ALARM INSTALLATION - ADJUSTABLE AMBIENT	104
FIGURE 2-24. WHITE NOISE MOTION ALARM INSTALLATION - AMBIENT	106
FIGURE 2-25. STROBE LIGHT INSTALLATION (AMBER)	108
FIGURE 2-26. STROBE LIGHT INSTALLATION (BLUE)	110
FIGURE 2-27. STROBE LIGHT INSTALLATION (RED)	112
FIGURE 2-28. HOODS INSTALLATION - ABS (DEUTZ D2011 ENGINES)	114
FIGURE 2-29. HOODS INSTALLATION - ABS (DEUTZ TD2.9L4 ENGINES)	118
FIGURE 2-30. HOODS INSTALLATION - ABS (DEUTZ TD2.9L4 (STAGE V) ENGINES)	122
FIGURE 2-31. HOODS INSTALLATION - STEEL (DEUTZ D2011 ENGINES)	126
FIGURE 2-32. HOODS INSTALLATION - STEEL (DEUTZ TD2.9L4 ENGINES)	130
FIGURE 2-33. HOODS INSTALLATION - STEEL (FORD ENGINES)	134
FIGURE 2-34. EXHAUST COVER AND HEAT SHIELDS INSTALLATION - STEEL HOODS (DEUTZ D2011 ENGINES)	138
FIGURE 2-35. EXHAUST COVER AND HEAT SHIELDS INSTALLATION - STEEL HOODS (DEUTZ TD2.9L4 ENGINES)	140
FIGURE 2-36. EXHAUST COVER INSTALLATION - STEEL HOODS (FORD ENGINES)	142
FIGURE 2-37. SKYAIR AIR COMPRESSOR INSTALLATION	144
FIGURE 2-38. SKYAIR AIR COMPRESSOR INSTALLATION	146
FIGURE 2-39. AIR COMPRESSOR ASSEMBLY	148
SECTION 3 - ENGINE	151
FIGURE 3-1. DEUTZ D2011 ENGINE INSTALLATION (WITHOUT ARCTIC PACKAGE)	152
FIGURE 3-2. DEUTZ D2011 ENGINE INSTALLATION (WITH ARCTIC PACKAGE)	154

TABLE OF CONTENTS

FIGURE 3-3. DEUTZ D2011 ENGINE AND PUMP SUB-ASSEMBLY (WITHOUT ARCTIC PACKAGE)	158
FIGURE 3-4. DEUTZ D2011 ENGINE AND PUMP SUB-ASSEMBLY (WITH ARCTIC PACKAGE)	160
FIGURE 3-5. DEUTZ D2011 ENGINE ASSEMBLY (WITHOUT ARCTIC PACKAGE)	162
FIGURE 3-6. DEUTZ D2011 ENGINE ASSEMBLY (WITH ARCTIC PACKAGE)	166
FIGURE 3-7. DEUTZ D2011 ENGINE COMPONENTS	170
FIGURE 3-8. DEUTZ TD2.9L4 ENGINE INSTALLATION (WITHOUT ARCTIC PACKAGE)	174
FIGURE 3-9. DEUTZ TD2.9L4 ENGINE INSTALLATION (WITH ARCTIC PACKAGE)	178
FIGURE 3-10. DEUTZ TD2.9L4 ENGINE INSTALLATION (STAGE V)	182
FIGURE 3-11. DEUTZ TD2.9L4 ENGINE INSTALLATION (CHINA III SPECS)	186
FIGURE 3-12. DEUTZ TD2.9L4 ENGINE AND PUMP SUB-ASSEMBLY (WITHOUT ARCTIC PACKAGE)	190
FIGURE 3-13. DEUTZ TD2.9L4 ENGINE AND PUMP SUB-ASSEMBLY (WITH ARCTIC PACKAGE)	192
FIGURE 3-14. DEUTZ TD2.9L4 ENGINE AND PUMP SUB-ASSEMBLY (STAGE V)	194
FIGURE 3-15. DEUTZ TD2.9L4 ENGINE AND PUMP SUB-ASSEMBLY (CHINA III SPECS)	196
FIGURE 3-16. DEUTZ TD2.9L4 ENGINE ASSEMBLY (WITHOUT ARCTIC PACKAGE) (Prior to SN 0300279215)	198
FIGURE 3-17. DEUTZ TD2.9L4 ENGINE ASSEMBLY (WITHOUT ARCTIC PACKAGE) (SN 0300279215 to Present)	204
FIGURE 3-18. DEUTZ TD2.9L4 ENGINE ASSEMBLY (WITH ARCTIC PACKAGE) (Prior to SN 0300279215)	210
FIGURE 3-19. DEUTZ TD2.9L4 ENGINE ASSEMBLY (WITH ARCTIC PACKAGE) (SN 0300279215 to Present)	216
FIGURE 3-20. DEUTZ TD2.9L4 ENGINE ASSEMBLY (STAGE V) (SN 0300276350 through 0300278374)	222
FIGURE 3-21. DEUTZ TD2.9L4 ENGINE ASSEMBLY (STAGE V) (SN 0300278549 through 0300283498)	228
FIGURE 3-22. DEUTZ TD2.9L4 ENGINE ASSEMBLY (CHINA III SPECS) (Prior to SN 0300279215)	234
FIGURE 3-23. DEUTZ TD2.9L4 ENGINE ASSEMBLY (CHINA III SPECS) (SN 0300279215 to Present)	240
FIGURE 3-24. DEUTZ TD2.9L4 ENGINE COMPONENTS	246
FIGURE 3-25. DEUTZ TD2.9L4 ENGINE COMPONENTS (STAGE V)	250
FIGURE 3-26. DEUTZ TD2.9L4 ENGINE COMPONENTS (CHINA III SPECS)	254
FIGURE 3-27. FUEL PUMP/FILTER BRACKET ASSEMBLY (DEUTZ TD2.9L4 ENGINES)	258
FIGURE 3-28. FUEL PUMP/FILTER BRACKET ASSEMBLY (DEUTZ TD2.9L4 (STAGE V) ENGINES)	260
FIGURE 3-29. FUEL PUMP/FILTER BRACKET ASSEMBLY (DEUTZ TD2.9L4 ENGINES) (CHINA III SPECS)	262
FIGURE 3-30. BREATHER HEATER INST (DEUTZ TD2.9L4 ENGINES)	264
FIGURE 3-31. FORD ENGINE INSTALLATION (WITHOUT ARCTIC PACKAGE)	266
FIGURE 3-32. FORD ENGINE INSTALLATION (WITH ARCTIC PACKAGE)	270
FIGURE 3-33. FORD ENGINE AND PUMP SUB-ASSEMBLY (WITHOUT ARCTIC PACKAGE)	274
FIGURE 3-34. FORD ENGINE AND PUMP SUB-ASSEMBLY (WITH ARCTIC PACKAGE)	276
FIGURE 3-35. FORD ENGINE ASSEMBLY (WITHOUT ARCTIC PACKAGE)	278
FIGURE 3-36. FORD ENGINE ASSEMBLY (WITH ARCTIC PACKAGE)	284
FIGURE 3-37. FORD ENGINE PREP ASSEMBLY	290
FIGURE 3-38. FORD ENGINE BRACKETS AND EXHAUST MANIFOLD INSTALLATION	292
FIGURE 3-39. FORD ENGINE DRIVE BELT INSTALLATION (MACHINES WITHOUT GENERATOR)	294
FIGURE 3-40. FORD ENGINE COMPONENTS	296
FIGURE 3-41. PUMP COUPLING KIT (DEUTZ ENGINES)	300
FIGURE 3-42. HYDROSTATIC PUMP ASSEMBLY	302
FIGURE 3-43. VARIABLE PUMP ASSEMBLY	304
FIGURE 3-44. EXHAUST PIPE INSTALLATION - DEUTZ TD2.9L4 ENGINES	308
FIGURE 3-45. EXHAUST PIPE INSTALLATION - DEUTZ TD2.9L4 (STAGE V) ENGINES	310
FIGURE 3-46. EXHAUST PIPE INSTALLATION - FORD ENGINES	312
FIGURE 3-47. SPARK ARRESTOR MUFFLER INSTALLATION - DEUTZ D2011 ENGINES	314
FIGURE 3-48. FUEL-WATER SEPARATOR INSTALLATION - DEUTZ D2011 ENGINES	316
FIGURE 3-49. FUEL-WATER SEPARATOR INSTALLATION - DEUTZ TD2.9L4 ENGINES	318
FIGURE 3-50. RIGHT ENGINE SUPPORT INSTALLATION (DEUTZ D2011 ENGINES MACHINES WITHOUT GENERATORS)	320
FIGURE 3-51. RIGHT ENGINE SUPPORT INSTALLATION (DEUTZ D2011 ENGINES MACHINES WITH GENERATORS)	322
FIGURE 3-52. ENGINE HOOD Baffle INSTALLATION - DEUTZ TD2.9L4 ENGINES AND DEUTZ TD2.9L4 (STAGE V) ENGINES WITH ABS HOODS	324
FIGURE 3-53. ENGINE HOOD Baffle INSTALLATION - DEUTZ TD2.9L4 ENGINES WITH STEEL HOODS	326
FIGURE 3-54. ENGINE TRAY JACK INSTALLATION - DEUTZ ENGINES	328
FIGURE 3-55. ENGINE TRAY JACK INSTALLATION - FORD ENGINES	330
FIGURE 3-56. 2500W/110V/60HZ GENERATOR INSTALLATION - DEUTZ D2011 ENGINES	332
FIGURE 3-57. 2500W/110V/60HZ GENERATOR INSTALLATION - DEUTZ TD2.9L4 ENGINES	334
FIGURE 3-58. 2500W/110V/60HZ GENERATOR INSTALLATION - FORD ENGINES	338
FIGURE 3-59. 2500W/220V/50HZ GENERATOR INSTALLATION - DEUTZ D2011 ENGINES	342
FIGURE 3-60. 4000W/50HZ GENERATOR INSTALLATION - DEUTZ D2011 ENGINES	344
FIGURE 3-61. 4000W/50HZ GENERATOR INSTALLATION - DEUTZ TD2.9L4 ENGINES AND DEUTZ TD2.9L4 (STAGE V) ENGINES	348
FIGURE 3-62. 4000W/60HZ GENERATOR INSTALLATION - DEUTZ D2011 ENGINES	352
FIGURE 3-63. 4000W/60HZ GENERATOR INSTALLATION - DEUTZ TD2.9L4 ENGINES	356
FIGURE 3-64. 7500W/50HZ SKYPOWER GENERATOR INSTALLATION - DEUTZ D2011 ENGINES	360
FIGURE 3-65. 7500W/50HZ SKYPOWER GENERATOR INSTALLATION - DEUTZ TD2.9L4 ENGINES AND DEUTZ TD2.9L4 (STAGE V) ENGINES	364

TABLE OF CONTENTS

FIGURE 3-66. 7500W/60HZ SKYPOWER GENERATOR INSTALLATION - DEUTZ D2011 ENGINES	368
FIGURE 3-67. 7500W/60HZ SKYPOWER GENERATOR INSTALLATION - DEUTZ TD2.9L4 ENGINES	372
FIGURE 3-68. 7500W/60HZ SKYPOWER GENERATOR INSTALLATION - FORD ENGINES	376
SECTION 4 - BOOM	381
FIGURE 4-1. BOOM AND CYLINDER INSTALLATION	382
FIGURE 4-2. MAIN BOOM ASSEMBLY	384
FIGURE 4-3. TOWER BOOM ASSEMBLY	386
FIGURE 4-4. JIB ASSEMBLY (Prior to SN 0300279215)	388
FIGURE 4-5. JIB ASSEMBLY (SN 0300279215 to Present)	390
FIGURE 4-6. ROTATOR ASSEMBLY	392
FIGURE 4-7. SUPPORT, PLATFORM INSTALLATION	394
FIGURE 4-8. POWER TRACK INSTALLATION - MAIN BOOM	396
FIGURE 4-9. POWER TRACK INSTALLATION - TOWER BOOM	398
FIGURE 4-10. CONTROL VALVES INSTALLATION - WITH 2WS	400
FIGURE 4-11. CONTROL VALVE ASSEMBLY	402
FIGURE 4-12. BOOM VALVES AND PROXIMITY SWITCHES INSTALLATION	404
SECTION 5 - PLATFORM	407
FIGURE 5-1. PLATFORM ASSEMBLY WITH DROP-BAR - 30IN X 3FT (76CM X 1M)	408
FIGURE 5-2. PLATFORM ASSEMBLY WITH GATE - 30IN X 4FT (76CM X 1.22M)	410
FIGURE 5-3. PLATFORM ASSEMBLY WITH DROP-BAR - 30IN X 4FT (76CM X 1.22M)	412
FIGURE 5-4. PLATFORM ASSEMBLY WITH GATE - 30IN X 6FT (76CM X 1.83M)	414
FIGURE 5-5. PLATFORM ASSEMBLY WITH GATE- 36IN X 6FT (91.5CM X 1.83M)	416
FIGURE 5-6. PLATFORM ASSEMBLY WITH DROP-BAR - 30IN X 6FT (76CM X 1.83M)	418
FIGURE 5-7. PLATFORM ASSEMBLY WITH DROP-BAR - 36IN X 6FT (91.5CM X 1.83M)	420
FIGURE 5-8. PLATFORM ASSEMBLY WITH 1 GATE / 2 DROP BARS (TRI-ENTRY) - 36IN X 6FT (91.5CM X 1.83M)	422
FIGURE 5-9. PLATFORM ASSEMBLY WITH 3 DROP BARS (TRI-ENTRY) - 36IN X 6FT (91.5CM X 1.83M)	424
FIGURE 5-10. PLATFORM ASSEMBLY WITH FALL ARREST (6FT)	426
FIGURE 5-11. PLATFORM ASSEMBLY WITH GATE - 36IN X 8FT (91.5CM X 2.44M)	428
FIGURE 5-12. PLATFORM ASSEMBLY WITH DROP-BAR - 36IN X 8FT (91.5CM X 2.44M)	430
FIGURE 5-13. PLATFORM ASSEMBLY WITH 1 GATE / 2 DROP BARS (TRI-ENTRY) - 36IN X 8FT (91.5CM X 2.44M)	432
FIGURE 5-14. PLATFORM ASSEMBLY WITH 3 DROP BARS (TRI-ENTRY) - 36IN X 8FT (91.5CM X 2.44M)	434
FIGURE 5-15. PLATFORM ASSEMBLY WITH FALL ARREST (8FT)	436
FIGURE 5-16. CONSOLE AND FOOT SWITCH INSTALLATION	438
FIGURE 5-17. CONSOLE BOX ASSEMBLY WITH FOOTSWITCH	440
FIGURE 5-18. LIGHT PANEL INSTALLATION	444
FIGURE 5-19. FOOTSWITCH ASSEMBLY	446
FIGURE 5-20. CONTROLLER ASSEMBLY- DRIVE/STEER	448
FIGURE 5-21. CONTROLLER ASSEMBLY - LIFT/SWING	450
FIGURE 5-22. JIB SWITCH INSTALLATION	454
FIGURE 5-23. SKYEYE INSTALLATION	456
FIGURE 5-24. SKYGUARD BAR INSTALLATION	458
FIGURE 5-25. SKYLINE INSTALLATION (Prior to SN 0300279215)	460
FIGURE 5-26. SKYLINE INSTALLATION (SN 0300279215 to Present)	462
FIGURE 5-27. STORAGE TRAY INSTALLATION - CENTER	464
FIGURE 5-28. MANUAL STORAGE BOX INSTALLATION	466
FIGURE 5-29. SKYCUTTER INSTALLATION	468
FIGURE 5-30. SKYWELDER/SKYCUTTER COMBO INSTALLATION (60HZ)	470
FIGURE 5-31. PLASMA CUTTER ASSEMBLY	474
FIGURE 5-32. SKYWELDER INSTALLATION (50HZ)	476
FIGURE 5-33. SKYWELDER INSTALLATION (60HZ)	478
FIGURE 5-34. WELDER ASSEMBLY	480
FIGURE 5-35. SKYWELDER PREP PACKAGE (60HZ)	482
FIGURE 5-36. SKYWELDER LOCKING BRACKET INSTALLATION (OPTIONAL)	484
FIGURE 5-37. SKYGLAZIER INSTALLATION (ALL SPECS EXCEPT CHINA AND JAPANESES SPECS)	486
FIGURE 5-38. SKYGLAZIER INSTALLATION (ENGLISH LANGUAGE DECALS)	488
FIGURE 5-39. PIPE RACKS INSTALLATION (ANSI AND CSA SPECS)	490
FIGURE 5-40. PIPE RACKS INSTALLATION (ANSI EXPORT SPECS)	492
FIGURE 5-41. PIPE RACKS INSTALLATION (AUSTRALIAN SPECS)	494
FIGURE 5-42. SOFT TOUCH SYSTEM INSTALLATION - 6FT/1.83M PLATFORM	496
FIGURE 5-43. SOFT TOUCH SYSTEM INSTALLATION - 6FT/1.83M FALL ARREST PLATFORM	498
FIGURE 5-44. SOFT TOUCH SYSTEM INSTALLATION - 8FT/2.44M PLATFORM	500
FIGURE 5-45. SOFT TOUCH SYSTEM INSTALLATION - 8FT/2.44M FALL ARREST PLATFORM	502
FIGURE 5-46. FALL ARREST INSTALLATION (BOLT-ON) 30IN X 4FT (76CM X 1.22M) PLATFORM	504

TABLE OF CONTENTS

FIGURE 5-47. FALL ARREST INSTALLATION (BOLT-ON) 36IN X 6FT (91.2CM X 1.82M) PLATFORM	506
FIGURE 5-48. FALL ARREST INSTALLATION (BOLT-ON) 30IN X 6FT (76CM X 1.83M) PLATFORM	508
FIGURE 5-49. FALL ARREST INSTALLATION (BOLT-ON) 36IN X 8FT (91.5CM X 2.4M) PLATFORM	510
FIGURE 5-50. FALL ARREST INSTALLATION (BOLT-ON) 36IN X 6FT (91.5CM X 1.82M) TRI-ENTRY PLATFORM)	512
FIGURE 5-51. USB CHARGER INSTALLATION	514
SECTION 6 - CYLINDER	517
FIGURE 6-1. AXLE LOCKOUT CYLINDER ASSEMBLY	518
FIGURE 6-2. LEVEL CYLINDER ASSEMBLY - PLATFORM SLAVE	520
FIGURE 6-3. LEVEL CYLINDER ASSEMBLY - UPRIGHT	522
FIGURE 6-4. LIFT CYLINDER ASSEMBLY - JIB (Prior to SN 0300279215)	524
FIGURE 6-5. LIFT CYLINDER ASSEMBLY - JIB (SN 0300279215 to Present)	526
FIGURE 6-6. LIFT CYLINDER ASSEMBLY - MAIN BOOM.....	528
FIGURE 6-7. LIFT CYLINDER ASSEMBLY - TOWER BOOM.....	530
FIGURE 6-8. MASTER CYLINDER ASSEMBLY	532
FIGURE 6-9. STEER CYLINDER ASSEMBLY	534
FIGURE 6-10. TELESCOPE CYLINDER ASSEMBLY - MAIN BOOM	536
FIGURE 6-11. TELESCOPE CYLINDER ASSEMBLY - TOWER BOOM	538
SECTION 7 - HYDRAULIC	541
FIGURE 7-1. HYDRAULIC DIAGRAM - AXLE (OSCILLATING)	542
FIGURE 7-2. HYDRAULIC DIAGRAM - DRIVE (4WD/2W S WITHOUT TOW PACKAGE/WITHOUT ARCTIC PACKAGE)	544
FIGURE 7-3. HYDRAULIC DIAGRAM - DRIVE (4WD/2W S WITHOUT TOW PACKAGE/WITH ARCTIC PACKAGE)	550
FIGURE 7-4. HYDRAULIC DIAGRAM - DRIVE (4WD/2W S WITH TOW PACKAGE/WITHOUT ARCTIC PACKAGE)	556
FIGURE 7-5. HYDRAULIC DIAGRAM - DRIVE (4WD/2W S WITH TOW PACKAGE/WITH ARCTIC PACKAGE).....	562
FIGURE 7-6. HYDRAULIC DIAGRAM - STANDARD (Prior to SN 0300281602)	568
FIGURE 7-7. HYDRAULIC DIAGRAM - STANDARD (SN 0300281602 to Present)	572
SECTION 8 - ELECTRICAL	577
FIGURE 8-1. 800AJ HC3 ELECTRICAL LAYOUT.....	578
FIGURE 8-2. AC BOX AT PLATFORM INSTALLATION - 110V GFI RECEPTACLE (ALL SPECS EXCEPT AUSTRALIAN & CE SPECS).....	592
FIGURE 8-3. AC BOX AT PLATFORM INSTALLATION - 220V (ANSI, CSA & JAPANESE SPECS).....	594
FIGURE 8-4. AC BOX AT PLATFORM MID-BOOM PLUG INSTALLATION (WITH 4000W/60HZ GENERATOR) (ANSI, ANSI EXPORT, CHINA, CSA & JAPANESE SPECS).....	596
FIGURE 8-5. AC BOX AT PLATFORM MID-BOOM PLUG INSTALLATION (WITHOUT 7500W SKYPOWER GENERATOR) (ALL SPECS EXCEPT ANSI & CSA SPECS).....	598
FIGURE 8-6. AC BOX AT PLATFORM MID-BOOM PLUG INSTALLATION (WITH 7500W SKYPOWER GENERATOR)	600
FIGURE 8-7. AC BOX AT PLATFORM INSTALLATION - 110V IEC YELLOW (CE SPECS) (MACHINES WITH 2500W GENERATOR OR NO GENERATOR OPTION)	602
FIGURE 8-8. AC BOX AT PLATFORM INSTALLATION - 110V IEC YELLOW (CE SPECS) (MACHINES WITH 4000W GENERATOR).....	604
FIGURE 8-9. AC BOX AT PLATFORM INSTALLATION - 220V IEC BLUE (CE SPECS) (MACHINES WITH 2500W GENERATOR OR NO GENERATOR OPTION)	606
FIGURE 8-10. AC BOX AT PLATFORM INSTALLATION - 220V IEC BLUE (CE SPECS) (MACHINES WITH 4000W GENERATOR).....	608
FIGURE 8-11. AC BOX AT PLATFORM INSTALLATION - 220V CEE7 POST GROUND (CE SPECS) (MACHINES WITH 2500W GENERATOR OR NO GENERATOR OPTION)	610
FIGURE 8-12. AC BOX AT PLATFORM INSTALLATION - 220V CEE7 POST GROUND (CE SPECS) (MACHINES WITH 4000W GENERATOR).....	612
FIGURE 8-13. AC BOX AT PLATFORM INSTALLATION - 220V CEE7 SIDE GROUND (CE SPECS) (MACHINES WITH 2500W GENERATOR OR NO GENERATOR OPTION)	614
FIGURE 8-14. AC BOX AT PLATFORM INSTALLATION - 220V CEE7 SIDE GROUND (CE SPECS) (MACHINES WITH 4000W GENERATOR).....	616
FIGURE 8-15. AC BOX AT PLATFORM INSTALLATION - 220V AFSINT 107 KEYED GROUND (CE SPECS) (MACHINES WITH 2500W GENERATOR OR NO GENERATOR OPTION)	618
FIGURE 8-16. AC BOX AT PLATFORM INSTALLATION - 220V AFSINT 107 KEYED GROUND (CE SPECS) (MACHINES WITH 4000W GENERATOR).....	620
FIGURE 8-17. AC BOX AT PLATFORM INSTALLATION - 220V (2X4 BOX & COVER ONLY - LOCALLY SUPPLIED RECEPTACLE) (4000W GENERATOR)	622
FIGURE 8-18. AC BOX AT PLATFORM INSTALLATION - 240V GFCI RECEPTACLE (ANSI AND CSA SPECS WITH 4000W SKYPOWER GENERATOR).....	624
FIGURE 8-19. AC BOX AT PLATFORM INSTALLATION - 240V GFCI RECEPTACLE (ANSI AND CSA SPECS WITH 7500W SKYPOWER GENERATOR).....	626

TABLE OF CONTENTS

FIGURE 8-20. AC BREAKER BOX INSTALLATION - WITH 3 BREAKERS (CE SPECS WITH 4000W GENERATOR)	628
FIGURE 8-21. BEACON CONTROL HARNESS (BLUE AND RED STROBE LIGHTS)	630
FIGURE 8-22. BATTERY DISCONNECT	632
FIGURE 8-23. BOOM CABLES INSTALLATION - WITH 2500W GENERATOR	634
FIGURE 8-24. BOOM CABLES INSTALLATION - WITH 4000W GENERATOR (50HZ)	636
FIGURE 8-25. BOOM CABLES INSTALLATION - WITH 4000W GENERATOR (60HZ)	638
FIGURE 8-26. BOOM CABLES INSTALLATION - WITH 7500W SKYPOWER GENERATOR	640
FIGURE 8-27. BOOM CABLE - MAIN BOOM	642
FIGURE 8-28. BOOM CABLE (TOWER BOOM)	644
FIGURE 8-29. BOOM VALVE HARNESS	646
FIGURE 8-30. BREAKER BOX INSTALLATION (BRAZIL SPECS)	648
FIGURE 8-31. BREAKER BOX INSTALLATION (CE SPECS WITHOUT 4000W GENERATOR)	650
FIGURE 8-32. BREAKER BOX KIT - ONE DOUBLE 16AMP BREAKER (BRAZIL SPECS & CE SPECS WITHOUT 4000W GENERATOR)	652
FIGURE 8-33. BREAKER BOX KIT - WITH 3 BREAKERS (CE SPECS WITH 4000W GENERATOR)	654
FIGURE 8-34. BREAKER BOX KIT - ONE DOUBLE 16AMP BREAKER (CE SPECS WITH 4000W GENERATOR)	656
FIGURE 8-35. ENGINE HARNESS - DEUTZ D2011 ENGINES	658
FIGURE 8-36. ENGINE HARNESS - DEUTZ TD2.9L4 ENGINES	660
FIGURE 8-37. ENGINE HARNESS - DEUTZ TD2.9L4 ENGINES AND DEUTZ TD2.9L4 (STAGE V PRE-BUY) ENGINES	662
FIGURE 8-38. ENGINE HARNESS - DEUTZ TD2.9L4 (STAGE V) ENGINES	666
FIGURE 8-39. ENGINE HARNESS - FORD ENGINES	670
FIGURE 8-40. FUEL PUMP HARNESS - DEUTZ TD2.9L4 ENGINES	672
FIGURE 8-41. FUEL HARNESS - DEUTZ TD2.9L4 (STAGE V) ENGINE	674
FIGURE 8-42. GENERATOR HARNESS - 4000W GENERATOR	676
FIGURE 8-43. GENERATOR HARNESS - 7500W SKYPOWER GENERATOR	678
FIGURE 8-44. GENERATOR TO ENGINE HARNESS - 2500W (FORD ENGINES)	680
FIGURE 8-45. GENERATOR TO ENGINE HARNESS - 4000W (DEUTZ D2011 ENGINES)	682
FIGURE 8-46. GENERATOR TO ENGINE HARNESS - 4000W (DEUTZ TD2.9L4 ENGINES)	684
FIGURE 8-47. GENERATOR TO ENGINE HARNESS - 7500W SKYPOWER GENERATOR (DEUTZ D2011 ENGINES)	686
FIGURE 8-48. GENERATOR TO ENGINE HARNESS - 7500W SKYPOWER (FORD DF 2.5L ENGINES)	688
FIGURE 8-49. GENERATOR HARNESS - 7500W SKYPOWER (DEUTZ TD2.9L4 T4F ENGINES)	690
FIGURE 8-50. GENERATOR TO REAR OF BOOM HARNESS - 110V	692
FIGURE 8-51. GENERATOR TO REAR OF BOOM HARNESS - 220V	694
FIGURE 8-52. GROUND CONTROL BOX HARNESS	696
FIGURE 8-53. MID BOOM PROXIMITY SENSOR HARNESS	698
FIGURE 8-54. PLATFORM CONSOLE BOX HARNESS	700
FIGURE 8-55. RECEPTACLE BOX KIT - 110V IEC YELLOW (CE SPECS)	702
FIGURE 8-56. RECEPTACLE BOX KIT - 220V IEC BLUE (CE SPECS)	704
FIGURE 8-57. RECEPTACLE BOX KIT - 220V CEE7 POST GROUND 2X4 BOX (CE SPEC)	706
FIGURE 8-58. RECEPTACLE BOX KIT - 220V CEE7 SIDE GROUND 2X4 BOX (CE SPEC)	708
FIGURE 8-59. RECEPTACLE BOX KIT - 220V AFSINT107 KEYED GROUND (CE SPECS)	710
FIGURE 8-60. SKYEYE EMITTER HARNESS	712
FIGURE 8-61. SKYEYE INTERMEDIATE HARNESS	714
FIGURE 8-62. SKYEYE RECEIVER HARNESS	716
FIGURE 8-63. SKYLINE HARNESS	718
FIGURE 8-64. SKYGUARD INTERFACE HARNESS	720
FIGURE 8-65. VALVE HARNESS	722
FIGURE 8-66. WHITE NOISE ALARM HARNESS	724
SECTION 9 - DECALS	727
FIGURE 9-1. DECAL INSTALLATION (ANSI SPECS)	728
FIGURE 9-2. DECAL INSTALLATION (AUSTRALIAN SPECS)	732
FIGURE 9-3. DECAL INSTALLATION (BRAZILIAN SPECS)	736
FIGURE 9-4. DECAL INSTALLATION (CE SPECS)	740
FIGURE 9-5. DECAL INSTALLATION (CHINA SPECS)	744
FIGURE 9-6. DECAL INSTALLATION (CSA SPECS)	748
FIGURE 9-7. DECAL INSTALLATION (JAPANESE SPECS)	752
FIGURE 9-8. DECAL INSTALLATION (KOREAN SPECS)	756
FIGURE 9-9. DECAL INSTALLATION (LATIN AMERICAN SPECS)	760
FIGURE 9-10. DECAL INSTALLATION - OPTIONS	764
FIGURE 9-11. SKYCUTTER DECAL INSTALLATION	768
FIGURE 9-12. SKYWELDER DECAL INSTALLATION - 50HZ	770
FIGURE 9-13. DECAL INSTALLATION - SKYWELDER (60HZ)	772
SECTION 10 - RECOMMENDED SERVICE PARTS STOCK	775

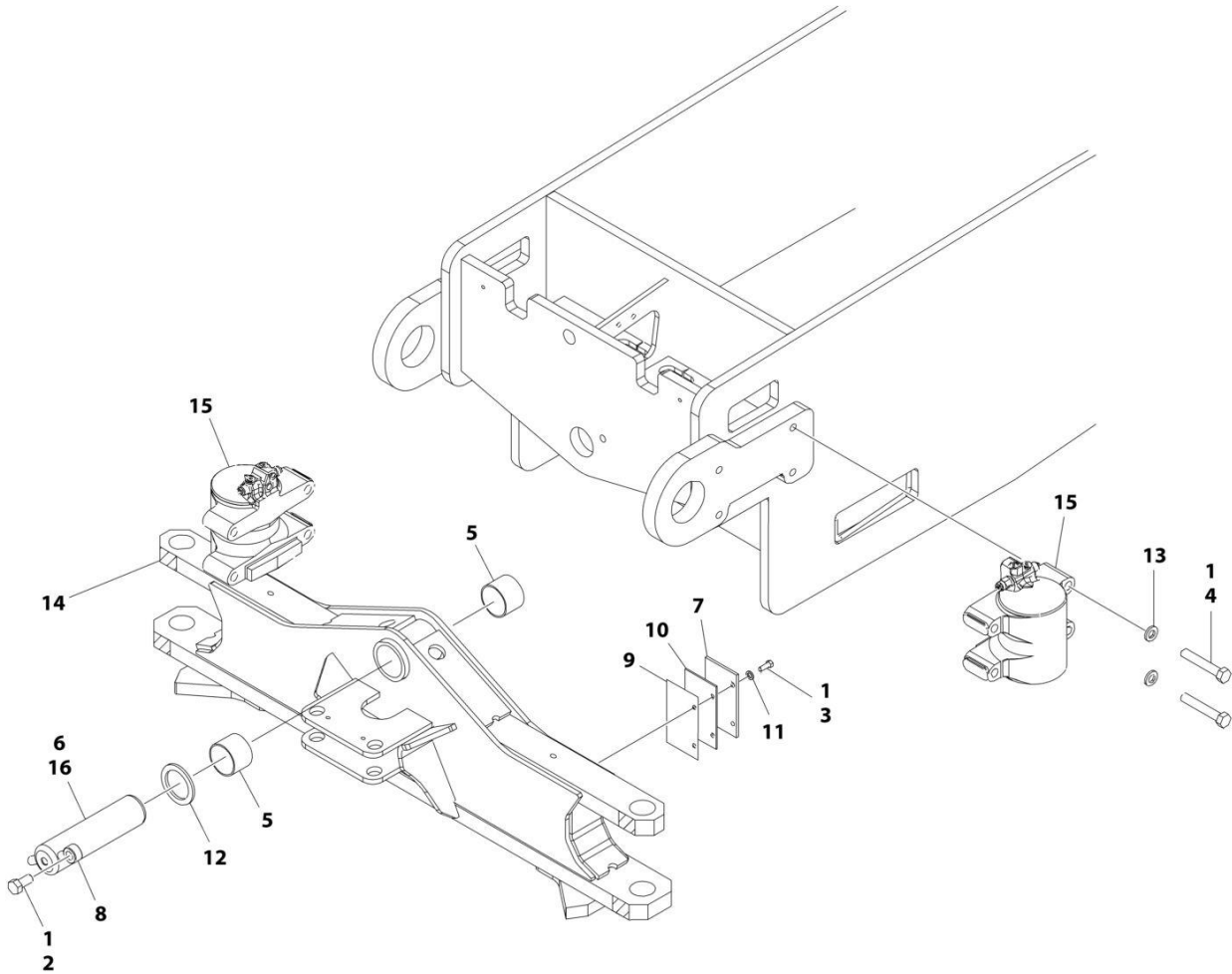
TABLE OF CONTENTS

FIGURE 10-1. MODEL 800AJ HC3 RECOMMENDED SERVICE PARTS STOCK	776
SECTION 11 - SPECIAL OPTIONS	779
FIGURE 11-1. SPECIAL OPTIONS	780
PART NUMBER INDEX.....	785

SECTION 1 - FRAME

SECTION 1 - FRAME

FIGURE 1-1. AXLE INSTALLATION - OSCILLATING



ART_1001154584

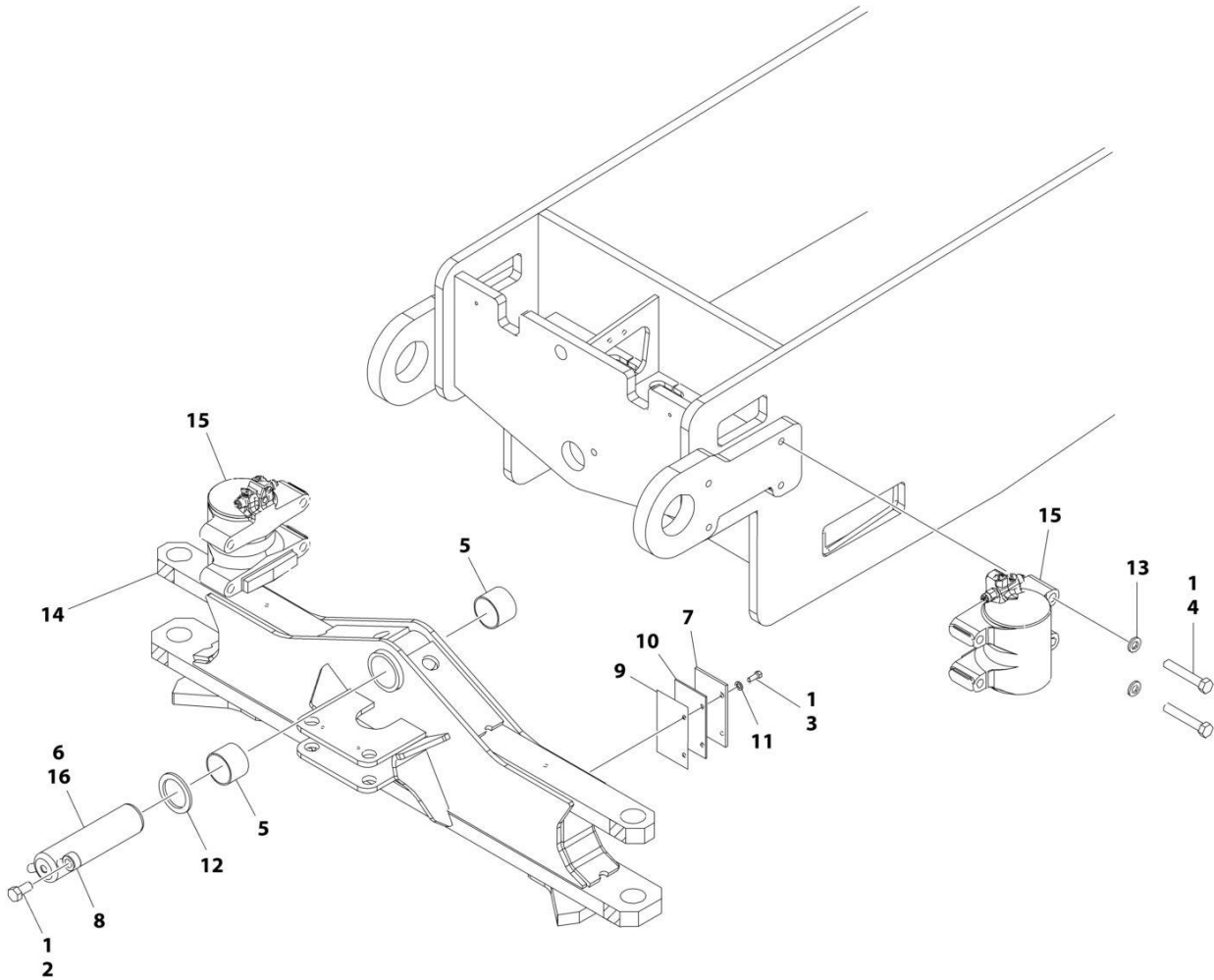
SECTION 1 - FRAME

FIGURE 1-1. AXLE INSTALLATION - OSCILLATING

ITEM	PART NUMBER	QTY	DESCRIPTION	REV
	1001154584	Ref	AXLE INSTALLATION	D
1	0100011	AR	Compound, Locking	
2	0642212	1	Bolt 3/4 x 1-1/2	
3	0681608	4	Bolt 3/8 x 1 Grade 8	
4	0682236	8	Bolt 3/4 x 4-1/2 Grade 8	
5	0962102	2	Bushing	
6	3020039	AR	Lubricant	
7	3538047	2	Shim .25	
8	3841287	1	Keeper, Pin	
9	4070878	AR	Shim 16 Gauge	
10	4070879	AR	Shim 11 Gauge	
11	4711600	4	Washer 3/8	
12	4740472	1	Washer	
13	4892200	8	Washer 3/4	
14	1001152719	1	Axle	
15	1001204560	2	Axle Lockout Cylinder Assembly (See Separate Breakdown in CYLINDER SECTION)	
16	1001156710	1	Pin	

SECTION 1 - FRAME

FIGURE 1-2. AXLE INSTALLATION - OSCILLATING WITH TOW PACKAGE



ART_1001155194

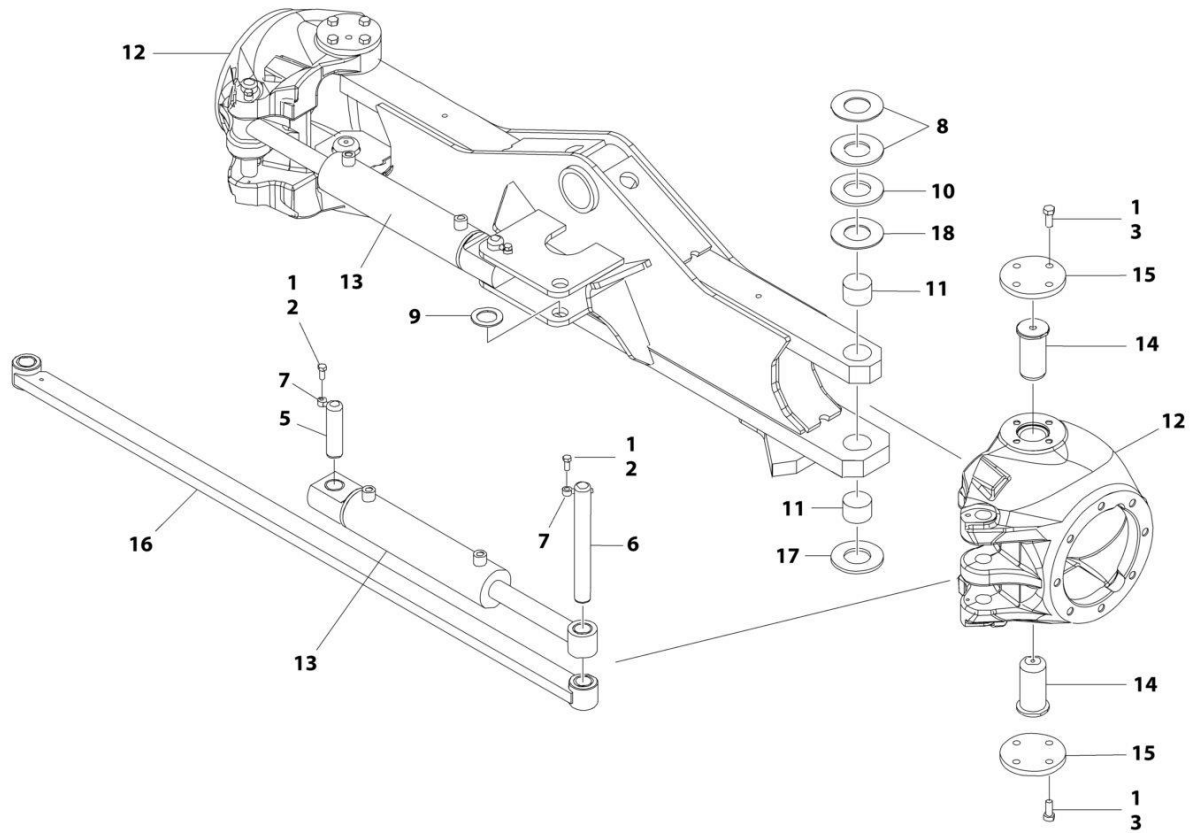
SECTION 1 - FRAME

FIGURE 1-2. AXLE INSTALLATION - OSCILLATING WITH TOW PACKAGE

ITEM	PART NUMBER	QTY	DESCRIPTION	REV
	1001155194	Ref	AXLE INSTALLATION	D
1	0100011	AR	Compound, Locking	
2	0642212	1	Bolt 3/4 x 1-1/2	
3	0681608	4	Bolt 3/8 x 1 Grade 8	
4	0682236	8	Bolt 3/4 x 4-1/2 Grade 8	
5	0962102	2	Bushing	
6	3020039	AR	Lubricant	
7	3538047	2	Shim .25	
8	3841287	1	Keeper, Pin	
9	4070878	AR	Shim 16 Gauge	
10	4070879	AR	Shim 11 Gauge	
11	4711600	4	Washer 3/8	
12	4740472	1	Washer	
13	4892200	8	Washer 3/4	
14	1001154875	1	Axle	
15	1001204560	2	Axle Lockout Cylinder Assembly (See Separate Breakdown in CYLINDER SECTION)	
16	1001156710	1	Pin	

SECTION 1 - FRAME

FIGURE 1-3. STEER INSTALLATION - 2WS



ART_1001151034

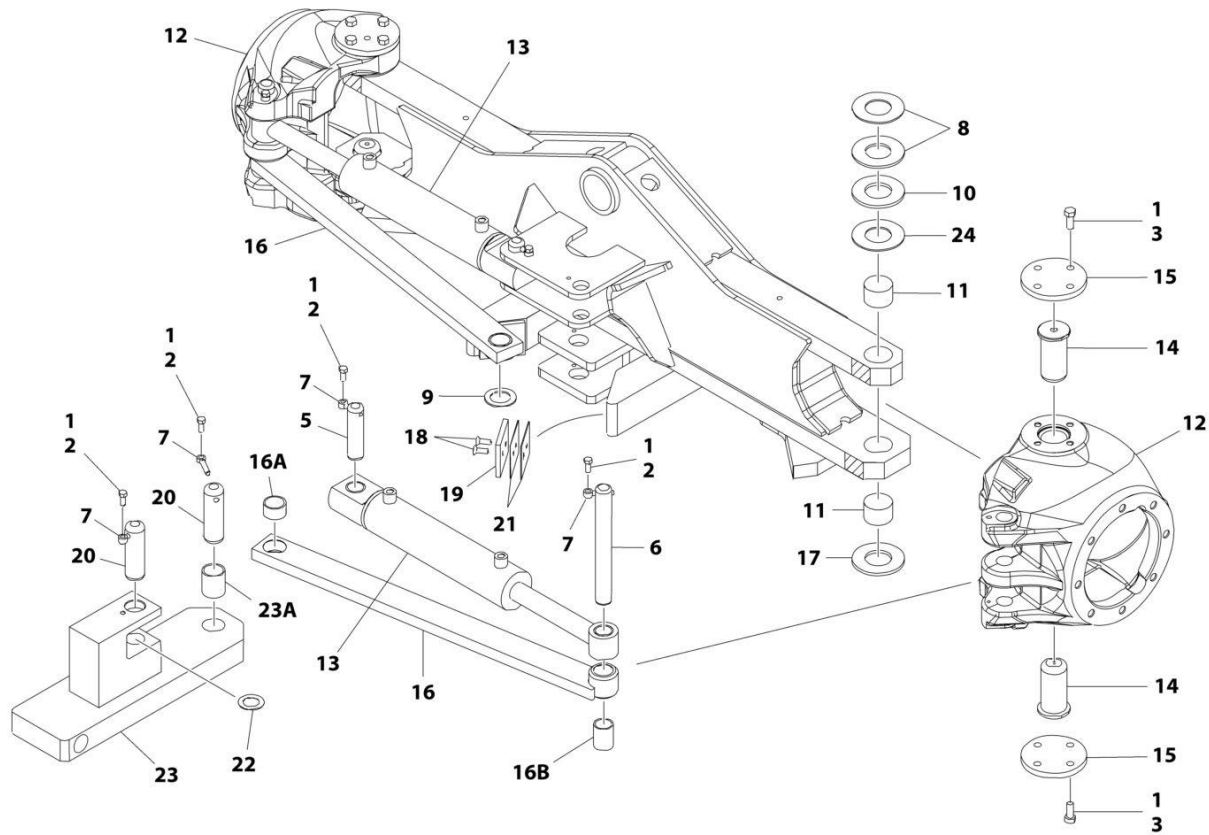
SECTION 1 - FRAME

FIGURE 1-3. STEER INSTALLATION - 2WS

ITEM	PART NUMBER	QTY	DESCRIPTION	REV
	1001151034	Ref	STEER INSTALLATION	H
1	0100011	AR	Compound, Locking	
2	0641607	4	Bolt 3/8 x 7/8	
3	0641810	16	Bolt 1/2 x 1-1/4	
5	3422417	2	Pin	
6	3422790	2	Pin	
7	3841520	4	Keeper, Pin	
8	4740256	AR	Washer, Thrust	
9	4740473	2	Washer	
10	1001103810	AR	Washer, Thrust	
11	1001165657	4	Bearing	
12	1001150372	2	Spindle	
13	1001150539	2	Steer Cylinder Assembly (See Separate Breakdown in CYLINDER SECTION)	
14	1001161355	4	Kingpin	
15	1001150937	4	Plate	
16	1001151980	1	Tie-Rod	
17	1001161399	2	Washer, Thrust	
18	4740463	AR	Washer, Thrust	

SECTION 1 - FRAME

FIGURE 1-4. STEER INSTALLATION - 2WS WITH TOW PACKAGE



ART_1001155192

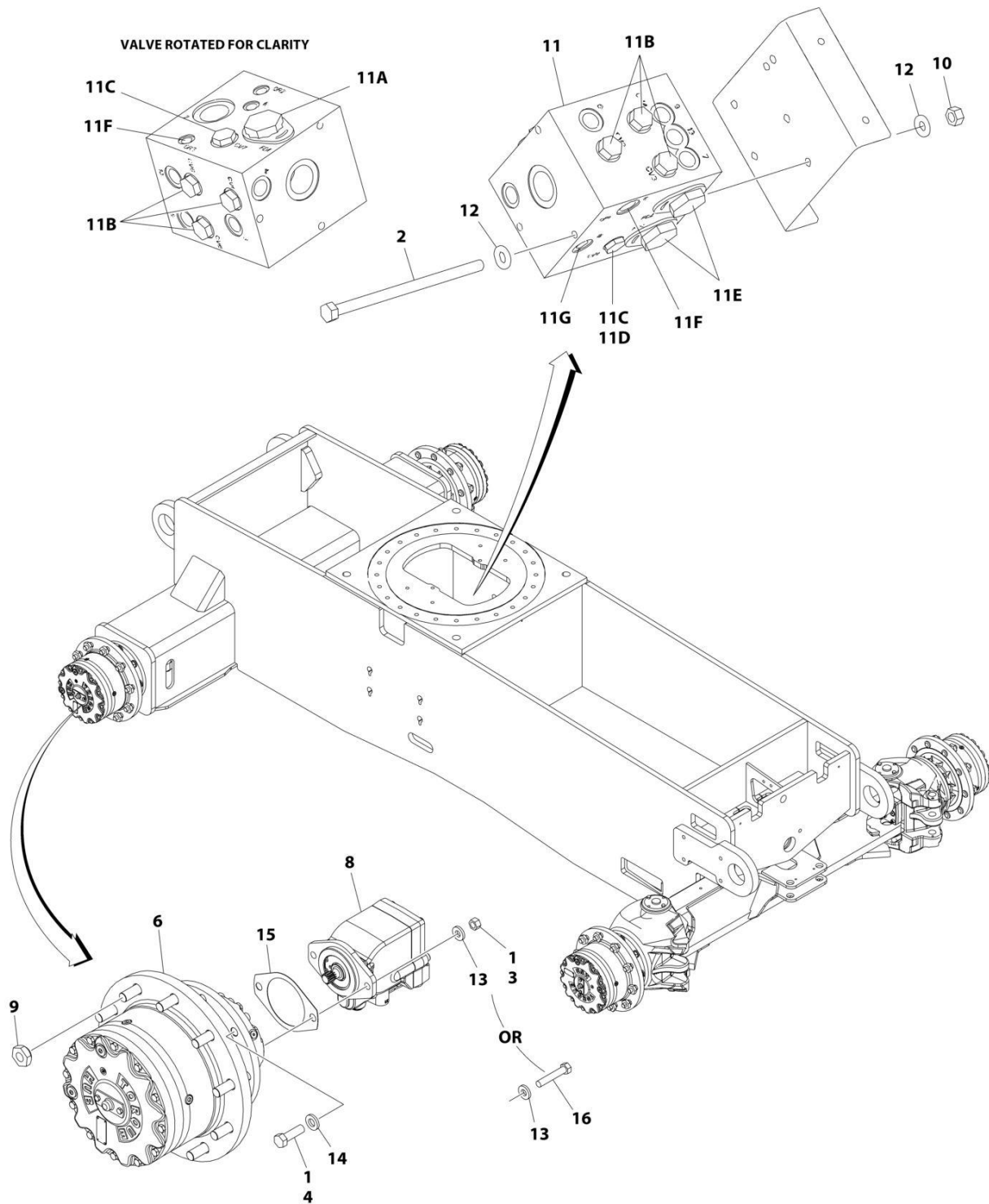
SECTION 1 - FRAME

FIGURE 1-4. STEER INSTALLATION - 2WS WITH TOW PACKAGE

ITEM	PART NUMBER	QTY	DESCRIPTION	REV
	1001155192	Ref	STEER INSTALLATION	G
1	0100011	AR	Compound, Locking	
2	0641607	6	Bolt 3/8 x 7/8	
3	0641810	16	Bolt 1/2 x 1-1/4	
5	3422417	2	Pin	
6	3422790	2	Pin	
7	3841520	6	Keeper, Pin	
8	4740256	AR	Washer, Thrust	
9	4740473	2	Washer	
10	1001103810	AR	Washer, Thrust	
11	1001165657	4	Bearing	
12	1001150372	2	Spindle	
13	1001150539	2	Steer Cylinder Assembly (See Separate Breakdown in CYLINDER SECTION)	
14	1001161355	4	Kingpin	
15	1001150937	4	Plate	
16	1001154931	2	Tie-Rod	
16A	0962181	1	Bushing	
16B	0962152	1	Bushing	
17	1001161399	2	Washer, Thrust	
18	0741609	4	Screw 3/8 x 1-1/8	
19	3340966	2	Pad, Stop	
20	3422848	2	Pin, Hitch	
21	4071059	AR	Shim 16 Gauge	
22	4740155	3	Washer, Thrust	
23	1001155035	1	Link	
23A	0962348	1	Bushing	
24	4740463	AR	Washer, Thrust	

SECTION 1 - FRAME

FIGURE 1-5. WHEEL DRIVE AND FRAME VALVES INSTALLATION - 4WD/2WS



ART_1001157016

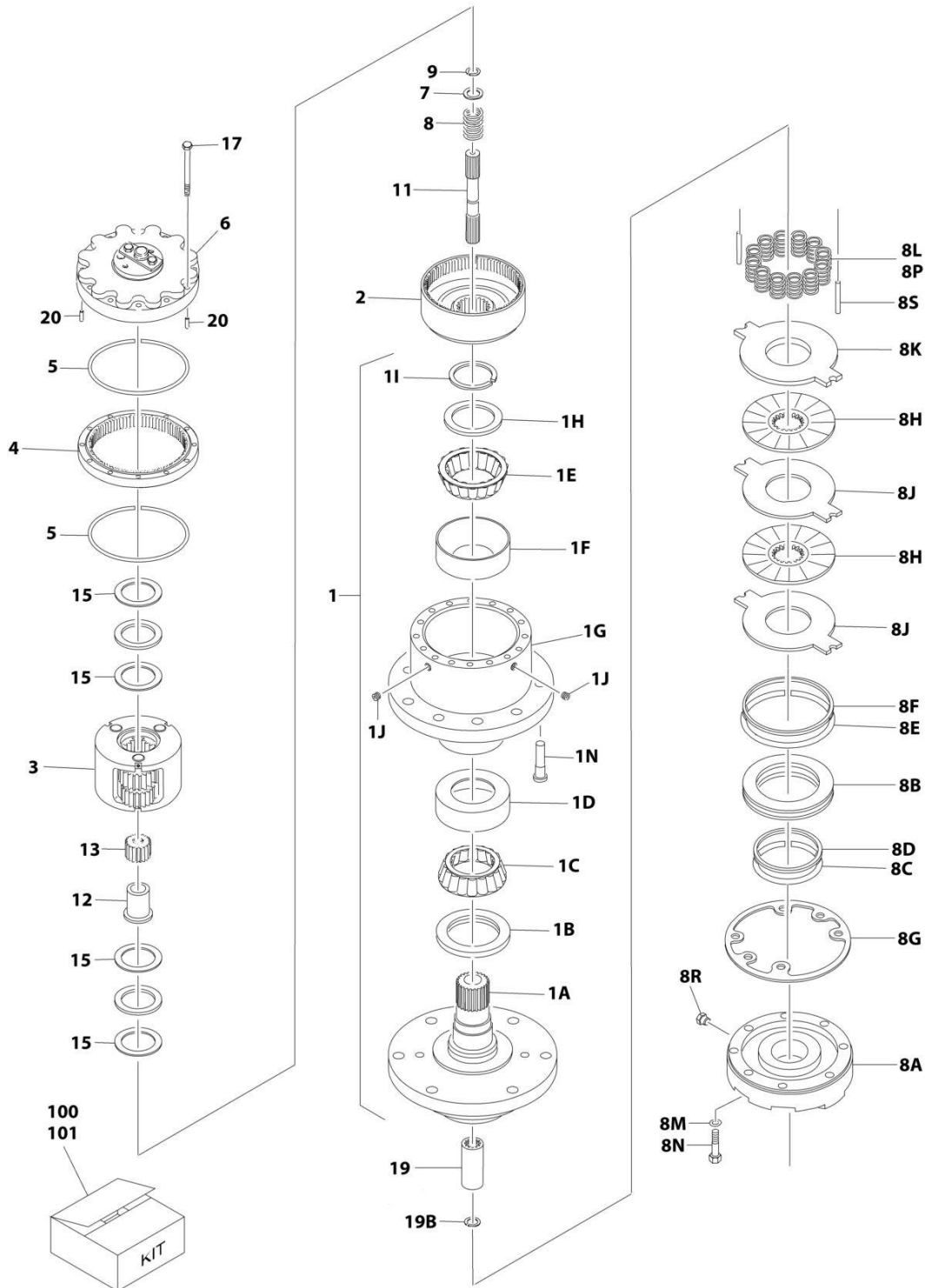
SECTION 1 - FRAME

FIGURE 1-5. WHEEL DRIVE AND FRAME VALVES INSTALLATION - 4WD/2WS

ITEM	PART NUMBER	QTY	DESCRIPTION	REV
	1001157016	Ref	WHEEL DRIVE AND FRAME VALVES INSTALLATION	E
1	0100011	AR	Compound, Locking	
2	0641560	3	Bolt 5/16 x 7-1/2	
3	3311801	8	Nut 1/2	
4	0682016	32	Bolt 5/8 x 2 Grade 8	
5	2300016	AR	Fluid, Hydraulic (Not Shown)	
6	1001219219	4	Drive Hub Assembly (See Separate Breakdown in this Section)	
8	3160348	4	Drive Motor Assembly (See Separate Breakdown in this Section)	
9	3300007	40	Nut, Wheel	
10	3311505	3	Nut 5/16	
11	4641303	1	Flow Divider Valve Assembly	C
11A	7023933	1	Cartridge, Flow Divider	
11A	7021625	1	Seal Kit - 7023933 Cartridge	
11B	7022397	6	Cartridge, Check	
11B	7022399	6	Seal Kit - 7022397 Cartridge	
11C	7021639	2	Cartridge, Check Valves	
11C	2900756	2	Seal Kit - 7021639 Cartridge	
11D	7024881	1	Piston, Pilot	
11E	7023917	2	Cartridge, Flow Divider	
11E	7021625	2	Seal Kit - 7023917 Cartridge	
11F	70003935	2	Orifice	
11G	70003936	1	Orifice	
12	4711500	6	Washer 5/16	
13	4891800	8	Washer 1/2	
14	4892000	32	Washer 5/8	
15	3960526	2	Gasket	
16	0681822	4	Bolt 1/2 x 2-3/4	

SECTION 1 - FRAME

FIGURE 1-6. DRIVE HUB/BRAKE ASSEMBLY



ART_1001219219

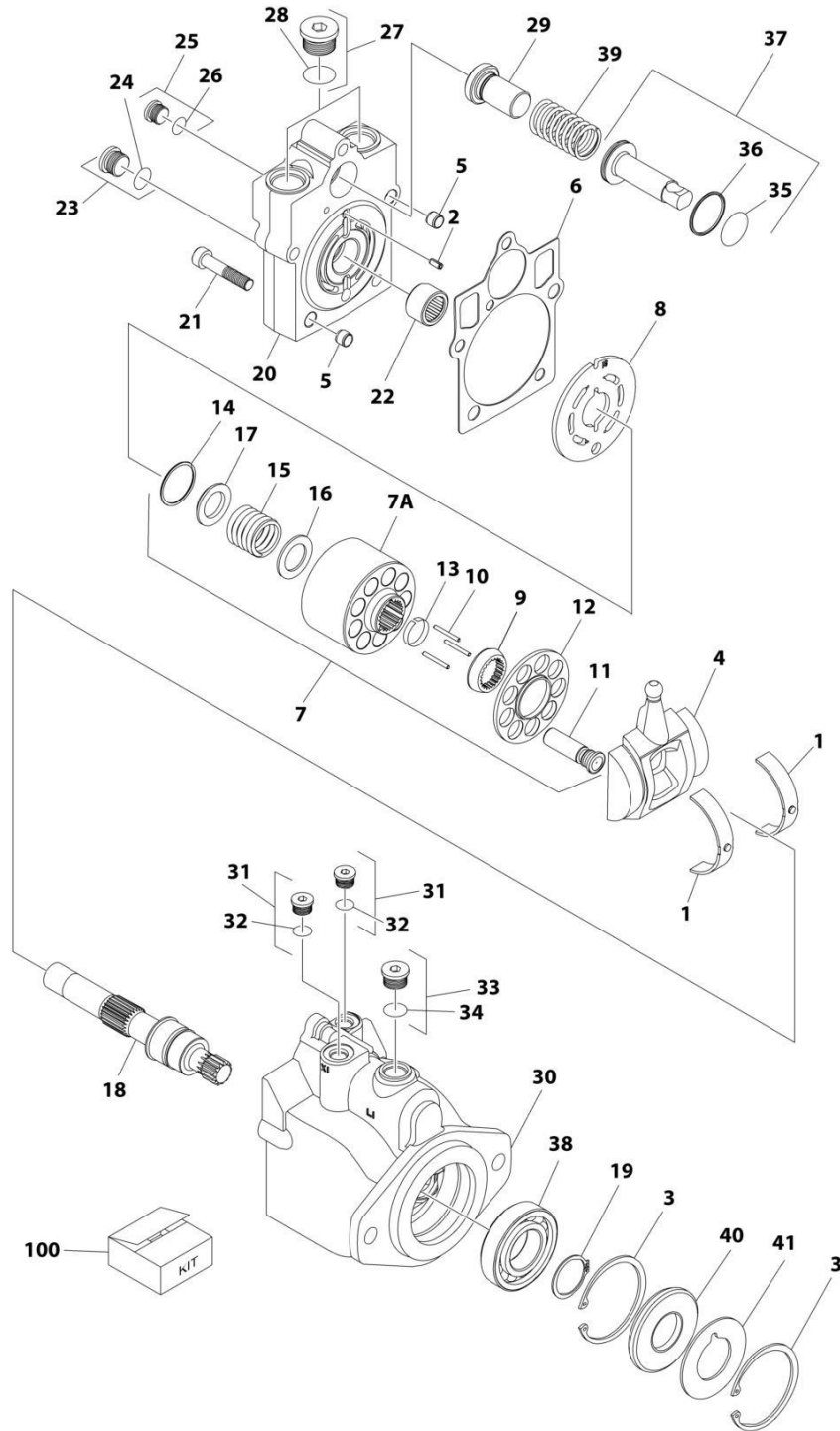
SECTION 1 - FRAME

FIGURE 1-6. DRIVE HUB/BRAKE ASSEMBLY

ITEM	PART NUMBER	QTY	DESCRIPTION	REV
	1001219219	Ref	DRIVE HUB/BRAKE ASSEMBLY	C
1	See Note	NSS	Spindle/Housing Assembly (Note: Not Available - Purchase Individual Components)	
1A	70006677	1	Spindle	
1B	70006678	1	Seal	
1C	1001091460	1	Cone, Bearing	
1D	1001091460	1	Cup, Bearing	
1E	1001091461	1	Cone, Bearing	
1F	1001091461	1	Cup, Bearing	
1G	See Note	NSS	Housing (Note: Not Available - Not Available for Purchase)	
1H	7000239	1	Thrustwasher	
1I	7000240	1	Ring, Retaining	
1J	7001928	1	Plug, Pipe	
1N	See Note	NSS	Stud, Wheel (Note: Not Available - Not Available for Purchase)	
2	7024782	1	Gear, Ring	
3	70006673	1	Carrier Assembly	
4	7024151	1	Gear, Internal	
5	7000224	2	O-Ring	
6	70006674	NSS	Cover Assembly (Note: Not Available - Not Available for Purchase)	
7	70006691	1	Thrustwasher	
8	7000283	1	Spring	
8A	7024191	1	Housing, Piston	
8B	70006684	1	Piston	
8C	See Note	NSS	O-Ring (Note: Use Item 101)	
8D	See Note	NSS	Ring, Back-up (Note: Use Item 101)	
8E	See Note	NSS	O-Ring (Note: Use Item 101)	
8F	See Note	NSS	Ring, Back-up (Note: Use Item 101)	
8G	See Note	NSS	Gasket (Note: Use Items 100 & 101)	
8H	See Note	NSS	Brake, Stator (Note: Use Item 100)	
8J	See Note	NSS	Brake, Rotor (Note: Use Item 100)	
8K	See Note	NSS	Plate, Pressure (Note: Use Item 100)	
8L	80344004	10	Spring	
8M	70006685	6	Capscrew	
8N	70006690	6	Lockwasher	
8P	70006680	2	Spring	
8R	7017082	2	Plug	
8S	7024190	2	Pin, Dowel	
9	7000284	1	Ring, Retaining	
11	70006675	1	Shaft, Input	
12	7024154	1	Spacer, Input	
13	7024149	1	Gear, Sun	
15	70006692	2	Thrustwasher	
17	7000289	12	Bolt 3/8 x 2-1/2in (Grade 8)	
19	70006676	1	Coupling	
19B	7017028	1	Ring, Retaining	
20	7017047	2	Pin, Dowel	
100	70006832	1	Friction Disc Kit (Includes Items 8G, 8H, 8J & 8K)	
101	70006833	1	Seal Kit (Includes Items - 8C-8G)	

SECTION 1 - FRAME

FIGURE 1-7. DRIVE MOTOR ASSEMBLY - 4WD



ART_3160348

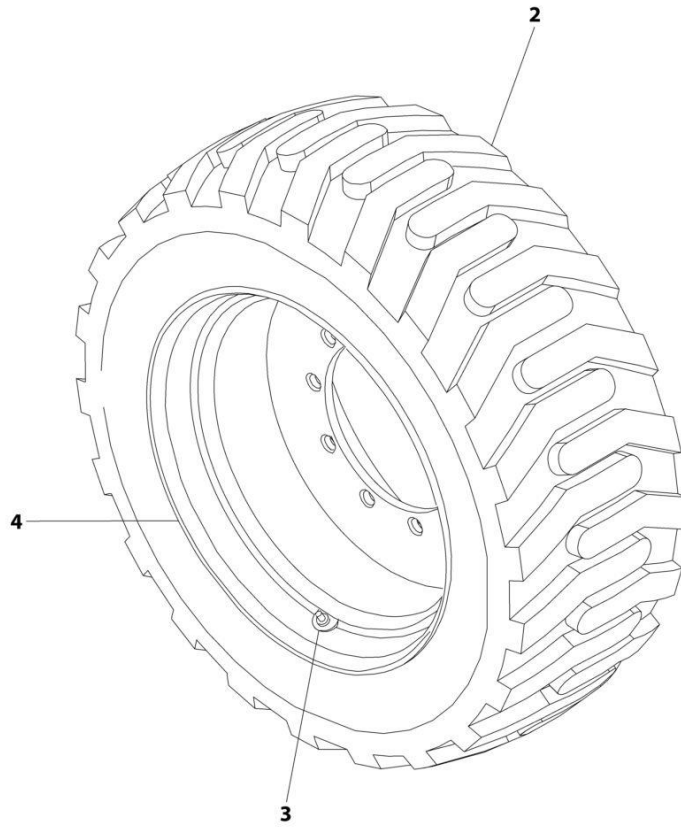
SECTION 1 - FRAME

FIGURE 1-7. DRIVE MOTOR ASSEMBLY - 4WD

ITEM	PART NUMBER	QTY	DESCRIPTION	REV
	3160348	Ref	DRIVE MOTOR ASSEMBLY	D
1	7022302	2	Bearing, Journal	
2	7007446	1	Pin	
3	7007438	2	Ring, Retaining	
4	7022305	1	Swash Plate	
5	See Note	2	Pin (Note: Not Available for Purchase)	
6	See Note	NSS	Gasket (Note: Use Item 100)	
7	7023907	1	Cylinder Block Kit (Includes Items 7A & 9-17)	
7A	See Note	NSS	Block, Cylinder (Note: Use Item 7)	
8	7023908	1	Plate, Valve	
9	7021277	1	Guide, Slipper Retainer	
10	7021275	3	Pin, Slipper Hold Down	
11	See Note	NSS	Piston Assembly (Note: Use Item 7)	
12	7022310	1	Retainer, Slipper	
13	7021276	1	Retainer, Hold Down Pin	
14	7022311	1	Ring, Retaining	
15	7022312	1	Spring	
16	7024868	1	Washer	
17	7022314	1	Retainer, Spring	
18	7023910	1	Shaft	
19	7007439	1	Ring, Retaining	
20	70000797	1	Cap, End - Axial	
21	7022368	5	Screw	
22	7021249	1	Bearing, Needle	
23	2220886	1	Plug (Includes Item 24)	
24	See Note	1	O-Ring (Note: Use Item 23 or 100)	
25	2220883	1	Plug (Includes Item 26)	
26	See Note	NSS	O-Ring (Note: Use Item 25 or 100)	
27	2220888	2	Plug (Includes Item 28)	
28	See Note	NSS	O-Ring (Note: Use Item 27 or 100)	
29	7022372	1	Seat, Spring	
30	See Note	NSS	Housing (Note: Not Available - Purchase Complete Assembly)	
31	2220883	2	Plug (Includes Item 32)	
32	See Note	NSS	O-Ring (Note: Use Item 31 or 100)	
33	2220886	1	Plug (Includes Item 34)	
34	See Note	NSS	O-Ring (Note: Use Item 33 or 100)	
35	See Note	NSS	O-Ring (Note: Use Item 100)	
36	See Note	NSS	Ring, Seal (Note: Use Item 100)	
37	7024854	1	Piston, Servo (Includes Items 35 & 36)	
38	7007437	1	Bearing	
39	7022326	1	Spring	
40	See Note	1	Seal, Lip (Note: Use Item 100)	
41	7022371	1	Washer, Support	
		Ref	KIT OPTIONS:	
100	7022328	1	Seal Kit (Includes Items 6, 24, 26, 28, 32, 34, 35, 36 & 40)	

SECTION 1 - FRAME

FIGURE 1-8. TIRE AND WHEEL INSTALLATION 18-625 NHS FOAM-FILLED TIRE



ART_0270888

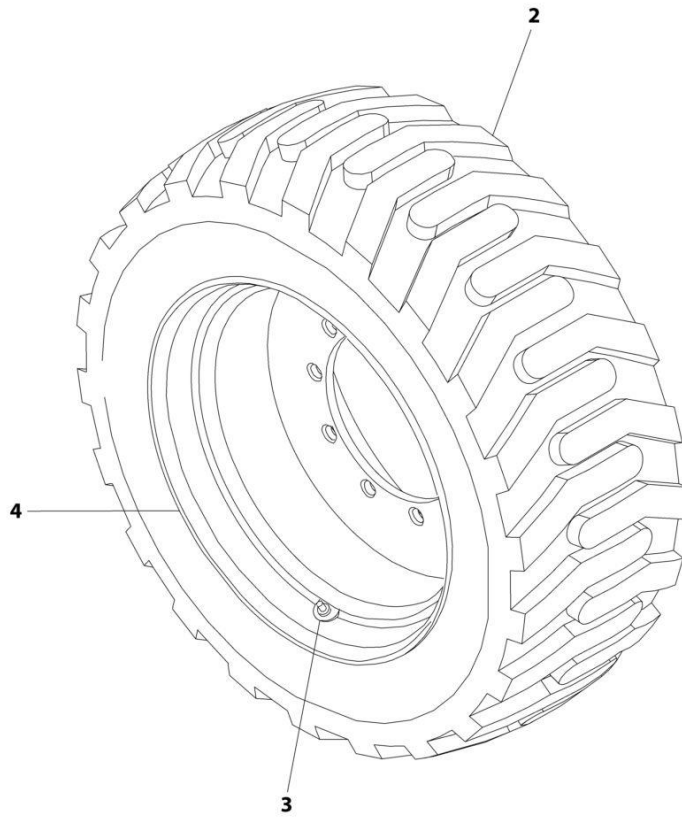
SECTION 1 - FRAME

FIGURE 1-8. TIRE AND WHEEL INSTALLATION 18-625 NHS FOAM-FILLED TIRE

ITEM	PART NUMBER	QTY	DESCRIPTION	REV
	0270888	Ref	TIRE AND WHEEL INSTALLATION	C
	0271090	2	Tire and Wheel Assembly - 18-625 NHS Foam-Filled LH Side	G
	0271091	2	Tire and Wheel Assembly - 18-625 NHS Foam-Filled RH Side	G
		Ref	Note: Assemblies may require ballast/foam filling to manufacturer's specifications prior to installing on a machine. Refer to Operation and Safety or Service and Maintenance Manuals.	
		Ref	Purchase individual tire and/or rim only if able to foam fill tire and wheel assembly, otherwise, purchase complete assembly.	
2	4520253	1	Tire 18-625	
3	4641122	1	Valve, Air	
4	4860225	1	Rim, Wheel - 15 x 24.5 Rim	

SECTION 1 - FRAME

FIGURE 1-9. TIRE AND WHEEL INSTALLATION 18-625 NHS FOAM-FILLED NON-MARKING TIRE



ART_1001169757

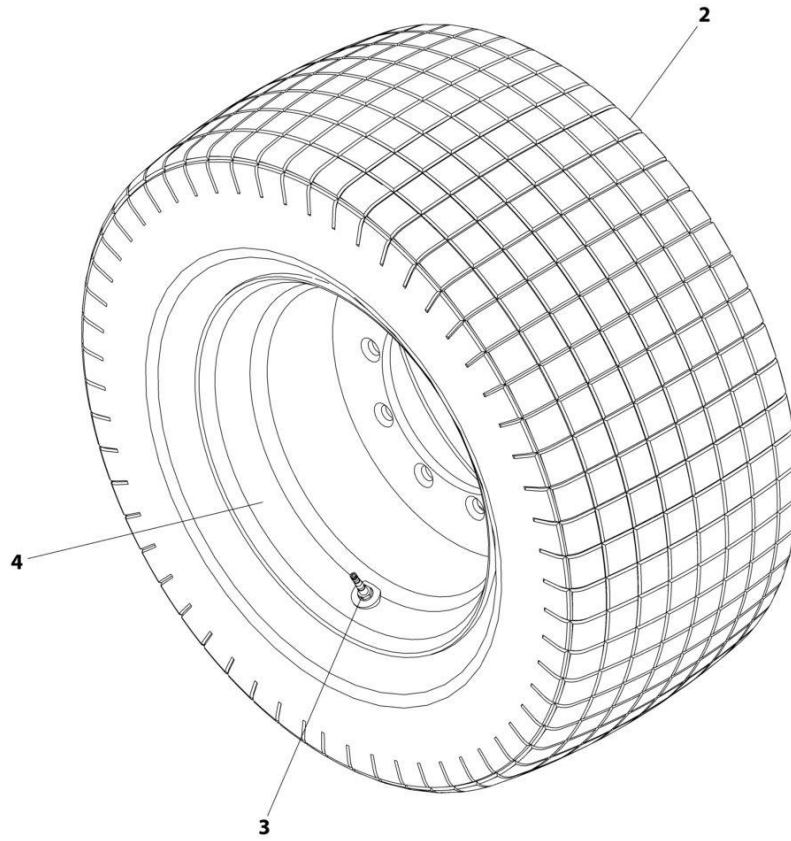
SECTION 1 - FRAME

FIGURE 1-9. TIRE AND WHEEL INSTALLATION 18-625 NHS FOAM-FILLED NON-MARKING TIRE

ITEM	PART NUMBER	QTY	DESCRIPTION	REV
	1001169757	Ref	TIRE AND WHEEL INSTALLATION	A
	1001169755	2	Tire and Wheel Assembly - 18-625 NHS Foam-Filled Non-Marking LH Side	D
	1001169756	2	Tire and Wheel Assembly - 18-625 NHS Foam-Filled Non-Marking RH Side	D
		Ref	Note: Assemblies may require ballast/foam filling to manufacturer's specifications prior to installing on a machine. Refer to Operation and Safety or Service and Maintenance Manuals.	
		Ref	Purchase individual tire and/or rim only if able to foam fill tire and wheel assembly, otherwise, purchase complete assembly.	
2	1001169754	1	Tire 18-625 Non-Marking	
3	4641122	1	Valve, Air	
4	4860225	1	Rim, Wheel - 15 x 24.5 Rim	

SECTION 1 - FRAME

FIGURE 1-10. TIRE AND WHEEL INSTALLATION 18-625 NHS FOAM-FILLED SAND TIRE



ART_1001243645

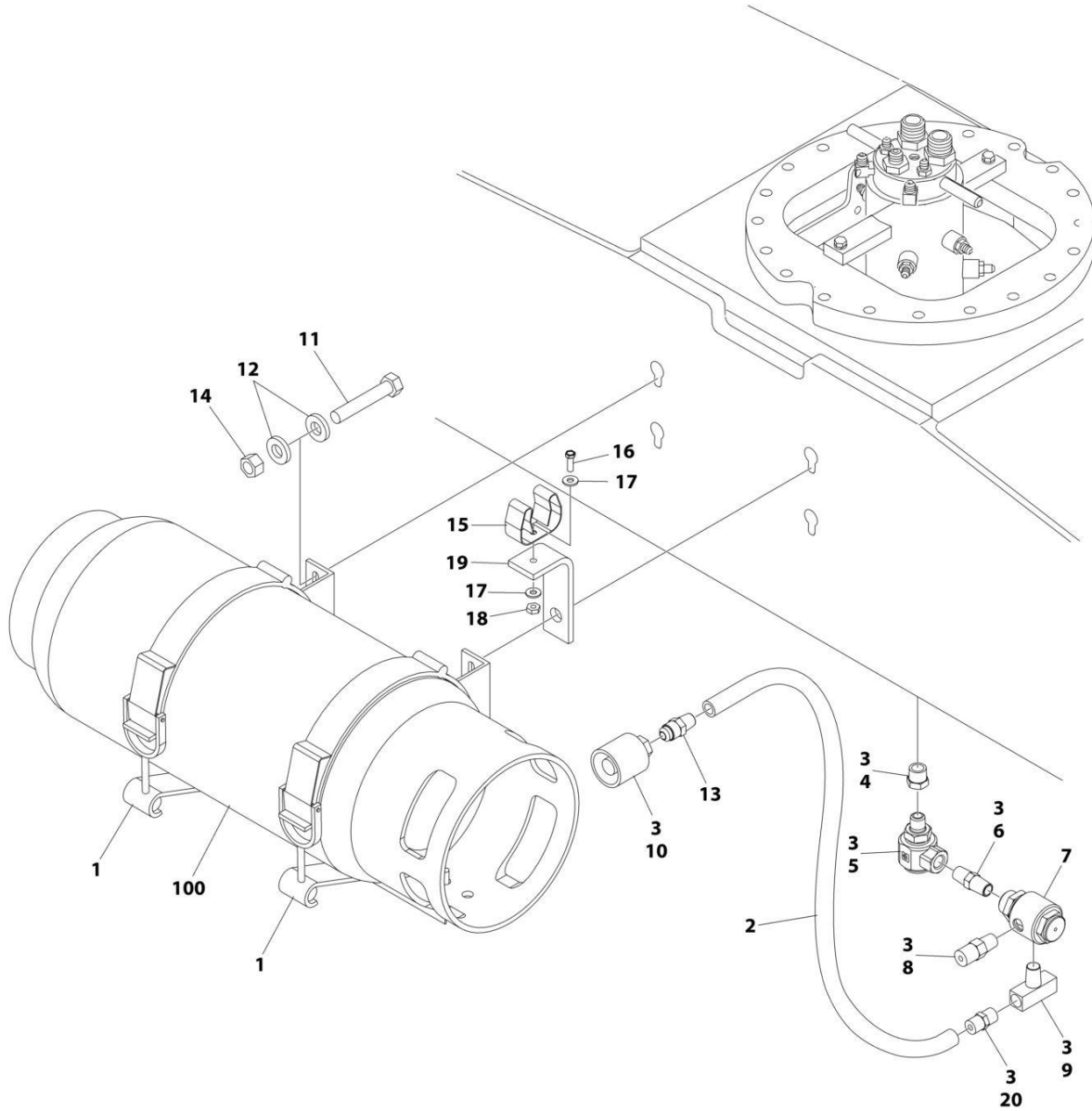
SECTION 1 - FRAME

FIGURE 1-10. TIRE AND WHEEL INSTALLATION 18-625 NHS FOAM-FILLED SAND TIRE

ITEM	PART NUMBER	QTY	DESCRIPTION	REV
	1001243645	Ref	TIRE AND WHEEL INSTALLATION	A
	1001245049	4	Tire and Wheel Assembly - 18-625 NHS Foam-Filled Sand	B
		Ref	Note: Assemblies may require ballast/foam filling to manufacturer's specifications prior to installing on a machine. Refer to Operation and Safety or Service and Maintenance Manuals.	
		Ref	Purchase individual tire and/or rim only if able to foam fill tire and wheel assembly, otherwise, purchase complete assembly.	
2	4520256	1	Tire 18-625 Non-Marking	
3	4641122	1	Valve, Air	
4	1001209982	1	Rim, Wheel - 22.5 x 14	

SECTION 1 - FRAME

FIGURE 1-11. LP TANK BRACKETS INSTALLATIONS



ART_1001151010_E

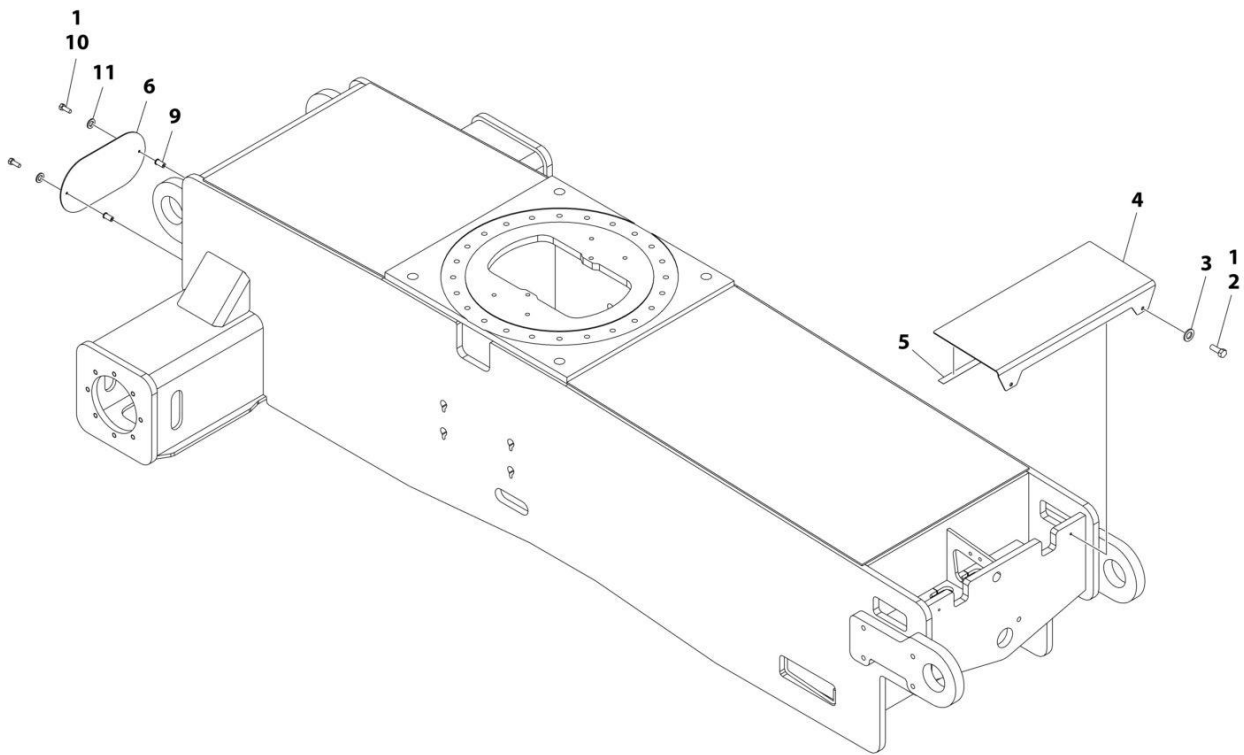
SECTION 1 - FRAME

FIGURE 1-11. LP TANK BRACKETS INSTALLATIONS

ITEM	PART NUMBER	QTY	DESCRIPTION	REV
	1001151010	Ref	LP TANK BRACKETS INSTALLATION	E
1	1320220	2	Clamp	
1	1320127	2	Clamp, Toggle (1 Per Clamp)	
2	2720144	2	Hose	
3	0100020	AR	Sealant, Pipe	
4	2221197	1	Fitting, Reducer	
5	1001247358	1	Fitting, 90 Swivel	
6	2220261	1	Fitting, Nipple	
7	2180388	1	Fitting, Bulkhead	
8	2180389	1	Valve, Relief	
9	2220418	1	Fitting, Tee	
10	2180387	2	Fitting, Straight	
11	0641617	8	Bolt 3/8 x 2-1/8	
12	4751600	16	Washer 3/8	
13	2180418	2	Fitting, Connector	
14	3311605	8	Nut 3/8	
15	1320218	2	Clamp, Spring	
16	0720804	2	Screw #8 x 1/2	
17	4750800	4	Washer #8	
18	3310805	2	Nut #8	
19	0181949	2	Angle, Support	
20	2221024	2	Fitting, Union Ball Check	
100	4400275	1	Tank, LP - 43.5 Lbs. (Aluminum)	
100	4400420	1	Tank, LP - 43.5 Lbs. (Steel)	

SECTION 1 - FRAME

FIGURE 1-12. FRAME SHIELDS INSTALLATION - 2WS



ART_1001158203

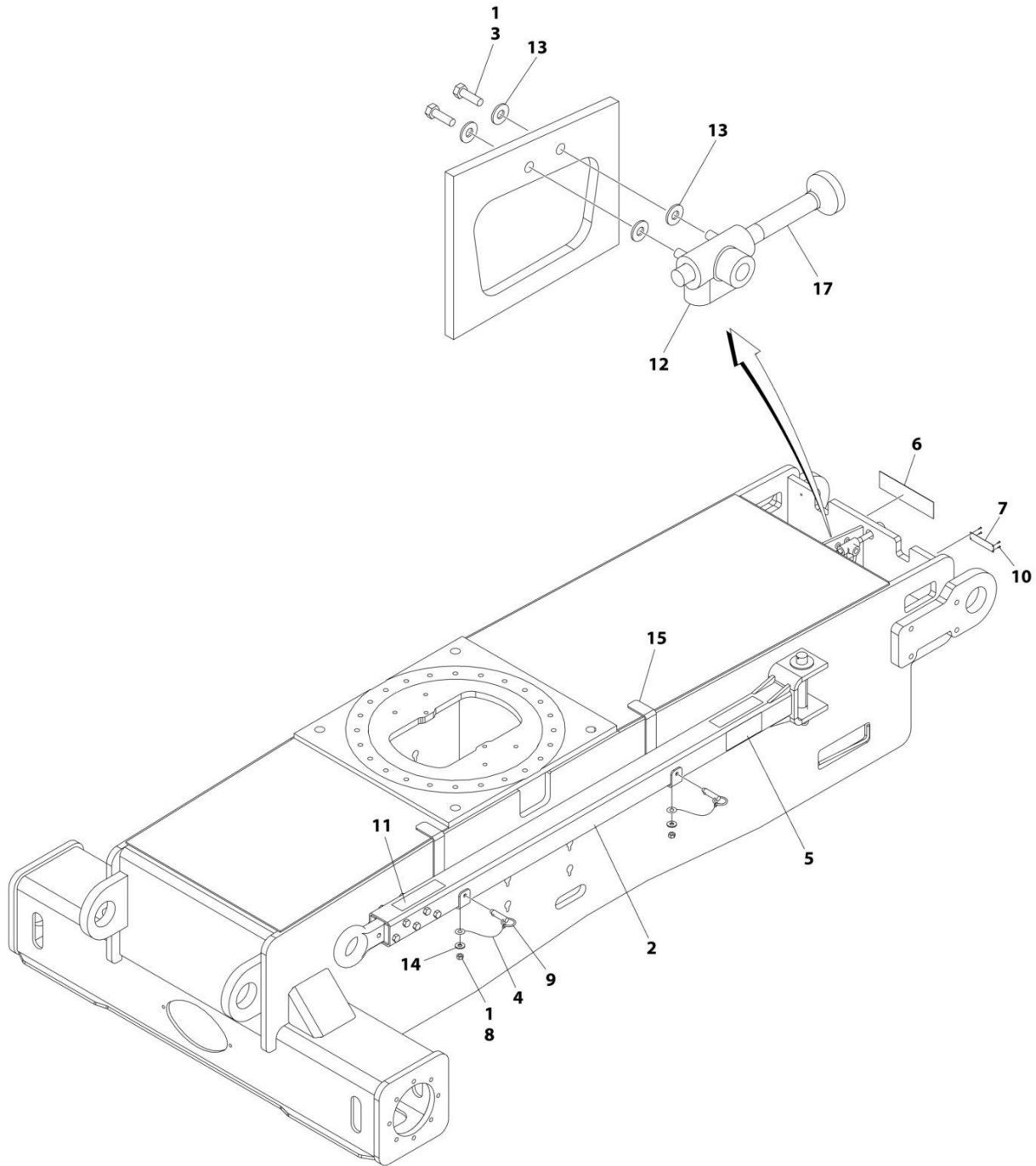
SECTION 1 - FRAME

FIGURE 1-12. FRAME SHIELDS INSTALLATION - 2WS

ITEM	PART NUMBER	QTY	DESCRIPTION	REV
	1001158203	Ref	FRAME SHIELDS INSTALLATION	D
1	0100011	AR	Compound, Locking	
2	0641606	2	Bolt 3/8 x 3/4	
3	4751600	2	Washer 3/8	
4	1001158187	1	Cover	
5	4280296	27 in/ 68cm	Trim	
6	1001158188	1	Cover	
9	8580420	2	Nut, Well	
10	0641410	2	Bolt 1/4 x 1-1/4	
11	4751400	2	Washer 1/4	

SECTION 1 - FRAME

FIGURE 1-13. TOW PACKAGE INSTALLATION - 2WS (ENGLISH LANGUAGE DECALS)



ART_1001158258

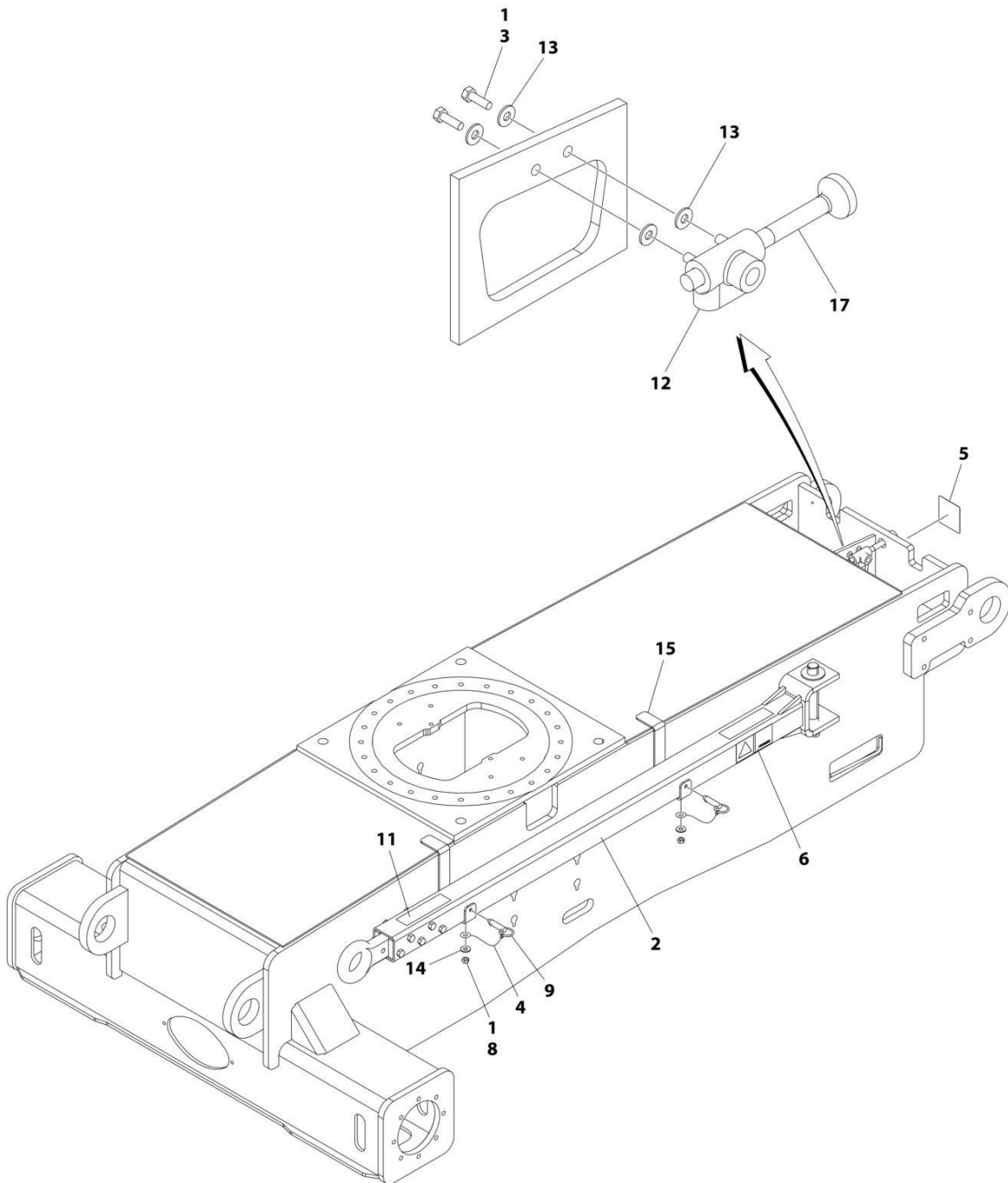
SECTION 1 - FRAME

FIGURE 1-13. TOW PACKAGE INSTALLATION - 2WS (ENGLISH LANGUAGE DECALS)

ITEM	PART NUMBER	QTY	DESCRIPTION	REV
	1001158258	Ref	TOW PACKAGE INSTALLATION	B
1	0100011	AR	Compound, Locking	
2	0232121	1	Tow Bar Assembly (See Separate Breakdown in this Section)	
3	0641508	2	Bolt 5/16 x 1	
4	1260017	2 ft/0.3m	Chain	
5	1704578	2	Decal - Crushing	
6	1705090	1	Decal - Towing Instructions	
7	3250872	1	Nameplate - Steer/Tow Valve	
8	3311401	2	Nut 1/4	
9	3420292	2	Pin	
10	3820001	4	Rivet, Pop	
11	4420051	2 ft/0.3m	Tape	
12	4640261	1	Valve, Float Position	
13	4751500	4	Washer 5/16	
14	4751400	2	Washer 1/4	
15	1001158522	2	Bracket	
17	1001160780	1	Rod, Extension	

SECTION 1 - FRAME

FIGURE 1-14. TOW PACKAGE INSTALLATION - 2WS (CE SPECS)



ART_1001166806

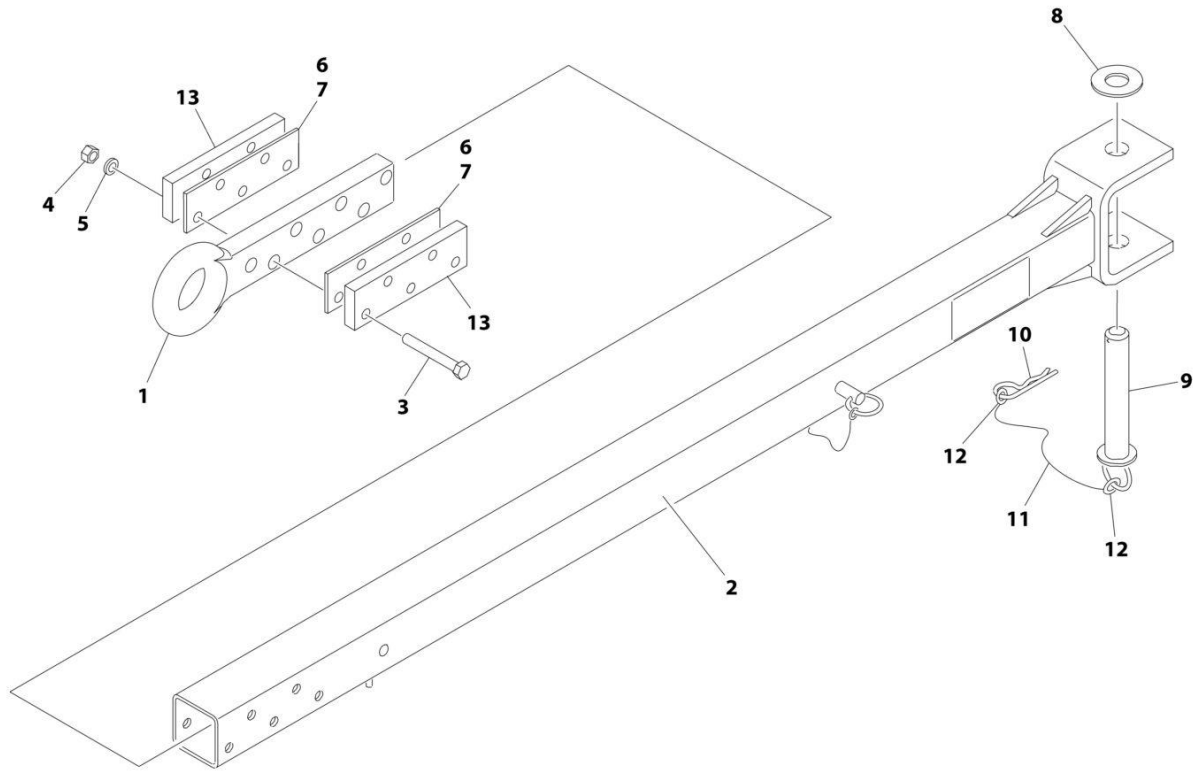
SECTION 1 - FRAME

FIGURE 1-14. TOW PACKAGE INSTALLATION - 2WS (CE SPECS)

ITEM	PART NUMBER	QTY	DESCRIPTION	REV
	1001166806	Ref	TOW BAR INSTALLATION	B
1	0100011	AR	Compound, Locking	
2	0232121	1	Tow Bar Assembly (See Separate Breakdown in this Section)	
3	0641508	2	Bolt 5/16 x 1	
4	1260017	2 ft/0.3m	Chain	
5	1706957	1	Decal - Tow Bar and Steer Select	
6	1706960	2	Decal - Crushing	
7	2792700	1	Hydraulic Diagram, Tow Bar Circuit (Not Shown)	
8	3311401	2	Nut 1/4	
9	3420292	2	Pin	
11	4420051	2 ft/0.3m	Tape	
12	4640261	1	Valve, Float Position	
13	4751500	AR	Washer 5/16	
14	4751400	2	Washer 1/4	
15	1001158522	1	Bracket	
17	1001160780	1	Rod, Extension	

SECTION 1 - FRAME

FIGURE 1-15. TOW BAR ASSEMBLY



ART_232121

SECTION 1 - FRAME

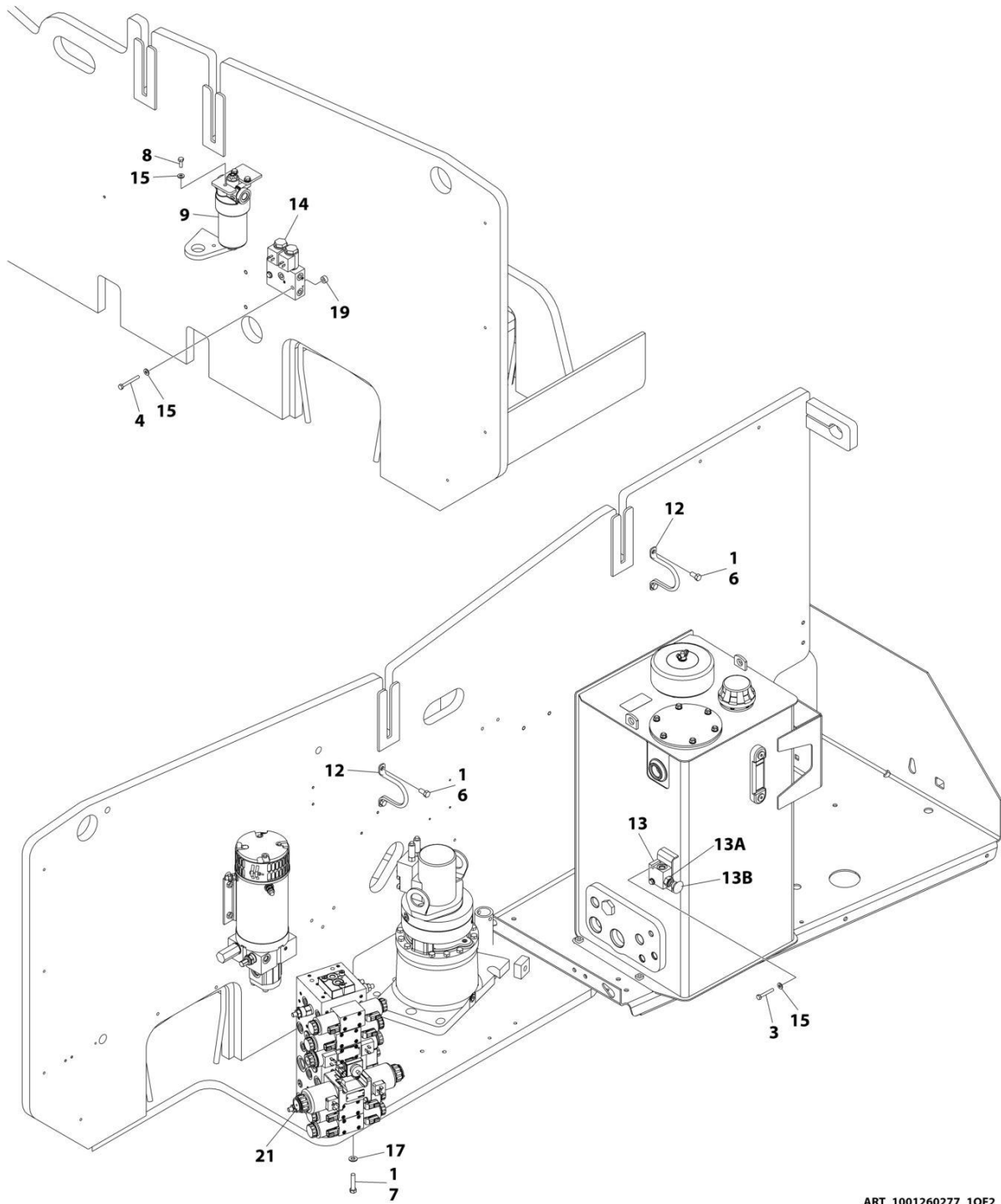
FIGURE 1-15. TOW BAR ASSEMBLY

ITEM	PART NUMBER	QTY	DESCRIPTION	REV
	0232121	Ref	TOW BAR ASSEMBLY	7-G
1	0360406	1	Bar, Draw	
2	4843777	1	Bar, Tow	
3	0642038	5	Bolt 5/8 x 4-3/4	
4	3312001	5	Nut 5/8	
5	4762000	5	Washer 5/8	
6	4070450	AR	Shim	
7	4070561	AR	Shim	
8	4740036	1	Washer 1-1/2	
9	3420447	1	Pin	
10	3420372	1	Pin	
11	1260135	1	Chain	
12	3760170	2	Ring	
13	4070560	2	Shim	

SECTION 2 - TURNTABLE

SECTION 2 - TURNTABLE

FIGURE 2-1. CONTROL VALVES INSTALLATION - WITH 2WS



ART_1001260277_10F2

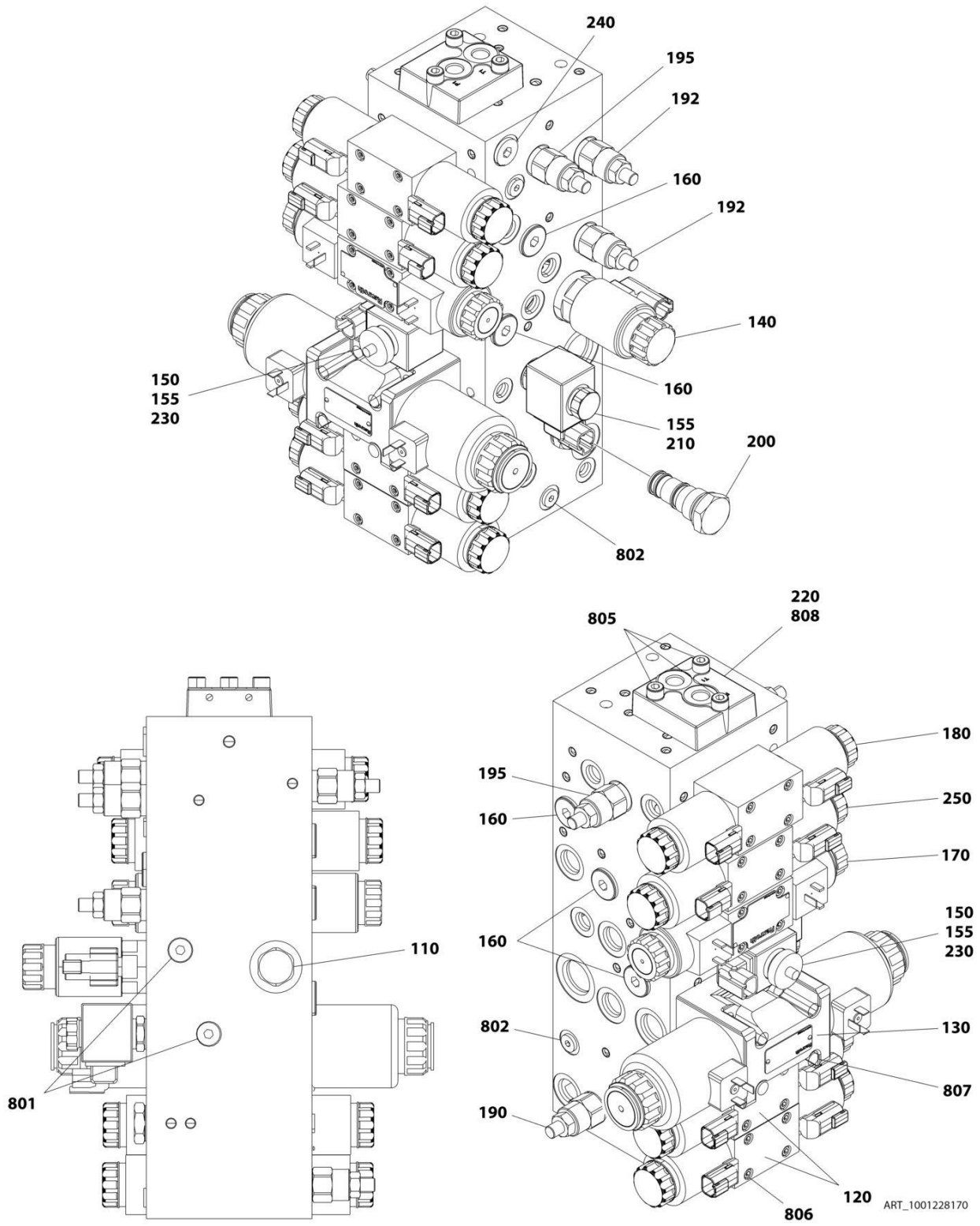
SECTION 2 - TURNTABLE

FIGURE 2-1. CONTROL VALVES INSTALLATION - WITH 2WS

ITEM	PART NUMBER	QTY	DESCRIPTION	REV
	1001260277	Ref	BOOM VALVES INSTALLATION	A
1	0100011	AR	Compound, Locking	
3	0641414	2	Bolt 1/4 x 1-3/4	
4	0641418	4	Bolt 1/4 x 2-1/4	
6	0641606	4	Bolt 3/8 x 3/4	
7	0641614	3	Bolt 3/8 x 1-3/4	
8	0651406	3	Bolt 1/4 x 3/4	
9	2120209	1	Pressure Filter Assembly	
9	2120210	1	Element, Filter	
12	3841340	2	Loop, Hose	
13	4640866	1	Level Valve Assembly	
13A	7017466	1	Cartridge	
13A	2900708	1	Seal Kit	
13B	7012959	1	Knob	
14	4641317	1	Brake/2 Speed Valve Assembly	
14	7012944	1	Coil	
14	7012941	1	Cartridge without Coil	
14	7010543	1	Seal Kit- 7012941 Cartridge (1 Per Cartridge)	
15	4711400	11	Washer 1/4	
17	4711600	3	Washer 3/8	
19	1001110425	2	Spacer	
21	1001228170	1	Main Valve Assembly (See Separate Breakdown in this Section)	

SECTION 2 - TURNTABLE

FIGURE 2-2. CONTROL VALVE ASSEMBLY - 2WS MACHINES



SECTION 2 - TURNTABLE

FIGURE 2-2. CONTROL VALVE ASSEMBLY - 2WS MACHINES

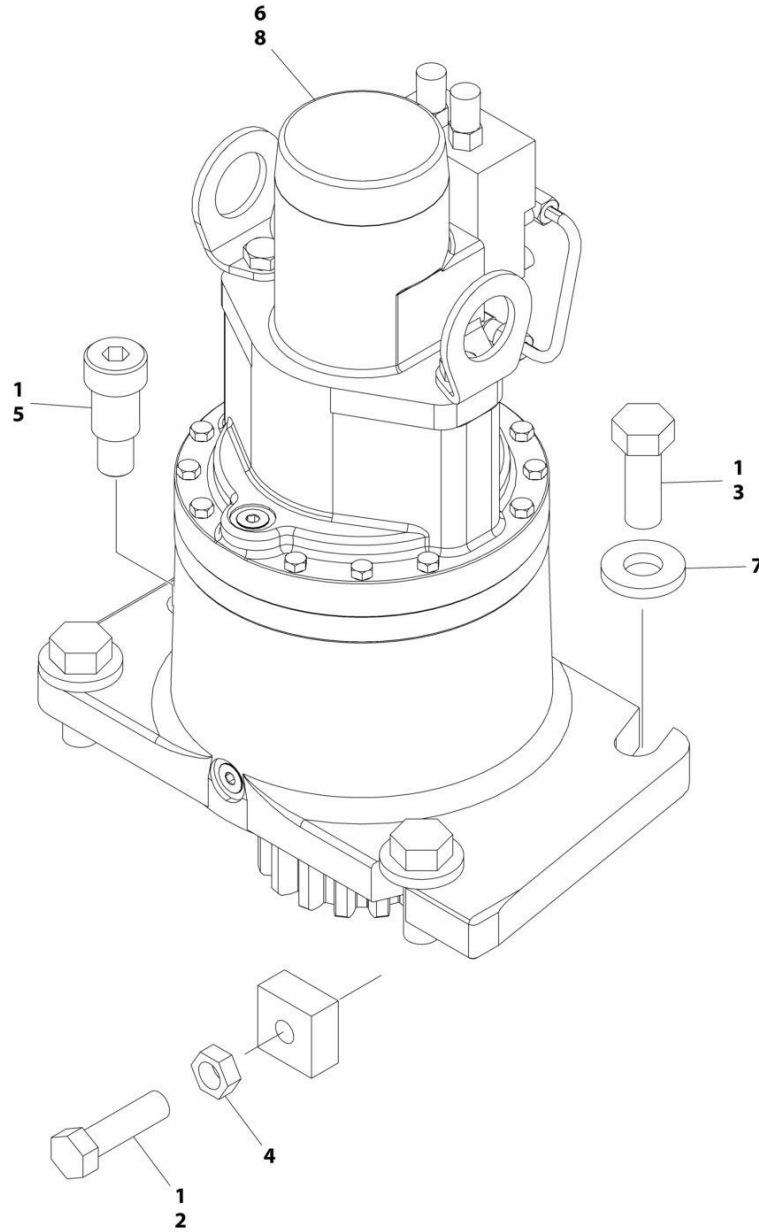
ITEM	PART NUMBER	QTY	DESCRIPTION	REV
	1001228170	Ref	MAIN VALVE ASSEMBLY	C
110	70005194	1	Valve, Check Cartridge	
110	70004584	1	Seal Kit - 70005194 Valve	
120	70004459	2	Valve Assembly (Tower Tele and Tower Lift)	
120	7012773	2	Seal Kit - 70004459 Valve	
120	70004460	4	Coil	
120	7021375	4	Nut, Coil	
120	70004461	4	O-Ring, Pole Tube	
130	70006955	1	Valve Assembly (Upper Tele)	
130	70006957	1	Seal Kit - 70006955 Valve	
130	70006956	2	Coil	
140	70004657	1	Valve, Cartridge (Flow Control)	
140	70004594	1	Seal Kit - 70004657 Valve	
140	70004595	1	Coil	
140	70004596	1	O-Ring, Pole Tube	
140	70004597	1	Nut, Coil	
150	70004598	1	Valve, Cartridge Less Coil (Steer Dump)	
150	70004055	1	Seal Kit - 70004598 Valve	
155	70004653	2	Coil	
155	70004051	2	Nut, Coil	
160	70023859	5	Valve, Shuffle Cartridge	
160	70023860	5	Seal Kit - 70023859 Valve	
170	7018992	1	Valve Assembly (Upper Lift)	
170	7024021	1	Seal Kit - 7018992 Valve	
170	7018991	2	Coil	
170	7021375	2	Nut, Coil	
170	70004461	2	O-Ring, Pole Tube	
180	70005195	1	Valve Assembly (Front Steer)	
180	7012773	1	Seal Kit - 70005195 Valve	
180	70004463	2	Coil	
180	7021375	2	Nut, Coil	
180	70004461	2	O-Ring, Pole Tube	
190	70003019	1	Valve, Relief Catridge (was PN 70006959)	
190	See Note	NSS	Seal Kit - Valve (Note: Not Available for Purchase)	
192	70003019	1	Valve, Relief Catridge (was PN 70006960)	
192	See Note	NSS	Seal Kit - Valve (Note: Not Available for Purchase)	
195	70003019	1	Valve, Relief Catridge (was PN 70006958)	
195	See Note	NSS	Seal Kit - Valve (Note: Not Available for Purchase)	
200	70004665	1	Valve, Check - Catridge	
200	70023862	1	Seal Kit - 70004665 Valve	
210	70004457	1	Valve, Cartridge Less Coil (Main Dump)	
210	70004050	1	Seal Kit - 70004665 Valve	
210	70004653	1	Coil	
220	70004667	1	Cover	
230	70005196	1	Orifice .118	
240	70005197	1	Plug (2WS)	
240	70004052	1	Seal Kit - 70005197 Plug	
250	70005198	1	Valve Assembly (Swing)	
250	70006961	1	Seal Kit - 70005198 Valve	
250	70004463	2	Coil	

SECTION 2 - TURNTABLE

ITEM	PART NUMBER	QTY	DESCRIPTION	REV
250	7021375	2	Nut, Coil	
250	70004461	2	O-Ring, Pole Tube	
801	70005199	2	Plug	
802	70005200	4	Plug	
805	70005201	3	Capscrew	
806	7018942	20	Capscrew	
807	7018951	4	Capscrew	
808	70005202	2	O-Ring	

SECTION 2 - TURNTABLE

FIGURE 2-3. SWING DRIVE INSTALLATION



ART_1001156136_B

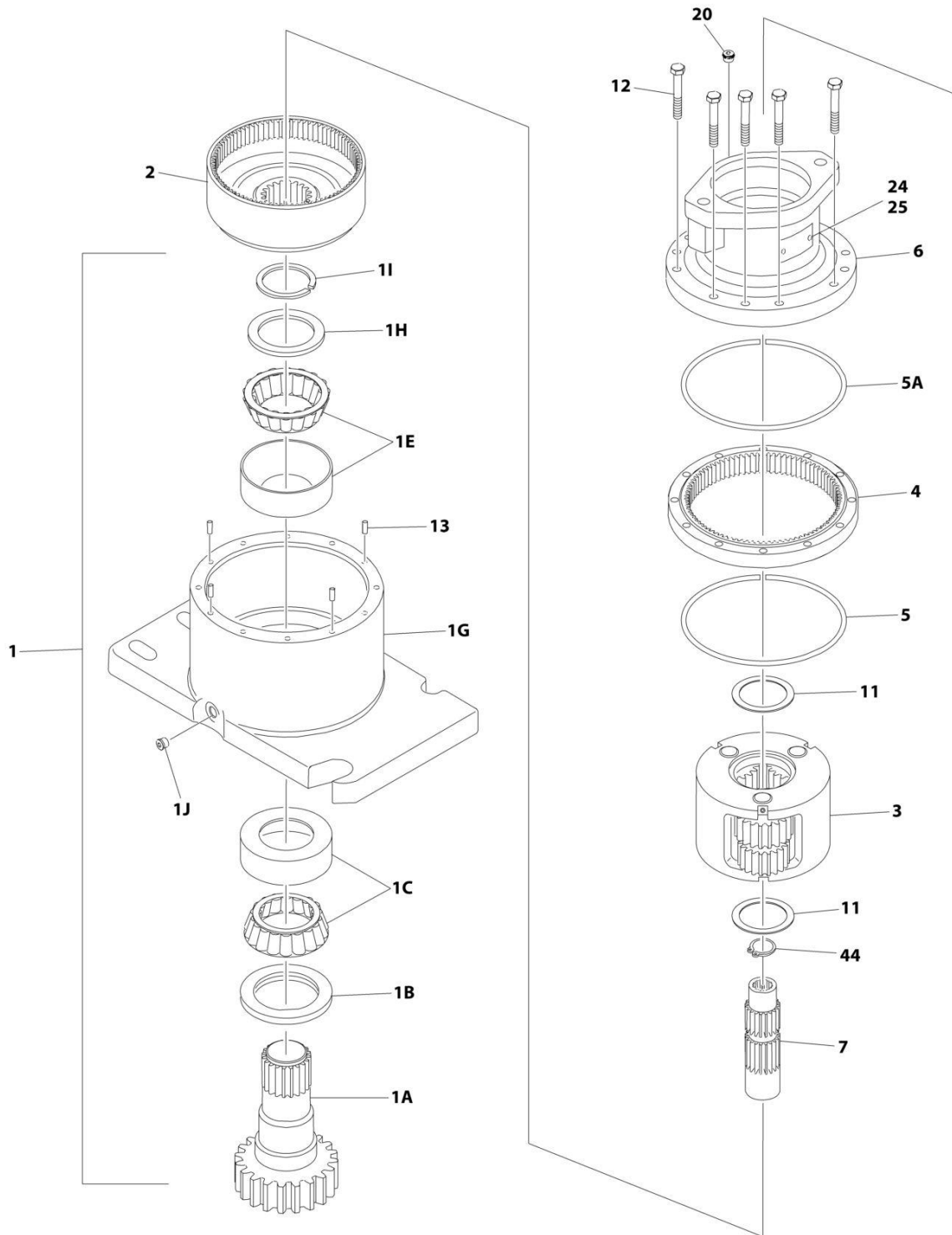
SECTION 2 - TURNTABLE

FIGURE 2-3. SWING DRIVE INSTALLATION

ITEM	PART NUMBER	QTY	DESCRIPTION	REV
	1001156136	Ref	SWING DRIVE INSTALLATION	B
1	0100019	AR	Compound, Locking	
2	3952020	1	Setscrew 5/8 x 2-1/2	
3	0682216	4	Bolt 3/4 x 2 Grade 8	
4	3312002	1	Nut 5/8	
5	3900293	1	Screw 1 x 1-1/4	
6	1001125492	1	Shim	
7	4740057	4	Washer	
8	1001229810	1	Swing Motor/Hub Assembly (See Separate Breakdown in this Section)	

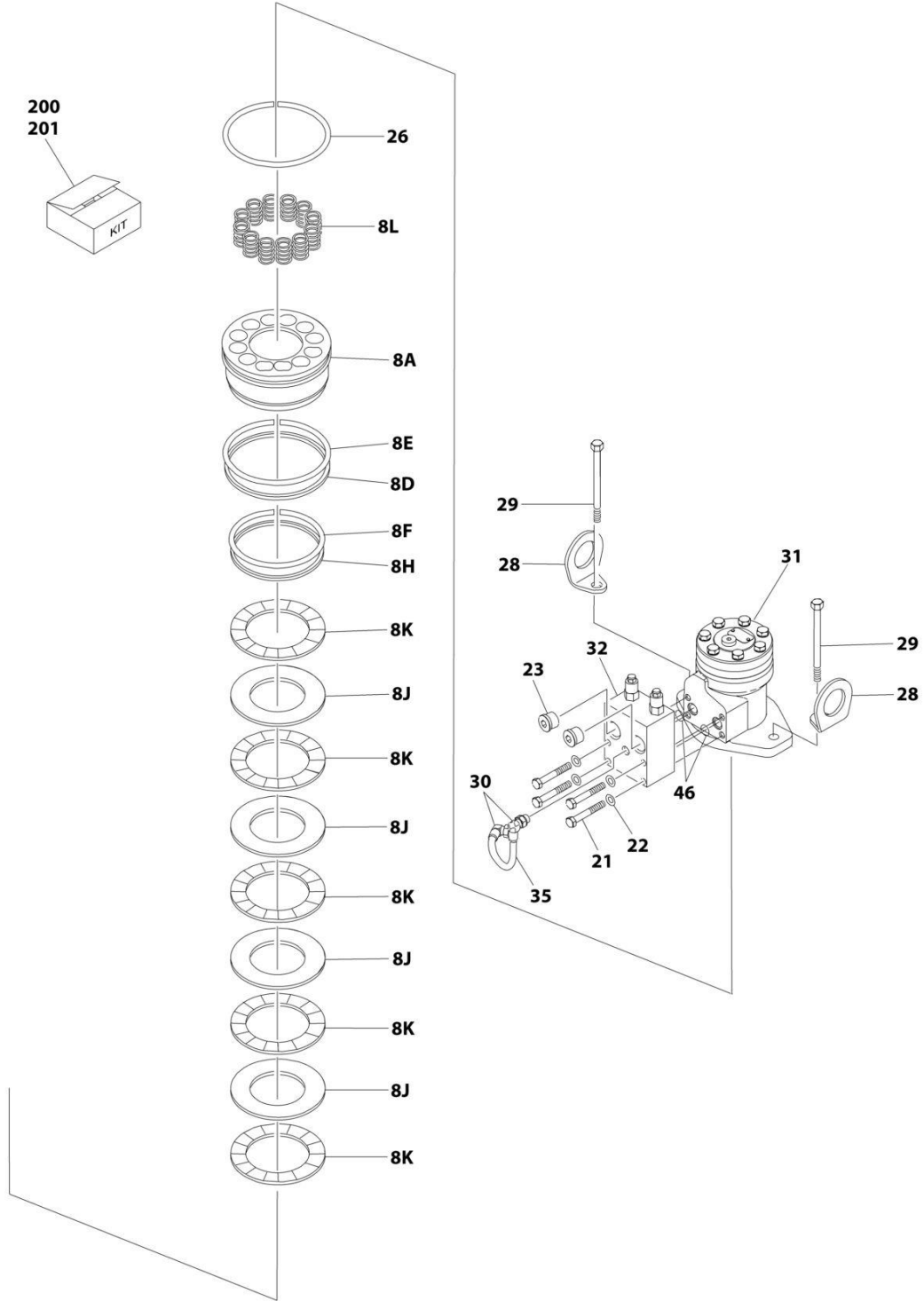
SECTION 2 - TURNTABLE

FIGURE 2-4. SWING MOTOR/HUB ASSEMBLY



ART_1001229810_10F2

SECTION 2 - TURNTABLE



ART_1001229810_20F2

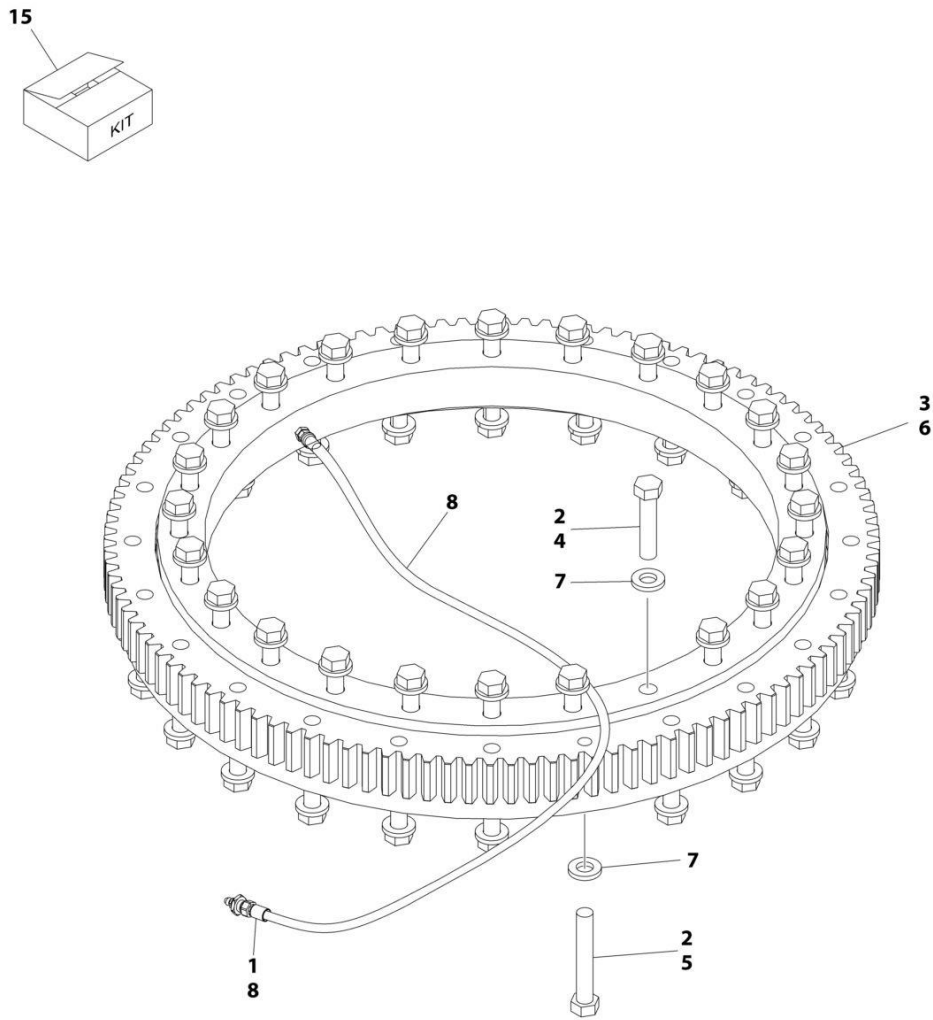
SECTION 2 - TURNTABLE

FIGURE 2-4. SWING MOTOR/HUB ASSEMBLY

ITEM	PART NUMBER	QTY	DESCRIPTION	REV
	1001229810	Ref	SWING MOTOR/HUB ASSEMBLY	C
1	See Note	1	Housing/Shaft Assembly (Note: Not Available - Purchase Individual Components)	
1A	7010492	1	Shaft, Output	
1B	7000228	1	Seal, Lip	
1C	7000255	1	Bearing Kit (Includes Cup and Cone)	
1E	7000257	1	Bearing Kit (Includes Cup and Cone)	
1G	7024762	1	Housing	
1H	7007633	1	Washer, Thrust	
1I	7000229	1	Ring, Retaining	
1J	7017072	1	Plug, Pipe	
2	7000246	1	Gear, Internal	
3	7000247	1	Carrier Assembly	
4	7000248	1	Gear, Ring	
5	7000230	1	O-Ring	
5A	7017070	1	O-Ring	
6	1001229810	NSS	Housing, Brake (Note: Not Available - Purchase Complete Assembly)	
7	70005203	1	Gear, Sun	
8A	70004037	1	Piston	
8D	70004041	1	O-Ring	
8E	70004044	1	Ring, Back-up	
8F	70004042	1	O-Ring	
8H	70004043	1	Ring, Back-up	
8J	70002085	4	Disc, Rotor	
8K	70002085	5	Disc, Stator	
8L	70002066	14	Spring	
11	7000253	2	Washer, Thrust	
12	7000217	12	Bolt 3/8 x 2-1/4 Grade 8	
13	7017080	4	Pin, Dowel	
20	7017072	1	Plug, Pipe	
21	7024704	4	Bolt 5/16 x 2 Grade 8	
22	70004045	4	Washer	
23	7017023	2	Plug, Pipe	
24	See Note	NSS	Plate, ID (Note: Not Available for Purchase)	
25	See Note	NSS	Rivet (Note: Not Available for Purchase)	
26	7024763	1	O-Ring	
28	See Note	NSS	Lug, Lifting (Note: Not Available for Purchase)	
29	70004040	2	Bolt 1/2 x 1 (Grade 8)	
30	7017085	2	Elbow	
31	70006304	1	Motor Assembly	
32	7024784	1	Valve Assembly - Complete (No Serviceable Parts)	
35	70004047	1	Tube	
44	7017028	1	Ring, Internal Retaining	
45	7000213	2	O-Ring	
		Ref	KIT OPTIONS:	
200	7024100	1	Seal Kit - Swing Hub (Includes Items 1B, 1I, 5, 5A & 11)	
201	70002085	1	Disc Kit - Swing Brake (Includes Items 8J & 8K)	

SECTION 2 - TURNTABLE

FIGURE 2-5. TURNTABLE BEARING INSTALLATION



ART_1001157049

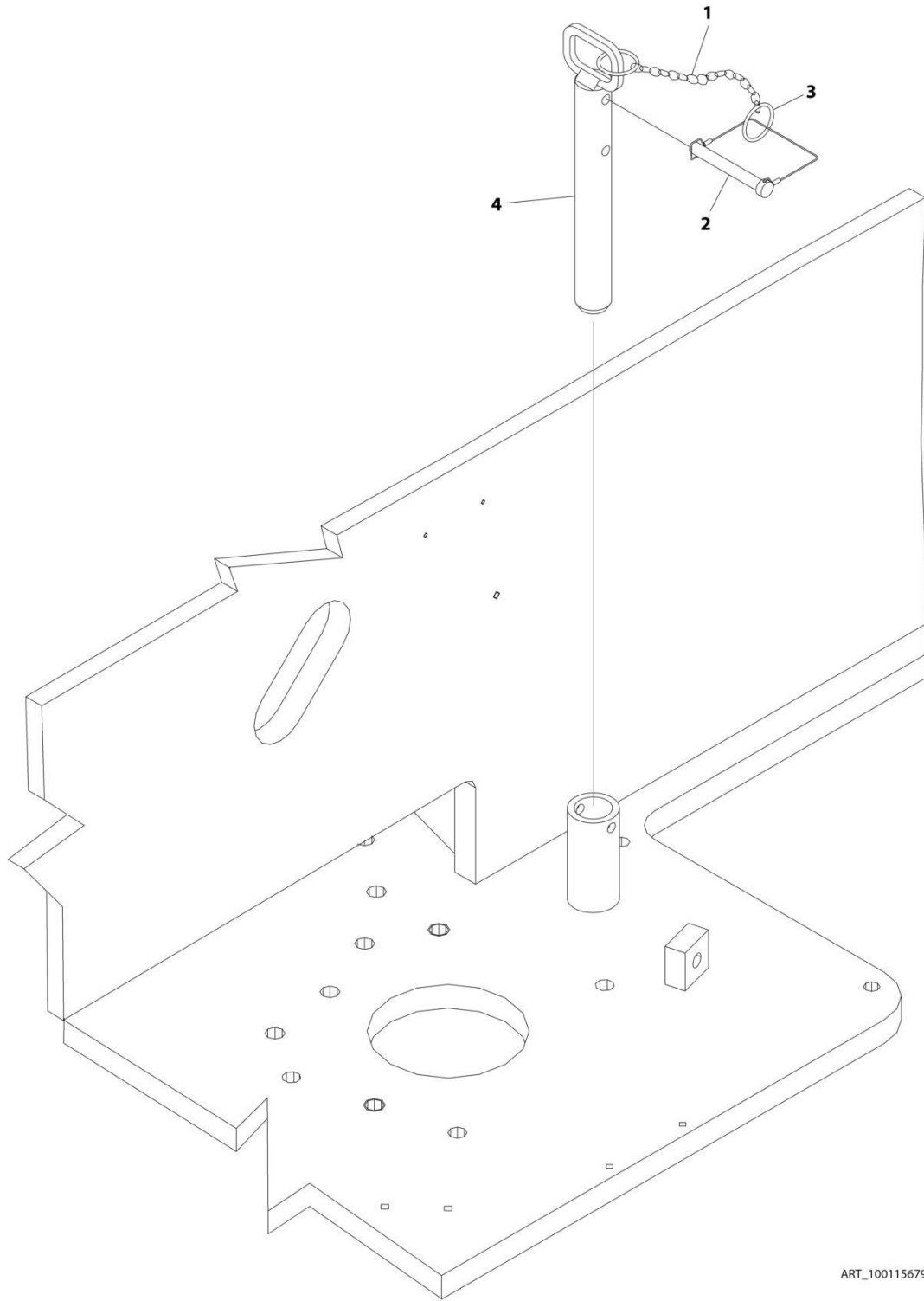
SECTION 2 - TURNTABLE

FIGURE 2-5. TURNTABLE BEARING INSTALLATION

ITEM	PART NUMBER	QTY	DESCRIPTION	REV
	1001157049	Ref	TURNTABLE BEARING AND LUBE INSTALLATION	B
1	0100011	AR	Compound, Locking	
2	0100019	AR	Compound, Locking	
3	0440244	1	Bearing, Turntable	
4	0682023	24	Bolt 5/8 x 2-7/8 Grade 8	
5	0682032	24	Bolt 5/8 x 4 Grade 8	
6	3020029	AR	Lubricant	
7	4892000	48	Washer 5/8	
8	1001157058	1	Hose	
15	2915094	1	Turntable Bearing Kit	

SECTION 2 - TURNTABLE

FIGURE 2-6. TURNTABLE LOCK INSTALLATION



ART_1001156798

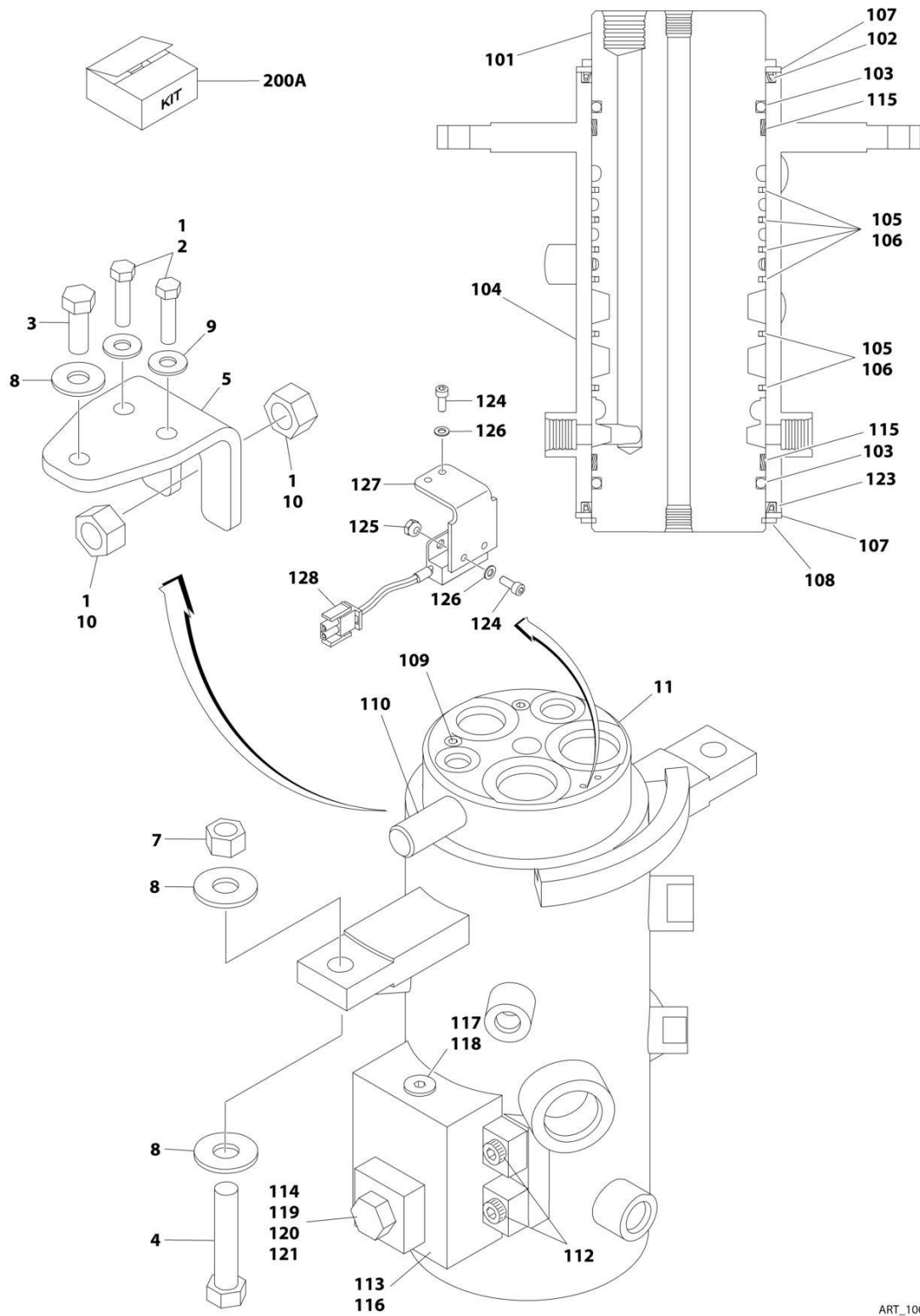
SECTION 2 - TURNTABLE

FIGURE 2-6. TURNTABLE LOCK INSTALLATION

ITEM	PART NUMBER	QTY	DESCRIPTION	REV
	1001156798	Ref	TURNTABLE LOCK INSTALLATION	A
1	1260017	9 in/23cm	Chain	
2	3421565	1	Pin, Snap	
3	3760170	2	Ring, Quick Release	
4	4844958	1	Pin	

SECTION 2 - TURNTABLE

FIGURE 2-7. ROTARY COUPLING INSTALLATION - 2WS MACHINES



ART_1001107529

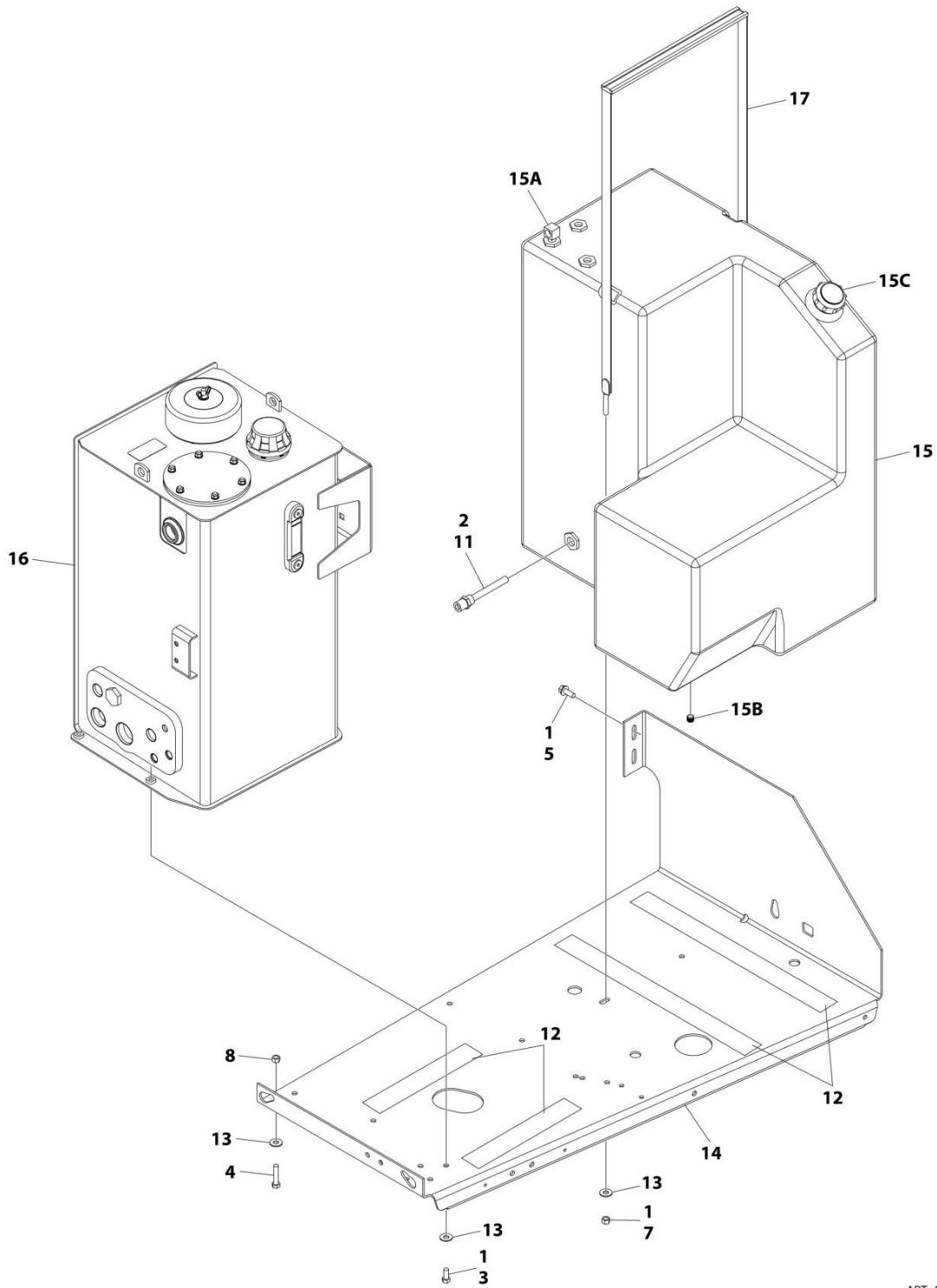
SECTION 2 - TURNTABLE

FIGURE 2-7. ROTARY COUPLING INSTALLATION - 2WS MACHINES

ITEM	PART NUMBER	QTY	DESCRIPTION	REV
	1001107529	Ref	ROTARY COUPLING INSTALLATION	B
1	0100011	AR	Compound, Locking	
2	0641611	2	Bolt 3/8 x 1-3/8	
3	0641812	1	Bolt 1/2 x 1-1/2	
4	0641820	2	Bolt 1/2 x 2-1/2	
5	0903242	1	Bracket	
7	3271805	2	Nut 1/2	
8	4751800	5	Washer 1/2	
9	4891600	2	Washer 3/8	
10	3322201	2	Nut 3/4	
11	1001106974	1	Coupling, Rotary Assembly (See Items 101-128 for Breakdown)	
	1001106974	Ref	ROTARY COUPLING ASSEMBLY	B
101	See Note	NSS	Body (Note: Not Available - Purchase Complete Assembly)	
102	See Note	NSS	Seal (Note: Use Item 200A)	
103	See Note	NSS	O-Ring (Note: Use Item 200A)	
104	See Note	NSS	Housing (Note: Not Available - Purchase Complete Assembly)	
105	See Note	NSS	Seal, Cap (Note: Use Item 200A)	
106	See Note	NSS	O-Ring (Note: Use Item 200A)	
107	7026503	2	Ring	
108	7026504	1	Ring, Retaining	
109	80934561	AR	Plug	
110	See Note	NSS	Lug, Torque (Note: Not Available for Purchase)	
112	7026197	4	Bolt 5/16 x 1-1/4	
113	See Note	NSS	O-Ring (Note: Use Item 200A)	
114	See Note	NSS	O-Ring (Note: Use Item 200A)	
115	See Note	NSS	Bearing (Note: Use Item 200A)	
116	7024404	1	Block Valve Assembly	
117	7026505	1	Plug	
118	7026506	1	Valve, Check	
119	7026507	1	Plug	
120	See Note	NSS	Plunger, Valve (Note: Use p/n 7024404)	
121	7026509	1	Spring, Compression	
123	See Note	NSS	Seal (Note: Use Item 200A)	
124	See Note	NSS	Capscrew #10 x 1/2 (Note: Not Available for Purchase)	
125	See Note	NSS	Nut #10 (Note: Not Available for Purchase)	
126	See Note	NSS	Flatwasher #10 (Note: Not Available for Purchase)	
127	70003454	1	Bracket, Switch Mounting	
128	4360517	1	Switch, Proximity	
200A	70001248	1	Seal Kit (Includes Items 102, 103, 105, 106, 113, 114, 115 & 123)	

SECTION 2 - TURNTABLE

FIGURE 2-8. TANK INSTALLATION - DIESEL MACHINE (FUEL TANK WITHOUT SIGHT GLASS)



ART_1001178174

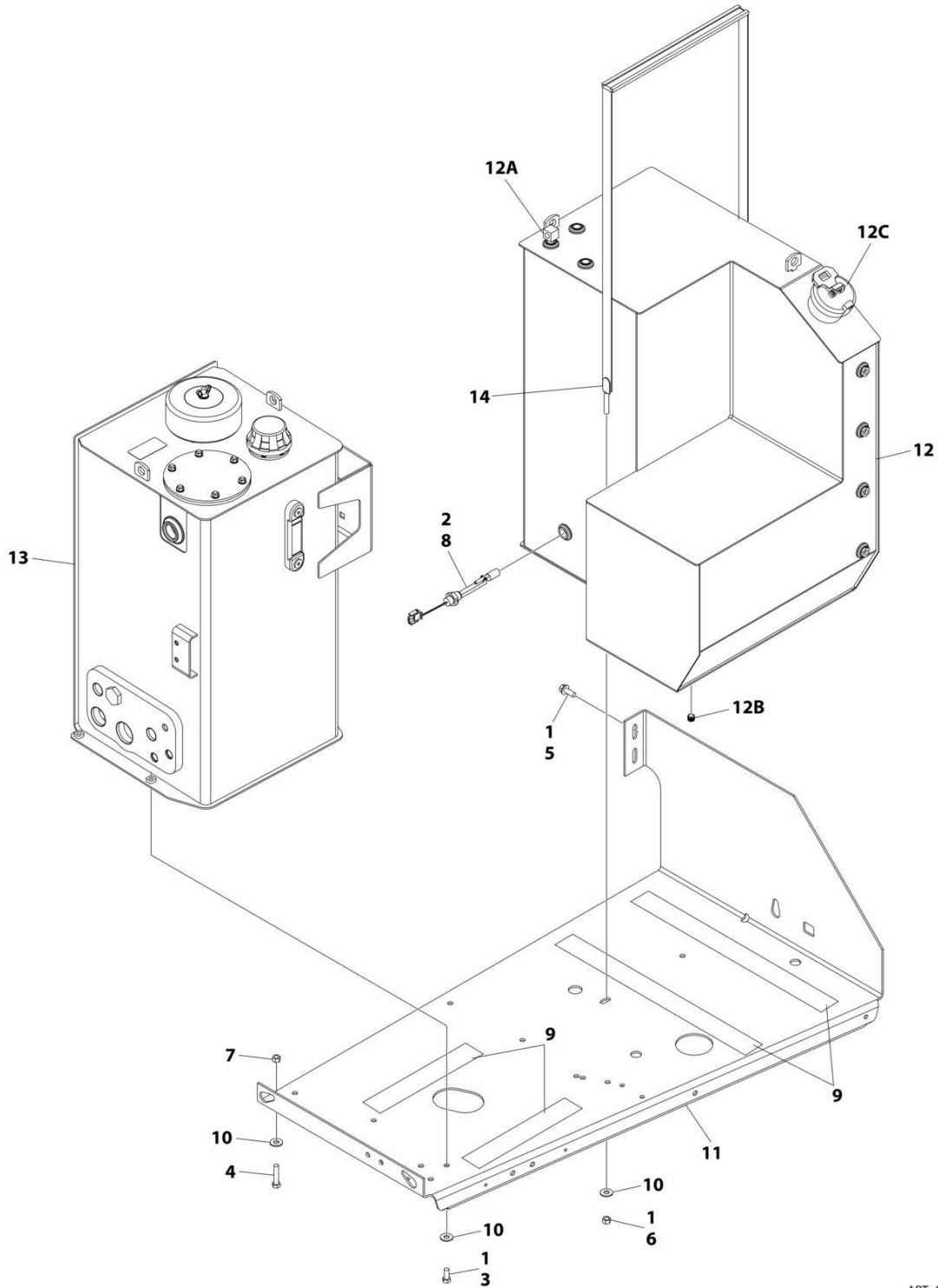
SECTION 2 - TURNTABLE

FIGURE 2-8. TANK INSTALLATION - DIESEL MACHINE (FUEL TANK WITHOUT SIGHT GLASS)

ITEM	PART NUMBER	QTY	DESCRIPTION	REV
	1001178174	Ref	TANK INSTALLATION	D
1	0100011	AR	Compound, Locking	
2	1001182997	AR	Adhesive	
3	0641607	4	Bolt 3/8 x 7/8	
4	0641614	2	Bolt 3/8 x 1-3/4	
5	0811608	2	Bolt 3/8 x 1	
7	3311601	2	Nut 3/8	
8	3311605	2	Nut 3/8	
11	4360436	1	Switch, Fuel Level	
12	4420038	73 in /1.85m	Tape, Rubber	
13	4751600	8	Washer 3/8	
14	1001156190	1	Tray	
15	1001173897	1	Tank, Fuel (Includes Non-Locking Cap) (Diesel Machines)	
15A	70004184	1	Fitting and Pick-up Tube (Diesel Machines)	
15B	2200222	1	Fitting (Diesel Machines Only)	
15B	0100020	AR	Sealant	
15C	7016314	1	Cap	
16	1001178057	1	Hydraulic Tank Assembly (See Separate Breakdown in this Section)	
17	1001231888	1	Strap Assembly (Includes Strap & Protective Strip)	
17	4240113	1	Strap, Tank	

SECTION 2 - TURNTABLE

FIGURE 2-9. TANK INSTALLATION - DIESEL MACHINE (FUEL TANK WITH SIGHT GLASS)



ART_1001250643

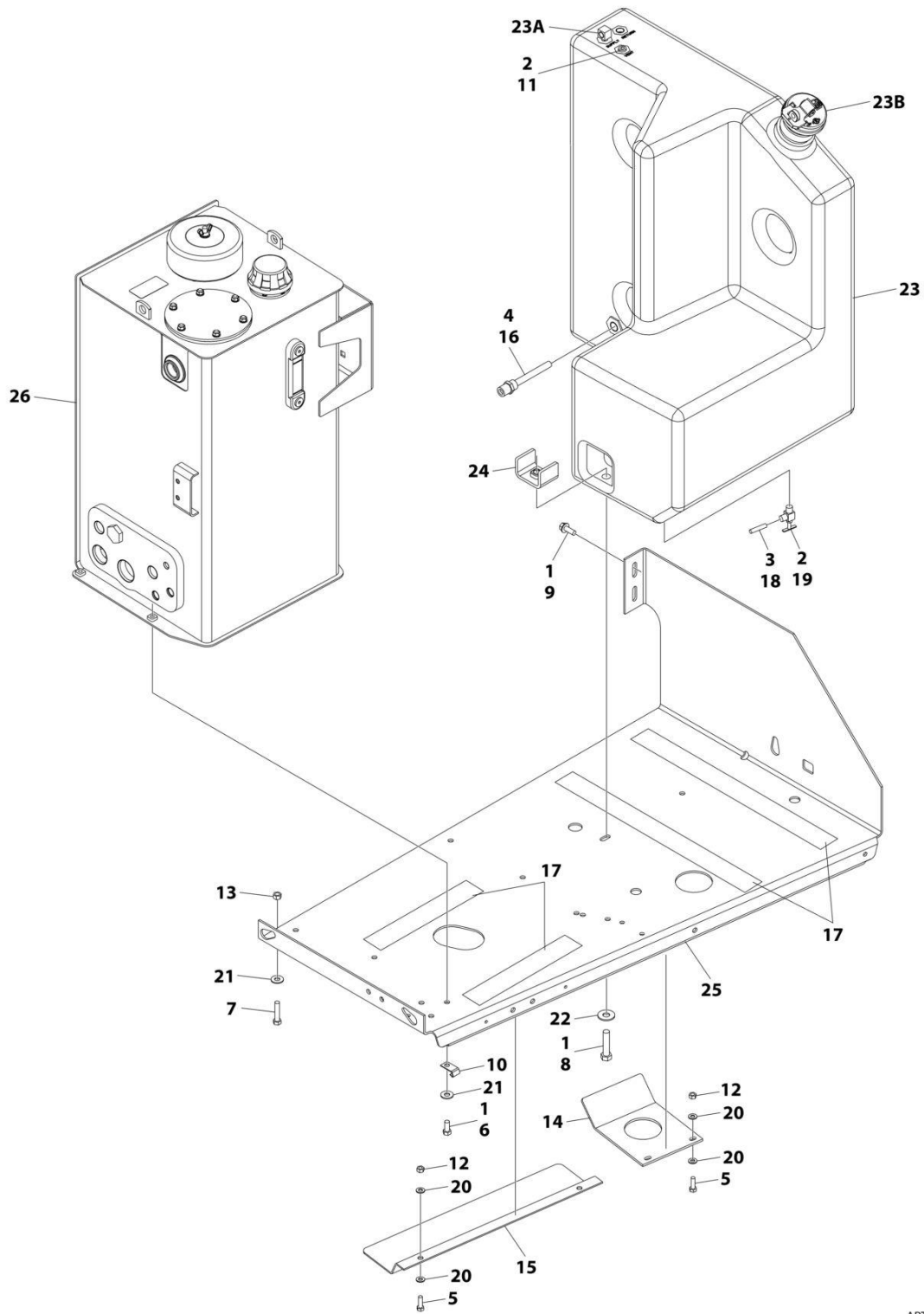
SECTION 2 - TURNTABLE

FIGURE 2-9. TANK INSTALLATION - DIESEL MACHINE (FUEL TANK WITH SIGHT GLASS)

ITEM	PART NUMBER	QTY	DESCRIPTION	REV
	1001250643	Ref	TANK INSTALLATION	A
1	0100011	AR	Compound, Locking	
2	1001182997	AR	Adhesive	
3	0641607	4	Bolt 3/8 x 7/8	
4	0641614	2	Bolt 3/8 x 1-3/4	
5	0811608	2	Bolt 3/8 x 1	
6	3311601	2	Nut 3/8	
7	3311605	2	Nut 3/8	
8	4360436	1	Switch, Fuel Level	
9	4420038	73 in /1.85m	Tape, Rubber	
10	4751600	8	Washer 3/8	
11	1001156190	1	Tray	
12	1001179040	1	Tank, Fuel (Includes Non-Locking Cap) (Diesel Machines)	
12A	70007508	1	Fitting and Pick-up Tube (Diesel Machines)	
12B	70002112	1	Fitting (Diesel Machines Only)	
12C	1001080707	1	Cap	
13	1001178057	1	Hydraulic Tank Assembly (See Separate Breakdown in this Section)	
14	1001231888	1	Strap Assembly (Includes Strap & Protective Strip)	
14	4240113	1	Strap, Tank	

SECTION 2 - TURNTABLE

FIGURE 2-10. TANK INSTALLATION - GAS ENGINES



ART_1001178175

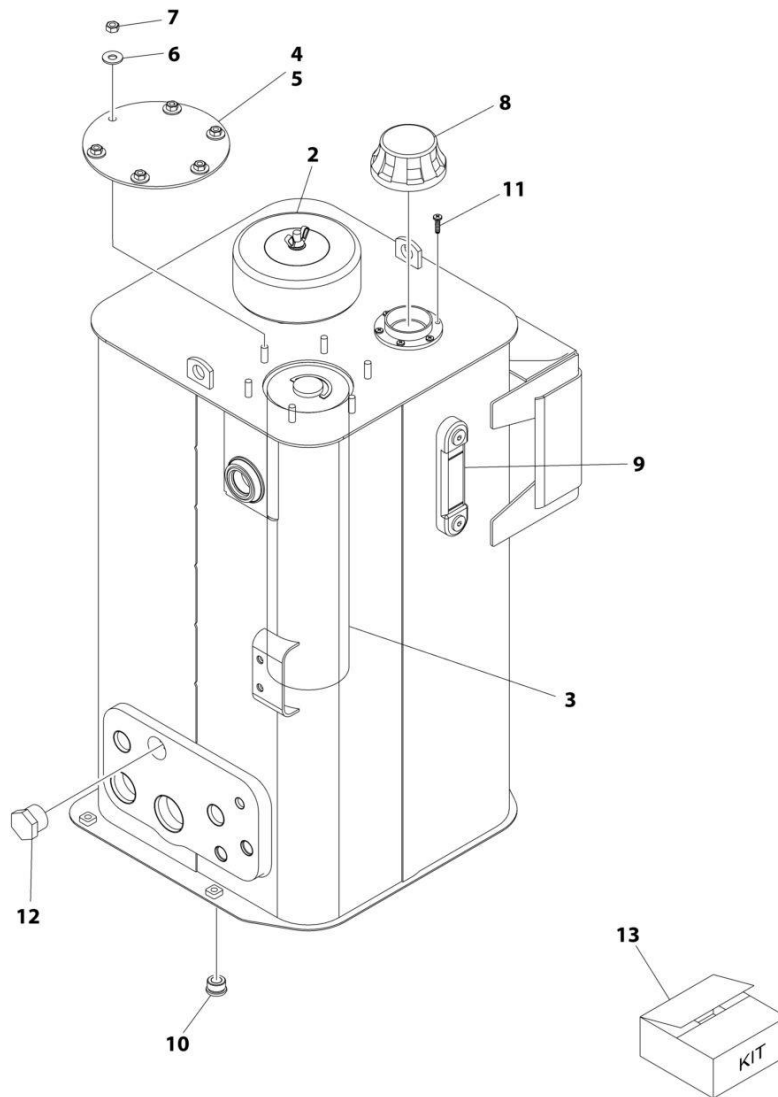
SECTION 2 - TURNTABLE

FIGURE 2-10. TANK INSTALLATION - GAS ENGINES

ITEM	PART NUMBER	QTY	DESCRIPTION	REV
	1001178175	Ref	TANK INSTALLATION	B
1	0100011	AR	Compound, Locking	
2	0100020	AR	Sealant, Pipe	
3	0100062	AR	Compound, Locking	
4	1001182997	AR	Adhesive	
5	0641508	4	Bolt 5/16 x 1	
6	0641607	4	Bolt 3/8 x 7/8	
7	0641614	2	Bolt 3/8 x 1-3/4	
8	0641818	2	Bolt 1/2 x 2-1/4	
9	0811608	2	Bolt 3/8 x 1	
10	1320223	1	Clamp	
11	2200233	1	Plug	
12	3311505	4	Nut 5/16	
13	3311605	2	Nut 3/8	
14	3572423	1	Plate, Valve Needle	
15	3576755	1	Cover, Fuel Pump	
16	4360436	1	Switch, Fuel Level	
17	4420038	45 in /1.14m	Tape, Rubber (Gas Machines)	
18	4568119	1	Tube, Fuel	
19	4641022	1	Valve, Needle	
20	4711500	8	Washer 5/16	
21	4751600	2	Washer 3/8	
22	4751800	2	Washer 1/2	
23	1001111514	1	Tank, Fuel (Includes Non-Locking Cap) (Gas Machines)	
23A	70004149	1	Fitting and Pick-up Tube (Gas Machines)	
23B	70002715	1	Cap	
23B	70002716	1	Adapter, Cap	
24	1001118133	2	Bracket	
25	1001156190	1	Tray	
26	1001178057	1	Hydraulic Tank Assembly (See Separate Breakdown in this Section)	

SECTION 2 - TURNTABLE

FIGURE 2-11. HYDRAULIC TANK ASSEMBLY



ART_1001178057

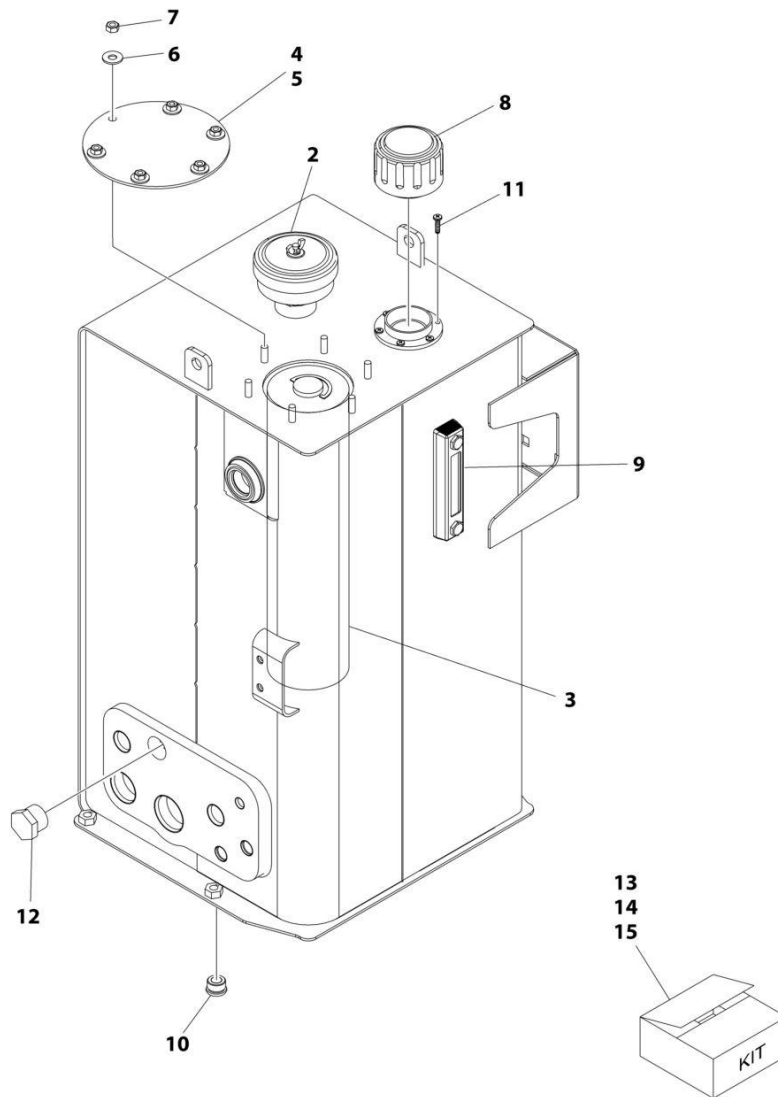
SECTION 2 - TURNTABLE

FIGURE 2-11. HYDRAULIC TANK ASSEMBLY

ITEM	PART NUMBER	QTY	DESCRIPTION	REV
	1001178057	Ref	HYDRAULIC TANK ASSEMBLY	D
2	70005708	1	Breather Assembly (Includes Breather, Element and Wingnut)	
2	See Note	NSS	Element, Breather (Note: Use p/n 70005708 or Item 13)	
3	See Note	NSS	Element, Hydraulic (Note: Use Item 13)	
4	70002839	1	Gasket	
5	See Note	NSS	Cover (Note: Not Available for Purchase)	
6	83304173	6	Washer 5/16	
7	70004199	6	Nut 5/16	
8	70002838	1	Cap, Fill	
9	7024441	1	Gauge, Level	
10	70002112	1	Plug	
11	70004795	6	Screw #10 x 3/4	
12	See Note	NSS	Plug (Note: Not Available - Purchase Locally)	
13	70002814	1	Hydraulic Tank Service Kit (Includes Items 2-4)	

SECTION 2 - TURNTABLE

FIGURE 2-12. HYDRAULIC TANK ASSEMBLY WITH LOCK



ART_1001267678

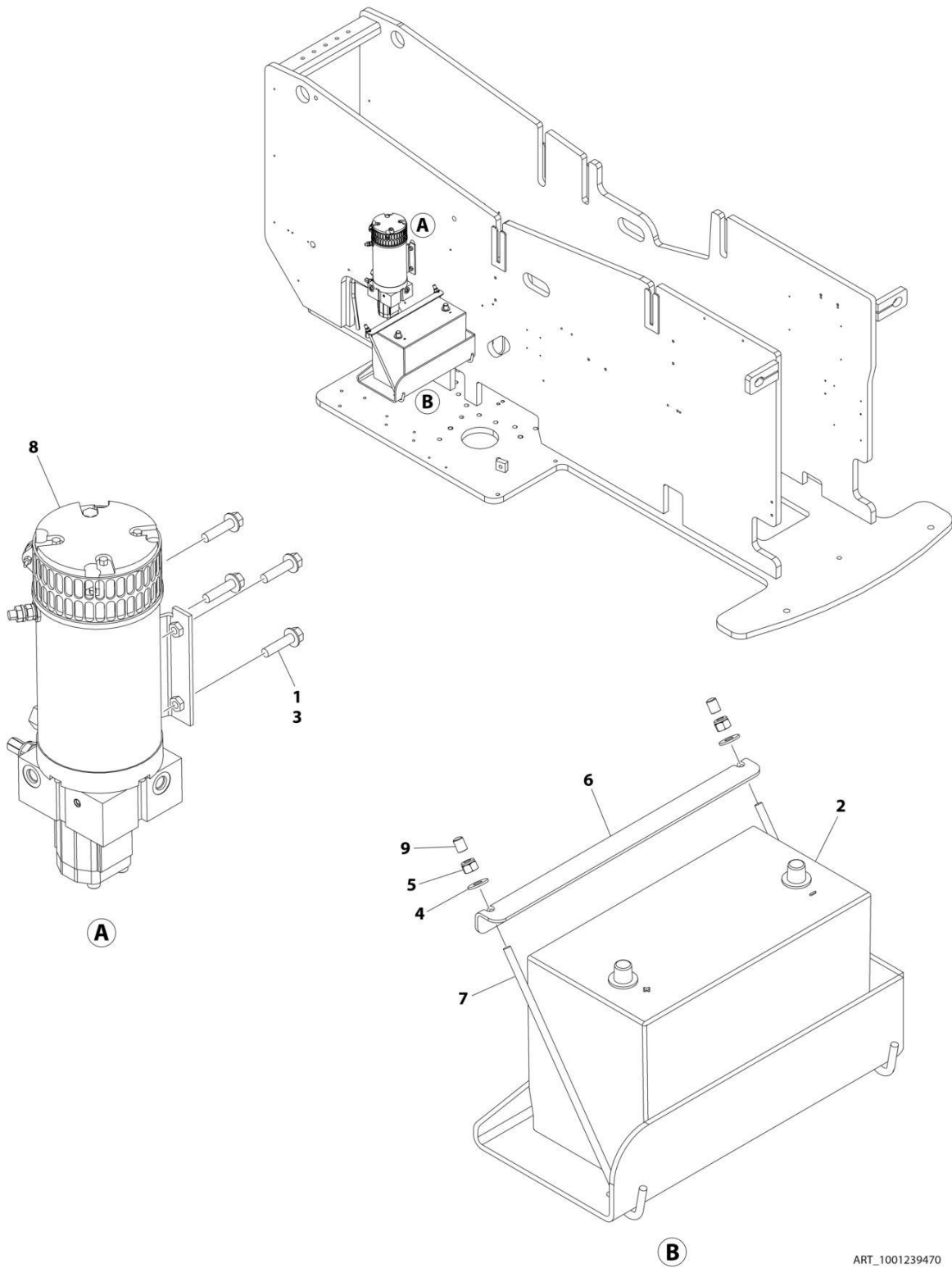
SECTION 2 - TURNTABLE

FIGURE 2-12. HYDRAULIC TANK ASSEMBLY WITH LOCK

ITEM	PART NUMBER	QTY	DESCRIPTION	REV
	1001267678	REF	HYDRAULIC TANK ASSEMBLY	A
1	See Note	NSS	Hydraulic Tank Weldment (Not Shown) (Note: Not Available for Purchase)	
2	See Note	NSS	Breather Assembly (Note: Use Item 13)	
3	See Note	NSS	Element, Filter (Note: Use Item Use Item 14)	
4	70002839	1	Gasket	
5	See Note	NSS	Cover (Note: Not Available for Purchase)	
6	83304173	6	Washer 1/4	
7	70004199	6	Nut 5/16	
8	70002838	1	Cap, Fill	
9	70024441	1	Gauge, Level	
10	70002112	1	Plug	
11	70004795	6	Screw 10 x 3/4	
12	See Note	NSS	Plug (Note: Not Available for Purchase)	
13	70007726	1	Breather Kit (Note: Includes Item 2)	
14	70007727	1	Return Filter Kit (Note: Includes Item 3)	
15	70007725	1	Level Gauge Kit	

SECTION 2 - TURNTABLE

FIGURE 2-13. AUXILIARY POWER INSTALLATION - WITHOUT BATTERY DISCONNECT



ART_1001239470

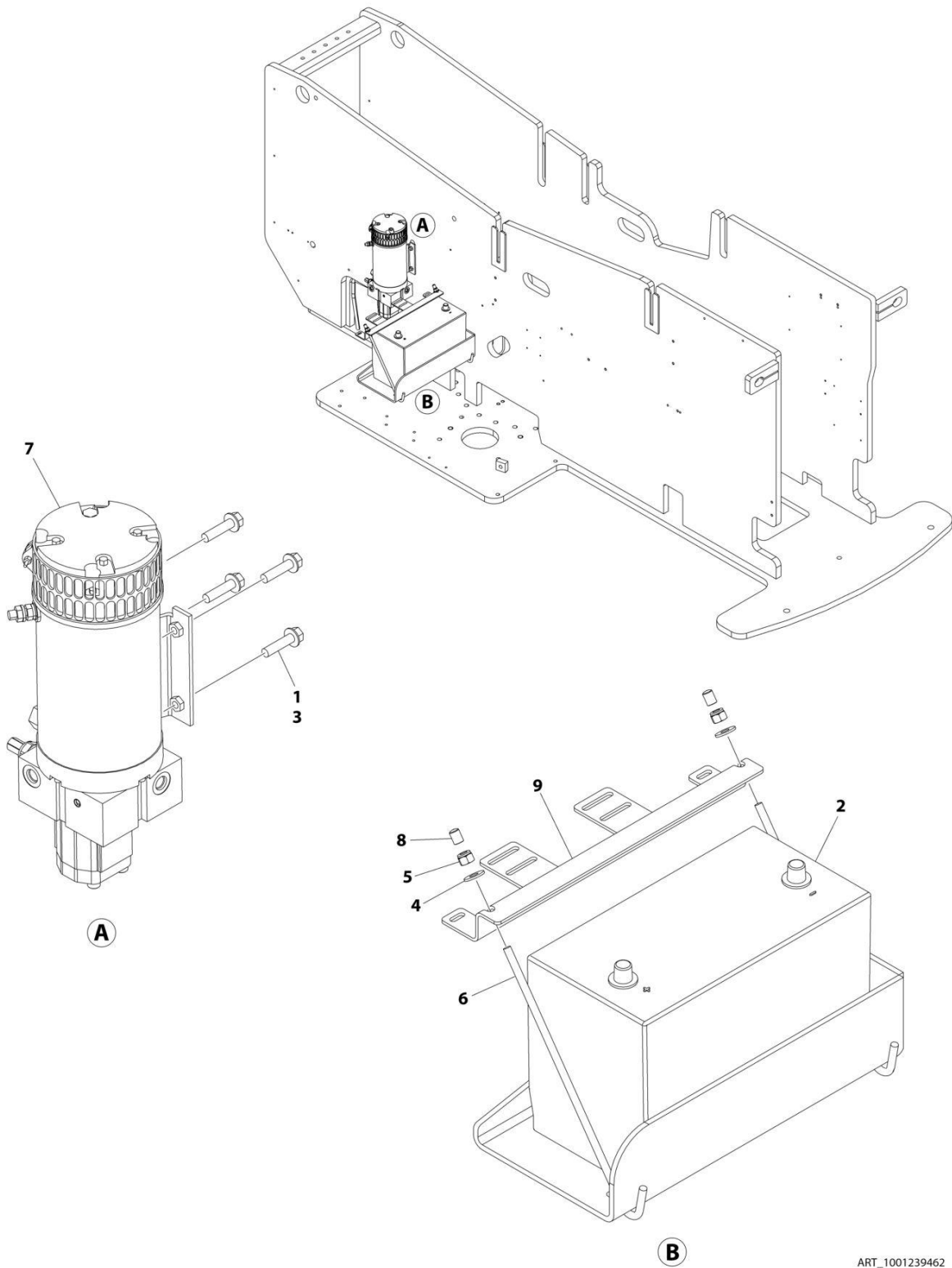
SECTION 2 - TURNTABLE

FIGURE 2-13. AUXILIARY POWER INSTALLATION - WITHOUT BATTERY DISCONNECT

ITEM	PART NUMBER	QTY	DESCRIPTION	REV
	1001239470	Ref	AUXILIARY POWER INSTALLATION	A
1	0100011	AR	Compound, Locking	
2	0400075	1	Battery	
3	0811612	4	Screw 3/8 x 1-1/2	
4	4751500	2	Washer 5/16	
5	88521205	2	Nut 5/16	
6	91401281	1	Bracket, Battery Hold Down	
7	1001093382	2	J - Bolt	
8	1001137460	1	Auxillary Power Pump/ Motor Assembly (See Separate Breakdown in this Section)	
9	1001218572	2	Cap	

SECTION 2 - TURNTABLE

FIGURE 2-14. AUXILIARY POWER INSTALLATION - WITH BATTERY DISCONNECT



ART_1001239462

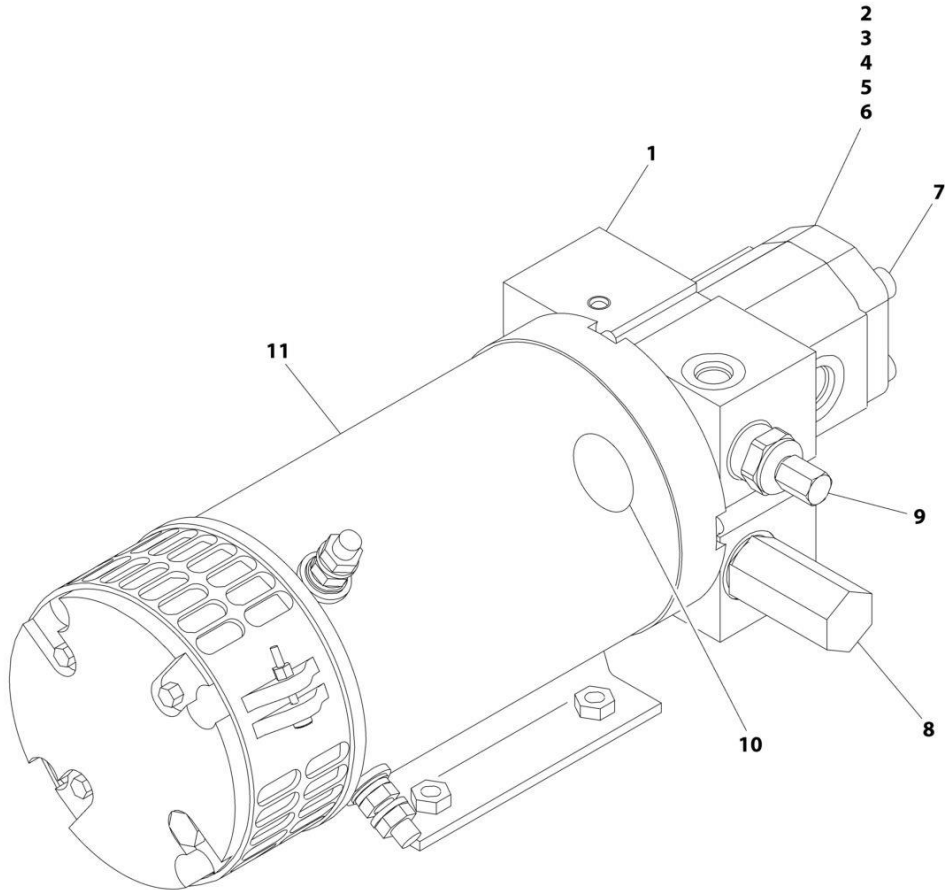
SECTION 2 - TURNTABLE

FIGURE 2-14. AUXILIARY POWER INSTALLATION - WITH BATTERY DISCONNECT

ITEM	PART NUMBER	QTY	DESCRIPTION	REV
	1001239462	Ref	AUXILIARY POWER INSTALLATION	A
1	0100011	AR	Compound, Locking	
2	0400075	1	Battery	
3	0811612	4	Screw 3/8 x 1-1/2	
4	4751500	2	Washer 5/16	
5	88521205	2	Nut 5/16	
6	1001093382	2	J - Bolt	
7	1001137460	1	Auxiliary Power Pump/Motor Assembly (See Separate Breakdown in this Section)	
8	1001218572	2	Cap	
9	1001236303	1	Bracket, Battery Hold Down	

SECTION 2 - TURNTABLE

FIGURE 2-15. AUXILIARY POWER PUMP/MOTOR ASSEMBLY



ART_1001137460

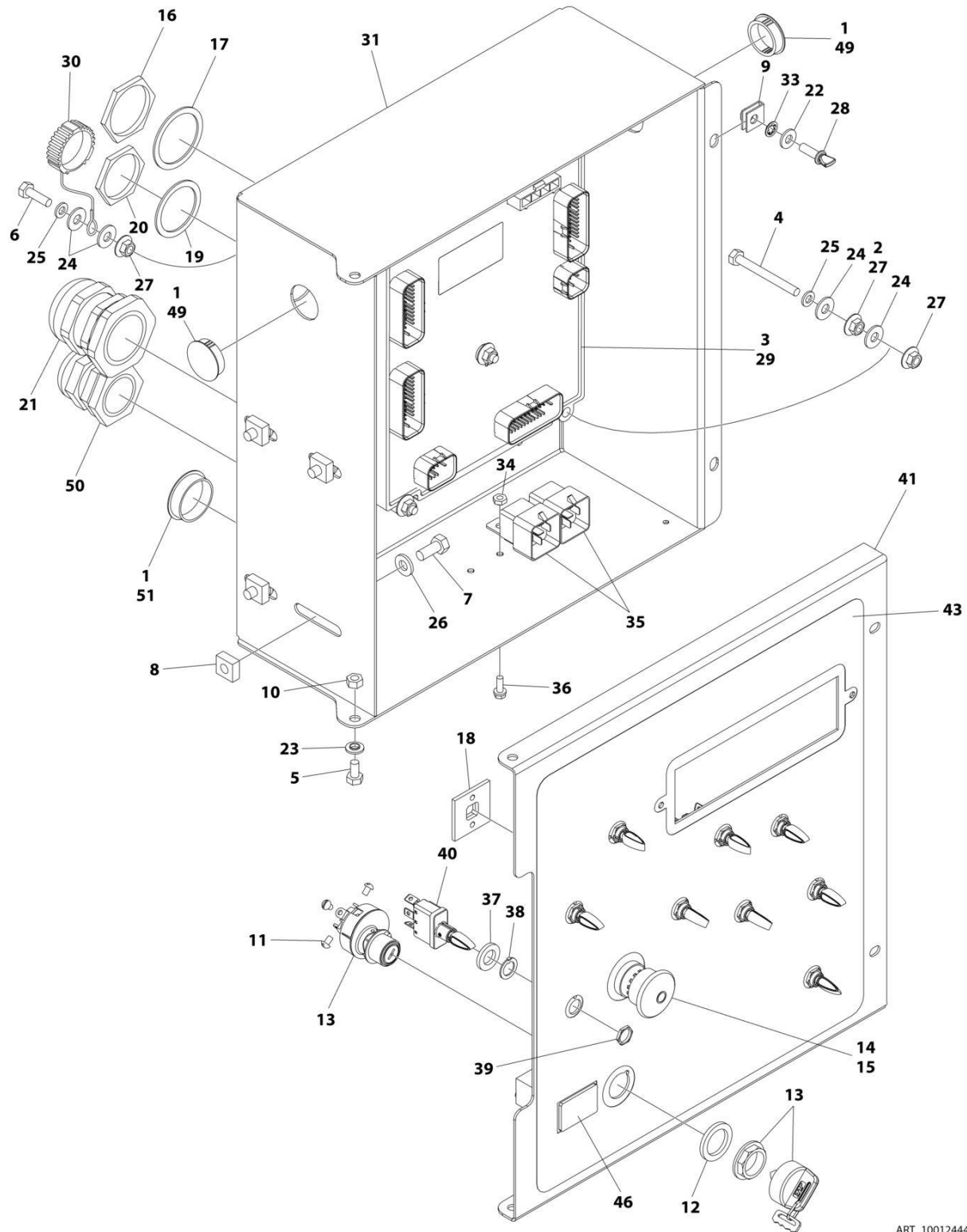
SECTION 2 - TURNTABLE

FIGURE 2-15. AUXILIARY POWER PUMP/MOTOR ASSEMBLY

ITEM	PART NUMBER	QTY	DESCRIPTION	REV
	1001137460	Ref	AUXILIARY PUMP ASSEMBLY	A
1	70004125	1	Base Assembly	
1	70003993	1	Seal, Shaft	
2	See Note	NSS	Pin, Dowel (Note: Use Item 1)	
3	See Note	NSS	O-Ring (Note: Use Item 1)	
4	See Note	NSS	Pump (Note: Use Item 1)	
5	See Note	NSS	O-Ring (Note: Use Item 1)	
6	See Note	NSS	Cover, Rear (Note: Use Item 1)	
7	See Note	NSS	Screw (Note: Use Item 1)	
8	70003989	1	Valve, Logic	
9	See Note	1	Valve, Relief (Note: Use Item 1)	
10	See Note	1	Shaft, Intermediate (Note: Use Item 1)	
11	70003992	1	Motor	

SECTION 2 - TURNTABLE

FIGURE 2-16. GROUND CONTROL BOX ASSEMBLY - WITH DEUTZ D2011 ENGINES (ANSI EXPORT LRC AND AUSTRALIAN SPECS)



ART_1001244486

SECTION 2 - TURNTABLE

FIGURE 2-16. GROUND CONTROL BOX ASSEMBLY - WITH DEUTZ D2011 ENGINES (ANSI EXPORT LRC AND AUSTRALIAN SPECS)

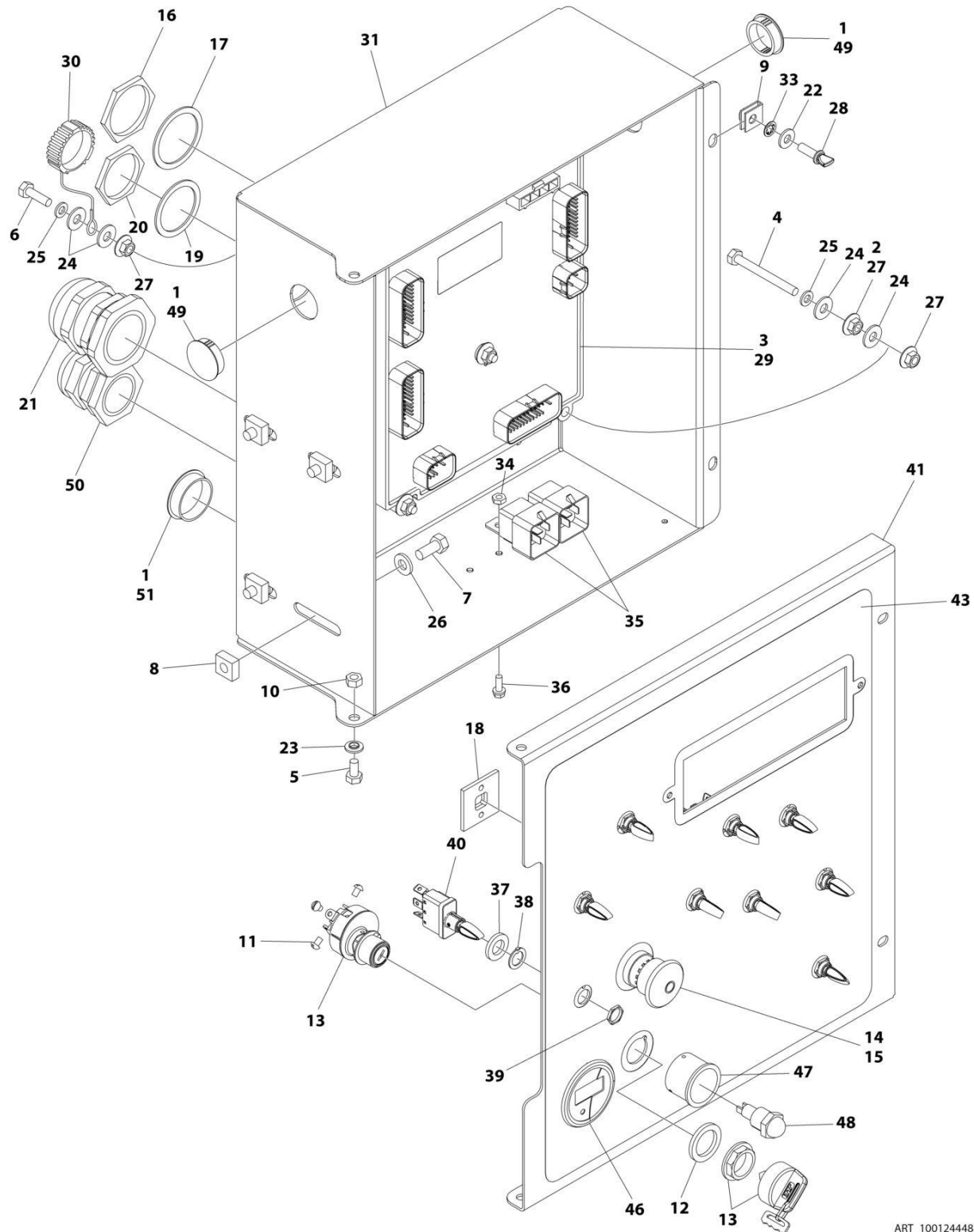
ITEM	PART NUMBER	QTY	DESCRIPTION	REV
	1001244486	Ref	GROUND CONTROL BOX ASSEMBLY	B
1	0100009	AR	Sealant	
2	0100011	AR	Compound, Locking	
3	0100048	AR	Grease, Dielectric	
4	0630548	5	Bolt 2-1/2	
5	0641404	2	Bolt 1/4 x 1/2	
6	0641407	1	Bolt 1/4 x 7/8	
7	0641506	4	Bolt 5/16 x 3/4	
8	3300205	4	Nut, Retainer	
9	3300353	2	Nut, Tinnerman	
10	3311405	2	Nut 1/4	
11	3910804	6	Screw #8 x 1/4	
12	4070991	1	Shim	
13	4360469	1	Switch, Key	
13	2860030	1 Set	Key Replacement	
14	4360475	1	Switch, Emergency Stop	
14	7020175	1	Cap, Mushroom	
14	7020176	1	Block, Contact	
15	4360476	1	Switch, Contact Block	
16	4460470	1	Nut, Terminal	
17	4460471	1	Lockwasher, Terminal	
18	4460488	6	Mounting Base, Terminal	
19	4460496	1	Washer, Terminal	
20	4460497	1	Nut, Terminal	
21	4460526	1	Connector, Strain Relief	
22	4711400	2	Washer 1/4	
23	4740518	2	Washer	
24	4751400	12	Washer 1/4	
25	4761400	6	Washer 1/4	
26	4891500	4	Washer 5/16	
27	77143013	11	Nut 1/4	
28	1001103308	2	Thumbscrew 1/4 x 3/4	
29	1001103667	1	Module, Ground Control (Note: Recalibration Required When Replaced)	
30	1001106736	1	Cap, Dust	
31	1001152175	1	Box	
32	1001170808	1	Harness, Valve (Not Shown - See Separate Breakdown in ELECTRICAL SECTION)	
33	1001188874	2	Nut	
34	3300408	2	Nut, Nylon Insert	
35	3740049	2	Relay	
36	3900268	2	Screw #10x1/2	
37	4740397	9	Spacer	
38	1001155043	9	Washer	
39	1001155044	9	Nut 15/32	
40	1001155045	9	Switch, Toggle	
41	1001152173	1	Lid	
42	1001243263	1	Ground Control Box Harness (Not Shown - See Separate Breakdown in ELECTRICAL SECTION)	

SECTION 2 - TURNTABLE

ITEM	PART NUMBER	QTY	DESCRIPTION	REV
43	1001243568	1	Decal - Ground Control Box	
44	1001153713	1	Engine Harness (Not Shown - See Separate Breakdown in ELECTRICAL SECTION)	
45	1001173590	1	Fuse Assembly (Not Shown)	
45	2400065	1	Fuse 30Amp	
45	2400066	1	Fuseholder	
46	2420172	1	Hourmeter	
49	3520031	2	Plug	
50	4460426	1	Connector, Strain Relief	
51	3520035	1	Plug	

SECTION 2 - TURNTABLE

FIGURE 2-17. GROUND CONTROL BOX ASSEMBLY - WITH DEUTZ D2011 ENGINES (CE LRC SPECS)



ART_1001244488

SECTION 2 - TURNTABLE

FIGURE 2-17. GROUND CONTROL BOX ASSEMBLY - WITH DEUTZ D2011 ENGINES (CE LRC SPECS)

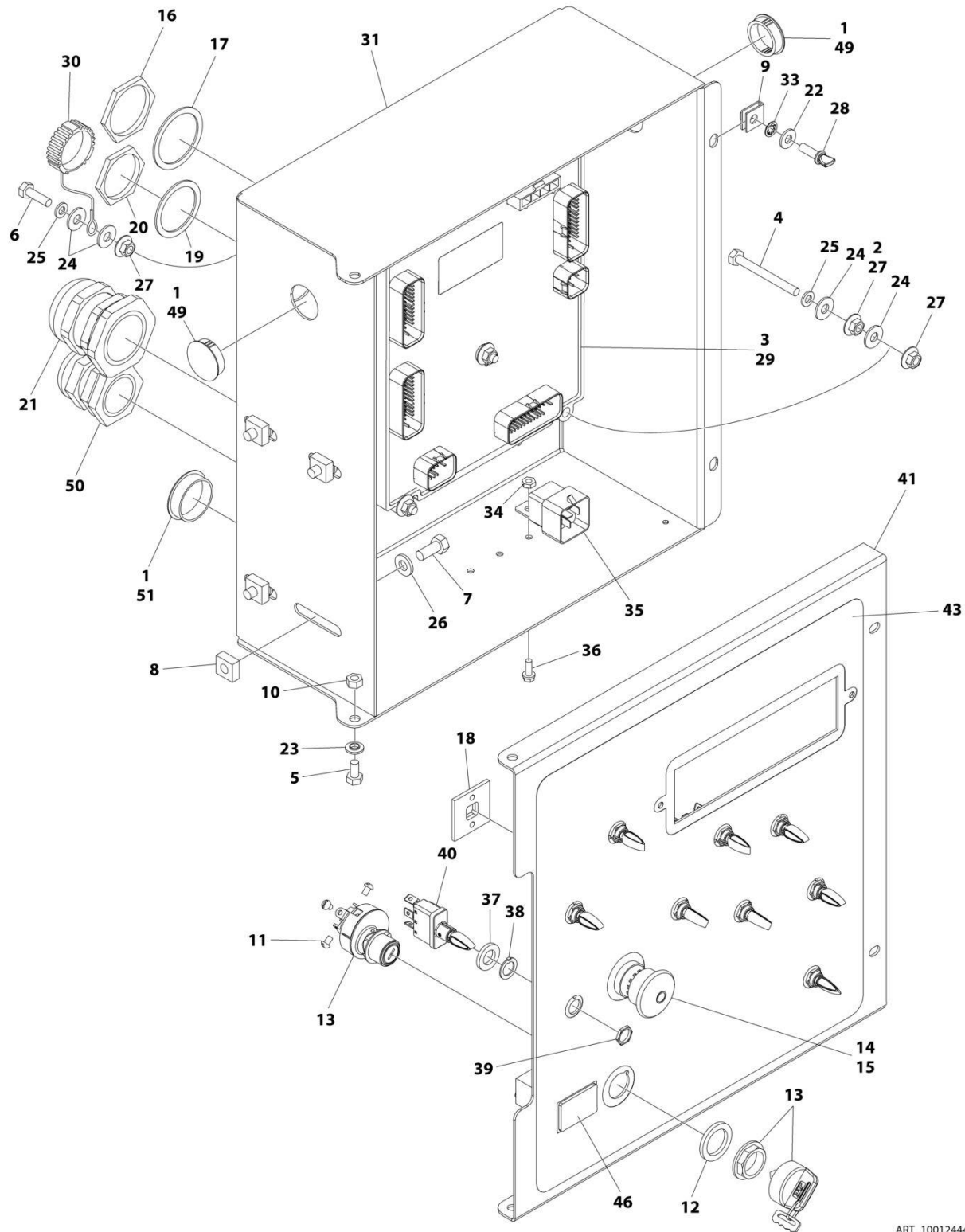
ITEM	PART NUMBER	QTY	DESCRIPTION	REV
	1001244488	Ref	GROUND CONTROL BOX ASSEMBLY	B
1	0100009	AR	Sealant	
2	0100011	AR	Compound, Locking	
3	0100048	AR	Grease, Dielectric	
4	0630548	5	Bolt 2-1/2	
5	0641404	2	Bolt 1/4 x 1/2	
6	0641407	1	Bolt 1/4 x 7/8	
7	0641506	4	Bolt 5/16 x 3/4	
8	3300205	4	Nut, Retainer	
9	3300353	2	Nut, Tinnerman	
10	3311405	2	Nut 1/4	
11	3910804	6	Screw #8 x 1/4	
12	4070991	1	Shim	
13	4360469	1	Switch, Key	
13	2860030	1 Set	Key Replacement	
14	4360475	1	Switch, Emergency Stop	
14	7020175	1	Cap, Mushroom	
14	7020176	1	Block, Contact	
15	4360476	1	Switch, Contact Block	
16	4460470	1	Nut, Terminal	
17	4460471	1	Lockwasher, Terminal	
18	4460488	6	Mounting Base, Terminal	
19	4460496	1	Washer, Terminal	
20	4460497	1	Nut, Terminal	
21	4460526	1	Connector, Strain Relief	
22	4711400	2	Washer 1/4	
23	4740518	2	Washer	
24	4751400	12	Washer 1/4	
25	4761400	6	Washer 1/4	
26	4891500	4	Washer 5/16	
27	77143013	11	Nut 1/4	
28	1001103308	2	Thumbscrew 1/4 x 3/4	
29	1001103667	1	Module, Ground Control (Note: Recalibration Required When Replaced)	
30	1001106736	1	Cap, Dust	
31	1001152175	1	Box	
32	1001170808	1	Harness, Valve (Not Shown - See Separate Breakdown in ELECTRICAL SECTION)	
33	1001188874	2	Nut	
34	3300408	2	Nut, Nylon Insert	
35	3740049	2	Relay	
36	3900268	2	Screw #10x1/2	
37	4740397	8	Spacer	
38	1001155043	8	Washer	
39	1001155044	8	Nut 15/32	
40	1001155045	8	Switch, Toggle	
41	1001188042	1	Lid	
42	1001243263	1	Ground Control Box Harness (Not Shown - See Separate Breakdown in ELECTRICAL SECTION)	

SECTION 2 - TURNTABLE

ITEM	PART NUMBER	QTY	DESCRIPTION	REV
43	1001243567	1	Decal - Ground Control Box	
44	1001153713	1	Engine Harness (Not Shown - See Separate Breakdown in ELECTRICAL SECTION)	
45	1001173590	1	Fuse Assembly (Not Shown)	
45	2400065	1	Fuse 30Amp	
45	2400066	1	Fuseholder	
46	1001109503	1	Hourmeter	
47	1001176469	1	Shroud	
48	4360387	1	Switch, Push Button	
49	3520031	2	Plug	
50	4460426	1	Connector, Strain Relief	
51	3520035	1	Plug	

SECTION 2 - TURNTABLE

FIGURE 2-18. GROUND CONTROL BOX ASSEMBLY - WITH DEUTZ TD2.9L4 ENGINES (ANSI, ANSI EXPORT, CHINA & JAPANESE SPECS)



ART_1001244482

SECTION 2 - TURNTABLE

FIGURE 2-18. GROUND CONTROL BOX ASSEMBLY - WITH DEUTZ TD2.9L4 ENGINES (ANSI, ANSI EXPORT, CHINA & JAPANESE SPECS)

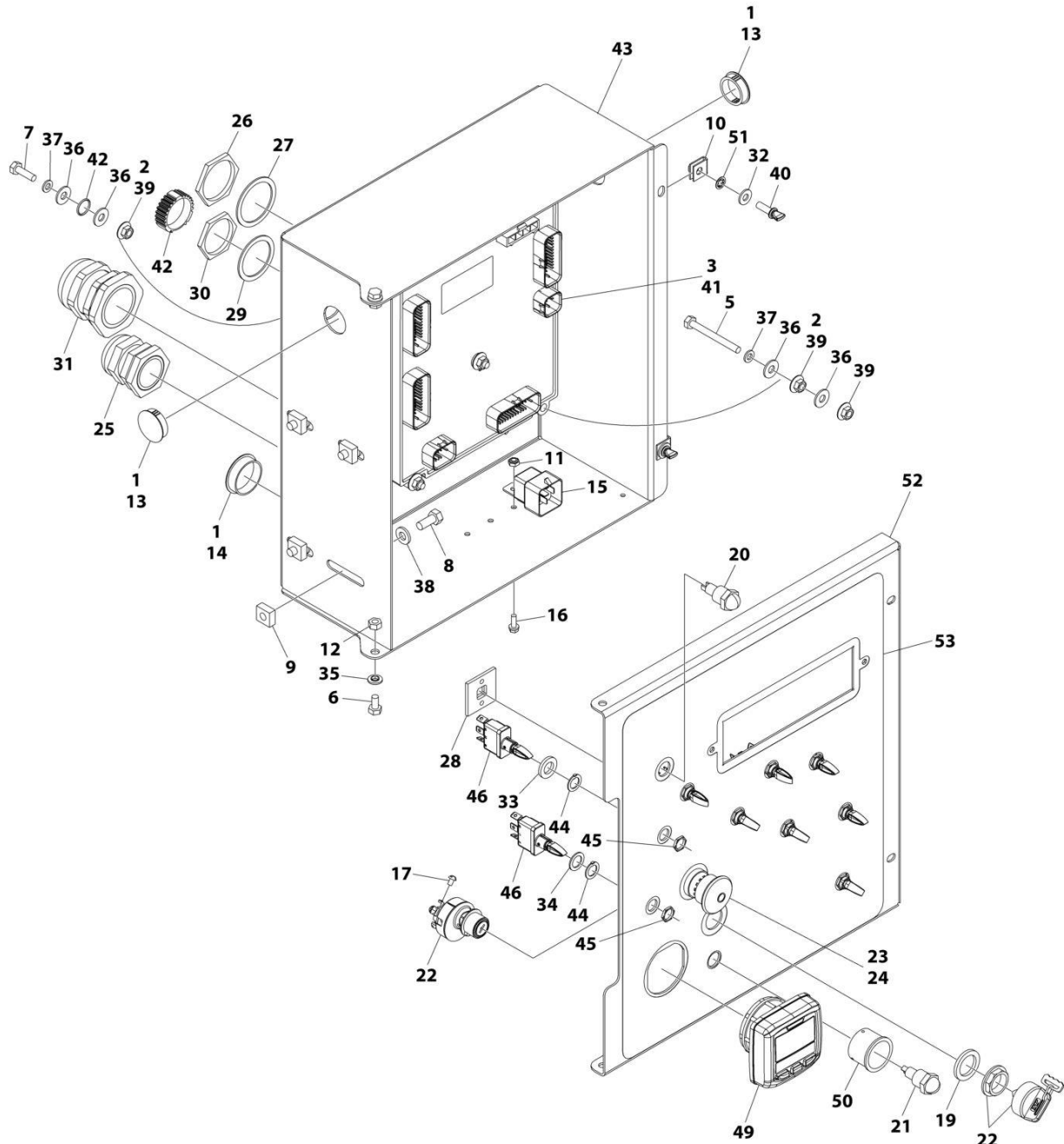
ITEM	PART NUMBER	QTY	DESCRIPTION	REV
	1001244482	Ref	GROUND CONTROL BOX ASSEMBLY	B
1	0100009	AR	Sealant	
2	0100011	AR	Compound, Locking	
3	0100048	AR	Grease, Dielectric	
4	0630548	5	Bolt 2-1/2	
5	0641404	2	Bolt 1/4 x 1/2	
6	0641407	1	Bolt 1/4 x 7/8	
7	0641506	4	Bolt 5/16 x 3/4	
8	3300205	4	Nut, Retainer	
9	3300353	2	Nut, Tinnerman	
10	3311405	2	Nut 1/4	
11	3910804	6	Screw #8 x 1/4	
12	4070991	1	Shim	
13	4360469	1	Switch, Key	
13	2860030	1 Set	Key Replacement	
14	4360475	1	Switch, Emergency Stop	
14	7020175	1	Cap, Mushroom	
14	7020176	1	Block, Contact	
15	4360476	1	Switch, Contact Block	
16	4460470	1	Nut, Terminal	
17	4460471	1	Lockwasher, Terminal	
18	4460488	6	Mounting Base, Terminal	
19	4460496	1	Washer, Terminal	
20	4460497	1	Nut, Terminal	
21	4460526	1	Connector, Strain Relief	
22	4711400	2	Washer 1/4	
23	4740518	2	Washer	
24	4751400	12	Washer 1/4	
25	4761400	6	Washer 1/4	
26	4891500	4	Washer 5/16	
27	77143013	11	Nut 1/4	
28	1001103308	2	Thumbscrew 1/4 x 3/4	
29	1001103667	1	Module, Ground Control (Note: Recalibration Required When Replaced)	
30	1001106736	1	Cap, Dust	
31	1001152175	1	Box	
32	1001170808	1	Control Valve Harness (Not Shown - See Separate Breakdown in ELECTRICAL SECTION)	
33	1001188874	2	Nut	
34	3300408	1	Nut, Nylon Insert	
35	3740049	1	Relay	
36	3900268	1	Screw #10x1/2	
37	4740397	9	Spacer	
38	1001155043	9	Washer	
39	1001155044	9	Nut 15/32	
40	1001155045	9	Switch, Toggle	
41	1001152173	1	Lid	
42	1001243263	1	Ground Control Box Harness (Not Shown - See Separate Breakdown in ELECTRICAL SECTION)	

SECTION 2 - TURNTABLE

ITEM	PART NUMBER	QTY	DESCRIPTION	REV
43	1001243568	1	Decal - Ground Control Box	
44	1001165776	1	Engine Harness (Not Shown - See Separate Breakdown in ELECTRICAL SECTION)	
45	1001173590	1	Fuse Assembly (Not Shown)	
45	2400065	1	Fuse 30Amp	
45	2400066	1	Fuseholder	
46	2420172	1	Hourmeter	
49	3520031	2	Plug	
50	4460426	1	Connector, Strain Relief	
51	3520035	1	Plug	

SECTION 2 - TURNTABLE

FIGURE 2-19. GROUND CONTROL BOX ASSEMBLY - WITH DEUTZ TD2.9L4 (STAGE V) ENGINES (CE SPECS)



ART_1001237731

SECTION 2 - TURNTABLE

**FIGURE 2-19. GROUND CONTROL BOX ASSEMBLY - WITH DEUTZ TD2.9L4 (STAGE V) ENGINES
(CE SPECS)**

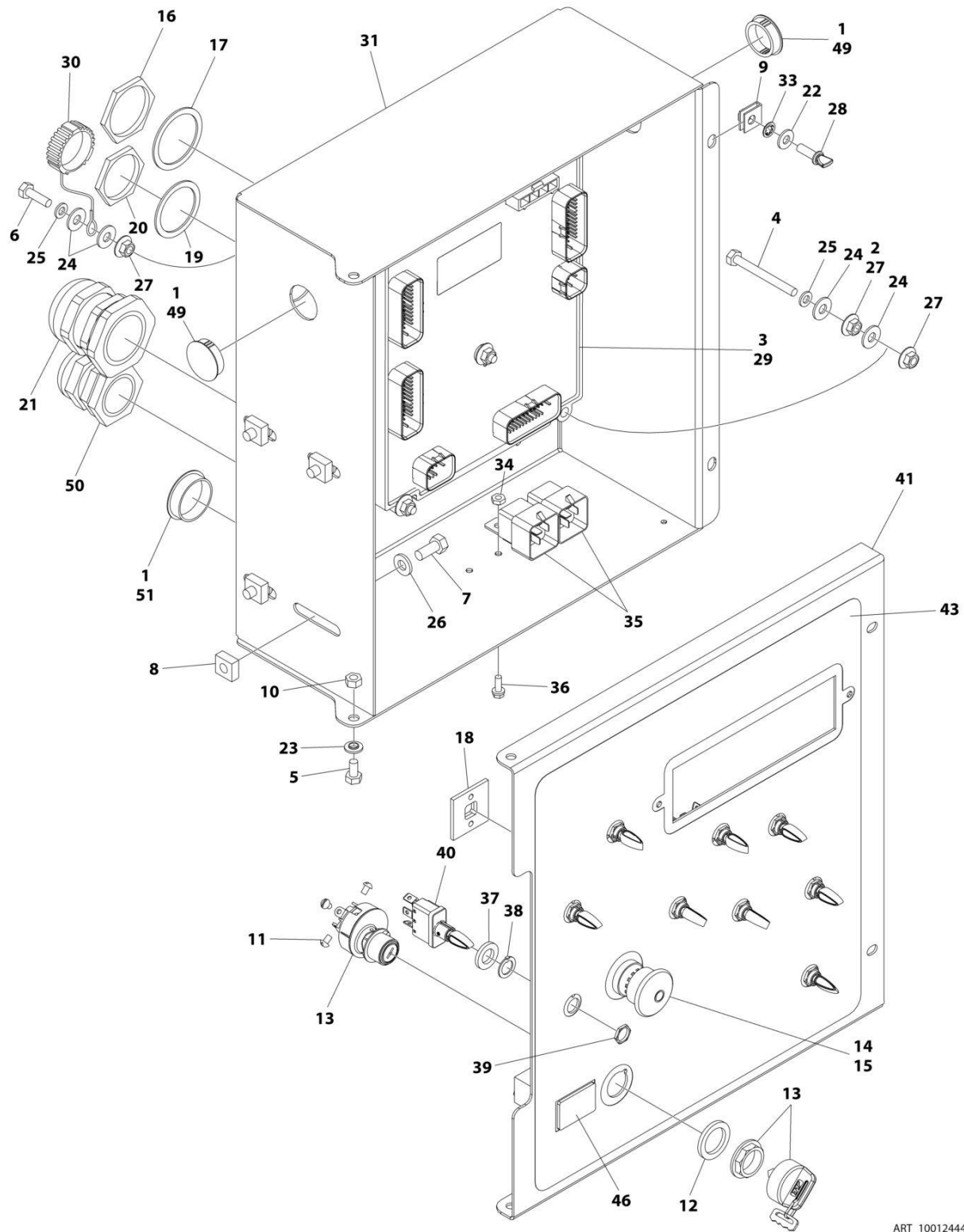
ITEM	PART NUMBER	QTY	DESCRIPTION	REV
	1001237731	Ref	GROUND CONTROL BOX ASSEMBLY	D
1	0100009	AR	Sealant	
2	0100011	AR	Compound, Locking	
3	0100048	AR	Grease, Dielectric	
5	0630548	5	Bolt 2-1/2	
6	0641404	2	Bolt 1/4 x 1/2	
7	0641407	1	Bolt 1/4 x 7/8	
8	0641506	4	Bolt 5/16 x 3/4	
9	3300205	4	Nut, Retainer	
10	3300353	2	Nut, Tinnerman	
11	3300408	1	Nut, Nylon Insert	
12	3311405	2	Nut 1/4	
13	3520031	2	Plug	
14	3520035	1	Plug	
15	3740049	1	Relay	
16	3900268	1	Screw #10 x 1/2	
17	3910804	6	Screw #8 x 1/4	
19	4070991	1	Shim	
20	4360274	1	Switch, Push Button	
21	4360387	1	Switch, Push Button	
22	4360469	1	Switch, Key	
22	2860030	1 Set	Key Replacement	
23	4360475	1	Switch, Emergency Stop	
23	7020175	1	Cap, Mushroom	
23	7020176	1	Block, Contact	
24	4360476	1	Switch, Contact Block	
25	4460426	1	Connector, Strain Relief	
26	4460470	1	Nut, Terminal	
27	4460471	1	Lockwasher, Terminal	
28	4460488	6	Mounting Base, Terminal	
29	4460496	1	Washer, Terminal	
30	4460497	1	Nut, Terminal	
31	4460526	1	Connector, Strain Relief	
32	4711400	2	Washer 1/4	
33	4740397	8	Spacer	
34	4740444	1	Washer	
35	4740518	2	Washer	
36	4751400	12	Washer 1/4	
37	4761400	6	Washer 1/4	
38	4891500	4	Washer 5/16	
39	77143013	11	Nut 1/4	
40	1001103308	2	Thumbscrew 1/4 x 3/4	
41	1001103667	1	Module, Ground Control (Note: Recalibration Required When Replaced)	
42	1001106736	1	Cap, Dust	
43	1001152175	1	Box	
44	1001155043	9	Washer	
45	1001155044	9	Nut 15/32	
46	1001155045	9	Switch, Toggle	

SECTION 2 - TURNTABLE

ITEM	PART NUMBER	QTY	DESCRIPTION	REV
47	1001165776	1	Engine Harness (Not Shown - See Separate Breakdown in ELECTRICAL SECTION)	
48	1001170808	1	Control Valve Harness (Not Shown - See Separate Breakdown in ELECTRICAL SECTION)	
49	1001171482	1	Gauge, Display	
50	1001176469	1	Shroud	
51	1001188874	2	Nut	
52	1001237023	1	Lid	
53	1001237026	1	Decal - Ground Control Box	
54	1001243263	1	Ground Control Box Harness (Not Shown - See Separate Breakdown in ELECTRICAL SECTION)	

SECTION 2 - TURNTABLE

FIGURE 2-20. GROUND CONTROL BOX ASSEMBLY - WITH FORD ENGINES



ART_1001244493

SECTION 2 - TURNTABLE

FIGURE 2-20. GROUND CONTROL BOX ASSEMBLY - WITH FORD ENGINES

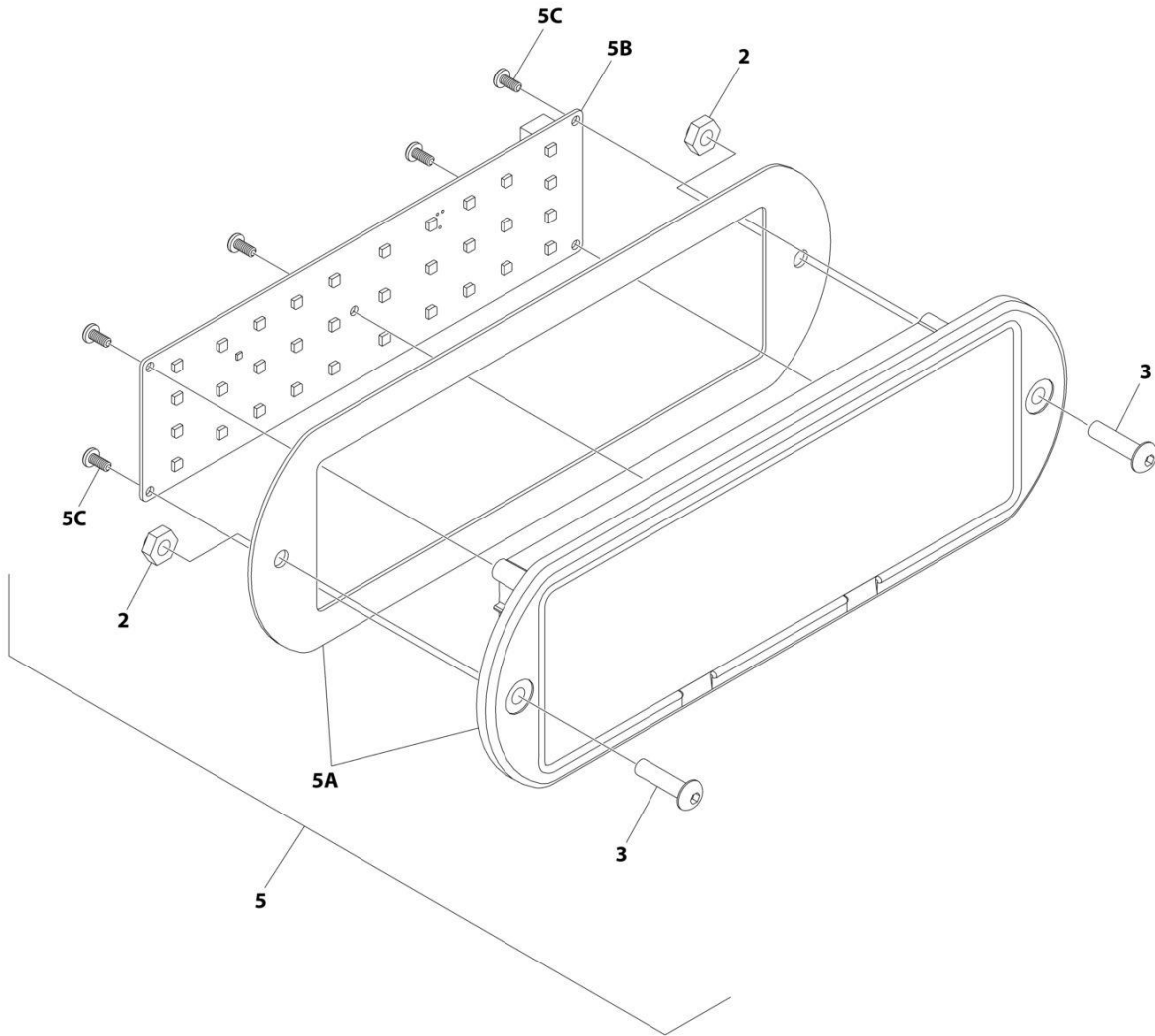
ITEM	PART NUMBER	QTY	DESCRIPTION	REV
	1001244493	Ref	GROUND CONTROL BOX ASSEMBLY	B
1	0100009	AR	Sealant	
2	0100011	AR	Compound, Locking	
3	0100048	AR	Grease, Dielectric	
4	0630548	5	Bolt 2-1/2	
5	0641404	2	Bolt 1/4 x 1/2	
6	0641407	1	Bolt 1/4 x 7/8	
7	0641506	4	Bolt 5/16 x 3/4	
8	3300205	4	Nut, Retainer	
9	3300353	2	Nut, Tinnerman	
10	3311405	2	Nut 1/4	
11	3910804	6	Screw #8 x 1/4	
12	4070991	1	Shim	
13	4360469	1	Switch, Key	
13	2860030	1 Set	Key Replacement	
14	4360475	1	Switch, Emergency Stop	
14	7020175	1	Cap, Mushroom	
14	7020176	1	Block, Contact	
15	4360476	1	Switch, Contact Block	
16	4460470	1	Nut, Terminal	
17	4460471	1	Lockwasher, Terminal	
18	4460488	6	Mounting Base, Terminal	
19	4460496	1	Washer, Terminal	
20	4460497	1	Nut, Terminal	
21	4460526	1	Connector, Strain Relief	
22	4711400	2	Washer 1/4	
23	4740518	2	Washer	
24	4751400	12	Washer 1/4	
25	4761400	6	Washer 1/4	
26	4891500	4	Washer 5/16	
27	77143013	11	Nut 1/4	
28	1001103308	2	Thumbscrew 1/4 x 3/4	
29	1001103667	1	Module, Ground Control (Note: Recalibration Required When Replaced)	
30	1001106736	1	Cap, Dust	
31	1001152175	1	Box	
32	1001170808	1	Control Valve Harness (Not Shown - See Separate Breakdown in ELECTRICAL SECTION)	
33	1001188874	2	Nut	
34	3300408	2	Nut, Nylon Insert	
35	3740049	2	Relay	
36	3900268	2	Screw #10x1/2	
37	4740397	9	Spacer	
38	1001155043	9	Washer	
39	1001155044	9	Nut 15/32	
40	1001155045	9	Switch, Toggle	
41	1001152173	1	Lid	
42	1001243263	1	Ground Control Box Harness (Not Shown - See Separate Breakdown in ELECTRICAL SECTION)	
43	1001243568	1	Decal - Ground Control Box	

SECTION 2 - TURNTABLE

ITEM	PART NUMBER	QTY	DESCRIPTION	REV
44	1001216230	1	Engine Harness (Not Shown - See Separate Breakdown in ELECTRICAL SECTION)	
45	1001173590	1	Fuse Assembly (Not Shown)	
45	2400065	1	Fuse 30Amp	
45	2400066	1	Fuseholder	
46	2420172	1	Hourmeter	
49	3520031	2	Plug	
50	4460426	1	Connector, Strain Relief	
51	3520035	1	Plug	

SECTION 2 - TURNTABLE

FIGURE 2-21. LIGHT PANEL INSTALLATION



ART_1001241403_10F2

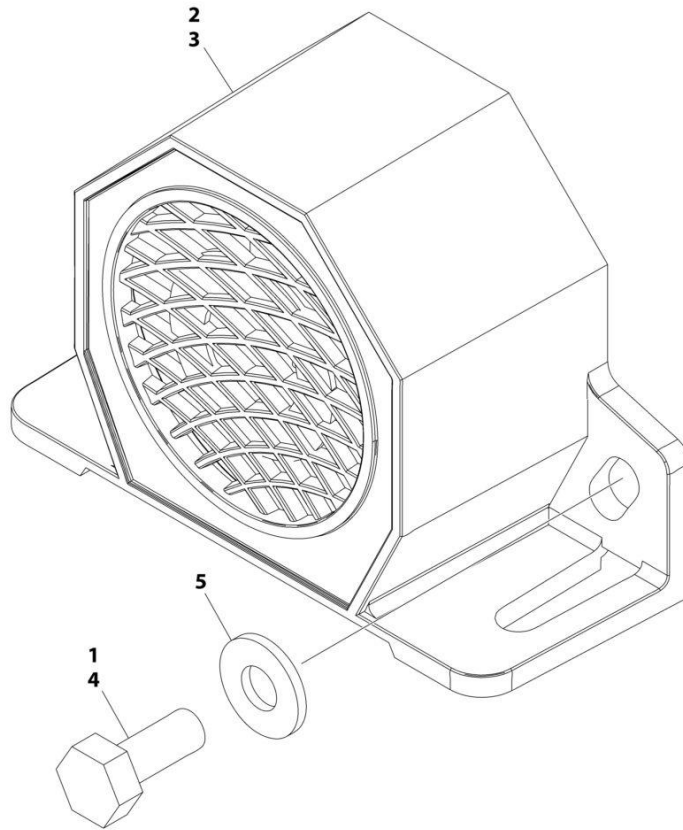
SECTION 2 - TURNTABLE

FIGURE 2-21. LIGHT PANEL INSTALLATION

ITEM	PART NUMBER	QTY	DESCRIPTION	REV
	1001241403	Ref	LIGHT PANEL INSTALLATION - GROUND CONTROL	C
2	3300408	2	Nut, Nylon Insert	
3	0630518	2	Screw #10 x 3/4	
5	1001238674	1	Light Panel Assembly	H
5A	1001236092	1	Lens Assembly (Includes Housing Shell, Decal/Lens with Icons & Gasket)	
5B	1001238732	1	Panel, LED Light	
5C		Ref	Screw	

SECTION 2 - TURNTABLE

FIGURE 2-22. ALARM INSTALLATION



ART_1001158364

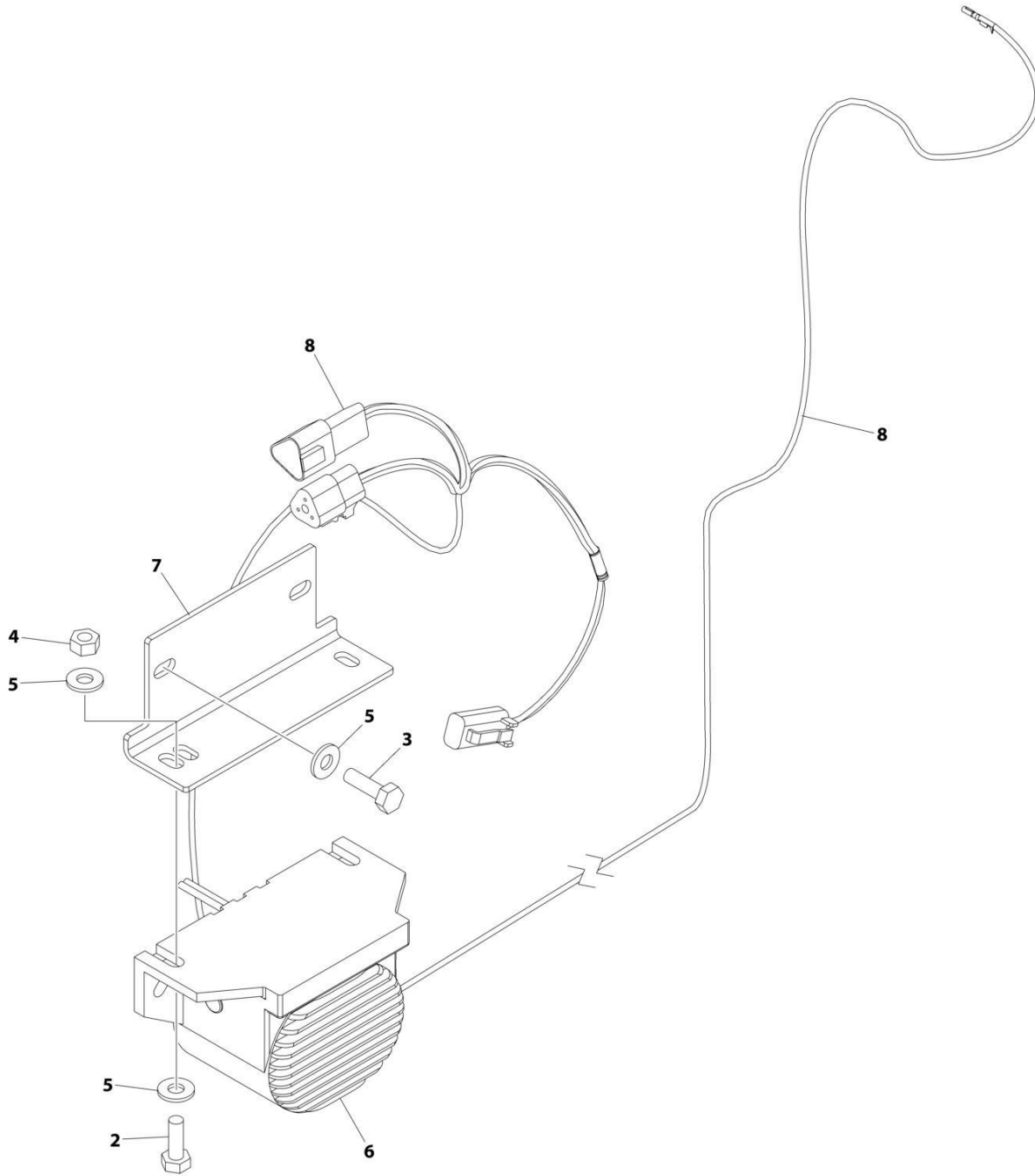
SECTION 2 - TURNTABLE

FIGURE 2-22. ALARM INSTALLATION

ITEM	PART NUMBER	QTY	DESCRIPTION	REV
	1001158364	Ref	ALARM INSTALLATION	A
1	0100011	AR	Compound, Locking	
2	0100048	AR	Grease, Dielectric	
3	0140044	1	Alarm	
4	0641405	2	Bolt 1/4 x 5/8	
5	4711400	2	Washer 1/4	

SECTION 2 - TURNTABLE

FIGURE 2-23. WHITE NOISE ALARM INSTALLATION - ADJUSTABLE AMBIENT



ART_1001241385

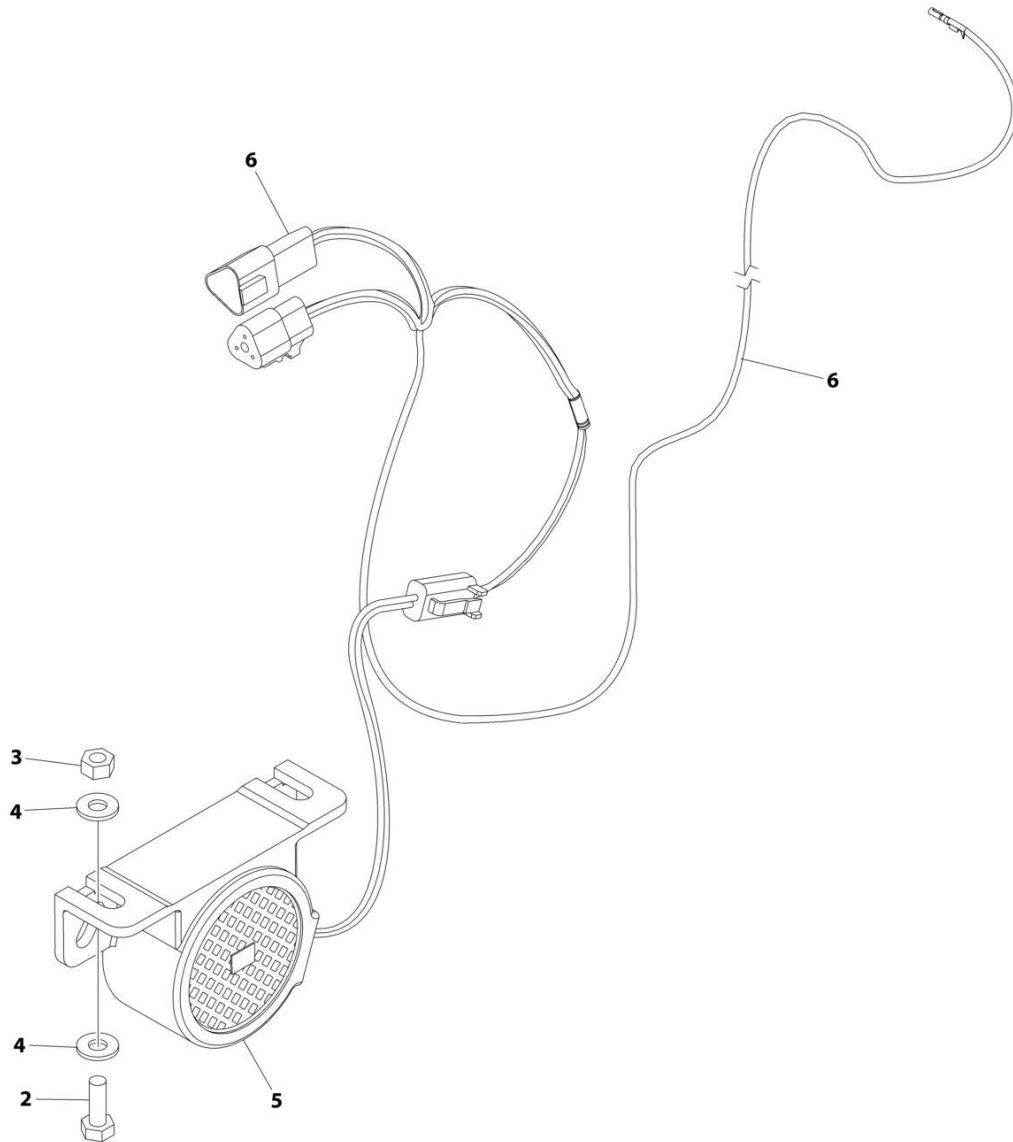
SECTION 2 - TURNTABLE

FIGURE 2-23. WHITE NOISE ALARM INSTALLATION - ADJUSTABLE AMBIENT

ITEM	PART NUMBER	QTY	DESCRIPTION	REV
	1001241385	Ref	WHITE NOISE ALARM INSTALLATION	A
1	0100048	AR	Compound, Silicone (Not Shown)	
2	0641406	2	Bolt 1/4 x 3/4	
3	0641407	2	Bolt 1/4 x 7/8	
4	3311405	2	Nut 1/4	
5	4711400	6	Washer 1/4	
6	1001182806	1	Alarm	
7	1001231886	1	Plate	
8	1001243682	1	White Noise Motion Alarm Harness (See Separate Breakdown in this Section)	

SECTION 2 - TURNTABLE

FIGURE 2-24. WHITE NOISE MOTION ALARM INSTALLATION - AMBIENT



ART_1001239347

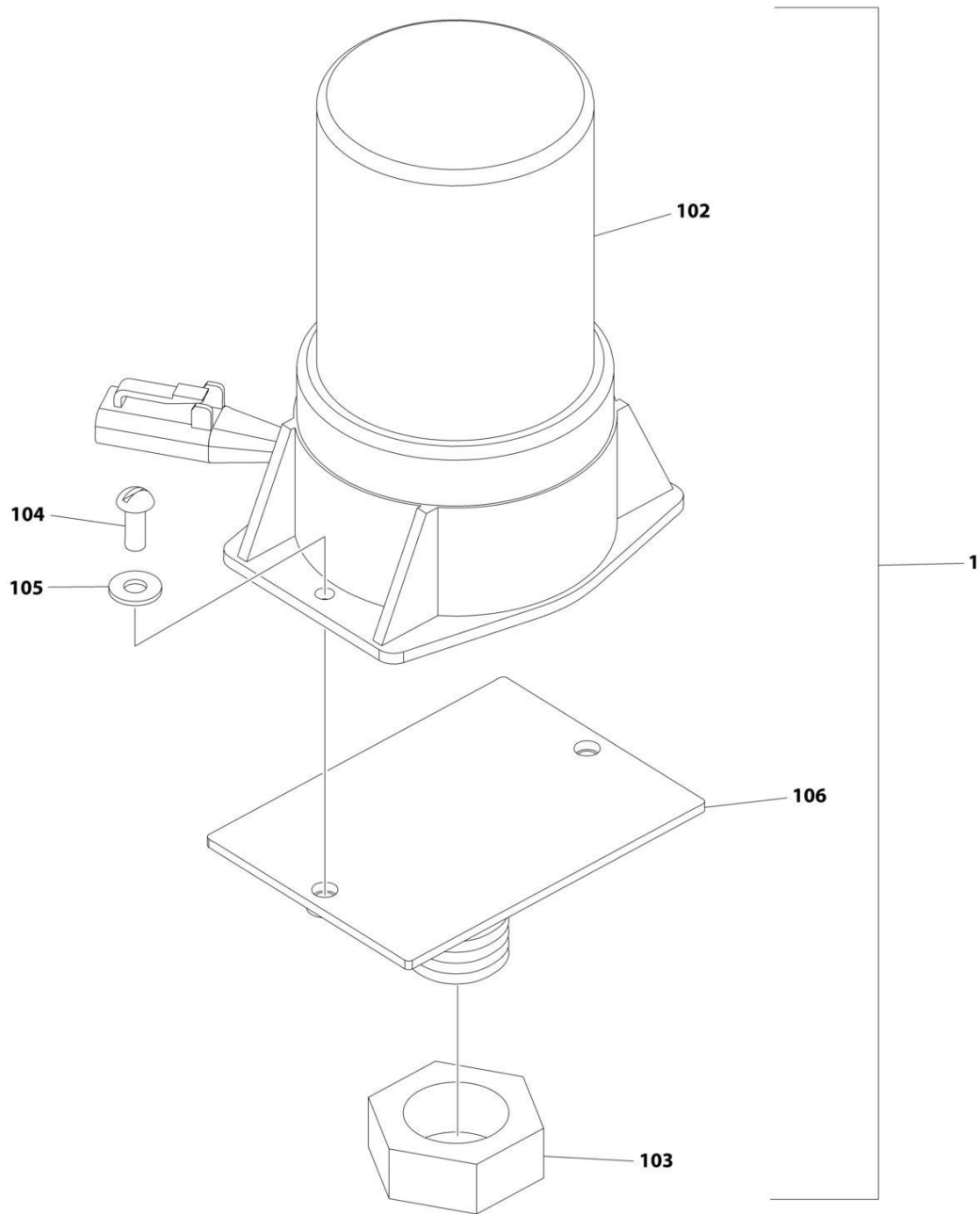
SECTION 2 - TURNTABLE

FIGURE 2-24. WHITE NOISE MOTION ALARM INSTALLATION - AMBIENT

ITEM	PART NUMBER	QTY	DESCRIPTION	REV
	1001239347	Ref	WHITE NOISE MOTION ALARM INSTALLATION	A
1	0100048	AR	Compound, Silicone (Not Shown)	
2	0641406	2	Bolt 1/4 x 3/4	
3	3311405	2	Nut 1/4	
4	4711400	4	Washer 1/4	
5	1001184682	1	Alarm	
6	1001243682	1	White Noise Motion Alarm Harness (See Separate Breakdown in this Section)	

SECTION 2 - TURNTABLE

FIGURE 2-25. STROBE LIGHT INSTALLATION (AMBER)



ART_1001160077

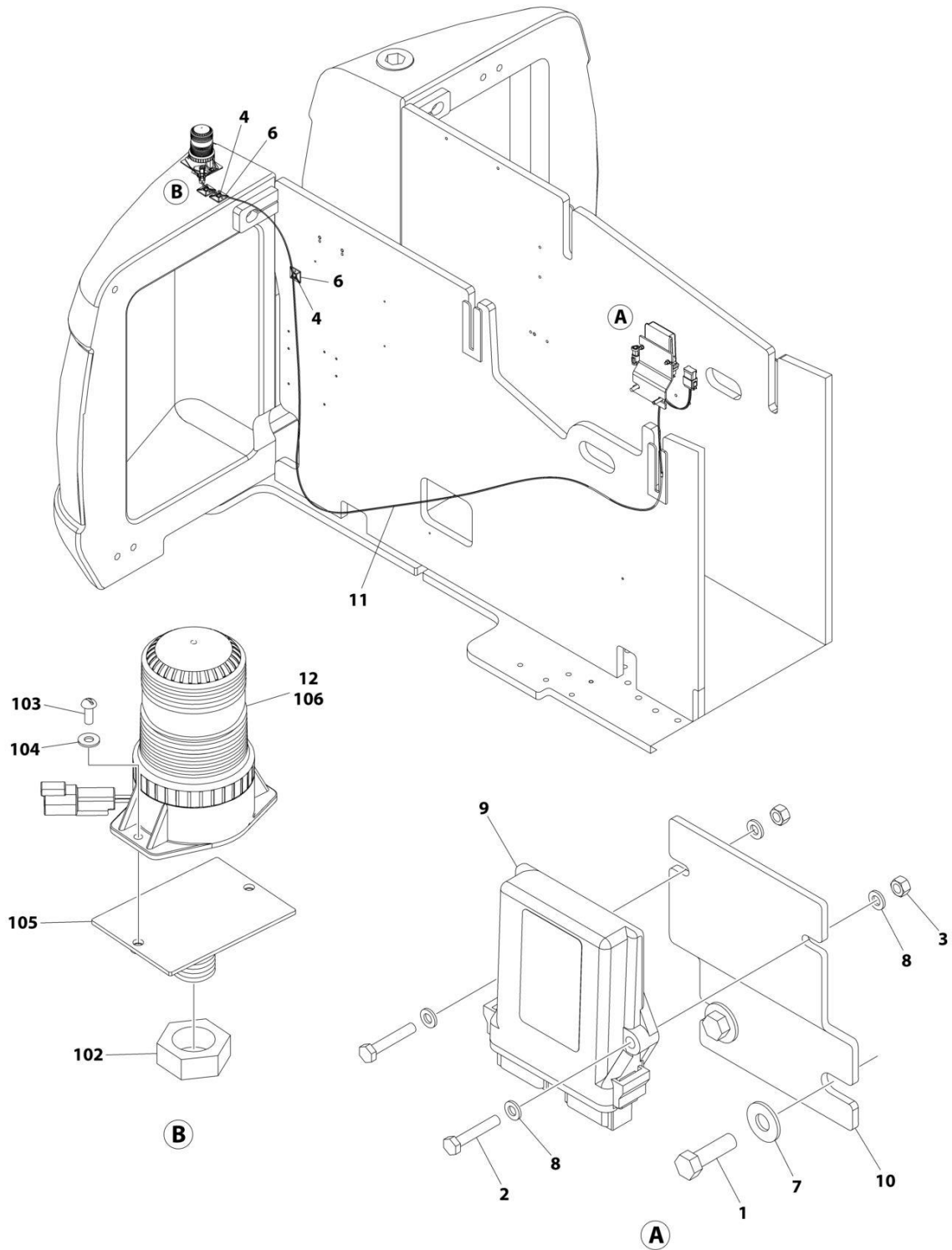
SECTION 2 - TURNTABLE

FIGURE 2-25. STROBE LIGHT INSTALLATION (AMBER)

ITEM	PART NUMBER	QTY	DESCRIPTION	REV
	1001160077	Ref	STROBE LIGHT INSTALLATION (AMBER)	B
1	1001150406	1	Strobe Light Assembly (Includes Items 102-106)	D
102	2920161	1	Strobe Light/Harness Assembly	
102	7016319	1	Bulb	
102	7016372	1	Lens	
103	3312602	1	Nut 1	
104	3900085	2	Screw #10 x 1/2	
105	4751000	2	Washer 1/4	
106	1001149994	1	Mount, Strobe	

SECTION 2 - TURNTABLE

FIGURE 2-26. STROBE LIGHT INSTALLATION (BLUE)



ART_1001242255

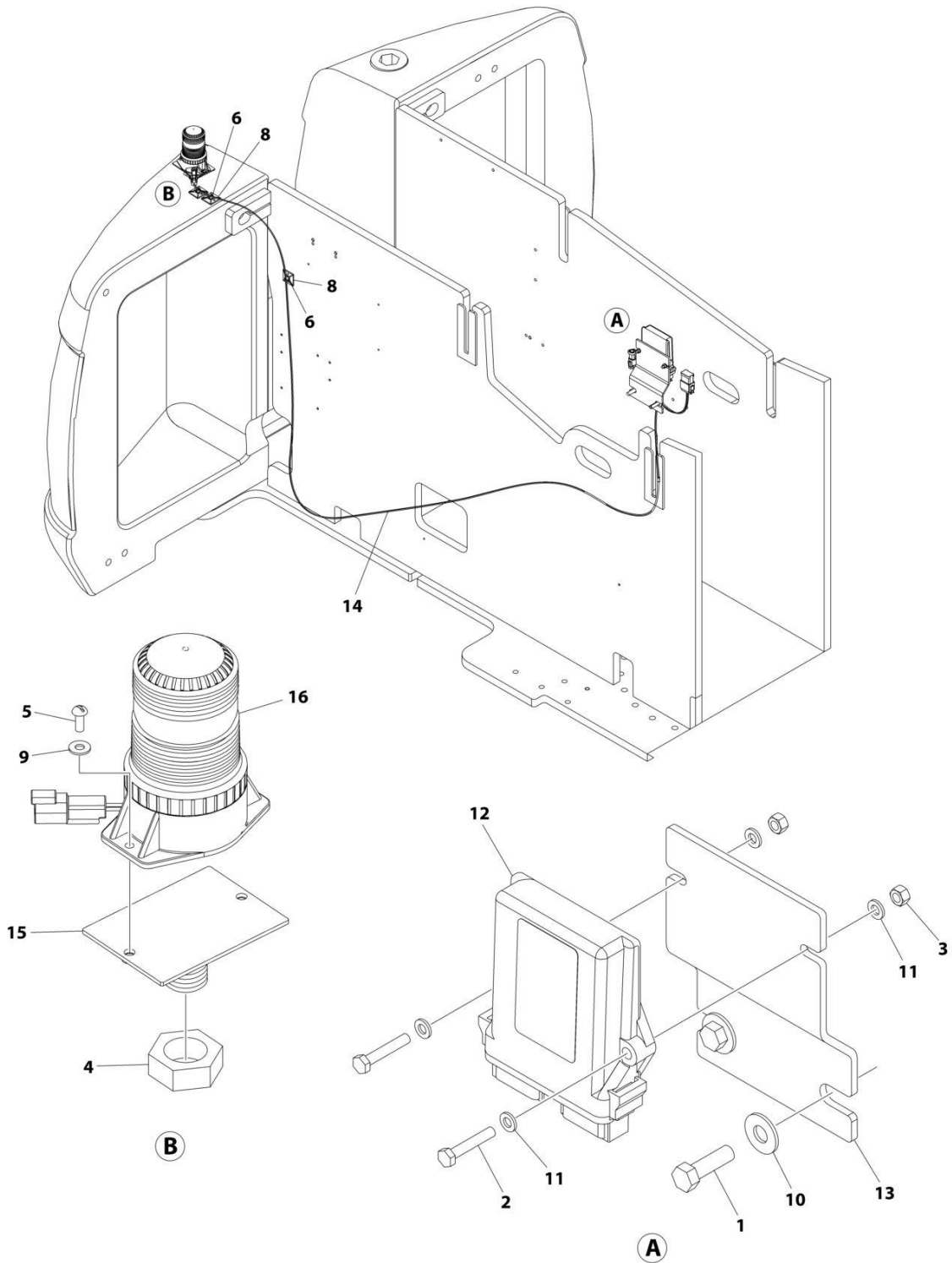
SECTION 2 - TURNTABLE

FIGURE 2-26. STROBE LIGHT INSTALLATION (BLUE)

ITEM	PART NUMBER	QTY	DESCRIPTION	REV
	1001242255	Ref	STROBE LIGHT INSTALLATION (BLUE)	A
1	0641610	2	Bolt 3/8 x 1-1/4	
2	0700615	2	Bolt 6 x 35	
3	3290607	2	Nut M6	
4	4240032	AR	Tie-Strap	
5	4240033	AR	Tie-Cable (Not Shown)	
6	4460488	AR	Base, Terminal, Mounting	
7	4751600	2	Washer 3/8	
8	4811700	4	Washer M6	
9	1001142683	1	Module, Control - Beacon	
10	1001142722	1	Bracket	
11	1001142736	1	Beacon Control Harness (See Separate Breakdown in ELECTRICAL SECTION)	
12	1001217005	1	Beacon Kit - Blue (Includes Items 102 - 106)	
102	3312602	1	Nut	
103	3900085	2	Screw	
104	4751000	2	Washer #10	
105	1001149994	1	Mount, Strobe	
106	1001200910	1	Light, Beacon	

SECTION 2 - TURNTABLE

FIGURE 2-27. STROBE LIGHT INSTALLATION (RED)



ART_1001242256

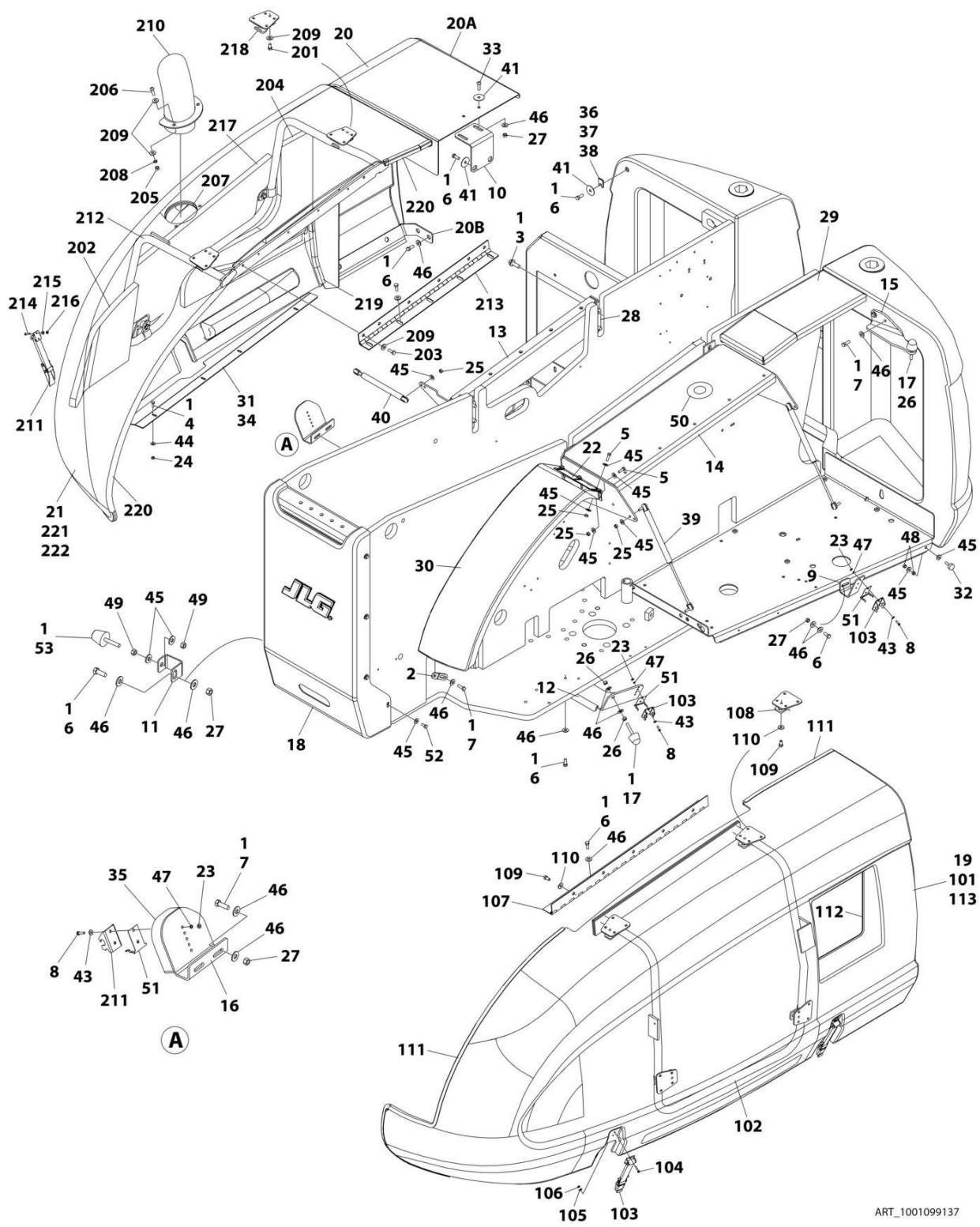
SECTION 2 - TURNTABLE

FIGURE 2-27. STROBE LIGHT INSTALLATION (RED)

ITEM	PART NUMBER	QTY	DESCRIPTION	REV
	1001242256	Ref	STROBE LIGHT INSTALLATION (RED)	A
1	0641610	2	Bolt 3/8 x 1-1/4	
2	0700615	2	Bolt 6 x 35	
3	3290607	2	Nut M6	
4	3312602	1	Nut	
5	3900085	2	Screw	
6	4240032	AR	Tie Strap	
7	4240033	AR	Tie Cable (Not Shown)	
8	4460488	AR	Base, Terminal, Mounting	
9	4751000	2	Washer	
10	4751600	2	Washer 3/8	
11	4811700	4	Washer	
12	1001142683	1	Module, Control	
13	1001142722	1	Bracket	
14	1001142736	1	Beacon Control Harness (See Separate Breakdown in ELECTRICAL SECTION)	
15	1001149994	1	Mount, Strobe	
16	1001207004	1	Light, Beacon	

SECTION 2 - TURNTABLE

FIGURE 2-28. HOODS INSTALLATION - ABS (DEUTZ D2011 ENGINES)



SECTION 2 - TURNTABLE

FIGURE 2-28. HOODS INSTALLATION - ABS (DEUTZ D2011 ENGINES)

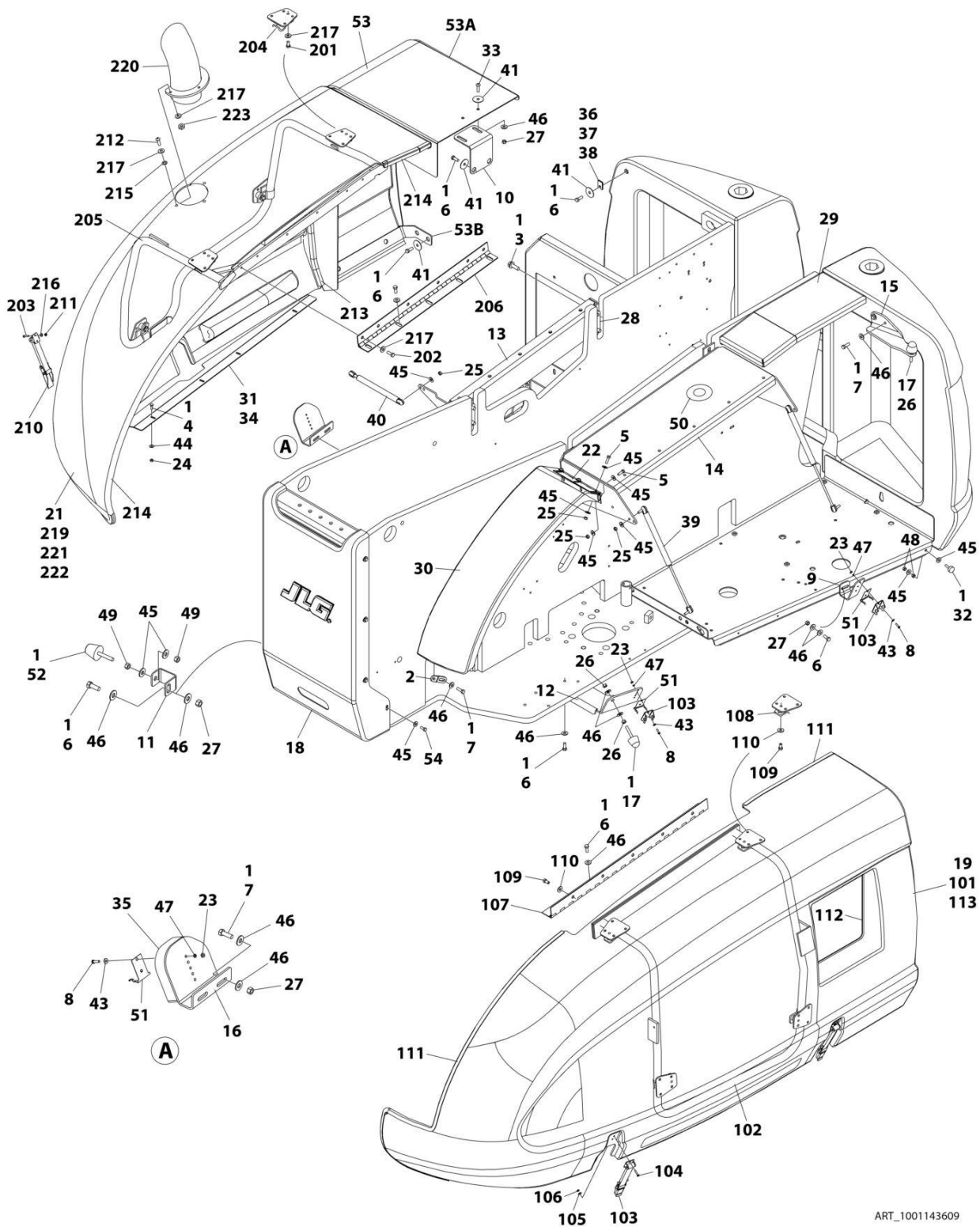
ITEM	PART NUMBER	QTY	DESCRIPTION	REV
	1001099137	Ref	HOODS INSTALLATION	F
1	0100011	AR	Compound, Locking	
2	0362770	1	Bar, Panel Mounting	
3	0811812	8	Bolt	
4	0641406	4	Bolt 1/4 x 3/4	
5	0641508	6	Bolt 5/16 x 1	
6	0641608	22	Bolt 3/8 x 1	
7	0641609	5	Bolt 3/8 x 1-1/8	
8	0721006	6	Screw #10 x 3/4	
9	0902143	1	Bracket, Latch (Tank Side)	
10	0902161	1	Bracket, Hood Spacer Mounting (Engine Side)	
11	0902219	2	Bracket, Bumper	
12	0902223	1	Bracket, Latch (Tank Side)	
13	1001207558	1	Bracket, Hood Mounting (Engine Side)	
14	0902412	1	Bracket, Hood Mounting (Tank Side)	
15	0902426	1	Bracket, Bumper - Counterweight Mounted	
16	0902491	1	Bracket, Latch (Engine Side)	
17	0940071	2	Bumper	
18	1670842	1	Cover, Turntable End	
19	1671228	1	Hood Assembly - Tank Side (See Items 101-113 for Breakdown)	
19		Ref	Note: Replacement Decals Must be Ordered Separately - See DECALS SECTION.	
20	1671233	1	Spacer Assembly	
20A	3960453	68 in /1.73m	Seal	
20B	0903308	1	Bracket	
21	1001099138	1	Hood Assembly - Engine Side (See Items 201-221 for Breakdown):	
21		Ref	Note: Replacement Decals Must be Ordered Separately - See DECAL SECTION.	
22	2600244	1	Adapter, Panel Hinge	
23	3311001	6	Nut #10	
24	3311405	4	Nut 1/4	
25	3311505	9	Nut 5/16	
26	3311601	4	Nut 3/8	
27	3311605	7	Nut 3/8	
28	1001150260	4	Plate, Hinge Block	
29	1001290021	1	Cover, Top (Tank Side)	
30	3380444	1	Panel, Adapter	
31	3571712	1	Plate, Seal	
32	0940049	1	Stopper, Hood	
33	3900232	2	Screw 3/8 x 1-1/4	
34	3960389	3.5 ft/1m	Seal	
35	3960470	1	Seal, Latch	
36	4070410	AR	Shim 1/16	
37	4070411	AR	Shim 1/8	
38	4070412	AR	Shim 3/16	
39	4160139	2	Spring, Gas (Tank Side)	
40	4160143	1	Spring, Gas (Engine Side)	
41	4740076	5	Washer, Fender	

SECTION 2 - TURNTABLE

ITEM	PART NUMBER	QTY	DESCRIPTION	REV
43	4751000	6	Washer #10	
44	4751400	4	Washer 1/4	
45	4751500	29	Washer 5/16	
46	4751600	35	Washer 3/8	
47	4761000	6	Washer #10	
48	3311501	2	Nut 5/16	
49	3321501	4	Nut 5/16	
50	1120601	1	Plug	
51	2940188	3	Latch	
52	0641506	8	Bolt, 5/16 x 3/4	
53	0940088	2	Bumper	
	1671228	Ref	HOOD ASSEMBLY (TANK SIDE)	A
101	1671231	1	Hood	
102	1671232	1	Frame, Tubular	
103	2940088	2	Latch	
104	0721008	4	Screw, #10 x 1	
105	4751000	4	Washer #10	
106	3311001	4	Nut #10	
107	2600233	1	Hinge	
108	1321384	4	Hold Down	
109	0641606	9	Bolt 3/8 x 3/4	
110	4711600	9	Washer 3/8	
111	3960464	83 in /2.11m	Seal	
112	3960438	55 in/1.4m	Seal	
113	3960462	53 in /1.35m	Seal	
	1001099138	Ref	HOOD ASSEMBLY (ENGINE SIDE)	B
201	0641606	4	Bolt 3/8 x 3/4	
202	2820233	1	Insulation, Rear Sound	
203	0641608	6	Insulation, Center Sound	
204	2820235	1	Insulation, Rear Sound	
205	3311605	2	Nut 3/8	
206	3900232	2	Screw 3/8 x 1-1/4	
207	1001101623	1	Shield, Heat Gasket	
208	4740500	2	Washer	
209	4751600	14	Washer 3/8	
210	1001099121	1	Exhaust Tube Weldment	
211	2940088	1	Latch	
212	1671230	1	Frame, Tubular	
213	2600209	1	Hinge	
214	0721008	2	Screw, #10 x 1	
215	4751000	2	Washer #10	
216	3311001	2	Nut #10	
217	2820234	AR	Insulation	
218	1321384	4	Hold Down	
219	3960462	61 in /1.55m	Seal	
220	3960464	65 in /1.67m	Seal	
221	1001101673	AR	Insulation	

SECTION 2 - TURNTABLE

FIGURE 2-29. HOODS INSTALLATION - ABS (DEUTZ TD2.9L4 ENGINES)



ART_1001143609

SECTION 2 - TURNTABLE

FIGURE 2-29. HOODS INSTALLATION - ABS (DEUTZ TD2.9L4 ENGINES)

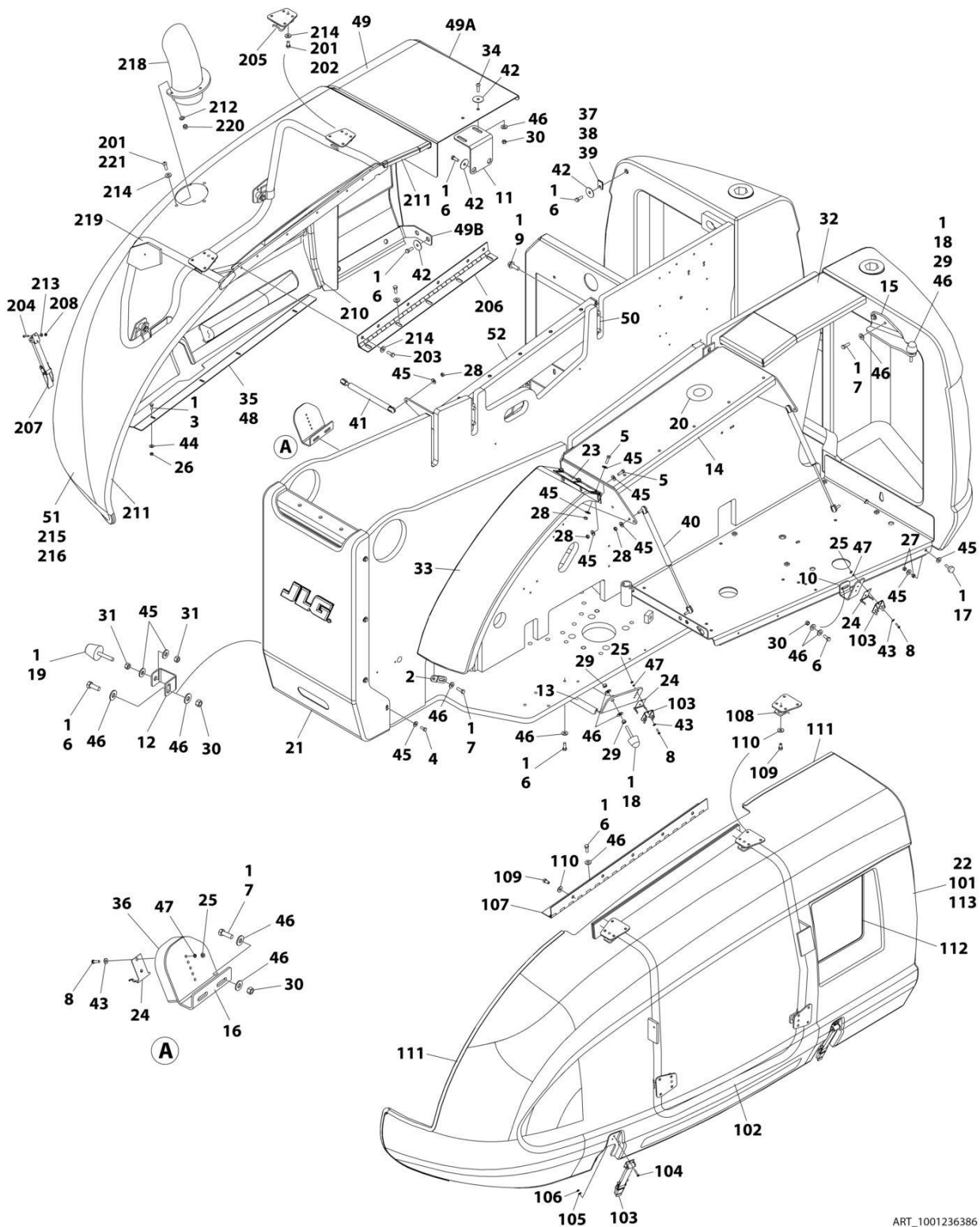
ITEM	PART NUMBER	QTY	DESCRIPTION	REV
	1001143609	Ref	HOODS INSTALLATION	F
1	0100011	AR	Compound, Locking	
2	0362770	1	Bar, Panel Mounting	
3	0811812	8	Bolt	
4	0641406	4	Bolt 1/4 x 3/4	
5	0641508	AR	Bolt 5/16 x 1	
6	0641608	22	Bolt 3/8 x 1	
7	0641609	5	Bolt 3/8 x 1-1/8	
8	0721006	6	Screw #10 x 3/4	
9	0902143	1	Bracket, Latch (Tank Side)	
10	0902161	1	Bracket, Hood Spacer Mounting (Engine Side)	
11	0902219	2	Bracket, Bumper	
12	0902223	1	Bracket, Latch (Tank Side)	
13	1001207558	1	Bracket, Hood Mounting (Engine Side)	
14	0902412	1	Bracket, Hood Mounting (Tank Side)	
15	0902426	1	Bracket, Bumper - Counterweight Mounted	
16	0902491	1	Bracket, Latch (Engine Side)	
17	0940071	2	Bumper	
18	1670842	1	Cover, Turntable End	
19	1671228	1	Hood Assembly - Tank Side (See Items 101-113 for Breakdown)	
19		Ref	Note: Replacement Decals Must be Ordered Separately - See DECALS Section.	
21	1001143607	1	Hood Assembly - Engine Side (See Items 201-223 for Breakdown)	
21		Ref	Note: Replacement Decals Must be Ordered Separately - See DECAL Section.	
22	2600244	1	Adapter, Panel Hinge	
23	3311001	6	Nut #10	
24	3311405	4	Nut 1/4	
25	3311505	9	Nut 5/16	
26	3311601	AR	Nut 3/8	
27	3311605	7	Nut 3/8	
28	1001150260	4	Plate, Hinge Block	
29	1001290021	1	Cover, Top (Tank Side)	
30	3380444	1	Panel, Adapter	
31	1001143858	1	Plate, Seal (Deutz TD2.9L4 and Deutz TD2.9L4 (Stage V Pre-Buy) Engines)	
32	0940049	1	Stopper, Hood	
33	3900232	2	Screw 3/8 x 1-1/4	
34	3960389	3.5 ft/1m	Seal	
35	3960470	1	Seal, Latch	
36	4070410	AR	Shim 1/16	
37	4070411	AR	Shim 1/8	
38	4070412	AR	Shim 3/16	
39	4160139	2	Spring, Gas (Tank Side)	
40	4160143	1	Spring, Gas (Engine Side)	
41	4740076	5	Washer, Fender	
43	4751000	6	Washer #10	
44	4751400	4	Washer 1/4	
45	4751500	AR	Washer 5/16	
46	4751600	AR	Washer 3/8	

SECTION 2 - TURNTABLE

ITEM	PART NUMBER	QTY	DESCRIPTION	REV
47	4761000	6	Washer #10	
48	3311501	2	Nut 5/16	
49	3321501	AR	Nut 5/16	
50	1120601	1	Plug	
51	2940188	3	Latch	
52	0940088	2	Stopper	
53	1001149673	1	Spacer	
54	0641506	8	Screw 5/16 x 3/4	
	1671228	Ref	HOOD ASSEMBLY (TANK SIDE)	A
101	1671231	1	Hood	
102	1671232	1	Frame, Tubular	
103	2940088	2	Latch	
104	0721008	4	Screw, Machine #10 x 1	
105	4751000	4	Washer #10	
106	3311001	4	Nut #10	
107	2600233	1	Hinge	
108	1321384	4	Hold Down	
109	0641606	9	Bolt 3/8 x 3/4	
110	4711600	9	Washer 3/8	
111	3960464	83 in /2.11m	Seal	
112	3960438	55 in/1.4m	Seal	
113	3960462	53 in /1.35m	Seal	
	1001143607	Ref	HOOD ASSEMBLY (ENGINE SIDE)	G
201	0641606	4	Bolt 3/8 x 3/4	
202	0641608	6	Bolt 3/8 x 1	
203	0721008	2	Screw #10 x 1	
204	1321384	4	Hold Down	
205	1001153435	1	Frame, Tubular	
206	2600209	1	Hinge	
210	2940088	1	Latch	
211	3311001	2	Nut #10	
212	3900316	3	Bolt 3/8 x 1	
212	88261039	3	Bolt 3/8 x 2	
213	3960462	61 in /1.55m	Seal	
214	3960464	65 in /1.67m	Seal	
215	4740500	3	Washer	
216	4751000	2	Washer #10	
217	4751600	16	Washer 3/8	
220	1001143611	1	Pipe, Exhaust	
221	1001152566	AR	Insulate, Heat	
222	1001117140	AR	Tape	
223	3311605	3	Nut 3/8	

SECTION 2 - TURNTABLE

FIGURE 2-30. HOODS INSTALLATION - ABS (DEUTZ TD2.9L4 (STAGE V) ENGINES)



ART_1001236386

SECTION 2 - TURNTABLE

FIGURE 2-30. HOODS INSTALLATION - ABS (DEUTZ TD2.9L4 (STAGE V) ENGINES)

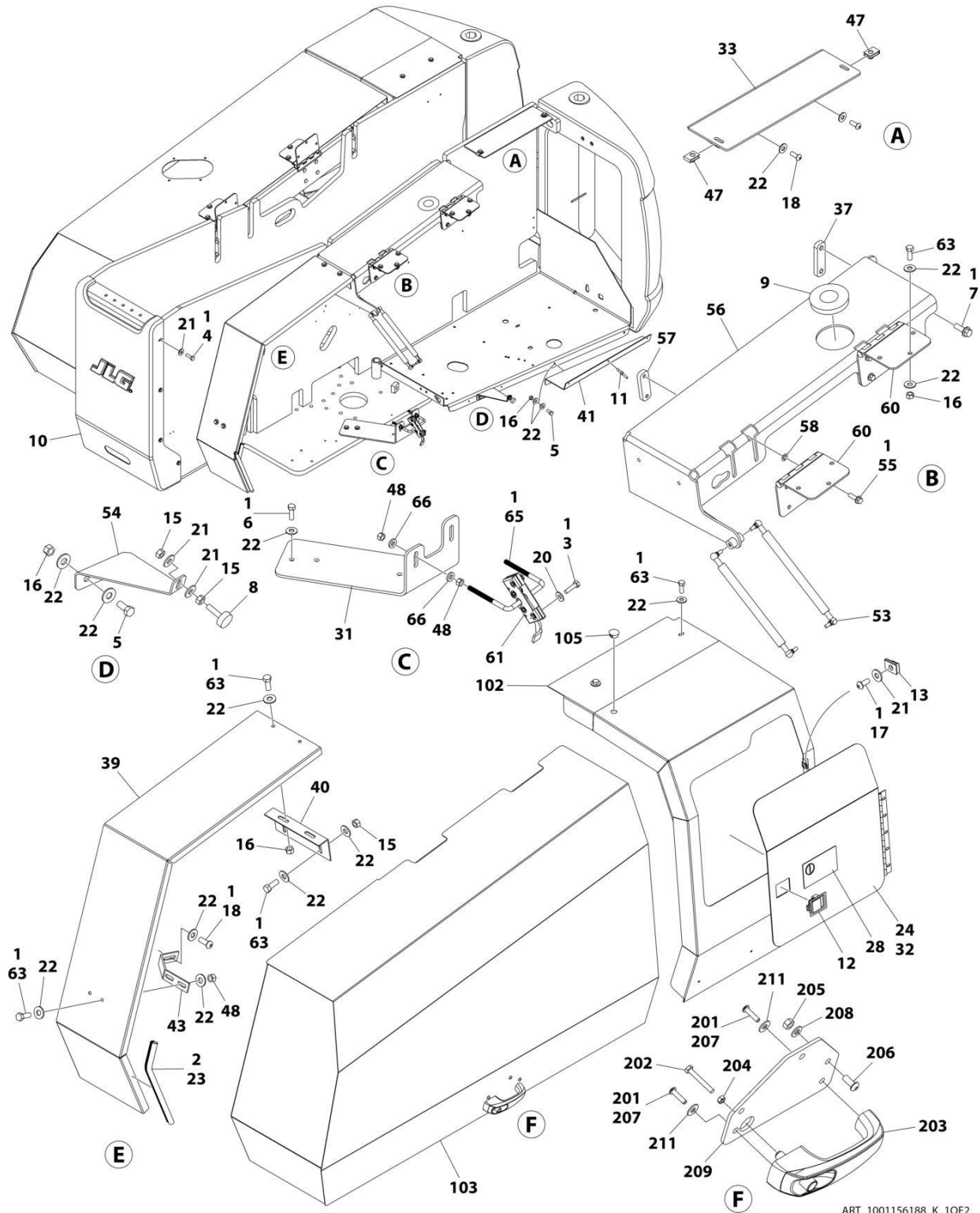
ITEM	PART NUMBER	QTY	DESCRIPTION	REV
	1001236386	Ref	HOODS INSTALLATION	C
1	0100011	AR	Compound, Locking	
2	0362770	1	Bar, Panel Mounting	
3	0641406	4	Bolt 1/4 x 3/4	
4	0641506	8	Bolt 5/16 x 3/4	
5	0641508	6	Bolt 5/16 x 1	
6	0641608	21	Bolt 3/8 x 1	
7	0641609	5	Bolt 3/8 x 1-1/8	
8	0721006	6	Screw #10 x 3/4	
9	0811812	8	Bolt	
10	0902143	1	Bracket, Latch (Tank Side)	
11	0902161	1	Bracket, Hood Spacer Mounting (Engine Side)	
12	0902219	1	Bracket, Bumper	
13	0902223	1	Bracket, Latch (Tank Side)	
14	0902412	1	Bracket, Hood Mounting (Tank Side)	
15	0902426	1	Bracket, Bumper - Counterweight Mounted	
16	0902491	1	Bracket, Latch (Engine Side)	
17	0940049	1	Stopper, Hood	
18	0940071	2	Bumper	
19	0940088	2	Stopper	
20	1120601	1	Plug	
21	1670842	1	Cover, Turntable End	
22	1671228	1	Hood Assembly - Tank Side (See Items 101-113 for Breakdown)	
22		Ref	Note: Replacement Decals Must be Ordered Separately - See DECALS SECTION.	
23	2600244	1	Adapter, Panel Hinge	
24	2940188	3	Latch	
25	3311001	6	Nut #10	
26	3311405	4	Nut 1/4	
27	3311501	2	Nut 5/16	
28	3311505	9	Nut 5/16	
29	3311601	4	Nut 3/8	
30	3311605	6	Nut 3/8	
31	3321501	4	Nut 5/16	
32	1001290021	1	Cover, Top (Tank Side)	
33	3380444	1	Panel, Adapter	
34	3900232	2	Screw 3/8 x 1-1/4	
35	3960389	3.5 ft/1m	Seal	
36	3960470	1	Seal, Latch	
37	4070410	AR	Shim 1/16	
38	4070411	AR	Shim 1/8	
39	4070412	AR	Shim 3/16	
40	4160139	2	Spring, Gas (Tank Side)	
41	4160143	1	Spring, Gas (Engine Side)	
42	4740076	7	Washer, Fender	
43	4751000	6	Washer #10	
44	4751400	4	Washer 1/4	
45	4751500	29	Washer 5/16	
46	4751600	31	Washer 3/8	
47	4761000	6	Washer #10	

SECTION 2 - TURNTABLE

ITEM	PART NUMBER	QTY	DESCRIPTION	REV
48	1001143858	1	Plate, Seal (Deutz TD2.9L4 and Deutz TD2.9L4 (Stage V Pre-Buy) Engines)	
49	1001149673	1	Spacer	
50	1001150260	4	Plate, Hinge Block	
51	1001236387	1	Hood Assembly - Engine Side (See Items 201-221 for Breakdown)	
51		Ref	Note: Replacement Decals Must be Ordered Separately - See DECAL SECTION.	
52	1001207558	1	Bracket, Hood Mounting (Engine Side)	
	1671228	Ref	HOOD ASSEMBLY (TANK SIDE)	A
101	1671231	1	Hood	
102	1671232	1	Frame, Tubular	
103	2940088	2	Latch	
104	0721008	4	Screw, Machine #10 x 1	
105	4751000	4	Washer #10	
106	3311001	4	Nut #10	
107	2600233	1	Hinge	
108	1321384	4	Hold Down	
109	0641606	9	Bolt 3/8 x 3/4	
110	4711600	9	Washer 3/8	
111	3960464	83 in /2.11m	Seal	
112	3960438	55 in/1.4m	Seal	
113	3960462	53 in /1.35m	Seal	
	1001236387	Ref	HOOD ASSEMBLY (ENGINE SIDE)	C
201	0100011	AR	Compound, Locking	
202	0641606	4	Bolt 3/8 x 3/4	
203	0641608	6	Bolt 3/8 x 1	
204	0721008	2	Screw #10 x 1	
205	1321384	4	Hold Down	
206	2600209	1	Hinge	
207	2940088	1	Latch	
208	3311001	2	Nut #10	
210	3960462	61 in /1.55m	Seal	
211	3960464	65 in/1.67m	Seal	
212	4740500	3	Washer	
213	4751000	2	Washer #10	
214	4751600	16	Washer 3/8	
215	1001117140	AR	Tape	
216	1001270099	AR	Insulate, Heat	
218	1001236389	1	Pipe, Exhaust	
219	1001236871	1	Frame, Tubular	
220	3271601	1	Nut 3/8	
221	3900232	3	Screw 3/8 x 1-1/4	

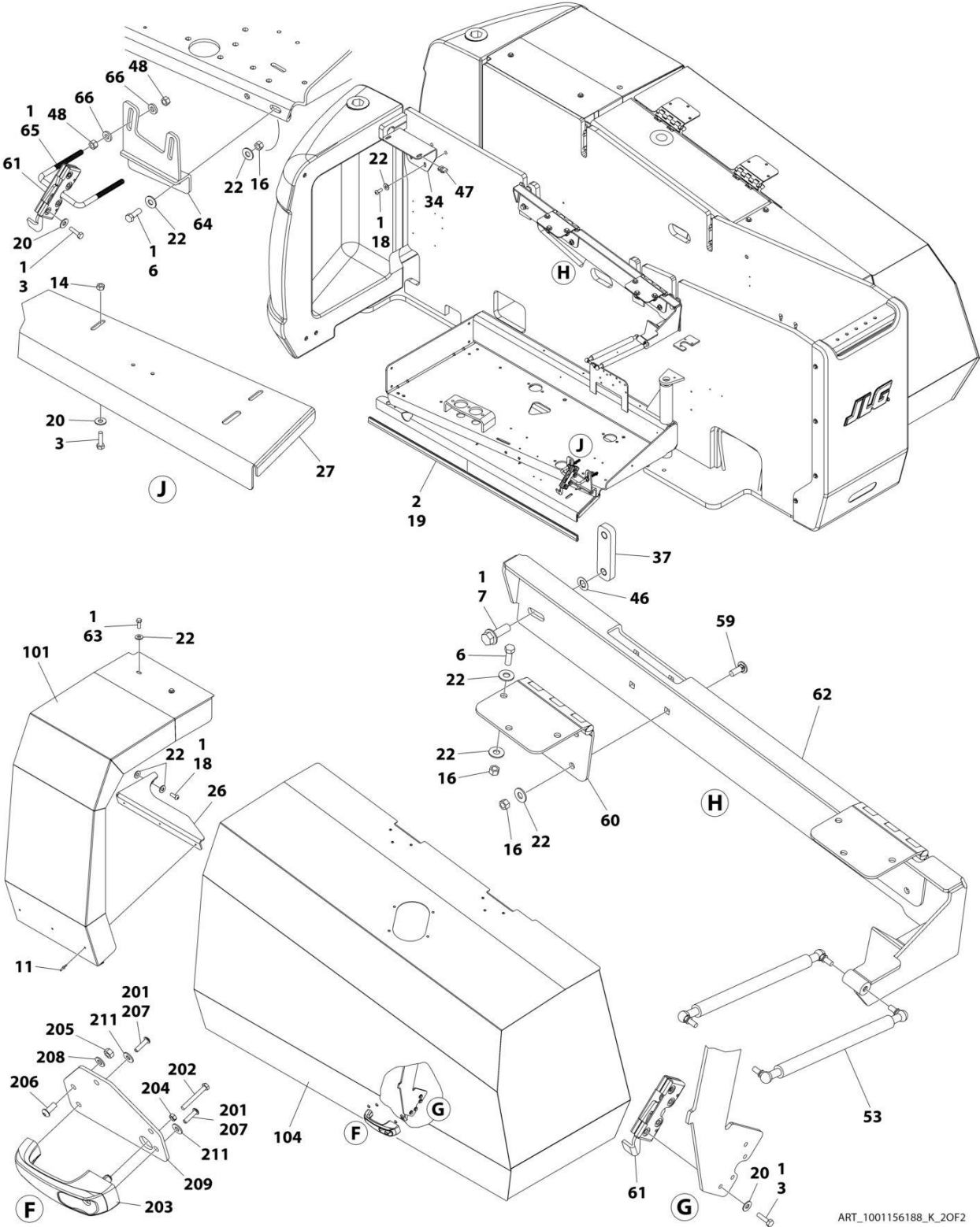
SECTION 2 - TURNTABLE

FIGURE 2-31. HOODS INSTALLATION - STEEL (DEUTZ D2011 ENGINES)



ART_1001156188_K_10F2

SECTION 2 - TURNTABLE



ART_1001156188_K_20F2

SECTION 2 - TURNTABLE

FIGURE 2-31. HOODS INSTALLATION - STEEL (DEUTZ D2011 ENGINES)

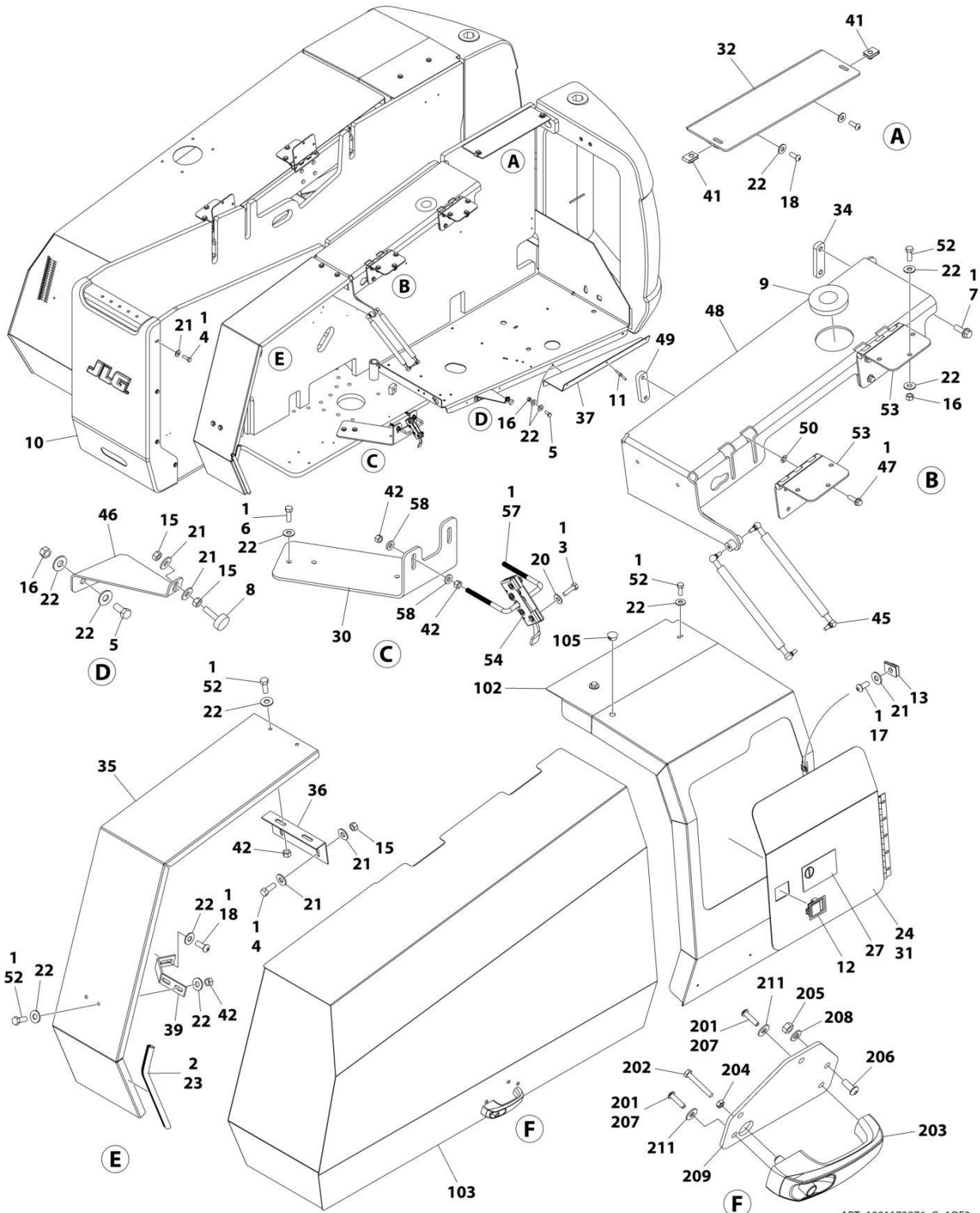
ITEM	PART NUMBER	QTY	DESCRIPTION	REV
		Ref	NOTE: REPLACEMENT DECALS MUST BE PURCHASED SEPARATELY - SEE DECALS SECTION.	
	1001156188	Ref	HOODS INSTALLATION	K
1	0100011	AR	Compound, Locking	
2	0100081	AR	Adhesive	
3	0641408	12	Bolt 1/4 x 1	
4	0641508	8	Bolt 5/16 x 1	
5	0641607	4	Bolt 3/8 x 7/8	
6	0641609	10	Bolt 3/8 x 1-1/8	
7	0811812	8	Bolt 1/2 x 2-1/4	
8	0940049	1	Stopper, Hood	
9	1120601	1	Plug	
10	1670842	1	Cover, Turntable End	
11	2080040	6	Fastener	
12	2940045	1	Latch, Paddle	
13	3300364	3	Nut, Tinnerman 5/16	
14	3311405	4	Nut 1/4	
15	3311501	2	Nut 5/16	
16	3311605	30	Nut 3/8	
17	3900210	3	Screw 5/16 x 3/4	
18	3900316	7	Screw 3/8 x 1	
19	3960389	4.2 ft /1.3m	Seal	
20	4751400	12	Washer 1/4	
21	4751500	13	Washer 5/16	
22	4751600	69	Washer 3/8	
23	1001110166	59 in/1.5m	Seal	
24	1001113047	6.5 ft/2m	Seal	
26	1001117234	1	Bracket	
27	1001117249	1	Plate	
28	1001117307	1	Decal - Emergency Stop	
31	1001250293	1	Bracket, Striker	
32	1001117598	1	Door	
33	1001158175	1	Bracket, Hood Mounting	
34	1001157867	1	Bracket, Hood Mounting	
37	1001150260	4	Plate, Hinge	
39	1001155899	1	Plate, Spacer	
40	1001157612	1	Bracket, Hood Support	
41	1001157726	1	Bracket, Hood Support	
43	1001158077	1	Bracket, Spacer Panel	
46	2080072	4	Retainer, Bolt	
47	88662523	4	Nut, Tinnerman	
48	3311601	10	Nut 3/8	
53	4160194	4	Spring, Gas	
54	1001161089	1	Bracket, Bumper	
55	0811610	8	Screw 3/8 x 1-1/4	
56	1001155895	1	Mount, Hood	
57	1001186251	4	Plate, Hinge	
58	8310070	8	Nut 3/8	
59	0630485	8	Bolt 3/8 x 1	

SECTION 2 - TURNTABLE

ITEM	PART NUMBER	QTY	DESCRIPTION	REV
60	1001186254	4	Hinge	
61	2940173	2	Latch, Rotary	
62	1001196768	1	Mount, Hood	
63	0641608	16	Screw 3/8 x 1	
64	1001250292	1	Bracket	
65	1001243414	2	Bolt 3/8	
66	4891600	8	Washer 3/8	
100	1001174408	1	Kit, Hood (Includes Items 101-104)	
101	1001117219	1	Hood, Fixed Engine Side	
102	1001120962	1	Hood, Fixed Tank Side	
103	1001157209	1	Hood Assembly - Tank Side (Includes Items 201-211)	
104	1001157208	1	Hood Assembly - Engine Side (Includes Items 201-211) (Note: Heat Shield must be transferred from original hood or replaced before putting machine back in service)	
105	3250030	1	Plug	
	1001157208	Ref	HOOD ASSEMBLY - ENGINE SIDE	D
201	0100011	AR	Compound, Locking	
202	0700618	1	Bolt M6 x 50	
203	2560187	1	Handle, Push Button	
204	3290601	1	Nut M6	
205	3311505	3	Nut 5/16	
206	3900210	3	Screw 5/16 x 3/4	
207	3900363	2	Screw M6 x 25	
208	4711500	3	Washer 5/16	
209	1001116290	1	Plate, Latch Mounting	
211	4751400	2	Washer 1/4	

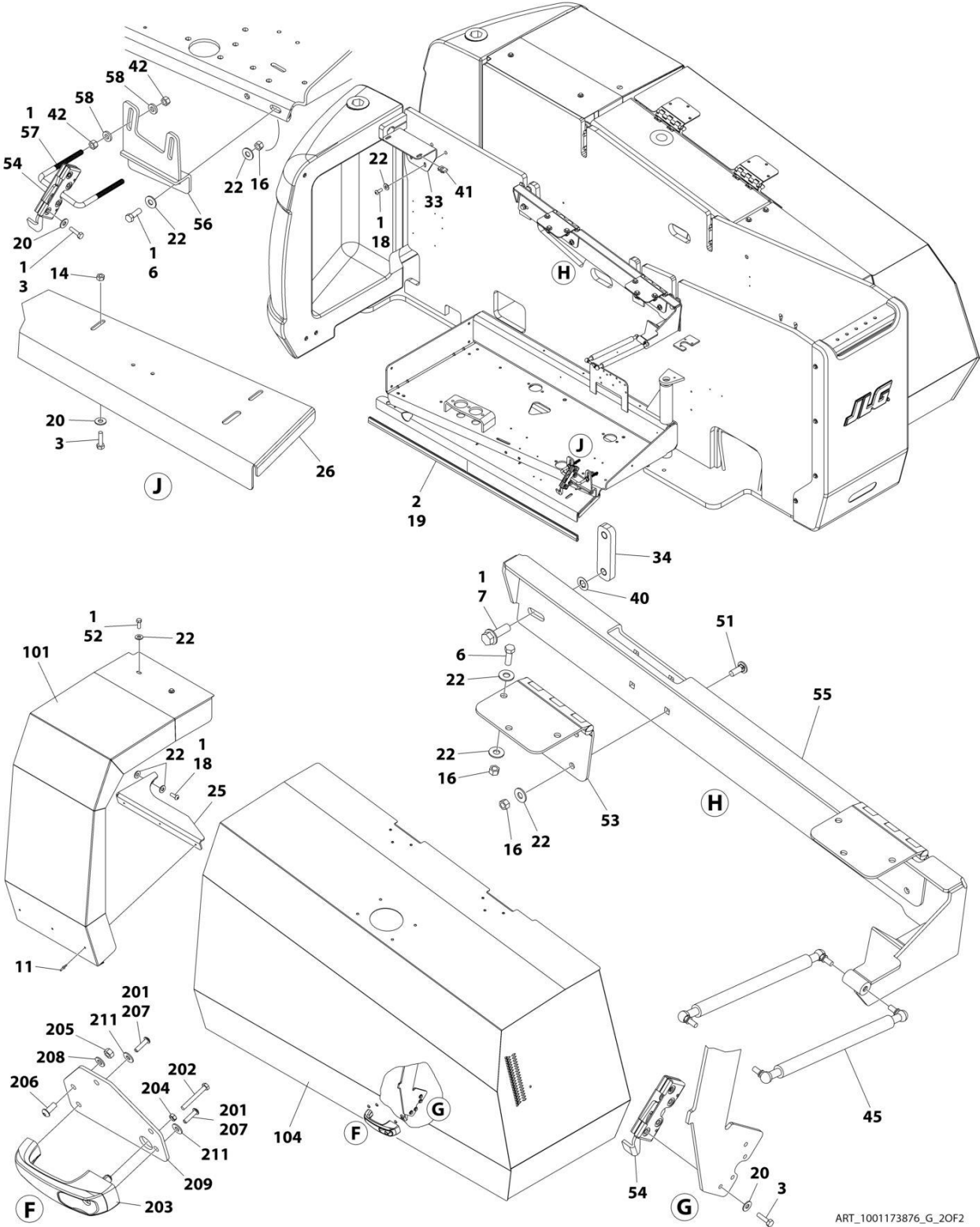
SECTION 2 - TURNTABLE

FIGURE 2-32. HOODS INSTALLATION - STEEL (DEUTZ TD2.9L4 ENGINES)



ART_1001173876_G_10F2

SECTION 2 - TURNTABLE



ART_1001173876_G_20F2

SECTION 2 - TURNTABLE

FIGURE 2-32. HOODS INSTALLATION - STEEL (DEUTZ TD2.9L4 ENGINES)

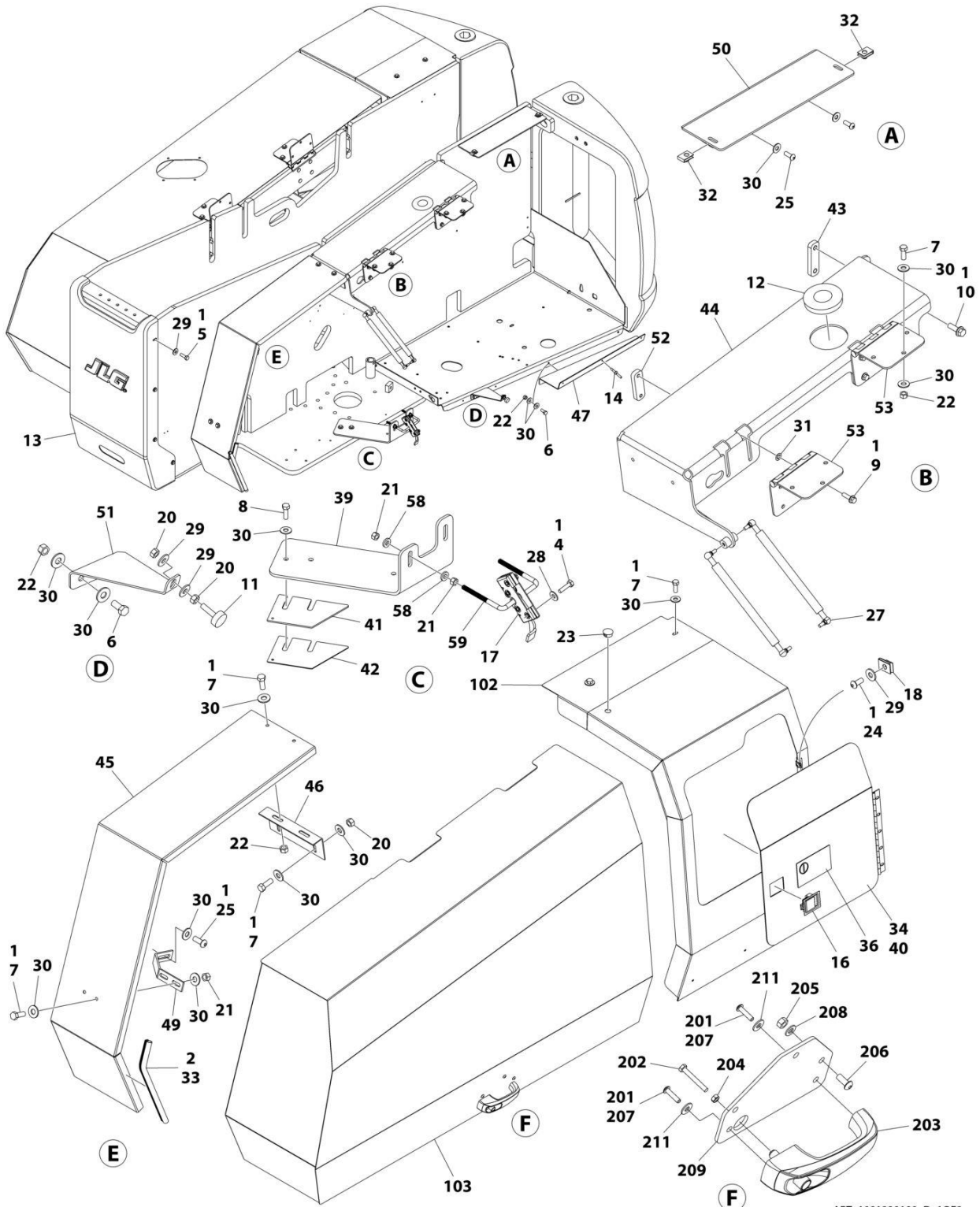
ITEM	PART NUMBER	QTY	DESCRIPTION	REV
		Ref	NOTE: REPLACEMENT DECALS MUST BE PURCHASED SEPARATELY - SEE DECALS SECTION.	
	1001173876	Ref	HOODS INSTALLATION (DEUTZ TD2.9L4 ENGINES MACHINES)	G
1	0100011	AR	Compound, Locking	
2	0100081	AR	Adhesive	
3	0641408	12	Bolt 1/4 x 1	
4	0641508	10	Bolt 5/16 x 1	
5	0641607	2	Bolt 3/8 x 7/8	
6	0641609	10	Bolt 3/8 x 1-1/8	
7	0811812	8	Bolt 1/2 x 2-1/4	
8	0940049	1	Stopper, Hood	
9	1120601	1	Plug	
10	1670842	1	Cover, Turntable End	
11	2080040	6	Fastener	
12	2940045	1	Latch, Paddle	
13	3300364	3	Nut, Tinnerman 5/16	
14	3311405	4	Nut 1/4	
15	3311501	4	Nut 5/16	
16	3311605	24	Nut 3/8	
17	3900210	3	Screw 5/16 x 3/4	
18	3900316	7	Screw 3/8 x 1	
19	3960389	4.2 ft /1.3m	Seal	
20	4751400	12	Washer 1/4	
21	4751500	15	Washer 5/16	
22	4751600	57	Washer 3/8	
23	1001110166	59 in/1.5m	Seal	
24	1001113047	6.5 ft/2m	Seal	
25	1001117234	1	Bracket	
26	1001117249	1	Plate	
27	1001117307	1	Decal - Emergency Stop	
30	1001250293	1	Bracket, Striker	
31	1001117598	1	Door	
32	1001158175	1	Bracket, Hood Mounting	
33	1001157867	1	Bracket, Hood Mounting	
34	1001150260	4	Plate, Hinge	
35	1001155899	1	Plate, Spacer	
36	1001157612	1	Bracket, Hood Support	
37	1001157726	1	Bracket, Hood Support	
39	1001158077	1	Bracket, Spacer Panel	
40	2080072	4	Retainer, Bolt	
41	88662523	4	Nut, Tinnerman	
42	3311601	12	Nut 3/8	
45	4160194	4	Spring, Gas	
46	1001161089	1	Bracket, Bumper	
47	0811610	8	Screw 3/8 x 1-1/4	
48	1001155895	1	Mount, Hood	
49	1001186251	4	Plate, Hinge	
50	8310070	8	Nut 3/8	
51	0630485	8	Bolt 3/8 x 1	

SECTION 2 - TURNTABLE

ITEM	PART NUMBER	QTY	DESCRIPTION	REV
52	0641608	14	Bolt 3/8 x 1	
53	1001186254	4	Hinge	
54	2940173	2	Latch, Rotary	
55	1001196768	1	Mount, Hood	
56	1001250292	1	Bracket	
57	1001243414	2	Bolt 3/8	
58	4891600	8	Washer 3/8	
100	1001174277	1	Kit, Hood (Includes Items 101-104)	
101	1001117219	1	Hood, Fixed Engine Side	
102	1001120962	1	Hood, Fixed Tank Side	
103	1001157209	1	Hood Assembly - Tank Side (Includes Items 201-211)	
104	1001162915	1	Hood Assembly - Engine Side (Includes Items 201-211) (Note: Heat Shield must be transferred from original hood or replaced before putting machine back in service)	
105	3250030	1	Plug	
	1001162915	Ref	HOOD ASSEMBLY - ENGINE SIDE	C
201	0100011	AR	Compound, Locking	
202	0700618	1	Bolt M6 x 50	
203	2560187	1	Handle, Push Button	
204	3290601	1	Nut M6	
205	3311505	3	Nut 5/16	
206	3900210	3	Screw 5/16 x 3/4	
207	3900363	2	Screw M6 x 25	
208	4711500	3	Washer 5/16	
209	1001116290	1	Plate, Latch Mounting	
211	4751400	2	Washer 1/4	

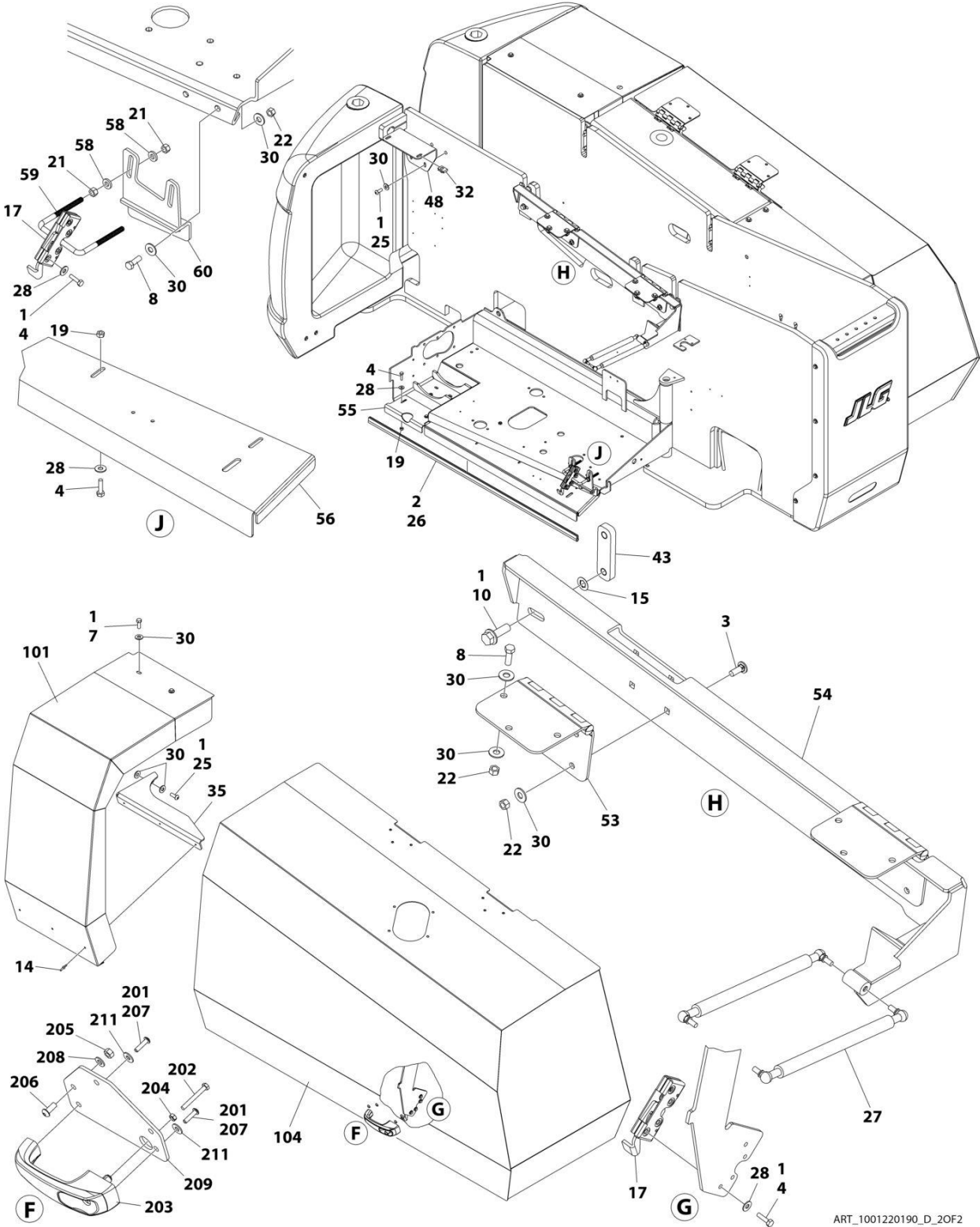
SECTION 2 - TURNTABLE

FIGURE 2-33. HOODS INSTALLATION - STEEL (FORD ENGINES)



ART_1001220190_D_10F2

SECTION 2 - TURNTABLE



ART_1001220190_D_20F2

SECTION 2 - TURNTABLE

FIGURE 2-33. HOODS INSTALLATION - STEEL (FORD ENGINES)

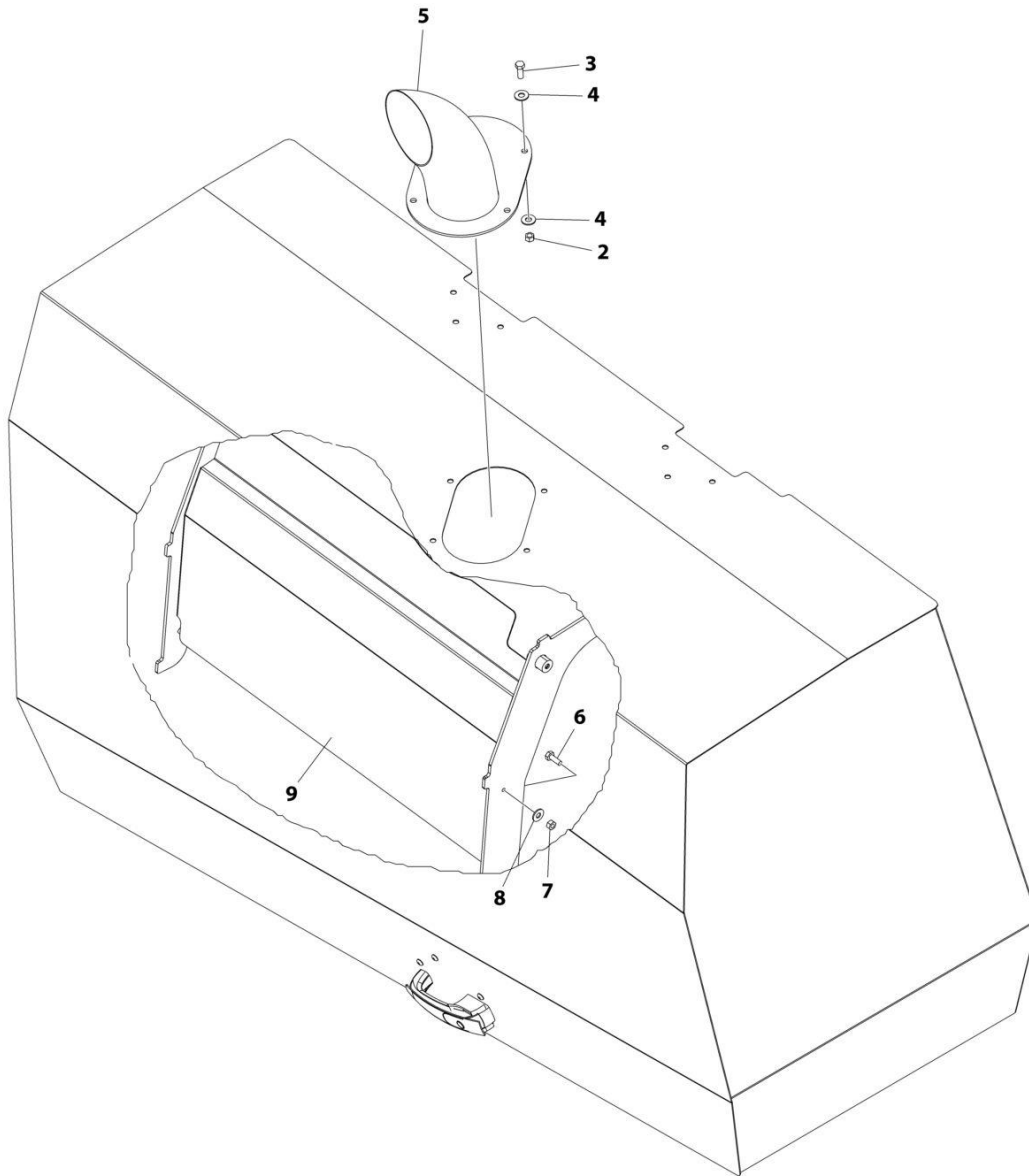
ITEM	PART NUMBER	QTY	DESCRIPTION	REV
		Ref	NOTE: REPLACEMENT DECALS MUST BE PURCHASED SEPARATELY - SEE DECALS SECTION.	
	1001220190	Ref	HOODS INSTALLATION (FORD ENGINES MACHINES)	D
1	0100011	AR	Compound, Locking	
2	0100081	AR	Adhesive	
3	0630485	8	Bolt 3/8 x 1	
4	0641408	13	Bolt 1/4 x 1	
5	0641508	8	Bolt 5/16 x 1	
6	0641607	4	Bolt 3/8 x 7/8	
7	0641608	16	Bolt 3/8 x 1	
8	0641609	12	Bolt 3/8 x 1-1/8	
9	0811610	8	Screw 3/8 x 1-1/4	
10	0811812	8	Bolt 1/2 x 2-1/4	
11	0940049	1	Stopper, Hood	
12	1120601	1	Plug	
13	1670842	1	Cover, Turntable End	
14	2080040	6	Fastener	
15	2080072	4	Retainer, Bolt	
16	2940045	1	Latch, Paddle	
17	2940173	2	Latch, Rotary	
18	3300364	3	Nut, Tinnerman 5/16	
19	3311405	5	Nut 1/4	
20	3311501	2	Nut 5/16	
21	3311601	10	Nut 3/8	
22	3311605	30	Nut 3/8	
23	3520030	1	Plug	
24	3900210	3	Screw 5/16 x 3/4i	
25	3900316	7	Screw 3/8 x 1	
26	3960389	4.2 ft /1.3m	Seal	
27	4160194	4	Spring, Gas	
28	4751400	13	Washer 1/4	
29	4751500	13	Washer 5/16	
30	4751600	69	Washer 3/8	
31	8310070	8	Nut 3/8	
32	88662523	4	Nut, Tinnerman	
33	1001110166	59 in/1.5m	Seal	
34	1001113047	6.5 ft/2m	Seal	
35	1001117234	1	Bracket	
36	1001117307	1	Decal - Emergency Stop	
39	1001250293	1	Bracket, Striker	
40	1001117598	1	Door	
41	1001121122	AR	Shim 3	
42	1001121123	AR	Shim 1.5	
43	1001150260	4	Plate, Hinge	
44	1001155895	1	Mount, Hood	
45	1001155899	1	Plate, Spacer	
46	1001157612	1	Bracket, Hood Support	
47	1001157726	1	Bracket, Hood Support	
48	1001157867	1	Bracket, Hood Mounting	

SECTION 2 - TURNTABLE

ITEM	PART NUMBER	QTY	DESCRIPTION	REV
49	1001158077	1	Bracket, Spacer Panel	
50	1001158175	1	Bracket, Hood Mounting	
51	1001161089	1	Bracket, Bumper	
52	1001186251	4	Plate, Hinge	
53	1001186254	4	Hinge	
54	1001196768	1	Mount, Hood	
55	1001220002	1	Plate	
56	1001220067	1	Plate	
58	4891600	4	Washer 3/8	
59	1001243414	2	Bolt 3/8	
60	1001250292	1	Bracket	
100	1001174408	1	Kit, Hood (Includes Items 101-104)	
101	1001117219	1	Hood, Fixed Engine Side	
102	1001120962	1	Hood, Fixed Tank Side	
103	1001157209	1	Hood Assembly - Tank Side (Includes Items 201-211)	
104	1001157208	1	Hood Assembly - Engine Side (Includes Items 201-211) (Note: Heat Shield item 309 must be transferred from original hood or replaced before putting machine back in service)	
	1001157208	Ref	HOOD ASSEMBLY- ENGINE SIDE	D
201	0100011	AR	Compound, Locking	
202	0700618	1	Bolt M6 x 50	
203	2560187	1	Handle, Push Button	
204	3290601	1	Nut M6	
205	3311505	3	Nut 5/16	
206	3900210	3	Screw 5/16 x 3/4	
207	3900363	2	Screw M6 x 25	
208	4711500	3	Washer 5/16	
209	1001116290	1	Plate, Latch Mounting	
211	4751400	2	Washer 1/4	

SECTION 2 - TURNTABLE

FIGURE 2-34. EXHAUST COVER AND HEAT SHIELDS INSTALLATION - STEEL HOODS (DEUTZ D2011 ENGINES)



ART_1001158167

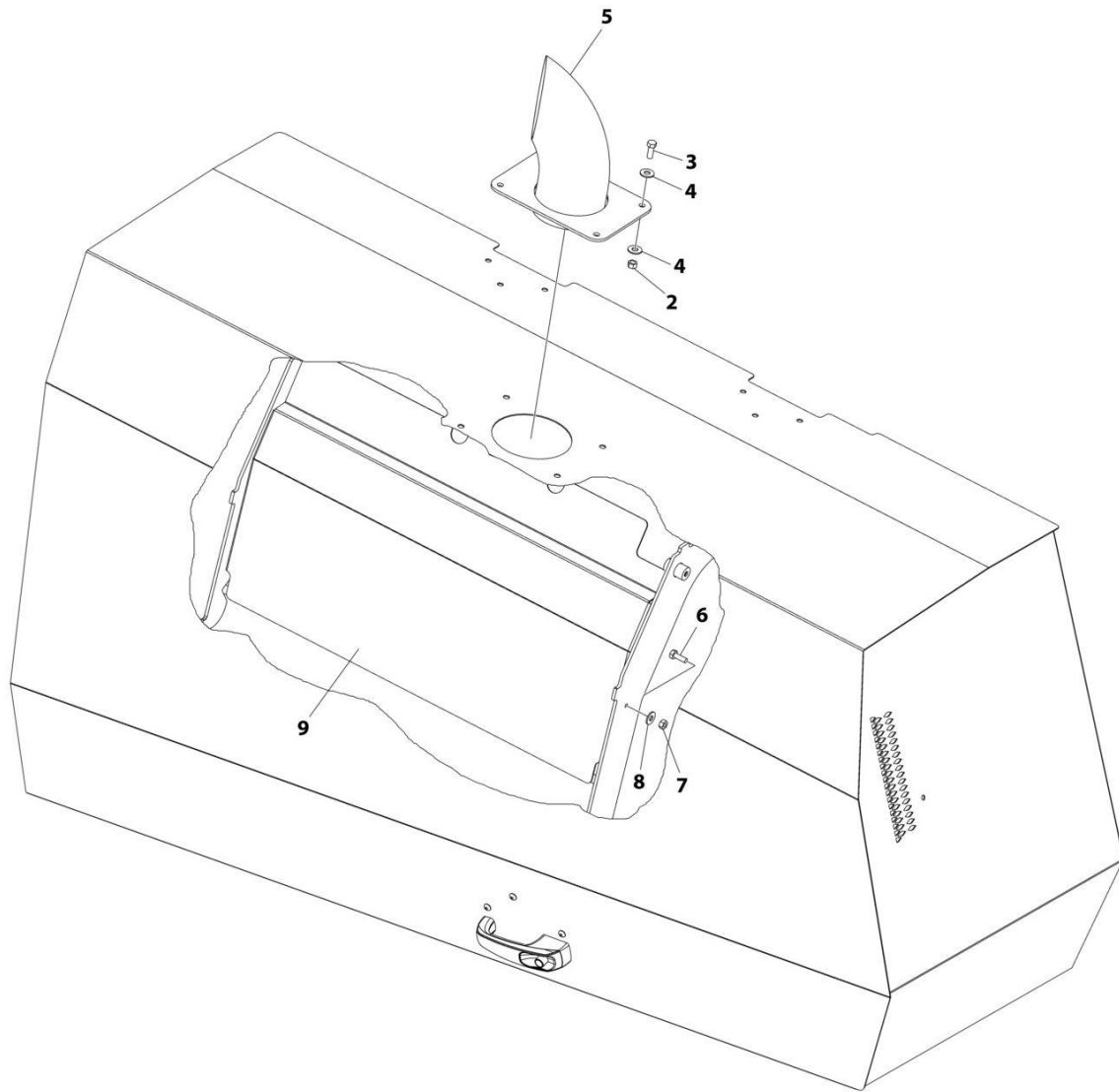
SECTION 2 - TURNTABLE

FIGURE 2-34. EXHAUST COVER AND HEAT SHIELDS INSTALLATION - STEEL HOODS (DEUTZ D2011 ENGINES)

ITEM	PART NUMBER	QTY	DESCRIPTION	REV
	1001158167	Ref	HOODS INSTALLATION	E
2	3311605	4	Nut 3/8	
3	0641608	4	Bolt 3/8 x 1	
4	4751600	8	Washer 3/8	
5	1001116456	1	Pipe, Exhaust	
6	0641406	3	Bolt 1/4 x 3/4	
7	3311405	3	Nut 1/4	
8	4751400	3	Washer 1/4	
9	1001150561	1	Shield, Heat	

SECTION 2 - TURNTABLE

FIGURE 2-35. EXHAUST COVER AND HEAT SHIELDS INSTALLATION - STEEL HOODS (DEUTZ TD2.9L4 ENGINES)



ART_1001173878

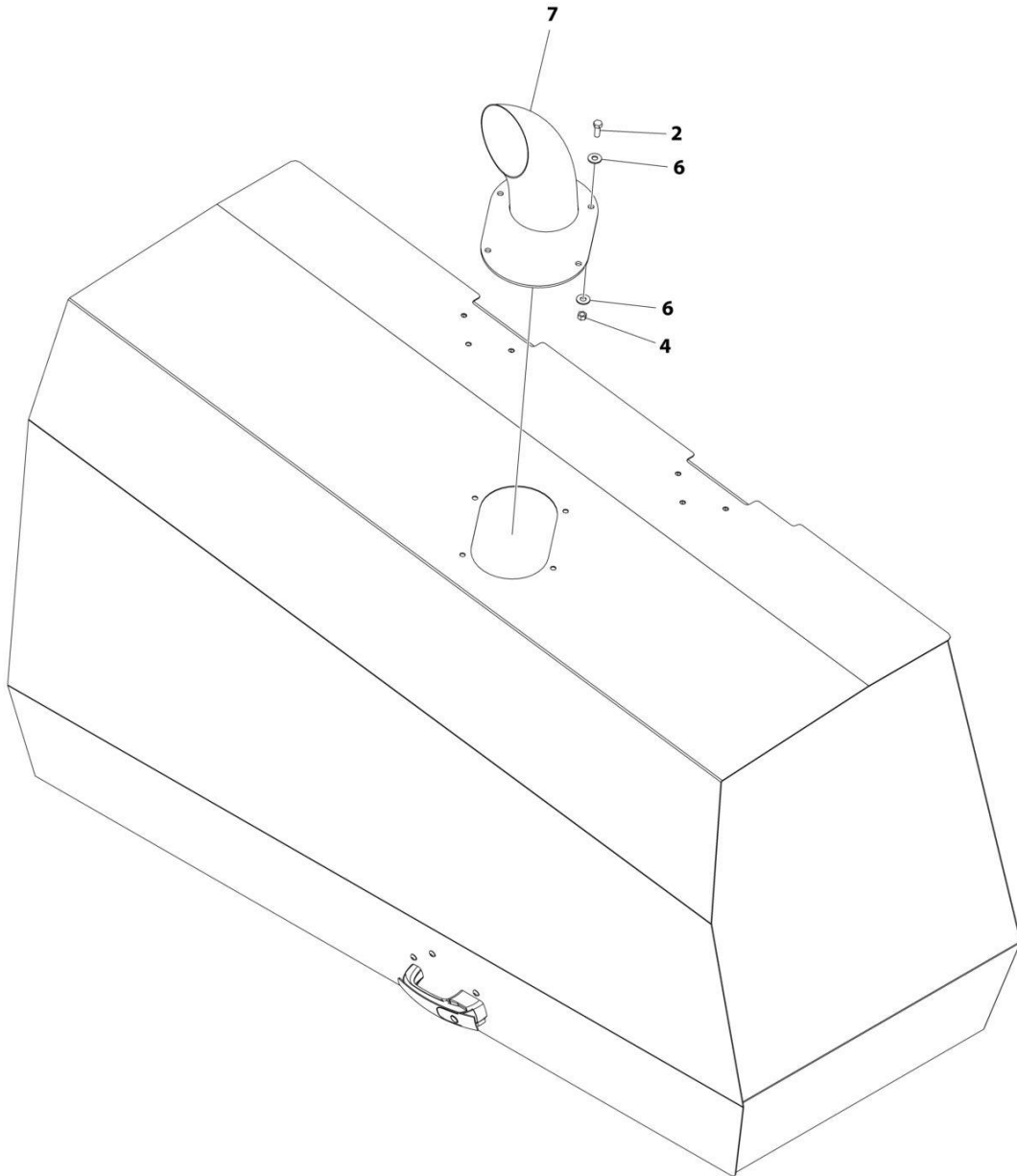
SECTION 2 - TURNTABLE

FIGURE 2-35. EXHAUST COVER AND HEAT SHIELDS INSTALLATION - STEEL HOODS (DEUTZ TD2.9L4 ENGINES)

ITEM	PART NUMBER	QTY	DESCRIPTION	REV
	1001173878	Ref	HOODS INSTALLATION	C
2	3311605	4	Nut 3/8	
3	0641608	4	Bolt 3/8 x 1	
4	4751600	8	Washer 3/8	
5	1001144527	1	Pipe, Exhaust	
6	0641406	3	Bolt 1/4 x 3/4	
7	3311405	3	Nut 1/4	
8	4751400	3	Washer 1/4	
9	1001163101	1	Shield, Heat	

SECTION 2 - TURNTABLE

FIGURE 2-36. EXHAUST COVER INSTALLATION - STEEL HOODS (FORD ENGINES)



ART_1001220189

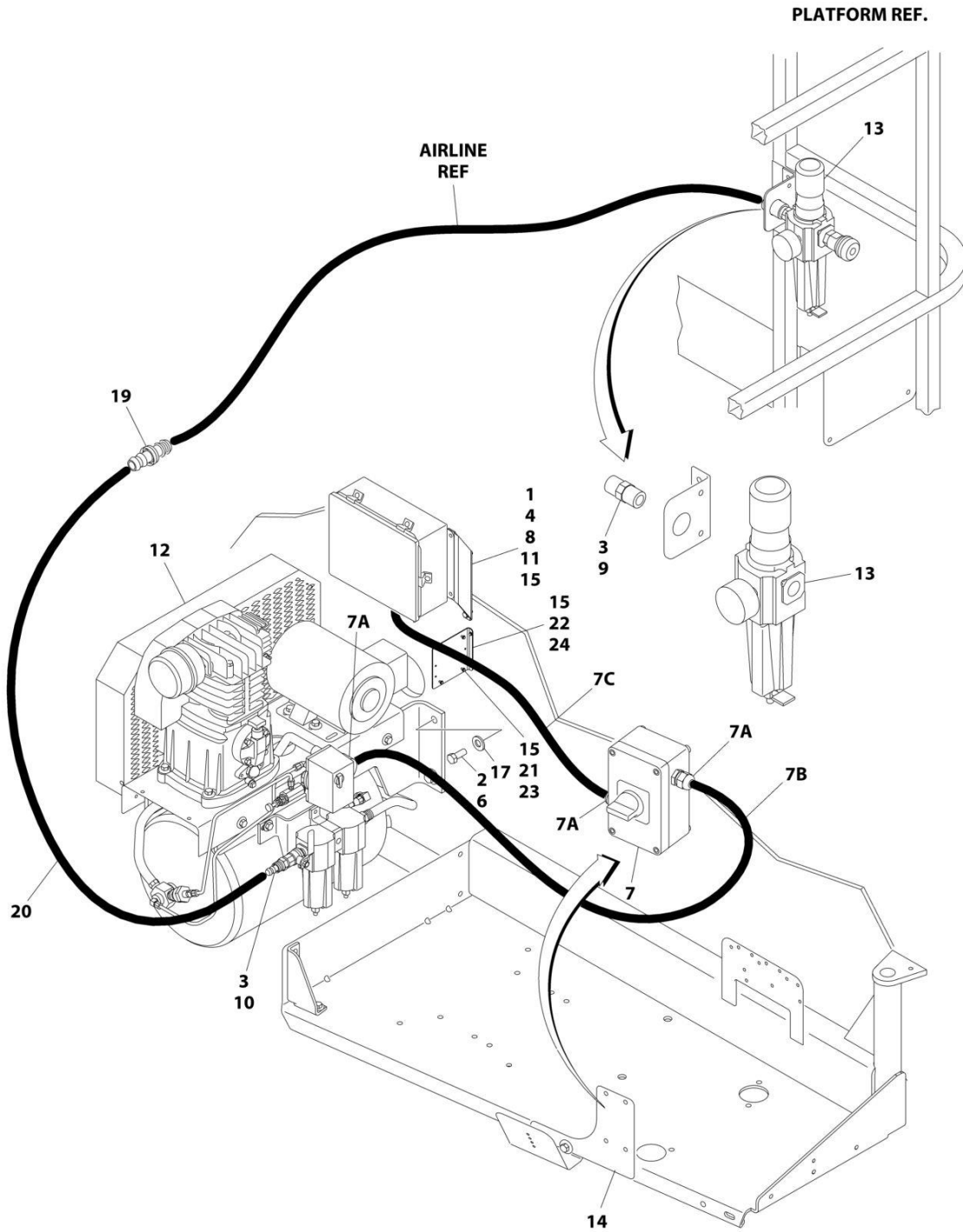
SECTION 2 - TURNTABLE

FIGURE 2-36. EXHAUST COVER INSTALLATION - STEEL HOODS (FORD ENGINES)

ITEM	PART NUMBER	QTY	DESCRIPTION	REV
	1001220189	Ref	HOODS INSTALLATION	C
2	0641608	4	Bolt 3/8 x 1	
4	3311605	4	Nut 3/8	
6	4751600	8	Washer 3/8	
7	1001116457	1	Pipe, Exhaust	

SECTION 2 - TURNTABLE

FIGURE 2-37. SKYAIR AIR COMPRESSOR INSTALLATION



ART_0274031

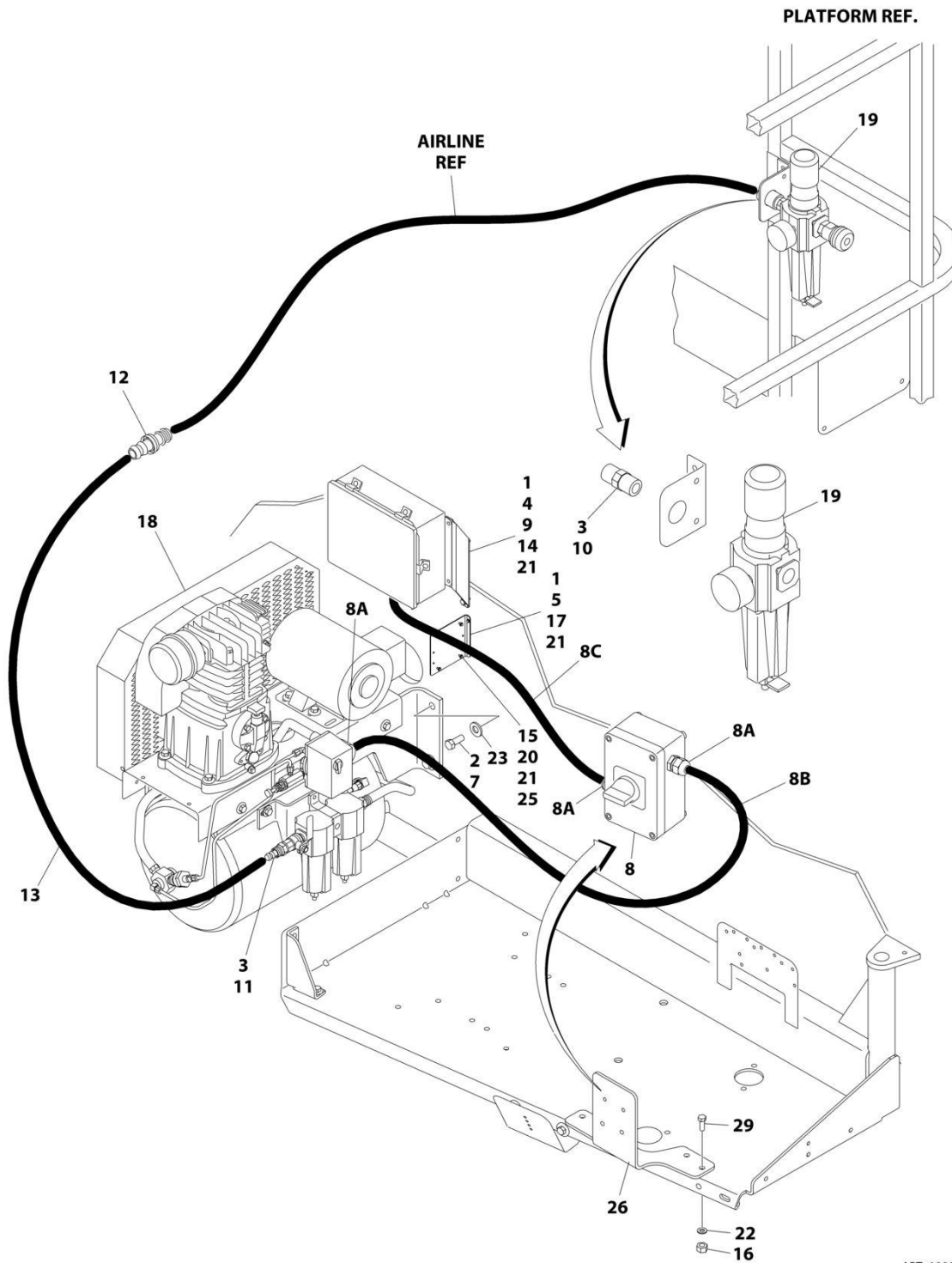
SECTION 2 - TURNTABLE

FIGURE 2-37. SKYAIR AIR COMPRESSOR INSTALLATION

ITEM	PART NUMBER	QTY	DESCRIPTION	REV
	0274031	Ref	SKYAIR AIR COMPRESSOR INSTALLATION	D
1	0100011	AR	Compound, Locking	
2	0100019	AR	Compound, Locking	
3	0100020	3	Sealant	
4	0641405	4	Bolt 1/4 x 5/8	
6	0641810	4	Bolt 1/2 x 1-1/4	
7	0861642	1	Control Box Assembly	
7A	4460633	3	Connector, Strain Relief	
7B	70002948	AR	Cable, Electrical - 12/4 (13ft/4m)	
7C	70002948	AR	Cable, Electrical - 12/4 (30in/76cm)	
8	0903088	2	Bracket, Generator Box	
9	2220252	1	Fitting, Adapter NPT	
10	2220750	1	Fitting	
11	3300454	4	Nut, Tinnerman 1/4	
12	3600386	1	Air Compressor Assembly (See Separate Breakdown in this section)	
13	3720021	1	Filter/Regulator Assembly	
13	7027781	1	Service Kit (Includes Gaskets and Seals)	
13	7027782	1	Filter	
13	7027784	1	Gauge	
13	7027783	1	Valve, Drain	
14	4340747	1	Bracket, Control Box	
15	4711400	14	Washer 1/4	
17	4751800	4	Washer 1/2	
19	2221037	1	Fitting, Barbed	
20	2720545	1	Hose, Air	
21	0641409	4	Bolt 1/4 x 1-1/8	
22	0641410	2	Bolt 1/4 x 1-1/4	
23	3311405	4	Nut 1/4	
24	3575874	1	Bracket, Module	
25	4460428	1	Connector	

SECTION 2 - TURNTABLE

FIGURE 2-38. SKYAIR AIR COMPRESSOR INSTALLATION



ART_1001144438

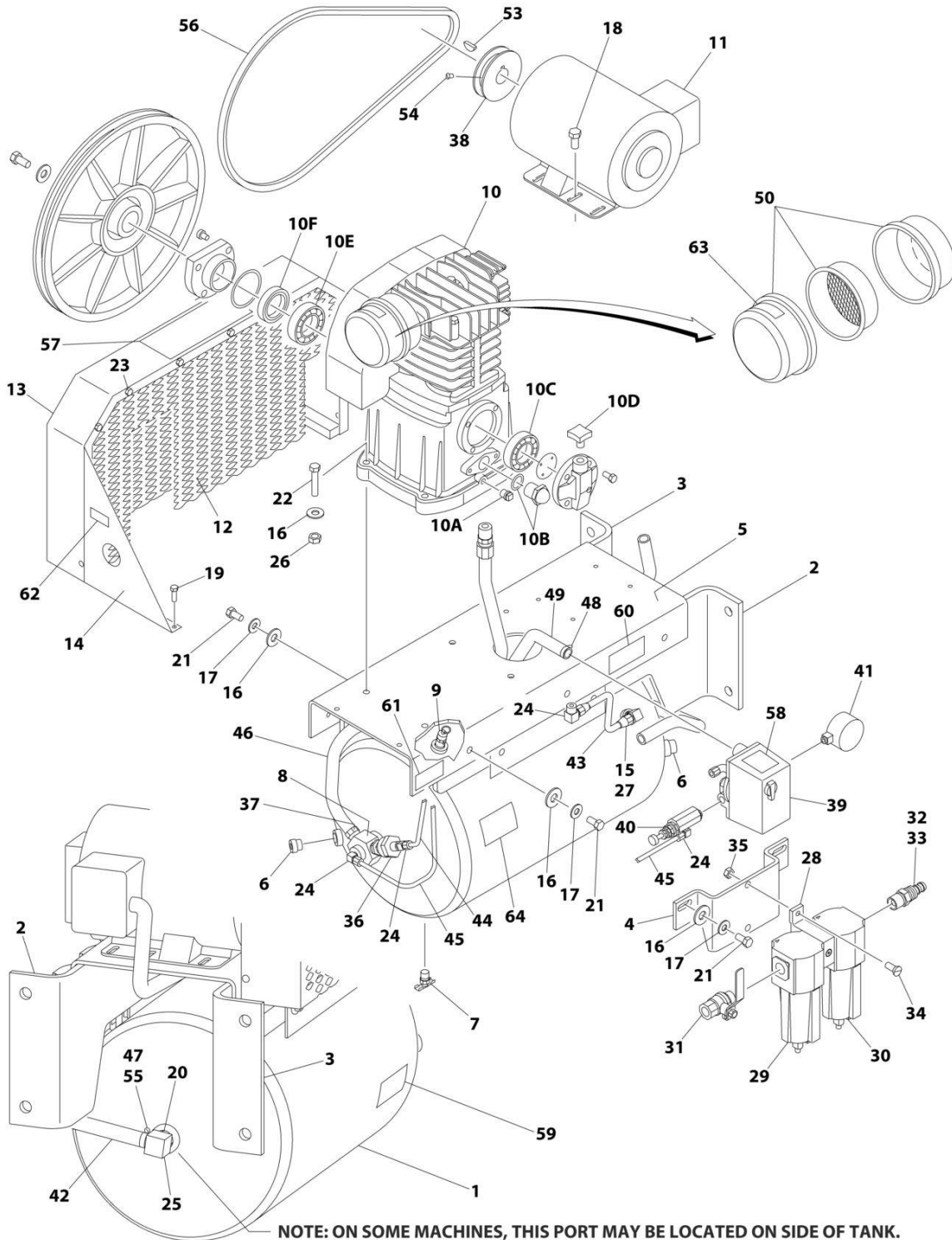
SECTION 2 - TURNTABLE

FIGURE 2-38. SKYAIR AIR COMPRESSOR INSTALLATION

ITEM	PART NUMBER	QTY	DESCRIPTION	REV
	1001144438	Ref	SKYAIR AIR COMPRESSOR INSTALLATION	B
1	0100011	AR	Compound, Locking	
2	0100019	AR	Compound, Locking	
3	0100020	AR	Sealant	
4	0641405	4	Bolt 1/4 x 5/8	
5	0641410	2	Bolt 1/4 x 1-1/4	
7	0641810	4	Bolt 1/2 x 1-1/4	
8	0861642	1	Control Box Assembly	
8A	4460633	3	Connector, Strain Relief	
8B	70002948	AR	Cable, Electrical - 12/4 (13ft/4m)	
8C	70002948	AR	Cable, Electrical - 12/4 (30in/76cm)	
9	0903088	2	Bracket, Generator Box	
10	2220252	1	Fitting, Adapter NPT	
11	2220750	1	Fitting	
12	2221037	1	Fitting, Barbed	
13	2720545	1	Hose, Air	
14	3300454	4	Nut, Tinnerman 1/4	
15	3311405	4	Nut 1/4	
16	3311605	3	Nut 3/8	
17	3575874	1	Bracket, Module	
18	3600386	1	Air Compressor Assembly (See Separate Breakdown in this Section)	
19	3720021	1	Filter/Regulator Assembly	
19	7027781	1	Service Kit (Includes Gaskets and Seals)	
19	7027782	1	Filter	
19	7027784	1	Gauge	
19	7027783	1	Valve, Drain	
20	3931424	4	Capscrew 1/4 x 1-1/2	
21	4711400	14	Washer 1/4	
22	4711600	4	Washer 3/8	
23	4751800	4	Washer 1/2	
25	1001110425	4	Spacer	
26	1001144447	1	Bracket, Control Box	
27	0641606	1	Bolt 3/8 x 3/4 (Not Shown)	
28	8406201	1	Clip (Not Shown)	
29	0641609	3	Bolt 3/8 X 1-1/8	

SECTION 2 - TURNTABLE

FIGURE 2-39. AIR COMPRESSOR ASSEMBLY



ART_3600386

SECTION 2 - TURNTABLE

FIGURE 2-39. AIR COMPRESSOR ASSEMBLY

ITEM	PART NUMBER	QTY	DESCRIPTION	REV
	3600386	Ref	AIR COMPRESSOR ASSEMBLY	B
1	7026632	1	Tank	
2	See Note	1	Bracket, Mounting (Note: Not Available for Purchase)	
3	See Note	1	Bracket, Mounting (Note: Not Available for Purchase)	
4	See Note	1	Bracket, Regulator Mounting (Note: Not Available for Purchase)	
5	See Note	1	Deck (Note: Not Available for Purchase)	
6	See Note	2	Plug (Note: Not Available for Purchase)	
7	7026633	1	Valve, Drain	
8	7026634	1	Valve, Check	
9	7026635	1	Valve, Safety	
10	7026636	1	Pump Assembly	
10	7026659	1	Gasket and Seal Kit	
10A	7026651	1	Plug, Oil Drain	
10B	7026652	1	Gauge, Oil Sight	
10C	7026653	1	Bearing	
10D	7026654	1	Cap, Oil Fill	
10E	7026655	1	Bearing	
10F	7026656	1	Seal	
11	7026637	1	Motor Assembly	
11	See Note	1	Brush Kit (Note: Not Available for Purchase)	
12	See Note	1	Screen, Inner (Note: Not Available for Purchase)	
13	See Note	1	Guard, Belt (Note: Not Available for Purchase)	
14	See Note	2	Support (Note: Not Available for Purchase)	
15	See Note	1	Bushing (Note: Not Available for Purchase)	
16	4751600	18	Washer 3/8	
17	4761600	10	Washer 3/8	
18	0641506	4	Bolt 5/16 x 3/4	
19	0641406	8	Bolt 1/4 x 3/4	
20	See Note	1	Bushing (Note: Not Available for Purchase)	
21	0641610	10	Bolt 3/8 x 1-1/4	
22	0641616	4	Bolt 3/8 x 2	
23	See Note	10	Bolt 1/4 x 1/2 (Note: Not Available for Purchase)	
24	See Note	4	Fitting (Note: Not Available for Purchase)	
25	See Note	1	Fitting, Barbed (Note: Not Available for Purchase)	
26	3311605	4	Nut 3/8	
27	See Note	1	Fitting, Compression (Note: Not Available for Purchase)	
28	See Note	1	Bracket, Mounting (Note: Not Available for Purchase)	
29	7026660	1	Filter, Oil Removal	
30	7026661	1	Filter, Water Removal	
31	70001663	1	Valve, Ball Shut-Off	
32	See Note	1	Bushing (Note: Not Available for Purchase)	
33	See Note	1	Fitting, Barbed (Note: Not Available for Purchase)	
34	See Note	2	Screw 1/4 x 1 (Note: Not Available for Purchase)	
35	3311405	2	Nut 1/4	
36	See Note	1	Unloader (Note: Not Available for Purchase)	
37	See Note	1	Fitting (Note: Not Available for Purchase)	
38	See Note	1	Pulley (Note: Not Available for Purchase)	
39	7026638	1	Switch, Pressure	
40	7026639	1	Vale, Pilot	
41	7026640	1	Gauge	

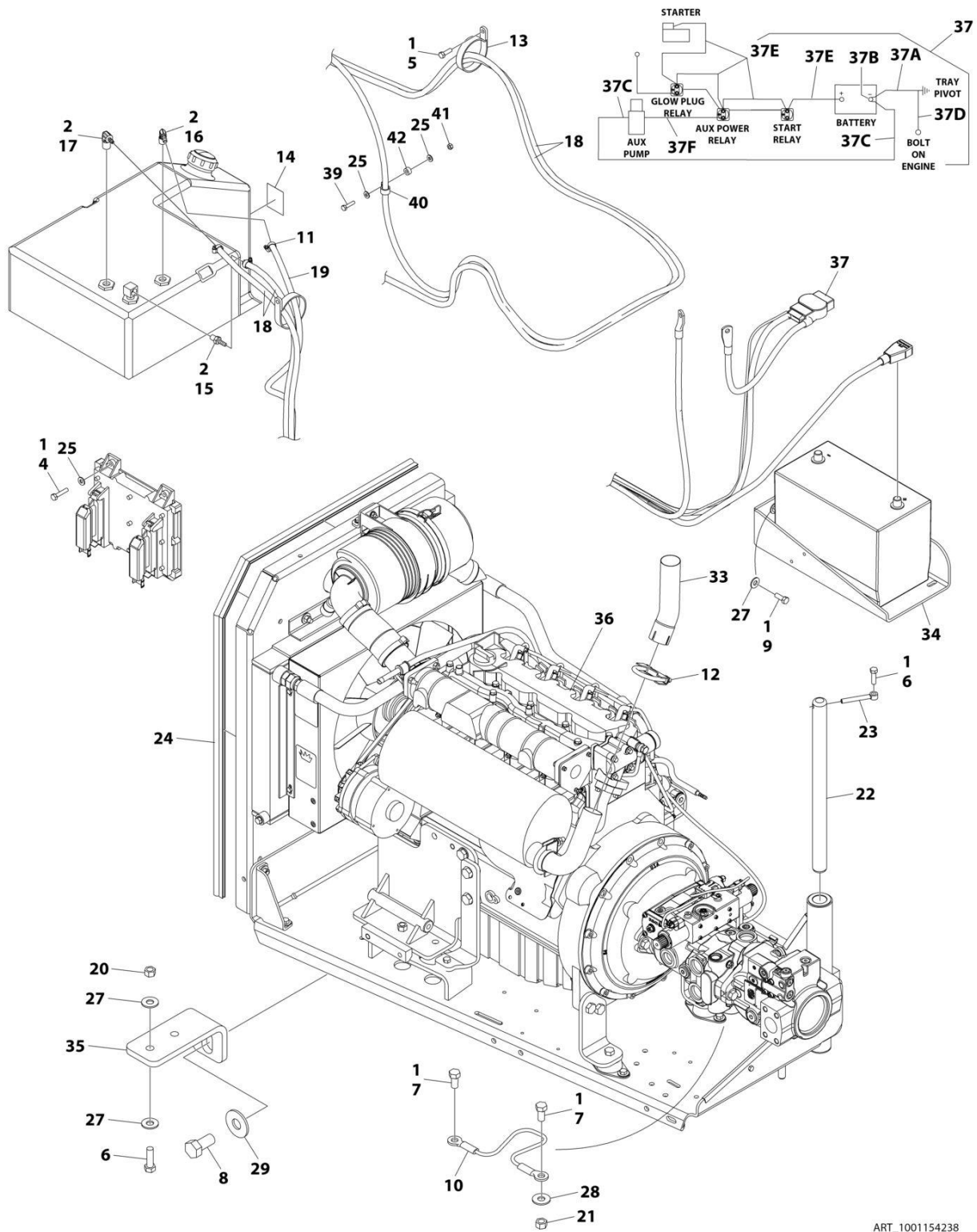
SECTION 2 - TURNTABLE

ITEM	PART NUMBER	QTY	DESCRIPTION	REV
42	See Note	1	Hose (Note: Not Available for Purchase)	
43	See Note	1	Tube, Feed (Note: Not Available for Purchase)	
44	See Note	1	Tube (Note: Not Available for Purchase)	
45	See Note	1	Tube (Note: Not Available for Purchase)	
46	See Note	1	Aftercooler (Note: Not Available for Purchase)	
47	See Note	2	Clamp (Note: Not Available for Purchase)	
48	See Note	2	Clamp (Note: Not Available for Purchase)	
49	See Note	1	Harness, Wiring (Note: Not Available for Purchase)	
50	7026658	1	Filter Assembly	
50	7026641	1	Element, Filter	
51	See Note	23 oz	Oil, Compressor (Note: Not Available for Purchase)	
52	0100020	AR	Sealant	
53	See Note	1	Key (Note: Not Available for Purchase)	
54	See Note	2	Setscrew (Note: Not Available for Purchase)	
55	See Note	2	Cover, Clamp End (Note: Not Available for Purchase)	
56	7026642	1	Belt	
57	7026643	1	Decal - Unit Warning	
58	7026644	1	Decal - Pressure Switch Warning	
59	7026645	1	Decal - Drain Tank Warning	
60	7026646	1	Decal - Compressor Maintenance	
61	7026647	1	Decal - Initial Oil Fill	
62	7026648	1	Decal - Hot Surfaces Warning	
63	7026649	1	Decal - Paper Element Cleaning	
64	7026650	1	Decal - Dual Control	

SECTION 3 - ENGINE

SECTION 3 - ENGINE

FIGURE 3-1. DEUTZ D2011 ENGINE INSTALLATION (WITHOUT ARCTIC PACKAGE)



ART_1001154238

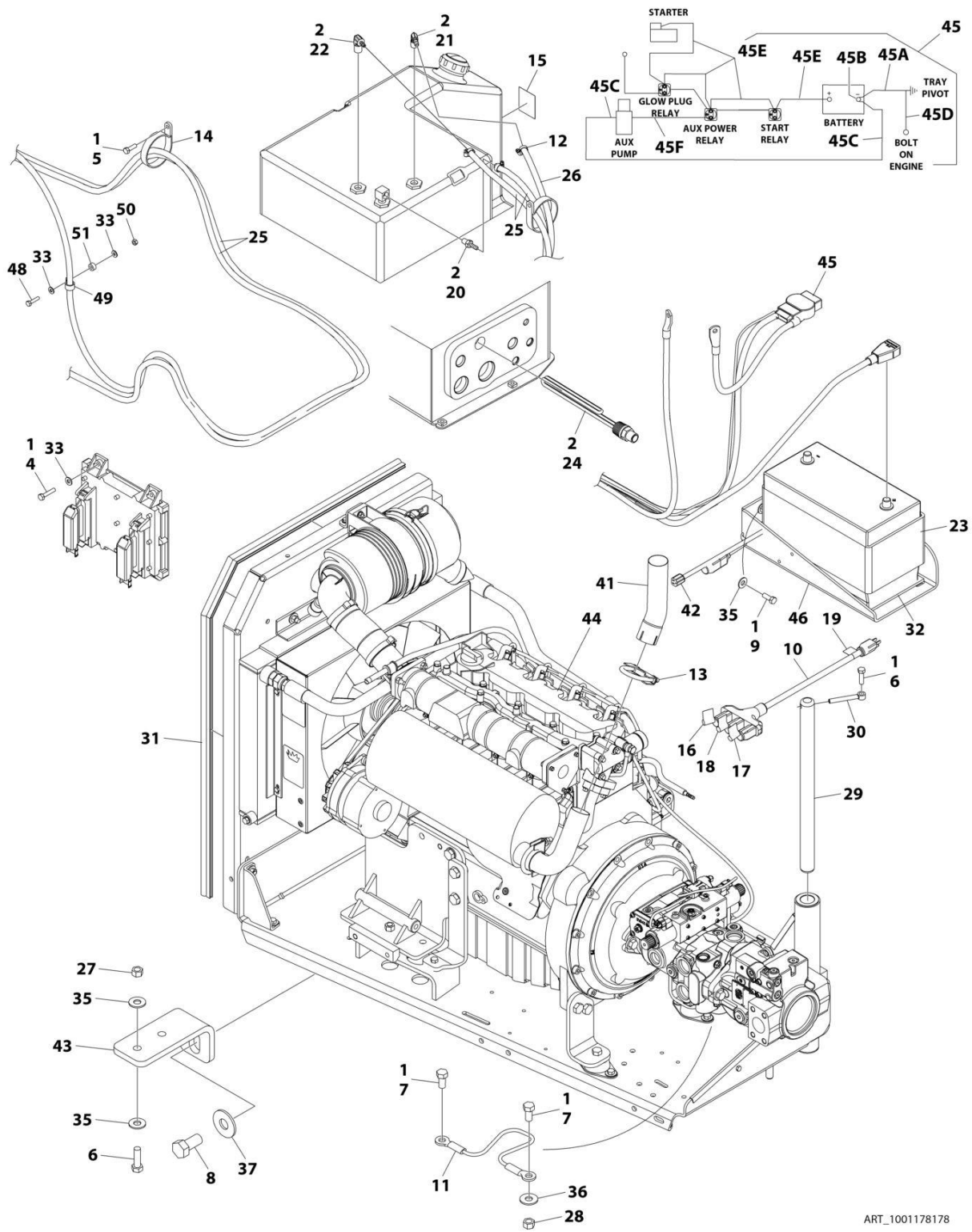
SECTION 3 - ENGINE

FIGURE 3-1. DEUTZ D2011 ENGINE INSTALLATION (WITHOUT ARCTIC PACKAGE)

ITEM	PART NUMBER	QTY	DESCRIPTION	REV
	1001154238	Ref	DEUTZ D2011 ENGINE INSTALLATION (WITHOUT ARCTIC PACKAGE)	F
1	0100011	AR	Compound, Locking	
2	0100020	AR	Sealant, Pipe	
4	0641410	4	Bolt 1/4 x 1-1/4	
5	0641508	1	Bolt 5/16 x 1	
6	0641610	3	Bolt 3/8 x 1-1/4	
7	0641808	2	Bolt 1/2 x 1	
8	0642010	1	Bolt 5/8 x 1-1/4	
9	0681608	3	Bolt 3/8 x 1 Grade 8	
10	1060637	1	Cable, Lanyard	
11	1320022	5	Clamp, Hose	
12	1320176	1	Clamp	
13	1321339	1	Clamp	
14	1701505	1	Decal - Diesel (Not Shown - Located on Hood)	
15	2180348	1	Fitting, Straight NPT/Barbed	
16	2220313	1	Fitting, 90 NPT/Barbed	
17	2221176	1	Fitting, 90 NPT/Barbed	
18	2720058	30 ft/ 9m	Hose	
19	2750532	6 ft/ 1.8m	Hose	
20	3311605	2	Nut 3/8	
21	3311801	1	Nut 1/2	
22	3422446	1	Pin, Pivot	
23	3841143	1	Pin, Keeper	
24	3960389	5 ft/ 1.5m	Seal	
25	4711400	6	Washer 1/4	
27	4751600	7	Washer 3/8	
28	4751800	1	Washer 1/2	
29	4752000	1	Washer 5/8	
33	1001101600	1	Tube, Exhaust	
34	1001162497	1	Bracket	
35	1001151070	1	Plate	
36	1001154236	1	Engine and Pump Assembly without Arctic Package (See Separate Breakdown in this Section)	
37	1001155143	1	Kit, Battery Cable	
37A	7027092	1	Cable, Battery (Black) (Battery - to Tray Pivot and Relay Grd)	
37B	8270147	1	Terminal, Battery (With Boot) Cable, Battery (Black)	
37C	7027093	1	Cable, Battery (Black) (Battery - to Aux Pump Ground)	
37D	7027053	1	Cable, Battery (Black) (Engine to Tray Pivot Grd)	
37E	7027094	1	Cable (Red) (Battery + to Relays/Starter)	
37F	7027095	1	Cable (Red) (Aux Relay to Aux Pump)	
39	0641409	1	Bolt 1/4 x 1-1/8	
40	1320224	1	Clamp	
41	3311405	1	Nut 1/4	
42	1001110425	1	Spacer	

SECTION 3 - ENGINE

FIGURE 3-2. DEUTZ D2011 ENGINE INSTALLATION (WITH ARCTIC PACKAGE)



ART_1001178178

SECTION 3 - ENGINE

FIGURE 3-2. DEUTZ D2011 ENGINE INSTALLATION (WITH ARCTIC PACKAGE)

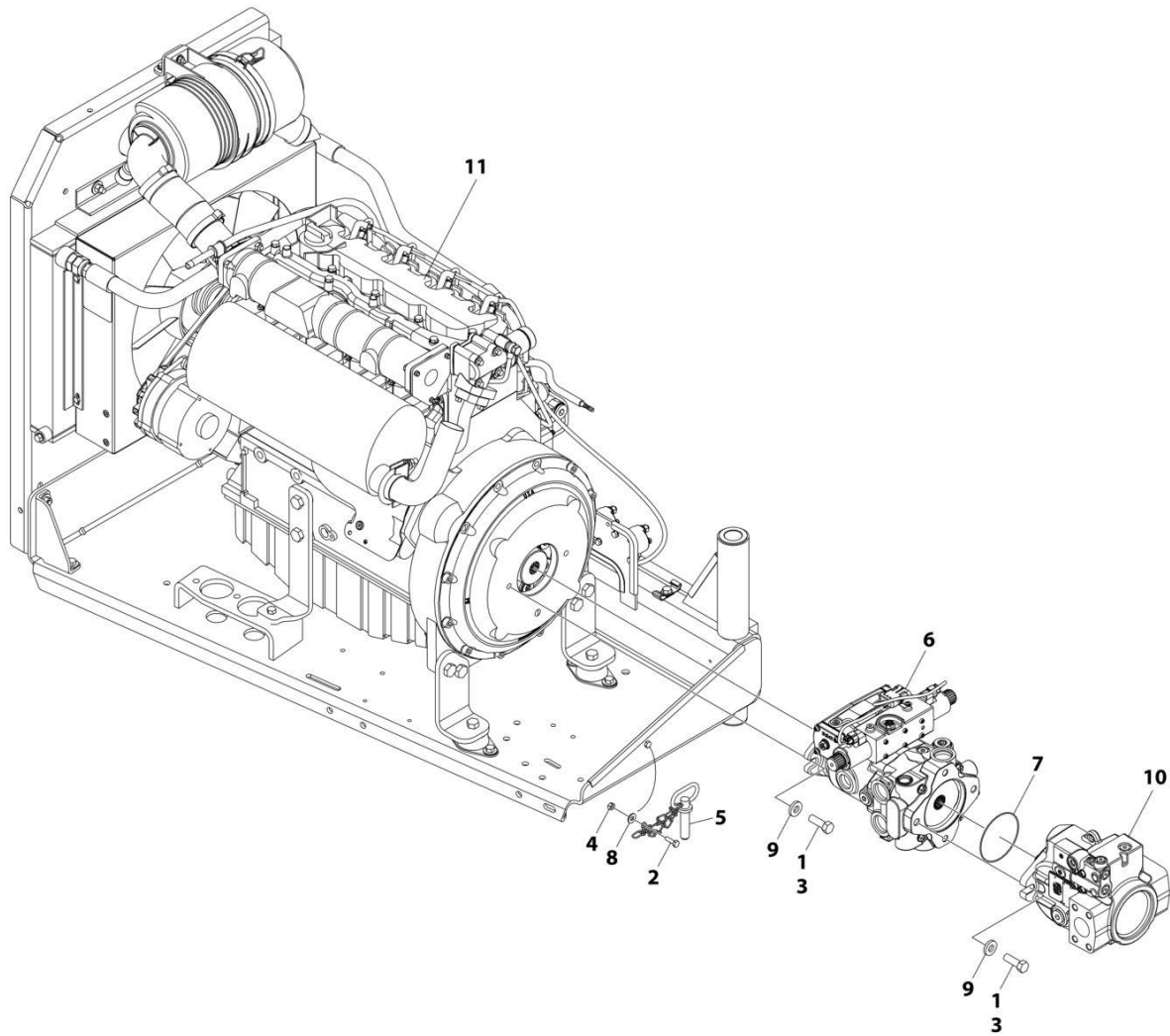
ITEM	PART NUMBER	QTY	DESCRIPTION	REV
	1001178178	Ref	DEUTZ D2011 ENGINE INSTALLATION (WITH ARCTIC PACKAGE)	E
1	0100011	AR	Compound, Locking	
2	0100020	AR	Sealant, Pipe	
4	0641410	4	Bolt 1/4 x 1-1/4	
5	0641508	1	Bolt 5/16 x 1	
6	0641610	3	Bolt 3/8 x 1-1/4	
7	0641808	2	Bolt 1/2 x 1	
8	0642010	1	Bolt 5/8 x 1-1/4	
9	0681608	3	Bolt 3/8 x 1 Grade 8	
10	1060626	1	Cord, 3 Way Extension (Located on Left Front of Engine)	
11	1060637	1	Lanyard	
12	1320022	5	Clamp	
13	1320176	1	Clamp	
14	1321339	1	Clamp	
15	1701505	1	Decal - Fuel (Diesel)	
16	1702941	1	Decal - Battery Heater (Located on Battery Heater)	
17	1702942	1	Decal - Engine Block Heater (Located on Right Side of Engine)	
18	1702943	1	Decal - Hydraulic Tank Heater (Located on bottom of Hydraulic Oil Tank)	
19	1702944	1	Decal - Heater Cord (Located on Left Front of Engine)	
20	2180348	1	Fitting, Straight Barbed	
21	2220313	1	Fitting, 90 NPT/Barbed	
22	2221176	1	Fitting, 90 NPT/Barbed	
23	2580024	1	Heater, Battery (Located on Battery)	
24	1001188972	1	Heater, Hydraulic Tank (Located on bottom of Hydraulic Oil Tank)	
25	2720058	30 ft/ 9m	Hose	
26	2750532	6 ft/ 1.8m	Hose	
27	3311605	2	Nut 3/8	
28	3311801	1	Nut 1/2	
29	3422446	1	Pin, Pivot	
30	3841143	1	Pin, Keeper	
31	3960389	5 ft/ 1.5m	Seal	
32	3980007	1	Seat, Battery	
33	4711400	6	Washer 1/4	
35	4751600	7	Washer 3/8	
36	4751800	1	Washer 1/2	
37	4752000	1	Washer 5/8	
41	1001101600	1	Tube, Exhaust	
42	1001150918	1	Cord, 8ft Extension (Located near Battery)	
43	1001151070	1	Plate	
44	1001154237	1	Engine and Pump Assembly with Arctic Package (See Separate Breakdown in this Section)	
45	1001155143	1	Kit, Battery Cable	
45	7027092	1	Cable, Battery (Black) (Battery - to Tray Pivot and Relay Grd)	
45	8270147	1	Terminal, Battery (With Boot) Cable, Battery (Black)	
45	7027093	1	Cable, Battery (Black) (Battery - to Aux Pump Ground)	
45	7027053	1	Cable, Battery (Black) (Engine to Tray Pivot Grd)	
45	7027094	1	Cable (Red) (Battery + to Relays/Starter)	
45	7027095	1	Cable (Red) (Aux Relay to Aux Pump)	

SECTION 3 - ENGINE

ITEM	PART NUMBER	QTY	DESCRIPTION	REV
46	1001162497	1	Bracket, Battery	
48	0641409	1	Bolt 1/4 x 1-1/8	
49	1320224	1	Clamp	
50	3311405	1	Nut 1/4	
51	1001110425	1	Spacer	

SECTION 3 - ENGINE

FIGURE 3-3. DEUTZ D2011 ENGINE AND PUMP SUB-ASSEMBLY (WITHOUT ARCTIC PACKAGE)



ART_1001154236

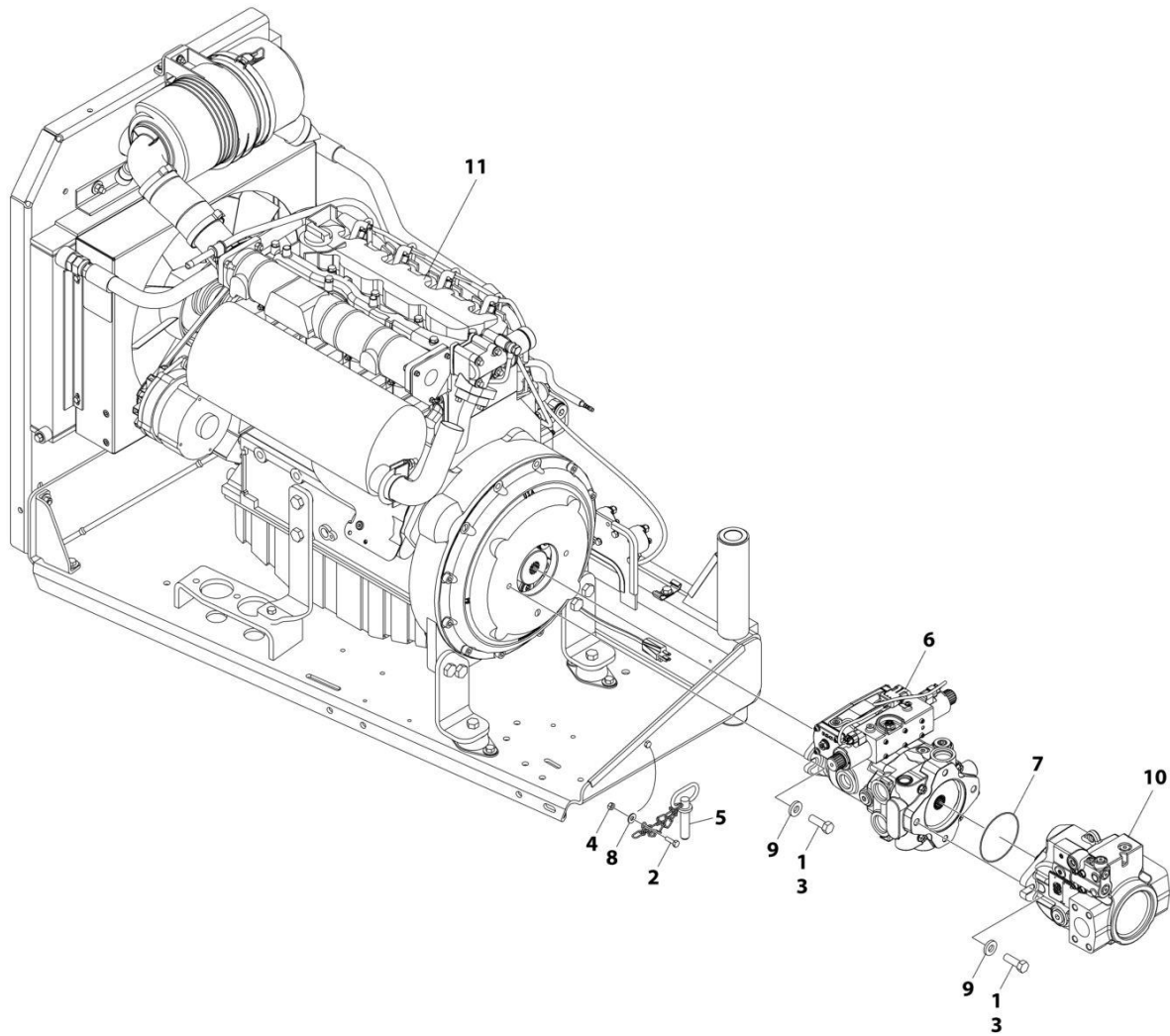
SECTION 3 - ENGINE

FIGURE 3-3. DEUTZ D2011 ENGINE AND PUMP SUB-ASSEMBLY (WITHOUT ARCTIC PACKAGE)

ITEM	PART NUMBER	QTY	DESCRIPTION	REV
	1001154236	Ref	DEUTZ D2011 ENGINE AND PUMP SUB-ASSEMBLY (WITHOUT ARCTIC PACKAGE)	D
1	0100011	AR	Compound, Locking	
2	0641407	1	Bolt 1/4 x 7/8	
3	0641812	4	Bolt 1/2 x 1-1/2	
4	3311405	1	Nut 1/4	
5	3422532	1	Pin, Hitch	
6	1001225745	1	Hydrostatic Pump Assembly with Fittings (See Separate Breakdown in this Section)	
7	3790044	1	O-Ring	
8	4751400	1	Washer 1/4	
9	4891800	4	Washer 1/2	
10	1001094595	1	Variable Pump Assembly with Fittings (See Separate Breakdown in this Section)	
11	1001153396	1	Engine Assembly Without Arctic Package (See Separate Breakdown in this Section)	

SECTION 3 - ENGINE

FIGURE 3-4. DEUTZ D2011 ENGINE AND PUMP SUB-ASSEMBLY (WITH ARCTIC PACKAGE)



ART_1001154237

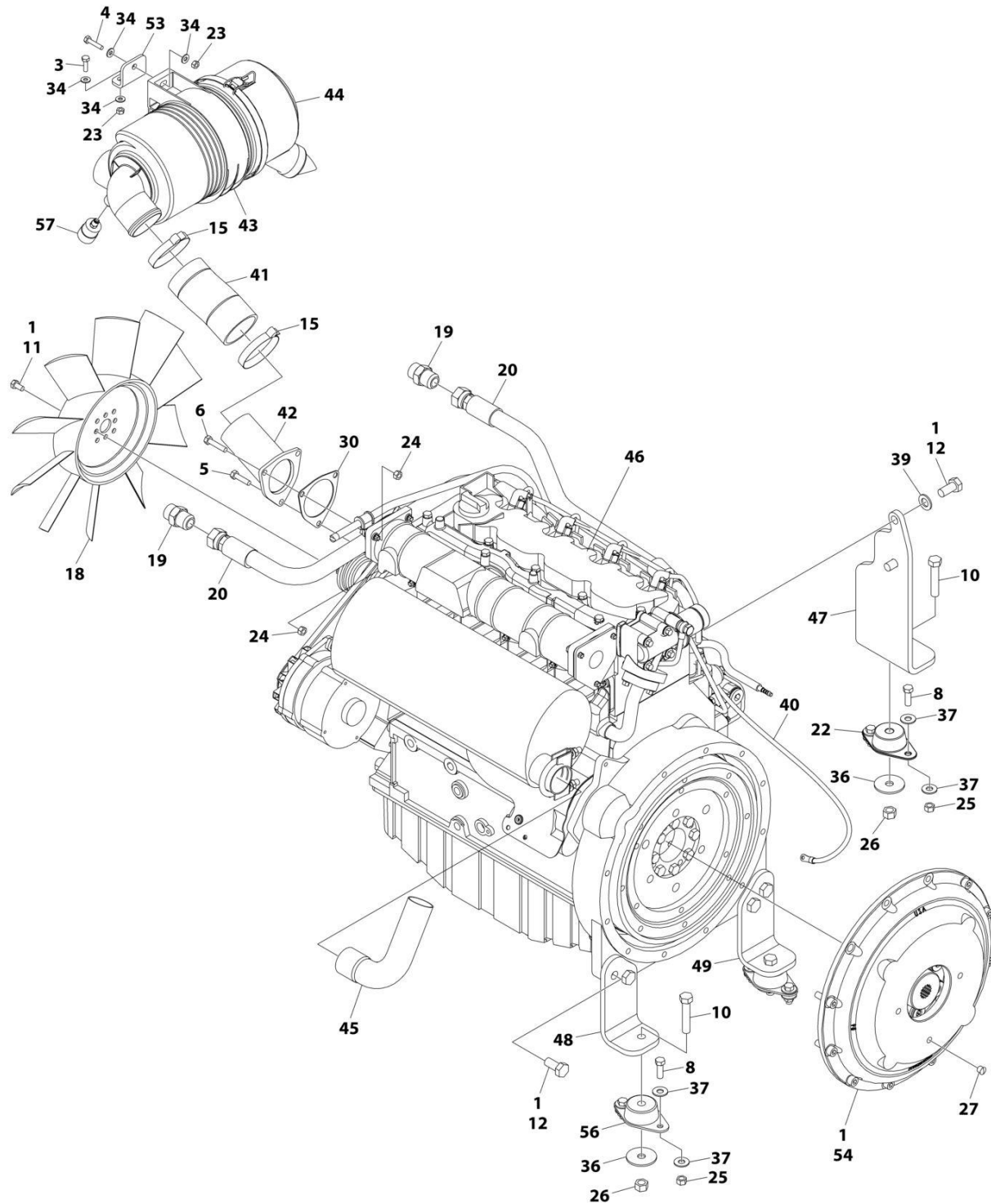
SECTION 3 - ENGINE

FIGURE 3-4. DEUTZ D2011 ENGINE AND PUMP SUB-ASSEMBLY (WITH ARCTIC PACKAGE)

ITEM	PART NUMBER	QTY	DESCRIPTION	REV
	1001154237	Ref	DEUTZ D2011 ENGINE AND PUMP SUB-ASSEMBLY (WITH ARCTIC PACKAGE)	D
1	0100011	AR	Compound, Locking	
2	0641407	1	Bolt 1/4 x 7/8	
3	0641812	4	Bolt 1/2 x 1-1/2	
4	3311405	1	Nut 1/4	
5	3422532	1	Pin, Hitch	
6	1001225745	1	Hydrostatic Pump Assembly with Fittings (See Separate Breakdown in this Section)	
7	3790044	1	O-Ring	
8	4751400	1	Washer 1/4	
9	4891800	4	Washer 1/2	
10	1001094595	1	Variable Pump Assembly with Fittings (See Separate Breakdown in this Section)	
11	1001153779	1	Engine Assembly With Arctic Package (See Separate Breakdown in this Section)	

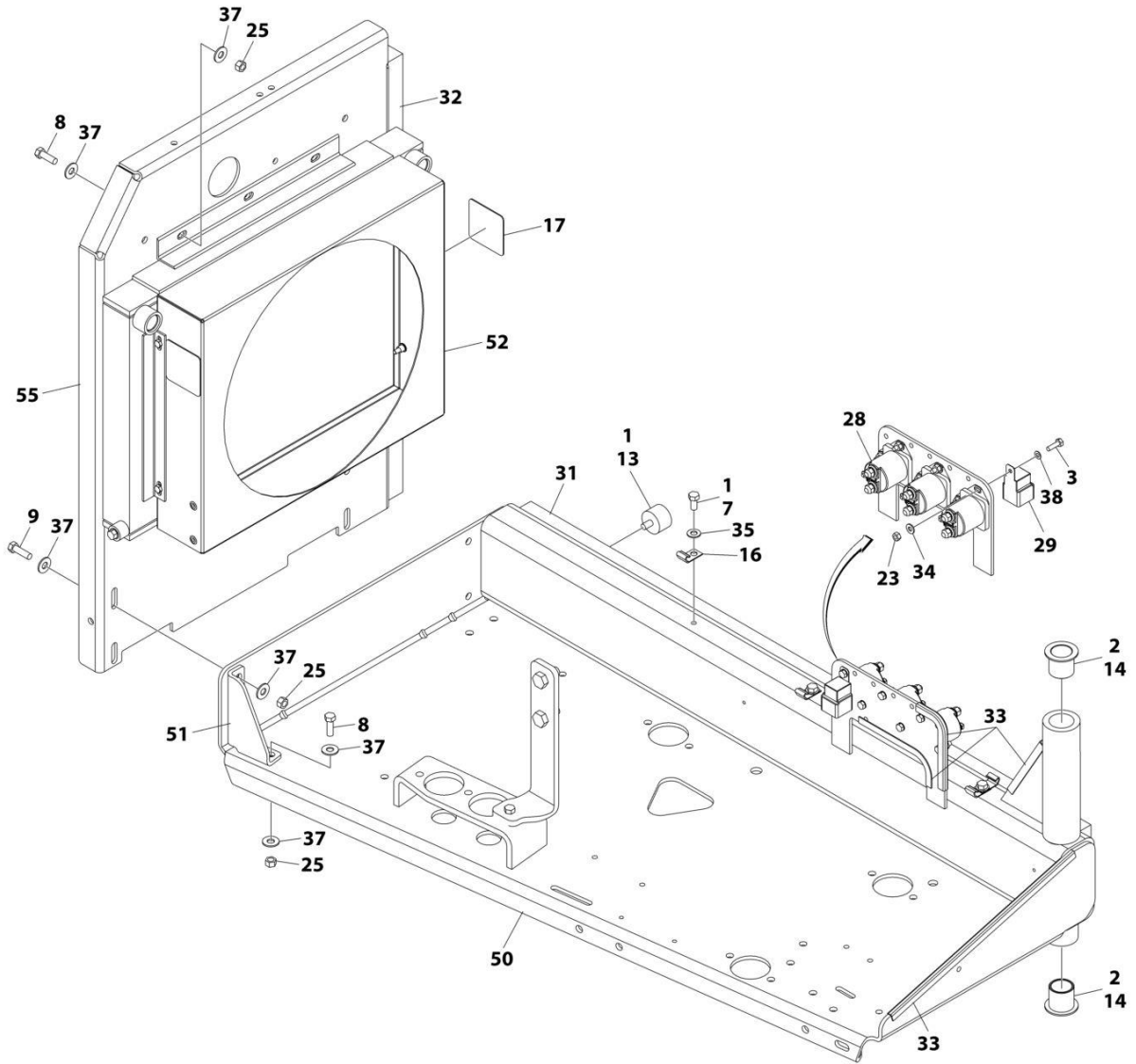
SECTION 3 - ENGINE

FIGURE 3-5. DEUTZ D2011 ENGINE ASSEMBLY (WITHOUT ARCTIC PACKAGE)



ART_1001153396_10F2

SECTION 3 - ENGINE



ART_1001153396_20F2

SECTION 3 - ENGINE

FIGURE 3-5. DEUTZ D2011 ENGINE ASSEMBLY (WITHOUT ARCTIC PACKAGE)

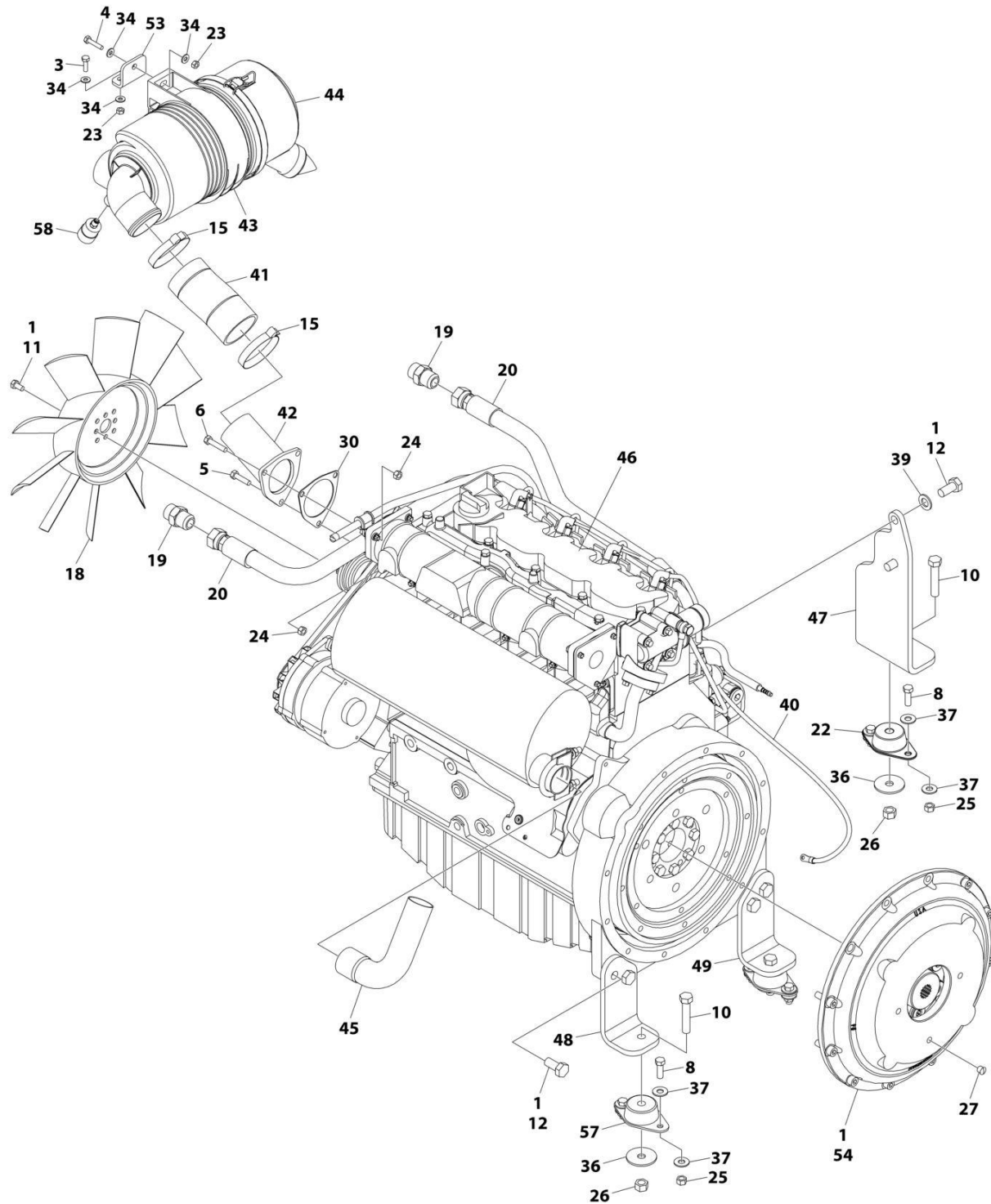
ITEM	PART NUMBER	QTY	DESCRIPTION	REV
	1001153396	Ref	ENGINE ASSEMBLY WITHOUT ARCTIC PACKAGE	H
1	0100011	AR	Compound, Locking	
2	0100062	AR	Compound, Locking	
3	0641407	8	Bolt 1/4 x 7/8	
4	0641410	2	Bolt 1/4 x 1-1/4	
5	0641510	2	Bolt 5/16 x 1-1/4	
6	0641512	1	Bolt 5/16 x 1-1/2	
7	0641606	3	Bolt 3/8 x 3/4	
8	0641609	14	Bolt 3/8 x 1-1/8	
9	0641610	4	Bolt 3/8 x 1-1/4	
10	0641820	3	Bolt 1/2 x 2-1/2	
11	0700808	4	Bolt M8 x 16	
12	0771414	6	Bolt M14 x 30	
13	0940070	1	Bumper	
14	0961986	2	Bushing, Flanged	
15	1320016	2	Clamp	
16	1320223	4	J-Clip	
17	1703162	2	Decal - Caution Fan Blade	
18	2060025	1	Fan	
19	2220451	2	Fitting, Straight	
20	2720398	2	Hose, Oil Cooler	
22	3200406	1	Mount, Motor	
23	3311405	10	Nut 1/4	
24	3311505	3	Nut 5/16	
25	3311605	18	Nut 3/8	
26	3311805	3	Nut 1/2	
27	3520054	2	Plug	
28	3740067	3	Relay	
29	3740080	1	Relay	
30	3960407	1	Gasket, Air Intake	
31	3960468	1	Seal	
32	3960469	1	Seal	
33	4060805	37 in/1m	Flex-Trim	
34	4711400	14	Washer 1/4	
35	4711600	3	Washer 3/8	
36	4740274	3	Washer, Snubbing	
37	4751600	36	Washer 3/8	
38	4791400	6	Washer, Star 1/4	
39	4812200	2	Washer M14	
40	4923379	1	Harness, Glow Plug	
41	1001001939	1	Hose, Flex	
42	1001146273	1	Adapter, Air Intake	
43	1001147812	1	Clamp	
44	1001147813	1	Air Cleaner Assembly Filter Element	
44	70004020	1	Element, Filter (Not Shown)	
45	1001147820	1	Pipe, Exhaust	
46	1001147823	1	Engine, Deutz D2011 (See Separate Breakdown in this section)	
47	1001149704	1	Support, Engine	
48	1001149705	1	Support, Engine	
49	1001149706	1	Support, Engine	

SECTION 3 - ENGINE

ITEM	PART NUMBER	QTY	DESCRIPTION	REV
50	1001149793	1	Tray, Engine	
51	1001150915	1	Gusset	
52	1001150998	1	Radiator	
53	1001152459	1	Plate, Air Cleaner Mounting	
54	1001153282	1	Pump Coupling Kit (See Separate Breakdown in this section)	
55	1001153414	1	Plate, Radiator Mounting	
56	3200401	2	Mount, Motor	
57	1001143390	1	Indicator	

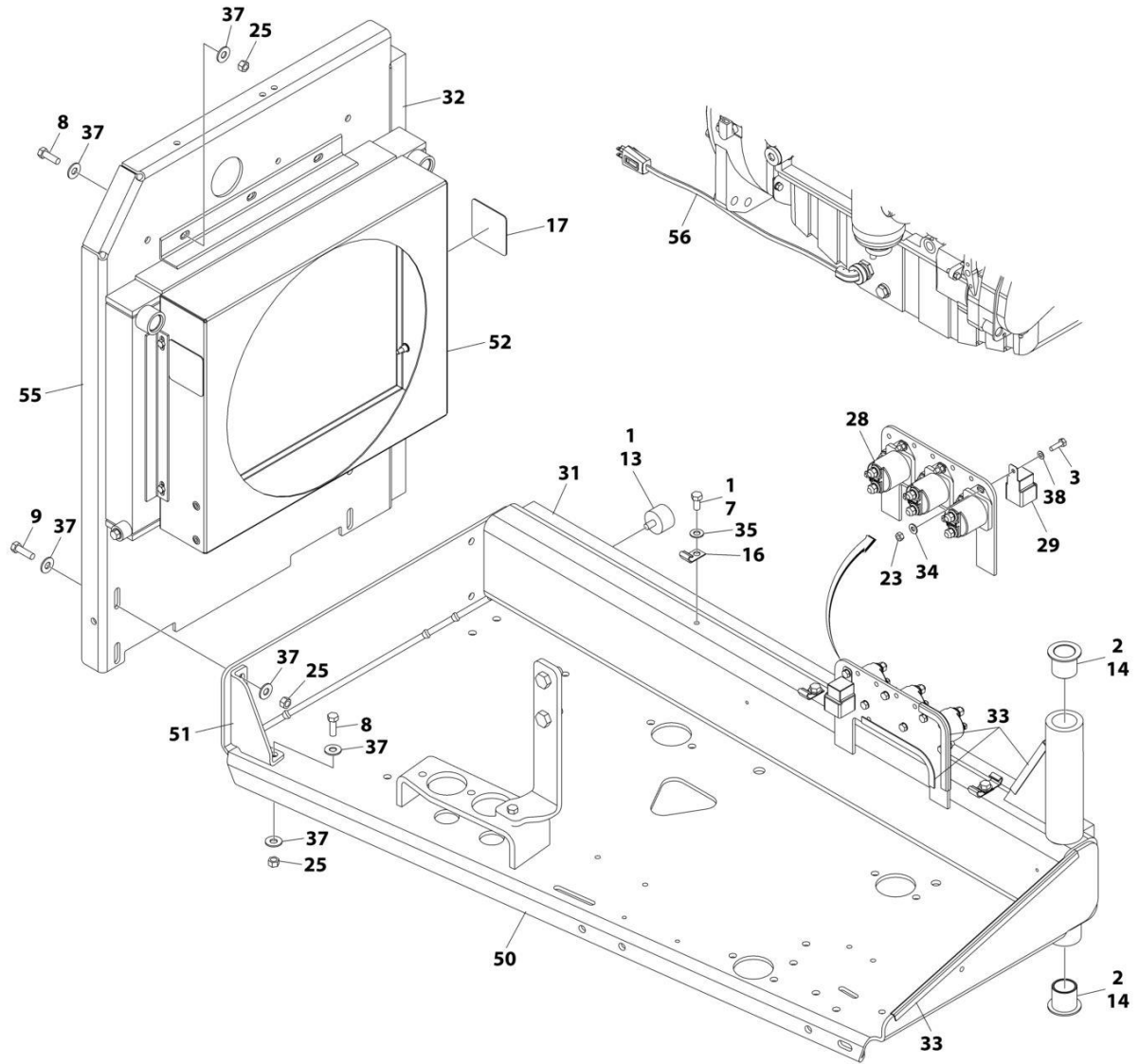
SECTION 3 - ENGINE

FIGURE 3-6. DEUTZ D2011 ENGINE ASSEMBLY (WITH ARCTIC PACKAGE)



ART_1001153779_10F2

SECTION 3 - ENGINE



ART_1001153779_2OF2

SECTION 3 - ENGINE

FIGURE 3-6. DEUTZ D2011 ENGINE ASSEMBLY (WITH ARCTIC PACKAGE)

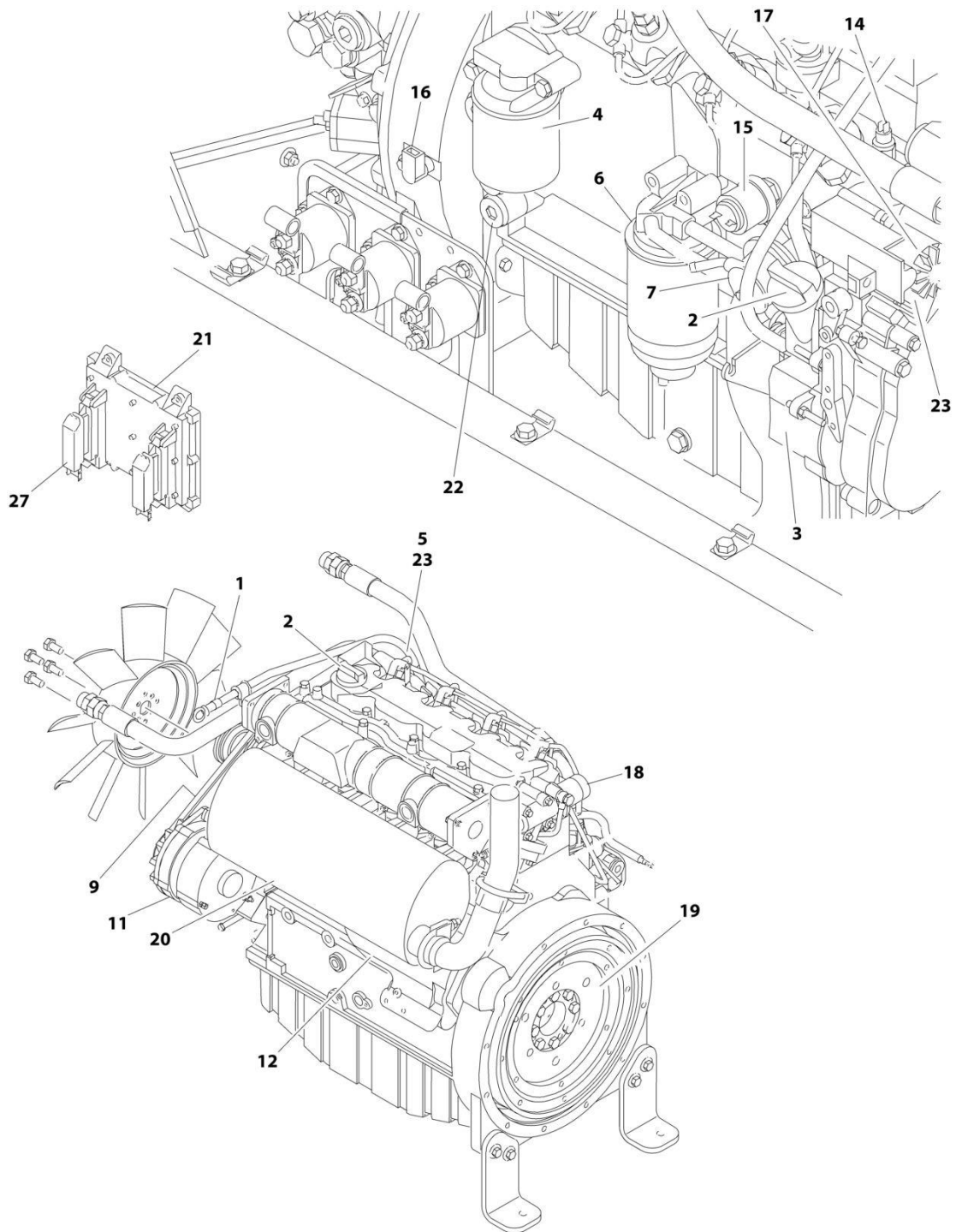
ITEM	PART NUMBER	QTY	DESCRIPTION	REV
	1001153779	Ref	ENGINE ASSEMBLY WITH ARCTIC PACKAGE	H
1	0100011	AR	Compound, Locking	
2	0100062	AR	Compound, Locking	
3	0641407	8	Bolt 1/4 x 7/8	
4	0641410	2	Bolt 1/4 x 1-1/4	
5	0641510	2	Bolt 5/16 x 1-1/4	
6	0641512	1	Bolt 5/16 x 1-1/2	
7	0641606	3	Bolt 3/8 x 3/4	
8	0641609	14	Bolt 3/8 x 1-1/8	
9	0641610	4	Bolt 3/8 x 1-1/4	
10	0641820	3	Bolt 1/2 x 2-1/2	
11	0700808	4	Bolt M8 x 16	
12	0771414	6	Bolt M14 x 30	
13	0940070	1	Bumper	
14	0961986	2	Bushing, Flanged	
15	1320016	2	Clamp	
16	1320223	4	J-Clip	
17	1703162	2	Decal - Caution Fan Blade	
18	2060025	1	Fan	
19	2220451	2	Fitting, Straight	
20	2720398	2	Hose, Oil Cooler	
22	3200406	1	Mount, Motor	
23	3311405	10	Nut 1/4	
24	3311505	3	Nut 5/16	
25	3311605	18	Nut 3/8	
26	3311805	3	Nut 1/2	
27	3520054	2	Plug	
28	3740067	3	Relay	
29	3740080	1	Relay	
30	3960407	1	Gasket, Air Intake	
31	3960468	1	Seal	
32	3960469	1	Seal	
33	4060805	37 in/1m	Flex-Trim	
34	4711400	14	Washer 1/4	
35	4711600	3	Washer 3/8	
36	4740274	3	Washer, Snubbing	
37	4751600	36	Washer 3/8	
38	4791400	6	Washer, Star 1/4	
39	4812200	2	Washer M14	
40	4923379	1	Harness, Glow Plug	
41	1001001939	1	Hose, Flex	
42	1001146273	1	Adapter, Air Intake	
43	1001147812	1	Clamp	
44	1001147813	1	Air Cleaner Assembly Filter Element	
44	70004020	1	Element, Filter (Not Shown)	
45	1001147820	1	Pipe, Exhaust	
46	1001147823	1	Engine, Deutz D2011 (See Separate Breakdown in this Section)	
47	1001149704	1	Support, Engine	
48	1001149705	1	Support, Engine	
49	1001149706	1	Support, Engine	

SECTION 3 - ENGINE

ITEM	PART NUMBER	QTY	DESCRIPTION	REV
50	1001149793	1	Tray, Engine	
51	1001150915	1	Gusset	
52	1001150998	1	Radiator	
53	1001152459	1	Plate, Air Cleaner Mounting	
54	1001153282	1	Pump Coupling Kit (See Separate Breakdown in this Section)	
55	1001153414	1	Plate, Radiator Mounting	
56	2580062	1	Heater, Block	
57	3200401	2	Mount, Motor	
58	1001143390	1	Indicator	

SECTION 3 - ENGINE

FIGURE 3-7. DEUTZ D2011 ENGINE COMPONENTS



ART_1001147823

SECTION 3 - ENGINE

FIGURE 3-7. DEUTZ D2011 ENGINE COMPONENTS

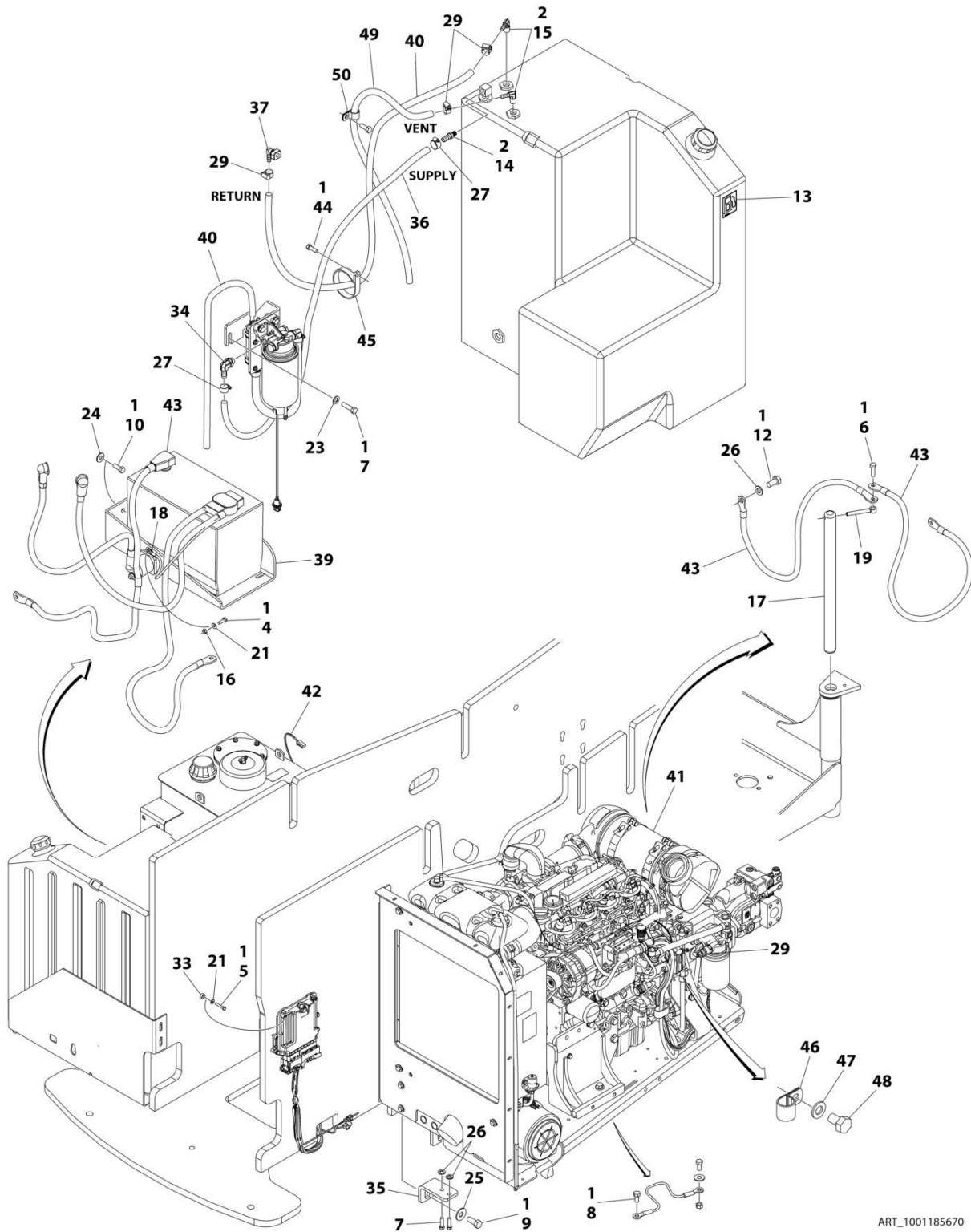
ITEM	PART NUMBER	QTY	DESCRIPTION	REV
	1001147823	Ref	ENGINE COMPONENTS	C
1	70004287	1	Dipstick	
1	70000044	1	Seal, Dipstick	
1	70001002	1	Tube, Dipstick	
1	7020403	1	Seal, Dipstick Tube	
2	7020465	2	Cap, Filler	
3	70001850	1	Pump, Oil Lube	
3	7020468	1	Seal Between Oil Pump and Engine Block (Not Shown)	
4	7016331	1	Filter, Oil	
4	70003472	1	Bracket, Oil Filter	
4	7027236	1	Sender, Temperature	
4	70025082	1	Ring, Sealing	
5	70000912	4	Series A Injector	
5	70000913	4	Series B Injector	
5	70000914	4	Series C Injector	
5	70000915	4	Series D Injector	
5	70003464	4	Seal/Gasket, Pump (1 Per Injector)	
5	70003478	4	Injector, Fuel	
5	70003136	4	Seal/Gasket, Pump (1 Per Injector)	
6	7016328	1	Filter, Fuel	
6	70003465	1	Sensor	
6	70003466	1	Seal, Sensor	
7	70000916	1	Pump, Fuel Supply	
7	70001435	1	Repair Kit for Fuel Supply Pump	
7	70000919	1	Hand Pump for Fuel Supply Pump	
7	70000917	1	O - Seal Between Fuel Pump and Engine Block	
7	70000918	1	O - Seal Between Fuel Pump and Hand Pump	
8	70001871	4	Gasket, Intake Manifold	
9	7020408	1	V-Belt	
10		Ref	Exhaust Manifold Components (Not Shown)	
10	70001835	1	Gasket, Exhaust Adapter to Exhaust Rail	
10	70001841	1	Valve, Exhaust (Fits into Exhaust Adapter)	
10	70001836	1	Gasket, Exhaust Rail to Cylinder Head	
10	70001837	1	Gasket, Exhaust Manifold to Muffler	
10	70002200	4	Stud, Mounting	
10	See Note	AR	Nut, Exhaust Manifold	
11	70004056	1	Alternator	
11	70001868	1	Regulator, Voltage (Not Shown)	
11	70001866	1	Seal, Gasket for Voltage Regulator (Not Shown)	
11	70002234	1	Bar, Alternator Adjustment	
12	7020479	1	Starter	
12	70004058	1	Relay	
13	70004060	2	Plug-In Connector	
14	7027791	1	Transmitter, Temperature	
15	7027790	1	Sensor, Oil Pressure	
16	70004272	1	Sensor, Speed	
17	7027792	1	Throttle Actuator	
17	7027276	2	Spring	
18	70003475	1	Thermostat (Located at rear of engine block - Not Shown)	
19	70001870	1	Flywheel with Ring Gear	

SECTION 3 - ENGINE

ITEM	PART NUMBER	QTY	DESCRIPTION	REV
19	7024579	1	Gear, Ring 110 Tooth	
20	7000695	1	Muffler	
20	70001844	1	U-Ciamp	
20	7020471	4	Gasket	
21	7027795	1	Module, Control	
22	70001181	1	Valve, Pressure Control	
22	70124410	1	Spring	
22	70025082	1	Seal	
22	70124440	1	Screw, Locking	
23	70000345	4	Plug, Glow	
24	70000800	1	Camshaft Pulley Repair Kit (Not Shown)	
26	70002415	1	Gasket, Head with 1 Notch (Not Shown)	
62	70002416	1	Gasket, Head with 2 Notch (Not Shown)	
26	70002417	1	Gasket, Head with 3 Notch (Not Shown)	
27	7027796	1	Harness, Engine (Connects to Item 421)	
27	70001872	1	Harness, Engine (Connects to p/n 7027796)	
28		Ref	Gaskets and Seals - Miscellaneous (Not Shown)	
28	70004289	1	Gasket Set	
28	70002718	1	Seal, Rear Main	
28	70004280	1	Seal, Front Main	
29	70025752	1	Valve, Pressure Relief (Not Shown - Located at Engine Front Left)	
29	70025753	1	Spring	
29	70005916	1	Seal	
29	70005917	1	Plug, Locking	

SECTION 3 - ENGINE

FIGURE 3-8. DEUTZ TD2.9L4 ENGINE INSTALLATION (WITHOUT ARCTIC PACKAGE)



ART_1001185670

SECTION 3 - ENGINE

FIGURE 3-8. DEUTZ TD2.9L4 ENGINE INSTALLATION (WITHOUT ARCTIC PACKAGE)

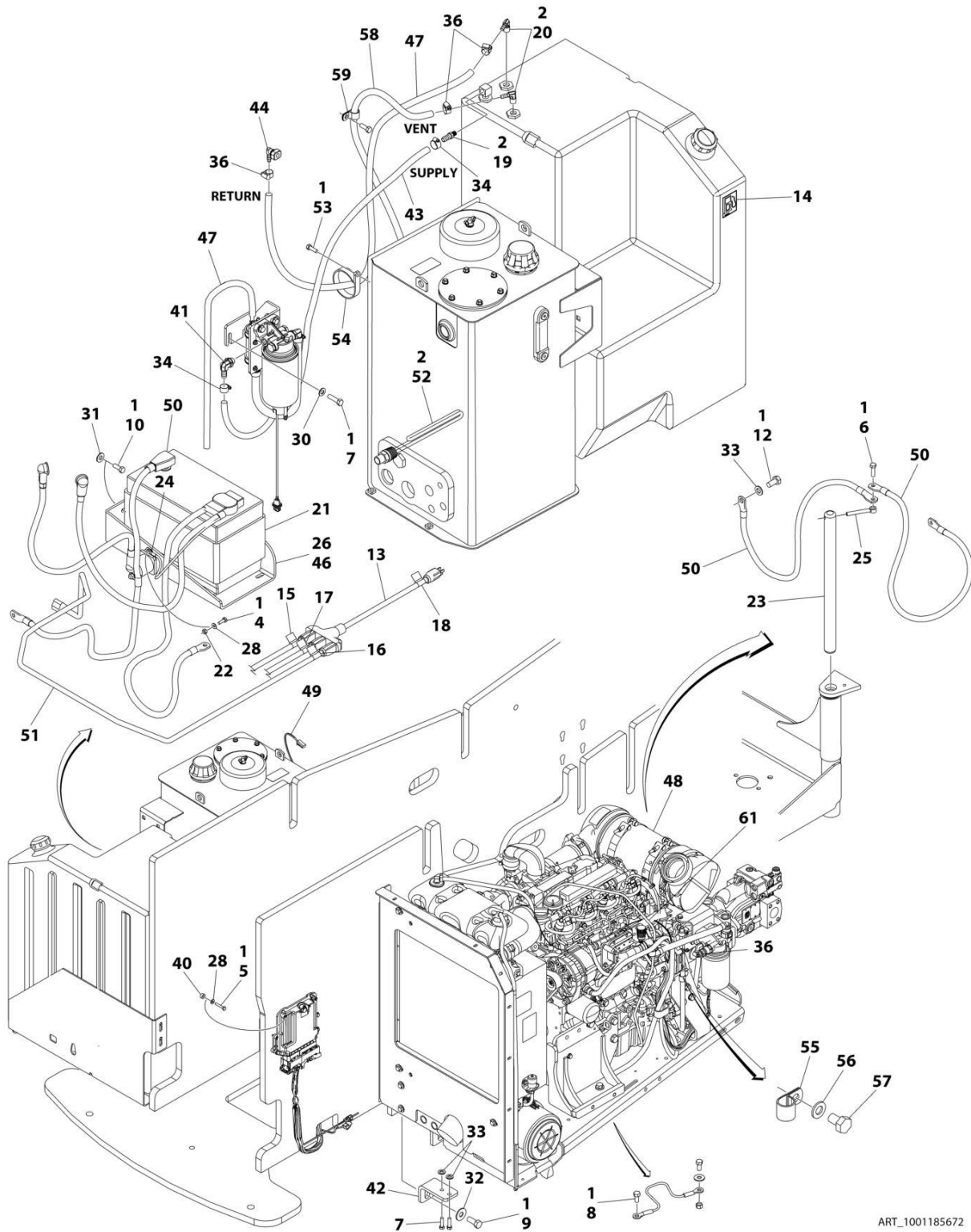
ITEM	PART NUMBER	QTY	DESCRIPTION	REV
	1001185670	Ref	DEUTZ ENGINE INSTALLATION WITHOUT ARCTIC PACKAGE	F
1	0100011	AR	Compound, Locking	
2	0100020	AR	Sealant, Pipe	
4	0641406	2	Bolt 1/4 x 3/4	
5	0641412	4	Bolt 1/4 x 1-1/2	
6	0641610	1	Bolt 3/8 x 1-1/4	
7	0641611	4	Bolt 3/8 x 1-3/8	
8	0641808	1	Bolt 1/2 x 1	
9	0642012	1	Bolt 5/8 x 1-1/2	
10	0681608	3	Bolt 3/8 x 1	
12	0771212	1	Bolt M12 x 25	
13	1701505	1	Decal - Diesel Fuel (Not Shown Located on Fuel Tank)	
14	2180832	1	Fitting, 90 NPT/ Barbed	
15	2220313	2	Fitting, 90 NPT/Barbed	
16	3311405	2	Nut 1/4-20	
17	3422446	1	Pin, Pivot	
18	3740067	1	Relay	
19	3841143	1	Pin, Keeper	
20	4240033	1	Tie-Strap (Not Shown)	
21	4711400	6	Washer 1/4	
23	4711600	2	Washer 3/8	
24	4751600	3	Washer 3/8	
25	4752000	1	Washer 5/8	
26	4812100	3	Washer M12	
27	8405006	2	Clamp	
29	8410013	4	Clamp	
33	1001110425	4	Spacer	
34	1001142501	1	Fitting, Straight Metric/Barbed	
35	1001153359	1	Mount, Engine	
36	1001154405	54 in/ 1.4m	Hose	
37	1001155823	1	Fitting, Quick Disconnect 90	
39	1001162497	1	Bracket, Battery	
40	1001165035	28 ft/ 8.5m	Hose	
41	1001185667	1	Engine and Pump Assembly without Arctic Package (See Separate Breakdown in this Section)	
42	1001138491	1	Harness, Fuel (Not Shown - See Separate Breakdown in ELECTRICAL SECTION)	
43	1001143736	1	Battery Cable Kit (Not Shown)	F
43	7027084	1	Cable, Battery (Black) (Battery - to Tray Pivot and Relay Grounds)	
43	8270147	1	Terminal, Battery (With Boot) Cable, Battery (Black)	
43	7027085	1	Cable, Battery (Black) (Battery - to Aux Pump Ground)	
43	7027086	1	Cable, Battery (Black) (Engine to Tray Pivot Ground)	
43	7027087	1	Cable (Red) (Battery + to Relays/Starter)	
43	7027088	1	Cable (Red) (Aux Relay to Aux Pump)	
43	See Note	1	Cable (Auxiliary Relay to Starter) (Note: Use p/n 7027087)	
44	0641508	1	Bolt 5/16 x 1	
45	1321339	1	Clamp	
46	1320061	1	Clamp	

SECTION 3 - ENGINE

ITEM	PART NUMBER	QTY	DESCRIPTION	REV
47	4812000	1	Washer M10	
48	0761008	1	Bolt M10 x 16	
49	2750532	4 ft/ 1.2m	Hose (Vent Line)	
50	8406102	1	Clip	

SECTION 3 - ENGINE

FIGURE 3-9. DEUTZ TD2.9L4 ENGINE INSTALLATION (WITH ARCTIC PACKAGE)



ART_1001185672

SECTION 3 - ENGINE

FIGURE 3-9. DEUTZ TD2.9L4 ENGINE INSTALLATION (WITH ARCTIC PACKAGE)

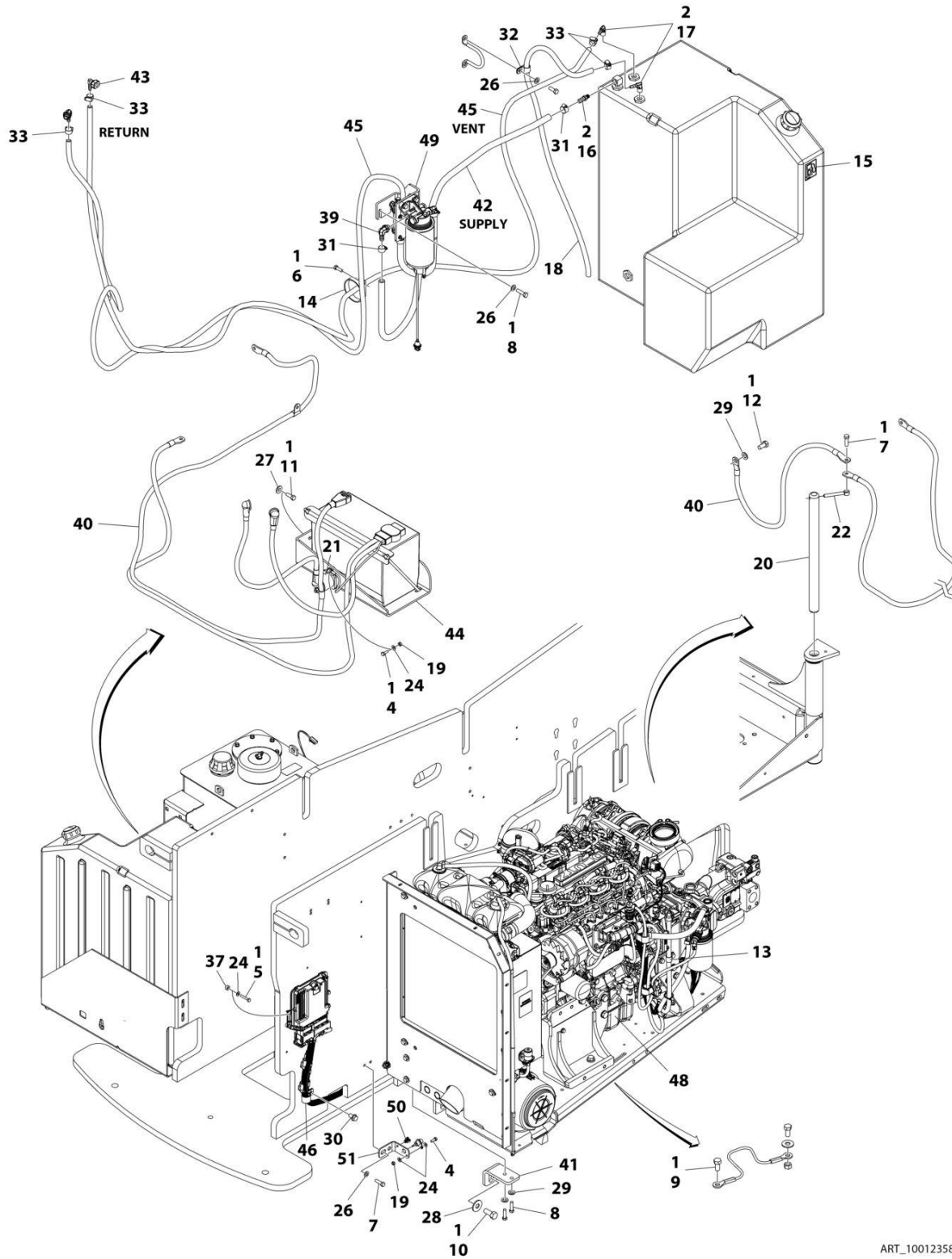
ITEM	PART NUMBER	QTY	DESCRIPTION	REV
	1001185672	Ref	DEUTZ ENGINE INSTALLATION WITH ARCTIC PACKAGE	G
1	0100011	AR	Compound, Locking	
2	0100020	AR	Sealant, Pipe	
4	0641406	2	Bolt 1/4 x 3/4	
5	0641412	4	Bolt 1/4 x 1-1/2	
6	0641610	1	Bolt 3/8 x 1-1/4	
7	0641611	4	Bolt 3/8 x 1-3/8	
8	0641808	1	Bolt 1/2 x 1	
9	0642012	1	Bolt 5/8 x 1-1/2	
10	0681608	3	Bolt 3/8 x 1 Grade 8	
12	0771212	1	Bolt M12 x 25 Grade 10.9	
13	1060626	1	Cord, 3 Way Extension	
14	1701505	1	Decal - Diesel Fuel (Not Shown Located on Fuel Tank)	
15	1702941	1	Decal - Battery Heater	
16	1702942	1	Decal - Engine Block Heater	
17	1702943	1	Decal - Hydraulic Tank Heater	
18	1702944	1	Decal - Heater Cord	
19	2180832	1	Fitting, 90 NPT/ Barbed	
20	2220313	2	Fitting, 90 NPT/Barbed	
21	2580024	1	Heater, Battery	
22	3311405	2	Nut 1/4	
23	3422446	1	Pin, Pivot	
24	3740067	1	Relay	
25	3841143	1	Pin, Keeper	
26	3980007	1	Seat, Battery	
27	4240033	1	Tie-Strap (Not Shown)	
28	4711400	6	Washer 1/4	
30	4711600	2	Washer 3/8	
31	4751600	3	Washer 3/8	
32	4752000	1	Washer 5/8	
33	4812100	3	Washer M12	
34	8405006	2	Clamp	
36	8410013	4	Clamp	
40	1001110425	4	Spacer	
41	1001142501	1	Fitting, Straight Metric/Barbed	
42	1001153359	1	Mount, Engine	
43	1001154405	54 in/ 1.4m	Hose	
44	1001155823	1	Fitting, Quick Disconnect 90	
46	1001162497	1	Bracket, Battery	
47	1001165035	28 ft/ 8.5m	Hose	
48	1001185671	1	Deutz TD2.9L4 Engine and Pump Sub-Assembly (See Separate Breakdown in this Section)	
49	1001138491	1	Harness, Fuel (Not Shown - See Separate Breakdown in ELECTRICAL SECTION)	
50	1001143736	1	Battery Cable Kit (Not Shown)	E
50	7027084	1	Cable, Battery (Black) (Battery - to Tray Pivot Grd)	
50	8270147	1	Terminal, Battery (With Boot)	
50	7027085	1	Cable, Battery (Black) (Battery - to Aux Pump and Relay Grds)	

SECTION 3 - ENGINE

ITEM	PART NUMBER	QTY	DESCRIPTION	REV
50	7027086	1	Cable, Battery (Black) (Engine to Tray Pivot Grd)	
50	7027087	1	Cable (Red) (Battery + to Aux Relay/Power Module/Starter)	
50	7027088	1	Cable (Red) (Aux Relay to Aux Pump)	
51	1001150918	1	Cord, 8ft Extension	
52	1001188972	1	Heater, Hydraulic Tank	
53	0641508	1	Bolt 5/16 x 1	
54	1321339	1	Clamp	
55	1320061	1	Clamp	
56	4812000	1	Washer M10	
57	0761008	1	Bolt M10 x 16	
58	2750532	4 ft/ 1.2m	Hose (Vent Line)	
59	8406102	1	Clip	
61	1001233763	Ref	Breather Heater Installation (Not Shown - See Separate Breakdown in this Section)	

SECTION 3 - ENGINE

FIGURE 3-10. DEUTZ TD2.9L4 ENGINE INSTALLATION (STAGE V)



ART_1001235860

SECTION 3 - ENGINE

FIGURE 3-10. DEUTZ TD2.9L4 ENGINE INSTALLATION (STAGE V)

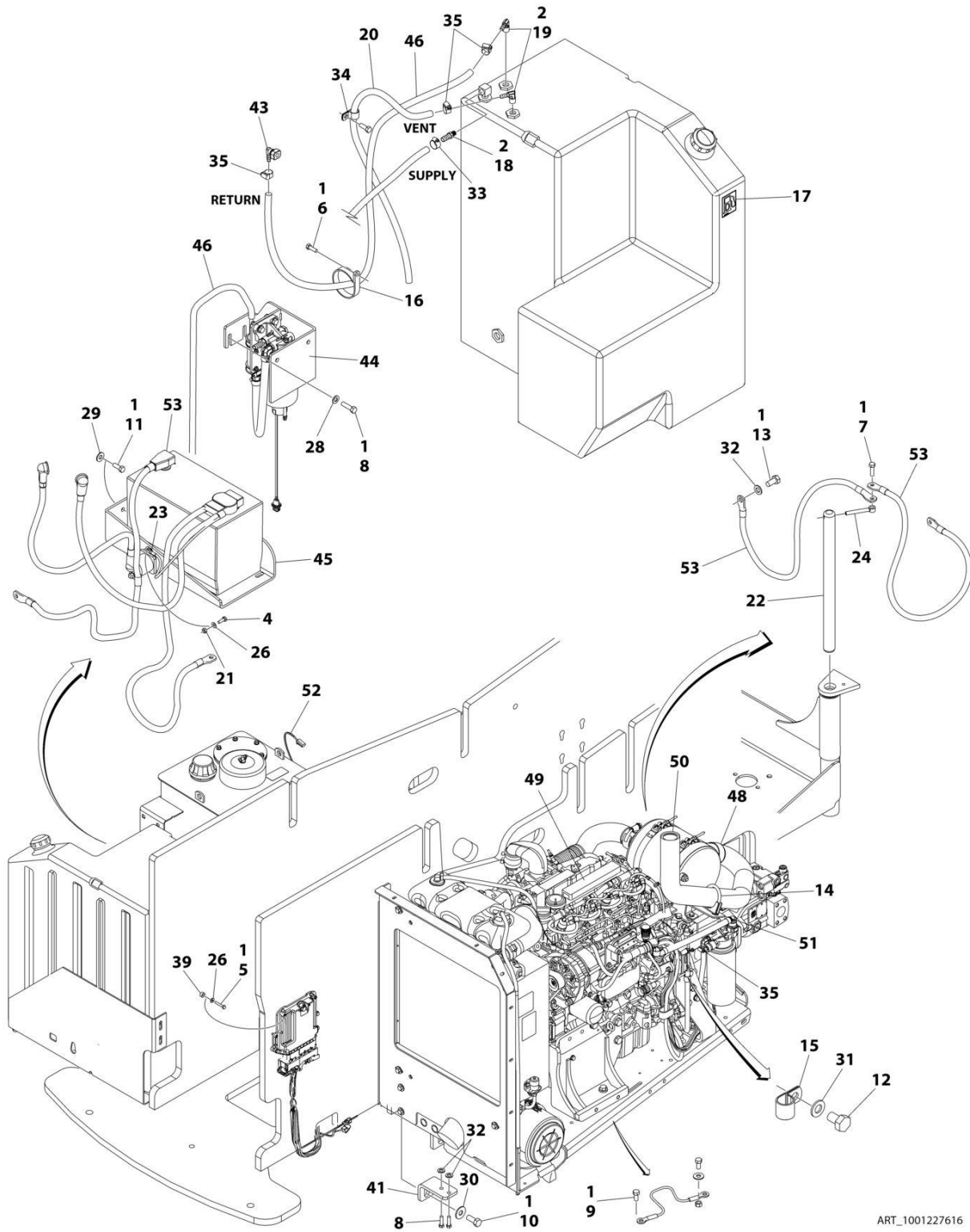
ITEM	PART NUMBER	QTY	DESCRIPTION	REV
	1001235860	Ref	DEUTZ 2.9L4 (STAGE V) ENGINE INSTALLATION	F
1	0100011	AR	Compound, Locking	
2	0100020	AR	Sealant, Pipe	
4	0641406	2	Bolt 1/4 x 3/4	
5	0641412	4	Bolt 1/4 x 1-1/2	
6	0641508	1	Bolt 5/16 x 1	
7	0641610	1	Bolt 3/8 x 1-1/4	
8	0641611	4	Bolt 3/8 x 1-3/8	
9	0641808	1	Bolt 1/2 x 1	
10	0642012	1	Bolt 5/8 x 1-1/2	
11	0681608	3	Bolt 3/8 x 1	
12	0771212	1	Bolt M12 x 25	
13	1320061	1	Clamp	
14	1321339	1	Clamp	
15	1701505	1	Decal - Diesel Fuel (Not Shown Located on Fuel Tank)	
16	2180832	1	Fitting, 90 NPT/ Barbed	
17	2220313	2	Fitting, 90 NPT/Barbed	
18	2750532	4 ft/ 1.2m	Hose (Vent Line)	
19	3311405	2	Nut 1/4	
20	3422446	1	Pin, Pivot	
21	3740067	1	Relay	
22	3841143	1	Pin, Keeper	
23	4240099	AR	Tie-Strap (Not Shown)	
24	4711400	8	Washer 1/4	
26	4711600	4	Washer 3/8	
27	4751600	3	Washer 3/8	
28	4752000	1	Washer 5/8	
29	4812100	3	Washer M12	
30	5251210	1	Bolt M12 x 20	
31	8405006	2	Clamp	
32	8406102	1	Clip	
33	8410013	4	Clamp	
37	1001110425	4	Spacer	
38	1001138491	1	Harness, Fuel (Not Shown - See Separate Breakdown in ELECTRICAL Section)	
39	1001142501	1	Fitting, Straight Metric/Barbed	
40	1001143736	1	Battery Cable Kit	E
40	7027084	1	Cable, Battery (Black) (Battery - to Tray Pivot Grd)	
40	8270147	1	Terminal, Battery (With Boot)	
40	7027085	1	Cable, Battery (Black) (Battery - to Aux Pump and Relay Grds)	
40	7027086	1	Cable, Battery (Black) (Engine to Tray Pivot Grd)	
40	7027087	1	Cable (Red) (Battery + to Aux Relay/Power Module/Starter)	
40	7027088	1	Cable (Red) (Aux Relay to Aux Pump)	
41	1001153359	1	Mount, Engine	
42	1001154405	54 in/ 1.4m	Hose	
43	1001155823	1	Fitting, Quick Disconnect 90	
44	1001162497	1	Bracket, Battery	
45	1001165035	28 ft/ 8.5m	Hose	

SECTION 3 - ENGINE

ITEM	PART NUMBER	QTY	DESCRIPTION	REV
46	1001191620	1	Clamp	
48	1001235861	1	Deutz TD2.9L4 Engine and Pump Sub-Assembly (STAGE V) (See Separate Breakdown in this Section)	
49	1001235949	1	Bracket Assembly Less Filter/Pump (See Separate Breakdown in this Section)	
50	1001146588	1	Strap	
51	1001256879	1	Bracket	
52	1062255	1	Tie-Strap (Not Shown)	

SECTION 3 - ENGINE

FIGURE 3-11. DEUTZ TD2.9L4 ENGINE INSTALLATION (CHINA III SPECS)



SECTION 3 - ENGINE

FIGURE 3-11. DEUTZ TD2.9L4 ENGINE INSTALLATION (CHINA III SPECS)

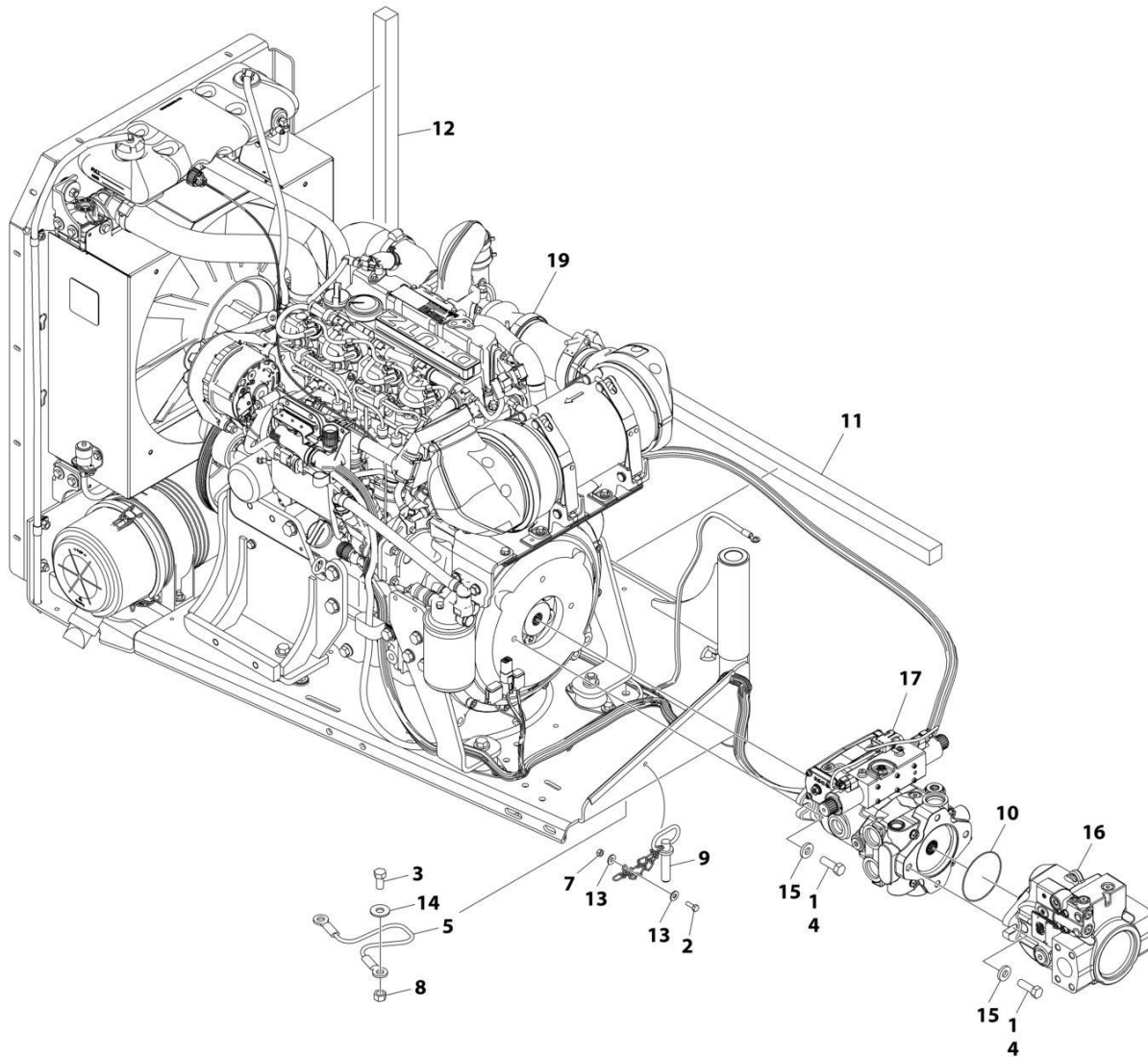
ITEM	PART NUMBER	QTY	DESCRIPTION	REV
	1001227616	Ref	DEUTZ ENGINE INSTALLATION	D
1	0100011	AR	Compound, Locking	
2	0100020	AR	Sealant, Pipe	
4	0641406	2	Bolt 1/4 x 3/4	
5	0641412	4	Bolt 1/4 x 1-1/2	
6	0641508	1	Bolt 5/16 x 1	
7	0641610	1	Bolt 3/8 x 1-1/4	
8	0641611	4	Bolt 3/8 x 1-3/8	
9	0641808	1	Bolt 1/2 x 1	
10	0642012	1	Bolt 5/8 x 1-1/2	
11	0681608	3	Bolt 3/8 x 1	
12	0761008	1	Bolt M10 x 16	
13	0771212	1	Bolt M12 x 25	
14	1320011	1	Clamp, Muffler (Located on Exhaust)	
15	1320061	1	Clamp	
16	1321339	1	Clamp	
17	1701505	1	Decal - Diesel Fuel (Not Shown Located on Fuel Tank)	
18	2180832	1	Fitting, 90 NPT/ Barbed	
19	2220313	2	Fitting, 90 NPT/Barbed	
20	2750532	4 ft/ 1.2m	Hose (Vent Line)	
21	3311405	2	Nut 1/4-20	
22	3422446	1	Pin, Pivot	
23	3740067	1	Relay	
24	3841143	1	Pin, Keeper	
25	4240033	AR	Tie-Strap (Not Shown)	
26	4711400	7	Washer 1/4	
28	4711600	2	Washer 3/8	
29	4751600	3	Washer 3/8	
30	4752000	1	Washer 5/8	
31	4812000	1	Washer M10	
32	4812100	3	Washer M12	
33	8405006	1	Clamp	
34	8406102	1	Clip	
35	8410013	4	Clamp	
39	1001110425	4	Spacer	
41	1001153359	1	Mount, Engine	
43	1001155823	1	Fitting, Quick Disconnect 90	
44	1001227224	1	Bracket Assembly Less Filter/Pump (See Separate Breakdown in this Section)	
45	1001162497	1	Bracket, Battery	
46	1001165035	28 ft/ 8.5m	Hose	
48	1001221212	1	Clamp (Located on Exhaust)	
49	1001227615	1	Deutz TD2.9L4 Engine and Pump Sub-Assembly (See Separate Breakdown in this Section)	
50	1001247013	1	Pipe	
51	1001227620	1	Plate (Located on Exhaust)	
52	1001138491	1	Harness, Fuel (Not Shown - See Separate Breakdown in ELECTRICAL SECTION)	
53	1001143736	1	Battery Cable Kit (Not Shown)	E

SECTION 3 - ENGINE

ITEM	PART NUMBER	QTY	DESCRIPTION	REV
53	7027084	1	Cable, Battery (Black) (Battery - to Tray Pivot Grd)	
53	8270147	1	Terminal, Battery (With Boot)	
53	7027085	1	Cable, Battery (Black) (Battery - to Aux Pump and Relay Grds)	
53	7027086	1	Cable, Battery (Black) (Engine to Tray Pivot Grd)	
53	7027087	1	Cable (Red) (Battery + to Aux Relay/Power Module/Starter)	
53	7027088	1	Cable (Red) (Aux Relay to Aux Pump)	

SECTION 3 - ENGINE

FIGURE 3-12. DEUTZ TD2.9L4 ENGINE AND PUMP SUB-ASSEMBLY (WITHOUT ARCTIC PACKAGE)



ART_1001185667

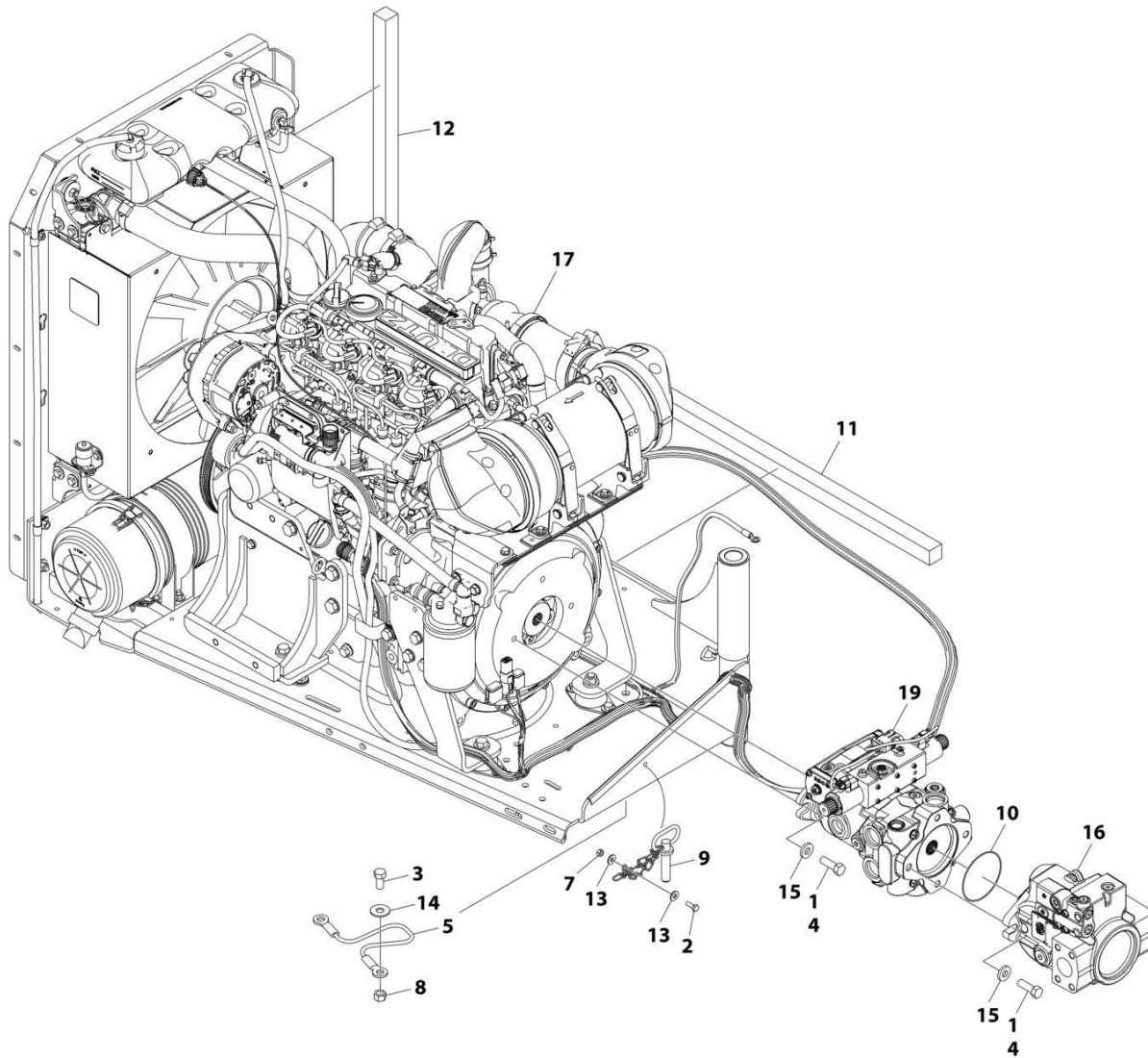
SECTION 3 - ENGINE

FIGURE 3-12. DEUTZ TD2.9L4 ENGINE AND PUMP SUB-ASSEMBLY (WITHOUT ARCTIC PACKAGE)

ITEM	PART NUMBER	QTY	DESCRIPTION	REV
	1001185667	Ref	DEUTZ TD2.9L4 ENGINE AND PUMP SUB-ASSEMBLY (WITHOUT ARCTIC PACKAGE)	H
1	0100011	AR	Compound, Locking	
2	0641406	1	Bolt 1/4 x 3/4	
3	0641808	1	Bolt 1/2 x 1	
4	0641812	4	Bolt 1/2 x 1-1/2	
5	1060637	1	Lanyard	
7	3311405	1	Nut 1/4	
8	3311801	1	Nut 1/2	
9	3422532	1	Pin	
10	3790044	1	O-Ring	
11	3960468	1	Seal	
12	3960469	1	Seal	
13	4751400	2	Washer 1/4	
14	4751800	1	Washer 1/2	
15	4891800	4	Washer 1/2	
16	1001094595	1	Variable Pump Assembly (See Separate Breakdown in this Section)	
17	1001225745	1	Hydrostatic Pump Assembly (See Separate Breakdown in this Section)	
19	1001176027	1	Engine Assembly Without Arctic Package (See Separate Breakdown in this Section)	

SECTION 3 - ENGINE

FIGURE 3-13. DEUTZ TD2.9L4 ENGINE AND PUMP SUB-ASSEMBLY (WITH ARCTIC PACKAGE)



ART_1001185671

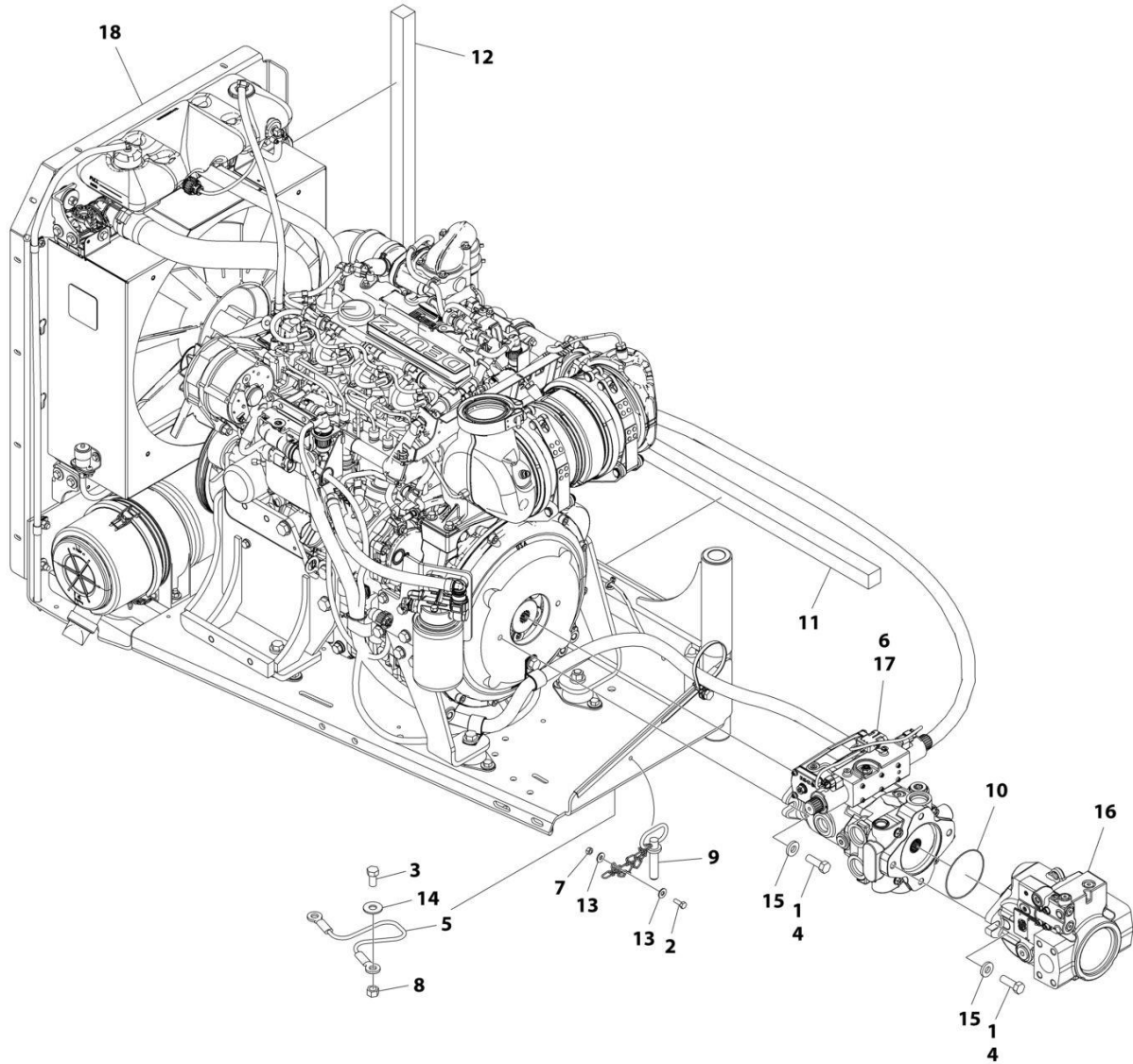
SECTION 3 - ENGINE

FIGURE 3-13. DEUTZ TD2.9L4 ENGINE AND PUMP SUB-ASSEMBLY (WITH ARCTIC PACKAGE)

ITEM	PART NUMBER	QTY	DESCRIPTION	REV
	1001185671	Ref	DEUTZ TD2.9L4 ENGINE AND PUMP SUB-ASSEMBLY (WITH ARCTIC PACKAGE)	H
1	0100011	AR	Compound, Locking	
2	0641406	1	Bolt 1/4 x 3/4	
3	0641808	1	Bolt 1/2 x 1	
4	0641812	4	Bolt 1/2 x 1-1/2	
5	1060637	1	Cable, Lanyard	
7	3311405	1	Nut 1/4	
8	3311801	1	Nut 1/2	
9	3422532	1	Pin, Hitch	
10	3790044	1	O-Ring	
11	3960468	1	Seal	
12	3960469	1	Seal	
13	4751400	2	Washer 1/4	
14	4751800	1	Washer 1/2	
15	4891800	4	Washer 1/2	
16	1001094595	1	Variable Pump Assembly with Fittings (See Separate Breakdown in this Section)	
17	1001176035	1	Engine Assembly With Arctic Package (See Separate Breakdown in this Section)	
19	1001225745	1	Hydrostatic Pump Assembly (See Separate Breakdown in this Section)	

SECTION 3 - ENGINE

FIGURE 3-14. DEUTZ TD2.9L4 ENGINE AND PUMP SUB-ASSEMBLY (STAGE V)



ART_1001235861

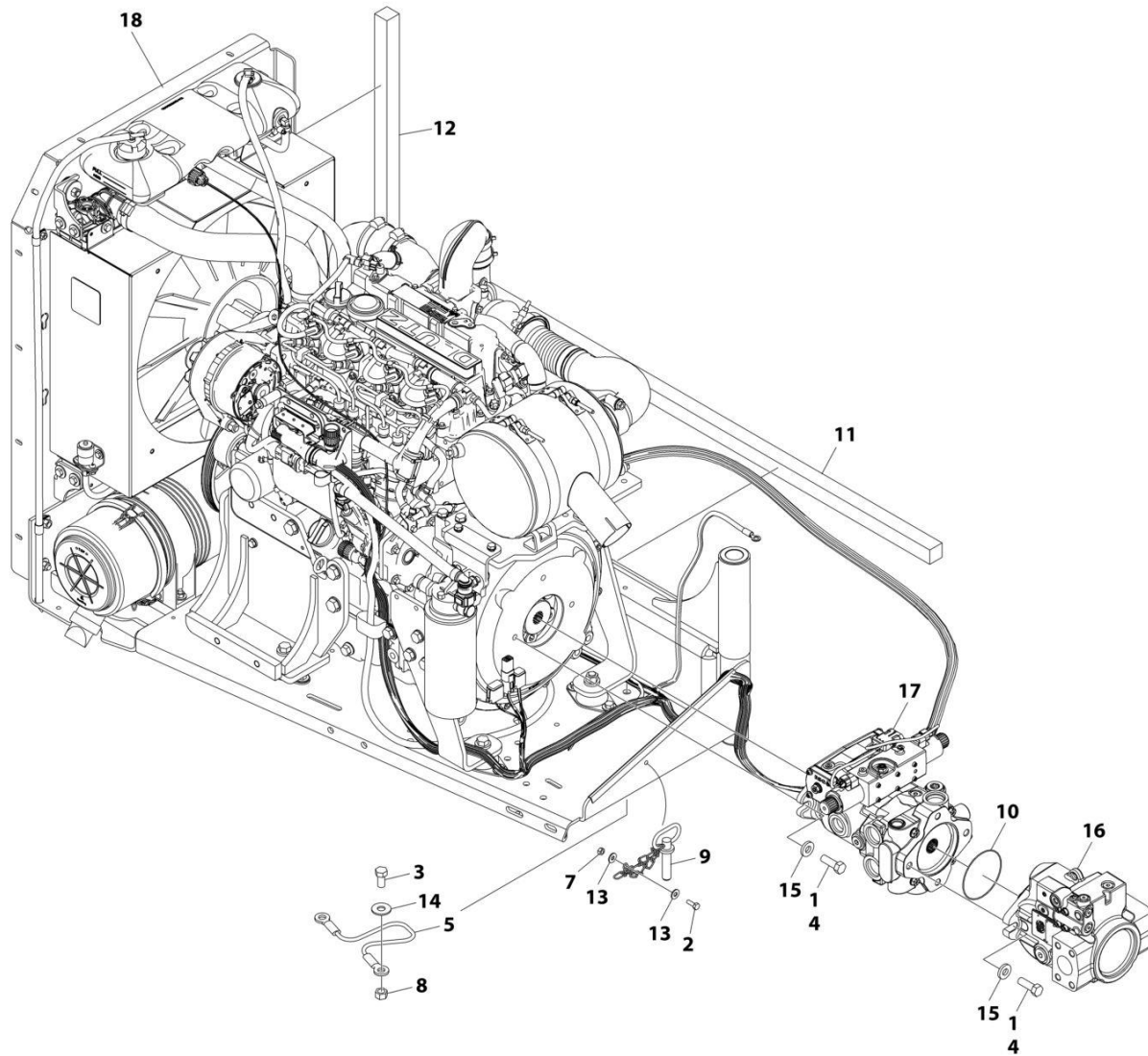
SECTION 3 - ENGINE

FIGURE 3-14. DEUTZ TD2.9L4 ENGINE AND PUMP SUB-ASSEMBLY (STAGE V)

ITEM	PART NUMBER	QTY	DESCRIPTION	REV
	1001235861	Ref	DEUTZ TD2.9L4 ENGINE AND PUMP SUB-ASSEMBLY (STAGE V)	B
1	0100011	AR	Compound, Locking	
2	0641406	1	Bolt 1/4 x 3/4	
3	0641808	1	Bolt 1/2 x 1	
4	0641812	4	Bolt 1/2 x 1-1/2	
5	1060637	1	Lanyard	
6	3020037	AR	Lubricant	
7	3311405	1	Nut 1/4	
8	3311801	1	Nut 1/2	
9	3422532	1	Pin, Hitch	
10	3790044	1	O-Ring	
11	3960468	1	Seal	
12	3960469	1	Seal	
13	4751400	2	Washer 1/4	
14	4751800	1	Washer 1/2	
15	4891800	4	Washer 1/2	
16	1001094595	1	Variable Pump Assembly with Fittings (See Separate Breakdown in this Section)	
17	1001225745	1	Hydrostatic Pump Assembly (See Separate Breakdown in this Section)	
18	1001235862	1	Engine Assembly - DEUTZ 2.9L4 (Stage V) Engines (See Separate Breakdown in this Section)	

SECTION 3 - ENGINE

FIGURE 3-15. DEUTZ TD2.9L4 ENGINE AND PUMP SUB-ASSEMBLY (CHINA III SPECS)



ART_1001227615

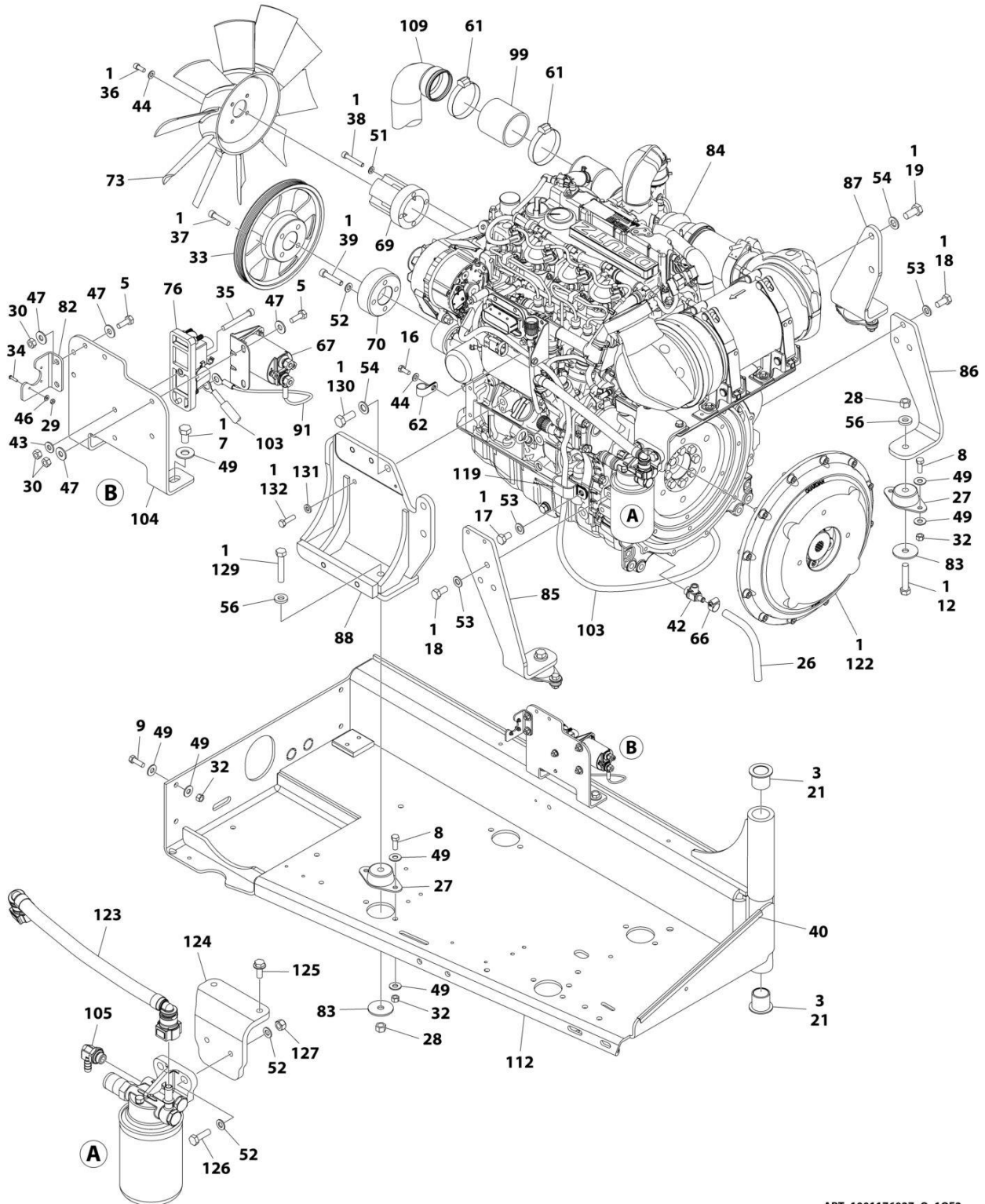
SECTION 3 - ENGINE

FIGURE 3-15. DEUTZ TD2.9L4 ENGINE AND PUMP SUB-ASSEMBLY (CHINA III SPECS)

ITEM	PART NUMBER	QTY	DESCRIPTION	REV
	1001227615	Ref	DEUTZ TD2.9L4 ENGINE AND PUMP SUB-ASSEMBLY	F
1	0100011	AR	Compound, Locking	
2	0641406	1	Bolt 1/4 x 3/4	
3	0641808	1	Bolt 1/2 x 1	
4	0641812	4	Bolt 1/2 x 1-1/2	
5	1060637	1	Lanyard	
7	3311405	1	Nut 1/4	
8	3311801	1	Nut 1/2	
9	3422532	1	Pin, Hitch	
10	3790044	1	O-Ring	
11	3960468	1	Seal	
12	3960469	1	Seal	
13	4751400	2	Washer 1/4	
14	4751800	1	Washer 1/2	
15	4891800	4	Washer 1/2	
16	1001094595	1	Variable Pump Assembly with Fittings (See Separate Breakdown in this Section)	
17	1001225745	1	Hydrostatic Pump Assembly (See Separate Breakdown in this Section)	
18	1001227614	1	Engine Assembly (See Separate Breakdown in this Section)	

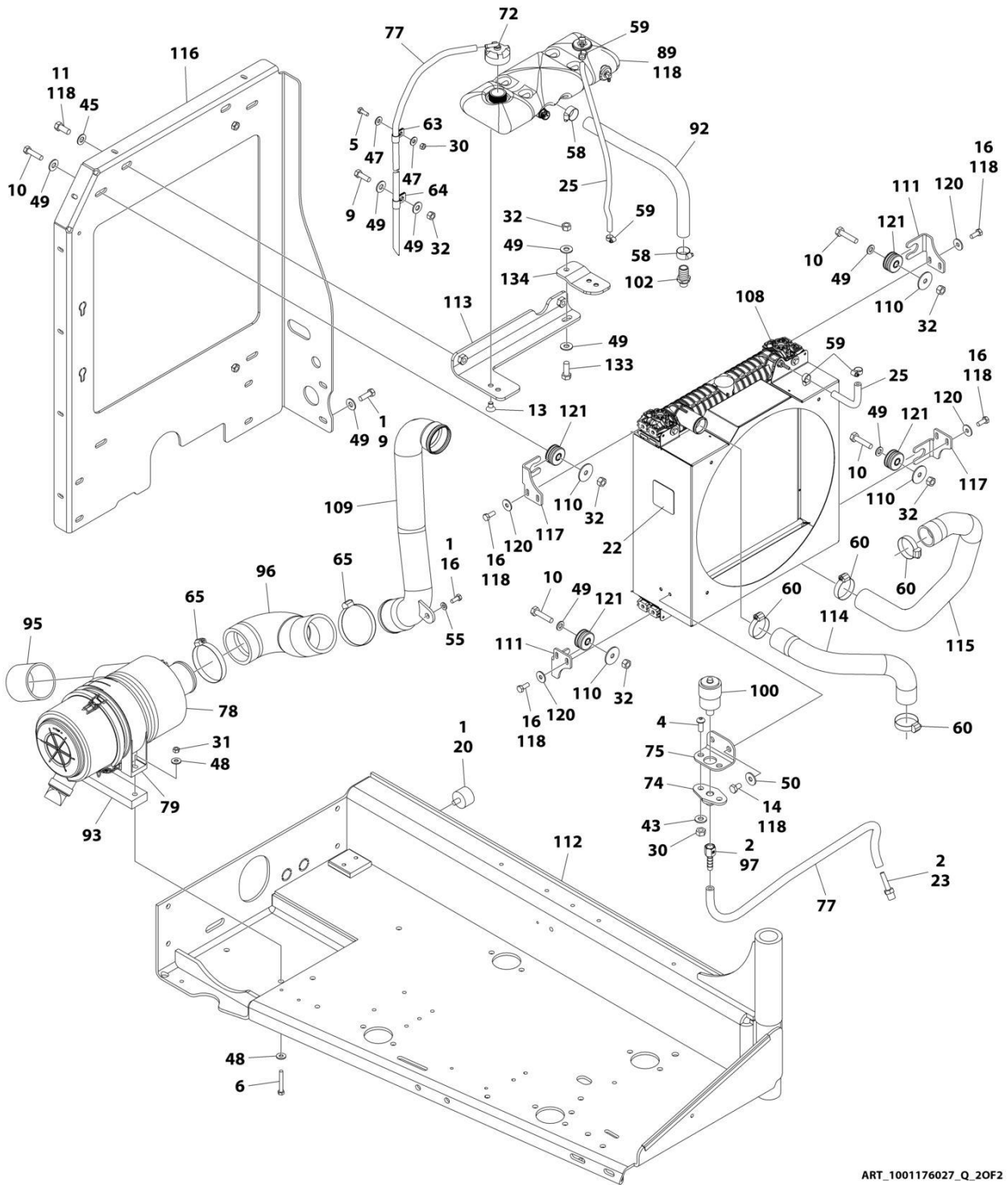
SECTION 3 - ENGINE

FIGURE 3-16. DEUTZ TD2.9L4 ENGINE ASSEMBLY (WITHOUT ARCTIC PACKAGE) (Prior to SN 0300279215)



ART_1001176027_Q_10F2

SECTION 3 - ENGINE



ART_1001176027_Q_20F2

SECTION 3 - ENGINE

FIGURE 3-16. DEUTZ TD2.9L4 ENGINE ASSEMBLY (WITHOUT ARCTIC PACKAGE) (Prior to SN 0300279215)

ITEM	PART NUMBER	QTY	DESCRIPTION	REV
	1001176027	Ref	ENGINE ASSEMBLY WITHOUT ARCTIC PACKAGE	Q
1	0100011	AR	Locking, Compound	
2	0100020	AR	Sealant	
3	0100062	2	Compound, Locking	
4	0630407	5	Screw 1/4 x 5/8	
5	0641406	2	Bolt 1/4 x 3/4	
6	0641518	2	Bolt 5/16 x 2-1/4	
7	0641605	8	Bolt 3/8 x 5/8	
8	0641608	6	Bolt 3/8 x 1	
9	0641609	4	Bolt 3/8 x 1-1/8	
10	0641612	2	Bolt 3/8 x 1-1/2	
11	0641708	3	Bolt 7/16 x 1	
12	0681820	2	Bolt 1/2 x 2-1/2	
13	0741605	2	Screw 3/8 x 5/8	
14	0760605	AR	Bolt M6 x 10	
16	0760810	10	Bolt M8 x 20	
17	0761210	1	Bolt M12 x 20	
18	0771212	6	Bolt M12 x 25	
19	0771414	2	Bolt M14 x 30	
20	0940070	1	Bumper	
21	0961986	2	Bushing, Flanged	
22	1703162	1	Decal - Caution Fan Blade	
23	2220315	1	Fitting, Straight Barbed	
25	2720015	40 in/1m	Hose	
26	2720340	12 in /30.5cm	Hose	
27	3200401	4	Mount, Motor	
28	3271801	4	Nut 1/2-13	
29	3310401	3	Nut #4	
30	3311405	8	Nut 1/4	
31	3311505	2	Locknut 5/16	
32	3311605	17	Nut 3/8	
33	3580320	1	Pulley	
34	3910408	3	Screw #4 x 1/2	
35	3931432	1	Capscrew 1/4 x 2	
36	3931512	4	Capscrew 5/16 x 3/4	
37	3931628	4	Capscrew 3/8 x 1-3/4	
38	4031914	4	Capscrew M8 x 50	
39	4032014	4	Capscrew M10 x 50	
40	4060805	15 in /38cm	Flex-Trim	
41	4240099	AR	Tie-Strap (Not Shown)	
42	4640751	1	Valve, Oil Drain	
43	4711400	3	Washer 1/4	
44	4711500	5	Washer 5/16	
45	4711700	2	Washer 7/16	
46	4750400	3	Washer #4	
47	4751400	10	Washer 1/4	
48	4751500	4	Washer 5/16	

SECTION 3 - ENGINE

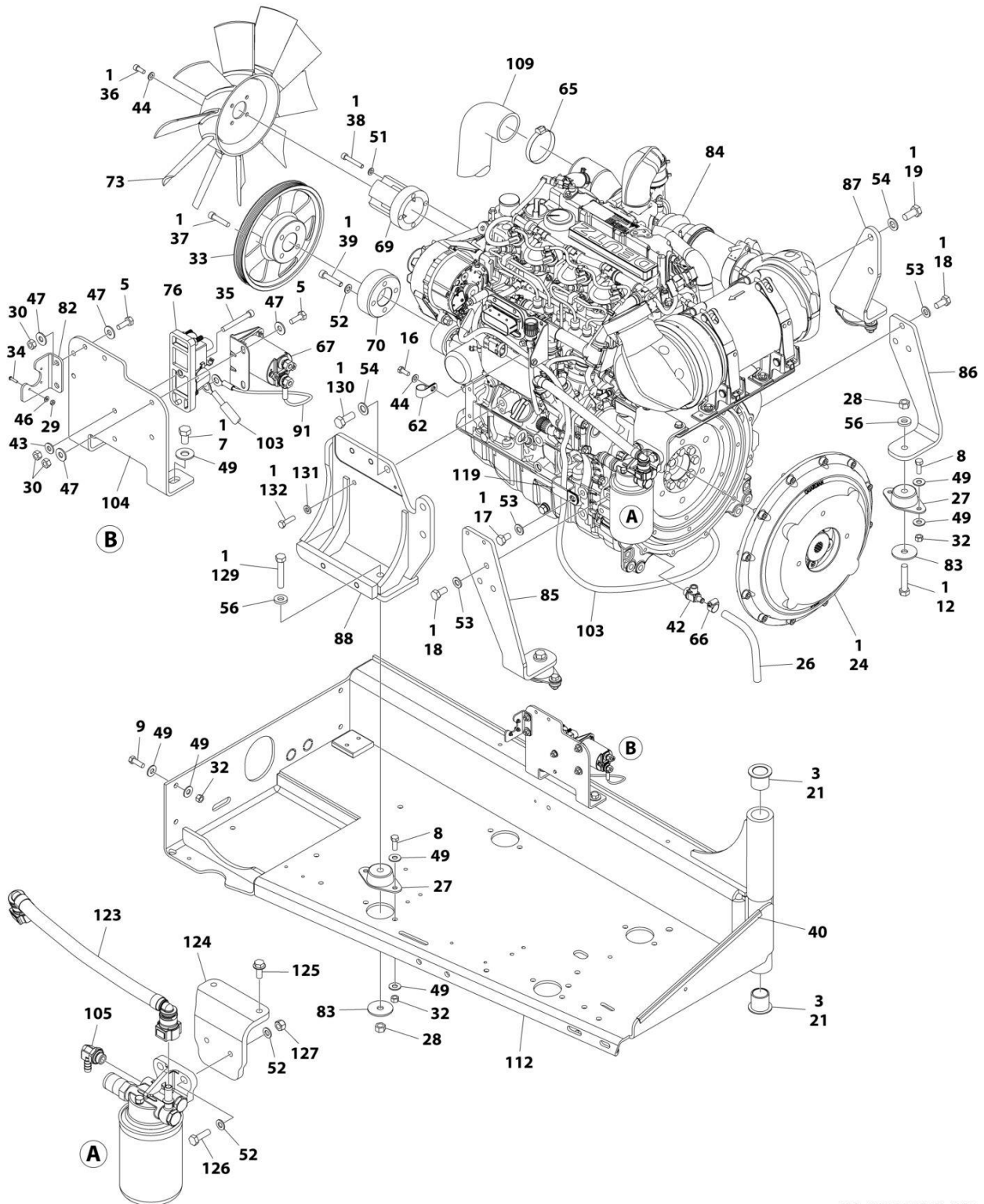
ITEM	PART NUMBER	QTY	DESCRIPTION	REV
49	4751600	34	Washer 3/8	
50	4811702	2	Washer M6	
51	4811900	4	Washer M8	
52	4812000	8	Washer M10	
53	4812100	7	Washer M12	
54	4812200	5	Washer M14	
55	4891500	1	Washer 5/16	
56	4891800	4	Washer 1/2	
58	8405007	2	Clamp	
59	8405009	4	Clamp	
60	8405104	4	Clamp	
61	8405204	2	Clamp	
62	8406102	1	Clip	
63	8406109	1	Clip	
64	8406110	1	Clip	
65	8410011	2	Clamp	
66	8410013	1	Clamp	
67	1001117308	1	Relay	
69	1001135138	1	Adapter	
70	1001135679	1	Adapter	
72	1001136834	1	Cap, Tank	
73	1001137276	1	Fan	
74	1001138173	1	Support	
75	1001138175	1	Bracket	
76	1001138228	1	Relay, Power Module	
76	70023593	1	Fuse 30Amp (Battery Output)	
76	70023592	1	Fuse 20Amp (Switch Output)	
77	1001138248	62 in/1.6m	Tube	
78	1001138489	1	Air Cleaner Assembly	
78	91403102	1	Element, Filter	
79	1001138557	1	Clamp	
82	1001139240	1	Bracket	
83	1001139409	4	Washer, Special	
84	1001249942	1	Engine, Deutz TD2.9L4 T4F (See Separate Breakdown in this Section)	
85	1001140448	1	Mount, Rear Engine	
86	1001140450	1	Mount, Rear Engine	
87	1001140454	1	Mount, Front Engine	
88	1001202368	1	Mount, Generator/Engine	
89	1001230635	1	Tank	
89	0100020	AR	Sealant, Pipe	
89	1001134488	1	Fitting, 90 NPT/ Barbed	
89	1001138827	1	Sensor, Coolant Level	
89	1001140564	1	Fitting, 90 NPT/ Barbed	
89	1001229542	1	Tank, Surge	
91	1001141304	1	Harness, Glow Plug	
92	1001141370	1	Hose	
93	1001141419	1	Shim	
95	1001141585	1	Hose, Inlet	
96	1001141586	1	Pipe, Intake	
97	1001141995	1	Fitting, Straight NPT/Barbed	
99	1001142623	1	Hose, Inlet	

SECTION 3 - ENGINE

ITEM	PART NUMBER	QTY	DESCRIPTION	REV
100	1001143390	1	Indicator, Service	
101	1001143726	1	Harness, Deutz Engine (Not Shown - See Separate Breakdown in ELECTRICAL SECTION)	
102	1001143797	1	Fitting, Straight Metric/Barbed	
103	1001143907	1	Cable, Alternator Power	
104	1001145154	1	Plate, Relay Mounting	
105	1001152489	1	Fitting, 90 Metric/ Barbed	
108	1001167042	1	Radiator	
109	1001165842	1	Pipe	
110	1001169138	4	Washer	
111	1001204325	2	Bracket, Radiator	
112	1001190610	1	Tray	
113	1001260413	1	Bracket, Tank	
114	1001177844	1	Hose, Radiator - Upper	
115	1001177845	1	Hose, Radiator - Lower	
116	1001186985	1	Plate, Mounting (Modine Radiator)	
117	1001178223	2	Bracket, Radiator	
118	1001180620	1	Adhesive	
119	1001181899	1	P-Clamp	
120	4811902	8	Washer M8	
121	1001169054	4	Pad, Isolator	
122	1001153282	1	Pump Coupling Kit (See Separate Breakdown in this section)	
123	1001177359	1	Hose	
124	1001178876	1	Mount, Fuel Filter	
125	5250810	2	Bolt M8 x 20	
126	0761015	2	Bolt M10 x 35	
127	3291005	2	Nut M10	
129	0681822	1	Bolt 1/2 x 2-3/4 Grade 8	
130	0771415	3	Bolt M14 x 35 Grade 10.9	
131	5240800	1	Washer M8	
132	0700814	1	Bolt M8 x 30	
133	0681608	1	Bolt 3/8 x 1 Grade 8	
134	1001260412	1	Bracket	

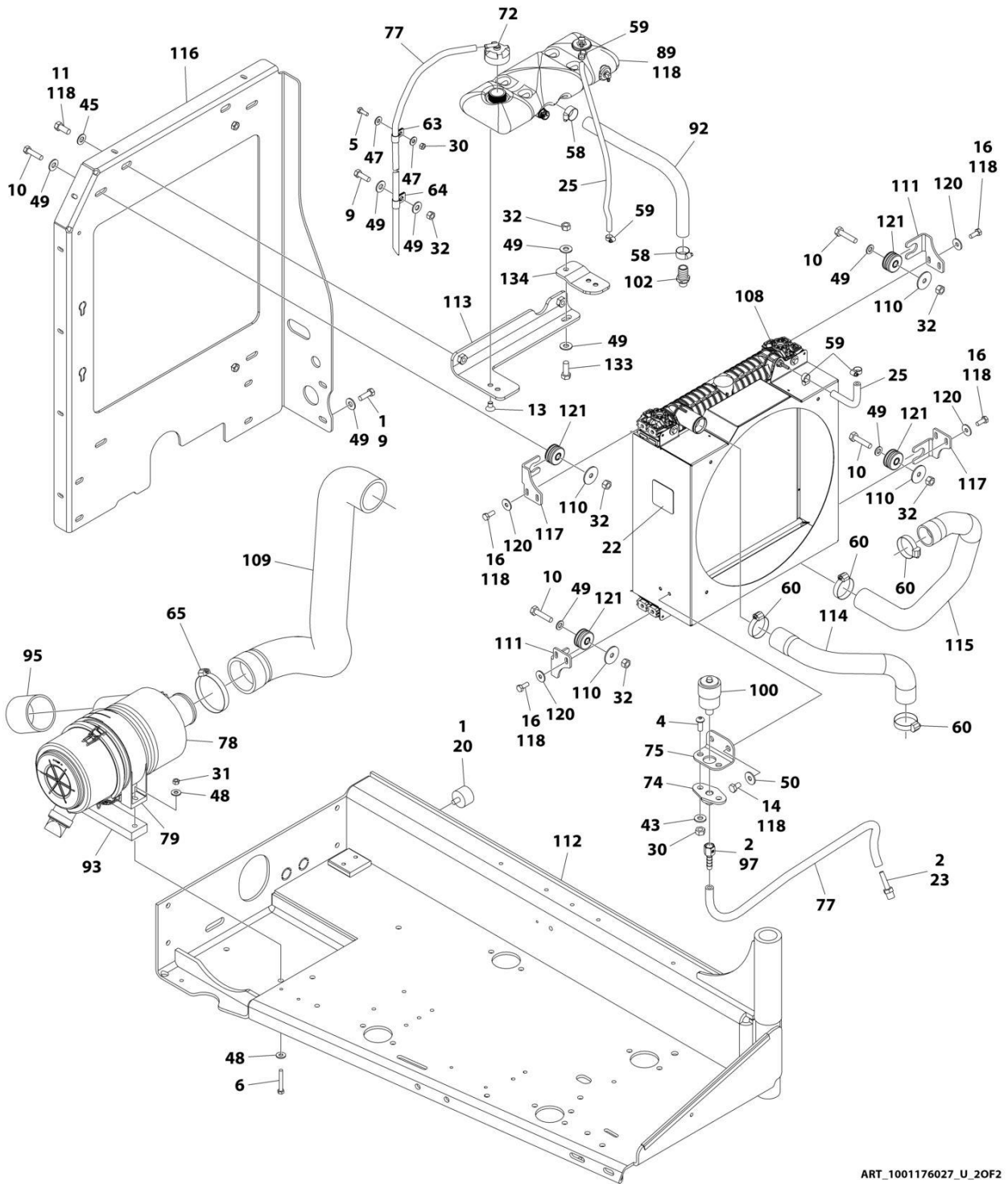
SECTION 3 - ENGINE

FIGURE 3-17. DEUTZ TD2.9L4 ENGINE ASSEMBLY (WITHOUT ARCTIC PACKAGE) (SN 0300279215 to Present)



ART_1001176027_U_10F2

SECTION 3 - ENGINE



ART_1001176027_U_20F2

SECTION 3 - ENGINE

FIGURE 3-17. DEUTZ TD2.9L4 ENGINE ASSEMBLY (WITHOUT ARCTIC PACKAGE) (SN 0300279215 to Present)

ITEM	PART NUMBER	QTY	DESCRIPTION	REV
	1001176027	Ref	ENGINE ASSEMBLY WITHOUT ARCTIC PACKAGE	U
1	0100011	AR	Locking, Compound	
2	0100020	AR	Sealant	
3	0100062	2	Compound, Locking	
4	0630407	5	Screw 1/4 x 5/8	
5	0641406	2	Bolt 1/4 x 3/4	
6	0641518	2	Bolt 5/16 x 2-1/4	
7	0641605	8	Bolt 3/8 x 5/8	
8	0641608	6	Bolt 3/8 x 1	
9	0641609	4	Bolt 3/8 x 1-1/8	
10	0641612	2	Bolt 3/8 x 1-1/2	
11	0641708	3	Bolt 7/16 x 1	
12	0681820	2	Bolt 1/2 x 2-1/2	
13	0741605	2	Screw 3/8 x 5/8	
14	0760605	AR	Bolt M6 x 10	
16	0760810	9	Bolt M8 x 20	
17	0761210	1	Bolt M12 x 20	
18	0771212	6	Bolt M12 x 25	
19	0771414	2	Bolt M14 x 30	
20	0940070	1	Bumper	
21	0961986	2	Bushing, Flanged	
22	1703162	1	Decal - Caution Fan Blade	
23	2220315	1	Fitting, Straight Barbed	
24	1001153282	1	Pump Coupling Kit (See Separate Breakdown in this section)	
25	2720015	40 in/1m	Hose	
26	2720340	12 in /30.5cm	Hose	
27	3200401	4	Mount, Motor	
28	3271801	4	Nut 1/2-13	
29	3310401	3	Nut #4	
30	3311405	8	Nut 1/4	
31	3311505	2	Locknut 5/16	
32	3311605	17	Nut 3/8	
33	3580320	1	Pulley	
34	3910408	3	Screw #4 x 1/2	
35	3931432	1	Capscrew 1/4 x 2	
36	3931512	4	Capscrew 5/16 x 3/4	
37	3931628	4	Capscrew 3/8 x 1-3/4	
38	4031914	4	Capscrew M8 x 50	
39	4032014	4	Capscrew M10 x 50	
40	4060805	15 in /38cm	Flex-Trim	
41	4240099	AR	Tie-Strap (Not Shown)	
42	4640751	1	Valve, Oil Drain	
43	4711400	3	Washer 1/4	
44	4711500	5	Washer 5/16	
45	4711700	2	Washer 7/16	
46	4750400	3	Washer #4	
47	4751400	10	Washer 1/4	

SECTION 3 - ENGINE

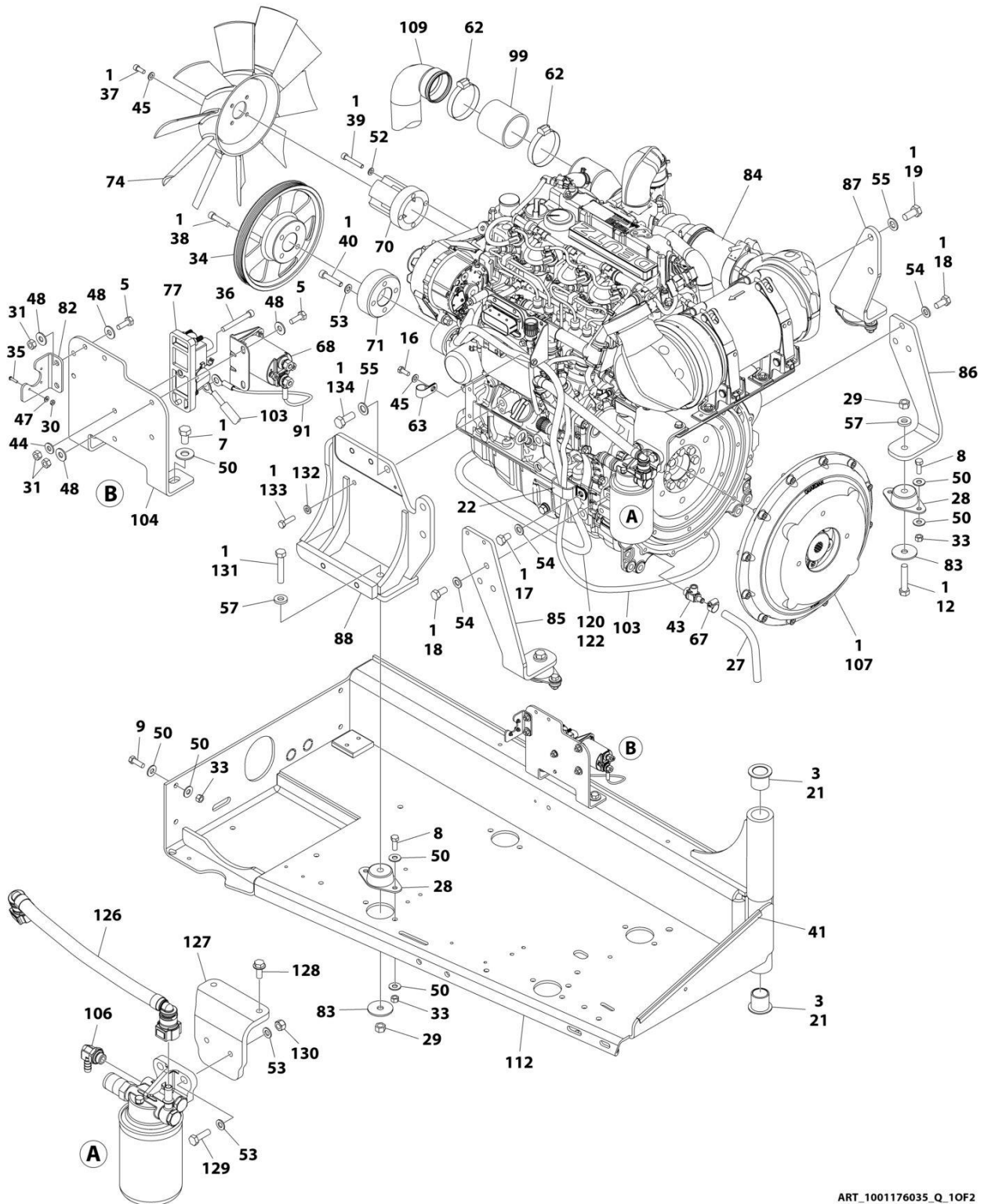
ITEM	PART NUMBER	QTY	DESCRIPTION	REV
48	4751500	4	Washer 5/16	
49	4751600	34	Washer 3/8	
50	4811702	2	Washer M6	
51	4811900	4	Washer M8	
52	4812000	8	Washer M10	
53	4812100	7	Washer M12	
54	4812200	5	Washer M14	
56	4891800	4	Washer 1/2	
58	8405007	2	Clamp	
59	8405009	4	Clamp	
60	8405104	4	Clamp	
62	8406102	1	Clip	
63	8406109	1	Clip	
64	8406110	1	Clip	
65	8410011	2	Clamp	
66	8410013	1	Clamp	
67	1001117308	1	Relay	
69	1001135138	1	Adapter	
70	1001135679	1	Adapter	
72	1001136834	1	Cap, Tank	
73	1001137276	1	Fan	
74	1001138173	1	Support	
75	1001138175	1	Bracket	
76	1001138228	1	Relay, Power Module	
76	70023593	1	Fuse 30Amp (Battery Output)	
76	70023592	1	Fuse 20Amp (Switch Output)	
77	1001138248	62 in/1.6m	Tube	
78	1001138489	1	Air Cleaner Assembly	
78	91403102	1	Element, Filter	
79	1001138557	1	Clamp	
82	1001139240	1	Bracket	
83	1001139409	4	Washer, Special	
84	1001249942	1	Engine, Deutz TD2.9L4 T4F (See Separate Breakdown in this Section)	
85	1001140448	1	Mount, Rear Engine	
86	1001140450	1	Mount, Rear Engine	
87	1001140454	1	Mount, Front Engine	
88	1001202368	1	Mount, Generator/Engine	
89	1001230635	1	Tank	
89	0100020	AR	Sealant, Pipe	
89	1001134488	1	Fitting, 90 NPT/ Barbed	
89	1001138827	1	Sensor, Coolant Level	
89	1001140564	1	Fitting, 90 NPT/ Barbed	
89	1001229542	1	Tank, Surge	
91	1001141304	1	Harness, Glow Plug	
92	1001141370	1	Hose	
93	1001267256	1	Shim	
95	1001141585	1	Hose, Inlet	
97	1001141995	1	Fitting, Straight NPT/Barbed	
100	1001143390	1	Indicator, Service	
101	1001143726	1	Harness, Deutz Engine (Not Shown - See Separate Breakdown in ELECTRICAL Section)	

SECTION 3 - ENGINE

ITEM	PART NUMBER	QTY	DESCRIPTION	REV
102	1001143797	1	Fitting, Straight Metric/Barbed	
103	1001143907	1	Cable, Alternator Power	
104	1001145154	1	Plate, Relay Mounting	
105	1001152489	1	Fitting, 90 Metric/ Barbed	
108	1001167042	1	Radiator	
109	1001266525	1	Hose	
110	1001169138	4	Washer	
111	1001204325	2	Bracket, Radiator	
112	1001190610	1	Tray	
113	1001260413	1	Bracket, Tank	
114	1001177844	1	Hose, Radiator - Upper	
115	1001177845	1	Hose, Radiator - Lower	
116	1001186985	1	Plate, Mounting (Modine Radiator)	
117	1001178223	2	Bracket, Radiator	
118	1001180620	1	Adhesive	
119	1001181899	1	P-Clamp	
120	4811902	8	Washer M8	
121	1001169054	4	Pad, Isolator	
123	1001177359	1	Hose	
124	1001178876	1	Mount, Fuel Filter	
125	5250810	2	Bolt M8 x 20	
126	0761015	2	Bolt M10 x 35	
127	3291005	2	Nut M10	
129	0681822	1	Bolt 1/2 x 2-3/4 Grade 8	
130	0771415	3	Bolt M14 x 35 Grade 10.9	
131	5240800	1	Washer M8	
132	0700814	1	Bolt M8 x 30	
133	0681608	1	Bolt 3/8 x 1 Grade 8	
134	1001260412	1	Bracket	
135	1001162335	1	Bracket, Fuel Pump/Filter Assy (Not Shown - See Separate Breakdown in this Section)	

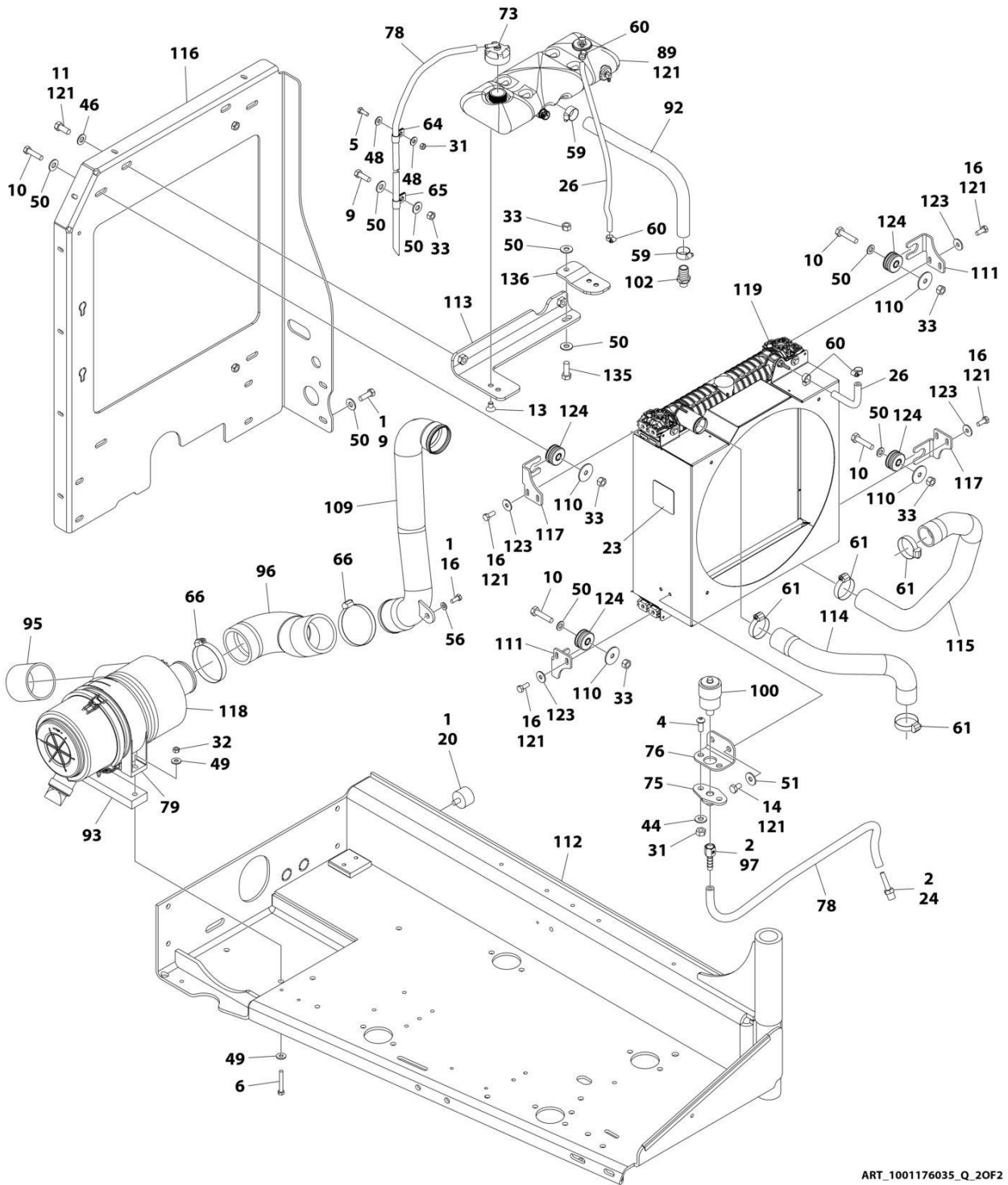
SECTION 3 - ENGINE

FIGURE 3-18. DEUTZ TD2.9L4 ENGINE ASSEMBLY (WITH ARCTIC PACKAGE) (Prior to SN 0300279215)



ART_1001176035_Q_10F2

SECTION 3 - ENGINE



ART_1001176035_Q_20F2

SECTION 3 - ENGINE

FIGURE 3-18. DEUTZ TD2.9L4 ENGINE ASSEMBLY (WITH ARCTIC PACKAGE) (Prior to SN 0300279215)

ITEM	PART NUMBER	QTY	DESCRIPTION	REV
	1001176035	Ref	DEUTZ TD2.9L4 ENGINE ASSEMBLY (WITH ARCTIC PACKAGE)	Q
1	0100011	AR	Locking, Compound	
2	0100020	AR	Sealant	
3	0100062	2	Compound, Locking	
4	0630407	5	Screw 1/4 x 5/8	
5	0641406	2	Bolt 1/4 x 3/4	
6	0641518	2	Bolt 5/16 x 2-1/4	
7	0641605	8	Bolt 3/8 x 5/8	
8	0641608	6	Bolt 3/8 x 1	
9	0641609	4	Bolt 3/8 x 1-1/8	
10	0641612	2	Bolt 3/8 x 1-1/2	
11	0641708	3	Bolt 7/16 x 1	
12	0681820	2	Bolt 1/2 x 2-1/2 Grade 8	
13	0741605	2	Screw 3/8 x 5/8	
14	0760605	2	Bolt M6 x 10	
16	0760810	10	Bolt M8 x 20	
17	0761210	1	Bolt M12 x 20	
18	0771212	6	Bolt M12 x 25 Grade 10.9	
19	0771414	2	Bolt M14 x 30 Grade 10.9	
20	0940070	1	Bumper	
21	0961986	2	Bushing, Flanged	
22	1001181899	1	P-Clamp	
23	1703162	1	Decal - Caution Fan Blade	
24	2220315	1	Fitting, Straight Barbed	
26	2720015	40 in/1m	Hose	
27	2720340	12 in /30.5cm	Hose	
28	3200401	4	Mount, Motor	
29	3271801	4	Nut 1/2	
30	3310401	3	Nut #4	
31	3311405	8	Nut 1/4	
32	3311505	2	Nut 5/16	
33	3311605	17	Nut 3/8	
34	3580320	1	Pulley	
35	3910408	3	Screw #4 x 1/2	
36	3931432	1	Capscrew 1/4 x 2	
37	3931512	4	Capscrew 5/16 x 3/4	
38	3931628	4	Capscrew 3/8 x 1-3/4	
39	4031914	4	Capscrew M8 x 50	
40	4032014	4	Capscrew M10 x 50	
41	4060805	15 in /38cm	Flex-Trim	
42	4240099	AR	Tie-Strap (Not Shown)	
43	4640751	1	Valve, Oil Drain	
44	4711400	3	Washer 1/4	
45	4711500	5	Washer 5/16	
46	4711700	2	Washer 7/16	
47	4750400	3	Washer #4	
48	4751400	10	Washer 1/4	

SECTION 3 - ENGINE

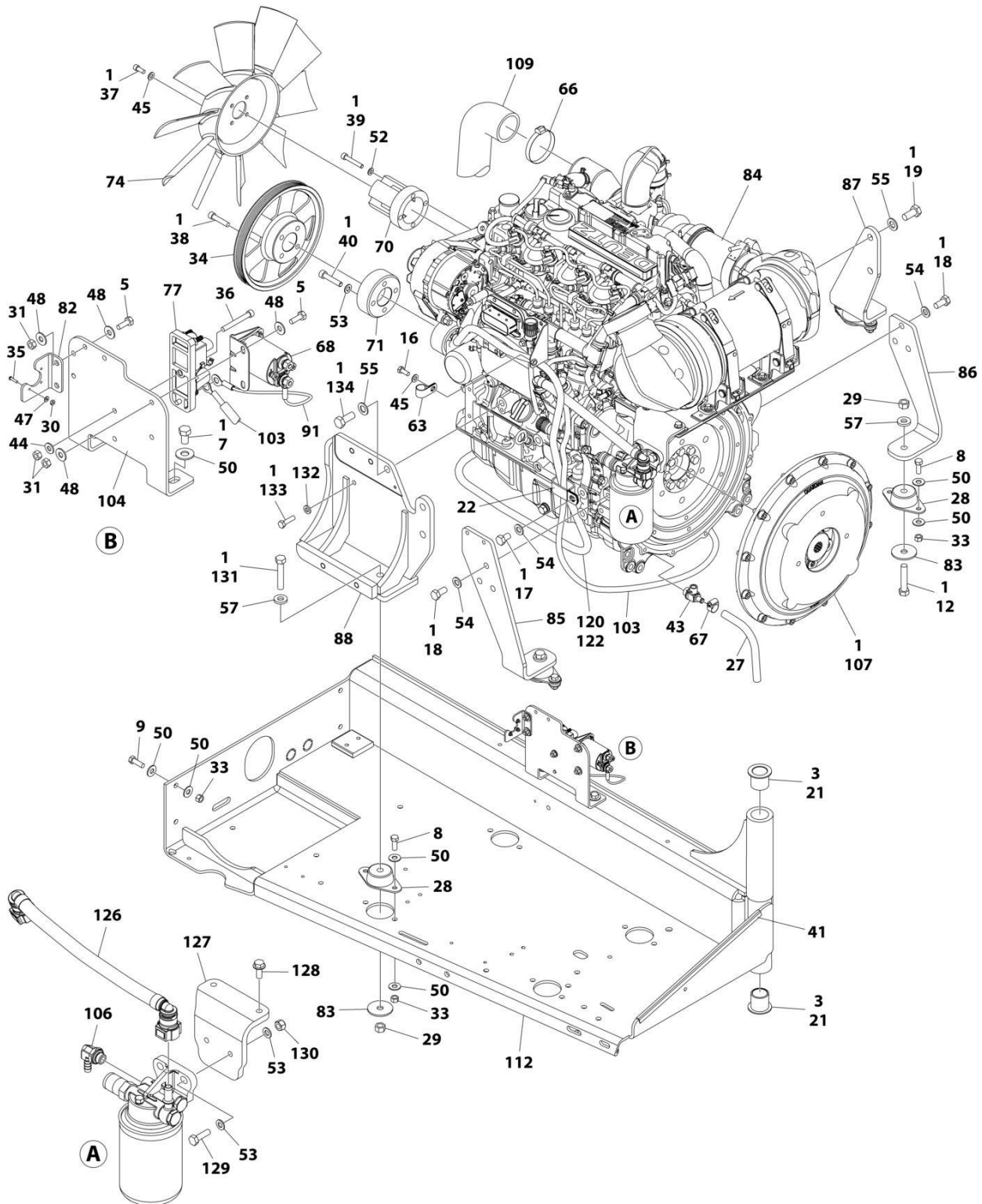
ITEM	PART NUMBER	QTY	DESCRIPTION	REV
49	4751500	4	Washer 5/16	
50	4751600	34	Washer 3/8	
51	4811702	2	Washer M6	
52	4811900	4	Washer M8	
53	4812000	8	Washer M10	
54	4812100	7	Washer M12	
55	4812200	5	Washer M14	
56	4891500	1	Washer 5/16	
57	4891800	4	Washer 1/2	
59	8405007	2	Clamp	
60	8405009	4	Clamp	
61	8405104	4	Clamp	
62	8405204	2	Clamp	
63	8406102	1	Clip	
64	8406109	1	Clip	
65	8406110	1	Clip	
66	8410011	2	Clamp	
67	8410013	1	Clamp	
68	1001117308	1	Relay	
70	1001135138	1	Adapter	
71	1001135679	1	Adapter	
73	1001136834	1	Cap, Tank	
74	1001137276	1	Fan	
75	1001138173	1	Support	
76	1001138175	1	Bracket	
77	1001138228	1	Relay, Power Module	
77	70023592	1	Fuse 20Amp (Switch Output)	
77	70023593	1	Fuse 30Amp (Battery Output)	
78	1001138248	62 in/1.6m	Tube	
79	1001138557	1	Clamp	
82	1001139240	1	Bracket	
83	1001139409	4	Washer, Special	
84	1001249942	1	Engine, Deutz TD2.9L4 T4F (See Separate Breakdown in this Section)	
85	1001140448	1	Mount, Rear Engine	
86	1001140450	1	Mount, Rear Engine	
87	1001140454	1	Mount, Front Engine	
88	1001202368	1	Mount, Generator/Engine	
89	1001230635	1	Tank	
89	0100020	1	Sealant	
89	1001134488	1	Fitting, 90 NPT/ Barbed	
89	1001138827	1	Sensor, Coolant Level	
89	1001140564	1	Fitting, 90 NPT/ Barbed	
89	1001229542	1	Tank, Surge	
91	1001141304	1	Harness, Glow Plug	
92	1001141370	1	Hose	
93	1001141419	1	Shim	
95	1001141585	1	Hose, Inlet	
96	1001141586	1	Pipe, Intake	
97	1001141995	1	Fitting, Straight NPT/Barbed	
99	1001142623	1	Hose, Inlet	
100	1001143390	1	Indicator, Service	

SECTION 3 - ENGINE

ITEM	PART NUMBER	QTY	DESCRIPTION	REV
101	1001143726	1	Harness, Deutz Engine (Not Shown - See Separate Breakdown in ELECTRICAL SECTION)	
102	1001143797	1	Fitting, Straight Metric/Barbed	
103	1001143907	1	Cable, Alternator Power	
104	1001145154	1	Plate, Relay Mounting	
106	1001152489	1	Fitting, 90 Metric/ Barbed	
107	1001153282	1	Pump Coupling Kit (See Separate Breakdown in this Section)	
109	1001165842	1	Pipe	
110	1001169138	4	Washer	
111	1001204325	2	Bracket, Radiator	
112	1001190610	1	Tray	
113	1001260413	1	Bracket, Tank	
114	1001177844	1	Hose, Radiator - Upper	
115	1001177845	1	Hose, Radiator - Lower	
116	1001186985	1	Plate, Mounting	
117	1001178223	2	Bracket, Radiator	
118	1001138489	1	Air Cleaner Assembly	
118	91403102	1	Element, Filter	
119	1001167042	1	Radiator	
120	1001140312	1	Heater, Engine Block	
121	1001180620	1	Adhesive	
122	1001181895	1	Adhesive	
123	4811902	8	Washer M8	
124	1001169054	4	Pad, Isolator	
126	1001177359	1	Hose	
127	1001178876	1	Mount, Fuel Filter	
128	5250810	2	Bolt M8 x 20	
129	0761015	2	Bolt M10 x 35	
130	3291005	2	Nut M10	
131	0681822	1	Bolt 1/2 x 2-3/4 Grade 8	
132	5240800	1	Washer M8	
133	0700814	1	Bolt M8 x 30	
134	0771415	3	Bolt M14 x 35 Grade 10.9	
135	0681608	1	Bolt 3/8 x 1 Grade 8	
136	1001260412	1	Bracket	

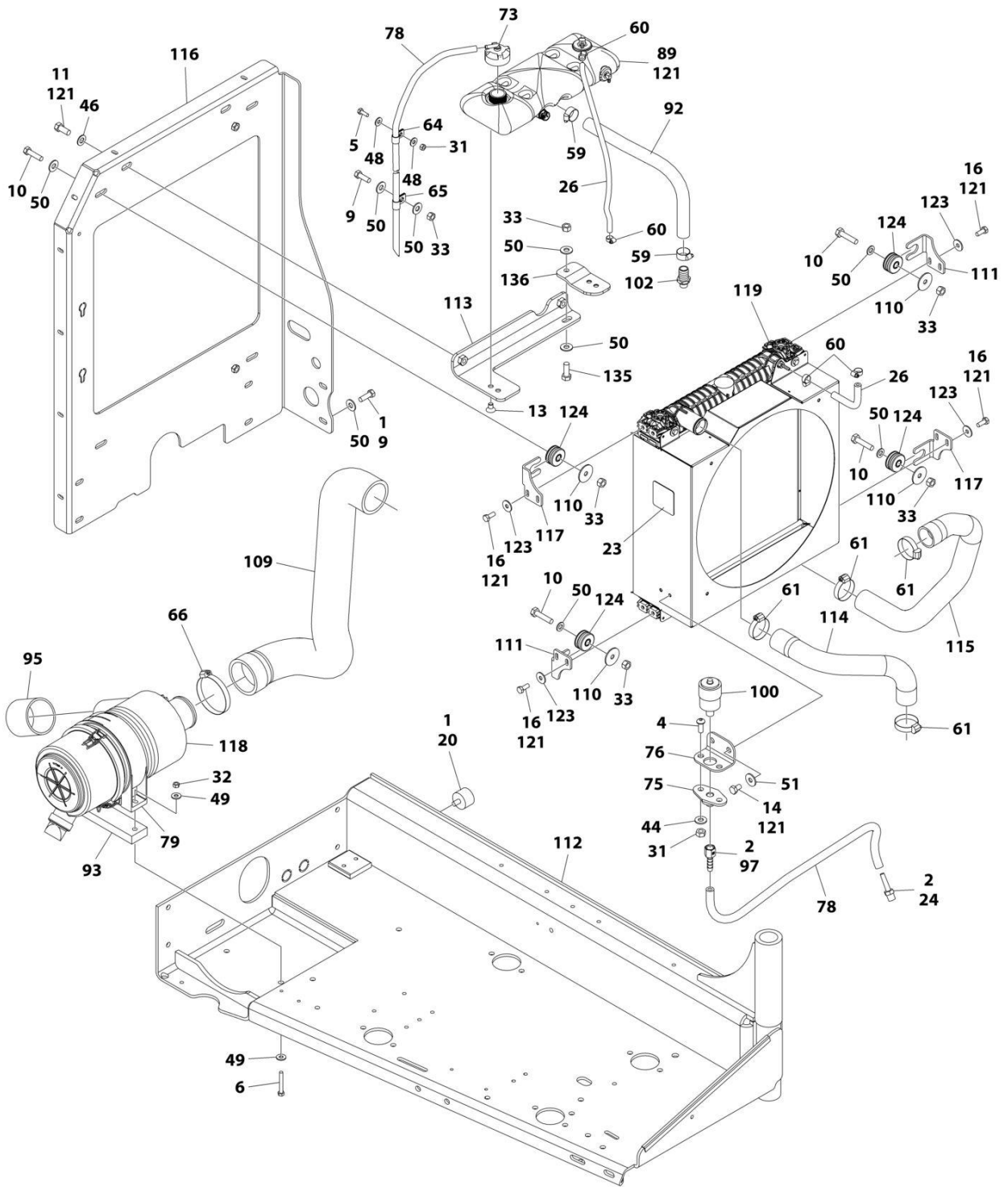
SECTION 3 - ENGINE

FIGURE 3-19. DEUTZ TD2.9L4 ENGINE ASSEMBLY (WITH ARCTIC PACKAGE) (SN 0300279215 to Present)



ART_1001176035_U_10F2

SECTION 3 - ENGINE



ART_1001176035_U_20F2

SECTION 3 - ENGINE

FIGURE 3-19. DEUTZ TD2.9L4 ENGINE ASSEMBLY (WITH ARCTIC PACKAGE) (SN 0300279215 to Present)

ITEM	PART NUMBER	QTY	DESCRIPTION	REV
	1001176035	Ref	DEUTZ TD2.9L4 ENGINE ASSEMBLY (WITH ARCTIC PACKAGE)	U
1	0100011	AR	Locking, Compound	
2	0100020	AR	Sealant	
3	0100062	2	Compound, Locking	
4	0630407	5	Screw 1/4 x 5/8	
5	0641406	2	Bolt 1/4 x 3/4	
6	0641518	2	Bolt 5/16 x 2-1/4	
7	0641605	8	Bolt 3/8 x 5/8	
8	0641608	6	Bolt 3/8 x 1	
9	0641609	4	Bolt 3/8 x 1-1/8	
10	0641612	2	Bolt 3/8 x 1-1/2	
11	0641708	3	Bolt 7/16 x 1	
12	0681820	2	Bolt 1/2 x 2-1/2 Grade 8	
13	0741605	2	Screw 3/8 x 5/8	
14	0760605	2	Bolt M6 x 10	
16	0760810	9	Bolt M8 x 20	
17	0761210	1	Bolt M12 x 20	
18	0771212	6	Bolt M12 x 25 Grade 10.9	
19	0771414	2	Bolt M14 x 30 Grade 10.9	
20	0940070	1	Bumper	
21	0961986	2	Bushing, Flanged	
22	1001181899	1	P-Clamp	
23	1703162	1	Decal - Caution Fan Blade	
24	2220315	1	Fitting, Straight Barbed	
26	2720015	40 in/1m	Hose	
27	2720340	12 in /30.5cm	Hose	
28	3200401	4	Mount, Motor	
29	3271801	4	Nut 1/2	
30	3310401	3	Nut #4	
31	3311405	8	Nut 1/4	
32	3311505	2	Nut 5/16	
33	3311605	17	Nut 3/8	
34	3580320	1	Pulley	
35	3910408	3	Screw #4 x 1/2	
36	3931432	1	Capscrew 1/4 x 2	
37	3931512	4	Capscrew 5/16 x 3/4	
38	3931628	4	Capscrew 3/8 x 1-3/4	
39	4031914	4	Capscrew M8 x 50	
40	4032014	4	Capscrew M10 x 50	
41	4060805	15 in /38cm	Flex-Trim	
42	4240099	AR	Tie-Strap (Not Shown)	
43	4640751	1	Valve, Oil Drain	
44	4711400	3	Washer 1/4	
45	4711500	5	Washer 5/16	
46	4711700	2	Washer 7/16	
47	4750400	3	Washer #4	
48	4751400	10	Washer 1/4	

SECTION 3 - ENGINE

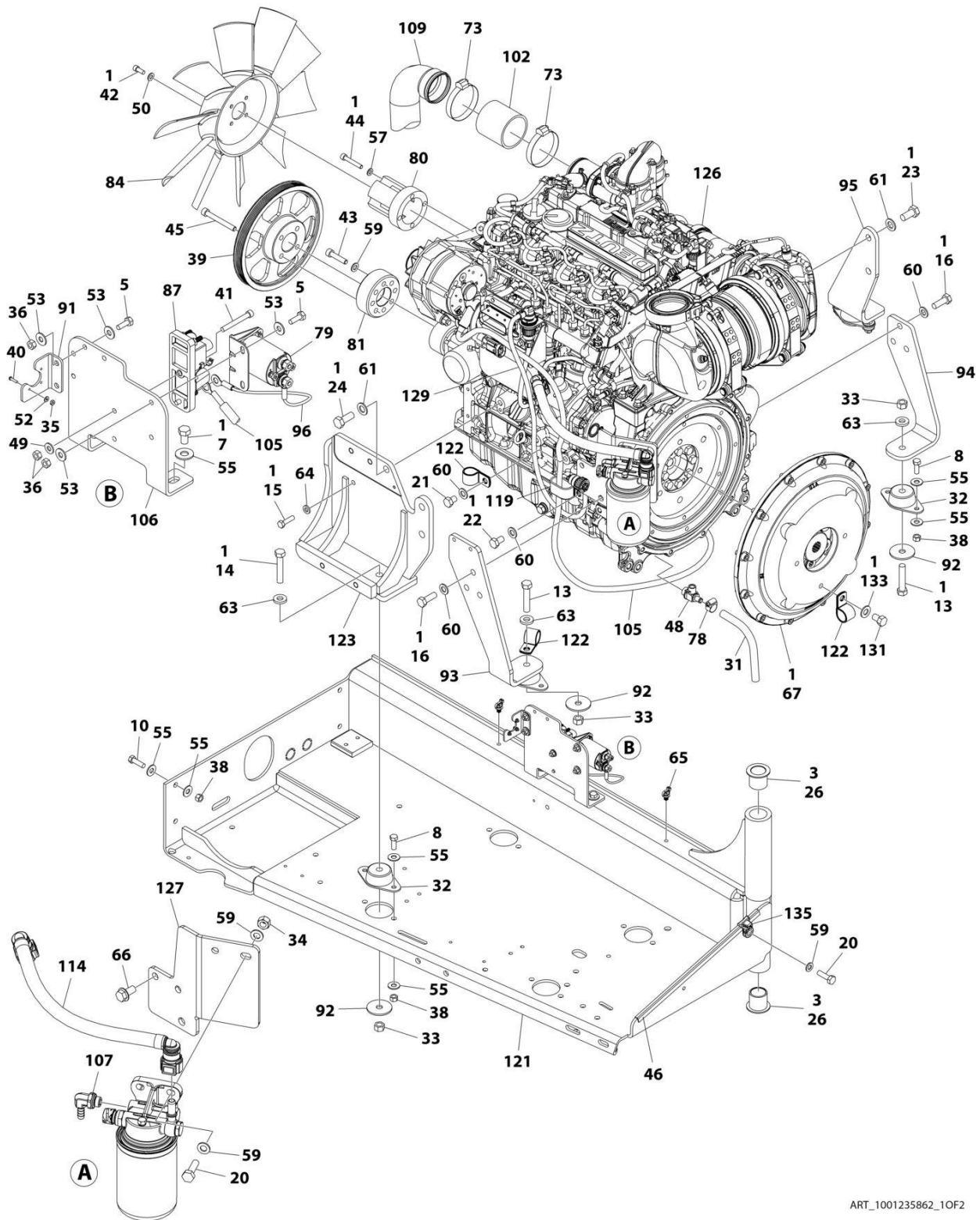
ITEM	PART NUMBER	QTY	DESCRIPTION	REV
49	4751500	4	Washer 5/16	
50	4751600	34	Washer 3/8	
51	4811702	2	Washer M6	
52	4811900	4	Washer M8	
53	4812000	8	Washer M10	
54	4812100	7	Washer M12	
55	4812200	5	Washer M14	
57	4891800	4	Washer 1/2	
59	8405007	2	Clamp	
60	8405009	4	Clamp	
61	8405104	4	Clamp	
63	8406102	1	Clip	
64	8406109	1	Clip	
65	8406110	1	Clip	
66	8410011	2	Clamp	
67	8410013	1	Clamp	
68	1001117308	1	Relay	
70	1001135138	1	Adapter	
71	1001135679	1	Adapter	
73	1001136834	1	Cap, Tank	
74	1001137276	1	Fan	
75	1001138173	1	Support	
76	1001138175	1	Bracket	
77	1001138228	1	Relay, Power Module	
77	70023592	1	Fuse 20Amp (Switch Output)	
77	70023593	1	Fuse 30Amp (Battery Output)	
78	1001138248	62 in/1.6m	Tube	
79	1001138557	1	Clamp	
82	1001139240	1	Bracket	
83	1001139409	4	Washer, Special	
84	1001249942	1	Engine, Deutz TD2.9L4 T4F (See Separate Breakdown in this Section)	
85	1001140448	1	Mount, Rear Engine	
86	1001140450	1	Mount, Rear Engine	
87	1001140454	1	Mount, Front Engine	
88	1001202368	1	Mount, Generator/Engine	
89	1001230635	1	Tank	
89	0100020	1	Sealant	
89	1001134488	1	Fitting, 90 NPT/ Barbed	
89	1001138827	1	Sensor, Coolant Level	
89	1001140564	1	Fitting, 90 NPT/ Barbed	
89	1001229542	1	Tank, Surge	
91	1001141304	1	Harness, Glow Plug	
92	1001141370	1	Hose	
93	1001267256	1	Shim	
95	1001141585	1	Hose, Inlet	
97	1001141995	1	Fitting, Straight NPT/Barbed	
100	1001143390	1	Indicator, Service	
101	1001143726	1	Harness, Deutz Engine (Not Shown - See Separate Breakdown in ELECTRICAL Section)	
102	1001143797	1	Fitting, Straight Metric/Barbed	
103	1001143907	1	Cable, Alternator Power	

SECTION 3 - ENGINE

ITEM	PART NUMBER	QTY	DESCRIPTION	REV
104	1001145154	1	Plate, Relay Mounting	
106	1001152489	1	Fitting, 90 Metric/ Barbed	
107	1001153282	1	Pump Coupling Kit (See Separate Breakdown in this Section)	
109	1001266525	1	Pipe	
110	1001169138	4	Washer	
111	1001204325	2	Bracket, Radiator	
112	1001190610	1	Tray	
113	1001260413	1	Bracket, Tank	
114	1001177844	1	Hose, Radiator - Upper	
115	1001177845	1	Hose, Radiator - Lower	
116	1001186985	1	Plate, Mounting	
117	1001178223	2	Bracket, Radiator	
118	1001138489	1	Air Cleaner Assembly	
118	91403102	1	Element, Filter	
119	1001167042	1	Radiator	
120	1001140312	1	Heater, Engine Block	
121	1001180620	1	Adhesive	
122	1001181895	1	Adhesive	
123	4811902	8	Washer M8	
124	1001169054	4	Pad, Isolator	
126	1001177359	1	Hose	
127	1001178876	1	Mount, Fuel Filter	
128	5250810	2	Bolt M8 x 20	
129	0761015	2	Bolt M10 x 35	
130	3291005	2	Nut M10	
131	0681822	1	Bolt 1/2 x 2-3/4 Grade 8	
132	5240800	1	Washer M8	
133	0700814	1	Bolt M8 x 30	
134	0771415	3	Bolt M14 x 35 Grade 10.9	
135	0681608	1	Bolt 3/8 x 1 Grade 8	
136	1001260412	1	Bracket	
137	1001162335	1	Bracket, Fuel Pump/Filter Assy (Not Shown - See Separate Breakdown in this Section)	

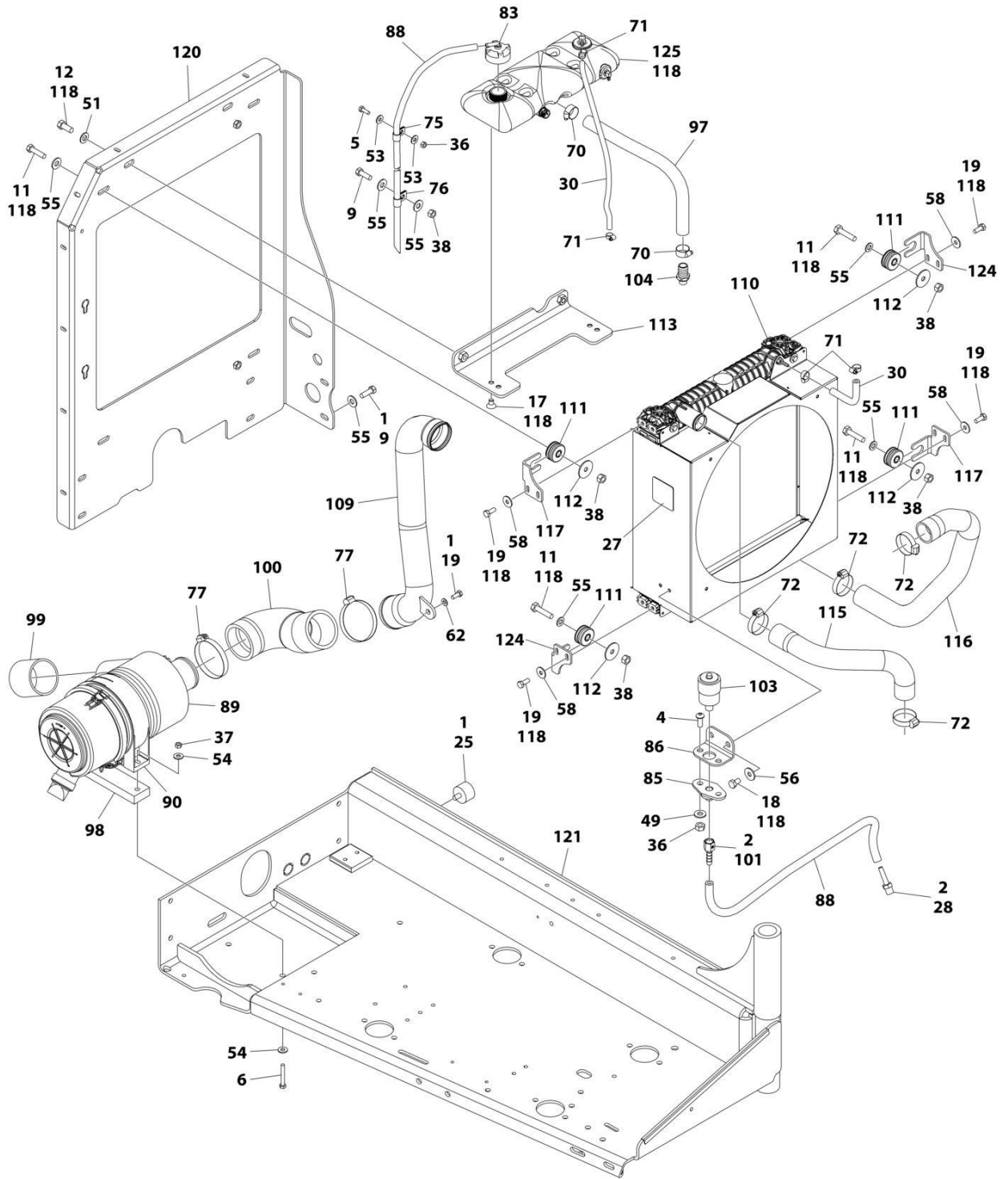
SECTION 3 - ENGINE

FIGURE 3-20. DEUTZ TD2.9L4 ENGINE ASSEMBLY (STAGE V) (SN 0300276350 through 0300278374)



ART_1001235862_10F2

SECTION 3 - ENGINE



ART_1001235862_20F2

SECTION 3 - ENGINE

FIGURE 3-20. DEUTZ TD2.9L4 ENGINE ASSEMBLY (STAGE V) (SN 0300276350 through 0300278374)

ITEM	PART NUMBER	QTY	DESCRIPTION	REV
	1001235862	Ref	DEUTZ TD2.9L4 ENGINE ASSEMBLY (STAGE V)	I
1	0100011	AR	Locking, Compound	
2	0100020	AR	Sealant	
3	0100062	AR	Compound, Locking	
4	0630407	2	Screw 1/4 x 5/8	
5	0641406	5	Bolt 1/4 x 3/4	
6	0641518	2	Bolt 5/16 x 2-1/4	
7	0641605	2	Bolt 3/8 x 5/8	
8	0641608	8	Bolt 3/8 x 1	
9	0641609	2	Bolt 3/8 x 1-1/8	
10	0641610	4	Bolt 3/8 x 1-1/4	
11	0641612	4	Bolt 3/8 x 1-1/2	
12	0641708	2	Bolt 7/16 x 1	
13	0681820	3	Bolt 1/2 x 2-1/2 Grade 8	
14	0681822	1	Bolt 1/2 x 2-3/4 Grade 8	
15	0700814	1	Bolt M8 x 30	
16	0711215	6	Bolt M12 x 35	
17	0741605	2	Screw 3/8 x 5/8	
18	0760605	2	Bolt M6 x 10	
19	0760810	9	Bolt M8 x 20	
20	0761015	3	Bolt M10 x 35	
21	0761208	1	Bolt M12 x 16	
22	0761210	1	Bolt M12 x 20	
23	0771414	2	Bolt M14 x 30 Grade 10.9	
24	0771415	3	Bolt M14 x 35 Grade 10.9	
25	0940070	1	Bumper	
26	0961986	2	Bushing, Flanged	
27	1703162	1	Decal - Caution Fan Blade	
28	2220315	1	Fitting, Straight Barbed	
30	2720015	40 in/1m	Hose	
31	2720340	12 in /30.5cm	Hose	
32	3200401	4	Mount, Motor	
33	3271801	4	Nut 1/2 Grade 8	
34	3291005	3	Nut M10	
35	3310401	3	Nut #4	
36	3311405	8	Nut 1/4	
37	3311505	2	Nut 5/16	
38	3311605	16	Nut 3/8	
39	1001260432	1	Pulley	
40	3910408	3	Screw #4 x 1/2	
41	3931432	1	Capscrew 1/4 x 2	
42	3931512	4	Capscrew 5/16 x 3/4	
43	1001261045	4	Capscrew M10 x 45	
44	4031914	4	Capscrew M8 x 50	
45	1001261085	4	Capscrew M10 x 85	
46	4060805	15 in /38cm	Flex-Trim	
47	4240099	AR	Tie-Strap (Not Shown)	
48	4640751	1	Valve, Oil Drain	

SECTION 3 - ENGINE

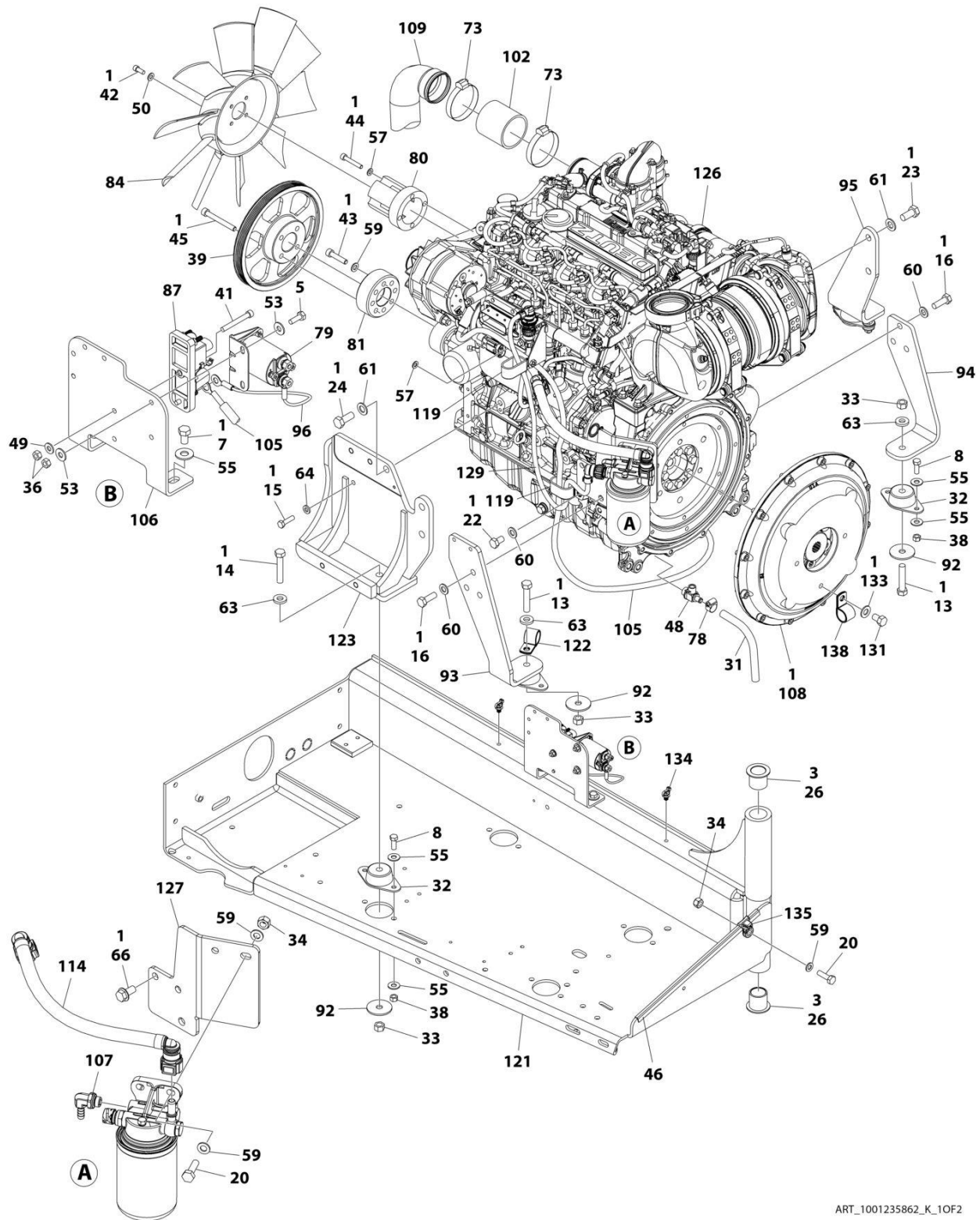
ITEM	PART NUMBER	QTY	DESCRIPTION	REV
49	4711400	3	Washer 1/4	
50	4711500	4	Washer 5/16	
51	4711700	2	Washer 7/16	
52	4750400	3	Washer #4	
53	4751400	10	Washer 1/4	
54	4751500	4	Washer 5/16	
55	4751600	32	Washer 3/8	
56	4811702	2	Washer M6	
57	4811900	4	Washer M8	
58	4811902	8	Washer M8	
59	4812000	10	Washer M10	
60	4812100	8	Washer M12	
61	4812200	5	Washer M14	
62	4891500	1	Washer 5/16	
63	4891800	4	Washer 1/2	
64	5240800	1	Washer M8	
65	1001146588	3	Strap	
66	5251010	2	Bolt M10 x 20	
67	1001153282	1	Pump Coupling Kit (See Separate Breakdown in this Section)	
70	8405007	2	Clamp	
71	8405009	4	Clamp	
72	8405104	4	Clamp	
73	8405204	2	Clamp	
75	8406109	1	Clip	
76	8406110	1	Clip	
77	8410011	2	Clamp	
78	8410013	1	Clamp	
79	1001117308	1	Relay	
80	1001135138	1	Adapter	
81	1001258800	1	Adapter	
83	1001136834	1	Cap, Tank	
84	1001137276	1	Fan	
85	1001138173	1	Support	
86	1001138175	1	Bracket	
87	1001138228	1	Relay, Power Module	
87	70023593	1	Fuse 30Amp (Battery Output)	
87	70023592	1	Fuse 20Amp (Switch Output)	
88	1001138248	62 in/1.6m	Tube	
89	1001138489	1	Air Cleaner Assembly	
89	91403102	1	Element, Filter	
90	1001138557	1	Clamp	
91	1001139240	1	Bracket	
92	1001139409	4	Washer, Special	
93	1001140448	1	Mount, Rear Engine	
94	1001140450	1	Mount, Rear Engine	
95	1001140454	1	Mount, Front Engine	
96	1001141304	1	Harness, Glow Plug	
97	1001141370	1	Hose	
98	1001141419	1	Shim	
99	1001141585	1	Hose, Inlet	
100	1001141586	1	Pipe, Intake	

SECTION 3 - ENGINE

ITEM	PART NUMBER	QTY	DESCRIPTION	REV
101	1001141995	1	Fitting, Straight NPT/Barbed	
102	1001142623	1	Hose, Inlet	
103	1001143390	1	Indicator, Service	
104	1001143797	1	Fitting, Straight Metric/Barbed	
105	1001143907	1	Cable, Alternator Power	
106	1001145154	1	Plate, Relay Mounting	
107	1001152489	1	Fitting, 90 Metric/ Barbed	
109	1001165842	1	Pipe	
110	1001167042	1	Radiator (Modine Radiator)	
111	1001169054	4	Pad, Isolator	
112	1001169138	4	Washer	
113	1001176419	1	Bracket, Tank	
114	1001177359	1	Hose	
115	1001177844	1	Hose, Radiator - Upper	
116	1001177845	1	Hose, Radiator - Lower	
117	1001178223	2	Bracket, Radiator	
118	1001180620	1	Adhesive	
119	1001181899	1	P-Clamp	
120	1001186985	1	Plate, Mounting	
121	1001190610	1	Tray	
122	1001191620	3	Clamp	
123	1001202368	1	Mount, Generator/Engine	
124	1001204325	2	Bracket, Radiator	
125	1001230635	1	Tank	
125	0100020	1	Sealant, Pipe	
125	1001134488	1	Fitting, 90 NPT/ Barbed	
125	1001138827	1	Sensor, Coolant Level	
125	1001140564	1	Fitting, 90 NPT/ Barbed	
125	1001229542	1	Tank, Surge	
126	1001232844	1	Engine, Deutz TD2.9L4 (Stage V) (See Separate Breakdown in this Section)	
127	1001238268	1	Mount, Fuel Filter	
128	1001238878	1	Harness, Deutz TD2.9L4 (Stage V) Engine (Not Shown - See Separate Breakdown in ELECTRICAL Section)	
129	1001245913	1	Harness, Deutz TD2.9L4 (Stage V) Engine Fuel Filter (See Separate Breakdown in ELECTRICAL Section)	
131	0641806	1	Bolt 1/2 x 3/4	
132	1062255	1	Tie-Strap	
133	4711800	1	Washer 1/2	
135	1001156107	1	Holder, Cable	

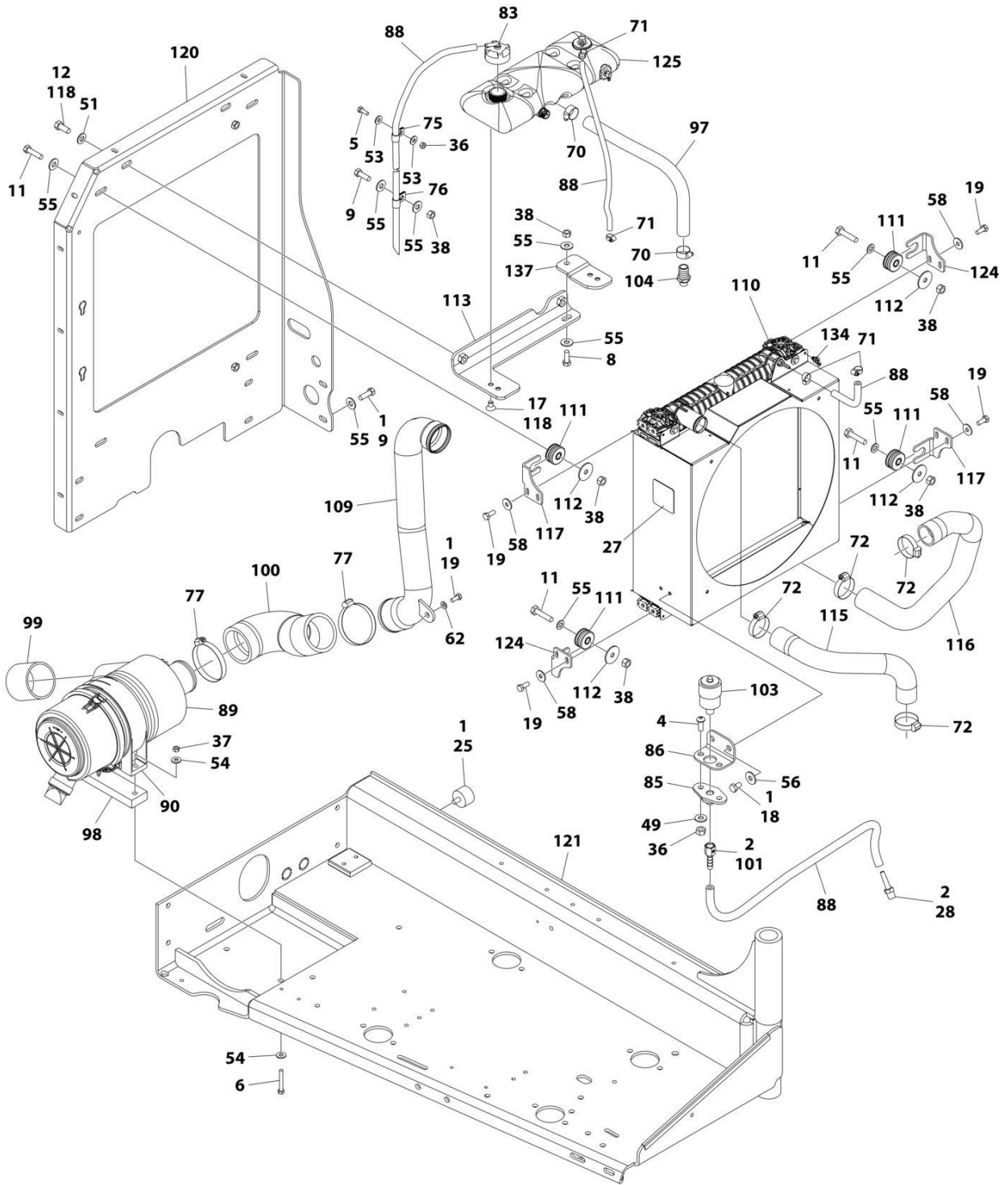
SECTION 3 - ENGINE

FIGURE 3-21. DEUTZ TD2.9L4 ENGINE ASSEMBLY (STAGE V) (SN 0300278549 through 0300283498)



ART_1001235862_K_10F2

SECTION 3 - ENGINE



ART_1001235862_K_2OF2

SECTION 3 - ENGINE

FIGURE 3-21. DEUTZ TD2.9L4 ENGINE ASSEMBLY (STAGE V) (SN 0300278549 through 0300283498)

ITEM	PART NUMBER	QTY	DESCRIPTION	REV
	1001235862	Ref	DEUTZ TD2.9L4 ENGINE ASSEMBLY (STAGE V)	K
1	0100011	AR	Locking, Compound	
2	0100020	AR	Sealant	
3	0100062	AR	Compound, Locking	
4	0630407	2	Screw 1/4 x 5/8	
5	0641406	3	Bolt 1/4 x 3/4	
6	0641518	2	Bolt 5/16 x 2-1/4	
7	0641605	2	Bolt 3/8 x 5/8	
8	0641608	9	Bolt 3/8 x 1	
9	0641609	6	Bolt 3/8 x 1-1/8	
11	0641612	4	Bolt 3/8 x 1-1/2	
12	0641708	2	Bolt 7/16 x 1	
13	0681820	3	Bolt 1/2 x 2-1/2 Grade 8	
14	0681822	1	Bolt 1/2 x 2-3/4 Grade 8	
15	0700814	1	Bolt M8 x 30	
16	0711215	6	Bolt M12 x 35	
17	0741605	2	Screw 3/8 x 5/8	
18	0760605	2	Bolt M6 x 10	
19	0760810	9	Bolt M8 x 20	
20	0761015	3	Bolt M10 x 35	
22	0761210	1	Bolt M12 x 20	
23	0771414	2	Bolt M14 x 30 Grade 10.9	
24	0771415	3	Bolt M14 x 35 Grade 10.9	
25	0940070	1	Bumper	
26	0961986	2	Bushing, Flanged	
27	1703162	1	Decal - Caution Fan Blade	
28	2220315	1	Fitting, Straight Barbed	
31	2720340	12 in /30.5cm	Hose	
32	3200401	4	Mount, Motor	
33	3271801	4	Nut 1/2 Grade 8	
34	3291005	3	Nut M10	
36	3311405	6	Nut 1/4	
37	3311505	2	Nut 5/16	
38	3311605	17	Nut 3/8	
39	1001260432	1	Pulley	
41	3931432	1	Capscrew 1/4 x 2	
42	3931512	4	Capscrew 5/16 x 3/4	
43	1001261045	4	Capscrew M10 x 45	
44	4031914	4	Capscrew M8 x 50	
45	1001261085	4	Capscrew M10 x 85	
46	4060805	15 in /38cm	Flex-Trim	
47	4240099	AR	Tie-Strap (Not Shown)	
48	4640751	1	Valve, Oil Drain	
49	4711400	3	Washer 1/4	
50	4711500	4	Washer 5/16	
51	4711700	2	Washer 7/16	
53	4751400	6	Washer 1/4	
54	4751500	4	Washer 5/16	

SECTION 3 - ENGINE

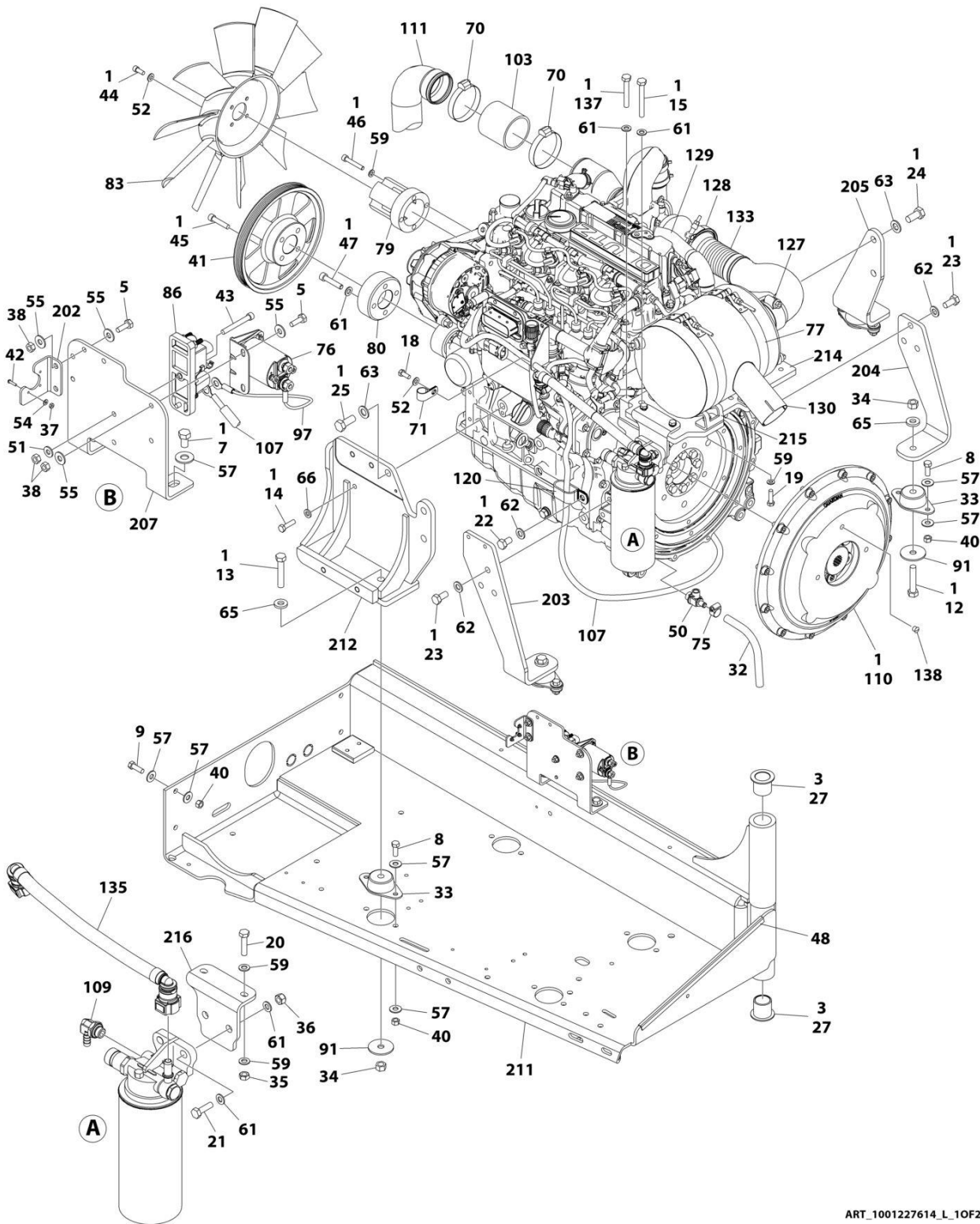
ITEM	PART NUMBER	QTY	DESCRIPTION	REV
55	4751600	34	Washer 3/8	
56	4811702	2	Washer M6	
57	4811900	5	Washer M8	
58	4811902	8	Washer M8	
59	4812000	10	Washer M10	
60	4812100	7	Washer M12	
61	4812200	5	Washer M14	
62	4891500	1	Washer 5/16	
63	4891800	4	Washer 1/2	
64	5240800	1	Washer M8	
66	5251010	2	Bolt M10 x 20	
70	8405007	2	Clamp	
71	8405009	4	Clamp	
72	8405104	4	Clamp	
73	8405204	2	Clamp	
75	8406109	1	Clip	
76	8406110	1	Clip	
77	8410011	2	Clamp	
78	8410013	1	Clamp	
79	1001117308	1	Relay	
80	1001135138	1	Adapter	
81	1001258800	1	Adapter	
83	1001136834	1	Cap, Tank	
84	1001137276	1	Fan	
85	1001138173	1	Support	
86	1001138175	1	Bracket	
87	1001138228	1	Relay, Power Module	
87	70023593	1	Fuse 30Amp (Battery Output)	
87	70023592	1	Fuse 20Amp (Switch Output)	
88	1001138248	90 in/2.3m	Tube	
89	1001138489	1	Air Cleaner Assembly	
89	91403102	1	Element, Filter	
90	1001138557	1	Clamp	
92	1001139409	4	Washer, Special	
93	1001140448	1	Mount, Rear Engine	
94	1001140450	1	Mount, Rear Engine	
95	1001140454	1	Mount, Front Engine	
96	1001141304	1	Harness, Glow Plug	
97	1001141370	1	Hose	
98	1001141419	1	Shim	
99	1001141585	1	Hose, Inlet	
100	1001141586	1	Pipe, Intake	
101	1001141995	1	Fitting, Straight NPT/Barbed	
102	1001142623	1	Hose, Inlet	
103	1001143390	1	Indicator, Service	
104	1001143797	1	Fitting, Straight Metric/Barbed	
105	1001143907	1	Cable, Alternator Power	
106	1001145154	1	Plate, Relay Mounting	
107	1001152489	1	Fitting, 90 Metric/ Barbed	
109	1001165842	1	Pipe	
110	1001167042	1	Radiator (Modine Radiator)	

SECTION 3 - ENGINE

ITEM	PART NUMBER	QTY	DESCRIPTION	REV
111	1001169054	4	Pad, Isolator	
112	1001169138	4	Washer	
113	1001260413	1	Bracket, Tank	
114	1001177359	1	Hose	
115	1001177844	1	Hose, Radiator - Upper	
116	1001177845	1	Hose, Radiator - Lower	
117	1001178223	2	Bracket, Radiator	
118	1001180620	AR	Adhesive	
119	1001181899	2	P-Clamp	
120	1001186985	1	Plate, Mounting	
121	1001190610	1	Tray	
122	1001191620	1	Clamp	
123	1001202368	1	Mount, Generator/Engine	
124	1001204325	2	Bracket, Radiator	
125	1001230635	1	Tank	
125	0100020	1	Sealant, Pipe	
125	1001134488	1	Fitting, 90 NPT/ Barbed	
125	1001138827	1	Sensor, Coolant Level	
125	1001140564	1	Fitting, 90 NPT/ Barbed	
125	1001229542	1	Tank, Surge	
126	1001232844	1	Engine, Deutz TD2.9L4 (Stage V) (See Separate Breakdown in this Section)	
127	1001238268	1	Mount, Fuel Filter	
128	1001238878	1	Harness, Deutz TD2.9L4 (Stage V) Engine (Not Shown - See Separate Breakdown in ELECTRICAL Section)	
129	1001245913	1	Harness, Deutz TD2.9L4 (Stage V) Engine Fuel Filter (See Separate Breakdown in ELECTRICAL Section)	
131	0641806	1	Bolt 1/2 x 3/4	
133	4711800	1	Washer 1/2	
134	1001146588	3	Strap	
135	1001156107	1	Holder, Cable	
136	1001235949	1	Bracket, Fuel Pump/Filter Assy (Not Shown - See Separate Breakdown in this Section)	
137	1001260412	1	Bracket, Surge Tank	
138	85031405	1	Clamp	

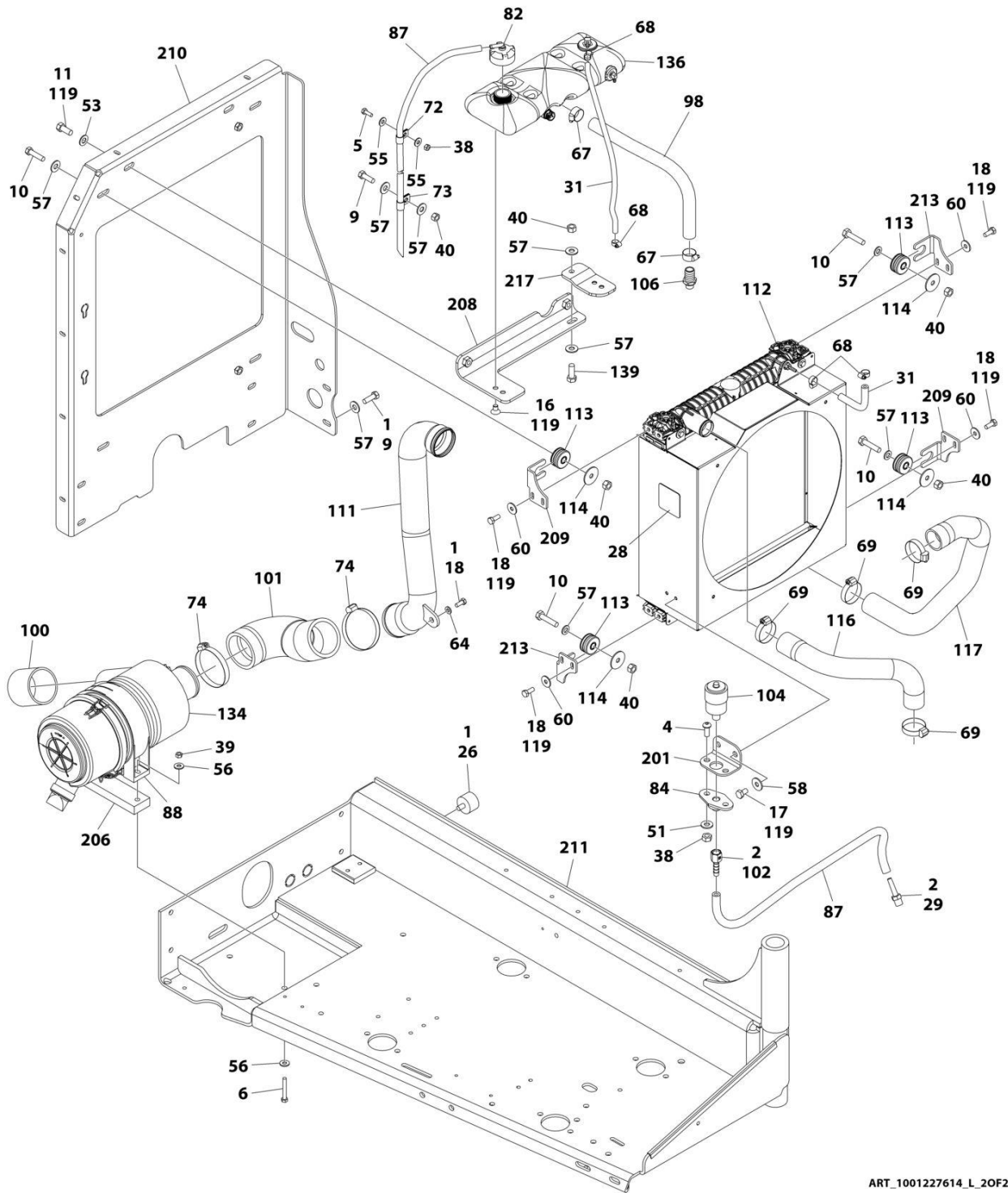
SECTION 3 - ENGINE

FIGURE 3-22. DEUTZ TD2.9L4 ENGINE ASSEMBLY (CHINA III SPECS) (Prior to SN 0300279215)



ART_1001227614_L_10F2

SECTION 3 - ENGINE



ART_1001227614_L_20F2

SECTION 3 - ENGINE

FIGURE 3-22. DEUTZ TD2.9L4 ENGINE ASSEMBLY (CHINA III SPECS) (Prior to SN 0300279215)

ITEM	PART NUMBER	QTY	DESCRIPTION	REV
	1001227614	Ref	DEUTZ TD2.9L4 ENGINE ASSEMBLY	L
1	0100011	AR	Compound, Locking	
2	0100020	AR	Sealant	
3	0100062	AR	Compound, Locking	
4	0630407	2	Screw 1/4 x 5/8	
5	0641406	5	Bolt 1/4 x 3/4	
6	0641518	2	Bolt 5/16 x 2-1/4	
7	0641605	2	Bolt 3/8 x 5/8	
8	0641608	8	Bolt 3/8 x 1	
9	0641609	6	Bolt 3/8 x 1-1/8	
10	0641612	4	Bolt 3/8 x 1-1/2	
11	0641708	2	Bolt 7/16 x 1	
12	0681820	3	Bolt 1/2 x 2-1/2 Grade 8	
13	0681822	1	Bolt 1/2 x 2-3/4 Grade 8	
14	0700814	1	Bolt M8 x 30	
15	0701025	2	Bolt M10 x 85	
16	0741605	2	Screw 3/8 x 5/8	
17	0760605	2	Bolt M6 x 10	
18	0760810	10	Bolt M8 x 20	
19	0760814	4	Bolt M8 x 30	
20	0760815	2	Bolt M8 x 35	
21	0761015	2	Bolt M10 x 35	
22	0761210	1	Bolt M12 x 20	
23	0771212	6	Bolt M12 x 25 Grade 10.9	
24	0771414	2	Bolt M14 x 30 Grade 10.9	
25	0771415	3	Bolt M14 x 35	
26	0940070	1	Bumper	
27	0961986	2	Bushing, Flanged	
28	1703162	1	Decal - Caution Fan Blade	
29	2220315	1	Fitting, Straight Barbed	
31	2720015	2.32 ft /0.71m	Hose	
32	2720340	1 ft /0.31m	Hose	
33	3200401	4	Mount, Motor	
34	3271801	4	Nut 1/2	
35	3290801	2	Nut M8	
36	3291005	2	Nut M10	
37	3310401	3	Nut #4	
38	3311405	8	Nut 1/4	
39	3311505	2	Locknut 5/16	
40	3311605	17	Nut 3/8	
41	3580320	1	Pulley	
42	3910408	3	Screw #4 x 1/2	
43	3931432	1	Capscrew 1/4 x 2	
44	3931512	4	Capscrew 5/16 x 3/4	
45	3931628	4	Capscrew 3/8 x 1-3/4	
46	4031914	4	Capscrew M8 x 50	
47	4032014	4	Capscrew M10 x 50	
48	4060805	1.2 m	Flex-Trim	

SECTION 3 - ENGINE

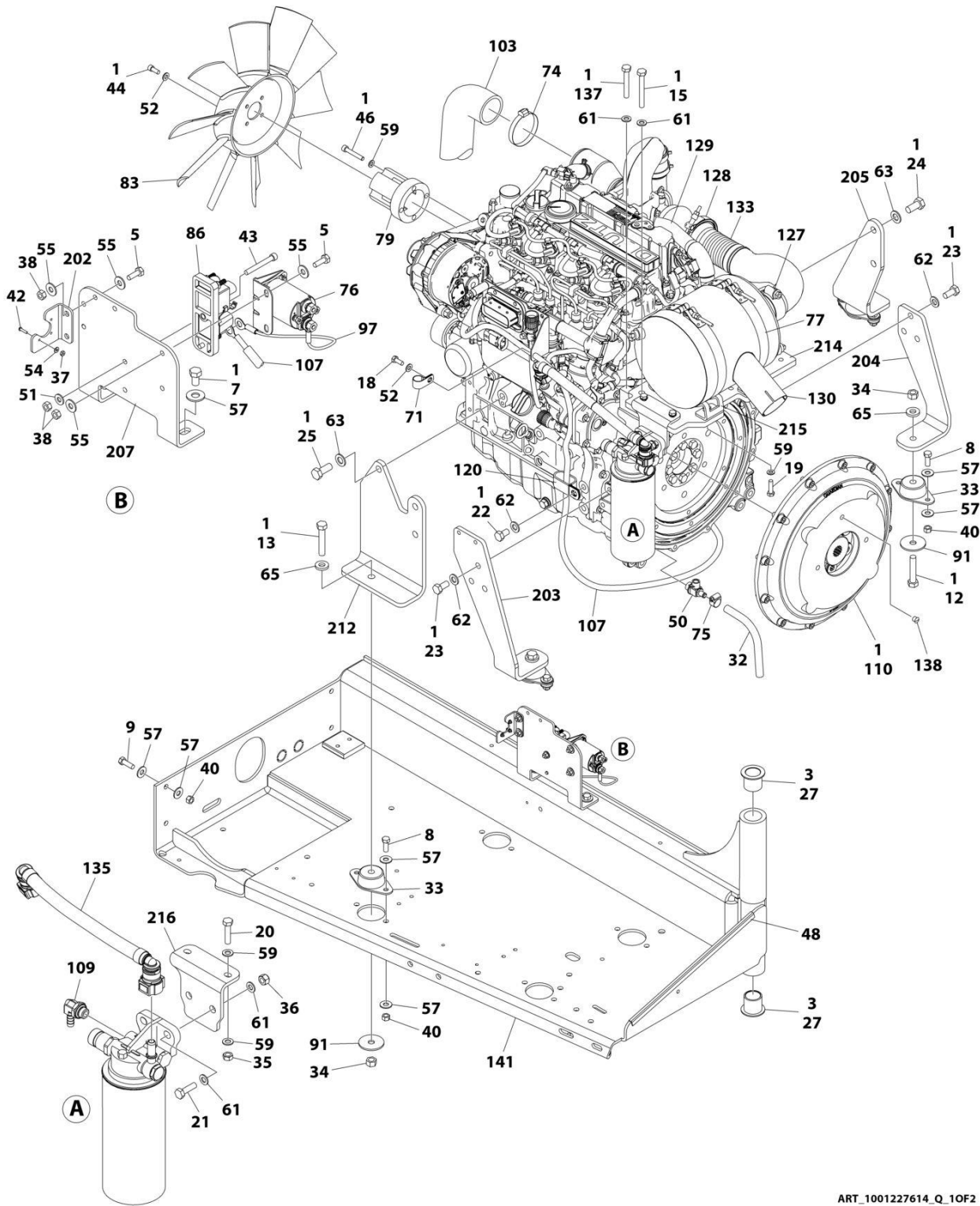
ITEM	PART NUMBER	QTY	DESCRIPTION	REV
		/0.39m		
49	4240099	AR	Tie-Strap (Not Shown)	
50	4640751	1	Valve, Oil Drain	
51	4711400	3	Washer 1/4	
52	4711500	5	Washer 5/16	
53	4711700	2	Washer 7/16	
54	4750400	3	Washer #4	
55	4751400	10	Washer 1/4	
56	4751500	4	Washer 5/16	
57	4751600	34	Washer 3/8	
58	4811702	2	Washer M6	
59	4811900	12	Washer M8	
60	4811902	8	Washer M8	
61	4812000	12	Washer M10	
62	4812100	7	Washer M12	
63	4812200	5	Washer M14	
64	4891500	1	Washer 5/16	
65	4891800	4	Washer 1/2	
66	5240800	1	Washer M8	
67	8405007	2	Clamp	
68	8405009	4	Clamp	
69	8405104	4	Clamp	
70	8405204	2	Clamp	
71	8406102	1	Clip	
72	8406109	1	Clip	
73	8406110	1	Clip	
74	8410011	2	Clamp	
75	8410013	1	Clamp	
76	1001117308	1	Relay	
77	1001233089	2	Strap	
79	1001135138	1	Adapter	
80	1001135679	1	Adapter	
82	1001136834	1	Cap, Tank	
83	1001137276	1	Fan	
84	1001138173	1	Support	
86	1001138228	1	Relay, Power Module	
87	1001138248	62 in/1.6m	Tube	
88	1001138557	1	Clamp	
91	1001139409	4	Washer, Special	
97	1001141304	1	Harness, Glow Plug	
98	1001141370	1	Hose	
100	1001141585	1	Hose, Inlet	
101	1001141586	1	Pipe, Intake	
102	1001141995	1	Fitting, Straight NPT/Barbed	
103	1001142623	1	Hose, Inlet	
104	1001143390	1	Indicator, Service	
105	1001143726	1	Harness, Deutz Engine (Not Shown - See Separate Breakdown in ELECTRICAL SECTION)	
106	1001143797	1	Fitting, Straight Metric/Barbed	
107	1001143907	1	Cable, Alternator Power	
109	1001152489	1	Fitting, 90 Metric/ Barbed	
110	1001153282	1	Pump Coupling Kit (See Separate Breakdown in this Section)	

SECTION 3 - ENGINE

ITEM	PART NUMBER	QTY	DESCRIPTION	REV
111	1001165842	1	Pipe	
112	1001167042	1	Radiator	
113	1001169054	4	Isolator	
114	1001169138	4	Washer	
116	1001177844	1	Hose, Radiator - Upper	
117	1001177845	1	Hose, Radiator - Lower	
119	1001180620	AR	Adhesive	
120	1001181899	1	P-Clamp	
127	1001221212	1	Clamp	
128	1001221219	1	Clamp	
129	1001223591	1	Engine, Deutz TD2.9L4 Components (See Separate Breakdown in this Section)	
130	1001257278	1	Muffler	
133	1001224940	1	Pipe, Exhaust	
134	1001138489	1	Air Cleaner Assembly	
134	91403102	1	Element, Filter	
135	1001177359	1	Hose	
136	1001230635	1	Tank	
137	0701022	2	Bolt M10 x 70	
138	0681608	1	Bolt 3/8 x 1 Grade 8	
139	1001260412	1	Bracket	
200	1001257412	1	Bracket Engine Kit (Includes Items 201-217)	D
201	1001138175	1	Bracket	
202	1001139240	1	Bracket	
203	1001140448	1	Mount, Rear Engine	
204	1001140450	1	Mount, Rear Engine	
205	1001140454	1	Mount, Front Engine	
206	1001141419	1	Shim	
207	1001145154	1	Plate, Relay Mounting	
208	1001260413	1	Bracket, Tank	
209	1001178223	2	Bracket, Radiator	
210	1001186985	1	Plate, Mounting	
211	1001190610	1	Tray	
212	1001202368	1	Mount, Generator/Engine	
213	1001204325	2	Bracket, Radiator	
214	1001221203	1	Bracket	
215	1001224936	1	Mount, Doc Weldment	
216	1001224937	2	Mount, Fuel Filter	
217	1001260412	1	Bracket	

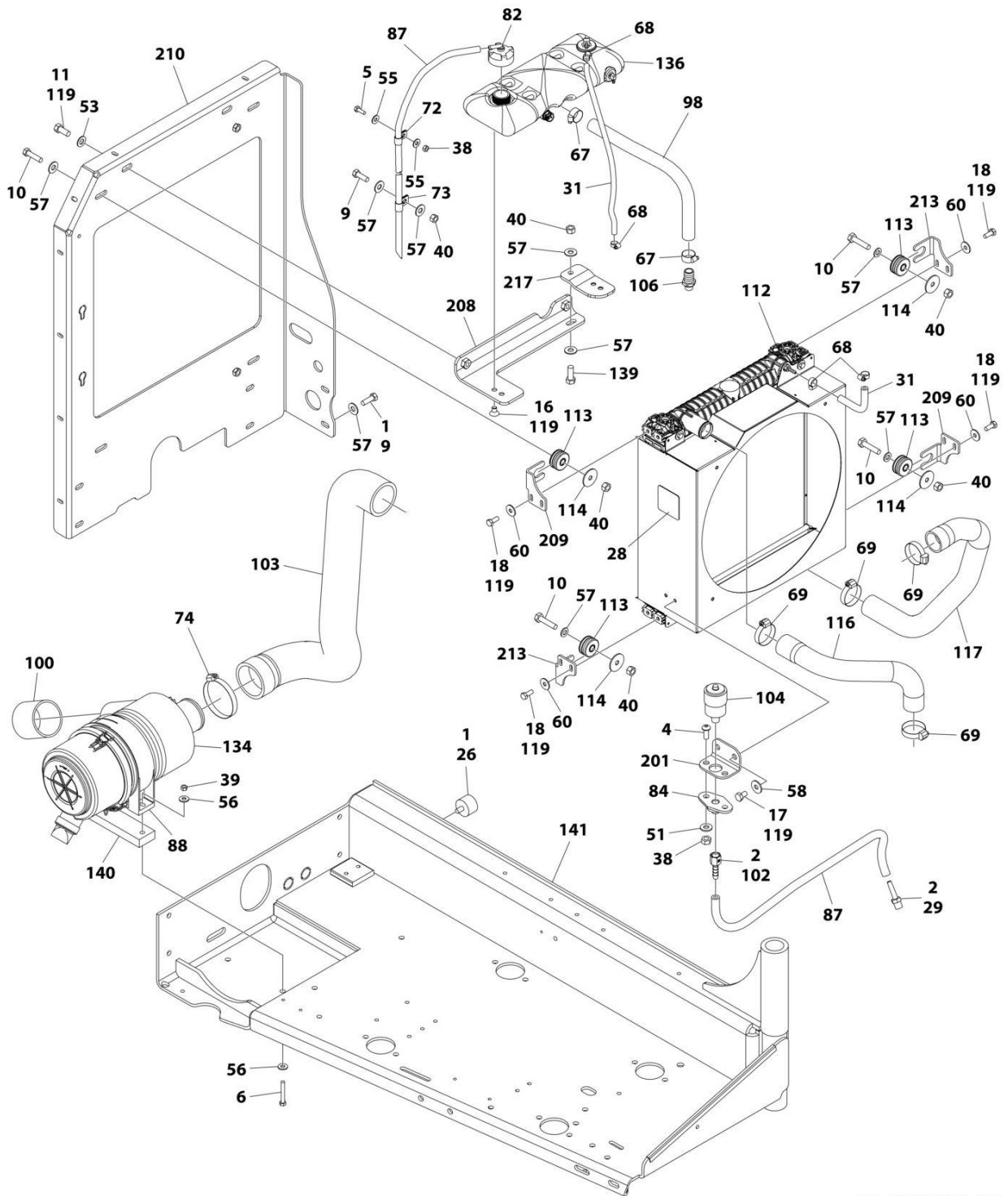
SECTION 3 - ENGINE

FIGURE 3-23. DEUTZ TD2.9L4 ENGINE ASSEMBLY (CHINA III SPECS) (SN 0300279215 to Present)



ART_1001227614_Q_10F2

SECTION 3 - ENGINE



ART_1001227614_Q_20F2

SECTION 3 - ENGINE

FIGURE 3-23. DEUTZ TD2.9L4 ENGINE ASSEMBLY (CHINA III SPECS) (SN 0300279215 to Present)

ITEM	PART NUMBER	QTY	DESCRIPTION	REV
	1001227614	Ref	DEUTZ TD2.9L4 ENGINE ASSEMBLY	Q
1	0100011	AR	Compound, Locking	
2	0100020	AR	Sealant	
3	0100062	AR	Compound, Locking	
4	0630407	2	Screw 1/4 x 5/8	
5	0641406	5	Bolt 1/4 x 3/4	
6	0641518	2	Bolt 5/16 x 2-1/4	
7	0641605	2	Bolt 3/8 x 5/8	
8	0641608	8	Bolt 3/8 x 1	
9	0641609	6	Bolt 3/8 x 1-1/8	
10	0641612	4	Bolt 3/8 x 1-1/2	
11	0641708	2	Bolt 7/16 x 1	
12	0681820	3	Bolt 1/2 x 2-1/2 Grade 8	
13	0681822	1	Bolt 1/2 x 2-3/4 Grade 8	
15	0701025	2	Bolt M10 x 85	
16	0741605	2	Screw 3/8 x 5/8	
17	0760605	2	Bolt M6 x 10	
18	0760810	10	Bolt M8 x 20	
19	0760814	4	Bolt M8 x 30	
20	0760815	2	Bolt M8 x 35	
21	0761015	2	Bolt M10 x 35	
22	0761210	1	Bolt M12 x 20	
23	0771212	6	Bolt M12 x 25 Grade 10.9	
24	0771414	2	Bolt M14 x 30 Grade 10.9	
25	0771415	3	Bolt M14 x 35	
26	0940070	1	Bumper	
27	0961986	2	Bushing, Flanged	
28	1703162	1	Decal - Caution Fan Blade	
29	2220315	1	Fitting, Straight Barbed	
31	2720015	2.32 ft /0.71m	Hose	
32	2720340	1 ft /0.31m	Hose	
33	3200401	4	Mount, Motor	
34	3271801	4	Nut 1/2	
35	3290801	2	Nut M8	
36	3291005	2	Nut M10	
37	3310401	3	Nut #4	
38	3311405	8	Nut 1/4	
39	3311505	2	Locknut 5/16	
40	3311605	17	Nut 3/8	
42	3910408	3	Screw #4 x 1/2	
43	3931432	1	Capscrew 1/4 x 2	
44	3931512	4	Capscrew 5/16 x 3/4	
46	4031914	4	Capscrew M8 x 50	
48	4060805	1.2 m /0.39m	Flex-Trim	
49	4240099	AR	Tie-Strap (Not Shown)	
50	4640751	1	Valve, Oil Drain	
51	4711400	3	Washer 1/4	

SECTION 3 - ENGINE

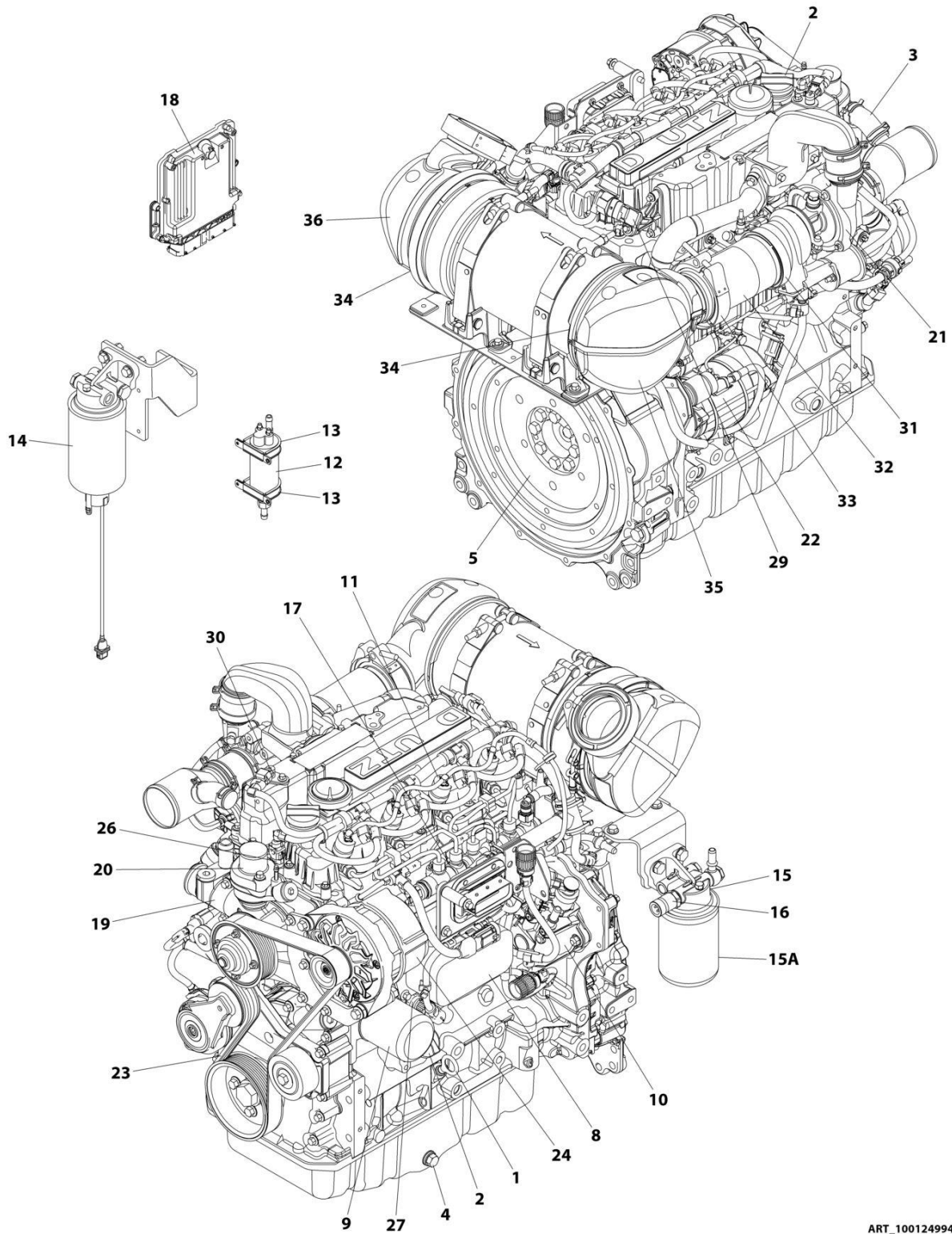
ITEM	PART NUMBER	QTY	DESCRIPTION	REV
52	4711500	5	Washer 5/16	
53	4711700	2	Washer 7/16	
54	4750400	3	Washer #4	
55	4751400	10	Washer 1/4	
56	4751500	4	Washer 5/16	
57	4751600	34	Washer 3/8	
58	4811702	2	Washer M6	
59	4811900	12	Washer M8	
60	4811902	8	Washer M8	
61	4812000	8	Washer M10	
62	4812100	7	Washer M12	
63	4812200	5	Washer M14	
65	4891800	4	Washer 1/2	
67	8405007	2	Clamp	
68	8405009	4	Clamp	
69	8405104	4	Clamp	
71	8406102	1	Clip	
72	8406109	1	Clip	
73	8406110	1	Clip	
74	8410011	2	Clamp	
75	8410013	1	Clamp	
76	1001117308	1	Relay	
77	1001233089	2	Strap	
79	1001135138	1	Adapter	
82	1001136834	1	Cap, Tank	
83	1001137276	1	Fan	
84	1001138173	1	Support	
86	1001138228	1	Relay, Power Module	
87	1001138248	62 in/1.6m	Tube	
88	1001138557	1	Clamp	
91	1001139409	4	Washer, Special	
97	1001141304	1	Harness, Glow Plug	
98	1001141370	1	Hose	
100	1001141585	1	Hose, Inlet	
102	1001141995	1	Fitting, Straight NPT/Barbed	
103	1001266525	1	Hose, Inlet	
104	1001143390	1	Indicator, Service	
105	1001143726	1	Harness, Deutz Engine (Not Shown - See Separate Breakdown in ELECTRICAL SECTION)	
106	1001143797	1	Fitting, Straight Metric/Barbed	
107	1001143907	1	Cable, Alternator Power	
109	1001152489	1	Fitting, 90 Metric/ Barbed	
110	1001153282	1	Pump Coupling Kit (See Separate Breakdown in this Section)	
112	1001167042	1	Radiator	
113	1001169054	4	Isolator	
114	1001169138	4	Washer	
116	1001177844	1	Hose, Radiator - Upper	
117	1001177845	1	Hose, Radiator - Lower	
119	1001180620	AR	Adhesive	
120	1001181899	1	P-Clamp	
127	1001221212	1	Clamp	
128	1001221219	1	Clamp	

SECTION 3 - ENGINE

ITEM	PART NUMBER	QTY	DESCRIPTION	REV
129	1001223591	1	Engine, Deutz TD2.9L4 Components (See Separate Breakdown in this Section)	
130	1001257278	1	Muffler	
133	1001224940	1	Pipe, Exhaust	
134	1001138489	1	Air Cleaner Assembly	
134	91403102	1	Element, Filter	
135	1001177359	1	Hose	
136	1001230635	1	Tank	
137	0701022	2	Bolt M10 x 70	
138	3520054	1	Plug	
139	0681608	1	Bolt 3/8 x 1 Grade 8	
140	1001267256	1	Shim, Air Cleaner	
141	1001190610	1	Support, Engine Try	
200	1001257412	1	Bracket Engine Kit (Includes Items 201-217)	E
201	1001138175	1	Bracket	
202	1001139240	1	Bracket	
203	1001140448	1	Mount, Rear Engine	
204	1001140450	1	Mount, Rear Engine	
205	1001140454	1	Mount, Front Engine	
207	1001145154	1	Plate, Relay Mounting	
208	1001260413	1	Bracket, Tank	
209	1001178223	2	Bracket, Radiator	
210	1001186985	1	Plate, Mounting	
212	1001266499	1	Mount, Generator/Engine	
213	1001204325	2	Bracket, Radiator	
214	1001221203	1	Bracket	
215	1001224936	1	Mount, Doc Weldment	
216	1001224937	2	Mount, Fuel Filter	
217	1001260412	1	Bracket	

SECTION 3 - ENGINE

FIGURE 3-24. DEUTZ TD2.9L4 ENGINE COMPONENTS



ART_1001249942

SECTION 3 - ENGINE

FIGURE 3-24. DEUTZ TD2.9L4 ENGINE COMPONENTS

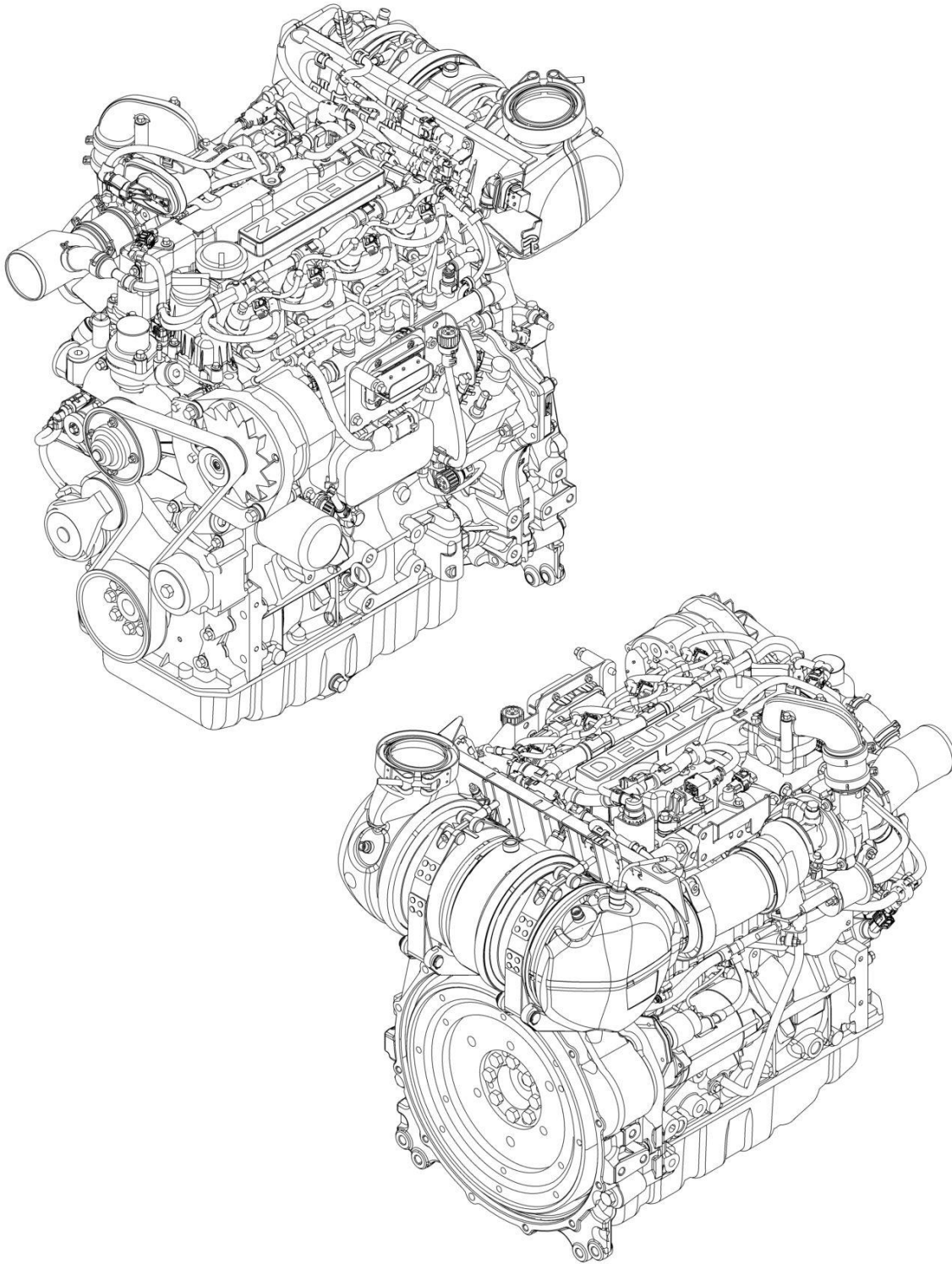
ITEM	PART NUMBER	QTY	DESCRIPTION	REV
	1001249942	Ref	ENGINE COMPONENTS - DEUTZ TD2.9L4	A
1	70024904	1	Dipstick	
1	70024905	1	Seal	
2	7020465	2	Cap, Oil Fill	
3	70025111	2	Clamp	
3	70005920	1	Hose, Breather	
4	70005941	2	Plug	
4	70005942	2	Seal	
5	70001870	1	Flywheel with Ring Gear	
5	7024579	1	Gear, Ring	
6		Ref	Gasket and Seal Options (Not Shown)	
6	70004279	1	Gasket Kit	
6	70024906	1	Gasket, Head	
6	70025205	1	Gasket, Small Valve Cover	
6	70005171	1	Gasket, Large Valve Cover	
6	70005176	1	O-Seal, Valve Cover to Air Charge Elbow	
6	70005177	1	Gasket, Air Charge Pipe to Head	
6	70029557	2	Gasket, Air Charge Pipe	
6	70025164	1	Gasket, Exhaust Manifold to Head	
6	70025179	1	Gasket, Exhaust Manifold to EGR Pipe	
6	70007354	1	Gasket, EGR Pipe to EGR Valve	
6	70007326	1	Gasket, EGR Valve to Housing	
7	70005172	1	Pump, Oil Lube (Not Shown - Located Front Left Side)	
7	70025135	1	O-Ring	
7	70005173	1	Gasket	
8	70024494	1	Cooler, Oil	
8	70024925	1	Gasket	
9	7016331	1	Filter, Oil	
10	70024924	1	Pump, High Pressure (Not Shown - Located Front Left Side)	
10	70025152	1	O-Ring (Between Pump and Spacer)	
10	70024517	1	O-Ring (Between Spacer and Engine Block)	
10	70004505	1	Valve, Overflow	
10	70004506	1	O-Ring	
10	70004507	1	O-Ring	
10	70004508	1	Valve, Volume Control	
10	70004509	1	O-Ring	
10	70004510	1	O-Ring	
11	70025181	4	Injector Fuel	
11	70025140	4	Washer, Sealing	
11	70025146	4	Clamp (Top of Injector)	
11	70025145	4	O-Seal	
11	70025154	4	Shoe, Clamping	
11	70000345	4	Plug, Glow	
11	70025231	1	Harness, Glow Plug (Not Shown)	
12	70006144	1	Pump, Fuel	
13	70025144	2	Clamp	
14	70024961	1	Filter, Fuel	
14	70025153	1	Element, Filter	
14	70024513	1	Cable, Sensor	
14	70025239	1	Seal	

SECTION 3 - ENGINE

ITEM	PART NUMBER	QTY	DESCRIPTION	REV
15	70029451	1	Filter With Head	
15A	70025161	1	Filter, Fuel	
16	70028538	1	Sensor, Pressure	
16	70024920	1	Seal	
17	70025151	1	Rail, Fuel	
17	70025235	1	Repair Kit	
17	70025182	1	Line, Fuel (Cylinders 1 & 2)	
17	70025183	1	Line, Fuel (Cylinders 3 & 4)	
17	70025184	1	Line, Fuel (To Rail)	
18	70025210	1	ECU (Engine Control Unit)	
19	70029797	1	Pump, Water	
19	70025200	1	Seal	
19	70007325	1	Gasket	
20	70005929	1	Thermostat	
20	70005184	1	O-Seal	
20	70025142	1	Cover, Thermostat	
20	70005931	1	Gasket	
21	70004276	1	Turbocharger	
21	70024912	1	Gasket, Square	
21	70024509	1	Gasket, Return Line	
21	70006294	1	O-Seal	
22	70024915	1	Starter	
22	70005648	1	Relay	
22	70005647	1	Solenoid	
23	70004277	1	Belt Drive	
24	70006652	1	Alternator	
24	70006653	1	Regulator, Voltage	
25	70007489	1	Harness, Engine (Not Shown)	
26	70028540	1	Sender, Temperature	
27	70028538	1	Sensor, Pressure	
27	70024920	1	Seal	
28	70026210	2	Sensor, Speed (Not Shown -Located Left Side Front and Flywheel Housing)	
28	70024917	1	Seal (Cam Shaft Speed Sensor)	
28	70005191	1	Seal (Flywheel Shaft Speed Sensor)	
29	70024507	1	Sensor, Pressure	
29	70025120	1	Seal	
30	70024922	1	Sender, Temperature	
30	70025212	1	O-Seal	
31	70005527	1	Clamp	
31	70025788	1	Nut	
32	70004504	1	Compensator	
33	70025242	1	Gasket	
33	70029433	1	Clamp	
34	70029517	2	Clamp	
34	70029520	2	Gasket	
35	70007355	1	Inlet	
35	70007331	1	Outlet	

SECTION 3 - ENGINE

FIGURE 3-25. DEUTZ TD2.9L4 ENGINE COMPONENTS (STAGE V)



ART_1001232844

SECTION 3 - ENGINE

FIGURE 3-25. DEUTZ TD2.9L4 ENGINE COMPONENTS (STAGE V)

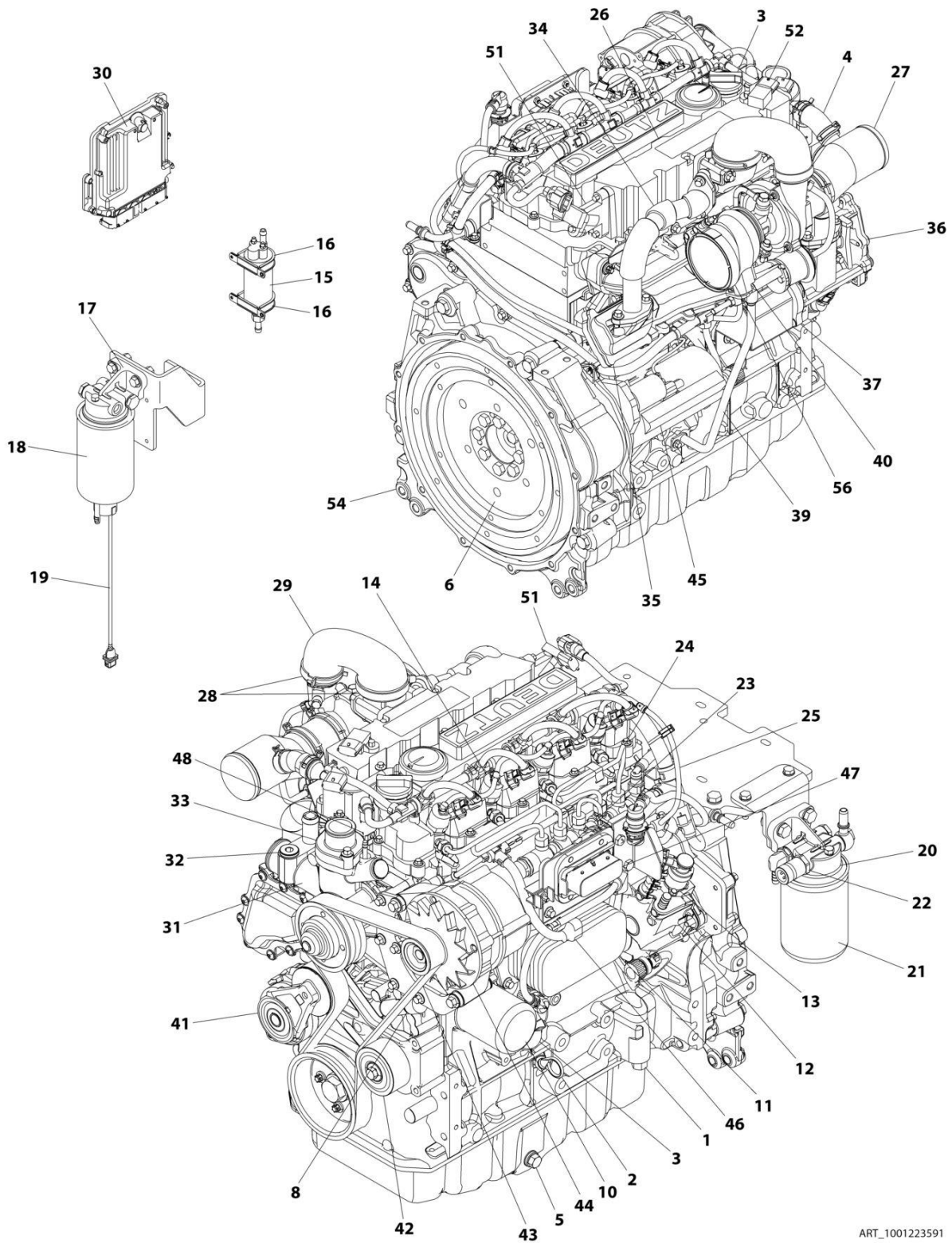
ITEM	PART NUMBER	QTY	DESCRIPTION	REV
	1001232844	Ref	DEUTZ ENGINE COMPONENTS	F
		Ref	Note: For complete list of parts, contact JLG Parts Department	
		Ref	Air Intake System Components	
	70004276	1	Turbocharger	
		Ref	Cooling System Components	
	70029797	1	Pump, Coolant (Includes Gasket & Seals)	
	70007603	1	Thermostat	
	70005184	1	O-Ring	
	70005931	1	Gasket	
	70025142	1	Cover	
		Ref	Electrical System Components	
	70029512	1	Module, ECU/ECM	
		Ref	Generator (Includes Controller, Fan & Hardware)	
		Ref	Starter (Includes Solenoid & Relay)	
		Ref	Sender, Tacho-Generator (Speed) (On Rear of Block) (Includes Seal)	
	70024916	1	Sender, Tacho-Generator (Speed) (On Cover) (Includes Seal)	
	70024922	1	Sender, Temperature (Includes Seal) (On Air Intake Manifold)	
	70024507	1	Sensor, Pressure (Includes Seal) (On Air Intake Manifold)	
	70024504	1	Sensor, Pressure (Includes Seal) (On Fuel Filter & Side of Block)	
		Ref	Sensor, Pressure (Includes Seal) (On Exhaust Manifold)	
		Ref	Sensor, Temperature (Includes Seal) (On Exhaust Manifold)	
	70000345	4	Plug, Glow	
		Ref	Exhaust System Components	
		Ref	Valve, EGR	
	70025130	8	Bolt, Exhaust Manifold	
	70025164	1	Gasket, Exhaust Manifold	
		Ref	Outlet, Muffler	
		Ref	Muffler	
		Ref	Bracket, Muffler Mounting	
	70004504	1	Compensator, Exhaust	
		Ref	Fuel System Components	
		Ref	Pump, High Pressure	
	70025181	4	Injector (Includes Sealing washer, Clamp & O-Ring)	
	70006144	1	Pump, Fuel Supply (Includes Clamps)	
	70024961	1	Filter, Fuel (Pre-Filter Assembly) (Includes Head, Spin on filter, Sensor Cable & Seal)	
	70025153	1	Filter, Fuel Spin On	
	70024513	1	Sensor Cable (Includes Seal)	
	70025160	1	Filter, Fuel (Assembly) (Includes Head & Spin on Filter)	
	70025161	1	Filter, Fuel Spin On	
	70004508	1	Vol. Control Valve (Includes O-Ring & Gasket)	
		Ref	Lubricating System Components	
	7020465	2	Cap, Oil Fill	
	70005941	2	Plug, Oil Drain	
	70005942	2	Seal, Oil Drain Plug	
	70005172	1	Pump, Oil (Includes Seal & Gasket)	
	7016331	1	Filter, Oil	
	70024494	1	Cooler, Oil	
	70024925	1	Gasket, Oil Cooler	

SECTION 3 - ENGINE

ITEM	PART NUMBER	QTY	DESCRIPTION	REV
	70024904	1	Dipstick (Includes Seal)	
		Ref	Mechanical Components	
	70001870	1	Flywheel (includes Gear)	
	70004277	1	V-Belt	
	70030359	1	Belt Tensioner	
	70005938	1	Gasket Set - Complete	

SECTION 3 - ENGINE

FIGURE 3-26. DEUTZ TD2.9L4 ENGINE COMPONENTS (CHINA III SPECS)



SECTION 3 - ENGINE

FIGURE 3-26. DEUTZ TD2.9L4 ENGINE COMPONENTS (CHINA III SPECS)

ITEM	PART NUMBER	QTY	DESCRIPTION	REV
	1001223591	Ref	DEUTZ TD2.9L4 ENGINE COMPONENTS	C
1	70025660	1	Plug	
1	70006264	1	Valve, Plunger	
1	70006265	1	Spring	
1	70006266	1	Seal	
2	70024904	1	Dipstick	
2	70024905	2	Seal	
3	7020465	2	Cap, Fill	
4	70005920	1	Line, Breather	
4	70025111	2	Clamp	
5	70006941	2	Plug	
5	70005942	2	Seal	
6	70001870	1	Flywheel	
6	7024579	1	Ring Gear	
6	70025139	8	Bolt	
7		Ref	Gasket & Seal Options (Not Shown):	
7	70005938	1	Gasket Kit	
7	70024906	1	Gasket, Head	
7	70005922	1	Gasket, Valve Cover	
7	70028185	1	Gasket, Front Cover	
7	70004280	1	Seal, Front Main	
7	70002718	1	Seal, Rear Main	
8	See Note	NSS	Valve, Slide (Note: Not Available for Purchase)	
8	70025082	1	Seal	
9	70005172	1	Pump, Lube (Not Shown - Located RH Rear)	
9	70025135	1	O-Seal	
9	70005173	1	Gasket	
10	7016331	1	Filter, Oil	
11	70024494	1	Cooler, Oil	
11	70024925	1	Gasket, Oil Filter	
12	70024924	1	Pump, High Pressure	
12	70025152	1	Gasket (Spacer to Pump)	
12	70024488	1	Spacer	
12	70024517	1	Gasket (Spacer to Block)	
12	70004505	1	Valve, Overflow	
12	70004506	1	Gasket, Overflow	
12	70004507	1	Gasket, Overflow	
13	70004508	1	Valve, Volume Control	
13	70004509	1	O-Ring	
13	70004510	1	Gasket	
14	70025181	4	Injector	
14	70025140	4	Washer, Sealing	
14	70025146	4	Clamp	
14	70025145	4	O-Seal	
14	70025154	4	Shoe/Pad, Clamping	
15	70006144	NLA	Pump, Fuel Supply (Use p/n 1001226098)	
16	70025144	2	Clip, Clamp	
17	70024961	1	Fuel Filter Assembly	
18	1001225430	1	Element, Filter	
19	70024513	1	Cable, Sensor	

SECTION 3 - ENGINE

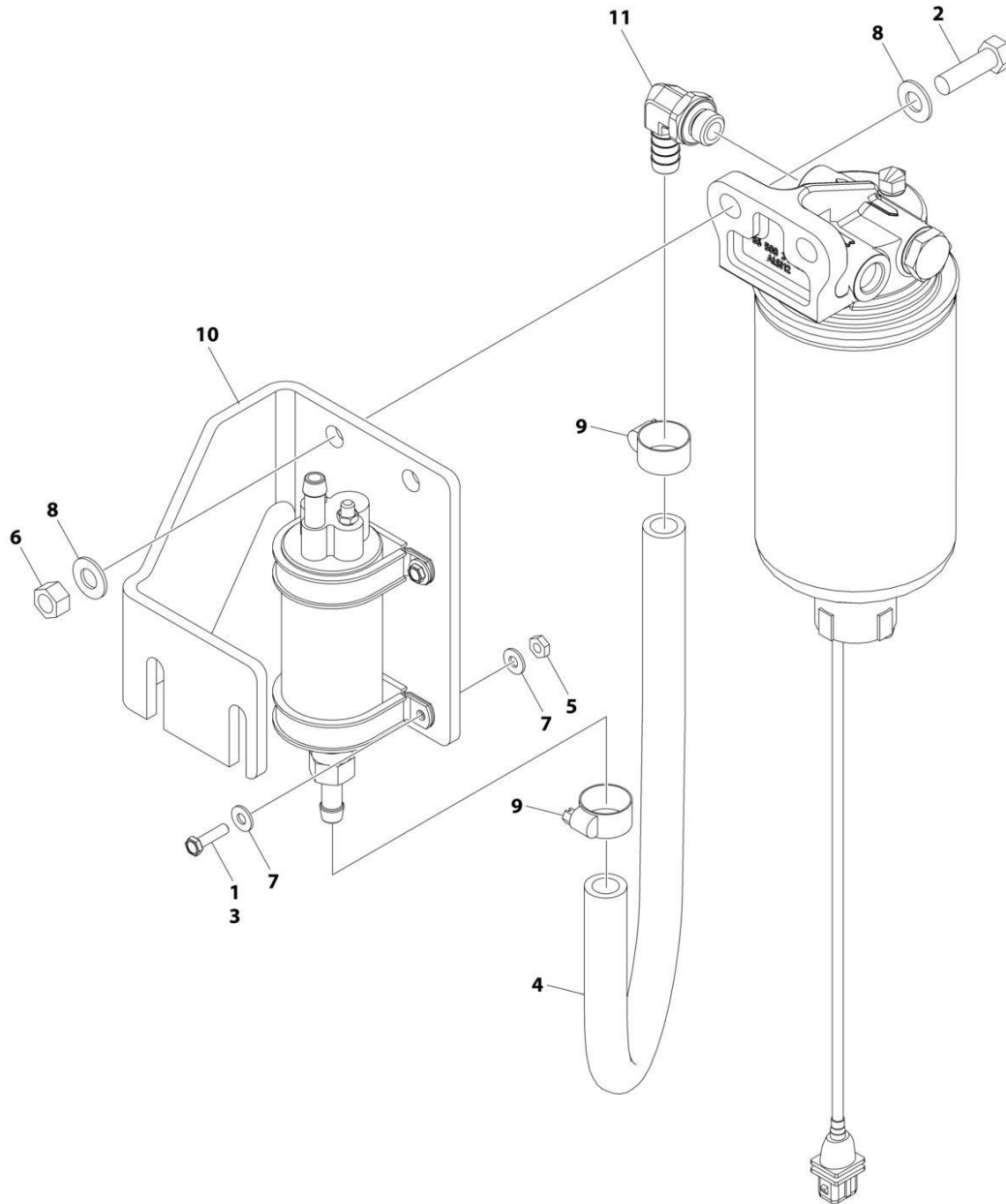
ITEM	PART NUMBER	QTY	DESCRIPTION	REV
19	70025239	1	Seal, Ring	
20	70004511	1	Fuel Filter Assembly	
20	70004513	2	Seal (at Hollow Bolt)	
21	1001225432	1	Element, Filter	
22	70028538	1	Sensor, Pressure	
22	70024920	1	O-Seal	
23	70025151	1	Rail, Fuel	
23	70025235	1	Repair Kit - Fuel Rail	
23	70025240	1	O-Ring	
24	70025182	1	Tube, Fuel - Cylinders 1 & 2	
24	70025183	1	Tube, Fuel - Cylinders 3 & 4	
24	70025184	1	Tube, Fuel	
25	70024502	1	Pipe, Fuel Leakage	
25	70025185	1	Hose, Fuel	
25	70025158	1	Manifold	
25	70025109	2	Clamp, Spring	
25	70025115	1	Clamp	
25	70025133	1	Hose	
25	70025101	2	Clamp	
25	70025148	1	Connector, Plug-in	
26	70005923	1	Manifold, Charger Air	
26	70005177	1	Gasket, Charger Air Manifold	
26	70005924	1	Seal (Manifold to Elbow)	
26	7000180	1	Line, Breather (Not Shown)	
26	70005181	1	O-Seal (Breather to Manifold)	
27	70005926	1	Elbow	
27	70025112	2	Clamp	
27	70004501	1	Sleeve, Rubber	
28	See Note	NSS	Sleeve (Note: Not Available for Purchase)	
28	70025107	2	Clamp	
29	70005928	1	Elbow, Air Charge	
30	70025210	1	Module, ECU	
31	70028802	1	Pump, Coolant	
31	70025200	1	Ring, Sealing (Pump to Block)	
32	70025084	2	Plug	
32	7020492	2	Ring, Sealing	
33	70005929	1	Thermostat	
33	70005184	1	O-Seal (Thermostat to Housing)	
33	70025142	1	Housing, Thermostat	
33	70005931	1	O-Seal (Thermostat to Pump)	
33	70025124	2	Bolt	
34	See Note	NSS	Tube (Note: Not Available for Purchase)	
34	70025179	2	Gasket (at Either End of Tube)	
35	See Note	NSS	Valve, Shuttle (Note: Not Available for Purchase)	
35	70025180	1	Gasket	
35	See Note	NSS	Housing, Shuttle Valve (Note: Not Available for Purchase)	
35	70025175	1	Cap, Shuttle Valve	
36	70025203	1	Module, EGR	
36	70025155	1	Plug (Not Shown)	
37	70005188	1	Valve, EGR Control	
37	70005189	1	Seal (Valve to Module)	

SECTION 3 - ENGINE

ITEM	PART NUMBER	QTY	DESCRIPTION	REV
38	70004282	1	Manifold, Exhaust (Not Shown)	
38	70025164	1	Gasket, Manifold to Head (Not Shown)	
38	70025130	8	Bolt, Manifold (Not Shown)	
38	70026995	1	Elbow, Exhaust (Not Shown)	
38	70025179	2	Gasket, Manifold to Elbow (Not Shown)	
39	70005932	1	Tube, Oil Return	
39	70025132	1	O-Seal	
40	70004276	1	Turbocharger	
40	70024509	1	Gasket (Turbocharger to Oil Return Tube Housing)	
40	1001191599	1	Gasket (Turbocharger to Exhaust)	
41	70025477	1	Tensioner, Belt	
42	70024484	1	Roller, Idler	
43	70004277	1	Belt	
44	70025733	1	Pulley, Alternator	
44	70006652	1	Alternator	
44	70006653	1	Controller	
44	See Note	NSS	Fan (Note: Not Available for Purchase)	
45	70024915	1	Starter	
45	70005647	1	Switch, Solenoid	
45	70005648	1	Relay	
46	70000345	4	Glow Plug	
46	70025231	1	Harness, Glow Plug	
46	70025233	1	Connector, Plug-in	
47	70025077	1	Harness, Engine	
48	70024918	1	Sender, Temperature	
49	70028538	1	Sensor, Pressure (Not Shown - RH Front)	
49	70024920	1	O-Seal	
50	70026210	1	Sensor, Speed (Not Shown - Front)	
50	70005191	1	Ring, Seal	
51	70024507	1	Sensor, Pressure	
51	70025120	1	O-Seal	
51	70005933	1	Adapter	
51	70005934	1	O-Seal	
52	70024922	1	Sender, Temperature	
52	70025212	1	O-Seal	
53	70026210	1	Sensor, Speed (Not Shown - Front)	
53	70024917	1	O-Seal	
54	70025192	1	Housing	
56	70005527	1	Clip	

SECTION 3 - ENGINE

FIGURE 3-27. FUEL PUMP/FILTER BRACKET ASSEMBLY (DEUTZ TD2.9L4 ENGINES)



ART_1001162335

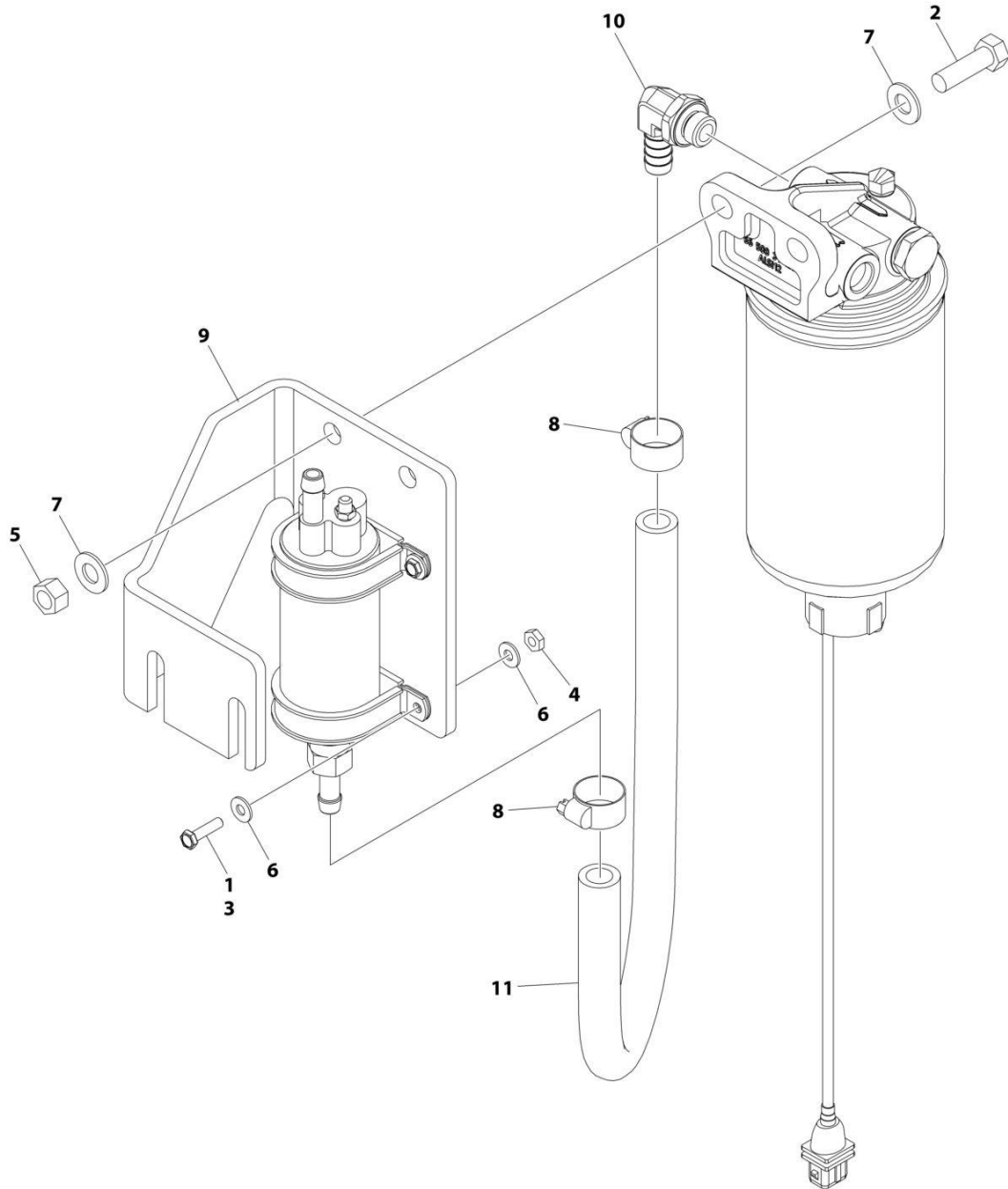
SECTION 3 - ENGINE

FIGURE 3-27. FUEL PUMP/FILTER BRACKET ASSEMBLY (DEUTZ TD2.9L4 ENGINES)

ITEM	PART NUMBER	QTY	DESCRIPTION	REV
	1001162335	Ref	BRACKET ASSEMBLY - FUEL PUMP AND FILTER (DEUTZ D2.9L4 ENGINE)	E
1	0100011	AR	Compound, Locking	
2	0641610	2	Bolt 3/8 x 1-1/4	
3	0721006	4	Bolt #10 x 3/4	
4	1001154405	AR	Hose	
5	3311001	4	Nut #10	
6	3311605	2	Nut 3/8	
7	4711000	8	Washer #10	
8	4711600	4	Washer 3/8	
9	8405006	2	Clamp	
10	1001141870	1	Plate, Fuel Pump Mount	
11	1001142501	1	Fitting, Elbow Barbed	

SECTION 3 - ENGINE

FIGURE 3-28. FUEL PUMP/FILTER BRACKET ASSEMBLY (DEUTZ TD2.9L4 (STAGE V) ENGINES)



ART_1001235949

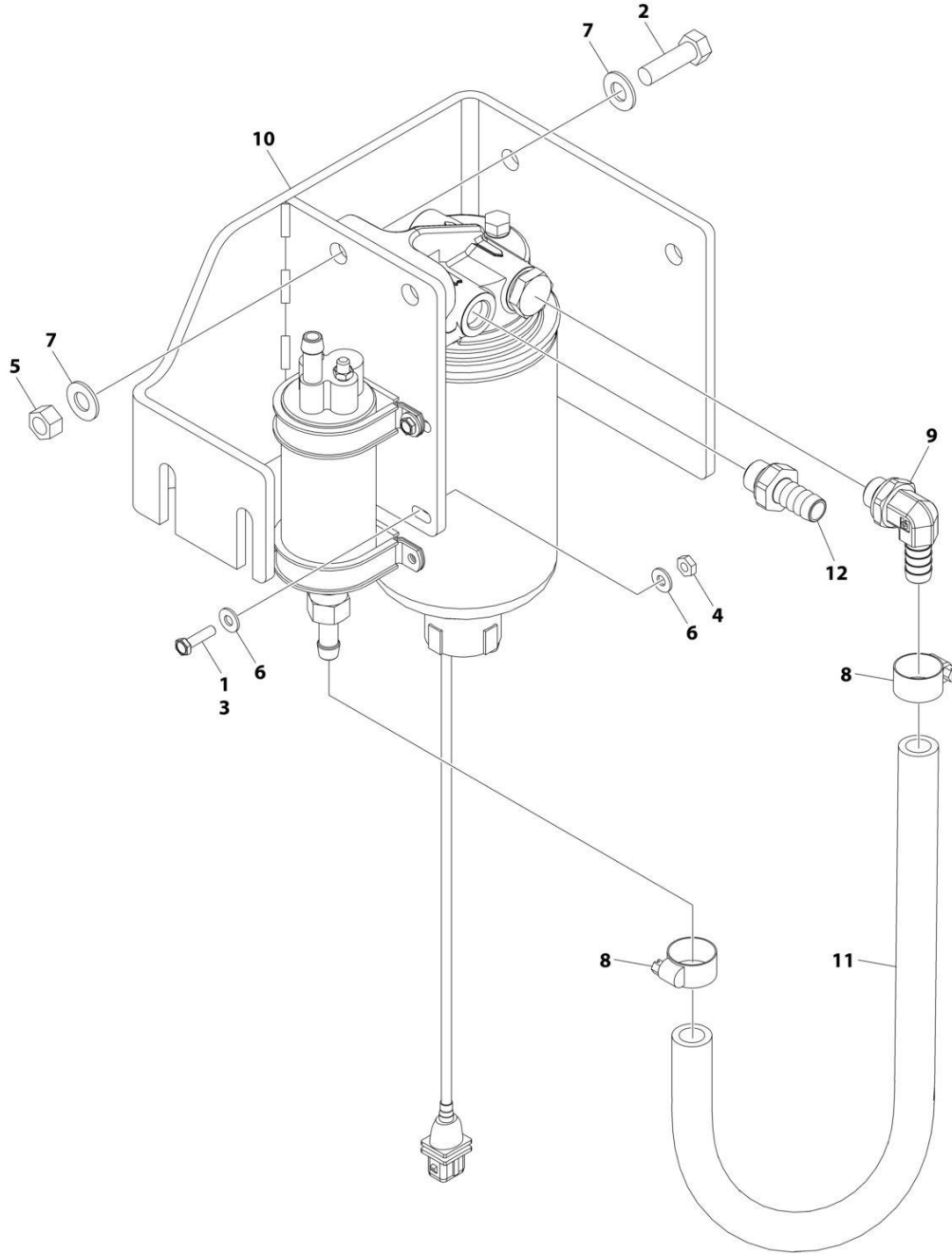
SECTION 3 - ENGINE

FIGURE 3-28. FUEL PUMP/FILTER BRACKET ASSEMBLY (DEUTZ TD2.9L4 (STAGE V) ENGINES)

ITEM	PART NUMBER	QTY	DESCRIPTION	REV
	1001235949	Ref	BRACKET ASSEMBLY - FUEL PUMP AND FILTER (DEUTZ D2.9L4 (STAGE V) ENGINE)	A
1	0100035	AR	Compound, Locking	
2	0641610	2	Bolt 3/8 x 1-1/4	
3	0721006	4	Bolt #10 x 3/4	
4	3311001	4	Nut #10	
5	3311605	2	Nut 3/8	
6	4711000	8	Washer #10	
7	4711600	4	Washer 3/8	
8	8405006	2	Clamp	
9	1001141870	1	Plate, Fuel Pump Mount	
10	1001142501	1	Fitting, Elbow Barbed	
11	1001154405	1.5 ft /0.4m	Hose	

SECTION 3 - ENGINE

FIGURE 3-29. FUEL PUMP/FILTER BRACKET ASSEMBLY (DEUTZ TD2.9L4 ENGINES) (CHINA III SPECS)



ART_1001227224

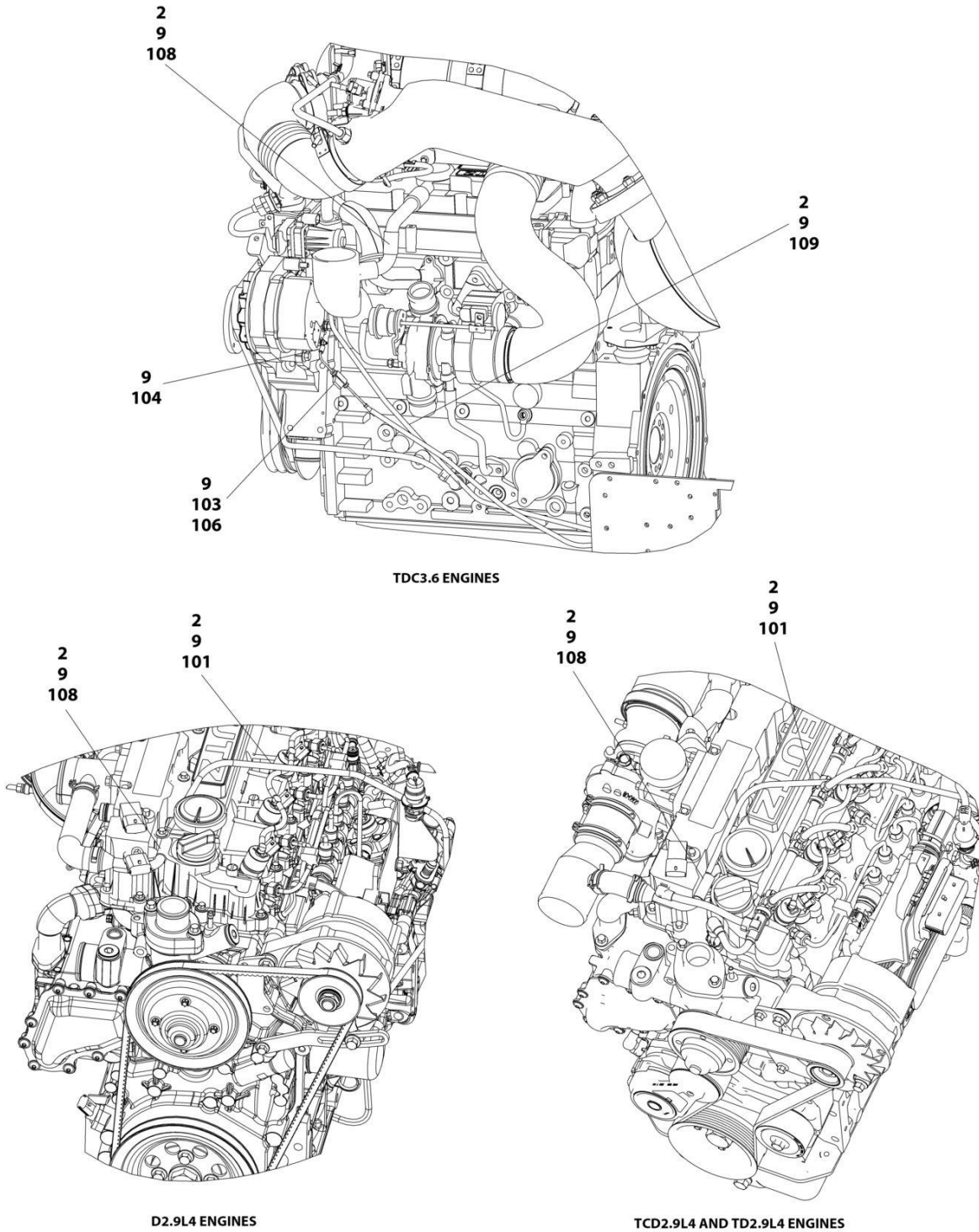
SECTION 3 - ENGINE

FIGURE 3-29. FUEL PUMP/FILTER BRACKET ASSEMBLY (DEUTZ TD2.9L4 ENGINES) (CHINA III SPECS)

ITEM	PART NUMBER	QTY	DESCRIPTION	REV
	1001227224	Ref	BRACKET ASSEMBLY (LESS FUEL PUMP AND FILTER)	D
1	0100011	AR	Locking, Compound	
2	0641610	2	Bolt 3/8 x 1-1/4	
3	0721006	4	Bolt #10 x 3/4	
4	3311001	4	Nut #10	
5	3311605	2	Nut 3/8	
6	4711000	8	Washer #10	
7	4711600	4	Washer 3/8	
8	8405006	2	Clamp	
9	1001142501	1	Fitting, 90 Metric/Barbed	
10	1001226285	1	Plate, Fuel Pump Mount	
11	1001154405	AR	Hose	
12	1001141718	1	Fitting, Straight (Not Shown)	

SECTION 3 - ENGINE

FIGURE 3-30. BREATHER HEATER INST (DEUTZ TD2.9L4 ENGINES)



ART_1001233763

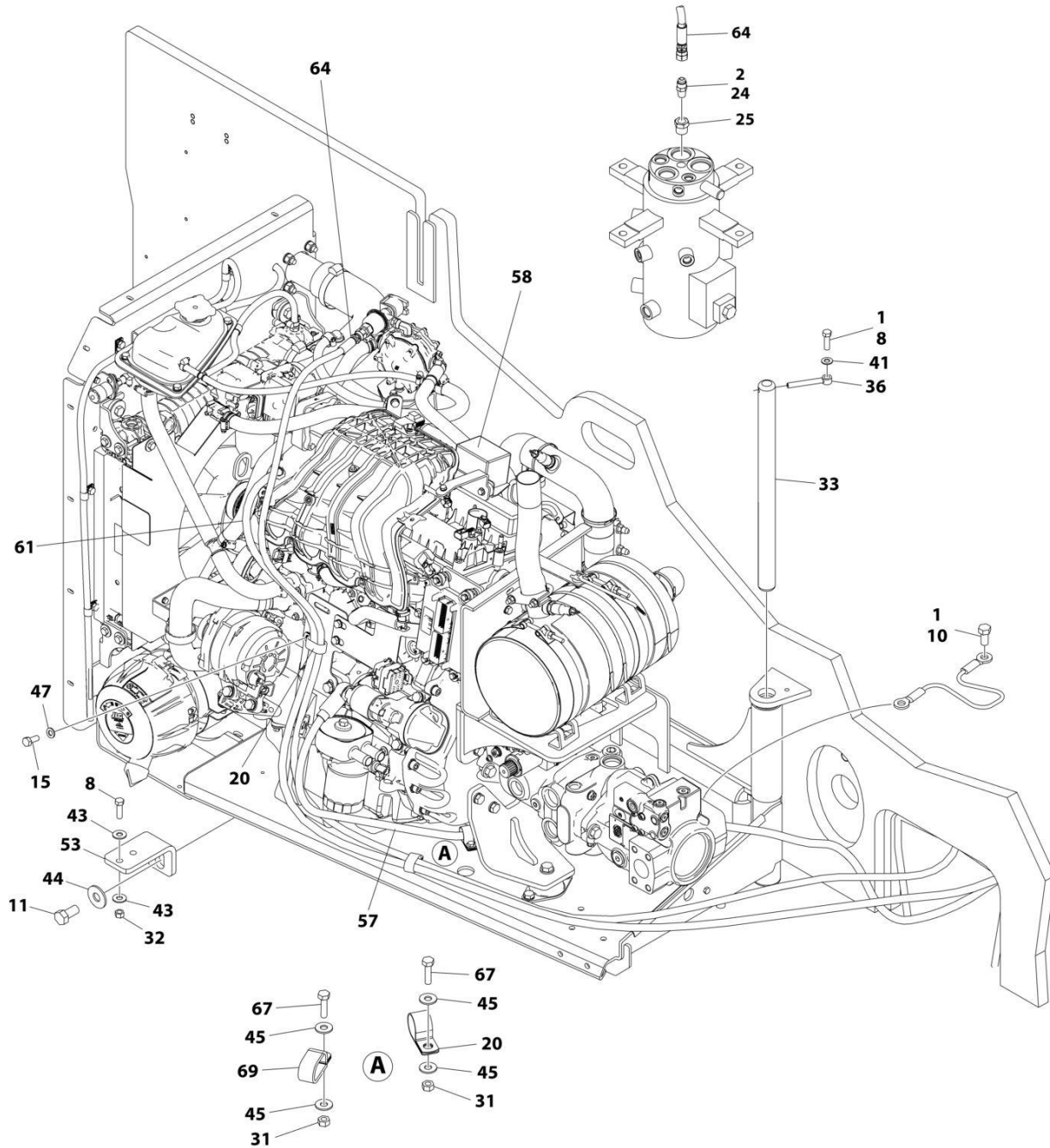
SECTION 3 - ENGINE

FIGURE 3-30. BREATHER HEATER INST (DEUTZ TD2.9L4 ENGINES)

ITEM	PART NUMBER	QTY	DESCRIPTION	REV
	1001233763	Ref	BREATHER HEATER INSTALLATION - DEUTZ ENGINES	D
2	4240099	AR	Tie-Strap	
9	1001243895	1	Breather Heater Harness	C
101	2820035	AR	Insulation	
103	2400060	1	Fuseholder with Cover	
104	4460043	1	Terminal, Ring	
105	4460722	1	Terminal, Ring (Not Shown)	
106	1001196634	1	Fuse - 2 Amp	
108	1001232842	1	Breather Heater Kit	

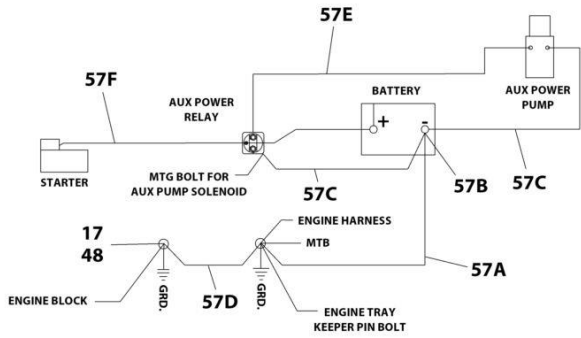
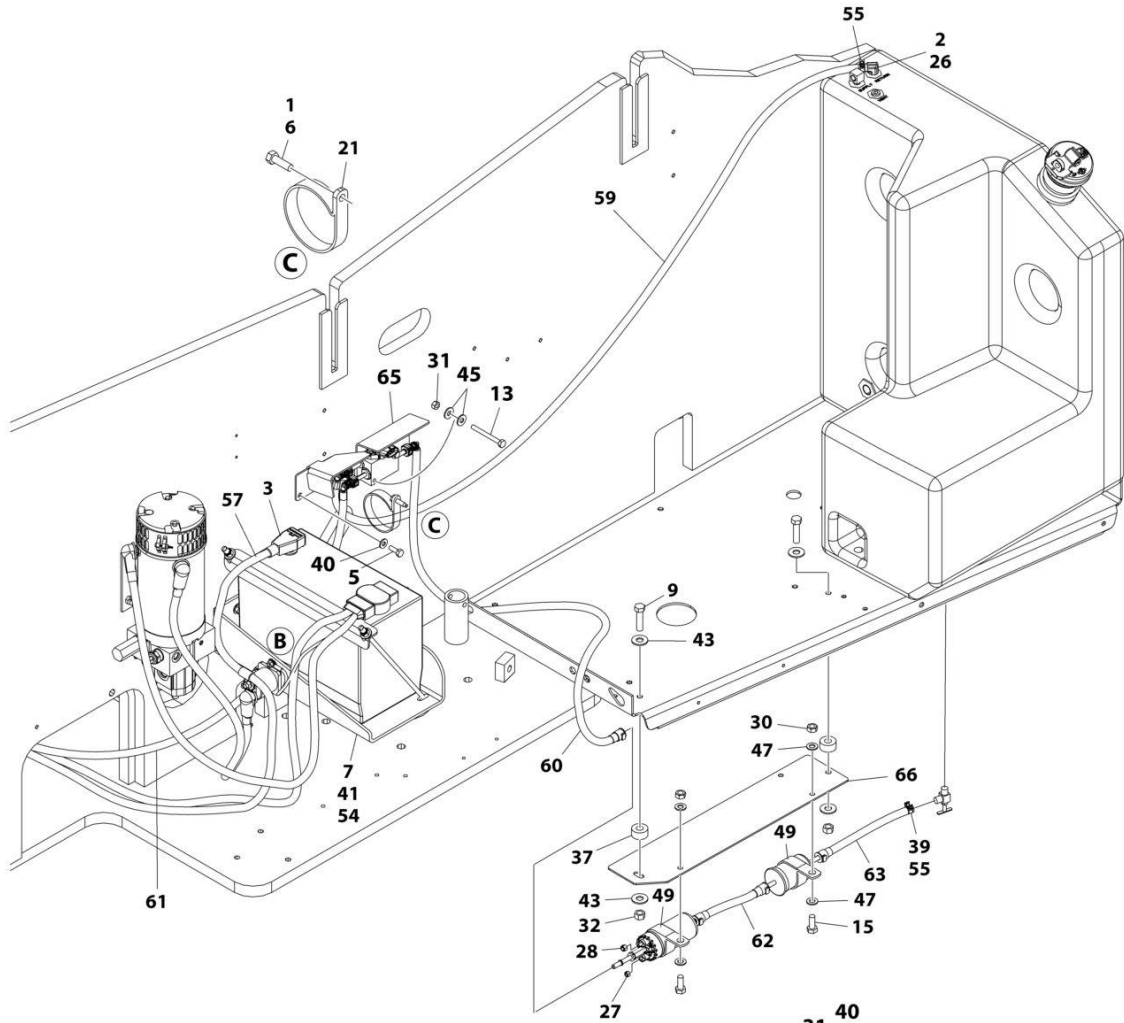
SECTION 3 - ENGINE

FIGURE 3-31. FORD ENGINE INSTALLATION (WITHOUT ARCTIC PACKAGE)

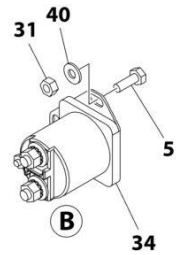


ART_1001217199_10F2

SECTION 3 - ENGINE



BATTERY CABLE KIT - ITEM 57



ART_1001217199_20F2

SECTION 3 - ENGINE

FIGURE 3-31. FORD ENGINE INSTALLATION (WITHOUT ARCTIC PACKAGE)

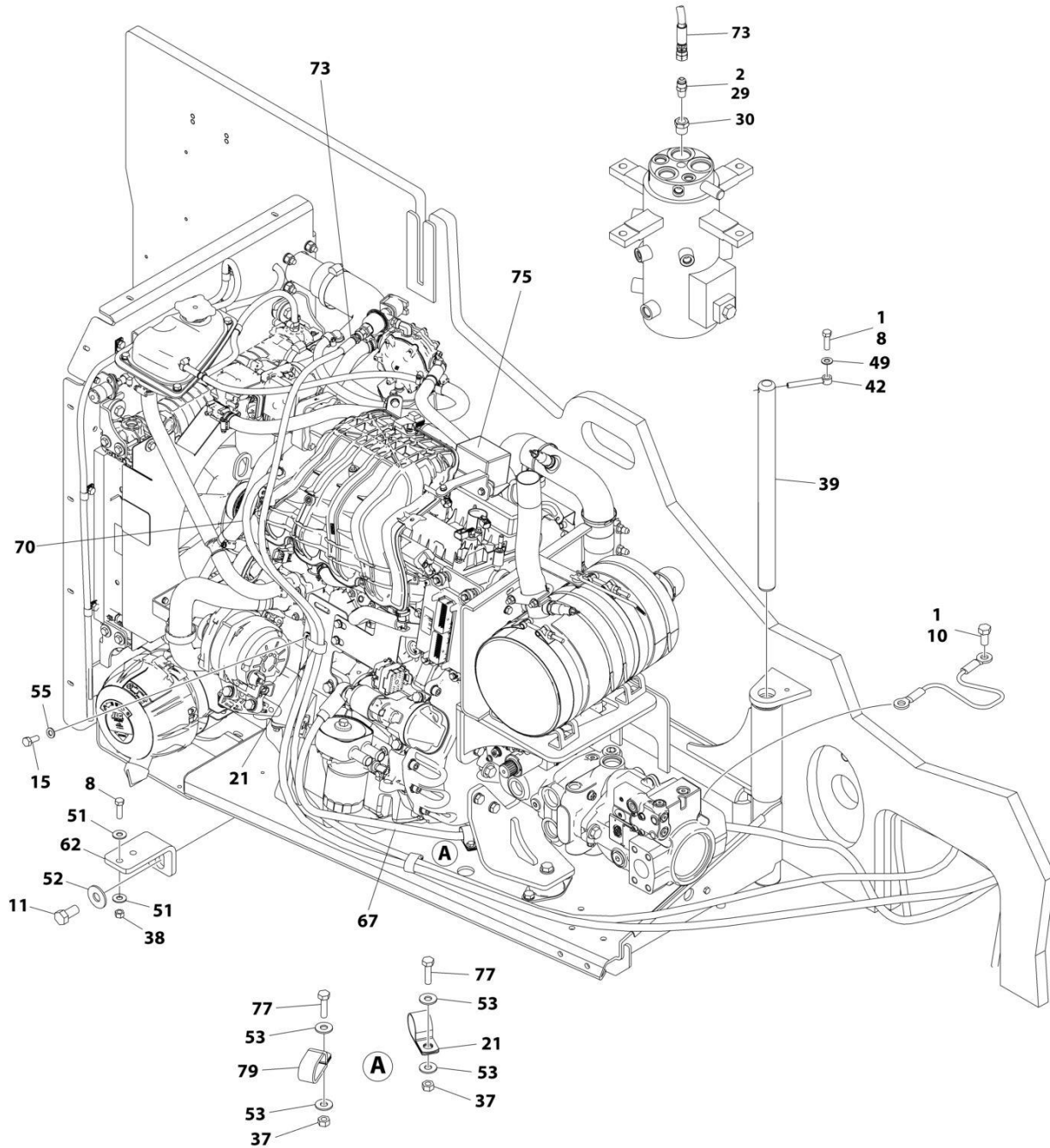
ITEM	PART NUMBER	QTY	DESCRIPTION	REV
	1001217199	Ref	Ford Engine Installation without Arctic Package	H
1	0100011	AR	Compound, Locking	
2	0100020	AR	Sealant	
3	0100048	AR	Grease, Terminal	
5	0641406	4	Bolt 1/4 x 3/4	
6	0641508	1	Bolt 5/16 x 1	
7	0641607	3	Bolt 3/8 x 7/8	
8	0641610	3	Bolt 3/8 x 1-1/4	
9	0641612	2	Bolt 3/8 x 1-1/2	
10	0641808	1	Bolt 1/2 x 1	
11	0642010	1	Bolt 5/8 x 1-1/4	
13	0641420	2	Bolt 1/4 x 2-1/2	
15	0760810	3	Bolt M8 x 20	
17	0761008	1	Bolt M10 x 16	
20	1321283	2	Clamp	
21	1321339	1	Clamp	
22	1701542	1	Decal - Gas (Not Shown)	
23	1701543	2	Decal - LPG (Not Shown)	
24	2180418	1	Fitting, Straight	
25	2221197	1	Fitting, Reducer NPT/NPT	
26	2221176	1	Fitting, 90	
27	3290405	1	Nut M4	
28	3290505	1	Nut M5	
30	3290801	2	Nut M8	
31	3311405	6	Nut 1/4	
32	3311605	4	Nut 3/8	
33	3422446	1	Pin	
34	3740067	1	Relay	
35	3790012	1	O-Ring (Not Shown - Located on Platform Console Box)	
36	3841143	1	Keeper, Pin	
37	4071122	2	Shim	
38	4360336	1	Switch, Toggle (Not Shown - Located on Platform Console Box)	
39	1001221488	1	Tube, Fuel Line	
40	4711400	6	Washer 1/4	
41	4711600	4	Washer 3/8	
43	4751600	8	Washer 3/8	
44	4752000	1	Washer 5/8	
45	4751400	8	Washer 1/4	
47	4811900	5	Washer M8	
48	4812000	1	Washer M10	
49	85941018	2	Clamp	
53	1001153359	1	Mount	
54	1001162497	1	Bracket, Battery	
55	1001174486	2	Clamp	
57	1001216568	1	Battery Cable Kit	B
57A	7027084	1	Cable, Battery - Ground to Battery -	
57B	8270147	1	Terminal, Battery with Boot	
57C	7027085	1	Cable, Battery - Auxiliary Pump/Relay to Battery -	
57D	7027086	1	Cable, Battery - Engine to Ground	
57E	7027088	1	Cable, Battery - Auxiliary Relay to Auxiliary Pump	

SECTION 3 - ENGINE

ITEM	PART NUMBER	QTY	DESCRIPTION	REV
57F	70009020	1	Cable, Battery - Starter/Auxiliary Relay to Battery +	
58	1001217192	1	Ford Engine and Pump Sub-Assembly (Without Arctic Package) (See Separate Breakdown in this Section)	
59	1001219364	1	Hose	
60	1001219365	1	Hose	
61	1001219366	1	Hose	
62	1001219367	1	Hose	
63	1001219368	1	Hose	
64	1001219369	1	Hose	
65	1001219370	1	Bracket	
66	1001219809	1	Bracket	
67	0641408	2	Bolt 1/4 x 1	
69	8406201	1	Clip	
70	4240099	AR	Tie-Strap (Not Shown)	

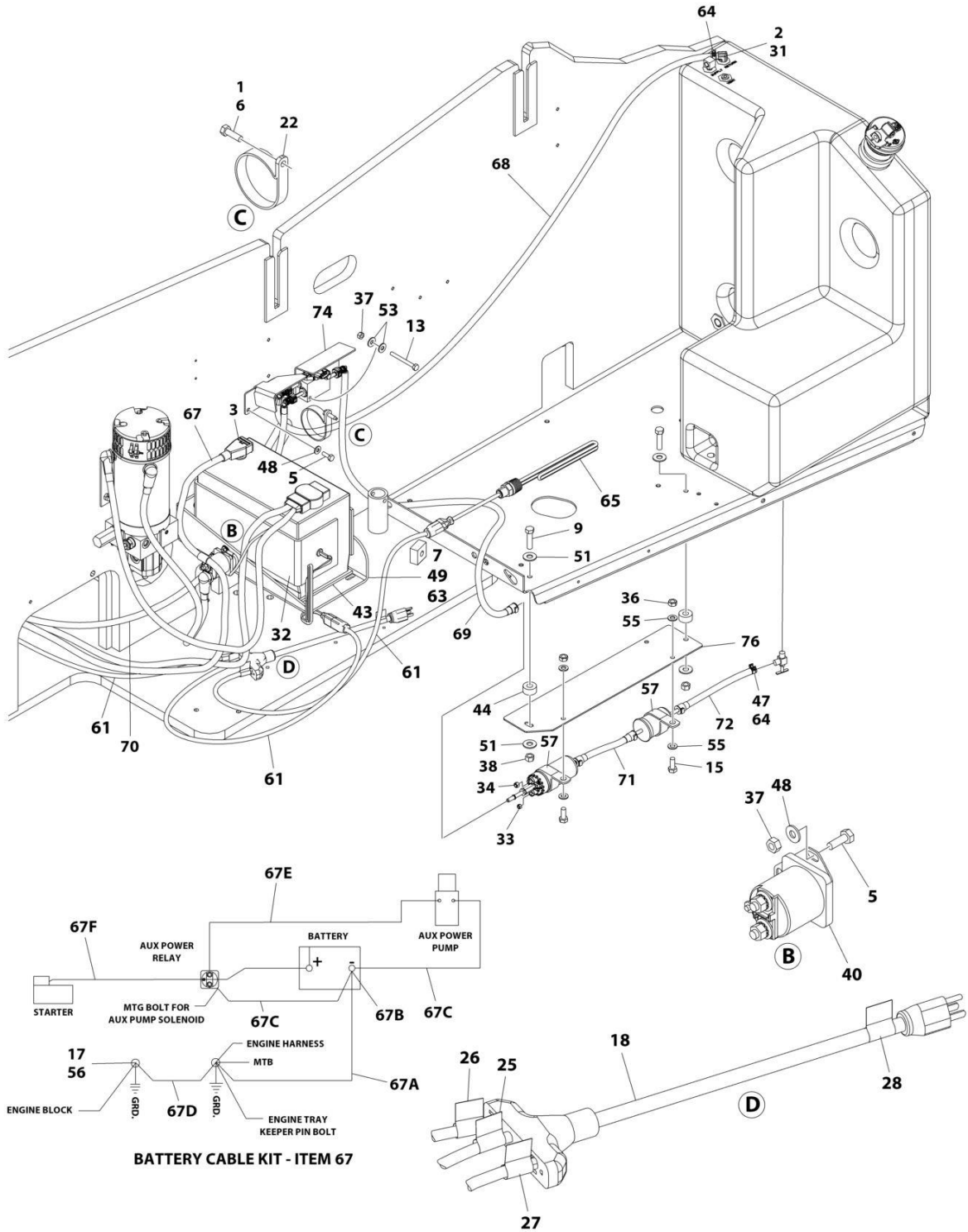
SECTION 3 - ENGINE

FIGURE 3-32. FORD ENGINE INSTALLATION (WITH ARCTIC PACKAGE)



ART_1001219610_10F2

SECTION 3 - ENGINE



ART_1001219610_20F2

SECTION 3 - ENGINE

FIGURE 3-32. FORD ENGINE INSTALLATION (WITH ARCTIC PACKAGE)

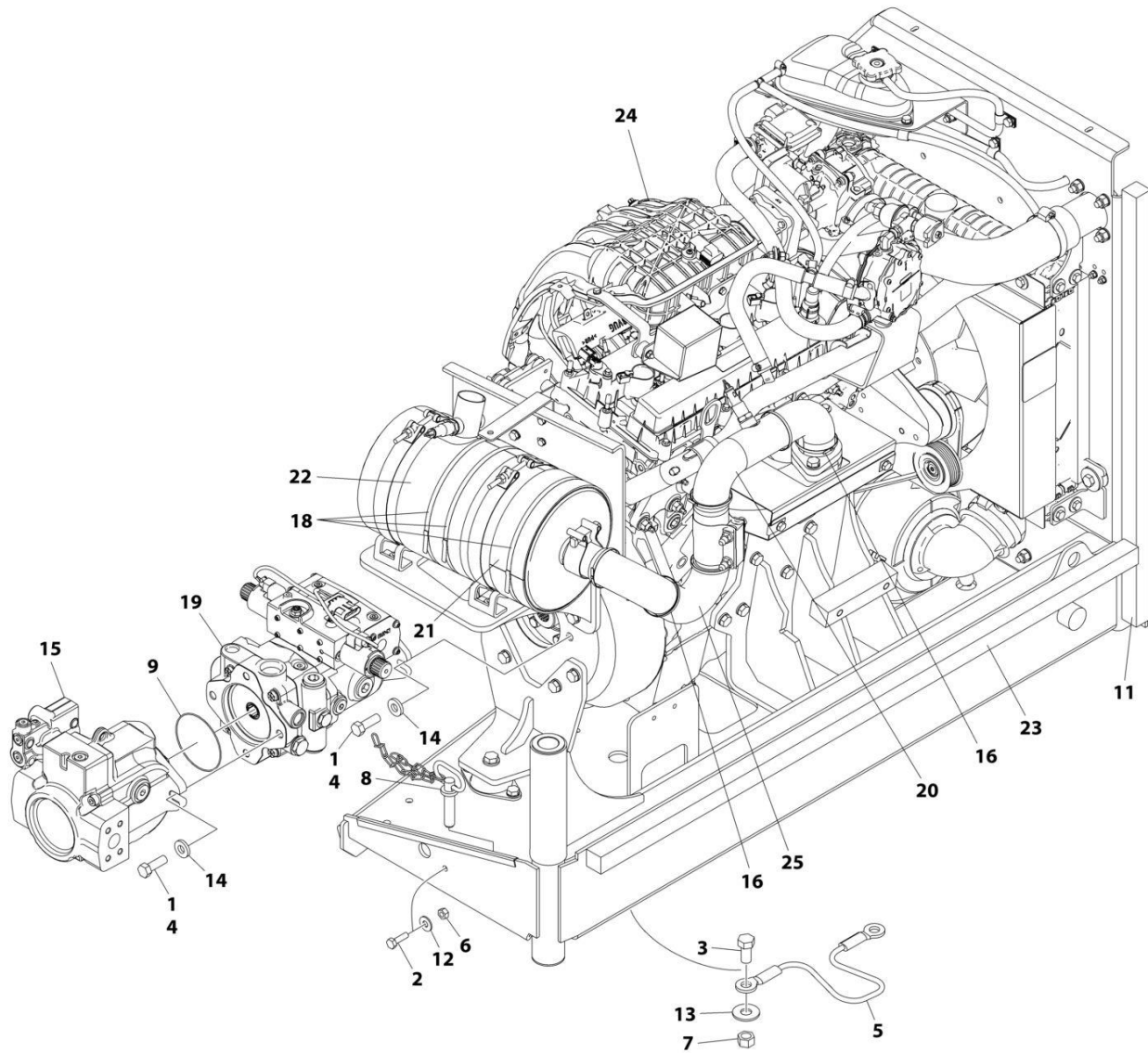
ITEM	PART NUMBER	QTY	DESCRIPTION	REV
	1001219610	Ref	FORD ENGINE INSTALLATION (WITH ARCTIC PACKAGE)	H
1	0100011	AR	Compound, Locking	
2	0100020	AR	Sealant	
3	0100048	AR	Grease, Terminal	
5	0641406	4	Bolt 1/4 x 3/4	
6	0641508	1	Bolt 5/16 x 1	
7	0641607	3	Bolt 3/8 x 7/8	
8	0641610	3	Bolt 3/8 x 1-1/4	
9	0641612	2	Bolt 3/8 x 1-1/2	
10	0641808	1	Bolt 1/2 x 1	
11	0642010	1	Bolt 5/8 x 1-1/4	
13	0641420	2	Bolt 1/4 x 2-1/2	
15	0760810	3	Bolt M8 x 20	
17	0761008	1	Bolt M10 x 16	
18	1060626	1	Plug, 3 Way	
21	1321283	2	Clamp	
22	1321339	1	Clamp	
23	1701542	1	Decal - Gas (Not Shown)	
24	1701543	2	Decal - LPG (Not Shown)	
25	1702941	1	Decal - Battery Heater	
26	1702942	1	Decal - Engine Block Heater	
27	1702943	1	Decal - Hydraulic Tank Heater	
28	1702944	1	Decal - Heater Cord	
29	2180418	1	Fitting, Straight	
30	2221197	1	Fitting, Reducer NPT/NPT	
31	2221176	1	Fitting, 90	
32	2580024	1	Heater, Battery	
33	3290405	1	Nut M4	
34	3290505	1	Nut M5	
36	3290801	2	Nut M8	
37	3311405	6	Nut 1/4	
38	3311605	4	Nut 3/8	
39	3422446	1	Pin	
40	3740067	1	Relay	
41	3790012	1	O-Ring (Not Shown - Located on Platform Console Box)	
42	3841143	1	Keeper, Pin	
43	3980007	1	Seat, Battery	
44	4071122	2	Shim	
45	4240099	AR	Tie-Strap (Not Shown)	
46	4360336	1	Switch, Toggle (Not Shown - Located on Platform Console Box)	
47	1001221488	1	Tube, Fuel Line	
48	4711400	6	Washer 1/4	
49	4711600	4	Washer 3/8	
51	4751600	8	Washer 3/8	
52	4752000	1	Washer 5/8	
53	4751400	8	Washer 1/4	
55	4811900	5	Washer M8	
56	4812000	1	Washer M10	
57	85941018	2	Clamp	
61	1001150918	1	Cable, Immersion Heater	

SECTION 3 - ENGINE

ITEM	PART NUMBER	QTY	DESCRIPTION	REV
62	1001153359	1	Mount	
63	1001162497	1	Bracket, Battery	
64	1001174486	2	Clamp	
65	1001188972	1	Heater, Hydraulic Tank	
67	1001216568	1	Battery Cable Kit	B
67A	7027084	1	Cable, Battery - Ground to Battery -	
67B	8270147	1	Terminal, Battery with Boot	
67C	7027085	1	Cable, Battery - Auxiliary Pump/Relay to Battery -	
67D	7027086	1	Cable, Battery - Engine to Ground	
67E	7027088	1	Cable, Battery - Auxiliary Relay to Auxiliary Pump	
67F	70009020	1	Cable, Battery - Starter/Auxiliary Relay to Battery +	
68	1001219364	1	Hose	
69	1001219365	1	Hose	
70	1001219366	1	Hose	
71	1001219367	1	Hose	
72	1001219368	1	Hose	
73	1001219369	1	Hose	
74	1001219370	1	Bracket	
75	1001219609	1	Ford Engine and Pump Sub-Assembly (with Arctic Package) (See Separate Breakdown in this Section)	
76	1001219809	1	Bracket	
77	0641408	1	Bolt 1/4 x 1	
79	8406201	1	Clip, Tube	

SECTION 3 - ENGINE

FIGURE 3-33. FORD ENGINE AND PUMP SUB-ASSEMBLY (WITHOUT ARCTIC PACKAGE)



ART_1001217192

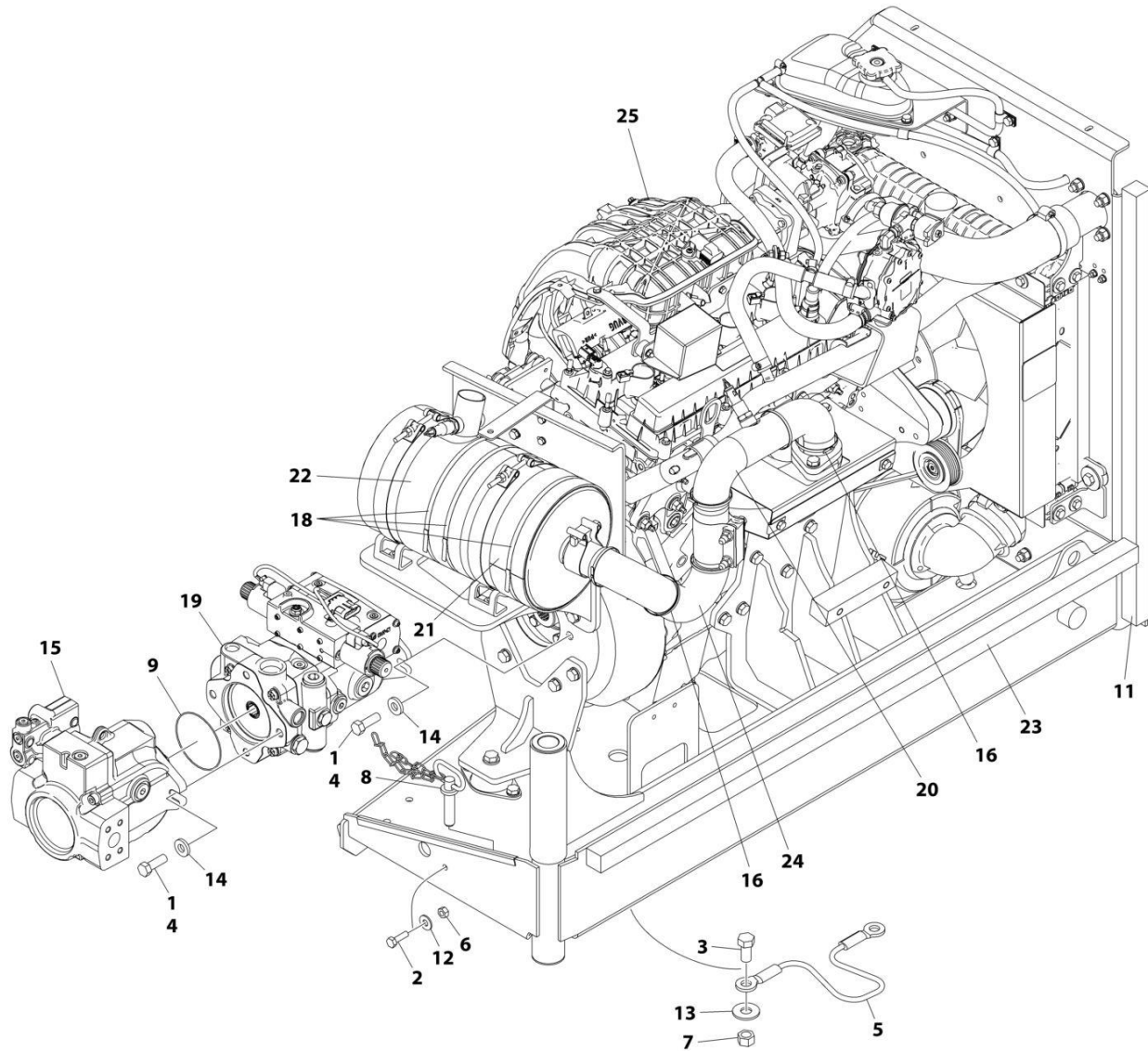
SECTION 3 - ENGINE

FIGURE 3-33. FORD ENGINE AND PUMP SUB-ASSEMBLY (WITHOUT ARCTIC PACKAGE)

ITEM	PART NUMBER	QTY	DESCRIPTION	REV
	1001217192	Ref	FORD ENGINE AND PUMP SUB-ASSEMBLY (WITHOUT ARCTIC PACKAGE)	G
1	0100011	AR	Compound, Locking	
2	0641407	1	Bolt 1/4 x 7/8	
3	0641808	1	Bolt 1/2 x 1	
4	0641812	4	Bolt 1/2 x 1-1/2	
5	1060637	1	Cable, Lanyard	
6	3311405	1	Nut 1/4	
7	3311805	1	Nut 1/2	
8	3422532	1	Pin	
9	3790044	1	O-Ring	
11	3960469	1	Seal	
12	4751400	1	Washer 1/4	
13	4751800	1	Washer 1/2	
14	4891800	4	Washer 1/2	
15	1001094595	1	Variable Pump Assembly (See Separate Breakdown in this Section)	
16	1001100825	6	Strap	
18	1001221464	3	Strap	
19	1001225745	1	Hydrostatic Pump Assembly (See Separate Breakdown in this Section)	
20	1001216532	1	Insulate, Exhaust Pipe	
21	1001216534	1	Insulate, Muffler	
22	1001216535	1	Insulate, Muffler	
23	1001217170	1	Seal	
24	1001217191	1	Ford Engine Assembly without Arctic Package (See Separate Breakdown in this Section)	
25	1001218085	1	Insulate, Exhaust Pipe	

SECTION 3 - ENGINE

FIGURE 3-34. FORD ENGINE AND PUMP SUB-ASSEMBLY (WITH ARCTIC PACKAGE)



ART_1001219609

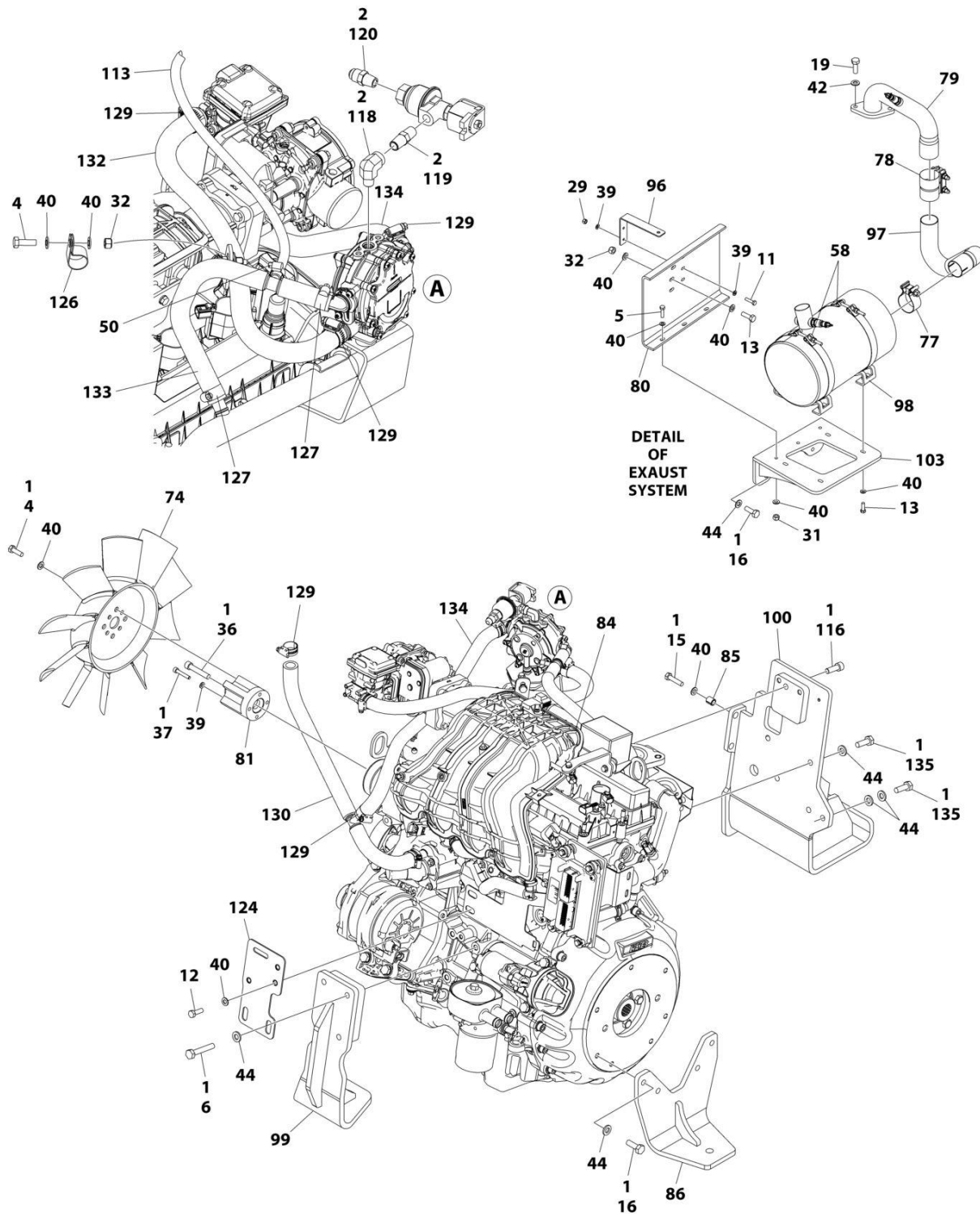
SECTION 3 - ENGINE

FIGURE 3-34. FORD ENGINE AND PUMP SUB-ASSEMBLY (WITH ARCTIC PACKAGE)

ITEM	PART NUMBER	QTY	DESCRIPTION	REV
	1001219609	Ref	FORD ENGINE AND PUMP SUB-ASSEMBLY (WITH ARCTIC PACKAGE)	E
1	0100011	AR	Compound, Locking	
2	0641407	1	Bolt 1/4 x 7/8	
3	0641808	1	Bolt 1/2 x 1	
4	0641812	4	Bolt 1/2 x 1-1/2	
5	1060637	1	Cable, Lanyard	
6	3311405	1	Nut 1/4	
7	3311805	1	Nut 1/2	
8	3422532	1	Pin	
9	3790044	1	O-Ring	
11	3960469	1	Seal	
12	4751400	1	Washer 1/4	
13	4751800	1	Washer 1/2	
14	4891800	4	Washer 1/2	
15	1001094595	1	Variable Pump Assembly (See Separate Breakdown in this Section)	
16	1001100825	6	Strap	
18	1001137336	3	Strap	
19	1001225745	1	Hydrostatic Pump Assembly (See Separate Breakdown in this Section)	
20	1001216532	1	Insulate, Exhaust Pipe	
21	1001216534	1	Insulate, Muffler	
22	1001216535	1	Insulate, Muffler	
23	1001217170	1	Seal	
24	1001218085	1	Insulate, Exhaust Pipe	
25	1001219608	1	Ford Engine Assembly with Arctic Package (See Separate Breakdown in this Section)	

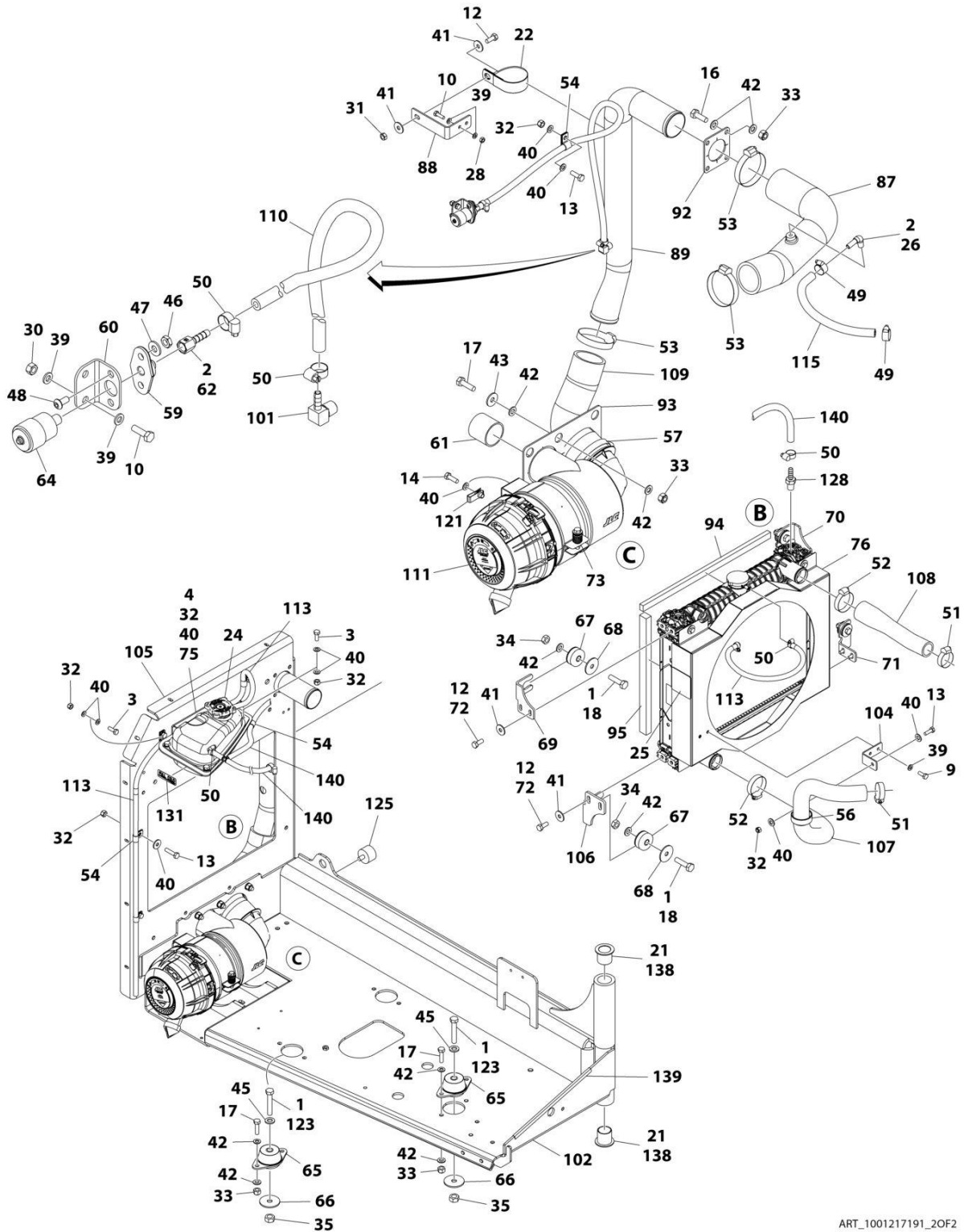
SECTION 3 - ENGINE

FIGURE 3-35. FORD ENGINE ASSEMBLY (WITHOUT ARCTIC PACKAGE)



ART_1001217191_1OF2

SECTION 3 - ENGINE



ART_1001217191_20F2

SECTION 3 - ENGINE

FIGURE 3-35. FORD ENGINE ASSEMBLY (WITHOUT ARCTIC PACKAGE)

ITEM	PART NUMBER	QTY	DESCRIPTION	REV
	1001217191	Ref	FORD ENGINE ASSEMBLY	Q
1	0100011	AR	Compound, Locking	
2	0100020	AR	Sealant	
3	0700810	3	Bolt 8 x 20	
4	0700812	7	Bolt 8 x 25	
5	0700814	3	Bolt 8 x 30	
6	0711020	3	Bolt M10 x 60	
9	0760608	2	Bolt 6 x 16	
10	0760610	4	Bolt M6 x 20	
11	0760612	2	Bolt 6 x 25	
12	0760810	11	Bolt M8 x 20	
13	0760812	12	Bolt M8 x 25	
14	0760814	2	Bolt M8 x 30	
15	0760815	2	Bolt M8 x 35	
16	0761014	11	Bolt M10 x 30	
17	0761015	12	Bolt M10 x 35	
18	0761016	4	Bolt M10 x 40	
19	0771014	2	Bolt 10 x 30	
21	0961986	2	Bearing, Flange	
22	1320110	1	Clamp	
23	1001187781	1	Tie-Strap (Not Shown)	
24	1001223584	1	Tank, Surge	
25	1703162	2	Decal - Fan Blade	
26	2180467	1	Fitting, Straight NPT/Barb	
28	3290601	2	Nut M6	
29	3290605	2	Nut M6	
30	3290607	2	Nut M6	
31	3290801	4	Nut M8	
32	3290805	14	Nut M8	
33	3291005	16	Nut M10	
34	3291001	4	Nut M10	
35	3291201	3	Nut M12	
36	3931640	1	Screw 3/8 x 2-1/2	
37	4031711	4	Capscrew M6 x 35	
38	4240099	AR	Tie-Strap (Not Shown)	
39	4811700	18	Washer M6	
40	4811900	48	Washer M8	
41	4811902	10	Washer M8	
42	4812000	38	Washer M10	
43	4812002	6	Washer M10	
44	5241000	16	Washer M10	
45	5241200	3	Washer M12	
46	8305401	2	Nut Jam	
47	8307109	2	Washer	
48	8310548	2	Screw 1/4 x 1/2	
49	8405006	2	Clamp	
50	8405009	5	Gear	
51	8405102	2	Clamp	
52	8405104	2	Clamp	
53	8405203	3	Clamp	

SECTION 3 - ENGINE

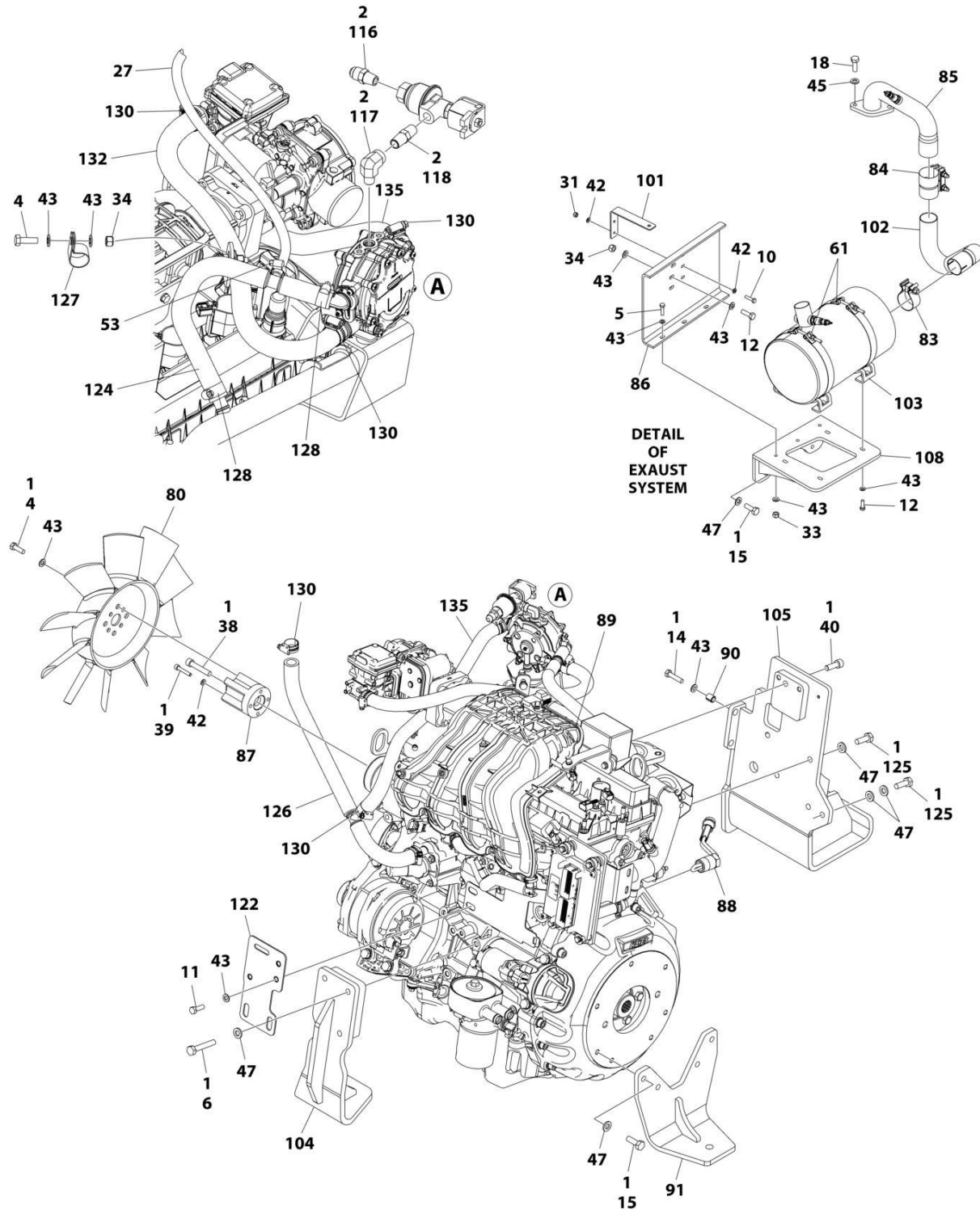
ITEM	PART NUMBER	QTY	DESCRIPTION	REV
54	8406109	6	Clip	
56	8410001	1	Clamp	
57	8410011	1	Clamp	
58	1001128901	2	Strap	
59	1001138173	1	Support	
60	1001138175	1	Bracket	
61	1001141585	1	Hose	
62	1001141995	2	Fitting, Straight NPT/Barbed	
64	1001149639	1	Indicator, Restriction	
65	1001191610	3	Mount, Motor	
66	1001168018	3	Washer	
67	1001169054	4	Isolator	
68	1001169138	4	Pad, Snubbing	
69	1001169967	1	Bracket	
70	1001170035	1	Bracket	
71	1001176329	1	Bracket	
72	1001180620	AR	Adhesive	
73	1001186426	1	Clamp	
74	1001223042	1	Fan	
75	1001225442	1	Bracket	
76	1001223923	1	Radiator	
77	1001215681	1	Clamp	
78	1001215974	1	Clamp	
79	1001216075	1	Pipe, Exhaust	
80	1001216092	1	Shield, Heat	
81	1001216201	1	Adapter	
84	1001216910	1	Ford Engine Prep Assembly (See Separate Breakdown in this Section)	
85	1001216919	2	Sleeve	
86	1001290252	1	Mount, Engine Rear	
87	1001217032	1	Tube	
88	1001217046	1	Bracket	
89	1001217090	1	Tube	
92	1001217174	1	Seal	
93	1001217175	1	Seal	
94	1001217183	2	Seal	
95	1001217185	2	Seal	
96	1001217186	1	Support	
97	1001217317	1	Pipe	
98	1001217543	2	Mount	
99	1001218362	1	Mount	
100	1001218449	1	Bracket	
101	1001134488	1	Fitting	
102	1001219259	1	Support	
103	1001219345	1	Muffler	
104	1001219361	1	Support	
105	1001219363	1	Plate	
106	1001219480	1	Bracket	
107	1001219611	1	Hose	
108	1001219612	1	Hose	
109	1001219613	1	Tube	
110	1001138248	31 in/	Tube	

SECTION 3 - ENGINE

ITEM	PART NUMBER	QTY	DESCRIPTION	REV
		77cm		
111	1001189979	1	Air Filter Assembly	
111	70005008	1	Element, Filter - Primary	
111	70006460	1	Element, Filter -Secondary	
111	8273291	1	Valve, Dust Evacuator	
111	70006461	1	Cover	
113	2720058	55 in/ 1.5m	Hose	
115	1001165035	10 26cm	Hose	
116	5272010	1	Bolt M10 x 30	
118	1001247359	1	Fitting, 90 FSNPSM/NPTF	
119	2220261	1	Fitting	
120	2180418	1	Fitting	
121	1001221615	2	Nut M8	
123	0711223	3	Bolt 12 x 75	
124	1001222033	1	Plate	
125	0940070	1	Bumper	
126	8406201	1	Clip	
127	8410009	2	Gear Clamp	
128	2180348	1	Fitting	
129	1001173535	6	Clamp	
130	1001224489	1	Hose	
131	1001225510	1	Decal	
132	1001216531	1	Hose	
133	1001227666	1	Hose	
134	1001224486	1	Hose	
135	0711014	5	Bolt 10 x 30	
138	0100062	AR	Compound Locking	
139	4060805	16 in/ 41cm	Shield	
140	1001227667	1	Hose	

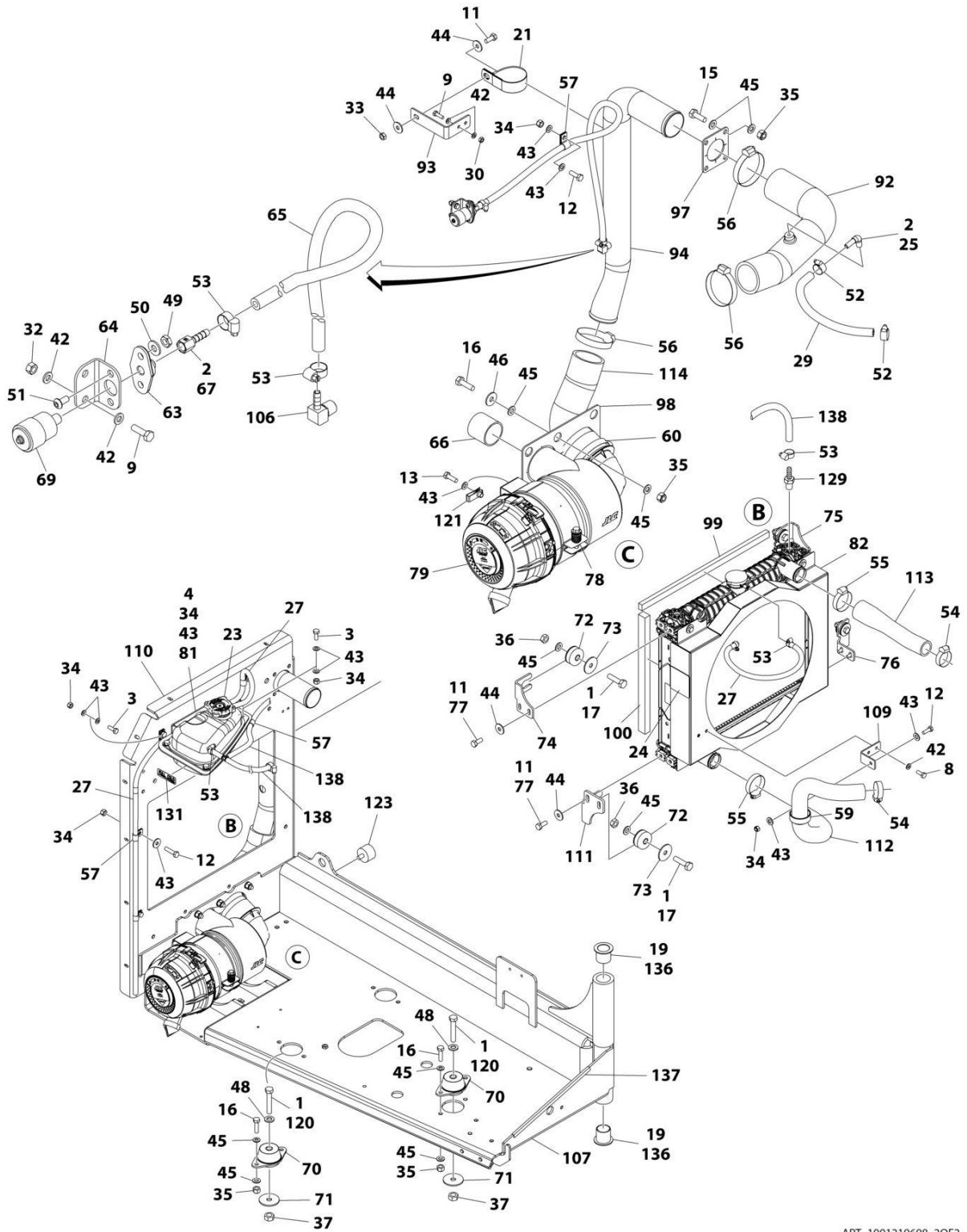
SECTION 3 - ENGINE

FIGURE 3-36. FORD ENGINE ASSEMBLY (WITH ARCTIC PACKAGE)



ART_1001219608_10F2

SECTION 3 - ENGINE



ART_1001219608_20F2

SECTION 3 - ENGINE

FIGURE 3-36. FORD ENGINE ASSEMBLY (WITH ARCTIC PACKAGE)

ITEM	PART NUMBER	QTY	DESCRIPTION	REV
	1001219608	Ref	FORD ENGINE ASSEMBLY	M
1	0100011	AR	Compound, Locking	
2	0100020	AR	Sealant	
3	0700810	3	Bolt M8 x 20	
4	0700812	7	Bolt M8 x 25	
5	0700814	3	Bolt M8 x 30	
6	0711020	3	Bolt M10 x 60	
8	0760608	2	Bolt M6 x 16	
9	0760610	4	Bolt M6 x 20	
10	0760612	2	Bolt M6 x 25	
11	0760810	11	Bolt M8 x 20	
12	0760812	12	Bolt M8 x 25	
13	0760814	2	Bolt M8 x 30	
14	0760815	2	Bolt M8 x 35	
15	0761014	11	Bolt M10 x 30	
16	0761015	12	Bolt M10 x 35	
17	0761016	4	Bolt M10 x 40	
18	0771014	2	Bolt M10 x 30	
19	0961986	2	Bearing, Flange	
21	1320110	1	Clamp	
22	1001187781	1	Tie-Strap (Not Shown)	
23	1001223584	1	Tank, Surge	
24	1703162	2	Decal - Fan Blade	
25	2180467	1	Fitting, Straight NPT/Barb	
27	2720058	55 in/ 1.5m	Hose	
29	1001165035	10 26cm	Hose	
30	3290601	2	Nut M6	
31	3290605	2	Nut M6	
32	3290607	2	Nut M6	
33	3290801	4	Nut M8	
34	3290805	14	Nut M8	
35	3291005	16	Nut M10	
36	3291001	4	Nut M10	
37	3291201	3	Nut M12	
38	3931640	1	Screw 3/8 x 2-1/2	
39	4031711	4	Capscrew M6 x 35	
40	5272010	1	Bolt M10 x 30	
41	4240099	AR	Tie-Strap (Not Shown)	
42	4811700	18	Washer M6	
43	4811900	48	Washer M8	
44	4811902	10	Washer M8	
45	4812000	38	Washer M10	
46	4812002	6	Washer M10	
47	5241000	16	Washer M10	
48	5241200	3	Washer M12	
49	8305401	2	Nut Jam	
50	8307109	2	Washer	
51	8310548	2	Bolt 1/4 x 1/2	
52	8405006	2	Clamp	

SECTION 3 - ENGINE

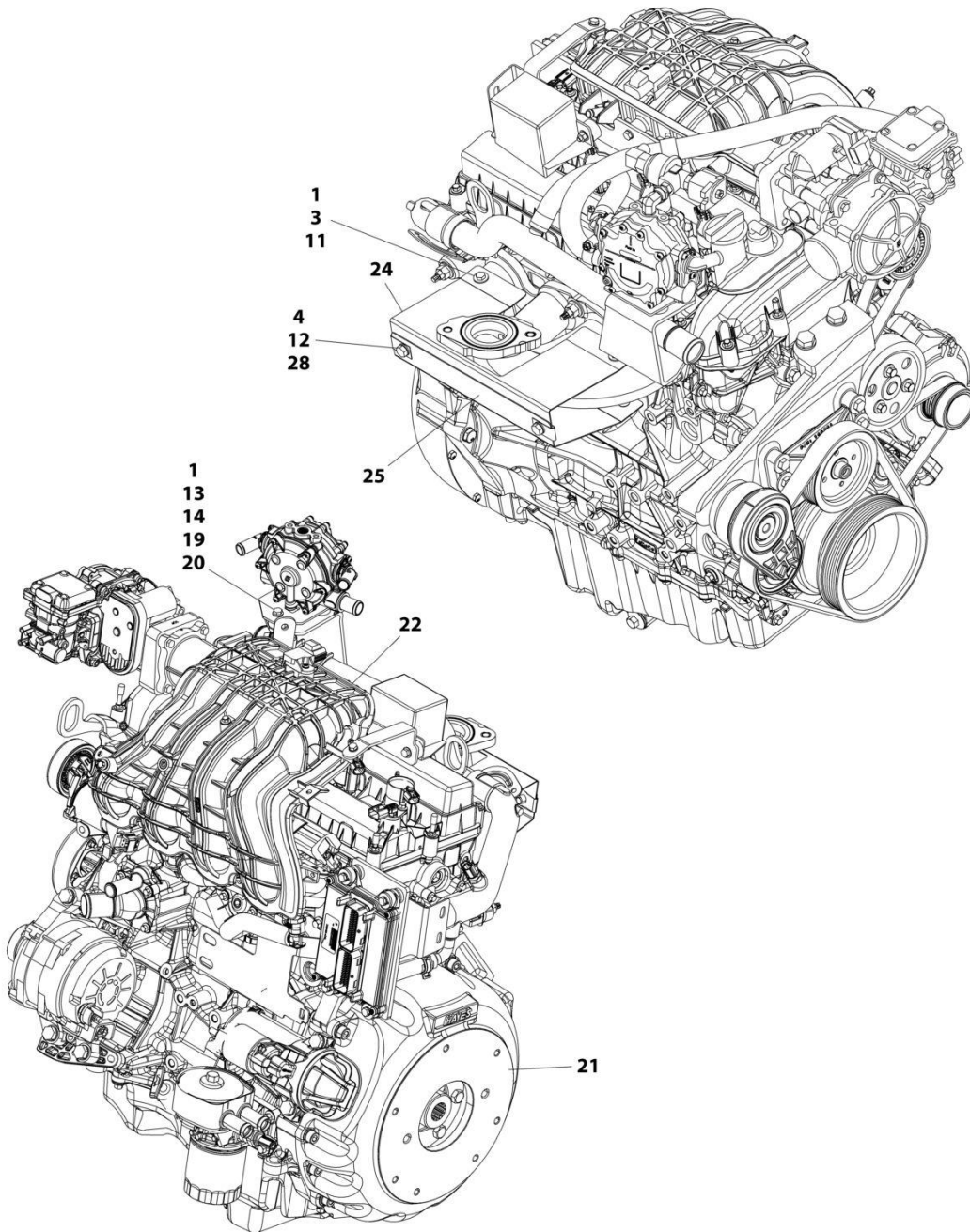
ITEM	PART NUMBER	QTY	DESCRIPTION	REV
53	8405009	5	Gear	
54	8405102	2	Clamp	
55	8405104	2	Clamp	
56	8405203	3	Clamp	
57	8406109	6	Clip	
59	8410001	1	Clamp	
60	8410011	1	Clamp	
61	1001128901	2	Strap	
63	1001138173	1	Support	
64	1001138175	1	Bracket	
65	1001138248	31 in/ 77cm	Tube	
66	1001141585	1	Hose	
67	1001141995	1	Fitting, Straight NPT/Barbed	
69	1001149639	1	Indicator, Restriction	
70	1001191610	3	Mount, Motor	
71	1001168018	3	Washer	
72	1001169054	4	Isolator	
73	1001169138	4	Pad, Snubbing	
74	1001169967	1	Bracket	
75	1001170035	1	Bracket	
76	1001176329	1	Bracket	
77	1001180620	AR	Adhesive	
78	1001186426	1	Clamp	
79	1001189979	1	Air Filter Assembly	
79	70005008	4	Element, Filter - Primary	
79	70006460	4	Element, Filter - Secondary	
79	8273291	1	Valve, Dust Evacuator	
79	70006461	1	Cover	
80	1001223042	1	Fan	
81	1001225442	1	Bracket	
82	1001223923	1	Radiator	
83	1001215681	1	Clamp	
84	1001215974	1	Clamp	
85	1001216075	1	Pipe, Exhaust	
86	1001216092	1	Shield, Heat	
87	1001216201	1	Adapter	
88	1001216393	1	Heater, Block	
89	1001216910	1	Ford Engine Prep Assembly (See Separate Breakdown in this Section)	
90	1001216919	2	Sleeve	
91	1001216995	1	Mount, Engine Rear	
92	1001217032	1	Tube	
93	1001217046	1	Bracket	
94	1001217090	1	Tube	
97	1001217174	1	Seal	
98	1001217175	1	Seal	
99	1001217183	2	Seal	
100	1001217185	2	Seal	
101	1001217186	1	Support	
102	1001217317	1	Pipe	
103	1001217543	2	Mount	

SECTION 3 - ENGINE

ITEM	PART NUMBER	QTY	DESCRIPTION	REV
104	1001218362	1	Mount	
105	1001218449	1	Bracket	
106	1001134488	1	Fitting	
107	1001219259	1	Support	
108	1001219345	1	Muffler	
109	1001219361	1	Support	
110	1001219363	1	Plate	
111	1001219480	1	Bracket	
112	1001219611	1	Hose	
113	1001219612	1	Hose	
114	1001219613	1	Tube	
116	2180418	1	Fitting	
117	1001247359	1	Fitting, 90 FSNPSM/NPTF	
118	2220261	1	Fitting	
120	0711223	3	Bolt M12 x 75	
121	1001221615	2	Nut M8	
122	1001222033	1	Plate	
123	0940070	1	Bumper	
124	1001227666	1	Hose	
125	0711014	5	Bolt M10 x 30	
126	1001224489	1	Hose	
127	8406201	1	Clip	
128	8410009	2	Gear Clamp	
129	2180348	1	Fitting	
130	1001173535	6	Clamp	
131	1001225510	1	Decal	
132	1001216531	1	Hose	
135	1001224486	1	Hose	
136	0100062	AR	Compound Locking	
137	4060805	16 in/ 41cm	Shield	
138	1001227667	1	Hose	

SECTION 3 - ENGINE

FIGURE 3-37. FORD ENGINE PREP ASSEMBLY



ART_1001216910_F

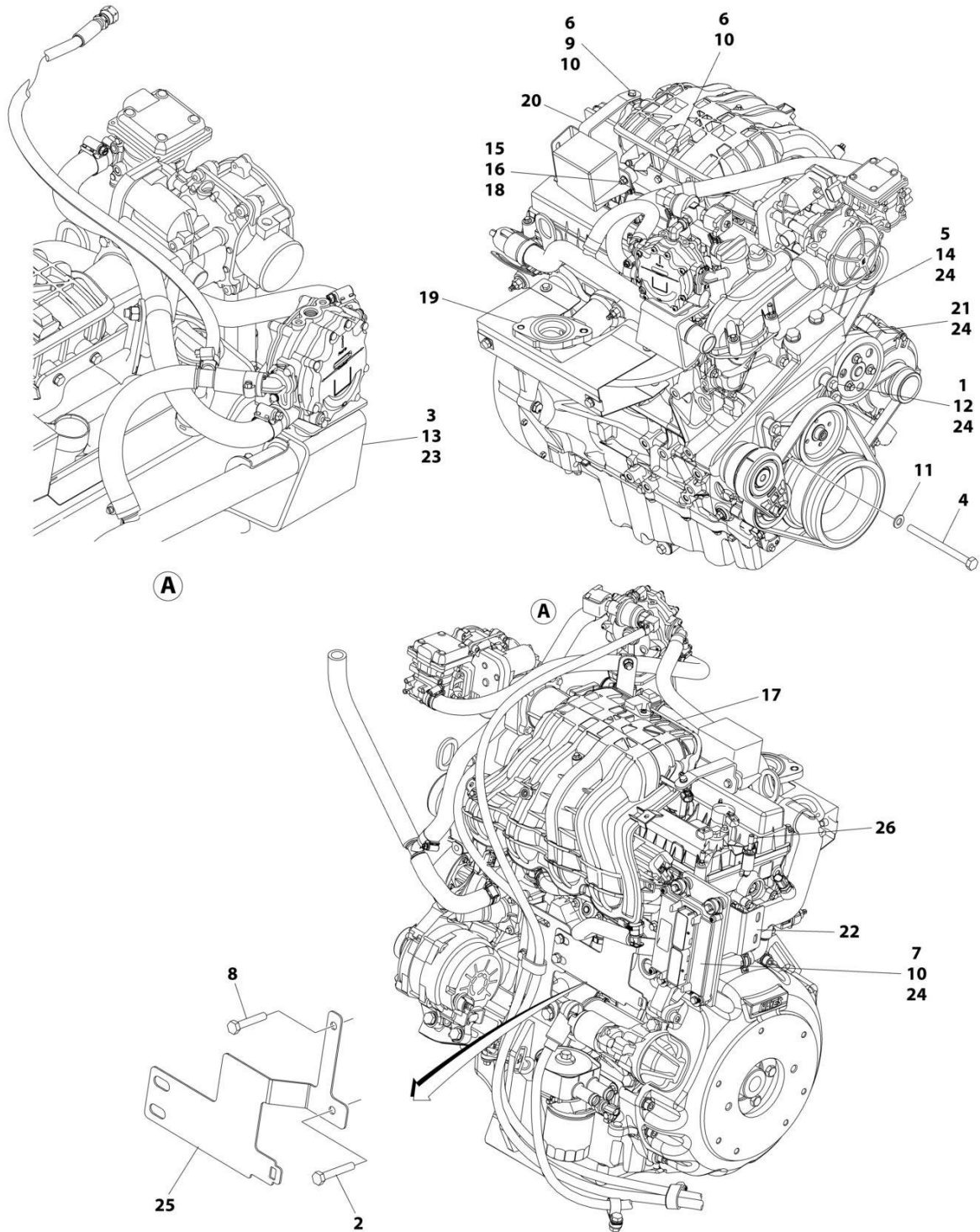
SECTION 3 - ENGINE

FIGURE 3-37. FORD ENGINE PREP ASSEMBLY

ITEM	PART NUMBER	QTY	DESCRIPTION	REV
	1001216910	Ref	FORD ENGINE PREP ASSEMBLY	F
1	0100011	AR	Compound, Locking	
3	0760605	4	Bolt M6 x 10	
4	0760807	2	Bolt M8 x 14	
11	4811702	4	Washer M6	
12	4811900	2	Washer M8	
13	5250605	3	Bolt M6 x 10	
14	5260600	1	Nut M6 Class 10	
19	1001211794	3	Mount, Isolator	
20	1001227769	1	Plate	
21	1001213810	1	Pump Coupling Kit	
21	70006134	1	Coupling	
21	70006135	1	Housing	
21	70006136	1	Hardware Kit	
22	1001216065	1	Ford Engine Assembly (See Separate Breakdown in this Section)	
24	1001216768	1	Bracket	
25	1001216769	1	Bracket	
28	1001149160	2	Nut, Tinnerman M8	

SECTION 3 - ENGINE

FIGURE 3-38. FORD ENGINE BRACKETS AND EXHAUST MANIFOLD INSTALLATION



ART_1001216065

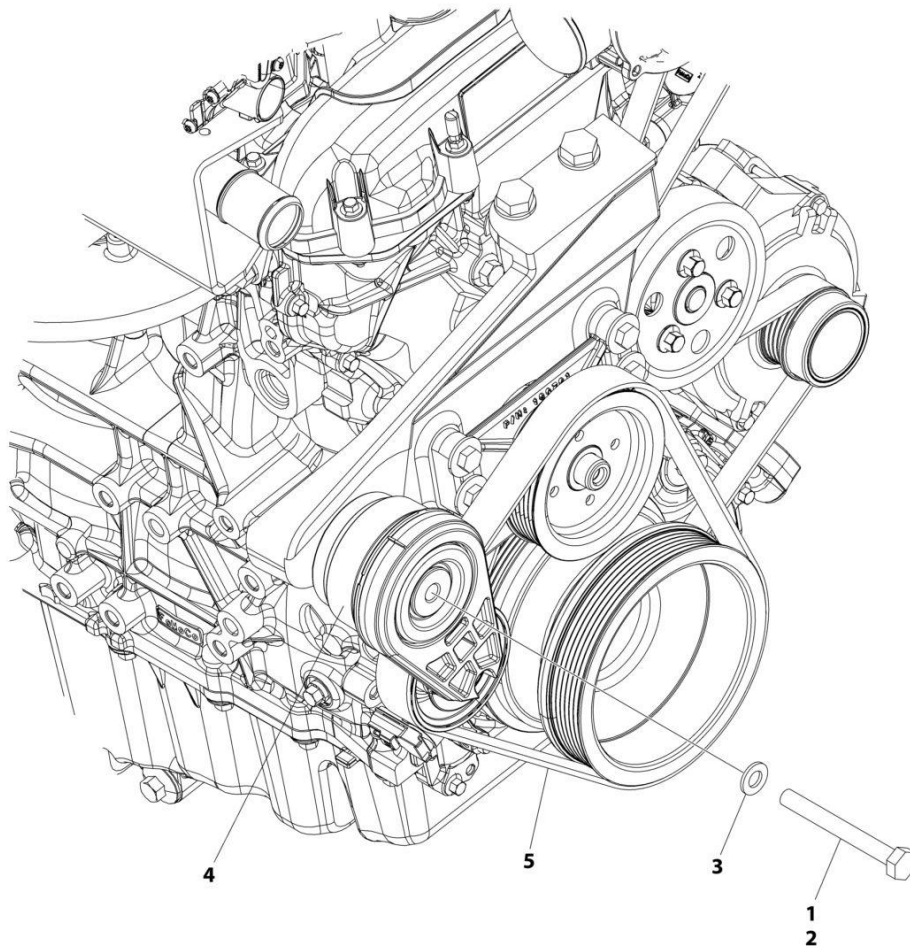
SECTION 3 - ENGINE

FIGURE 3-38. FORD ENGINE BRACKETS AND EXHAUST MANIFOLD INSTALLATION

ITEM	PART NUMBER	QTY	DESCRIPTION	REV
	1001216065	Ref	FORD ENGINE ASSEMBLY - BRACKETS/EXHAUST MANIFOLD	N
1	0700816	4	Bolt M8 x 40	
2	0700818	1	Bolt M8 x 50	
3	0701014	2	Bolt M10 x 30	
4	0710827	1	Bolt M8 x 100 Grade 10.9	
5	0711216	2	Bolt M12 x 40	
6	0760610	3	Bolt M6 x 20	
7	0760615	4	Bolt M6 x 35	
8	0760817	1	Bolt M8 x 45	
9	3290601	1	Nut M6	
10	4811700	8	Washer M6	
11	4811900	1	Washer M8	
12	4811902	4	Washer M8	
13	4812000	1	Washer M10	
14	4812100	2	Washer M12	
15	5250605	2	Bolt M6 x 10	
16	5260600	2	Nut M6 Class 10	
17	1001210448	1	Engine, Ford 2.5L (See Separate Breakdown in this Section)	
18	1001211794	2	Mount	
19	1001214827	1	Manifold, Exhaust	
20	1001215384	1	Bracket	
21	1001216071	1	Bracket	
22	1001216144	1	Support, Muffler	
23	1001227772	1	Mount, Vaporizer	
24	0100011	AR	Compound, Locking	
25	1001221545	1	Plate	
26	1001222641	6	Cap	

SECTION 3 - ENGINE

FIGURE 3-39. FORD ENGINE DRIVE BELT INSTALLATION (MACHINES WITHOUT GENERATOR)



ART_1001220404

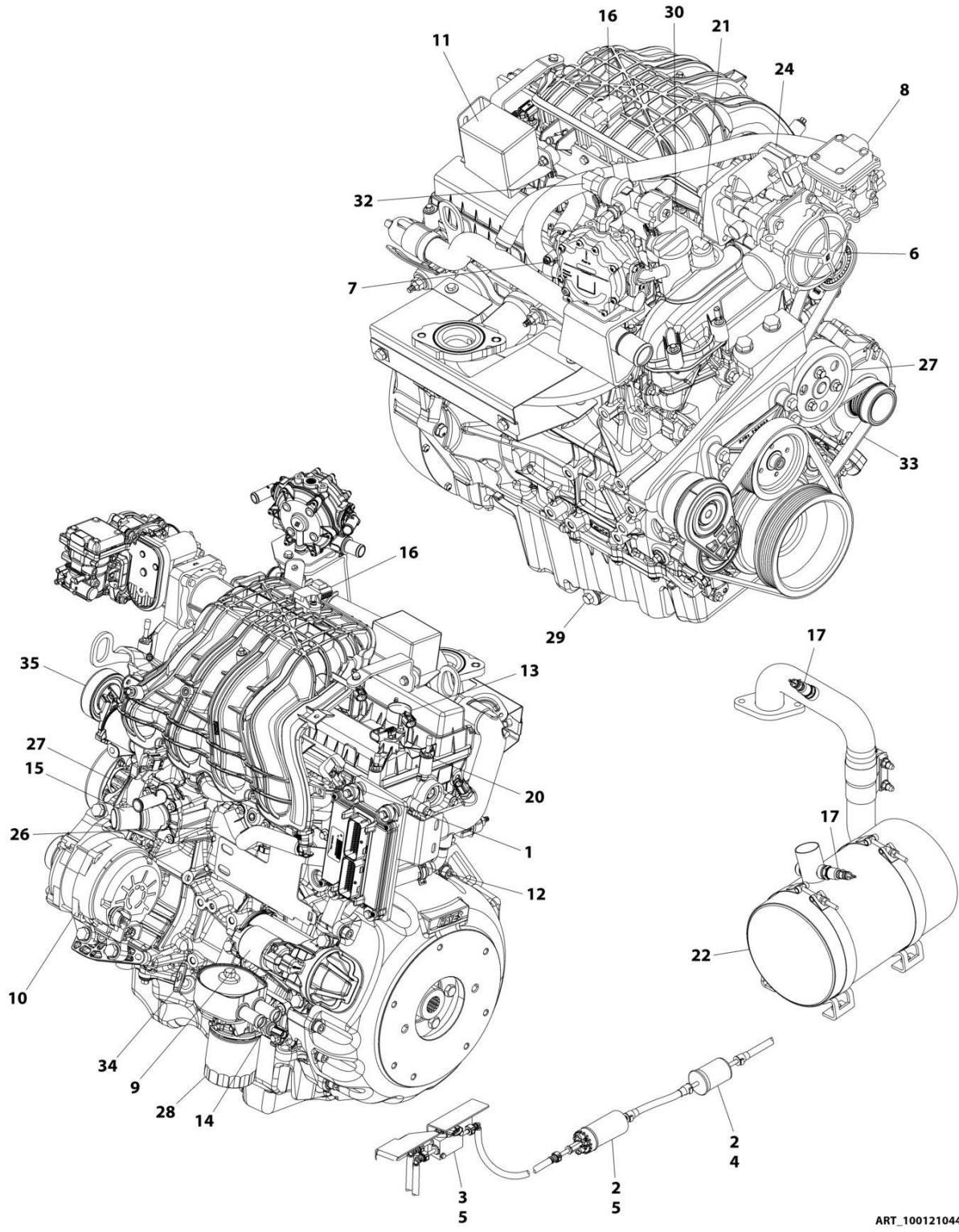
SECTION 3 - ENGINE

FIGURE 3-39. FORD ENGINE DRIVE BELT INSTALLATION (MACHINES WITHOUT GENERATOR)

ITEM	PART NUMBER	QTY	DESCRIPTION	REV
	1001220404	Ref	DRIVE BELT INSTALLATION	C
1	0100011	AR	Compound, Locking	
2	0701026	1	Bolt M10 x 90	
3	4812002	1	Washer M10	
4	1001216300	1	Pulley	
5	1001216619	1	V-Belt	

SECTION 3 - ENGINE

FIGURE 3-40. FORD ENGINE COMPONENTS



ART_1001210448

SECTION 3 - ENGINE

FIGURE 3-40. FORD ENGINE COMPONENTS

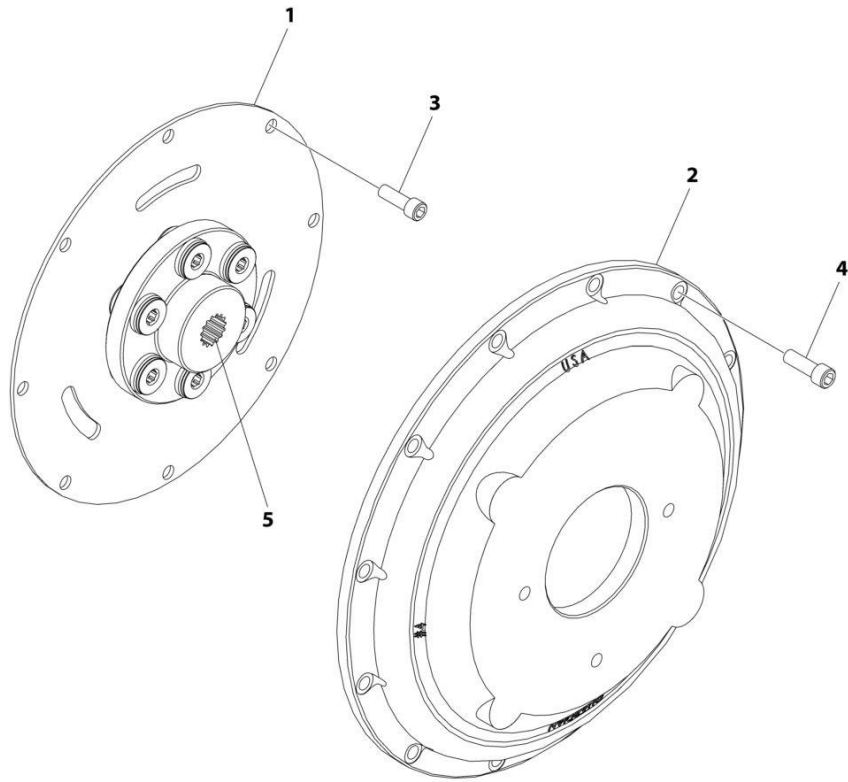
ITEM	PART NUMBER	QTY	DESCRIPTION	REV
	1001210448	Ref	FORD ENGINE COMPONENTS	H
1	70006145	4	Injector, Fuel	
1	70006147	1	Rail, Fuel	
2	70006150	1	Pump, Fuel	
2	70006154	1	Fitting M10	
3	70006151	1	Block, Fuel	
3	70006152	2	Fitting SAE6	
3	70006153	1	Fitting SAE3	
3	70006189	1	Harness, Fuel Block	
4	70006155	1	Filter, Fuel	
5	7022162	8	Clamp	
5	70006157	8	Clip, Fuel Quick Disconnect	
6	70006158	1	Mixer, LP	
6	70006168	1	Mixer Diaphragm Replacement Kit	
6	70006159	1	Adapter, Mixer to Governor	
6	70006160	1	O-Ring, Mixer to Adapter	
6	70006161	1	Seal, Mixer to Adapter	
7	70006162	1	Regulator, LP Vapor	
7	70006166	2	Fitting	
7	70006167	1	Fitting, Straight	
7	70006165	2	Isolator, Rubber	
8	70006163	1	Regulator, Direct Electronic Pressure	
8	70006164	1	Adapter, Fitting 90	
9	70006169	1	Starter	
9	70006233	1	Harness, Alternator/Starter	
10	70006170	1	Alternator	
11	70006173	1	Cover, Relay Box	
11	70006171	2	Relay (Fuel Pump & Power)	
11	70006172	1	Relay (Starter)	
11	70006175	1	Fuse - 20Amp (Starter)	
11	70006174	1	Decal - Relay Box Cover	
11	70006188	1	Harness, Engine	
11	70006165	2	Isolator, Rubber	
12	70006176	1	Module - Engine Control Unit (ECU/GCP)	
12	70006191	1	Software & Diagnostic Cable	
13	70006177	4	Coil and Boot Assembly	
13	70006178	4	Plug, Spark	
14	70006179	1	Switch, Oil Pressure	
15	70006180	1	Sensor, Knock	
16	70006181	1	Sensor, TMAP	
17	70006182	2	Sensor, O2	
18	70006183	1	Sensor, Coolant Temperature (Not Shown - Located Rear of Engine Block)	
19	70006184	1	Sensor, Crank Position (Not Shown - Located at Front RH Side of Block)	
20	70006185	1	Sensor, Cam Position	
21	70006186	1	Solenoid, Timing	
21	70006187	1	Grommet, Rubber	
22	70006194	1	Muffler	
22	70006195	1	Plug (Located at Muffler Outlet)	

SECTION 3 - ENGINE

ITEM	PART NUMBER	QTY	DESCRIPTION	REV
23		Ref	Gasket Options (Not Shown)	
23	70006196	1	Gasket, Exhaust Manifold to Head	
23	70006197	1	Gasket, Exhaust Manifold Outlet	
23	70006200	1	Gasket, Intake Manifold to Head	
23	70006219	1	Gasket Set - Camshaft Cover	
23	70006225	1	Gasket, Cylinder Head	
24	70006198	1	Governor	
24	7027404	1	Gasket, Governor Actuator	
24	70006199	1	Gasket, Governor to Intake Manifold Adapter	
25	70006203	1	Flywheel (Not Shown)	
26	70006205	1	Thermostat (Includes Housing)	
26	70006206	1	Gasket, Water Inlet	
27	70006207	1	Pump, Water	
27	70006208	1	O-Ring, Water Pump	
27	See Note	NSS	Pulley, Water Pump (Note: Not Available for Purchase at This Time)	
28	70006213	1	Filter, Oil	
29	70006215	1	Plug, Oil Drain	
29	70006217	1	Gasket, Oil Drain Plug	
30	70006221	1	Cap, Oil Fill	
31	70006232	1	Sensor, Crank (Not Shown)	
32	70006235	1	Valve, Lock-Off (Includes Filter)	
33	70006202	1	Belt	
34	70006236	1	Dipstick	
35	70007108	1	Belt Tensioner	

SECTION 3 - ENGINE

FIGURE 3-41. PUMP COUPLING KIT (DEUTZ ENGINES)



ART_1001153282

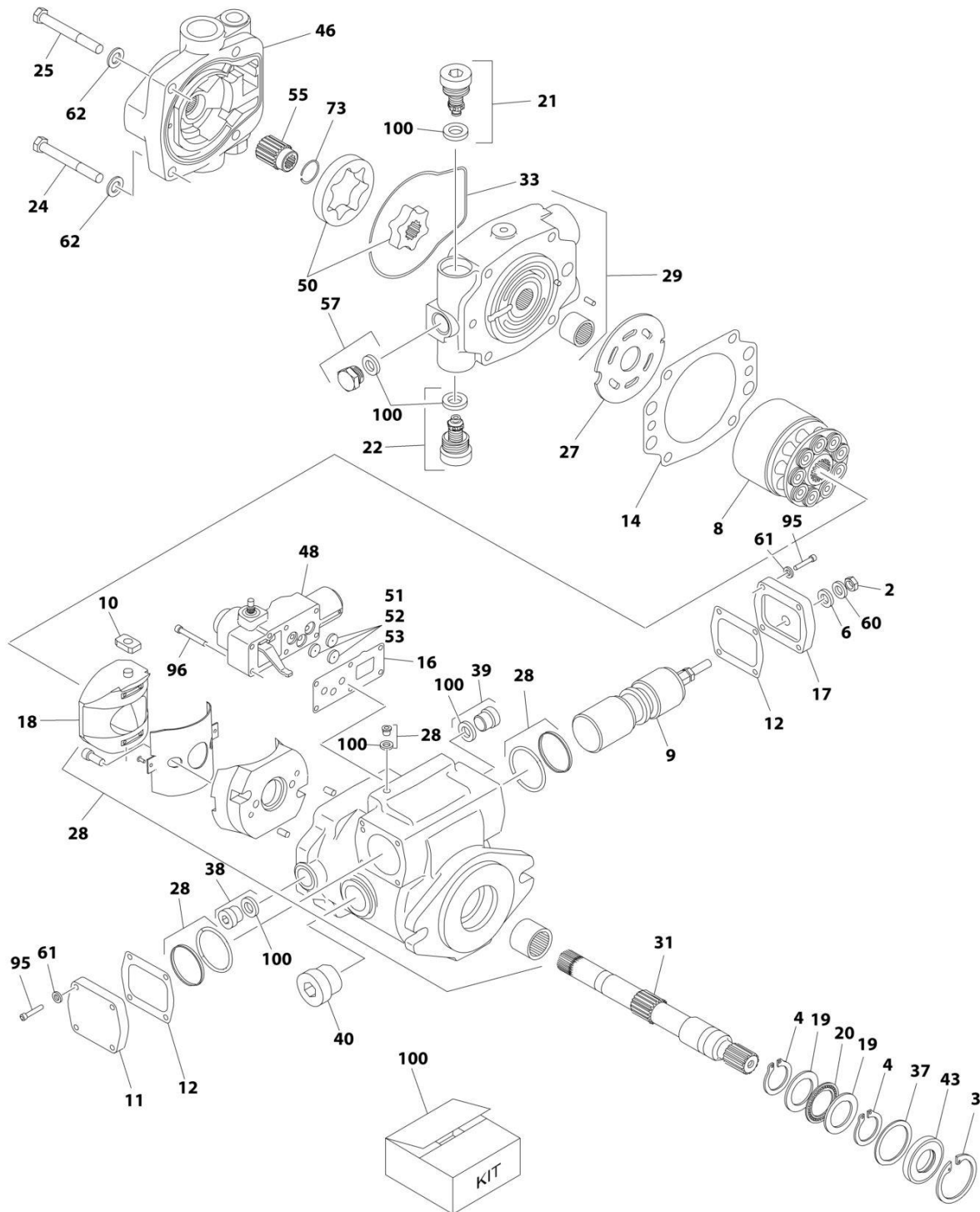
SECTION 3 - ENGINE

FIGURE 3-41. PUMP COUPLING KIT (DEUTZ ENGINES)

ITEM	PART NUMBER	QTY	DESCRIPTION	REV
	1001153282	Ref	PUMP COUPLING KIT	E
1	70004183	1	Coupling Guardian	
2	See Note	NSS	Plate, Pump Adapter (Note: Use p/n 1001153282)	
3	See Note	8	Capscrew M10 x 20 Grade 10.9 (Note: Not Available - Purchase Locally or Purchase Kit)	
4	See Note	12	Capscrew M10 x 25 Grade 10.9 (Note: Not Available - Purchase Locally or Purchase Kit)	
5	3020021	AR	Grease, Coupling	

SECTION 3 - ENGINE

FIGURE 3-42. HYDROSTATIC PUMP ASSEMBLY



ART_1001225745

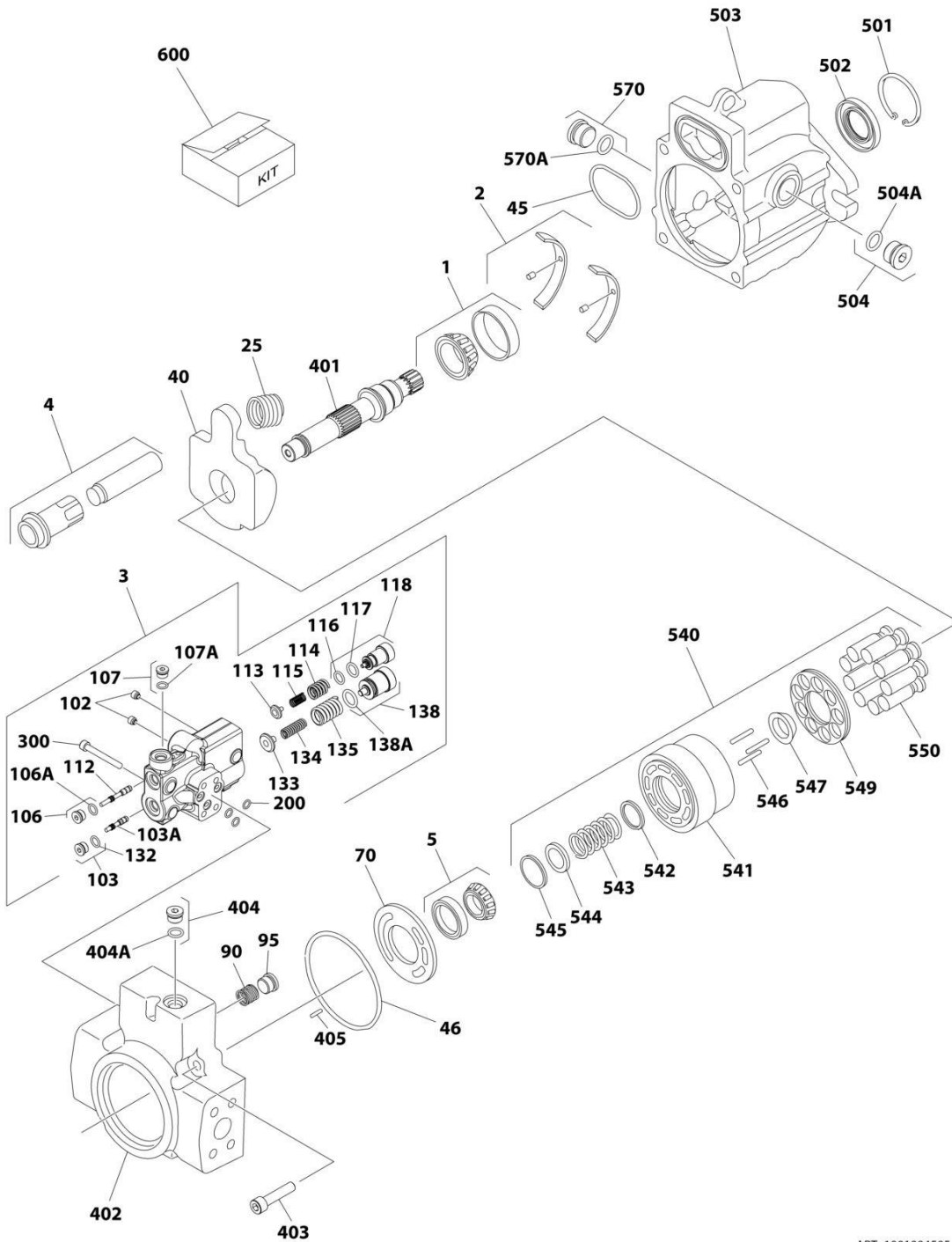
SECTION 3 - ENGINE

FIGURE 3-42. HYDROSTATIC PUMP ASSEMBLY

ITEM	PART NUMBER	QTY	DESCRIPTION	REV
	1001225745	Ref	HYDROSTATIC PUMP ASSEMBLY	A
2	70004329	1	Nut	
3	See Note	NSS	Ring, Retaining (Note: Use Item 100)	
4	See Note	NSS	Ring, Retaining (Note: Use Item 100)	
6	See Note	NSS	Washer, Seal (Note: Use Item 100)	
8	70004331	1	Cylinder Block Assembly	
9	70004332	1	Servo Piston Assembly	
10	70004333	1	Follower, Servo Piston	
11	70005458	1	Cover	
12	See Note	NSS	Gasket, Cover (Note: Use Item 100)	
14	See Note	NSS	Gasket, Housing (Note: Use Item 100)	
16	See Note	NSS	Gasket, Control Housing (Note: Use Item 100)	
17	70005459	1	Cover	
18	70004336	1	Camplate Assembly	
19	7004907	2	Race, Thrust	
20	7004908	1	Bearing, Thrust	
21	70004337	1	Relief Valve Assembly	
22	70004337	1	Relief Valve Assembly	
24	70004338	2	Capscrew	
25	70004338	2	Capscrew	
27	70004340	1	Plate, Valve	
28	See Note	NSS	Housing (Note: Not Available - Purchase Assembly)	
29	70005460	1	End Cover Assembly	
31	70004342	1	Shaft, Drive	
33	See Note	NSS	O-Ring (Note: Use Item 100)	
37	7004906	1	Washer	
38	70005461	1	Plug	
39	70005461	1	Plug	
40	70005462	1	Plug	
43	See Note	NSS	Seal, Shaft (Note: Use Item 100)	
46	70004343	1	Adapter, Charge Pump	
48	70004344	1	Servo Control Assembly	
50	70004345	1	Gerotor	
51	70004346	1	Orifice	
52	70004346	1	Orifice	
53	70004346	1	Orifice	
55	70004347	1	Coupler	
57	70005463	1	Plug	
60	70004348	1	Washer	
61	70004349	8	Washer	
62	70004350	4	Washer	
73	70004351	1	Ring, Retaining	
95	70005464	8	Capscrew	
96	70005465	6	Capscrew	
100	70004352	1	Seal Kit - Pump (Includes Items 3, 4, 6, 12, 14, 16, 33 & 43 and Valve and Plug O-Rings and Seals)	

SECTION 3 - ENGINE

FIGURE 3-43. VARIABLE PUMP ASSEMBLY



ART_1001094595

SECTION 3 - ENGINE

FIGURE 3-43. VARIABLE PUMP ASSEMBLY

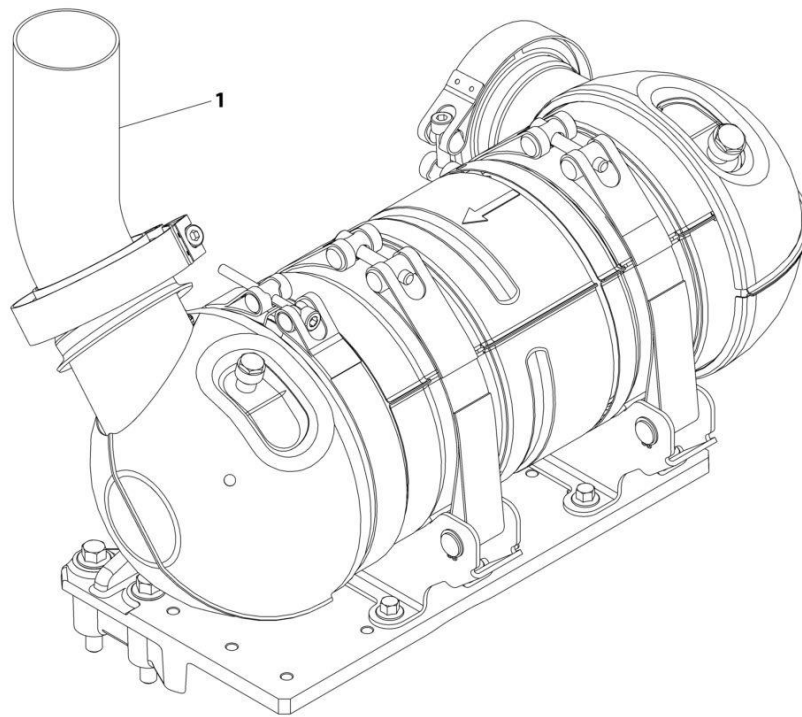
ITEM	PART NUMBER	QTY	DESCRIPTION	REV
	1001094595	Ref	VARIABLE PUMP ASSEMBLY	A
1	7023947	1	Bearing, Front (Includes Cup and Cone)	
2	7023948	1	Bearings, Swash Plate (Includes Both Sides and Pins)	
3	7023956	1	Control Valve Assembly (Includes Items 102-300)	
4	7023949	1	Servo Piston Assembly	
5	7023950	1	Bearing, Rear (Includes Cup and Cone)	
25	7023951	1	Spring	
40	7023952	1	Swash Plate	
45	See Note	NSS	O-Ring (Note: Use Item 600)	
46	See Note	NSS	O-Ring (Note: Use Item 600)	
70	70001954	1	Plate, Valve	
90	70001955	1	Spring, Check Valve	
95	70001956	1	Poppet, Check Valve	
102	See Note	NSS	Setscrew (Note: Use Item 3)	
103	See Note	NSS	Plug (Note: Use Item 3)	
103A	See Note	NSS	O-Ring (Note: Use Item 600)	
106	See Note	NSS	Plug (Note: Use Item 3)	
106A	See Note	NSS	O-Ring (Note: Use Item 600)	
107	See Note	NSS	Plug (Note: Use Item 3)	
107A	See Note	NSS	O-Ring (Note: Use Item 600)	
112	See Note	NSS	Spool, Control (Note: Use Item 3)	
113	See Note	NSS	Guide, Spring (Note: Use Item 3)	
114	See Note	NSS	Spring (Note: Use Item 3)	
115	See Note	NSS	Spring (Note: Use Item 3)	
116	See Note	NSS	O-Ring (Note: Use Item 600)	
117	See Note	NSS	Ring, Back-up (Note: Use Item 600)	
118	See Note	NSS	Plug, Adjusting (Note: Use Item 3)	
132	See Note	NSS	Spool, Control (Note: Use Item 3)	
133	See Note	NSS	Guide, Spring (Note: Use Item 3)	
134	See Note	NSS	Spring (Note: Use Item 3)	
135	See Note	NSS	Spring (Note: Use Item 3)	
138	See Note	NSS	Plug, PC Adjusting (Note: Use Item 3)	
138A	See Note	NSS	O-Ring (Note: Use Item 600)	
200	See Note	NSS	Ring, Seal (Note: Use Item 600)	
300	7023957	4	Screw	
401	7023958	1	Shaft	
402	70001957	1	Cap, End	
403	7023960	4	Screw	
404	7022318	1	Plug	
404A	See Note	NSS	O-Ring (Note: Use Item 600)	
405	7023961	1	Pin	
501	7023962	1	Ring, Retaining	
502	See Note	NSS	Seal, Lip (Note: Use Item 600)	
503	See Note	NSS	Housing (Note: Not Available - Purchase Assembly)	
504	7023964	1	Plug	
504A	7007415	1	O-Ring	
540	7023965	1	Cylinder Block Assembly	
541	See Note	NSS	Block, Cylinder (Note: Use Item 540)	
542	7024868	1	Washer	
543	7024867	1	Spring	

SECTION 3 - ENGINE

ITEM	PART NUMBER	QTY	DESCRIPTION	REV
544	7022314	1	Retainer, Spring	
545	7022311	1	Ring, Retaining	
546	7021275	3	Pin, Slipper	
547	7024864	1	Guide, Slipper	
549	7024866	1	Retainer, Slipper	
550	7023966	9	Piston Assembly	
570	7023964	1	Plug	
570A	7007415	1	O-Ring	
600	7023967	1	Seal Kit - Complete (Includes Items 45, 46, 103A, 106A, 107A, 118, 138A, 200, 444A & 502)	

SECTION 3 - ENGINE

FIGURE 3-44. EXHAUST PIPE INSTALLATION - DEUTZ TD2.9L4 ENGINES



ART_1001216220

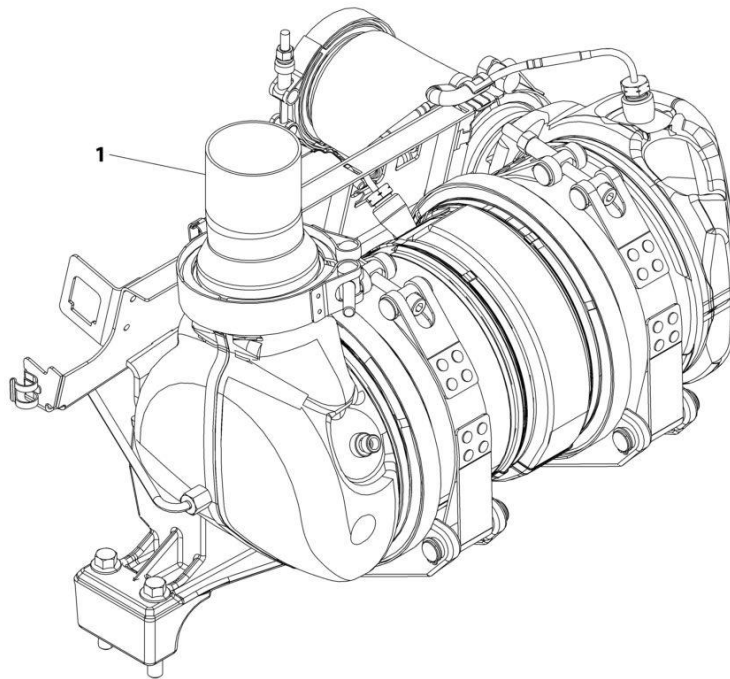
SECTION 3 - ENGINE

FIGURE 3-44. EXHAUST PIPE INSTALLATION - DEUTZ TD2.9L4 ENGINES

ITEM	PART NUMBER	QTY	DESCRIPTION	REV
1	1001216220	Ref	EXHAUST PIPE INSTALLATION	A
	1001149908	1	Pipe, Exhaust	

SECTION 3 - ENGINE

FIGURE 3-45. EXHAUST PIPE INSTALLATION - DEUTZ TD2.9L4 (STAGE V) ENGINES



ART_1001236334

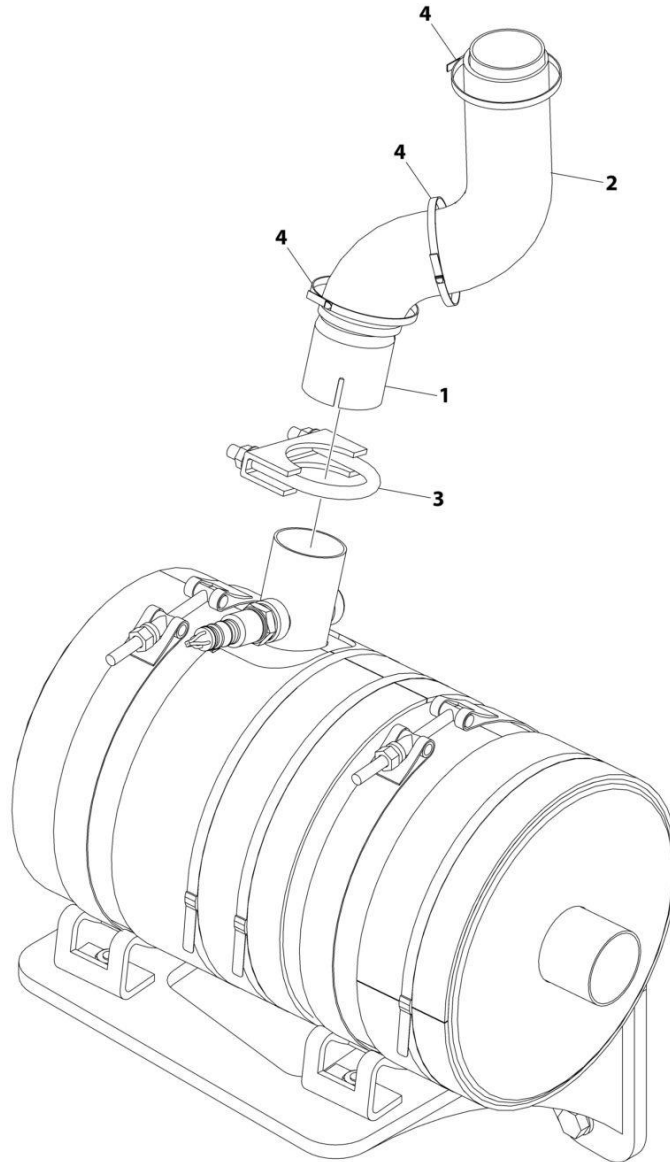
SECTION 3 - ENGINE

FIGURE 3-45. EXHAUST PIPE INSTALLATION - DEUTZ TD2.9L4 (STAGE V) ENGINES

ITEM	PART NUMBER	QTY	DESCRIPTION	REV
1	1001236334	Ref	EXHAUST PIPE INSTALLATION	B
	1001236335	1	Pipe, Exhaust	

SECTION 3 - ENGINE

FIGURE 3-46. EXHAUST PIPE INSTALLATION - FORD ENGINES



ART_1001220141

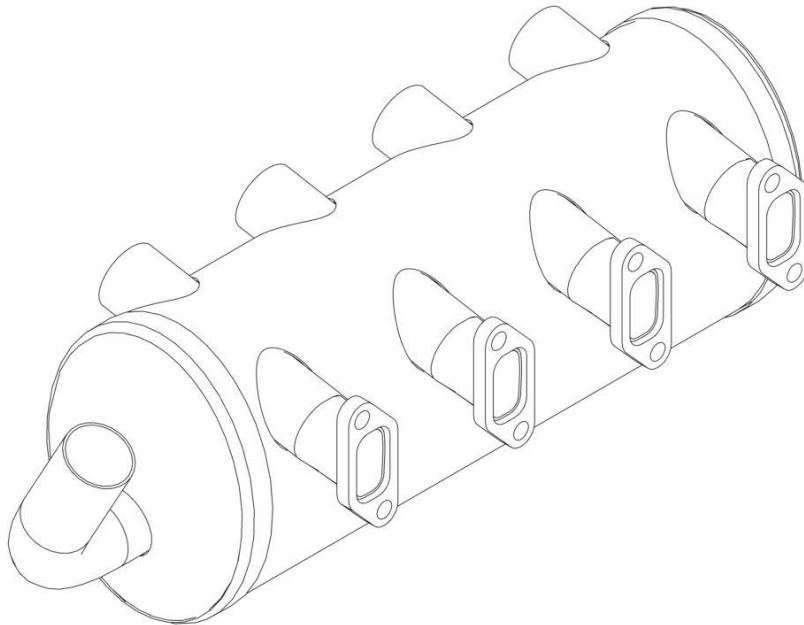
SECTION 3 - ENGINE

FIGURE 3-46. EXHAUST PIPE INSTALLATION - FORD ENGINES

ITEM	PART NUMBER	QTY	DESCRIPTION	REV
	1001220141	Ref	EXHAUST PIPE INSTALIATION	B
1	1001217478	1	Tail Pipe	
1	1001217477	1	Tail Pipe with Spark Arrestor	
2	1001218089	1	Insulate	
3	1001221397	1	Clamp	
4	1001100825	3	Strap	

SECTION 3 - ENGINE

FIGURE 3-47. SPARK ARRESTOR MUFFLER INSTALLATION - DEUTZ D2011 ENGINES



ART_1001257283

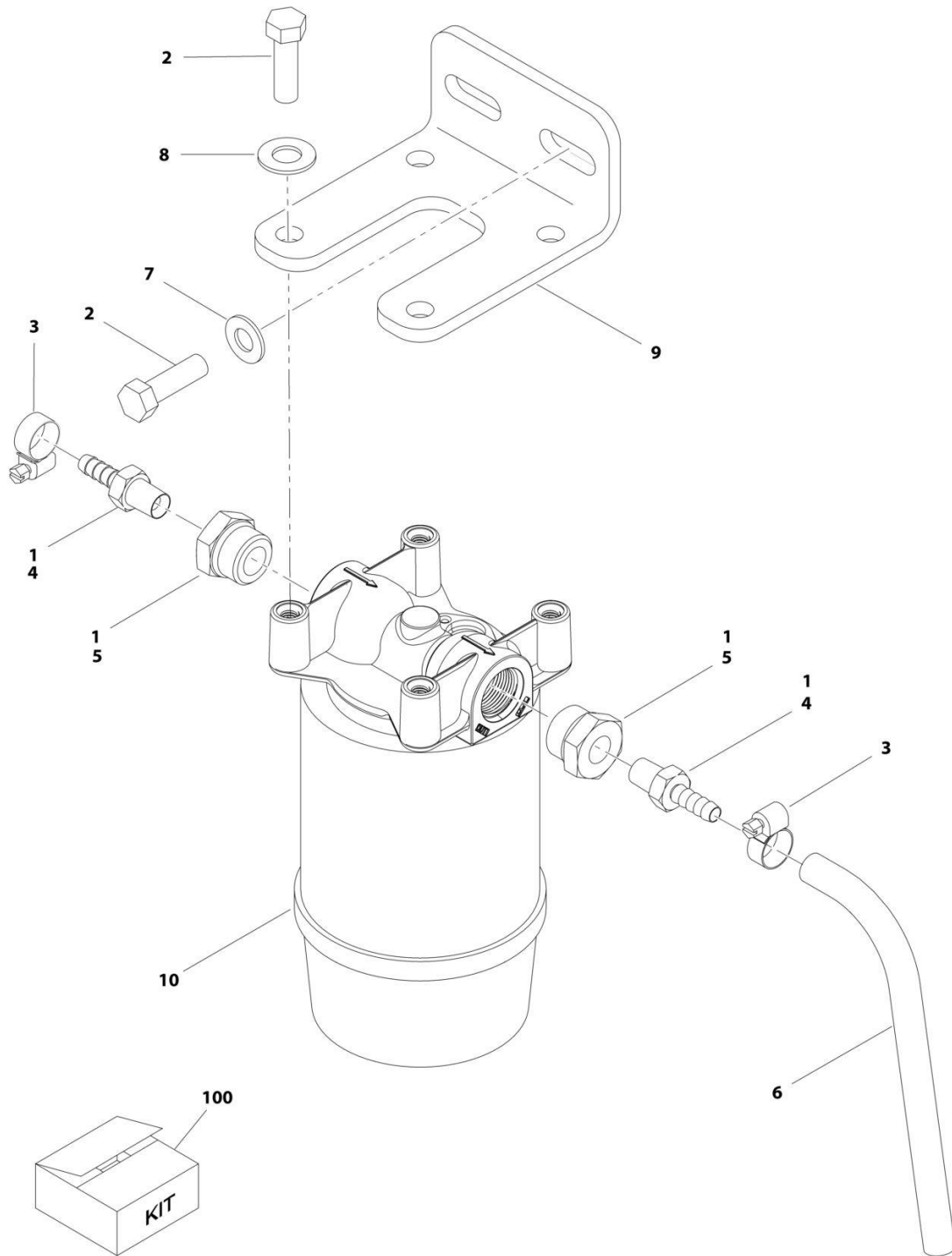
SECTION 3 - ENGINE

FIGURE 3-47. SPARK ARRESTOR MUFFLER INSTALLATION - DEUTZ D2011 ENGINES

ITEM	PART NUMBER	QTY	DESCRIPTION	REV
	1001257283	Ref	MUFFLER INSTALLATION SPARK ARRESTOR	A
	See Note	1	Muffler, (Note: Use P/N 1001257283)	

SECTION 3 - ENGINE

FIGURE 3-48. FUEL-WATER SEPARATOR INSTALLATION - DEUTZ D2011 ENGINES



ART_1001199733

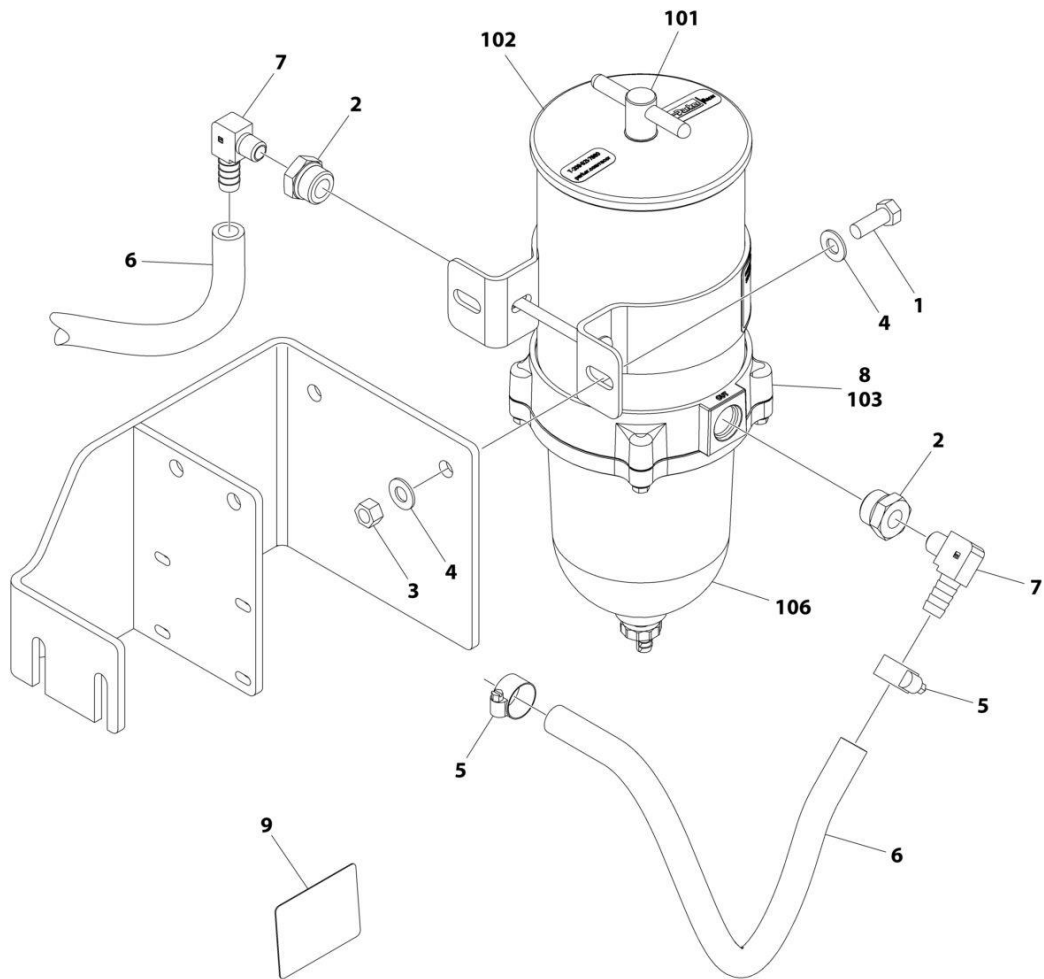
SECTION 3 - ENGINE

FIGURE 3-48. FUEL-WATER SEPARATOR INSTALLATION - DEUTZ D2011 ENGINES

ITEM	PART NUMBER	QTY	DESCRIPTION	REV
	1001199733	Ref	FUEL-WATER SEPARATOR INSTALLATION - DEUTZ TD2011 (OPTIONAL)	A
1	0100079	1	Sealant	
2	0641610	6	Bolt 3/8 X 1-1/4	
3	1320022	2	Clamp	
4	2180348	2	Fitting, Straight	
5	2220816	2	Fitting, Straight	
6	2720058	35 in/ 89cm	Hose	
7	4711600	2	Washer 3/8	
8	4711700	4	Washer 7/16	
9	1001188884	1	Bracket	
10	1001188887	1	Fuel/Water Separator Assembly	
10	1001202280	1	Head	
10	1001202281	1	Element	
100	1001204667	1	Water/Separator Add-On Kit	

SECTION 3 - ENGINE

FIGURE 3-49. FUEL-WATER SEPARATOR INSTALLATION - DEUTZ TD2.9L4 ENGINES



NOTE : LOCATED ON HOOD

ART_1001230032

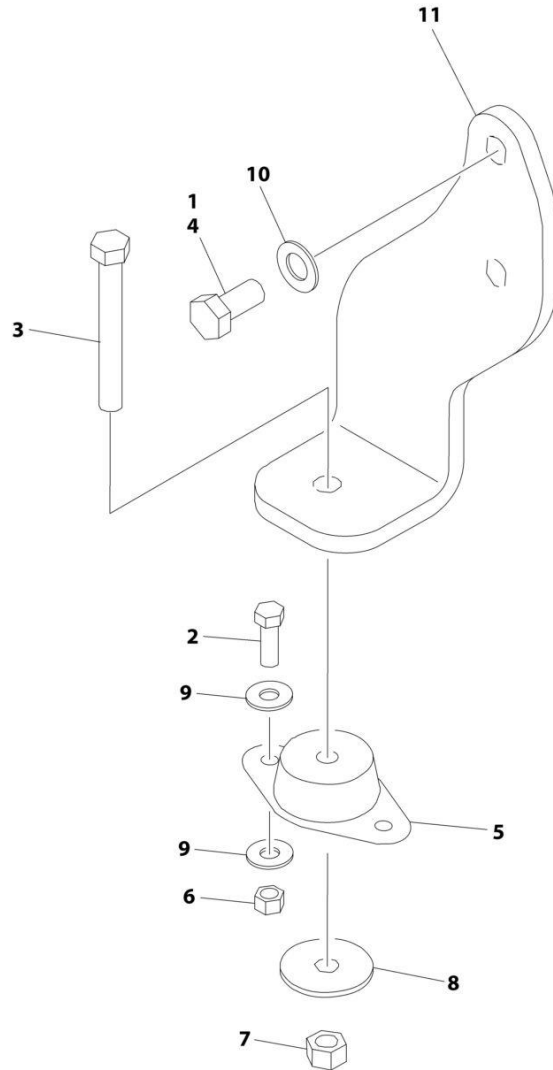
SECTION 3 - ENGINE

FIGURE 3-49. FUEL-WATER SEPARATOR INSTALLATION - DEUTZ TD2.9L4 ENGINES

ITEM	PART NUMBER	QTY	DESCRIPTION	REV
	1001230032	Ref	FUEL FILTER INSTALLATION	A
1	0641608	2	Bolt 3/8 x 1	
2	2220816	2	Fitting, Straight NPT	
3	3311605	2	Nut 3/8	
4	4711600	4	Washer 3/8	
5	8405006	2	Clamp	
6	1001154405	54 in/ 1.65m	Hose	
7	1001178797	2	Fitting, 90	
8	1001222817	1	Fuel Filter Assembly (See Items 101-107 for Breakdown)	
9	1001226923	1	Decal - Fuel Water Separator	
	1001222817	Ref	FUEL FILTER ASSEMBLY	
101	70006403	1	T-Handle Kit (Includes O-Ring)	
102	70006404	1	Lid Kit (Includes Gasket)	
103	70006405	1	Element	
104	70006406	1	Checkball & Gasket Kit (Not Shown)	
105	70006407	1	Centrifuge and Baffle Kit (Not Shown)	
106	70006409	1	Bowl Kit (Includes Gasket, O-Ring and Drain)	
106	70006408	1	Gasket, Bowl	
107	70006410	1	Bowl Ring Kit (Includes Gasket & Hardware) (Not Shown)	

SECTION 3 - ENGINE

FIGURE 3-50. RIGHT ENGINE SUPPORT INSTALLATION (DEUTZ D2011 ENGINES MACHINES WITHOUT GENERATORS)



ART_1001151253

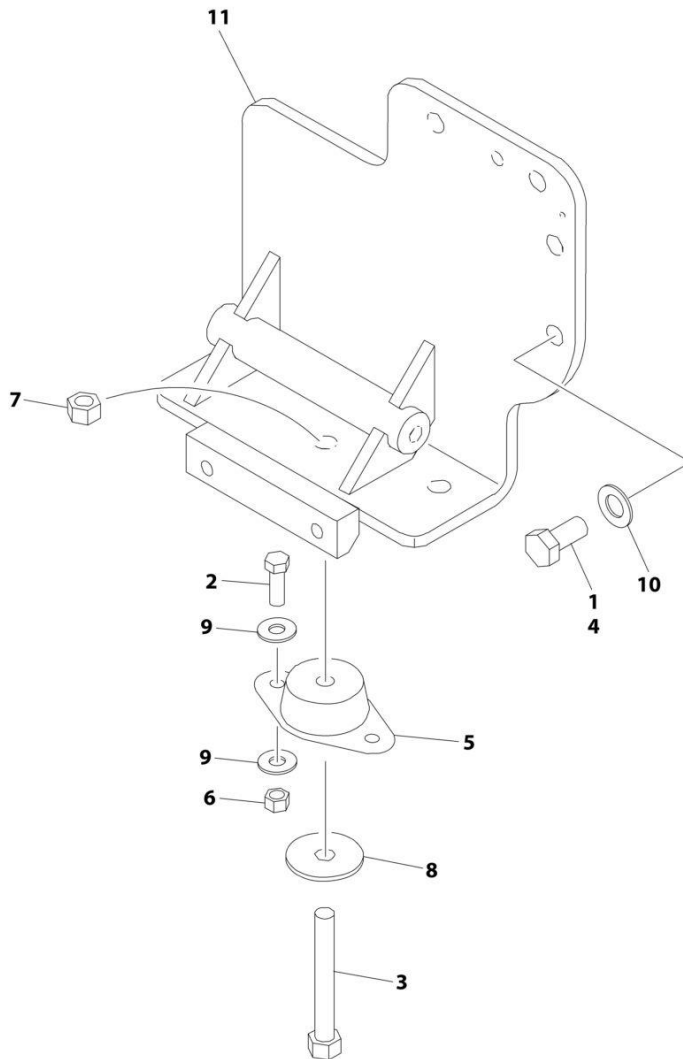
SECTION 3 - ENGINE

FIGURE 3-50. RIGHT ENGINE SUPPORT INSTALLATION (DEUTZ D2011 ENGINES MACHINES WITHOUT GENERATORS)

ITEM	PART NUMBER	QTY	DESCRIPTION	REV
	1001151253	Ref	RIGHT ENGINE SUPPORT INSTALLATION	A
1	0100011	AR	Compound, Locking	
2	0641609	2	Bolt 3/8 x 1-1/8	
3	0641820	1	Bolt 1/2 x 2-1/2	
4	0711414	2	Bolt M14 x 30 Grade 10.9	
5	3200401	1	Mount, Motor	
6	3311605	2	Nut 3/8	
7	3311805	1	Nut 1/2	
8	4740274	1	Washer	
9	4751600	4	Washer 3/8	
10	4812200	2	Washer M14	
11	1001149703	1	Support, Engine (Right Front)	

SECTION 3 - ENGINE

FIGURE 3-51. RIGHT ENGINE SUPPORT INSTALLATION (DEUTZ D2011 ENGINES MACHINES WITH GENERATORS)



ART_1001151252

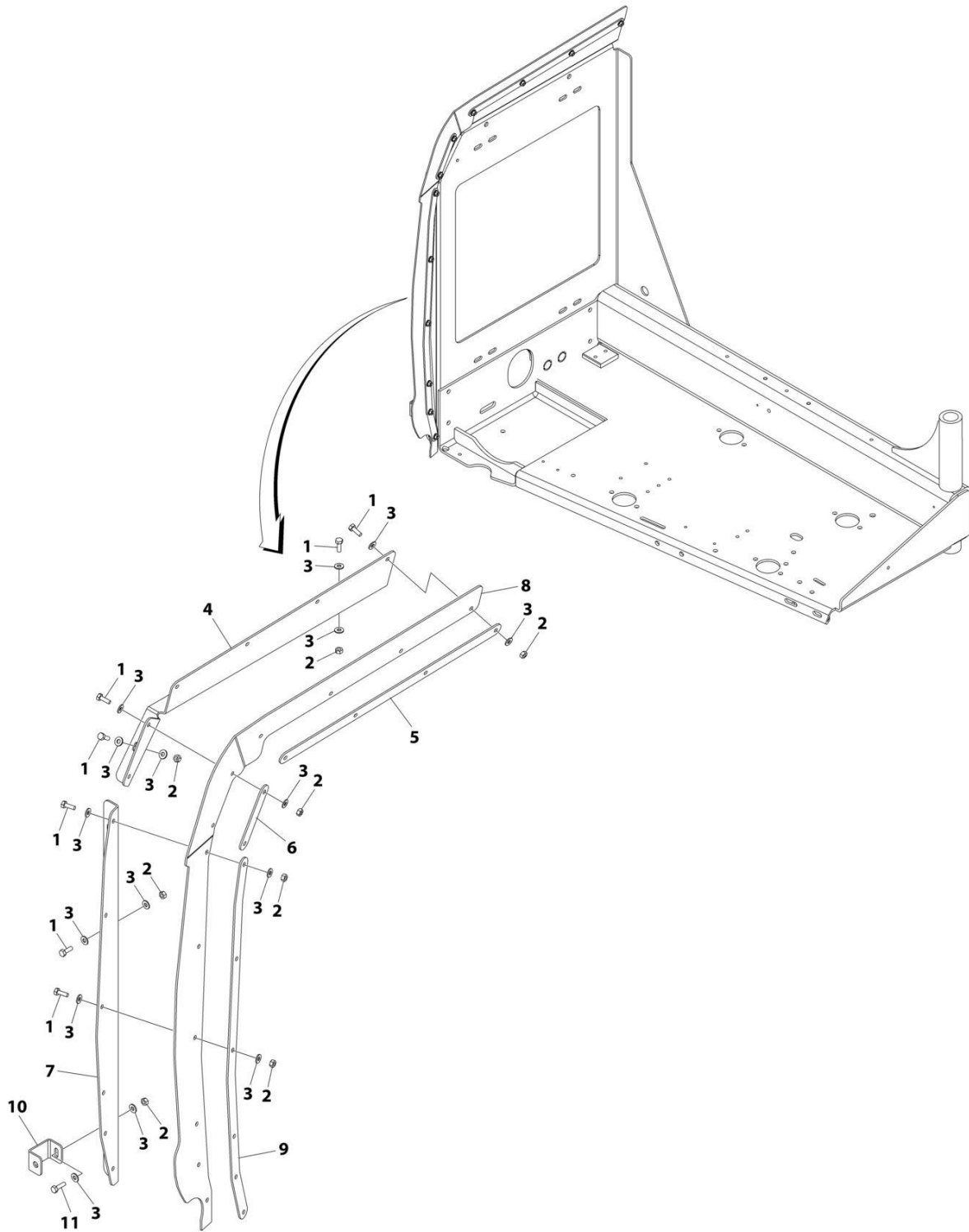
SECTION 3 - ENGINE

FIGURE 3-51. RIGHT ENGINE SUPPORT INSTALLATION (DEUTZ D2011 ENGINES MACHINES WITH GENERATORS)

ITEM	PART NUMBER	QTY	DESCRIPTION	REV
	1001151252	Ref	RIGHT ENGINE SUPPORT INSTALLATION	B
1	0100011	AR	Compound, Locking	
2	0641609	2	Bolt 3/8 x 1-1/8	
3	0641818	1	Bolt 1/2 x 2-1/2	
4	0711414	3	Bolt M14 x 30 Grade 10.9	
5	3200401	1	Mount, Motor	
6	3311605	2	Nut 3/8	
7	3311805	1	Nut 1/2	
8	4740274	1	Washer	
9	4751600	4	Washer 3/8	
10	4812200	3	Washer M14	
11	1001150890	1	Support, Engine (Right Front)	

SECTION 3 - ENGINE

FIGURE 3-52. ENGINE HOOD Baffle INSTALLATION - DEUTZ TD2.9L4 ENGINES AND DEUTZ TD2.9L4 (STAGE V) ENGINES WITH ABS HOODS



ART_1001143484

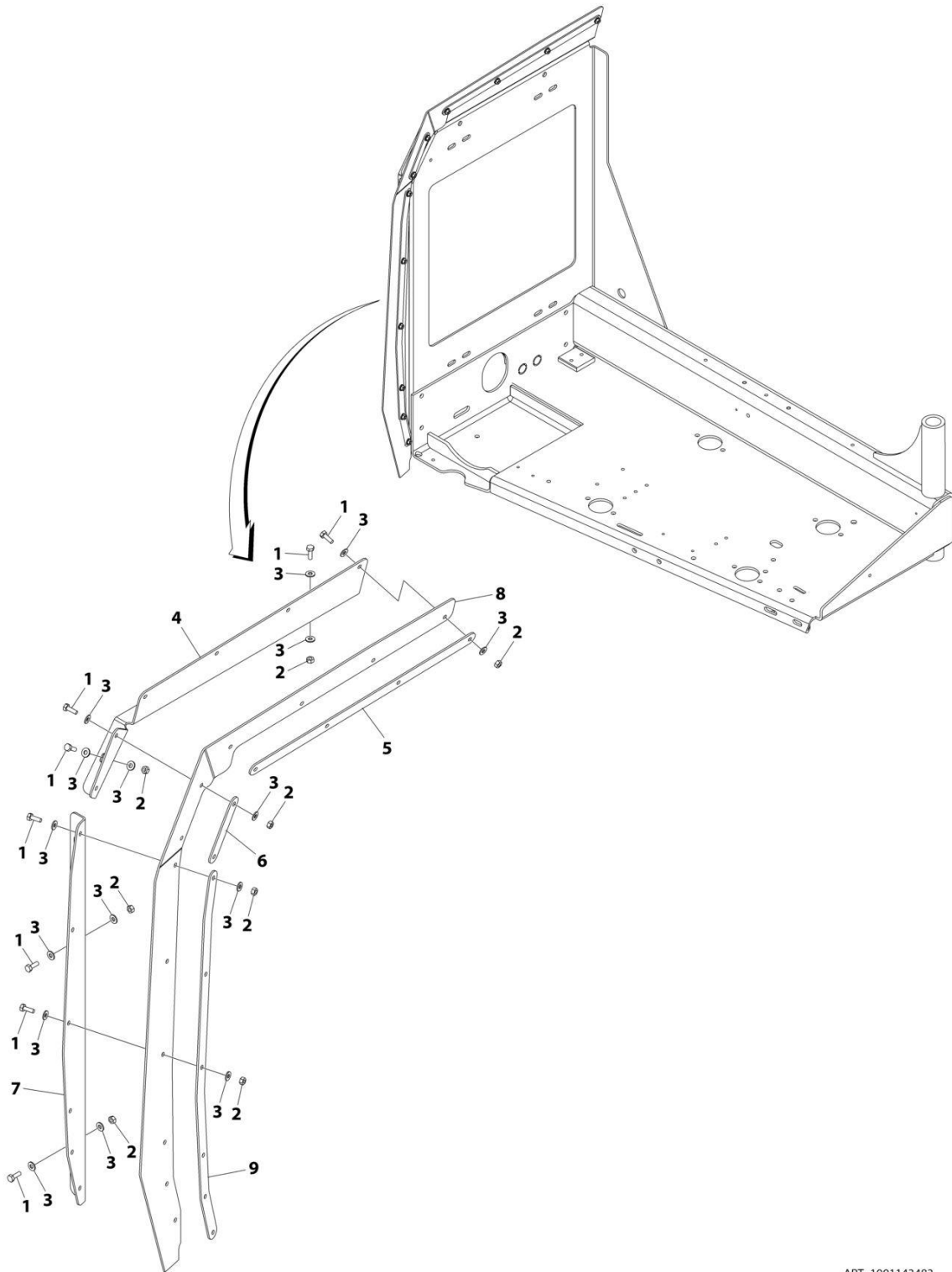
SECTION 3 - ENGINE

FIGURE 3-52. ENGINE HOOD Baffle INSTALLATION - DEUTZ TD2.9L4 ENGINES AND DEUTZ TD2.9L4 (STAGE V) ENGINES WITH ABS HOODS

ITEM	PART NUMBER	QTY	DESCRIPTION	REV
	1001143484	Ref	BAFFLES INSTALLATION (ABS HOODS)	C
1	0641406	18	Bolt 1/4 x 3/4	
2	3311405	19	Nut 1/4	
3	4711400	38	Washer 1/4	
4	1001174745	1	Bracket	
5	1001142031	1	Bracket	
6	1001142032	1	Bracket	
7	1001143449	1	Bracket	
8	1001195967	1	Baffle	
9	1001143525	1	Bracket	
10	1001143860	1	Bracket, Bumper	
11	0641407	1	Bolt 1/4 x 78	

SECTION 3 - ENGINE

FIGURE 3-53. ENGINE HOOD Baffle INSTALLATION - DEUTZ TD2.9L4 ENGINES WITH STEEL HOODS



ART_1001143483

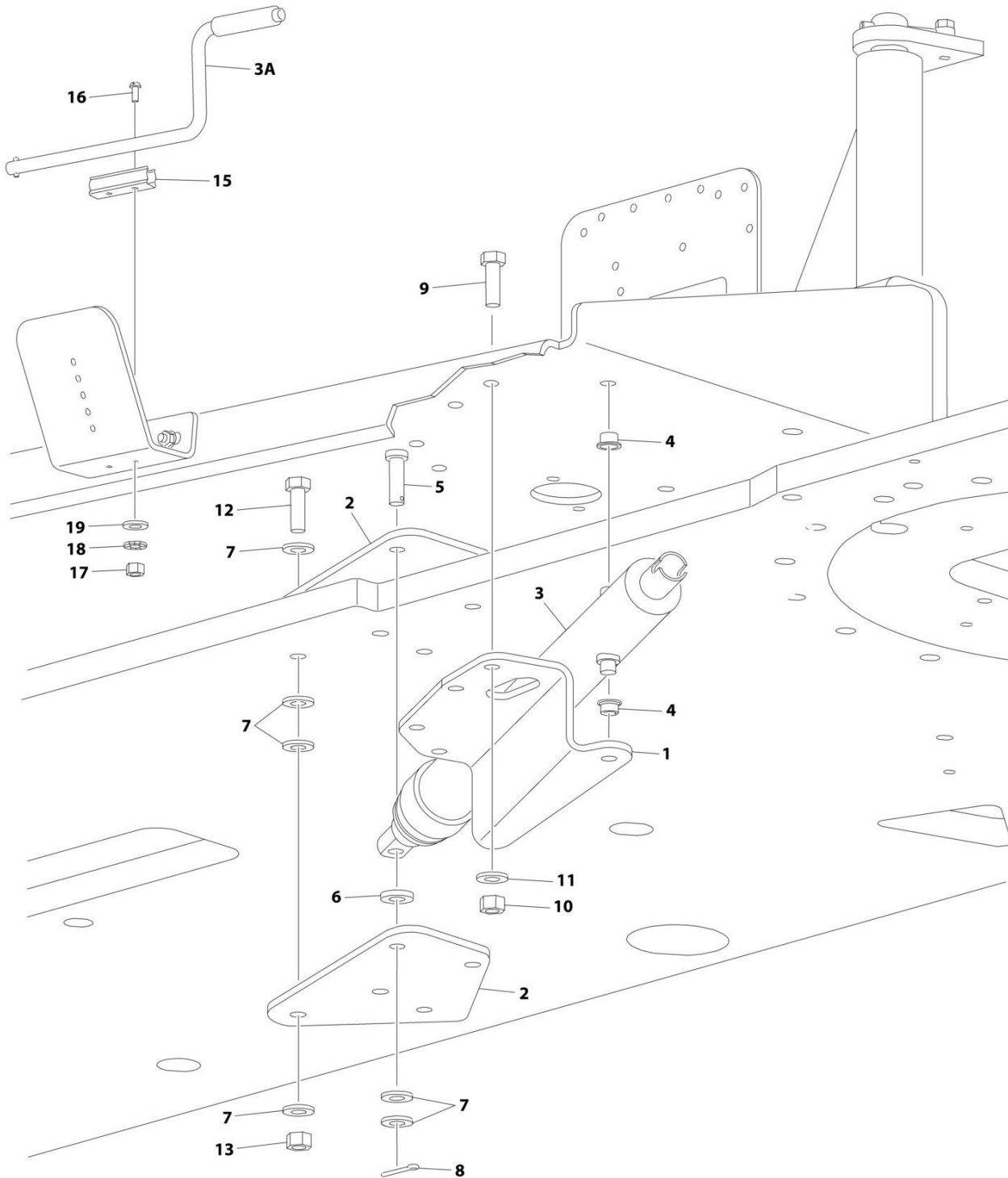
SECTION 3 - ENGINE

FIGURE 3-53. ENGINE HOOD Baffle INSTALLATION - DEUTZ TD2.9L4 ENGINES WITH STEEL HOODS

ITEM	PART NUMBER	QTY	DESCRIPTION	REV
	1001143483	Ref	BAFFLES INSTALLATION (STEEL HOODS)	B
1	0641406	19	Bolt 1/4 x 3/4	
2	3311405	19	Nut 1/4	
3	4711400	38	Washer 1/4	
4	1001174745	1	Bracket	
5	1001142031	1	Bracket	
6	1001142032	1	Bracket	
7	1001143449	1	Bracket	
8	1001174746	1	Baffle	
9	1001143525	1	Bracket	

SECTION 3 - ENGINE

FIGURE 3-54. ENGINE TRAY JACK INSTALLATION - DEUTZ ENGINES



ART_0258728

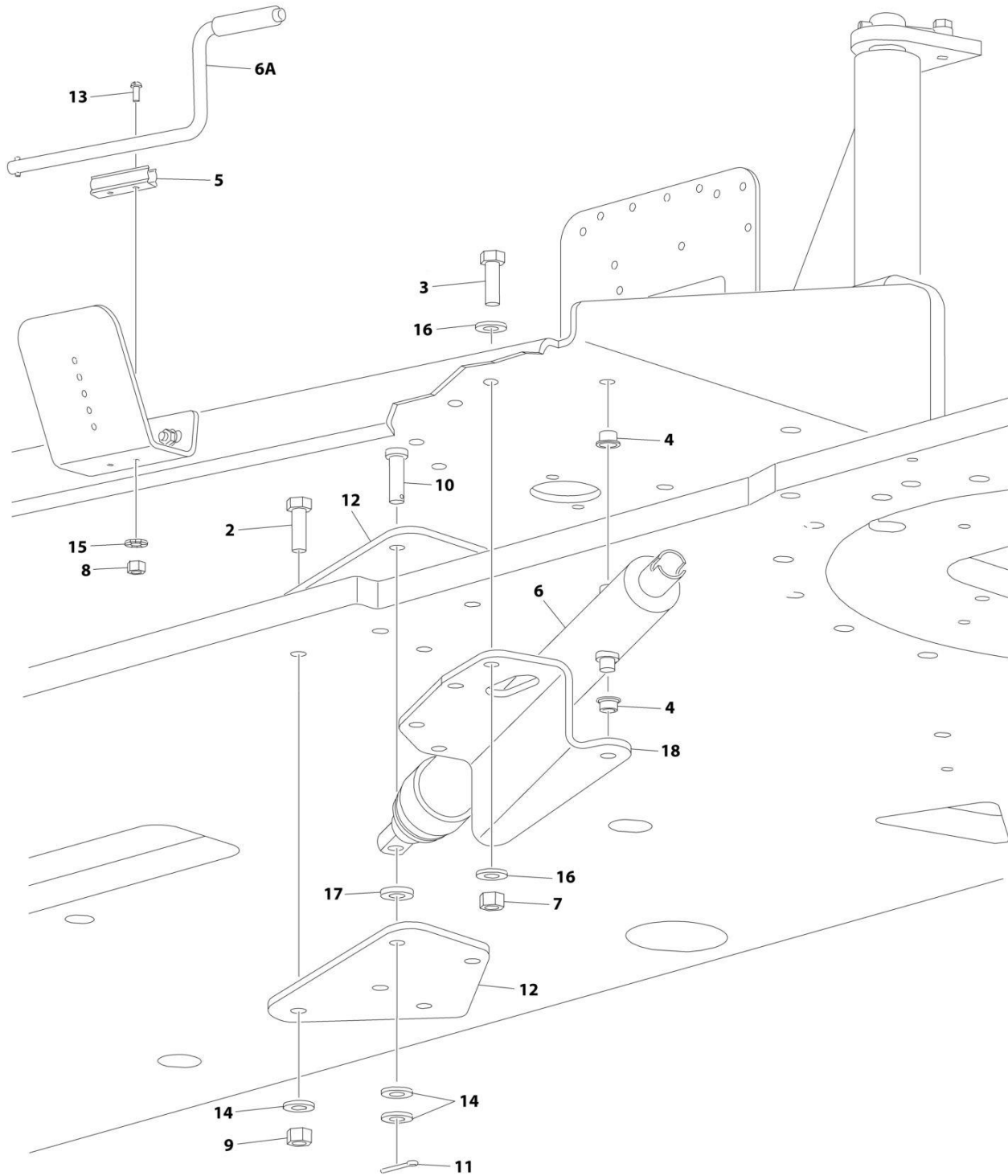
SECTION 3 - ENGINE

FIGURE 3-54. ENGINE TRAY JACK INSTALLATION - DEUTZ ENGINES

ITEM	PART NUMBER	QTY	DESCRIPTION	REV
	0258728	Ref	ENGINE TRAY JACK INSTALLATION	2-C
1	3537445	1	Bracket	
2	3537446	2	Bracket	
3	2840016	1	Jack and Handle Assembly	F
3A	7024598	1	Handle	
4	0962051	2	Bearing, Flange	
5	3430816	1	Pin, Clevis	
6	4891800	1	Washer 1/2	
7	4711800	6	Washer 1/2	
8	3450404	1	Pin, Cotter 1/8 x 1	
9	0641609	4	Bolt 3/8 x 1-1/8	
10	3311605	4	Nut 3/8	
11	4891600	4	Washer 3/8	
12	0641818	4	Bolt 1/2 x 2-1/4	
13	3311805	4	Nut 1/2	
15	1380147	1	Clip, Spring	
16	3910608	2	Screw #6 x 1	
17	3310601	2	Nut #6	
18	4770600	2	Washer #6	
19	4740119	2	Washer	

SECTION 3 - ENGINE

FIGURE 3-55. ENGINE TRAY JACK INSTALLATION - FORD ENGINES



ART_1001219881

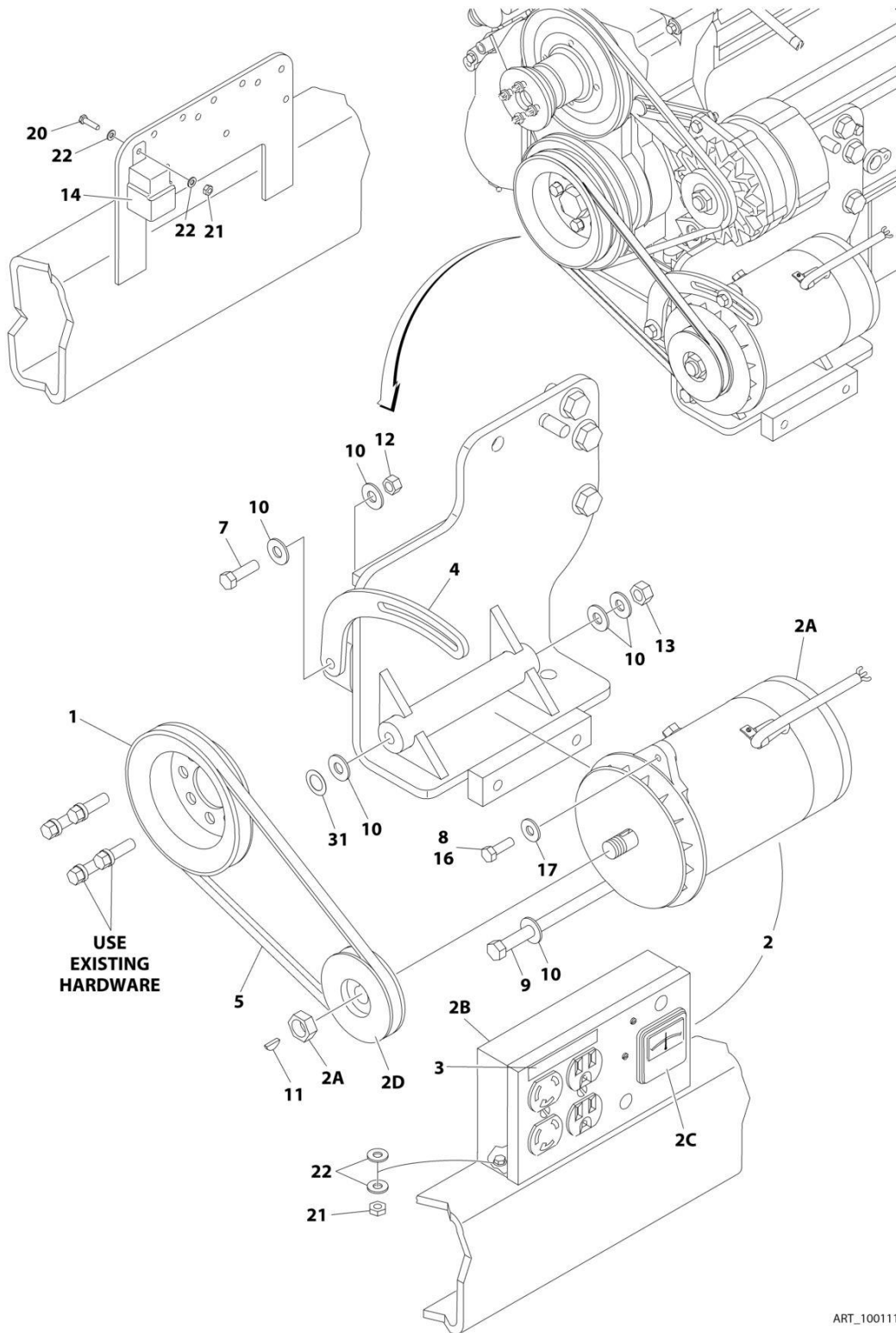
SECTION 3 - ENGINE

FIGURE 3-55. ENGINE TRAY JACK INSTALLATION - FORD ENGINES

ITEM	PART NUMBER	QTY	DESCRIPTION	REV
	1001219881	Ref	ENGINE TRAY JACK INSTALLATION	B
2	0641818	4	Bolt 1/2 x 2-1/4	
3	0761014	3	Bolt M10 x 30	
4	0962051	2	Bearing, Flange	
5	1380147	1	Clip, Spring	
6	2840016	1	Jack and Handle Assembly	F
6A	7024598	1	Handle	
7	3291007	3	Nut M10	
8	3310601	2	Nut #6-32	
9	3311805	4	Nut 1/2-13	
10	3430816	1	Pin, Clevis	
11	3450404	1	Pin, Cotter 1/8 x 1	
12	3537446	2	Bracket	
13	3910608	2	Screw #6-32 x 1	
14	4711800	6	Washer 1/2	
15	4770600	2	Washer #6	
16	4812000	6	Washer M10	
17	4891800	1	Washer 1/2	
18	1001218547	1	Bracket	

SECTION 3 - ENGINE

FIGURE 3-56. 2500W/110V/60HZ GENERATOR INSTALLATION - DEUTZ D2011 ENGINES



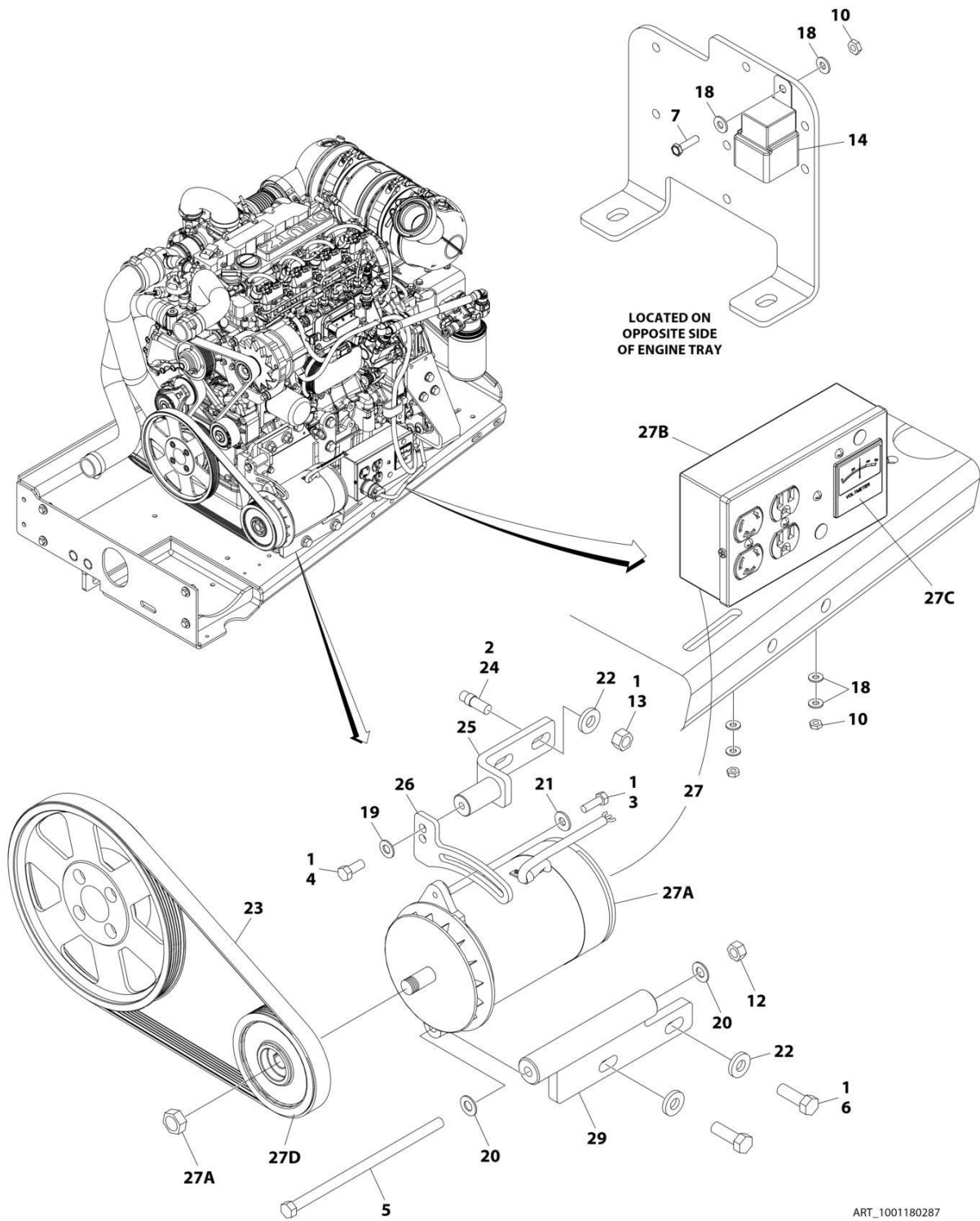
SECTION 3 - ENGINE

FIGURE 3-56. 2500W/110V/60HZ GENERATOR INSTALLATION - DEUTZ D2011 ENGINES

ITEM	PART NUMBER	QTY	DESCRIPTION	REV
	1001115405	Ref	2500W GENERATOR INSTALLATION - 110V/60Hz	B
1	3580158	1	Pulley	
2	2460055	1	Generator and Control Box Assembly:	
2A	7012558	1	Generator Only - 110V/60Hz	
2A		Ref	Note: Replacement Generators come standard with p/n 3580134 pulley. This pulley may not be correct for all applications. Refer to pulley options below.	
2A	7026199	1	Armature with Slip Rings	
2A	7012513	4	Cap, Brush Holder	
2A	7020108	4	Brush	
2A	7020109	4	Holder, Brush	
2A	7012514	1	Fan	
2A	7020110	1	Bell, Front	
2A	7020111	1	Bell, Rear	
2A	7020190	1	Bearing	
2B	7019680	1	Box, Control	
2B		Ref	Receptacle Options:	
2B	4460190	1	Receptacle, Standard	
2B	4460027	1	Receptacle, Twistlock	
2B	4360542	1	Breaker, Circuit	
2B	3520028	1	Plug, Hole	
2C	2420203	1	Voltmeter	
2D	3580276	1	Pulley	
2D	7027887	1	Key, Woodruff	
3	3251243	1	Decal - 110V/60Hz	
4	0200742	1	Arm, Adjusting	
5	0480121	1	V-Belt	
7	0641610	1	Bolt 3/8 x 1-1/4	
8	0100011	AR	Compound, Locking	
9	0641772	1	Bolt 7/16 x 9	
10	4751600	6	Washer 3/8	
11	2860012	1	Key, Woodruff	
12	3311605	1	Nut 3/8	
13	3311705	1	Nut 7/16	
14	3740080	1	Relay	
16	0641508	1	Bolt 5/16 x 1	
17	4751500	AR	Washer 5/16	
18	1001112588	1	Wiring Diagram Components (Not Shown)	
18	1001112589	1	Generator Harness (Not Shown)	
18	4922641	1	Generator ON/OFF Switch Harness (Not Shown - Located at Platform)	
20	0721006	AR	Bolt #10 x 3/4	
21	3311005	3	Nut #10	
22	4751000	AR	Washer #10	
25	4360336	1	Switch, Toggle (Not Shown - Located at Platform)	
26	4740397	1	Bushing (Not Shown - Located at Platform)	
27	4060802	1	Guard, Switch (Not Shown - Located at Platform)	
29	2820031	4 in/ 10cm	Heat Shrink (Not Shown - Located at Platform)	
30	3251102	1	Decal (Not Shown - Located at Platform)	
31	4070585	AR	Shim	

SECTION 3 - ENGINE

FIGURE 3-57. 2500W/110V/60HZ GENERATOR INSTALLATION - DEUTZ TD2.9L4 ENGINES



SECTION 3 - ENGINE

FIGURE 3-57. 2500W/110V/60HZ GENERATOR INSTALLATION - DEUTZ TD2.9L4 ENGINES

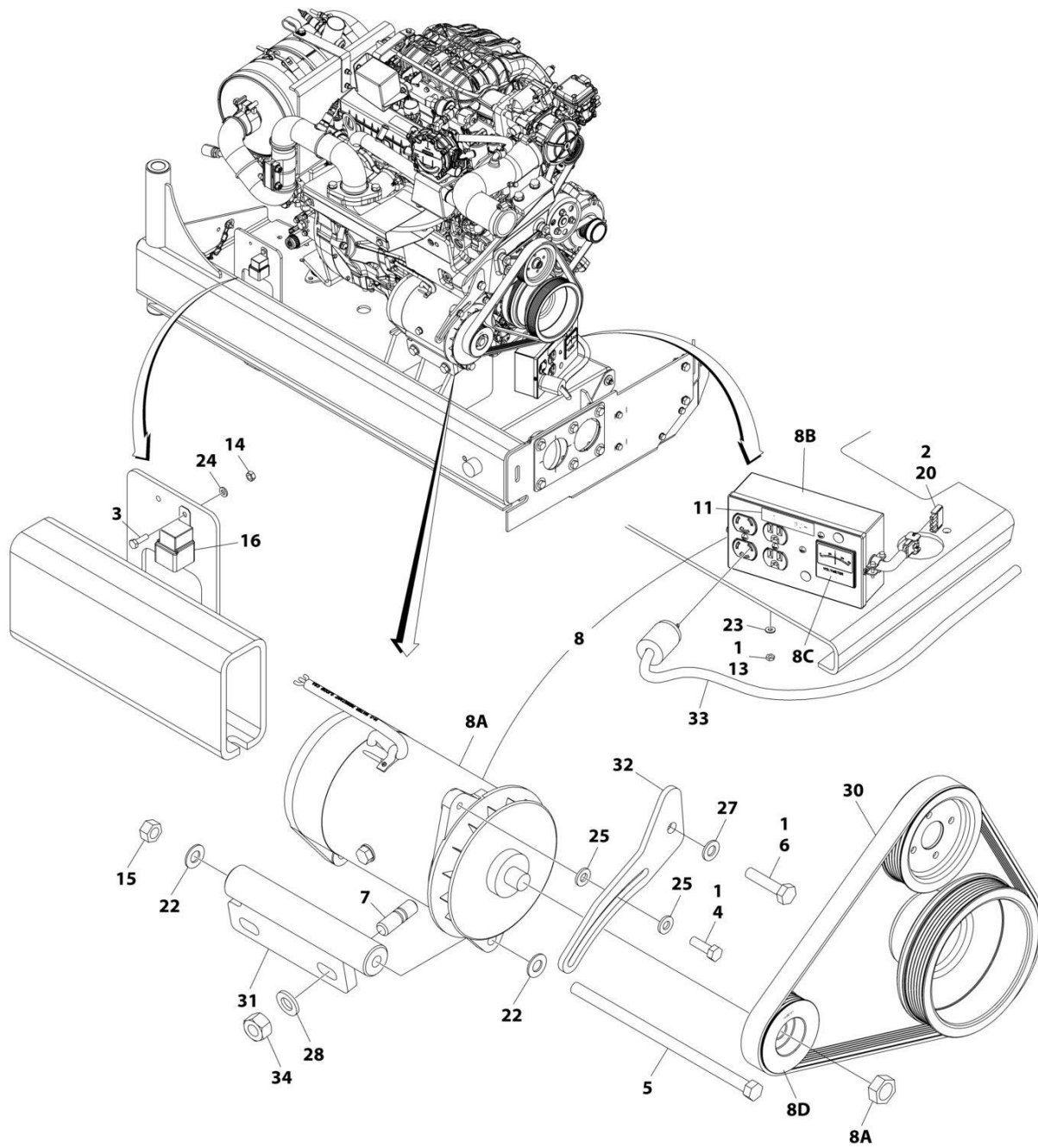
ITEM	PART NUMBER	QTY	DESCRIPTION	REV
	1001180287	Ref	2500W GENERATOR INSTALLATION - DEUTZ TD2.9L4 (OPTIONAL)	C
1	0100011	AR	Compound, Locking	
2	0100019	AR	Compound, Locking	
3	0641508	1	Bolt 5/16 x 1	
4	0641607	1	Bolt 3/8 x 7/8	
5	0641772	1	Bolt 7/16 x 9	
6	0641812	2	Bolt 1/2 x 1-1/2	
7	0721006	1	Screw #10 x 3/4	
8	2820031	AR	Heat Shrink (Not Shown - Located at Platform)	
9	3251102	1	Name Plate - Generator On (Not Shown - Located at Platform)	
10	3311005	3	Nut #10	
12	3311705	1	Nut 7/16	
13	3311801	2	Nut 1/2	
14	3740080	1	Relay	
15	4060802	1	Guard, Switch (Not Shown - Located at Platform)	
16	4240018	AR	Strap, Cable Tie (Not Shown)	
17	4360336	1	Switch, Toggle (Not Shown - Located at Platform)	
18	4711000	6	Washer #10	
19	4711600	1	Washer 3/8	
20	4711700	2	Washer 7/16	
21	4751500	1	Washer 5/16	
22	4891800	4	Washer 1/2	
23	1001148138	1	V-Belt	
24	1001163599	2	Stud	
25	1001216015	1	Bracket	
26	1001179837	1	Arm, Adjustment	
27	1001180001	1	Generator and Control Box Assembly	
27A	7012558	1	Generator Only - 110V/60Hz	
27A		Ref	Note: Replacement Generators come standard with p/n 3580134 pulley. This pulley may not be correct for all applications. Refer to pulley options below.	
27A	7026199	1	Armature with Slip Rings	
27A	7012513	4	Cap, Brush Holder	
27A	7020108	4	Brush	
27A	7020109	4	Holder, Brush	
27A	7012514	1	Fan	
27A	7020110	1	Bell, Front	
27A	7020111	1	Bell, Rear	
27A	7020190	2	Bearing	
27B	7019680	1	Box, Control - 110V/60Hz	
27B		Ref	Receptacle Options:	
27B	4460190	1	Receptacle, Standard (110V Only)	
27B	4460027	1	Receptacle, Twistlock (110V Only)	
27B	4360542	1	Breaker, Circuit	
27B	3520028	1	Plug, Hole	
27C	2420203	1	Voltmeter	
27D	3580276	1	Pulley	
27D	7027887	1	Key, Woodruff	
28		Ref	Wiring Diagram Components (Not Shown)	

SECTION 3 - ENGINE

ITEM	PART NUMBER	QTY	DESCRIPTION	REV
28	4922641	1	Generator On/Off Switch Harness (Not Shown - Located at Platform)	
28	1001180052	1	Generator Harness (Not Shown)	
29	1001181243	1	Mount, Generator	

SECTION 3 - ENGINE

FIGURE 3-58. 2500W/110V/60HZ GENERATOR INSTALLATION - FORD ENGINES



ART_1001219619

SECTION 3 - ENGINE

FIGURE 3-58. 2500W/110V/60HZ GENERATOR INSTALLATION - FORD ENGINES

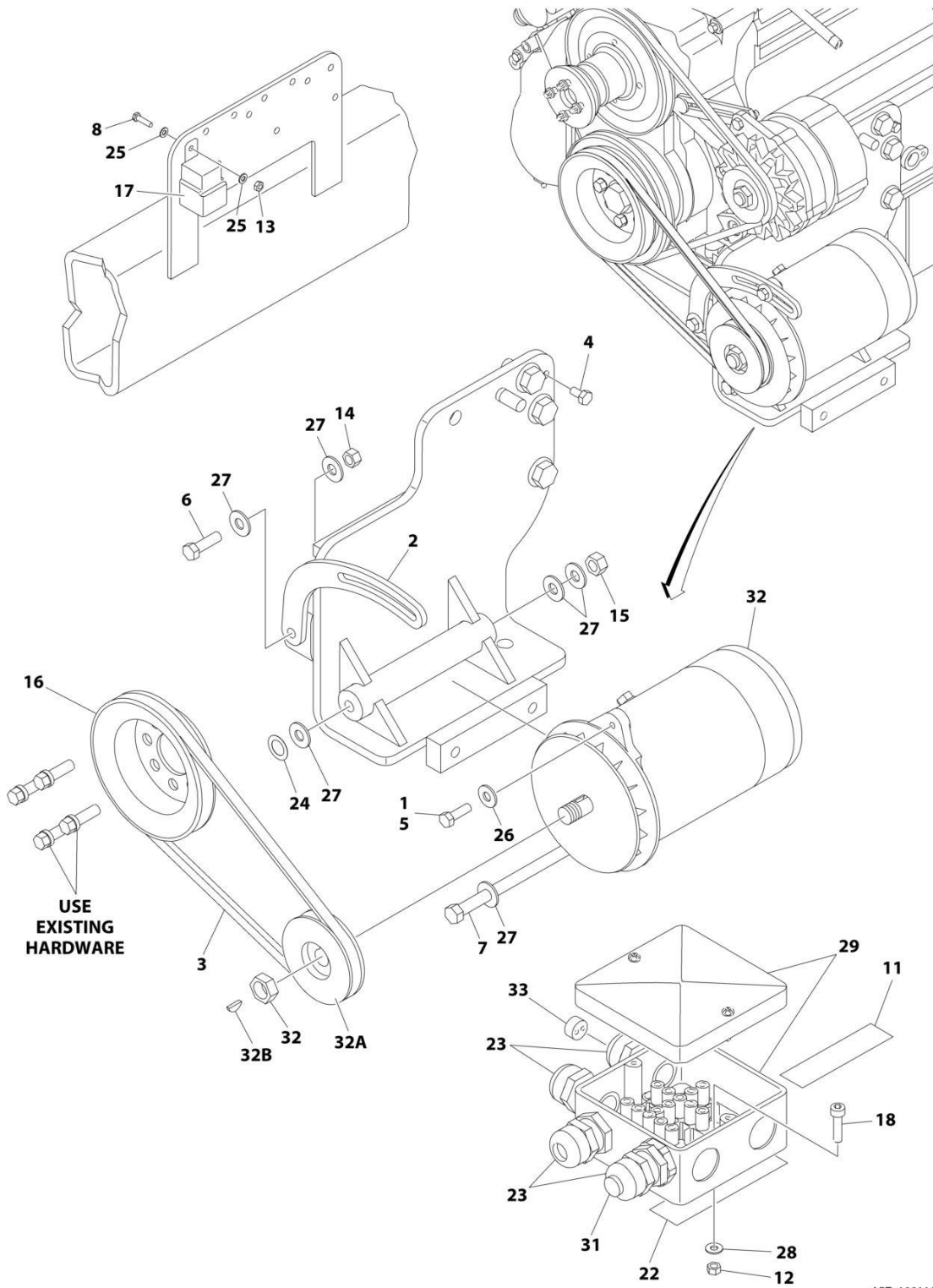
ITEM	PART NUMBER	QTY	DESCRIPTION	REV
	1001219619	Ref	2500W GENERATOR INSTALLATION - FORD MACHINES (OPTIONAL)	E
1	0100011	AR	Compound, Locking	
2	0100048	AR	Grease, Dielectric	
3	0760610	1	Bolt M6 x 20	
4	0641508	1	Bolt 5/16 x 1	
5	0641772	1	Bolt 7/16 x 9	
6	0761016	1	Bolt M10 x 40	
7	1001155041	1	Stud	
8	2460051	1	Generator and Control Box Assembly	
8A	7012558	1	Generator Only - 110V/60Hz	
		Ref	Note: Replacement Generators come standard with pin 3580134 pulley. This pulley may not be correct for all applications. Refer to pulley options below.	
8A	7026199	1	Armature with Slip Rings	
8A	7012513	4	Cap, Brush Holder	
8A	7020108	4	Brush	
8A	7020109	4	Holder, Brush	
8A	7012514	1	Fan	
8A	7020110	1	Bell, Front	
8A	7020111	1	Bell, Rear	
8A	7020190	2	Bearing	
8B	7019680	1	Box, Control - 110V/60Hz	
8B		Ref	Receptacle Options:	
8B	4460190	1	Receptacle, Standard (110V Only)	
8B	4460027	1	Receptacle, Twistlock (110V Only)	
8B	4360542	1	Breaker, Circuit	
8B	3520028	1	Plug, Hole	
8C	2420203	1	Voltmeter	
8D	3580324	1	Pulley	
8D	7027887	1	Key, Woodruff	
9	2820031	1	Heat Shrink (Not Shown - Located at Platform)	
10	3251102	1	Nameplate Generator (Not Shown - Located at Platform)	
11	3251243	1	Decal - 120V-60Hz	
13	3311005	2	Nut #10	
14	3290601	1	Nut M6	
15	3311705	1	Nut 7/16	
16	3740080	1	Relay	
17	4060802	1	Guard Switch (Not Shown - Located at Platform)	
18	4240099	AR	Tie-Strap (Not Shown)	
19	4360336	1	Switch, Toggle (Not Shown - Located at Platform)	
20	4460321	1	Plug, Male - 4 Position	
22	4711700	2	Washer 7/16	
23	4751000	2	Washer #10	
24	4811700	1	Washer M6	
25	4891500	2	Washer 5/16	
27	4812000	1	Washer M10	
28	4812200	2	Washer M14	
29		Ref	Wiring Diagram Components (Not Shown)	
29	4922641	1	Generator On/Off Switch Harness (Not Shown - Located at	

SECTION 3 - ENGINE

ITEM	PART NUMBER	QTY	DESCRIPTION	REV
29	4923445	1	Platform) Generator Harness (Not Shown - See Separate Breakdown in ELECTRICAL SECTION)	
30	1001216391	1	V-Belt	
31	1001219630	1	Mount, Generator	
32	1001219632	1	Arm, Adjustment	
33	4921829	1	Harness, Inverter	
34	3291201	2	Nut M12	

SECTION 3 - ENGINE

FIGURE 3-59. 2500W/220V/50HZ GENERATOR INSTALLATION - DEUTZ D2011 ENGINES



ART_1001115409

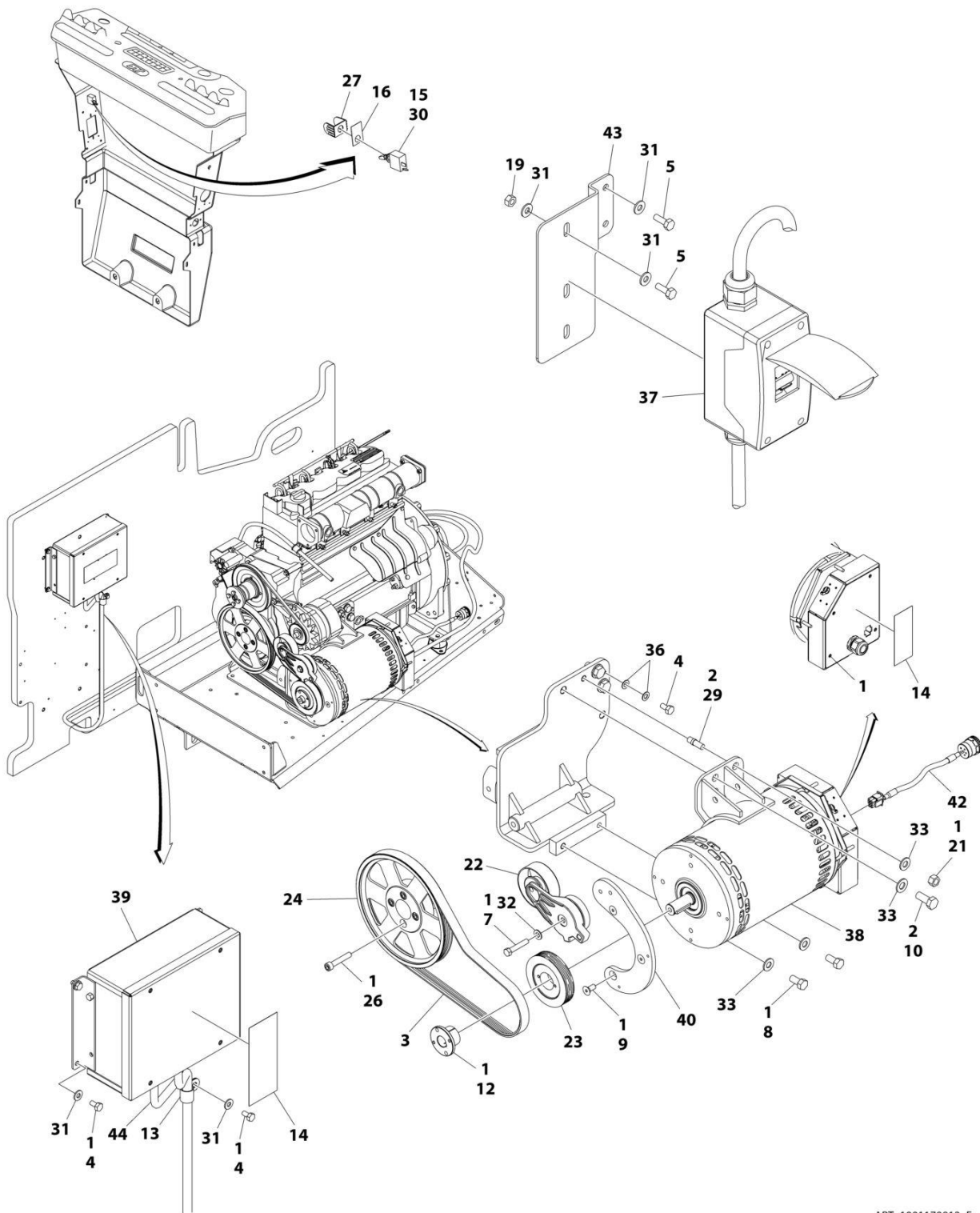
SECTION 3 - ENGINE

FIGURE 3-59. 2500W/220V/50HZ GENERATOR INSTALLATION - DEUTZ D2011 ENGINES

ITEM	PART NUMBER	QTY	DESCRIPTION	REV
	1001115409	Ref	2500W GENERATOR INSTALLATION - 220V/50Hz	B
1	0100011	AR	Compound, Locking	
2	0200742	1	Arm, Adjusting	
3	0480121	1	V-Belt	
4	0641404	1	Bolt 1/4 x 1/2	
5	0641508	1	Bolt 5/16 x 1	
6	0641610	1	Bolt 3/8 x 1-1/4	
7	0641772	1	Bolt 7/16 x 9	
8	0721006	AR	Bolt #10 x 3/4	
9	2820031	4 in/10cm	Heat Shrink (Not Shown - Located at Platform)	
10	3251102	1	Decal (Not Shown - Located at Platform)	
11	3252507	2	Decal - 220V - 50Hz	
		Ref	Note: One Decal Not Shown - Located on the Inside of Platform Rail.	
12	3290505	1	Nut M5	
13	3311005	1	Nut #10	
14	3311605	1	Nut 3/8	
15	3311705	1	Nut 7/16	
16	3580158	1	Pulley	
17	3740080	1	Relay	
18	4031608	1	Bolt M5 x 20	
19	4060802	1	Guard, Switch (Not Shown - Located at Platform)	
20	4240018	1	Tie Strap (Not Shown)	
21	4360336	1	Switch, Toggle (Not Shown - Located at Platform)	
22	4420060	AR	Tape, Double Coated Acrylic Foam	
23	4460968	3	Connector, Strain Relief	
24	4740397	1	Shim	
25	4751000	2	Washer #10	
26	4751500	1	Washer 5/16	
27	4751600	6	Washer 3/8	
28	4811600	1	Washer M5	
29	1001099869	1	Box, Junction	
30		Ref	Wiring Diagram Components (Not Shown)	
30	4922641	1	Generator On/Off Switch Harness (Not Shown - Located at Platform)	
30	1001112589	1	Generator Harness (Not Shown)	
31	1001100234	1	Light, Red	
32	1001100321	1	Generator	
32	70000123	1	Armature with Slip Rings	
32	7012513	4	Cap, Brush Holder	
32	7020108	4	Brush	
32	7020109	4	Holder, Brush	
32	7012514	1	Fan	
32	7020110	1	Bell, Front	
32	7020111	1	Bell, Rear	
32	7020190	1	Bearing	
32A	3580134	1	Pulley - 50Hz	
32B	7027887	1	Key, Woodruff	
33	0962449	1	Bushing	

SECTION 3 - ENGINE

FIGURE 3-60. 4000W/50HZ GENERATOR INSTALLATION - DEUTZ D2011 ENGINES



ART_1001179912_E

SECTION 3 - ENGINE

FIGURE 3-60. 4000W/50HZ GENERATOR INSTALLATION - DEUTZ D2011 ENGINES

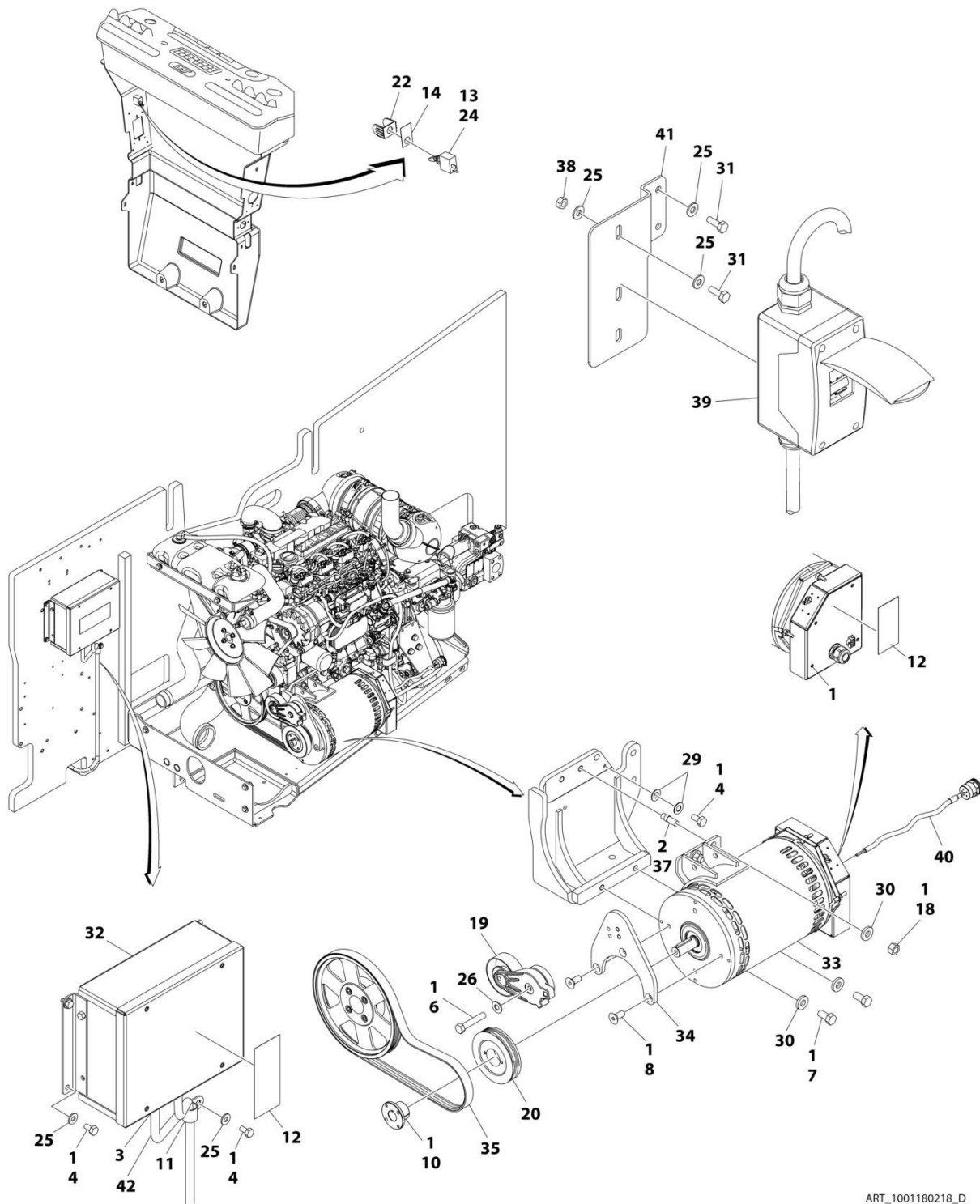
ITEM	PART NUMBER	QTY	DESCRIPTION	REV
	1001179912	Ref	4000W/50Hz GENERATOR INSTALLATION - DEUTZ D2011 ENGINES	E
1	0100011	AR	Compound, Locking	
2	0100019	AR	Compound, Locking	
3	0480126	1	Belt, Generator (50Hz)	
4	0641404	6	Bolt 1/4 x 1/2	
5	0641406	1	Bolt 1/4 x 3/4	
7	0641616	1	Bolt 3/8 x 2	
8	0641808	2	Bolt 1/2 x 1	
9	0741607	3	Screw 3/8 x 7/8	
10	0771415	1	Bolt M14 x 35	
12	0962520	1	Bushing, Split	
13	1320318	1	Clamp	
14	1705489	1	Decal - Hazardous Voltage	
15	2820031	0.33 ft /0.1m	Heat Shrink	
16	3251102	1	Nameplate - Generator	
19	3311405	1	Nut 1/4	
21	3311801	1	Nut 1/2	
22	3580317	1	Tensioner, Belt with Pulley	
23	3580319	1	Pulley, Generator	
24	3580320	1	Pulley, Engine	
26	4032015	4	Capscrew M10 x 55	
27	4060802	1	Guard, Switch	
28	4240018	AR	Tie-Strap (Not Shown)	
29	4300157	1	Stud	
30	4360336	1	Switch, Toggle	
31	4711400	11	Washer 1/4	
32	4711600	1	Washer 3/8	
33	4711800	3	Washer 1/2	
36	4791400	2	Washer 1/4	
37	1001165368	1	Breaker Box Kit (Not Shown - See Separate Breakdown in ELECTRICAL SECTION)	
38	1001138565	1	Generator Assembly (50Hz)	
38	70003709	1	Ring, Retaining (External)	
38	70003708	1	Ring, Retaining (Internal)	
38	70001966	1	Bearing	
38	70004092	1	Endbell (Shaft End)	
38	70004171	1	Key	
38	70004676	1	Rotor	
38	70004677	1	Stator (50Hz)	
38	70004678	1	Endbell (Rear)	
38	70004679	1	Cover, Endbell (Rear)	
38	70004680	1	Enclosure, Wiring	
38	70004681	1	Cover, Enclosure (50Hz)	
38	70004682	1	Switch, Reset (Located on Enclosure Cover)	
38	70004683	1	Connector, Strain Relief (50Hz) (Located on Enclosure Cover)	
39	1001138566	1	Control Box Assembly	
39	70006552	1	Capacitor	
39	70006553	1	Relay	

SECTION 3 - ENGINE

ITEM	PART NUMBER	QTY	DESCRIPTION	REV
40	1001139357	1	Mount, Tensioner	
42	1001152532	1	Generator to Control Box, Harness (See Separate Breakdown in ELECTRICAL SECTION)	
43	1001177035	1	Bracket	
44	1001153197	1	Generator Control Box to Engine Harness (See Separate Breakdown in ELECTRICAL SECTION)	

SECTION 3 - ENGINE

FIGURE 3-61. 4000W/50HZ GENERATOR INSTALLATION - DEUTZ TD2.9L4 ENGINES AND DEUTZ TD2.9L4 (STAGE V) ENGINES



ART_1001180218_D

SECTION 3 - ENGINE

FIGURE 3-61. 4000W/50HZ GENERATOR INSTALLATION - DEUTZ TD2.9L4 ENGINES AND DEUTZ TD2.9L4 (STAGE V) ENGINES

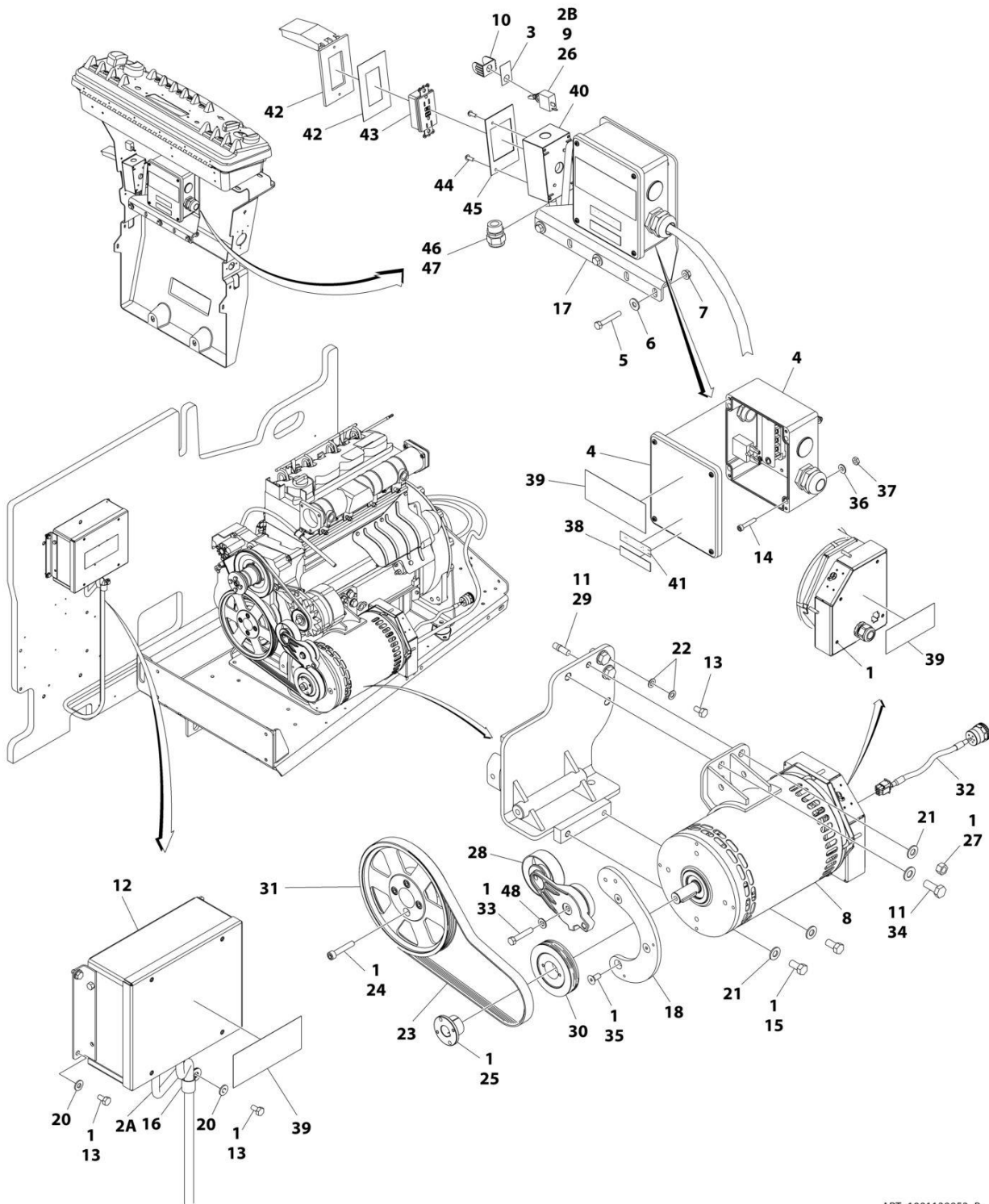
ITEM	PART NUMBER	QTY	DESCRIPTION	REV
	1001180218	1	4000W/Hz GENERATOR INSTALLATION - DEUTZ TD2.9L4 ENGINES	D
1	0100011	AR	Compound, Locking	
2	0100019	AR	Compound, Locking	
3	0100048	AR	Grease Dielectric	
4	0641404	6	Bolt 1/4 x 1/2	
6	0641616	1	Bolt 3/8 x 2	
7	0641808	2	Bolt 1/2 x 1	
8	0741607	3	Screw 3/8 x 7/8	
10	0962520	1	Bushing, Split	
11	1320318	1	Clamp	
12	1705489	2	Decal - Hazardous Voltage	
13	2820031	0.33 ft /0.1m	Heat Shrink	
14	3251102	1	Nameplate, Generator	
18	3311801	2	Nut 1/2	
19	3580317	1	Tensioner, Belt with Pulley	
20	3580319	1	Pulley, Generator	
22	4060802	1	Guard, Switch	
23	4240018	AR	Tie-Strap (Not Shown)	
24	4360336	1	Switch, Toggle	
25	4711400	11	Washer 1/4	
26	4711600	1	Washer 3/8	
29	4791400	2	Washer 1/4	
30	4891800	4	Washer 1/2	
31	0641406	4	Bolt 1/4 x 3/4	
32	1001138566	1	Control Box Assembly	
32	70006552	1	Capacitor	
32	70006553	1	Relay	
33	1001140347	1	Generator Assembly	
33	70003709	1	Ring, Retaining (External)	
33	70003708	1	Ring, Retaining (Internal)	
33	70001966	1	Bearing	
33	70004092	1	Endbell (Shaft End)	
33	70004099	1	Key	
33	70004676	1	Rotor	
33	70004686	1	Stator	
33	70004678	1	Endbell (Rear)	
33	70004679	1	Cover, Endbell (Rear)	
33	70004680	1	Enclosure, Wiring	
33	70004681	1	Cover, Enclosure	
33	70004682	1	Switch, Reset (Located on Enclosure Cover)	
33	70004683	1	Connector, Strain Relief (Located on Enclosure Cover)	
33	4460224	1	Connector - 6 Position (Located on Enclosure Cover)	
33	4460294	2	Pin, Male (Located on Enclosure Cover)	
34	1001142643	1	Support, Tensioner	
35	1001142645	1	Belt, Generator	
37	1001163599	2	Stud	
38	3311405	4	Nut 1/4	

SECTION 3 - ENGINE

ITEM	PART NUMBER	QTY	DESCRIPTION	REV
39	1001165368	1	Breaker Box Kit (Not Shown - See Separate Breakdown in ELECTRICAL SECTION)	
40	1001152532	1	Generator to Control Box Harness (See Separate Breakdown in ELECTRICAL SECTION)	
41	1001177035	1	Bracket	
42	1001153259	1	Generator Control Box to Engine Harness (See Separate Breakdown in ELECTRICAL SECTION)	

SECTION 3 - ENGINE

FIGURE 3-62. 4000W/60HZ GENERATOR INSTALLATION - DEUTZ D2011 ENGINES



ART_1001139952_B

SECTION 3 - ENGINE

FIGURE 3-62. 4000W/60HZ GENERATOR INSTALLATION - DEUTZ D2011 ENGINES

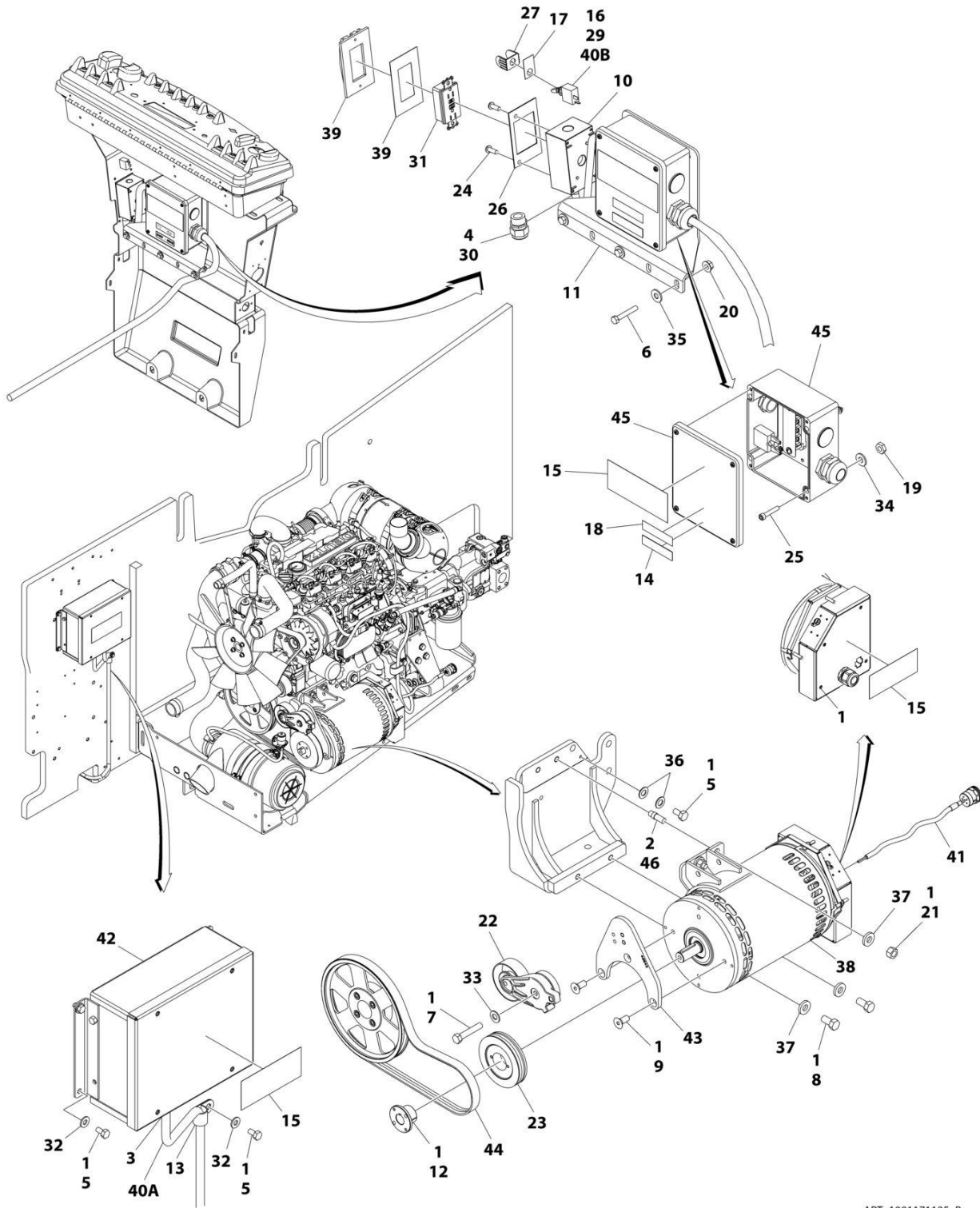
ITEM	PART NUMBER	QTY	DESCRIPTION	REV
	1001139952	Ref	4000W/60Hz GENERATOR INSTALLATION - DEUTZ D2011 ENGINES	B
1	0100011	AR	Compound, Locking	
2		Ref	Wiring Diagram Components (Not Shown)	
2A	1001153197	1	Generator Control Box to Engine Harness (See Separate Breakdown in ELECTRICAL SECTION)	
2B	4462641	1	Generator On/Off Switch Harness	
3	3251102	1	Nameplate - Generator	
4	1001152457	1	Junction Box Assembly	
4	3300396	1	Cover, Breaker	
4	4360070	1	Breaker, Circuit - 15Amp	
4	4460425	1	Connector, Strain Relief (LH Side)	
4	4460426	1	Connector, Strain Relief (RH Side)	
5	0641516	3	Bolt 5/16 x 2	
6	4751500	3	Washer 5/16	
7	3311508	3	Nut 5/16	
8	1001129858	1	Generator Assembly	
8	70003709	1	Ring, Retaining (External)	
8	70003708	1	Ring, Retaining (Internal)	
8	70001966	1	Bearing	
8	70004092	1	Endbell (Shaft End)	
8	70004171	1	Key	
8	70004676	1	Rotor	
8	70004684	1	Stator	
8	70004678	1	Endbell (Rear)	
8	70004679	1	Cover, Endbell (Rear)	
8	70004680	1	Enclosure, Wiring	
8	70004685	1	Cover, Enclosure	
8	70004682	1	Switch, Reset (Located on Enclosure Cover)	
8	70004098	1	Connector, Strain Relief (Located on Enclosure Cover)	
9	4360336	1	Switch, Toggle	
10	4060802	1	Guard, Switch	
11	0100019	AR	Compound, Locking	
12	1001138566	1	Control Box Assembly	
12	70006552	1	Capacitor	
12	70006553	1	Relay	
13	0641404	6	Bolt 1/4 x 1/2	
14	3931016	4	Capscrew #10 x 1	
15	0641808	2	Bolt 1/2 x 1	
16	1320318	1	Clamp	
17	0902888	1	Bracket	
18	1001139357	1	Mount, Tensioner	
19	4240018	AR	Tie-Strap (Not Shown)	
20	4711400	5	Washer 1/4	
21	4711800	3	Washer 1/2	
22	4791400	2	Washer 1/4	
23	0480129	1	Belt, Generator	
24	4032015	4	Capscrew M10 x 55	
25	0962520	1	Bushing, Split	
26	2820031	0.33 ft	Heat Shrink	

SECTION 3 - ENGINE

ITEM	PART NUMBER	QTY	DESCRIPTION	REV
		/0.1m		
27	3311801	1	Nut 1/2	
28	3580317	1	Tensioner, Belt with Pulley	
29	4300157	1	Stud	
30	3580318	1	Pulley, Generator	
31	3580320	1	Pulley, Engine	
32	1001152532	1	Generator to Control Box Harness (See Separate Breakdown in ELECTRICAL SECTION)	
33	0641616	1	Bolt 3/8 x 2	
34	0771415	1	Bolt M14 x 35	
35	0741607	3	Screw 3/8 x 7/8	
36	4751000	4	Washer #10	
37	3311005	4	Nut #10	
38	1705374	1	Decal - 240V	
39	1705387	3	Decal - Hazardous Voltage	
40	0860038	1	Box, Switch - Weatherhead	
41	3251243	1	Decal - 120V	
42	1001110873	1	Cover, Receptacle	
43	4460346	1	Receptacle	
44	3910606	4	Screw #6 x 3/8	
45	3960422	1	Gasket	
46	0100020	AR	Sealant #567	
47	4460071	1	Connector	
48	4711600	1	Washer 3/8	

SECTION 3 - ENGINE

FIGURE 3-63. 4000W/60HZ GENERATOR INSTALLATION - DEUTZ TD2.9L4 ENGINES



ART_1001171125_B

SECTION 3 - ENGINE

FIGURE 3-63. 4000W/60HZ GENERATOR INSTALLATION - DEUTZ TD2.9L4 ENGINES

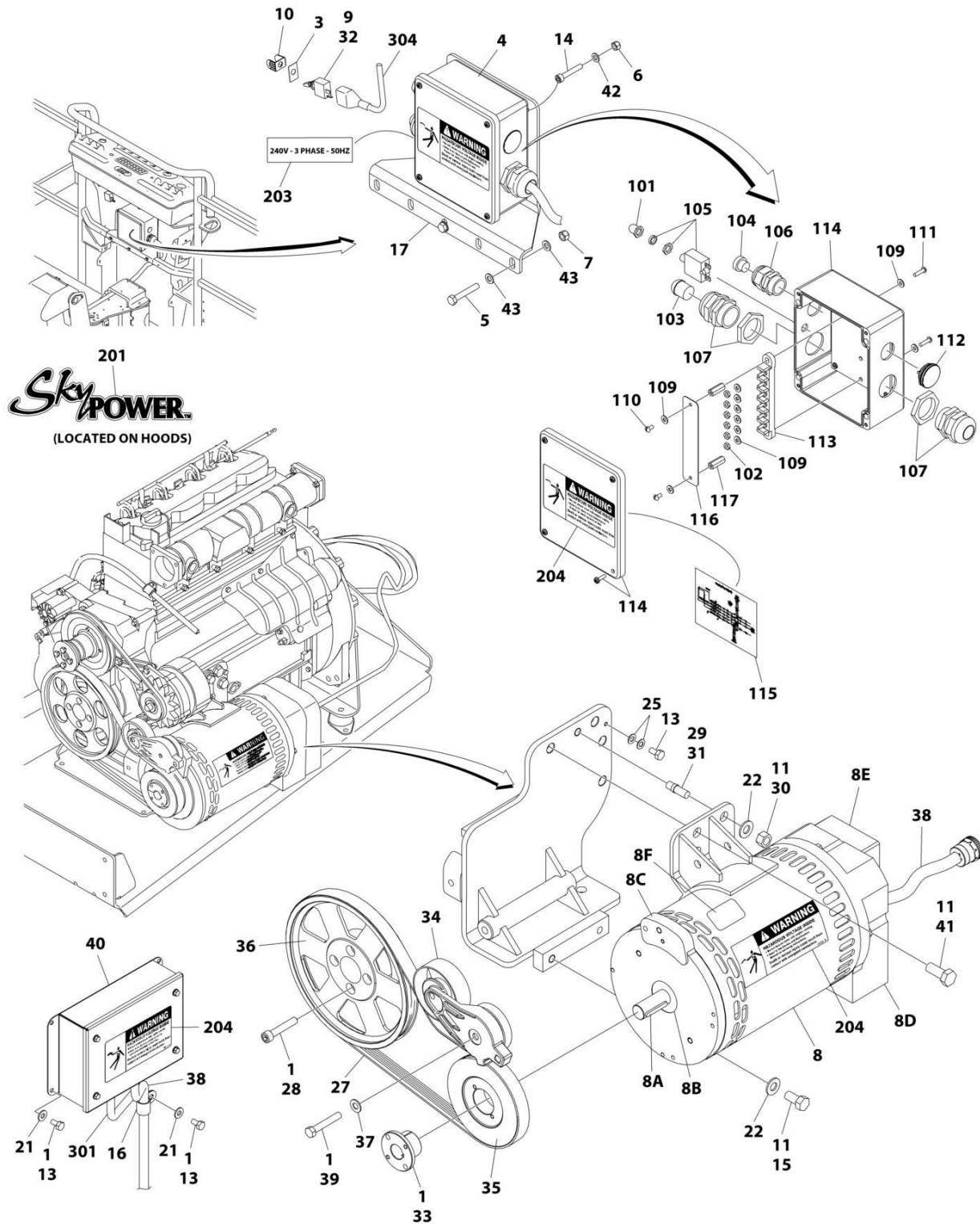
ITEM	PART NUMBER	QTY	DESCRIPTION	REV
	1001171125	1	4000W/60Hz GENERATOR INSTALLATION	B
1	0100011	AR	Compound, Locking	
2	0100019	AR	Compound, Locking	
3	0100048	AR	Grease Dielectric	
4	0100079	AR	Sealant	
5	0641404	6	Bolt 1/4 x 1/2	
6	0641516	3	Bolt 5/16 x 2	
7	0641616	1	Bolt 3/8 x 2	
8	0641808	2	Bolt 1/2 x 1	
9	0741607	3	Screw 3/8 x 7/8	
10	0860038	1	Box, Switch	
11	0902888	1	Bracket, Junction Box	
12	0962520	1	Bushing, Split	
13	1320318	1	Clamp	
14	1705374	1	Decal - 240V	
15	1705387	3	Decal - Hazardous Voltage	
16	2820031	0.33 ft /0.1m	Heat Shrink	
17	3251102	1	Nameplate, Generator	
18	3251243	1	Decal - 120V	
19	3311005	4	Nut #10	
20	3311508	3	Nut 5/16	
21	3311801	2	Nut 1/2	
22	3580317	1	Tensioner, Belt with Pulley	
23	3580318	1	Pulley, Generator	
24	3910606	4	Screw 6 x 3/8	
25	3931016	4	Capscrew #10 x 1	
26	3960422	1	Gasket, AC Receptacle	
27	4060802	1	Guard, Switch	
28	4240018	AR	Tie-Strap (Not Shown)	
29	4360336	1	Switch, Toggle	
30	4460071	1	Connector, Strain Relief	
31	4460346	1	Receptacle	
32	4711400	5	Washer 1/4	
33	4711600	1	Washer 3/8	
34	4751000	4	Washer #10	
35	4751500	3	Washer 5/16	
36	4791400	2	Washer 1/4	
37	4891800	4	Washer 1/2	
38	1001140346	1	Generator Assembly	
38	70003709	1	Ring, Retaining (External)	
38	70003708	1	Ring, Retaining (Internal)	
38	70001966	1	Bearing	
38	70004092	1	Endbell (Shaft End)	
38	70004099	1	Key	
38	70004676	1	Rotor	
38	70004687	1	Stator	
38	70004678	1	Endbell (Rear)	
38	70004679	1	Cover, Endbell (Rear)	
38	70004680	1	Enclosure, Wiring	

SECTION 3 - ENGINE

ITEM	PART NUMBER	QTY	DESCRIPTION	REV
38	70004685	1	Cover, Enclosure	
38	70004682	1	Switch, Reset (Located on Enclosure Cover)	
38	70004098	1	Connector, Strain Relief (Located on Enclosure Cover)	
39	1001110873	1	Cover, Receptacle	
40		Ref	Wiring Diagram Components (Not Shown)	
40A	1001153259	1	Generator Control Box to Engine Harness (See Separate Breakdown in ELECTRICAL SECTION)	
40B	4922641	1	Generator On/Off Switch Harness	
41	1001152532	1	Generator to Control Box (See Separate Breakdown in ELECTRICAL SECTION)	
42	1001138566	1	Control Box Assembly	
42	70006552	1	Capacitor	
42	70006553	1	Relay	
43	1001142643	1	Support, Tensioner	
44	1001142646	1	Belt, Generator	
45	1001152457	1	Junction Box Assembly	
45	3300396	1	Cover, Breaker	
45	4360070	1	Breaker, Circuit - 15Amp	
45	4460425	1	Connector, Strain Relief (LH Side)	
45	4460426	1	Connector, Strain Relief (RH Side)	
46	1001163599	2	Stud	

SECTION 3 - ENGINE

FIGURE 3-64. 7500W/50HZ SKYPOWER GENERATOR INSTALLATION - DEUTZ D2011 ENGINES



SECTION 3 - ENGINE

FIGURE 3-64. 7500W/50HZ SKYPOWER GENERATOR INSTALLATION - DEUTZ D2011 ENGINES

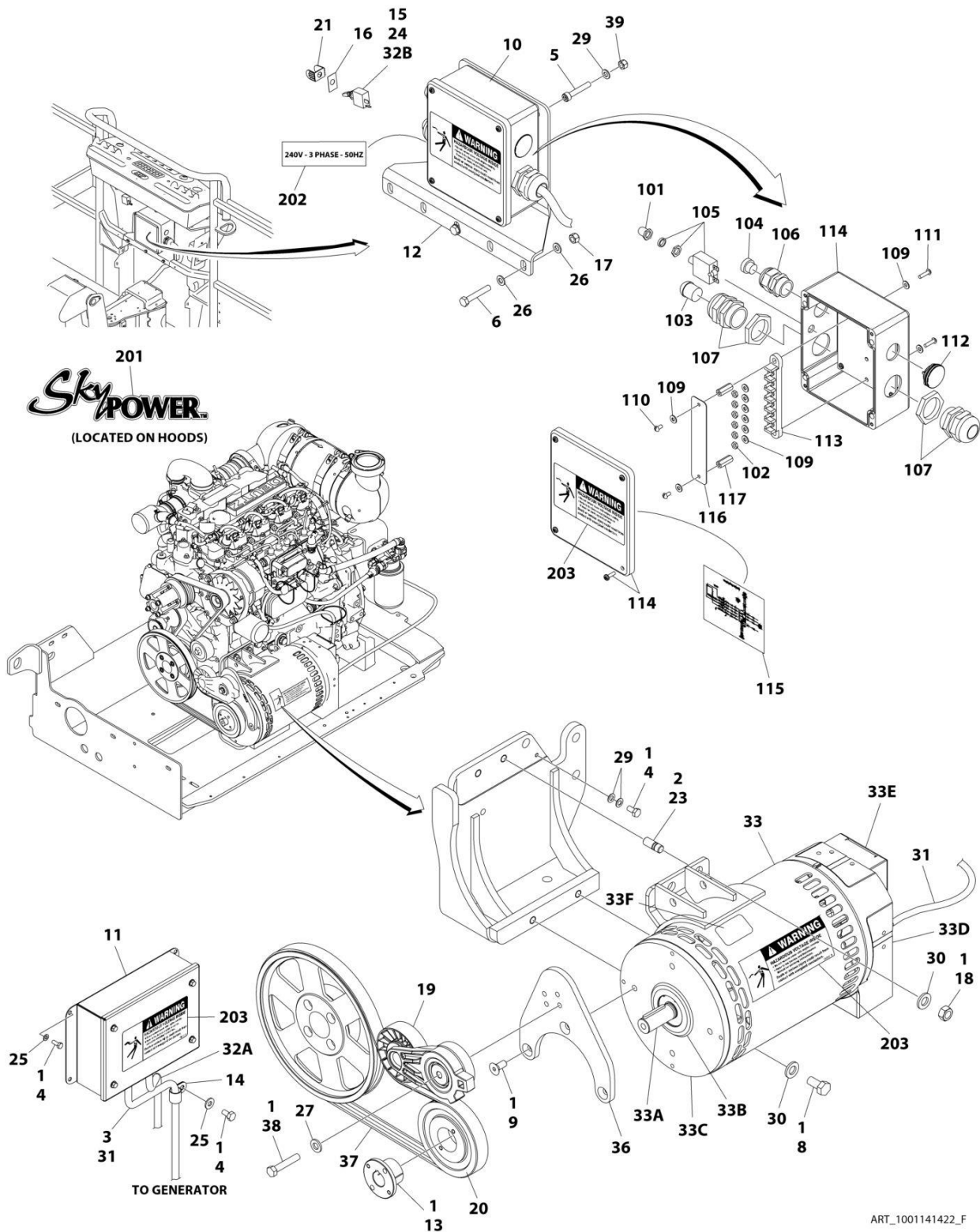
ITEM	PART NUMBER	QTY	DESCRIPTION	REV
	1001115389	Ref	7500W/50HZ SKYPOWER GENERATOR INSTALLATION - DEUTZ D2011 ENGINE MACHINES	E
1	0100011	AR	Compound, Locking	
3	3252764	1	Nameplate	
4	1001157525	1	Junction Box Assembly (See Items 101-117 for Breakdown)	
5	0641516	3	Bolt 5/16 x 2	
6	3311005	4	Nut #10	
7	3311508	3	Nut 5/16	
8	2460048	1	Generator Assembly (Deutz D2011 Engines)	
8	70001100	1	Rotor (Includes p/n 70001384 & 70000863) (Not Shown)	
8	70001384	1	Bearing, Ball Radial (Not Shown):	
8	70000863	1	Fan (Not Shown)	
8	70002088	1	Stator	
8	70002297	1	Stud	
8	7024484	NLA	Brushholder Assembly (Not Shown) (Use p/n 70003631)	
8A	7024561	NLA	Key	
8B	70001966	1	Bearing, Ball Radial (Located in Belt Tensioner Endbell)	
8B	70003708	1	Ring, Internal Retaining (Located in Belt Tensioner Endbell)	
8B	70003709	1	Ring, External Retaining (Located in Belt Tensioner Endbell)	
8C	70001953	1	Endbell, Belt Tensioner	
8D	70001385	NLA	Endbell, Brush Block (use p/n 70004169)	
8E	70002290	NLA	Shroud (Use p/n 70004169)	
8E	See Note	NSS	Insulator, Endbell (Note: Not Available for Purchase)	
8E	7027799	1	Block, Connector 6 Position (Not Shown)	
8E	70002460	1	Nut, Brass (Attaches p/n 7027799 to Cover) (Not Shown)	
8E	7024485	1	Breaker, Circuit 30Amp (Not Shown):	
8E	70001696	1	Boot, Breaker (Not Shown):	
8E	7026626	1	Connector, 6 Position (Includes Seal) (Not Shown - Plugs into Item 36)	
8E	7026597	1	Connector, W/Leads (Not Shown)	
8E	7026188	1	Clamp, Cable (Not Shown)	
8E	70004169	1	Plate, End Panel	
8E	70001974	1	Decal - Terminal Connections	
8F	70001973	1	Decal - Warning Moving Parts	
9	4360336	1	Switch, Toggle	
10	4060802	1	Guard, Switch	
11	0100019	AR	Compound, Locking	
13	0641404	6	Bolt 1/4 x 1/2	
14	3931016	4	Capscrew 3/8 x 1	
15	0641808	2	Bolt 1/2 x 1	
16	1320318	1	Clamp	
17	0902888	1	Bracket, Box Mounting	
20	4240018	AR	Tie-Strap (Not Shown)	
21	4711400	5	Washer 1/4	
22	4711800	3	Washer 1/2	
25	4791400	2	Washer 1/4	
27	0480126	1	Belt, Drive	
28	4032015	4	Capscrew M10 x 55	
29	4300157	1	Stud	
30	3311801	1	Nut 1/2	

SECTION 3 - ENGINE

ITEM	PART NUMBER	QTY	DESCRIPTION	REV
31	0100062	AR	Adhesive (Not Shown)	
32	2820031	1	Insulator	
33	0962520	1	Bushing, Split Taper	
34	3580317	1	Tensioner, Belt	
35	3580319	1	Pulley	
36	3580320	1	Pulley	
37	4711600	1	Washer 3/8	
38	4922925	1	Generator to Control Box Harness (See Separate Breakdown in ELECTRICAL SECTION)	
39	0641618	1	Bolt 3/8 x 2-1/4	
40	0861572	1	Control Box Assembly	
40	7024488	1	Card, Circuit - Generator Power	
40	See Note	1	Fuse (Note: Not Available - Purchase Locally)	
40	70000619	1	Harness, Control Box (Internal)	
40	7024489	1	Card, Circuit - Control	
		Ref	Note: Same Circuit Card (P/N 7024489) is used for both 60Hz & 50Hz Specs. When replacing card, rocker switch on card must be set for required application.	
41	0771415	1	Bolt M14 x 35 Grade 10.9	
42	4751000	4	Washer #10	
43	4751500	3	Washer 5/16	
	1001157525	Ref	JUNCTION BOX ASSEMBLY	B
101	3300396	1	Cover, Fuse	
102	3311001	6	Nut #10-24	
103	3520189	1	Plug	
104	3520192	1	Plug	
105	4360070	1	Circuit Breaker - 15 Amp	
106	4460425	1	Connector, Strain Relief	
107	4460426	2	Connector, Strain Relief	
109	4711000	10	Washer #10	
110	10702077	2	Screw #10 x 3/8	
111	10702082	2	Screw #10 x 3/4	
112	1001152525	1	Plug	
113	1001157520	1	Block, Terminal	
114	1001157521	1	Box, Junction	
115	1001157528	1	Decal - Wiring Schematic	
116	1001158007	1	Cover, PVC	
117	1001158008	2	Stand-Off	
	0272589	Ref	DECAL INSTALLATION	A
201	1705460	2	Decal - SkyPower	
203	1705461	1	Decal - 240V - 3 Phase	
204	1705489	3	Decal, Hazardous Voltage	
	1001157769	Ref	ELECTRICAL DIAGRAM COMPONENTS	B
301	1001152429	1	Generator Harness (See Separate Breakdown in ELECTRICAL SECTION)	
304	4922641	1	Switch Harness	

SECTION 3 - ENGINE

FIGURE 3-65. 7500W/50HZ SKYPOWER GENERATOR INSTALLATION - DEUTZ TD2.9L4 ENGINES AND DEUTZ TD2.9L4 (STAGE V) ENGINES



SECTION 3 - ENGINE

**FIGURE 3-65. 7500W/50HZ SKYPOWER GENERATOR INSTALLATION - DEUTZ TD2.9L4 ENGINES
AND DEUTZ TD2.9L4 (STAGE V) ENGINES**

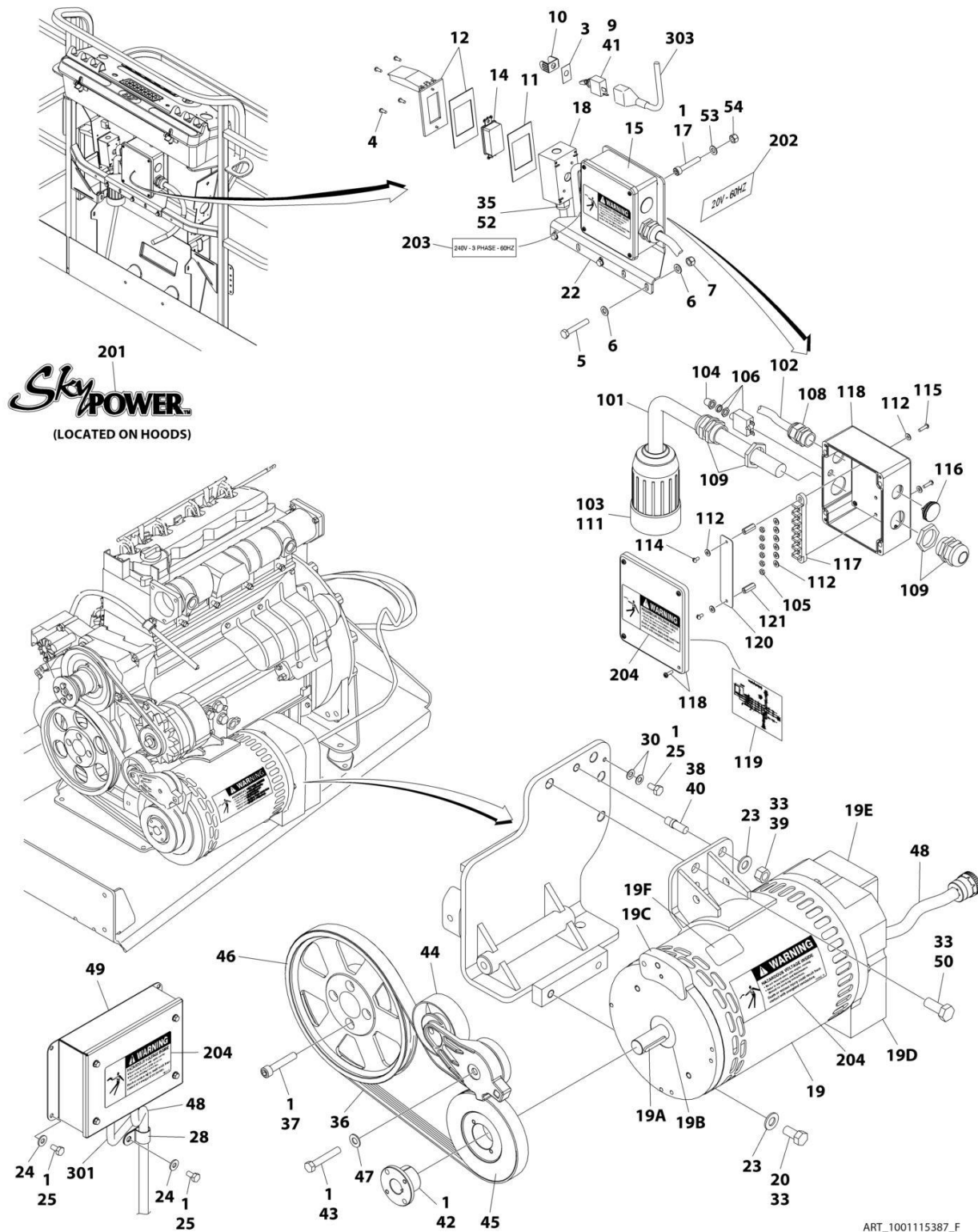
ITEM	PART NUMBER	QTY	DESCRIPTION	REV
	1001141422	Ref	7500W SKYPOWER GENERATOR INSTALLATION	F
1	0100011	AR	Compound, Locking	
2	0100019	AR	Compound, Locking	
3	0100048	AR	Compound Terminal	
4	0641404	6	Bolt 1/4 x 1/2	
5	3931016	4	Capscrew #10 x 1	
6	0641516	3	Bolt 5/16 x 2	
8	0641808	2	Bolt 1/2 x 1	
9	0741607	3	Screw 3/8 x 7/8	
10	1001157525	1	Junction Box Assembly (See Items 101 - 117 for Breakdown)	
11	0861572	1	Control Box Assembly	
11	0860038	1	Box, Receptacle	
11	7024488	1	Card, Circuit - Generator Power	
11	See Note	NSS	Fuse (Note: Not Available - Purchase Locally)	
11	7024489	1	Card, Circuit - Control	
11	70000619	1	Harness, Control Box (Internal)	
11		Ref	Note: Same Circuit Card (P/N 7024489) is used for both 60Hz and 50Hz. When replacing card, rocker switch on card must be set for required application.	
12	0902888	1	Bracket	
13	0962520	1	Bushing, Split	
14	1320318	1	Clamp	
15	2820031	AR	Heat Shrink	
16	3252764	1	Nameplate - AC & Weld	
17	3311505	3	Nut 5/16	
18	3311801	2	Nut 1/2	
19	3580317	1	Tensioner, Belt	
20	3580319	1	Pulley	
21	4060802	1	Guard, Switch	
22	4240018	AR	Tie - Strap (Not Shown)	
23	1001163599	2	Stud	
24	4360336	1	Switch, Toggle	
25	4711400	5	Washer 1/4	
26	4711500	6	Washer 5/16	
27	4711600	1	Washer 3/8	
28	4751000	4	Washer #10	
29	4791400	2	Washer 1/4	
30	4891800	4	Washer 1/2	
31	4922925	1	Generator to Control Box Harness (See Separate Breakdown in ELECTRICAL SECTION)	
32		Ref	Wiring Diagram Components (Not Shown)	
32A	1001119968	1	Generator to Engine Harness (See Separate Breakdown in ELECTRICAL SECTION)	
32B	4922641	1	Generator On/Off Switch Harness	
33	1001212223	1	Generator Assembly	
33	70001100	1	Rotor (Includes p/n 70001384 & 70000863) (Not Shown)	
33	70001384	1	Bearing, Ball Radial (Not Shown)	
33	70000863	1	Fan (Not Shown)	
33	70006093	1	Stator (Not Shown)	
33	70002297	1	Stud	

SECTION 3 - ENGINE

ITEM	PART NUMBER	QTY	DESCRIPTION	REV
33	70003631	1	Brushholder Assembly (Not Shown) (was p/n 7024484)	
33A	70004099	1	Key	
33B	70001966	1	Bearing, Ball Radial (Located in Belt Tensioner Endbell)	
33B	70003708	1	Ring, Internal Retaining (Located in Belt Tensioner Endbell)	
33B	70003709	1	Ring, External Retaining (Located in Belt Tensioner Endbell)	
33C	70004092	1	Endbell, Belt Tensioner	
33D	70004094	1	Endbell, Brush Block	
33E	70006094	1	Shroud	
33E	70002291	1	Insulator, Endbell	
33E	7027799	1	Block, Connector - 6 Position (Not Shown)	
33E	70002460	1	Nut, Brass (Attaches p/n 7027799 to Cover) (Not Shown)	
33E	70006095	1	Breaker, Circuit 30Amp (Not Shown)	
33E	70006096	1	Boot, Breaker (Not Shown)	
33E	7026626	1	Connector, 6 Position (Includes Seal) (Not Shown - Plugs into Item 45)	
33E	7026597	1	Connector with Leads (Not Shown)	
33E	70004098	1	Clamp, Cable (Not Shown)	
33E	70006097	1	Plate, End Panel	
33E	70001974	1	Decal - Terminal Connections	
33F	70001973	1	Decal - Warning Moving Parts	
36	1001142643	1	Support	
37	1001142645	1	Belt	
38	0641616	1	Bolt 3/8 x 2	
39	3311005	4	Nut #10	
	1001157525	Ref	JUNCTION BOX ASSEMBLY	B
101	3300396	1	Cover, Fuse	
102	3311001	6	Nut #10	
103	3520189	1	Plug	
104	3520192	1	Plug	
105	4360070	1	Circuit Breaker - 15Amp	
106	4460425	1	Connector, Strain Relief	
107	4460426	2	Connector, Strain Relief	
109	4711000	10	Washer #10	
110	10702077	2	Screw #10 x 3/8	
111	10702082	2	Screw #10 x 3/4	
112	1001152525	1	Plug	
113	1001152520	1	Block, Terminal	
114	1001157521	1	Box, Junction	
115	1001157528	1	Decal - Wiring Schematic	
116	1001158007	1	Cover, PVC	
117	1001158008	2	Stand-Off	
	0272589	Ref	DECAL INSTALLATION	A
201	1705460	2	Decal - SkyPower	
202	1705461	1	Decal - 240V - 3 Phase - 50Hz	
203	1705489	3	Decal - Hazardous Voltage	

SECTION 3 - ENGINE

FIGURE 3-66. 7500W/60HZ SKYPOWER GENERATOR INSTALLATION - DEUTZ D2011 ENGINES



SECTION 3 - ENGINE

FIGURE 3-66. 7500W/60HZ SKYPOWER GENERATOR INSTALLATION - DEUTZ D2011 ENGINES

ITEM	PART NUMBER	QTY	DESCRIPTION	REV
	1001115387	Ref	7500W 60HZ SKYPOWER GENERATOR INSTALLATION - DEUTZ D2011 ENGINE MACHINES	F
1	0100011	AR	Compound, Locking	
3	3252764	1	Nameplate	
4	3910606	4	Screw #6 x 3/8	
5	0641516	3	Bolt 5/16 x 2	
6	4751500	3	Washer 5/16	
7	3311508	3	Nut 5/16	
9	4360336	1	Switch, Toggle	
10	4060802	1	Guard, Switch	
11	3960422	1	Gasket	
12	1001110873	1	Cover, Receptacle (60Hz Specs)	
14	4460346	1	Receptacle, Female	
15	1001157592	1	Junction Box Assembly (See Items 101-124 for Breakdown)	
17	3931016	4	Capscrew 3/8 x 1	
18	0860038	1	Box, Switch	
19	2460048	1	Generator Assembly (Deutz D2011 Engines)	
19	70001100	1	Rotor (Includes p/n 70001384 & 70000863) (Not Shown)	
19	70001384	1	Bearing, Ball Radial (Not Shown):	
19	70000863	1	Fan (Not Shown)	
19	70002088	1	Stator	
19	70002297	1	Stud	
19	7024484	NLA	Brushholder Assembly (Not Shown) (Use p/n 70003631)	
19A	7024561	NLA	Key - 2460048 Generator (Use p/n 70004171)	
19B	70001966	1	Bearing, Ball Radial (Located in Belt Tensioner Endbell)	
19B	70003708	1	Ring, Internal Retaining (Located in Belt Tensioner Endbell)	
19B	70003709	1	Ring, External Retaining (Located in Belt Tensioner Endbell)	
19C	70001953	1	Endbell, Belt Tensioner	
19D	70001385	NLA	Endbell, Brush Block - (Use p/n 70004169)	
19E	70002290	NLA	Shroud - (Use p/n 70004169)	
19E	See Note	NSS	Insulator, Endbell (Note: Not Available for Purchase)	
19E	7027799	1	Block, Connector 6 Position (Not Shown)	
19E	70002460	1	Nut, Brass (Attaches p/n 7027799 to Cover) (Not Shown)	
19E	7024485	1	Breaker, Circuit 30Amp (Not Shown)	
19E	70006095	1	Breaker - 1001212223 Generator	
19E	70001696	1	Boot, Breaker (Not Shown):	
19E	7026626	1	Connector, 6 Position (Includes Seal) (Not Shown - Plugs into Item 36)	
19E	7026597	1	Connector, W/Leads (Not Shown)	
19E	7026188	1	Clamp, Cable (Not Shown)	
19E	70004169	1	Plate, End Panel:	
19E	70001974	1	Decal - Terminal Connections	
19F	70001973	1	Decal - Warning Moving Parts	
20	0641808	2	Bolt 1/2 x 1	
22	0902888	1	Bracket, Box Mounting	
23	4711800	3	Washer 1/2	
24	4711400	5	Washer 1/4	
25	0641404	6	Bolt 1/4 x 1/2	
28	1320318	1	Clamp	
29	4240018	AR	Tie-Strap (Not Shown)	

SECTION 3 - ENGINE

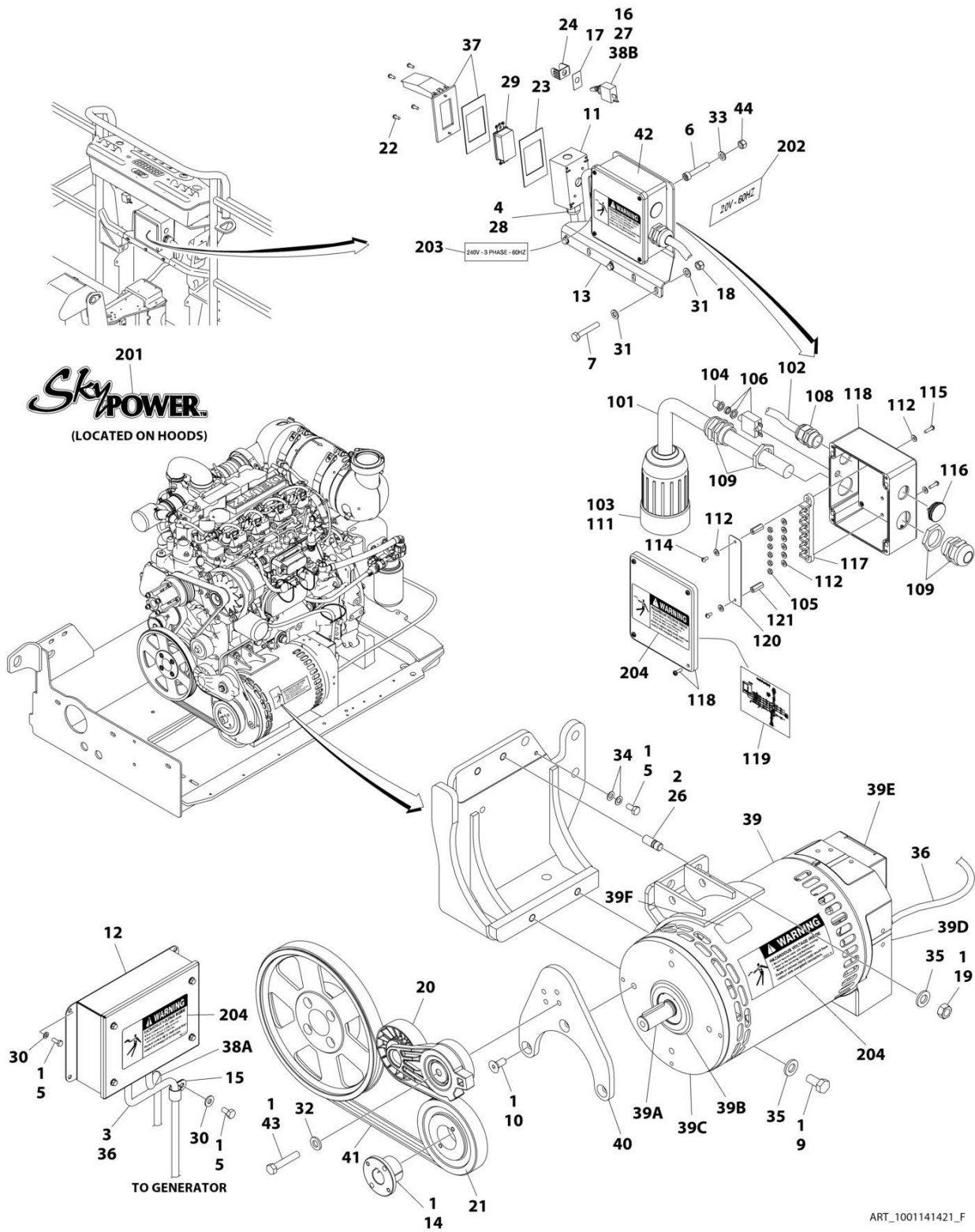
ITEM	PART NUMBER	QTY	DESCRIPTION	REV
30	4791400	2	Washer 1/4	
33	0100019	AR	Compound, Locking	
35	4460071	1	Connector, Strain Relief	
36	0480129	1	Belt, Drive	
37	4032015	4	Capscrew M10 x 55	
38	4300157	1	Stud	
39	3311801	1	Nut 1/2-13	
40	0100062	AR	Compound, Locking	
41	2820031	1	Insulator	
42	0962520	1	Bushing, Split Taper	
43	0641618	1	Bolt 3/8 x 2-1/4	
44	3580317	1	Tensioner, Belt	
45	3580318	1	Pulley	
46	3580320	1	Pulley	
47	4711600	1	Washer 3/8	
48	4922925	1	Generator to Control Box Harness (See Separate Breakdown in ELECTRICAL SECTION)	
49	0861538	1	Control Box Assembly	
49	7024488	1	Card, Circuit - Generator Power	
49	See Note	1	Fuse (Note: Not Available - Purchase Locally)	
49	70000619	1	Harness, Control Box (Internal)	
49	7024489	1	Card, Circuit - Control	
49		Ref	Note: Same Circuit Card (P/N 7024489) is used for both 60Hz & 50Hz Specs. When replacing card, rocker switch on card must be set for required application.	
50	0771415	1	Bolt M14 x 35 Grade 10.9	
52	0100020	AR	Sealant	
53	4751000	4	Washer #10	
54	3311005	4	Nut #10	
	1001157592	Ref	JUNCTION BOX ASSEMBLY	C
101	1060343	1.5 ft /.46m	Cable, Electrical 10/4	
102	1001179154	2.5 ft /.76m	Cable, Electrical 12/3	
103	1671092	1	Cover	
104	3300396	1	Cover, Fuse	
105	3311001	6	Nut #10	
106	4360070	1	Circuit Breaker - 15 Amp	
108	4460425	1	Connector, Strain Relief	
109	4460426	2	Connector, Strain Relief	
111	4460963	1	Connector	
112	4711000	4	Washer #10	
114	10702077	2	Screw #10 x 3/8	
115	10702082	2	Screw #10 x 3/4	
116	1001152525	1	Plug	
117	1001157520	1	Block, Terminal	
118	1001157521	1	Box, Junction	
119	1001157528	1	Decal - Wiring Schematic	
120	1001158007	1	Cover, PVC	
121	1001158008	1	Stand-Off	
	0272435	Ref	DECAL INSTALLATION	D
201	1705460	2	Decal - SkyPower	

SECTION 3 - ENGINE

ITEM	PART NUMBER	QTY	DESCRIPTION	REV
202	3251243	1	Decal - 120V - 60Hz (Not Shown - Located on Platform Receptacle)	
203	1705375	1	Decal - 240V - 3 Phase	
204	1705387	3	Decal, Hazardous Voltage	
	1001157769	Ref	ELECTRICAL DIAGRAM COMPONENTS	B
301	1001152429	1	Generator Harness (See Separate Breakdown in ELECTRICAL SECTION)	C
303	4922641	1	Switch Harness	

SECTION 3 - ENGINE

FIGURE 3-67. 7500W/60HZ SKYPOWER GENERATOR INSTALLATION - DEUTZ TD2.9L4 ENGINES



ART_1001141421_F

SECTION 3 - ENGINE

FIGURE 3-67. 7500W/60HZ SKYPOWER GENERATOR INSTALLATION - DEUTZ TD2.9L4 ENGINES

ITEM	PART NUMBER	QTY	DESCRIPTION	REV
	1001141421	Ref	7500W SKYPOWER GENERATOR INSTALLATION	F
1	0100011	AR	Compound, Locking	
2	0100019	AR	Compound, Locking	
3	0100048	AR	Compound Terminal	
4	0100079	AR	Sealant	
5	0641404	6	Bolt 1/4 x 1/2	
6	3931016	4	Capscrew #10 x 1	
7	0641516	3	Bolt 5/16 x 2	
9	0641808	2	Bolt 1/2 x 1	
10	0741607	3	Screw 3/8 x 7/8	
11	0860038	1	Box, Receptacle	
12	0861538	1	Control Box Assembly	
12	7024488	1	Card, Circuit - Generator Power	
12	See Note	NSS	Fuse (Note: Not Available - Purchase Locally)	
12	7024489	1	Card, Circuit - Control	
12	70000619	1	Harness, Control Box (Internal)	
		Ref	Note: Same Circuit Card (P/N 7024489) is used for both 60Hz and 50Hz. When replacing card, rocker switch on card must be set for required application.	
13	0902888	1	Bracket	
14	0962520	1	Bushing, Split	
15	1320318	1	Clamp	
16	2820031	AR	Heat Shrink	
17	3252764	1	Nameplate - AC & Weld	
18	3311505	3	Nut 5/16	
19	3311801	2	Nut 1/2	
20	3580317	1	Tensioner, Belt	
21	3580318	1	Pulley	
22	3910606	4	Screw #6 x 3/8	
23	3960422	1	Gasket	
24	4060802	1	Guard, Switch	
25	4240018	AR	Tie - Strap (Not Shown)	
26	1001163599	2	Stud	
27	4360336	1	Switch, Toggle	
28	4460071	1	Connector, Strain Relief	
29	4460346	1	Receptacle	
30	4711400	5	Washer 1/4	
31	4711500	6	Washer 5/16	
32	4711600	1	Washer 3/8	
33	4751000	4	Washer #10	
34	4791400	2	Washer 1/4	
35	4891800	4	Washer 1/2	
36	4922925	1	Generator to Control Box Harness (See Separate Breakdown in ELECTRICAL SECTION)	
37	1001110873	1	Cover	
38		Ref	Wiring Diagram Components (Not Shown)	
38A	1001119968	1	Generator to Engine Harness (See Separate Breakdown in ELECTRICAL SECTION)	
38B	4922641	1	Generator ON/OFF Switch Harness	
39	1001212223	1	Generator Assembly	

SECTION 3 - ENGINE

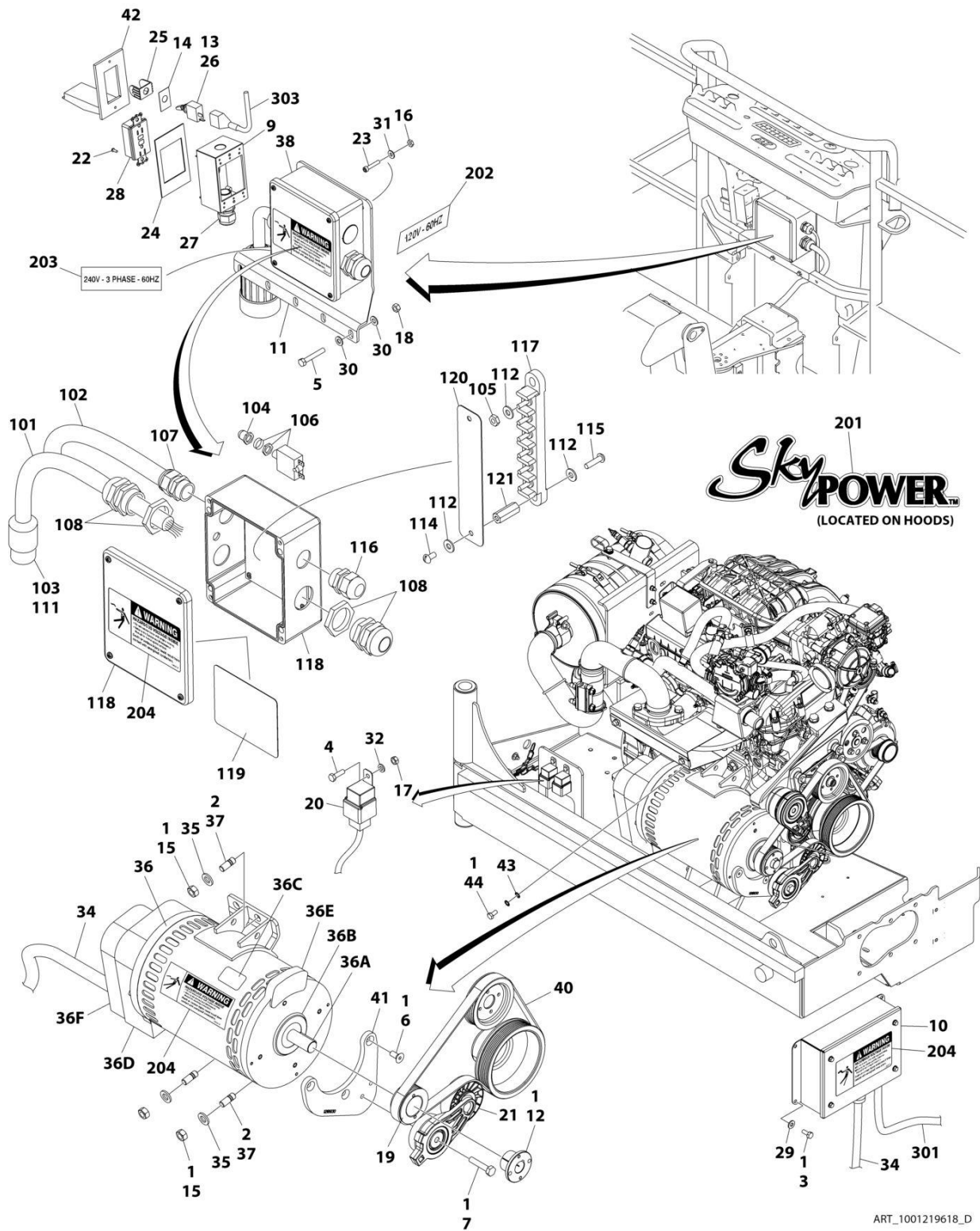
ITEM	PART NUMBER	QTY	DESCRIPTION	REV
39	70001100	1	Rotor (Includes p/n 70001384 & 70000863) (Not Shown)	
39	70001384	1	Bearing, Ball Radial (Not Shown)	
39	70000863	1	Fan (Not Shown)	
39	70006093	1	Stator (Not Shown)	
39	70002297	1	Stud	
39	70003631	1	Brushholder Assembly (Not Shown) (was p/n 7024484)	
39A	70004099	1	Key	
39B	70001966	1	Bearing, Ball Radial (Located in Belt Tensioner Endbell)	
39B	70003708	1	Ring, Internal Retaining (Located in Belt Tensioner Endbell)	
39B	70003709	1	Ring, External Retaining (Located in Belt Tensioner Endbell)	
39C	70004092	1	Endbell, Belt Tensioner	
39D	70004094	1	Endbell, Brush Block	
39E	70006094	1	Shroud	
39E	70002291	1	Insulator, Endbell	
39E	7027799	1	Block, Connector - 6 Position (Not Shown)	
39E	70002460	1	Nut, Brass (Attaches p/n 7027799 to Cover) (Not Shown)	
39E	70006095	1	Breaker, Circuit 30Amp (Not Shown)	
39E	70006096	1	Boot, Breaker (Not Shown)	
39E	7026626	1	Connector, 6 Position (Includes Seal) (Not Shown - Plugs into Item 45)	
39E	7026597	1	Connector with Leads (Not Shown)	
39E	70004098	1	Clamp, Cable (Not Shown)	
39E	70006097	1	Plate, End Panel	
39E	70001974	1	Decal - Terminal Connections	
39F	70001973	1	Decal - Warning Moving Parts	
40	1001142643	1	Support	
41	1001142646	1	Belt	
42	1001157592	1	Junction Box Assembly (See Items 101-121 for Breakdown)	
43	0641616	1	Bolt 3/8 x 2	
44	3311005	4	Nut #10	
	1001157592	Ref	JUNCTION BOX ASSEMBLY	C
101	1060343	1.5 ft/ 0.5m	Cable, Electrical 10/4	
102	1001179154	2.5 ft/ 76cm	Cable, Electrical 12/3	
103	1671092	1	Cover, Connector	
104	3300396	1	Cover, Fuse	
105	3311001	6	Nut #10	
106	4360070	1	Circuit Breaker - 15Amp	
108	4460425	1	Connector, Strain Relief	
109	4460426	2	Connector, Strain Relief	
111	4460963	1	Connector	
112	4711000	4	Washer #10	
114	10702077	2	Screw #10 x 3/8	
115	10702082	2	Screw #10 x 3/4	
116	1001152525	1	Plug	
117	1001157520	1	Block, Terminal	
118	1001157521	1	Box, Junction	
119	1001157528	1	Decal - Wiring Schematic	
120	1001158007	1	Cover, PVC	
121	1001158008	1	Stand-Off	
	0272435	Ref	DECAL INSTALLATION	D

SECTION 3 - ENGINE

ITEM	PART NUMBER	QTY	DESCRIPTION	REV
201	1705460	2	Decal - SkyPower	
202	3251243	1	Decal - 120V-60Hz	
203	1705375	1	Decal - 240V - 3 Phase - 60Hz	
204	1705387	3	Decal - Hazardous Voltage	

SECTION 3 - ENGINE

FIGURE 3-68. 7500W/60HZ SKYPOWER GENERATOR INSTALLATION - FORD ENGINES



SECTION 3 - ENGINE

FIGURE 3-68. 7500W/60HZ SKYPOWER GENERATOR INSTALLATION - FORD ENGINES

ITEM	PART NUMBER	QTY	DESCRIPTION	REV
	1001219618	Ref	7500W SKYPOWER GENERATOR INSTALLATION - FORD ENGINES	D
		Ref	Note: See ELECTRICAL SECTION for Boom Cable Components.	
1	0100011	AR	Compound, Locking	
2	0100019	AR	Compound, Locking	
3	0641405	4	Bolt 1/4 x 5/8	
4	0760610	2	Bolt M6 x 20	
5	0641516	3	Bolt 5/16 x 2	
6	0741607	3	Screw 3/8 x 7/8	
7	0761018	1	Bolt M10 x 50	
9	0860038	1	Box, Switch	
10	0861538	1	Control Box Assembly	
10	7024488	1	Card, Circuit - Generator Power	
10	See Note	1	Fuse (Note: Not Available - Purchase Locally)	
10	7024489	1	Card, Circuit - Control	
10	70000619	1	Harness, Circuit Card	
11	0902888	1	Bracket, Box Mounting	
12	0962520	1	Bushing, Split Taper	
13	2820031	1	Heat Shrink	
14	3252764	1	Nameplate - AC & Weld	
15	3291201	4	Nut M12	
16	3311005	4	Nut #10	
17	3290601	2	Nut M6	
18	3311505	3	Nut 5/16	
19	3580314	1	Pulley	
20	3740080	2	Relay	
21	3580317	1	Tensioner, Belt	
22	3910606	2	Screw #6 x 3/8	
23	3931016	4	Capscrew #10 x 1	
24	3960422	1	Gasket	
25	4060802	1	Guard, Switch	
26	4360336	1	Switch, Toggle	
27	4460071	1	Connector, Strain Relief	
28	4460346	1	Receptacle	
29	4711400	4	Washer 1/4	
30	4711500	6	Washer 5/16	
31	4751000	4	Washer #10	
32	4811700	2	Washer M6	
34	4922925	1	Harness, Generator	
35	5241200	4	Washer M12	
36	1001136104	1	Generator Assembly	
36	70003631	1	Brushholder Assembly (Not Shown) (was p/n 7024484)	
36	7024485	1	Breaker, Circuit 30Amp (Not Shown)	
36	70001696	1	Boot, Breaker (was p/n 7024486 - Not Shown)	
36	70001966	1	Bearing, Ball Radial (Located In Belt Tensioner Endbell - Not Shown)	
36	7027799	1	Block, Connector 6 Position (Not Shown)	
36	70002460	6	Nut, Brass (Attaches p/n 7027799 to Cover) (Not Shown)	
36	7026188	1	Clamp, Cable (Not Shown)	
36	7026597	1	Connector, W/Leads (Not Shown)	

SECTION 3 - ENGINE

ITEM	PART NUMBER	QTY	DESCRIPTION	REV
36	7026626	1	Connector - 6 Position with Seal (Not Shown)	
36	70002088	1	Stator (Not Shown)	
36	70004169	1	Panel, End (Not Shown) (was p/n 70002255)	
36	70001974	1	Decal - Terminal Connections (Not Shown)	
36	70000863	1	Fan (Not Shown)	
36	70002297	4	Stud (Not Shown)	
36A	70004171	1	Key (was p/n 7024561)	
36A	70001100	1	Armature, Generator (Includes Radial Ball Bearing on End with Brushes and Fan)	
36A	70001384	1	Bearing, Ball Radial	
36B	70001966	1	Bearing, Radial Ball	
36B	70003708	1	Ring, Internal Retaining (Located in Belt Tensioner Endbell)	
36B	70003709	1	Ring, External Retaining (Located in Belt Tensioner Endbell)	
36C	70001973	1	Decal - Warning Moving Parts	
36D	70004169	1	Endbell, Brush Block (was p/n 70001385)	
36E	70001953	1	Endbell, Belt Tensioner	
36F	70004169	1	Endbell, Shroud Assembly (was p/n 70002290)	
37	1001196382	4	Stud	
38	1001157592	1	Junction Box Assembly (See Items 101-121 for Breakdown)	
40	1001216390	1	V-Belt	
41	1001218930	1	Mount, Tensioner	
42	1001110873	1	Cover, Receptacle	
43	4871700	2	Washer M6	
44	0760606	1	Bolt M6 x 12	
	1001157592	Ref	JUNCTION BOX ASSEMBLY	C
101	1060343	1.5 ft /0.46m	Cable, Electrical - 10/4 (60Hz Only)	
102	1001179154	2.5 ft /0.76m	Cable Electrical - 12/3	
103	1671092	1	Cover, Connector	
104	3300396	1	Cover, Fuse	
105	3311001	6	Nut #10	
106	4360070	1	Breaker, Circuit 15Amp	
107	4460425	1	Connector, Strain Relief	
108	4460426	2	Connector, Strain Relief	
111	4460963	1	Receptacle	
112	4711000	10	Washer #10	
114	10702077	2	Screw #10 x 3/8	
115	10702082	2	Screw #10 x 3/4	
116	1001152525	1	Plug, Hole	
117	1001157520	1	Block, Terminal Pole	
118	1001157521	1	Box, Junction	
119	1001157528	1	Decal - Box Junction	
120	1001158007	1	Cover	
121	1001158008	2	Standoff	
	0272435	Ref	DECAL INSTALLATION	D
201	1705460	2	Decal - SkyPower	
202	3251243	1	Decal - 120V - 60Hz (60Hz Spec Only) (Located on Opposite Side)	
203	1705375	1	Decal - 240V - 3 Phase	
204	1705387	3	Decal, Hazardous Voltage	
	1001221498	Ref	ELECTRICAL DIAGRAM COMPONENTS	B
301	1001257972	1	Generator to Engine Harness (See Separate Breakdown in	

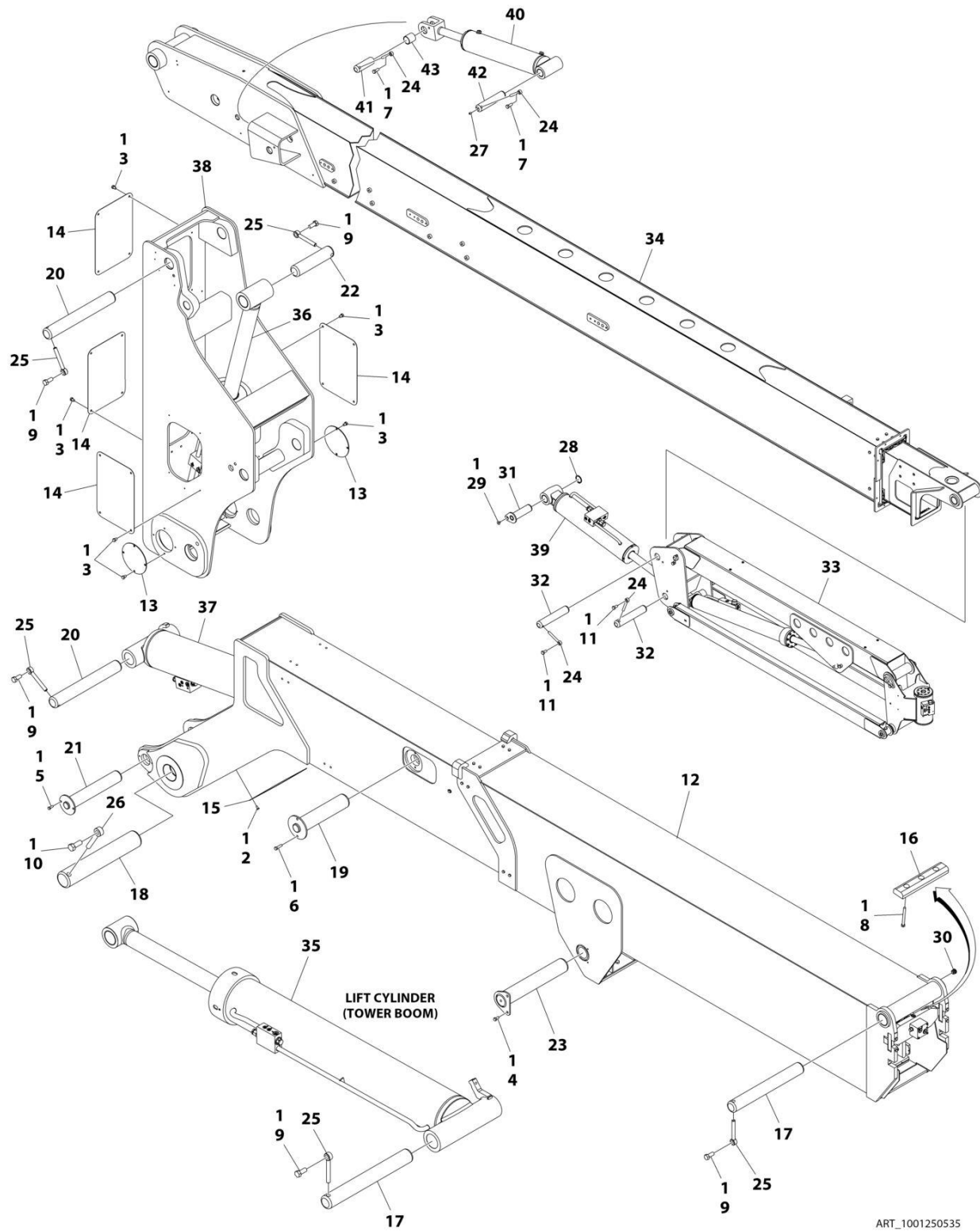
SECTION 3 - ENGINE

ITEM	PART NUMBER	QTY	DESCRIPTION	REV
303	4922641	1	ELECTRICAL SECTION) Generator On/Off Switch Harness	

SECTION 4 - BOOM

SECTION 4 - BOOM

FIGURE 4-1. BOOM AND CYLINDER INSTALLATION



ART_1001250535

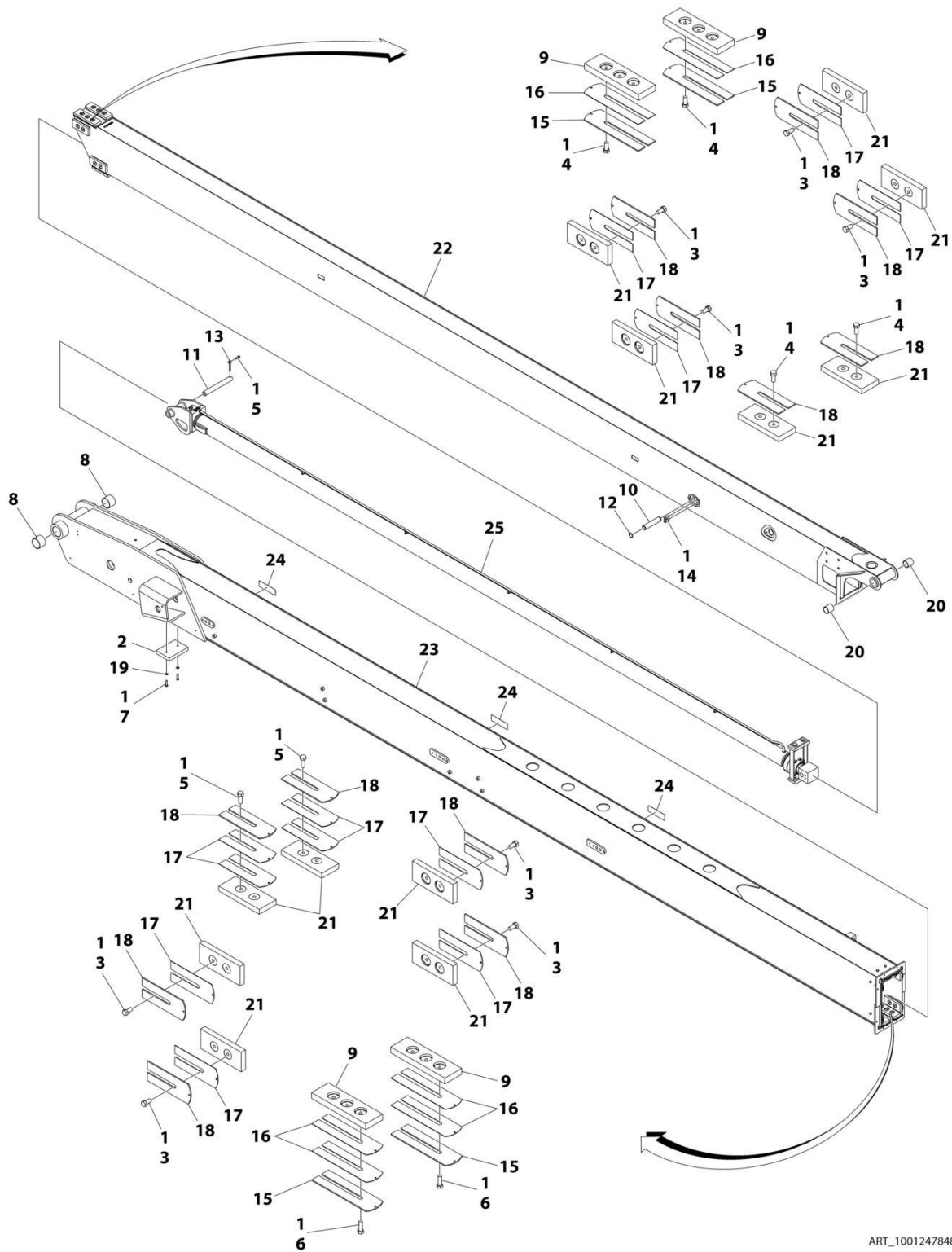
SECTION 4 - BOOM

FIGURE 4-1. BOOM AND CYLINDER INSTALLATION

ITEM	PART NUMBER	QTY	DESCRIPTION	REV
	1001250535	Ref	BOOM AND CYLINDER INSTALLATION	C
1	0100011	AR	Compound, Locking	
2	0641404	4	Bolt 1/4 x 1/2	
3	0641604	24	Bolt 3/8 x 1/2	
4	0641606	2	Bolt 3/8 x 3/4	
5	0641608	2	Bolt 3/8 x 1	
6	0641611	2	Bolt 3/8 x 1-3/8	
7	0641810	2	Bolt 1/2 x 1-1/4	
8	0641840	3	Bolt 1/2 x 5	
9	0642214	5	Bolt 3/4 x 1-3/4	
10	0642620	1	Bolt 1 x 2-1/2	
11	0761212	2	Bolt M12	
12	0801132	1	Boom Assembly - Tower (See Separate Breakdown in this Section)	
13	1120510	2	Cover, Upright	
14	1670844	4	Cover, Upright	
15	1670850	1	Cover, Tower Fly	
16	3340835	1	Pad Rest	
17	3422681	2	Pin	
18	3422683	1	Pin	
19	3422684	1	Pin	
20	3422685	2	Pin	
21	3422686	1	Pin	
22	3422687	1	Pin	
23	3422729	1	Pin	
24	3841203	4	Keeper, Rod	
25	3841287	5	Keeper, Pin	
26	3841356	1	Keeper, Pin	
27	3900239	1	Set Screw	
28	1001138671	1	Ring, Snap	
29	1001192027	1	Bolt M10	
30	1001213705	1	Cap	
31	1001237142	1	Pin	
32	1001237949	2	Pin	
33	1001238331	1	Jib Assembly (See Separate Breakdown in this Section)	
34	1001247848	1	Boom Assembly - Main (See Separate Breakdown in this Section)	
35	1001251009	1	Lift Cylinder Assembly - Tower Boom (See Separate Breakdown in CYLINDER SECTION)	
36	1001251010	1	Lift Cylinder Assembly - Main Boom (See Separate Breakdown in CYLINDER SECTION)	
37	1001251041	1	Level Cylinder Assembly - Upright (See Separate Breakdown in CYLINDER SECTION)	
38	1001252315	1	Upright	
39	1001255320	1	Lift Cylinder Assembly - Jib Level (See Separate Breakdown in CYLINDER SECTION)	
40	1001255321	1	Lift Cylinder Assembly - Master (See Separate Breakdown in CYLINDER SECTION)	
41	1001256267	1	Pin	
42	1001257397	1	Pin	
43	1001118666	1	Bearing	

SECTION 4 - BOOM

FIGURE 4-2. MAIN BOOM ASSEMBLY



ART_1001247848

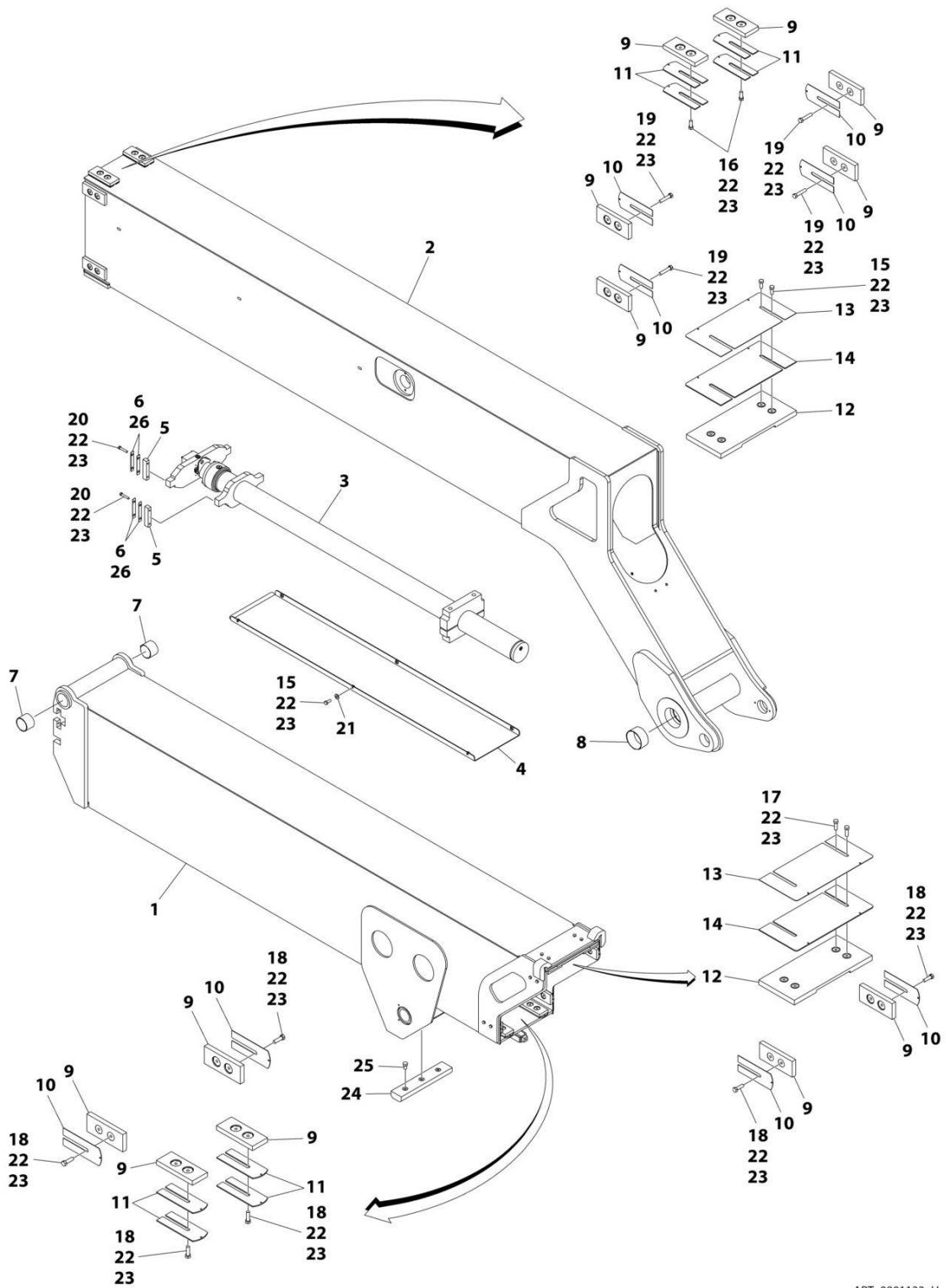
SECTION 4 - BOOM

FIGURE 4-2. MAIN BOOM ASSEMBLY

ITEM	PART NUMBER	QTY	DESCRIPTION	REV
	1001247848	Ref	MAIN BOOM ASSEMBLY	A
1	0100011	AR	Compound, Locking	
2	0561295	1	Block, Boom Rest	
3	0641606	16	Bolt 3/8 x 3/4	
4	0641607	10	Bolt 3/8 x 7/8	
5	0641608	5	Bolt 3/8 x 1	
6	0641609	6	Bolt 3/8 x 1-1/8	
7	0641612	2	Bolt 3/8 x 1-1/2	
8	0962102	2	Bushing	
9	3340871	4	Pad, Wear	
10	3422457	1	Pin	
11	3422690	1	Pin	
12	3760133	2	Ring, Retaining	
13	3841143	1	Keeper, Pin	
14	3900259	4	Bolt, Shoulder	
15	4070863	4	Shim 1/8	
16	4070864	6	Shim .05	
17	4070897	12	Shim .05	
18	4070898	12	Shim 1/8	
19	4711600	2	Washer 3/8	
20	1001118666	2	Bearing	
21	1001148652	12	Pad, Wear	
22	1001247846	1	Boom, Fly	
23	1001247847	1	Boom, Base	
24	1001250737	3	Cover	
25	1001251087	1	Cylinder Assembly - Telescope (Main Boom) (See Separate Breakdown in CYLINDER SECTION)	

SECTION 4 - BOOM

FIGURE 4-3. TOWER BOOM ASSEMBLY



ART_0801132_H

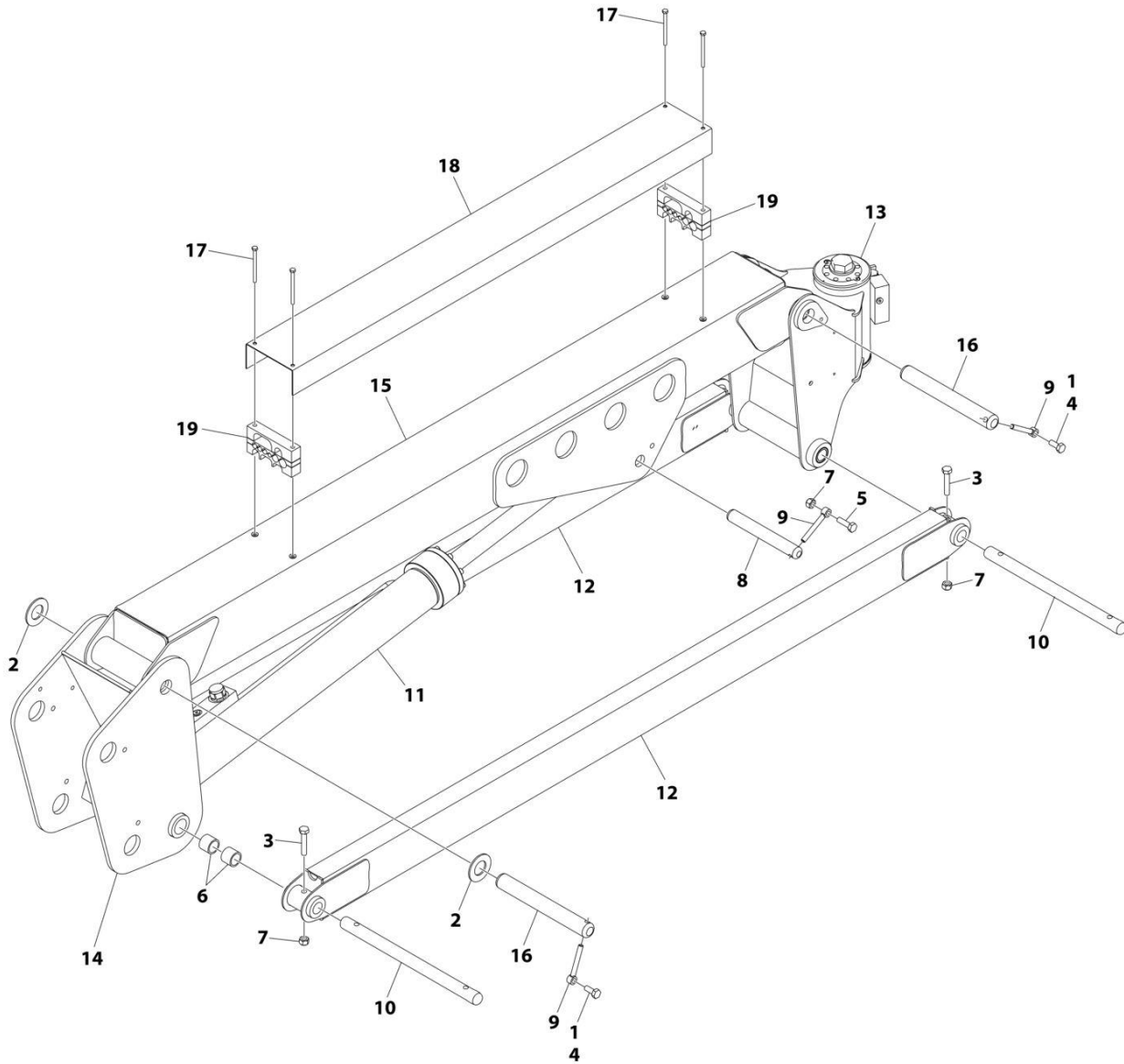
SECTION 4 - BOOM

FIGURE 4-3. TOWER BOOM ASSEMBLY

ITEM	PART NUMBER	QTY	DESCRIPTION	REV
	0801132	Ref	TOWER BOOM ASSEMBLY	H
1	0801594	1	Base, Boom	
2	0801496	1	Fly, Boom	
3	1001228086	1	Tower Telescope Cylinder Assembly (See Separate Breakdown in CYLINDER Section)	
4	4340706	1	Support	
5	0561185	4	Block, Attach	
6	4070929	4	Shim 1/16	
7	0962102	2	Bushing	
8	0962122	2	Bushing	
9	3340881	12	Pad, Wear	
10	4070897	8	Shim .05	
11	4070898	8	Shim .12	
12	3340828	2	Pad, Wear	
13	4070967	2	Shim .05	
14	4070968	2	Shim .12	
15	0641607	10	Bolt 3/8 x 7/8	
16	0641608	4	Bolt 3/8 x 1	
17	0641609	4	Bolt 3/8 x 1-1/8	
18	0641610	12	Bolt 3/8 x 1-1/4	
19	0641615	8	Bolt 3/8 x 1-7/8	
20	0641616	8	Bolt 3/8 x 2	
21	4711600	6	Washer 3/8	
22	0100011	AR	Compound, Locking	
23	0100038	AR	Primer, Locking	
24	3340835	1	Pad, Boom Rest	
25	0641806	3	Bolt 1/2 x 3/4	
26	4071007	4	Shim 20Ga	

SECTION 4 - BOOM

FIGURE 4-4. JIB ASSEMBLY (Prior to SN 0300279215)



ART_1001238331

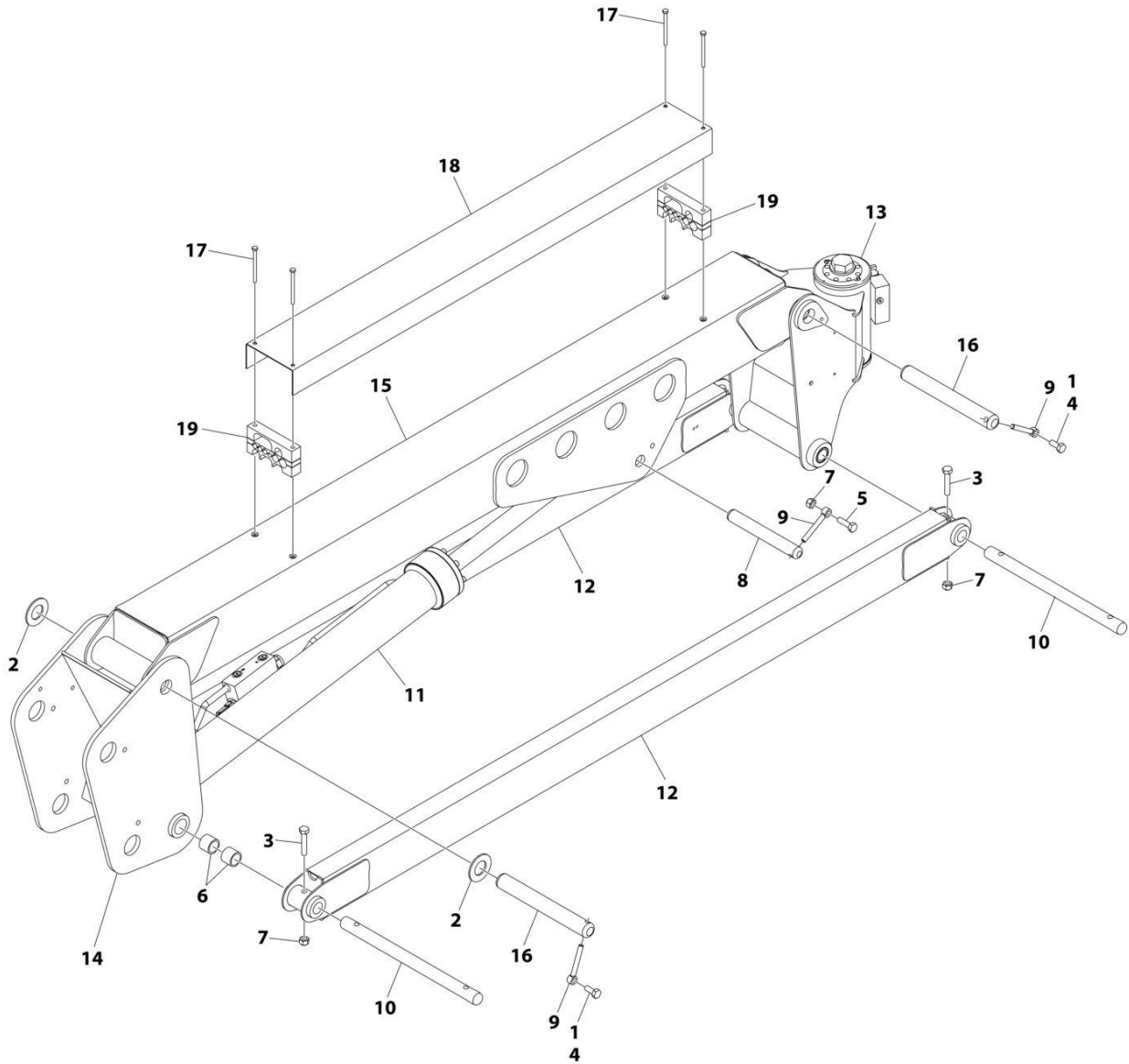
SECTION 4 - BOOM

FIGURE 4-4. JIB ASSEMBLY (Prior to SN 0300279215)

ITEM	PART NUMBER	QTY	DESCRIPTION	REV
	1001238331	Ref	JIB ASSEMBLY	E
1	0100011	AR	Compound, Locking	
2	0440237	2	Bearing	
3	0701020	4	Bolt M10 x 60	
4	0761012	2	Bolt M10 x 25	
5	0761015	1	Bolt M10 x 35	
6	1001134289	4	Bearing	
7	3291005	5	Nut M10	
8	3422867	1	Pin	
9	3841143	3	Keeper, Pin	
10	3422861	2	Pin	
11	1001264302	1	Cylinder Assembly - Jib (See Separate Breakdown in CYLINDER SECTION)	
12	4844817	2	Tube, Jib (Lower)	
13	1001234811	1	Rotator Assembly - Platform (See Separate Breakdown in this Section)	
14	1001238169	1	Pivot	
15	1001238333	1	Tube, Jib (Upper)	
16	1001238398	2	Pin	
17	0700624	4	Bolt M6 x 80	
18	1671034	1	Cover, JIB	
19	1001165350	2	Block, Clamp	

SECTION 4 - BOOM

FIGURE 4-5. JIB ASSEMBLY (SN 0300279215 to Present)



ART_1001238331_F

SECTION 4 - BOOM

FIGURE 4-5. JIB ASSEMBLY (SN 0300279215 to Present)

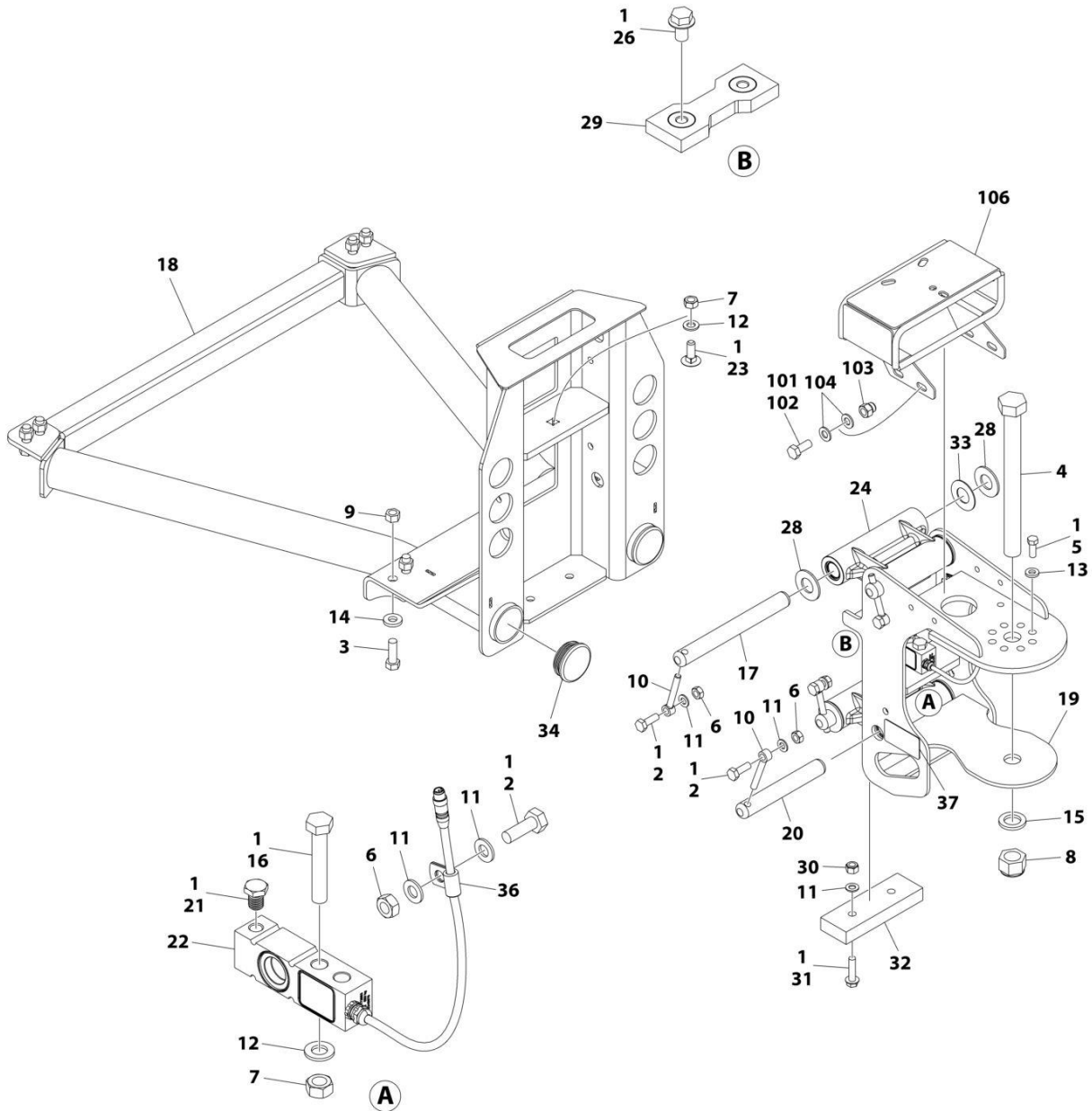
ITEM	PART NUMBER	QTY	DESCRIPTION	REV
	1001238331	Ref	JIB ASSEMBLY	F
1	0100011	AR	Compound, Locking	
2	0440237	2	Bearing	
3	0701020	4	Bolt M10 x 60	
4	0761012	2	Bolt M10 x 25	
5	0761015	1	Bolt M10 x 35	
6	1001134289	4	Bearing	
7	3291005	5	Nut M10	
8	3422867	1	Pin	
9	3841143	3	Keeper, Pin	
10	3422861	2	Pin	
11	1001264991	1	Cylinder Assembly - Jib (See Separate Breakdown in CYLINDER Section)	
12	4844817	2	Tube, Jib (Lower)	
13	1001234811	1	Rotator Assembly - Platform (See Separate Breakdown in this Section)	
14	1001238169	1	Pivot	
15	1001238333	1	Tube, Jib (Upper)	
16	1001238398	2	Pin	
17	0700624	4	Bolt M6 x 80	
18	1671034	1	Cover, JIB	
19	1001165350	2	Block, Clamp	

FIGURE 4-6. ROTATOR ASSEMBLY

ITEM	PART NUMBER	QTY	DESCRIPTION	REV
	1001234811	Ref	ROTATOR ASSEMBLY	B
1	See Note	NSS	Housing/Ring Gear Assembly (Note: Not Available - Purchase Complete Rotator Assembly)	
2	7017162	1	Shaft Weldment	
3	7017163	1	Piston/Sleeve Assembly	
4	7017164	1	Cap, End	
20	See Note	NSS	T-Seal (Note: Use Item 100)	
22	See Note	NSS	T-Seal (Note: Use Item 100)	
24	See Note	NSS	O-Ring (Note: Use Item 100)	
25	See Note	NSS	Seal (Note: Use Item 100)	
26	See Note	NSS	O-Ring (Note: Use Item 100)	
27	See Note	NSS	Ring, Back-up (Note: Use Item 100)	
32	See Note	NSS	Ring, Wear (Note: Use Item 101)	
34	See Note	NSS	Washer, Thrust (Note: Use Item 101)	
41	7017172	AR	Valve Assembly	
41A	7017192	2	Cartridge, Valve	
41A	See Note	NSS	Seal Kit - 7017192 Valve (Note: Not Available for Purchase)	
41B	See Note	3	Bolt 1/4-20NC x 1-1/2 Grade 8 (Note: Not Available - Purchase Locally)	
42	7017195	2	Bushing	
45	0961947	2	Bushing 1IN ID x 1.25IN OD x 5/8IN L	
45	1001134289	2	Bushing 1IN ID x 1.5IN OD x 1IN L	
100	70000342	1	Seal Kit (Includes Items 20, 22, 24, 25, 27 & 33)	
101	7017159	1	Bearing Kit (Includes Items 32 & 34)	
102	7017142	1	Hardware Kit	
103	70001697	4	Screw, Countersunk 1/4 x 3/8 Grade 8	

SECTION 4 - BOOM

FIGURE 4-7. SUPPORT, PLATFORM INSTALLATION



ART_1001167596

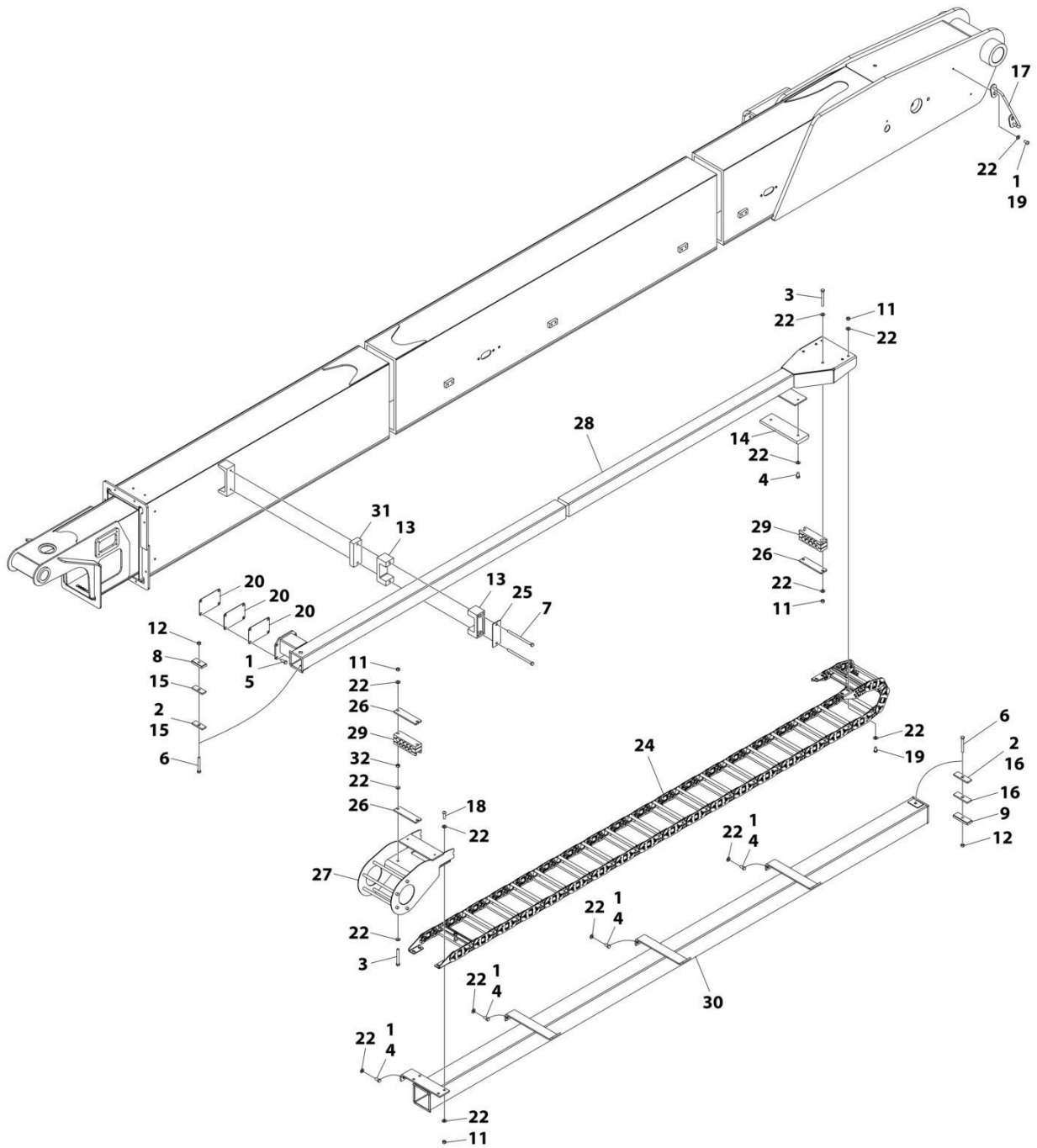
SECTION 4 - BOOM

FIGURE 4-7. SUPPORT, PLATFORM INSTALLATION

ITEM	PART NUMBER	QTY	DESCRIPTION	REV
	1001167596	Ref	PLATFORM SUPPORT INSTALLATION	N
1	0100011	AR	Compound, Locking	
2	0761014	5	Bolt M10 x 30	
3	0761216	8	Bolt M12 x 40	
4	1001255133	1	Bolt 1 x 11	
5	0681608	8	Bolt 3/8 x 1	
6	3291001	5	Nut M10	
7	3291201	3	Nut M12	
8	1001174040	1	Nut 1	
9	3291205	8	Nut M12	
10	3841143	4	Keeper, Pin	
11	4812000	8	Washer M10	
12	4812100	3	Washer M12	
13	4891600	8	Washer 3/8	
14	5241200	8	Washer M12	
15	4892600001	1	Washer 1	
16	1001098828	2	Bolt M12 x 70 Grade 10.9	
17	1001167565	2	Pin	
18	1001200494	1	Support, Platform	
19	1001167567	1	Support, Rotator	
20	1001168402	2	Pin	
21	1001188622	1	Screw	
22	1001247468	1	Gauge, Load Sensing	
23	1001188844	1	Bolt M12 x 35	
24	1001201351	2	Link	
26	5251008	2	Bolt M10 x 16	
28	1001189002	8	Bearing	
29	1001190985	1	Pad, Wear	
30	3291005	2	Nut M10	
31	5251016	2	Bolt M10 x 40	
32	1001200491	1	Pad, Wear	
33	1001189001	4	Bearing	
34	1001204725	2	Plug	
36	91203039	1	Clamp	
37	1001216630	2	Decal - Tie Down/No Lift	
38	1001238421	Ref	Kit, Platform Leveling (Not Shown)	
	1001202687	Ref	VALVE MOUNT INSTALLATION	B
101	0100011	AR	Compound, Locking	
102	0760810	4	Bolt M8 x 20	
103	3290806	4	Nut M8	
104	4811900	8	Washer M8	
106	1001208994	1	Mount, Valve	

SECTION 4 - BOOM

FIGURE 4-8. POWER TRACK INSTALLATION - MAIN BOOM



ART_1001253658_C

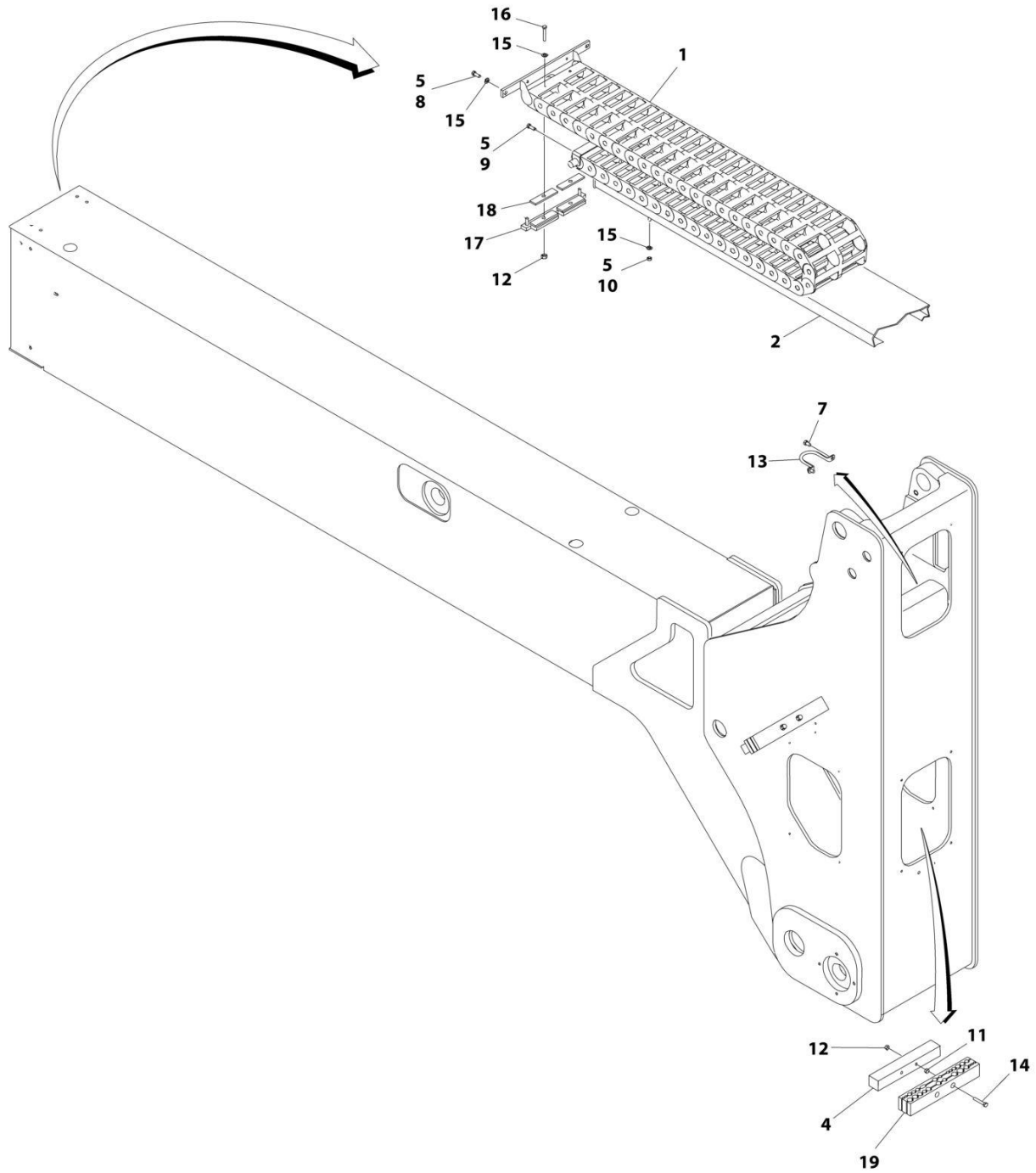
SECTION 4 - BOOM

FIGURE 4-8. POWER TRACK INSTALLATION - MAIN BOOM

ITEM	PART NUMBER	QTY	DESCRIPTION	REV
	1001253658	Ref	POWER TRACK INSTALLATION	C
1	0100011	AR	Compound, Locking	
2	0100081	AR	Adhesive	
3	0630593	4	Bolt 3/8 x 3-1/4	
4	0641606	10	Bolt 3/8 x 3/4	
5	0641607	4	Bolt 3/8 x 7/8	
6	0641624	2	Bolt 3/8 x 3	
7	0641648	2	Bolt 3/8 x 6	
8	1320288	1	Clamp	
9	1320289	1	Clamp	
11	3271605	12	Nut	
12	3311605	2	Nut 3/8	
13	3340764	2	Pad	
14	3340840	1	Pad	
15	3340941	2	Pad	
16	3340943	2	Pad, Rubber	
17	3841406	1	Loop, Hose	
18	3900232	4	Screw 3/8 x 1-1/4	
19	3900283	6	Screw 3/8 x 3/4	
20	4070969	3	Shim 16 Gauge	
22	4711600	38	Washer 3/8	
24	1001099837	1	Power Track Assembly	
24	70002013	1	Repair Section	
24	70002014	1	Mounting Kit	
25	1001136400	1	Plate, Backing	
26	1001249824	3	Plate	
27	1001250384	1	Mount	
28	1001253724	1	Push Tube	
29	1001253880	2	Clamp, Hose	
30	1001254317	1	Tube	
31	1001254632	1	Spacer	
32	3271601	1	Nut 3/8	

SECTION 4 - BOOM

FIGURE 4-9. POWER TRACK INSTALLATION - TOWER BOOM



ART_1001261274

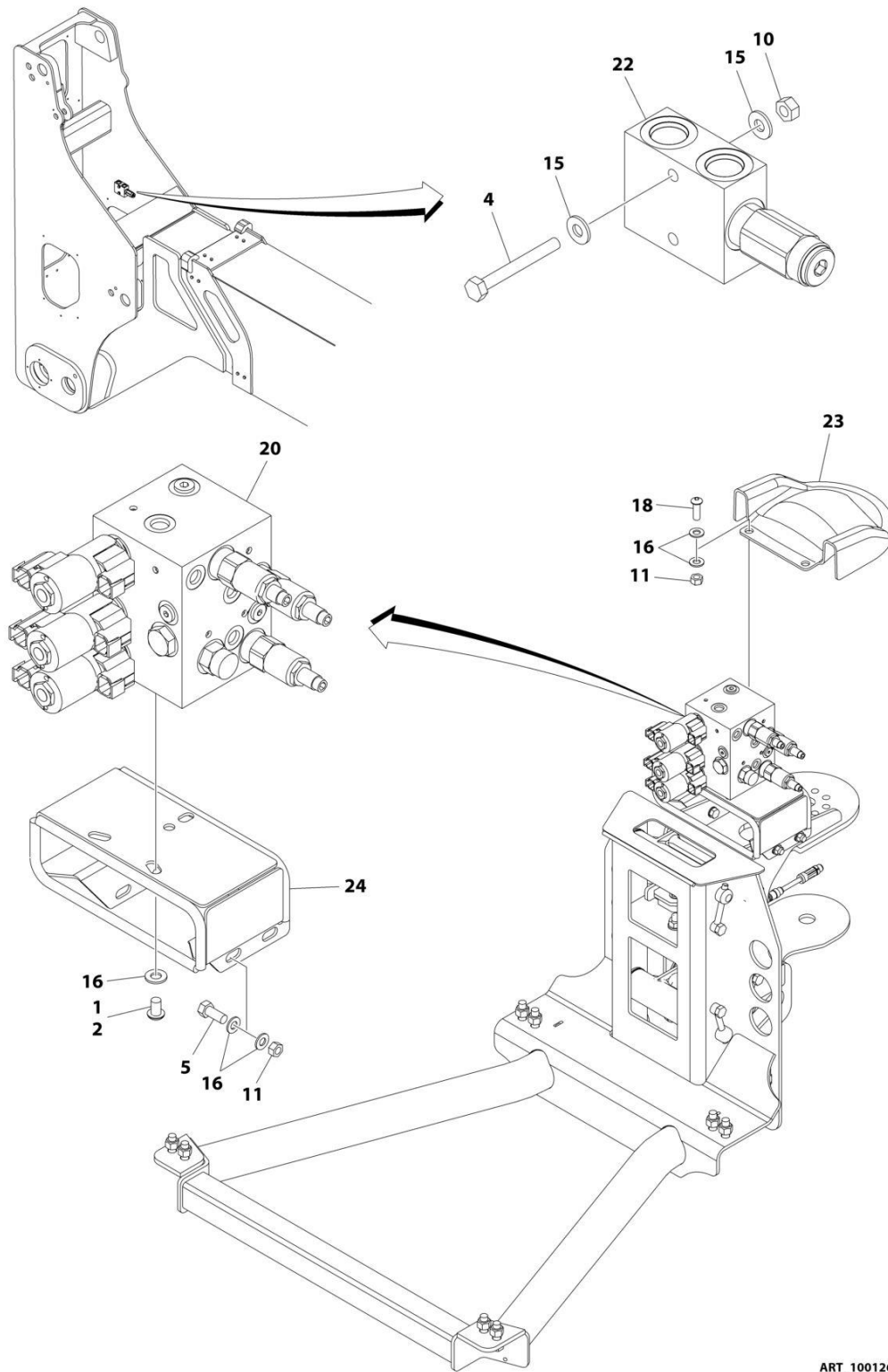
SECTION 4 - BOOM

FIGURE 4-9. POWER TRACK INSTALLATION - TOWER BOOM

ITEM	PART NUMBER	QTY	DESCRIPTION	REV
	1001261274	Ref	POWER TRACK INSTALLATION	B
1	1180346	1	Track, Power	
1	7020064	1	Bracket, End (Moving)	
1	7020065	1	Bracket, End (Fixed)	
1	7020066	1	Section, Repair	
1	7020067	1	Link, Repair	
2	4845680	1	Tube, Hose	
4	1320250	2	Bar	
5	0100011	AR	Compound, Locking	
7	0641605	2	Bolt 3/8 x 5/8	
8	0641606	2	Bolt 3/8 x 3/4	
9	0641622	2	Bolt 3/8 x 2-3/4	
10	3311601	4	Nut 3/8	
11	3311602	4	Nut 3/8	
12	3311605	6	Nut 3/8	
13	3841340	1	Rod, Hose Loop	
14	3900262	4	Bolt 3/8 x 4-3/4	
15	4711600	8	Washer 3/8	
16	0641624	2	Bolt 3/8 x 3	
17	0259420	1	Clamp	
18	3340859	2	Pad	
19	1001261272	2	Clamp, Block	

SECTION 4 - BOOM

FIGURE 4-10. CONTROL VALVES INSTALLATION - WITH 2WS



ART_1001260277_2OF2

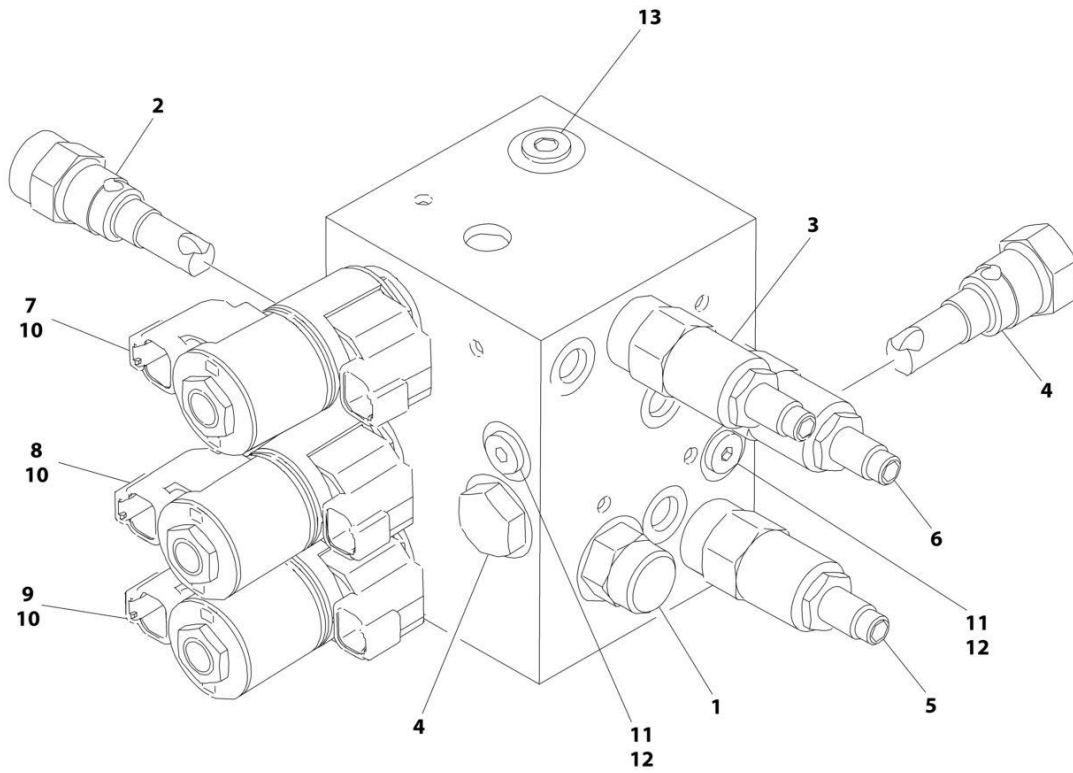
SECTION 4 - BOOM

FIGURE 4-10. CONTROL VALVES INSTALLATION - WITH 2WS

ITEM	PART NUMBER	QTY	DESCRIPTION	REV
	1001260277	Ref	BOOM VALVES INSTALLATION	A
1	0100011	AR	Compound, Locking	
2	0630467	3	Screw 5/16 x 1/2	
4	0641418	4	Bolt 1/4 x 2-1/4	
5	0641507	4	Bolt 5/16 x 7/8	
10	3311405	2	Nut 1/4	
11	3311505	6	Nut 5/16	
15	4711400	11	Washer 1/4	
16	4711500	15	Washer 5/16	
18	88261024	2	Capscrew 5/16 x 1	
20	1001253677	1	Boom Valve Assembly (See Separate Breakdown in this Section)	
22	1001200054	1	Valve Assembly (Relief)	
22	7012970	1	Cartridge, Valve	
22	7012953	1	Seal Kit - 7012970 Valve	
23	1001207969	1	Cover	
24	1001208994	1	Mount	

SECTION 4 - BOOM

FIGURE 4-11. CONTROL VALVE ASSEMBLY



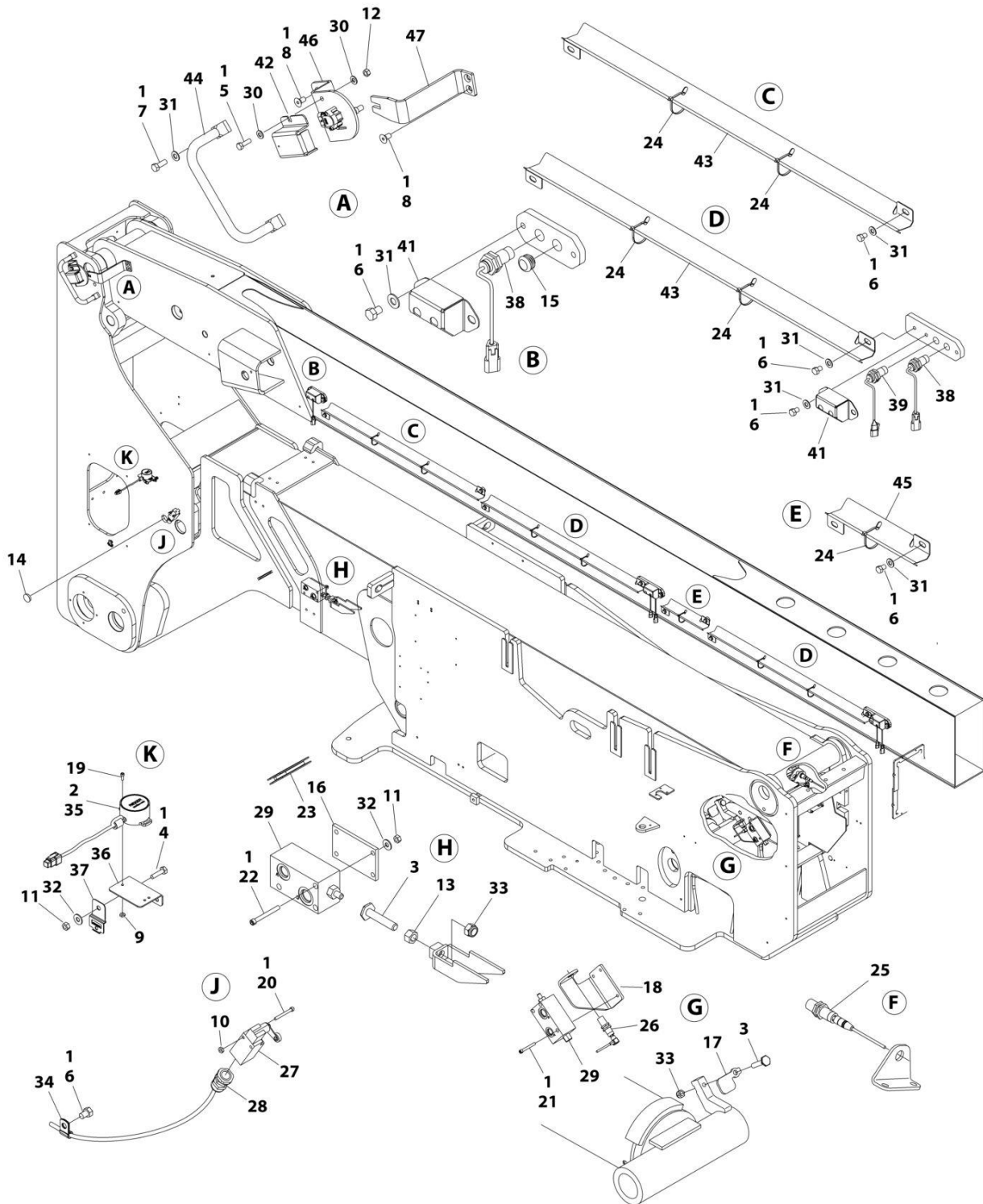
ART_1001253677

FIGURE 4-11. CONTROL VALVE ASSEMBLY

ITEM	PART NUMBER	QTY	DESCRIPTION	REV
	1001253677	Ref	BOOM VALVE ASSEMBLY	B
1	7012989	1	Valve, Flow	
1	7012953	1	Seal Kit - 7012989 Valve	
2	7012965	1	Valve, Flow	
2	7012953	1	Seal Kit - 7012965 Valve	
3	70004151	1	Valve, Relief	
3	7021653	1	Seal Kit - 70003962 Valve	
4	7012914	2	Valve, Cartridge	
4	7012918	2	Seal Kit - 7012914 Valve	
5	7023911	1	Valve, Relief	
5	7012967	1	Seal Kit - 7023911 Valve	
6	70007446	1	Valve, Relief	
6	7012998	1	Seal Kit - 70007446 Valve	
7	7017452	1	Valve, Solenoid (Jib)	
7	7017402	2	Seal Kit - 7017452 Valve	
8	7017452	1	Valve, Solenoid (Platform Level)	
8	7017402	1	Seal Kit - 7017452 Valve	
9	7017452	1	Valve, Solenoid (Rotator)	
9	7017402	2	Seal Kit - 7017452 Valve	
10	70002386	6	Coil	
11	70002064	2	Plug, Orifice	
12	2220883	2	Plug	
13	91164079	1	Plug	

SECTION 4 - BOOM

FIGURE 4-12. BOOM VALVES AND PROXIMITY SWITCHES INSTALLATION



ART_1001253789

SECTION 4 - BOOM

FIGURE 4-12. BOOM VALVES AND PROXIMITY SWITCHES INSTALLATION

ITEM	PART NUMBER	QTY	DESCRIPTION	REV
	1001253789	Ref	BOOM VALVE AND LIMIT SWITCHES INSTALLATION	D
1	0100011	AR	Compound, Locking	
2	0100048	AR	Grease	
3	0630427	2	Bolt	
4	0641408	2	Capscrew 1/4 x 1	
5	0641508	1	Capscrew 5/16 x 1	
6	0641604	15	Bolt 3/8 x 1/2	
7	0641608	2	Bolt 3/8 x 1	
8	0741606	4	Bolt 3/8 x 3/4	
9	3310605	3	Nut 6	
10	3310801	2	Nut #8	
11	3311405	AR	Nut 1/4	
12	3311501	1	Nut 5/16	
13	3311801	1	Nut 1/2	
14	3520035	1	Plug	
15	3520193	1	Plug	
16	3570928	1	Plate, Spacer	
17	3572606	1	Plate, Switch Target	
18	3572607	1	Plate, Switch Mount	
19	3930606	3	Capscrew #6 x 3/8	
20	3930824	2	Capscrew #8 x 1-1/2	
21	3931432	3	Capscrew 1/4 x 2	
22	3931436	3	Capscrew 1/4 x 2-1/4	
23	4060805	7 in/25cm	Trim	
24	4240033	7	Tie, Cable	
25	4360498	1	Switch, Proximity	
26	4360499	1	Switch, Proximity	
27	4360578	1	Switch, Limit	
28	4460968	1	Connector, Strain Relief	
29	4641435	2	Valve, Switch	
29	7011342	1	Valve, Check	
29	7011333	1	Seal Kit - 7011342 Valve	
30	4711500	2	Washer 5/16	
31	4711600	16	Washer 3/8	
32	4751400	AR	Washer 1/4	
33	88521008	2	Nut 1/2	
34	91203039	1	Clamp	
35	1001094400	1	Sensor, Dual Axis	
36	1001096736	1	Bracket, Tilt Sensor	
37	1001153749	1	Clip	
38	1001170847	3	Sensor, Proximity	
39	1001182570	2	Sensor, Proximity	
40	1001200497	1	Connector (Not Shown)	
41	1001204715	3	Bracket	
42	1001211588	1	Shield, Angle Sensor	
43	1001247453	3	Angle, Cable	
44	1001263612	1	Bar, Guard	
45	1001250531	1	Plate, Cable Cover	
46	1001255880	1	Sensor, Boom Angle	
46	1001204939	1	Sensor, Angle	

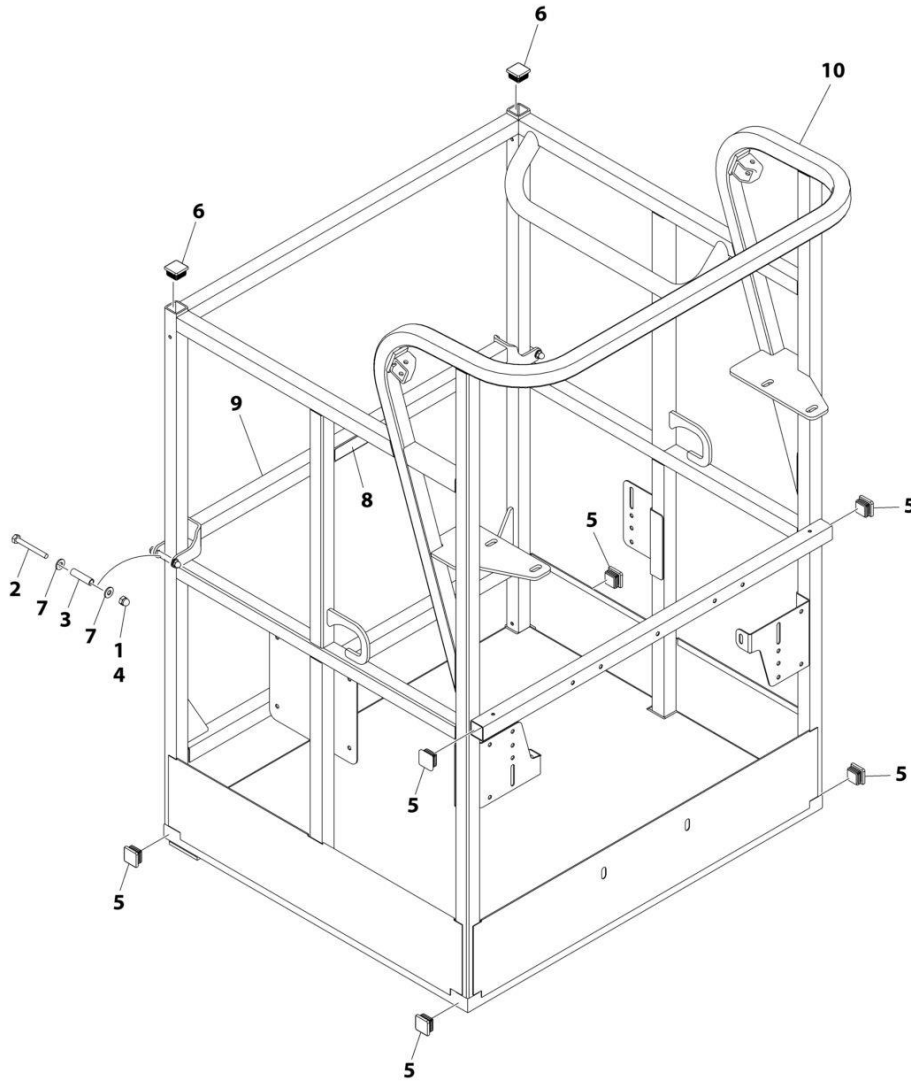
SECTION 4 - BOOM

ITEM	PART NUMBER	QTY	DESCRIPTION	REV
46	3930820	2	Capscrew #8x1-1/4 (Sensor Screw)	
46	1001211582	1	Arm/Link	
46	4010303	1	Screw M3x6 (Arm Screw)	
47	1001255882	1	Plate, Sensor	

SECTION 5 - PLATFORM

SECTION 5 - PLATFORM

FIGURE 5-1. PLATFORM ASSEMBLY WITH DROP-BAR - 30IN X 3FT (76CM X 1M)



ART_1001228215

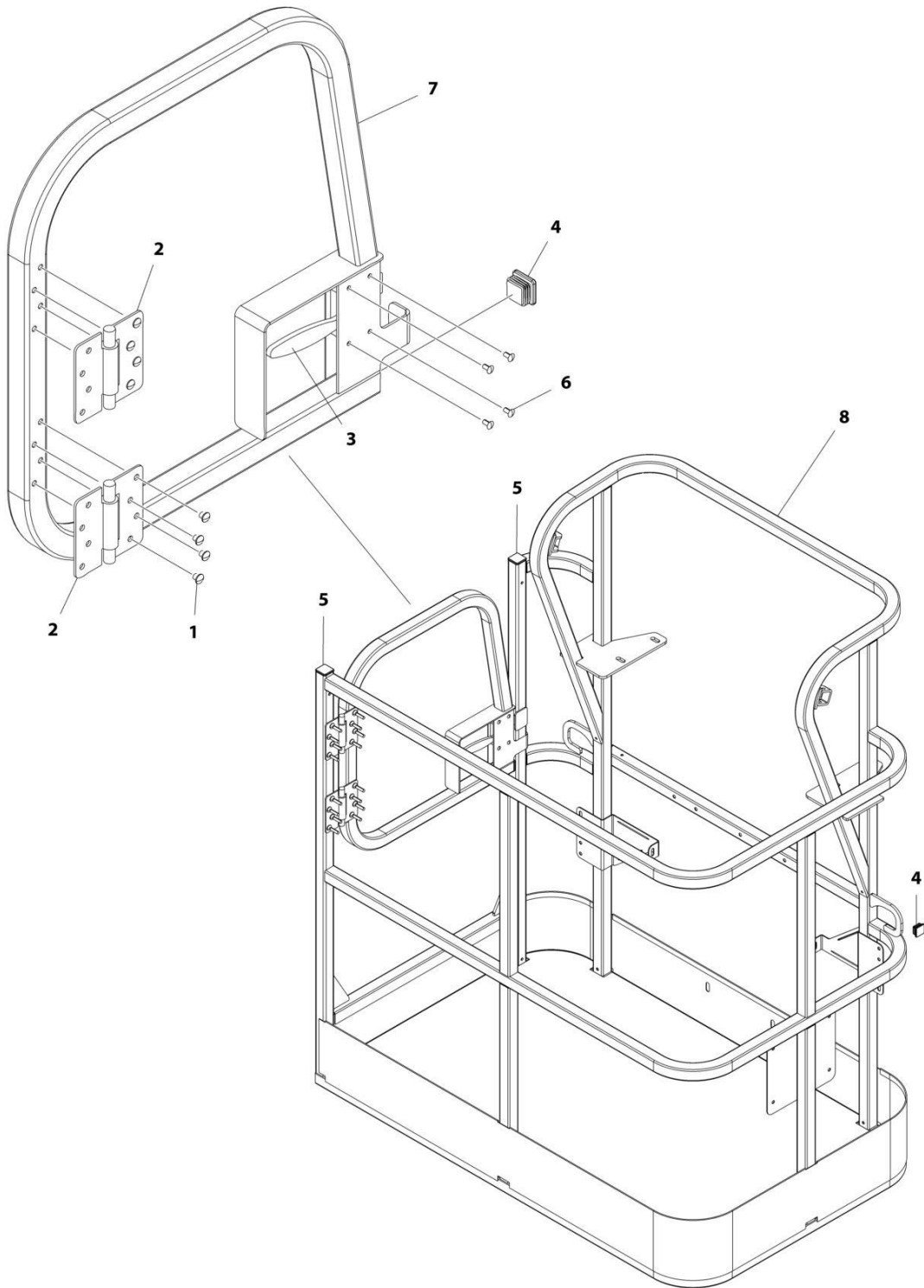
SECTION 5 - PLATFORM

FIGURE 5-1. PLATFORM ASSEMBLY WITH DROP-BAR - 30IN X 3FT (76CM X 1M)

ITEM	PART NUMBER	QTY	DESCRIPTION	REV
	1001228215	Ref	PLATFORM ASSEMBLY	A
	See Note	Ref	Note: Platform and Mesh must be ordered separately for Platforms with Mesh. See SPECIAL OPTIONS SECTION for Mesh Installations.	
	See Note	Ref	Note: Replacement Decals Must be Ordered Separately - See DECAL SECTION.	
1	0100011	AR	Compound, Locking	
2	0641418	2	Bolt 1/4 x 2-1/4	
3	0961845	2	Bushing	
4	3300151	2	Nut 1/4	
5	3520072	6	Cap, Plug	
6	3520198	2	Cap, Plug	
7	4711400	4	Washer 1/4	
8	1001140429	1	Decal - Drop Bar	
9	1001226872	1	Bar, Drop	
10	See Note	NSS	Platform (Note: Not Available - Purchase Platform Assembly)	

SECTION 5 - PLATFORM

FIGURE 5-2. PLATFORM ASSEMBLY WITH GATE - 30IN X 4FT (76CM X 1.22M)



ART_1001186387

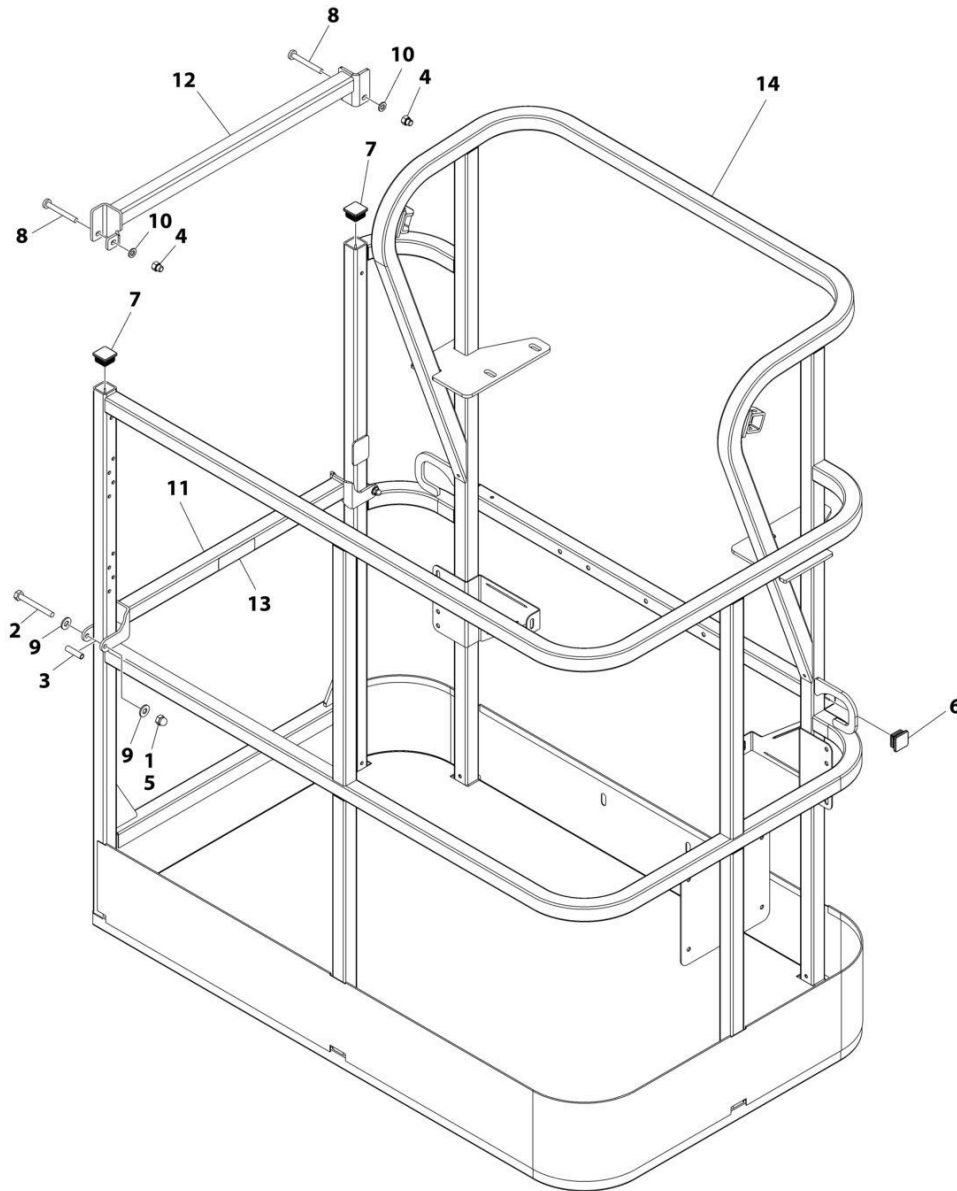
SECTION 5 - PLATFORM

FIGURE 5-2. PLATFORM ASSEMBLY WITH GATE - 30IN X 4FT (76CM X 1.22M)

ITEM	PART NUMBER	QTY	DESCRIPTION	REV
	1001186387	Ref	PLATFORM ASSEMBLY	C
		Ref	Note: Platform and Mesh must be ordered separately for Platforms with Mesh. See SPECIAL OPTIONS SECTION for Mesh Installations.	
		Ref	Note: Replacement Decals Must be Ordered Separately - See DECALS SECTION.	
1	2080040	16	Fastener, Huck	
2	2600281	2	Hinge, Self-Closing	
3	2940074	1	Latch	
4	3520072	3	Plug	
5	3520198	2	Plug	
6	3820020	4	Rivet	
7	1001144629	1	Gate	
8	See Note	1	Platform (Note: Not Available - Purchase Platform Assembly)	

SECTION 5 - PLATFORM

FIGURE 5-3. PLATFORM ASSEMBLY WITH DROP-BAR - 30IN X 4FT (76CM X 1.22M)



ART_1001186375

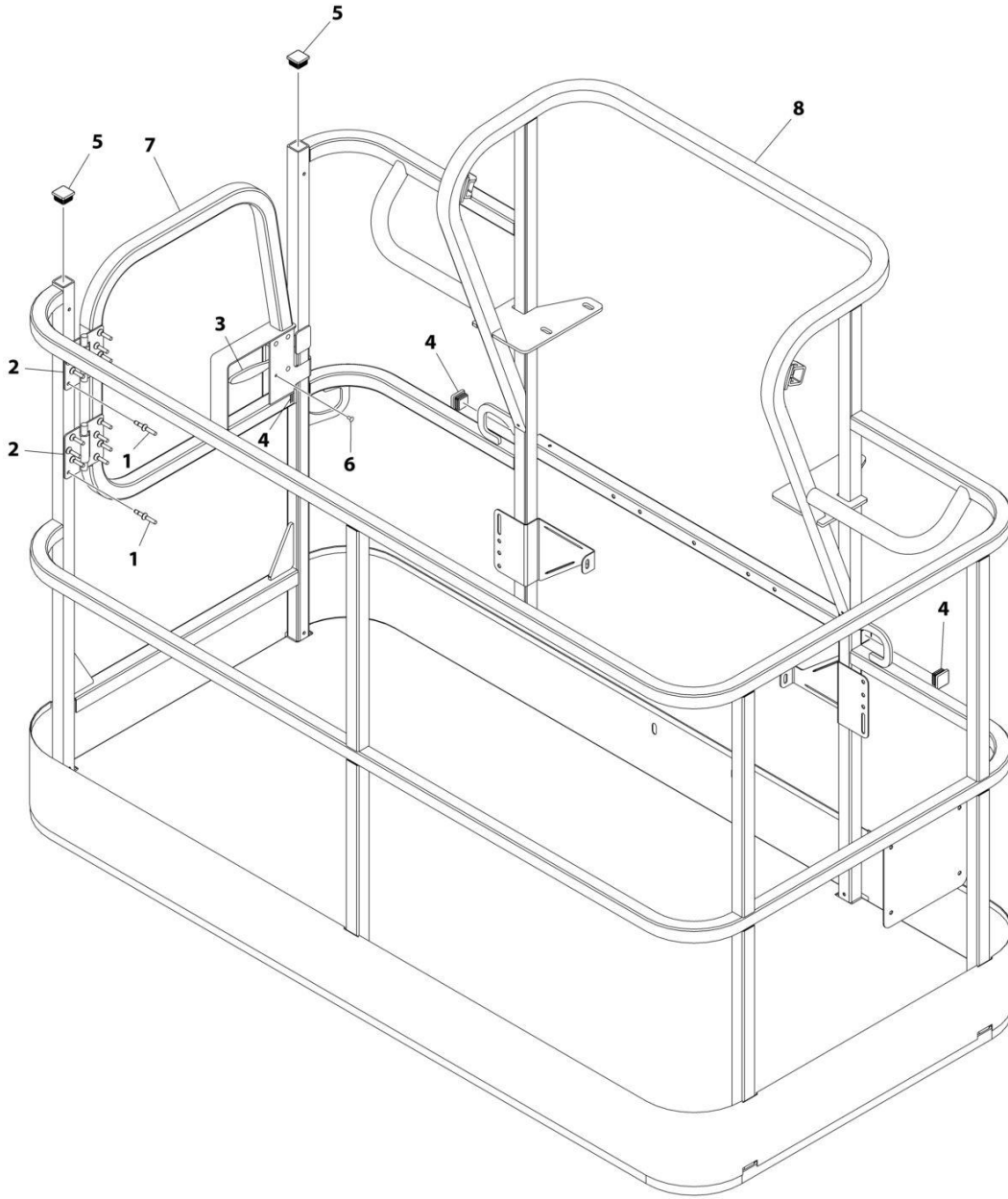
SECTION 5 - PLATFORM

FIGURE 5-3. PLATFORM ASSEMBLY WITH DROP-BAR - 30IN X 4FT (76CM X 1.22M)

ITEM	PART NUMBER	QTY	DESCRIPTION	REV
	1001186375	Ref	PLATFORM ASSEMBLY	B
		Ref	Note: Platform and Mesh must be ordered separately for Platforms with Mesh. See SPECIAL OPTIONS SECTION for Mesh Installations.	
		Ref	Note: Replacement Decals Must be Ordered Separately - See DECALS SECTION.	
1	0100011	AR	Compound, Locking	
2	0641418	2	Bolt 1/4 x 2-1/4	
3	0961845	2	Bushing	
4	3290606	2	Nut M6	
5	3300151	2	Nut 1/4	
6	3520072	2	Plug	
7	3520198	2	Plug	
8	4010618	2	Screw M6 x 50	
9	4711400	4	Washer 1/4	
10	4811700	2	Washer M6	
11	1001138494	1	Bar, Drop	
12	1001138514	1	Rail - Top	
13	1001140429	1	Decal - Drop Bar	
14	See Note	1	Platform (Note: Not Available - Purchase Platform Assembly)	

SECTION 5 - PLATFORM

FIGURE 5-4. PLATFORM ASSEMBLY WITH GATE - 30IN X 6FT (76CM X 1.83M)



ART_1001186385

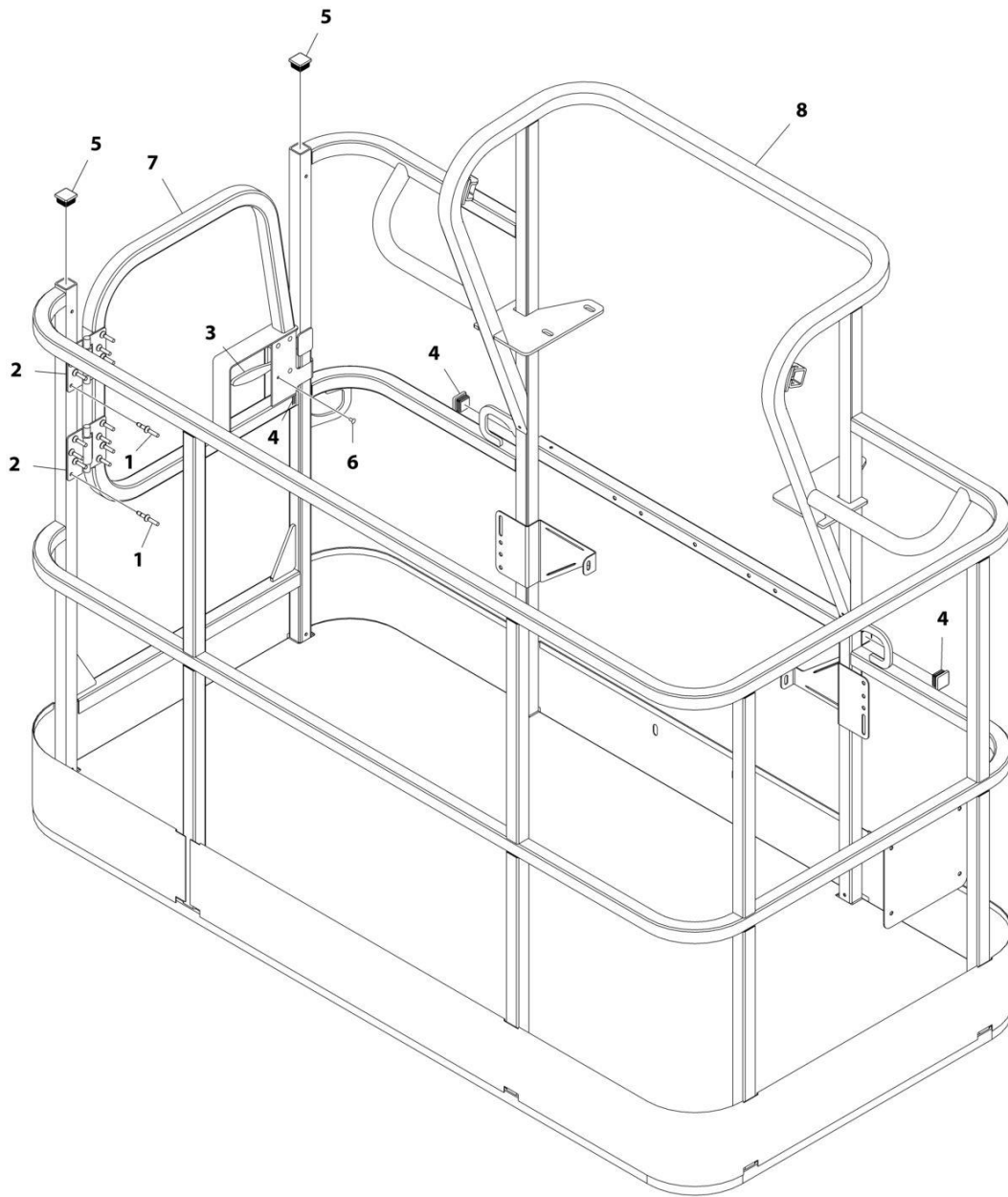
SECTION 5 - PLATFORM

FIGURE 5-4. PLATFORM ASSEMBLY WITH GATE - 30IN X 6FT (76CM X 1.83M)

ITEM	PART NUMBER	QTY	DESCRIPTION	REV
	1001186385	Ref	PLATFORM ASSEMBLY	D
		Ref	Note: Platform and Mesh must be ordered separately for Platforms with Mesh. See SPECIAL OPTIONS SECTION for Mesh Installations.	
		Ref	Note: Replacement Decals Must be Ordered Separately - See DECALS SECTION.	
1	2080040	16	Fastener, Huck	
2	2600281	2	Hinge	
3	2940074	1	Latch	
4	3520072	3	Plug	
5	3520198	2	Plug	
6	3820020	4	Rivet	
7	1001144629	1	Gate	
8	See Note	NSS	Platform (Note: Not Available - Purchase Platform Assembly)	

SECTION 5 - PLATFORM

FIGURE 5-5. PLATFORM ASSEMBLY WITH GATE- 36IN X 6FT (91.5CM X 1.83M)



ART_1001186384

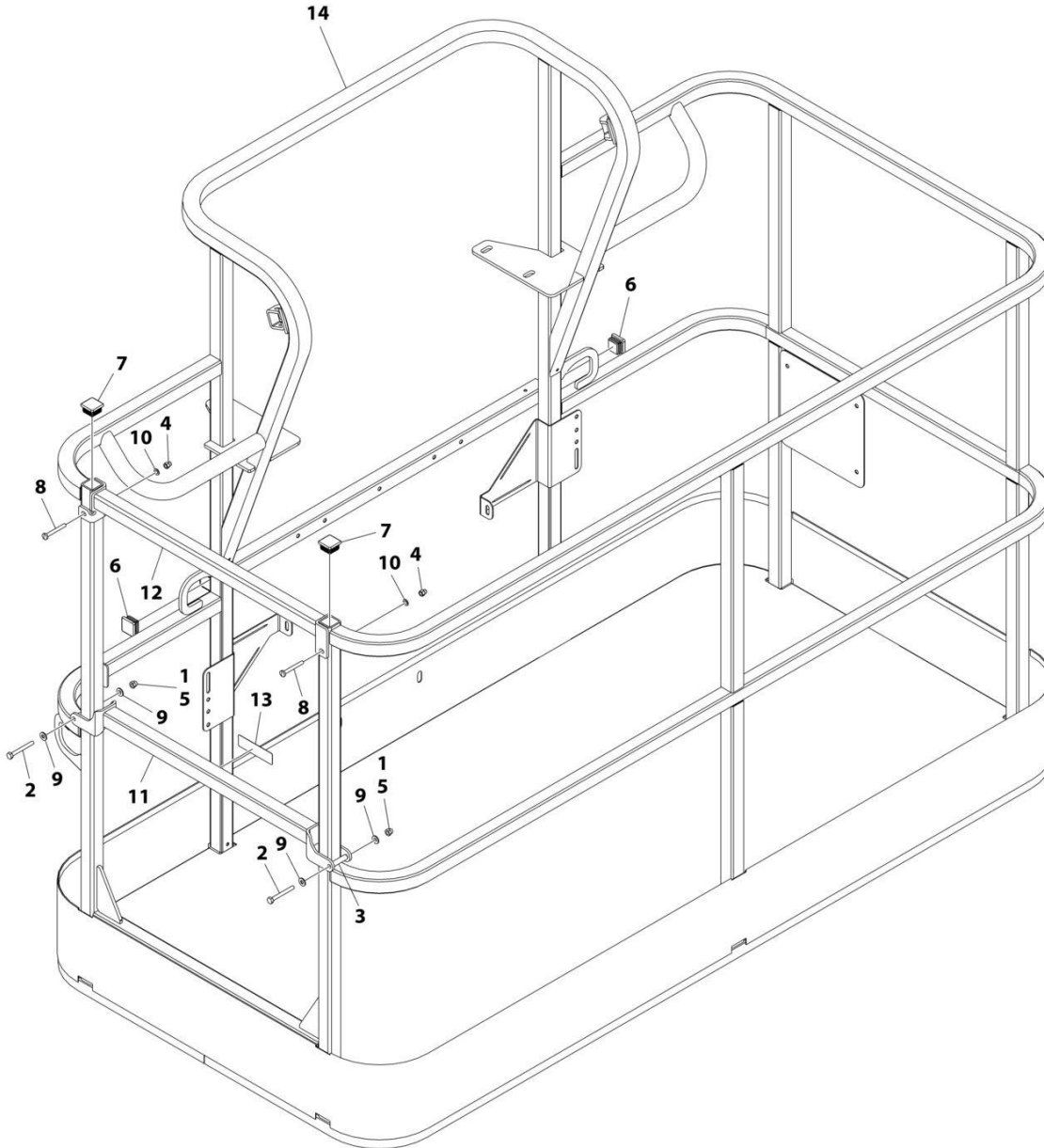
SECTION 5 - PLATFORM

FIGURE 5-5. PLATFORM ASSEMBLY WITH GATE- 36IN X 6FT (91.5CM X 1.83M)

ITEM	PART NUMBER	QTY	DESCRIPTION	REV
	1001186384	Ref	PLATFORM ASSEMBLY - 36IN X 6FT (91.5CM X 1.83M) WITH SWING GATE	C
	See Note	Ref	Note: Platform and Mesh must be ordered separately for Platforms with Mesh. See SPECIAL OPTIONS SECTION for Mesh Installations.	
	See Note	Ref	Note: Replacement Decals Must be Ordered Separately - See DECALS SECTION.	
1	2080040	16	Fastener, Huck	
2	2600281	2	Hinge	
3	2940074	1	Latch	
4	3520072	3	Plug	
5	3520198	2	Plug	
6	3820020	4	Rivet	
7	1001144629	1	Gate	
8	See Note	NSS	Platform (Note: Not Available - Purchase Platform Assembly)	

SECTION 5 - PLATFORM

FIGURE 5-6. PLATFORM ASSEMBLY WITH DROP-BAR - 30IN X 6FT (76CM X 1.83M)



ART_1001186378

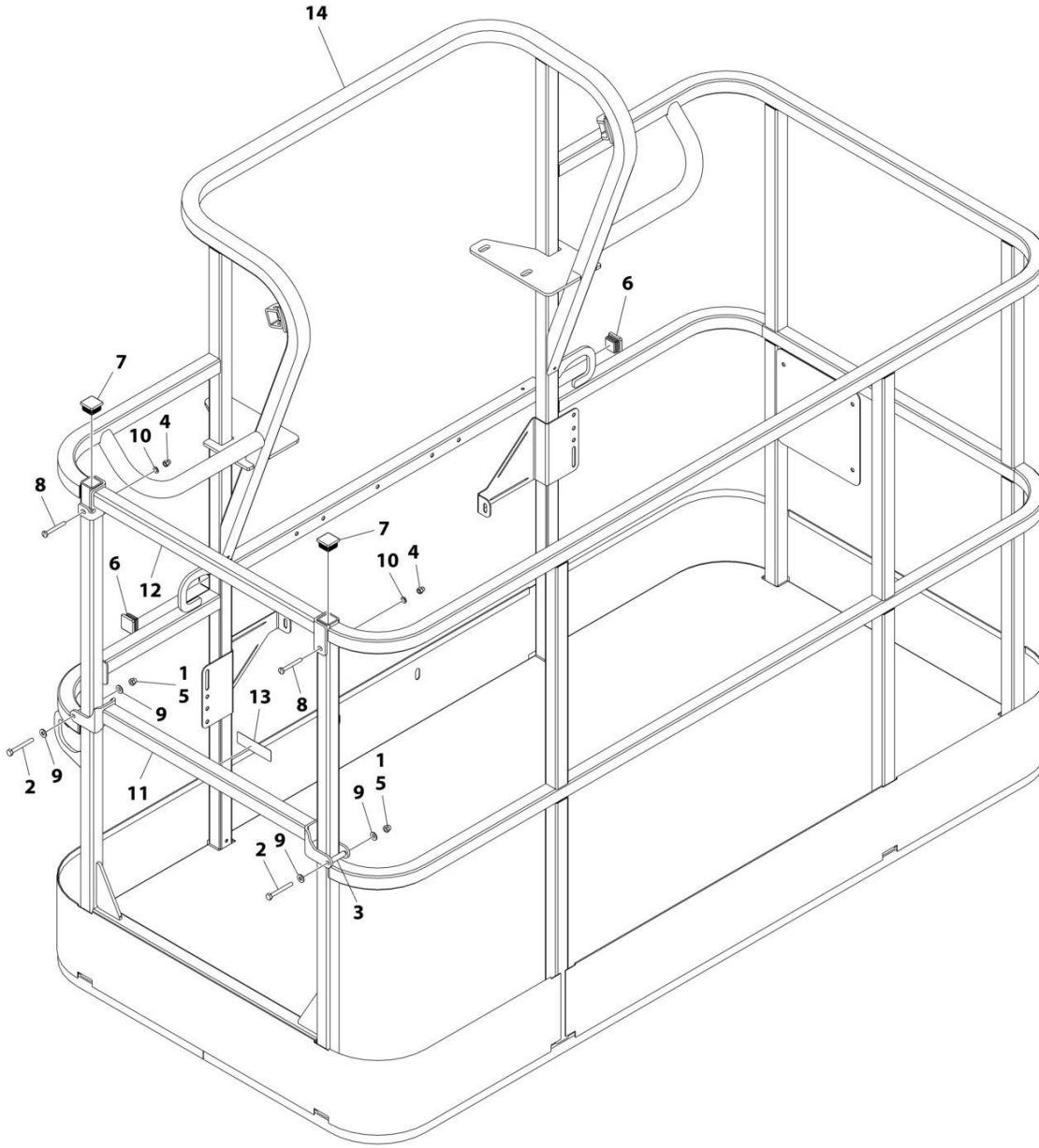
SECTION 5 - PLATFORM

FIGURE 5-6. PLATFORM ASSEMBLY WITH DROP-BAR - 30IN X 6FT (76CM X 1.83M)

ITEM	PART NUMBER	QTY	DESCRIPTION	REV
	1001186378	Ref	PLATFORM ASSEMBLY	C
		Ref	Note: Platform and Mesh must be ordered separately for Platforms with Mesh. See SPECIAL OPTIONS SECTION for Mesh Installations.	
		Ref	Note: Replacement Decals Must be Ordered Separately - See DECALS SECTION.	
1	0100011	AR	Compound, Locking	
2	0641418	2	Bolt 1/4 x 2-1/4	
3	0961845	2	Bushing	
4	3290606	2	Nut M6	
5	3300151	2	Nut 1/4	
6	3520072	2	Plug	
7	3520198	2	Plug	
8	4010618	2	Screw M6 x 50	
9	4711400	4	Washer 1/4	
10	4811700	2	Washer M6	
11	1001138494	1	Bar, Drop	
12	1001138514	1	Rail (Top)	
13	1001140429	1	Decal - Drop Bar	
14	See Note	NSS	Platform (Note: Not Available - Purchase Platform Assembly)	

SECTION 5 - PLATFORM

FIGURE 5-7. PLATFORM ASSEMBLY WITH DROP-BAR - 36IN X 6FT (91.5CM X 1.83M)



ART_1001186379

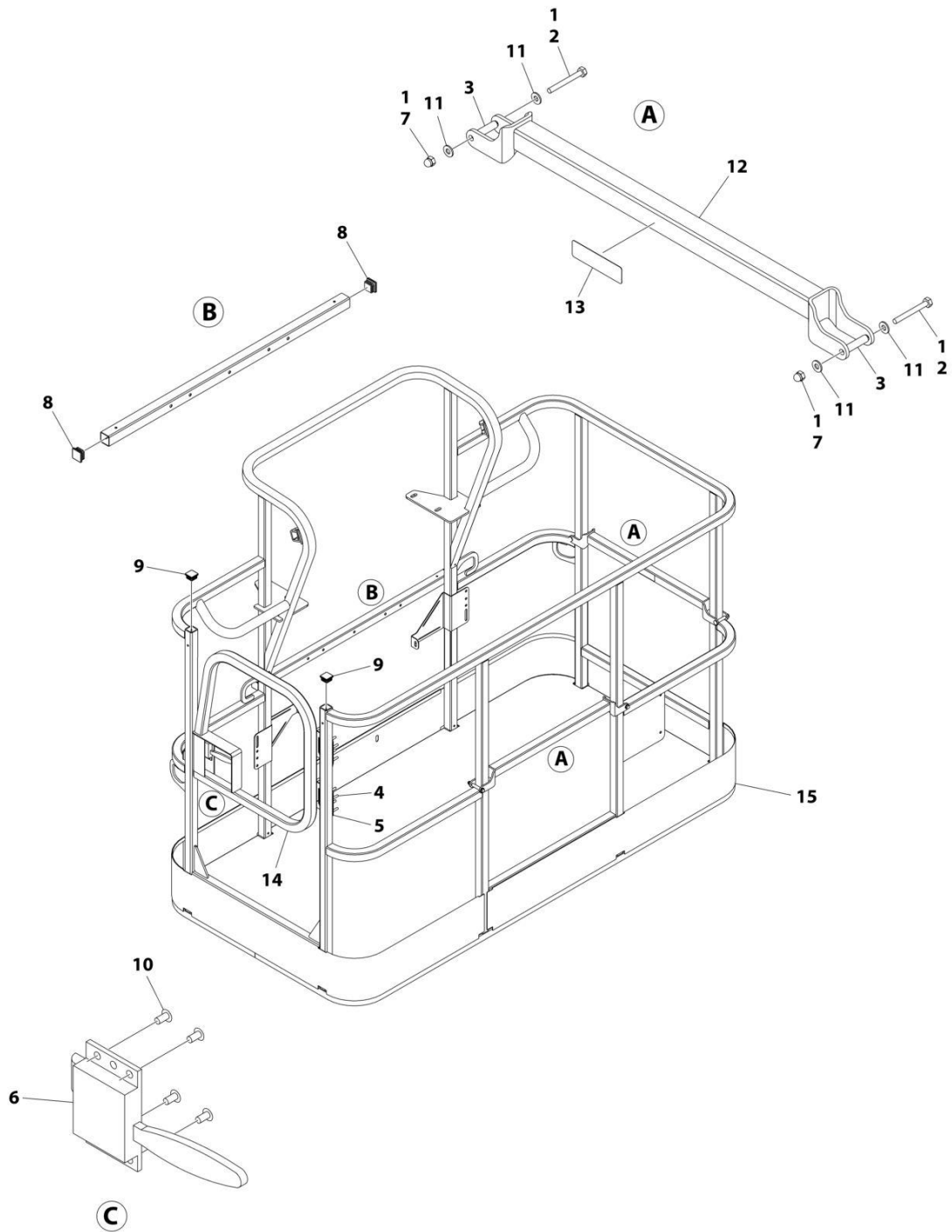
SECTION 5 - PLATFORM

FIGURE 5-7. PLATFORM ASSEMBLY WITH DROP-BAR - 36IN X 6FT (91.5CM X 1.83M)

ITEM	PART NUMBER	QTY	DESCRIPTION	REV
	1001186379	Ref	PLATFORM ASSEMBLY - 36IN X 6FT (91.5CM X 1.83M) WITH DROP BAR	B
		Ref	Note: Platform and Mesh must be ordered separately for Platforms with Mesh. See SPECIAL OPTIONS SECTION for Mesh Installations.	
		Ref	Note: Replacement Decals Must be Ordered Separately - See DECALS SECTION.	
1	0100011	AR	Compound, Locking	
2	0641418	2	Bolt 1/4 x 2-1/4	
3	0961845	2	Bushing	
4	3290606	2	Nut M6	
5	3300151	2	Nut 1/4	
6	3520072	2	Plug	
7	3520198	2	Plug	
8	4010618	2	Screw M6 x 50	
9	4711400	4	Washer 1/4	
10	4811700	2	Washer M6	
11	1001138494	1	Bar, Drop	
12	1001138514	1	Rail (Top)	
13	1001140429	1	Decal - Drop Bar	
14	See Note	NSS	Platform (Note: Not Available - Purchase Platform Assembly)	

SECTION 5 - PLATFORM

FIGURE 5-8. PLATFORM ASSEMBLY WITH 1 GATE / 2 DROP BARS (TRI-ENTRY) - 36IN X 6FT (91.5CM X 1.83M)



ART_1001228376

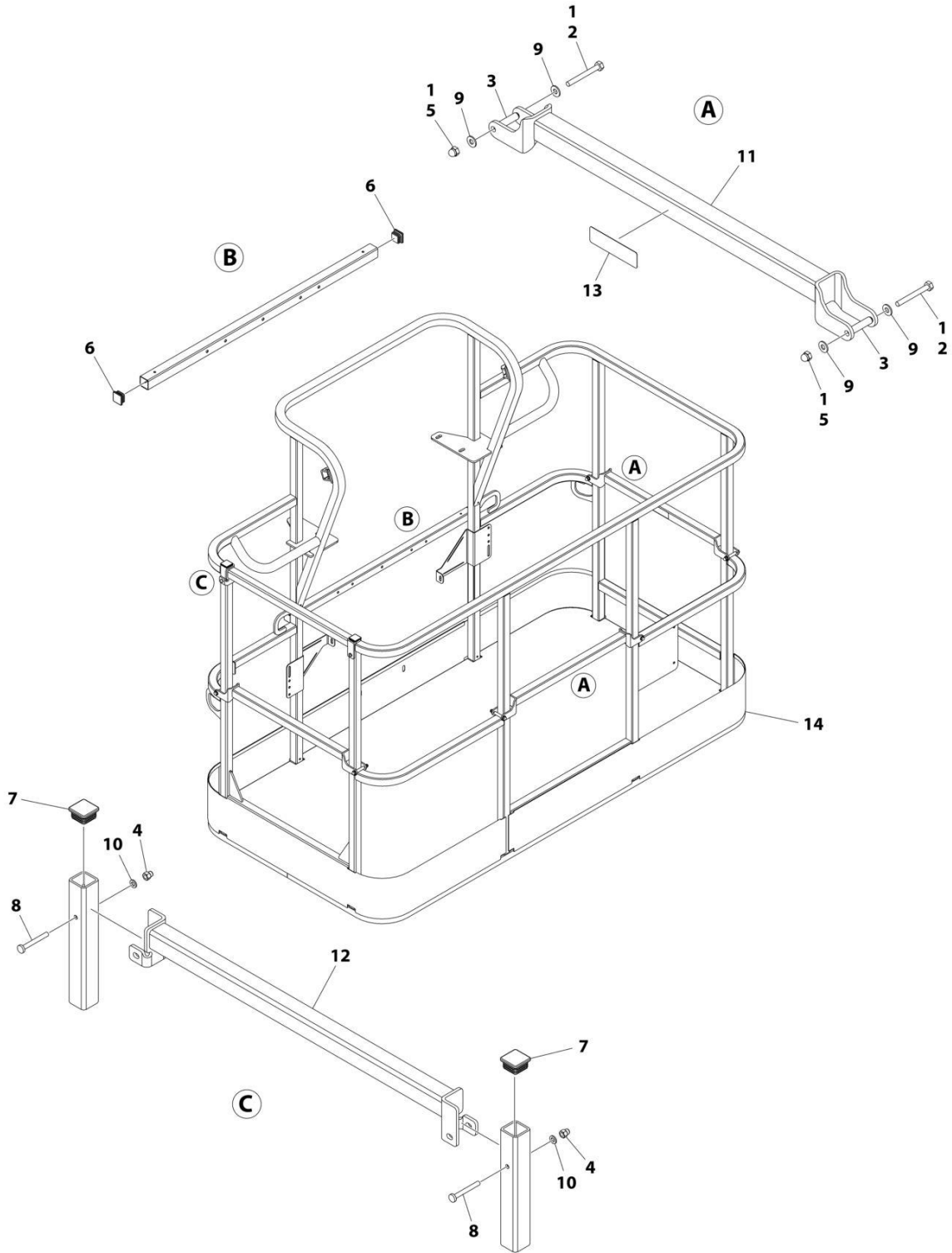
SECTION 5 - PLATFORM

**FIGURE 5-8. PLATFORM ASSEMBLY WITH 1 GATE / 2 DROP BARS (TRI-ENTRY) - 36IN X 6FT
(91.5CM X 1.83M)**

ITEM	PART NUMBER	QTY	DESCRIPTION	REV
	1001228376	Ref	PLATFORM ASSEMBLY - 36IN x 6FT (91.5CM x 1.83M)	B
		Ref	Note: Platform and Mesh must be ordered separately for Platforms with Mesh. See SPECIAL OPTIONS SECTION for Mesh Installations.	
		Ref	Note: Replacement Decals Must be Ordered Separately - See DECAL SECTION.	
1	0100011	AR	Compound, Locking	
2	0641418	4	Bolt 1/4 x 2-1/4	
3	0961845	4	Bushing	
4	2080040	16	Fastener	
5	2600281	2	Hinge	
6	2940074	1	Latch	
7	3300151	4	Nut 1/4	
8	3520072	3	Plug	
9	3520198	2	Plug	
10	3820020	4	Rivet	
11	4711400	8	Washer 1/4	
12	1001138494	2	Bar, Drop	
13	1001140429	2	Decal - Drop Bar	
14	1001144629	1	Gate	
15	See Note	NSS	Platform (Note: Not Available - Purchase Platform Assembly)	

SECTION 5 - PLATFORM

FIGURE 5-9. PLATFORM ASSEMBLY WITH 3 DROP BARS (TRI-ENTRY) - 36IN X 6FT (91.5CM X 1.83M)



ART_1001228377

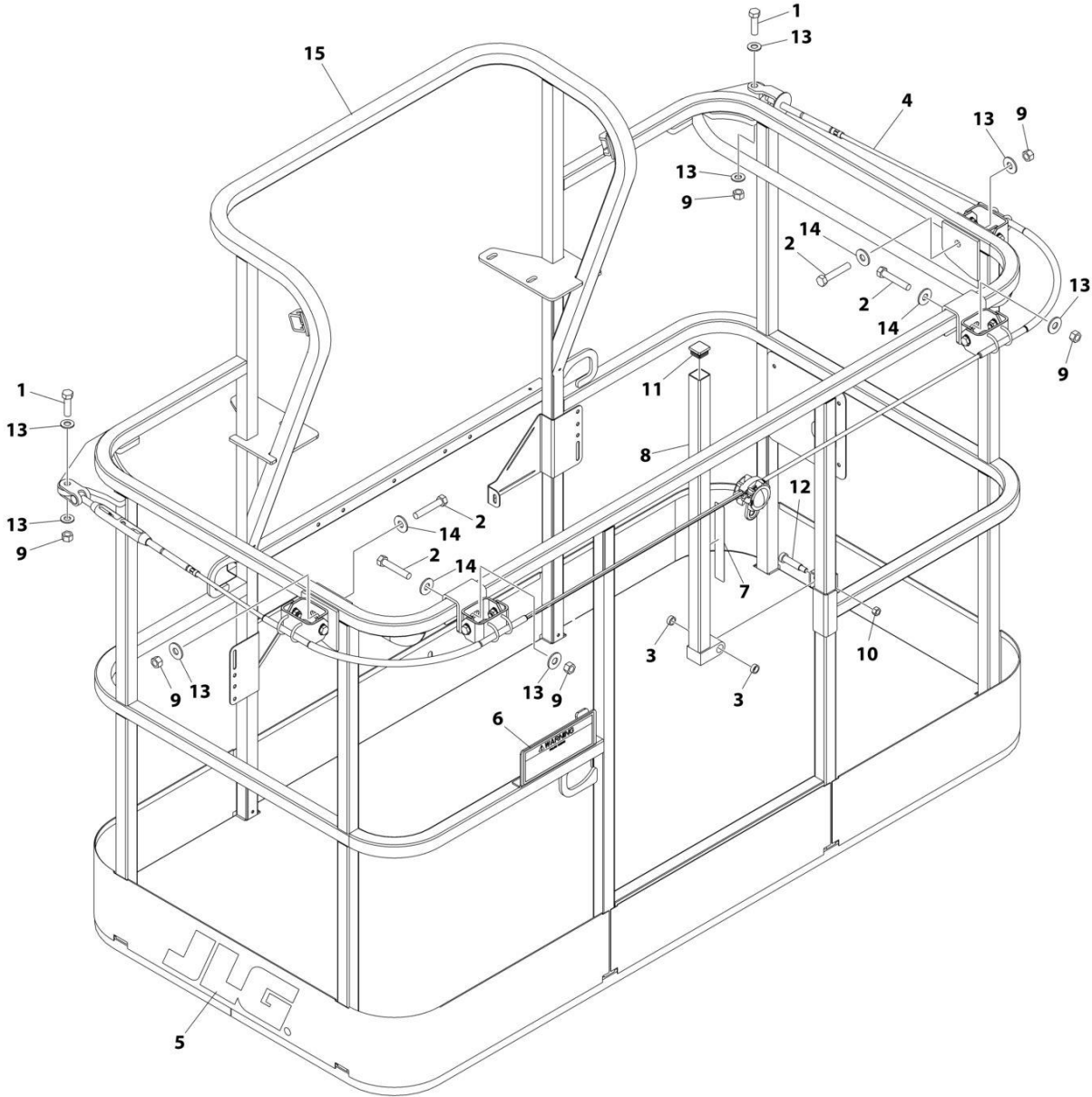
SECTION 5 - PLATFORM

FIGURE 5-9. PLATFORM ASSEMBLY WITH 3 DROP BARS (TRI-ENTRY) - 36IN X 6FT (91.5CM X 1.83M)

ITEM	PART NUMBER	QTY	DESCRIPTION	REV
	1001228377	Ref	PLATFORM ASSEMBLY - 36IN x 6FT (91.5CM x 1.83M)	B
		Ref	Note: Platform and Mesh must be ordered separately for Platforms with Mesh. See SPECIAL OPTIONS SECTION for Mesh Installations.	
		Ref	Note: Replacement Decals Must be Ordered Separately - See DECAL SECTION.	
1	0100011	1	Compound, Locking	
2	0641418	6	Bolt 1/4 x 2-1/4	
3	0961845	6	Bushing	
4	3290606	2	Nut M6	
5	3300151	6	Nut 1/4	
6	3520072	2	Plug	
7	3520198	2	Plug	
8	4010618	2	Screw M6 x 50	
9	4711400	12	Washer 1/4	
10	4811700	2	Washer M6	
11	1001138494	3	Bar, Drop	
12	1001138514	1	Rail (Top)	
13	1001140429	3	Decal - Drop Bar	
14	See Note	NSS	Platform, Weldment (Note: Not Available - Purchase Platform Assembly)	

SECTION 5 - PLATFORM

FIGURE 5-10. PLATFORM ASSEMBLY WITH FALL ARREST (6FT)



ART_1001186333

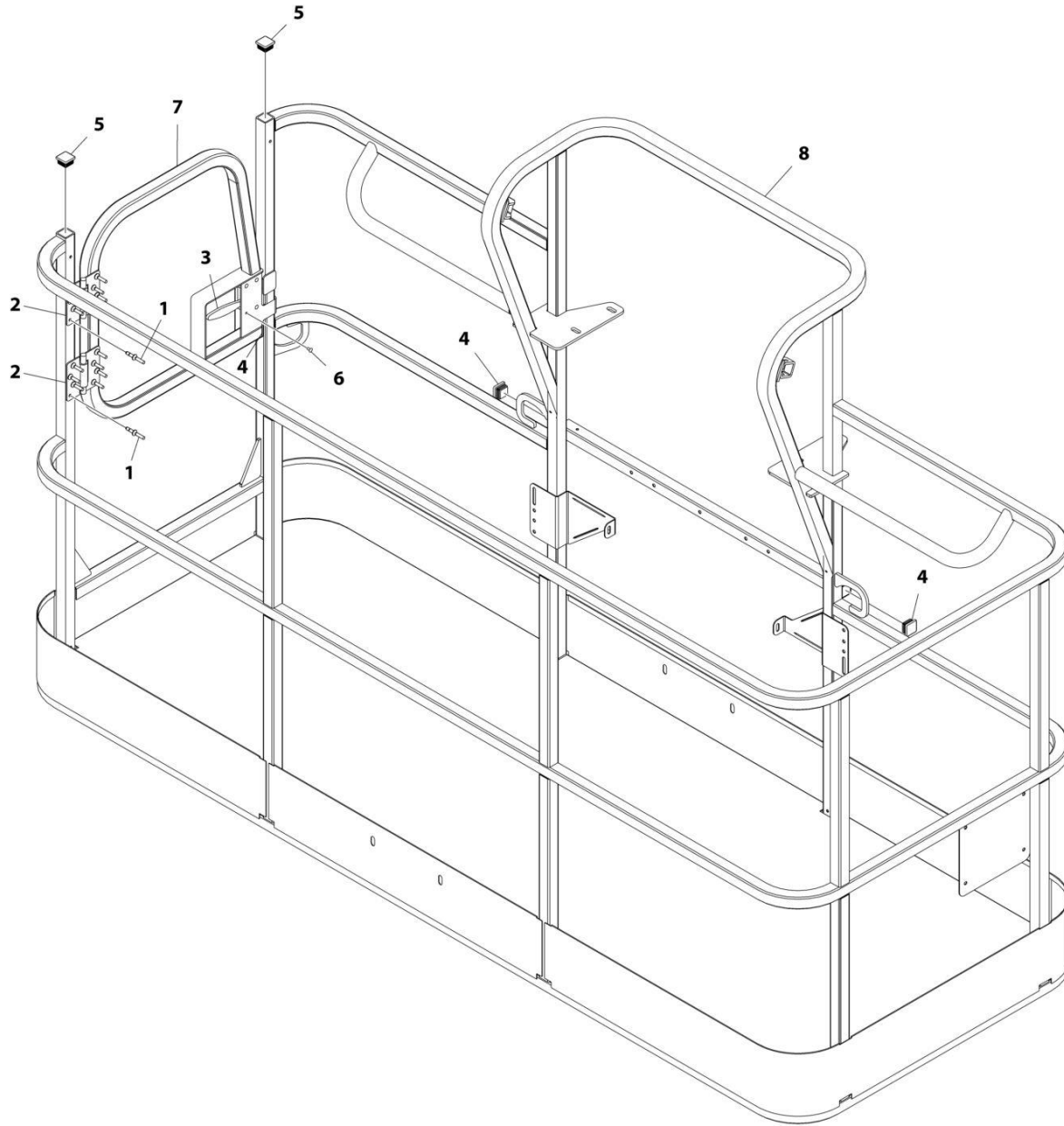
SECTION 5 - PLATFORM

FIGURE 5-10. PLATFORM ASSEMBLY WITH FALL ARREST (6FT)

ITEM	PART NUMBER	QTY	DESCRIPTION	REV
	1001186333	Ref	PLATFORM ASSEMBLY	C
		Ref	Note: Replacement Decals Must be Ordered Separately - See DECALS SECTION.	
1	0681814	2	Bolt 1/2 x 1-3/4 Grade 8	
2	0681822	4	Bolt 1/2 x 2-3/4 Grade 8	
3	0962270	2	Bearing	
4	1001203655	1	Cable	
5	1702773	1	Decal - JLG	
6	1705014	1	Decal - Safety	
7	1706385	1	Decal - Drop Bar	
8	2410014	1	Bar, Drop	
9	3271805	6	Nut 1/2 Grade 8	
10	3311605	1	Nut 3/8	
11	3520072	1	Plug	
12	3900054	1	Bolt 1/2 x 1-3/4	
13	4711800	8	Washer 1/2	
14	4751800	4	Washer 1/2	
15	See Note	NSS	Platform (Note: Not Available - Purchase Platform Assembly)	

SECTION 5 - PLATFORM

FIGURE 5-11. PLATFORM ASSEMBLY WITH GATE - 36IN X 8FT (91.5CM X 2.44M)



ART_1001186383

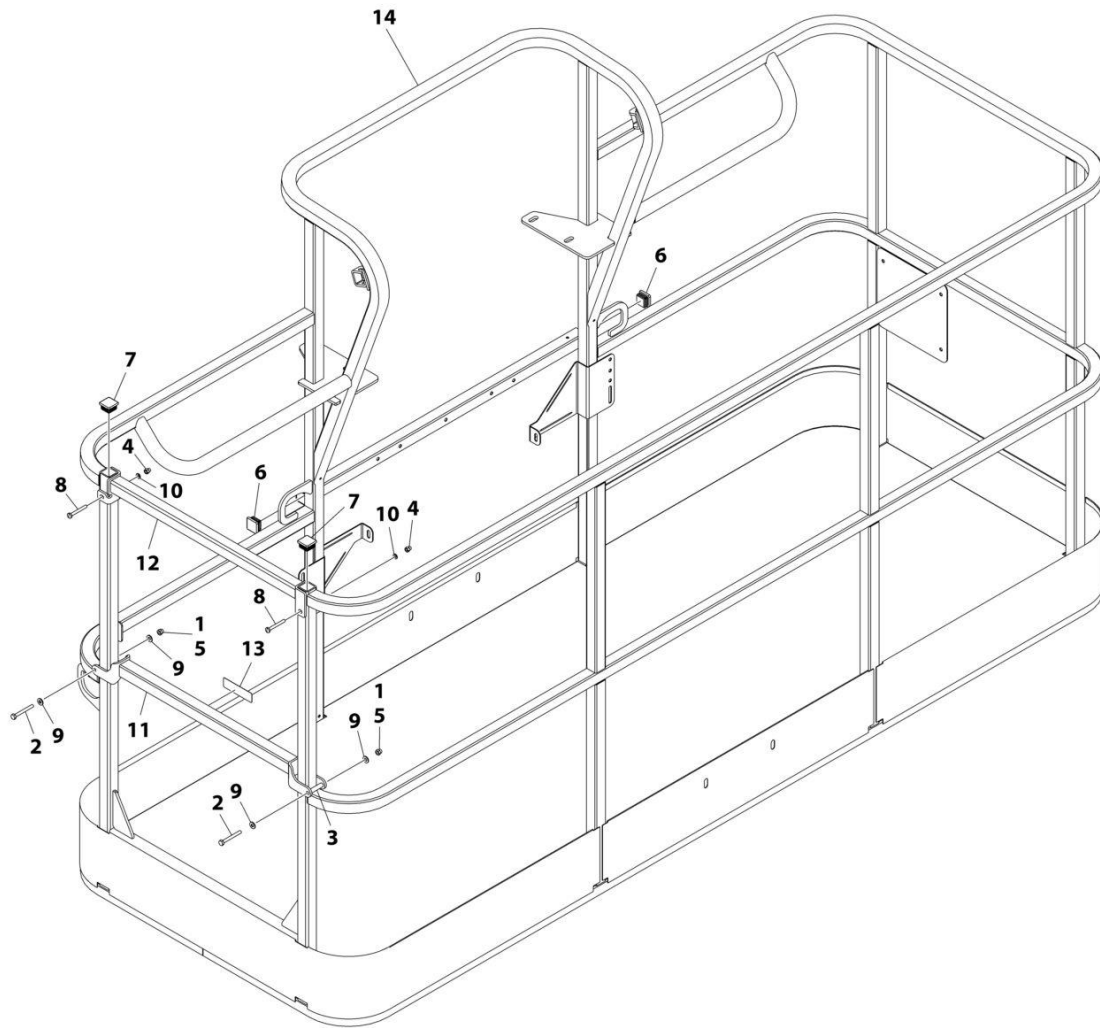
SECTION 5 - PLATFORM

FIGURE 5-11. PLATFORM ASSEMBLY WITH GATE - 36IN X 8FT (91.5CM X 2.44M)

ITEM	PART NUMBER	QTY	DESCRIPTION	REV
	1001186383	Ref	PLATFORM ASSEMBLY - 36IN X 8FT (91.5CM X 2.44M) WITH SWING GATE	D
		Ref	Note: Platform and Mesh must be ordered separately for Platforms with Mesh. See SPECIAL OPTIONS SECTION for Mesh Installations.	
		Ref	Note: Replacement Decals Must be Ordered Separately - See DECALS SECTION.	
1	2080040	16	Fastener, Huck	
2	2600281	2	Hinge	
3	2940074	1	Latch	
4	3520072	3	Plug	
5	3520198	2	Plug	
6	3820020	4	Rivet	
7	1001144629	1	Gate	
8	See Note	NSS	Platform (Note: Not Available - Purchase Platform Assembly)	

SECTION 5 - PLATFORM

FIGURE 5-12. PLATFORM ASSEMBLY WITH DROP-BAR - 36IN X 8FT (91.5CM X 2.44M)



ART_1001186382

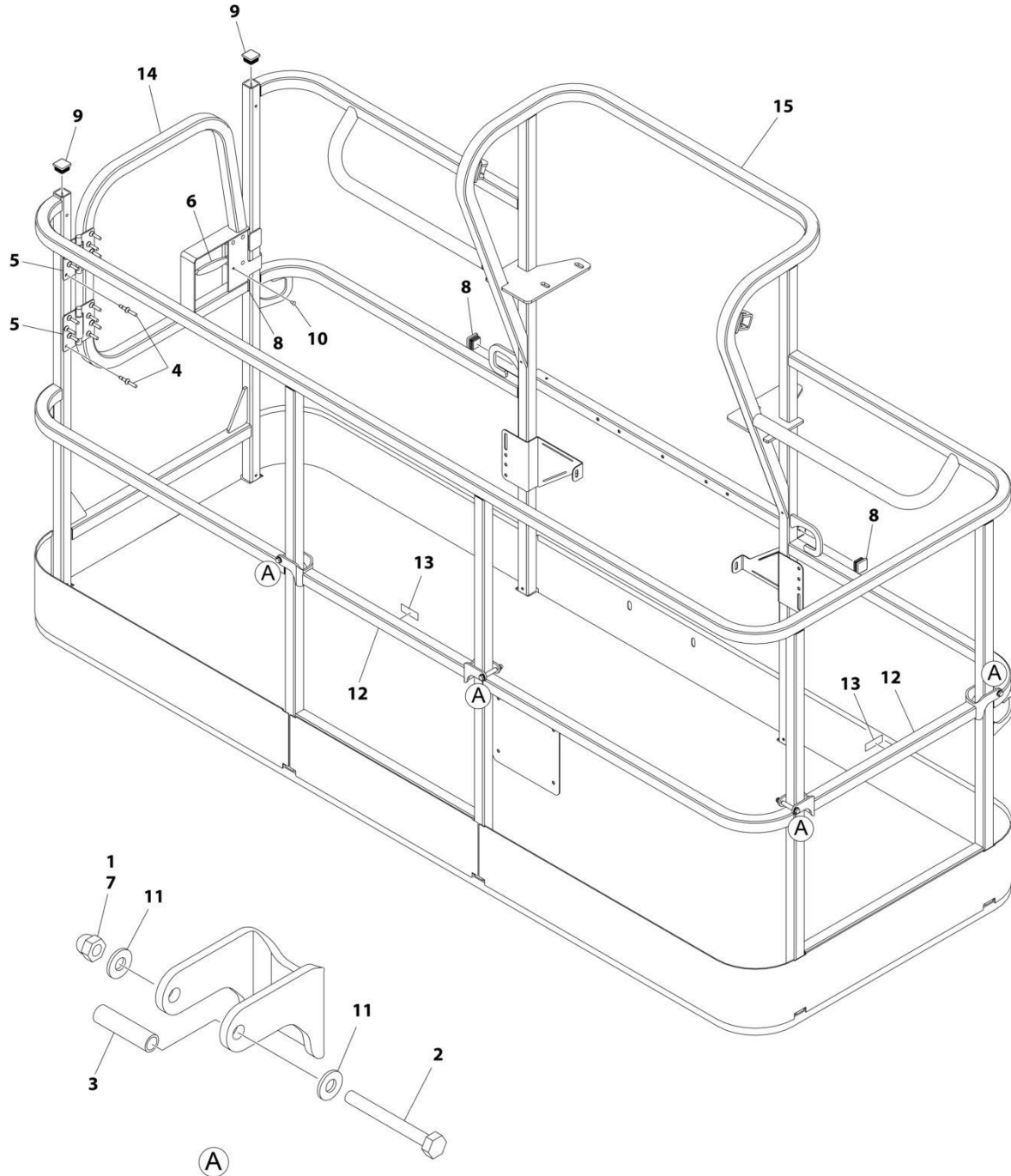
SECTION 5 - PLATFORM

FIGURE 5-12. PLATFORM ASSEMBLY WITH DROP-BAR - 36IN X 8FT (91.5CM X 2.44M)

ITEM	PART NUMBER	QTY	DESCRIPTION	REV
	1001186382	Ref	PLATFORM ASSEMBLY - 36IN X 8FT (91.5CM X 2.44M) WITH DROP BAR	C
		Ref	Note: Platform and Mesh must be ordered separately for Platforms with Mesh. See SPECIAL OPTIONS SECTION for Mesh Installations.	
		Ref	Note: Replacement Decals Must be Ordered Separately - See DECALS SECTION.	
1	0100011	AR	Compound, Locking	
2	0641418	2	Bolt 1/4 x 2-1/4	
3	0961845	2	Bushing	
4	3290606	2	Nut M6	
5	3300151	2	Nut 1/4	
6	3520072	2	Plug	
7	3520198	2	Plug	
8	4010618	2	Screw M6 x 50	
9	4711400	4	Washer 1/4	
10	4811700	2	Washer M6	
11	1001138494	1	Bar, Drop	
12	1001138514	1	Rail (Top)	
13	1001140429	1	Decal - Drop Bar	
14	See Note	NSS	Platform (Note: Not Available - Purchase Platform Assembly)	

SECTION 5 - PLATFORM

FIGURE 5-13. PLATFORM ASSEMBLY WITH 1 GATE / 2 DROP BARS (TRI-ENTRY) - 36IN X 8FT (91.5CM X 2.44M)



ART_1001228243

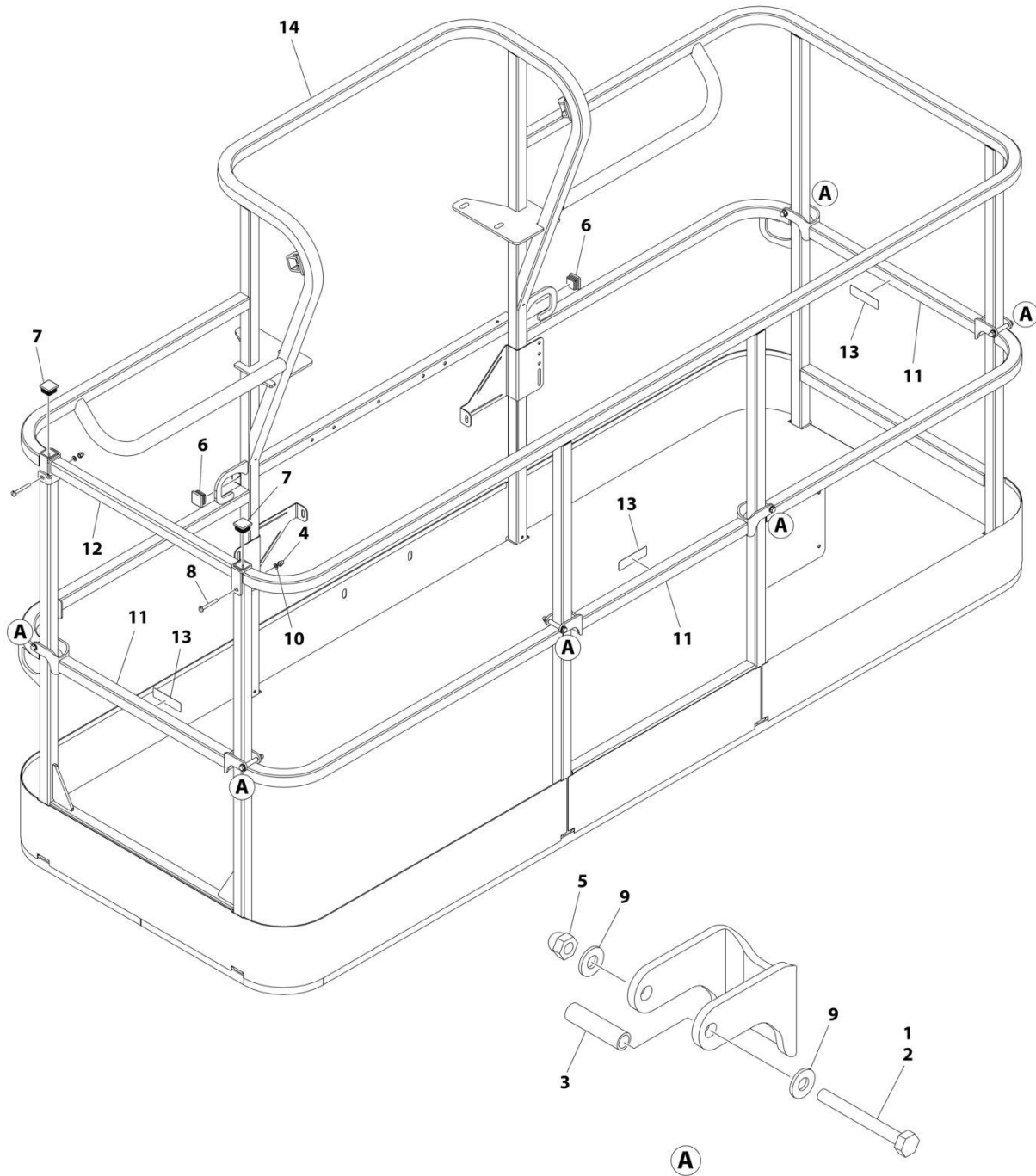
SECTION 5 - PLATFORM

**FIGURE 5-13. PLATFORM ASSEMBLY WITH 1 GATE / 2 DROP BARS (TRI-ENTRY) - 36IN X 8FT
(91.5CM X 2.44M)**

ITEM	PART NUMBER	QTY	DESCRIPTION	REV
	1001228243	Ref	PLATFORM ASSEMBLY - 36IN X 8FT (91.5CM X 2.44M) WITH TRI-ENTRY	A
		Ref	Note: Platform and Mesh must be ordered separately for Platforms with Mesh. See SPECIAL OPTIONS SECTION for Mesh Installations.	
1	0100011	AR	Compound, Locking	
2	0641418	4	Bolt 1/4 x 2-1/4	
3	0961845	4	Bushing	
4	2080040	16	Fastener, Huck	
5	2600281	2	Hinge, Self-Closing	
6	2940074	1	Latch	
7	3300151	4	Nut 1/4	
8	3520072	3	Cap, Plug	
9	3520198	2	Cap, Plug	
10	3820020	4	Rivet	
11	4711400	8	Washer 1/4	
12	1001138494	2	Bar, Drop	
13	1001140429	2	Decal - Drop Bar	
14	1001144629	1	Gate, Weldment	
15	See Note	1	Platform (Note: Not Available - Purchase Platform Assembly)	

SECTION 5 - PLATFORM

FIGURE 5-14. PLATFORM ASSEMBLY WITH 3 DROP BARS (TRI-ENTRY) - 36IN X 8FT (91.5CM X 2.44M)



ART_1001228375

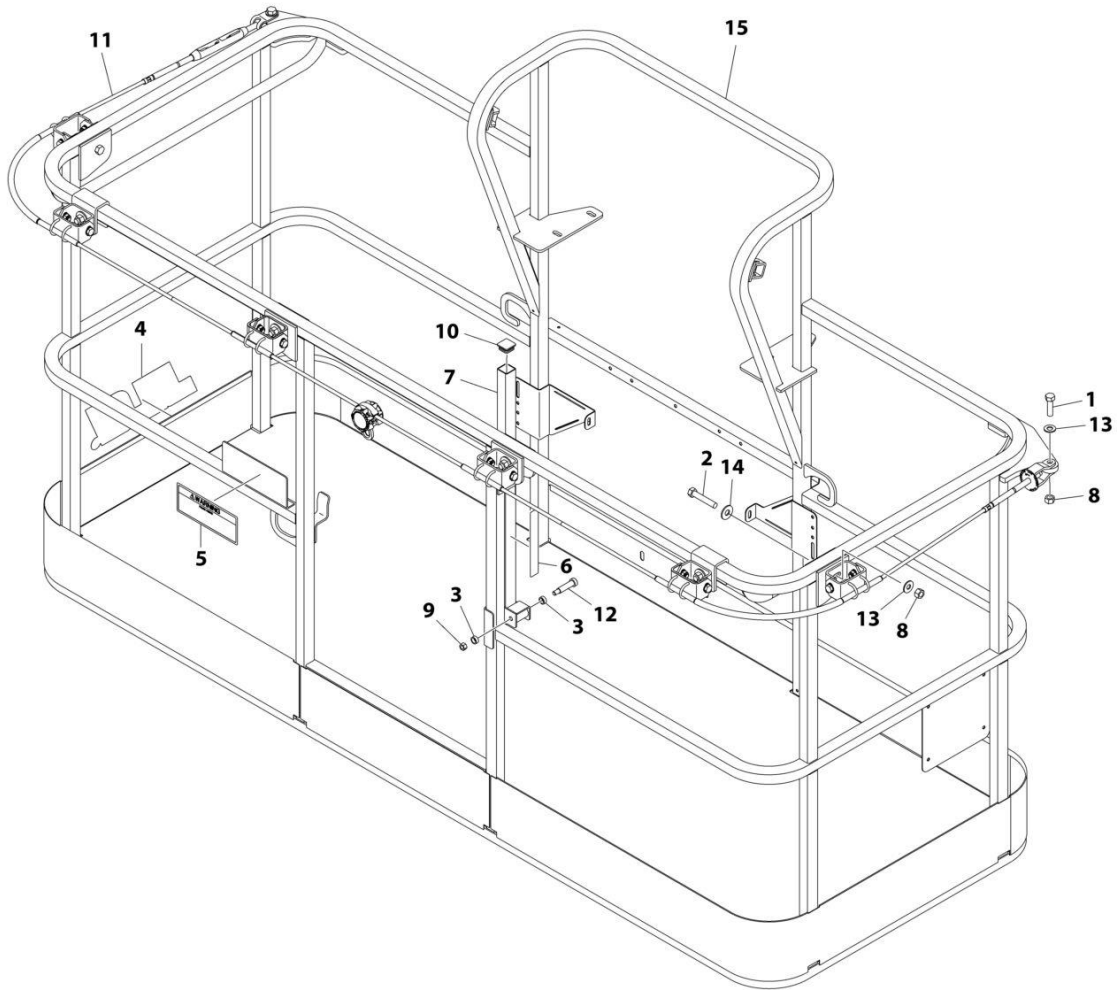
SECTION 5 - PLATFORM

FIGURE 5-14. PLATFORM ASSEMBLY WITH 3 DROP BARS (TRI-ENTRY) - 36IN X 8FT (91.5CM X 2.44M)

ITEM	PART NUMBER	QTY	DESCRIPTION	REV
	1001228375	Ref	PLATFORM ASSEMBLY - 36IN X 8FT (91.5CM X 2.44M) WITH TRI-ENTRY	A
		Ref	Note: Platform and Mesh must be ordered separately for Platforms with Mesh. See SPECIAL OPTIONS SECTION for Mesh Installations.	
		Ref	Note: Replacement Decals Must be Ordered Separately - See DECAL SECTION.	
1	0100011	AR	Compound, Locking	
2	0641418	6	Bolt 1/4 x 2-1/4	
3	0961845	6	Bushing	
4	3290606	2	Nut M6 x 1	
5	3300151	6	Nut 1/4	
6	3520072	2	Cap, Plug	
7	3520198	2	Cap, Plug	
8	4010618	2	Screw M6 x 50	
9	4711400	12	Washer 1/4	
10	4811700	2	Washer M6	
11	1001138494	3	Bar, Drop	
12	1001138514	1	Rail (Top)	
13	1001140429	3	Decal - Drop Bar	
14	See Note	1	Platform (Note: Not Available - Purchase Platform Assembly)	

SECTION 5 - PLATFORM

FIGURE 5-15. PLATFORM ASSEMBLY WITH FALL ARREST (8FT)



ART_1001186334

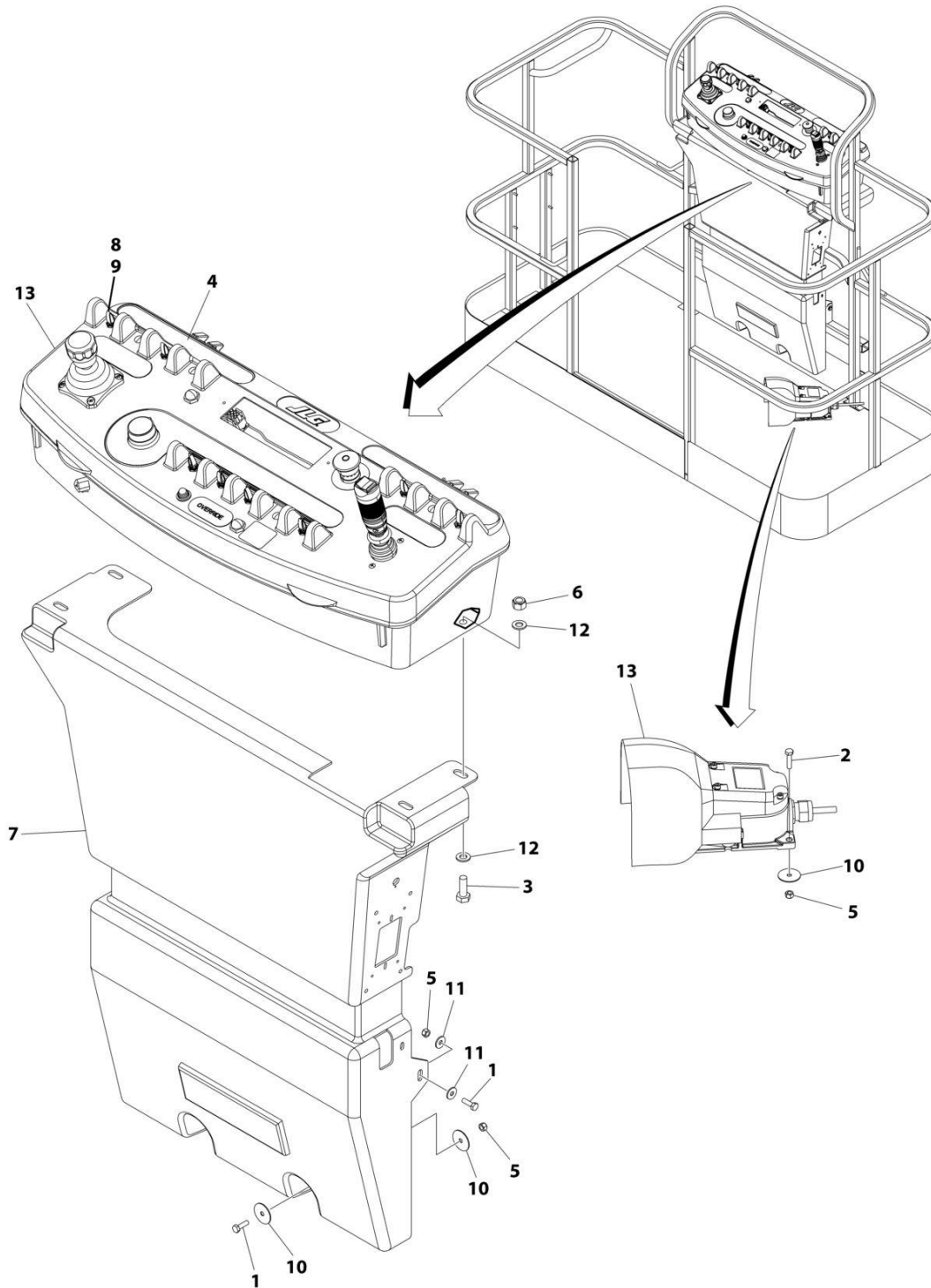
SECTION 5 - PLATFORM

FIGURE 5-15. PLATFORM ASSEMBLY WITH FALL ARREST (8FT)

ITEM	PART NUMBER	QTY	DESCRIPTION	REV
	1001186334	Ref	PLATFORM ASSEMBLY	D
		Ref	Note: Replacement Decals Must be Ordered Separately - See DECALS SECTION.	
1	0681814	2	Bolt 1/2 x 1-3/4 Grade 8	
2	0681822	6	Bolt 1/2 x 2-3/4 Grade 8	
3	0962270	2	Bearing	
4	1702773	1	Decal - JLG	
5	1705014	1	Decal - Safety	
6	1706385	1	Decal - Drop Bar	
7	2410014	1	Bar, Drop	
8	3271805	8	Nut 1/2 Grade 8	
9	3311605	1	Nut 3/8	
10	3520072	1	Plug	
11	1001203656	1	Cable	
12	3900054	1	Bolt 1/2 x 1-3/4	
13	4711800	2	Washer 1/2	
14	4751800	6	Washer 1/2	
15	See Note	NSS	Platform (Note: Purchase Platform Assembly)	

SECTION 5 - PLATFORM

FIGURE 5-16. CONSOLE AND FOOT SWITCH INSTALLATION



ART_1001243748

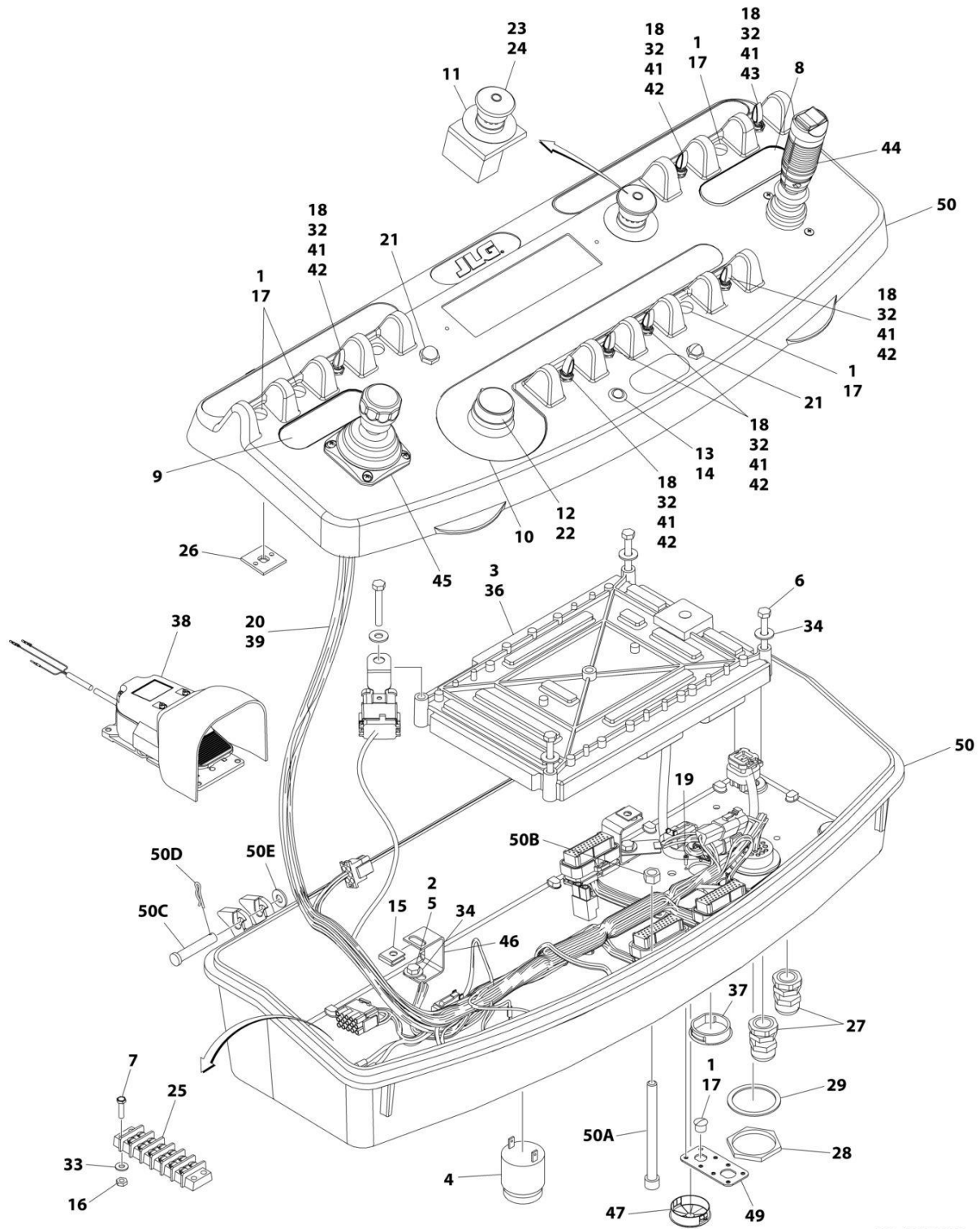
SECTION 5 - PLATFORM

FIGURE 5-16. CONSOLE AND FOOT SWITCH INSTALLATION

ITEM	PART NUMBER	QTY	DESCRIPTION	REV
	1001243748	Ref	PLATFORM CONSOLE AND FOOTSWITCH INSTALLATION	C
1	0641406	4	Bolt 1/4 x 3/4	
2	0641408	3	Bolt 1/4 x 1	
3	0641610	4	Bolt 3/8 x 1-1/4	
4	1001184626	1	Decal - Horn	
5	3311405	7	Nut 1/4	
6	3311605	4	Nut 3/8	
7	3380434	1	Panel	
8	3790012	1	O-Ring	
9	4360331	1	Switch, Toggle	
10	4740362	7	Washer	
11	4751400	4	Washer 1/4	
12	4761600	8	Washer 3/8	
13	1001243723	1	Platform Console Assembly (See Separate Breakdown in this Section)	

SECTION 5 - PLATFORM

FIGURE 5-17. CONSOLE BOX ASSEMBLY WITH FOOTSWITCH



ART_1001243723

SECTION 5 - PLATFORM

FIGURE 5-17. CONSOLE BOX ASSEMBLY WITH FOOTSWITCH

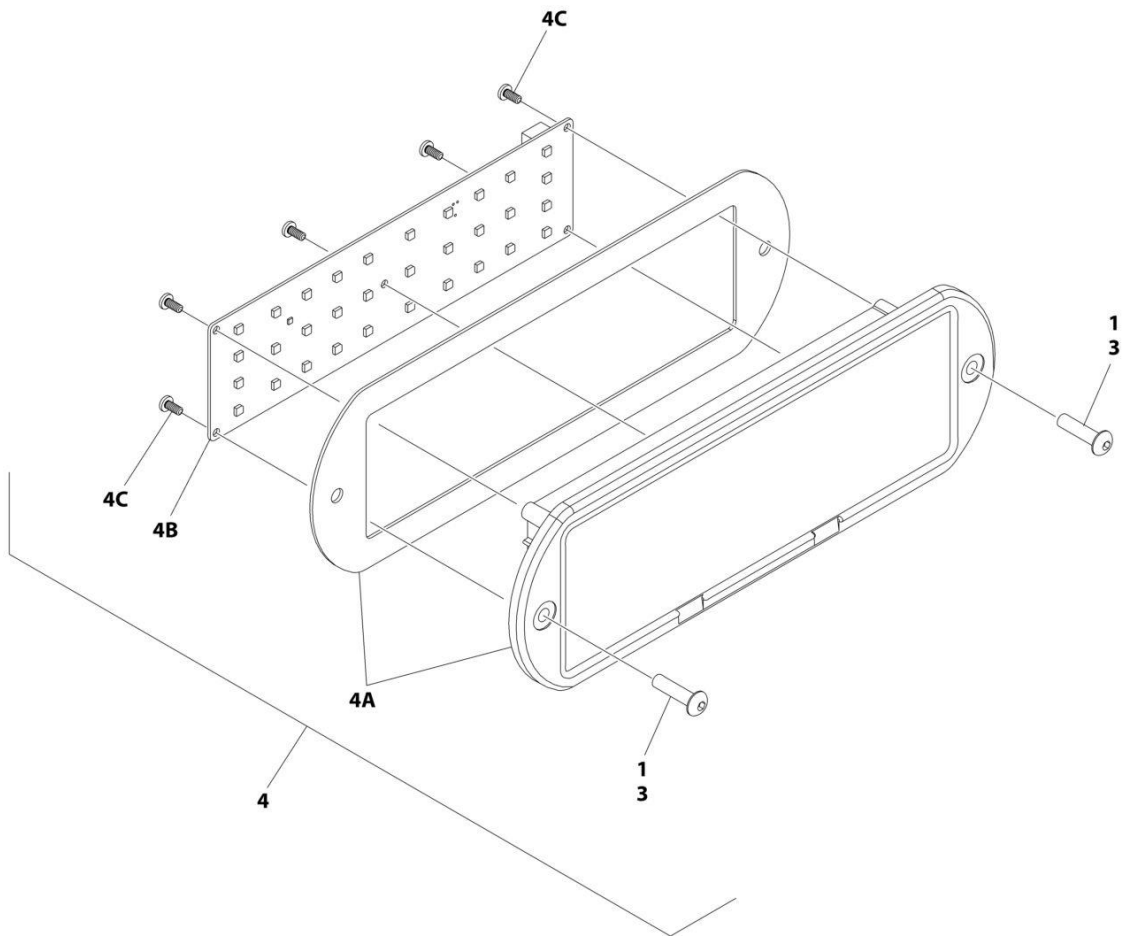
ITEM	PART NUMBER	QTY	DESCRIPTION	REV
	1001243723	Ref	CONSOLE BOX ASSEMBLY	C
1	0100009	AR	Sealant	
2	0100035	AR	Compound, Locking	
3	0100048	AR	Grease, Dielectric	
4	0140011	1	Alarm	
5	0641404	4	Bolt 1/4 x 1/2	
6	0641414	4	Bolt 1/4 x 1-3/4	
7	0721006	1	Bolt #10 x 3/4	
8	1702565	1	Decal - Drive and Steer	
9	1702566	1	Decal - Lift and Swing	
10	1702567	1	Decal - Function Speed	
11	1704260	1	Decal - Emergency Stop	
12	2560136	1	Handle, Knob	
13	2920028	1	Light, Indicator	
14	2920029	1	Bulb, Light	
15	3300353	4	Nut, Tinnerman	
16	3311005	4	Nut #10	
17	3520054	5	Plug	
18	3790012	7	O-Ring	
19	3900349	8	Capscrew M2.5 x 8	
20	1001243984	1	Platform Console Harness (See Separate Breakdown in ELECTRICAL SECTION)	
21	4360387	2	Switch, Push Button	
22	4360407	1	Controller, Speed	
22	4460224	1	Receptacle, Female - 6 Position	
22	4460226	6	Socket, Female	
22	See Note	1	Gasket "Top Hat" (Included with Switch) (Note: Not Available - Purchase Complete Controller)	
22	70003784	1	Seal	
23	4360475	1	Switch, Emergency Stop	
23	7020175	1	Cap, Red	
23	7020176	1	Block, Contact	
24	4360476	1	Contact, Switch	
25	4460007	1	Bussbar	
26	4460234	3	Mount, Tie-Strap	
27	4460428	2	Connector, Strain Relief	
28	4460470	1	Nut, Terminal	
29	4460471	1	Washer, Terminal	
31	4460708	1	Connector - 15 Position (Not Shown)	
32	4740397	1	Washer	
33	4751000	2	Washer #10	
34	4751400	8	Washer 1/4	
35	4922666	1	Analyzer Harness (Not SHown)	
35	4460761	1	Receptacle, Female - 4 Position	
35	4460227	4	Pin, Male	
36	1001106938	1	Module, Platform (Note: Re-calibration Required when Replaced)	
37	1001110434	1	Plug	
38	1001117174	1	Footswitch Assembly (See Separate Breakdown in this Section)	
39	1001139135	1	Boom Valve Harness (Not Shown - See Separate Breakdown in ELECTRICAL SECTION)	

SECTION 5 - PLATFORM

ITEM	PART NUMBER	QTY	DESCRIPTION	REV
41	1001155044	7	Nut 15/32	
42	1001155045	6	Switch, Toggle	
43	1001159256	1	Switch, Toggle	
44	1001166538	NLA	Controller Assembly (Drive and Steer) (Use p/n 1001212415) (See Separate Breakdown in this Section)	
45	1001166539	NLA	Controller Assembly (Lift and Swing) (Use p/n 1001129555) (See Separate Breakdown in this Section)	
46	1001172760	4	Bracket	
47	1001185281	1	Plug	
49	1001213882	1	Mount	
50	1001215228	1	Console Box Assembly	
50A	0630568	1	Capscrew 3/8 x 4-1/2	
50B	3311601	1	Nut 3/8	
50C	3430616	2	Pin	
50D	3470003	2	Hairpin	
50E	4711600	2	Washer 3/8	

SECTION 5 - PLATFORM

FIGURE 5-18. LIGHT PANEL INSTALLATION



ART_1001241403_20F2

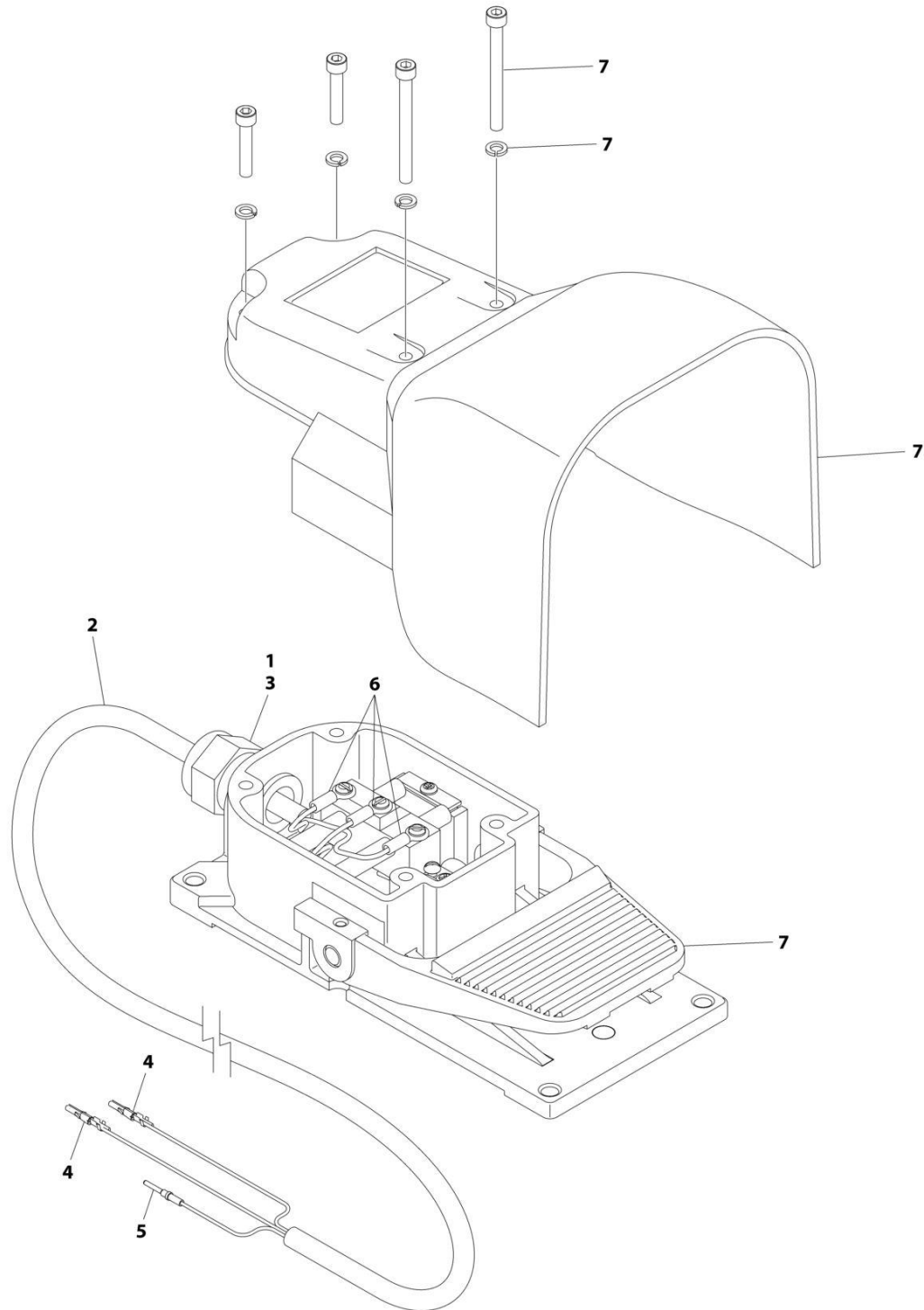
SECTION 5 - PLATFORM

FIGURE 5-18. LIGHT PANEL INSTALLATION

ITEM	PART NUMBER	QTY	DESCRIPTION	REV
	1001241403	Ref	LIGHT PANEL INSTALLATION - PLATFORM CONSOLE	C
1	3300408	1	Nut, Nylon Insert	
3	0630518	2	Screw #10 x 3/4	
4	1001238672	1	Light Panel Electrical Assembly	H
4A	1001236089	1	Lens Assembly (Includes Housing Shell, Decal/Lens with Icons & Gasket)	
4B	1001238732	1	Panel, LED Light	
4C		Ref	Screw	

SECTION 5 - PLATFORM

FIGURE 5-19. FOOTSWITCH ASSEMBLY



ART_1001117174

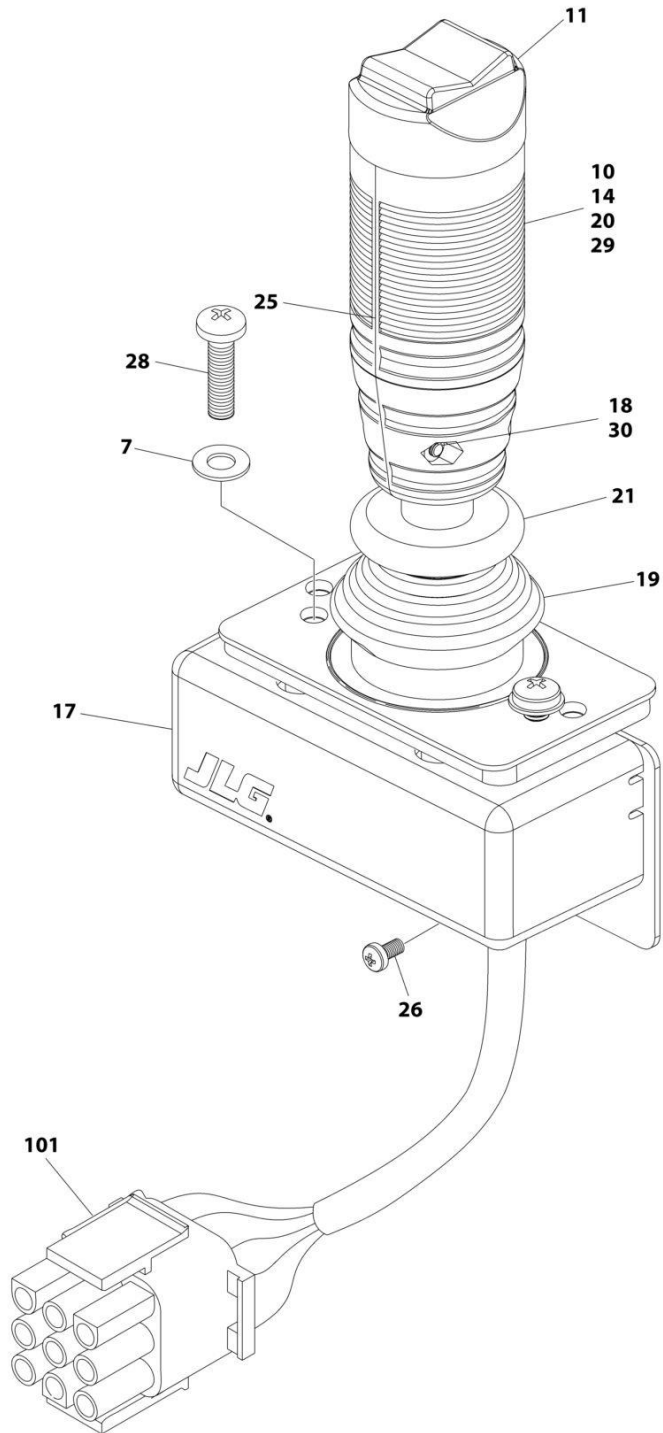
SECTION 5 - PLATFORM

FIGURE 5-19. FOOTSWITCH ASSEMBLY

ITEM	PART NUMBER	QTY	DESCRIPTION	REV
	1001117174	Ref	FOOTSWITCH ASSEMBLY	C
1	0100020	AR	Sealant	
2	1060918	7.5 ft/ 2.3m	Cable, Electrical - 18/3	
3	4460071	1	Connector, Strain Relief	
4	4460226	2	Socket, Female	
5	4460464	1	Pin, Male	
6	1001098122	3	Terminal	
7	1001117172	1	Footswitch	
7	70002902	1	Switch, 20Amp	
7	70002903	1	Gasket	
7	70002905	1	Cover	
7	70002904	1	Kit, Replacement Bolt	

SECTION 5 - PLATFORM

FIGURE 5-20. CONTROLLER ASSEMBLY- DRIVE/STEER



ART_1001166538

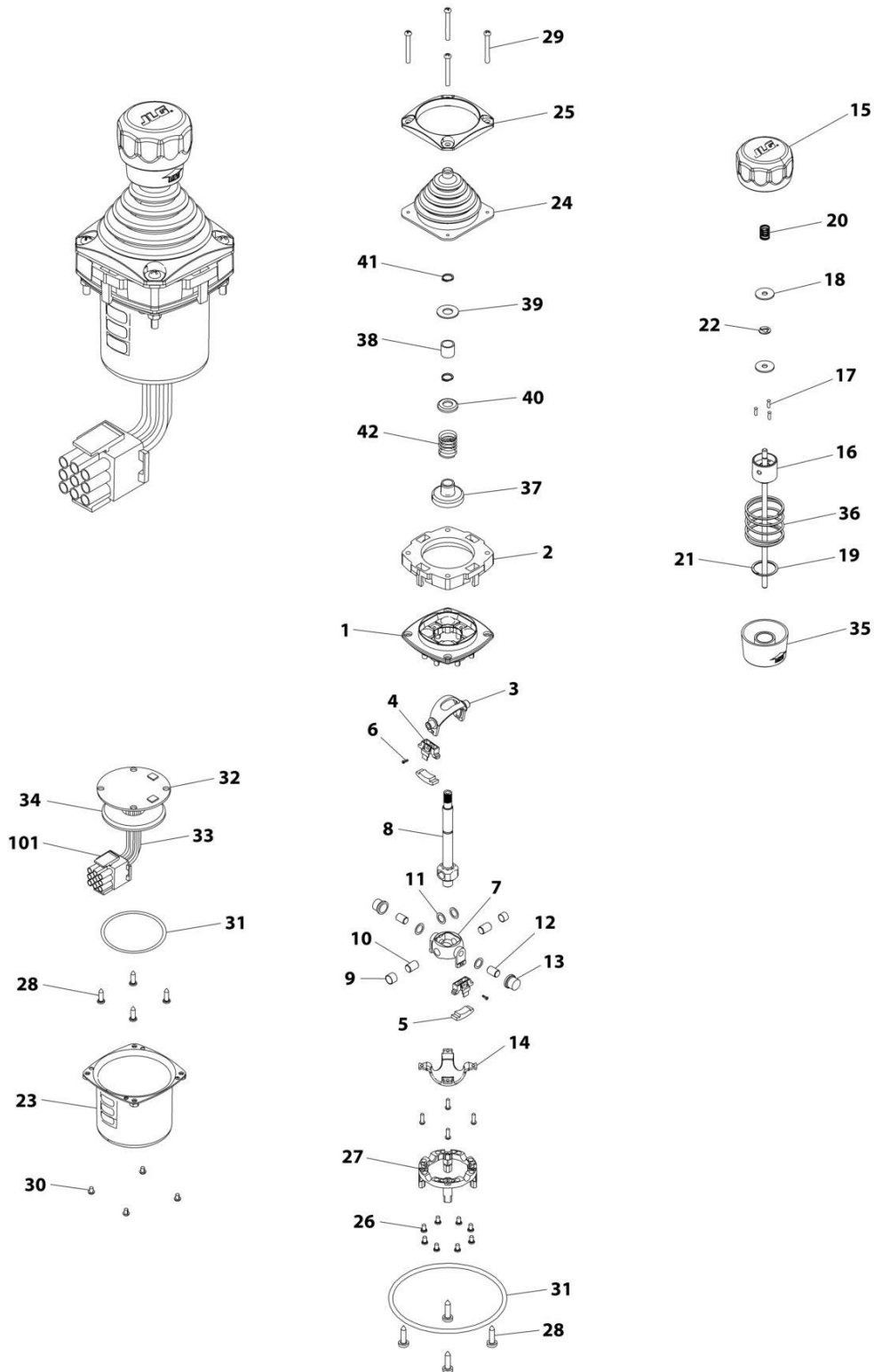
SECTION 5 - PLATFORM

FIGURE 5-20. CONTROLLER ASSEMBLY- DRIVE/STEER

ITEM	PART NUMBER	QTY	DESCRIPTION	REV
	1001166538	Ref	CONTROLLER ASSEMBLY - DRIVE AND STEER	G
		Ref	Note: For Replacement, Use p/n 1001212415.	
7	70004738	2	Washer	
10	70004739	1	Roller	
11	70004740	1	Boot, Switch	
14	70004741	2	Half, Handle	
17	70004742	1	Enclosure	
18	70004743	4	Nut	
19	70004744	NLA	Boot, Controller (Use p/n 70005230 Boot/Base Assembly)	
20	70004745	NLA	Tube, Locking (Use p/n 70005230 Boot/Base Assembly)	
21	70004746	NLA	Disc, Locking (Use p/n 70005230 Boot/Base Assembly)	
25	70004747	2	Seal, Rope	
26	70004748	1	Screw M3 x 6	
28	70004749	2	Screw M5 x 20	
29	70004750	1	Pin, Dowel	
30	70004751	4	Screw M3 x 16	
101	4460265	1	Connector - 9 Position	
101	4460226	7	Socket, Female	

SECTION 5 - PLATFORM

FIGURE 5-21. CONTROLLER ASSEMBLY - LIFT/SWING



ART_1001166539

SECTION 5 - PLATFORM

FIGURE 5-21. CONTROLLER ASSEMBLY - LIFT/SWING

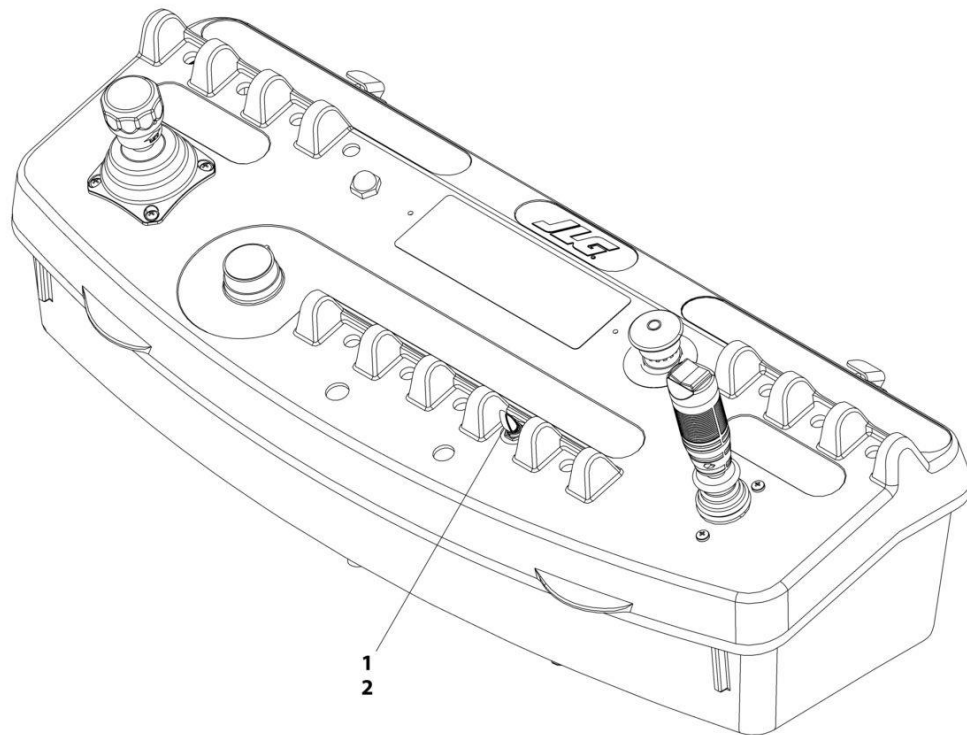
ITEM	PART NUMBER	QTY	DESCRIPTION	REV
	1001166539	Ref	CONTROLLER ASSEMBLY	E
		Ref	Note: Original Equipment Controller May Have Been Replaced with Service Replacement Controller. Visually Identify Controller Before Ordering Parts.	
		Ref	Note: For Replacement, Use p/n 1001129555	
1	See Note	NSS	Main Cast Body (Note: Not Available - Purchase Complete Assembly)	
2	70004752	1	Adapter	
3	See Note	NSS	Pivot Arm, Plastic (Note: Not Available - Purchase Complete Assembly)	
4	See Note	NSS	Holder, Magnet (Note: Not Available - Purchase Complete Assembly)	
5	See Note	NSS	Arc, Magnet (Note: Not Available - Purchase Complete Assembly)	
6	See Note	NSS	Screw (Note: Not Available for Purchase)	
7	See Note	NSS	Pivot Arm, Cast (Note: Not Available - Purchase Complete Assembly)	
8	See Note	NSS	Shaft, Main (Note: Not Available - Purchase Complete Assembly)	
9	See Note	NSS	Bearing (Note: Not Available - Purchase Complete Assembly)	
10	See Note	NSS	Pin (Note: Not Available - Purchase Complete Assembly)	
11	See Note	NSS	Shim (Note: Not Available - Purchase Complete Assembly)	
12	See Note	NSS	Pin (Note: Not Available - Purchase Complete Assembly)	
13	See Note	NSS	Bearing (Note: Not Available - Purchase Complete Assembly)	
14	See Note	NSS	Dome, Centering (Note: Not Available - Purchase Complete Assembly)	
15	70004753	1	Cap	
16	70004754	1	Insert, Cap	
17	70004755	3	Pin	
18	70004756	2	Washer	
19	70004757	1	Pin, Centering	
20	70004758	1	Spring	
21	70004759	1	Ring, Retaining	
22	70004760	1	E-Ring	
23	70004761	1	Can, Enclosure	
24	70004762	1	Boot	
25	70004763	1	Bezel	
26	See Note	NSS	Screw (Note: Not Available for Purchase)	
27	See Note	NSS	Base Mounting (Note: Not Available - Purchase Complete Assembly)	
28	See Note	NSS	Screw (Note: Not Available for Purchase)	
29	70004764	4	Screw	
30	70004765	4	Screw	
31	70004766	1	O-Ring	
32	See Note	NSS	Plate (Note: Not Available - Purchase Complete Assembly)	
33	See Note	NSS	Harness (Note: Not Available - Purchase Complete Assembly)	
34	70004767	1	Grommet, Rubber	
35	70004768	1	Housing	
36	70004769	1	Spring	
37	70004770	1	Stopper	
38	70004771	1	Spacer	
39	70004772	1	Washer	
40	70004773	1	Disc	

SECTION 5 - PLATFORM

ITEM	PART NUMBER	QTY	DESCRIPTION	REV
41	70004774	2	Ring, Retaining	
42	70004775	1	Spring	
101	4460265	1	Connector - 9 Position	
101	4460226	6	Socket, Female	

SECTION 5 - PLATFORM

FIGURE 5-22. JIB SWITCH INSTALLATION



ART_0271340

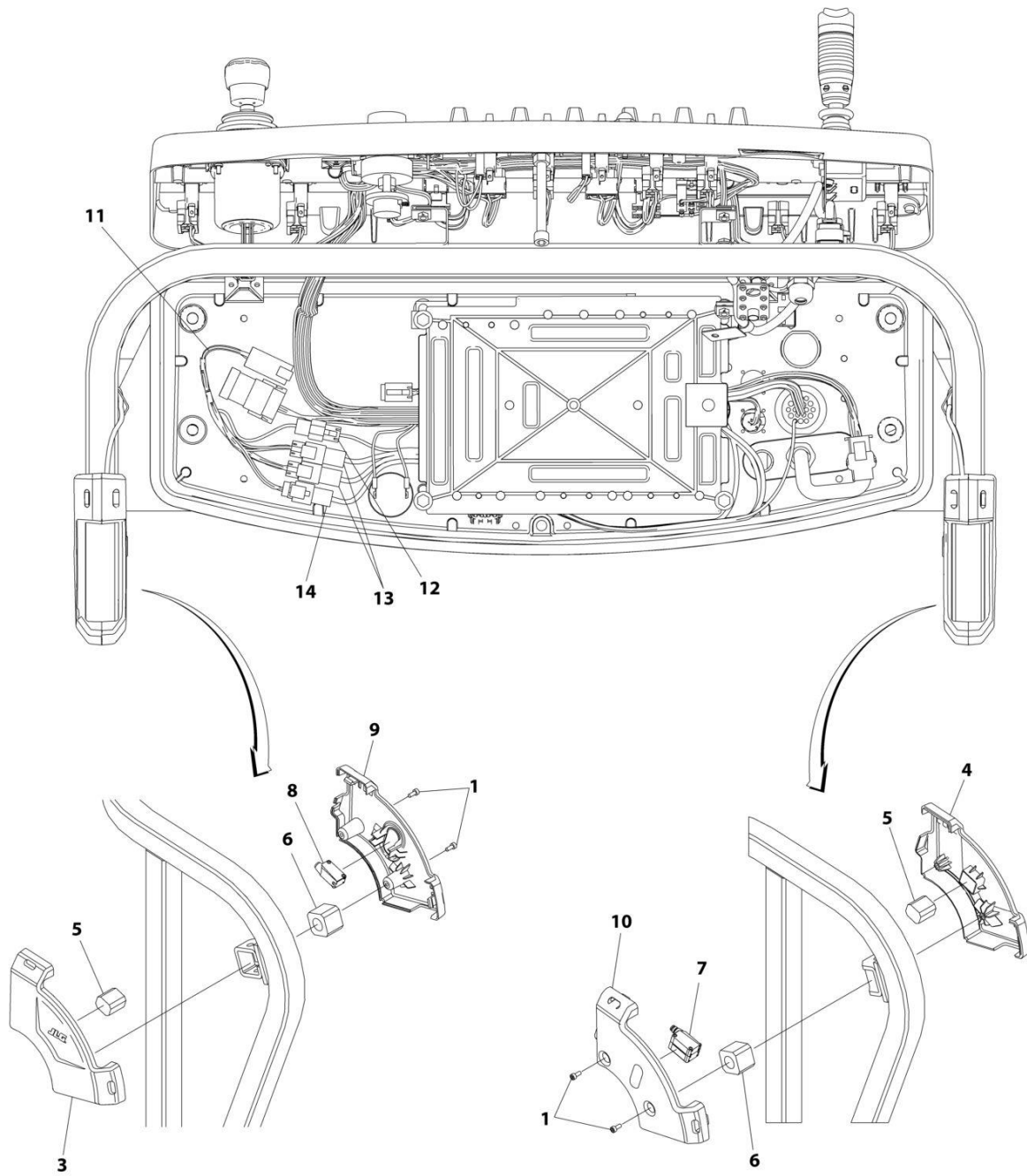
SECTION 5 - PLATFORM

FIGURE 5-22. JIB SWITCH INSTALLATION

ITEM	PART NUMBER	QTY	DESCRIPTION	REV
	0271340	Ref	JIB SWITCH INSTALLATION	1/A
1	4360328	1	Switch, Toggle	
2	3790012	1	O-Ring	

SECTION 5 - PLATFORM

FIGURE 5-23. SKYEYE INSTALLATION



ART_1001229341

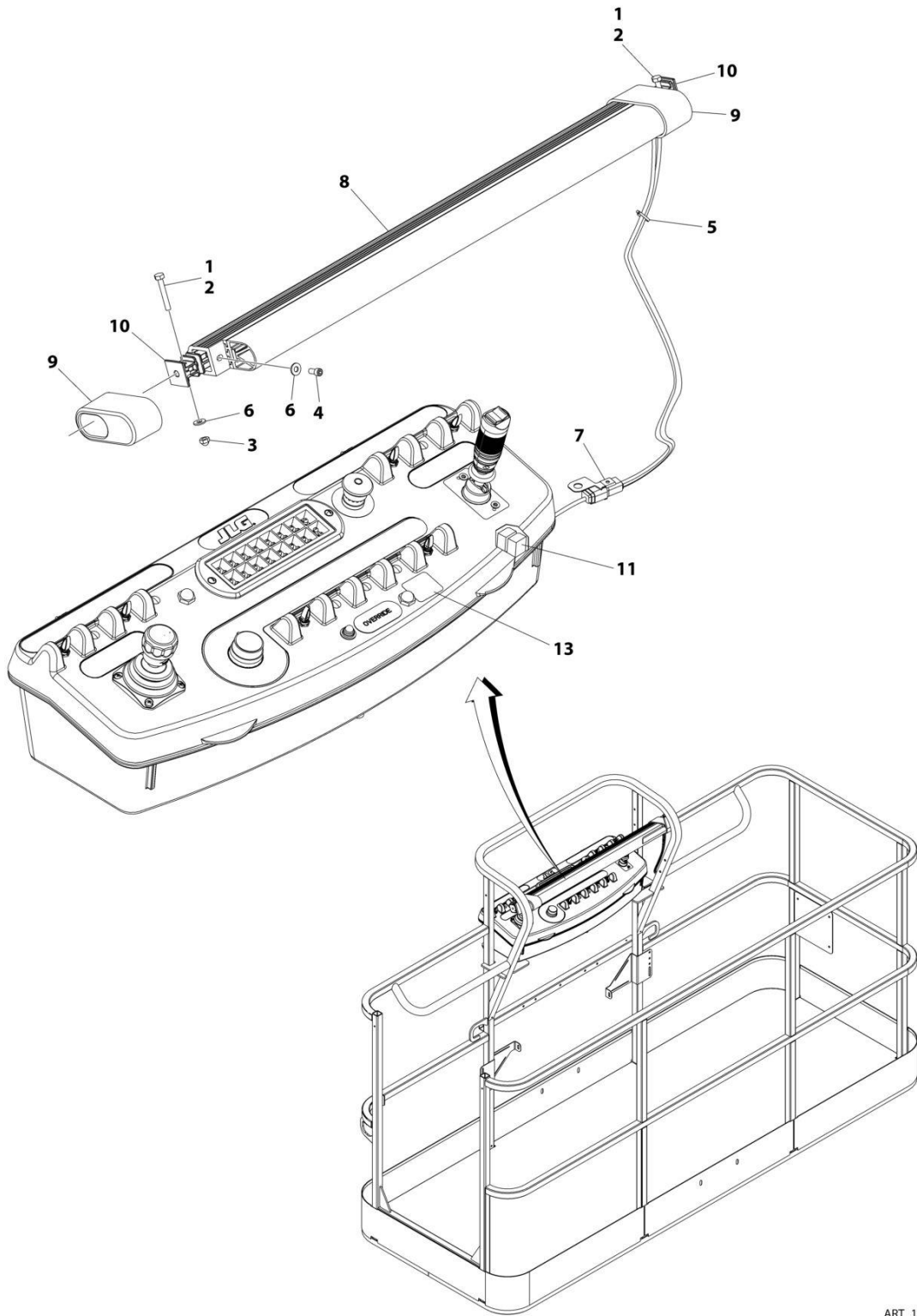
SECTION 5 - PLATFORM

FIGURE 5-23. SKYEYE INSTALLATION

ITEM	PART NUMBER	QTY	DESCRIPTION	REV
	1001229341	Ref	SKYEYE INSTALLATION	B
1	4031505	4	Bolt M4 x 10	
2	4240033	AR	Tie-Strap (Not Shown)	
3	1001227633	1	Housing, LH Outer	
4	1001227634	1	Housing, RH Outer	
5	1001227985	2	Shim	
6	1001227987	2	Shim	
7	1001228224	2	Sensor, Receiver	
8	1001228225	1	Sensor, Emitter	
9	1001232164	1	Housing, LH Inner	
10	1001232165	1	Housing, RH Inner	
11	1001237865	1	Harness, Skyeye Intermediate (See Separate Breakdown in ELECTRICAL Section)	
12	1001238319	NLA	Harness, Skyeye Drain Jumper	
12	1001187674	1	Plug, Male - 2 Position	
12	4460942	1	Terminal	
12	4460466	1	Plug, Terminal	
12	4460508	1	Pin, Male	
13	1001237863	2	Harness, Skyeye Receiver (See Separate Breakdown in ELECTRICAL Section)	
14	1001237864	1	Harness, Skyeye Emitter (See Separate Breakdown in ELECTRICAL Section)	

SECTION 5 - PLATFORM

FIGURE 5-24. SKYGUARD BAR INSTALLATION



ART_1001238495

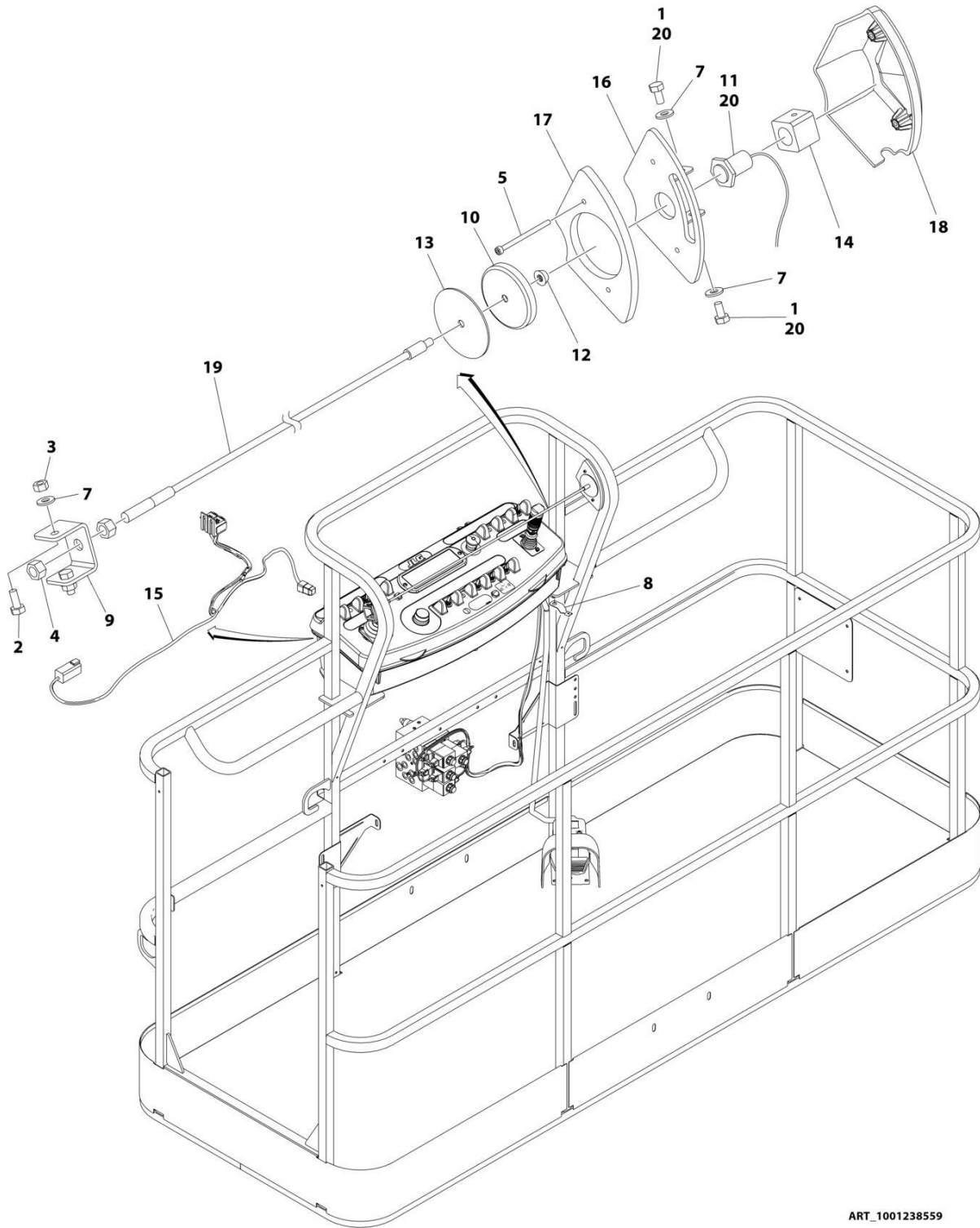
SECTION 5 - PLATFORM

FIGURE 5-24. SKYGUARD BAR INSTALLATION

ITEM	PART NUMBER	QTY	DESCRIPTION	REV
	1001238495	Ref	SKYGUARD BAR INSTALLATION	A
1	0100011	AR	Compound, Locking	
2	0641414	2	Bolt 1/4 x 1-3/4	
3	3300430	2	Nut 1/4	
4	3931408	2	Capscrew 1/4 x 1/2	
5	4240033	8	Tie-Strap	
6	4711400	6	Washer 1/4	
7	1001120328	1	Mount	
8	1001137673	1	SkyGuard Switch Assembly	
9	1001186517	2	Cover, Platform Sensor	
10	1001209664	2	Support, Block	
11	1001186431	2	Relay	
12	1001225580	1	Interface Harness Assembly (Not Shown - Located Inside Console Box) (See Separate Breakdown in ELECTRICAL Section)	
13	1001144433	1	Decal - No Weight SkyGuard	

SECTION 5 - PLATFORM

FIGURE 5-25. SKYLINE INSTALLATION (Prior to SN 0300279215)



ART_1001238559

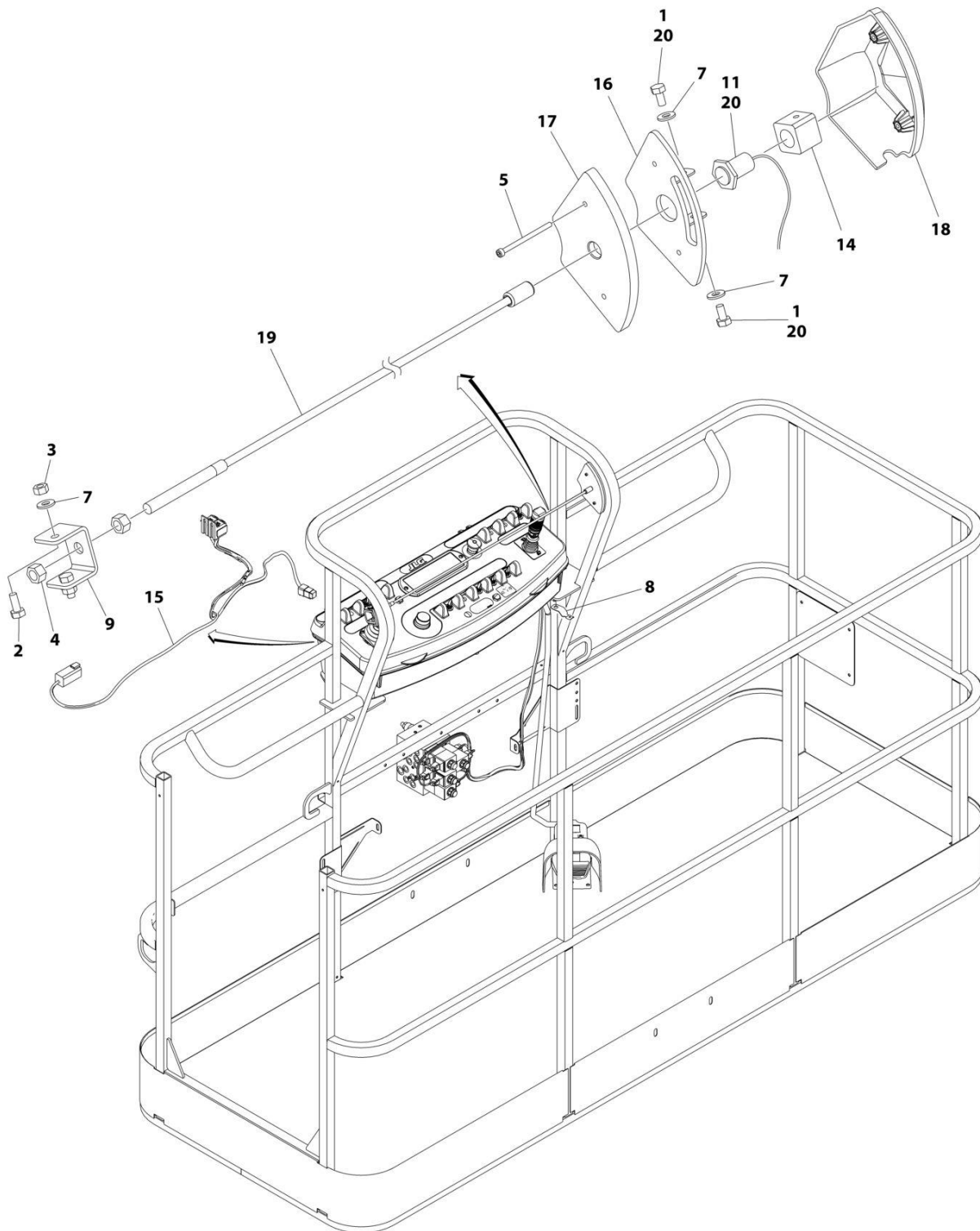
SECTION 5 - PLATFORM

FIGURE 5-25. SKYLINE INSTALLATION (Prior to SN 0300279215)

ITEM	PART NUMBER	QTY	DESCRIPTION	REV
	1001238559	Ref	SKYLINE INSTALLATION	B
1	0641404	2	Bolt 1/4 x 1/2	
2	0641405	2	Bolt 1/4 x 5/8	
3	3311405	2	Nut 1/4	
4	3311601	2	Nut 3/8	
5	4031516	2	Capscrew M4 x 60	
6	4240033	AR	Tie-Strap (Not Shown)	
7	4711400	4	Washer 1/4	
8	1001120328	1	Mount	
9	1001232642	1	Bracket	
10	1001232650	1	Magnet	
11	1001232667	1	Sensor, Proximity	
12	1001235011	1	Nut	
13	1001235013	1	Washer	
14	1001236552	1	Block	
15	1001238418	1	Harness, Skyline (See Separate Breakdown in ELECTRICAL Section)	
16	1001238472	1	Mount	
17	1001238477	1	Housing, LH	
18	1001241965	1	Housing, RH	
19	1001238824	1	Rope	
20	0100011	AR	Compound, Locking	

SECTION 5 - PLATFORM

FIGURE 5-26. SKYLINE INSTALLATION (SN 0300279215 to Present)



ART_1001238559_D

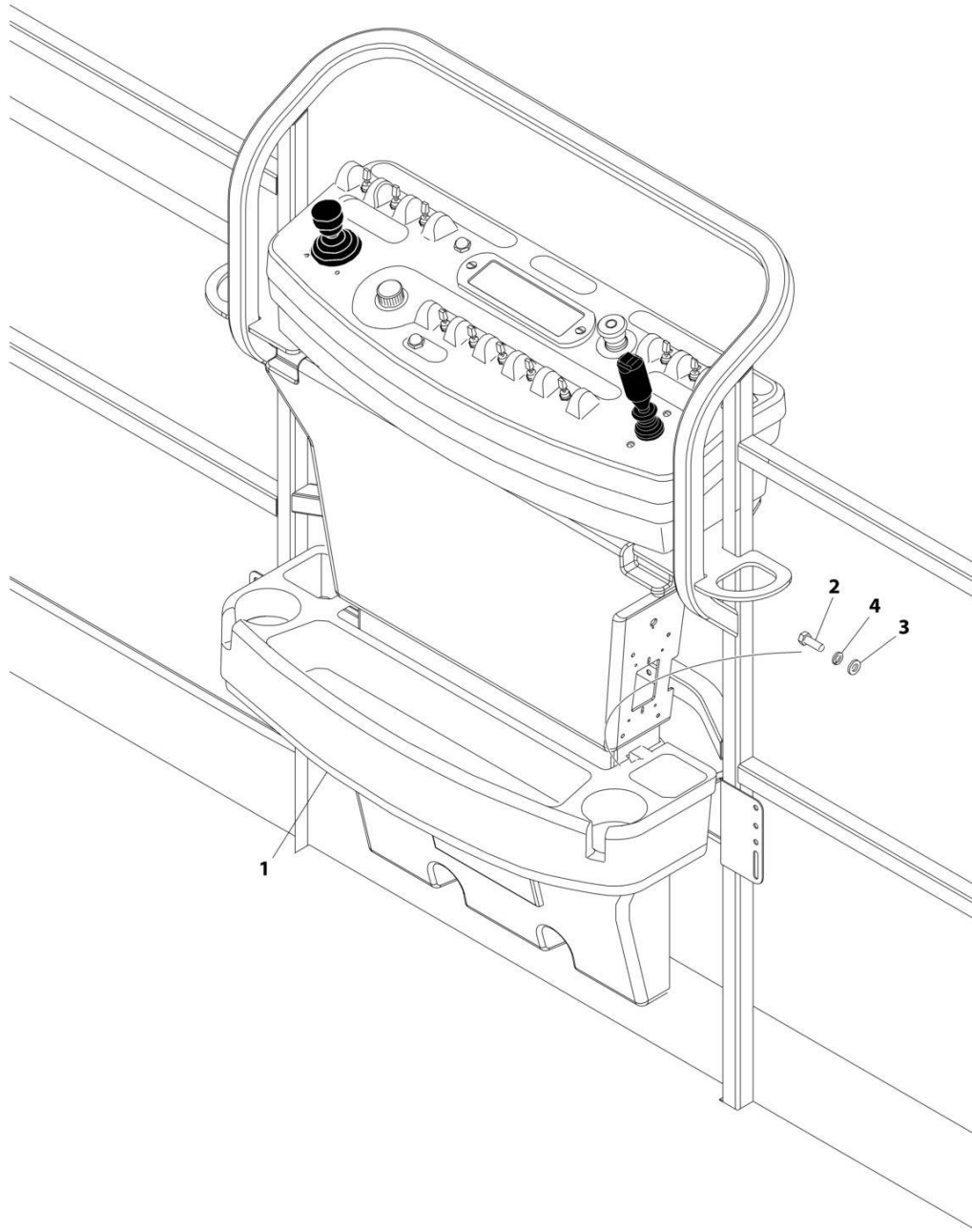
SECTION 5 - PLATFORM

FIGURE 5-26. SKYLINE INSTALLATION (SN 0300279215 to Present)

ITEM	PART NUMBER	QTY	DESCRIPTION	REV
	1001238559	Ref	SKYLINE INSTALLATION	D
1	0641404	2	Bolt 1/4 x 1/2	
2	0641405	2	Bolt 1/4 x 5/8	
3	3311405	2	Nut 1/4	
4	3311601	2	Nut 3/8	
5	4031516	2	Capscrew M4 x 60	
6	4240033	AR	Tie-Strap (Not Shown)	
7	4711400	4	Washer 1/4	
8	1001120328	1	Mount	
9	1001232642	1	Bracket	
11	1001232667	1	Sensor, Proximity	
14	1001236552	1	Block	
15	1001238418	1	Harness, Skyline (See Separate Breakdown in ELECTRICAL Section)	
16	1001238472	1	Mount	
17	1001254473	1	Housing, LH	
18	1001241965	1	Housing, RH	
19	1001254472	1	Rod	
20	0100011	AR	Compound, Locking	

SECTION 5 - PLATFORM

FIGURE 5-27. STORAGE TRAY INSTALLATION - CENTER



ART_1580012

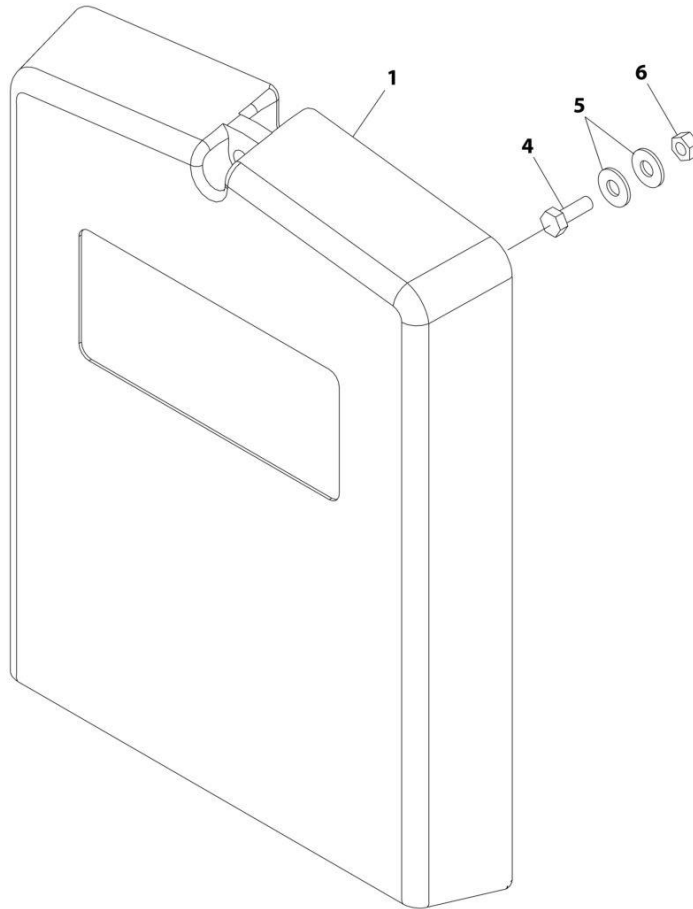
SECTION 5 - PLATFORM

FIGURE 5-27. STORAGE TRAY INSTALLATION - CENTER

ITEM	PART NUMBER	QTY	DESCRIPTION	REV
	1580012	Ref	TRAY ASSEMBLY	C
1	See Note	NSS	Tray, Storage (Center) (Note: Purchase p/n 1580012)	
2	0641406	2	Bolt 1/4 x 3/4	
3	4751400	2	Washer 1/4	
4	4761400	2	Washer 1/4	

SECTION 5 - PLATFORM

FIGURE 5-28. MANUAL STORAGE BOX INSTALLATION



ART_0258671

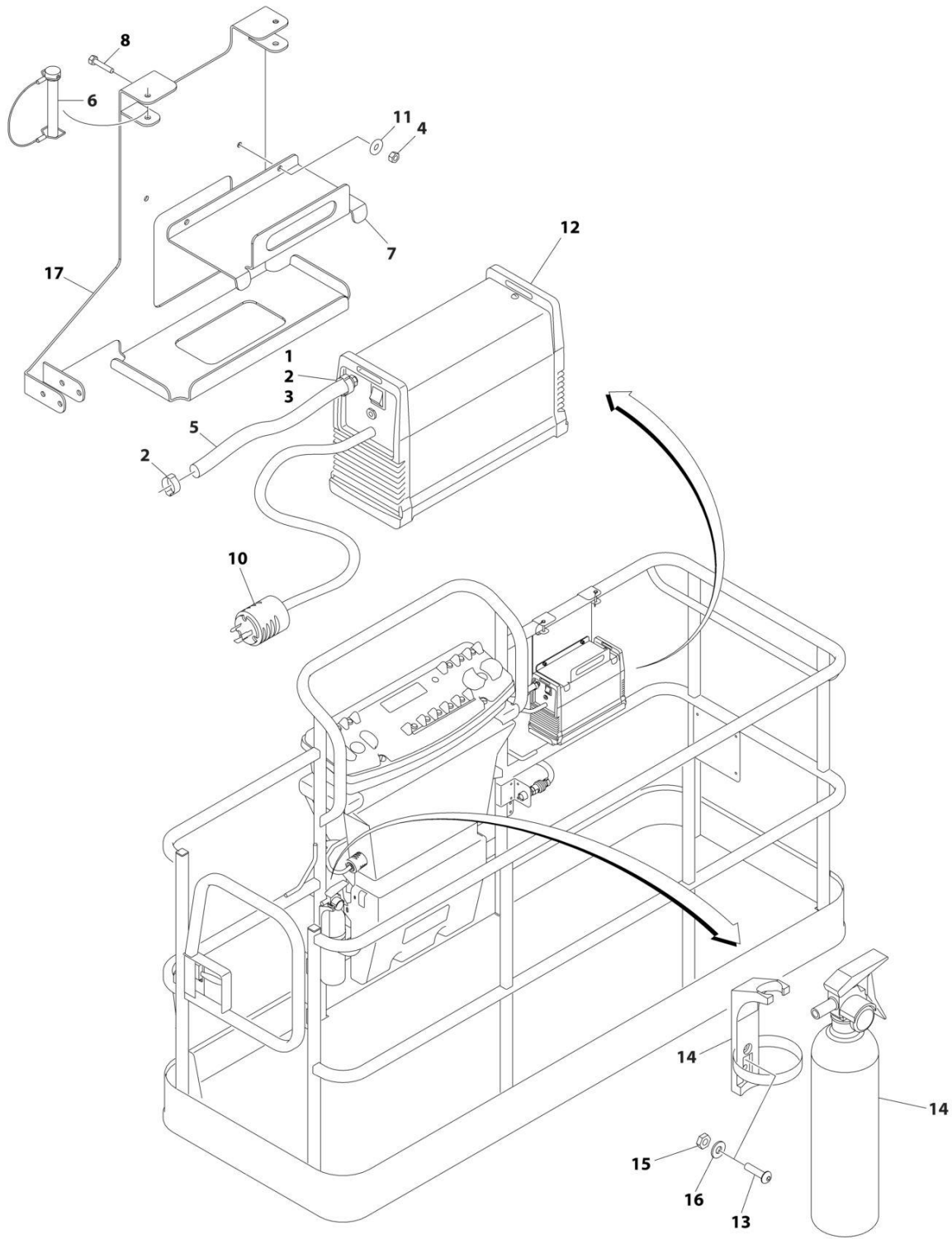
SECTION 5 - PLATFORM

FIGURE 5-28. MANUAL STORAGE BOX INSTALLATION

ITEM	PART NUMBER	QTY	DESCRIPTION	REV
	0258671	Ref	MANUAL STORAGE BOX INSTALLATION	C
1	0860520	1	Box, Manual Storage	
4	0641406	4	Bolt 1/4 x 3/4	
5	4751400	8	Washer 1/4	
6	3311405	4	Nut 1/4	

SECTION 5 - PLATFORM

FIGURE 5-29. SKYCUTTER INSTALLATION



ART_1001098149_D

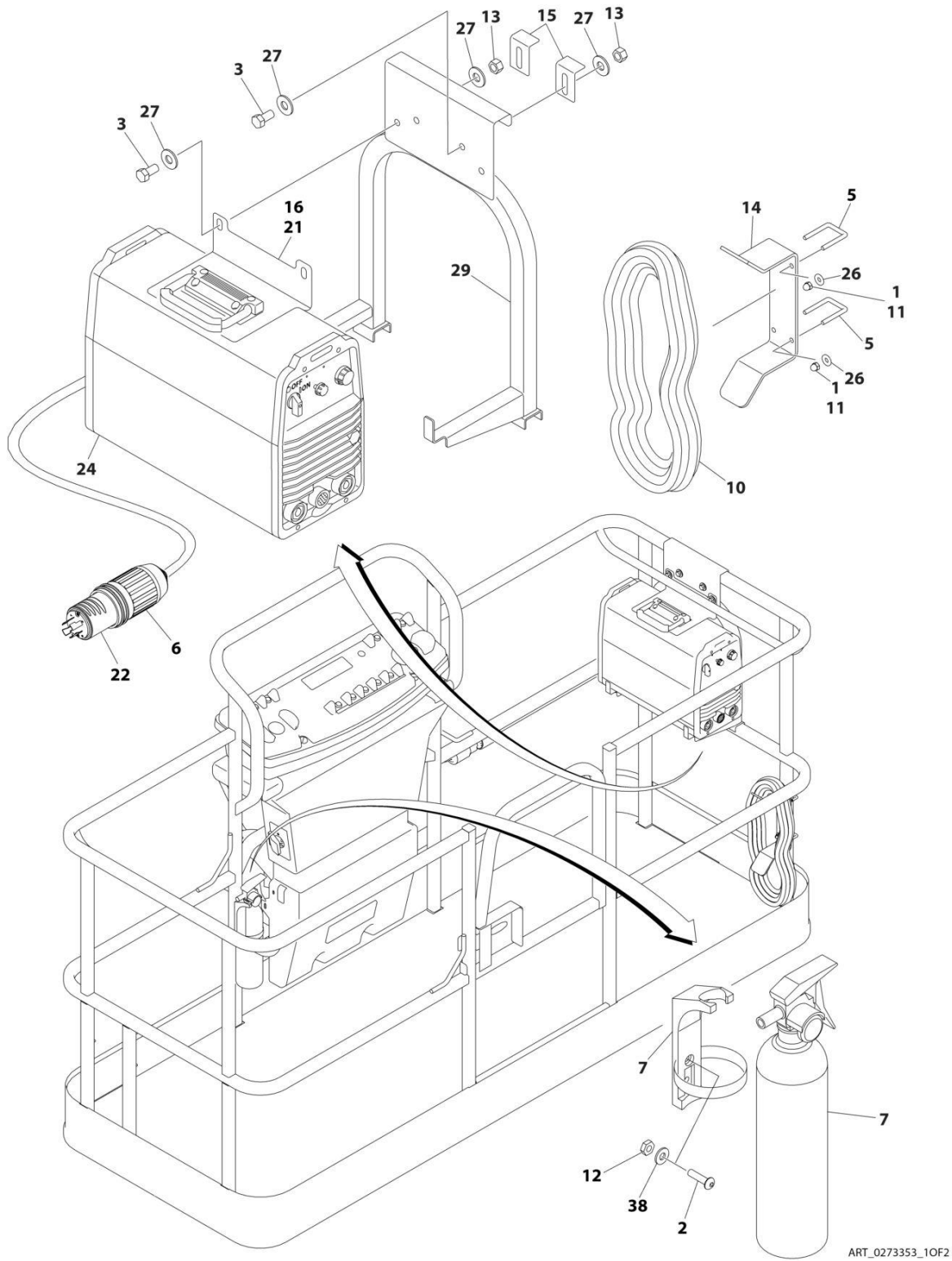
SECTION 5 - PLATFORM

FIGURE 5-29. SKYCUTTER INSTALLATION

ITEM	PART NUMBER	QTY	DESCRIPTION	REV
	1001098149	Ref	SKYCUTTER INSTALLATION	D
		Ref	Note: When replacing platform on machines with SkyCutter option, new bracket p/n 1001145405 must be purchased to accommodate SkyCutter components.	
1	0100020	AR	Sealant	
2	1320177	2	Clamp, Hose	
3	2180832	1	Fitting, NPT/Barbed	
4	3290605	2	Nut M6	
5	2720160	3 ft /.9m	Hose	
6	3421453	3	Pin	
7	3576799	1	Plate, Hold-Down	
8	4010608	2	Screw M6 x 16	
10	4460971	1	Plug, Twistlock	
11	4811700	2	Washer M6	
12	1001098012	1	Plasma Cutter Assembly (See Separate Breakdown in this Section)	
13	0630518	2	Screw #10 x 3/4	
14	2030010	1	Extinguisher, Fire	
15	3311005	2	Nut #10	
16	4751000	2	Washer #10	
17	1001145405	1	Support	

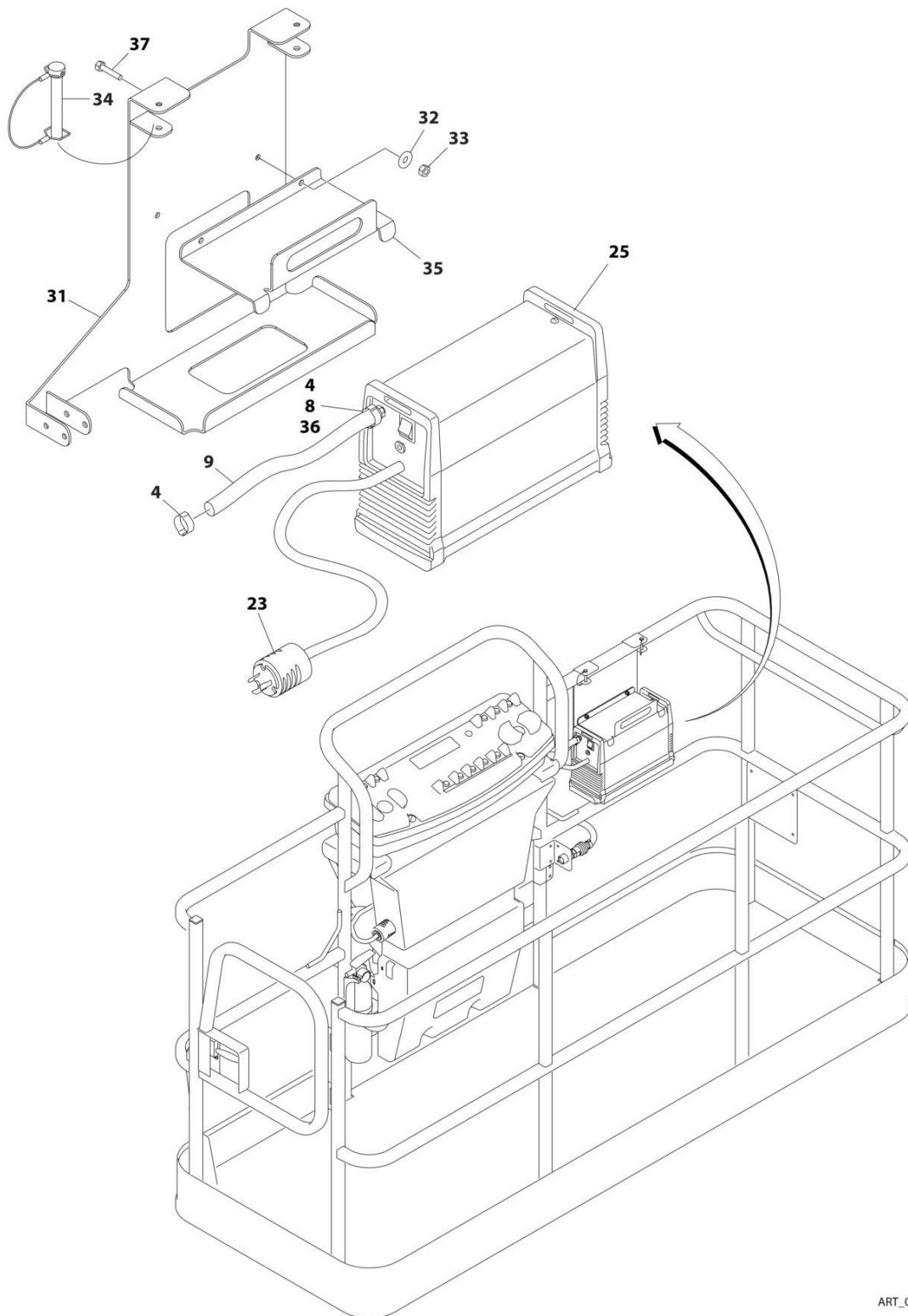
SECTION 5 - PLATFORM

FIGURE 5-30. SKYWELDER/SKYCUTTER COMBO INSTALLATION (60HZ)



ART_0273353_10F2

SECTION 5 - PLATFORM



ART_0273353_20F2

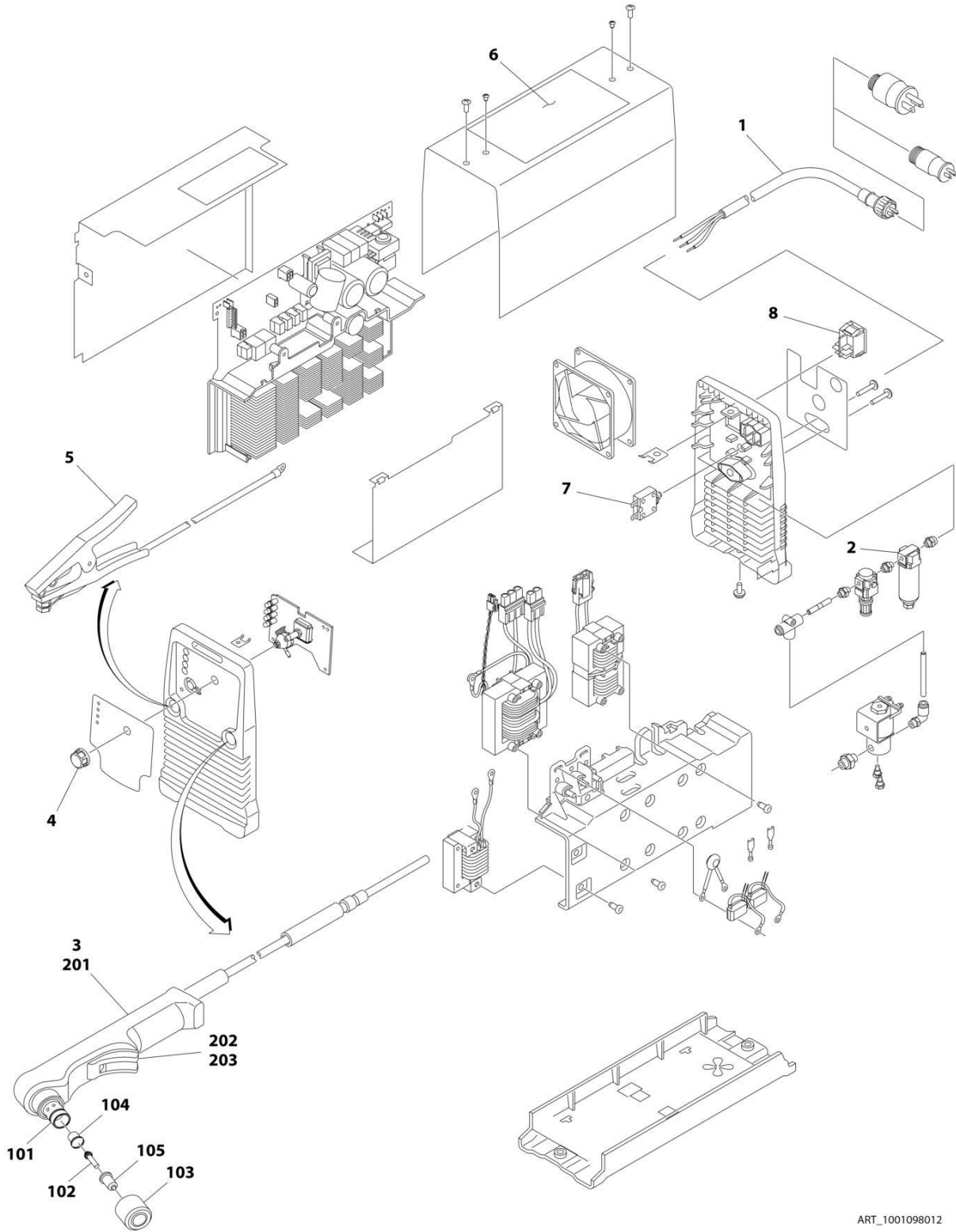
SECTION 5 - PLATFORM

FIGURE 5-30. SKYWELDER/SKYCUTTER COMBO INSTALLATION (60HZ)

ITEM	PART NUMBER	QTY	DESCRIPTION	REV
	0273353	Ref	SKYWELDER/SKYCUTTER COMBO INSTALLATION (60HZ)	G
1	0100011	AR	Compound, Locking	
2	0630518	2	Screw #10 x 3/4	
3	0641606	4	Bolt 3/8 x 3/4	
4	1320177	2	Clamp	
5	1320302	2	Clamp	
6	1671093	1	Cover, Plug	
7	2030010	1	Extinguisher, Fire	
8	2180832	1	Fitting, Barbed/NPT	
9	2720160	4.5 ft /1.37m	Hose	
10	2902217	1	Weld Leads Kit	
11	3300151	4	Nut 1/4	
12	3311005	2	Nut #10	
13	3311605	4	Nut 3/8	
14	3573400	1	Bracket	
15	3577121	2	Angle	
16	3573642	1	Plate	
20	4240099	AR	Tie-Strap (Not Shown)	
21	4420037	2.36 ft /.71m	Tape	
22	4460962	1	Plug, Twist Lock	
23	4460971	1	Plug, Twist Lock	
24	4530028	1	Welder Assembly (See Separate Breakdown in this section)	
25	1001098012	1	Plasma Cutter Assembly (See Separate Breakdown in this Section)	
26	4751400	4	Washer 1/4	
27	4751600	8	Washer 3/8	
29	4846627	1	Support	
31	1001145405	1	Bracket	
32	4811700	2	Washer M6	
33	3290605	2	Nut M6	
34	3421453	3	Pin	
35	3576799	1	Plate, Hold-Down	
36	0100020	1	Sealant	
37	4010608	2	Screw M6 x 16	
38	4751000	2	Washer #10	

SECTION 5 - PLATFORM

FIGURE 5-31. PLASMA CUTTER ASSEMBLY



ART_1001098012

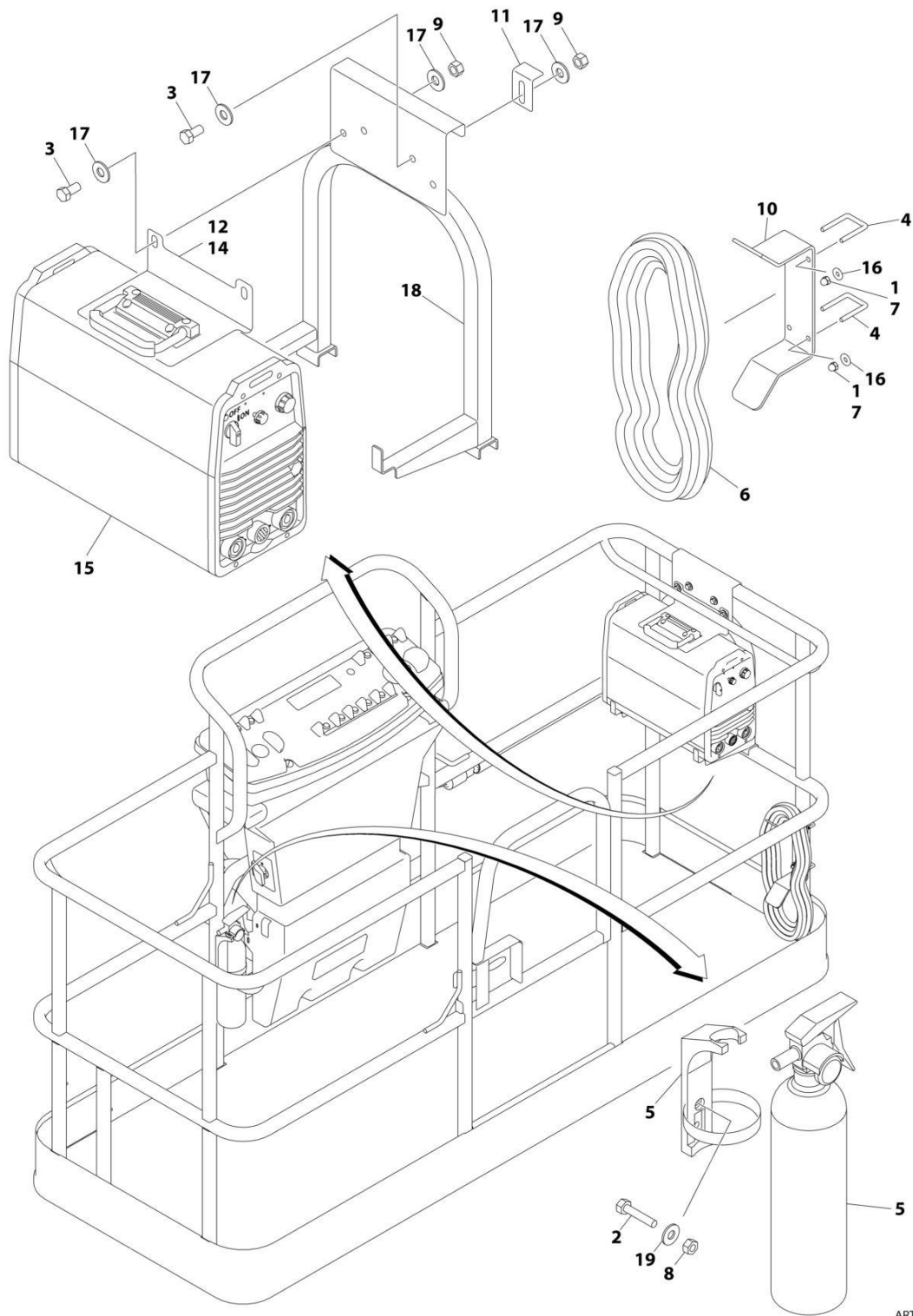
SECTION 5 - PLATFORM

FIGURE 5-31. PLASMA CUTTER ASSEMBLY

ITEM	PART NUMBER	QTY	DESCRIPTION	REV
	1001098012	Ref	PLASMA CUTTER ASSEMBLY	A
		Ref	Note: For Other Components, contact your Miller Welder Dealer.	
1	70001424	1	Cable, Power	
1	70001425	1	Decal - Voltage Warning	
2	70001427	1	Filter, Regulator	
3	70001428	1	Torch Assembly (See Items 101-203 for Breakdown)	
4	7024471	1	Knob	
5	70001429	1	Clamp with Cable	
6	70001430	1	Decal - Caution	
7	70001431	1	Breaker, Circuit	
8	70001432	1	Switch, Rocker	
	70001428	Ref	TORCH ASSEMBLY	
101	7024530	1	O-Ring	
102	7024531	1	Electrode	
103	7024532	1	Cup, Retaining	
104	7024533	1	Swirl Ring	
105	7024534	1	Tip	
201	7024535	1	Handle, Torch	
202	7024536	1	Switch	
203	7024537	1	Trigger	

SECTION 5 - PLATFORM

FIGURE 5-32. SKYWELDER INSTALLATION (50HZ)



ART_0272521_F

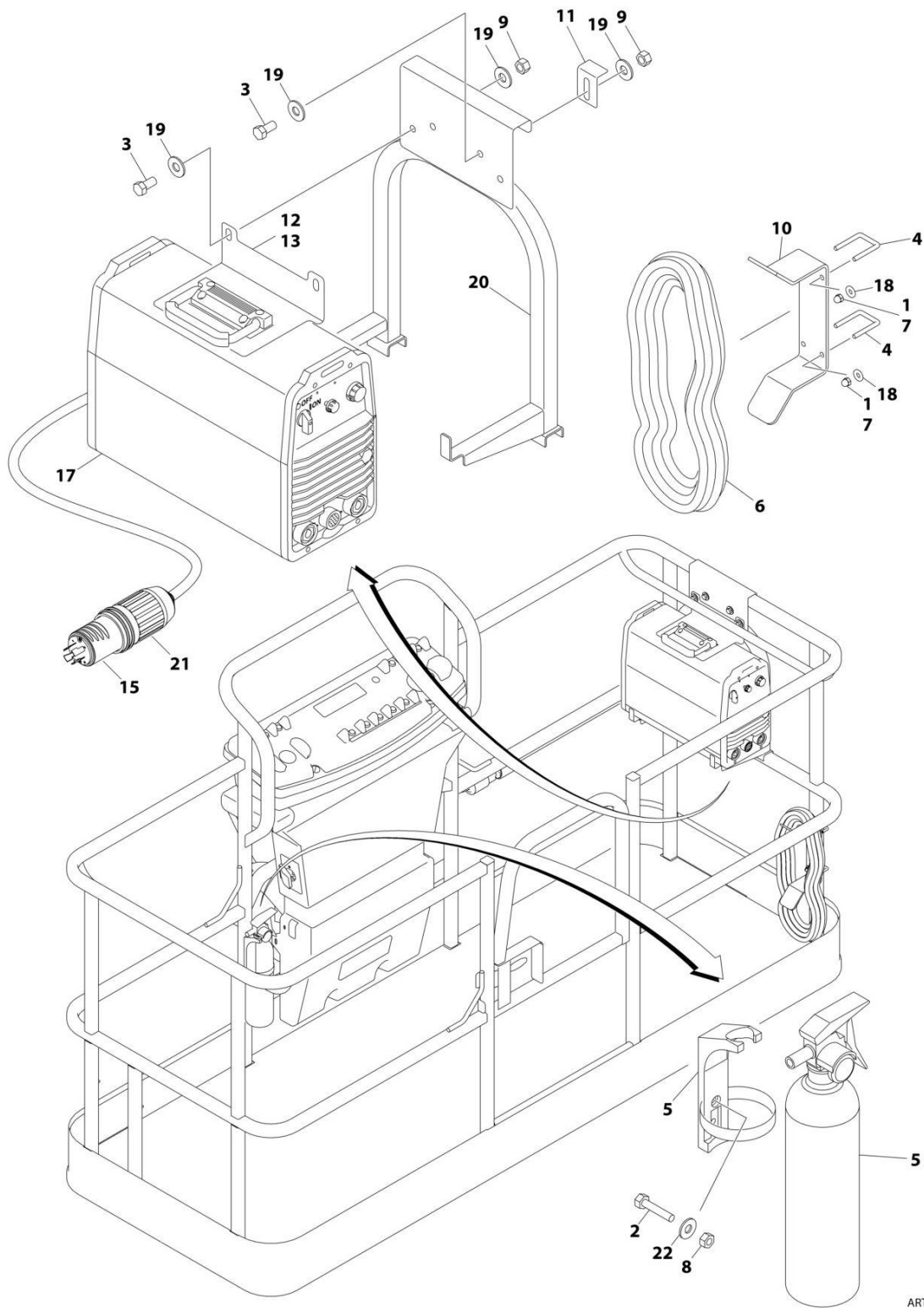
SECTION 5 - PLATFORM

FIGURE 5-32. SKYWELDER INSTALLATION (50HZ)

ITEM	PART NUMBER	QTY	DESCRIPTION	REV
	0272521	Ref	SKYWELDER INSTALLATION	F
1	0100011	AR	Compound, Locking	
2	0630518	2	Screw #10 x 3/4	
3	0641606	4	Bolt 3/8 x 3/4	
4	1320302	2	U-Clamp	
5	2030010	1	Extinguisher, Fire	
6	2902217	1	Weld Leads Kit	
7	3300151	4	Nut 1/4	
8	3311005	2	Nut #10	
9	3311605	4	Nut 3/8	
10	3573400	1	Bracket	
11	3577121	2	Angle	
12	3573642	1	Plate	
13	4240099	AR	Tie-Strap (Not Shown)	
14	4420037	AR	Tape	
15	4530028	1	Welder Assembly (See Separate Breakdown in this Section)	
16	4751400	4	Washer 1/4	
17	4751600	8	Washer 3/8	
18	4846627	1	Support	
19	4751000	2	Washer #10	

SECTION 5 - PLATFORM

FIGURE 5-33. SKYWELDER INSTALLATION (60HZ)



ART_0272254_I

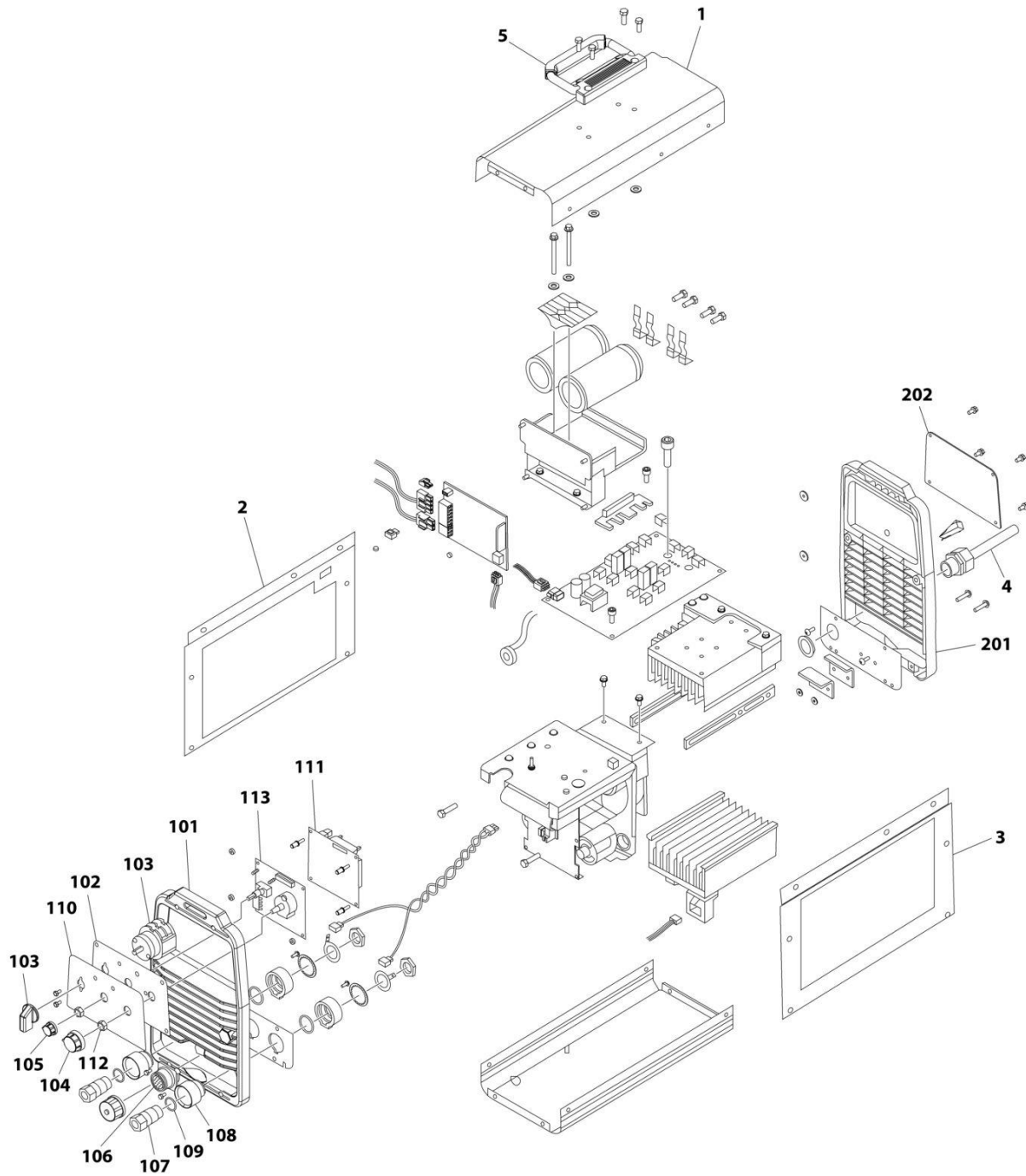
SECTION 5 - PLATFORM

FIGURE 5-33. SKYWELDER INSTALLATION (60HZ)

ITEM	PART NUMBER	QTY	DESCRIPTION	REV
	0272254	Ref	SKYWELDER INSTALLATION	1
1	0100011	AR	Compound, Locking	
2	0630518	2	Screw #10 x 3/4	
3	0641606	4	Bolt 3/8 x 3/4	
4	1320302	2	U-Clamp	
5	2030010	1	Extinguisher, Fire	
6	2902217	1	Weld Leads Kit	
7	3300151	4	Nut 1/4	
8	3311005	2	Nut #10	
9	3311605	4	Nut 3/8	
10	3573400	1	Bracket	
11	3577121	2	Angle	
12	3573642	1	Plate	
13	4420037	AR	Tape	
14	4240099	AR	Tie-Strap (Not Shown)	
15	4460962	1	Plug, Male Twistlock	
17	4530028	1	Welder Assembly (See Separate Breakdown in this Section)	
18	4751400	4	Washer 1/4	
19	4751600	8	Washer 3/8	
20	4846627	1	Support	
21	1671093	1	Cover, Plug	
22	4751000	2	Washer #10	

SECTION 5 - PLATFORM

FIGURE 5-34. WELDER ASSEMBLY



ART_4530028

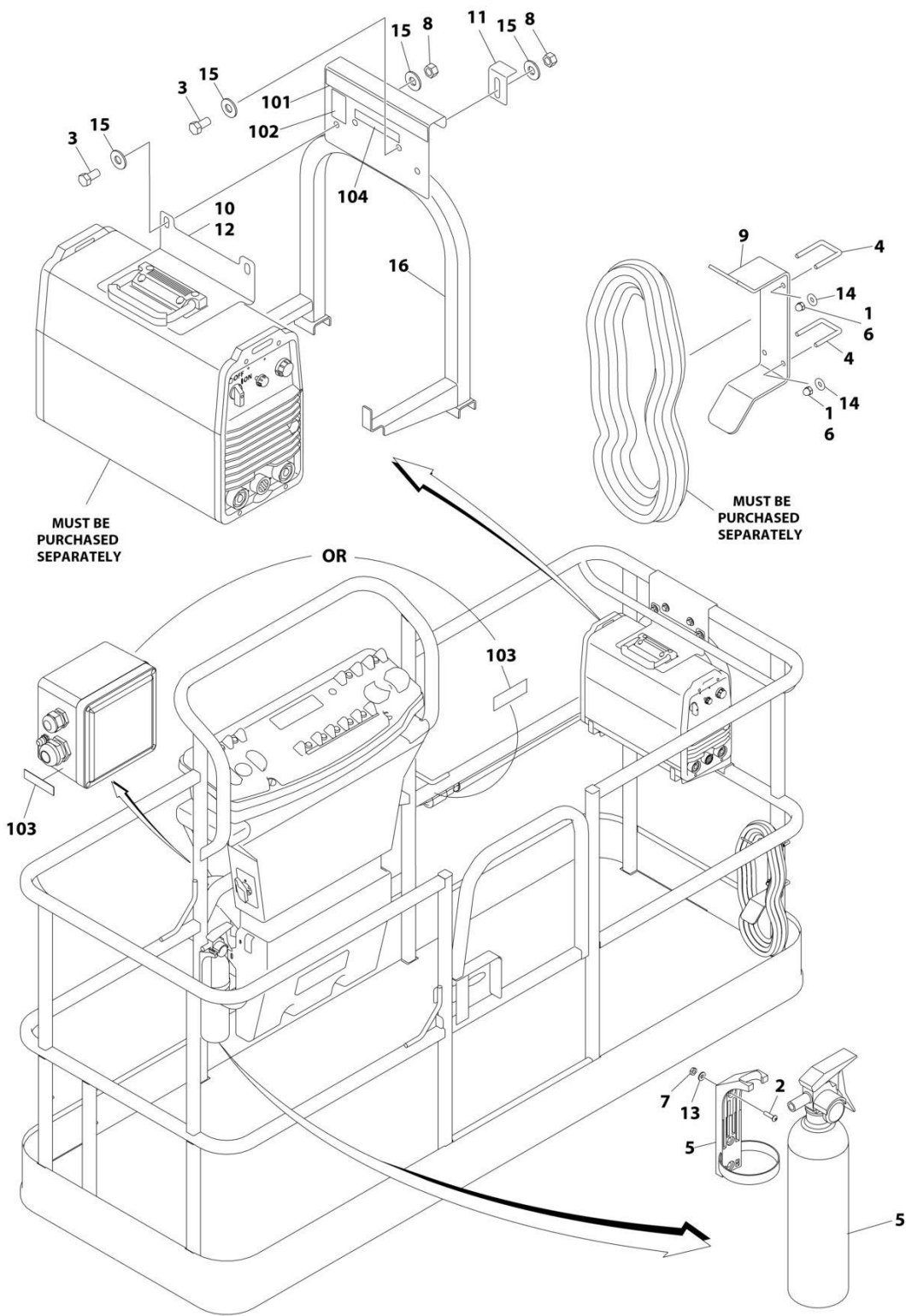
SECTION 5 - PLATFORM

FIGURE 5-34. WELDER ASSEMBLY

ITEM	PART NUMBER	QTY	DESCRIPTION	REV
	4530028	Ref	WELDER ASSEMBLY	B
		Ref	Note: For Other Components, contact your Miller Welder Dealer.	
1	7027773	1	Cover, Top	
1	7027774	1	Decal - Static Precautionary Warning	
2	See Note	NSS	Panel, LH Side (Note: Part of Item 1. Purchase Item 1)	
3	See Note	NSS	Panel, RH Side (Note: Part of Item 1. Purchase Item 1)	
4	7024467	1	Cable, Power	
4	7027775	1	Decal - Electrical Shock Warning (Not Shown)	
5	7027776	1	Handle, Carrying	
101	7024462	1	Panel, Front	
102	7024463	1	Panel, Console	
103	7024469	1	Switch with Lead	
104	7024470	1	Knob	
105	7024471	1	Knob	
106	7024472	1	Receptacle with Leads and Plugs	
107	7024473	2	Receptacle, Twistlock Female	
108	7024474	2	Insulator	
109	7024475	2	O-Ring	
110	7027777	1	Nameplate	
111	7027779	1	Circuit Card Assembly (Process Control)	
112	7024478	2	Nut	
113	7027778	1	Circuit Card Assembly (Operator Interface)	
201	7024462	1	Panel, Rear	
202	7027780	1	Panel, Cover	

SECTION 5 - PLATFORM

FIGURE 5-35. SKYWELDER PREP PACKAGE (60HZ)



ART_1001128527_B

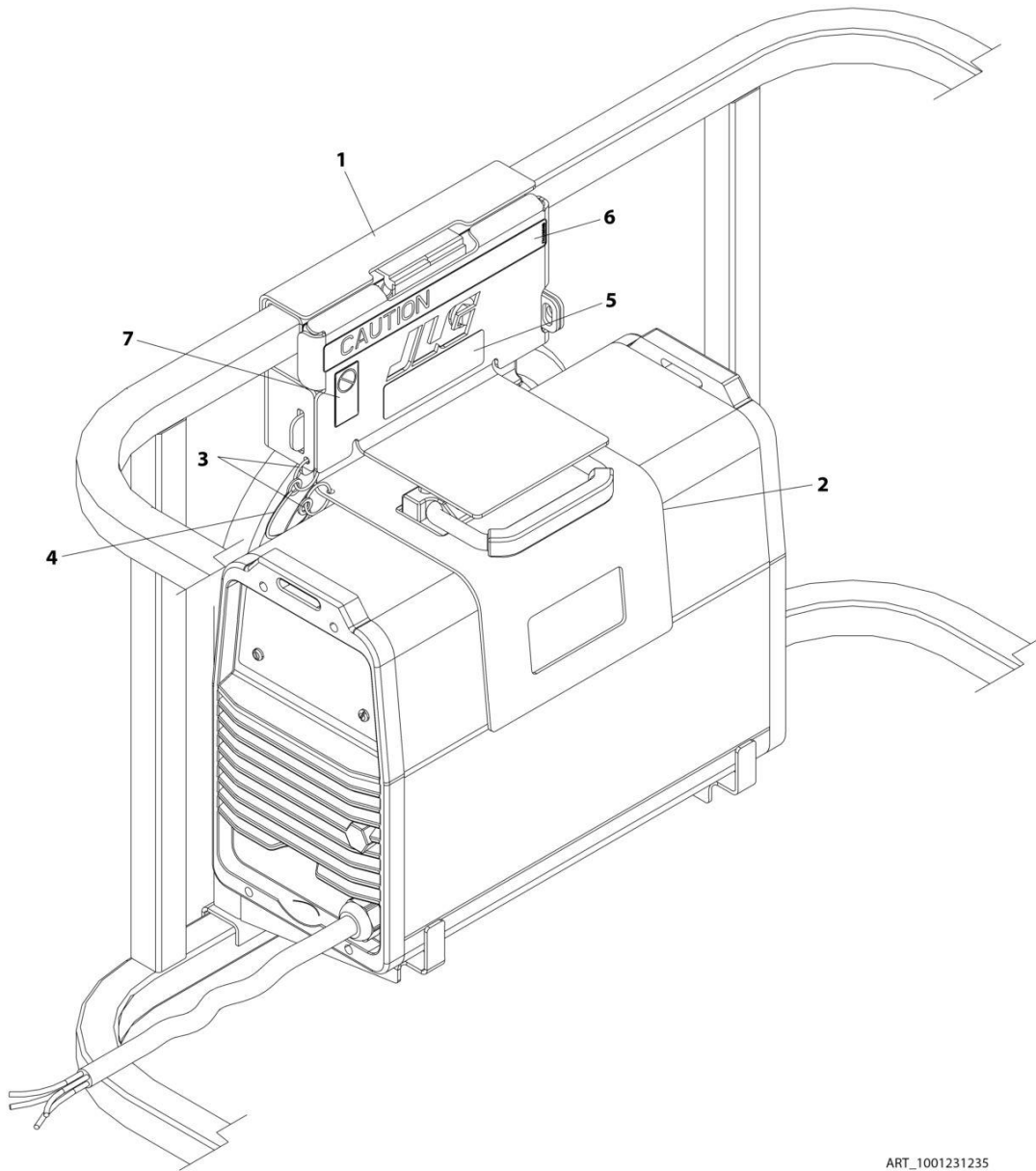
SECTION 5 - PLATFORM

FIGURE 5-35. SKYWELDER PREP PACKAGE (60HZ)

ITEM	PART NUMBER	QTY	DESCRIPTION	REV
	1001128527	Ref	SKYWELDER PREP PACKAGE	B
1	0100011	AR	Compound, Locking	
2	0630518	2	Screw #10 x 3/4	
3	0641606	4	Bolt 3/8 x 3/4	
4	1320302	2	U-Clamp	
5	2030010	1	Extinguisher, Fire	
6	3300151	4	Nut 1/4	
7	3311005	2	Nut #10	
8	3311605	4	Nut 3/8	
9	3573400	1	Bracket	
10	3573642	1	Plate	
11	3577121	2	Angle	
12	4420037	AR	Tape	
13	4751000	2	Washer #10	
14	4751400	4	Washer 1/4	
15	4751600	8	Washer 3/8	
16	4846627	1	Support	
	1001128556	Ref	SKYWELDER DECAL INSTALLATION	C
101	1702868	1	Decal - No Hands	
102	1705305	1	Decal - Weld Lead	
103	1705375	1	Decal - 240V - 3 Phase - 60Hz	
104	1001228988	1	Decal - Weight	

SECTION 5 - PLATFORM

FIGURE 5-36. SKYWELDER LOCKING BRACKET INSTALLATION (OPTIONAL)



ART_1001231235

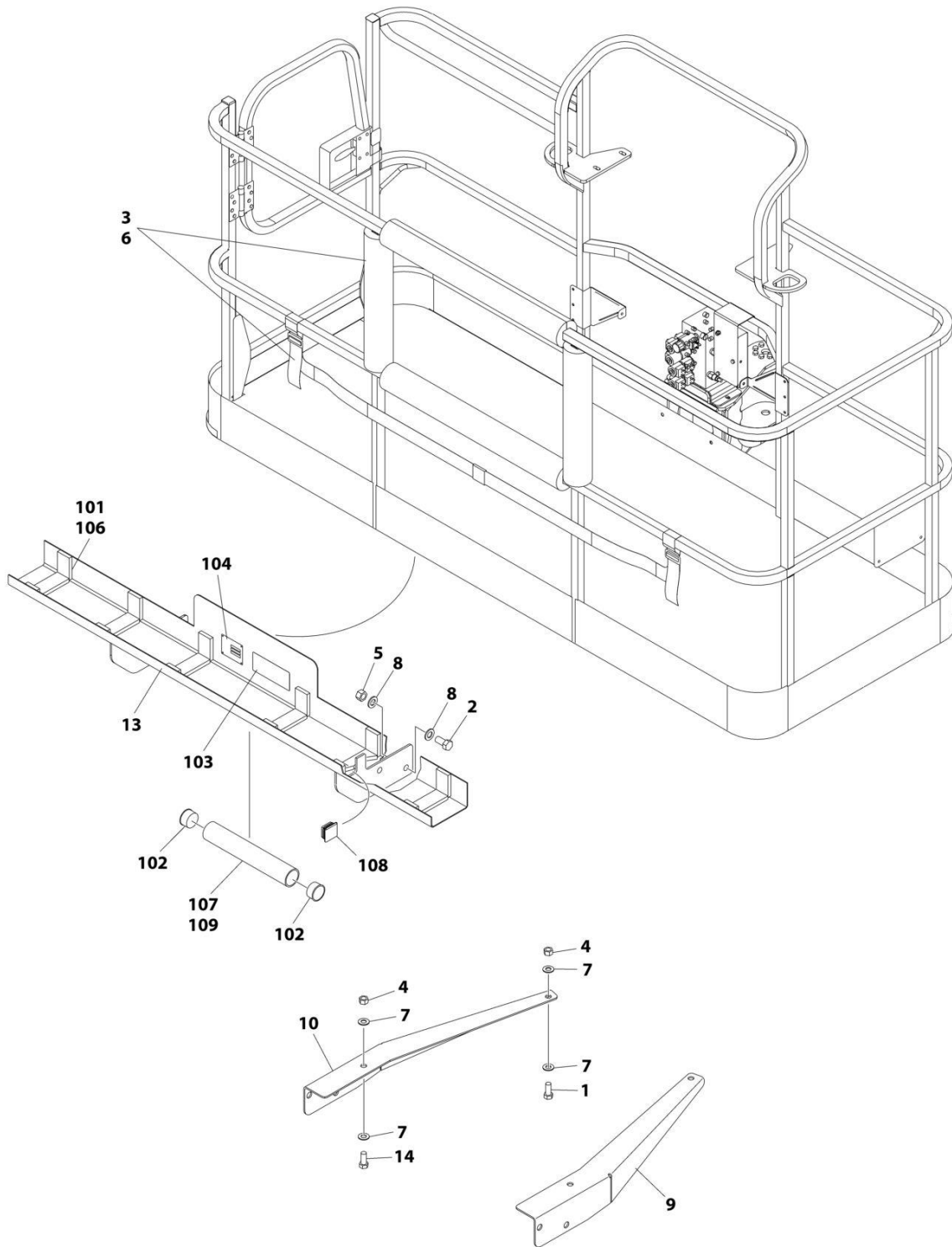
SECTION 5 - PLATFORM

FIGURE 5-36. SKYWELDER LOCKING BRACKET INSTALLATION (OPTIONAL)

ITEM	PART NUMBER	QTY	DESCRIPTION	REV
	1001231235	Ref	SKYWELDER LOCKING BRACKET INSTALLATION	A
1	1001231180	1	Bracket	
2	1001231183	1	Plate	
3	3760170	2	Ring	
4	1060379	1	Lanyard	
5	1001228988	1	Decal - Weight	
6	1702868	1	Decal - No Hands	
7	1705305	1	Decal - Weld Lead	

SECTION 5 - PLATFORM

FIGURE 5-37. SKYGLAZIER INSTALLATION (ALL SPECS EXCEPT CHINA AND JAPANESE SPECS)



ART_1001172578_C

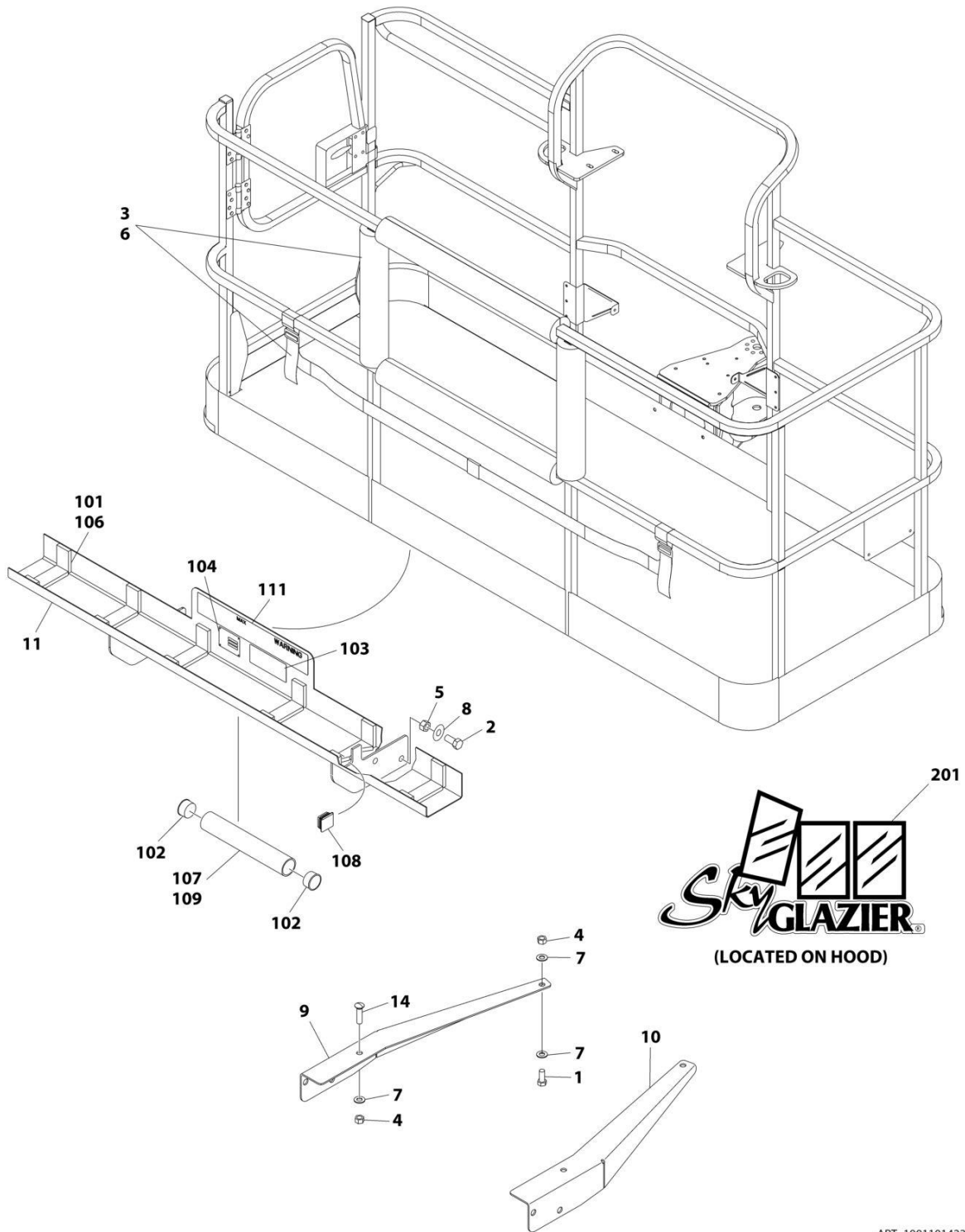
SECTION 5 - PLATFORM

FIGURE 5-37. SKYGLAZIER INSTALLATION (ALL SPECS EXCEPT CHINA AND JAPANESE SPECS)

ITEM	PART NUMBER	QTY	DESCRIPTION	REV
	1001172578	Ref	SKYGLAZIER INSTALLATION	C
1	0642012	2	Bolt 5/8 x 1-1/2	
2	0642212	4	Bolt 3/4 x 1-1/2	
3	2902212	1	Bumpers and Strap Kit	
3	0940102	1	Bumper Only	
3	4240149	1	Strap Only	
4	3312005	1	Nut 5/8	
5	3312205	4	Nut 3/4	
6	4420014	AR	Tape	
7	4712000	6	Washer 5/8	
8	4712200	8	Washer 3/4	
9	1001099366	1	Support	
10	1001099367	1	Support	
13	1001172577	1	Tray Assembly (See Items 101-109 for Breakdown)	
14	8310129	2	Bolt 3/4 x 2-1/2	
	1001172577	Ref	TRAY ASSEMBLY	C
101	0100081	AR	Adhesive	
102	1120555	2	Cap, Tube	
103	1701509	1	Decal - Manual	
104	See Note	NSS	Nameplate - Serial Number (Note: Not Available for Purchase)	
106	3340956	1	Pad Kit	
107	3460334	1	Tube	
108	3520071	2	Plug	
109	4420066	AR	Tape, Double Sided	

SECTION 5 - PLATFORM

FIGURE 5-38. SKYGLAZIER INSTALLATION (ENGLISH LANGUAGE DECALS)



ART_1001101422

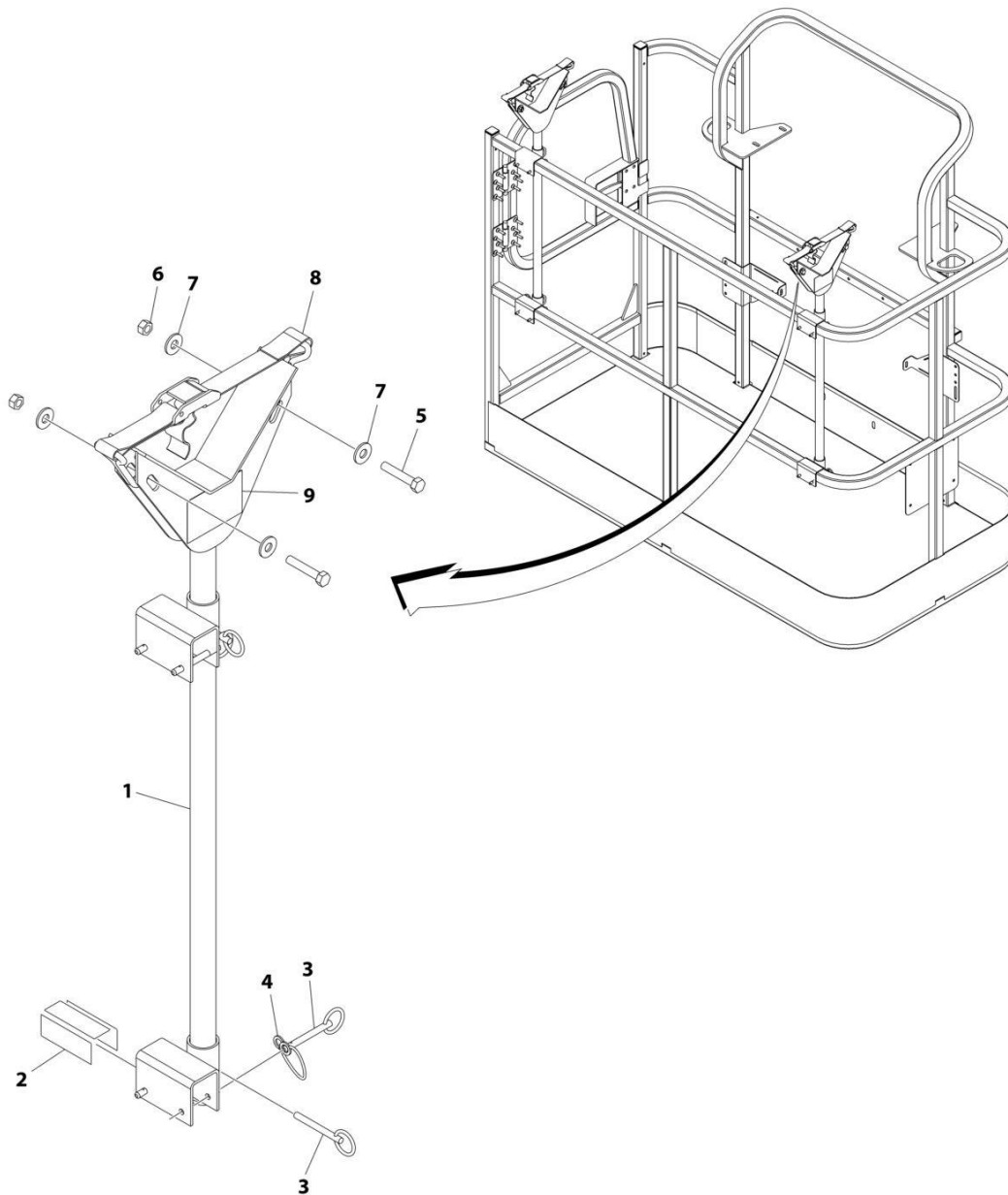
SECTION 5 - PLATFORM

FIGURE 5-38. SKYGLAZIER INSTALLATION (ENGLISH LANGUAGE DECALS)

ITEM	PART NUMBER	QTY	DESCRIPTION	REV
	1001101422	Ref	SKYGLAZIER INSTALLATION	C
1	0642012	2	Bolt 5/8 x 1-1/2	
2	0642212	4	Bolt 3/4 x 1-1/2	
3	2902212	1	Bumpers and Strap Kit	
3	0940102	1	Bumper Only	
3	4240149	1	Strap Only	
4	3312005	4	Nut 5/8	
5	3312205	4	Nut 3/4	
6	4420014	AR	Tape	
7	4712000	6	Washer 5/8	
8	4712200	8	Washer 3/4	
9	1001099366	1	Support	
10	1001099367	1	Support	
11	1001101421	1	Tray Assembly (See Items 101-111 for Breakdown)	
14	8310129	2	Bolt 3/4 x 2-1/2	
	1001101421	Ref	TRAY ASSEMBLY	F
101	0100081	AR	Adhesive	
102	1120555	2	Cap, Tube	
103	1701509	1	Decal - Manual	
104	See Note	NSS	Nameplate - Serial Number (Note: Not Available for Purchase)	
106	3340956	1	Pad Kit	
107	3460334	1	Tube	
108	3520071	2	Plug	
109	4420066	AR	Tape, Double Sided	
111	1001163131	2	Decal - Glazier Capacity	
	0272418	Ref	SKYGLAZIER DECAL INSTALLATION	4
201	1705358	2	Decal - SkyGlazier	

SECTION 5 - PLATFORM

FIGURE 5-39. PIPE RACKS INSTALLATION (ANSI AND CSA SPECS)



ART_0257728

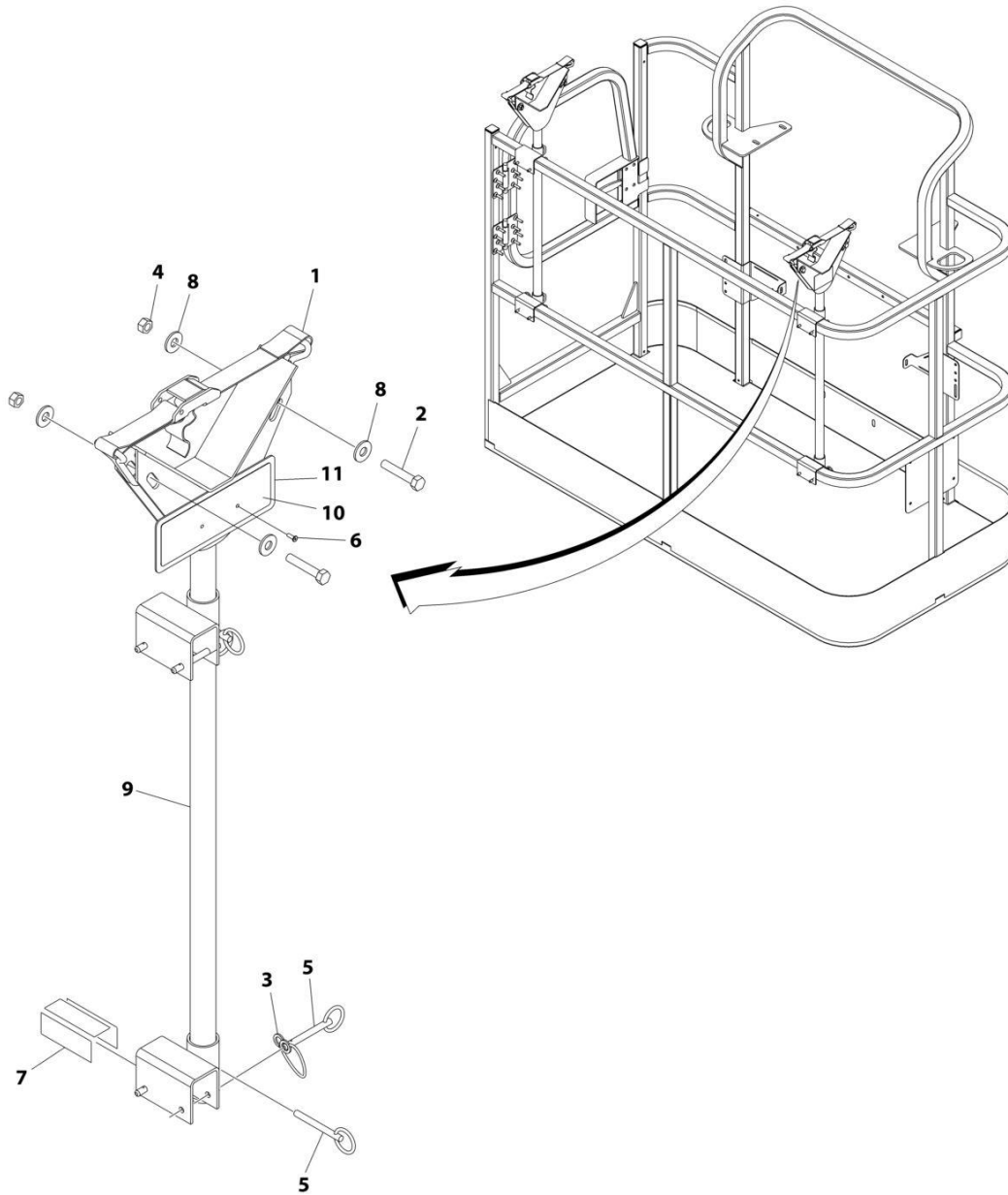
SECTION 5 - PLATFORM

FIGURE 5-39. PIPE RACKS INSTALLATION (ANSI AND CSA SPECS)

ITEM	PART NUMBER	QTY	DESCRIPTION	REV
	0257728	Ref	PIPE RACK INSTALLATION	3/E
1	4845582	2	Rack, Pipe	
2	4420062	AR	Tape	
3	3422661	10	Pin	
4	1060379	4	Lanyard	
5	0641514	4	Bolt 5/16 x 1-3/4	
6	3311505	4	Nut 5/16	
7	4751500	8	Washer 5/16	
8	0480100	2	Tie-Down	
11	1001252946	2	Decal - Tube Rack Cap (1)	
12	1001252947	2	Decal - Tube Rack Cap (2)	

SECTION 5 - PLATFORM

FIGURE 5-40. PIPE RACKS INSTALLATION (ANSI EXPORT SPECS)



ART_1001107497

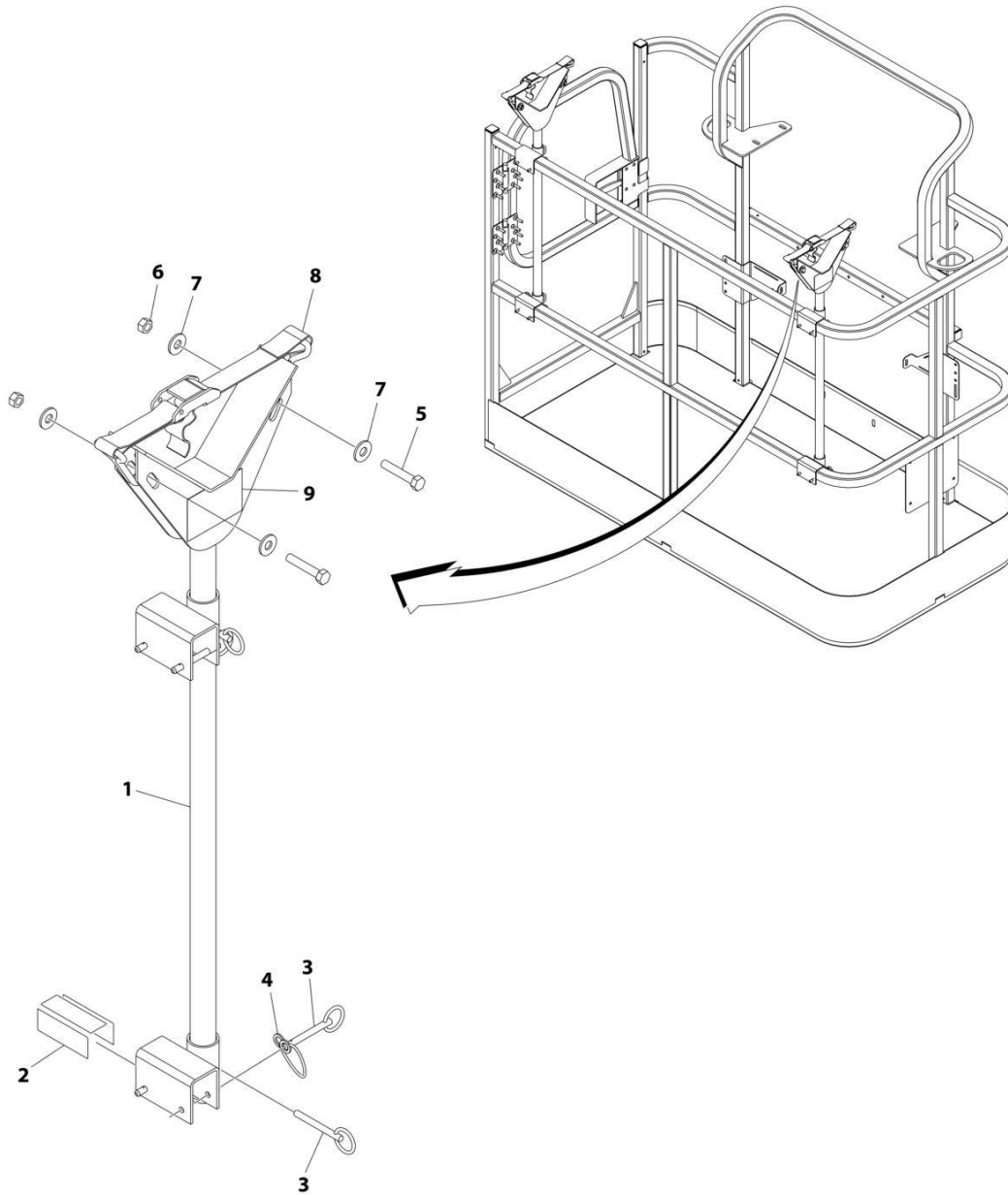
SECTION 5 - PLATFORM

FIGURE 5-40. PIPE RACKS INSTALLATION (ANSI EXPORT SPECS)

ITEM	PART NUMBER	QTY	DESCRIPTION	REV
	1001107497	Ref	PIPE RACK INSTALLATION	A
1	4845582	2	Rack, Pipe	
2	4420062	AR	Tape	
3	3422661	10	Pin	
4	1060379	4	Lanyard	
5	0641514	4	Bolt 5/16 x 1-3/4	
6	3311505	4	Nut 5/16	
7	4751500	8	Washer 5/16	
8	0480100	2	Tie-Down	
9	1001106450	2	Decal - Capacity	
10	3820001	4	Rivet	
11	1001107469	2	Plate, Mounting	

SECTION 5 - PLATFORM

FIGURE 5-41. PIPE RACKS INSTALLATION (AUSTRALIAN SPECS)



ART_0274661

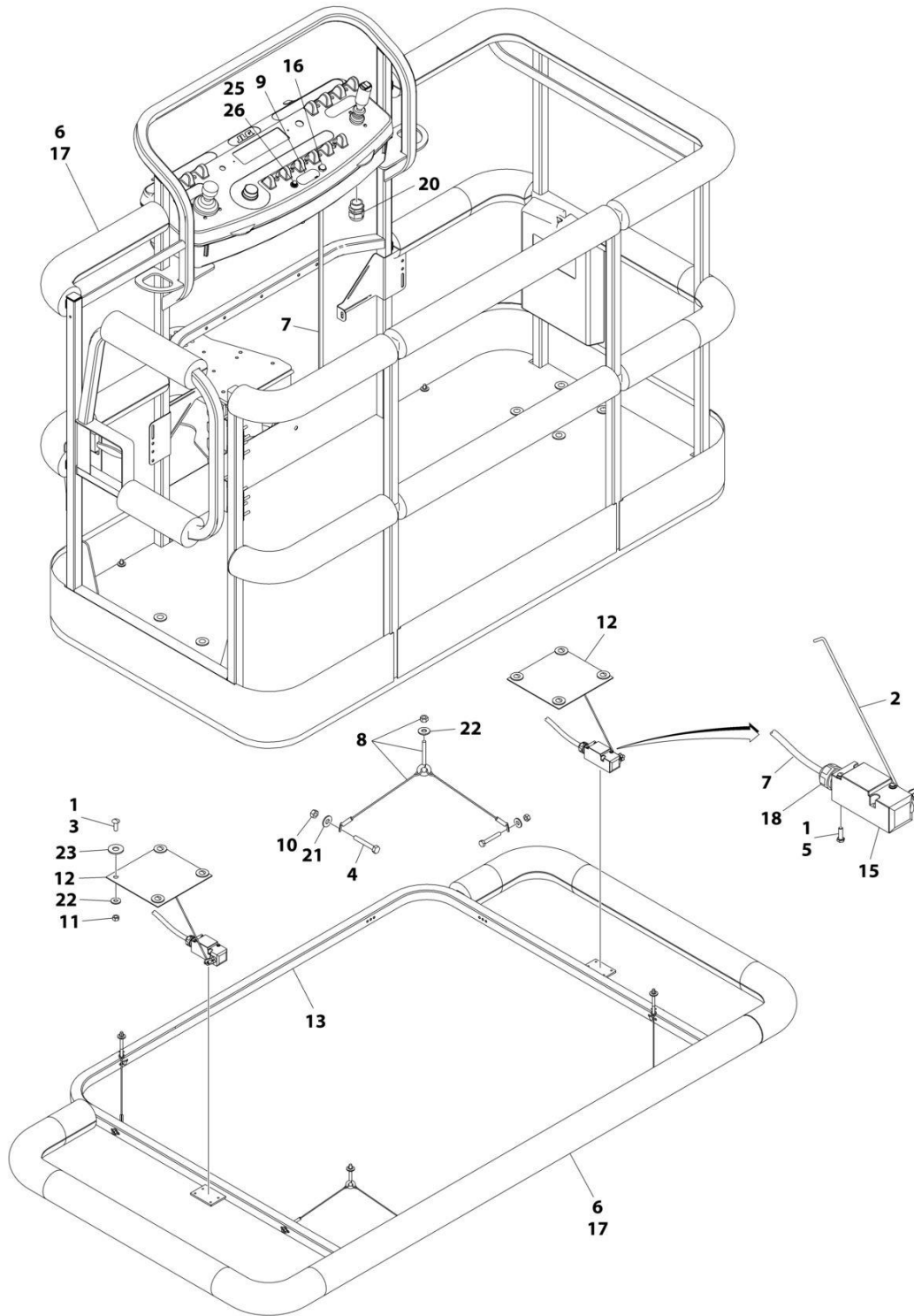
SECTION 5 - PLATFORM

FIGURE 5-41. PIPE RACKS INSTALLATION (AUSTRALIAN SPECS)

ITEM	PART NUMBER	QTY	DESCRIPTION	REV
	0274661	Ref	PIPE RACK INSTALLATION	3/C
1	4845582	2	Rack, Pipe	
2	4420062	AR	Tape	
3	3422661	10	Pin	
4	1060379	4	Lanyard	
5	0641514	4	Bolt 5/16 x 1-3/4	
6	3311505	4	Nut 5/16	
7	4751500	8	Washer 5/16	
8	0480100	2	Tie-Down	
9	1706510	2	Decal - Capacity	

SECTION 5 - PLATFORM

FIGURE 5-42. SOFT TOUCH SYSTEM INSTALLATION - 6FT/1.83M PLATFORM



ART_0273824

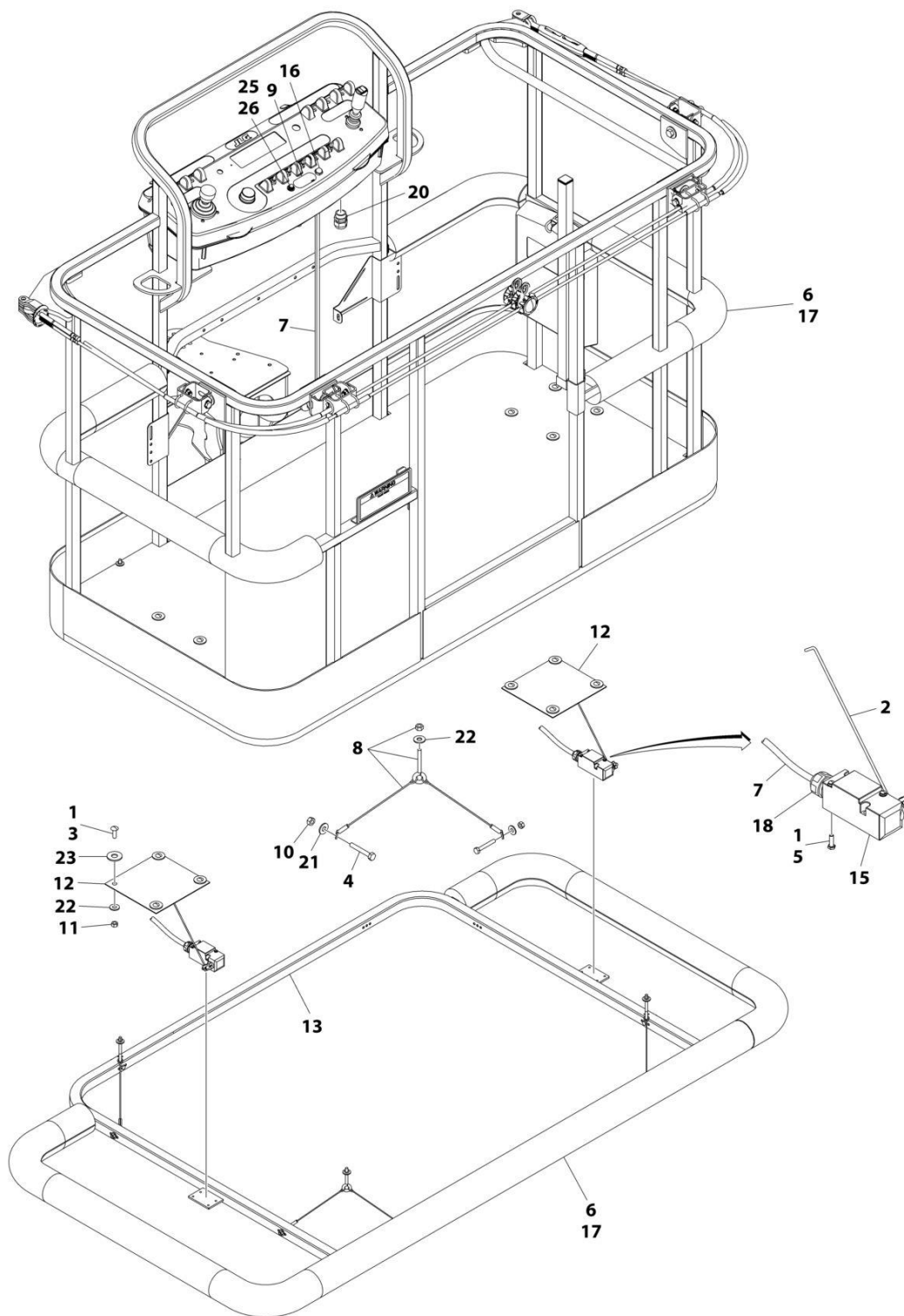
SECTION 5 - PLATFORM

FIGURE 5-42. SOFT TOUCH SYSTEM INSTALLATION - 6FT/1.83M PLATFORM

ITEM	PART NUMBER	QTY	DESCRIPTION	REV
	0273824	Ref	SOFT TOUCH SYSTEM INSTALLATION	D
1	0100011	AR	Compound, Locking	
2	0200048	2	Arm, Switch	
3	0630462	8	Bolt	
4	0641414	8	Bolt 1/4 x 1-3/4	
5	0731005	4	Bolt #10 x 5/8	
6	0940134	1	Bumper Kit (Includes Corners and Enough Straight Material for One Platform)	
6	0940092	AR	Bumper (Corner)	
6	0940094	AR	Bumper (12ft Length)	
7	1060341	23 ft/7m	Cable, Soft Touch - 16/2	
8	1060903	4	Wire Rope and Eyebolt Assembly	
9	1702938	1	Decal - Soft Touch Override	
10	3311401	8	Nut 1/4	
11	3311501	8	Nut 5/16	
12	3575359	2	Plate, Switch Strike	
13	3641569	1	Rail, Soft Touch	
14	4240099	7	Tie-Strap (Not Shown)	
15	4360057	2	Switch, Limit	
16	4360387	1	Switch, Push Button	
17	4420068	AR	Tape, Adhesive	
17	1001197017	AR	Tie-Strap	
18	4460049	2	Connector, Strain Relief	
19	4460234	7	Tie-Strap (Not Shown)	
20	4460425	1	Connector, Strain Relief	
21	4751400	8	Washer 1/4	
22	4751500	12	Washer 5/16	
23	4751800	8	Washer 1/2	
24	4933218	1	Wiring Diagram (Not Shown - Reference Only)	
25	2920028	1	Light, Indicator	
26	2920029	1	Bulb, Light	

SECTION 5 - PLATFORM

FIGURE 5-43. SOFT TOUCH SYSTEM INSTALLATION - 6FT/1.83M FALL ARREST PLATFORM



ART_1001108256

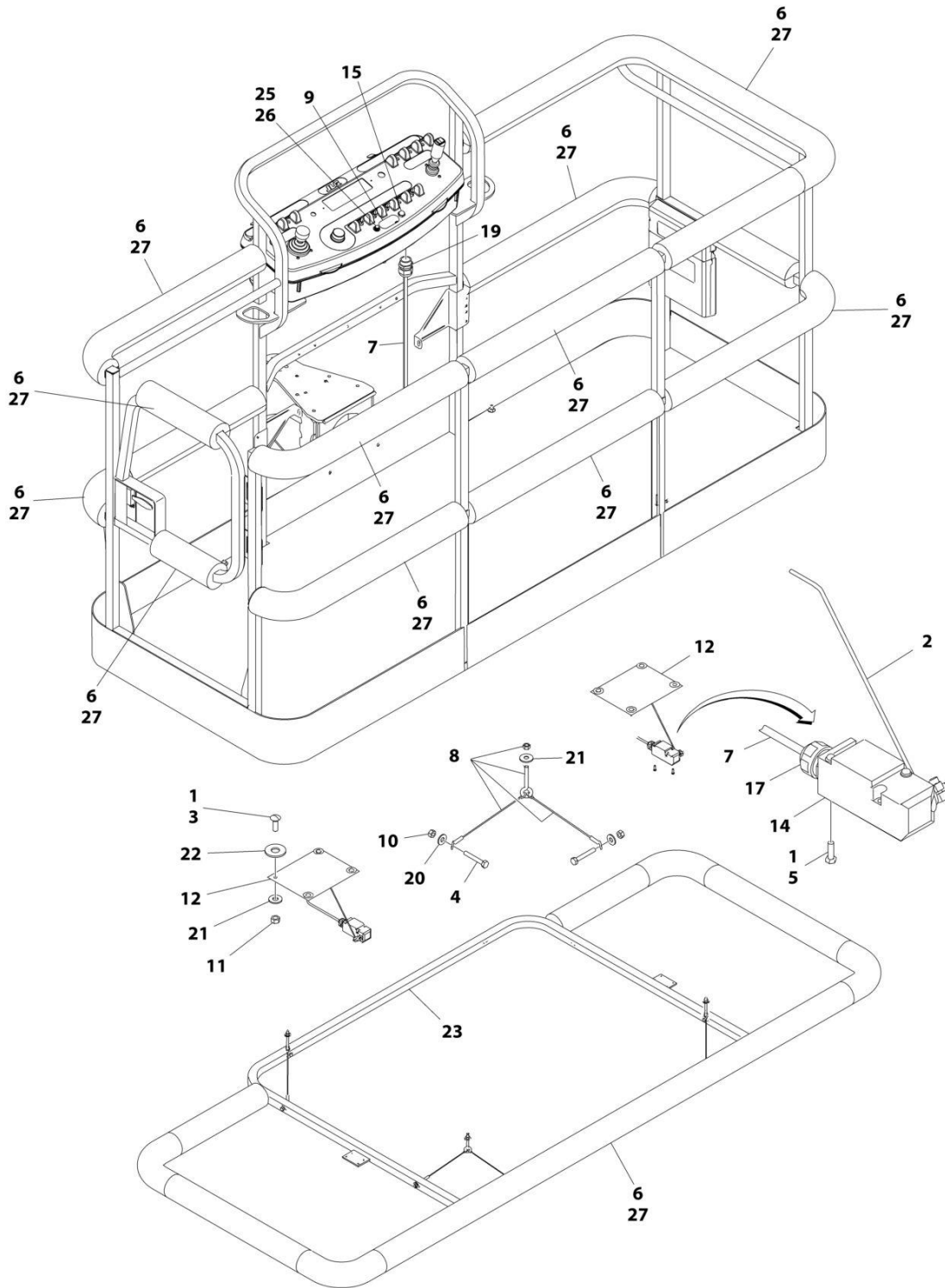
SECTION 5 - PLATFORM

FIGURE 5-43. SOFT TOUCH SYSTEM INSTALLATION - 6FT/1.83M FALL ARREST PLATFORM

ITEM	PART NUMBER	QTY	DESCRIPTION	REV
	1001108256	Ref	SOFT TOUCH INSTALLATION	C
1	0100011	AR	Compound, Locking	
2	0200048	2	Arm, Switch	
3	0630462	8	Bolt	
4	0641414	8	Bolt 1/4 x 1-3/4	
5	0731005	4	Bolt #10 x 5/8	
6	0940177	1	Bumper Kit (Includes Corners and Enough Straight Material for One Platform)	
6	0940092	8	Bumper (Corner)	
6	0940094	AR	Bumper (12ft Length)	
7	1060341	23 ft/7m	Cable, Soft Touch - 16/2	
8	1060903	4	Wire Rope and Eyebolt Assembly	
9	1702938	1	Decal - Soft Touch Override	
10	3311401	8	Nut 1/4	
11	3311501	8	Nut 5/16	
12	3575359	2	Plate, Switch Strike	
13	3641569	1	Rail, Soft Touch	
14	4240099	7	Tie-Strap (Not Shown)	
15	4360057	2	Switch, Limit	
16	4360387	1	Switch, Push Button	
17	4420068	AR	Tape, Adhesive	
17	1001197017	AR	Tie-Strap	
18	4460049	2	Connector, Strain Relief	
19	4460234	7	Tie-Strap (Not Shown)	
20	4460425	1	Connector, Strain Relief	
21	4751400	8	Washer 1/4	
22	4751500	9	Washer 5/16	
23	4751800	8	Washer 1/2	
25	2920028	1	Light, Indicator	
26	2920029	1	Bulb, Light	

SECTION 5 - PLATFORM

FIGURE 5-44. SOFT TOUCH SYSTEM INSTALLATION - 8FT/2.44M PLATFORM



ART_0272427_G

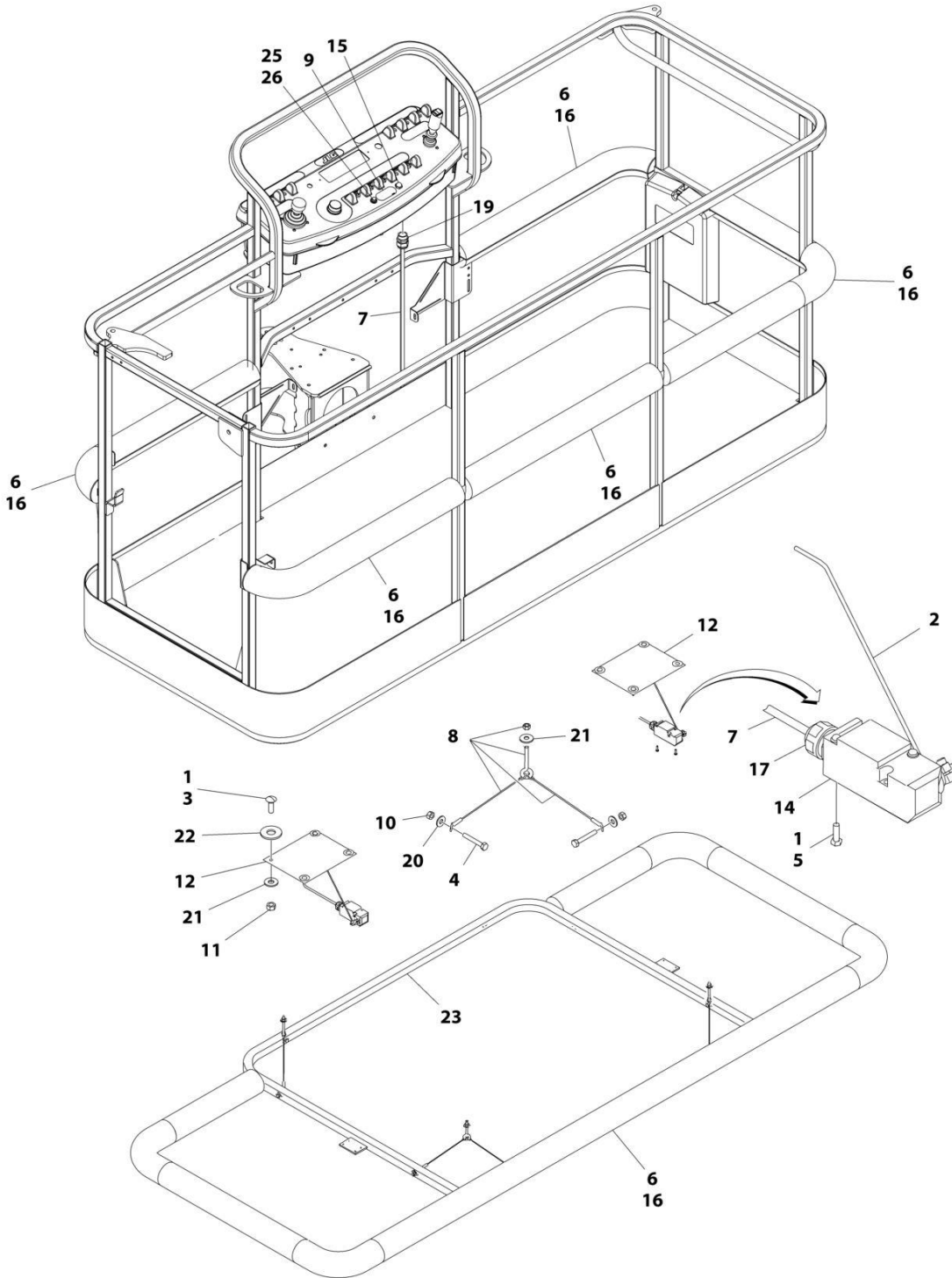
SECTION 5 - PLATFORM

FIGURE 5-44. SOFT TOUCH SYSTEM INSTALLATION - 8FT/2.44M PLATFORM

ITEM	PART NUMBER	QTY	DESCRIPTION	REV
	0272427	Ref	SOFT TOUCH INSTALLATION - 36IN X 8FT (91.5CM X 2.44M) PLATFORM (OPTIONAL)	G
1	0100011	AR	Compound, Locking	
2	0200048	2	Arm, Switch	
3	0630462	8	Bolt	
4	0641414	8	Bolt 1/4 x 1-3/4	
5	0721005	4	Bolt #10 x 5/8	
6	0940103	1	Bumper Kit (Includes Corners and Enough Straight Material for One Platform)	
6	0940092	12	Bumper (Corner)	
6	0940094	AR	Bumper (12ft Length)	
7	1060341	23 ft/7m	Cable, Soft Touch - 16/2	
8	1060903	4	Wire Rope and Eyebolt Assembly	
9	1702938	1	Decal - Soft Touch Override	
10	3311401	8	Nut 1/4	
11	3311501	8	Nut 5/16	
12	3574091	2	Plate, Switch Strike	
13	4240099	7	Tie-Strap (Not Shown)	
14	4360057	2	Switch, Limit	
15	4360387	1	Switch, Push Button	
16	4420068	AR	Tape, Adhesive	
16	1001197017	AR	Tie-Strap	
17	4460049	2	Connector, Strain Relief	
18	4460234	7	Tie-Strap (Not Shown)	
19	4460425	1	Connector, Strain Relief	
20	4751400	8	Washer 1/4	
21	4751500	12	Washer 5/16	
22	4751800	8	Washer 1/2	
23	4846673	1	Rail, Soft Touch	
24	4933218	1	Soft Touch Wiring Diagram (Not Shown - Reference Only)	
25	2920028	1	Light, Indicator	
26	2920029	1	Bulb, Light	

SECTION 5 - PLATFORM

FIGURE 5-45. SOFT TOUCH SYSTEM INSTALLATION - 8FT/2.44M FALL ARREST PLATFORM



ART_0273706

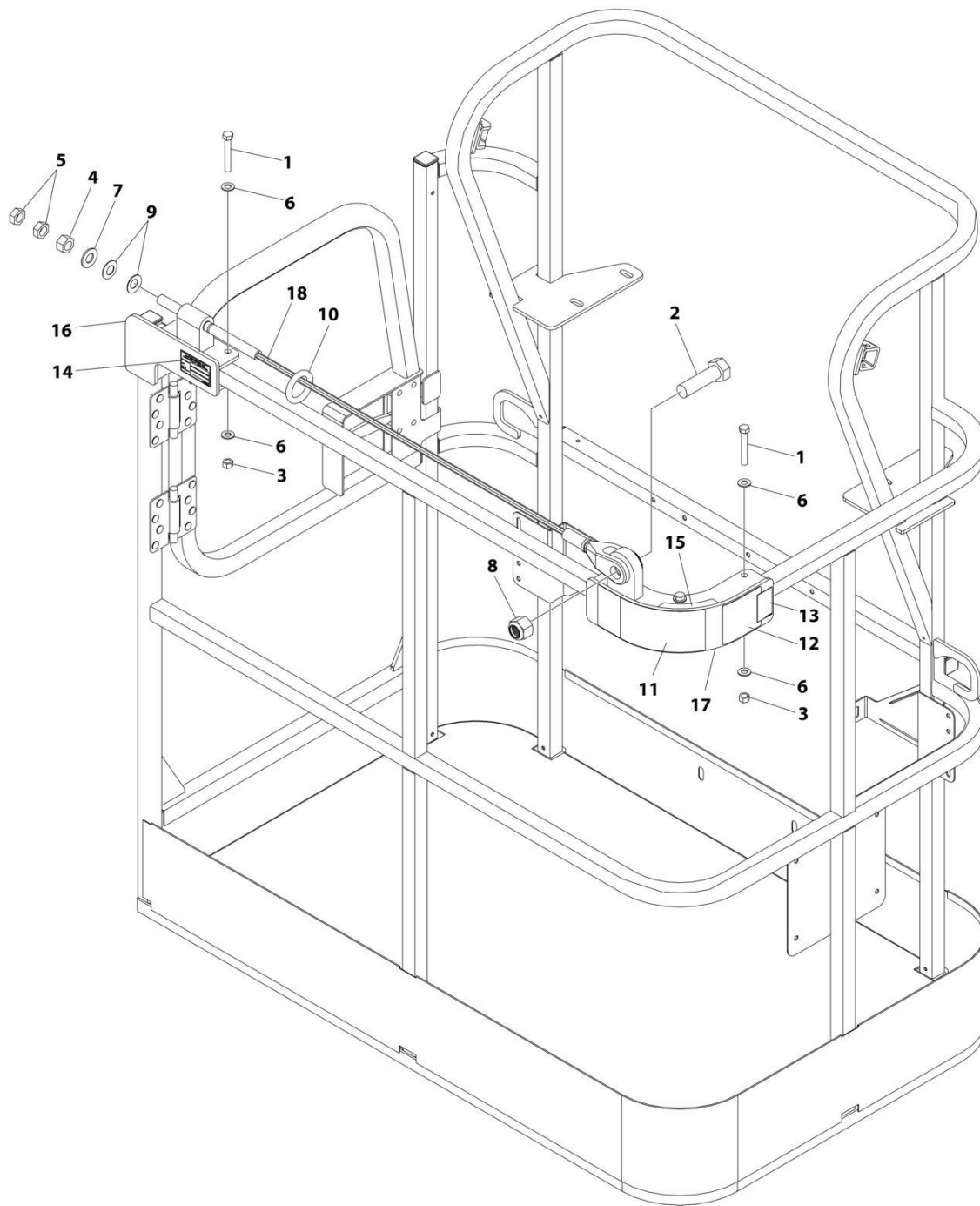
SECTION 5 - PLATFORM

FIGURE 5-45. SOFT TOUCH SYSTEM INSTALLATION - 8FT/2.44M FALL ARREST PLATFORM

ITEM	PART NUMBER	QTY	DESCRIPTION	REV
	0273706	Ref	SOFT TOUCH INSTALLATION	D
1	0100011	AR	Compound, Locking	
2	0200048	2	Arm, Switch	
3	0630462	8	Bolt	
4	0641414	8	Bolt 1/4 x 1-3/4	
5	0721005	4	Bolt #10 x 5/8	
6	0940133	1	Bumper Kit (Includes Corners and Enough Straight Material for One Platform)	
6	0940092	8	Bumper (Corner)	
6	0940094	AR	Bumper (12ft Length)	
7	1060341	23 ft/7m	Cable, Soft Touch - 16/2	
8	1060903	4	Wire Rope and Eyebolt Assembly	
9	1702938	1	Decal - Soft Touch Override	
10	3311401	8	Nut 1/4	
11	3311501	8	Nut 5/16	
12	3574091	2	Plate, Switch Strike	
13	4240099	7	Tie-Strap (Not Shown)	
14	4360057	2	Switch, Limit	
15	4360387	1	Switch, Push Button	
16	4420068	AR	Tape, Adhesive	
16	1001197017	AR	Tie-Strap	
17	4460049	2	Connector, Strain Relief	
18	4460234	7	Tie-Strap (Not Shown)	
19	4460425	1	Connector, Strain Relief	
20	4751400	8	Washer 1/4	
21	4751500	12	Washer 5/16	
22	4751800	8	Washer 1/2	
23	4846673	1	Rail, Soft Touch	
25	2920028	1	Light, Indicator	
26	2920029	1	Bulb, Light	

SECTION 5 - PLATFORM

FIGURE 5-46. FALL ARREST INSTALLATION (BOLT-ON) 30IN X 4FT (76CM X 1.22M) PLATFORM



ART_1001261338

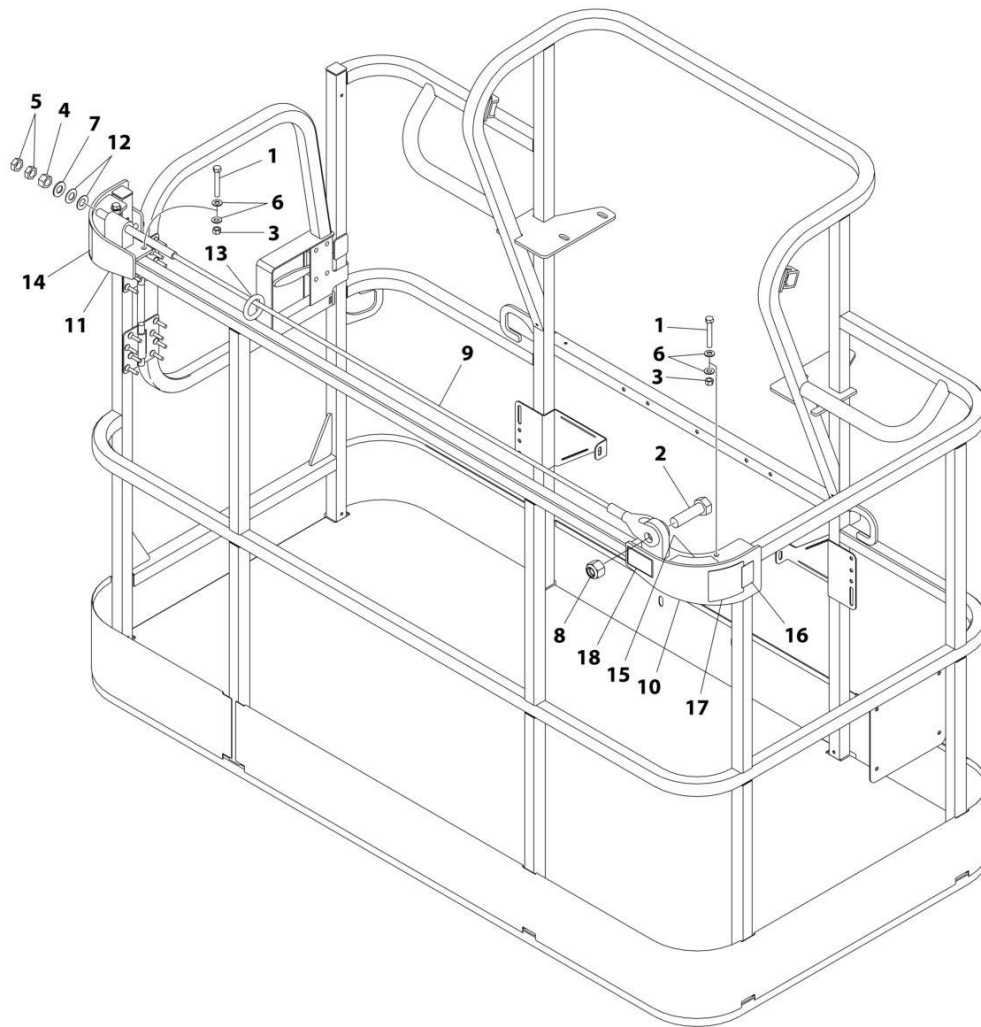
SECTION 5 - PLATFORM

FIGURE 5-46. FALL ARREST INSTALLATION (BOLT-ON) 30IN X 4FT (76CM X 1.22M) PLATFORM

ITEM	PART NUMBER	QTY	DESCRIPTION	REV
	1001261338	Ref	FALL ARREST INSTALLATION	A
1	0681620	6	Bolt 3/8 x 2-1/2	
2	0682424	1	Bolt 7/8 x 3	
3	3271605	6	Nut 3/8	
4	3272001	1	Nut 5/8	
5	3312002	2	Nut 5/8	
6	4711600	12	Washer 3/8	
7	4712000	1	Washer 5/8	
8	88521214	1	Nut 7/8	
9	1001236891	2	Washer	
10	1001236895	1	Ring	
11	1001238263	1	Decal - Warning Falling Hazard	
12	1001248140	1	Decal - Bolt Fall Arrest Re-Cert	
13	1001248141	1	Decal - Incription	
14	See Note	NSS	Nameplate - Manufacturers Serial Number (Note: Not Available for Purchase)	
15	1001252629	1	Decal - Weight	
16	1001257271	1	Bracket (RH)	
17	1001257274	1	Bracket (LH)	
18	1001261335	1	Rope	

SECTION 5 - PLATFORM

FIGURE 5-47. FALL ARREST INSTALLATION (BOLT-ON) 36IN X 6FT (91.2CM X 1.82M) PLATFORM



ART_1001236747

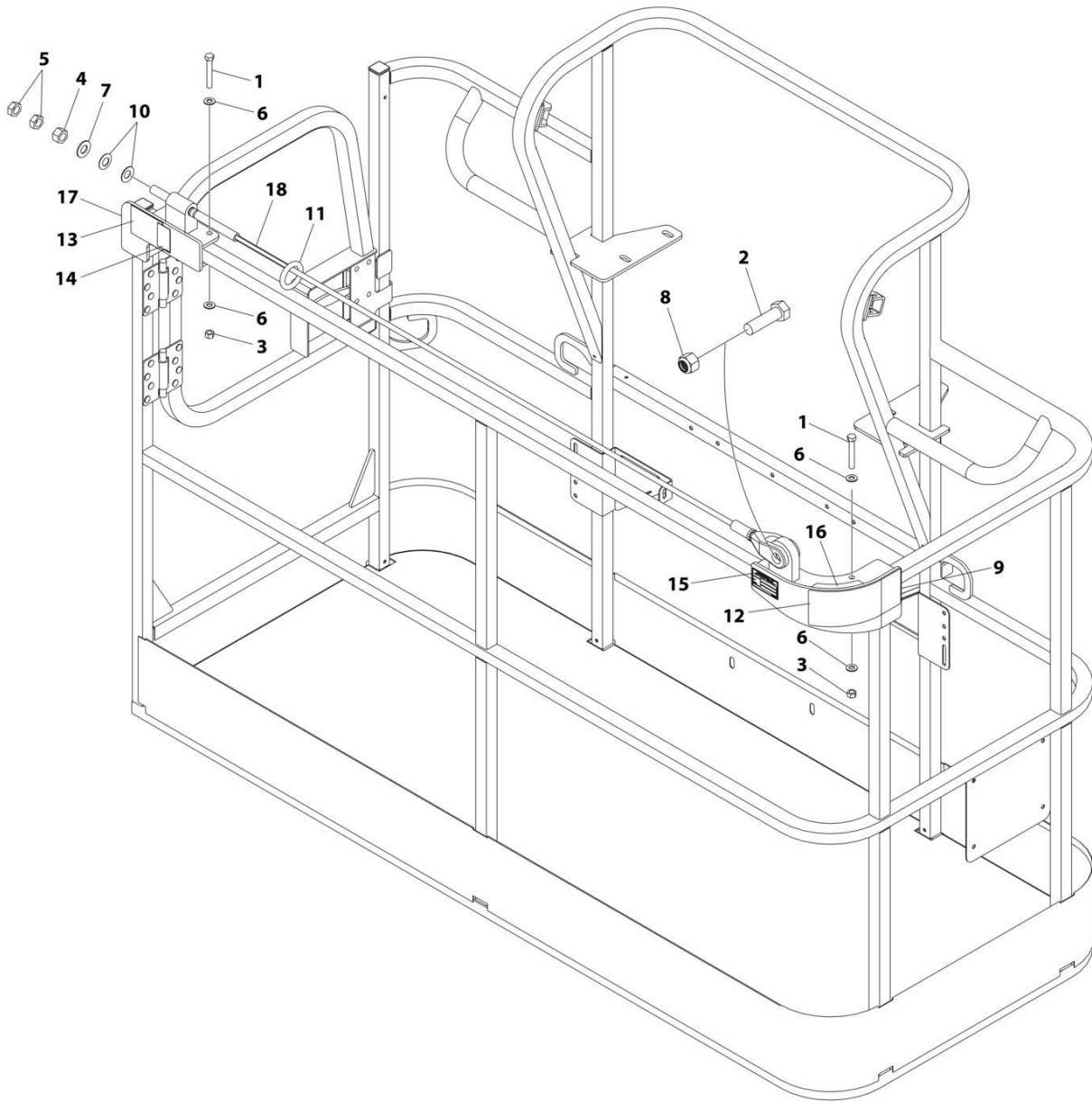
SECTION 5 - PLATFORM

FIGURE 5-47. FALL ARREST INSTALLATION (BOLT-ON) 36IN X 6FT (91.2CM X 1.82M) PLATFORM

ITEM	PART NUMBER	QTY	DESCRIPTION	REV
	1001236747	Ref	FALL ARREST INSTALLATION (BOLT - ON) 6FT/1.82M PLATFORM	C
1	0681620	6	Bolt 3/8 x 2-1/2	
2	0682424	1	Bolt 7/8 x 3	
3	3271605	6	Nut 3/8	
4	3272001	1	Nut 5/8	
5	3312002	2	Nut 5/8	
6	4711600	12	Washer 3/8	
7	4712000	1	Washer 5/8	
8	88521214	1	Nut 7/8	
9	1001231950	1	Rope	
10	1001232010	1	Bracket (RH)	
11	1001232011	1	Bracket (LH)	
12	1001236891	2	Washer	
13	1001236895	1	Ring	
14	1001238263	1	Decal - Warning Falling Hazard	
15	1001252629	1	Decal - Weight	
16	1001248140	1	Decal - Bolt Fall Arrest Re-Cert	
17	1001248141	1	Decal - Inscription	

SECTION 5 - PLATFORM

FIGURE 5-48. FALL ARREST INSTALLATION (BOLT-ON) 30IN X 6FT (76CM X 1.83M) PLATFORM



ART_1001261339

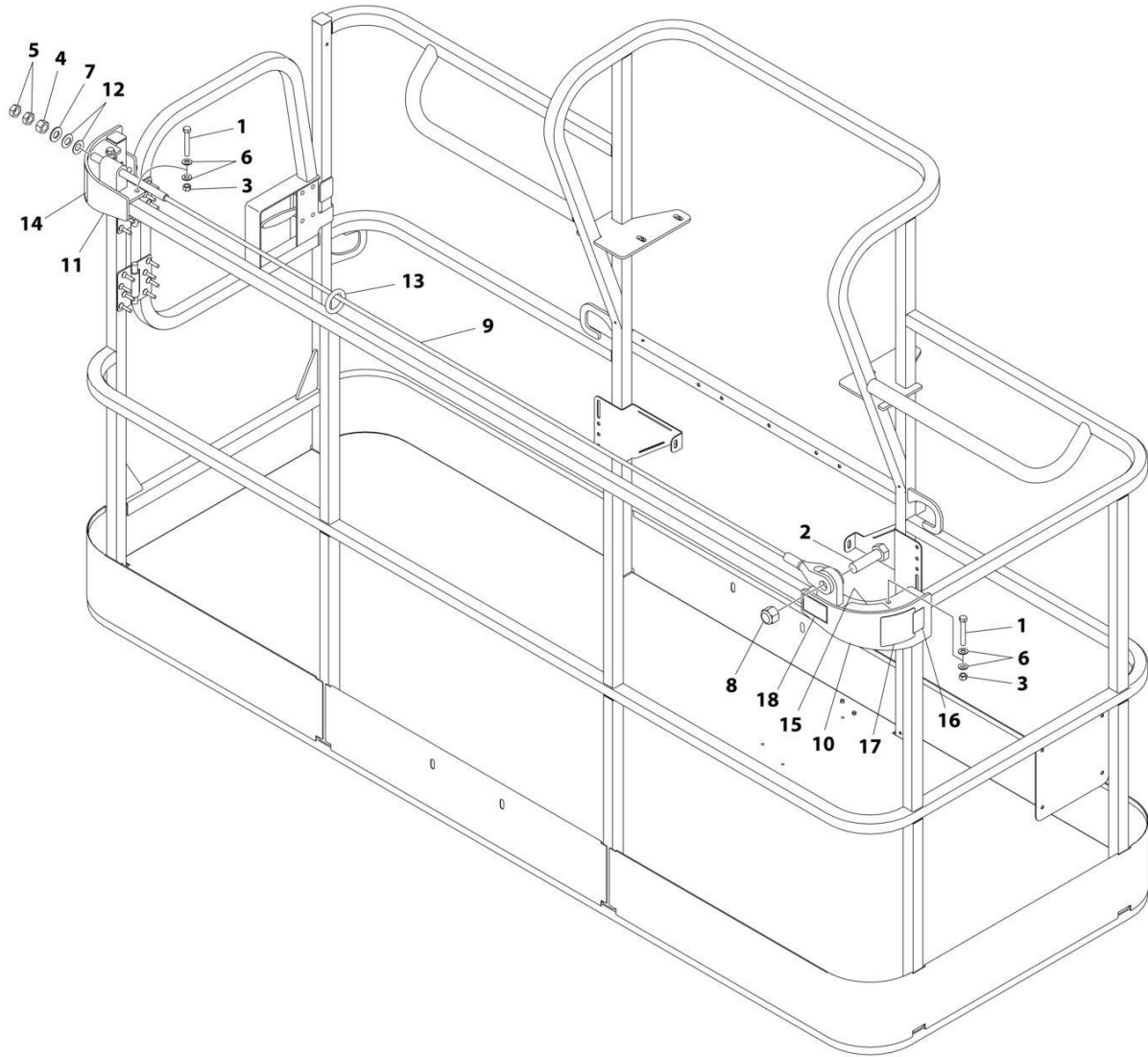
SECTION 5 - PLATFORM

FIGURE 5-48. FALL ARREST INSTALLATION (BOLT-ON) 30IN X 6FT (76CM X 1.83M) PLATFORM

ITEM	PART NUMBER	QTY	DESCRIPTION	REV
	1001261339	Ref	FALL ARREST INSTALLATION (BOLT-ON) 30IN X 6FT (76CM X 1.83M) PLATFORM	A
1	0681620	6	Bolt 3/8 x 2-1/2	
2	0682424	1	Bolt 7/8 x 3	
3	3271605	6	Nut 3/8	
4	3272001	1	Nut 5/8	
5	3312002	2	Nut 5/8	
6	4711600	12	Washer 3/8	
7	4712000	1	Washer 5/8	
8	88521214	1	Nut 7/8	
9	1001232010	1	Bracket	
10	1001236891	2	Washer	
11	1001236895	1	Ring	
12	1001238263	1	Decal - Warning Falling Hazard	
13	1001248140	1	Decal - Bolt Fall Arrest Re-Cert	
14	1001248141	1	Decal - Incription	
15	See Note	NSS	Nameplate - Manufacturers Serial Number (Note: Not Available for Purchase)	
16	1001252629	1	Decal - Weight	
17	1001257271	1	Bracket	
18	1001261336	1	Rope	

SECTION 5 - PLATFORM

FIGURE 5-49. FALL ARREST INSTALLATION (BOLT-ON) 36IN X 8FT (91.5CM X 2.4M) PLATFORM



ART_1001236746

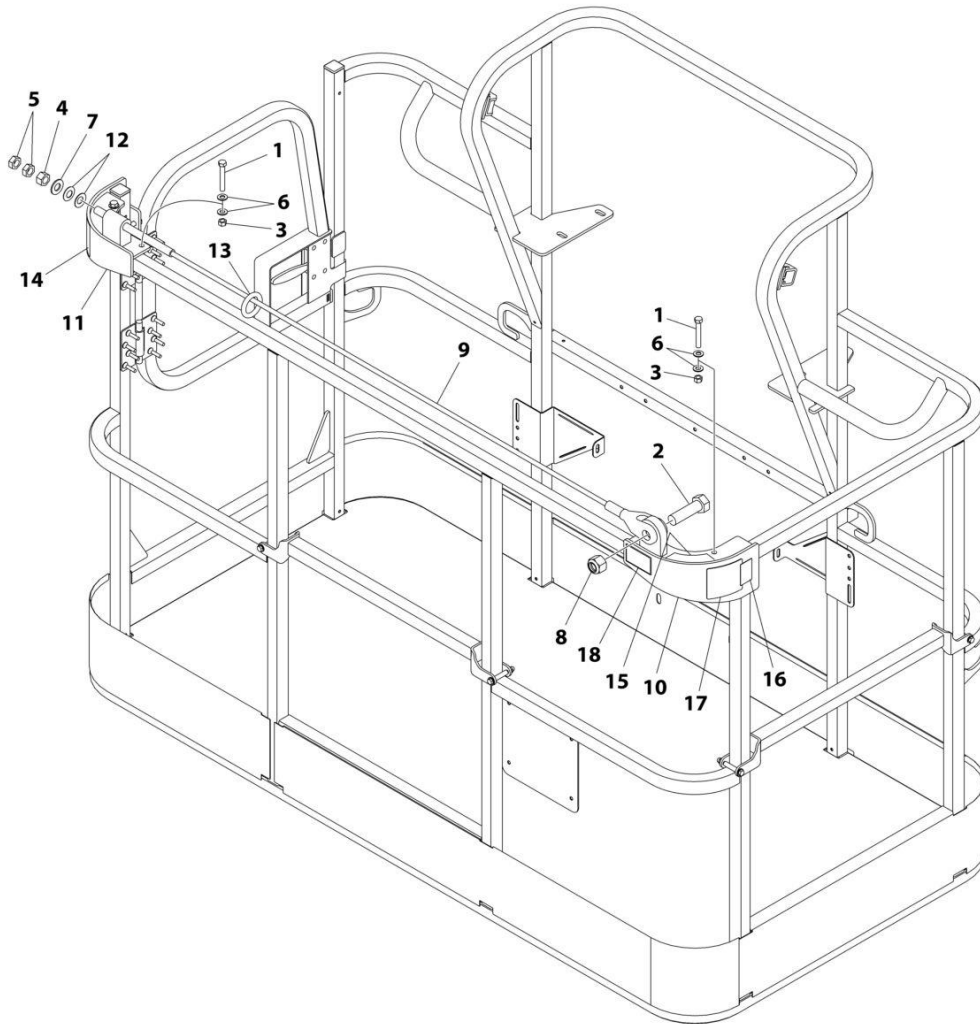
SECTION 5 - PLATFORM

FIGURE 5-49. FALL ARREST INSTALLATION (BOLT-ON) 36IN X 8FT (91.5CM X 2.4M) PLATFORM

ITEM	PART NUMBER	QTY	DESCRIPTION	REV
	1001236746	Ref	FALL ARREST INSTALLATION (BOLT - ON) 8FT/2.4M PLATFORM	C
1	0681620	6	Bolt 3/8 x 2-1/2	
2	0682424	1	Bolt 7/8 x 3	
3	3271605	6	Nut 3/8	
4	3272001	1	Nut 5/8	
5	3312002	2	Nut 5/8	
6	4711600	12	Washer 3/8	
7	4712000	1	Washer 5/8	
8	88521214	1	Nut 7/8	
9	1001231949	1	Rope	
10	1001232010	1	Bracket (RH)	
11	1001232011	1	Bracket (LH)	
12	1001236891	2	Washer	
13	1001236895	1	Ring	
14	1001238263	1	Decal - Warning Falling Hazard	
15	1001252629	1	Decal - Weight 23LBS/10.4KG	
16	1001248140	1	Decal - Bolt Fall Arrest Re-Cert	
17	1001248141	1	Decal - Inscription	

SECTION 5 - PLATFORM

FIGURE 5-50. FALL ARREST INSTALLATION (BOLT-ON) 36IN X 6FT (91.5CM X 1.82M) TRI-ENTRY PLATFORM)



ART_1001238463

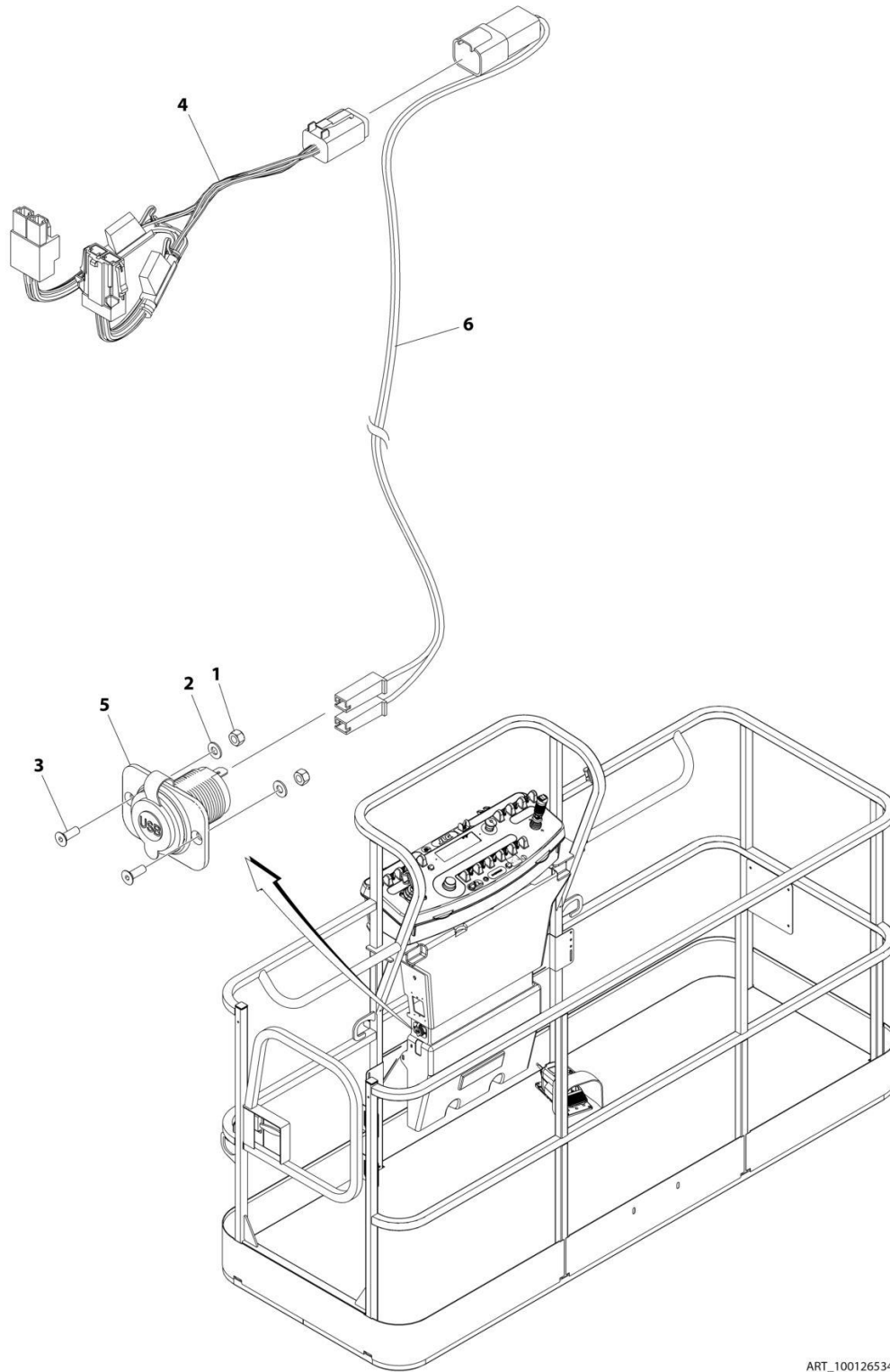
SECTION 5 - PLATFORM

FIGURE 5-50. FALL ARREST INSTALLATION (BOLT-ON) 36IN X 6FT (91.5CM X 1.82M) TRI-ENTRY PLATFORM)

ITEM	PART NUMBER	QTY	DESCRIPTION	REV
	1001238463	Ref	FALL ARREST INSTALLATION (BOLT - ON) 6FT/1.82M PLATFORM	C
1	0681620	6	Bolt 3/8 x 2-1/2	
2	0682424	1	Bolt 7/8 x 3	
3	3271605	6	Nut 3/8	
4	3272001	1	Nut 5/8	
5	3312002	2	Nut 5/8	
6	4711600	12	Washer 3/8	
7	4712000	1	Washer 5/8	
8	88521214	1	Nut 7/8	
9	1001231950	1	Rope	
10	1001232010	1	Bracket (RH)	
11	1001232011	1	Bracket (LH)	
12	1001236891	2	Washer	
13	1001236895	1	Ring	
14	1001238263	1	Decal - Warning Falling Hazard	
15	1001252629	1	Decal - Weight	
16	1001248140	1	Decal - Bolt Fall Arrest Re-Cert	
17	1001248141	1	Decal - Inscription	

SECTION 5 - PLATFORM

FIGURE 5-51. USB CHARGER INSTALLATION



ART_1001265342

SECTION 5 - PLATFORM

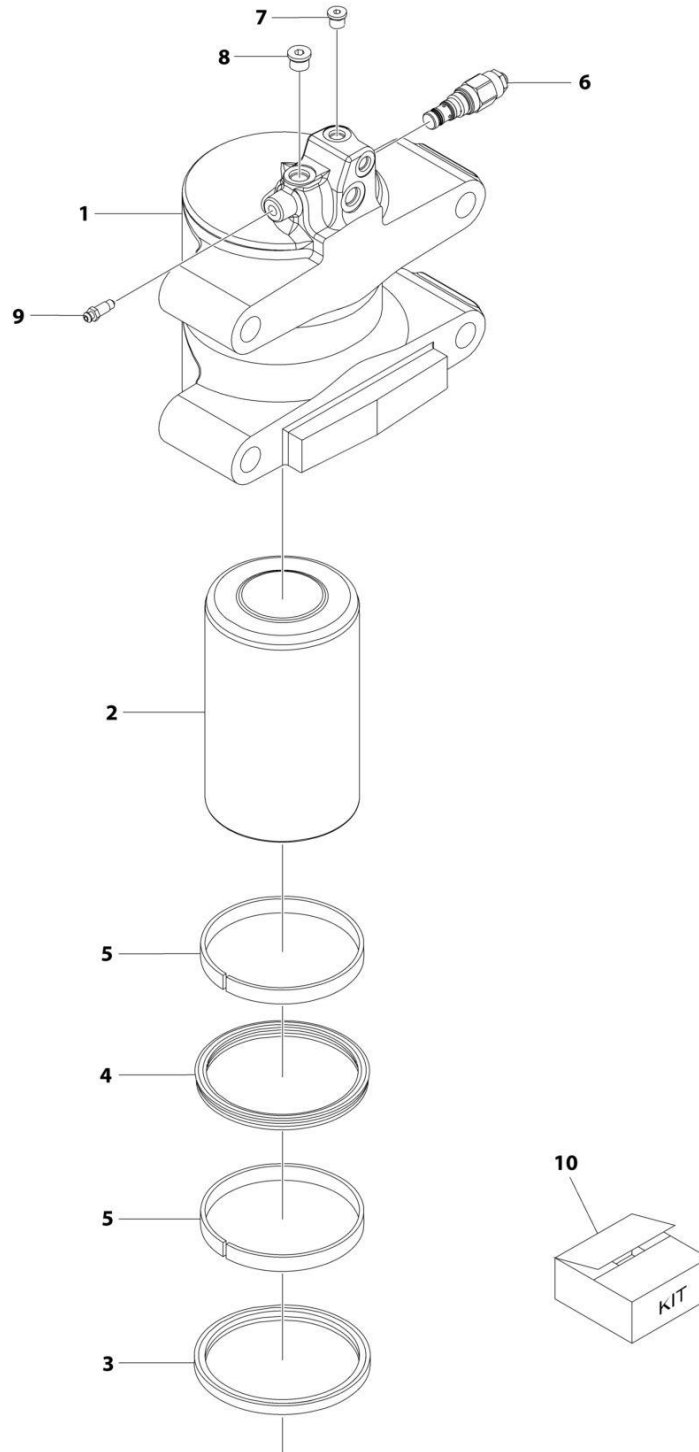
FIGURE 5-51. USB CHARGER INSTALLATION

ITEM	PART NUMBER	QTY	DESCRIPTION	REV
	1001265342	Ref	USB CHARGER INSTALLATION	A
1	3290405	2	Nut M4	
2	4811400	2	Washer M4	
3	1001097244	2	Screw M4 x 12	
4	1001120484	1	Harness, Work Lights	
4	4460879	1	Plug, Male - 2 Position	
4	4460887	2	Terminal	
4	2400060	2	Fuseholder Includes Cover	
4	8229249	2	Fuse, 3 Amp	
4	4460884	1	Connector - 4 Position	
4	4460465	4	Socket, Female	
4	1001120471	1	Connector - 2 Position	
4	1001120477	2	Terminal	
5	1001210636	1	Receptacle, USB	
6	1001265163	1	Harness, USB	A
6	4460260	2	Cover, Terminal	
6	4460259	2	Terminal	
6	4460932	1	Receptacle, Bussbar - 4 Position	
6	4460464	2	Pin, Male	
6	4460466	2	Plug, Terminal	

SECTION 6 - CYLINDER

SECTION 6 - CYLINDER

FIGURE 6-1. AXLE LOCKOUT CYLINDER ASSEMBLY



ART_1001204560

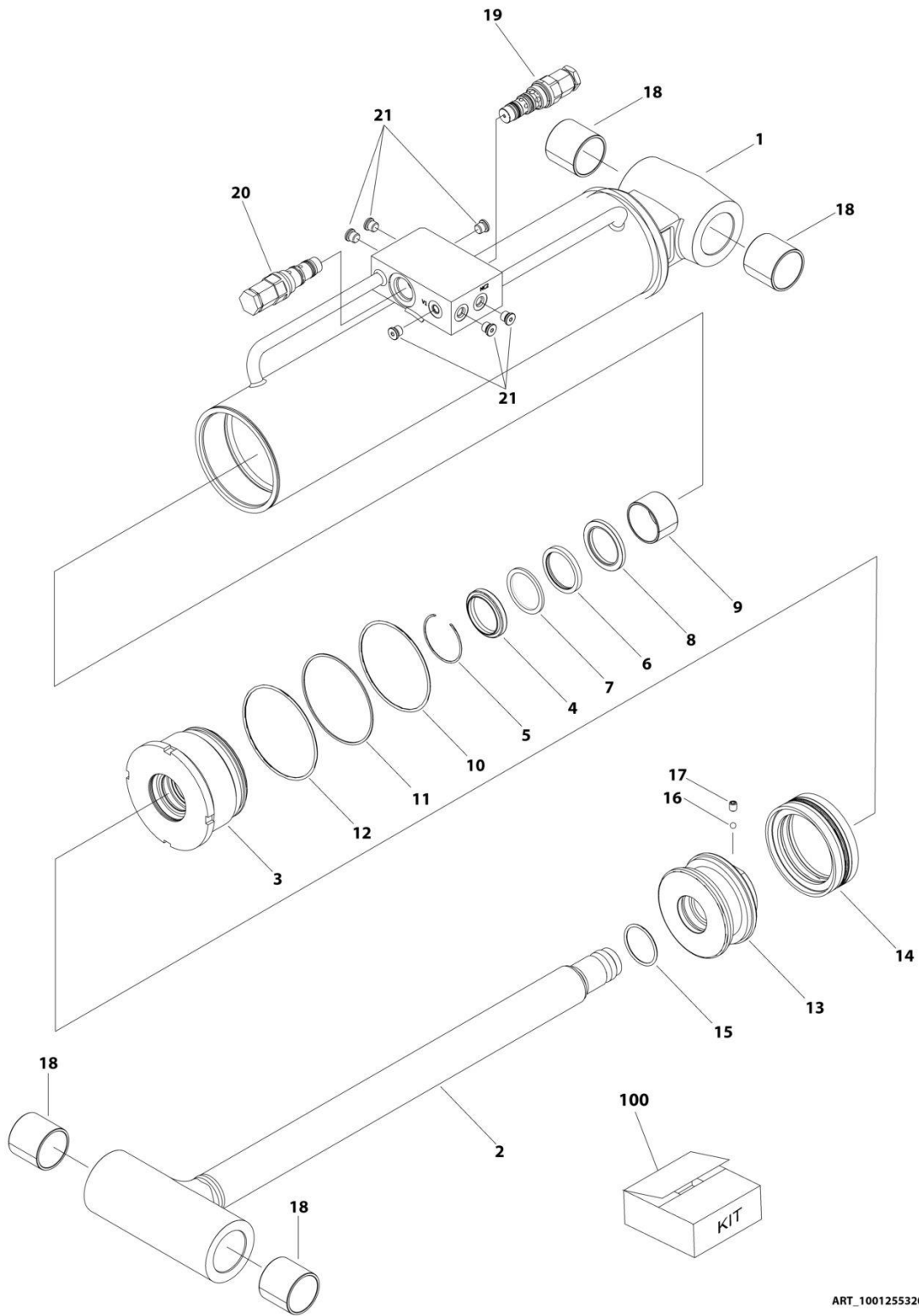
SECTION 6 - CYLINDER

FIGURE 6-1. AXLE LOCKOUT CYLINDER ASSEMBLY

ITEM	PART NUMBER	QTY	DESCRIPTION	REV
	1001204560	Ref	AXLE LOCKOUT CYLINDER ASSEMBLY	D
1	1001154126	1	Barrel	
2	1001154687	1	Rod	
3	See Note	NSS	Wiper (Note: Use Item 10)	
4	See Note	NSS	Seal, Rod (Note: Use Item 10)	
5	See Note	NSS	Ring, Wear (Note: Use Item 10)	
6	1001117372	1	Cartridge, Valve (Counterbalance)	
6	70002842	1	Seal Kit - 1001117372 Valve (1 Per Assembly)	
7	2220883	1	Plug, O-Ring	
8	2220885	1	Plug, O-Ring	
9	4640858	1	Valve, Bleeder	
10	1001098167	1	Seal Kit (Includes Items 3-5)	

SECTION 6 - CYLINDER

FIGURE 6-2. LEVEL CYLINDER ASSEMBLY - PLATFORM SLAVE



ART_1001255320

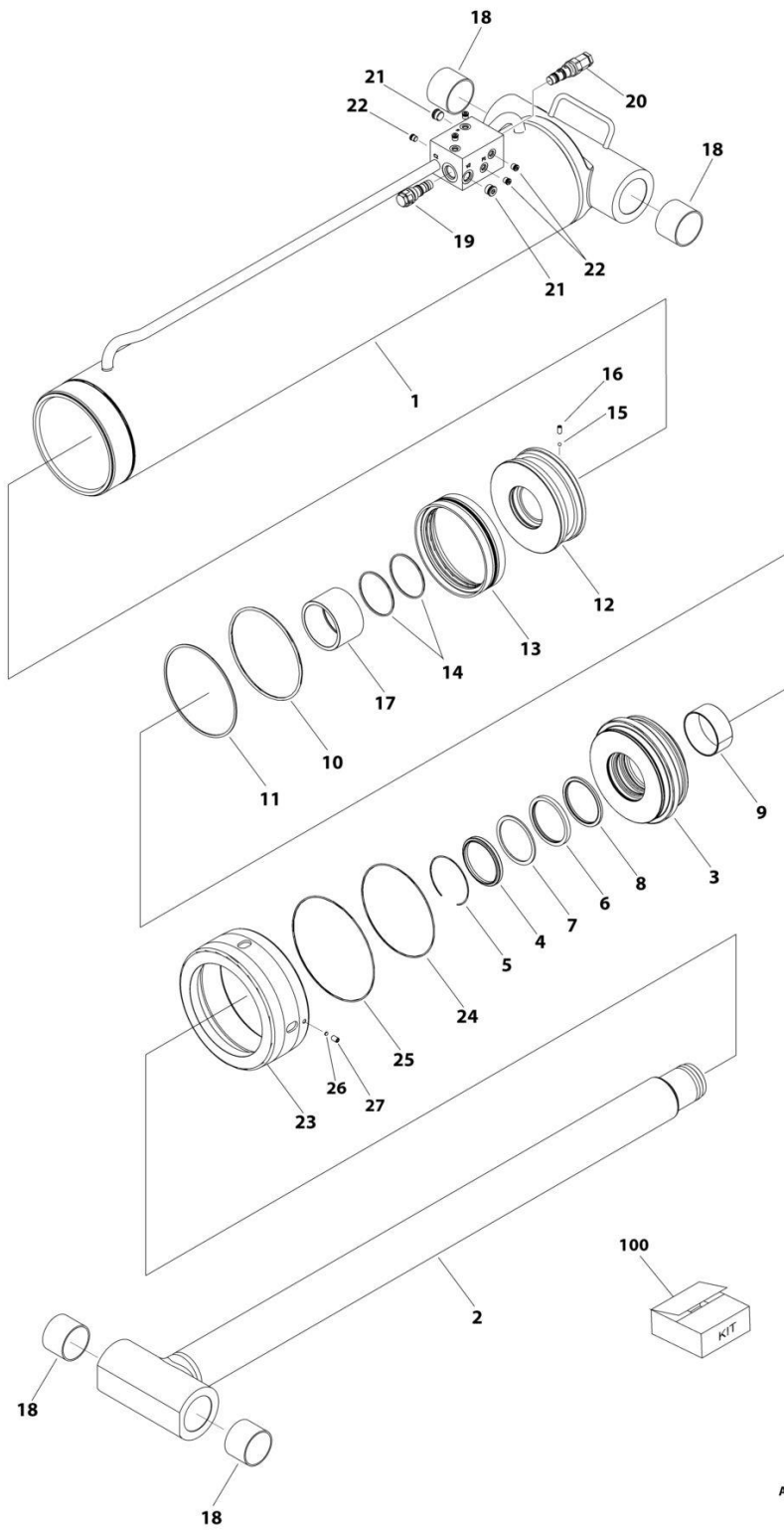
SECTION 6 - CYLINDER

FIGURE 6-2. LEVEL CYLINDER ASSEMBLY - PLATFORM SLAVE

ITEM	PART NUMBER	QTY	DESCRIPTION	REV
	1001255320	Ref	LEVEL (SLAVE) CYLINDER ASSEMBLY	C
		Ref	Note: Original Cylinder may have been replaced with Service Replacement. Identify PN Stamped on Cylinder Before Ordering Parts.	
1	See Note	NSS	Barrel (Note: Not Available for Purchase)	
2	70007523	1	Rod	
3	70007157	1	Head	
4	See Note	NSS	Wiper (Note: Use Item 100)	
5	70002410	1	Ring, Retaining	
6	See Note	NSS	Seal (Note: Use Item 100)	
7	See Note	NSS	Ring, Back-up (Note: Use Item 100)	
8	See Note	NSS	Ring, Buffer (Note: Use Item 100)	
9	70004237	1	Ring, Wear	
10	See Note	NSS	O-Ring (Note: Use Item 100)	
11	See Note	NSS	Ring, Back-up (Note: Use Item 100)	
12	See Note	NSS	O-Ring (Note: Use Item 100)	
13	70007161	1	Piston	
14	See Note	NSS	Seal (Note: Use Item 100)	
15	See Note	NSS	O-Ring (Note: Use Item 100)	
16	70022564	1	Steel Ball	
17	70023369	1	Screw, Set	
18	70007159	4	Bushing	
19	4640605	1	Valve, Cartridge	
19	2900792	1	Seal Kit - 4640605 Valve	
20	4640932	1	Valve, Cartridge	
20	7011112	1	Seal Kit - 4640932 Valve	
21	2220883	6	Plug, O-Ring	
100	70007524	1	Seal Kit (Includes Items 4, 6-8, 10-12, 14 & 15)	

SECTION 6 - CYLINDER

FIGURE 6-3. LEVEL CYLINDER ASSEMBLY - UPRIGHT



ART_1001251041

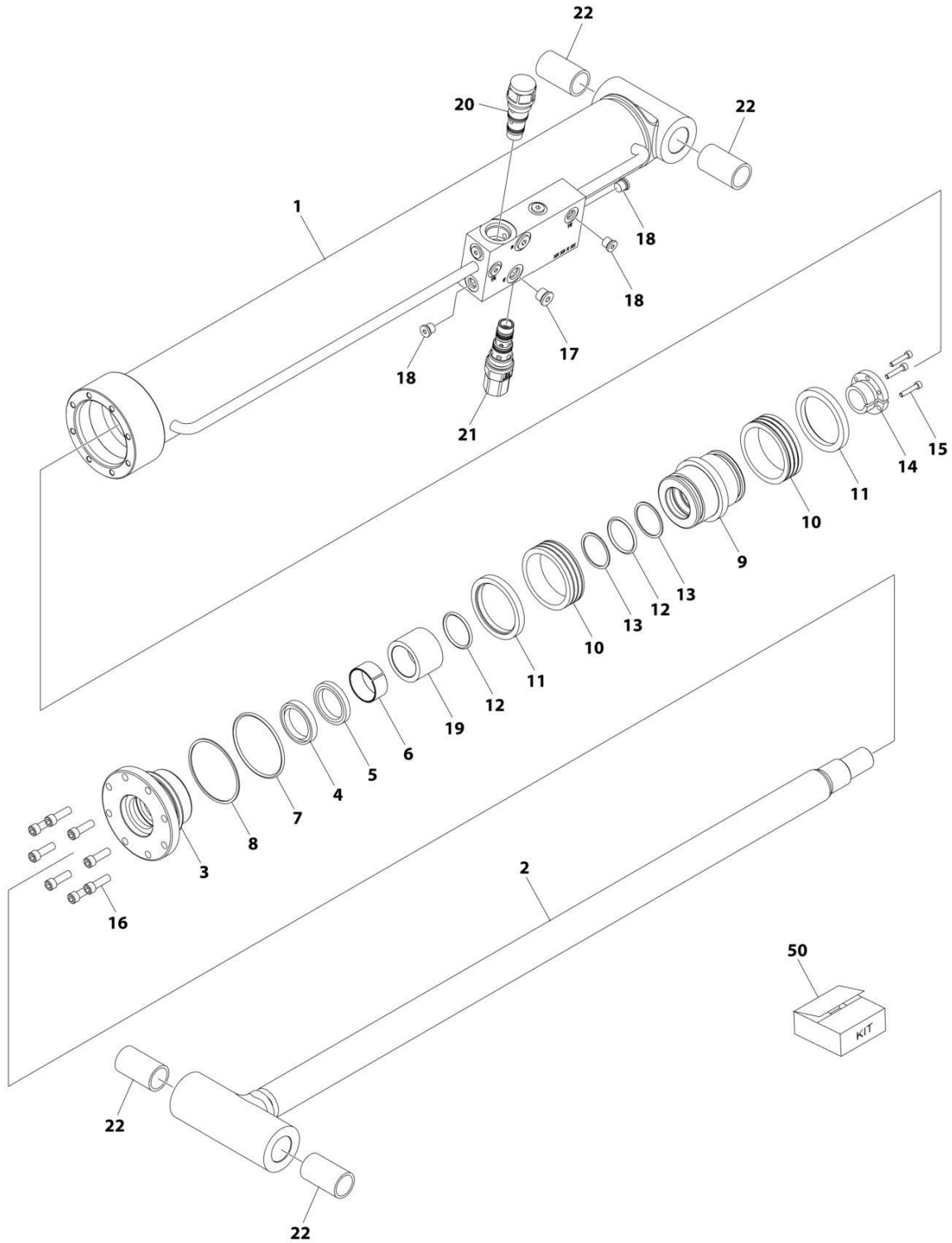
SECTION 6 - CYLINDER

FIGURE 6-3. LEVEL CYLINDER ASSEMBLY - UPRIGHT

ITEM	PART NUMBER	QTY	DESCRIPTION	REV
	1001251041	Ref	LIFT CYLINDER ASSEMBLY	C
		Ref	Note: Original Cylinder may have been replaced with Service Replacement. Identify PN Stamped on Cylinder Before Ordering Parts.	
1	See Note	NSS	Barrel (Note: Not Available for Purchase)	
2	70007427	1	Rod	
3	70007422	1	Head	
4	See Note	NSS	Wiper (Note: Use Item 100)	
5	70023380	1	Ring, Retaining	
6	See Note	NSS	Seal (Note: Use Item 100)	
7	See Note	NSS	Ring, Back-up (Note: Use Item 100)	
8	See Note	NSS	Ring, Buffer (Note: Use Item 100)	
9	70007423	1	Ring, Wear	
10	See Note	NSS	O-Ring (Note: Use Item 100)	
11	See Note	NSS	Ring, Back-up (Note: Use Item 100)	
12	70007428	1	Piston	
13	See Note	NSS	Seal (Note: Use Item 100)	
14	See Note	NSS	O-Ring (Note: Use Item 100)	
15	70022564	1	Steel Ball	
16	70007246	1	Screw, Set	
17	70007429	1	Spacer	
18	0962102	4	Bushing	
19	4640509	1	Cartridge, Valve	
19	2900792	1	Seal Kit - 4640509 Valve	
20	4640605	1	Cartridge, Valve	
20	2900792	1	Seal Kit - 4640605 Valve	
21	2220886	2	Plug, O-Ring	
22	2220883	5	Plug, O-Ring	
23	70007278	1	Cap	
24	See Note	1	O-Ring (Note: Use Item 100)	
25	See Note	NSS	O-Ring (Note: Use Item 100)	
26	70007282	1	Insert, Locking	
27	70026287	1	Screw, Set	
100	70007430	1	Seal Kit (Includes Items 4, 6-8, 10, 11, 13, 14, 24 & 25)	

SECTION 6 - CYLINDER

FIGURE 6-4. LIFT CYLINDER ASSEMBLY - JIB (Prior to SN 0300279215)



ART_1001264302

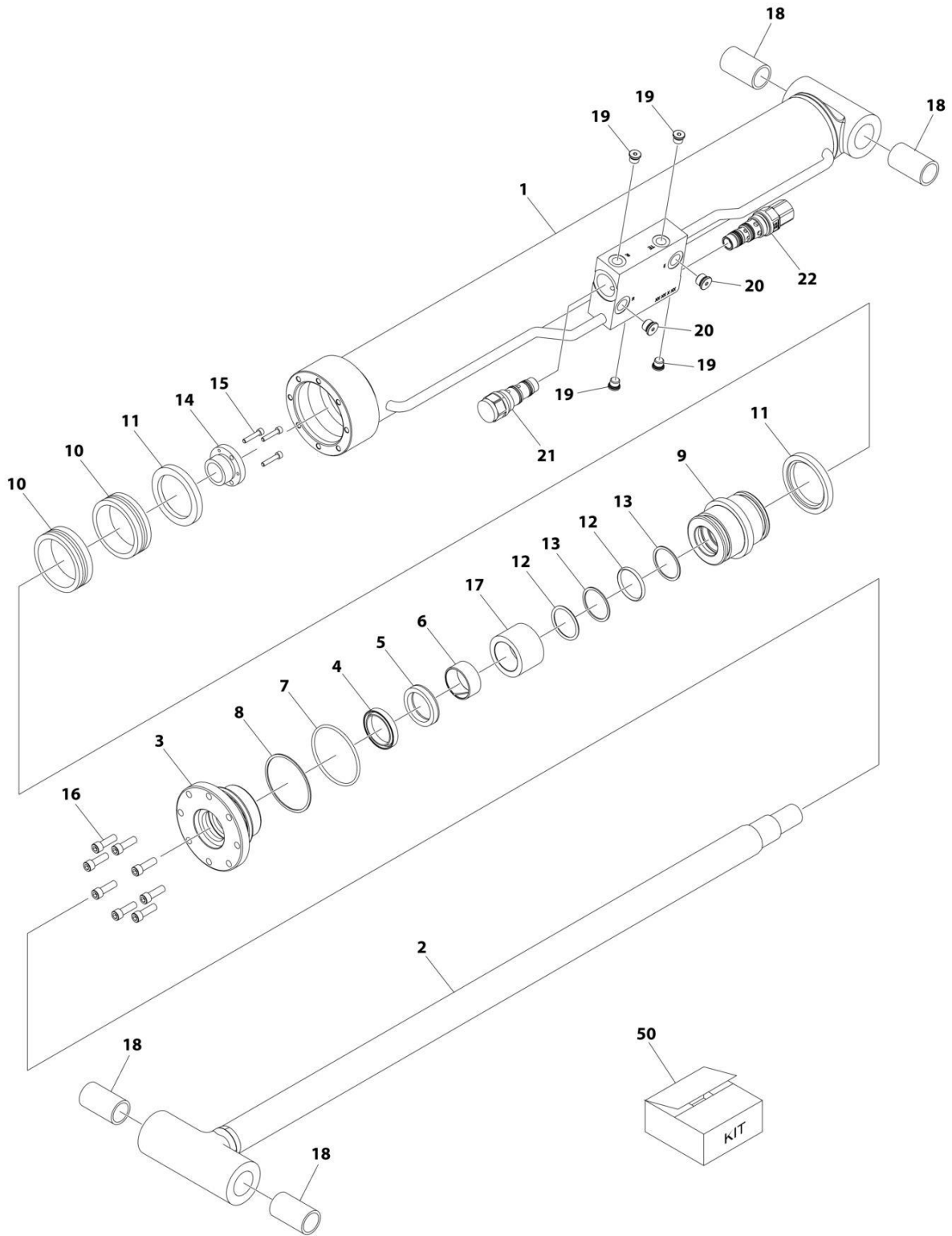
SECTION 6 - CYLINDER

FIGURE 6-4. LIFT CYLINDER ASSEMBLY - JIB (Prior to SN 0300279215)

ITEM	PART NUMBER	QTY	DESCRIPTION	REV
	1001264302	Ref	LIFT CYLINDER ASSEMBLY - JIB	B
		Ref	Note: Original Cylinder May Have Been Replaced with Service Replacement. Identify PN Stamped on Cylinder Before Ordering Parts.	
1	See Note	NSS	Barrel	
2	70006734	1	Rod	
3	70006649	1	Head	
4	See Note	NSS	Wiper (Note: Use Item 50)	
5	See Note	NSS	Seal, Rod (Note: Use Item 50)	
6	See Note	NSS	Ring, Wear (Note: Use Item 50)	
7	See Note	NSS	O-Ring (Note: Use Item 50)	
8	See Note	NSS	Ring, Back-up (Note: Use Item 50)	
9	70006650	1	Piston	
10	See Note	NSS	Seal (Note: Use Item 50)	
11	See Note	NSS	Ring, Lock (Note: Use Item 50)	
12	See Note	NSS	O-Ring (Note: Use Item 50)	
13	See Note	NSS	Ring, Back-up (Note: Use Item 50)	
14	0961893	1	Bushing, Tapered	
15	0630534	3	Capscrew	
16	70006735	8	Capscrew	
17	2220885	2	Plug	
18	2220883	6	Plug	
19	70006736	1	Spacer	
20	4640509	1	Cartridge, Counterbalance Valve	
20	2900792	1	Seal Kit - 4640509 Valve	
21	1001263800	1	Cartridge, Counterbalance Valve	
21	70004186	1	Seal Kit - 1001263800 Valve	
22	0962336	4	Bushing	
50	1001138795	1	Seal Kit (Includes Items 4-8 & 10-13)	

SECTION 6 - CYLINDER

FIGURE 6-5. LIFT CYLINDER ASSEMBLY - JIB (SN 0300279215 to Present)



ART_1001264991

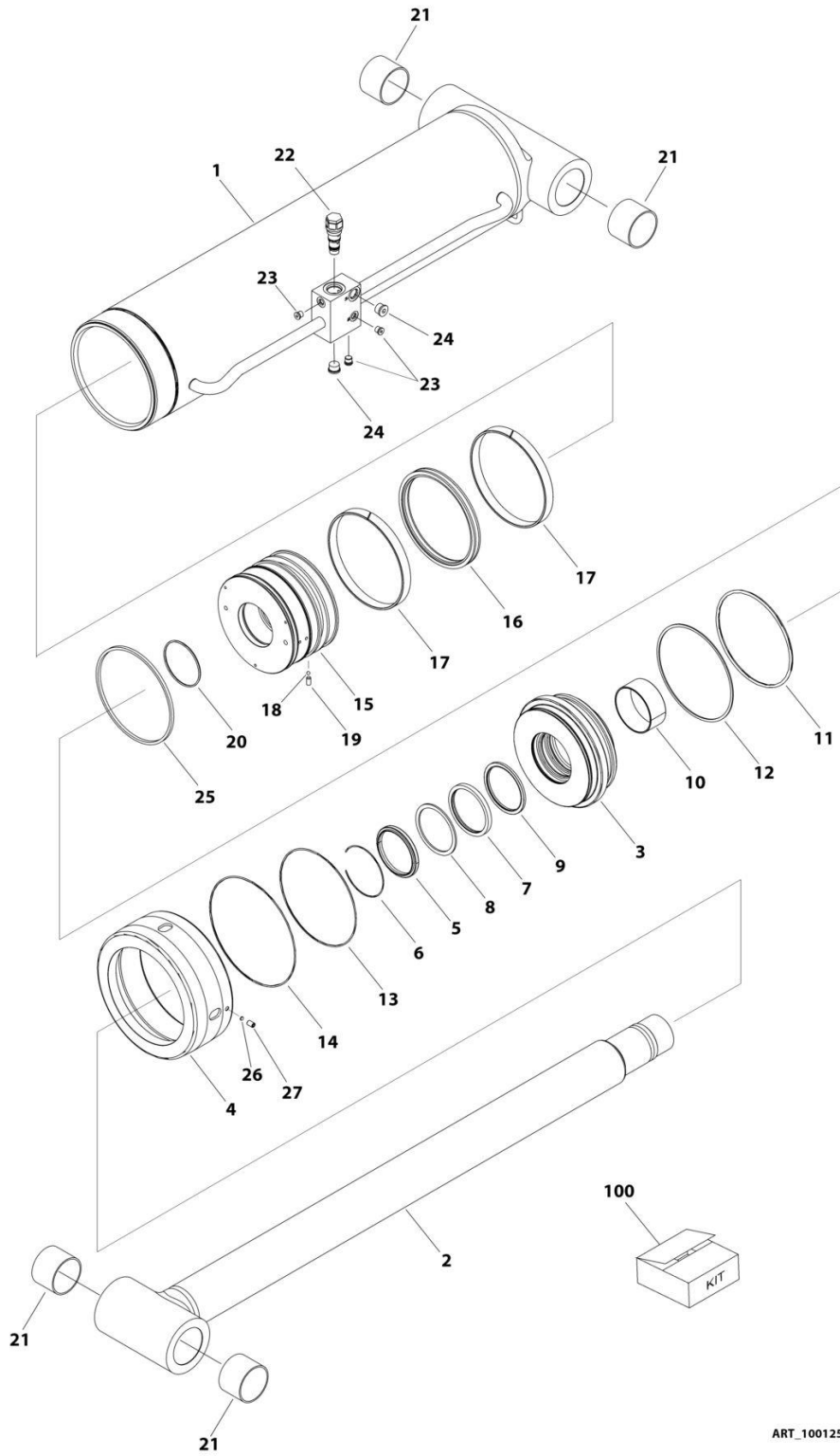
SECTION 6 - CYLINDER

FIGURE 6-5. LIFT CYLINDER ASSEMBLY - JIB (SN 0300279215 to Present)

ITEM	PART NUMBER	QTY	DESCRIPTION	REV
	1001264991	Ref	LIFT CYLINDER ASSEMBLY - JIB	B
		Ref	Note: Original Cylinder May Have Been Replaced with Service Replacement. Identify PN Stamped on Cylinder Before Ordering Parts.	
1	See Note	NSS	Barrel (Note: Use PN 1001264991)	
2	70006734	1	Rod	
3	70006649	1	Head	
4	See Note	NSS	Wiper (Note: Use Item 50)	
5	See Note	NSS	Seal, Rod (Note: Use Item 50)	
6	See Note	NSS	Ring, Wear (Note: Use Item 50)	
7	See Note	NSS	O-Ring (Note: Use Item 50)	
8	See Note	NSS	Ring, Back-up (Note: Use Item 50)	
9	70006650	1	Piston	
10	See Note	NSS	Ring, Hydro Lock (Note: Use Item 50)	
11	See Note	NSS	Ring, Guide Lock (Note: Use Item 50)	
12	See Note	NSS	O-Ring (Note: Use Item 50)	
13	See Note	NSS	Ring, Back-up (Note: Use Item 50)	
14	0961893	1	Bushing, Tapered	
15	0630534	3	Capscrew	
16	70006735	8	Capscrew	
17	70006736	1	Spacer	
18	0962336	4	Bearing	
19	70023370	4	Plug	
20	70023371	2	Plug	
21	4640509	1	Cartridge, Counterbalance Valve	
21	2900792	1	Seal Kit - 4640509 Valve	
22	1001263800	1	Cartridge, Counterbalance Valve	
22	70004186	1	Seal Kit - 1001263800 Valve	
50	1001138795	1	Seal Kit - 1001264991 Cylinder (Includes Items 4-8 & 10-13)	

SECTION 6 - CYLINDER

FIGURE 6-6. LIFT CYLINDER ASSEMBLY - MAIN BOOM



ART_1001251010

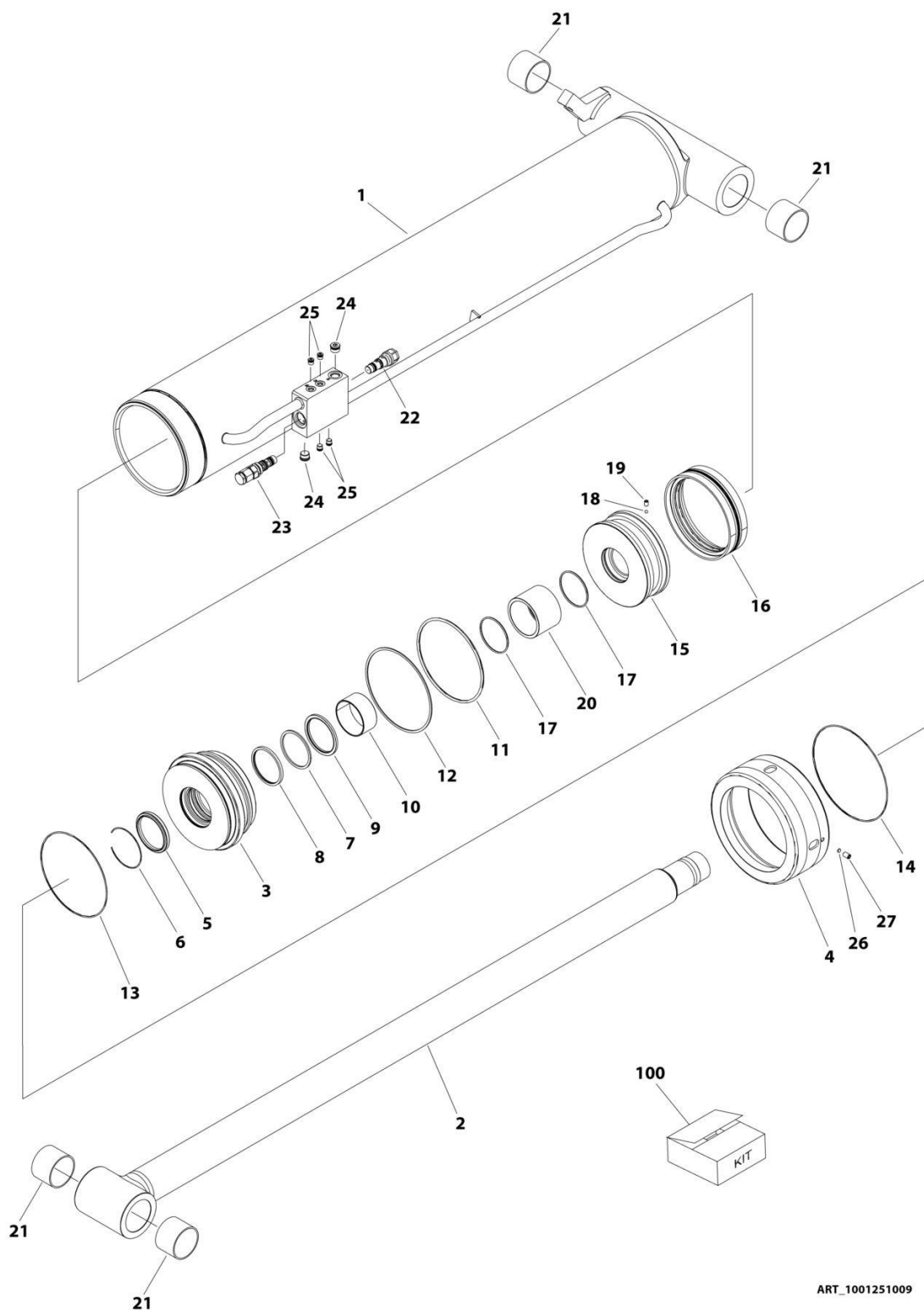
SECTION 6 - CYLINDER

FIGURE 6-6. LIFT CYLINDER ASSEMBLY - MAIN BOOM

ITEM	PART NUMBER	QTY	DESCRIPTION	REV
	1001251010	Ref	LIFT CYLINDER ASSEMBLY	C
		Ref	Note: Original Cylinder may have been replaced with Service Replacement. Identify PN Stamped on Cylinder Before Ordering Parts.	
1	See Note	NSS	Barrel (Note: Not Available for Purchase)	
2	70007421	1	Rod	
3	70007422	1	Head	
4	70007278	1	Cap	
5	See Note	NSS	Wiper (Note: Use Item 100)	
6	70023380	1	Ring, Retaining	
7	See Note	NSS	Seal (Note: Use Item 100)	
8	See Note	NSS	Ring, Back-up (Note: Use Item 100)	
9	See Note	NSS	Ring, Buffer (Note: Use Item 100)	
10	70007423	1	Ring, Wear	
11	See Note	NSS	O-Ring (Note: Use Item 100)	
12	See Note	NSS	Ring, Back-up (Note: Use Item 100)	
13	See Note	NSS	O-Ring (Note: Use Item 100)	
14	See Note	NSS	O-Ring (Note: Use Item 100)	
15	70007424	1	Piston	
16	See Note	NSS	Seal (Note: Use Item 100)	
17	See Note	NSS	Ring, Wear (Note: Use Item 100)	
18	70022564	1	Steel Ball	
19	70007246	1	Screw, Set	
20	See Note	1	O-Ring (Note: Use Item 100)	
21	0962102	4	Bushing	
22	4640509	1	Cartridge, Valve	
22	2900792	1	Seal Kit - 4640509 Valve	
23	2220883	3	Plug, O-Ring	
24	2220886	2	Plug, O-Ring	
25	70007425	1	Ring, Piston	
26	70007282	1	Insert, Locking	
27	70026287	1	Screw, Set	
100	70007426	1	Seal Kit (Includes Items 5, 7-9, 11-14, 16, 17 & 20)	

SECTION 6 - CYLINDER

FIGURE 6-7. LIFT CYLINDER ASSEMBLY - TOWER BOOM



ART_1001251009

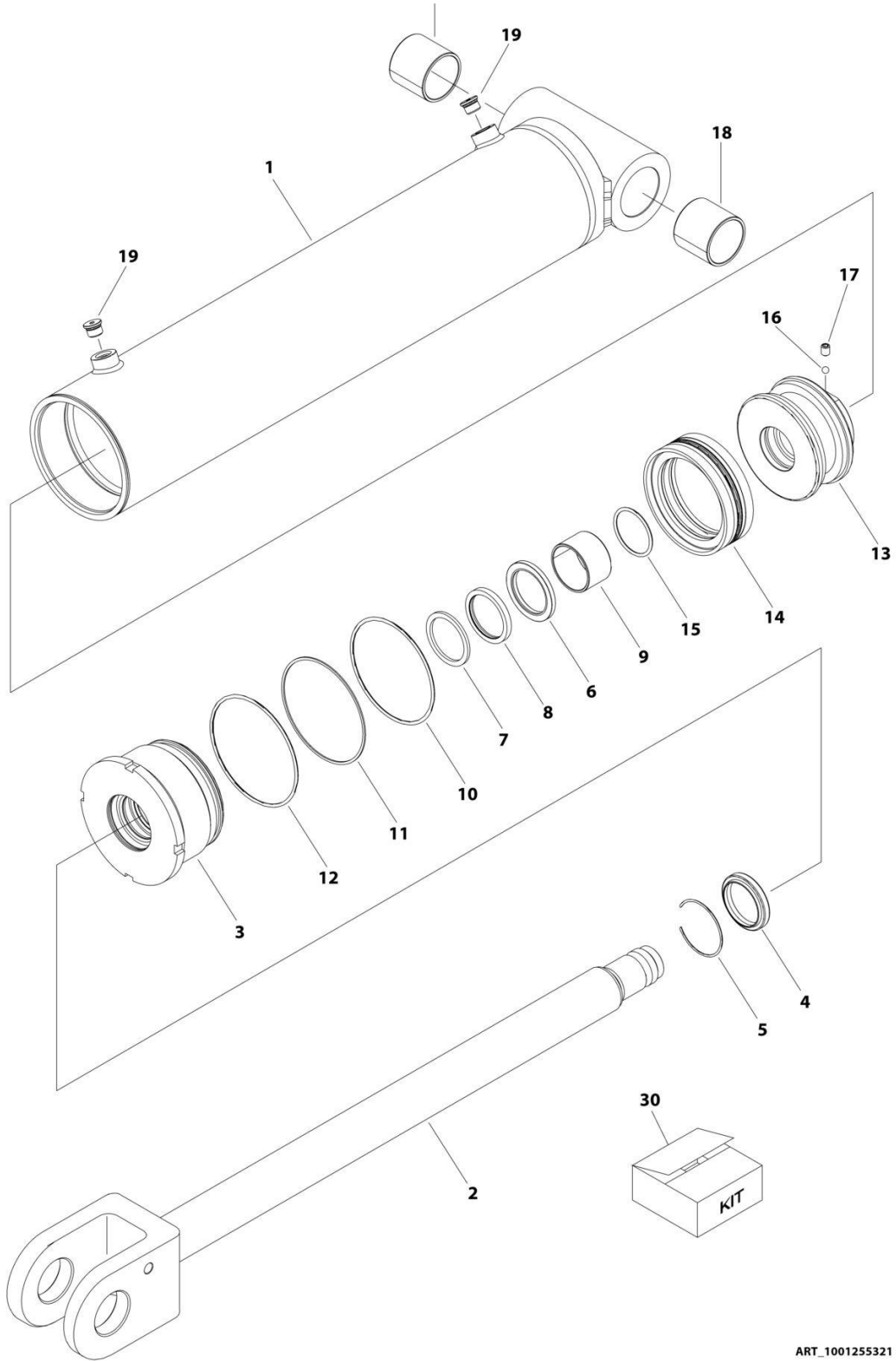
SECTION 6 - CYLINDER

FIGURE 6-7. LIFT CYLINDER ASSEMBLY - TOWER BOOM

ITEM	PART NUMBER	QTY	DESCRIPTION	REV
	1001251009	Ref	LIFT CYLINDER ASSEMBLY	C
		Ref	Note: Original Cylinder may have been replaced with Service Replacement. Identify PN Stamped on Cylinder Before Ordering Parts.	
1	See Note	NSS	Barrel (Note: Not Available for Purchase)	
2	70007419	1	Rod	
3	70007277	1	Head	
4	70007278	1	Cap	
5	See Note	NSS	Wiper (Note: Use Item 100)	
6	70027750	1	Ring, Retaining	
7	See Note	NSS	Seal (Note: Use Item 100)	
8	See Note	NSS	Ring, Back-up (Note: Use Item 100)	
9	See Note	NSS	Ring, Buffer (Note: Use Item 100)	
10	70007279	1	Ring, Wear	
11	See Note	NSS	O-Ring (Note: Use Item 100)	
12	See Note	NSS	Ring, Back-up (Note: Use Item 100)	
13	See Note	NSS	O-Ring (Note: Use Item 100)	
14	See Note	NSS	O-Ring (Note: Use Item 100)	
15	70007280	1	Piston	
16	See Note	NSS	Seal (Note: Use Item 100)	
17	See Note	NSS	O-Ring (Note: Use Item 100)	
18	70022564	1	Steel Ball	
19	70029468	1	Screw, Set	
20	70007420	1	Spacer	
21	0962102	4	Bushing	
22	4640509	1	Cartridge, Valve	
22	2900792	1	Seal Kit - 4640509 Valve	
23	4640605	1	Cartridge, Valve	
23	2900792	1	Seal Kit - 4640605 Valve	
24	2220886	1	Plug, O-Ring	
25	2220883	4	Plug, O-Ring	
26	70007282	1	Insert, Locking	
27	70026287	1	Screw, Set	
100	70007283	1	Seal Kit (Includes Items 5, 7-9, 11-14, 16 & 17)	

SECTION 6 - CYLINDER

FIGURE 6-8. MASTER CYLINDER ASSEMBLY



ART_1001255321

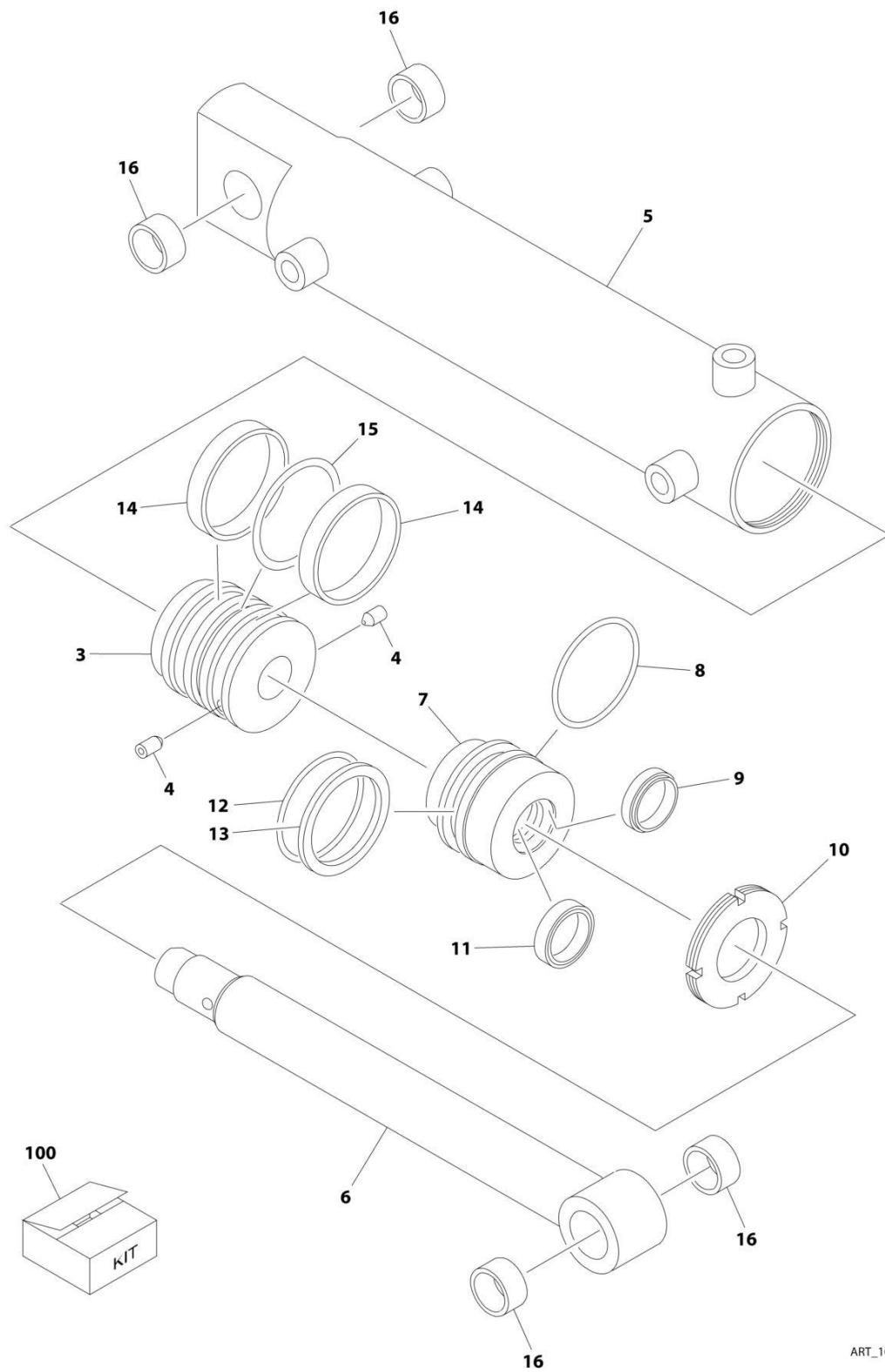
SECTION 6 - CYLINDER

FIGURE 6-8. MASTER CYLINDER ASSEMBLY

ITEM	PART NUMBER	QTY	DESCRIPTION	REV
	1001255321	Ref	MASTER CYLINDER ASSEMBLY	E
		Ref	Note: Original Cylinder may have been replaced with Service Replacement. Identify PN Stamped on Cylinder Before Ordering Parts.	
1	See Note	NSS	Barrel (Note: Not Available for Purchase)	
2	70007525	1	Rod	
3	70007157	1	Head	
4	See Note	NSS	Wiper (Note: Use Item 30)	
5	70002410	1	Ring, Retaining	
6	See Note	NSS	Seal, Rod (Note: Use Item 30)	
7	See Note	NSS	Ring, Back-up (Note: Use Item 30)	
8	See Note	NSS	Ring, Buffer (Note: Use Item 30)	
9	70004237	1	Ring, Wear	
10	See Note	NSS	O-Ring (Note: Use Item 30)	
11	See Note	NSS	Ring, Back-up (Note: Use Item 30)	
12	See Note	NSS	O-Ring (Note: Use Item 30)	
13	70007161	1	Piston	
14	See Note	NSS	Ring, Lock (Note: Use Item 30)	
15	See Note	NSS	O-Ring (Note: Use Item 30)	
16	70022564	1	Steel Ball	
17	70023369	1	Screw, Set	
18	70007159	1	Bushing	
19	2220885	2	Plug, O-Ring	
30	70007524	1	Seal Kit (Includes Items 4, 6-8, 10-12, 14 & 15)	

SECTION 6 - CYLINDER

FIGURE 6-9. STEER CYLINDER ASSEMBLY



ART_1001150539

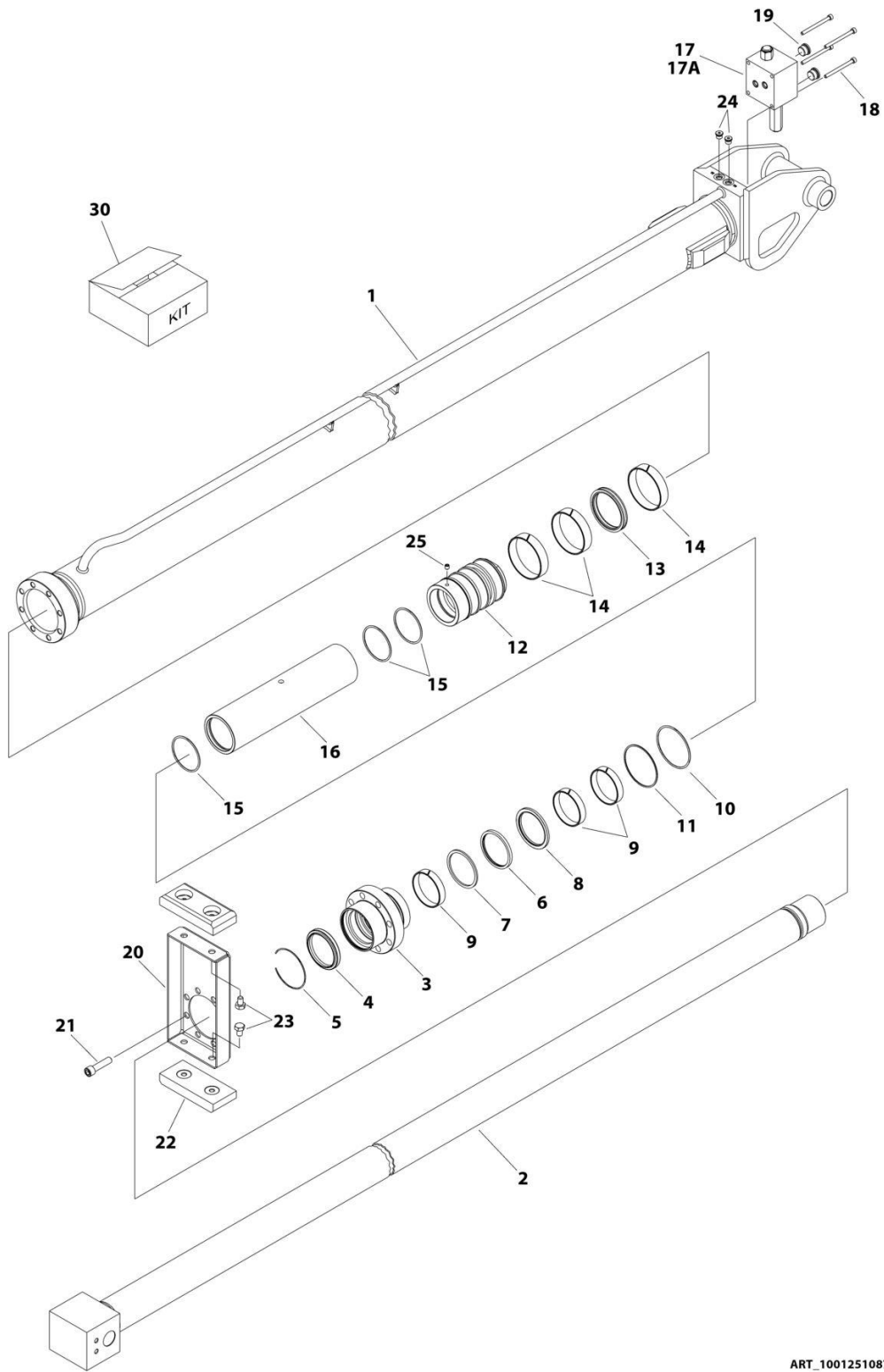
SECTION 6 - CYLINDER

FIGURE 6-9. STEER CYLINDER ASSEMBLY

ITEM	PART NUMBER	QTY	DESCRIPTION	REV
	1001150539	Ref	STEER CYLINDER ASSEMBLY	F
		Ref	Note: Original Cylinder may have been replaced with Service Replacement. Identify PN Stamped on Cylinder Before Ordering Parts.	
3	70002744	1	Piston	
4	70002745	2	Setscrew M6 x 10	
5	70004381	1	Barrel	
6	70004382	1	Rod	
7	70002748	1	Head	
8	See Note	NSS	Ring (Note: Use Item 100)	
9	See Note	NSS	Wiper (Note: Use Item 100)	
10	70002749	1	Nut, Spanner	
11	See Note	NSS	Seal (Note: Use Item 100)	
12	See Note	NSS	O-Ring (Note: Use Item 100)	
13	See Note	NSS	Ring, Back-up (Note: Use Item 100)	
14	See Note	NSS	Ring, Wear (Note: Use Item 100)	
15	See Note	NSS	Seal (Note: Use Item 100)	
16	0962152	4	Bushings	
100	70002751	1	Seal Kit (Includes Items 8, 9 & 11-15)	

SECTION 6 - CYLINDER

FIGURE 6-10. TELESCOPE CYLINDER ASSEMBLY - MAIN BOOM



ART_1001251087

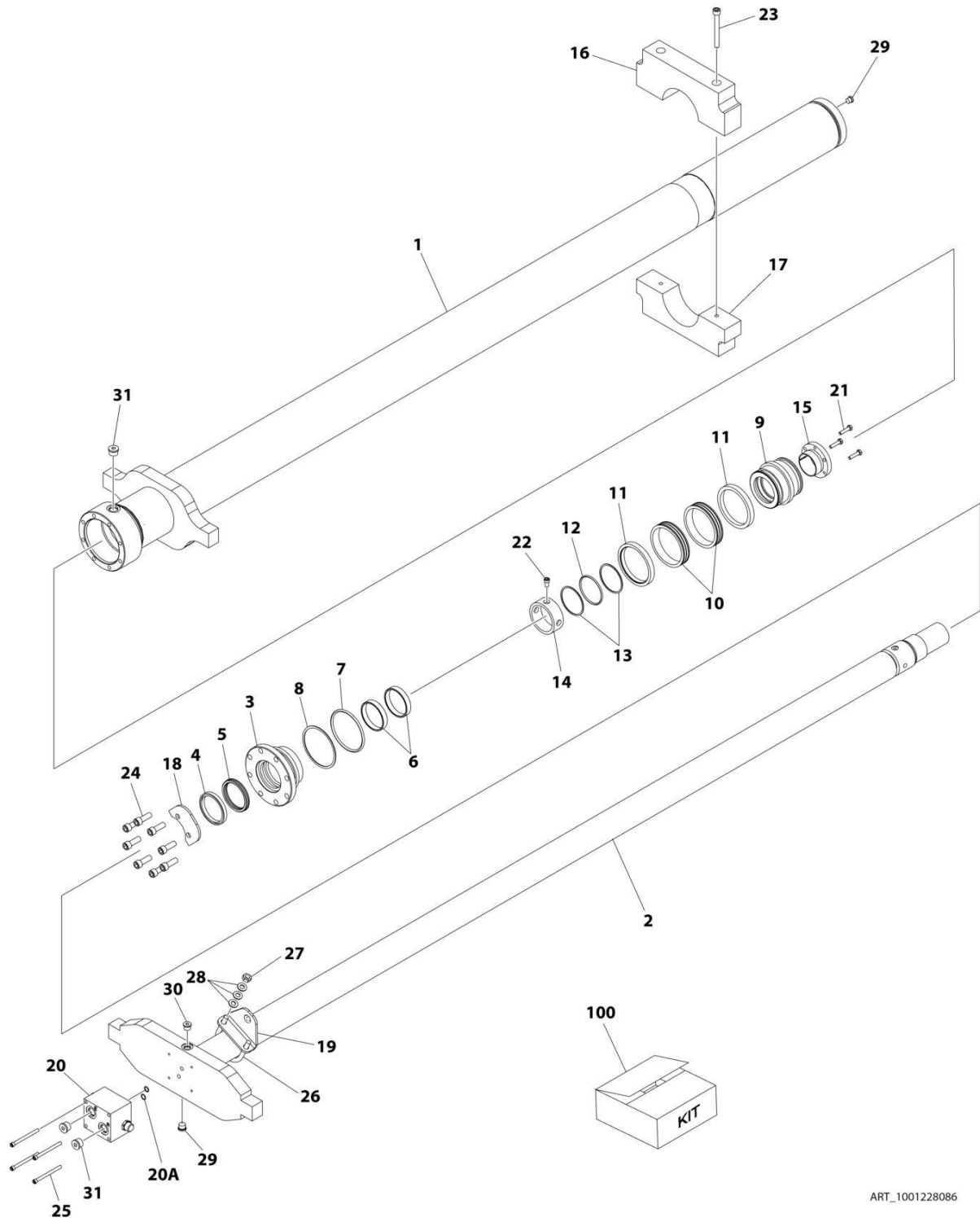
SECTION 6 - CYLINDER

FIGURE 6-10. TELESCOPE CYLINDER ASSEMBLY - MAIN BOOM

ITEM	PART NUMBER	QTY	DESCRIPTION	REV
	1001251087	Ref	TELESCOPE CYLINDER ASSEMBLY	A
		Ref	Note: Original Cylinder may have been replaced with Service Replacement. Identify PN Stamped on Cylinder Before Ordering Parts.	
1	See Note	NSS	Barrel (Note: Not Available for Purchase)	
2	70007514	1	Rod	
3	70007515	1	Head	
4	See Note	NSS	Wiper (Note: Use Item 30)	
5	70027259	1	Ring, Retaining	
6	See Note	NSS	Seal, Rod (Note: Use Item 30)	
7	See Note	NSS	Ring, Back-up (Note: Use Item 30)	
8	See Note	NSS	Ring, Buffer (Note: Use Item 30)	
9	See Note	NSS	Ring, Wear (Note: Use Item 30)	
10	See Note	NSS	O-Ring (Note: Use Item 30)	
11	See Note	NSS	Ring, Back-up (Note: Use Item 30)	
12	70007516	1	Piston	
13	See Note	NSS	Seal, Piston (Note: Use Item 30)	
14	See Note	NSS	Ring, Wear (Note: Use Item 30)	
15	See Note	NSS	O-Ring (Note: Use Item 30)	
16	70007517	1	Spacer	
17	4641033	1	Valve Assembly (No serviceable parts - sold as assembly only)	
17A	7024508	2	O-Ring (Between Valve and Cylinder Barrel)	
18	70006802	4	Capscrew M6	
19	2220886	2	Plug, O-Ring	
20	70007518	1	Plate	
21	70007519	8	Capscrew M12	
22	70007520	2	Pad, Wear	
23	70007521	4	Bolt M10	
24	2220883	2	Plug, O-Ring	
25	70006799	1	Screw, Set	
30	70007522	1	Seal Kit (Includes Items 4, 6, 7, 9-11 & 13-15)	

SECTION 6 - CYLINDER

FIGURE 6-11. TELESCOPE CYLINDER ASSEMBLY - TOWER BOOM



ART_1001228086

SECTION 6 - CYLINDER

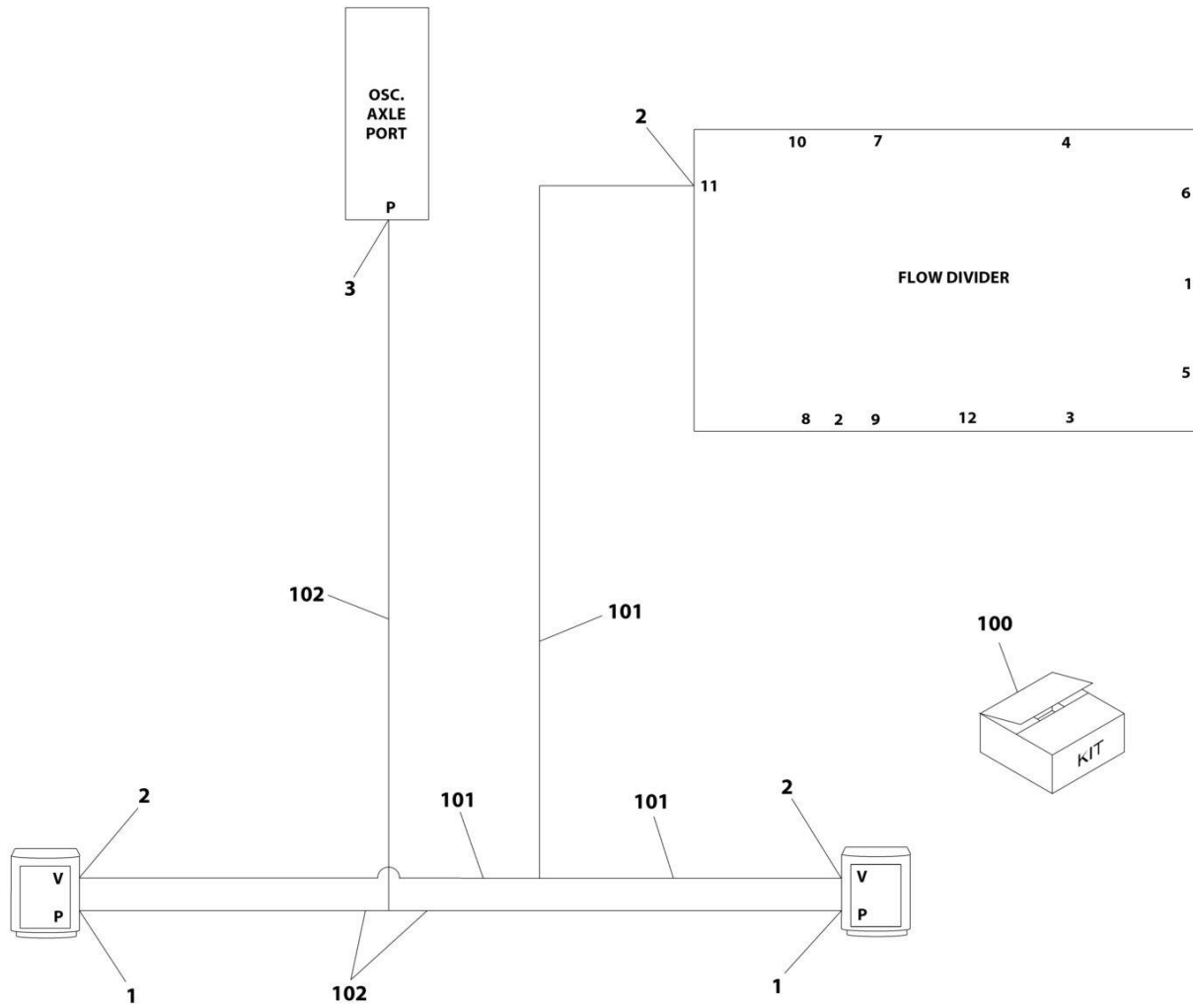
FIGURE 6-11. TELESCOPE CYLINDER ASSEMBLY - TOWER BOOM

ITEM	PART NUMBER	QTY	DESCRIPTION	REV
	1001228086	Ref	TELESCOPE CYLINDER ASSEMBLY	C
		Ref	Note: Original Cylinder may have been replaced with Service Replacement. Identify PN Stamped on Cylinder Before Ordering Parts.	
1	See Note	NSS	Barrel (Note: Not Available for Purchase)	
2	70006921	1	Rod	
3	70006480	1	Head	
4	See Note	NSS	Wiper (Note: Use Item 100)	
5	See Note	NSS	Seal, Rod (Note: Use Item 100)	
6	See Note	NSS	Ring, Wear (Note: Use Item 100)	
7	See Note	NSS	O-Ring (Note: Use Item 100)	
8	See Note	NSS	Ring, Back-up (Note: Use Item 100)	
9	70006479	1	Piston	
10	See Note	NSS	Seal, Piston (Note: Use Item 100)	
11	See Note	NSS	Ring, Lock (Note: use Item 100)	
12	See Note	NSS	O-Ring (Note: Use Item 100)	
13	See Note	NSS	Ring, Back-up (Note: Use Item 100)	
14	70006922	1	Spacer	
15	0961897	1	Bushing, Tapered	
16	70006923	1	Pad, Wear	
17	70006924	1	Pad, Wear	
18	70006925	1	Plate	
19	70006926	1	Plate	
20	4641032	1	Valve Assembly (No serviceable parts - sold as assembly only)	
20A	7024397	2	O-Ring (Between Valve and Cylinder Barrel)	
21	0630535	3	Bolt 1/4 x 1-1/8	
22	70006731	1	Bolt	
23	70006927	2	Bolt M10	
24	70006728	8	Bolt 7/16	
25	70006733	4	Bolt M8	
26	70006928	1	U-Bolt M10	
27	70005594	2	Nut M10	
28	70006344	6	Washer M10	
29	2220883	2	Plug, O-Ring	
30	2220885	1	Plug, O-Ring	
31	2220886	3	Plug, O-Ring	
100	1001188842	1	Seal Kit - 1001228086 Cylinder (Includes Items 4-8 & 10-13)	

SECTION 7 - HYDRAULIC

SECTION 7 - HYDRAULIC

FIGURE 7-1. HYDRAULIC DIAGRAM - AXLE (OSCILLATING)



ART_1001157400

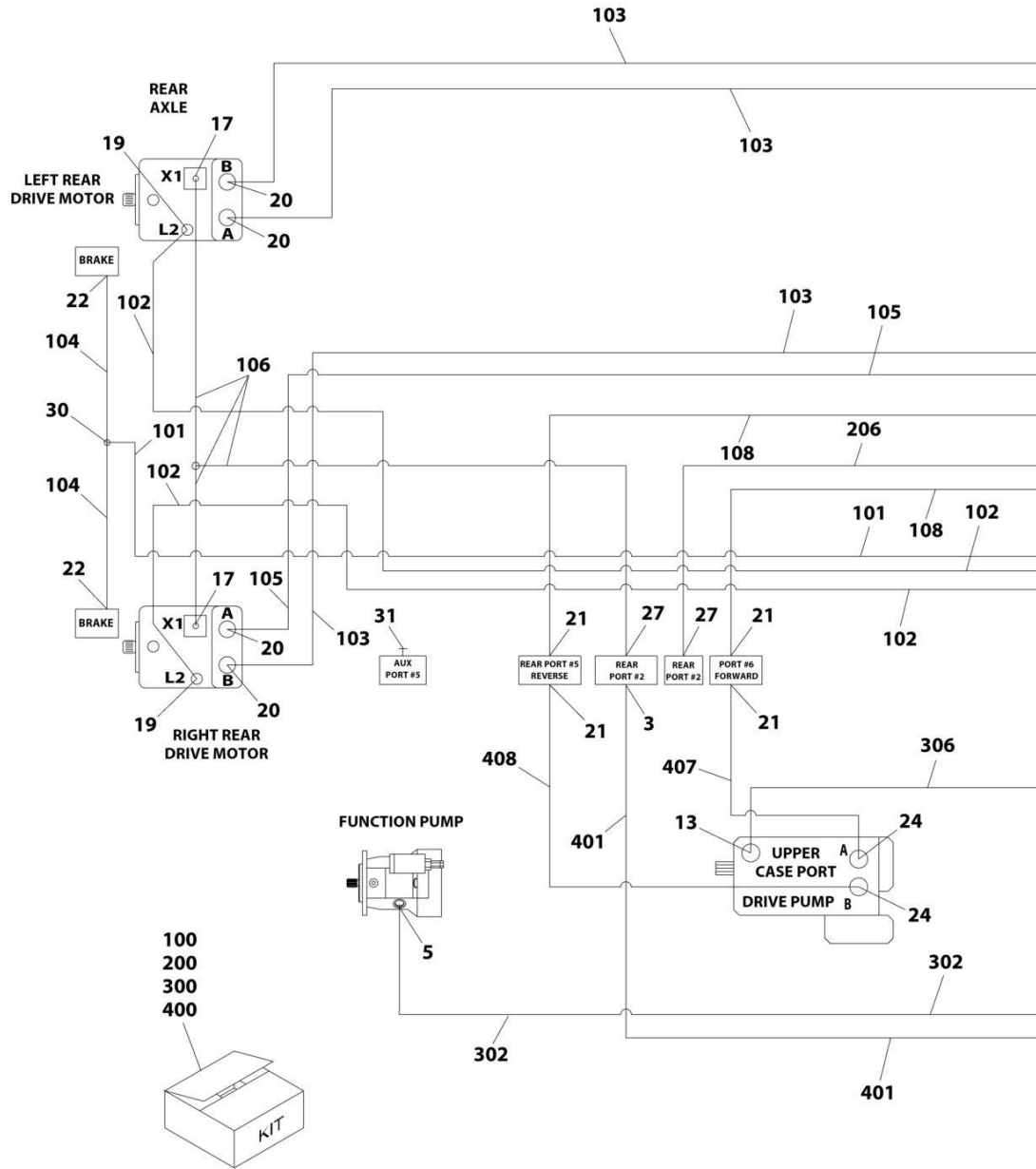
SECTION 7 - HYDRAULIC

FIGURE 7-1. HYDRAULIC DIAGRAM - AXLE (OSCILLATING)

ITEM	PART NUMBER	QTY	DESCRIPTION	REV
	1001157400	Ref	AXLE LOCKOUT HYDRAULIC DIAGRAM	G
1	2110404	2	Fitting, Straight ORFS/ORB	
2	2110606	3	Fitting, Straight ORFS/ORB	
3	2110408	1	Fitting, Straight ORFS/ORB	
100	1001270068	1	Hose Lockout Kit	
101	1001198336	1	Hose with Crimped Tee	
102	1001198339	1	Hose with Crimped Tee	

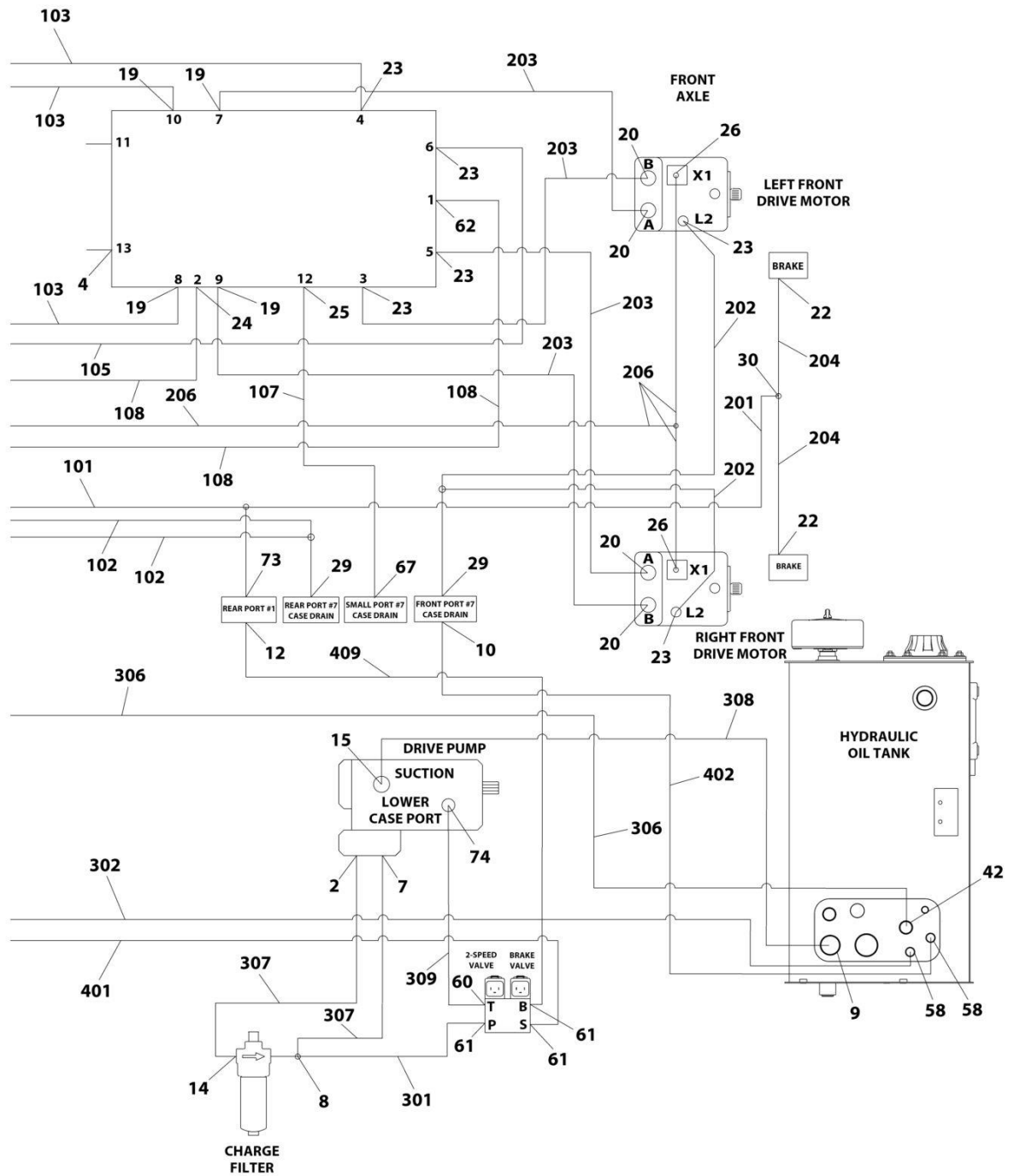
SECTION 7 - HYDRAULIC

FIGURE 7-2. HYDRAULIC DIAGRAM - DRIVE (4WD/2WS WITHOUT TOW PACKAGE/WITHOUT ARCTIC PACKAGE)



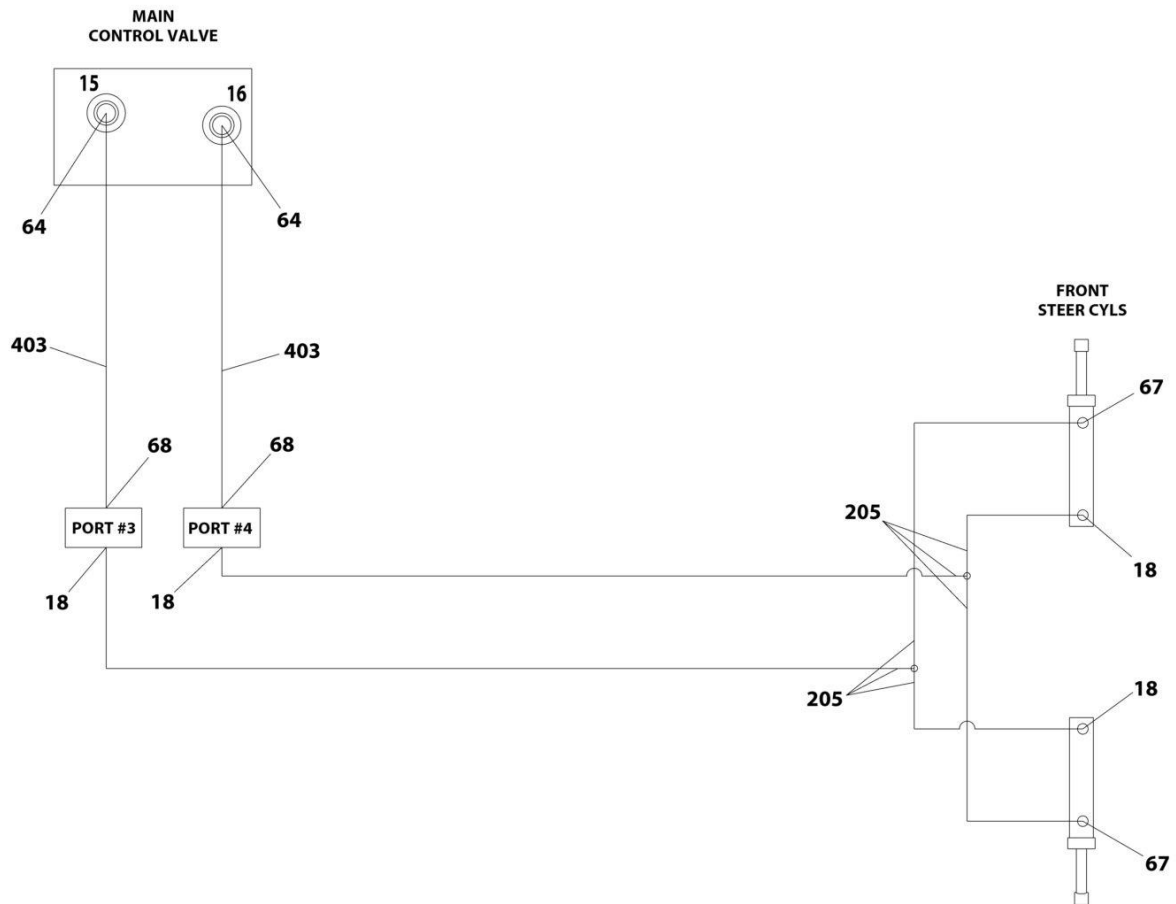
ART_1001178204_1OF3

SECTION 7 - HYDRAULIC



ART_1001178204_2OF3

SECTION 7 - HYDRAULIC



ART_1001178204_3OF3

SECTION 7 - HYDRAULIC

FIGURE 7-2. HYDRAULIC DIAGRAM - DRIVE (4WD/2WS WITHOUT TOW PACKAGE/WITHOUT ARCTIC PACKAGE)

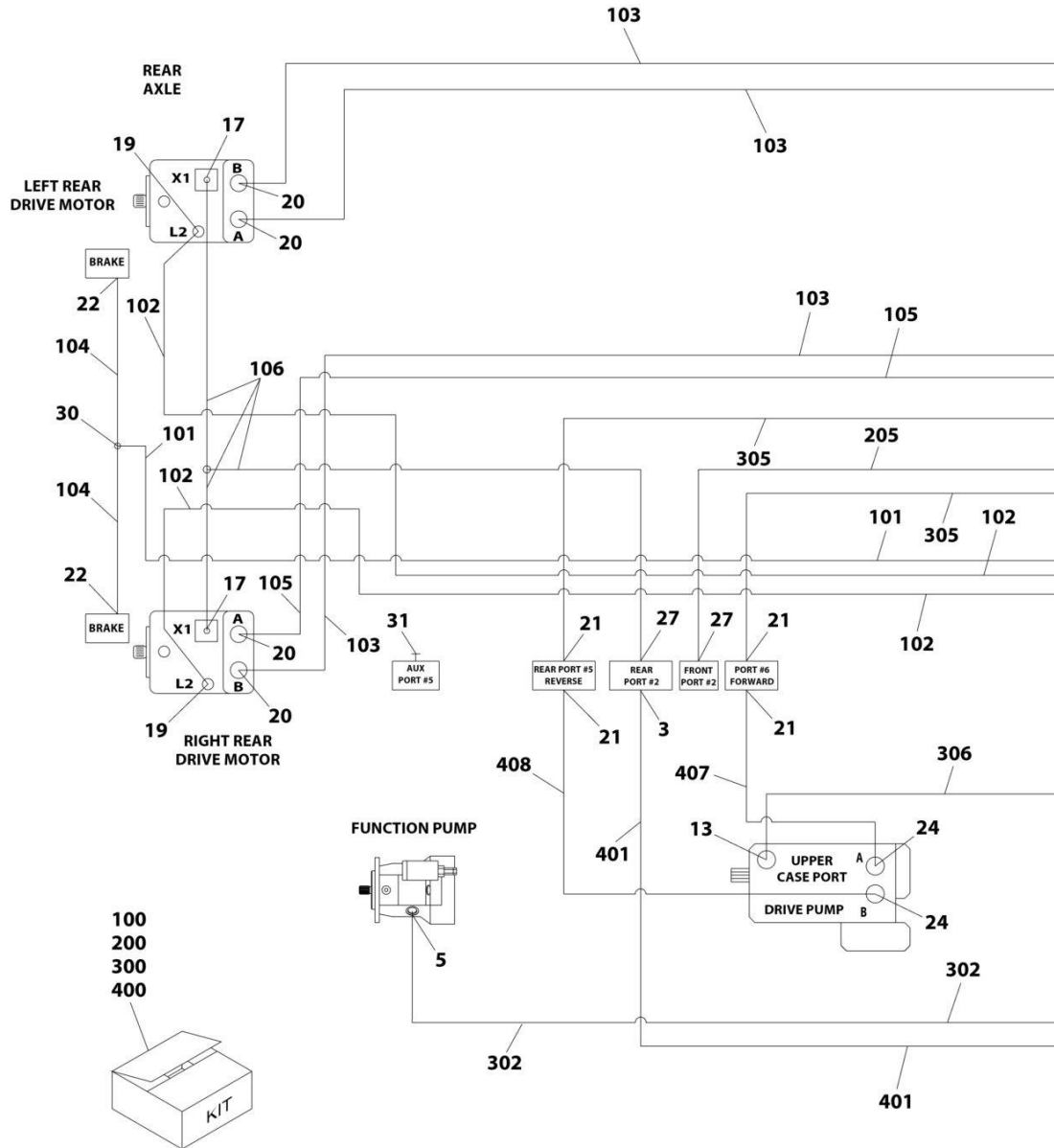
ITEM	PART NUMBER	QTY	DESCRIPTION	REV
	1001178204	Ref	DRIVE HYDRAULIC DIAGRAM - 4WD/2WS	J
2	2220800	1	Fitting, Straight ORB/FL	
3	2220582	1	Fitting, Straight ORB/FL	
4	2220238	1	Plug	
5	2220671	1	Fitting, 90 JIC/ORB	
7	2220374	1	Fitting, Straight JIC/ORB	
8	1001199394	1	Fitting, Tee JIC/ORB/JIC	
9	2220380	1	Fitting, Straight ORB/FL	
10	2220375	1	Fitting, Straight ORB/FL	
12	2220468	1	Fitting, Straight ORB/FL	
13	2220578	1	Fitting, 90 JIC/ORB	
14	2220596	1	Fitting, 90 JIC/FL	
15	8770050	1	Fitting, 90 JIC/ORB	
17	2110406	2	Fitting, Straight ORFS/ORB	
18	2110606	4	Fitting, Straight ORFS/ORB	
19	2110808	6	Fitting, Straight ORFS/ORB	
20	2110812	8	Fitting, Straight ORFS/ORB	
21	2111616	4	Fitting, Straight ORFS/ORB	
22	2110404	4	Fitting, Straight ORFS/ORB	
23	2130808	6	Fitting, 90 ORFS/ORB	
24	2131616	3	Fitting, 90 ORFS/ORB	
25	2130604	1	Fitting, 90 ORFS/ORB	
26	2130406	2	Fitting, 90 ORFS/ORB	
27	2150406	2	Fitting, 45 ORFS/ORB	
29	2170408	2	Fitting, Tee ORFS/ORFS/ORB	
30	2170504	2	Fitting, Tee ORFS	
31	2220237	1	Plug	
42	2220451	1	Fitting, Straight JIC/ORB	
58	2220373	2	Fitting, Straight JIC/ORB	
60	2220940	1	Fitting, 90 ORB/FL	
61	2220466	3	Fitting, 90 ORB/FL	
62	2151616	1	Fitting, 90 ORFS/ORB	
64	2220371	2	Fitting, Straight JIC/ORB	
67	2130606	3	Fitting, 90 ORFS/ORB	
68	2220473	2	Fitting, 90 ORB/FL	
73	1001198338	1	Fitting, Tee ORFS/ORB	
74	1001215296	1	Fitting, 90 JIC/SORB	
100	1001270069	1	Arctic Towbar Hose Kit	
101	2753622	1	Hose	
102	2753686	2	Hose	
103	2753971	3	Hose	
104	2754337	2	Hose	
105	2754338	1	Hose	
106	1001198340	1	Hose	
107	2753626	1	Hose	
108	2753634	1	Hose	
200	1001270630	1	Front Hose Kit	
201	2753542	1	Hose	
202	2753628	2	Hose	

SECTION 7 - HYDRAULIC

ITEM	PART NUMBER	QTY	DESCRIPTION	REV
203	2753970	4	Hose	
204	2754512	2	Hose	
205	1001198333	2	Hose	
206	1001198341	1	Hose	
300	1001270090	1	Arctic Towbar Hose Kit	
301	2752434	1	Hose	
302	2752938	1	Hose	
306	1001188135	1	Hose	
307	2752495	1	Hose	
308	2752754	1	Hose	
309	1001151354	1	Hose	
400	1001270091	1	Arctic Towbar Hose Kit	
401	2751399	1	Hose	
402	2751500	1	Hose	
403	2752489	2	Hose	
407	1001156332	1	Hose	
408	1001156333	1	Hose	
409	2752997	1	Hose	

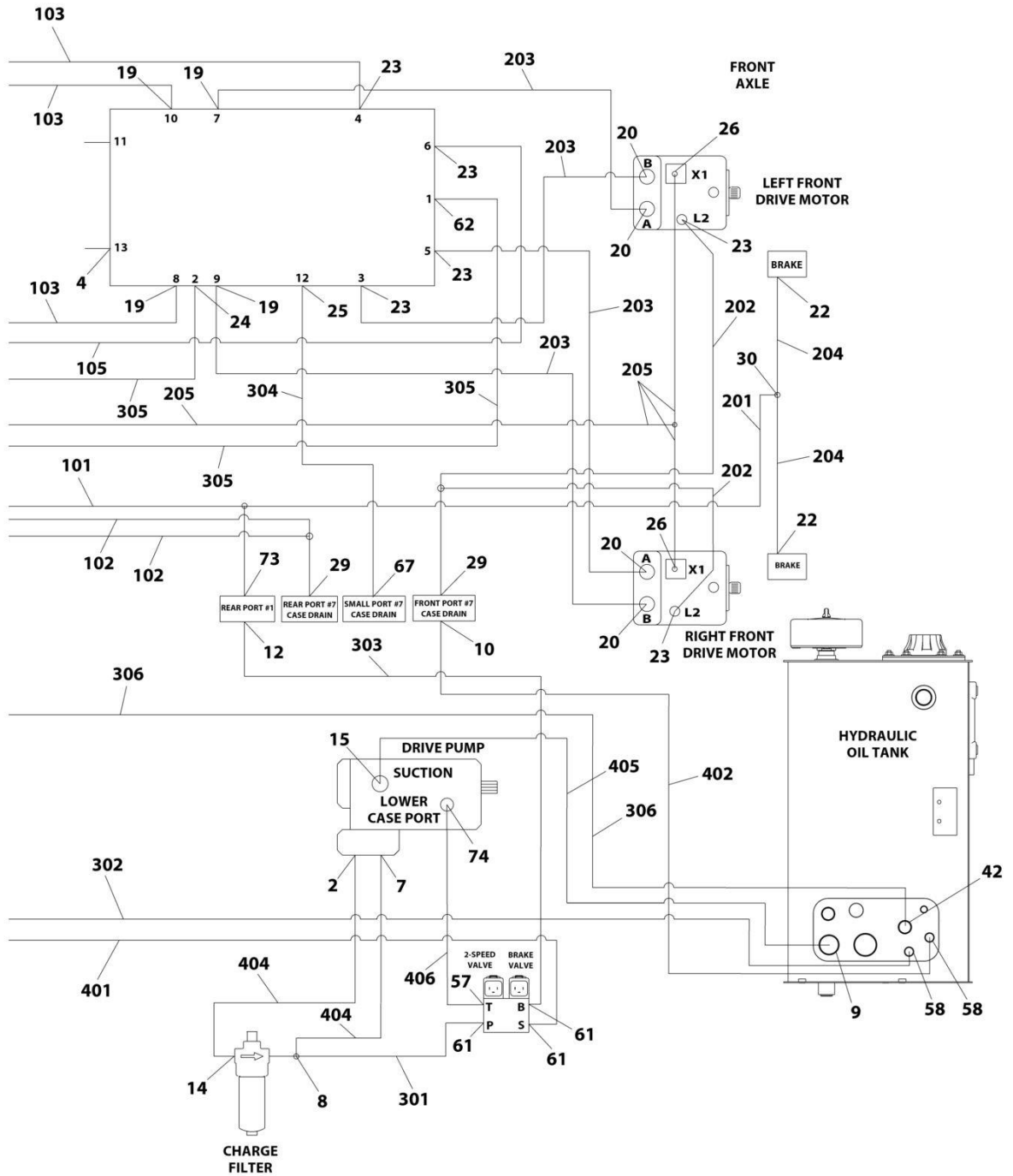
SECTION 7 - HYDRAULIC

FIGURE 7-3. HYDRAULIC DIAGRAM - DRIVE (4WD/2WS WITHOUT TOW PACKAGE/WITH ARCTIC PACKAGE)



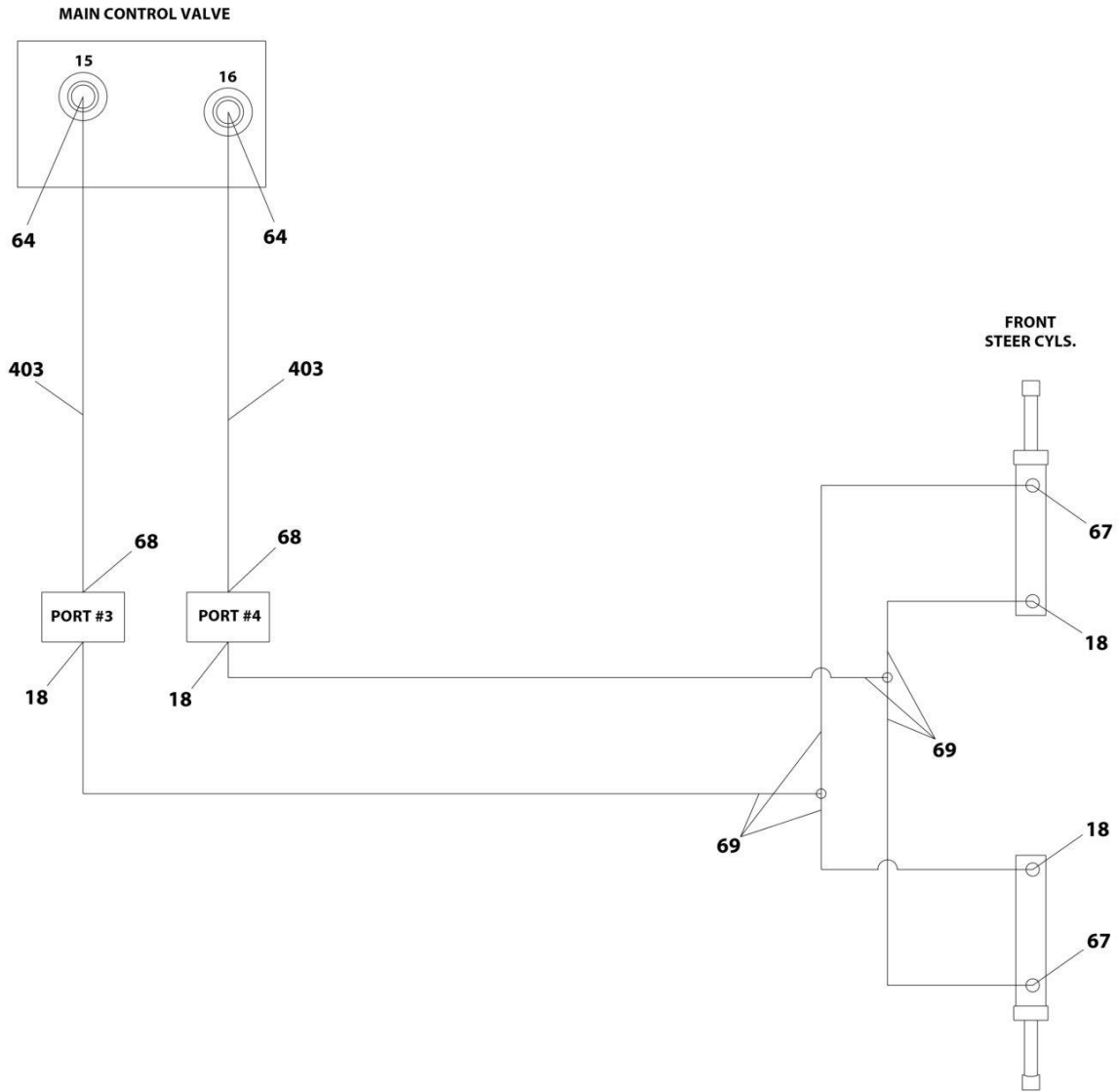
ART_1001178205_1OF3

SECTION 7 - HYDRAULIC



ART_1001178205_2OF3

SECTION 7 - HYDRAULIC



ART_1001178205_30F3

SECTION 7 - HYDRAULIC

FIGURE 7-3. HYDRAULIC DIAGRAM - DRIVE (4WD/2WS WITHOUT TOW PACKAGE/WITH ARCTIC PACKAGE)

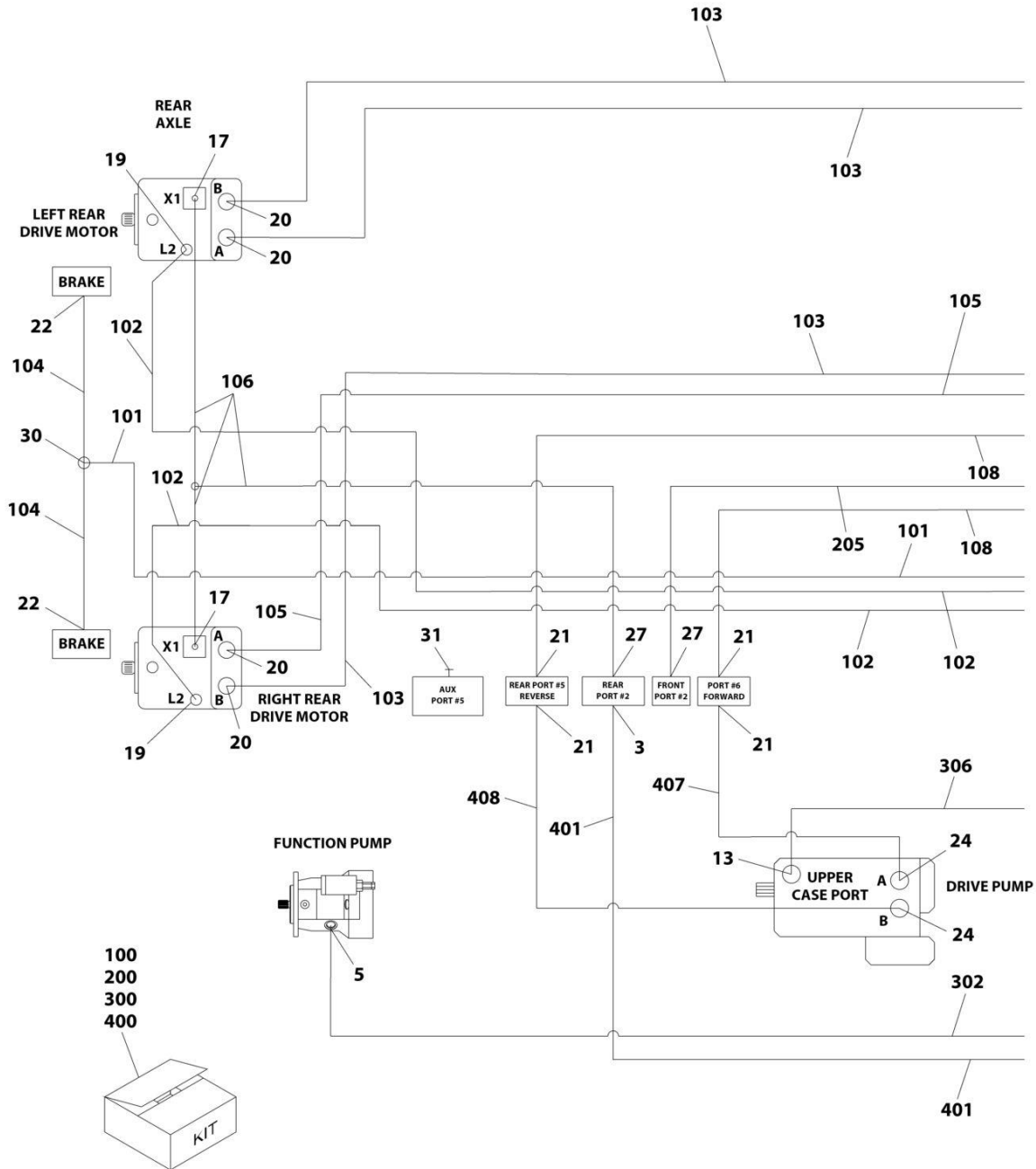
ITEM	PART NUMBER	QTY	DESCRIPTION	REV
	1001178205	Ref	DRIVE HYDRAULIC DIAGRAM - 4WD/2WS	H
2	2220800	1	Fitting, Straight ORB/FL	
3	2220582	1	Fitting, Straight ORB/FL	
4	2220238	1	Plug	
5	2220671	1	Fitting, 90 JIC/ORB	
7	2220374	1	Fitting, Straight JIC/ORB	
8	1001199394	1	Fitting, Tee JIC/ORB/JIC	
9	2220380	1	Fitting, Straight ORB/FL	
10	2220375	1	Fitting, Straight ORB/FL	
12	2220468	1	Fitting, Straight ORB/FL	
13	2220578	1	Fitting, 90 JIC/ORB	
14	2220596	1	Fitting, 90 JIC/FL	
15	8770050	1	Fitting, 90 JIC/ORB	
17	2110406	2	Fitting, Straight ORFS/ORB	
18	2110606	4	Fitting, Straight ORFS/ORB	
19	2110808	6	Fitting, Straight ORFS/ORB	
20	2110812	8	Fitting, Straight ORFS/ORB	
21	2111616	4	Fitting, Straight ORFS/ORB	
22	2110404	4	Fitting, Straight ORFS/ORB	
23	2130808	6	Fitting, 90 ORFS/ORB	
24	2131616	3	Fitting, 90 ORFS/ORB	
25	2130604	1	Fitting, 90 ORFS/ORB	
26	2130406	2	Fitting, 90 ORFS/ORB	
27	2150406	2	Fitting, 45 ORFS/ORB	
29	2170408	2	Fitting, Tee ORFS/ORFS/ORB	
30	2170504	2	Fitting, Tee ORFS	
31	2220237	1	Plug	
42	2220451	1	Fitting, Straight JIC/ORB	
57	2220940	1	Fitting, 90 ORB/FL	
58	2220373	2	Fitting, Straight JIC/ORB	
61	2220466	3	Fitting, 90 ORB/FL	
62	2151616	1	Fitting, 90 ORFS/ORB	
64	2220371	2	Fitting, Straight JIC/ORB	
67	2130606	3	Fitting, 90 ORFS/ORB	
68	2220473	2	Fitting, 90 ORB/FL	
69	1001198333	2	Hose	
73	1001198338	1	Fitting, Tee ORFS/ORB	
74	1001215296	1	Fitting, 90 JIC/SORB	
100	1001270069	1	Arctic Towbar Hose Kit	
101	2753622	1	Hose	
102	2753686	2	Hose	
103	2753971	3	Hose	
104	2754337	2	Hose	
105	2754338	1	Hose	
106	1001198340	1	Hose	
200	1001270073	1	Arctic Towbar Hose Kit	
201	2753542	1	Hose	
202	2754720	2	Hose	
203	2754743	4	Hose	

SECTION 7 - HYDRAULIC

ITEM	PART NUMBER	QTY	DESCRIPTION	REV
204	1001106957	2	Hose	
205	1001204269	1	Hose	
300	1001270090	1	Arctic Towbar Hose Kit	
301	2752434	1	Hose	
302	2752938	1	Hose	
303	2752997	1	Hose	
304	2753626	1	Hose	
305	2753634	2	Hose	
306	1001188135	1	Hose	
400	1001270091	1	Arctic Towbar Hose Kit	
401	2751399	1	Hose	
402	2751500	1	Hose	
403	2752489	2	Hose	
404	2752495	2	Hose	
405	2752754	1	Hose	
406	1001151354	1	Hose	
407	1001156332	1	Hose	
408	1001156333	1	Hose	

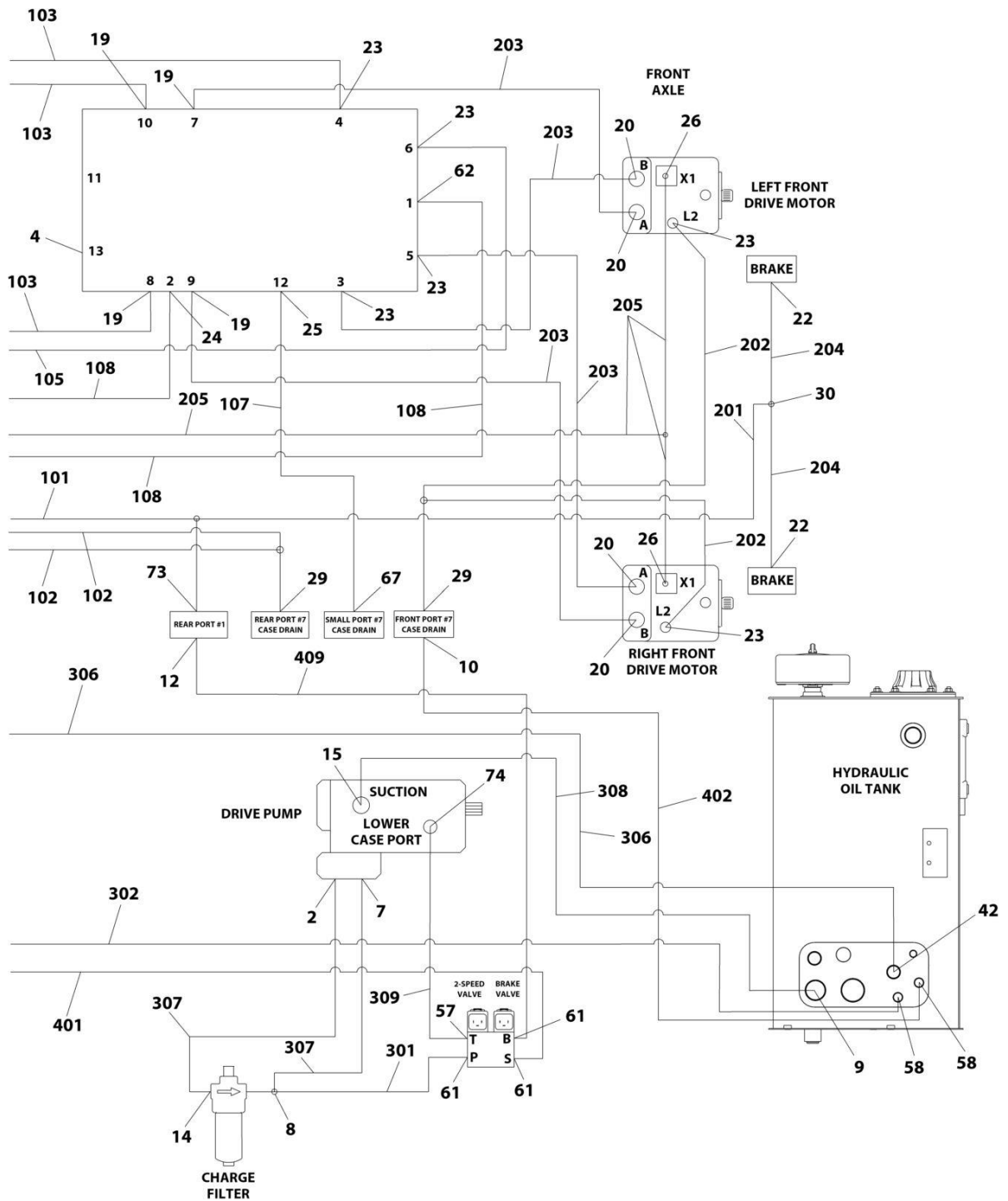
SECTION 7 - HYDRAULIC

FIGURE 7-4. HYDRAULIC DIAGRAM - DRIVE (4WD/2WS WITH TOW PACKAGE/WITHOUT ARCTIC PACKAGE)



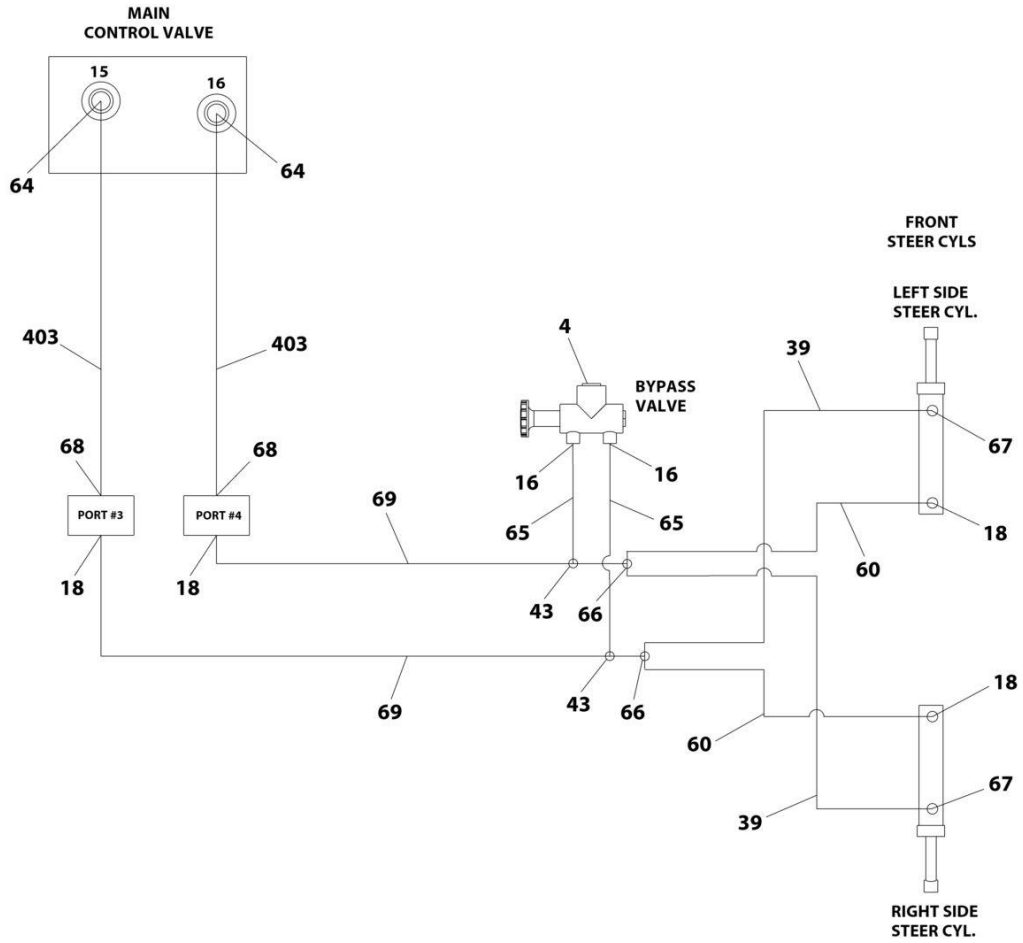
ART_1001217196_10F3

SECTION 7 - HYDRAULIC



ART_1001217196_2OF3

SECTION 7 - HYDRAULIC



ART_1001217196_3OF3

SECTION 7 - HYDRAULIC

FIGURE 7-4. HYDRAULIC DIAGRAM - DRIVE (4WD/2WS WITH TOW PACKAGE/WITHOUT ARCTIC PACKAGE)

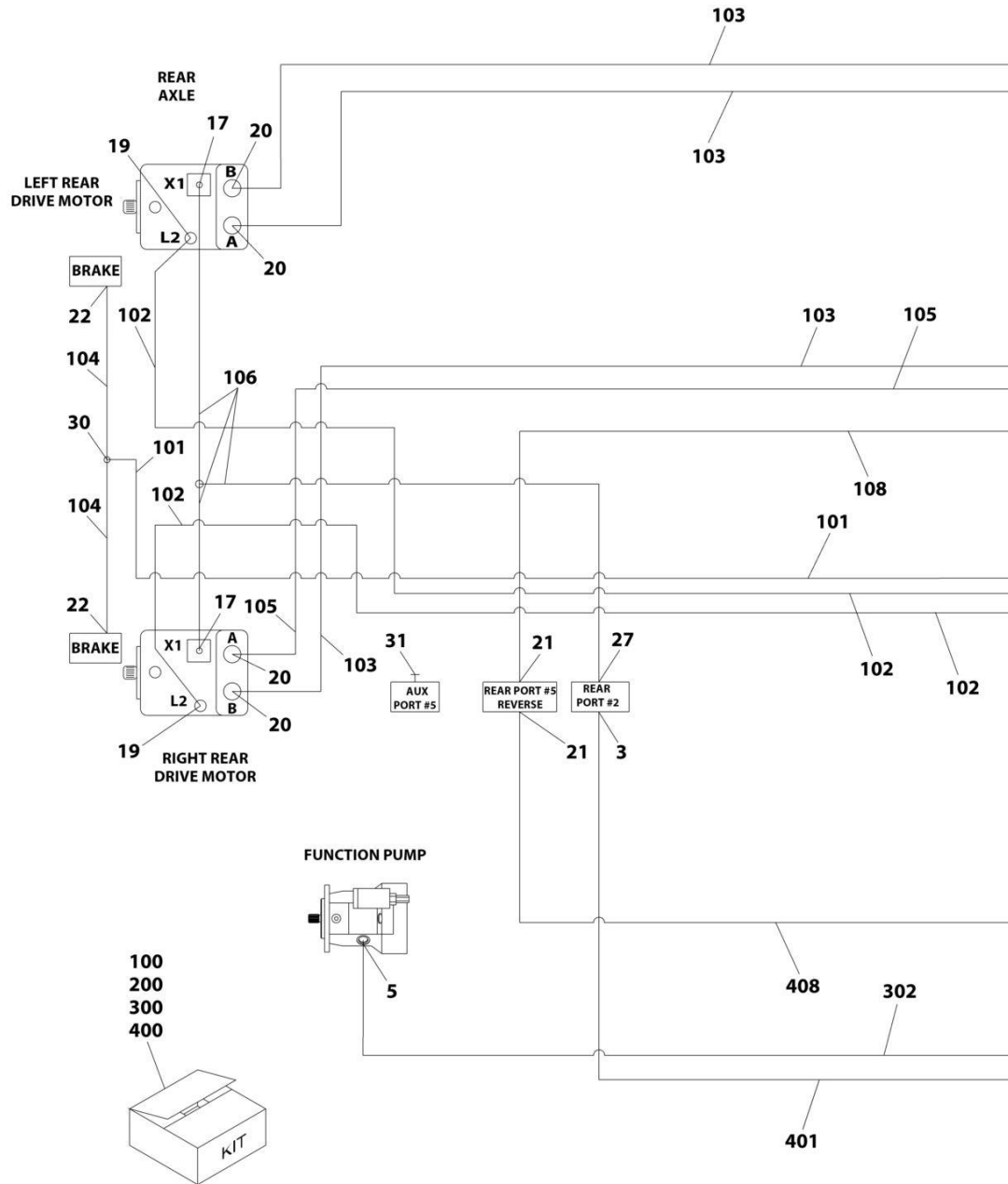
ITEM	PART NUMBER	QTY	DESCRIPTION	REV
	1001217196	Ref	Drive Hydraulic Diagram - 4WD/2WS	D
2	2220800	1	Fitting, Straight ORB/FL	
3	2220582	1	Fitting, Straight ORB/FL	
4	2220238	2	Plug	
5	2220671	1	Fitting, 90 JIC/ORB	
7	2220374	1	Fitting, Straight JIC/ORB	
8	1001199394	1	Fitting, Tee JIC/ORB/JIC	
9	2220380	1	Fitting, Straight ORB/FL	
10	2220375	1	Fitting, Straight ORB/FL	
12	2220468	1	Fitting, Straight ORB/FL	
13	2220578	1	Fitting, 90 JIC/ORB	
14	2220596	1	Fitting, 90 ORB/FL	
15	8770050	1	Fitting, 90 JIC/ORB	
16	2110608	2	Fitting, Straight ORFS/ORB	
17	2110406	2	Fitting, Straight ORFS/ORB	
18	2110606	4	Fitting, Straight ORFS/ORB	
19	2110808	6	Fitting, Straight ORFS/ORB	
20	2110812	8	Fitting, Straight ORFS/OBS	
21	2131616	4	Fitting, 90 ORFS/ORB	
22	2110404	4	Fitting, Straight ORFS/ORB	
23	2130808	6	Fitting, 90 ORFS/ORB	
24	2111616	3	Fitting, Straight ORFS/ORB	
25	2130604	1	Fitting, 90 ORFS/OBS	
26	2130406	2	Fitting, 90 ORFS/OBS	
27	2150406	2	Fitting, 45 ORFS/ORB	
29	2170408	2	Fitting, Tee ORFS/ORFS/OBS	
30	2170504	2	Fitting, Tee ORFS	
31	2220237	1	Plug	
39	2753656	2	Hose	
42	2220451	1	Fitting, Straight JIC/ORB	
43	2170706	2	Fitting, Tee - ORFS/ORFS/ORFS	
57	2220940	1	Fitting, 90 ORB/FL	
58	2220373	2	Fitting, Straight JIC/ORB	
60	1001159340	2	Hose	
61	2220466	3	Fitting, 90 ORB/FL	
62	2151616	1	Fitting, 45 ORFS/ORB	
64	2220371	2	Fitting, Straight JIC/ORB	
65	2753879	2	Hose	
66	2170506	2	Fitting, Tee ORFS/ORFS/ORFS	
67	2130606	3	Fitting, 90 ORFS/ORB	
68	2220473	2	Fitting, 90 ORB/FL	
69	2753732	2	Hose	
73	1001198338	1	Fitting, Tee ORFS/ORB	
74	1001215296	1	Fitting, 90 JIC/SORB	
100	1001270069	1	Arctic Towbar Hose Kit	
101	2753622	1	Hose	
102	2753686	2	Hose	
103	2753971	3	Hose	
104	2754337	2	Hose	

SECTION 7 - HYDRAULIC

ITEM	PART NUMBER	QTY	DESCRIPTION	REV
105	2754338	1	Hose	
106	1001198340	1	Hose	
107	2753626	1	Hose	
108	2753634	1	Hose	
200	1001270073	1	Arctic Towbar Hose Kit	
201	2753542	1	Hose	
202	2754720	2	Hose	
203	2754743	4	Hose	
204	1001106957	2	Hose	
205	1001204269	1	Hose	
300	1001270090	1	Arctic Towbar Hose Kit	
301	2752434	1	Hose	
302	2752938	1	Hose	
306	1001188135	1	Hose	
307	2752495	1	Hose	
308	2752754	1	Hose	
309	1001151354	1	Hose	
400	1001270091	1	Arctic Towbar Hose Kit	
401	2751399	1	Hose	
402	2751500	1	Hose	
403	2752489	2	Hose	
407	1001156332	1	Hose	
408	1001156333	1	Hose	
409	2752997	1	Hose	

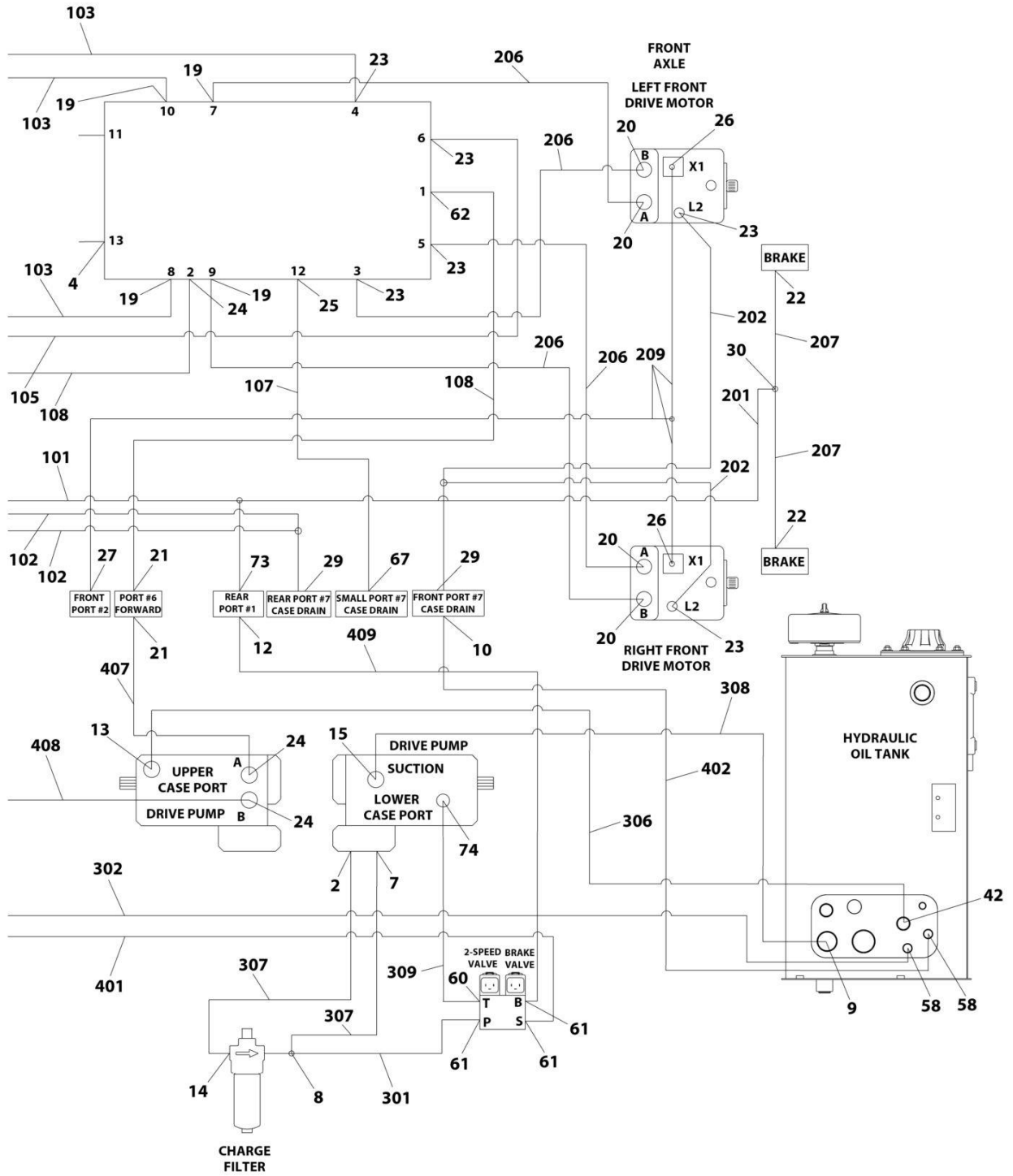
SECTION 7 - HYDRAULIC

FIGURE 7-5. HYDRAULIC DIAGRAM - DRIVE (4WD/2WS WITH TOW PACKAGE/WITH ARCTIC PACKAGE)



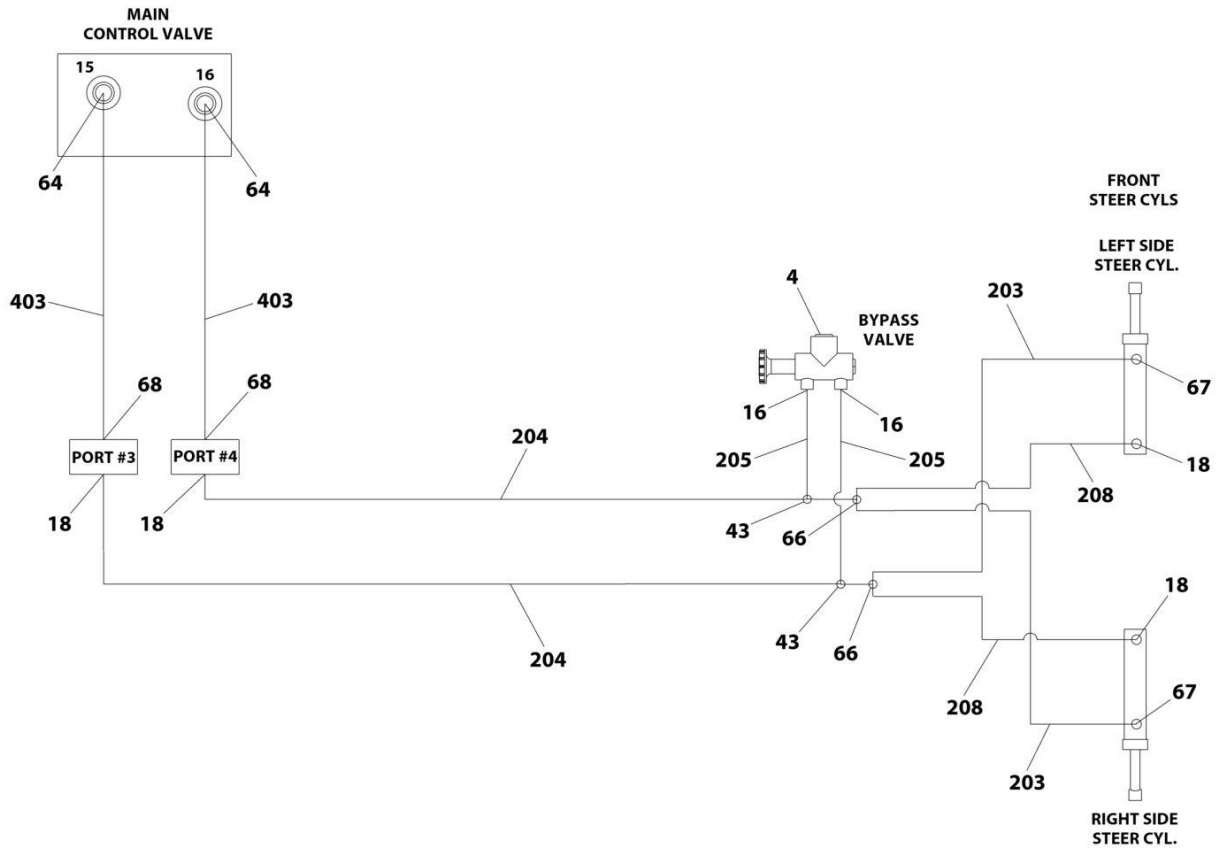
ART_1001217195_1OF3

SECTION 7 - HYDRAULIC



ART_1001217195_2OF3

SECTION 7 - HYDRAULIC



ART_1001217195_3OF3

SECTION 7 - HYDRAULIC

FIGURE 7-5. HYDRAULIC DIAGRAM - DRIVE (4WD/2WS WITH TOW PACKAGE/WITH ARCTIC PACKAGE)

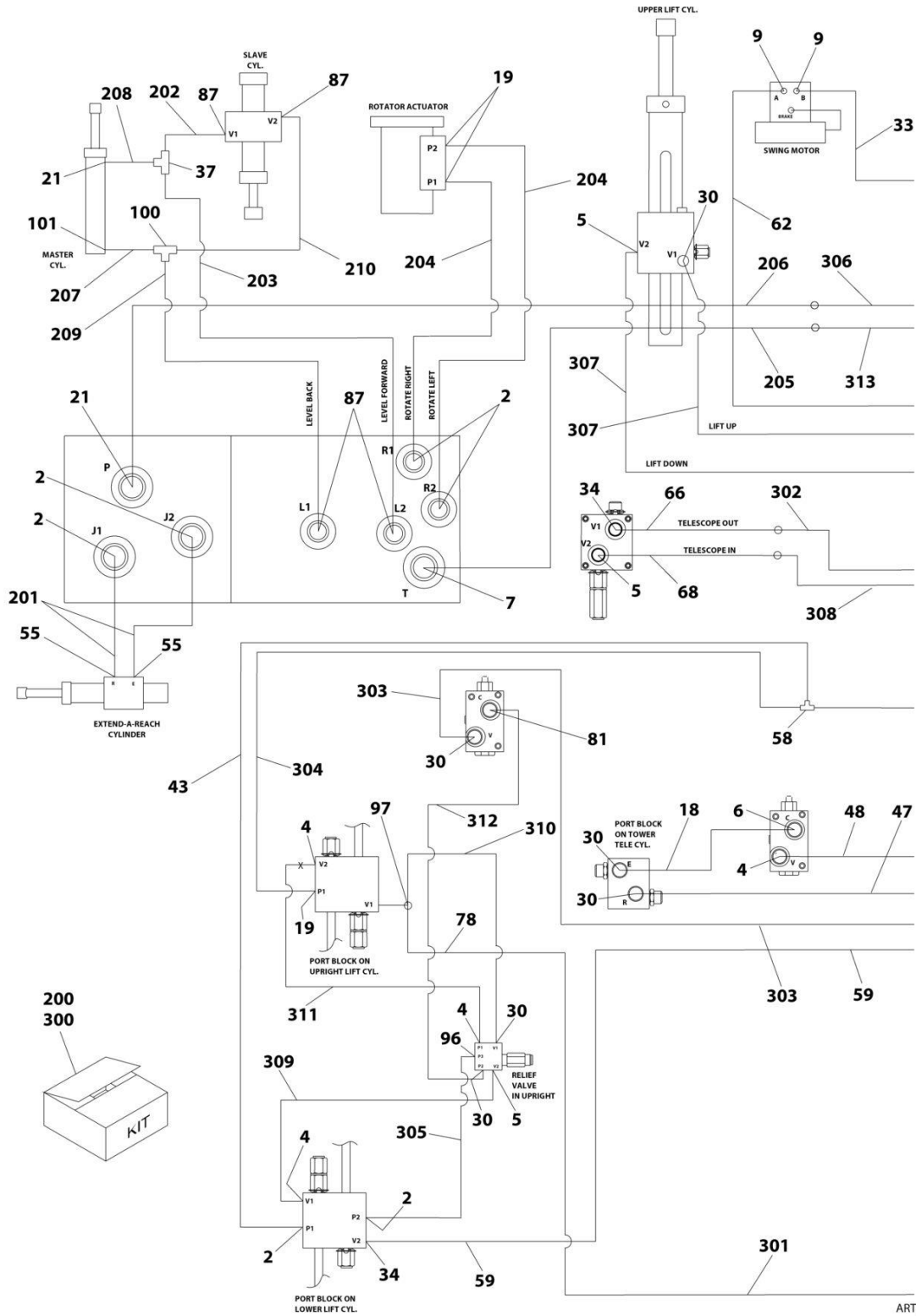
ITEM	PART NUMBER	QTY	DESCRIPTION	REV
	1001217195	Ref	HYDRAULIC DIAGRAM - DRIVE (4WD/2WS)	D
2	2220800	1	Fitting, Straight ORB/FL	
3	2220582	1	Fitting, Straight ORB/FL	
4	2220238	2	Plug	
5	2220671	1	Fitting, 90 JIC/ORB	
7	2220374	1	Fitting, Straight JIC/ORB	
8	1001199394	1	Fitting, Tee JIC/ORB/JIC	
9	2220380	1	Fitting, Straight ORB/FL	
10	2220375	1	Fitting, Straight ORB/FL	
12	2220468	1	Fitting, Straight ORB/FL	
13	2220578	1	Fitting, 90 JIC/ORB	
14	2220596	1	Fitting, 90 ORB/FL	
15	8770050	1	Fitting, 90 JIC/ORB	
16	2110608	2	Fitting, Straight ORFS/ORB	
17	2110406	2	Fitting, Straight ORFS/ORB	
18	2110606	4	Fitting, Straight ORFS/ORB	
19	2110808	6	Fitting, Straight ORFS/ORB	
20	2110812	8	Fitting, Straight ORFS/OBS	
21	2131616	4	Fitting, 90 ORFS/ORB	
22	2110404	4	Fitting, Straight ORFS/ORB	
23	2130808	6	Fitting, 90 ORFS/ORB	
24	2111616	3	Fitting, Straight ORFS/ORB	
25	2130604	1	Fitting, 90 ORFS/OBS	
26	2130406	2	Fitting, 90 ORFS/OBS	
27	2150406	2	Fitting, 45 ORFS/ORB	
29	2170408	2	Fitting, Tee ORFS/ORFS/OBS	
30	2170504	2	Fitting, Tee ORFS	
31	2220237	1	Plug	
42	2220451	1	Fitting, Straight JIC/ORB	
43	2170706	2	Fitting, Tee - ORFS/ORFS/ORFS	
58	2220373	2	Fitting, Straight JIC/ORB	
60	2220940	1	Fitting, 90 ORB/FL	
61	2220466	3	Fitting, 90 ORB/FL	
62	2151616	1	Fitting, 45 ORFS/ORB	
64	2220371	2	Fitting, Straight JIC/ORB	
66	2170506	2	Fitting, Tee ORFS/ORFS/ORFS	
67	2130606	3	Fitting, 90 ORFS/ORB	
68	2220473	2	Fitting, 90 ORB/FL	
73	1001198338	1	Fitting, Tee ORFS/ORB	
74	1001215296	1	Fitting, 90 JIC/SORB	
100	1001270069	1	Arctic Twobar Hose Kit	
101	2753622	1	Hose	
102	2753686	2	Hose	
103	2753971	3	Hose	
104	2754337	2	Hose	
105	2754338	1	Hose	
106	1001198340	1	Hose	
107	2753626	1	Hose	
108	2753634	1	Hose	

SECTION 7 - HYDRAULIC

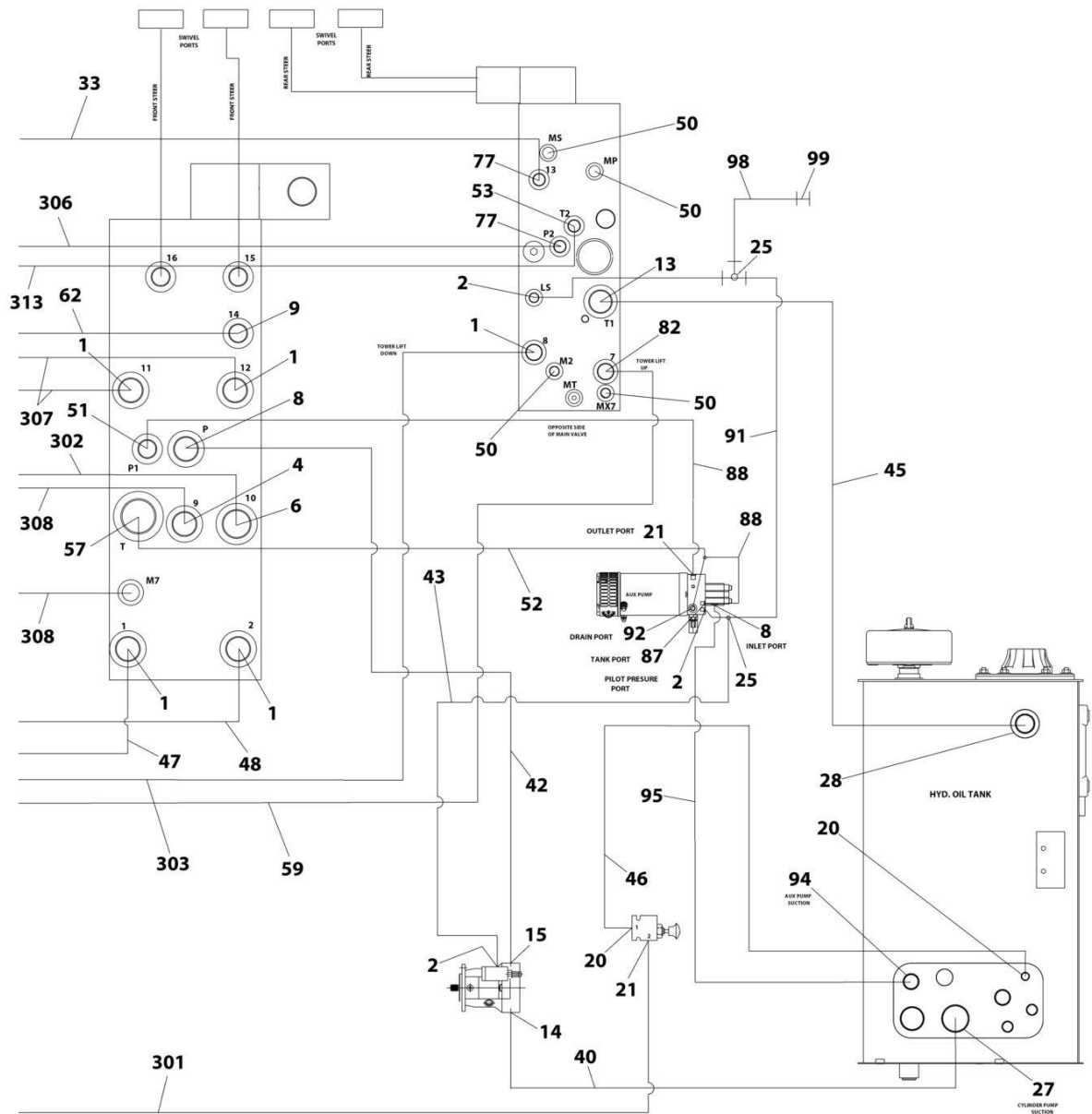
ITEM	PART NUMBER	QTY	DESCRIPTION	REV
200	1001270096	1	Towbar Front Hose Kit	
201	2753542	1	Hose	
202	2753628	2	Hose	
203	2753656	2	Hose	
204	2753732	2	Hose	
205	2753879	2	Hose	
206	2753970	4	Hose	
207	2754512	2	Hose	
208	1001159340	2	Hose	
209	1001198341	1	Hose	
300	1001270090	1	Arctic Twobar Hose Kit	
301	2752434	1	Hose	
302	2752938	1	Hose	
306	1001188135	1	Hose	
307	2752495	1	Hose	
308	2752754	1	Hose	
309	1001151354	1	Hose	
400	1001270091	1	Arctic Twobar Hose Kit	
401	2751399	1	Hose	
402	2751500	1	Hose	
403	2752489	2	Hose	
407	1001156332	1	Hose	
408	1001156333	1	Hose	
409	2752997	1	Hose	

SECTION 7 - HYDRAULIC

FIGURE 7-6. HYDRAULIC DIAGRAM - STANDARD (Prior to SN 0300281602)



SECTION 7 - HYDRAULIC



ART_1001254879_B_2OF2

SECTION 7 - HYDRAULIC

FIGURE 7-6. HYDRAULIC DIAGRAM - STANDARD (Prior to SN 0300281602)

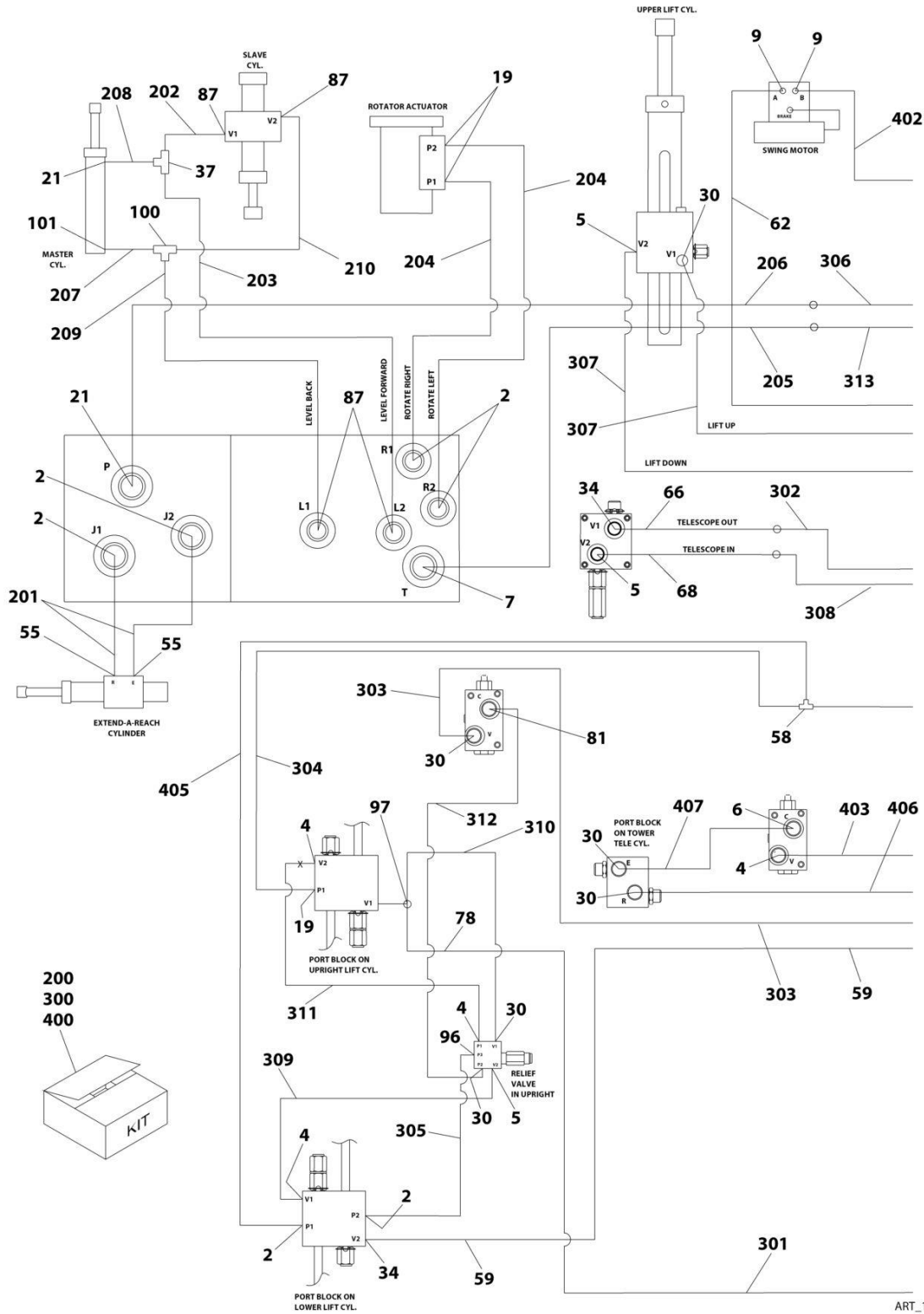
ITEM	PART NUMBER	QTY	DESCRIPTION	REV
	1001254879	Ref	STANDARD HYDRAULIC DIAGRAM	B
1	2220381	5	Fitting, Straight ORB/FL	
2	2220415	9	Fitting, Straight ORB/FL	
3	2753442	2	Hose	
4	2220373	5	Fitting, Straight ORB/FL	
5	2220500	3	Fitting, 45 ORB/FL	
6	2220947	2	Fitting, Straight ORB/FL	
7	2220600	1	Fitting, Straight JIC/ORB	
8	2220593	2	Fitting, Straight ORB/FL	
9	2220371	3	Fitting, Straight ORB/FL	
13	1001179329	1	Fitting, Straight JIC/ORB	
14	2220737	1	Split Flange Kit #24	
15	2220478	1	Split Flange Kit #16	
18	2753200	1	Hose	
19	2220466	3	Fitting, 90 ORB/FL	
20	2220582	2	Fitting, Straight JIC/ORB	
21	2220473	4	Fitting, 90 ORB/FL	
25	2220605	2	Fitting, Tee FL/FL	
27	2220765	1	Fitting, Straight ORB/FL	
28	2220377	1	Fitting, Straight JIC/ORB	
30	2220596	6	Fitting, 90 ORB/FL	
33	2752461	1	Hose	
34	2220852	2	Fitting, Straight ORB/FL	
37	2220490	1	Fitting, Tee FL/FL	
40	1001179079	1	Hose	
42	2753231	1	Hose	
43	2753010	2	Hose	
45	2752723	1	Hose	
46	2753274	1	Hose	
47	2753192	1	Hose	
48	2752494	1	Hose	
50	2221086	4	Fitting, Diagnostic Test Port, EM3A	
51	4640780	1	Fitting, Check Valve	
52	2753118	1	Hose	
53	1001136881	1	Fitting, 45 ORB/FG	
55	2220472	2	Fitting, 90 ORB/FL (800AJ)	
57	2220577	1	Fitting, Straight ORB/FL	
58	2221034	1	Fitting, Tee FL/FL/ORB	
59	2752768	1	Hose	
62	2752484	1	Hose	
66	2752767	1	Hose	
68	2753190	1	Hose	
77	2220501	2	Fitting, 45 ORB/FL	
78	4567757	1	Tube	
79	4100062	4	Protection, Hose (Not Shown - Located at Tower Boom Power Track)	
81	2221036	1	Fitting, 90 ORB/FL	
82	2220950	1	Fitting, 45 ORB/FL	
87	2220603	5	Fitting, Straight ORB/FL	
88	1001109690	2	Hose	

SECTION 7 - HYDRAULIC

ITEM	PART NUMBER	QTY	DESCRIPTION	REV
91	2752434	1	Hose	
92	2220899	1	Fitting, Tee ORB/FL/FL	
94	2220451	1	Fitting, Straight JIC/ORB	
95	1001149410	1	Hose	
96	2220468	1	Fitting, Straight JIC/ORB	
97	1001215289	1	Fitting, Tee JIC/ORB/JIC	
98	2752995	1	Hose	
99	91143177	1	Fitting - Diagnostic Test Port	
100	2220362	1	Fitting, Tee FL/FL/FL	
101	2220726	1	Adapter, 90 SJIC/ORB	
102	1001136358	1	Sleeve, Abrasion (Not Shown)	
103	4240032	2	Tie-Strap (Not Shown)	
200	1001256059	1	Upper Boom Hose Kit	
202	1001119602	1	Hose	
203	1001155673	1	Hose	
204	1001159707	2	Hose	
205	1001254846	1	Hose	
206	1001254847	1	Hose	
207	1001259466	1	Hose	
208	1001259467	1	Hose	
209	1001259468	1	Hose	
210	1001259470	1	Hose	
300	1001183226	1	Lower Boom Hose Kit	
301	2752468	1	Hose	
302	2752766	1	Hose	
303	2752930	1	Hose	
304	2752978	1	Hose	
305	2753008	1	Hose	
306	2753123	1	Hose	
307	2753189	2	Hose	
308	2753191	1	Hose	
309	2753195	1	Hose	
310	2753196	1	Hose	
311	2753197	1	Hose	
312	2753199	1	Hose	
313	1001182162	1	Hose	

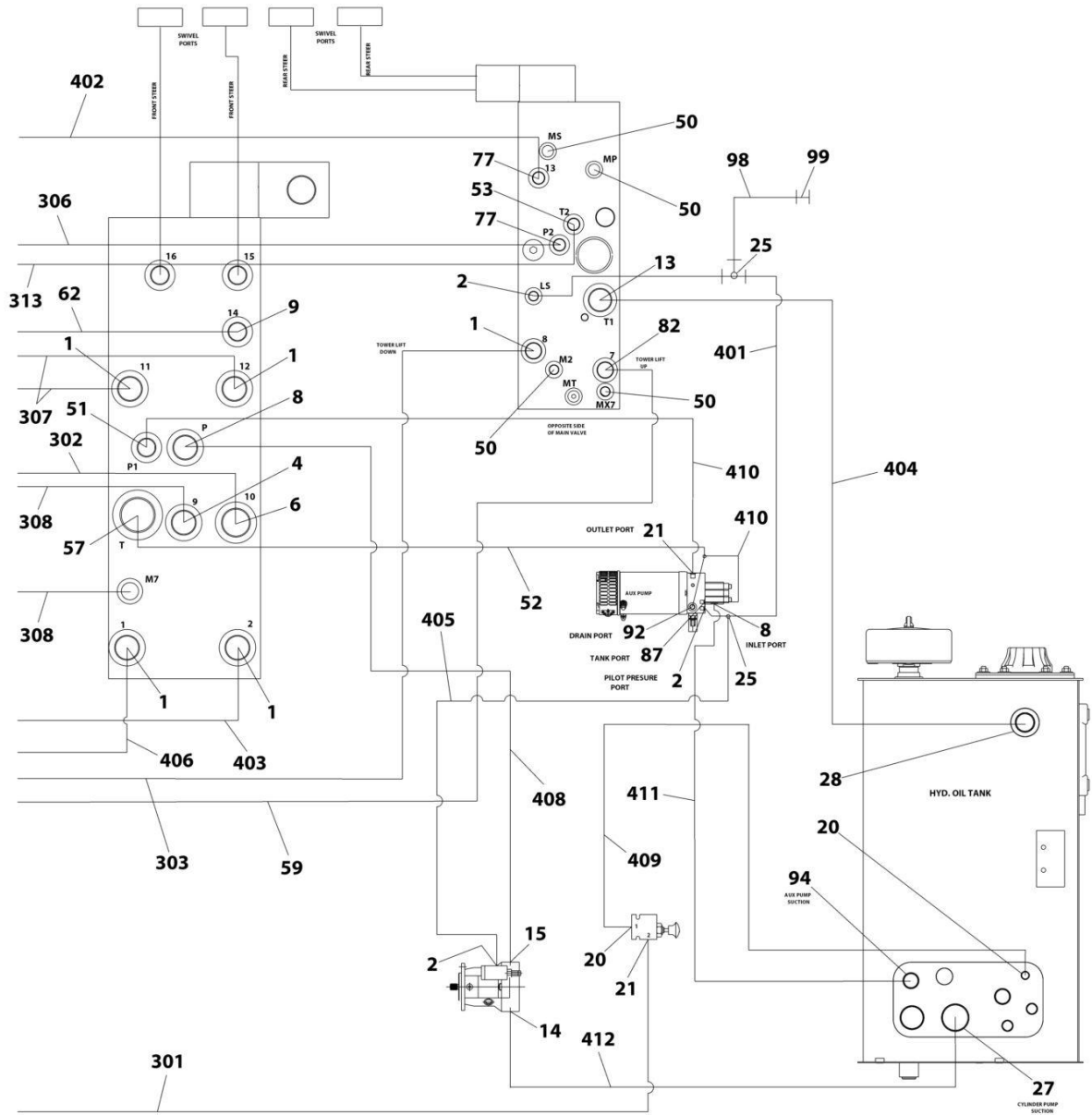
SECTION 7 - HYDRAULIC

FIGURE 7-7. HYDRAULIC DIAGRAM - STANDARD (SN 0300281602 to Present)



ART_1001254879_C_10F2

SECTION 7 - HYDRAULIC



ART_1001254879_C_2OF2

SECTION 7 - HYDRAULIC

FIGURE 7-7. HYDRAULIC DIAGRAM - STANDARD (SN 0300281602 to Present)

ITEM	PART NUMBER	QTY	DESCRIPTION	REV
	1001254879	Ref	STANDARD HYDRAULIC DIAGRAM	C
1	2220381	5	Fitting, Straight ORB/FL	
2	2220415	9	Fitting, Straight ORB/FL	
3	2753442	2	Hose	
4	2220373	5	Fitting, Straight ORB/FL	
5	2220500	3	Fitting, 45 ORB/FL	
6	2220947	2	Fitting, Straight ORB/FL	
7	2220600	1	Fitting, Straight JIC/ORB	
8	2220593	2	Fitting, Straight ORB/FL	
9	2220371	3	Fitting, Straight ORB/FL	
13	1001179329	1	Fitting, Straight JIC/ORB	
14	2220737	1	Split Flange Kit #24	
15	2220478	1	Split Flange Kit #16	
19	2220466	3	Fitting, 90 ORB/FL	
20	2220582	2	Fitting, Straight JIC/ORB	
21	2220473	4	Fitting, 90 ORB/FL	
25	2220605	2	Fitting, Tee FL/FL	
27	2220765	1	Fitting, Straight ORB/FL	
28	2220377	1	Fitting, Straight JIC/ORB	
30	2220596	6	Fitting, 90 ORB/FL	
34	2220852	2	Fitting, Straight ORB/FL	
37	2220490	1	Fitting, Tee FL/FL	
50	2221086	4	Fitting, Diagnostic Test Port, EM3A	
51	4640780	1	Fitting, Check Valve	
52	2753118	1	Hose	
53	1001136881	1	Fitting, 45 ORB/FG	
55	2220472	2	Fitting, 90 ORB/FL (800AJ)	
57	2220577	1	Fitting, Straight ORB/FL	
58	2221034	1	Fitting, Tee FL/FL/ORB	
59	2752768	1	Hose	
62	2752484	1	Hose	
66	2752767	1	Hose	
68	2753190	1	Hose	
77	2220501	2	Fitting, 45 ORB/FL	
78	4567757	1	Tube	
79	4100062	4	Protection, Hose (Not Shown - Located at Tower Boom Power Track)	
81	2221036	1	Fitting, 90 ORB/FL	
82	2220950	1	Fitting, 45 ORB/FL	
87	2220603	5	Fitting, Straight ORB/FL	
92	2220899	1	Fitting, Tee ORB/FL/FL	
94	2220451	1	Fitting, Straight JIC/ORB	
96	2220468	1	Fitting, Straight JIC/ORB	
97	1001215289	1	Fitting, Tee JIC/ORB/JIC	
98	2752995	1	Hose	
99	91143177	1	Fitting - Diagnostic Test Port	
100	2220362	1	Fitting, Tee FL/FL/FL	
101	2220726	1	Adapter, 90 SJIC/ORB	
102	1001136358	1	Sleeve, Abrasion (Not Shown)	
103	4240032	2	Tie-Strap (Not Shown)	

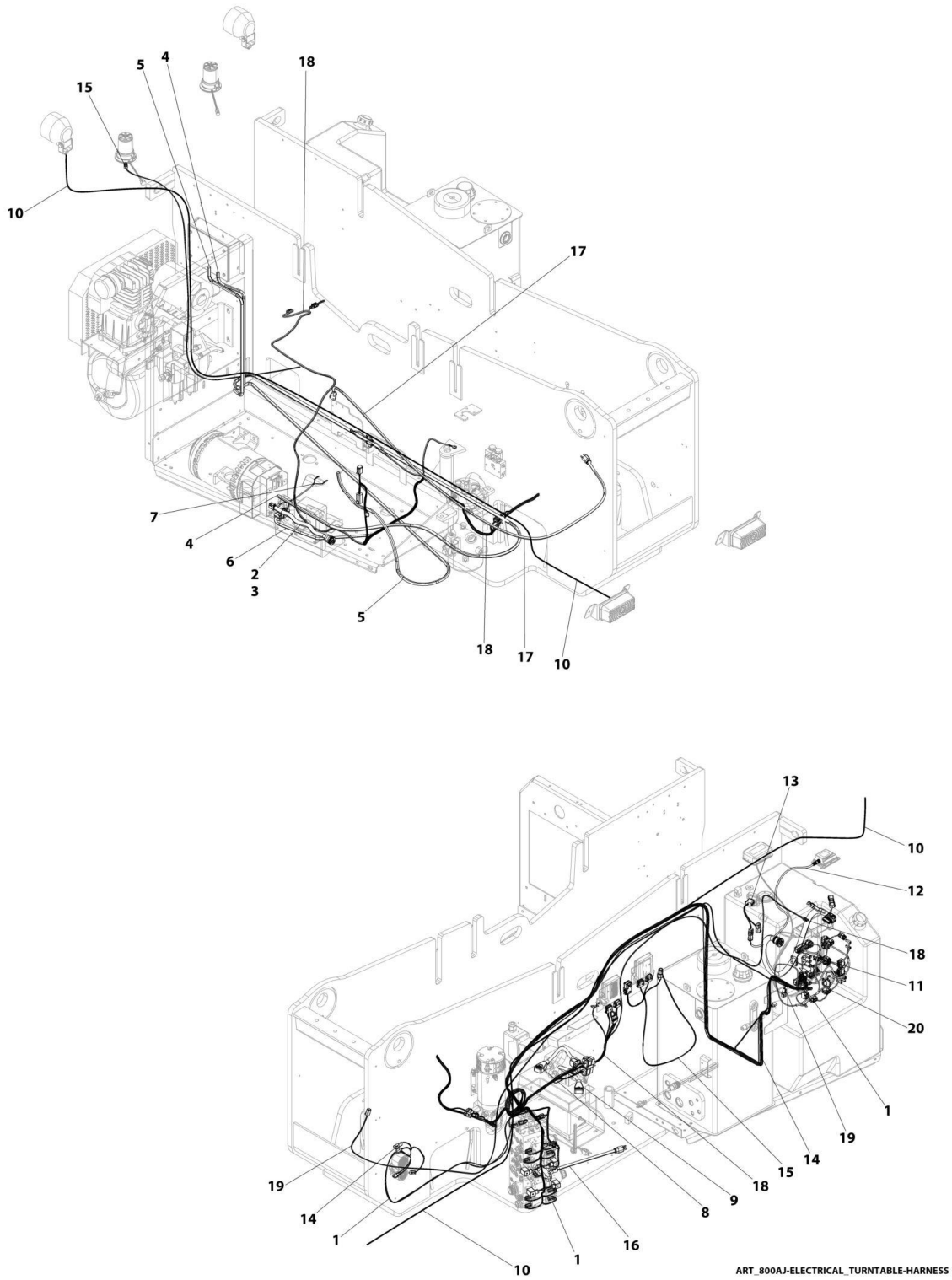
SECTION 7 - HYDRAULIC

ITEM	PART NUMBER	QTY	DESCRIPTION	REV
200	1001256059	1	Upper Boom Hose Kit	
202	1001119602	1	Hose	
203	1001155673	1	Hose	
204	1001159707	2	Hose	
205	1001254846	1	Hose	
206	1001254847	1	Hose	
207	1001259466	1	Hose	
208	1001259467	1	Hose	
209	1001259468	1	Hose	
210	1001259470	1	Hose	
300	1001183226	1	Lower Boom Hose Kit	
301	2752468	1	Hose	
302	2752766	1	Hose	
303	2752930	1	Hose	
304	2752978	1	Hose	
305	2753008	1	Hose	
306	2753123	1	Hose	
307	2753189	2	Hose	
308	2753191	1	Hose	
309	2753195	1	Hose	
310	2753196	1	Hose	
311	2753197	1	Hose	
312	2753199	1	Hose	
313	1001182162	1	Hose	
400	1001270097	1	Turntable Hose Kit	
401	2752434	1	Hose	
402	2752461	1	Hose	
403	2752494	1	Hose	
404	2752723	1	Hose	
405	2753010	2	Hose	
406	2753192	1	Hose	
407	2753200	1	Hose	
408	2753231	1	Hose	
409	2753274	1	Hose	
410	1001109690	2	Hose	
411	1001149410	1	Hose	
412	1001179079	1	Hose	

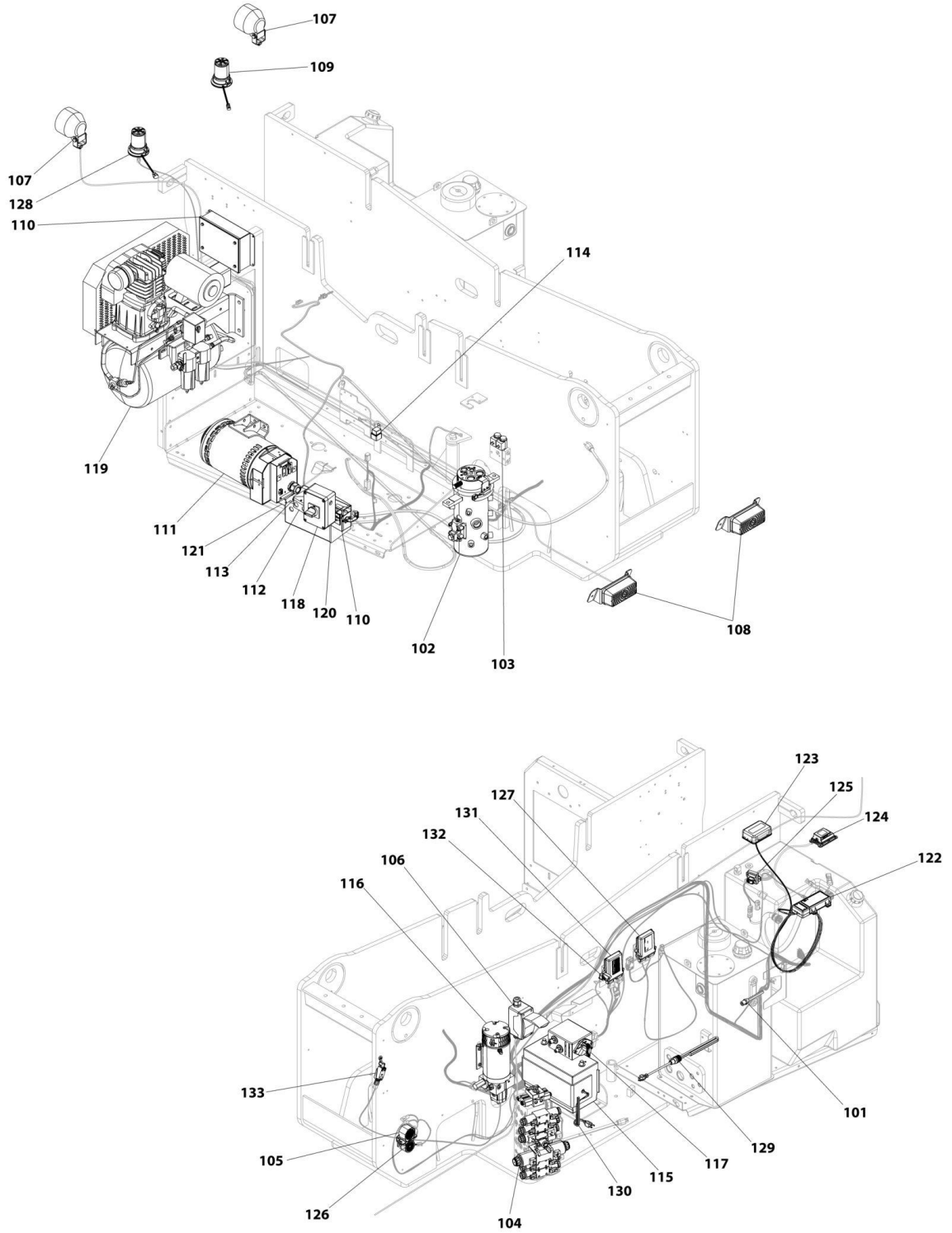
SECTION 8 - ELECTRICAL

SECTION 8 - ELECTRICAL

FIGURE 8-1. 800AJ HC3 ELECTRICAL LAYOUT

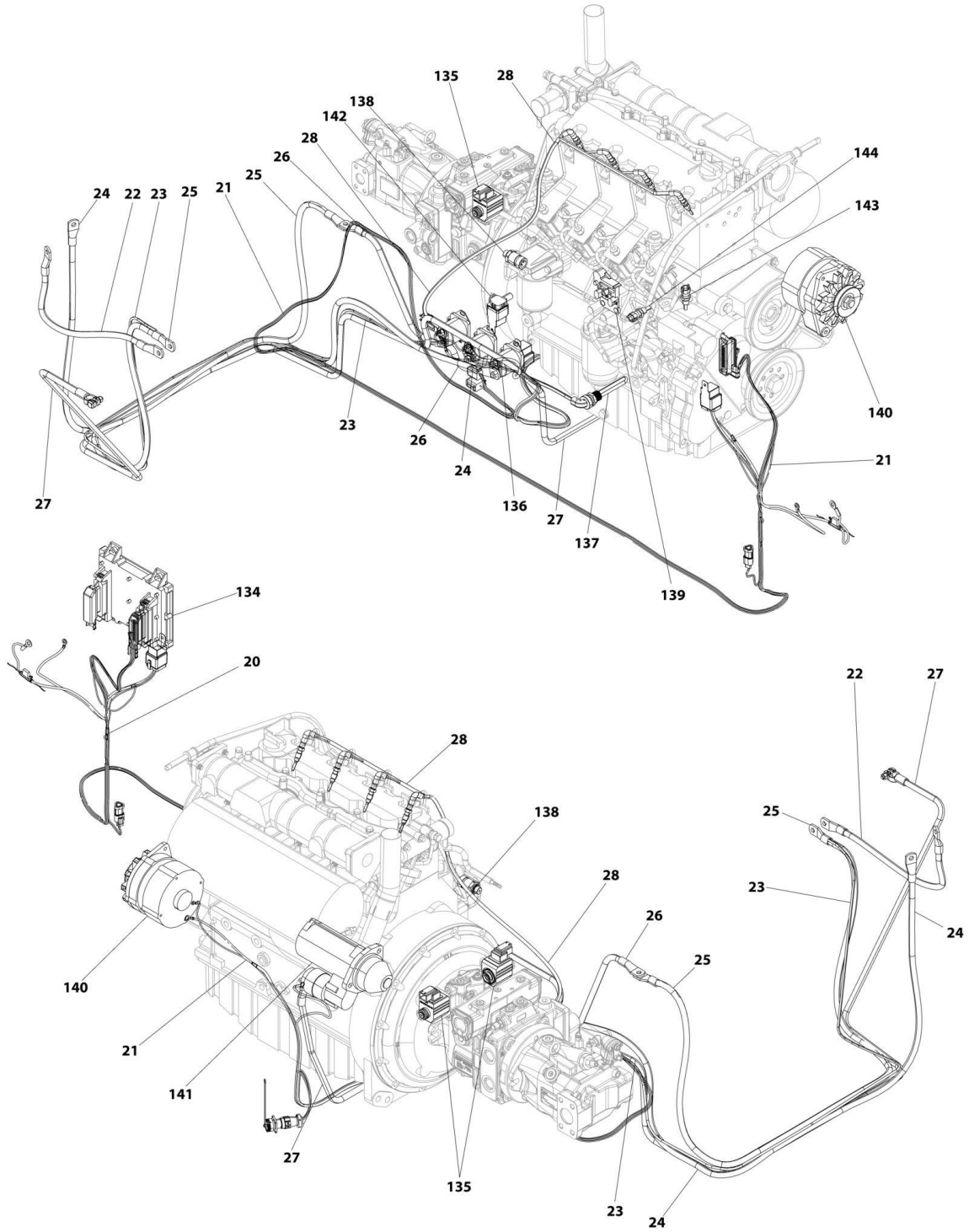


SECTION 8 - ELECTRICAL



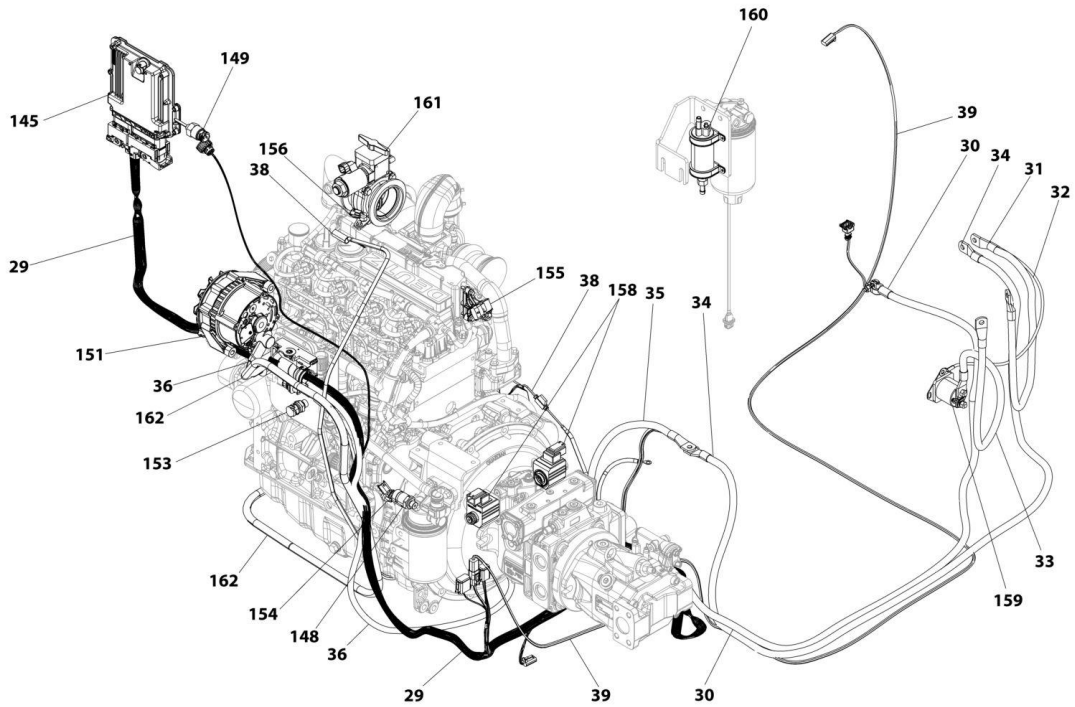
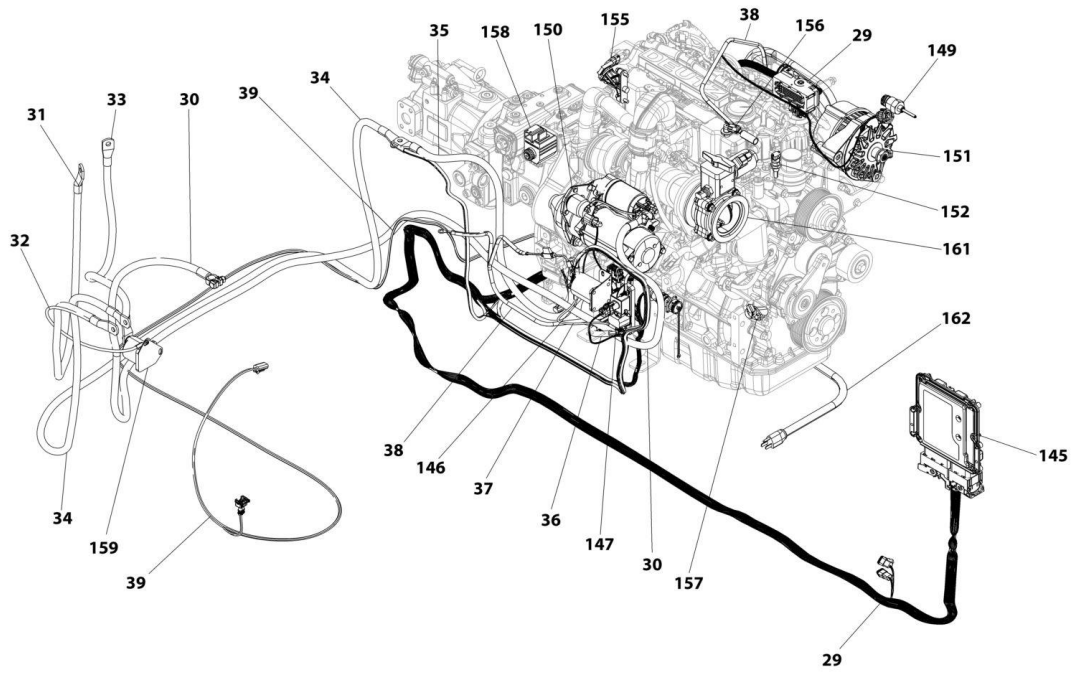
ART_800AJ-ELECTRICAL_TURNTABLE-COMPONENT

SECTION 8 - ELECTRICAL



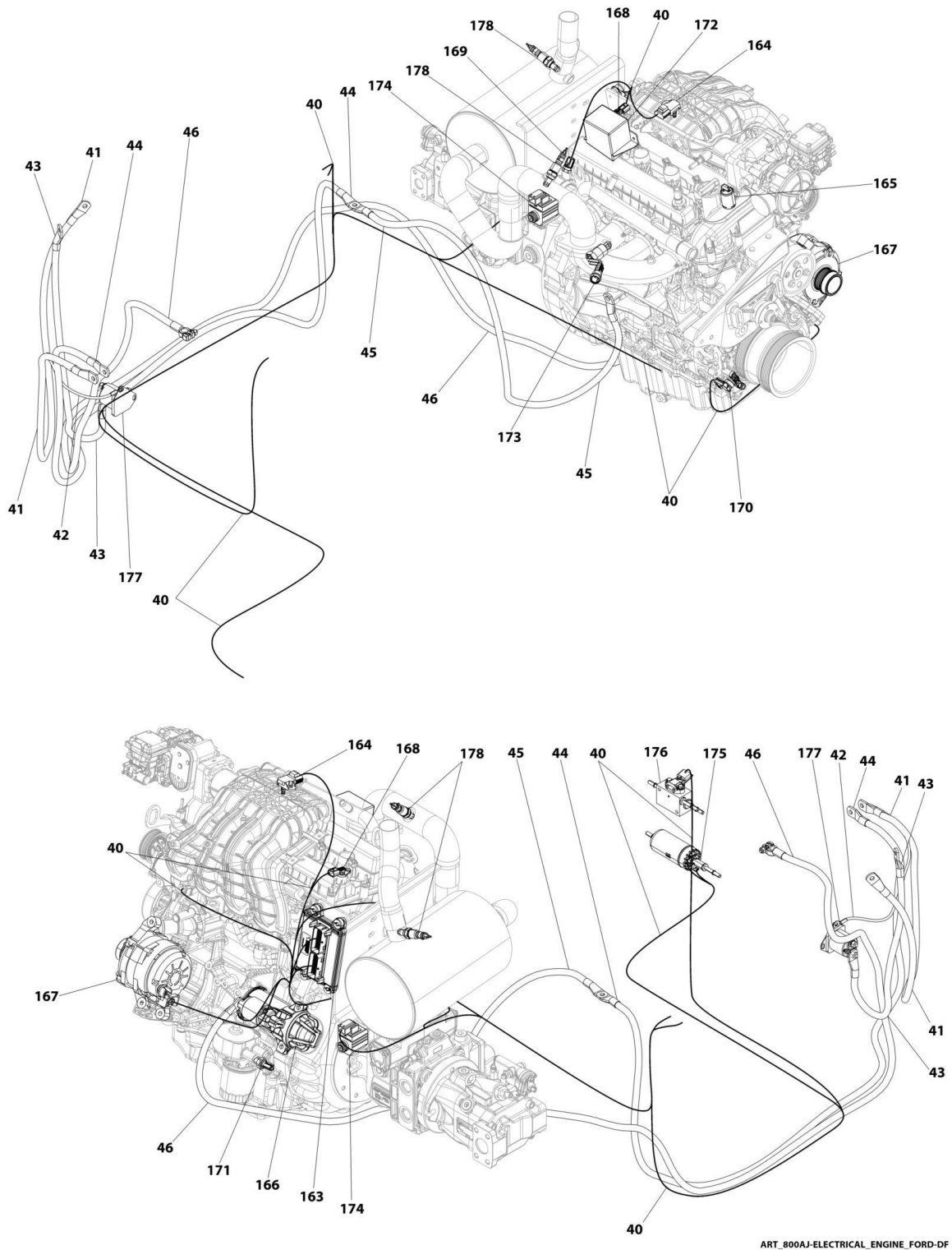
ART_800AJ-ELECTRICAL_ENGINE_DEUTZ-D2011

SECTION 8 - ELECTRICAL



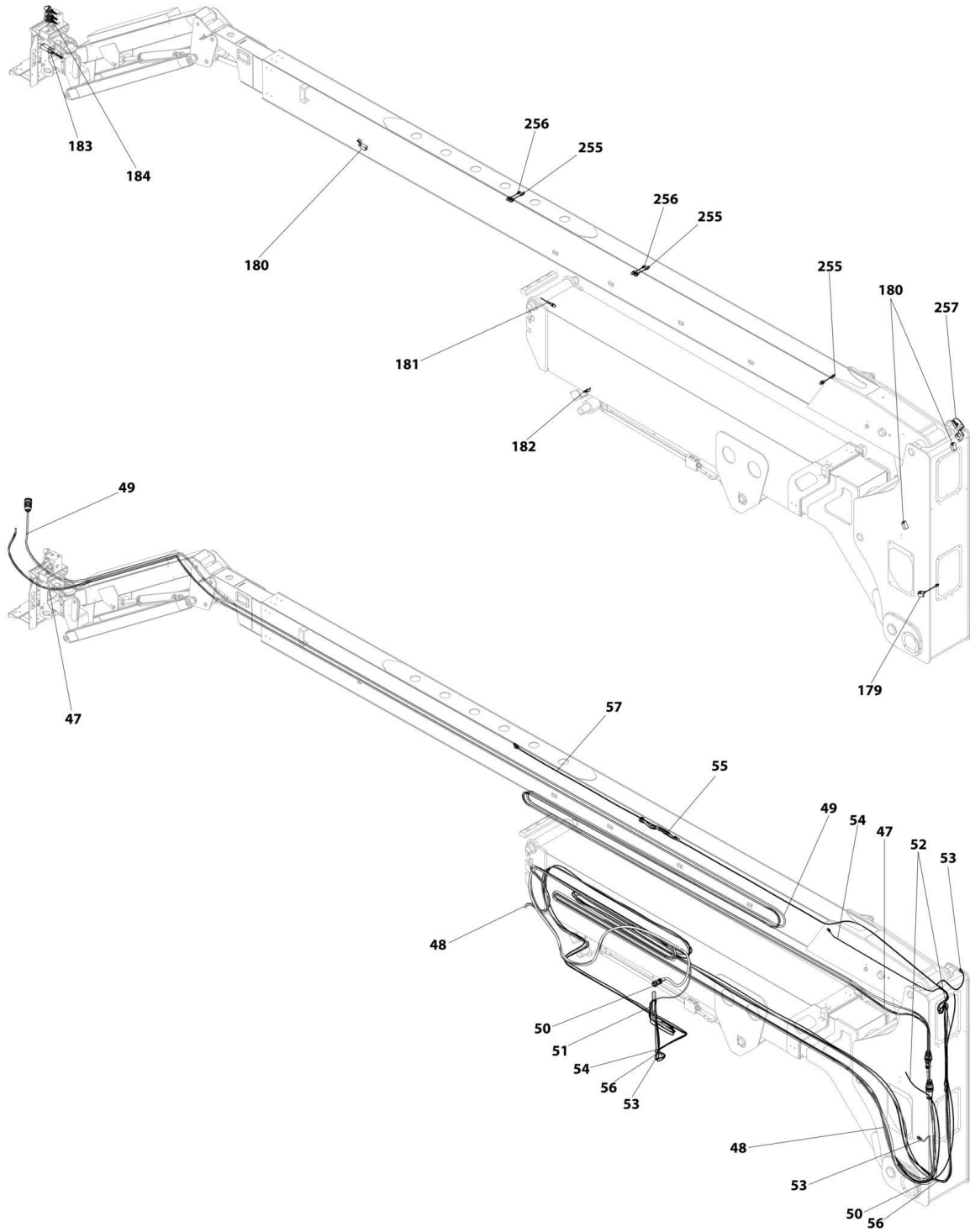
ART_800AJ-ELECTRICAL_ENGINE_DEUTZ-2.9L4

SECTION 8 - ELECTRICAL



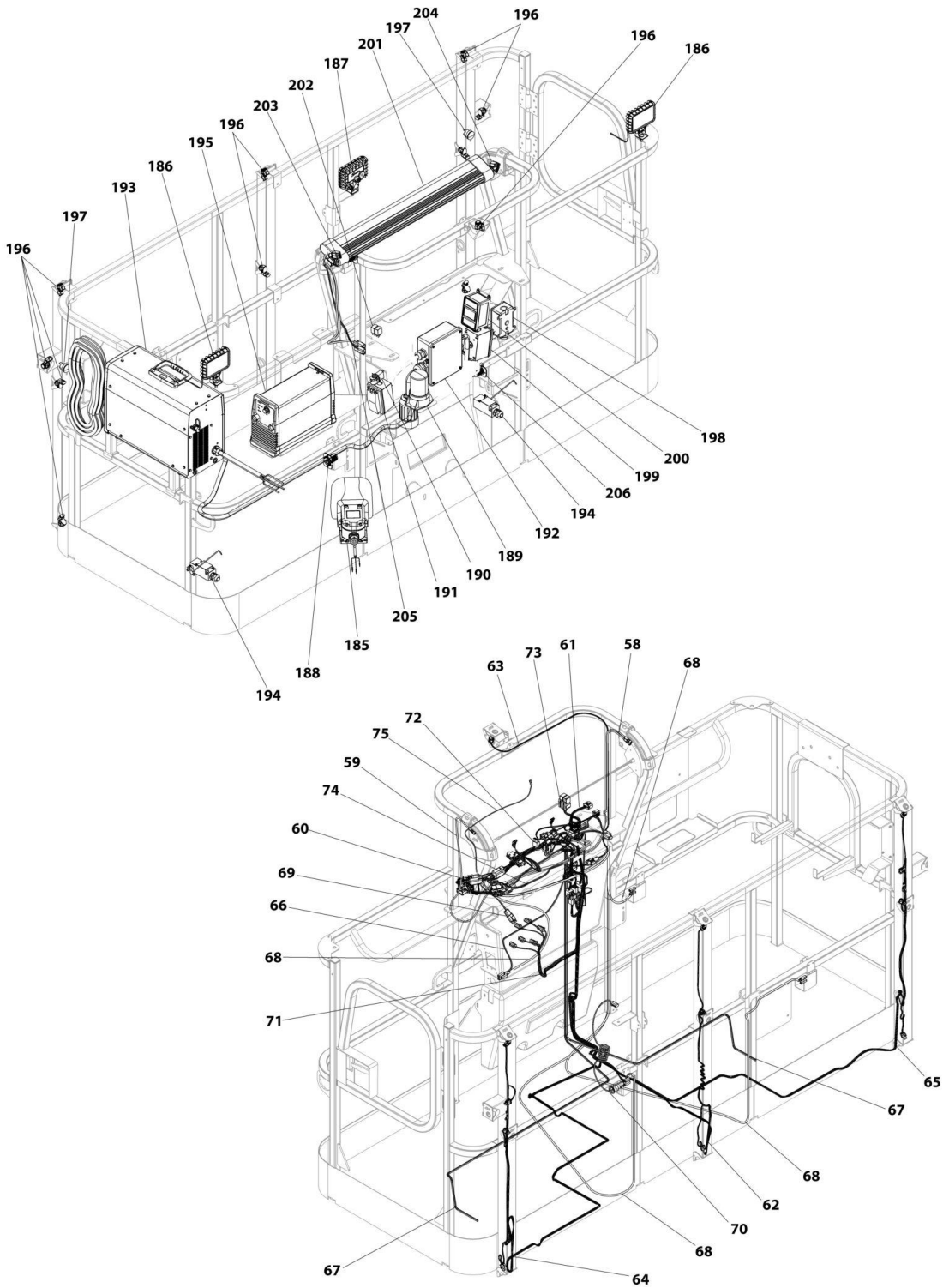
ART_800AJ-ELECTRICAL_ENGINE_FORD-DF

SECTION 8 - ELECTRICAL



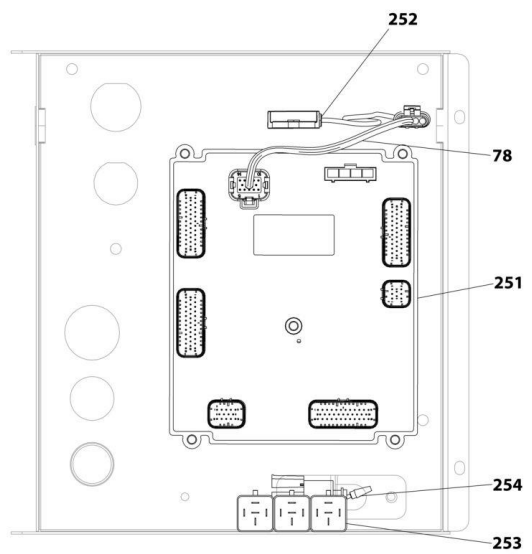
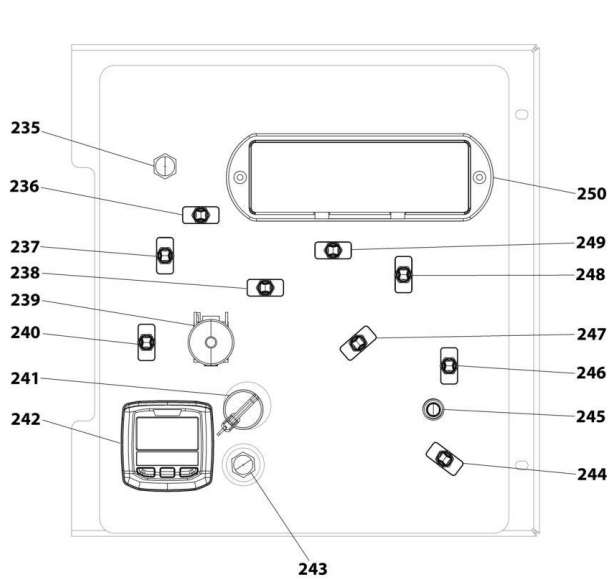
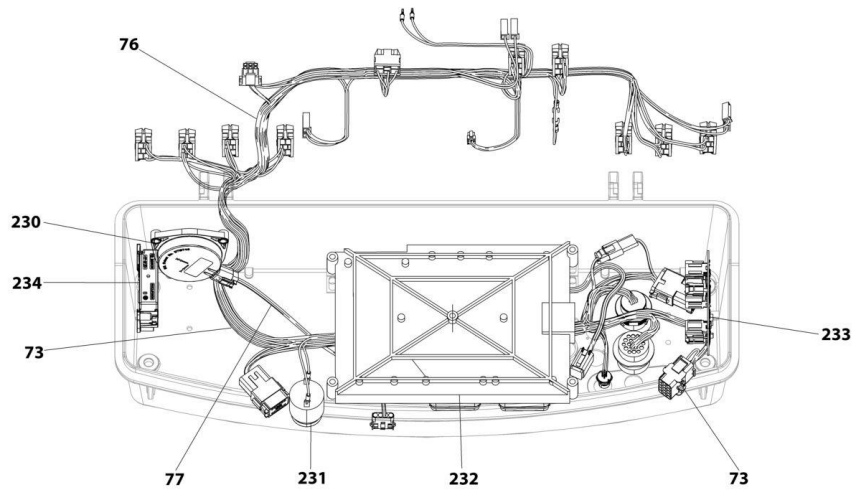
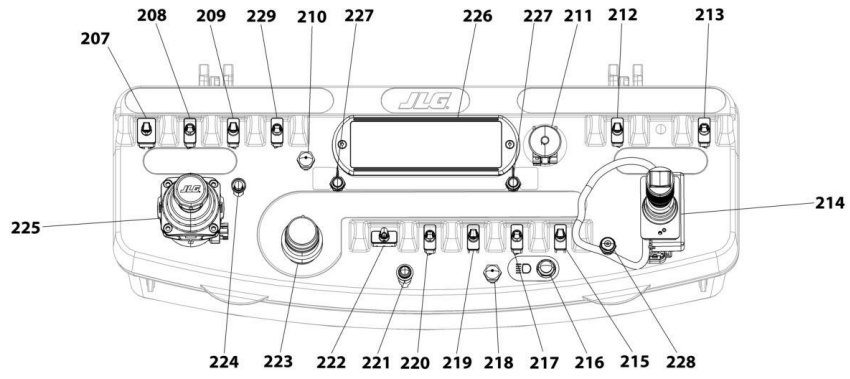
ART_800AJ_HC3-ELECTRICAL_BOOM

SECTION 8 - ELECTRICAL



ART_800AJ_HC3-ELECTRICAL_PLATFORM

SECTION 8 - ELECTRICAL



ART_800AJ_HC3-ELECTRICAL_CONTROLS

SECTION 8 - ELECTRICAL

FIGURE 8-1. 800AJ HC3 ELECTRICAL LAYOUT

ITEM	PART NUMBER	QTY	DESCRIPTION	REV
		Ref	HARNESS LIST	
		Ref	Note: This figure is for part identification only.	
1		Ref	Harness, Main Valve	
2		Ref	Harness, 7500W Generator	
3		Ref	Harness, 4000W Generator	
4		Ref	Harness, Generator to Control Box	
5		Ref	Harness, Generator Control Box to Engine	
6		Ref	Harness, 2500W Generator	
7		Ref	Harness, Hourmeter	
8		Ref	Cable, Battery (+) to Disconnect	
9		Ref	Cable, Battery (-) to Disconnect	
10		Ref	Harness, Head and Tail Light	
11		Ref	Harness, Clearsky	
12		Ref	Harness, Telematics	
13		Ref	Harness, Xirgo Jumper	
14		Ref	Harness, White Noise Alarm	
15		Ref	Harness, Strobe Light Control	
16		Ref	3-Way Plug	
17		Ref	Cable, Extension	
18		Ref	Harness, ASOV	
19		Ref	Harness, Tower Stow	
20		Ref	Harness, Ground Control	
21		Ref	Harness, Engine	
22		Ref	Cable, Battery (-) to Aux Pump	
23		Ref	Cable, Battery (-) to Relay	
24		Ref	Cable, Aux Pump to Relay	
25		Ref	Cable, Battery (-) to Ground	
26		Ref	Cable, Engine Ground	
27		Ref	Cable, Battery (+) to Starter	
28		Ref	Harness, Glow Plug	
29		Ref	Harness, Engine	
30		Ref	Cable, Battery (+) to Starter	
31		Ref	Cable, Battery (-) to Aux Pump	
32		Ref	Cable, Battery (-) to Relay	
33		Ref	Cable, Aux Pump to Relay	
34		Ref	Cable, Battery (-) to Ground	
35		Ref	Cable, Engine Ground	
36		Ref	Harness, Alternator Power	
37		Ref	Harness, Glow Plug Fuse	
38		Ref	Heater, Breather	
39		Ref	Harness, Fuel Pump	
40		Ref	Harness, Engine	
41		Ref	Cable, Battery (-) to Aux Pump	
42		Ref	Cable, Battery (-) to Relay	
43		Ref	Cable, Aux Pump to Relay	
44		Ref	Cable, Battery (-) to Ground	
45		Ref	Cable, Engine Ground	
46		Ref	Cable, Battery (+) to Starter	
47		Ref	Cable, AC Ground to Platform (Upper)	
48		Ref	Cable, AC Ground to Platform (Lower)	

SECTION 8 - ELECTRICAL

ITEM	PART NUMBER	QTY	DESCRIPTION	REV
49		Ref	Cable, Boom (Upper)	
50		Ref	Cable, Boom (Lower)	
51		Ref	Harness, Tilt Sensor	
52		Ref	Harness, Proximity Sensor	
53		Ref	Harness, Main Boom Angle Sensor	
54		Ref	Harness, Transport Proximity Sensor	
55		Ref	Harness, Capacity (Upper)	
56		Ref	Harness, Capacity (Lower)	
57		Ref	Harness, Capacity Proximity (Upper)	
58		Ref	Harness, SkyEye Receiver	
59		Ref	Harness, SkyEye Emitter	
60		Ref	Harness, SkyEye Intermediate	
61		Ref	Harness, SkySense Main	
62		Ref	Harness, SkySense Mid Tube	
63		Ref	Harness SkySense Overhead Sensor	
64		Ref	Harness, SkySense Left Tube	
65		Ref	Harness, SkySense Right Tube	
66		Ref	Harness, USB	
67		Ref	Cable, Soft Touch	
68		Ref	Harness, Portable Work Light	
69		Ref	Harness, Portable Light Power	
70		Ref	Harness, Portable Work Light Extension	
71		Ref	Harness, Platform Valve	
72		Ref	Harness, Platform Work Light	
73		Ref	Harness, SkyLine	
74		Ref	Harness, SkyGuard	
75		Ref	Harness, Platform Strobe Light	
76		Ref	Harness, Platform Console	
77		Ref	Harness, Tilt Sensor	
78		Ref	Harness, Tilt Sensor	
		Ref	COMPONENT LIST	
101		Ref	Sensor, Fuel Level	
102		Ref	Rotary Coupling	
103		Ref	Solenoids, Axle Valve	
104		Ref	Solenoids, Main Control Valve	
105		Ref	Alarm	
106		Ref	AC Breaker Box	
107		Ref	Headlight	
108		Ref	Taillight	
109		Ref	Light, Strobe (Amber)	
110		Ref	Box, Generator Control	
111		Ref	Generator	
112		Ref	Generator Junction Box	
113		Ref	Light, Generator	
114		Ref	Relay	
115		Ref	Battery	
116		Ref	Auxiliary Pump/Motor	
117		Ref	Switch, Battery Disconnect	
118		Ref	Box, Air Compressor Control	
119		Ref	Air Compressor	
120		Ref	Transformer, Cold Weather	

SECTION 8 - ELECTRICAL

ITEM	PART NUMBER	QTY	DESCRIPTION	REV
121		Ref	Generator Hourmeter	
122		Ref	Module, ClearSky Telematics CANBUS	
123		Ref	Antenna, ClearSky Telematics	
124		Ref	Module, ClearSky Telematics 3-Wire	
125		Ref	Voltage Regulator, ClearSky Telematics	
126		Ref	Alarm, White Noise	
127		Ref	Module, Strobe Control	
128		Ref	Light, Strobe	
129		Ref	Heater, Immersion	
130		Ref	Heater, Battery	
131		Ref	Module, ASOV Control	
132		Ref	Switch, ASOV	
133		Ref	Sensor, Tower Stow	
134		Ref	Module, Engine Control	
135		Ref	Solenoids, Hydrostatic Pump	
136		Ref	Relays	
137		Ref	Heater, Engine Block	
138		Ref	Sensor, Temperature	
139		Ref	Sensor	
140		Ref	Alternator	
141		Ref	Starter	
142		Ref	Sensor, Speed	
143		Ref	Sensor, Engine Coolant Temperature	
144		Ref	Sensor, Pressure	
145		Ref	Module, Engine Control	
146		Ref	Relay	
147		Ref	Relay	
148		Ref	Sensor, Pressure	
149		Ref	Sensor, Coolant Level	
150		Ref	Starter	
151		Ref	Alternator	
152		Ref	Sensor, Engine Coolant Temperature	
153		Ref	Sensor, Pressure	
154		Ref	Sensor, Speed	
155		Ref	Sensor, Oil Pressure	
156		Ref	Sensor, Temperature	
157		Ref	Sensor, Speed	
158		Ref	Solenoids, Hydrostatic Pump	
159		Ref	Relay	
160		Ref	Fuel Pump	
161		Ref	Air Shut Off Valve (ASOV)	
162		Ref	Heater, Engine Block	
163		Ref	Module, Engine Control	
164		Ref	Sensor, TMAP	
165		Ref	Solenoid, Timing	
166		Ref	Starter	
167		Ref	Alternator	
168		Ref	Sensor, Speed	
169		Ref	Engine Coolant Temperature Sensor	
170		Ref	Sensor, Speed	
171		Ref	Sensor, Oil Pressure	

SECTION 8 - ELECTRICAL

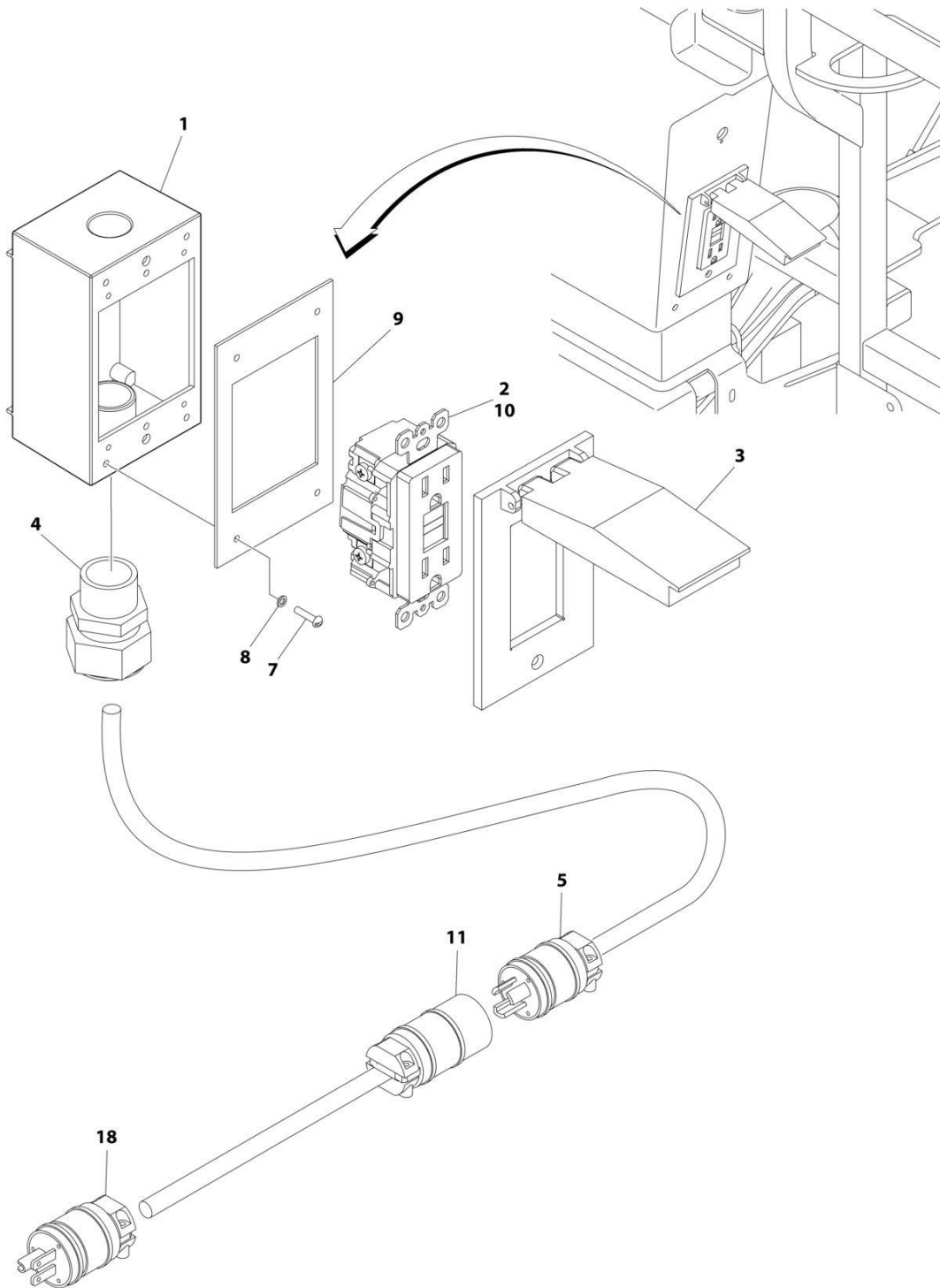
ITEM	PART NUMBER	QTY	DESCRIPTION	REV
172		Ref	Fuse Box	
173		Ref	Heater, Engine Block	
174		Ref	Solenoids, Hydrostatic Pump	
175		Ref	Fuel Pump	
176		Ref	Fuel Block	
177		Ref	Relay	
178		Ref	Sensor, O2	
179		Ref	Sensor, Tilt	
180		Ref	Sensor, Transport Position	
181		Ref	Sensor, Proximity	
182		Ref	Sensor, Proximity	
183		Ref	Cell, Load Sensing	
184		Ref	Solenoids, Platform Valve	
185		Ref	Footswitch	
186		Ref	Platform Work Light	
187		Ref	Portable Work Light	
188		Ref	AC Receptacle	
189		Ref	Light, Platform Strobe	
190		Ref	Switch, Generator	
191		Ref	AC Receptacle	
192		Ref	Junction Box	
193		Ref	Welding Machine	
194		Ref	Switch, Soft Touch Limit	
195		Ref	Plasma Cutter	
196		Ref	Sensor, SkySense	
197		Ref	Alarm	
198		Ref	AC Receptacle	
199		Ref	AC Receptacle	
200		Ref	AC Receptacle/Breaker Box	
201		Ref	Switch, SkyGuard	
202		Ref	Relay	
203		Ref	Sensor, SkyEye Receiver	
204		Ref	Sensor, SkyEye Emitter	
205		Ref	Sensor, SkyLine Proximity	
206		Ref	USB Receptacle	
207		Ref	Switch, Drive Speed/ Torque Select	
208		Ref	Switch, Steer Select	
209		Ref	Switch, Platform Leveling Override	
210		Ref	Switch, Horn	
211		Ref	Switch, Emergency Stop	
212		Ref	Switch, Start/Auxilliary Power	
213		Ref	Switch, Drive Orientation Override	
214		Ref	Controller, Drive/Steer	
215		Ref	Switch, Boom Telescope	
216		Ref	Switch, Lights	
217		Ref	Switch, Jib Up/Down	
218		Ref	Switch, Soft Touch/SkyGuard/SkySense Override	
219		Ref	Switch, Tower Telescope	
220		Ref	Switch, Tower Lift	
221		Ref	Light, Soft Touch/SkyGuard/SkySense Indicator	
222		Ref	Switch, Platform Rotate	

SECTION 8 - ELECTRICAL

ITEM	PART NUMBER	QTY	DESCRIPTION	REV
223		Ref	Switch, Function Speed Control	
224		Ref	Light, Boom Stow Indicator	
225		Ref	Controller, Main Lift/Swing	
226		Ref	Display, Platform	
227		Ref	Light, SkySense Indicator	
228		Ref	Switch, SkySense	
229		Ref	Switch, Fuel Select	
230		Ref	Sensor, Tilt	
231		Ref	Alarm	
232		Ref	Module, Platform	
233		Ref	Module, SkySense Control	
234		Ref	Module, SkySense Sensor	
235		Ref	Switch, Diesel Particulate Filter (DPF)	
236		Ref	Switch, Platform Rotate	
237		Ref	Switch, Platform Leveling Override	
238		Ref	Switch, Jib Up/Down	
239		Ref	Switch, Emergency Stop	
240		Ref	Switch, Engine Start/ Auxiliary Power	
241		Ref	Switch, Key	
242		Ref	Display, Ground	
243		Ref	Switch, Machine Safety System Override (MSSO)	
244		Ref	Switch, Turntable Swing	
245		Ref	Light, Boom Stow/ASOV Indicator	
246		Ref	Switch, Tower Lift	
247		Ref	Switch, Tower Telescope	
248		Ref	Switch, Boom Lift	
249		Ref	Switch, Boom Telescope	
250		Ref	Indicator Panel	
251		Ref	Module, Ground Control	
252		Ref	Sensor, Tilt	
253		Ref	Relay	
254		Ref	Switch, Cribbing	
255		Ref	Sensor, Proximity	
256		Ref	Sensor, Proximity	
257		Ref	Sensor, Boom Angle	

SECTION 8 - ELECTRICAL

FIGURE 8-2. AC BOX AT PLATFORM INSTALLATION - 110V GFI RECEPTACLE (ALL SPECS EXCEPT AUSTRALIAN & CE SPECS)



ART_0272259

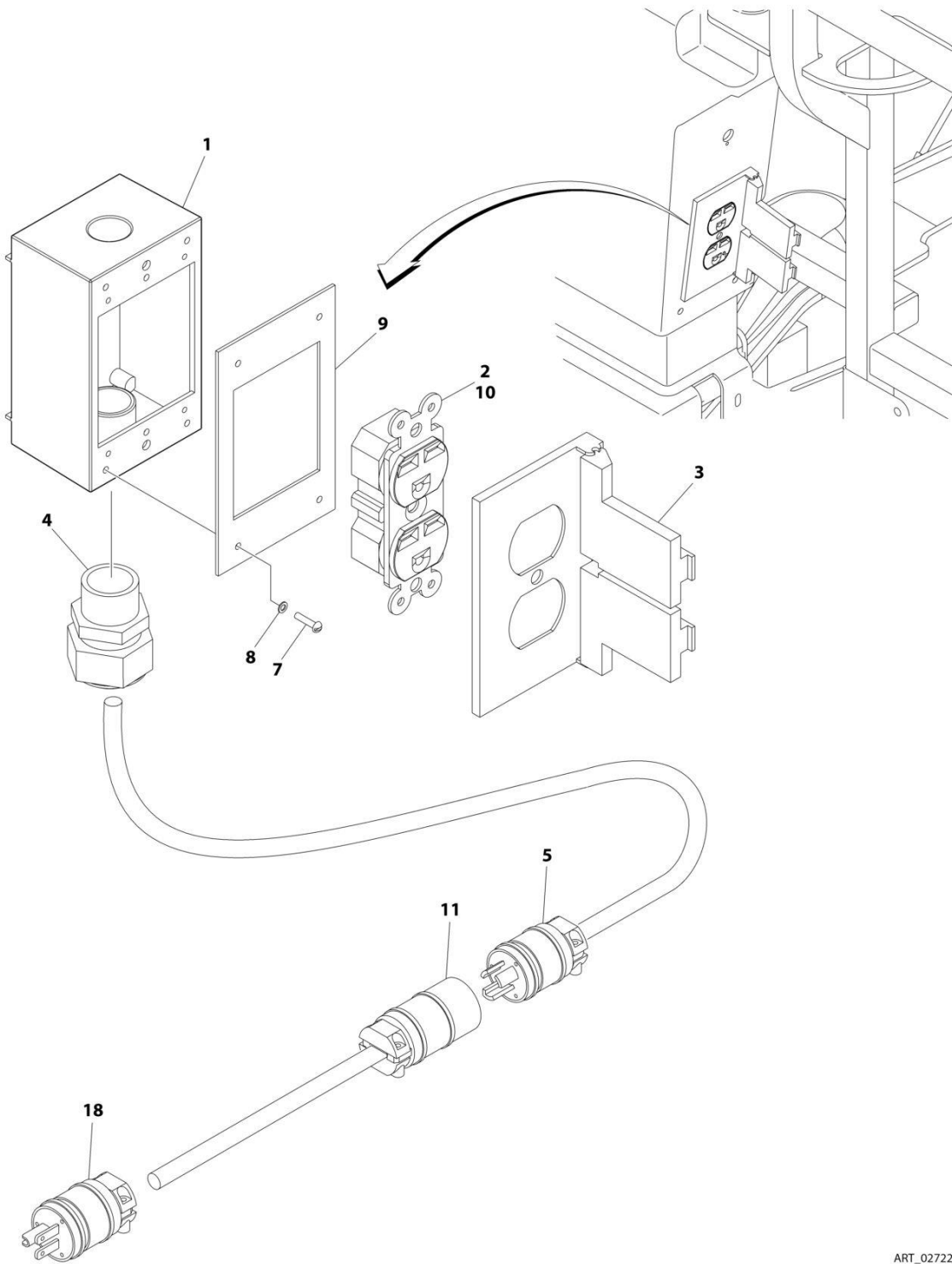
SECTION 8 - ELECTRICAL

FIGURE 8-2. AC BOX AT PLATFORM INSTALLATION - 110V GFI RECEPTACLE (ALL SPECS EXCEPT AUSTRALIAN & CE SPECS)

ITEM	PART NUMBER	QTY	DESCRIPTION	REV
	0272259	Ref	AC BOX AT PLATFORM INSTALLATION - 110V GFI RECEPTACLE	C
1	0860038	1	Box, Switch	
2	4460346	1	Receptacle	
3	1001110873	1	Shield, Cover	
4	4460051	1	Connector, Strain Relief	
5	1001213584	1	Plug, Male	
7	3910610	4	Screw #6 x 5/8	
8	4760600	4	Washer #6	
9	3960422	1	Gasket	
10	4460315	3	Terminal, Spade	
11	1001213585	1	Receptacle, Female	
18	4460205	1	Plug, Male	

SECTION 8 - ELECTRICAL

FIGURE 8-3. AC BOX AT PLATFORM INSTALLATION - 220V (ANSI, CSA & JAPANESE SPECS)



ART_0272260

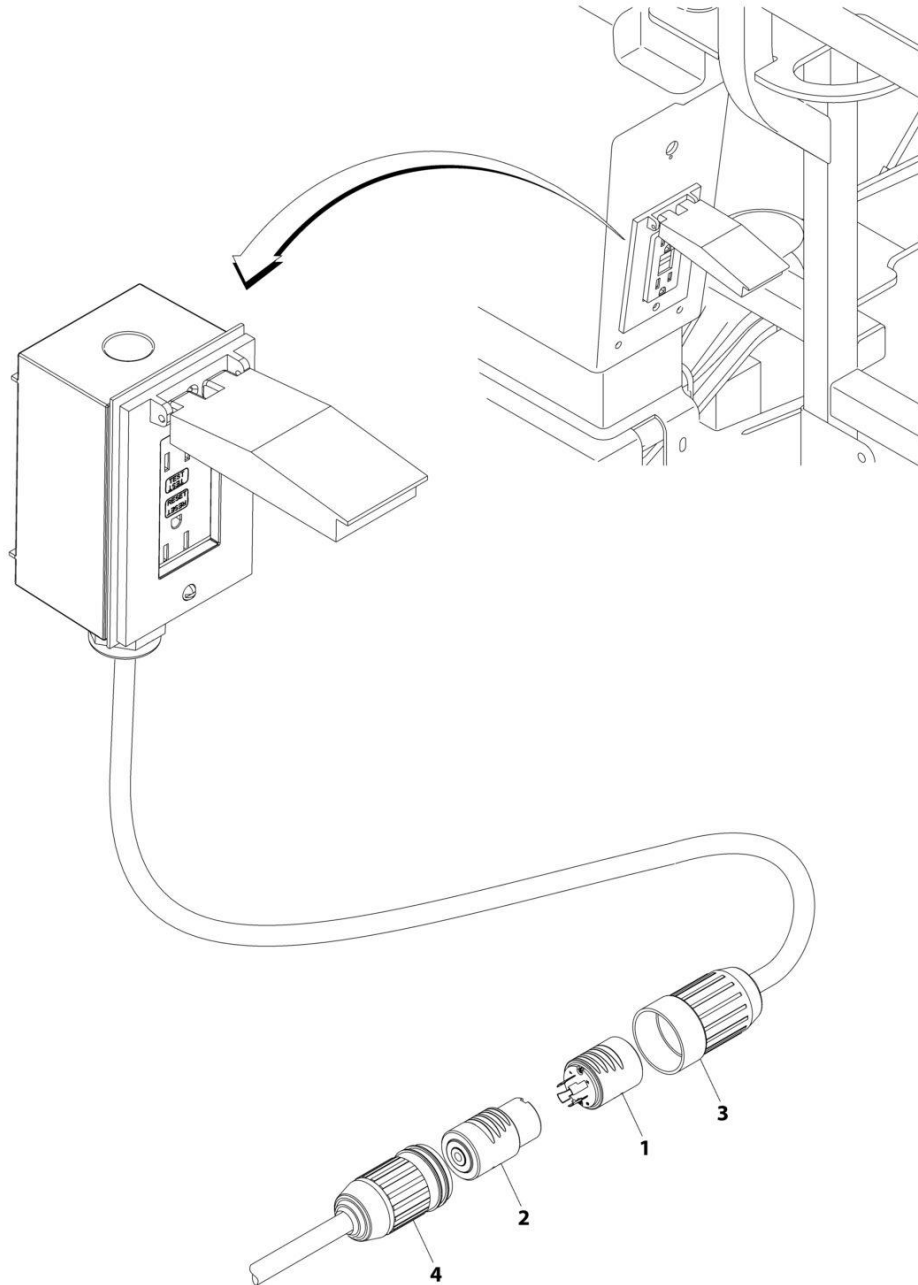
SECTION 8 - ELECTRICAL

FIGURE 8-3. AC BOX AT PLATFORM INSTALLATION - 220V (ANSI, CSA & JAPANESE SPECS)

ITEM	PART NUMBER	QTY	DESCRIPTION	REV
	0272260	Ref	AC BOX AT PLATFORM INSTALLATION - 220V	C
1	0860038	1	Box, Switch	
2	4460125	1	Receptacle	
3	4060092	1	Shield	
4	4460051	1	Connector, Strain Relief	
5	1001213584	2	Plug, Male	
7	3910610	4	Screw #6 x 5/8	
8	4760600	4	Washer #6	
9	3960422	1	Gasket	
10	4460315	1	Terminal, Spade	
11	1001213585	1	Receptacle, Female	
18	4460233	1	Plug, Male	

SECTION 8 - ELECTRICAL

FIGURE 8-4. AC BOX AT PLATFORM MID-BOOM PLUG INSTALLATION (WITH 4000W/60HZ GENERATOR) (ANSI, ANSI EXPORT, CHINA, CSA & JAPANESE SPECS)



ART_1001160272

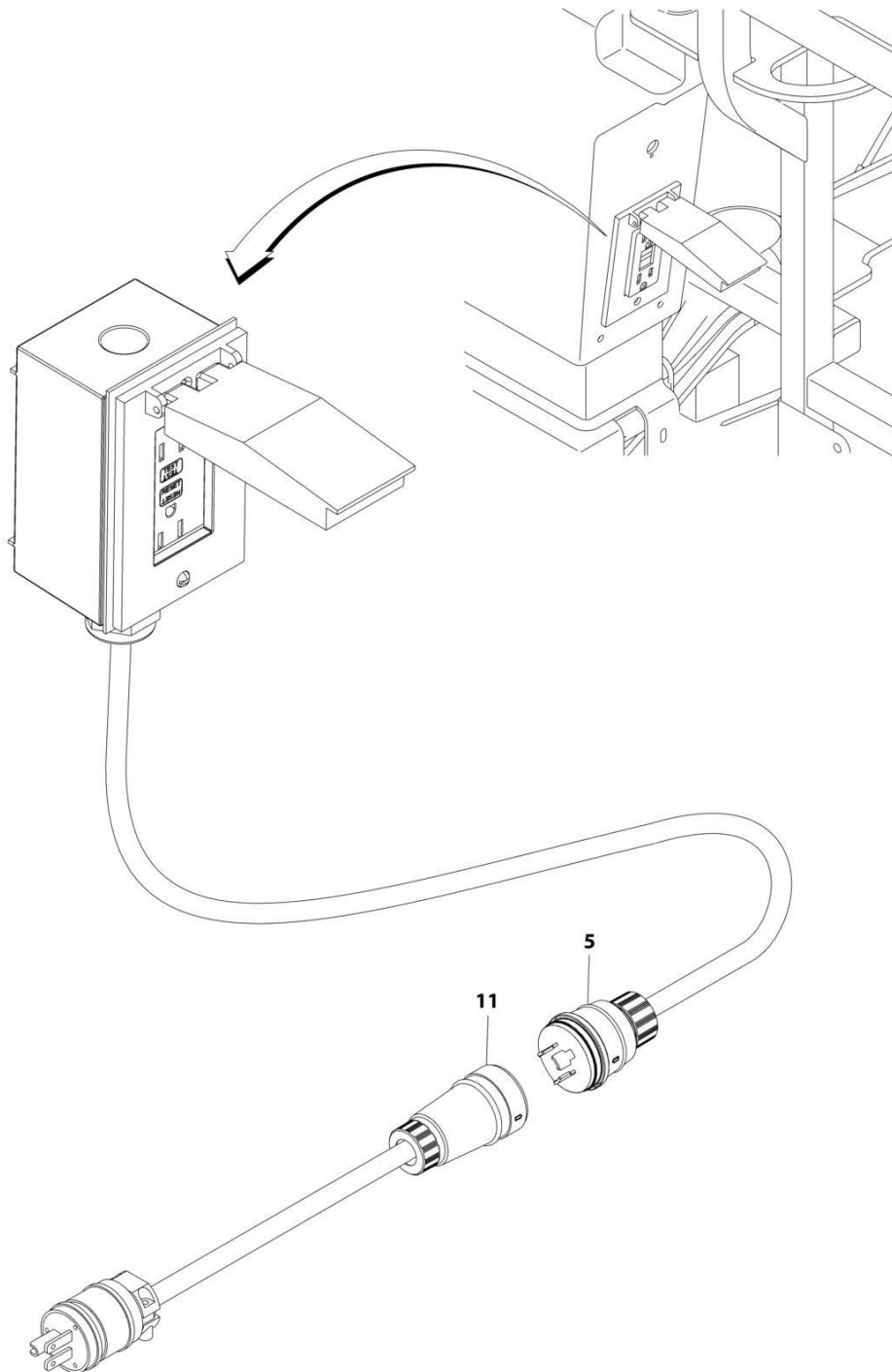
SECTION 8 - ELECTRICAL

FIGURE 8-4. AC BOX AT PLATFORM MID-BOOM PLUG INSTALLATION (WITH 4000W/60HZ GENERATOR) (ANSI, ANSI EXPORT, CHINA, CSA & JAPANESE SPECS)

ITEM	PART NUMBER	QTY	DESCRIPTION	REV
	1001160272	Ref	AC CABLE CONNECTOR INSTALLATION – 4000W GENERATOR	A
1	4460962	1	Plug, Male	
2	4460963	1	Connector	
3	1671092	1	Cover	
4	1671093	1	Plug	

SECTION 8 - ELECTRICAL

FIGURE 8-5. AC BOX AT PLATFORM MID-BOOM PLUG INSTALLATION (WITHOUT 7500W SKYPOWER GENERATOR) (ALL SPECS EXCEPT ANSI & CSA SPECS)



ART_0256202

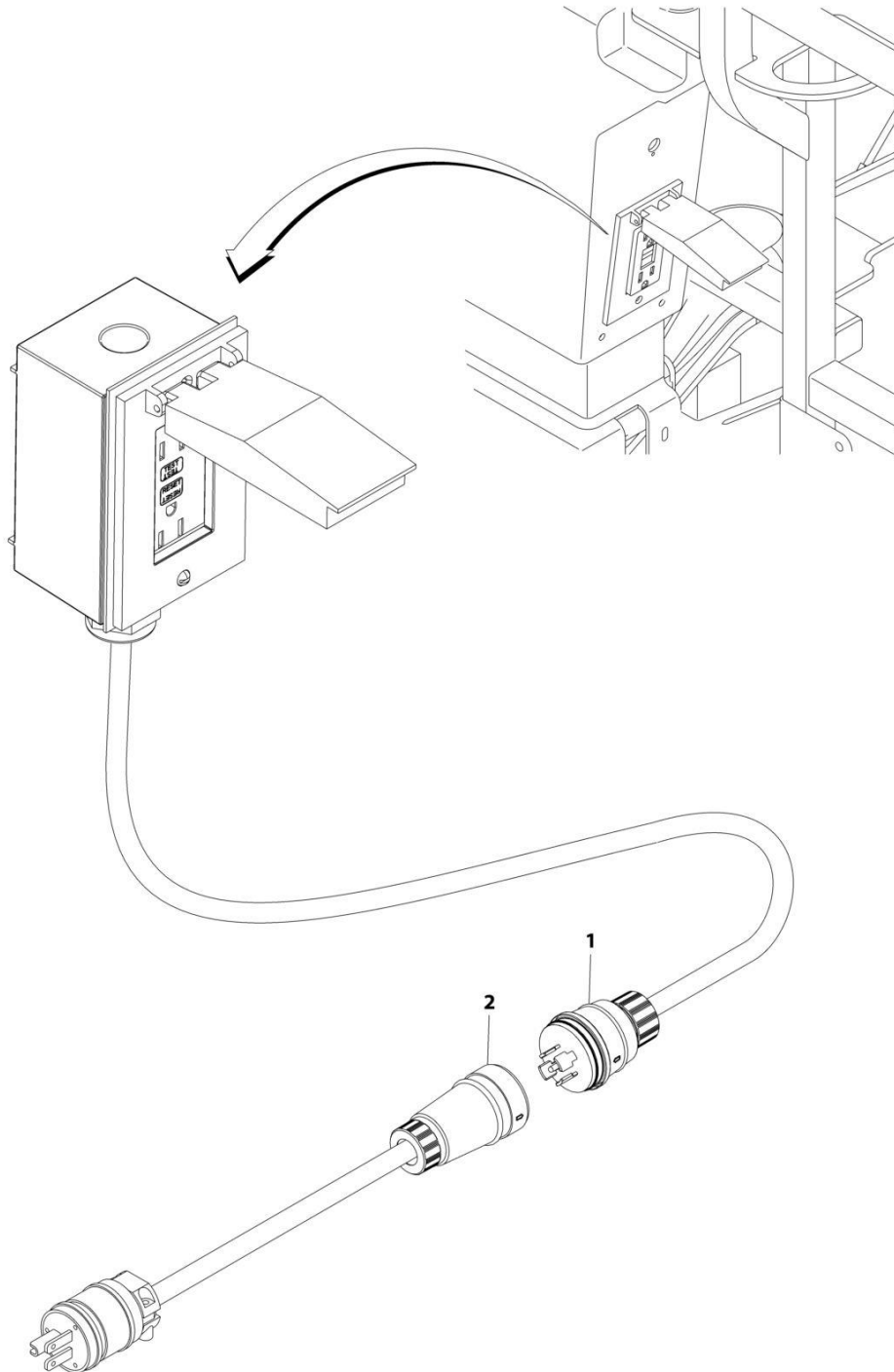
SECTION 8 - ELECTRICAL

FIGURE 8-5. AC BOX AT PLATFORM MID-BOOM PLUG INSTALLATION (WITHOUT 7500W SKYPOWER GENERATOR) (ALL SPECS EXCEPT ANSI & CSA SPECS)

ITEM	PART NUMBER	QTY	DESCRIPTION	REV
	0256202	Ref	AC BOX AT PLATFORM MID-BOOM PLUG INSTALLATION	D
5	1001213584	1	Plug	
11	1001213585	1	Receptacle	

SECTION 8 - ELECTRICAL

FIGURE 8-6. AC BOX AT PLATFORM MID-BOOM PLUG INSTALLATION (WITH 7500W SKYPOWER GENERATOR)



ART_0272433

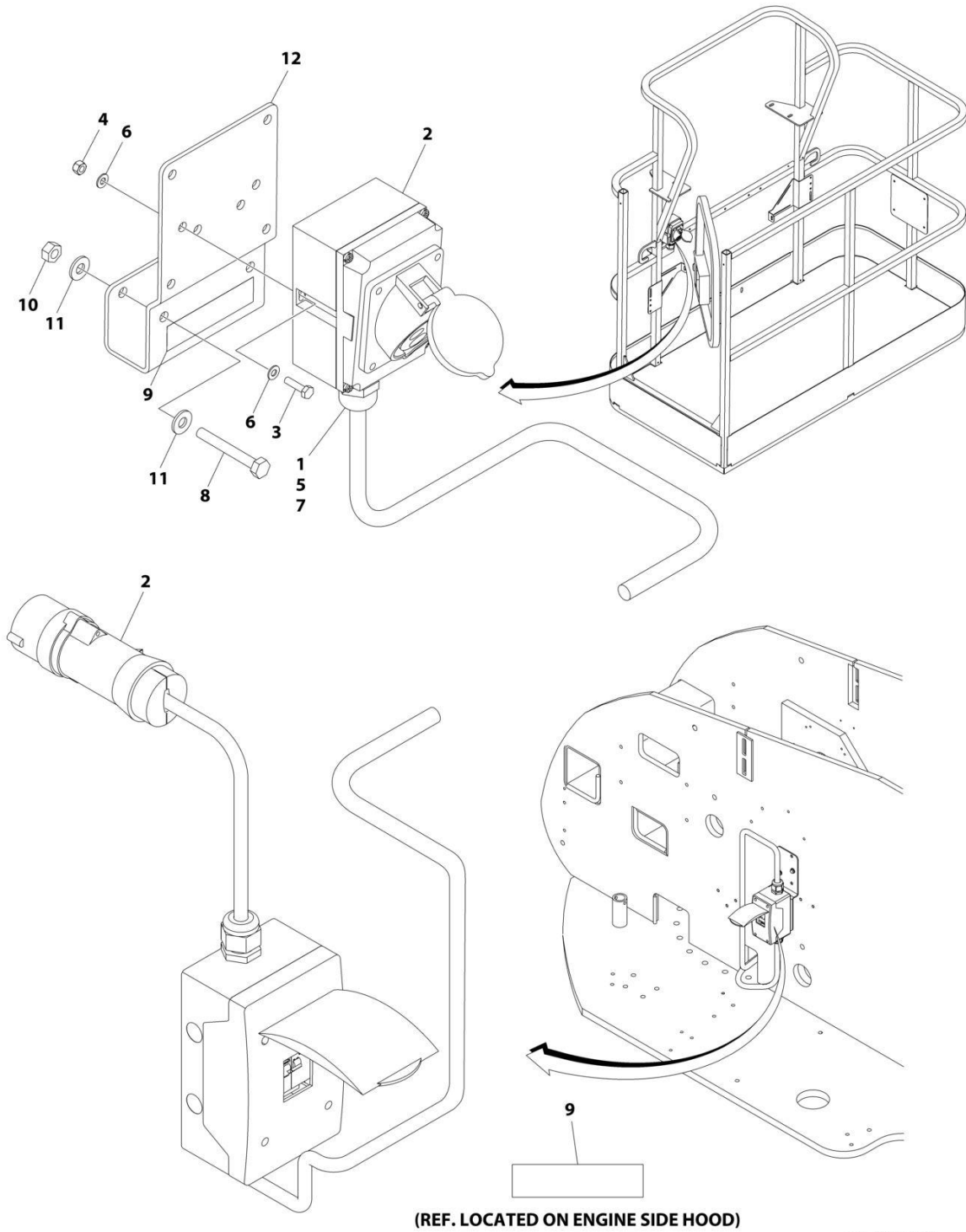
SECTION 8 - ELECTRICAL

FIGURE 8-6. AC BOX AT PLATFORM MID-BOOM PLUG INSTALLATION (WITH 7500W SKYPOWER GENERATOR)

ITEM	PART NUMBER	QTY	DESCRIPTION	REV
	0272433	Ref	AC CABLE INSTALLATION - 110V/220V	D
1	1001218622	1	Plug, Male	
2	1001218623	1	Plug, Female	

SECTION 8 - ELECTRICAL

FIGURE 8-7. AC BOX AT PLATFORM INSTALLATION - 110V IEC YELLOW (CE SPECS) (MACHINES WITH 2500W GENERATOR OR NO GENERATOR OPTION)



ART_1001091969

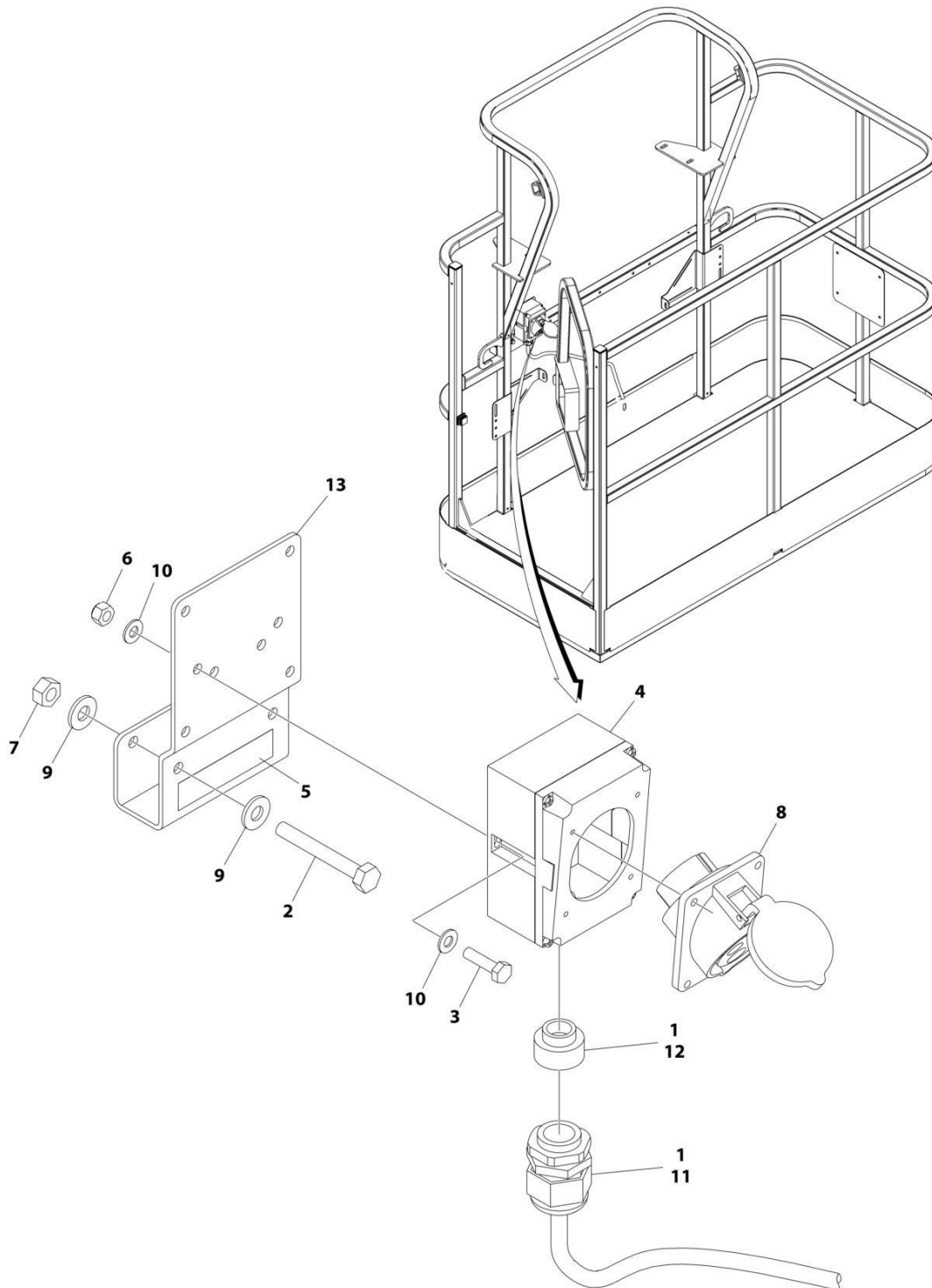
SECTION 8 - ELECTRICAL

FIGURE 8-7. AC BOX AT PLATFORM INSTALLATION - 110V IEC YELLOW (CE SPECS) (MACHINES WITH 2500W GENERATOR OR NO GENERATOR OPTION)

ITEM	PART NUMBER	QTY	DESCRIPTION	REV
	1001091969	Ref	AC BOX AT PLATFORM INSTALLATION - 110V IEC YELLOW	D
1	0100020	AR	Sealant, Pipe	
2	0275216	1	Receptacle Box Kit (See Separate Breakdown in this Section)	
3	0700408	2	Bolt M4 x 16	
4	3290405	2	Nut M4	
5	1001101196	1	Adapter	
6	4811400	4	Washer M4	
7	1001101191	1	Connector, Strain Relief	
8	0641416	2	Bolt 1/4 x 2	
9	1705325	2	Decal - 110V	
10	3311405	2	Nut 1/4	
11	4711400	4	Washer 1/4	
12	1001193018	1	Bracket	

SECTION 8 - ELECTRICAL

FIGURE 8-8. AC BOX AT PLATFORM INSTALLATION - 110V IEC YELLOW (CE SPECS) (MACHINES WITH 4000W GENERATOR)



ART_1001206253

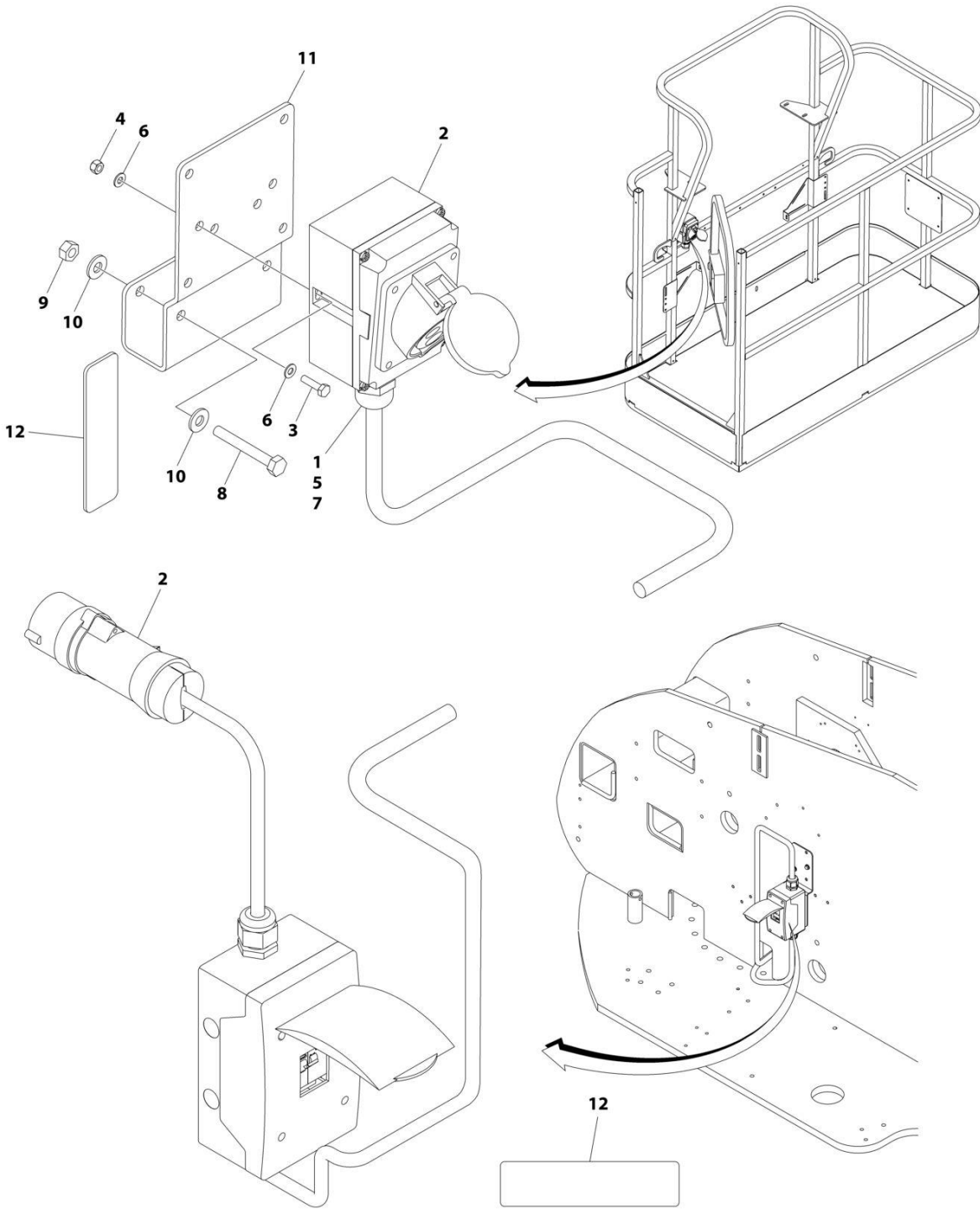
SECTION 8 - ELECTRICAL

FIGURE 8-8. AC BOX AT PLATFORM INSTALLATION - 110V IEC YELLOW (CE SPECS) (MACHINES WITH 4000W GENERATOR)

ITEM	PART NUMBER	QTY	DESCRIPTION	REV
	1001206253	Ref	AC BOX AT PLATFORM INSTALLATION - 110V IEC 60309 YELLOW WITHOUT 4000W GENERATOR	A
1	0100020	AR	Sealant, Pipe	
2	0641416	2	Bolt 1/4 x 2	
3	0700408	2	Bolt M4 x 16	
4	0861781	1	Box, Switch	
5	1705325	1	Decal - 110V	
6	3290405	2	Nut M4	
7	3311405	2	Nut 1/4	
8	4461198	1	Receptacle	
9	4711400	4	Washer 1/4	
10	4811400	4	Washer M4	
11	1001101191	1	Connector, Strain Relief	
12	1001101196	1	Adapter	
13	1001193018	1	Bracket, AC Receptacle	

SECTION 8 - ELECTRICAL

FIGURE 8-9. AC BOX AT PLATFORM INSTALLATION - 220V IEC BLUE (CE SPECS) (MACHINES WITH 2500W GENERATOR OR NO GENERATOR OPTION)



(REF. LOCATED ON ENGINE SIDE HOOD)

ART_1001091970

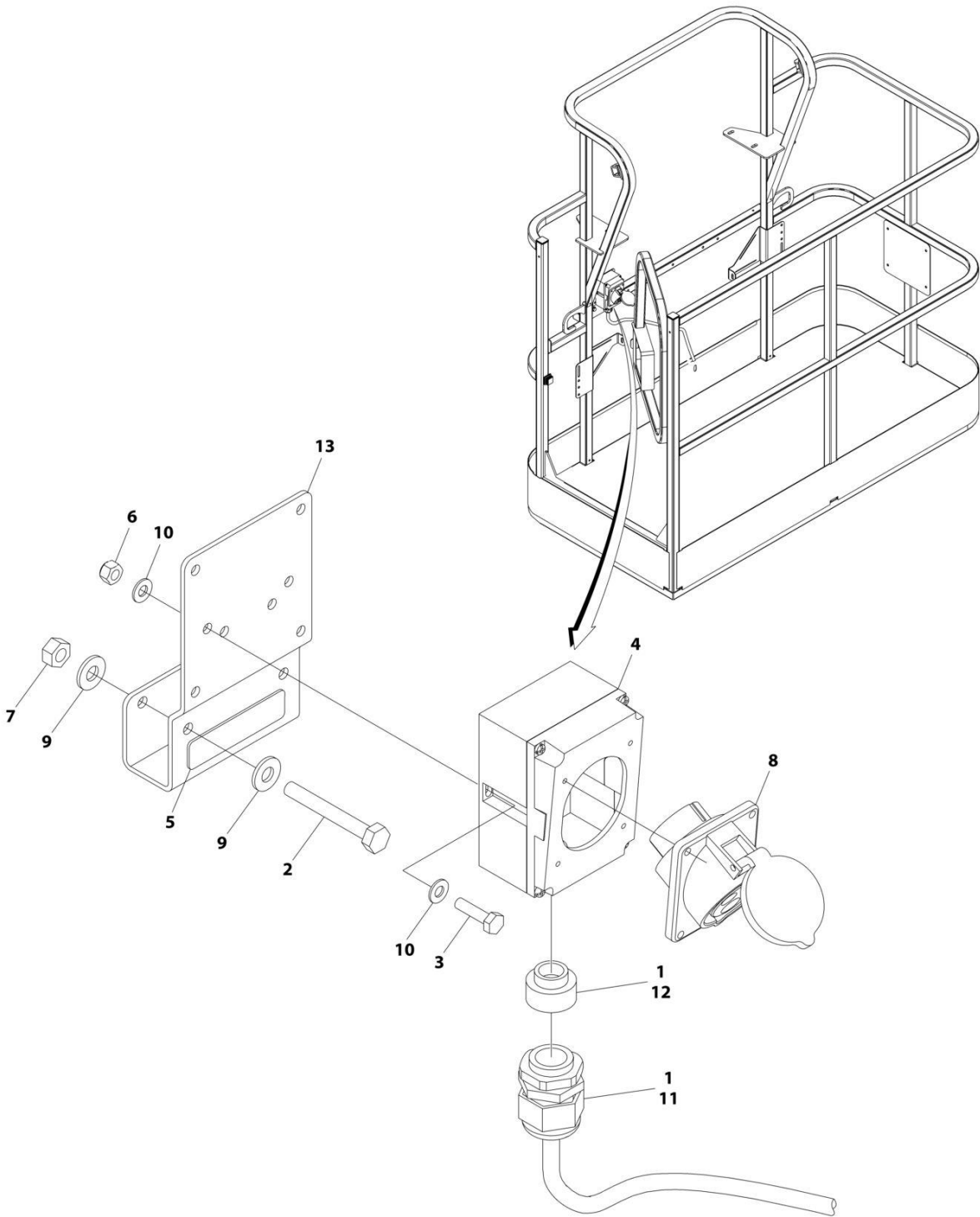
SECTION 8 - ELECTRICAL

FIGURE 8-9. AC BOX AT PLATFORM INSTALLATION - 220V IEC BLUE (CE SPECS) (MACHINES WITH 2500W GENERATOR OR NO GENERATOR OPTION)

ITEM	PART NUMBER	QTY	DESCRIPTION	REV
	1001091970	Ref	AC BOX AT PLATFORM INSTALLATION - 220V IEC BLUE	D
1	0100020	AR	Sealant, Pipe	
2	0275217	1	Receptacle Box Kit (See Separate Breakdown in this Section)	
3	0700408	2	Bolt M4 x 16	
4	3290405	2	Nut M4	
5	1001101196	1	Adapter	
6	4811400	4	Washer M4	
7	1001101191	1	Connector, Strain Relief	
8	0641416	2	Bolt 1/4 x 2	
9	3311405	2	Nut 1/4	
10	4711400	4	Washer 1/4	
11	1001193018	1	Bracket	
12	3251242	2	Decal - 240V/50Hz	

SECTION 8 - ELECTRICAL

FIGURE 8-10. AC BOX AT PLATFORM INSTALLATION - 220V IEC BLUE (CE SPECS) (MACHINES WITH 4000W GENERATOR)



ART_1001206254

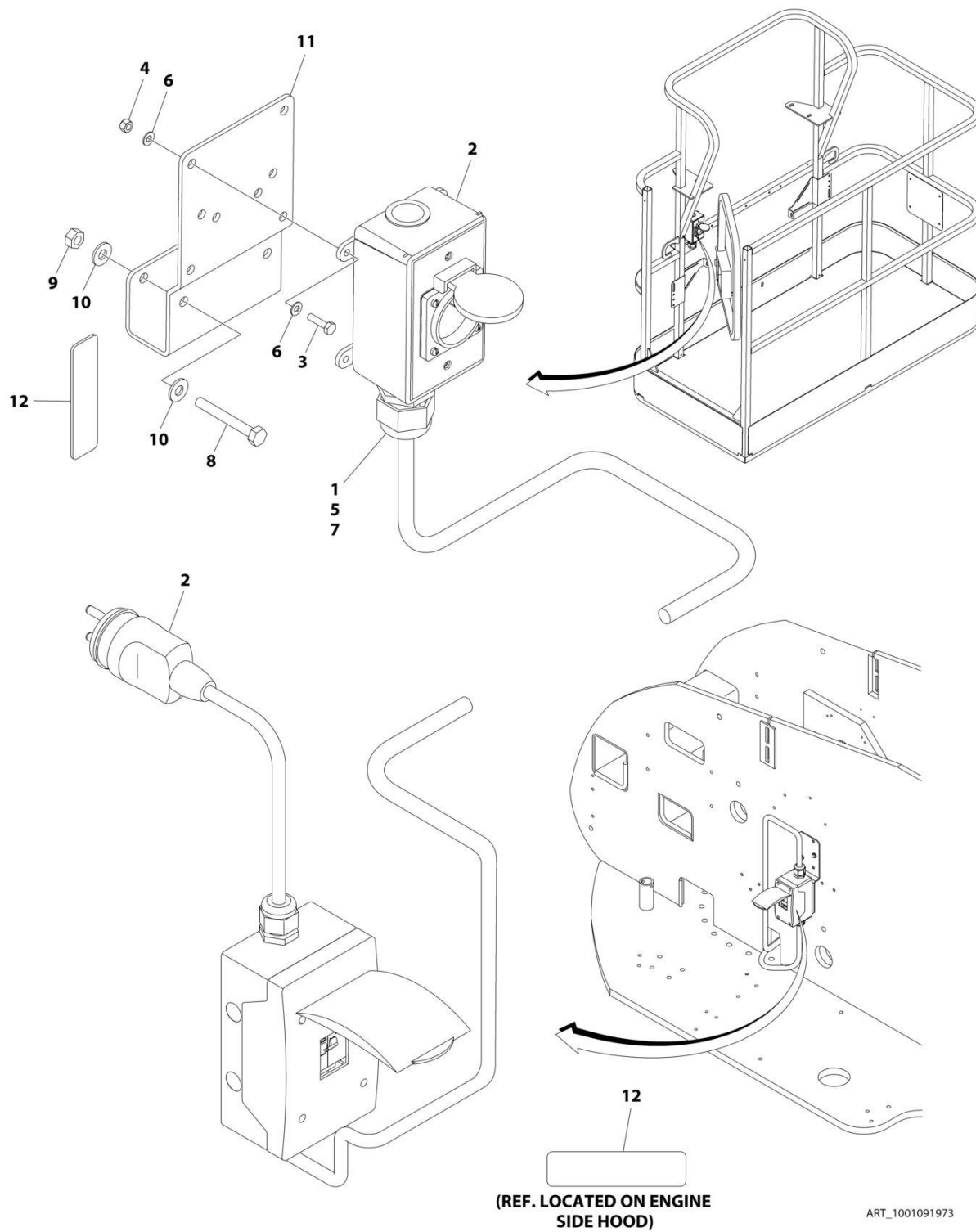
SECTION 8 - ELECTRICAL

FIGURE 8-10. AC BOX AT PLATFORM INSTALLATION - 220V IEC BLUE (CE SPECS) (MACHINES WITH 4000W GENERATOR)

ITEM	PART NUMBER	QTY	DESCRIPTION	REV
	1001206254	Ref	AC BOX AT PLATFORM INSTALLATION - 220V IEC BLUE	A
1	0100020	AR	Sealant, Pipe	
2	0641416	2	Bolt 1/4 x 2	
3	0700408	2	Bolt M4 x 16	
4	0861781	1	Box, Switch	
5	3251242	1	Decal - 240V/50Hz	
6	3290405	2	Nut M4	
7	3311405	2	Nut 1/4	
8	4461201	1	Receptacle	
9	4711400	4	Washer 1/4	
10	4811400	4	Washer M4	
11	1001101191	1	Connector, Strain Relief	
12	1001101196	1	Adapter	
13	1001193018	1	Bracket, AC Receptacle	

SECTION 8 - ELECTRICAL

**FIGURE 8-11. AC BOX AT PLATFORM INSTALLATION - 220V CEE7 POST GROUND (CE SPECS)
(MACHINES WITH 2500W GENERATOR OR NO GENERATOR OPTION)**



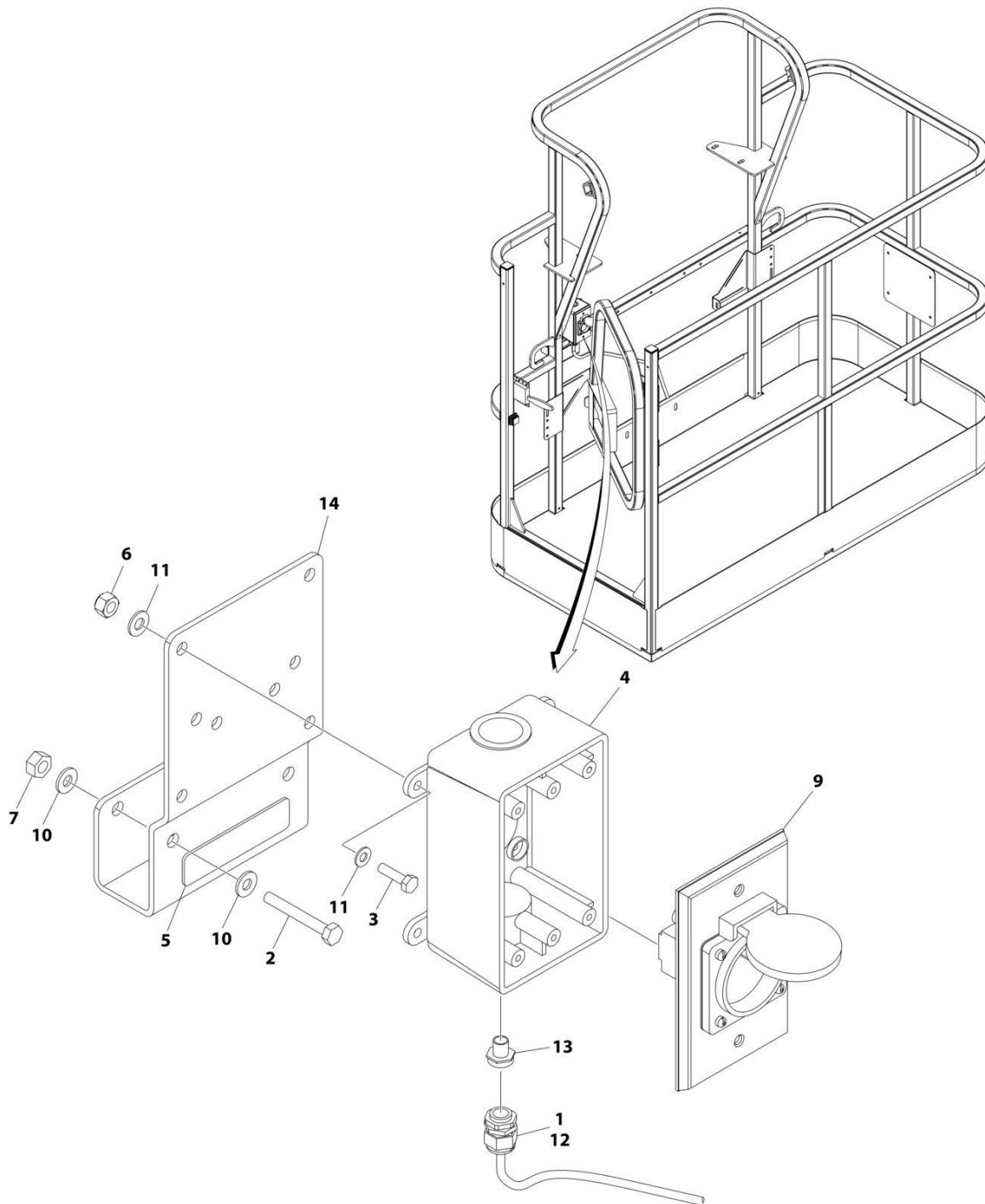
SECTION 8 - ELECTRICAL

**FIGURE 8-11. AC BOX AT PLATFORM INSTALLATION - 220V CEE7 POST GROUND (CE SPECS)
(MACHINES WITH 2500W GENERATOR OR NO GENERATOR OPTION)**

ITEM	PART NUMBER	QTY	DESCRIPTION	REV
	1001091973	Ref	AC BOX AT PLATFORM INSTALLATION - 220V CEE7 2X4 BOX POST GROUND	F
1	0100020	AR	Sealant, Pipe	
2	0275452	1	Receptacle Box Kit (See Separate Breakdown in this Section)	
3	0700408	4	Bolt M4 x 16	
4	3290405	4	Nut M4	
5	1001101197	1	Adapter	
6	4811400	8	Washer M4	
7	1001101191	1	Connector, Strain Relief	
8	0641416	2	Bolt 1/4 x 2	
9	3311405	2	Nut 1/4	
10	4711400	4	Washer 1/4	
11	1001193018	1	Bracket	
12	3251242	2	Decal - 240V/50Hz	
13	4460806	2	Terminal, Fork (Not Shown)	
14	1001205958	1	Terminal (Not Shown)	

SECTION 8 - ELECTRICAL

FIGURE 8-12. AC BOX AT PLATFORM INSTALLATION - 220V CEE7 POST GROUND (CE SPECS)
(MACHINES WITH 4000W GENERATOR)



ART_1001206250

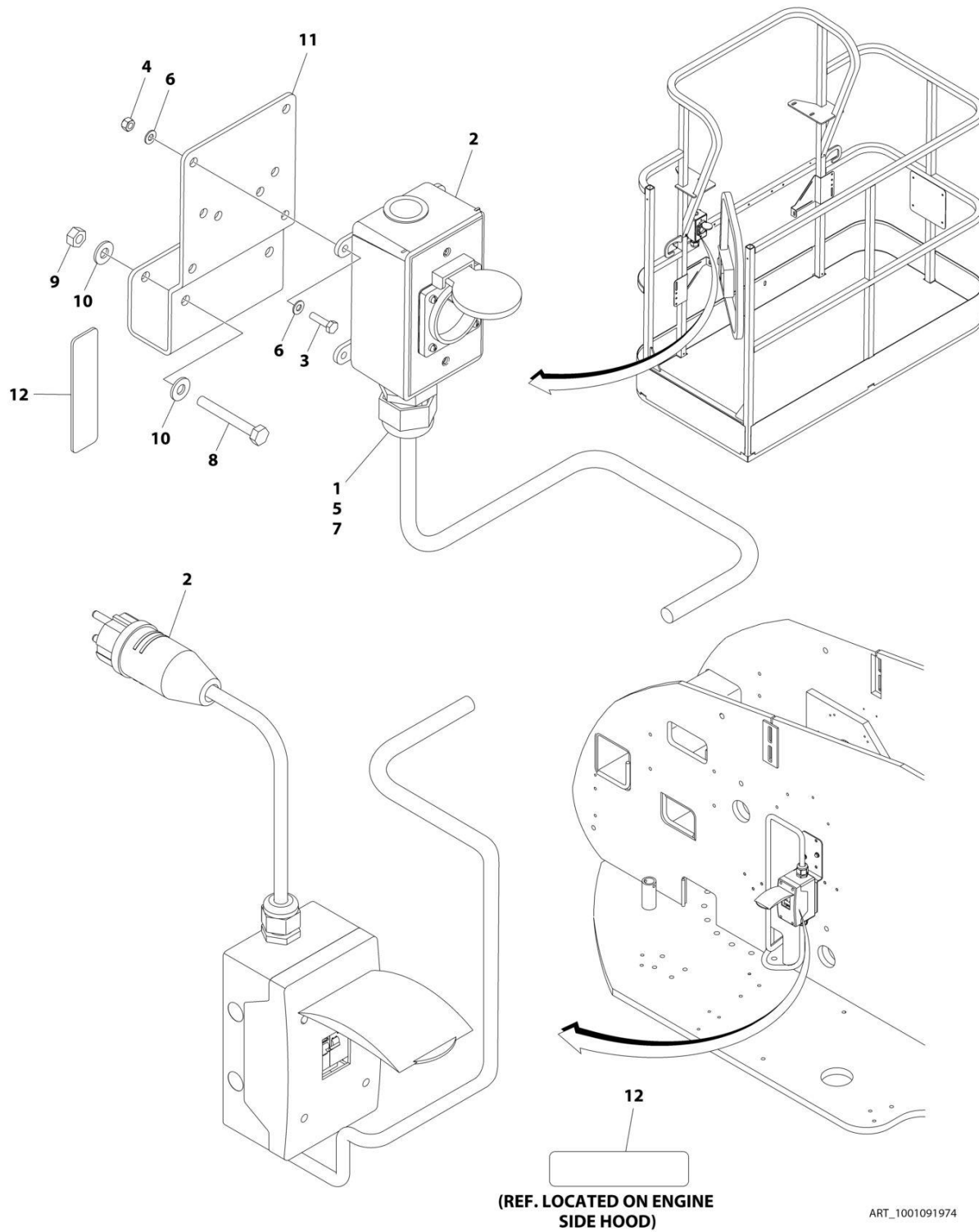
SECTION 8 - ELECTRICAL

**FIGURE 8-12. AC BOX AT PLATFORM INSTALLATION - 220V CEE7 POST GROUND (CE SPECS)
(MACHINES WITH 4000W GENERATOR)**

ITEM	PART NUMBER	QTY	DESCRIPTION	REV
	1001206250	Ref	AC BOX AT PLATFORM INSTALLATION - 220V CEE7 2X4 BOX POST GROUND	A
1	0100020	AR	Sealant, Pipe	
2	0641416	2	Bolt 1/4 x 2	
3	0700408	4	Bolt M4 x 16	
4	0861731	1	Box, Switch	
5	3251242	1	Decal - 240V/50Hz	
6	3290405	4	Nut M4	
7	3311405	2	Nut 1/4	
8	4460806	2	Terminal, Fork (Not Shown)	
9	4461244	1	Receptacle	
10	4711400	4	Washer 1/4	
11	4811400	8	Washer M4	
12	1001101191	1	Connector, Strain Relief	
13	1001101197	1	Adapter	
14	1001193018	1	Bracket, AC Receptacle	
15	1001205958	1	Terminal (Not Shown)	

SECTION 8 - ELECTRICAL

**FIGURE 8-13. AC BOX AT PLATFORM INSTALLATION - 220V CEE7 SIDE GROUND (CE SPECS)
(MACHINES WITH 2500W GENERATOR OR NO GENERATOR OPTION)**



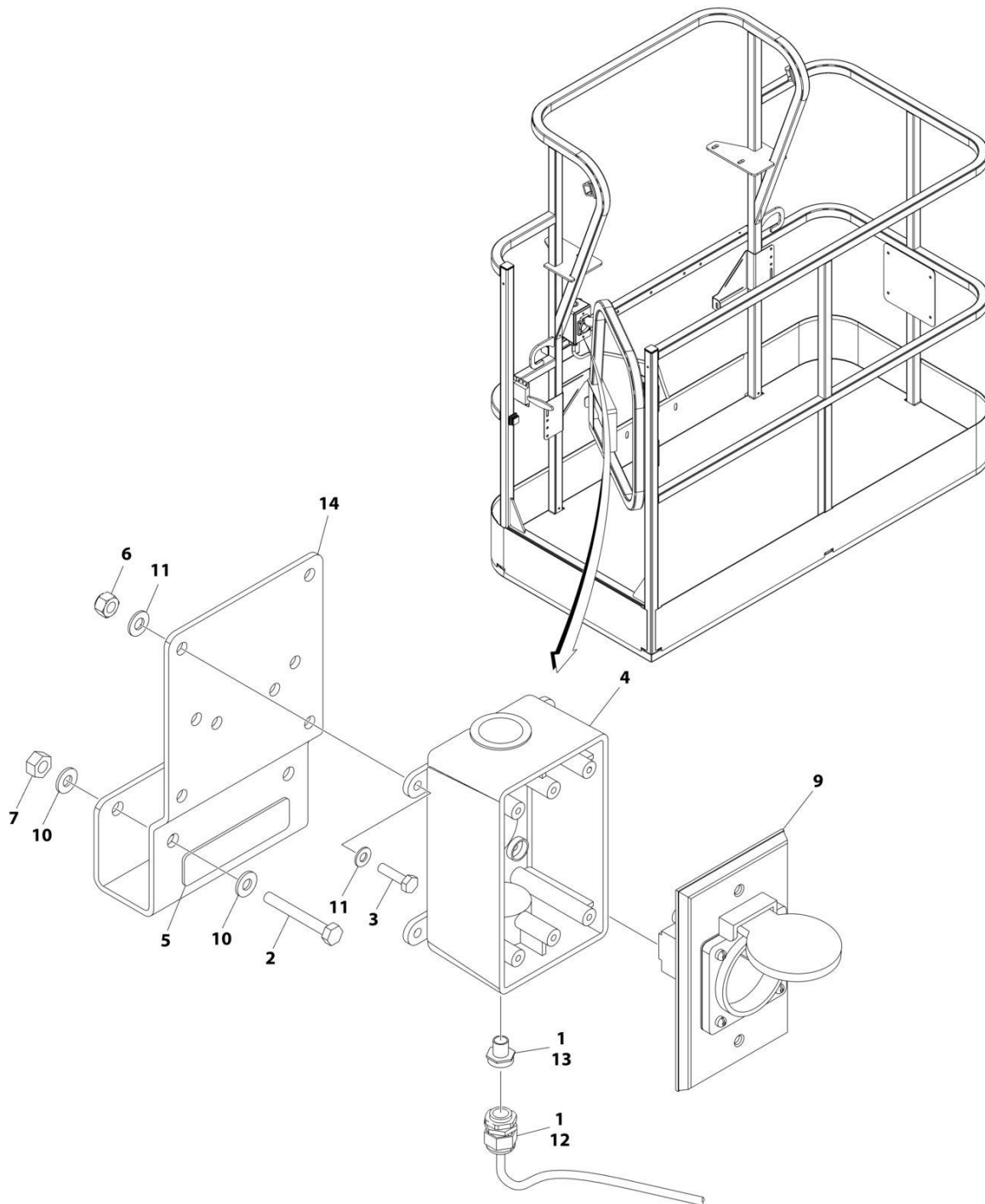
SECTION 8 - ELECTRICAL

**FIGURE 8-13. AC BOX AT PLATFORM INSTALLATION - 220V CEE7 SIDE GROUND (CE SPECS)
(MACHINES WITH 2500W GENERATOR OR NO GENERATOR OPTION)**

ITEM	PART NUMBER	QTY	DESCRIPTION	REV
	1001091974	Ref	AC BOX AT PLATFORM INSTALLATION - 220V CEE7 2X4 BOX SIDE GROUND	F
1	0100020	AR	Sealant, Pipe	
2	0275453	1	Receptacle Box Kit (See Separate Breakdown in this Section)	
3	0700408	4	Bolt M4 x 16	
4	3290405	4	Nut M4	
5	1001101197	1	Adapter	
6	4811400	8	Washer M4	
7	1001101191	1	Connector, Strain Relief	
8	0641416	2	Bolt 1/4 x 2	
9	3311405	2	Nut 1/4	
10	4711400	4	Washer 1/4	
11	1001193018	1	Bracket	
12	3251242	2	Decal - 240V/50Hz	
13	4460806	2	Terminal, Fork (Not Shown)	
14	1001205958	1	Terminal (Not Shown)	

SECTION 8 - ELECTRICAL

**FIGURE 8-14. AC BOX AT PLATFORM INSTALLATION - 220V CEE7 SIDE GROUND (CE SPECS)
(MACHINES WITH 4000W GENERATOR)**



ART_1001206251

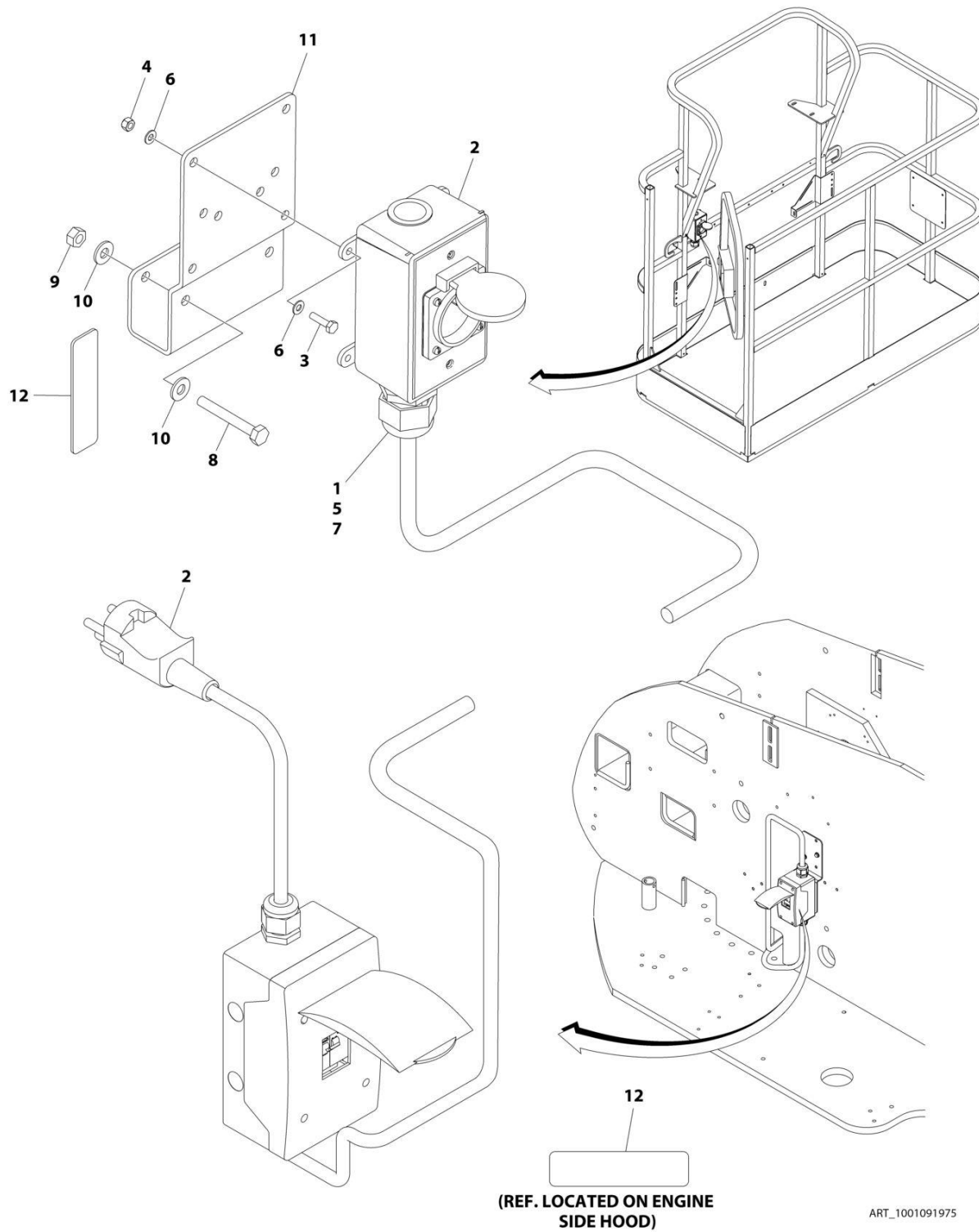
SECTION 8 - ELECTRICAL

**FIGURE 8-14. AC BOX AT PLATFORM INSTALLATION - 220V CEE7 SIDE GROUND (CE SPECS)
(MACHINES WITH 4000W GENERATOR)**

ITEM	PART NUMBER	QTY	DESCRIPTION	REV
	1001206251	Ref	AC BOX AT PLATFORM INSTALLATION - 220V CEE7 2X4 BOX SIDE GROUND	A
1	0100020	AR	Sealant, Pipe	
2	0641416	2	Bolt 1/4 x 2	
3	0700408	4	Bolt M4 x 16	
4	0861731	1	Box, Switch	
5	3251242	1	Decal - 240V/50Hz	
6	3290405	4	Nut M4	
7	3311405	2	Nut 1/4	
8	4460806	2	Terminal, Fork (Not Shown)	
9	4461245	1	Receptacle	
10	4711400	4	Washer 1/4	
11	4811400	8	Washer M4	
12	1001101191	1	Connector, Strain Relief	
13	1001101197	1	Adapter	
14	1001193018	1	Bracket, AC Receptacle	
15	1001205958	1	Terminal (Not Shown)	

SECTION 8 - ELECTRICAL

FIGURE 8-15. AC BOX AT PLATFORM INSTALLATION - 220V AFSINT 107 KEYED GROUND (CE SPECS) (MACHINES WITH 2500W GENERATOR OR NO GENERATOR OPTION)



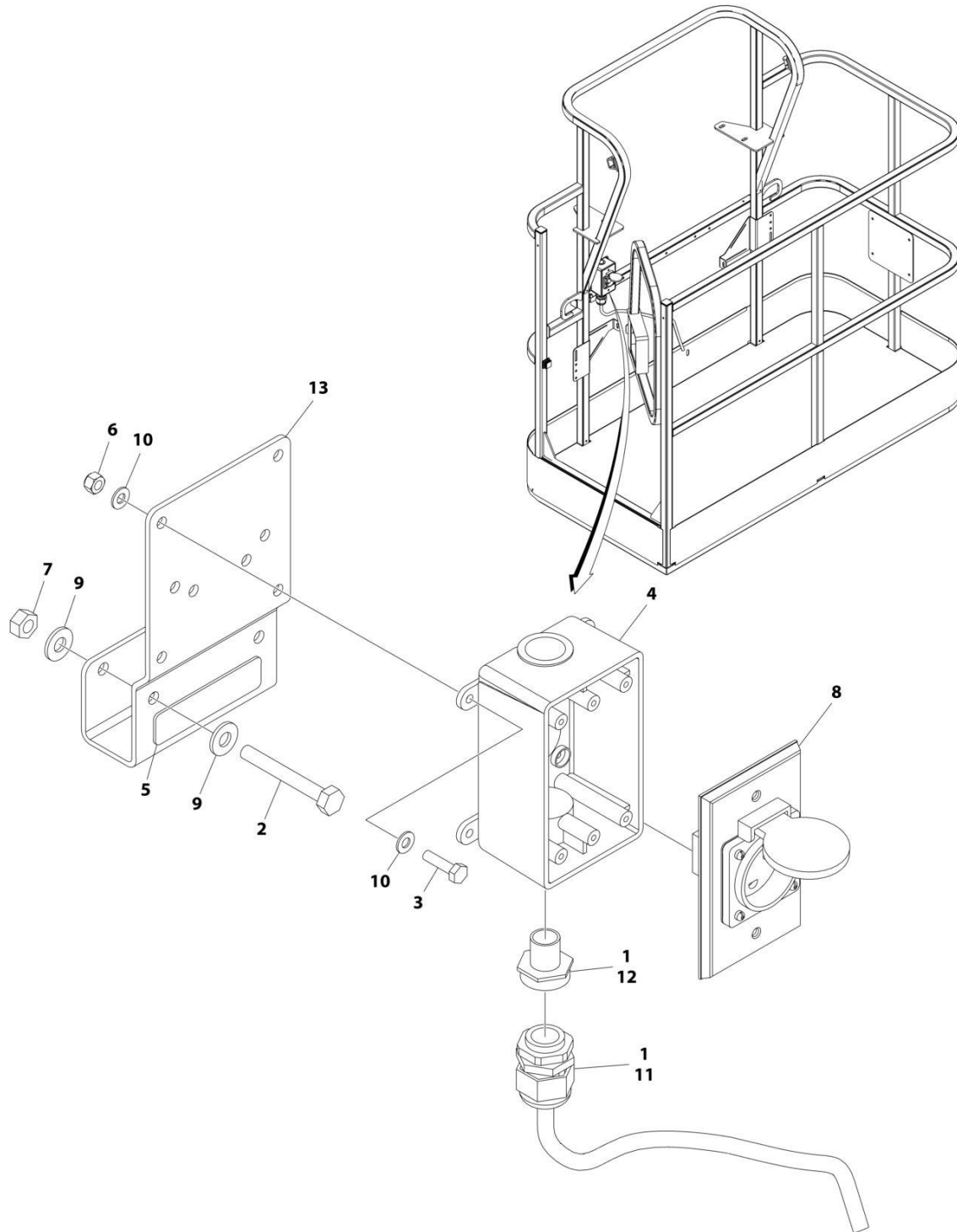
SECTION 8 - ELECTRICAL

FIGURE 8-15. AC BOX AT PLATFORM INSTALLATION - 220V AFSINT 107 KEYED GROUND (CE SPECS) (MACHINES WITH 2500W GENERATOR OR NO GENERATOR OPTION)

ITEM	PART NUMBER	QTY	DESCRIPTION	REV
	1001091975	Ref	AC BOX AT PLATFORM INSTALLATION - 220V AFSINT 107 2X4 BOX KEYED GROUND	F
1	0100020	AR	Sealant, Pipe	
2	0275454	1	Receptacle Box Kit (See Separate Breakdown in this Section)	
3	0700408	4	Bolt M4 x 16	
4	3290405	4	Nut M4	
5	1001101197	1	Adapter	
6	4811400	8	Washer M4	
7	1001101191	1	Connector, Strain Relief	
8	0641416	2	Bolt 1/4 x 2	
9	3311405	2	Nut 1/4	
10	4711400	4	Washer 1/4	
11	1001193018	1	Bracket	
12	3251242	2	Decal - 240V/50Hz	
13	1001205958	3	Terminal (Not Shown)	

SECTION 8 - ELECTRICAL

FIGURE 8-16. AC BOX AT PLATFORM INSTALLATION - 220V AFSINT 107 KEYED GROUND (CE SPECS) (MACHINES WITH 4000W GENERATOR)



ART_1001206252

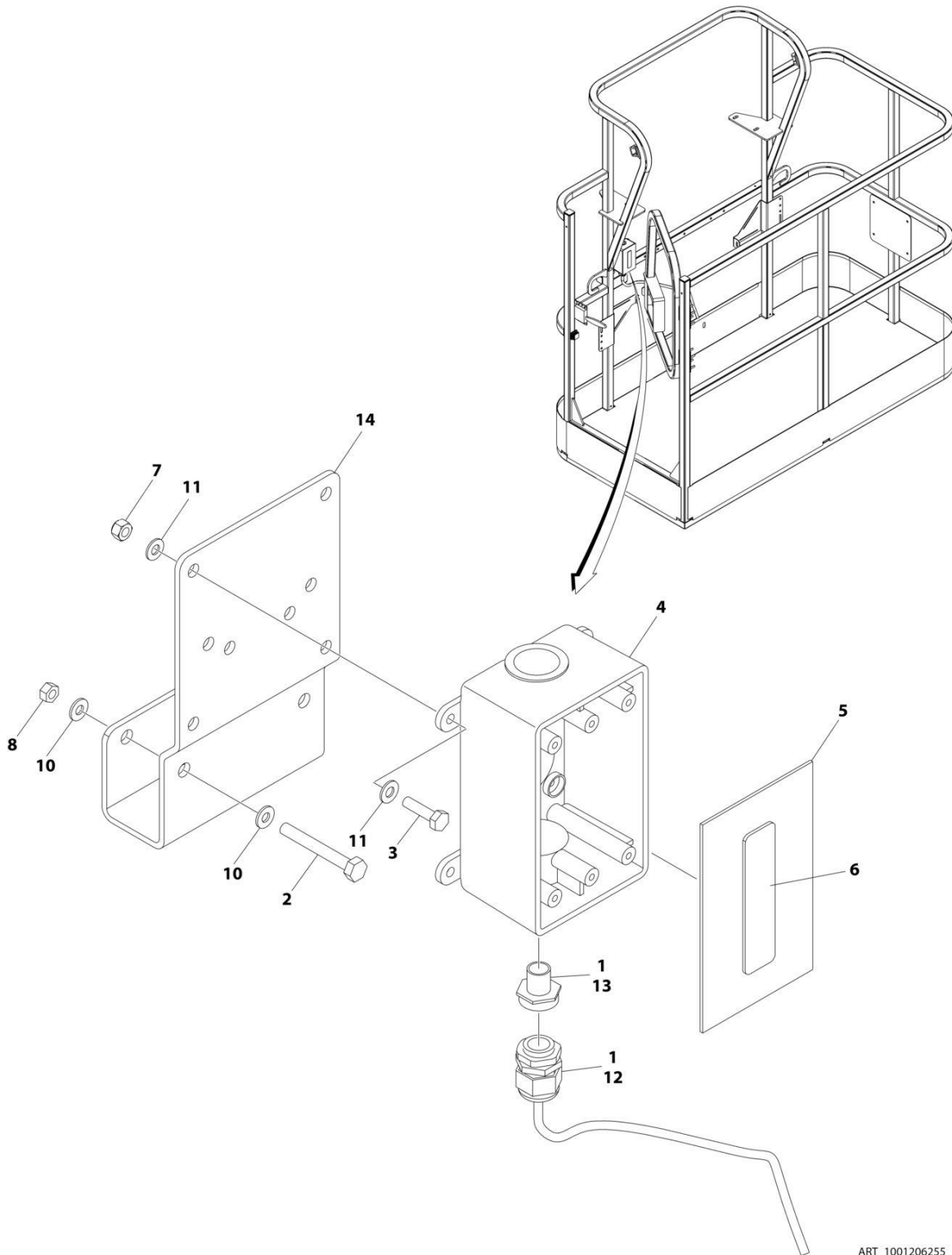
SECTION 8 - ELECTRICAL

FIGURE 8-16. AC BOX AT PLATFORM INSTALLATION - 220V AFSINT 107 KEYED GROUND (CE SPECS) (MACHINES WITH 4000W GENERATOR)

ITEM	PART NUMBER	QTY	DESCRIPTION	REV
	1001206252	Ref	AC BOX AT PLATFORM INSTALLATION - 220V AFSINT 107 2x4 BOX KEYED GROUND	A
1	0100020	AR	Sealant, Pipe	
2	0641416	2	Bolt 1/4 x 2	
3	0700408	4	Bolt M4 x 16	
4	0861731	1	Box, Switch	
5	3251242	1	Decal - 240V/50Hz	
6	3290405	4	Nut M4	
7	3311405	2	Nut 1/4	
8	4461246	1	Receptacle	
9	4711400	4	Washer 1/4	
10	4811400	8	Washer M4	
11	1001101191	1	Connector, Strain Relief	
12	1001101197	1	Adapter	
13	1001193018	1	Bracket, AC Receptacle	
14	1001205958	3	Terminal (Not Shown)	

SECTION 8 - ELECTRICAL

FIGURE 8-17. AC BOX AT PLATFORM INSTALLATION - 220V (2X4 BOX & COVER ONLY - LOCALLY SUPPLIED RECEPTACLE) (4000W GENERATOR)



ART_1001206255

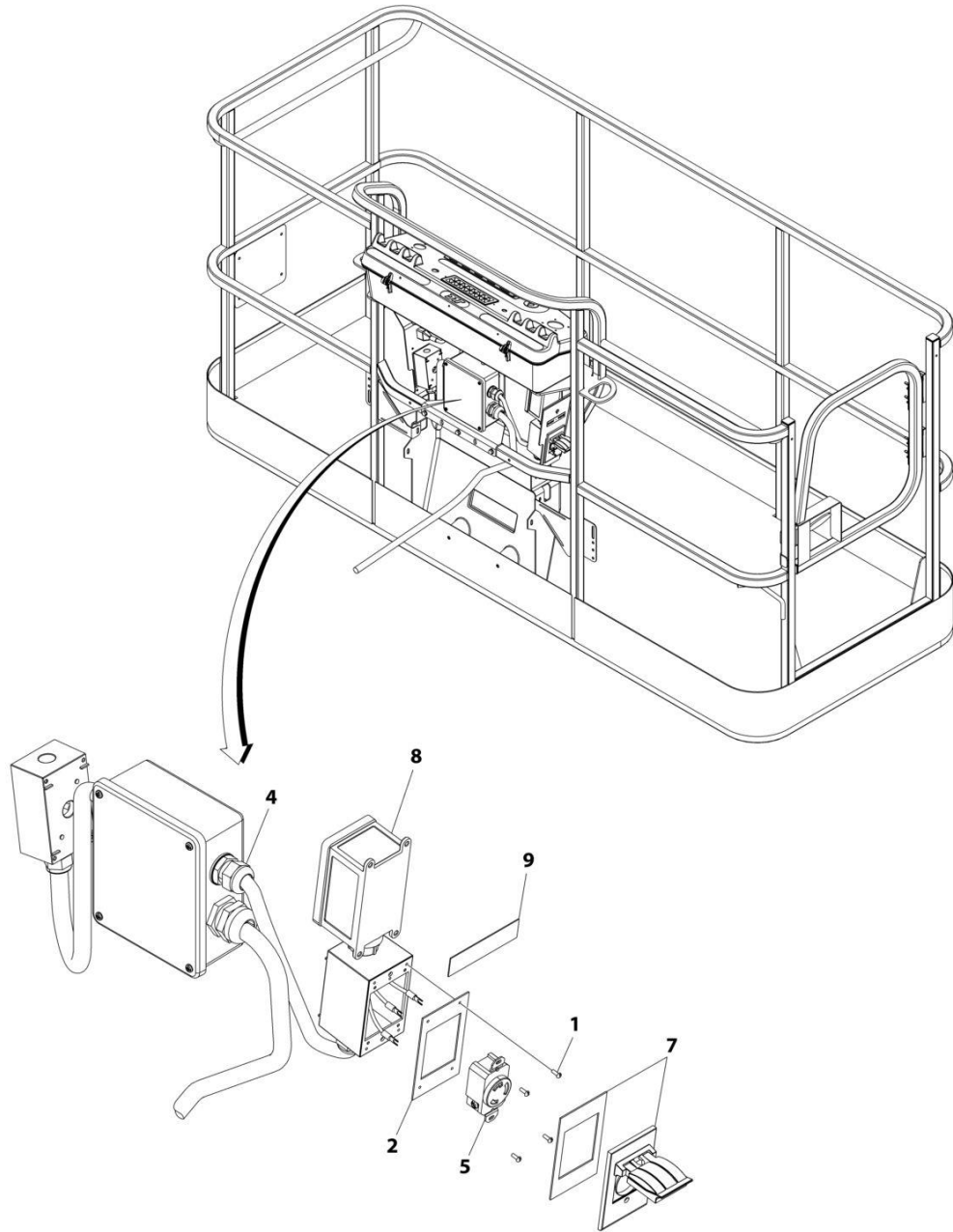
SECTION 8 - ELECTRICAL

FIGURE 8-17. AC BOX AT PLATFORM INSTALLATION - 220V (2X4 BOX & COVER ONLY - LOCALLY SUPPLIED RECEPTACLE) (4000W GENERATOR)

ITEM	PART NUMBER	QTY	DESCRIPTION	REV
	1001206255	Ref	AC BOX AT PLATFORM INSTALLATION - BOX WITH COVER (2X4 BOX) WITH 4000W GENERATOR	A
1	0100020	AR	Sealant, Pipe	
2	0641416	2	Bolt 1/4 x 2	
3	0700408	4	Bolt M4 x 16	
4	0861731	1	Box, Switch	
5	1670603	1	Cover	
6	3251242	1	Decal - 240V-50Hz	
7	3290405	4	Nut M4	
8	3311405	2	Nut 1/4	
10	4711400	4	Washer 1/4	
11	4811400	8	Washer M4	
12	1001101191	1	Connector, Strain Relief	
13	1001101197	1	Adapter	
14	1001193018	1	Bracket, AC Receptacle	

SECTION 8 - ELECTRICAL

FIGURE 8-18. AC BOX AT PLATFORM INSTALLATION - 240V GFCI RECEPTACLE (ANSI AND CSA SPECS WITH 4000W SKYPOWER GENERATOR)



ART_1001171131

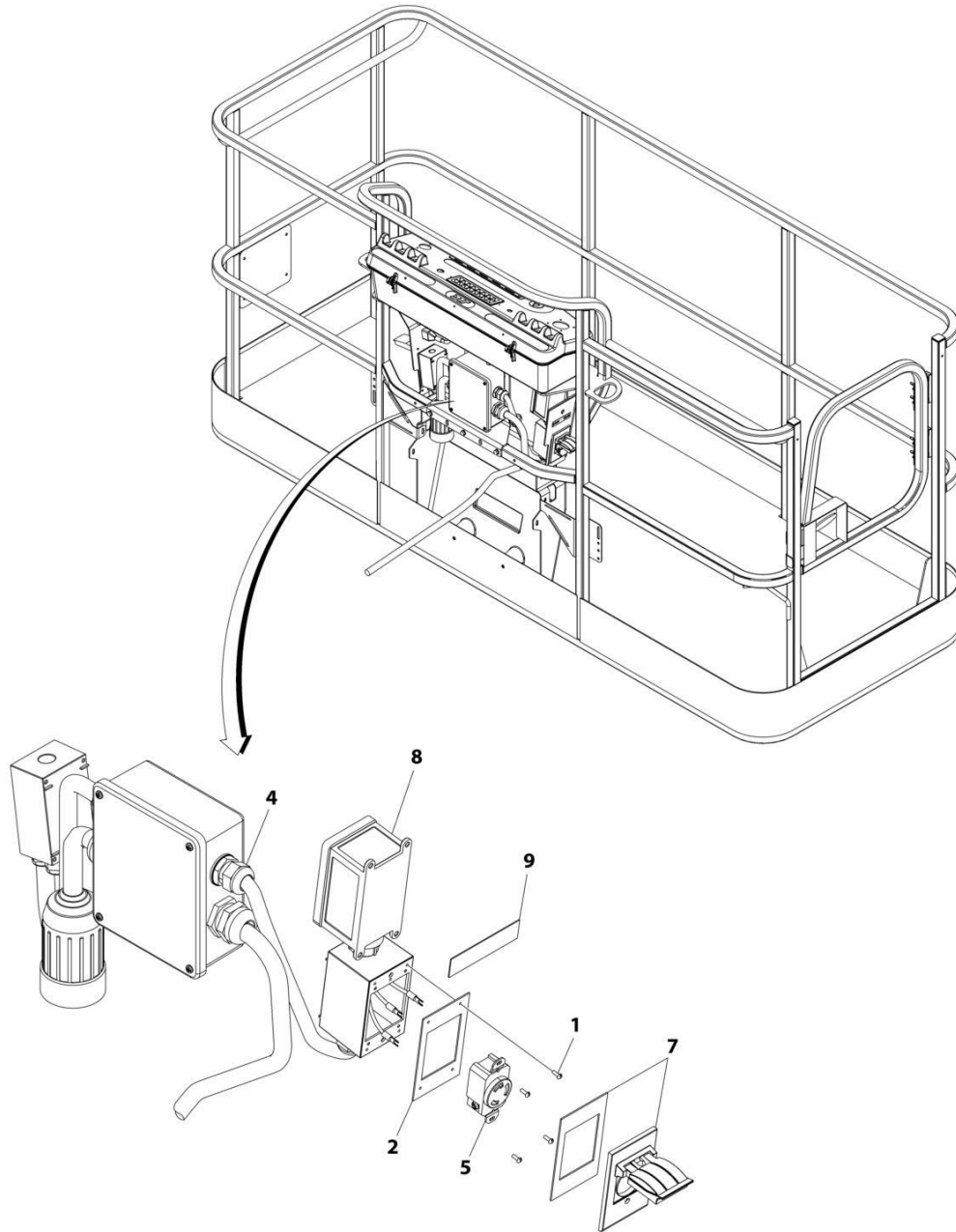
SECTION 8 - ELECTRICAL

FIGURE 8-18. AC BOX AT PLATFORM INSTALLATION - 240V GFCI RECEPTACLE (ANSI AND CSA SPECS WITH 4000W SKYPOWER GENERATOR)

ITEM	PART NUMBER	QTY	DESCRIPTION	REV
	1001171131	Ref	AC BOX AT PLATFORM INSTALLATION - 240V RECEPTACLE	B
1	3910606	4	Screw 6 x 3/8	
2	3960422	1	Gasket	
3	4240018	AR	Tie-Strap (Not Shown)	
4	4460425	1	Connector, Strain Relief	
5	1001176862	1	Receptacle	
7	1001110872	1	Cover, Receptacle	
8	1001159120	1	Receptacle/Breaker Box Assembly	
8	1001148675	1	Box, Receptacle	
8	1001159118	1	Breaker GFCI 30Amp 240VAC	
8	4460612	1	Connector, Strain Relief	
8	1001159119	1	Connector (Between Boxes)	
9	1705374	1	Decal - 240V/60Hz	

SECTION 8 - ELECTRICAL

FIGURE 8-19. AC BOX AT PLATFORM INSTALLATION - 240V GFCI RECEPTACLE (ANSI AND CSA SPECS WITH 7500W SKYPOWER GENERATOR)



ART_1001159121

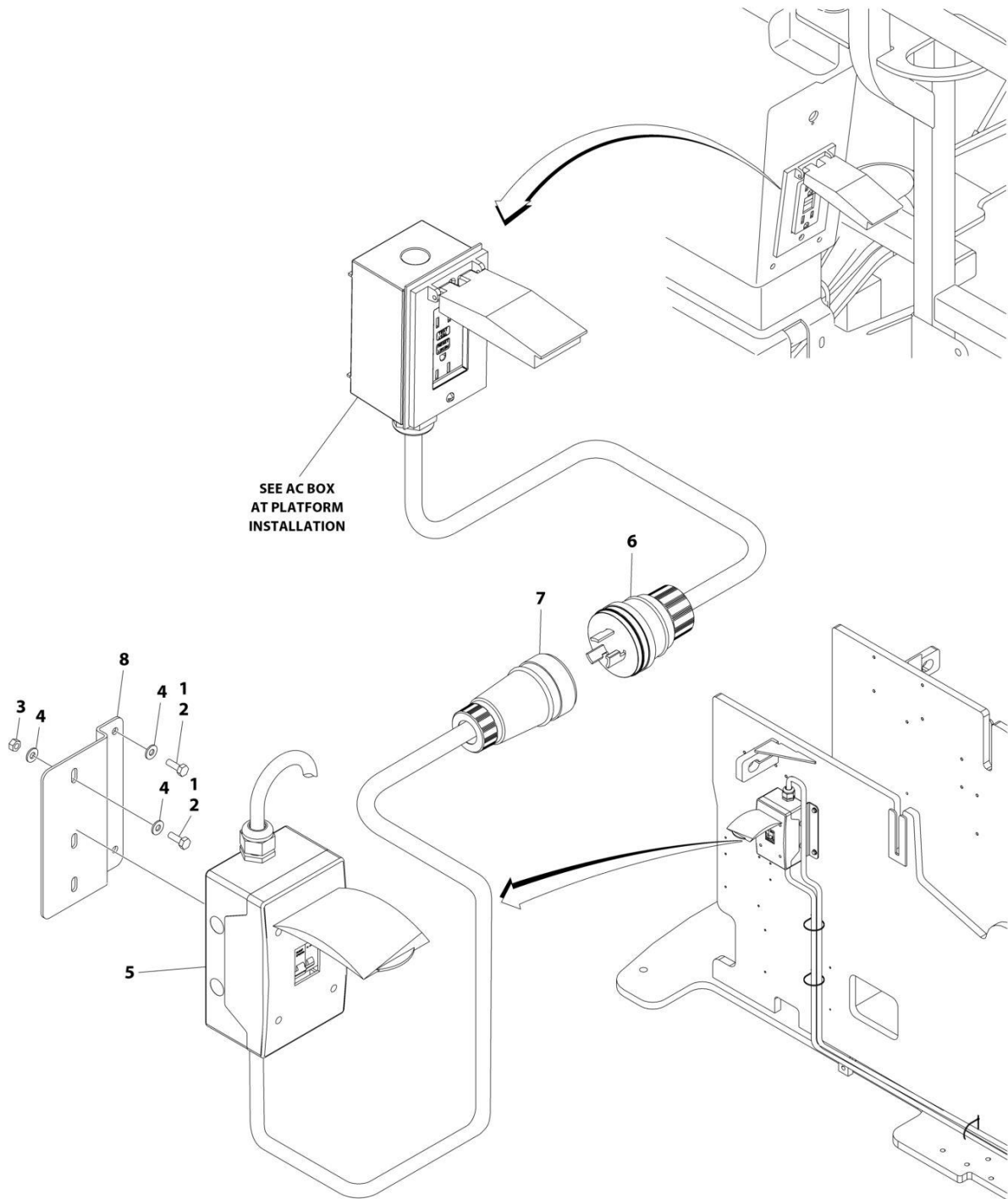
SECTION 8 - ELECTRICAL

FIGURE 8-19. AC BOX AT PLATFORM INSTALLATION - 240V GFCI RECEPTACLE (ANSI AND CSA SPECS WITH 7500W SKYPOWER GENERATOR)

ITEM	PART NUMBER	QTY	DESCRIPTION	REV
	1001159121	Ref	AC BOX AT PLATFORM INSTALLATION - 240V RECEPTACLE	B
1	3910606	4	Screw 6 x 3/8	
2	3960422	1	Gasket	
3	4240018	AR	Tie-Strap (Not Shown)	
4	4460425	1	Connector, Strain Relief	
5	4460958	1	Receptacle	
7	1001110872	1	Cover, Receptacle	
8	1001159120	1	Receptacle/Breaker Box Assembly	
8	1001148675	1	Box, Receptacle	
8	1001159118	1	Breaker Box Assembly	
8	4460612	1	Connector, Strain Relief	
8	1001159119	1	Connector (Between Boxes)	
9	1705374	1	Decal - 240V/60Hz	

SECTION 8 - ELECTRICAL

FIGURE 8-20. AC BREAKER BOX INSTALLATION - WITH 3 BREAKERS (CE SPECS WITH 4000W GENERATOR)



ART_1001234588

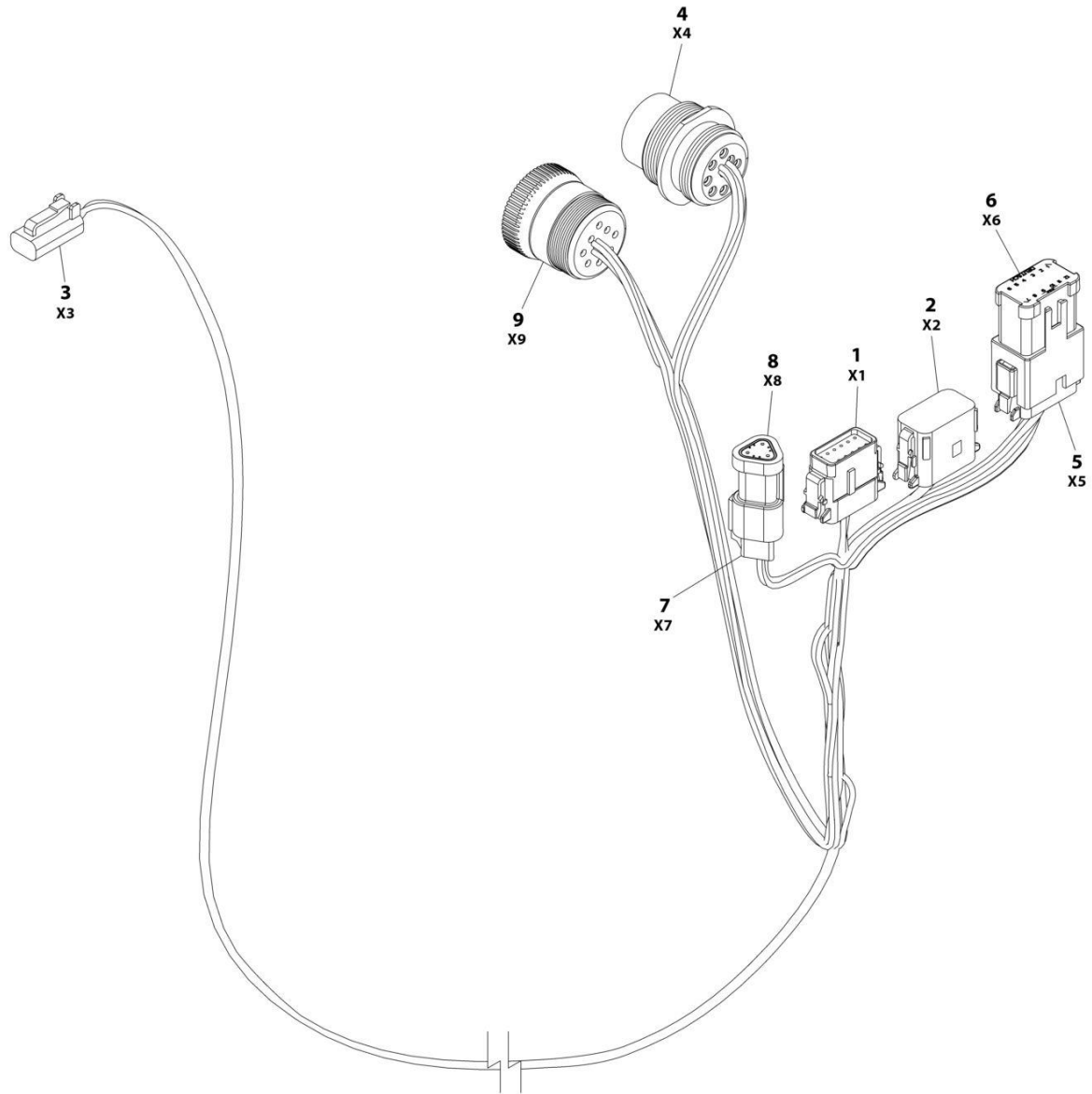
SECTION 8 - ELECTRICAL

FIGURE 8-20. AC BREAKER BOX INSTALLATION - WITH 3 BREAKERS (CE SPECS WITH 4000W GENERATOR)

ITEM	PART NUMBER	QTY	DESCRIPTION	REV
	1001234588	Ref	AC BREAKER BOX INSTALLATION	A
1	0100011	AR	Compound, Locking	
2	0641406	4	Bolt 1/4 x 3/4	
3	3311405	2	Nut 1/4	
4	4711400	6	Washer 1/4	
5	1001205690	1	Breaker Box Kit - With 3 Breakers (See Separate Breakdown in this Section)	
6	1001213584	1	Plug, Male	
7	1001213585	1	Receptacle, Female	
8	1001229080	1	Bracket	
9	4240099	AR	Tie-Strap (Not Shown)	

SECTION 8 - ELECTRICAL

FIGURE 8-21. BEACON CONTROL HARNESS (BLUE AND RED STROBE LIGHTS)



ART_1001142736

SECTION 8 - ELECTRICAL

FIGURE 8-21. BEACON CONTROL HARNESS (BLUE AND RED STROBE LIGHTS)

ITEM	PART NUMBER	QTY	DESCRIPTION	REV
	1001142736	Ref	STROBE LIGHT HARNESS	F
1	1001116808	1	Plug, Male - 12 Position	
1	4460928	3	Socket, Female	
1	4460518	9	Plug, Terminal	
2	1001116774	1	Plug, Male - 12 Position	
2	4460928	3	Socket, Female	
2	4460518	9	Plug, Terminal	
3	4460891	1	Plug, Male - 2 Position	
3	4460465	2	Socket, Female	
4	1001112612	1	Connector - 9 Position	
4	4460464	6	Pin, Male	
4	4460466	3	Plug, Terminal	
5	4460933	1	Plug, Male - 12 Position	
5	4460465	12	Socket, Female	
6	1001119020	1	Bussbar - 12 Position	
7	4461095	1	Plug, Male - 3 Position	
7	4460465	3	Socket, Female	
8	4461070	1	Bussbar - 3 Position	
9	1001112796	1	Connector - 9 Position	
9	4460465	6	Socket, Female	
9	4460466	3	Plug, Terminal	

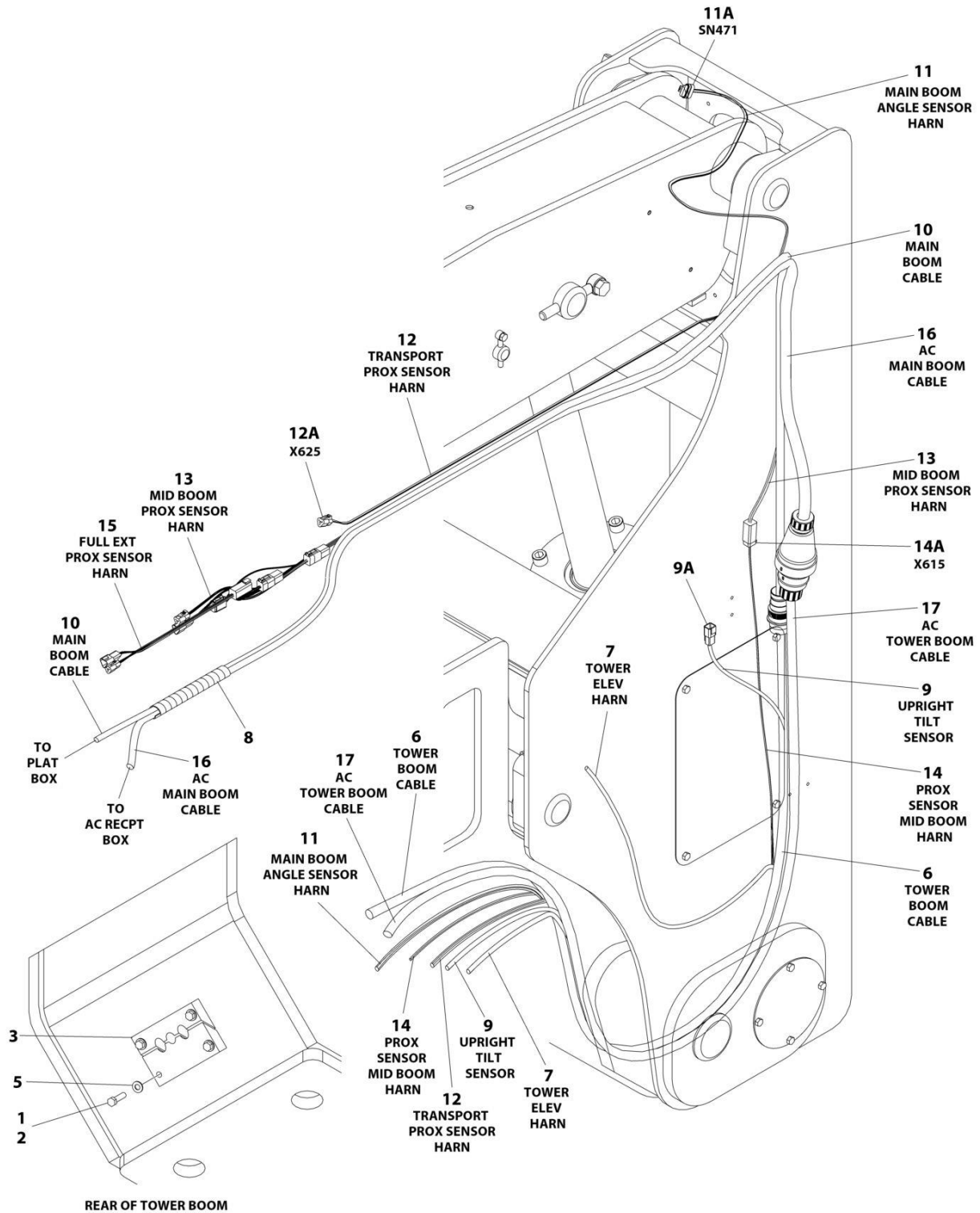
SECTION 8 - ELECTRICAL

FIGURE 8-22. BATTERY DISCONNECT

ITEM	PART NUMBER	QTY	DESCRIPTION	REV
	1001236304	Ref	BATTERY DISCONNECT SWITCH INSTALLATION	A
1	0760812	2	Bolt M8 x 25	
2	3290805	2	Nut M8	
3	3311405	3	Nut 1/4	
4	4751400	3	Washer 1/4	
5	4811900	4	Washer M8	
6	88411013	3	Bolt 1/4 x 3/4	
7	1001206476	1	Connectors, Post	
8	1001209432	1	Bussbar	
9	1001209474	1	Bussbar	
10	1001214570	1	Connector (Red)	
11	1001214571	1	Connector (Black)	
12	1001225346	1	Switch, Battery	
13	1001226531	1	Mount	
14	1001236504	1	Cable, Battery (+)	
15	1001236505	1	Cable, Battery (-)	

SECTION 8 - ELECTRICAL

FIGURE 8-23. BOOM CABLES INSTALLATION - WITH 2500W GENERATOR



ART_1001257902

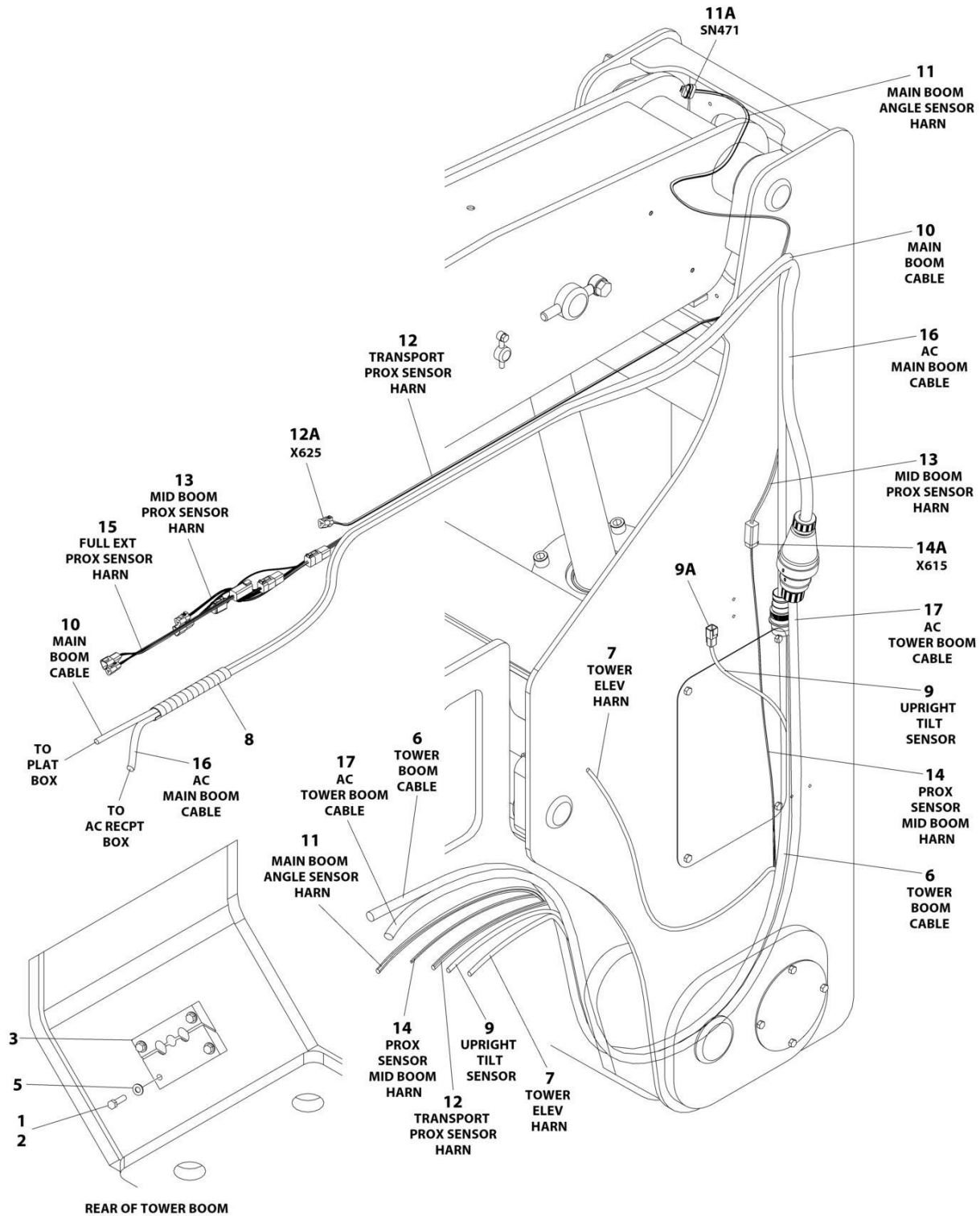
SECTION 8 - ELECTRICAL

FIGURE 8-23. BOOM CABLES INSTALLATION - WITH 2500W GENERATOR

ITEM	PART NUMBER	QTY	DESCRIPTION	REV
	1001257902	Ref	BOOM CABLES INSTALLATION	A
1	0100011	AR	Compound, Locking	
2	0641612	4	Bolt 3/8 x 1-1/2	
3	1320256	1	Clamp, Block	
4	4240033	3	Tie, Cable (Not Shown)	
5	4711600	4	Washer 3/8	
6	4922576	1	Boom Cable - Tower Boom (See Separate Breakdown in this Section)	
7	4922578	1	Harness, Tower Boom Elevation Limit Switch	
8	1001181923	1	Shield, Cable/Hose	
9	1001227359	1	Harness, Tilt Sensor Harness	
9	4460944	3	Socket, Female (at GC Box)	
9A	1001097051	1	Connector - 4 Position	
9A	1001097082	1	Terminal	
9A	4460518	1	Plug, Terminal	
10	1001227488	1	Boom Cable - Main Boom (See Separate Breakdown in this Section)	
11	1001258707	1	Harness, Main Boom Angle Sensor	
11A	1001230931	1	Connector - 6 Position	
11A	1001116748	6	Terminal	
12	1001258708	1	Harness, Transport Proximity Sensor	
12A	4460539	1	Plug, Male - 3 Position	
12A	4460465	3	Socket, Female	
13	1001258709	1	Harness, Mid Boom Proximity Sensor (Main Boom) (See Separate Breakdown in this Section)	
14	1001258710	1	Cable, Middle Boom Proximity Sensor, Lower	
14A	4460894	1	Plug, Male - 6 Position	
14A	4460465	6	Socket, Female	
15	1001258711	1	Cable, Full Extension Proximity Sensor	
16	4922218	1	AC Cable, 10/3 (Main Boom)	
17	4922220	1	AC Cable, 10/3 (Tower Boom)	

SECTION 8 - ELECTRICAL

FIGURE 8-24. BOOM CABLES INSTALLATION - WITH 4000W GENERATOR (50HZ)



ART_1001257902

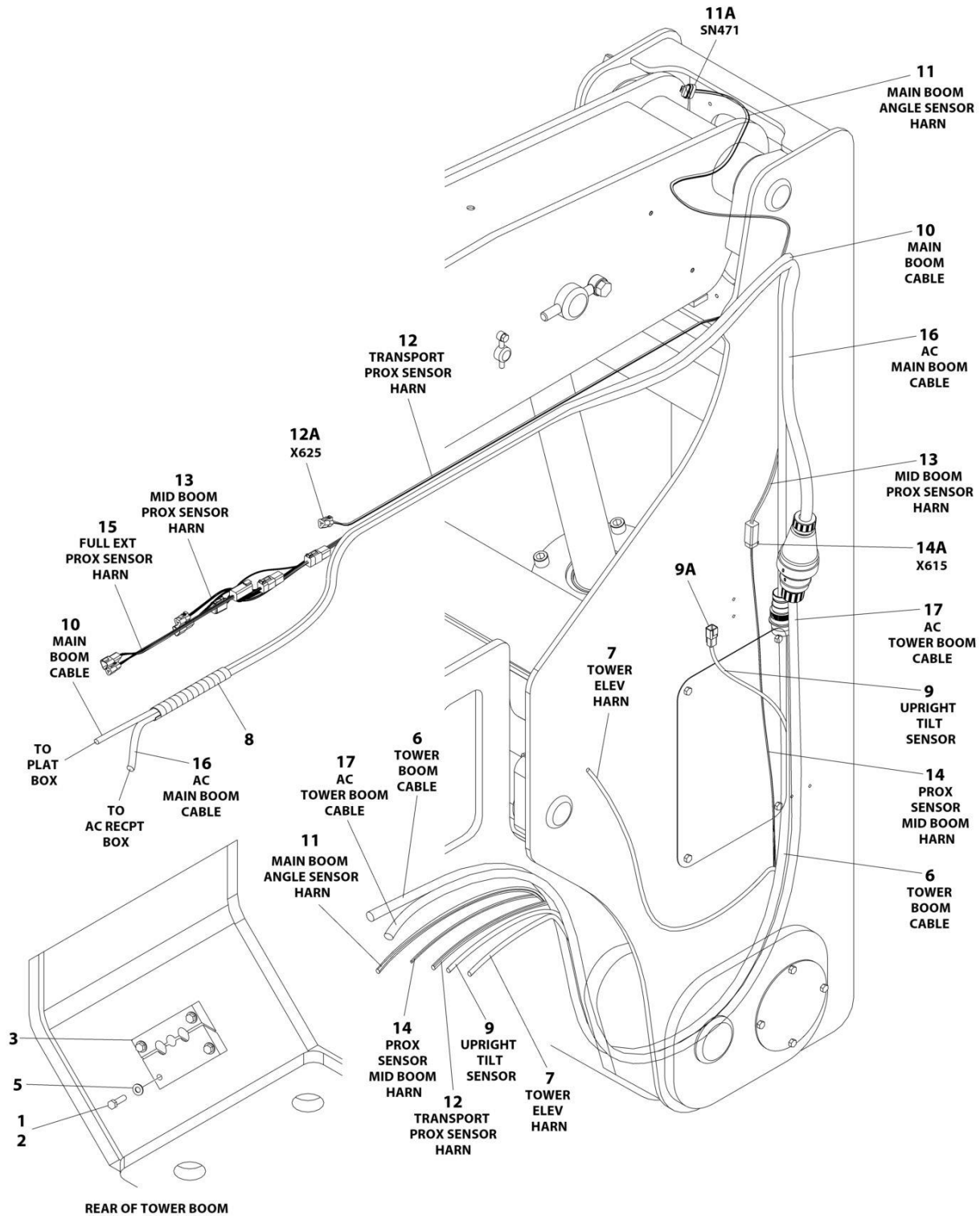
SECTION 8 - ELECTRICAL

FIGURE 8-24. BOOM CABLES INSTALLATION - WITH 4000W GENERATOR (50HZ)

ITEM	PART NUMBER	QTY	DESCRIPTION	REV
	1001257902	Ref	BOOM CABLES INSTALLATION	A
1	0100011	AR	Compound, Locking	
2	0641612	4	Bolt 3/8 x 1-1/2	
3	1320256	1	Clamp, Block	
4	4240033	3	Tie, Cable (Not Shown)	
5	4711600	4	Washer 3/8	
6	4922576	1	Boom Cable - Tower Boom (See Separate Breakdown in this Section)	
7	4922578	1	Harness, Tower Boom Elevation Limit Switch	
8	1001181923	1	Shield, Cable/Hose	
9	1001227359	1	Harness, Tilt Sensor Harness	
9	4460944	3	Socket, Female (at GC Box)	
9A	1001097051	1	Connector - 4 Position	
9A	1001097082	1	Terminal	
9A	4460518	1	Plug, Terminal	
10	1001227488	1	Boom Cable - Main Boom (See Separate Breakdown in this Section)	
11	1001258707	1	Harness, Main Boom Angle Sensor	
11A	1001230931	1	Connector - 6 Position	
11A	1001116748	6	Terminal	
12	1001258708	1	Harness, Transport Proximity Sensor	
12A	4460539	1	Plug, Male - 3 Position	
12A	4460465	3	Socket, Female	
13	1001258709	1	Harness, Mid Boom Proximity Sensor (Main Boom) (See Separate Breakdown in this Section)	
14	1001258710	1	Cable, Middle Boom Proximity Sensor, Lower	
14A	4460894	1	Plug, Male - 6 Position	
14A	4460465	6	Socket, Female	
15	1001258711	1	Cable, Full Extension Proximity Sensor	
16	4922218	1	AC Cable, 10/3 (Main Boom)	
17	4922220	1	AC Cable, 10/3 (Tower Boom)	

SECTION 8 - ELECTRICAL

FIGURE 8-25. BOOM CABLES INSTALLATION - WITH 4000W GENERATOR (60HZ)



ART_1001257904

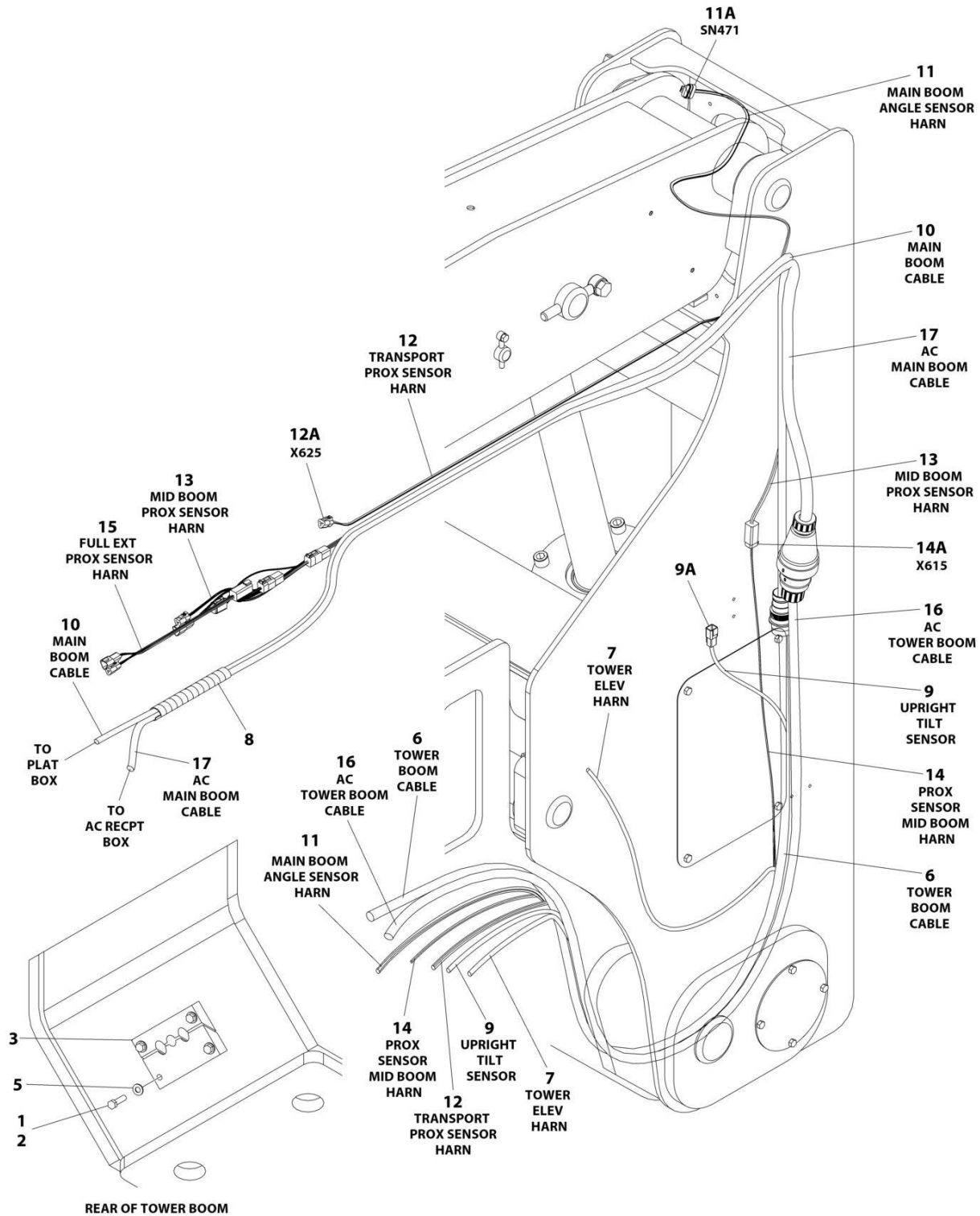
SECTION 8 - ELECTRICAL

FIGURE 8-25. BOOM CABLES INSTALLATION - WITH 4000W GENERATOR (60HZ)

ITEM	PART NUMBER	QTY	DESCRIPTION	REV
	1001257904	Ref	BOOM CABLES INSTALLATION	A
1	0100011	AR	Compound, Locking	
2	0641612	4	Bolt 3/8 x 1-1/2	
3	1320256	1	Clamp, Block	
4	4240033	3	Tie, Cable (Not Shown)	
5	4711600	4	Washer 3/8	
6	4922576	1	Boom Cable - Tower Boom (See Separate Breakdown in this Section)	
7	4922578	1	Harness, Tower Boom Elevation Limit Switch	
8	1001181923	1	Shield, Cable/Hose	
9	1001227359	1	Harness, Tilt Sensor Harness	
9	4460944	3	Socket, Female (at GC Box)	
9A	1001097051	1	Connector - 4 Position	
9A	1001097082	1	Terminal	
9A	4460518	1	Plug, Terminal	
10	1001227488	1	Boom Cable - Main Boom (See Separate Breakdown in this Section)	
11	1001258707	1	Harness, Main Boom Angle Sensor	
11A	1001230931	1	Connector - 6 Position	
11A	1001116748	6	Terminal	
12	1001258708	1	Harness, Transport Proximity Sensor	
12A	4460539	1	Plug, Male - 3 Position	
12A	4460465	3	Socket, Female	
13	1001258709	1	Harness, Mid Boom Proximity Sensor (Main Boom) (See Separate Breakdown in this Section)	
14	1001258710	1	Cable, Middle Boom Proximity Sensor, Lower	
14A	4460894	1	Plug, Male - 6 Position	
14A	4460465	6	Socket, Female	
15	1001258711	1	Cable, Full Extension Proximity Sensor	
16	1001156695	1	AC Cable, 10/4 (Main Boom)	
17	1001156693	1	AC Cable, 10/4 (Tower Boom)	

SECTION 8 - ELECTRICAL

FIGURE 8-26. BOOM CABLES INSTALLATION - WITH 7500W SKYPOWER GENERATOR



ART_1001257903

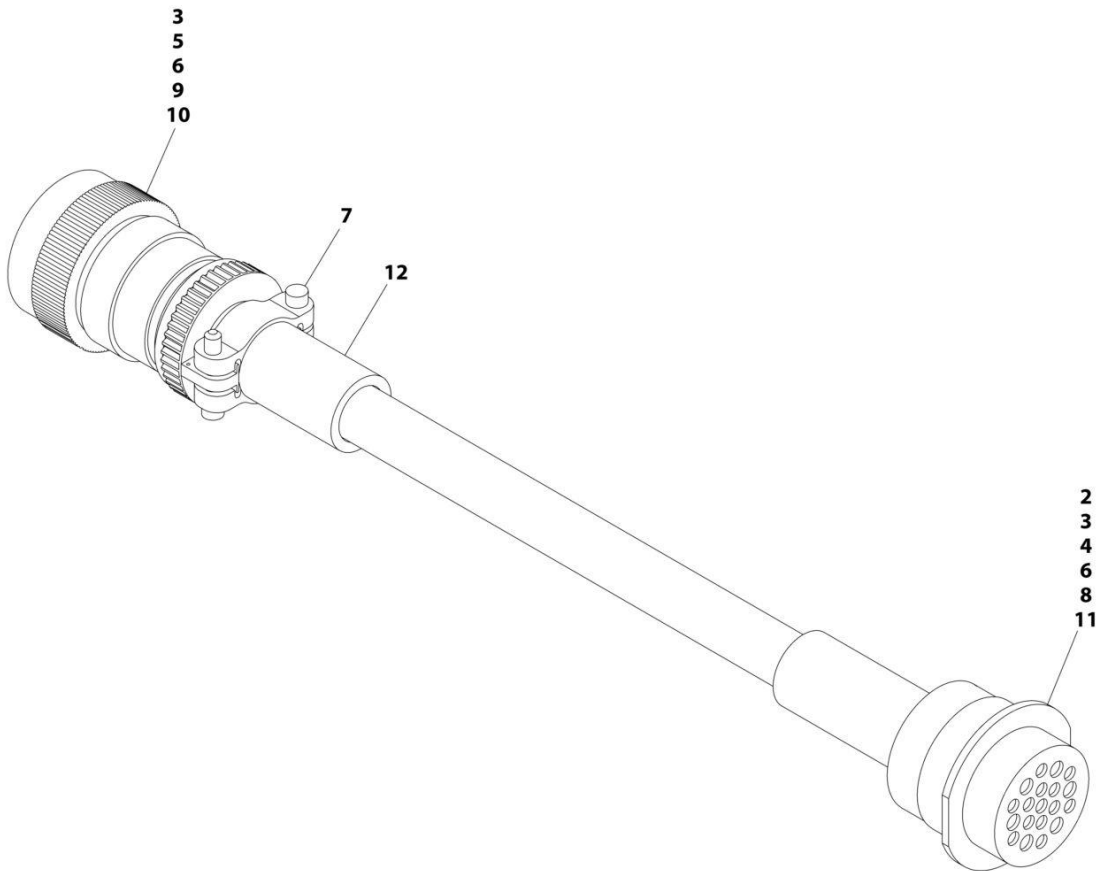
SECTION 8 - ELECTRICAL

FIGURE 8-26. BOOM CABLES INSTALLATION - WITH 7500W SKYPOWER GENERATOR

ITEM	PART NUMBER	QTY	DESCRIPTION	REV
	1001257903	Ref	BOOM CABLES INSTALLATION	A
1	0100011	AR	Compound, Locking	
2	0641612	4	Bolt 3/8 x 1-1/2	
3	1320256	1	Clamp, Block	
4	4240033	3	Tie, Cable (Not Shown)	
5	4711600	4	Washer 3/8	
6	4922576	1	Boom Cable - Tower Boom (See Separate Breakdown in this Section)	
7	4922578	1	Harness, Tower Boom Elevation Limit Switch	
8	1001181923	1	Shield, Cable/Hose	
9	1001227359	1	Harness, Tilt Sensor Harness	
9	4460944	3	Socket, Female (at GC Box)	
9A	1001097051	1	Connector - 4 Position	
9A	1001097082	1	Terminal	
9A	4460518	1	Plug, Terminal	
10	1001227488	1	Boom Cable - Main Boom (See Separate Breakdown in this Section)	
11	1001258707	1	Harness, Main Boom Angle Sensor	
11A	1001230931	1	Connector - 6 Position	
11A	1001116748	6	Terminal	
12	1001258708	1	Harness, Transport Proximity Sensor	
12A	4460539	1	Plug, Male - 3 Position	
12A	4460465	3	Socket, Female	
13	1001258709	1	Harness, Mid Boom Proximity Sensor (Main Boom) (See Separate Breakdown in this Section)	
14	1001258710	1	Cable, Middle Boom Proximity Sensor, Lower	
14A	4460894	1	Plug, Male - 6 Position	
14A	4460465	6	Socket, Female	
15	1001258711	1	Cable, Full Extension Proximity Sensor	
16	1001125125	1	AC Cable, 8/5 (Tower Boom)	
17	1001125127	1	AC Cable, 8/5 (Main Boom)	

SECTION 8 - ELECTRICAL

FIGURE 8-27. BOOM CABLE - MAIN BOOM



ART_1001227488

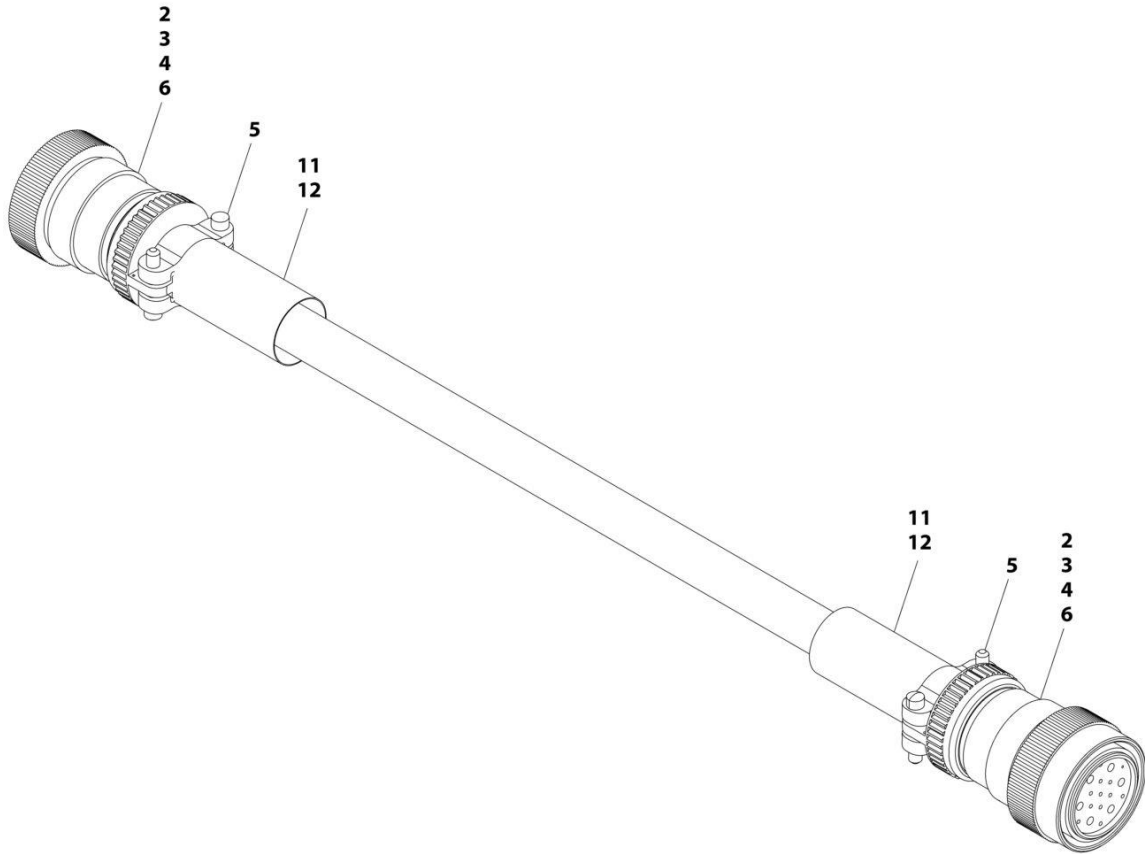
SECTION 8 - ELECTRICAL

FIGURE 8-27. BOOM CABLE - MAIN BOOM

ITEM	PART NUMBER	QTY	DESCRIPTION	REV
	1001227488	Ref	BOOM CABLE - MAIN BOOM	A
2	2820031	AR	Heatshrink	
3	2820118	AR	Heatshrink, Clear	
4	4460464	8	Pin, Male	
5	4460465	11	Socket, Female	
6	4460466	11	Plug, Terminal	
7	4460473	1	Clamp	
8	4460508	4	Pin, Male	
9	4460509	4	Socket, Female	
10	4460865	1	Connector - 19 Position	
11	4460866	1	Connector - 19 Position	
12	1001226400	1	Insulate, Heatshrink	

SECTION 8 - ELECTRICAL

FIGURE 8-28. BOOM CABLE (TOWER BOOM)



ART_4922576

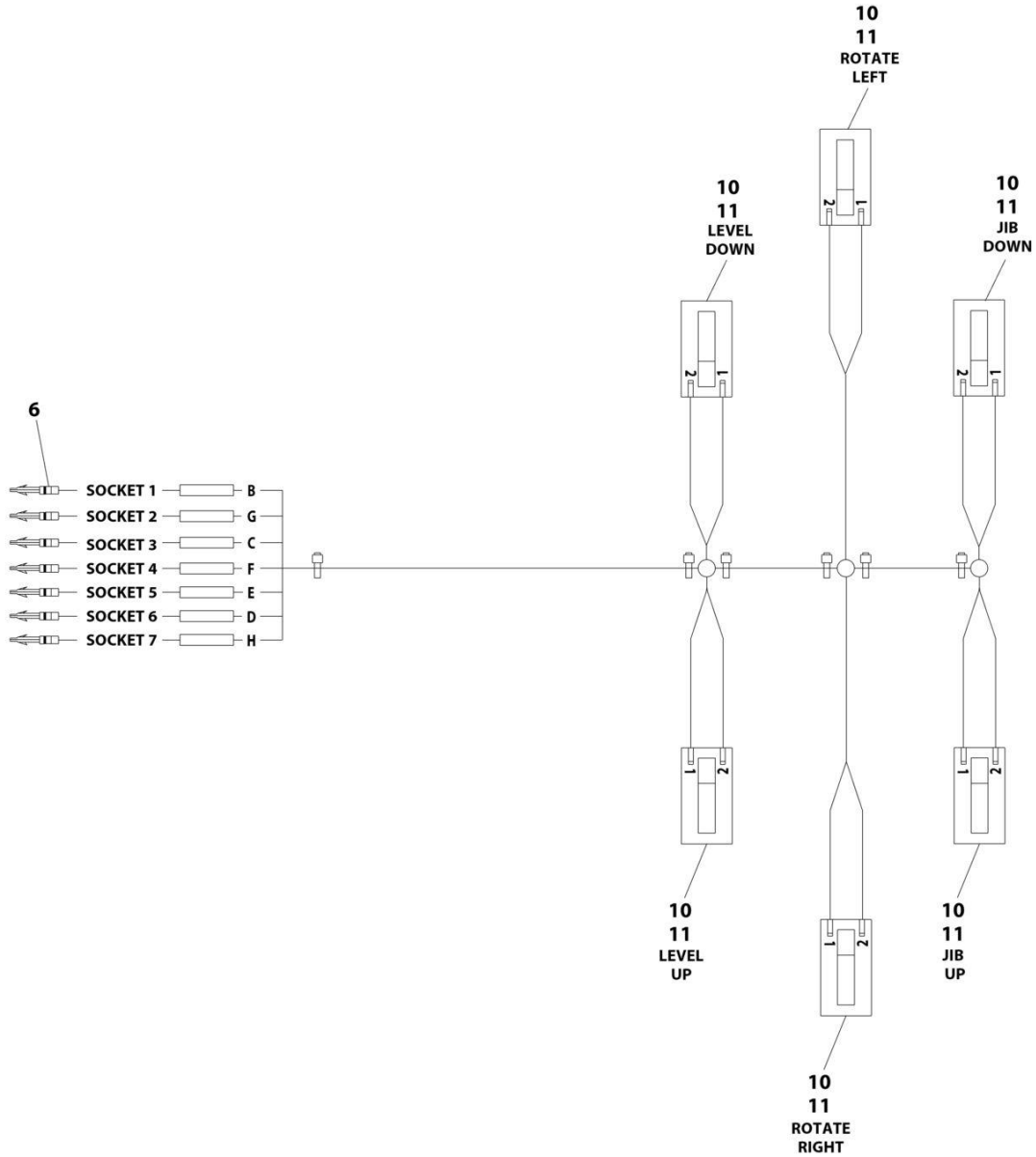
SECTION 8 - ELECTRICAL

FIGURE 8-28. BOOM CABLE (TOWER BOOM)

ITEM	PART NUMBER	QTY	DESCRIPTION	REV
	4922576	Ref	BOOM CABLE - TOWER BOOM	E
2	4460465	22	Socket, Female	
3	4460865	2	Connector - 19 Position	
4	4460509	8	Socket, Female	
5	4460473	2	Clamp	
6	4460466	8	Plug, Terminal	
11	2820118	AR	Heatshrink, Clear	
12	1001226400	AR	Insulate, Heatshrink	

SECTION 8 - ELECTRICAL

FIGURE 8-29. BOOM VALVE HARNESS



ART_1001139135

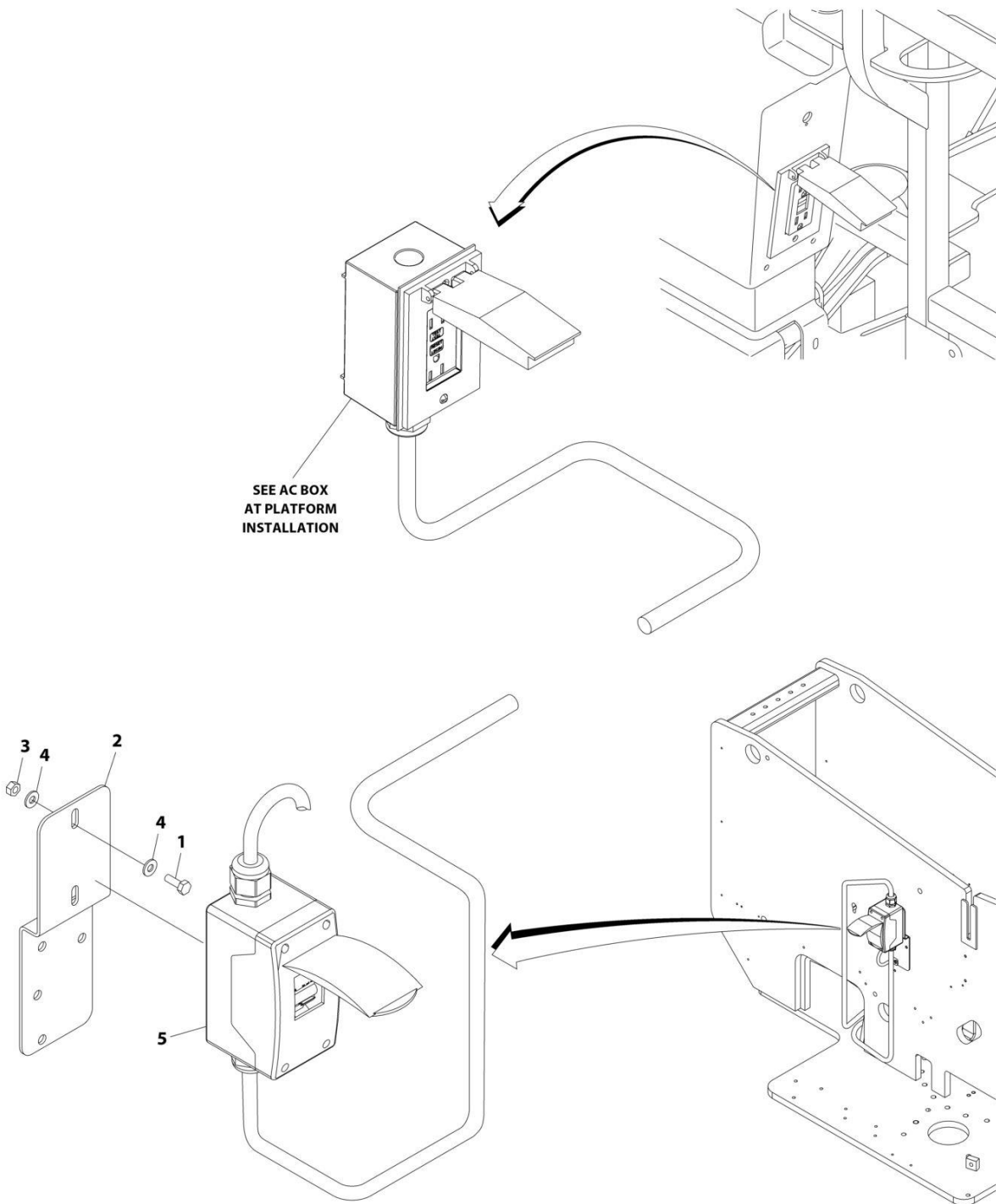
SECTION 8 - ELECTRICAL

FIGURE 8-29. BOOM VALVE HARNESS

ITEM	PART NUMBER	QTY	DESCRIPTION	REV
	1001139135	Ref	BOOM VALVE HARNESS	3
6	4460226	7	Terminal, Socket	
10	4460891	6	Deutsch connector	
11	1001116692	12	Socket	

SECTION 8 - ELECTRICAL

FIGURE 8-30. BREAKER BOX INSTALLATION (BRAZIL SPECS)



ART_1001171016

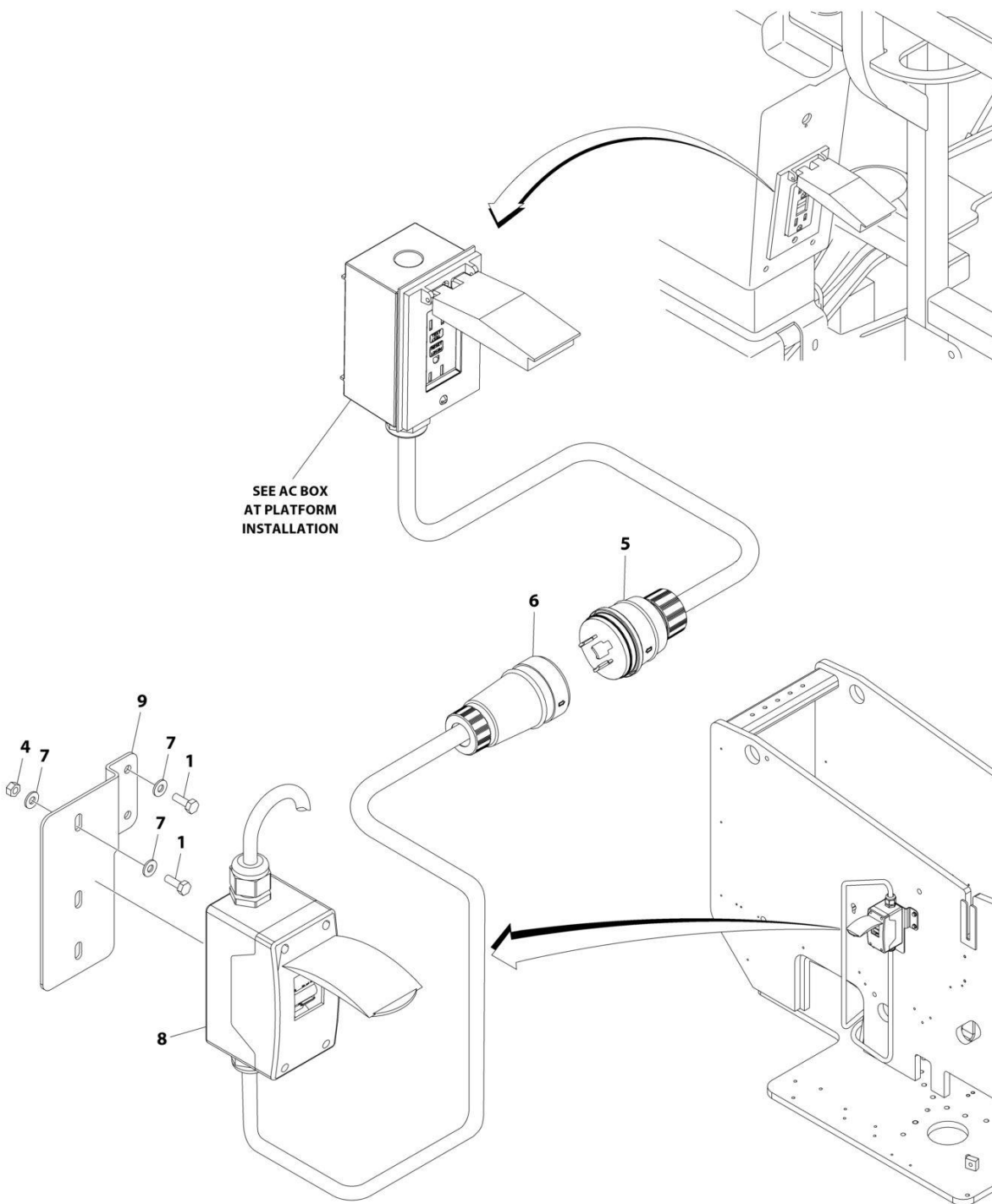
SECTION 8 - ELECTRICAL

FIGURE 8-30. BREAKER BOX INSTALLATION (BRAZIL SPECS)

ITEM	PART NUMBER	QTY	DESCRIPTION	REV
	1001171016	Ref	AC BREAKER BOX INSTALLATION	A
1	0641406	2	Bolt 1/4 x 3/4	
2	0903697	1	Bracket	
3	3311405	2	Nut 1/4	
4	4711400	4	Washer 1/4	
5	1001109654	1	Breaker Box Kit - With 2 Breakers (See Separate Breakdown in this Section)	

SECTION 8 - ELECTRICAL

FIGURE 8-31. BREAKER BOX INSTALLATION (CE SPECS WITHOUT 4000W GENERATOR)



ART_1001177710

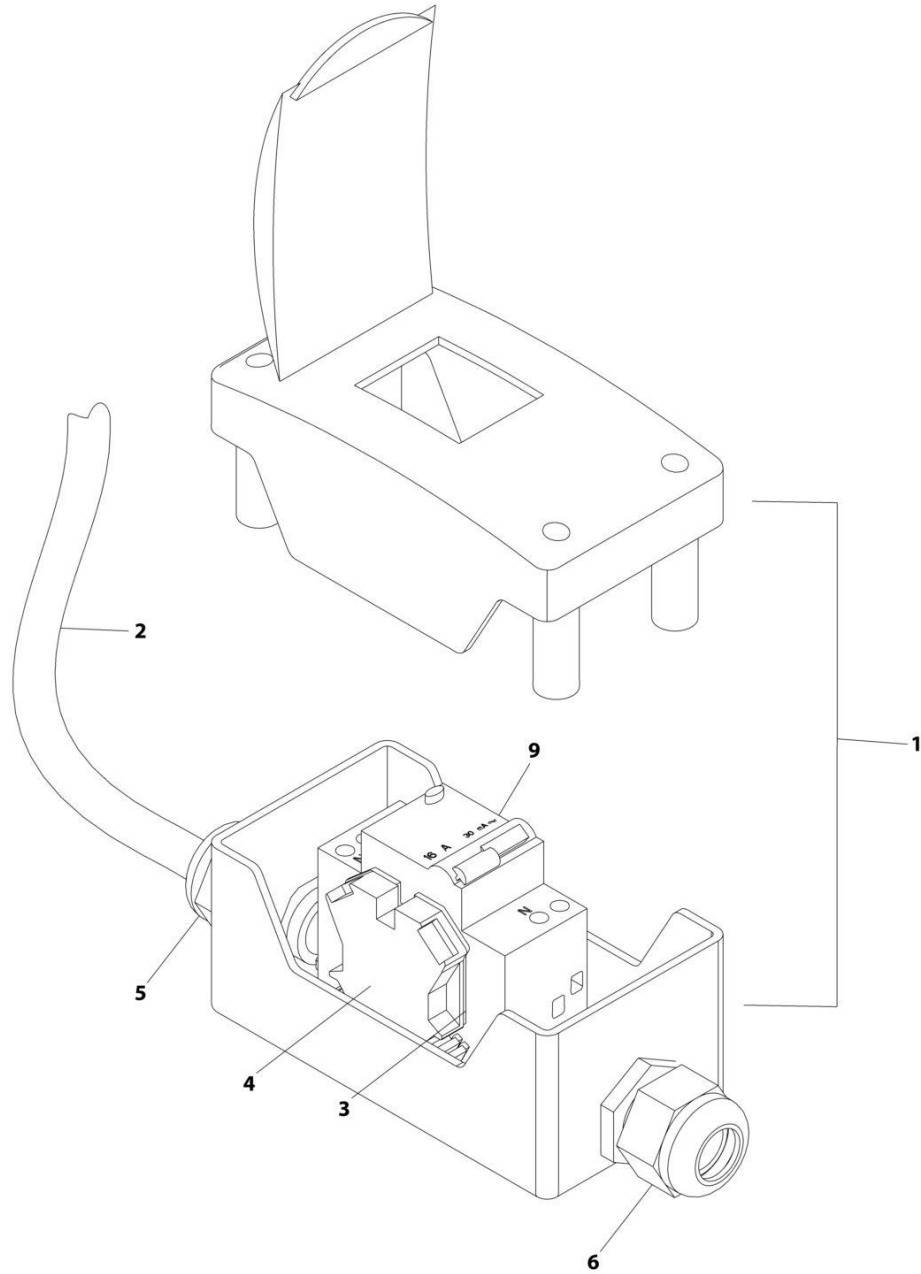
SECTION 8 - ELECTRICAL

FIGURE 8-31. BREAKER BOX INSTALLATION (CE SPECS WITHOUT 4000W GENERATOR)

ITEM	PART NUMBER	QTY	DESCRIPTION	REV
	1001177710	Ref	AC BREAKER BOX INSTALLATION	C
1	0641406	4	Bolt 1/4 x 3/4	
4	3311405	2	Nut 1/4	
5	1001213584	1	Plug, Male	
6	1001213585	1	Receptacle, Female	
7	4711400	6	Washer 1/4	
8	1001109654	1	Breaker Box Kit - With 2 Breakers (See Separate Breakdown in this Section)	
9	1001177035	1	Bracket	

SECTION 8 - ELECTRICAL

FIGURE 8-32. BREAKER BOX KIT - ONE DOUBLE 16AMP BREAKER (BRAZIL SPECS & CE SPECS WITHOUT 4000W GENERATOR)



ART_1001109654

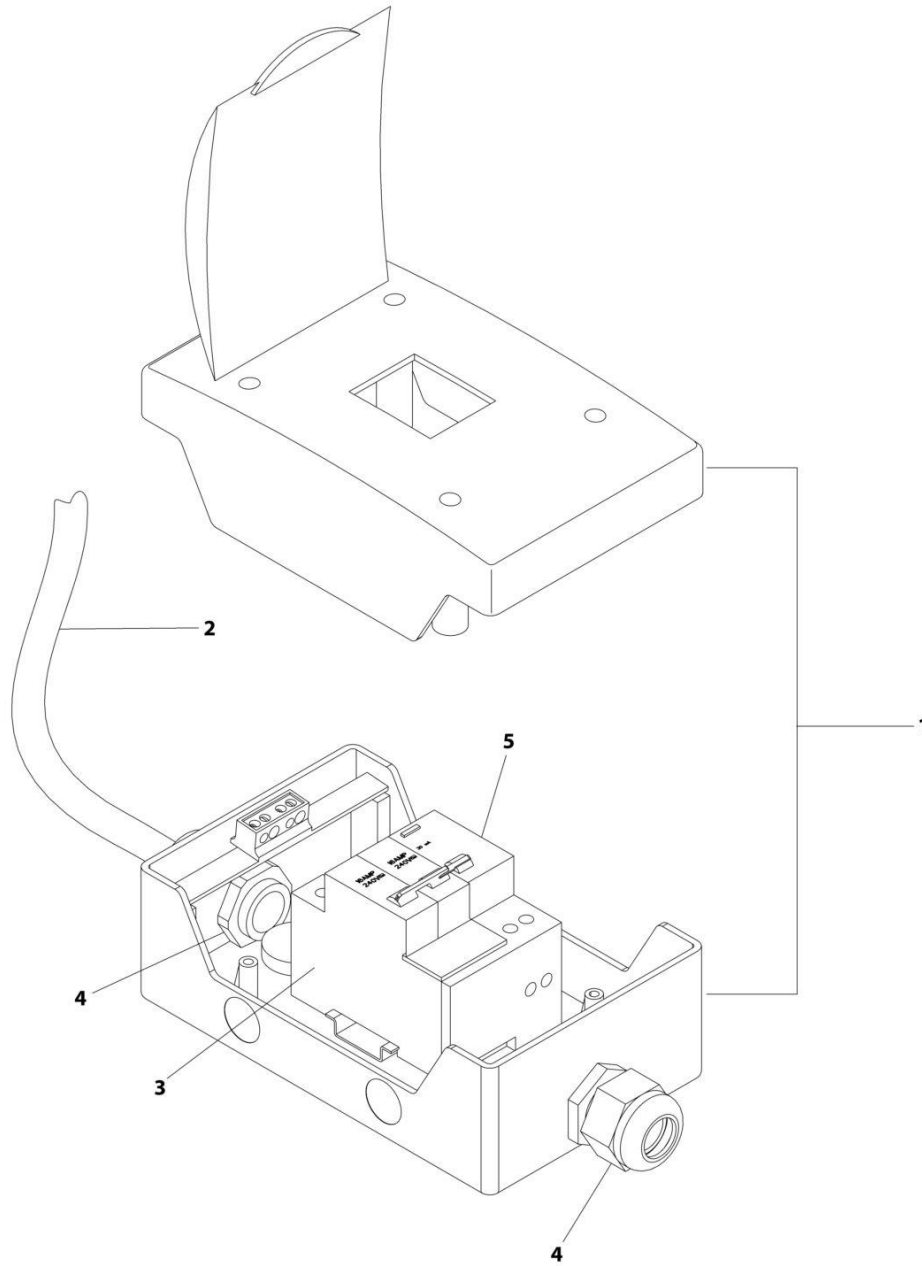
SECTION 8 - ELECTRICAL

FIGURE 8-32. BREAKER BOX KIT - ONE DOUBLE 16AMP BREAKER (BRAZIL SPECS & CE SPECS WITHOUT 4000W GENERATOR)

ITEM	PART NUMBER	QTY	DESCRIPTION	REV
	1001109654	Ref	BREAKER BOX KIT	B
1	0861880	1	Box, Breaker	
2	1060908	12 ft/ 3.6m	Cable 12/3	
3	4460956	1	Barrier, Terminal Block End	
4	4460957	1	Block, Terminal	
5	1001097150	1	Connector, Strain Relief	
6	1001101191	1	Connector, Strain Relief	
9	1001181045	1	Breaker - 30mA/16Amp	

SECTION 8 - ELECTRICAL

FIGURE 8-33. BREAKER BOX KIT - WITH 3 BREAKERS (CE SPECS WITH 4000W GENERATOR)



ART_1001205690

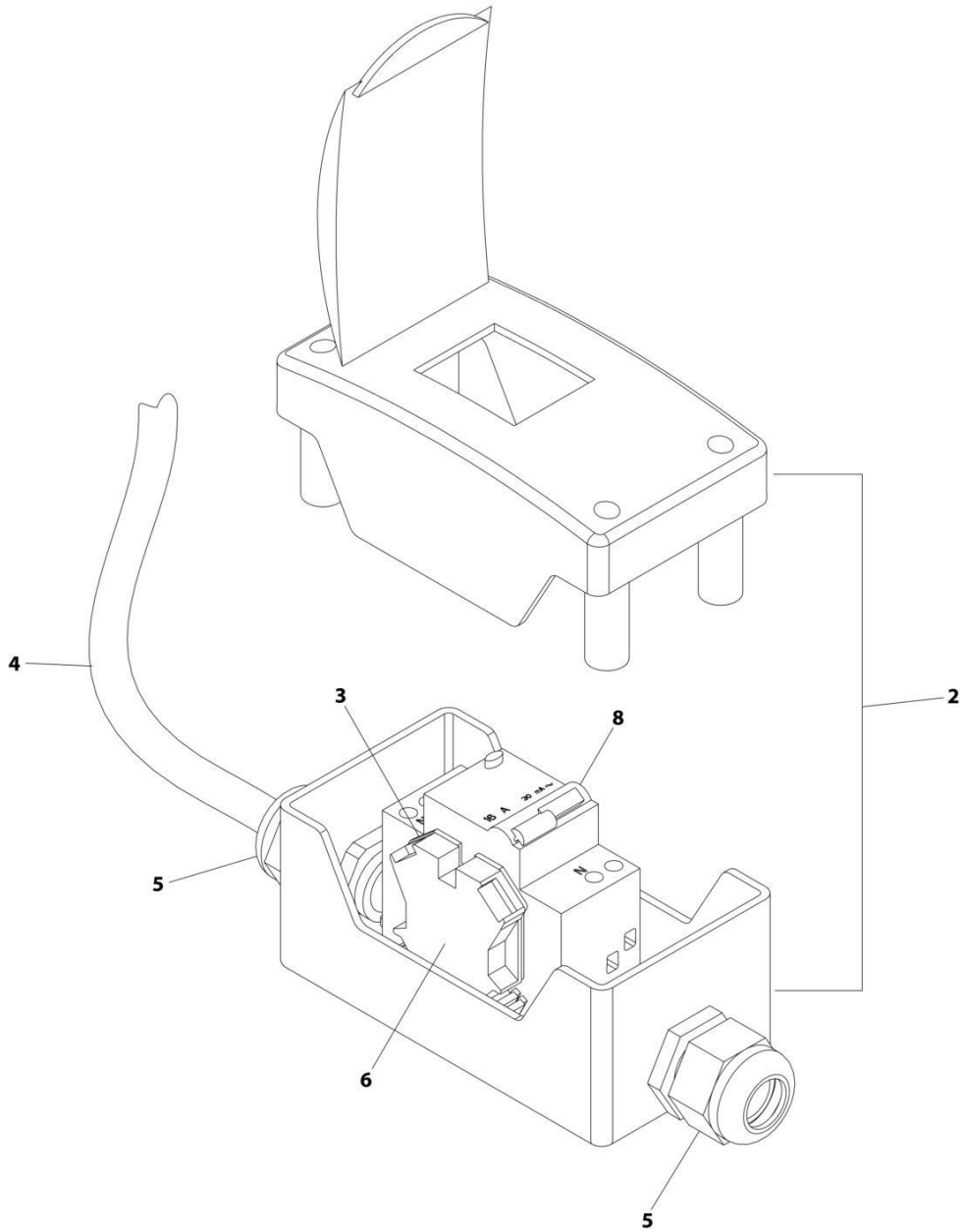
SECTION 8 - ELECTRICAL

FIGURE 8-33. BREAKER BOX KIT - WITH 3 BREAKERS (CE SPECS WITH 4000W GENERATOR)

ITEM	PART NUMBER	QTY	DESCRIPTION	REV
	1001205690	Ref	BREAKER BOX KIT	B
1	1001152483	1	Box, Breaker	
2	1060545	12 ft / 3.6m	Cable, Electrical 10/3	
3	1001189172	1	Breaker 16Amp Double	
4	1001101191	2	Connector, Strain Relief	
5	1001189171	1	Breaker 30mA	

SECTION 8 - ELECTRICAL

FIGURE 8-34. BREAKER BOX KIT - ONE DOUBLE 16AMP BREAKER (CE SPECS WITH 4000W GENERATOR)



ART_1001165368_B

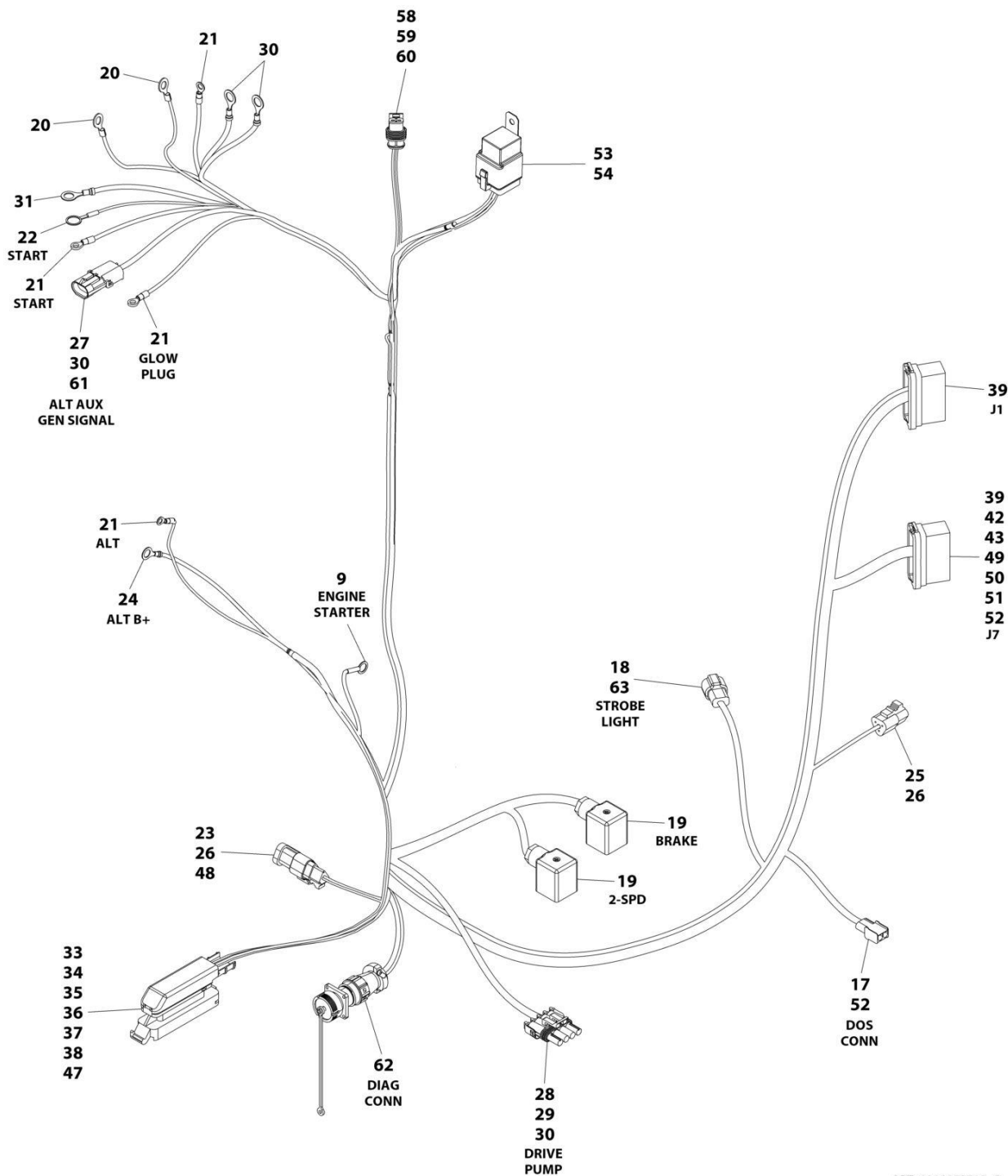
SECTION 8 - ELECTRICAL

FIGURE 8-34. BREAKER BOX KIT - ONE DOUBLE 16AMP BREAKER (CE SPECS WITH 4000W GENERATOR)

ITEM	PART NUMBER	QTY	DESCRIPTION	REV
	1001165368	Ref	BREAKER BOX KIT	B
2	0861880	1	Box, Circuit Breaker	
3	4460956	1	Barrier, Terminal Block End	
4	1060545	12 ft/ 3.6m	Cable, Electrical 10/3	
5	1001101191	2	Connector, Strain Relief	
6	4460957	1	Block, Terminal	
8	1001181045	1	Breaker 30mA/16Amp	

SECTION 8 - ELECTRICAL

FIGURE 8-35. ENGINE HARNESS - DEUTZ D2011 ENGINES



ART_1001153713_C

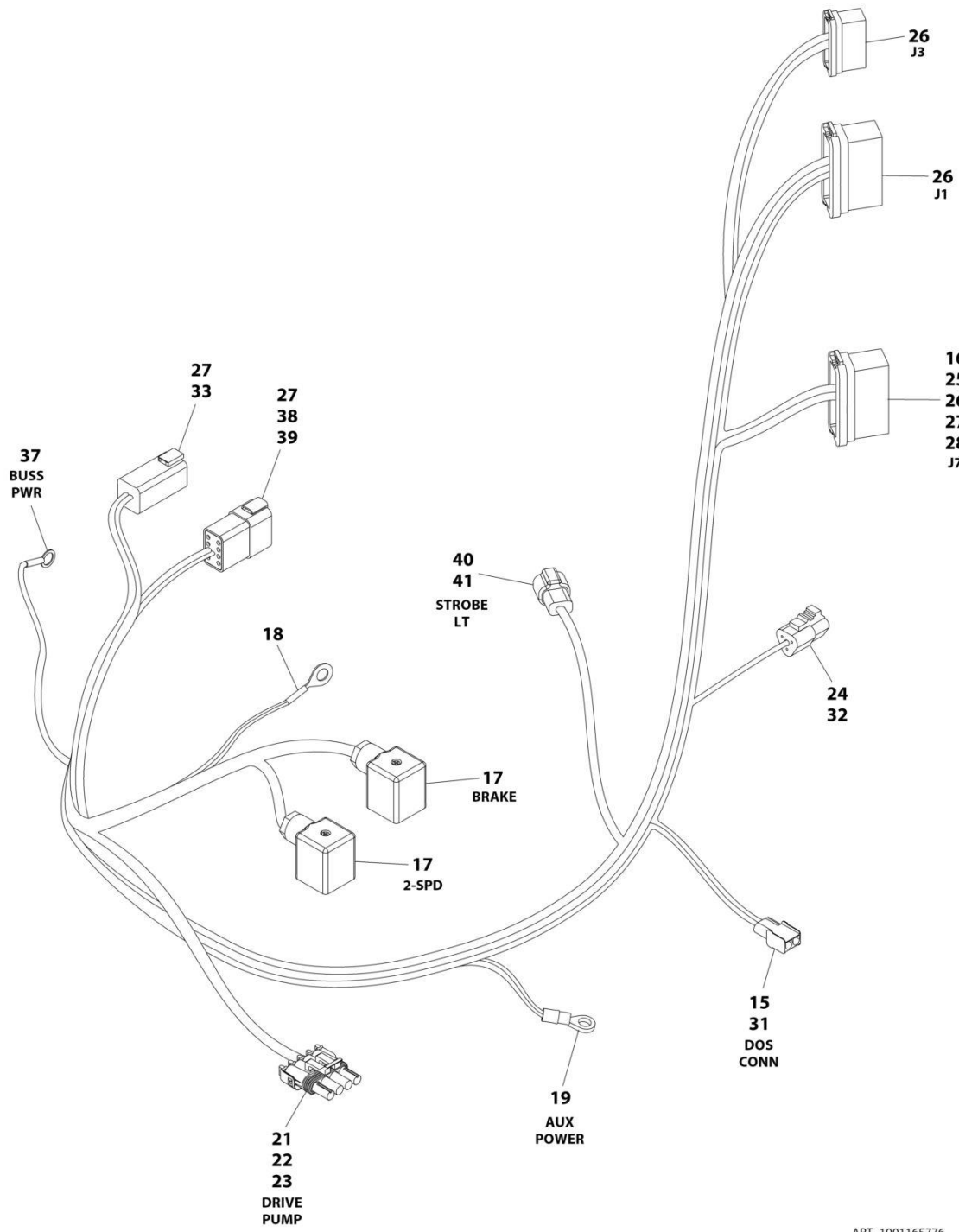
SECTION 8 - ELECTRICAL

FIGURE 8-35. ENGINE HARNESS - DEUTZ D2011 ENGINES

ITEM	PART NUMBER	QTY	DESCRIPTION	REV
	1001153713	Ref	ENGINE HARNESS - DEUTZ D2011 ENGINES	C
9	4460142	1	Terminal - Ring	
17	4460424	1	Connector - 2 Position	
18	4460464	2	Pin, Male	
19	1001263923	2	Connector, Din	
20	4460312	2	Terminal, Ring	
21	4460313	4	Terminal, Ring	
22	4460019	1	Terminal, Ring	
23	4461070	1	Connector - 3 Position	
24	4460043	1	Terminal, Ring 16 GA 1/4 Stud	
25	4460539	1	Position Plug, Male - 3 Position	
26	4460944	6	Socket, Female	
27	4460979	2	Pin, Male	
28	4460460	1	Connector	
29	4460457	4	Sleeve	
30	4460458	6	Seal	
31	4460670	3	Terminal, Ring	
33	4461052	1	Conenctor - 25 Position	
34	4461005	5	Terminal	
35	4461060	2	Terminal	
36	4461006	5	Seal	
37	4461054	2	Seal	
38	4461008	18	Plug, Terminal	
39	4460871	10	Socket, Female	
42	4460464	1	Terminal	
43	4460887	1	Terminal	
47	4461053	1	Cover	
48	4461095	1	Plug, Male - 3 Position	
49	4460465	2	Socket, Female	
50	4460259	1	Terminal	
51	4460260	1	Cover, Terminal	
52	4460226	4	Socket, Female	
53	4460374	1	Plug	
54	4460375	4	Terminal	
58	1001102290	1	Connector	
59	1001102304	2	Seal	
60	1001102291	2	Terminal	
61	4461157	1	Connector - 2 Position	
62	2902443	1	Kit, Receptacle	
62	4461073	1	Cap, Dust	
63	4460897	1	Connector	

SECTION 8 - ELECTRICAL

FIGURE 8-36. ENGINE HARNESS - DEUTZ TD2.9L4 ENGINES



ART_1001165776

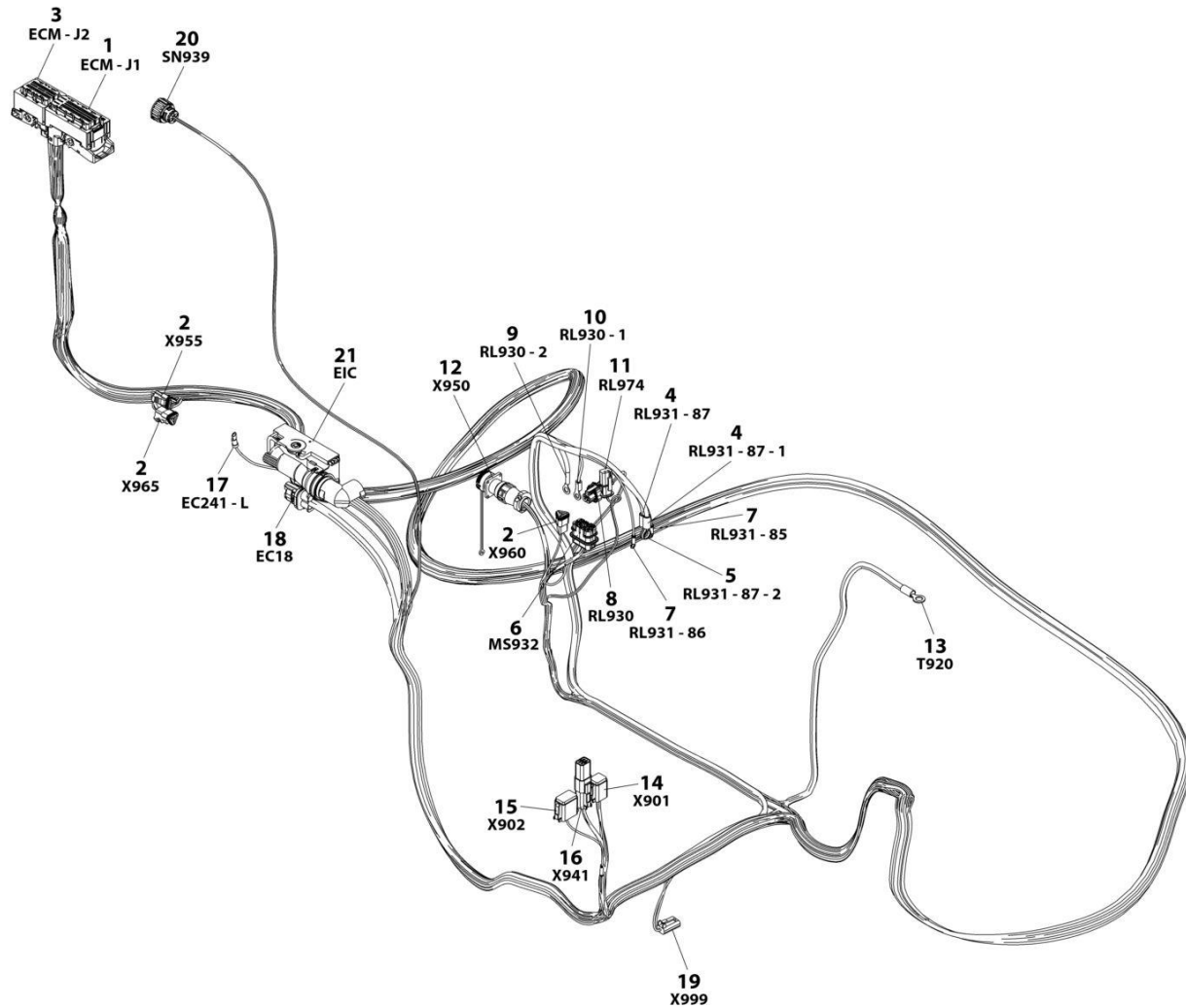
SECTION 8 - ELECTRICAL

FIGURE 8-36. ENGINE HARNESS - DEUTZ TD2.9L4 ENGINES

ITEM	PART NUMBER	QTY	DESCRIPTION	REV
	1001165776	Ref	ENGINE HARNESS - DEUTZ TD2.9L4 ENGINES	F
15	4460424	1	Connector - 2 Position	
16	4460268	1	Socket, Female	
17	4460880	2	Connector, Din	
18	4460019	1	Terminal, Ring	
19	4460313	1	Terminal, Ring	
21	4460460	1	Connector	
22	4460457	4	Terminal	
23	4460458	4	Seal	
24	4460539	1	Connector - 3 Position	
25	4460465	3	Socket, Female	
26	4460871	11	Socket, Female	
27	4460464	11	Pin, Male	
28	4460887	1	Terminal	
31	4460226	2	Socket, Female	
32	4460944	3	Socket, Female	
33	4460899	1	Receptacle, Female - 6 Position	
37	4460738	1	Terminal, Ring	
38	4460931	1	Plug, Male	
39	4460466	4	Plug, Terminal	
40	4460897	1	Connector - 2 Position	
41	1001116693	2	Terminal	

SECTION 8 - ELECTRICAL

FIGURE 8-37. ENGINE HARNESS - DEUTZ TD2.9L4 ENGINES AND DEUTZ TD2.9L4 (STAGE V PRE-BUY) ENGINES



ART_1001143726

SECTION 8 - ELECTRICAL

FIGURE 8-37. ENGINE HARNESS - DEUTZ TD2.9L4 ENGINES AND DEUTZ TD2.9L4 (STAGE V PRE-BUY) ENGINES

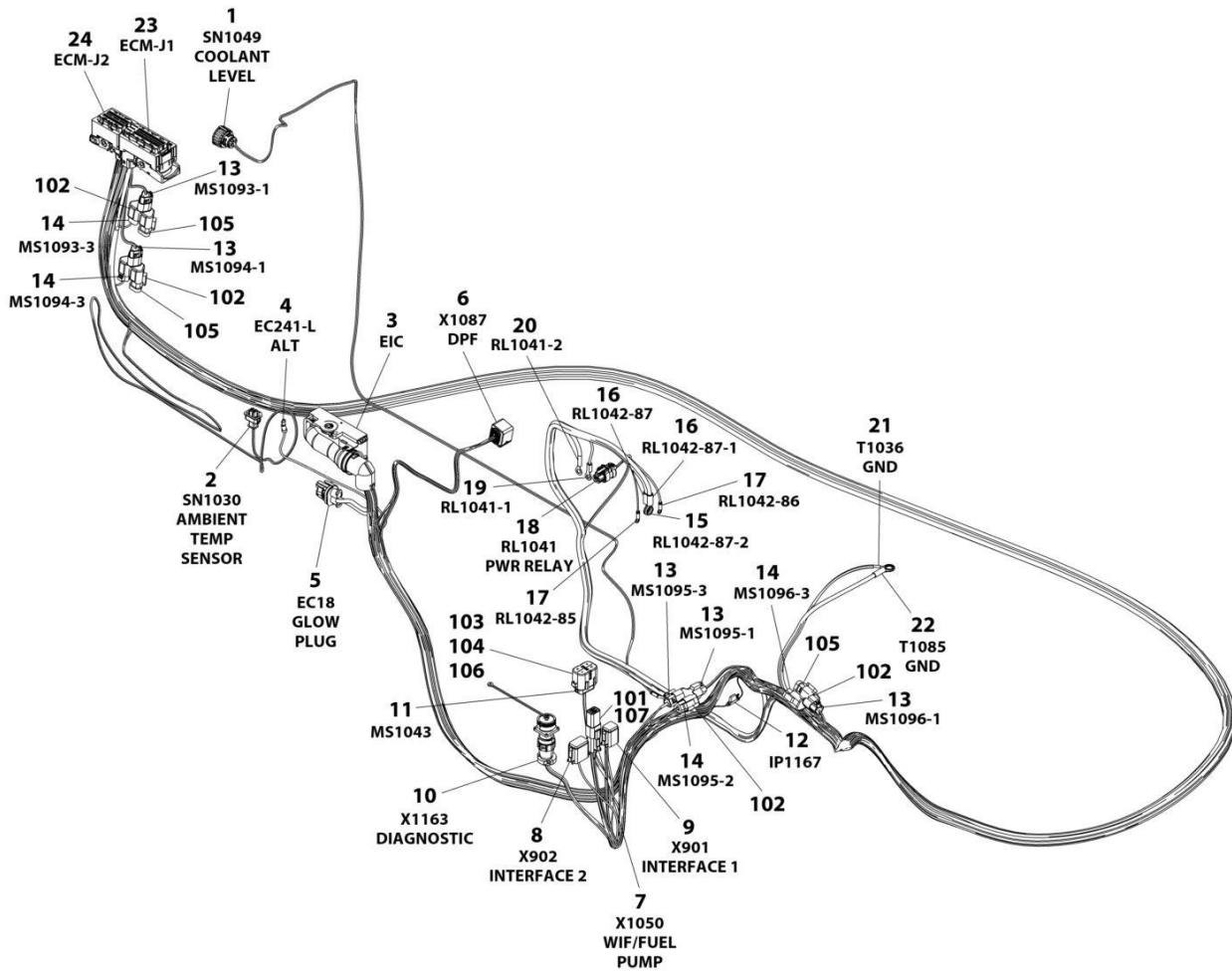
ITEM	PART NUMBER	QTY	DESCRIPTION	REV
	1001143726	Ref	ENGINE HARNESS	L
1	1001133956	1	Connector - 94 Position	
1	1001126351	2	Terminal	
1	1001126352	6	Terminal	
1	1001126384	21	Terminal	
1	1001126357	2	Plug, Terminal	
1	1001126356	63	Plug, Terminal	
2	4461095	3	Plug, Male - 3 Position	
2	4460944	6	Socket, Female	
2	4460466	3	Plug, Terminal	
3	1001133957	1	Connector - 60 Position	
3	1001126351	13	Terminal	
3	1001126384	17	Terminal	
3	1001126357	11	Plug, Terminal	
3	1001126356	19	Plug, Terminal	
4	1001117107	2	Terminal, Ring	
5	4460703	1	Terminal, Ring	
6	80484084	1	Plug, Male - 8 Position	
6	8229242	1	Fuse - 5Amp	
6	80983191	1	Fuse - 10Amp	
6	1001116728	4	Socket, Female	
6	1001116727	4	Plug, Terminal	
6	4460458	4	Seal, Terminal	
6	1001147264	1	Cap	
7	4460247	2	Terminal, Ring	
8	1001116952	1	Plug, Male - 2 Position	
8	4460465	2	Socket, Female	
9	1001117106	1	Terminal, Ring	
10	4460043	1	Terminal, Ring	
11	1001138110	1	Connector - 2 Position	
11	1001138111	2	Terminal	
11	1001138113	2	Seal	
12	2902443	1	Receptacle Kit	
12	4461073	1	Cap, Dust	
12	4461071	6	Terminal	
13	8220115	1	Terminal, Ring	
14	4460894	1	Plug, Male - 6 Position	
14	4460465	3	Socket, Female	
14	4460944	2	Socket, Female	
14	4460466	1	Plug, Terminal	
15	4460930	1	Plug, Male - 8 Position	
15	4460465	1	Socket, Female	
15	4460466	7	Plug, Terminal	
16	1001220379	1	Plug, Male - 4 Position	
16	4460465	2	Socket, Female	
16	4460942	2	Socket, Female	
16	4460932	1	Receptacle, Bussbar - 4 Position	
17	4460042	1	Terminal, Ring	
18	1001142938	1	Plug, Male - 2 Position	

SECTION 8 - ELECTRICAL

ITEM	PART NUMBER	QTY	DESCRIPTION	REV
18	1001142940	2	Terminal	
18	1001142941	2	Seal	
19	4460891	1	Plug, Male - 4 Position	
19	4460465	2	Socket, Female	
19	1001171403	1	Resistor Assembly	
19	4460897	1	Receptacle, Female - 4 Position	
20	1001133714	1	Connector - 4 Position	
20	1001133715	3	Terminal	
20	1001135650	3	Seal, Terminal	
20	1001135651	1	Plug, Terminal	
21	1001126362	1	Connector - 62 Position	
21	1001126363	23	Terminal	
21	1001126392	10	Terminal	
21	1001126365	2	Terminal	
21	1001126391	23	Plug, Terminal	
21	4461008	4	Plug, Terminal	
21	1001256506	2	Seal, Terminal	
21	1001126364	21	Seal, Terminal	
21	1001223459	10	Seal, Terminal	
21	4461008	4	Plug, Terminal	
21	1001151856	1	Elbow	

SECTION 8 - ELECTRICAL

FIGURE 8-38. ENGINE HARNESS - DEUTZ TD2.9L4 (STAGE V) ENGINES



ART_1001238878

SECTION 8 - ELECTRICAL

FIGURE 8-38. ENGINE HARNESS - DEUTZ TD2.9L4 (STAGE V) ENGINES

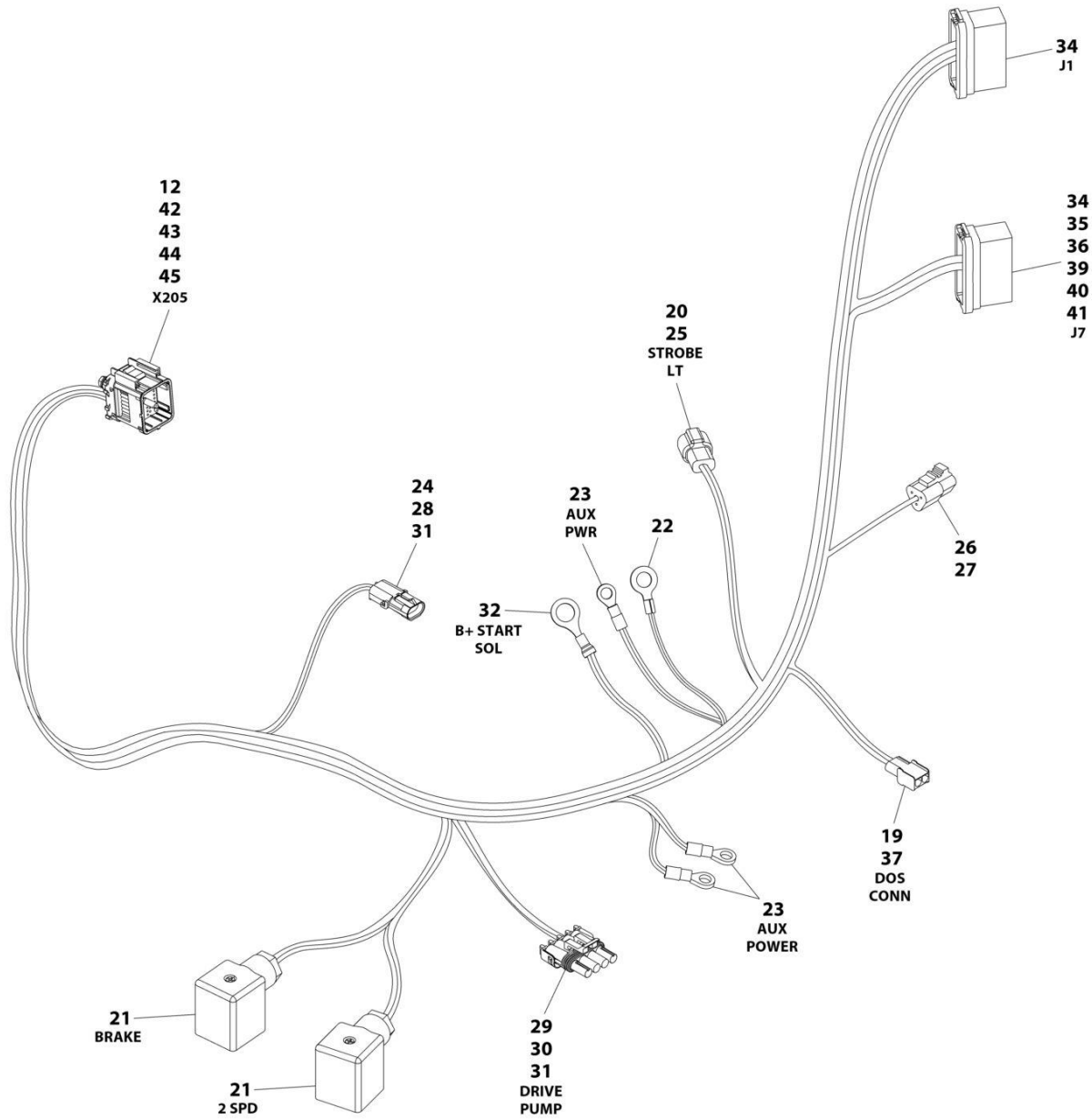
ITEM	PART NUMBER	QTY	DESCRIPTION	REV
	1001238878	Ref	Engine Harness - Deutz Engines	F
1	1001133714	1	Connector - 4 Position	
1	1001133715	3	Terminal	
1	1001135650	3	Seal, Terminal	
1	1001135651	1	Plug, Terminal	
2	1001126487	1	Connector - 2 Position	
2	1001167635	2	Terminal	
2	1001126485	2	Seal, Terminal	
3	1001126362	1	Connector - 62 Position	
3	1001126363	37	Terminal	
3	1001126392	12	Terminal	
3	1001126391	7	Plug, Terminal	
3	4461008	4	Plug, Terminal	
3	1001167632	2	Terminal	
3	1001126364	37	Seal, Terminal	
3	1001223459	12	Seal, Terminal	
3	4461054	2	Seal, Terminal	
4	4460042	1	Terminal, Ring	
5	1001142938	1	Plug, Male - 2 Position	
5	1001142940	2	Terminal	
5	1001142941	2	Seal	
6	1001239202	1	Connector - 8 Position	
6	1001126363	7	Terminal	
6	1001126391	1	Plug, Terminal	
6	1001126364	7	Seal, Terminal	
7	4460884	1	Connector - 4 Position	
7	4460465	2	Socket, Female	
7	4460942	2	Socket, Female	
8	4460930	1	Plug, Male - 8 Position	
8	4460465	1	Socket, Female	
8	4460466	7	Plug, Terminal	
9	4460894	1	Plug, Male - 6 Position	
9	4460465	2	Socket, Female	
9	4460944	2	Socket, Female	
9	4460466	2	Plug, Terminal	
10	2902443	1	Receptacle Kit	
10	4461073	1	Cap, Dust	
10	4461071	6	Terminal	
11	80484084	1	Plug, Male - 8 Position	
11	4460748	4	Seal, Terminal	
11	4460746	3	Terminal	
11	1001234800	1	Terminal	
11	4460458	4	Seal, Terminal	
12	1001170764	1	Fuse Holder, Includes Resistor	
12	1001197719	1	Resistor 0.5W	
13	1001116812	5	Plug, Male - 3 Position	
13	4460944	10	Socket, Female	
13	4460466	5	Plug, Terminal	
14	4460539	4	Connector - 3 Position	
14	4460944	8	Socket, Female	

SECTION 8 - ELECTRICAL

ITEM	PART NUMBER	QTY	DESCRIPTION	REV
14	4460466	4	Plug, Terminal	
15	4460703	1	Terminal, Ring	
16	1001117107	2	Terminal, Ring	
17	4460247	2	Terminal, Ring	
18	1001116952	1	Plug, Male - 2 Position	
18	4460465	2	Socket, Female	
19	4460043	1	Terminal, Ring	
20	1001117106	1	Terminal, Ring	
21	4460019	1	Terminal, Ring	
22	8220164	1	Terminal, Ring	
23	1001133956	1	Connector - 94 Position	
23	1001126351	3	Terminal	
23	1001182361	6	Terminal	
23	1001230934	25	Terminal	
23	1001230935	55	Plug, Terminal	
23	1001252527	4	Terminal	
23	1001230936	1	Plug, Terminal	
23	1001182365	6	Seal, Terminal	
24	1001133957	1	Connector - 60 Position	
24	1001126351	13	Terminal	
24	1001230935	10	Plug, Terminal	
24	1001230934	26	Terminal	
24	1001230936	11	Plug, Terminal	
101	4460932	1	Connector - Female	
102	4460945	4	Receptacle, 3 Way	
103	8229242	1	Fuse - 5Amp	
104	80983191	1	Fuse - 10Amp	
105	1001116815	3	Connector	
106	1001147264	1	Cap	
107	4460466	4	Seal, Terminal	

SECTION 8 - ELECTRICAL

FIGURE 8-39. ENGINE HARNESS - FORD ENGINES



ART_1001216230

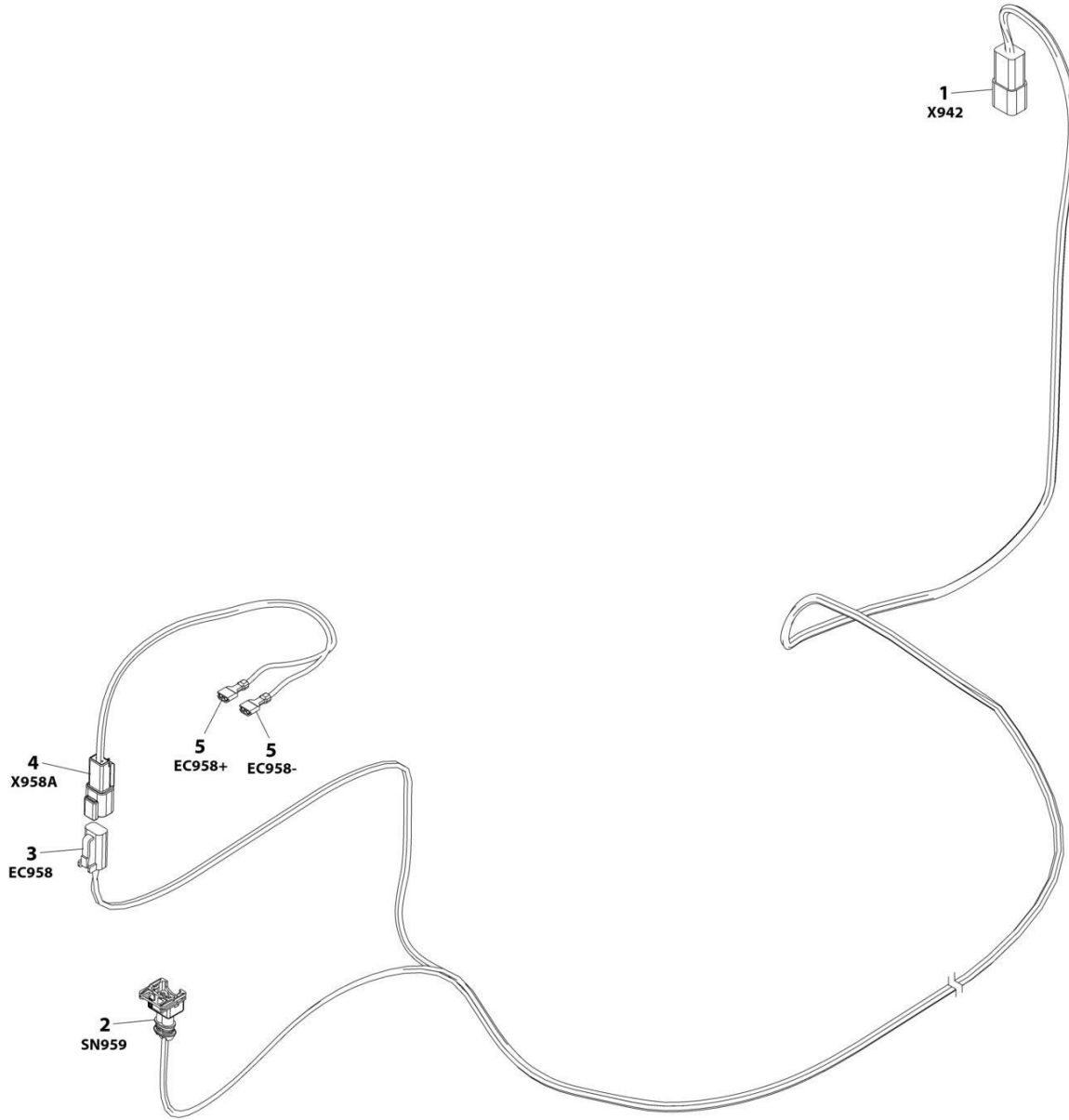
SECTION 8 - ELECTRICAL

FIGURE 8-39. ENGINE HARNESS - FORD ENGINES

ITEM	PART NUMBER	QTY	DESCRIPTION	REV
	1001216230	Ref	ENGINE HARNESS - FORD ENGINES	C
12	1001216213	3	Terminal, Plug	
19	4460424	1	Connector - 2 Position	
20	1001116693	2	Terminal	
21	4460880	2	Connector, Din	
22	4460312	1	Terminal, Ring	
23	4460313	3	Terminal, Ring	
24	4460979	2	Terminal	
25	4460897	1	Receptacle, Female - 4 Position	
26	4460539	1	Plug, Male - 3 Position	
27	4460944	3	Socket, Female	
28	4461157	1	Connector - 2 Position	
29	4460460	1	Connector - 4 Position	
30	4460457	4	Sleeve	
31	4460458	6	Seal	
32	4460738	1	Terminal, Ring	
34	4460871	9	Socket	
35	4460464	1	Pin, Male	
36	4460887	1	Terminal	
37	4460226	3	Socket, Female	
39	4460465	2	Socket, Female	
40	4460259	1	Terminal	
41	4460260	1	Cover Terminal	
42	1001215016	NLA	Connector, Ford - 42 Position (Use p/n 1001265676)	
42	1001265676	1	Connector, Ford - 42 Position Kit	
43	1001215091	5	Terminal	
44	1001215534	33	Plug, Terminal	
45	1001216212	1	Terminal	

SECTION 8 - ELECTRICAL

FIGURE 8-40. FUEL PUMP HARNESS - DEUTZ TD2.9L4 ENGINES



ART_1001138491

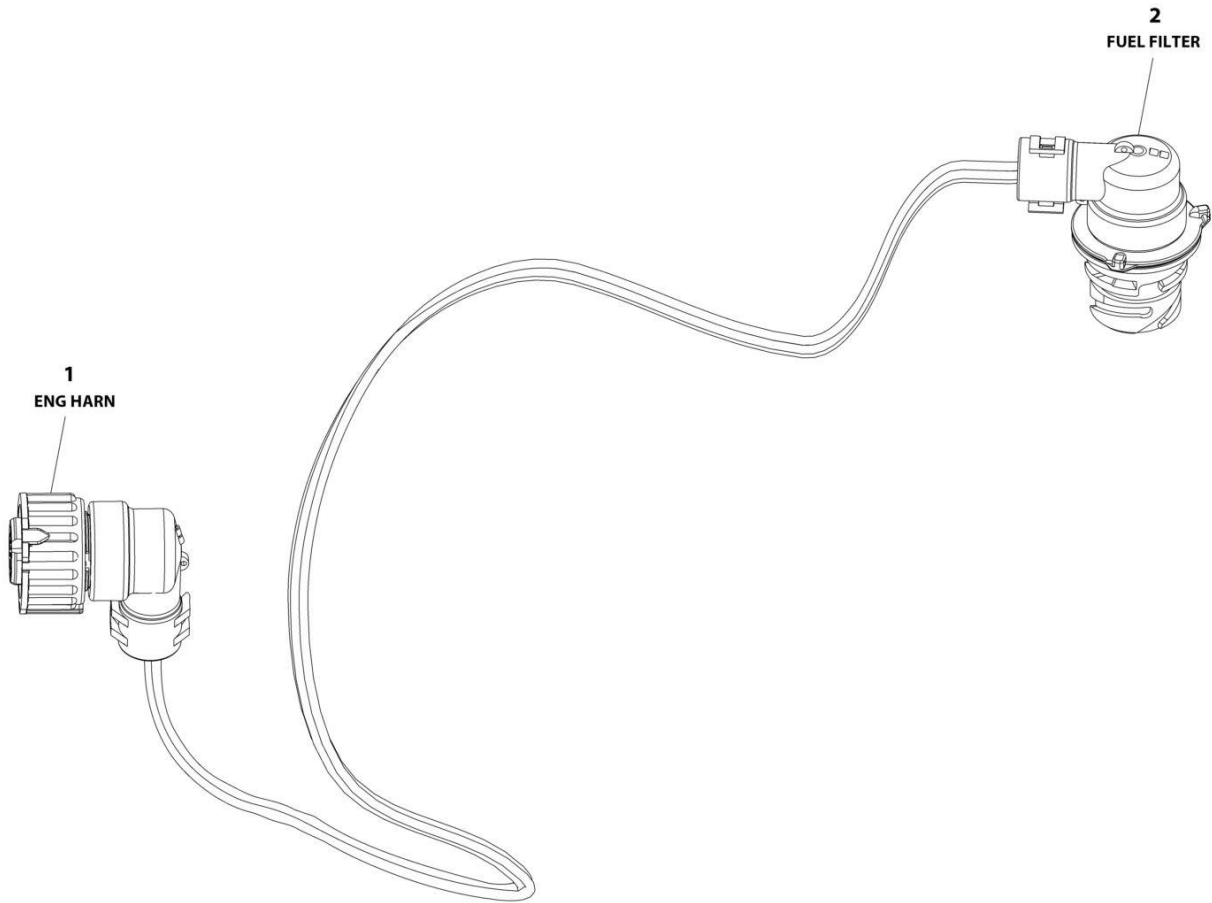
SECTION 8 - ELECTRICAL

FIGURE 8-40. FUEL PUMP HARNESS - DEUTZ TD2.9L4 ENGINES

ITEM	PART NUMBER	QTY	DESCRIPTION	REV
	1001138491	Ref	FUEL PUMP HARNESS	D
1	4460932	1	Receptacle, Female - 4 Position	
1	4460941	2	Pin, Male	
1	4460464	2	Pin, Male	
2	1001116983	1	Plug, Male - 2 Position	
2	1001116710	2	Socket, Female	
2	4461054	2	Seal	
3	4460891	1	Plug, Male - 2 Position	
3	4460942	2	Socket, Female	
4	4460897	1	Connector - 2 Position	
4	4460941	2	Pin, Male	
5	8220051	2	Terminal, Ring	

SECTION 8 - ELECTRICAL

FIGURE 8-41. FUEL HARNESS - DEUTZ TD2.9L4 (STAGE V) ENGINE



ART_1001245913

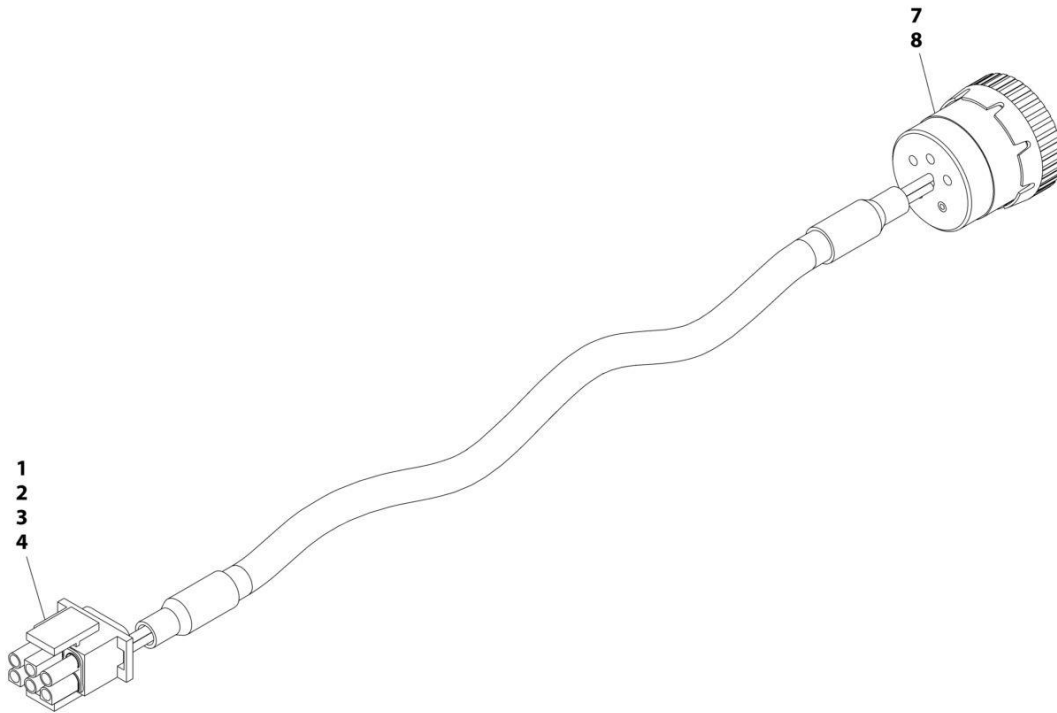
SECTION 8 - ELECTRICAL

FIGURE 8-41. FUEL HARNESS - DEUTZ TD2.9L4 (STAGE V) ENGINE

ITEM	PART NUMBER	QTY	DESCRIPTION	REV
	1001245913	Ref	FUEL HARNESS - DEUTZ (STAGE V) ENGINE	D
1	1001148842	1	Connector - 4 Position	
1	1001148841	4	Pin, Male	
1	1001135650	4	Seal	
2	1001133714	1	Plug, Male - 4 Position	
2	1001133715	4	Socket, Female	
2	1001135650	4	Seal	

SECTION 8 - ELECTRICAL

FIGURE 8-42. GENERATOR HARNESS - 4000W GENERATOR



ART_1001152532

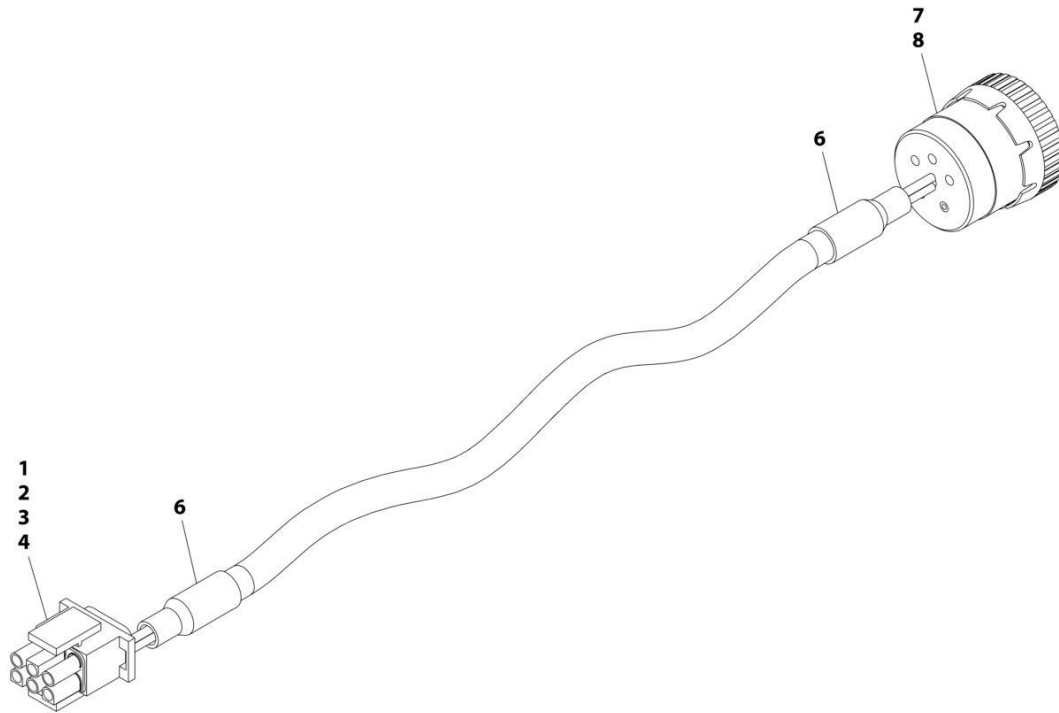
SECTION 8 - ELECTRICAL

FIGURE 8-42. GENERATOR HARNESS - 4000W GENERATOR

ITEM	PART NUMBER	QTY	DESCRIPTION	REV
	1001152532	Ref	GENERATOR HARNESS	A
1	4460225	1	Connector - 6 Position	
2	4460268	2	Socket, Female	
3	4460807	1	Seal	
4	4460808	1	Seal	
7	4460465	2	Socket, Female	
8	77363233	1	Connector - 6 Position	

SECTION 8 - ELECTRICAL

FIGURE 8-43. GENERATOR HARNESS - 7500W SKYPOWER GENERATOR



ART_4922925

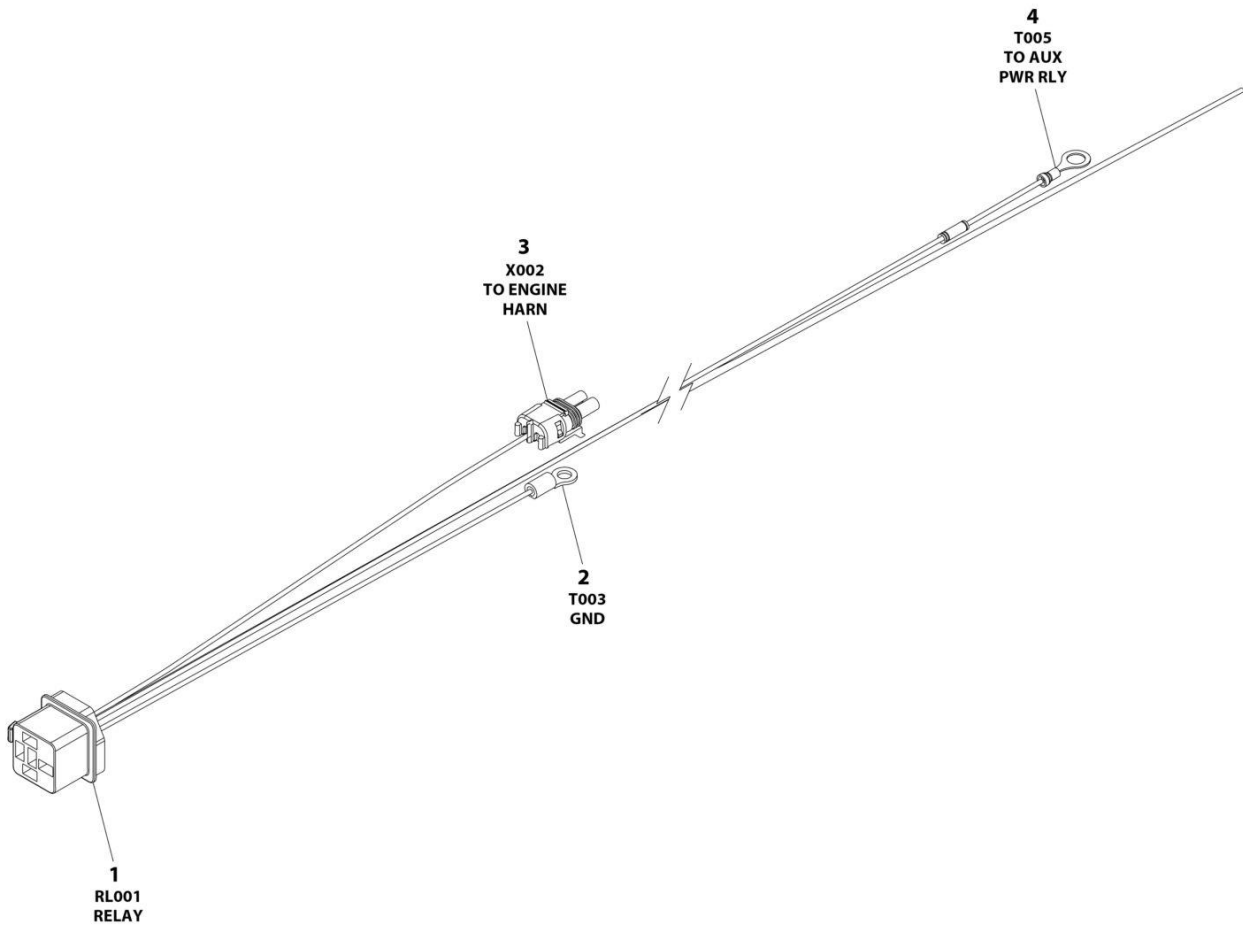
SECTION 8 - ELECTRICAL

FIGURE 8-43. GENERATOR HARNESS - 7500W SKYPOWER GENERATOR

ITEM	PART NUMBER	QTY	DESCRIPTION	REV
	4922925	Ref	GENERATOR TO CONTROL BOX HARNESS (7500W GENERATOR)	C
1	4460225	1	Plug, Male - 2 Position	
2	4460268	6	Socket, Female	
3	4460807	1	Seal	
4	4460808	1	Seal	
6	2820019	AR	Heat Shrink	
7	4460465	6	Socket, Female	
8	77363233	1	Connector - 6 Position	

SECTION 8 - ELECTRICAL

FIGURE 8-44. GENERATOR TO ENGINE HARNESS - 2500W (FORD ENGINES)



ART_4923445

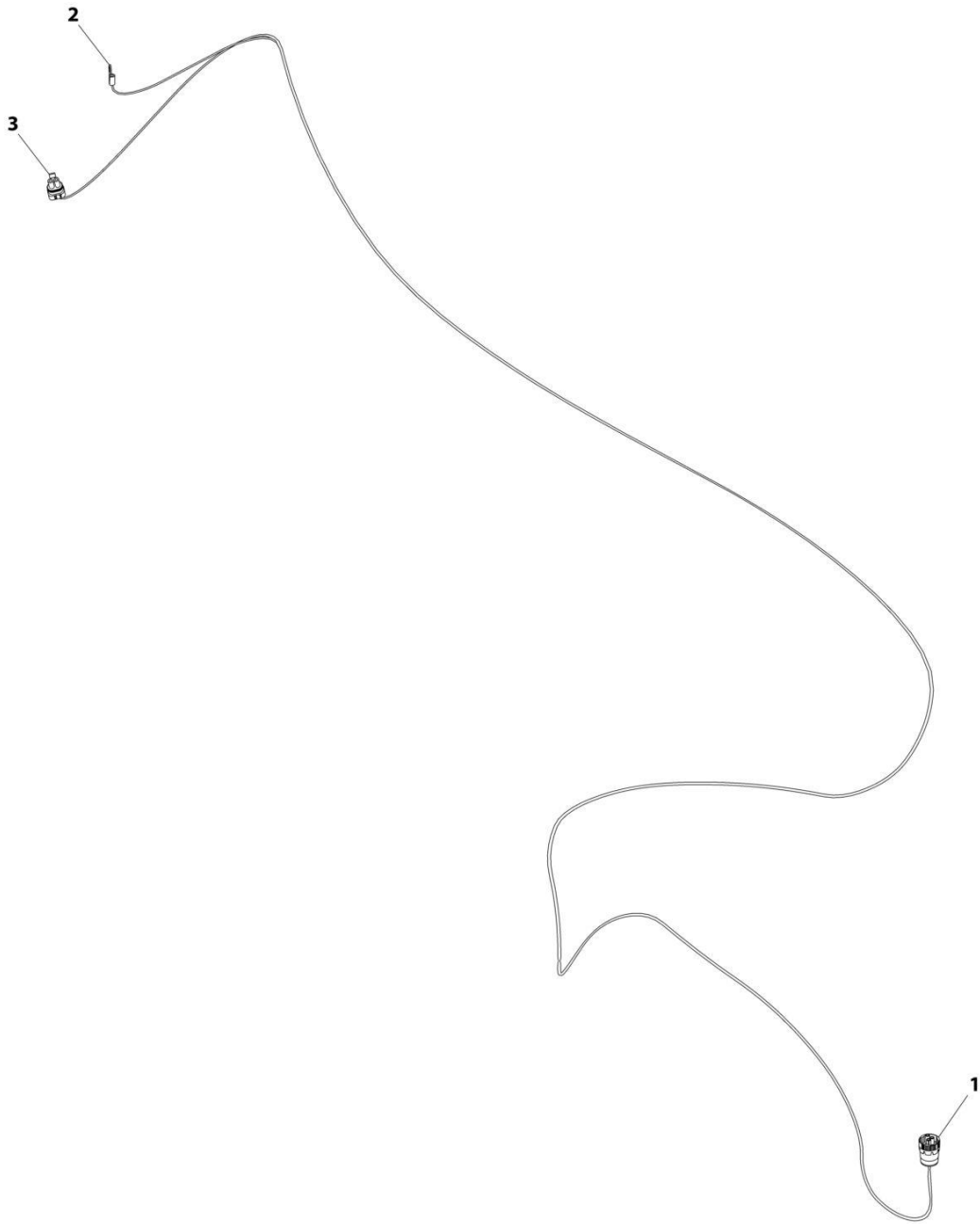
SECTION 8 - ELECTRICAL

FIGURE 8-44. GENERATOR TO ENGINE HARNESS - 2500W (FORD ENGINES)

ITEM	PART NUMBER	QTY	DESCRIPTION	REV
	4923445	Ref	GENERATOR TO ENGINE HARNESS	B
1	4460374	1	Plug, Sealed Relay	
1	1001116734	2	Socket, Female	
1	1001116733	2	Socket, Female	
2	4460043	1	Terminal, Ring	
3	4460742	1	Plug, Male - 2 Position	
3	4460457	1	Socket, Female	
3	4460458	1	Seal, Terminal	
3	1001116727	1	Plug, Terminal	
4	4460670	1	Terminal, Ring	

SECTION 8 - ELECTRICAL

FIGURE 8-45. GENERATOR TO ENGINE HARNESS - 4000W (DEUTZ D2011 ENGINES)



ART_1001153197

SECTION 8 - ELECTRICAL

FIGURE 8-45. GENERATOR TO ENGINE HARNESS - 4000W (DEUTZ D2011 ENGINES)

ITEM	PART NUMBER	QTY	DESCRIPTION	REV
	1001153197	Ref	GENERATOR TO ENGINE HARNESS	B
1	4460967	1	Plug, Male - 3 Position	
1	4460465	2	Socket, Female	
2	4460043	1	Terminal, Ring	
3	4460742	1	Plug, Male - 2 Position	
3	4460743	1	Socket, Female	
3	4460458	1	Seal, Terminal	
3	1001116727	1	Plug, Terminal	

SECTION 8 - ELECTRICAL

FIGURE 8-46. GENERATOR TO ENGINE HARNESS - 4000W (DEUTZ TD2.9L4 ENGINES)



ART_1001153259

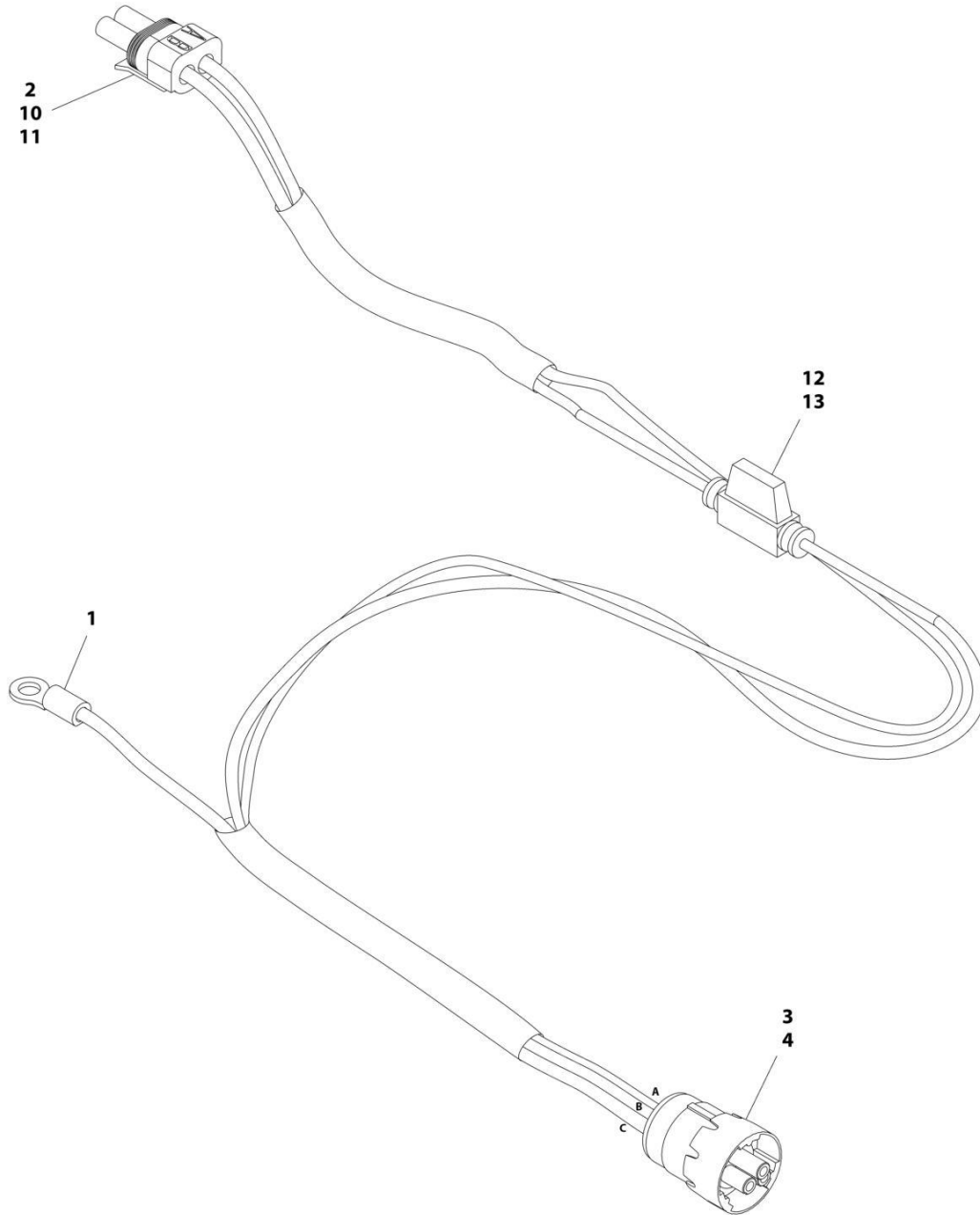
SECTION 8 - ELECTRICAL

FIGURE 8-46. GENERATOR TO ENGINE HARNESS - 4000W (DEUTZ TD2.9L4 ENGINES)

ITEM	PART NUMBER	QTY	DESCRIPTION	REV
	1001153259	Ref	GENERATOR TO PLATFORM HARNESS (4000W-60HZ GENERATOR)	B
1	4460967	1	Connector - 3 Position	
1	4460465	2	Socket, Female	
2	4460465	2	Socket, Female	

SECTION 8 - ELECTRICAL

FIGURE 8-47. GENERATOR TO ENGINE HARNESS - 7500W SKYPOWER GENERATOR (DEUTZ D2011 ENGINES)



ART_1001152429

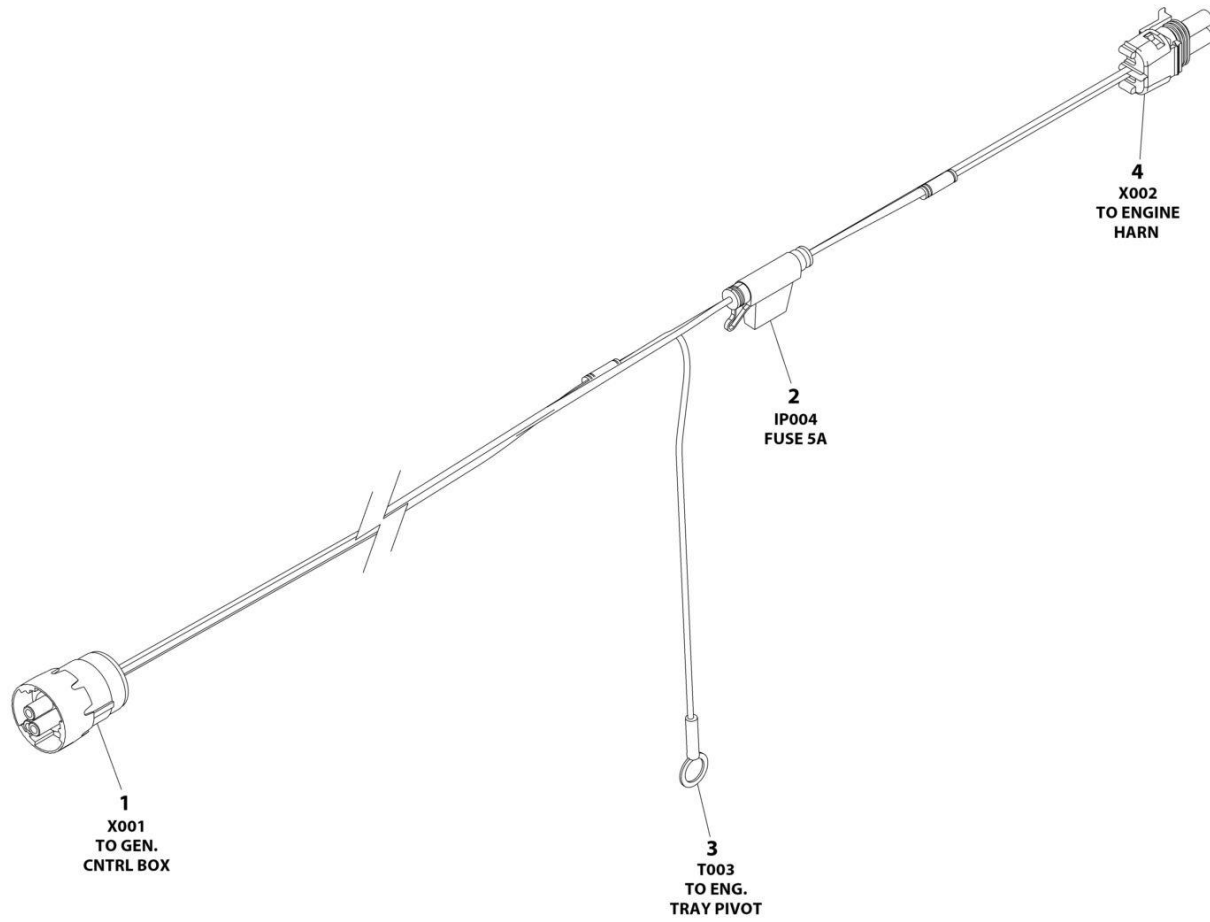
SECTION 8 - ELECTRICAL

FIGURE 8-47. GENERATOR TO ENGINE HARNESS - 7500W SKYPOWER GENERATOR (DEUTZ D2011 ENGINES)

ITEM	PART NUMBER	QTY	DESCRIPTION	REV
	1001152429	Ref	GENERATOR TO ENGINE HARNESS	C
1	4460043	1	Terminal, Ring	
2	4460742	1	Plug, Male - 2 Position	
3	4460967	1	Connector - 3 Position	
4	4460465	3	Socket, Female	
10	4460743	2	Terminal, Female	
11	4460458	2	Seal	
12	2400060	1	Fuseholder (Includes Cover)	
13	2400064	1	Fuse - 5Amp	

SECTION 8 - ELECTRICAL

FIGURE 8-48. GENERATOR TO ENGINE HARNESS - 7500W SKYPOWER (FORD DF 2.5L ENGINES)



ART_1001257972

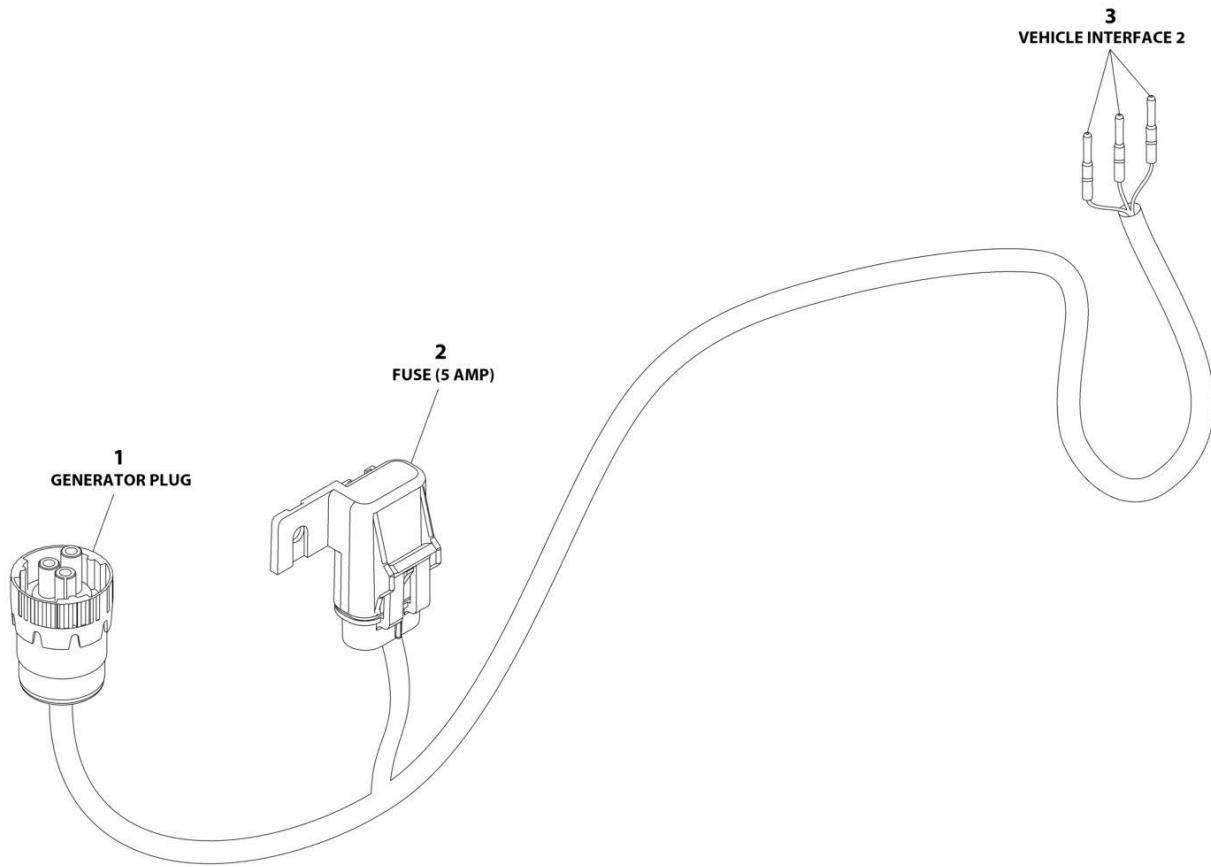
SECTION 8 - ELECTRICAL

FIGURE 8-48. GENERATOR TO ENGINE HARNESS - 7500W SKYPOWER (FORD DF 2.5L ENGINES)

ITEM	PART NUMBER	QTY	DESCRIPTION	REV
	1001257972	Ref	GENERATOR TO ENGINE HARNESS	A
1	4460967	1	Plug, Male - 3 Position	
1	4460465	3	Socket, Female	
2	2400060	1	Fuse-holder (Includes Cover)	
2	2400064	1	Fuse - 5Amp	
3	4460256	1	Terminal, Ring	
4	4460742	1	Plug, Male - 2 Position	
4	4460457	2	Socket, Female	
4	4460458	2	Seal, Terminal	

SECTION 8 - ELECTRICAL

FIGURE 8-49. GENERATOR HARNESS - 7500W SKYPOWER (DEUTZ TD2.9L4 T4F ENGINES)



ART_1001119968

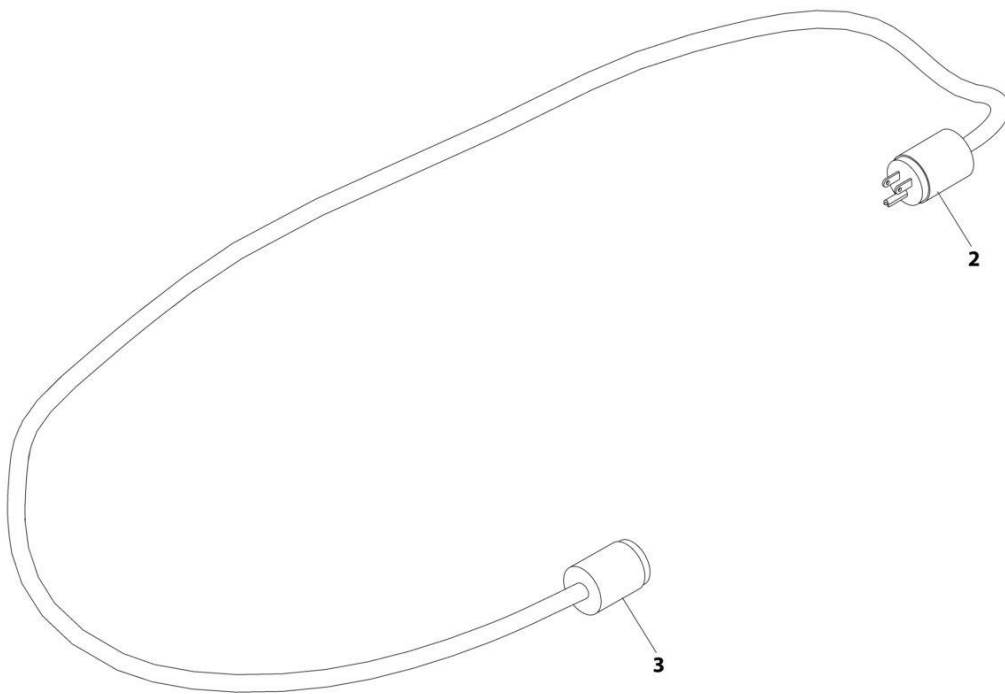
SECTION 8 - ELECTRICAL

FIGURE 8-49. GENERATOR HARNESS - 7500W SKYPOWER (DEUTZ TD2.9L4 T4F ENGINES)

ITEM	PART NUMBER	QTY	DESCRIPTION	REV
	1001119968	Ref	GENERATOR HARNESS - 7500W GENERATOR	C
1	4460967	1	Connector - 3 Position	
1	4460465	3	Socket, Female	
2	1001117078	1	Connector, Metri-Pack with 5Amp Fuse	
3	4460465	3	Socket, Female	

SECTION 8 - ELECTRICAL

FIGURE 8-50. GENERATOR TO REAR OF BOOM HARNESS - 110V



ART_4921829

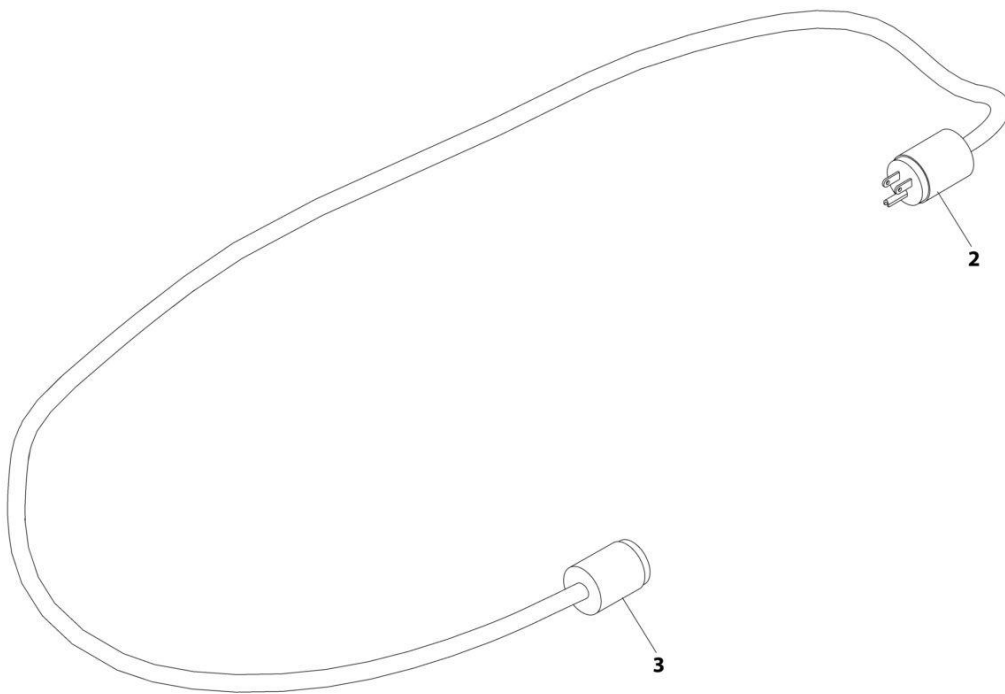
SECTION 8 - ELECTRICAL

FIGURE 8-50. GENERATOR TO REAR OF BOOM HARNESS - 110V

ITEM	PART NUMBER	QTY	DESCRIPTION	REV
	4921829	Ref	GENERATOR TO REAR OF BOOM HARNESS - 110V	Z-A
2	4460205	1	Plug, Male	
3	4460134	1	Connector, Female	

SECTION 8 - ELECTRICAL

FIGURE 8-51. GENERATOR TO REAR OF BOOM HARNESS - 220V



ART_4921955

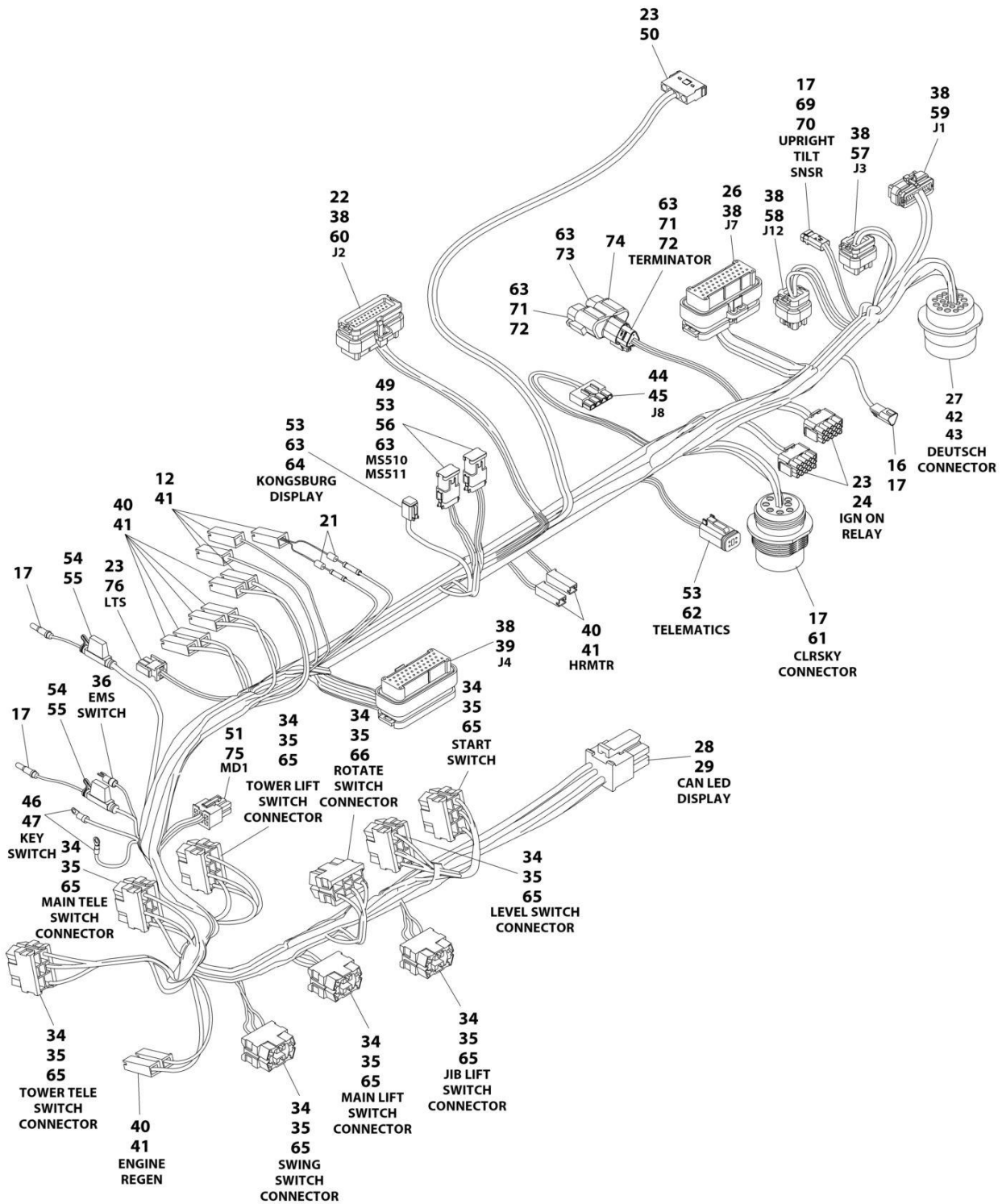
SECTION 8 - ELECTRICAL

FIGURE 8-51. GENERATOR TO REAR OF BOOM HARNESS - 220V

ITEM	PART NUMBER	QTY	DESCRIPTION	REV
	4921955	Ref	GENERATOR TO REAR OF BOOM HARNESS - 220V	A
2	4460233	1	Terminal, Plug	
3	4460701	1	Terminal, Connector	

SECTION 8 - ELECTRICAL

FIGURE 8-52. GROUND CONTROL BOX HARNESS



ART_1001243263_F

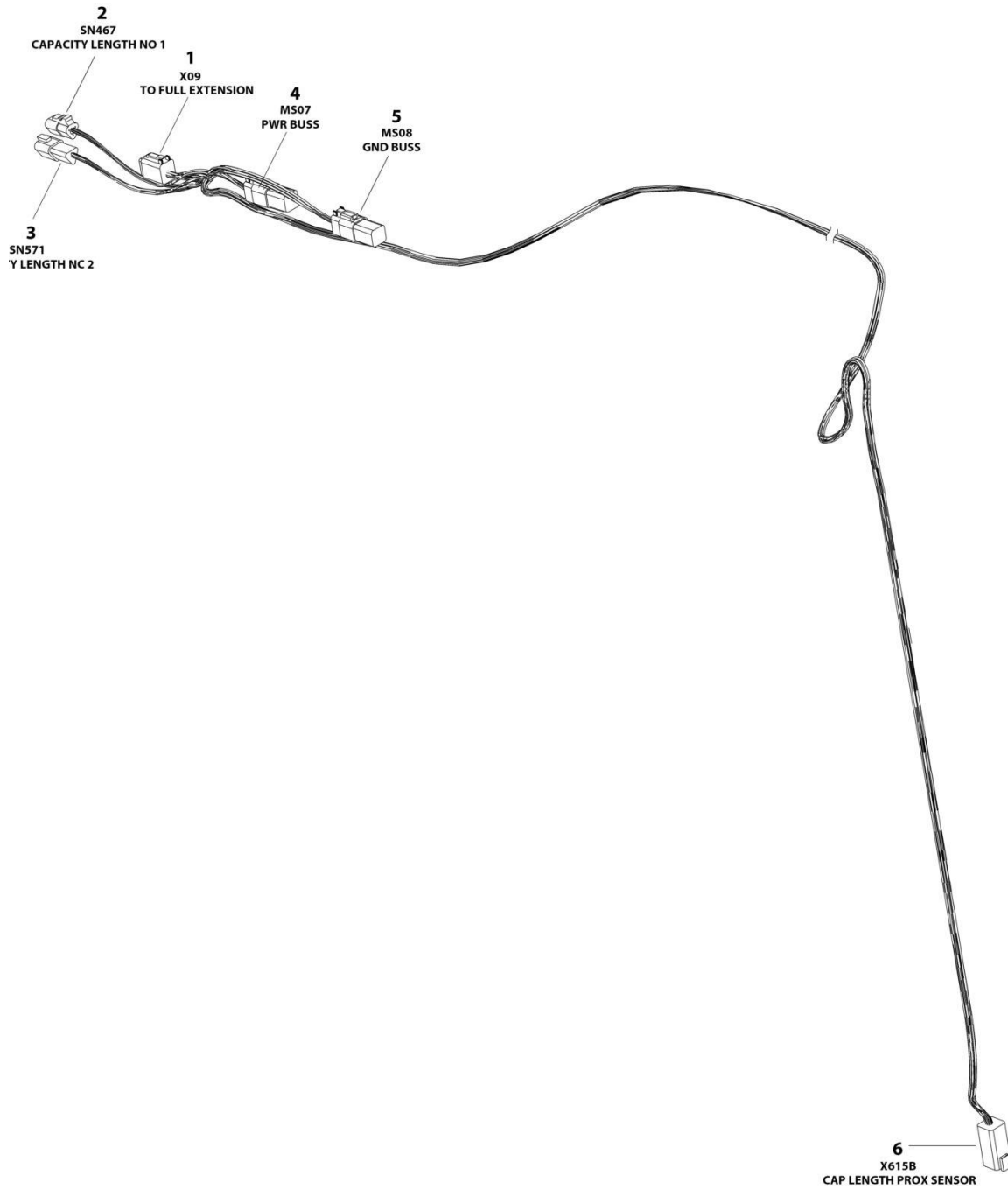
SECTION 8 - ELECTRICAL

FIGURE 8-52. GROUND CONTROL BOX HARNESS

ITEM	PART NUMBER	QTY	DESCRIPTION	REV
	1001243263	Ref	GROUND CONTROL BOX HARNESS	F
12	4460297	4	Terminal	
16	4460536	1	Receptacle, Female - 3 Position	
17	4460943	12	Pin, Male	
21	3990010	2	Diode, 6 Amp	
22	4460905	2	Seal, Terminal	
23	4460227	34	Pin, Male	
24	4460434	2	Plug Male - 15 Position	
26	4460873	1	Connector - 35 Position	
27	4460508	3	Terminal	
28	1001237667	1	Plug Male - 6 Position	
29	1001237668	5	Terminal	
34	1001159186	18	Terminal	
35	4460418	9	Connector, Switch	
36	4460806	5	Terminal, Fork	
38	4460871	73	Socket, Female	
39	4460876	1	Connector - 35 Position	
40	4460259	9	Terminal	
41	4460260	13	Housing, Terminal	
42	4460464	10	Pin, Male	
43	4460866	1	Connector - 19 Position	
44	4460878	1	Plug Male - 4 Position	
45	4460887	3	Terminal	
46	4460142	4	Terminal, Ring	
47	4460313	3	Terminal	
49	1001119020	1	Connector, Buss Bar - 12 Position	
50	4460761	1	Receptacle, Female - 4 Position	
51	4460868	AR	Terminal	
53	4460465	30	Socket, Female	
54	2400060	2	Fuse Holder, Includes Cover	
55	8229242	2	Fuse 5Amp	
56	4460933	2	Plug, Male - 12 Position	
57	4460872	1	Connector - 14 Position	
58	1001113961	1	Connector - 8 Position	
59	4460874	1	Connector - 35 Position	
60	4460875	1	Connector - 35 Position	
61	1001112612	1	Connector - 9 Position	
62	4460884	1	Plug, Male - 4 Position	
63	4460466	9	Plug, Terminal	
64	4460894	1	Plug, Male - 6 Position	
65	4460419	8	Terminal	
66	1001191598	1	Terminal	
69	1001229530	1	Receptacle, Female - 3 Position	
70	1001200497	1	Plug, Male - 3 Position	
71	1001116812	2	Plug, Male - 3 Position	
72	4460944	2	Socket, Female	
73	1001116815	1	Plug, Male - 3 Position	
74	4460945	1	Connector, 3-Way Tee	
75	4460877	1	Terminal	
76	4460320	1	Connector - 2 Position	

SECTION 8 - ELECTRICAL

FIGURE 8-53. MID BOOM PROXIMITY SENSOR HARNESS



ART_1001258709

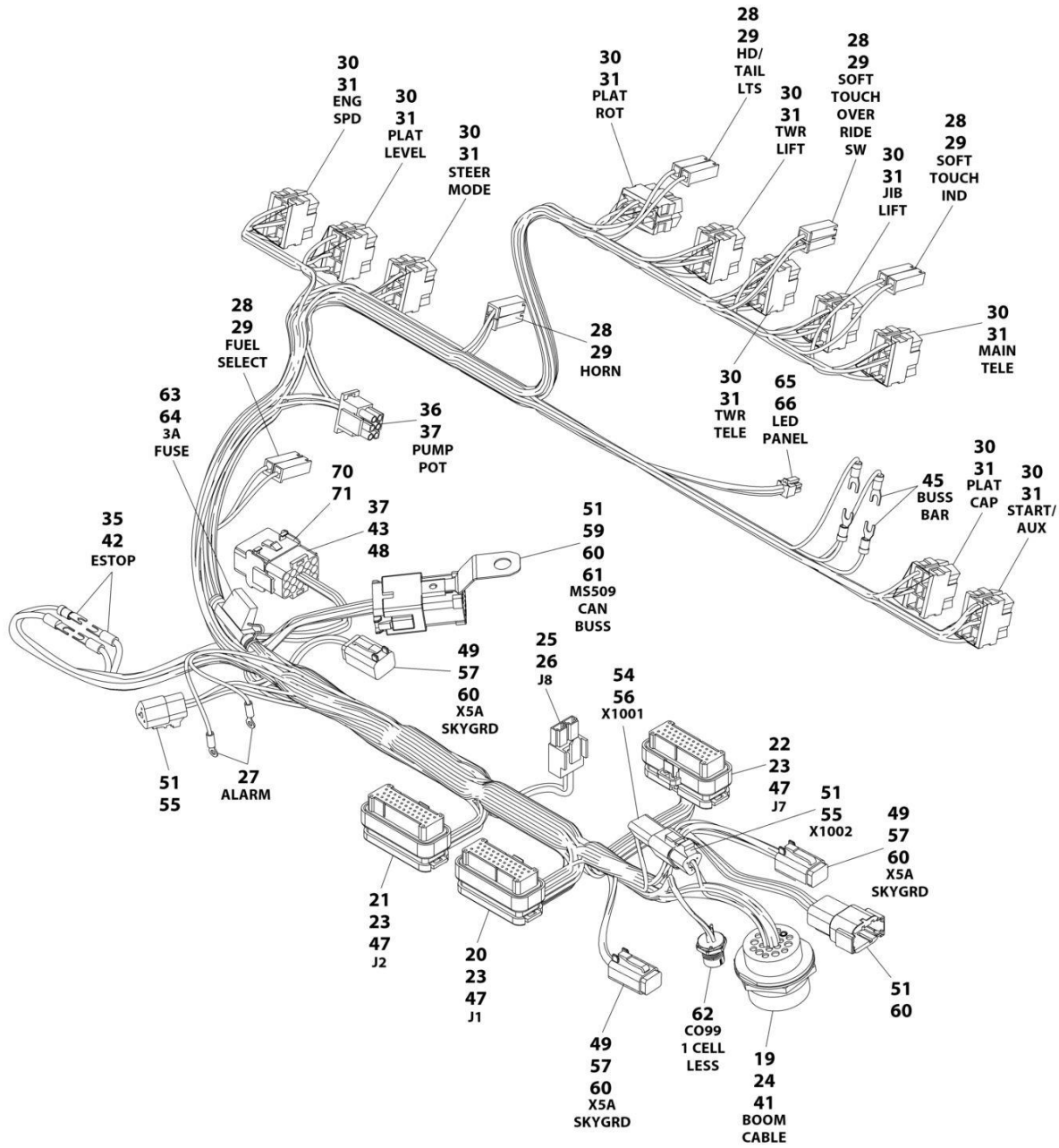
SECTION 8 - ELECTRICAL

FIGURE 8-53. MID BOOM PROXIMITY SENSOR HARNESS

ITEM	PART NUMBER	QTY	DESCRIPTION	REV
	1001258709	Ref	MID BOOM PROX SENSOR HARNESS	B
1	4460894	1	Plug, Male - 6 Position	
1	4460465	6	Socket, Female	
2	4460539	1	Plug, Male - 3 Position	
2	4460465	3	Socket, Female	
3	4460536	1	Receptacle, Female - 3 Position	
3	4460464	3	Pin, Male	
4	4460894	2	Plug, Male - 6 Position	
4	4460465	10	Socket, Female	
4	4460466	2	Plug, Terminal	
4	4460892	2	Connector, Buss Bar - 6 Position	
5	4460899	1	Connector - 6 Position	
5	4460465	6	Socket, Female	

SECTION 8 - ELECTRICAL

FIGURE 8-54. PLATFORM CONSOLE BOX HARNESS



ART_1001243984

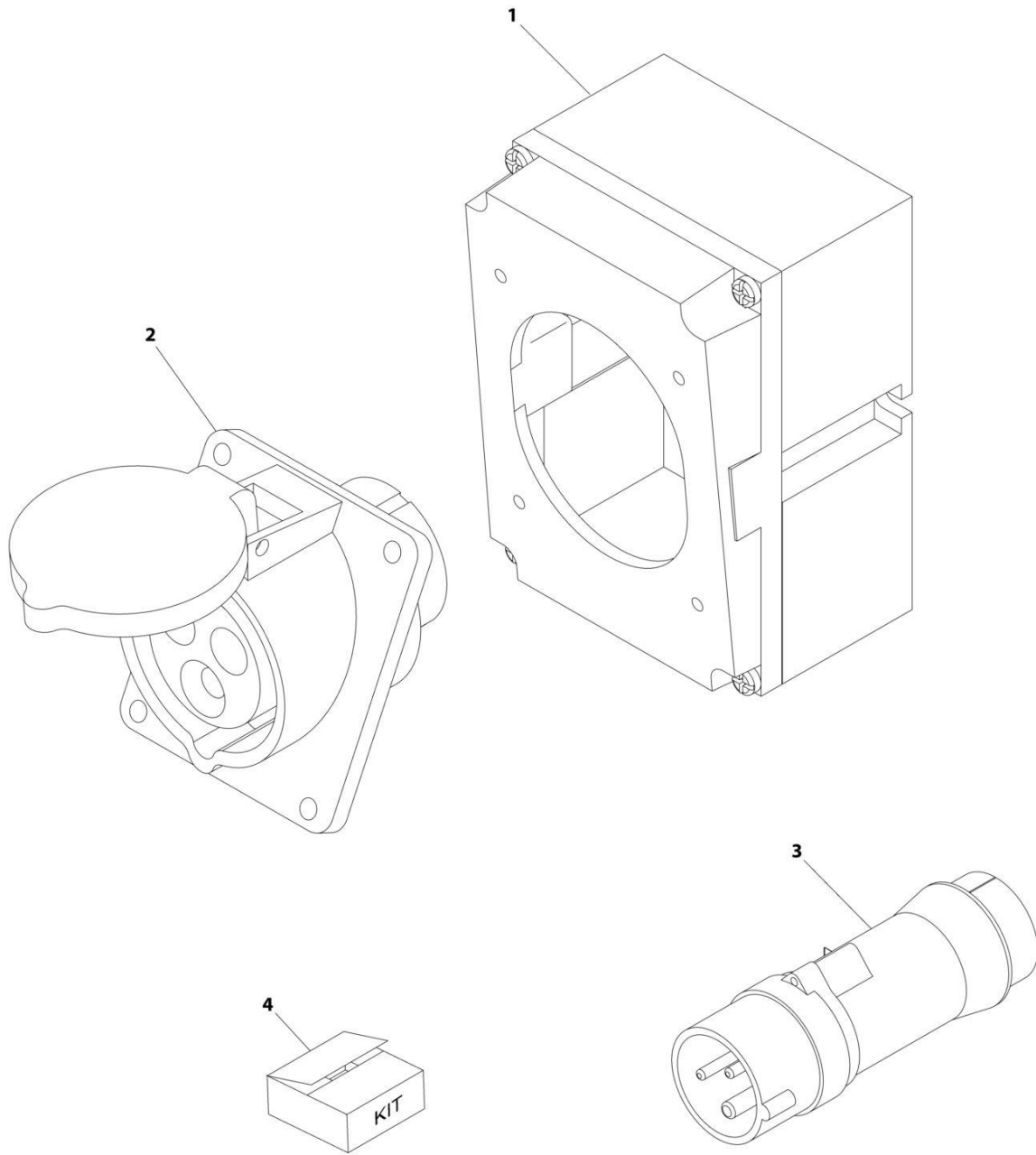
SECTION 8 - ELECTRICAL

FIGURE 8-54. PLATFORM CONSOLE BOX HARNESS

ITEM	PART NUMBER	QTY	DESCRIPTION	REV
	1001243984	Ref	PLATFORM CONSOLE BOX HARNESS	F
19	4460866	1	Connector - 19 Position	
20	4460874	1	Connector - 35 Position	
21	4460875	1	Connector - 35 Position	
22	4460873	1	Connector - 35 Position	
23	4460871	81	Socket, Female	
24	4460464	7	Pin, Male	
25	4460879	1	Plug, Male - 2 Position	
26	4460887	2	Terminal	
27	1001098122	2	Terminal, Ring	
28	4460260	10	Housing, Terminal	
29	4460259	10	Terminal	
30	4460418	9	Connector, Switch	
31	4460419	27	Terminal	
32	4120035	14	Socket, Light (Not Shown)	
33	4460634	14	Socket, Lamp (Single Wire) (Not Shown)	
34	4460635	14	Socket, Lamp (Double Wire) (Not Shown)	
35	4460888	3	Terminal, Fork	
36	4460225	1	Plug, Male - 6 Position	
37	4460227	31	Pin, Male	
41	4460508	3	Pin, Male	
42	4460806	1	Terminal, Fork	
43	4460434	2	Connector - 15 Position	
44	2920129	14	Bulb (Not Shown)	
45	4460183	4	Terminal, Fork	
46	4460016	2	Terminal (Not Shown)	
47	4460905	24	Plug, Terminal	
48	4460267	1	Pin, Male	
49	4460465	5	Socket, Female	
51	4460944	11	Socket, Female	
54	4460536	1	Receptacle, Female - 3 Position	
55	4460539	1	Plug, Male - 3 Position	
56	4460943	3	Pin, Male	
57	4460894	2	Plug, Male - 6 Position	
59	4460933	1	Plug, Male - 12 Position	
60	4460466	5	Plug, Terminal	
61	1001119020	1	Connector, Buss Bar - 12 Position	
62	1001213447	1	Connector - 5 Position	
63	2400060	1	Fuseholder Includes Cover	
64	8229249	1	Fuse, 3 Amp	
65	1001237667	1	Plug, Male - 6 Position	
66	1001237668	4	Socket, Female	
70	4460708	1	Connector - 15 Position	
71	4460226	2	Socket, Female	

SECTION 8 - ELECTRICAL

FIGURE 8-55. RECEPTACLE BOX KIT - 110V IEC YELLOW (CE SPECS)



ART_0275216

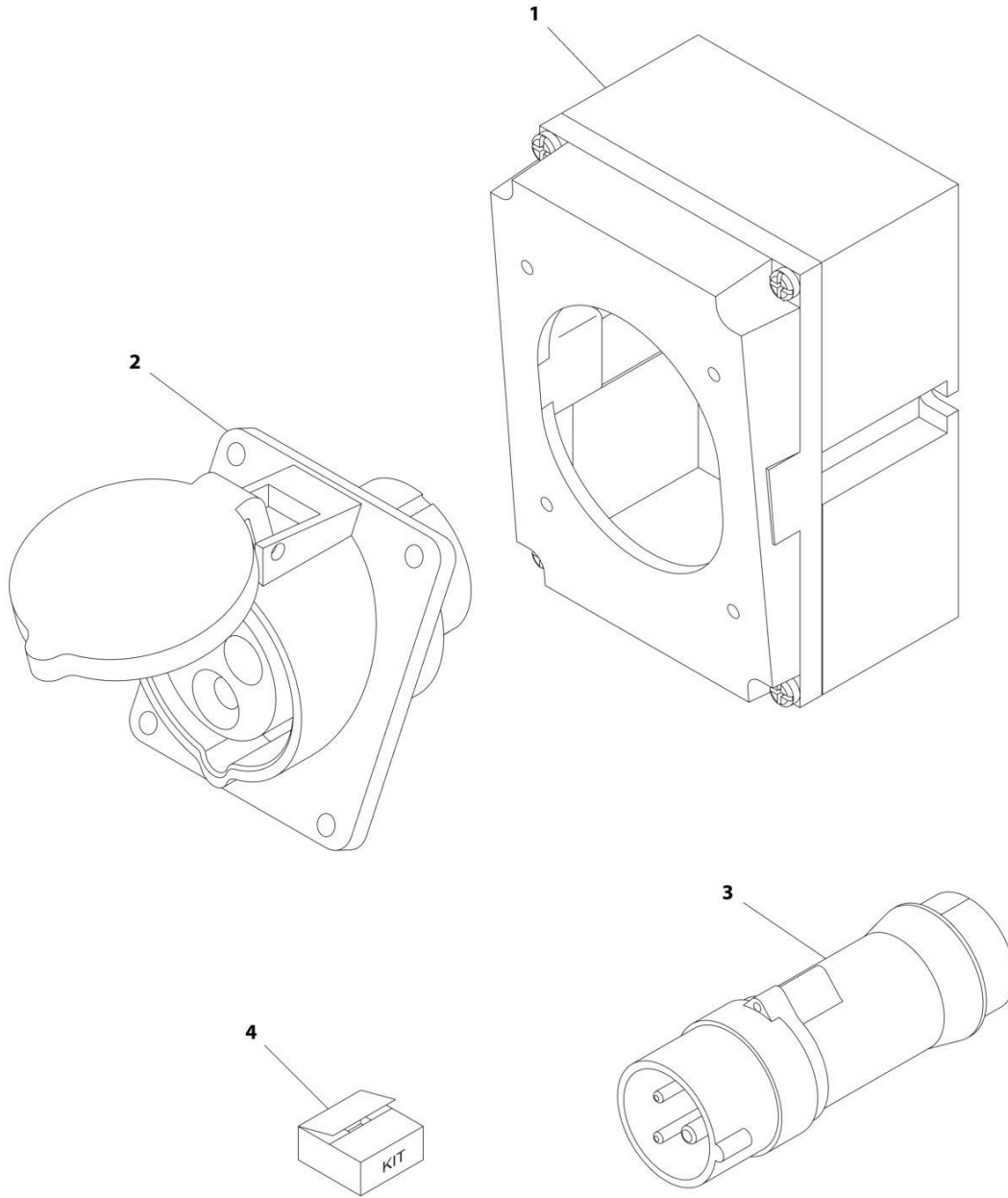
SECTION 8 - ELECTRICAL

FIGURE 8-55. RECEPTACLE BOX KIT - 110V IEC YELLOW (CE SPECS)

ITEM	PART NUMBER	QTY	DESCRIPTION	REV
	0275216	Ref	RECEPTACLE BOX KIT - 110V IEC YELLOW	B
1	0861781	1	Box, Switch	
2	4461198	1	Receptacle	
3	4461196	1	Plug, Male	
4	1001100341	1	Plug and Socket Kit (Includes Items 1-3 and Female Plug p/n 4461197)	

SECTION 8 - ELECTRICAL

FIGURE 8-56. RECEPTACLE BOX KIT - 220V IEC BLUE (CE SPECS)



ART_0275217

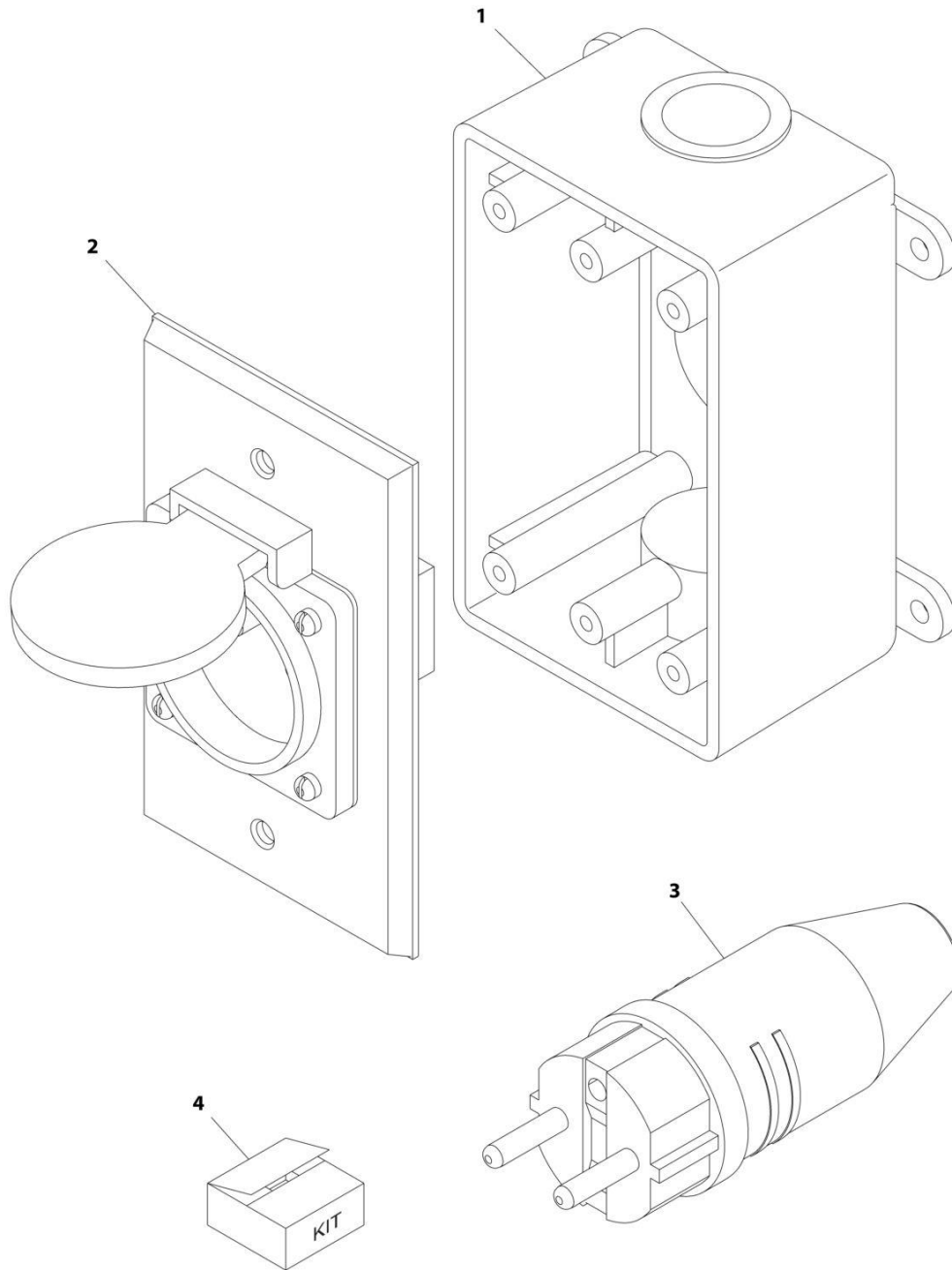
SECTION 8 - ELECTRICAL

FIGURE 8-56. RECEPTACLE BOX KIT - 220V IEC BLUE (CE SPECS)

ITEM	PART NUMBER	QTY	DESCRIPTION	REV
	0275217	Ref	RECEPTACLE BOX KIT - 220V IEC BLUE	B
1	0861781	1	Box, Switch	
2	4461201	1	Receptacle	
3	4461199	1	Plug, Male	
4	1001100342	1	Plug and Socket Kit (Includes Items 1-3 and Female Plug p/n 4461200)	

SECTION 8 - ELECTRICAL

FIGURE 8-57. RECEPTACLE BOX KIT - 220V CEE7 POST GROUND 2X4 BOX (CE SPEC)



ART_0275452-C

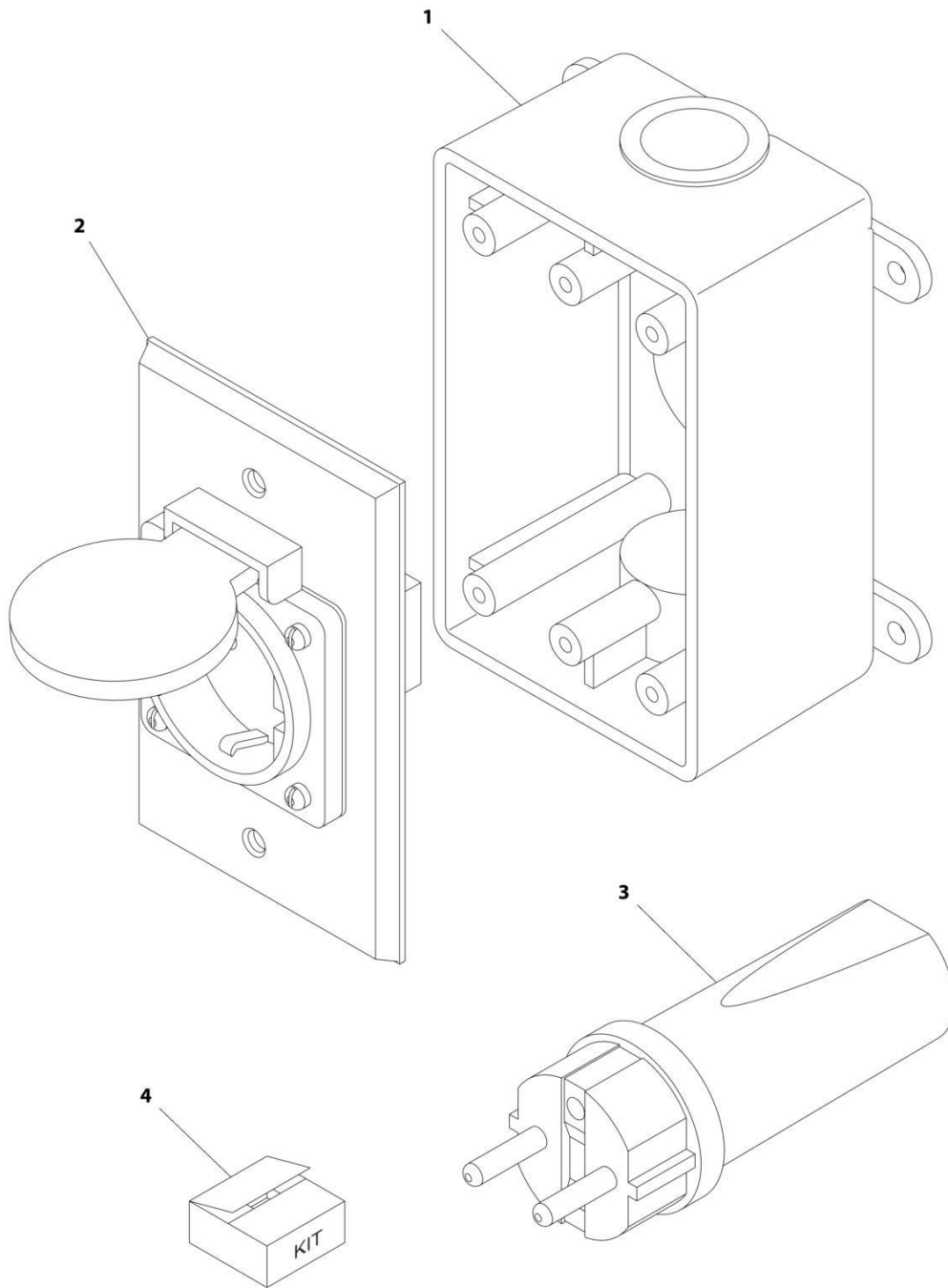
SECTION 8 - ELECTRICAL

FIGURE 8-57. RECEPTACLE BOX KIT - 220V CEE7 POST GROUND 2X4 BOX (CE SPEC)

ITEM	PART NUMBER	QTY	DESCRIPTION	REV
	0275452	Ref	RECEPTACLE BOX KIT - 220V CEE7 POST GROUND 2IN X 4IN BOX	C
1	0861731	1	Box, Switch	
2	4461244	1	Receptacle	
3	4461205	1	Plug, Male	
4	1001100345	1	Plug and Socket Kit (Includes Items 1-3 and Female Plug p/n 4461203)	

SECTION 8 - ELECTRICAL

FIGURE 8-58. RECEPTACLE BOX KIT - 220V CEE7 SIDE GROUND 2X4 BOX (CE SPEC)



ART_0275453

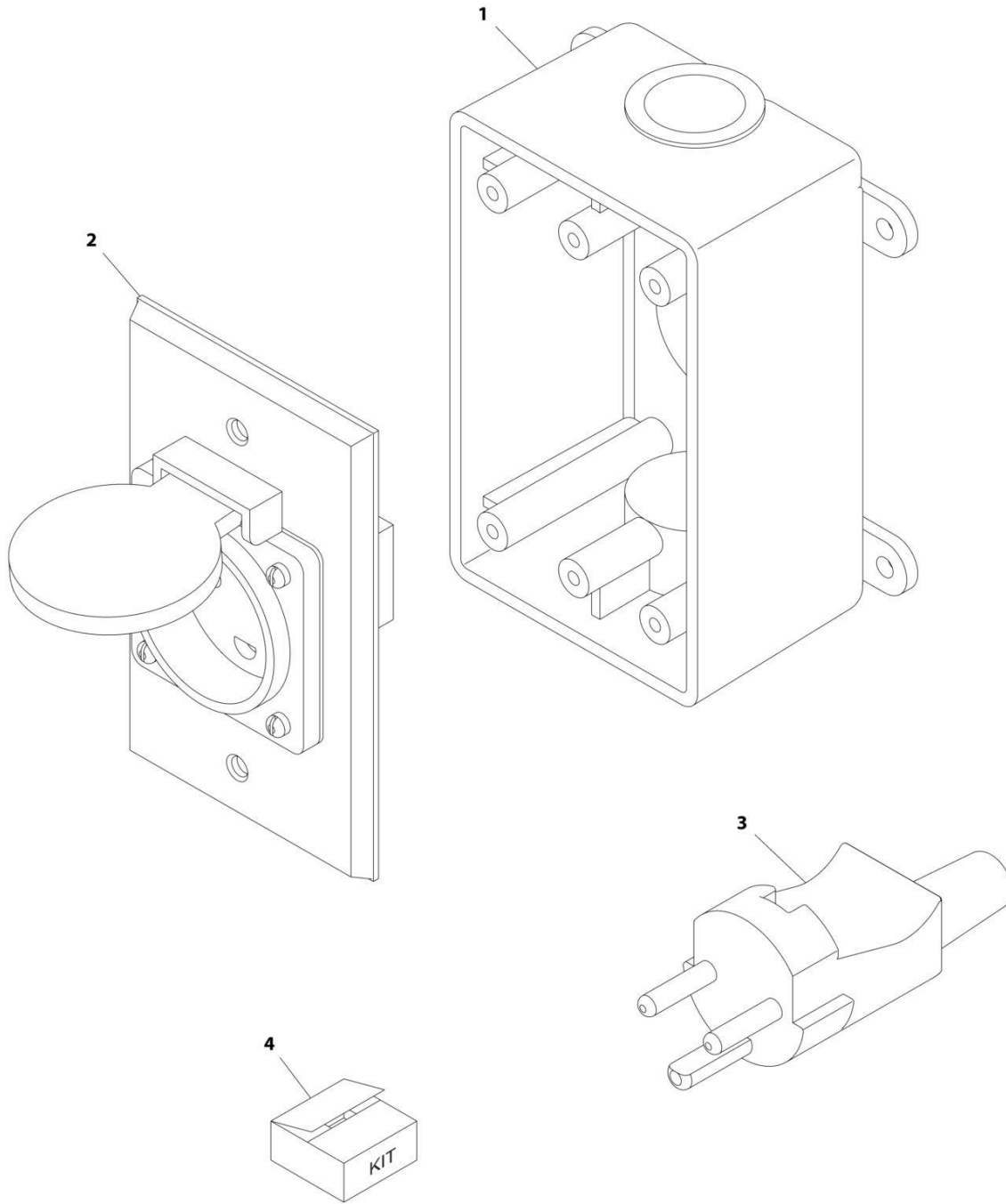
SECTION 8 - ELECTRICAL

FIGURE 8-58. RECEPTACLE BOX KIT - 220V CEE7 SIDE GROUND 2X4 BOX (CE SPEC)

ITEM	PART NUMBER	QTY	DESCRIPTION	REV
	0275453	Ref	RECEPTACLE BOX KIT - 220V CEE7 SIDE GROUND	B
1	0861731	1	Box, Switch	
2	4461245	1	Receptacle	
3	4461205	1	Plug, Male	
4	1001100347	1	Plug and Socket Kit (Includes Items 1-3 and Female Plug p/n 4461206)	

SECTION 8 - ELECTRICAL

FIGURE 8-59. RECEPTACLE BOX KIT - 220V AFSINT107 KEYED GROUND (CE SPECS)



ART_0275454

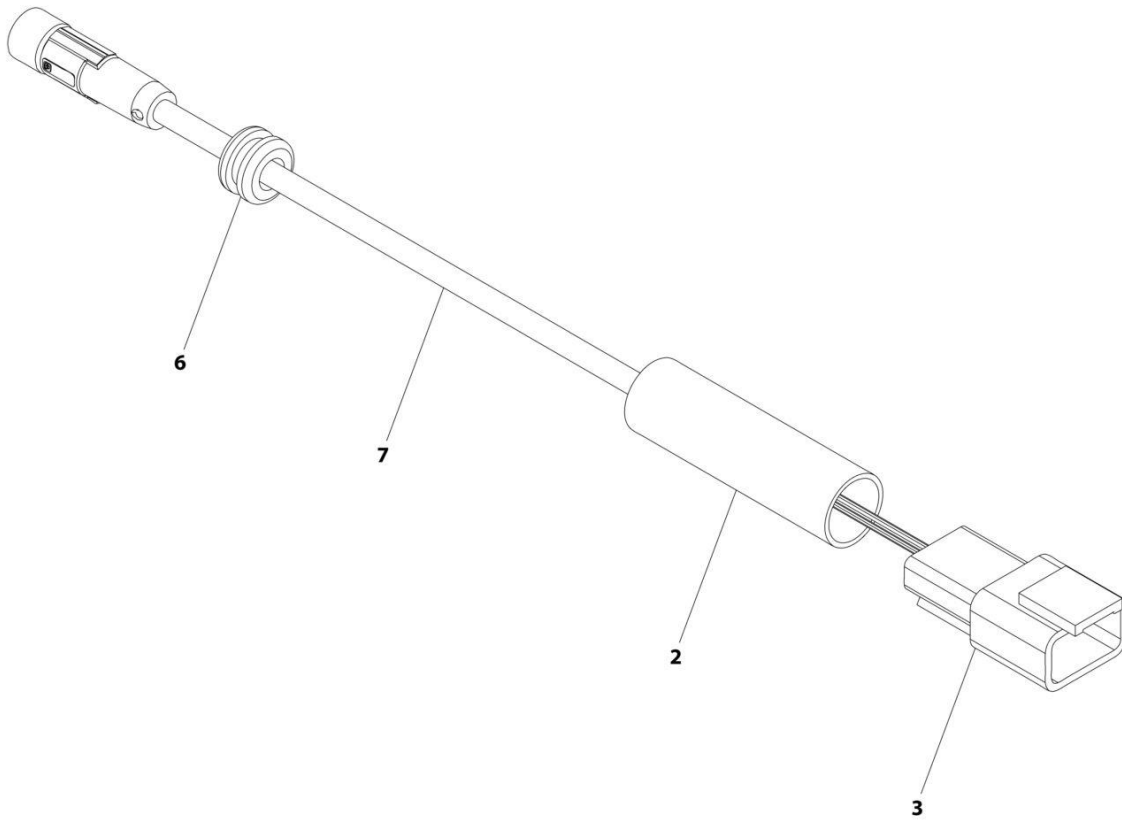
SECTION 8 - ELECTRICAL

FIGURE 8-59. RECEPTACLE BOX KIT - 220V AFSINT107 KEYED GROUND (CE SPECS)

ITEM	PART NUMBER	QTY	DESCRIPTION	REV
	0275454	Ref	RECEPTACLE BOX KIT - 220V AFSINT 107	B
1	0861731	1	Box, Switch	
2	4461246	1	Receptacle	
3	4461249	1	Plug, Male	
4	1001100346	1	Plug and Socket Kit (Includes Items 1-3 and Female Plug p/n 4461250)	

SECTION 8 - ELECTRICAL

FIGURE 8-60. SKYEYE EMITTER HARNESS



ART_1001237864

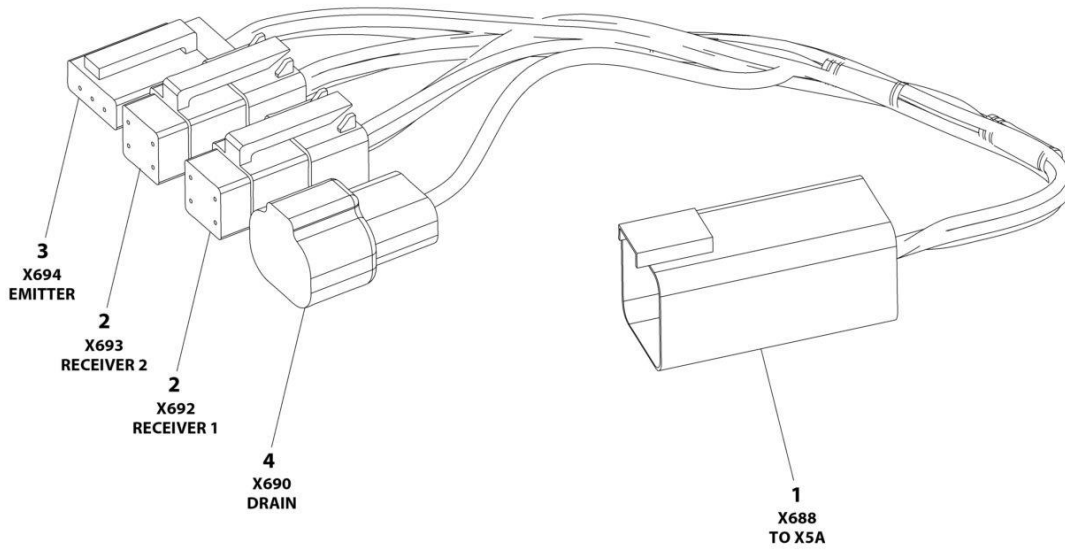
SECTION 8 - ELECTRICAL

FIGURE 8-60. SKYEYE EMITTER HARNESS

ITEM	PART NUMBER	QTY	DESCRIPTION	REV
	1001237864	Ref	SKYEYE EMITTER HARNESS	A
2	2820247	AR	Tubing, Heat Shrink	
3	4460910	1	Connector - 3 Position	
3	1001119620	3	Pin, Male	
6	1001227996	1	Grommet	
7	1001237862	1	Cable, M8 Female Cordset	

SECTION 8 - ELECTRICAL

FIGURE 8-61. SKYEYE INTERMEDIATE HARNESS



ART_1001237865

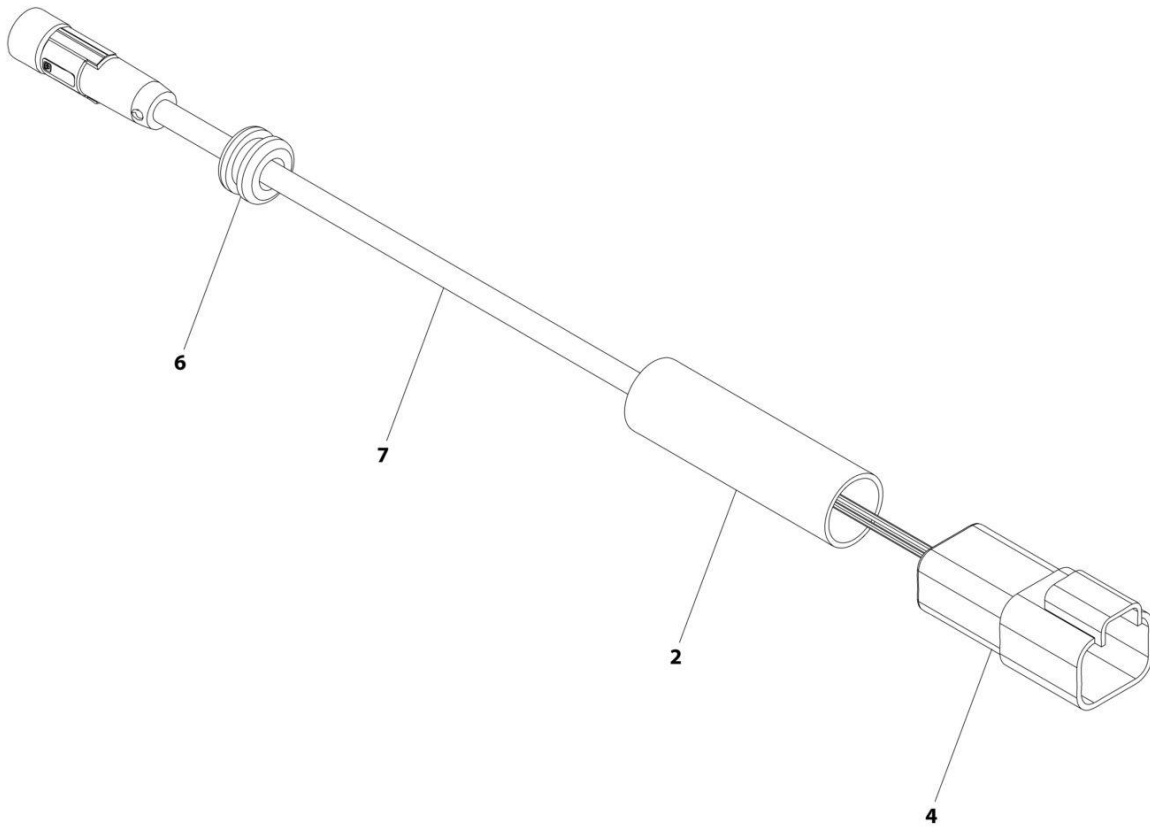
SECTION 8 - ELECTRICAL

FIGURE 8-61. SKYEYE INTERMEDIATE HARNESS

ITEM	PART NUMBER	QTY	DESCRIPTION	REV
	1001237865	Ref	SKYEYE INTERMEDIATE HARNESS	A
1	4460899	1	Connector - 6 Position	
1	4460943	4	Pin, Male	
1	4460466	2	Plug, Terminal	
2	4461077	2	Connector - 4 Position	
2	1001119619	8	Socket, Female	
3	4460911	1	Connector - 3 Position	
3	1001119619	3	Socket, Female	
4	1001187681	1	Connector - 2 Position	
4	4460941	1	Pin, Male	
4	4460466	1	Plug, Terminal	

SECTION 8 - ELECTRICAL

FIGURE 8-62. SKYEYE RECEIVER HARNESS



ART_1001237863

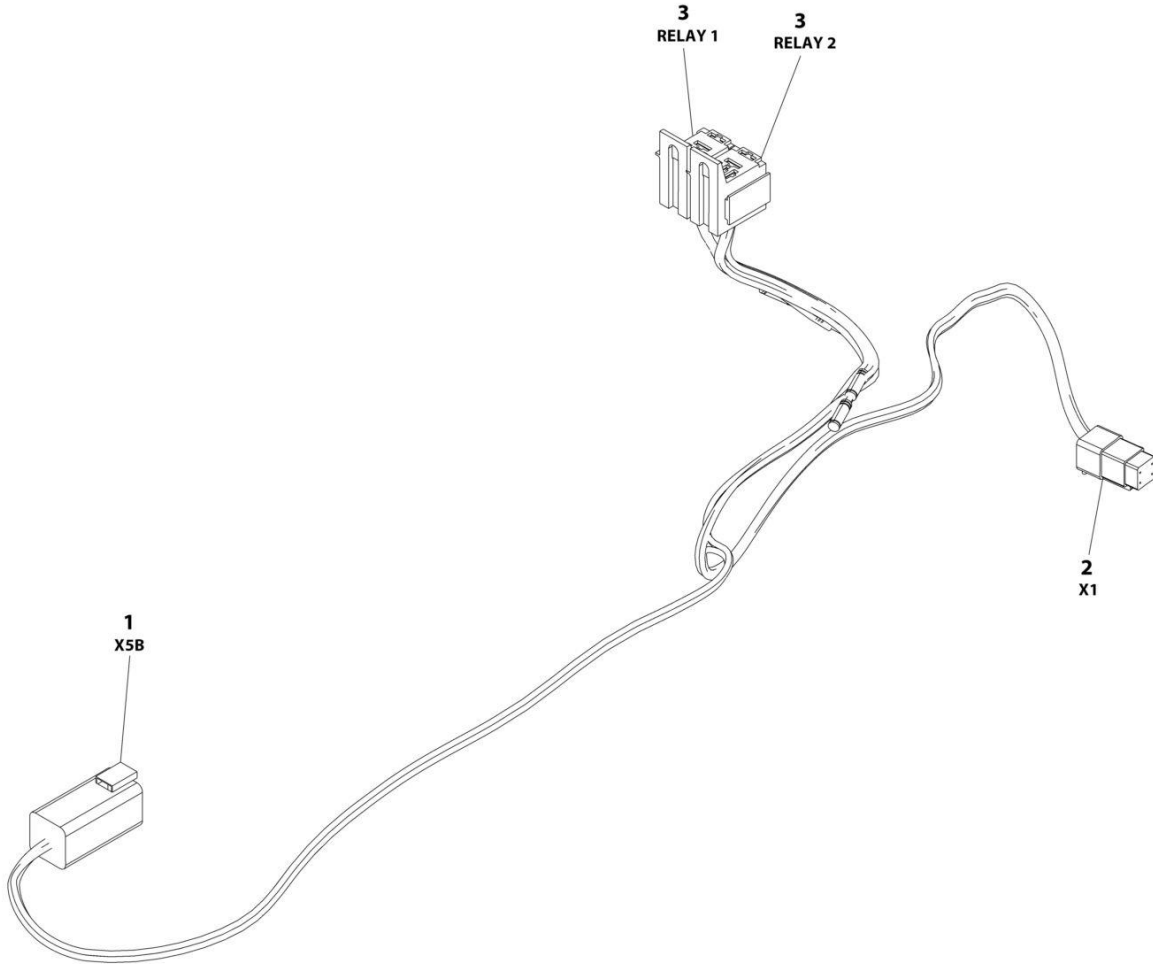
SECTION 8 - ELECTRICAL

FIGURE 8-62. SKYEYE RECEIVER HARNESS

ITEM	PART NUMBER	QTY	DESCRIPTION	REV
	1001237863	Ref	SKYEYE RECEIVER HARNESS	A
2	2820247	AR	Tubing, Heat Shrink	
4	1001097051	1	Connector - 4 Position	
4	1001119620	4	Pin, Male	
6	1001227996	1	Grommet	
7	1001237862	1	Cable, M8 Female Cordset	

SECTION 8 - ELECTRICAL

FIGURE 8-63. SKYLINE HARNESS



ART_1001238418

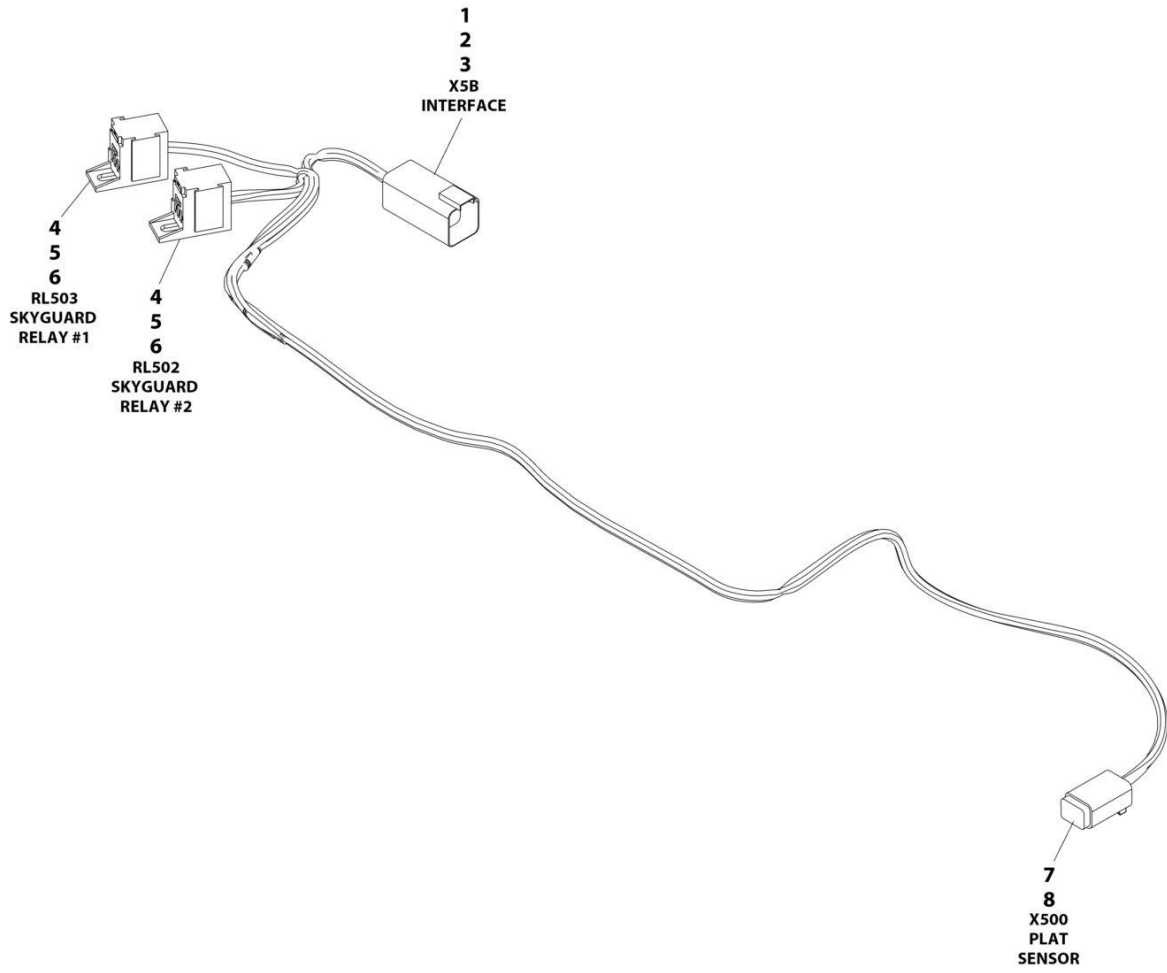
SECTION 8 - ELECTRICAL

FIGURE 8-63. SKYLINE HARNESS

ITEM	PART NUMBER	QTY	DESCRIPTION	REV
	1001238418	Ref	SKYLINE HARNESS	B
1	4460899	1	Connector - 6 Position	
1	4460464	4	Pin, Male	
1	4460466	2	Plug, Terminal	
2	4461077	1	Connector - 4 Position	
2	1001126009	4	Socket, Female	
3	1001186432	2	Plug, Relay	
3	1001118388	5	Terminal	
3	1001118384	3	Terminal	
3	3740086	2	Relay	

SECTION 8 - ELECTRICAL

FIGURE 8-64. SKYGUARD INTERFACE HARNESS



ART_1001225580_E

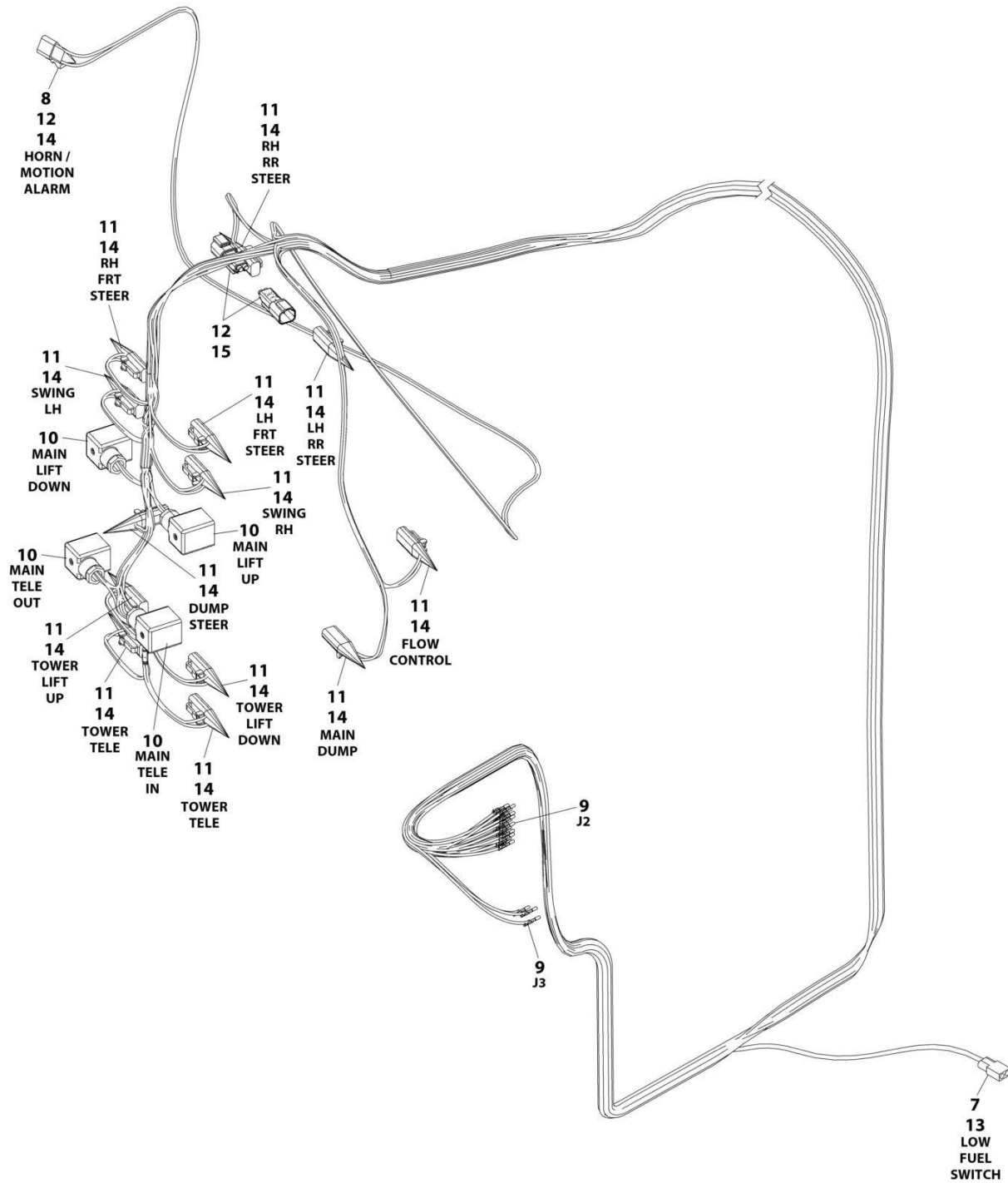
SECTION 8 - ELECTRICAL

FIGURE 8-64. SKYGUARD INTERFACE HARNESS

ITEM	PART NUMBER	QTY	DESCRIPTION	REV
	1001225580	Ref	PLATFORM INTERFACE HARNESS - WITH 1 CELL LSS	E
1	4460899	1	Connector	
2	4460464	4	Terminal	
3	4460466	2	Plug	
4	1001186432	2	Connector	
5	1001253375	4	Terminal	
6	1001104519	4	Terminal	
7	4460884	1	Connector	
8	4460465	4	Terminal	

SECTION 8 - ELECTRICAL

FIGURE 8-65. VALVE HARNESS



ART_1001170808_G

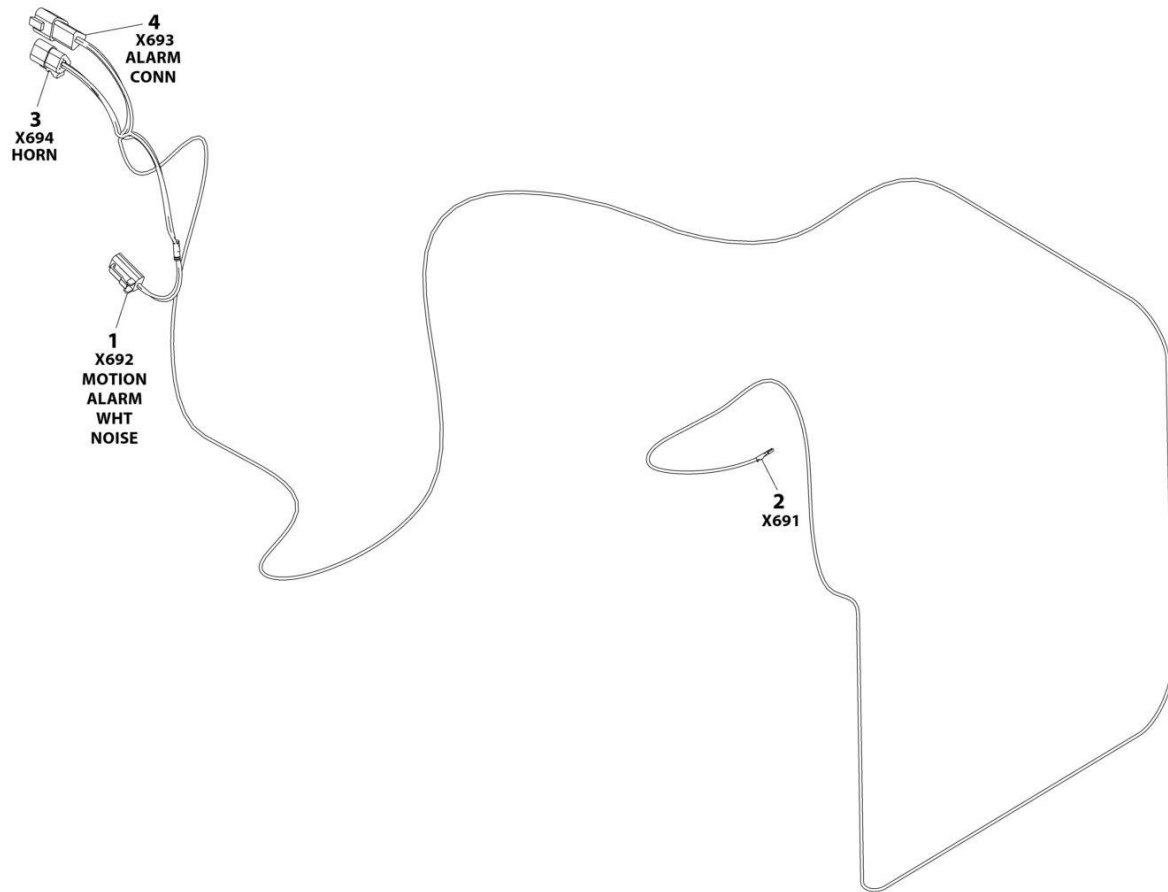
SECTION 8 - ELECTRICAL

FIGURE 8-65. VALVE HARNESS

ITEM	PART NUMBER	QTY	DESCRIPTION	REV
	1001170808	Ref	VALVE HARNESS	G
7	4460268	2	Socket, Female	
8	4460539	1	Plug, Male - 3 Position	
9	4460871	27	Socket, Female	
10	1001263923	4	Connector, Din	
11	4460891	13	Plug, Male - 2 Position	
12	4460466	5	Plug, Terminal	
13	4460424	1	Receptacle, Female - 2 Position	
14	4460465	28	Socket, Female	
15	4460897	2	Receptacle, Female - 2 Position	

SECTION 8 - ELECTRICAL

FIGURE 8-66. WHITE NOISE ALARM HARNESS



ART_1001243682

SECTION 8 - ELECTRICAL

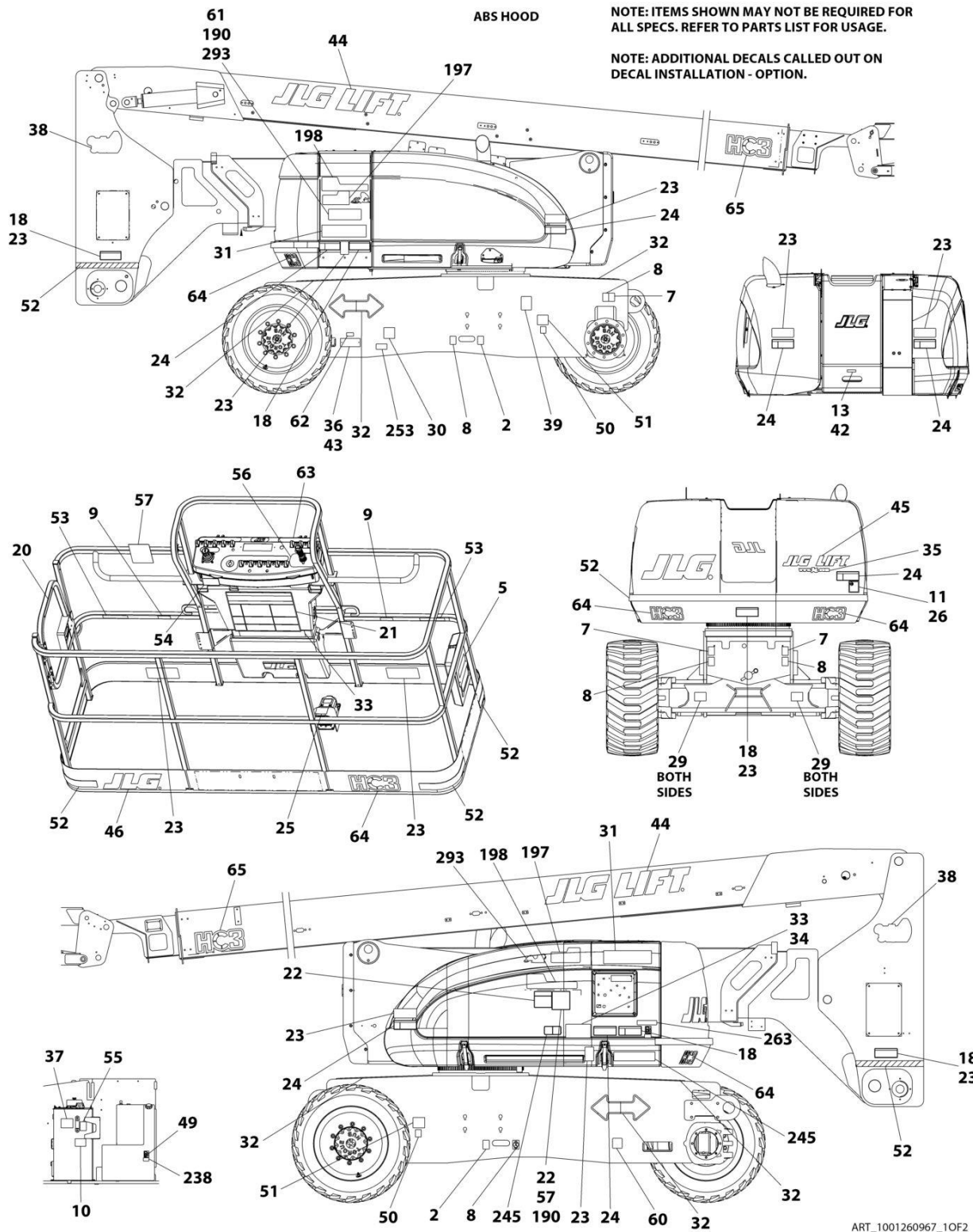
FIGURE 8-66. WHITE NOISE ALARM HARNESS

ITEM	PART NUMBER	QTY	DESCRIPTION	REV
	1001243682	Ref	WHITE NOISE ALARM HARNESS	A
1	4460891	1	Plug, Male - 2 Position	
1	4460465	2	Socket, Female	
2	4460871	1	Terminal	
3	4460539	1	Plug, Male- 3 Position	
3	4460465	3	Socket, Female	
4	4460536	1	Receptacle, Female- 3 Position	
4	4460464	3	Pin, Male	

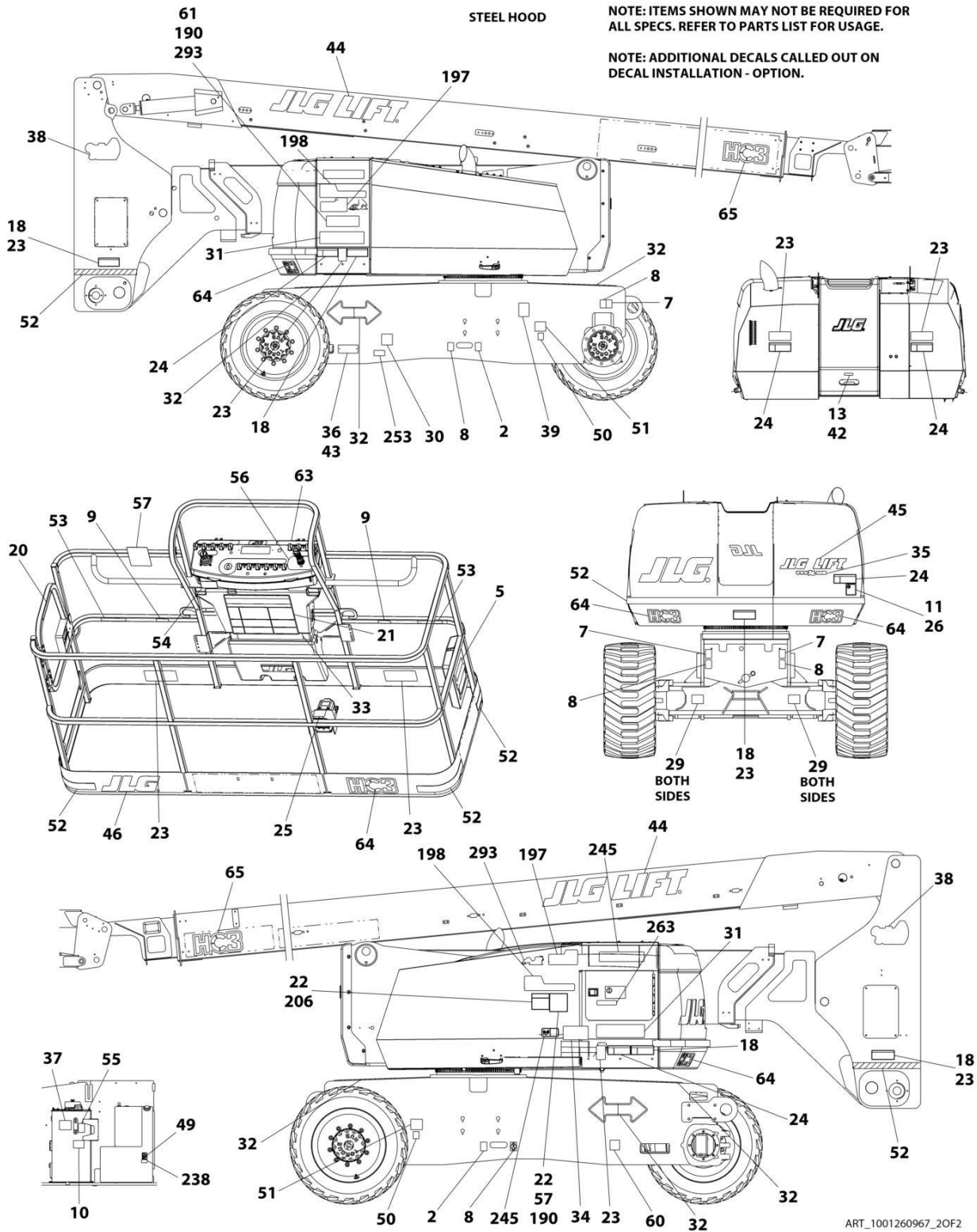
SECTION 9 - DECALS

SECTION 9 - DECALS

FIGURE 9-1. DECAL INSTALLATION (ANSI SPECS)



SECTION 9 - DECALS



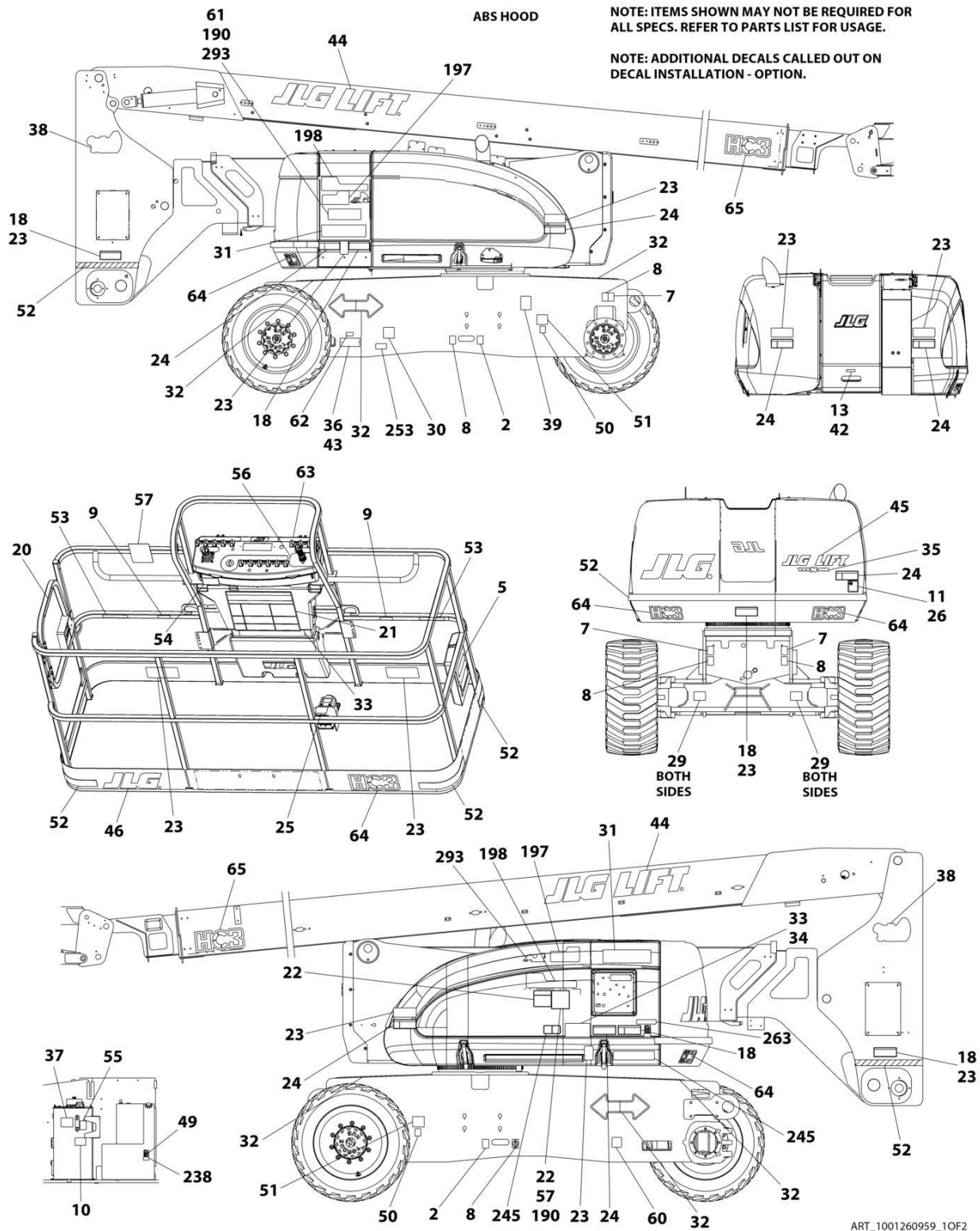
SECTION 9 - DECALS

FIGURE 9-1. DECAL INSTALLATION (ANSI SPECS)

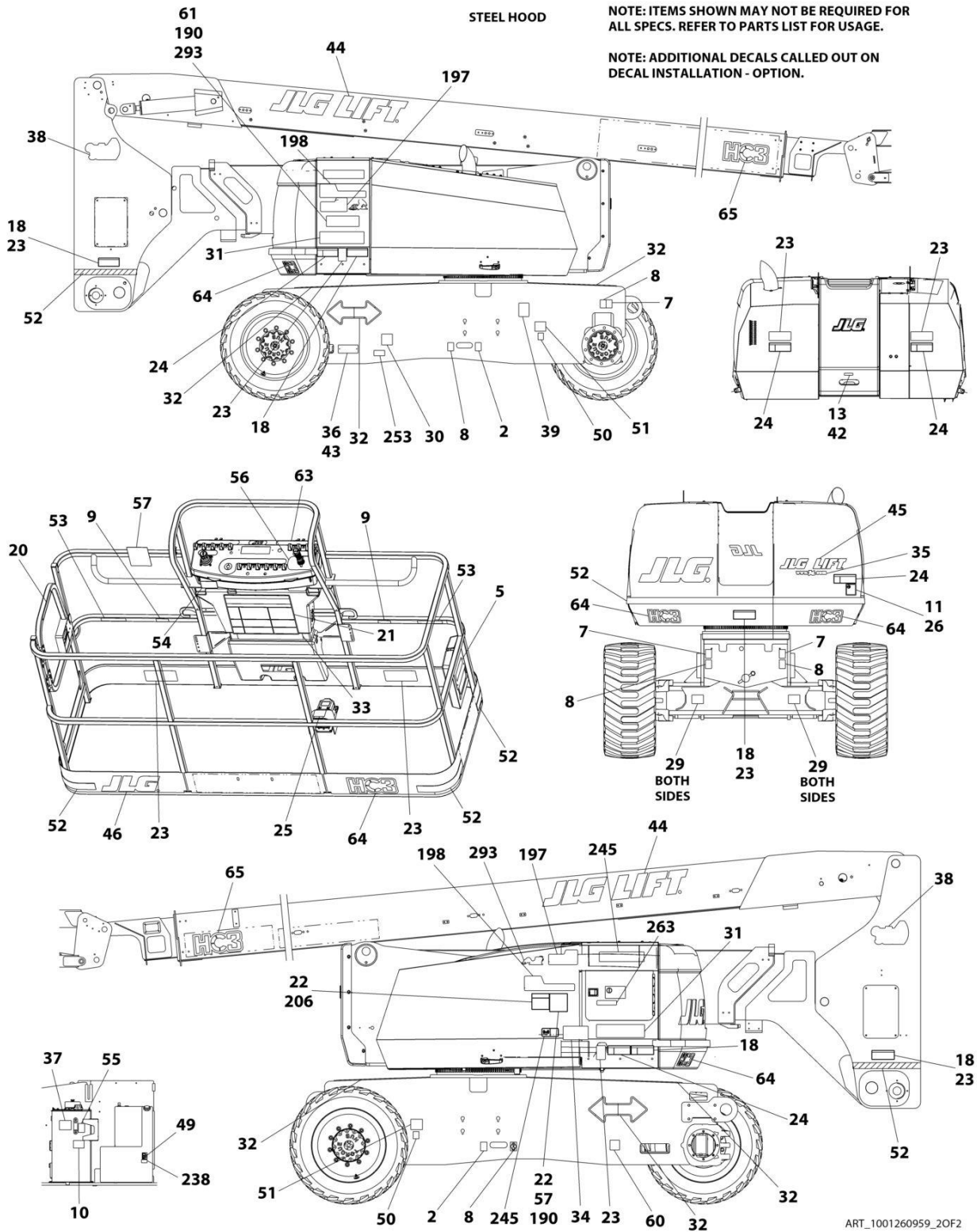
ITEM	PART NUMBER	QTY	DESCRIPTION	REV
	1001260967	Ref	DECAL INSTALLATION	E
	1001260969	Ref	REFERENCE CHART	B
2	1701499	2	Decal - No Lifting	
5	1701509	1	Decal - Manual	
7	1703811	4	Decal - Lifting Lug	
8	1703814	6	Decal - Tie Down	
9	1704277	3	Decal - Lanyard Attach Graphic	
10	1704412	1	Decal - Hydraulic Oil Chart	
13	3251243	1	Nameplate - 120V-60Hz	
18	1703953	5	Decal - Warning Crushing	
20	1702868	2	Decal - No Hands	
21	1703797	1	Decal - Warning/Danger	
22	1705336	1	Decal - Warning Inspection	
23	1703804	4	Decal - Warning Crushing	
24	1703805	5	Decal - Danger Electrocution	
25	3252347	1	Decal - Footswitch	
29	1703482	4	Decal - Maximum Tire Load	
30	See Note	NSS	Decal - Bar Code (Note: Not Available for Purchase)	
31	1001267312	2	Decal - 800AJ	
32	1701501	4	Decal - Arrow	
33	1001234425	1	Decal - Warning Maximum Capacity	
34	1001234426	1	Decal - Warning Maximum Capacity	
37	1001096141	1	Decal - Upright Level Override	
38	1703959	2	Decal - Quick Stick	
39	1001131269	1	Decal - Patent	
43	3820001	2	Rivet	
52	4420051	23 ft /7m	Tape, Safety	
56	1705351	1	Decal - Drive/Steer Instructions	
60	1001223055	1	Decal - Yearly Inspection	
61	1001263941	1	Decal - Lift Diagram	
62	1001223453	1	Decal - ICES	
63	1001131168	1	Decal - Stop	

SECTION 9 - DECALS

FIGURE 9-2. DECAL INSTALLATION (AUSTRALIAN SPECS)



SECTION 9 - DECALS



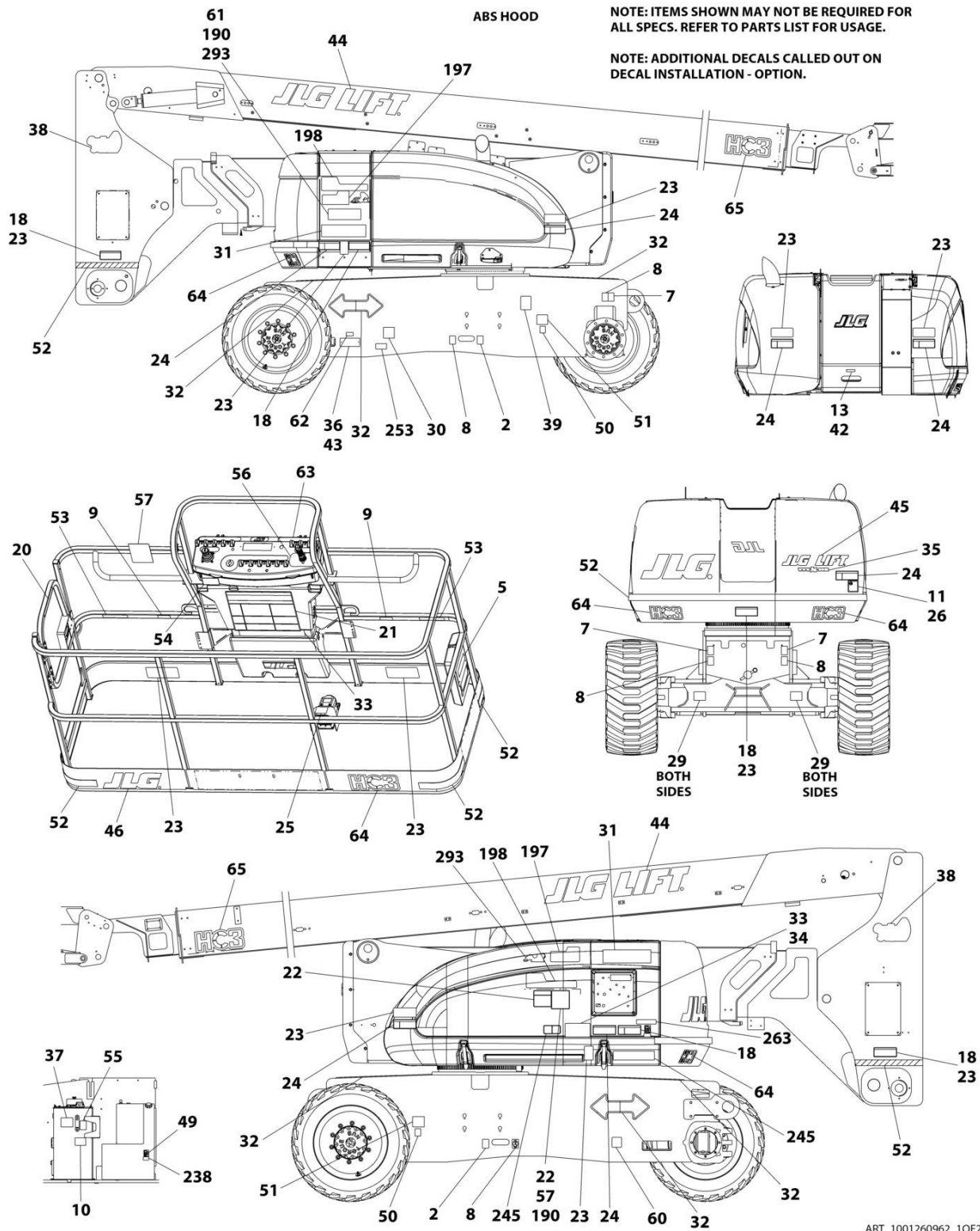
SECTION 9 - DECALS

FIGURE 9-2. DECAL INSTALLATION (AUSTRALIAN SPECS)

ITEM	PART NUMBER	QTY	DESCRIPTION	REV
	1001260959	Ref	DECAL INSTALLATION	D
	1001260969	Ref	REFERENCE CHART	B
2	1701499	2	Decal - No Lifting	
5	1701509	1	Decal - Manual	
7	1703811	4	Decal - Lifting Lug	
8	1703814	6	Decal - Tie Down	
9	1704277	3	Decal - Lanyard Attach Graphic	
10	1704412	1	Decal - Hydraulic Oil Chart	
21	1705921	1	Decal - Tipping	
22	1705822	1	Decal - Danger	
23	1701518	9	Decal - Warning Crushing	
24	1705961	5	Decal - Danger Electrocution	
25	1705828	1	Decal - Footswitch	
29	1703482	4	Decal - Maximum Tire Load	
30	See Note	NSS	Decal - Bar Code (Note: Not Available for Purchase)	
31	1001267312	2	Decal - 800AJ	
32	1701501	4	Decal - Arrow	
33	1001234439	2	Decal - Warning Maximum Capacity	
37	1705977	1	Decal - Upright Level	
38	1703959	2	Decal - Quick Stick	
43	3820001	2	Rivet	
52	4420051	23 ft /7m	Tape, Safety	
57	1001112551	1	Decal - Emergency Control	
61	1001263941	1	Decal - Lift Diagram	
63	1001184618	1	Decal - Stop	

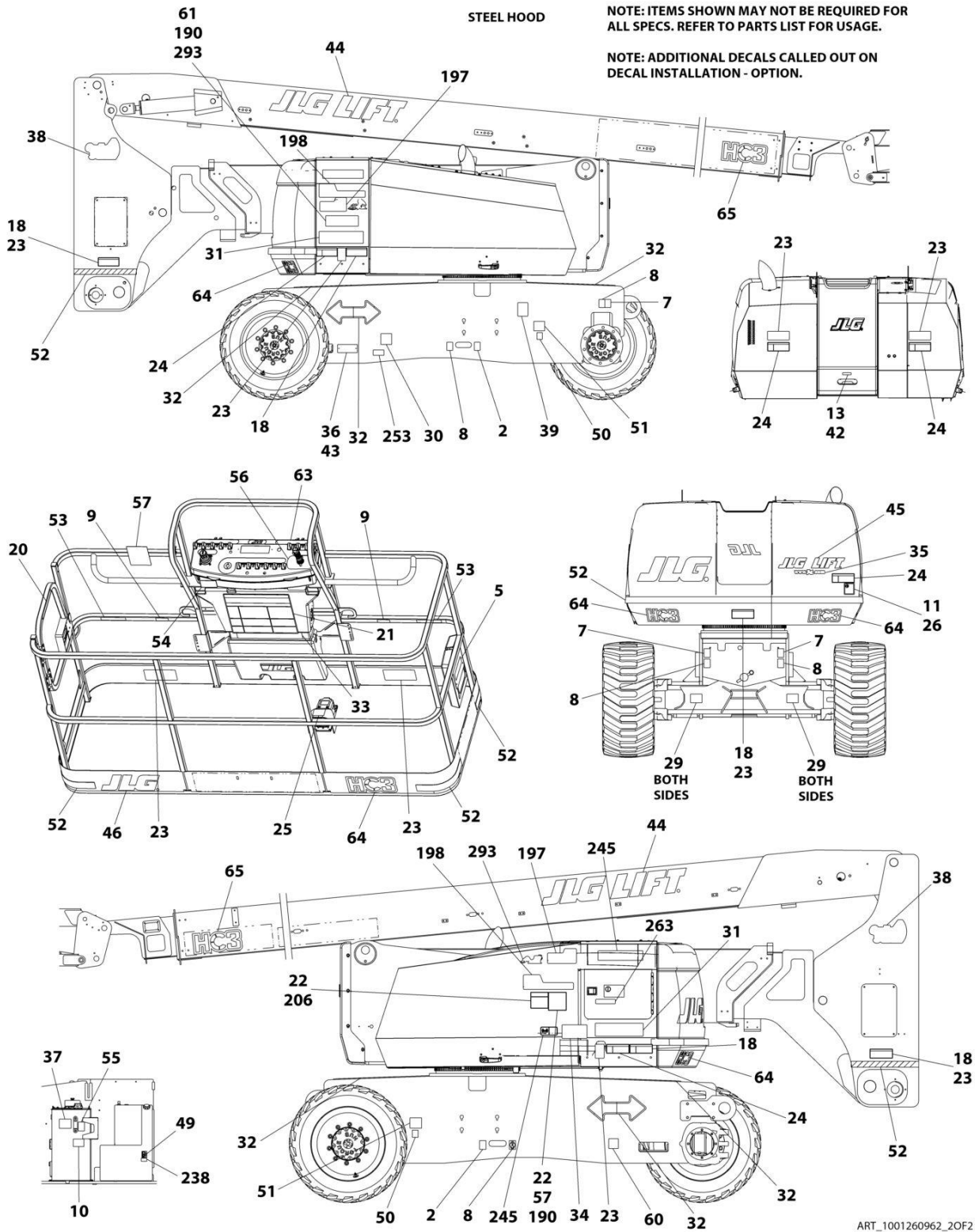
SECTION 9 - DECALS

FIGURE 9-3. DECAL INSTALLATION (BRAZILIAN SPECS)



ART_1001260962_10F2

SECTION 9 - DECALS

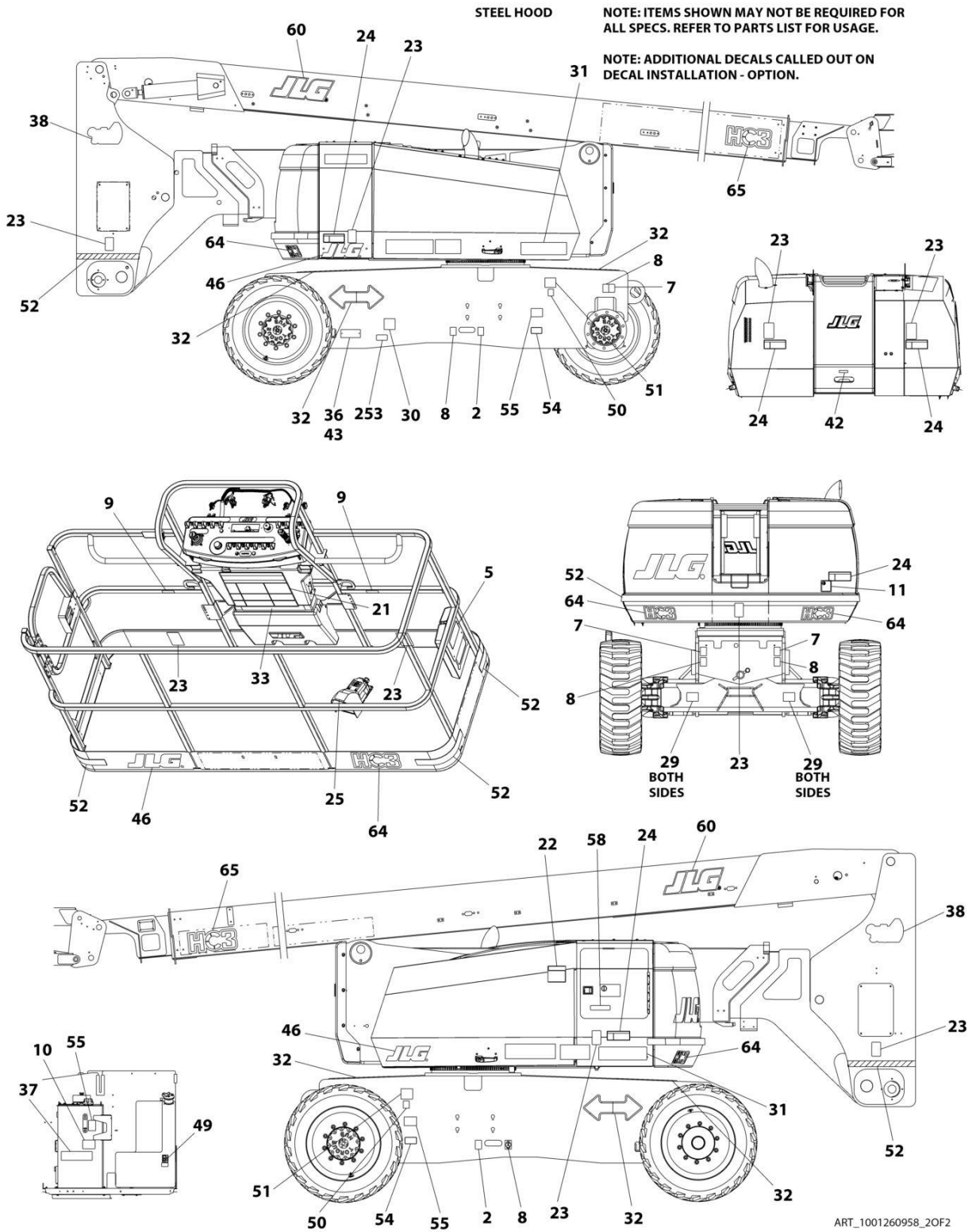


SECTION 9 - DECALS

FIGURE 9-3. DECAL INSTALLATION (BRAZILIAN SPECS)

ITEM	PART NUMBER	QTY	DESCRIPTION	REV
	1001260962	Ref	DECAL INSTALLATION	D
	1001260969	Ref	REFERENCE CHART	B
2	1701499	2	Decal - No Lifting	
5	1701509	1	Decal - Manual	
7	1703811	4	Decal - Lifting Lug	
8	1703814	6	Decal - Tie Down	
9	1704277	3	Decal - Lanyard Attach Graphic	
10	1704412	1	Decal - Hydraulic Oil Chart	
18	1703943	5	Decal - Warning Crushing	
20	1705967	2	Decal - No Hands	
21	1705895	1	Decal - Warning/Danger	
22	1705896	1	Decal - Warning Inspection	
23	1705898	4	Decal - Warning Crushing	
24	1705897	5	Decal - Danger Electrocutation	
25	1705902	1	Decal - Footswitch	
29	1703482	4	Decal - Maximum Tire Load	
30	See Note	NSS	Decal - Bar Code (Note: Not Available for Purchase)	
31	1001267312	2	Decal - 800AJ	
32	1701501	4	Decal - Arrow	
33	1001234437	1	Decal - Warning Maximum Capacity	
34	1001234438	1	Decal - Warning Maximum Capacity	
37	1705977	1	Decal - Upright Level	
38	1703959	2	Decal - Quick Stick	
43	3820001	2	Rivet	
52	4420051	23 ft /7m	Tape, Safety	
56	1705905	1	Decal - Drive/Steer	
60	1001224052	1	Decal - Yearly Inspection	
61	1001263941	1	Decal - Lift Diagram	
63	1001184618	1	Decal - Stop	

SECTION 9 - DECALS



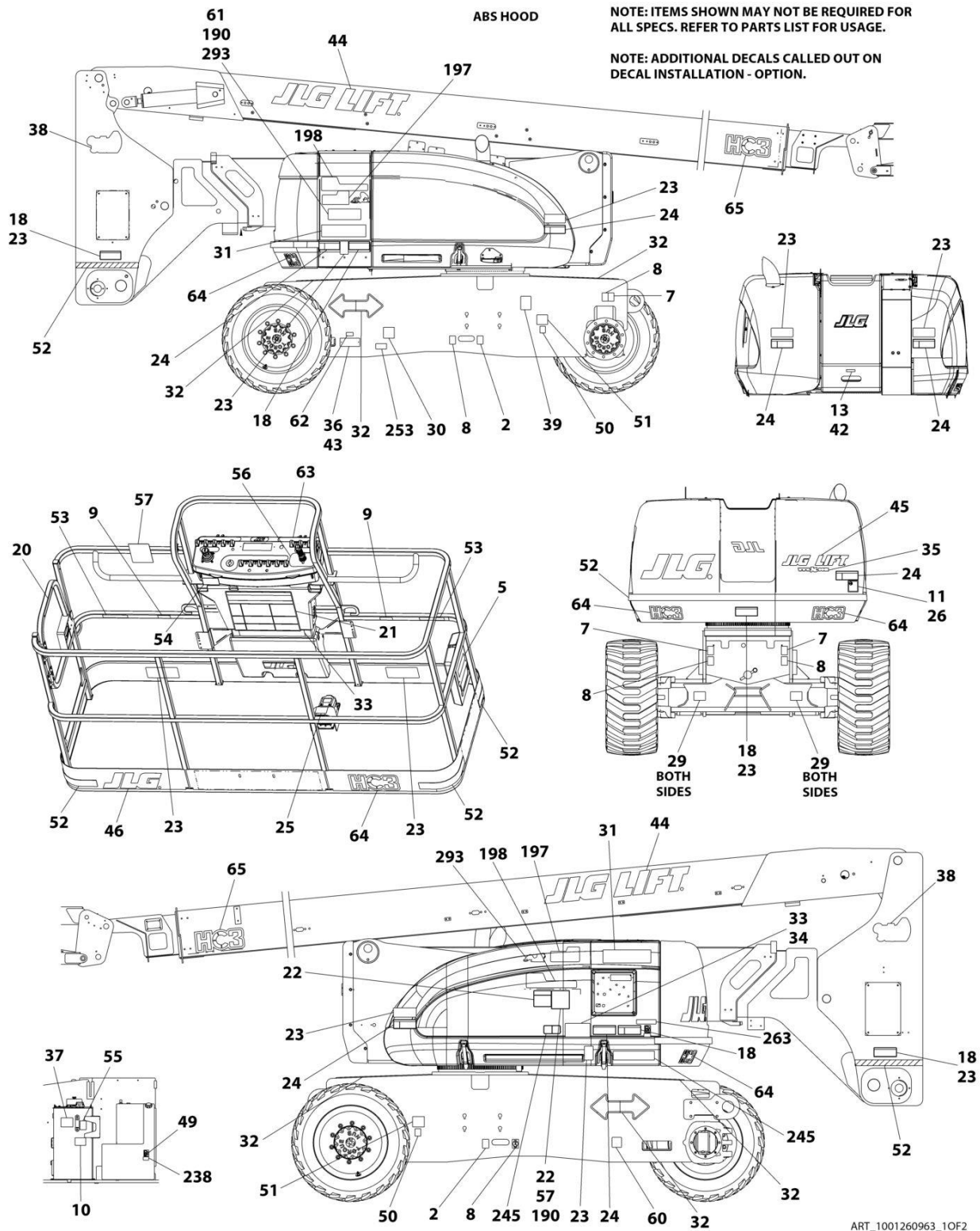
SECTION 9 - DECALS

FIGURE 9-4. DECAL INSTALLATION (CE SPECS)

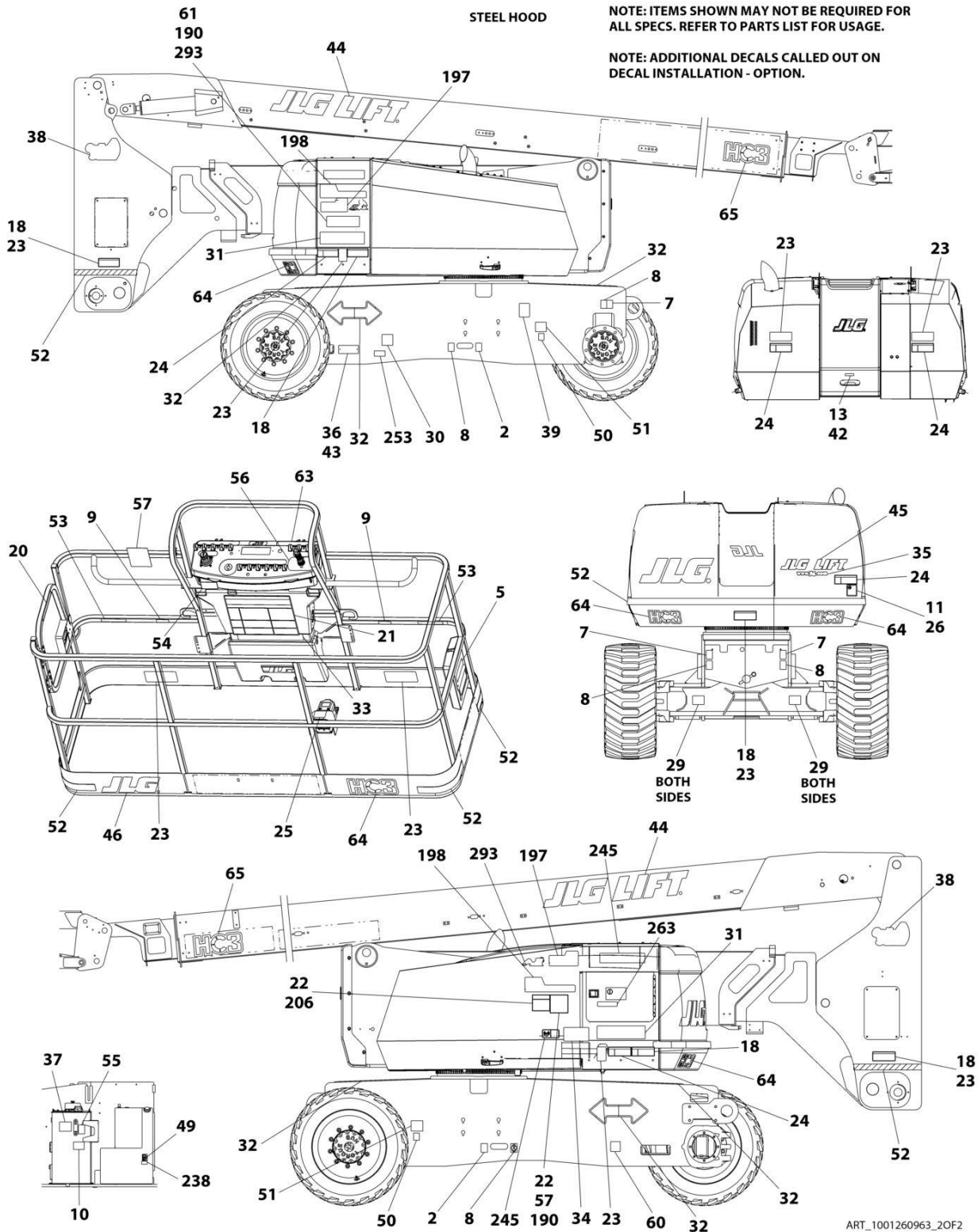
ITEM	PART NUMBER	QTY	DESCRIPTION	REV
	1001260958	Ref	DECAL INSTALLATION	D
	1001260968	Ref	REFERENCE CHART	B
2	1701499	2	Decal - No Lifting	
5	1701509	1	Decal - Manual	
7	1703811	4	Decal - Lifting Lug	
8	1703814	6	Decal - Tie Down	
9	1704277	3	Decal - Lanyard Attach Graphic	
10	1704412	1	Decal - Hydraulic Oil Chart	
21	1705921	1	Decal - Tipping	
22	1705822	1	Decal - Danger	
23	1701518	9	Decal - Warning Crushing	
24	1705961	5	Decal - Danger Electrocution	
25	1705828	1	Decal - Footswitch	
29	1703482	4	Decal - Maximum Tire Load	
30	See Note	NSS	Decal - Bar Code (Note: Not Available for Purchase)	
31	1001267312	2	Decal - 800AJ	
32	1701501	4	Decal - Arrow	
33	1001234439	1	Decal - Warning Maximum Capacity	
37	1705977	1	Decal - Upright Level	
38	1703959	2	Decal - Quick Stick	
43	3820001	2	Rivet	
52	4420051	23 ft /7m	Tape, Safety	
61	1001263941	1	Decal - Lift Diagram	
63	1001184618	1	Decal - Stop	

SECTION 9 - DECALS

FIGURE 9-5. DECAL INSTALLATION (CHINA SPECS)



SECTION 9 - DECALS



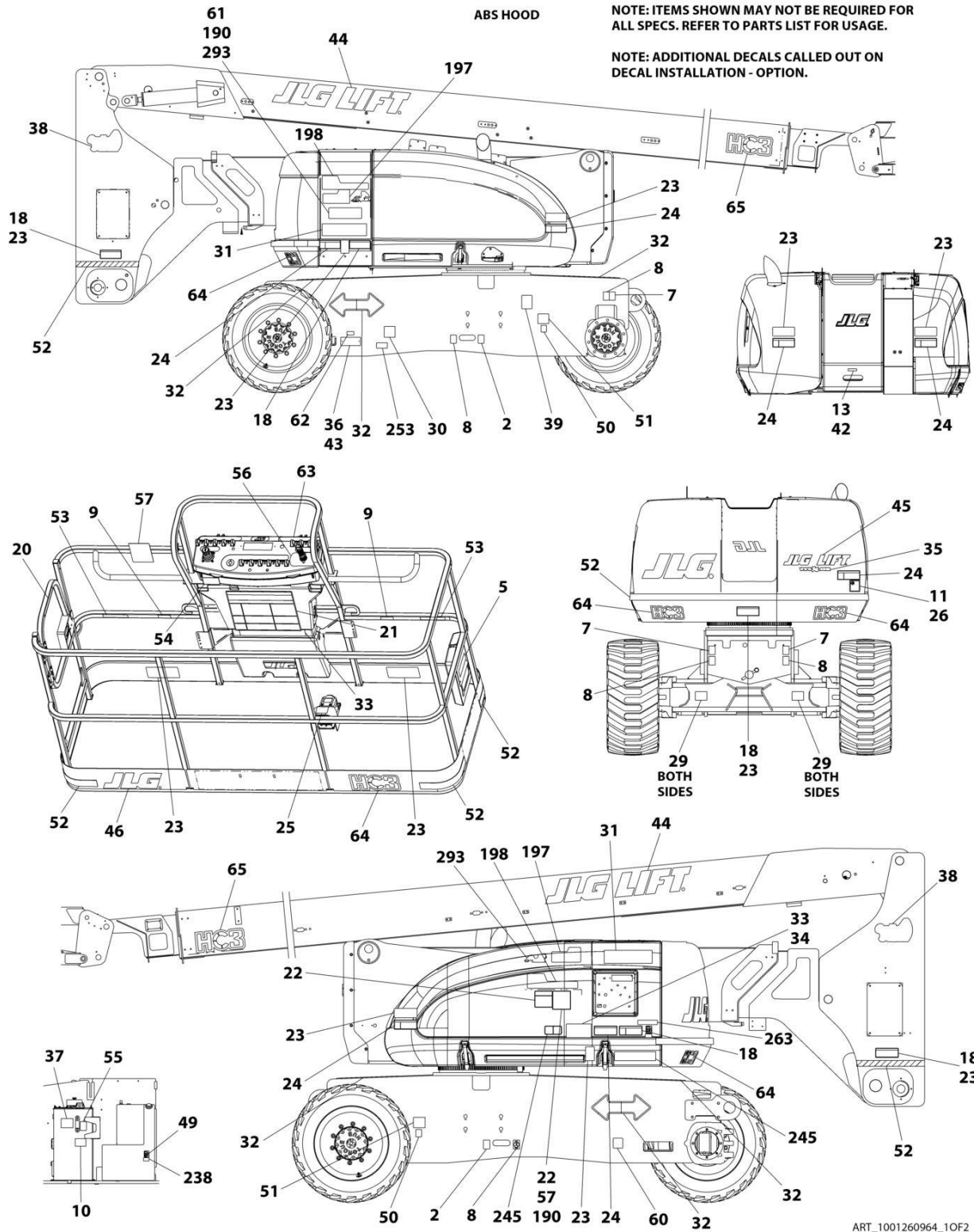
SECTION 9 - DECALS

FIGURE 9-5. DECAL INSTALLATION (CHINA SPECS)

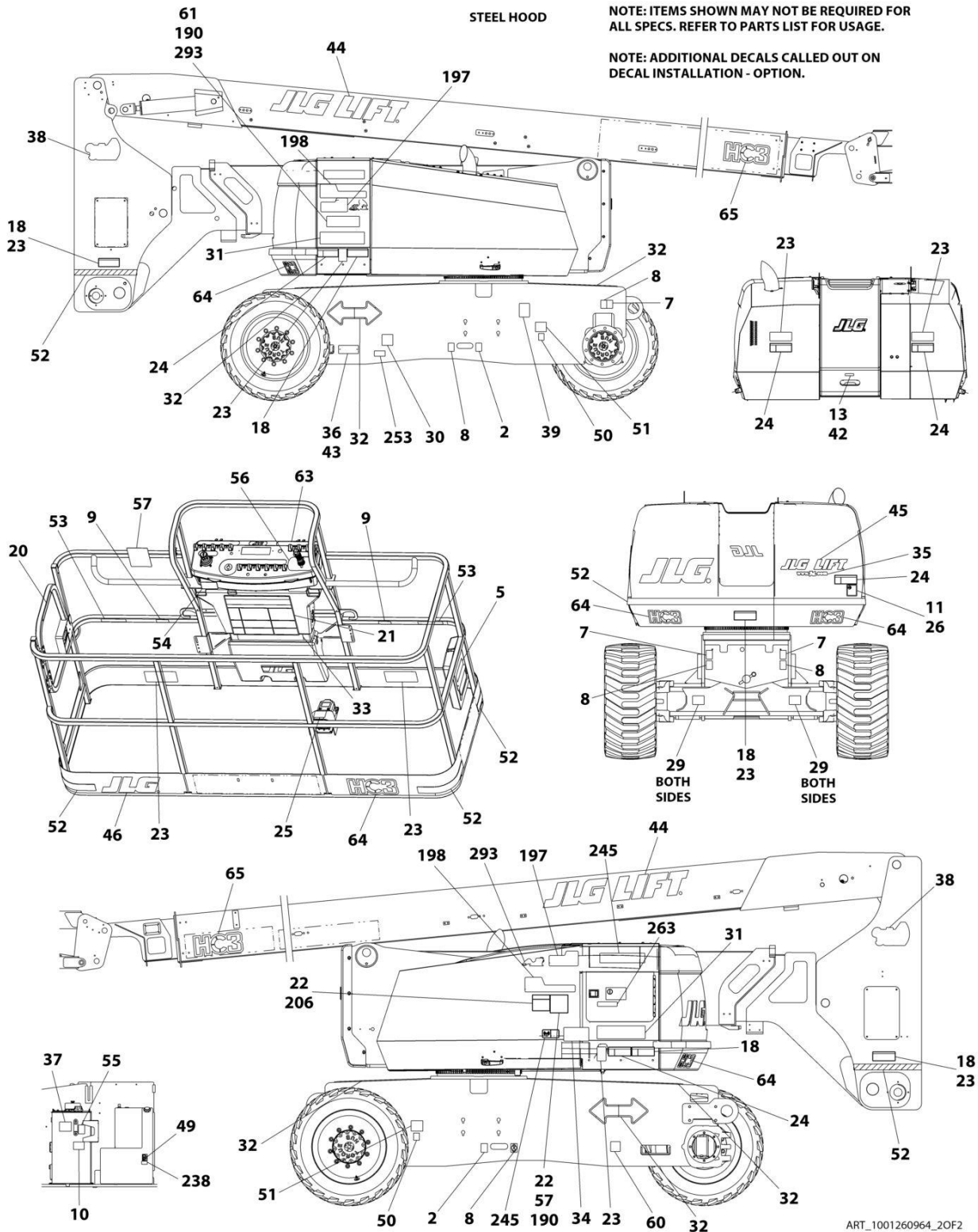
ITEM	PART NUMBER	QTY	DESCRIPTION	REV
	1001260963	Ref	DECAL INSTALLATION	D
	1001260969	Ref	REFERENCE CHART	B
2	1701499	2	Decal - No Lifting	
5	1701509	1	Decal - Manual	
7	1703811	4	Decal - Lifting Lug	
8	1703814	6	Decal - Tie Down	
9	1704277	3	Decal - Lanyard Attach Graphic	
10	1704412	1	Decal - Hydraulic Oil Chart	
18	1703943	5	Decal - Warning Crushing	
20	1705968	2	Decal - No Hands	
21	1703925	1	Decal - Warning/Danger	
22	1705348	1	Decal - Warning Inspection	
23	1703949	4	Decal - Warning Crushing	
24	1703937	5	Decal - Danger Electrocution	
25	1703982	1	Decal - Footswitch	
29	1703482	4	Decal - Maximum Tire Load	
30	See Note	NSS	Decal - Bar Code (Note: Not Available for Purchase)	
31	1001267312	2	Decal - 800AJ	
32	1701501	4	Decal - Arrow	
33	1001234435	1	Decal - Warning Maximum Capacity	
34	1001234436	1	Decal - Warning Maximum Capacity	
37	1705977	1	Decal - Upright Level	
38	1703959	2	Decal - Quick Stick	
43	3820001	2	Rivet	
52	4420051	23 ft /7m	Tape, Safety	
60	1001224050	1	Decal - Yearly Inspection	
61	1001263941	1	Decal - Lift Diagram	
63	1001184618	1	Decal - Stop	

SECTION 9 - DECALS

FIGURE 9-6. DECAL INSTALLATION (CSA SPECS)



SECTION 9 - DECALS



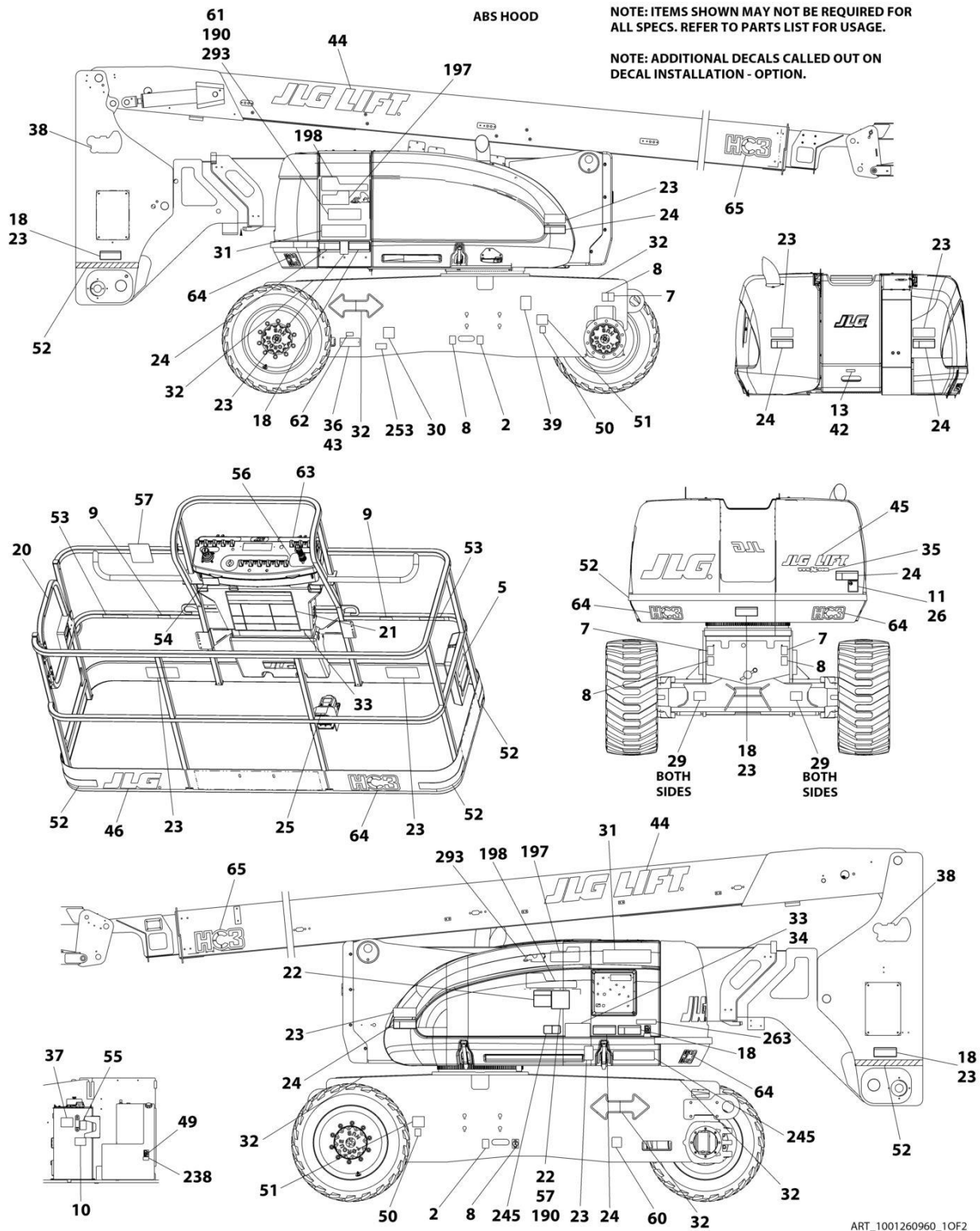
SECTION 9 - DECALS

FIGURE 9-6. DECAL INSTALLATION (CSA SPECS)

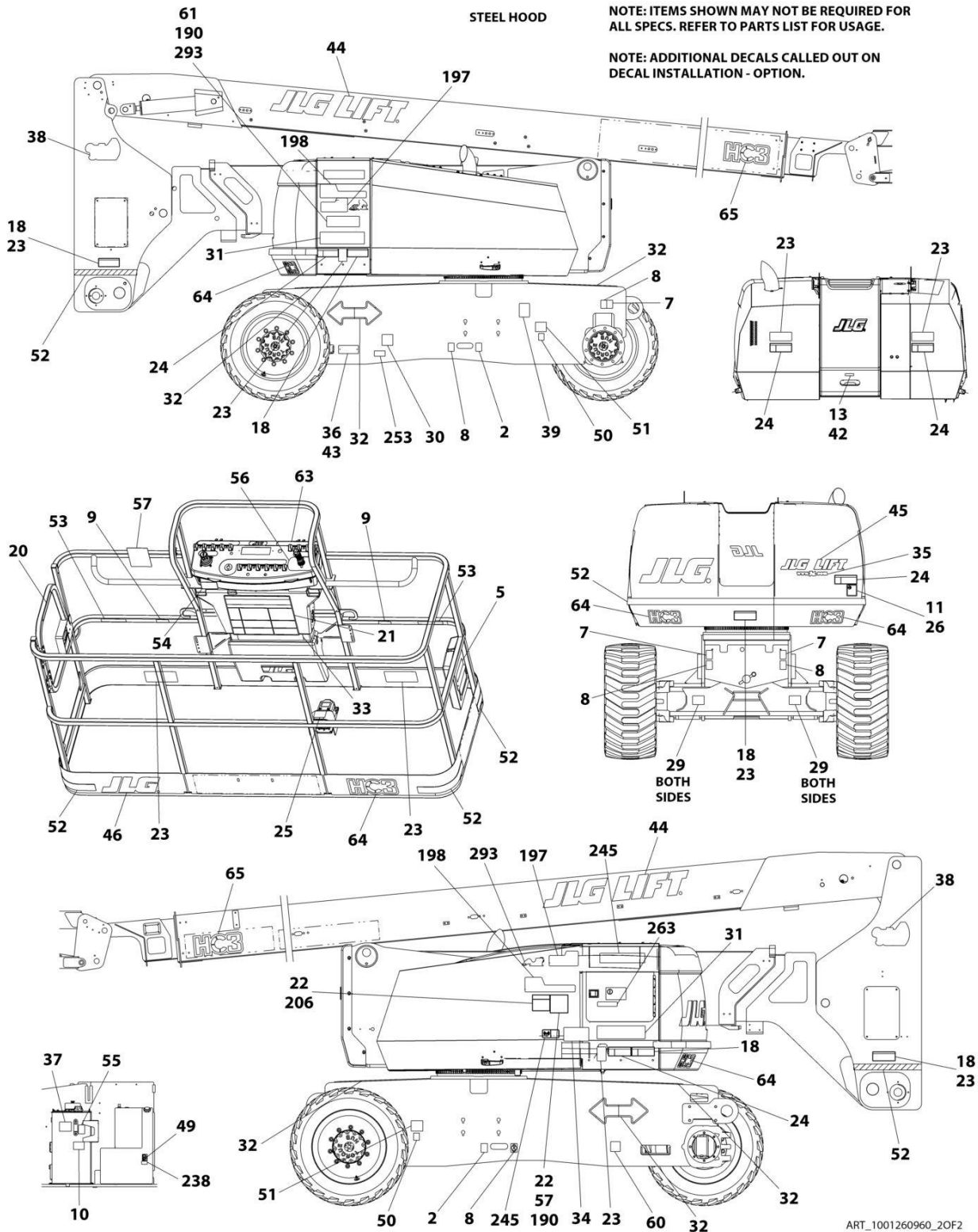
ITEM	PART NUMBER	QTY	DESCRIPTION	REV
	1001260964	Ref	DECAL INSTALLATION	D
	1001260969	Ref	REFERENCE CHART	B
2	1701499	2	Decal - No Lifting	
5	1701509	1	Decal - Manual	
7	1703811	4	Decal - Lifting Lug	
8	1703814	6	Decal - Tie Down	
9	1704277	3	Decal - Lanyard Attach Graphic	
10	1704412	1	Decal - Hydraulic Oil Chart	
13	3251243	1	Decal - Nameplate	
18	1703942	5	Decal - Warning Crushing	
20	1704000	2	Decal - No Hands	
21	1703924	1	Decal - Warning/Danger	
22	1705347	1	Decal - Warning Inspection	
23	1703948	4	Decal - Warning Crushing	
24	1703936	5	Decal - Danger Electrocution	
25	1703984	1	Decal - Footswitch	
29	1703482	4	Decal - Maximum Tire Load	
30	See Note	NSS	Decal - Bar Code (Note: Not Available for Purchase)	
31	1001267312	2	Decal - 800AJ	
32	1701501	4	Decal - Arrow	
33	1001234433	1	Decal - Warning Maximum Capacity	
34	1001234434	1	Decal - Warning Maximum Capacity	
37	1705977	1	Decal - Upright Level	
38	1703959	2	Decal - Quick Stick	
43	3820001	2	Rivet	
52	4420051	23 ft /7m	Tape, Safety	
56	1705429	1	Decal - Drive/Steer	
60	1001223971	1	Decal - Yearly Inspection	
61	1001263941	1	Decal - Lift Diagram	
62	1001223453	1	Decal - ICES	
63	1001184618	1	Decal - Stop	

SECTION 9 - DECALS

FIGURE 9-7. DECAL INSTALLATION (JAPANESE SPECS)



SECTION 9 - DECALS



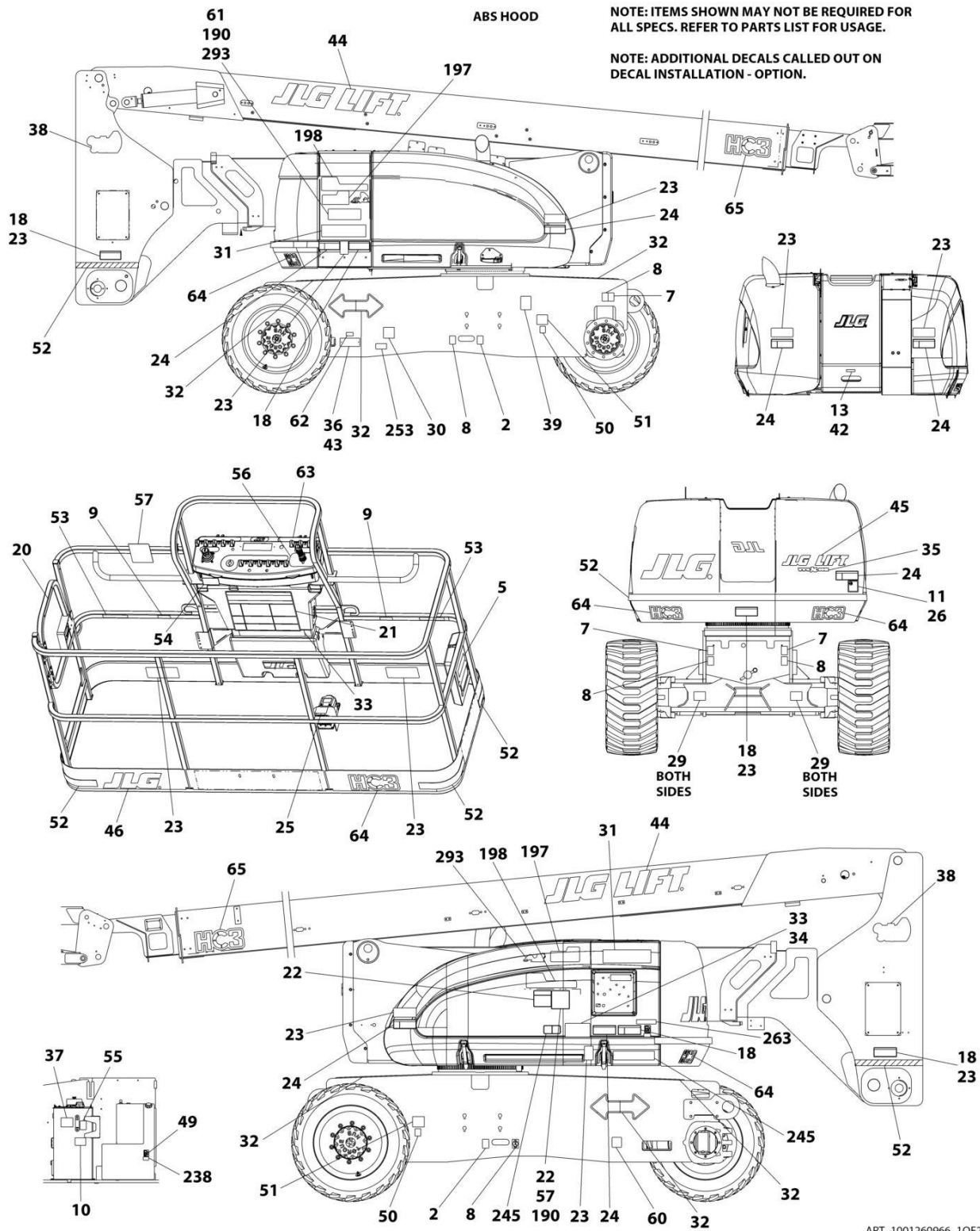
SECTION 9 - DECALS

FIGURE 9-7. DECAL INSTALLATION (JAPANESE SPECS)

ITEM	PART NUMBER	QTY	DESCRIPTION	REV
	1001260960	Ref	DECAL INSTALLATION	D
	1001260969	Ref	REFERENCE CHART	B
2	1701499	2	Decal - No Lifting	
5	1701509	1	Decal - Manual	
7	1703811	4	Decal - Lifting Lug	
8	1703814	6	Decal - Tie Down	
9	1704277	3	Decal - Lanyard Attach Graphic	
10	1704412	1	Decal - Hydraulic Oil Chart	
13	3251243	1	Decal - Nameplate	
18	1703944	5	Decal - Warning Crushing	
21	1703926	1	Decal - Warning/Danger	
22	1705344	1	Decal - Warning Inspection	
23	1703950	4	Decal - Warning Crushing	
24	1703938	5	Decal - Danger Electrocution	
25	1703980	1	Decal - Footswitch	
29	1703482	4	Decal - Maximum Tire Load	
30	See Note	NSS	Decal - Bar Code (Note: Not Available for Purchase)	
31	1001267312	2	Decal - 800AJ	
32	1701501	4	Decal - Arrow	
33	1001234428	1	Decal - Warning Maximum Capacity	
34	1001234429	1	Decal - Warning Maximum Capacity	
37	1705977	1	Decal - Upright Level	
38	1703959	2	Decal - Quick Stick	
43	3820001	2	Rivet	
52	4420051	23 ft /7m	Tape, Safety	
56	1705426	1	Decal - Drive/Steer	
60	1001224053	1	Decal - Yearly Inspection	
61	1001263941	1	Decal - Lift Diagram	
63	1001184618	1	Decal - Stop	

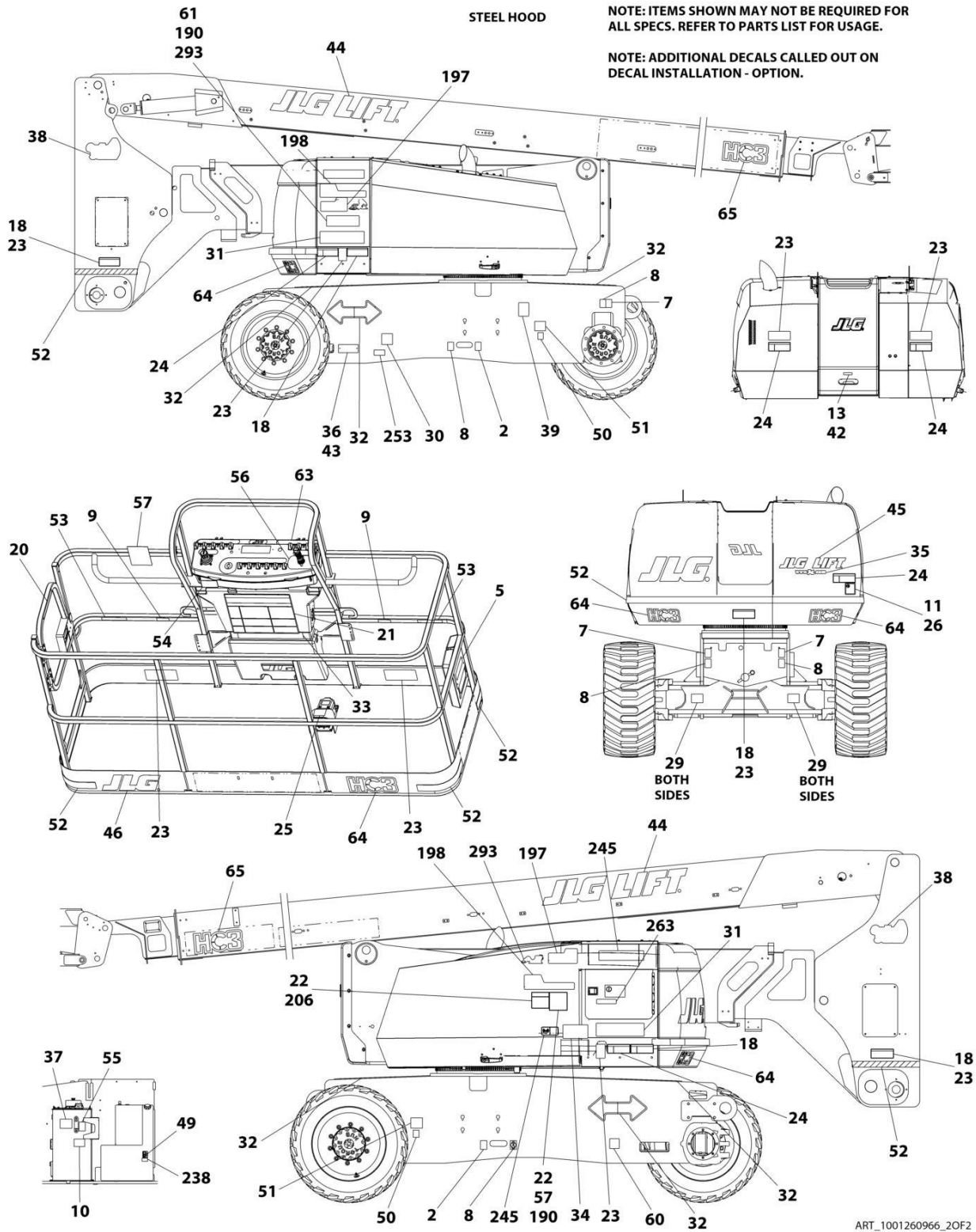
SECTION 9 - DECALS

FIGURE 9-8. DECAL INSTALLATION (KOREAN SPECS)



ART_1001260966_10F2

SECTION 9 - DECALS



ART_1001260966_20F2

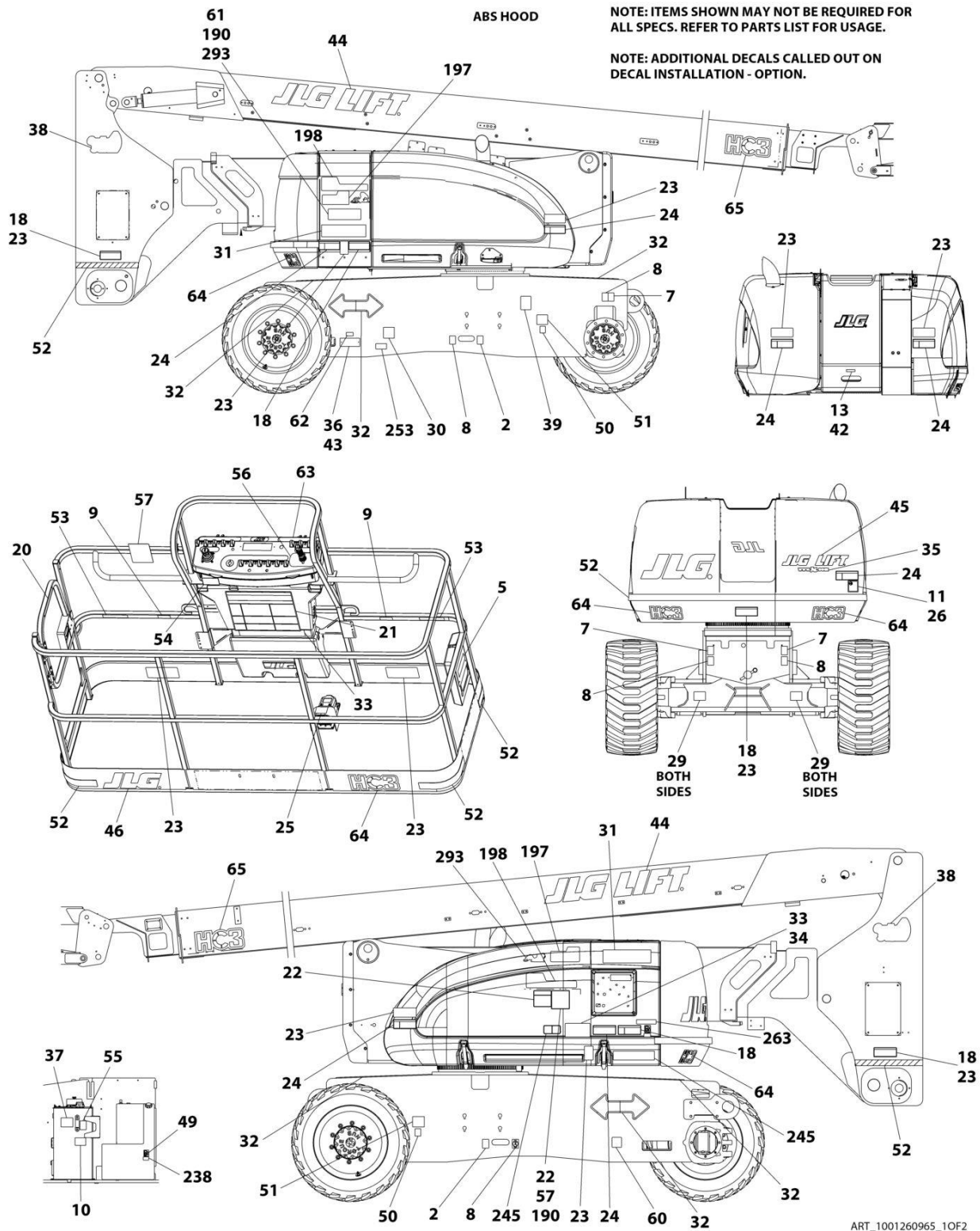
SECTION 9 - DECALS

FIGURE 9-8. DECAL INSTALLATION (KOREAN SPECS)

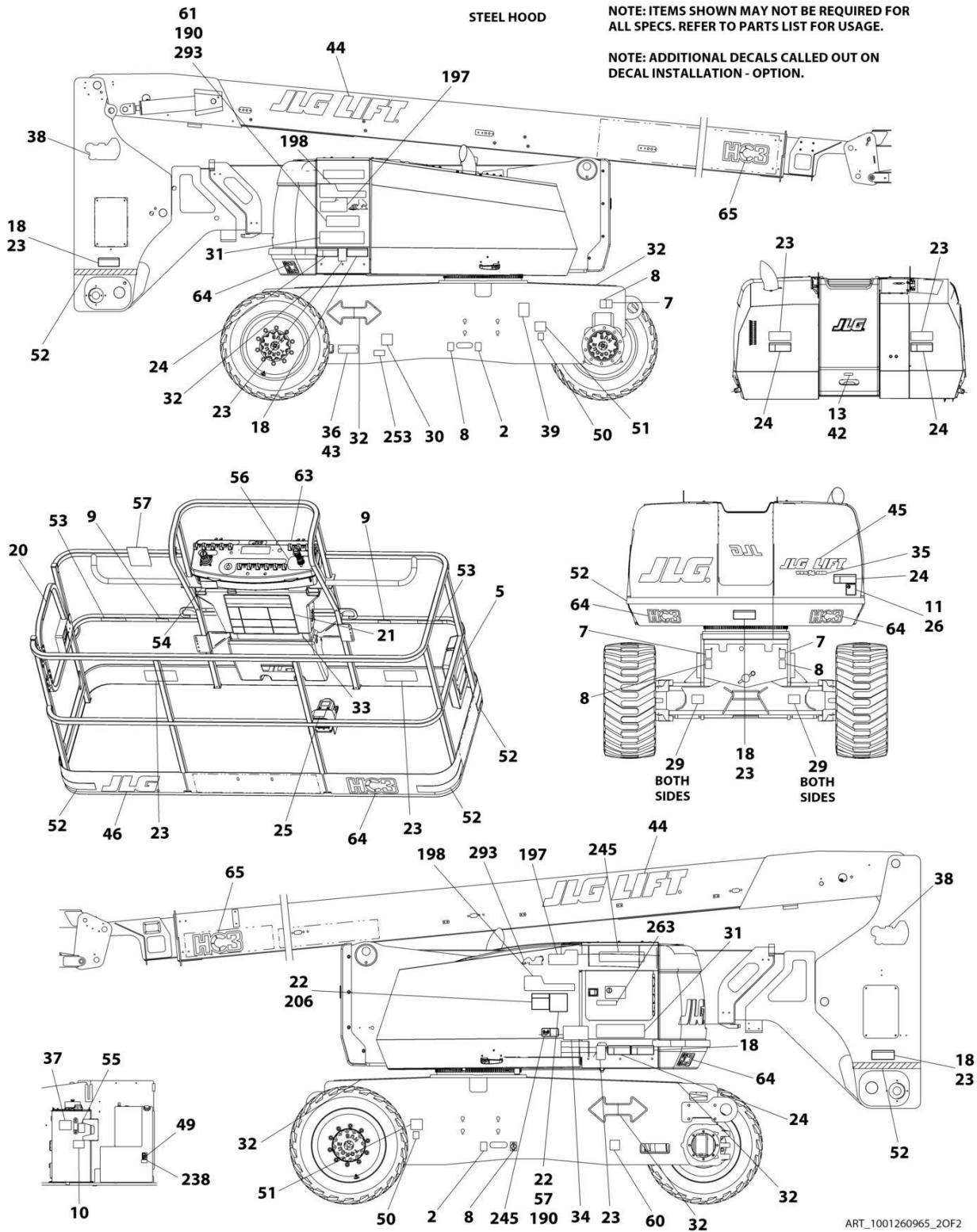
ITEM	PART NUMBER	QTY	DESCRIPTION	REV
	1001260966	Ref	DECAL INSTALLATION	D
	1001260969	Ref	REFERENCE CHART	B
1	1001263941	1	Decal - Lift Diagram	
2	1701499	2	Decal - No Lifting	
5	1701509	1	Decal - Manual	
7	1703811	4	Decal - Lifting Lug	
8	1703814	6	Decal - Tie Down	
9	1704277	3	Decal - Lanyard Attach Graphic	
10	1704412	1	Decal - Hydraulic Oil Chart	
18	1703945	5	Decal - Warning Crushing	
20	1705969	2	Decal - No Hands	
22	1703927	1	Decal - Warning/Danger	
23	1703951	4	Decal - Warning Crushing	
24	1703939	5	Decal - Danger Electrocutation	
25	1703981	1	Decal - Footswitch	
29	1703482	4	Decal - Maximum Tire Load	
30	See Note	NSS	Decal - Bar Code (Note: Not Available for Purchase)	
31	1001267312	2	Decal - 800AJ	
32	1701501	4	Decal - Arrow	
33	1001234430	1	Decal - Warning Maximum Capacity	
34	1001235585	1	Decal - Warning Maximum Capacity	
37	1705977	1	Decal - Upright Level	
38	1703959	2	Decal - Quick Stick	
43	3820001	2	Rivet	
52	4420051	23 ft /7m	Tape, Safety	
56	1705427	1	Decal - Drive/Steer Instructions	
60	1001224048	1	Decal - Yearly Inspection	
63	1001184618	1	Decal - Stop	

SECTION 9 - DECALS

FIGURE 9-9. DECAL INSTALLATION (LATIN AMERICAN SPECS)



SECTION 9 - DECALS



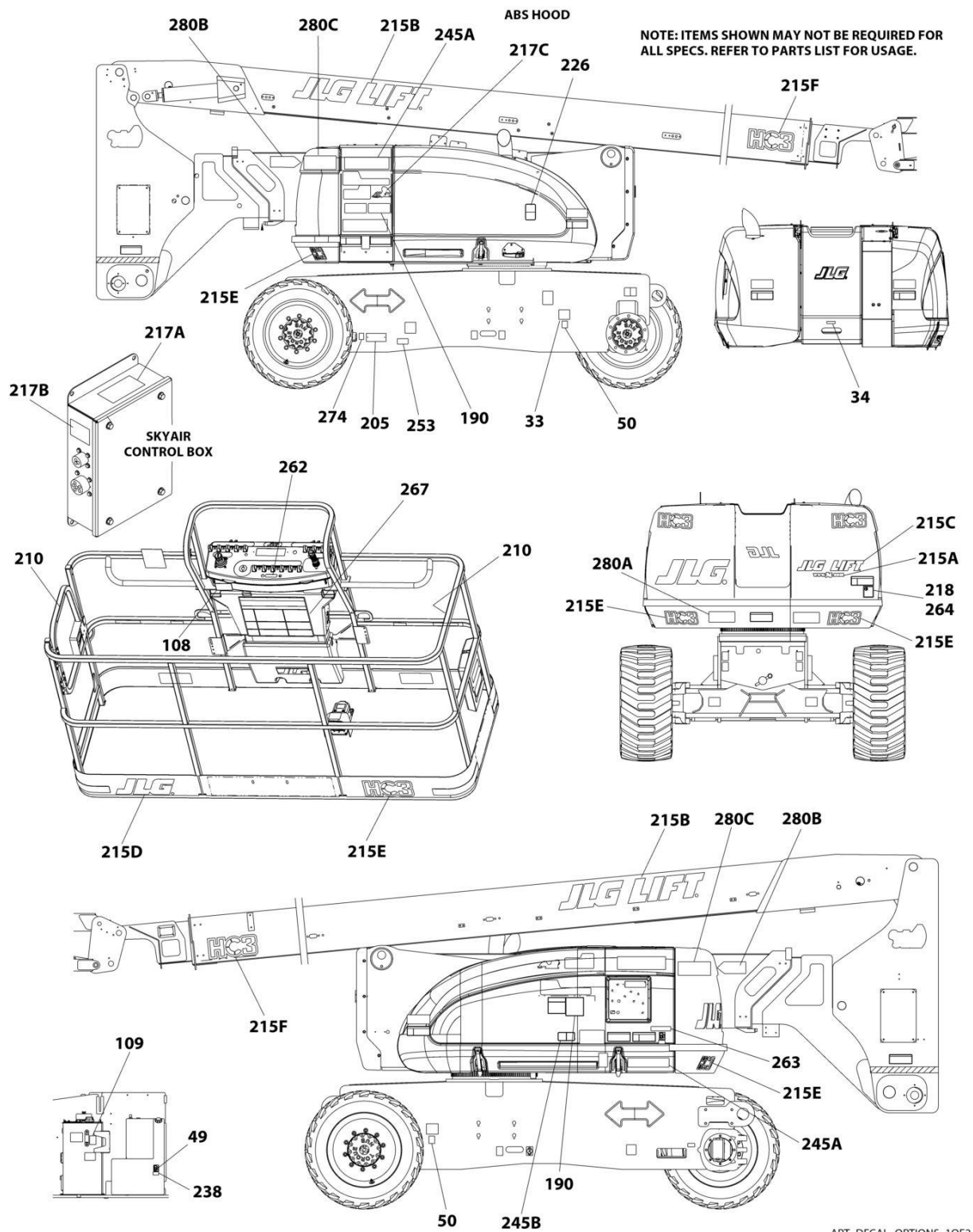
SECTION 9 - DECALS

FIGURE 9-9. DECAL INSTALLATION (LATIN AMERICAN SPECS)

ITEM	PART NUMBER	QTY	DESCRIPTION	REV
	1001260965	Ref	DECAL INSTALLATION	D
	1001260969	Ref	REFERENCE CHART	B
2	1701499	2	Decal - No Lifting	
5	1701509	1	Decal - Manual	
7	1703811	4	Decal - Lifting Lug	
8	1703814	6	Decal - Tie Down	
9	1704277	3	Decal - Lanyard Attach Graphic	
10	1704412	1	Decal - Hydraulic Oil Chart	
18	1703943	5	Decal - Warning Crushing	
20	1704001	2	Decal - No Hands	
21	1703923	1	Decal - Warning/Danger	
22	1705917	1	Decal - Warning Inspection	
23	1703947	4	Decal - Warning Crushing	
24	1703935	5	Decal - Danger Electrocution	
25	1703983	1	Decal - Footswitch	
29	1703482	4	Decal - Maximum Tire Load	
30	See Note	NSS	Decal - Bar Code (Note: Not Available for Purchase)	
31	1001267312	2	Decal - 800AJ	
32	1701501	4	Decal - Arrow	
33	1001234431	1	Decal - Warning Maximum Capacity	
34	1001234432	1	Decal - Warning Maximum Capacity	
37	1705977	1	Decal - Upright Level	
38	1703959	2	Decal - Quick Stick	
43	3820001	2	Rivet	
52	4420051	23 ft /7m	Tape, Safety	
60	1001224049	1	Decal - Yearly Inspection	
61	1001263941	1	Decal - Lift Diagram	
63	1001184618	1	Decal - Stop	

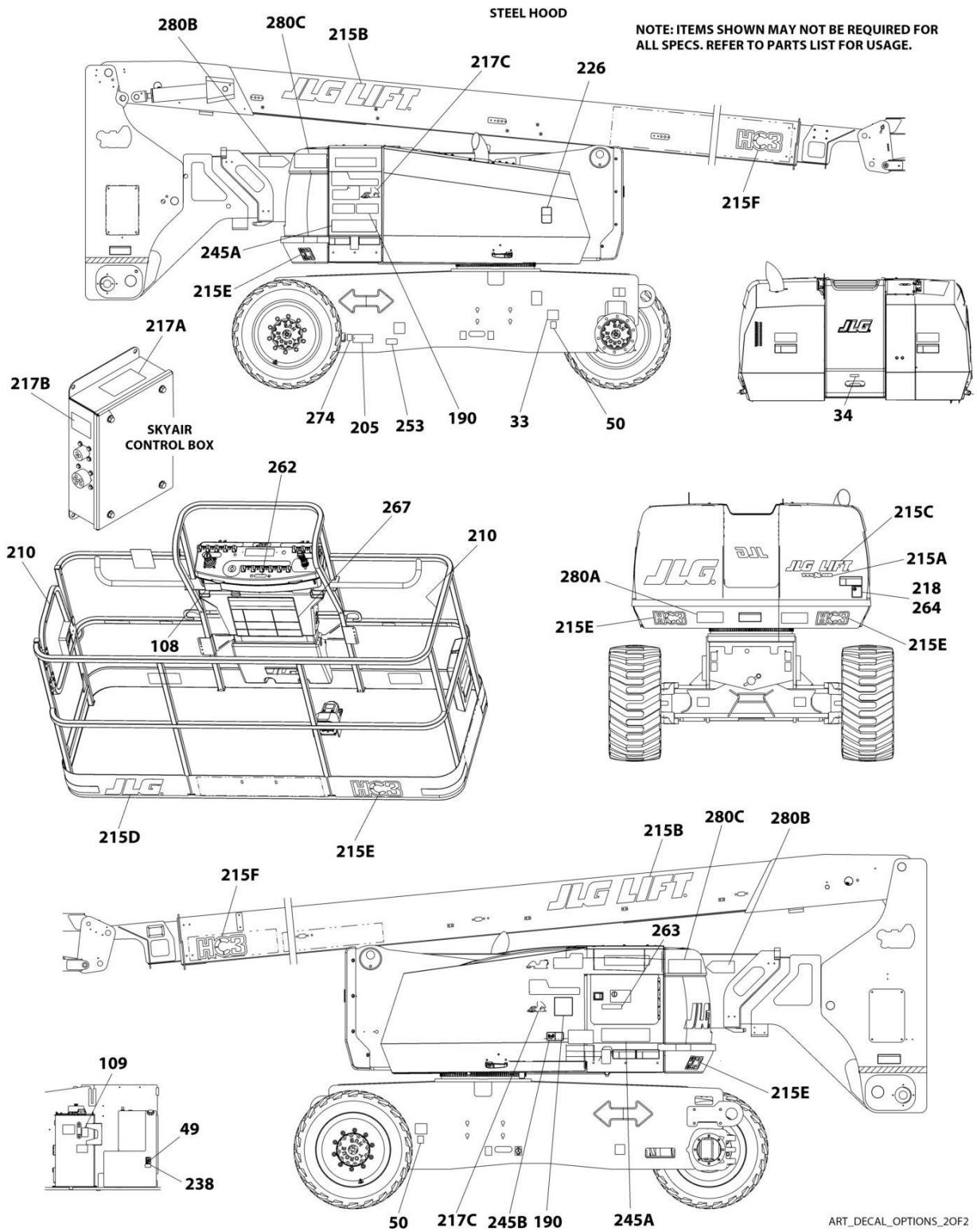
SECTION 9 - DECALS

FIGURE 9-10. DECAL INSTALLATION - OPTIONS



ART_DECAL_OPTIONS_10F2

SECTION 9 - DECALS



ART_DECAL_OPTIONS_20F2

SECTION 9 - DECALS

FIGURE 9-10. DECAL INSTALLATION - OPTIONS

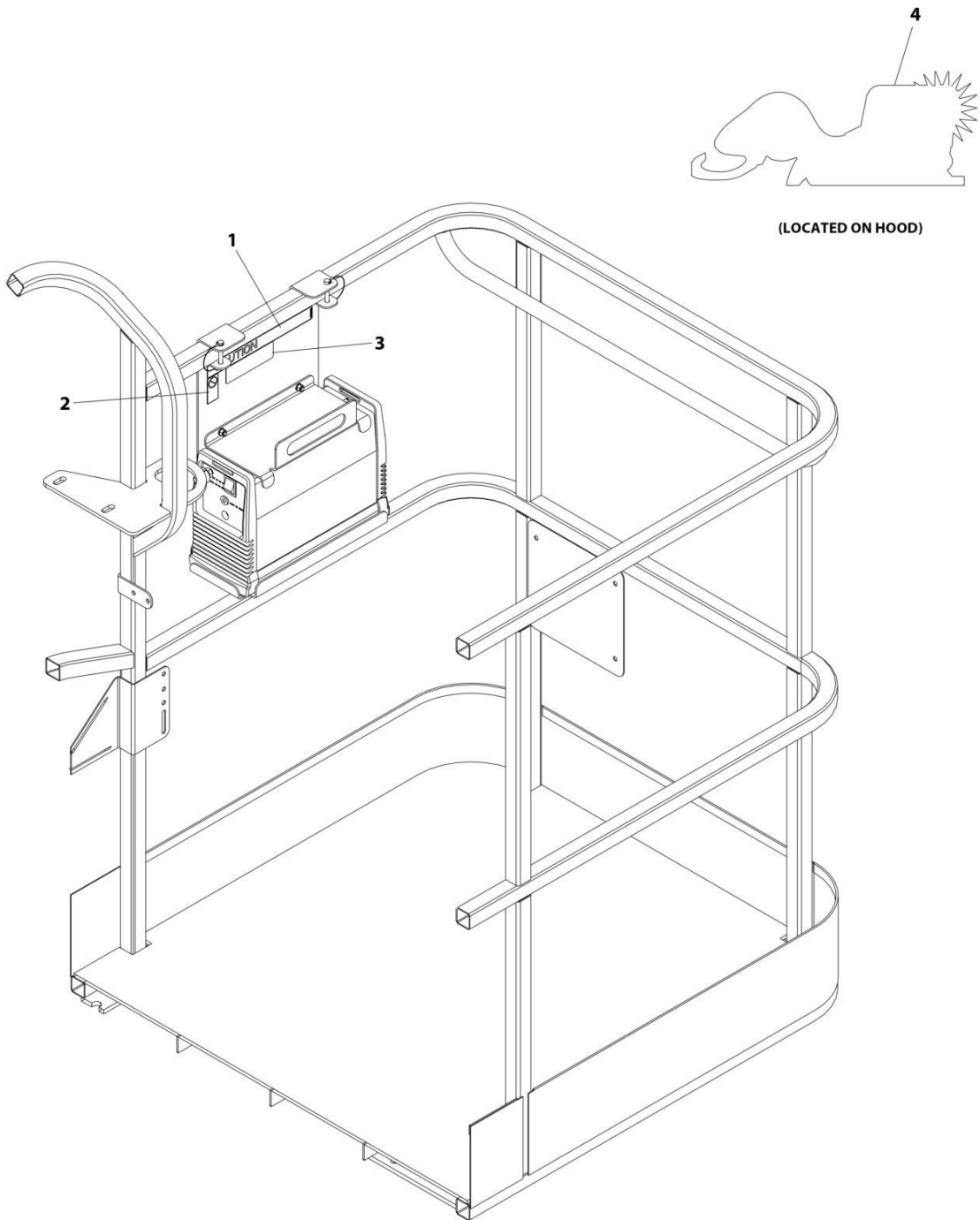
ITEM	PART NUMBER	QTY	DESCRIPTION	REV
		Ref	DECAL INSTALLATION - OPTIONS	
33	1700818	1	Decal - Fuel (LP Gas Machines) (English Language) (ANSI, CSA & Australian Specs)	
33	1704271	1	Decal - Fuel (LP Gas Machines) (English/French Languages) (CSA Specs)	
33	1702720	1	Decal - Fuel (LP Gas Machines) (English/Spansih Languages) (ANSI Export Specs)	
34	3251242	1	Nameplate - 240-50HZ (CE Specs)	
49	1701505	1	Decal - Fuel (Diesel)	
49	1701542	1	Decal - Fuel (Gas)	
50	1701543	2	Decal - LP Gas (LP GASS Machines)	
108	1001231801	1	Decal - Warning Proposition 65 (ANSI Specs)	
109	1702788	1	Decal - Biodegradeable Hydraulic Fluid (English Language) (ANSI, Australian, CE & CSA Specs)	
109	1703479	1	Decal - Biodegradeable Hydraulic Fluid (German Language) (CE Specs)	
190		Ref	Decal Installation - SkyGlazier Options:	
190	1001262102	1	Decal Installation - SkyGlazier (ANSI/CSA Specs)	
190	1001262105	1	Decal Installation - SkyGlazier (Australian Specs)	
190	1001262104	1	Decal Installation - SkyGlazier (Brazil Specs)	
190	1001262247	1	Decal Installation - SkyGlazier (CE Specs - Danish Language)	
190	1001262240	1	Decal Installation - SkyGlazier (CE Specs - French Language)	
190	1001262241	1	Decal Installation - SkyGlazier (CE Specs - German Language)	
190	1001262242	1	Decal Installation - SkyGlazier (CE Specs - Italian Language)	
190	1001262245	1	Decal Installation - SkyGlazier (CE Specs - Portuguese Language)	
190	1001262244	1	Decal Installation - SkyGlazier (CE Specs - Spanish Language)	
190	1001262246	1	Decal Installation - SkyGlazier (CE Specs - Swedish Language)	
190	1001262243	1	Decal Installation - SkyGlazier (CE Specs - UK English Language)	
190	1001262103	1	Decal Installation - SkyGlazier (Latin American Specs)	
205	See Note	1	Nameplate - Manufacturers Serial Number (Note: Not Available for Purchase)	
210	1702868	2	Decal - No Hands (English Language)	
210	1705968	2	Decal - No Hands (English/Chinese Language)	
210	1704000	2	Decal - No Hands (English/French Language)	
210	1705969	2	Decal - No Hands (English/Korean Language)	
210	1705967	2	Decal - No Hands (English/Portuguese Language)	
210	1704001	2	Decal - No Hands (English/Spanish Language)	
215	1001260957	1	Decal - Logo Installation (All Specs Except CE Specs)	A
215	1001263022	1	Decal - Logo Installation (CE Specs)	A
215A	1704885	1	Decal - Website	
215B	1702861	2	Decal - JLG Lift	
215C	1702774	2	Decal - JLG Lift	
215D	1702773	1	Decal - JLG	
215E	1001244212	1	Decal - HC3	
215F	1001256906	1	Decal - HC3	
215G	1001159323	1	Decal - JLG (CE Specs) (Not Shown)	
217	0273687	Ref	Decal - SkyAir (Machines with SkyAir Option)	
217A	1705836	1	Decal - Hazardous Voltage	
217B	1705837	1	Decal - Air Compressor	

SECTION 9 - DECALS

ITEM	PART NUMBER	QTY	DESCRIPTION	REV
217C	1705886	1	Decal - SkyAir	
218	3251813	1	Decal - USA	
226	1704972	1	Decal - Warning Explosion/ Fire (English Language) (Diesel Machines) (ANSI Specs)	
226	1706098	1	Decal - Warning Explosion/Fire (English Language) (Diesel Machines) (Australian & CE Specs)	
226	1706059	1	Decal - Warning Explosion/Fire (English/Portuguese Language) (Diesel Machines) (Brazil Specs)	
226	1706060	1	Decal - Warning Explosion/Fire (English/Chinese Language) (Diesel Machines) (Chinese Specs)	
226	1706064	1	Decal - Warning Explosion/Fire (English Language) (Diesel Machines) (CSA Specs)	
226	1706062	1	Decal - Warning Explosion/Fire (English/Japanes Language) (Diesel Machines) (Japanese Specs)	
226	1706061	1	Decal - Warning Explosion/Fire (English/Korean Language) (Diesel Machines) (Korean Specs)	
226	1706063	1	Decal - Warning Explosion/Fire - (English/Spanish Language) (Diesel Machines) (Latin American Specs)	
238	1001125387	1	Decal - Ultra Low Sulfur Fuel (Diesel Machines) (ANSI & CSA Specs)	
238	1001139654	1	Decal - Ultra Low Sulfur Fuel (Diesel Machines) (CE Specs)	
245	1001127094	Ref	Decal Installation - ClearSky (Machiens with ClearSky Option)	
245A	1001116208	2	Decal - ClearSky	
245B	1001120989	1	Decal - Radio Frequency	
253	1001143852	1	Decal - Emission Compliance (Diesel Machines) (ANSI Export, Australian, CE & China Specs)	
262	1001141300	1	Decal - SkyGuard Override (Machines without Soft Touch Option)	
262	1001141302	1	Decal - SkyGuard Override (Machines with Soft Touch Option)	
263	1001197408	1	Decal - MSSO (CE Specs)	
264	1705980	1	Decal - Sound Power (106dB) (Machines with Deutz D2011 Engines) (Australian & CE Specs)	
	1001191525	1	Decal - Sound Power (108dB) (Machines with Deutz TD2.9L4 Stage V Engines (CE Specs)	
264	1705368	1	Decal - Sound Power (112dB) (Machines with Deutz TD2.9L4 Engines (CE Specs)	
267	1001200124	1	Decal - Quick Start Guide (Danish Language)	
267	1001200121	1	Decal - Quick Start Guide (Dutch Language)	
267	1001180861	1	Decal - Quick Start Guide (English Language)	
267	1001200120	1	Decal - Quick Start Guide (French Language)	
267	1001200122	1	Decal - Quick Start Guide (German Language)	
267	1001200127	1	Decal - Quick Start Guide (Norwegian Language)	
267	1001200125	1	Decal - Quick Start Guide (Swedish Language)	
267	1001200126	1	Decal - Quick Start Guide (Spanish Language)	
274	1001214030	Ref	Decal Installation- EAC (Russian/CIS Specs)	
274	1001173703	1	Decal - EAC	
280	1001220864	Ref	Decal Kit - Boom Transport Position	
280A	1001220512	2	Decal - Lower Boom	
280B	1001220510	2	Decal - Warning Arrow	
280C	1001220511	2	Decal - Warning Stripe	

SECTION 9 - DECALS

FIGURE 9-11. SKYCUTTER DECAL INSTALLATION



ART_0272599

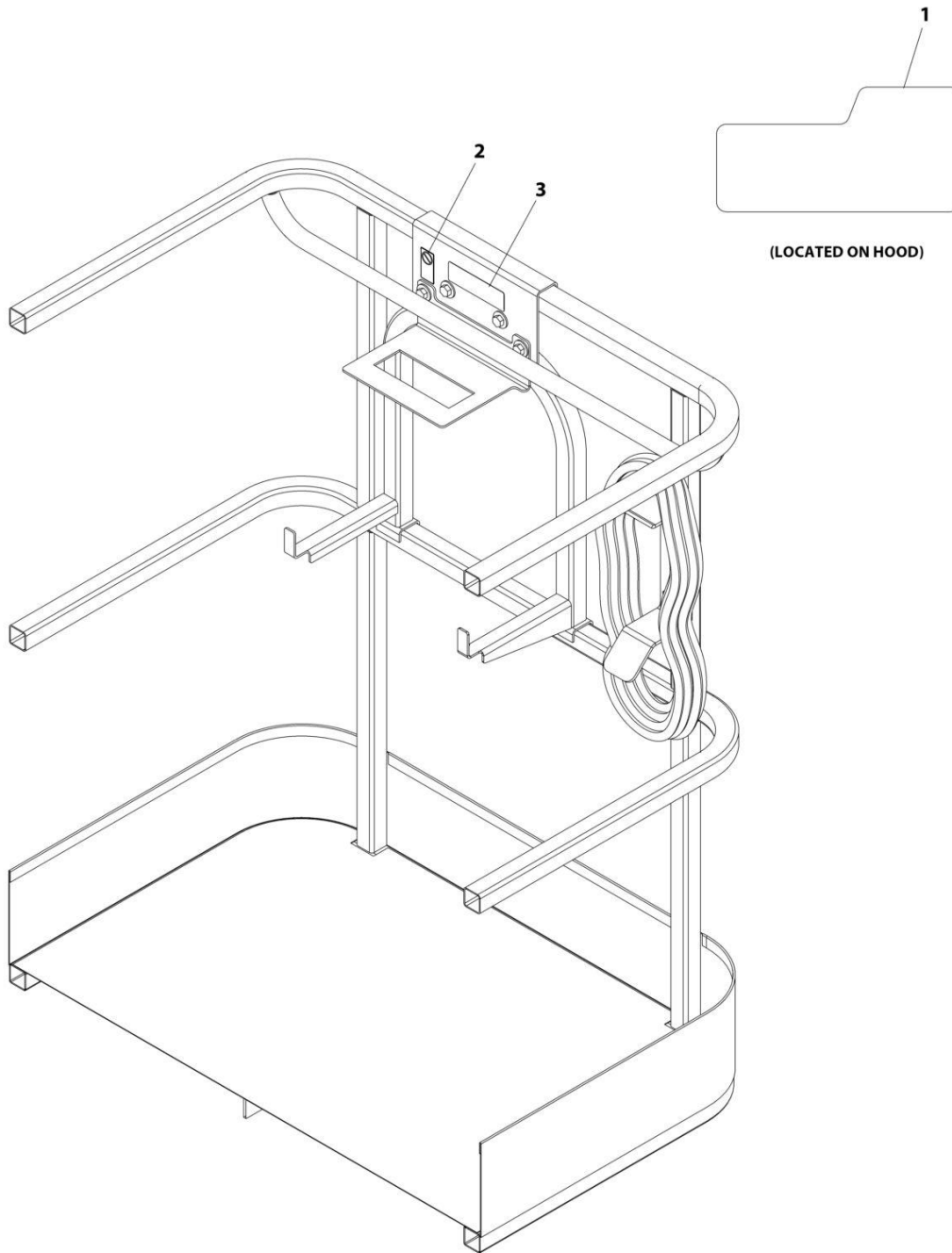
SECTION 9 - DECALS

FIGURE 9-11. SKYCUTTER DECAL INSTALLATION

ITEM	PART NUMBER	QTY	DESCRIPTION	REV
	0272599	Ref	SKYCUTTER DECAL INSTALLATION	C
1	1702868	1	Decal - No Hands	
2	1705305	1	Decal - Weld Leads	
3	1001252627	1	Decal - Weight	
4	1705490	2	Decal - SkyCutter	

SECTION 9 - DECALS

FIGURE 9-12. SKYWELDER DECAL INSTALLATION - 50HZ



ART_0272588

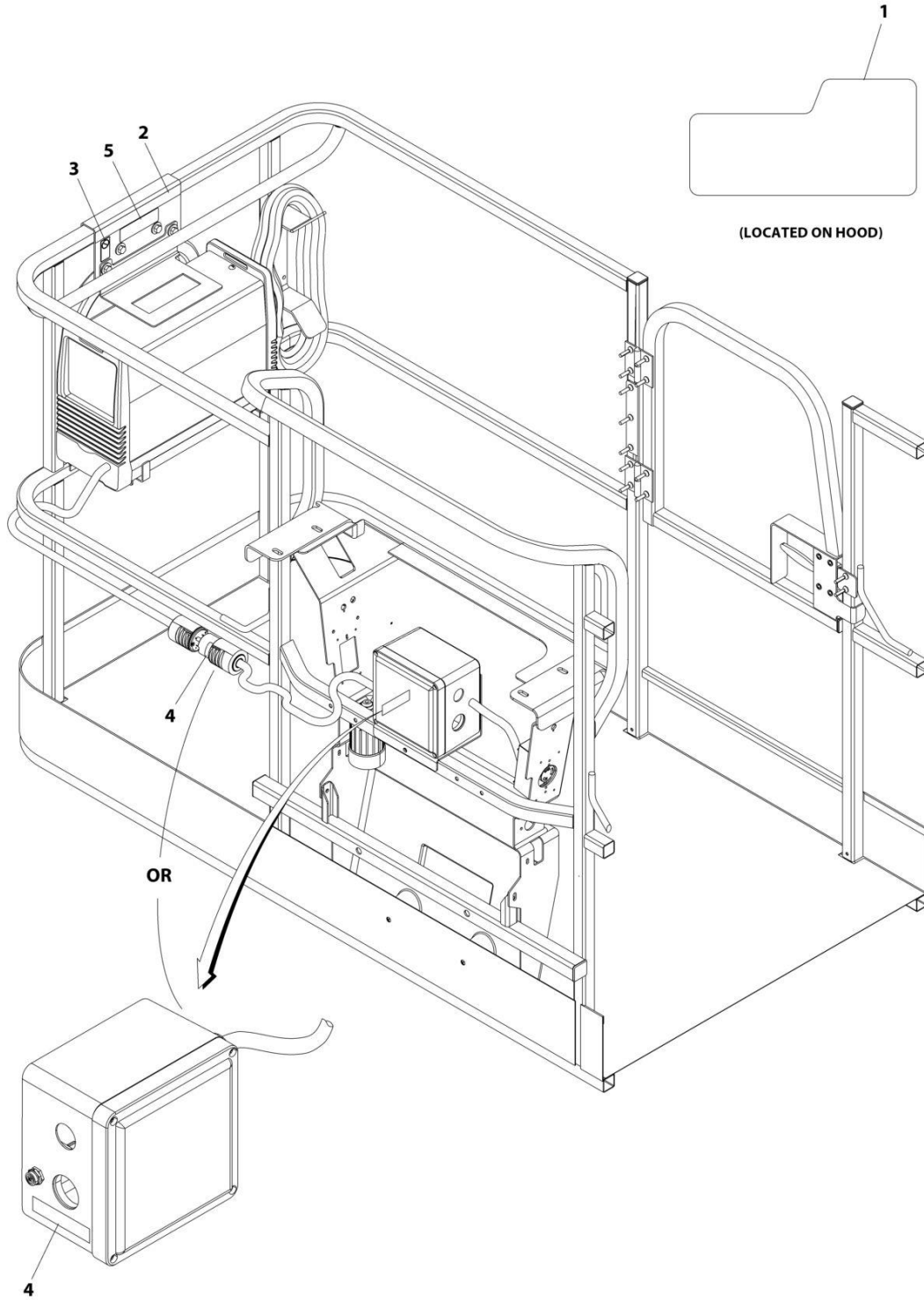
SECTION 9 - DECALS

FIGURE 9-12. SKYWELDER DECAL INSTALLATION - 50HZ

ITEM	PART NUMBER	QTY	DESCRIPTION	REV
	0272588	Ref	SKYWELDER DECAL INSTALLATION - 50Hz	B
1	1705355	2	Decal - SkyWelder	
2	1705305	1	Decal - Weld Lead	
3	1001228988	1	Decal - Weight	

SECTION 9 - DECALS

FIGURE 9-13. DECAL INSTALLATION - SKYWELDER (60HZ)



ART_0272448_C

SECTION 9 - DECALS

FIGURE 9-13. DECAL INSTALLATION - SKYWELDER (60HZ)

ITEM	PART NUMBER	QTY	DESCRIPTION	REV
	0272448	Ref	SKYWELDER DECAL INSTALLATION - 60Hz	C
1	1705355	2	Decal - SkyWelder	
2	1702868	1	Decal - No Hands	
3	1705305	1	Decal - Weld Lead	
4	1705375	1	Decal - 240V - 3 Phase - 60Hz	
5	1001228988	1	Decal - Weight	

SECTION 10 - RECOMMENDED SERVICE PARTS STOCK

SECTION 10 - RECOMMENDED SERVICE PARTS STOCK

SECTION 10 - RECOMMENDED SERVICE PARTS STOCK

FIGURE 10-1. MODEL 800AJ HC3 RECOMMENDED SERVICE PARTS STOCK

ITEM	PART NUMBER	QTY	DESCRIPTION	REV
	Note	Ref	Note: The following list will service one machine (built to current production per date on the front cover) with emergency repair parts which can be installed in the field. Parts from the list should be replaced when inventory is depleted to keep service parts stock supplied. For further information, contact your JLG dealer or the JLG Industries Parts Department.	
		Ref	STANDARD PARTS	
	2120210	4	Element Filter	
	7012944	1	Coil	
	70004460	1	Coil	
	70006956	1	Coil	
	70004595	1	Coil	
	70004653	1	Coil	
	7018991	1	Coil	
	70004463	1	Coil	
	70002814	1	Hydraulic Tank Service Kit	
	4360469	1	Switch, Key	
	2860030	1	Key, Replacement	
	4360475	1	Switch, Emergency Stop	
	3740049	1	Relay	
	1001155045	1	Switch, Toggle	
	2400065	2	Fuse - 30 Amp	
	3740067	1	Relay	
	70002013	1	Power Track Repair Section	
	7020066	1	Power Track Repair Section	
	70002386	1	Coil	
	4360331	1	Switch, Toggle	
	4360387	1	Switch, Push Button	
	4360407	1	Controller, Speed	
	1001159256	1	Switch, Toggle	
	1001166539	1	Controller (Lift and Swing)	
	1001166538	1	Controller (Drive and Steer)	
	1001137673	1	SkyGuard Switch Assembly	
	8229242	2	Fuse - 5Amp	
	8229249	1	Fuse - 3Amp	
		Ref	VARIABLE PARTS	
	4360517	1	Switch, Proximity	
	1001103667	1	Module, Control - Ground	
	3740080	1	Relay (Deutz D2011 Engines)	
	70004020	4	Element, Air Cleaner (Deutz D2011 Engines)	
	7016331	4	Filter, Oil (Deutz D2011 Engines)	
	7016328	4	Filter, Fuel (Deutz D2011 Engines)	
	7027795	1	ECU (Deutz D2011 Engines)	
	70023593	2	Fuse 30Amp (Deutz TD2.9L4 Engines and Deutz TD2.9L4 (Stage V) Engines)	
	70023592	2	Fuse (Deutz TD2.9L4 Engines and Deutz TD2.9L4 (Stage V) Engines)	
	91403102	4	Element, Air Cleaner (Deutz TD2.9L4 Engines and Deutz TD2.9L4 (Stage V) Engines)	
	1001117308	1	Relay (Deutz TD2.9L4 Engines and Deutz TD2.9L4 (Stage V) Engines)	

SECTION 10 - RECOMMENDED SERVICE PARTS STOCK

ITEM	PART NUMBER	QTY	DESCRIPTION	REV
			Engines)	
	1001138228	1	Relay, Power Module (Deutz TD2.9L4 Engines and Deutz TD2.9L4 (Stage V) Engines)	
	7016331	4	Filter, Oil (Deutz TD2.9L4 Engines)	
	1001225430	4	Filter, Fuel (Deutz TD2.9L4 Engines)	
	1001225432	4	Filter, Fuel (Deutz TD2.9L4 Engines) (China Specs)	
	70025210	1	ECU (Deutz TD2.9L4 Engines)	
	4360336	1	Switch, Toggle (Ford Engines)	
	70006155	4	Filter, Fuel (Ford Engines)	
	70006171	1	Relay (Ford Engines)	
	70006172	1	Relay (Ford Engines)	
	70006175	2	Fuse 20Amp (Ford Engines)	
	70006176	1	ECU (Ford Engines)	
	70006213	4	Filter, Oil (Ford Engines)	
	70005008	4	Element, Filter - Primary (Ford Engines)	
	70006460	4	Element, Filter - Secondary (Ford Engines)	
	1001202281	4	Element, Fuel-Water Separator (Deutz D2011 Engines)	
	70006405	1	Element, Fuel-Water Separator (Deutz TD2.9L4 Engines)	
	3740080	1	Relay (Machines with 2500W Generator)	
	4360336	1	Switch, Toggle (Machiens with Generator)	
	4360578	1	Switch, Limit	
	4360498	1	Switch, Proximity	
	4360499	1	Switch, Proximity	
	1001094400	1	Sensor, Dual Axis	
	2940074	1	Latch, Gate (Platforms with Gate)	
	1001106938	1	Module, Control - Platform	
	1001117174	1	Footswitch	
	4360328	1	Switch, Toggle	
	4360057	1	Switch, Limit (Machines with Soft-Touch)	
	1001181045	1	Breaker, Circuit - 30mA/16Amp (Brazil & CE Specs)	
	80983191	2	Fuse - 10Amp (Deutz TD2.9L4 Engines and Deutz TD2.9L4 (Stage V) Engines)	

SECTION 11 - SPECIAL OPTIONS

SECTION 11 - SPECIAL OPTIONS

FIGURE 11-1. SPECIAL OPTIONS

ITEM	PART NUMBER	QTY	DESCRIPTION	REV
		Ref	Note: This list is to accommodate machines ordered with special equipment. Options may not be applicable to all models. For more specific parts information contact JLG Parts Department.	
		Ref	MISCELLANEOUS SPECIAL OPTIONS	
	1001229762	Ref	Air Intake Shut-off Valve (Deutz TD2.9L4 Engines) (Factory Installed)	
	1001260970	Ref	Airline to Platform Installation - 1/2in	
	1001249695	Ref	Analyzer and Cable Kit	
	1001249941	Ref	Battery Powered Analyzer Installation Kit	
	1001260886	Ref	Bellows Installation - Boom	
	1001158259	Ref	Bellows Installation - Chassis (Fixed Axle 2WS)	
	2910887	Ref	Boom Wear Pad Kit	
	1001260858	Ref	Boom Wipers Installation	
	1001233047	Ref	Breather Heater Kit (Deutz TD2.9L4 Engines)	
		Ref	ClearSky Telematics Installation (Factory Installed)	
	1001227448	Ref	ClearSky Telematics Installation - Canbus Connection (All Specs Except China Specs)	
	1001246473	Ref	ClearSky Telematics Installation - Canbus Connection (Australian Specs)	
	1001228949	Ref	ClearSky Telematics Installation - Canbus Connection (ANSI Export & CE Specs)	
	1001246474	Ref	ClearSky Telematics Installation - Canbus Connection (China Specs)	
	1001229107	Ref	ClearSky Telematics Installation - 3 Wire Connection (ANSI & CSA Specs)	
	1001233237	Ref	ClearSky Telematics 3-Wire Connection (ANSI Export and CE Specs)	
		Ref	ClearSky Telematics Kits (Dealer Installed)	
	1001242409	Ref	ClearSky Telematics Access Control Add-on Kit	
	1001243183	Ref	ClearSky Telematics Access Control Add-on Kit - Canbus (ANSI & CSA Specs)	
	1001243184	Ref	ClearSky Telematics Access Control Add-on Kit - Canbus (ANSI Export & CE Specs)	
	1001246142	Ref	ClearSky Telematics Add-On Kit (Australian Specs)	
	1001119939	Ref	ClearSky (Telematic) Kit (Dealer Installed) (ANSI Spec)	
	1001119947	Ref	ClearSky (Telematic) Kit (Dealer Installed) (CSA Spec)	
	1001178208	Ref	Cold Weather Package Installation - Deutz D2011 Engines	
	1001178207	Ref	Cold Weather Package Installation - Deutz TD2.9L4 Engines	
	1001255807	Ref	Cold Weather Package Installation - Deutz TD2.9L4 (Stage V) Engines	
	1001219840	Ref	Cold Weather Package Installation - Ford Engines	
	0274883	Ref	Cold Weather Transformer Installation (ANSI Export, Australian, China and Japanese Specs Only)	
	1001115918	Ref	Cribbing Installation	
	1001264254	Ref	Cylinder Kit - Level/Upright (Includes 2 Cylinders - Tower Lift & Upright Level)	
	1001264148	Ref	Cylinder Kit - Lift (Includes 1 Cylinder and Service info)	
		Ref	Decals Kits:	
	1001108721	Ref	Decal Kit - Platform	
	1001119563	Ref	Decal Kit - Platform Console	
	2902396	Ref	Drive/Steer Cutout Kit	

SECTION 11 - SPECIAL OPTIONS

ITEM	PART NUMBER	QTY	DESCRIPTION	REV
	1001148902	Ref	Electrical Connector Kits - Amp	
	1001148903	Ref	Electrical Connector Kits - Deutsch DT	
	1001148904	Ref	Electrical Connector Kits - Deutsch HD	
	1001148905	Ref	Electrical Connector Kits - Packard	
	1001148906	Ref	Electrical Connector Kits - Various	
	1001218022	Ref	Engine Block Heater Installation - Ford Engines	
	1001108962	Ref	Exhaust Rain Cap Installation (Australian and CE Specs)	
	1001237883	Ref	Fall Arrest (Bolt-On) Add-On Kit (6 Ft/1.82m Platform) (ANSI, ANSI Export, China, CSA & Japanese Specs)	
	1001237882	Ref	Fall Arrest (Bolt-On) Add-On Kit (8 Ft/2.4m Platform) (ANSI, ANSI Export, China, CSA & Japanese Specs)	
		Ref	Fan Cover/Grille Options	
	1001182599	Ref	Fan Cover Installation (Deutz D2011 Engines)	
	1001177694	Ref	Fan Grille Installation (Deutz TD2.9L4 Engines and Deutz TD2.9L4 (Stage V) Engines (Modine Radiator)	
		Ref	Filter Kits:	
		Ref	Combined Filter Kit Options (Hydraulic/Air and Fuel/Engine Oil)	
	1001241774	Ref	Deutz D2011 Engine Machines	
	1001195533	Ref	Deutz TD2.9L4 Engine Machines	
	1001241776	Ref	Ford Engine Machines	
	1001139099	Ref	Fire Extinguisher Installation (20lb)	
	1001117294	Ref	Footswitch Shield (Note: Move Decal to Shield)	
	1001202749	Ref	Fuel Cap Cover Installation (Black) (Note: Lock p/n 1001102157 must be Purchased Separately)	
	1001191395	Ref	Fuel Cap Cover Installation (Green) (Diesel Machines) (Note: Lock p/n 1001102157 must be Purchased Separately)	
	1001094475	Ref	Generator Hourmeter Installation	
	1001241413	Ref	Hostile Environment - 2WD Add-on Kit	
	1001241415	Ref	Hostile Environment - 4WD Add-on Kit	
	1001209632	Ref	Hose Kit - Platform Valve	
	1001148971	Ref	Lanyard (Bolt-On) Kit Installation	
		Ref	Light Options:	
	0271768	Ref	Headlights & Taillights Installation (ABS Hoods)	
	1001164786	Ref	Headlights & Taillights Installation (Steel Hoods)	
	0273485	Ref	Platform Worklights Installation	
	1001257561	Ref	Portable Worklights Installation	
	1001152965	Ref	Strobe Light Installation - Platform Mounted (Amber)	
	1001154231	Ref	Strobe Light Installation - Platform & Ground Mounted (Amber)	
	1001236951	Ref	Low Temperature Cutout Installation (Russian Specs)	
		Ref	Oil Cooler Options:	
	1001156172	Ref	Oil Cooler Installation - Deutz D2011 Engine Machines	
	1001184569	Ref	Oil Cooler Installation - Deutz TD2.9L4 Engine and Deutz TD2.9L4 (Stage V) Engine Machines	
	1001219633	Ref	Oil Cooler Installation - Ford Engine Machines	
	1001200700	Ref	Oil Cooler Replacement Kit (RCP to YMER)	
	1001195304	Ref	Platform Console Cover Installation (Factory Installed)	
	1001110974	Ref	Platform Console Enclosure Cover Installation - Steel	
		Ref	Platform Mesh to Mid Rail Installation Options:	
	1001266098	Ref	Platform Mesh to Mid Rail Installation - 3ft x 8ft Platforms (Vinyl) (ANSI, ANSI Export, Australian, China and CSA Specs)	
	1001138773	Ref	Platform Mesh to Mid Rail Installation - 3ft x 8ft Platforms (Steel) (ANSI, ANSI Export, Australian, China and CSA Specs)	
		Ref	Platform Mesh to Top Rail Installation Options:	

SECTION 11 - SPECIAL OPTIONS

ITEM	PART NUMBER	QTY	DESCRIPTION	REV
	0273147	Ref	Platform Mesh to Top Rail Installation - 2.5ft x 4ft Platforms (Steel) (ANSI, ANSI Export, China and CSA Specs)	
	1001266807	Ref	Platform Mesh to Top Rail Installation - 2.5ft x 4ft Platforms (Vinyl) (ANSI, ANSI Export, China and CSA Specs)	
	0273149	Ref	Platform Mesh to Top Rail Installation - 3ft x 6ft Platforms (Steel) (ANSI, ANSI Export, China and CSA Specs)	
	1001266489	Ref	Platform Mesh to Top Rail Installation - 3ft x 6ft Platforms (Vinyl) (ANSI, ANSI Export, China and CSA Specs)	
	0273145	Ref	Platform Mesh to Top Rail Installation - 3ft x 8ft Platforms (Steel) (ANSI, ANSI Export, China and CSA Specs)	
	1001266056	Ref	Platform Mesh to Top Rail Installation - 3ft x 8ft Platforms (Vinyl) (ANSI, ANSI Export, China and CSA Specs)	
		Ref	Platform Mesh to Top Rail Add-on Kits:	
	1001214552	Ref	30in x 4ft (76cm x 1.22m) with Gate	
	1001214561	Ref	36in x 6ft (91.5cm x 1.83m) with Gate	
	1001214562	Ref	36in x 8ft (91.5cm x 2.44m) with Gate	
	0272733	Ref	Platform, Top Rail Extension Installation - 3ft x 6ft Platforms	
	0272725	Ref	Platform, Top Rail Extension Installation - 3ft x 8ft Platforms	
	1580013	Ref	Platform Storage Tray	
	1001209059	Ref	Platform Work Surface Installation	
	1001162546	Ref	Pump Coupling Replacement Kit	
	1001199488	Ref	Radiator Replacement Kit (RCP to Modine Radiator)	
	1001190888	Ref	Service Kits	N
	1001241547	Ref	SkyEye Housing Kit (Left Side)	
	1001241548	Ref	SkyEye Housing Kit (Right Side)	
	1001247073	Ref	SkyEye Retrofit Kit	
	1001206477	Ref	SkyGuard Complete Add-On Kit (Blue Beacon) (UGM Machines) (Note: Requires 7500W SkyPower Generator)	
	1001210026	Ref	SkyGuard Complete Add-On Kit (Red Beacon) (UGM Machines) (Note: Requires 7500W SkyPower Generator)	
	1001137672	Ref	SkyGuard Platform Sensor Kit (UGM Machines)	
	1001137440	1	SkyGuard Sensor Harness	
	1001186431	2	Relay	
	1001206311	Ref	SkyGuard Strobe Light Kit - Hood Mounted (Blue Beacon)	
	1001210025	Ref	SkyGuard Strobe Light Kit - Hood Mounted (Red Beacon)	
	1001250595	Ref	SkyGuard 6-Pin Retrofit Installation Kit	
	1001249052	Ref	SkyGuard Retrofit Kit (Dealer Installed)	
	1001262016	Ref	SkyLine Add-on (Dealer Installed)	
	1001252033	Ref	SkySense/Enhanced Detection System (EDS) Level 1 (2-Bar) Add-on Kit (Dealer Installed)	
	1001252034	Ref	SkySense/Enhanced Detection System (EDS) Level 2 (3-Bar) Add-on Kit (Dealer Installed)	
	1001253618	Ref	SkySense/Enhanced Detection System (EDS) Level 1 (2-Bar) Module Kit (Dealer Installed)	
	1001253619	Ref	SkySense/Enhanced Detection System (EDS) Level 2 (3-Bar) Module Kit (Dealer Installed)	
	1001250465	Ref	SkySense/Enhanced Detection System (EDS) Level 1 (2-Bar) Installation Kit (Factory Installed)	
	1001250466	Ref	SkySense/Enhanced Detection System (EDS) Level 2 (3-Bar) Installation Kit (Factory Installed)	
	1001157013	Ref	Softtouch Counterweight Installation (Required with Soft Touch Option)	
		Ref	Tools for Service	
	1600244	1	Analyzer, Machine System	
	7002840	1	Antirotation Pin Removal Tool	

SECTION 11 - SPECIAL OPTIONS

ITEM	PART NUMBER	QTY	DESCRIPTION	REV
	8896941	1	Wire Stripper	
	7002821	1	Wire Crimper (To install wire ends to wires)	
	7002823	1	Pin/Socket Extractor - Universal (To Remove Pins/Sockets from Connectors)	
	4460467	1	Extractor - 16-18 Gauge (For Removal of Pin/Sockets from Deutsch Connectors)	
	4460510	1	Extractor - 12-14 Gauge (For Removal of Pin/Sockets from Deutsch Connectors)	
	7002822	1	Screwdriver, Potentiometer (To Adjust Drive Controllers)	
	7016654	1	Screwdriver, Magnetic	
	7004275	1	Seal Installation Tool - 1in	
	7004276	1	Seal Installation Tool - 1-1/2in	
	7002826	1	Seal Installation Tool - 2in	
	7016655	1	Wire Rope Sheave Gauge	
	7016652	1	Huck Bolt Fastener (For Small Huck Bolts Only)	
	7000017	1	ADE Software CD	
	1001137005	1	Software Cable Kit	
	70005663	1	Tool, Port Plate for Pump p/n 1001142522	
	1001258953	Ref	Tower Stow Indicator Add-on Kit (Dealer Installed)	
	2915094	Ref	Turntable Bearing Kit	
	1001262959	Ref	Voltage Regulator Relocation Kit	

PART NUMBER INDEX

SECTION 11 - SPECIAL OPTIONS

0100009.....81, 85, 89, 93, 97, 441	0256202599	0641404.....81, 85, 89, 93, 97, 343, 345, 349, 353, 357, 361, 365, 369, 373, 383, 441, 461, 463	218, 224, 230, 236, 242, 319, 383, 385, 387, 405
0100011.....15, 17, 19, 21, 23, 37, 39, 41, 47, 59, 63, 65, 67, 69, 75, 77, 81, 85, 89, 93, 97, 103, 115, 119, 123, 124, 128, 129, 132, 133, 136, 137, 145, 147, 153, 155, 159, 161, 164, 168, 175, 179, 183, 187, 191, 193, 195, 197, 200, 206, 212, 218, 224, 230, 236, 242, 259, 263, 268, 272, 275, 277, 280, 286, 291, 293, 295, 321, 323, 333, 335, 339, 343, 345, 349, 353, 357, 361, 365, 369, 373, 377, 383, 385, 387, 389, 391, 395, 397, 399, 401, 405, 409, 413, 419, 421, 423, 425, 431, 433, 435, 459, 461, 463, 472, 477, 479, 483, 497, 499, 501, 503, 629, 635, 637, 639, 641	0257728491	0641405.....103, 145, 147, 377, 461, 463	0641609.... 115, 119, 123, 128, 132, 136, 147, 164, 168, 200, 206, 212, 218, 224, 230, 236, 242, 321, 323, 329, 385, 387
0100019 53, 59, 145, 147, 335, 345, 349, 353, 357, 361, 365, 370, 373, 377	0258671467	0641406.....105, 107, 115, 119, 123, 139, 141, 149, 175, 179, 183, 187, 191, 193, 195, 197, 200, 206, 212, 218, 224, 230, 236, 242, 268, 272, 325, 327, 345, 349, 439, 465, 467, 629, 649, 651	0641610 111, 113, 149, 153, 155, 164, 168, 175, 179, 183, 187, 224, 259, 261, 263, 268, 272, 317, 333, 343, 387, 439
0100020...35, 65, 69, 145, 147, 150, 153, 155, 175, 179, 183, 187, 200, 201, 206, 207, 212, 213, 218, 219, 224, 226, 230, 232, 236, 242, 268, 272, 280, 286, 354, 370, 447, 469, 472, 603, 605, 607, 609, 611, 613, 615, 617, 619, 621, 623	0258728329	0641407.....81, 85, 89, 93, 97, 105, 159, 161, 164, 168, 275, 277, 325	0641611 63, 175, 179, 183, 187, 383
0100035.....261, 441	0259420399	0641408.....128, 132, 136, 269, 273, 405, 439	0641612 200, 206, 212, 218, 224, 230, 236, 242, 268, 272, 385, 635, 637, 639, 641
0100038.....387	027088829	0641409.....145, 153, 156	0641614 47, 65, 67, 69
0100048.....81, 85, 89, 93, 97, 103, 105, 107, 268, 272, 339, 349, 357, 365, 373, 405, 441	027109029	0641410.....37, 145, 147, 153, 155, 164, 168	0641615387
0100062.....69, 164, 168, 200, 206, 212, 218, 224, 230, 236, 242, 282, 288, 362, 370	0271340455	0641412.....175, 179, 183, 187	0641616 149, 345, 349, 354, 357, 366, 374, 387
0100079.....317, 357, 373	0271768781	0641414.....47, 441, 459, 497, 499, 501, 503	064161735
0100081.....128, 132, 136, 397, 487, 489	0272254479	0641416.....603, 605, 607, 609, 611, 613, 615, 617, 619, 621, 623	0641618362, 370
0140011.....441	0272259593	0641418.....47, 401, 409, 413, 419, 421, 423, 425, 431, 433, 435	0641622399
0140044.....103	0272260595	0641420.....268, 272	0641624397, 399
0181949.....35	0272418489	0641506.....81, 85, 89, 93, 97, 116, 120, 123, 149	0641648397
0200048.....497, 499, 501, 503	0272427501	0641507.....401	0641708 200, 206, 212, 218, 224, 230, 236, 242
0200742.....333, 343	0272433601	0641508...39, 41, 69, 115, 119, 123, 128, 132, 136, 153, 155, 175, 180, 183, 187, 268, 272, 333, 335, 339, 343, 405	0641772 333, 335, 339, 343
0232121.....39, 41, 43	0272435 370, 374, 378	0641510.....164, 168	0641806 226, 232, 387
	0272448773	0641512.....164, 168	0641808 153, 155, 175, 179, 183, 187, 191, 193, 195, 197, 268, 272, 275, 277, 345, 349, 353, 357, 361, 365, 369, 373
	0272521477	0641514.....491, 493, 495	0641810 19, 21, 145, 147, 383
	0272588771	0641516.....353, 357, 361, 365, 369, 373, 377	0641812 63, 159, 161, 191, 193, 195, 197, 275, 277, 335
	0272589362, 366	0641518.....200, 206, 212, 218, 224, 230, 236, 242	0641818 69, 323, 329, 331
	0272599769	0641560.....23	0641820 63, 164, 168, 321
	0272725782	0641604.....383, 405	0641840383
	0272733782	0641605.....200, 206, 212, 218, 224, 230, 236, 242, 399	0642010 153, 155, 268, 272
	0273145782	0641606 37, 47, 116, 120, 124, 147, 164, 168, 383, 385, 397, 399, 472, 477, 479, 483	0642012 175, 179, 183, 187, 487, 489
	0273147782	0641607.....19, 21, 65, 67, 69, 128, 132, 136, 268, 272, 335, 385, 387, 397	064203843
	0273149782	0641608.....115, 116, 119, 120, 123, 124, 129, 133, 136, 139, 141, 143, 200, 206, 212,	0642212 15, 17, 487, 489
	0273353472		0642214383
	0273485781		0642620383
	0273687766		065140647
	0273706503		0681608 15, 17, 153, 155, 175, 179, 183, 187, 202, 208, 214, 220, 238, 244, 395
	0273824497		0681620 505, 507, 509, 511, 513
	0274031145		
	0274661495		
	0274883780		
	0275216603, 703		
	0275217607, 705		
	0275452611, 707		
	0275453615, 709		
	0275454619, 711		
	036040643		
	0362770 115, 119, 123		
	040007575, 77		
	0440237389, 391		
	044024459		
	0480100 491, 493, 495		
	0480121333, 343		
	0480126345, 361		
	0480129353, 370		
	0561185387		
	0561295385		
	0630407 200, 206, 212, 218, 224, 230, 236, 242		
	0630427405		
	0630462 497, 499, 501, 503		
	0630467401		
	0630485 128, 132, 136		
	0630518 101, 445, 469, 472, 477, 479, 483		
	0630534525, 527		
	0630535539		
	0630548 81, 85, 89, 93, 97		
	0630568442		
	0630593397		

SECTION 11 - SPECIAL OPTIONS

0681814 427, 437	0760814 236, 242, 280, 286	0940071.....115, 119, 123	1001099837.....397
0681820 200, 206, 212, 218, 224, 230, 236, 242	0760815 236, 242, 280, 286	0940088.....116, 120, 123	1001099869.....343
0681822 23, 202, 208, 214, 220, 224, 230, 236, 242, 427, 437	0760817 293	0940092....497, 499, 501, 503	1001100234.....343
0682016 23	0761008 176, 180, 187, 268, 272	0940094....497, 499, 501, 503	1001100321.....343
0682023 59	0761012 389, 391	0940102..... 487, 489	1001100341..... 703
0682032 59	0761014 280, 286, 331, 395	0940103..... 501	1001100342..... 705
0682216 53	0761015 202, 208, 214, 220, 224, 230, 236, 242, 280, 286, 389, 391	0940133..... 503	1001100345..... 707
0682236 15, 17	0761016 280, 286, 339	0940134..... 497	1001100347..... 709
0682424 505, 507, 509, 511, 513	0761018 377	0940177..... 499	1001100825.....275, 277, 313
0700408 603, 605, 607, 609, 611, 613, 615, 617, 619, 621, 623	0761208 224	0961845....409, 413, 419, 421, 423, 425, 431, 433, 435	1001101191.....603, 605, 607, 609, 611, 613, 615, 617, 619, 621, 623, 653, 655, 657
0700615 111, 113	0761210 200, 206, 212, 218, 224, 230, 236, 242	0961893..... 525, 527	1001101196.....603, 605, 607, 609
0700618 129, 133, 137	0761212 383	0961897..... 539	1001101197.....611, 613, 615, 617, 619, 621, 623
0700624 389, 391	0761216 395	0961947..... 393	1001101421..... 489
0700808 164, 168	0771014 280, 286	0961986....164, 168, 200, 206, 212, 218, 224, 230, 236, 242, 280, 286	1001101422..... 489
0700810 280, 286	0771212 175, 179, 183, 187, 200, 206, 212, 218, 236, 242	0962051..... 329, 331	1001101600.....153, 155
0700812 280, 286	0771414 164, 168, 200, 206, 212, 218, 224, 230, 236, 242	0962102 15, 17, 385, 387, 523, 529, 531	1001101623..... 116
0700814 202, 208, 214, 220, 224, 230, 236, 280, 286	0771415 202, 208, 214, 220, 224, 230, 236, 242, 345, 354, 362, 370	0962122..... 387	1001101673..... 116
0700816 293	0801132 383, 387	0962152..... 21, 535	1001102290..... 659
0700818 293	0801496 387	0962181..... 21	1001102291..... 659
0701014 293	0801594 387	0962270..... 427, 437	1001102304..... 659
0701020 389, 391	0811608 65, 67, 69	0962336..... 525, 527	1001103308.... 81, 85, 89, 93, 97
0701022 238, 244	0811610 128, 132, 136	0962348..... 21	1001103667.... 81, 85, 89, 93, 97, 776
0701025 236, 242	0811612 75, 77	0962449..... 343	1001103810.....19, 21
0701026 295	0811812 115, 119, 123, 128, 132, 136	0962520....345, 349, 353, 357, 362, 365, 370, 373, 377	1001104519..... 721
0710827 293	0860038 354, 357, 365, 369, 373, 377, 593, 595	1001001939 164, 168	1001106450..... 493
0711014 282, 288	0860520 467	1001080707 67	1001106736.... 81, 85, 89, 93, 97
0711020 280, 286	0861538 370, 373, 377	1001091460 25	1001106938.....441, 777
0711215 224, 230	0861572 362, 365	1001091461 25	1001106957.....554, 560
0711216 293	0861642 145, 147	1001091970 607	1001106974..... 63
0711223 282, 288	0861731 613, 617, 621, 623, 707, 709, 711	1001091973 611	1001107469..... 493
0711414 321, 323	0861781 605, 609, 703, 705	1001091974 615	1001107497..... 493
0720804 35	0861880 653, 657	1001091975 619	1001107529..... 63
0721005 501, 503	0902143 115, 119, 123	1001093382 75, 77	1001108256..... 499
0721006 115, 119, 123, 259, 261, 263, 333, 335, 343, 441	0902161 115, 119, 123	1001094400 405, 777	1001108721..... 780
0721008 116, 120, 124	0902219 115, 119, 123	1001094475 781	1001108962..... 781
0731005 497, 499	0902223 115, 119, 123	1001094595 159, 161, 191, 193, 195, 197, 275, 277, 305	1001109503..... 86
0741605 200, 206, 212, 218, 224, 230, 236, 242	0902412 115, 119, 123	1001096141 730	1001109654.....649, 651, 653
0741606 405	0902426 115, 119, 123	1001096736 405	1001109690.....570, 575
0741607 345, 349, 354, 357, 365, 373, 377	0902491 115, 119, 123	1001097051 635, 637, 639, 641, 717	1001110166.....128, 132, 136
0741609 21	0902888 353, 357, 361, 365, 369, 373, 377	1001097082 635, 637, 639, 641	1001110425 47, 147, 153, 156, 175, 179, 183, 187
0760605 200, 206, 212, 218, 224, 230, 236, 242, 291	0903088 145, 147	1001097150 653	1001110434..... 441
0760606 378	0903242 63	1001097244 515	1001110872.....625, 627
0760608 280, 286	0903308 115	1001098012 469, 472, 475	1001110873.....354, 358, 369, 373, 378, 593
0760610 280, 286, 293, 339, 377	0903697 649	1001098122 447, 701	1001110974..... 781
0760612 280, 286	0940049 115, 119, 123, 128, 132, 136	1001098149 469	1001111514..... 69
0760615 293	0940070 164, 168, 200, 206, 212, 218, 224, 230, 236, 242, 282, 288	1001098167 519	1001112551..... 734
0760807 291		1001098828 395	1001112588..... 333
0760810 200, 206, 212, 218, 224, 230, 236, 242, 268, 272, 280, 286, 395		1001099121 116	1001112589.....333, 343
0760812 280, 286, 633		1001099137 115	1001112612.....631, 697
		1001099138 115, 116	1001112796..... 631
		1001099366 487, 489	1001113047.....128, 132, 136
		1001099367 487, 489	1001113961..... 697

SECTION 11 - SPECIAL OPTIONS

1001115387	369	1001120962	129, 133, 137	1001138113	663	1001141370	201, 207, 213, 219, 225, 231, 237, 243
1001115389	361	1001120989	767	1001138173	201, 207, 213, 219, 225, 231, 237, 243, 281, 287	1001141419	201, 213, 225, 231, 238
1001115405	333	1001121122	136	1001138175	201, 207, 213, 219, 225, 231, 238, 244, 281, 287	1001141421	373
1001115409	343	1001121123	136	1001138228	201, 207, 213, 219, 225, 231, 237, 243, 777	1001141422	365
1001115918	780	1001125125	641	1001138248	201, 207, 213, 219, 225, 231, 237, 243, 281, 287	1001141585	201, 207, 213, 219, 225, 231, 237, 243, 281, 287
1001116208	767	1001125127	641	1001138489	201, 207, 214, 220, 225, 231, 238, 244	1001141586	201, 213, 225, 231, 237
1001116290	129, 133, 137	1001125387	767	1001138491	175, 179, 183, 187, 673	1001141718	263
1001116456	139	1001125492	53	1001138494	413, 419, 421, 423, 425, 431, 433, 435	1001141870	259, 261
1001116457	143	1001126009	719	1001138514	413, 419, 421, 425, 431, 435	1001141995	201, 207, 213, 219, 226, 231, 237, 243, 281, 287
1001116692	647	1001126351	663, 668	1001138557	201, 207, 213, 219, 225, 231, 237, 243	1001142031	325, 327
1001116693	661, 671	1001126352	663	1001138565	345	1001142032	325, 327
1001116710	673	1001126356	663	1001138566	345, 349, 353, 358	1001142501	175, 179, 183, 259, 261, 263
1001116727	663, 681, 683	1001126357	663	1001138671	383	1001142623	201, 213, 226, 231, 237
1001116728	663	1001126362	664, 667	1001138773	781	1001142643	349, 358, 366, 374
1001116733	681	1001126363	664, 667	1001138795	525, 527	1001142645	349, 366
1001116734	681	1001126364	664, 667	1001138827	201, 207, 213, 219, 226, 232	1001142646	358, 374
1001116748	635, 637, 639, 641	1001126365	664	1001139099	781	1001142683	111, 113
1001116774	631	1001126384	663	1001139135	441, 647	1001142722	111, 113
1001116808	631	1001126391	664, 667	1001139240	201, 207, 213, 219, 225, 231, 237, 243	1001142736	111, 113, 631
1001116812	667, 697	1001126392	664, 667	1001139357	346, 353	1001142938	663, 667
1001116815	668, 697	1001126485	667	1001139409	201, 207, 213, 219, 225, 231, 237, 243	1001142940	664, 667
1001116952	663, 668	1001126487	667	1001139654	767	1001142941	664, 667
1001116983	673	1001127094	767	1001139952	353	1001143390	165, 169, 202, 207, 213, 219, 226, 231, 237, 243
1001117078	691	1001128527	483	1001140312	214, 220	1001143449	325, 327
1001117106	663, 668	1001128556	483	1001140346	357	1001143483	327
1001117107	663, 668	1001128901	281, 287	1001140347	349	1001143484	325
1001117140	120, 124	1001129858	353	1001140429	409, 413, 419, 421, 423, 425, 431, 433, 435	1001143525	325, 327
1001117172	447	1001131168	730	1001140448	201, 207, 213, 219, 225, 231, 238, 244	1001143607	119, 120
1001117174	441, 447, 777	1001131269	730	1001140450	201, 207, 213, 219, 225, 231, 238, 244	1001143609	119
1001117219	129, 133, 137	1001133714	664, 667, 675	1001140454	201, 207, 213, 219, 225, 231, 238, 244	1001143611	120
1001117234	128, 132, 136	1001133715	664, 667, 675	1001140564	201, 207, 213, 219, 226, 232	1001143726	202, 207, 214, 219, 237, 243, 663
1001117249	128, 132	1001133956	663, 668	1001141300	767	1001143736	175, 179, 183, 187
1001117294	781	1001133957	663, 668	1001141302	767	1001143797	202, 208, 214, 219, 226, 231, 237, 243
1001117307	128, 132, 136	1001134289	389, 391, 393	1001141304	767	1001143852	767
1001117308	201, 207, 213, 219, 225, 231, 237, 243, 776	1001134488	201, 207, 213, 219, 226, 232, 281, 288	1001141304	201, 207, 213, 219, 225, 231, 238, 244	1001143858	119, 124
1001117372	519	1001135138	201, 207, 213, 219, 225, 231, 237, 243	1001141304	201, 207, 213, 219, 225, 231, 237, 243	1001143860	325
1001117598	128, 132, 136	1001135650	664, 667, 675	1001141304	201, 207, 213, 219, 225, 231, 238, 244	1001143907	202, 208, 214, 219, 226, 231, 237, 243
1001118133	69	1001135651	664, 667	1001141304	201, 207, 213, 219, 225, 231, 238, 244	1001144433	459
1001118384	719	1001135679	201, 207, 213, 219, 237	1001141304	201, 207, 213, 219, 225, 231, 237, 243	1001144438	147
1001118388	719	1001136104	377	1001141304	201, 207, 213, 219, 225, 231, 237, 243	1001144447	141
1001118666	383, 385	1001136358	571, 574	1001141304	201, 207, 213, 219, 225, 231, 237, 243	1001144629	411, 415, 417, 423, 429, 433
1001119020	631, 697, 701	1001136400	397	1001141304	201, 207, 213, 219, 225, 231, 237, 243	1001145154	202, 208, 214, 220, 226, 231, 238, 244
1001119563	780	1001136834	201, 207, 213, 219, 225, 231, 237, 243	1001137005	783	1001145405	469, 472
1001119602	571, 575	1001136881	570, 574	1001137276	201, 207, 213, 219, 225, 231, 237, 243		
1001119619	715	1001137005	783	1001137336	277		
1001119620	713, 717	1001137276	201, 207, 213, 219, 225, 231, 237, 243	1001137440	782		
1001119939	780	1001137460	75, 77, 79	1001137460	75, 77, 79		
1001119947	780	1001137672	782	1001137672	782		
1001119968	365, 373, 691	1001137673	459, 776	1001138110	663		
1001120328	459, 461, 463	1001138110	663	1001138111	663		
1001120471	515	1001138111	663				
1001120477	515						
1001120484	515						

SECTION 11 - SPECIAL OPTIONS

1001146273 164, 168	1001152532 346, 350, 354, 358, 677	1001157209 129, 133, 137	1001165368 345, 350, 657
1001146588 184, 225, 232	1001152566 120	1001157400 543	1001165657 19, 21
1001147264 663, 668	1001152719 15	1001157520 362, 370, 374, 378	1001165776... 90, 94, 661
1001147812 164, 168	1001152965 781	1001157521 362, 366, 370, 374, 378	1001165842 202, 214, 226, 231, 238
1001147813 164, 168	1001153197 346, 353, 683	1001157525 361, 362, 365, 366	1001166538 442, 449, 776
1001147820 164, 168	1001153259 350, 358, 685	1001157528 362, 366, 370, 374, 378	1001166539 442, 451, 776
1001147823 164, 168, 171	1001153282 165, 169, 202, 206, 214, 220, 225, 237, 243, 301	1001157592 369, 370, 374, 378	1001166806 41
1001148138 335	1001153359 175, 179, 183, 187, 268, 273	1001157612 128, 132, 136	1001167042 202, 208, 214, 220, 226, 231, 238, 243
1001148652 385	1001153396 159, 164	1001157726 128, 132, 136	1001167565 395
1001148675 625, 627	1001153414 165, 169	1001157769 362, 371	1001167567 395
1001148841 675	1001153435 120	1001157867 128, 132, 136	1001167596 395
1001148842 675	1001153713 82, 86, 659	1001158007 362, 366, 370, 374, 378	1001167632 667
1001148902 781	1001153749 405	1001158008 362, 366, 370, 374, 378	1001167635 667
1001148903 781	1001153779 161, 168	1001158077 128, 132, 137	1001168018 281, 287
1001148904 781	1001154126 519	1001158167 139	1001168402 395
1001148905 781	1001154231 781	1001158175 128, 132, 137	1001169054 202, 208, 214, 220, 226, 232, 238, 243, 281, 287
1001148906 781	1001154236 153, 159	1001158187 37	1001169754 31
1001148971 781	1001154237 155, 161	1001158188 37	1001169755 31
1001149160 291	1001154238 153	1001158203 37	1001169756 31
1001149410 571, 575	1001154405 175, 179, 183, 259, 261, 263, 319	1001158258 39	1001169967 281, 287
1001149639 281, 287	1001154584 15	1001158259 780	1001170035 281, 287
1001149673 120, 124	1001154687 519	1001158364 103	1001170764 667
1001149703 321	1001154875 17	1001158522 39, 41	1001170808 81, 85, 89, 94, 97, 723
1001149704 164, 168	1001154931 21	1001159118 625, 627	1001170847 405
1001149705 164, 168	1001155035 21	1001159119 625, 627	1001171016 649
1001149706 164, 168	1001155041 339	1001159120 625, 627	1001171125 357
1001149793 165, 169	1001155043 81, 85, 89, 93, 97	1001159121 627	1001171131 625
1001149908 309	1001155044 81, 85, 89, 93, 97, 442	1001159186 697	1001171403 664
1001149994 109, 111, 113	1001155045 81, 85, 89, 93, 97, 442, 776	1001159256 442, 776	1001171482 94
1001150260 115, 119, 124, 128, 132, 136	1001155143 153, 155	1001159323 766	1001172577 487
1001150372 19, 21	1001155192 21	1001159340 559, 566	1001172578 487
1001150406 109	1001155194 17	1001159707 571, 575	1001172760 442
1001150539 19, 21, 535	1001155673 571, 575	1001160077 109	1001173535 282, 288
1001150561 139	1001155823 175, 179, 183, 187	1001160272 597	1001173590 82, 86, 90, 98
1001150890 323	1001155895 128, 132, 136	1001160780 39, 41	1001173703 767
1001150915 165, 169	1001155899 128, 132, 136	1001161089 128, 132, 137	1001173876 132
1001150918 155, 180, 272	1001156107 226, 232	1001161355 19, 21	1001173878 141
1001150937 19, 21	1001156136 53	1001161399 19, 21	1001173897 65
1001150998 165, 169	1001156172 781	1001162335 208, 220, 259	1001174040 395
1001151010 35	1001156188 128	1001162497 153, 156, 175, 179, 183, 187, 268, 273	1001174277 133
1001151034 19	1001156190 65, 67, 69	1001162546 782	1001174408 129, 137
1001151070 153, 155	1001156332 548, 554, 560, 566	1001162915 133	1001174486 268, 273
1001151252 323	1001156333 548, 554, 560, 566	1001163101 141	1001174745 325, 327
1001151253 321	1001156693 639	1001163131 489	1001174746 327
1001151354 548, 554, 560, 566	1001156695 639	1001163599 335, 349, 358, 365, 373	1001176027 191, 200, 206
1001151856 664	1001156710 15, 17	1001164786 781	1001176035 193, 212, 218
1001151980 19	1001156798 61	1001165035 175, 179, 183, 187, 282, 286	1001176329 281, 287
1001152173 81, 89, 97	1001157013 782	1001165350 389, 391	1001176419 226
1001152175 81, 85, 89, 93, 97	1001157016 23		1001176469 86, 94
1001152429 362, 371, 687	1001157049 59		1001176862 625
1001152457 353, 358	1001157058 59		
1001152459 165, 169	1001157208 129, 137		
1001152483 655			
1001152489 202, 208, 214, 220, 226, 231, 237, 243			
1001152520 366			
1001152525 362, 366, 370, 374, 378			

SECTION 11 - SPECIAL OPTIONS

1001177035 346, 350, 651	1001185667 175, 191	1001196768 129, 133, 137	1001209432 633
1001177359 202, 208, 214, 220, 226, 232, 238, 244	1001185670 175	1001197017 497, 499, 501, 503	1001209474 633
1001177694 781	1001185671 179, 193	1001197408 767	1001209632 781
1001177710 651	1001185672 179	1001197719 667	1001209664 459
1001177844 202, 208, 214, 220, 226, 232, 238, 243	1001186251 128, 132, 137	1001198333 548, 553	1001209982 33
1001177845 202, 208, 214, 220, 226, 232, 238, 243	1001186254 129, 133, 137	1001198336 543	1001210025 782
1001178057 65, 67, 69, 71	1001186333 427	1001198338 547, 553, 559, 565	1001210026 782
1001178174 65	1001186334 437	1001198339 543	1001210448 293, 297
1001178175 69	1001186375 413	1001198340 547, 553, 560, 565	1001210636 515
1001178178 155	1001186378 419	1001199394 547, 553, 559, 565	1001211582 406
1001178204 547	1001186379 421	1001199488 782	1001211588 405
1001178205 553	1001186382 431	1001199733 317	1001211794 291, 293
1001178207 780	1001186383 429	1001200054 401	1001212223 365, 373
1001178208 780	1001186384 417	1001200120 767	1001213447 701
1001178223 202, 208, 214, 220, 226, 232, 238, 244	1001186385 415	1001200121 767	1001213584 593, 595, 599, 629, 651
1001178797 319	1001186387 411	1001200122 767	1001213585 593, 595, 599, 629, 651
1001178876 202, 208, 214, 220	1001186426 281, 287	1001200124 767	1001213705 383
1001179040 67	1001186431 459, 782	1001200125 767	1001213810 291
1001179079 570, 575	1001186432 719, 721	1001200126 767	1001213882 442
1001179154 370, 374, 378	1001186517 459	1001200127 767	1001214030 767
1001179329 570, 574	1001186985 202, 208, 214, 220, 226, 232, 238, 244	1001200491 395	1001214552 782
1001179837 335	1001187674 457	1001200494 395	1001214561 782
1001179912 345	1001187681 715	1001200497 405, 697	1001214562 782
1001180001 335	1001187781 280, 286	1001200700 781	1001214570 633
1001180052 336	1001188042 85	1001200910 111	1001214571 633
1001180218 349	1001188135 548, 554, 560, 566	1001201351 395	1001214827 293
1001180287 335	1001188622 395	1001202280 317	1001215016 671
1001180620 202, 208, 214, 220, 226, 232, 238, 243, 281, 287	1001188842 539	1001202281 317, 777	1001215091 671
1001180861 767	1001188844 395	1001202368 201, 207, 213, 219, 226, 232, 238	1001215228 442
1001181045 653, 657, 777	1001188874 81, 85, 89, 94, 97	1001202687 395	1001215289 571, 574
1001181243 336	1001188884 317	1001202749 781	1001215296 547, 553, 559, 565
1001181895 214, 220	1001188887 317	1001203655 427	1001215384 293
1001181899 202, 208, 212, 218, 226, 232, 238, 243	1001188972 155, 180, 273	1001203656 437	1001215534 671
1001181923 635, 637, 639, 641	1001189001 395	1001204269 554, 560	1001215681 281, 287
1001182162 571, 575	1001189002 395	1001204325 202, 208, 214, 220, 226, 232, 238, 244	1001215681 281, 287
1001182361 668	1001189171 655	1001204560 15, 17, 519	1001215974 281, 287
1001182365 668	1001189172 655	1001204667 317	1001216015 335
1001182570 405	1001189979 282, 287	1001204715 405	1001216065 291, 293
1001182599 781	1001190610 202, 208, 214, 220, 226, 232, 238, 244	1001204725 395	1001216071 293
1001182806 105	1001190888 782	1001204939 405	1001216075 281, 287
1001182997 65, 67, 69	1001190985 395	1001205690 629, 655	1001216092 281, 287
1001183226 571, 575	1001191395 781	1001205958 611, 613, 615, 617, 619, 621	1001216144 293
1001184569 781	1001191525 767	1001206250 613	1001216201 281, 287
1001184618 734, 738, 742, 746, 750, 754, 758, 762	1001191598 697	1001206251 617	1001216212 671
1001184626 439	1001191599 257	1001206252 621	1001216213 671
1001184682 107	1001191610 281, 287	1001206253 605	1001216220 309
1001185281 442	1001191620 184, 226, 232	1001206254 609	1001216230 98, 671
	1001192027 383	1001206255 623	1001216300 295
	1001193018 603, 605, 607, 609, 611, 613, 615, 617, 619, 621, 623	1001206311 782	1001216390 378
	1001195304 781	1001206476 633	1001216391 340
	1001195533 781	1001206477 782	1001216393 287
	1001195967 325	1001207004 113	1001216531 282, 288
	1001196382 378	1001207558 115, 119, 124	1001216532 275, 277
	1001196634 265	1001207969 401	1001216534 275, 277
		1001208994 395, 401	1001216535 275, 277
		1001209059 782	1001216568 268, 273
			1001216619 295
			1001216630 395
			1001216768 291
			1001216769 291
			1001216910 281, 287, 291
			1001216919 281, 287
			1001216995 287
			1001217005 111

SECTION 11 - SPECIAL OPTIONS

1001217032 281, 287	1001221212 187, 238, 243	1001228215 409	1001234811 389, 391, 393
1001217046 281, 287	1001221219 238, 243	1001228224 457	1001235011 461
1001217090 281, 287	1001221397 313	1001228225 457	1001235013 461
1001217170 275, 277	1001221464 275	1001228243 433	1001235585 758
1001217174 281, 287	1001221488 268, 272	1001228375 435	1001235860 183
1001217175 281, 287	1001221498 378	1001228376 423	1001235861 184, 195
1001217183 281, 287	1001221545 293	1001228377 425	1001235862 195, 224, 230
1001217185 281, 287	1001221615 282, 288	1001228949 780	1001235949 184, 232, 261
1001217186 281, 287	1001222033 282, 288	1001228988 483, 485, 771, 773	1001236089 445
1001217191 275, 280	1001222641 293	1001229080 629	1001236092 101
1001217192 269, 275	1001222817 319	1001229107 780	1001236303 77
1001217195 565	1001223042 281, 287	1001229341 457	1001236304 633
1001217196 559	1001223055 730	1001229530 697	1001236334 311
1001217199 268	1001223453 730, 750	1001229542 201, 207, 213, 219, 226, 232	1001236335 311
1001217317 281, 287	1001223459 664, 667	1001229762 780	1001236386 123
1001217477 313	1001223584 280, 286	1001229810 53, 56	1001236387 124
1001217478 313	1001223591 238, 244, 255	1001230032 319	1001236389 124
1001217543 281, 287	1001223923 281, 287	1001230635 201, 207, 213, 219, 226, 232, 238, 244	1001236504 633
1001218022 781	1001223971 750	1001230931 635, 637, 639, 641	1001236505 633
1001218085 275, 277	1001224048 758	1001230934 668	1001236552 461, 463
1001218089 313	1001224049 762	1001230935 668	1001236746 511
1001218362 281, 288	1001224050 746	1001230936 668	1001236747 507
1001218449 281, 288	1001224052 738	1001231180 485	1001236871 124
1001218547 331	1001224053 754	1001231880 485	1001236891 505, 507, 509, 511, 513
1001218572 75, 77	1001224486 282, 288	1001231883 485	1001236895 505, 507, 509, 511, 513
1001218622 601	1001224489 282, 288	1001231886 105	1001236951 781
1001218623 601	1001224936 238, 244	1001231888 65, 67	1001237023 94
1001218930 378	1001224937 238, 244	1001231949 511	1001237026 94
1001219219 23, 25	1001224940 238, 244	1001231950 507, 513	1001237142 383
1001219259 281, 288	1001225346 633	1001232010 507, 509, 511, 513	1001237667 697, 701
1001219345 281, 288	1001225430 255, 777	1001232011 507, 511, 513	1001237668 697, 701
1001219361 281, 288	1001225432 256, 777	1001232164 457	1001237731 93
1001219363 281, 288	1001225442 281, 287	1001232165 457	1001237862 713, 717
1001219364 269, 273	1001225510 282, 288	1001232642 461, 463	1001237863 457, 717
1001219365 269, 273	1001225580 459, 721	1001232650 461	1001237865 457, 715
1001219366 269, 273	1001225745 159, 161, 191, 193, 195, 197, 275, 277, 303	1001232667 461, 463	1001237882 781
1001219367 269, 273	1001226285 263	1001232842 265	1001237883 781
1001219368 269, 273	1001226400 643, 645	1001232844 226, 232, 251	1001237949 383
1001219369 269, 273	1001226531 633	1001233047 780	1001238169 389, 391
1001219370 269, 273	1001226872 409	1001233089 237, 243	1001238263 505, 507, 509, 511, 513
1001219480 281, 288	1001226923 319	1001233237 780	1001238268 226, 232
1001219608 277, 286	1001227224 187, 263	1001233763 180, 265	1001238319 457
1001219609 273, 277	1001227359 635, 637, 639, 641	1001234425 730	1001238331 383, 389, 391
1001219610 272	1001227448 780	1001234426 730	1001238333 389, 391
1001219611 281, 288	1001227488 635, 637, 639, 641, 643	1001234428 754	1001238398 389, 391
1001219612 281, 288	1001227614 197, 236, 242	1001234429 754	1001238418 461, 463, 719
1001219613 281, 288	1001227615 187, 197	1001234430 758	1001238421 395
1001219618 377	1001227616 187	1001234431 762	1001238463 513
1001219619 339	1001227620 187	1001234432 762	1001238472 461, 463
1001219630 340	1001227633 457	1001234433 750	1001238477 461
1001219632 340	1001227634 457	1001234434 750	1001238495 459
1001219633 781	1001227666 282, 288	1001234435 746	1001238559 461, 463
1001219639 269, 273	1001227667 282, 288	1001234436 746	1001238672 445
1001219809 269, 273	1001227769 291	1001234437 738	1001238674 101
1001219840 780	1001227772 293	1001234438 738	1001238732 101, 445
1001219881 331	1001227985 457	1001234439 734, 742	1001238824 461
1001220002 137	1001227987 457	1001234588 629	1001238878 226, 232, 667
1001220007 137	1001227996 713, 717	1001234800 667	
1001220141 313	1001228086 387, 539		
1001220189 143	1001228170 47, 49		
1001220190 136			
1001220379 663			
1001220404 295			
1001220510 767			
1001220511 767			
1001220512 767			
1001220864 767			
1001221203 238, 244			

SECTION 11 - SPECIAL OPTIONS

1001239202	667	1001250466	782	1001258953	783	1001266499	244
1001239347	107	1001250531	405	1001259466	571, 575	1001266525	208, 220, 243
1001239462	77	1001250535	383	1001259467	571, 575	1001266807	782
1001239470	75	1001250595	782	1001259468	571, 575	1001267256	207, 219, 244
1001241385	105	1001250643	67	1001259470	571, 575	1001267312	730, 734, 738, 742, 746, 750, 754, 758, 762
1001241403	101, 445	1001250737	385	1001260277	47, 401	1001267678	73
1001241413	781	1001251009	383, 531	1001260412	202, 208, 214, 220, 232, 238, 244	1001270068	543
1001241415	781	1001251010	383, 529	1001260413	202, 208, 214, 220, 232, 238, 244	1001270069	547, 553, 559, 565
1001241547	782	1001251041	383, 523	1001260432	224, 230	1001270073	553, 560
1001241548	782	1001251087	385, 537	1001260858	780	1001270090	548, 554, 560, 566
1001241774	781	1001252033	782	1001260886	780	1001270091	548, 554, 560, 566
1001241776	781	1001252034	782	1001260957	766	1001270096	566
1001241965	461, 463	1001252315	383	1001260958	742	1001270097	575
1001242255	111	1001252527	668	1001260959	734	1001270099	124
1001242256	113	1001252627	769	1001260960	754	1001270630	547
1001242409	780	1001252629	505, 507, 509, 511, 513	1001260962	738	1001290021	115, 119, 123
1001243183	780	1001252946	491	1001260963	746	1001290252	281
1001243184	780	1001252947	491	1001260964	750	1060341	497, 499, 501, 503
1001243263	81, 85, 89, 94, 97, 697	1001253375	721	1001260965	762	1060343	370, 374, 378
1001243414	129, 133, 137	1001253618	782	1001260966	758	1060379	485, 491, 493, 495
1001243567	86	1001253619	782	1001260967	730	1060545	655, 657
1001243568	82, 90, 97	1001253658	397	1001260968	742	1060626	155, 179, 272
1001243645	33	1001253677	401, 403	1001260969	730, 734, 738, 746, 750, 754, 758, 762	1060637	153, 155, 191, 193, 195, 197, 275, 277
1001243682	105, 107, 725	1001253724	397	1001260970	780	1060903	497, 499, 501, 503
1001243723	439, 441	1001253789	405	1001261045	224, 230	1060908	653
1001243748	439	1001253880	397	1001261085	224, 230	1060918	447
1001243895	265	1001254317	397	1001261272	399	1062255	184, 226
1001243984	441, 701	1001254472	463	1001261274	399	10702077	362, 366, 370, 374, 378
1001244212	766	1001254473	463	1001261335	505	10702082	362, 366, 370, 374, 378
1001244482	89	1001254632	397	1001261336	509	1120510	383
1001244486	81	1001254846	571, 575	1001261338	505	1120555	487, 489
1001244488	85	1001254847	571, 575	1001261339	509	1120601	116, 120, 123, 128, 132, 136
1001244493	97	1001254879	570, 574	1001262016	782	1180346	399
1001244509	33	1001255133	395	1001262102	766	1260017	39, 41, 61
1001245913	226, 232, 675	1001255320	383, 521	1001262103	766	1260135	43
1001246142	780	1001255321	383, 533	1001262104	766	1320011	187
1001246473	780	1001255807	780	1001262105	766	1320016	164, 168
1001246474	780	1001255880	405	1001262240	766	1320022	153, 155, 317
1001247013	187	1001255882	406	1001262241	766	1320061	175, 180, 183, 187
1001247073	782	1001256059	571, 575	1001262242	766	1320110	280, 286
1001247358	35	1001256267	383	1001262243	766	1320127	35
1001247359	282, 288	1001256506	664	1001262244	766	1320176	153, 155
1001247453	405	1001256879	184	1001262245	766	1320177	469, 472
1001247468	395	1001256906	766	1001262246	766	1320220	35
1001247846	385	1001257271	505, 509	1001262247	766	1320223	69, 164, 168
1001247847	385	1001257274	505	1001262248	766	1320224	153, 156
1001247848	383, 385	1001257278	238, 244	1001262249	766	1320250	399
1001248140	505, 507, 509, 511, 513	1001257283	315	1001262250	766	1320256	635, 637, 639, 641
1001248141	505, 507, 509, 511, 513	1001257397	383	1001262251	766	1320288	397
1001249052	782	1001257412	238, 244	1001262959	783		
1001249695	780	1001257561	781	1001263022	766		
1001249824	397	1001257902	635, 637	1001263612	405		
1001249941	780	1001257903	641	1001263800	525, 527		
1001249942	201, 207, 213, 219, 247	1001257904	639	1001263923	659, 723		
1001250292	129, 133, 137	1001257972	378, 689	1001263941	730, 734, 738, 742, 746, 750, 754, 758, 762		
1001250293	128, 132, 136	1001258707	635, 637, 639, 641	1001264148	780		
1001250384	397	1001258710	635, 637, 639, 641	1001264254	780		
1001250465	782	1001258711	635, 637, 639, 641	1001264302	389, 525		
		1001258800	225, 231	1001264991	391, 527		
				1001265163	515		
				1001265342	515		
				1001265676	671		
				1001266056	782		
				1001266098	781		
				1001266489	782		

SECTION 11 - SPECIAL OPTIONS

1320289397	1703804730	1705387.....354, 357, 371, 375, 378	2130604 547, 553, 559, 565
1320302472, 477, 479, 483	1703805730	1705426.....754	2130606 547, 553, 559, 565
1320318345, 349, 353, 357, 361, 365, 369, 373	1703811 730, 734, 738, 742, 746, 750, 754, 758, 762	1705427.....758	2130808 547, 553, 559, 565
1321283268, 272	1703814 730, 734, 738, 742, 746, 750, 754, 758, 762	1705429.....750	2131616 547, 553, 559, 565
1321339 153, 155, 175, 180, 183, 187, 268, 272	1703923762	1705460.....362, 366, 370, 375, 378	2150406 547, 553, 559, 565
1321384 116, 120, 124	1703924750	1705461.....362, 366	2151616 547, 553, 559, 565
1380147 329, 331	1703925746	1705489.....345, 349, 362, 366	2170408 547, 553, 559, 565
1580012465	1703926754	1705490.....769	2170504 547, 553, 559, 565
1580013782	1703927758	1705822.....734, 742	2170506559, 565
1600244782	1703928762	1705828.....734, 742	2170706559, 565
1670603623	1703929750	1705836.....766	2180348 153, 155, 282, 288, 317
1670842 115, 119, 123, 128, 132, 136	1703930746	1705837.....766	218038735
1670844383	1703931754	1705886.....767	218038835
1670850383	1703932758	1705895.....738	218038935
1671034 389, 391	1703933750	1705896.....738	2180418 35, 268, 272, 282, 288
1671092370, 374, 378, 597	1703934750	1705897.....738	2180467280, 286
1671093 472, 479, 597	1703935762	1705898.....738	2180832 175, 179, 183, 187, 469, 472
1671228 115, 116, 119, 120, 123, 124	1703936750	1705902.....738	220022265
1671230116	1703937746	1705905.....738	220023369
1671231 116, 120, 124	1703938754	1705917762	2220237 547, 553, 559, 565
1671232 116, 120, 124	1703939758	1705921734, 742	2220238 547, 553, 559, 565
1671233115	1703940750	1705961734, 742	2220252145, 147
1700818766	1703941754	1705967738, 766	2220261 35, 282, 288
1701499 730, 734, 738, 742, 746, 750, 754, 758, 762	1703942750	1705968746, 766	2220313 153, 155, 175, 179, 183, 187
1701501 730, 734, 738, 742, 746, 750, 754, 758, 762	1703943738, 746, 762	1705969.....758, 766	2220315 200, 206, 212, 218, 224, 230, 236, 242
1701505 153, 155, 175, 179, 183, 187, 766	1703944754	1705977.....734, 738, 742, 746, 750, 754, 758, 762	2220362571, 574
1701509487, 489, 730, 734, 738, 742, 746, 750, 754, 758, 762	1703945758	1705980767	2220371 547, 553, 559, 565, 570, 574
1701518 734, 742	1703946762	1706059.....767	2220373 547, 553, 559, 565, 570, 574
1701542268, 272, 766	1703947762	1706060.....767	2220374 547, 553, 559, 565
1701543268, 272, 766	1703948750	1706061.....767	2220375 547, 553, 559, 565
1702565441	1703949746	1706062.....767	2220377570, 574
1702566441	1703950754	1706063.....767	2220380 547, 553, 559, 565
1702567441	1703951758	1706064.....767	2220381570, 574
1702720766	1703952730	1706065.....767	2220415570, 574
1702773427, 437, 766	1703953730	1706066.....767	222041835
1702774766	1703954738, 742, 746, 750, 754, 758, 762	1706067.....767	2220451 164, 168, 547, 553, 559, 565, 571, 574
1702788766	1703955730	1706068.....559, 565	2220466 547, 553, 559, 565, 570, 574
1702861766	1703956738, 742, 746, 750, 754, 758, 762	1706069.....767	2220468 547, 553, 559, 565, 571, 574
1702868483, 485, 730, 766, 769, 773	1703957730	1706385.....427, 437	2220472570, 574
1702938497, 499, 501, 503	1703958489	1706510.....495	2220473 547, 553, 559, 565, 570, 574
1702941 155, 179, 272	1703959 730, 734, 738, 742, 746, 750, 754, 758, 762	1706957.....41	2220478570, 574
1702942 155, 179, 272	1704012 730, 734, 738, 742, 746, 750, 754, 758, 762	1706960.....41	2220490570, 574
1702943 155, 179, 272	1704013766	2030010....469, 472, 477, 479, 483	2220500570, 574
1702944 155, 179, 272	1704014441	2060025.....164, 168	
1703162 164, 168, 200, 206, 212, 218, 224, 230, 236, 242, 280, 286	1704260441	2080040....128, 132, 136, 411, 415, 417, 423, 429, 433	
1703479766	1704271766	2080072.....128, 132, 136	
1703482 730, 734, 738, 742, 746, 750, 754, 758, 762	1704277 730, 734, 738, 742, 746, 750, 754, 758, 762	2110404....543, 547, 553, 559, 565	
1703797730	1704412 730, 734, 738, 742, 746, 750, 754, 758, 762	2110406....547, 553, 559, 565	
	170457839	2110408.....543	
	1704885766	2110606....543, 547, 553, 559, 565	
	1704972767	2110608.....559, 565	
	1705014427, 437	2110808....547, 553, 559, 565	
	170509039	2110812....547, 553, 559, 565	
	1705305 483, 485, 769, 771, 773	2111616....547, 553, 559, 565	
	1705325603, 605	2120209.....47	
	1705336730	2120210.....47, 776	
	1705344754	2130406....547, 553, 559, 565	
	1705347750		
	1705348746		
	1705351730		
	1705355771, 773		
	1705358489		
	1705368767		
	1705374 354, 357, 625, 627		
	1705375 371, 375, 378, 483, 773		

SECTION 11 - SPECIAL OPTIONS

2220501.....570, 574	2720058 153, 155, 282, 286, 317	2753970.....548, 566	3251813.....767
2220577.....570, 574	2720144.....35	2753971.....547, 553, 559, 565	3252347.....730
2220578.....547, 553, 559, 565	2720160.....469, 472	2754337.....547, 553, 559, 565	3252507.....343
2220582.....547, 553, 559, 565, 570, 574	2720340 200, 206, 212, 218, 224, 230, 236, 242	2754338.....547, 553, 560, 565	3252764 361, 365, 369, 373, 377
2220593.....570, 574	2720398164, 168	2754512.....548, 566	3271601124, 397
2220596.....547, 553, 559, 565, 570, 574	2720545145, 147	2754720.....553, 560	3271605 397, 505, 507, 509, 511, 513
2220600.....570, 574	2750532 153, 155, 176, 180, 183, 187	2754743.....553, 560	3271801 200, 206, 212, 218, 224, 230, 236, 242
2220603.....570, 574	2751399 548, 554, 560, 566	2792700.....41	3271805 63, 427, 437
2220605.....570, 574	2751500 548, 554, 560, 566	2820019.....679	3272001 505, 507, 509, 511, 513
2220671.....547, 553, 559, 565	2752434 548, 554, 560, 566, 571, 575	2820031.....333, 335, 339, 343, 345, 349, 353, 357, 362, 365, 370, 373, 377, 643	3290405 268, 272, 515, 603, 605, 607, 609, 611, 613, 615, 617, 619, 621, 623
2220726.....571, 574	2752461570, 575	2820035.....265	3290505 268, 272, 343
2220737.....570, 574	2752468571, 575	2820118.....643, 645	3290601 129, 133, 137, 280, 286, 293, 339, 377
2220750.....145, 147	2752484570, 574	2820233.....116	3290605 280, 286, 469, 472
2220765.....570, 574	2752489 548, 554, 560, 566	2820234.....116	3290606 413, 419, 421, 425, 431, 435
2220800.....547, 553, 559, 565	2752494570, 575	2820235.....116	3290607 111, 113, 280, 286
2220816.....317, 319	2752495 548, 554, 560, 566	2820247.....713, 717	3290801 236, 242, 268, 272, 280, 286
2220852.....570, 574	2752723570, 575	2840016.....329, 331	3290805 280, 286, 633
2220883.....27, 403, 519, 521, 523, 525, 529, 531, 537, 539	2752754 548, 554, 560, 566	2860012.....333	3290806395
2220885.....519, 525, 533, 539	2752766571, 575	2860030.....81, 85, 89, 93, 97, 776	3291001 280, 286, 395
2220886.....27, 523, 529, 531, 537, 539	2752767570, 574	2900708.....47	3291005 202, 208, 214, 220, 224, 230, 236, 242, 280, 286, 389, 391, 395
222088827	2752768570, 574	2900756.....23	3291007331
2220899.....571, 574	2752930571, 575	2900792.....521, 523, 525, 527, 529, 531	3291201 280, 286, 340, 377, 395
2220940.....547, 553, 559, 565	2752938 548, 554, 560, 566	2902212.....487, 489	3291205395
2220947.....570, 574	2752978571, 575	2902217.....472, 477, 479	330000723
2220950.....570, 574	2752995571, 574	2902396.....780	3300151 409, 413, 419, 421, 423, 425, 431, 433, 435, 472, 477, 479, 483
2221024.....35	2752997 548, 554, 560, 566	2902443.....659, 663, 667	3300205 81, 85, 89, 93, 97
2221034.....570, 574	2753008571, 575	2910887.....780	3300353 81, 85, 89, 93, 97, 441
2221036.....570, 574	2753010570, 575	2915094.....59, 783	3300364 128, 132, 136
2221037.....145, 147	2753118570, 574	2920028.....441, 497, 499, 501, 503	3300396 353, 358, 362, 366, 370, 374, 378
2221086.....570, 574	2753123571, 575	2920029.....441, 497, 499, 501, 503	3300408 81, 85, 89, 93, 97, 101, 445
2221176.....153, 155, 268, 272	2753129701	2920129.....701	3300430459
2221197.....35, 268, 272	2753189571, 575	2920161.....109	3300454145, 147
2300016.....23	2753190570, 574	2940045.....128, 132, 136	3310401 200, 206, 212, 218, 224, 236, 242
2400060.....265, 515, 687, 689, 697, 701	2753191571, 575	2940074.....411, 415, 417, 423, 429, 433, 777	3310601329, 331
2400064.....687, 689	2753192570, 575	2940088.....116, 120, 124	3310605405
2400065.....82, 86, 90, 98, 776	2753195571, 575	2940173.....129, 133, 136	3310801405
2400066.....82, 86, 90, 98	2753196571, 575	2940188.....116, 120, 123	331080535
2410014.....427, 437	2753197571, 575	3020021.....301	3311001 115, 116, 119, 120, 123, 124, 259, 261, 263, 362, 366, 370, 374, 378
2420172.....82, 90, 98	2753199571, 575	3020029.....59	3311005 333, 335, 339, 343, 354, 357, 361,
2420203.....333, 335, 339	2753200570, 575	3020037.....195	
2460048.....361, 369	2753231570, 575	3020039.....15, 17	
2460051.....339	2753274570, 575	3160348.....23, 27	
2460055.....333	2753442570, 574	3200401.....165, 169, 200, 206, 212, 218, 224, 230, 236, 242, 321, 323	
2560136.....441	2753542 547, 553, 560, 566	3200406.....164, 168	
2560187.....129, 133, 137	2753622 547, 553, 559, 565	3250030.....129, 133	
2580024.....155, 179, 272	2753626 547, 554, 560, 565	3250872.....39	
2580062.....169	2753628547, 566	3251102.....333, 335, 339, 343, 345, 349, 353, 357	
2600209.....116, 120, 124	2753634 547, 554, 560, 565	3251242.....607, 609, 611, 613, 615, 617, 619, 621, 623, 766	
2600233.....116, 120, 124	2753656559, 566	3251243.....333, 339, 354, 357, 371, 375, 378, 730, 750, 754	
2600244.....115, 119, 123	2753686 547, 553, 559, 565		
2600281.....411, 415, 417, 423, 429, 433	2753732559, 566		
2720015.....200, 206, 212, 218, 224, 236, 242	2753879559, 566		

SECTION 11 - SPECIAL OPTIONS

366, 370, 374, 377, 441, 469, 472, 477, 479, 483	3340828 387	3572606 405	3900259 385
3311401 39, 41, 497, 499, 501, 503	3340835 383, 387	3572607 405	3900262 399
3311405 81, 85, 89, 93, 97, 105, 107, 115, 119, 123, 128, 132, 136, 139, 141, 145, 147, 149, 153, 156, 159, 161, 164, 168, 175, 179, 183, 187, 191, 193, 195, 197, 200, 206, 212, 218, 224, 230, 236, 242, 268, 272, 275, 277, 325, 327, 345, 349, 401, 405, 439, 461, 463, 467, 603, 605, 607, 609, 611, 613, 615, 617, 619, 621, 623, 629, 633, 649, 651	3340840 397	3573400 472, 477, 479, 483	3900268 81, 85, 89, 93, 97
3311501 116, 120, 123, 128, 132, 136, 405, 497, 499, 501, 503	3340859 399	3573642 472, 477, 479, 483	3900283 397
3311505 23, 69, 115, 119, 123, 129, 133, 137, 164, 168, 200, 206, 212, 218, 224, 230, 236, 242, 365, 373, 377, 401, 491, 493, 495	3340871 385	3574091 501, 503	3900293 53
3311508 353, 357, 361, 369	3340881 387	3575359 497, 499	3900316 120, 128, 132, 136
3311601 65, 67, 115, 119, 123, 128, 132, 136, 399, 442, 461, 463	3340941 397	3575874 145, 147	3900349 441
3311602 399	3340943 397	3576755 69	3900363 129, 133, 137
3311605 35, 65, 67, 69, 115, 116, 119, 120, 123, 128, 132, 136, 139, 141, 143, 147, 149, 153, 155, 164, 168, 200, 206, 212, 218, 224, 230, 236, 242, 259, 261, 263, 268, 272, 319, 321, 323, 329, 333, 343, 397, 399, 427, 437, 439, 472, 477, 479, 483	3340956 487, 489	3576799 469, 472	3910408 200, 206, 212, 218, 224, 236, 242
3311705 333, 335, 339, 343	3340966 21	3577121 472, 477, 479, 483	3910606 354, 357, 369, 373, 377, 625, 627
3311801 23, 153, 155, 191, 193, 195, 197, 335, 345, 349, 354, 357, 361, 365, 370, 373, 405	3380434 439	3580134 343	3910608 329, 331
3311805 164, 168, 275, 277, 321, 323, 329, 331	3380444 115, 119, 123	3580158 333, 343	3910610 593, 595
3312001 43	3420292 39, 41	3580276 333, 335	3910804 81, 85, 89, 93, 97
3312002 53, 505, 507, 509, 511, 513	3420372 43	3580314 377	3930606 405
3312005 487, 489	3420447 43	3580317 345, 349, 354, 357, 362, 365, 370, 373, 377	3930820 406
3312205 487, 489	3421453 469, 472	3580318 354, 357, 370, 373	3930824 405
3312602 109, 111, 113	3421565 61	3580319 345, 349, 362, 365	3931016 353, 357, 361, 365, 369, 373, 377
3321501 116, 120, 123	3422417 19, 21	3580320 200, 206, 212, 218, 236, 345, 354, 362, 370	3931408 459
3322201 63	3422446 153, 155, 175, 179, 183, 187, 268, 272	3580324 339	3931424 147
3340764 397	3422457 385	3600386 145, 147, 149	3931432 200, 206, 212, 218, 224, 230, 236, 242, 405
	3422532 159, 161, 191, 193, 195, 197, 275, 277	3641569 497, 499	3931436 405
	3422661 491, 493, 495	3720021 145, 147	3931512 200, 206, 212, 218, 224, 230, 236, 242
	3422681 383	3740049 81, 85, 89, 93, 97, 776	3931628 200, 206, 212, 218, 236
	3422683 383	3740067 164, 168, 175, 179, 183, 187, 268, 272, 776	3931640 280, 286
	3422684 383	3740080 164, 168, 333, 335, 339, 343, 377, 776, 777	3952020 53
	3422685 383	3740086 719	3960389 115, 119, 123, 128, 132, 136, 153, 155
	3422686 383	3760133 385	3960407 164, 168
	3422687 383	3760170 43, 61, 485	3960422 354, 357, 369, 373, 377, 593, 595, 625, 627
	3422690 385	3790012 268, 272, 439, 441, 455	3960438 116, 120, 124
	3422729 383	3790044 159, 161, 191, 193, 195, 197, 275, 277	3960453 115
	3422790 19, 21	3820001 39, 493, 730, 734, 738, 742, 746, 750, 754, 758, 762	3960462 116, 120, 124
	3422848 21	3820020 411, 415, 417, 423, 429, 433	3960464 116, 120, 124
	3422861 389, 391	3841143 153, 155, 175, 179, 183, 187, 268, 272, 385, 389, 391, 395	3960468 164, 168, 191, 193, 195, 197
	3422867 389, 391	3841203 383	3960469 164, 168, 191, 193, 195, 197, 275, 277
	3430616 442	3841287 15, 17, 383	3960470 115, 119, 123
	3430816 329, 331	3841340 47, 399	3960526 23
	3450404 329, 331	3841356 383	3980007 155, 179, 272
	3460334 487, 489	3841406 397	3990010 697
	3470003 442	3841520 19, 21	4010303 406
	3520028 333, 335, 339	3900054 427, 437	4010608 469, 472
	3520030 136	3900085 109, 111, 113	4010618 413, 419, 421, 425, 431, 435
	3520031 82, 86, 90, 93, 98	3900210 128, 129, 132, 133, 136, 137	4031505 457
	3520035 82, 86, 90, 93, 98, 405	3900232 115, 116, 119, 123, 124, 397	4031516 461, 463
	3520054 164, 168, 244, 441	3900239 383	4031608 343
	3520071 487, 489		4031711 280, 286
	3520072 409, 411, 413, 415, 417, 419, 421, 423, 425, 427, 429, 431, 433, 435, 437		4031914 200, 206, 212, 218, 224, 230, 236, 242
	3520189 362, 366		4032014 200, 206, 212, 218, 236
	3520192 362, 366		4032015 345, 353, 361, 370
	3520193 405		
	3520198 409, 411, 413, 415, 417, 419, 421, 423, 425, 429, 431, 433, 435		
	3537445 329		
	3537446 329, 331		
	3538047 15, 17		
	3570928 405		
	3571712 115		
	3572423 69		

SECTION 11 - SPECIAL OPTIONS

4060092.....595	349, 353, 357, 361,	4460268.....661, 677, 679,	4460526 81, 85, 89, 93,
4060802.....333, 335, 339,	365, 369, 373, 377, 777	723	97
343, 345, 349, 353,	4360387 86, 93, 441, 497,	4460294.....349	4460536 697, 699, 701,
357, 361, 365, 369,	499, 501, 503, 776	4460297.....697	725
373, 377	4360407441, 776	4460312.....659, 671	4460539 635, 637, 639,
4060805.....164, 168, 200,	4360436 65, 67, 69	4460313.....659, 661, 671,	641, 659, 661, 667,
206, 212, 218, 224,	4360469 81, 85, 89, 93,	697	671, 699, 701, 723, 725
230, 236, 242, 282,	97, 776	4460315.....593, 595	4460612625, 627
288, 405	4360475 81, 85, 89, 93,	4460320.....697	4460633145, 147
4070410.....115, 119, 123	97, 441, 776	4460321.....339	4460634701
4070411.....115, 119, 123	4360476 81, 85, 89, 93,	4460346.....354, 357, 369,	4460635701
4070412.....115, 119, 123	97, 441	373, 377, 593	4460670659, 681
407045043	4360498405, 777	4460374.....659, 681	4460701695
407056043	4360499405, 777	4460375.....659	4460703663, 668
407056143	436051763, 776	4460418.....697, 701	4460708441, 701
4070585333	4360542 333, 335, 339	4460419.....697, 701	4460722265
4070863385	4360578405, 777	4460424.....659, 661, 671,	4460738661, 671
4070864385	440027535	723	4460742 681, 683, 687,
407087815, 17	440042035	4460425.....353, 358, 362,	689
407087915, 17	4420014487, 489	366, 370, 374, 378,	4460743683, 687
4070897385, 387	4420037 472, 477, 479,	497, 499, 501, 503,	4460746667
4070898385, 387	483	625, 627	4460748667
4070929387	442003865, 67, 69	4460426.....82, 86, 90, 93,	4460761441, 697
4070967387	4420051 39, 41, 730, 734,	98, 353, 358, 362, 366,	4460806 611, 613, 615,
4070968387	738, 742, 746, 750,	370, 374, 378	617, 697, 701
4070969397	754, 758, 762	4460428.....145, 441	4460807677, 679
407099181, 85, 89, 93,	4420060343	4460434.....697, 701	4460808677, 679
97	4420062 491, 493, 495	4460457.....659, 661, 671,	4460865643, 645
4071007387	4420066487, 489	681, 689	4460866 643, 697, 701
407105921	4420068 497, 499, 501,	4460458.....659, 661, 663,	4460868697
4071122268, 272	503	667, 671, 681, 683,	4460871 659, 661, 671,
4100062570, 574	4460007441	687, 689	697, 701, 723, 725
4120035701	4460016701	4460460.....659, 661, 671	4460872697
4160139115, 119, 123	4460019 659, 661, 668	4460464.....447, 515, 631,	4460873697, 701
4160143115, 119, 123	4460027 333, 335, 339	643, 659, 661, 671,	4460874697, 701
4160194128, 132, 136	4460042663, 667	673, 697, 699, 701,	4460875697, 701
4240018.....335, 343, 345,	4460043 265, 659, 663,	719, 721, 725	4460876697
349, 353, 357, 361,	668, 681, 683, 687	4460465.....515, 631, 635,	4460877697
365, 369, 373, 625, 627	4460049 497, 499, 501,	637, 639, 641, 643,	4460878697
4240032.....111, 113, 571,	503	645, 659, 661, 663,	4460879515, 701
574	4460051593, 595	664, 667, 668, 671,	4460880661, 671
4240033.....111, 113, 175,	4460071 354, 357, 370,	677, 679, 683, 685,	4460884 515, 667, 697,
179, 187, 405, 457,	373, 377, 447	687, 689, 691, 697,	721
459, 461, 463, 635,	4460125595	699, 701, 721, 723, 725	4460887 515, 659, 661,
637, 639, 641	4460134693	4460466.....457, 515, 631,	671, 697, 701
4240099.....183, 200, 206,	4460142659, 697	643, 645, 661, 663,	4460888701
212, 218, 224, 230,	4460183701	667, 668, 697, 699,	4460891 631, 647, 664,
237, 242, 265, 269,	4460190 333, 335, 339	701, 715, 719, 721, 723	673, 723, 725
272, 280, 286, 339,	4460205593, 693	4460467783	4460892699
472, 477, 479, 497,	4460224349, 441	4460470.....81, 85, 89, 93,	4460894 635, 637, 639,
499, 501, 503, 629	4460225 677, 679, 701	97, 441	641, 663, 667, 697,
424011365, 67	4460226 441, 447, 449,	4460471.....81, 85, 89, 93,	699, 701
4240149487, 489	452, 647, 659, 661,	97, 441	4460897 659, 661, 664,
428029637	671, 701	4460473.....643, 645	671, 673, 723
4300157.....345, 354, 361,	4460227 441, 697, 701	4460488.....81, 85, 89, 93,	4460899 661, 699, 715,
370	4460233595, 695	97, 111, 113	719, 721
4340706387	4460234 441, 497, 499,	4460496.....81, 85, 89, 93,	4460905697, 701
4340747145	501, 503	97	4460910713
4360057.....497, 499, 501,	4460247663, 668	4460497.....81, 85, 89, 93,	4460911715
503, 777	4460256689	97	4460928631
4360070.....353, 358, 362,	4460259 515, 659, 671,	4460508.....457, 643, 697,	4460930663, 667
366, 370, 374, 378	697, 701	701	4460931661
436027493	4460260 515, 659, 671,	4460509.....643, 645	4460932 515, 663, 668,
4360328455, 777	697, 701	4460510.....783	673
4360331439, 776	4460265449, 452	4460518.....631, 635, 637,	4460933 631, 697, 701
4360336.....268, 272, 333,	4460267701	639, 641	4460941673, 715
335, 339, 343, 345,			

SECTION 11 - SPECIAL OPTIONS

4460942457, 663, 667, 673	4711400 47, 81, 85, 89, 93, 97, 103, 105, 107, 145, 147, 153, 155, 164, 168, 175, 179, 183, 187, 200, 206, 212, 218, 225, 230, 237, 242, 268, 272, 325, 327, 345, 349, 353, 357, 361, 365, 369, 373, 377, 401, 409, 413, 419, 421, 423, 425, 431, 433, 435, 459, 461, 463, 603, 605, 607, 609, 611, 613, 615, 617, 619, 621, 623, 629, 649, 651	370, 373, 377, 441, 469, 472, 477, 479, 483 4751400.....37, 39, 41, 81, 85, 89, 93, 97, 116, 119, 123, 128, 129, 132, 133, 136, 137, 139, 141, 159, 161, 191, 193, 195, 197, 200, 206, 212, 218, 225, 230, 237, 243, 268, 272, 275, 277, 405, 439, 441, 465, 467, 472, 477, 479, 483, 497, 499, 501, 503, 633 4751500.....39, 41, 75, 77, 116, 119, 123, 128, 132, 136, 200, 207, 213, 219, 225, 230, 237, 243, 333, 335, 343, 353, 357, 362, 369, 491, 493, 495, 497, 499, 501, 503 4751600.....35, 37, 65, 67, 69, 111, 113, 116, 119, 120, 123, 124, 128, 132, 136, 139, 141, 143, 149, 153, 155, 164, 168, 175, 179, 183, 187, 201, 207, 213, 219, 225, 231, 237, 243, 268, 272, 321, 323, 333, 343, 472, 477, 479, 483 4751800 63, 69, 145, 147, 153, 155, 191, 193, 195, 197, 275, 277, 427, 437, 497, 499, 501, 503 4752000.....153, 155, 175, 179, 183, 187, 268, 272 4760600.....593, 595 4761000.....116, 120, 123 4761400.....81, 85, 89, 93, 97, 465 4761600.....149, 439 4762000.....43 4770600.....329, 331 4791400.....164, 168, 345, 349, 353, 357, 361, 365, 370, 373 4811400.....515, 603, 605, 607, 609, 611, 613, 615, 617, 619, 621, 623 4811600.....343 4811700.....111, 113, 280, 286, 293, 339, 377, 413, 419, 421, 425, 431, 435, 469, 472 4811702.....201, 207, 213, 219, 225, 231, 237, 243, 291 4811900.....201, 207, 213, 219, 225, 231, 237, 243, 268, 272, 280, 286, 291, 293, 395, 633	4811902 202, 208, 214, 220, 225, 231, 237, 243, 280, 286, 293 4812000 176, 180, 187, 201, 207, 213, 219, 225, 231, 237, 243, 268, 272, 280, 286, 293, 331, 339, 395 4812002 280, 286, 295 4812100 175, 179, 183, 187, 201, 207, 213, 219, 225, 231, 237, 243, 293, 395 4812200 164, 168, 201, 207, 213, 219, 225, 231, 237, 243, 321, 323, 339 484377743 4844817389, 391 484495861 4845582 491, 493, 495 4845680399 4846627 472, 477, 479, 483 4846673501, 503 486022529, 31 4871700378 4891500 81, 85, 89, 93, 97, 201, 213, 225, 231, 237, 339 4891600 63, 129, 133, 137, 329, 395 4891800 23, 159, 161, 191, 193, 195, 197, 201, 207, 213, 219, 225, 231, 237, 243, 275, 277, 329, 331, 335, 349, 357, 365, 373 489200023, 59 489220015, 17 4892600001395 4921829340, 693 4921955695 4922218635, 637 4922220635, 637 4922576 635, 637, 639, 641, 645 4922578 635, 637, 639, 641 4922641 333, 336, 339, 343, 358, 362, 365, 371, 373, 379 4922666441 4922925 362, 365, 370, 373, 377, 679 4923379164, 168 4923445340, 681 4933218497, 501 5240800 202, 208, 214, 220, 225, 231, 237 5241000280, 286 5241200 280, 286, 377, 395 5250605291, 293 5250810 202, 208, 214, 220 5251008395
-----------------------------------	--	---	---

SECTION 11 - SPECIAL OPTIONS

5251010.....225, 231	70001973..361, 366, 369, 374, 378	70003631....366, 374, 377	70004347.....303
5251016.....395	70001974..361, 366, 369, 374, 378	70003708...345, 349, 353, 357, 361, 366, 369, 374, 378	70004348.....303
5251210.....183	70002013.....397, 776	70003709...345, 349, 353, 357, 361, 366, 369, 374, 378	70004349.....303
5260600.....291, 293	70002014.....397	70003784.....441	70004350.....303
5272010.....282, 286	70002064.....403	70003935.....23	70004351.....303
70000017.....783	70002066.....56	70003936.....23	70004352.....303
70000044.....171	70002085.....56	70003989.....79	70004381.....535
70000123.....343	70002088...361, 369, 378	70003992.....79	70004382.....535
70000342.....393	70002112.....67, 71, 73	70003993.....79	70004457.....49
70000345...172, 247, 251, 257	7000213.....56	70004020....164, 168, 776	70004459.....49
70000619...362, 365, 370, 373, 377	7000217.....56	70004037.....56	70004460.....49, 776
70000797.....27	70002200.....171	70004040.....56	70004461.....49, 50
70000800.....172	70002234.....171	70004041.....56	70004463.....49, 776
70000863...361, 365, 369, 374, 378	7000224.....25	70004042.....56	70004501.....256
70000912.....171	7000228.....56	70004043.....56	70004504.....248, 251
70000913.....171	7000229.....56	70004044.....56	70004505.....247, 255
70000914.....171	70002290.....361, 369	70004045.....56	70004506.....247, 255
70000915.....171	70002291.....366, 374	70004047.....56	70004507.....247, 255
70000916.....171	70002297..361, 365, 369, 374, 378	70004050.....49	70004508...247, 251, 255
70000917.....171	7000230.....56	70004051.....49	70004509.....247, 255
70000918.....171	70002386.....403, 776	70004052.....49	70004510.....247, 255
70000919.....171	7000239.....25	70004055.....49	70004511.....256
70001002.....171	7000240.....25	70004056.....171	70004513.....256
70001100...361, 365, 369, 374, 378	70002410.....521, 533	70004058.....171	70004584.....49
70001181.....172	70002415.....172	70004060.....171	70004594.....49
70001248.....63	70002416.....172	70004092...345, 349, 353, 357, 366, 374	70004595.....49, 776
70001384...361, 365, 369, 374, 378	70002417.....172	70004094.....366, 374	70004596.....49
70001385.....361, 369	7000246.....56	70004098...353, 358, 366, 374	70004597.....49
70001424.....475	70002460..361, 366, 369, 374, 377	70004099...349, 357, 366, 374	70004598.....49
70001425.....475	7000247.....56	70004125.....79	70004653.....49, 776
70001427.....475	7000248.....56	70004149.....69	70004657.....49
70001428.....475	7000253.....56	70004151.....403	70004665.....49
70001429.....475	7000255.....56	70004169...361, 369, 378	70004667.....49
70001430.....475	7000257.....56	70004171...345, 353, 378	70004676..345, 349, 353, 357
70001431.....475	70002715.....69	70004183.....301	70004677.....345
70001432.....475	70002716.....69	70004184.....65	70004678..345, 349, 353, 357
70001435.....171	70002718.....172, 255	70004186.....525, 527	70004679..345, 349, 353, 357
70001663.....149	70002744.....535	70004199.....71, 73	70004680..345, 349, 353, 357
70001696...361, 369, 377	70002745.....535	70004237.....521, 533	70004681.....345, 349
70001697.....393	70002748.....535	70004272.....171	70004682..345, 349, 353, 358
7000180.....256	70002749.....535	70004276...248, 251, 257	70004683.....345, 349
70001835.....171	70002751.....535	70004277...248, 252, 257	70004684.....353
70001836.....171	70002814.....71, 776	70004279.....247	70004685.....353, 358
70001837.....171	7000283.....25	70004280.....172, 255	70004686.....349
70001837.....171	70002838.....71, 73	70004282.....257	70004687.....357
70001841.....171	70002839.....71, 73	70004287.....171	70004739.....449
70001844.....172	7000284.....25	70004289.....172	70004740.....449
70001850.....171	70002842.....519	70004329.....303	70004741.....449
70001866.....171	7000289.....25	70004331.....303	70004742.....449
70001868.....171	70002902.....447	70004332.....303	70004743.....449
70001870...171, 247, 252, 255	70002903.....447	70004333.....303	70004744.....449
70001871.....171	70002904.....447	70004336.....303	70004745.....449
70001872.....172	70002905.....447	70004337.....303	70004746.....449
70001953...361, 369, 378	70002948.....145, 147	70004338.....303	70004747.....449
70001954.....305	70003019.....49	70004340.....303	70004748.....449
70001955.....305	70003136.....171	70004342.....303	70004749.....449
70001956.....305	70003454.....63	70004343.....303	70004750.....449
70001957.....305	70003464.....171	70004344.....303	70004751.....449
70001966...345, 349, 353, 357, 361, 366, 369, 374, 377, 378	70003465.....171	70004345.....303	70004752.....451
	70003466.....171	70004346.....303	70004753.....451
	70003472.....171		70004754.....451
	70003475.....171		
	70003478.....171		

SECTION 11 - SPECIAL OPTIONS

70004755	451	70005932	257	70006206	298	70006927	539
70004756	451	70005933	257	70006207	298	70006928	539
70004757	451	70005934	257	70006208	298	70006941	255
70004758	451	70005938	252, 255	70006213	298, 777	7000695	172
70004759	451	70005941	247, 251	70006215	298	70006955	49
70004760	451	70005942	247, 251, 255	70006217	298	70006956	49, 776
70004761	451	70006093	365, 374	70006219	298	70006957	49
70004762	451	70006094	366, 374	70006221	298	70006961	49
70004763	451	70006095	366, 369, 374	70006225	298	70007108	298
70004764	451	70006096	366, 374	70006232	298	70007157	521, 533
70004765	451	70006097	366, 374	70006233	297	70007159	521, 533
70004766	451	70006134	291	70006235	298	70007161	521, 533
70004767	451	70006135	291	70006236	298	70007246	523, 529
70004768	451	70006136	291	70006264	255	70007277	531
70004769	451	70006144	247, 251, 255	70006265	255	70007278	523, 529, 531
70004770	451	70006145	297	70006266	255	70007279	531
70004771	451	70006147	297	70006294	248	70007280	531
70004772	451	70006150	297	70006304	56	70007282	523, 529, 531
70004773	451	70006151	297	70006344	539	70007283	531
70004774	452	70006152	297	70006403	319	70007325	248
70004775	452	70006153	297	70006404	319	70007326	247
70004795	71, 73	70006154	297	70006405	319, 777	70007331	248
70005008	282, 287, 777	70006155	297, 777	70006406	319	70007354	247
70005171	247	70006157	297	70006407	319	70007355	248
70005172	247, 251, 255	70006158	297	70006408	319	70007419	531
70005173	247, 255	70006159	297	70006409	319	70007420	531
70005176	247	70006160	297	70006410	319	70007421	529
70005177	247, 256	70006161	297	70006460	282, 287, 777	70007422	523, 529
70005181	256	70006162	297	70006461	282, 287	70007423	523, 529
70005184	248, 251, 256	70006163	297	70006479	539	70007424	529
70005188	256	70006164	297	70006480	539	70007425	529
70005189	256	70006165	297	70006552	345, 349, 353, 358	70007426	529
70005191	248, 257	70006166	297	70006553	345, 349, 353, 358	70007427	523
70005194	49	70006167	297	70006649	525, 527	70007428	523
70005195	49	70006168	297	70006650	525, 527	70007429	523
70005196	49	70006169	297	70006652	248, 257	70007430	523
70005197	49	70006170	297	70006653	248, 257	70007446	403
70005198	49	70006171	297, 777	70006673	25	70007489	248
70005199	50	70006172	297, 777	70006674	25	70007508	67
70005200	50	70006173	297	70006675	25	70007514	537
70005201	50	70006174	297	70006676	25	70007515	537
70005202	50	70006175	297, 777	70006677	25	70007516	537
70005203	56	70006176	297, 777	70006678	25	70007517	537
70005458	303	70006177	297	70006679	25	70007518	537
70005459	303	70006178	297	70006680	25	70007519	537
70005460	303	70006179	297	70006684	25	70007520	537
70005461	303	70006180	297	70006685	25	70007521	537
70005462	303	70006181	297	70006690	25	70007522	537
70005463	303	70006182	297	70006691	25	70007523	521
70005464	303	70006183	297	70006692	25	70007524	521, 533
70005465	303	70006184	297	70006728	539	70007525	533
70005527	248, 257	70006185	297	70006731	539	70007603	251
70005594	539	70006186	297	70006733	539	70007725	73
70005647	248, 257	70006187	297	70006734	525, 527	70007726	73
70005648	248, 257	70006188	297	70006735	525, 527	70007727	73
70005663	783	70006189	297	70006736	525, 527	70009020	269, 273
70005708	71	70006191	297	70006799	537	7001928	25
70005916	172	70006194	297	70006802	537	70022564	521, 523, 529, 531, 533
70005917	172	70006195	297	70006832	25	70023369	521, 533
70005920	247, 255	70006196	298	70006833	25	70023370	527
70005922	255	70006197	298	70006921	539	70023371	527
70005923	256	70006198	298	70006922	539	70023380	523, 529
70005924	256	70006199	298	70006923	539	70023592	201, 207, 213, 219, 225, 231, 776
70005926	256	70006200	298	70006924	539	70023593	201, 207, 213, 219, 225, 231, 776
70005928	256	70006202	298	70006925	539		
70005929	248, 256	70006203	298	70006926	539		
70005931	248, 251, 256	70006205	298				

SECTION 11 - SPECIAL OPTIONS

70023859.....	49	70025203.....	256	7012953.....	401, 403	7021275.....	27, 306
70023860.....	49	70025205.....	247	7012959.....	47	7021276.....	27
70023862.....	49	70025210 ...	248, 256, 777	7012965.....	403	7021277.....	27
70024441.....	73	70025212.....	248, 257	7012967.....	403	7021375.....	49, 50
70024484.....	257	70025231.....	247, 257	7012970.....	401	7021625.....	23
70024488.....	255	70025233.....	257	7012989.....	403	7021639.....	23
70024494....	247, 251, 255	70025235.....	248, 256	7012998.....	403	7021653.....	403
70024502.....	256	70025239.....	247, 256	7016314.....	65	7022162.....	297
70024504.....	251	70025240.....	256	7016319.....	109	7022302.....	27
70024507....	248, 251, 257	70025242.....	248	7016328.....	171, 776	7022305.....	27
70024509.....	248, 257	70025477.....	257	7016331.....	171, 247, 251, 255, 776, 777	7022310.....	27
70024513....	247, 251, 255	70025660.....	255	7016372.....	109	7022311.....	27, 306
70024517.....	247, 255	70025733.....	257	7016652.....	783	7022312.....	27
70024904....	247, 252, 255	70025752.....	172	7016654.....	783	7022314.....	27, 306
70024905.....	247, 255	70025753.....	172	7016655.....	783	7022318.....	305
70024906.....	247, 255	70025788.....	248	7017023.....	56	7022328.....	27
70024912.....	248	70026210.....	248, 257	7017028.....	25, 56	7022368.....	27
70024915.....	248, 257	70026287 ...	523, 529, 531	7017047.....	25	7022371.....	27
70024916.....	251	70026995.....	257	7017070.....	56	7022372.....	27
70024917.....	248, 257	70027259.....	537	7017072.....	56	7022397.....	23
70024918.....	257	70027750.....	531	7017080.....	56	7022399.....	23
70024920....	248, 256, 257	70028185.....	255	7017082.....	25	7023907.....	27
70024922....	248, 251, 257	7002821.....	783	7017085.....	56	7023908.....	27
70024924.....	247, 255	7002822.....	783	7017142.....	393	7023910.....	27
70024925....	247, 251, 255	7002823.....	783	7017159.....	393	7023911.....	403
70024961....	247, 251, 255	7002826.....	783	7017162.....	393	7023917.....	23
70025077.....	257	7002840.....	782	7017163.....	393	7023933.....	23
70025082....	171, 172, 255	70028538 ...	248, 256, 257	7017164.....	393	7023947.....	305
70025084.....	256	70028540.....	248	7017172.....	393	7023948.....	305
70025101.....	256	70028802.....	256	7017192.....	393	7023949.....	305
70025107.....	256	70029433.....	248	7017195.....	393	7023950.....	305
70025109.....	256	70029451.....	248	7017402.....	403	7023951.....	305
70025111.....	247, 255	70029468.....	531	7017452.....	403	7023952.....	305
70025112.....	256	70029512.....	251	7017466.....	47	7023956.....	305
70025115.....	256	70029517.....	248	7018942.....	50	7023957.....	305
70025120.....	248, 257	70029520.....	248	7018951.....	50	7023958.....	305
70025124.....	256	70029557.....	247	7018991.....	49, 776	7023960.....	305
70025130.....	251, 257	70029797.....	248, 251	7018992.....	49	7023961.....	305
70025132.....	257	70030359.....	252	7019680.....	333, 335, 339	7023962.....	305
70025133.....	256	7004275.....	783	7020064.....	399	7023964.....	305, 306
70025135.....	247, 255	7004276.....	783	7020065.....	399	7023965.....	305
70025139.....	255	7004906.....	303	7020066.....	399, 776	7023966.....	306
70025140.....	247, 255	7004907.....	303	7020067.....	399	7023967.....	306
70025142....	248, 251, 256	7004908.....	303	7020108.....	333, 335, 339, 343	7024021.....	49
70025144.....	247, 255	7007415.....	305, 306	7020109.....	333, 335, 339, 343	7024100.....	56
70025145.....	247, 255	7007437.....	27	7020110.....	333, 335, 339, 343	7024149.....	25
70025146.....	247, 255	7007438.....	27	7020111.....	333, 335, 339, 343	7024151.....	25
70025148.....	256	7007439.....	27	7020175.....	81, 85, 89, 93, 97, 441	7024154.....	25
70025151.....	248, 256	7007446.....	27	7020176.....	81, 85, 89, 93, 97, 441	7024190.....	25
70025152.....	247, 255	7007633.....	56	7020190.....	333, 335, 339, 343	7024191.....	25
70025153.....	247, 251	7010492.....	56	7020403.....	171	7024397.....	539
70025153.....	247, 251	7010543.....	47	7020408.....	171	7024404.....	63
70025154.....	247, 255	7011112.....	521	7020465.....	171, 247, 251, 255	7024441.....	71
70025155.....	256	7011112.....	521	7020468.....	171	7024462.....	481
70025158.....	256	7011333.....	405	7020471.....	172	7024463.....	481
70025160.....	251	7011342.....	405	7020479.....	171	7024467.....	481
70025161.....	248, 251	70124410.....	172	7020492.....	256	7024469.....	481
70025161.....	248, 251	70124440.....	172	7021249.....	27	7024470.....	481
70025164....	247, 251, 257	7012513 ...	333, 335, 339, 343			7024471.....	475, 481
70025175.....	256	7012514 ...	333, 335, 339, 343			7024472.....	481
70025179....	247, 256, 257	7012558.....	333, 335, 339			7024473.....	481
70025180.....	256	7012773.....	49			7024474.....	481
70025181....	247, 251, 255	7012914.....	403			7024475.....	481
70025182.....	248, 256	7012918.....	403			7024478.....	481
70025183.....	248, 256	7012941.....	47			7024484.....	361, 369
70025184.....	248, 256	7012944.....	47, 776			7024485.....	361, 369, 377
70025185.....	256						
70025192.....	257						
70025200.....	248, 256						

SECTION 11 - SPECIAL OPTIONS

7024488362, 365, 370, 373, 377	7026638 149	7027778..... 481	8405102280, 287
7024489362, 365, 370, 373, 377	7026639 149	7027779..... 481	8405104 201, 207, 213, 219, 225, 231, 237, 243, 280, 287
7024508537	7026640 149	7027780..... 481	8405203280, 287
7024530475	7026641 150	7027781..... 145, 147	8405204 201, 213, 225, 231, 237
7024531475	7026642 150	7027782..... 145, 147	8406102 176, 180, 183, 187, 201, 207, 213, 219, 237, 243
7024532475	7026643 150	7027783..... 145, 147	8406109 201, 207, 213, 219, 225, 231, 237, 243, 281, 287
7024533475	7026644 150	7027784..... 145, 147	8406110 201, 207, 213, 219, 225, 231, 237, 243
7024534475	7026645 150	7027790..... 171	8406201 147, 269, 273, 282, 288
7024535475	7026646 150	7027791..... 171	8410001281, 287
7024536475	7026647 150	7027792..... 171	8410009282, 288
7024537475	7026648 150	7027795..... 172, 776	8410011 201, 207, 213, 219, 225, 231, 237, 243, 281, 287
7024561 361, 369	7026649 150	7027796..... 172	8410013 175, 179, 183, 187, 201, 207, 213, 219, 225, 231, 237, 243
7024579 172, 247, 255	7026650 150	7027799....361, 366, 369, 374, 377	85031405232
7024598 329, 331	7026651 149	7027887....333, 335, 339, 343	858042037
702470456	7026652 149	77143013...81, 85, 89, 93, 97	85941018268, 272
702476256	7026653 149	77363233..... 677, 679	8770050 547, 553, 559, 565
702476356	7026654 149	80344004..... 25	88261024401
702478225	7026655 149	80484084..... 663, 667	88261039 120
702478456	7026656 149	80934561..... 63	88411013 633
702485427	7026657 149	80983191663, 668, 777	88521008405
7024864306	7026658 150	8220051..... 673	8852120575, 77
7024866306	7026659 149	8220115..... 663	88521214 .. 505, 507, 509, 511, 513
7024867305	7026660 149	8220164..... 668	88662523 ... 128, 132, 136
7024868 27, 305	7026661 149	8229242....663, 668, 697, 776	8896941 783
702488123	7027053153, 155	8229249.....515, 701, 776	91143177571, 574
7026188361, 369, 377	7027084 175, 179, 183, 188, 268, 273	8270147....153, 155, 175, 179, 183, 188, 268, 273	91164079403
702619763	7027085 175, 179, 183, 188, 268, 273	8273291282, 287	91203039395, 405
7026199 333, 335, 339	7027086 175, 180, 183, 188, 268, 273	8305401280, 286	91401281 75
702650363	7027087 175, 180, 183, 188	8307109280, 286	91403102 .. 201, 207, 214, 220, 225, 231, 238, 244, 776
702650463	7027088 175, 180, 183, 188, 268, 273	8310070..... 128, 132, 136	
702650563	7027092 153, 155	8310129..... 487, 489	
702650663	7027093 153, 155	8310548..... 280, 286	
702650763	7027094 153, 155	83304173..... 71, 73	
702650963	7027095 153, 155	8405006....175, 179, 183, 187, 259, 261, 263, 280, 286, 319	
7026597361, 366, 369, 374, 377	7027236 171	8405007....201, 207, 213, 219, 225, 231, 237, 243	
7026626361, 366, 369, 374, 378	7027404298	8405009....201, 207, 213, 219, 225, 231, 237, 243, 280, 287	
7026632 149	7027773 481		
7026633 149	7027774 481		
7026634 149	7027775 481		
7026635 149	7027776 481		
7026636 149	7027777 481		
7026637 149			



**Corporate Office
JLG Industries, Inc.
1 JLG Drive
McConnellsburg, PA 17233-9533 USA
☎ (717) 485-5161 (Corporate)
☎ (877) 554-5438 (Customer Support)
📠 (717) 485-6417**

**Visit our website for JLG Worldwide Locations.
www.jlg.com**



OSHKOSH™