



Illustrated Parts Manual

Model

520AJ

SN E300000100
TO SN E300007980

P/N
3121666

October 1, 2021 - Rev R

CE
AS/NZS



An Oshkosh Corporation Company

REVISION LOG

July 1, 2015 - A - Original Issue Of Manual (Edited to B/M 1001166193 Revision J)
August 21, 2015 - B - Revised Manual (Edited to B/M 1001166193 Revision K) (Revision 1)
November 30, 2015 - C - Revised Manual (Edited to B/M 1001166193 Revision M) (Revision 2)
February 5, 2016 - D - Revised Manual (Edited to B/M 1001166193 Revision N) (Revision 3)
May 9, 2016 - E - Revised Manual (Edited to B/M 1001166193 Revision N) (Revision 1)
August 1, 2016 - F - Revised Manual (Edited to B/M 1001166193 Revision AB) (Revision 1)
November 7, 2016 - G - Revised Manual (Edited to B/M 1001166193 Revision AC) (Revision 2)
February 15, 2017 - H - Revised Manual (Edited to B/M 1001166193 Revision AD) (Revision 2)
May 5, 2017 - I Revised Manual (Edited to B/M 1001166193 Revision AD) (Revision 2)
August 11, 2017 - J - Revised Manual (Edited to B/M 1001166193 Revision AK) (Revision 2)
November 10, 2017 - K - Revised Manual (Edited to B/M 1001166193 Revision AL) (Revision 2)
February 28, 2018 - L - Revised Manual (Edited to B/M 1001166193 Revision AL) (Revision 2)
May 14, 2018 - M - Revised Manual (Edited to B/M 1001166193 Revision AN)
June 8, 2018 - N - Revised Manual (Edited to B/M 1001166193 Revision AN) (Revision 1)
August 3, 2018 - O - Revised Manual (Edited to B/M 1001166193 Revision AN) (Revision 2)
November 16, 2018 - P - Revised Manual (Edited to B/M 1001166193 Revision AW) (Revision 5)
March 30, 2020 - Q - Revised Manual (Edited to B/M 1001166193 Revision AW) (Revision 5)
October 1, 2021 - R - Revised Manual (Edited to B/M 1001166193 Revision AW) (Revision 5)

GENERAL INFORMATION

SECTION 6 CYLINDER

FIGURE 6-3. LIFT CYLINDER ASSEMBLY

PG# Model Designation Manual #

SECTION 6 CYLINDER

FIGURE 6-3. LIFT CYLINDER ASSEMBLY

ITEM #	PART NUMBER	QTY.	DESCRIPTION	REV.
	1001140104	Ref	LIFT CYLINDER ASSEMBLY	B
1	0100011	AR	Compound, Locking	
2	0630535	3	Capscrew 1/4-20 x 1-1/8	
3	0791003	1	Screw #10-24 x 3/8	
4	0961897	1	Bushing, Tapered	
5	1320136	1	Clamp, Cable	
6	1683053	1	Head	
7	2220853	1	Plug, O-Ring	
8	2220885	2	Plug, O-Ring	
9	2220886	1	Plug, O-Ring	
10	3020039	AR	Lubricant	
11	3480282	1	Piston	
12	3760371	1	Ring, Washer	
13	3931450	8	Capscrew 1/4-20 x 1-1/4	
14	3931824	8	Capscrew 1/2-13 x 1-1/2	
15	3951003	1	Setscrew #10-24 x 3/8	
16	4100099	1	Spacer	
17	4640999	1	Cartridge, Holding Valve (Non Vented)	
17	2900792		Kit, Seal - 4640999 Cartridge Valve	
18	4641248	1	Cartridge, Counterbalance Valve (Non Vented)	
18	70004186		Kit, Seal - 4641248 Cartridge Valve	
19	1001117991	1	Sensor, Cylinder Length	
20	1001118070	1	Cap, Retainer	
21	1001118084	1	Barrel	
21A	0961950	2	Bushing	
22	1001118086	1	Rod	
22A	0961950	2	Bushing	
100	1001139996	1	Kit, Seal (Includes Items 101-109)	
101	See Note	2	Ring, Wear (Note: Use p/n 1001139996)	
102	See Note	1	Ring, Back-Up (Note: Use p/n 1001139996)	
103	See Note	2	Ring, Lock (Note: Use p/n 1001139996)	
104	See Note	2	Ring, Back-Up (Note: Use p/n 1001139996)	
105	See Note	2	O-Ring (Note: Use p/n 1001139996)	
106	See Note	1	O-Ring (Note: Use p/n 1001139996)	
107	See Note	1	Seal (Note: Use p/n 1001139996)	
108	See Note	1	Wiper, Rod (Note: Use p/n 1001139996)	
109	See Note	2	Seal (Note: Use p/n 1001139996)	
200	1001119105	1	Kit, Sensor Magnet (Includes Items 201-203)	
201	See Note		Sleeve, Spacer (Note: Use p/n 1001119105)	
202	1001118066	1	Magnet, Sensor	
203	1001118069	1	Ring, Internal Retaining	

Manual # Model Designation PG#

1) MACHINE IDENTIFICATION

Machines are identified by model and in some cases a combination of models, serial number (SN) or regional standard (i.e ANSI, CE, CSA). Components may also be identified by SN or manufacturer. Common components that may be identified by these characteristics are engines and hydraulic components.

2) PARTS MANUAL ORGANIZATION

Product information in this manual is organized under section titles. Frame, Cylinder, Hydraulic and Electrical are a few examples. Each section is organized by figure and page number. The information within the Figure is then organized by item number, part number, description and corresponding illustration (s).

3) TABLE OF CONTENTS

A table of contents is found toward the beginning of the manual. Figure number, description and page number are provided for quick reference to the page containing the related information.

4) RECOMMENDED SPARE PARTS

The Recommended Spare Parts, located near the end of the manual, reference most frequently used maintenance parts.

5) PART NUMBER INDEX

A numerical index listing all part numbers and the corresponding page number(s) appears at the back of the manual.

GENERAL INFORMATION

6) NON-SERVICED PARTS

In some instances, it is necessary to display non-serviced parts, assemblies or installations. In the case of assemblies and installations there will be a Ref in the Qty column. In case of parts that are not available for service within assemblies or components, there will be a NSS (Not Sold Separately) or NLA (No Longer Available) listed in the Qty. column of the manual.

7) PARTS LIST ITEM NUMBERS

Numbers shown in the item# column correspond to numbers used in the associated illustration (s). Item numbers which missing from the sequence in the parts list are not used on that page

8) INDENTED PARTS DESCRIPTION

An indented part description is included in the item under which it is indented.

9) ABB REVIATION AND SYMBOLS

AC.....	.. Alternating Current	LCD	Liquid Crystal Display
ADE.....	Advanced Design Electronics	LED	Light Emitting Diodes
ANSI.....	..American National Standards Institute	LH.....Left Hand
AR.....	..As Required	LSSLoad Sensing System
ASSY.....	Assembly	M(m).....Metric/Meter
AUX.....Auxiliary	MM (mm).....Millimeter
AWG.....	..American Wire Gauge	mA.....Milliamps
B/M.....Bill of Material	NLA.....No Longer Available
CE.....	..European Conformity	NPT.....National Pipe Threads
CCWCounter Clockwise	NSSNot Sold Separately
cm.....Centimeter	OD.....Outside Diameter
CW.....Clockwise	ORB.....O-Ring Boss
CSA.....	..Canadian Standard Association	ORFS.....O-Ring Face Seal
CYL.....Cylinder	OZ (oz).....Ounces
DIA.....Diameter	PGPage
DC.....Direct Current	P/N.....Part Number
EMS	Emergency Stop	qt.....Quarts
ENGEngine	QTY.....Quantity
FT (ft).....Feet	REFReference
GA(Ga).....Gauge	REVRevision Level
HYD.....Hydraulic	RH.....Right Hand
Hz.....Hertz	SAE.....Society of Automotive Engineers
ID.....Inside Diameter	SN.....Serial Number
in.....inches	SPEC(S).....Specifications
ISO.....International Organization for Standards	T/T.....Turntable
JIC.....Joint Industry Council	UGM.....Universal Ground Module
KG.....Kilogram	V.....Volts
L.....Liter	W.....Watts
LB.....Pounds	#.....Number

10) ILLUSTRATION REFERENCE LETTERS

When necessary, illustrations may contain reference letters that are intended to track information (i. e. hoses, harnesses) from one point to another or to track visual enlargement of components to show details that may be located in another area on the illustration.

Note: Due to continuous product improvements, JLG Industries, Inc. reserves the right to make specification changes without prior notification. Contact JLG Industries, Inc. for updated information.

TABLE OF CONTENTS

SECTION 1 - FRAME.....	11
FIGURE 1-1. AXLE INSTALLATION	12
FIGURE 1-2. STEER INSTALLATION WITHOUT TOW PACKAGE	14
FIGURE 1-3. STEER INSTALLATION WITH TOW PACKAGE	16
FIGURE 1-4. WHEEL DRIVE INSTALLATION, 4WD.....	18
FIGURE 1-5. DRIVE HUB AND BRAKE ASSEMBLY - REAR.....	20
FIGURE 1-6. DRIVE HUB ASSEMBLY - FRONT.....	24
FIGURE 1-7. DRIVE MOTOR ASSEMBLY, 4WD.....	26
FIGURE 1-8. TIRE AND WHEEL INSTALLATION - 33 X 12-20 SOLID NON-MARKING.....	28
FIGURE 1-9. TIRE AND WHEEL INSTALLATION - 33/1550 X 16.5 FOAM FILLED	30
FIGURE 1-10. TIRE AND WHEEL INSTALLATION - 315/55 D20 FOAM FILLED.....	32
FIGURE 1-11. TIRE AND WHEEL INSTALLATION - 315/55 D20 FOAM FILLED NON-MARKING	34
FIGURE 1-12. VALVES INSTALLATION - FRAME MOUNTED.....	36
FIGURE 1-13. TRACTION VALVE ASSEMBLY	38
FIGURE 1-14. FRAME COVERS INSTALLATION.....	40
FIGURE 1-15. TOW PACKAGE INSTALLATION (OPTIONAL).....	42
FIGURE 1-16. TOW BAR ASSEMBLY	44
SECTION 2 - TURNTABLE	47
FIGURE 2-1. VALVES INSTALLATION - TURNTABLE MOUNTED	48
FIGURE 2-2. MAIN VALVE ASSEMBLY	50
FIGURE 2-3. AUXILIARY PUMP ASSEMBLY.....	52
FIGURE 2-4. SWING DRIVE AND TURNTABLE BEARING INSTALLATION.....	54
FIGURE 2-5. SWING MOTOR ASSEMBLY	56
FIGURE 2-6. TURNTABLE BEARING ASSEMBLY	58
FIGURE 2-7. TURNTABLE COVERS INSTALLATION	60
FIGURE 2-8. TURNTABLE LOCK INSTALLATION.....	62
FIGURE 2-9. TANKS INSTALLATION (SN E300000100 through E300004228).....	64
FIGURE 2-10. TANKS INSTALLATION (SN 1300007286 through 1300007383, SN E300004228 through E300007980)	66
FIGURE 2-11. DRIVE ORIENTATION INSTALLATION	68
FIGURE 2-12. GROUND CONTROL ASSEMBLY - AUSTRALIAN SPEC	70
FIGURE 2-13. GROUND CONTROL ASSEMBLY - CE SPEC.....	72
FIGURE 2-14. ELECTRICAL SYSTEM INSTALLATION.....	74
FIGURE 2-15. BEACON LIGHT INSTALLATION - AMBER.....	78
FIGURE 2-16. BEACON LIGHT INSTALLATION - BLUE (SN E300000100 through E300007543).....	80
FIGURE 2-17. BEACON LIGHT INSTALLATION - BLUE (SN E300007543 through E300007980).....	82
FIGURE 2-18. BEACON LIGHT INSTALLATION - RED (SN E300000100 through E300007543)	84
FIGURE 2-19. BEACON LIGHT INSTALLATION - RED (SN E300007543 through E300007980)	86
FIGURE 2-20. BATTERY AND CABLE INSTALLATION.....	88
FIGURE 2-21. HOODS INSTALLATION (SN E300000100 through E300006377).....	90
FIGURE 2-22. HOODS INSTALLATION (SN E300006377 through E300007980).....	94
FIGURE 2-23. HOOD ASSEMBLY - TANK SIDE (SN E300000100 through E300006377)	98
FIGURE 2-24. HOOD ASSEMBLY - TANK SIDE (SN E300006377 through E300007980)	100
FIGURE 2-25. HOOD ASSEMBLY - ENGINE SIDE (SN E300000100 through E300006377).....	102
FIGURE 2-26. HOOD ASSEMBLY - ENGINE SIDE (SN E300006377 through E300007980).....	104
FIGURE 2-27. COVERS INSTALLATION - COUNTERWEIGHT	106
SECTION 3 - ENGINE	109
FIGURE 3-1. ENGINE INSTALLATION - DEUTZ D2.3L3 ENGINE.....	110
FIGURE 3-2. ENGINE AND PUMP SUB-ASSEMBLY - DEUTZ D2.3L3.....	114
FIGURE 3-3. ENGINE ASSEMBLY - DEUTZ D2.3L3 ENGINE.....	116
FIGURE 3-4. ENGINE COMPONENTS - DEUTZ D2.3L3	120
FIGURE 3-5. ENGINE INSTALLATION - DEUTZ D2011 ENGINE (STAGE V) (WITHOUT ARCTIC PACKAGE) (CE SPECS)..	124
FIGURE 3-6. ENGINE AND PUMP SUB-ASSEMBLY - DEUTZ D2011 (STAGE V) (WITHOUT ARCTIC PACKAGE) (CE SPECS)	128
FIGURE 3-7. ENGINE ASSEMBLY - DEUTZ D2011 ENGINE (STAGE V) (WITHOUT ARCTIC PACKAGE) (CE SPECS).....	130
FIGURE 3-8. ENGINE COMPONENTS - DEUTZ D2011 (STAGE V)	134
FIGURE 3-9. PUMP COUPLING KIT	138
FIGURE 3-10. GEAR PUMP ASSEMBLY (SN E300000100 through E300004772)	140
FIGURE 3-11. PISTON PUMP ASSEMBLY	142
FIGURE 3-12. CATALYTIC SPARK ARRESTOR INSTALLATION - DEUTZ D2.3L3 ENGINE	146
FIGURE 3-13. SPARK ARRESTOR INSTALLATION - DEUTZ D2.3L3 ENGINE	148
FIGURE 3-14. ENGINE BAFFLE INSTALLATION	150

TABLE OF CONTENTS

FIGURE 3-15. GENERATOR INSTALLATION - 4000W/50HZ (DEUTZ D2.3L3 ENGINE).....	152
FIGURE 3-16. GENERATOR INSTALLATION - 7500W/50HZ (DEUTZ D2.3L3 ENGINE).....	156
SECTION 4 - BOOM.....	161
FIGURE 4-1. CYLINDERS INSTALLATION.....	162
FIGURE 4-2. BOOM INSTALLATION.....	164
FIGURE 4-3. JIB INSTALLATION.....	166
FIGURE 4-4. MAIN BOOM ASSEMBLY.....	168
FIGURE 4-5. TOWER BOOM ASSEMBLY.....	170
FIGURE 4-6. ROTATOR ASSEMBLY (SN E300002833 through E300004882).....	172
FIGURE 4-7. ROTATOR ASSEMBLY (SN 1300007286 through 1300007383, SN E300004883 through E300007980).....	174
FIGURE 4-8. PLATFORM SUPPORT INSTALLATION - WITH 4 CELL LSS (SN E300000100 through E300002782).....	176
FIGURE 4-9. PLATFORM SUPPORT INSTALLATION - WITH 4 CELL LSS (SN 1300007286 through 1300007383, SN E300002782 through E300007980).....	180
FIGURE 4-10. PLATFORM SUPPORT INSTALLATION - WITH 1 CELL LSS.....	182
FIGURE 4-11. VALVES INSTALLATION - BOOM MOUNTED.....	184
FIGURE 4-12. UPRIGHT VALVE ASSEMBLY.....	186
FIGURE 4-13. BOOM VALVE ASSEMBLY.....	188
SECTION 5 - PLATFORM.....	191
FIGURE 5-1. PLATFORM ASSEMBLY - 30IN X 4FT (76CM X 1.22M) - SIDE GATE ENTRY.....	192
FIGURE 5-2. PLATFORM ASSEMBLY - 30IN X 5FT (76CM X 1.52M) - SIDE GATE ENTRY.....	194
FIGURE 5-3. PLATFORM ASSEMBLY - 30IN X 6FT (76CM X 1.83M) - SIDE GATE ENTRY.....	196
FIGURE 5-4. PLATFORM ASSEMBLY - 30IN X 3FT (76CM X .91M) - WITH DROP BAR.....	198
FIGURE 5-5. PLATFORM ASSEMBLY - 30IN X 4FT (76CM X 1.22M) - WITH DROP BAR.....	200
FIGURE 5-6. PLATFORM ASSEMBLY - 30IN X 5FT (76CM X 1.52M) - WITH DROP BAR.....	202
FIGURE 5-7. PLATFORM ASSEMBLY - 30IN X 6FT (76CM X 1.83M) - WITH DROP BAR.....	204
FIGURE 5-8. CONSOLE BOX INSTALLATION - WITHOUT SKYGUARD.....	206
FIGURE 5-9. CONSOLE BOX INSTALLATION - WITH SKYGUARD (SN E300000100 through E300007543).....	208
FIGURE 5-10. CONSOLE BOX INSTALLATION - WITH SKYGUARD (SN E3000007543 through E300007980).....	210
FIGURE 5-11. PLATFORM CONSOLE BOX ASSEMBLY - WITHOUT SKYGUARD (SN E300000100 through E300003610).....	212
FIGURE 5-12. PLATFORM CONSOLE BOX ASSEMBLY - WITHOUT SKYGUARD (SN 1300007286 through 1300007383, SN E300003610 through E300007980).....	216
FIGURE 5-13. PLATFORM CONSOLE BOX ASSEMBLY - WITH SKYGUARD (SN E300000100 through E300003610).....	220
FIGURE 5-14. PLATFORM CONSOLE BOX ASSEMBLY - WITH SKYGUARD (SN 1300007286 through 1300007383, SN E300003610 through E300007542).....	224
FIGURE 5-15. PLATFORM CONSOLE BOX ASSEMBLY - WITH SKYGUARD (SN E300007543 through E300007980).....	228
FIGURE 5-16. CONTROLLER ASSEMBLY - DRIVE AND STEER.....	232
FIGURE 5-17. CONTROLLER ASSEMBLY - LIFT AND SWING.....	234
FIGURE 5-18. FOOTSWITCH ASSEMBLY.....	238
FIGURE 5-19. TRAY ASSEMBLY.....	240
FIGURE 5-20. SKYEYE INSTALLATION.....	242
FIGURE 5-21. SKYGUARD SYSTEM INSTALLATION (SN E300000100 through E300007543).....	244
FIGURE 5-22. SKYGUARD BAR INSTALLATION (SN E300007543 through E300007980).....	246
FIGURE 5-23. SKYLINE INSTALLATION.....	248
FIGURE 5-24. CROSS RAIL INSTALLATION.....	250
FIGURE 5-25. SKYGLAZIER INSTALLATION (AUSTRALIAN SPECS) (SN E300000100 through E300004872).....	252
FIGURE 5-26. SKYGLAZIER INSTALLATION (AUSTRALIAN SPECS) (SN 1300007286 through 1300007383, SN E300004872 through E300007980).....	254
FIGURE 5-27. PIPE RACK INSTALLATION (AUSTRALIAN SPEC).....	256
FIGURE 5-28. PIPE RACK INSTALLATION (CE SPECS).....	258
SECTION 6 - CYLINDER.....	261
FIGURE 6-1. AXLE LOCKOUT CYLINDER ASSEMBLY.....	262
FIGURE 6-2. LEVEL (PLATFORM SLAVE) CYLINDER ASSEMBLY.....	264
FIGURE 6-3. LIFT CYLINDER ASSEMBLY - JIB.....	266
FIGURE 6-4. LIFT CYLINDER ASSEMBLY - MAIN BOOM (SN E300000100 through E300004512).....	268
FIGURE 6-5. LIFT CYLINDER ASSEMBLY - MAIN BOOM (SN 1300007286 through 1300007383, SN E300004512 through E300007980).....	270
FIGURE 6-6. LIFT CYLINDER ASSEMBLY - TOWER BOOM.....	272
FIGURE 6-7. MASTER CYLINDER ASSEMBLY.....	274
FIGURE 6-8. STEER CYLINDER ASSEMBLY.....	276
FIGURE 6-9. TELESCOPE CYLINDER ASSEMBLY.....	278

TABLE OF CONTENTS

SECTION 7 - HYDRAULIC	281
FIGURE 7-1. HYDRAULIC SYSTEM INSTALLATION (SN E300000100 through E300004228)	282
FIGURE 7-2. HYDRAULIC SYSTEM INSTALLATION (SN 1300007286 through 1300007383, SN E300004228 through E300007980)	288
FIGURE 7-3. HYDRAULIC DIAGRAM LIST	294
SECTION 8 - ELECTRICAL	295
FIGURE 8-1. ELECTRICAL DIAGRAM LIST	296
FIGURE 8-2. AC BOX AT PLATFORM - LOCALLY SUPPLIED COMPONENTS (SN E300000100 through E300003512)	298
FIGURE 8-3. AC BOX AT PLATFORM INSTALLATION - 110V IEC YELLOW (CE SPEC) (SN E300000100 through E300003512)	300
FIGURE 8-4. AC BOX AT PLATFORM INSTALLATION - 110V IEC 60309 YELLOW WITHOUT 2500W GENERATOR (CE SPECS) (SN 1300007286 through 1300007383, SN E300003512 through E300007980)	302
FIGURE 8-5. AC BOX AT PLATFORM INSTALLATION - 220V IEC BLUE (CE SPEC) (SN E300000100 through E300003512)	304
FIGURE 8-6. AC BOX AT PLATFORM INSTALLATION - 220V IEC 60309 BLUE WITHOUT 2500W GENERATOR (CE SPECS) (SN 1300007286 through 1300007383, SN E300003512 through E300007980)	306
FIGURE 8-7. AC BOX AT PLATFORM INSTALLATION - 220V CEE7 POST GROUND WITH 70MM X 70MM BOX (CE SPEC) (SN E300000100 through E300002764)	308
FIGURE 8-8. AC BOX AT PLATFORM INSTALLATION - 220V CEE7 SIDE GROUND WITH 70MM X 70MM BOX (CE SPEC) (SN E300000100 through E300002764)	310
FIGURE 8-9. AC BOX AT PLATFORM INSTALLATION - 220V CEE7 POST GROUND WITH 2IN X 4IN BOX (CE SPEC) (SN E300000100 through E300002764)	312
FIGURE 8-10. AC BOX AT PLATFORM INSTALLATION - 220V CEE7 POST GROUND WITH 2IN X 4IN BOX (CE SPEC) (SN E300002764 through E300003511)	314
FIGURE 8-11. AC BOX AT PLATFORM INSTALLATION - 220V CEE7 POST GROUND (2X4 BOX) WITHOUT 2500W GENERATOR (CE SPECS) (SN 1300007286 through 1300007383, SN E300003512 through E300007980)	316
FIGURE 8-12. AC BOX AT PLATFORM INSTALLATION - 220V CEE7 SIDE GROUND WITH 2IN X 4IN BOX (CE SPEC) (SN E300000100 through E300002764)	318
FIGURE 8-13. AC BOX AT PLATFORM INSTALLATION - 220V CEE7 SIDE GROUND WITH 2IN X 4IN BOX (CE SPEC) (SN E300002764 through E300003511)	320
FIGURE 8-14. AC BOX AT PLATFORM INSTALLATION - 220V CEE7 SIDE GROUND (2X4 BOX) WITHOUT 2500W GENERATOR (CE SPECS) (SN 1300007286 through 1300007383, SN E300003512 through E300007980)	322
FIGURE 8-15. AC BOX AT PLATFORM INSTALLATION - 220V AFSINT 107 KEYED GROUND WITH 2IN X 4IN BOX (CE SPEC) (SN E300000100 through E300003512)	324
FIGURE 8-16. AC BOX AT PLATFORM INSTALLATION - 220V AFSINT 107 KEYED GROUND (2X4 BOX) WITHOUT 2500W GENERATOR (CE SPECS) (SN 1300007286 through 1300007383, SN E300003512 through E300007980)	326
FIGURE 8-17. AC BOX AT PLATFORM INSTALLATION - 220V CUSTOMER SUPPLIED COMPONENTS (ANSI EXPORT, CE AND CHINA SPECS)	328
FIGURE 8-18. AC CABLE INSTALLATION – WITH TWO BREAKERS (CE SPECS) (SN 1300007286 through 1300007383, SN E300003512 through E300007980)	330
FIGURE 8-19. AC CABLE INSTALLATION – WITH THREE BREAKERS (CE SPECS) (SN 1300007286 through 1300007383, SN E300003512 through E300007980)	332
FIGURE 8-20. BATTERY DISCONNECT SWITCH	334
FIGURE 8-21. BEACON LIGHT HARNESS	336
FIGURE 8-22. BEACON EXTENSION HARNESS (SN E300000100 through E600003882)	338
FIGURE 8-23. BOOM CABLES AND CLAMPS INSTALLATION	340
FIGURE 8-24. BOOM HARNESS - MAIN BOOM	344
FIGURE 8-25. BOOM HARNESS - MAIN BOOM AC CABLE	346
FIGURE 8-26. BOOM HARNESS - TOWER BOOM	348
FIGURE 8-27. BOOM HARNESS - TOWER BOOM AC CABLE	350
FIGURE 8-28. BOOM VALVE HARNESS	352
FIGURE 8-29. BREAKER BOX KIT - CE SPEC	354
FIGURE 8-30. BREAKER BOX KIT - 30MA/16AMP	356
FIGURE 8-31. CHASSIS SOLENOID HARNESS	358
FIGURE 8-32. ENGINE HARNESS - DEUTZ D2.3L3	360
FIGURE 8-33. GENERATOR HARNESS - 4000W GENERATOR	362
FIGURE 8-34. GROUND CONTROL PANEL HARNESS	364
FIGURE 8-35. PLATFORM CONSOLE BOX HARNESS (SN E300000100 through E300007543)	366
FIGURE 8-36. PLATFORM CONSOLE BOX HARNESS (SN E300007543 through E300007980)	368
FIGURE 8-37. PLATFORM INTERFACE HARNESS	370
FIGURE 8-38. RECEPTACLE BOX KIT - 110V IEC YELLOW (CE SPEC)	372
FIGURE 8-39. RECEPTACLE BOX KIT - 220V IEC BLUE (CE SPEC)	374
FIGURE 8-40. RECEPTACLE BOX KIT - 220V CEE7 POST GROUND 2X4 (CE SPEC)	376
FIGURE 8-41. RECEPTACLE BOX KIT - 220V CEE7 SIDE GROUND 2X4 (CE SPEC)	378

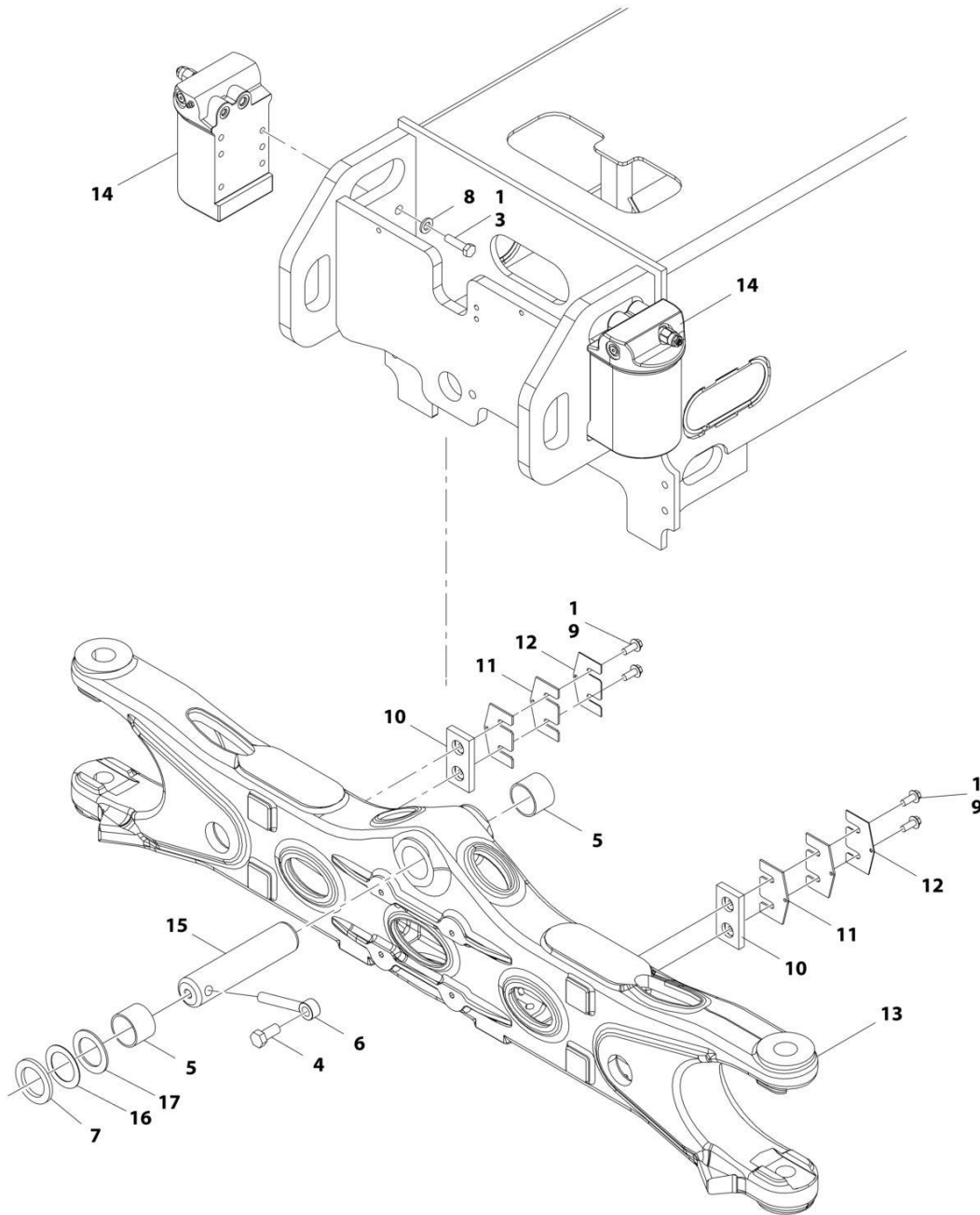
TABLE OF CONTENTS

FIGURE 8-42. RECEPTACLE BOX KIT - 220V CEE7 POST GROUND 70MMX70MM (CE SPEC).....	380
FIGURE 8-43. RECEPTACLE BOX KIT - 220V CEE7 SIDE GROUND 70MMX70MM (CE SPEC)	382
FIGURE 8-44. RECEPTACLE BOX KIT - 220V AFSINT 107 (CE SPEC)	384
FIGURE 8-45. SKYEYE INTERMEDIATE HARNESS	386
FIGURE 8-46. SKYEYE RECEIVER HARNESS.....	388
FIGURE 8-47. SKYEYE EMITTER HARNESS	390
FIGURE 8-48. SKYLINE HARNESS	392
FIGURE 8-49. SKYGUARD HARNESS	394
FIGURE 8-50. TURNTABLE HARNESS.....	396
FIGURE 8-51. VALVE HARNESS - MAIN VALVE	400
FIGURE 8-52. VALVE HARNESS - PLATFORM VALVE.....	402
SECTION 9 - DECAL.....	405
FIGURE 9-1. DECAL INSTALLATION - AUSTRALIAN SPEC (ENGLISH).....	406
FIGURE 9-2. DECAL INSTALLATION - CE SPEC (ENGLISH)	408
FIGURE 9-3. DECAL INSTALLATION - OPTIONS	410
FIGURE 9-4. TOW BAR DECAL INSTALLATION - ENGLISH LANGUAGE (ANSI, ANSI EXPORT AND CE SPECS).....	412
FIGURE 9-5. TOW BAR DECAL INSTALLATION - SPANISH LANGUAGE (CE SPECS)	414
SECTION 10 - RECOMMENDED SERVICE PARTS STOCK	417
FIGURE 10-1. RECOMMENDED SERVICE PARTS STOCK	418
SECTION 11 - SPECIAL OPTIONS.....	419
FIGURE 11-1. SPECIAL OPTIONS	420
PART NUMBER INDEX.....	423

SECTION 1 - FRAME

SECTION 1 - FRAME

FIGURE 1-1. AXLE INSTALLATION



ART_1001164093

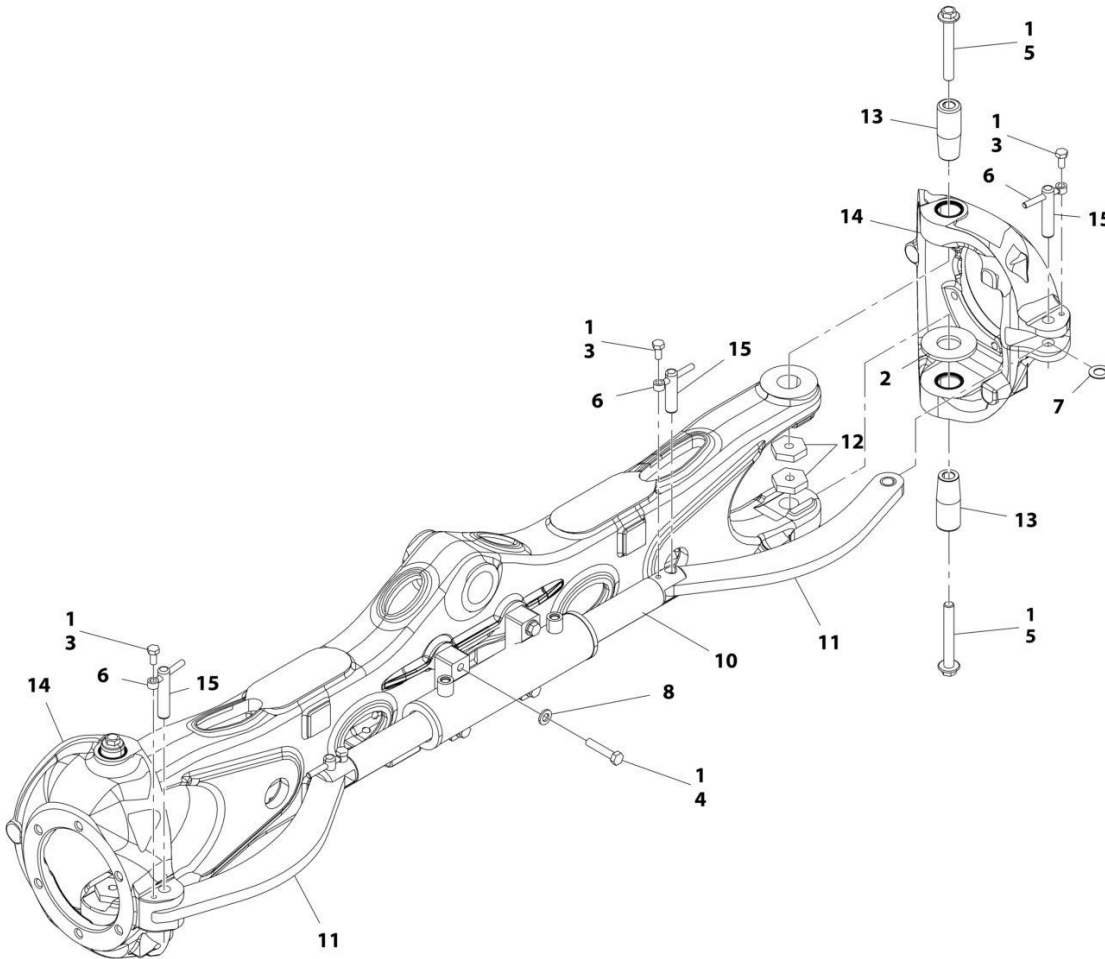
SECTION 1 - FRAME

FIGURE 1-1. AXLE INSTALLATION

ITEM	PART NUMBER	QTY	DESCRIPTION	REV
	1001164093	Ref	AXLE INSTALLATION	C
1	0100011	AR	Compound, Locking	
3	0701217	8	Bolt M12 x 45	
4	0761615	1	Bolt M16 x 35	
5	0961950	2	Bearing	
6	3841258	1	Keeper, Pin	
7	4740158	AR	Washer	
8	5241200	8	Washer M12	
9	5251012	4	Bolt M10 x 25	
10	1001118511	2	Pad, Wear	
11	1001118518	4	Shim 11Ga	
12	1001118519	2	Shim 16Ga	
13	1001162995	1	Axle	
14	1001163580	2	Axle Lockout Cylinder Assembly (See CYLINDER SECTION for Breakdown)	
15	1001164552	1	Pin	
16	4071101	AR	Shim (SN E300004925 through E300007980)	
17	4740229	AR	Washer (SN E300004925 through E300007980)	

SECTION 1 - FRAME

FIGURE 1-2. STEER INSTALLATION WITHOUT TOW PACKAGE



ART_1001164092

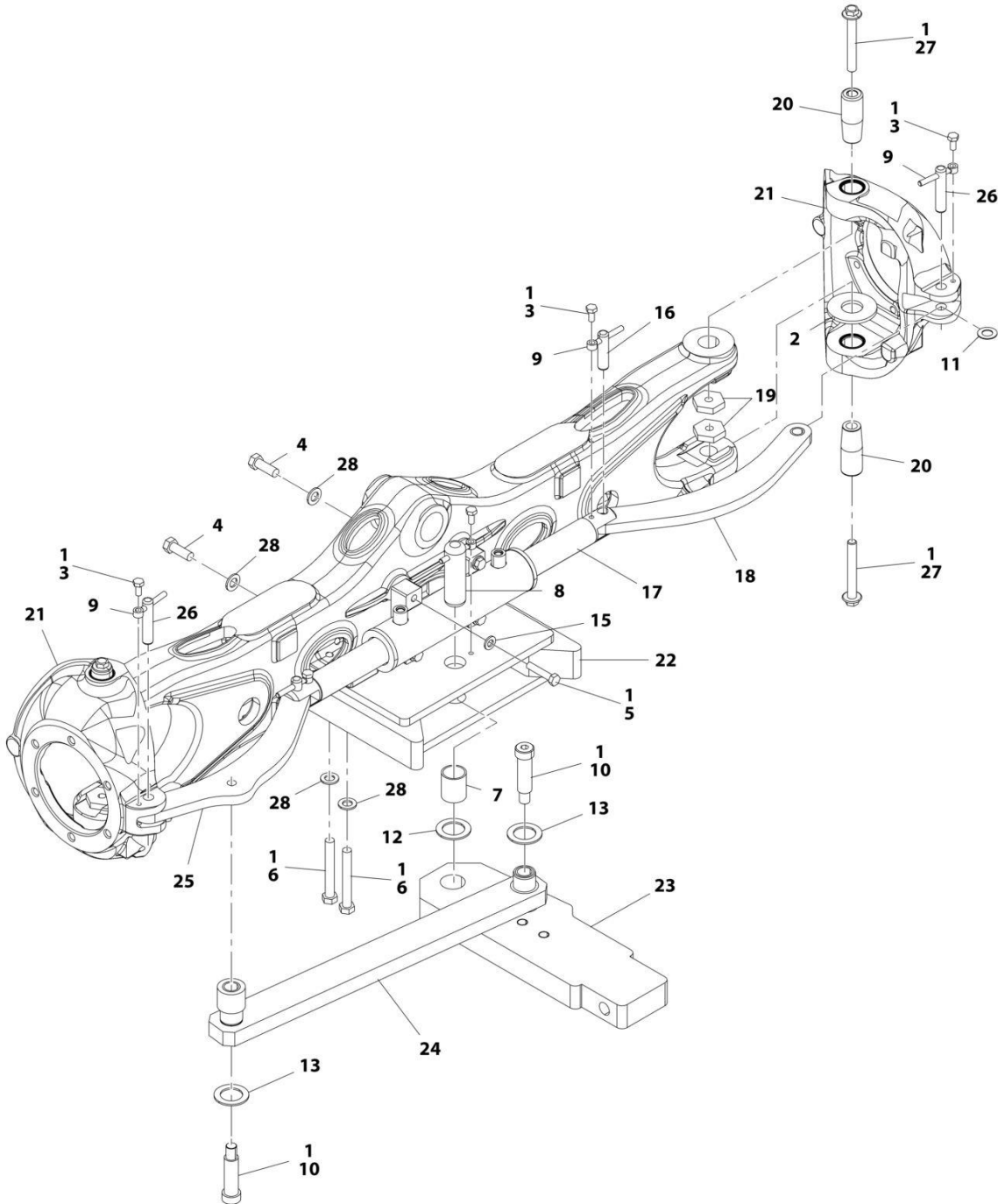
SECTION 1 - FRAME

FIGURE 1-2. STEER INSTALLATION WITHOUT TOW PACKAGE

ITEM	PART NUMBER	QTY	DESCRIPTION	REV
	1001164092	Ref	STEER INSTALLATION WITHOUT TOW PACKAGE	F
1	0100011	AR	Compound, Locking	
2	0440271	2	Bearing, Thrust (SN 1300007286 through 1300007383, SN E300000100 through E300005317)	
2	1001233139	2	Bearing, Thrust (SN E300005317 through E300007980)	
3	0761011	4	Bolt M10 x 22	
4	0711220	4	Bolt M12 x 60 Grade 10.9	
5	1001190368	4	Bolt M16 x 120	
6	3841143	4	Keeper, Pin	
7	4740086	4	Washer	
8	5241200	4	Washer M12	
10	1001163178	1	Steer Cylinder Assembly (See CYLINDER SECTION for Breakdown)	
11	1001163179	2	Link	
11	1001164209	4	Bearing (2 Per Link)	
12	1001176848	4	Nut M16	
13	1001163405	4	Kingpin	
14	1001163715	2	Spindle	
14	0961948	4	Bearing (2 Per Spindle)	
14	1001163716	8	Seal (4 Per Spindle)	
15	3423304	4	Pin	

SECTION 1 - FRAME

FIGURE 1-3. STEER INSTALLATION WITH TOW PACKAGE



ART_1001164095

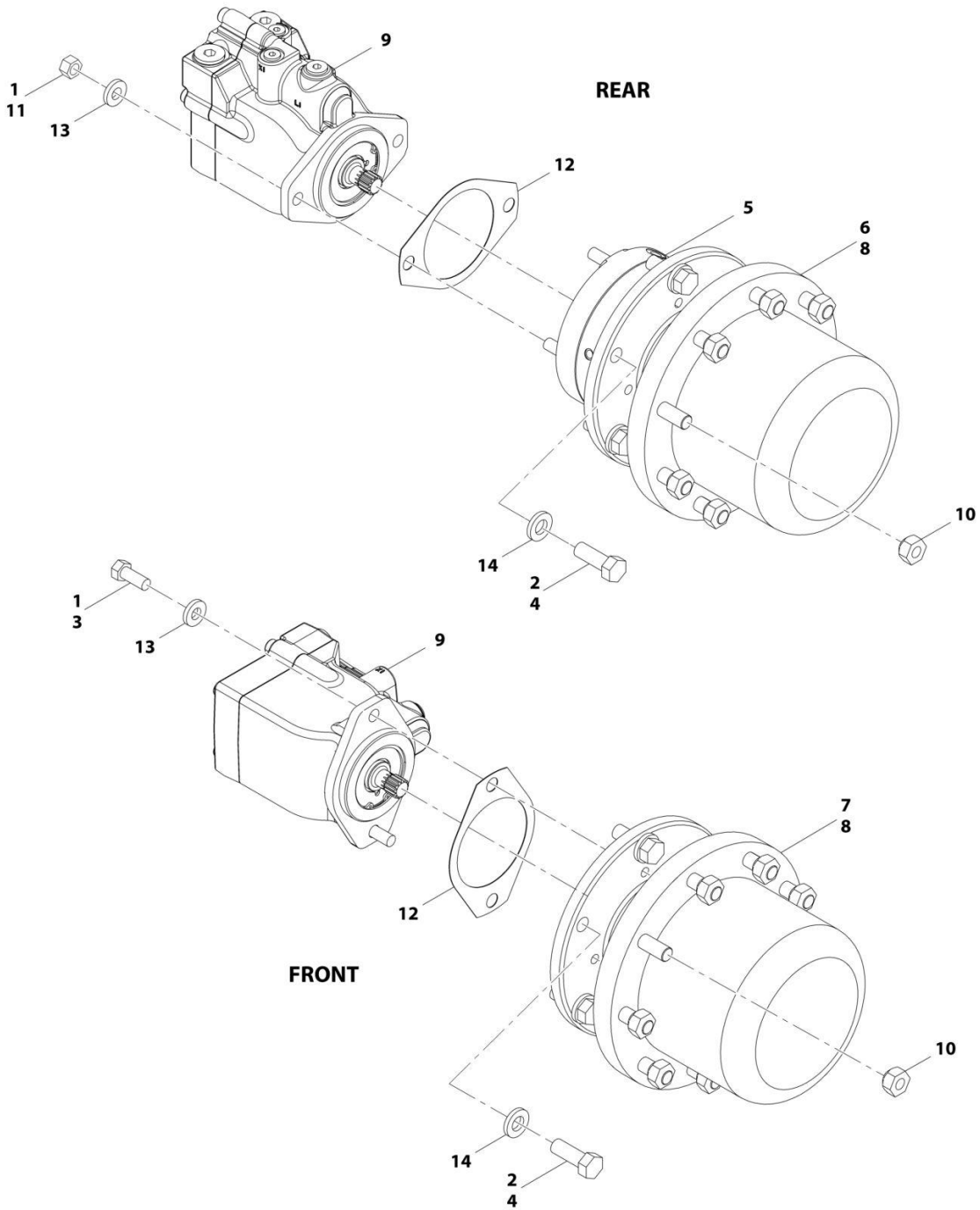
SECTION 1 - FRAME

FIGURE 1-3. STEER INSTALLATION WITH TOW PACKAGE

ITEM	PART NUMBER	QTY	DESCRIPTION	REV
	1001164095	Ref	STEER INSTALLATION WITH TOW PACKAGE	D
1	0100011	AR	Compound, Locking	
2	0440271	2	Bearing, Thrust	
3	0761011	5	Bolt M10 x 22	
4	0701617	2	Bolt M16 x 45	
5	0711220	4	Bolt M12 x 60 Grade 10.9	
6	0711629	4	Bolt M16 x 120 Grade 10.9	
7	0962348	1	Bearing	
8	3422848	1	Pin	
9	3841143	5	Keeper, Pin	
10	3900295	2	Bolt 1 x 3	
11	4740086	4	Washer	
12	4740155	1	Washer	
13	4740491	2	Washer	
15	5241200	4	Washer M12	
16	1001139586	2	Pin	
17	1001163178	1	Steer Cylinder Assembly (See CYLINDER SECTION for Breakdown)	
18	1001163179	1	Link	
18	1001164209	2	Bearing	
19	1001176848	4	Nut M16	
20	1001163405	4	Kingpin	
21	1001163715	2	Spindle	
21	0961948	4	Bearing (2 per Spindle)	
21	1001163716	8	Seal, Kingpin (4 per Spindle)	
22	1001163717	1	Bracket	
23	1001163722	1	Plate, Pivot	
24	1001163724	1	Link	
24	0962292	2	Bearing	
25	1001163726	1	Link	
25	1001164209	2	Bearing	
26	3423304	2	Pin	
27	1001190368	4	Bolt M16 x 120	
28	5241600	6	Washer M16	

SECTION 1 - FRAME

FIGURE 1-4. WHEEL DRIVE INSTALLATION, 4WD



ART_1001166239

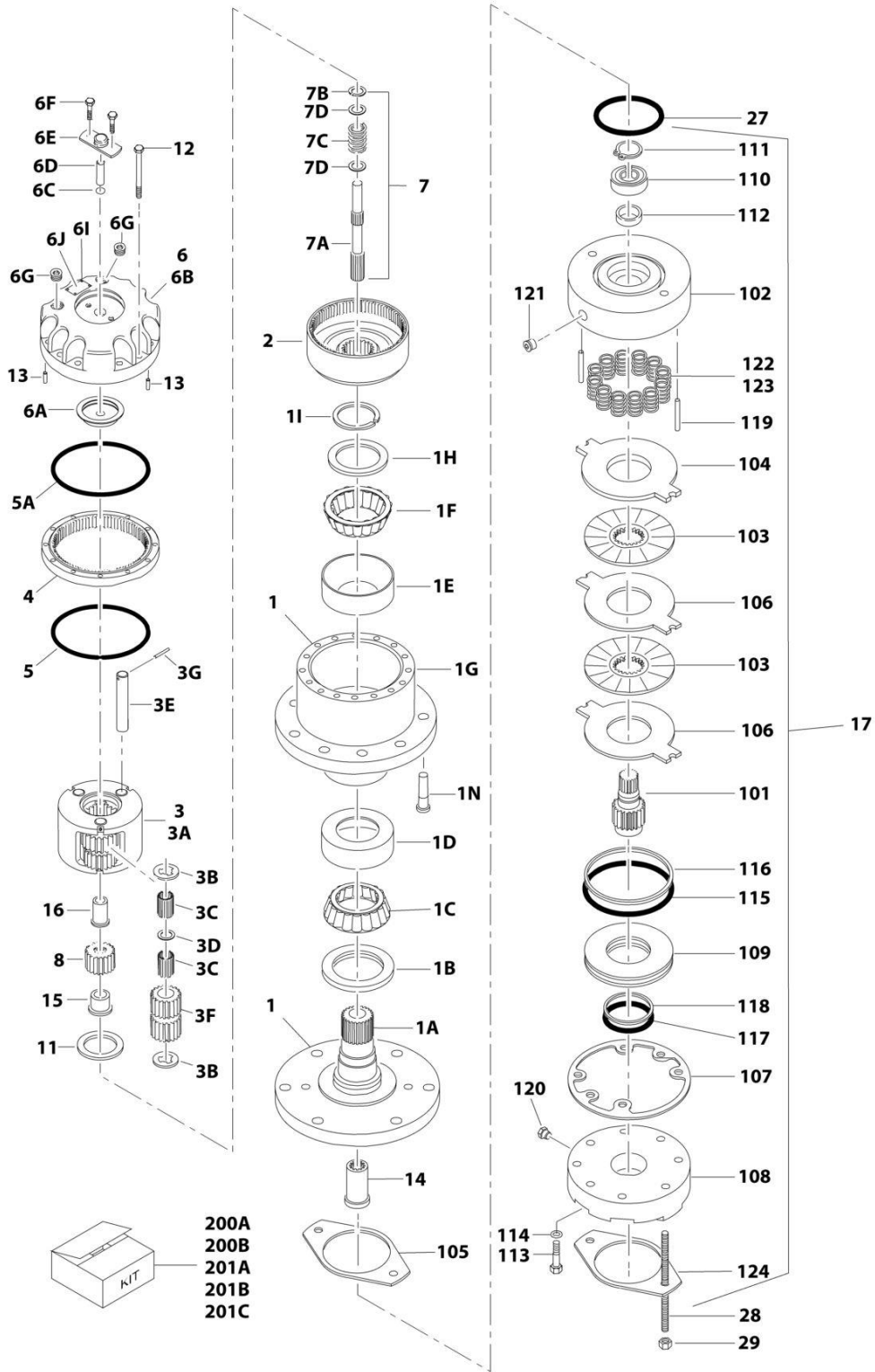
SECTION 1 - FRAME

FIGURE 1-4. WHEEL DRIVE INSTALLATION, 4WD

ITEM	PART NUMBER	QTY	DESCRIPTION	REV
	1001166239	Ref	WHEEL DRIVE INSTALLATION, 4WD	D
1	0100011	AR	Compound, Locking	
2	0100019	AR	Compound, Locking	
3	0681810	4	Bolt 1/2 x 1-1/4 Grade 8	
4	0682014	24	Bolt 5/8 x 1-3/4 Grade 8	
5	2300016	AR	Fluid, Hydraulic	
6	2780267	2	Drive Hub Assembly - Rear (See DRIVE HUB ASSEMBLY - REAR for Breakdown)	
7	2780268	2	Drive Hub Assembly - Front (See DRIVE HUB ASSEMBLY - FRONT for Breakdown)	
8	3020008	AR	Lubricant	
9	3160348	4	Drive Motor Assembly (See DRIVE MOTOR ASSEMBLY for Breakdown)	
10	3300106	36	Lugnut	
11	3311801	4	Nut 1/2	
12	3960526	4	Gasket, Brake	
13	4891800	8	Washer 1/2	
14	4892000	24	Washer 5/8	

SECTION 1 - FRAME

FIGURE 1-5. DRIVE HUB AND BRAKE ASSEMBLY - REAR



ART_2780267

SECTION 1 - FRAME

FIGURE 1-5. DRIVE HUB AND BRAKE ASSEMBLY - REAR

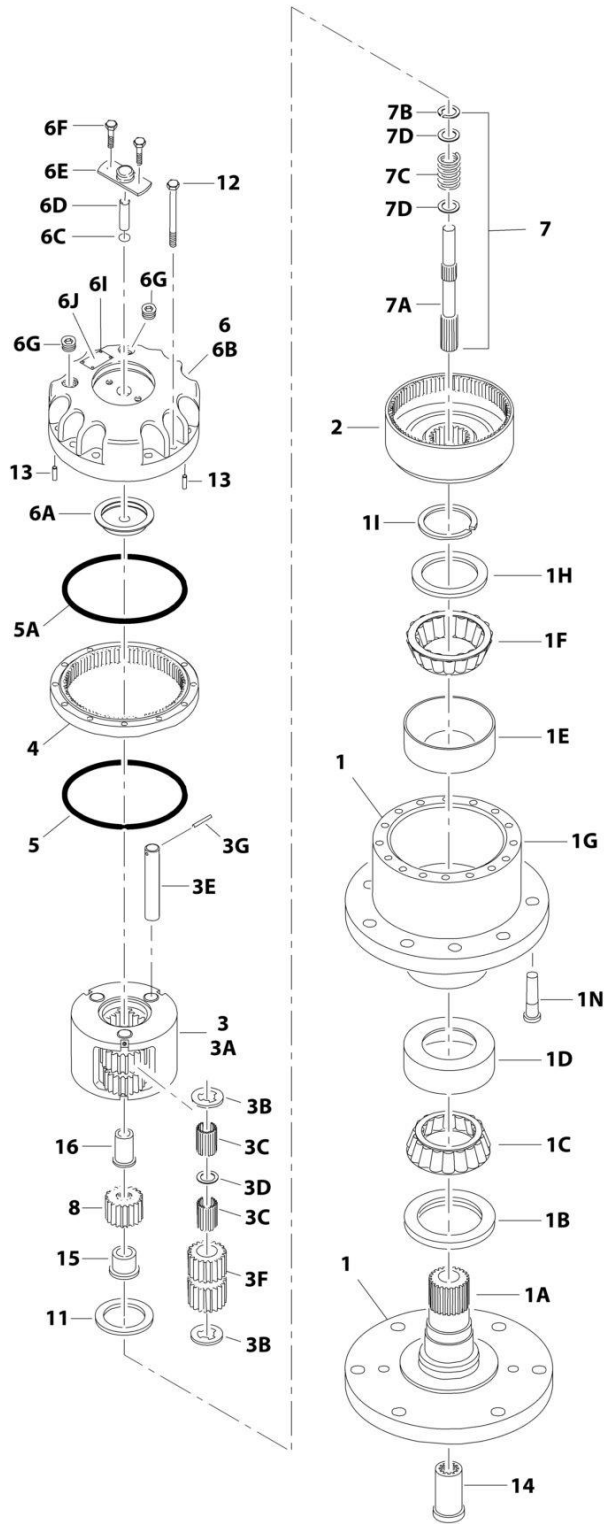
ITEM	PART NUMBER	QTY	DESCRIPTION	REV
	2780267	Ref	DRIVE HUB AND BRAKE ASSEMBLY - REAR	I
1	See Note	1	Spindle/Housing Assembly (Note: Purchase Individual Components)	
1A	7017059	1	Spindle	
1B	7001998	1	Seal	
1C	7010429	1	Cone, Bearing (Includes Item 1D)	
1D	7010429	1	Cup, Bearing (Includes Item 1C)	
1E	7000257	1	Cup, Bearing	
1F	7000258	1	Cone, Bearing	
1G	7007601	1	Housing/Ring Gear	
1H	7000232	1	Washer, Thrust	
1I	7000229	1	Ring, Retaining	
1N	7007640	9	Stud, Wheel	
2	7000246	1	Gear, Internal	
3	7024712	1	Carrier Assembly	
3A	See Note	1	Carrier (Note: Use p/n 7024712)	
3B	See Note	6	Ring, Retaining (Note: Use p/n 7024712)	
3C	See Note	AR	Bearing, Needle (Note: Use p/n 7024712)	
3D	See Note	3	Washer, Thrust (Note: Use p/n 7024712)	
3E	See Note	3	Shaft, Planet (Note: Use p/n 7024712)	
3F	See Note	3	Gear, Planet (Note: Use p/n 7024712)	
3G	See Note	3	Rollpin (Note: Not Available for Purchase)	
4	7000248	1	Ring Gear	
5	7000230	1	O-Ring	
5A	7017070	1	O-Ring	
6	70001349	1	Cover assembly Kit	
6A	See Note	1	Spacer, Thrust (Note: Use p/n 70001349)	
6B	See Note	1	Plate, Cover (Note: Use p/n 70001349)	
6C	See Note	1	O-Ring (Note: Use p/n 70001349)	
6D	See Note	1	Rod, Disconnect (Note: Use p/n 70001349)	
6E	See Note	1	Cap, Disengage (Note: Use p/n 70001349)	
6F	See Note	2	Bolt (Note: Use p/n 70001349)	
6G	See Note	1	Plug, Pipe (Note: Use p/n 70001349)	
6I	See Note	4	Rivet (Note: Not Available for Purchase)	
6J	See Note	1	Plate, ID (Note: Not Available for Purchase)	
7		Ref	Input Shaft Assembly	
7A	7024714	1	Shaft	
7B	7000261	1	Ring, Retaining	
7C	7000262	1	Spring	
7D	7000263	2	Spacer, Thrust	
8	7024713	1	Gear, Sun	
11	7000253	1	Washer, Thrust	
12	7017067	12	Bolt	
13	7017080	4	Pin, Dowell	
14	7000206	1	Coupling	
15	7024715	1	Spacer, Input	
16	7024716	1	Spacer, Input	
17	7024182	1	Brake Assembly (See Items 101-123 for Breakdown)	
27	7024705	1	O-Ring	
28	7024717	2	Rod, Threaded	

SECTION 1 - FRAME

ITEM	PART NUMBER	QTY	DESCRIPTION	REV
29	7024718	2	Nut 1/2in-13NC	
	7024182	Ref	BRAKE ASSEMBLY	
101	7024189	1	Shaft	
102	See Note	1	Housing (Note: Use p/n 7024182)	
103	See Note	2	Plate, Friction (Note: Use p/n 7024193)	
104	See Note	1	Plate, Pressure (Note: Use p/n 7024193)	
105	70005483	1	Gasket	
106	See Note	2	Plate, Outer (Note: Use p/n 7024193)	
107	See Note	1	Gasket (Note: Use Items 200A, 201B or 201C)	
108	7024191	1	Cylinder	
109	7024192	1	Piston	
110	See Note	1	Bearing, Ball (Note: Use p/n 7024197)	
111	See Note	1	Ring, Retaining (Note: Use p/n 7024197)	
112	See Note	1	Seal, Shaft (Note: Use p/n 7024197)	
113	See Note	6	Capscrew (Note: Not Available for Purchase)	
114	See Note	6	Lockwasher (Note: Not Available for Purchase)	
115	See Note	1	O-Ring (Note: Not Available for Purchase)	
116	See Note	1	Ring, Back-up (Note: Not Available for Purchase)	
117	See Note	1	O-Ring (Note: Not Available for Purchase)	
118	See Note	1	Ring, Back-up (Note: Not Available for Purchase)	
119	7024190	2	Pin, Dowel	
120	See Note	1	Plug (Note: Not Available for Purchase)	
121	See Note	2	Plug (Note: Not Available for Purchase)	
122	See Note	12	Spring Kit (Natural) (Note: Use p/n 7024196)	
123	See Note	2	Spring Kit (Blue) (Note: Use p/n 7024196)	
124	70005483	1	Gasket	
		Ref	Kit Options	
200		Ref	Seal Kit Options:	
200A	See Note	1	Hub Seal Kit (Note: Purchase Individual Components)	
200B	7024194	1	Brake Seal Kit (Includes Items 105, 107 & 115-118)	
201		Ref	Repair Kit Options:	
201A	7024196	1	Brake Spring Kit (Includes 12 Natural Colored and 2 Blue Colored Springs Items 122 & 123)	
201B	7024193	1	Brake Friction Disc Kit (Includes Items 103, 104, 106 & 107)	
201C	7024197	1	Brake Bearing Kit (Includes Items 107 & 110-112)	

SECTION 1 - FRAME

FIGURE 1-6. DRIVE HUB ASSEMBLY - FRONT



ART_2780268

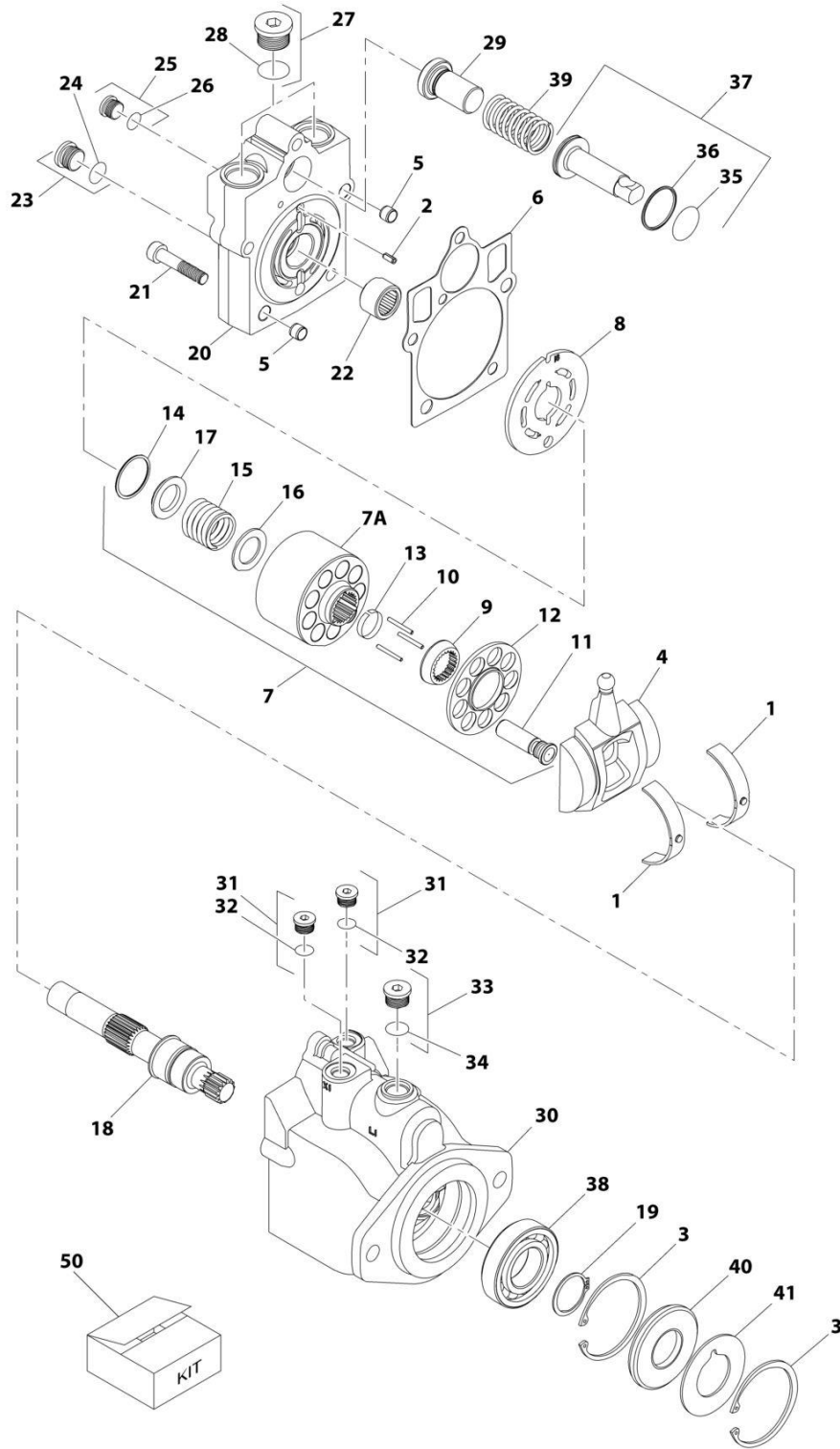
SECTION 1 - FRAME

FIGURE 1-6. DRIVE HUB ASSEMBLY - FRONT

ITEM	PART NUMBER	QTY	DESCRIPTION	REV
	2780268	Ref	DRIVE HUB ASSEMBLY - FRONT	A
1	See Note	1	Spindle/Housing Assembly (Note: Purchase Individual Components)	
1A	7017059	1	Spindle	
1B	7001998	1	Seal	
1C	7010429	1	Cone, Bearing (Includes Item 1D)	
1D	7010429	1	Cup, Bearing (Includes Item 1C)	
1E	7000257	1	Cup, Bearing	
1F	7000258	1	Cone, Bearing	
1G	7007601	1	Housing/Ring Gear	
1H	7000232	1	Washer, Thrust	
1I	7000229	1	Ring, Retaining	
1N	7007640	9	Stud, Wheel	
2	7000246	1	Gear, Internal	
3	7024712	1	Carrier Assembly	
3A	See Note	1	Carrier (Note: Use p/n 7024712)	
3B	See Note	6	Ring, Retaining (Note: Use p/n 7024712)	
3C	See Note	AR	Bearing, Needle (Note: Use p/n 7024712)	
3D	See Note	3	Washer, Thrust (Note: Use p/n 7024712)	
3E	See Note	3	Shaft, Planet (Note: Use p/n 7024712)	
3F	See Note	3	Gear, Planet (Note: Use p/n 7024712)	
3G	See Note	3	Rollpin (Note: Not Available for Purchase)	
4	7000248	1	Ring Gear	
5	7000230	1	O-Ring	
5A	7017070	1	O-Ring	
6	70001349	1	Cover Assembly Kit	
6A	See Note	1	Spacer, Thrust (Note: Use p/n 70001349)	
6B	See Note	1	Plate, Cover (Note: Use p/n 70001349)	
6C	See Note	1	O-Ring (Note: Use p/n 70001349)	
6D	See Note	1	Rod, Disconnect (Note: Use p/n 70001349)	
6E	See Note	1	Cap, Disengage (Note: Use p/n 70001349)	
6F	See Note	2	Bolt (Note: Use p/n 70001349)	
6G	See Note	1	Plug, Pipe (Note: Use p/n 70001349)	
6I	See Note	4	Rivet (Note: Not Available for Purchase)	
6J	See Note	1	Plate, ID (Note: Not Available for Purchase)	
7		Ref	Input Shaft Assembly	
7A	7024714	1	Shaft	
7B	7000261	1	Ring, Retaining	
7C	7000262	1	Spring	
7D	7000263	2	Spacer, Thrust	
8	7024713	1	Gear, Sun	
11	7000253	1	Washer, Thrust	
12	7017067	12	Bolt	
13	7017080	4	Pin, Dowell	
14	7000206	1	Coupling	
15	7024715	1	Spacer, Input	
16	7024716	1	Spacer, Input	

SECTION 1 - FRAME

FIGURE 1-7. DRIVE MOTOR ASSEMBLY, 4WD



ART_3160348

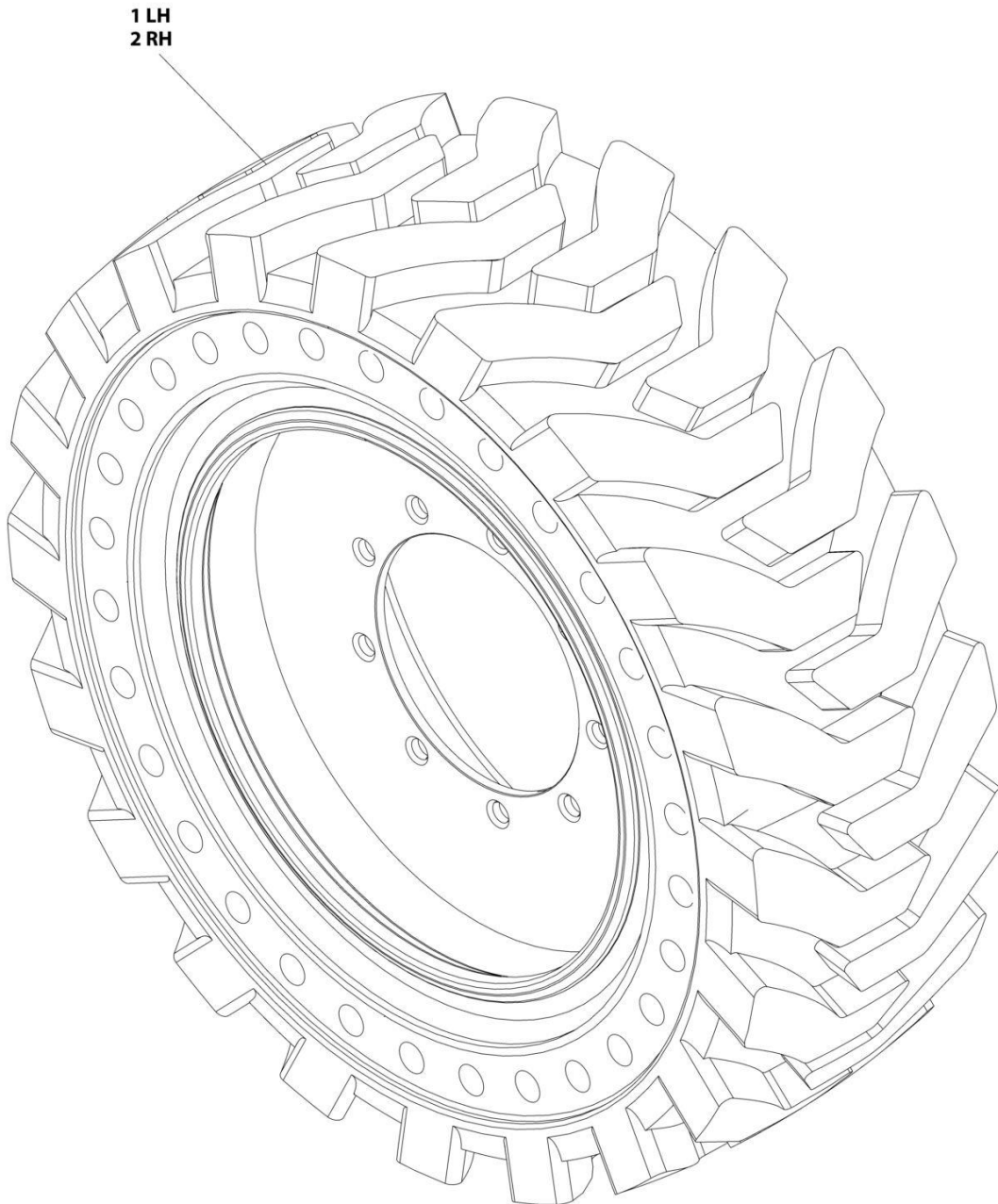
SECTION 1 - FRAME

FIGURE 1-7. DRIVE MOTOR ASSEMBLY, 4WD

ITEM	PART NUMBER	QTY	DESCRIPTION	REV
	3160348	Ref	DRIVE MOTOR ASSEMBLY, 4WD	B
1	7022302	2	Bearing, Journal	
2	7007446	1	Pin	
3	7007438	2	Ring, Retaining	
4	7022305	1	Swash Plate	
5	See Note	2	Pin (Note: Not Available for Purchase)	
6	See Note	NSS	Gasket (Note: Use Item 50)	
7	7023907	1	Cylinder Block Kit (Includes Items 7A & 9-17)	
7A	See Note	NSS	Block, Cylinder (Note: Use p/n 7023907)	
8	7023908	1	Plate, Valve	
9	7021277	1	Guide, Slipper Retainer	
10	7021275	3	Pin, Slipper Hold Down	
11	See Note	NSS	Piston Assembly (Note: Use p/n 7023907)	
12	7021276	1	Retainer, Hold Down Pin	
13	7022310	1	Retainer, Slipper	
14	7022311	1	Ring, Retaining	
15	7022312	1	Spring	
16	7024868	1	Washer	
17	7022314	1	Retainer, Spring	
18	7023910	1	Shaft	
19	7007439	1	Ring, Retaining	
20	70000797	1	Cap, End - Axial	
21	7022368	5	Screw	
22	7021249	1	Bearing, Needle	
23	2220886	1	Plug (Includes Item 24)	
24	See Note	NSS	O-Ring (Note: Use Item 23 or 50)	
25	2220883	1	Plug (Includes Item 26)	
26	See Note	NSS	O-Ring (Note: Use Item 25 or 50)	
27	2220888	2	Plug (Includes Item 28)	
28	See Note	NSS	O-Ring (Note: Use Item 27 or 50)	
29	7022372	1	Seat, Spring	
30	See Note	NSS	Housing (Note: Use p/n 3160248)	
31	2220883	2	Plug (Includes Item 32)	
32	See Note	NSS	O-Ring (Note: Use Item 31 or 50)	
33	2220886	1	Plug (Includes Item 34)	
34	See Note	NSS	O-Ring (Note: Use Item 33 or 50)	
35	See Note	NSS	O-Ring (Note: Use Item 50)	
36	See Note	NSS	Seal, Ring (Note: Use Item 50)	
37	7024854	1	Piston, Servo (Includes Items 35 & 36)	
38	7007437	1	Bearing	
39	7022326	1	Spring	
40	See Note	NSS	Seal, Lip (Note: Use Item 50)	
41	7022371	1	Washer, Support	
50	7022328	1	Seal Kit (Includes Items 6, 24, 26, 28, 32, 34, 35, 36 & 40)	

SECTION 1 - FRAME

FIGURE 1-8. TIRE AND WHEEL INSTALLATION - 33 X 12-20 SOLID NON-MARKING



ART_1001169062

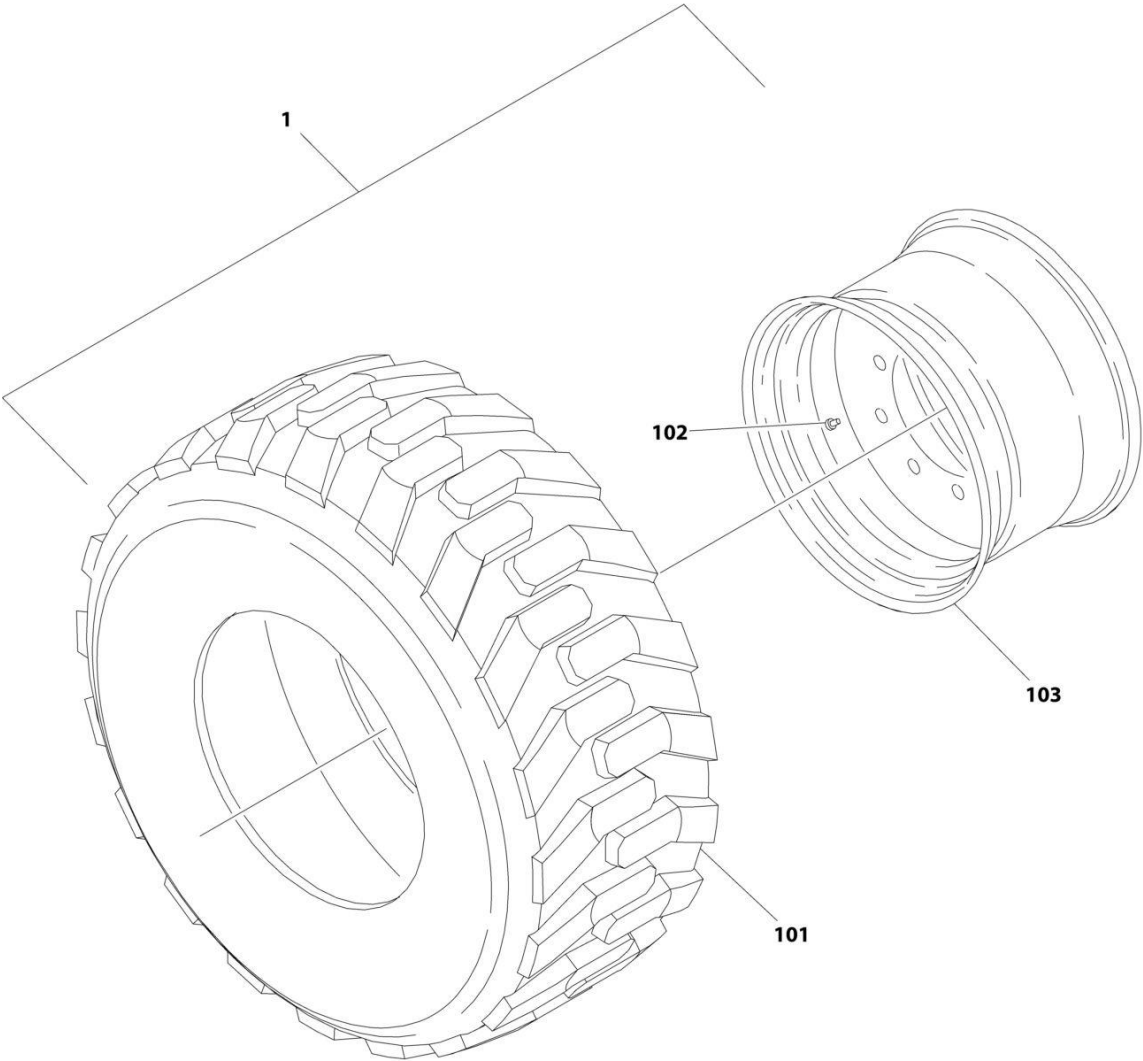
SECTION 1 - FRAME

FIGURE 1-8. TIRE AND WHEEL INSTALLATION - 33 X 12-20 SOLID NON-MARKING

ITEM	PART NUMBER	QTY	DESCRIPTION	REV
	1001169062	Ref	TIRE AND WHEEL INSTALLATION - 33 X 12-20 SOLID NON-MARKING (AVAILABLE ON AUSTRALIAN AND CE SPECS)	A
		Ref	Note: Due to critical stable weights, only replace tire and wheel assemblies with like components.	
1	1001170098	2	Tire and Wheel Assembly - 33 x 12-20 Solid Non-Marking (LH Side)	
2	1001170099	2	Tire and Wheel Assembly - 33 x 12-20 Solid Non-Marking (RH Side)	

SECTION 1 - FRAME

FIGURE 1-9. TIRE AND WHEEL INSTALLATION - 33/1550 X 16.5 FOAM FILLED



ART_1001169075

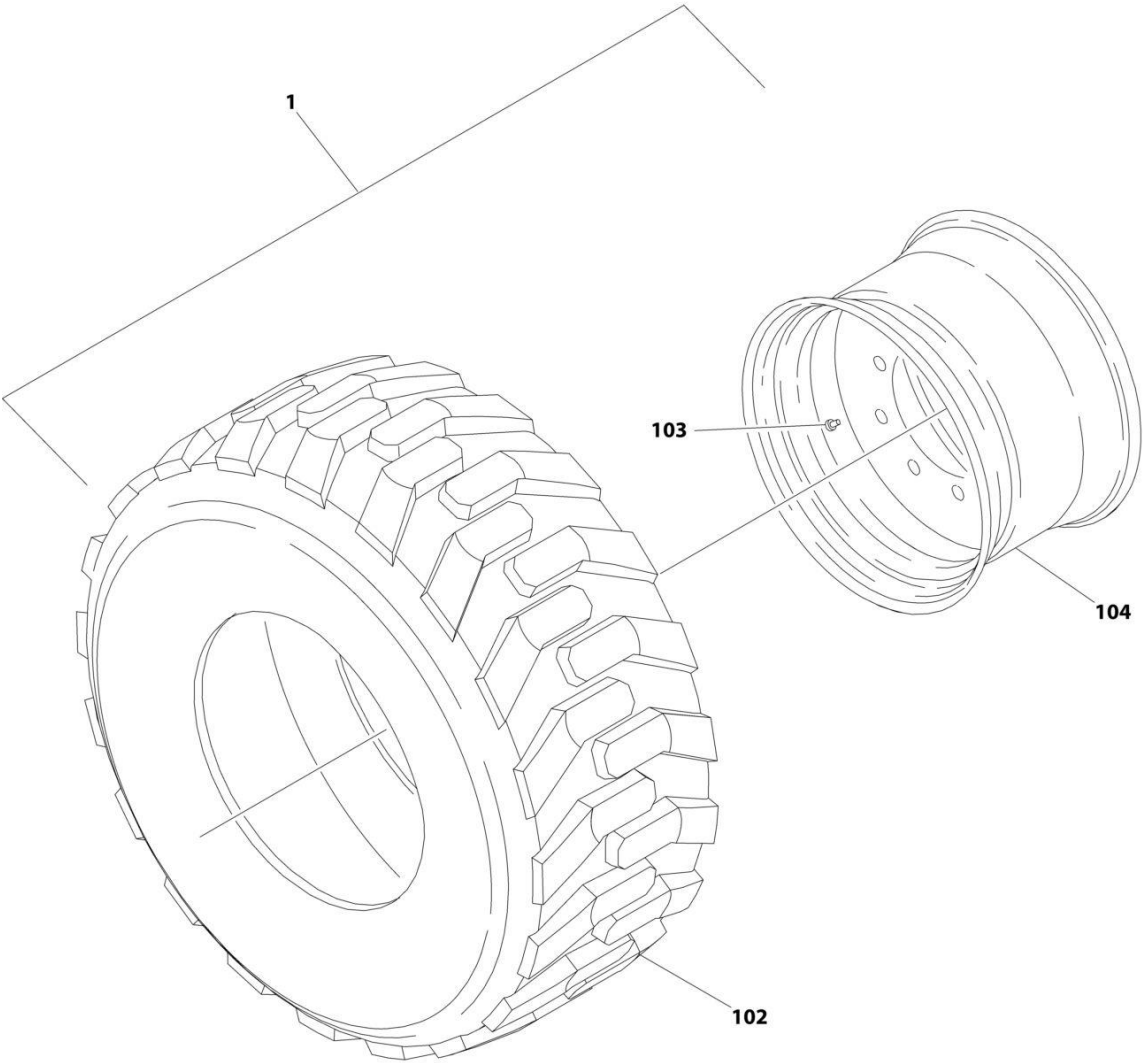
SECTION 1 - FRAME

FIGURE 1-9. TIRE AND WHEEL INSTALLATION - 33/1550 X 16.5 FOAM FILLED

ITEM	PART NUMBER	QTY	DESCRIPTION	REV
	1001169075	Ref	TIRE AND WHEEL INSTALLATION - 33/1550 X 16.5 FOAM-FILLED (AVAILABLE ON ALL SPECS)	A
		Ref	Note: Assemblies may require ballast/foam filling to manufacturer's specifications prior to installing on a machine. Refer to Operation and Safety or Service and Maintenance Manuals. Purchase individual tire and/or rim only if able to foam fill tire and wheel assembly, otherwise, purchase complete assembly.	
1	0258011	2	Tire and Wheel Assembly (RH Side)	I
1	0258012	2	Tire and Wheel Assembly (LH Side)	I
101	4520217	4	Tire, 33/1550 x 16.5	
102	8786514	4	Valve, Stem	
103	4860179	4	Rim, Wheel	

SECTION 1 - FRAME

FIGURE 1-10. TIRE AND WHEEL INSTALLATION - 315/55 D20 FOAM FILLED



ART_1001166157

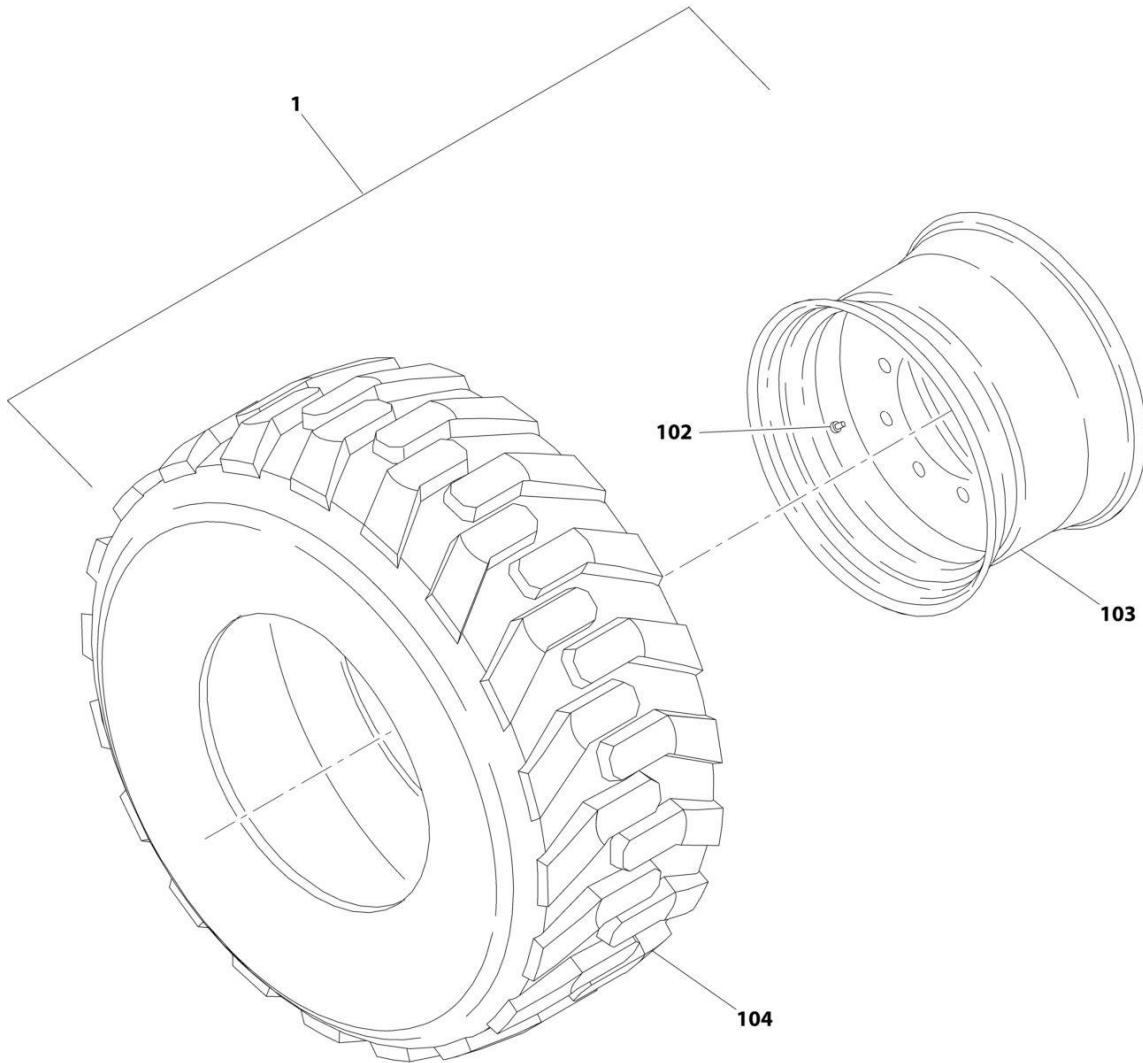
SECTION 1 - FRAME

FIGURE 1-10. TIRE AND WHEEL INSTALLATION - 315/55 D20 FOAM FILLED

ITEM	PART NUMBER	QTY	DESCRIPTION	REV
	1001166157	Ref	TIRE AND WHEEL INSTALLATION - 315/55 D20 FOAM FILLED (AVAILABLE ON AUSTRALIAN AND CE SPECS)	A
		Ref	Note: Assemblies may require ballast/foam filling to manufacturer's specifications prior to installing on a machine. Refer to Operation and Safety or Service and Maintenance Manuals. Purchase individual tire and/or rim only if able to foam fill tire and wheel assembly, otherwise, purchase complete assembly.	
1	1001166155	2	Tire and Wheel Assembly (LH Side)	I
1	1001166156	2	Tire and Wheel Assembly (RH Side)	I
102	4520608	4	Tire IN315/55/D20	
103	4641122	4	Valve, Stem	
104	1001166153	4	Rim, Wheel	

SECTION 1 - FRAME

FIGURE 1-11. TIRE AND WHEEL INSTALLATION - 315/55 D20 FOAM FILLED NON-MARKING



ART_1001169058

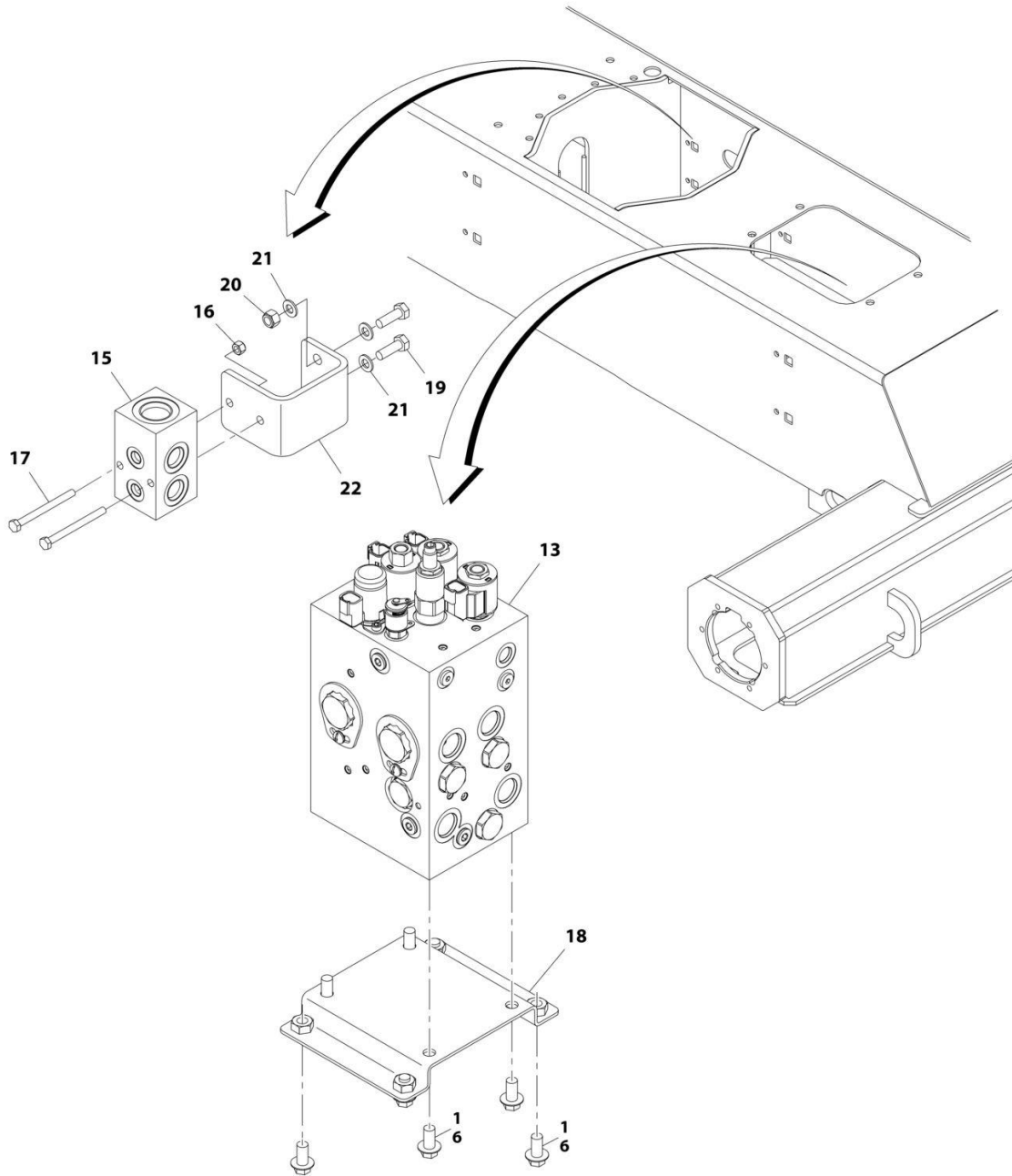
SECTION 1 - FRAME

FIGURE 1-11. TIRE AND WHEEL INSTALLATION - 315/55 D20 FOAM FILLED NON-MARKING

ITEM	PART NUMBER	QTY	DESCRIPTION	REV
	1001169058	Ref	TIRE AND WHEEL INSTALLATION - 315/55 D20 FOAM FILLED NON-MARKING (AVAILABLE ON AUSTRALIAN AND CE SPECS)	A
		Ref	Note: Assemblies may require ballast/foam filling to manufacturer's specifications prior to installing on a machine. Refer to Operation and Safety or Service and Maintenance Manuals. Purchase individual tire and/or rim only if able to foam fill tire and wheel assembly, otherwise, purchase complete assembly.	
1	1001170459	2	Tire and Wheel Assembly (RH Side)	F
1	1001170460	2	Tire and Wheel Assembly (LH Side)	F
102	4641122	4	Valve, Stem	
103	1001166153	4	Rim, Wheel	
104	1001170458	4	Tire 315/55 D20 Non Marking	

SECTION 1 - FRAME

FIGURE 1-12. VALVES INSTALLATION - FRAME MOUNTED



ART_1001165948_10F3

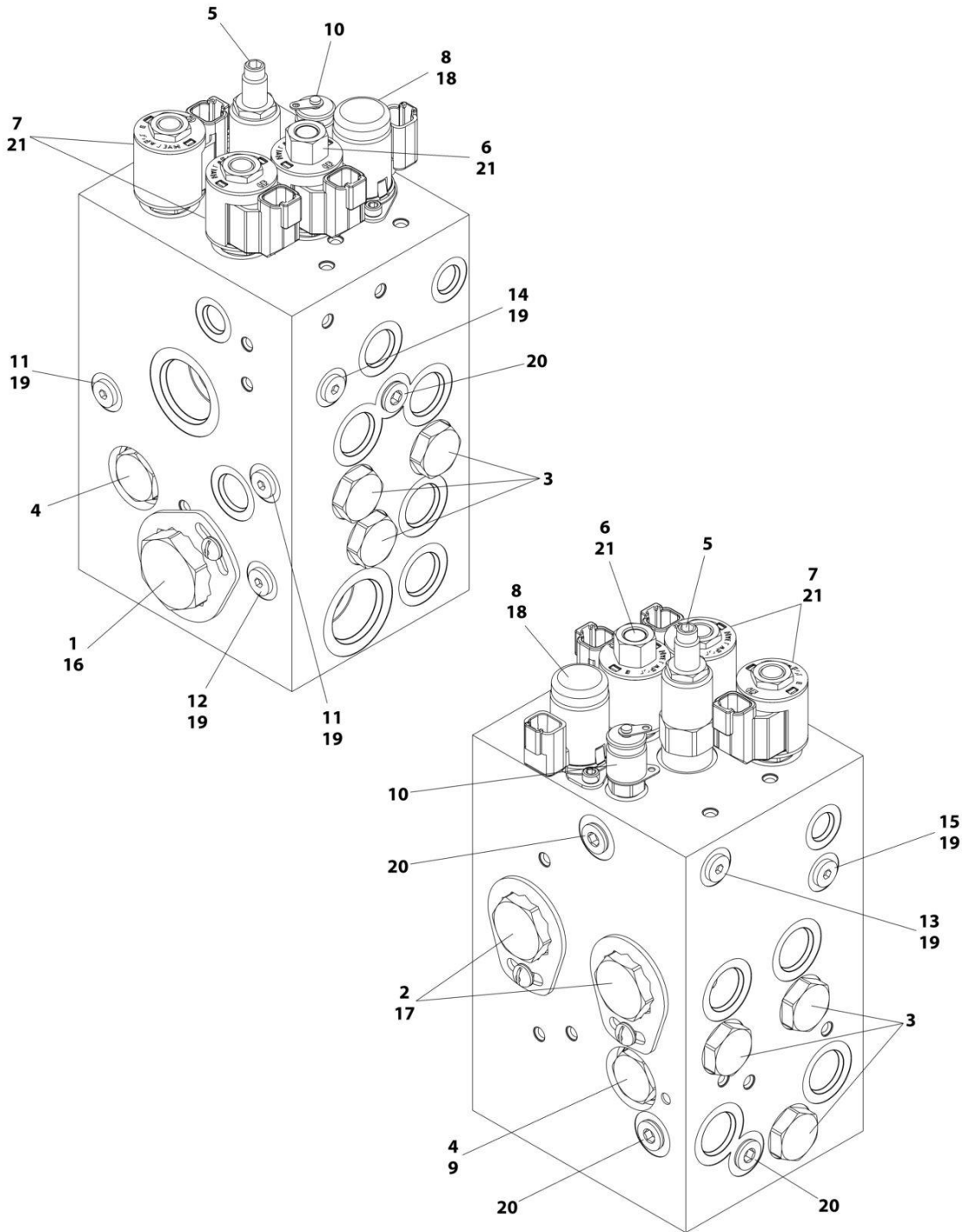
SECTION 1 - FRAME

FIGURE 1-12. VALVES INSTALLATION - FRAME MOUNTED

ITEM	PART NUMBER	QTY	DESCRIPTION	REV
	1001165948	Ref	VALVES INSTALLATION - FRAME MOUNTED	H
1	0100011	AR	Compound, Locking	
6	5251010	4	Bolt M10 x 20	
13	1001162539	1	Traction Valve Assembly (See TRACTION VALVE ASSEMBLY for Breakdown)	
15	4641155	1	Junction Valve Assembly	
16	3290605	2	Nut, M6	
17	1001096653	2	Bolt M6 x 70	
18	1001179517	1	Bracket	
19	0760812	1	Bolt M8 x 25	
20	3290805	1	Nut M8	
21	4811900	1	Washer M8	
22	1001197221	1	Bracket	

SECTION 1 - FRAME

FIGURE 1-13. TRACTION VALVE ASSEMBLY



ART_1001162539

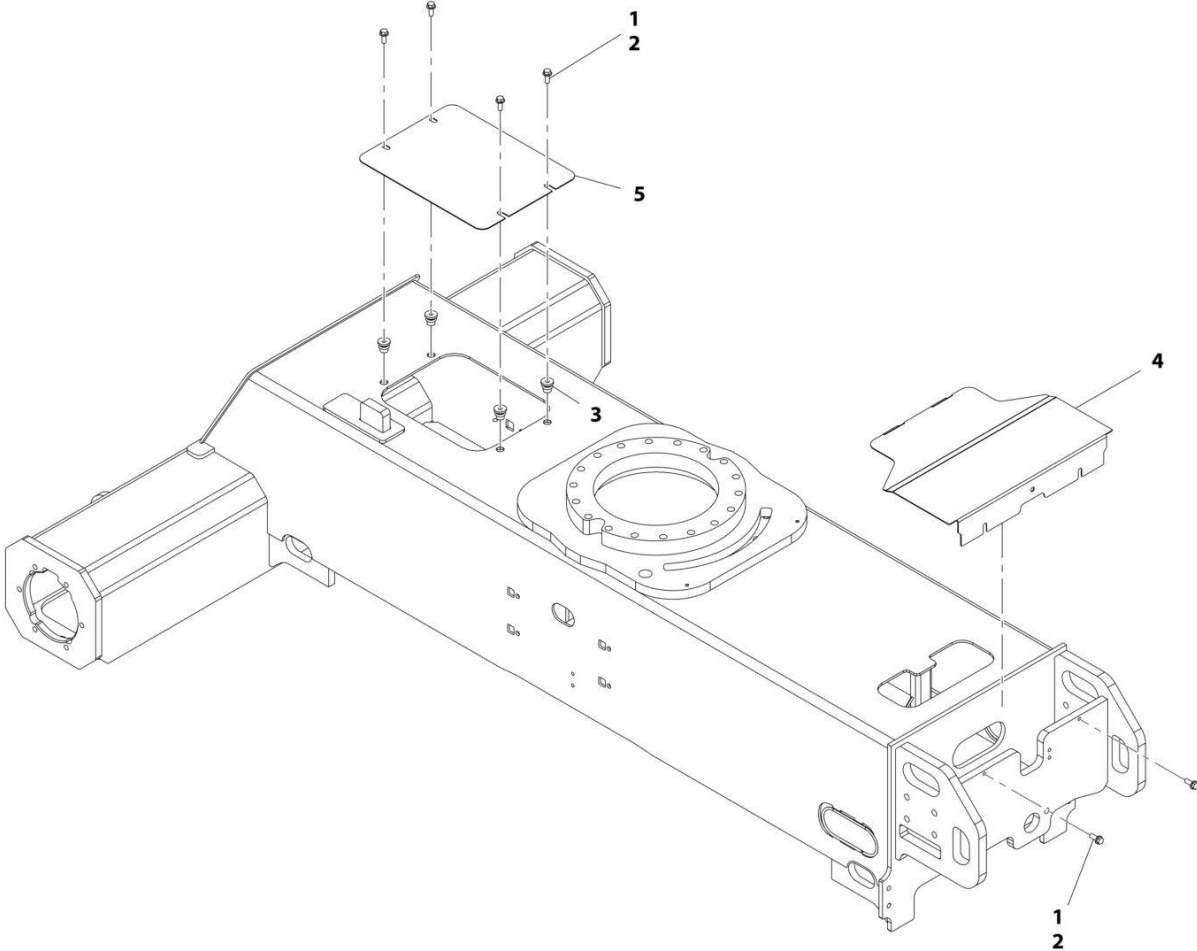
SECTION 1 - FRAME

FIGURE 1-13. TRACTION VALVE ASSEMBLY

ITEM	PART NUMBER	QTY	DESCRIPTION	REV
	1001162539	Ref	TRACTION VALVE ASSEMBLY	D
1	70004017	1	Cartridge, Flow Divider	
1	7021625	1	Seal Kit - 70004017 Valve	
2	70004885	2	Cartridge, Flow Divider	
2	70004577	2	Seal Kit - 70004885 Valve	
3	7022397	6	Cartridge, Check Valve	
3	7022399	6	Seal Kit - 7022397 Valve	
4	7021639	2	Cartridge, Check Valve	
4	2900756	2	Seal Kit - 7021639 Valve	
5	70004886	1	Cartridge, Relief Valve	
5	7017496	1	Seal Kit - 70004886 Valve	
6	7017410	1	Cartridge, Solenoid Less Coil	
6	7012967	1	Seal Kit - 7017410 Valve	
7	7012974	2	Cartridge, Solenoid Less Coil	
7	7010543	2	Seal Kit - 7012974 Valve	
8	70004887	1	Cartridge, Solenoid Less Coil	
8	70023606	1	Seal Kit - 70004887 Valve	
8	7024885	1	Coil	
9	7024881	1	Piston, Pilot	
10	2221086	1	Fitting, Diagnostic	
11	70003975	2	Orifice	
12	70002209	1	Orifice	
13	70002063	1	Orifice	
14	70004884	1	Orifice	
15	70004883	1	Orifice	
16	70000781	1	Locking Kit	
17	70002962	2	Locking Kit	
18	70004888	2	Screw	
19	2220883	6	Plug #4	
20	2220885	5	Plug #6	
21	70002386	3	Coil	

SECTION 1 - FRAME

FIGURE 1-14. FRAME COVERS INSTALLATION



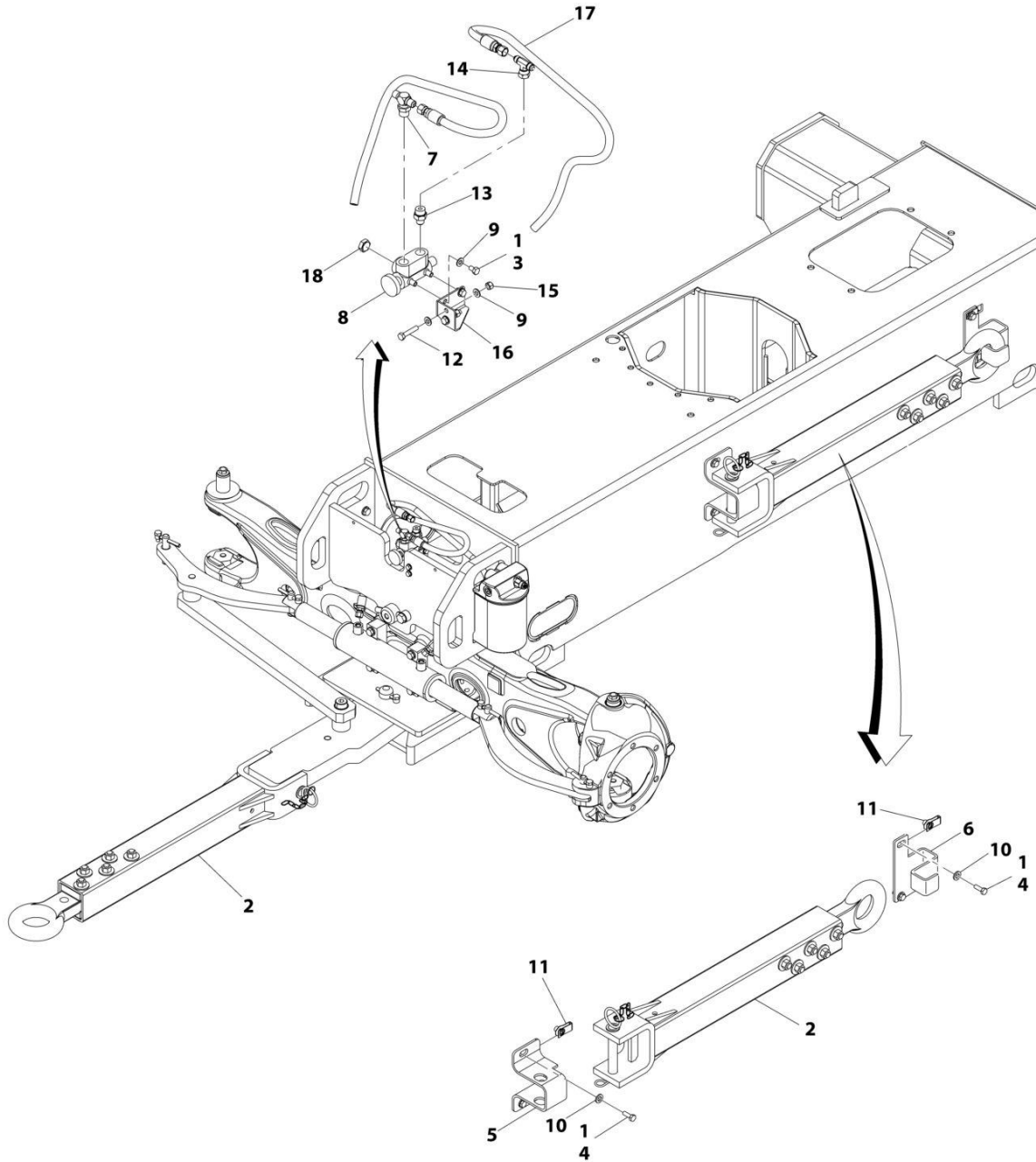
ART_1001162105

FIGURE 1-14. FRAME COVERS INSTALLATION

ITEM	PART NUMBER	QTY	DESCRIPTION	REV
	1001162105	Ref	FRAME COVERS INSTALLATION	B
1	0100011	AR	Compound, Locking	
2	5251012	6	Bolt, M10 x 25mm	
3	1001180916	4	Nut	
4	1001162107	1	Front Cover Plate, Top	
5	1001165968	1	Top Cover Plate, Flow Divider	

SECTION 1 - FRAME

FIGURE 1-15. TOW PACKAGE INSTALLATION (OPTIONAL)



ART_1001166232

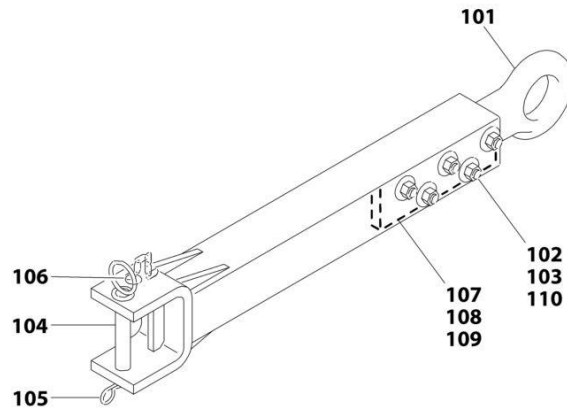
SECTION 1 - FRAME

FIGURE 1-15. TOW PACKAGE INSTALLATION (OPTIONAL)

ITEM	PART NUMBER	QTY	DESCRIPTION	REV
	1001166232	Ref	TOW PACKAGE INSTALLATION (OPTIONAL)	D
1	0100011	AR	Compound, Locking	
2	0363019	1	Tow Bar Assembly (See TOW BAR ASSEMBLY for Breakdown)	
3	0641504	2	Bolt 5/16 x 1/2	
4	0701014	4	Bolt M10 x 30	
5	0902733	1	Bracket	
6	0902734	1	Bracket	
7	2221052	1	Fitting, Tee JIC/ORB/JIC	
8	4640261	1	Steer/Tow Select Valve Assembly	
9	4711500	6	Washer 5/16	
10	5241200	4	Washer M12	
11	1001118972	4	Nut M10	
12	0700816	2	Bolt M8 x 40	
13	2220372	1	Fitting, Straight JIC/ORB	
14	2220579	1	Fitting, Tee JIC/FSJIC/JIC	
15	3290805	2	Nut M8	
16	1001181527	1	Bracket	
17	1001181913	2	Hose	
18	2220238	1	Plug	

SECTION 1 - FRAME

FIGURE 1-16. TOW BAR ASSEMBLY



ART_0363019

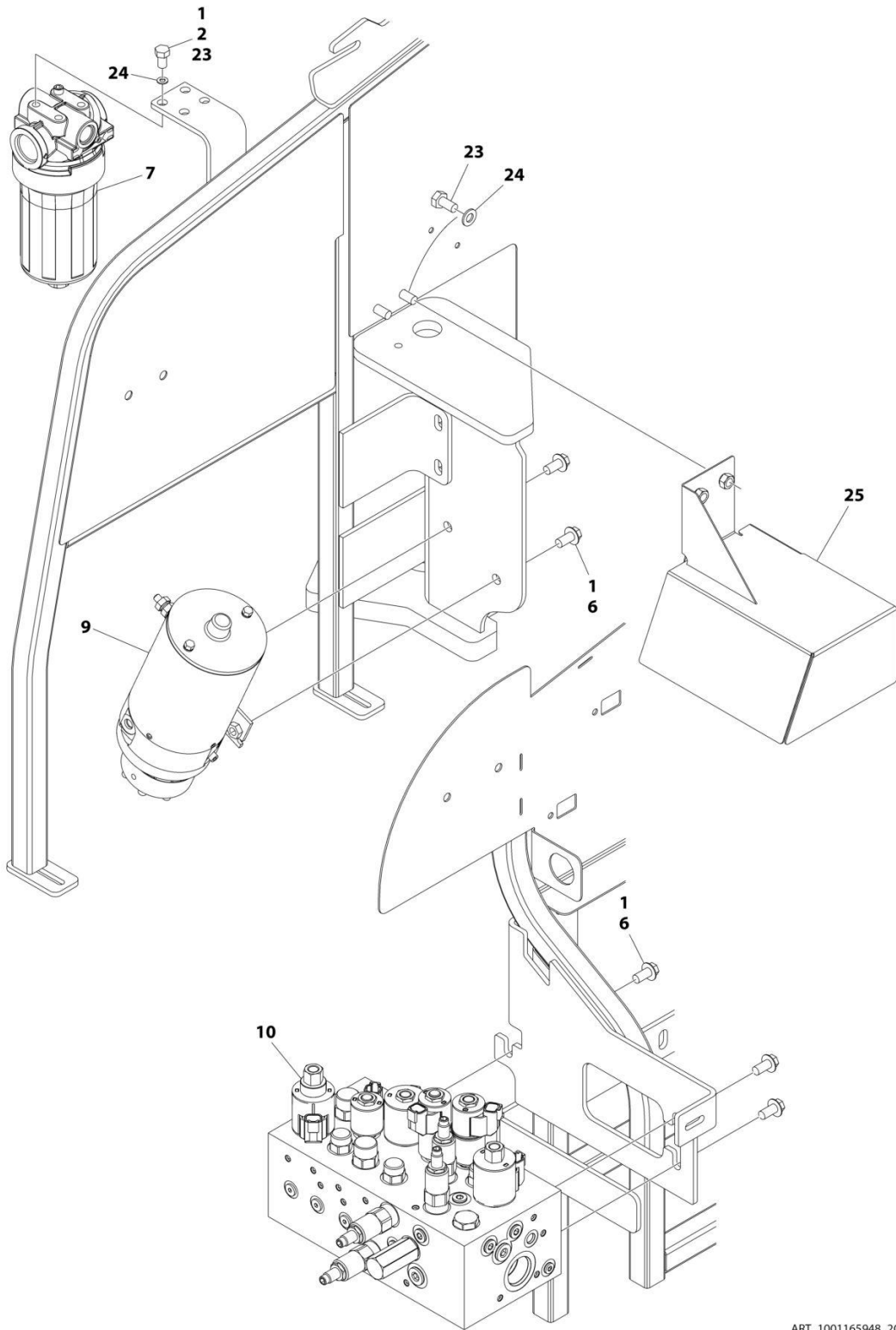
FIGURE 1-16. TOW BAR ASSEMBLY

ITEM	PART NUMBER	QTY	DESCRIPTION	REV
	0363019	Ref	TOW BAR ASSEMBLY	B
101	0360406	1	Pintle, Draw Eye	
102	0682040	5	Bolt 5/8 x 5	
103	3312005	5	Nut 5/8	
104	3420352	1	Pin, Towing	
105	3420372	1	Hairpin	
106	3760170	1	Ring, Split	
107	4070450	2	Shim (.07)	
108	4070560	2	Shim (.88)	
109	4070561	2	Shim (.12)	
110	4752000	10	Washer 5/8	

SECTION 2 - TURNTABLE

SECTION 2 - TURNTABLE

FIGURE 2-1. VALVES INSTALLATION - TURNTABLE MOUNTED



ART_1001165948_2OF3

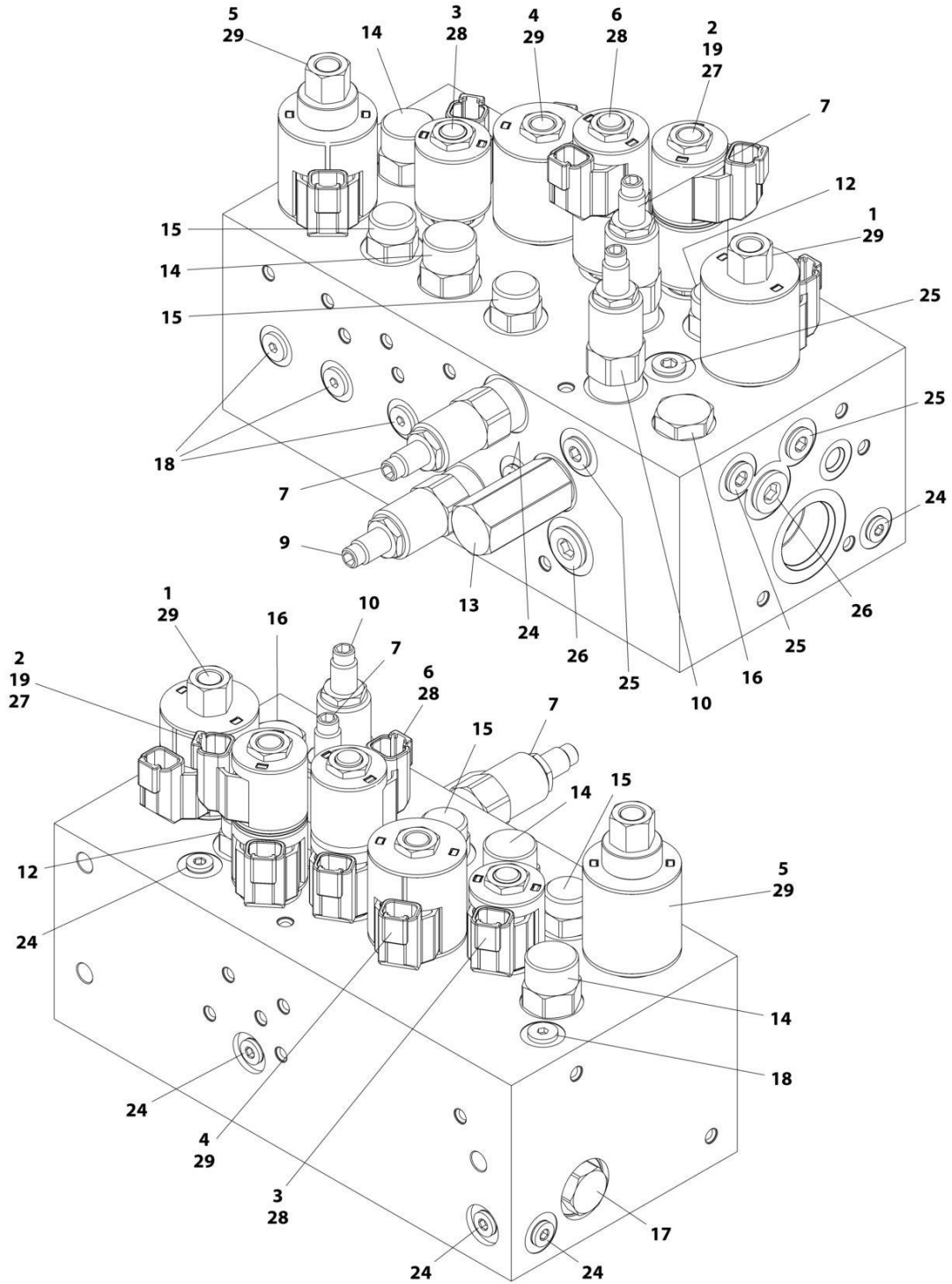
SECTION 2 - TURNTABLE

FIGURE 2-1. VALVES INSTALLATION - TURNTABLE MOUNTED

ITEM	PART NUMBER	QTY	DESCRIPTION	REV
	1001165948	Ref	VALVES INSTALLATION - TURNTABLE MOUNTED	H
1	0100011	AR	Compound, Locking	
2	0641605	AR	Bolt 3/8 x 5/8	
6	5251010	15	Bolt M10 x 20	
7	1001102987	1	Filter, Charge Pump (SN E300000100 through E300004959)	
7	1001208874	1	Filter, Charge Pump (SN E300004959 through E300007980)	
7	70010383	1	Element, Filter (Includes O-Ring)	
9	1001185821	1	Auxiliary Pump Assembly (See AUXILIARY PUMP ASSEMBLY for Breakdown)	
10	1001162534	1	Main Valve Assembly (See MAIN VALVE ASSEMBLY for Breakdown)	
23	0761010	AR	Bolt M10 x 20	
24	4812000	AR	Washer M10	
25	1001234295	1	Cover (SN E300006377 through E300007980)	

SECTION 2 - TURNTABLE

FIGURE 2-2. MAIN VALVE ASSEMBLY



ART_1001162534

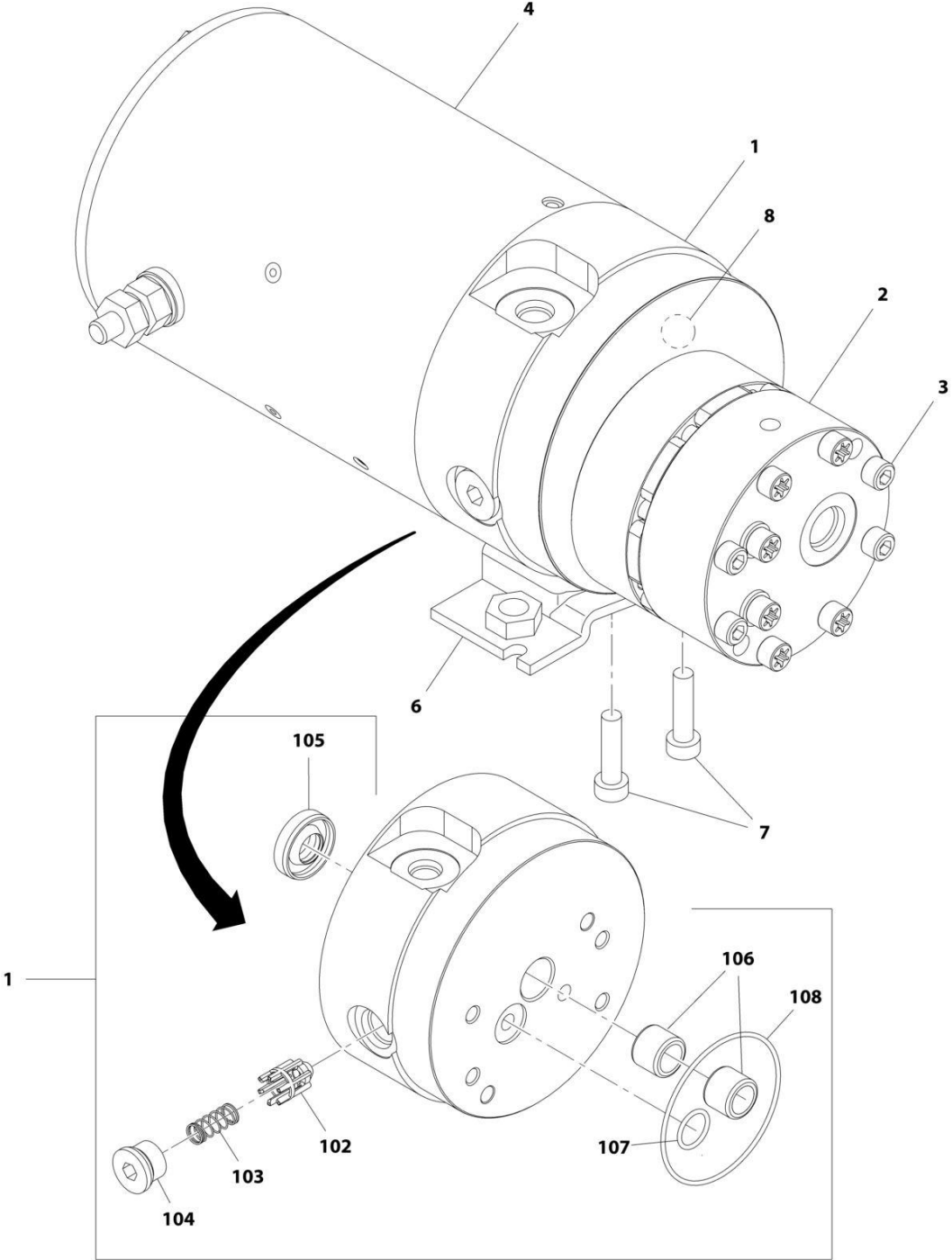
SECTION 2 - TURNTABLE

FIGURE 2-2. MAIN VALVE ASSEMBLY

ITEM	PART NUMBER	QTY	DESCRIPTION	REV
	1001162534	Ref	MAIN VALVE ASSEMBLY	F
1	70005069	1	Cartridge, Solenoid Less Coil (Main Dump)	
1	7022399	1	Seal Kit - 70005069 Valve	
1	70003977	1	Nut, Coil	
2	70005217	1	Cartridge, Solenoid Less Coil (Steer)	
2	70005071	1	Seal Kit - 70005217 Valve	
2	7022390	1	Nut, Coil	
3	70005094	1	Cartridge, Solenoid Less Coil (Main Lift Up)	
3	7023936	1	Seal Kit - 70005094 Valve	
3	7022390	1	Nut, Coil	
4	70005076	1	Cartridge, Solenoid Less Coil (Tower Lift Up)	
4	7022399	1	Seal Kit - 70005076 Valve	
4	7022390	1	Nut, Coil	
5	70005095	1	Cartridge, Solenoid Less Coil (Flow Control)	
5	7022399	1	Seal Kit - 70005095 Valve	
5	70003977	1	Nut, Coil	
6	70005096	1	Cartridge, Solenoid Less Coil (Swing)	
6	70005071	1	Seal Kit - 70005096 Valve	
7	70005097	1	Cartridge, Solenoid Less Coil	
7	70005082	2	Seal Kit - 70005097 Valve	
9	70005098	1	Cartridge, Relief Valve	
9	7023936	1	Seal Kit - 70005098 Valve	
10	70005080	1	Cartridge, Relief Valve	
10	7022399	1	Seal Kit - 70005080 Valve	
12	70005218	1	Cartridge, Valve	
12	70005082	1	Seal Kit - 70005218 Valve	
13	70005084	1	Cartridge, Valve	
13	70005085	1	Seal Kit - 70005084 Valve	
14	70005099	2	Cartridge, Valve	
14	70005087	2	Seal Kit - 70005099 Valve	
15	70005088	2	Cartridge, Valve	
15	7023900	2	Seal Kit - 70005088 Valve	
16	70005100	1	Cartridge, Check Valve	
16	7022399	1	Seal Kit - 70005100 Valve	
17	70005089	1	Cartridge, Check Valve	
17	7023936	1	Seal Kit - 70005089 Valve	
18	70005090	5	Cartridge, Check Valve	
18	70005092	5	Seal Kit - 70005092 Valve	
19	70002974	1	Disc, Check Valve	
24	91164059	7	Plug	
25	91164079	4	Plug	
26	91164057	2	Plug	
27	70005219	2	Coil	
28	70002386	3	Coil	
29	70003788	3	Coil	

SECTION 2 - TURNTABLE

FIGURE 2-3. AUXILIARY PUMP ASSEMBLY



ART_1001185821

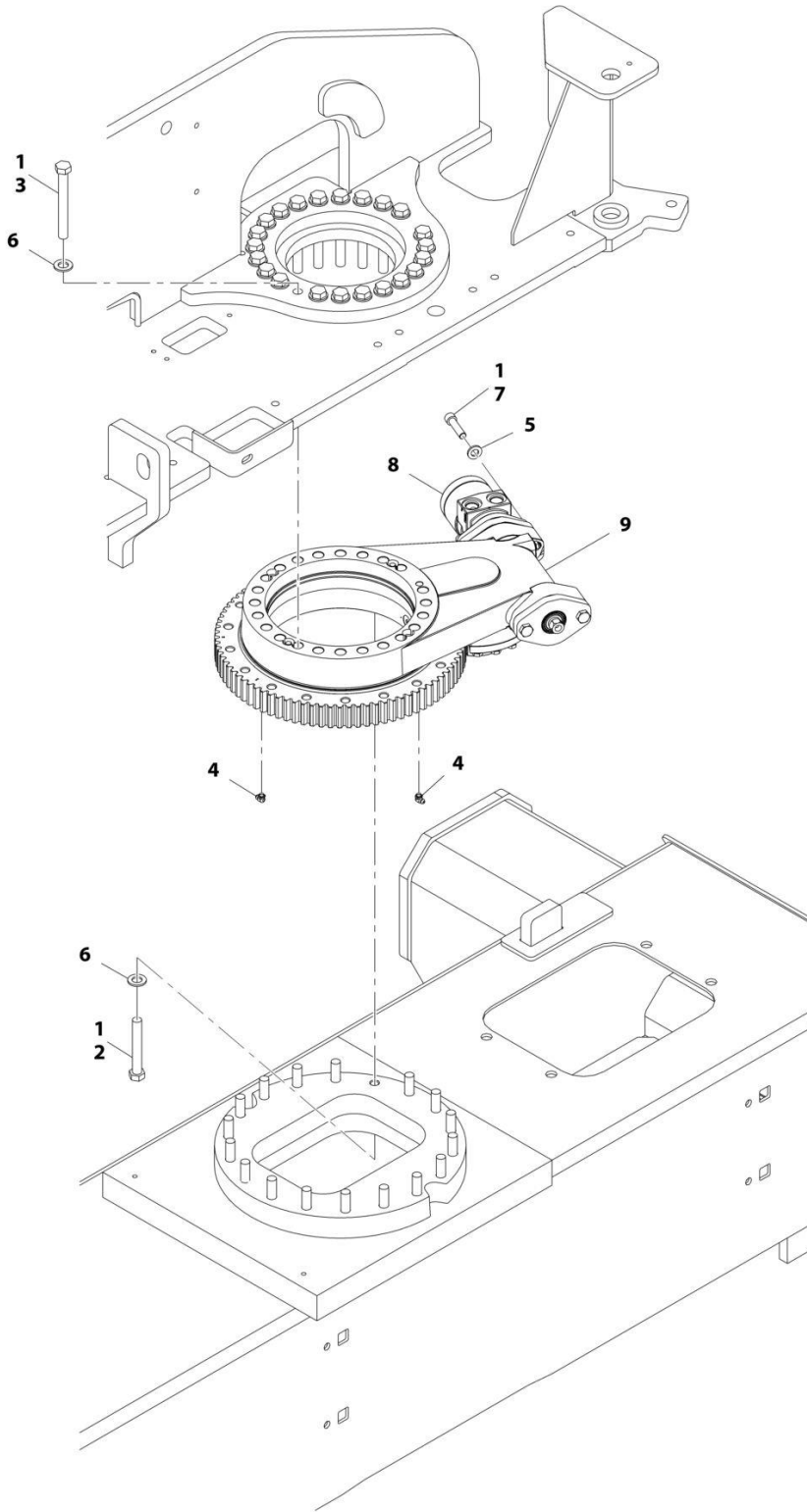
SECTION 2 - TURNTABLE

FIGURE 2-3. AUXILIARY PUMP ASSEMBLY

ITEM	PART NUMBER	QTY	DESCRIPTION	REV
	1001185821	Ref	AUXILIARY PUMP ASSEMBLY	B
1	70005065	1	Base Assembly (See Items 102-108 for Breakdown)	
2	70005066	1	Pump Assembly (Note: No Seal Kit or Internal Components are Available - Purchase Complete Pump Assembly)	
3	70005067	4	Capscrew 1/4 x 2-3/4	
4	70004013	1	Motor Assembly (Note: No Internal Components are Available - Purchase Complete Motor Assembly)	
6	70004014	1	Bracket	
7	70004000	2	Capscrew 3/8 x 1	
8	70005068	1	Relief Valve Assembly	
	70005065	Ref	BASE ASSEMBLY	
102	See Note	NSS	Poppet, Check (Note: Not Available - Purchase p/n 70005065)	
103	See Note	NSS	Spring (Note: Not Available - Purchase p/n 70005065)	
104	See Note	NSS	Plug (Note: Not Available - Purchase p/n 70005065)	
105	7026330	1	Seal, Shaft	
106	70005139	2	Bearing	
107	70003612	1	O-Ring	
108	70004267	1	O-Ring	

SECTION 2 - TURNTABLE

FIGURE 2-4. SWING DRIVE AND TURNTABLE BEARING INSTALLATION



ART_1001165946

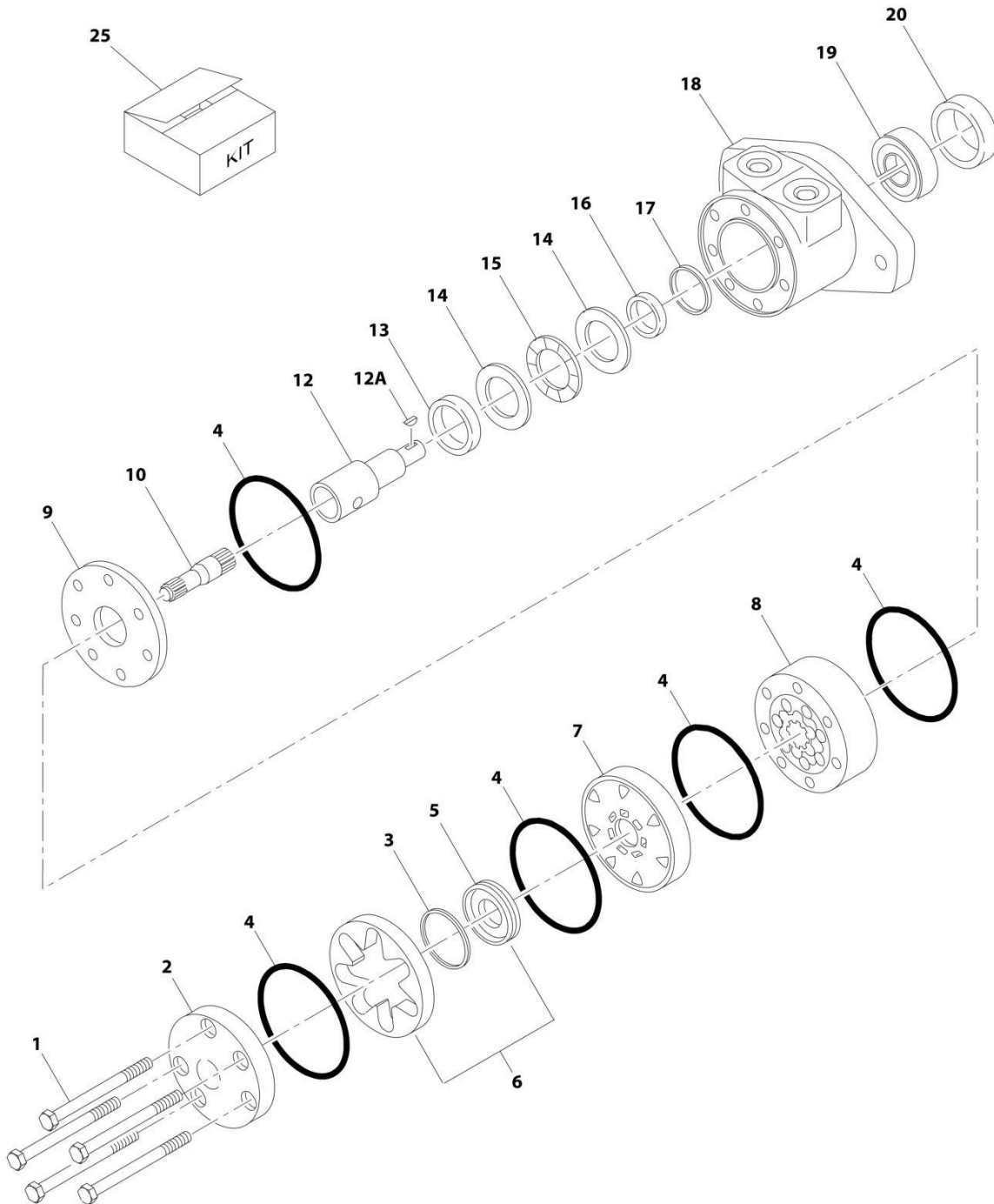
SECTION 2 - TURNTABLE

FIGURE 2-4. SWING DRIVE AND TURNTABLE BEARING INSTALLATION

ITEM	PART NUMBER	QTY	DESCRIPTION	REV
	1001165946	Ref	SWING DRIVE AND TURNTABLE BEARING INSTALLATION	B
1	0100019	AR	Compound, Locking	
2	0711628	18	Bolt M16 x 110 Grade 10.9	
3	0711631	23	Bolt M16 x 140	
4	2160001	2	Fitting, Grease 90	
5	5241200	2	Washer M12	
6	5241600	41	Washer M16	
7	5272114	2	Capscrew M12 x 50 Grade 12.9	
8	1001104850	1	Swing Motor Assembly (See SWING MOTOR ASSEMBLY for breakdown)	
9	1001133972	1	Turntable Bearing Assembly (See TURNTABLE BEARING ASSEMBLY for Breakdown)	

SECTION 2 - TURNTABLE

FIGURE 2-5. SWING MOTOR ASSEMBLY



ART_1001104850

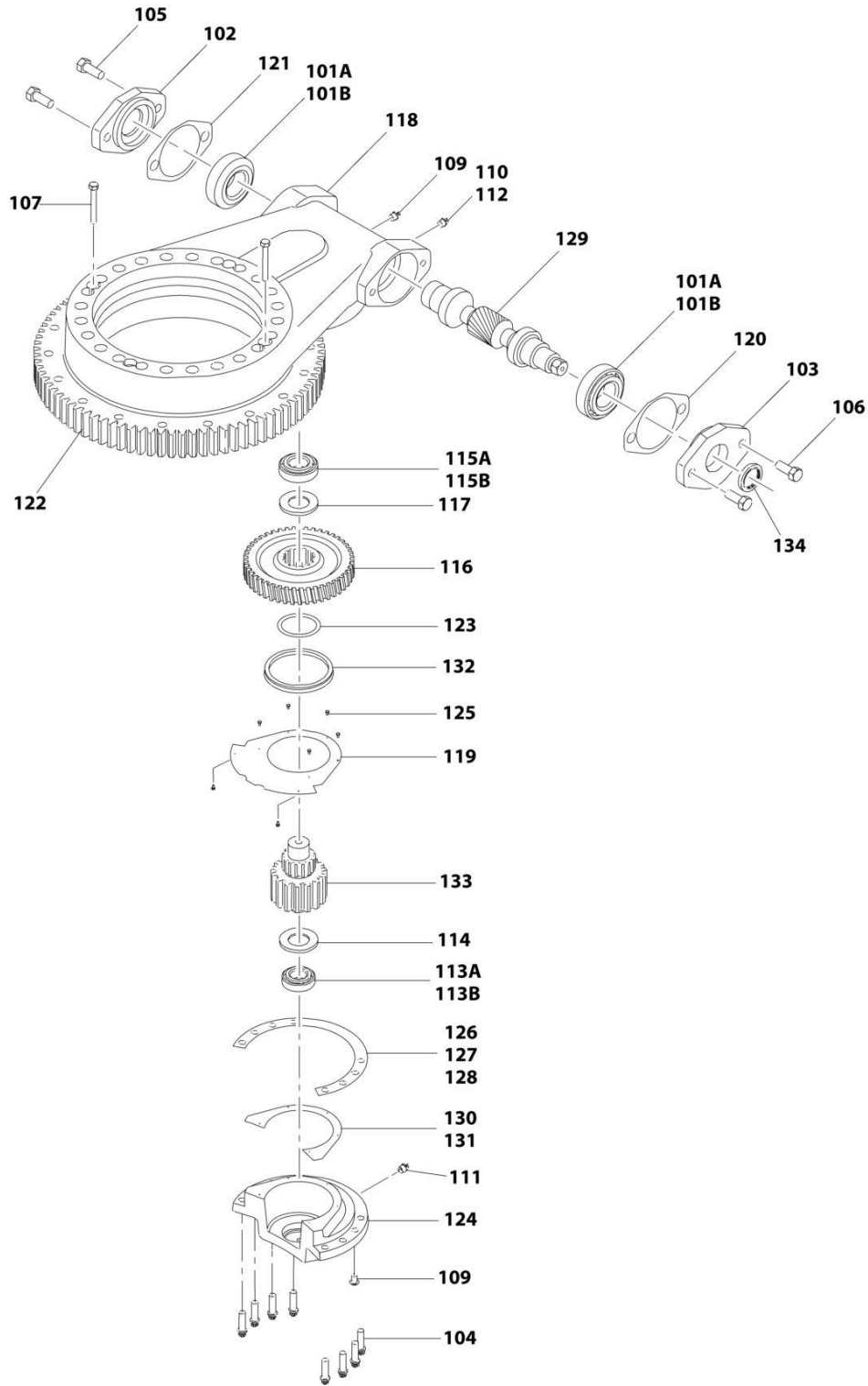
SECTION 2 - TURNTABLE

FIGURE 2-5. SWING MOTOR ASSEMBLY

ITEM	PART NUMBER	QTY	DESCRIPTION	REV
	1001104850	Ref	SWING MOTOR ASSEMBLY	A
1	See Note	5	Bolt (Note: Not Available for Purchase)	
2	7004035	1	Cover, End	
3	7023318	1	Seal, Commutator	
4	7004036	5	O-Ring	
5	See Note	NSS	Commutator (Note: Use Item 6)	
6	7024453	1	Commutator and Ring Assembly (Includes Item 5)	
7	7024379	1	Manifold	
8	70002206	1	Rotor Set	
9	7024380	1	Plate, Wear	
10	70002207	1	Link, Drive	
12	70000088	1	Shaft, Coupling	
12A	70000089	1	Key	
13	7024381	1	Bushing, Inner	
14	7004043	1	Thrust Washer	
15	7004044	1	Bearing, Thrust	
16	7004049	1	Seal, Inner Shaft	
17	7004045	1	Ring, Backup	
18	See Note	NSS	Housing (Note: Not Available - Purchase Complete Motor)	
19	7024390	1	Bearing	
20	7004047	1	Seal, Outer Shaft	
25	7024389	1	Seal Kit (Includes Items 3, 4, 16, 17 & 20)	

SECTION 2 - TURNTABLE

FIGURE 2-6. TURNTABLE BEARING ASSEMBLY



ART_1001133972

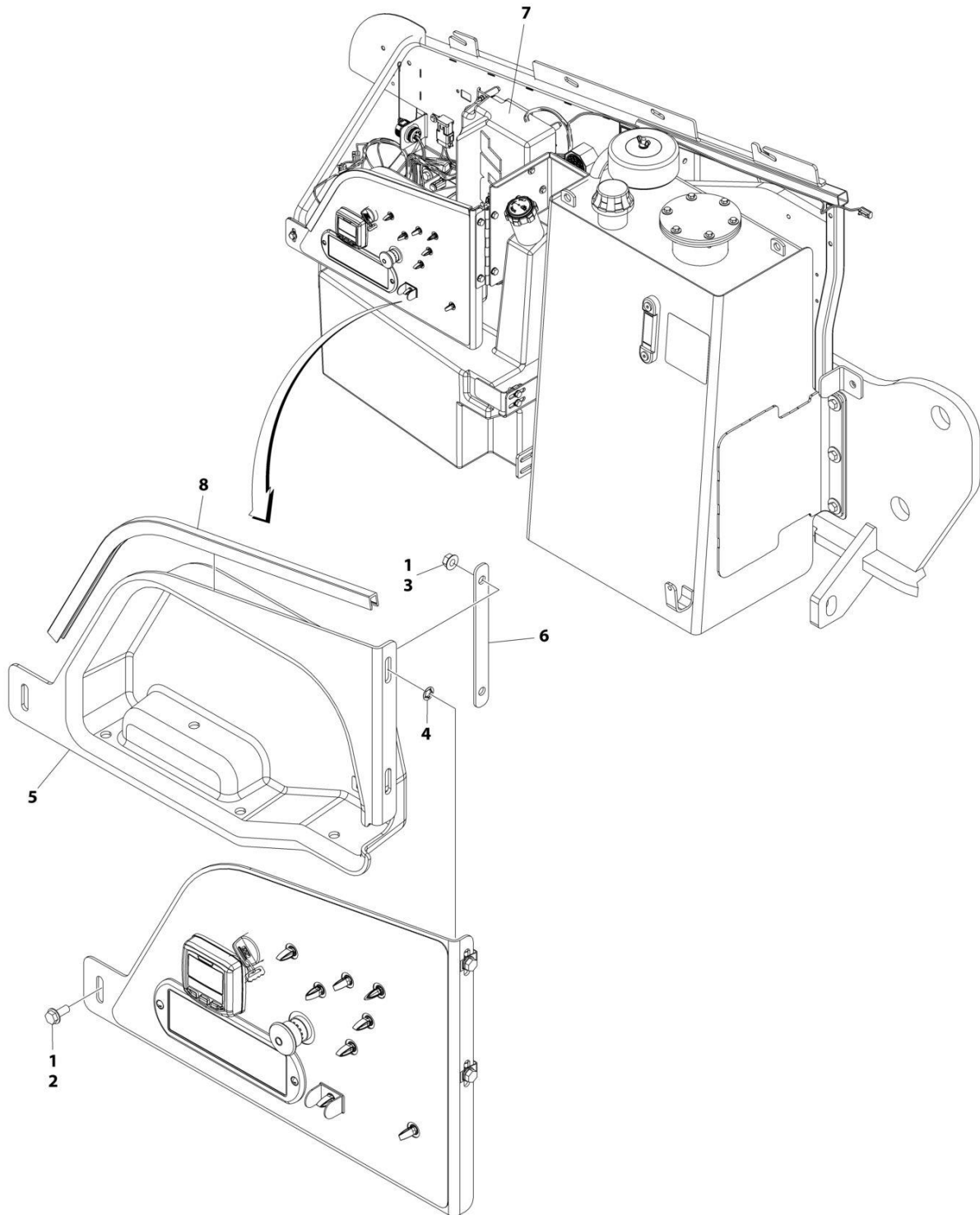
SECTION 2 - TURNTABLE

FIGURE 2-6. TURNTABLE BEARING ASSEMBLY

ITEM	PART NUMBER	QTY	DESCRIPTION	REV
	1001133972	Ref	TURNTABLE BEARING ASSEMBLY	D
101A	7026042	2	Cup, Bearing	
101B	7026043	2	Cone, Bearing	
102	7027356	1	Adapter, Motor	
103	7027354	1	Cap, Worm	
104	70004249	8	Bolt M10 x 35 Grade 10.9	
105	70004250	2	Bolt M12 x 30 Grade 10.9	
106	70004251	2	Bolt M12 x 40 Grade 10.9	
107	70004252	2	Bolt M8 x 65mm	
109	70000865	1	Plug	
110	70002649	1	Vent, Pressure	
111	70002651	1	Fitting, Grease	
112	7026044	1	Bushing, Reducer	
113A	7026045	1	Cup, Bearing	
113B	7026047	1	Cone, Bearing	
114	7026046	1	Ring, Grease	
115A	7026048	1	Cup, Bearing	
115B	7026049	1	Cone, Bearing	
116	7026050	1	Worm-Gear	
117	7026052	1	Spacer, Washer	
118	See Note	1	Housing (Note: Not Available - Purchase Complete Assembly)	
119	7026053	1	Cover, Gear	
120	7027350	AR	Shim, Blue (.005in)	
120	7027351	AR	Shim, Clear (.0075in)	
120	7027352	AR	Shim, Brown (.010in)	
121	7027353	AR	Shim, Yellow (.020in)	
122	70004253	1	Bearing, Turntable	
123	70004254	1	O-Ring	
124	70004255	1	Cap, Gear	
125	70004256	8	Bolt M4 x 8	
126	70004257	AR	Shim, Green (.003)	
127	70004258	AR	Shim, Blue (.005)	
128	70004259	AR	Shim, Natural (.0075)	
129	7026057	1	Gear, Worm	
130	70004260	AR	Shim, Blue (.005)	
131	70004261	AR	Shim, Yellow (.020)	
132	70004262	1	Seal, Oil	
133	7026051	1	Pinion, Output	
134	70004263	1	Seal, Oil	

SECTION 2 - TURNTABLE

FIGURE 2-7. TURNTABLE COVERS INSTALLATION



ART_1001219129

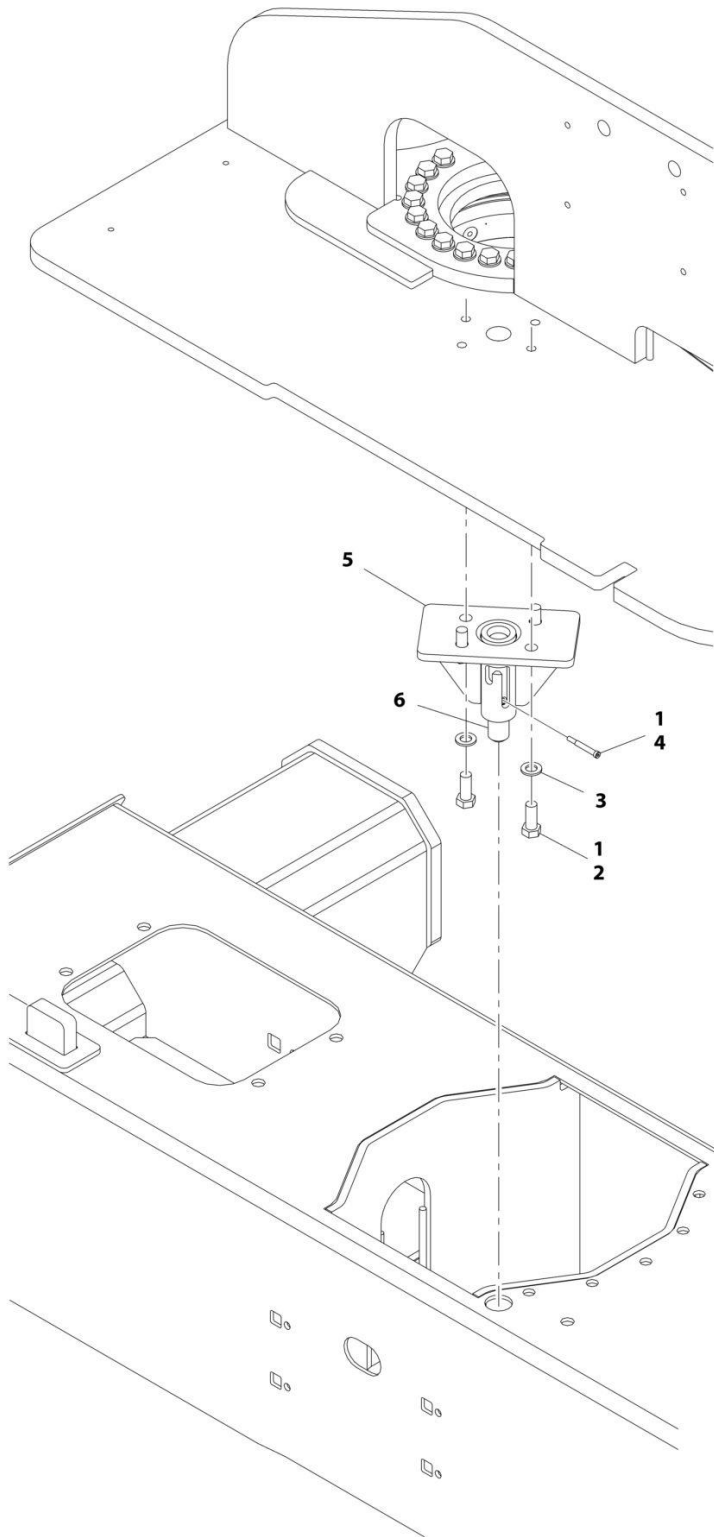
SECTION 2 - TURNTABLE

FIGURE 2-7. TURNTABLE COVERS INSTALLATION

ITEM	PART NUMBER	QTY	DESCRIPTION	REV
	1001219129	Ref	TURNTABLE COVERS INSTALLATION	A
1	0100011	AR	Compound, Locking	
2	5250812	1	Bolt M8 x 25	
3	5260800	2	Nut M8	
4	1001119228	2	Nut M8	
5	1001218533	1	Cover	
6	1001218535	1	Plate, Mounting	
7	1001218537	1	Cover	
8	4060806	2 ft/0.6m	Shield, Flex	

SECTION 2 - TURNTABLE

FIGURE 2-8. TURNTABLE LOCK INSTALLATION



ART_1001177820

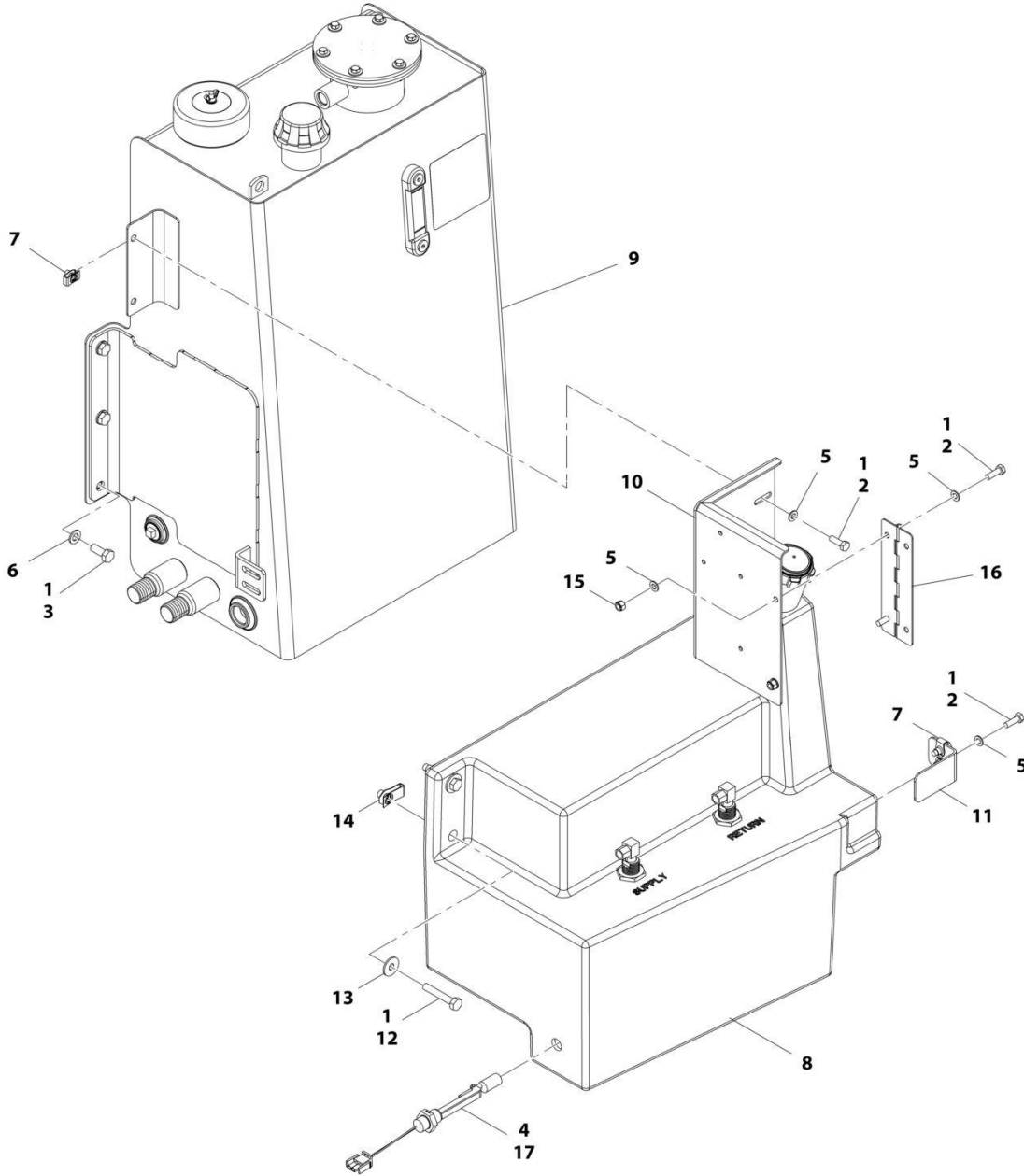
SECTION 2 - TURNTABLE

FIGURE 2-8. TURNTABLE LOCK INSTALLATION

ITEM	PART NUMBER	QTY	DESCRIPTION	REV
	1001177820	Ref	TURNTABLE LOCK INSTALLATION	B
1	0100011	AR	Compound, Locking	
2	0701616	4	Bolt M16 x 40	
3	4812300	4	Washer M16	
4	1001157466	1	Bolt M10 x 30	
5	1001177821	1	Support, Lock	
6	1001177834	1	Pin, Lock	
7	1001223118	1	Decal - Lift Diagram (Not Shown) (SN 1300007286 through 1300007383, SN E300004122 through E300007980)	

SECTION 2 - TURNTABLE

FIGURE 2-9. TANKS INSTALLATION (SN E30000100 through E300004228)



ART_1001165942

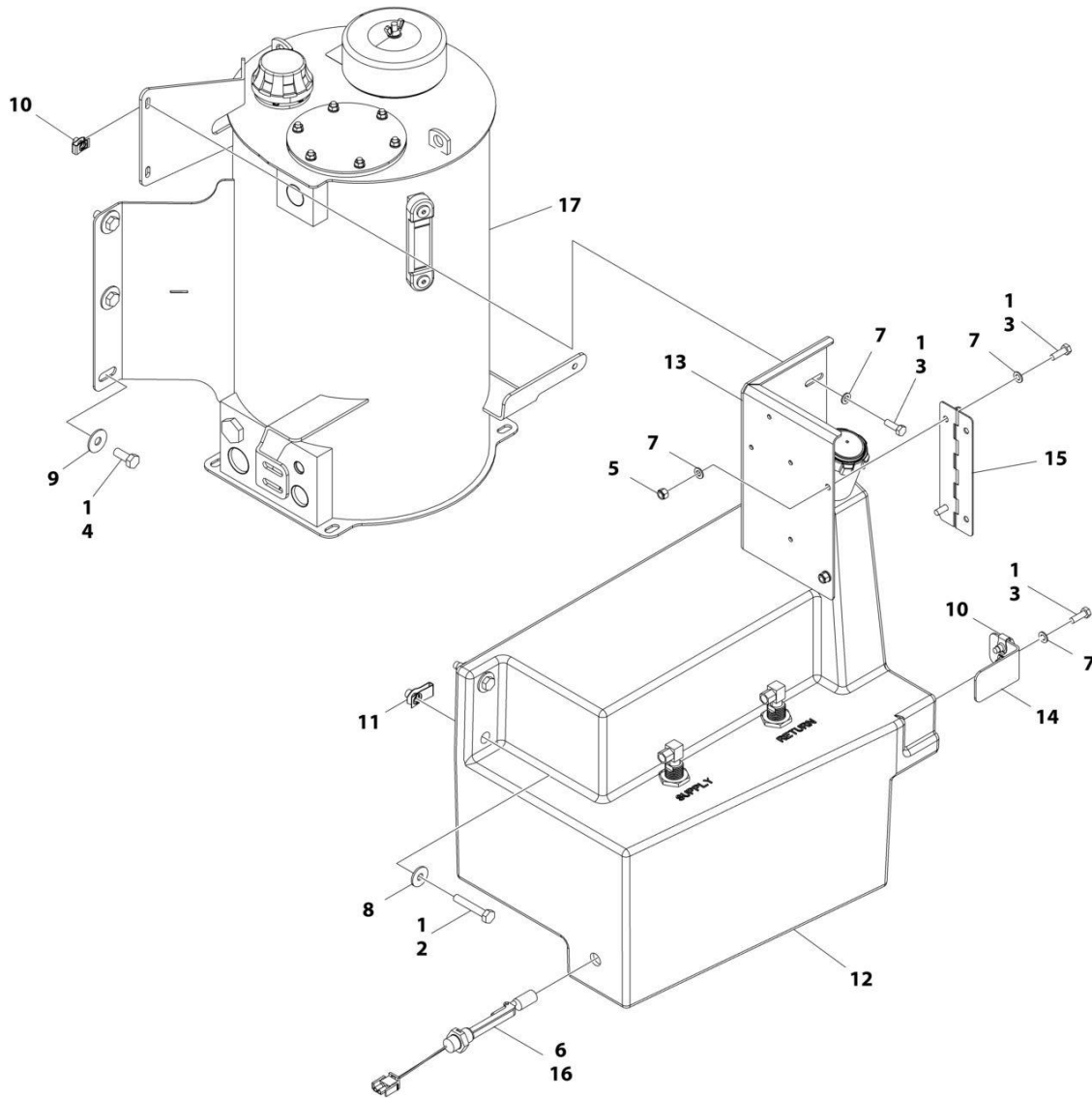
SECTION 2 - TURNTABLE

FIGURE 2-9. TANKS INSTALLATION (SN E300000100 through E300004228)

ITEM	PART NUMBER	QTY	DESCRIPTION	REV
	1001165942	Ref	TANKS INSTALLATION	E
1	0100011	AR	Compound, Locking	
2	0760812	6	Bolt M8 x 25	
3	0761214	6	Bolt M12 x 30	
4	4360436	1	Switch, Fuel Level	
4	4460320	1	Plug, Male - 2 Position	
4	4460267	1	Pin, Male	
5	4811900	8	Washer M8	
6	4812102	6	Washer M12	
7	1001118274	4	Nut M8	
8	1001163061	1	Fuel Tank Assembly	
8	1001188196	NLA	Cap, Fuel (Use p/n 1001193336)	
8	70004876	2	Tube, Pick-up	
8	0100020	AR	Compound, Locking	
9	1001165816	1	Hydraulic Tank Assembly	
9	70003614	1	Filter Kit (Includes Hydraulic Element, Breather Element and Gasket)	
9	70002838	1	Fill Cap Assembly (Includes Cap, Chain and Fill Basket)	
9	7024441	1	Gauge, Sight	
10	1001169898	1	Support, Ground Control	
11	1001170480	1	Support, Tank	
12	0701020	2	Bolt M10 x 60	
13	4812002	2	Washer M10	
14	1001118972	2	Nut M10	
15	3290805	2	Nut M8	
16	1001179339	1	Hinge	
17	1001182997	AR	Adhesive	

SECTION 2 - TURNTABLE

FIGURE 2-10. TANKS INSTALLATION (SN 130007286 through 130007383, SN E30004228 through E30007980)



ART_1001207347

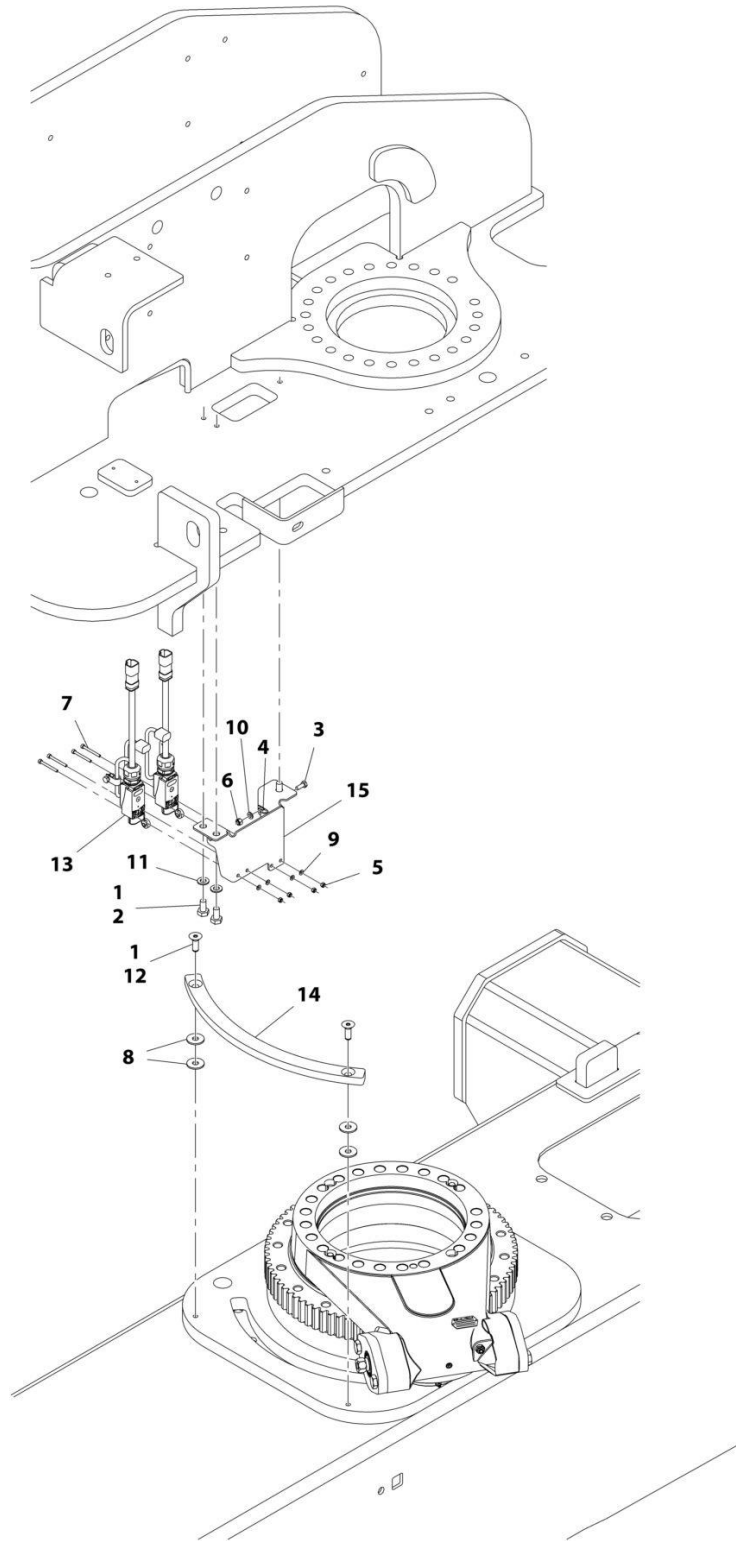
SECTION 2 - TURNTABLE

FIGURE 2-10. TANKS INSTALLATION (SN 1300007286 through 1300007383, SN E300004228 through E300007980)

ITEM	PART NUMBER	QTY	DESCRIPTION	REV
	1001207347	Ref	TANKS INSTALLATION - DIESEL MACHINES	A
1	0100011	AR	Compound, Locking	
2	0701020	2	Bolt M10 x 60	
3	0760812	6	Bolt M8 x 25	
4	0761214	6	Bolt M12 x 30	
5	3290805	2	Nut M8	
6	4360436	1	Switch, Fuel Level	
6	4460320	1	Plug, Male - 2 Position	
6	4460267	1	Pin, Male	
7	4811900	8	Washer M8	
8	4812002	2	Washer M10	
9	4812102	6	Washer M12	
10	100118274	4	Nut M8	
11	100118972	2	Nut M10	
12	1001163061	1	Fuel Tank Assembly	
12	1001188196	NLA	Cap, Fuel (Use p/n 1001193336) (SN E300000100 through E300004844)	
12	1001193336	1	Cap, Fuel (SN 1300007286 through 1300007383, SN E300004844 through E300007980)	
12	70004876	2	Tube, Pick-up	
12	0100020	AR	Compound, Locking	
13	1001169898	1	Support, Ground Control	
14	1001170480	1	Support, Tank	
15	1001179339	1	Hinge	
16	1001182997	AR	Adhesive	
17	1001206916	1	Hydraulic Tank Assembly	
17	70003614	1	Filter Kit (Includes Hydraulic Element, Breather Element and Gasket)	
17	70002838	1	Fill Cap Assembly (Includes Cap, Chain and Fill Basket)	
17	7024441	1	Gauge, Sight	
17	70002112	1	Plug, Drain	

SECTION 2 - TURNTABLE

FIGURE 2-11. DRIVE ORIENTATION INSTALLATION



ART_1001166767

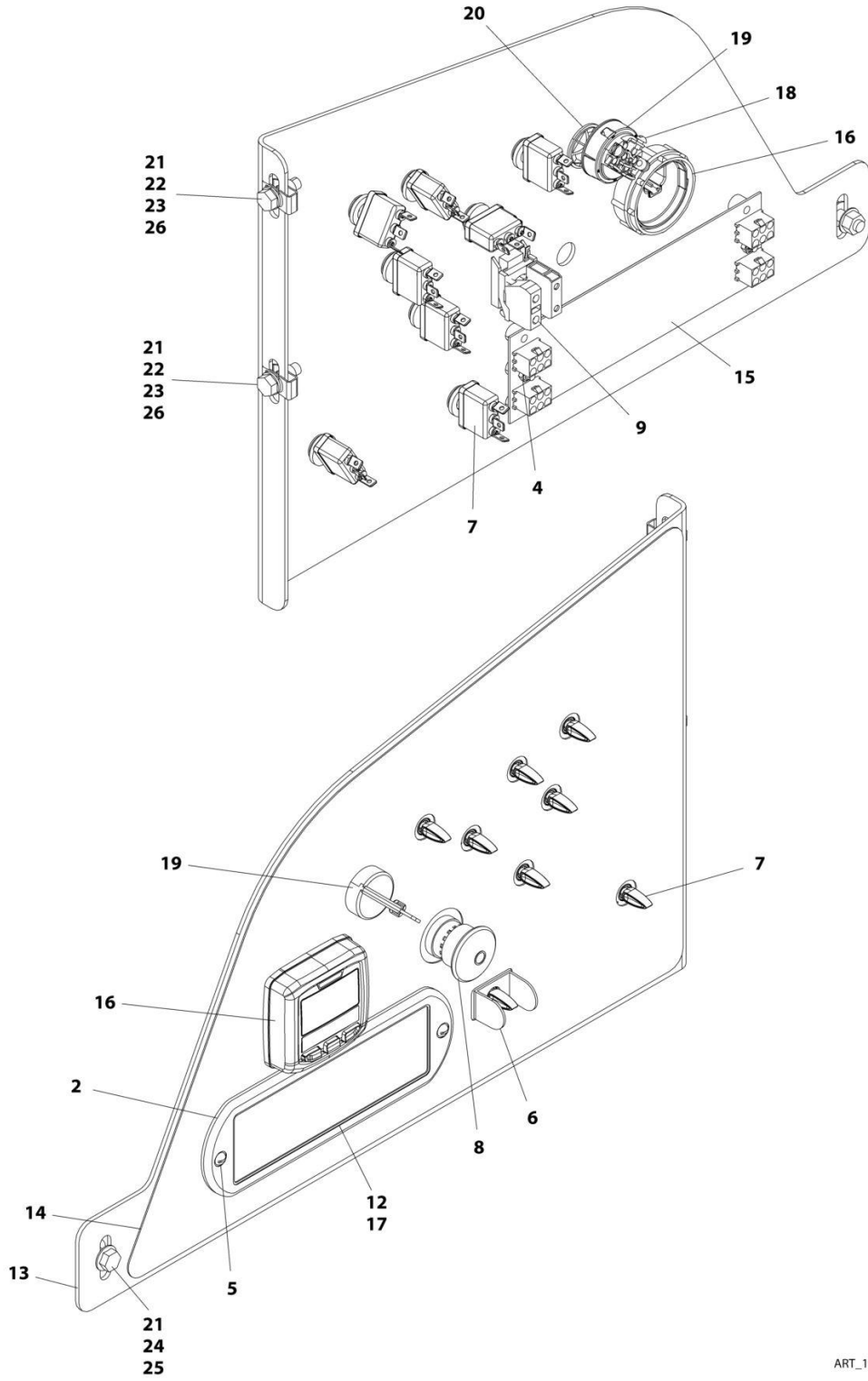
SECTION 2 - TURNTABLE

FIGURE 2-11. DRIVE ORIENTATION INSTALLATION

ITEM	PART NUMBER	QTY	DESCRIPTION	REV
	1001166767	Ref	DRIVE ORIENTATION INSTALLATION	F
1	0100011	AR	Compound, Locking	
2	0761010	3	Bolt M10 x 20	
3	0760608	2	Bolt M6 x 16	
4	1321293	2	Clamp, Cable	
5	3290405	4	Nut M4	
6	3290605	2	Nut M6	
7	4031512	4	Capscrew M4 x 40	
8	4812002	4	Washer M10	
9	4811400	4	Washer M4	
10	4811700	2	Washer M6	
11	4812000	3	Washer M10	
12	8310614	2	Screw M10 x 30	
13	1001119176	2	Switch, Limit	
13	1001129407	1	Receptacle, Female - 4 Position	
13	4460464	4	Pin, Male	
14	1001162106	1	Cam Plate	
15	1001166768	1	Bracket	
16	8881800	AR	Tie-Strap (Not Shown)	

SECTION 2 - TURNTABLE

FIGURE 2-12. GROUND CONTROL ASSEMBLY - AUSTRALIAN SPEC



ART_1001169895

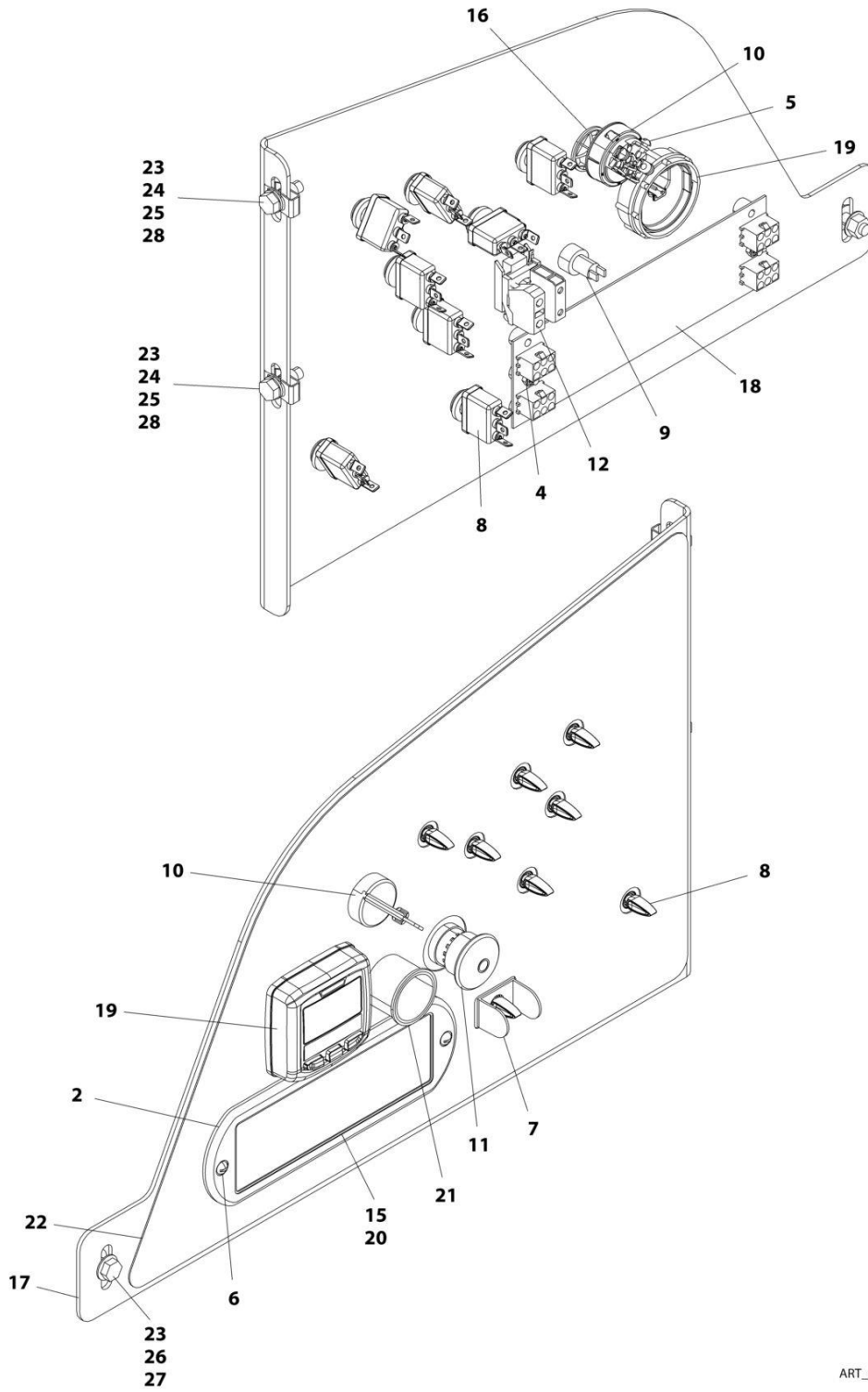
SECTION 2 - TURNTABLE

FIGURE 2-12. GROUND CONTROL ASSEMBLY - AUSTRALIAN SPEC

ITEM	PART NUMBER	QTY	DESCRIPTION	REV
	1001169895	Ref	GROUND CONTROL ASSEMBLY - AUSTRALIAN SPEC	E
2	1670829	1	Bezel, Front	
4	3300408	2	Nut	
5	3911018	2	Screw #10 x 1-1/8	
6	4060906	1	Guard, Switch	
7	4360328	8	Switch, Toggle	
8	4360475	1	Switch, Emergency	
8	7020175	1	Cap	
8	7020176	1	Block, Contact	
9	4360476	1	Block, Contact	
12	1001146220	1	Display, Light	
13	1001169896	1	Panel, Ground Control	
14	1001169897	1	Decal - Ground Control	
15	1001170838	1	PC Board, LED Light	
16	1001171482	1	Gauge, Display	
17	1001173529	1	Decal - Light Display	
18	3910804	3	Screw M8 x 1/4	
19	4360469	1	Switch, Key	
19	2860030	1	Key, Replacement	
20	1001151393	1	Shim .063	
21	0100011	AR	Compound, Locking	
22	0760812	2	Bolt M8 x 25	
23	4811900	2	Washer M8	
24	5250810	1	Bolt M8 x 20	
25	5260800	1	Nut M8	
26	1001118274	2	Nut M8	

SECTION 2 - TURNTABLE

FIGURE 2-13. GROUND CONTROL ASSEMBLY - CE SPEC



ART_1001177541

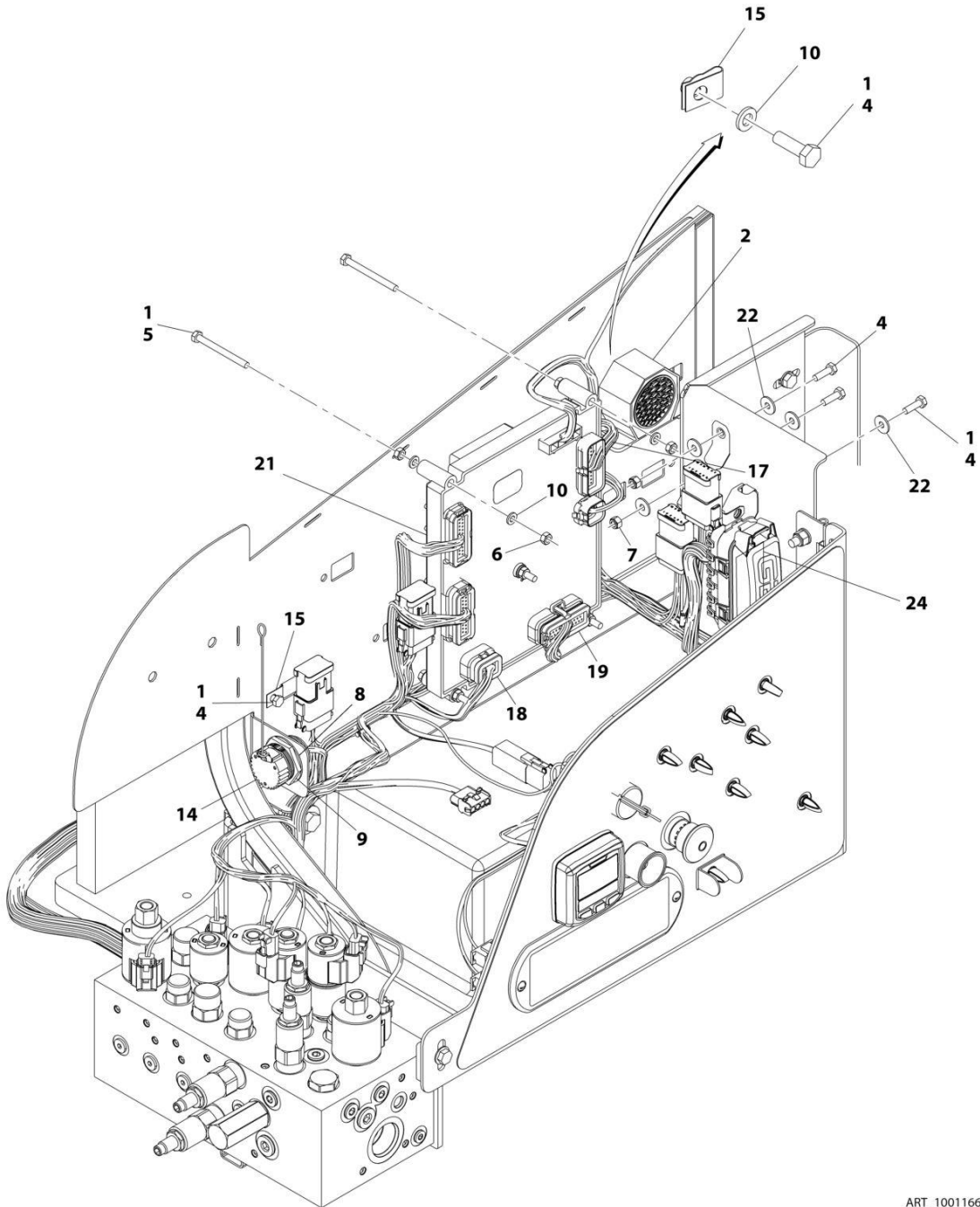
SECTION 2 - TURNTABLE

FIGURE 2-13. GROUND CONTROL ASSEMBLY - CE SPEC

ITEM	PART NUMBER	QTY	DESCRIPTION	REV
	1001177541	Ref	GROUND CONTROL ASSEMBLY - CE SPEC	E
2	1670829	1	Bezel, Front	
4	3300408	2	Nut	
5	3910804	3	Screw M8 x 1/4	
6	3911018	2	Screw #10 x 1-1/8	
7	4060906	1	Guard, Switch	
8	4360328	8	Switch, Toggle	
9	4360387	1	Switch, Push Button	
10	4360469	1	Switch, Key	
10	2860030	1	Key, Replacement	
11	4360475	1	Switch, Emergency	
11	7020175	1	Cap	
11	7020176	1	Block, Contact	
12	4360476	1	Block, Contact	
15	1001146220	1	Display, Light	
16	1001151393	1	Shim .063	
17	1001169896	1	Panel, Ground Control	
18	1001170838	1	PC Board, LED Light	
19	1001171482	1	Gauge, Display	
20	1001173529	1	Decal - Light Display	
21	1001176469	1	Shroud, Switch	
22	1001177543	1	Decal - Ground Control	
23	0100011	AR	Compound, Locking	
24	0760812	2	Bolt M8 x 25	
25	4811900	2	Washer M8	
26	5250810	1	Bolt M8 x 20	
27	5260800	1	Nut M8	
28	1001118274	2	Nut M8	

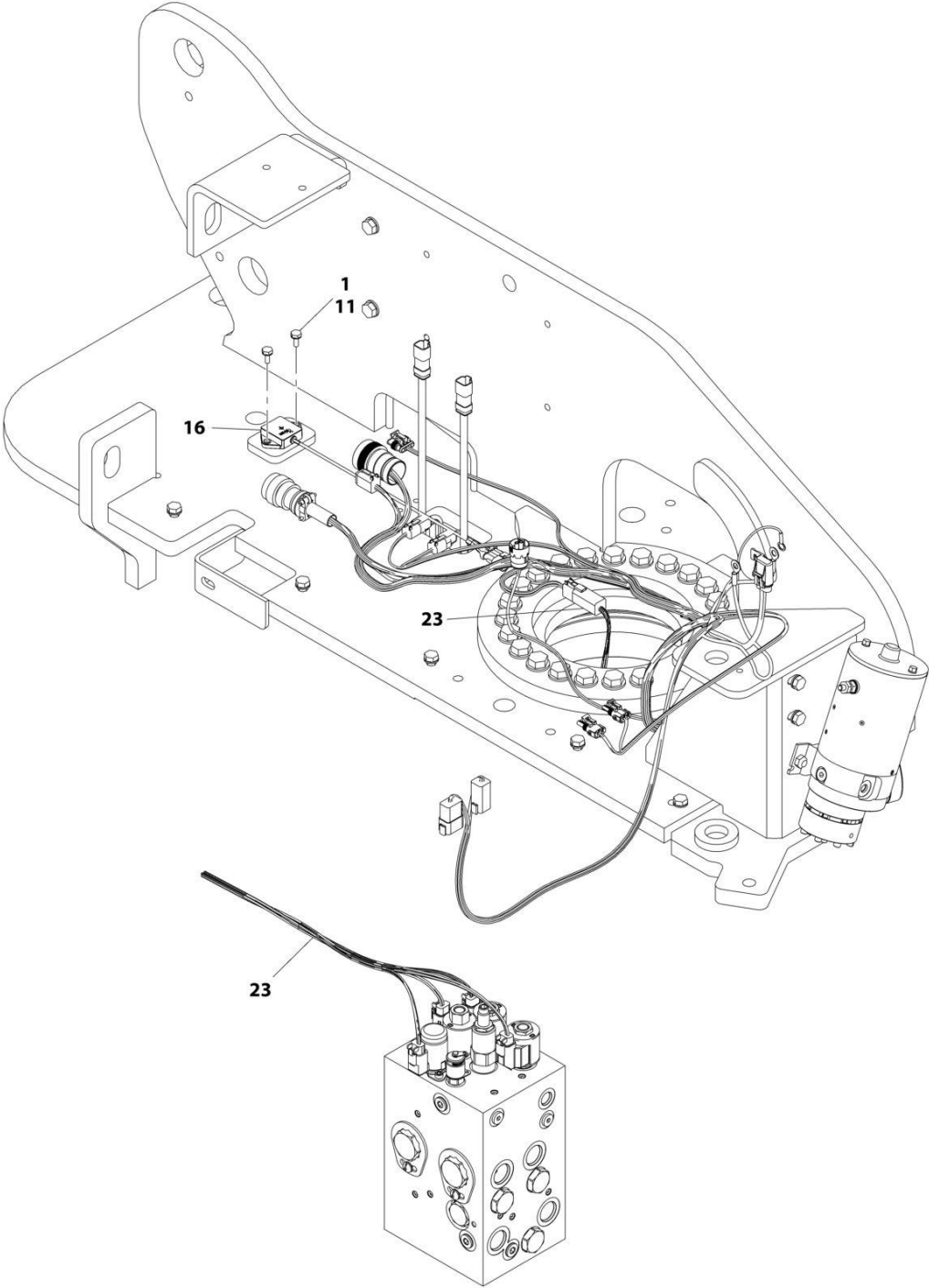
SECTION 2 - TURNTABLE

FIGURE 2-14. ELECTRICAL SYSTEM INSTALLATION



ART_1001166315_10F2

SECTION 2 - TURNTABLE



DETAIL OF TRACTION VALVE

ART_1001166315_2OF2

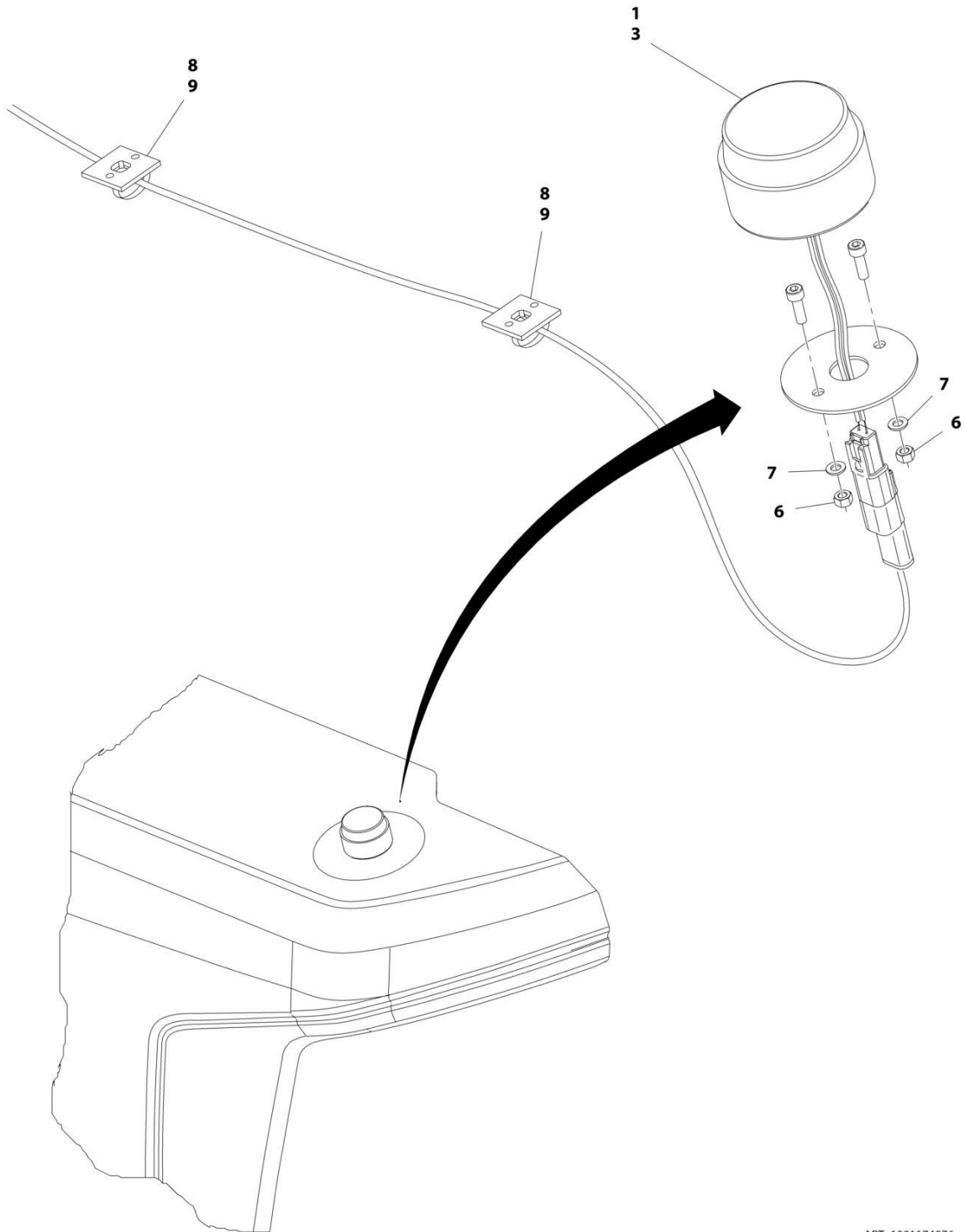
SECTION 2 - TURNTABLE

FIGURE 2-14. ELECTRICAL SYSTEM INSTALLATION

ITEM	PART NUMBER	QTY	DESCRIPTION	REV
	1001166315	Ref	ELECTRICAL SYSTEM INSTALLATION	H
1	0100011	AR	Compound, Locking	
2	0140043	1	Alarm	
2	4460536	1	Receptacle, Female - 3 Position	
2	4460943	3	Pin, Male	
4	0760610	7	Bolt M6 x 20	
5	0760621	5	Bolt M6 x 65	
6	3290601	10	Nut M6	
7	3290605	2	Nut M6	
8	4460496	1	Washer, Terminal	
9	4460497	1	Nut, Terminal	
10	4811700	12	Washer M6	
11	5250608	2	Bolt M6 x 16	
14	1001106736	1	Cap, Dust	
15	1001130220	3	Nut, Tinnerman M6	
16	1001181325	1	Sensor (SN 1300007286 through 1300007383, SN E300000100 through E300005354)	
16	1001219601	1	Sensor (SN E300005354 through E300007980)	
16	See Note	1	Receptacle, Female - 4 Position (Note: Not Available for Purchase)	
16	See Note	4	Pin, Male (Note: Not Available for Purchase)	
17	1001186007	1	Turntable Harness (See ELECTRICAL SECTION for Breakdown)	
18	1001164736	1	Valve Harness - Main Valve (See ELECTRICAL SECTION for Breakdown)	
19	1001164737	1	Ground Control Panel Harness (See ELECTRICAL SECTION for Breakdown)	
21	1001170094	1	Module, Ground Control	
	See Note	Ref	Note: Re-calibration Required when Replaced.	
22	4811702	7	Washer M6	
23	1001179236	1	Chassis Solenoid Harness (See ELECTRICAL SECTION for Breakdown)	
24	1001196637	1	Decal - Fuse Box	

SECTION 2 - TURNTABLE

FIGURE 2-15. BEACON LIGHT INSTALLATION - AMBER



ART_1001174976

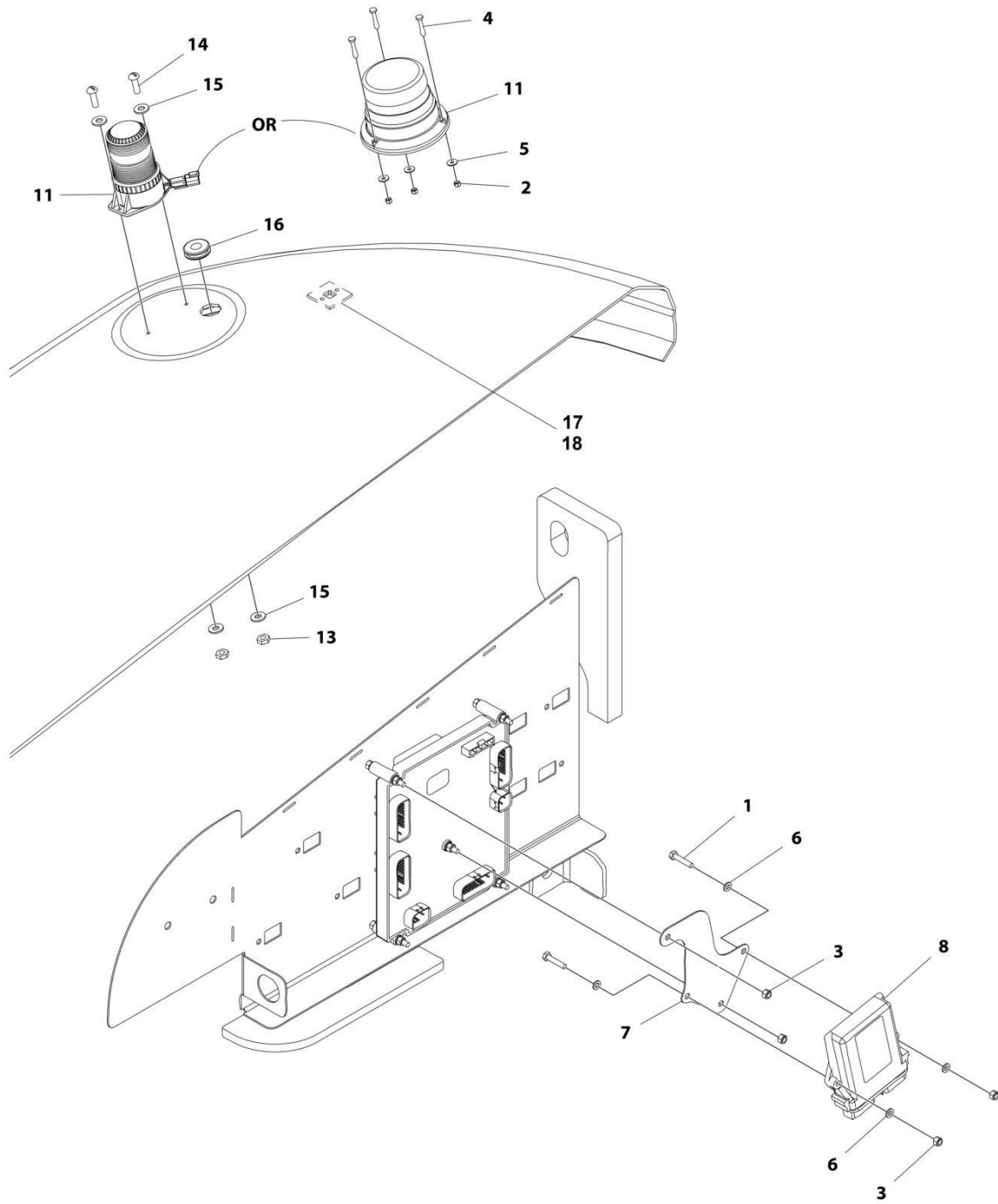
SECTION 2 - TURNTABLE

FIGURE 2-15. BEACON LIGHT INSTALLATION - AMBER

ITEM	PART NUMBER	QTY	DESCRIPTION	REV
	1001174976	Ref	BEACON LIGHT INSTALLATION - AMBER	D
1	0100048	AR	Compound, Silicone	
3	1001181405	1	Lamp, Strobe	
3	4460897	1	Receptacle, Female - 2 Position	
3	4460464	2	Pin, Male	
6	3290505	2	Nut M5	
7	4811600	2	Washer M5	
8	4240032	AR	Tie-Strap	
9	4460234	2	Mount, Tie-Strap	

SECTION 2 - TURNTABLE

FIGURE 2-16. BEACON LIGHT INSTALLATION - BLUE (SN E300000100 through E300007543)



ART_1001193216

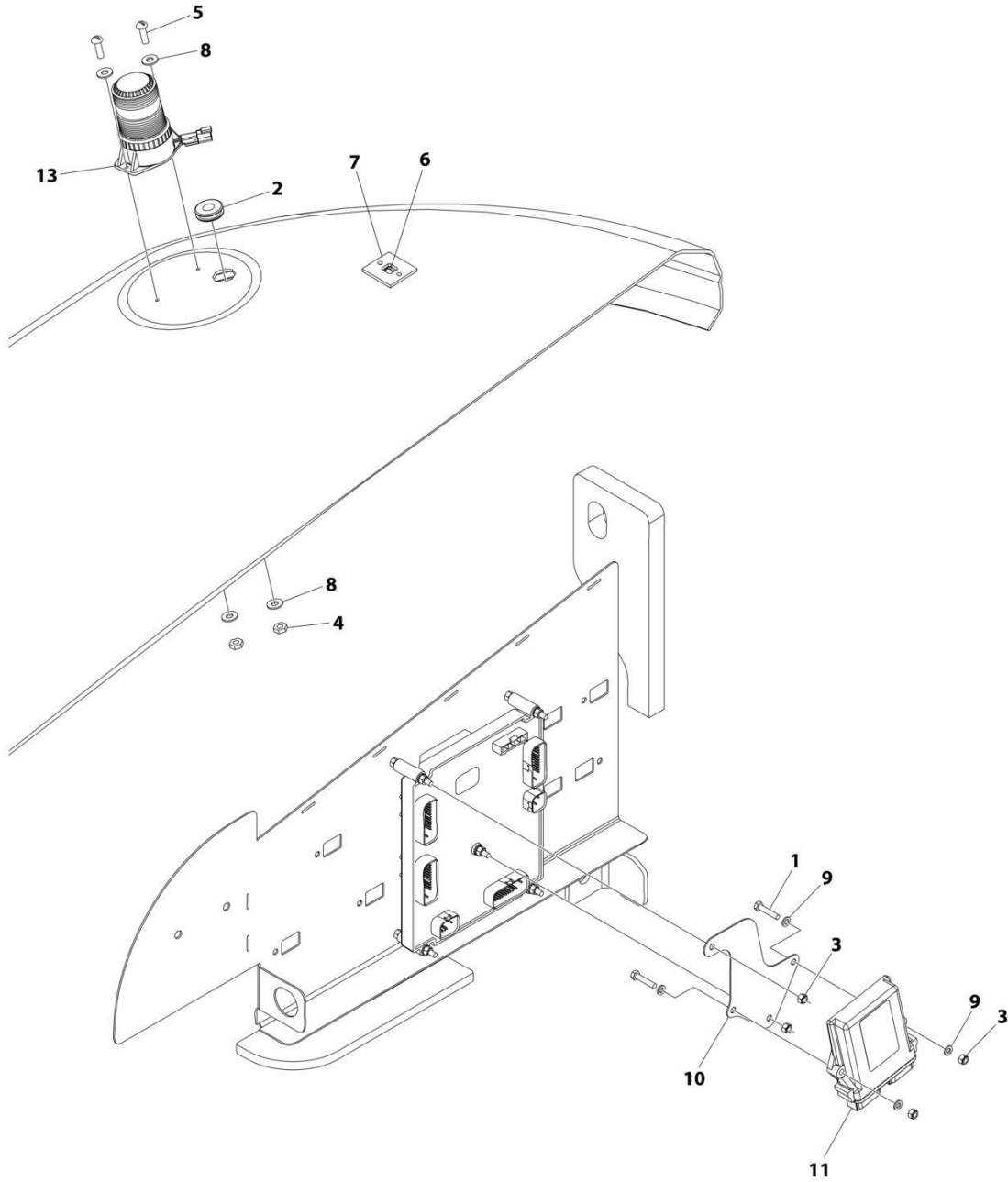
SECTION 2 - TURNTABLE

FIGURE 2-16. BEACON LIGHT INSTALLATION - BLUE (SN E300000100 through E300007543)

ITEM	PART NUMBER	QTY	DESCRIPTION	REV
	1001193216	Ref	BEACON LIGHT INSTALLATION - BLUE	G
1	0760614	2	Bolt M6 x 30	
2	3290505	AR	Nut M5	
3	3290605	4	Nut M6	
4	4010514	AR	Screw M5 x 30	
5	4811602	AR	Washer M5	
6	4811700	4	Washer M6	
7	1001100433	1	Mount, Module	
8	1001142683	1	Decal - Control	
9	1001142736	1	Beacon Harness (Not Shown - See ELECTRICAL SECTION for Breakdown)	
11	1001193061	NLA	Light, Beacon (Use p/n 1001210696 & 1001200910) (SN E300000100 through E300003262)	
11	1001200910	1	Light, Beacon (SN 1300007286 through 1300007383, SN E300003262 through E300007542)	
11	4460897	1	Receptacle, Female - 2 Position	
11	4460943	2	Pin, Male	
12	1001196458	1	Beacon Extension Harness (Not Shown - See ELECTRICAL SECTION for Breakdown) (SN E300000100 through E300003882)	
13	3311005	AR	Nut #10	
14	3911010	AR	Screw #10 x 5/8	
15	4711000	AR	Washer #10	
16	2540020	1	Grommet (SN 1300007286 through 1300007383, SN E300003610 through E300007542)	
17	4240032	3	Tie-Strap	
18	4460488	3	Terminal, Mounting	

SECTION 2 - TURNTABLE

FIGURE 2-17. BEACON LIGHT INSTALLATION - BLUE (SN E300007543 through E300007980)



ART_1001242855

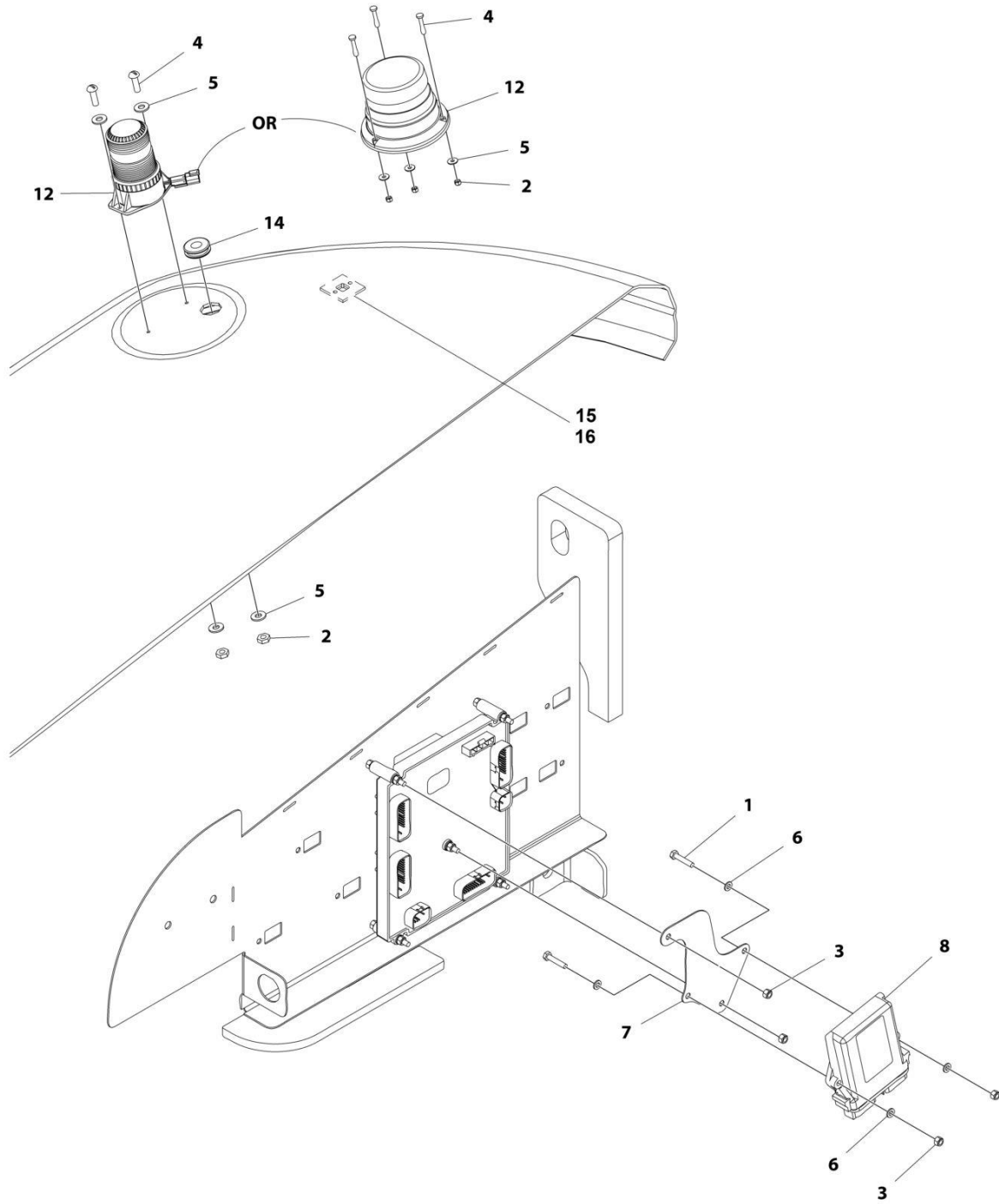
SECTION 2 - TURNTABLE

FIGURE 2-17. BEACON LIGHT INSTALLATION - BLUE (SN E300007543 through E300007980)

ITEM	PART NUMBER	QTY	DESCRIPTION	REV
	1001242855	Ref	BEACON LIGHT INSTALLATION - BLUE	A
1	0760614	2	Bolt M6 x 30	
2	2540020	1	Grommet	
3	3290605	4	Nut M6	
4	3311005	2	Nut #10	
5	3911010	2	Screw #10 x 5/8	
6	4240032	AR	Tie-Strap	
7	4460488	AR	Terminal, Mounting	
8	4711000	4	Washer #10	
9	4811700	4	Washer M6	
10	1001100433	1	Mount, Module	
11	1001142683	1	Module, Control	
12	1001142736	1	Beacon Harness (Not Shown - See Separate Breakdown in ELECTRICAL SECTION)	
13	1001200910	1	Light, Beacon	
13	4460897	1	Receptacle, Female - 2 Position	
13	4460943	2	Pin, Male	

SECTION 2 - TURNTABLE

FIGURE 2-18. BEACON LIGHT INSTALLATION - RED (SN E300000100 through E300007543)



ART_1001207315

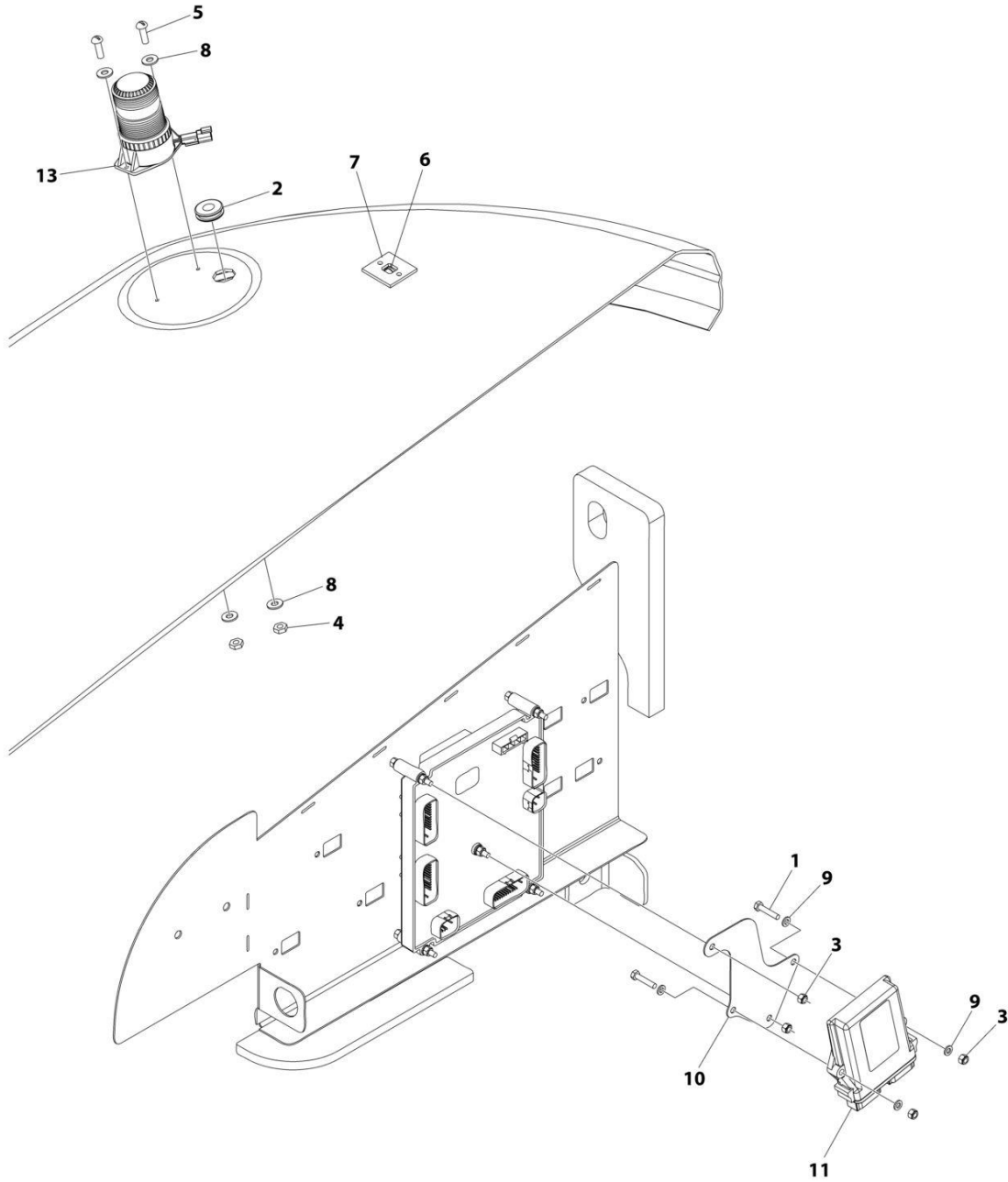
SECTION 2 - TURNTABLE

FIGURE 2-18. BEACON LIGHT INSTALLATION - RED (SN E300000100 through E300007543)

ITEM	PART NUMBER	QTY	DESCRIPTION	REV
	1001207315	Ref	BEACON LIGHT INSTALLATION - RED	G
1	0760614	2	Bolt M6 x 30	
2	3290505	3	Nut M5	
2	3311005	2	Nut #10-24	
3	3290605	4	Nut M6	
4	4010514	3	Screw M5 x 30	
4	3911010	2	Screw #10 x 5/8	
5	4811602	3	Washer M5	
5	4711000	4	Washer #10	
6	4811700	4	Washer M6	
7	1001100433	1	Mount, Module	
8	1001142683	1	Decal - Control	
9	1001142736	1	Beacon Harness (Not Shown - See ELECTRICAL SECTION for Breakdown)	
11	1001196458	1	Beacon Extension Harness (Not Shown - See ELECTRICAL SECTION for Breakdown) (SN E300000100 through E300003882)	
12	1001207302	NLA	Light, Beacon (Use p/n 1001210696 and 1001207004) (SN E300000100 through E300003262)	
12	1001207004	1	Light, Beacon (SN E300003262 through E300007542, SN 1300007286 through 1300007383)	
12	4460897	1	Receptacle, Female - 2 Position	
12	4460943	2	Pin, Male	
14	2540020	1	Grommet (SN E300003610 through E300007542, SN 1300007286 through 1300007383)	
15	4240032	3	Tie-Strap	
16	4460488	3	Terminal, Mounting	

SECTION 2 - TURNTABLE

FIGURE 2-19. BEACON LIGHT INSTALLATION - RED (SN E300007543 through E300007980)



ART_1001242856

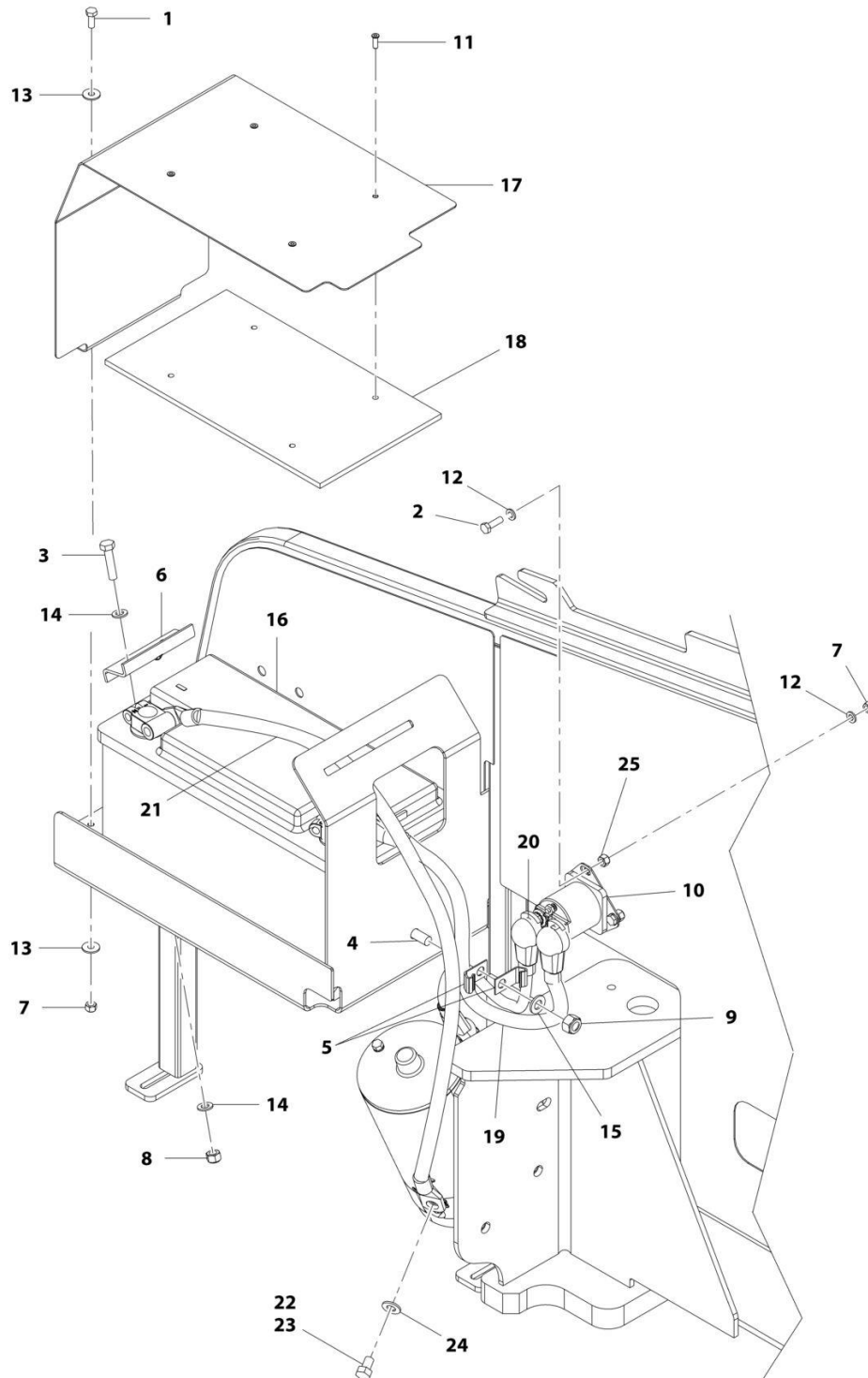
SECTION 2 - TURNTABLE

FIGURE 2-19. BEACON LIGHT INSTALLATION - RED (SN E300007543 through E300007980)

ITEM	PART NUMBER	QTY	DESCRIPTION	REV
	1001242856	Ref	BEACON LIGHT INSTALLATION - RED	A
1	0760614	2	Bolt M6 x 30	
2	2540020	1	Grommet	
3	3290605	4	Nut M6	
4	3311005	2	Nut #10	
5	3911010	2	Screw #10 x 5/8	
6	4240032	AR	Tie-Strap	
7	4460488	AR	Terminal, Mounting	
8	4711000	4	Washer #10	
9	4811700	4	Washer M6	
10	1001100433	1	Mount, Module	
11	1001142683	1	Module, Control	
12	1001142736	1	Beacon Harness (Not Shown - See Separate Breakdown in ELECTRICAL Section)	
13	1001207004	1	Light, Beacon	
13	4460897	1	Receptacle, Female - 2 Position	
13	4460943	2	Pin, Male	

SECTION 2 - TURNTABLE

FIGURE 2-20. BATTERY AND CABLE INSTALLATION



ART_1001166317

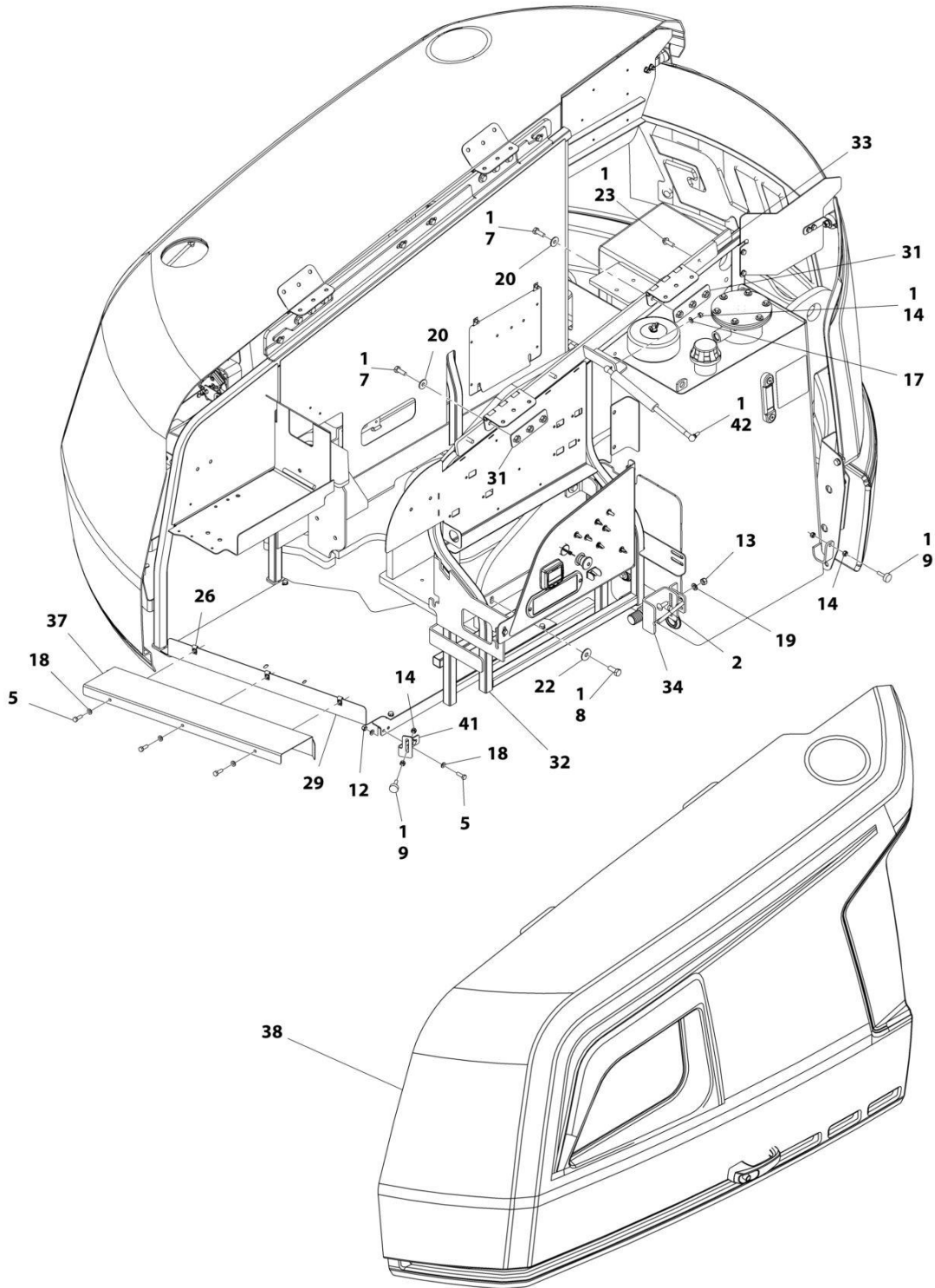
SECTION 2 - TURNTABLE

FIGURE 2-20. BATTERY AND CABLE INSTALLATION

ITEM	PART NUMBER	QTY	DESCRIPTION	REV
	1001166317	Ref	BATTERY AND CABLE INSTALLATION	F
1	0760608	2	Bolt M6 x 16	
1	0760610	2	Bolt M6 x 20	
2	0760612	2	Bolt M6 x 25	
3	0760815	2	Bolt M8 x 35	
4	0761012	1	Bolt M10 x 25	
5	1320223	2	J-Clip	
6	1787217	1	Clamp	
7	3290605	4	Nut M6	
8	3290805	2	Nut M8	
9	3291005	1	Nut M10	
10	3740067	1	Relay	
10	3300220	2	Nut 3/8	
10	1001111424	2	Washer 3/8	
10	3321001	1	Nut #10	
10	4761000	1	Washer #10	
11	3820032	4	Rivet	
12	4811700	4	Washer M6	
13	4811702	4	Washer M6	
14	4811900	4	Washer M8	
15	4812000	2	Washer M10	
16	8008750	1	Battery	
17	1001117240	1	Cover	
18	1001119278	1	Insulation	
19	1001171678	1	Cable, Battery (Positive + to Aux Relay) (SN E300000001 through E300002973)	
19	1001205752	1	Cable, Battery (Positive + to Aux Relay) (SN 1300007286 through 1300007383, SN E300002974 through E300007980)	
20	1001171679	1	Cable, Battery (Aux Relay to Aux Pump)	
21	1001171680	1	Cable, Battery (Negative – to Aux Pump) (SN E300000001 through E300002973)	
21	1001205750	1	Cable, Battery (Negative – to Aux Pump) (SN 1300007286 through 1300007383, SN E300002974 through E300007980)	
22	0100011	AR	Compound, Locking	
23	0641504	1	Bolt 5/16 x 1/2	
24	4711500	1	Washer 5/16	
25	3290601	2	Nut M6	

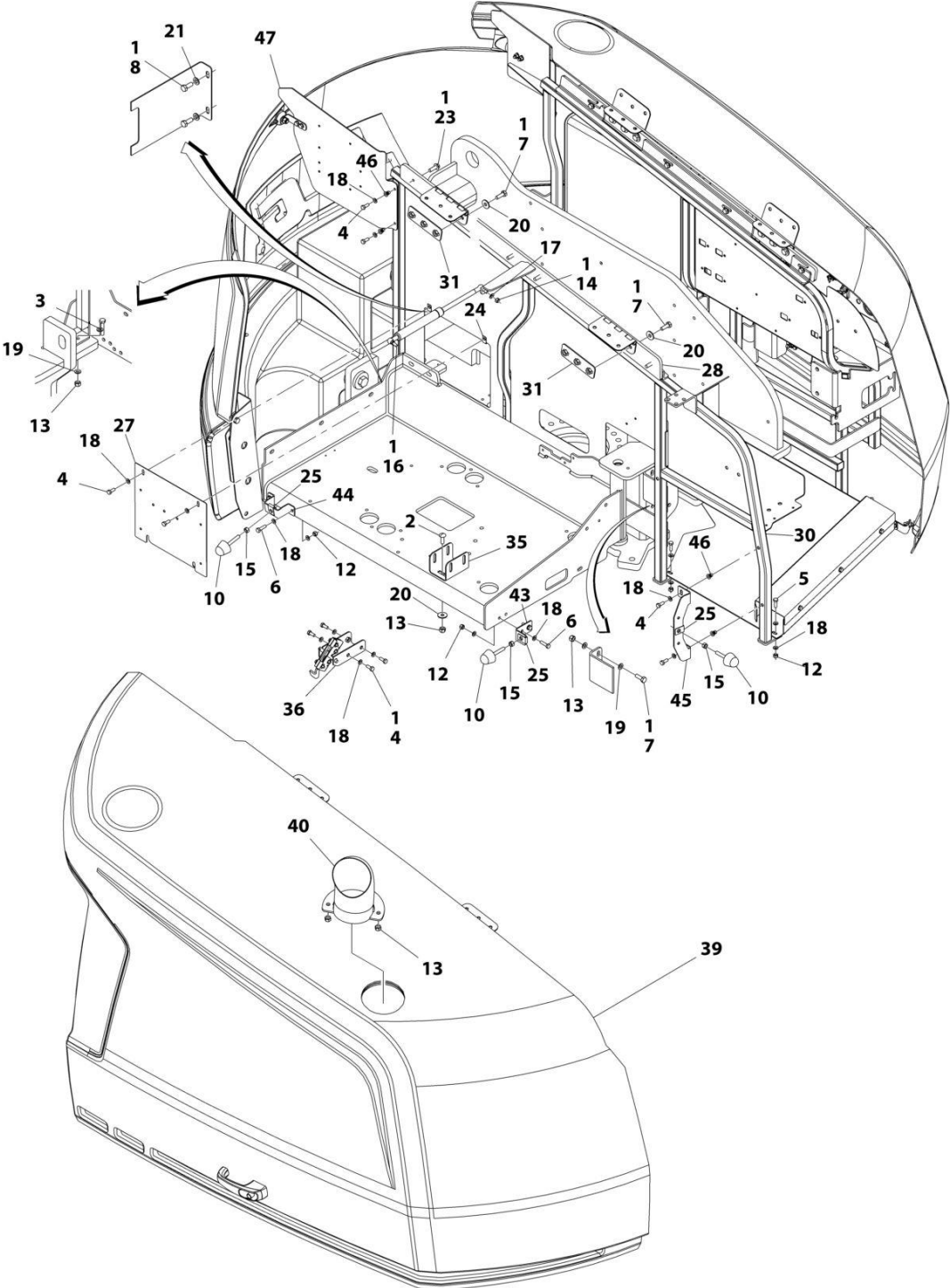
SECTION 2 - TURNTABLE

FIGURE 2-21. HOODS INSTALLATION (SN E30000100 through E300006377)



ART_1001202450_10F2

SECTION 2 - TURNTABLE



ART_1001202450_20F2

SECTION 2 - TURNTABLE

FIGURE 2-21. HOODS INSTALLATION (SN E300000100 through E300006377)

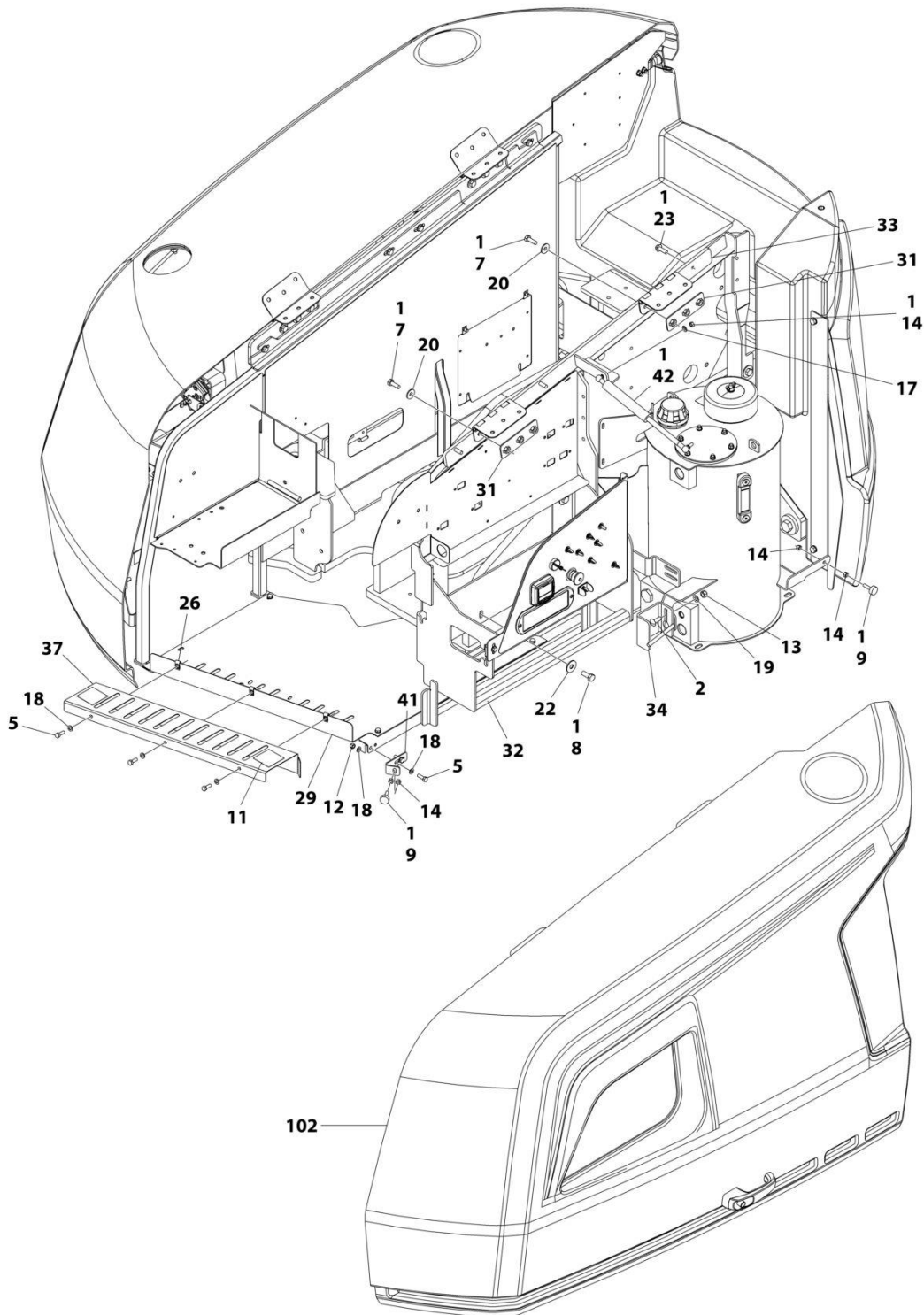
ITEM	PART NUMBER	QTY	DESCRIPTION	REV
	1001202450	Ref	HOODS INSTALLATION	D
1	0100011	AR	Compound, Locking	
2	0630613	4	Bolt M10 x 30	
3	0701018	5	Bolt M10 x 50	
4	0760810	8	Bolt M8 x 20	
5	0760812	11	Bolt M8 x 25	
6	0760814	4	Bolt M8 x 30	
7	0761014	14	Bolt M10 x 30	
8	0761214	6	Bolt M12 x 30	
9	0940049	2	Bumper	
10	0940071	3	Bumper	
11	1701691	2	Decal - No Step	
12	3290805	10	Nut M8	
13	3291005	14	Nut M10	
14	3311501	6	Nut 5/16	
15	3311601	3	Nut 3/8	
16	4160182	1	Spring, Gas	
17	4711500	2	Washer 5/16	
18	4811900	33	Washer M8	
19	4812000	16	Washer M10	
20	4812002	14	Washer M10	
21	4812100	2	Washer M12	
22	4812102	4	Washer M12	
23	5251014	8	Bolt M10 x 30	
24	8310686	2	Nut, Retainer M8	
25	88662523	3	Nut, Tinnerman	
26	1001118274	3	Nut M8	
27	1001167149	1	Panel, Filler	
28	1001167159	1	Mount	
29	1001167163	1	Tray	
30	1001167169	1	Mount	
31	1001169046	4	Nut	
32	1001170001	1	Support, Hood (SN E300000100 through E300003754)	
32	1001211716	1	Support, Hood (SN 1300007286 through 1300007383, SN E300003754 through E300007980)	
33	1001170018	1	Mount	
34	1001170022	1	Mount	
35	1001170859	1	Mount	
36	1001170860	NLA	Support (Use p/n 1001223777) (SN E300000100 through E300004184)	
36	1001223777	1	Support (SN 1300007286 through 1300007383, SN E300004184 through E300007980)	
37	1001171216	1	Cover	
38	1001172282	1	Hood Assembly - Tank Side (See HOOD ASSEMBLY - TANK SIDE for Breakdown)	
39	1001172833	1	Hood Assembly - Engine Side (See HOOD ASSEMBLY - ENGINE SIDE for Breakdown)	
40	1001174098	1	Pipe, Exhaust (SN E300000100 through E300006195)	
40	1001233899	1	Pipe, Exhaust (SN E300006196 through E300007980)	
41	1001179904	1	Mount	
42	1001182169	1	Spring, Gas	

SECTION 2 - TURNTABLE

ITEM	PART NUMBER	QTY	DESCRIPTION	REV
43	1001182875	1	Mount	
44	1001182877	1	Mount	
45	1001182879	1	Mount	
46	1001191832	4	Rivnut M8	
47	1001200086	1	Support, Front Hood (SN E300000100 through E300003754)	
47	1001211717	1	Support, Hood (SN 1300007286 through 1300007383, SN E300003754 through E300007980)	

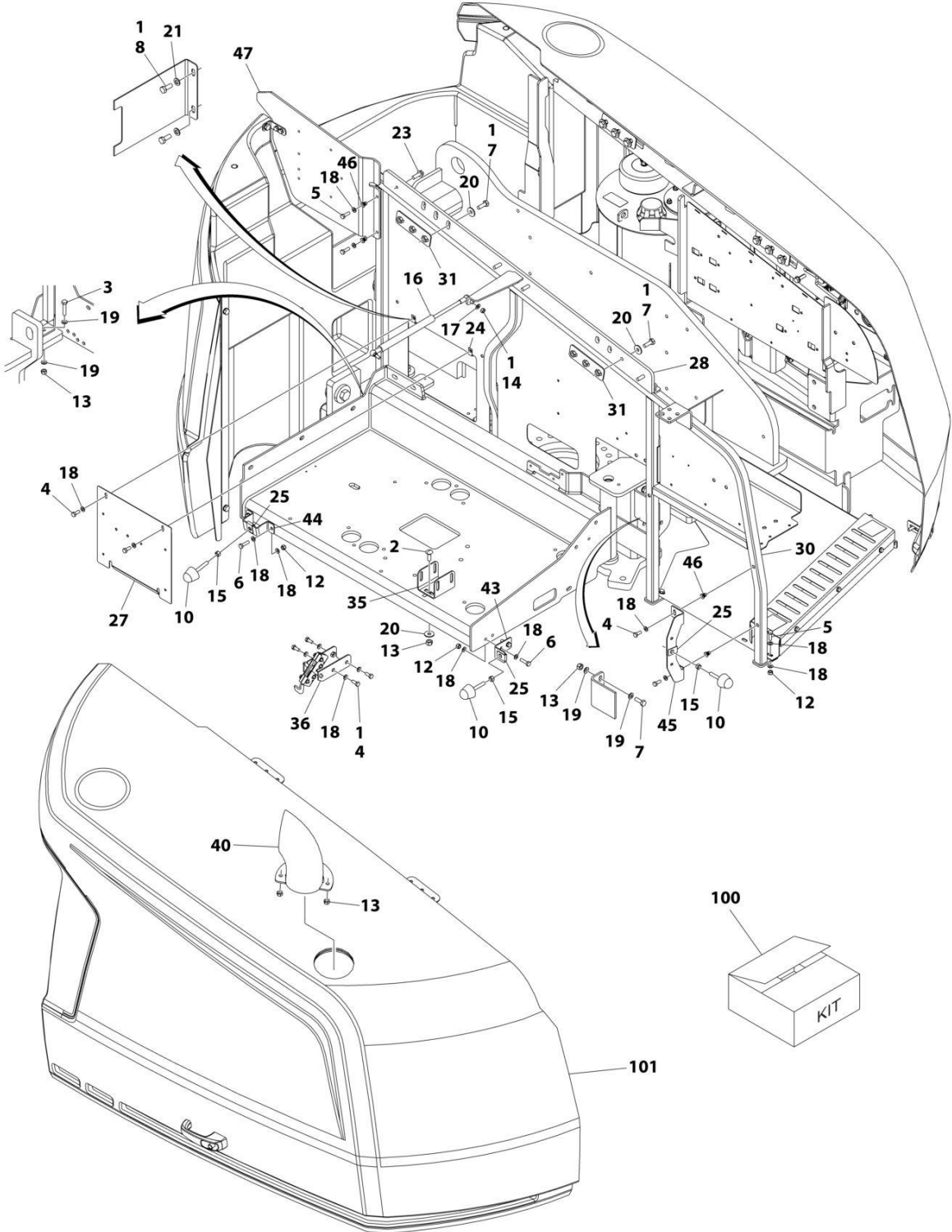
SECTION 2 - TURNTABLE

FIGURE 2-22. HOODS INSTALLATION (SN E300006377 through E300007980)



ART_1001241286_10F2

SECTION 2 - TURNTABLE



ART_1001241286_20F2

SECTION 2 - TURNTABLE

FIGURE 2-22. HOODS INSTALLATION (SN E300006377 through E300007980)

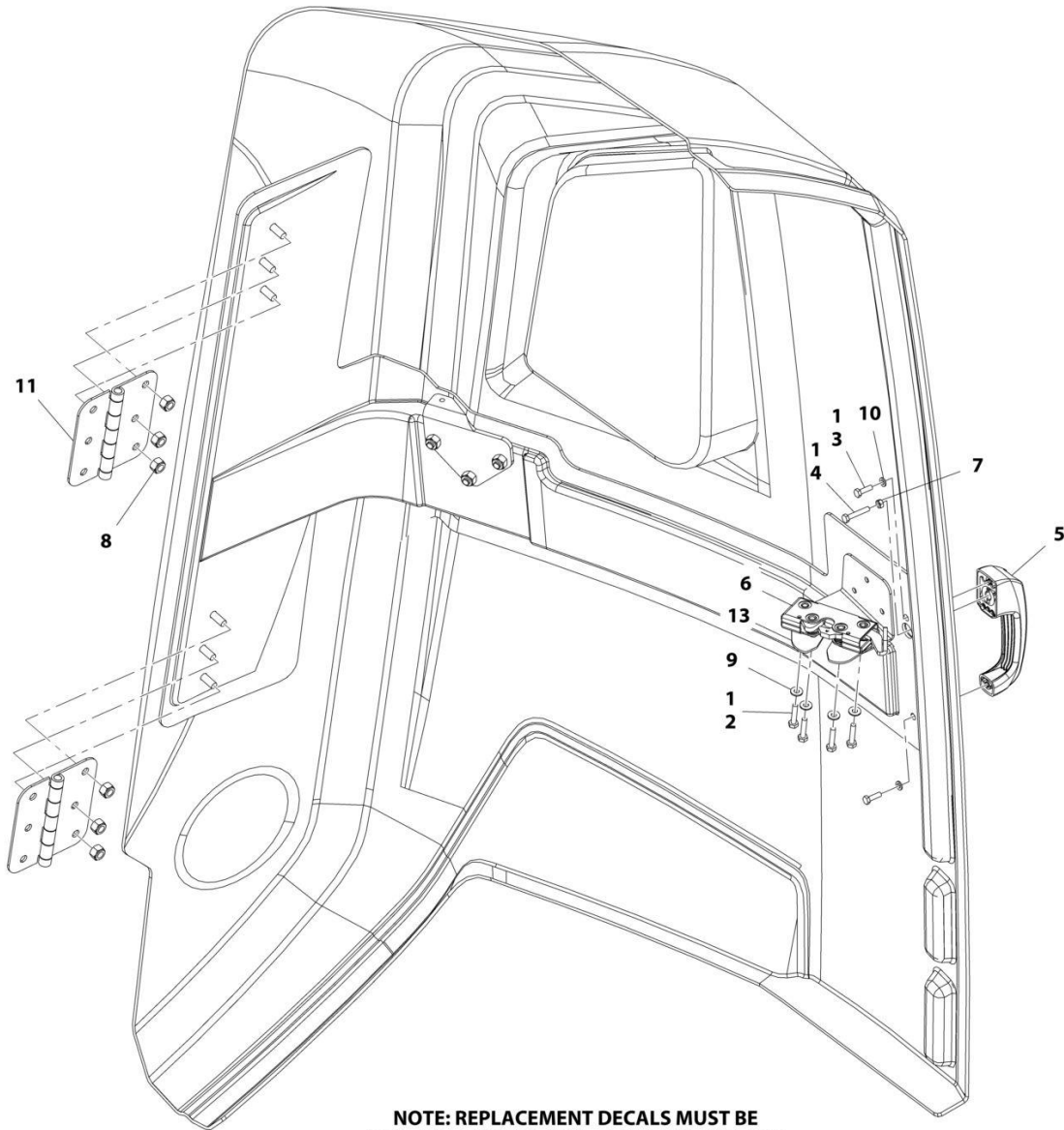
ITEM	PART NUMBER	QTY	DESCRIPTION	REV
	1001241286	Ref	HOODS INSTALLATION	A
1	0100011	AR	Compound, Locking	
2	0630613	4	Bolt M10 x 30	
3	0701018	5	Bolt M10 x 50	
4	0760810	8	Bolt M8 x 20	
5	0760812	11	Bolt M8 x 25	
6	0760814	4	Bolt M8 x 30	
7	0761014	14	Bolt M10 x 30	
8	0761214	6	Bolt M12 x 30	
9	0940049	2	Bumper	
10	0940071	3	Bumper	
11	1701691	2	Decal - No Step	
12	3290805	10	Nut M8	
13	3291005	14	Nut M10	
14	3311501	6	Nut 5/16	
15	3311601	3	Nut 3/8	
16	4160182	1	Spring, Gas	
17	4711500	2	Washer 5/16	
18	4811900	33	Washer M8	
19	4812000	16	Washer M10	
20	4812002	14	Washer M10	
21	4812100	2	Washer M12	
22	4812102	4	Washer M12	
23	5251014	8	Bolt M10 x 30	
24	8310686	2	Nut, Retainer M8	
25	88662523	3	Nut, Tinnerman	
26	1001118274	3	Nut M8	
27	1001167149	1	Panel, Filler	
28	1001167159	1	Mount	
29	1001167163	1	Tray	
30	1001167169	1	Mount	
31	1001169046	4	Nut	
32	1001211716	1	Support, Hood	
33	1001170018	1	Mount	
34	1001170022	1	Mount	
35	1001170859	1	Mount	
36	1001223777	1	Support	
37	1001171216	1	Cover	
40	1001233899	1	Pipe, Exhaust (SN E300006196 through E300007980)	
41	1001179904	1	Mount	
42	1001182169	1	Spring, Gas	
43	1001182875	1	Mount	
44	1001182877	1	Mount	
45	1001182879	1	Mount	
46	1001191832	4	Rivnut M8	
47	1001211717	1	Support, Hood	
100	1001241290	1	Hood Kit (Includes Items 101-102)	
101	1001241295	1	Hood Assembly - Engine Side (See HOOD ASSEMBLY – ENGINE SIDE for Breakdown)	
102	1001241296	1	Hood Assembly - Tank Side (See HOOD ASSEMBLY - TANK	

SECTION 2 - TURNTABLE

ITEM	PART NUMBER	QTY	DESCRIPTION	REV
			SIDE for Breakdown)	

SECTION 2 - TURNTABLE

FIGURE 2-23. HOOD ASSEMBLY - TANK SIDE (SN E300000100 through E300006377)



NOTE: REPLACEMENT DECALS MUST BE ORDERED SEPARATELY - SEE DECAL SECTION.

ART_1001172282

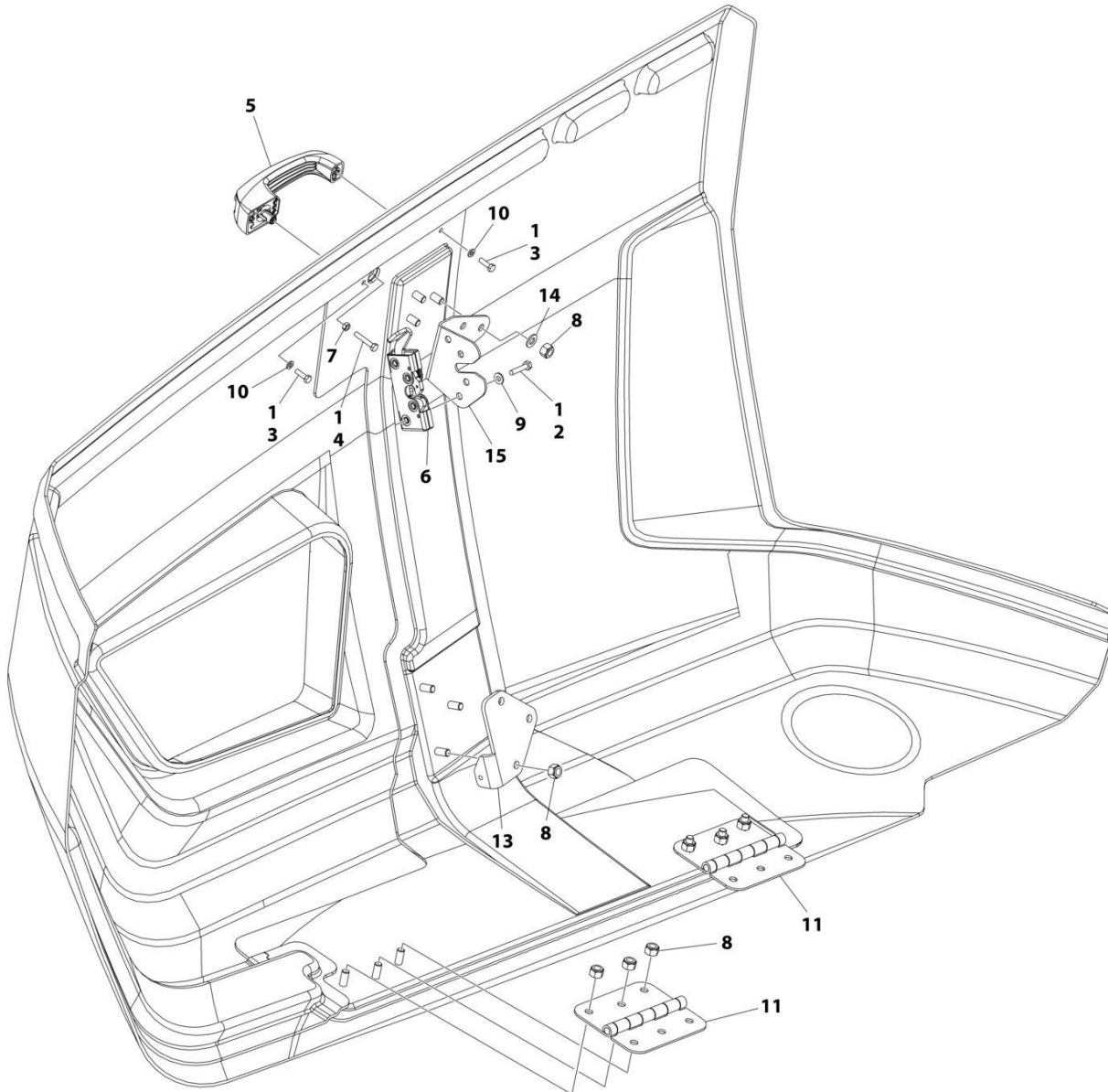
SECTION 2 - TURNTABLE

FIGURE 2-23. HOOD ASSEMBLY - TANK SIDE (SN E300000100 through E300006377)

ITEM	PART NUMBER	QTY	DESCRIPTION	REV
	1001172282	Ref	HOOD ASSEMBLY - TANK SIDE	C
1	0100011	AR	Compound, Locking	
2	0641410	4	Bolt 1/4 x 1-1/4	
3	0760610	2	Bolt M6 x 20	
4	0760615	1	Bolt M6 x 35	
5	2560187	1	Handle	
6	2940173	1	Latch	
7	3290601	1	Nut M6	
8	3291005	6	Nut M10	
9	4711400	4	Washer 1/4	
10	4811700	2	Washer M6	
11	1001139384	2	Hinge	
13	1001200458	1	Plate, Latch Guide	

SECTION 2 - TURNTABLE

FIGURE 2-24. HOOD ASSEMBLY - TANK SIDE (SN E300006377 through E300007980)



NOTE: REPLACEMENT DECALS MUST BE ORDERED SEPARATELY - SEE DECAL SECTION.

ART_1001241296

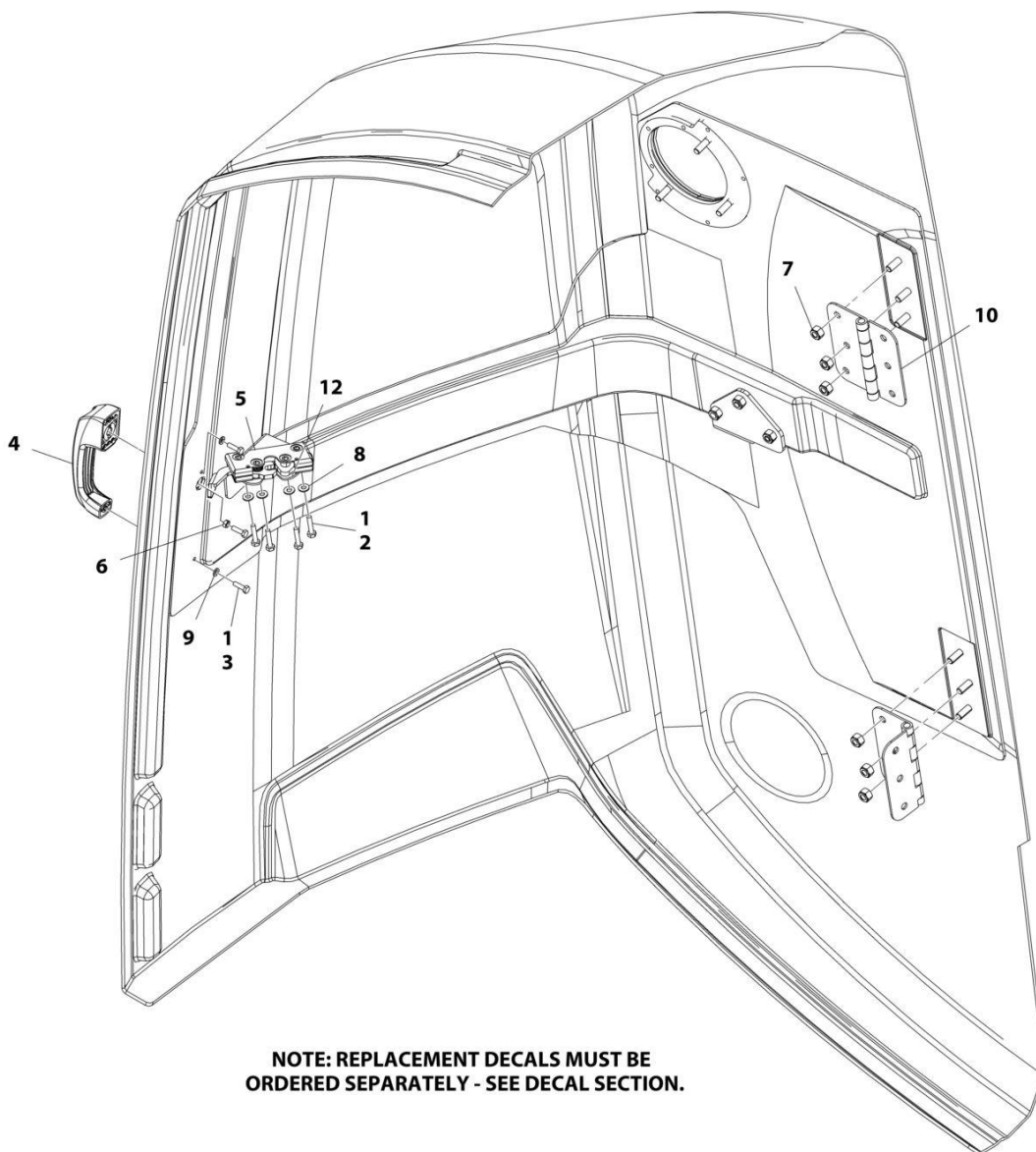
SECTION 2 - TURNTABLE

FIGURE 2-24. HOOD ASSEMBLY - TANK SIDE (SN E300006377 through E300007980)

ITEM	PART NUMBER	QTY	DESCRIPTION	REV
	1001241296	Ref	HOOD ASSEMBLY - TANK SIDE	C
1	0100011	AR	Compound, Locking	
2	0641410	4	Bolt 1/4 x 1-1/4	
3	0760610	2	Bolt M6 x 20	
4	0760615	1	Bolt M6 x 35	
5	2560187	1	Handle	
6	2940173	1	Latch	
7	3290601	1	Nut M6	
8	3291005	12	Nut M10	
9	4711400	4	Washer 1/4	
10	4811700	2	Washer M6	
11	1001259230	2	Hinge	
13	1001170475	1	Bracket	
14	4812000	3	Washer M10	
15	1001203322	1	Support	

SECTION 2 - TURNTABLE

FIGURE 2-25. HOOD ASSEMBLY - ENGINE SIDE (SN E300000100 through E300006377)



ART_1001172833

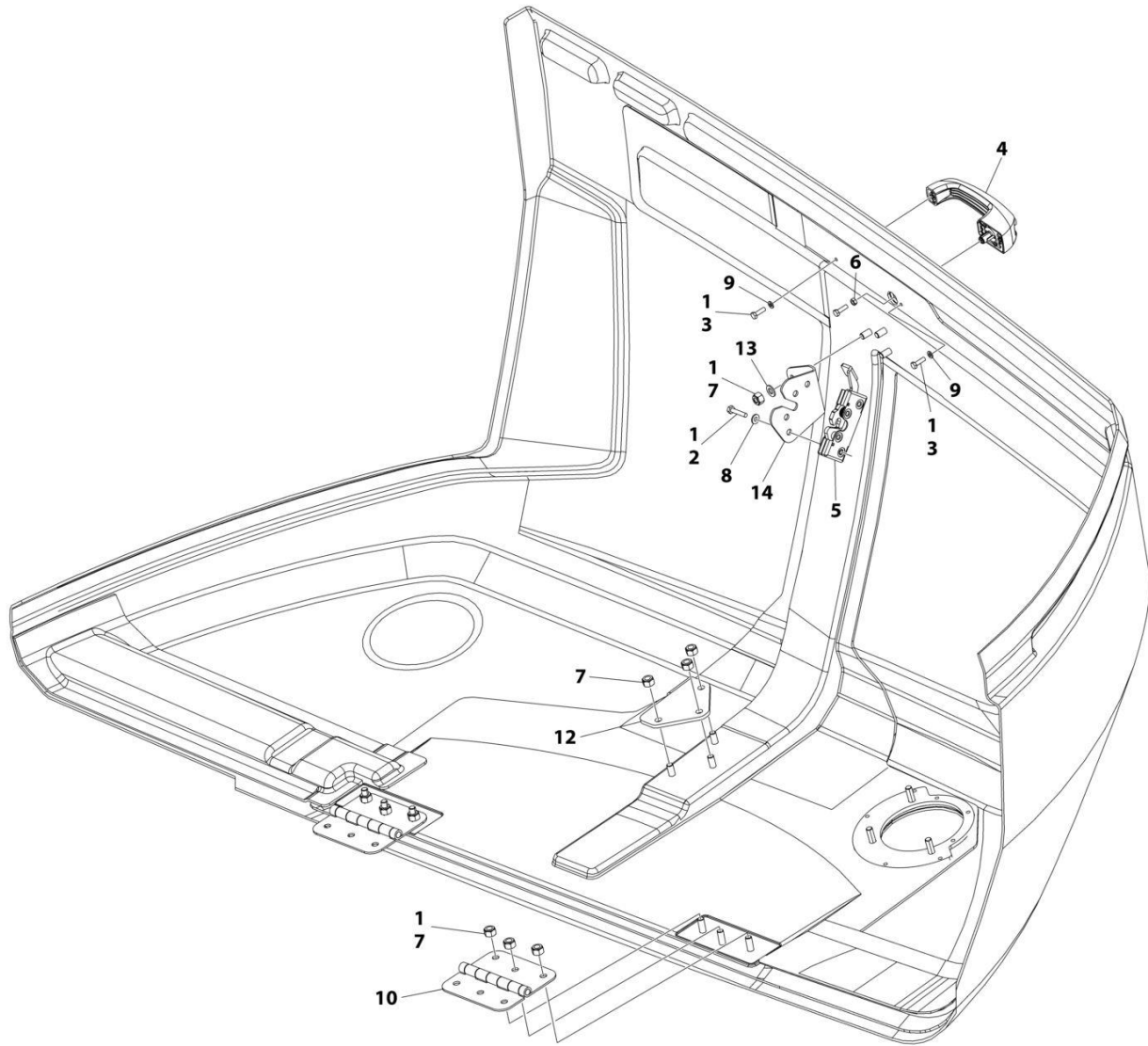
SECTION 2 - TURNTABLE

FIGURE 2-25. HOOD ASSEMBLY - ENGINE SIDE (SN E300000100 through E300006377)

ITEM	PART NUMBER	QTY	DESCRIPTION	REV
	1001172833	Ref	HOOD ASSEMBLY - ENGINE SIDE	C
1	0100011	AR	Compound, Locking	
2	0641410	4	Bolt 1/4 x 1-1/4	
3	0760610	3	Bolt M6 x 20	
4	2560187	1	Handle	
5	2940173	1	Latch	
6	3290601	1	Nut M6	
7	3291005	6	Nut M10	
8	4711400	4	Washer 1/4	
9	4811700	2	Washer M6	
10	1001139384	2	Hinge	
12	1001200458	1	Plate, Latch Guide	

SECTION 2 - TURNTABLE

FIGURE 2-26. HOOD ASSEMBLY - ENGINE SIDE (SN E300006377 through E300007980)



NOTE: REPLACEMENT DECALS MUST BE ORDERED SEPARATELY - SEE DECAL SECTION.

ART_1001241295

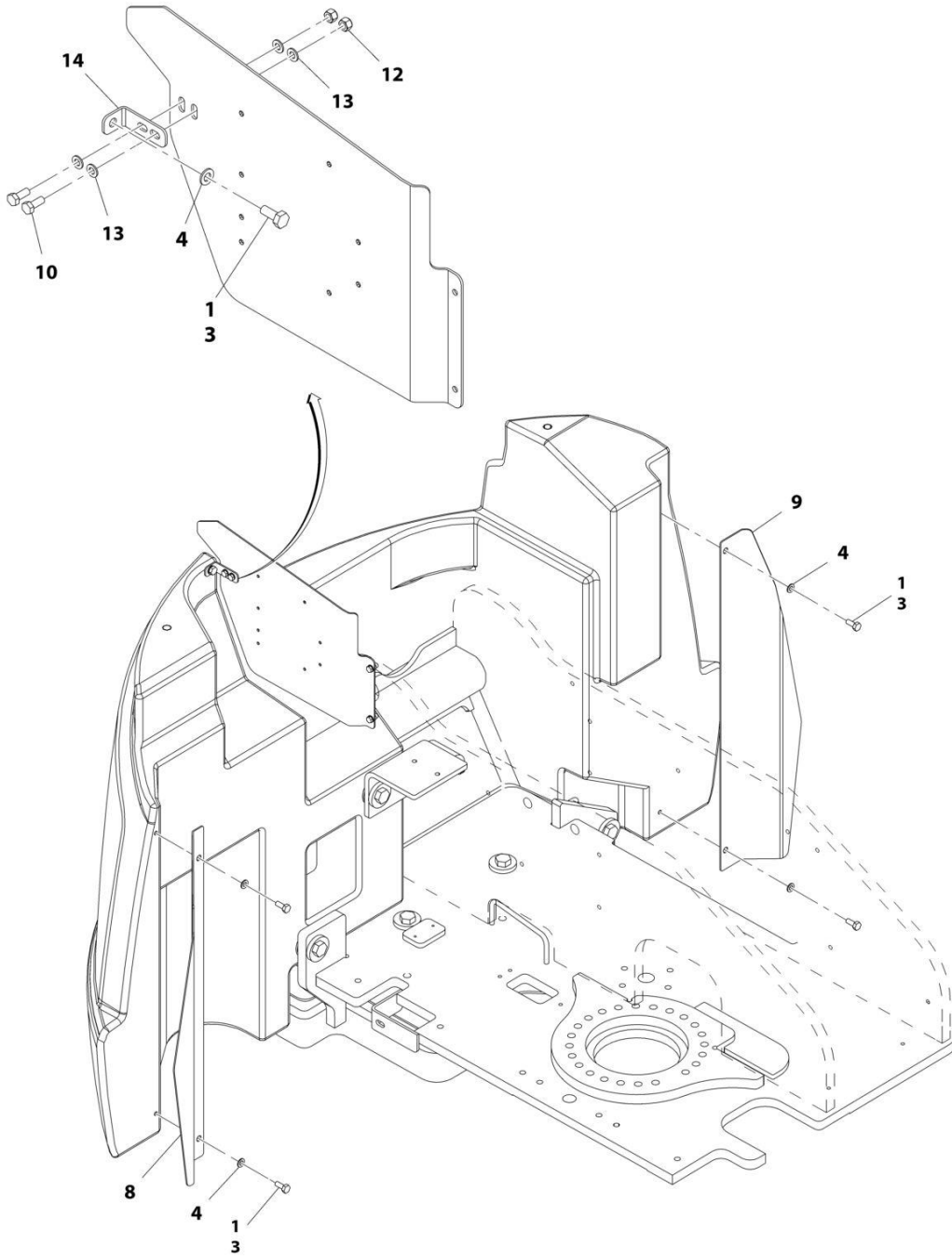
SECTION 2 - TURNTABLE

FIGURE 2-26. HOOD ASSEMBLY - ENGINE SIDE (SN E300006377 through E300007980)

ITEM	PART NUMBER	QTY	DESCRIPTION	REV
	1001241295	Ref	HOOD ASSEMBLY - ENGINE SIDE	C
1	0100011	AR	Compound, Locking	
2	0641410	4	Bolt 1/4 x 1-1/4	
3	0760610	3	Bolt M6 x 20	
4	2560187	1	Handle	
5	2940173	1	Latch	
6	3290601	1	Nut M6	
7	3291005	12	Nut M10	
8	4711400	4	Washer 1/4	
9	4811700	2	Washer M6	
10	1001259230	2	Hinge	
12	1001178228	1	Bracket	
13	4812000	3	Washer M10	
14	1001202830	1	Support	

SECTION 2 - TURNTABLE

FIGURE 2-27. COVERS INSTALLATION - COUNTERWEIGHT



ART_1001169382

SECTION 2 - TURNTABLE

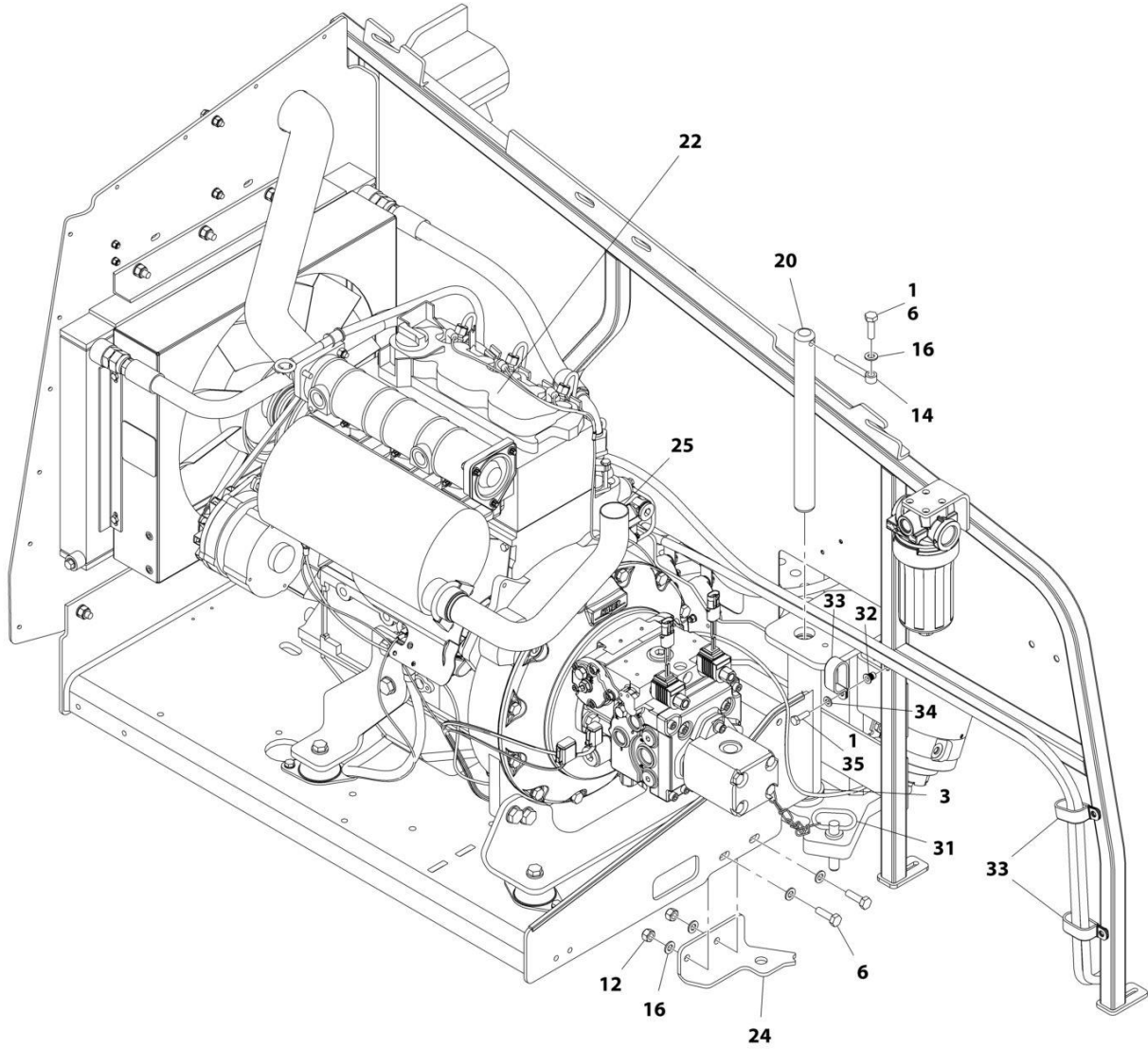
FIGURE 2-27. COVERS INSTALLATION - COUNTERWEIGHT

ITEM	PART NUMBER	QTY	DESCRIPTION	REV
	1001169382	Ref	COVERS INSTALLATION - COUNTERWEIGHT	C
1	0100011	AR	Compound, Locking	
2	0100019	AR	Compound, Locking	
3	0701012	5	Bolt M10 x 25	
4	4812000	5	Washer M10	
8	1001170120	1	Bracket	
9	1001170121	1	Bracket	
10	0760810	2	Bolt M8 x 20	
12	3290805	2	Nut M8	
13	4811900	4	Washer M8	
14	1001179191	1	Mount, Hood	

SECTION 3 - ENGINE

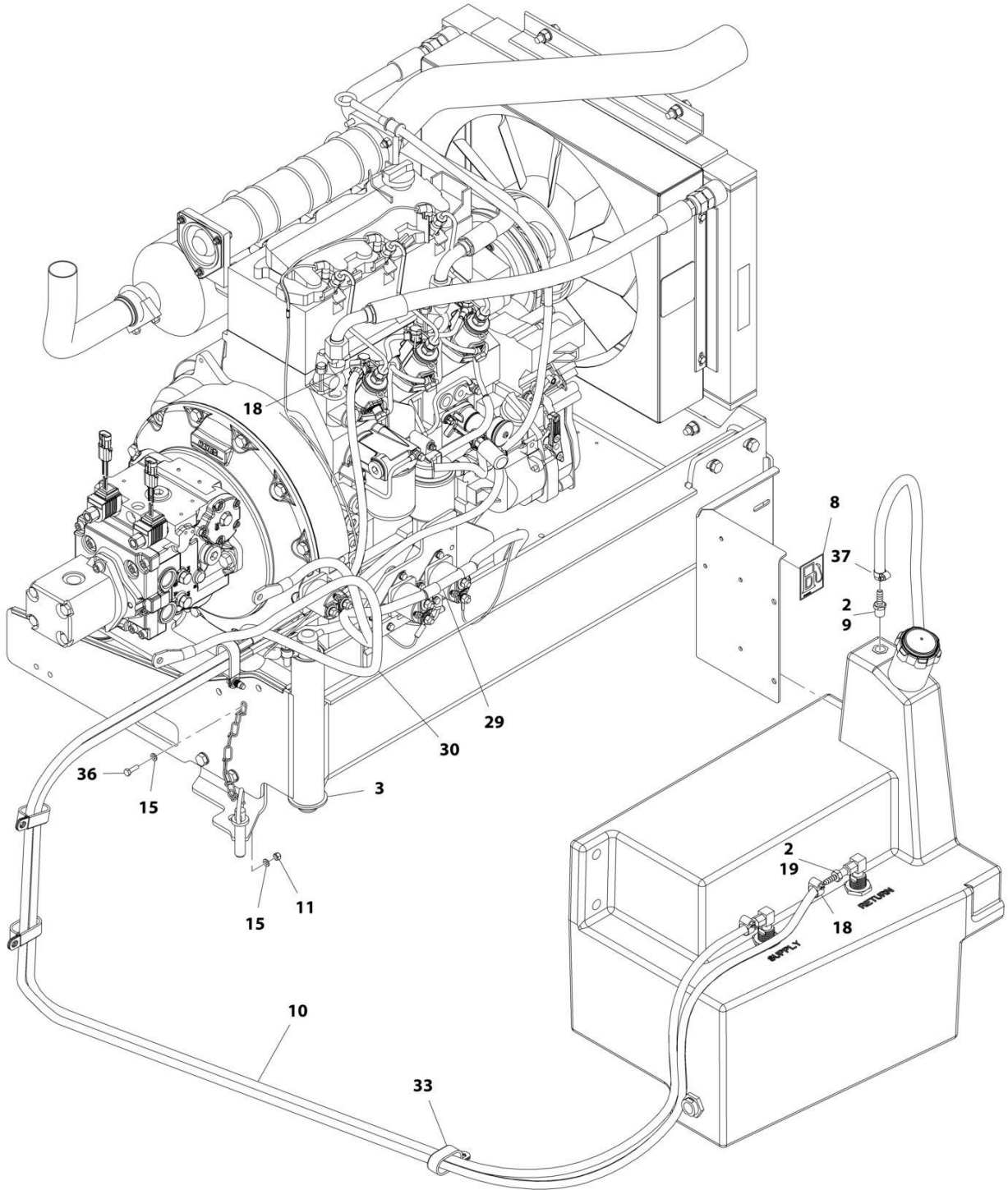
SECTION 3 - ENGINE

FIGURE 3-1. ENGINE INSTALLATION - DEUTZ D2.3L3 ENGINE



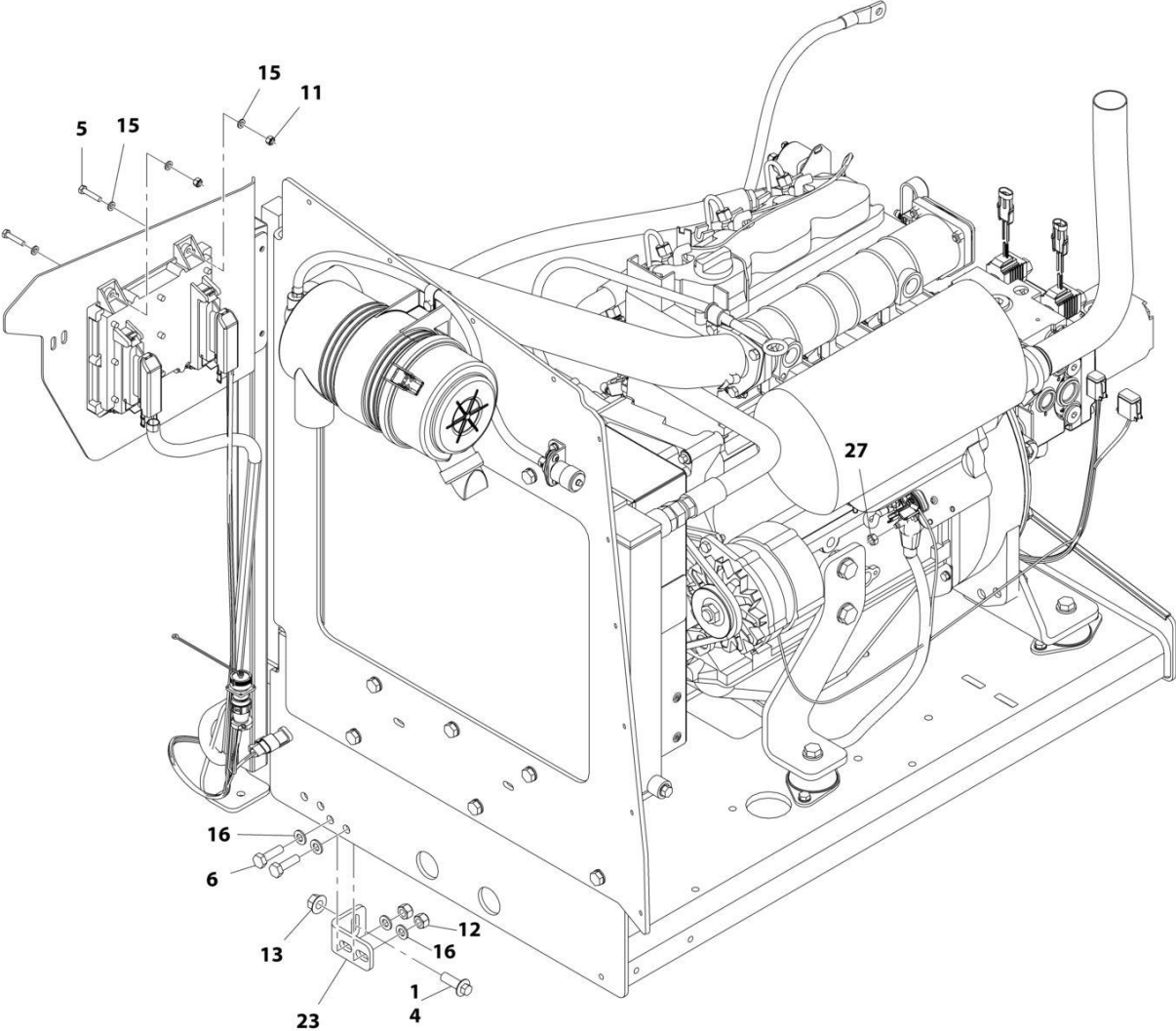
ART_1001166305_1OF3

SECTION 3 - ENGINE



ART_1001166305_2OF3

SECTION 3 - ENGINE



ART_1001166305_3OF3

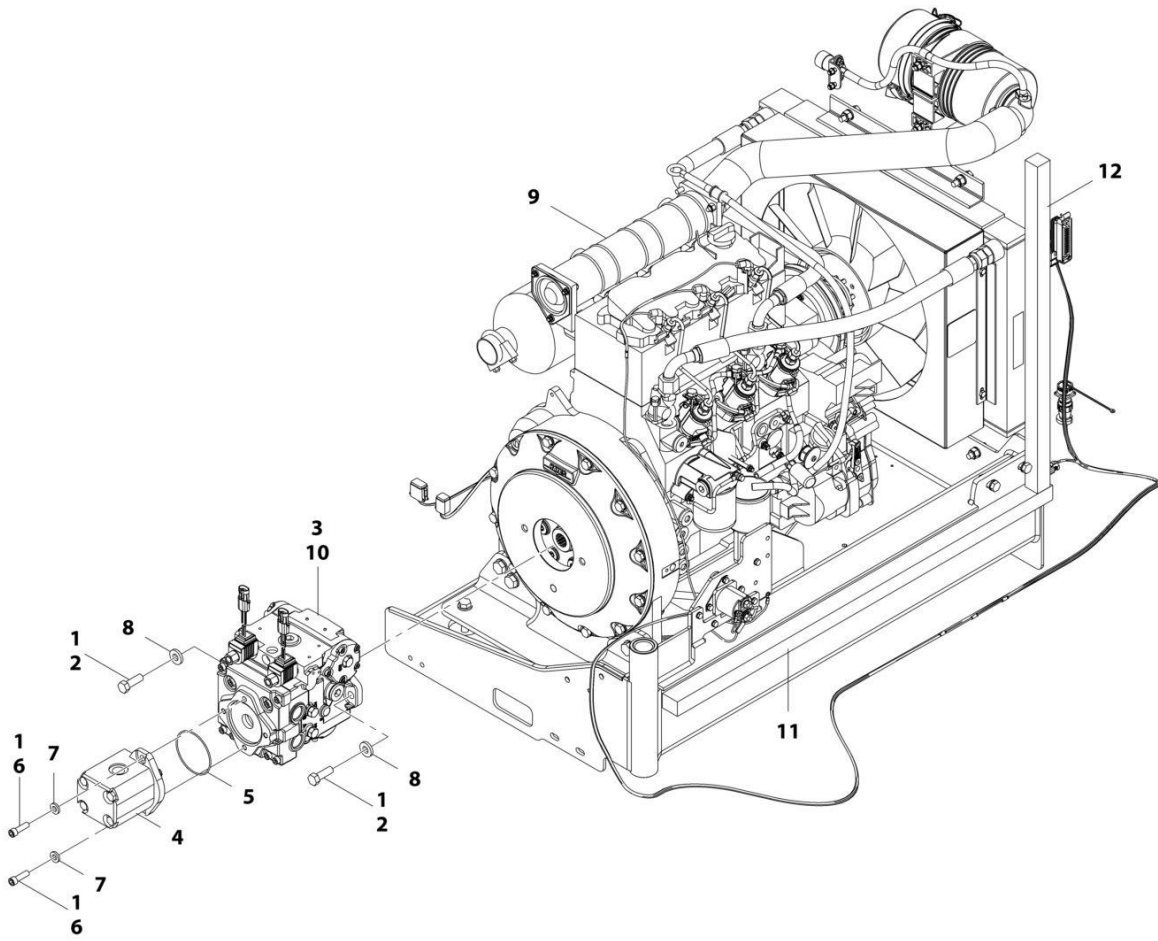
SECTION 3 - ENGINE

FIGURE 3-1. ENGINE INSTALLATION - DEUTZ D2.3L3 ENGINE

ITEM	PART NUMBER	QTY	DESCRIPTION	REV
	1001166305	Ref	ENGINE INSTALLATION - DEUTZ D2.3L3 ENGINE	F
1	0100011	AR	Compound, Locking	
2	0100020	AR	Sealant, Pipe	
3	0440162	1	Bearing	
4	5251215	1	Bolt, M12 x 35mm	
5	0760614	4	Bolt, M6 x 30mm	
6	0761015	5	Bolt, M10 x 35mm	
7	1704972	1	Decal - Warning Explosion/Fire	
8	1701505	1	Decal - Diesel Fuel	
9	2180876	1	Fitting, Barbed	
10	2720058	22 ft/6.7m	Hose	
11	3290605	5	Nut, Lock M6 x 1	
12	3291005	4	Nut, Lock M10 x 1.5	
13	5261200	1	Nut, Flange M12 Grade 10.9	
14	3841143	1	Keeper, Pin	
15	4811700	10	Washer, M6	
16	4812000	9	Washer, M10	
18	8410013	4	Clamp	
19	2180348	2	Fitting, Barbed	
20	1001135196	1	Pin	
22	1001166021	1	Engine and Pump Sub-Assembly - Deutz D2.3L3 (ANSI Export, Australian and CE Specs) (See ENGINE AND PUMP SUB-ASSEMBLY - DEUTZ D2.3L3 (ANSI EXPORT, AUSTRALIAN AND CE SPECS for Breakdown)	
23	1001167512	1	Bracket, Engine	
24	1001169823	1	Bracket, Engine	
25	1001172202	1	Pipe, Exhaust	
27	3290801	1	Nut, M8 x 1.25	
29	1001171681	1	Cable, Battery (Red) (Battery Positive to Auxiliary Power Relay)	
30	1001171682	1	Cable, Battery (Black) (Battery Negative to Auxiliary Power Pump)	
31	3422532	1	Pin	
32	1001191832	1	Nut, Rivet, M8	
33	1321716	4	Clamp	
34	4811900	1	Washer, M8	
35	0760812	1	Bolt, M8 x 25mm	
36	0760610	1	Bolt, M6 x 20mm	
37	1320022	1	Clamp	

SECTION 3 - ENGINE

FIGURE 3-2. ENGINE AND PUMP SUB-ASSEMBLY - DEUTZ D2.3L3



ART_1001166021

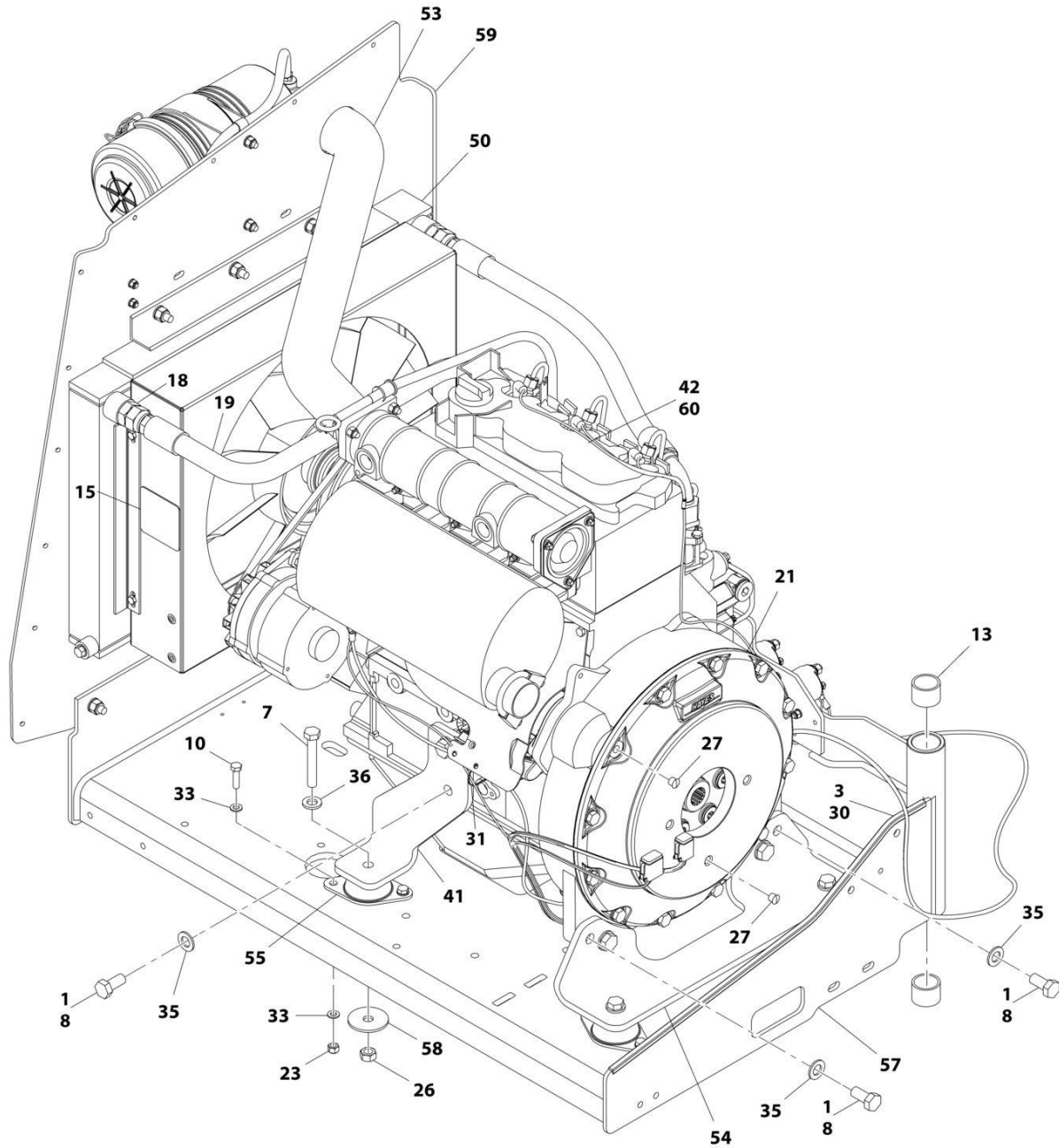
SECTION 3 - ENGINE

FIGURE 3-2. ENGINE AND PUMP SUB-ASSEMBLY - DEUTZ D2.3L3

ITEM	PART NUMBER	QTY	DESCRIPTION	REV
	1001166021	Ref	ENGINE AND PUMP SUB-ASSEMBLY - DEUTZ D2.3L3	E
1	0100011	AR	Compound, Locking	
2	0641812	2	Bolt, 1/2-13 x 1-1/2	
3	3020037	AR	Lube	
4	3600242	1	Gear Pump Assembly (See GEAR PUMP ASSEMBLY for Breakdown) (SN E300000100 through E300004772)	
4	1001214207	1	Gear Pump Assembly (SN 1300007286 through 1300007383, SN E300004772 through E300007980)	
4	70006356	1	Seal Kit – 1001214207 Pump	
5	3790152	1	O-Ring	
6	3931620	2	Capscrew, 3/8-16 x 1-1/4	
6	3931618	2	Capscrew, 3/8-16 x 1-1/8	
7	4891600	2	Washer, 3/8 Hardened	
8	4891800	2	Washer, 1/2 Hardened	
9	1001166020	1	Engine Assembly - Deutz D2.3L3 Engine (See ENGINE ASSEMBLY - DEUTZ D2.3L3 ENGINE for Breakdown)	
10	1001167036	1	Piston Pump Assembly (See PISTON PUMP ASSEMBLY for Breakdown)	
11	1001171953	1	Seal	
12	1001171954	1	Seal	

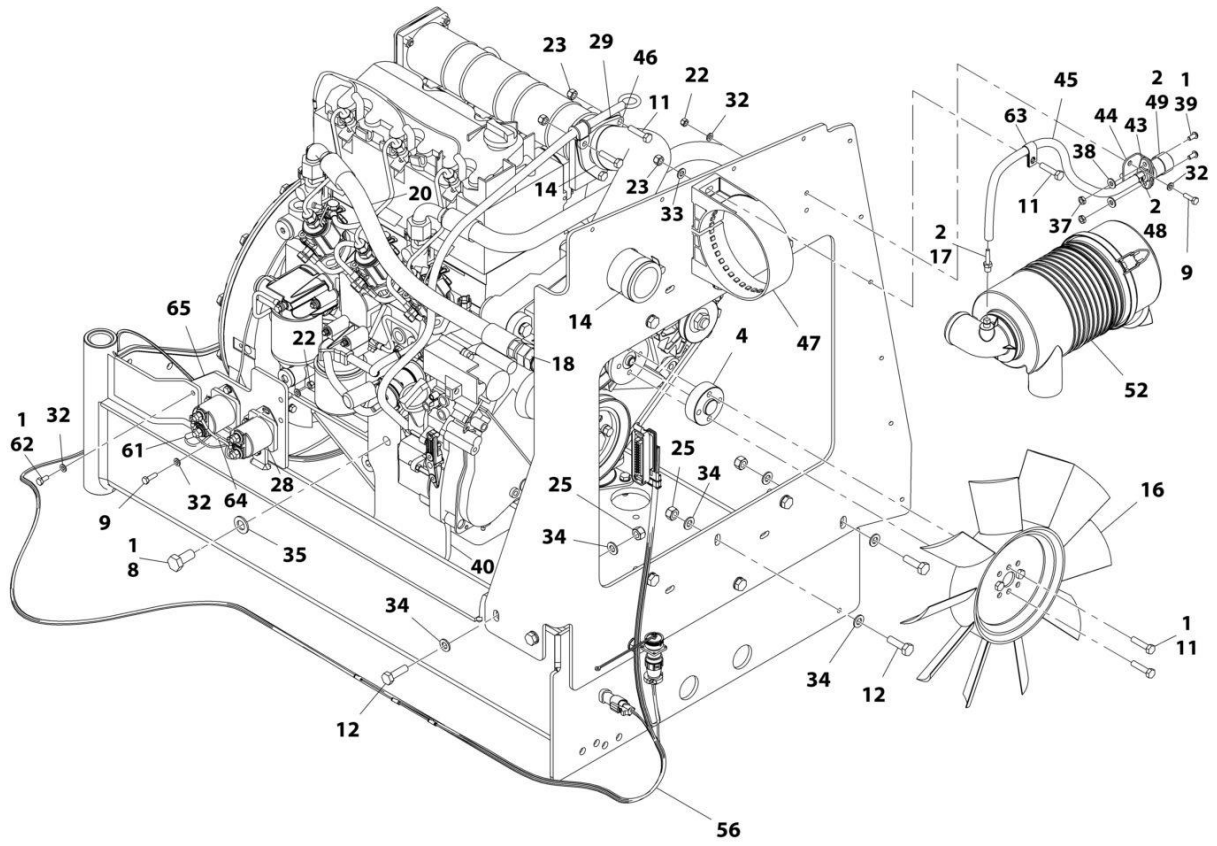
SECTION 3 - ENGINE

FIGURE 3-3. ENGINE ASSEMBLY - DEUTZ D2.3L3 ENGINE



ART_1001166020_10F2

SECTION 3 - ENGINE



ART_1001166020_2OF2

SECTION 3 - ENGINE

FIGURE 3-3. ENGINE ASSEMBLY - DEUTZ D2.3L3 ENGINE

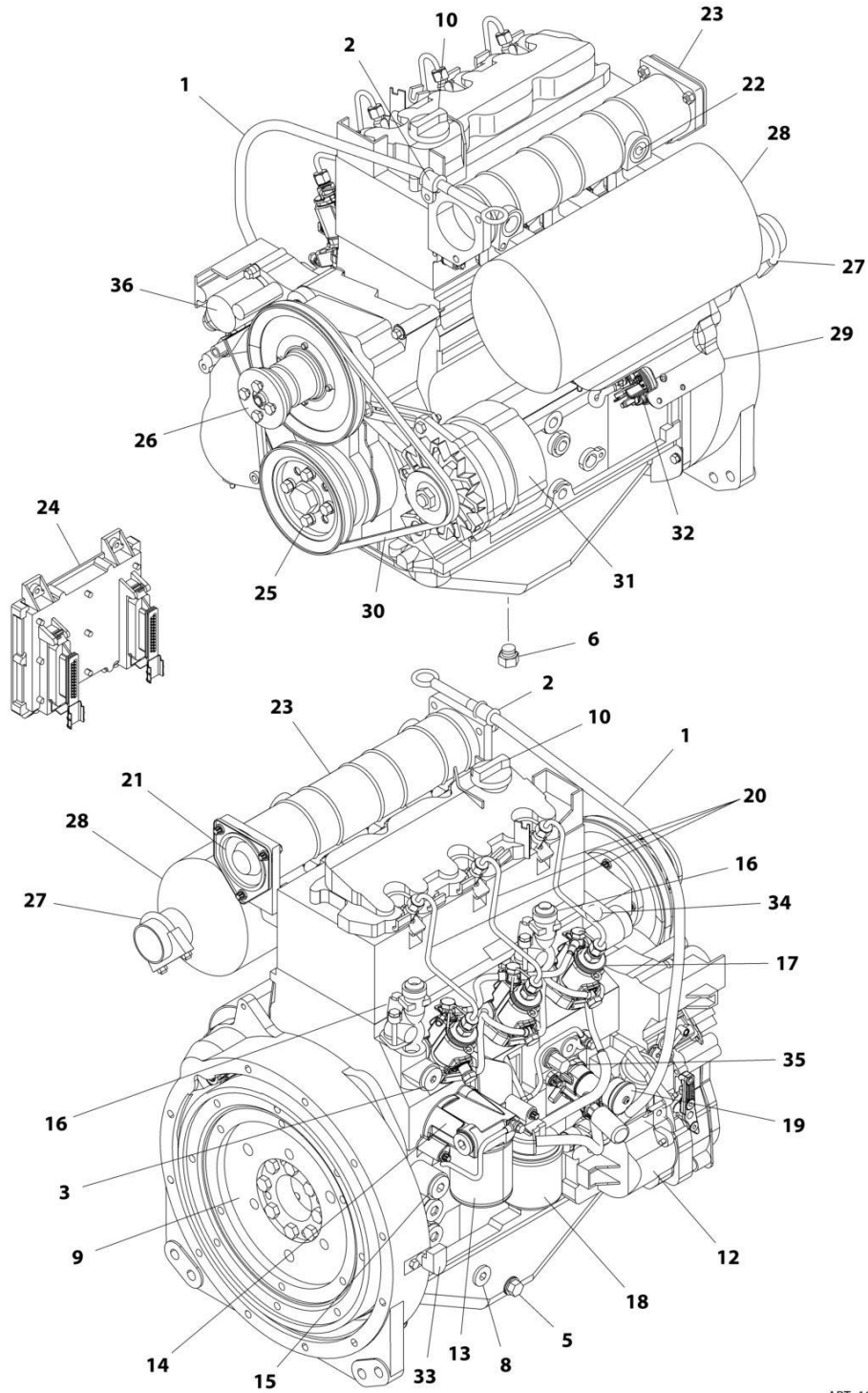
ITEM	PART NUMBER	QTY	DESCRIPTION	REV
	1001166020	Ref	ENGINE ASSEMBLY - DEUTZ D2.3L3 ENGINE	K
1	0100011	AR	Compound, Locking	
2	0100020	AR	Sealant, Pipe	
3	0100081	AR	Adhesive	
4	0080231	1	Spacer, Fan	
7	0711224	4	Bolt, M12 x 80mm Grade 10.9	
8	0771414	8	Bolt, M14 x 30mm Grade 10.9	
9	0760610	6	Bolt, M6 x 20mm	
10	0760814	8	Bolt, M8 x 30mm	
11	0760815	9	Bolt, M8 x 35mm	
12	0761015	11	Bolt, M10 x 35mm	
13	0961951	2	Bushing	
14	1320016	2	Clamp	
15	1703162	2	Decal - Caution Fan	
16	2060025	1	Fan	
17	2220315	1	Fitting, Barbed	
18	2220451	2	Fitting, Straight JIC/ORB	
19	2720398	1	Hose	
20	2720447	1	Hose	
21	2902065	1	Pump Coupling Kit (See PUMP COUPLING KIT for Breakdown)	
22	3290605	6	Nut, Lock, M6 x 1	
23	3290805	13	Nut, Lock M8 x 1.25	
25	3291005	11	Nut, Lock M10 x 1.5	
26	3331215	4	Nut, M12 x 1.75	
27	3520054	2	Plug	
28	3740067	2	Relay Assembly	
28	3300220	2	Nut	
28	3321001	1	Nut, #10-32	
28	3740140	1	Relay	
28	4761000	1	Washer, Lock #10	
28	1001111424	2	Washer	
29	3960407	1	Gasket	
30	4060805	2.3 ft /0.7m	Trim, Flex Shield	
31	4240099	AR	Tie-Strap	
32	4811700	15	Washer, M6	
33	4811900	20	Washer, M8	
34	4812000	22	Washer, M10	
35	4812200	8	Washer, M14	
36	5241200	4	Washer, M12 Hardened	
37	8305401	2	Nut, Jam .250-20	
38	8307109	2	Washer, .250	
39	8310548	2	Screw, 1/4 NC x 1/2	
40	1001132195	1	Bracket, Engine Mount	
41	1001132196	1	Bracket, Engine Mount	
42	1001136079	3 gal /11.3L	Oil, Motor	
43	1001138173	1	Support, Service Indicator	
44	1001138175	1	Bracket, Service Indicator	
45	1001138248	2 ft/0.6m	Tube	

SECTION 3 - ENGINE

ITEM	PART NUMBER	QTY	DESCRIPTION	REV
46	1001139819	1	Adapter, Air Intake	
47	1001141694	1	Clamp, Air Cleaner	
48	1001141995	1	Fitting, Barbed	
49	1001143390	1	Indicator	
50	1001150998	1	Radiator	
52	1001165388	1	Air Cleaner Assembly	
52	70003783	1	Element, Air Cleaner	
53	1001165389	1	Hose	
54	1001166717	1	Bracket, Engine Mount	
55	1001166718	4	Isolator, Engine Mount	
56	1001167111	1	Harness Engine - Deutz D2.3L3 (See ELECTRICAL SECTION for Breakdown)	
57	1001167520	1	Tray, Engine	
58	1001168018	4	Washer, Snubbing	
59	1001168059	1	Plate, Radiator Mounting	
60	1001170693	1	Engine, Deutz D2.3L3 (See ENGINE COMPONENTS - DEUTZ D2.3L3 ENGINE for Breakdown)	
61	4923451	1	Harness, Glow Plugs	
62	0760614	3	Bolt, M6 x 30	
63	8406109	1	Clip	
64	1001178859	1	Cable, Alternator	
65	1001179903	1	Bracket (SN E300000100 through E300003245)	
65	1001214975	1	Bracket (SN 1300007286 through 1300007383, SN E300003245 through E300007980)	

SECTION 3 - ENGINE

FIGURE 3-4. ENGINE COMPONENTS - DEUTZ D2.3L3



ART_1001170693

SECTION 3 - ENGINE

FIGURE 3-4. ENGINE COMPONENTS - DEUTZ D2.3L3

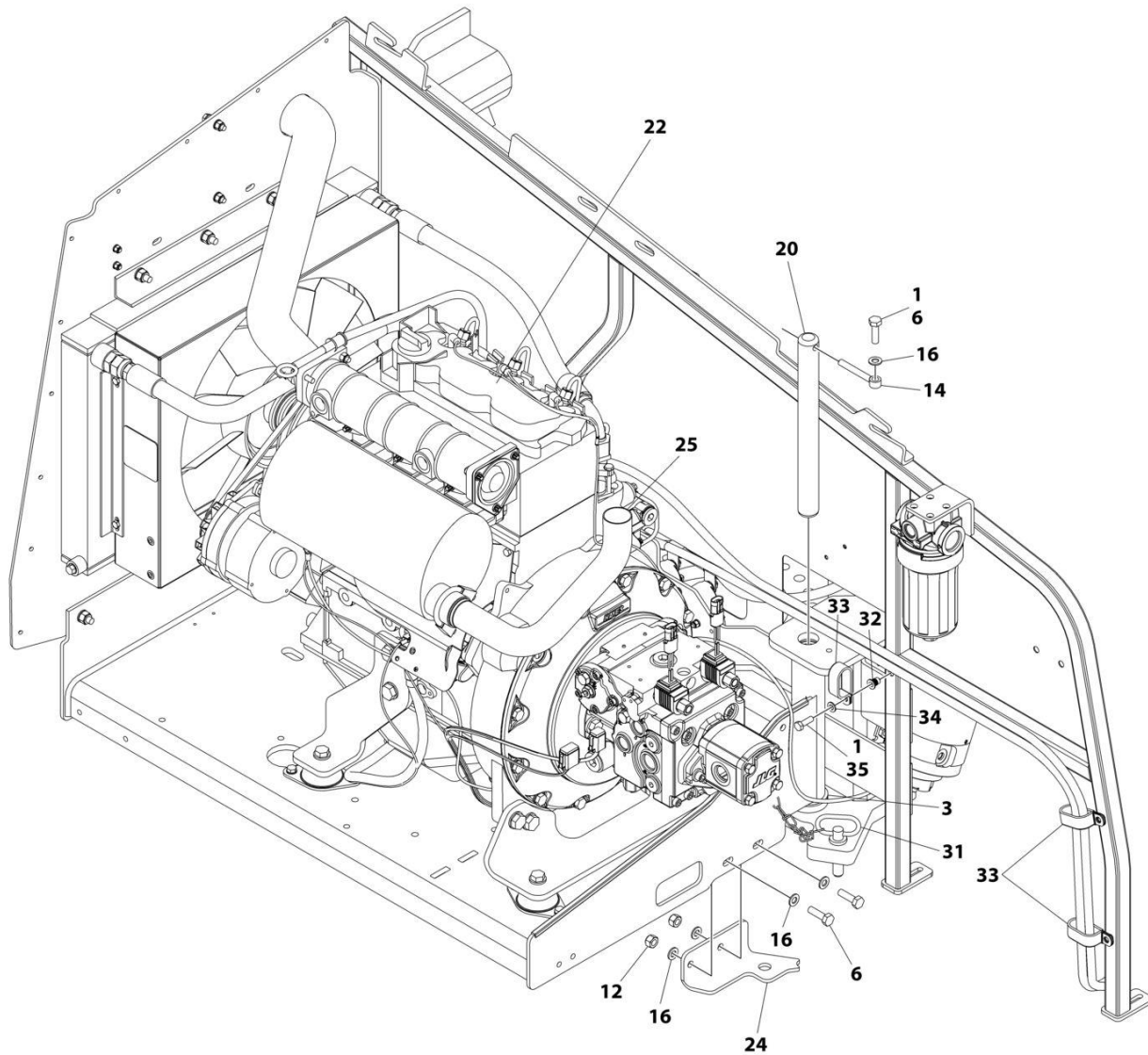
ITEM	PART NUMBER	QTY	DESCRIPTION	REV
	1001170693	Ref	ENGINE COMPONENTS - DEUTZ D2.3L3	C
1	70001002	1	Tube, Dipstick	
1	7020403	1	Seal, Tube	
1	7020026	1	Dipstick	
2	70001654	1	Clamp	
2	70001655	1	Bolt	
3	70003475	1	Thermostat	
3	7020460	1	Spring	
4		Ref	Seal and Gasket Options (Not Shown):	
4	70002718	1	Seal, Rear Main	
4	7020430	1	Gasket, Valve Cover	
4	70003479	1	Gasket, Head - 1 Notch	
4	70003480	1	Gasket, Head - 2 Notch	
4	70003481	1	Gasket, Head - 3 Notch	
5	70025088	1	Plug	
6	70025667	1	Plug	
7	70025123	22	Bolt, Torx (Oil Pan Bolts) (Not Shown)	
8	7020492	1	Seal	
8	70025084	1	Plug	
9	70001870	1	Flywheel	
9	7024579	1	Ring Gear (Part of Flywheel)	
9	70025139	8	Bolt	
10	7020465	1	Cap, Oil Fill	
11	70000800	1	Timing Belt/Idler Kit (Includes Timing Belt, Tensioner and Tensioner Bolt) (Not Shown)	
12	70001850	1	Pump, Lubricating	
12	7020468	1	Seal, Pump to Engine Block (Not Shown)	
13	7016331	1	Filter, Oil	
14	70003472	1	Bracket, Oil Filter (Includes Plug with Seal, Temperature Sensor, Control Valve and Compression Spring)	
14	7027236	1	Sender, Temperature	
14	70025082	1	Seal, Plug	
14	70025091	1	Plug	
14	70003473	1	Gasket, Bracket to Engine Block (Not Shown)	
15	70001181	1	Valve	
15	70025091	1	Plug	
15	70025082	1	Seal, Plug	
16	70004268	2	Connector, Radiator Neck	
16	70004269	2	Seal, Radiator Neck to Engine Block	
17	70000912	3	Pump, Fuel Injector - A Spec	
17	70000913	3	Pump, Fuel Injector - B Spec	
17	70000914	3	Pump, Fuel Injector - C Spec	
17	70000915	3	Pump, Fuel Injector - D Spec	
17	70003464	3	O-Ring, Pump to Engine Block	
18	7020023	1	Filter, Fuel	
18	70003463	1	Filter, Fuel - RME Resistant	
18	70001423	1	Bracket, Fuel Filter	
19	70000916	1	Pump Fuel Supply	
19	70000917	1	O-Seal Between Fuel Pump and Engine Block	
19	70000918	1	Sealing Ring Between Hand Pump and Supply Pump	

SECTION 3 - ENGINE

ITEM	PART NUMBER	QTY	DESCRIPTION	REV
19	7000919	1	Pump, Hand	
19	70001435	1	Repair Kit	
19	70025694	2	Bolt, Torx	
20	70000931	3	Pipe, High Pressure	
21	70003469	1	Flange, Intake	
21	70003468	1	Seal	
22	70025084	1	Plug	
22	7020492	1	Seal, Plug	
23	7027903	1	Manifold, Air Intake	
23	70001871	3	Gasket Between Manifold and Engine Block	
24	See Note	1	Module, Engine Control (Note: Not Currently Available)	
24	7027796	1	Cable, Electrical Between Module and Engine Harness (Not Shown)	
24	70001872	1	Harness, Engine (Connects to p/n 70004060) (Not Shown)	
24	70004060	1	Plug, Connector Located on Cable Near Module (Not Shown)	
24	70004059	1	Plug, Analyzer (Not Shown)	
25	70025123	4	Bolt, Torx	
26	70000787	1	Support, Fan (Includes Support, Internal Shaft, Bearings and Circlip)	
27	70001844	1	Clamp	
28	See Note	1	Muffler (Note: See ENGINE ASSEMBLY for Breakdown)	
28	7020471	3	Gasket, Exhaust Between Muffler and Engine Block	
28	70004270	6	Stud, Muffler	
29	70001498	1	Shield, Starter	
29	70025693	3	Bolt	
30	70004102	1	V-Belt	
31	70004056	1	Alternator (Includes Voltage Regulator and Gaskets, Fan and Fan Mounting Hardware)	
31	70001868	1	Regulator, Voltage	
31	70001866	1	Gasket Set, Voltage Regulator	
31	70025131	1	Fan	
31	70025086	1	Nut, Fan	
31	70000851	1	Bracket, Alternator Mounting	
31	70002234	1	Bracket, Alternator Adjustment	
31	70004103	1	Harness, Alternator (Not Shown)	
32	7020479	1	Starter	
32	70025121	2	Bolt, Starter Mounting	
32	70004058	1	Relay	
32	70004062	1	Harness, Starter (Not Shown)	
33	7024565	1	Sensor, Speed	
33	70003931	1	Bolt	
33	70003932	1	Spacer, Sleeve	
34	7027791	1	Sender, Temperature	
35	7027790	1	Sensor, Oil Pressure	
36	7027792	1	Actuator	
37	70000345	3	Plug, Glow (Not Shown)	

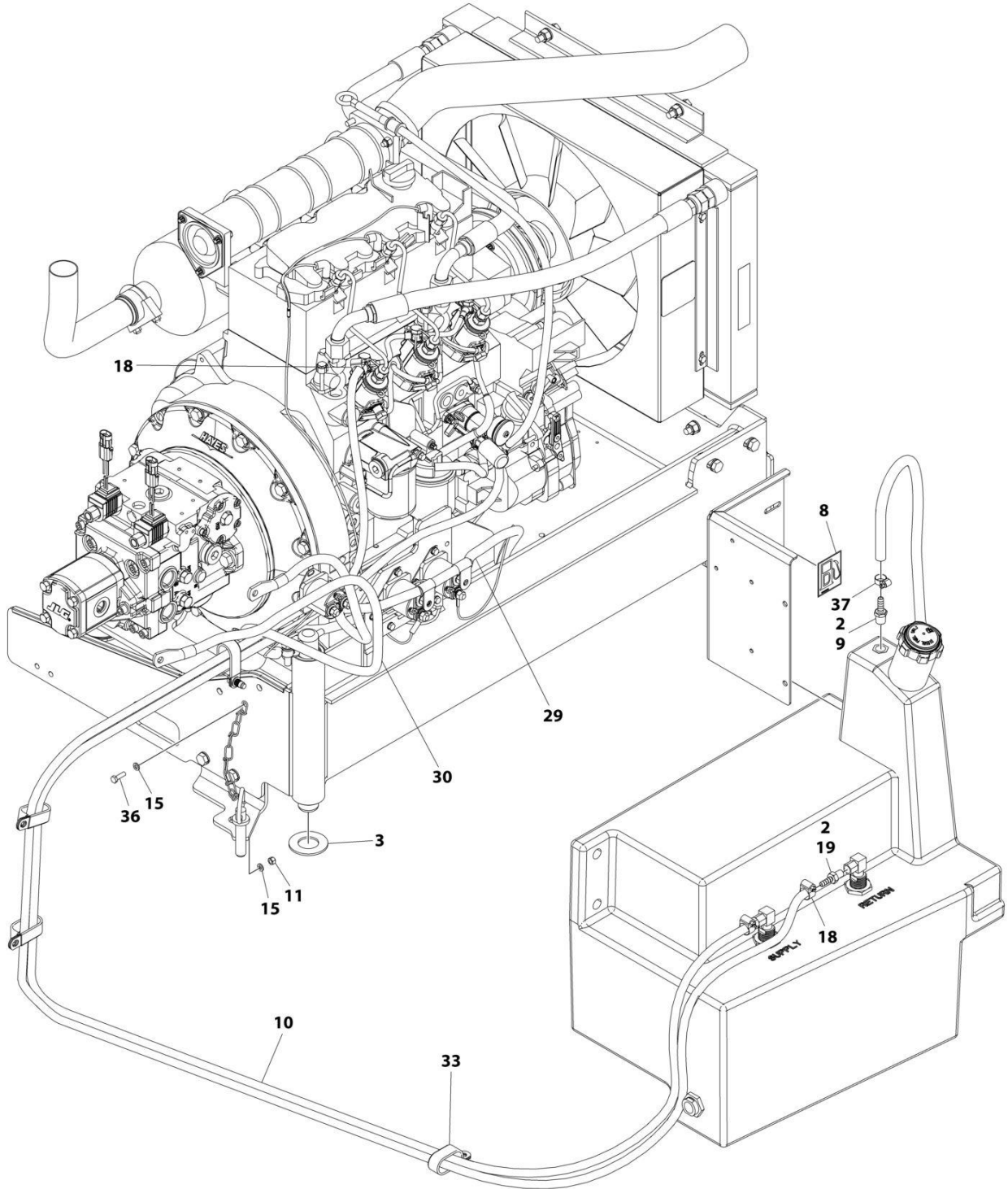
SECTION 3 - ENGINE

FIGURE 3-5. ENGINE INSTALLATION - DEUTZ D2011 ENGINE (STAGE V) (WITHOUT ARCTIC PACKAGE) (CE SPECS)



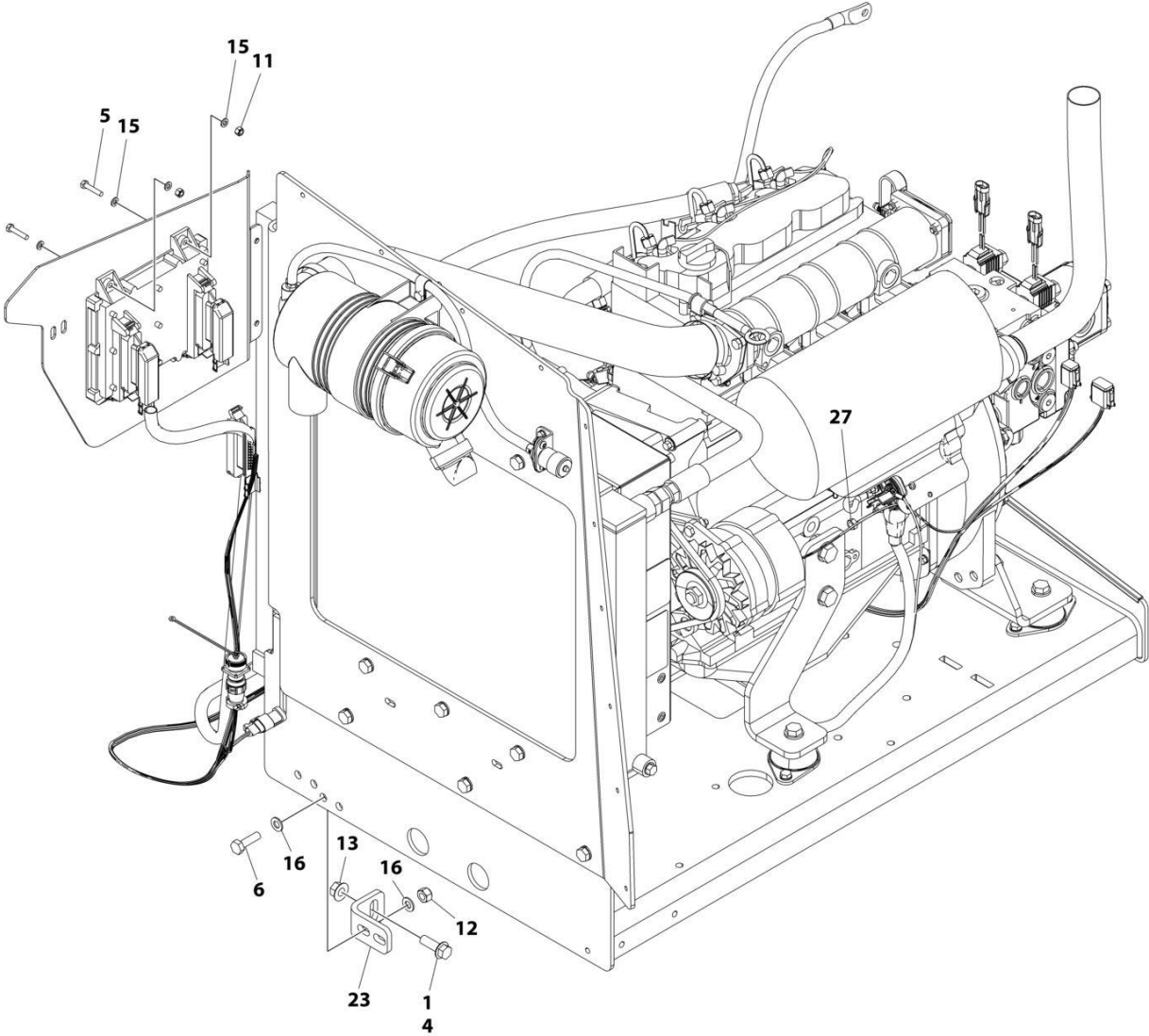
ART_1001235465_C_10F3

SECTION 3 - ENGINE



ART_1001235465_C_20F3

SECTION 3 - ENGINE



ART_1001235465_C_30F3

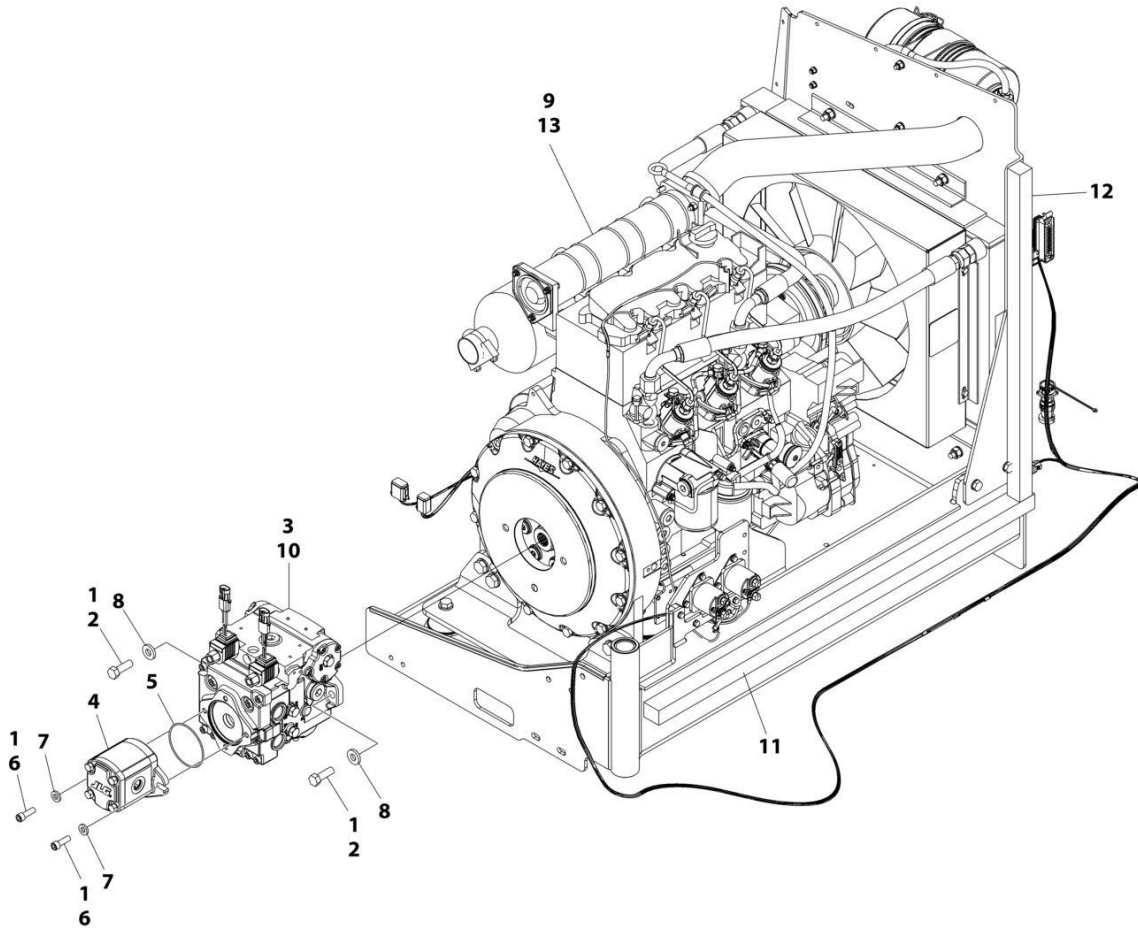
SECTION 3 - ENGINE

FIGURE 3-5. ENGINE INSTALLATION - DEUTZ D2011 ENGINE (STAGE V) (WITHOUT ARCTIC PACKAGE) (CE SPECS)

ITEM	PART NUMBER	QTY	DESCRIPTION	REV
	1001235465	Ref	ENGINE INSTALLATION - DEUTZ D2011 ENGINE (STAGE V) (WITHOUT ARCTIC PACKAGE)	C
1	0100011	AR	Compound, Locking	
2	0100020	AR	Sealant, Pipe	
3	0440162	1	Bearing	
4	5251215	1	Bolt M12 x 35	
5	0760614	4	Bolt M6 x 30	
6	0761015	5	Bolt M10 x 35	
8	1701505	1	Decal - Diesel Fuel	
9	2180876	1	Fitting, Barbed	
10	2720058	22 ft /6.7m	Hose	
11	3290605	5	Nut M6	
12	3291005	4	Nut M10	
13	5261200	1	Nut M12	
14	3841143	1	Keeper, Pin	
15	4811700	10	Washer M6	
16	4812000	9	Washer M10	
18	8410013	4	Clamp	
19	2180348	2	Fitting, Barbed	
20	1001135196	1	Pin	
22	1001235461	1	Engine and Pump Sub-Assembly - Deutz D2011 (Stage V) (Without Arctic Package) (See Separate Breakdown in this Section)	
23	1001167512	1	Bracket, Engine	
24	1001169823	1	Bracket, Engine	
25	1001172202	1	Pipe, Exhaust	
27	3290801	1	Nut M8	
29	1001171681	1	Cable, Battery (Red) (Battery Positive to Auxiliary Power Relay)	
30	1001171682	1	Cable, Battery (Black) (Battery Negative to Auxiliary Power Pump)	
31	3422532	1	Pin	
32	1001191832	1	Nut Rivet, M8	
33	1321716	4	Clamp	
34	4811900	1	Washer M8	
35	0760812	1	Bolt M8 x 25	
36	0760610	1	Bolt M6 x 20	
37	1320022	1	Clamp	

SECTION 3 - ENGINE

FIGURE 3-6. ENGINE AND PUMP SUB-ASSEMBLY - DEUTZ D2011 (STAGE V) (WITHOUT ARCTIC PACKAGE) (CE SPECS)



ART_1001235461

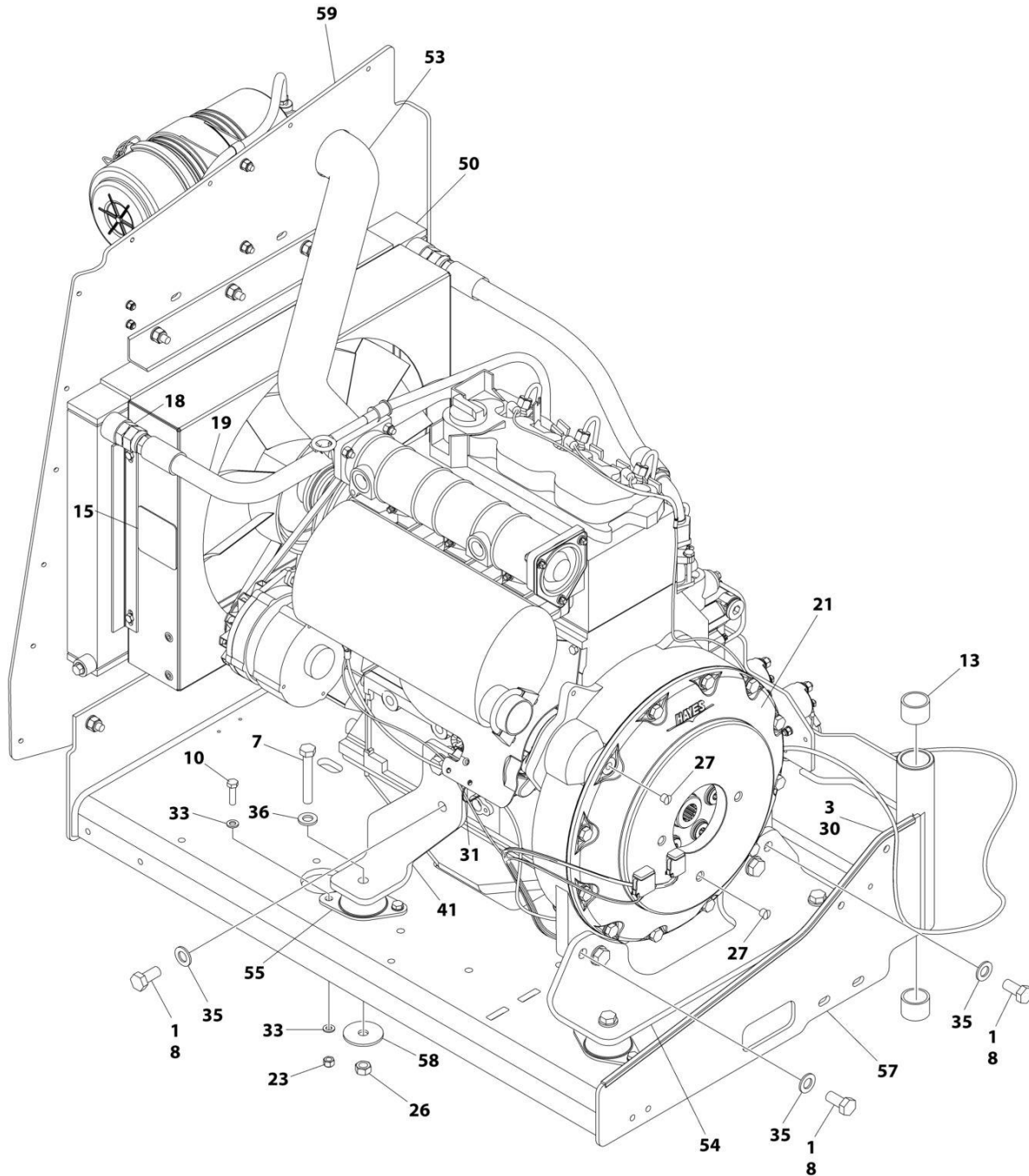
SECTION 3 - ENGINE

FIGURE 3-6. ENGINE AND PUMP SUB-ASSEMBLY - DEUTZ D2011 (STAGE V) (WITHOUT ARCTIC PACKAGE) (CE SPECS)

ITEM	PART NUMBER	QTY	DESCRIPTION	REV
	1001235461	Ref	ENGINE AND PUMP SUB-ASSEMBLY - DEUTZ D2011 (STAGE V) (WITHOUT ARCTIC PACKAGE)	B
1	0100011	AR	Compound, Locking	
2	0641812	2	Bolt 1/2 x 1-1/2	
3	3020037	AR	Lube	
4	1001214207	1	Gear Pump Assembly	
4	70006356	1	Seal Kit - 1001214207 Pump	
5	3790152	1	O-Ring	
6	3931618	2	Capscrew 3/8 x 1-1/8	
7	4891600	2	Washer 3/8	
8	4891800	2	Washer 1/2	
9	1001235462	1	Engine Assembly - Deutz D2011 Engine (Stage V) (Without Arctic Package) (CE Specs) (See ENGINE ASSEMBLY - DEUTZ D2011 (STAGE V) ENGINE (WITHOUT ARCTIC PACKAGE) (CE SPECS) for Breakdown)	
10	1001167036	1	Piston Pump Assembly (See PISTON PUMP ASSEMBLY for Breakdown)	
11	1001171953	1	Seal	
12	1001171954	1	Seal	
13	1001235455	1	Engine, Deutz D2011 (Stage V) (See ENGINE COMPONENTS - DEUTZ D2011 ENGINE (STAGE V) for Breakdown) (SN E300006691 through E300007980)	

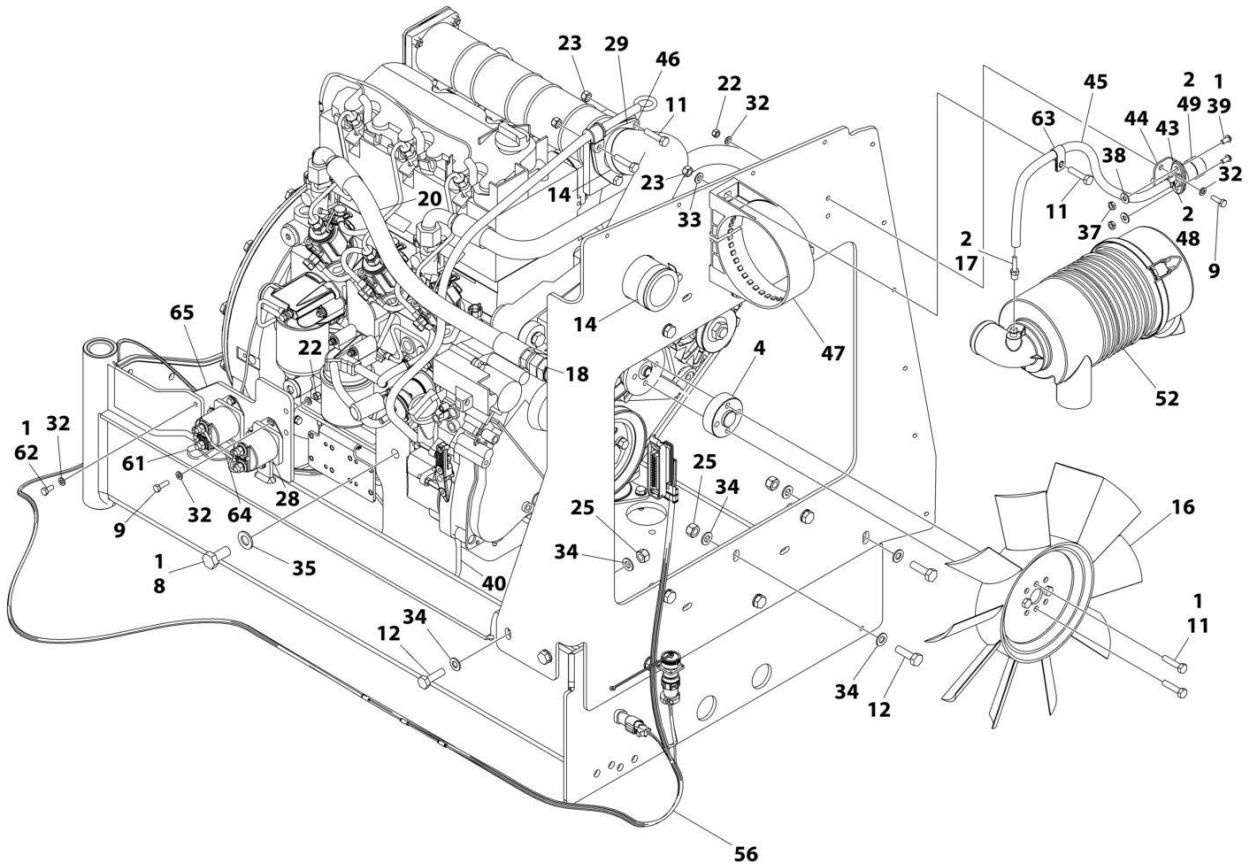
SECTION 3 - ENGINE

FIGURE 3-7. ENGINE ASSEMBLY - DEUTZ D2011 ENGINE (STAGE V) (WITHOUT ARCTIC PACKAGE) (CE SPECS)



ART_1001235462_C_10F2

SECTION 3 - ENGINE



ART_1001235462_C_2OF2

SECTION 3 - ENGINE

**FIGURE 3-7. ENGINE ASSEMBLY - DEUTZ D2011 ENGINE (STAGE V) (WITHOUT ARCTIC PACKAGE)
(CE SPECS)**

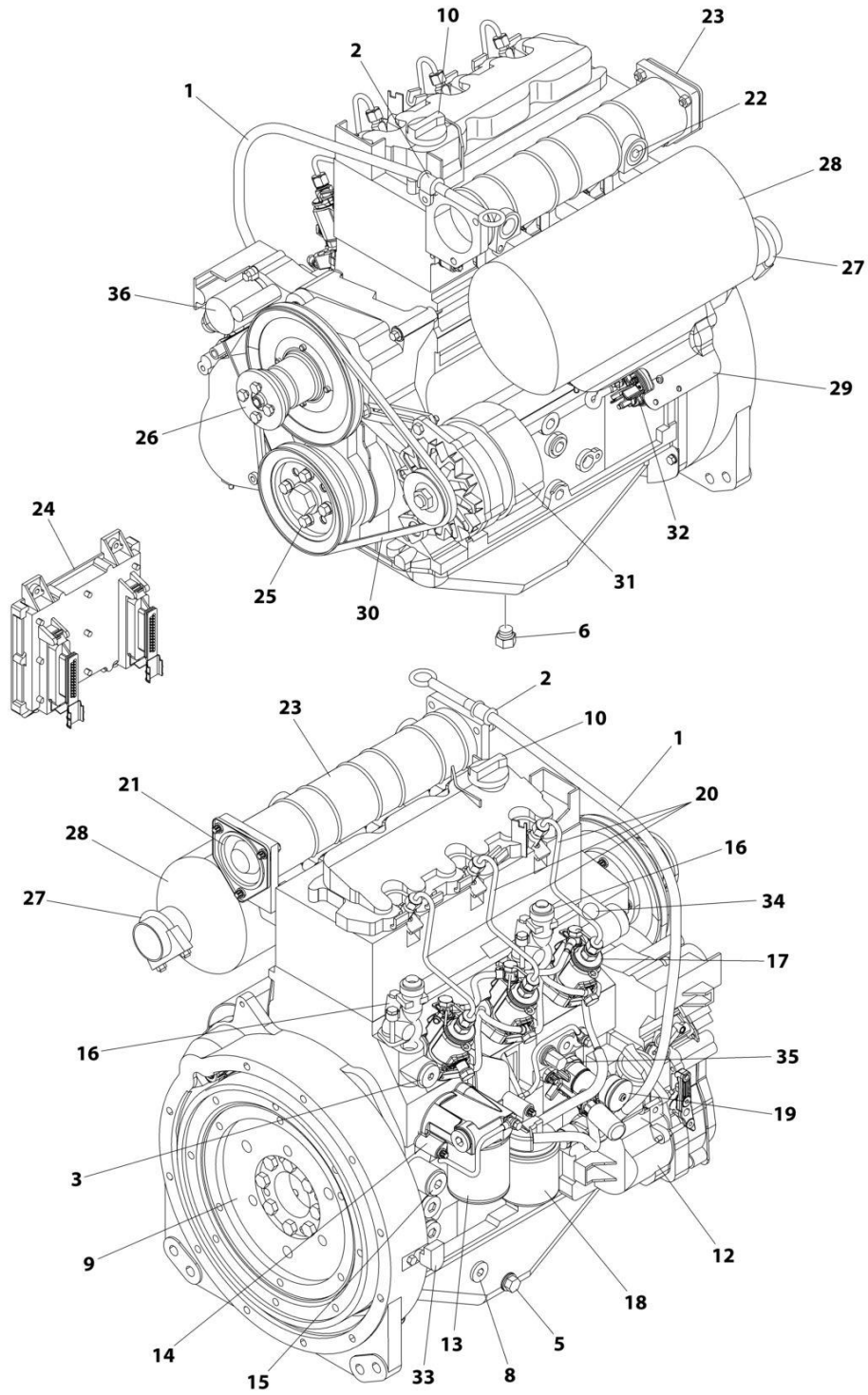
ITEM	PART NUMBER	QTY	DESCRIPTION	REV
	1001235462	Ref	ENGINE ASSEMBLY - DEUTZ D2011 ENGINE (STAGE V) (WITHOUT ARCTIC PACKAGE)	C
1	0100011	AR	Compound, Locking	
2	0100020	AR	Sealant, Pipe	
3	0100081	AR	Adhesive	
4	0080231	1	Spacer, Fan	
7	0711224	4	Bolt M12 x 80	
8	0771414	8	Bolt M14 x 30	
9	0760610	6	Bolt M6 x 20	
10	0760814	8	Bolt M8 x 30	
11	0760815	9	Bolt M8 x 35	
12	0761015	11	Bolt M10 x 35	
13	0961951	2	Bushing	
14	1320016	2	Clamp	
15	1703162	2	Decal - Caution Fan	
16	2060025	1	Fan	
17	2220315	1	Fitting, Barbed	
18	2220451	2	Fitting, Straight JIC/ORB	
19	2720398	1	Hose	
20	2720447	1	Hose	
21	2902065	1	Pump Coupling Kit (See Separate Breakdown in this Section)	
22	3290605	6	Nut M6	
23	3290805	13	Nut M8	
25	3291005	11	Nut M10	
26	3331215	4	Nut M12	
27	3520054	2	Plug	
28	3740067	2	Relay Assembly	
28	3300220	2	Nut	
28	3321001	1	Nut #10	
28	3740140	1	Relay	
28	4761000	1	Washer #10	
28	1001111424	2	Washer	
29	3960407	1	Gasket	
30	4060805	2.25 ft / 0.69m	Trim-Flex	
31	4240099	AR	Tie-Strap	
32	4811700	15	Washer M6	
33	4811900	20	Washer M8	
34	4812000	22	Washer M10	
35	4812200	8	Washer M14	
36	5241200	4	Washer M12	
37	8305401	2	Nut 1/4	
38	8307109	2	Washer 1/4	
39	8310548	2	Screw 1/4 NC x 1/2	
40	1001132195	1	Bracket, Engine Mount	
41	1001132196	1	Bracket, Engine Mount	
43	1001138173	1	Support, Service Indicator	
44	1001138175	1	Bracket, Service Indicator	
45	1001138248	2 ft	Tube	

SECTION 3 - ENGINE

ITEM	PART NUMBER	QTY	DESCRIPTION	REV
		/0.61m		
46	1001139819	1	Adapter, Air Intake	
47	1001141694	1	Clamp, Air Cleaner	
48	1001141995	1	Fitting, Barbed	
49	1001143390	1	Indicator	
50	1001150998	1	Radiator	
52	1001165388	1	Air Cleaner Assembly	
52	70003783	1	Element, Air Cleaner	
53	1001165389	1	Hose	
54	1001166717	1	Bracket, Engine Mount	
55	1001166718	4	Isolator, Engine Mount	
56	1001167111	1	Harness Engine - Deutz D2011 (See Separate Breakdown in ELECTRICAL SECTION)	
57	1001167520	1	Tray, Engine	
58	1001168018	4	Washer, Snubbing	
59	1001168059	1	Plate, Radiator Mounting	
61	4923451	1	Harness, Glow Plugs	
62	0760614	3	Bolt M6 x 30	
63	8406109	1	Clip	
64	1001178859	1	Cable, Alternator	
65	1001214975	1	Bracket	

SECTION 3 - ENGINE

FIGURE 3-8. ENGINE COMPONENTS - DEUTZ D2011 (STAGE V)



ART_1001235455

SECTION 3 - ENGINE

FIGURE 3-8. ENGINE COMPONENTS - DEUTZ D2011 (STAGE V)

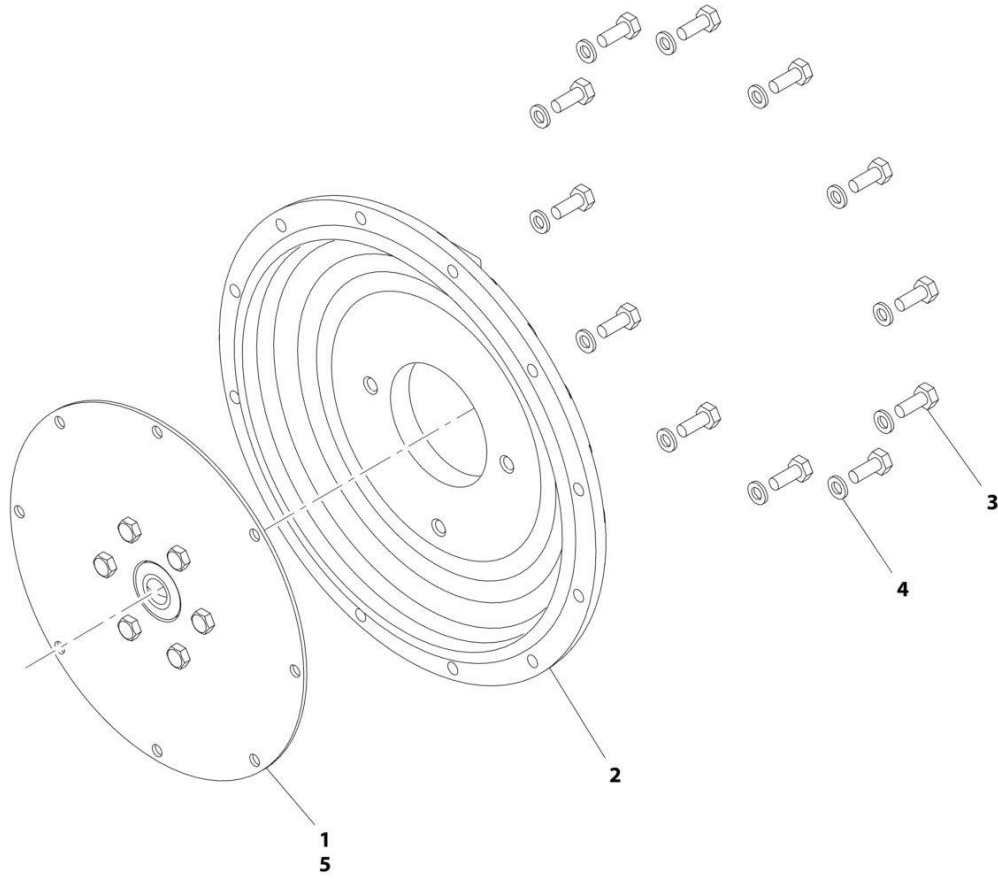
ITEM	PART NUMBER	QTY	DESCRIPTION	REV
	1001235455	Ref	ENGINE COMPONENTS - DEUTZ D2011 (STAGE V) ENGINE	B
1	70001002	1	Tube, Dipstick	
1	7020403	1	Seal, Tube	
1	7020026	1	Dipstick	
2	70001654	1	Clamp	
2	70001655	1	Bolt	
3	70003475	1	Thermostat	
3	7020460	1	Spring	
4		Ref	Seal and Gasket Options (Not Shown):	
4	70002718	1	Seal, Rear Main	
4	7020430	1	Gasket, Valve Cover	
4	70003479	1	Gasket, Head - 1 Notch	
4	70003480	1	Gasket, Head - 2 Notch	
4	70003481	1	Gasket, Head - 3 Notch	
5	70025088	1	Plug	
6	70025667	1	Plug	
7	70025123	22	Bolt, Torx (Oil Pan Bolts) (Not Shown)	
8	7020492	1	Seal	
8	70025084	1	Plug	
9	70001870	1	Flywheel	
9	7024579	1	Ring Gear (Part of Flywheel)	
9	70025139	8	Bolt	
10	7020465	1	Cap, Oil Fill	
11	70000800	1	Timing Belt/Idler Kit (Includes Timing Belt, Tensioner and Tensioner Bolt) (Not Shown)	
12	70001850	1	Pump, Lubricating	
12	7020468	1	Seal, Pump to Engine Block (Not Shown)	
13	7016331	1	Filter, Oil	
14	70003472	1	Bracket, Oil Filter (Includes Plug with Seal, Temperature Sensor, Control Valve and Compression Spring)	
14	7027236	1	Sender, Temperature	
14	70025082	1	Seal, Plug	
14	70025091	1	Plug	
14	70003473	1	Gasket, Bracket to Engine Block (Not Shown)	
15	70001181	1	Valve	
15	70025091	1	Plug	
15	70025082	1	Seal, Plug	
16	70004268	2	Connector, Radiator Neck	
16	70004269	2	Seal, Radiator Neck to Engine Block	
17	70000912	3	Pump, Fuel Injector - A Spec	
17	70000913	3	Pump, Fuel Injector - B Spec	
17	70000914	3	Pump, Fuel Injector - C Spec	
17	70000915	3	Pump, Fuel Injector - D Spec	
17	70003464	3	O-Ring, Pump to Engine Block	
18	7020023	1	Filter, Fuel	
18	70003463	1	Filter, Fuel - RME Resistant	
18	70001423	1	Bracket, Fuel Filter	
19	70000916	1	Pump Fuel Supply	
19	70000917	1	O-Seal Between Fuel Pump and Engine Block	
19	70000918	1	Sealing Ring Between Hand Pump and Supply Pump	

SECTION 3 - ENGINE

ITEM	PART NUMBER	QTY	DESCRIPTION	REV
19	70000919	1	Pump, Hand	
19	70001435	1	Repair Kit	
19	70025694	2	Bolt, Torx	
20	70000931	3	Pipe, High Pressure	
21	70003469	1	Flange, Intake	
21	70003468	1	Seal	
22	70025084	1	Plug	
22	7020492	1	Seal, Plug	
23	7027903	1	Manifold, Air Intake	
23	70001871	3	Gasket Between Manifold and Engine Block	
24	7027795	1	Module, Engine Control	
24	7027796	1	Cable, Electrical Between Module and Engine Harness (Not Shown)	
24	70001872	1	Harness, Engine (Connects to p/n 70004060) (Not Shown)	
24	70004060	1	Plug, Connector Located on Cable Near Module (Not Shown)	
24	70004059	1	Plug, Analyzer (Not Shown)	
25	70025123	4	Bolt, Torx	
26	70000787	1	Support, Fan (Includes Support, Internal Shaft, Bearings and Circlip)	
27	70001844	1	Clamp	
28	See Note	1	Muffler (Note: See ENGINE ASSEMBLY)	
28	7020471	3	Gasket, Exhaust Between Muffler and Engine Block	
28	70004270	6	Stud, Muffler	
29	70001498	1	Shield, Starter	
29	70025693	3	Bolt	
30	70004102	1	V-Belt	
31	70004056	1	Alternator (Includes Voltage Regulator and Gaskets, Fan and Fan Mounting Hardware)	
31	70001868	1	Regulator, Voltage	
31	70001866	1	Gasket Set, Voltage Regulator	
31	70025131	1	Fan	
31	70025086	1	Nut, Fan	
31	70000851	1	Bracket, Alternator Mounting	
31	70002234	1	Bracket, Alternator Adjustment	
31	70004103	1	Harness, Alternator (Not Shown)	
32	7020479	1	Starter	
32	70025121	2	Bolt, Starter Mounting	
32	70004058	1	Relay	
32	70004062	1	Harness, Starter (Not Shown)	
33	7024565	1	Sensor, Speed	
33	70003931	1	Bolt	
33	70003932	1	Spacer, Sleeve	
34	7027791	1	Sender, Temperature	
35	7027790	1	Sensor, Oil Pressure	
36	7027792	1	Actuator	
37	70000345	3	Plug, Glow (Not Shown)	

SECTION 3 - ENGINE

FIGURE 3-9. PUMP COUPLING KIT



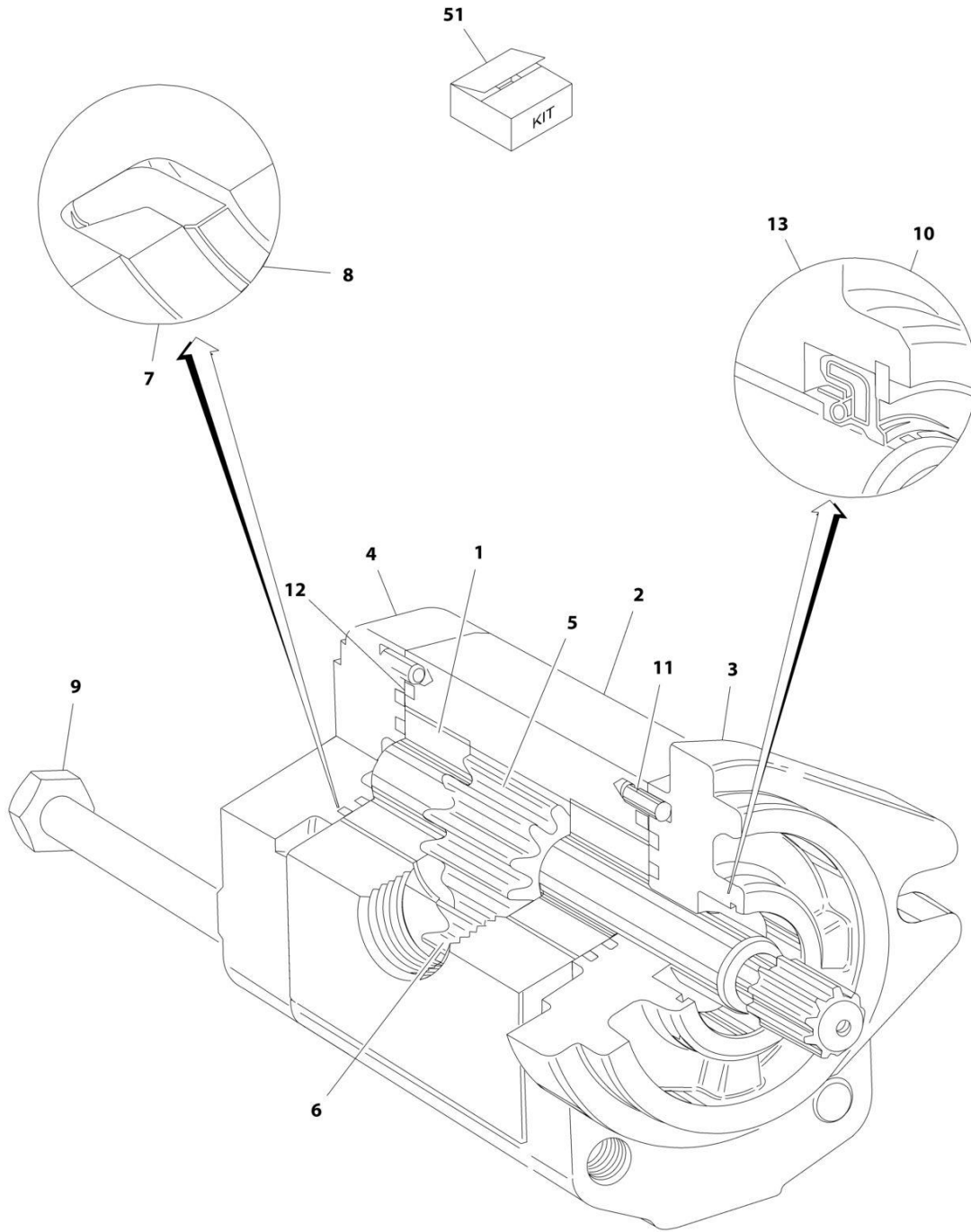
ART_2902065

FIGURE 3-9. PUMP COUPLING KIT

ITEM	PART NUMBER	QTY	DESCRIPTION	REV
	2902065	Ref	PUMP COUPLING KIT	K
1	70000793	1	Coupling, Hayes	
2	See Note	NSS	Plate, Pump Adapter (Note: Purchase p/n 2902065)	
3	See Note	NSS	Bolt M10 x 30 (Note: Purchase p/n 2902065)	
4	See Note	NSS	Washer M10 (Note: Purchase p/n 2902065)	
5	3020021	AR	Grease, Coupling	

SECTION 3 - ENGINE

FIGURE 3-10. GEAR PUMP ASSEMBLY (SN E300000100 through E300004772)



ART_3600242

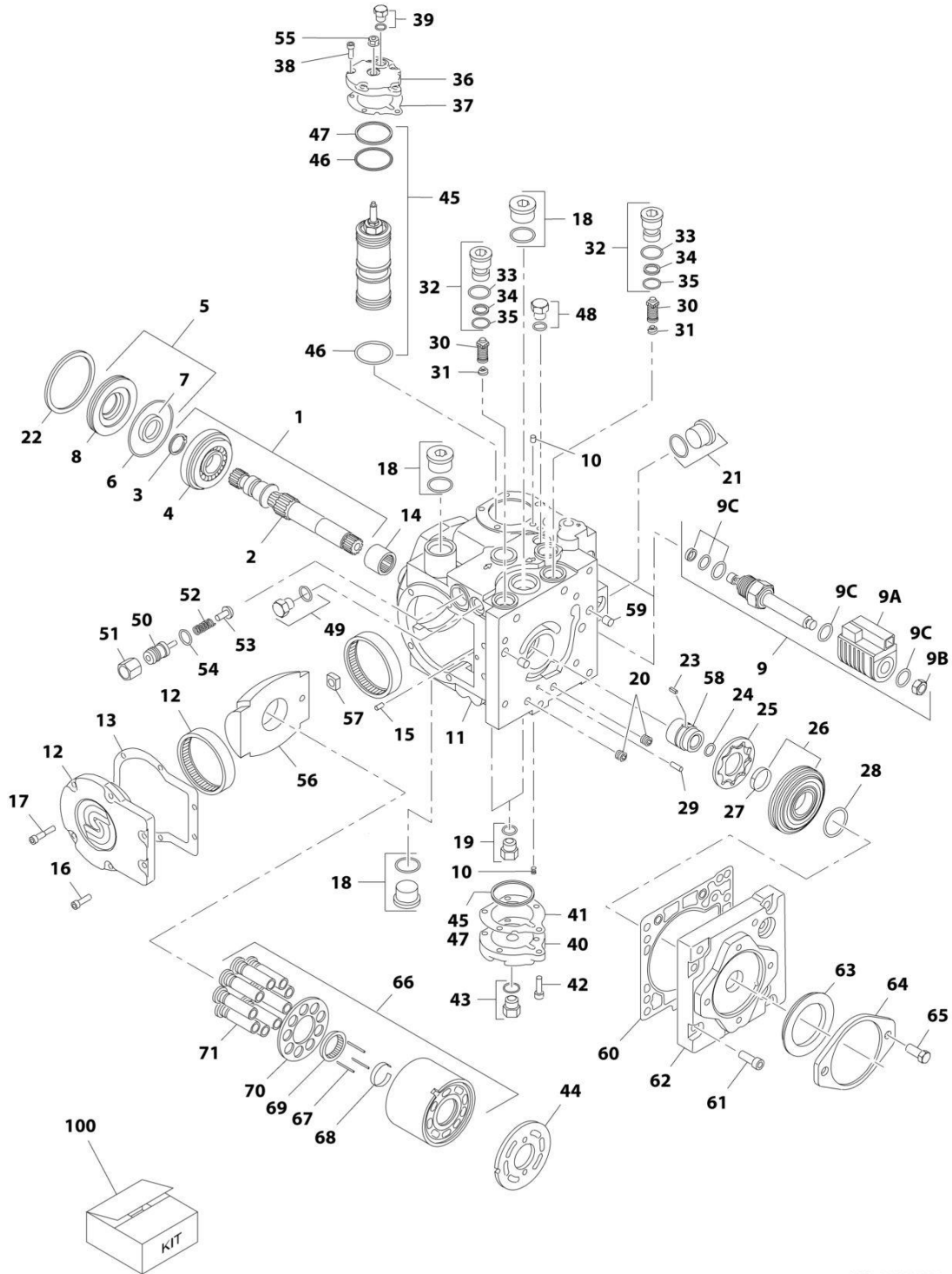
SECTION 3 - ENGINE

FIGURE 3-10. GEAR PUMP ASSEMBLY (SN E300000100 through E300004772)

ITEM	PART NUMBER	QTY	DESCRIPTION	REV
	3600242	Ref	GEAR PUMP ASSEMBLY	
1	7010105	2	Bearing/Bushing	
2	See Note	NSS	Housing (Note: Not Available - Purchase Complete Assembly)	
3	See Note	NSS	Flange (Note: Not Available - Purchase Complete Assembly)	
4	7010103	1	Cover	
5	7012987	1	Gear, Drive	
6	7012988	1	Gear, Idler	
7	7007489	2	Ring, Anti-Extrusion	
8	7007489	2	Seal	
9	See Note	4	Bolt (Note: Not Available for Purchase)	
10	7010104	1	Ring, Retaining	
11	See Note	4	Pin, Dowel (Note: Not Available for Purchase)	
12	7007489	2	Seal, O-Ring	
13	7007489	1	Seal, Shaft	
51	7007489	1	Seal Kit (Includes Items 7, 8, 12 & 13)	

SECTION 3 - ENGINE

FIGURE 3-11. PISTON PUMP ASSEMBLY



ART_1001167036

SECTION 3 - ENGINE

FIGURE 3-11. PISTON PUMP ASSEMBLY

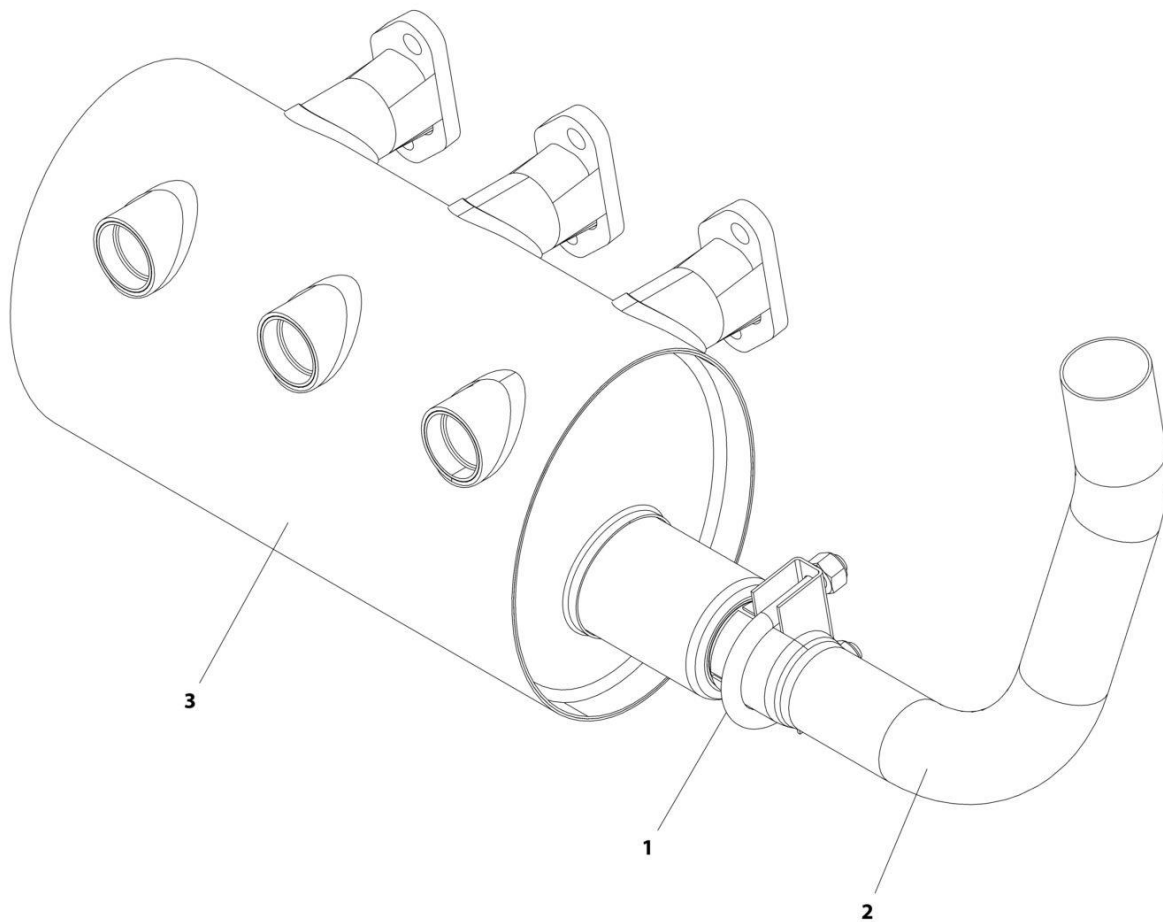
ITEM	PART NUMBER	QTY	DESCRIPTION	REV
	1001167036	Ref	PISTON PUMP ASSEMBLY	C
1	7021240	1	Shaft Assembly (Includes Items 2-4)	
2	7021237	1	Shaft	
3	7021238	1	Ring, Retaining	
4	7021239	1	Bearing, Roller	
5	70004896	1	Shaft Seal Kit (Includes Items 6-8)	
6	7021241	1	O-Ring	
7	7021242	1	Seal, Lip	
8	7021243	1	Carrier, Seal Shaft	
9	7024855	2	Solenoid Assembly	
9A	70004897	2	Coil (1 Per Assembly)	
9B	7024857	2	Nut (1 Per Assembly)	
9C	7024858	2	Seal Kit - 7024855 Cartridge (1 Per Assembly)	
10	70004889	2	Orifice	
11	See Note	1	Housing Assembly (Note: Not Available for Purchase)	
12	7021248	1	Side Cover Assembly (Includes Item 13)	
13	70004891	1	Gasket	
14	7021249	1	Bearing, Needle	
15	See Note	1	Pin (Note: Not Available for Purchase)	
16	70004890	2	Screw	
17	70004892	4	Screw	
18	7007419	2	Plug Assembly (Includes O-Ring)	
19	7007420	2	Plug Assembly (Includes O-Ring)	
20	See Note	2	Plug (Note: Not Available for Purchase)	
21	7007419	1	Plug Assembly (Includes O-Ring)	
22	7021257	1	Ring, Retaining	
23	70004893	1	Key	
24	7022341	1	Ring, Retaining	
25	7021258	1	Gerotor	
26	70004894	1	Gerotor Cover Assembly (Includes Item 27)	
27	7021259	1	Bearing, Journal	
28	7021262	1	O-Ring	
29	See Note	1	Pin (Note: Not Available for Purchase)	
30	7021263	2	Bypass Valve Assembly	
31	7024800	2	Spring	
32	7021265	2	Bypass Valve Assembly (Includes Items 32-34)	
33	7007415	2	O-Ring	
34	7021293	2	Ring, Back-up	
35	7022300	2	O-Ring	
36	70004895	1	Cover, Servo	
37	7021253	1	Gasket	
38	70004892	5	Screw	
39	7007420	1	Plug Assembly (Includes O-Ring)	
40	7021268	1	Cover, Servo	
41	7021253	1	Gasket	
42	70004892	5	Screw	
43	7007420	1	Plug Assembly (Includes O-Ring)	
44	7021281	1	Plate, Valve	
45	70004898	1	Servo Piston Kit (Includes Items 46 & 47)	
46	7007495	2	O-Ring	

SECTION 3 - ENGINE

ITEM	PART NUMBER	QTY	DESCRIPTION	REV
47	7007493	2	O-Ring	
48	7007420	1	Plug Assembly (Includes O-Ring)	
49	70004900	1	Plug Assembly (Includes O-Ring)	
50	7022346	1	Adjuster	
51	7021290	1	Nut	
52	7022347	1	Spring	
53	70004901	1	Poppet	
54	7007415	1	O-Ring	
55	70004902	1	Nut, Seal	
56	70004903	1	Swashplate	
57	70004904	1	Bearing Assembly	
58	70004905	1	Coupling	
59	7001481	2	Pin	
60	70002257	1	Gasket	
61	70004906	8	Screw	
62	70004907	1	Cover, Charge Pump	
63	70004908	1	Seal	
64	7021299	1	Plate, Cover	
65	7007289	2	Screw	
66	70004909	1	Cylinder Block Assembly (Includes Items 67-71)	
67	70004910	3	Pin, Slipper Hold Down	
68	7021276	1	Retainer, Hold Down Pin	
69	7021277	1	Guide, Slipper Retainer	
70	7021278	1	Retainer, Slipper	
71	70004911	1	Piston Assembly	
100	70004899	1	Seal Kit (Includes Items 5-8, 33-35, 37, 41,46, 47 & 54)	

SECTION 3 - ENGINE

FIGURE 3-12. CATALYTIC SPARK ARRESTOR INSTALLATION - DEUTZ D2.3L3 ENGINE



ART_1001174379

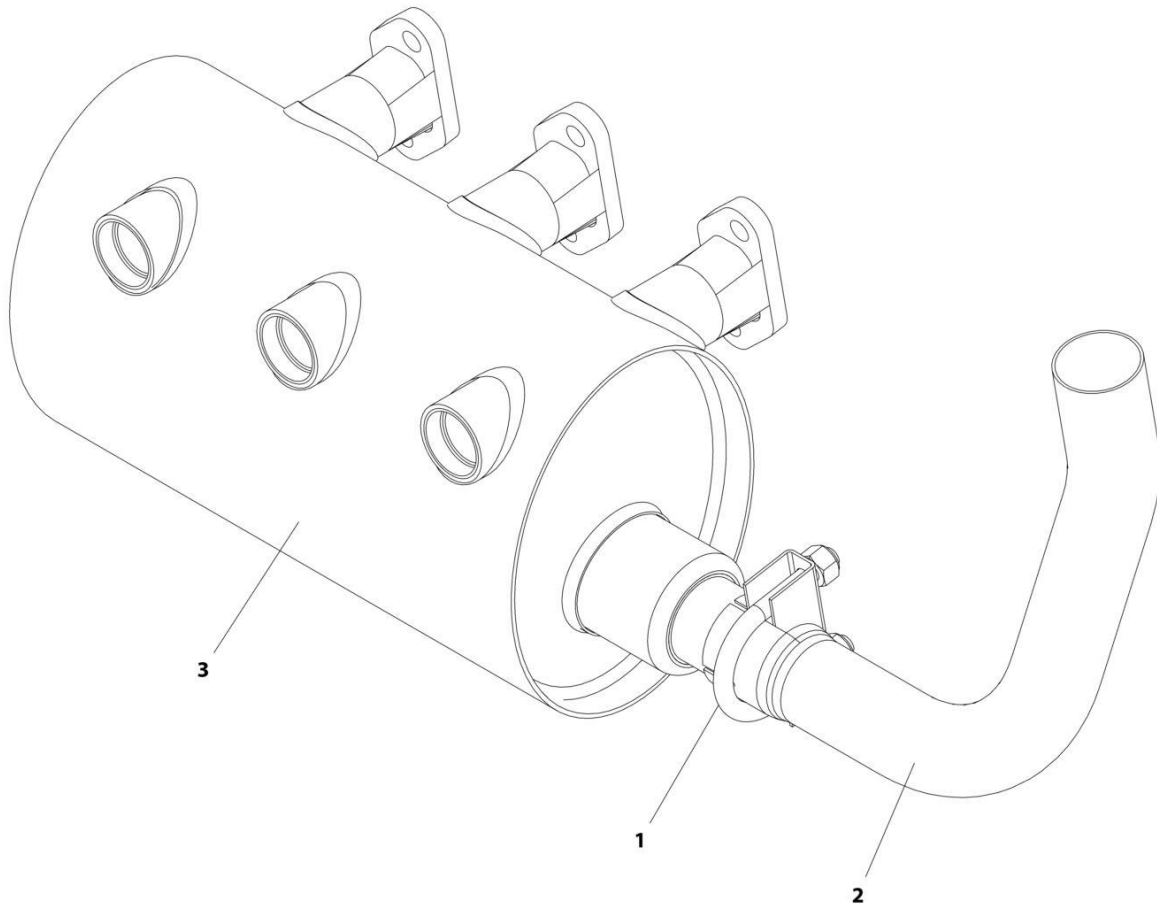
SECTION 3 - ENGINE

FIGURE 3-12. CATALYTIC SPARK ARRESTOR INSTALLATION - DEUTZ D2.3L3 ENGINE

ITEM	PART NUMBER	QTY	DESCRIPTION	REV
	1001174379	Ref	CATALYTIC SPARK ARRESTOR INSTALLATION - DEUTZ D2.3L3 ENGINE	A
1	1320176	1	Clamp	
2	1001169525	1	Pipe, Exhaust	
3	1001170225	1	Muffler, Catalytic Spark Arresting	

SECTION 3 - ENGINE

FIGURE 3-13. SPARK ARRESTOR INSTALLATION - DEUTZ D2.3L3 ENGINE



ART_1001174378

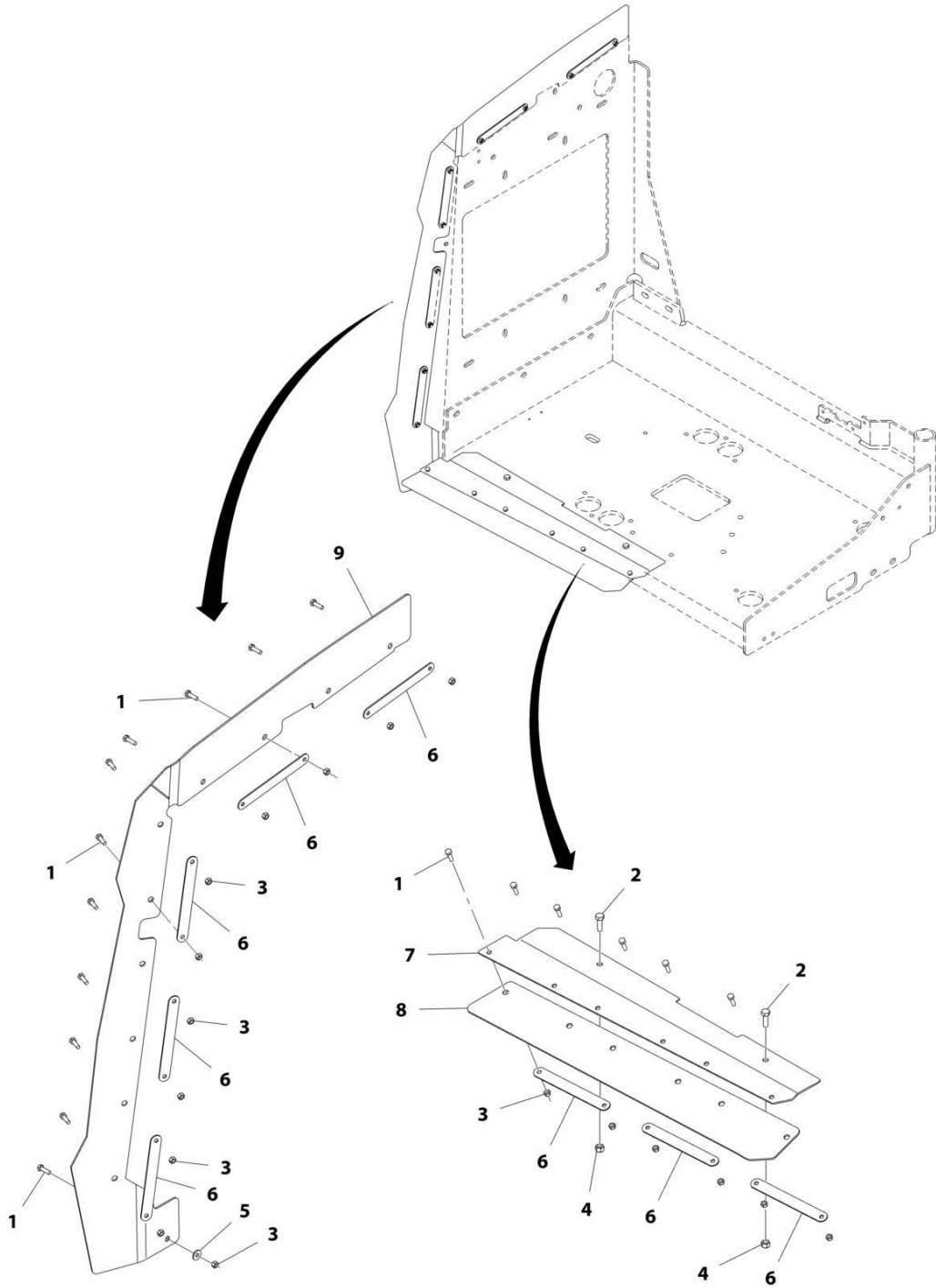
SECTION 3 - ENGINE

FIGURE 3-13. SPARK ARRESTOR INSTALLATION - DEUTZ D2.3L3 ENGINE

ITEM	PART NUMBER	QTY	DESCRIPTION	REV
	1001174378	Ref	SPARK ARRESTOR INSTALLATION - DEUTZ D2.3L3 ENGINE	A
1	1320176	1	Clamp	
2	1001169525	1	Pipe, Exhaust	
3	1001170224	1	Muffler, Spark Arresting	

SECTION 3 - ENGINE

FIGURE 3-14. ENGINE Baffle INSTALLATION



ART_1001172265

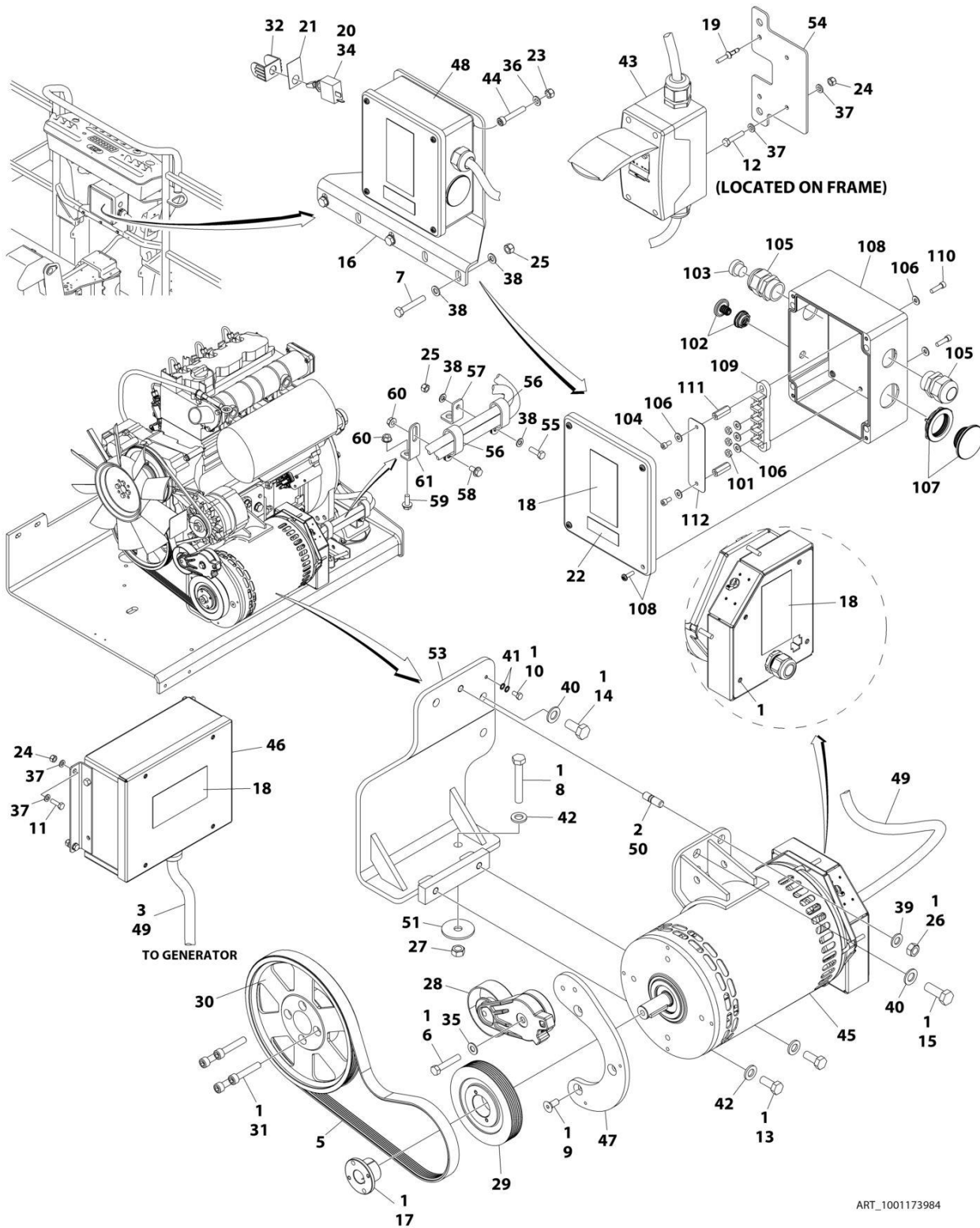
SECTION 3 - ENGINE

FIGURE 3-14. ENGINE BAFFLE INSTALLATION

ITEM	PART NUMBER	QTY	DESCRIPTION	REV
	1001172265	Ref	ENGINE BAFFLE INSTALLATION	B
1	0760610	17	Bolt, M6 X 20mm	
2	0760812	2	Bolt, M8 X 25mm	
3	3290605	17	Nut, Lock M6 X 1	
4	3290805	2	Nut, Lock M8 X 1.25	
5	4811702	1	Washer, M6	
6	1001167164	8	Plate, Support	
7	1001170663	1	Bracket	
8	1001170664	1	Seal	
9	1001172264	1	Seal	

SECTION 3 - ENGINE

FIGURE 3-15. GENERATOR INSTALLATION - 4000W/50HZ (DEUTZ D2.3L3 ENGINE)



SECTION 3 - ENGINE

FIGURE 3-15. GENERATOR INSTALLATION - 4000W/50HZ (DEUTZ D2.3L3 ENGINE)

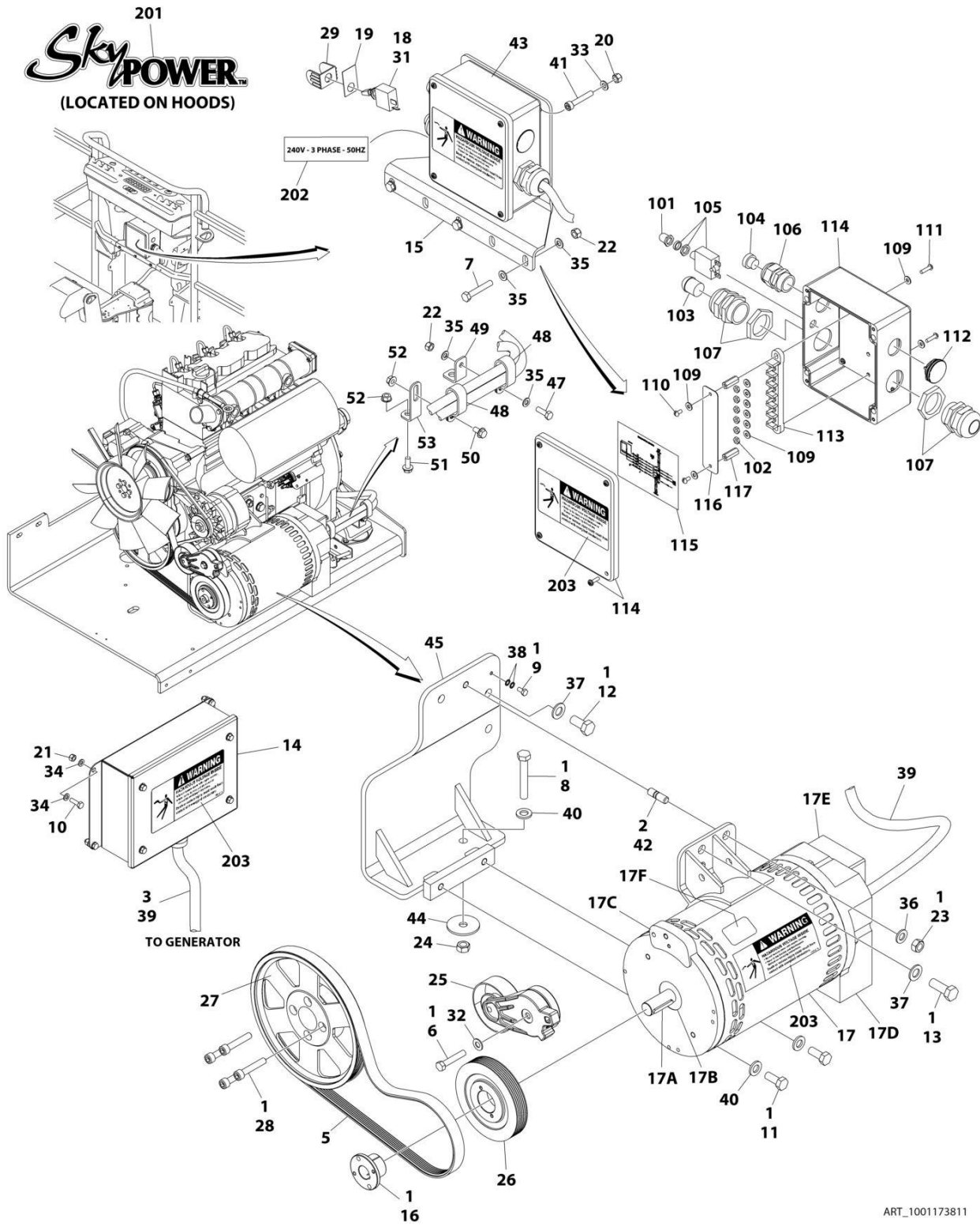
ITEM	PART NUMBER	QTY	DESCRIPTION	REV
	1001173984	Ref	GENERATOR INSTALLATION - 4000W/50HZ (DEUTZ D2.3L3 ENGINE)	H
1	0100011	AR	Compound, Locking	
2	0100019	AR	Compound, Locking	
3	0100048	AR	Grease, Dielectric	
4	0100079	AR	Sealant (Not Shown)	
5	0480126	1	Belt	
6	0641616	1	Bolt 3/8 x 2	
7	0700818	AR	Bolt M8 x 50	
8	0711224	1	Bolt M12 x 80 Grade 10.9	
9	0741607	3	Screw 3/8 x 7/8	
10	0760606	1	Bolt M6 x 12	
11	0760610	4	Bolt M6 x 20	
12	0760614	2	Bolt M6 x 30	
13	0761214	2	Bolt M12 x 30	
14	0771414	2	Bolt M14 x 30 Grade 10.9	
15	0771416	1	Bolt M14 x 40	
16	0902888	1	Bracket (SN E300000100 through E300002840)	
17	0962520	1	Bushing	
18	1705489	AR	Decal - Hazardous Voltage (50Hz)	
19	2080040	2	Fastener, Huck	
20	2820031	AR	Heat Shrink	
21	See Note	1	Nameplate (Note: Not Available for Purchase)	
22	3251242	1	Decal - 240V/50Hz (SN E300000100 through E300002840)	
23	3290505	AR	Nut M5	
24	3290605	6	Nut M6	
25	3290805	AR	Nut M8	
26	3291201	1	Nut M12	
27	3331211	1	Nut M12	
28	3580317	1	Pulley	
29	3580319	1	Pulley	
30	3580320	1	Pulley	
31	4032015	4	Bolt M10 x 55	
32	4060802	1	Guard, Switch	
33	4240099	AR	Tie-Strap (Not Shown)	
34	4360336	1	Switch, Toggle	
35	4711600	1	Washer 3/8	
36	4811600	AR	Washer M5	
37	4811700	12	Washer M6	
38	4811900	AR	Washer M8	
39	4812100	1	Washer M12	
40	4812200	3	Washer M14	
41	4871700	2	Washer M6	
42	5241200	3	Washer M12	
43	1001096070	1	Breaker Box Kit (50Hz) (See ELECTRICAL SECTION for Breakdown)	
44	1001104029	AR	Screw M5 x 30	
45	1001138565	1	Generator Assembly	
45	70003709	1	Ring, Retaining (External)	
45	70003708	1	Ring, Retaining (Internal)	

SECTION 3 - ENGINE

ITEM	PART NUMBER	QTY	DESCRIPTION	REV
45	70001966	1	Bearing	
45	70004092	1	Endbell (Shaft End)	
45	70004171	1	Key	
45	70004676	1	Rotor	
45	70004677	1	Stator	
45	70004678	1	Endbell (Rear)	
45	70004679	1	Cover, Endbell (Rear)	
45	70004680	1	Enclosure, Wiring	
45	70004681	1	Cover, Enclosure	
45	70004682	1	Switch, Reset (Located on Enclosure Cover)	
45	70004683	1	Connector, Strain Relief (Located on Enclosure Cover)	
46	1001138566	1	Box, Control	
46	70006552	1	Capacitor	
46	70006553	1	Relay	
47	1001139357	1	Mount, Tensioner	
48	1001152458	Ref	Generator Junction Box Components (See Items 101-112 for Breakdown) (SN E300000100 through E300002840)	
49	1001152532	1	Generator Harness (See ELECTRICAL SECTION for Breakdown)	
50	1001155041	1	Stud (SN E300000100 through E300003357)	
50	1001196382	1	Stud (SN 1300007286 through 1300007383, SN E300003357 through E300007980)	
51	1001168018	1	Washer, Snubbing	
53	1001173925	1	Mount	
54	1001174158	1	Mount	
55	0760812	1	Bolt M8 x 25	
56	1321716	AR	Clamp	
57	1001148641	1	Bracket	
58	5250808	AR	Bolt M8 x 16	
59	5250810	AR	Bolt M8 x 20	
60	5260800	AR	Nut M8	
61	1001223122	1	Support (SN 1300007286 through 1300007383, SN E300004185 through E300007980)	
	1001152458	Ref	GENERATOR JUNCTION BOX COMPONENTS (SN E300000100 through E300002840)	
101	3311001	3	Nut #10	
102	1001155813	1	Plug	
103	3520192	1	Plug	
104	3900300	2	Capscrew #10 x 3/8	
105	4460425	2	Connector, Strain Relief	
106	4711000	7	Washer #10	
107	1001148648	1	Plug	
108	1001152456	1	Box, Junction	
109	1001152530	1	Terminal, Block	
110	3900267	2	Screw	
111	1001158008	2	Stand-Off	
112	1001158363	1	Cover, Terminal Block	

SECTION 3 - ENGINE

FIGURE 3-16. GENERATOR INSTALLATION - 7500W/50HZ (DEUTZ D2.3L3 ENGINE)



ART_1001173811

SECTION 3 - ENGINE

FIGURE 3-16. GENERATOR INSTALLATION - 7500W/50HZ (DEUTZ D2.3L3 ENGINE)

ITEM	PART NUMBER	QTY	DESCRIPTION	REV
	1001173811	Ref	GENERATOR INSTALLATION - 7500W/50HZ (DEUTZ D2.3L3 ENGINE)	E
1	0100011	AR	Compound, Locking	
2	0100019	AR	Compound, Locking	
3	0100048	AR	Grease, Dielectric	
4	0100079	AR	Sealant (Not Shown)	
5	0480126	1	Belt	
6	0641616	1	Bolt 3/8 x 2	
7	0700818	3	Bolt M8 x 50	
8	0711224	1	Bolt M12 x 80 Grade 10.9	
9	0760606	1	Bolt M6 x 12	
10	0760610	4	Bolt M6 x 20	
11	0761214	2	Bolt M12 x 30	
12	0771414	2	Bolt M14 x 30 Grade 10.9	
13	0771416	1	Bolt M14 x 40	
14	0861572	1	Control Box Assembly	
14	7024488	1	Card, Circuit - Generator Power	
14	See Note	NSS	Fuse (Note: Not Available - Purchase Locally)	
14	7024489	1	Card, Circuit - Control	
14	70000619	1	Harness, Control Box (Internal)	
15	0902888	1	Bracket	
16	0962520	1	Bushing	
17	2460048	1	Generator Assembly	
17	70001100	1	Rotor (Includes p/n 70001384 & 70000863) (Not Shown)	
17	70001384	1	Bearing, Ball Radial (Not Shown)	
17	70000863	1	Fan (Not Shown)	
17	70002088	1	Stator (Not Shown)	
17	70002297	1	Stud	
17	70003631	1	Brushholder Assembly (Not Shown)	
17A	70004171	1	Key	
17B	70001966	1	Bearing, Ball Radial (Located in Belt Tensioner Endbell)	
17B	70003708	1	Ring, Internal Retaining (Located in Belt Tensioner Endbell)	
17B	70003709	1	Ring, External Retaining (Located in Belt Tensioner Endbell)	
17C	70001953	1	Endbell, Belt Tensioner	
17D	70004169	1	Endbell, Brush Block	
17E	70004169	1	Shroud	
17E	See Note	NSS	Insulator, Endbell (Note: Not Available for Purchase)	
17E	7027799	1	Block, Connector - 6 Position (Not Shown)	
17E	70002460	1	Nut, Brass (Attaches p/n 7027799 to Cover) (Not Shown)	
17E	7024485	1	Breaker, Circuit 30Amp (Not Shown)	
17E	70001696	1	Boot, Breaker (Not Shown)	
17E	7026626	1	Connector - 6 Position (Includes Seal) (Not Shown - Plugs into Item 39)	
17E	7026597	1	Connector, with Leads (Not Shown)	
17E	7026188	1	Clamp, Cable Options (Not Shown)	
17E	70004169	1	Plate, End Panel	
17E	70001974	1	Decal - Terminal Connections	
17F	70001973	1	Decal - Warning Moving Parts	
18	2820031	AR	Heat Shrink	
19	3252764	1	Nameplate	

SECTION 3 - ENGINE

ITEM	PART NUMBER	QTY	DESCRIPTION	REV
20	3290505	4	Nut M5	
21	3290605	4	Nut M6	
22	3290805	4	Nut M8	
23	3291201	1	Nut M12	
24	3331211	1	Nut M12	
25	3580317	1	Pulley	
26	3580319	1	Pulley	
27	3580320	1	Pulley	
28	4032015	4	Bolt M10 x 55	
29	4060802	1	Guard, Switch	
30	4240099	AR	Tie-Strap (Not Shown)	
31	4360336	1	Switch, Toggle	
32	4711600	1	Washer 3/8	
33	4811600	4	Washer M5	
34	4811700	8	Washer M6	
35	4811900	8	Washer M8	
36	4812100	1	Washer M12	
37	4812200	3	Washer M14	
38	4871700	2	Washer M6	
39	4922925	1	Generator Harness	
39	4460225	1	Plug, Male - 6 Position (Plugs into Generator)	
39	See Note	NSS	Socket, Female (Use with 4460225)	
39	See Note	NSS	Seal, Plug (Use with 4460225)	
39	See Note	NSS	Seal, Interface (Use with 4460225)	
40	5241200	3	Washer M12 Hardened	
41	1001104029	4	Screw M5 x 30	
42	1001155041	1	Stud (SN E300000100 through E300002840)	
42	1001196382	1	Stud (SN 1300007286 through 1300007383, SN E300002840 through E300007980)	
43	1001157525	1	Junction Box Assembly (See Items 101-117 for Breakdown)	
44	1001168018	1	Washer, Snubbing	
45	1001173925	1	Mount	
46	1001174675	1	Wiring Diagram (Not Shown - See ELECTRICAL SECTION for Breakdown)	
47	0760812	1	Bolt M8 x 25	
48	1321716	AR	Clamp	
49	1001148641	1	Bracket	
50	5250808	1	Bolt M8 x 16	
51	5250810	1	Bolt M8 x 20	
52	5260800	2	Nut M8	
53	1001223122	1	Support (SN 1300007286 through 1300007383, SN E300004185 through E300007980)	
	1001157525	Ref	JUNCTION BOX ASSEMBLY	
101	3300396	1	Cover, Fuse	
102	3311001	6	Nut #10-24NC	
103	3520189	1	Plug	
104	3520192	1	Plug	
105	4360070	1	Circuit Breaker - 15Amp	
106	4460425	1	Connector, Strain Relief	
107	4460426	2	Connector, Strain Relief	
109	4711000	4	Flatwasher, #10 Thin	
110	10702077	2	Screw #10-32NF x 3/8in	

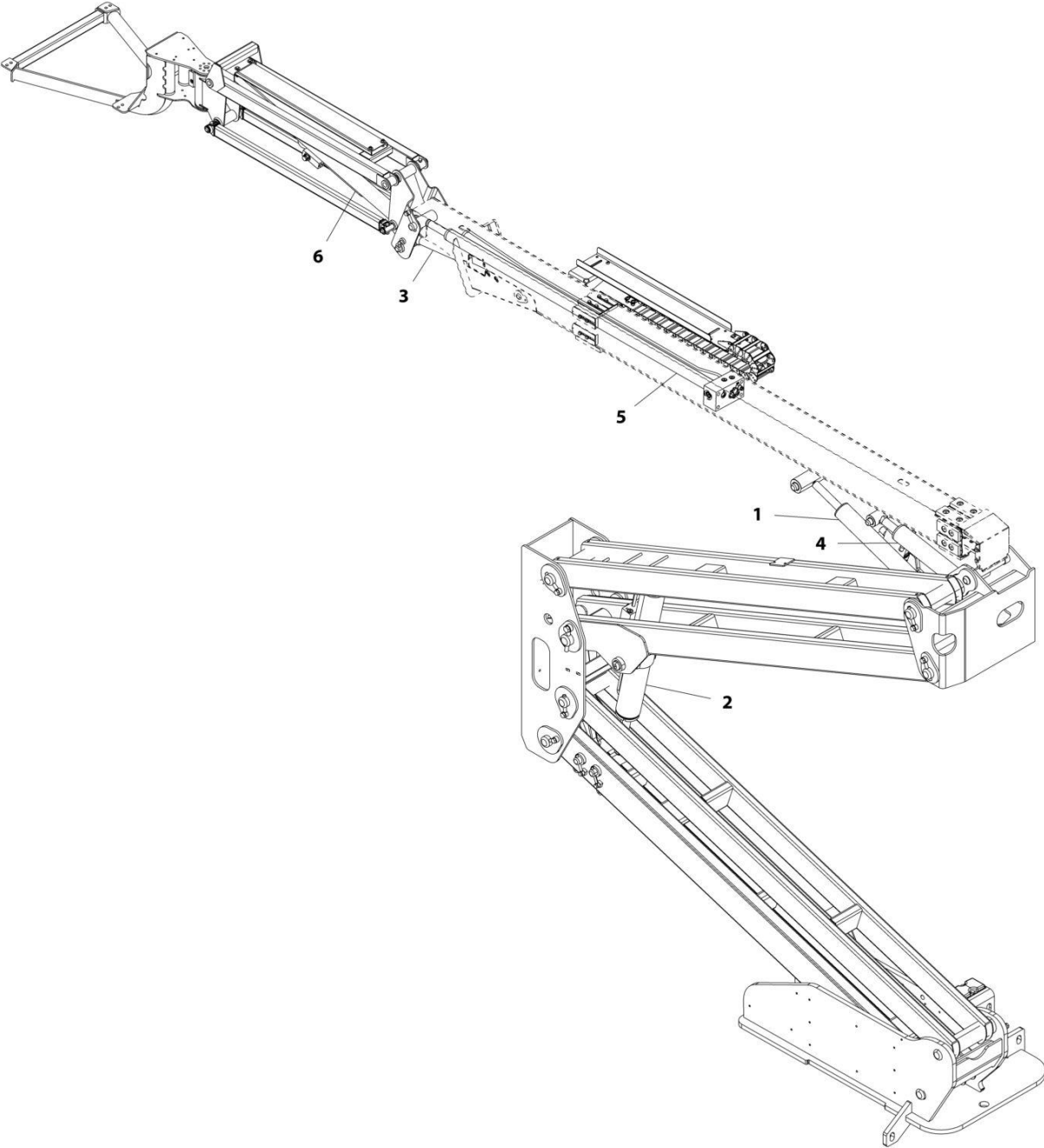
SECTION 3 - ENGINE

ITEM	PART NUMBER	QTY	DESCRIPTION	REV
111	10702082	2	Screw #10-32NF x 3/4in	
112	1001152525	1	Plug	
113	1001157520	1	Block, Terminal	
114	1001157521	1	Box, Junction	
115	1001157528	1	Decal - Wiring Schematic	
116	1001158007	1	Cover, PVC	
117	1001158008	2	Stand-Off	
	0272589	Ref	DECAL INSTALLATION	A
201	1705460	2	Decal - SkyPower	
202	1705461	1	Decal - 240V-3 Phase-50Hz	
203	1705489	3	Decal - Hazardous Voltage	

SECTION 4 - BOOM

SECTION 4 - BOOM

FIGURE 4-1. CYLINDERS INSTALLATION



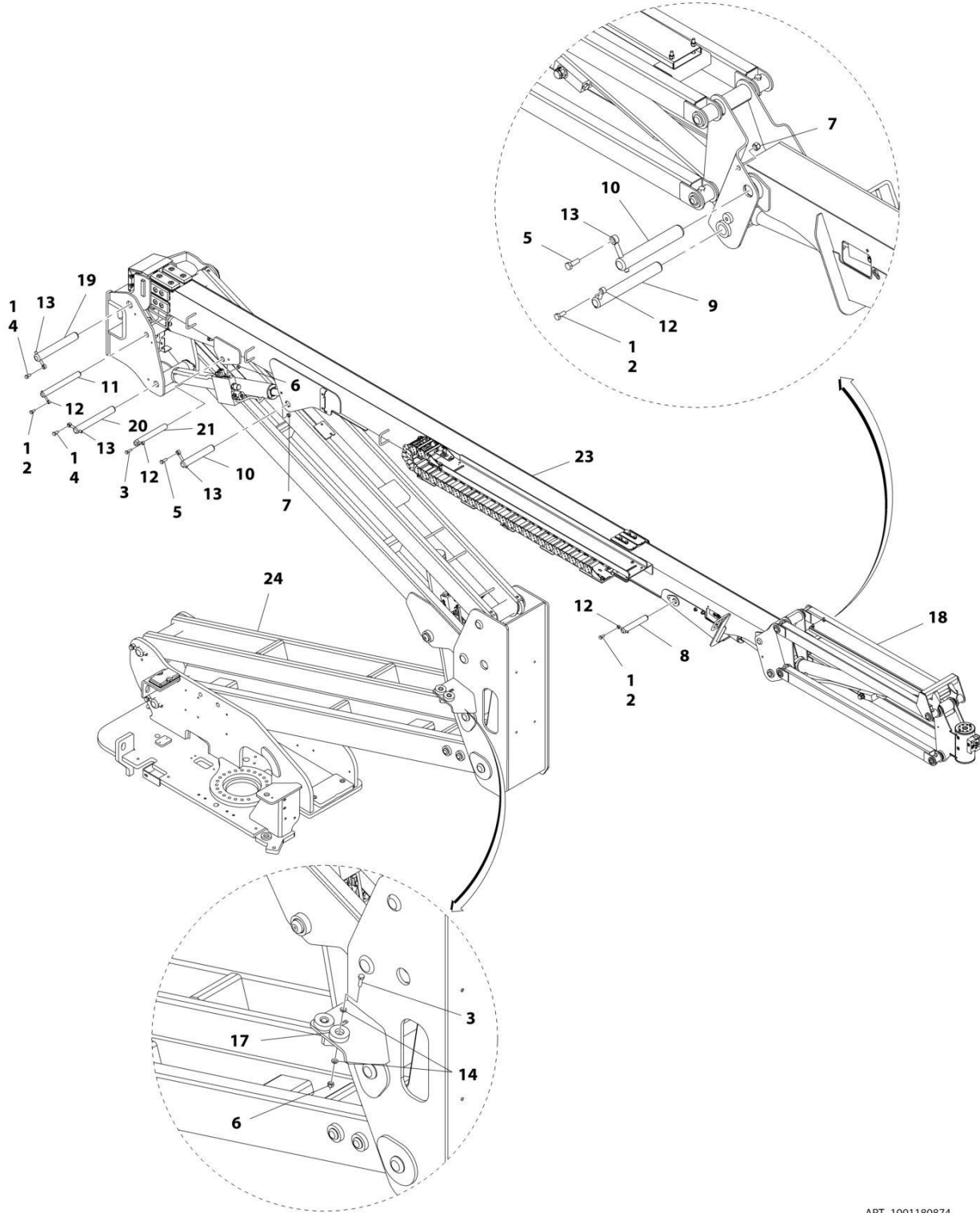
ART_1001163863

FIGURE 4-1. CYLINDERS INSTALLATION

ITEM	PART NUMBER	QTY	DESCRIPTION	REV
	1001163863	Ref	CYLINDERS INSTALLATION	C
1	1001181706	1	Lift Cylinder Assembly - Main Boom (See CYLINDER SECTION for Breakdown) (SN E300000100 through E300004512)	
1	1001217681	1	Lift Cylinder Assembly - Main Boom (See CYLINDER SECTION for Breakdown) (SN 1300007286 through 1300007383, SN E300004512 through E300007980)	
2	1001161715	1	Lift Cylinder Assembly - Tower Boom (See CYLINDER SECTION for Breakdown)	
3	1001161716	1	Level (Platform Slave) Cylinder Assembly (See CYLINDER SECTION for Breakdown)	
4	1001161717	1	Master Cylinder Assembly (See CYLINDER SECTION for Breakdown)	
5	1001161804	1	Telescope Cylinder Assembly (See CYLINDER SECTION for Breakdown)	
6	1001163767	1	Lift Cylinder Assembly - Jib (See CYLINDER SECTION for Breakdown)	

SECTION 4 - BOOM

FIGURE 4-2. BOOM INSTALLATION



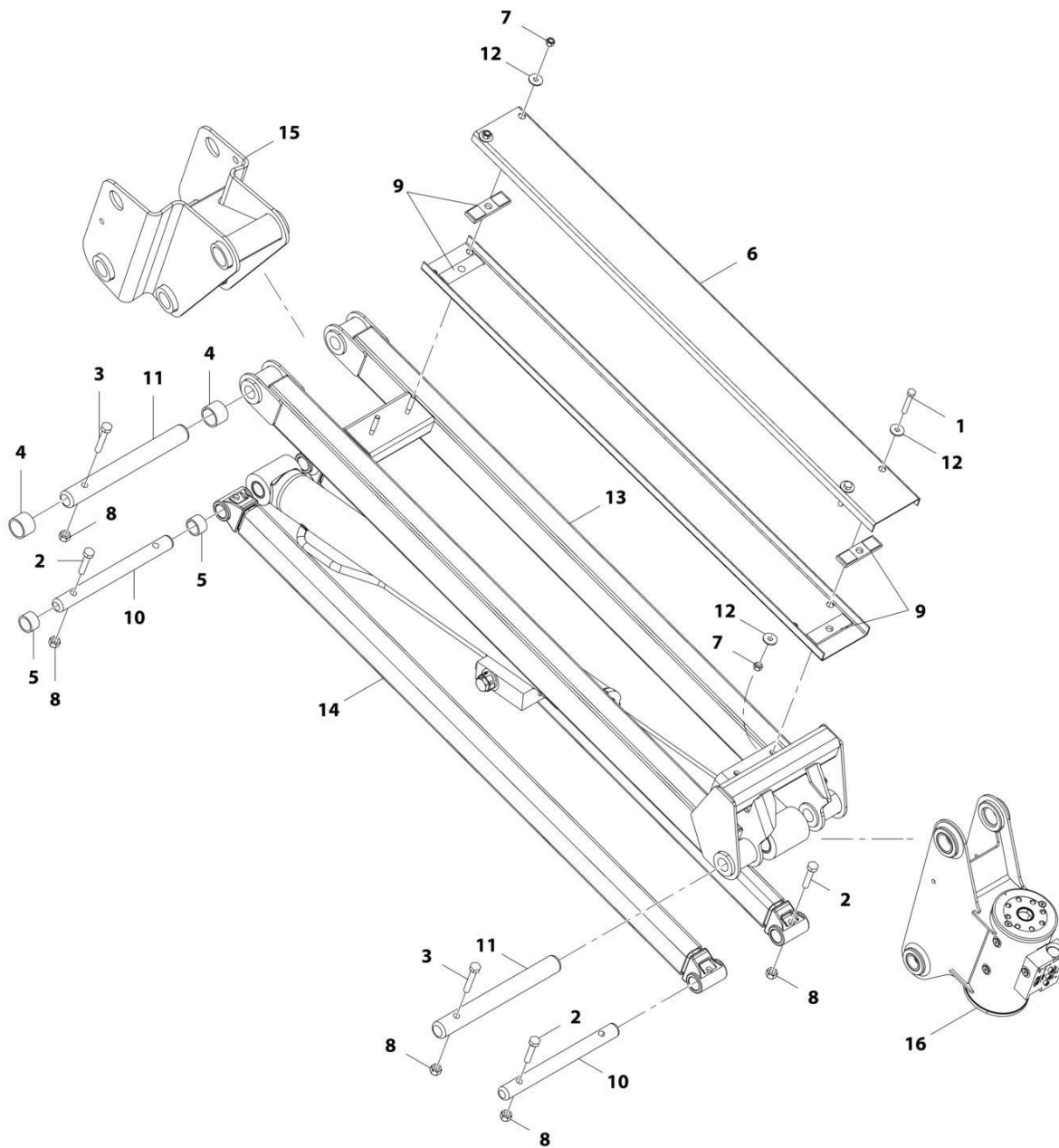
ART_1001180874

FIGURE 4-2. BOOM INSTALLATION

ITEM	PART NUMBER	QTY	DESCRIPTION	REV
	1001180874	Ref	BOOM INSTALLATION	C
1	0100011	AR	Compound, Locking	
2	0761012	3	Bolt, M10 x 25mm	
3	0761015	3	Bolt, M10 x 35mm	
4	0761212	2	Bolt, M12 x 25mm	
5	0761215	2	Bolt, M12 x 35mm	
6	3291005	3	Nut, Lock M10 x 1.5	
7	3291205	2	Nut, Lock M12 x 1.75	
8	3422755	1	Pin	
9	3422792	1	Pin	
10	3422793	2	Pin	
11	3422806	1	Pin	
12	3841143	4	Keeper, Pin	
13	3841203	4	Keeper, Pin	
14	4812000	4	Washer, M10	
17	1001112607	2	Block, Boom Rest	
18	1001164017	1	Jib Installation (See JIB INSTALLATION for Breakdown)	
19	1001169246	1	Pin	
20	1001169247	1	Pin	
21	3423038	1	Pin	
23	1001179626	1	Main Boom Assembly (See MAIN BOOM ASSEMBLY for Breakdown)	
24	1001180006	1	Tower Boom Assembly (See TOWER BOOM ASSEMBLY for Breakdown)	

SECTION 4 - BOOM

FIGURE 4-3. JIB INSTALLATION



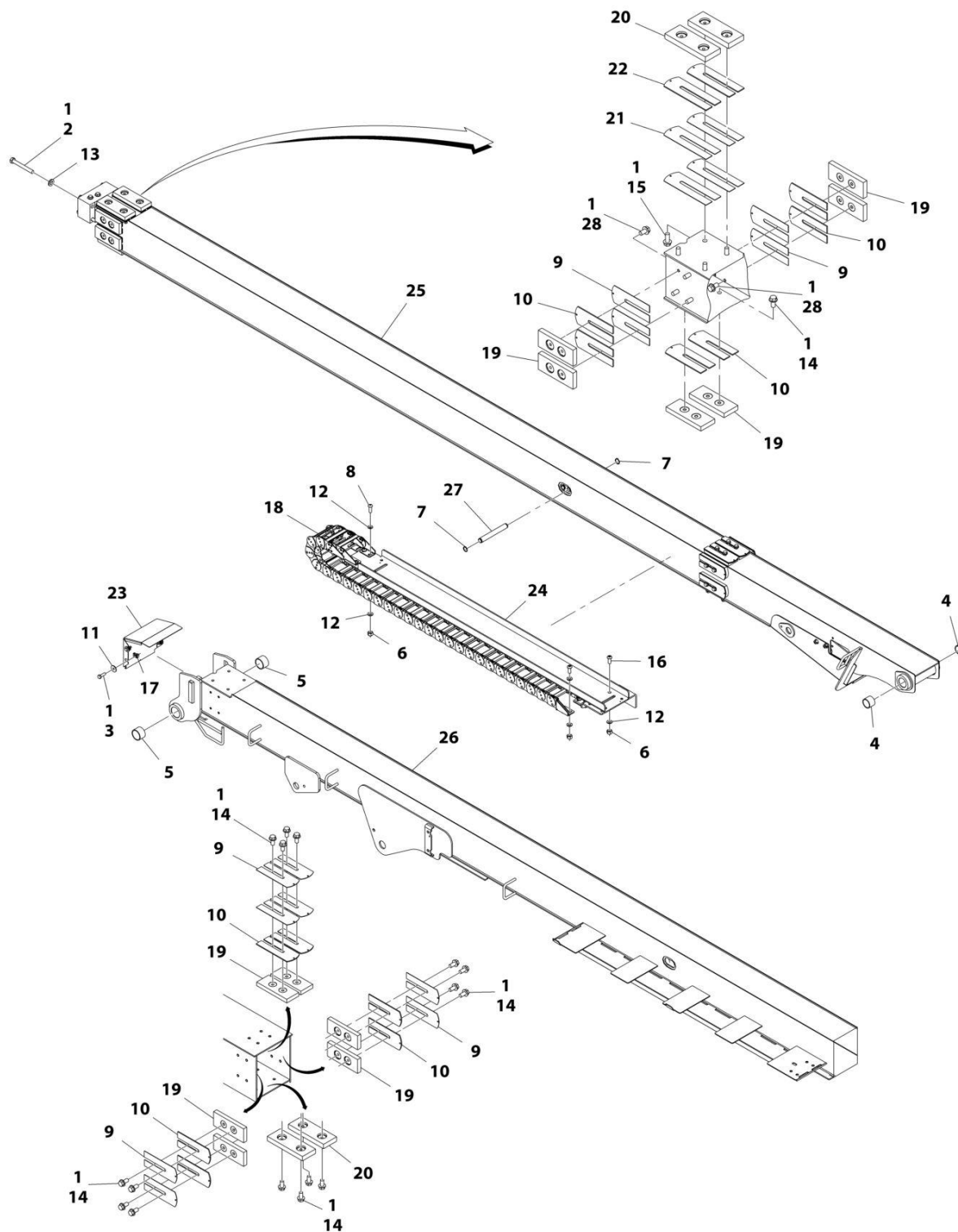
ART_1001164017

FIGURE 4-3. JIB INSTALLATION

ITEM	PART NUMBER	QTY	DESCRIPTION	REV
	1001164017	Ref	JIB INSTALLATION	D
1	0700820	2	Bolt, M8 x 60	
2	0701019	4	Bolt, M8 x 55	
3	0701020	2	Bolt, M10 x 60	
4	0961951	2	Bushing	
5	0962292	2	Bearing	
6	3572551	2	Channel	
7	3290805	4	Nut, M8	
8	3291005	6	Nut, M10	
9	3340860	4	Pad, Rubber	
10	3422791	2	Pin	
11	1001116550	2	Pin	
12	4811902	6	Washer, M8	
13	1001183171	1	Link (Upper)	
14	4846689	2	Link (Lower)	
15	1001163937	1	Pivot	
16	1001165302	NLA	Rotator Assembly (Use p/n 1001217779) (See ROTATOR ASSEMBLY for Breakdown) (SN E300002833 through E300004882)	
16	1001217779	1	Rotator Assembly (See ROTATOR ASSEMBLY for Breakdown) (SN 1300007286 through 1300007383, SN E300004883 through E300007980)	

SECTION 4 - BOOM

FIGURE 4-4. MAIN BOOM ASSEMBLY



ART_1001179626

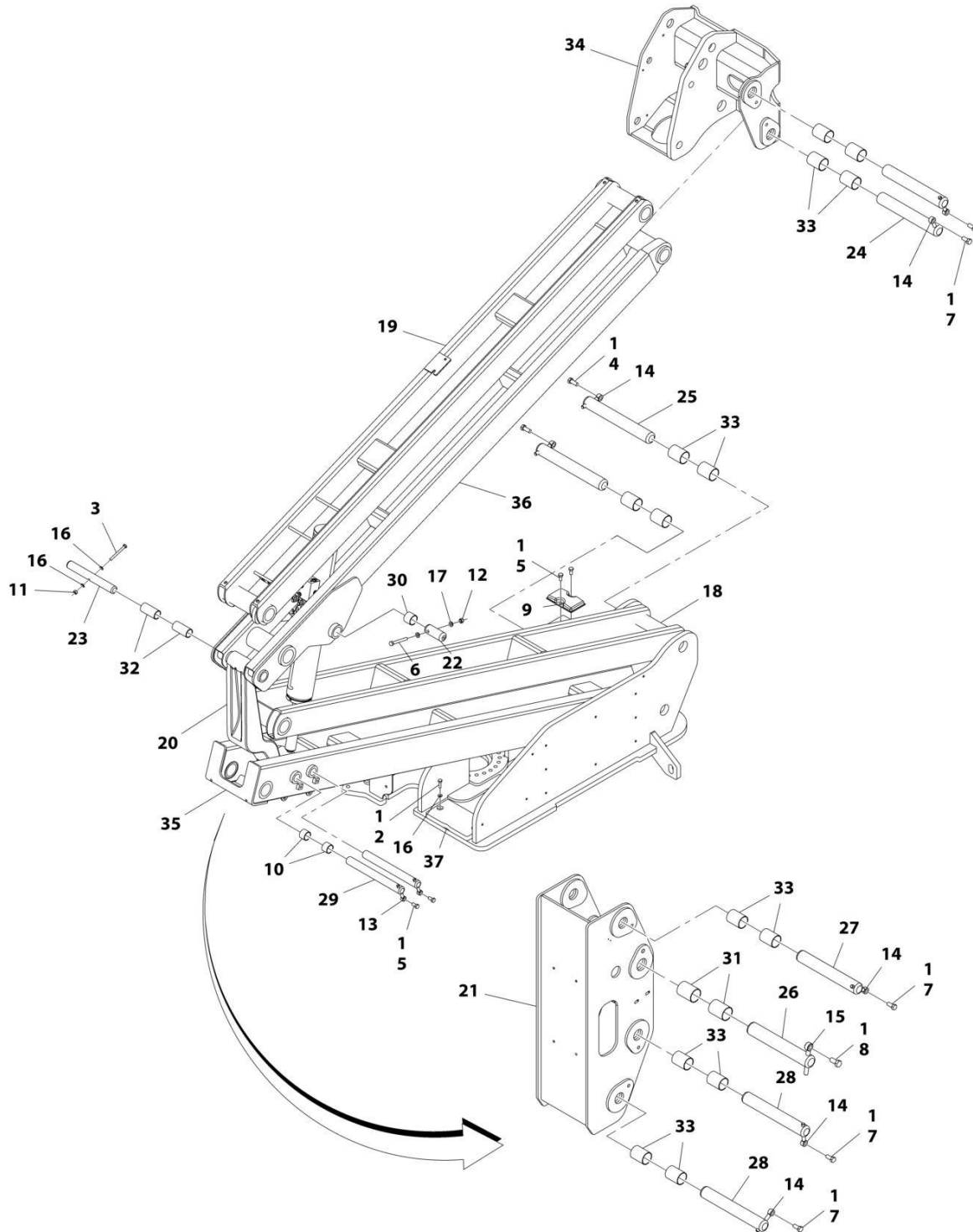
SECTION 4 - BOOM

FIGURE 4-4. MAIN BOOM ASSEMBLY

ITEM	PART NUMBER	QTY	DESCRIPTION	REV
	1001179626	Ref	MAIN BOOM ASSEMBLY	C
1	0100011	AR	Compound, Locking	
2	0711227	4	Bolt, M12 x 100mm	
3	0760812	4	Bolt, M8 x 25mm	
4	0961948	2	Bearing	
5	0961949	2	Bearing	
6	3291005	10	Nut, Lock M10 x 1.5	
7	3760351	4	Ring, Retaining	
8	3900351	4	Screw, M10 x 1.5 x 30mm	
9	4070897	12	Shim	
10	4070898	12	Shim	
11	4811902	4	Washer, M8	
12	4812000	18	Washer, M10	
13	5241200	4	Washer, M12 Hardened	
14	5251010	20	Bolt, M10 x 20mm	
15	5251012	4	Bolt, M10 x 25mm	
16	8310668	6	Screw, M10-1.5 x 25mm Grade 10.9	
17	1001118274	4	Nut, M8 x 1.25	
18	1001168190	NLA	Powertrack Assembly (Use p/n 1001224894) (SN E300000100 through E300004536)	
18	70005104	1	Repair Section	
18	70005105	1	Feet, Mounting	
18	1001224894	1	Powertrack Assembly (SN 1300007286 through 1300007383, SN E300004536 through E300007980)	
18	70006256	1	Link, Repair	
18	70006272	1	Feet, Mounting	
19	1001169304	12	Pad, Wear	
20	1001169305	4	Pad, Wear	
21	1001169402	4	Shim	
22	1001169403	2	Shim	
23	1001170226	1	Cover, Boom End	
24	1001170334	1	Push Tube, Hose Cover	
25	1001178554	1	Fly, Boom	
26	1001178555	1	Base, Boom	
27	1001180541	2	Pin	
28	5251009	8	Bolt, M10 x 18mm	

SECTION 4 - BOOM

FIGURE 4-5. TOWER BOOM ASSEMBLY



ART_1001180006

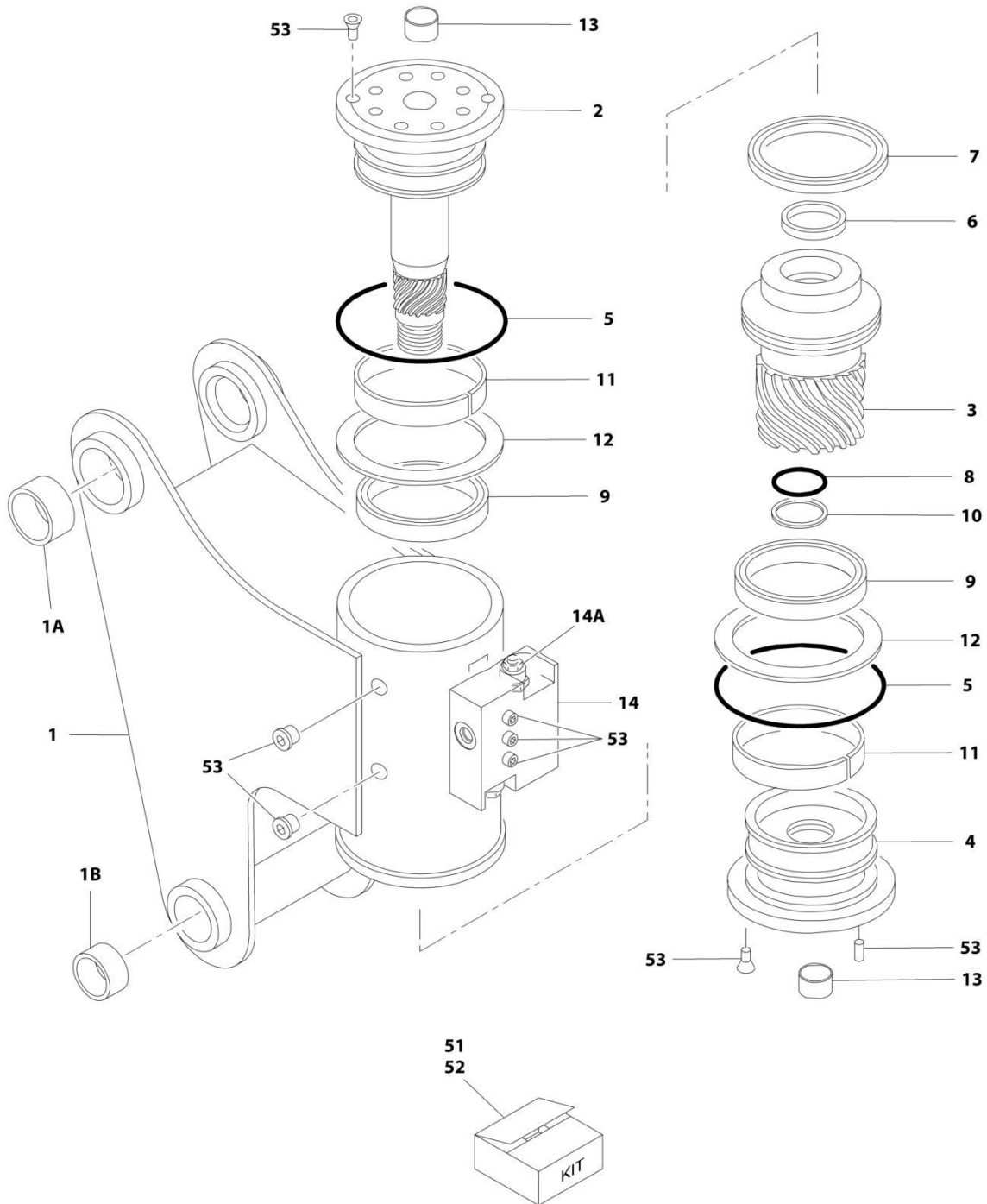
SECTION 4 - BOOM

FIGURE 4-5. TOWER BOOM ASSEMBLY

ITEM	PART NUMBER	QTY	DESCRIPTION	REV
	1001180006	Ref	TOWER BOOM ASSEMBLY	B
1	0100011	AR	Compound, Locking	
2	0701015	2	Bolt, M10 x 35mm	
3	0701027	1	Bolt, M10 x 100mm	
4	0701616	2	Bolt, M16 x 40mm	
5	0761212	4	Bolt, M12 x 25mm	
6	0761227	2	Bolt, M12 x 100mm	
7	0761615	5	Bolt, M16 x 35mm	
8	0762016	1	Bolt, M20 x 40mm	
9	0940048	1	Bumper	
10	0961948	2	Bearing	
11	3291005	1	Nut, Lock M10 x 1.5	
12	3291205	2	Nut, Lock M12 x 1.75	
13	3841203	2	Keeper, Pin	
14	3841258	7	Keeper, Pin	
15	3841287	1	Keeper, Pin	
16	4812000	4	Washer, M10	
17	4812100	4	Washer, M12	
18	1001160859	1	Link, Lower Tower Boom	
19	1001160872	1	Link, Upper Tower Boom	
20	1001166096	1	Link, Timing	
21	1001166853	1	Upright, Lower	
22	1001169240	2	Pin	
23	1001169241	1	Pin	
24	1001169242	2	Pin	
25	1001169249	2	Pin	
26	1001169295	1	Pin	
27	1001169296	1	Pin	
28	1001169297	2	Pin	
29	1001169298	2	Pin	
30	1001169299	2	Bearing	
31	1001169300	2	Bearing	
32	1001169301	2	Bearing	
33	1001169302	14	Bearing	
34	1001174065	1	Upright, Upper	
35	1001178133	1	Tower Boom (Lower)	
36	1001178135	1	Tower, Boom (Upper)	
37	1001180056	1	Pad, Wear	
38	1001227993	1	Tower Boom Kit (Not Shown – Includes Items 18, 19, 35 & 36)	

SECTION 4 - BOOM

FIGURE 4-6. ROTATOR ASSEMBLY (SN E300002833 through E300004882)



ART_1001165302

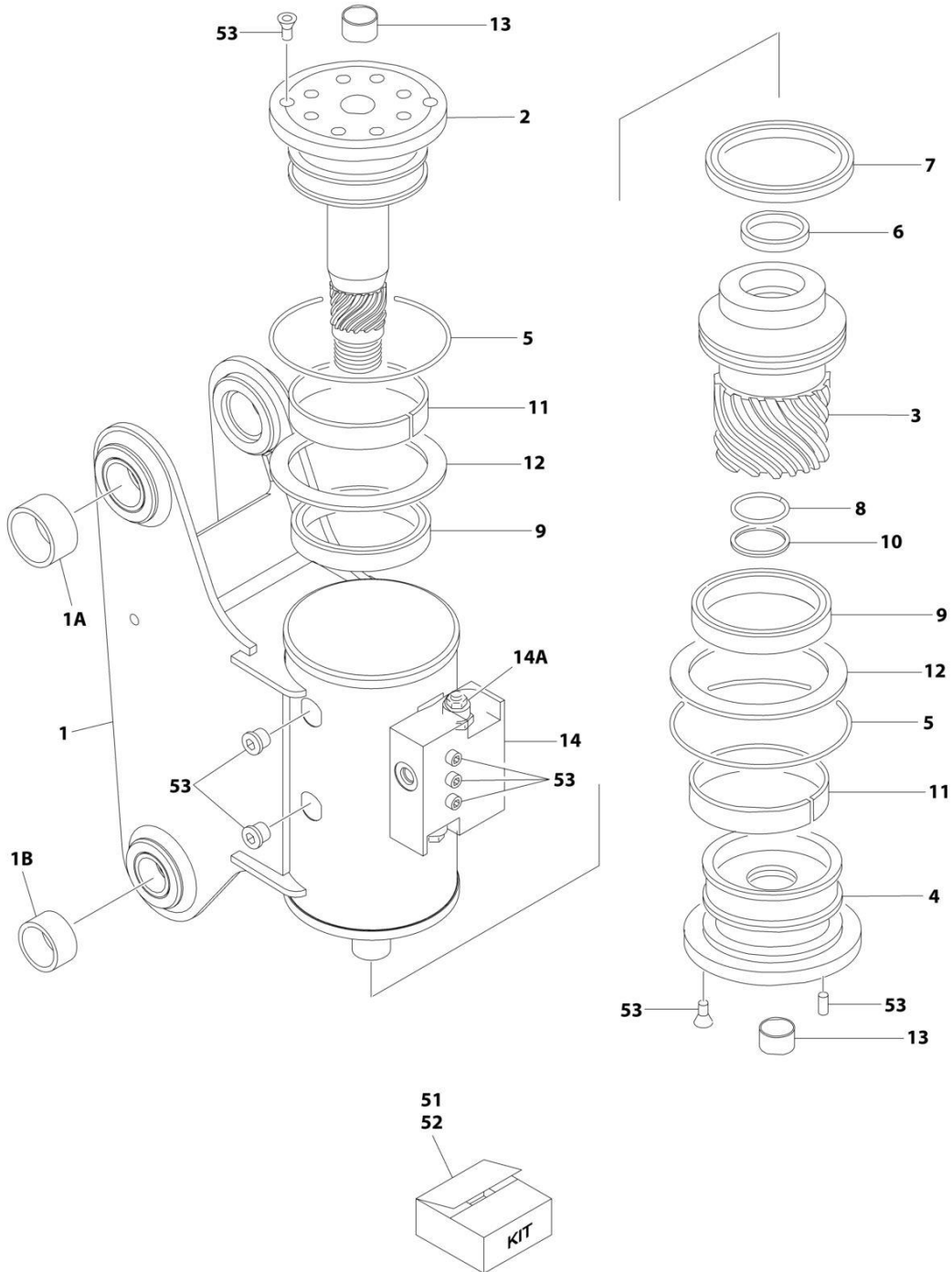
SECTION 4 - BOOM

FIGURE 4-6. ROTATOR ASSEMBLY (SN E300002833 through E300004882)

ITEM	PART NUMBER	QTY	DESCRIPTION	REV
	1001165302	Ref	ROTATOR ASSEMBLY (SN E300002833 through E300004882)	I
1	See Note	NSS	Housing (Note: Purchase Complete Assembly)	
1A	0962257	2	Bushing	
1B	0961947	2	Bushing	
2	7017162	1	Shaft	
3	7017163	1	Piston	
4	7017164	1	Cap, End	
5	See Note	NSS	O-Ring (Note: Use p/n 70000342)	
6	See Note	NSS	Seal, Rod (Note: Purchase p/n 70000342)	
7	See Note	NSS	Seal, Piston (Note: Purchase p/n 70000342)	
8	See Note	NSS	Seal, Cap (Note: Purchase p/n 70000342)	
9	See Note	NSS	Packing, Bearing (Note: Purchase p/n 70000342)	
10	See Note	NSS	Ring, Back-up (Note: Purchase p/n 70000342)	
11	See Note	NSS	Bearing, Shaft (Note: Purchase p/n 7017159)	
12	See Note	NSS	Washer, Thrust (Note: Purchase p/n 7017159)	
13	7017195	2	Bushing	
14	7017172	1	Counterbalance Valve Assembly	
14A	7017192	2	Valve Cartridge (No Seal Kit Available)	
51	70000342	1	Seal Kit (Includes Items 5-10)	
52	7017159	1	Bearing Kit (Includes Items 11 & 12)	
53	7017142	1	Hardware Kit	

SECTION 4 - BOOM

FIGURE 4-7. ROTATOR ASSEMBLY (SN 130007286 through 130007383, SN E30004883 through E30007980)



ART_1001217779

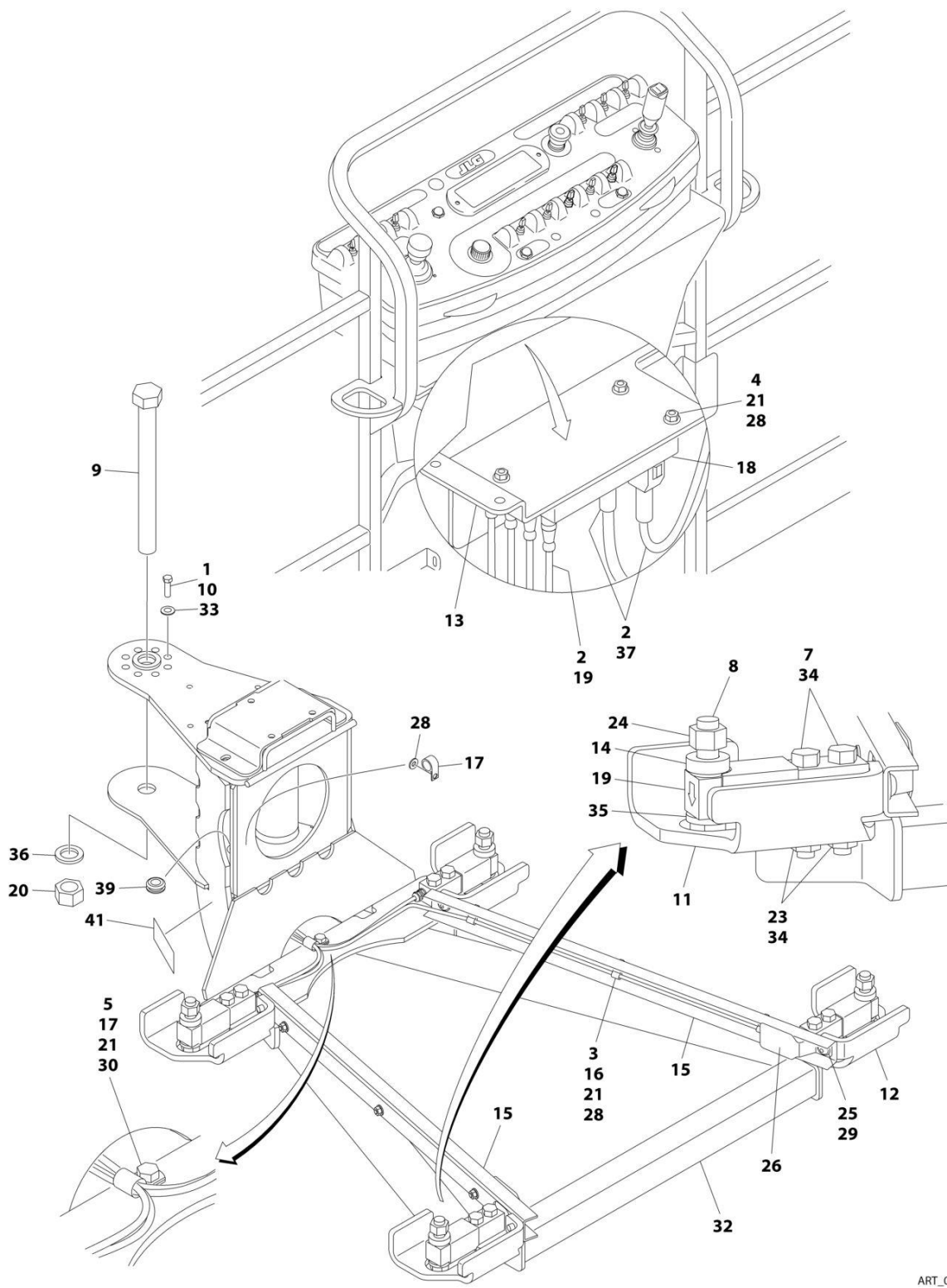
SECTION 4 - BOOM

FIGURE 4-7. ROTATOR ASSEMBLY (SN 1300007286 through 1300007383, SN E300004883 through E300007980)

ITEM	PART NUMBER	QTY	DESCRIPTION	REV
	1001217779	Ref	ROTATOR ASSEMBLY	B
1	See Note	NSS	Housing (Note: Purchase Complete Assembly)	
1A	0962257	2	Bushing	
1B	0961947	2	Bushing	
2	7017162	1	Shaft	
3	7017163	1	Piston	
4	7017164	1	Cap, End	
5	See Note	NSS	O-Ring (Note: Use p/n 70000342)	
6	See Note	NSS	Seal, Rod (Note: Purchase p/n 70000342)	
7	See Note	NSS	Seal, Piston (Note: Purchase p/n 70000342)	
8	See Note	NSS	Seal, Cap (Note: Purchase p/n 70000342)	
9	See Note	NSS	Packing, Bearing (Note: Purchase p/n 70000342)	
10	See Note	NSS	Ring, Back-up (Note: Purchase p/n 70000342)	
11	See Note	NSS	Bearing, Shaft (Note: Purchase p/n 7017159)	
12	See Note	NSS	Washer, Thrust (Note: Purchase p/n 7017159)	
13	7017195	2	Bushing	
14	7017172	1	Counterbalance Valve Assembly	
14A	7017192	2	Valve Cartridge (No Seal Kit Available)	
51	70000342	1	Seal Kit (Includes Items 5-10)	
52	7017159	1	Bearing Kit (Includes Items 11 & 12)	
53	7017142	1	Hardware Kit	

SECTION 4 - BOOM

FIGURE 4-8. PLATFORM SUPPORT INSTALLATION - WITH 4 CELL LSS (SN E30000100 through E300002782)



ART_0272703

SECTION 4 - BOOM

FIGURE 4-8. PLATFORM SUPPORT INSTALLATION - WITH 4 CELL LSS (SN E300000100 through E300002782)

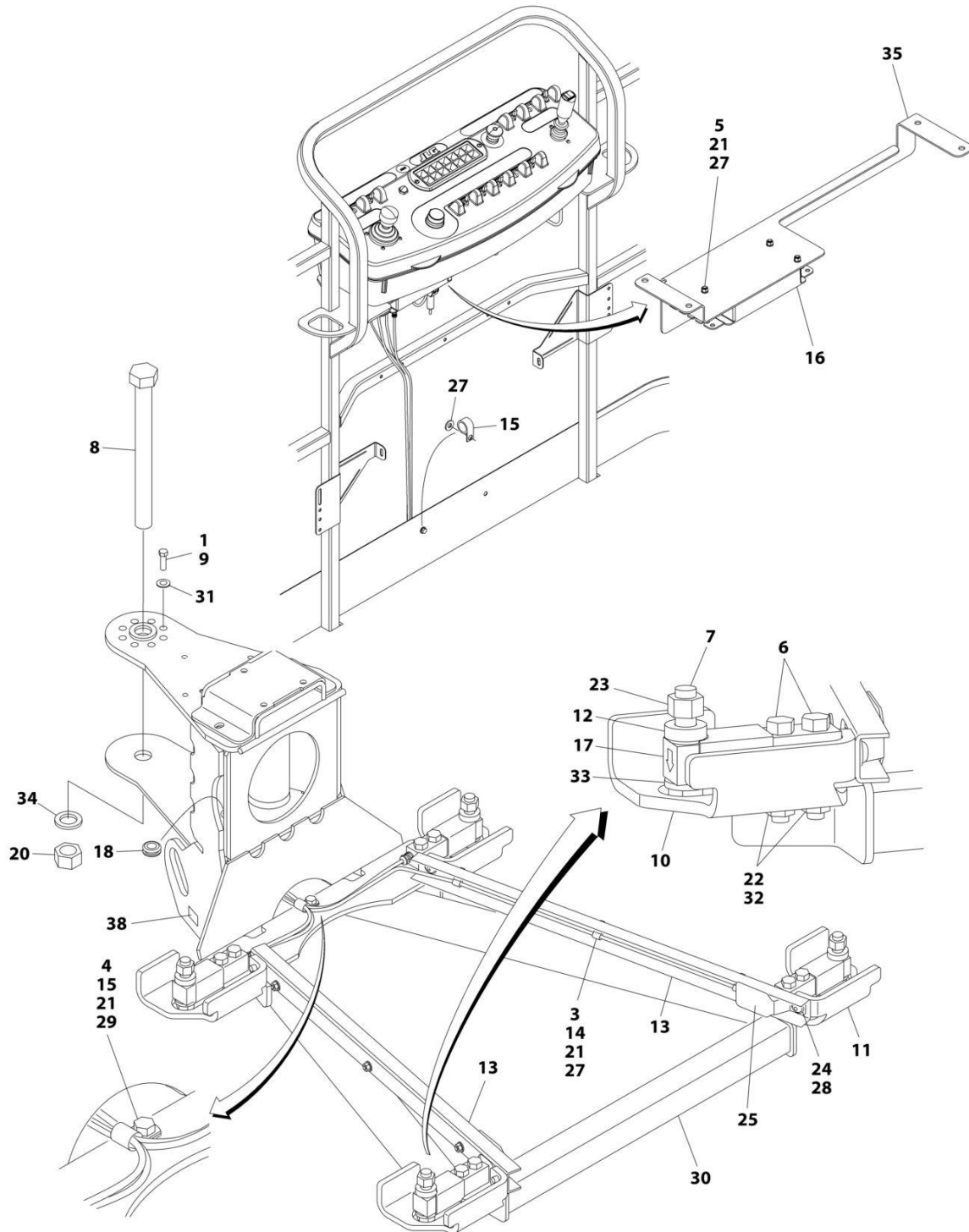
ITEM	PART NUMBER	QTY	DESCRIPTION	REV
	0272703	Ref	PLATFORM SUPPORT INSTALLATION - WITH 4 CELL LSS	Q
1	0100011	AR	Compound, Locking	
2	0100048	AR	Grease, Dielectric	
3	0641405	6	Bolt 1/4 x 5/8	
4	0641416	3	Bolt 1/4 x 2	
5	0641407	1	Bolt 1/4 x 7/8	
7	0641822	8	Bolt 1/2 x 2-3/4	
8	0642024	4	Bolt 5/8 x 3	
9	0642684	1	Bolt 1 x 10-1/2	
10	0681608	8	Bolt 3/8 x 1 Grade 8	
11	0902919	2	Bracket, Cell Guard	
12	0902920	2	Bracket, Cell Guard	
13	1001113483	1	Bracket, Module Mount	
14	0962450	4	Bushing, Spacer	
15	1271538	2	Channel	
16	1320136	6	Clamp	
17	1320224	2	Clamp	
18	1600387	1	Module, Control - LSS (Note: Recalibration Required When Replaced)	
19	2420202	4	Cell, Load (Includes Cable)	
20	3272605	1	Nut 1 Grade 8	
21	3311405	13	Nut 1/4	
23	3311805	8	Nut 1/2	
24	3312005	4	Nut 5/8	
25	3900283	4	Screw 3/8 x 3/4	
26	4061054	2	Shield	
27	4240033	AR	Tie-Strap (Not Shown)	
28	4711400	10	Washer 1/4	
29	4711600	4	Washer 3/8	
30	4751400	1	Washer 1/4	
32	4846573	1	Support, Platform	
33	4891600	8	Washer 3/8	
34	4891800	8	Washer 1/2	
35	4892000	4	Washer 5/8	
36	4892600	1	Washer 1	
37	4922869	1	LSS Harness	
37	4922705	1	Analyzer Harness (Not Shown)	
37	4460761	1	Receptacle, Female - 4 Position (Not Shown)	
37	4460226	1	Socket, Female	
37	4460836	1	Connector - 12 Position (Black) (J2)	
37	4460465	1	Socket, Female	
37	4460466	1	Plug, Terminal	
37	0840055	1	Boot	
37	4460933	1	Connector - 12 Position (Grey) (J1)	
37	4460465	1	Socket, Female	
37	4460466	1	Plug, Terminal	
37	0840055	1	Boot	
39	2540038	1	Grommet	
40	2920129	1	Bulb, Light (Not Shown - Located on Ground Control Box)	

SECTION 4 - BOOM

ITEM	PART NUMBER	QTY	DESCRIPTION	REV
41	1001216630	2	Decal - Tie Down/No Lift	

SECTION 4 - BOOM

FIGURE 4-9. PLATFORM SUPPORT INSTALLATION - WITH 4 CELL LSS (SN 1300007286 through 1300007383, SN E300002782 through E300007980)



ART_1001197036

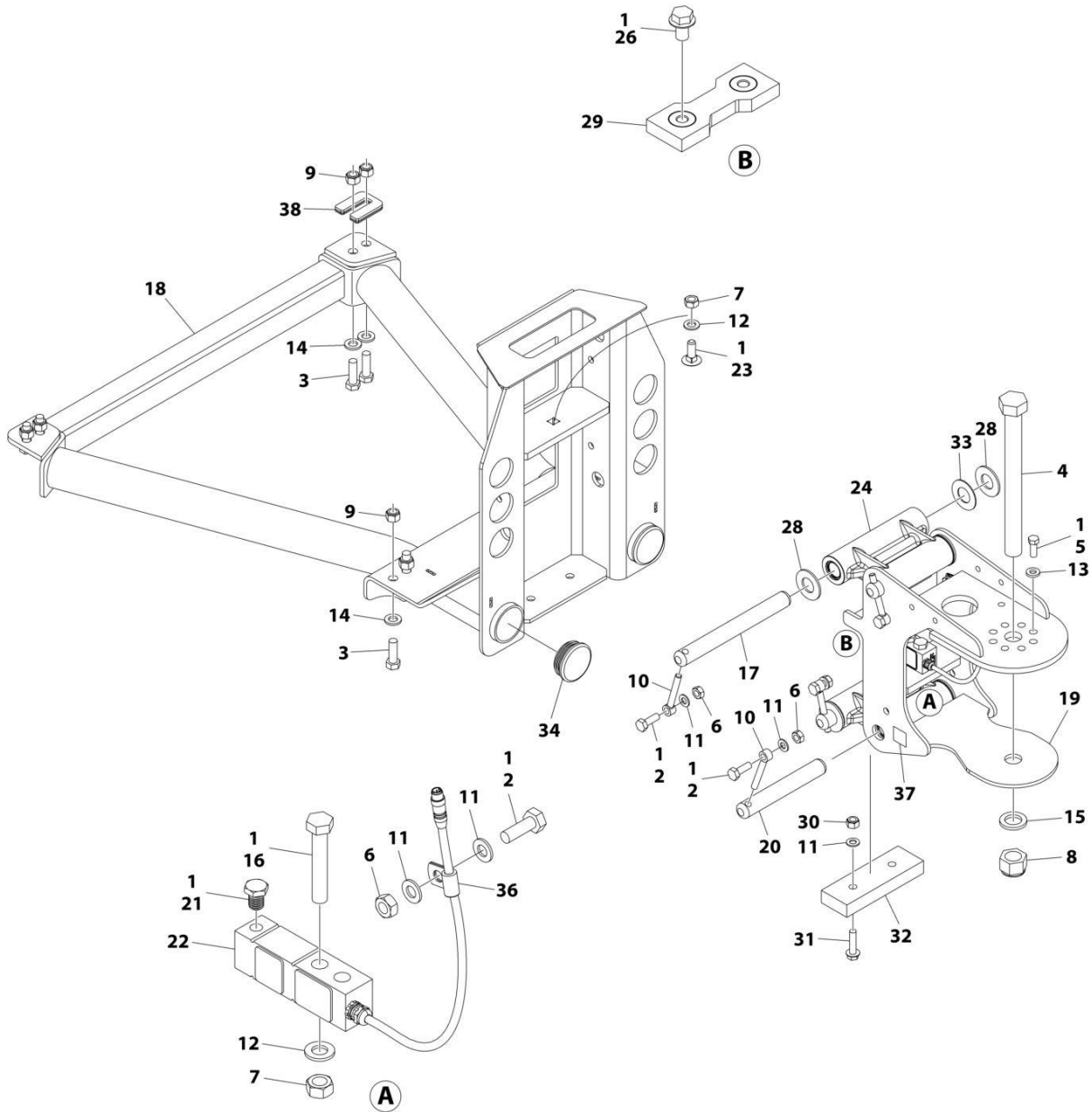
SECTION 4 - BOOM

FIGURE 4-9. PLATFORM SUPPORT INSTALLATION - WITH 4 CELL LSS (SN 1300007286 through 1300007383, SN E300002782 through E300007980)

ITEM	PART NUMBER	QTY	DESCRIPTION	REV
	1001197036	Ref	PLATFORM SUPPORT INSTALLATION - WITH 4 CELL LSS	F
1	0100011	AR	Compound, Locking	
2	0100048	AR	Silicon, Compound (Not Shown)	
3	0641405	6	Bolt 1/4 x 5/8	
4	0641407	1	Bolt 1/4 x 7/8	
5	0641416	3	Bolt 1/4 x 2	
6	0641822	8	Bolt 1/2 x 2-3/4	
7	0642024	4	Bolt 5/8 x 3	
8	0642684	1	Bolt 1/8 x 10-1/2	
9	0681608	8	Bolt 3/8 x 1	
10	0902919	2	Bracket, LH	
11	0902920	2	Bracket, RH	
12	0962450	4	Bushing, Spacer	
13	1271538	2	Channel, Load Cell Wire	
14	1320136	6	Clamp, Cable	
15	1320224	2	Clamp, Cable	
16	1600387	1	Controller, Load Sense	
17	2420202	4	Gauge	
18	2540038	1	Grommet	
20	3272605	1	Nut 1	
21	3311405	10	Nut 1/4	
22	3311805	8	Nut 1/2	
23	3312005	4	Nut 5/8	
24	3900283	4	Screw 3/8 x 3/4	
25	4061054	2	Shield	
26	4240033	AR	Tie-Strap (Not Shown)	
27	4711400	13	Washer 1/4	
28	4711600	4	Washer 3/8	
29	4751400	1	Washer 1/4	
30	4846573	1	Weldment	
31	4891600	8	Washer 3/8	
32	4891800	8	Washer 1/2	
33	4892000	4	Washer 5/8	
34	4892600	1	Washer 1	
35	1001113483	1	Bracket	
36	1001120371	1	LSS Harness (Not Shown - See ELECTRICAL SECTION for Breakdown)	
37	4460428	1	Connector, Strain Relief (Not Shown)	
38	1001216630	2	Decal - Tie Down/No Lift	

SECTION 4 - BOOM

FIGURE 4-10. PLATFORM SUPPORT INSTALLATION - WITH 1 CELL LSS



ART_1001167596

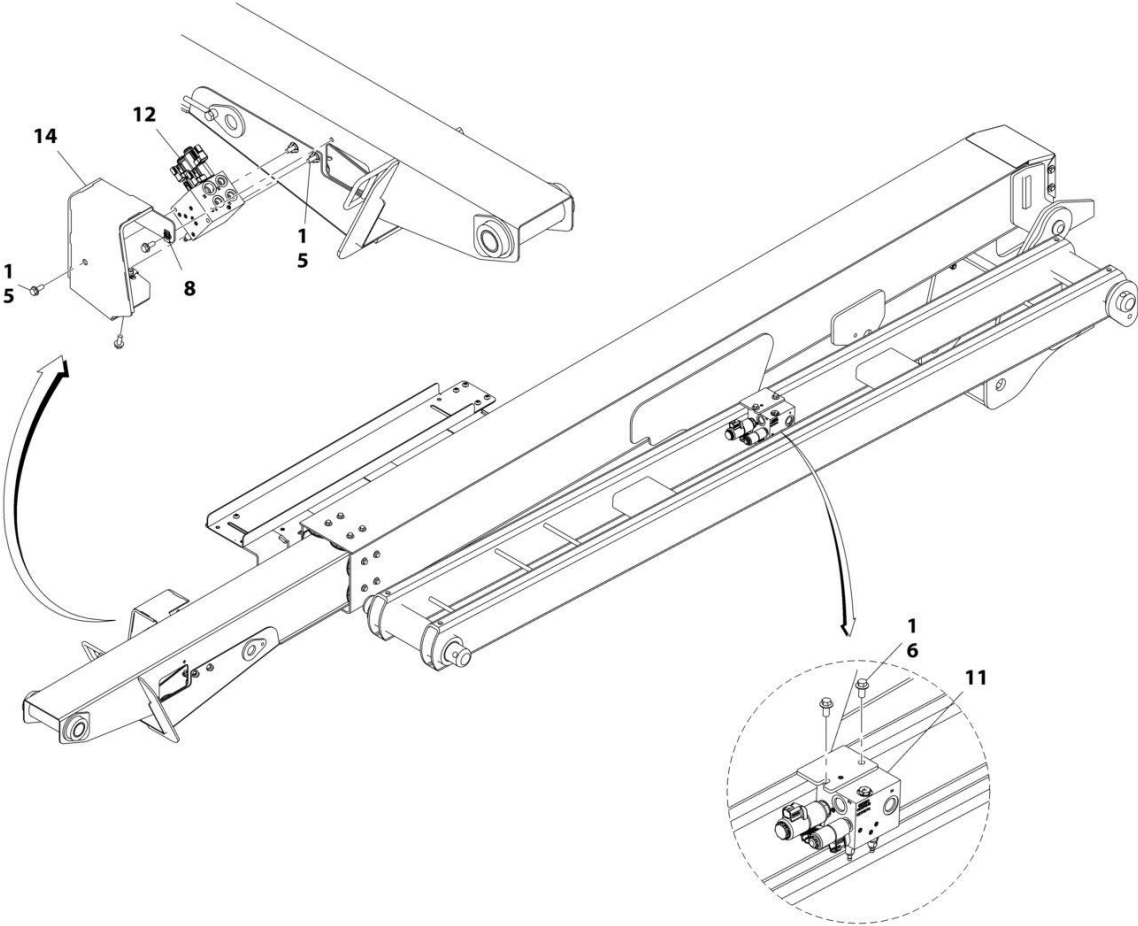
SECTION 4 - BOOM

FIGURE 4-10. PLATFORM SUPPORT INSTALLATION - WITH 1 CELL LSS

ITEM	PART NUMBER	QTY	DESCRIPTION	REV
	1001167596	Ref	PLATFORM SUPPORT INSTALLATION - WITH 1 CELL LSS	L
1	0100011	AR	Compound, Locking	
2	0761014	4	Bolt M10 x 30	
3	0641812	8	Bolt 1/2 x 1-1/2	
3	0761216	8	Bolt M12 x 40	
4	0642684	1	Bolt 1 x 10-1/2	
5	0681608	8	Bolt 3/8 x 1	
6	3291001	AR	Nut M10	
7	3291201	3	Nut M12	
8	3300243	1	Nut 1	
9	3311805	8	Nut 1/2	
9	3291205	8	Nut M12	
10	3841143	4	Keeper	
11	4812000	AR	Washer M10	
12	4812100	3	Washer M12	
13	4891600	8	Washer 3/8	
14	4891800	8	Washer 1/2	
14	5241200	8	Washer M12	
15	4892600	1	Washer 1	
16	1001098828	2	Bolt M12 x 70 Grade 10.9	
17	1001167565	2	Pin	
18	1001200494	1	Support	
19	1001167567	1	Platform Support	
20	1001168402	2	Pin	
21	1001188622	1	Screw M12	
22	1001247468	1	Gauge, Load Sensing	
23	1001188844	1	Bolt M12 x 35	
24	1001201351	2	LSS Link Assembly	
24	1001187382	4	Bearing	
24	1001187383	4	Seal	
26	5251008	2	Bolt M10 x 16	
27	1001175244	1	Harness, LSS (Not Shown) (SN E300000100 through E300003634)	
28	1001189002	8	Bearing	
29	1001190985	1	Pad, Wear	
30	3291005	2	Nut M10	
31	5251016	2	Bolt M10 x 40	
32	1001200491	1	Plate	
33	1001189001	4	Bearing	
34	1001204725	2	Plug	
35	4460428	1	Connector, Strain Relief (Not Shown) (SN E300000100 through E300003634)	
36	91203039	1	Clamp (SN 1300007286 through 1300007383, SN E300003634 through E300007980)	
37	1001216630	2	Decal - Tie Down/No Lift (SN 1300007286 through 1300007383, SN E300003634 through E300007980)	
38	1001238421	AR	Platform Leveling Kit	

SECTION 4 - BOOM

FIGURE 4-11. VALVES INSTALLATION - BOOM MOUNTED



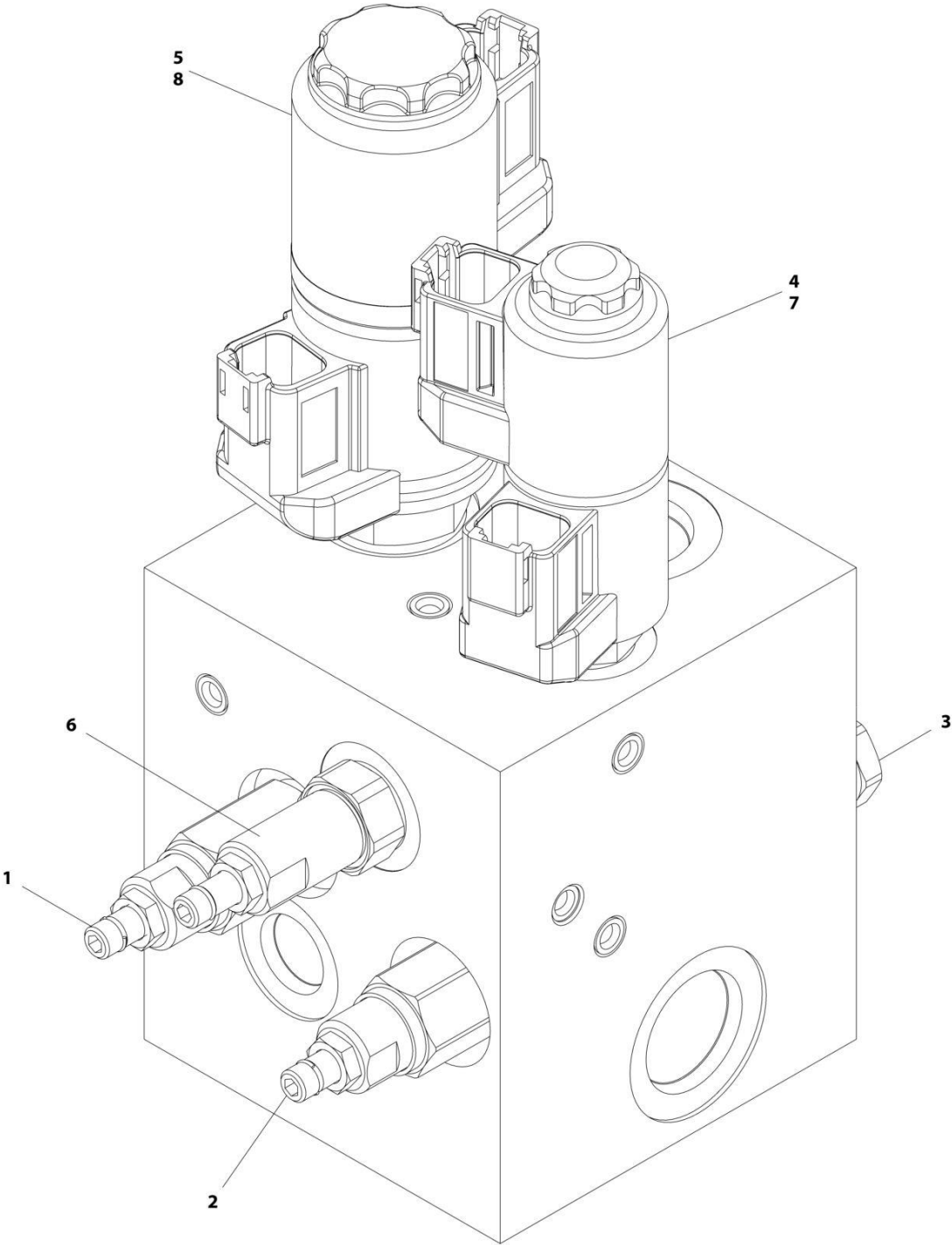
ART_1001165948_3OF3

FIGURE 4-11. VALVES INSTALLATION - BOOM MOUNTED

ITEM	PART NUMBER	QTY	DESCRIPTION	REV
	1001165948	Ref	VALVES INSTALLATION - BOOM MOUNTED	H
1	0100011	AR	Compound, Locking	
5	5250810	5	Bolt M8 x 20	
6	5251010	2	Bolt M10 x 20	
8	1001118274	2	Nut M8	
11	1001162535	1	Upright Valve Assembly (See UPRIGHT VALVE ASSEMBLY for Breakdown)	
12	1001162536	1	Boom Valve Assembly (See BOOM VALVE ASSEMBLY for Breakdown)	
14	1001170375	1	Shield	

SECTION 4 - BOOM

FIGURE 4-12. UPRIGHT VALVE ASSEMBLY



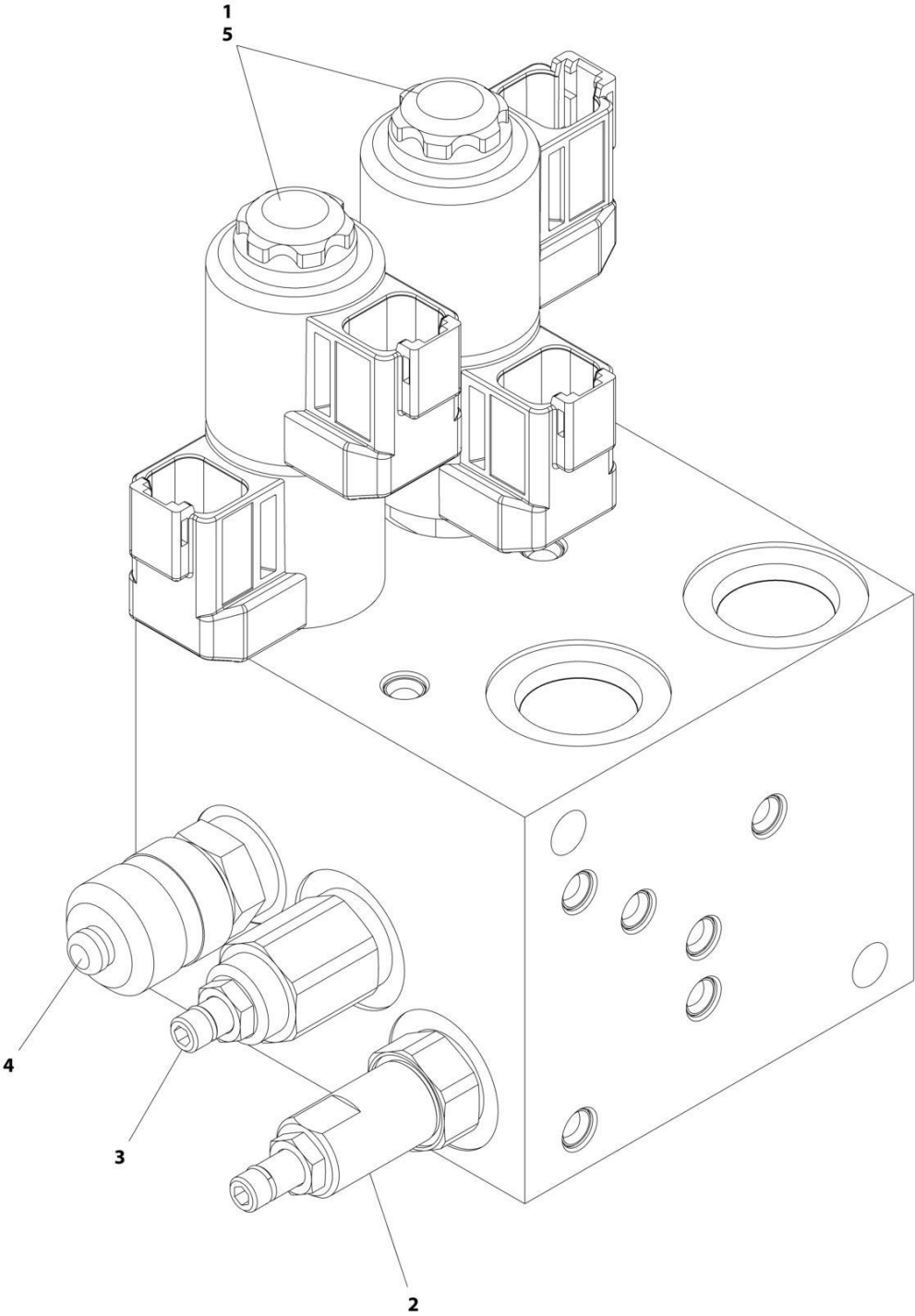
ART_1001162535

FIGURE 4-12. UPRIGHT VALVE ASSEMBLY

ITEM	PART NUMBER	QTY	DESCRIPTION	REV
	1001162535	Ref	UPRIGHT VALVE ASSEMBLY	D
1	70004864	1	Cartridge, Valve	
1	70004875	1	Seal Kit - 70004864 Valve	
2	70004865	1	Cartridge, Valve	
2	70004875	1	Seal Kit - 70004865 Valve	
3	70004866	1	Cartridge, Relief Valve	
3	70004867	1	Seal Kit - 70004866 Valve	
4	70004868	1	Cartridge, Solenoid Valve Less Coil	
4	70004869	1	Seal Kit - 70004868 Valve	
5	7027625	1	Cartridge, Solenoid Valve Less Coil	
5	70000100	1	Seal Kit - 7027625 Valve	
6	70004870	1	Cartridge, Valve (SN E300000100 through E300005535)	
6	70006660	1	Cartridge, Valve (SN 1300007286 through 1300007383, SN E300005535 through E300007980)	
6	70004867	1	Seal Kit - 70004870/70006660 Valve	
7	70004871	2	Coil	
8	7027628	2	Coil	

SECTION 4 - BOOM

FIGURE 4-13. BOOM VALVE ASSEMBLY



ART_1001162536

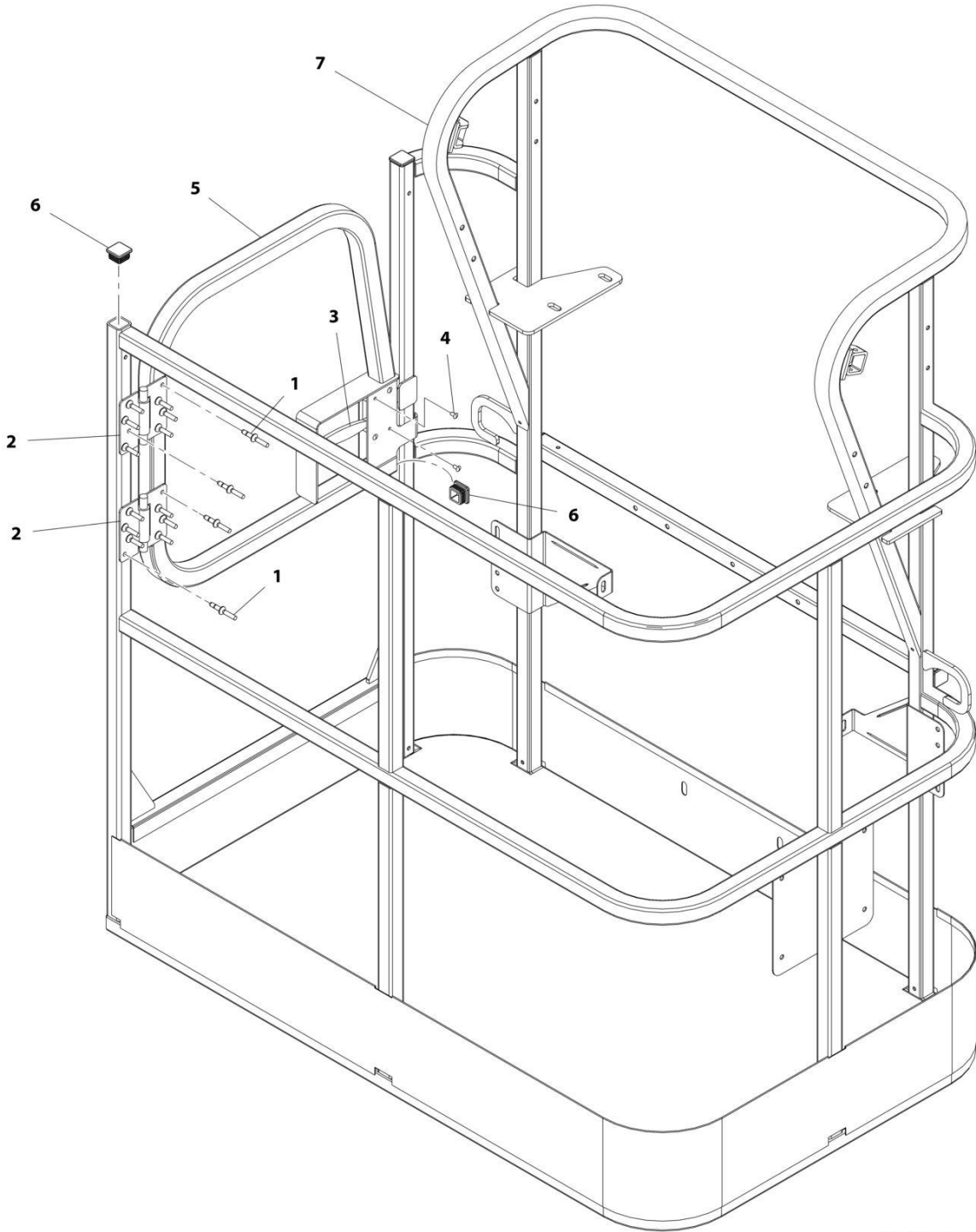
FIGURE 4-13. BOOM VALVE ASSEMBLY

ITEM	PART NUMBER	QTY	DESCRIPTION	REV
	1001162536	Ref	BOOM VALVE ASSEMBLY	F
1	70005243	2	Cartridge, Solenoid Valve Less Coil	
1	70004869	2	Seal Kit - 70005243 Valve	
2	70004873	1	Cartridge, Valve	
2	70004867	1	Seal Kit - 70004873 Valve	
3	70004874	1	Cartridge, Valve (SN E300000100 through E300006382)	
3	70006970	1	Cartridge, Valve (SN E300006383 through E300007980)	
3	70004867	1	Seal Kit - 70004874 & 70006970 Valve	
4	2221086	1	Fitting, Test	
5	70004871	4	Coil	

SECTION 5 - PLATFORM

SECTION 5 - PLATFORM

FIGURE 5-1. PLATFORM ASSEMBLY - 30IN X 4FT (76CM X 1.22M) - SIDE GATE ENTRY



ART_1001188319

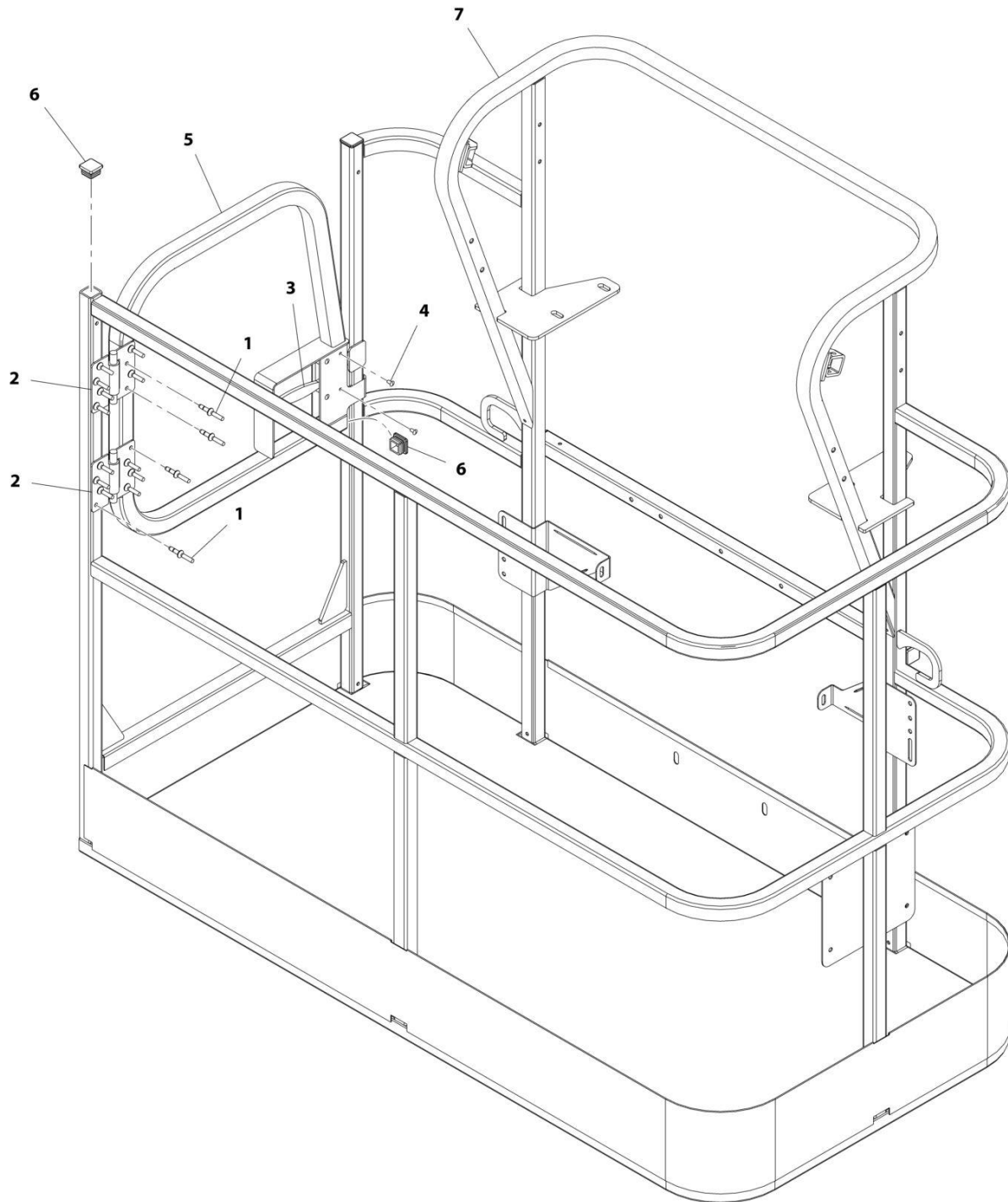
SECTION 5 - PLATFORM

FIGURE 5-1. PLATFORM ASSEMBLY - 30IN X 4FT (76CM X 1.22M) - SIDE GATE ENTRY

ITEM	PART NUMBER	QTY	DESCRIPTION	REV
	1001188319	Ref	PLATFORM ASSEMBLY - 30IN X 4FT (76CM X 1.22M) - SIDE GATE ENTRY	C
	See Note	Ref	Note: Platform and Mesh must be ordered separately for Platforms with Mesh. See SPECIAL OPTIONS SECTION for Mesh Installations.	
	See Note	Ref	Note: Replacement Decals Must be Ordered Separately - See DECALS SECTION.	
1	2080040	16	Fastener, Huck	
2	2600281	2	Hinge, Self-Closing	
3	2940074	1	Latch	
4	3820020	4	Rivet	
5	1001144629	1	Gate, Weldment	
6	1001145781	5	Cap, Plug	
7	See Note	1	Platform, Weldment (Note: Not Available - Purchase Platform Assembly)	

SECTION 5 - PLATFORM

FIGURE 5-2. PLATFORM ASSEMBLY - 30IN X 5FT (76CM X 1.52M) - SIDE GATE ENTRY



ART_1001188315

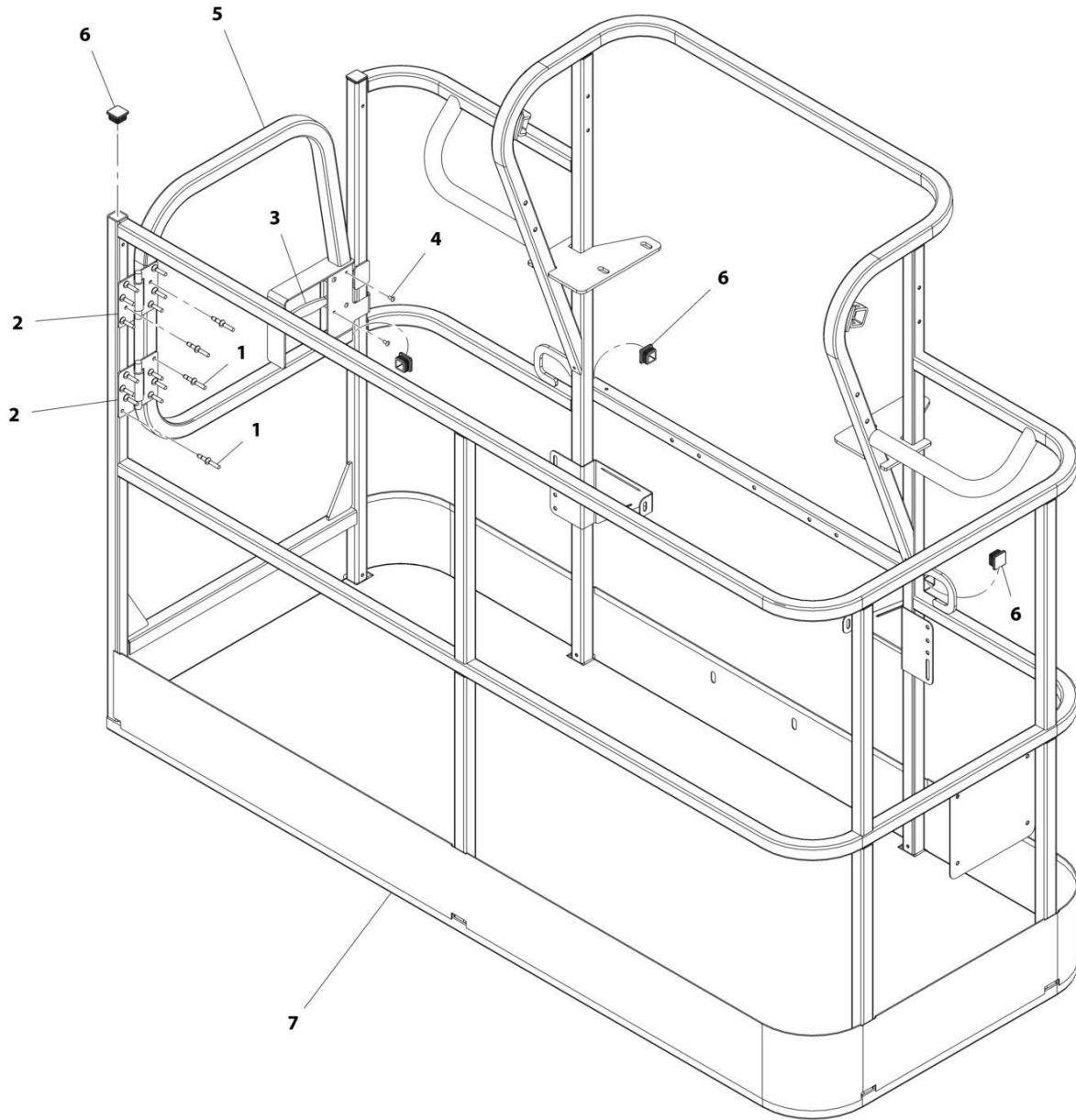
SECTION 5 - PLATFORM

FIGURE 5-2. PLATFORM ASSEMBLY - 30IN X 5FT (76CM X 1.52M) - SIDE GATE ENTRY

ITEM	PART NUMBER	QTY	DESCRIPTION	REV
	1001188315	Ref	PLATFORM ASSEMBLY - 30IN X 5FT (76CM X 1.52M) - SIDE GATE ENTRY	D
	See Note	Ref	Note: Platform and Mesh must be ordered separately for Platforms with Mesh. See SPECIAL OPTIONS SECTION for Mesh Installations.	
	See Note	Ref	Note: Replacement Decals Must be Ordered Separately - See DECALS SECTION.	
1	2080040	16	Fastener, Huck	
2	2600281	2	Hinge, Self-Closing	
3	2940074	1	Latch	
4	3820020	4	Rivet	
5	1001144629	1	Gate, Weldment	
6	1001145781	5	Cap, Plug	
7	See Note	1	Platform, Weldment (Note: Not Available - Purchase Platform Assembly)	

SECTION 5 - PLATFORM

FIGURE 5-3. PLATFORM ASSEMBLY - 30IN X 6FT (76CM X 1.83M) - SIDE GATE ENTRY



ART_1001188312

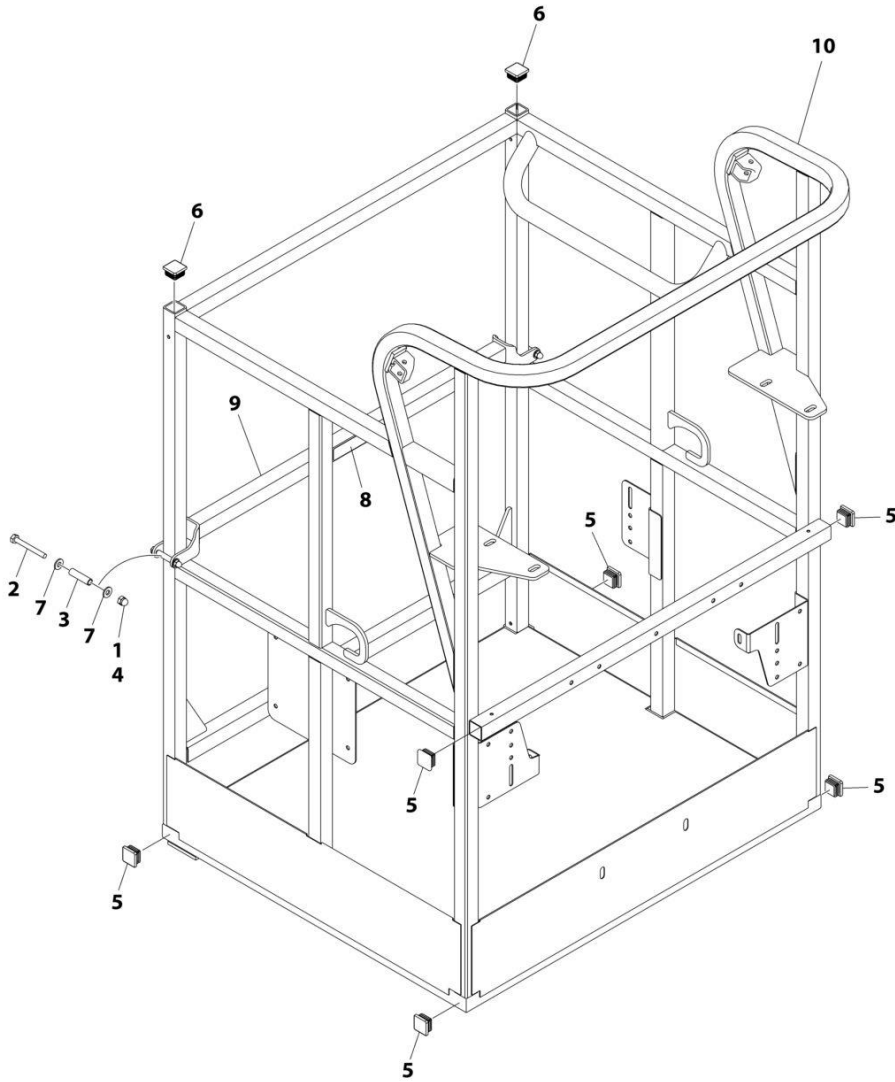
SECTION 5 - PLATFORM

FIGURE 5-3. PLATFORM ASSEMBLY - 30IN X 6FT (76CM X 1.83M) - SIDE GATE ENTRY

ITEM	PART NUMBER	QTY	DESCRIPTION	REV
	1001188312	Ref	PLATFORM ASSEMBLY - 30IN X 6FT (76CM X 1.83M) - SIDE GATE ENTRY	E
	See Note	Ref	Note: Platform and Mesh must be ordered separately for Platforms with Mesh. See SPECIAL OPTIONS SECTION for Mesh Installations.	
	See Note	Ref	Note: Replacement Decals Must be Ordered Separately - See DECALS SECTION.	
1	2080040	16	Fastener, Huck	
2	2600281	2	Hinge, Self-Closing	
3	2940074	1	Latch	
4	3820020	4	Rivet	
5	1001144629	1	Gate, Weldment	
6	1001145781	5	Cap, Plug	
7	See Note	1	Platform, Weldment (Note: Not Available - Purchase Platform Assembly)	

SECTION 5 - PLATFORM

FIGURE 5-4. PLATFORM ASSEMBLY - 30IN X 3FT (76CM X .91M) - WITH DROP BAR



ART_1001228215

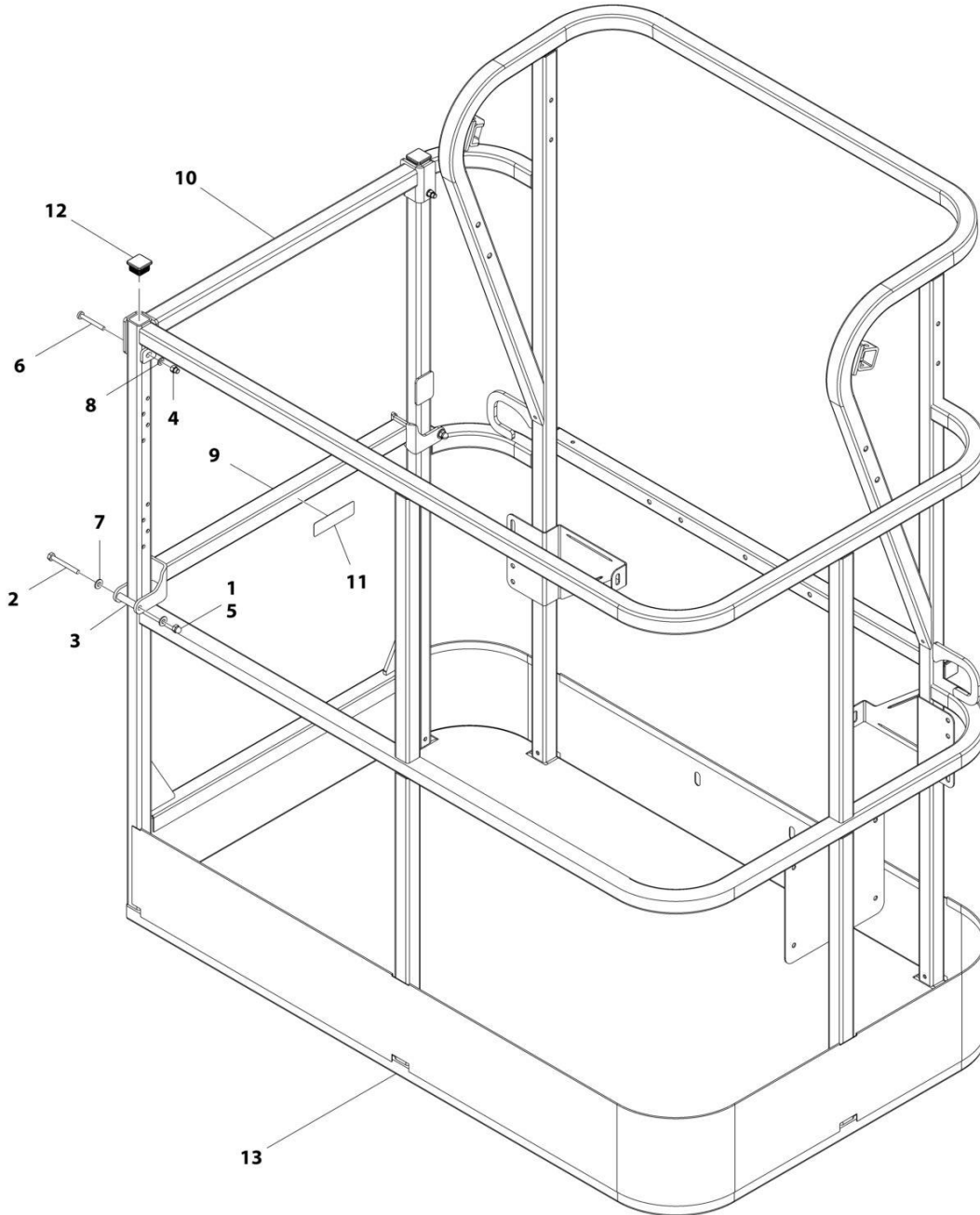
SECTION 5 - PLATFORM

FIGURE 5-4. PLATFORM ASSEMBLY - 30IN X 3FT (76CM X .91M) - WITH DROP BAR

ITEM	PART NUMBER	QTY	DESCRIPTION	REV
	1001228215	Ref	PLATFORM ASSEMBLY - DROP BAR ENTRY (30IN x 3FT/76CM x .91M)	A
	See Note	Ref	Note: Platform and Mesh must be ordered separately for Platforms with Mesh. See SPECIAL OPTIONS SECTION for Mesh Installations.	
	See Note	Ref	Note: Replacement Decals Must be Ordered Separately - See DECAL SECTION.	
1	0100011	AR	Compound, Locking	
2	0641418	2	Bolt 1/4 x 2-1/4	
3	0961845	2	Bushing	
4	3300151	2	Nut, Acorn	
5	3520072	6	Plug	
6	3520198	2	Plug	
7	4711400	4	Washer 1/4	
8	1001140429	1	Decal - Drop Bar	
9	1001226872	1	Bar, Drop	
10	See Note	NSS	Platform, Weldment (Note: Not Available - Purchase Platform Assembly)	

SECTION 5 - PLATFORM

FIGURE 5-5. PLATFORM ASSEMBLY - 30IN X 4FT (76CM X 1.22M) - WITH DROP BAR



ART_1001188318

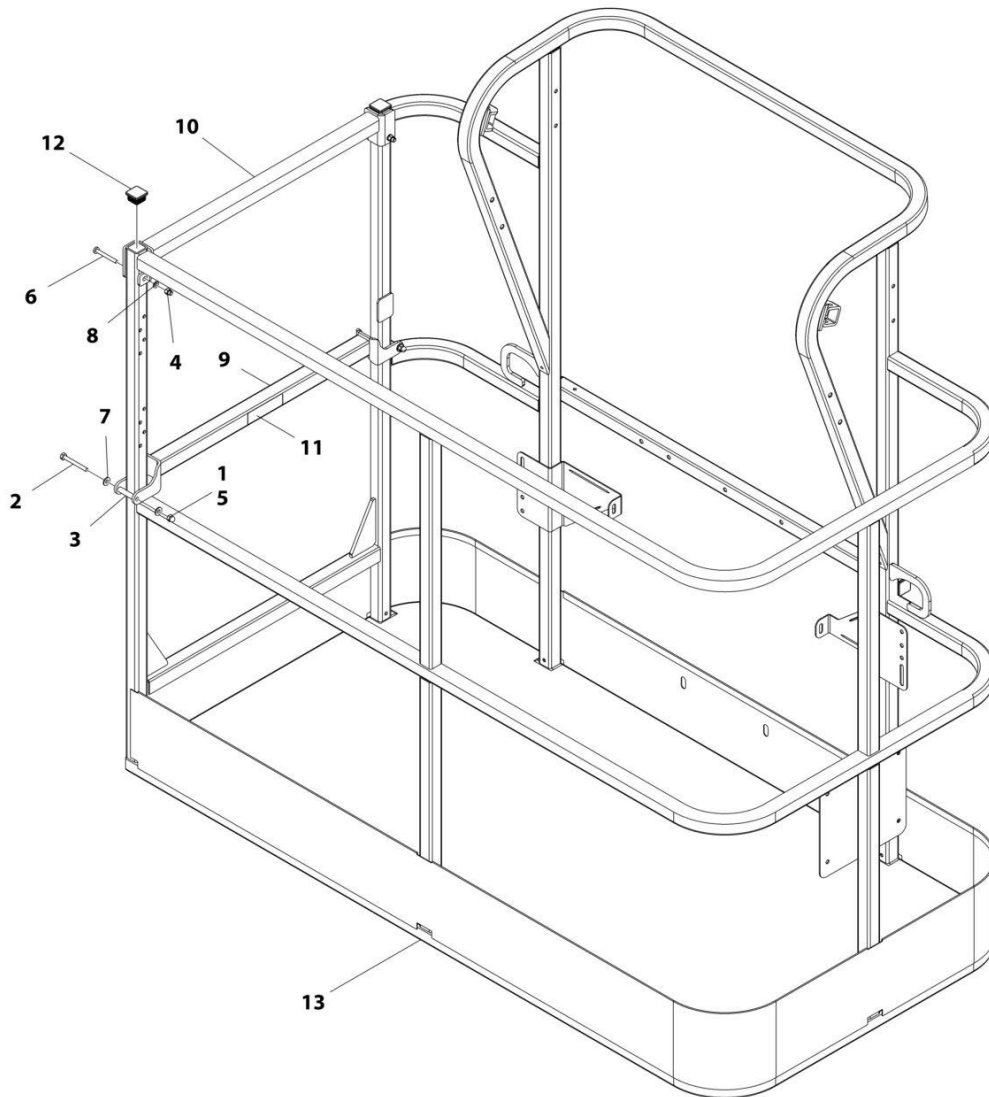
SECTION 5 - PLATFORM

FIGURE 5-5. PLATFORM ASSEMBLY - 30IN X 4FT (76CM X 1.22M) - WITH DROP BAR

ITEM	PART NUMBER	QTY	DESCRIPTION	REV
	1001188318	Ref	PLATFORM ASSEMBLY - 30IN X 4FT (76CM X 1.22M) - WITH DROP BAR	B
	See Note	Ref	Note: Platform and Mesh must be ordered separately for Platforms with Mesh. See SPECIAL OPTIONS SECTION for Mesh Installations.	
	See Note	Ref	Note: Replacement Decals Must be Ordered Separately - See DECALS SECTION.	
1	0100011	AR	Compound, Locking	
2	0641418	2	Bolt, 1/4-20 x 2-1/4	
3	0961845	2	Bushing	
4	3290606	2	Nut, M6 x 1	
5	3300151	2	Nut, Acorn 1/4-20	
6	4010618	2	Screw, M6 x 50mm	
7	4711400	4	Washer, 1/4	
8	4811700	2	Washer, M6	
9	1001138494	1	Bar, Drop	
10	1001138514	1	Rail (Top)	
11	1001140429	1	Decal - Drop Bar	
12	1001145781	4	Cap, Plug	
13	See Note	1	Platform, Weldment (Note: Not Available - Purchase Platform Assembly)	

SECTION 5 - PLATFORM

FIGURE 5-6. PLATFORM ASSEMBLY - 30IN X 5FT (76CM X 1.52M) - WITH DROP BAR



ART_1001188314

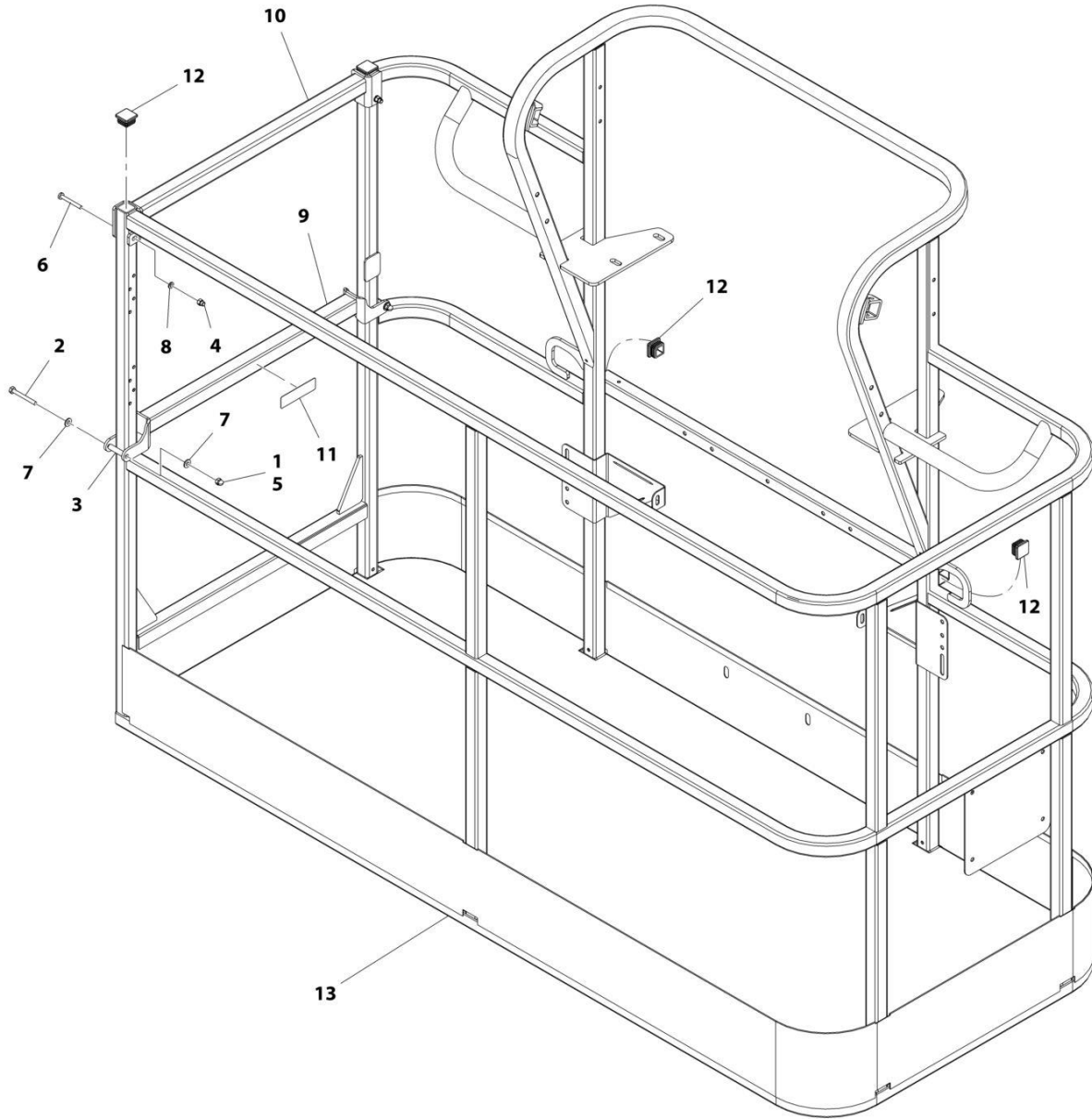
SECTION 5 - PLATFORM

FIGURE 5-6. PLATFORM ASSEMBLY - 30IN X 5FT (76CM X 1.52M) - WITH DROP BAR

ITEM	PART NUMBER	QTY	DESCRIPTION	REV
	1001188314	Ref	PLATFORM ASSEMBLY - 30IN X 5FT (76CM X 1.52M) - WITH DROP BAR	B
	See Note	Ref	Note: Platform and Mesh must be ordered separately for Platforms with Mesh. See SPECIAL OPTIONS SECTION for Mesh Installations.	
	See Note	Ref	Note: Replacement Decals Must be Ordered Separately - See DECALS SECTION.	
1	0100011	AR	Compound, Locking	
2	0641418	2	Bolt, 1/4-20 x 2-1/4	
3	0961845	2	Bushing	
4	3290606	2	Nut, M6 x 1	
5	3300151	2	Nut, Acorn 1/4-20	
6	4010618	2	Screw, M6 x 50mm	
7	4711400	4	Washer, 1/4	
8	4811700	2	Washer, M6	
9	1001138494	1	Bar, Drop	
10	1001138514	1	Rail (Top)	
11	1001140429	1	Decal - Drop Bar	
12	1001145781	4	Cap, Plug	
13	See Note	1	Platform, Weldment (Note: Not Available - Purchase Platform Assembly)	

SECTION 5 - PLATFORM

FIGURE 5-7. PLATFORM ASSEMBLY - 30IN X 6FT (76CM X 1.83M) - WITH DROP BAR



ART_1001188311

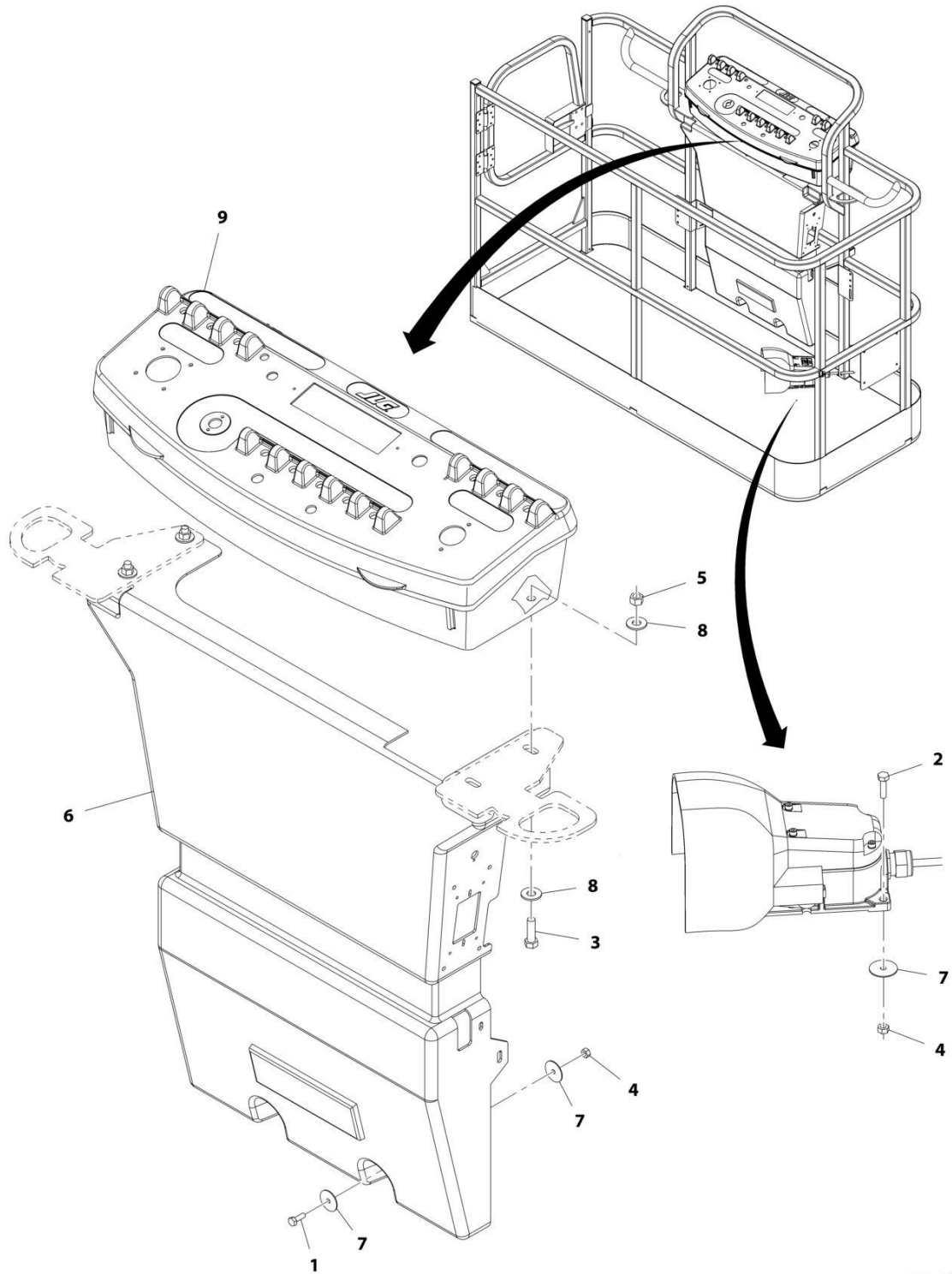
SECTION 5 - PLATFORM

FIGURE 5-7. PLATFORM ASSEMBLY - 30IN X 6FT (76CM X 1.83M) - WITH DROP BAR

ITEM	PART NUMBER	QTY	DESCRIPTION	REV
	1001188311	Ref	PLATFORM ASSEMBLY - 30IN X 6FT (76CM X 1.83M) - WITH DROP BAR	B
	See Note	Ref	Note: Platform and Mesh must be ordered separately for Platforms with Mesh. See SPECIAL OPTIONS SECTION for Mesh Installations.	
	See Note	Ref	Note: Replacement Decals Must be Ordered Separately - See DECALS SECTION.	
1	0100011	AR	Compound, Locking	
2	0641418	2	Bolt, 1/4-20 x 2-1/4	
3	0961845	2	Bushing	
4	3290606	2	Nut, M6 x 1	
5	3300151	2	Nut, Acorn 1/4-20	
6	4010618	2	Screw, M6 x 50mm	
7	4711400	4	Washer, 1/4	
8	4811700	2	Washer, M6	
9	1001138494	1	Bar, Drop	
10	1001138514	1	Rail (Top)	
11	1001140429	1	Decal - Drop Bar	
12	1001145781	4	Cap, Plug	
13	See Note	1	Platform, Weldment (Note: Not Available - Purchase Platform Assembly)	

SECTION 5 - PLATFORM

FIGURE 5-8. CONSOLE BOX INSTALLATION - WITHOUT SKYGUARD



ART_1001166142

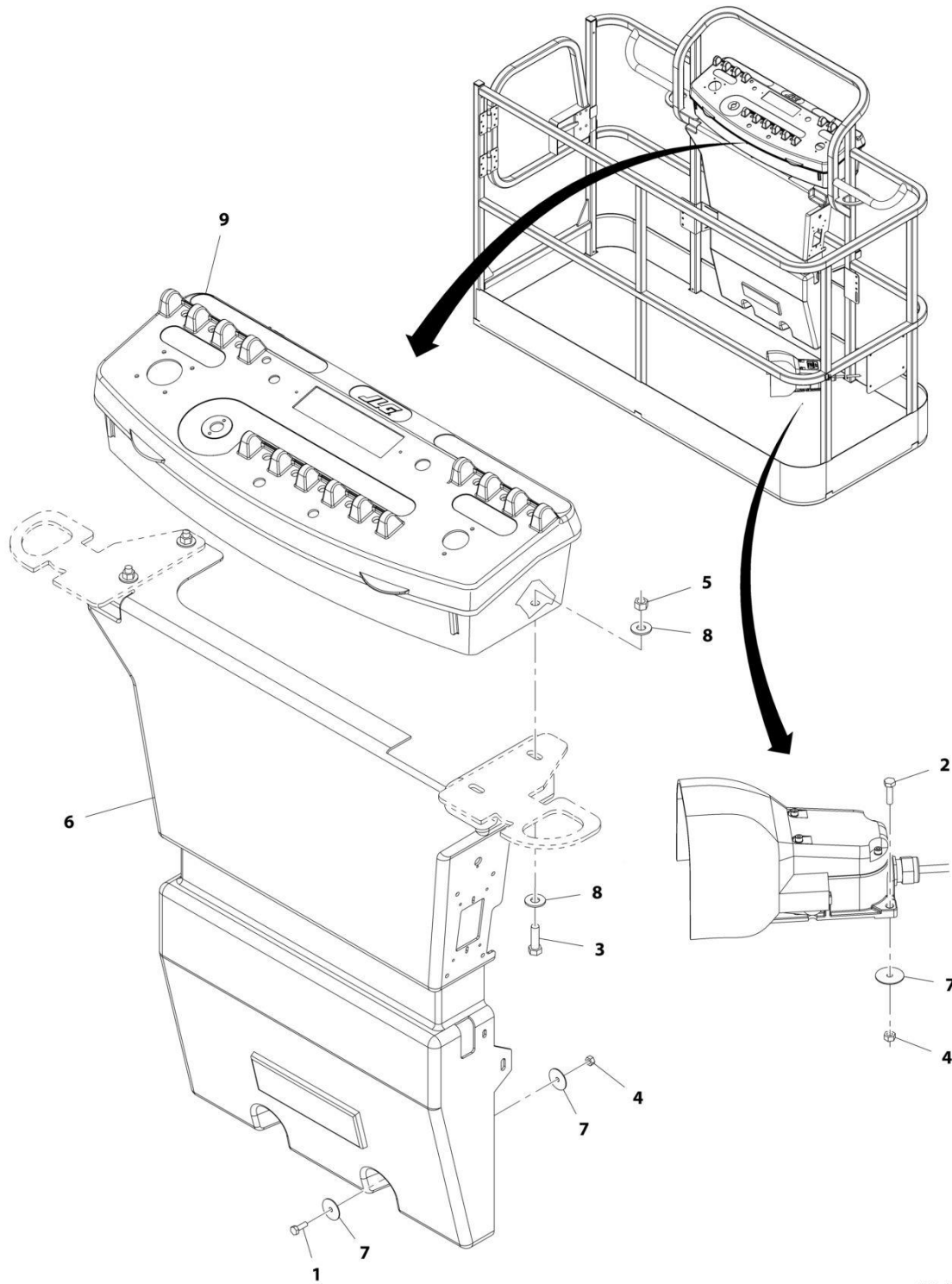
SECTION 5 - PLATFORM

FIGURE 5-8. CONSOLE BOX INSTALLATION - WITHOUT SKYGUARD

ITEM	PART NUMBER	QTY	DESCRIPTION	REV
	1001166142	Ref	CONSOLE BOX INSTALLATION - WITHOUT SKYGUARD	C
1	0641406	2	Bolt, 1/4-20 x 3/4	
2	0641408	3	Bolt, 1/4-20 x 1	
3	0641610	4	Bolt, 3/8-16 x 1-1/4	
4	3311405	5	Nut, Lock 1/4-20	
5	3311605	4	Nut, Lock 3/8-16	
6	3380434	1	Panel, Decal Mount	
7	4740362	7	Washer, 1/4	
8	4751600	8	Washer, 3/8	
9	1001167267	NLA	Platform Console Box Assembly (See PLATFORM CONSOLE BOX ASSEMBLY - WITHOUT SKYGUARD for Breakdown) (Use p/n 1001202612) (SN E300000100 through E300003610)	
9	1001202612	1	Platform Console Box Assembly (See PLATFORM CONSOLE BOX ASSEMBLY - WITHOUT SKYGUARD for Breakdown) (SN 1300007286 through 1300007383, SN E300003610 through E300007980)	
10	1001164728	1	Harness, Platform Valve (Not Shown - See ELECTRICAL SECTION for Breakdown) (SN 1300007286 through 1300007383, SN E300003015 through E300007980)	

SECTION 5 - PLATFORM

FIGURE 5-9. CONSOLE BOX INSTALLATION - WITH SKYGUARD (SN E30000100 through E300007543)



ART_1001195446

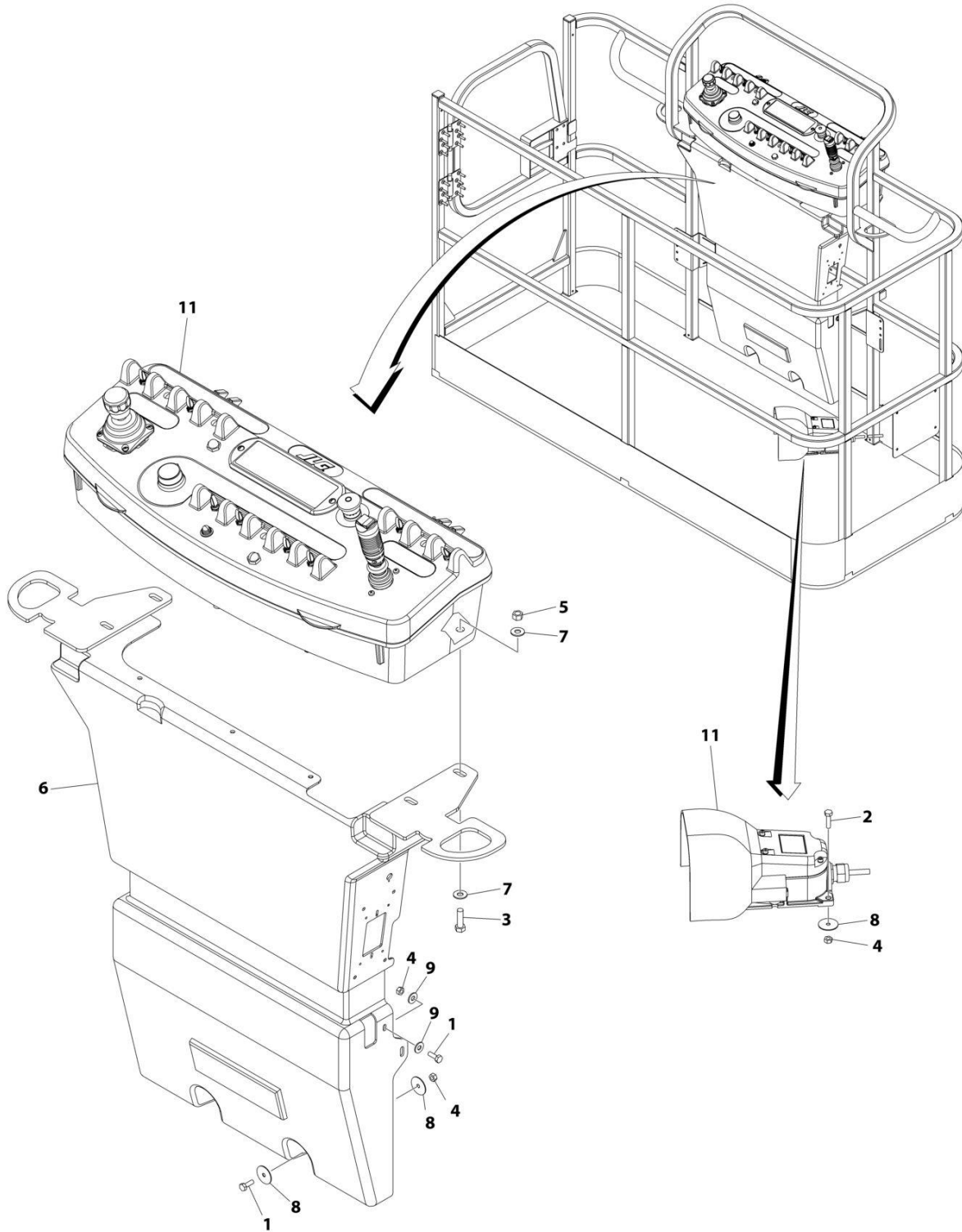
SECTION 5 - PLATFORM

FIGURE 5-9. CONSOLE BOX INSTALLATION - WITH SKYGUARD (SN E300000100 through E300007543)

ITEM	PART NUMBER	QTY	DESCRIPTION	REV
	1001195446	Ref	CONSOLE BOX INSTALLATION - WITH SKYGUARD	D
1	0641406	2	Bolt, 1/4-20 x 3/4	
2	0641408	3	Bolt, 1/4-20 x 1	
3	0641610	4	Bolt, 3/8-16 x 1-1/4	
4	3311405	5	Nut, Lock 1/4-20	
5	3311605	4	Nut, Lock 3/8-16	
6	3380434	1	Panel, Decal Mount	
7	4740362	7	Washer, 1/4	
8	4751600	8	Washer, 3/8	
9	1001195444	NLA	Platform Console Box Assembly (See PLATFORM CONSOLE BOX ASSEMBLY - WITH SKYGUARD for Breakdown) (Use p/n 1001242847) (SN E300000100 through E300003610)	
9	1001202611	NLA	Platform Console Box Assembly (See PLATFORM CONSOLE BOX ASSEMBLY - WITH SKYGUARD for Breakdown) (Use p/n 1001242847) (SN 1300007286 through 1300007383, SN E300003610 through E300007542)	
10	1001164728	1	Harness, Platform Valve (Not Shown - See ELECTRICAL SECTION for Breakdown) (SN 1300007286 through 1300007383, SN E300003015 through E300007542)	

SECTION 5 - PLATFORM

FIGURE 5-10. CONSOLE BOX INSTALLATION - WITH SKYGUARD (SN E300007543 through E300007980)



ART_1001242842

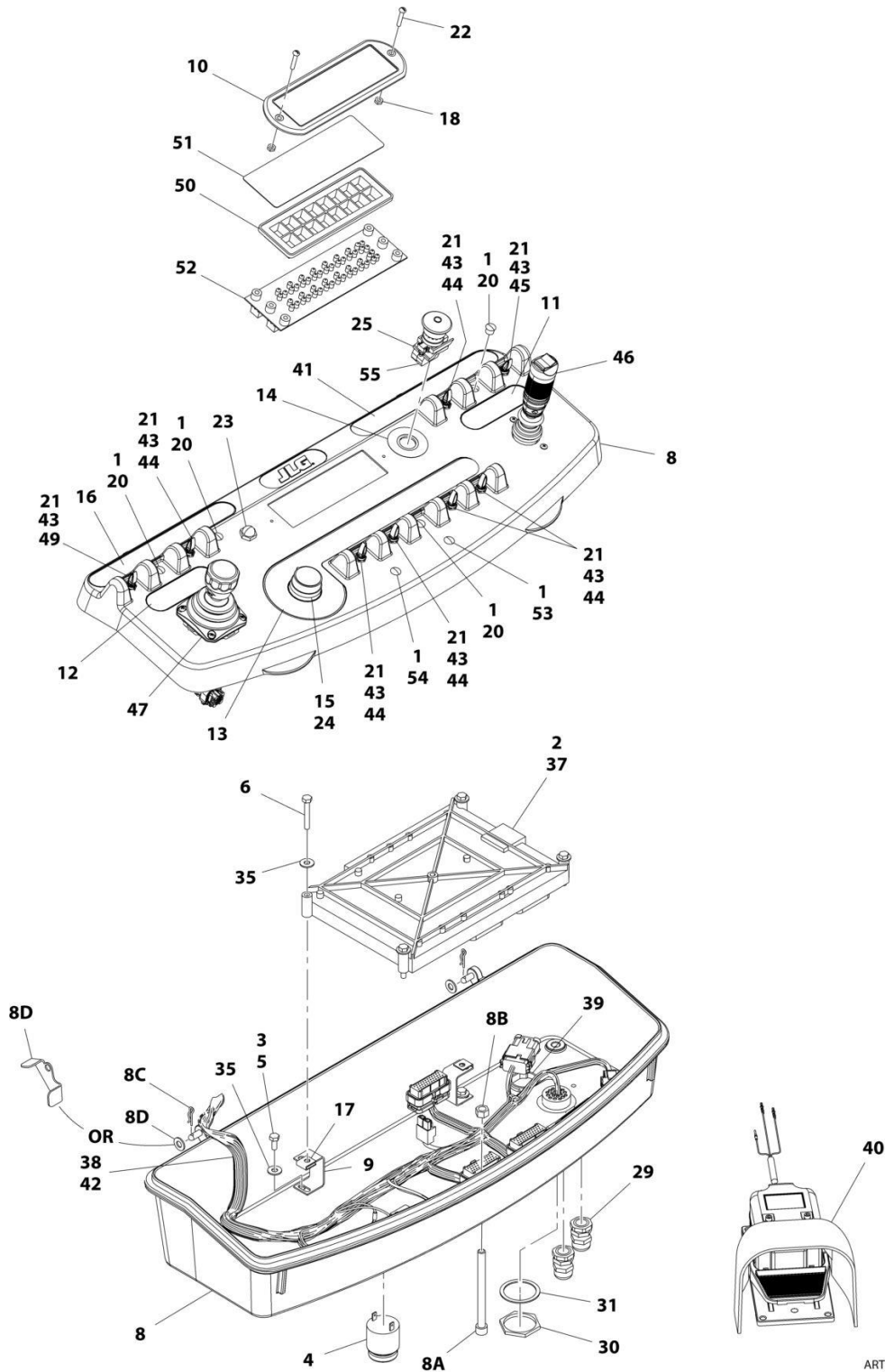
SECTION 5 - PLATFORM

FIGURE 5-10. CONSOLE BOX INSTALLATION - WITH SKYGUARD (SN E3000007543 through E300007980)

ITEM	PART NUMBER	QTY	DESCRIPTION	REV
	1001242842	Ref	CONSOLE BOX INSTALLATION - 450AJ WITH SKYGUARD	A
1	0641406	4	Bolt 1/4 x 3/4	
2	0641408	3	Bolt 1/4 x 1	
3	0641610	4	Bolt 3/8 x 1-1/4	
4	3311405	7	Nut Lock 1/4	
5	3311605	4	Nut Lock 3/8	
6	3380434	1	Panel, Decal Mount	
7	4751600	8	Washer 3/8	
8	4740362	7	Washer 1/4	
9	4751400	4	Washer 1/4	
10	1001164728	1	Harness, Platform Valve (Not Shown - See ELECTRICAL SECTION for Breakdown)	
11	1001242847	1	Platform Console Box Assembly (See PLATFORM CONSOLE BOX ASSEMBLY - WITH SKYGUARD for Breakdown)	

SECTION 5 - PLATFORM

FIGURE 5-11. PLATFORM CONSOLE BOX ASSEMBLY - WITHOUT SKYGUARD (SN E300000100 through E300003610)



SECTION 5 - PLATFORM

FIGURE 5-11. PLATFORM CONSOLE BOX ASSEMBLY - WITHOUT SKYGUARD (SN E300000100 through E300003610)

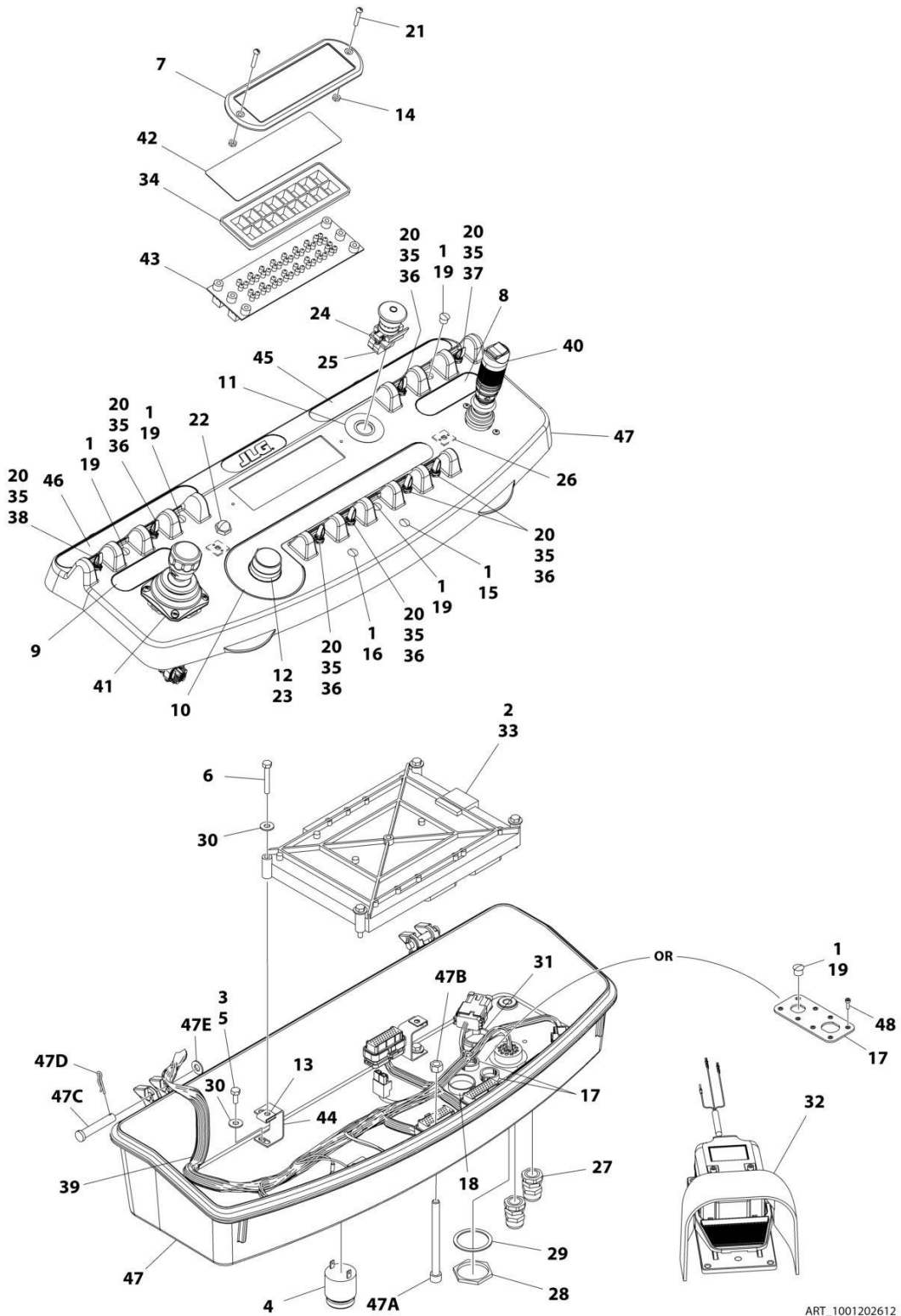
ITEM	PART NUMBER	QTY	DESCRIPTION	REV
	1001167267	Ref	PLATFORM CONSOLE BOX ASSEMBLY - WITHOUT SKYGUARD	J
1	0100009	AR	Sealant	
2	0100048	AR	Grease, Dielectric	
3	0100081	AR	Adhesive	
4	0140011	1	Alarm	
5	0641404	4	Bolt, 1/4-20 x 1/2	
6	0641414	4	Bolt, 1/4-20 x 1-3/4	
8	1001184324	1	Platform Console Box	
8A	0630568	1	Capscrew, 3/8-16 x 4-1/2	
8B	3311601	1	Nut, 3/8-16	
8C	3470003	2	Hairpin	
8D	4711500	2	Washer, 5/16	
8D	1001200575	2	Bracket, Stop	
9	1001172760	4	Bracket	
10	1670829	1	Bezel	
11	1702565	1	Decal - Drive and Steer	
12	1702566	1	Decal - Lift and Swing	
13	1702567	1	Decal - Function Speed	
14	1704260	1	Decal - EMS	
15	2560136	1	Handle, Knob	
16	1001184626	1	Decal - Horn	
17	3300353	4	Nut, Tinnerman	
18	3300408	2	Nut, Lock	
20	3520054	4	Plug	
21	3790012	8	O-Ring	
22	3911018	2	Screw, 10-24 x 1-1/8	
23	4360387	1	Switch, Pushbutton	
24	4360407	1	Switch, Potentiometer	
25	4360475	1	Switch, Emergency	
25	7020175	1	Cap, Red	
25	7020176	1	Contact Block	
28	4460234	2	Terminal	
29	4460428	2	Connector, Strain Relief	
30	4460470	1	Nut, Terminal	
31	4460471	1	Washer, Lock	
35	4751400	8	Washer, 1/4	
37	1001118412	1	Controller, Module (Note: Re-calibration Required when Replaced)	
38	1001164353	1	Harness, Platform Console Box (See ELECTRICAL SECTION for Breakdown)	
39	1001110434	1	Plug	
40	1001117174	1	Footswitch Assembly (See FOOTSWITCH ASSEMBLY for Breakdown)	
41	1001184618	1	Decal - Stop	
42	1001164728	1	Harness, Platform Valve (See ELECTRICAL SECTION for Breakdown) (SN E300000100 through E300003015)	
43	1001155044	8	Nut, Special 15/32-32	
44	1001155045	6	Switch, Toggle	
45	1001159256	1	Switch, Toggle	
46	1001166538	NLA	Controller Assembly (Drive and Steer) (Use p/n 1001212415) (See CONTROLLER ASSEMBLY (DRIVE AND STEER) for Breakdown)	

SECTION 5 - PLATFORM

ITEM	PART NUMBER	QTY	DESCRIPTION	REV
47	1001166539	NLA	Controller Assembly (Lift and Swing) (See CONTROLLER ASSEMBLY (LIFT AND SWING) for Breakdown) (Note: Use p/n 1001129555 as Replacement)	
49	1001161709	1	Switch, Toggle	
50	1001146220	1	Housing, Display Light	
51	1001170446	1	Decal - Platform Display	
52	1001170838	1	Gauge, Led Panel	
53	3520026	1	Plug	
54	3520027	1	Plug	
55	4360476	1	Switch, Contact	

SECTION 5 - PLATFORM

FIGURE 5-12. PLATFORM CONSOLE BOX ASSEMBLY - WITHOUT SKYGUARD (SN 1300007286 through 1300007383, SN E300003610 through E300007980)



SECTION 5 - PLATFORM

FIGURE 5-12. PLATFORM CONSOLE BOX ASSEMBLY - WITHOUT SKYGUARD (SN 1300007286 through 1300007383, SN E300003610 through E300007980)

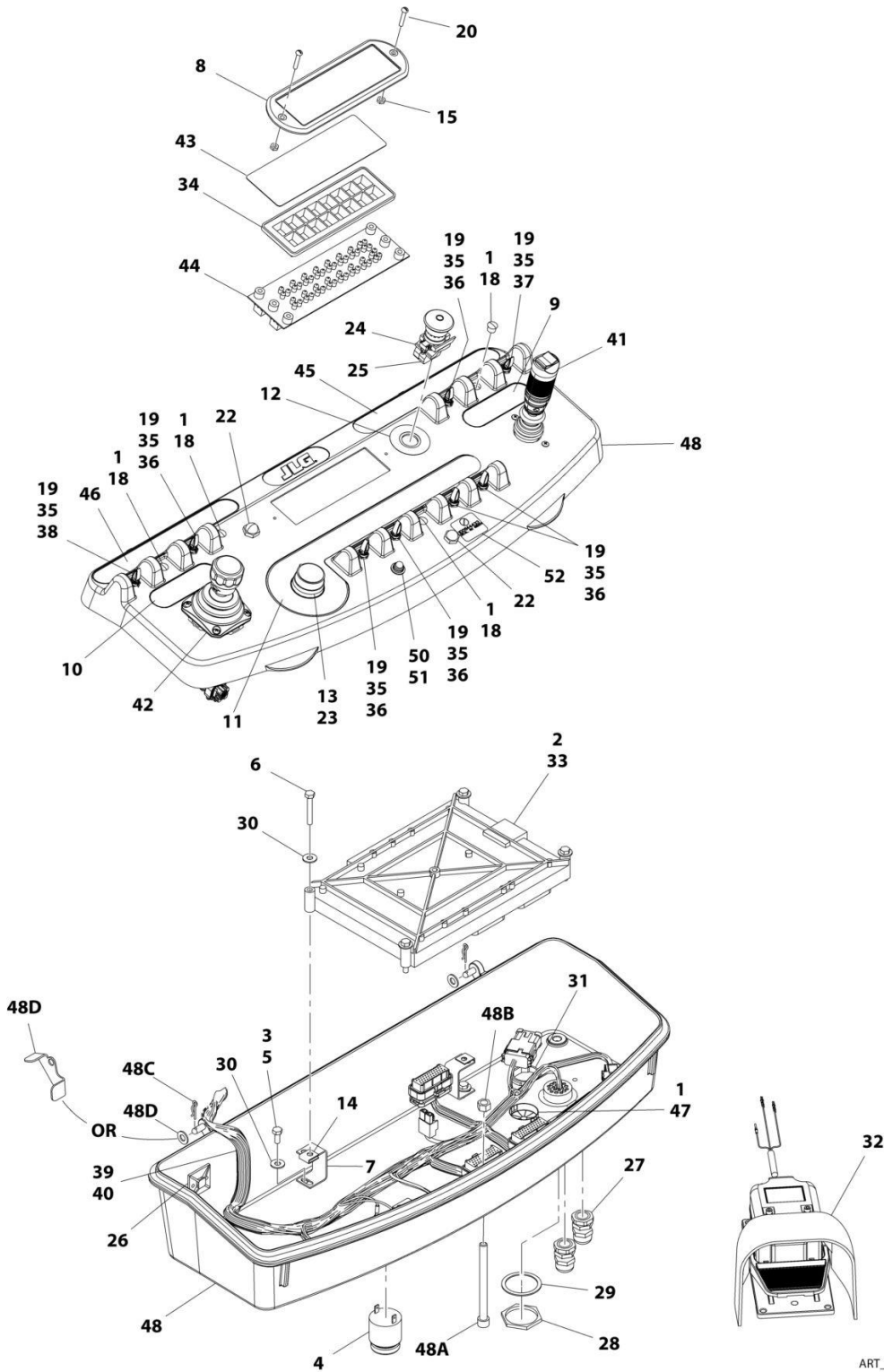
ITEM	PART NUMBER	QTY	DESCRIPTION	REV
	1001202612	Ref	PLATFORM CONSOLE BOX ASSEMBLY - WITHOUT SKYGUARD	C
1	0100009	AR	Sealant	
2	0100048	AR	Grease, Dielectric	
3	0100081	AR	Adhesive	
4	0140011	1	Alarm	
5	0641405	4	Bolt 1/4 x 5/8	
6	0641414	4	Bolt 1/4 x 1-3/4	
7	1670829	1	Bezel	
8	1702565	1	Decal - Drive and Steer	
9	1702566	1	Decal - Lift and Swing	
10	1702567	1	Decal - Function Speed	
11	1704260	1	Decal - EMS	
12	2560136	1	Handle, Knob	
13	3300353	4	Nut	
14	3300408	2	Nut	
15	3520026	1	Plug	
16	3520027	1	Plug	
17	3520033	2	Plug (SN E300000100 through E300003750)	
17	1001213882	1	Connector, Mounting (SN E300003750 through E300007980)	
18	3520035	1	Plug	
19	3520054	5	Plug	
20	3790012	8	O-Ring	
21	3911018	2	Screw 10 x 1-1/8	
22	4360387	1	Switch, Pushbutton	
23	4360407	1	Switch, Potentiometer	
24	4360475	1	Switch, Emergency	
24	7020175	1	Cap, Red	
24	7020176	1	Contact Block	
25	4360476	1	Switch, Contact	
26	4460234	2	Terminal	
27	4460428	2	Connector, Strain Relief	
28	4460470	1	Nut	
29	4460471	1	Washer	
30	4751400	8	Washer 1/4	
31	1001110434	1	Plug	
32	1001117174	1	Footswitch Assembly (See FOOTSWITCH ASSEMBLY for Breakdown)	
33	1001118412	1	Controller, Module (Note: Re-calibration Required when Replaced)	
34	1001146220	1	Housing, Display Light	
35	1001155044	8	Nut 15/32	
36	1001155045	6	Switch, Toggle	
37	1001159256	1	Switch, Toggle	
38	1001161709	1	Switch, Toggle	
39	1001164353	1	Harness, Platform Console Box (See ELECTRICAL SECTION for Breakdown)	
40	1001166538	NLA	Controller Assembly (Drive and Steer) (Use p/n 1001212415) (See CONTROLLER ASSEMBLY (DRIVE AND STEER) for Breakdown)	
41	1001166539	NLA	Controller Assembly (Lift and Swing) (See CONTROLLER ASSEMBLY (LIFT AND SWING) for Breakdown) (Note: Use p/n 1001129555 as Replacement)	

SECTION 5 - PLATFORM

ITEM	PART NUMBER	QTY	DESCRIPTION	REV
42	1001170446	1	Decal - Platform Display	
43	1001170838	1	Gauge, Led Panel	
44	1001172760	4	Bracket	
45	1001184618	1	Decal - Stop	
46	1001184626	1	Decal - Horn	
47	1001201891	1	Platform Console Box (SN E300000100 through E300003750)	
47	1001215228	1	Platform Console Box (SN E300003750 through E300007980)	
47A	0630568	1	Capscrew 3/8 x 4-1/2	
47B	3311601	1	Nut 3/8	
47C	3430616	2	Pin, Clevis	
47D	3470003	2	Hairpin	
47E	4711600	2	Washer 3/8	
48	3900349	2	Screw (SN E300003750 through E300007980)	

SECTION 5 - PLATFORM

FIGURE 5-13. PLATFORM CONSOLE BOX ASSEMBLY - WITH SKYGUARD (SN E30000100 through E300003610)



ART_1001195444

SECTION 5 - PLATFORM

FIGURE 5-13. PLATFORM CONSOLE BOX ASSEMBLY - WITH SKYGUARD (SN E300000100 through E300003610)

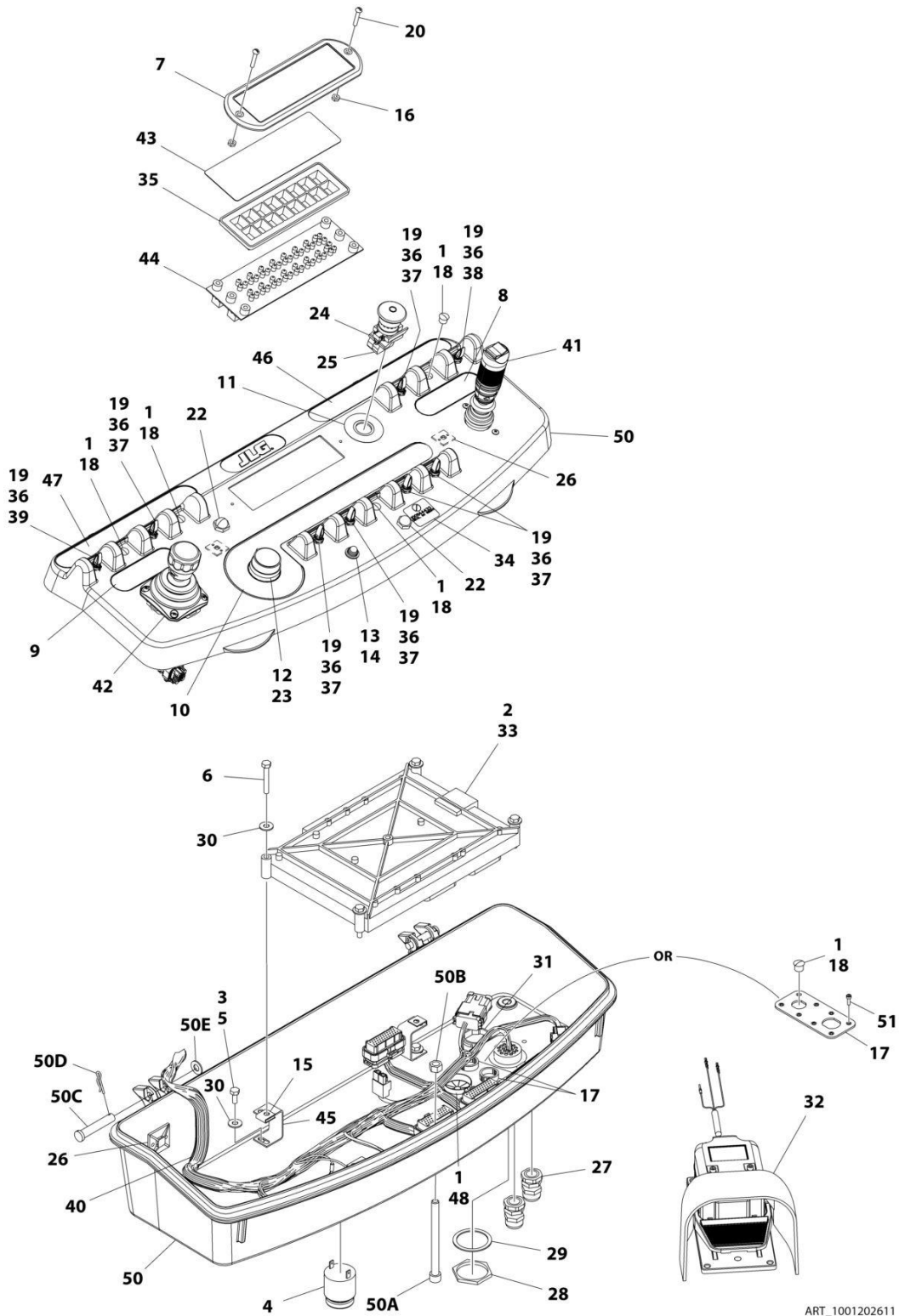
ITEM	PART NUMBER	QTY	DESCRIPTION	REV
	1001195444	Ref	PLATFORM CONSOLE BOX ASSEMBLY - WITH SKYGUARD	E
1	0100009	AR	Sealant	
2	0100048	AR	Grease, Dielectric	
3	0100081	AR	Adhesive	
4	0140011	1	Alarm	
5	0641405	4	Bolt, 1/4-20 x 5/8	
6	0641414	4	Bolt, 1/4-20 x 1-3/4	
7	1001172760	4	Bracket	
8	1670829	1	Bezel	
9	1702565	1	Decal - Drive and Steer	
10	1702566	1	Decal - Lift and Swing	
11	1702567	1	Decal - Function Speed	
12	1704260	1	Decal - EMS	
13	2560136	1	Handle, Knob	
14	3300353	4	Nut, Tinnerman	
15	3300408	2	Nut, Lock	
18	3520054	4	Plug	
19	3790012	8	O-Ring	
20	3911018	2	Screw, 10-24 x 1-1/8	
21	4240099	AR	Tie-Strap (Not Shown)	
22	4360387	2	Switch, Pushbutton	
23	4360407	1	Switch, Potentiometer	
24	4360475	1	Switch, Emergency	
24	7020175	1	Cap, Red	
24	7020176	1	Contact Block	
25	4360476	1	Block, Contact	
26	4460234	4	Terminal	
27	4460428	2	Connector, Strain Relief	
28	4460470	1	Nut, Terminal	
29	4460471	1	Washer, Lock	
30	4751400	8	Washer, 1/4	
31	1001110434	1	Plug	
32	1001117174	1	Footswitch Assembly (See FOOTSWITCH ASSEMBLY for Breakdown)	
33	1001118412	1	Controller, Module (Note: Re-calibration Required when Replaced)	
34	1001146220	1	Housing, Display Light	
35	1001155044	8	Nut, Special 15/32-32	
36	1001155045	6	Switch, Toggle	
37	1001159256	1	Switch, Toggle	
38	1001161709	1	Switch, Toggle	
39	1001164353	1	Harness, Platform Console Box (See ELECTRICAL SECTION for Breakdown)	
40	1001164728	1	Harness, Platform Valve (See ELECTRICAL SECTION for Breakdown) (SN E300000100 through E300003015)	
41	1001166538	NLA	Controller Assembly (Drive and Steer) (Use p/n 1001212415) (See CONTROLLER ASSEMBLY (DRIVE AND STEER) for Breakdown)	
42	1001166539	NLA	Controller Assembly (Lift and Swing) (See CONTROLLER ASSEMBLY (LIFT AND SWING) for Breakdown) (Note: Use p/n 1001129555 as Replacement)	
43	1001170446	1	Decal - Platform Display	

SECTION 5 - PLATFORM

ITEM	PART NUMBER	QTY	DESCRIPTION	REV
44	1001170838	1	Gauge, Led Panel	
45	1001184618	1	Decal - Stop	
46	1001184626	1	Decal - Horn	
47	1001185281	1	Plug	
48	1001193730	1	Platform Console Box	
48A	0630568	1	Capscrew 3/8 x 4-1/2	
48B	3311601	1	Nut 3/8	
48C	3470003	2	Hairpin	
48D	4711500	2	Washer, 5/16	
48D	1001200575	2	Bracket, Stop	
49	1001192292	1	Harness, SkyGuard (Not Shown - See ELECTRICAL SECTION for Breakdown)	
50	2920028	1	Light, Indicator	
51	2920029	1	Bulb, Light	
52	1001144433	1	Decal - No Weight SkyGuard	

SECTION 5 - PLATFORM

FIGURE 5-14. PLATFORM CONSOLE BOX ASSEMBLY - WITH SKYGUARD (SN 1300007286 through 1300007383, SN E300003610 through E300007542)



SECTION 5 - PLATFORM

FIGURE 5-14. PLATFORM CONSOLE BOX ASSEMBLY - WITH SKYGUARD (SN 130007286 through 130007383, SN E30003610 through E30007542)

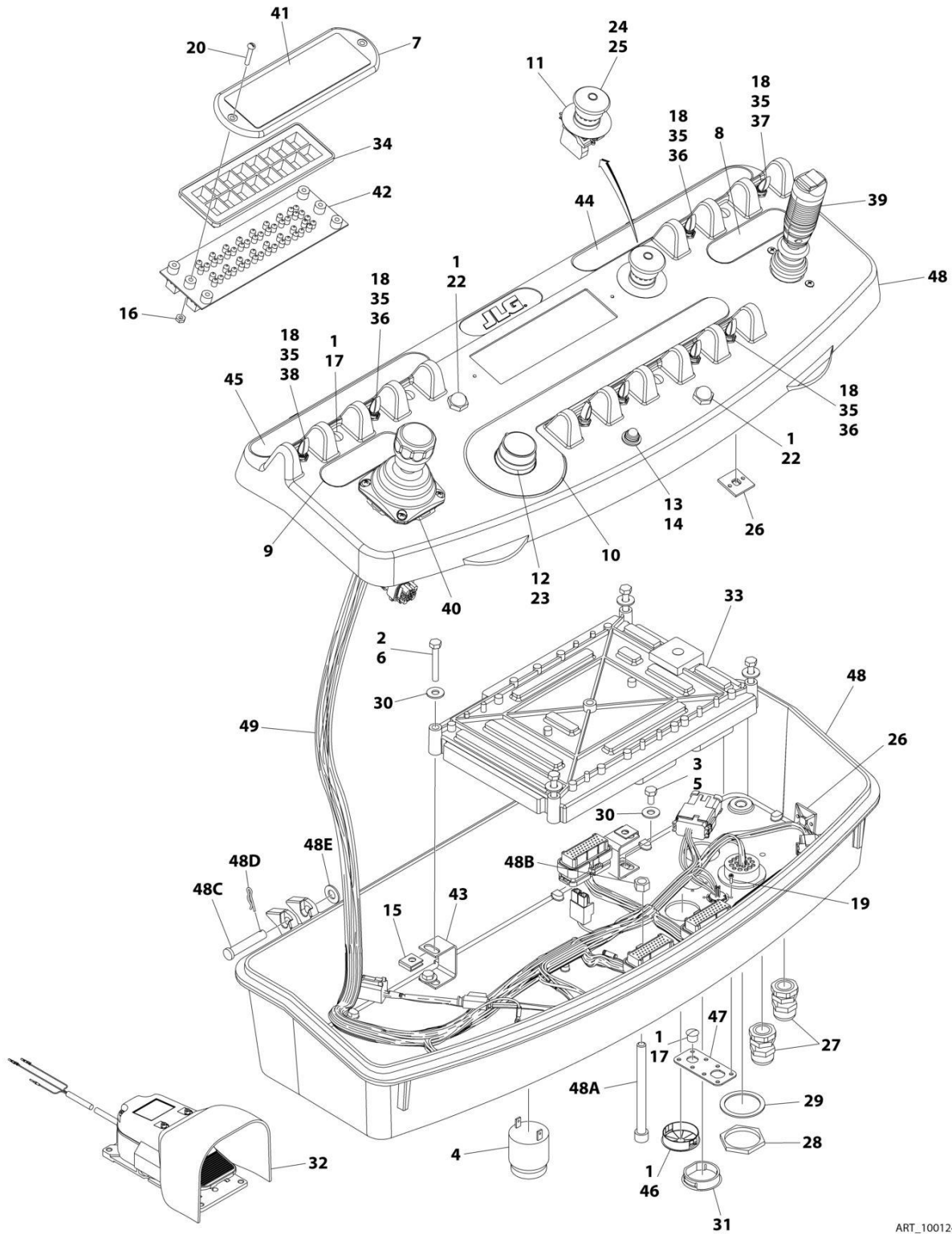
ITEM	PART NUMBER	QTY	DESCRIPTION	REV
	1001202611	Ref	PLATFORM CONSOLE BOX ASSEMBLY - WITH SKYGUARD (SN 130007286 through 130007383, SN E30003610 through E30007542)	D
1	0100009	AR	Sealant	
2	0100048	AR	Grease, Dielectric	
3	0100081	AR	Adhesive	
4	0140011	1	Alarm	
5	0641405	4	Bolt 1/4 x 5/8	
6	0641414	4	Bolt 1/4 x 1-3/4	
7	1670829	1	Bezel	
8	1702565	1	Decal - Drive and Steer	
9	1702566	1	Decal - Lift and Swing	
10	1702567	1	Decal - Function Speed	
11	1704260	1	Decal - EMS	
12	2560136	1	Handle, Knob	
13	2920028	1	Light, Indicator	
14	2920029	1	Bulb, Light	
15	3300353	4	Nut	
16	3300408	2	Nut	
17	3520033	2	Plug (SN E300000100 through E300003750)	
17	1001213882	1	Connector, Mounting (SN 1300007286 through 1300007383, SN E300003750 through E300007542)	
18	3520054	AR	Plug	
19	3790012	8	O-Ring	
20	3911018	2	Screw 10 x 1-1/8	
21	4240099	AR	Tie-Strap (Not Shown)	
22	4360387	2	Switch, Pushbutton	
23	4360407	1	Switch, Potentiometer	
24	4360475	1	Switch, Emergency	
24	7020175	1	Cap, Red	
24	7020176	1	Contact Block	
25	4360476	1	Block, Contact	
26	4460234	4	Terminal	
27	4460428	2	Connector, Strain Relief	
28	4460470	1	Nut	
29	4460471	1	Washer	
30	4751400	8	Washer 1/4	
31	1001110434	1	Plug	
32	1001117174	1	Footswitch Assembly (See FOOTSWITCH ASSEMBLY for Breakdown)	
33	1001118412	1	Controller, Module (Note: Re-calibration Required when Replaced)	
34	1001144433	1	Decal - No Weight SkyGuard	
35	1001146220	1	Housing, Display Light	
36	1001155044	8	Nut 15/32	
37	1001155045	6	Switch, Toggle	
38	1001159256	1	Switch, Toggle	
39	1001161709	1	Switch, Toggle	
40	1001164353	1	Harness, Platform Console Box (See ELECTRICAL SECTION for Breakdown)	
41	1001166538	NLA	Controller Assembly (Drive and Steer) (Use p/n 1001212415) (See	

SECTION 5 - PLATFORM

ITEM	PART NUMBER	QTY	DESCRIPTION	REV
42	1001166539	NLA	CONTROLLER ASSEMBLY (DRIVE AND STEER) for Breakdown) Controller Assembly (Lift and Swing) (See CONTROLLER ASSEMBLY (LIFT AND SWING) for Breakdown) (Note: Use p/n 1001129555 as Replacement)	
43	1001170446	1	Decal - Platform Display	
44	1001170838	1	Gauge, Led Panel	
45	1001172760	4	Bracket	
46	1001184618	1	Decal - Stop	
47	1001184626	1	Decal - Horn	
48	1001185281	1	Plug	
49	1001192292	1	Harness, SkyGuard (Not Shown - See ELECTRICAL SECTION for Breakdown)	
50	1001201891	1	Platform Console Box (SN E300000100 through E300003750)	
50	1001215228	1	Platform Console Box (SN 1300007286 through 1300007383, SN E300003750 through E300007542)	
50A	0630568	1	Capscrew 3/8 x 4-1/2	
50B	3311601	1	Nut 3/8	
50C	3430616	2	Pin, Clevis	
50D	3470003	2	Hairpin	
50E	4711600	2	Washer 3/8	
51	3900349	8	Screw (SN 1300007286 through 1300007383, SN E300003750 through E300007542)	

SECTION 5 - PLATFORM

FIGURE 5-15. PLATFORM CONSOLE BOX ASSEMBLY - WITH SKYGUARD (SN E30007543 through E30007980)



ART_1001242847

SECTION 5 - PLATFORM

FIGURE 5-15. PLATFORM CONSOLE BOX ASSEMBLY - WITH SKYGUARD (SN E300007543 through E300007980)

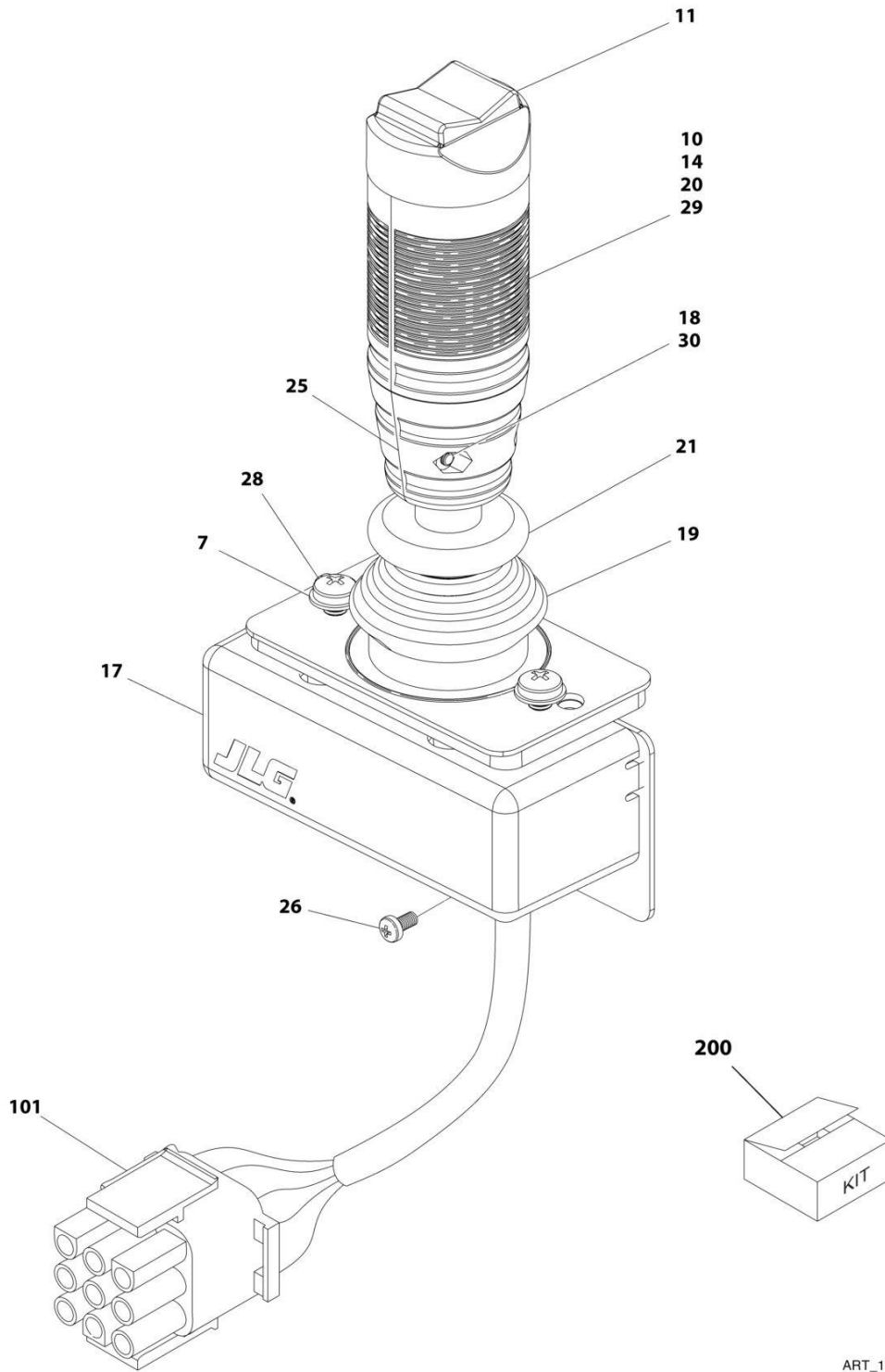
ITEM	PART NUMBER	QTY	DESCRIPTION	REV
	1001242847	Ref	PLATFORM CONSOLE BOX ASSEMBLY - MACHINES WITH SKYGUARD	A
1	0100009	AR	Sealant	
2	0100048	AR	Grease, Dielectric	
3	0100035	AR	Compound, Locking	
4	0140011	1	Alarm	
5	0641405	4	Bolt 1/4 x 5/8	
6	0641414	4	Bolt 1/4 x 1-3/4	
7	1670829	1	Bezel	
8	1702565	1	Decal - Drive and Steer	
9	1702566	1	Decal - Lift and Swing	
10	1702567	1	Decal - Function Speed	
11	1704260	1	Decal - EMS	
12	2560136	1	Handle, Knob	
13	2920028	1	Light, Indicator	
14	2920029	1	Bulb, Light	
15	3300353	4	Nut	
16	3300408	2	Nut	
17	3520054	5	Plug	
18	3790012	8	O-Ring	
19	3900349	8	Screw	
20	3911018	2	Screw 10 x 1-1/8	
21	4240099	AR	Tie-Strap (Not Shown)	
22	4360387	2	Switch, Pushbutton	
23	4360407	1	Switch, Potentiometer	
24	4360475	1	Switch, Emergency	
24	7020175	1	Cap, Red	
24	7020176	1	Contact Block	
25	4360476	1	Block, Contact	
26	4460234	4	Terminal	
27	4460428	2	Connector, Strain Relief	
28	4460470	1	Nut	
29	4460471	1	Washer	
30	4751400	8	Washer 1/4	
31	1001110434	1	Plug	
32	1001117174	1	Footswitch Assembly (See FOOTSWITCH ASSEMBLY for Breakdown)	
33	1001118412	1	Module, Control	
34	1001146220	1	Housing, Display Light	
35	1001155044	8	Nut 15/32	
36	1001155045	6	Switch, Toggle	
37	1001159256	1	Switch, Toggle	
38	1001161709	1	Switch, Toggle	
39	1001166538	NLA	Controller Assembly (Drive and Steer) (Use p/n 1001212415) (See CONTROLLER ASSEMBLY (DRIVE AND STEER) for Breakdown)	
40	1001166539	NLA	Controller Assembly (Lift and Swing) (See CONTROLLER ASSEMBLY (LIFT AND SWING) for Breakdown) (Note: Use p/n 1001129555 as Replacement)	
41	1001170446	1	Decal - Platform Display	
42	1001170838	1	Gauge, Led Panel	

SECTION 5 - PLATFORM

ITEM	PART NUMBER	QTY	DESCRIPTION	REV
43	1001172760	4	Bracket	
44	1001184618	1	Decal - Stop	
45	1001184626	1	Decal - Horn	
46	1001185281	1	Plug	
47	1001213882	1	Connector, Mounting	
48	1001215228	1	Platform Console Box	
48A	0630568	1	Capscrew 3/8 x 4-1/2	
48B	3311601	1	Nut 3/8	
48C	3430616	2	Pin, Clevis	
48D	3470003	2	Hairpin	
48E	4711600	2	Washer 3/8	
49	1001243168	1	Harness, Platform Console Box (See ELECTRICAL SECTION for Breakdown)	

SECTION 5 - PLATFORM

FIGURE 5-16. CONTROLLER ASSEMBLY - DRIVE AND STEER



ART_1001166538

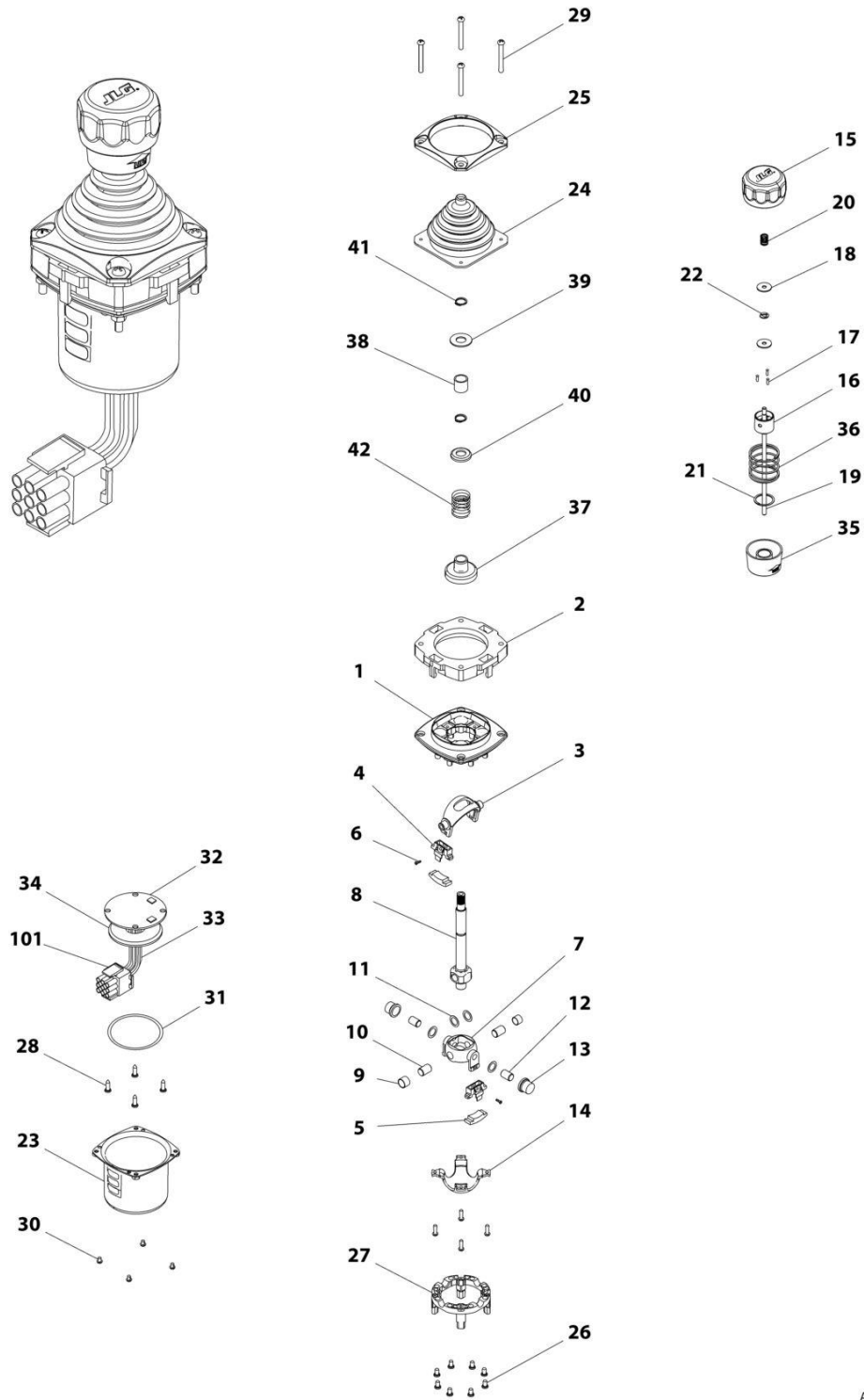
SECTION 5 - PLATFORM

FIGURE 5-16. CONTROLLER ASSEMBLY - DRIVE AND STEER

ITEM	PART NUMBER	QTY	DESCRIPTION	REV
	1001166538	Ref	CONTROLLER ASSEMBLY - DRIVE AND STEER	G
		Ref	Note: Use p/n 1001212415 as Replacement.	
7	70004738	2	Washer	
10	70004739	1	Roller	
11	70004740	1	Boot, Switch	
14	70004741	2	Half, Handle	
17	70004742	1	Enclosure	
18	70004743	4	Nut	
19	70004744	NLA	Boot, Controller (Use Item 200)	
20	70004745	NLA	Tube, Locking (Use Item 200)	
21	70004746	NLA	Disc, Locking (Use Item 200)	
25	70004747	2	Seal, Rope	
26	70004748	1	Screw, M3 x 6mm	
28	70004749	2	Screw, M5 x 20mm	
29	70004750	1	Pin, Dowel	
30	70004751	4	Screw, M3 x 16mm	
101	4460265	1	Connector - 9 Position	
101	4460226	7	Socket, Female	
200	70005230	1	Boot Kit (Includes Items 19-21)	

SECTION 5 - PLATFORM

FIGURE 5-17. CONTROLLER ASSEMBLY - LIFT AND SWING



ART_1001166539

SECTION 5 - PLATFORM

FIGURE 5-17. CONTROLLER ASSEMBLY - LIFT AND SWING

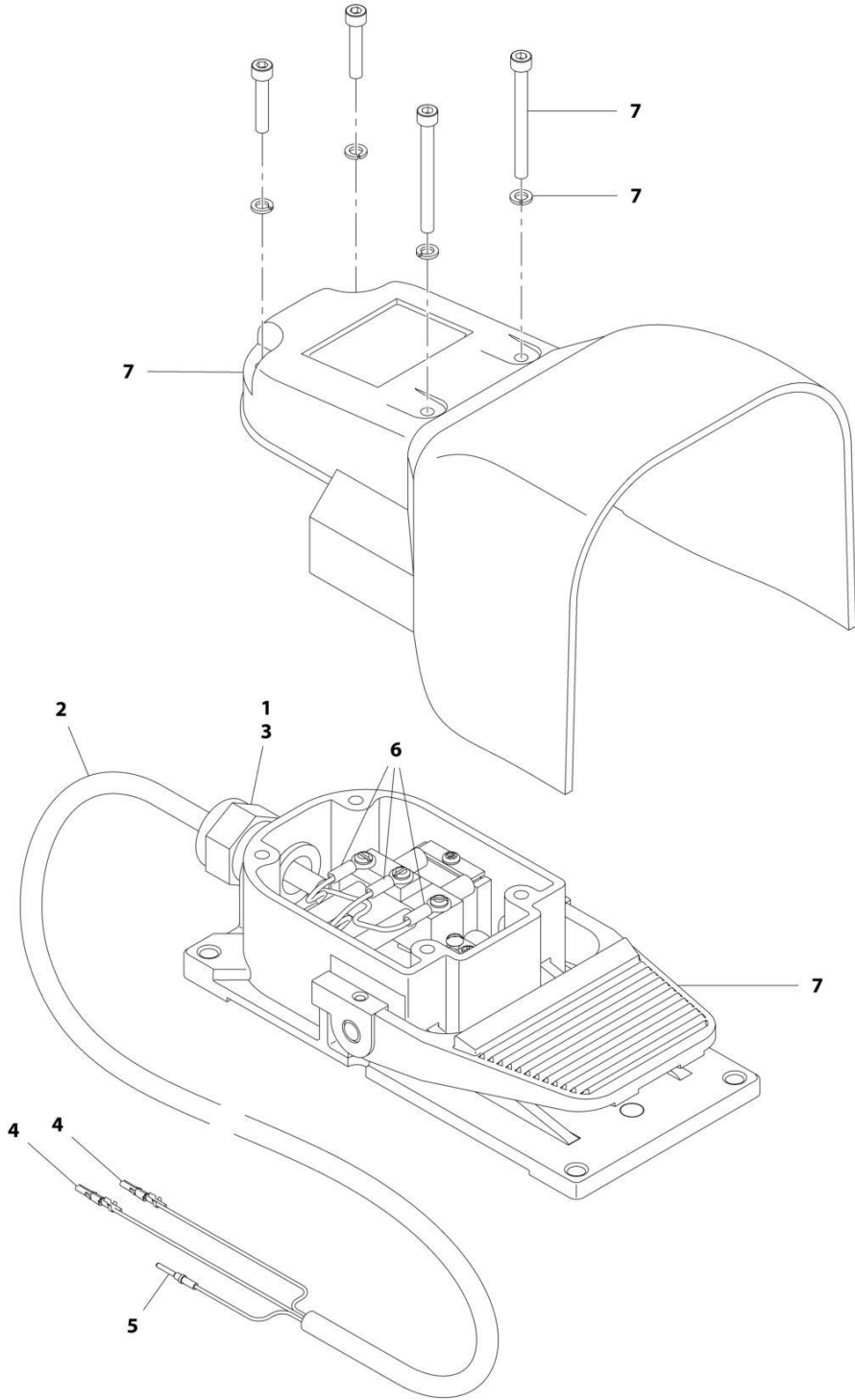
ITEM	PART NUMBER	QTY	DESCRIPTION	REV
	1001166539	Ref	CONTROLLER ASSEMBLY - LIFT AND SWING	D
	See Note	Ref	Note: Use p/n 1001129555 as Replacement	
1	See Note	1	Main Cast Body (Note: Not Available - Purchase Complete Assembly)	
2	70004752	1	Adapter	
3	See Note	NSS	Pivot Arm, Plastic (Note: Not Available - Purchase Complete Assembly)	
4	See Note	NSS	Holder, Magnet (Note: Not Available - Purchase Complete Assembly)	
5	See Note	NSS	Arc, Magnet (Note: Not Available - Purchase Complete Assembly)	
6	See Note	NSS	Screw (Note: Not Available for Purchase)	
7	See Note	NSS	Pivot Arm, Cast (Note: Not Available - Purchase Complete Assembly)	
8	See Note	NSS	Shaft, Main (Note: Not Available - Purchase Complete Assembly)	
9	See Note	NSS	Bearing (Note: Not Available - Purchase Complete Assembly)	
10	See Note	NSS	Pin (Note: Not Available - Purchase Complete Assembly)	
11	See Note	NSS	Shim (Note: Not Available - Purchase Complete Assembly)	
12	See Note	NSS	Pin (Note: Not Available - Purchase Complete Assembly)	
13	See Note	NSS	Bearing (Note: Not Available - Purchase Complete Assembly)	
14	See Note	NSS	Dome, Centering (Note: Not Available - Purchase Complete Assembly)	
15	70004753	1	Cap	
16	70004754	1	Insert, Cap	
17	70004755	3	Pin	
18	70004756	2	Washer	
19	70004757	1	Pin, Centering	
20	70004758	1	Spring	
21	70004759	1	Ring, Retaining	
22	70004760	1	E-Ring	
23	70004761	1	Can, Enclosure	
24	70004762	1	Boot	
25	70004763	1	Bezel	
26	See Note	NSS	Screw (Note: Not Available for Purchase)	
27	See Note	NSS	Base Mounting (Note: Not Available - Purchase Complete Assembly)	
28	See Note	NSS	Screw (Note: Not Available for Purchase)	
29	70004764	4	Screw	
30	70004765	4	Screw	
31	70004766	1	O-Ring	
32	See Note	NSS	Plate (Note: Not Available - Purchase Complete Assembly)	
33	See Note	NSS	Harness (Note: Not Available - Purchase Complete Assembly)	
34	70004767	1	Grommet, Rubber	
35	70004768	1	Housing	
36	70004769	1	Spring	
37	70004770	1	Stopper	
38	70004771	1	Spacer	
39	70004772	1	Washer	
40	70004773	1	Disc	
41	70004774	2	Ring, Retaining	
42	70004775	1	Spring	

SECTION 5 - PLATFORM

ITEM	PART NUMBER	QTY	DESCRIPTION	REV
101	4460265	1	Connector - 9 Position	
101	4460226	6	Socket, Female	

SECTION 5 - PLATFORM

FIGURE 5-18. FOOTSWITCH ASSEMBLY



ART_1001117174

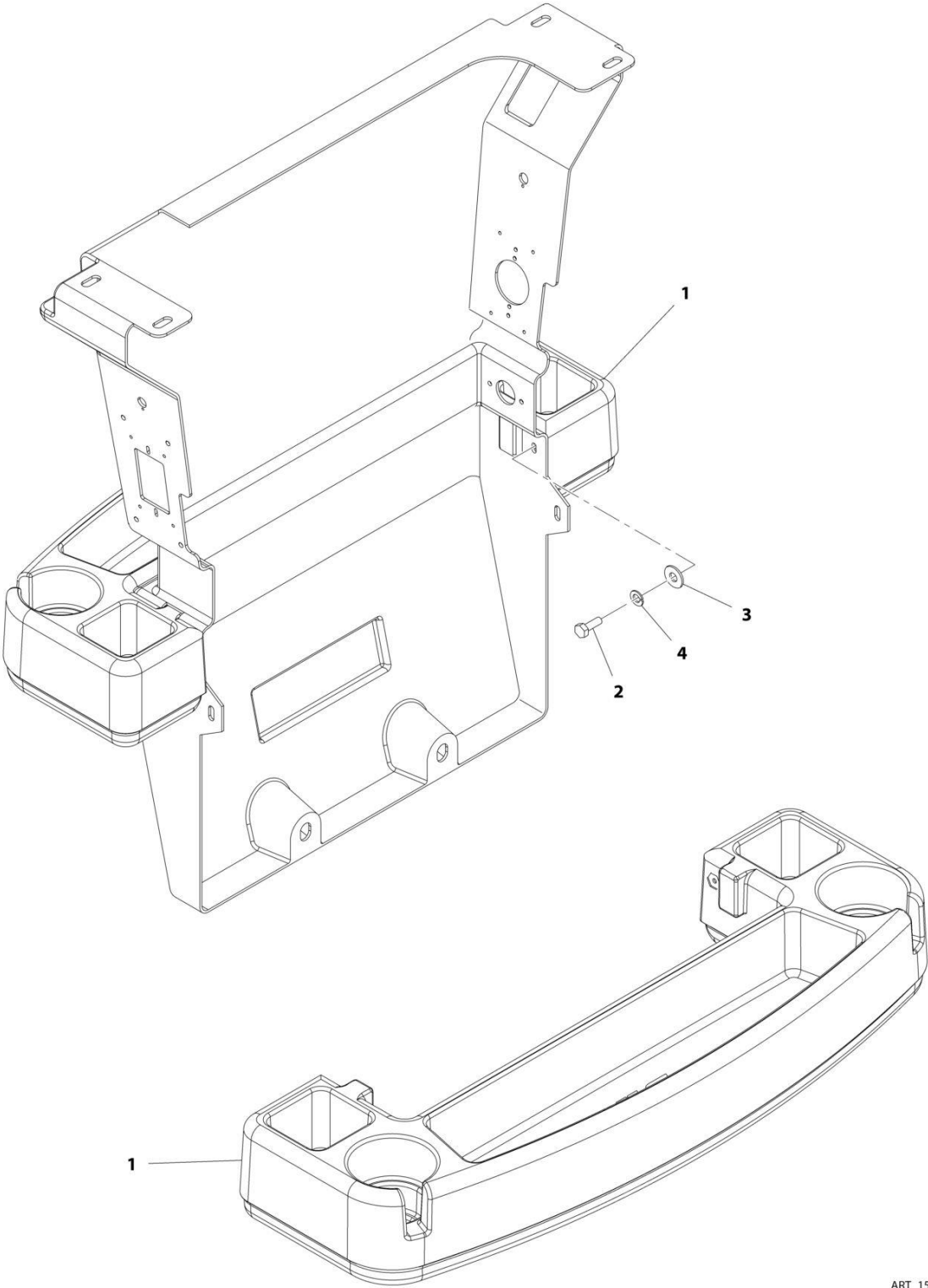
SECTION 5 - PLATFORM

FIGURE 5-18. FOOTSWITCH ASSEMBLY

ITEM	PART NUMBER	QTY	DESCRIPTION	REV
	1001117174	Ref	FOOTSWITCH ASSEMBLY	B
1	0100020	AR	Sealant	
2	1060918	7.5 ft /2.3m	Cable, Electrical - 18/3	
3	4460071	1	Connector, Strain Relief	
4	4460226	2	Socket, Female	
5	4460464	1	Pin, Male	
6	1001098122	3	Terminal	
7	1001117172	1	Footswitch	
7	70002902	1	Switch, 20Amp	
7	70002903	1	Gasket	
7	70002905	1	Cover	
7	70002904	1	Kit, Replacement Bolt	

SECTION 5 - PLATFORM

FIGURE 5-19. TRAY ASSEMBLY



ART_1580012

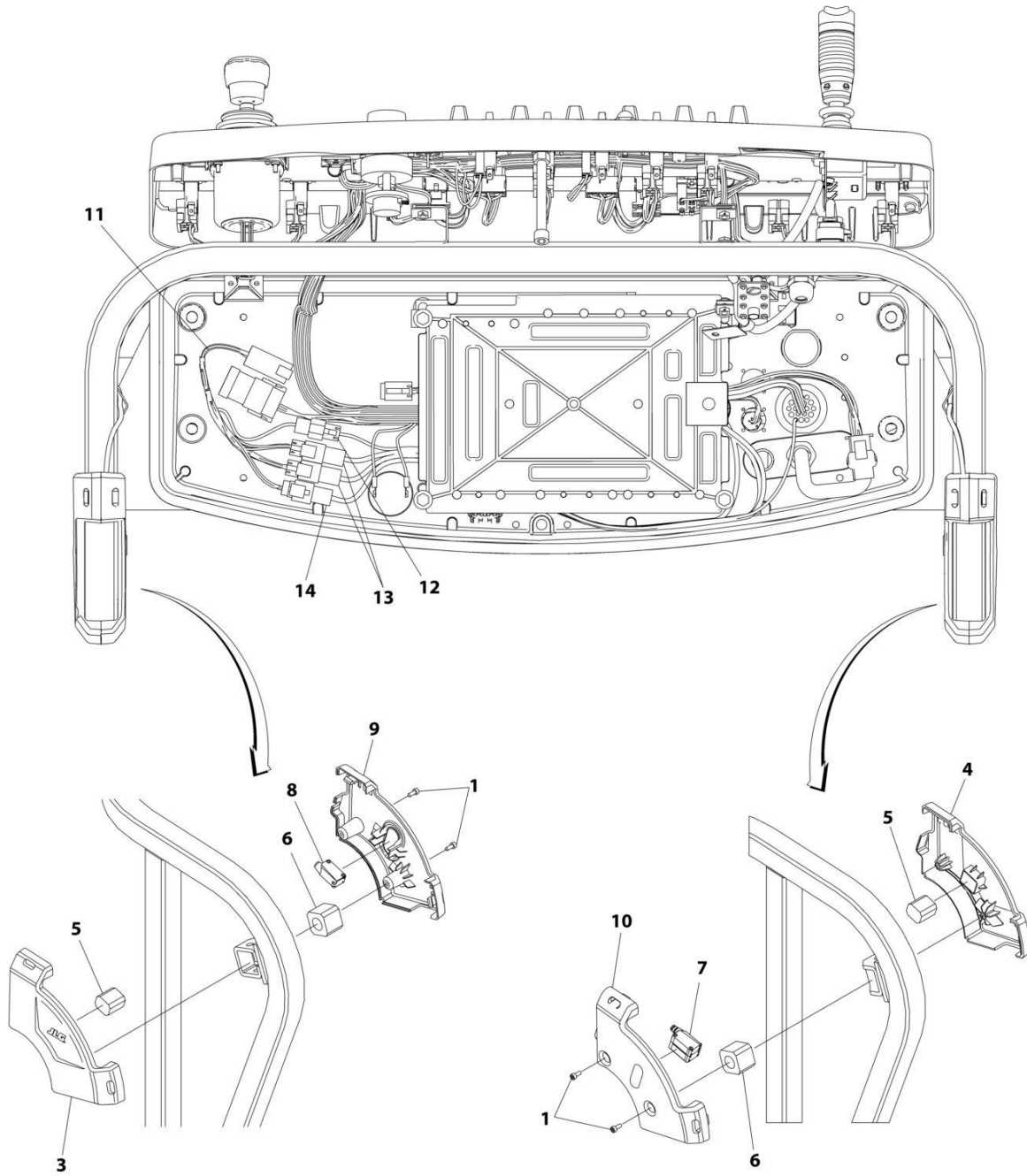
SECTION 5 - PLATFORM

FIGURE 5-19. TRAY ASSEMBLY

ITEM	PART NUMBER	QTY	DESCRIPTION	REV
	1580012	Ref	TRAY ASSEMBLY	C
1	See Note	1	Tray, Storage - Center (Note: Purchase p/n 1580012)	
2	0641406	2	Bolt, 1/4-20 x 3/4	
3	4751400	2	Washer, 1/4	
4	4761400	2	Washer, Locking, 1/4	

SECTION 5 - PLATFORM

FIGURE 5-20. SKYEYE INSTALLATION



ART_1001229341

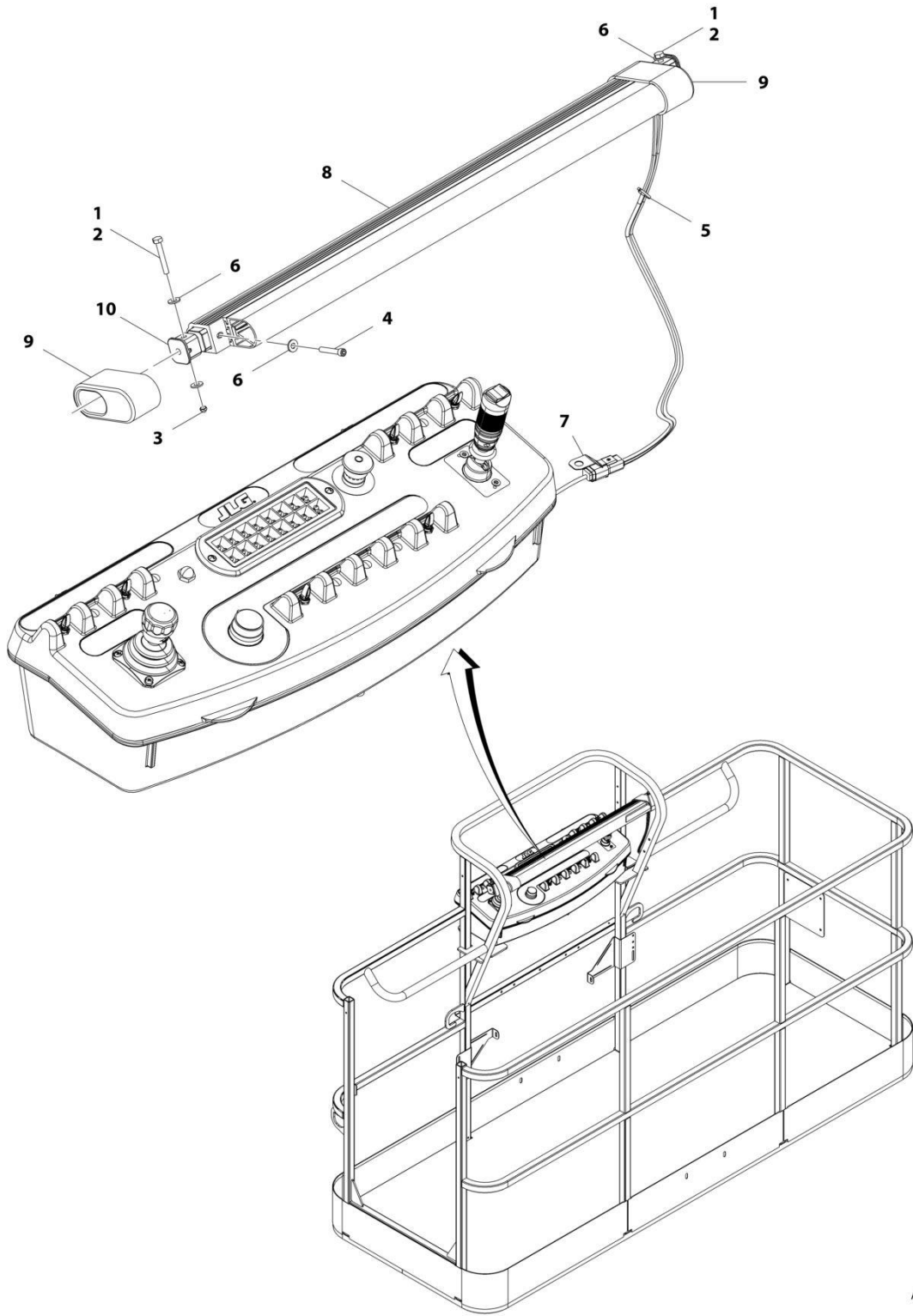
SECTION 5 - PLATFORM

FIGURE 5-20. SKYEYE INSTALLATION

ITEM	PART NUMBER	QTY	DESCRIPTION	REV
	1001229341	Ref	SKYEYE INSTALLATION	B
1	4031505	4	Bolt M4 x 10	
2	4240033	AR	Tie-Strap (Not Shown)	
3	1001227633	1	Housing, LH Outer	
4	1001227634	1	Housing, RH Outer	
5	1001227985	2	Shim	
6	1001227987	2	Shim	
7	1001228224	2	Sensor, Receiver	
8	1001228225	1	Sensor, Emitter	
9	1001232164	1	Housing, LH Inner	
10	1001232165	1	Housing, RH Inner	
11	1001237865	1	Harness, Skyeye Intermediate (See Separate Breakdown in ELECTRICAL Section)	
12	1001238319	NLA	Harness, Skyeye Drain Jumper	
12	1001187674	1	Plug, Male - 2 Position	
12	4460942	1	Terminal	
12	4460466	1	Plug, Terminal	
12	4460508	1	Pin, Male	
13	1001237863	2	Harness, Skyeye Receiver (See Separate Breakdown in ELECTRICAL Section)	
14	1001237864	1	Harness, Skyeye Emitter (See Separate Breakdown in ELECTRICAL Section)	

SECTION 5 - PLATFORM

FIGURE 5-21. SKYGUARD SYSTEM INSTALLATION (SN E300000100 through E300007543)



ART_1001187508

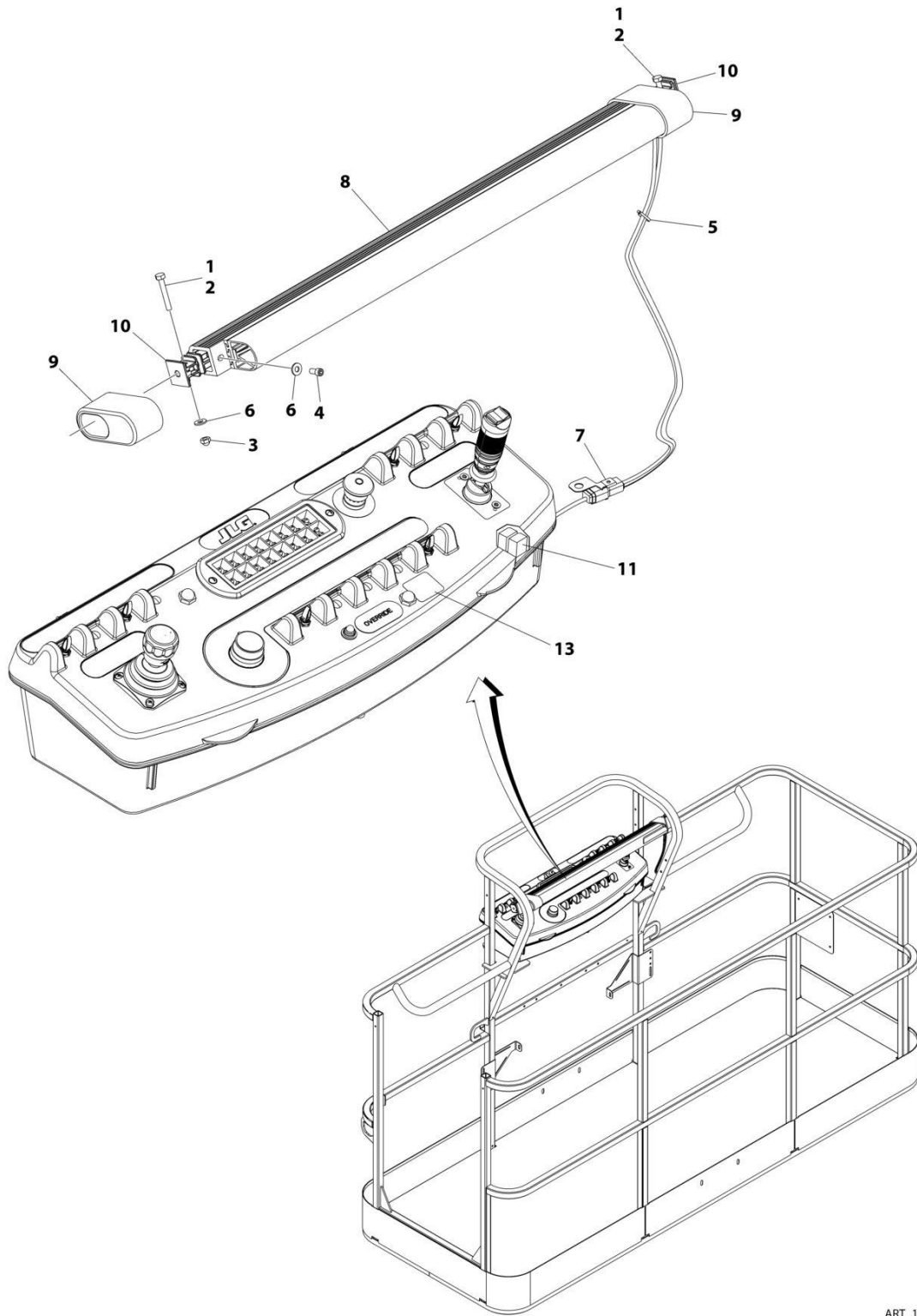
SECTION 5 - PLATFORM

FIGURE 5-21. SKYGUARD SYSTEM INSTALLATION (SN E300000100 through E300007543)

ITEM	PART NUMBER	QTY	DESCRIPTION	REV
	1001187508	Ref	SKYGUARD SYSTEM INSTALLATION	C
1	0100011	AR	Compound, Locking	
2	0641414	2	Bolt, 1/4-20 x 1-3/4	
3	3300430	2	Nut, Acorn 1/4-20	
4	3931424	2	Capscrew, 1/4-20 x 1-1/2	
4	3931408	2	Capscrew, 1/4-20 x 1/2	
5	4240033	AR	Tie-Strap	
6	4711400	AR	Washer, 1/4	
7	1001120328	1	Mount	
8	1001137673	1	Switch, SkyGuard Assembly	
9	1001186517	2	Cover, Platform Sensor	
10	1001188889	NLA	Support, Block (Use p/n 1001209664) (SN 1300007286 through 1300007383, SN E300000100 through E300005626)	
10	1001209664	2	Support, Block (SN E300005627 through E300007542)	

SECTION 5 - PLATFORM

FIGURE 5-22. SKYGUARD BAR INSTALLATION (SN E300007543 through E300007980)



ART_1001238495

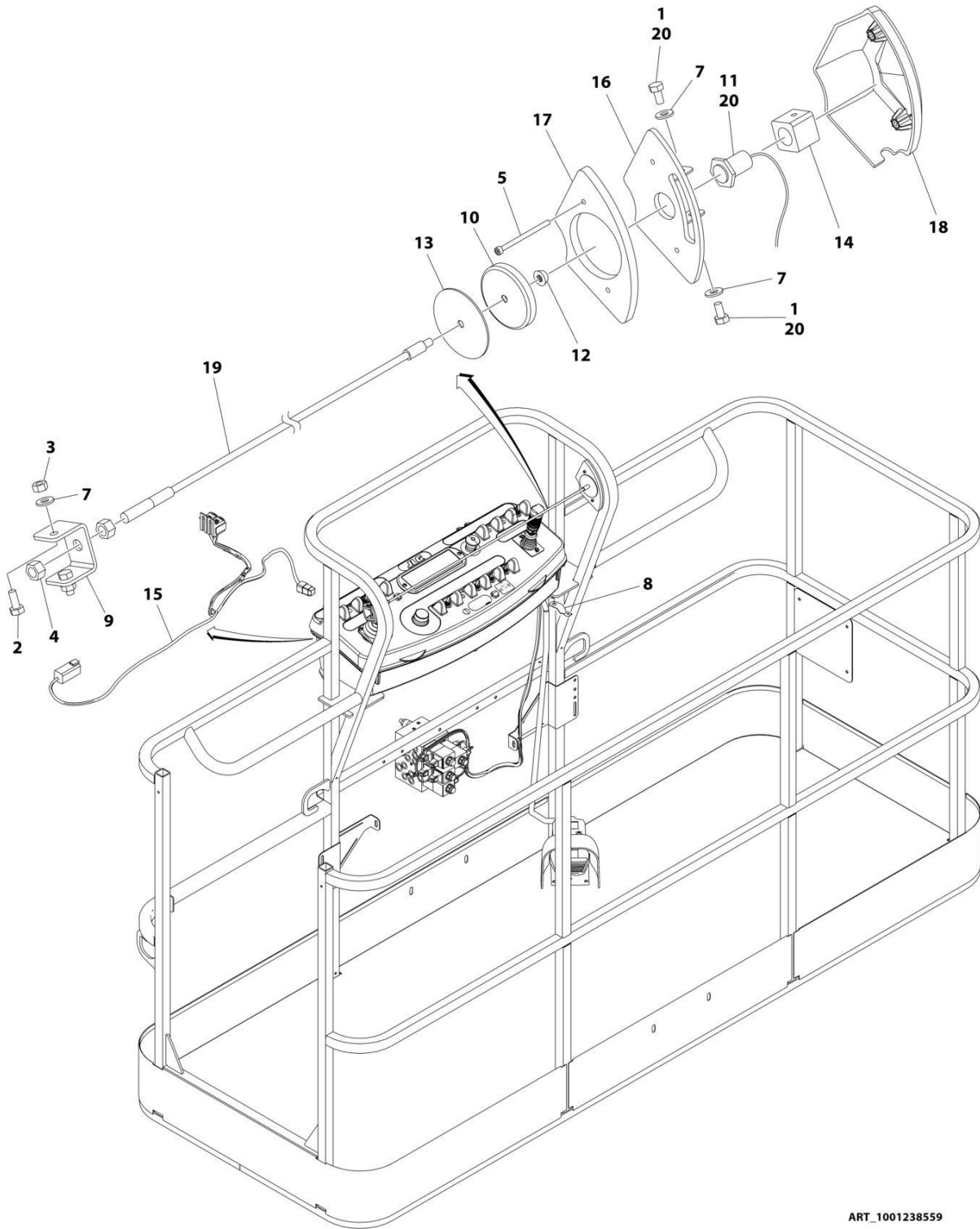
SECTION 5 - PLATFORM

FIGURE 5-22. SKYGUARD BAR INSTALLATION (SN E300007543 through E300007980)

ITEM	PART NUMBER	QTY	DESCRIPTION	REV
	1001238495	Ref	SKYGUARD BAR INSTALLATION	A
1	0100011	AR	Compound, Locking	
2	0641414	2	Bolt 1/4 x 1-3/4	
3	3300430	2	Nut 1/4	
4	3931408	2	Capscrew 1/4 x 1/2	
5	4240033	8	Tie-Strap	
6	4711400	6	Washer 1/4	
7	1001120328	1	Mount	
8	1001137673	1	SkyGuard Switch Assembly	
9	1001186517	2	Cover, Platform Sensor	
10	1001209664	2	Support, Block	
11	1001186431	2	Relay	
12	1001225580	1	Interface Harness Assembly (Not Shown - Located Inside Console Box) (See Separate Breakdown in ELECTRICAL Section)	
13	1001144433	1	Decal - No Weight SkyGuard	

SECTION 5 - PLATFORM

FIGURE 5-23. SKYLINE INSTALLATION



ART_1001238559

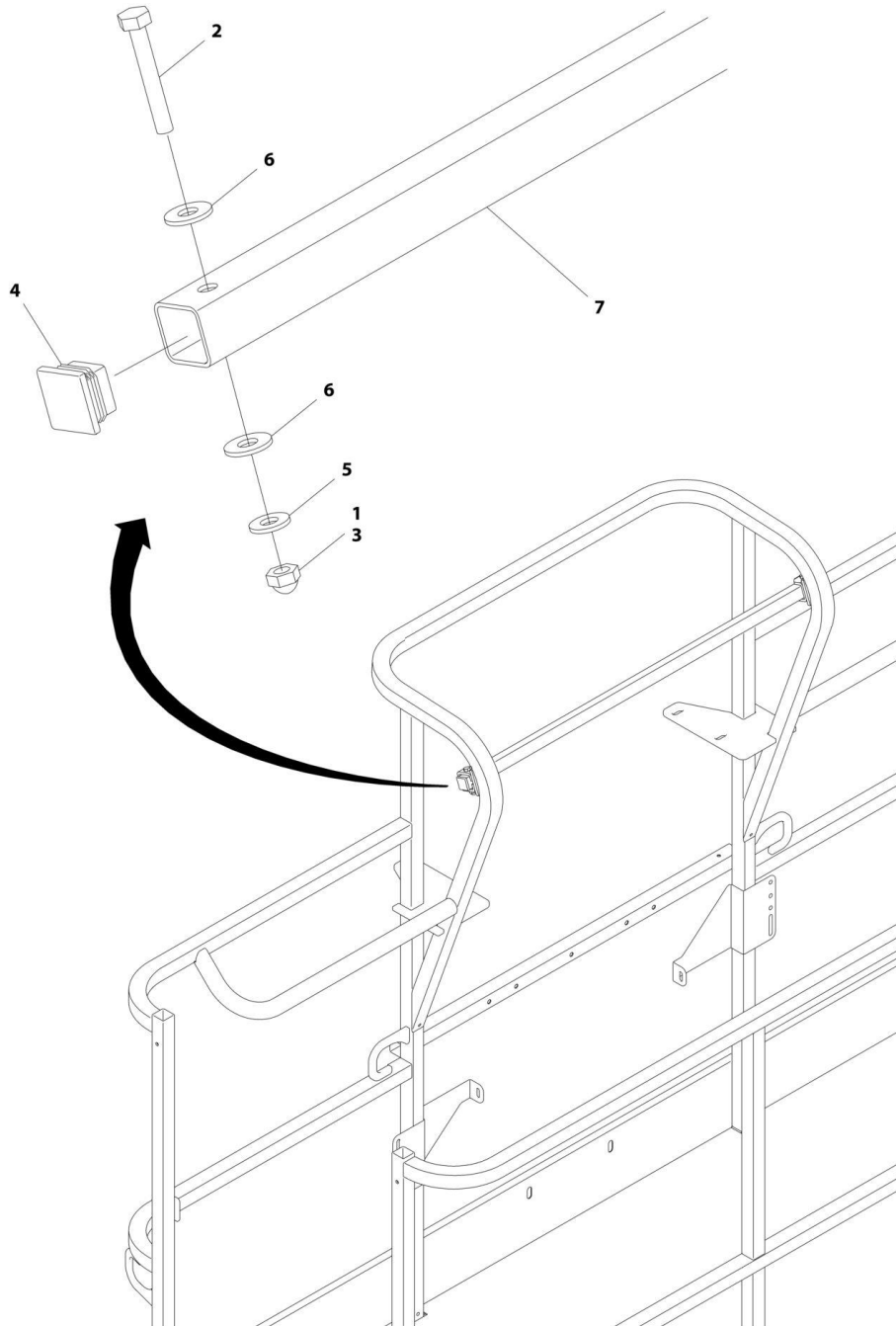
SECTION 5 - PLATFORM

FIGURE 5-23. SKYLINE INSTALLATION

ITEM	PART NUMBER	QTY	DESCRIPTION	REV
	1001238559	Ref	SKYLINE INSTALLATION	B
1	0641404	2	Bolt 1/4 x 1/2	
2	0641405	2	Bolt 1/4 x 5/8	
3	3311405	2	Nut 1/4	
4	3311601	2	Nut 3/8	
5	4031516	2	Capscrew M4 x 60	
6	4240033	AR	Tie-Strap (Not Shown)	
7	4711400	4	Washer 1/4	
8	1001120328	1	Mount	
9	1001232642	1	Bracket	
10	1001232650	1	Magnet	
11	1001232667	1	Sensor, Proximity	
12	1001235011	1	Nut	
13	1001235013	1	Washer	
14	1001236552	1	Block	
15	1001238418	1	Harness, Skyline (See Separate Breakdown in ELECTRICAL Section)	
16	1001238472	1	Mount	
17	1001238477	1	Housing, LH	
18	1001241965	1	Housing, RH	
19	1001238824	1	Rope	
20	0100011	AR	Compound, Locking	

SECTION 5 - PLATFORM

FIGURE 5-24. CROSS RAIL INSTALLATION



ART_1001182138

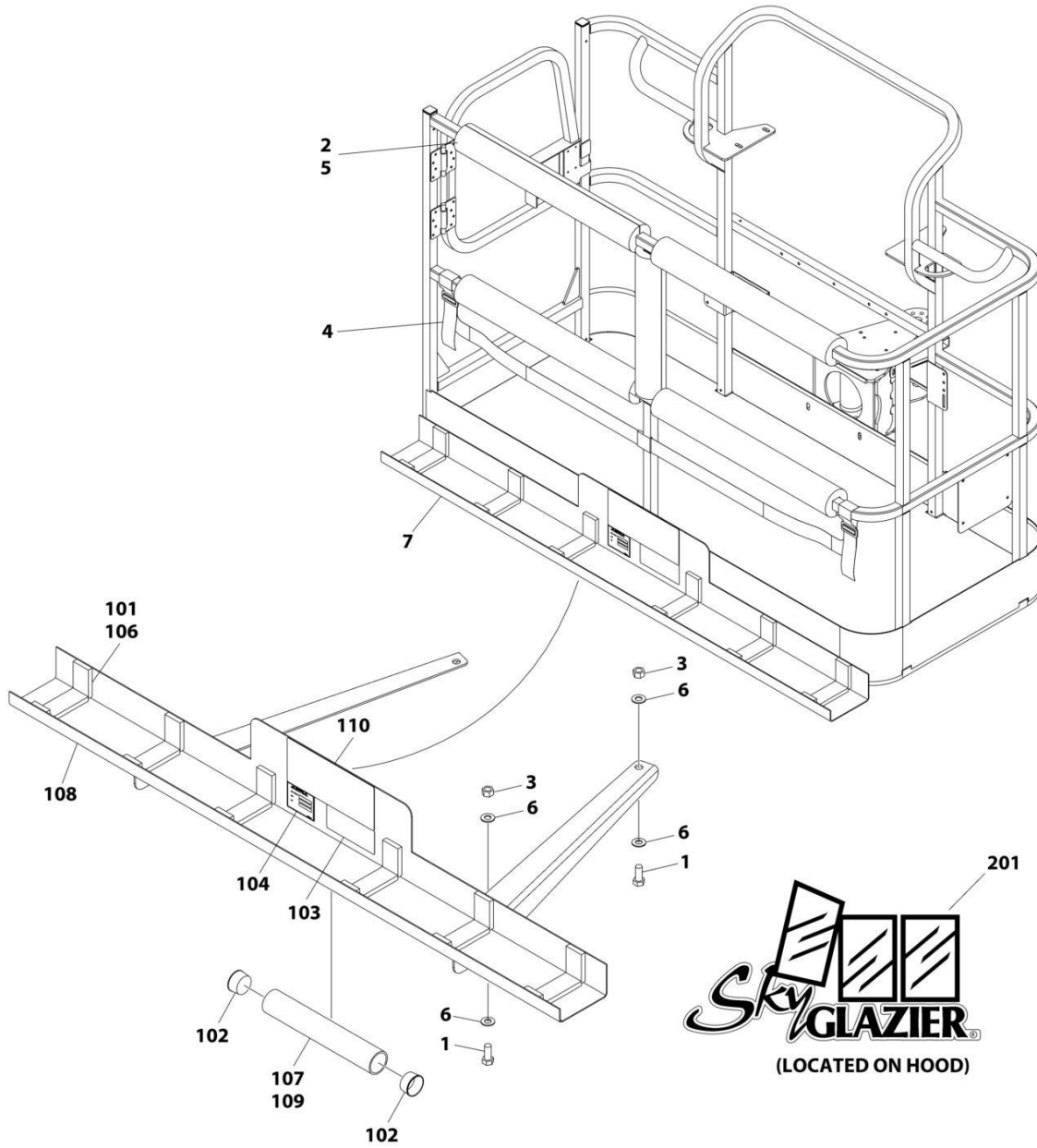
SECTION 5 - PLATFORM

FIGURE 5-24. CROSS RAIL INSTALLATION

ITEM	PART NUMBER	QTY	DESCRIPTION	REV
	1001182138	Ref	CROSS RAIL INSTALLATION	A
1	0100071	AR	Compound, Locking	
2	0641414	2	Bolt 1/4 X 1-3/4	
3	3300430	2	Nut 1/4	
4	3520182	2	Plug	
5	4711400	2	Washer 1/4	
6	4751400	4	Washer 1/4	
7	1001191708	1	Bar	

SECTION 5 - PLATFORM

FIGURE 5-25. SKYGLAZIER INSTALLATION (AUSTRALIAN SPECS) (SN E300000100 through E300004872)



ART_1001199314

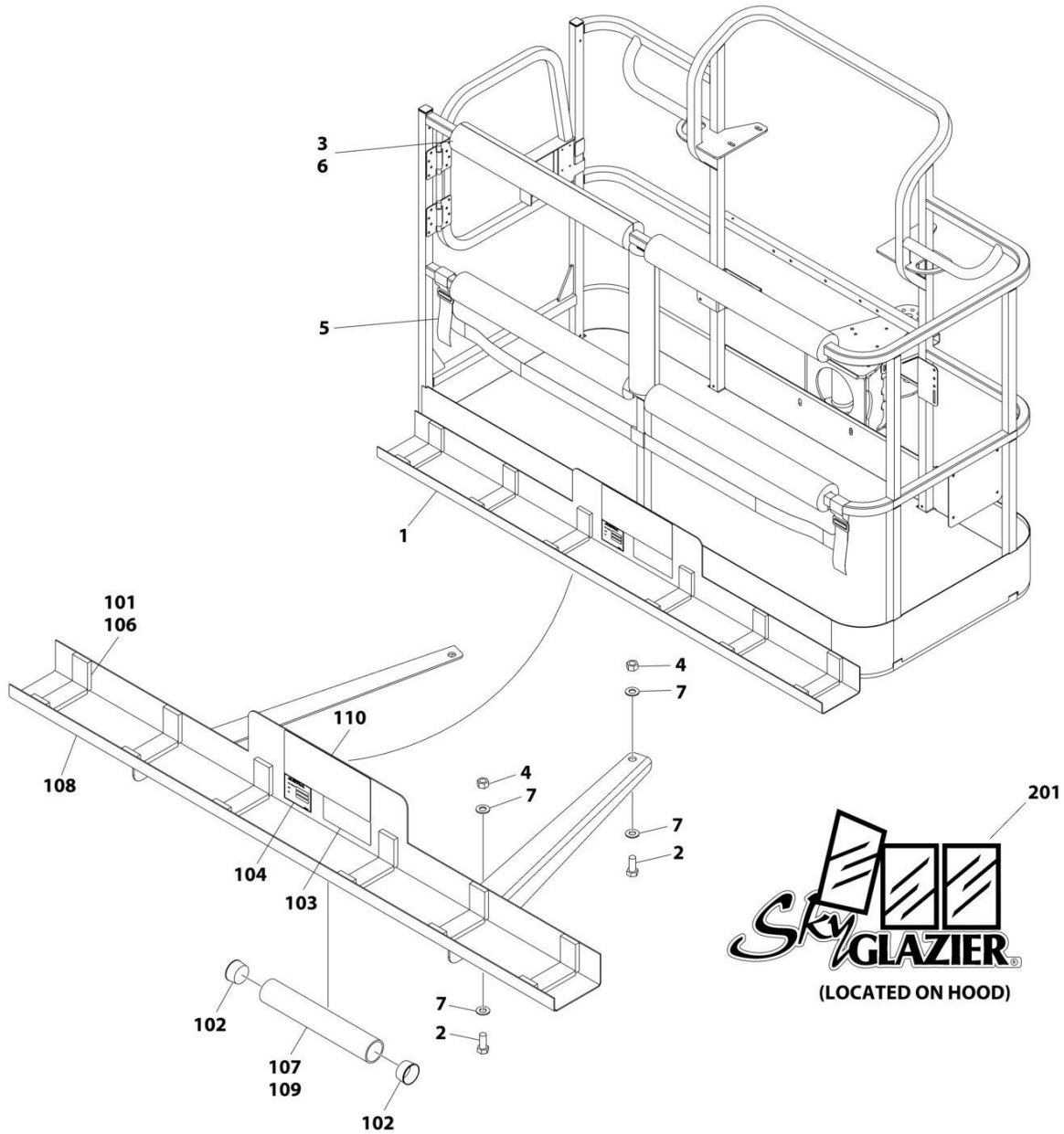
SECTION 5 - PLATFORM

FIGURE 5-25. SKYGLAZIER INSTALLATION (AUSTRALIAN SPECS) (SN E300000100 through E300004872)

ITEM	PART NUMBER	QTY	DESCRIPTION	REV
	1001199314	Ref	SKYGLAZIER INSTALLATION (AUSTRALIAN SPECS) (SN E300000100 through E300004872)	A
1	0642026	4	Bolt 5/8 x 3-1/4	
2	0940199	1	Bumper Kit	
3	3312005	4	Nut 5/8	
4	4240149	1	Strap Kit	
5	4420014	AR	Tape	
6	4712000	8	Washer 5/8	
7	1001173973	1	Tray Assembly (See Items 101-110 for Breakdown)	
	1001173973	Ref	TRAY ASSEMBLY	A
101	0100081	AR	Adhesive	
102	1120555	2	Cap, Tube	
103	1701509	1	Decal - Manual	
104	See Note	NSS	Nameplate - Serial Number (Note: Not Available for Purchase)	
106	3340956	1	Pad Kit	
107	3460334	1	Tube	
108	4341415	1	Support	
109	4420066	AR	Tape, Double Sided	
110	1001163131	2	Decal - Glazier Capacity	
201	1705358	2	Decal - SkyGlazier	

SECTION 5 - PLATFORM

FIGURE 5-26. SKYGLAZIER INSTALLATION (AUSTRALIAN SPECS) (SN 1300007286 through 1300007383, SN E300004872 through E300007980)



ART_1001173975

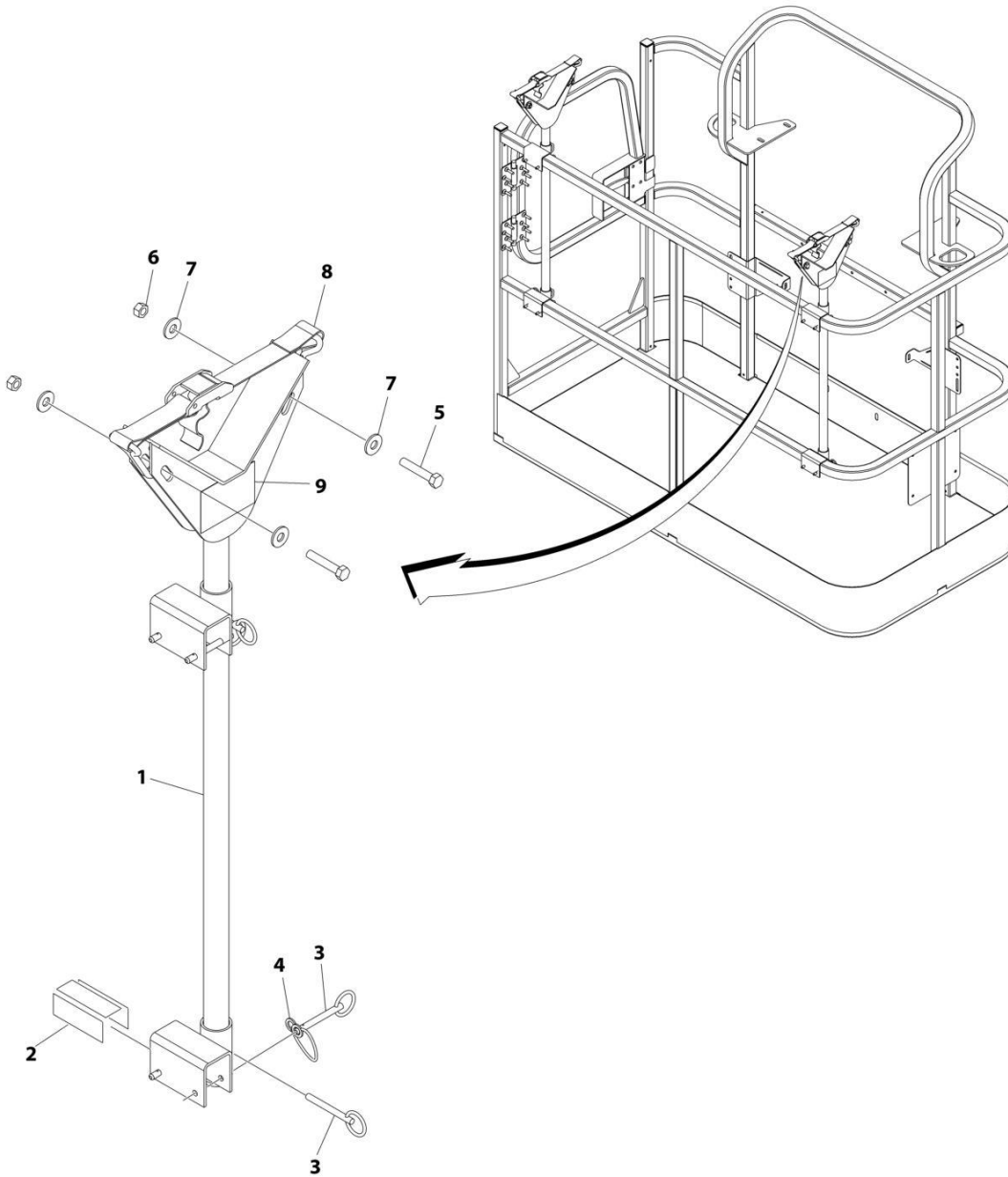
SECTION 5 - PLATFORM

FIGURE 5-26. SKYGLAZIER INSTALLATION (AUSTRALIAN SPECS) (SN 1300007286 through 1300007383, SN E300004872 through E300007980)

ITEM	PART NUMBER	QTY	DESCRIPTION	REV
	1001173975	Ref	SKYGLAZIER INSTALLATION (AUSTRALIAN SPECS)	B
1	1001173973	1	Tray Assembly (See Items 101-110 for Breakdown)	
2	0642012	4	Bolt 5/8 x 1-1/2	
3	0940199	1	Bumper Kit	
4	3312005	4	Nut 5/8	
5	4240149	1	Strap Kit	
6	4420014	AR	Tape	
7	4712000	8	Washer 5/8	
	1001173973	Ref	TRAY ASSEMBLY	A
101	0100081	AR	Adhesive	
102	1120555	2	Cap, Tube	
103	1701509	1	Decal - Manual	
104	See Note	NSS	Nameplate - Serial Number (Note: Not Available for Purchase)	
106	3340956	1	Pad Kit	
107	3460334	1	Tube	
108	4341415	1	Support	
109	4420066	AR	Tape, Double Sided	
110	1001173969	NLA	Decal - Glazier Capacity (Use p/n 1001229138) (SN 1300007286 through 1300007383, SN E300000100 through E300005391)	
110	1001229138	1	Decal - Glazier Capacity (SN E300005391 through E300007980)	
201	1705358	2	Decal - SkyGlazier	

SECTION 5 - PLATFORM

FIGURE 5-27. PIPE RACK INSTALLATION (AUSTRALIAN SPEC)



ART_0274661

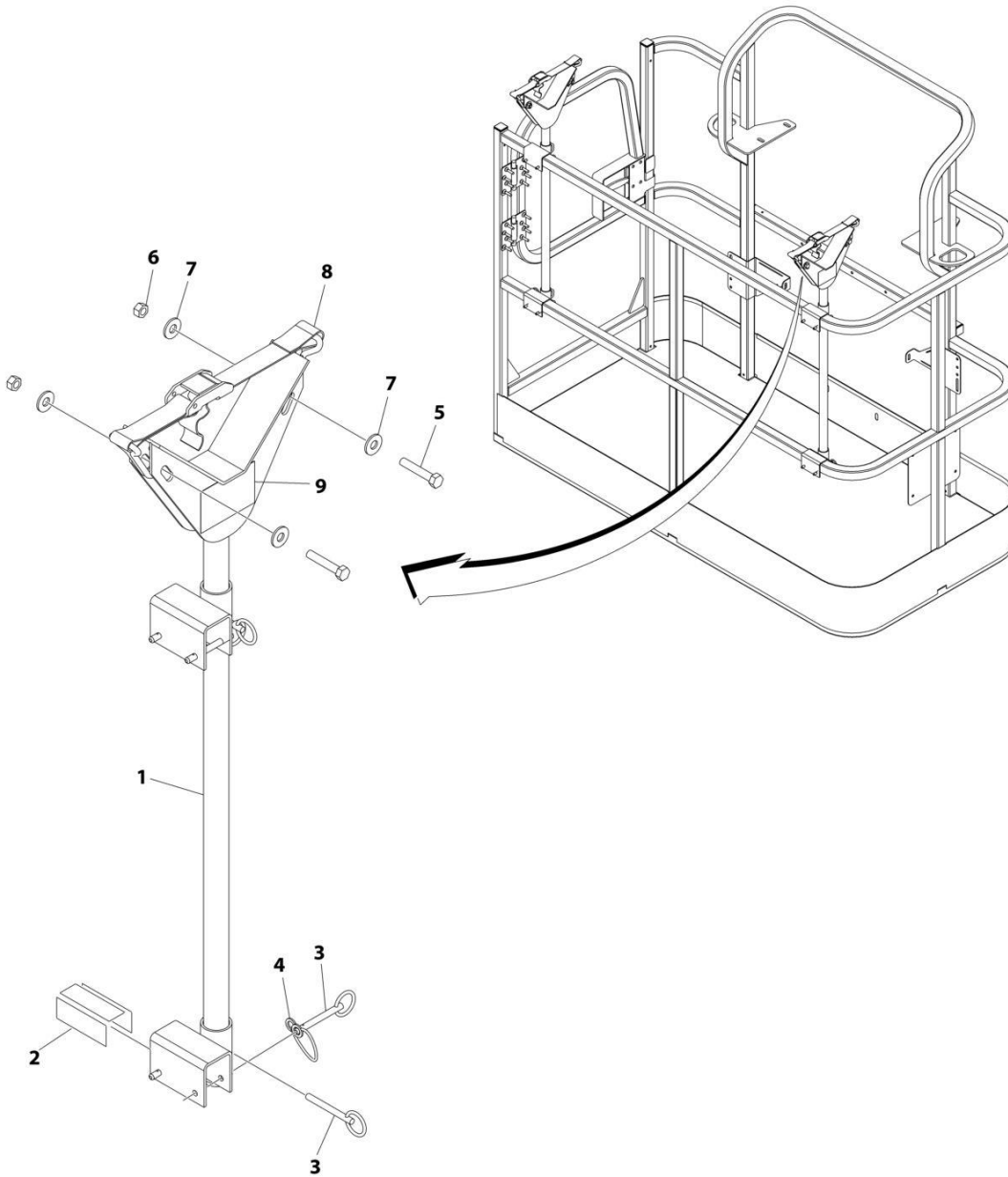
SECTION 5 - PLATFORM

FIGURE 5-27. PIPE RACK INSTALLATION (AUSTRALIAN SPEC)

ITEM	PART NUMBER	QTY	DESCRIPTION	REV
	0274661	Ref	PIPE RACK INSTALLATION (AUSTRALIAN SPEC)	1/A
1	4845582	2	Rack, Pipe	
2	4420062	AR	Tape	
3	3422661	10	Pin	
4	1060379	4	Lanyard	
5	0641514	4	Bolt 5/16 x 1-3/4	
6	3311505	4	Nut 5/16	
7	4751500	8	Washer 5/16	
8	0480100	2	Tie-Down	
9	1706510	2	Decal - Capacity	

SECTION 5 - PLATFORM

FIGURE 5-28. PIPE RACK INSTALLATION (CE SPECS)



ART_0257728

SECTION 5 - PLATFORM

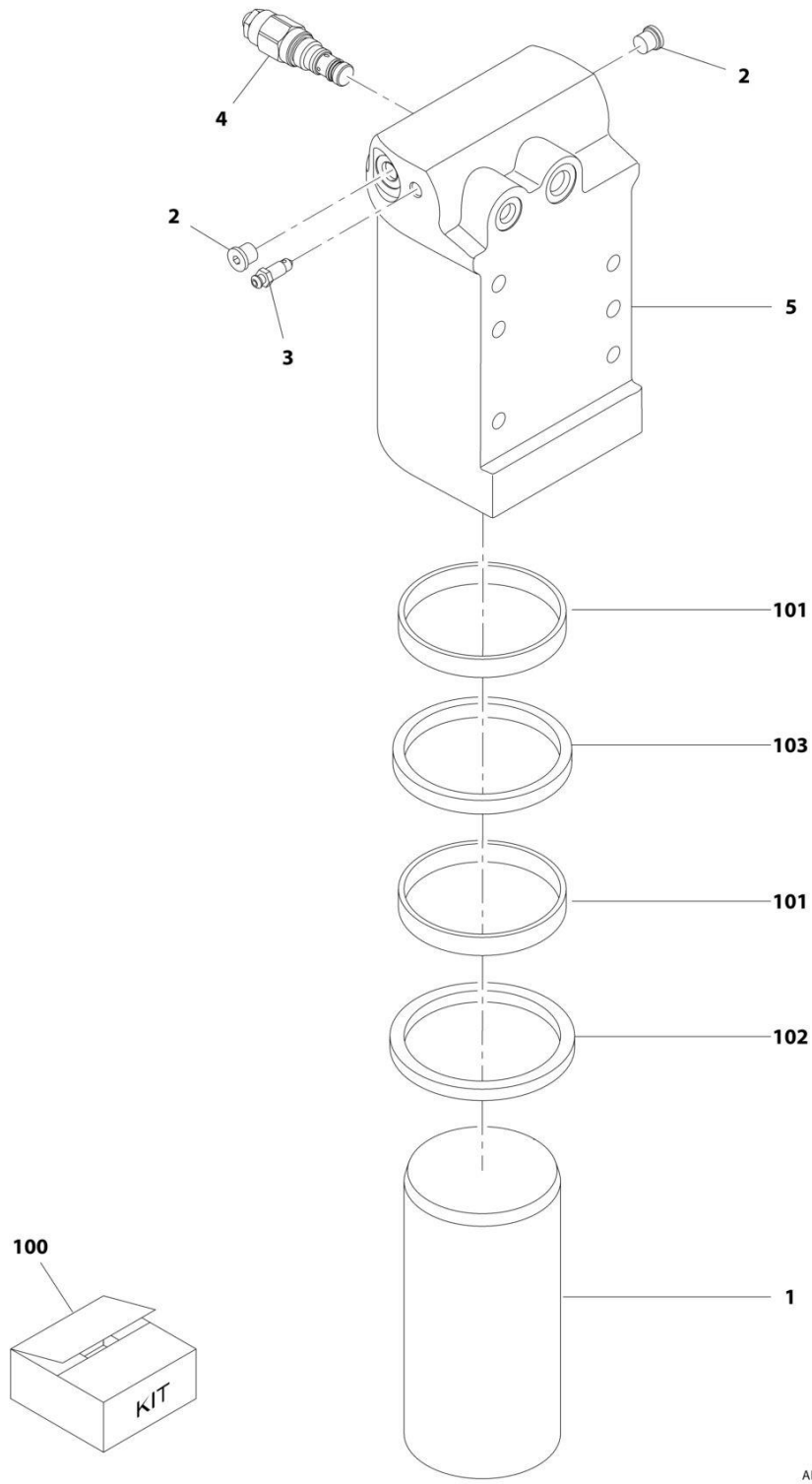
FIGURE 5-28. PIPE RACK INSTALLATION (CE SPECS)

ITEM	PART NUMBER	QTY	DESCRIPTION	REV
	0257728	Ref	PIPE RACK INSTALLATION (CE SPECS)	2/C
1	4845582	2	Rack, Pipe	
2	4420062	AR	Tape	
3	3422661	10	Pin	
4	1060379	4	Lanyard	
5	0641514	4	Bolt 5/16 x 1-3/4	
6	3311505	4	Nut 5/16	
7	4751500	8	Washer 5/16	
8	0480100	2	Tie-Down	
9	1703683	2	Decal - Capacity	

SECTION 6 - CYLINDER

SECTION 6 - CYLINDER

FIGURE 6-1. AXLE LOCKOUT CYLINDER ASSEMBLY



ART_1001163580

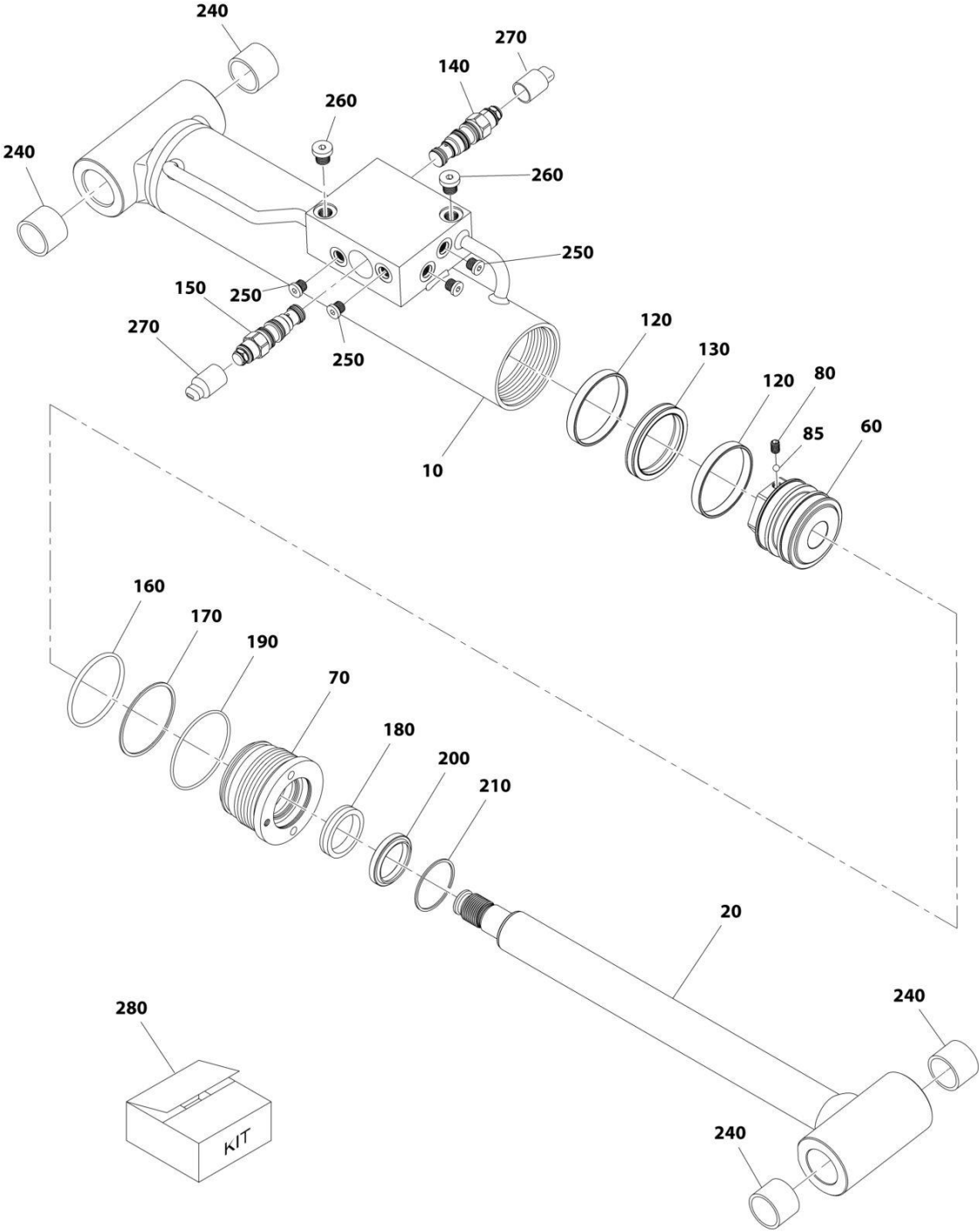
SECTION 6 - CYLINDER

FIGURE 6-1. AXLE LOCKOUT CYLINDER ASSEMBLY

ITEM	PART NUMBER	QTY	DESCRIPTION	REV
	1001163580	Ref	AXLE LOCKOUT CYLINDER ASSEMBLY	G
1	1684290	1	Rod	
2	2220883	2	Plug #4	
3	4640858	1	Valve, Bleeder	
4	1001117372	1	Cartridge, Valve	
4	70002842	1	Seal Kit - 1001117372 Valve	
5	1001164817	1	Barrel	
100	2902266	1	Seal Kit - 1001163590 Cylinder (Includes Items 101-103)	
101	See Note	2	Ring, Wear	
102	See Note	1	Seal	
103	See Note	1	Wiper	

SECTION 6 - CYLINDER

FIGURE 6-2. LEVEL (PLATFORM SLAVE) CYLINDER ASSEMBLY



ART_1001161716

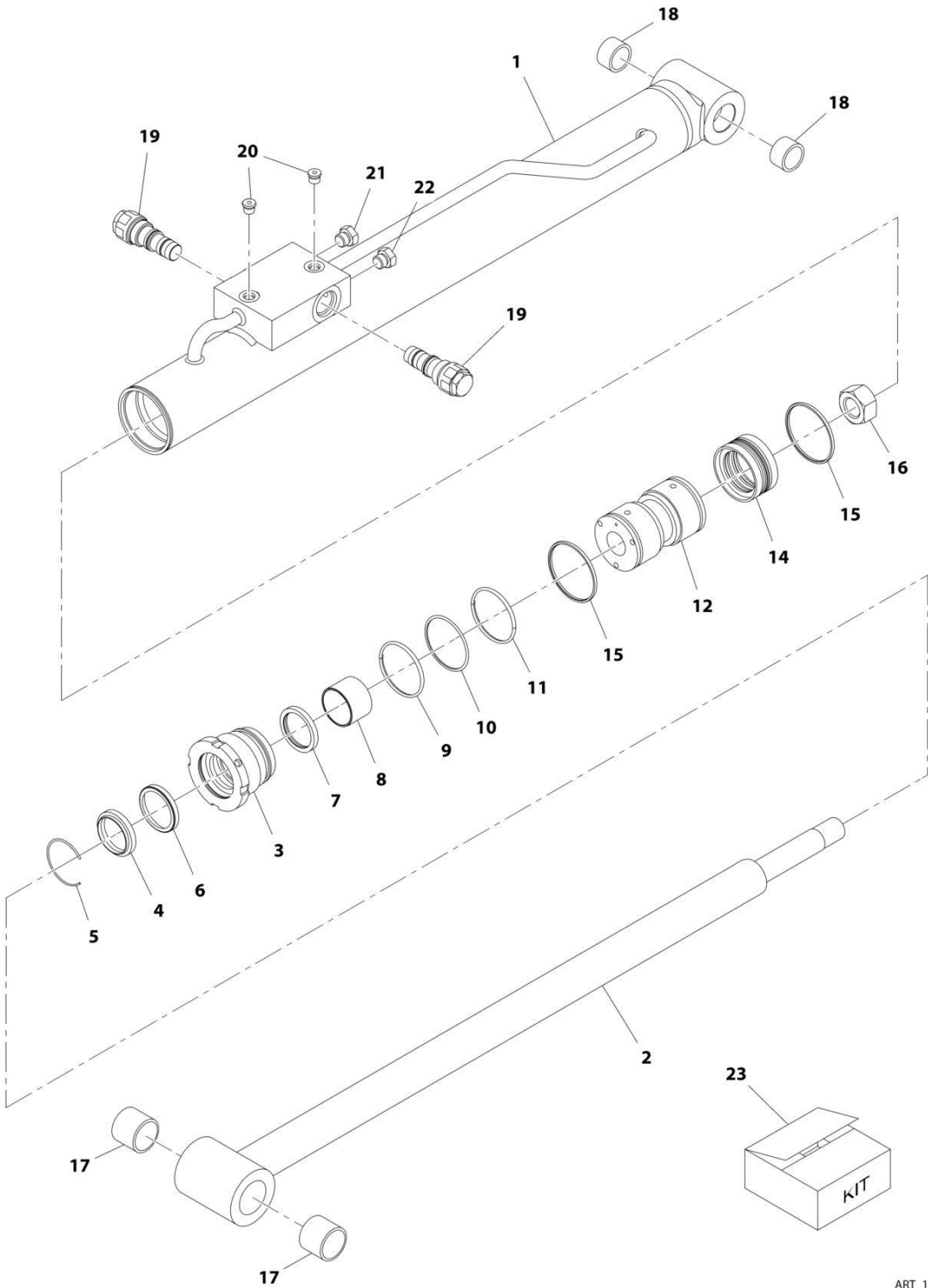
SECTION 6 - CYLINDER

FIGURE 6-2. LEVEL (PLATFORM SLAVE) CYLINDER ASSEMBLY

ITEM	PART NUMBER	QTY	DESCRIPTION	REV
	1001161716	Ref	LEVEL (PLATFORM SLAVE) CYLINDER ASSEMBLY	D
10	70005010	1	Barrel	
20	70005011	1	Rod	
60	70005012	1	Piston	
70	70003837	1	Head	
80	70005013	1	Setscrew	
85	70005014	1	Ball	
120	See Note	NSS	Ring, Bearing (Note: Use Item 280)	
130	See Note	NSS	Seal, Piston (Note: Use Item 280)	
140	70002413	1	Cartridge, Valve	
140	2900770	1	Seal Kit - 70002413 Valve	
150	1001168210	1	Cartridge, Valve	
150	2900770	1	Seal Kit - 1001168210 Valve	
160	See Note	NSS	O-Ring (Note: Use Item 280)	
170	See Note	NSS	Seal (Note: Use Item 280)	
180	See Note	NSS	Seal (Note: Use Item 280)	
190	See Note	NSS	O-Ring (Note: Use Item 280)	
200	See Note	NSS	Wiper (Note: Use Item 280)	
210	70003838	1	Ring, Retaining	
240	0961951	4	Bushing	
250	70025619	4	Plug 7/16	
260	70024262	2	Plug 1/4	
270	See Note	2	Plug, Shipping (Note: Not Available for Purchase)	
280	70005016	1	Seal Kit - 1001161716 Cylinder (Includes Items 120, 130 & 160-200)	

SECTION 6 - CYLINDER

FIGURE 6-3. LIFT CYLINDER ASSEMBLY - JIB



ART_1001163767

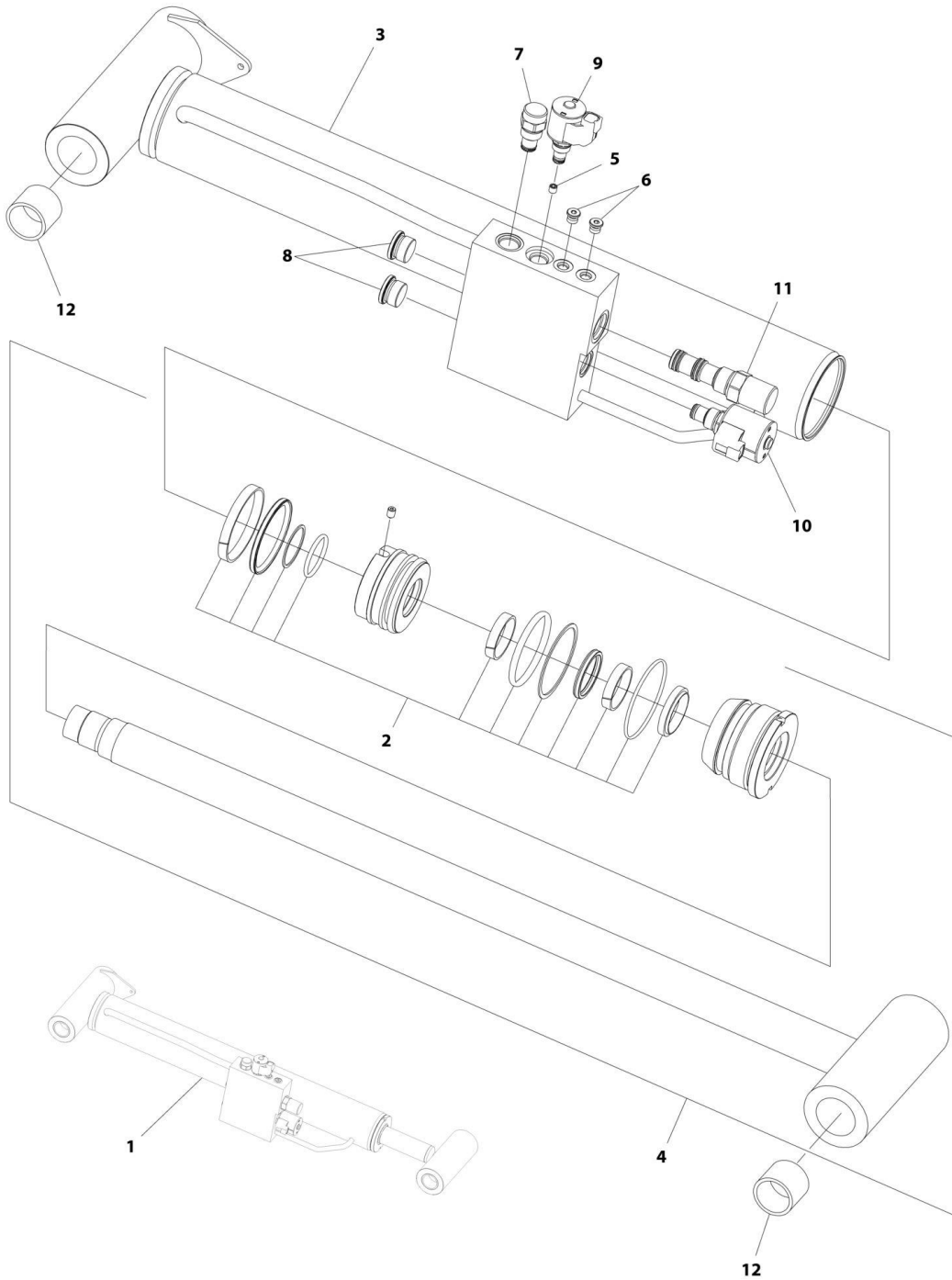
SECTION 6 - CYLINDER

FIGURE 6-3. LIFT CYLINDER ASSEMBLY - JIB

ITEM	PART NUMBER	QTY	DESCRIPTION	REV
	1001163767	Ref	LIFT CYLINDER ASSEMBLY - JIB	B
1	70005155	1	Barrel	
2	70005156	1	Rod	
3	70005157	1	Head	
4	See Note	NSS	Wiper (Note: Use Item 23)	
5	70002373	1	Ring, Retaining	
6	See Note	NSS	Seal, Rod (Note: Use Item 23)	
7	See Note	NSS	Ring, Back-up (Note: Use Item 23)	
8	70005143	1	Bearing, Dry	
9	See Note	NSS	O-Ring (Note: Use Item 23)	
10	See Note	NSS	Ring, Back-up (Note: Use Item 23)	
11	See Note	NSS	O-Ring (Note: Use Item 23)	
12	70002371	1	Piston	
13	See Note	NSS	O-Ring (Note: Use Item 23)	
14	See Note	NSS	Seal, Piston (Note: Use Item 23)	
15	See Note	NSS	Ring, Piston (Note: Use Item 23)	
16	70002335	2	Nut	
17	70005158	2	Bushing	
18	70005159	2	Bushing	
19	4640509	2	Cartridge, Valve	
19	2900792	2	Seal Kit - 4640509 Valve	
20	70023370	2	Plug 7/16	
21	See Note	1	Plug 7/16 (Note: Not Available for Purchase)	
22	See Note	1	Plug 9/16 (Note: Not Available for Purchase)	
23	70005160	1	Seal Kit - 1001163767 Cylinder (Includes Items 4, 6, 7, 9-11 & 13-15)	

SECTION 6 - CYLINDER

FIGURE 6-4. LIFT CYLINDER ASSEMBLY - MAIN BOOM (SN E300000100 through E300004512)



ART_1001181706

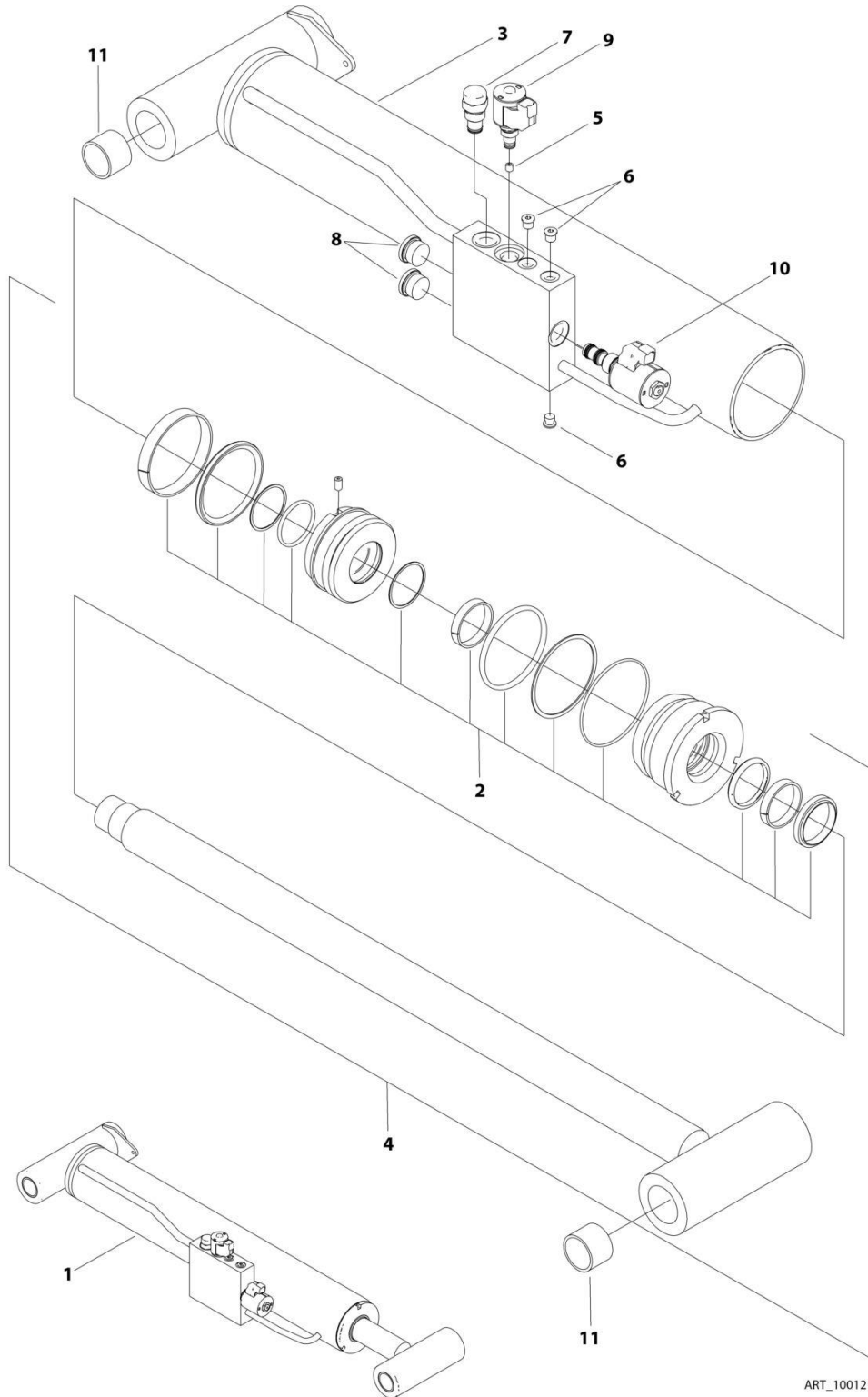
SECTION 6 - CYLINDER

FIGURE 6-4. LIFT CYLINDER ASSEMBLY - MAIN BOOM (SN E30000100 through E300004512)

ITEM	PART NUMBER	QTY	DESCRIPTION	REV
1	1001181706	Ref	LIFT CYLINDER ASSEMBLY - MAIN BOOM	C
2	70004969	1	Seal Kit - 1001181706 Cylinder	
3	70004968	1	Barrel	
4	70004967	1	Rod Assembly (Includes Item 2)	
5	2180736	1	Orifice	
6	2220883	2	Plug #4	
7	4641390	1	Cartridge, Check Valve	
7	7017496	1	Seal Kit - 4641390 Valve	
8	See Note	NSS	Plug (Note: Not Available for Purchase)	
9	1001164709	1	Cartridge, Solenoid Valve (Includes Coil)	
9	7017467	1	Cartridge, Solenoid Valve Less Coil	
9	7012998	1	Seal Kit - 1001164709 & 7017467 Valves	
9	70002386	1	Coil	
10	1001148972	1	Cartridge, Solenoid Valve (Includes Coil)	
10	70002401	1	Cartridge, Solenoid Valve Less Coil	
10	7017496	1	Seal Kit - 1001148972 & 70002401 Valves	
10	70003788	1	Coil	
11	1001165131	1	Cartridge, Compensator Valve (SN E30000100 through E300003032)	
11	1001203628	1	Cartridge, Compensator Valve (SN E300003032 through E300004512)	
11	7012925	1	Seal Kit - 1001165131 & 1001203628 Valve	
12	0961948	4	Bushing	

SECTION 6 - CYLINDER

FIGURE 6-5. LIFT CYLINDER ASSEMBLY - MAIN BOOM (SN 1300007286 through 1300007383, SN E300004512 through E300007980)



ART_1001217681

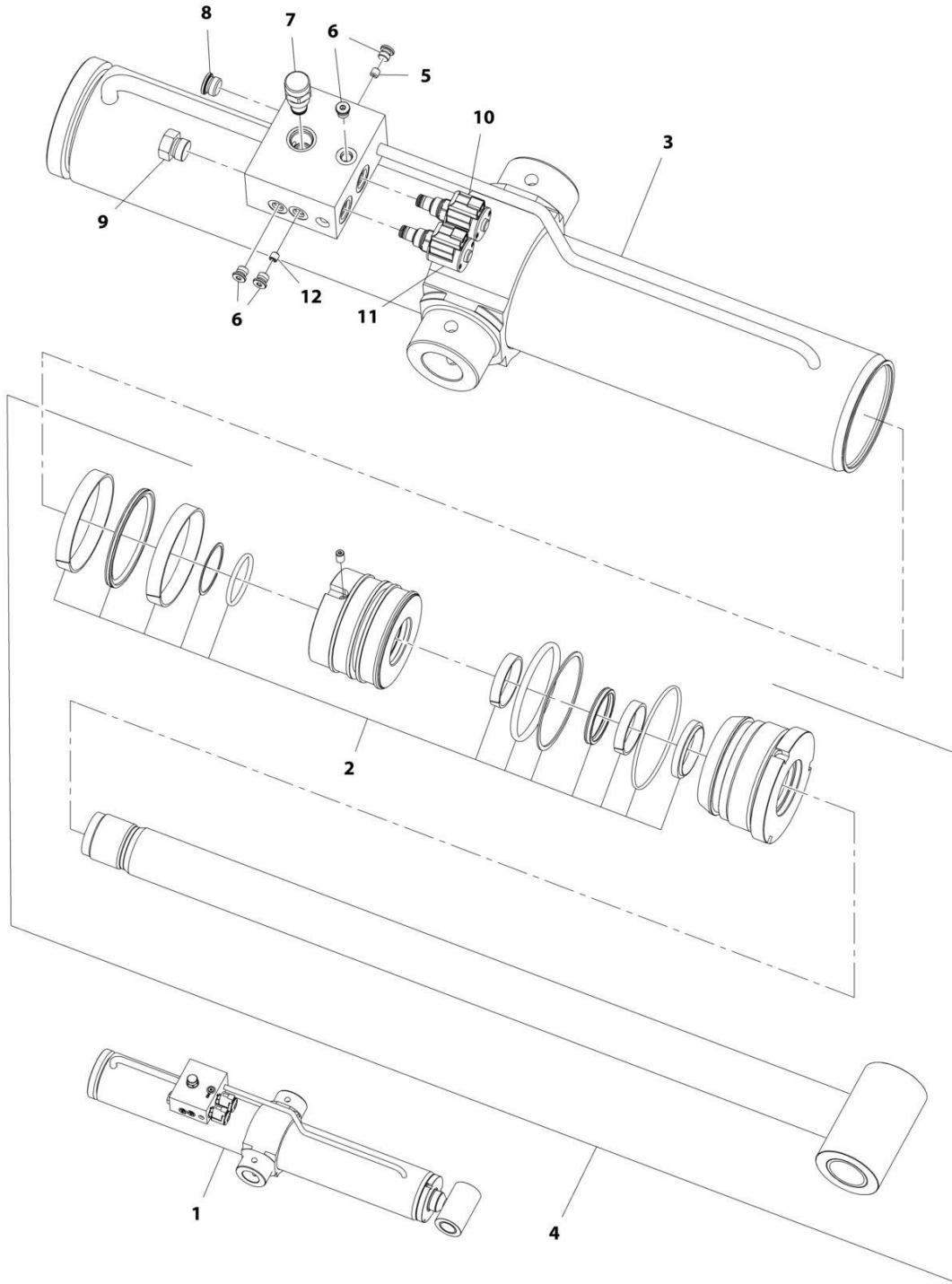
SECTION 6 - CYLINDER

FIGURE 6-5. LIFT CYLINDER ASSEMBLY - MAIN BOOM (SN 1300007286 through 1300007383, SN E300004512 through E300007980)

ITEM	PART NUMBER	QTY	DESCRIPTION	REV
	1001217681	Ref	LIFT CYLINDER ASSEMBLY - MAIN BOOM	B
2	70004969	1	Seal Kit - 1001217681 Cylinder	
3	See Note	NSS	Barrel (Note: Not Available for Purchase)	
4	70004967	1	Rod Assembly (Includes Item 2)	
5	2180736	1	Orifice	
6	2220883	3	Plug #4	
7	4641390	1	Cartridge, Check Valve	
7	7017496	1	Seal Kit - 4641390 Valve	
8	See Note	NSS	Plug (Note: Not Available for Purchase)	
9	1001164709	1	Cartridge, Solenoid Valve (Includes Coil)	
9	7012967	1	Cartridge, Solenoid Valve Less Coil	
9	7012998	1	Seal Kit - 1001164709 & 7017467 Valves	
9	70002386	1	Coil	
10	1001206625	1	Cartridge, Compensator Valve	
10	70006104	1	Cartridge, Solenoid Valve Less Coil	
10	70006105	1	Seal Kit - 70006104 Valve	
10	70003788	1	Coil	
10	7022390	1	Coil Nut	
11	0961948	4	Bushing	

SECTION 6 - CYLINDER

FIGURE 6-6. LIFT CYLINDER ASSEMBLY - TOWER BOOM



ART_1001161715

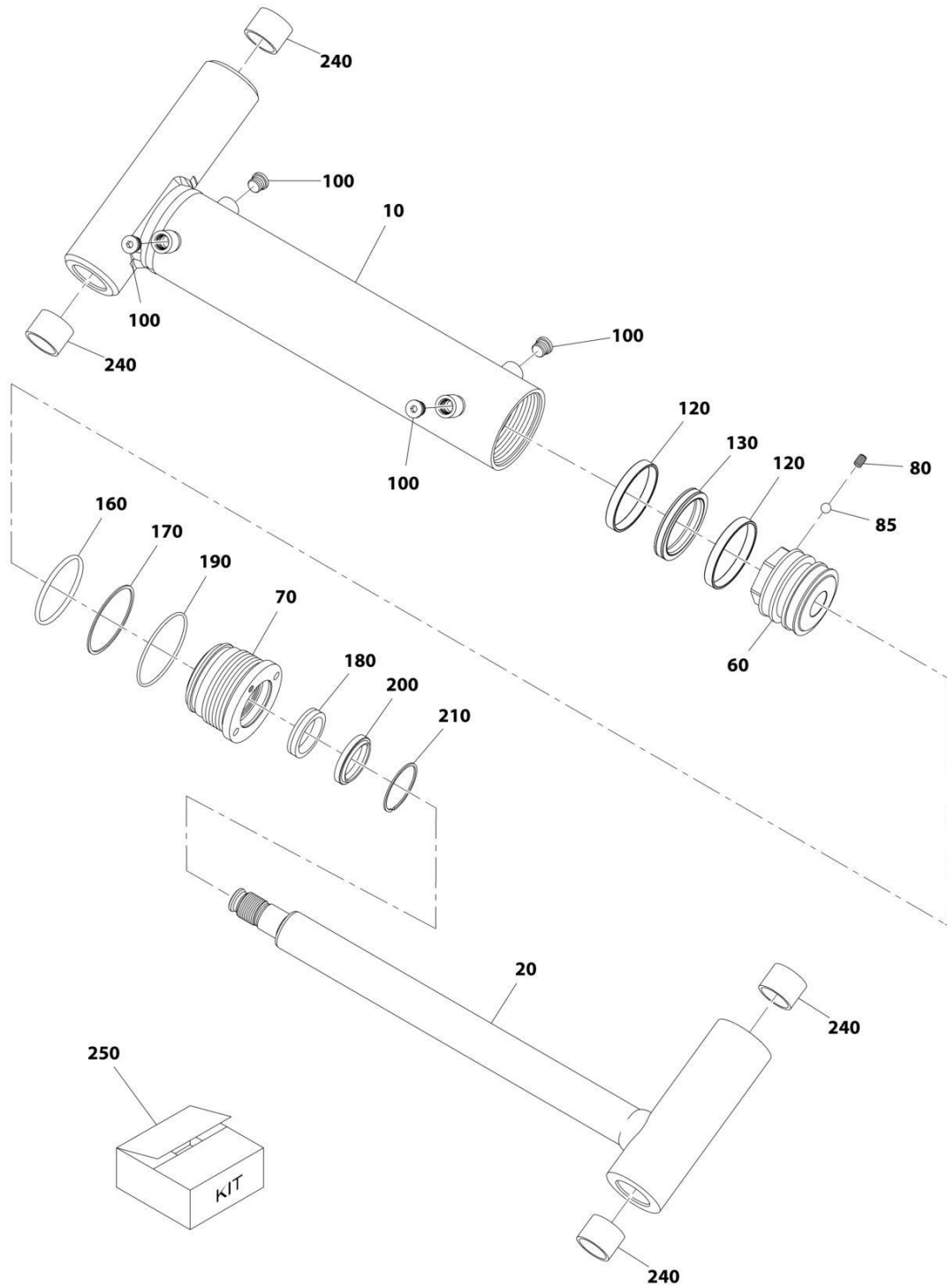
SECTION 6 - CYLINDER

FIGURE 6-6. LIFT CYLINDER ASSEMBLY - TOWER BOOM

ITEM	PART NUMBER	QTY	DESCRIPTION	REV
1	1001161715	1	LIFT CYLINDER ASSEMBLY - TOWER BOOM	G
2	70004966	1	Seal Kit - 1001161715 Cylinder	
3	70004965	1	Barrel	
4	70004964	1	Rod Assembly (Includes Seal Kit and Bushings)	
4	0961948	2	Bushing	
5	70005578	1	Plug, Orifice	
6	2220883	4	Plug #4	
7	4641390	1	Cartridge, Check Valve	
7	7017496	1	Seal Kit - 4641390 Valve	
8	2220886	1	Plug #8	
9	See Note	1	Plug, Shipping (Note: Not Available for Purchase)	
10	1001166208	1	Cartridge, Solenoid Valve (Includes Coil)	
10	7024884	1	Cartridge, Solenoid Valve Less Coil	
10	7012967	1	Seal Kit - 1001166208 & 7024884 Valves	
10	70002386	1	Coil	
11	1001164709	1	Cartridge, Solenoid Valve (Includes Coil)	
11	7017467	1	Cartridge, Solenoid Valve Less Coil	
11	7012998	1	Seal Kit - 1001164709 & 7017467 Valves	
11	70002386	1	Coil	
12	70005577	1	Plug, Orifice	

SECTION 6 - CYLINDER

FIGURE 6-7. MASTER CYLINDER ASSEMBLY



ART_1001161717

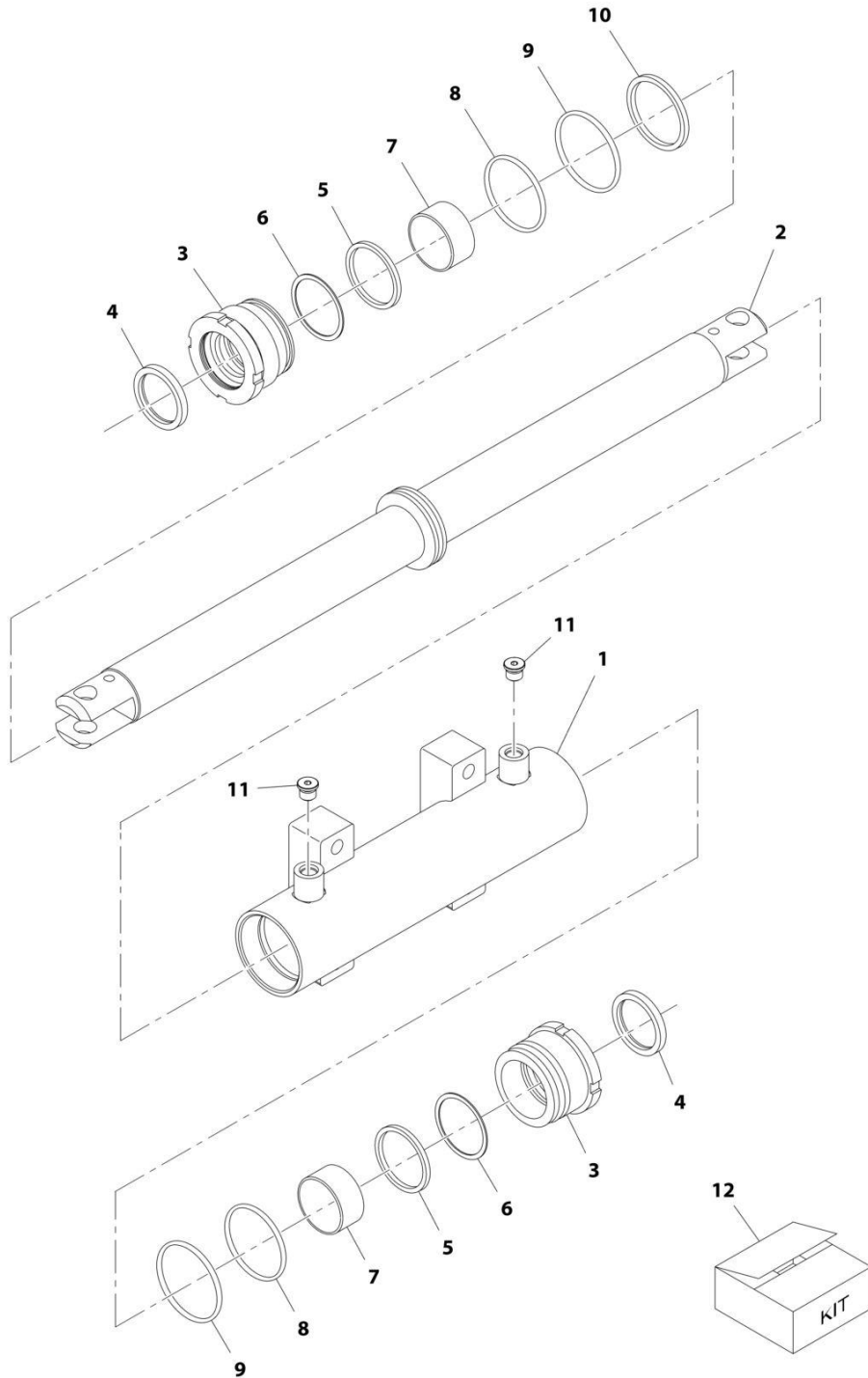
SECTION 6 - CYLINDER

FIGURE 6-7. MASTER CYLINDER ASSEMBLY

ITEM	PART NUMBER	QTY	DESCRIPTION	REV
	1001161717	Ref	MASTER CYLINDER ASSEMBLY	D
10	70005017	1	Barrel	
20	70005018	1	Rod	
60	70005012	1	Piston	
70	70003837	1	Head	
80	70005013	1	Setscrew	
85	70005014	1	Ball	
100	70025959	4	Plug 9/16	
120	See Note	NSS	Ring, Piston (Note: Use Item 250)	
130	See Note	NSS	Seal (Note: Use Item 250)	
160	See Note	NSS	O-Ring (Note: Use Item 250)	
170	See Note	NSS	Ring (Note: Use Item 250)	
180	See Note	NSS	Seal (Note: Use Item 250)	
190	See Note	NSS	O-Ring (Note: Use Item 250)	
200	See Note	NSS	Wiper (Note: Use Item 250)	
210	70003838	1	Ring, Retaining	
240	0961951	4	Bushing	
250	70005016	1	Seal Kit - 1001161717 Cylinder (Includes Items 120-200)	

SECTION 6 - CYLINDER

FIGURE 6-8. STEER CYLINDER ASSEMBLY



ART_1001163178

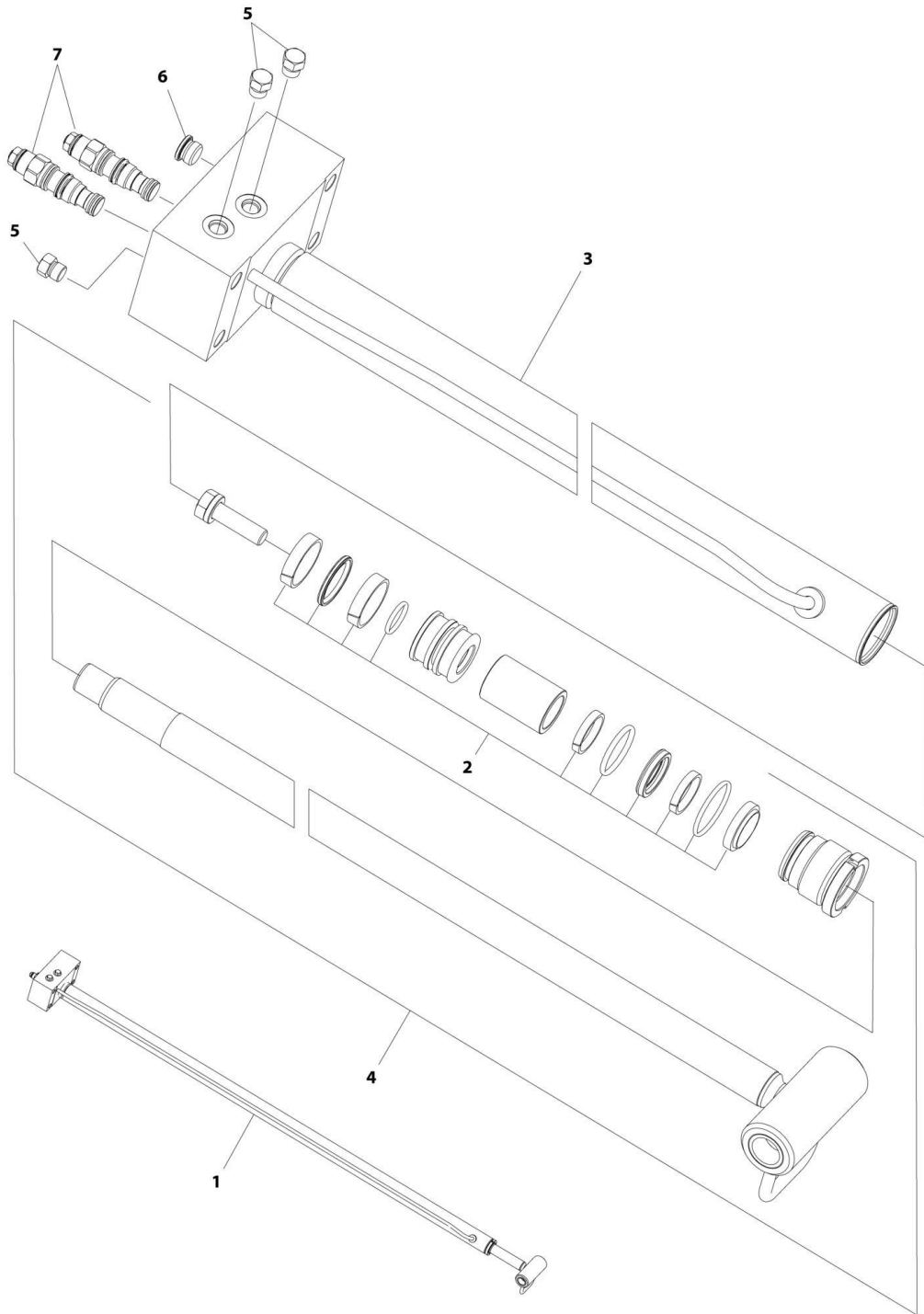
SECTION 6 - CYLINDER

FIGURE 6-8. STEER CYLINDER ASSEMBLY

ITEM	PART NUMBER	QTY	DESCRIPTION	REV
	1001163178	Ref	STEER CYLINDER ASSEMBLY	D
1	70005150	1	Barrel	
2	70005151	1	Rod	
3	70005152	2	Head	
4	See Note	NSS	Wiper (Note: Use Item 12)	
5	See Note	NSS	Seal, Rod (Note: Use Item 12)	
6	See Note	NSS	Ring, Back-up (Note: Use Item 12)	
7	70005153	2	Bearing, Dry	
8	See Note	NSS	O-Ring (Note: Use Item 12)	
9	See Note	NSS	O-Ring (Note: Use Item 12)	
10	See Note	NSS	Seal, Piston (Note: Use Item 12)	
11	See Note	2	Plug 9/16 (Note: Not Available for Purchase)	
12	70005154	1	Seal Kit - 1001163178 Cylinder (Includes Items 4-6 & 8-10)	

SECTION 6 - CYLINDER

FIGURE 6-9. TELESCOPE CYLINDER ASSEMBLY



ART_1001161804

SECTION 6 - CYLINDER

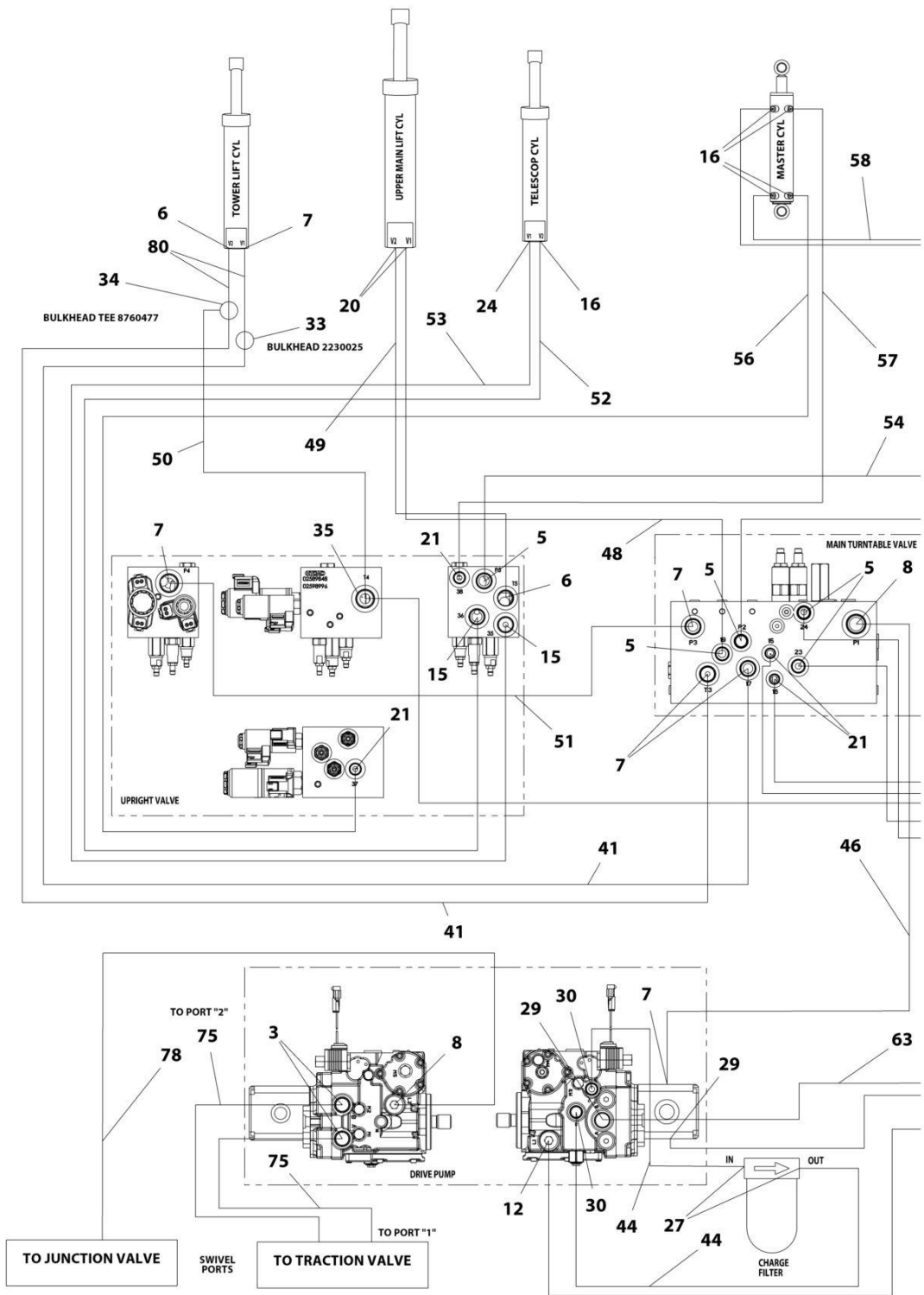
FIGURE 6-9. TELESCOPE CYLINDER ASSEMBLY

ITEM	PART NUMBER	QTY	DESCRIPTION	REV
1	1001161804	Ref	TELESCOPE CYLINDER ASSEMBLY	E
2	70004960	1	Seal Kit - 1001161804 Cylinder (Part of Item 4)	
3	70004959	1	Barrel	
4	70004958	1	Rod Assembly (Includes Seal Kit)	
5	2220237	3	Plug #6 (SN E300000100 through E300003032)	
5	2220885	3	Plug #6 (SN 1300007286 through 1300007383, SN E300003032 through E300007980)	
6	2220886	1	Plug #8	
7	4640771	2	Cartridge, Valve	
7	2900770	2	Seal Kit - 4460771 Valve	

SECTION 7 - HYDRAULIC

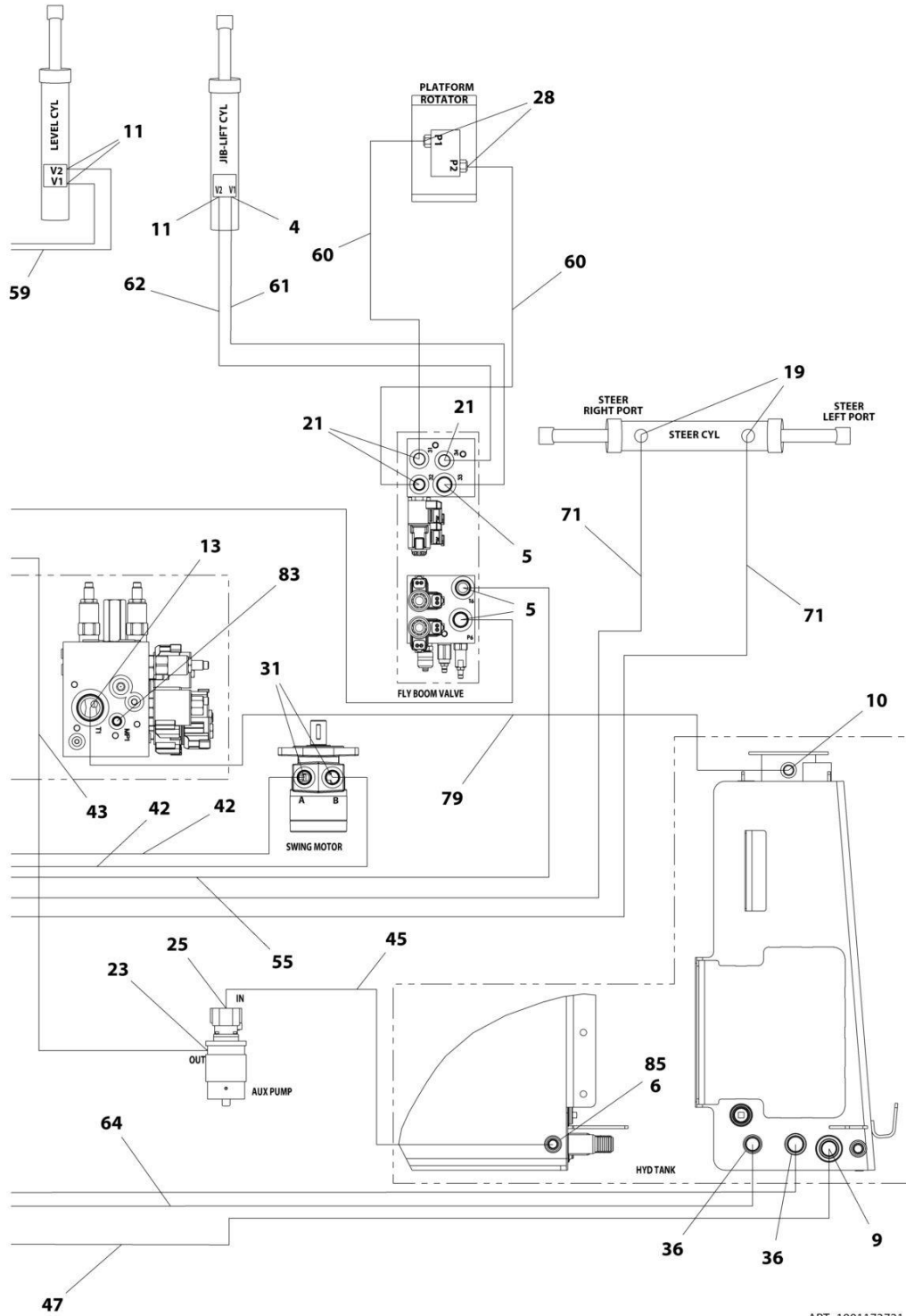
SECTION 7 - HYDRAULIC

FIGURE 7-1. HYDRAULIC SYSTEM INSTALLATION (SN E30000100 through E300004228)



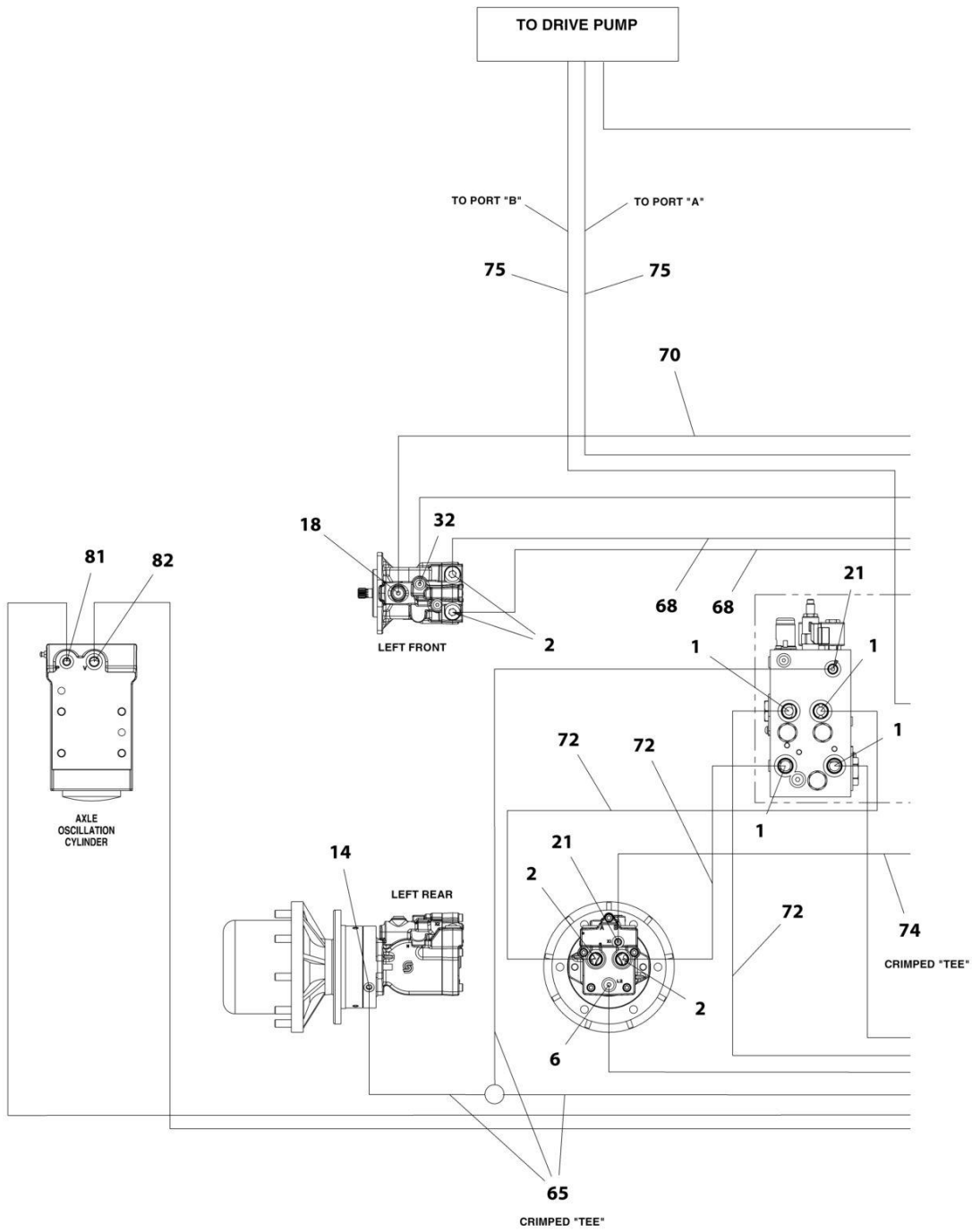
ART_1001173721_10F4

SECTION 7 - HYDRAULIC



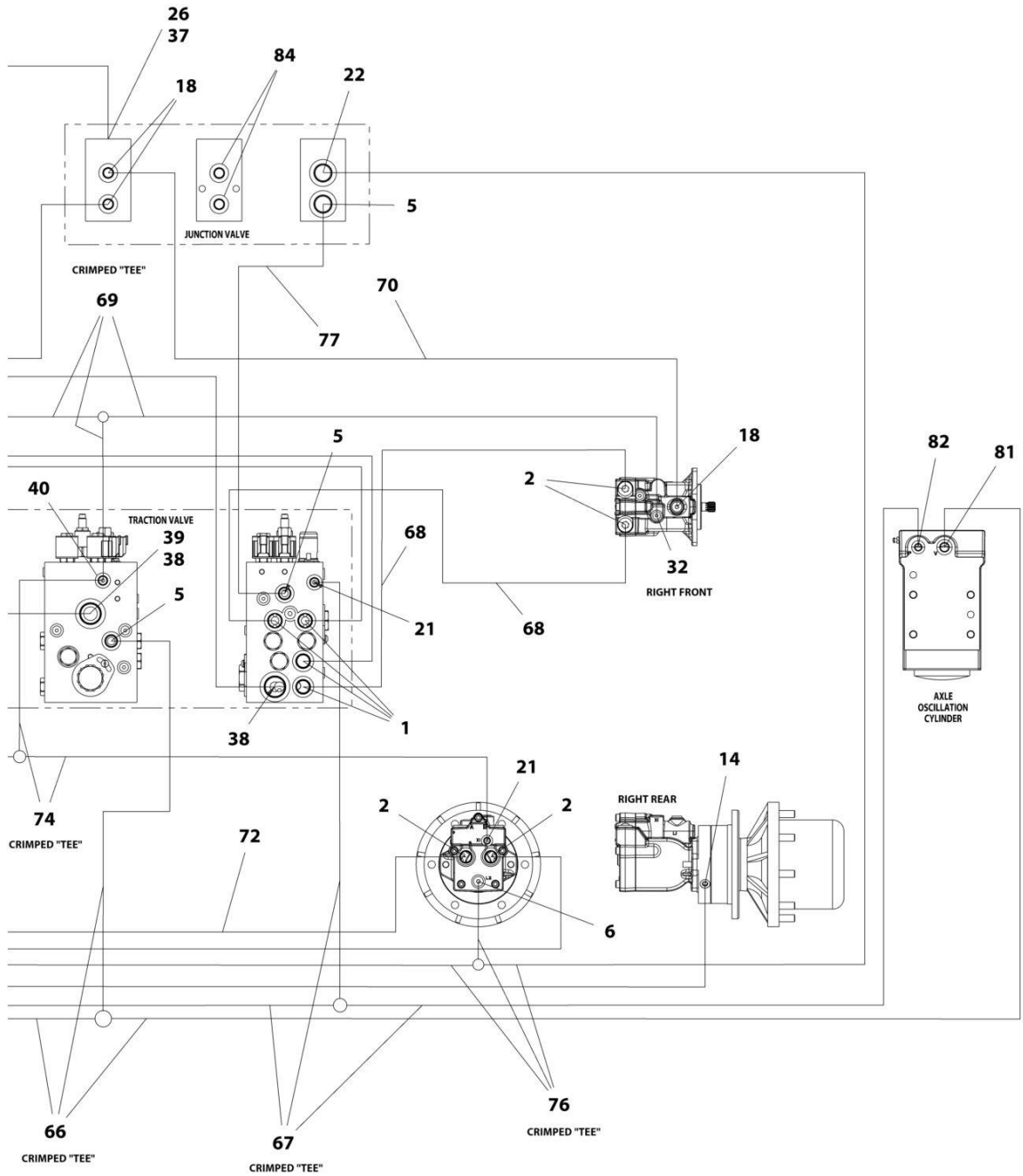
ART_1001173721_20F4

SECTION 7 - HYDRAULIC



ART_1001173721_3OF4

SECTION 7 - HYDRAULIC



ART_1001173721_4OF4

SECTION 7 - HYDRAULIC

FIGURE 7-1. HYDRAULIC SYSTEM INSTALLATION (SN E300000100 through E300004228)

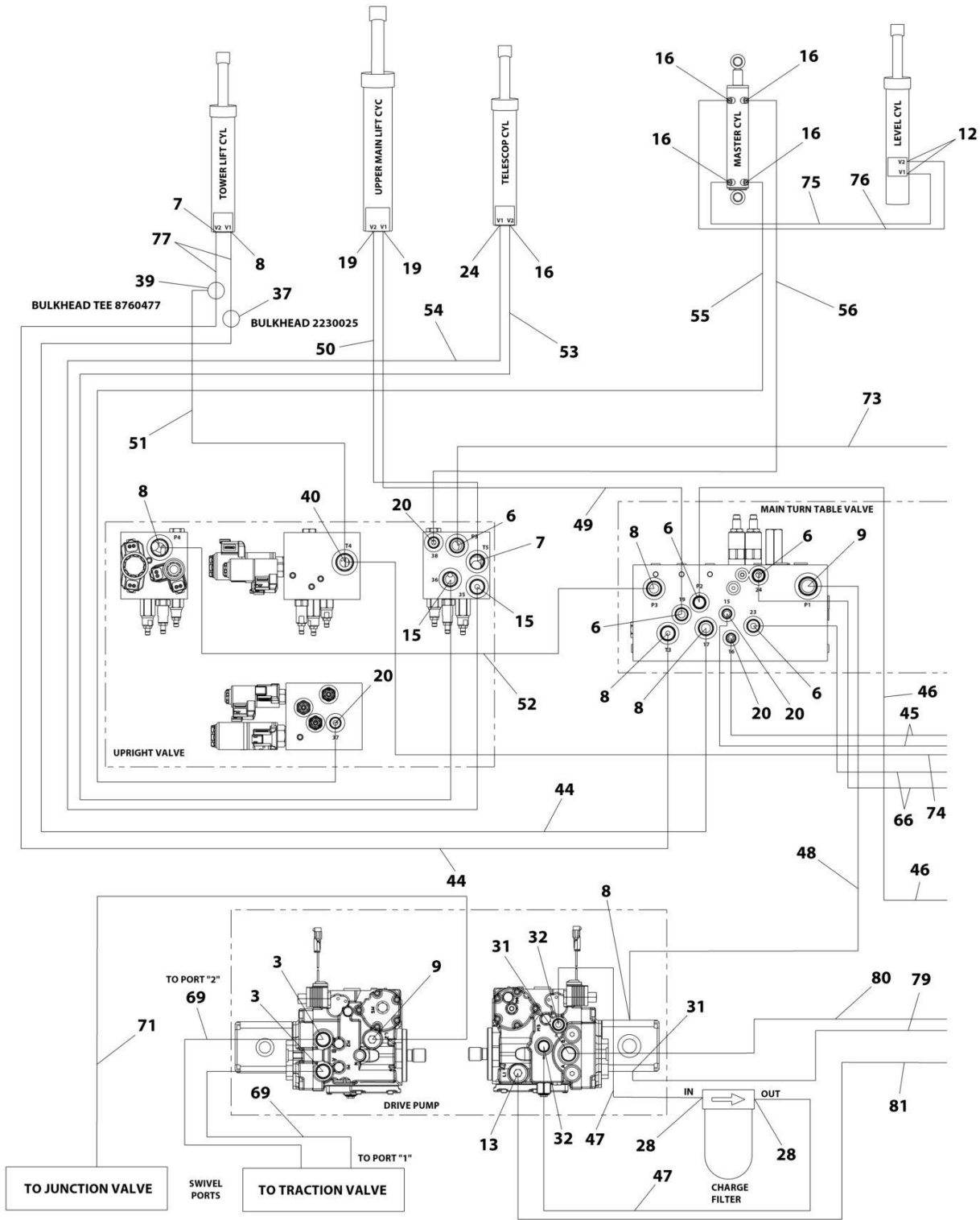
ITEM	PART NUMBER	QTY	DESCRIPTION	REV
	1001173721	Ref	HYDRAULIC SYSTEM INSTALLATION	C
1	2110810	8	Fitting, Straight ORFS/ORB	
2	2110812	8	Fitting, Straight ORFS/ORB	
3	2151212	2	Fitting, 45 ORFS/ORB	
4	2220371	1	Fitting, Straight JIC/ORB	
5	2220372	11	Fitting, Straight JIC/ORB	
6	2220373	5	Fitting, Straight JIC/ORB	
7	2220374	6	Fitting, Straight JIC/ORB	
8	2220375	2	Fitting, Straight JIC/ORB	
9	2220377	1	Fitting, Straight JIC/ORB	
10	2220408	1	Fitting, Straight JIC/ORB	
11	2220415	3	Fitting, Straight JIC/ORB	
12	2220451	1	Fitting, Straight JIC/ORB	
13	2220465	1	Fitting, 90 JIC/ORB	
14	2220466	2	Fitting, 90 JIC/ORB	
15	2220468	2	Fitting, Straight JIC/ORB	
16	2220472	5	Fitting, 90 JIC/ORB	
18	2220500	4	Fitting, 45 JIC/ORB	
19	2220501	2	Fitting, 45 JIC/ORB	
20	2220577	2	Fitting, Straight JIC/ORB	
21	2220582	11	Fitting, Straight JIC/ORB	
22	2220596	1	Fitting, 90 JIC/ORB	
23	2220603	1	Fitting, Straight JIC/ORB	
24	2220628	1	Fitting, 90 JIC/ORB	
25	2220600	1	Fitting, Straight JIC/ORB	
26	2220811	1	Fitting, Straight FORB/ORB	
27	2220906	2	Fitting, 90 JIC/ORB	
28	2220940	2	Fitting, Elbow	
29	2220946	2	Fitting, Straight JIC/ORB	
30	2220947	2	Fitting, Straight JIC/ORB	
31	2221033	2	Fitting, Straight JIC/ORB	
32	2221040	2	Fitting, 45 JIC/ORB	
33	2230025	1	Fitting, Straight JIC/JIC	
34	8760477	1	Fitting, Tee JIC/JIC/JIC	
35	8770289	1	Fitting, Tee JIC/ORB/JIC	
36	80633030	2	Clamp, Hose	
37	1001119627	1	Fitting, Straight JIC/ORB	
38	1001142679	2	Fitting, Straight ORFS/ORB	
39	1001143936	1	Fitting, 90 FORB/ORB	
40	1001175024	1	Fitting, Tee JIC/JIC/ORB	
41	1001173006	2	Hose	
42	1001173027	2	Hose	
43	1001173028	1	Hose	
44	1001173029	2	Hose	
45	1001173030	1	Hose	
46	1001173031	1	Hose	
47	1001173032	1	Hose	
48	1001173034	1	Hose	
49	1001173035	1	Hose	
50	1001173036	1	Hose	

SECTION 7 - HYDRAULIC

ITEM	PART NUMBER	QTY	DESCRIPTION	REV
51	1001173037	1	Hose	
52	1001173038	1	Hose	
53	1001173039	1	Hose	
54	1001176299	1	Hose	
55	1001176300	1	Hose	
56	1001173042	1	Hose	
57	1001173043	1	Hose	
58	1001176301	1	Hose	
59	1001176302	1	Hose	
60	1001173046	2	Hose	
61	1001173048	1	Hose	
62	1001173049	1	Hose	
63	1001173050	1	Hose	
64	1001173051	1	Hose	
65	1001173052	1	Hose	
66	1001173053	1	Hose	
67	1001173054	1	Hose	
68	1001173055	4	Hose	
69	1001173056	1	Hose	
70	1001173057	2	Hose	
71	1001173058	2	Hose	
72	1001173059	4	Hose	
74	1001173061	1	Hose	
75	1001173062	2	Hose	
76	1001173063	1	Hose	
77	1001197039	1	Hose	
78	1001173066	1	Hose	
79	1001173631	1	Tube Assembly	
80	1001180035	2	Hose	
81	2220923	2	Fitting, Straight JIC/ORB	
82	2220998	2	Fitting, Straight JIC/ORB	
83	2221086	1	Fitting, Diagnostic	
84	2220883	2	Plug #4	
85	8765204	1	Fitting, 90 JIC/FSJIC	

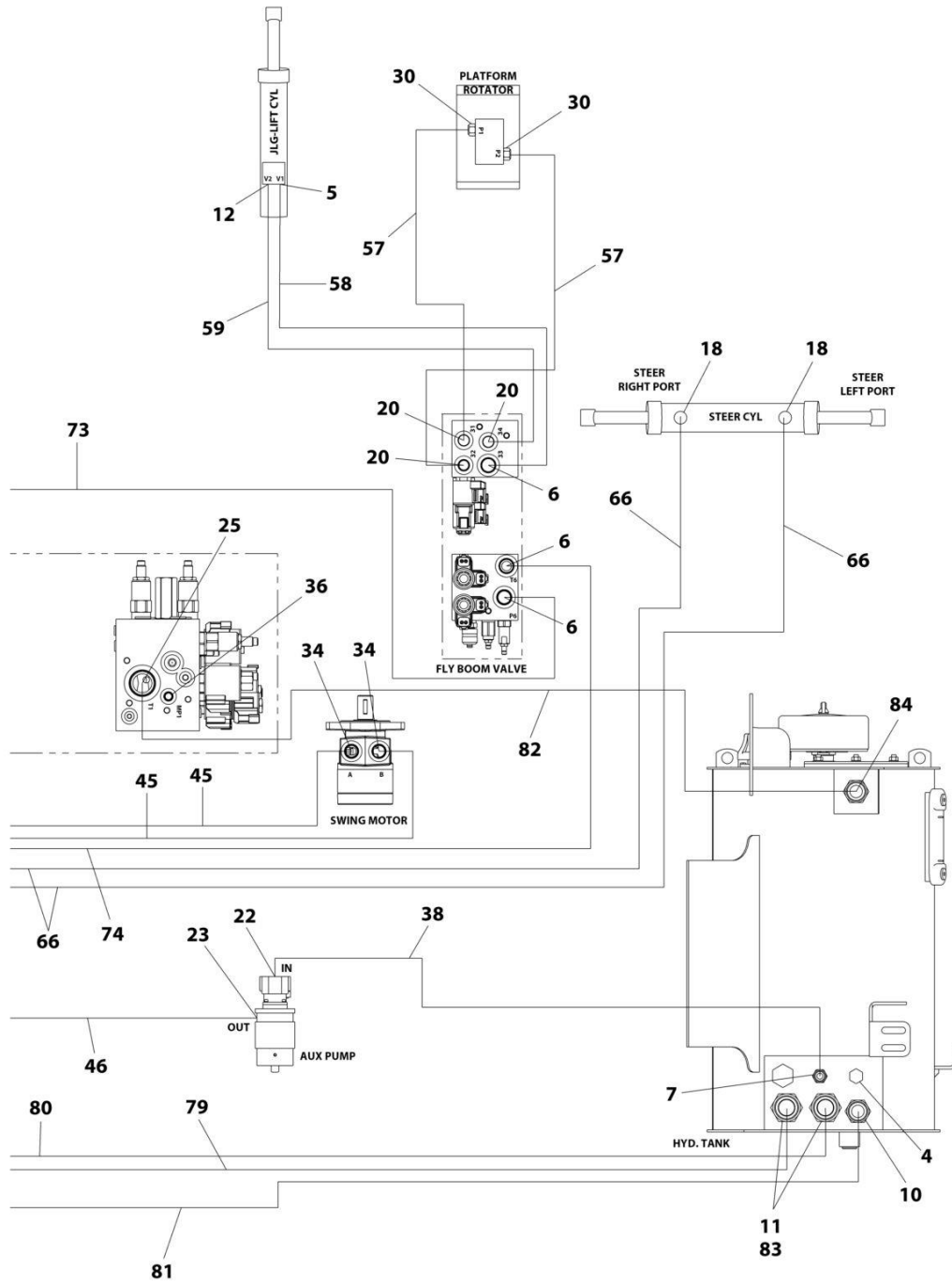
SECTION 7 - HYDRAULIC

FIGURE 7-2. HYDRAULIC SYSTEM INSTALLATION (SN 130007286 through 130007383, SN E30004228 through E30007980)



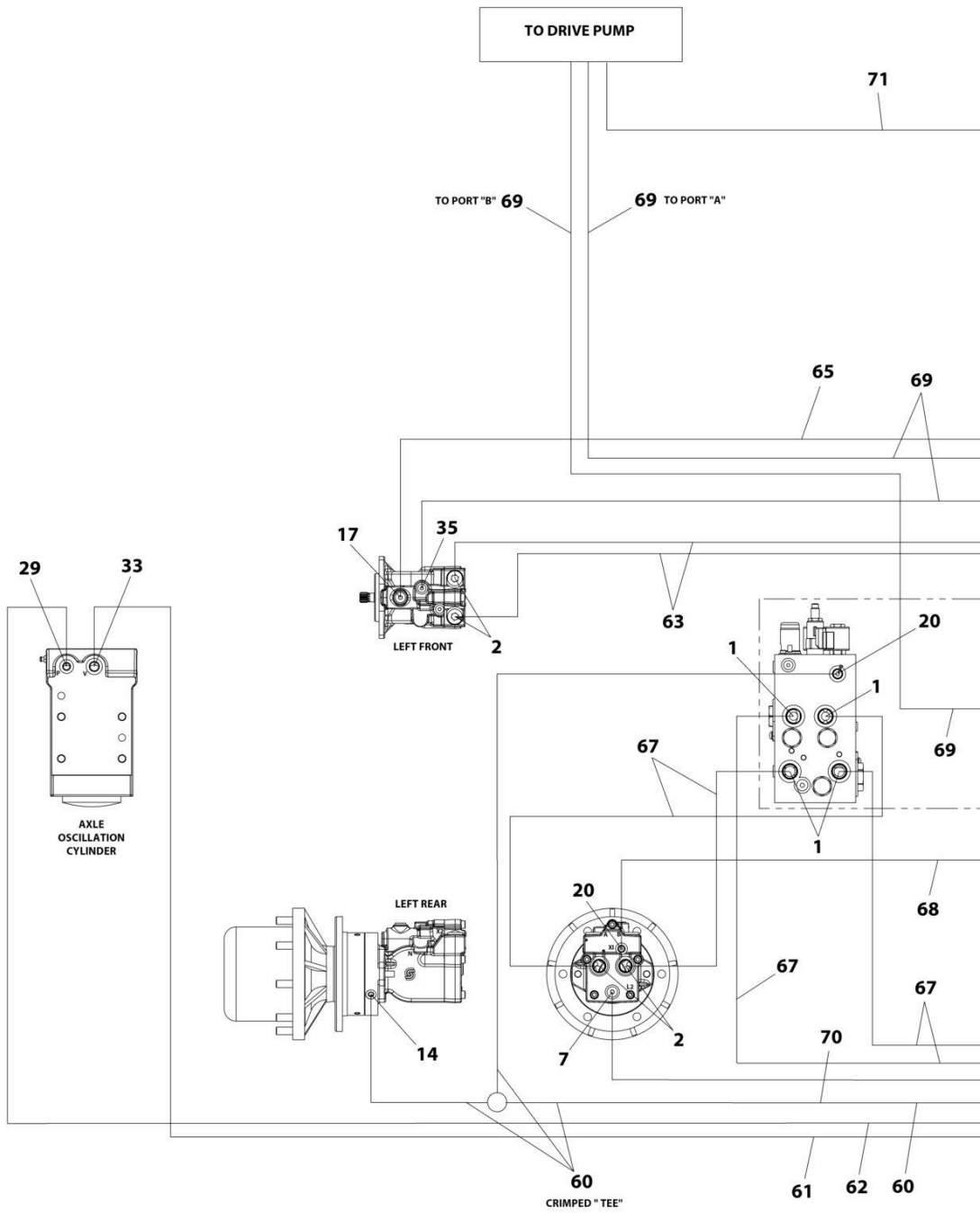
ART_1001207356_10F4

SECTION 7 - HYDRAULIC



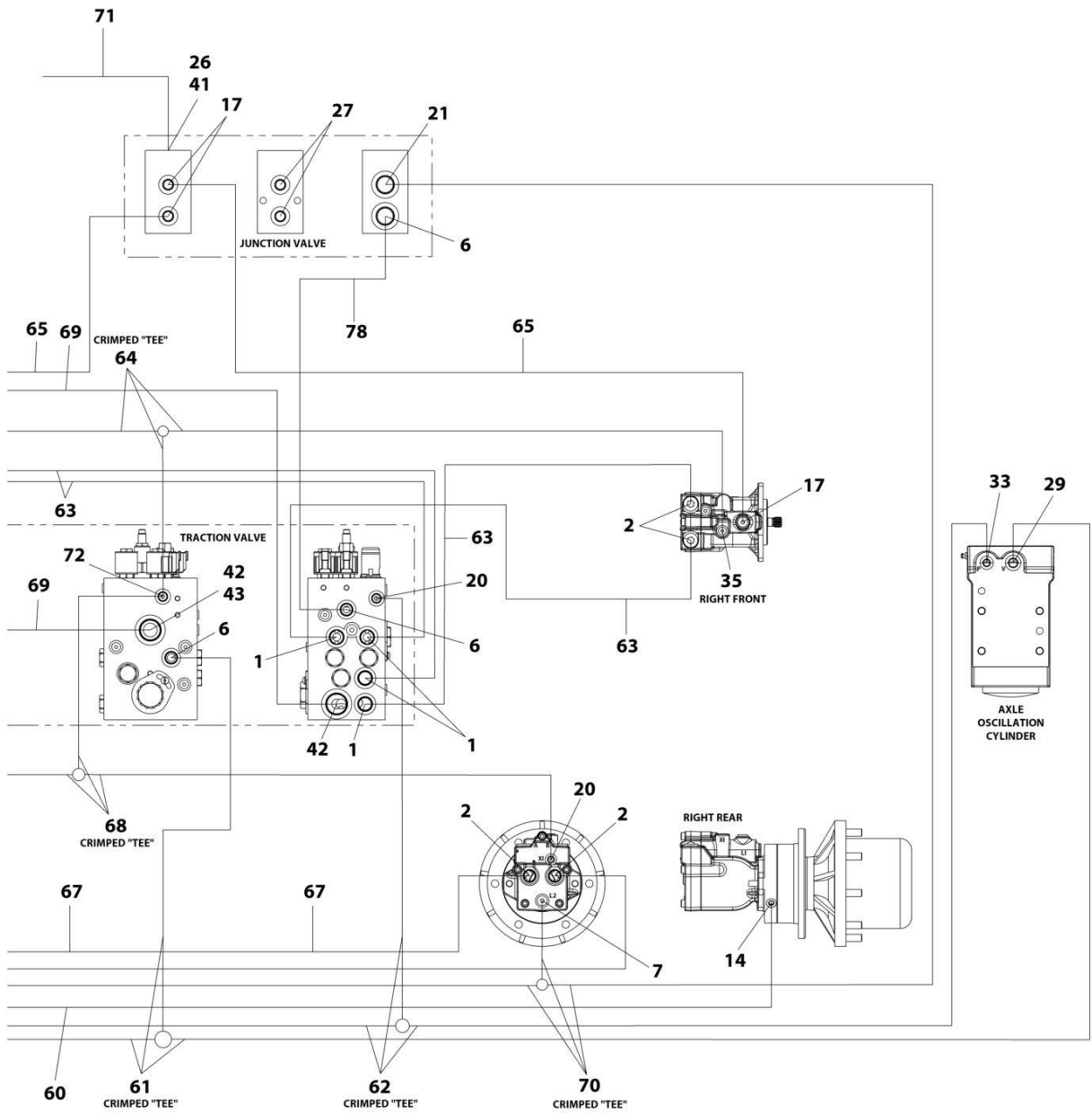
ART_1001207356_2OF4

SECTION 7 - HYDRAULIC



ART_1001207356_3OF4

SECTION 7 - HYDRAULIC



ART_1001207356_4OF4

SECTION 7 - HYDRAULIC

FIGURE 7-2. HYDRAULIC SYSTEM INSTALLATION (SN 1300007286 through 1300007383, SN E300004228 through E300007980)

ITEM	PART NUMBER	QTY	DESCRIPTION	REV
	1001207356	Ref	HYDRAULIC SYSTEM INSTALLATION	C
1	2110810	8	Fitting, Straight ORFS/ORB	
2	2110812	8	Fitting, Straight ORFS/ORB	
3	2151212	2	Fitting, 45 ORFS/ORB	
4	2220238	1	Plug	
5	2220371	1	Fitting, Straight JIC/ORB	
6	2220372	11	Fitting, Straight JIC/ORB	
7	2220373	5	Fitting, Straight JIC/ORB	
8	2220374	6	Fitting, Straight JIC/ORB	
9	2220375	2	Fitting, Straight JIC/ORB	
10	2220377	1	Fitting, Straight JIC/ORB	
11	1001202910	2	Fitting, Straight MORB	
12	2220415	3	Fitting, Straight JIC/ORB	
13	2220451	1	Fitting, Straight JIC/ORB	
14	2220466	2	Fitting, 90 JIC/ORB	
15	2220468	2	Fitting, Straight JIC/ORB	
16	2220472	5	Fitting, 90 JIC/ORB	
17	2220500	4	Fitting, 45 JIC/ORB	
18	2220501	2	Fitting, 45 JIC/ORB	
19	2220497	2	Fitting, Straight JIC/ORB	
20	2220582	11	Fitting, Straight JIC/ORB	
21	2220596	1	Fitting, 90 JIC/ORB	
22	2220600	1	Fitting, Straight JIC/ORB	
23	2220603	1	Fitting, Straight JIC/ORB	
24	2220628	1	Fitting, 90 JIC/ORB	
25	2220465	1	Fitting, 90 JIC/ORB	
26	2220811	1	Fitting, Straight FORB/ORB	
27	2220883	2	Plug #4	
28	2220906	2	Fitting, 90 JIC/ORB	
29	2220923	2	Fitting, Straight JIC/ORB	
30	2220940	2	Fitting, Elbow	
31	2220946	2	Fitting, Straight JIC/ORB	
32	2220947	2	Fitting, Straight JIC/ORB	
33	2220998	2	Fitting, Straight JIC/ORB	
34	2221033	2	Fitting, Straight JIC/ORB	
35	2221040	2	Fitting, 45 JIC/ORB	
36	2221086	1	Fitting, Diagnostic	
37	2230025	1	Fitting, Straight JIC/JIC	
38	2752519	1	Hose	
39	8760477	1	Fitting, Tee JIC/JIC/JIC	
40	8770289	1	Fitting, Tee JIC/ORB/JIC	
41	1001119627	1	Fitting, Straight JIC/ORB	
42	1001142679	2	Fitting, Straight ORFS/ORB	
43	1001143936	1	Fitting, 90 FORB/ORB	
44	1001173006	2	Hose	
45	1001173027	2	Hose	
46	1001173028	1	Hose	
47	1001173029	2	Hose	
48	2752504	1	Hose	

SECTION 7 - HYDRAULIC

ITEM	PART NUMBER	QTY	DESCRIPTION	REV
49	1001173034	1	Hose	
50	1001173035	1	Hose	
51	1001173036	1	Hose	
52	1001173037	1	Hose	
53	1001173038	1	Hose	
54	1001173039	1	Hose	
55	1001173042	1	Hose	
56	1001173043	1	Hose	
57	1001173046	2	Hose	
58	1001173048	1	Hose	
59	1001173049	1	Hose	
60	1001173052	1	Hose	
61	1001173053	1	Hose	
62	1001173054	1	Hose	
63	1001173055	4	Hose	
64	1001173056	1	Hose	
65	1001173057	2	Hose	
66	1001173058	2	Hose	
67	1001173059	4	Hose	
68	1001173061	1	Hose	
69	1001173062	2	Hose	
70	1001173063	1	Hose	
71	1001173066	1	Hose	
72	1001175024	1	Fitting, Tee JIC/JIC/ORB	
73	1001176299	1	Hose	
74	1001176300	1	Hose	
75	1001176301	1	Hose	
76	1001176302	1	Hose	
77	1001180035	2	Hose	
78	1001197039	1	Hose	
79	1001207335	1	Hose	
80	1001207335	1	Hose	
81	1001207336	1	Hose	
82	1001210356	1	Tube	
83	80633030	2	Clamp, Hose	
84	2220435	1	Fitting, Straight JIC/ORB	

SECTION 7 - HYDRAULIC

FIGURE 7-3. HYDRAULIC DIAGRAM LIST

ITEM	PART NUMBER	QTY	DESCRIPTION	REV
	1001175260	Ref Ref	Note: Diagrams are available from JLG Service/Parts Department. HYDRAULIC SCHEMATIC (Not Shown - See Service Manual)	

SECTION 8 - ELECTRICAL

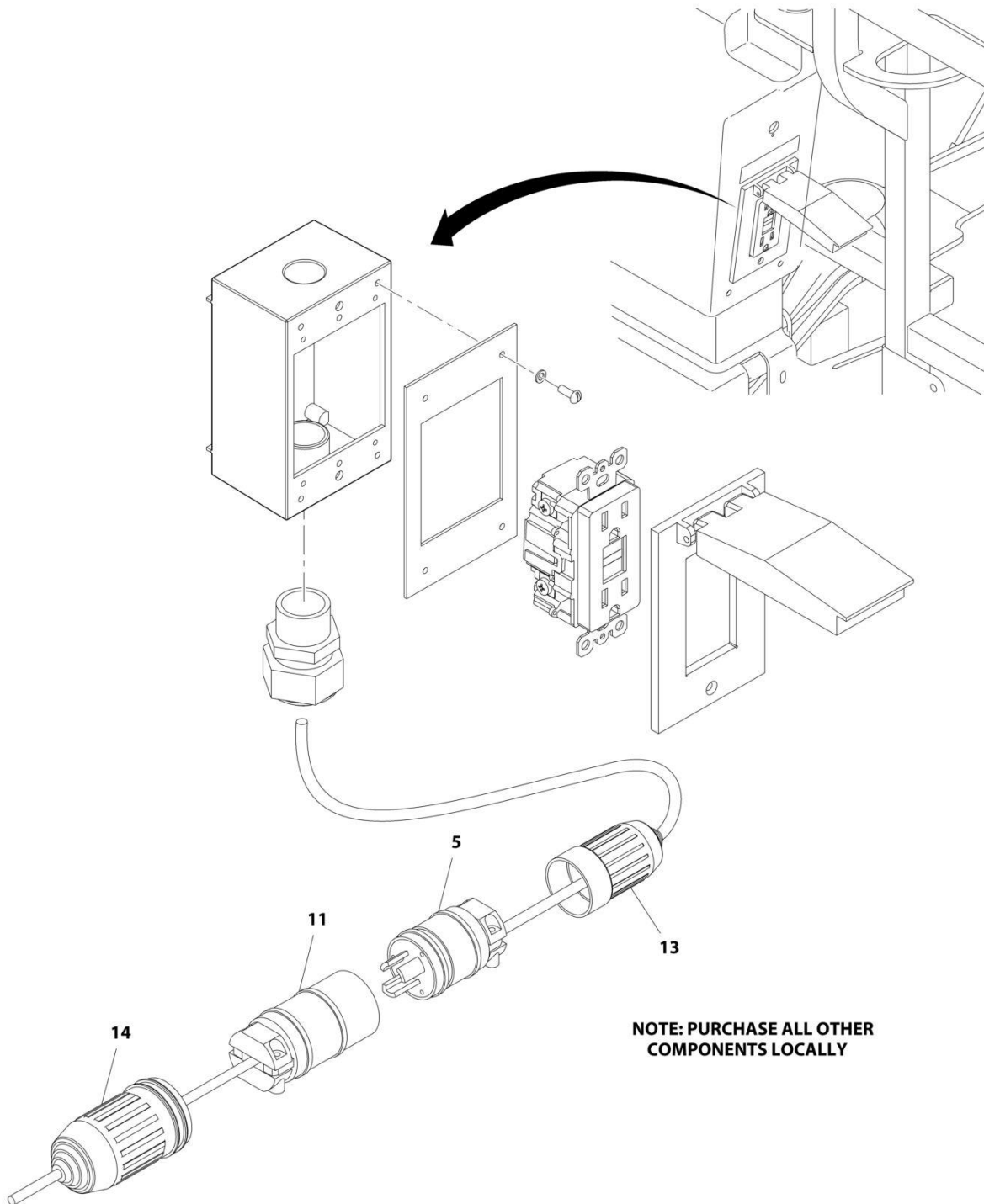
SECTION 8 - ELECTRICAL

FIGURE 8-1. ELECTRICAL DIAGRAM LIST

ITEM	PART NUMBER	QTY	DESCRIPTION	REV
		Ref	Note: For information, refer to Service Manual or contact JLG Customer Service Department.	
	1001157930	Ref	ELECTRICAL SCHEMATIC	
	1001175634	Ref	Generator Electrical Diagram - 4000W Generator - 50Hz (Australian Specs)	
	1001175632	Ref	Generator Electrical Diagram - 4000W Generator - 50Hz (CE Specs)	
	1001175633	Ref	Generator Electrical Diagram - 4000W Generator - 50Hz (UK Specs)	
	1001174675	Ref	Generator Electrical Diagram - 7500W SkyPower Generator	

SECTION 8 - ELECTRICAL

FIGURE 8-2. AC BOX AT PLATFORM - LOCALLY SUPPLIED COMPONENTS (SN E30000100 through E300003512)



ART_0258304

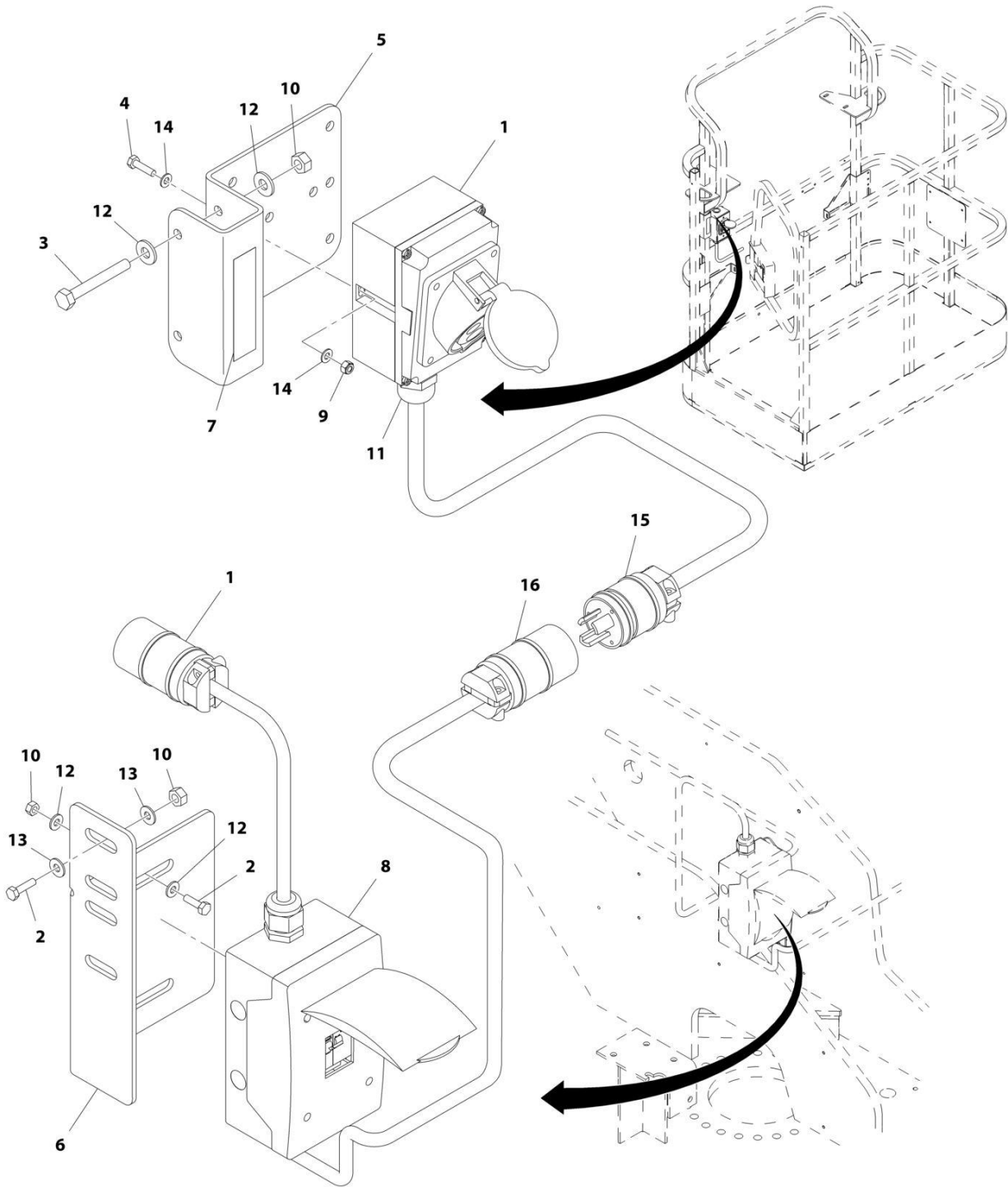
SECTION 8 - ELECTRICAL

FIGURE 8-2. AC BOX AT PLATFORM - LOCALLY SUPPLIED COMPONENTS (SN E30000100 through E300003512)

ITEM	PART NUMBER	QTY	DESCRIPTION	REV
	0258304	Ref	AC BOX AT PLATFORM - LOCALLY SUPPLIED COMPONENTS	C
5	4460709	1	Plug	
11	4460710	1	Receptacle	
13	1001156351	1	Cover, Female Connector	
14	1001156352	1	Cover, Male Connector	

SECTION 8 - ELECTRICAL

FIGURE 8-3. AC BOX AT PLATFORM INSTALLATION - 110V IEC YELLOW (CE SPEC) (SN E300000100 through E300003512)



ART_0275681

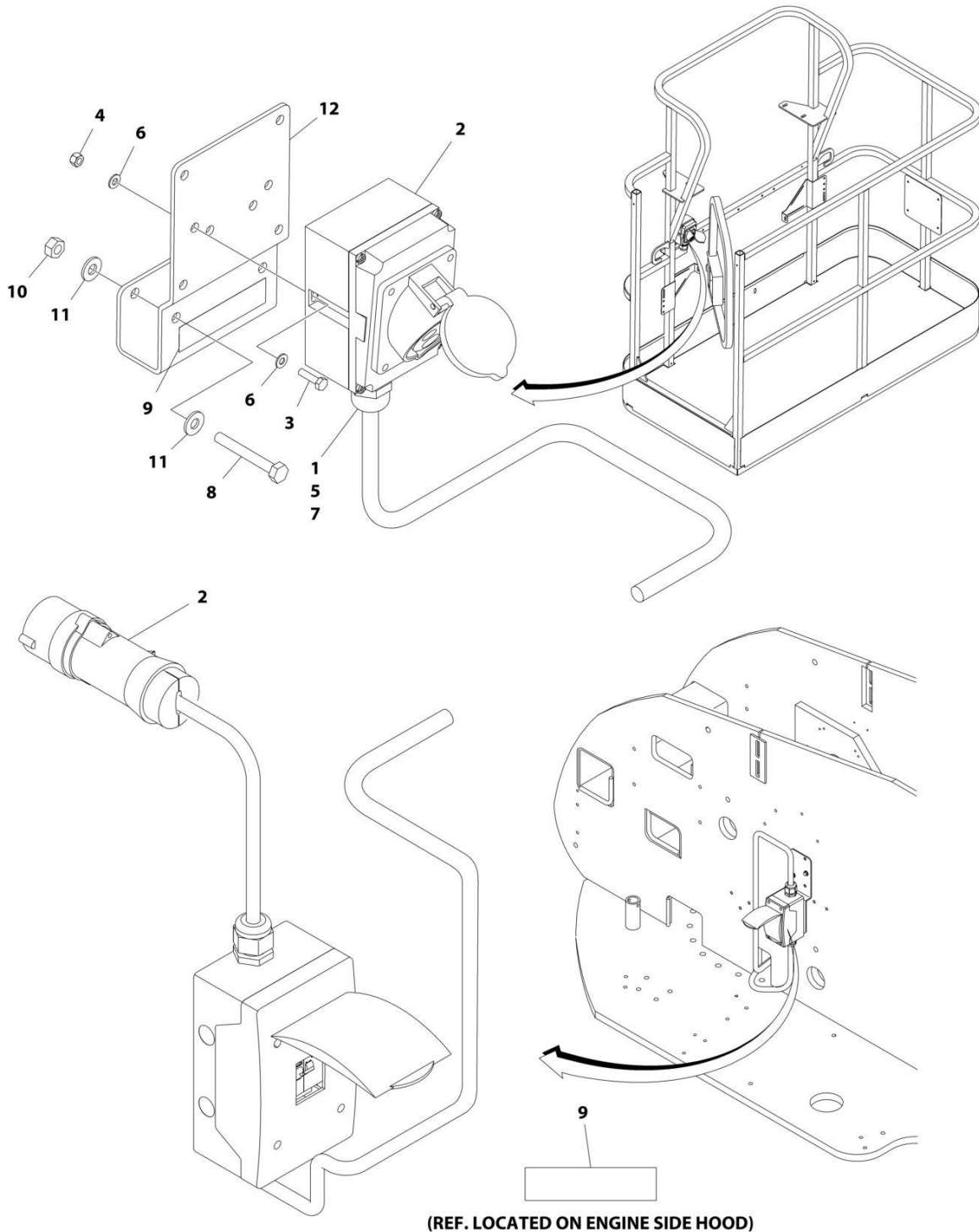
SECTION 8 - ELECTRICAL

FIGURE 8-3. AC BOX AT PLATFORM INSTALLATION - 110V IEC YELLOW (CE SPEC) (SN E300000100 through E300003512)

ITEM	PART NUMBER	QTY	DESCRIPTION	REV
	0275681	Ref	AC BOX AT PLATFORM INSTALLATION - 110V IEC YELLOW (CE SPEC)	B
		Ref	Note: For Machines equipped with 4000W Generator, see SPECIAL OPTIONS SECTION.	
1	0275216	1	Receptacle Box Kit (See RECEPTACLE BOX KIT - 110V IEC YELLOW (CE SPEC) for Breakdown)	
2	0641407	4	Bolt, 1/4 x 7/8	
3	0641416	2	Bolt, 1/4 x 2	
4	0700408	2	Bolt, M4 x 16	
5	0903484	1	Bracket	
6	0903612	1	Bracket	
7	1705325	2	Decal - 120V - 50 Hz	
8	2902549	1	Breaker Box Kit - CE Spec (See BREAKER BOX KIT - CE SPEC for Breakdown)	
9	3290405	2	Nut M4	
10	3311405	6	Nut 1/4	
11	4460968	1	Connector, Strain Relief	
12	4711400	8	Washer 1/4	
13	4751400	4	Washer 1/4	
14	4811400	4	Washer M4	
15	4460709	1	Plug, Male	
16	4460710	1	Receptacle, Female	

SECTION 8 - ELECTRICAL

FIGURE 8-4. AC BOX AT PLATFORM INSTALLATION - 110V IEC 60309 YELLOW WITHOUT 2500W GENERATOR (CE SPECS) (SN 1300007286 through 1300007383, SN E300003512 through E300007980)



ART_1001091969

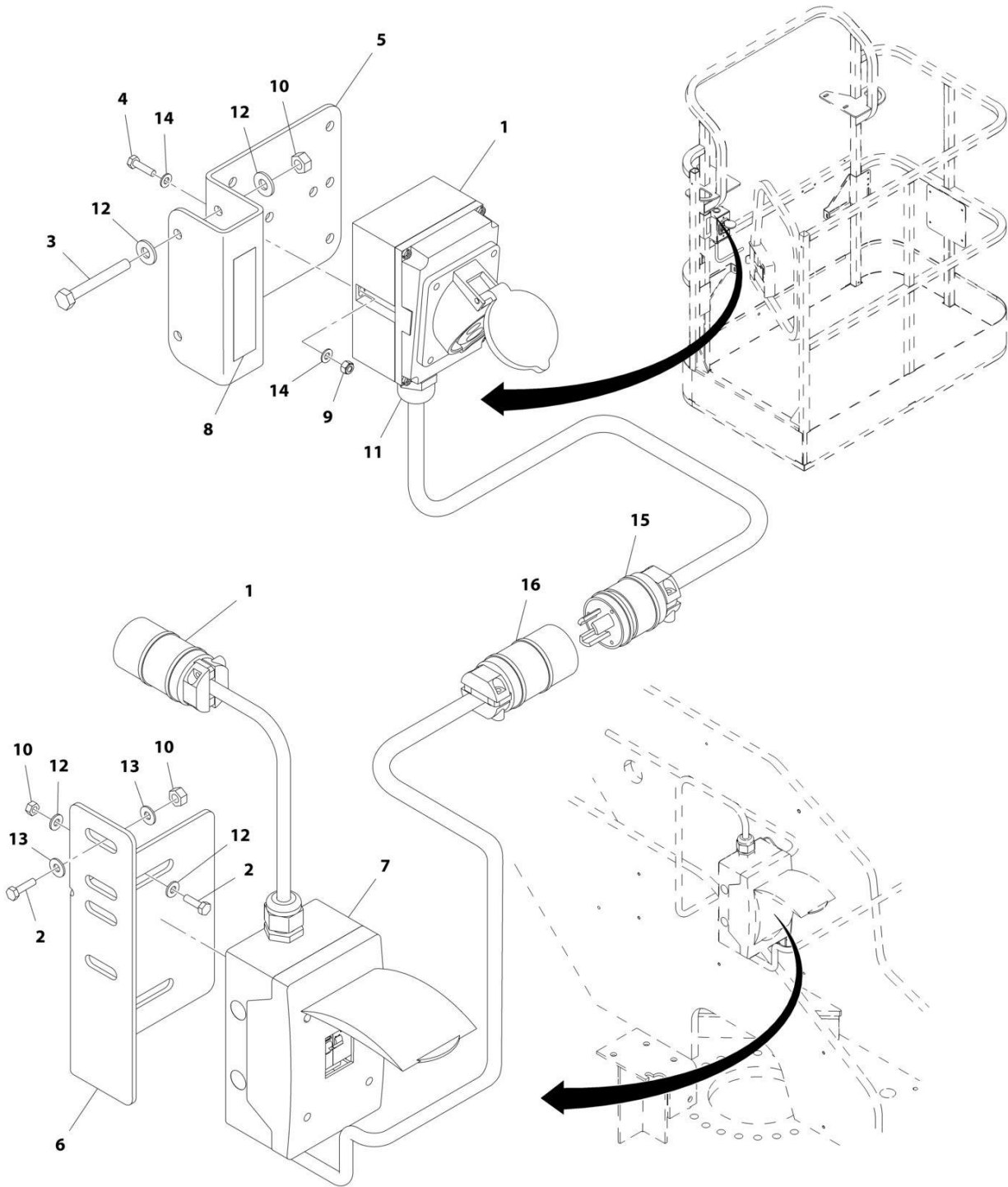
SECTION 8 - ELECTRICAL

FIGURE 8-4. AC BOX AT PLATFORM INSTALLATION - 110V IEC 60309 YELLOW WITHOUT 2500W GENERATOR (CE SPECS) (SN 1300007286 through 1300007383, SN E300003512 through E300007980)

ITEM	PART NUMBER	QTY	DESCRIPTION	REV
	1001091969	Ref	AC BOX AT PLATFORM INSTALLATION - 110V IEC 60309 YELLOW WITHOUT 2500W GENERATOR (CE SPECS)	D
		Ref	Note: For Machines equipped with 4000W Generator, see SPECIAL OPTIONS SECTION.	
1	0100020	AR	Sealant, Pipe	
2	0275216	1	Receptacle Box Kit (See RECEPTACLE BOX KIT - 110V IEC YELLOW WITHOUT 2500W GENERATOR (CE SPECS) for Breakdown)	
3	0700408	2	Bolt M4 x 16	
4	3290405	2	Nut M4	
5	1001101196	1	Adapter	
6	4811400	4	Washer M4	
7	1001101191	1	Connector, Strain Relief	
8	0641416	2	Bolt 1/4 x 2	
9	1705325	AR	Decal - 110V	
10	3311405	2	Nut 1/4	
11	4711400	4	Washer 1/4	
12	1001193018	1	Bracket	

SECTION 8 - ELECTRICAL

FIGURE 8-5. AC BOX AT PLATFORM INSTALLATION - 220V IEC BLUE (CE SPEC) (SN E30000100 through E30003512)



ART_0275682

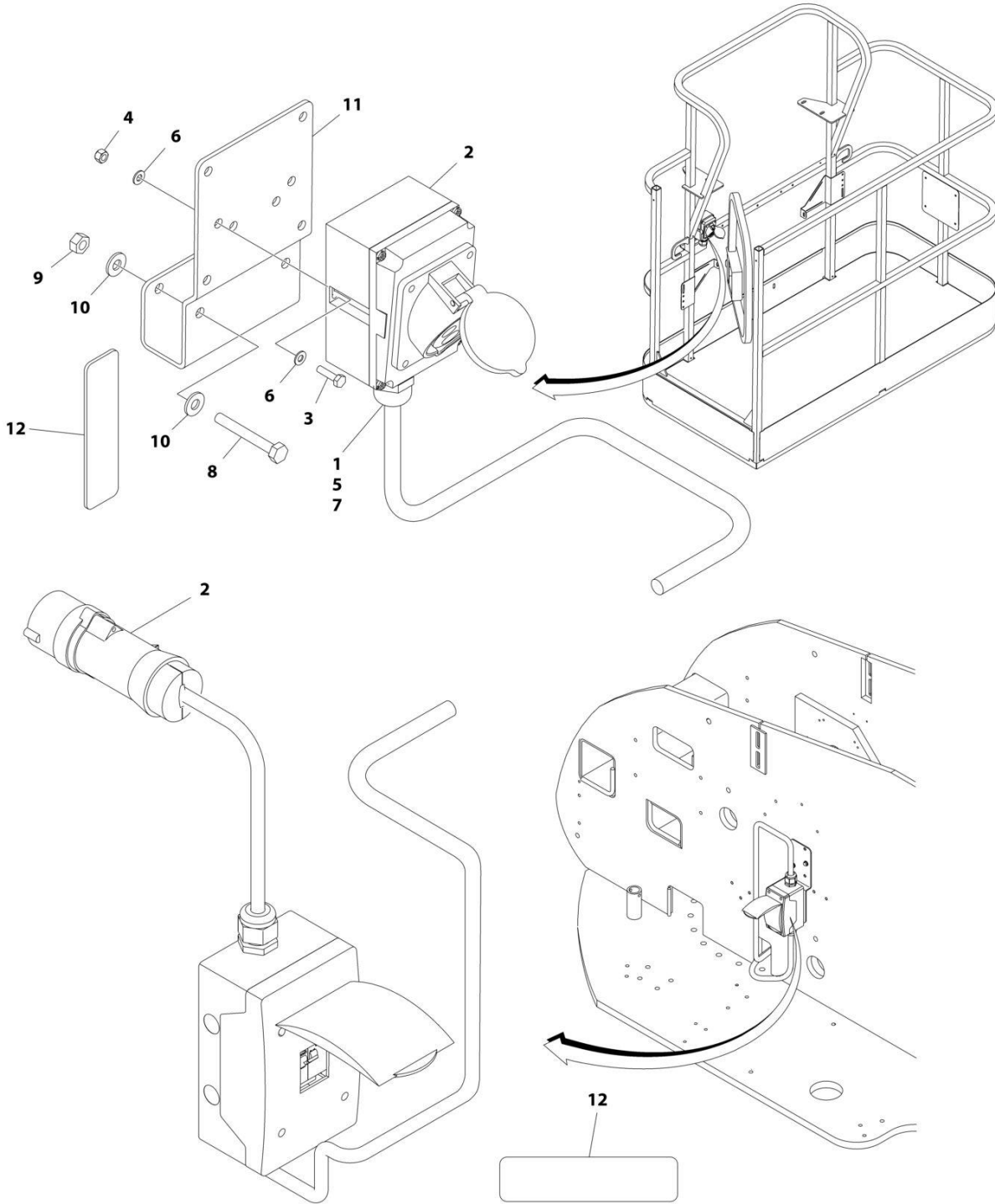
SECTION 8 - ELECTRICAL

FIGURE 8-5. AC BOX AT PLATFORM INSTALLATION - 220V IEC BLUE (CE SPEC) (SN E300000100 through E300003512)

ITEM	PART NUMBER	QTY	DESCRIPTION	REV
	0275682	Ref	AC BOX AT PLATFORM INSTALLATION - 220V IEC BLUE (CE SPEC)	B
		Ref	Note: For Machines equipped with 4000W Generator, see SPECIAL OPTIONS SECTION.	
1	0275217	1	Receptacle Box Kit (See RECEPTACLE BOX KIT - 220V IEC BLUE (CE SPEC) for Breakdown)	
2	0641407	4	Bolt, 1/4 x 7/8	
3	0641416	2	Bolt, 1/4 x 2	
4	0700408	2	Bolt, M4 x 16	
5	0903484	1	Bracket	
6	0903612	1	Bracket	
7	3252507	2	Decal - Voltage	
8	2902549	1	Breaker Box Kit - CE Spec (See BREAKER BOX KIT - CE SPEC for Breakdown)	
9	3290405	2	Nut M4	
10	3311405	6	Nut 1/4	
11	4460968	1	Connector, Strain Relief	
12	4711400	8	Washer 1/4	
13	4751400	4	Washer 1/4	
14	4811400	4	Washer M4	
15	4460709	1	Plug, Male	
16	4460710	1	Receptacle, Female	

SECTION 8 - ELECTRICAL

FIGURE 8-6. AC BOX AT PLATFORM INSTALLATION - 220V IEC 60309 BLUE WITHOUT 2500W GENERATOR (CE SPECS) (SN 1300007286 through 1300007383, SN E300003512 through E300007980)



ART_1001091970

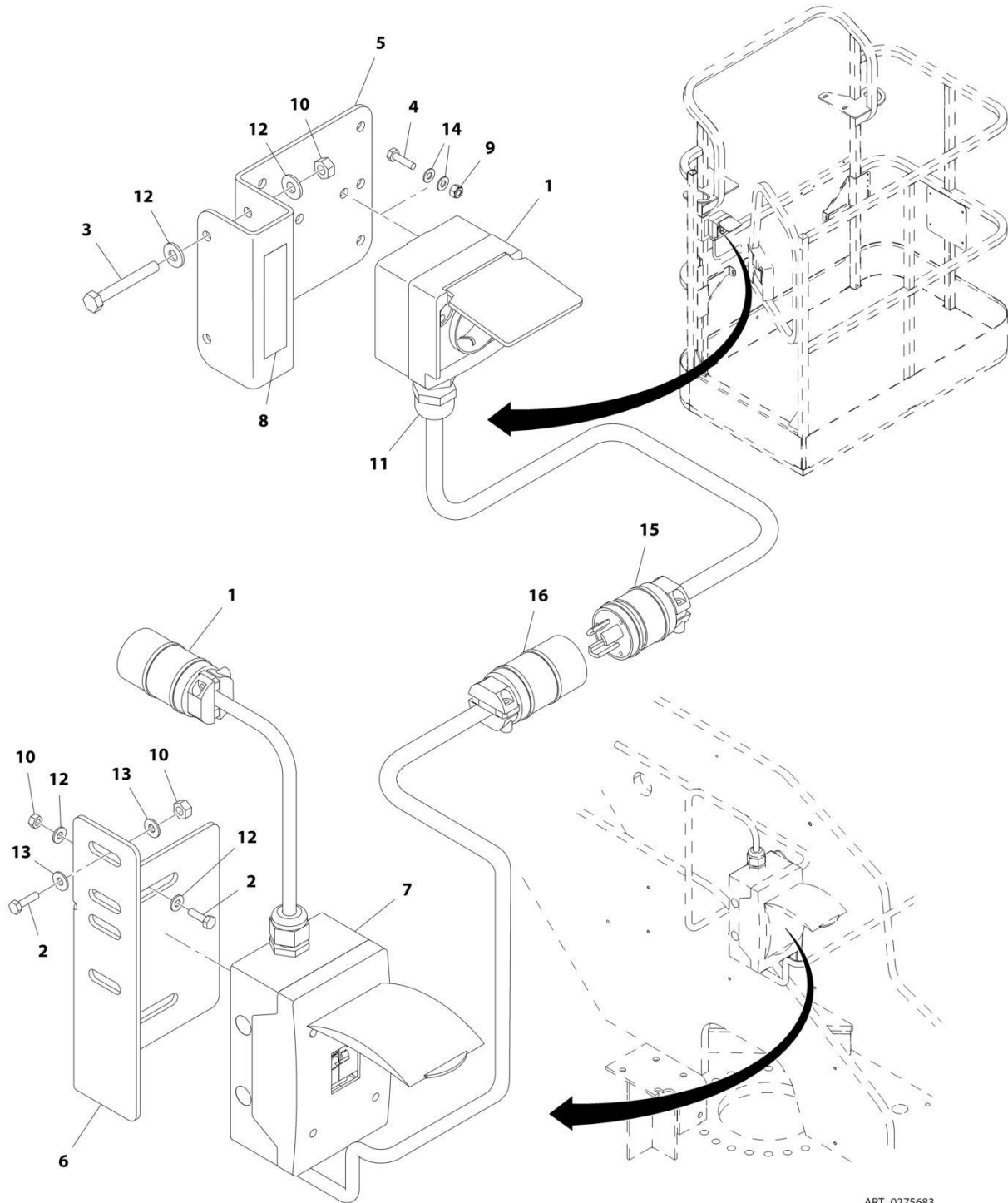
SECTION 8 - ELECTRICAL

FIGURE 8-6. AC BOX AT PLATFORM INSTALLATION - 220V IEC 60309 BLUE WITHOUT 2500W GENERATOR (CE SPECS) (SN 1300007286 through 1300007383, SN E300003512 through E300007980)

ITEM	PART NUMBER	QTY	DESCRIPTION	REV
	1001091970	Ref	AC BOX AT PLATFORM INSTALLATION - 220V IEC 60309 BLUE WITHOUT 2500W GENERATOR (CE SPECS)	D
		Ref	Note: For Machines equipped with 4000W Generator, see SPECIAL OPTIONS SECTION.	
1	0100020	AR	Sealant, Pipe	
2	0275217	1	Receptacle Box Kit (See RECEPTACLE BOX KIT - 220V IEC BLUE WITHOUT 2500W GENERATOR (CE SPECS) for Breakdown)	
3	0700408	2	Bolt M4 x 16	
4	3290405	2	Nut M4	
5	1001101196	1	Adapter	
6	4811400	4	Washer M4	
7	1001101191	1	Connector, Strain Relief	
8	0641416	2	Bolt 1/4 x 2	
9	3311405	2	Nut 1/4	
10	4711400	4	Washer 1/4	
11	1001193018	1	Bracket	
12	3251242	2	Decal - 240V/50Hz (SN 1300007286 through 1300007383, SN E300004872 through E300007980)	

SECTION 8 - ELECTRICAL

FIGURE 8-7. AC BOX AT PLATFORM INSTALLATION - 220V CEE7 POST GROUND WITH 70MM X 70MM BOX (CE SPEC) (SN E30000100 through E300002764)



ART_0275683

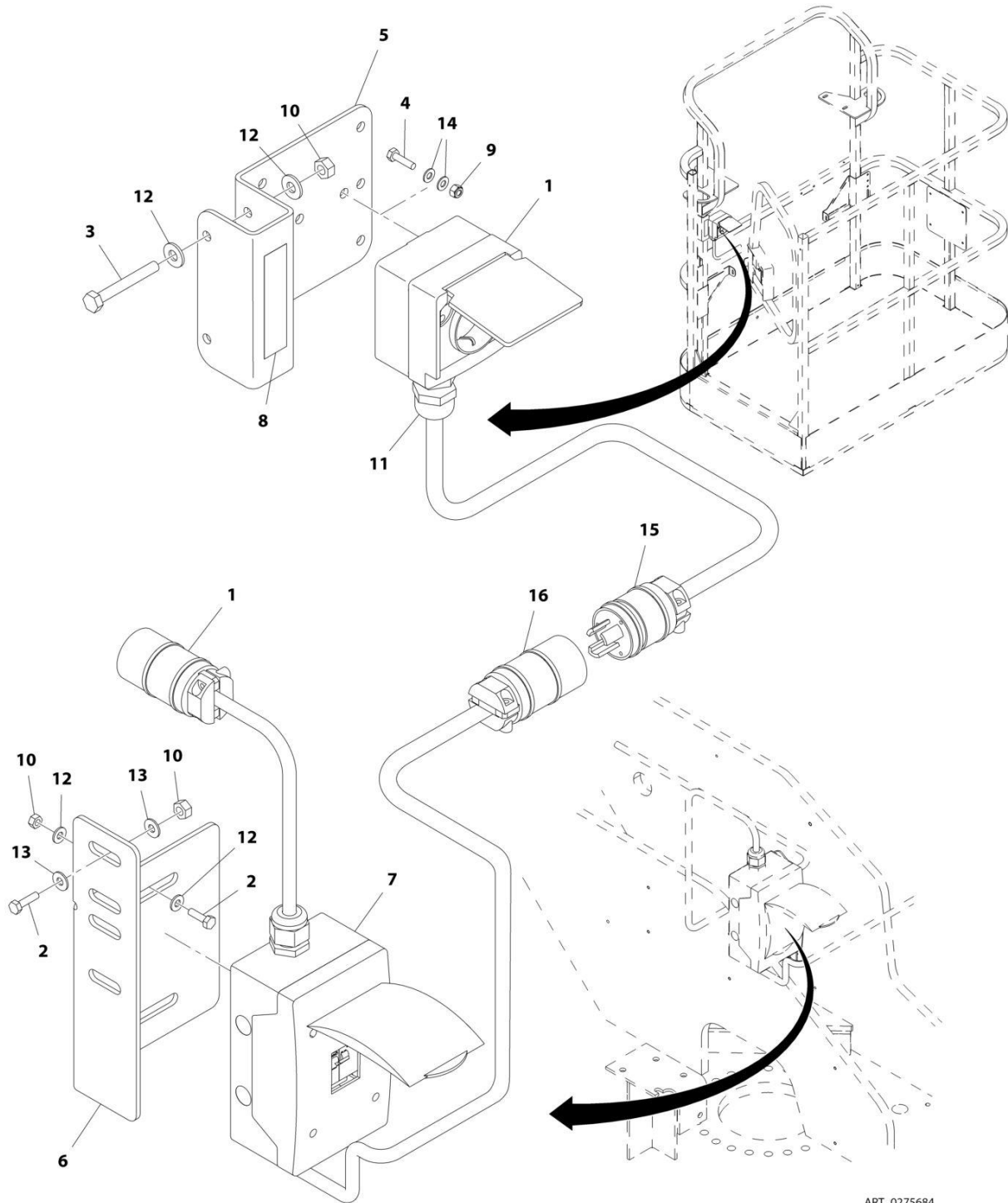
SECTION 8 - ELECTRICAL

FIGURE 8-7. AC BOX AT PLATFORM INSTALLATION - 220V CEE7 POST GROUND WITH 70MM X 70MM BOX (CE SPEC) (SN E300000100 through E300002764)

ITEM	PART NUMBER	QTY	DESCRIPTION	REV
	0275683	Ref	AC BOX AT PLATFORM INSTALLATION - 220V CEE7 POST GROUND WITH 70MM X 70MM BOX (CE SPEC)	B
		Ref	Note: For Machines equipped with 4000W Generator, see SPECIAL OPTIONS SECTION.	
1	0275218	1	Receptacle Box Kit (See RECEPTACLE BOX KIT- 220V CEE7 POST GROUND WITH 70MM X 70MM BOX (CE SPEC) for Breakdown)	
2	0641407	4	Bolt, 1/4 x 7/8	
3	0641416	2	Bolt, 1/4 x 2	
4	0700408	2	Bolt, M4 x 16	
5	0903484	1	Bracket	
6	0903612	1	Bracket	
7	2902549	1	Breaker Box Kit - CE Spec (See BREAKER BOX KIT - CE SPEC for Breakdown)	
8	3252507	2	Decal - Voltage	
9	3290405	2	Nut M4	
10	3311405	6	Nut 1/4	
11	4460968	1	Connector, Strain Relief	
12	4711400	8	Washer 1/4	
13	4751400	4	Washer 1/4	
14	4811400	4	Washer M4	
15	4460709	1	Plug, Male	
16	4460710	1	Receptacle, Female	

SECTION 8 - ELECTRICAL

FIGURE 8-8. AC BOX AT PLATFORM INSTALLATION - 220V CEE7 SIDE GROUND WITH 70MM X 70MM BOX (CE SPEC) (SN E30000100 through E300002764)



ART_0275684

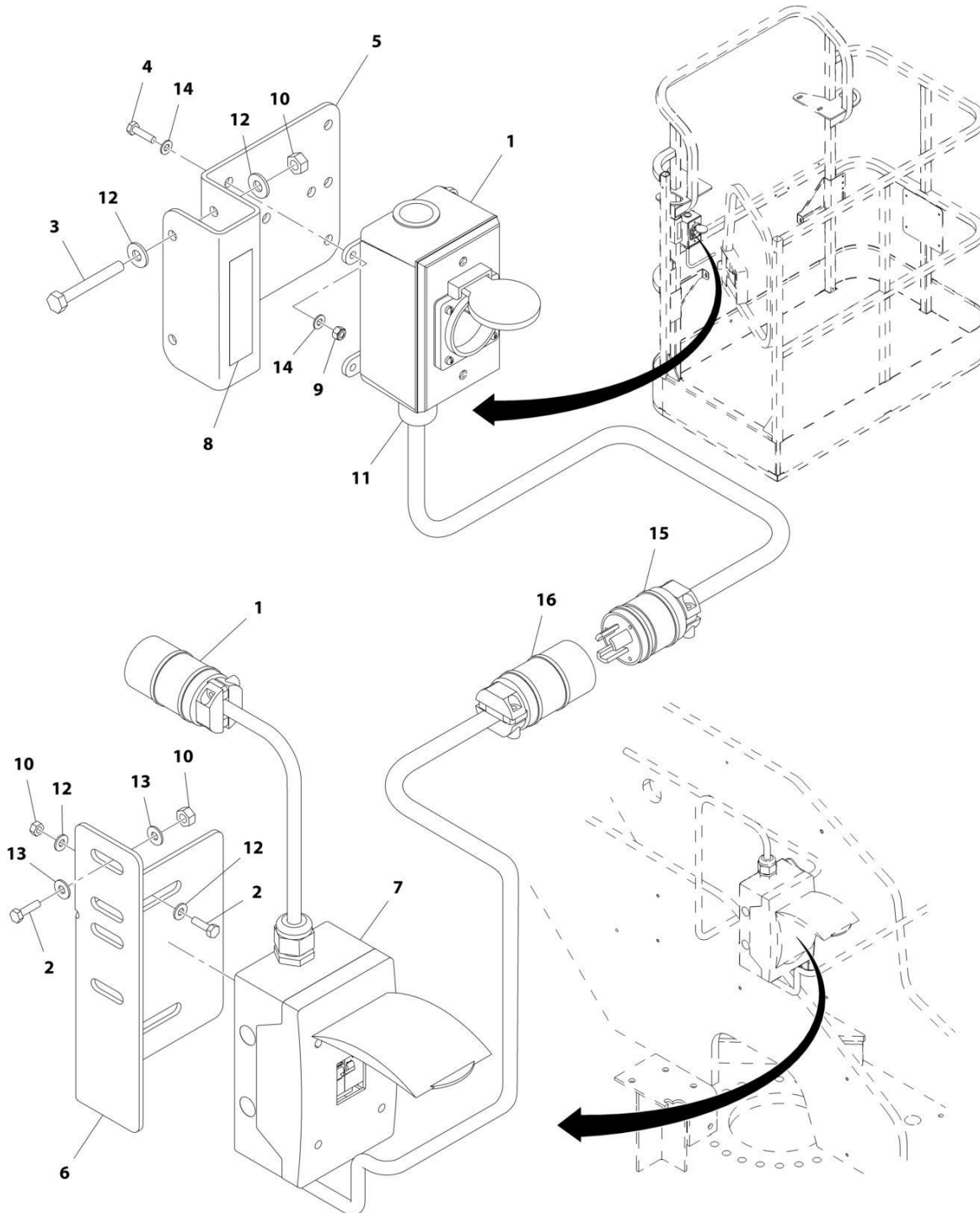
SECTION 8 - ELECTRICAL

FIGURE 8-8. AC BOX AT PLATFORM INSTALLATION - 220V CEE7 SIDE GROUND WITH 70MM X 70MM BOX (CE SPEC) (SN E300000100 through E300002764)

ITEM	PART NUMBER	QTY	DESCRIPTION	REV
	0275684	Ref	AC BOX AT PLATFORM INSTALLATION - 220V CEE7 SIDE GROUND WITH 70MM X 70MM BOX (CE SPEC)	B
		Ref	Note: For Machines equipped with 4000W Generator, see SPECIAL OPTIONS SECTION.	
1	0275219	1	Receptacle Box Kit (See RECEPTACLE BOX KIT- 220V CEE7 SIDE GROUND WITH 70MM X 70MM BOX (CE SPEC) for Breakdown)	
2	0641407	4	Bolt, 1/4 x 7/8	
3	0641416	2	Bolt, 1/4 x 2	
4	0700408	2	Bolt, M4 x 16	
5	0903484	1	Bracket	
6	0903612	1	Bracket	
7	2902549	1	Breaker Box Kit - CE Spec (See BREAKER BOX KIT - CE SPEC for Breakdown)	
8	3252507	2	Decal - Voltage	
9	3290405	2	Nut M4	
10	3311405	6	Nut 1/4	
11	4460968	1	Connector, Strain Relief	
12	4711400	8	Washer 1/4	
13	4751400	4	Washer 1/4	
14	4811400	4	Washer M4	
15	4460709	1	Plug, Male	
16	4460710	1	Receptacle, Female	

SECTION 8 - ELECTRICAL

FIGURE 8-9. AC BOX AT PLATFORM INSTALLATION - 220V CEE7 POST GROUND WITH 2IN X 4IN BOX (CE SPEC) (SN E30000100 through E300002764)



ART_0275679

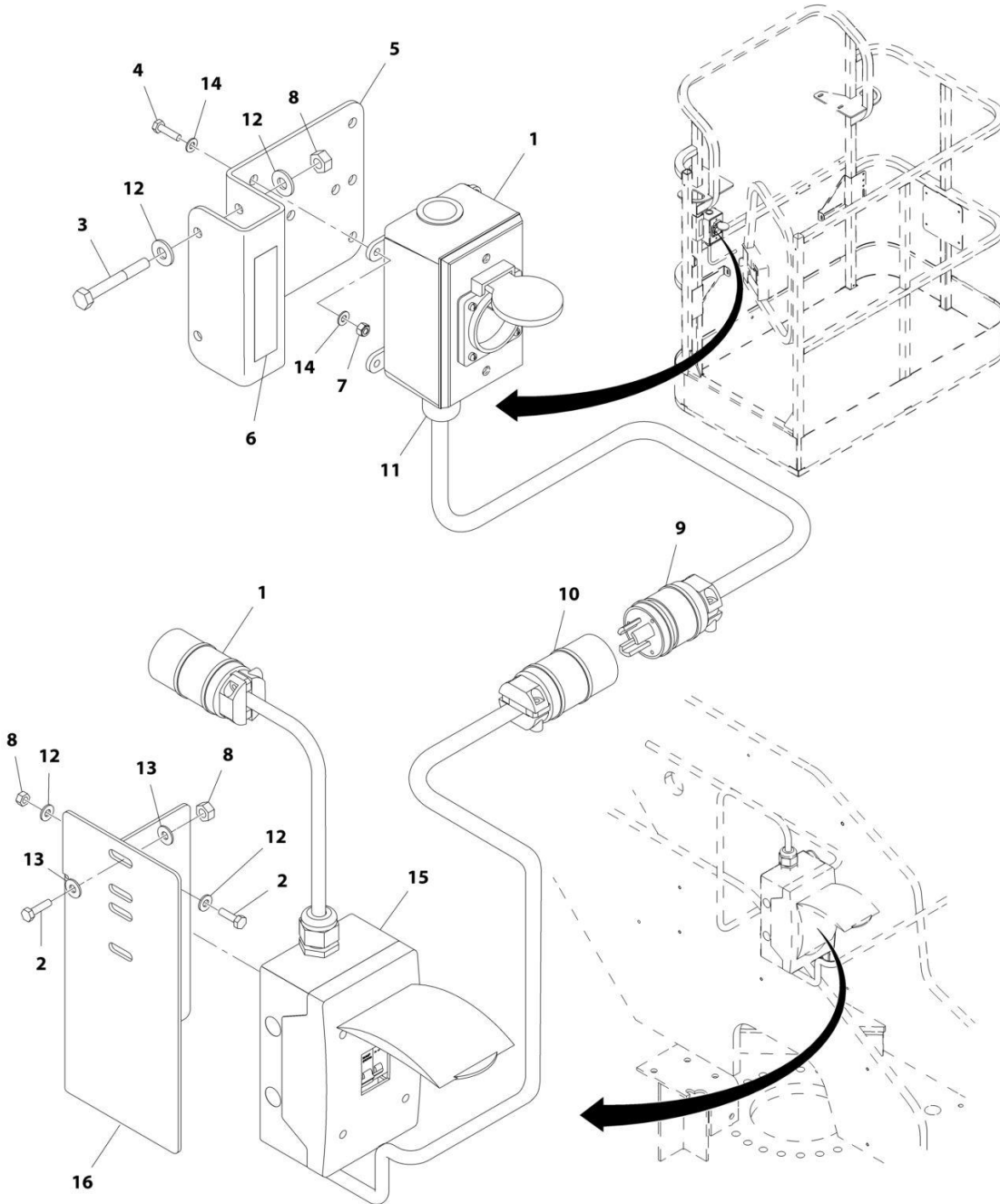
SECTION 8 - ELECTRICAL

FIGURE 8-9. AC BOX AT PLATFORM INSTALLATION - 220V CEE7 POST GROUND WITH 2IN X 4IN BOX (CE SPEC) (SN E300000100 through E300002764)

ITEM	PART NUMBER	QTY	DESCRIPTION	REV
	0275679	Ref	AC BOX AT PLATFORM INSTALLATION - 220V CEE7 POST GROUND WITH 2IN X 4IN BOX (CE SPEC)	D
		Ref	Note: For Machines equipped with 4000W Generator, see SPECIAL OPTIONS SECTION.	
1	0275453	1	Receptacle Box Kit (See RECEPTACLE BOX KIT- 220V CEE7 POST GROUND WITH 2INX 4IN BOX (CE SPEC) for Breakdown)	
2	0641407	4	Bolt, 1/4 x 7/8	
3	0641416	2	Bolt, 1/4 x 2	
4	0700408	2	Bolt, M4 x 16	
5	0903484	1	Bracket	
6	0903612	1	Bracket	
7	2902549	1	Breaker Box Kit - CE Spec (See BREAKER BOX KIT - CE SPEC for Breakdown)	
8	3252507	2	Decal - Voltage	
9	3290405	2	Nut M4	
10	3311405	6	Nut 1/4	
11	4460968	1	Connector, Strain Relief	
11	4460662	1	Connector, Strain Relief	
12	4711400	8	Washer 1/4	
13	4751400	4	Washer 1/4	
14	4811400	4	Washer M4	
15	4460709	1	Plug, Male	
16	4460710	1	Receptacle, Female	

SECTION 8 - ELECTRICAL

FIGURE 8-10. AC BOX AT PLATFORM INSTALLATION - 220V CEE7 POST GROUND WITH 2IN X 4IN BOX (CE SPEC) (SN E300002764 through E300003511)



ART_1001162448

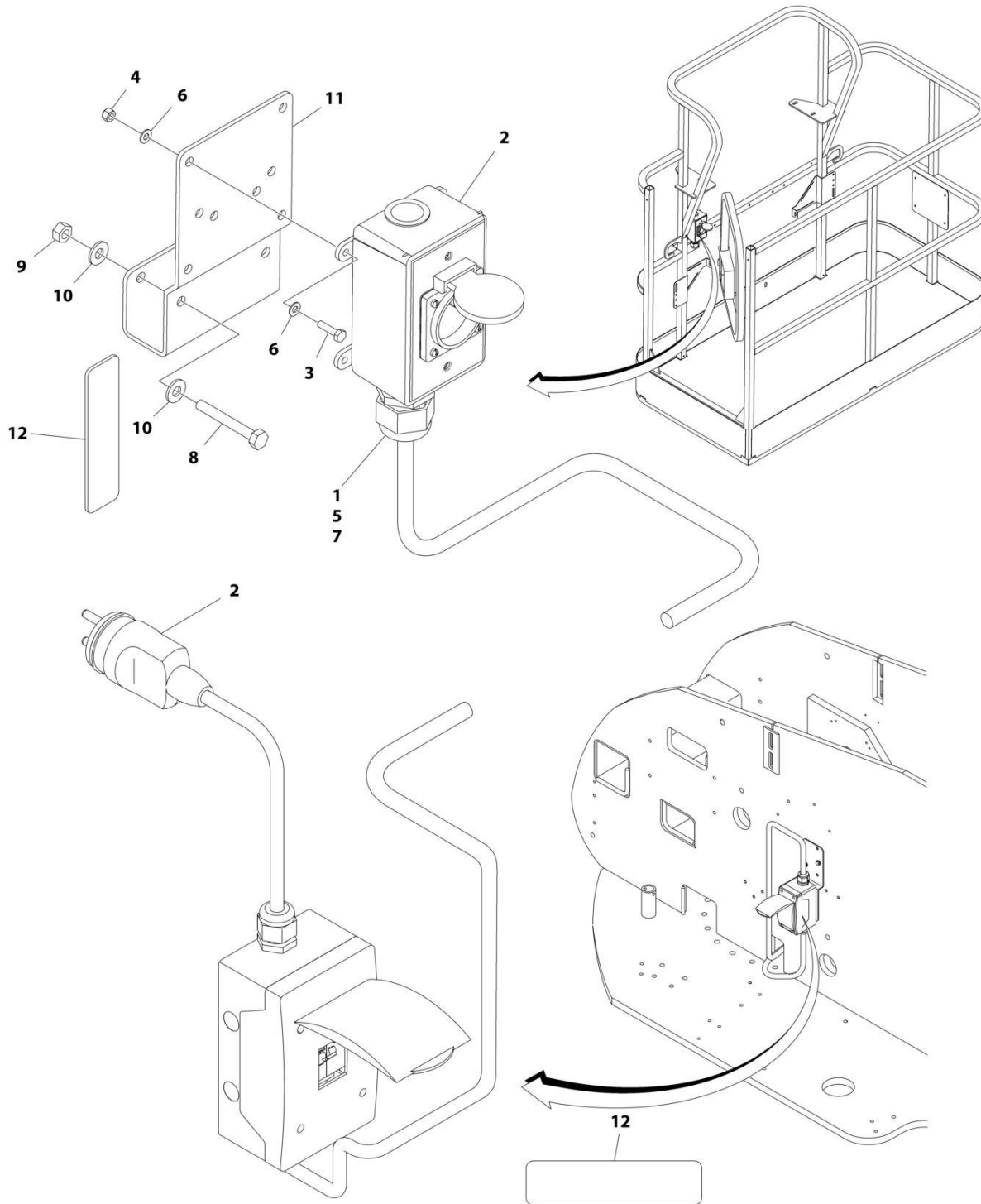
SECTION 8 - ELECTRICAL

FIGURE 8-10. AC BOX AT PLATFORM INSTALLATION - 220V CEE7 POST GROUND WITH 2IN X 4IN BOX (CE SPEC) (SN E300002764 through E300003511)

ITEM	PART NUMBER	QTY	DESCRIPTION	REV
	1001162448	Ref	AC BOX AT PLATFORM INSTALLATION - 220V CEE7 POST GROUND WITH 2IN X 4IN BOX (CE SPEC) (SN E300002764 through E300003511)	B
		Ref	Note: For Machines equipped with 4000W Generator, see SPECIAL OPTIONS SECTION.	
1	0275452	1	Receptacle Box Kit (See RECEPTACLE BOX KIT- 220V CEE7 POST GROUND WITH 2INX 4IN BOX (CE SPEC) for Breakdown)	
2	0641407	4	Bolt, 1/4 x 7/8	
3	0641416	2	Bolt, 1/4 x 2	
4	0700408	4	Bolt, M4 x 16	
5	0903484	1	Bracket	
6	3252507	2	Decal - Voltage	
7	3290405	4	Nut M4	
8	3311405	6	Nut 1/4	
9	4460709	1	Plug, Male	
10	4460710	1	Receptacle, Female	
11	4460968	1	Connector, Strain Relief	
11	4460662	1	Connector, Strain Relief	
12	4711400	8	Washer 1/4	
13	4751400	4	Washer 1/4	
14	4811400	8	Washer M4	
15	1001152485	1	Breaker Box Kit - CE Spec (See BREAKER BOX KIT WITH THREE BREAKERS - CE SPEC for Breakdown)	
16	1001162445	1	Bracket	

SECTION 8 - ELECTRICAL

**FIGURE 8-11. AC BOX AT PLATFORM INSTALLATION - 220V CEE7 POST GROUND (2X4 BOX)
WITHOUT 2500W GENERATOR (CE SPECS) (SN 1300007286 through 1300007383, SN E300003512
through E300007980)**



(REF. LOCATED ON ENGINE SIDE HOOD)

ART_1001091973

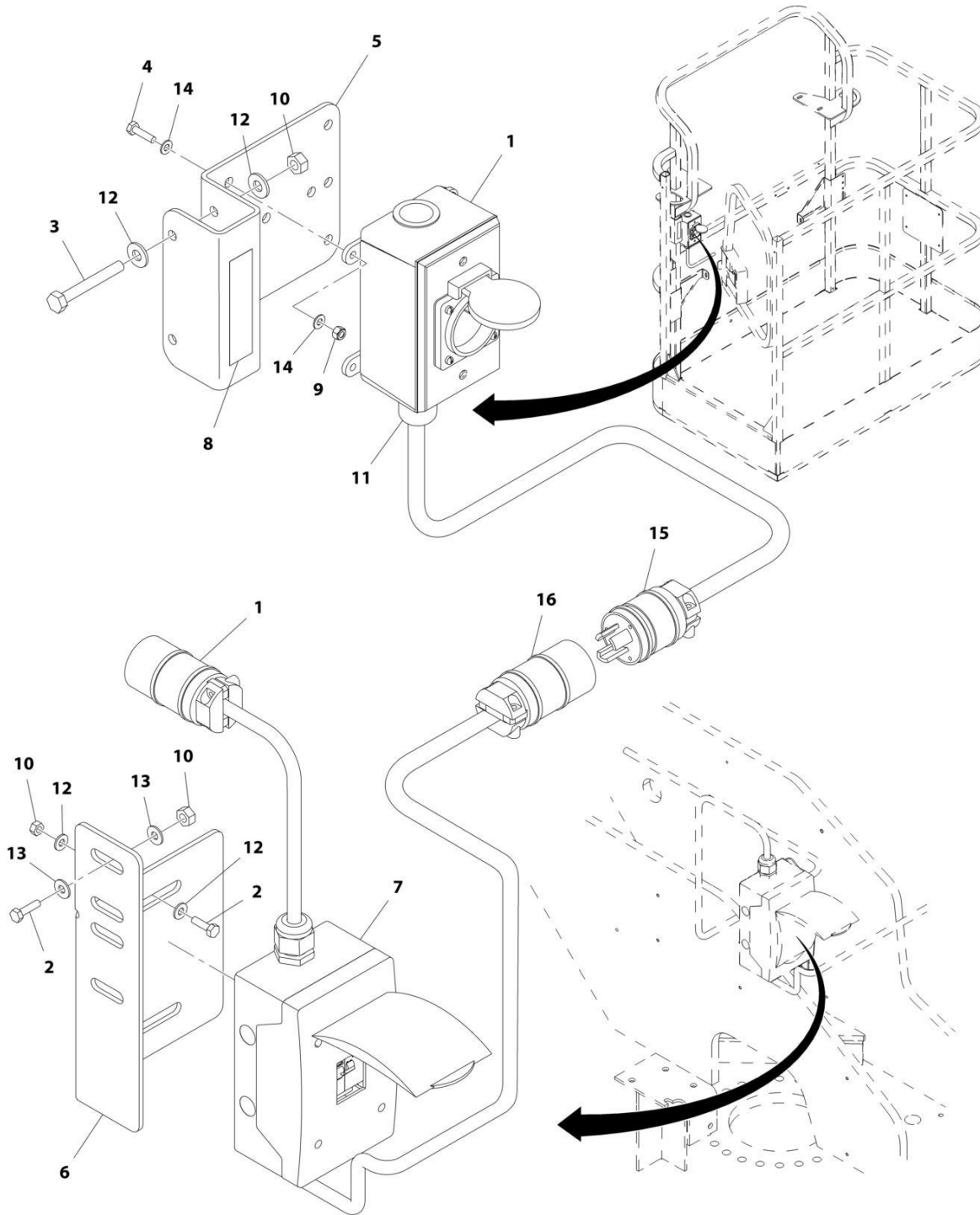
SECTION 8 - ELECTRICAL

FIGURE 8-11. AC BOX AT PLATFORM INSTALLATION - 220V CEE7 POST GROUND (2X4 BOX) WITHOUT 2500W GENERATOR (CE SPECS) (SN 1300007286 through 1300007383, SN E300003512 through E300007980)

ITEM	PART NUMBER	QTY	DESCRIPTION	REV
	1001091973	Ref	AC BOX AT PLATFORM INSTALLATION - 220V CEE7 POST GROUND (2X4 BOX) WITHOUT 2500W GENERATOR (CE SPECS)	F
1	0100020	AR	Sealant, Pipe	
2	0275452	1	Receptacle Box Kit (See RECEPTACLE BOX KIT - 220V CEE7 POST GROUND WITHOUT 2500W GENERATOR (2X4 BOX) (CE SPECS) for Breakdown)	
3	0700408	4	Bolt M4 x 16	
4	3290405	4	Nut M4	
5	1001101197	1	Adapter	
6	4811400	8	Washer M4	
7	1001101191	1	Connector, Strain Relief	
8	0641416	2	Bolt 1/4 x 2	
9	3311405	2	Nut 1/4	
10	4711400	4	Washer 1/4	
11	1001193018	1	Bracket	
12	3251242	2	Decal - 240V/50Hz (SN 1300007286 through 1300007383, SN E300004872 through E300007980)	
13	4460806	2	Terminal, Fork (Not Shown – Located inside Receptacle Box)	
14	1001205958	1	Terminal (Not Shown – Located inside Receptacle Box)	

SECTION 8 - ELECTRICAL

FIGURE 8-12. AC BOX AT PLATFORM INSTALLATION - 220V CEE7 SIDE GROUND WITH 2IN X 4IN BOX (CE SPEC) (SN E300000100 through E300002764)



ART_0275678

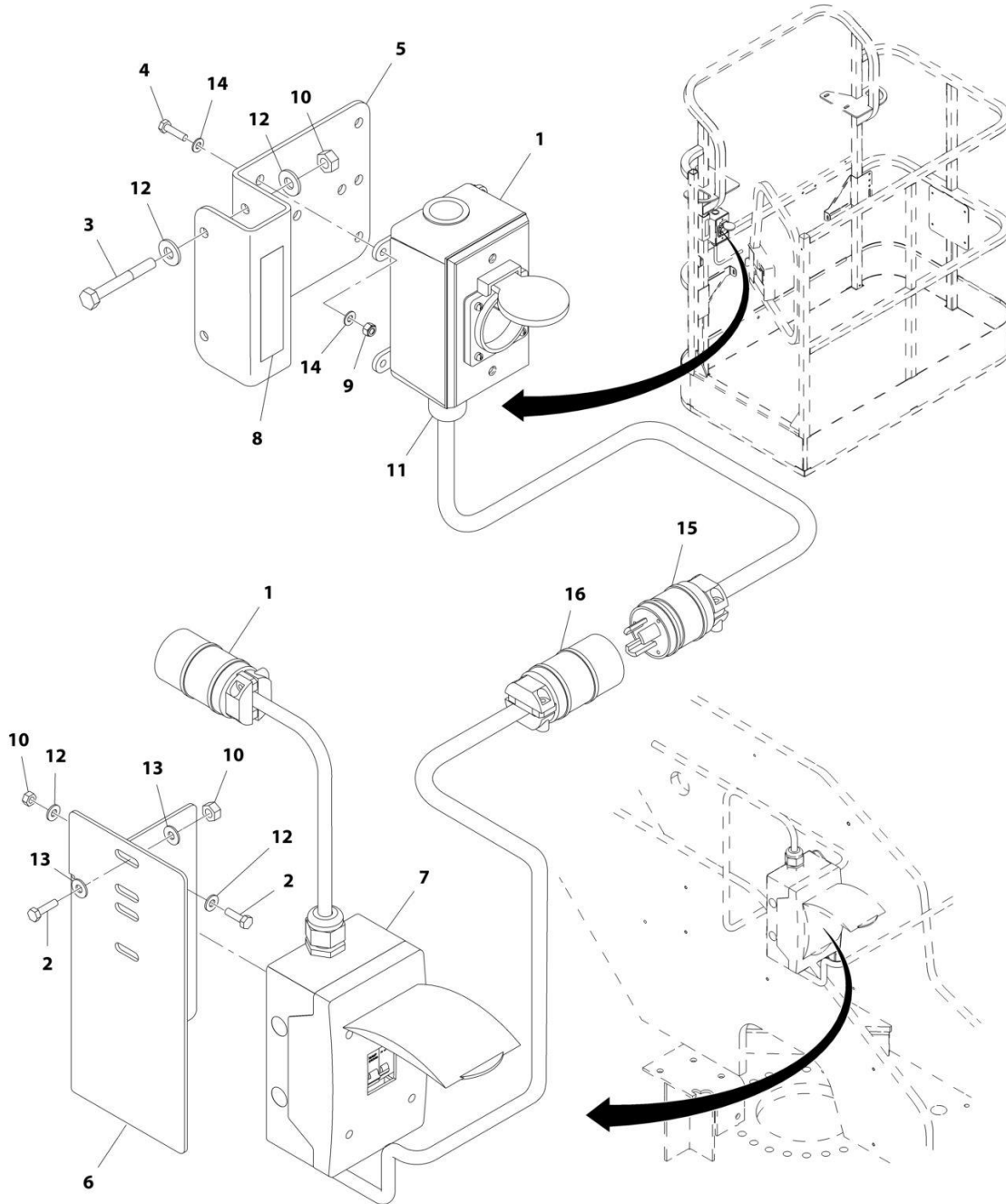
SECTION 8 - ELECTRICAL

FIGURE 8-12. AC BOX AT PLATFORM INSTALLATION - 220V CEE7 SIDE GROUND WITH 2IN X 4IN BOX (CE SPEC) (SN E300000100 through E300002764)

ITEM	PART NUMBER	QTY	DESCRIPTION	REV
	0275678	Ref	AC BOX AT PLATFORM INSTALLATION - 220V CEE7 SIDE GROUND WITH 2IN X 4IN BOX (CE SPEC)	D
		Ref	Note: For Machines equipped with 4000W Generator, see SPECIAL OPTIONS SECTION.	
1	0275452	1	Receptacle Box Kit (See RECEPTACLE BOX KIT- 220V CEE7 SIDE GROUND WITH 2INX 4IN BOX (CE SPEC) for Breakdown)	
2	0641407	4	Bolt, 1/4 x 7/8	
3	0641416	2	Bolt, 1/4 x 2	
4	0700408	2	Bolt, M4 x 16	
5	0903484	1	Bracket	
6	0903612	1	Bracket	
7	2902549	1	Breaker Box Kit - CE Spec (See BREAKER BOX KIT - CE SPEC for Breakdown)	
8	3252507	2	Decal - Voltage	
9	3290405	2	Nut M4	
10	3311405	6	Nut 1/4	
11	4460968	1	Connector, Strain Relief	
11	4460662	1	Connector, Strain Relief	
12	4711400	8	Washer 1/4	
13	4751400	4	Washer 1/4	
14	4811400	4	Washer M4	
15	4460709	1	Plug, Male	
16	4460710	1	Receptacle, Female	

SECTION 8 - ELECTRICAL

FIGURE 8-13. AC BOX AT PLATFORM INSTALLATION - 220V CEE7 SIDE GROUND WITH 2IN X 4IN BOX (CE SPEC) (SN E300002764 through E300003511)



ART_1001162451

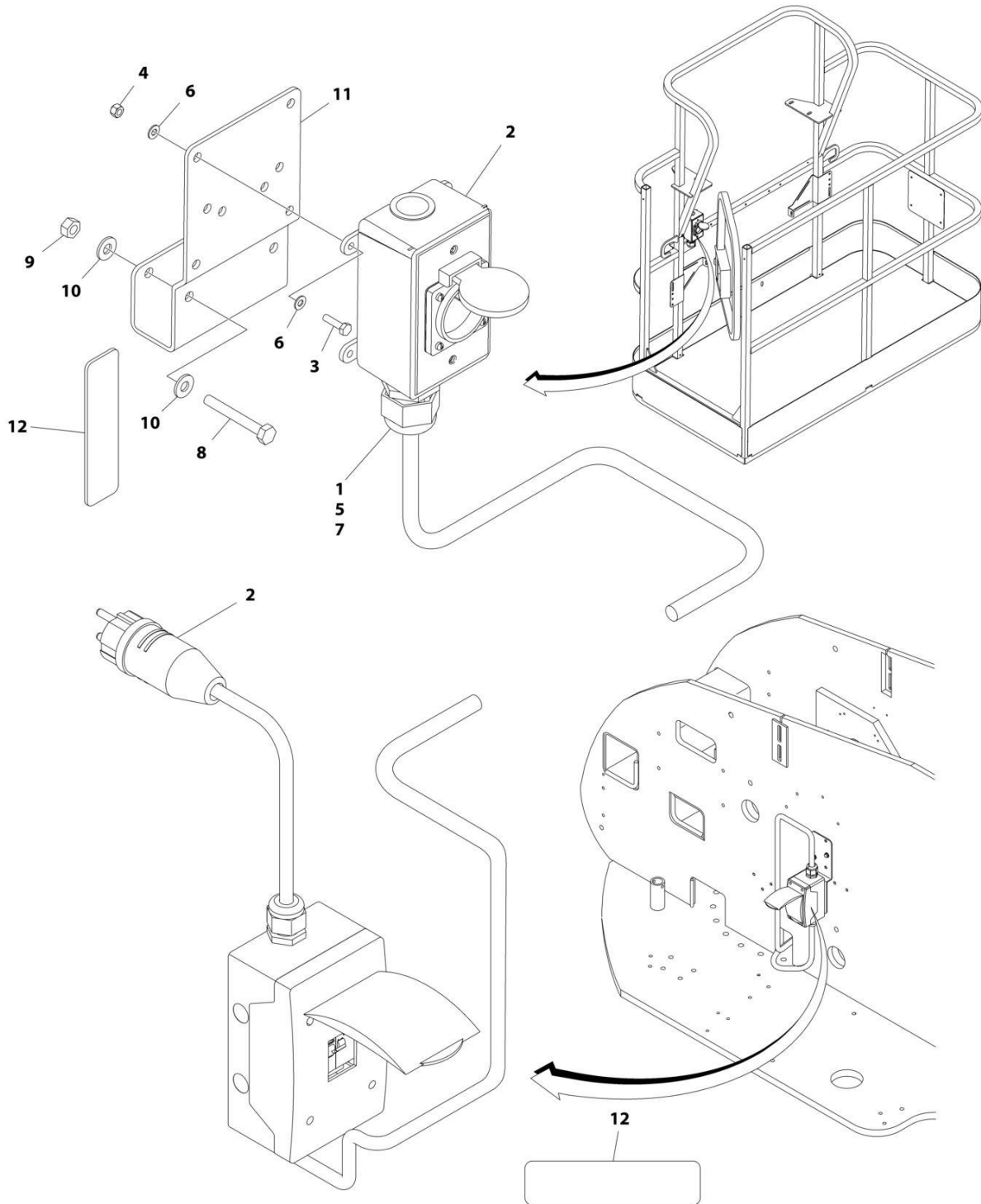
SECTION 8 - ELECTRICAL

FIGURE 8-13. AC BOX AT PLATFORM INSTALLATION - 220V CEE7 SIDE GROUND WITH 2IN X 4IN BOX (CE SPEC) (SN E300002764 through E300003511)

ITEM	PART NUMBER	QTY	DESCRIPTION	REV
	1001162451	Ref	AC BOX AT PLATFORM INSTALLATION - 220V CEE7 SIDE GROUND WITH 2IN X 4IN BOX (CE SPEC) (SN E300002764 through E300003511)	B
		Ref	Note: For Machines equipped with 4000W Generator, see SPECIAL OPTIONS SECTION.	
1	0275453	1	Receptacle Box Kit (See RECEPTACLE BOX KIT- 220V CEE7 SIDE GROUND WITH 2IN X 4IN BOX (CE SPEC) for Breakdown)	
2	0641407	4	Bolt, 1/4 x 7/8	
3	0641416	2	Bolt, 1/4 x 2	
4	0700408	4	Bolt, M4 x 16	
5	0903484	1	Bracket	
6	1001162445	1	Bracket	
7	1001152485	1	Breaker Box Kit - CE Spec (See BREAKER BOX KIT WITH THREE BREAKERS - CE SPEC for Breakdown)	
8	3252507	2	Decal - Voltage	
9	3290405	4	Nut M4	
10	3311405	6	Nut 1/4	
11	4460968	1	Connector, Strain Relief	
11	4460662	1	Connector, Strain Relief	
12	4711400	8	Washer 1/4	
13	4751400	4	Washer 1/4	
14	4811400	8	Washer M4	
15	4460709	1	Plug, Male	
16	4460710	1	Receptacle, Female	

SECTION 8 - ELECTRICAL

**FIGURE 8-14. AC BOX AT PLATFORM INSTALLATION - 220V CEE7 SIDE GROUND (2X4 BOX)
WITHOUT 2500W GENERATOR (CE SPECS) (SN 1300007286 through 1300007383, SN E300003512
through E300007980)**



ART_1001091974

(REF. LOCATED ON ENGINE SIDE HOOD)

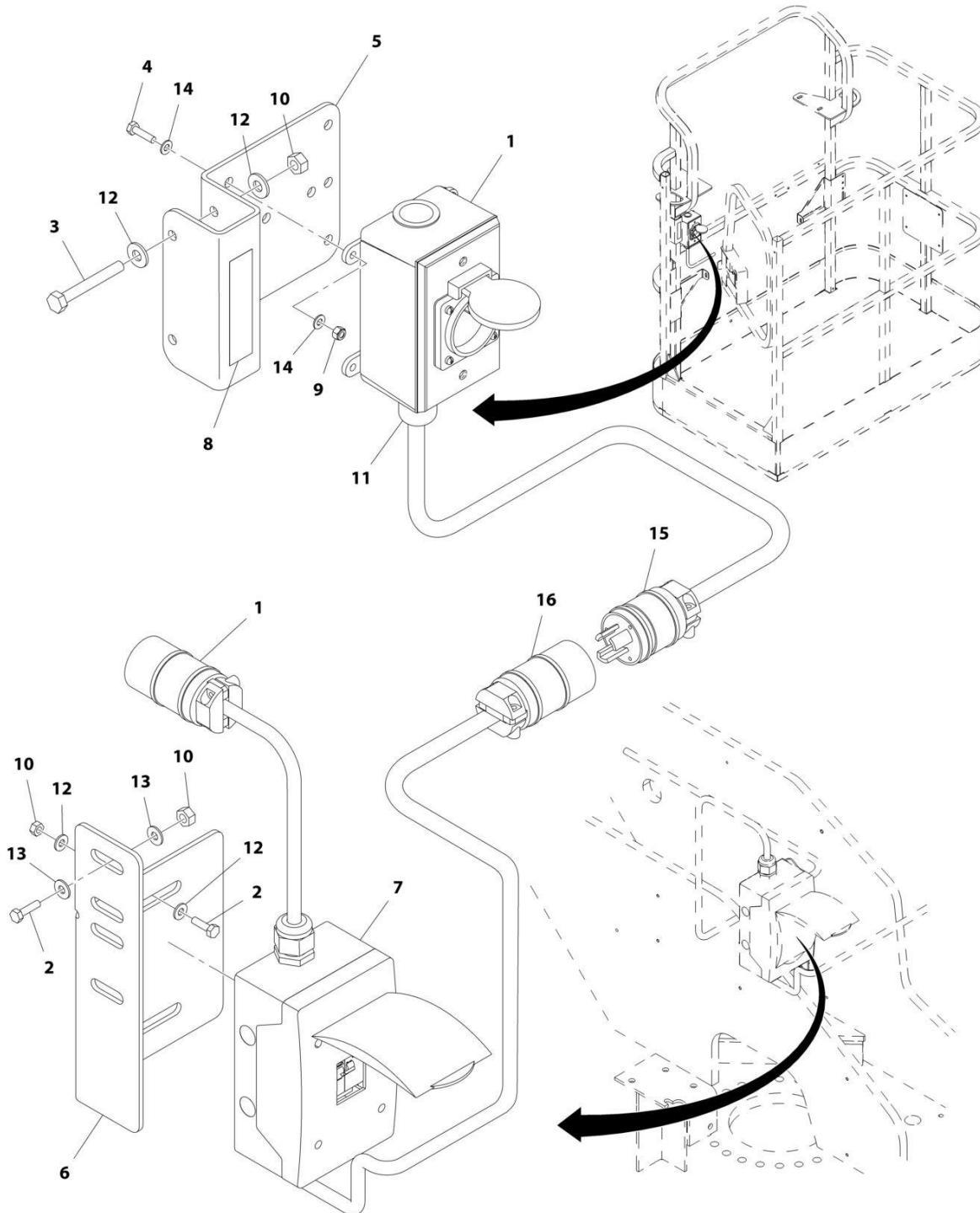
SECTION 8 - ELECTRICAL

FIGURE 8-14. AC BOX AT PLATFORM INSTALLATION - 220V CEE7 SIDE GROUND (2X4 BOX) WITHOUT 2500W GENERATOR (CE SPECS) (SN 1300007286 through 1300007383, SN E300003512 through E300007980)

ITEM	PART NUMBER	QTY	DESCRIPTION	REV
	1001091974	Ref	AC BOX AT PLATFORM INSTALLATION - 220V CEE7 SIDE GROUND (2X4 BOX) WITHOUT 2500W GENERATOR (CE SPECS)	F
1	0100020	AR	Sealant, Pipe	
2	0275453	1	Receptacle Box Kit (See RECEPTACLE BOX KIT - 220V CEE7 SIDE GROUND WITHOUT 2500W GENERATOR (2X4 BOX) (CE SPECS) for Breakdown)	
3	0700408	4	Bolt M4 x 16	
4	3290405	4	Nut M4	
5	1001101197	1	Adapter	
6	4811400	8	Washer M4	
7	1001101191	1	Connector, Strain Relief	
8	0641416	2	Bolt 1/4 x 2	
9	3311405	2	Nut 1/4	
10	4711400	4	Washer 1/4	
11	1001193018	1	Bracket	
12	3251242	2	Decal - 240V/50Hz (SN 1300007286 through 1300007383, SN E300004872 through E300007980)	
13	4460806	2	Terminal, Fork (Not Shown – Located inside Receptacle Box)	
14	1001205958	1	Terminal (Not Shown – Located inside Receptacle Box)	

SECTION 8 - ELECTRICAL

FIGURE 8-15. AC BOX AT PLATFORM INSTALLATION - 220V AFSINT 107 KEYED GROUND WITH 2IN X 4IN BOX (CE SPEC) (SN E300000100 through E300003512)



ART_0275680

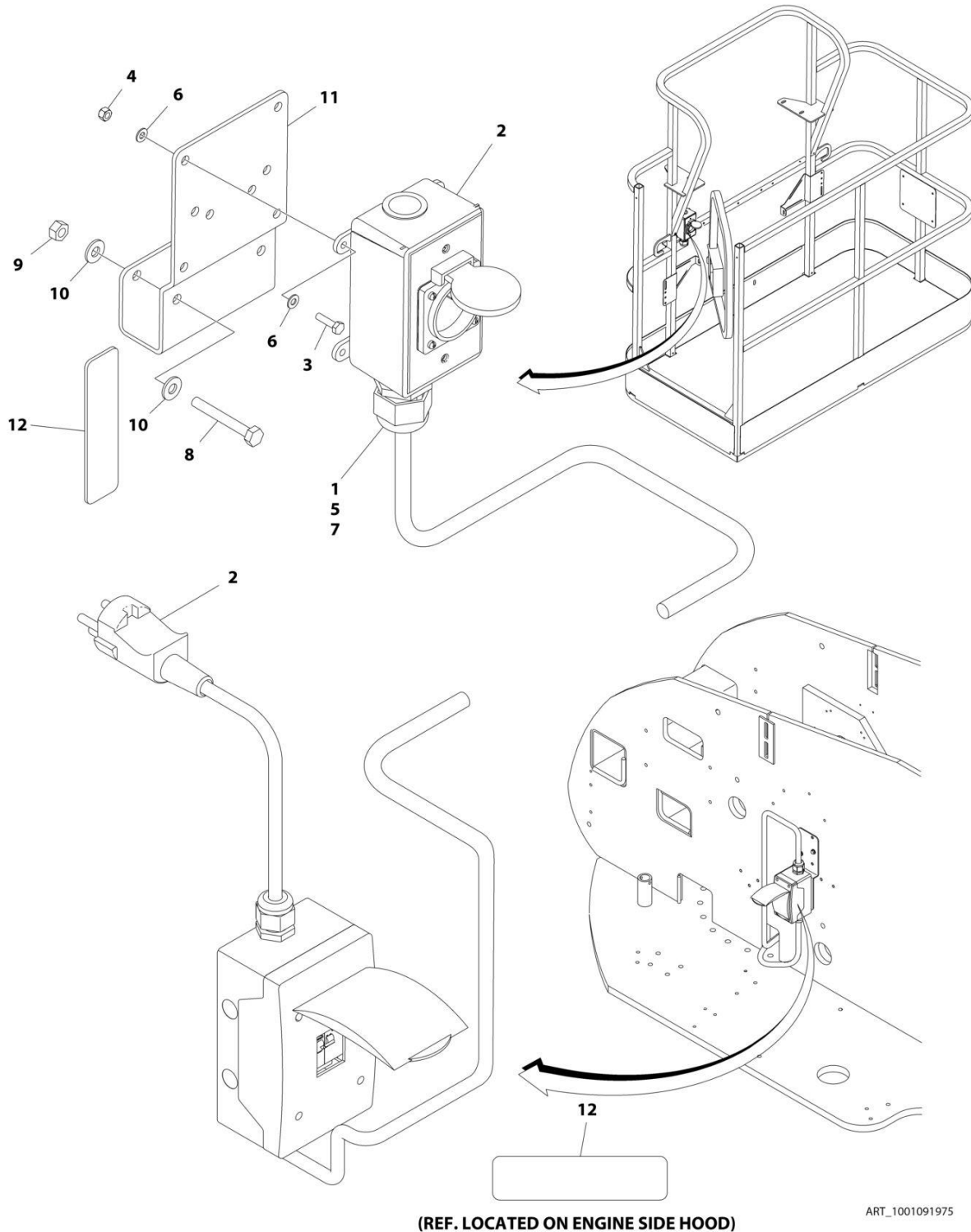
SECTION 8 - ELECTRICAL

FIGURE 8-15. AC BOX AT PLATFORM INSTALLATION - 220V AFSINT 107 KEYED GROUND WITH 2IN X 4IN BOX (CE SPEC) (SN E300000100 through E300003512)

ITEM	PART NUMBER	QTY	DESCRIPTION	REV
	0275680	Ref	AC BOX AT PLATFORM INSTALLATION - 220V AFSINT 107 KEYED GROUND WITH 2IN X 4IN BOX (CE SPEC)	C
		Ref	Note: For Machines equipped with 4000W Generator, see SPECIAL OPTIONS SECTION.	
1	0275454	1	Receptacle Box Kit (See RECEPTACLE BOX KIT- 220V AFSINT 107 KEYED GROUND WITH 2IN X 4IN BOX (CE SPEC) for Breakdown)	
2	0641407	4	Bolt, 1/4 x 7/8	
3	0641416	2	Bolt, 1/4 x 2	
4	0700408	2	Bolt, M4 x 16	
5	0903484	1	Bracket	
6	0903612	1	Bracket	
7	2902549	1	Breaker Box Kit - CE Spec (See BREAKER BOX KIT - CE SPEC for Breakdown)	
8	3252507	2	Decal - Voltage	
9	3290405	2	Nut M4	
10	3311405	6	Nut 1/4	
11	4460968	1	Connector, Strain Relief	
11	4460662	1	Connector, Strain Relief	
12	4711400	8	Washer 1/4	
13	4751400	4	Washer 1/4	
14	4811400	4	Washer M4	
15	4460709	1	Plug, Male	
16	4460710	1	Receptacle, Female	

SECTION 8 - ELECTRICAL

FIGURE 8-16. AC BOX AT PLATFORM INSTALLATION - 220V AFSINT 107 KEYED GROUND (2X4 BOX) WITHOUT 2500W GENERATOR (CE SPECS) (SN 1300007286 through 1300007383, SN E300003512 through E300007980)



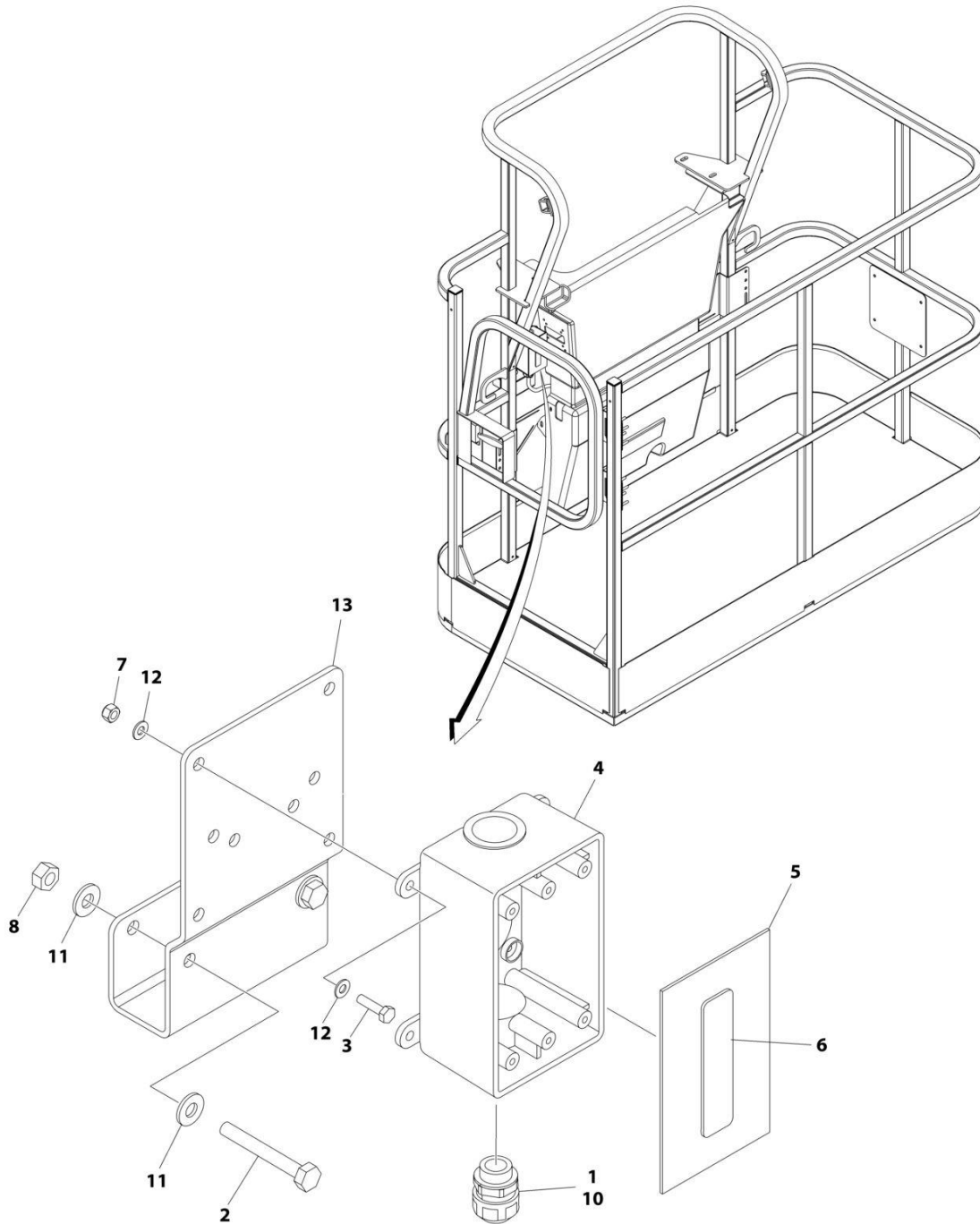
SECTION 8 - ELECTRICAL

FIGURE 8-16. AC BOX AT PLATFORM INSTALLATION - 220V AFSINT 107 KEYED GROUND (2X4 BOX) WITHOUT 2500W GENERATOR (CE SPECS) (SN 1300007286 through 1300007383, SN E300003512 through E300007980)

ITEM	PART NUMBER	QTY	DESCRIPTION	REV
	1001091975	Ref	AC BOX AT PLATFORM INSTALLATION - 220V AFSINT 107 KEYED GROUND (2X4 BOX) WITHOUT 2500W GENERATOR (CE SPECS)	F
		Ref	Note: For Machines equipped with 4000W Generator, see SPECIAL OPTIONS SECTION.	
1	0100020	AR	Sealant, Pipe	
2	0275454	1	Receptacle Box Kit (See RECEPTACLE BOX KIT - 220V AFSINT 107 KEYED GROUND WITHOUT 2500W GENERATOR (2X4 BOX) (CE SPECS) for Breakdown)	
3	0700408	4	Bolt M4 x 16	
4	3290405	4	Nut M4	
5	1001101197	1	Adapter	
6	4811400	8	Washer M4	
7	1001101191	1	Connector, Strain Relief	
8	0641416	2	Bolt 1/4 x 2	
9	3311405	2	Nut 1/4	
10	4711400	4	Washer 1/4	
11	1001193018	1	Bracket	
12	3251242	2	Decal - 240V/50Hz (SN 1300007286 through 1300007383, SN E300004872 through E300007980)	
13	1001205958	3	Terminal (Not Shown – Located inside Receptacle Box)	

SECTION 8 - ELECTRICAL

FIGURE 8-17. AC BOX AT PLATFORM INSTALLATION - 220V CUSTOMER SUPPLIED COMPONENTS
(ANSI EXPORT, CE AND CHINA SPECS)



ART_1001194365

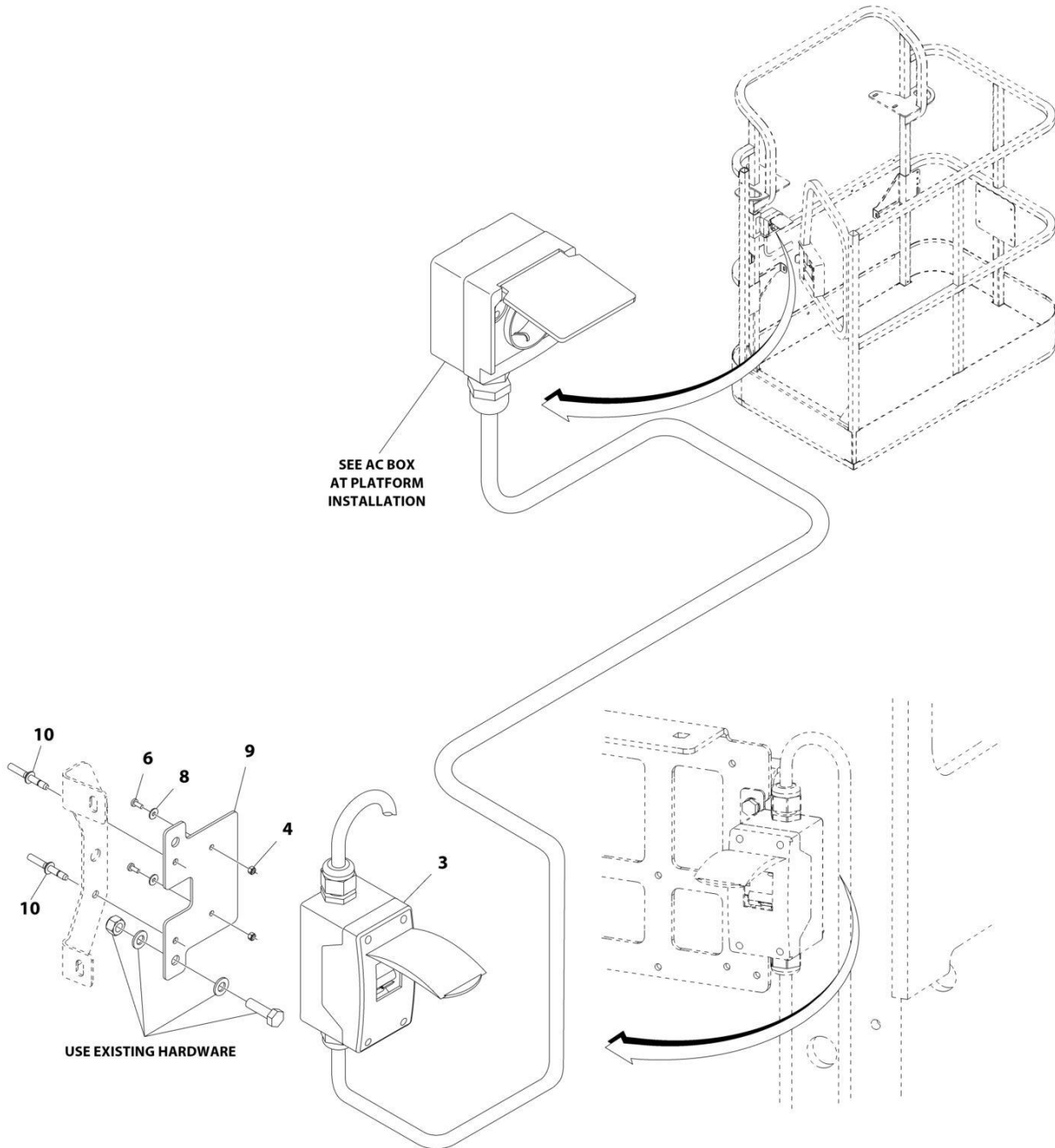
SECTION 8 - ELECTRICAL

**FIGURE 8-17. AC BOX AT PLATFORM INSTALLATION - 220V CUSTOMER SUPPLIED COMPONENTS
(ANSI EXPORT, CE AND CHINA SPECS)**

ITEM	PART NUMBER	QTY	DESCRIPTION	REV
	1001194365	Ref	AC BOX AT PLATFORM INSTALLATION - BOX WITH COVER (2X4 BOX)	A
1	0100020	AR	Sealant	
2	0641416	2	Bolt 1/4 x 2	
3	0700408	4	Bolt M4 x 16	
4	0861731	1	Box, Switch	
5	1670603	1	Cover	
6	3251242	1	Decal - 240V/50Hz	
7	3290405	4	Nut M4	
8	3311405	2	Nut 1/4	
9	4460384	3	Terminal (Not Shown)	
10	4460662	1	Connector, Strain Relief	
11	4711400	4	Washer 1/4	
12	4811400	8	Washer M4	
13	1001193018	1	Bracket, AC Receptacle	

SECTION 8 - ELECTRICAL

FIGURE 8-18. AC CABLE INSTALLATION – WITH TWO BREAKERS (CE SPECS) (SN 1300007286 through 1300007383, SN E300003512 through E300007980)



ART_1001167312

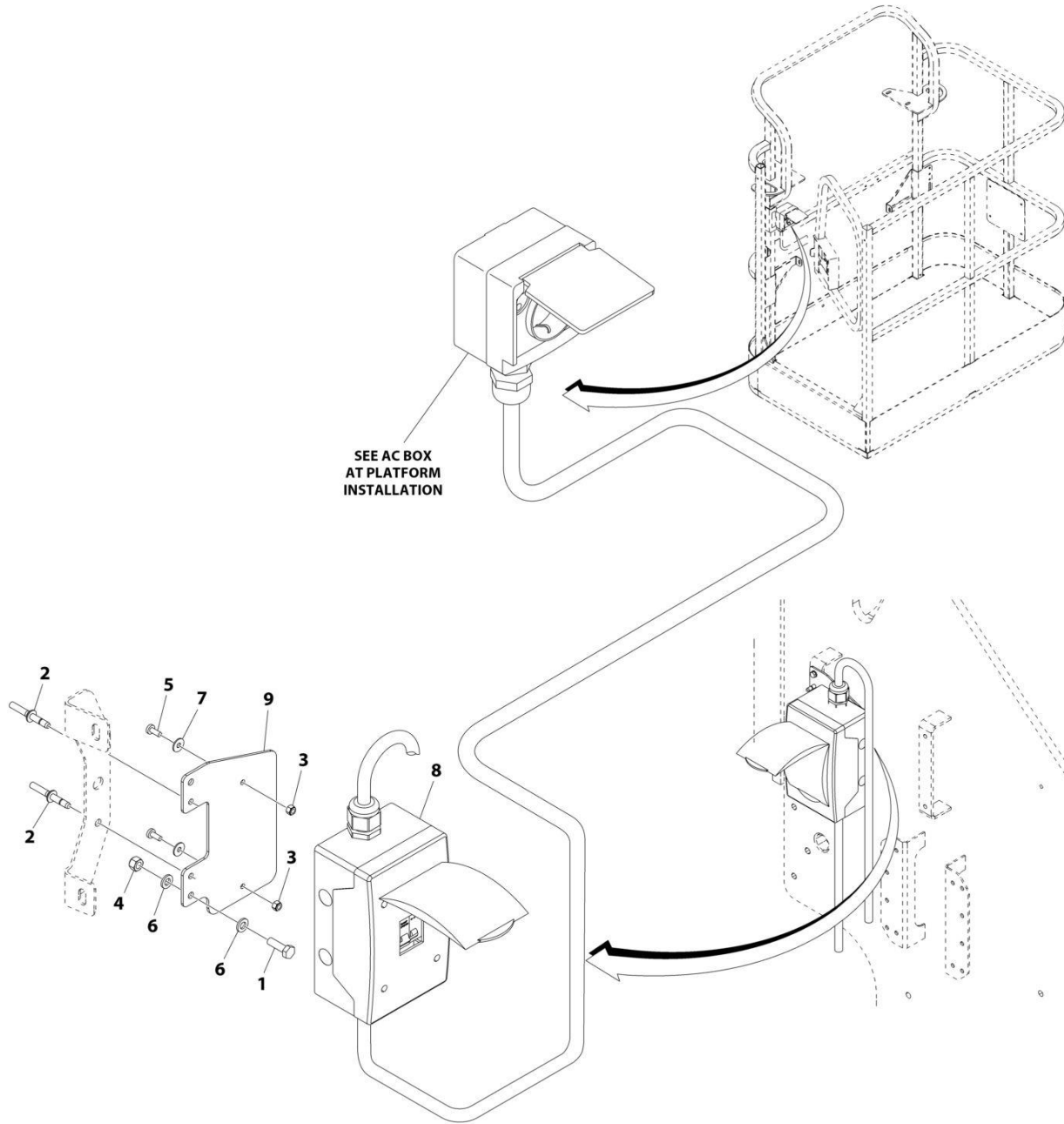
SECTION 8 - ELECTRICAL

FIGURE 8-18. AC CABLE INSTALLATION – WITH TWO BREAKERS (CE SPECS) (SN 1300007286 through 1300007383, SN E300003512 through E300007980)

ITEM	PART NUMBER	QTY	DESCRIPTION	REV
	1001167312	Ref	AC CABLE INSTALLATION – WITH TWO BREAKERS (CE SPECS)	F
3	2902549	1	Breaker Box Kit - CE Spec (See BREAKER BOX KIT WITH TWO BREAKERS - CE SPEC for Breakdown)	
4	3290405	2	Nut M4	
4	3290605	2	Nut M6	
6	4010405	2	Screw M4 x 10	
6	0760614	2	Screw M6 x 30	
8	1001091102	2	Washer M4	
8	4811700	4	Washer M6	
9	1001174158	1	Bracket	
10	2080040	2	Fastener, Huck	

SECTION 8 - ELECTRICAL

FIGURE 8-19. AC CABLE INSTALLATION – WITH THREE BREAKERS (CE SPECS) (SN 1300007286 through 1300007383, SN E300003512 through E300007980)



ART_1001209677

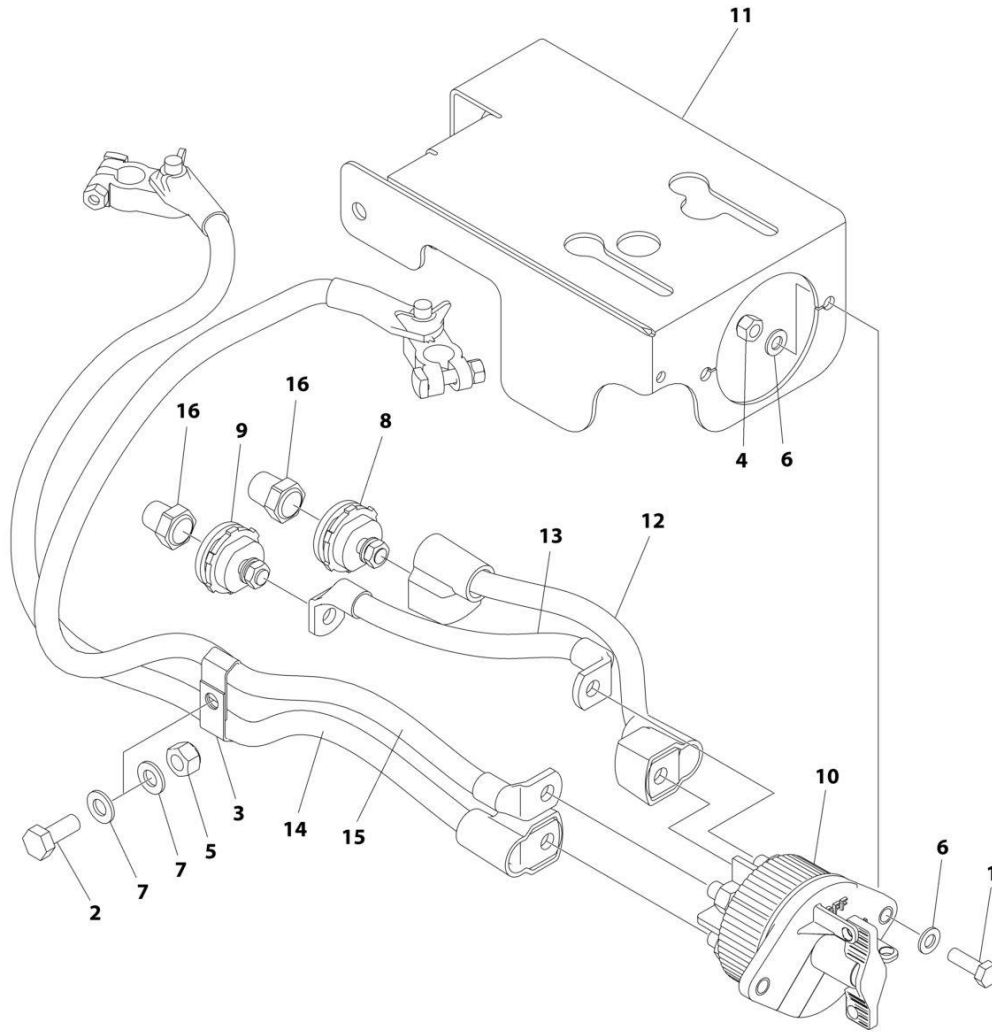
SECTION 8 - ELECTRICAL

FIGURE 8-19. AC CABLE INSTALLATION – WITH THREE BREAKERS (CE SPECS) (SN 1300007286 through 1300007383, SN E300003512 through E300007980)

ITEM	PART NUMBER	QTY	DESCRIPTION	REV
	1001209677	Ref	AC CABLE INSTALLATION – WITH THREE BREAKERS (CE SPECS)	A
1	0760610	2	Bolt M6 x 20	
2	2080040	2	Fastener, Huck	
3	3290405	2	Nut M4	
4	3290605	2	Nut M6	
5	4010405	2	Screw M4 x 10	
6	4811700	4	Washer M6	
7	1001091102	2	Washer M4	
8	1001152485	1	Breaker Box Kit - CE Spec (See BREAKER BOX KIT WITH THREE BREAKERS - CE SPEC for Breakdown)	
9	1001209832	1	Bracket	

SECTION 8 - ELECTRICAL

FIGURE 8-20. BATTERY DISCONNECT SWITCH



ART_1001214397

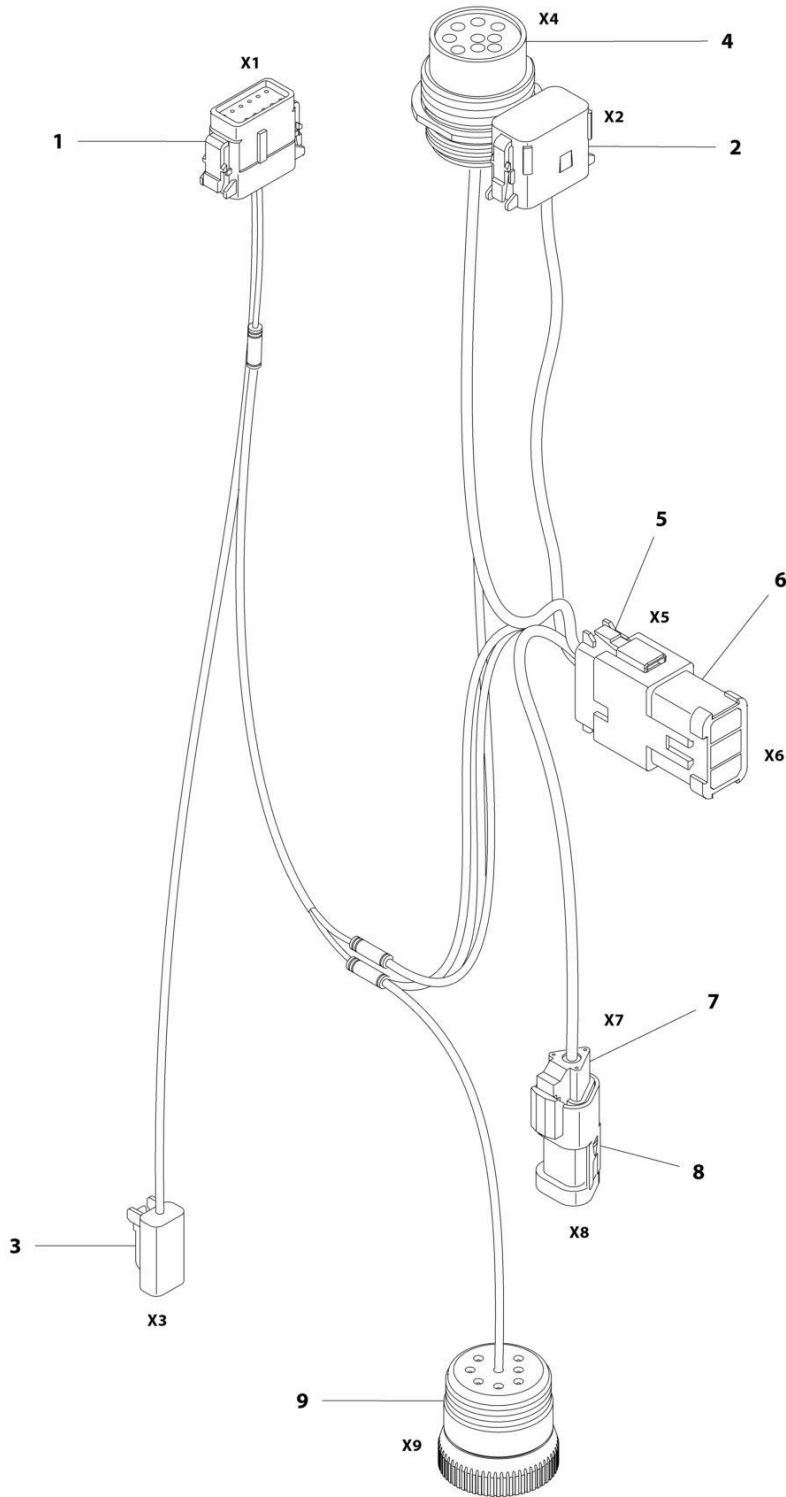
SECTION 8 - ELECTRICAL

FIGURE 8-20. BATTERY DISCONNECT SWITCH

ITEM	PART NUMBER	QTY	DESCRIPTION	REV
	1001214397	Ref	BATTERY DISCONNECT SWITCH	A
1	0760812	2	Bolt M8 x 25	
2	0761012	1	Bolt M10 x 25	
3	1320223	2	Clamp	
4	3290805	2	Nut M8	
5	3291005	1	Nut M10	
6	4811900	4	Washer M8	
7	4812000	2	Washer M10	
8	1001214570	1	Connector (Red)	
9	1001214571	1	Connector (Black)	
10	1001225346	1	Switch	
11	1001226530	1	Mount	
12	1001237878	1	Cable, Battery Disconnect (Positive)	
13	1001237879	1	Cable, Battery Disconnect (Negative)	
14	1001237880	1	Cable (Positive)	
15	1001237881	1	Cable (Negative)	
16	1001206476	1	Connector	

SECTION 8 - ELECTRICAL

FIGURE 8-21. BEACON LIGHT HARNESS



ART_1001142736

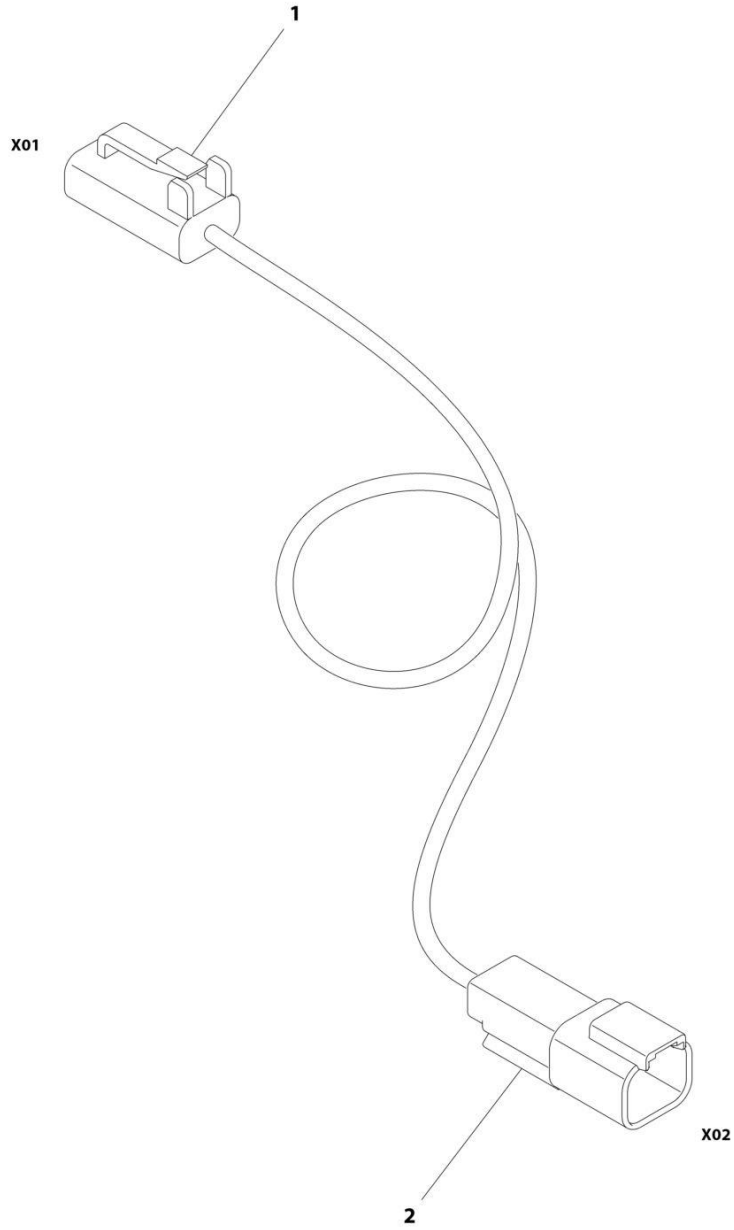
SECTION 8 - ELECTRICAL

FIGURE 8-21. BEACON LIGHT HARNESS

ITEM	PART NUMBER	QTY	DESCRIPTION	REV
	1001142736	Ref	BEACON LIGHT HARNESS	F
1	1001116808	1	Plug, Male - 12 Position	
1	4460928	3	Socket, Female	
1	4460518	9	Plug, Terminal	
2	1001116774	1	Plug, Male - 12 Position	
2	4460928	3	Socket, Female	
2	4460518	9	Plug, Terminal	
3	4460891	1	Plug, Male - 2 Position	
3	4460465	2	Socket, Female	
4	1001112612	1	Connector - 9 Position	
4	4460464	6	Pin, Male	
4	4460466	3	Plug, Terminal	
5	4460933	1	Plug, Male - 12 Position	
5	4460465	12	Socket, Female	
6	1001119020	1	Buss bar - 12 Position	
7	4461095	1	Plug, Male - 3 Position	
7	4460465	3	Socket, Female	
8	4461070	1	Buss bar - 3 Position	
9	1001112796	1	Connector - 9 Position	
9	4460465	6	Socket, Female	
9	4460466	3	Plug, Terminal	

SECTION 8 - ELECTRICAL

FIGURE 8-22. BEACON EXTENSION HARNESS (SN E300000100 through E600003882)



ART_1001196458

SECTION 8 - ELECTRICAL

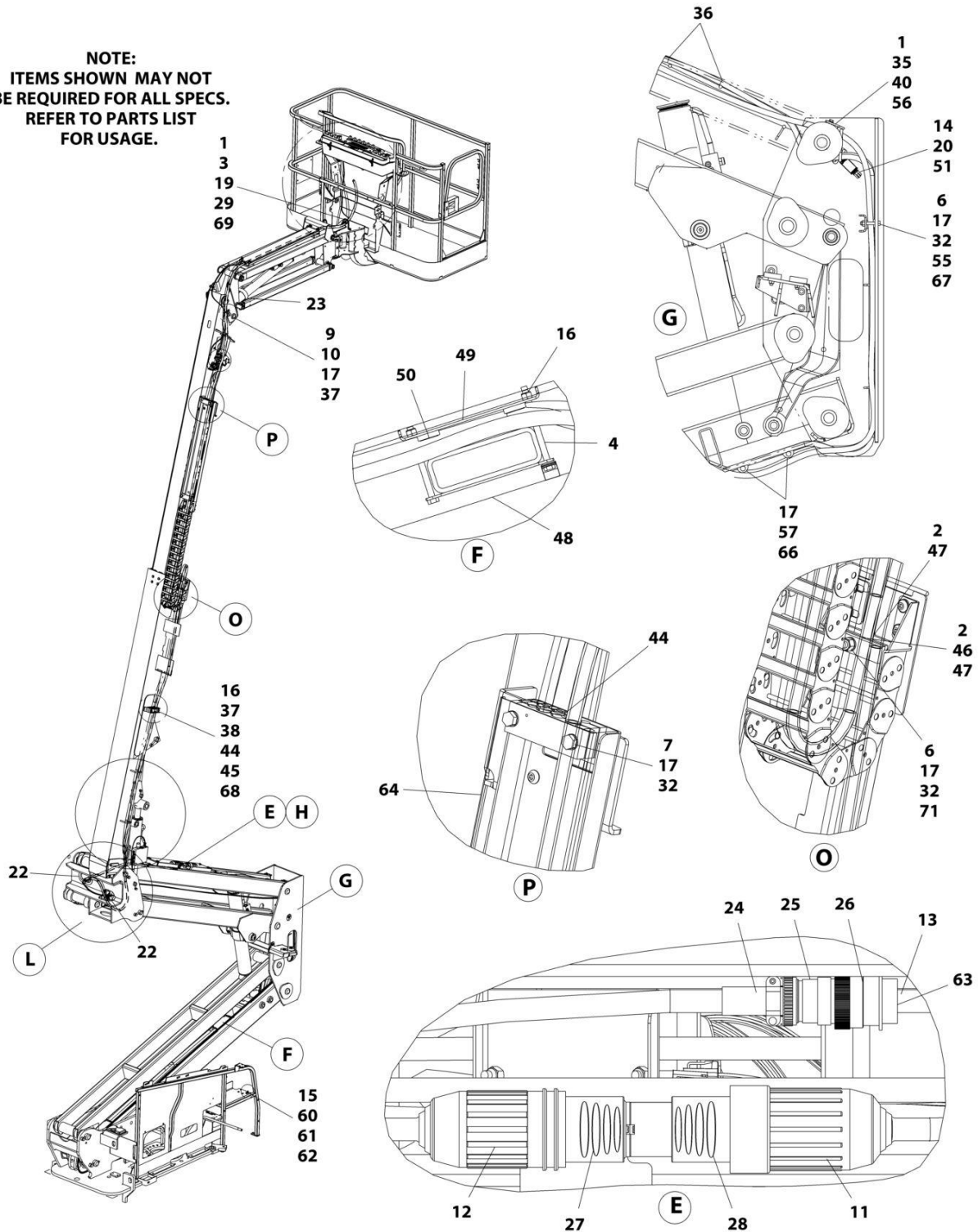
FIGURE 8-22. BEACON EXTENSION HARNESS (SN E300000100 through E600003882)

ITEM	PART NUMBER	QTY	DESCRIPTION	REV
	1001196458	Ref	BEACON EXTENSION HARNESS	A
1	4460891	1	Plug, Male -2 Position	
1	4460465	2	Socket, Female	
2	4460897	1	Receptacle, Female	
2	4460464	2	Pin, Male	

SECTION 8 - ELECTRICAL

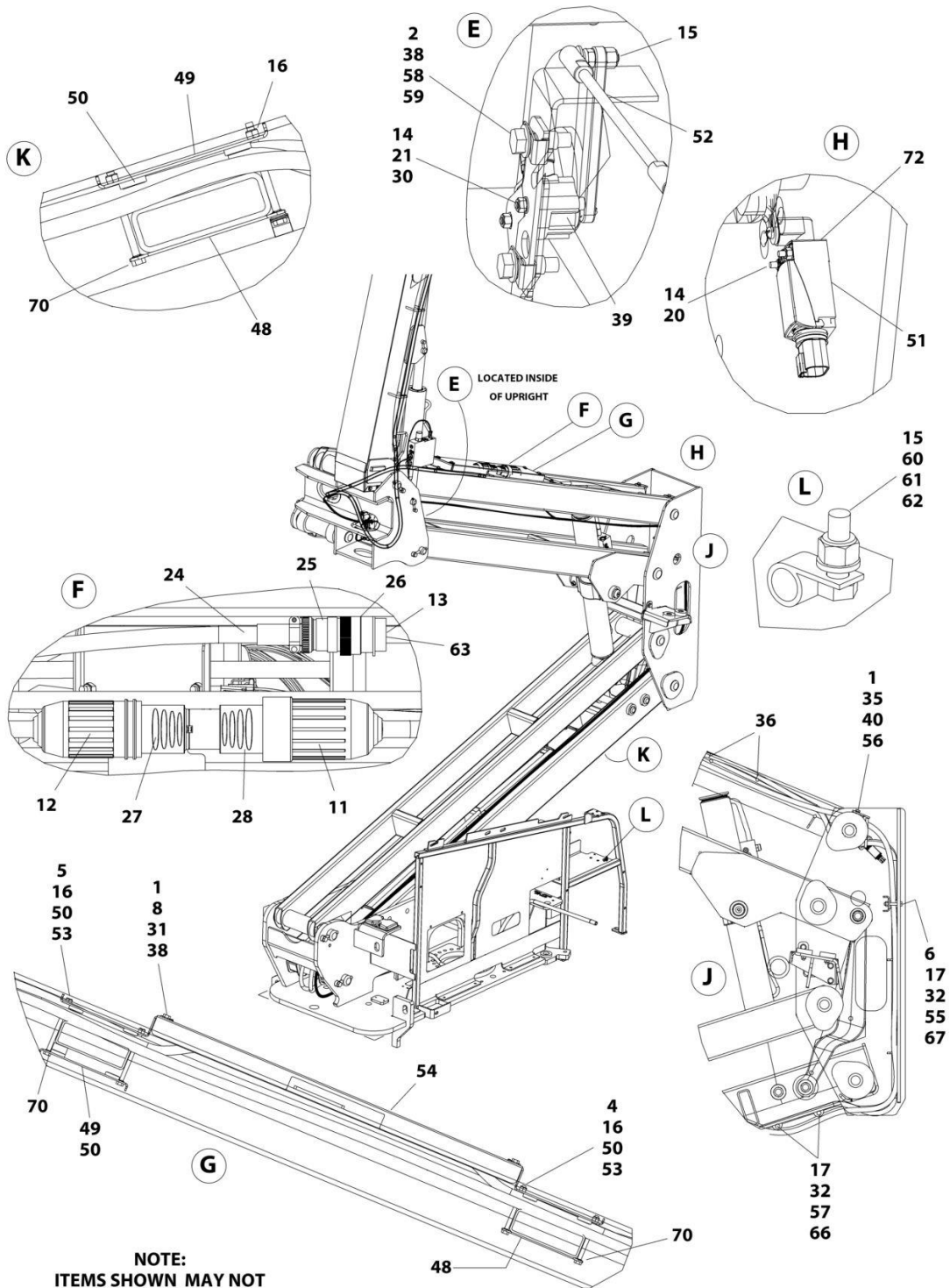
FIGURE 8-23. BOOM CABLES AND CLAMPS INSTALLATION

NOTE:
ITEMS SHOWN MAY NOT
BE REQUIRED FOR ALL SPECS.
REFER TO PARTS LIST
FOR USAGE.



ART_1001179778_10F2

SECTION 8 - ELECTRICAL



ART_1001179778_20F2

SECTION 8 - ELECTRICAL

FIGURE 8-23. BOOM CABLES AND CLAMPS INSTALLATION

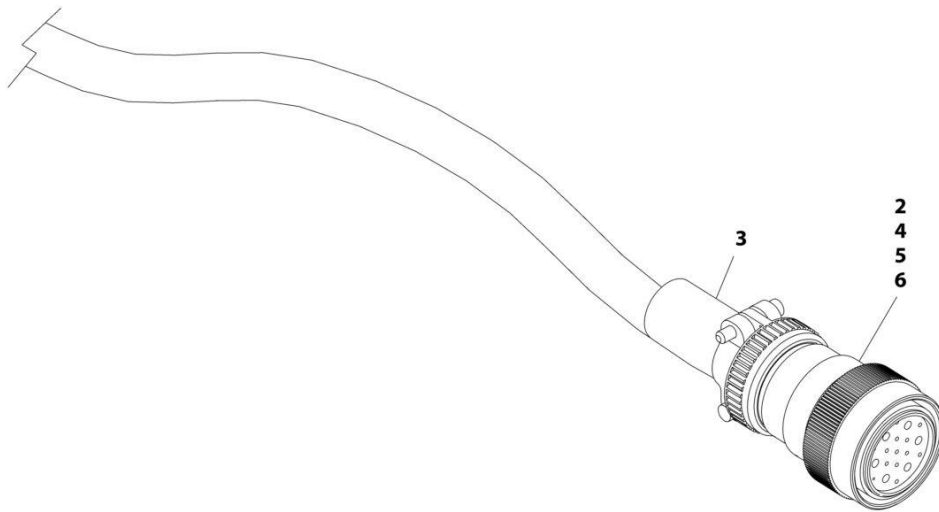
ITEM	PART NUMBER	QTY	DESCRIPTION	REV
	1001179778	Ref	BOOM CABLES AND CLAMPS INSTALLATION	K
1	0100011	AR	Compound, Locking	
2	0100081	AR	Adhesive	
3	0641509	2	Bolt 5/16 x 1-1/8	
4	0700827	6	Bolt M8 x 100	
5	0700828	2	Bolt M8 x 110	
6	0701021	3	Bolt M10 x 65	
7	0701024	4	Bolt M10 x 80	
8	0760812	4	Bolt M8 x 25	
9	0761012	1	Bolt M10 x 25	
10	1320130	1	Clamp	
13	2820031	AR	Heat Shrink	
14	3290405	4	Nut M4	
15	3290605	3	Nut M6	
16	3290805	10	Nut M8	
17	3291005	10	Nut M10	
19	3841340	1	Loop, Hose	
20	4010417	2	Screw M4 x 45	
20	4010418	1	Screw M4 x 50	
21	4031511	2	Capscrew M4 x 35	
22	4060808	27.5 in /8.4m	Flex-Trim	
23	4240156	2	Strap, Clinch	
24	4460473	AR	Clamp, Cable	
25	4460865	1	Connector - 19 Position	
26	4460866	1	Connector - 19 Position	
29	4711500	4	Washer 5/16	
30	4811400	2	Washer M4	
31	4811902	4	Washer M8	
32	4812000	13	Washer M10	
33	1001176951	1	Harness, Tower Boom (See BOOM HARNESS - TOWER BOOM for Breakdown)	
34	1001174749	1	Harness, Tower Boom AC Cable (See BOOM HARNESS - TOWER BOOM AC CABLE for Breakdown)	
35	5251014	2	Bolt M10 x 30	
36	8881800	AR	Tie-Strap	
37	5281920	2	Screw M8 x 80	
38	1001118274	8	Nut M8	
39	1001118971	1	Sensor, Angle	
39	70005667	1	Arm	
40	1001118972	2	Nut M10	
41	1001172335	1	Harness, Main Boom (See BOOM HARNESS - MAIN BOOM for Breakdown)	
42	1001172336	1	Harness, Main Boom AC Cable (See BOOM HARNESS - MAIN BOOM AC CABLE for Breakdown)	
43	1001164738	1	Harness, Boom Valve (See BOOM VALVE HARNESS for Breakdown)	
44	1001166656	3	Block, Clamping	
45	1001166662	1	Plate	
46	1001168472	1	Plate, Clamping	
47	1001168473	2	Clamp, Rubber	

SECTION 8 - ELECTRICAL

ITEM	PART NUMBER	QTY	DESCRIPTION	REV
48	1001171553	3	Plate, Clamping	
49	1001171555	3	Plate, Clamping	
50	1001171559	10	Pad	
51	1001172271	1	Switch, Limit	
52	1001172796	NLA	Link, Sensor (Use p/n 1001238466) (Note: Sold as Assembly Only) (SN E300000100 through E300006273)	
52	1001238466	1	Link, Sensor (Note: Sold as Assembly Only) (SN E300006273 through E300007980)	
53	1001178448	2	Plate, Clamping	
54	1001178449	1	Cover	
55	1001178644	1	Plate	
56	1001178958	1	Bracket	
57	1001182561	2	Roller	
58	5250812	2	Bolt M8 x 25	
59	1001179266	1	Plate, Mounting	
60	0760610	1	Bolt M6 x 20	
61	1320043	1	Clamp	
62	4811700	1	Washer M6	
63	4460466	AR	Plug, Terminal	
64	1001181875	1	Cover	
65	1001181923	1	Shield, Hose	
66	1001119280	2	Bolt M10 x 260	
67	1001185747	2	Pad	
69	88521205	2	Nut 5/16	
70	1001119228	8	Nut M8	
71	8310070	1	Pushnut 3/8	
72	4750800	AR	Washer #8	

SECTION 8 - ELECTRICAL

FIGURE 8-24. BOOM HARNESS - MAIN BOOM



ART_1001172335

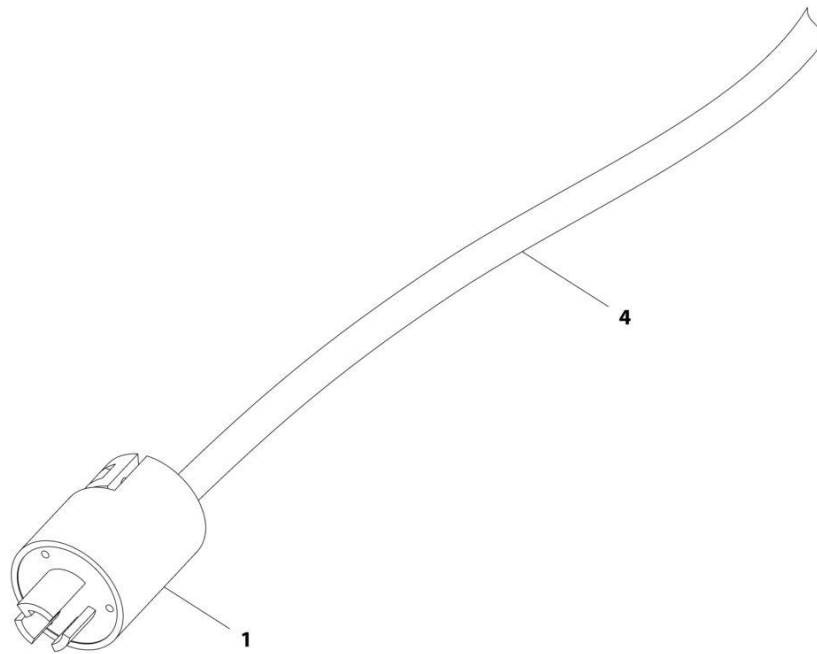
SECTION 8 - ELECTRICAL

FIGURE 8-24. BOOM HARNESS - MAIN BOOM

ITEM	PART NUMBER	QTY	DESCRIPTION	REV
	1001172335	Ref	BOOM HARNESS - MAIN BOOM	E
2	4460865	1	Connector - 19 Position	
3	4460473	1	Clamp	
4	4460465	20	Socket, Female	
5	4460509	8	Socket, Female	
6	4460466	5	Plug, Socket	

SECTION 8 - ELECTRICAL

FIGURE 8-25. BOOM HARNESS - MAIN BOOM AC CABLE



ART_1001172336

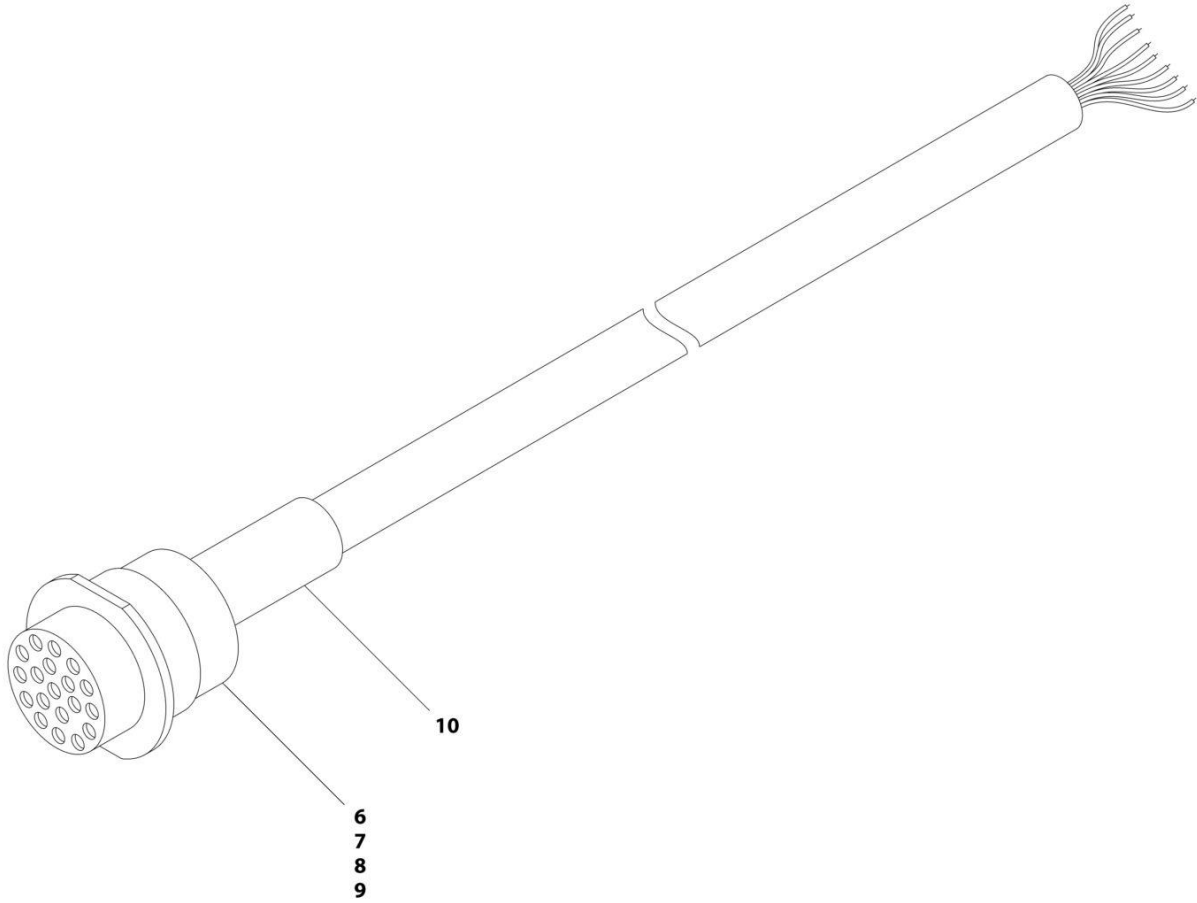
SECTION 8 - ELECTRICAL

FIGURE 8-25. BOOM HARNESS - MAIN BOOM AC CABLE

ITEM	PART NUMBER	QTY	DESCRIPTION	REV
	1001172336	Ref	BOOM HARNESS - MAIN BOOM AC CABLE	C
1	1001120204	1	Plug, Male	
4	1060461	494 in /12.6m	Cable, Electrical - 12/3	

SECTION 8 - ELECTRICAL

FIGURE 8-26. BOOM HARNESS - TOWER BOOM



ART_1001176951

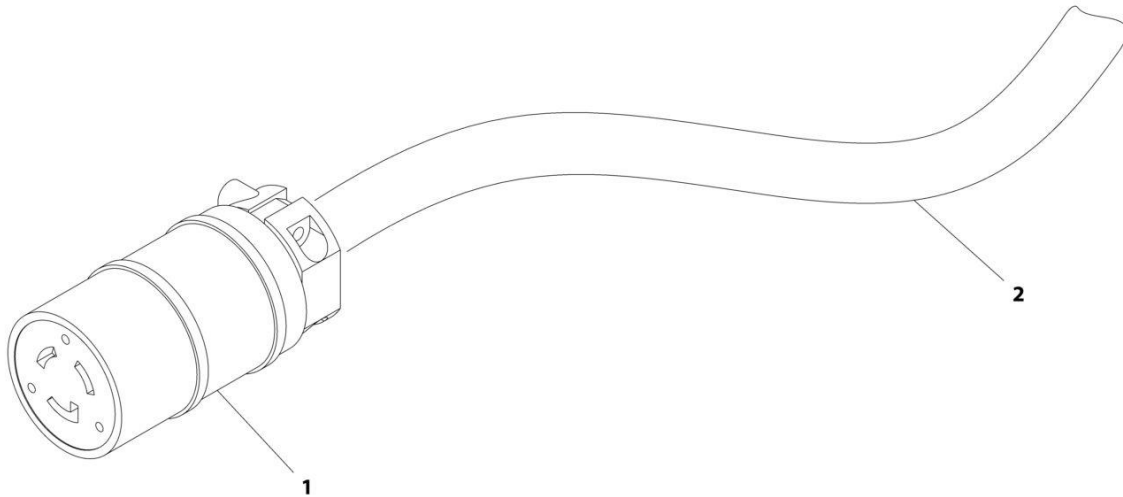
SECTION 8 - ELECTRICAL

FIGURE 8-26. BOOM HARNESS - TOWER BOOM

ITEM	PART NUMBER	QTY	DESCRIPTION	REV
	1001176951	Ref	BOOM HARNESS - TOWER BOOM	E
6	4460466	5	Plug, Terminal	
7	4460464	20	Pin, Male	
8	4460508	8	Pin, Male	
9	4460866	1	Connector - 19 Position	
10	2820031	AR	Heat Shrink	

SECTION 8 - ELECTRICAL

FIGURE 8-27. BOOM HARNESS - TOWER BOOM AC CABLE



ART_1001174749

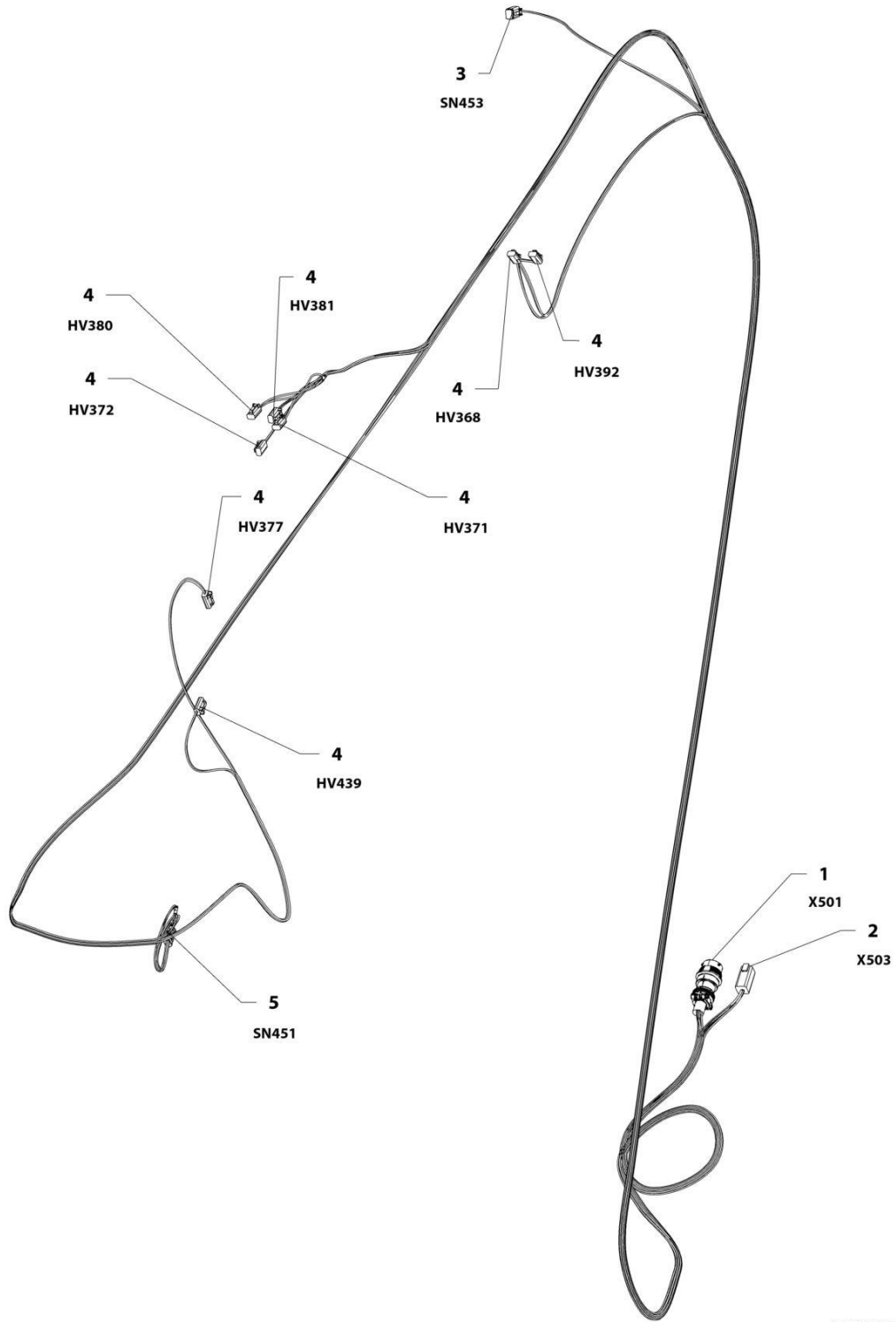
SECTION 8 - ELECTRICAL

FIGURE 8-27. BOOM HARNESS - TOWER BOOM AC CABLE

ITEM	PART NUMBER	QTY	DESCRIPTION	REV
	1001174749	Ref	BOOM HARNESS - TOWER BOOM AC CABLE	C
1	1001120205	1	Connector, Female	
2	1060461	28 ft/8.5m	Electrical Cable, 12/3	

SECTION 8 - ELECTRICAL

FIGURE 8-28. BOOM VALVE HARNESS



ART_1001164738

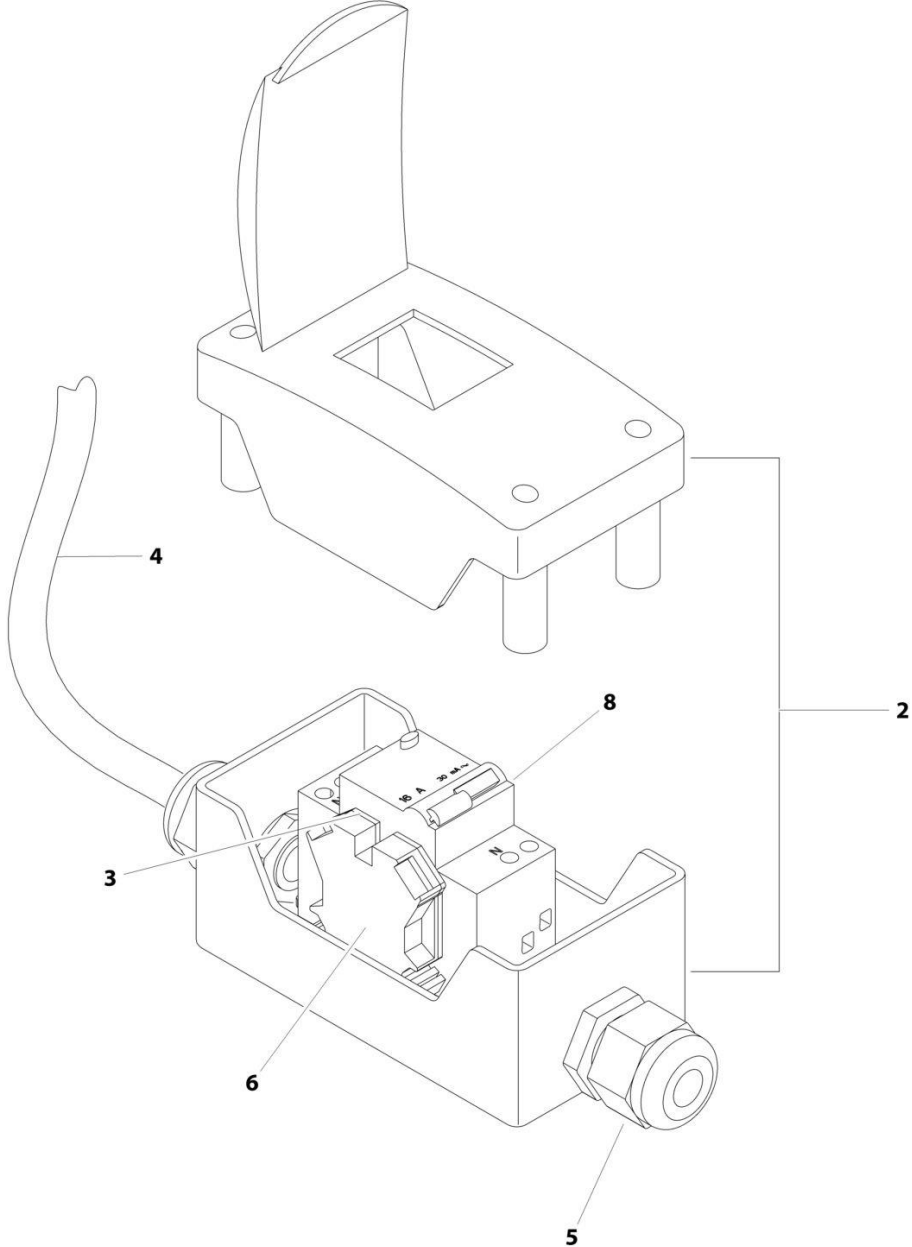
SECTION 8 - ELECTRICAL

FIGURE 8-28. BOOM VALVE HARNESS

ITEM	PART NUMBER	QTY	DESCRIPTION	REV
	1001164738	Ref	BOOM VALVE HARNESS	H
1	1001156541	1	Connector - 19 Position	
1	4460464	13	Pin, Male	
1	4460466	1	Plug, Terminal	
2	4460899	1	Connector - 6 Position	
2	4460464	6	Pin, Male	
3	4460884	1	Plug, Male - 4 Position	
3	4460465	2	Socket, Female	
3	4460466	2	Plug, Terminal	
4	4460891	8	Plug, Male - 2 Position	
4	4460465	18	Socket, Female	
5	1001117064	1	Plug, Male - 6 Position (SN 1300007286 through 1300007383, SN E300000100 through E300004994)	
5	91554014	6	Terminal (SN 1300007286 through 1300007383, SN E300000100 through E300004994)	
5	1001230931	1	Plug, Male - 6 Position (SN E300004994 through E300007980)	
5	1001116748	6	Terminal (SN E300004994 through E300007980)	

SECTION 8 - ELECTRICAL

FIGURE 8-29. BREAKER BOX KIT - CE SPEC



ART_2902549

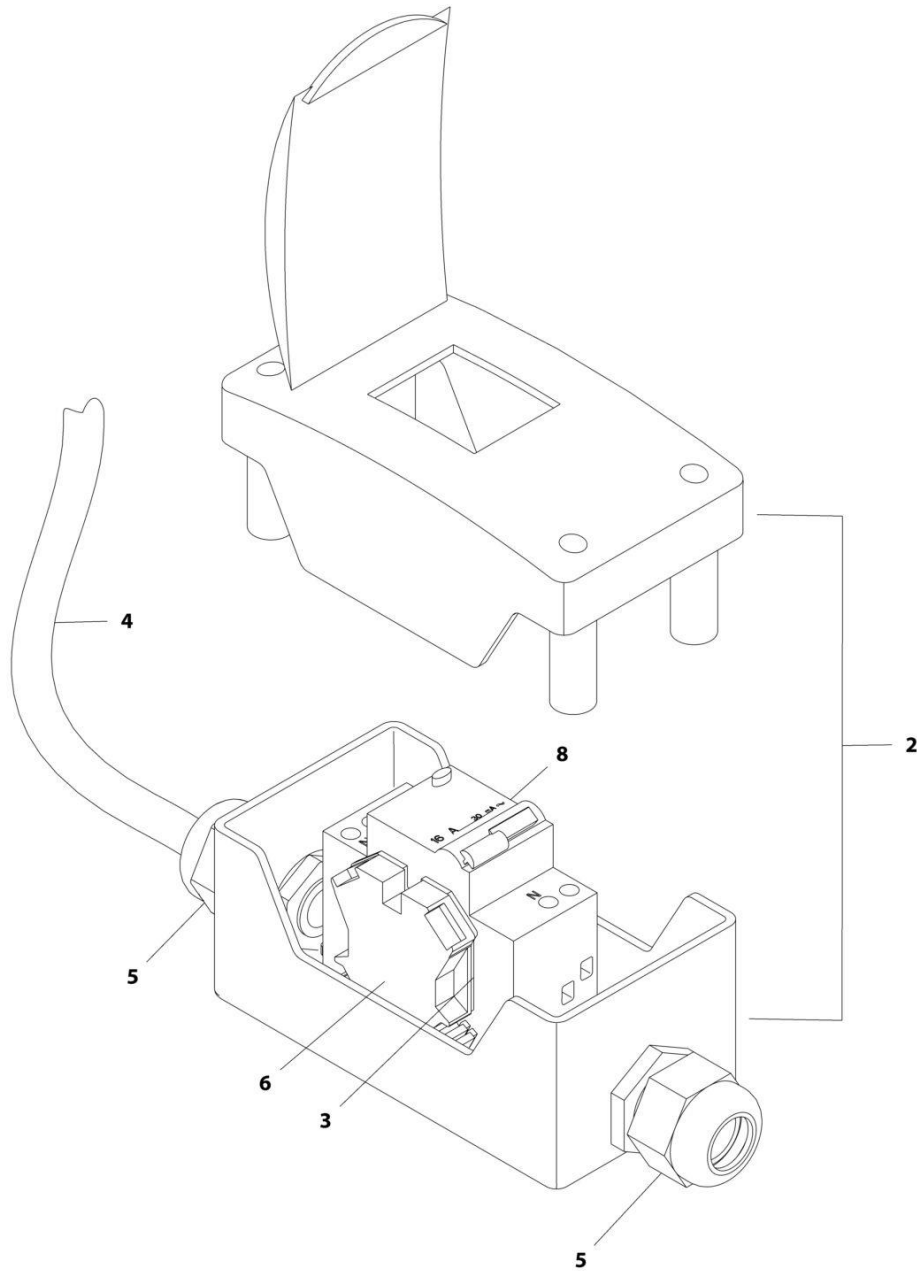
SECTION 8 - ELECTRICAL

FIGURE 8-29. BREAKER BOX KIT - CE SPEC

ITEM	PART NUMBER	QTY	DESCRIPTION	REV
	2902549	Ref	BREAKER BOX KIT - CE SPEC	F
2	0861880	1	Box	
3	4460956	1	Barrier, Terminal	
4	1060908	6 ft/1.8m	Cable, 12/3	
5	1001097150	2	Connector, Strain Relief	
6	4460957	1	Block, Terminal	
8	1001181045	1	Breaker, Double 30mAmp/16Amp	

SECTION 8 - ELECTRICAL

FIGURE 8-30. BREAKER BOX KIT - 30MA/16AMP



ART_1001096070

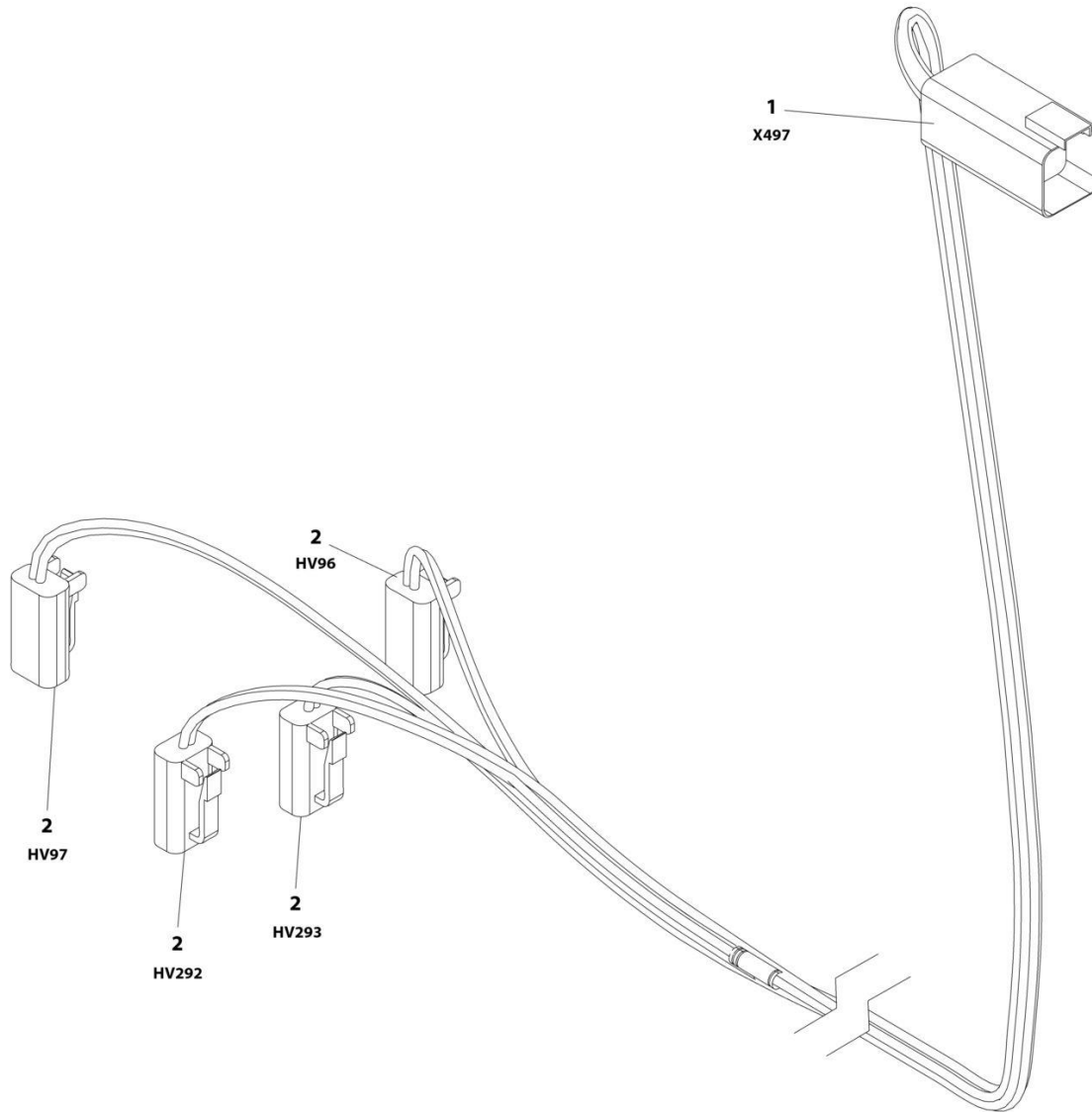
SECTION 8 - ELECTRICAL

FIGURE 8-30. BREAKER BOX KIT - 30MA/16AMP

ITEM	PART NUMBER	QTY	DESCRIPTION	REV
	1001096070	Ref	BREAKER BOX KIT - 30mA/16AMP	E
2	0861880	1	Box, Breaker	
3	4460956	1	Barrier, Terminal Block End	
4	1060908	12 ft /3.6m	Cable, Electrical 12/3	
5	1001097150	2	Connector, Strain Relief	
6	4460957	1	Block, Terminal	
8	1001181045	1	Breaker, Double 30mA/16Amp	

SECTION 8 - ELECTRICAL

FIGURE 8-31. CHASSIS SOLENOID HARNESS



ART_1001179236

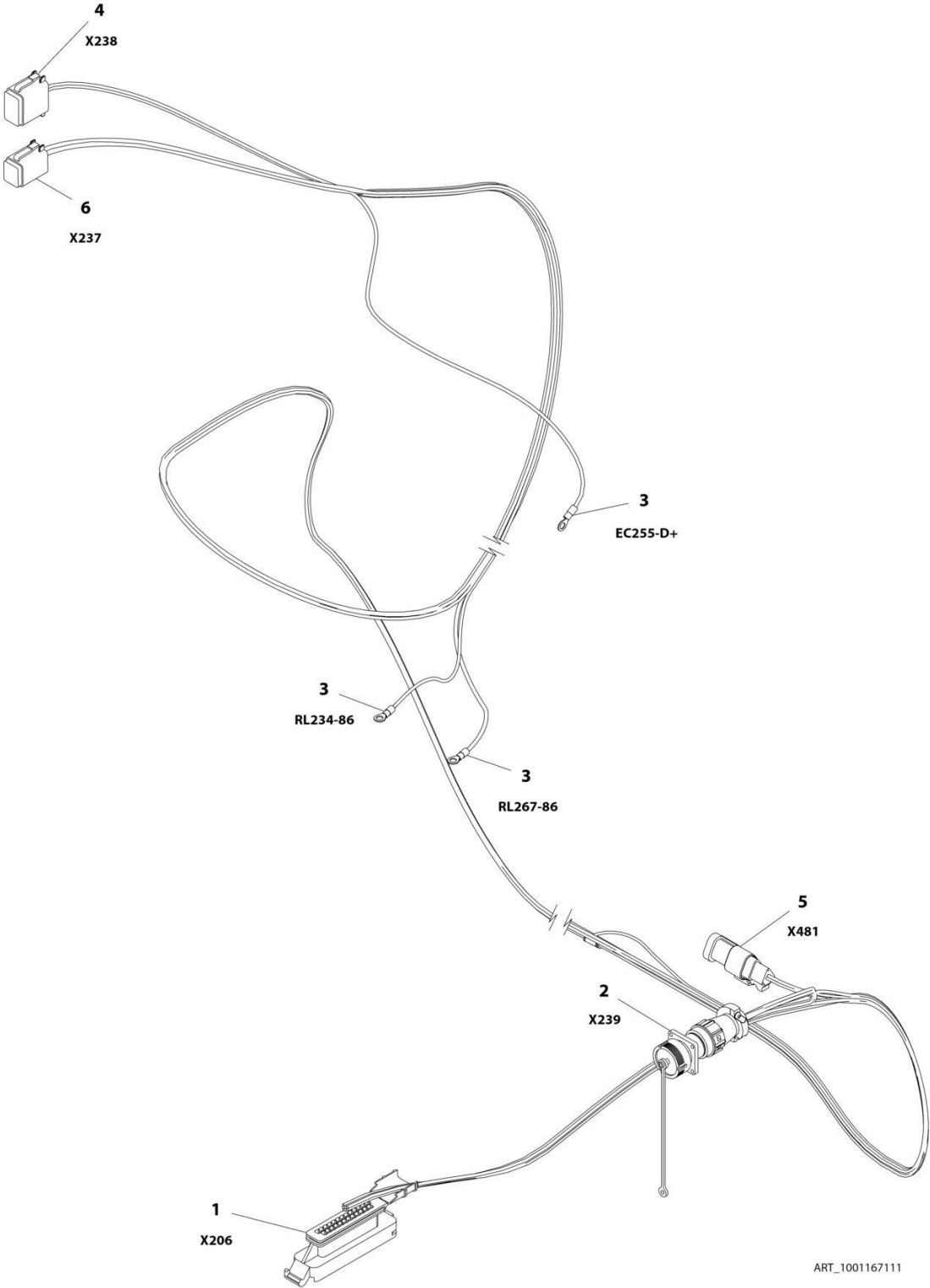
SECTION 8 - ELECTRICAL

FIGURE 8-31. CHASSIS SOLENOID HARNESS

ITEM	PART NUMBER	QTY	DESCRIPTION	REV
	1001179236	Ref	CHASSIS SOLENOID HARNESS	A
1	4460899	1	Receptacle, Female - 6 Position	
1	4460464	6	Pin, Male	
2	4460891	4	Plug, Male - 2 Position	
2	4460465	8	Socket, Female	

SECTION 8 - ELECTRICAL

FIGURE 8-32. ENGINE HARNESS - DEUTZ D2.3L3



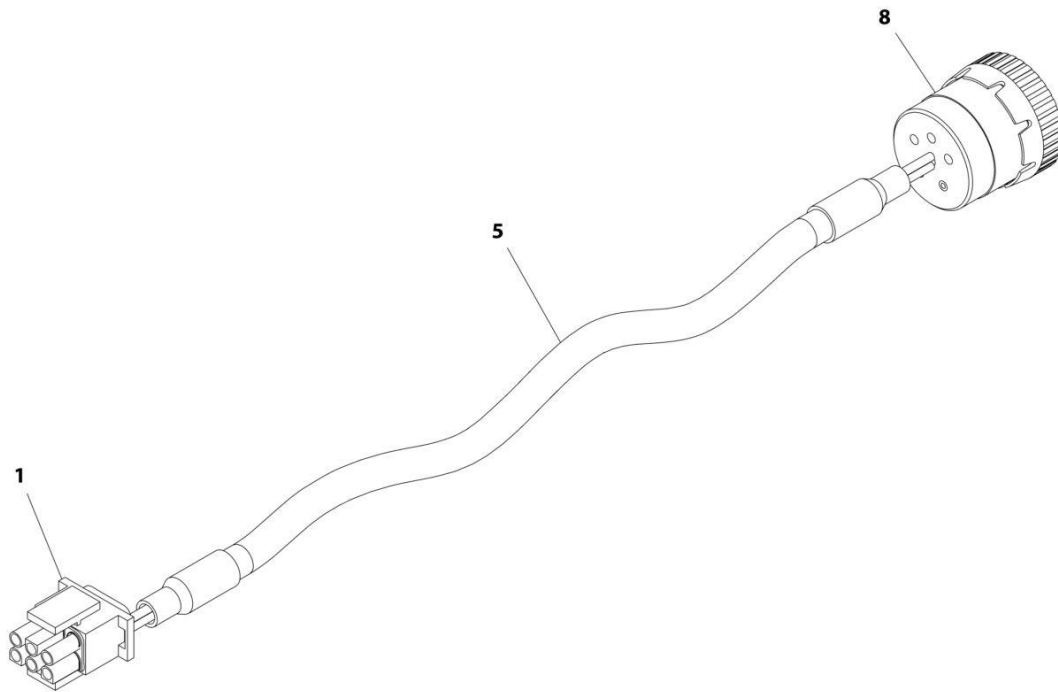
SECTION 8 - ELECTRICAL

FIGURE 8-32. ENGINE HARNESS - DEUTZ D2.3L3

ITEM	PART NUMBER	QTY	DESCRIPTION	REV
	1001167111	Ref	ENGINE HARNESS - DEUTZ D2.3L3	B
1	4461052	1	Connector - 25 Position	
1	4461005	7	Terminal	
1	4461008	18	Plug, Terminal	
2	2902443	1	Receptacle Kit	
2	4461071	8	Socket, Female	
2	4461072	1	Receptacle with Flange - 8 Position	
2	4461073	1	Cap, Dust	
2	4461074	1	Shell, Black	
3	4460313	3	Terminal, Ring	
4	4460930	1	Plug, Male - 8 Position	
4	4460465	2	Socket, Female	
4	4460466	6	Seal, Terminal	
5	4461095	1	Plug, Male - 3 Position	
5	4460465	3	Socket, Female	
6	4460894	1	Plug, Male - 6 Position	
6	4460465	6	Socket, Female	

SECTION 8 - ELECTRICAL

FIGURE 8-33. GENERATOR HARNESS - 4000W GENERATOR



ART_1001152532

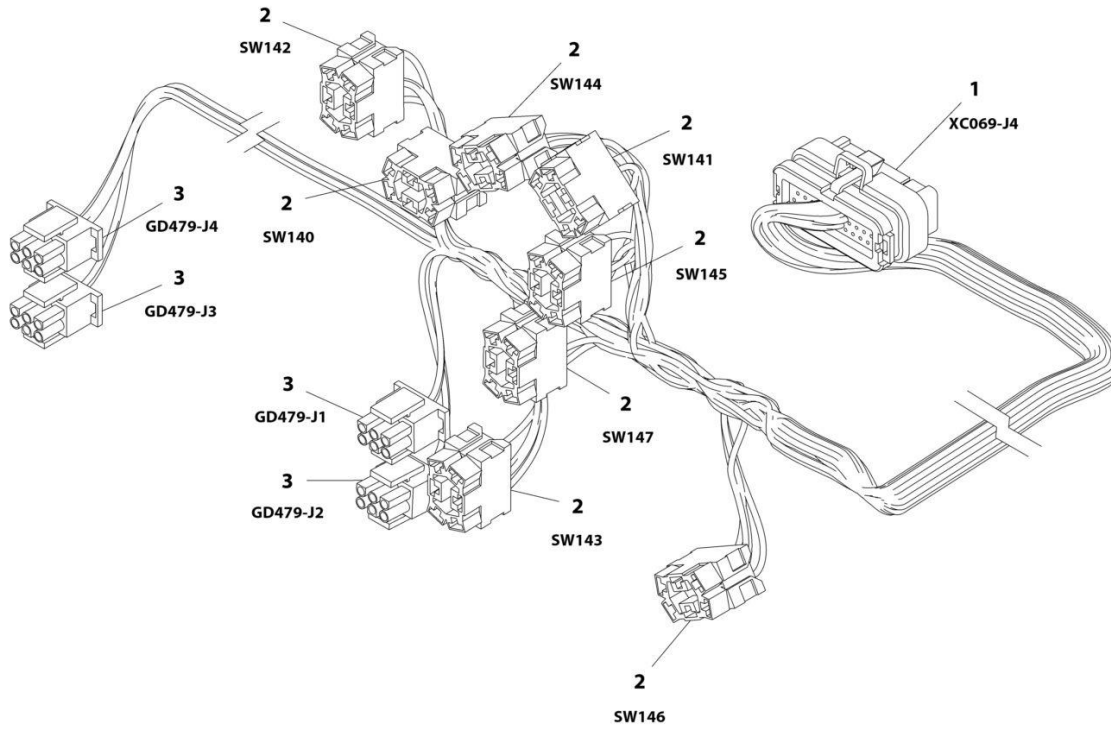
SECTION 8 - ELECTRICAL

FIGURE 8-33. GENERATOR HARNESS - 4000W GENERATOR

ITEM	PART NUMBER	QTY	DESCRIPTION	REV
	1001152532	Ref	GENERATOR HARNESS - 4000W GENERATOR	A
1	4460225	1	Connector - 6 Position	
1	4460268	2	Socket, Female	
1	4460807	1	Seal, Plug	
1	4460808	1	Seal, Plug	
5	1060341	13 ft /4.0m	Cable, 16/2	
8	77363233	1	Connector - 6 Position	
8	4460465	2	Socket, Female	

SECTION 8 - ELECTRICAL

FIGURE 8-34. GROUND CONTROL PANEL HARNESS



ART_1001164737

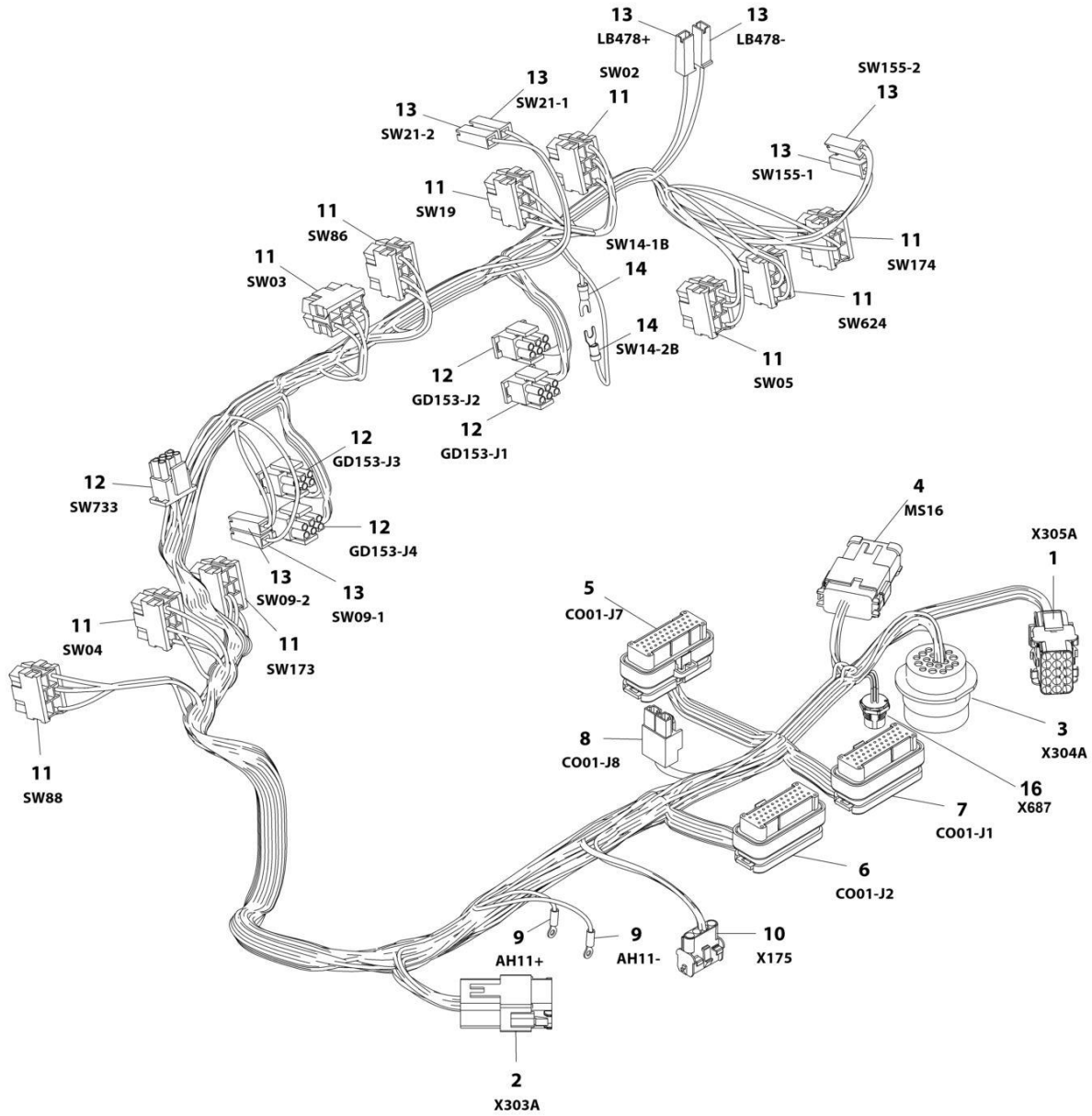
SECTION 8 - ELECTRICAL

FIGURE 8-34. GROUND CONTROL PANEL HARNESS

ITEM	PART NUMBER	QTY	DESCRIPTION	REV
	1001164737	Ref	GROUND CONTROL PANEL HARNESS	D
1	4460876	1	Connector - 35 Position	
1	4460871	27	Socket, Female	
1	4460905	8	Plug, Terminal	
2	4460418	1	Connector - 6 Position	
2	4460419	14	Terminal	
2	1001159186	17	Terminal	
3	4460225	4	Connector - 6 Position	
3	4460226	10	Socket, Female	

SECTION 8 - ELECTRICAL

FIGURE 8-35. PLATFORM CONSOLE BOX HARNESS (SN E300000100 through E300007543)



ART_1001164353

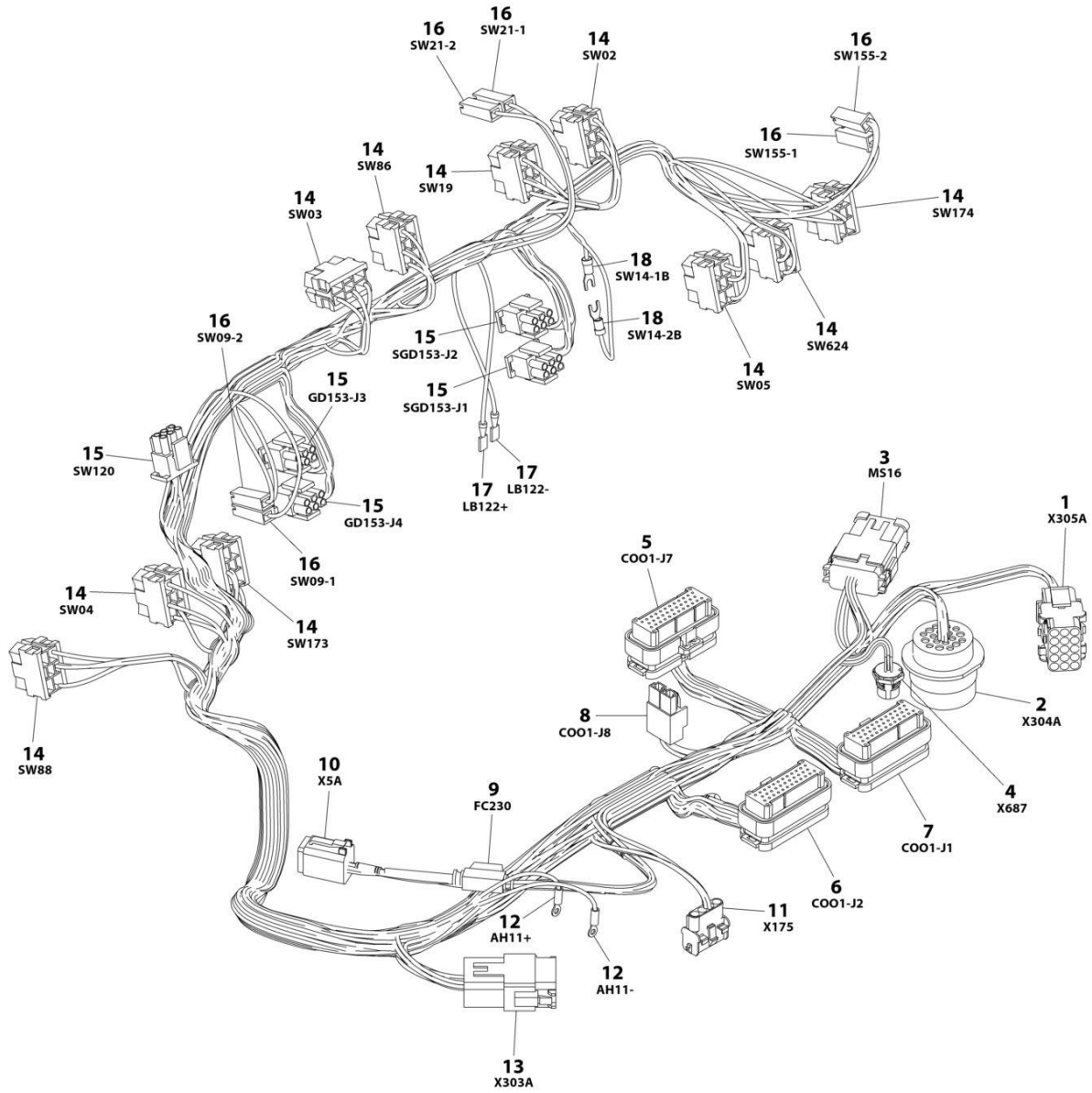
SECTION 8 - ELECTRICAL

FIGURE 8-35. PLATFORM CONSOLE BOX HARNESS (SN E300000100 through E300007543)

ITEM	PART NUMBER	QTY	DESCRIPTION	REV
	1001164353	Ref	PLATFORM CONSOLE BOX HARNESS	J
1	4460434	1	Connector - 15 Position	
1	4460267	12	Pin, Male	
2	4460970	1	Receptacle, Female - 12 Position	
2	1001116693	11	Pin, Male	
2	4460466	1	Plug, Terminal	
2	4460933	1	Plug, Male - 12 Position	
3	4460866	1	Connector - 19 Position	
3	4460464	7	Pin, Male	
3	4460466	12	Plug, Terminal	
4	4460933	1	Plug, Male - 12 Position	
4	4460465	6	Socket, Female	
4	4460466	6	Plug, Terminal	
4	1001119020	1	Bussbar - 12 Position (SN E300000100 through E300004917)	
4	1001125677	1	Bussbar - 12 Position (SN 1300007286 through 1300007383, SN E300004917 through E300007542)	
5	4460873	1	Connector - 35 Position	
5	4460871	21	Socket, Female	
5	4460905	14	Plug, Terminal	
6	4460875	1	Connector - 35 Position	
6	4460871	23	Socket, Female	
6	4460905	8	Plug, Terminal	
7	4460874	1	Connector - 35 Position	
7	4460871	25	Socket, Female	
7	4460905	10	Plug, Terminal	
8	4460879	1	Plug, Male - 2 Position	
8	4460887	2	Terminal	
9	1001098122	2	Terminal, Ring	
10	4460761	1	Receptacle, Female - 4 Position	
10	4460267	4	Pin, Male	
11	4460418	10	Connector - 6 Position	
11	4460419	35	Terminal	
11	4460259	6	Terminal (Note: Used only on Fuel Select)	
12	4460225	1	Plug, Male - 6 Position	
12	4460227	5	Pin, Male (Note: Used on Pump Potentiometer Connection Only)	
12	4460226	19	Socket, Female	
13	4460260	6	Housing, Terminal	
13	4460259	6	Terminal	
14	4460183	2	Terminal, Fork	
15	4460260	2	Housing, Terminal (SN E300000100 through E300002846)	
15	4460259	2	Terminal (SN E300000100 through E300002846)	
15	4460016	2	Terminal, Receptacle (SN 1300007286 through 1300007383, SN E300002846 through E300007542)	
16	1001213447	1	Connector - 5 Position (SN 1300007286 through 1300007383, SN E300004917 through E300007542)	

SECTION 8 - ELECTRICAL

FIGURE 8-36. PLATFORM CONSOLE BOX HARNESS (SN E300007543 through E300007980)



ART_1001243168

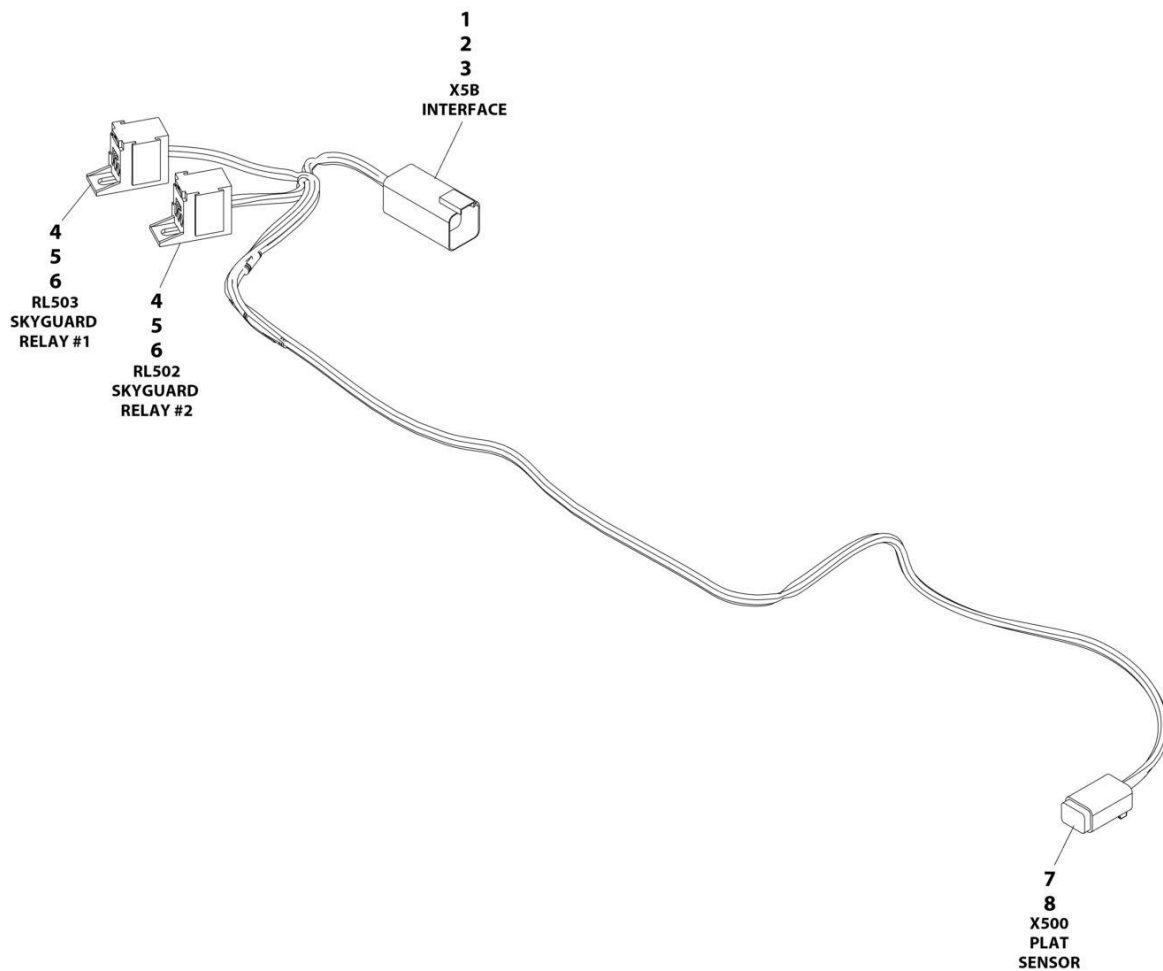
SECTION 8 - ELECTRICAL

FIGURE 8-36. PLATFORM CONSOLE BOX HARNESS (SN E300007543 through E300007980)

ITEM	PART NUMBER	QTY	DESCRIPTION	REV
	1001243168	Ref	PLATFORM CONSOLE BOX HARNESS	A
1	4460434	1	Connector - 15 Position	
1	4460267	8	Pin, Male	
1	4460708	1	Connector - 15 Position	
2	4460866	1	Connector - 19 Position	
2	4460464	7	Pin, Male	
2	4460466	12	Plug, Terminal	
3	4460933	1	Plug, Male - 12 Position	
3	4460465	8	Socket, Female	
3	4460466	4	Plug, Terminal	
3	1001125677	1	Bussbar - 12 Position	
4	1001213447	1	Connector - 5 Position	
5	4460873	1	Connector - 35 Position	
5	4460871	21	Socket, Female	
5	4460905	14	Plug, Terminal	
6	4460875	1	Connector - 35 Position	
6	4460871	23	Socket, Female	
6	4460905	8	Plug, Terminal	
7	4460874	1	Connector - 35 Position	
7	4460871	26	Socket, Female	
7	4460905	9	Plug, Terminal	
8	4460879	1	Plug, Male - 2 Position	
8	4460887	2	Terminal	
9	4460260	1	Housing, Terminal	
9	8229242	1	Fuse 5Amp	
10	4460894	1	Plug, Male - 6 Position	
10	4460465	6	Socket, Female	
11	4460761	1	Receptacle, Female - 4 Position	
11	4460267	4	Pin, Male	
12	1001098122	2	Terminal, Ring	
13	4460970	1	Receptacle, Female - 12 Position	
13	1001116693	11	Pin, Male	
13	4460466	1	Plug, Terminal	
13	4460933	1	Plug, Male - 12 Position	
14	4460418	6	Connector - 6 Position	
14	4460419	22	Terminal	
14	4460259	6	Terminal (Note: Used only on Fuel Select)	
15	4460225	3	Plug, Male - 6 Position	
15	4460227	4	Pin, Male (Note: Used on Pump Potentiometer Connection Only)	
15	4460226	11	Socket, Female	
16	4460260	5	Housing, Terminal	
16	4460259	7	Terminal	
17	4460016	2	Terminal, Receptacle	
18	4460183	2	Terminal, Fork	

SECTION 8 - ELECTRICAL

FIGURE 8-37. PLATFORM INTERFACE HARNESS



ART_1001225580

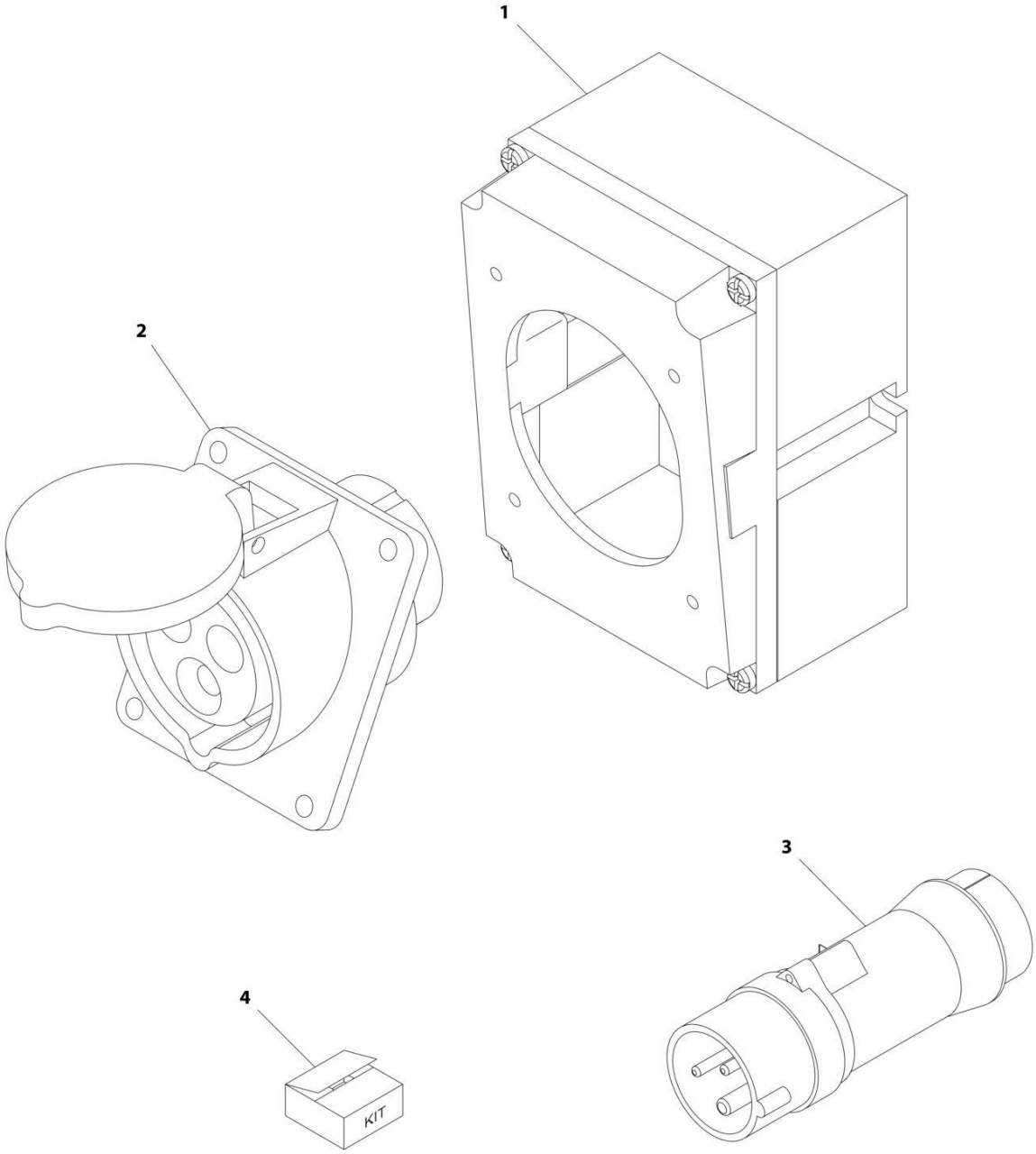
SECTION 8 - ELECTRICAL

FIGURE 8-37. PLATFORM INTERFACE HARNESS

ITEM	PART NUMBER	QTY	DESCRIPTION	REV
	1001225580	Ref	INTERFACE HARNESS - WITH 1 CELL LSS	D
1	4460899	1	Connector	
2	4460464	4	Terminal	
3	4460466	2	Plug	
4	1001186432	2	Connector	
5	1001116720	4	Terminal	
6	1001118388	4	Terminal	
7	4460884	1	Connector	
8	4460465	4	Terminal	

SECTION 8 - ELECTRICAL

FIGURE 8-38. RECEPTACLE BOX KIT - 110V IEC YELLOW (CE SPEC)



ART_0275216

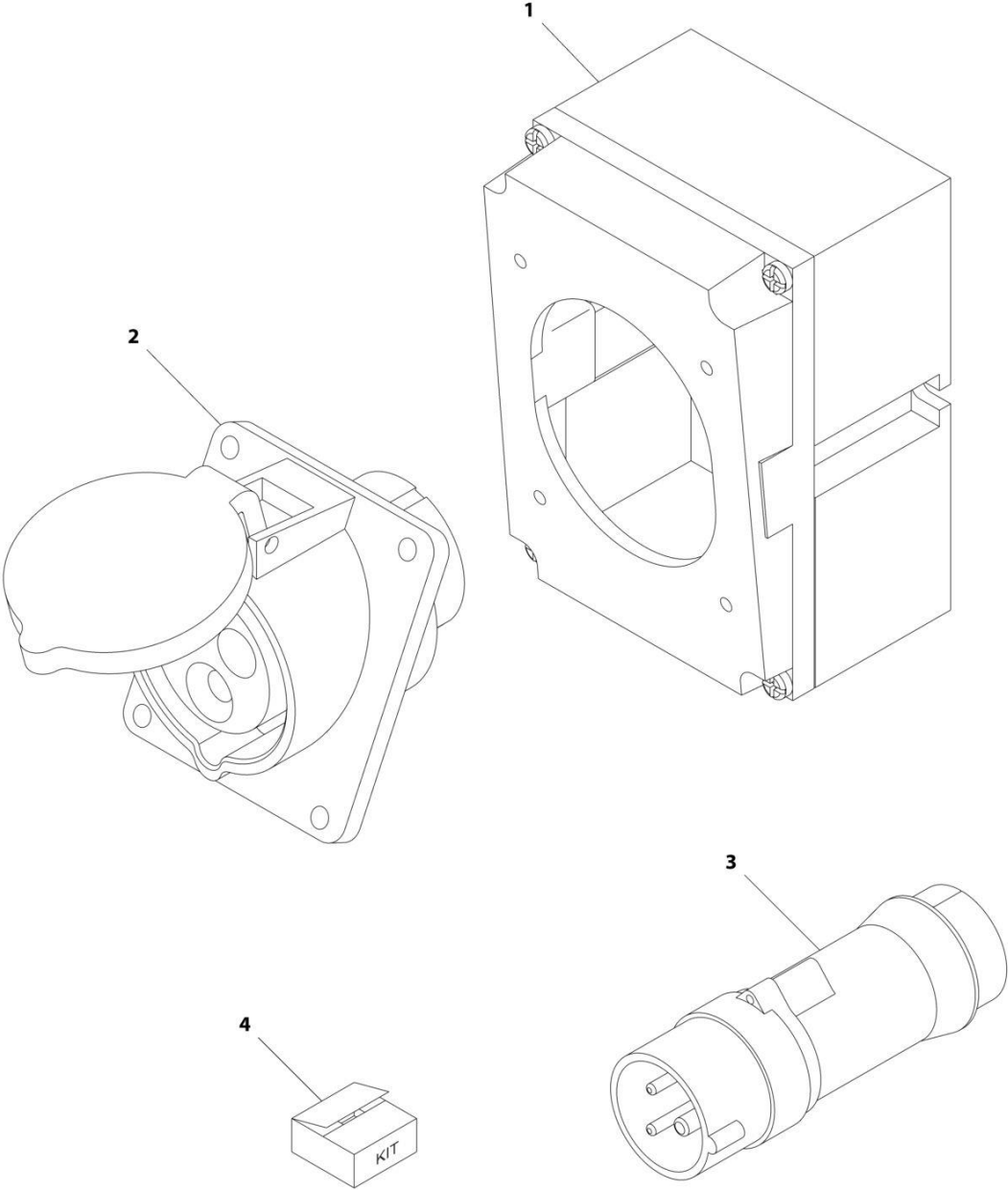
SECTION 8 - ELECTRICAL

FIGURE 8-38. RECEPTACLE BOX KIT - 110V IEC YELLOW (CE SPEC)

ITEM	PART NUMBER	QTY	DESCRIPTION	REV
	0275216	Ref	RECEPTACLE BOX KIT - 110V IEC YELLOW (CE SPEC)	1
1	0861781	1	Box, Switch	
2	4461198	1	Receptacle	
3	4461196	1	Plug, Male	
4	1001100341	1	Plug and Socket Kit (Includes Items 1-3 and Female Plug p/n 4461197)	

SECTION 8 - ELECTRICAL

FIGURE 8-39. RECEPTACLE BOX KIT - 220V IEC BLUE (CE SPEC)



ART_0275217

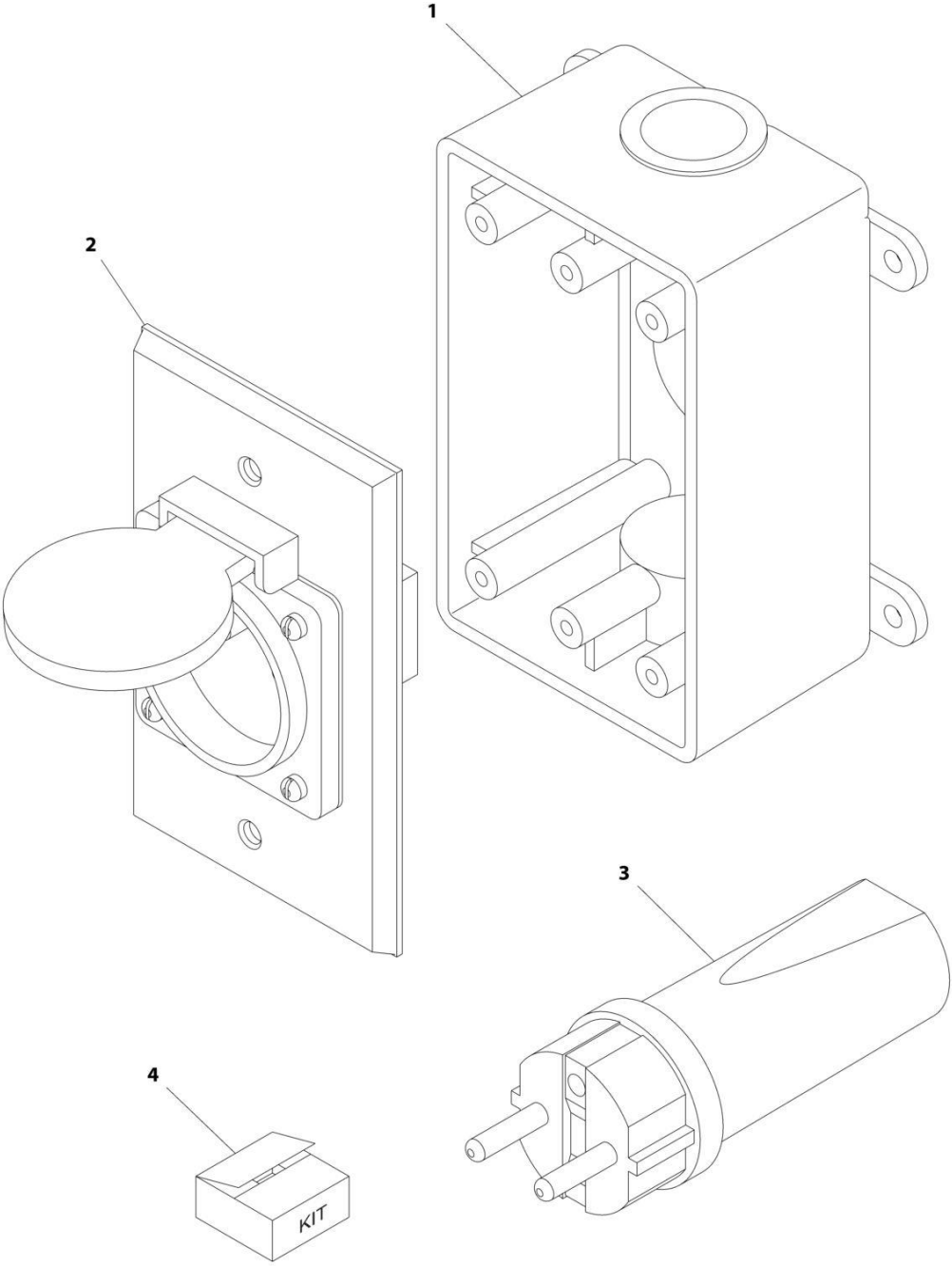
SECTION 8 - ELECTRICAL

FIGURE 8-39. RECEPTACLE BOX KIT - 220V IEC BLUE (CE SPEC)

ITEM	PART NUMBER	QTY	DESCRIPTION	REV
	0275217	Ref	RECEPTACLE BOX KIT - 220V IEC BLUE (CE SPEC)	1
1	0861781	1	Box, Switch	
2	4461201	1	Receptacle	
3	4461199	1	Plug, Male	
4	1001100342	1	Plug and Socket Kit (Includes Items 1-3 and Female Plug p/n 4461200)	

SECTION 8 - ELECTRICAL

FIGURE 8-40. RECEPTACLE BOX KIT - 220V CEE7 POST GROUND 2X4 (CE SPEC)



ART_0275452

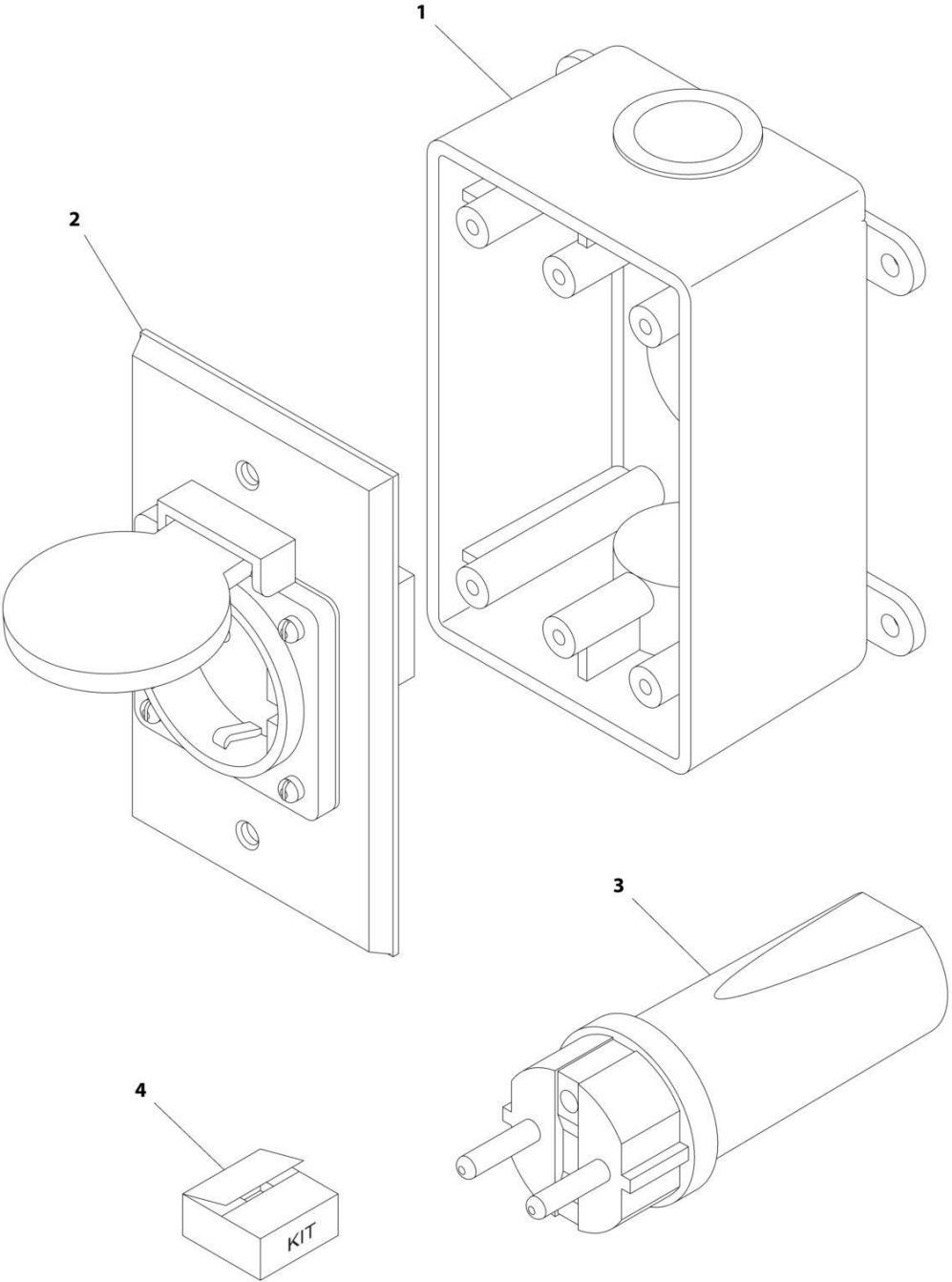
SECTION 8 - ELECTRICAL

FIGURE 8-40. RECEPTACLE BOX KIT - 220V CEE7 POST GROUND 2X4 (CE SPEC)

ITEM	PART NUMBER	QTY	DESCRIPTION	REV
	0275452	Ref	RECEPTACLE BOX KIT - 220V CEE7 POST GROUND 2X4 (CE SPEC)	1
1	0861731	1	Box, Switch	
2	4461244	1	Receptacle	
3	4461202	1	Plug, Male	
4	1001100345	1	Plug and Socket Kit (Includes Items 1-3 and Female Plug p/n 4461206)	

SECTION 8 - ELECTRICAL

FIGURE 8-41. RECEPTACLE BOX KIT - 220V CEE7 SIDE GROUND 2X4 (CE SPEC)



ART_0275453

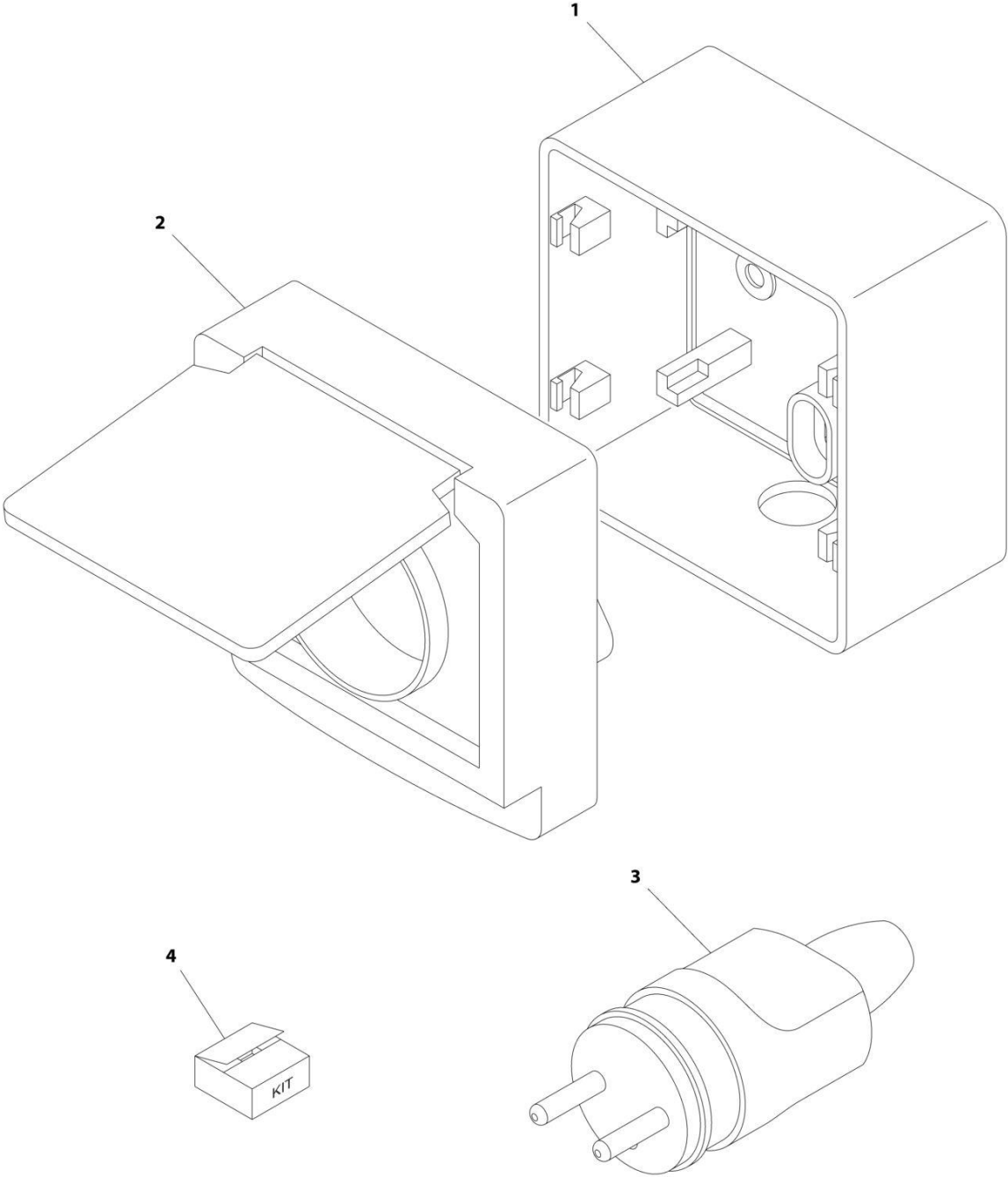
SECTION 8 - ELECTRICAL

FIGURE 8-41. RECEPTACLE BOX KIT - 220V CEE7 SIDE GROUND 2X4 (CE SPEC)

ITEM	PART NUMBER	QTY	DESCRIPTION	REV
	0275453	Ref	RECEPTACLE BOX KIT - 220V CEE7 SIDE GROUND 2X4 (CE SPEC)	1
1	0861731	1	Box, Switch	
2	4461245	1	Receptacle	
3	4461205	1	Plug, Male	
4	1001100347	1	Plug and Socket Kit (Includes Items 1-3 and Female Plug p/n 4461206)	

SECTION 8 - ELECTRICAL

FIGURE 8-42. RECEPTACLE BOX KIT - 220V CEE7 POST GROUND 70MMX70MM (CE SPEC)



ART_0275218

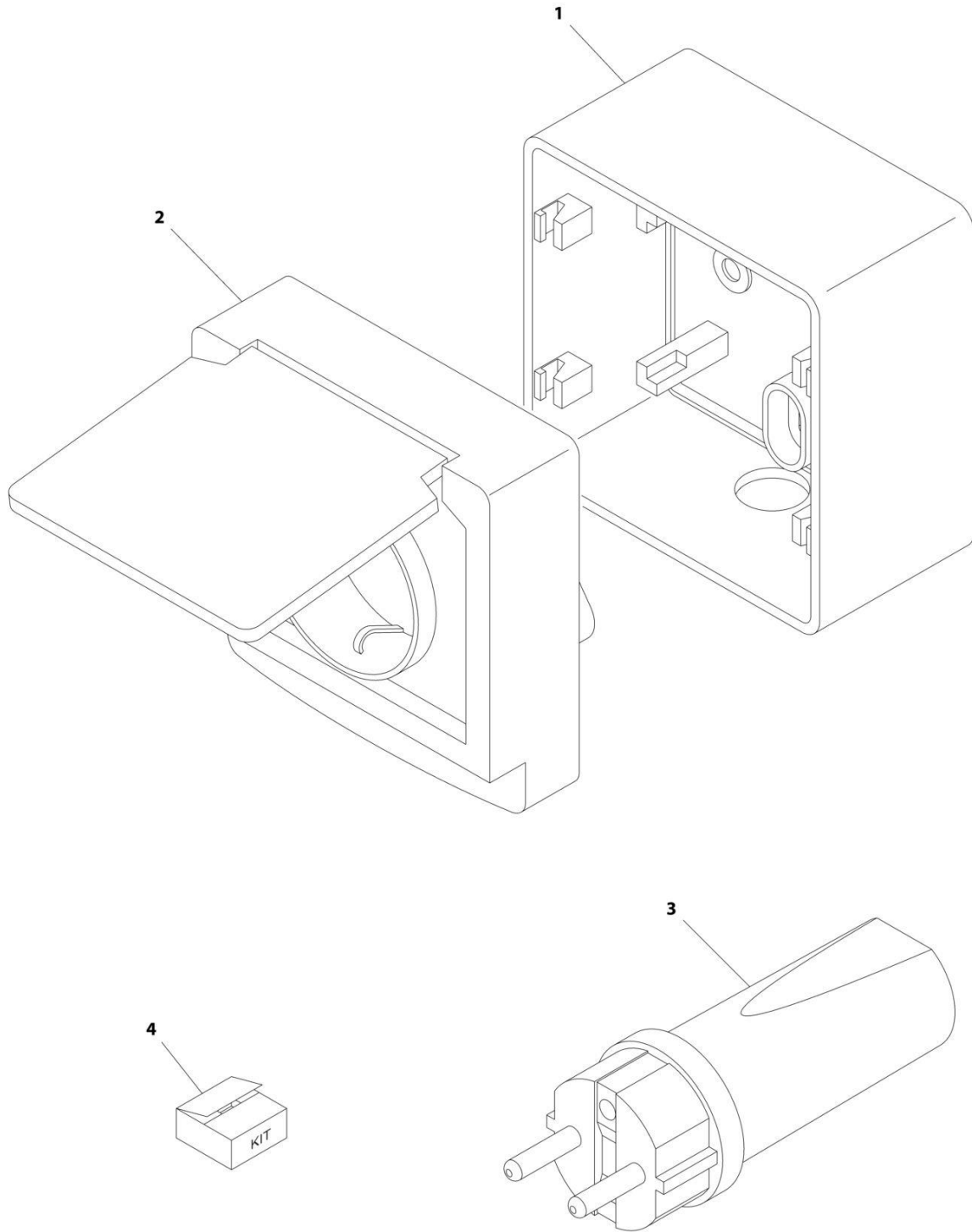
SECTION 8 - ELECTRICAL

FIGURE 8-42. RECEPTACLE BOX KIT - 220V CEE7 POST GROUND 70MMX70MM (CE SPEC)

ITEM	PART NUMBER	QTY	DESCRIPTION	REV
	0275218	Ref	RECEPTACLE BOX KIT - 220V CEE7 POST GROUND 70MMX70MM (CE SPEC)	B
1	1001141967	1	Box, Switch	
2	1001141968	1	Receptacle	
3	4461202	1	Plug, Male	
4	1001141971	1	Plug and Socket Kit (Includes Items 1-3 and Female Plug p/n 4461206)	

SECTION 8 - ELECTRICAL

FIGURE 8-43. RECEPTACLE BOX KIT - 220V CEE7 SIDE GROUND 70MMX70MM (CE SPEC)



ART_0275219

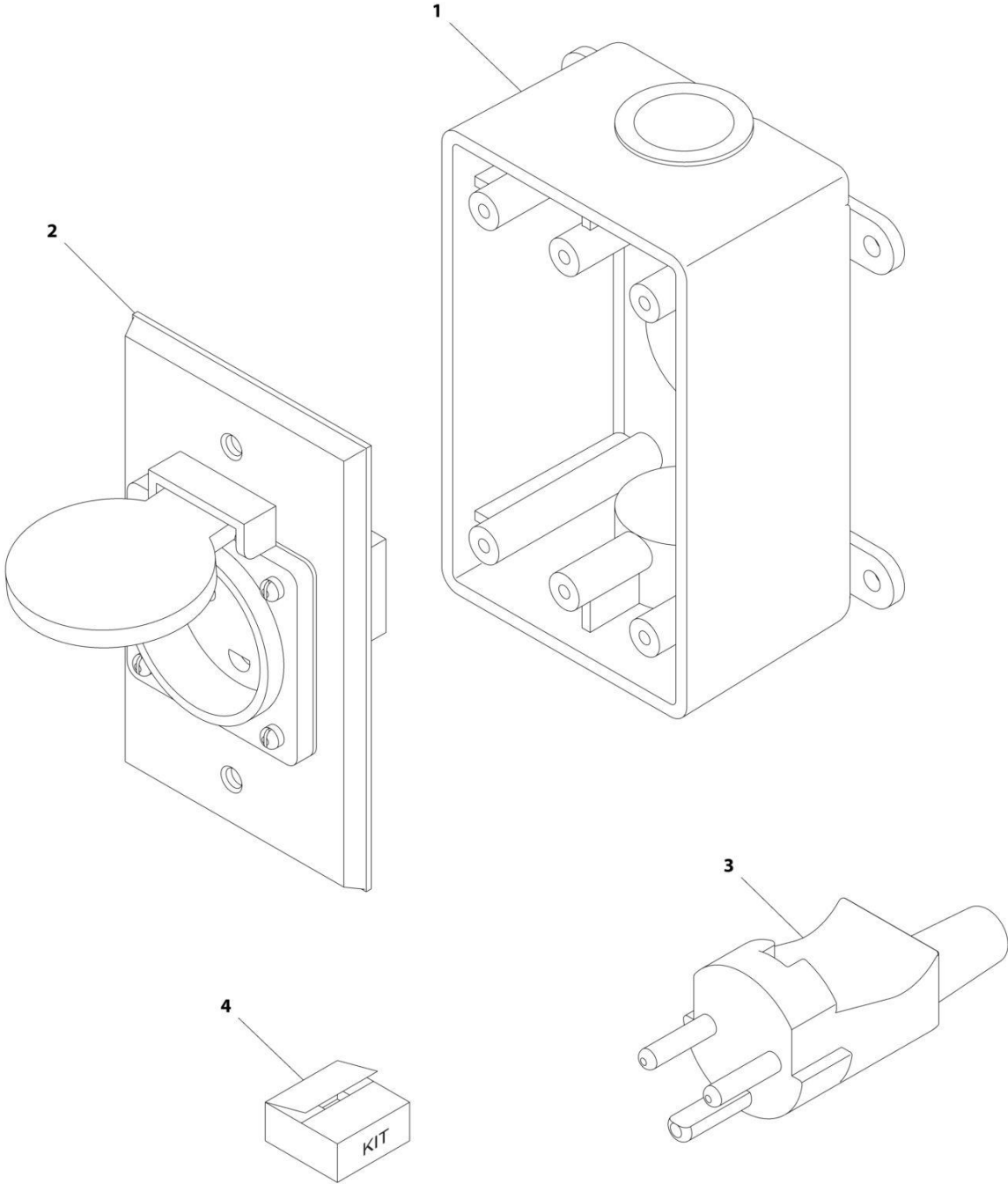
SECTION 8 - ELECTRICAL

FIGURE 8-43. RECEPTACLE BOX KIT - 220V CEE7 SIDE GROUND 70MMX70MM (CE SPEC)

ITEM	PART NUMBER	QTY	DESCRIPTION	REV
	0275219	Ref	RECEPTACLE BOX KIT - 220V CEE7 SIDE GROUND 70MMX70MM (CE SPEC)	B
1	1001141967	1	Box, Switch	
2	1001141969	1	Receptacle	
3	4461205	1	Plug, Male	
4	1001141970	1	Plug and Socket Kit (Includes Items 1-3 and Female Plug p/n 4461206)	

SECTION 8 - ELECTRICAL

FIGURE 8-44. RECEPTACLE BOX KIT - 220V AFSINT 107 (CE SPEC)



ART_0275454

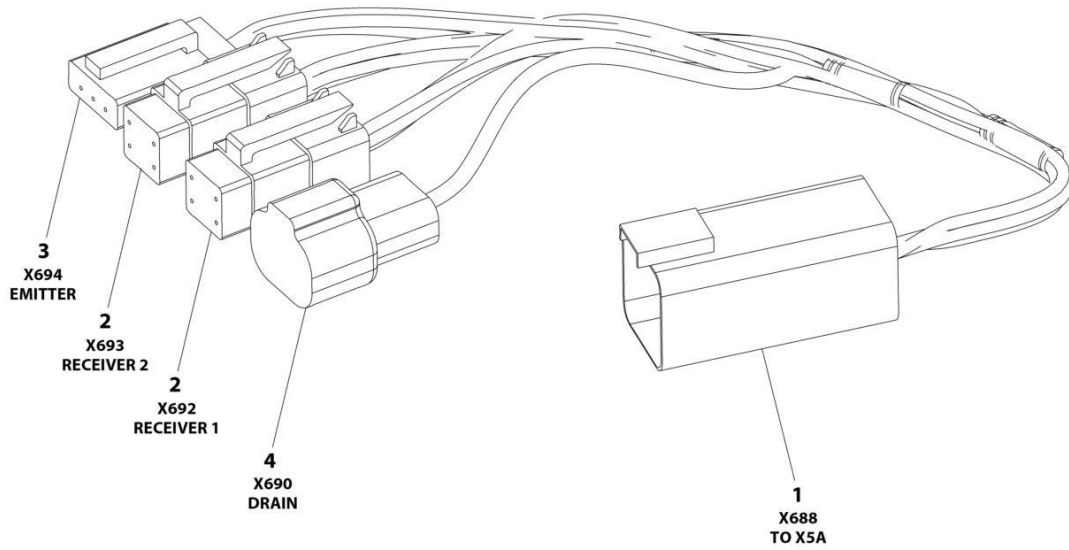
SECTION 8 - ELECTRICAL

FIGURE 8-44. RECEPTACLE BOX KIT - 220V AFSINT 107 (CE SPEC)

ITEM	PART NUMBER	QTY	DESCRIPTION	REV
	0275454	Ref	RECEPTACLE BOX KIT - 220V AFSINT 107 (CE SPEC)	1
1	0861731	1	Box, Switch	
2	4461246	1	Receptacle	
3	4461249	1	Plug, Male	
4	1001100346	1	Plug and Socket Kit (Includes Items 1-3 and Female Plug p/n 4461250)	

SECTION 8 - ELECTRICAL

FIGURE 8-45. SKYEYE INTERMEDIATE HARNESS



ART_1001237865

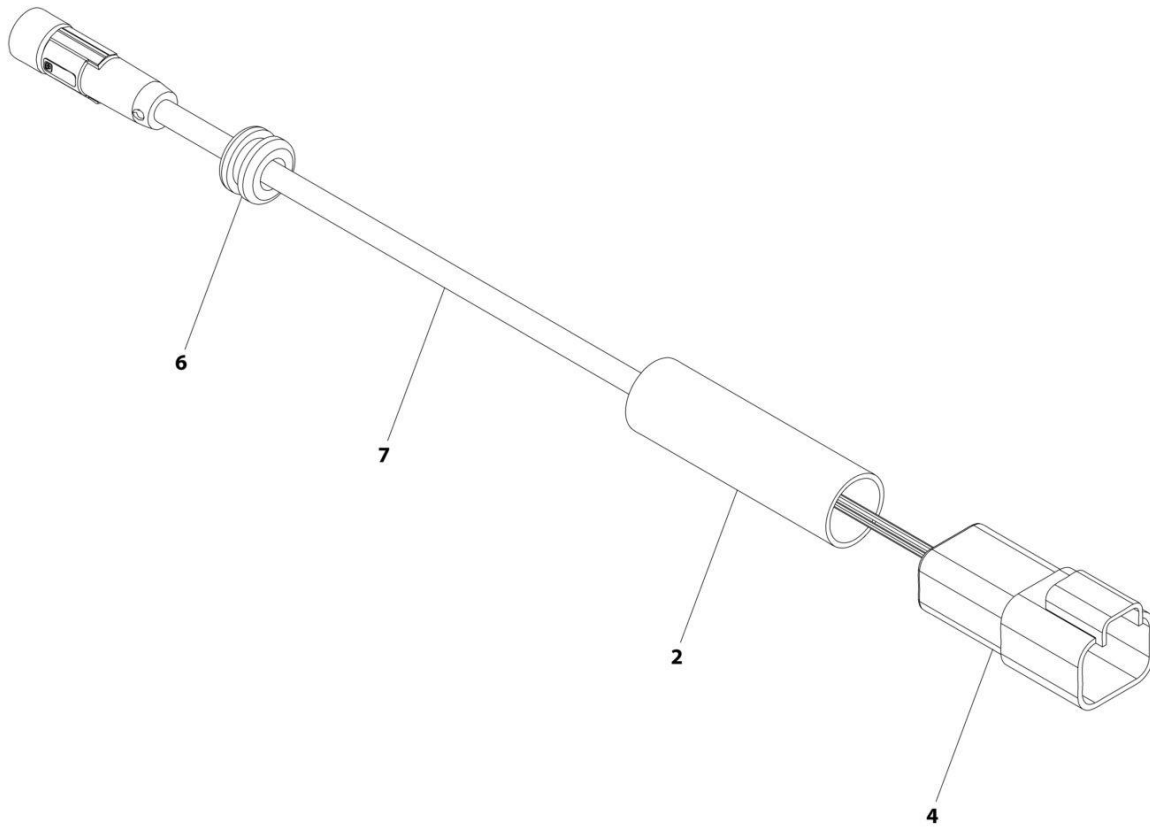
SECTION 8 - ELECTRICAL

FIGURE 8-45. SKYEYE INTERMEDIATE HARNESS

ITEM	PART NUMBER	QTY	DESCRIPTION	REV
	1001237865	Ref	SKYEYE INTERMEDIATE HARNESS	A
1	4460899	1	Connector - 6 Position	
1	4460943	4	Pin, Male	
1	4460466	2	Plug, Terminal	
2	4461077	2	Connector - 4 Position	
2	1001119619	8	Socket, Female	
3	4460911	1	Connector - 3 Position	
3	1001119619	3	Socket, Female	
4	1001187681	1	Connector - 2 Position	
4	4460941	1	Pin, Male	
4	4460466	1	Plug, Terminal	

SECTION 8 - ELECTRICAL

FIGURE 8-46. SKYEYE RECEIVER HARNESS



ART_1001237863

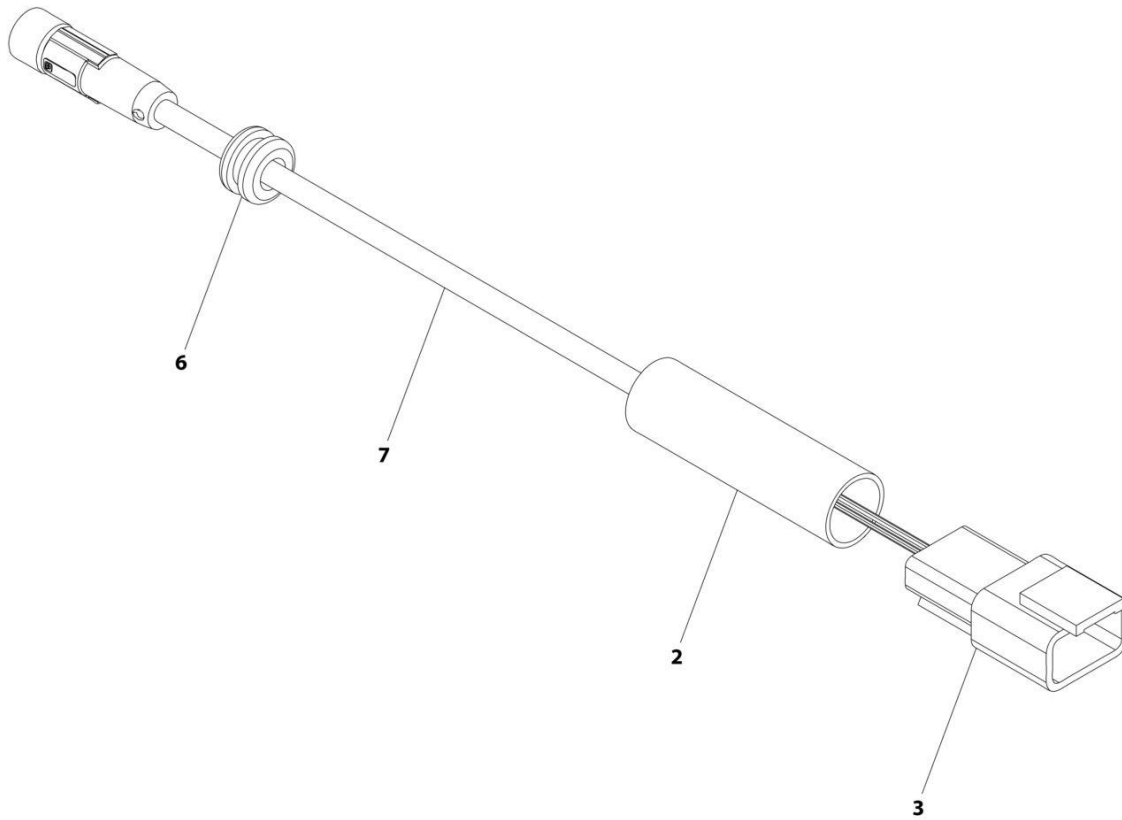
SECTION 8 - ELECTRICAL

FIGURE 8-46. SKYEYE RECEIVER HARNESS

ITEM	PART NUMBER	QTY	DESCRIPTION	REV
	1001237863	Ref	SKYEYE RECEIVER HARNESS	A
2	2820247	AR	Tubing, Heat Shrink	
4	1001097051	1	Connector - 4 Position	
4	1001119620	4	Pin, Male	
6	1001227996	1	Grommet	
7	1001237862	1	Cable, M8 Female Cordset	

SECTION 8 - ELECTRICAL

FIGURE 8-47. SKYEYE EMITTER HARNESS



ART_1001237864

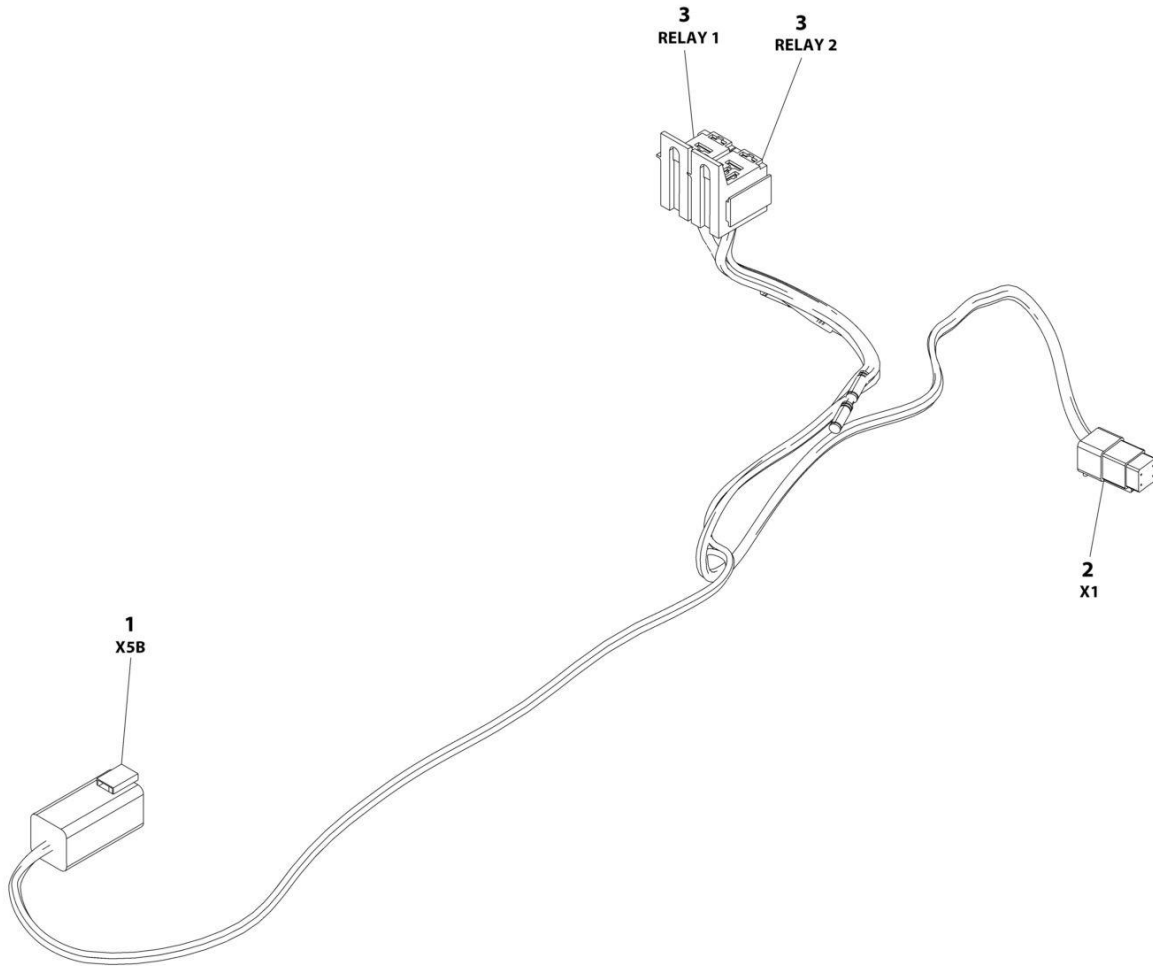
SECTION 8 - ELECTRICAL

FIGURE 8-47. SKYEYE EMITTER HARNESS

ITEM	PART NUMBER	QTY	DESCRIPTION	REV
	1001237864	Ref	SKYEYE EMITTER HARNESS	A
2	2820247	AR	Tubing, Heat Shrink	
3	4460910	1	Connector - 3 Position	
3	1001119620	3	Pin, Male	
6	1001227996	1	Grommet	
7	1001237862	1	Cable, M8 Female Cordset	

SECTION 8 - ELECTRICAL

FIGURE 8-48. SKYLINE HARNESS



ART_1001238418

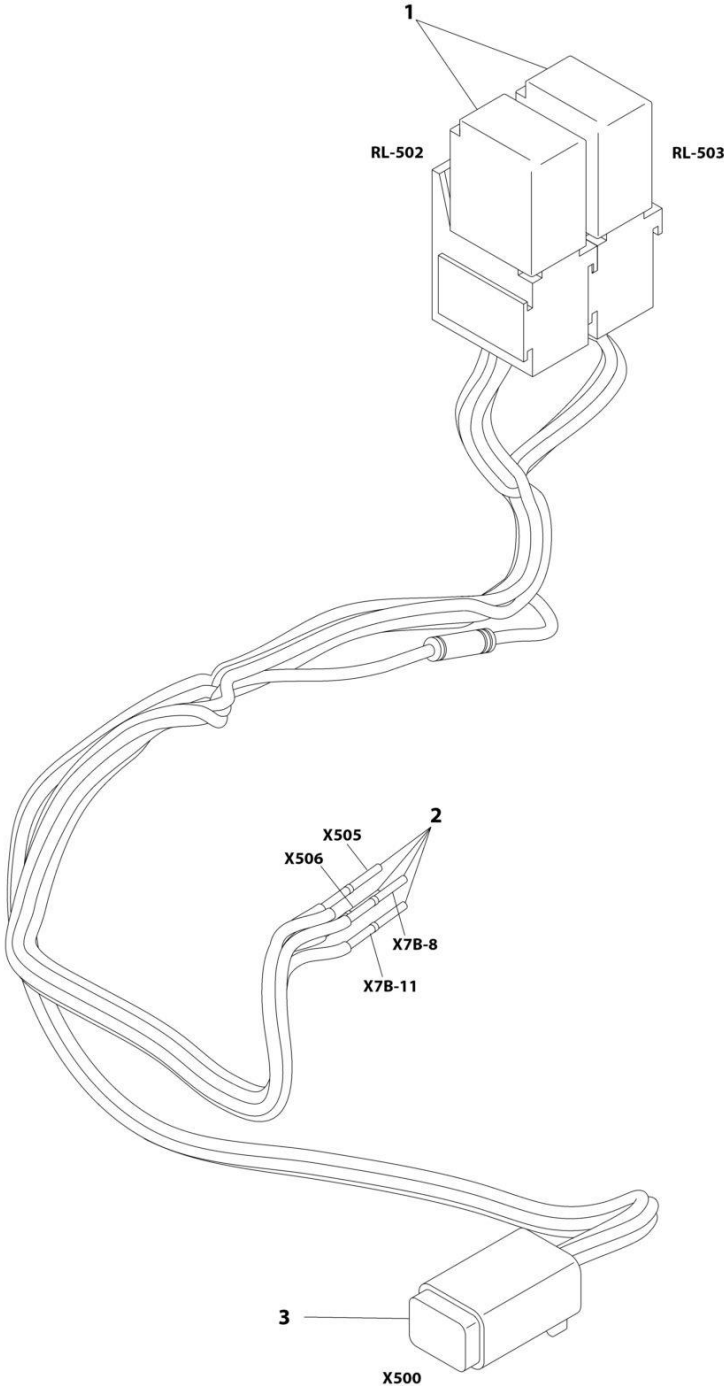
SECTION 8 - ELECTRICAL

FIGURE 8-48. SKYLINE HARNESS

ITEM	PART NUMBER	QTY	DESCRIPTION	REV
	1001238418	Ref	SKYLINE HARNESS	B
1	4460899	1	Connector - 6 Position	
1	4460464	4	Pin, Male	
1	4460466	2	Plug, Terminal	
2	4461077	1	Connector - 4 Position	
2	1001126009	4	Socket, Female	
3	1001186432	2	Plug, Relay	
3	1001118388	5	Terminal	
3	1001118384	3	Terminal	
3	3740086	2	Relay	

SECTION 8 - ELECTRICAL

FIGURE 8-49. SKYGUARD HARNESS



ART_1001192292

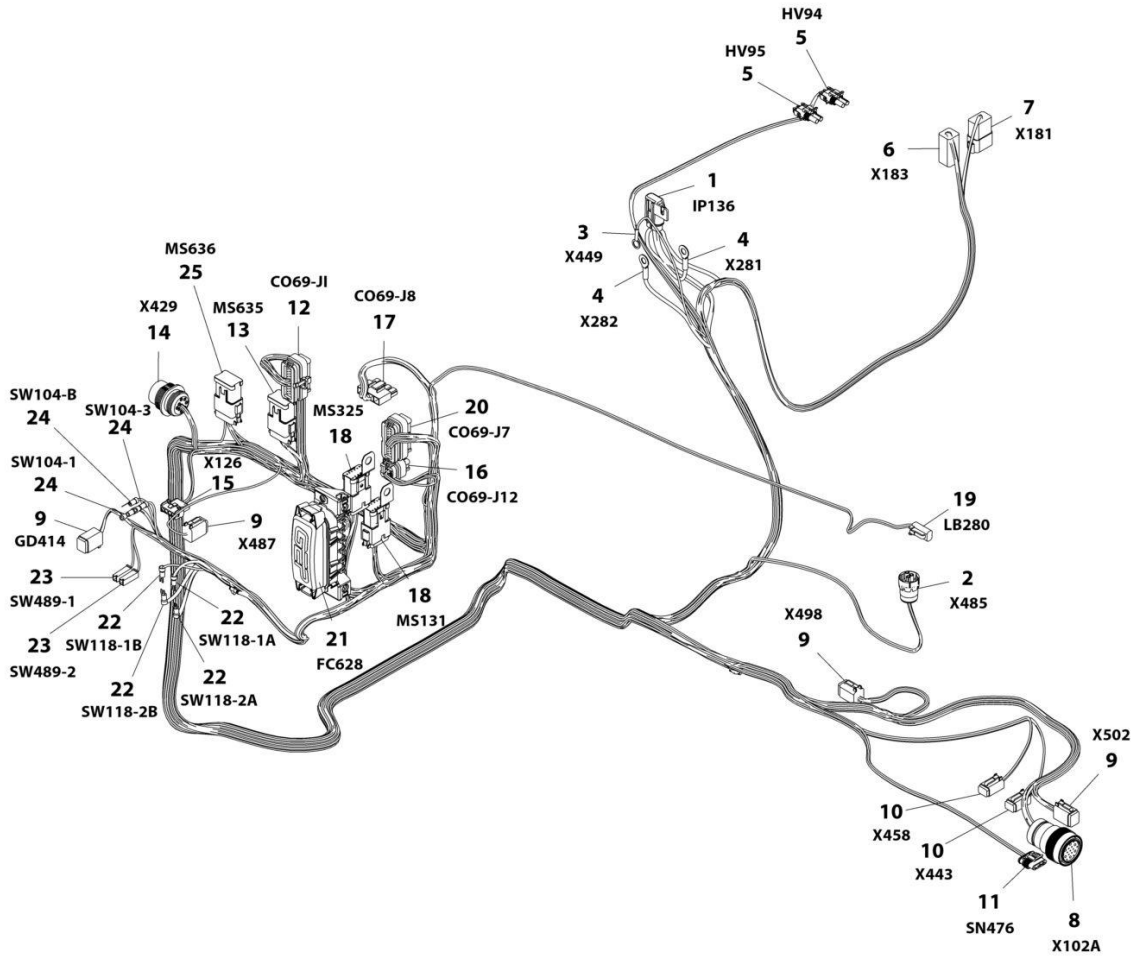
SECTION 8 - ELECTRICAL

FIGURE 8-49. SKYGUARD HARNESS

ITEM	PART NUMBER	QTY	DESCRIPTION	REV
	1001192292	Ref	SKYGUARD HARNESS	B
1	1001186432	2	Holder, Micro Relay	
1	1001186431	2	Relay, Micro 35 Amp	
1	1001116720	11	Terminal	
2	4460226	4	Socket, Female	
3	4460884	1	Plug, Male - 4 Position	
3	4460465	4	Socket, Female	

SECTION 8 - ELECTRICAL

FIGURE 8-50. TURNTABLE HARNESS



ART_1001186007

SECTION 8 - ELECTRICAL

FIGURE 8-50. TURNTABLE HARNESS

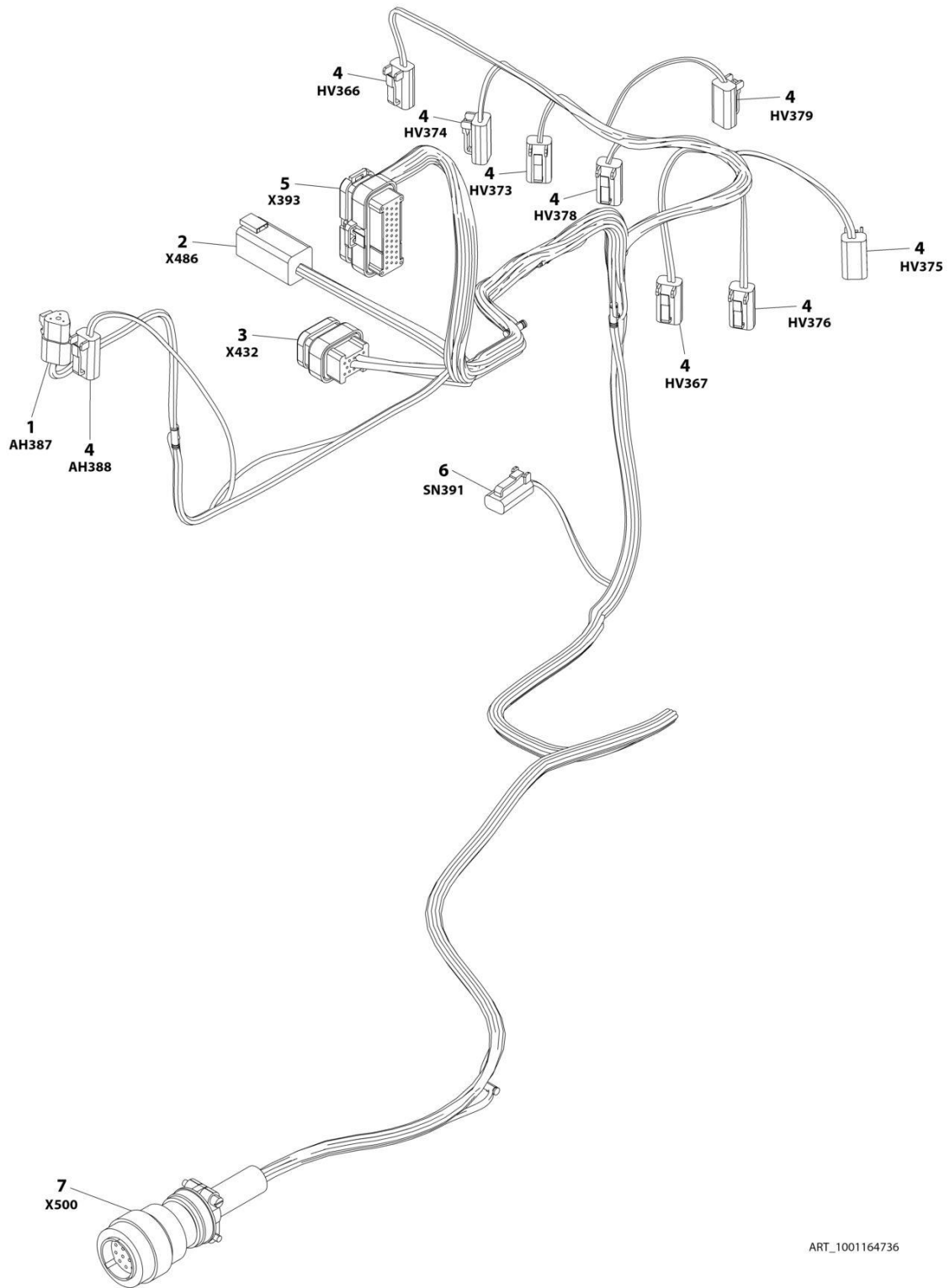
ITEM	PART NUMBER	QTY	DESCRIPTION	REV
	1001186007	Ref	TURNTABLE HARNESS	F
1	1001117070	1	Fuseholder with 30Amp Fuse	
1	See Note	1	Fuse 30Amp (Note: Not Available - Purchase Locally)	
2	4460967	1	Connector - 3 Position	
2	4460465	3	Socket, Female	
3	4460247	1	Terminal, Ring	
4	8220045	2	Terminal, Ring	
5	4460742	2	Plug, Male - 2 Position	
5	4460743	4	Socket, Female	
5	4460458	4	Seal, Terminal	
6	4460899	1	Receptacle, Female - 6 Position	
6	4460464	3	Pin, Male	
6	4460943	2	Pin, Male	
6	4460466	1	Plug, Terminal	
7	4460931	1	Receptacle, Female	
7	4460464	3	Pin, Male	
7	4460466	5	Plug, Terminal	
8	4460865	1	Connector - 19 Position	
8	4460465	6	Socket, Female	
8	4460509	2	Socket, Female	
8	4460466	11	Plug, Terminal	
8	1321647	1	Clamp	
9	4460894	4	Plug, Male - 6 Position	
9	4460465	15	Socket, Female	
9	4460944	2	Socket, Female (Gold)	
9	4460466	7	Plug, Terminal	
10	4460884	2	Plug, Male - 4 Position	
10	4460465	4	Socket, Female	
10	4460466	4	Plug, Terminal	
11	1001103012	1	Connector - 4 Position	
11	1001107854	4	Socket, Female	
11	1001116763	4	Seal, Terminal (SN E30000100 through E300003058)	
11	1001104498	4	Seal, Terminal (SN 1300007286 through 1300007383, SN E300003058 through E300007980)	
12	4460874	1	Connector - 35 Position	
12	4460871	18	Socket, Female	
12	4460905	17	Plug, Terminal	
13	4460836	1	Connector - 12 Position	
13	4460465	7	Socket, Female	
13	4460466	13	Plug, Terminal	
13	4460837	2	Bussbar - 12 Position	
14	1001112612	1	Connector - 9 Position	
14	4460464	3	Pin, Male	
14	4460943	2	Pin, Male (Gold)	
14	4460466	4	Plug, Terminal	
15	4460761	1	Receptacle, Female - 4 Position	
15	4460267	4	Pin, Male	
16	1001113961	1	Plug, Male - 8 Position	
16	4460871	5	Socket, Female	
16	4460905	3	Plug, Terminal	

SECTION 8 - ELECTRICAL

ITEM	PART NUMBER	QTY	DESCRIPTION	REV
17	4460878	1	Plug, Male - 4 Position	
17	4460887	4	Terminal	
18	4460933	2	Plug, Male - 12 Position	
18	4460465	14	Socket, Female	
18	4460466	10	Plug, Terminal	
18	1001119020	2	Bussbar - 12 Position	
18	1001120328	2	Clip, Mounting	
19	4460891	1	Plug, Male - 2 Position	
19	4460465	2	Socket, Female	
20	4460873	1	Connector - 35 Position	
20	4460871	22	Socket, Female	
20	4460905	13	Plug, Terminal	
21	1001185964	1	Fuse Box Assembly	
21	8229244	2	Fuse 15Amp	
21	8229242	4	Fuse 5Amp	
21	1001129285	2	Fuse with Diode	
21	1001095704	1	Relay	
22	4460806	4	Terminal, Fork	
23	4460260	2	Housing, Terminal	
23	4460259	2	Terminal	
24	4460042	3	Terminal, Ring	
25	4460836	1	Connector - 12 Position	
25	4460465	4	Socket, Female	
25	4460466	7	Plug, Terminal	
25	1001157890	1	Socket, Female	
25	4460837	1	Bussbar - 12 Position	

SECTION 8 - ELECTRICAL

FIGURE 8-51. VALVE HARNESS - MAIN VALVE



ART_1001164736

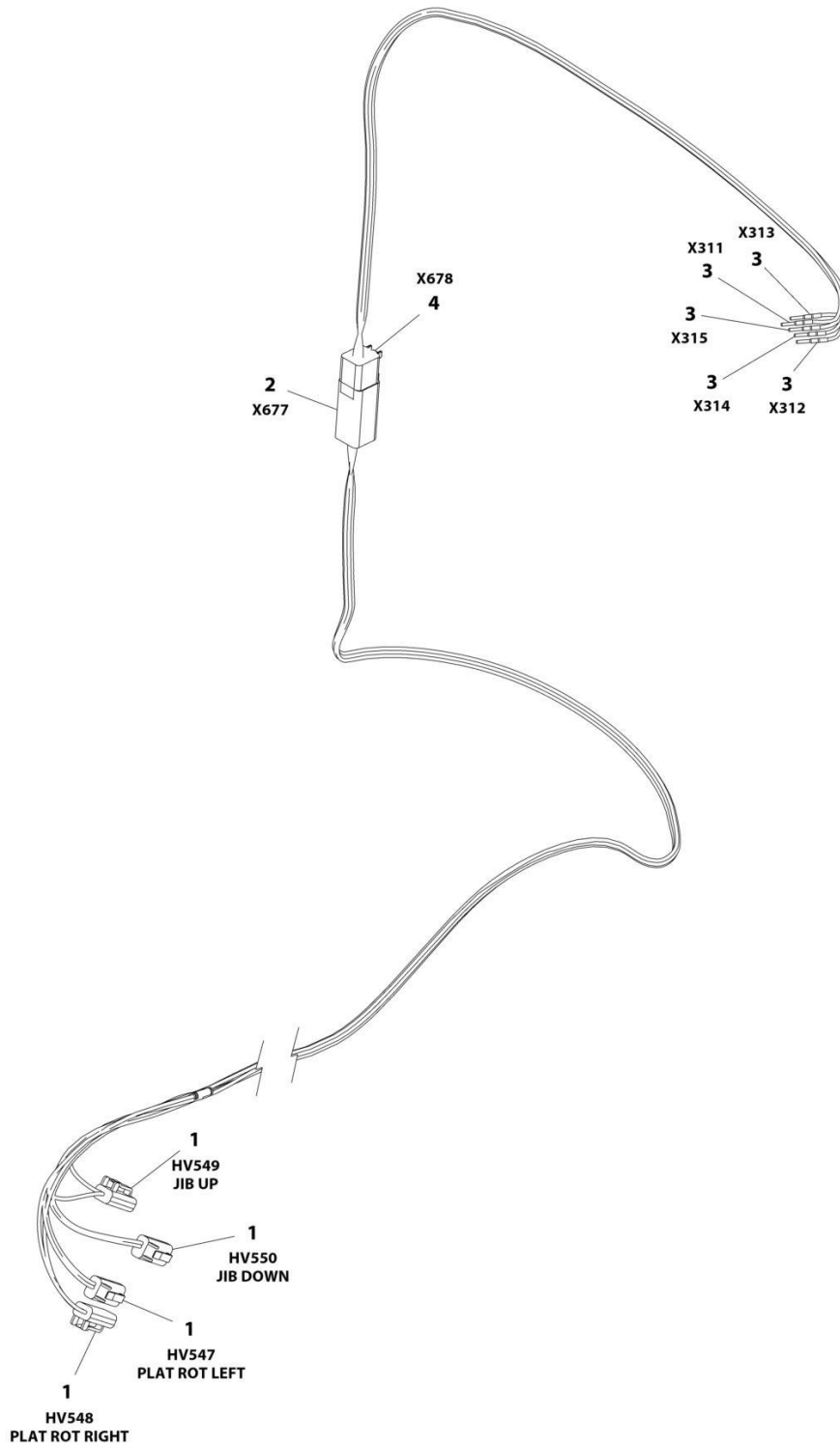
SECTION 8 - ELECTRICAL

FIGURE 8-51. VALVE HARNESS - MAIN VALVE

ITEM	PART NUMBER	QTY	DESCRIPTION	REV
	1001164736	Ref	VALVE HARNESS - MAIN VALVE	E
1	4460539	1	Plug, Male - 3 Position	
1	4460465	3	Socket, Female	
2	4460899	1	Receptacle, Female - 6 Position	
2	4460464	5	Pin, Male	
2	4460466	1	Plug, Terminal	
3	4460872	1	Connector - 13 Position	
3	4460871	9	Socket, Female	
3	4460905	4	Plug, Terminal	
4	4460891	9	Plug, Male - 2 Position	
4	4460465	18	Socket, Female	
5	4460875	1	Connector - 35 Position	
5	4460871	25	Socket, Female	
5	4460905	10	Plug, Terminal	
6	4460424	1	Plug, Male - 2 Position	
6	4460268	2	Socket, Female	
7	4460754	1	Connector - 14 Position	
7	4460465	13	Socket, Female	
7	4460466	1	Plug, Terminal	

SECTION 8 - ELECTRICAL

FIGURE 8-52. VALVE HARNESS - PLATFORM VALVE



ART_1001164728

SECTION 8 - ELECTRICAL

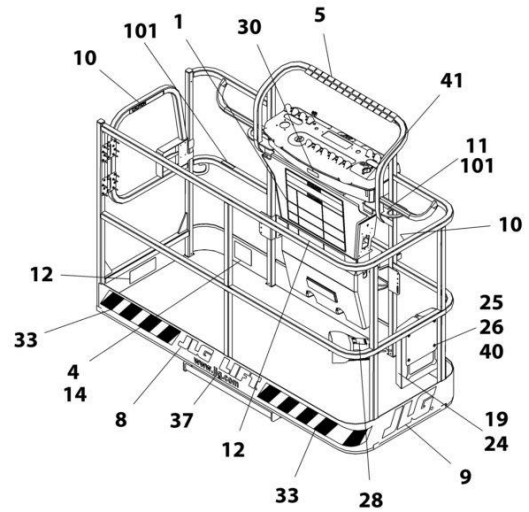
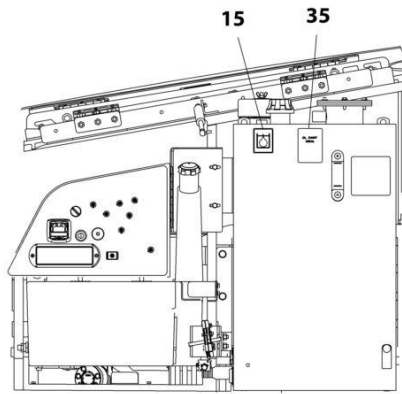
FIGURE 8-52. VALVE HARNESS - PLATFORM VALVE

ITEM	PART NUMBER	QTY	DESCRIPTION	REV
	1001164728	Ref	VALVE HARNESS - PLATFORM VALVE	D
1	4460891	4	Plug, Male - 2 Position	
1	4460465	8	Socket, Female	
2	4460899	1	Receptacle, Female - 6 Position	
2	4460464	5	Pin, Male	
2	4460466	1	Plug, Terminal	
3	4460465	5	Socket, Female	
4	4460894	1	Plug, Male - 6 Position	
4	4460465	5	Socket, Female	
4	4460466	1	Plug, Terminal	

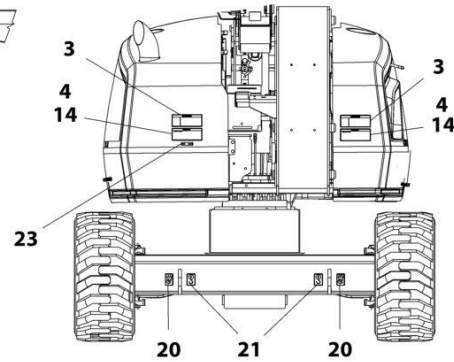
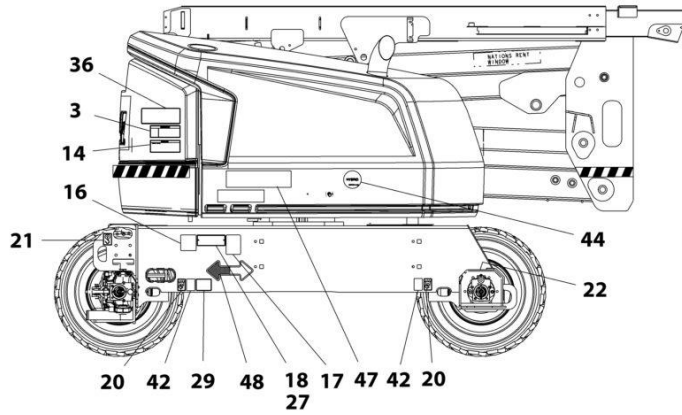
SECTION 9 - DECAL

SECTION 9 - DECAL

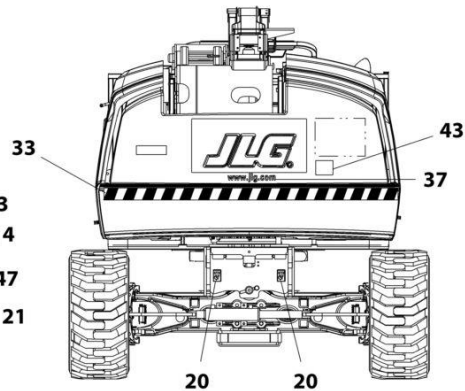
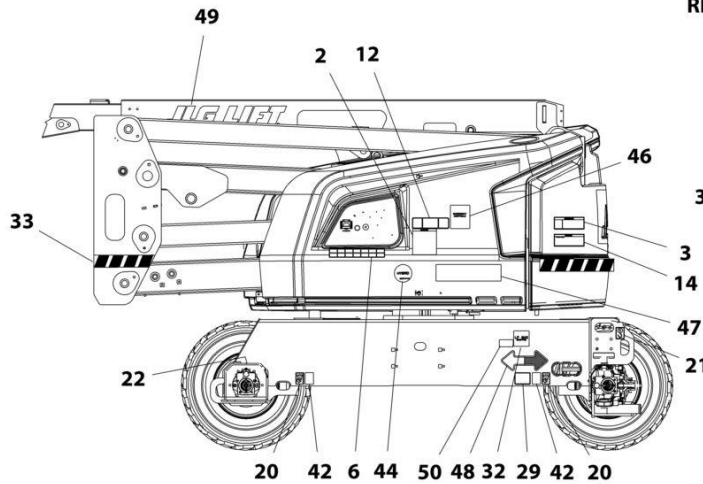
FIGURE 9-1. DECAL INSTALLATION - AUSTRALIAN SPEC (ENGLISH)



NOTE: SOME DECALS ARE CALLED OUT ON OPTIONAL DECALS INSTALLATION.



NOTE: ITEMS SHOWN MAY NOT BE REQUIRED FOR ALL SPECS. REFER TO PARTS LIST FOR USAGE.



ART_1001162522

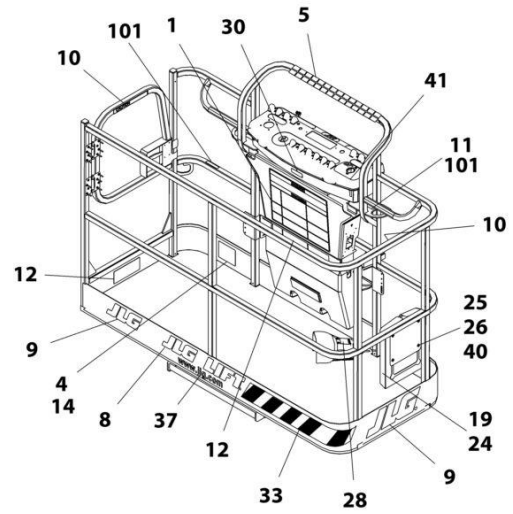
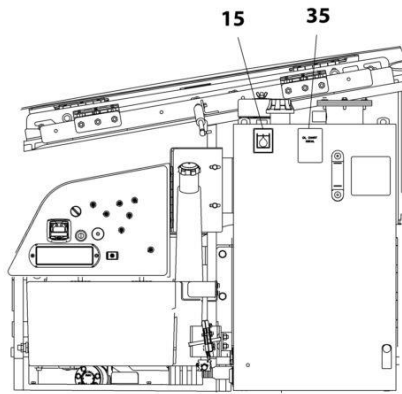
SECTION 9 - DECAL

FIGURE 9-1. DECAL INSTALLATION - AUSTRALIAN SPEC (ENGLISH)

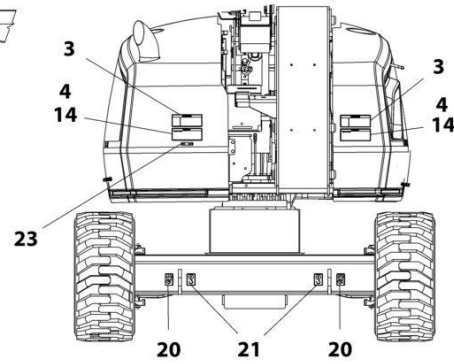
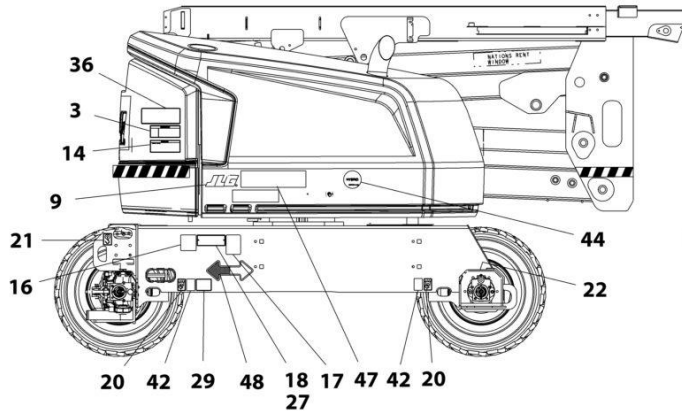
ITEM	PART NUMBER	QTY	DESCRIPTION	REV
	1001169157	Ref	DECAL INSTALLATION - REFERENCE CHART	N
	1001162522	Ref	DECAL INSTALLATION - AUSTRALIAN SPEC (ENGLISH)	G
1	1001162429	1	Decal - Tipping/Electrocution	
2	1705822	1	Decal - Electrocution/Safety Manual	
3	1705961	4	Decal - Danger Electrocution	
11	1704277	2	Decal - Attach Lanyard Here (SN E300000100 through E300005043)	
12	1001190913	1	Decal - Max Capacity	
14	1701518	6	Decal - Warning/Crushing	
15	1701504	1	Decal - Hydraulic Oil	
16	See Note	NSS	Decal - Bar Code (Note: Not Available for Purchase)	
19	1701509	1	Decal - Manual	
20	1702300	8	Decal - Tie Down /Lift	
21	1701500	4	Decal - Tie Down /Lift	
22	1703687	2	Decal - Arrow	
23	3251242	1	Decal - 240V / 50HZ (SN E300000100 through E300003037)	
24	0860520	1	Box, Manual Storage	
25	4751400	4	Washer, 1/4	
26	3311405	4	Nut, Lock 1/4-20	
27	3820001	4	Rivet	
28	1705828	1	Decal - Footswitch	
35	1704412	1	Decal - Hydraulic Fluid	
36	1001172217	1	Decal - Lift Diagram (Without Turntable Lock)	
36	1001223118	1	Decal - Lift Diagram (With Turntable Lock)	
37	1704885	2	Decal - Website	
40	0641406	4	Bolt, 1/4-20 X 3/4	
42	1701499	4	Decal - No Tie Down/Lift	
43	1001204510	1	Decal – Sound Power Level (SN 1300007286 through 1300007383, SN E300004592 through E300007980)	
46	1001112551	1	Decal - Emergency Controls	
48	1701529	2	Decal - Arrow	
100	1001232026	1	Decal – Platform Lanyard Kit (Not Shown) (SN E300005043 through E300007980)	
101	1704277	3	Decal - Attach Lanyard Here	

SECTION 9 - DECAL

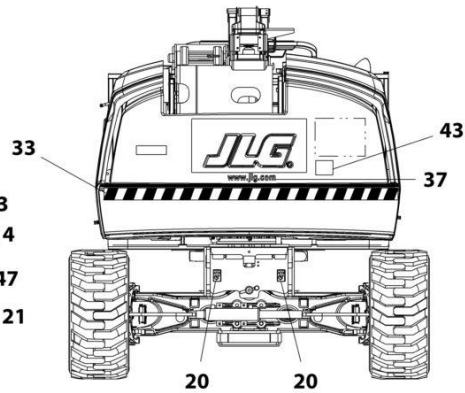
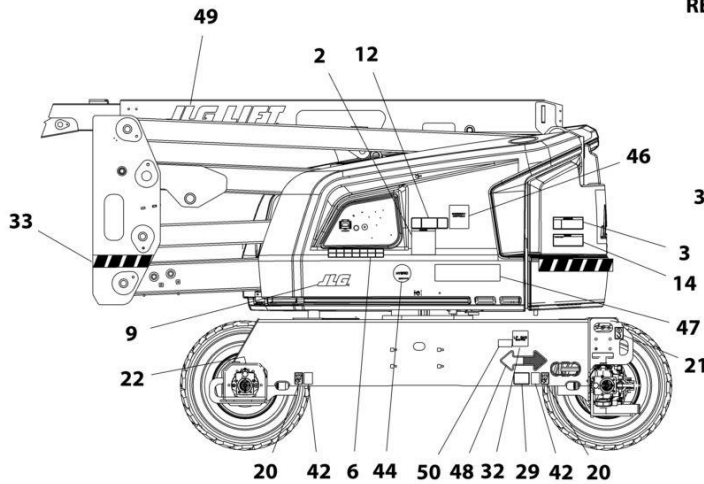
FIGURE 9-2. DECAL INSTALLATION - CE SPEC (ENGLISH)



NOTE: SOME DECALS ARE CALLED OUT ON OPTIONAL DECALS INSTALLATION.



NOTE: ITEMS SHOWN MAY NOT BE REQUIRED FOR ALL SPECS. REFER TO PARTS LIST FOR USAGE.



ART_1001162528

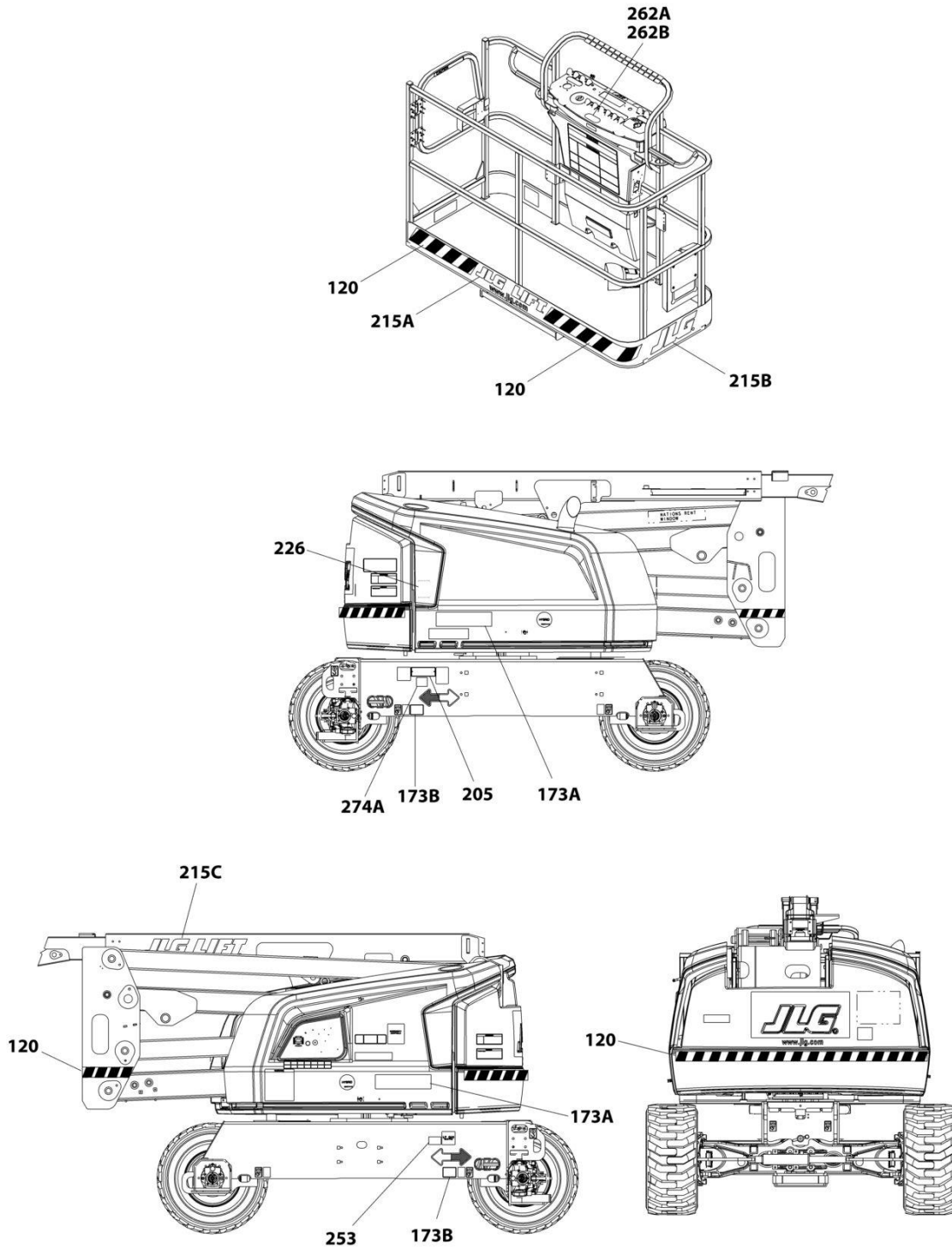
SECTION 9 - DECAL

FIGURE 9-2. DECAL INSTALLATION - CE SPEC (ENGLISH)

ITEM	PART NUMBER	QTY	DESCRIPTION	REV
	1001169157	Ref	DECAL INSTALLATION - REFERENCE CHART (SN E300000100 through E300003610)	I
	1001217904	Ref	DECAL INSTALLATION - REFERENCE CHART (SN 1300007286 through 1300007383, SN E300003610 through E300007980)	C
	1001162528	Ref	DECAL INSTALLATION - CE SPEC (ENGLISH)	H
1	1001162429	1	Decal - Tipping/Electrocution	
2	1705822	1	Decal - Electrocution/Safety Manual	
3	1705961	4	Decal - Danger Electrocution	
9	1702773	3	Decal - JLG (SN 1300007286 through 1300007383, SN E300003610 through E300007980)	
11	1704277	2	Decal - Attach Lanyard Here (SN E300000100 through E300005043)	
12	1001190913	1	Decal - Max Capacity	
14	1701518	6	Decal - Warning/Crushing	
15	1701504	1	Decal - Hydraulic Oil	
16	See Note	NSS	Decal - Bar Code (Note: Not Available for Purchase)	
19	1701509	1	Decal - Manual	
20	1702300	8	Decal - Tie Down /Lift	
21	1701500	4	Decal - Tie Down /Lift	
22	1703687	2	Decal - Arrow	
24	0860520	1	Box, Manual Storage	
25	4751400	4	Washer, 1/4	
26	3311405	4	Nut, Lock 1/4-20	
27	3820001	4	Rivet	
28	1705828	1	Decal - Footswitch	
35	1704412	1	Decal - Hydraulic Fluid	
36	1001172217	1	Decal - Lift Diagram (Without Turntable Lock)	
36	1001223118	1	Decal - Lift Diagram (With Turntable Lock)	
37	1704885	2	Decal - Website (SN E300000100 through E300003610)	
40	0641406	4	Bolt, 1/4-20 X 3/4	
42	1701499	4	Decal - No Tie Down/Lift	
43	1705084	1	Decal - Sound Power Level (SN E300000100 through E300002974)	
43	1001204510	1	Decal - Sound Power Level (SN 1300007286 through 1300007383, SN E300002974 through E300007980)	
46	1001189882	1	Decal - MSSO	
48	1701529	2	Decal - Arrow	
100	1001232026	1	Decal - Platform Lanyard Kit (Not Shown) (SN E300005043 through E300007980)	
101	1704277	3	Decal - Attach Lanyard Here	

SECTION 9 - DECAL

FIGURE 9-3. DECAL INSTALLATION - OPTIONS



ART_DECAL_OPTIONS

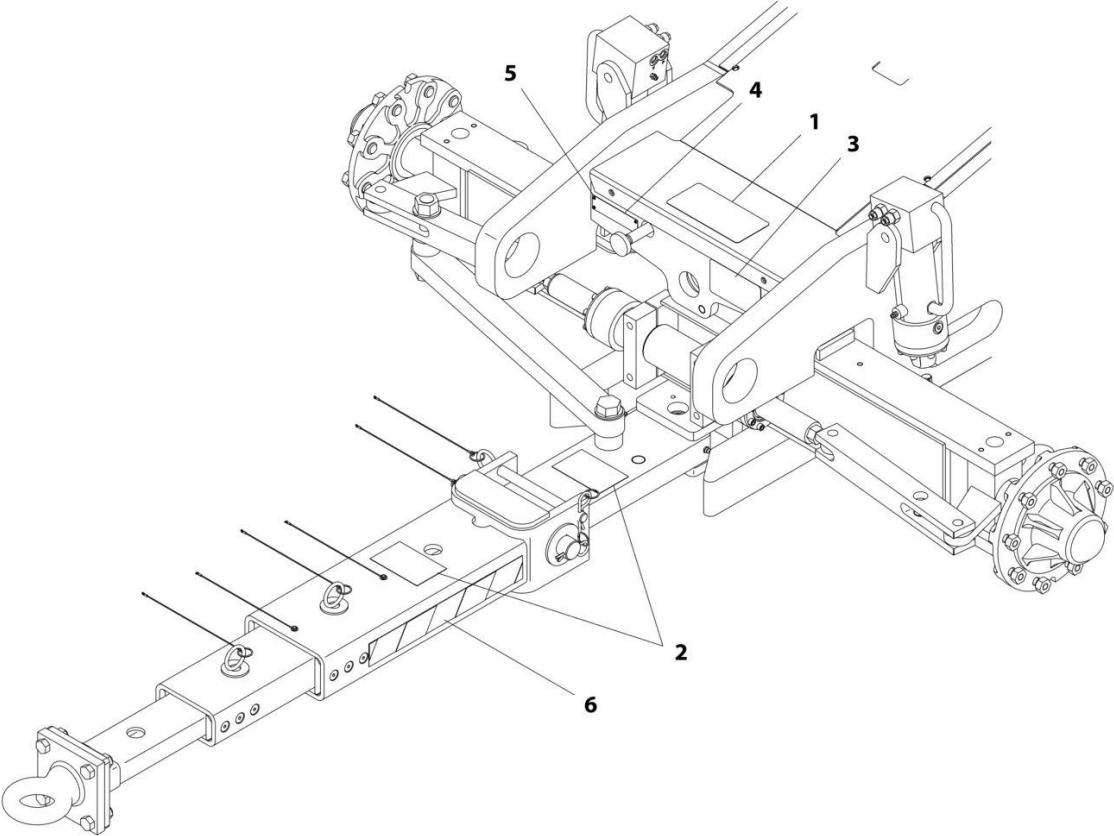
SECTION 9 - DECAL

FIGURE 9-3. DECAL INSTALLATION - OPTIONS

ITEM	PART NUMBER	QTY	DESCRIPTION	REV
	1001169157	Ref	DECAL INSTALLATION - REFERENCE CHART	N
	1001166193	Ref	DECAL INSTALLATION - OPTIONS	
120	1001188883	1	Warning Strip Installation (Not Shown)	
120	4420051	21.5 ft /6.6m	Tape, Safety	
173	1001173076	Ref	Decal - Model Designation (Not Shown)	C
173A	1001172800	2	Decal - 520AJ	
173B	1001195746	2	Decal - Max Tire Load	
205	See Note	1	Nameplate - Serial Number (Note: Not Available for Purchase)	
215	1001166085	Ref	Decal Installation - JLG Logo (Not Shown)	C
215A	1702774	1	Decal - JLG Lift	
215B	1702773	1	Decal - JLG	
215C	1702860	1	Decal - JLG Lift	
226	1706098	1	Decal - Warning Explosion/Fire (Not Shown)	
262A	1001141300	1	Decal - SkyGuard Override	
262B	1001141302	1	Decal - SkyGuard/Soft Touch Override	
274	1001214029	1	Decal - EAC Installation (CIS and Russia Specs)	
274A	1001173703	1	Decal - EAC	

SECTION 9 - DECAL

FIGURE 9-4. TOW BAR DECAL INSTALLATION - ENGLISH LANGUAGE (ANSI, ANSI EXPORT AND CE SPECS)



ART_1283125

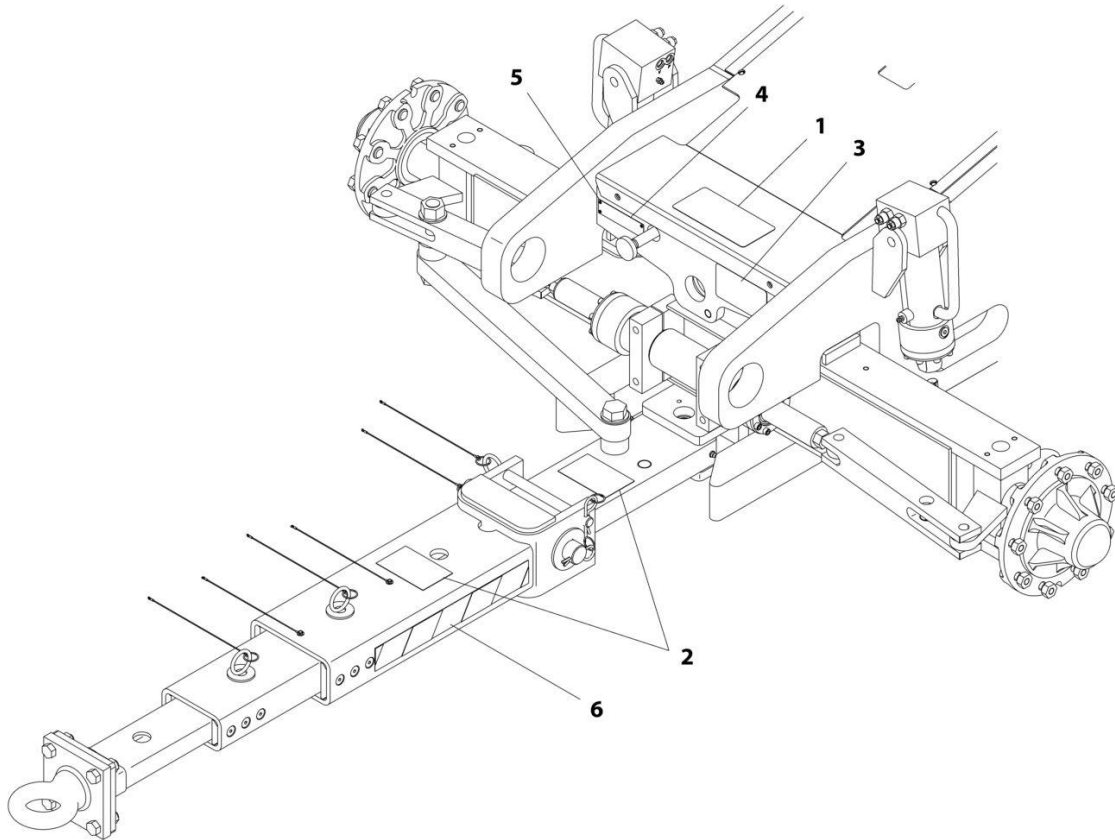
SECTION 9 - DECAL

FIGURE 9-4. TOW BAR DECAL INSTALLATION - ENGLISH LANGUAGE (ANSI, ANSI EXPORT AND CE SPECS)

ITEM	PART NUMBER	QTY	DESCRIPTION	REV
	0270115	Ref	TOW BAR DECAL INSTALLATION - ENGLISH LANGUAGE (ANSI, ANSI EXPORT AND CE SPECS)	A
1	1704482	1	Decal - Tow Instructions	
2	1704578	3	Decal - Crushing	
3	1703450	1	Decal - Warning	
4	3250872	1	Nameplate - Steer/Tow Select Valve	
5	3820001	4	Rivet	
6	4420051	43 in /1.1m	Tape, Safety	

SECTION 9 - DECAL

FIGURE 9-5. TOW BAR DECAL INSTALLATION - SPANISH LANGUAGE (CE SPECS)



ART_1283125

SECTION 9 - DECAL

FIGURE 9-5. TOW BAR DECAL INSTALLATION - SPANISH LANGUAGE (CE SPECS)

ITEM	PART NUMBER	QTY	DESCRIPTION	REV
	0270116	Ref	TOW BAR DECAL INSTALLATION - SPANISH LANGUAGE (CE SPECS)	A
1	1704455	1	Decal - Tow Instructions	
2	1701518	3	Decal - Crushing	
3	1704456	1	Decal - Warning	
4	3252692	1	Nameplate - Steer/Tow Select Valve	
5	3820001	4	Rivet	
6	4420051	43 in /1.1m	Tape, Safety	

SECTION 10 - RECOMMENDED SERVICE PARTS STOCK

SECTION 10 - RECOMMENDED SERVICE PARTS STOCK

SECTION 10 - RECOMMENDED SERVICE PARTS STOCK

FIGURE 10-1. RECOMMENDED SERVICE PARTS STOCK

ITEM	PART NUMBER	QTY	DESCRIPTION	REV
		Ref	Note: The following list will service one machine (built to current production per date on the front cover) with emergency repair parts which can be installed in the field. Parts from the list should be replaced when inventory is depleted to keep service parts stock supplied. For further information, contact your JLG dealer or the JLG Industries Parts Department.	
		Ref	STANDARD PARTS	
	7024885	1	Coil	
	70002386	1	Coil	
	70005219	1	Coil	
	70003788	1	Coil	
	70004871	1	Coil	
	1001212415	1	Controller Assembly (Drive and Steer)	
	1001129555	1	Controller Assembly (Lift and Swing)	
	70002838	1	Fill Cap Assembly (Includes Cap, Chain & Fill Basket)	
	70003614	1	Filter Kit (Includes Hydraulic Element, Breather Element & Gasket)	
	3740067	1	Relay	
	3740140	1	Relay	
	2860030	1	Key, Replacement	
	4360328	1	Switch, Toggle	
	4360387	1	Switch, Push Button	
	4360475	1	Switch, Emergency Stop	
	4360476	1	Switch, Contact Block	
	4360407	1	Switch, Potentiometer	
	1001155045	1	Switch, Toggle	
	1001159256	1	Switch, Toggle	
	1001161709	1	Switch, Toggle	
		Ref	VARIABLE PARTS	
	1001181045	1	Breaker, 30mA/16Amp (CE Spec)	
	70003783	12	Element, Air Cleaner (Deutz 2.9L4 and Deutz 2.3L3 Engines)	
	7016331	12	Filter, Oil (Deutz Engines)	
	7020023	12	Filter, Fuel (Deutz 2.3L3 Engines)	
	70003463	12	Filter, Fuel - RME Resistant (Deutz 2.3L3 Engines)	
	8229242	1	Fuse - 5Amp	
	8229244	1	Fuse - 15Amp	
	2940074	1	Latch (Machines with Gate)	
	1001170094	1	Module, Ground Control	
	1001118412	1	Module, Platform Control	
	1600387	1	Module, LSS Control	
	1001119176	1	Switch, Limit (Drive Orientation)	
	1001137673	1	Switch, SkyGuard Assembly	

SECTION 11 - SPECIAL OPTIONS

SECTION 11 - SPECIAL OPTIONS

FIGURE 11-1. SPECIAL OPTIONS

ITEM	PART NUMBER	QTY	DESCRIPTION	REV
	Note	Ref	Note: This list is to accommodate machines ordered with special equipment. Options may not be applicable to all models. For more specific parts information contact JLG Parts Department.	
		Ref	MISCELLANEOUS SPECIAL OPTIONS	
	1001101913	Ref	AC Box at Platform Installation - 110V IEC Yellow (CE Spec with 4000W Generator) (SN E300000100 through E300002764)	
	1001194203	Ref	AC Box at Platform Installation - 110V IEC Yellow (CE Spec with 4000W Generator) (SN 1300007286 through 1300007383, SN E300002764 through E300007980)	
	1001101914	Ref	AC Box at Platform Installation - 220V IEC Blue (CE Spec with 4000W Generator) (SN E300000100 through E300002764)	
	1001194204	Ref	AC Box at Platform Installation - 220V IEC Blue (CE Spec with 4000W Generator) (SN 1300007286 through 1300007383, SN E300002764 through E300007980)	
	1001101910	Ref	AC Box at Platform Installation - 220V CEE7 Post Ground 2in x 4in Box (CE Spec with 4000W Generator) (SN E300000100 through E300002764)	
	1001194197	Ref	AC Box at Platform Installation - 220V CEE7 Post Ground 2in x 4in Box (CE Spec with 4000W Generator) (SN 1300007286 through 1300007383, SN E300002764 through E300007980)	
	1001101911	Ref	AC Box at Platform Installation - 220V CEE7 Side Ground 2in x 4in Box (CE Spec with 4000W Generator) (SN E300000100 through E300002764)	
	1001194198	Ref	AC Box at Platform Installation - 220V CEE7 Side Ground 2in x 4in Box (CE Spec with 4000W Generator) (SN 1300007286 through 1300007383, SN E300002764 through E300007980)	
	1001101915	Ref	AC Box at Platform Installation - 220V CEE7 Post Ground 70mm x 70mm Box (CE Spec with 4000W Generator) (SN E300000100 through E300002764)	
	1001101916	Ref	AC Box at Platform Installation - 220V CEE7 Side Ground 70mm x 70mm Box (CE Spec with 4000W Generator) (SN E300000100 through E300002764)	
	1001101912	Ref	AC Box at Platform Installation - 220V AFSINT 107 (CE Spec with 4000W Generator) (SN E300000100 through E300002764)	
	1001194200	Ref	AC Box at Platform Installation - 220V AFSINT 107 (CE Spec with 4000W Generator) (SN 1300007286 through 1300007383, SN E300002764 through E300007980)	
	1001194365	Ref	AC Box at Platform Installation - 220V (Box W/Cover) (Australian Spec with 4000W Generator) (SN 1300007286 through 1300007383, SN E300002764 through E300007980)	
	1001174661	Ref	Airline Installation	
	1001209617	Ref	Alarm White Noise Installation	
	70006428	Ref	Bearing and Seal Kit (For Huh Assembly 2780267 & 2780268)	
	1001241254	Ref	Boom Angle Sensor Offset Link Kit	
	1001179781	Ref	Boom Cables and Clamps Installation for Machines with 7500W SkyPower	
	1001236123	Ref	Boom Wiper Cover Installation	
	1001172045	Ref	Cable Carrier Tray Installation	
		Ref	ClearSky (Telematics) Installations (Dealer Installed)	
	1001242639	Ref	ClearSky (Telematics) Access Control Installation Kit (Dealer Installed) (ANSI, ANSI Export, CSA and CE Specs)	
	1001243183	Ref	ClearSky (Telematics) Added-on Kit (Dealer Installed) (CE Specs)	
	1001234099	Ref	ClearSky (Telematics) Added-on Kit (Dealer Installed) (CE Specs)	

SECTION 11 - SPECIAL OPTIONS

ITEM	PART NUMBER	QTY	DESCRIPTION	REV
	1001243184	Ref	ClearSky (Telematics) Added-on Kit (Dealer Installed) (ANSI, ANSI Export, CSA and CE Specs)	
		Ref	ClearSky Telematics (Factory Installed)	
	1001175029	Ref	ClearSky (Telematics) Installation (Factory Installed) (Australian Spec) Note: Refer to Manual Supplement p/n 3128499 for available replacement parts. (SN E30000100 through E300004911)	
	1001175027	Ref	ClearSky (Telematics) Installation (Factory Installed) (Brazil & New Zealand Specs) Note: Refer to Manual Supplement p/n 3128499 for available replacement parts. (SN E30000100 through E300004911)	
	1001228960	Ref	ClearSky (Telematics) Installation (Factory Installed) Canbus Connection (CE Specs) (SN 1300007286 through 1300007383, SN E300004912 through E300007980)	
	1001246433	Ref	ClearSky (Telematics) Installation (Factory Installed) Canbus Connection (Australian Specs)	
	1001233237	Ref	ClearSky (Telematics) Installation (Factory Installed) 3-Wire Connection (CE Specs) (SN 1300007286 through 1300007383, SN E300004912 through E300007980)	
	1001174767	Ref	Cold Weather Package - Deutz D2.3L3 Engines	
	1001204481	Ref	Combined Filter Kit – Deutz D2.3L3 Engine (Air/Engine Oil/Fuel/Hydraulic/Air)	
	0272031	Ref	Container/Transport Wheels Installation - 33/1550 x 16.5 Tires	
	1001196012	Ref	Cylinder Bellows Installation	
	1001127096	Ref	Decal - ClearSky	
	1001200131	Ref	Decal - Quick Start Reference (Loxam Rental) (Danish Spec)	
	1001200129	Ref	Decal - Quick Start Reference (Loxam Rental) (Dutch Spec)	
	1001181145	Ref	Decal - Quick Start Reference (Loxam Rental) (English Spec)	
	1001200128	Ref	Decal - Quick Start Reference (Loxam Rental) (French Spec)	
	1001200130	Ref	Decal - Quick Start Reference (Loxam Rental) (German Spec)	
	1001200134	Ref	Decal - Quick Start Reference (Loxam Rental) (Norwegian Spec)	
	1001200133	Ref	Decal - Quick Start Reference (Loxam Rental) (Spanish Spec)	
	1001200132	Ref	Decal - Quick Start Reference (Loxam Rental) (Swedish Spec)	
	1001188883	Ref	Decal - Warning Stripes	
	1001148902	Ref	Electrical Connector Kit - Amp/Tyco Electrical Connectors	
	1001148903	Ref	Electrical Connector Kit - Deutsch DT Electrical Connectors	
	1001148904	Ref	Electrical Connector Kit - Deutsch HD Electrical Connectors	
	1001148905	Ref	Electrical Connector Kit - Packard Electrical Connectors	
	1001148906	Ref	Electrical Connector Kit - Various Electrical Connectors	
	1001246867	Ref	Enhanced Detection System (EDS) Level 1 (2-Bar) Installation Kit	
	1001246860	Ref	Enhanced Detection System (EDS) Level 2 (3-Bar) Installation Kit	
	1001243331	Ref	Fan Guard Installation	
		Ref	Filter Kits:	
	1001225794	Ref	Combined Filter Kit (Hydraulic/Air and Fuel/Engine Oil) (Deutz D2.3L3 Engine Only)	
	1001202749	Ref	Fuel Cap Cover (Black)	
	1001220003	Ref	Ground Control and UGM Covers Kit	
		Ref	Hydraulic Fluids	
	2300014	Ref	Mobil 424	
	2300016	Ref	Mobil DTE 10 EXCEL 32	
	2300019	Ref	Quintolubric (Fire Resistant)	
	2300027	Ref	Mobil 224H Bio	
	2300029	Ref	Mobil EAL ISO 46 Bio	
	1001169831	Ref	Hostile Environment Package (Includes Cylinder Bellows, Platform Console Cover & Boom Wiper)	

SECTION 11 - SPECIAL OPTIONS

ITEM	PART NUMBER	QTY	DESCRIPTION	REV
	1001172001	Ref	Lights Installation - Headlights & Taillights	
	1001120466	Ref	Lights Installation - Platform Worklights	
	1001183407	Ref	Low Temperature Cutout Installation (Russian Specs)	
	1001173664	Ref	Oil Cooler Installation - Deutz D2.3L3 Engines	
	1001236122	Ref	Platform Console Cover Installation (Steel)	
	1001205175	Ref	Platform Console (Steel Cover Add-On Kit)	
	1001238421	Ref	Platform Leveling Kit	
	1001209059	Ref	Platform Work Surface Installation	
	1001233080	Ref	Pump Rotation Kit (Re-orient Gear Pump 90 Degrees)	
	70006429	Ref	Seal Kit (For Huh Assembly 2780267 & 2780268)	
	1001247800	Ref	Quad Tracks Replacement Kit	
	1001247073	Ref	SkyEye Retrofit Kit	
	1001203510	Ref	SkyGuard Platform Sensor Kit	
	1001203511	Ref	SkyGuard Beacon Kit (Blue Light)	
	1001210036	Ref	SkyGuard Beacon Kit (Red Light)	
	1001232643	Ref	SkyLine Kit	
	2901443	Ref	Tools - Analyzer Kit	
	1001137005	Ref	Tools - Cable Kit, Software	
	7002821	Ref	Tools - Crimper, Wire	
	7002823	Ref	Tools - Pin Extractor - Universal (For Electrical Connectors with Pins and Sockets)	
	4460510	Ref	Tools - Pin Extractor - 12-14 Gauge (For Removal of Pin/Sockets from Deutsch Connectors)	
	4460467	Ref	Tools - Pin Extractor - 16-18 Gauge (For Removal of Pin/Sockets from Deutsch Connectors)	
	7016654	Ref	Tools - Screwdriver, Magnetic	
	7002822	Ref	Tools - Screwdriver, Potentiometer	
	7004275	Ref	Tools - Seal Tool 1in (For Cylinders)	
	7004276	Ref	Tools - Seal Tool 1-1/2in (For Cylinders)	
	7002828	Ref	Tools - Stripper, Wire	

PART NUMBER INDEX

SECTION 11 - SPECIAL OPTIONS

0080231.....118, 132	0641404.....213, 249	0760608.....69, 89	0962257.....173, 175
0100009.....213, 217, 221, 225, 229	0641405... 177, 181, 217, 221, 225, 229, 249	0760610 .76, 89, 99, 101, 103, 105, 113, 118, 127, 132, 151, 153, 157, 333, 343	0962292.....17, 167
0100011....13, 15, 17, 19, 37, 41, 43, 49, 61, 63, 65, 67, 69, 71, 73, 76, 89, 92, 96, 99, 101, 103, 105, 107, 113, 115, 118, 127, 129, 132, 153, 157, 165, 169, 171, 177, 181, 183, 185, 199, 201, 203, 205, 245, 247, 249, 342	0641406... 207, 209, 211, 241, 407, 409	076061289	0962348.....17
010001919, 55, 107, 153, 157	0641407... 177, 181, 301, 305, 309, 311, 313, 315, 319, 321, 325	0760614 ... 81, 83, 85, 87, 113, 119, 127, 133, 153, 331	0962450.....177, 181
010002065, 67, 113, 118, 127, 132, 239, 303, 307, 317, 323, 327, 329	0641408.....207, 209, 211	076061599, 101	0962520.....153, 157
0100035.....229	0641410.....99, 101, 103, 105	076062176	1001091102.....331, 333
0100048.....79, 153, 157, 177, 181, 213, 217, 221, 225, 229	0641414... 213, 217, 221, 225, 229, 245, 247, 251	076081092, 96, 107	1001091969.....303
0100071.....251	0641416... 177, 181, 301, 303, 305, 307, 309, 311, 313, 315, 317, 319, 321, 323, 325, 327, 329	0760812 ... 37, 65, 67, 71, 73, 92, 96, 113, 127, 151, 154, 158, 169, 335, 342	1001091970.....307
0100079.....153, 157	0641418... 199, 201, 203, 205	0760814 92, 96, 118, 132	1001091973.....317
0100081....118, 132, 213, 217, 221, 225, 253, 255, 342	0641504.....43, 89	076081589, 118, 132	1001091974.....323
0140011....213, 217, 221, 225, 229	0641509.....342	076101049, 69	1001091975.....327
0140043.....76	0641514.....257, 259	076101115, 17	1001095704.....398
0257728.....259	0641605.....49	076101289, 165, 335, 342	1001096070.....153, 357
0258011.....31	0641610....207, 209, 211	076101492, 96, 183	1001096653.....37
0258012.....31	0641616.....153, 157	0761015 ... 113, 118, 127, 132, 165	1001097051.....389
0258304.....299	0641618.....115, 129, 183	0761212165, 171	1001097150.....355, 357
0270115.....413	0641812.....115, 129, 183	0761214 ... 65, 67, 92, 96, 153, 157	1001098122.....239, 367, 369
0270116.....415	0641822.....177, 181	0761215165	1001098828.....183
0272031.....421	0642012255	0761216183	1001100341.....373
0272589.....159	0642024.....177, 181	0761227171	1001100342.....375
0272703.....177	0642026253	076161513, 171	1001100345.....377
0274661.....257	0642684....177, 181, 183	0762016171	1001100346.....385
0275216....301, 303, 373	0681608....177, 181, 183	0771414 ... 118, 132, 153, 157	1001100347.....379
0275217....305, 307, 375	0681810.....19	0771416153, 157	1001100433....81, 83, 85, 87
0275218.....309, 381	0682014.....19	0840055177	1001101191.....303, 307, 317, 323, 327
0275219.....311, 383	0682040.....45	0860520407, 409	1001101196.....303, 307
0275452....315, 317, 319, 377	0700408... 301, 303, 305, 307, 309, 311, 313, 315, 317, 319, 321, 323, 325, 327, 329	0861572157	1001101197.....317, 323, 327
0275453....313, 321, 323, 379	070081643	0861731 ... 329, 377, 379, 385	1001101910.....420
0275454....325, 327, 385	0700818153, 157	0861781373, 375	1001101911.....420
0275678.....319	0700820167	0861880355, 357	1001101912.....420
0275679.....313	0700827342	090273343	1001101913.....420
0275680.....325	0700828342	090273443	1001101914.....420
0275681.....301	0701012107	0902888153, 157	1001101915.....420
0275682.....305	070101443	0902919177, 181	1001101916.....420
0275683.....309	0701015171	0902920177, 181	1001102987.....49
0275684.....311	0701018.....92, 96	0903484 ... 301, 305, 309, 311, 313, 315, 319, 321, 325	1001103012.....397
0360406.....45	0701019167	0903612 ... 301, 305, 309, 311, 313, 319, 325	1001104029.....153, 158
0440162.....113, 127	070102065, 67, 167	0940048171	1001104498.....397
0440271.....15, 17	0701021342	094004992, 96	1001104850.....55, 57
0480100.....257, 259	0701024342	094007192, 96	1001106736.....76
0480126.....153, 157	0701027171	0940199253, 255	1001107854.....397
0630568....213, 218, 222, 226, 230	070121713	0961845 ... 199, 201, 203, 205	1001110434.....213, 217, 221, 225, 229
0630613.....92, 96	0701616.....63, 171	0961947173, 175	1001111424.89, 118, 132
	070161717	096194815, 17, 169, 171, 269, 271, 273	1001112551.....407
	071122015, 17	0961949169	1001112607.....165
	0711224... 118, 132, 153, 157	096195013	1001112612.....337, 397
	0711227169	0961951 ... 118, 132, 167, 265, 275	1001112796.....337
	071162855		1001113483.....177, 181
	071162917		1001113961.....397
	071163155		1001116550.....167
	0741607153		1001116693.....367, 369
	0760606153, 157		1001116720.....371, 395
			1001116748.....353
			1001116763.....397
			1001116774.....337
			1001116808.....337
			1001117064.....353
			1001117070.....397
			1001117172.....239
			1001117174.....213, 217, 221, 225, 229, 239

SECTION 11 - SPECIAL OPTIONS

1001117240..... 89	1001141971..... 381	1001162429..... 407, 409	1001166538..... 213, 217,
1001117372..... 263	1001141995..... 119, 133	1001162445..... 315, 321	221, 225, 229, 233
1001118274... 65, 67, 71,	1001142679..... 286, 292	1001162448..... 315	1001166539..... 214, 217,
73, 92, 96, 169, 185,	1001142683... 81, 83, 85,	1001162451..... 321	221, 226, 229, 235
342	87	1001162522..... 407	1001166656..... 342
1001118384..... 393	1001142736... 81, 83, 85,	1001162528..... 409	1001166662..... 342
1001118388..... 371, 393	87, 337	1001162534..... 49, 51	1001166717..... 119, 133
1001118412..... 213, 217,	1001143390..... 119, 133	1001162535..... 185, 187	1001166718..... 119, 133
221, 225, 229, 418	1001143936..... 286, 292	1001162536..... 185, 189	1001166767..... 69
1001118511..... 13	1001144433..... 222, 225,	1001162539..... 37, 39	1001166768..... 69
1001118518..... 13	247	1001162995..... 13	1001166853..... 171
1001118519..... 13	1001144629..... 193, 195,	1001163061..... 65, 67	1001167036..... 115, 129,
1001118971..... 342	197	1001163131..... 253	143
1001118972... 43, 65, 67,	1001145781..... 193, 195,	1001163178... 15, 17, 277	1001167111..... 119, 133,
342	197, 201, 203, 205	1001163179..... 15, 17	361
1001119020..... 337, 367,	1001146220... 71, 73, 214,	1001163405..... 15, 17	1001167149..... 92, 96
398	217, 221, 225, 229	1001163580..... 13, 263	1001167159..... 92, 96
1001119176..... 69, 418	1001148641..... 154, 158	1001163715..... 15, 17	1001167163..... 92, 96
1001119228..... 61, 343	1001148648..... 154	1001163716..... 15, 17	1001167164..... 151
1001119278..... 89	1001148902..... 421	1001163717..... 17	1001167169..... 92, 96
1001119280..... 343	1001148903..... 421	1001163722..... 17	1001167267..... 207, 213
1001119619..... 387	1001148904..... 421	1001163724..... 17	1001167312..... 331
1001119620..... 389, 391	1001148905..... 421	1001163726..... 17	1001167512..... 113, 127
1001119627..... 286, 292	1001148906..... 421	1001163767..... 163, 267	1001167520..... 119, 133
1001120204..... 347	1001148972..... 269	1001163863..... 163	1001167565..... 183
1001120205..... 351	1001150998..... 119, 133	1001163937..... 167	1001167567..... 183
1001120328..... 245, 247,	1001151393..... 71, 73	1001164017..... 165, 167	1001167596..... 183
249, 398	1001152456..... 154	1001164092..... 15	1001168018..... 119, 133,
1001120371..... 181	1001152458..... 154	1001164093..... 13	154, 158
1001120466..... 422	1001152485..... 315, 321,	1001164095..... 17	1001168059..... 119, 133
1001125677..... 367, 369	333	1001164209..... 15, 17	1001168190..... 169
1001126009..... 393	1001152525..... 159	1001164353..... 213, 217,	1001168210..... 265
1001127096..... 421	1001152530..... 154	221, 225, 367	1001168402..... 183
1001129285..... 398	1001152532..... 154, 363	1001164552..... 13	1001168472..... 342
1001129407..... 69	1001155041..... 154, 158	1001164709..... 269, 271,	1001168473..... 342
1001129555..... 418	1001155044..... 213, 217,	273	1001169046..... 92, 96
1001130220..... 76	221, 225, 229	1001164728..... 207, 209,	1001169058..... 35
1001132195..... 118, 132	1001155045..... 213, 217,	211, 213, 221, 403	1001169062..... 29
1001132196..... 118, 132	221, 225, 229, 418	1001164736..... 76, 401	1001169075..... 31
1001133972..... 55, 59	1001155813..... 154	1001164737..... 76, 365	1001169157..... 407, 409,
1001135196..... 113, 127	1001156351..... 299	1001164738..... 342, 353	411
1001136079..... 118	1001156352..... 299	1001164817..... 263	1001169240..... 171
1001137005..... 422	1001156541..... 353	1001165131..... 269	1001169241..... 171
1001137673..... 245, 247,	1001157466..... 63	1001165302..... 167, 173	1001169242..... 171
418	1001157520..... 159	1001165388..... 119, 133	1001169246..... 165
1001138173..... 118, 132	1001157521..... 159	1001165389..... 119, 133	1001169247..... 165
1001138175..... 118, 132	1001157525..... 158	1001165816..... 65	1001169249..... 171
1001138248..... 118, 132	1001157528..... 159	1001165942..... 65	1001169295..... 171
1001138494..... 201, 203,	1001157890..... 398	1001165946..... 55	1001169296..... 171
205	1001157930..... 296	1001165948... 37, 49, 185	1001169297..... 171
1001138514..... 201, 203,	1001158007..... 159	1001165968..... 41	1001169298..... 171
205	1001158008..... 154, 159	1001166020..... 115, 118	1001169299..... 171
1001138565..... 153	1001158363..... 154	1001166021..... 113, 115	1001169300..... 171
1001138566..... 154	1001159186..... 365	1001166085..... 411	1001169301..... 171
1001139357..... 154	1001159256..... 213, 217,	1001166096..... 171	1001169302..... 171
1001139384..... 99, 103	221, 225, 229, 418	1001166142..... 207	1001169304..... 169
1001139586..... 17	1001160859..... 171	1001166153..... 33, 35	1001169305..... 169
1001139819..... 119, 133	1001160872..... 171	1001166155..... 33	1001169382..... 107
1001140429..... 199, 201,	1001161709..... 214, 217,	1001166156..... 33	1001169402..... 169
203, 205	221, 225, 229, 418	1001166157..... 33	1001169403..... 169
1001141300..... 411	1001161715..... 163, 273	1001166193..... 411	1001169525..... 147, 149
1001141302..... 411	1001161716..... 163, 265	1001166208..... 273	1001169823..... 113, 127
1001141694..... 119, 133	1001161717..... 163, 275	1001166232..... 43	1001169831..... 421
1001141967..... 381, 383	1001161804..... 163, 279	1001166239..... 19	1001169895..... 71
1001141968..... 381	1001162105..... 41	1001166305..... 113	1001169896..... 71, 73
1001141969..... 383	1001162106..... 69	1001166315..... 76	1001169897..... 71
1001141970..... 383	1001162107..... 41	1001166317..... 89	1001169898..... 65, 67

SECTION 11 - SPECIAL OPTIONS

1001170001.....92	1001173042.....287, 293	1001178555.....169	1001188844.....183
1001170018.....92, 96	1001173043.....287, 293	1001178644.....343	1001188883.....411, 421
1001170022.....92, 96	1001173046.....287, 293	1001178859.....119, 133	1001188889.....245
1001170094.....76, 418	1001173048.....287, 293	1001178958.....343	1001189001.....183
1001170098.....29	1001173049.....287, 293	1001179191.....107	1001189002.....183
1001170099.....29	1001173050.....287	1001179236.....76, 359	1001189882.....409
1001170120.....107	1001173051.....287	1001179266.....343	1001190368.....15, 17
1001170121.....107	1001173052.....287, 293	1001179339.....65, 67	1001190913.....407, 409
1001170224.....149	1001173053.....287, 293	1001179517.....37	1001190985.....183
1001170225.....147	1001173054.....287, 293	1001179626.....165, 169	1001191708.....251
1001170226.....169	1001173055.....287, 293	1001179778.....342	1001191832.....93, 96, 113, 127
1001170334.....169	1001173056.....287, 293	1001179781.....420	1001192292.....222, 226, 395
1001170375.....185	1001173057.....287, 293	1001179903.....119	1001193018.....303, 307, 317, 323, 327, 329
1001170446.....214, 218, 221, 226, 229	1001173058.....287, 293	1001179904.....92, 96	1001193061.....81
1001170458.....35	1001173059.....287, 293	1001180006.....165, 171	1001193216.....81
1001170459.....35	1001173061.....287, 293	1001180005.....287, 293	1001193336.....67
1001170460.....35	1001173062.....287, 293	1001180056.....171	1001193730.....222
1001170475.....101	1001173063.....287, 293	1001180541.....169	1001194197.....420
1001170480.....65, 67	1001173066.....287, 293	1001180874.....165	1001194198.....420
1001170663.....151	1001173076.....411	1001180916.....41	1001194200.....420
1001170664.....151	1001173529.....71, 73	1001181045.....355, 357, 418	1001194204.....420
1001170693.....119, 121	1001173631.....287	1001181145.....421	1001194365.....329, 420
1001170838.....71, 73, 214, 218, 222, 226, 229	1001173664.....422	1001181325.....76	1001195444.....209, 221
1001170859.....92, 96	1001173703.....411	1001181405.....79	1001195446.....209
1001170860.....92	1001173721.....286	1001181527.....43	1001195746.....411
1001171216.....92, 96	1001173811.....157	1001181706.....163, 269	1001196012.....421
1001171482.....71, 73	1001173925.....154, 158	1001181875.....343	1001196382.....154, 158
1001171553.....343	1001173969.....255	1001181913.....43	1001196458.....81, 85, 339
1001171555.....343	1001173973.....253, 255	1001181923.....343	1001196637.....76
1001171559.....343	1001173975.....255	1001182138.....251	1001197036.....181
1001171678.....89	1001173984.....153	1001182169.....92, 96	1001197039.....287, 293
1001171679.....89	1001174065.....171	1001182561.....343	1001197221.....37
1001171680.....89	1001174098.....92	1001182875.....93, 96	1001199314.....253
1001171681.....113, 127	1001174158.....154, 331	1001182877.....93, 96	1001200086.....93
1001171682.....113, 127	1001174378.....149	1001182879.....93, 96	1001200128.....421
1001171953.....115, 129	1001174379.....147	1001182997.....65, 67	1001200129.....421
1001171954.....115, 129	1001174661.....420	1001183171.....167	1001200130.....421
1001172001.....422	1001174675.....158, 296	1001183407.....422	1001200131.....421
1001172045.....420	1001174749.....342, 351	1001184324.....213	1001200132.....421
1001172202.....113, 127	1001174767.....421	1001184618.....213, 218, 222, 226, 230	1001200133.....421
1001172217.....407, 409	1001174976.....79	1001184626.....213, 218, 222, 226, 230	1001200134.....421
1001172264.....151	1001175024.....286, 293	1001185281.....222, 226, 230	1001200458.....99, 103
1001172265.....151	1001175027.....421	1001185747.....343	1001200491.....183
1001172271.....343	1001175029.....421	1001185821.....49, 53	1001200494.....183
1001172282.....92, 99	1001175244.....183	1001185964.....398	1001200575.....213, 222
1001172335.....342, 345	1001175260.....294	1001186007.....76, 397	1001200910.....81, 83
1001172336.....342, 347	1001175632.....296	1001186431.....247, 395	1001201351.....183
1001172760.....213, 218, 221, 226, 230	1001175633.....296	1001186432.....371, 393, 395	1001201891.....218, 226
1001172796.....343	1001175634.....296	1001186517.....245, 247	1001202450.....92
1001172800.....411	1001176299.....287, 293	1001187382.....183	1001202611.....209, 225
1001172833.....92, 103	1001176300.....287, 293	1001187383.....183	1001202612.....207, 217
1001173006.....286, 292	1001176301.....287, 293	1001187508.....245	1001202749.....421
1001173027.....286, 292	1001176469.....73	1001187674.....243	1001202830.....105
1001173028.....286, 292	1001176848.....15, 17	1001187681.....387	1001202910.....292
1001173029.....286, 292	1001176951.....342, 349	1001188196.....65, 67	1001203322.....101
1001173030.....286	1001177541.....73	1001188311.....205	1001203510.....422
1001173031.....286	1001177543.....73	1001188312.....197	1001203511.....422
1001173032.....286	1001177820.....63	1001188314.....203	1001203628.....269
1001173034.....286, 293	1001177834.....63	1001188315.....195	1001204481.....421
1001173035.....286, 293	1001178133.....171	1001188318.....201	1001204510.....407, 409
1001173036.....286, 293	1001178135.....171	1001188319.....193	1001204725.....183
1001173037.....287, 293	1001178228.....105	1001188622.....183	1001205175.....422
1001173038.....287, 293	1001178448.....343		1001205750.....89
1001173039.....287, 293	1001178449.....343		
	1001178554.....169		

SECTION 11 - SPECIAL OPTIONS

1001205752..... 89	1001230931..... 353	10702077..... 158	2060025..... 118, 132
1001205958..... 317, 323, 327	1001232026..... 407, 409	10702082..... 159	2080040... 153, 193, 195, 197, 331, 333
1001206476..... 335	1001232164..... 243	1120555..... 253, 255	2110810..... 286, 292
1001206625..... 271	1001232165..... 243	1271538..... 177, 181	2110812..... 286, 292
1001206916..... 67	1001232642..... 249	1320016..... 118, 132	2151212..... 286, 292
1001207004..... 85, 87	1001232643..... 422	1320022..... 113, 127	2160001..... 55
1001207302..... 85	1001232650..... 249	1320043..... 343	2180348..... 113, 127
1001207315..... 85	1001232667..... 249	1320130..... 342	2180736..... 269, 271
1001207335..... 293	1001233080..... 422	1320136..... 177, 181	2180876..... 113, 127
1001207336..... 293	1001233139..... 15	1320176..... 147, 149	2220237..... 279
1001207347..... 67	1001233237..... 421	1320223..... 89, 335	2220238..... 43, 292
1001207356..... 292	1001233899..... 92, 96	1320224..... 177, 181	2220315..... 118, 132
1001208874..... 49	1001234099..... 420	1321293..... 69	2220371..... 286, 292
1001209059..... 422	1001234295..... 49	1321647..... 397	2220372..... 43, 286, 292
1001209617..... 420	1001235011..... 249	1321716... 113, 127, 154, 158	2220373..... 286, 292
1001209664..... 245, 247	1001235013..... 249	1580012..... 241	2220374..... 286, 292
1001209677..... 333	1001235455..... 129, 135	1600387... 177, 181, 418	2220375..... 286, 292
1001209832..... 333	1001235461..... 127, 129	1670603..... 329	2220377..... 286, 292
1001210036..... 422	1001235462..... 129, 132	167082971, 73, 213, 217, 221, 225, 229	2220408..... 286
1001210356..... 293	1001235465..... 127	1684290..... 263	2220415..... 286, 292
1001211716..... 92, 96	1001236122..... 422	1701499..... 407, 409	2220435..... 293
1001211717..... 93, 96	1001236123..... 420	1701500..... 407, 409	2220451... 118, 132, 286, 292
1001212415..... 418	1001236552..... 249	1701504..... 407, 409	2220465..... 286, 292
1001213447..... 367, 369	1001237862..... 389, 391	1701505..... 113, 127	2220466..... 286, 292
1001213882..... 217, 225, 230	1001237863..... 243, 389	1701509... 253, 255, 407, 409	2220468..... 286, 292
1001214029..... 411	1001237864..... 243, 391	1701518... 407, 409, 415	2220472..... 286, 292
1001214207..... 115, 129	1001237865..... 243, 387	1701529..... 407, 409	2220497..... 292
1001214397..... 335	1001237878..... 335	1701691..... 92, 96	2220500..... 286, 292
1001214570..... 335	1001237879..... 335	1701691..... 92, 96	2220501..... 286, 292
1001214571..... 335	1001237880..... 335	1702300..... 407, 409	2220577..... 286
1001214975..... 119, 133	1001238319..... 243	1702565... 213, 217, 221, 225, 229	2220579..... 43
1001215228..... 218, 226, 230	1001238418..... 249, 393	1702566... 213, 217, 221, 225, 229	2220582..... 286, 292
1001216630..... 178, 181, 183	1001238421..... 183, 422	1702567... 213, 217, 221, 225, 229	2220596..... 286, 292
1001217681..... 163, 271	1001238466..... 343	17025773..... 409, 411	2220600..... 286, 292
1001217779..... 167, 175	1001238472..... 249	1702577... 213, 217, 221, 225, 229	2220603..... 286, 292
1001217904..... 409	1001238477..... 249	1702773..... 409, 411	2220628..... 286, 292
1001218533..... 61	1001238495..... 247	1702774..... 411	2220811..... 286, 292
1001218535..... 61	1001238559..... 249	1702774..... 411	222088327, 39, 263, 269, 271, 273, 287, 292
1001218537..... 61	1001238824..... 249	1702860..... 411	2220885..... 39, 279
1001219129..... 61	1001241254..... 420	1703162..... 118, 132	2220886..... 27, 273, 279
1001219601..... 76	1001241286..... 96	1703450..... 413	2220888..... 27
1001220003..... 421	1001241290..... 96	1703683..... 259	2220906..... 286, 292
1001223118 63, 407, 409	1001241295..... 96, 105	1703687..... 407, 409	2220923..... 287, 292
1001223122..... 154, 158	1001241296..... 96, 101	1704260... 213, 217, 221, 225, 229	2220940..... 286, 292
1001223777..... 92, 96	1001241965..... 249	1704277..... 407, 409	2220946..... 286, 292
1001224894..... 169	1001242639..... 420	1704412..... 407, 409	2220947..... 286, 292
1001225346..... 335	1001242842..... 211	1704455..... 415	2220998..... 287, 292
1001225580..... 247, 371	1001242847..... 211, 229	1704456..... 415	2221033..... 286, 292
1001225794..... 421	1001242855..... 83	1704456..... 415	2221040..... 286, 292
1001226530..... 335	1001242856..... 87	1704482..... 413	2221052..... 43
1001226872..... 199	1001243168..... 230, 369	1704578..... 413	2221086..... 39, 189, 287, 292
1001227633..... 243	1001243183..... 420	1704885..... 407, 409	2230025..... 286, 292
1001227634..... 243	1001243184..... 421	1704972..... 113	2300014..... 421
1001227985..... 243	1001243331..... 421	1705084..... 409	2300016..... 19, 421
1001227987..... 243	1001246433..... 421	1705325..... 301, 303	2300019..... 421
1001227993..... 171	1001246860..... 421	1705358..... 253, 255	2300027..... 421
1001227996..... 389, 391	1001246867..... 421	1705460..... 159	2300029..... 421
1001228215..... 199	1001247073..... 422	1705489..... 153, 159	2420202..... 177, 181
1001228224..... 243	1001247468..... 183	1705822..... 407, 409	2460048..... 157
1001228225..... 243	1001247800..... 422	1705828..... 407, 409	2540020... 81, 83, 85, 87
1001228960..... 421	1060341..... 363	1705961..... 407, 409	2540038..... 177, 181
1001229138..... 255	1060379..... 257, 259	1706098..... 411	2560136... 213, 217, 221, 225, 229
1001229341..... 243	1060461..... 347, 351	1706510..... 257	
	1060908..... 355, 357	1787217..... 89	
	1060918..... 239		

SECTION 11 - SPECIAL OPTIONS

2560187.....99, 101, 103, 105	167, 169, 171, 183, 335, 342	3580319 153, 158	4240149.....253, 255
2600281..... 193, 195, 197	3291201 153, 158, 183	3580320 153, 158	4240156.....342
2720058..... 113, 127	3291205 165, 171, 183	3600242 115, 141	4341415.....253, 255
2720398..... 118, 132	3300106 19	3740067 89, 118, 132, 418	4360070..... 158
2720447..... 118, 132	3300151 ... 199, 201, 203, 205	3740086 393	4360328..... 71, 73, 418
2752504.....292	3300220 89, 118, 132	3740140 118, 132, 418	4360336..... 153, 158
2752519.....292	3300243 183	3760170 45	4360387.....73, 213, 217, 221, 225, 229, 418
2780267..... 19, 21	3300353 ... 213, 217, 221, 225, 229	3760351 169	4360407.....213, 217, 221, 225, 229, 418
2780268..... 19, 25	3300396 158	3790012 ... 213, 217, 221, 225, 229	4360436..... 65, 67
2820031.... 153, 157, 342, 349	330040871, 73, 213, 217, 221, 225, 229	3790152 115, 129	4360469..... 71, 73
2820247.....389, 391	3300430245, 247, 251	3820001 ... 407, 409, 413, 415	436047571, 73, 213, 217, 221, 225, 229, 418
2860030.....71, 73, 418	3311001154, 158	3820020 193, 195, 197	436047671, 73, 214, 217, 221, 225, 229, 418
2900756.....39	3311005.....81, 83, 85, 87	3820032 89	4420014.....253, 255
2900770.....265, 279	3311405 ... 177, 181, 207, 209, 211, 249, 301, 303, 305, 307, 309, 311, 313, 315, 317, 319, 321, 323, 325, 327, 329, 407, 409	384114315, 17, 113, 127, 165, 183	4420051.....411, 413, 415
2900792.....267	331150192, 96	3841203 165, 171	4420062.....257, 259
2901443.....422	3311505257, 259	3841258 13, 171	4420066.....253, 255
2902065..... 118, 132, 139	331160192, 96, 213, 218, 222, 226, 230, 249	3841287 171	4460016.....367, 369
2902266.....263	3311605207, 209, 211	3841340 342	4460042.....398
2902443.....361	3311801 19	3900267 154	4460071.....239
2902549....301, 305, 309, 311, 313, 319, 325, 331, 335	3311805177, 181, 183	3900283 177, 181	4460183.....367, 369
2920028.....222, 225, 229	3312005..... 45, 177, 181, 253, 255	3900295 17	4460225.... 158, 363, 365, 367, 369
2920029.....222, 225, 229	332100189, 118, 132	3900300 154	4460226.... 177, 233, 236, 239, 365, 367, 369, 395
2920129.....177	3331211153, 158	3900349 218, 226, 229	4460227.....367, 369
2940074....193, 195, 197, 418	3331215118, 132	3900351 169	4460234.....79, 213, 217, 221, 225, 229
2940173.....99, 101, 103, 105	3340860 167	3910804 71, 73	4460247.....397
3020008.....19	3340956253, 255	3911010 81, 83, 85, 87	4460259.... 367, 369, 398
3020021.....139	3380434207, 209, 211	391101871, 73, 213, 217, 221, 225, 229	4460260.... 367, 369, 398
3020037..... 115, 129	3420352 45	3931408 245, 247	4460265.....233, 236
3160348..... 19, 27	3420372 45	3931424 245	446026765, 67, 367, 369, 397
3250872.....413	3422532113, 127	3931618 115, 129	4460268.....363, 401
3251242.... 153, 307, 317, 323, 327, 329, 407	3422661257, 259	3931620 115	4460313.....361
3252507....305, 309, 311, 313, 315, 319, 321, 325	3422755 165	3960407 118, 132	4460320..... 65, 67
3252692.....415	3422791 167	3960526 19	4460384.....329
3252764.....157	3422792 165	4010405 331, 333	4460384.....329
3272605..... 177, 181	3422793 165	4010417 342	4460418.... 365, 367, 369
3290405.....69, 301, 303, 305, 307, 309, 311, 313, 315, 317, 319, 321, 323, 325, 327, 329, 331, 333, 342	3422806 165	4010418 342	4460419.... 365, 367, 369
3290505..79, 81, 85, 153, 158	3422848 17	4010514 81, 85	4460424.....401
3290601..76, 89, 99, 101, 103, 105	3422848 17	4010618 201, 203, 205	4460425..... 154, 158
3290605....37, 69, 76, 81, 83, 85, 87, 89, 113, 118, 127, 132, 151, 153, 158, 331, 333, 342	3423038 165	4031505 243	4460426.....158
3290606....201, 203, 205	342330415, 17	4031511 342	4460428.... 181, 183, 213, 217, 221, 225, 229
3290801..... 113, 127	3430616218, 226, 230	4031512 69	4460434..... 367, 369
3290805....37, 43, 65, 67, 89, 92, 96, 107, 118, 132, 151, 153, 158, 167, 335, 342	3460334253, 255	4031516 249	4460458.....397
3291001.....183	3470003 ... 213, 218, 222, 226, 230	4032015 153, 158	446046469, 79, 239, 337, 339, 349, 353, 359, 367, 369, 371, 393, 397, 401, 403
3291005....89, 92, 96, 99, 101, 103, 105, 113, 118, 127, 132, 165,	3520026214, 217	4060802 153, 158	4460465.... 177, 337, 339, 345, 353, 359, 361, 363, 367, 369, 371, 395, 397, 398, 401, 403
	3520027214, 217	4060805 118, 132	4460466.... 177, 243, 337, 343, 345, 349, 353, 361, 367, 369, 371, 387, 393, 397, 398, 401, 403
	3520033217, 225	4060806 61	4460467.....422
	3520035 217	4060808 342	4460470....213, 217, 221, 225, 229
	3520054 ... 118, 132, 213, 217, 221, 225, 229	4060906 71, 73	
	3520072 199	4061054 177, 181	
	3520182 251	4070450 45	
	3520189 158	4070560 45	
	3520192154, 158	4070561 45	
	3520198 199	4070897 169	
	3572551 167	4070898 169	
	3580317153, 158	4071101 13	
		4160182 92, 96	
		4240032 ... 79, 81, 83, 85, 87	
		4240033 ... 177, 181, 243, 245, 247, 249	
		4240099 ... 118, 132, 153, 158, 221, 225, 229	

SECTION 11 - SPECIAL OPTIONS

4460471 ... 213, 217, 221, 225, 229	4460944..... 397	4752000..... 45	5261200 113, 127
4460473 342, 345	4460956..... 355, 357	4761000..... 89, 118, 132	5272114 55
4460488 81, 83, 85, 87	4460957..... 355, 357	4761400..... 241	5281920 342
4460496 76	4460967..... 397	4811400..... 69, 301, 303, 305, 307, 309, 311, 313, 315, 317, 319, 321, 323, 325, 327, 329, 342	70000088 57
4460497 76	4460968.... 301, 305, 309, 311, 313, 315, 319, 321, 325	4811600..... 79, 153, 158	70000089 57
4460508 243, 349	4460970..... 367, 369	4811602..... 81, 85	70000100 187
4460509 345, 397	4461005..... 361	4811700.... 69, 76, 81, 83, 85, 87, 89, 99, 101, 103, 105, 113, 118, 127, 132, 153, 158, 201, 203, 205, 331, 333, 343	70000342 173, 175
4460510 422	4461008..... 361	4811702..... 76, 89, 151	70000345 122, 136
4460518 337	4461052..... 361	4811900.... 37, 65, 67, 71, 73, 89, 92, 96, 107, 113, 118, 127, 132, 153, 158, 335	70000619 157
4460536 76	4461070..... 337	4811902.... 167, 169, 342	70000781 39
4460539 401	4461071..... 361	4812000.... 49, 69, 89, 92, 96, 101, 105, 107, 113, 118, 127, 132, 165, 169, 171, 183, 335, 342	70000787 122, 136
4460662 ... 313, 315, 319, 321, 325, 329	4461072..... 361	4812002.... 65, 67, 69, 92, 96	70000793 139
4460708 369	4461073..... 361	481210092, 96, 153, 158, 171, 183	70000797 27
4460709 ... 299, 301, 305, 309, 311, 313, 315, 319, 321, 325	4461074..... 361	4812102.... 65, 67, 92, 96	70000800 121, 135
4460710 ... 299, 301, 305, 309, 311, 313, 315, 319, 321, 325	4461077..... 387, 393	4812200.... 118, 132, 153, 158	70000851 122, 136
4460742 397	4461095..... 337, 361	4812300..... 63	70000863 157
4460743 397	4461196..... 373	4845582..... 257, 259	70000865 59
4460754 401	4461198..... 373	4846573..... 177, 181	70000912 121, 135
4460761 ... 177, 367, 369, 397	4461199..... 375	4846689..... 167	70000913 121, 135
4460806 317, 323, 398	4461201..... 375	4860179..... 31	70000914 121, 135
4460807 363	4461202..... 377, 381	4871700..... 153, 158	70000915 121, 135
4460808 363	4461205..... 379, 383	4891600.... 115, 129, 177, 181, 183	70000916 121, 135
4460836 177, 397, 398	4461244..... 377	4891800..... 19, 115, 129, 177, 181, 183	70000918 121, 135
4460837 397, 398	4461245..... 379	4892000..... 19, 177, 181	70000919 122, 136
4460865 342, 345, 397	4461246..... 385	4892600.... 177, 181, 183	70000931 122, 136
4460866 ... 342, 349, 367, 369	4461249..... 385	4922705..... 177	70001002 121, 135
4460871 ... 365, 367, 369, 397, 398, 401	4520217..... 31	4922869..... 177	70001002 121, 135
4460872 401	4520608..... 33	4922925..... 158	70001100 157
4460873 367, 369, 398	4640261..... 43	4923451..... 119, 133	70001181 121, 135
4460874 367, 369, 397	4640509..... 267	5241200.... 13, 15, 17, 43, 55, 118, 132, 153, 158, 169, 183	70001349 21, 25
4460875 367, 369, 401	4640771..... 279	5250608..... 76	70001384 157
4460876 365	4640858..... 263	5250808..... 154, 158	70001423 121, 135
4460878 398	4641122..... 33, 35	525081071, 73, 154, 158, 185	70001435 122, 136
4460879 367, 369	4641155..... 37	5250812..... 61, 343	70001498 122, 136
4460884 ... 353, 371, 395, 397	4641390.... 269, 271, 273	5251008..... 183	70001654 121, 135
4460887 367, 369, 398	4711000.... 81, 83, 85, 87, 154, 158	5251009..... 169	70001655 121, 135
4460891 ... 337, 339, 353, 359, 398, 401, 403	4711400.... 99, 101, 103, 105, 177, 181, 199, 201, 203, 205, 245, 247, 249, 251, 301, 303, 305, 307, 309, 311, 313, 315, 317, 319, 321, 323, 325, 327, 329	5251010. 37, 49, 169, 185	70001696 154, 157
4460894 ... 361, 369, 397, 403	4711500.... 43, 89, 92, 96, 213, 222, 342	5251012..... 13, 41, 169	70001973 157
4460897 ... 79, 81, 83, 85, 87, 339	4711600.... 153, 158, 177, 181, 218, 226, 230	5251014..... 92, 96, 342	70001974 157
4460899 ... 353, 359, 371, 387, 393, 397, 401, 403	4712000..... 253, 255	5251016..... 183	7000206 21, 25
4460905 ... 365, 367, 369, 397, 398, 401	4740086..... 15, 17	5251215..... 113, 127	70002063 39
4460910 391	4740155..... 17	5260800.. 61, 71, 73, 154, 158	70002088 157
4460911 387	4740158..... 13		70002112 67
4460928 337	4740229..... 13		70002206 57
4460930 361	4740362.... 207, 209, 211		70002207 57
4460931 397	4740491..... 17		70002209 39
4460933 ... 177, 337, 367, 369, 398	4750800..... 343		70002234 122, 136
4460941 387	4751400.... 177, 181, 211, 213, 217, 221, 225, 229, 241, 251, 301, 305, 309, 311, 313, 315, 319, 321, 325, 407, 409		70002257 144
4460942 243	4751500..... 257, 259		7000229 21, 25
4460943 ... 76, 81, 83, 85, 87, 387, 397	4751600.... 207, 209, 211		70002297 157

SECTION 11 - SPECIAL OPTIONS

70002413.....	265	70004257.....	59	70004874.....	189	70005096.....	51
7000246.....	21, 25	70004258.....	59	70004875.....	187	70005097.....	51
70002460.....	157	70004259.....	59	70004876.....	65, 67	70005098.....	51
7000248.....	21, 25	70004260.....	59	70004883.....	39	70005099.....	51
7000253.....	21, 25	70004261.....	59	70004884.....	39	70005100.....	51
7000257.....	21, 25	70004262.....	59	70004885.....	39	70005104.....	169
7000258.....	21, 25	70004263.....	59	70004886.....	39	70005105.....	169
7000261.....	21, 25	70004267.....	53	70004887.....	39	70005139.....	53
7000262.....	21, 25	70004268.....	121, 135	70004888.....	39	70005143.....	267
7000263.....	21, 25	70004269.....	121, 135	70004889.....	143	70005150.....	277
70002649.....	59	70004270.....	122, 136	70004890.....	143	70005151.....	277
70002651.....	59	70004577.....	39	70004891.....	143	70005152.....	277
70002718.....	121, 135	70004676.....	154	70004892.....	143	70005153.....	277
70002838.....	65, 67, 418	70004677.....	154	70004893.....	143	70005154.....	277
70002842.....	263	70004678.....	154	70004894.....	143	70005155.....	267
70002902.....	239	70004679.....	154	70004895.....	143	70005156.....	267
70002903.....	239	70004680.....	154	70004896.....	143	70005157.....	267
70002904.....	239	70004681.....	154	70004897.....	143	70005158.....	267
70002905.....	239	70004682.....	154	70004898.....	143	70005159.....	267
70002962.....	39	70004683.....	154	70004899.....	144	70005160.....	267
70002974.....	51	70004738.....	233	70004900.....	144	70005217.....	51
70003463.....	121, 135, 418	70004739.....	233	70004901.....	144	70005218.....	51
70003464.....	121, 135	70004740.....	233	70004902.....	144	70005219.....	51, 418
70003468.....	122, 136	70004741.....	233	70004903.....	144	70005230.....	233
70003469.....	122, 136	70004742.....	233	70004904.....	144	70005243.....	189
70003472.....	121, 135	70004743.....	233	70004905.....	144	70005483.....	22
70003473.....	121, 135	70004744.....	233	70004906.....	144	70005577.....	273
70003475.....	121, 135	70004745.....	233	70004907.....	144	70005578.....	273
70003479.....	121, 135	70004746.....	233	70004908.....	144	70005667.....	342
70003480.....	121, 135	70004747.....	233	70004909.....	144	70006104.....	271
70003481.....	121, 135	70004748.....	233	70004910.....	144	70006105.....	271
70003612.....	53	70004749.....	233	70004911.....	144	70006256.....	169
70003614.....	65, 67, 418	70004750.....	233	70004958.....	279	70006272.....	169
70003631.....	157	70004751.....	233	70004959.....	279	70006356.....	115, 129
70003708.....	153, 157	70004752.....	235	70004960.....	279	70006428.....	420
70003709.....	153, 157	70004753.....	235	70004964.....	273	70006429.....	422
70003783.....	119, 133, 418	70004754.....	235	70004965.....	273	70006552.....	154
70003788.....	51, 269, 271, 418	70004755.....	235	70004966.....	273	70006553.....	154
70003837.....	265, 275	70004756.....	235	70004967.....	269, 271	70006660.....	187
70003838.....	265, 275	70004757.....	235	70004968.....	269	70006970.....	189
70003931.....	122, 136	70004758.....	235	70004969.....	269, 271	70010383.....	49
70003932.....	122, 136	70004759.....	235	70005010.....	265	7001481.....	144
70003975.....	39	70004760.....	235	70005011.....	265	7001998.....	21, 25
70003977.....	51	70004761.....	235	70005012.....	265, 275	70023370.....	267
70004000.....	53	70004762.....	235	70005013.....	265, 275	70023606.....	39
70004013.....	53	70004763.....	235	70005014.....	265, 275	70024262.....	265
70004014.....	53	70004764.....	235	70005016.....	265, 275	70025082.....	121, 135
70004017.....	39	70004765.....	235	70005017.....	275	70025084.....	121, 122, 135, 136
70004056.....	122, 136	70004766.....	235	70005018.....	275	70025086.....	122, 136
70004058.....	122, 136	70004767.....	235	70005065.....	53	70025088.....	121, 135
70004059.....	122, 136	70004768.....	235	70005066.....	53	70025091.....	121, 135
70004060.....	122, 136	70004769.....	235	70005067.....	53	70025092.....	122, 136
70004062.....	122, 136	70004770.....	235	70005068.....	53	70025121.....	122, 136
70004092.....	154	70004771.....	235	70005069.....	51	70025123.....	121, 122, 135, 136
70004102.....	122, 136	70004772.....	235	70005071.....	51	70025131.....	122, 136
70004103.....	122, 136	70004773.....	235	70005076.....	51	70025139.....	121, 135
70004169.....	157	70004774.....	235	70005080.....	51	70025619.....	265
70004171.....	154, 157	70004775.....	235	70005082.....	51	70025667.....	121, 135
70004249.....	59	70004864.....	187	70005084.....	51	70025693.....	122, 136
70004250.....	59	70004865.....	187	70005085.....	51	70025694.....	122, 136
70004251.....	59	70004866.....	187	70005087.....	51	70025959.....	275
70004252.....	59	70004867.....	187, 189	70005088.....	51	7002821.....	422
70004253.....	59	70004868.....	187	70005089.....	51	7002822.....	422
70004254.....	59	70004869.....	187, 189	70005090.....	51	7002823.....	422
70004255.....	59	70004870.....	187	70005092.....	51	7002828.....	422
70004256.....	59	70004871.....	187, 189, 418	70005094.....	51	7004035.....	57
		70004873.....	189	70005095.....	51		

SECTION 11 - SPECIAL OPTIONS

7004036 57	702017671, 73, 213, 217, 221, 225, 229	7022397.....39	7026050 59
7004043 57	7020403..... 121, 135	7022399.....39, 51	7026051 59
7004044 57	7020430..... 121, 135	7023318.....57	7026052 59
7004045 57	7020460..... 121, 135	7023900.....51	7026053 59
7004047 57	7020465..... 121, 135	7023907.....27	7026057 59
7004049 57	7020468..... 121, 135	7023908.....27	7026188 157
7004275 422	7020471..... 122, 136	7023910.....27	7026330 53
7004276 422	7020479..... 122, 136	7023936.....51	7026597 157
7007289 144	7020492... 121, 122, 135, 136	7024182.....21, 22	7026626 157
7007415 143, 144	7021237..... 143	7024189.....22	7027236 121, 135
7007419 143	7021238..... 143	7024190.....22	7027350 59
7007420 143, 144	7021239..... 143	7024191.....22	7027351 59
7007437 27	7021240..... 143	7024192.....22	7027352 59
7007438 27	7021241..... 143	7024193.....22	7027353 59
7007439 27	7021242..... 143	7024194.....22	7027354 59
7007446 27	7021243..... 143	7024196.....22	7027356 59
7007489 141	7021248..... 143	7024197.....22	7027625 187
7007493 144	7021249..... 27, 143	7024379.....57	7027628 187
7007495 143	7021253..... 143	7024380.....57	7027790 122, 136
7007601 21, 25	7021257..... 143	7024381.....57	7027791 122, 136
7007640 21, 25	7021258..... 143	7024389.....57	7027792 122, 136
7010103 141	7021259..... 143	7024390.....57	7027795 136
7010104 141	7021262..... 143	7024441 65, 67	7027796 122, 136
7010105 141	7021263..... 143	7024453.....57	7027799 157
7010429 21, 25	7021265..... 143	7024485.....157	7027903 122, 136
7010543 39	7021268..... 143	7024488.....157	77363233 363
7012925 269	7021275..... 27	7024489.....157	8008750 89
7012967 39, 271, 273	7021276..... 27, 144	7024565..... 122, 136	80633030 286, 293
7012974 39	7021277..... 27, 144	7024579..... 121, 135	8220045 397
7012987 141	7021278..... 144	7024705.....21	8229242 369, 398, 418
7012988 141	7021281..... 143	7024712.....21, 25	8229244 398, 418
7012998 269, 271, 273	7021289..... 144	7024713.....21, 25	8305401 118, 132
7016331 121, 135, 418	7021290..... 144	7024714.....21, 25	8307109 118, 132
7016654 422	7021293..... 143	7024715.....21, 25	8310070 343
7017059 21, 25	7021299..... 144	7024716.....21, 25	8310548 118, 132
7017067 21, 25	7021625..... 39	7024717.....21	8310614 69
7017070 21, 25	7021639..... 39	7024718.....22	8310668 169
7017080 21, 25	7022300..... 143	7024800..... 143	8310686 92, 96
7017142 173, 175	7022302..... 27	7024854.....27	8406109 119, 133
7017159 173, 175	7022305..... 27	7024855..... 143	8410013 113, 127
7017162 173, 175	7022310..... 27	7024857..... 143	8760477 286, 292
7017163 173, 175	7022311..... 27	7024858..... 143	8765204 287
7017164 173, 175	7022312..... 27	7024868.....27	8770289 286, 292
7017172 173, 175	7022314..... 27	7024881.....39	8786514 31
7017192 173, 175	7022326..... 27	7024884 273	88521205 343
7017195 173, 175	7022328..... 27	7024885 39, 418	88662523 92, 96
7017410 39	7022341..... 143	7026042..... 59	8881800 69, 342
7017467 269, 273	7022346..... 144	7026043..... 59	91164057 51
7017496 39, 269, 271, 273	7022347..... 144	7026044..... 59	91164059 51
7020023 121, 135, 418	7022368..... 27	7026045..... 59	91164079 51
7020026 121, 135	7022371..... 27	7026046..... 59	91203039 183
702017571, 73, 213, 217, 221, 225, 229	7022372..... 27	7026047 59	91554014 353
	7022390..... 51, 271	7026048 59	
		7026049 59	



3121666



An Oshkosh Corporation Company

Corporate Office
JLG Industries, Inc.
1 JLG Drive
McConnellsburg, PA 17233-9533 USA
☎ (717) 485-5161 (Corporate)
☎ (877) 554-5438 (Customer Support)
☎ (717) 485-6417

Visit our website for JLG Worldwide Locations.
www.jlg.com