



Illustrated Parts Manual

***Model
600AJ***

**PVC
2001
2007**

**P/N
31215032**

January 9, 2023 - Rev E

ANSI

CE



AS/NZS



An Oshkosh Corporation Company

REVISION LOG

**November 1, 2019 - A - Original Issue of Manual (Edited to B/M 1001245477 Revision B) USA Built Machines)
A - Original Issue of Manual (Edited to B/M 1001260601 Revision B) (China Built Machines)**

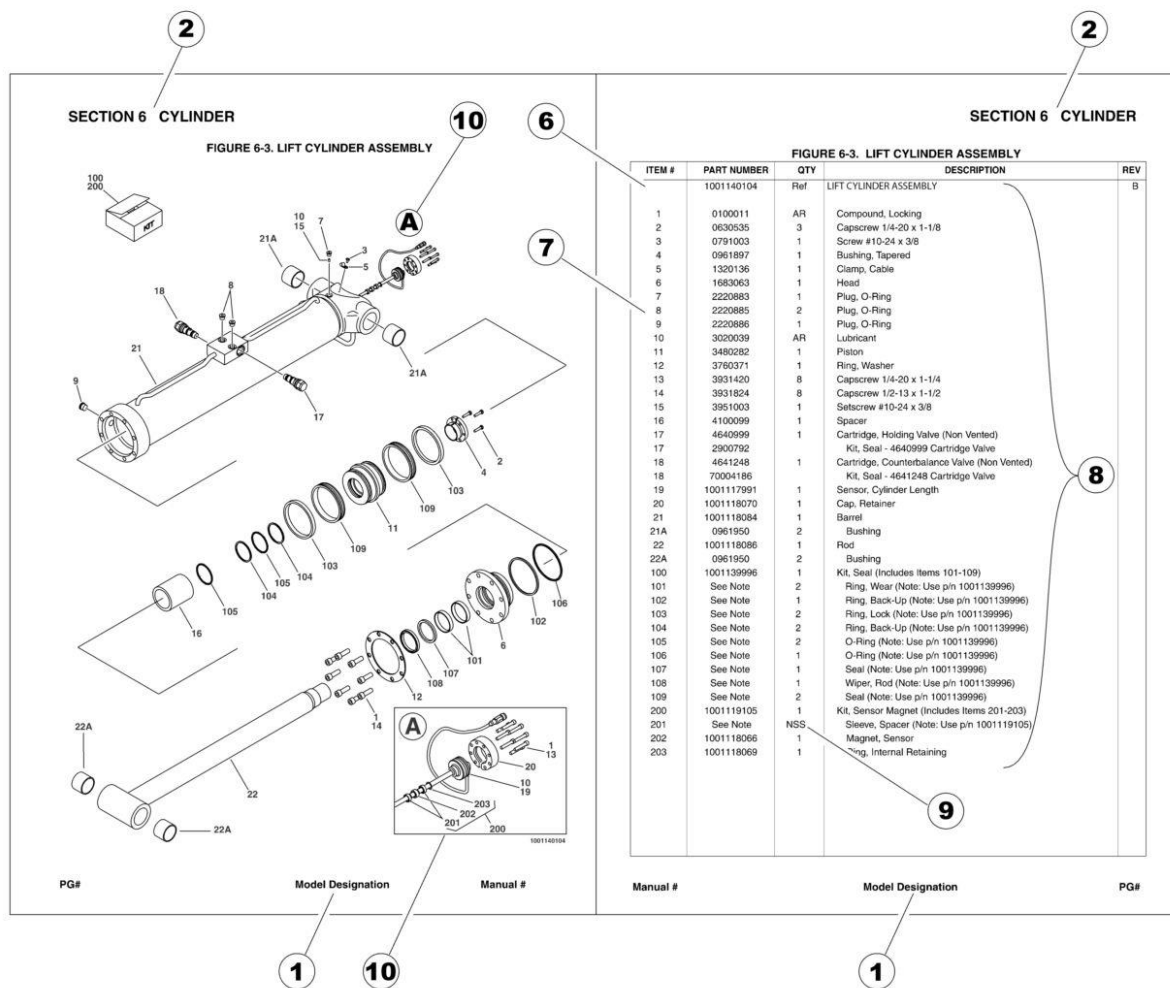
**May 15, 2020 - B - Revised Manual (Edited to B/M 1001245477 Revision H)
B - Revised Manual (Edited to B/M 1001260601 Revision E)**

**January 15, 2021 - C - Revised Manual (Edited to B/M 1001245477 Revision O)
C - Revised Manual (Edited to B/M 1001260601 Revision F)**

**September 30, 2021 - D - Revised Manual (Edited to B/M 1001245477 Revision O)
D - Revised Manual (Edited to B/M 1001260601 Revision F)**

**January 9, 2023 - E - Revised Manual (Edited to B/M 1001245477 Revision O)
E - Revised Manual (Edited to B/M 1001260601 Revision F)**

GENERAL INFORMATION



1) MACHINE IDENTIFICATION

Machines are identified by model and in some cases a combination of models, serial number (SN) or regional standard (i.e ANSI, CE, CSA). Components may also be identified by SN or manufacturer. Common components that may be identified by these characteristics are engines and hydraulic components.

2) PARTS MANUAL ORGANIZATION

Product information in this manual is organized under section titles. Frame, Cylinder, Hydraulic and Electrical are a few examples. Each section is organized by figure and page number. The information within the Figure is then organized by item number, part number, description and corresponding illustration (s).

3) TABLE OF CONTENTS (NOT SHOWN)

A table of contents is found toward the beginning of the manual. Figure number, description and page number are provided for quick reference to the page containing the related information.

4) RECOMMENDED SPARE PARTS (NOT SHOWN)

The Recommended Spare Parts List, located near the end of the manual, reference most frequently used maintenance parts.

5) PART NUMBER INDEX (NOT SHOWN)

A numerical index listing all part numbers and the corresponding page number(s) appears at the back of the manual.

GENERAL INFORMATION

6) NON-SERVICED PARTS

In some instances, it is necessary to display non-serviced parts, assemblies or installations. In the case of assemblies and installations there will be a Ref in the Qty. column. In case of parts that are not available for service within assemblies or components, there will be a NSS (Not Sold Separately) or NLA (No Longer Available) listed in the Qty. column of the manual.

7) PARTS LIST ITEM NUMBERS

Numbers shown in the item# column correspond to numbers used in the associated illustration (s). Item numbers which are missing from the sequence in the parts list are not used on that page.

8) INDENTED PARTS DESCRIPTION

An indented part description is included in the item under which it is indented.

9) ABBREVIATION AND SYMBOLS

AC.....	Alternating Current	L.....	Liter
ADE.....	Advanced Design Electronics	LB(LBS).....	Pounds
AG.....	Agricultural	LCD.....	Liquid Crystal Display
ANSI.....	American National Standards Institute	LED.....	Light Emitting Diodes
AR.....	As Required	LH.....	Left Hand
ASSY.....	Assembly	LRC.....	Low Rated Countries
AUS.....	Australia	LSS.....	Load Sensing System
AUX.....	Auxiliary	M(m).....	Metric/Meter
AWG.....	American Wire Gauge	MM(mm).....	Milimeter
B/M.....	Bill of Material	mA.....	Miliamps
CAC.....	Charge Air Cooler	NLA.....	No Longer Available
CE.....	European Conformity	NPT.....	National Pipe Threads
CCW.....	Counter Clockwise	NSS.....	Not Sold Separately
CM.....	Centimeter	OD.....	Outside Diameter
CW.....	Clockwise	ORB.....	O-Ring Boss
CSA.....	Canadian Standards Association	ORFS.....	O-Ring Face Seal
CYL.....	Cylinder	OZ (oz).....	Ounces
DIA.....	Diameter	PG.....	Page
DC.....	Direct Current	PN.....	Part Number
DEF.....	Diesel Exhaust Fluid	QT(qt.).....	Quarts
EMS.....	Emergency Stop	QTY.....	Quantity
ENG.....	Engine	REF.....	Reference
FT(ft).....	Feet	REV.....	Revision Level
GA(Ga).....	Gauge	RH.....	Right Hand
HRC.....	High Rated Countries	SAE.....	Society of Automotive Engineers
HVAC.....	Heating, Ventilating, and Air Conditioning	SN.....	Serial Number
HYD.....	Hydraulic	SPEC(S).....	Specifications
Hz.....	Hertz	T/T.....	Turntable
ID.....	Inside Diameter	UGM.....	Universal Ground Module
IN.....	inches	V.....	Volts
ISO.....	International Organization for Standards	W.....	Watts
JIC.....	Joint Industry Council	#.....	Number
KG.....	Kilogram		

10) ILLUSTRATION REFERENCE LETTERS

When necessary, illustrations may contain reference letters that are intended to track information (i. e. hoses, harnesses) from one point to another or to track visual enlargement of components to show details that may be located in another area on the illustration.

Note: Due to continuous product improvements, JLG Industries, Inc. reserves the right to make specification changes without prior notification. Contact JLG Industries, Inc. for updated information.

TABLE OF CONTENTS

SECTION 1 - FRAME.....	21
FIGURE 1-1. AXLE INSTALLATION - OSCILLATING (WITHOUT TOW PACKAGE) (8FT/2.4M WIDE MACHINES) (USA BUILT MACHINES - PVC 2001 & 2007, CHINA BUILT MACHINES - PVC 2007)	22
FIGURE 1-2. AXLE INSTALLATION - OSCILLATING (WITHOUT TOW PACKAGE) (8FT/2.4M WIDE MACHINES) (CHINA BUILT MACHINES) (PVC 2001).....	24
FIGURE 1-3. AXLE INSTALLATION - OSCILLATING (WITH TOW PACKAGE) (8FT/2.4M WIDE MACHINES) (USA BUILT MACHINES)	26
FIGURE 1-4. AXLE INSTALLATION - FIXED (WITHOUT TOW PACKAGE) (8FT/2.4M WIDE MACHINES) (USA BUILT MACHINES - PVC 2001 & 2007, CHINA BUILT MACHINES - PVC 2007)	28
FIGURE 1-5. AXLE INSTALLATION - FIXED (WITHOUT TOW PACKAGE) (8FT/2.4M WIDE MACHINES) (CHINA BUILT MACHINES) (PVC 2001).....	30
FIGURE 1-6. AXLE INSTALLATION - OSCILLATING (WITHOUT TOW PACKAGE) (7FT/2.1M WIDE MACHINES) (USA BUILT MACHINES)	32
FIGURE 1-7. AXLE INSTALLATION - OSCILLATING (WITH TOW PACKAGE) (7FT/2.1M WIDE MACHINES) (USA BUILT MACHINES)	34
FIGURE 1-8. AXLE INSTALLATION - FIXED (WITHOUT TOW PACKAGE) (7FT/2.1M WIDE MACHINES) (USA BUILT MACHINES)	36
FIGURE 1-9. STEERING INSTALLATION - 2WD/2WS (8FT/2.4M WIDE MACHINES WITHOUT TOW PACKAGE) (USA BUILT MACHINES - PVC 2001 & 2007, CHINA BUILT MACHINES - PVC 2007)	38
FIGURE 1-10. STEERING INSTALLATION – 2WD/2WS (8FT/2.4M WIDE MACHINES WITHOUT TOW PACKAGE) (CHINA BUILT MACHINES) (PVC 2001).....	40
FIGURE 1-11. STEERING INSTALLATION - 4WD/2WS (8FT/2.4M WIDE MACHINES WITHOUT TOW PACKAGE) (USA BUILT MACHINES - PVC 2001 & 2007, CHINA BUILT MACHINES - PVC 2007)	42
FIGURE 1-12. STEERING INSTALLATION - 4WD/2WS (8FT/2.4M WIDE MACHINES WITHOUT TOW PACKAGE) (CHINA BUILT MACHINES) (PVC 2001).....	44
FIGURE 1-13. STEERING INSTALLATION - 4WD/4WS (8FT/2.4M WIDE MACHINES WITHOUT TOW PACKAGE) (CHINA BUILT MACHINES) (PVC 2001).....	46
FIGURE 1-14. STEERING INSTALLATION - 2WD/2WS (8FT/2.4M WIDE MACHINES WITH TOW PACKAGE) (USA BUILT MACHINES)	48
FIGURE 1-15. STEERING INSTALLATION - 4WD/2WS (8FT/2.4M WIDE MACHINES WITH TOW PACKAGE) (USA BUILT MACHINES)	50
FIGURE 1-16. STEERING INSTALLATION - 2WD/4WS (7FT/2.1M WIDE MACHINES WITHOUT TOW PACKAGE) (USA BUILT MACHINES)	52
FIGURE 1-17. STEERING INSTALLATION - 2WD/4WS (7FT/2.1M WIDE MACHINES WITH TOW PACKAGE) (USA BUILT MACHINES)	54
FIGURE 1-18. HUB ASSEMBLY	56
FIGURE 1-19. WHEEL DRIVE INSTALLATION - 2WD/2WS (USA BUILT MACHINES - PVC 2001 & 2007, CHINA BUILT MACHINES - PVC 2007)	58
FIGURE 1-20. WHEEL DRIVE INSTALLATION – 2WD/2WS (CHINA BUILT MACHINES) (PVC 2001)	60
FIGURE 1-21. WHEEL DRIVE INSTALLATION - 2WD/4WS (USA BUILT MACHINES)	62
FIGURE 1-22. WHEEL DRIVE INSTALLATION - 4WD/2WS (USA BUILT MACHINES - PVC 2001 & 2007, CHINA BUILT MACHINES - PVC 2007)	64
FIGURE 1-23. WHEEL DRIVE INSTALLATION - 4WD/2WS (CHINA BUILT MACHINES) (PVC 2001).....	66
FIGURE 1-24. WHEEL DRIVE INSTALLATION - 4WD/4WS (USA BUILT MACHINES - PVC 2001 & 2007, CHINA BUILT MACHINES - PVC 2007)	68
FIGURE 1-25. WHEEL DRIVE INSTALLATION - 4WD/4WS (CHINA BUILT MACHINES) (PVC 2001).....	70
FIGURE 1-26. TIRE AND WHEEL INSTALLATION - FOAM FILLED.....	72
FIGURE 1-27. TIRE AND WHEEL INSTALLATION - FOAM FILLED NON-MARKING.....	74
FIGURE 1-28. TIRE AND WHEEL INSTALLATION - SOLIDBOSS	76
FIGURE 1-29. TIRE AND WHEEL INSTALLATION - SOLIDBOSS NON-MARKING.....	78
FIGURE 1-30. DRIVE HUB ASSEMBLY (USA BUILT MACHINES - PVC 2001 & 2007, CHINA BUILT MACHINES - PVC 2007).....	80

TABLE OF CONTENTS

FIGURE 1-31. DRIVE HUB ASSEMBLY (CHINA BUILT MACHINES) (PVC 2001).....	84
FIGURE 1-32. DRIVE MOTOR ASSEMBLY - 2WD (USA BUILT MACHINES - PVC 2001 & 2007, CHINA BUILT MACHINES - PVC 2007).....	88
FIGURE 1-33. DRIVE MOTOR ASSEMBLY - 4WD (USA BUILT MACHINES - PVC 2001 & 2007, CHINA BUILT MACHINES - PVC 2007).....	90
FIGURE 1-34. DRIVE MOTOR ASSEMBLY – 2WD (CHINA BUILT MACHINES) (PVC 2001).....	92
FIGURE 1-35. DRIVE MOTOR ASSEMBLY – 4WD (CHINA BUILT MACHINES) (PVC 2001).....	94
FIGURE 1-36. FLOW DIVIDER VALVE ASSEMBLY – 2WD (PVC 2001).....	96
FIGURE 1-37. FLOW DIVIDER VALVE ASSEMBLY – 2WD (PVC 2007).....	98
FIGURE 1-38. FLOW DIVIDER VALVE ASSEMBLY – 4WD.....	100
FIGURE 1-39. FRAME SHIELDS INSTALLATION – 2WS (8FT/2.4M WIDE MACHINES) (USA BUILT MACHINES - PVC 2001 & 2007, CHINA BUILT MACHINES - PVC 2007).....	102
FIGURE 1-40. FRAME SHIELDS INSTALLATION – 2WS (8FT/2.4M WIDE MACHINES) (CHINA BUILT MACHINES) (PVC 2001).....	104
FIGURE 1-41. FRAME SHIELDS INSTALLATION – 4WS (8FT/2.4M WIDE MACHINES) (USA BUILT MACHINES - PVC 2001 & 2007, CHINA BUILT MACHINES - PVC 2007).....	106
FIGURE 1-42. FRAME SHIELDS INSTALLATION – 4WS (8FT/2.4M WIDE MACHINES) (CHINA BUILT MACHINES) (PVC 2001).....	108
FIGURE 1-43. FRAME SHIELDS INSTALLATION – 2WS (7FT/2.1M WIDE MACHINES) (USA BUILT MACHINES).....	110
FIGURE 1-44. TOW PACKAGE INSTALLATION (ANSI SPECS) (OPTIONAL).....	112
FIGURE 1-45. TOW PACKAGE INSTALLATION (CSA SPECS) (OPTIONAL).....	114
FIGURE 1-46. TOW PACKAGE INSTALLATION (CE SPECS) (OPTIONAL).....	116
FIGURE 1-47. TOW BAR ASSEMBLY.....	118
SECTION 2 - TURNTABLE.....	121
FIGURE 2-1. CONTROL VALVES INSTALLATION - 2WS WITH DEUTZ D2011 AND DEUTZ D2011 (STAGE V) ENGINES (USA BUILT MACHINES - PVC 2001 & 2007, CHINA BUILT MACHINES - PVC 2007).....	122
FIGURE 2-2. CONTROL VALVES INSTALLATION - 2WS WITH DEUTZ TD2.2L3 (STAGE V), DEUTZ TD2.9L4 AND FORD DF 2.5L ENGINES (USA BUILT MACHINES).....	124
FIGURE 2-3. CONTROL VALVES INSTALLATION – 2WS WITH DEUTZ D2011 ENGINES (CHINA BUILT MACHINES) (PVC 2001).....	126
FIGURE 2-4. CONTROL VALVES INSTALLATION – 4WS WITH DEUTZ D2011 AND DEUTZ D2011 (STAGE V) ENGINES (USA BUILT MACHINES - PVC 2001 & 2007, CHINA BUILT MACHINES - PVC 2007).....	128
FIGURE 2-5. CONTROL VALVES INSTALLATION – 4WS WITH DEUTZ TD2.2L3 (STAGE V), DEUTZ TD2.9L4 AND FORD DF 2.5L ENGINES (USA BUILT MACHINES).....	130
FIGURE 2-6. CONTROL VALVES INSTALLATION – 4WS WITH DEUTZ D2011 ENGINES (CHINA BUILT MACHINES) (PVC 2001).....	132
FIGURE 2-7. MAIN VALVE BLOCK ASSEMBLY – 2WS (USA BUILT MACHINES - PVC 2001 & 2007, CHINA BUILT MACHINES - PVC 2007).....	136
FIGURE 2-8. MAIN VALVE BLOCK ASSEMBLY – 4WS (USA BUILT MACHINES - PVC 2001 & 2007, CHINA BUILT MACHINES - PVC 2007).....	140
FIGURE 2-9. MAIN VALVE BLOCK ASSEMBLY (CHINA BUILT MACHINES) (PVC 2001).....	144
FIGURE 2-10. ARTICULATING JIB VALVE ASSEMBLY (CHINA BUILT MACHINES) (PVC 2001).....	148
FIGURE 2-11. VALVE ASSEMBLY – 4WS (CHINA BUILT MACHINES) (PVC 2001).....	150
FIGURE 2-12. AUXILIARY PUMP INSTALLATION – DEUTZ TD2.9L4, DEUTZ D2.9L4 AND FORD ENGINES).....	152
FIGURE 2-13. AUXILIARY PUMP WITH BATTERY DISCONNECT INSTALLATION (DEUTZ TD2.2L3 (STAGE V), DEUTZ TD2.9L4, DEUTZ D2.9L4 AND FORD ENGINES).....	154
FIGURE 2-14. AUXILIARY PUMP ASSEMBLY.....	156
FIGURE 2-15. SWING DRIVE INSTALLATION (USA BUILT MACHINES - PVC 2001 & 2007, CHINA BUILT MACHINES - PVC 2007).....	158
FIGURE 2-16. SWING DRIVE INSTALLATION (CHINA BUILT MACHINES) (PVC 2001).....	160

TABLE OF CONTENTS

FIGURE 2-17. SWING MOTOR/HUB ASSEMBLY (USA BUILT MACHINES - PVC 2001 & 2007, CHINA BUILT MACHINES - PVC 2007)	162
FIGURE 2-18. SWING MOTOR/BRAKE/HUB ASSEMBLY (PARKER/FAIRFIELD) (CHINA BUILT MACHINES) (PVC 2001) ...	166
FIGURE 2-19. TURNTABLE BEARING INSTALLATION (USA BUILT MACHINES - PVC 2001 & 2007, CHINA BUILT MACHINES - PVC 2007)	170
FIGURE 2-20. TURNTABLE BEARING INSTALLATION (CHINA BUILT MACHINES) (PVC 2001)	172
FIGURE 2-21. REMOTE BEARING LUBE INSTALLATION (CHINA BUILT MACHINES) (PVC 2001)	174
FIGURE 2-22. TURNTABLE LOCK INSTALLATION (DEUTZ D2011 AND FORD DF 2.5L ENGINE MACHINES)	176
FIGURE 2-23. TURNTABLE LOCK INSTALLATION (DEUTZ TD2.2L3 (STAGE V) AND DEUTZ TD2.9L4 ENGINE MACHINES)	178
FIGURE 2-24. ROTARY COUPLING INSTALLATION – 2WS	180
FIGURE 2-25. ROTARY COUPLING INSTALLATION – 4WS	182
FIGURE 2-26. TANK INSTALLATION – DEUTZ D2011 ENGINE (USA BUILT MACHINES - PVC 2001 & 2007, CHINA BUILT MACHINES - PVC 2007)	184
FIGURE 2-27. TANK INSTALLATION – DEUTZ D2011 ENGINE (CHINA BUILT MACHINES) (PVC 2001)	186
FIGURE 2-28. TANK INSTALLATION – DEUTZ TD2.2L3 (STAGE V) AND DEUTZ TD2.9L4 ENGINE (USA BUILT MACHINES)	188
FIGURE 2-29. TANK INSTALLATION – FORD DE 2.5L ENGINE (USA BUILT MACHINES)	190
FIGURE 2-30. HYDRAULIC OIL TANK ASSEMBLY	192
FIGURE 2-31. LP TANK BRACKET INSTALLATION – FORD DF 2.5L (8FT/2.4M WIDE MACHINES)	194
FIGURE 2-32. LP TANK BRACKET INSTALLATION – FORD DF 2.5L (7FT/2.1M WIDE MACHINES)	196
FIGURE 2-33. HYDRAULIC OIL COOLER INSTALLATION - DEUTZ D2011 ENGINES (USA BUILT MACHINES - PVC 2001 & 2007, CHINA BUILT MACHINES - PVC 2007) (OPTIONAL)	198
FIGURE 2-34. HYDRAULIC OIL COOLER INSTALLATION - DEUTZ D2011 ENGINES (CHINA BUILT MACHINES) (PVC 2001) (OPTIONAL)	200
FIGURE 2-35. HYDRAULIC OIL COOLER INSTALLATION - DEUTZ TD2.2L3 ENGINES (USA BUILT MACHINES) (OPTIONAL)	202
FIGURE 2-36. HYDRAULIC OIL COOLER INSTALLATION - DEUTZ TD2.9L4 ENGINES (USA BUILT MACHINES) (OPTIONAL)	204
FIGURE 2-37. HYDRAULIC OIL COOLER INSTALLATION – FORD DF 2.5L ENGINES (USA BUILT MACHINES - PVC 2001 & 2007, CHINA BUILT MACHINES - PVC 2007) (OPTIONAL)	206
FIGURE 2-38. GROUND CONTROL BOX ASSEMBLY - WITH JIB (DEUTZ D2011 AND DEUTZ D2011 (STAGE V) ENGINES) (USA BUILT MACHINES) (PVC 2001)	208
FIGURE 2-39. PLATFORM CONSOLE AND FOOTSWITCH INSTALLATION	210
FIGURE 2-40. GROUND CONTROL BOX ASSEMBLY – DEUTZ D2011 ENGINE (CHINA BUILT MACHINES) (PVC 2001)	212
FIGURE 2-41. GROUND CONTROL BOX ASSEMBLY – WITHOUT JIB (DEUTZ D2011 ENGINE) (USA BUILT MACHINES - PVC 2001 & 2007, CHINA BUILT MACHINES - PVC 2007)	214
FIGURE 2-42. GROUND CONTROL BOX ASSEMBLY - WITH JIB (DEUTZ D2011 AND DEUTZ D2011 (STAGE V) ENGINES) (USA BUILT MACHINES) (PVC 2001)	218
FIGURE 2-43. GROUND CONTROL BOX ASSEMBLY - DEUTZ TD2.2L3 (STAGE V) ENGINES (USA BUILT MACHINES) ...	222
FIGURE 2-44. GROUND CONTROL BOX ASSEMBLY - DEUTZ TD2.9L4 AND D2.9L4 ENGINE (USA BUILT MACHINES)	226
FIGURE 2-45. GROUND CONTROL BOX ASSEMBLY – FORD DF 2.5L ENGINE (USA BUILT MACHINES)	230
FIGURE 2-46. CONSOLE BOX ASSEMBLY WITH FOOTSWITCH	234
FIGURE 2-47. CONSOLE BOX ASSEMBLY WITH FOOTSWITCH	238
FIGURE 2-48. CONSOLE BOX ASSEMBLY WITH FOOTSWITCH	242
FIGURE 2-49. CONSOLE BOX ASSEMBLY WITH FOOTSWITCH	246
FIGURE 2-50. CONSOLE BOX ASSEMBLY WITH FOOTSWITCH	250
FIGURE 2-51. LIGHT PANEL INSTALLATION – GROUND CONTROL	254
FIGURE 2-52. CRIBBING ENABLE SWITCH INSTALLATION	256

TABLE OF CONTENTS

FIGURE 2-53. ALARMS INSTALLATION (USA BUILT MACHINES - PVC 2001 & 2007, CHINA BUILT MACHINES - PVC 2007)	258
FIGURE 2-54. ALARMS INSTALLATION (CHINA BUILT MACHINES) (PVC 2001)	260
FIGURE 2-55. BACKUP ALARM (WHITE NOISE) INSTALLATION (USA BUILT MACHINES - PVC 2001 & 2007, CHINA BUILT MACHINES - PVC 2007)	262
FIGURE 2-56. BACKUP ALARM AMBIENT (WHITE NOISE) INSTALLATION (USA BUILT MACHINES - PVC 2001 & 2007, CHINA BUILT MACHINES - PVC 2007)	264
FIGURE 2-57. BACKUP ALARM AMBIENT (WHITE NOISE) INSTALLATION (CHINA BUILT MACHINES) (PVC 2001)	266
FIGURE 2-58. HEAD AND TAIL LIGHTS INSTALLATION (OPTIONAL) (USA BUILT MACHINES - PVC 2001 & 2007, CHINA BUILT MACHINES - PVC 2007)	268
FIGURE 2-59. HEAD AND TAIL LIGHTS INSTALLATION (OPTIONAL) (CHINA BUILT MACHINES) (PVC 2001)	270
FIGURE 2-60. CHASSIS ILLUMINATION LIGHTS INSTALLATION (OPTIONAL) (PVC 2007)	272
FIGURE 2-61. CHASSIS ILLUMINATION LIGHTS INSTALLATION (OPTIONAL) (PVC 2001)	274
FIGURE 2-62. STROBE LIGHT INSTALLATION (AMBER) (USA BUILT MACHINES - PVC 2001 & 2007, CHINA BUILT MACHINES - PVC 2007)	276
FIGURE 2-63. STROBE LIGHT INSTALLATION (AMBER) (CHINA BUILT MACHINES) (PVC 2001)	278
FIGURE 2-64. STROBE LIGHT INSTALLATION (BLUE)	280
FIGURE 2-65. STROBE LIGHT INSTALLATION (RED)	282
FIGURE 2-66. ENGINE TRAY JACK INSTALLATION – DEUTZ D2011 ENGINES (OPTIONAL)	284
FIGURE 2-67. ENGINE TRAY JACK INSTALLATION – DEUTZ TD2.2L3 (STAGE V) AND DEUTZ TD2.9L4 ENGINES (OPTIONAL)	286
FIGURE 2-68. ENGINE TRAY JACK INSTALLATION – FORD DF 2.5L ENGINES (OPTIONAL)	288
FIGURE 2-69. HOODS INSTALLATION – DEUTZ D2011 ENGINES WITHOUT NOISE REDUCTION (ABS)	290
FIGURE 2-70. HOODS INSTALLATION – DEUTZ D2011 ENGINES WITH NOISE REDUCTION (ABS)	294
FIGURE 2-71. HOODS INSTALLATION – DEUTZ TD2.2L3 (STAGE V) ENGINES (ABS)	298
FIGURE 2-72. HOODS INSTALLATION – DEUTZ TD2.9L4 AND FORD DF 2.5L ENGINES (ABS)	302
FIGURE 2-73. NOISE REDUCTION INSTALLATION - DEUTZ TD2.2L3 (STAGE V) ENGINES (USA BUILT MACHINES)	306
FIGURE 2-74. NOISE REDUCTION INSTALLATION (USA BUILT MACHINES - PVC 2001 & 2007, CHINA BUILT MACHINES - PVC 2007)	308
FIGURE 2-75. NOISE REDUCTION INSTALLATION (CHINA BUILT MACHINES) (PVC 2001)	310
SECTION 3 - ENGINE	313
FIGURE 3-1. DEUTZ D2011 ENGINE INSTALLATION – WITHOUT ARCTIC PACKAGE (USA BUILT MACHINES - PVC 2001 & 2007, CHINA BUILT MACHINES - PVC 2007)	314
FIGURE 3-2. DEUTZ D2011 ENGINE INSTALLATION – WITH ARCTIC PACKAGE (USA BUILT MACHINES - PVC 2001 & 2007, CHINA BUILT MACHINES - PVC 2007)	316
FIGURE 3-3. DEUTZ D2011 ENGINE INSTALLATION – WITHOUT ARCTIC PACKAGE (CHINA BUILT MACHINES) (PVC 2001)	318
FIGURE 3-4. DEUTZ D2011 ENGINE INSTALLATION – WITH ARCTIC PACKAGE (CHINA BUILT MACHINES) (PVC 2001)	320
FIGURE 3-5. DEUTZ D2011 (STAGE V) ENGINE INSTALLATION (USA BUILT MACHINES) (PVC 2001)	324
FIGURE 3-6. DEUTZ D2011 ENGINE/PUMP SUB-ASSEMBLY – WITHOUT ARCTIC PACKAGE (USA BUILT MACHINES - PVC 2001 & 2007, CHINA BUILT MACHINES - PVC 2007)	326
FIGURE 3-7. DEUTZ D2011 ENGINE/PUMP SUB-ASSEMBLY – WITH ARCTIC PACKAGE (USA BUILT MACHINES - PVC 2001 & 2007, CHINA BUILT MACHINES - PVC 2007)	328
FIGURE 3-8. DEUTZ D2011 ENGINE/PUMP SUB-ASSEMBLY – WITHOUT ARCTIC PACKAGE (CHINA BUILT MACHINES) (PVC 2001)	330
FIGURE 3-9. DEUTZ D2011 ENGINE/PUMP SUB-ASSEMBLY – WITH ARCTIC PACKAGE (CHINA BUILT MACHINES) (PVC 2001)	332
FIGURE 3-10. DEUTZ D2011 (STAGE V) ENGINE/PUMP SUB-ASSEMBLY (USA BUILT MACHINES) (PVC 2001)	334
FIGURE 3-11. DEUTZ D2011 ENGINE ASSEMBLY – WITHOUT ARCTIC PACKAGE (USA BUILT MACHINES - PVC 2001 & 2007, CHINA BUILT MACHINES - PVC 2007)	336

TABLE OF CONTENTS

FIGURE 3-12. DEUTZ D2011 ENGINE ASSEMBLY – WITH ARCTIC PACKAGE (USA BUILT MACHINES - PVC 2001 & 2007, CHINA BUILT MACHINES - PVC 2007).....	340
FIGURE 3-13. DEUTZ D2011 ENGINE ASSEMBLY – WITHOUT ARCTIC PACKAGE (CHINA BUILT MACHINES) (PVC 2001)	344
FIGURE 3-14. DEUTZ D2011 ENGINE ASSEMBLY – WITHOUT ARCTIC PACKAGE (CHINA BUILT MACHINES) (PVC 2001)	348
FIGURE 3-15. DEUTZ D2011 (STAGE V) ENGINE ASSEMBLY (USA BUILT MACHINES) (PVC 2001)	352
FIGURE 3-16. DEUTZ D2011 ENGINE COMPONENTS	356
FIGURE 3-17. DEUTZ D2011 (STAGE V) ENGINE COMPONENTS	360
FIGURE 3-18. DEUTZ TD2.2L3 (STAGE V) ENGINES INSTALLATION - WITHOUT ARCTIC PACKAGE (USA BUILT MACHINES)	364
FIGURE 3-19. DEUTZ TD2.2L3 (STAGE V) ENGINE/PUMP SUB-ASSEMBLY – WITHOUT ARCTIC PACKAGE (USA BUILT MACHINES)	368
FIGURE 3-20. DEUTZ TD2.2L3 (STAGE V) ENGINES ASSEMBLY – WITHOUT ARCTIC PACKAGE (USA BUILT MACHINES)	370
FIGURE 3-21. DEUTZ TD2.2L3 (STAGE V) ENGINE COMPONENTS (USA BUILT MACHINES)	376
FIGURE 3-22. DEUTZ TD2.9L4 ENGINE INSTALLATION - WITHOUT ARCTIC PACKAGE (USA BUILT MACHINES)	380
FIGURE 3-23. DEUTZ TD2.9L4 ENGINE INSTALLATION - WITH ARCTIC PACKAGE (USA BUILT MACHINES).....	384
FIGURE 3-24. DEUTZ TD2.9L4 ENGINE/PUMP SUB-ASSEMBLY – WITHOUT ARCTIC PACKAGE (USA BUILT MACHINES)	388
FIGURE 3-25. DEUTZ TD2.9L4 ENGINE/PUMP SUB-ASSEMBLY – WITH ARCTIC PACKAGE (USA BUILT MACHINES)	390
FIGURE 3-26. DEUTZ TD2.9L4 ENGINE ASSEMBLY – WITHOUT ARCTIC PACKAGE (USA BUILT MACHINES) (PVC 2001)	392
FIGURE 3-27. DEUTZ TD2.9L4 ENGINE ASSEMBLY – WITHOUT ARCTIC PACKAGE (USA BUILT MACHINES) (PVC 2007)	398
FIGURE 3-28. DEUTZ TD2.9L4 ENGINE ASSEMBLY – WITH ARCTIC PACKAGE (USA BUILT MACHINES) (PVC 2001)	404
FIGURE 3-29. DEUTZ TD2.9L4 ENGINE ASSEMBLY – WITH ARCTIC PACKAGE (USA BUILT MACHINES) (PVC 2007)	410
FIGURE 3-30. DEUTZ TD2.9L4 ENGINE COMPONENTS	416
FIGURE 3-31. DEUTZ D2.9L4 ENGINE INSTALLATION - WITHOUT ARCTIC PACKAGE (USA BUILT MACHINES)	420
FIGURE 3-32. DEUTZ D2.9L4 ENGINE INSTALLATION - WITH ARCTIC PACKAGE (USA BUILT MACHINES).....	424
FIGURE 3-33. DEUTZ D2.9L4 ENGINE/PUMP SUB-ASSEMBLY – WITHOUT ARCTIC PACKAGE (USA BUILT MACHINES)	428
FIGURE 3-34. DEUTZ D2.9L4 ENGINE/PUMP SUB-ASSEMBLY – WITH ARCTIC PACKAGE (USA BUILT MACHINES)	430
FIGURE 3-35. DEUTZ D2.9L4 ENGINE ASSEMBLY – WITHOUT ARCTIC PACKAGE (USA BUILT MACHINES) (PVC 2001)	432
FIGURE 3-36. DEUTZ D2.9L4 ENGINE ASSEMBLY – WITHOUT ARCTIC PACKAGE (USA BUILT MACHINES) (PVC 2007)	438
FIGURE 3-37. DEUTZ D2.9L4 ENGINE ASSEMBLY – WITH ARCTIC PACKAGE (USA BUILT MACHINES) (PVC 2001).....	444
FIGURE 3-38. DEUTZ D2.9L4 ENGINE ASSEMBLY – WITH ARCTIC PACKAGE (USA BUILT MACHINES) (PVC 2007).....	450
FIGURE 3-39. ENGINE COMPONENTS - DEUTZ D2.9L4 ENGINE	456
FIGURE 3-40. BRACKET ASSEMBLY - FUEL PUMP AND FILTER (DEUTZ D2.2L3 (STAGE V) ENGINES).....	460
FIGURE 3-41. BRACKET ASSEMBLY - FUEL PUMP AND FILTER (DEUTZ D2.9L4 ENGINE).....	462
FIGURE 3-42. BREATHER HEATER INSTALLATION - DEUTZ D2.9L4 ENGINES WITH ARCTIC PACKAGE (USA BUILT MACHINES)	464
FIGURE 3-43. FORD ENGINE INSTALLATION - WITHOUT ARCTIC PACKAGE	466
FIGURE 3-44. FORD ENGINE INSTALLATION - WITH ARCTIC PACKAGE	470
FIGURE 3-45. FORD ENGINE/PUMP SUB-ASSEMBLY - WITHOUT ARCTIC PACKAGE.....	474
FIGURE 3-46. FORD ENGINE/PUMP SUB-ASSEMBLY - WITH ARCTIC PACKAGE	476
FIGURE 3-47. FORD ENGINE ASSEMBLY - WITHOUT ARCTIC PACKAGE	478
FIGURE 3-48. FORD ENGINE ASSEMBLY - WITH ARCTIC PACKAGE	484
FIGURE 3-49. FORD ENGINE COMPONENTS.....	490
FIGURE 3-50. DRIVE BELT INSTALLATION - FORD ENGINES MACHINES WITHOUT GENERATORS.....	494

TABLE OF CONTENTS

FIGURE 3-51. PUMP COUPLING KIT - DEUTZ ENGINES.....	496
FIGURE 3-52. PUMP COUPLING AND FUEL SYSTEM ASSEMBLY (FORD ENGINES)	498
FIGURE 3-53. PISTON PUMP ASSEMBLY - DEUTZ ENGINES	500
FIGURE 3-54. PISTON PUMP ASSEMBLY – DEUTZ ENGINES (CHINA BUILT MACHINES) (PVC 2001).....	504
FIGURE 3-55. PISTON PUMP ASSEMBLY - FORD ENGINES	508
FIGURE 3-56. GEAR PUMP ASSEMBLY	512
FIGURE 3-57. SPARK ARRESTOR MUFFLER INSTALLATION - DEUTZ D2011 ENGINES.....	514
FIGURE 3-58. EXHAUST PIPE INSTALLATION – FORD DF 2.5L ENGINES	516
FIGURE 3-59. FUEL-WATER SEPARATOR INSTALLATION - DEUTZ D2011 AND DEUTZ D2011 STAGE V ENGINES.....	518
FIGURE 3-60. RIGHT ENGINE SUPPORT INSTALLATION (DEUTZ D2011 ENGINES MACHINES WITHOUT GENERATORS)	520
FIGURE 3-61. RIGHT ENGINE SUPPORT INSTALLATION (DEUTZ D2011 ENGINES MACHINES WITH GENERATORS)	522
FIGURE 3-62. RIGHT ENGINE SUPPORT INSTALLATION (DEUTZ TD2.2L3 (STAGE V) ENGINES MACHINES WITHOUT GENERATORS).....	524
FIGURE 3-63. RIGHT ENGINE SUPPORT INSTALLATION (DEUTZ TD2.2L3 (STAGE V) ENGINES MACHINES WITH GENERATORS).....	526
FIGURE 3-64. RIGHT ENGINE SUPPORT INSTALLATION (DEUTZ TD2.9L4 AND DEUTZ D2.9L4 ENGINES MACHINES WITHOUT GENERATORS)	528
FIGURE 3-65. RIGHT ENGINE SUPPORT INSTALLATION (DEUTZ TD2.9L4 AND DEUTZ D2.9L4 ENGINES MACHINES WITH GENERATORS).....	530
FIGURE 3-66. 2500W/110V/60HZ GENERATOR INSTALLATION - DEUTZ D2011 ENGINES	532
FIGURE 3-67. 2500W/110V/60HZ GENERATOR INSTALLATION - DEUTZ TD2.9L4 ENGINES	534
FIGURE 3-68. 2500W/220V/50HZ GENERATOR INSTALLATION - DEUTZ D2011 ENGINES (AUSTRALIAN AND CE SPECS)	538
FIGURE 3-69. 2500W/220V/50HZ GENERATOR INSTALLATION - DEUTZ D2011 ENGINES (ANSI EXPORT AND CHINA SPECS).....	540
FIGURE 3-70. 2500W GENERATOR INSTALLATION - FORD ENGINES.....	542
FIGURE 3-71. 4000W/60HZ GENERATOR INSTALLATION - DEUTZ D2011 ENGINES.....	546
FIGURE 3-72. 4000W/50HZ GENERATOR INSTALLATION - DEUTZ D2011 ENGINES.....	550
FIGURE 3-73. 4000W/60HZ GENERATOR INSTALLATION - DEUTZ TD2.9L4 AND DEUTZ D2.9L4 ENGINES.....	554
FIGURE 3-74. 4000W/50HZ GENERATOR INSTALLATION - DEUTZ TD2.9L4 AND DEUTZ D2.9L4 ENGINES.....	558
FIGURE 3-75. 7500W/60HZ SKYPOWER GENERATOR INSTALLATION - DEUTZ D2011 ENGINES	562
FIGURE 3-76. 7500W/50HZ SKYPOWER GENERATOR INSTALLATION - DEUTZ D2011 ENGINES	566
FIGURE 3-77. 7500W/50HZ SKYPOWER GENERATOR INSTALLATION - DEUTZ TD2.2L3 (STAGE V) ENGINES	570
FIGURE 3-78. 7500W/60HZ SKYPOWER GENERATOR INSTALLATION - DEUTZ TD2.9L4 AND DEUTZ D2.9L4 ENGINES	574
FIGURE 3-79. 7500W/60HZ SKYPOWER GENERATOR INSTALLATION - FORD ENGINES (PVC 2001).....	578
FIGURE 3-80. 7500W/60HZ SKYPOWER GENERATOR INSTALLATION - FORD ENGINES (PVC 2007).....	582
SECTION 4 - BOOM.....	587
FIGURE 4-1. BOOMS AND CYLINDERS INSTALLATION - WITHOUT ARCTRIC PACKAGE (USA BUILT MACHINES - PVC 2001 & 2007, CHINA BUILT MACHINES - PVC 2007)	588
FIGURE 4-2. BOOMS AND CYLINDERS INSTALLATION – WITH ARCTRIC PACKAGE (USA BUILT MACHINES - PVC 2001 & 2007, CHINA BUILT MACHINES - PVC 2007)	590
FIGURE 4-3. TOWER BOOM ASSEMBLY (USA BUILT MACHINES - PVC 2001 & 2007, CHINA BUILT MACHINES - PVC 2007)	592
FIGURE 4-4. MAIN BOOM ASSEMBLY (USA BUILT MACHINES - PVC 2001 & 2007, CHINA BUILT MACHINES - PVC 2007)	594
FIGURE 4-5. JIB BOOM ASSEMBLY (USA BUILT MACHINES - PVC 2001 & 2007, CHINA BUILT MACHINES - PVC 2007)	596
FIGURE 4-6. ROTATOR ASSEMBLY (USA BUILT MACHINES - PVC 2001 & 2007, CHINA BUILT MACHINES - PVC 2007)	598

TABLE OF CONTENTS

FIGURE 4-7. BOOMS AND CYLINDERS INSTALLATION (CHINA BUILT MACHINES) (PVC 2001)	600
FIGURE 4-8. TOWER BOOM SUB-ASSEMBLY (CHINA BUILT MACHINES) (PVC 2001).....	602
FIGURE 4-9. TOWER BOOM ASSEMBLY (CHINA BUILT MACHINES) (PVC 2001)	604
FIGURE 4-10. MAIN BOOM ASSEMBLY (CHINA BUILT MACHINES) (PVC 2001).....	606
FIGURE 4-11. MAIN BOOM SUB-ASSEMBLY (CHINA BUILT MACHINES) (PVC 2001)	608
FIGURE 4-12. JIB BOOM ASSEMBLY (CHINA BUILT MACHINES) (PVC 2001).....	610
FIGURE 4-13. ROTATOR ASSEMBLY (CHINA BUILT MACHINES) (PVC 2001)	612
FIGURE 4-14. SUPPORT, PLATFORM INSTALLATION.....	614
FIGURE 4-15. POWER TRACK INSTALLATION - MAIN BOOM (USA BUILT MACHINES) (PVC 2001).....	616
FIGURE 4-16. POWER TRACK INSTALLATION - MAIN BOOM (USA BUILT MACHINES - PVC 2001 & 2007, CHINA BUILT MACHINES - PVC 2007)	618
FIGURE 4-17. POWER TRACK INSTALLATION - MAIN BOOM (CHINA BUILT MACHINES) (PVC 2001).....	620
FIGURE 4-18. POWER TRACK INSTALLATION - TOWER BOOM (USA BUILT MACHINES - PVC 2001 & 2007, CHINA BUILT MACHINES - PVC 2007)	622
FIGURE 4-19. POWER TRACK INSTALLATION - TOWER BOOM (CHINA BUILT MACHINES) (PVC 2001)	624
FIGURE 4-20. CONTROL VALVES INSTALLATION – 2WS WITH DEUTZ D2011 AND DEUTZ D2011 (STAGE V) ENGINES (USA BUILT MACHINES - PVC 2001 & 2007, CHINA BUILT MACHINES - PVC 2007).....	626
FIGURE 4-21. CONTROL VALVES INSTALLATION – 4WS WITH DEUTZ D2011 AND DEUTZ D2011 (STAGE V) ENGINES (USA BUILT MACHINES - PVC 2001 & 2007, CHINA BUILT MACHINES - PVC 2007).....	628
FIGURE 4-22. CONTROL VALVES INSTALLATION – 2WS WITH DEUTZ TD2.9L4 ENGINES (USA BUILT MACHINES).....	630
FIGURE 4-23. CONTROL VALVES INSTALLATION – 4WS WITH DEUTZ TD2.2L3 (STAGE V), DEUTZ TD2.9L4 AND FORD DF 2.5L ENGINES (USA BUILT MACHINES).....	632
FIGURE 4-24. CONTROL VALVE ASSEMBLY.....	634
FIGURE 4-25. BOOM VALVES AND LIMIT SWITCHES INSTALLATION (USA BUILT MACHINES - PVC 2001 & 2007, CHINA BUILT MACHINES - PVC 2007)	636
FIGURE 4-26. BOOM VALVES AND LIMIT SWITCHES INSTALLATION (TOWER STOW).....	638
FIGURE 4-27. BOOM VALVES AND LIMIT SWITCHES INSTALLATION (CHINA BUILT MACHINES) (PVC 2001)	640
FIGURE 4-28. TRANSPORT POSITION SWITCH INSTALLATION (USA BUILT MACHINES).....	642
SECTION 5 - PLATFORM.....	645
FIGURE 5-1. USB CHARGER INSTALLATION	646
FIGURE 5-2. PLATFORM ASSEMBLY - 30IN X 4FT (76.2CM X 1.22M) WITH SWING GATE (USA BUILT MACHINES - PVC 2001 & 2007, CHINA BUILT MACHINES - PVC 2007).....	648
FIGURE 5-3. PLATFORM ASSEMBLY - 30IN X 5FT (76CM X 1.52M) - GATE ENTRY (USA BUILT MACHINES - PVC 2001 & 2007, CHINA BUILT MACHINES - PVC 2007).....	650
FIGURE 5-4. PLATFORM ASSEMBLY - 36IN X 6FT (91.5CM X 1.83M) WITH SWING GATE (USA BUILT MACHINES - PVC 2001 & 2007, CHINA BUILT MACHINES - PVC 2007).....	652
FIGURE 5-5. PLATFORM ASSEMBLY - 36IN X 6FT (91.5CM X 1.83M) WITH SWING GATE (CHINA BUILT MACHINES) (PVC 2001)	654
FIGURE 5-6. PLATFORM ASSEMBLY - 36IN X 8FT (91.5CM X 2.44M) WITH SWING GATE (USA BUILT MACHINES - PVC 2001 & 2007, CHINA BUILT MACHINES - PVC 2007).....	656
FIGURE 5-7. PLATFORM ASSEMBLY - 36IN X 8FT (91.5CM X 2.44M) WITH SWING GATE (CHINA BUILT MACHINES) (PVC 2001)	658
FIGURE 5-8. PLATFORM ASSEMBLY - 30IN X 3FT (76CM X .91M) - DROP BAR ENTRY.....	660
FIGURE 5-9. PLATFORM ASSEMBLY - 30IN X 4FT (76.2CM X 1.22M) WITH DROP BAR (USA BUILT MACHINES - PVC 2001 & 2007, CHINA BUILT MACHINES - PVC 2007)	662
FIGURE 5-10. PLATFORM ASSEMBLY - 30IN X 5FT (76CM X 1.52M) - DROP BAR ENTRY (USA BUILT MACHINES - PVC 2001 & 2007, CHINA BUILT MACHINES - PVC 2007).....	664
FIGURE 5-11. PLATFORM ASSEMBLY - 36IN X 6FT (91.5CM X 1.83M) WITH DROP BAR (USA BUILT MACHINES - PVC 2001 & 2007, CHINA BUILT MACHINES - PVC 2007)	666

TABLE OF CONTENTS

FIGURE 5-12. PLATFORM ASSEMBLY - 36IN X 6FT (91.5CM X 1.83M) WITH DROP BAR (CHINA BUILT MACHINES) (PVC 2001).....	668
FIGURE 5-13. PLATFORM ASSEMBLY - 36IN X 8FT (91.5CM X 2.44M) WITH DROP BAR (USA BUILT MACHINES - PVC 2001 & 2007, CHINA BUILT MACHINES - PVC 2007).....	670
FIGURE 5-14. PLATFORM ASSEMBLY - 36IN X 8FT (91.5CM X 2.44M) WITH DROP BAR (CHINA BUILT MACHINES) (PVC 2001).....	672
FIGURE 5-15. PLATFORM ASSEMBLY - 36IN X 6FT (91.5CM X 1.83M) WITH FALL ARREST (USA BUILT MACHINES - PVC 2001 & 2007, CHINA BUILT MACHINES - PVC 2007).....	674
FIGURE 5-16. PLATFORM ASSEMBLY - 36IN X 8FT (91.5CM X 2.44M) WITH FALL ARREST.....	676
FIGURE 5-17. PLATFORM ASSEMBLY - 36IN X 6FT (91.5CM X 1.83M) TRI-ENTRY WITH SWING GATE.....	678
FIGURE 5-18. PLATFORM ASSEMBLY - 36IN X 8FT (91.5CM X 2.44M) TRI-ENTRY WITH SWING GATE (USA BUILT MACHINES - PVC 2001 & 2007, CHINA BUILT MACHINES - PVC 2007).....	680
FIGURE 5-19. PLATFORM ASSEMBLY - 36IN X 6FT (91.5CM X 1.83M) TRI-ENTRY WITH DROPBAR.....	682
FIGURE 5-20. PLATFORM ASSEMBLY - 36IN X 8FT (91.5CM X 2.44M) TRI-ENTRY WITH DROPBAR (USA BUILT MACHINES - PVC 2001 & 2007, CHINA BUILT MACHINES - PVC 2007).....	684
FIGURE 5-21. TRAY ASSEMBLY.....	686
FIGURE 5-22. CONSOLE AND FOOT SWITCH INSTALLATION (USA BUILT MACHINES - PVC 2001 & 2007, CHINA BUILT MACHINES - PVC 2007).....	688
FIGURE 5-23. CONSOLE AND FOOT SWITCH INSTALLATION (CHINA BUILT MACHINES) (PVC 2001).....	690
FIGURE 5-24. CONSOLE BOX ASSEMBLY WITH FOOTSWITCH (USA BUILT MACHINES - PVC 2001 & 2007, CHINA BUILT MACHINES - PVC 2007).....	692
FIGURE 5-25. CONSOLE BOX ASSEMBLY WITH FOOTSWITCH (CHINA BUILT MACHINES) (PVC 2001).....	696
FIGURE 5-26. FOOTSWITCH ASSEMBLY.....	700
FIGURE 5-27. CONTROLLER ASSEMBLY- DRIVE/STEER (USA BUILT MACHINES - PVC 2001 & 2007, CHINA BUILT MACHINES - PVC 2007).....	702
FIGURE 5-28. CONTROLLER ASSEMBLY - LIFT/SWING (USA BUILT MACHINES - PVC 2001 & 2007, CHINA BUILT MACHINES - PVC 2007).....	704
FIGURE 5-29. CONTROLLER ASSEMBLY (DRIVE AND STEER) (CHINA BUILT MACHINES) (PVC 2001).....	708
FIGURE 5-30. CONTROLLER ASSEMBLY (LIFT AND SWING) (CHINA BUILT MACHINES) (PVC 2001).....	710
FIGURE 5-31. CRAB STEER SWITCH INSTALLATION - 4WS (WITHOUT TOW PACKAGE) (USA BUILT MACHINES - PVC 2001 & 2007, CHINA BUILT MACHINES - PVC 2007).....	712
FIGURE 5-32. CRAB STEER SWITCH INSTALLATION - 4WS (WITH TOW PACKAGE) (USA BUILT MACHINES).....	714
FIGURE 5-33. STEER SWITCH INSTALLATION – 4WS (CHINA BUILT MACHINES) (PVC 2001).....	716
FIGURE 5-34. LIGHT PANEL INSTALLATION.....	718
FIGURE 5-35. SKYEYE INSTALLATION.....	720
FIGURE 5-36. SKYGUARD BAR INSTALLATION.....	722
FIGURE 5-37. SKYLINE INSTALLATION.....	724
FIGURE 5-38. SKYWELDER/SKYCUTTER COMBO INSTALLATION (60HZ) (ANSI, ANSI EXPORT, AUSTRALIAN, CHINA, CSA AND JAPANESE SPECS).....	726
FIGURE 5-39. SKYWELDER INSTALLATION (50HZ).....	730
FIGURE 5-40. SKYWELDER INSTALLATION (60HZ).....	732
FIGURE 5-41. WELDER ASSEMBLY.....	734
FIGURE 5-42. SKYCUTTER INSTALLATION (ANSI, ANSI EXPORT, CHINA, CSA AND JAPANESE SPECS).....	736
FIGURE 5-43. PLASMA CUTTER ASSEMBLY.....	738
FIGURE 5-44. SKYWELDER PREP PACKAGE (60HZ).....	740
FIGURE 5-45. SKYWELDER LOCKING BRACKET INSTALLATION.....	742
FIGURE 5-46. PIPE RACKS INSTALLATION (ANSI AND CSA SPECS) (USA BUILT MACHINES).....	744
FIGURE 5-47. PIPE RACKS INSTALLATION (AUSTRALIAN SPECS) (USA BUILT MACHINES - PVC 2001 & 2007, CHINA BUILT MACHINES - PVC 2007).....	746
FIGURE 5-48. SOFT TOUCH INSTALLATION - 6FT (1.83M) FALL ARREST PLATFORM (OPTIONAL).....	748

TABLE OF CONTENTS

FIGURE 5-49. SOFT TOUCH SYSTEM INSTALLATION - 6FT/1.8M PLATFORMS (OPTIONAL)	750
FIGURE 5-50. SOFT TOUCH SYSTEM INSTALLATION - 8FT/2.44M PLATFORM (OPTIONAL)	752
FIGURE 5-51. SOFT TOUCH INSTALLATION - 8FT (2.4M) FALL ARREST PLATFORM (OPTIONAL).....	754
FIGURE 5-52. PLATFORM PADDING INSTALLATION (30IN/76CM DEPTH PLATFORMS) (ANSI, ANSI EXPORT, CSA AND CHINA SPECS) (OPTIONAL).....	756
FIGURE 5-53. SKYGLAZIER INSTALLATION (ALL SPECS EXCEPT JAPANESE SPECS)	758
FIGURE 5-54. SKYGLAZIER INSTALLATION (AUSTRALIAN SPECS)	760
FIGURE 5-55. FALL ARREST INSTALLATION (BOLT-ON) (4FT/1.22M PLATFORM)	762
FIGURE 5-56. FALL ARREST INSTALLATION (BOLT-ON EXTERNAL) (5FT/1.52M PLATFORM)	764
FIGURE 5-57. FALL ARREST INSTALLATION (BOLT-ON EXTERNAL) (6FT/1.82M PLATFORM)	766
FIGURE 5-58. FALL ARREST INSTALLATION (BOLT-ON EXTERNAL) (6FT/1.82M TRI-ENTRY PLATFORM)	768
FIGURE 5-59. FALL ARREST INSTALLATION (BOLT-ON EXTERNAL) (8FT/2.4M PLATFORM)	770
SECTION 6 - CYLINDER	773
FIGURE 6-1. AXLE LOCKOUT CYLINDER ASSEMBLY	774
FIGURE 6-2. LEVEL (PLATFORM SLAVE) CYLINDER ASSEMBLY	776
FIGURE 6-3. LEVEL (UPRIGHT) CYLINDER ASSEMBLY	778
FIGURE 6-4. LIFT CYLINDER ASSEMBLY - JIB	780
FIGURE 6-5. LIFT CYLINDER ASSEMBLY – JIB	782
FIGURE 6-6. LIFT CYLINDER ASSEMBLY - MAIN BOOM	784
FIGURE 6-7. LIFT CYLINDER ASSEMBLY - TOWER BOOM.....	786
FIGURE 6-8. MASTER CYLINDER ASSEMBLY.....	788
FIGURE 6-9. STEER CYLINDER ASSEMBLY (7FT/2.1M WIDE MACHINES).....	790
FIGURE 6-10. STEER CYLINDER ASSEMBLY (8FT/2.4M WIDE MACHINES).....	792
FIGURE 6-11. TELESCOPE CYLINDER ASSEMBLY - MAIN BOOM	794
FIGURE 6-12. TELESCOPE CYLINDER ASSEMBLY - TOWER BOOM.....	796
SECTION 7 - HYDRAULIC	799
FIGURE 7-1. DRIVE HYDRAULIC DIAGRAM - 2WD/2WS (USA BUILT MACHINES - PVC 2001 & 2007, CHINA BUILT MACHINES - PVC 2007)	800
FIGURE 7-2. DRIVE HYDRAULIC DIAGRAM - 2WD/2WS (CHINA BUILT MACHINES) (PVC 2001).....	804
FIGURE 7-3. DRIVE HYDRAULIC DIAGRAM - 2WD/4WS (USA BUILT MACHINES)	808
FIGURE 7-4. DRIVE HYDRAULIC DIAGRAM - 4WD/2WS WITHOUT ARCTIC PACKAGE (USA BUILT MACHINES - PVC 2001 & 2007, CHINA BUILT MACHINES - PVC 2007)	812
FIGURE 7-5. DRIVE HYDRAULIC DIAGRAM - 4WD/2WS WITHOUT ARCTIC PACKAGE (CHINA BUILT MACHINES) (PVC 2001)	816
FIGURE 7-6. DRIVE HYDRAULIC DIAGRAM - 4WD/2WS WITH ARCTIC PACKAGE (USA BUILT MACHINES - PVC 2001 & 2007, CHINA BUILT MACHINES - PVC 2007).....	820
FIGURE 7-7. DRIVE HYDRAULIC DIAGRAM - 4WD/2WS WITH ARCTIC PACKAGE (CHINA BUILT MACHINES) (PVC 2001)	824
FIGURE 7-8. DRIVE HYDRAULIC DIAGRAM - 4WD/4WS WITHOUT ARCTIC PACKAGE (USA BUILT MACHINES - PVC 2001 & 2007, CHINA BUILT MACHINES - PVC 2007)	828
FIGURE 7-9. DRIVE HYDRAULIC DIAGRAM - 4WD/4WS WITHOUT ARCTIC PACKAGE (CHINA BUILT MACHINES) (PVC 2001)	832
FIGURE 7-10. DRIVE HYDRAULIC DIAGRAM - 4WD/4WS WITH ARCTIC PACKAGE (USA BUILT MACHINES - PVC 2001 & 2007, CHINA BUILT MACHINES - PVC 2007).....	836
FIGURE 7-11. DRIVE HYDRAULIC DIAGRAM - 4WD/4WS WITH ARCTIC PACKAGE (CHINA BUILT MACHINES) (PVC 2001)	840
FIGURE 7-12. FLUSHING LOOP HYDRAULIC INSTALLATION - 2WD (USA BUILT MACHINES - PVC 2001 & 2007, CHINA BUILT MACHINES - PVC 2007)	844

TABLE OF CONTENTS

FIGURE 7-13. FLUSHING LOOP HYDRAULIC INSTALLATION - 2WD (CHINA BUILT MACHINES) (PVC 2001)	846
FIGURE 7-14. FLUSHING LOOP HYDRAULIC INSTALLATION - 4WD (USA BUILT MACHINES - PVC 2001 & 2007, CHINA BUILT MACHINES - PVC 2007)	848
FIGURE 7-15. FLUSHING LOOP HYDRAULIC INSTALLATION - 4WD (CHINA BUILT MACHINES) (PVC 2001)	850
FIGURE 7-16. HYDRAULIC DIAGRAM – STANDARD (DEUTZ D2011 (STAGE V) AND DEUTZ D2011 ENGINES) (USA BUILT MACHINES - PVC 2001 & 2007, CHINA BUILT MACHINES - PVC 2007).....	852
FIGURE 7-17. HYDRAULIC DIAGRAM – STANDARD (DEUTZ D2011 ENGINES) (CHINA BUILT MACHINES) (PVC 2001)....	856
FIGURE 7-18. HYDRAULIC DIAGRAM - STANDARD (DEUTZ TD2.2L3 (STAGE V), DEUTZ TD2.9L4 AND DEUTZ D2.9L4 ENGINES) (USA BUILT MACHINES)	860
FIGURE 7-19. HYDRAULIC DIAGRAM – STANDARD (FORD DF 2.5L ENGINES) (USA BUILT MACHINES).....	864
FIGURE 7-20. HYDRAULIC DIAGRAM - OSCILLATING AXLE (7FT/2.1M WIDE MACHINES)	868
FIGURE 7-21. HYDRAULIC DIAGRAM - OSCILLATING AXLE (8FT/2.4M WIDE MACHINES) (USA BUILT MACHINES - PVC 2001 & 2007, CHINA BUILT MACHINES - PVC 2007)	870
FIGURE 7-22. HYDRAULIC DIAGRAM - OSCILLATING AXLE (8FT/2.4M WIDE MACHINES) (CHINA BUILT MACHINES) (PVC 2001).....	872
FIGURE 7-23. HYDRAULIC DIAGRAM – TOW BAR (USA BUILT MACHINES).....	874
SECTION 8 - ELECTRICAL.....	877
FIGURE 8-1. 600AJ ELECTRICAL LAYOUT	878
FIGURE 8-2. AC CABLE CONNECTOR INSTALLATION - 110V/220V (MACHINES NO GENERATOR) (ANSI EXPORT, AUSTRALIAN, CE AND CHINA SPECS).....	888
FIGURE 8-3. AC CABLE CONNECTOR INSTALLATION – SKYPOWER (MACHINES NO GENERATOR) (ALL SPECS).....	890
FIGURE 8-4. AC CABLE CONNECTOR INSTALLATION – 4000W GENERATOR (MACHINES NO GENERATOR) (ALL SPECS EXCEPT AUSTRALIAN AND CE SPECS).....	892
FIGURE 8-5. AC BOX AT PLATFORM INSTALLATION - 110V GFI RECEPTACLE (MACHINES WITH 2500W GENERATOR/NO GENERATOR OPTIONS) (ALL SPECS EXCEPT AUSTRALIAN AND CE SPECS)	894
FIGURE 8-6. AC BOX AT PLATFORM INSTALLATION - 220V RECEPTACLE (MACHINES WITH 2500W GENERATOR/NO GENERATOR OPTIONS) (ANSI, CSA AND JAPANESE SPECS).....	896
FIGURE 8-7. AC BOX AT PLATFORM INSTALLATION - BOX WITH COVER (2X4 BOX) (ANSI EXPORT SPECS) (4000W GENERATOR)	898
FIGURE 8-8. AC BOX AT PLATFORM INSTALLATION – DUAL AC 110V GFI (MACHINES WITH 2500W GENERATOR) (ANSI EXPORT AND CHINA SPECS)	900
FIGURE 8-9. AC BOX AT PLATFORM MID-BOOM PLUG INSTALLATION (WITHOUT 7500W SKYPOWER GENERATOR) (CHINA BUILT MACHINES) (PVC 2001).....	902
FIGURE 8-10. AC BOX AT PLATFORM INSTALLATION - 110V IEC YELLOW (CE SPECS).....	904
FIGURE 8-11. AC BOX AT PLATFORM INSTALLATION - 110V IEC 60309 YELLOW (CE SPECS) (4000W GENERATOR)....	906
FIGURE 8-12. AC BOX AT PLATFORM INSTALLATION - 220V IEC BLUE (CE SPECS)	908
FIGURE 8-13. AC BOX AT PLATFORM INSTALLATION - 220V IEC BLUE (CE SPECS) (2500W GENERATOR)	910
FIGURE 8-14. AC BOX AT PLATFORM INSTALLATION - 220V IEC 60309 BLUE (CE SPECS) (4000W GENERATOR)	912
FIGURE 8-15. AC BOX AT PLATFORM INSTALLATION - 220V CEE7 POST GROUND (CE SPECS).....	914
FIGURE 8-16. AC BOX AT PLATFORM INSTALLATION - 220V CEE7 POST GROUND (CE SPECS) (2500W GENERATOR).....	916
FIGURE 8-17. AC BOX AT PLATFORM INSTALLATION - 220V CEE7 POST GROUND (2X4 BOX) (CE SPECS) (4000W GENERATOR)	918
FIGURE 8-18. AC BOX AT PLATFORM INSTALLATION - 220V CEE7 SIDE GROUND (CE SPECS)	920
FIGURE 8-19. AC BOX AT PLATFORM INSTALLATION - 220V CEE7 SIDE GROUND (CE SPECS) (2500W GENERATOR).....	922
FIGURE 8-20. AC BOX AT PLATFORM INSTALLATION - 220V CEE7 SIDE GROUND (2X4 BOX) (CE SPECS) (4000W GENERATOR)	924
FIGURE 8-21. AC BOX AT PLATFORM INSTALLATION - 220V AFSINT 107 (CE SPECS).....	926
FIGURE 8-22. AC BOX AT PLATFORM INSTALLATION - 220V AFSINT 107 (CE SPECS) (2500W GENERATOR).....	928
FIGURE 8-23. AC BOX AT PLATFORM INSTALLATION - 220V AFSINT 107 KEYED GROUND (2X4 BOX) (CE SPECS) (4000W GENERATOR)	930

TABLE OF CONTENTS

FIGURE 8-24. AC BOX AT PLATFORM INSTALLATION - 240V GFCI RECEPTACLE (ANSI, ANSI EXPORT, CHINA, CSA AND JAPANESE SPECS WITH 4000W SKYPOWER GENERATOR)	932
FIGURE 8-25. AC BOX AT PLATFORM INSTALLATION - 240V GFCI RECEPTACLE (ANSI AND CSA SPECS WITH 7500W SKYPOWER GENERATOR)	934
FIGURE 8-26. BATTERY DISCONNECT SWITCH INSTALLATION – DEUTZ D2011 AND D2011 (STAGE V) ENGINES (USA BUILT MACHINES - PVC 2001 & 2007, CHINA BUILT MACHINES - PVC 2007)	936
FIGURE 8-27. BATTERY DISCONNECT SWITCH INSTALLATION (DEUTZ TD2.2L3 (STAGE V), DEUTZ TD2.9L4, DEUTZ D2.9L4 AND FORD DF2.5L ENGINES) (USA BUILT MACHINES - PVC 2001 & 2007, CHINA BUILT MACHINES - PVC 2007)	938
FIGURE 8-28. BEACON LIGHT HARNESS (BLUE AND RED BEACON LIGHT)	940
FIGURE 8-29. BOOM VALVE HARNESS	942
FIGURE 8-30. BREAKER BOX KIT - SINGLE DOUBLE POLE BREAKER (WITH 4000W/50HZ GENERATOR)	944
FIGURE 8-31. BREAKER BOX KIT - 30MA/16 AMP (WITH GENERATOR)	946
FIGURE 8-32. BOOM CABLES INSTALLATION - WITH 2500W GENERATOR OR NO GENERATOR AND WITHOUT ARCTIC PACKAGE (ANSI SPECS) (USA BUILT MACHINES)	948
FIGURE 8-33. BOOM CABLES INSTALLATION - WITH 2500W GENERATOR OR NO GENERATOR AND WITH ARCTIC PACKAGE (ANSI EXPORT AND CHINA SPECS) (CHINA BUILT MACHINES) (PVC 2001)	950
FIGURE 8-34. BOOM CABLES INSTALLATION – WITH 2500W GENERATOR OR NO GENERATOR AND WITHOUT ARCTIC PACKAGE (CE SPECS) (USA BUILT MACHINES)	952
FIGURE 8-35. BOOM CABLES INSTALLATION – WITH 2500W GENERATOR OR NO GENERATOR WITHOUT AND ARCTIC PACKAGE (ANSI EXPORT, AUSTRALIAN AND CHINA SPECS) (USA BUILT MACHINES - PVC 2001 & 2007, CHINA BUILT MACHINES - PVC 2007)	954
FIGURE 8-36. BOOM CABLES INSTALLATION – WITH 2500W GENERATOR OR NO GENERATOR AND WITH ARCTIC PACKAGE (ANSI EXPORT, AUSTRALIAN AND CHINA SPECS) (USA BUILT MACHINES - PVC 2001 & 2007, CHINA BUILT MACHINES - PVC 2007)	956
FIGURE 8-37. BOOM CABLES INSTALLATION – WITH 2500W GENERATOR (FORD DF 2.5L ENGINES) (ALL SPECS EXCEPT AUSTRALIAN, CE AND JAPANESE SPECS) (USA BUILT MACHINES)	958
FIGURE 8-38. BOOM CABLES INSTALLATION – WITH 4000W GENERATOR (ALL SPECS EXCEPT AUSTRALIAN AND CE SPECS)	960
FIGURE 8-39. BOOM CABLES INSTALLATION – WITH 4000W GENERATOR (ANSI EXPORT AND CHINA SPECS) (CHINA BUILT MACHINES) (PVC 2001)	962
FIGURE 8-40. BOOM CABLES INSTALLATION – WITH 4000W GENERATOR (AUSTRALIAN SPECS) (CHINA BUILT MACHINES) (PVC 2001)	964
FIGURE 8-41. BOOM CABLES INSTALLATION – WITH 7500W GENERATOR WITHOUT ARCTIC PACKAGE (ALL SPEC EXCEPT AUSTRALIAN, CE AND JAPANESE SPECS) (USA BUILT MACHINES - PVC 2001 & 2007, CHINA BUILT MACHINES - PVC 2007)	966
FIGURE 8-42. BOOM CABLES INSTALLATION – WITH 7500W GENERATOR WITHOUT ARCTIC PACKAGE (CE SPECS) (USA BUILT MACHINES)	968
FIGURE 8-43. BOOM CABLES INSTALLATION – WITH 7500W GENERATOR WITHOUT ARCTIC PACKAGE (AUSTRALIAN AND JAPANESE SPECS) (USA BUILT MACHINES - PVC 2001 & 2007, CHINA BUILT MACHINES - PVC 2007)	970
FIGURE 8-44. BOOM CABLES INSTALLATION – WITH 7500W 60HZ GENERATOR WITHOUT ARCTIC PACKAGE (ANSI EXPORT AND CHINA SPECS) (CHINA BUILT MACHINES) (PVC 2001)	972
FIGURE 8-45. BOOM CABLES INSTALLATION – WITH 7500W 50HZ GENERATOR WITHOUT ARCTIC PACKAGE (AUSTRALIAN SPECS) (CHINA BUILT MACHINES) (PVC 2001)	974
FIGURE 8-46. BOOM CABLES INSTALLATION – WITH 7500W GENERATOR AND ARCTIC PACKAGE (ALL SPECS EXCEPT AUSTRALIAN, CE AND JAPANESE SPECS) (USA BUILT MACHINES - PVC 2001 & 2007, CHINA BUILT MACHINES - PVC 2007)	976
FIGURE 8-47. BOOM CABLES INSTALLATION – WITH 7500W GENERATOR AND ARCTIC PACKAGE (ANSI EXPORT AND CHINA SPECS) (CHINA BUILT MACHINES) (PVC 2001)	978
FIGURE 8-48. BOOM CABLE - MAIN BOOM (WITHOUT ARCTIC PACKAGE)	980
FIGURE 8-49. BOOM CABLE - MAIN BOOM (WITH ARCTIC PACKAGE)	982
FIGURE 8-50. BOOM CABLE - TOWER BOOM (WITHOUT ARCTIC PACKAGE)	984
FIGURE 8-51. BOOM CABLE - TOWER BOOM (WITH ARCTIC PACKAGE)	986

TABLE OF CONTENTS

FIGURE 8-52. ENGINE HARNESS ASSEMBLY (DEUTZ D2011, DEUTZ D2011 (STAGE V) AND DEUTZ TD2.2L3 (STAGE V) ENGINES) (USA BUILT MACHINES) (PVC 2001)	988
FIGURE 8-53. ENGINE HARNESS ASSEMBLY (DEUTZ D2011, DEUTZ D2011 (STAGE V) AND DEUTZ TD2.2L3 (STAGE V) ENGINES) (USA BUILT MACHINES - PVC 2001 & 2007, CHINA BUILT MACHINES - PVC 2007).....	990
FIGURE 8-54. ENGINE HARNESS ASSEMBLY (DEUTZ D2011 ENGINES) (CHINA BUILT MACHINES) (PVC 2001)	992
FIGURE 8-55. ENGINE HARNESS ASSEMBLY (DEUTZ TD2.9L4 ENGINES) (PVC 2001).....	994
FIGURE 8-56. ENGINE HARNESS ASSEMBLY (DEUTZ TD2.9L4 ENGINES) (PVC 2007).....	996
FIGURE 8-57. ENGINE HARNESS - DEUTZ TD2.2L3 (STAGE V) ENGINES.....	998
FIGURE 8-58. ENGINE HARNESS - DEUTZ TD2.9L4 AND D2.9L4 ENGINES.....	1002
FIGURE 8-59. ENGINE HARNESS ASSEMBLY (FORD DF2.5L ENGINES) (PVC 2001)	1006
FIGURE 8-60. ENGINE HARNESS ASSEMBLY (FORD DF2.5L ENGINES) (PVC 2007)	1008
FIGURE 8-61. FUEL HARNESS - DEUTZ TD2.2L3 (STAGE V) ENGINES	1010
FIGURE 8-62. FUEL HARNESS - DEUTZ TCD2.9L4 ENGINES AND DEUTZ D2.9L4 ENGINES.....	1012
FIGURE 8-63. GENERATOR TO CONTROL BOX HARNESS - 4000W	1014
FIGURE 8-64. GENERATOR TO CONTROL BOX HARNESS (7500W GENERATOR)	1016
FIGURE 8-65. GENERATOR HARNESS - 7500W GENERATOR	1018
FIGURE 8-66. GENERATOR TO ENGINE HARNESS - 2500W	1020
FIGURE 8-67. GENERATOR TO ENGINE HARNESS - 4000W	1022
FIGURE 8-68. GENERATOR TO ENGINE HARNESS - 7500W SKYPOWER GENERATOR (DEUTZ D2011 ONLY).....	1024
FIGURE 8-69. GENERATOR TO ENGINE HARNESS - 7500W SKYPOWER GENERATOR (FORD ENGINES ONLY)	1026
FIGURE 8-70. GENERATOR TO REAR OF BOOM HARNESS - 110V	1028
FIGURE 8-71. GENERATOR TO REAR OF BOOM HARNESS - 220V	1030
FIGURE 8-72. GROUND CONTROL BOX HARNESS	1032
FIGURE 8-73. PLATFORM CONSOLE BOX HARNESS.....	1034
FIGURE 8-74. RECEPTACLE BOX KIT - 110V IEC YELLOW (CE SPEC)	1036
FIGURE 8-75. RECEPTACLE BOX KIT - 220V IEC BLUE (CE SPEC).....	1038
FIGURE 8-76. RECEPTACLE BOX KIT - 220V IEC BLUE (CE SPECS) (2500W GENERATOR)	1040
FIGURE 8-77. RECEPTACLE BOX KIT - 220V CEE7 POST GROUND WITHOUT 2500W GENERATOR (2X4 BOX) (CE SPECS).....	1042
FIGURE 8-78. RECEPTACLE BOX KIT - 220V CEE7 POST GROUND (2X4 BOX) (CE SPECS) (2500W GENERATOR)	1044
FIGURE 8-79. RECEPTACLE BOX KIT - 220V CEE7 SIDE GROUND (CE SPEC).....	1046
FIGURE 8-80. RECEPTACLE BOX KIT - 220V CEE7 SIDE GROUND (2X4 BOX) (CE SPECS) (2500W GENERATOR).....	1048
FIGURE 8-81. RECEPTACLE BOX KIT - 220V AFSINT 107 (CE SPEC)	1050
FIGURE 8-82. RECEPTACLE BOX KIT - 220V AFSINT 107 KEYED GROUND (2X4 BOX) (CE SPECS) (2500W GENERATOR)	1052
FIGURE 8-83. SKYEYE INTERMEDIATE HARNESS	1054
FIGURE 8-84. SKYEYE EMITTER HARNESS	1056
FIGURE 8-85. SKYEYE RECEIVER HARNESS.....	1058
FIGURE 8-86. SKYLINE HARNESS	1060
FIGURE 8-87. SKYGUARD INTERFACE HARNESS.....	1062
FIGURE 8-88. STROBE LIGHT HARNESS (AMBER)	1064
FIGURE 8-89. VALVE HARNESS (USA BUILT MACHINES - PVC 2001 & 2007, CHINA BUILT MACHINES - PVC 2007).....	1066
FIGURE 8-90. VALVE HARNESS (CHINA BUILT MACHINES) (PVC 2001).....	1068
FIGURE 8-91. WHITE NOISE ALARM HARNESS	1070
SECTION 9 - DECALS	1073

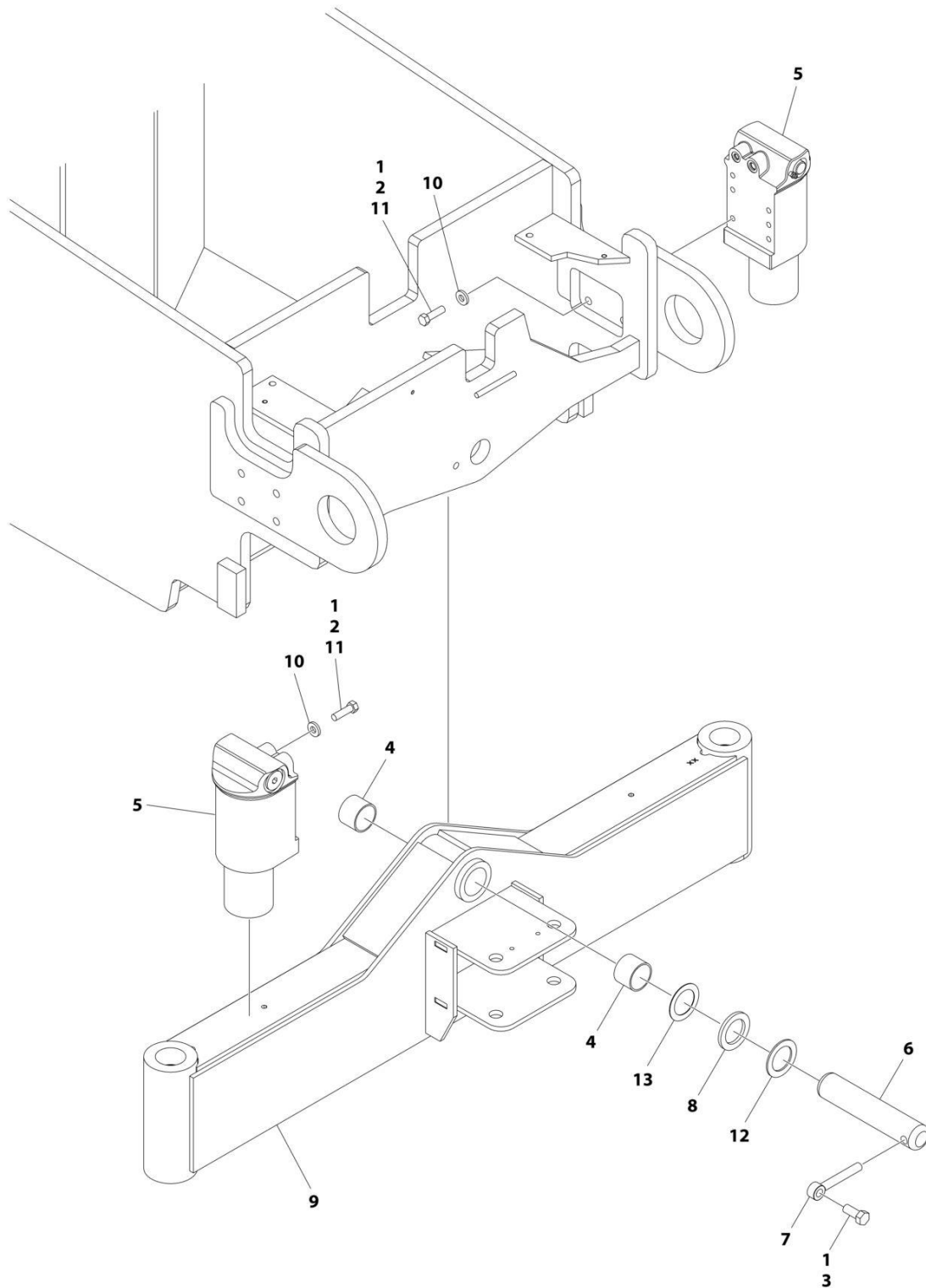
TABLE OF CONTENTS

FIGURE 9-1. DECAL INSTALLATION - ANSI SPECS (USA BUILT MACHINES - PVC 2001 & 2007, CHINA BUILT MACHINES - PVC 2007)	1074
FIGURE 9-2. DECAL INSTALLATION - AUSTRALIAN SPECS (USA BUILT MACHINES - PVC 2001 & 2007, CHINA BUILT MACHINES - PVC 2007)	1076
FIGURE 9-3. DECAL INSTALLATION - BRAZILIAN SPECS (USA BUILT MACHINES - PVC 2001 & 2007, CHINA BUILT MACHINES - PVC 2007)	1078
FIGURE 9-4. DECAL INSTALLATION - CE SPECS (USA BUILT MACHINES).....	1080
FIGURE 9-5. DECAL INSTALLATION - CHINESE SPECS (TRADITIONAL) (USA BUILT MACHINES - PVC 2001 & 2007, CHINA BUILT MACHINES - PVC 2007)	1082
FIGURE 9-6. DECAL INSTALLATION - CHINESE SPECS (SIMPLIFIED) (USA BUILT MACHINES - PVC 2001 & 2007, CHINA BUILT MACHINES - PVC 2007)	1084
FIGURE 9-7. DECAL INSTALLATION - CSA SPECS (USA BUILT MACHINES)	1086
FIGURE 9-8. DECAL INSTALLATION - JAPANESE SPECS (USA BUILT MACHINES - PVC 2001 & 2007, CHINA BUILT MACHINES - PVC 2007)	1088
FIGURE 9-9. DECAL INSTALLATION - KOREAN SPECS (USA BUILT MACHINES).....	1090
FIGURE 9-10. DECAL INSTALLATION – LATIN AMERICAN SPECS (USA BUILT MACHINES - PVC 2001 & 2007, CHINA BUILT MACHINES - PVC 2007)	1092
FIGURE 9-11. DECAL INSTALLATION – ANSI EXPORT SPECS (CHINA BUILT MACHINES) (PVC 2001)	1094
FIGURE 9-12. DECAL INSTALLATION – ANSI EXPORT SPECS (CHINA BUILT MACHINES) (PVC 2001)	1096
FIGURE 9-13. DECAL INSTALLATION - CHINESE SPECS (TRADITIONAL) (CHINA BUILT MACHINES) (PVC 2001)	1098
FIGURE 9-14. DECAL INSTALLATION - CHINESE SPECS (SIMPLIFIED) (CHINA BUILT MACHINES) (PVC 2001)	1100
FIGURE 9-15. DECAL INSTALLATION - OPTIONS (USA BUILT MACHINES) (PVC 2001)	1102
FIGURE 9-16. DECAL INSTALLATION - OPTIONS (USA BUILT MACHINES - PVC 2007, CHINA BUILT MACHINES - PVC 2007)	1106
FIGURE 9-17. SKYCUTTER DECAL INSTALLATION (ANSI, ANSI EXPORT, CSA AND CHINA SPECS)	1110
FIGURE 9-18. SKYCUTTER DECAL INSTALLATION (JAPANESE SPECS).....	1112
FIGURE 9-19. SKYWELDER DECAL INSTALLATION - 50HZ	1114
FIGURE 9-20. SKYWELDER DECAL INSTALLATION - 60HZ (PVC 2001).....	1116
FIGURE 9-21. DECAL INSTALLATION - SKYWELDER (60HZ) (PVC 2007)	1118
SECTION 10 - RECOMMENDED SERVICE PARTS STOCK	1121
FIGURE 10-1. MODEL 600AJ STANDARD PARTS.....	1122
FIGURE 10-2. MODEL 600AJ VARIABLE PARTS.....	1124
SECTION 11 - SPECIAL OPTIONS	1127
FIGURE 11-1. SPECIAL OPTIONS.....	1128
PART NUMBER INDEX	1133

SECTION 1 - FRAME

SECTION 1 - FRAME

FIGURE 1-1. AXLE INSTALLATION - OSCILLATING (WITHOUT TOW PACKAGE) (8FT/2.4M WIDE MACHINES) (USA BUILT MACHINES - PVC 2001 & 2007, CHINA BUILT MACHINES - PVC 2007)



ART_1001148168

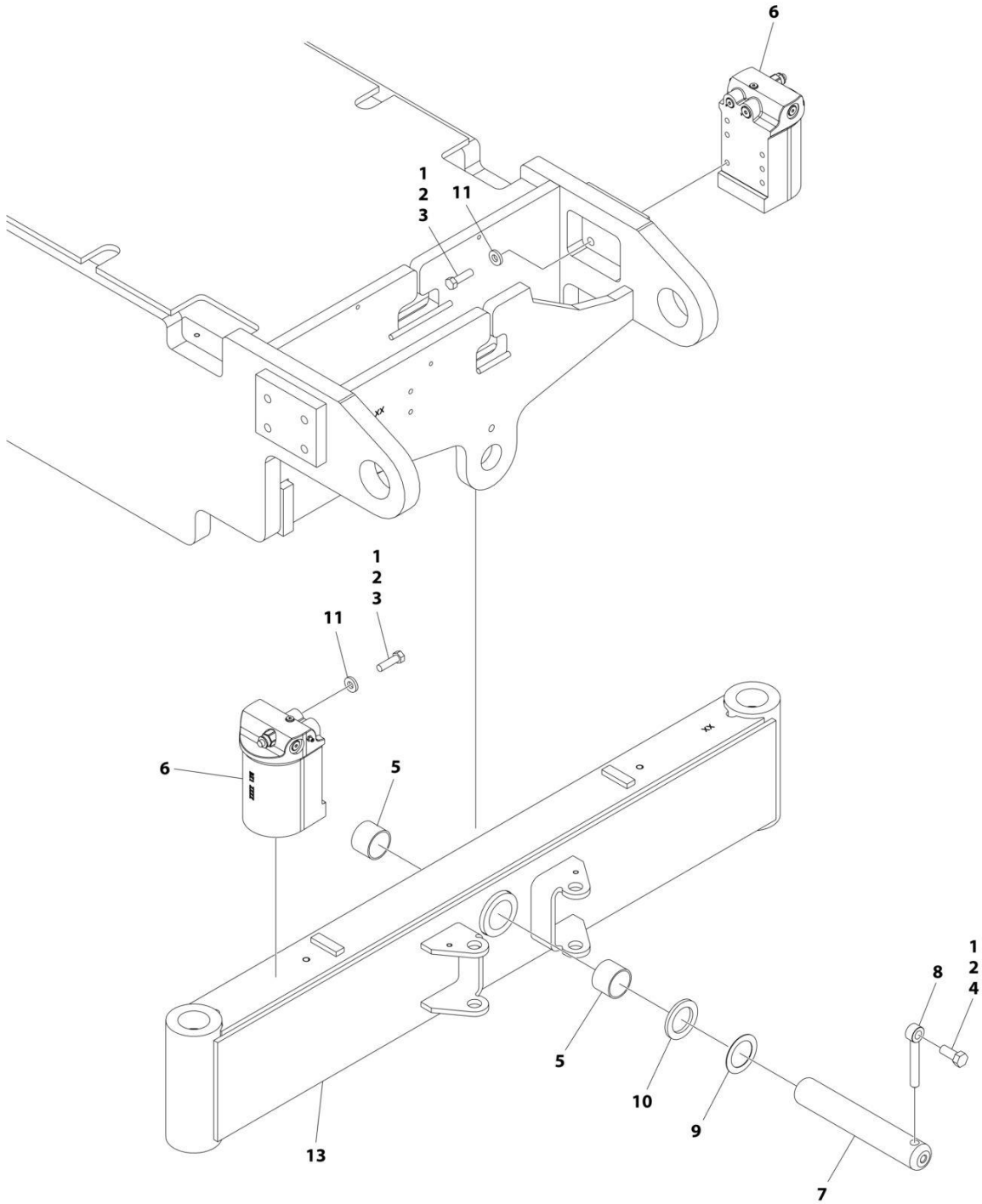
SECTION 1 - FRAME

FIGURE 1-1. AXLE INSTALLATION - OSCILLATING (WITHOUT TOW PACKAGE) (8FT/2.4M WIDE MACHINES) (USA BUILT MACHINES - PVC 2001 & 2007, CHINA BUILT MACHINES - PVC 2007)

ITEM	PART NUMBER	QTY	DESCRIPTION	REV
	1001148168	Ref	AXLE INSTALLATION - OSCILLATING	C
1	0100011	AR	Compound, Locking	
2	0641814	8	Bolt 1/2 x 1-3/4	
3	0642012	1	Bolt 5/8 x 1-1/2	
4	0961950	2	Bearing	
5	1684465	2	Lockout Cylinder Assembly (See Separate Breakdown in CYLINDER SECTION)	
6	3423184	1	Pin	
7	3841258	1	Keeper, Pin	
8	4740158	AR	Thrustwasher	
9	1001148171	1	Axle Weldment	
10	4891800	8	Washer 1/2 Hardened	
11	0100038	AR	Primer, Locking	
12	4740229	AR	Thrustwasher	
13	4071101	AR	Shim (18Ga)	

SECTION 1 - FRAME

FIGURE 1-2. AXLE INSTALLATION - OSCILLATING (WITHOUT TOW PACKAGE) (8FT/2.4M WIDE MACHINES) (CHINA BUILT MACHINES) (PVC 2001)



ART_100113537_F

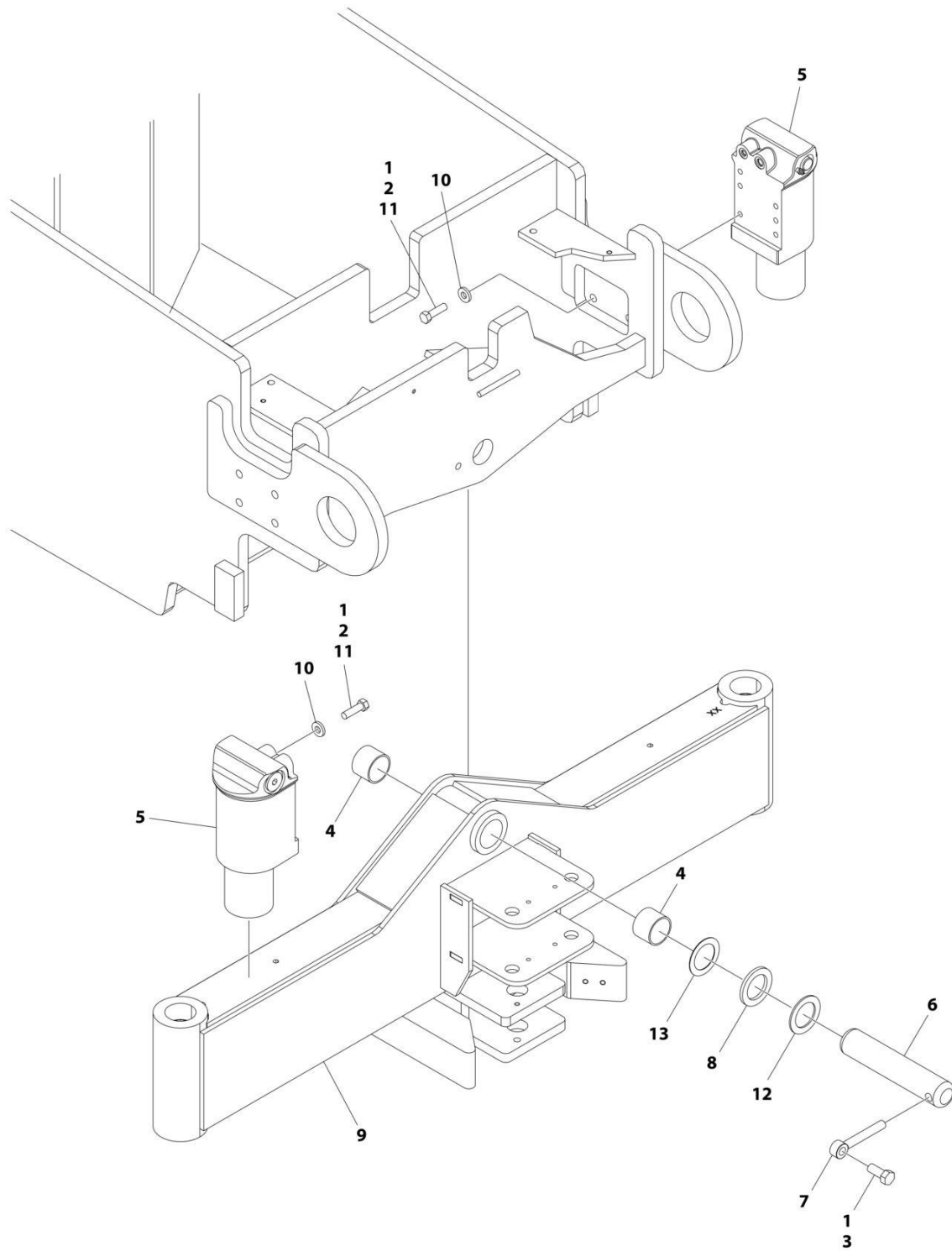
SECTION 1 - FRAME

FIGURE 1-2. AXLE INSTALLATION - OSCILLATING (WITHOUT TOW PACKAGE) (8FT/2.4M WIDE MACHINES) (CHINA BUILT MACHINES) (PVC 2001)

ITEM	PART NUMBER	QTY	DESCRIPTION	REV
	1001113537	Ref	AXLE INSTALLATION - OSCILLATING	F
1	0100011	AR	Compound, Locking	
2	0100038	AR	Primer, Locking	
3	0641814	8	Bolt 1/2 x 1-3/4	
4	0642012	1	Bolt 5/8 x 1-1/2	
5	0961950	2	Bearing	
6	1001256181	2	Lockout Cylinder Assembly (See Separate Breakdown in CYLINDER Section)	
7	1001185030	1	Pin	
8	3841258	1	Keeper, Pin	
9	4071101	AR	Shim (18Ga)	
10	4740158	1	Thrustwasher	
11	4891800	8	Washer 1/2 Hardened	
13	1001113539	1	Axle Weldment	

SECTION 1 - FRAME

FIGURE 1-3. AXLE INSTALLATION - OSCILLATING (WITH TOW PACKAGE) (8FT/2.4M WIDE MACHINES) (USA BUILT MACHINES)



ART_1001148170

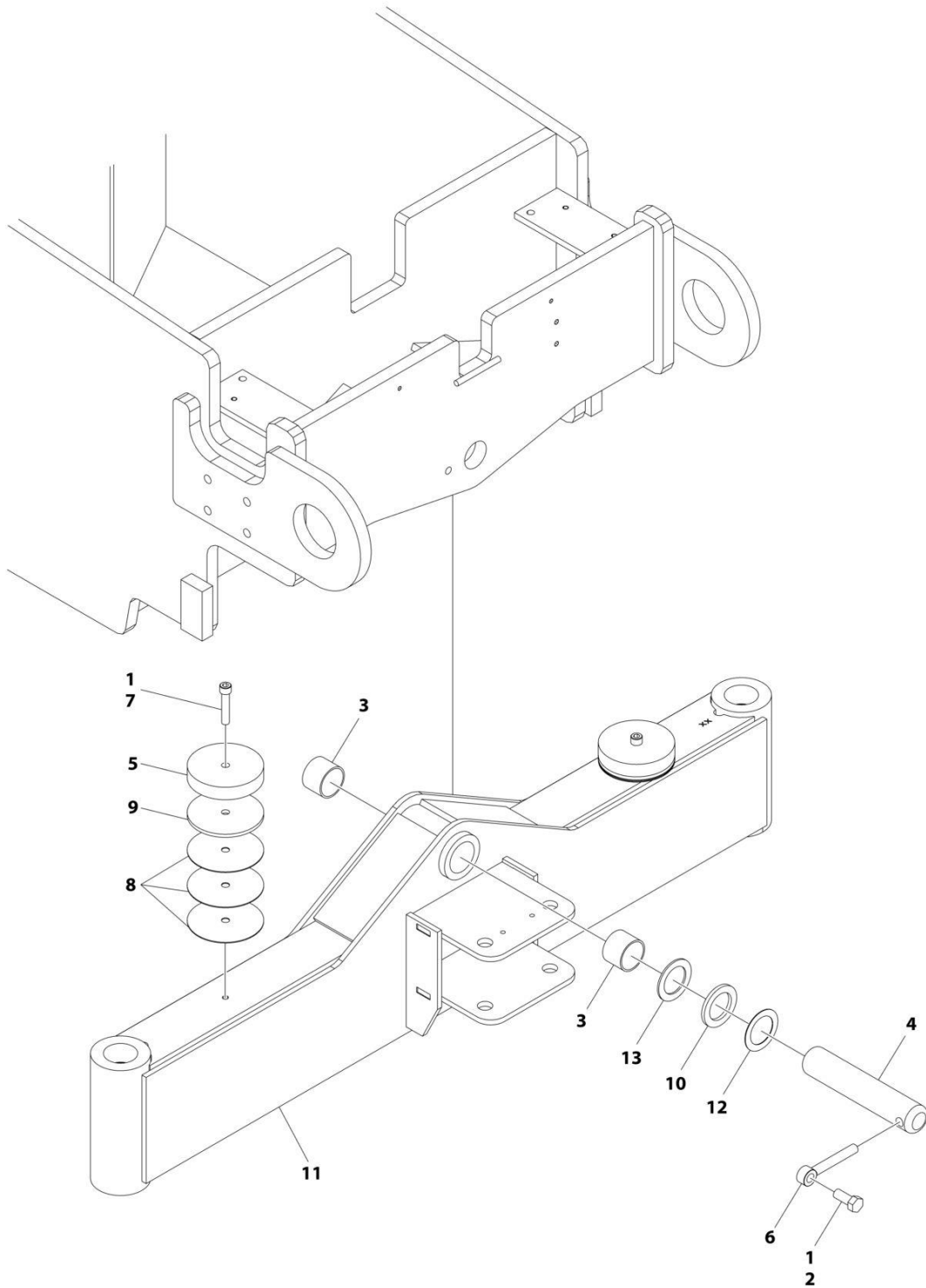
SECTION 1 - FRAME

FIGURE 1-3. AXLE INSTALLATION - OSCILLATING (WITH TOW PACKAGE) (8FT/2.4M WIDE MACHINES) (USA BUILT MACHINES)

ITEM	PART NUMBER	QTY	DESCRIPTION	REV
	1001148170	Ref	AXLE INSTALLATION - OSCILLATING	C
1	0100011	AR	Compound, Locking	
2	0641814	8	Bolt 1/2 x 1-3/4	
3	0642012	1	Bolt 5/8 x 1-1/2	
4	0961950	2	Bearing	
5	1684465	2	Axle Lockout Cylinder Assembly (See Separate Breakdown in CYLINDER SECTION)	
6	3423184	1	Pin	
7	3841258	1	Keeper, Pin	
8	4740158	1	Thrustwasher	
9	1001148172	1	Axle Weldment	
10	4891800	8	Washer 1/2 Hardened	
11	0100038	AR	Primer, Locking	
12	4071101	AR	Shim (18Ga)	
13	4740229	AR	Thrustwasher	

SECTION 1 - FRAME

**FIGURE 1-4. AXLE INSTALLATION - FIXED (WITHOUT TOW PACKAGE) (8FT/2.4M WIDE MACHINES)
(USA BUILT MACHINES - PVC 2001 & 2007, CHINA BUILT MACHINES - PVC 2007)**



ART_1001148169

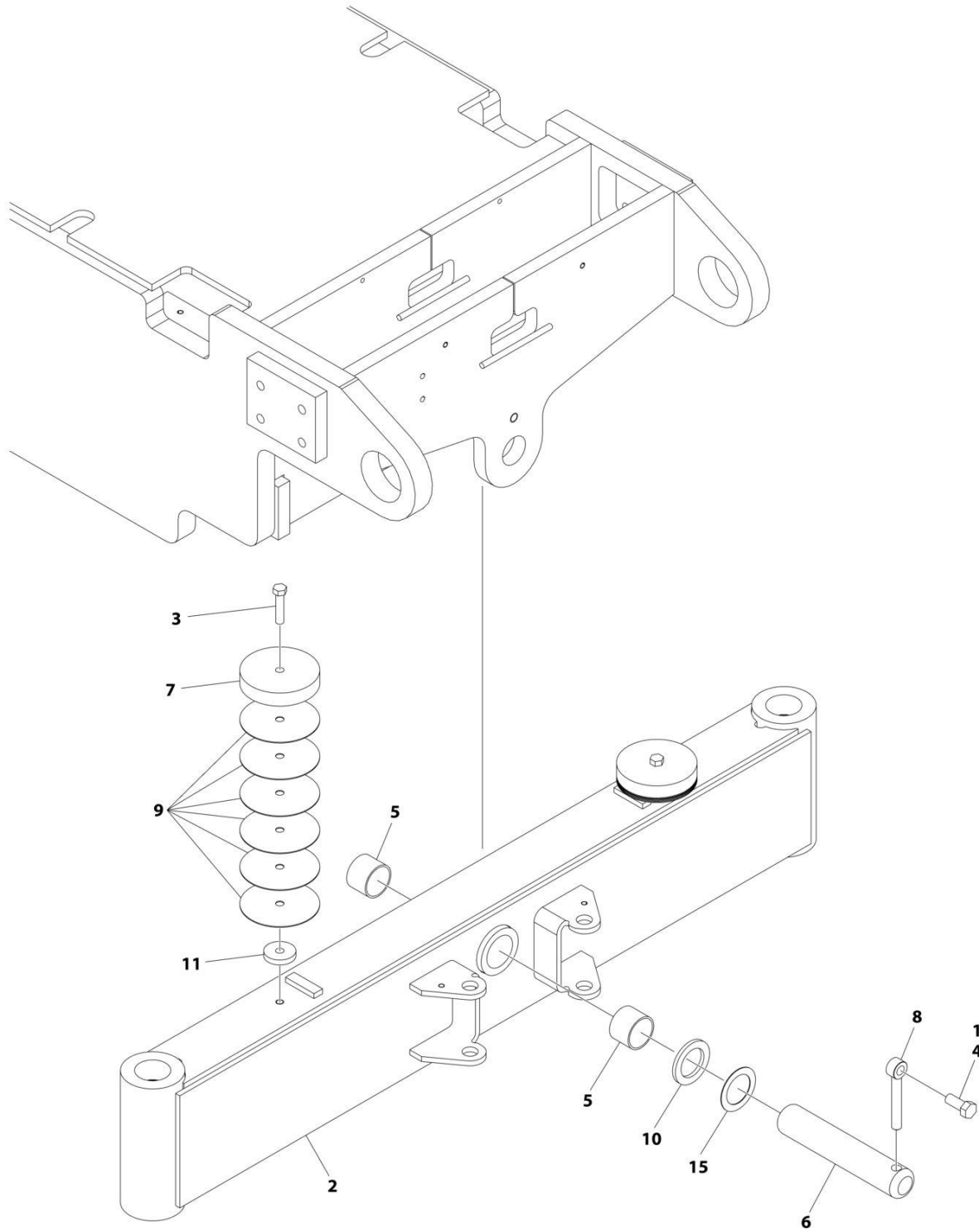
SECTION 1 - FRAME

**FIGURE 1-4. AXLE INSTALLATION - FIXED (WITHOUT TOW PACKAGE) (8FT/2.4M WIDE MACHINES)
(USA BUILT MACHINES - PVC 2001 & 2007, CHINA BUILT MACHINES - PVC 2007)**

ITEM	PART NUMBER	QTY	DESCRIPTION	REV
	1001148169	Ref	AXLE INSTALLATION - FIXED	C
1	0100011	AR	Compound, Locking	
2	0642012	1	Bolt 5/8 x 1-1/2	
3	0961950	2	Bearing	
4	3423184	1	Pin	
5	3539877	2	Plate, Stop	
6	3841258	1	Keeper, Pin	
7	3931840	2	Capscrew 1/2 x 2-1/2	
8	4070944	6	Shim (.06)	
9	4070945	2	Shim (.25)	
10	4740158	AR	Thrustwasher	
11	1001148171	Ref	Axle Weldment	
12	4071101	AR	Shim	
13	4740229	AR	Thrustwasher	

SECTION 1 - FRAME

FIGURE 1-5. AXLE INSTALLATION - FIXED (WITHOUT TOW PACKAGE) (8FT/2.4M WIDE MACHINES)
(CHINA BUILT MACHINES) (PVC 2001)



ART_0273959

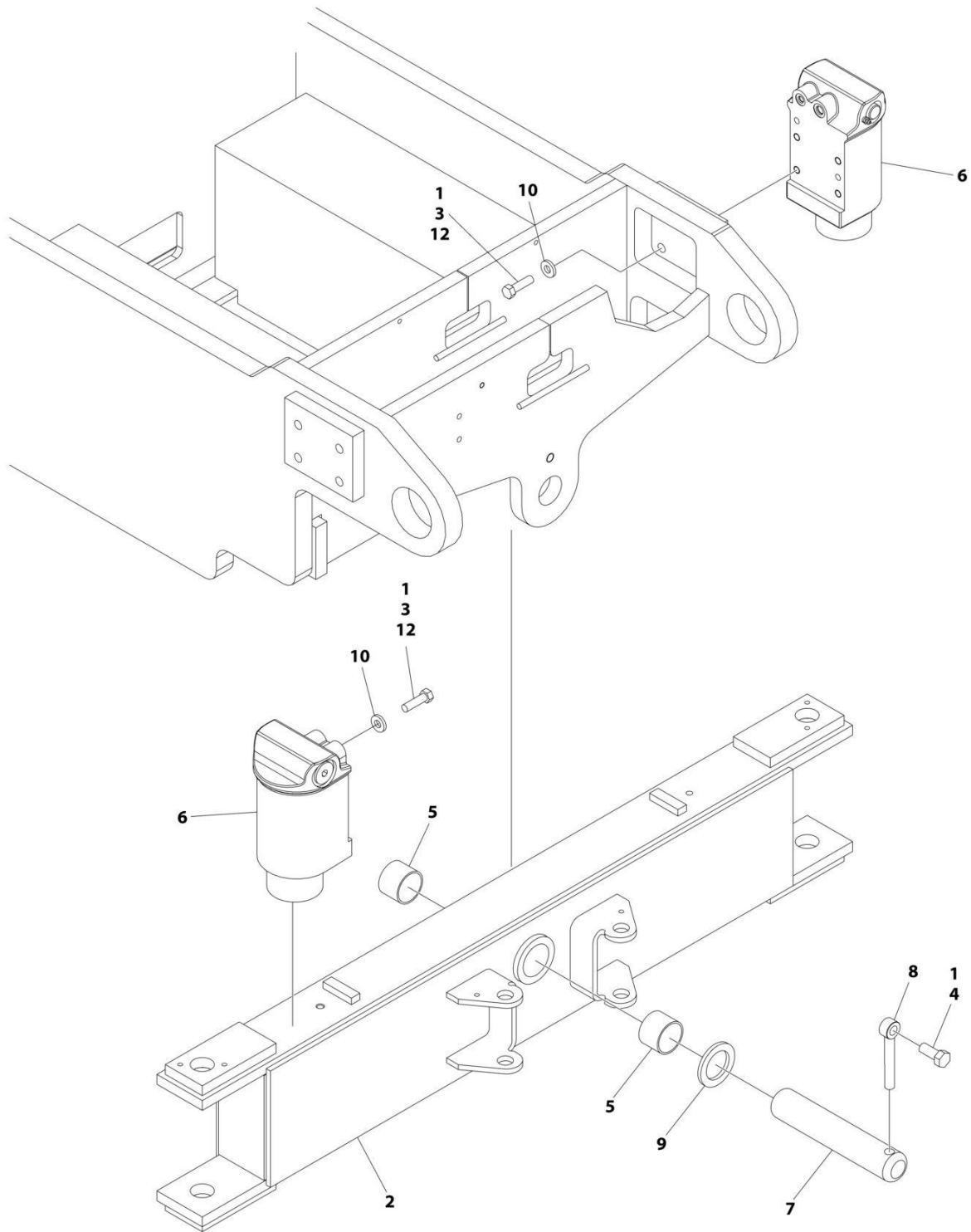
SECTION 1 - FRAME

**FIGURE 1-5. AXLE INSTALLATION - FIXED (WITHOUT TOW PACKAGE) (8FT/2.4M WIDE MACHINES)
(CHINA BUILT MACHINES) (PVC 2001)**

ITEM	PART NUMBER	QTY	DESCRIPTION	REV
	0273959	Ref	AXLE INSTALLATION - FIXED	D
1	0100011	AR	Compound, Locking	
2	0280167	Ref	Axle Weldment	
3	0641818	2	Bolt 1/2 x 2-1/4	
4	0642012	1	Bolt 5/8 x 1-1/2	
5	0961950	2	Bearing	
6	3422592	1	Pin	
7	3539877	2	Plate, Stop	
8	3841258	1	Keeper, Pin	
9	4070944	12	Shim (.06)	
10	4740158	1	Thrustwasher	
11	3539878	2	Plate, Stop	
15	4071101	AR	Shim	

SECTION 1 - FRAME

FIGURE 1-6. AXLE INSTALLATION - OSCILLATING (WITHOUT TOW PACKAGE) (7FT/2.1M WIDE MACHINES) (USA BUILT MACHINES)



ART_0274047

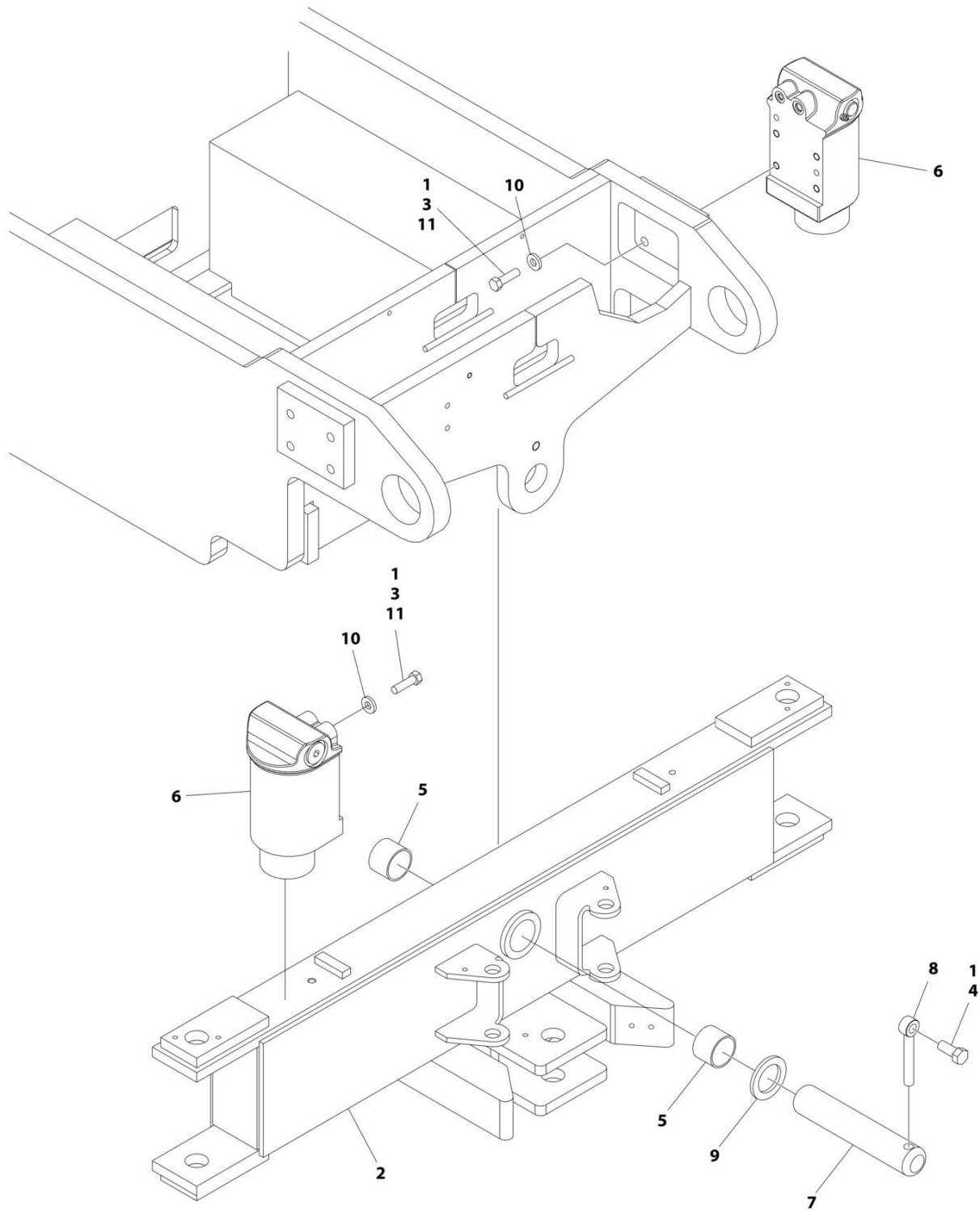
SECTION 1 - FRAME

FIGURE 1-6. AXLE INSTALLATION - OSCILLATING (WITHOUT TOW PACKAGE) (7FT/2.1M WIDE MACHINES) (USA BUILT MACHINES)

ITEM	PART NUMBER	QTY	DESCRIPTION	REV
	0274047	Ref	AXLE INSTALLATION - OSCILLATING	C
1	0100011	AR	Compound, Locking	
2	0280171	1	Axle Weldment	
3	0641814	8	Bolt 1/2 x 1-3/4	
4	0642012	1	Bolt 5/8 x 1-1/2	
5	0961950	2	Bearing	
6	1684465	2	Axle Lockout Cylinder Assembly (See Separate Breakdown in CYLINDER SECTION)	
7	1001185030	1	Pin	
8	3841258	1	Keeper, Pin	
9	4740158	1	Thrustwasher	
10	4891800	8	Washer 1/2 Hardened	
11	2792690	1	Hydraulic Diagram (See Separate Breakdown in HYDRAULIC SECTION)	
12	0100038	AR	Primer, Locking	

SECTION 1 - FRAME

FIGURE 1-7. AXLE INSTALLATION - OSCILLATING (WITH TOW PACKAGE) (7FT/2.1M WIDE MACHINES) (USA BUILT MACHINES)



ART_0274256

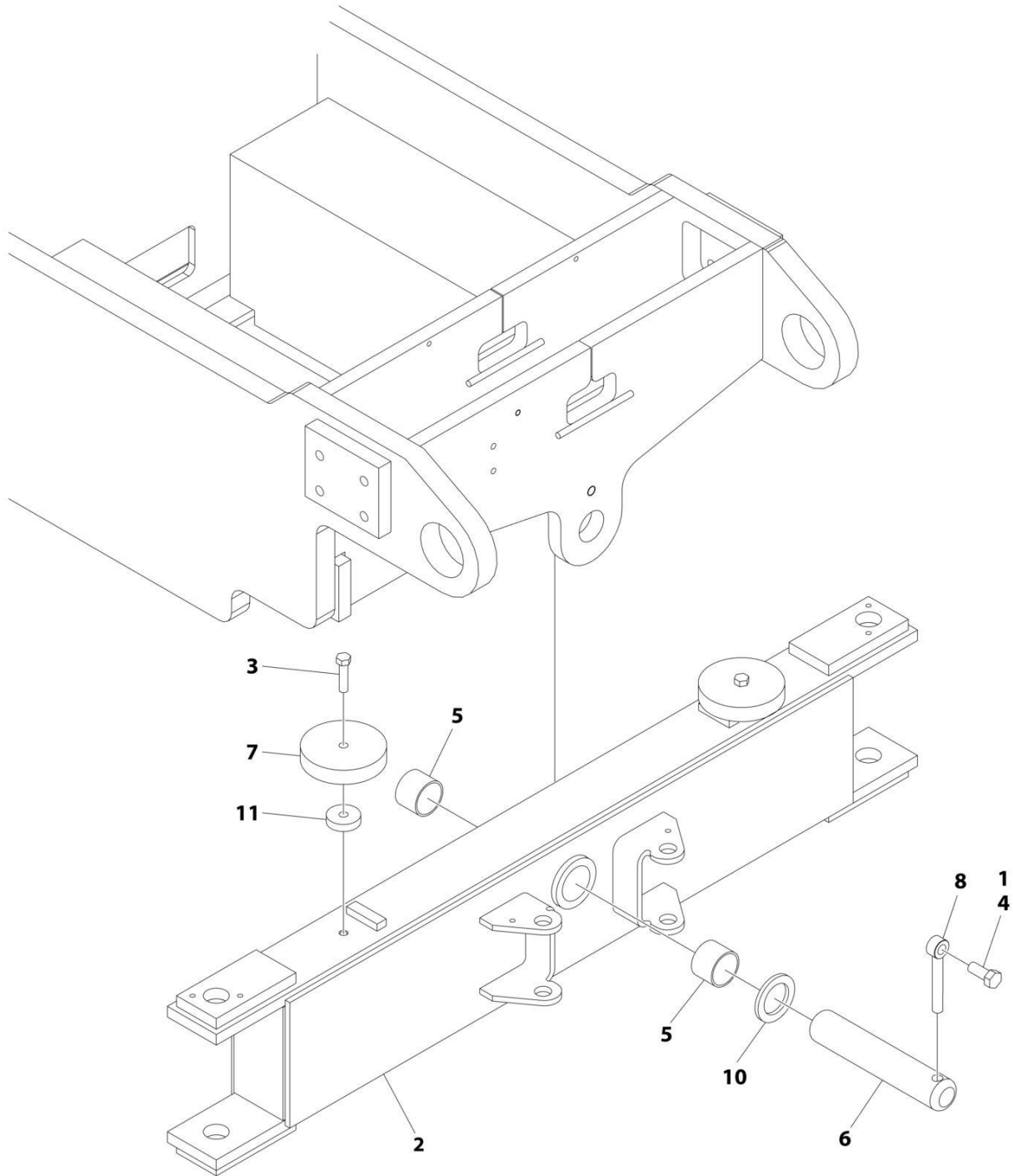
SECTION 1 - FRAME

FIGURE 1-7. AXLE INSTALLATION - OSCILLATING (WITH TOW PACKAGE) (7FT/2.1M WIDE MACHINES) (USA BUILT MACHINES)

ITEM	PART NUMBER	QTY	DESCRIPTION	REV
	0274256	Ref	AXLE INSTALLATION - OSCILLATING	C
1	0100011	AR	Compound, Locking	
2	0280185	1	Axle Weldment	
3	0641814	8	Bolt 1/2 x 1-3/4	
4	0642012	1	Bolt 5/8 x 1-1/2	
5	0961950	2	Bearing	
6	1684465	2	Axle Lockout Cylinder Assembly (See Separate Breakdown in CYLINDER SECTION)	
7	1001185030	1	Pin	
8	3841258	1	Keeper, Pin	
9	4740158	1	Thrustwasher	
10	4891800	8	Washer 1/2 Hardened	
11	0100038	AR	Primer, Locking	
12	2792690	1	Hydraulic Diagram (Not Shown - See Separate Breakdown in HYDRAULIC SECTION)	

SECTION 1 - FRAME

FIGURE 1-8. AXLE INSTALLATION - FIXED (WITHOUT TOW PACKAGE) (7FT/2.1M WIDE MACHINES)
(USA BUILT MACHINES)



ART_0274054

SECTION 1 - FRAME

**FIGURE 1-8. AXLE INSTALLATION - FIXED (WITHOUT TOW PACKAGE) (7FT/2.1M WIDE MACHINES)
(USA BUILT MACHINES)**

ITEM	PART NUMBER	QTY	DESCRIPTION	REV
	0274054	Ref	AXLE INSTALLATION - FIXED	C
1	0100011	AR	Compound, Locking	
2	0280171	1	Axle Weldment	
3	0641816	2	Bolt 1/2 x 2	
4	0642012	1	Bolt 5/8 x 1-1/2	
5	0961950	2	Bearing	
6	1001185030	1	Pin	
7	3539877	2	Plate, Stop	
8	3841258	1	Keeper, Pin	
10	4740158	1	Thrustwasher	
11	4740542	2	Spacer	

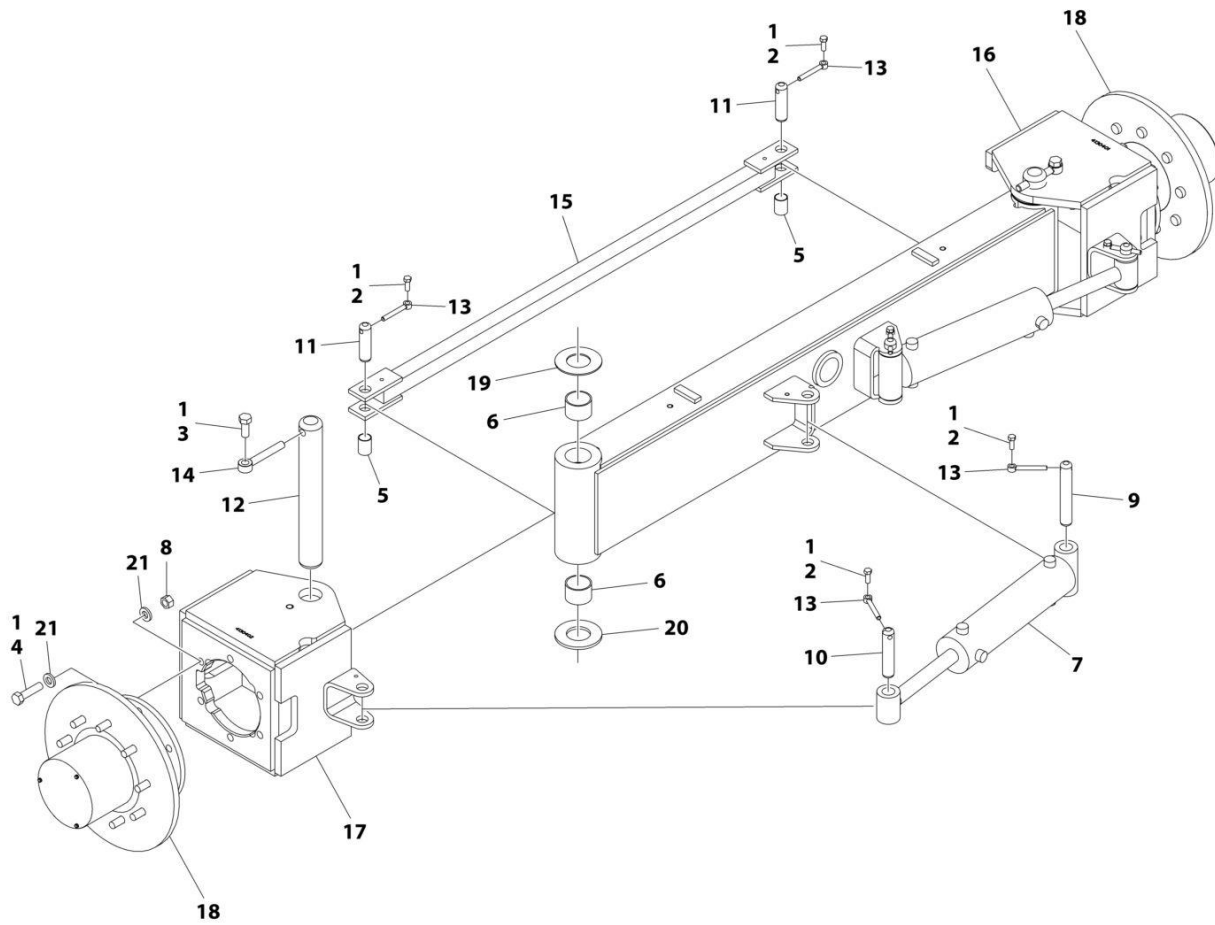
SECTION 1 - FRAME

FIGURE 1-9. STEERING INSTALLATION - 2WD/2WS (8FT/2.4M WIDE MACHINES WITHOUT TOW PACKAGE) (USA BUILT MACHINES - PVC 2001 & 2007, CHINA BUILT MACHINES - PVC 2007)

ITEM	PART NUMBER	QTY	DESCRIPTION	REV
	1001148161	Ref	STEERING INSTALLATION – 2WD/2WS	E
1	0100011	AR	Compound, Locking	
4	0641608	6	Bolt 3/8 x 1	
6	0642012	2	Bolt 5/8 x 1-1/2	
8	0962356	2	Bushing (Part of Item 33)	
9	0962131	4	Bushing	
11	1001097242	2	Steer Cylinder Assembly (See Separate Breakdown in CYLINDER SECTION)	
12	4130410	2	Hub Assembly (See Separate Breakdown in this Section)	
14	3422326	2	Pin	
15	3422900	2	Pin	
16	3422902	1	Pin	
17	3422903	2	Pin	
18	3841143	6	Keeper, Pin	
19	3841258	2	Keeper, Pin	
20	1001155574	NLA	Tie-Rod (Part of Item 33) (Use Item 33 as replacement)	
22	1001099387	1	Spindle (LH)	
23	1001099196	1	Spindle (RH)	
24	4740111	6	Thrustwasher	
25	4740256	2	Thrustwasher	
27	4740463	2	Thrustwasher	
30	0682022	12	Bolt 5/8 x 2-3/4 Grade 8	
31	3272001	12	Nut 5/8 Grade 8	
32	4892000	24	Washer 5/8 Hardened	
33	1001276664	1	Tie-Rod Assembly (Includes Items 8 & 20)	

SECTION 1 - FRAME

FIGURE 1-10. STEERING INSTALLATION – 2WD/2WS (8FT/2.4M WIDE MACHINES WITHOUT TOW PACKAGE) (CHINA BUILT MACHINES) (PVC 2001)



ART_0274132

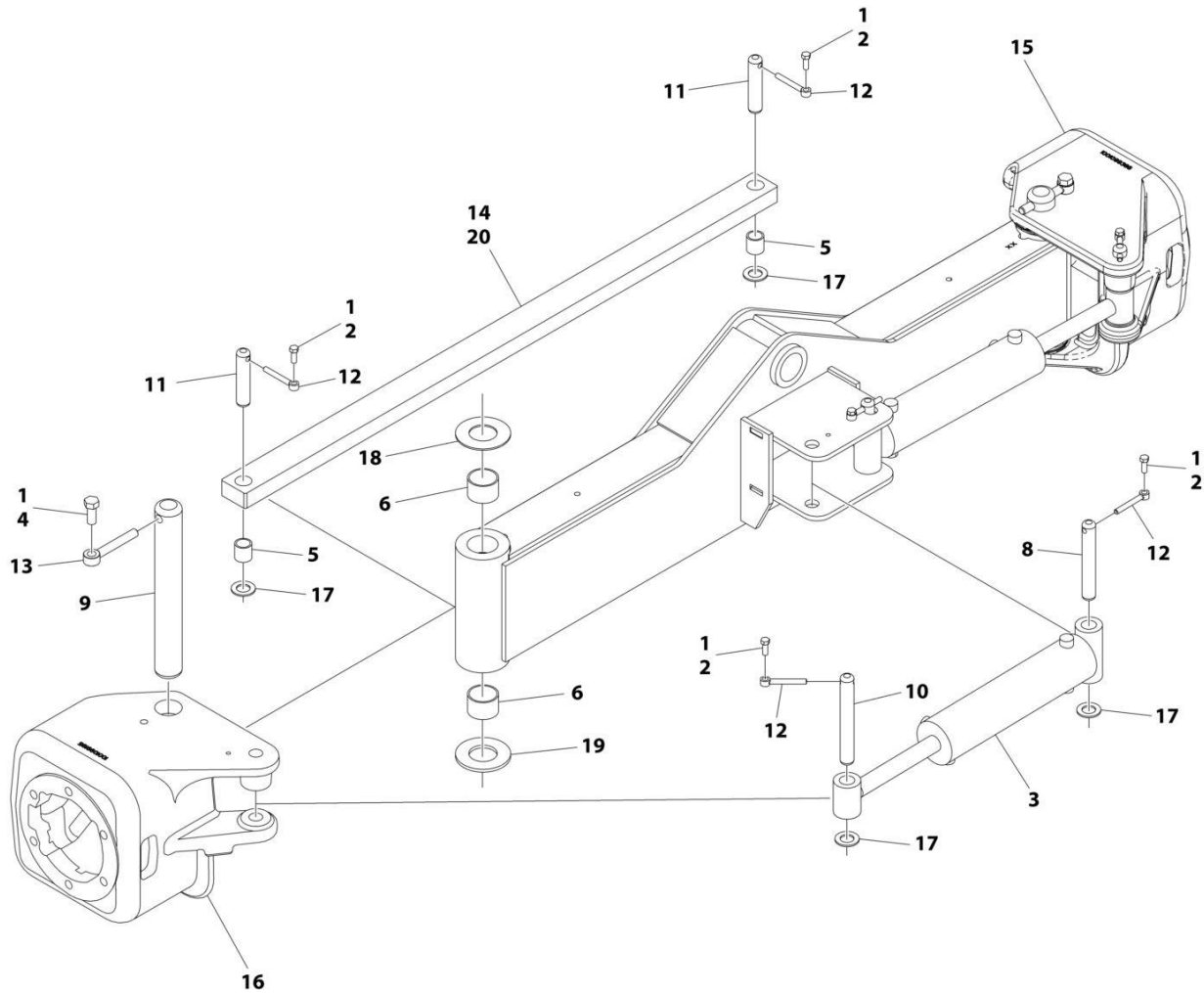
SECTION 1 - FRAME

FIGURE 1-10. STEERING INSTALLATION – 2WD/2WS (8FT/2.4M WIDE MACHINES WITHOUT TOW PACKAGE) (CHINA BUILT MACHINES) (PVC 2001)

ITEM	PART NUMBER	QTY	DESCRIPTION	REV
	0274132	Ref	STEERING INSTALLATION - 2WD/2WS	D
1	0100011	AR	Compound, Locking	
2	0641608	6	Bolt 3/8 x 1	
3	0642012	2	Bolt 5/8 x 1-1/2	
4	0682020	12	Bolt 5/8 x 2-1/2 Grade 8	
5	0962005	2	Bushing	
6	0962131	4	Bushing	
7	1001097242	2	Steer Cylinder Assembly (See Separate Breakdown in CYLINDER SECTION)	
8	3272001	12	Nut 5/8 Grade 8	
9	3422426	2	Pin	
10	3422429	2	Pin	
11	3422430	2	Pin	
12	3422900	2	Pin	
13	3841143	6	Keeper, Pin	
14	3841258	2	Keeper, Pin	
15	3841285	1	Tie-Rod	
16	4130401	1	Spindle (LH)	
17	4130402	1	Spindle (RH)	
18	4130410	2	Hub Assembly (See Separate Breakdown in this Section)	
19	4740256	2	Thrustwasher	
20	4740463	2	Thrustwasher	
21	4892000	24	Washer 5/8 Hardened	

SECTION 1 - FRAME

FIGURE 1-11. STEERING INSTALLATION - 4WD/2WS (8FT/2.4M WIDE MACHINES WITHOUT TOW PACKAGE) (USA BUILT MACHINES - PVC 2001 & 2007, CHINA BUILT MACHINES - PVC 2007)



ART_1001148162

SECTION 1 - FRAME

FIGURE 1-11. STEERING INSTALLATION - 4WD/2WS (8FT/2.4M WIDE MACHINES WITHOUT TOW PACKAGE) (USA BUILT MACHINES - PVC 2001 & 2007, CHINA BUILT MACHINES - PVC 2007)

ITEM	PART NUMBER	QTY	DESCRIPTION	REV
	1001148162	Ref	STEERING INSTALLATION – 4WD/2WS	D
1	0100011	AR	Compound, Locking	
2	0641608	6	Bolt 3/8 x 1	
3	1001097242	2	Steer Cylinder Assembly (See Separate Breakdown in CYLINDER SECTION)	
4	0642012	2	Bolt 5/8 x 1-1/2	
5	0962356	2	Bushing (Part of item 20)	
6	0962131	4	Bushing	
8	3422326	2	Pin	
9	3422900	2	Pin	
10	3422902	1	Pin	
11	3422903	2	Pin	
12	3841143	6	Keeper, Pin	
13	3841258	2	Keeper, Pin	
14	1001155574	NLA	Tie-Rod (Part of Item 20) (Use Item 20 as replacement)	
15	1001099387	1	Spindle (LH)	
16	1001099196	1	Spindle (RH)	
17	4740111	6	Thrustwasher	
18	4740256	2	Thrustwasher	
19	4740463	2	Thrustwasher	
20	1001276664	1	Tie-Rod Assembly (Includes Items 5 & 14)	

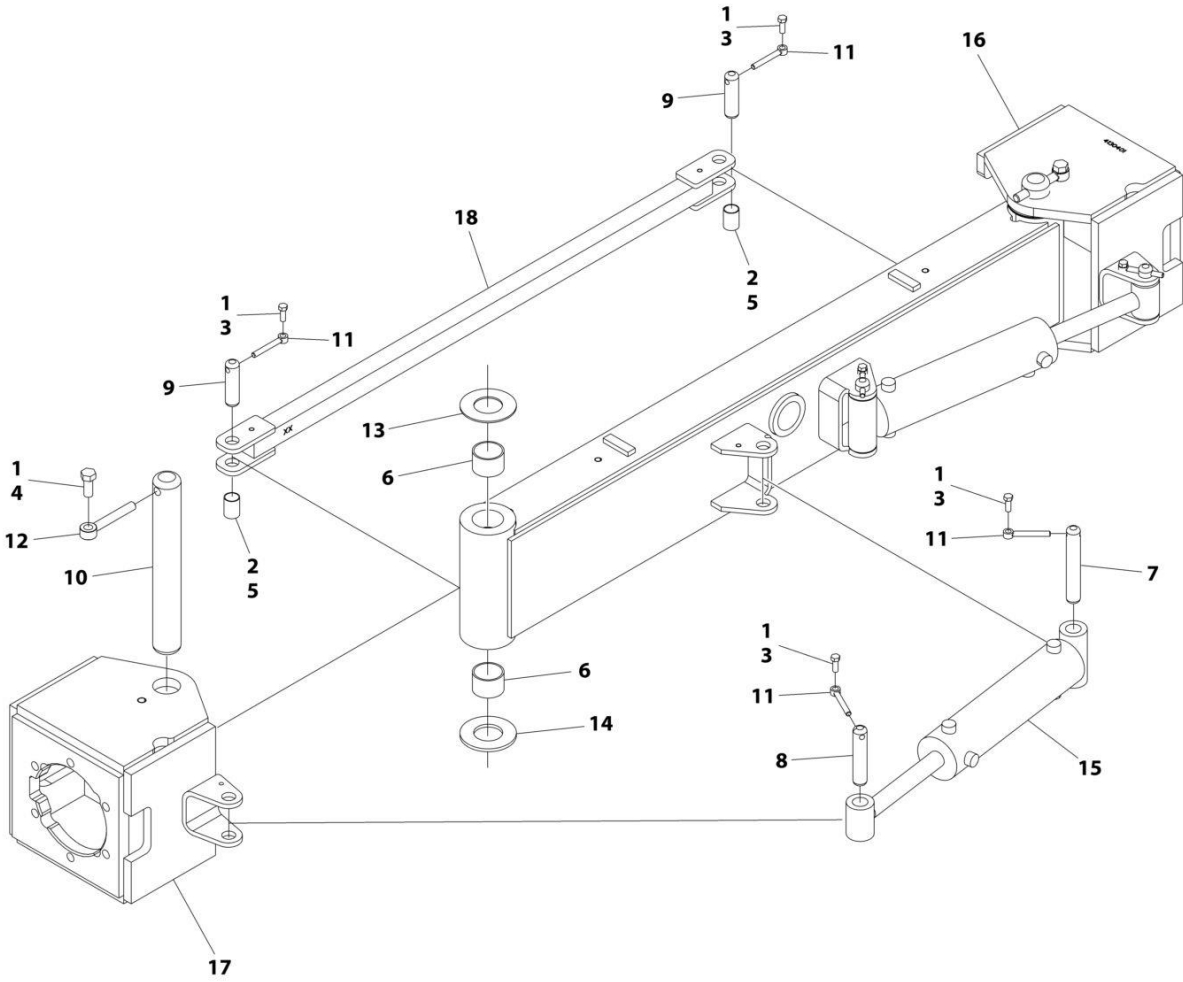
SECTION 1 - FRAME

FIGURE 1-12. STEERING INSTALLATION - 4WD/2WS (8FT/2.4M WIDE MACHINES WITHOUT TOW PACKAGE) (CHINA BUILT MACHINES) (PVC 2001)

ITEM	PART NUMBER	QTY	DESCRIPTION	REV
	1001113654	Ref	STEERING INSTALLATION - 4WD/2WS	B
1	0100011	AR	Compound, Locking	
2	0100063	AR	Adhesive	
3	0641608	6	Bolt 3/8 x 1	
4	0642012	2	Bolt 5/8 x 1-1/2	
5	0962005	2	Bushing	
6	0962131	4	Bushing	
7	3422426	2	Pin	
8	3422429	2	Pin	
9	3422430	2	Pin	
10	3422900	2	Pin	
11	3841143	6	Keeper, Pin	
12	3841258	2	Keeper, Pin	
13	4740256	2	Thrustwasher	
14	4740463	2	Thrustwasher	
15	1001097242	2	Steer Cylinder Assembly (See Separate Breakdown in CYLINDER SECTION)	
16	1001113656	1	Spindle (LH)	
17	1001113655	1	Spindle (RH)	
18	1001113715	1	Tie-Rod	

SECTION 1 - FRAME

FIGURE 1-13. STEERING INSTALLATION - 4WD/4WS (8FT/2.4M WIDE MACHINES WITHOUT TOW PACKAGE) (CHINA BUILT MACHINES) (PVC 2001)



ART_1001121244

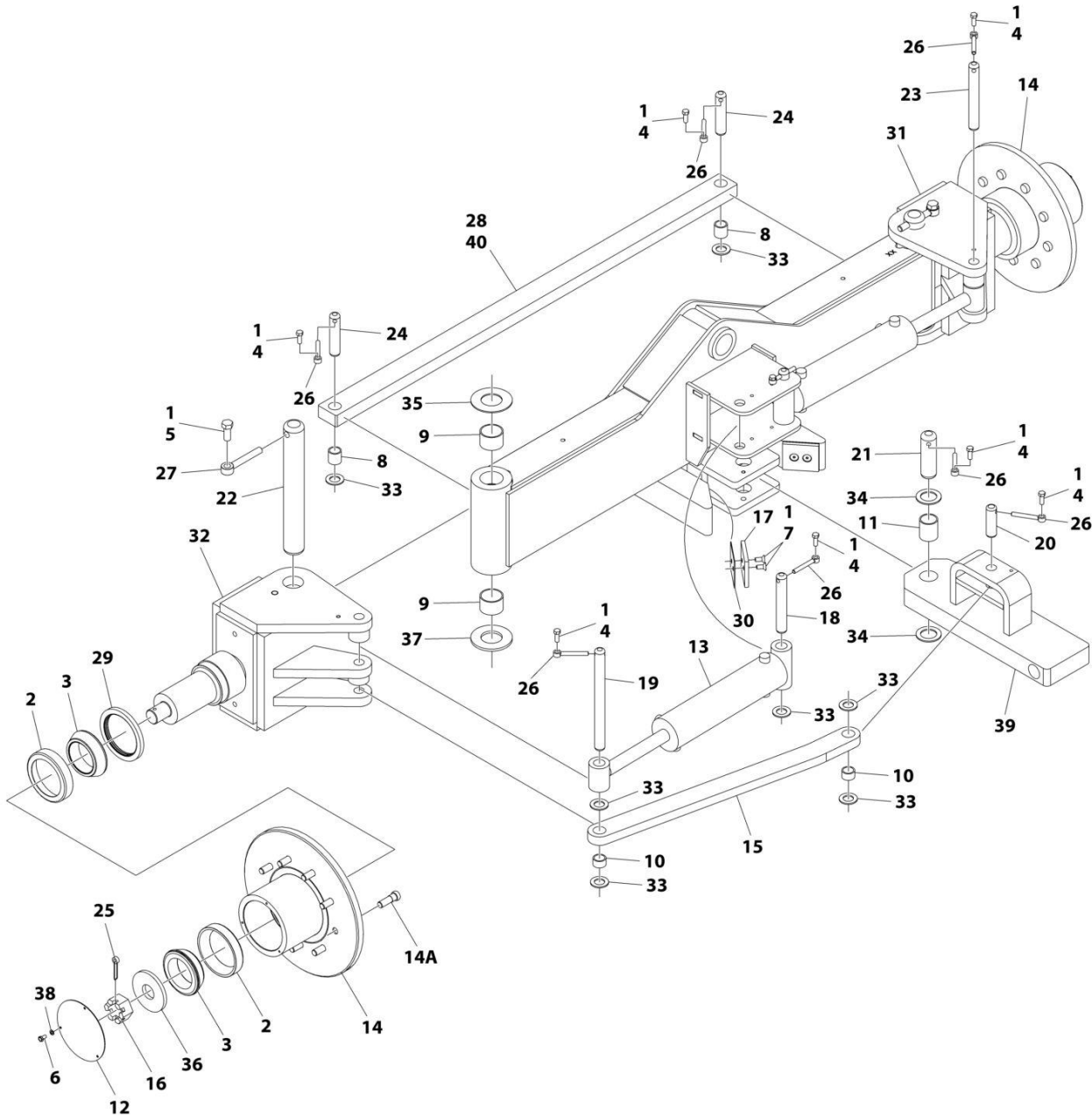
SECTION 1 - FRAME

FIGURE 1-13. STEERING INSTALLATION - 4WD/4WS (8FT/2.4M WIDE MACHINES WITHOUT TOW PACKAGE) (CHINA BUILT MACHINES) (PVC 2001)

ITEM	PART NUMBER	QTY	DESCRIPTION	REV
	1001121244	Ref	STEERING INSTALLATION - 4WD/4WS	A
1	0100011	AR	Compound, Locking	
2	0100063	AR	Adhesive	
3	0641608	12	Bolt 3/8 x 1	
4	0642012	4	Bolt 5/8 x 1-1/2	
5	0962005	4	Bushing	
6	0962131	8	Bushing	
7	3422426	4	Pin	
8	3422429	4	Pin	
9	3422430	4	Pin	
10	3422900	4	Pin	
11	3841143	12	Keeper, Pin	
12	3841258	4	Keeper, Pin	
13	4740256	4	Thrustwasher	
14	4740463	4	Thrustwasher	
15	1001097242	4	Steer Cylinder Assembly (See Separate Breakdown in CYLINDER SECTION)	
16	1001113656	2	Spindle (LH)	
17	1001113655	2	Spindle (RH)	
18	1001113715	2	Tie-Rod	

SECTION 1 - FRAME

FIGURE 1-14. STEERING INSTALLATION - 2WD/2WS (8FT/2.4M WIDE MACHINES WITH TOW PACKAGE) (USA BUILT MACHINES)



ART_1001148165

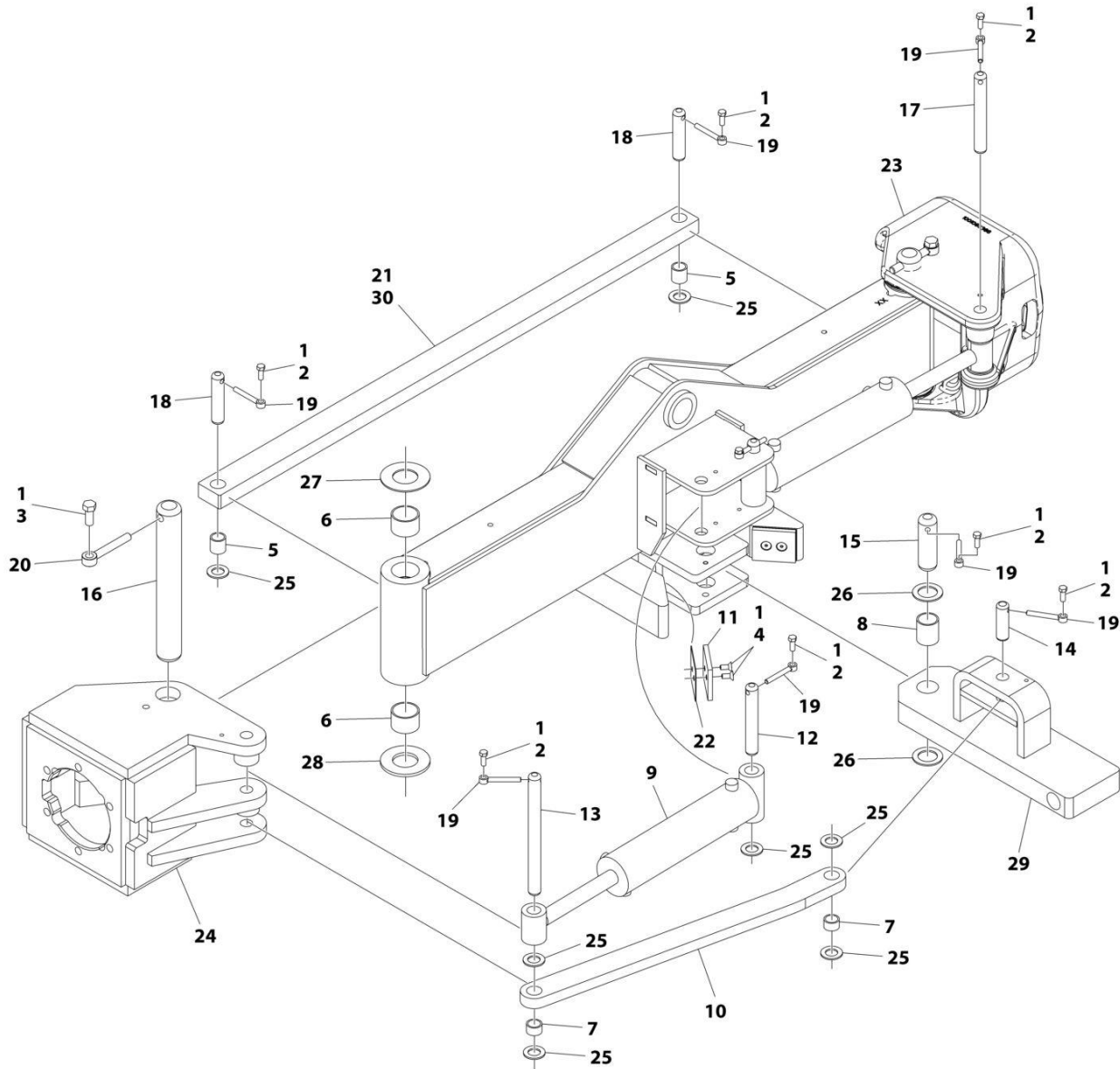
SECTION 1 - FRAME

FIGURE 1-14. STEERING INSTALLATION - 2WD/2WS (8FT/2.4M WIDE MACHINES WITH TOW PACKAGE) (USA BUILT MACHINES)

ITEM	PART NUMBER	QTY	DESCRIPTION	REV
	1001148165	Ref	STEERING INSTALLATION - 2WD/2WS	D
1	0100011	AR	Compound, Locking	
2	0440170	4	Cone, Bearing	
3	0440171	4	Cup, Bearing	
4	0641608	8	Bolt 3/8 x 1	
5	0642012	2	Bolt 5/8 x 1-1/2	
6	0721003	6	Bolt #10 x 3/8	
7	0741607	4	Screw 3/8 x 7/8	
8	0962356	2	Bushing (Part of item 40)	
9	0962131	4	Bushing	
10	0962292	2	Bushing	
11	0962348	1	Bushing	
12	1120304	2	Cap, Hub	
13	1001097242	2	Steer Cylinder Assembly (See Separate Breakdown in CYLINDER SECTION)	
14	2780271	2	Hub	
14A	0630490	18	Stud, Wheel (9 Per Hub)	
15	1001148178	1	Link	
16	3323403	2	Nut, Slotted 1-1/2	
17	3340966	2	Pad	
18	3422326	2	Pin	
19	3422567	1	Pin	
20	3422813	1	Pin	
21	3422848	1	Pin	
22	3422900	2	Pin	
23	3422902	1	Pin	
24	3422903	2	Pin	
25	3451010	1	Pin, Cotter 5/8 x 2-1/2	
26	3841143	8	Keeper, Pin	
27	3841258	2	Keeper, Pin	
28	1001155574	NLA	Tie-Rod (Part of Item 40) (Use Item 40 as replacement)	
29	3960343	2	Seal, Grease	
30	4071059	2	Shim	
31	4130396	1	Spindle (LH)	
32	4130400	1	Spindle (RH)	
33	4740111	9	Thrustwasher	
34	4740155	2	Thrustwasher	
35	4740256	2	Thrustwasher	
36	4740283	2	Washer, Hardened	
37	4740463	2	Thrustwasher	
38	4761000	6	Washer #10	
39	4846935	1	Pivot	
40	1001276664	1	Tie-Rod Assembly (Includes Items 8 & 28)	

SECTION 1 - FRAME

FIGURE 1-15. STEERING INSTALLATION - 4WD/2WS (8FT/2.4M WIDE MACHINES WITH TOW PACKAGE) (USA BUILT MACHINES)



ART_1001148164

SECTION 1 - FRAME

FIGURE 1-15. STEERING INSTALLATION - 4WD/2WS (8FT/2.4M WIDE MACHINES WITH TOW PACKAGE) (USA BUILT MACHINES)

ITEM	PART NUMBER	QTY	DESCRIPTION	REV
	1001148164	Ref	STEERING INSTALLATION - 4WD/2WS	C
1	0100011	AR	Compound, Locking	
2	0641608	8	Bolt 3/8 x 1	
3	0642012	2	Bolt 5/8 x 1-1/2	
4	0741607	4	Screw 3/8 x 7/8	
5	0962356	2	Bushing	
6	0962131	4	Bushing	
7	0962292	2	Bushing	
8	0962348	1	Bushing	
9	1001097242	2	Steer Cylinder Assembly (See Separate Breakdown in CYLINDER SECTION)	
10	1001148178	1	Link	
11	3340966	2	Pad	
12	3422326	2	Pin	
13	3422567	1	Pin	
14	3422813	1	Pin	
15	3422848	1	Pin	
16	3422900	2	Pin	
17	3422902	1	Pin	
18	3422903	2	Pin	
19	3841143	8	Keeper, Pin	
20	3841258	2	Keeper, Pin	
21	1001155574	1	Tie-Rod	
22	4071059	2	Shim	
23	1001099387	1	Spindle (LH)	
24	4130399	1	Spindle (RH)	
25	4740111	9	Thrustwasher	
26	4740155	2	Thrustwasher	
27	4740256	2	Thrustwasher	
28	4740463	2	Thrustwasher	
29	4846935	1	Pivot	

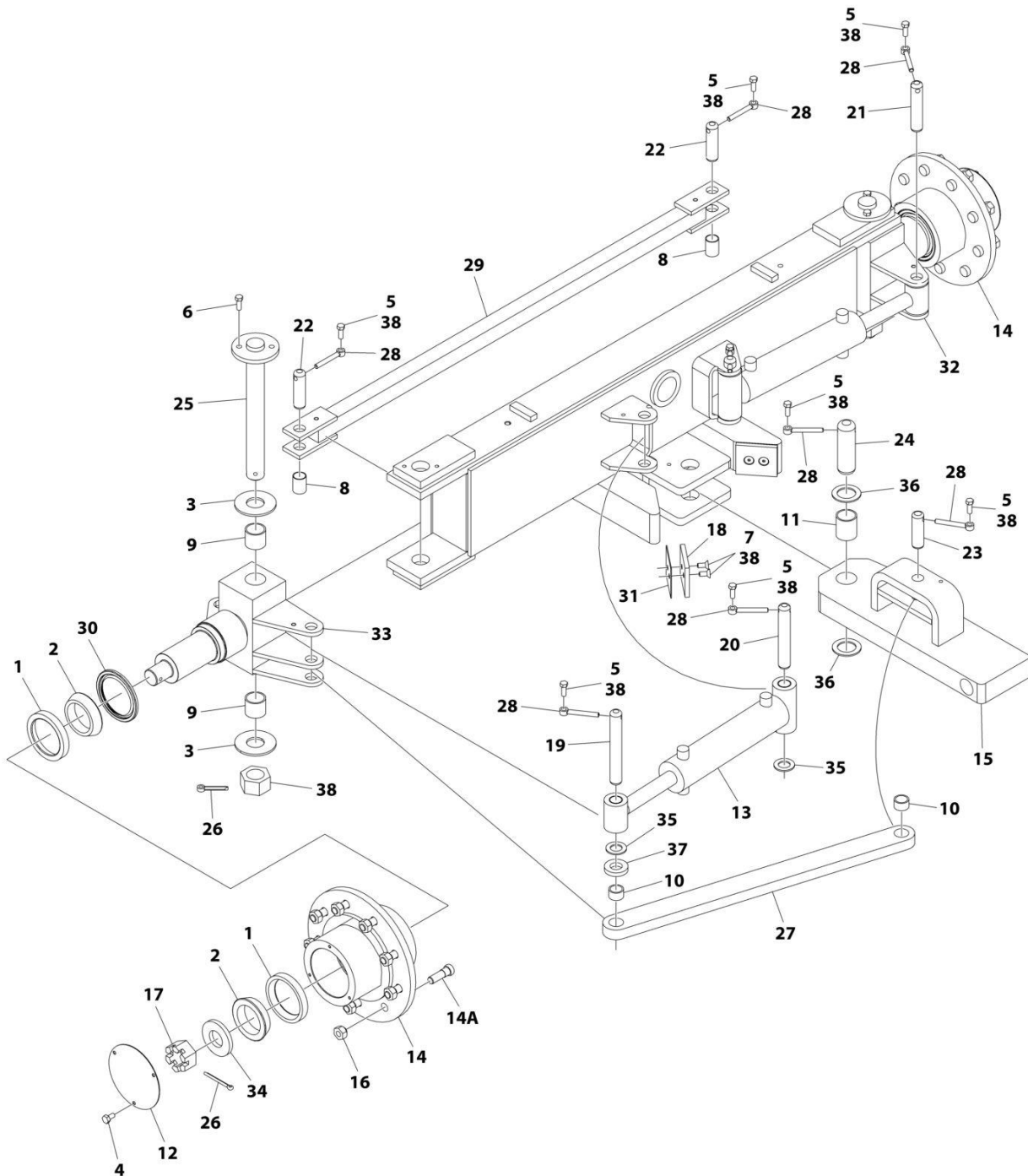
SECTION 1 - FRAME

FIGURE 1-16. STEERING INSTALLATION - 2WD/4WS (7FT/2.1M WIDE MACHINES WITHOUT TOW PACKAGE) (USA BUILT MACHINES)

ITEM	PART NUMBER	QTY	DESCRIPTION	REV
	0274062	Ref	STEERING INSTALLATION	I
1	0100011	AR	Compound, Locking	
2	0100063	AR	Adhesive	
3	0440018	4	Cup, Bearing	
4	0440019	4	Cone, Bearing	
5	0440161	2	Thrustwasher	
6	0641404	6	Bolt 1/4 x 1/2	
7	0641608	12	Bolt 3/8 x 1	
8	0681608	4	Bolt 3/8 x 1 (Grade 8)	
9	0962005	4	Bushing	
10	0962272	4	Bushing	
11	1120460	2	Cap, Hub	
12	1684418	4	Steer Cylinder Assembly (See Separate Breakdown in CYLINDER SECTION)	
13	2780276	2	Hub	
13A	0630490	18	Stud, Wheel (9 Per Hub)	
14	3300106	18	Nut, Wheel	
15	3323403	2	Nut, Slotted 1-1/2	
16	3422426	4	Pin	
17	3422429	4	Pin	
18	3422430	4	Pin	
19	3423175	2	Kingpin	
20	3450810	2	Pin, Cotter 1/4 x 2-1/2	
21	3451010	2	Pin, Cotter 5/16 x 2-1/2	
22	3841143	12	Keeper	
23	3841263	1	Tie-Rod	
24	3960098	2	Seal	
25	4130413	1	Spindle (RH)	
26	4130414	1	Spindle (LH)	
27	4740016	2	Washer, Hardened	
28	0642012	2	Bolt 5/8 x 1/1/2	
29	0962131	4	Bearing	
30	3422900	2	Kingpin	
31	3841258	2	Keeper	
32	2841677	1	Tie-Rod	
33	4130401	1	Spindle (LH)	
34	4130402	1	Spindle (RH)	
35	4740256	2	Thrustwasher	
36	4740463	2	Thrustwasher	
37	2220237	4	Plug	
38	3313403	2	Nut, Slotted 1-1/2	
39	4360331	1	Switch, Toggle (Crab Steer) (Not Shown - Located on Platform Console Box)	
40	3790012	1	O-Ring, Toggle (Crab Steer) (Not Shown - Located on Platform Console Box)	

SECTION 1 - FRAME

FIGURE 1-17. STEERING INSTALLATION - 2WD/4WS (7FT/2.1M WIDE MACHINES WITH TOW PACKAGE) (USA BUILT MACHINES)



ART_0274257

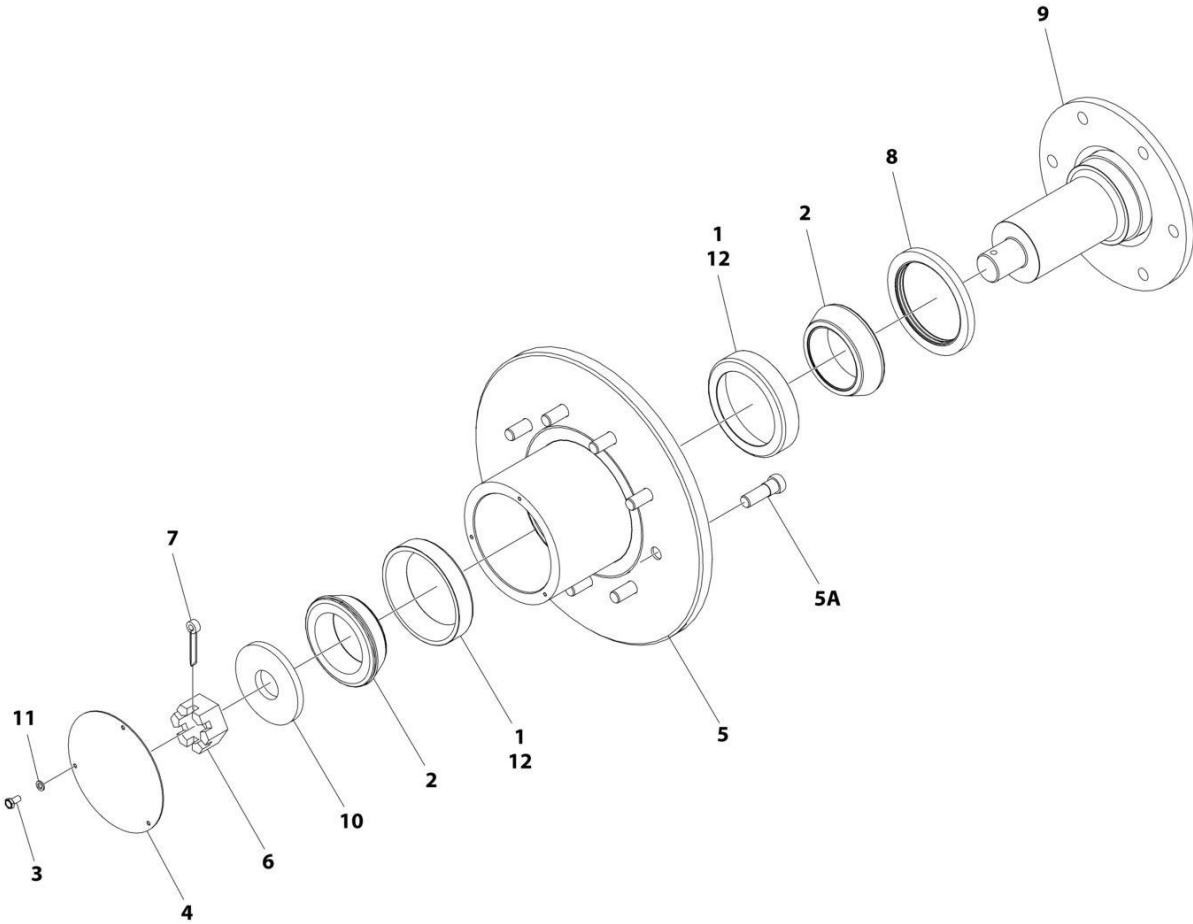
SECTION 1 - FRAME

FIGURE 1-17. STEERING INSTALLATION - 2WD/4WS (7FT/2.1M WIDE MACHINES WITH TOW PACKAGE) (USA BUILT MACHINES)

ITEM	PART NUMBER	QTY	DESCRIPTION	REV
	0274257	Ref	STEERING INSTALLATION	C
1	0440018	4	Cup, Bearing	
2	0440019	4	Cone, Bearing	
3	0440161	4	Thrustwasher	
4	0641404	6	Bolt 1/4 x 1/2	
5	0641608	8	Bolt 3/8 x 1	
6	0681608	4	Bolt 3/8 x 1 (Grade 8)	
7	0741607	4	Screw 3/8 x 7/8	
8	0962005	2	Bushing	
9	0962272	4	Bushing	
10	0962292	2	Bushing	
11	0962348	1	Bushing	
12	1120460	2	Cap, Hub	
13	1684418	4	Steer Cylinder Assembly (See Separate Breakdown in CYLINDER SECTION)	
14	2780276	2	Hub	
14A	0630490	18	Stud, Wheel (9 Per Hub)	
15	2980125	1	Pivot	
16	3300106	18	Nut, Wheel	
17	3323403	2	Nut, Slotted 1-1/2	
18	3340966	2	Pad	
19	3422327	1	Pin	
20	3422426	2	Pin	
21	3422429	1	Pin	
22	3422430	2	Pin	
23	3422813	1	Pin	
24	3422848	1	Pin	
25	3423175	2	Kingpin	
26	3451010	4	Pin, Cotter 5/16 x 2-1/2	
27	3575716	1	Link	
28	3841143	6	Keeper	
29	3841263	1	Tie-Rod	
30	3960098	2	Seal	
31	4071059	2	Shim	
32	4130413	1	Spindle (RH)	
33	4130414	1	Spindle (LH)	
34	4740016	2	Washer, Hardened	
35	4740111	4	Thrustwasher	
36	4740155	2	Thrustwasher	
37	4740184	1	Washer, Special	
38	0100011	AR	Compound, Locking	
39	3313403	2	Nut, Slotted 1-1/2	
40	4360331	1	Switch, Toggle (Crab Steer) (Not Shown - Located on Platform Console Box)	
41	3790012	1	O-Ring, Toggle (Crab Steer) (Not Shown - Located on Platform Console Box)	

SECTION 1 - FRAME

FIGURE 1-18. HUB ASSEMBLY



ART_4130410

SECTION 1 - FRAME

FIGURE 1-18. HUB ASSEMBLY

ITEM	PART NUMBER	QTY	DESCRIPTION	REV
	4130410	Ref	HUB ASSEMBLY	C
1	0440170	2	Cone, Bearing	
2	0440171	2	Cup, Bearing	
3	0721003	3	Bolt #10 x 3/8	
4	1120304	1	Cap, Hub	
5	2780271	1	Hub	
5A	0630490	9	Stud, Wheel	
6	3323403	1	Nut, Slotted 1-1/2	
7	3451010	1	Pin, Cotter 5/8 x 2-1/2	
8	3960343	1	Seal, Grease	
9	4130409	1	Adapter, Spindle	
10	4740283	1	Washer, Hardened	
11	4761000	3	Washer #10	
12	3020017	AR	Grease, Bearing	

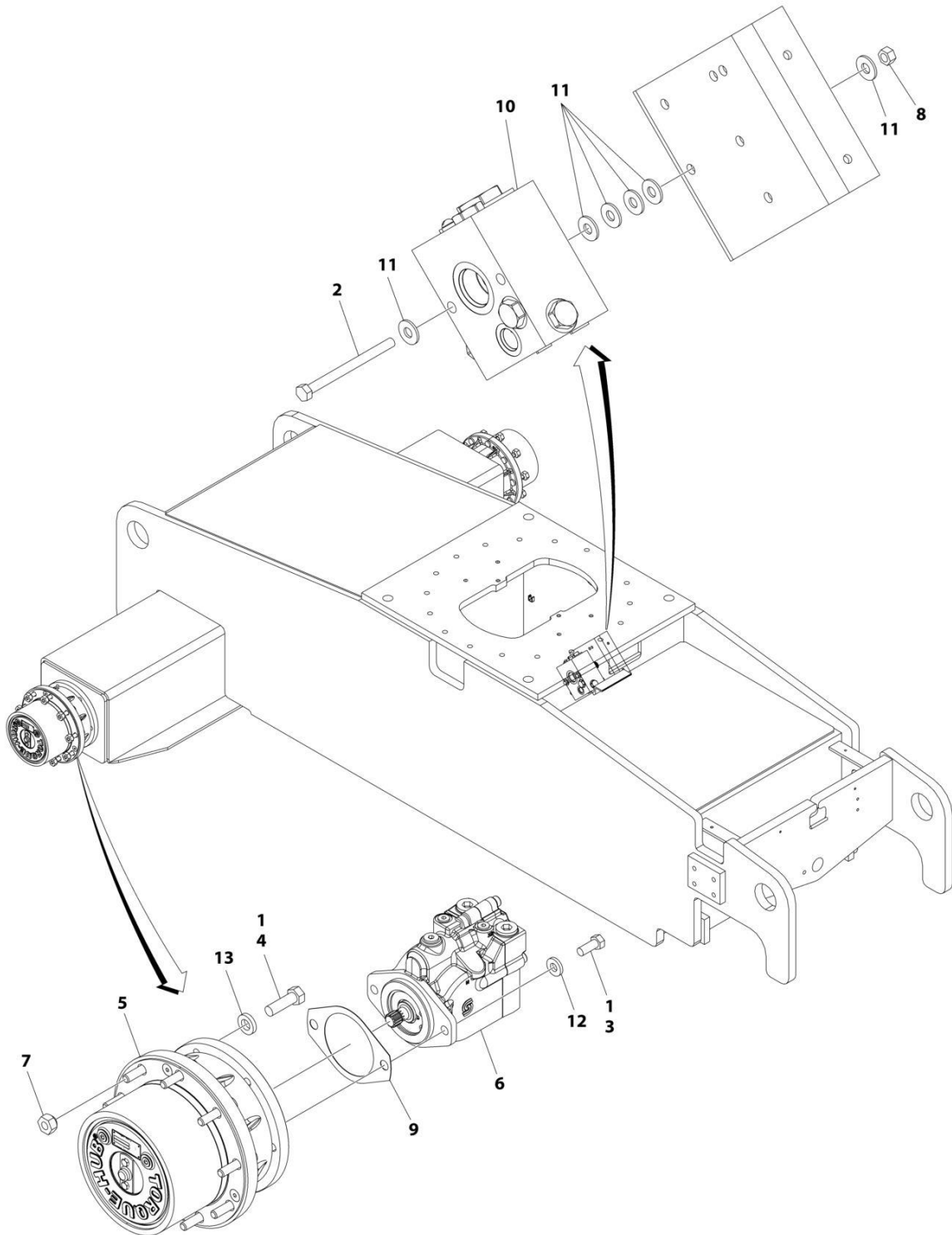
SECTION 1 - FRAME

**FIGURE 1-19. WHEEL DRIVE INSTALLATION - 2WD/2WS (USA BUILT MACHINES - PVC 2001 & 2007,
CHINA BUILT MACHINES - PVC 2007)**

ITEM	PART NUMBER	QTY	DESCRIPTION	REV
	1001136667	Ref	WHEEL DRIVE INSTALLATION - 2WD/2WS	F
1	0100011	AR	Compound, Locking	
2	0641530	2	Bolt 7/16 x 1-1/4	
3	0681710	4	Bolt 7/16 x 1-1/4	
4	3300106	18	Nut, Wheel	
5	3311505	2	Nut 5/16	
6	3790158	2	O-Ring	
7	3932030	12	Capscrew 5/8 x 1-7/8	
8	4060807	AR	Flex Trim (Not Shown)	
9	4740393	12	Washer 5/8 Hardened	
10	4751500	4	Washer 5/16	
11	5241000	4	Washer M10 Hardened	
12	1001100120	1	Flow Divider Valve Assembly (See Separate Breakdown in this Section)	
13	1001113984	2	Drive Hub Assembly (See Separate Breakdown in this Section)	
14	1001136672	2	Drive Motor Assembly Options (See Separate Breakdown in this Section)	

SECTION 1 - FRAME

FIGURE 1-20. WHEEL DRIVE INSTALLATION – 2WD/2WS (CHINA BUILT MACHINES) (PVC 2001)



ART_0273049

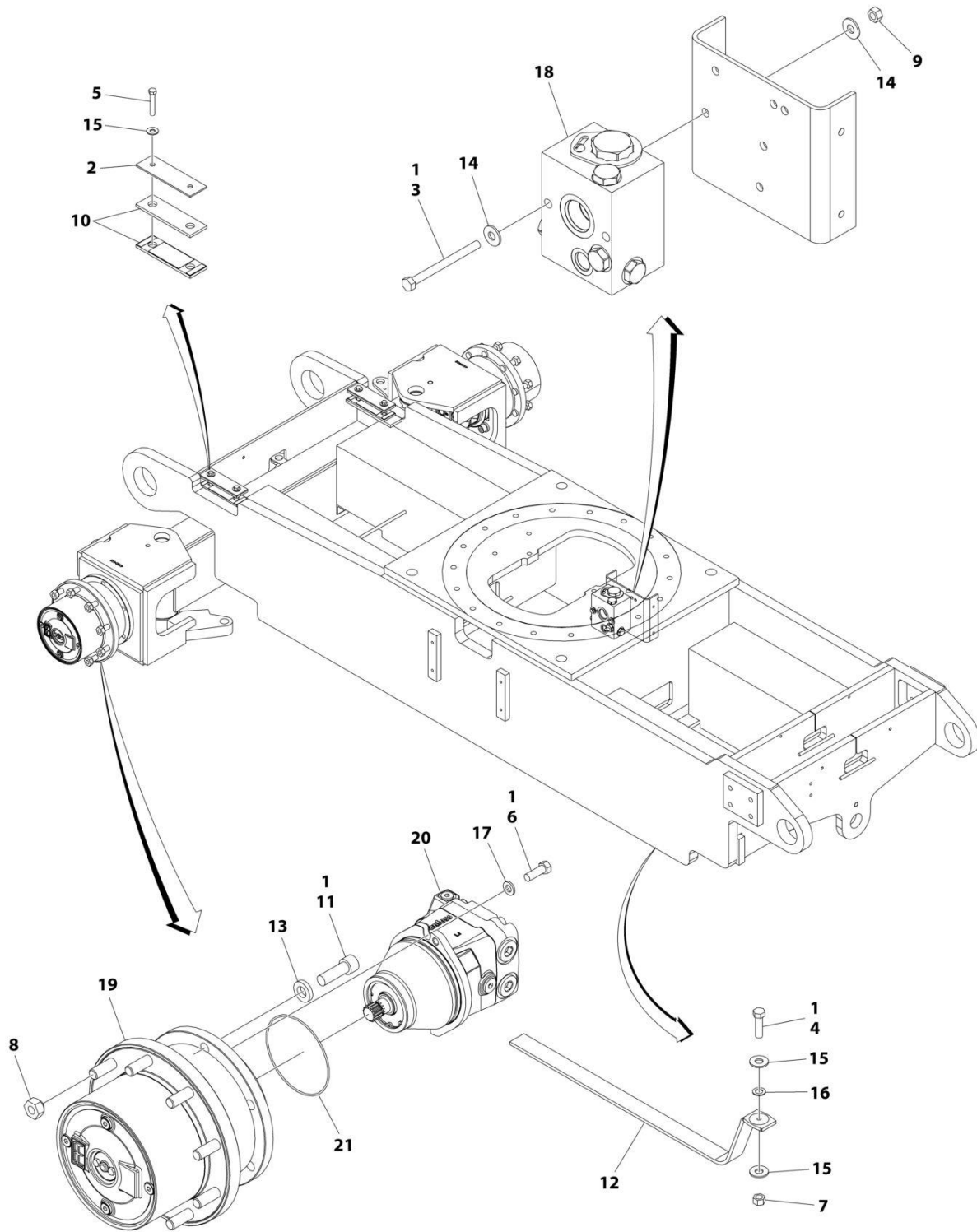
SECTION 1 - FRAME

FIGURE 1-20. WHEEL DRIVE INSTALLATION – 2WD/2WS (CHINA BUILT MACHINES) (PVC 2001)

ITEM	PART NUMBER	QTY	DESCRIPTION	REV
	0273049	Ref	WHEEL DRIVE INSTALLATION - 2WD/2WS	L
1	0100011	AR	Compound, Locking	
2	0641532	2	Bolt 5/16 x 4	
3	0681810	4	Bolt 1/2 x 1-1/4	
4	0682016	12	Bolt 5/8 x 2	
5	2780269	2	Drive Hub Assembly (See Separate Breakdown in this Section)	
6	3160349	2	Drive Motor Assembly Options (See Separate Breakdown in this Section)	
7	3300106	18	Nut, Wheel	
8	3311505	2	Nut 5/16	
9	3960526	2	Gasket	
10	1001100120	1	Flow Divider Valve Assembly (See Separate Breakdown in this Section)	
11	4751500	12	Washer 5/16	
12	4891800	4	Washer 1/2 Hardened	
13	4740393	12	Washer 5/8 Hardened	
14	4060808	AR	Flex Trim (Not Shown)	

SECTION 1 - FRAME

FIGURE 1-21. WHEEL DRIVE INSTALLATION - 2WD/4WS (USA BUILT MACHINES)



ART_1001136670

SECTION 1 - FRAME

FIGURE 1-21. WHEEL DRIVE INSTALLATION - 2WD/4WS (USA BUILT MACHINES)

ITEM	PART NUMBER	QTY	DESCRIPTION	REV
	1001136670	Ref	WHEEL DRIVE INSTALLATION - 2WD/4WS	E
1	0100011	AR	Compound, Locking	
2	0363012	2	Clamp	
3	0641530	2	Bolt 5/16 x 3-3/4	
4	0641611	1	Bolt 3/8 1-3/8	
5	0641618	4	Bolt 3/8 x 2-1/4	
6	0681710	4	Bolt 7/16 x 1-1/4 Grade 8	
7	3271601	1	Nut 3/8	
8	3300106	18	Nut, Wheel	
9	3311505	2	Nut 5/16	
10	3340911	4	Rubber, Clamp	
11	3932030	12	Capscrew 5/8 x 1-7/8	
12	4240084	1	Strap, Anti-Static	
13	4740393	12	Washer 5/8 Hardened	
14	4751500	4	Washer 5/16	
15	4751600	6	Washer 3/8	
16	4791600	1	Washer 3/8	
17	5241000	4	Washer M10 Hardened	
18	1001100120	1	Flow Divider Valve Assembly (See Separate Breakdown in this Section)	
19	1001113984	2	Drive Hub Assembly (See Separate Breakdown in this Section)	
20	1001136672	2	Drive Motor Assembly Options (See Separate Breakdown in this Section)	
21	3790158	2	O-Ring	

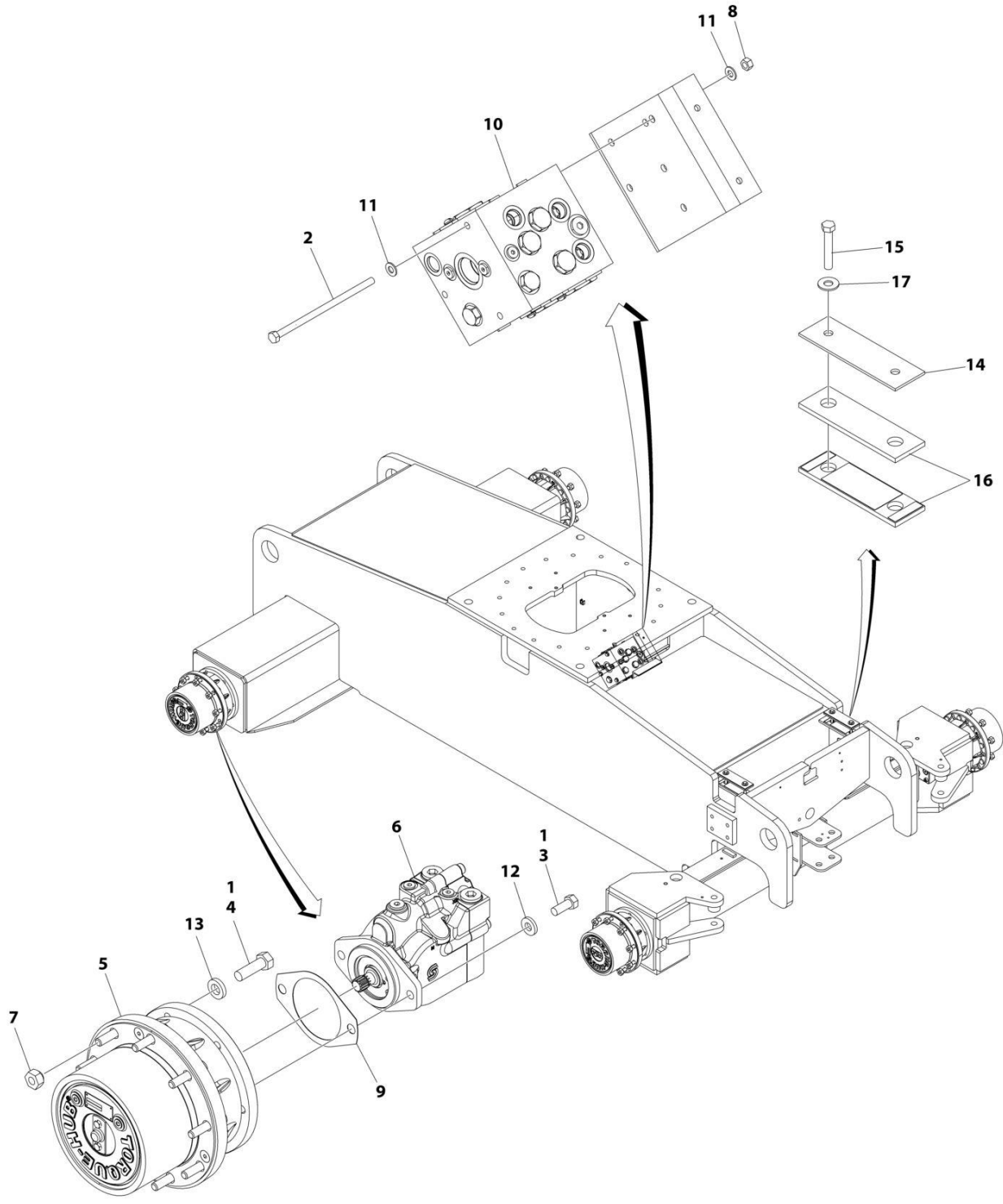
SECTION 1 - FRAME

FIGURE 1-22. WHEEL DRIVE INSTALLATION - 4WD/2WS (USA BUILT MACHINES - PVC 2001 & 2007, CHINA BUILT MACHINES - PVC 2007)

ITEM	PART NUMBER	QTY	DESCRIPTION	REV
	1001136668	Ref	WHEEL DRIVE INSTALLATION - 4WD/2WS	H
1	0100011	AR	Compound, Locking	
2	0363012	2	Clamp	
3	0641552	3	Bolt 5/16 x 6-1/2	
4	0641618	4	Bolt 3/8 x 2-1/4	
5	0681710	4	Bolt 7/16 x 1-1/4 Grade 8	
6	3300106	36	Nut, Wheel	
7	3311505	3	Nut 5/16	
8	3340911	4	Rubber, Clamp	
9	3790158	4	O-Ring	
12	4751500	4	Washer 5/16	
13	4740393	24	Washer 5/8 Hardened	
14	4751600	4	Washer 3/8	
15	5241000	8	Washer M10 Hardened	
16	1001098503	1	Flow Divider Valve Assembly (See Separate Breakdown in this Section)	
17	1001113984	4	Drive Hub Assembly (See Separate Breakdown in this Section)	
18	1001135600	4	Drive Motor Assembly Options (See Separate Breakdown in this Section)	
19	3932030	24	Capscrew 5/8 x 1-7/8	
22	4060807	AR	Flex Trim (Not Shown)	

SECTION 1 - FRAME

FIGURE 1-23. WHEEL DRIVE INSTALLATION - 4WD/2WS (CHINA BUILT MACHINES) (PVC 2001)



ART_0273048

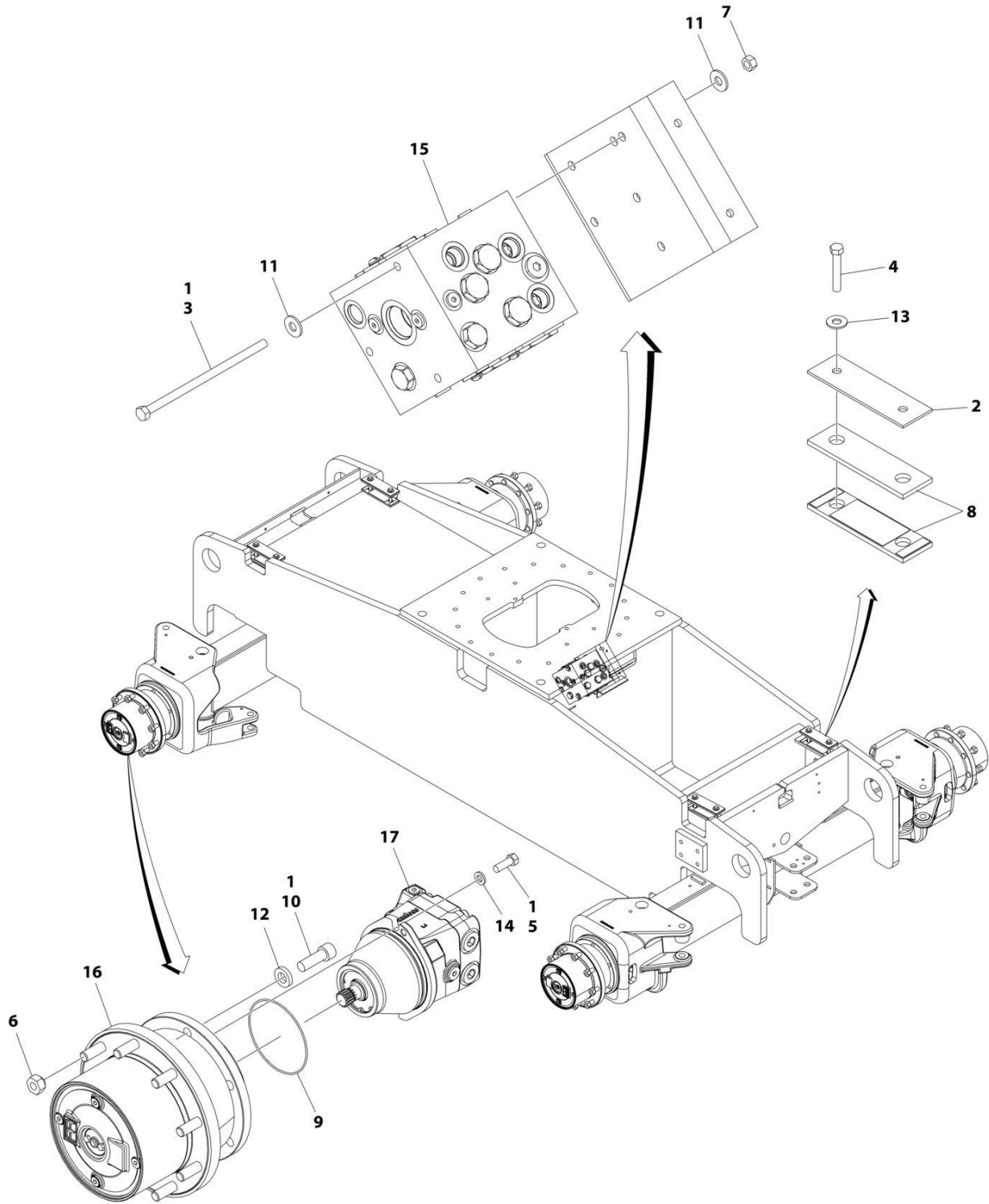
SECTION 1 - FRAME

FIGURE 1-23. WHEEL DRIVE INSTALLATION - 4WD/2WS (CHINA BUILT MACHINES) (PVC 2001)

ITEM	PART NUMBER	QTY	DESCRIPTION	REV
	0273048	Ref	WHEEL DRIVE INSTALLATION - 4WD/2WS	N
1	0100011	AR	Compound, Locking	
2	0641552	3	Bolt 5/16 x 6-1/2	
3	0681810	8	Bolt 1/2 x 1-1/4 Grade 8	
4	0682016	24	Bolt 5/8 x 2 Grade 8	
5	2780269	4	Drive Hub Assembly (See Separate Breakdown in this Section)	
6	3160350	4	Drive Motor Assembly Options (See Separate Breakdown in this Section)	
7	3300106	36	Nut, Wheel	
8	3311505	3	Nut 5/16	
9	3960526	4	Gasket	
10	1001098503	1	Flow Divider Valve Assembly (See Separate Breakdown in this Section)	
11	4711500	6	Washer 5/16	
12	4891800	8	Washer 1/2 Hardened	
13	4740393	24	Washer 5/8 Hardened	
14	0363012	2	Clamp	
15	0641618	4	Bolt 3/8 x 2-1/4	
16	3340911	4	Rubber, Clamp	
17	4751600	4	Washer 3/8	
18	4060808	AR	Flex Trim (Not Shown)	

SECTION 1 - FRAME

FIGURE 1-24. WHEEL DRIVE INSTALLATION - 4WD/4WS (USA BUILT MACHINES - PVC 2001 & 2007, CHINA BUILT MACHINES - PVC 2007)



ART_1001136669

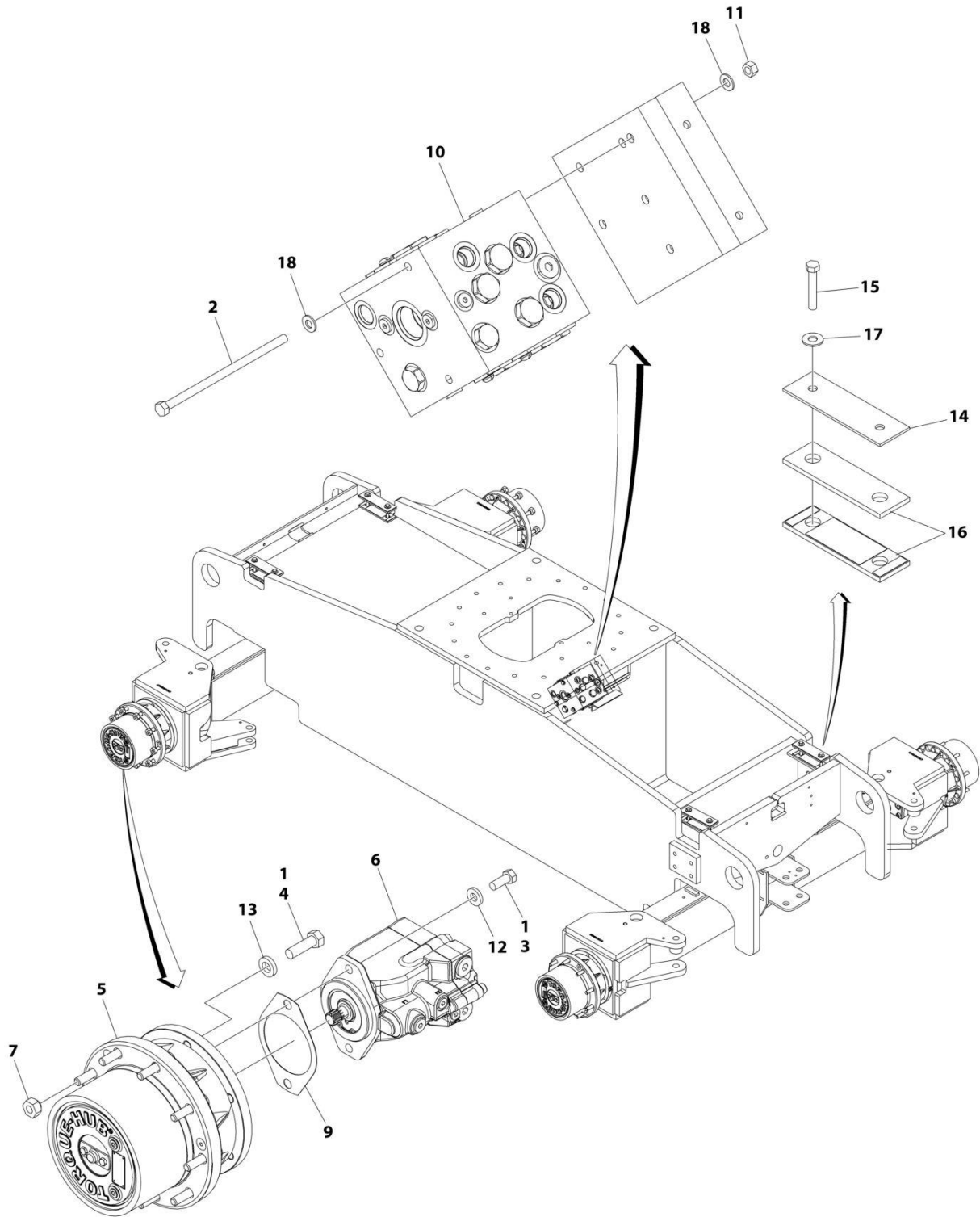
SECTION 1 - FRAME

**FIGURE 1-24. WHEEL DRIVE INSTALLATION - 4WD/4WS (USA BUILT MACHINES - PVC 2001 & 2007,
CHINA BUILT MACHINES - PVC 2007)**

ITEM	PART NUMBER	QTY	DESCRIPTION	REV
	1001136669	Ref	WHEEL DRIVE INSTALLATION - 4WD/4WS	G
1	0100011	AR	Compound, Locking	
2	0363012	2	Clamp	
3	0641552	3	Bolt 5/16 x 6-1/2	
4	0641618	8	Bolt 3/8 x 2-1/4	
5	0681710	8	Bolt 7/16 x 1-1/4 Grade 8	
6	3300106	36	Nut, Wheel	
7	3311505	3	Nut 5/16	
8	3340911	8	Rubber, Clamp	
9	3790158	4	O-Ring	
10	3932030	24	Capscrew 5/8 x 1-7/8	
11	4751500	6	Washer 5/16	
12	4740393	24	Washer 5/8 Hardened	
13	4751600	8	Washer 3/8	
14	5241000	8	Washer M10 Hardened	
15	1001098503	1	Flow Divider Valve Assembly (See Separate Breakdown in this Section)	
16	1001113984	4	Drive Hub Assembly (See Separate Breakdown in this Section)	
17	1001135600	4	Drive Motor Assembly Options (See Separate Breakdown in this Section)	

SECTION 1 - FRAME

FIGURE 1-25. WHEEL DRIVE INSTALLATION - 4WD/4WS (CHINA BUILT MACHINES) (PVC 2001)



ART_0273366

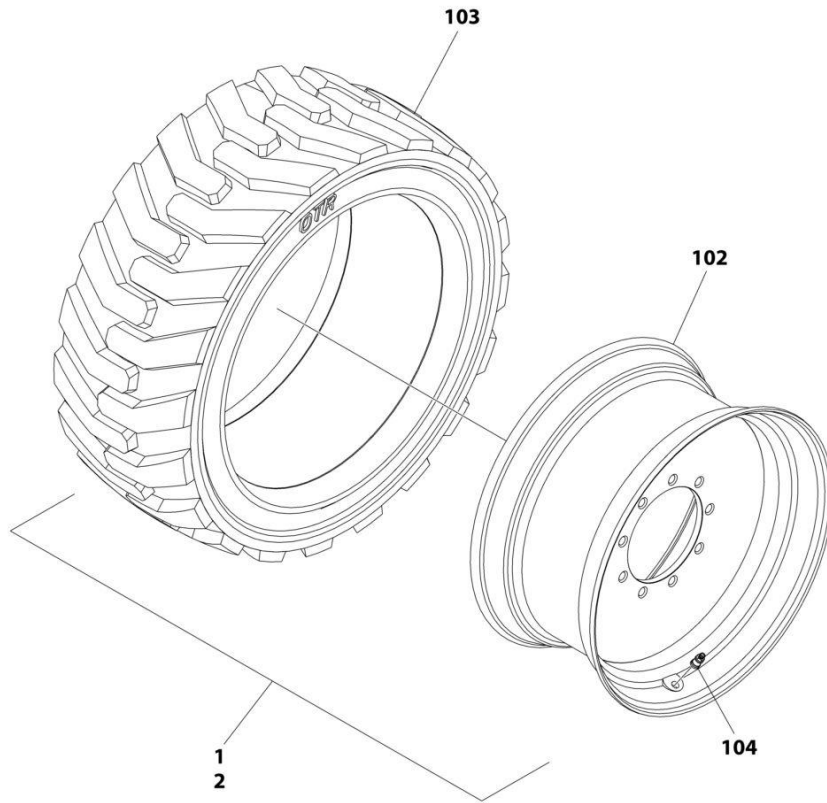
SECTION 1 - FRAME

FIGURE 1-25. WHEEL DRIVE INSTALLATION - 4WD/4WS (CHINA BUILT MACHINES) (PVC 2001)

ITEM	PART NUMBER	QTY	DESCRIPTION	REV
	0273366	Ref	WHEEL DRIVE INSTALLATION - 4WD/4WS	L
1	0100011	AR	Compound, Locking	
2	0641552	3	Bolt 5/16 x 6-1/2	
3	0681810	8	Bolt 1/2 x 1-1/4 Grade 8	
4	0682016	24	Bolt 5/8 x 2 Grade 8	
5	2780269	4	Drive Hub Assembly (See Separate Breakdown in this Section)	
6	3160350	4	Drive Motor Assembly Options (See Separate Breakdown in this Section)	
7	3300106	18	Nut, Wheel	
9	3960526	4	Gasket	
10	1001098503	1	Flow Divider Valve Assembly (See Separate Breakdown in this Section)	
11	3311505	3	Nut 5/16	
12	4891800	8	Washer 1/2 Hardened	
13	4740393	24	Washer 5/8 Hardened	
14	0363012	4	Clamp	
15	0641618	8	Bolt 3/8 x 2-1/4	
16	3340911	8	Rubber, Clamp	
17	4751600	8	Washer 3/8	
18	4711500	6	Washer 5/16	

SECTION 1 - FRAME

FIGURE 1-26. TIRE AND WHEEL INSTALLATION - FOAM FILLED



ART_4520346

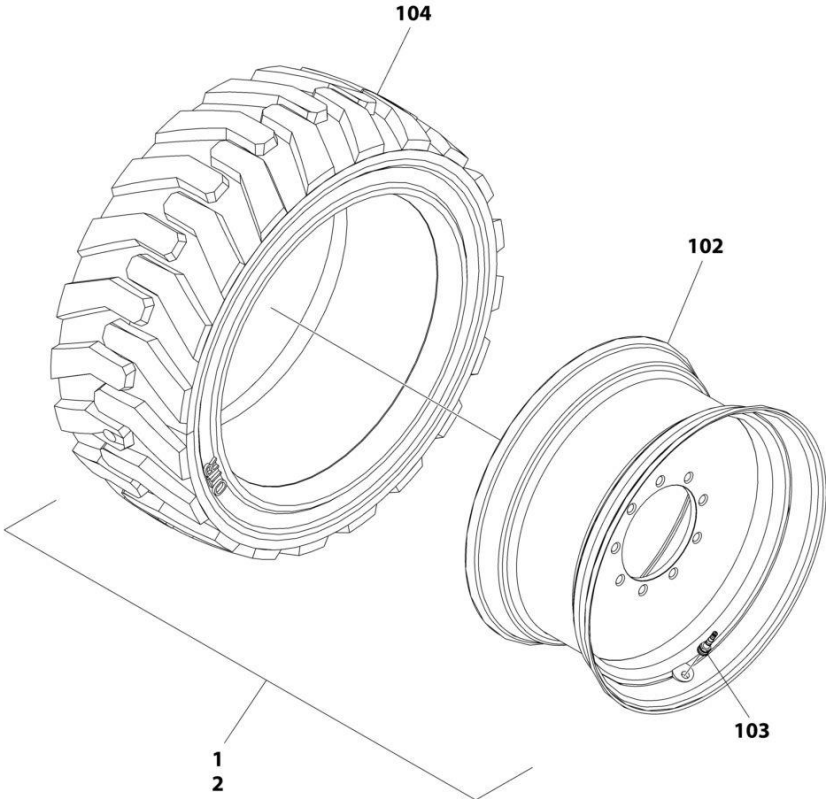
SECTION 1 - FRAME

FIGURE 1-26. TIRE AND WHEEL INSTALLATION - FOAM FILLED

ITEM	PART NUMBER	QTY	DESCRIPTION	REV
	4520346	Ref	TIRE AND WHEEL INSTALLATION - FOAM FILLED	C
		Ref	Note: Assemblies may require ballast/foam filling to manufacturer's specifications prior to installing on a machine. Refer to Operation and Safety or Service and Maintenance Manuals.	
		Ref	Note: Purchase individual tire and/or rim only if able to foam fill tire and wheel assembly, otherwise, purchase complete assembly.	
1	4520344	2	Tire and Wheel Assembly - Foam-Filled (Left Side)	H
2	4520345	2	Tire and Wheel Assembly - Foam-Filled (Right Side)	H
102	4520287	AR	Rim, Wheel (1 Per Assembly)	
103	4520288	AR	Tire - IN355/55D625 (1 Per Assembly)	
104	4640113	AR	Valve, Air (1 Per Assembly)	

SECTION 1 - FRAME

FIGURE 1-27. TIRE AND WHEEL INSTALLATION - FOAM FILLED NON-MARKING



ART_1001231678

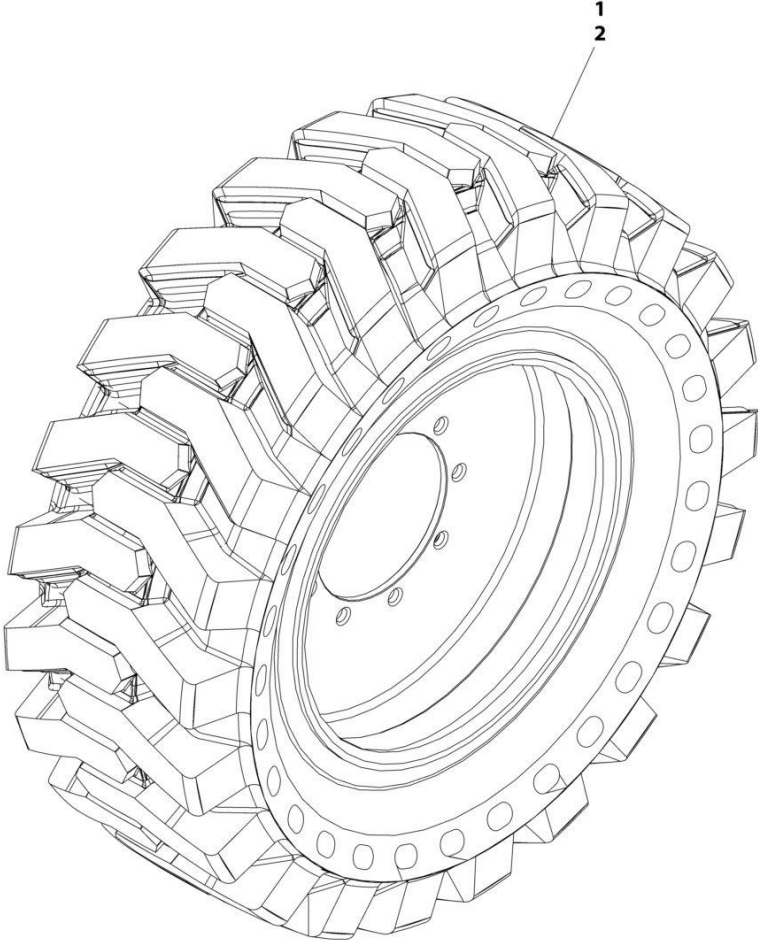
SECTION 1 - FRAME

FIGURE 1-27. TIRE AND WHEEL INSTALLATION - FOAM FILLED NON-MARKING

ITEM	PART NUMBER	QTY	DESCRIPTION	REV
	1001231678	Ref	TIRE AND WHEEL INSTALLATION - FOAM FILLED NON - MARKING	A
		Ref	Note: Assemblies may require ballast/foam filling to manufacturer's specifications prior to installing on a machine. Refer to Operation and Safety or Service and Maintenance Manuals.	
		Ref	Note: Purchase individual tire and/or rim only if able to foam fill tire and wheel assembly, otherwise, purchase complete assembly.	
1	1001231676	2	Tire and Wheel Assembly - Foam-Filled (Left Side)	C
2	1001231677	2	Tire and Wheel Assembly - Foam-Filled (Right Side)	B
102	4520287	AR	Rim, Wheel (1 Per Assembly)	
103	4641122	AR	Valve, Air (1 Per Assembly)	
104	1001184881	AR	Tire - IN355/55D625 (1 Per Assembly)	

SECTION 1 - FRAME

FIGURE 1-28. TIRE AND WHEEL INSTALLATION - SOLIDBOSS



ART_1001147067

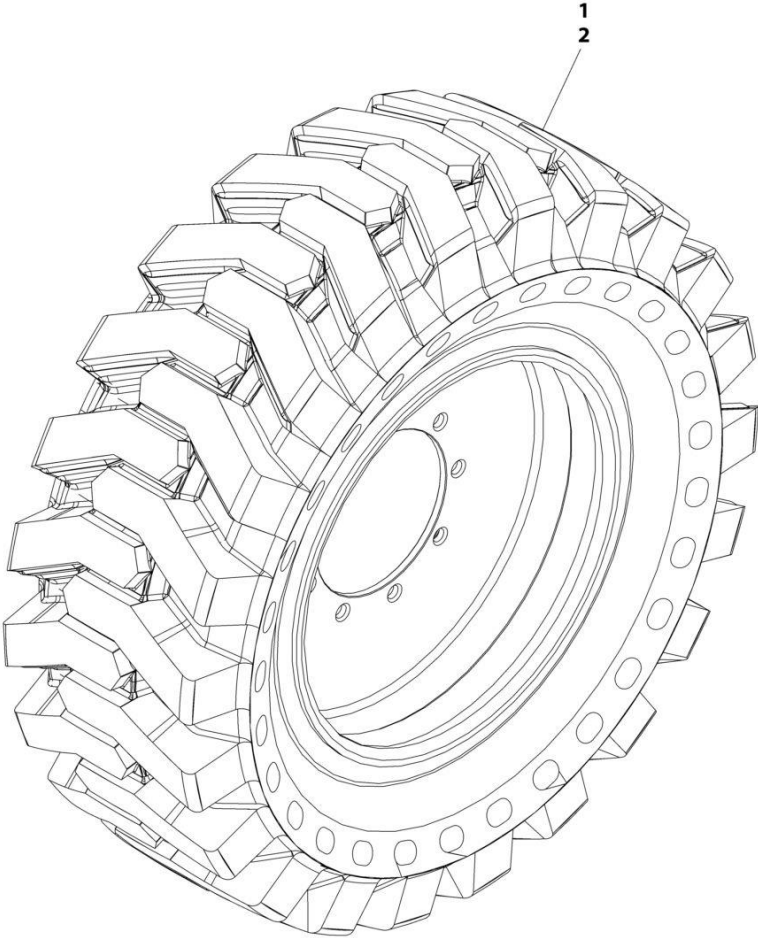
SECTION 1 - FRAME

FIGURE 1-28. TIRE AND WHEEL INSTALLATION - SOLIDBOSS

ITEM	PART NUMBER	QTY	DESCRIPTION	REV
	1001147067	Ref	TIRE AND WHEEL INSTALLATION - SOLIDBOSS	C
1	1001207345	2	Tire and Wheel Assembly - Left Side	
2	1001207346	2	Tire and Wheel Assembly - Right Side	

SECTION 1 - FRAME

FIGURE 1-29. TIRE AND WHEEL INSTALLATION - SOLIDBOSS NON-MARKING



ART_1001147068

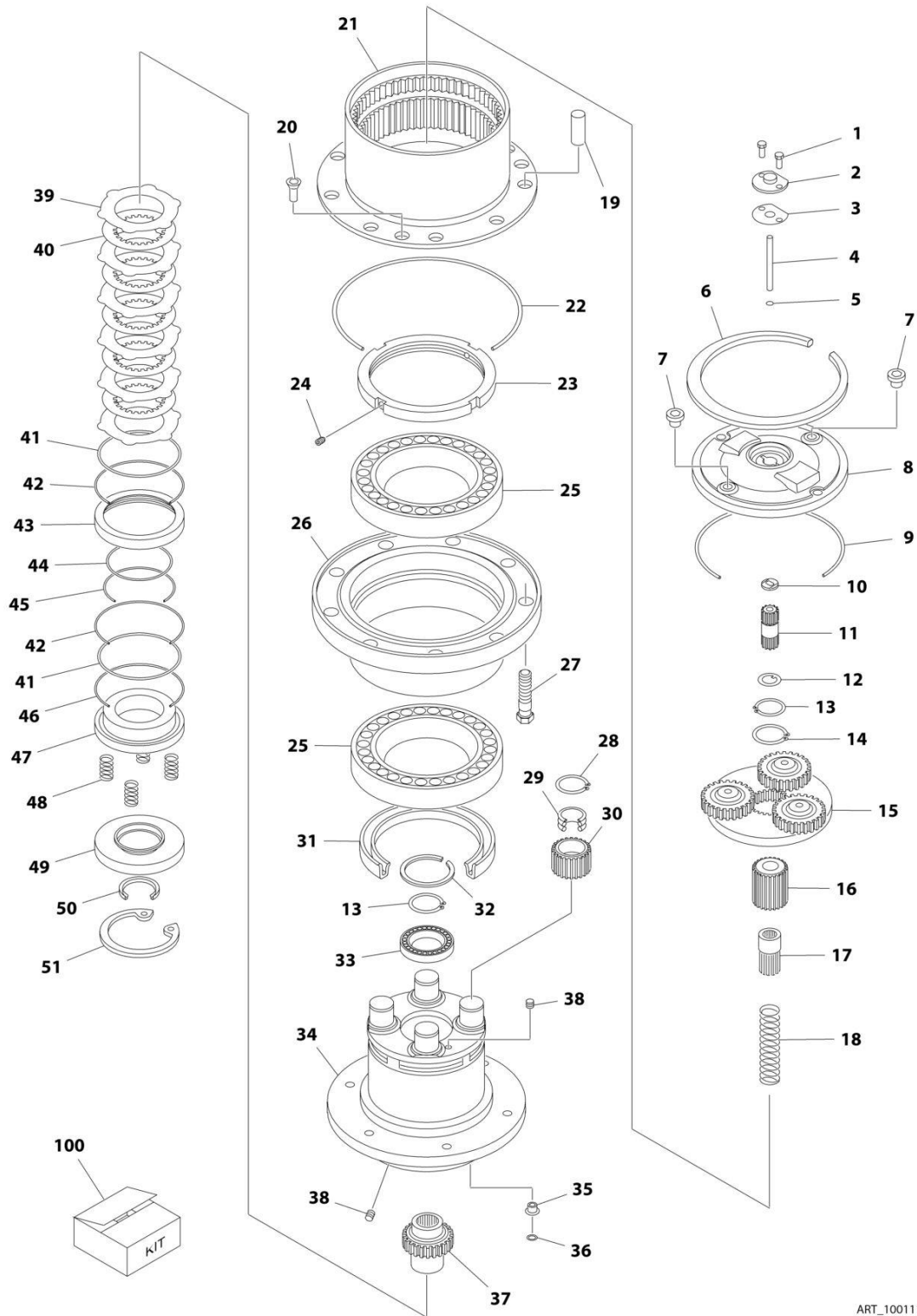
SECTION 1 - FRAME

FIGURE 1-29. TIRE AND WHEEL INSTALLATION - SOLIDBOSS NON-MARKING

ITEM	PART NUMBER	QTY	DESCRIPTION	REV
	1001147068	Ref	TIRE AND WHEEL INSTALLATION - SOLIDBOSS NON - MARKING	B
1	1001214747	2	Tire and Wheel Assembly - Left Side	
2	1001214748	2	Tire and Wheel Assembly - Right Side	

SECTION 1 - FRAME

FIGURE 1-30. DRIVE HUB ASSEMBLY (USA BUILT MACHINES - PVC 2001 & 2007, CHINA BUILT MACHINES - PVC 2007)



ART_1001113984

SECTION 1 - FRAME

FIGURE 1-30. DRIVE HUB ASSEMBLY (USA BUILT MACHINES - PVC 2001 & 2007, CHINA BUILT MACHINES - PVC 2007)

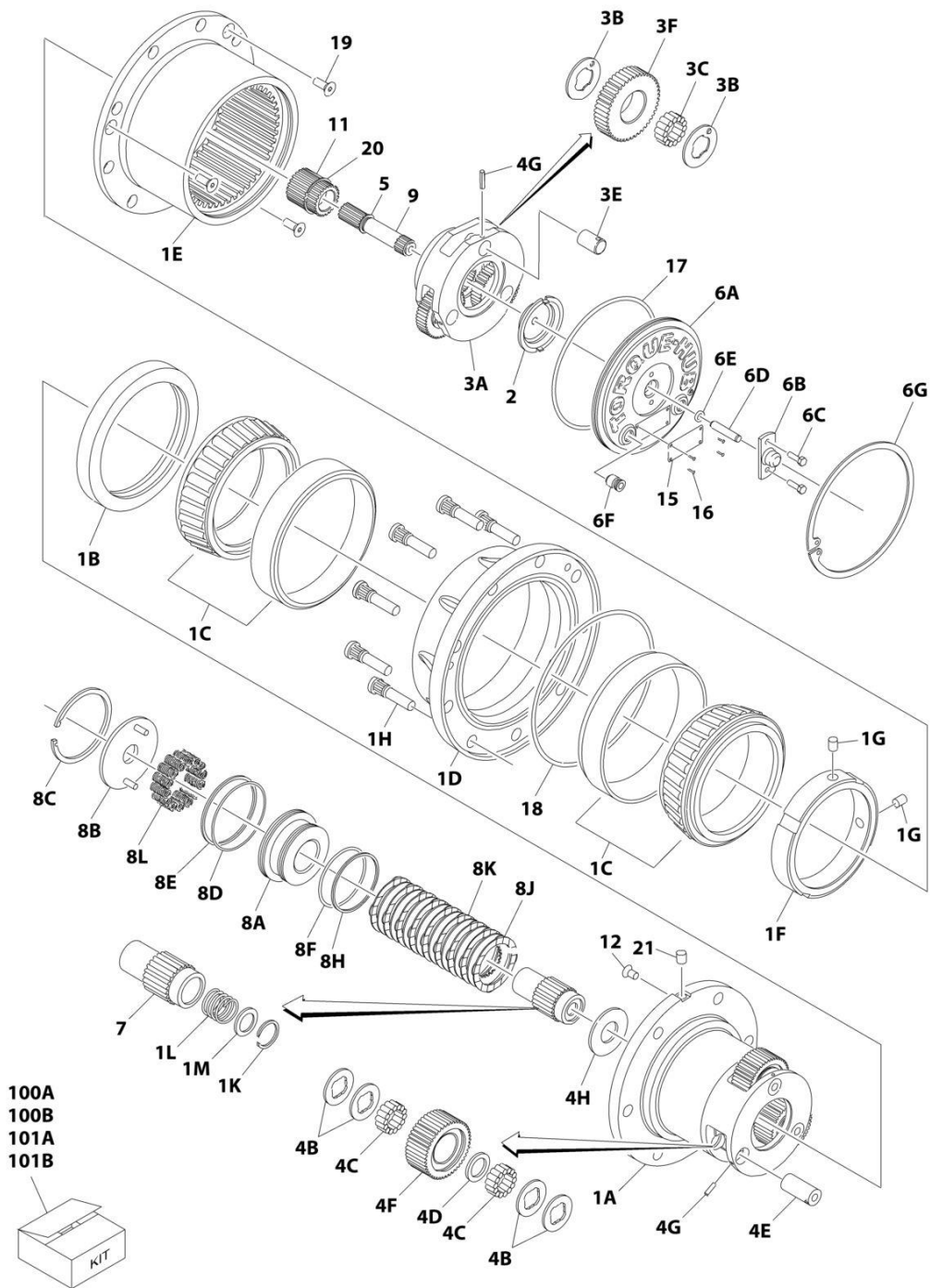
ITEM	PART NUMBER	QTY	DESCRIPTION	REV
	1001113984	Ref	DRIVE HUB ASSEMBLY	E
1	70004353	2	Screw	
2	70005298	1	Cover, Disengagement	
3	70002201	1	Gasket	
4	70002059	1	Pin, Disengagement	
5	See Note	NSS	O-Ring (Note: Use Item 100)	
6	70005299	1	Ring	
7	70002057	4	Plug	
8	70005300	1	Cover	
9	See Note	NSS	O-Ring (Note: Use Item 100)	
10	70002054	1	Shim	
11	70005301	1	Pinion	
12	70005302	1	Shim	
13	70004355	2	Ring, Outer Retention	
14	70004356	1	Ring, Inner Retention	
15	70005303	1	Reduction Gear Assembly	
16	70005304	1	Pinion	
17	70005305	1	Coupling, Disengagement Half	
18	70005306	1	Spring, Disengagement	
19	70005307	9	Plug	
20	70004361	3	Screw	
21	70005308	1	Ring, Planetary	
22	See Note	NSS	O-Ring (Note: Use Item 100)	
23	70005309	1	Nut, Ring	
24	70004363	2	Screw	
25	70005311	2	Bearing	
26	70004365	1	Support, Hub	
27	70005312	9	Column	
28	70004367	4	Ring, Outer Retention	
29	70005313	4	Bearing	
30	70004369	4	Wheel, Planet	
31	See Note	NSS	Seal, Oil (Note: Use Item 100)	
32	70004370	1	Ring	
33	70004371	1	Bearing	
34	70005314	1	Axle, Stub	
35	70005315	1	Plug	
36	See Note	NSS	O-Ring (Note: Use Item 100)	
37	70005316	1	Shaft, Input	
38	70004447	2	Plug	
39	70002027	6	Disc, Steel	
40	70002026	5	Disc, Sintered	
41	See Note	NSS	Seal (Note: Use Item 100)	
42	See Note	NSS	O-Ring (Note: Use Item 100)	
43	70005317	1	Spacer	
44	See Note	NSS	Seal (Note: Use Item 100)	
45	See Note	NSS	O-Ring (Note: Use Item 100)	
46	See Note	NSS	O-Ring (Note: Use Item 100)	
47	70005318	1	Piston	
48	70002020	6	Spring, Brake	

SECTION 1 - FRAME

ITEM	PART NUMBER	QTY	DESCRIPTION	REV
49	70005319	1	Spacer	
50	See Note	NSS	Seal, Oil (Note: Use Item 100)	
51	70005320	1	Ring, Inner Retention	
100	70005321	1	Seal Kit (Includes Items 5, 9, 22, 31, 36, 41, 42, 44, 45, 46 & 50)	

SECTION 1 - FRAME

FIGURE 1-31. DRIVE HUB ASSEMBLY (CHINA BUILT MACHINES) (PVC 2001)



SECTION 1 - FRAME

FIGURE 1-31. DRIVE HUB ASSEMBLY (CHINA BUILT MACHINES) (PVC 2001)

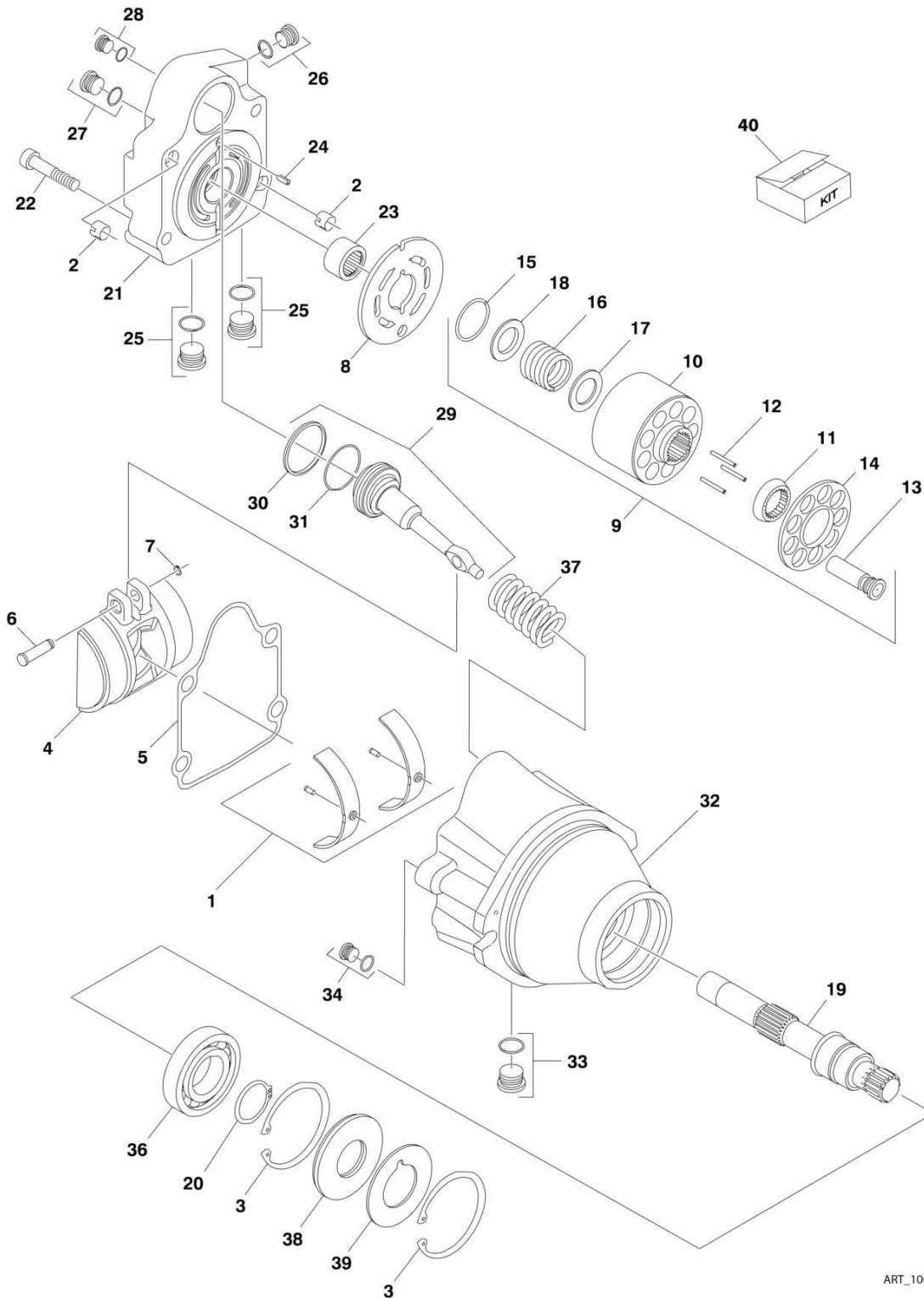
ITEM	PART NUMBER	QTY	DESCRIPTION	REV
	2780269	Ref	DRIVE HUB/BRAKE ASSEMBLY	E
1	See Note	NSS	Spindle/Housing Assembly (Note: Not Available - Purchase Individual Components)	
1A	7024729	1	Spindle	
1B	70001119	1	Seal, Lip	
1C	7024735	2	Bearing (Includes Cup and Cone)	
1D	2780269	1	Housing (Note: Not Available for Purchase)	
1E	7024730	1	Ring, Gear	
1F	7024744	1	Nut, Bearing	
1G	See Note	NSS	Setscrew 1/4 x 1/2 (Note: Use Item 26A, 26B, 27A or 27B)	
1H	7024732	9	Stud, Wheel	
1K	7024125	1	Ring, Retaining	
1L	7024124	1	Spring	
1M	7024129	1	Thrustwasher	
2	7024741	1	Thrustwasher	
3	See Note	NSS	Carrier Assembly (Note: Not Available - Purchase Individual Components)	
3A	7024725	1	Carrier	
3B	7024127	6	Thrustwasher	
3C	7024733	42	Bearing, Needle	
3E	7024724	3	Shaft, Planet	
3F	7024727	3	Gear, Planet	
4	See Note	NSS	Planet Gear Sub-Assembly (Note: Not Available - Purchase Individual Components)	
4B	7024740	12	Thrustwasher	
4C	7024734	84	Bearing, Needle	
4D	7024736	3	Spacer, Thrust	
4E	7024726	3	Shaft, Planet	
4F	7024728	3	Gear, Planet	
4G	7001913	6	Roll Pin	
4H	7024742	1	Thrustwasher	
5	7017027	1	Ring, Retaining	
6	See Note	NSS	Cover Assembly (Note: Not Available - Purchase Individual Components)	
6A	7024731	1	Plate, Cover	
6B	7017093	1	Cap, Disengage	
6C	7000216	2	Bolt 1/2in-20NC x 1/2in	
6D	7024739	1	Pin, Dowel	
6E	7017095	1	O-Ring	
6F	7017072	2	Plug, Pipe	
6G	7024738	1	Ring, Retaining	
7	7024722	1	Coupling	
8	See Note	NSS	Brake, Input (Note: Not Available - Purchase Individual Components)	
8A	70000782	1	Piston, Brake	
8B	7024743	1	Plate, Pressure	
8C	See Note	NSS	Ring, Retaining (Note: Use Item 26B, 27A or 27B)	
8D	See Note	NSS	O-Ring (Note: Use Item 26B or 27A)	
8E	See Note	NSS	Ring, Back-up (Note: Use Item 26B or 27A)	
8F	See Note	NSS	O-Ring (Note: Use Item 26B or 27A)	
8H	See Note	NSS	Ring, Back-up (Note: Use Item 26B or 27A)	

SECTION 1 - FRAME

ITEM	PART NUMBER	QTY	DESCRIPTION	REV
8J	See Note	NSS	Rotor, Brake (Note: Use Item 27A)	
8K	See Note	NSS	Stator, Brake (Note: Use Item 27A)	
8L	See Note	NSS	Spring, Brake (Note: Use Item 27B)	
9	7024721	1	Shaft, Input	
11	7024723	1	Gear, Sun	
12	See Note	NSS	Plug (Note: Not Available for Purchase)	
15	See Note	NSS	Plate, ID (Not Shown) (Note: Not Available for Purchase)	
16	7000281	4	Screw, Drive	
17	7024134	1	O-Ring	
18	See Note	NSS	O-Ring (Note: Use Item 26A)	
19	7017022	3	Screw, Countersunk 3/8in-16NC	
20	7024737	1	Ring, Retaining	
21	See Note	NSS	Plug (Note: Not Available - Purchase Locally)	
26		Ref	Seal Kit Options:	
26A	7024744	1	Hub Seal Kit (Includes Items 1B, 1F, 1G, 17, 18 & 19)	
26B	7024765	1	Brake Seal Kit (Includes Items 1G, 8C, 8D, 8E, 8F & 8H)	
27		Ref	Repair Kit Options:	
27A	7024764	1	Brake Lining Kit (Includes Items 1G, 8C, 8D, 8E, 8F, 8H, 8J & 8K)	
27B	7024766	1	Brake Spring Kit (Includes Items 1G, 8C & 8L)	

SECTION 1 - FRAME

FIGURE 1-32. DRIVE MOTOR ASSEMBLY - 2WD (USA BUILT MACHINES - PVC 2001 & 2007, CHINA BUILT MACHINES - PVC 2007)



ART_1001136672

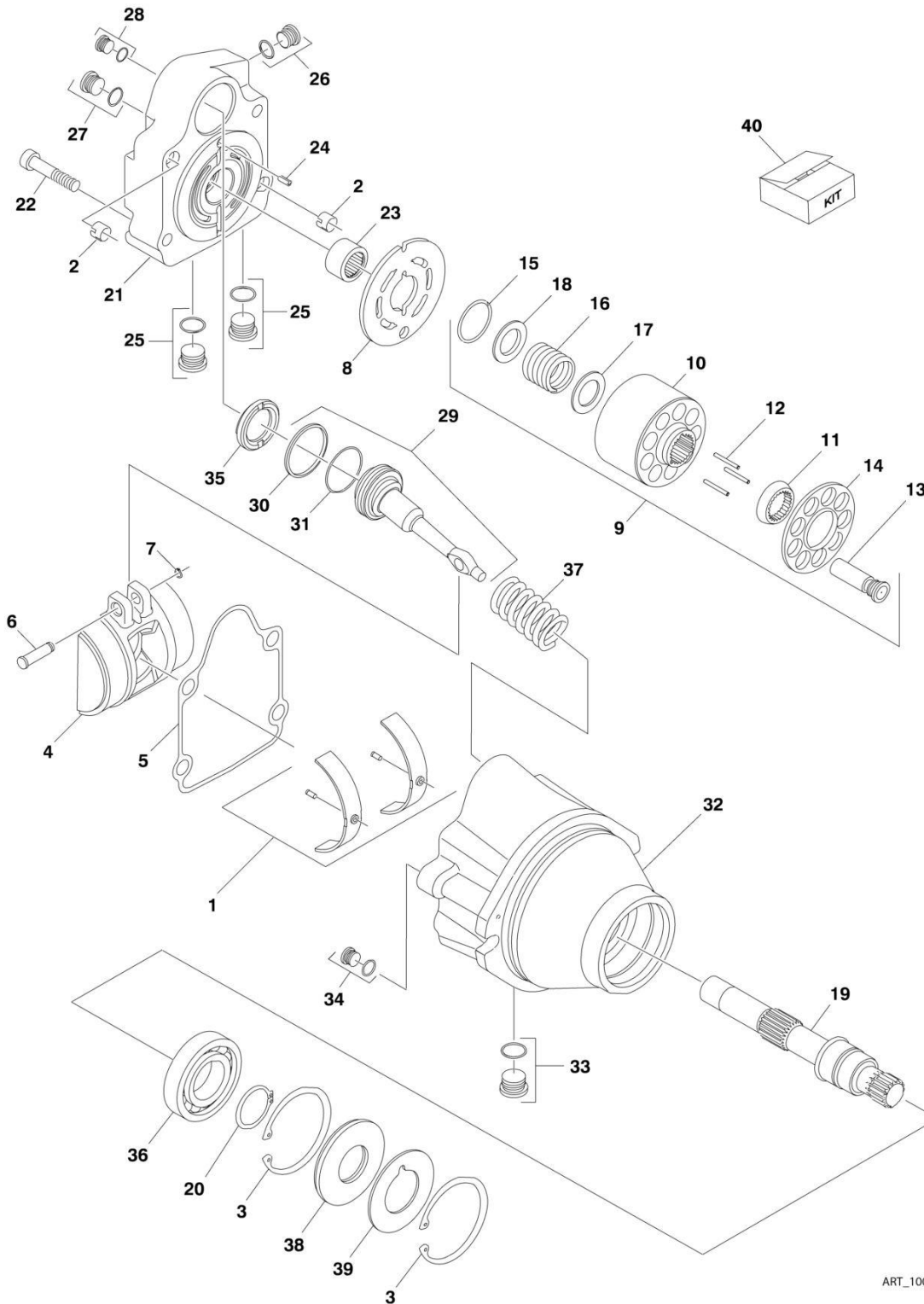
SECTION 1 - FRAME

FIGURE 1-32. DRIVE MOTOR ASSEMBLY - 2WD (USA BUILT MACHINES - PVC 2001 & 2007, CHINA BUILT MACHINES - PVC 2007)

ITEM	PART NUMBER	QTY	DESCRIPTION	REV
	1001136672	Ref	DRIVE MOTOR ASSEMBLY	C
1	70000852	1	Swash Plate Bearing Kit	
2	70003628	2	Pin	
3	70007438	2	Ring, Retaining	
4	70000853	1	Swash Plate	
5	See Note	NSS	Gasket (Note: Use Item 40)	
6	70004201	1	Pin	
7	70004202	1	Ring, Retaining	
8	70000854	1	Plate, Valve	
9	7027740	1	Cylinder Block Kit (Includes Items 10-18)	
10	7027740	1	Block, Cylinder	
11	70000854	1	Guide, Slipper Retainer	
12	7021275	3	Pin, Slipper Hold Down	
13	70004203	9	Piston Assembly	
14	70000857	1	Retainer, Slipper	
15	7022311	1	Ring, Retaining	
16	7024867	1	Spring	
17	7024868	1	Washer	
18	7022314	1	Retainer, Spring	
19	70000858	1	Shaft	
20	7007439	1	Ring, Retaining	
21	70004204	1	Cap, End - Axial	
22	7022368	4	Capscrew	
23	7021249	1	Bearing, Needle	
24	7007446	1	Pin	
25	7007419	2	Plug with O-Ring	
25	See Note	NSS	O-Ring (Note: Not Sold Separately - Purchase Item 25 or 40)	
26	7007420	1	Plug with O-Ring	
26	70000862	1	O-Ring (Note: Not Sold Separately - Purchase Item 26 or 40)	
27	7022321	1	Plug with O-Ring	
27	70000862	1	O-Ring (Note: Not Sold Separately - Purchase Item 27 or 40)	
28	7007420	1	Plug with O-Ring	
28	70000862	1	O-Ring (Note: Not Sold Separately - Purchase Item 28 or 40)	
29	70004207	1	Servo Piston Assembly	
30	See Note	NSS	Ring, Piston (Note: Not Sold Separately - Purchase Item 29 or 40)	
31	See Note	NSS	O-Ring (Note: Not Sold Separately - Purchase Item 29 or 40)	
32	See Note	NSS	Housing (Note: Not Available - Purchase Complete Motor)	
33	7022321	1	Plug with O-Ring	
33	70000862	1	O-Ring (Note: Not Sold Separately - Purchase Item 33 or 40)	
34	70002133	1	Plug with O-Ring	
34	70000862	1	O-Ring (Note: Not Sold Separately - Purchase Item 34 or 40)	
36	70002176	1	Bearing	
37	70000861	1	Spring	
38	See Note	NSS	Seal, Lip (Note: Use Item 40)	
39	7022371	1	Washer, Support	
40	70000862	1	Seal Kit (Includes Items 5, 30, 31, 38 and Plug O-Rings)	

SECTION 1 - FRAME

FIGURE 1-33. DRIVE MOTOR ASSEMBLY - 4WD (USA BUILT MACHINES - PVC 2001 & 2007, CHINA BUILT MACHINES - PVC 2007)



ART_1001135600

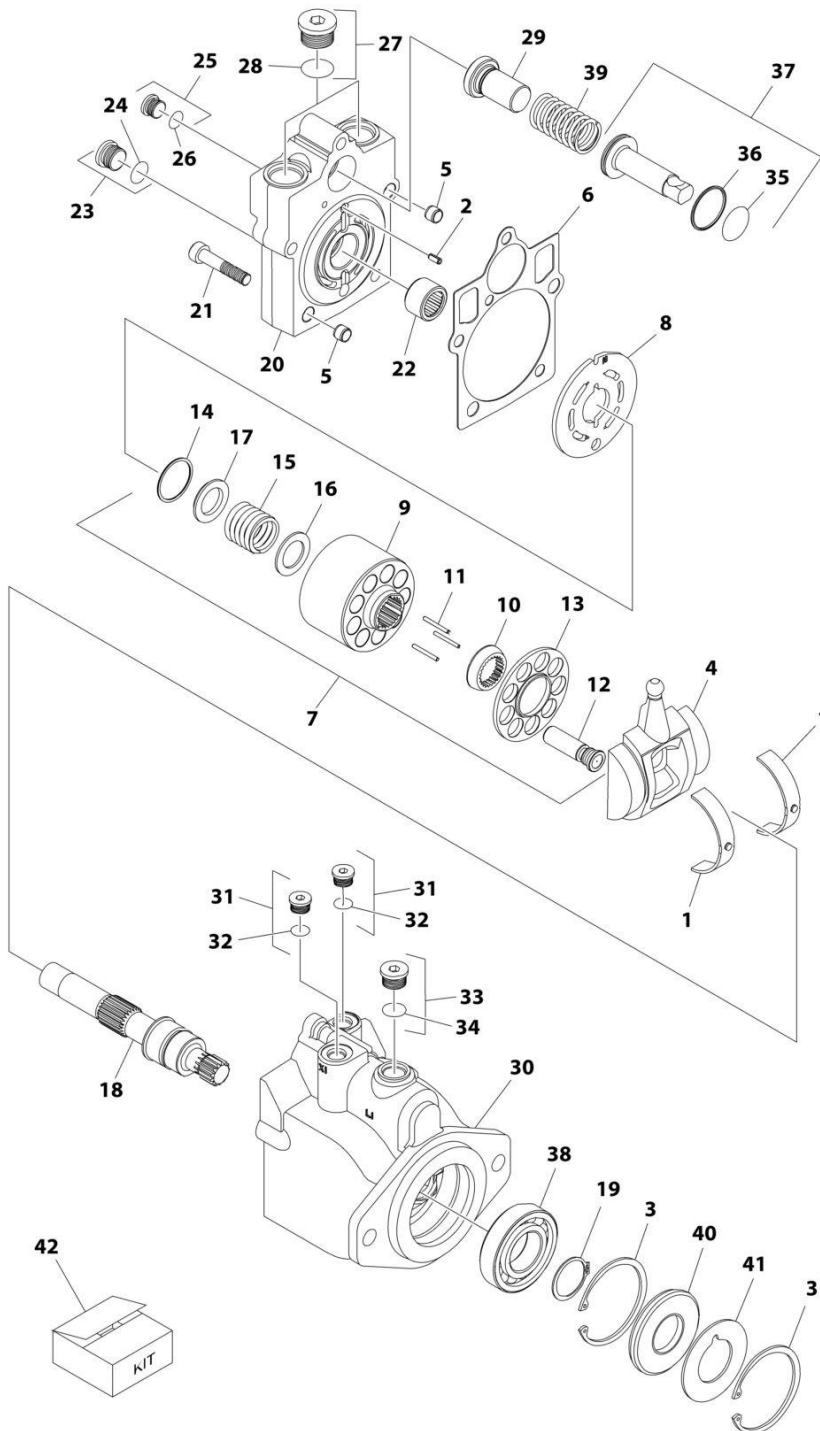
SECTION 1 - FRAME

FIGURE 1-33. DRIVE MOTOR ASSEMBLY - 4WD (USA BUILT MACHINES - PVC 2001 & 2007, CHINA BUILT MACHINES - PVC 2007)

ITEM	PART NUMBER	QTY	DESCRIPTION	REV
	1001135600	Ref	DRIVE MOTOR ASSEMBLY	C
1	70000852	1	Swash Plate Bearing Kit	
2	70003628	2	Pin	
3	70007438	2	Ring, Retaining	
4	70000853	1	Swash Plate	
5	See Note	NSS	Gasket (Note: Use Item 40)	
6	70004201	1	Pin	
7	70004202	1	Ring, Retaining	
8	70000854	1	Plate, Valve	
9	7027740	1	Cylinder Block Kit (Includes Items 10-18)	
10	7027740	1	Block, Cylinder	
11	70000854	1	Guide, Slipper Retainer	
12	7021275	3	Pin, Slipper Hold Down	
13	70004203	9	Piston Assembly	
14	70000857	1	Retainer, Slipper	
15	7022311	1	Ring, Retaining	
16	7024867	1	Spring	
17	7024868	1	Washer	
18	7022314	1	Retainer, Spring	
19	70000858	1	Shaft	
20	7007439	1	Ring, Retaining	
21	70004204	1	Cap, End - Axial	
22	7022368	4	Capscrew	
23	7021249	1	Bearing, Needle	
24	7007446	1	Pin	
25	7007419	2	Plug with O-Ring	
25	See Note	NSS	O-Ring (Note: Not Sold Separately - Purchase Item 25 or 40)	
26	7007420	1	Plug with O-Ring	
26	70000862	1	O-Ring (Note: Not Sold Separately - Purchase Item 26 or 40)	
27	7022321	1	Plug with O-Ring	
27	70000862	1	O-Ring (Note: Not Sold Separately - Purchase Item 27 or 40)	
28	7007420	1	Plug with O-Ring	
28	70000862	1	O-Ring (Note: Not Sold Separately - Purchase Item 28 or 40)	
29	70004205	1	Servo - 4WD	
30	See Note	NSS	Ring, Piston (Note: Not Sold Separately - Purchase Item 29 or 40)	
31	See Note	NSS	O-Ring (Note: Not Sold Separately - Purchase Item 29 or 40)	
32	See Note	NSS	Housing (Note: Not Available - Purchase Complete Motor)	
33	7022321	1	Plug with O-Ring	
33	70000862	1	O-Ring (Note: Not Sold Separately - Purchase Item 33 or 40)	
34	70002133	1	Plug with O-Ring	
34	70000862	1	O-Ring (Note: Not Sold Separately - Purchase Item 34 or 40)	
35	70004205	1	Stop (4WD Motor Only)	
36	70002176	1	Bearing	
37	70000861	1	Spring	
38	See Note	NSS	Seal, Lip (Note: Use Item 40)	
39	7022371	1	Washer, Support	
40	70000862	1	Seal Kit (Includes Items 5, 30, 31, 38 and Plug O-Rings)	

SECTION 1 - FRAME

FIGURE 1-34. DRIVE MOTOR ASSEMBLY – 2WD (CHINA BUILT MACHINES) (PVC 2001)



ART_3160349

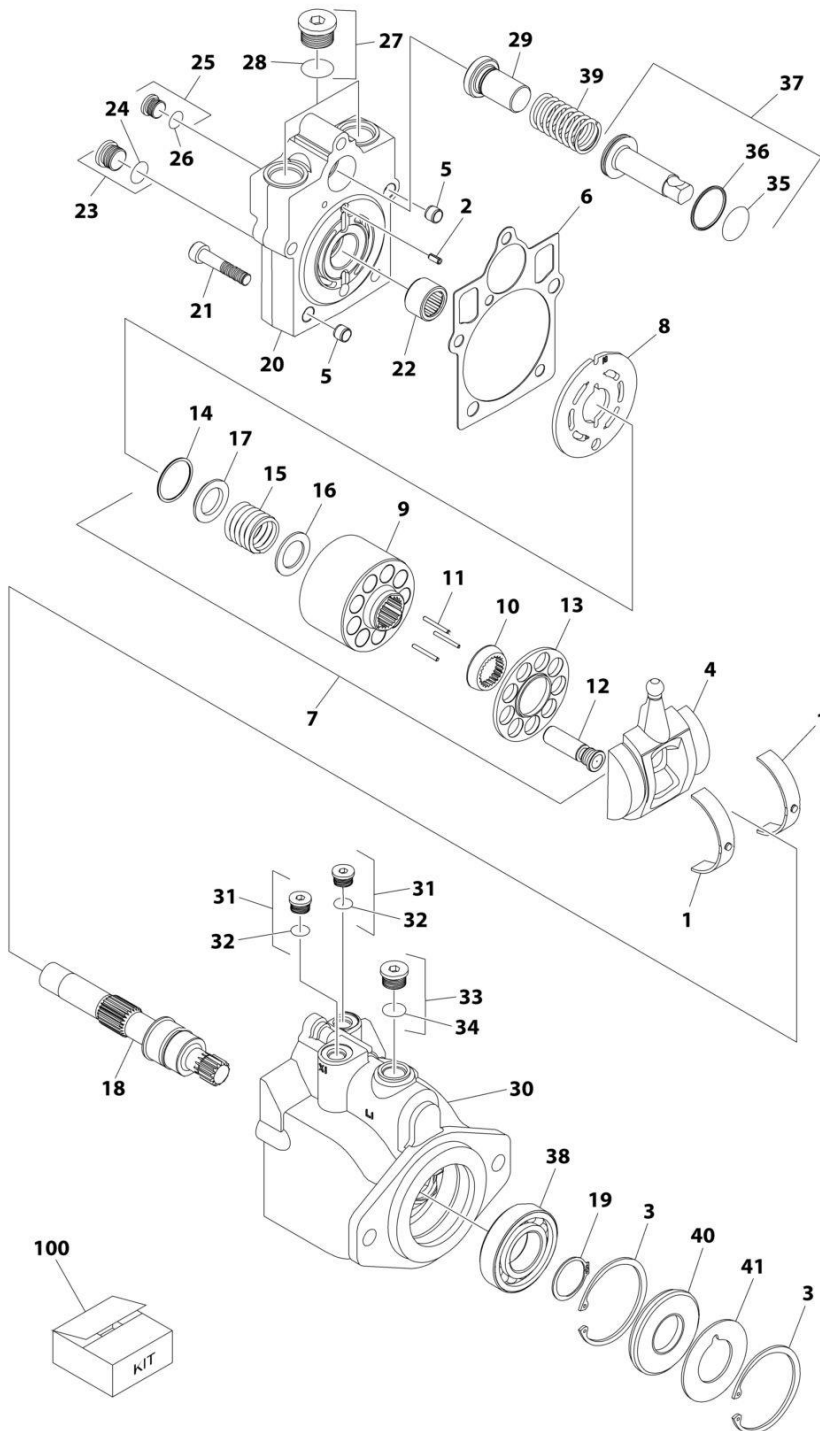
SECTION 1 - FRAME

FIGURE 1-34. DRIVE MOTOR ASSEMBLY – 2WD (CHINA BUILT MACHINES) (PVC 2001)

ITEM	PART NUMBER	QTY	DESCRIPTION	REV
	3160349	Ref	DRIVE MOTOR ASSEMBLY	B
1	7022302	2	Bearing, Journal	
2	7007446	1	Pin	
3	7007438	2	Ring, Retaining	
4	70000794	1	Swash Plate	
5	See Note	NSS	Pin (Note: Not Available for Purchase)	
6	See Note	NSS	Gasket (Note: Use Item 42)	
7	7027740	1	Cylinder Block Kit (Includes Items 9-17)	
8	7024862	1	Plate, Valve	
9	7027740	1	Block, Cylinder	
10	7027740	1	Guide, Slipper Retainer	
11	7021275	3	Pin, Slipper Hold Down	
12	7024865	9	Piston Assembly	
13	7027740	1	Retainer, Slipper	
14	7022311	1	Ring, Retaining	
15	7024867	1	Spring	
16	7022313	1	Washer	
17	7022314	1	Retainer, Spring	
18	7023910	1	Shaft	
19	7007439	1	Ring, Retaining	
20	70000795	1	Cap, End - Axial	
21	7022368	5	Screw	
22	7021249	1	Bearing, Needle	
23	2220886	1	Plug (Includes Item 24)	
24	See Note	NSS	O-Ring (Note: Use Item 23 or 42)	
25	2220883	1	Plug (Includes Item 26)	
26	See Note	NSS	O-Ring (Note: Use Item 25 or 42)	
27	7027419	2	Plug (Includes Item 28)	
28	See Note	NSS	O-Ring (Note: Use Item 27 or 42)	
29	7024853	Ref	Seat, Spring 2WD/2WS	
30	See Note	NSS	Housing (Note: Not Available - Purchase Complete Assembly)	
31	2220883	2	Plug (Includes Item 32)	
32	See Note	NSS	O-Ring (Note: Use Item 31 or 42)	
33	2220886	1	Plug (Includes Item 34)	
34	See Note	NSS	O-Ring (Note: Use Item 33 or 42)	
35	See Note	NSS	O-Ring (Note: Use Item 42)	
36	See Note	NSS	Ring, Seal (Note: Use Item 42)	
37	7024871	1	Piston, Servo	
38	7007437	1	Bearing	
39	7022326	1	Spring	
40	See Note	NSS	Seal, Lip (Note: Use Item 42)	
41	7022371	1	Washer, Support	
42	7022328	1	Seal Kit (Includes Items 6, 24, 26, 28, 32, 34, 35, 36 & 40)	

SECTION 1 - FRAME

FIGURE 1-35. DRIVE MOTOR ASSEMBLY – 4WD (CHINA BUILT MACHINES) (PVC 2001)



ART_3160350

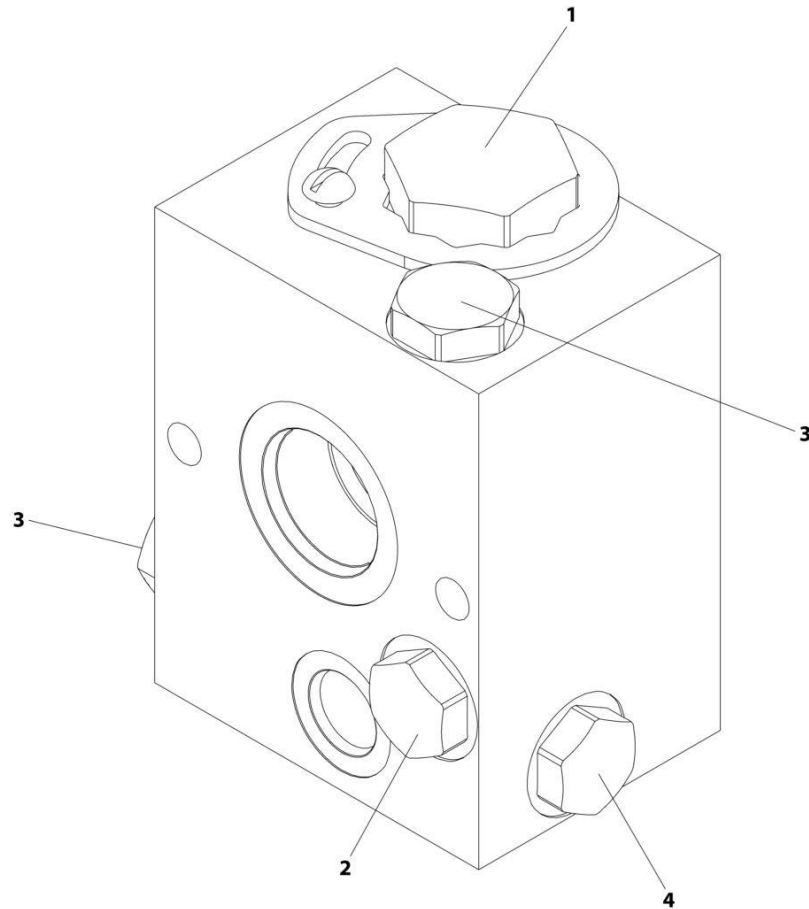
SECTION 1 - FRAME

FIGURE 1-35. DRIVE MOTOR ASSEMBLY – 4WD (CHINA BUILT MACHINES) (PVC 2001)

ITEM	PART NUMBER	QTY	DESCRIPTION	REV
	3160350	Ref	DRIVE MOTOR ASSEMBLY	D
1	7022302	2	Bearing, Journal	
2	7007446	1	Pin	
3	7007438	2	Ring, Retaining	
4	70000794	1	Swash Plate	
5	See Note	NSS	Pin (Note: Not Available for Purchase)	
6	See Note	NSS	Gasket (Note: Use Item 42)	
7	7027740	1	Cylinder Block Kit (Includes Items 9-17)	
8	7024862	1	Plate, Valve	
9	See Note	NSS	Block, Cylinder	
10	See Note	NSS	Guide, Slipper Retainer	
11	7021275	3	Pin, Slipper Hold Down	
12	7024865	9	Piston Assembly	
13	See Note	NSS	Retainer, Slipper	
14	7022311	1	Ring, Retaining	
15	7024867	1	Spring	
16	7022313	1	Washer	
17	7022314	1	Retainer, Spring	
18	7023910	1	Shaft	
19	7007439	1	Ring, Retaining	
20	70000795	1	Cap, End - Axial	
21	7022368	5	Screw	
22	7021249	1	Bearing, Needle	
23	2220886	1	Plug (Includes Item 24)	
24	See Note	NSS	O-Ring (Note: Use Item 23 or 42)	
25	2220883	1	Plug (Includes Item 26)	
26	See Note	NSS	O-Ring (Note: Use Item 25 or 42)	
27	7027419	2	Plug (Includes Item 28)	
28	See Note	NSS	O-Ring (Note: Use Item 27 or 42)	
29	7022372	1	Seat, Spring	
30	See Note	NSS	Housing (Note: Not Available - Purchase Complete Assembly)	
31	2220883	2	Plug (Includes Item 32)	
32	See Note	NSS	O-Ring (Note: Use Item 31 or 42)	
33	2220886	1	Plug (Includes Item 34)	
34	See Note	NSS	O-Ring (Note: Use Item 33 or 42)	
35	See Note	NSS	O-Ring (Note: Use Item 42)	
36	See Note	NSS	Ring, Seal (Note: Use Item 42)	
37	7024871	1	Piston, Servo	
38	7007437	1	Bearing	
39	7022326	1	Spring	
40	See Note	NSS	Seal, Lip (Note: Use Item 42)	
41	7022371	1	Washer, Support	
100	7022328	1	Seal Kit (Includes Items 6, 24, 26, 28, 32, 34, 35, 36 & 40)	

SECTION 1 - FRAME

FIGURE 1-36. FLOW DIVIDER VALVE ASSEMBLY – 2WD (PVC 2001)



ART_1001100120

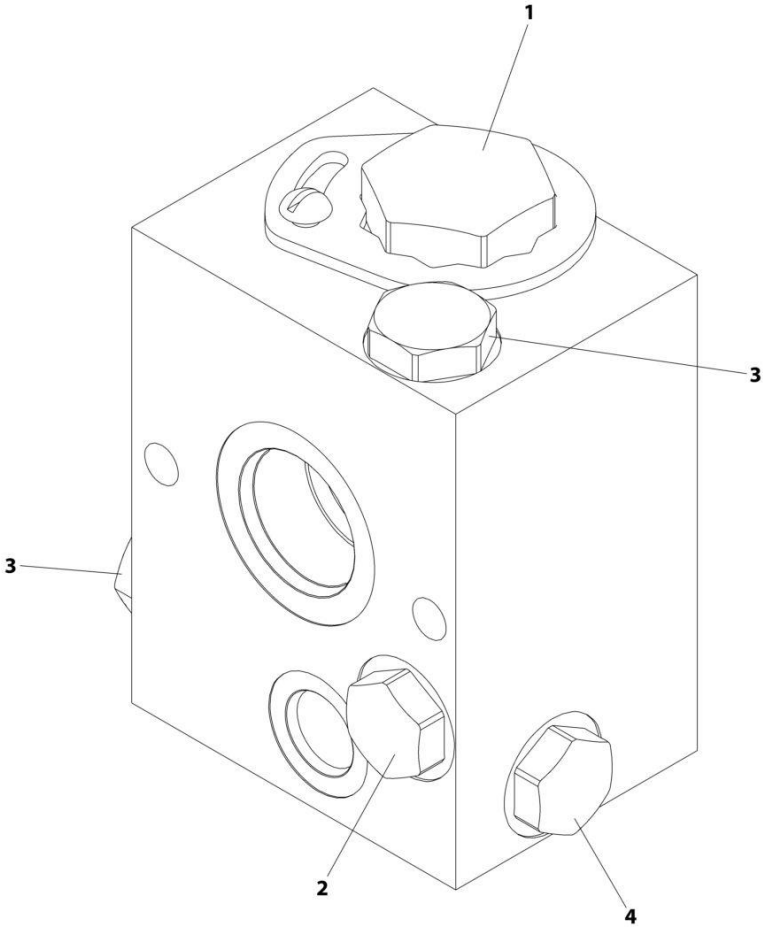
SECTION 1 - FRAME

FIGURE 1-36. FLOW DIVIDER VALVE ASSEMBLY – 2WD (PVC 2001)

ITEM	PART NUMBER	QTY	DESCRIPTION	REV
	1001100120	Ref	FLOW DIVIDER ASSEMBLY - 2WD	A
1	7023933	1	Valve, Cartridge (Flow Divider)	
1	7021625	1	Seal Kit - Flow Divider Cartridge	
1	70000781	1	Locking Kit	
2	7024892	1	Valve, Cartridge (Check)	
2	7023936	1	Seal Kit - Check Cartridge	
3	7022397	2	Valve, Cartridge (Check)	
3	7022399	2	Seal Kit - Check Cartridge	
4	7023935	1	Valve, Cartridge (Check)	
4	7023936	1	Seal Kit - Check Cartridge	

SECTION 1 - FRAME

FIGURE 1-37. FLOW DIVIDER VALVE ASSEMBLY – 2WD (PVC 2007)



ART_1001100120_C

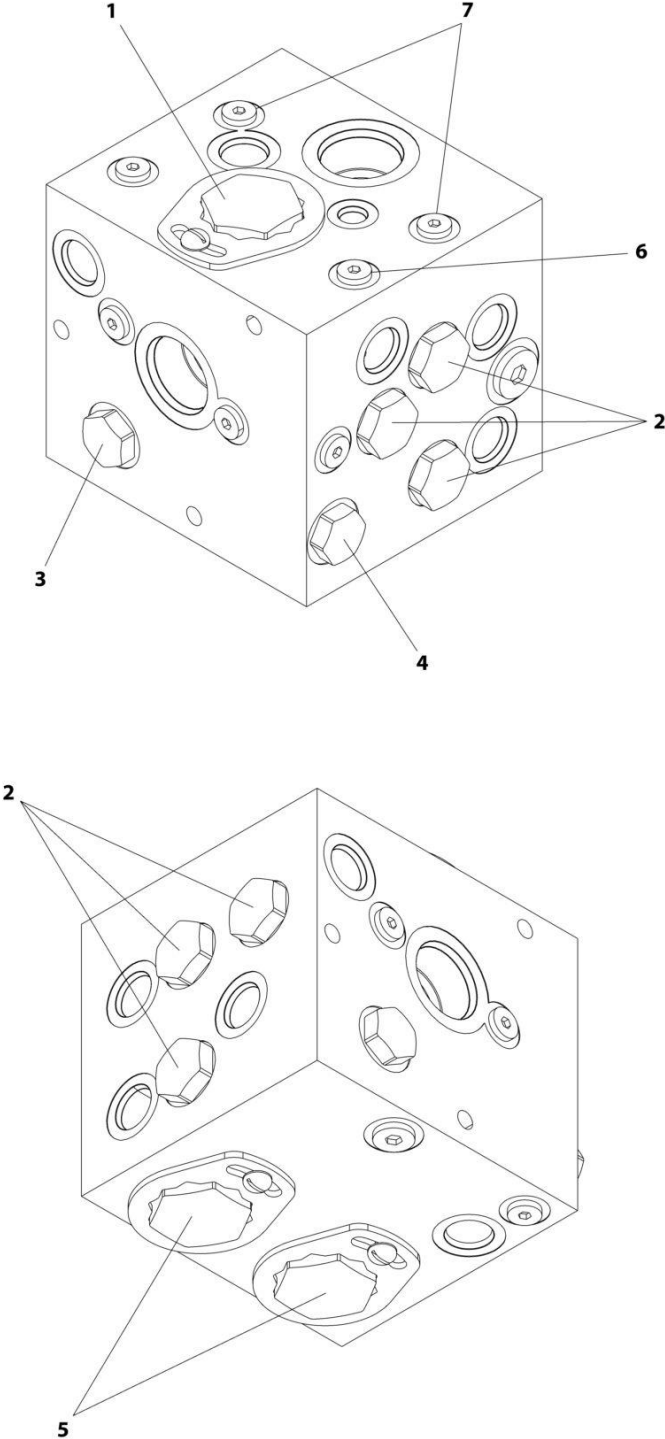
SECTION 1 - FRAME

FIGURE 1-37. FLOW DIVIDER VALVE ASSEMBLY – 2WD (PVC 2007)

ITEM	PART NUMBER	QTY	DESCRIPTION	REV
	1001100120	Ref	FLOW DIVIDER ASSEMBLY - 2WD	C
1	70004017	1	Valve, Cartridge (Flow Divider)	
1	7021625	1	Seal Kit - Flow Divider Cartridge	
1	70000781	1	Locking Kit	
2	7024892	1	Valve, Cartridge (Check)	
2	7023936	1	Seal Kit - Check Cartridge	
3	7022397	2	Valve, Cartridge (Check)	
3	7022399	2	Seal Kit - Check Cartridge	
4	7023935	1	Valve, Cartridge (Check)	
4	7023936	1	Seal Kit - Check Cartridge	

SECTION 1 - FRAME

FIGURE 1-38. FLOW DIVIDER VALVE ASSEMBLY – 4WD



ART_1001098503

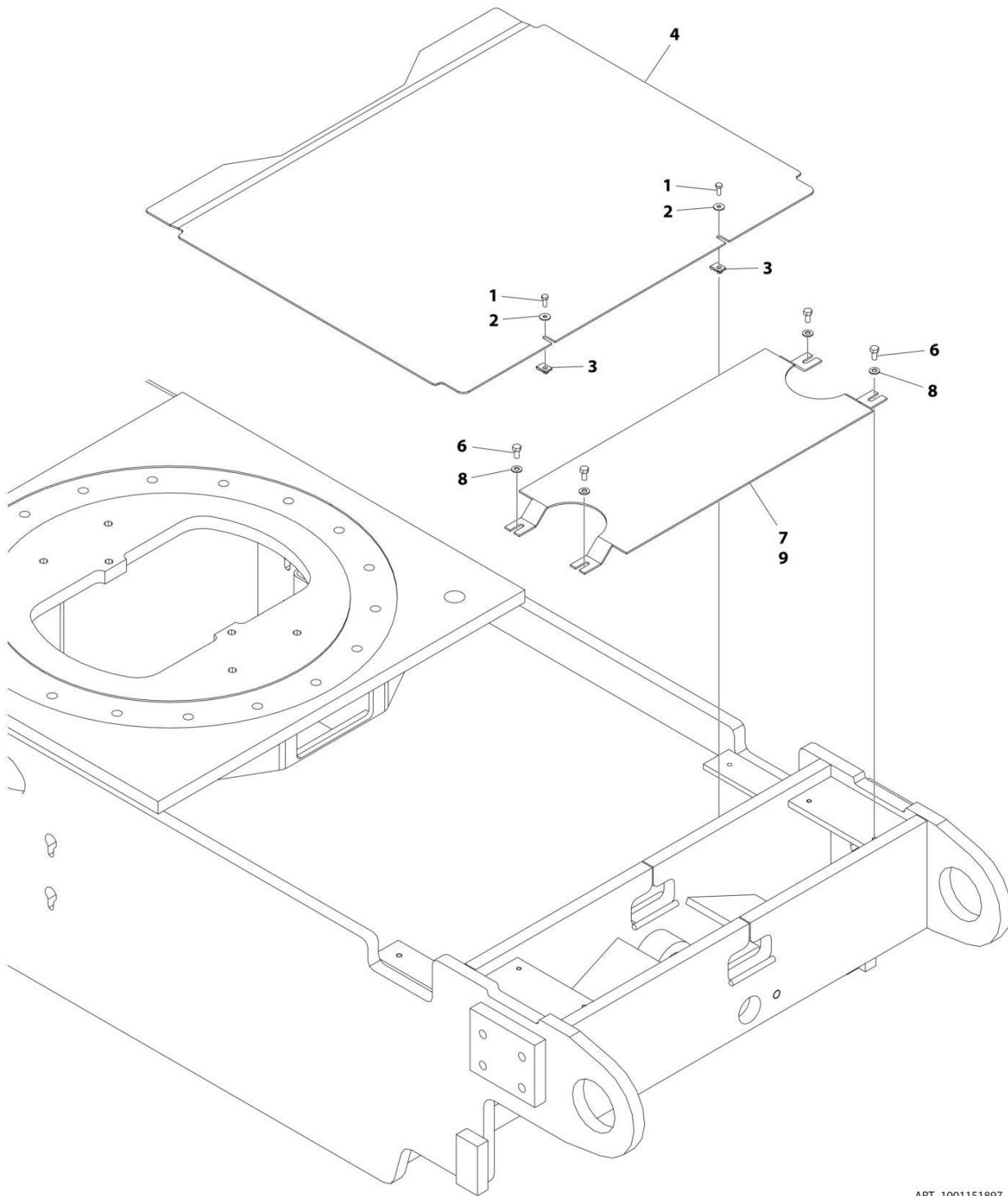
SECTION 1 - FRAME

FIGURE 1-38. FLOW DIVIDER VALVE ASSEMBLY – 4WD

ITEM	PART NUMBER	QTY	DESCRIPTION	REV
	1001098503	Ref	FLOW DIVIDER ASSEMBLY - 4WD	C
1	7023933	1	Valve, Cartridge (Flow Divider)	
1	7021625	1	Seal Kit - Flow Divider Cartridge	
2		Ref	Valve, Cartridge (Check) Options:	
2	7022397	6	Valve p/n 4641410	
2	7022399	6	Seal Kit - Check Cartridge	
2	70003408	6	Valve p/n 1001098503	
2	7022399	6	Seal Kit - Check Cartridge	
3	7023935	1	Valve, Cartridge (Check)	
3	7023936	1	Seal Kit - Check Cartridge	
4	7024892	1	Valve, Cartridge (Check)	
4	7023936	1	Seal Kit - Check Cartridge	
5	7023917	2	Valve, Cartridge (Flow Divider)	
5	7021625	2	Seal Kit - Flow Divider Cartridge	
6	70002063	1	Plug, Orifice	
7	70002064	2	Plug, Orifice	

SECTION 1 - FRAME

FIGURE 1-39. FRAME SHIELDS INSTALLATION – 2WS (8FT/2.4M WIDE MACHINES) (USA BUILT MACHINES - PVC 2001 & 2007, CHINA BUILT MACHINES - PVC 2007)



ART_1001151897

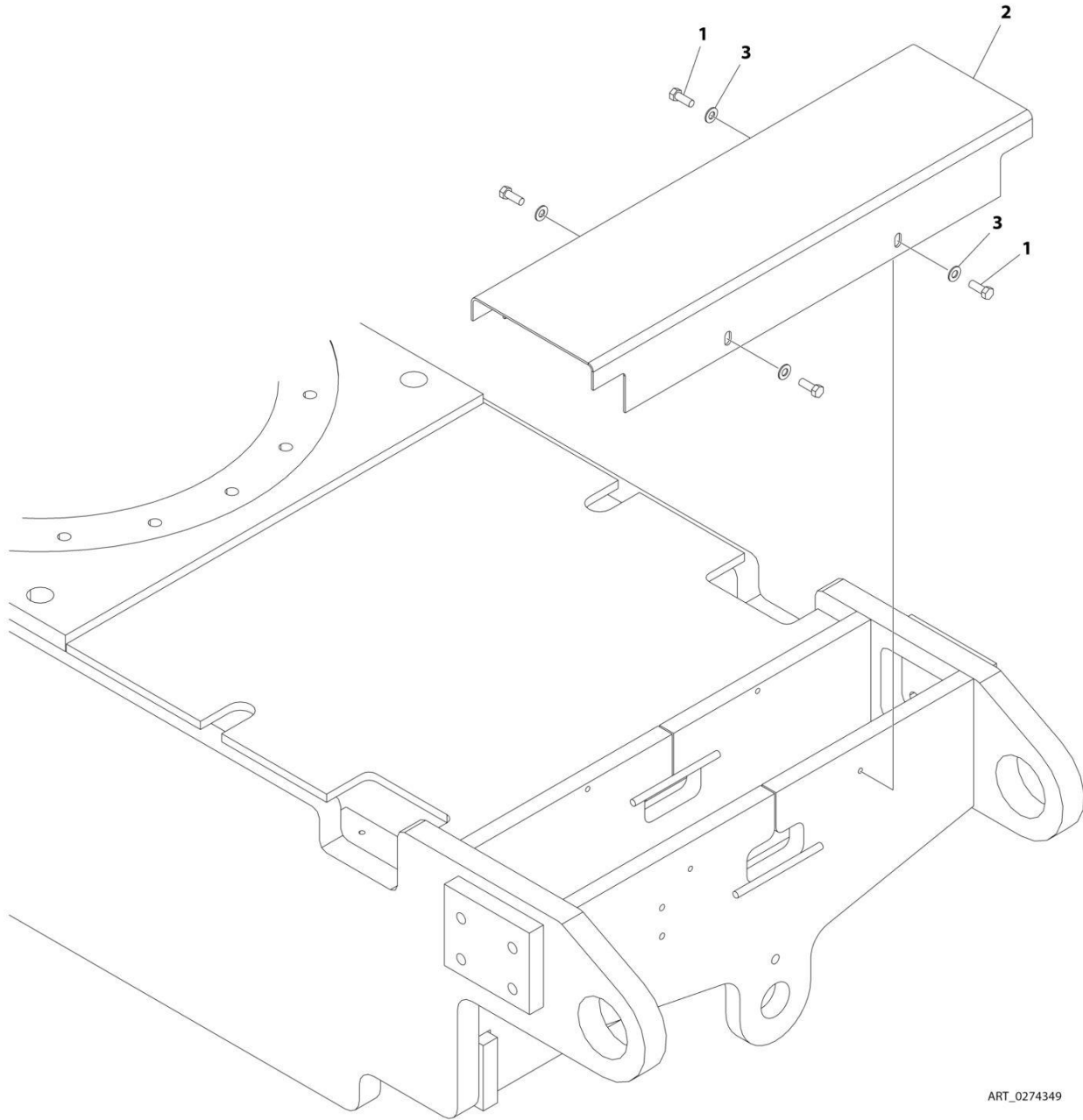
SECTION 1 - FRAME

FIGURE 1-39. FRAME SHIELDS INSTALLATION – 2WS (8FT/2.4M WIDE MACHINES) (USA BUILT MACHINES - PVC 2001 & 2007, CHINA BUILT MACHINES - PVC 2007)

ITEM	PART NUMBER	QTY	DESCRIPTION	REV
	1001151897	Ref	FRAME SHIELDS INSTALLATION	C
1	0760608	2	Bolt M6 x 16	
2	4811702	2	Washer M6	
3	1001130220	2	Nut, Tinnerman M6	
4	1001151584	1	Shield, Frame - Front	
6	0641505	4	Bolt 5/16 x 5/8	
7	4060804	1	Flex-Trim	
8	4711500	4	Washer 5/16	
9	1001161761	1	Shield, Frame - Rear	

SECTION 1 - FRAME

FIGURE 1-40. FRAME SHIELDS INSTALLATION – 2WS (8FT/2.4M WIDE MACHINES) (CHINA BUILT MACHINES) (PVC 2001)



ART_0274349

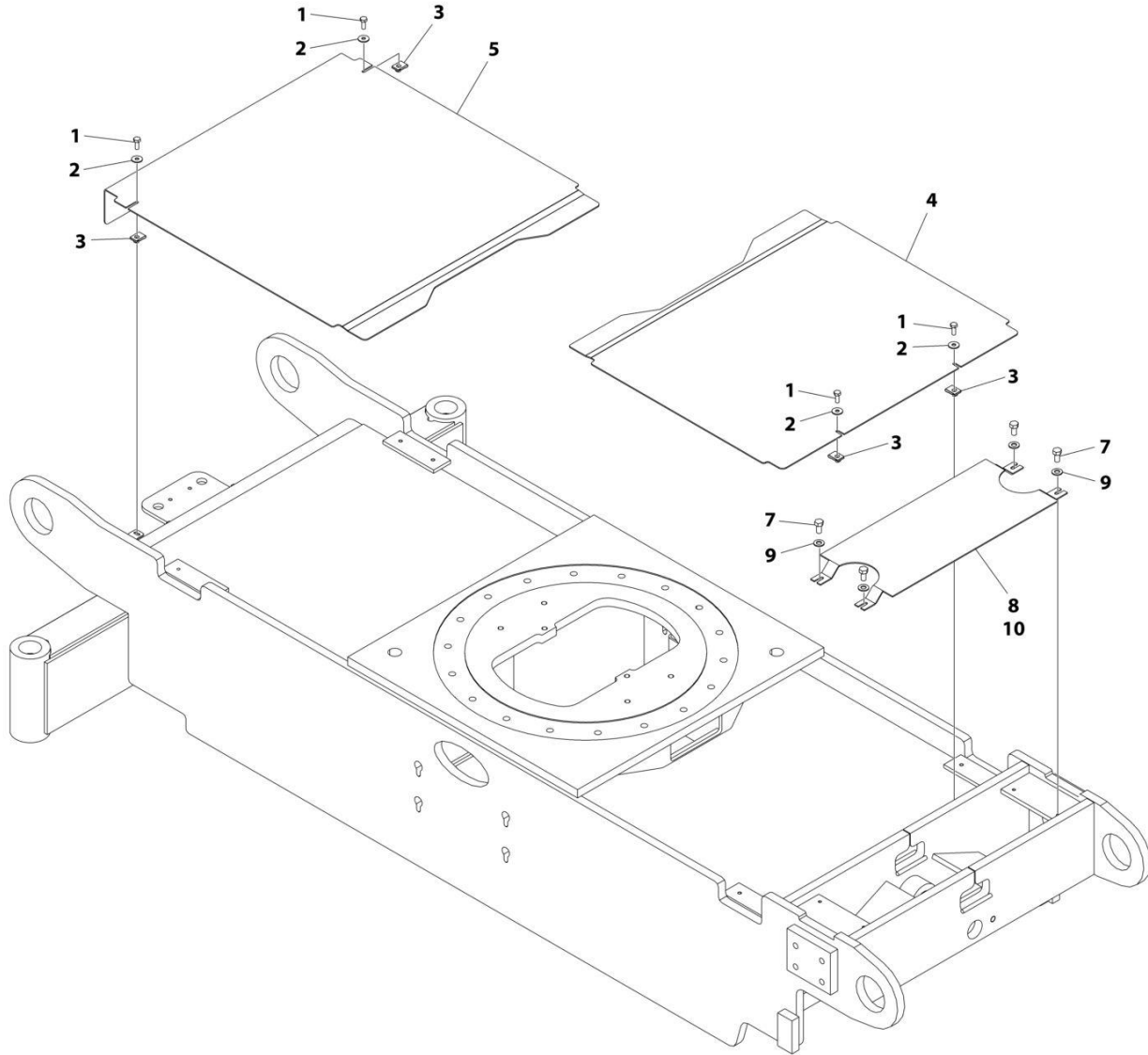
SECTION 1 - FRAME

FIGURE 1-40. FRAME SHIELDS INSTALLATION – 2WS (8FT/2.4M WIDE MACHINES) (CHINA BUILT MACHINES) (PVC 2001)

ITEM	PART NUMBER	QTY	DESCRIPTION	REV
	0274349	Ref	FRAME SHIELDS INSTALLATION	A
1	0641608	4	Bolt 3/8 X 1	
2	3380557	1	Shield, Frame	
3	4711600	4	Washer 3/8	

SECTION 1 - FRAME

FIGURE 1-41. FRAME SHIELDS INSTALLATION – 4WS (8FT/2.4M WIDE MACHINES) (USA BUILT MACHINES - PVC 2001 & 2007, CHINA BUILT MACHINES - PVC 2007)



ART_1001152049

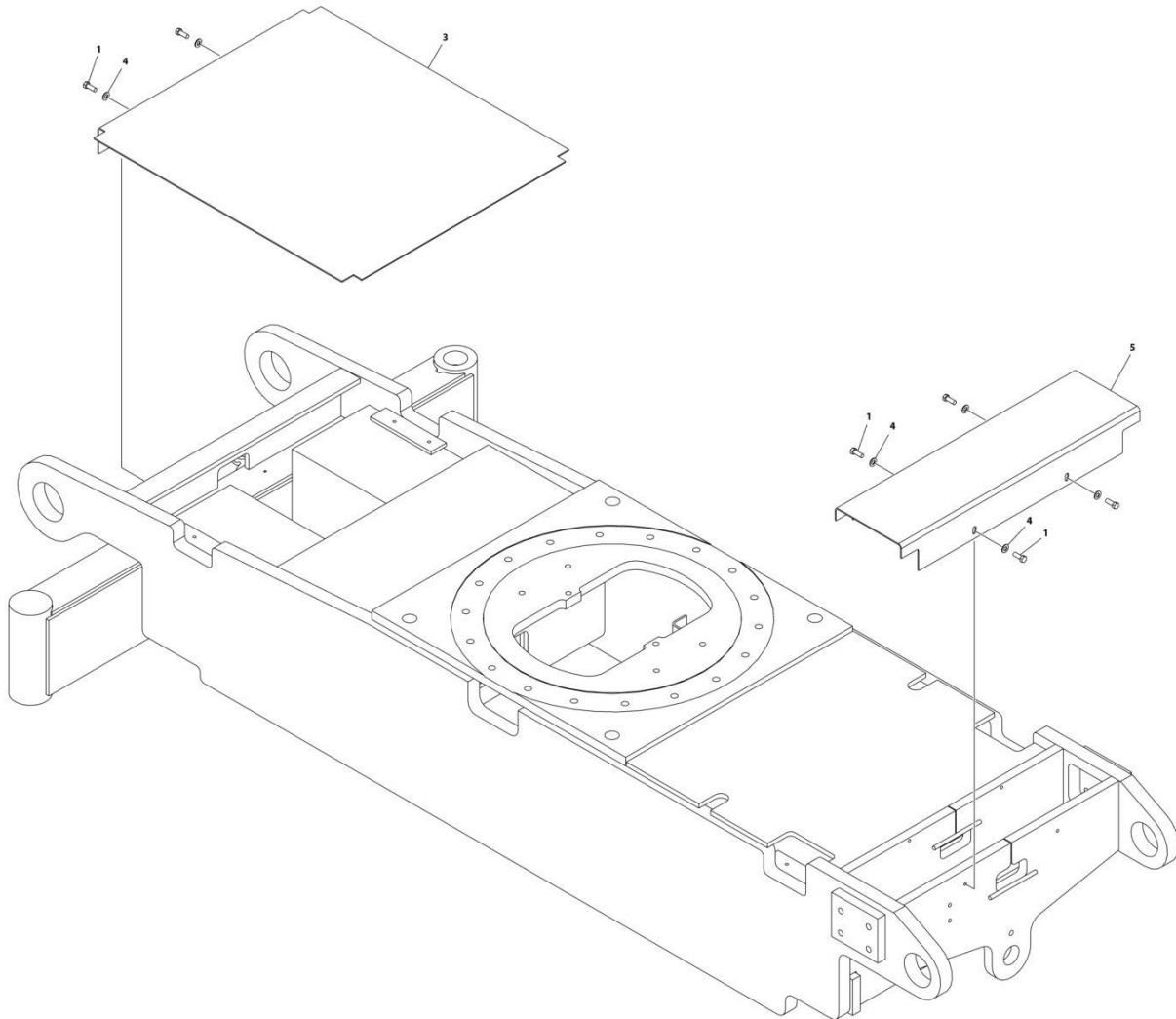
SECTION 1 - FRAME

FIGURE 1-41. FRAME SHIELDS INSTALLATION – 4WS (8FT/2.4M WIDE MACHINES) (USA BUILT MACHINES - PVC 2001 & 2007, CHINA BUILT MACHINES - PVC 2007)

ITEM	PART NUMBER	QTY	DESCRIPTION	REV
	1001152049	Ref	FRAME SHIELDS INSTALLATION	C
1	0760608	4	Bolt M6 x 16	
2	4811702	4	Washer M6	
3	1001130220	4	Nut, Tinnerman M6	
4	1001151584	1	Shield, Frame - Front	
5	1001152046	1	Shield, Frame - Rear	
7	0641505	4	Bolt 5/16 x 5/8	
8	4060804	1	Flex-Trim	
9	4711500	4	Washer 5/16	
10	1001161761	1	Shield, Frame - Rear	

SECTION 1 - FRAME

FIGURE 1-42. FRAME SHIELDS INSTALLATION – 4WS (8FT/2.4M WIDE MACHINES) (CHINA BUILT MACHINES) (PVC 2001)



ART_0274348

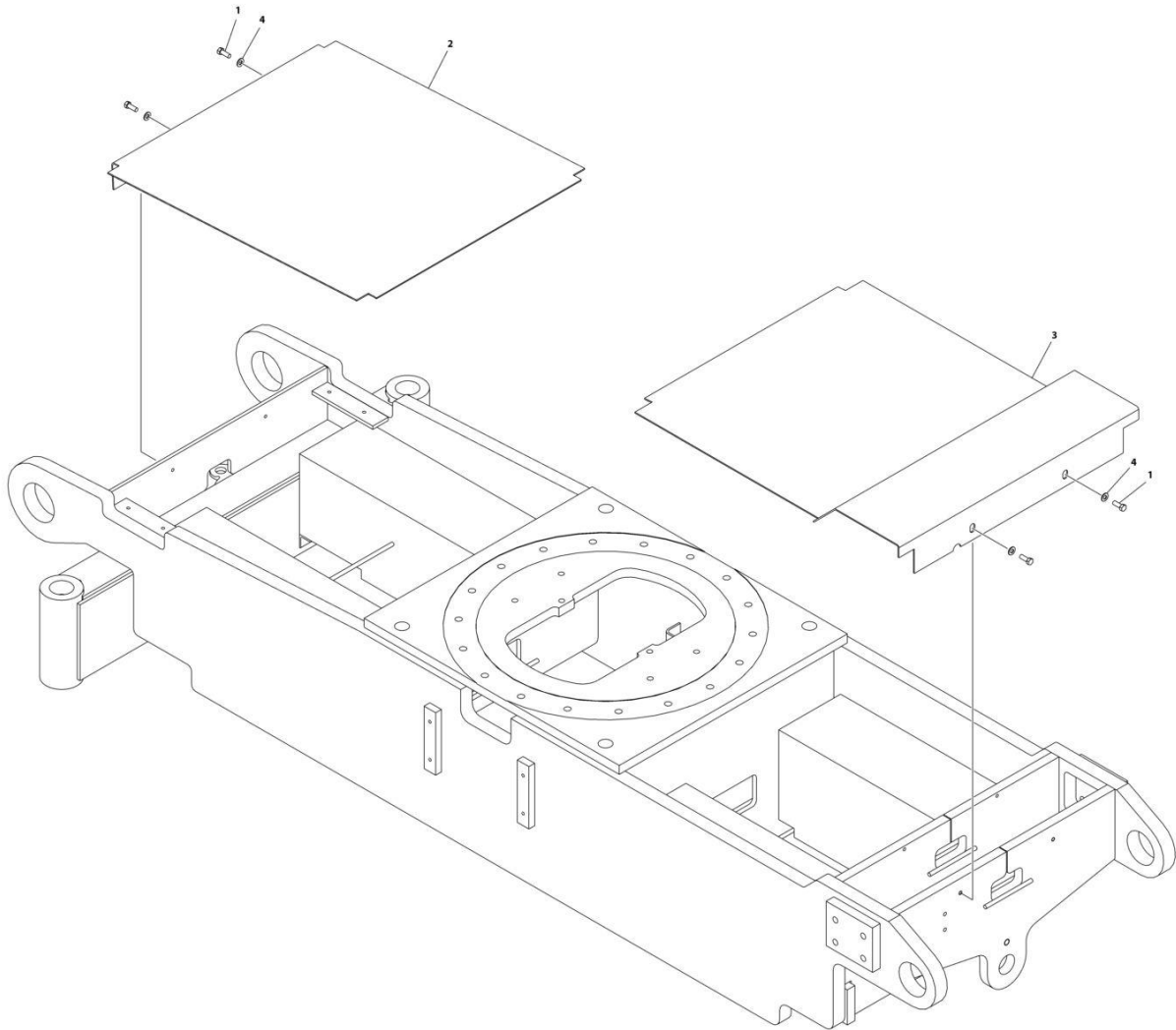
SECTION 1 - FRAME

FIGURE 1-42. FRAME SHIELDS INSTALLATION – 4WS (8FT/2.4M WIDE MACHINES) (CHINA BUILT MACHINES) (PVC 2001)

ITEM	PART NUMBER	QTY	DESCRIPTION	REV
	0274348	Ref	FRAME SHIELDS INSTALLATION	E
1	0641608	6	Bolt 3/8 X 1	
3	3380558	1	Shield, Frame - Rear	
4	4711600	6	Washer 3/8	
5	3380557	1	Shield, Frame - Front	

SECTION 1 - FRAME

FIGURE 1-43. FRAME SHIELDS INSTALLATION – 2WS (7FT/2.1M WIDE MACHINES) (USA BUILT MACHINES)



ART_274229

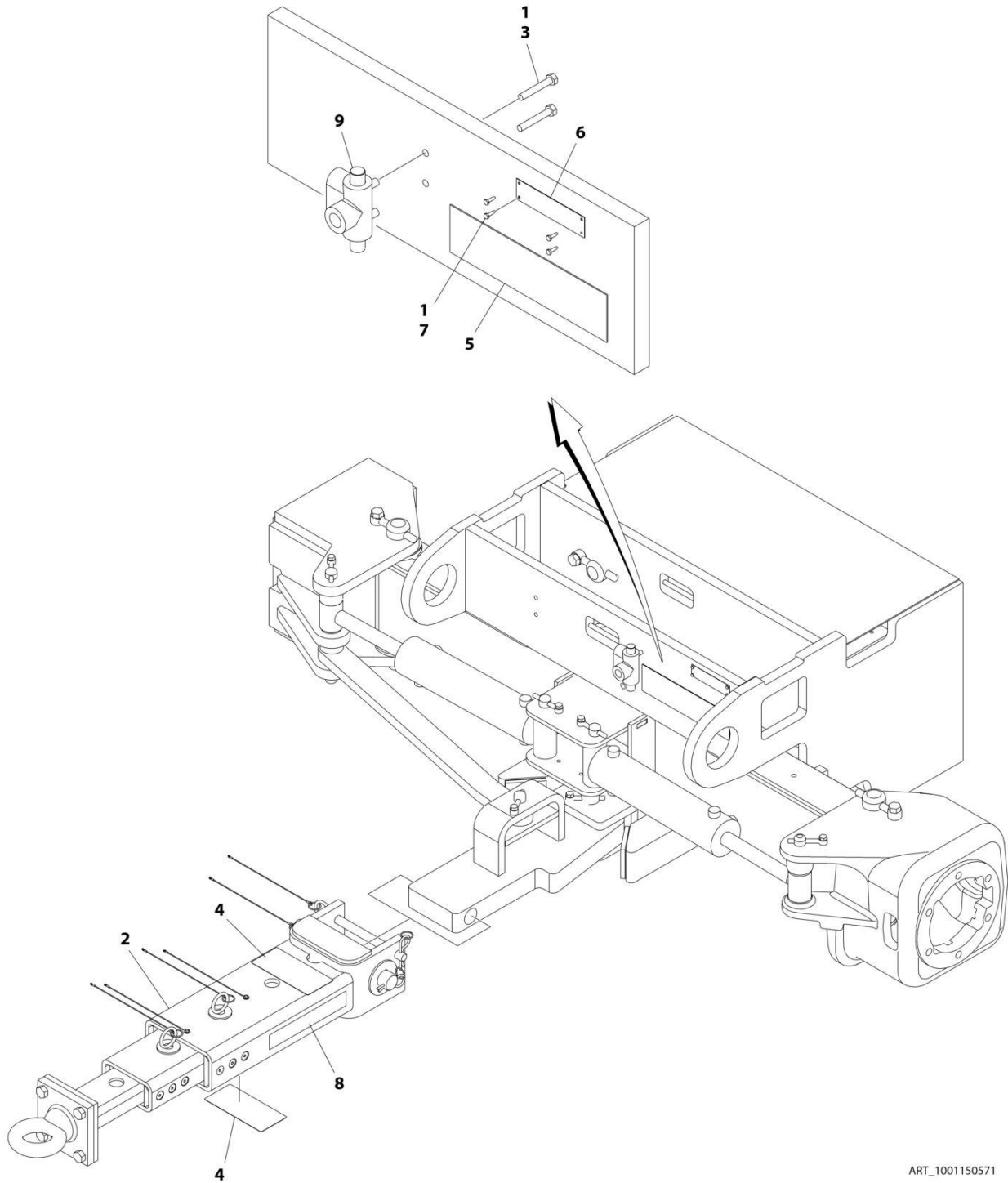
SECTION 1 - FRAME

FIGURE 1-43. FRAME SHIELDS INSTALLATION – 2WS (7FT/2.1M WIDE MACHINES) (USA BUILT MACHINES)

ITEM	PART NUMBER	QTY	DESCRIPTION	REV
	0274229	Ref	FRAME SHIELDS INSTALLATION	C
1	0760608	4	Bolt M6 x 16	
2	3380558	1	Shield, Frame - Front	
3	3380560	1	Shield, Frame - Rear	
4	4751600	4	Washer 3/8	

SECTION 1 - FRAME

FIGURE 1-44. TOW PACKAGE INSTALLATION (ANSI SPECS) (OPTIONAL)



ART_1001150571

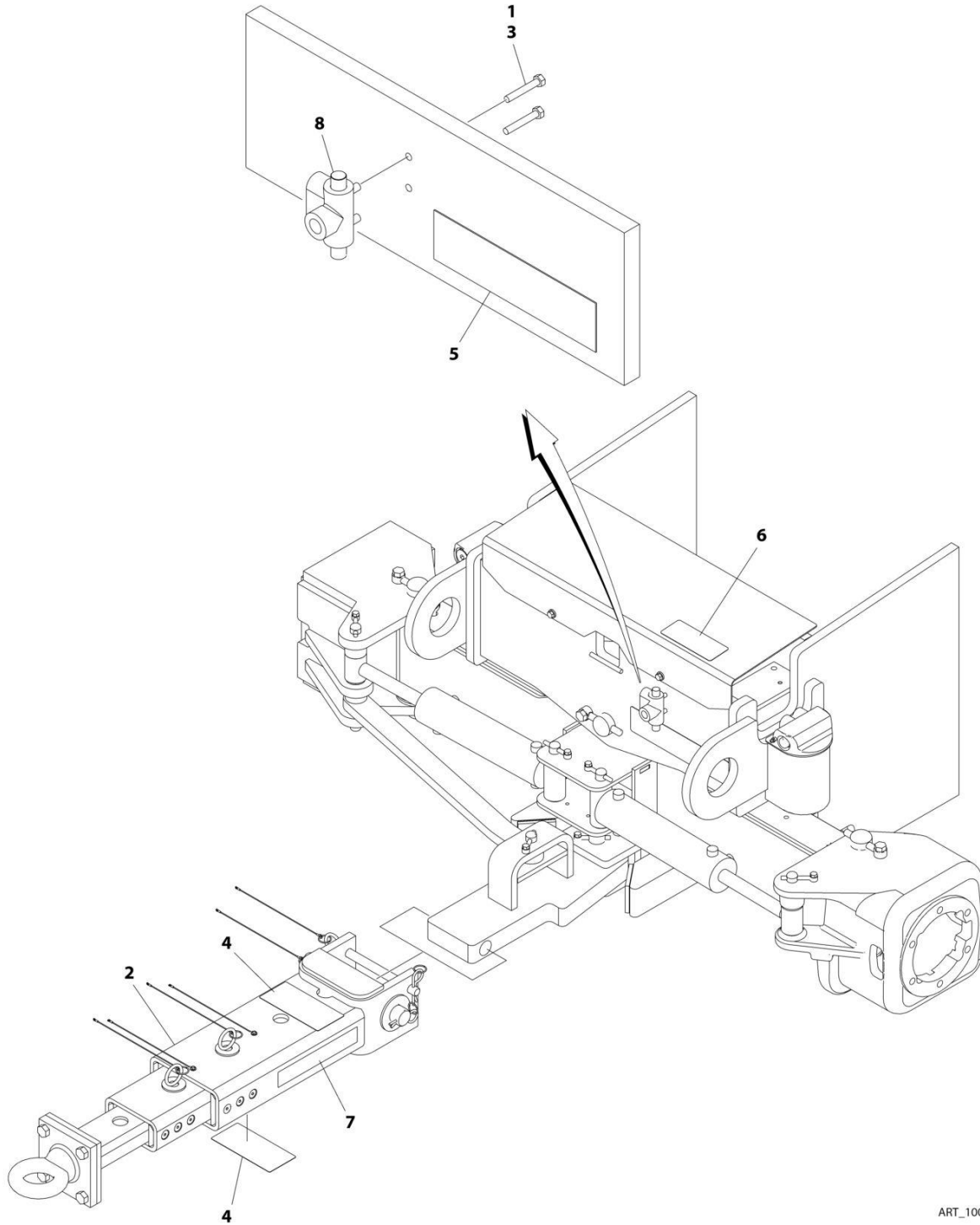
SECTION 1 - FRAME

FIGURE 1-44. TOW PACKAGE INSTALLATION (ANSI SPECS) (OPTIONAL)

ITEM	PART NUMBER	QTY	DESCRIPTION	REV
	1001150571	Ref	TOW BAR INSTALLATION	D
1	0100011	AR	Compound, Locking	
2	0270528	1	Tow Bar Assembly (See Separate Breakdown in this Section)	
3	0641516	2	Bolt 5/16 x 2	
4	1704578	2	Decal - Crushing	
5	1705090	1	Decal - Towing Instruction	
6	3250872	1	Nameplate - Steer/Tow Select	
7	3940604	4	Screw #6 x 1/2	
8	4420051	AR	Tape, Safety	
9	4640261	1	Valve, Float Position	

SECTION 1 - FRAME

FIGURE 1-45. TOW PACKAGE INSTALLATION (CSA SPECS) (OPTIONAL)



ART_1001150570

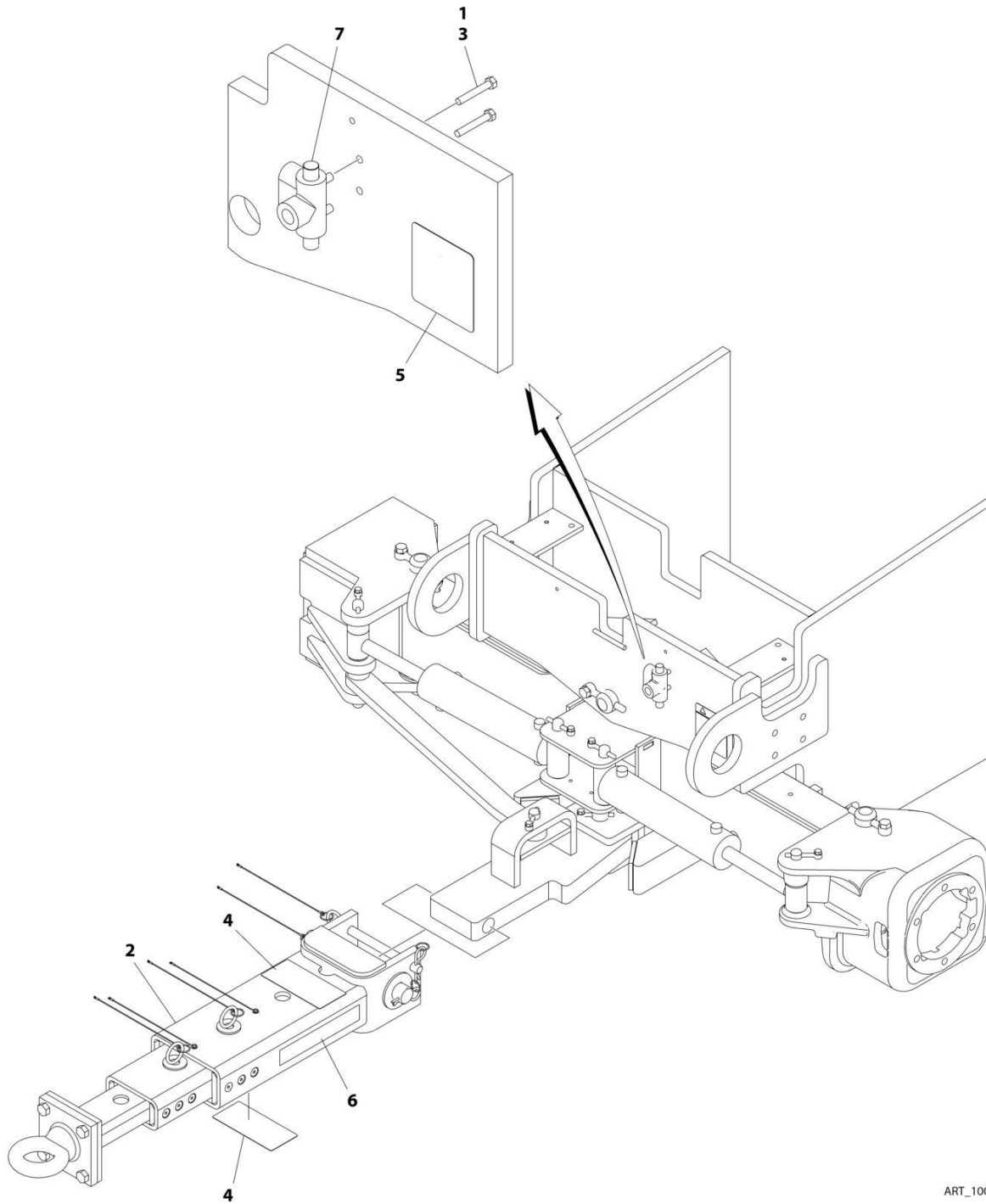
SECTION 1 - FRAME

FIGURE 1-45. TOW PACKAGE INSTALLATION (CSA SPECS) (OPTIONAL)

ITEM	PART NUMBER	QTY	DESCRIPTION	REV
	1001150570	Ref	TOW BAR INSTALLATION	D
1	0100011	AR	Compound, Locking	
2	0270528	1	Tow Bar Assembly (See Separate Breakdown in this Section)	
3	0641516	2	Bolt 5/16 x 2	
4	1706593	2	Decal - Crushing	
5	1705820	1	Decal - Towing Instruction	
6	1704272	1	Nameplate - Steer/Tow Select	
7	4420051	AR	Tape, Safety	
8	4640261	1	Valve, Float Position	

SECTION 1 - FRAME

FIGURE 1-46. TOW PACKAGE INSTALLATION (CE SPECS) (OPTIONAL)



ART_1001150569

SECTION 1 - FRAME

FIGURE 1-46. TOW PACKAGE INSTALLATION (CE SPECS) (OPTIONAL)

ITEM	PART NUMBER	QTY	DESCRIPTION	REV
	1001150569	Ref	TOW BAR INSTALLATION	A
1	0100011	AR	Compound, Locking	
2	0270528	1	Tow Bar Assembly (See Separate Breakdown in this Section)	
3	0641516	2	Bolt 5/16 x 2	
4	1706960	2	Decal - Crushing	
5	1706957	1	Decal - Towing Instruction	
6	4420051	AR	Tape, Safety	
7	4640261	1	Valve, Float Position	

SECTION 1 - FRAME

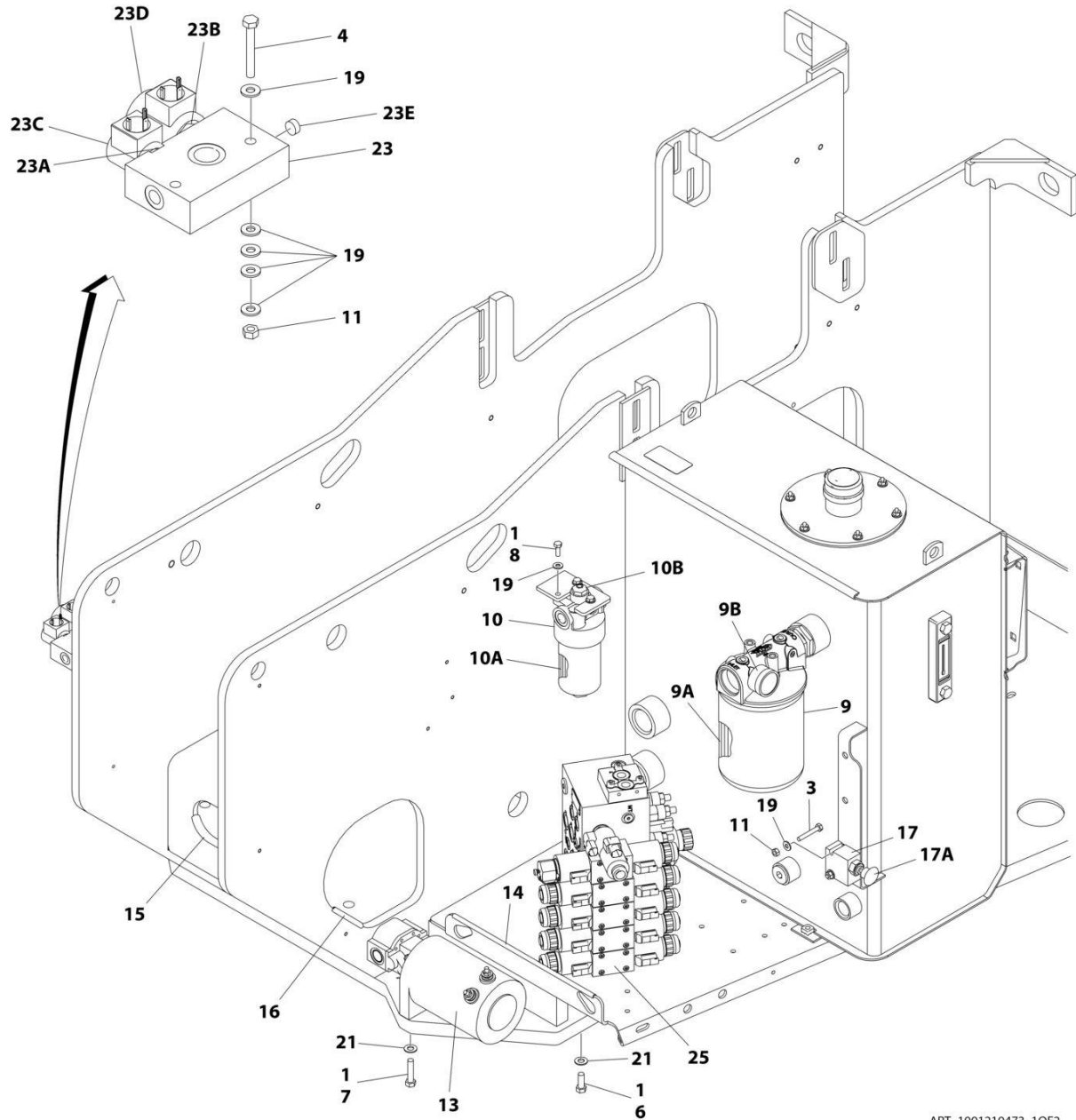
FIGURE 1-47. TOW BAR ASSEMBLY

ITEM	PART NUMBER	QTY	DESCRIPTION	REV
	0270528	Ref	TOW BAR ASSEMBLY	B
1	0100011	AR	Compound, Locking	
2	0362910	1	Pintle, Draw Eye	
3	0642010	4	Bolt 5/8 x 1-1/4	
4	0721004	2	Screw, Hex Machine	
5	0741607	24	Screw, Countersunk 3/8 x 7/8	
6	1060584	6	Cable, Lanyard	
7	3420372	2	Pin, Cotter	
8	3420447	1	Pin, Towing	
9	3421565	2	Pin, Snap	
10	3422841	2	Pin	
11	3422847	1	Pin	
12	3572009	2	Plate, Slide Stop	
13	3572010	2	Plate, Slide Stop	
14	3572011	2	Plate, Slide Stop	
15	3572012	2	Plate, Slide Stop	
16	3760170	8	Ring, Split	
17	4568133	1	Tube, Tow Bar	
18	4740036	1	Washer	
19	4751000	2	Washer #10	
20	4846295	1	Tow Bar Attach Weldment	
21	4846296	1	Pintle Attach Weldment	

SECTION 2 - TURNTABLE

SECTION 2 - TURNTABLE

FIGURE 2-1. CONTROL VALVES INSTALLATION - 2WS WITH DEUTZ D2011 AND DEUTZ D2011 (STAGE V) ENGINES (USA BUILT MACHINES - PVC 2001 & 2007, CHINA BUILT MACHINES - PVC 2007)



ART_1001219473_1OF2

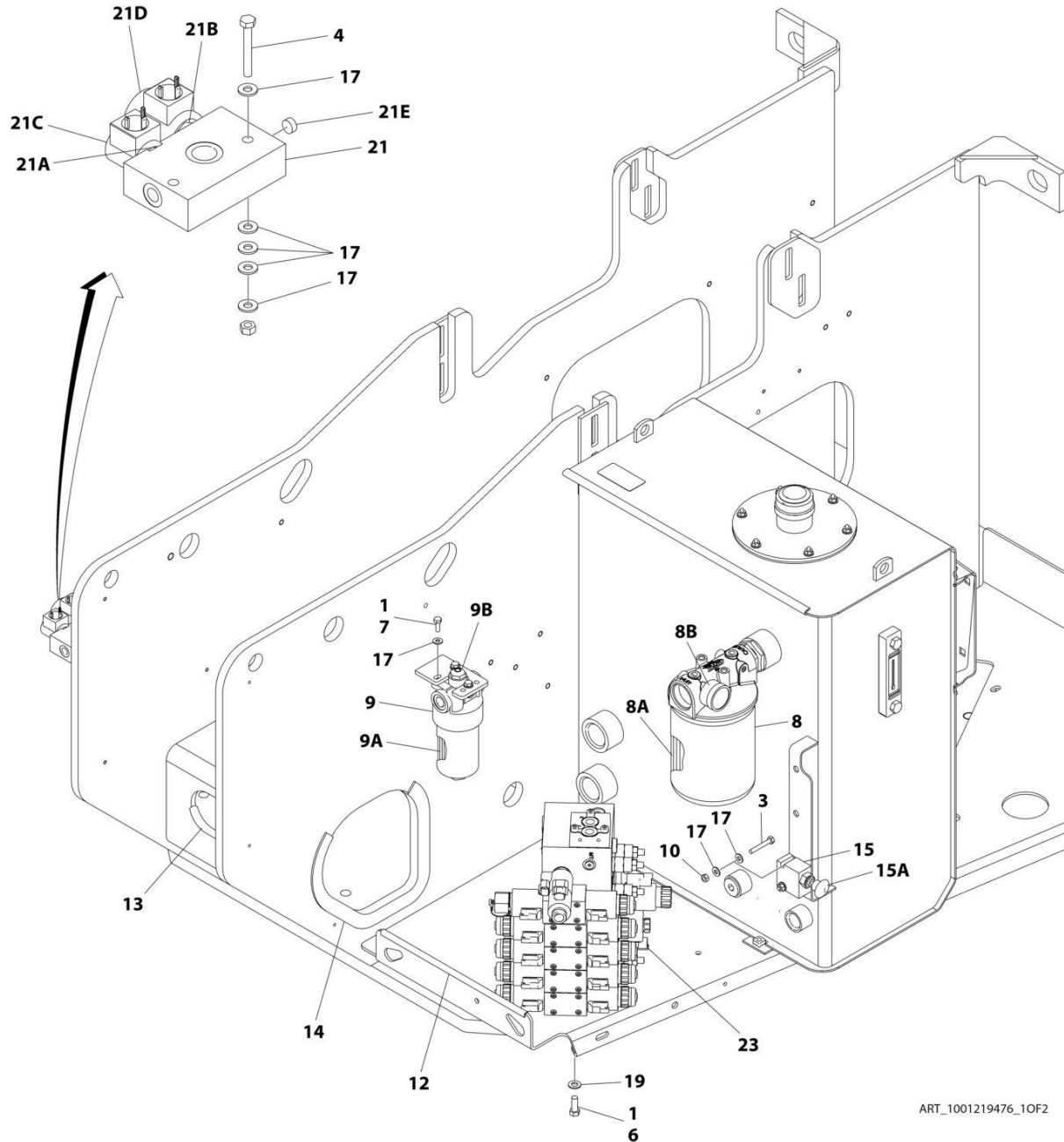
SECTION 2 - TURNTABLE

FIGURE 2-1. CONTROL VALVES INSTALLATION - 2WS WITH DEUTZ D2011 AND DEUTZ D2011 (STAGE V) ENGINES (USA BUILT MACHINES - PVC 2001 & 2007, CHINA BUILT MACHINES - PVC 2007)

ITEM	PART NUMBER	QTY	DESCRIPTION	REV
	1001219473	Ref	CONTROL VALVES INSTALLATION - 2WS	B
1	0100011	AR	Compound, Locking	
3	0641414	2	Bolt 1/4 x 1-3/4	
4	0641416	2	Bolt 1/4 x 2	
6	0641608	3	Bolt 3/8 x 1	
7	0641613	2	Bolt 3/8 x 1-5/8	
8	0651406	3	Bolt 1/4 x 3/4	
9	2120164	1	Return Filter Assembly	C
9A	2120149	1	Element, Filter	
9B	7020021	1	Manual Indicator	
10	2120209	1	Hydraulic Pressure Filter Assembly	
10A	2120210	1	Element, Filter	
10B	7020020	1	Manual Indicator	
10C	70000934	1	O-Ring, Filter Bowl (Not Shown)	
11	3311405	4	Nut 1/4	
13	3600365	1	Auxiliary Pump Assembly (See Separate Breakdown in this Section)	
14	4060804	AR	Trim-Loc 3/16	
15	4060807	AR	Trim-Loc 3/8	
16	4060918	AR	Trim-Loc 5/8	
17	4640866	1	Manual Pull Valve Assembly	
17	2900708	1	Seal Kit - 4640866 Valve	
17A	7012959	1	Knob	
19	4711400	17	Washer 1/4	
21	4711600	5	Washer 3/8	
23	1001099391	1	Brake/Selector Valve Assembly	
23A	7012941	1	Cartridge without Coil	
23A	7010543	1	Seal Kit - 7012941 Cartridge	
23B	7012995	1	Cartridge without Coil	
23B	7012518	1	Seal Kit - 7012995 Cartridge	
23C	7012944	1	Coil	
23D	7012943	1	Coil	
23E	70002209	1	Orifice	
25	1001152887	1	Main Valve Block Assembly - 2WS (See Separate Breakdown in this Section)	

SECTION 2 - TURNTABLE

FIGURE 2-2. CONTROL VALVES INSTALLATION - 2WS WITH DEUTZ TD2.2L3 (STAGE V), DEUTZ TD2.9L4 AND FORD DF 2.5L ENGINES (USA BUILT MACHINES)



ART_1001219476_1OF2

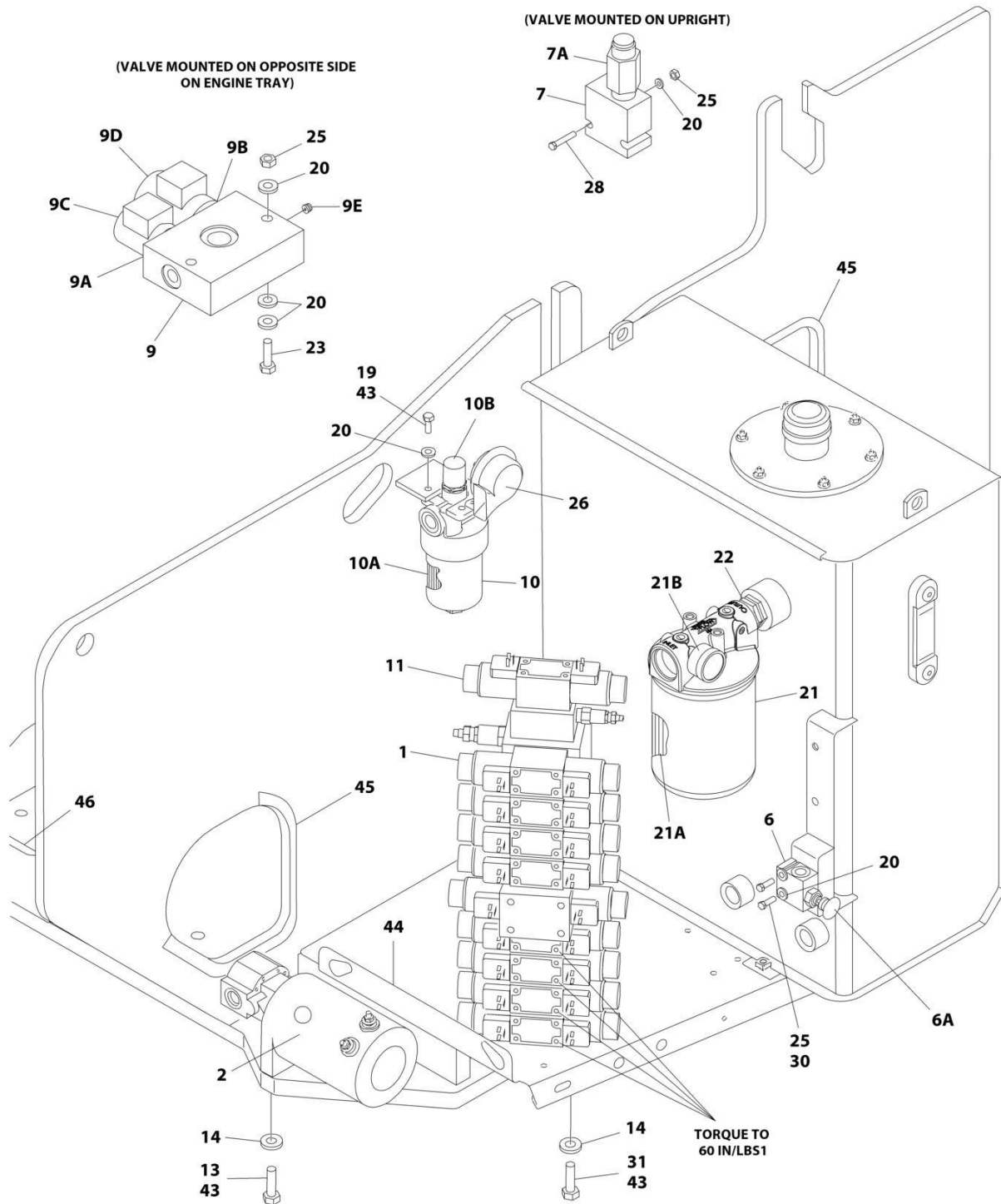
SECTION 2 - TURNTABLE

FIGURE 2-2. CONTROL VALVES INSTALLATION - 2WS WITH DEUTZ TD2.2L3 (STAGE V), DEUTZ TD2.9L4 AND FORD DF 2.5L ENGINES (USA BUILT MACHINES)

ITEM	PART NUMBER	QTY	DESCRIPTION	REV
	1001219476	Ref	CONTROL VALVES INSTALLATION	B
1	0100011	AR	Compound, Locking	
3	0641414	2	Bolt 1/4 x 1-3/4	
4	0641416	2	Bolt 1/4 x 2	
6	0641608	3	Bolt 3/8 x 1	
7	0651406	3	Bolt 1/4 x 3/4	
8	2120164	1	Return Filter Assembly	C
8A	2120149	1	Element, Filter	
8B	7020021	1	Manual Indicator	
9	2120209	1	Hydraulic Pressure Filter Assembly	
9A	2120210	1	Element, Filter	
9B	7020020	1	Manual Indicator	
9C	70000934	1	O-Ring, Filter Bowl (Not Shown)	
10	3311405	2	Nut 1/4	
12	4060804	AR	Trim-Loc 3/16	
13	4060807	AR	Trim-Loc 3/8	
14	4060918	AR	Trim-Loc 5/8	
15	4640866	1	Manual Pull Valve Assembly	
15	2900708	1	Seal Kit - 4640866 Valve	
15A	7012959	1	Knob	
17	4711400	17	Washer 1/4	
19	4711600	3	Washer 3/8	
21	1001099391	1	Brake/Selector Valve Assembly	
21A	7012941	1	Cartridge without Coil	
21A	7010543	1	Seal Kit - 7012941 Cartridge	
21B	7012995	1	Cartridge without Coil	
21B	7012518	1	Seal Kit - 7012995 Cartridge	
21C	7012944	1	Coil	
21D	7012943	1	Coil	
21E	70002209	1	Orifice	
23	1001152887	1	Main Valve Block Assembly (See Separate Breakdown in this Section)	

SECTION 2 - TURNTABLE

FIGURE 2-3. CONTROL VALVES INSTALLATION – 2WS WITH DEUTZ D2011 ENGINES (CHINA BUILT MACHINES) (PVC 2001)



ART_0274310

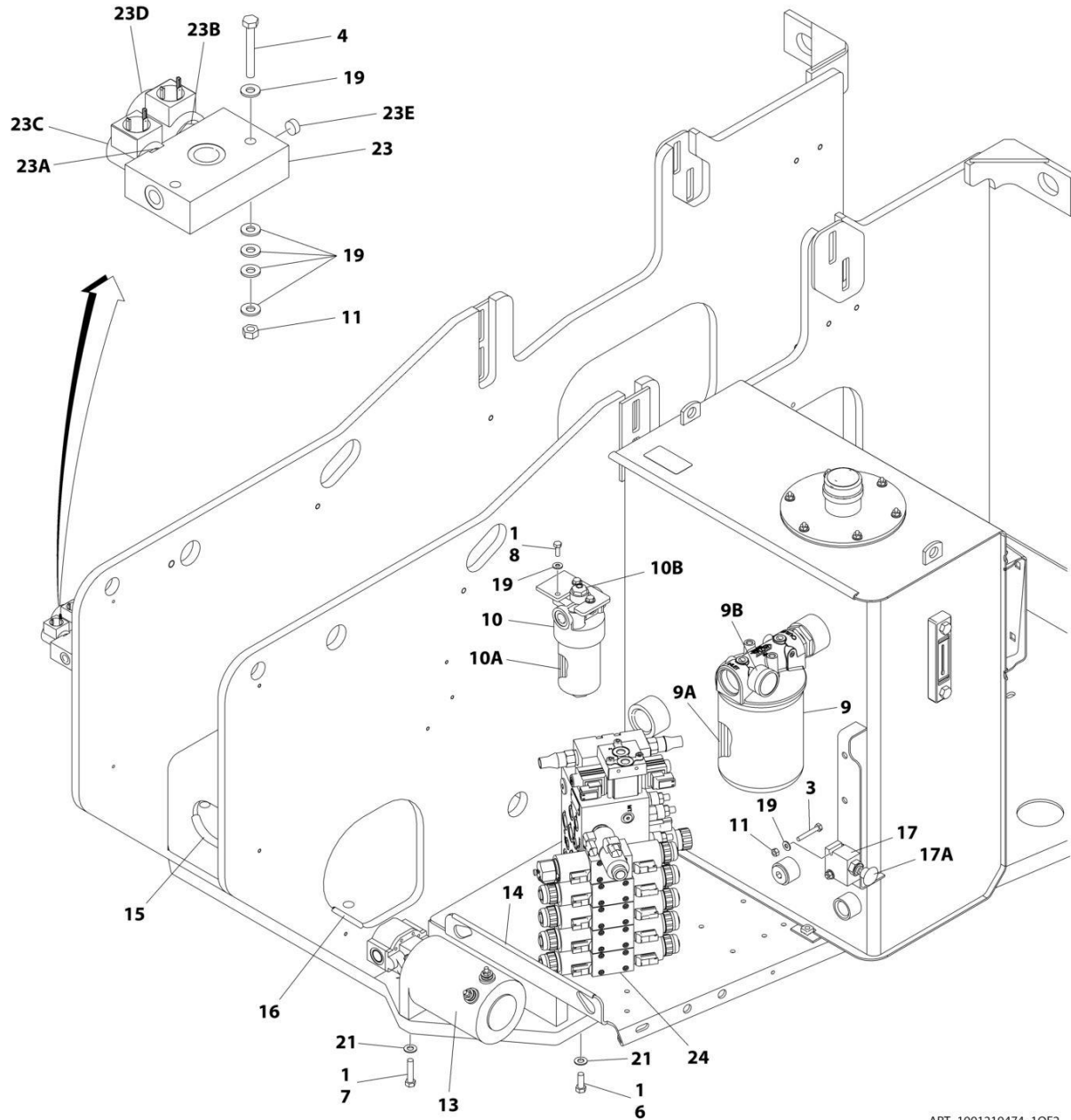
SECTION 2 - TURNTABLE

FIGURE 2-3. CONTROL VALVES INSTALLATION – 2WS WITH DEUTZ D2011 ENGINES (CHINA BUILT MACHINES) (PVC 2001)

ITEM	PART NUMBER	QTY	DESCRIPTION	REV
	0274310	Ref	CONTROL VALVES INSTALLATION - 2WS	4
1	4641452	1	Main Valve Block Assembly - 2WS (See Separate Breakdown in this Section)	
2	3600365	1	Auxiliary Pump Assembly (See Separate Breakdown in this Section)	
6	4640866	1	Manual Pull Valve Assembly	
6	2900708	1	Seal Kit - 4640866 Valve	
6A	7012959	1	Knob	
7	4640929	1	Valve Assembly - Relief	
7A	7012970	1	Cartridge Valve	
7A	7012953	1	Seal Kit - 7012970 Valve	
9	1001099391	1	Brake/Selector Valve Assembly	
9A	7012941	1	Cartridge without Coil	
9A	7010543	1	Seal Kit - 7012941 Cartridge	
9B	7012995	1	Cartridge without Coil	
9B	7012518	1	Seal Kit - 7012995 Cartridge	
9C	7012944	1	Coil	
9D	7012943	1	Coil	
9E	70002209	1	Orifice	
10	2120209	1	Hydraulic Pressure Filter Assembly	
10A	2120210	1	Element, Filter	
10B	7020020	1	Manual Indicator	
10C	70000934	1	O-Ring, Filter Bowl (Not Shown)	
11	4640921	1	Articulating Jib Valve Kit (See Separate Breakdown in this section)	
13	0641613	2	Bolt 3/8 x 1-5/8	
14	4711600	5	Washer 3/8	
19	0651406	3	Bolt 1/4 x 3/4	
20	4711400	19	Washer 1/4	
21	2120164	1	Return Filter Assembly	C
21A	2120149	1	Element, Filter	
21B	7020021	1	Manual Indicator	
22	2220893	1	Fitting, Adapter	
23	0641416	2	Bolt 1/4 x 2	
25	3311405	4	Nut 1/4	
26	0140001	1	Horn	
28	0641424	2	Bolt 1/4 x 3	
30	0641414	2	Bolt 1/4 x 1-3/4	
31	0641608	3	Bolt 3/8 x 1	
33	4921927	1	Harness, Articulating Jib (Not Shown)	
33	4460326	1	Plug, Male - 3 Position	
33	4460267	3	Pin, Male	
33	4460499	2	Connector, DIN with Diode	
43	0100011	AR	Compound, Locking	
44	4060804	AR	Trim-Loc 3/16	
45	4060918	AR	Trim-Loc 5/8	
46	4060807	AR	Trim-Loc 3/8	

SECTION 2 - TURNTABLE

FIGURE 2-4. CONTROL VALVES INSTALLATION – 4WS WITH DEUTZ D2011 AND DEUTZ D2011 (STAGE V) ENGINES (USA BUILT MACHINES - PVC 2001 & 2007, CHINA BUILT MACHINES - PVC 2007)



ART_1001219474_1OF2

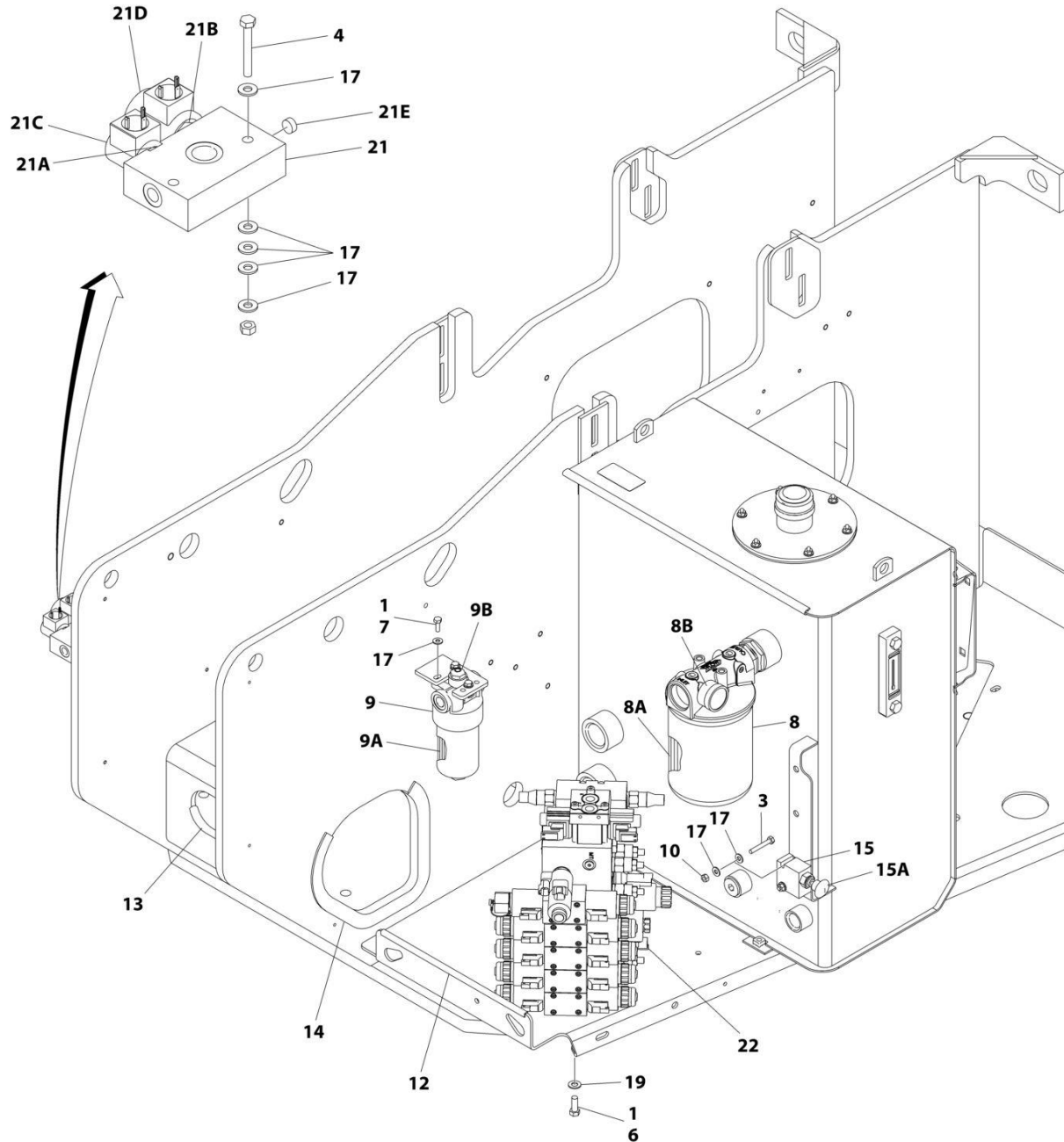
SECTION 2 - TURNTABLE

FIGURE 2-4. CONTROL VALVES INSTALLATION – 4WS WITH DEUTZ D2011 AND DEUTZ D2011 (STAGE V) ENGINES (USA BUILT MACHINES - PVC 2001 & 2007, CHINA BUILT MACHINES - PVC 2007)

ITEM	PART NUMBER	QTY	DESCRIPTION	REV
	1001219474	Ref	CONTROL VALVES INSTALLATION - 4WS	B
1	0100011	AR	Compound, Locking	
3	0641414	2	Bolt 1/4 x 1-3/4	
4	0641416	2	Bolt 1/4 x 2	
6	0641608	3	Bolt 3/8 x 1	
7	0641613	2	Bolt 3/8 x 1-5/8	
8	0651406	3	Bolt 1/4 x 3/4	
9	2120164	1	Return Filter Assembly	C
9A	2120149	1	Element, Filter	
9B	7020021	1	Manual Indicator	
10	2120209	1	Hydraulic Pressure Filter Assembly	
10A	2120210	1	Element, Filter	
10B	7020020	1	Manual Indicator	
10C	70000934	1	O-Ring, Filter Bowl (Not Shown)	
11	3311405	4	Nut 1/4	
13	3600365	1	Auxiliary Pump Assembly (See Separate Breakdown in this Section)	
14	4060804	AR	Trim-Loc 3/16	
15	4060807	AR	Trim-Loc 3/8	
16	4060918	AR	Trim-Loc 5/8	
17	4640866	1	Manual Pull Valve Assembly	
17	2900708	1	Seal Kit - 4640866 Valve	
17A	7012959	1	Knob	
19	4711400	17	Washer 1/4	
21	4711600	5	Washer 3/8	
23	1001099391	1	Brake/Selector Valve Assembly	
23A	7012941	1	Cartridge without Coil	
23A	7010543	1	Seal Kit - 7012941 Cartridge	
23B	7012995	1	Cartridge without Coil	
23B	7012518	1	Seal Kit - 7012995 Cartridge	
23C	7012944	1	Coil	
23D	7012943	1	Coil	
23E	70002209	1	Orifice	
24	1001152561	1	Main Valve Block Assembly - 4WS (See Separate Breakdown in this Section)	

SECTION 2 - TURNTABLE

FIGURE 2-5. CONTROL VALVES INSTALLATION – 4WS WITH DEUTZ TD2.2L3 (STAGE V), DEUTZ TD2.9L4 AND FORD DF 2.5L ENGINES (USA BUILT MACHINES)



ART_1001219478_10F2

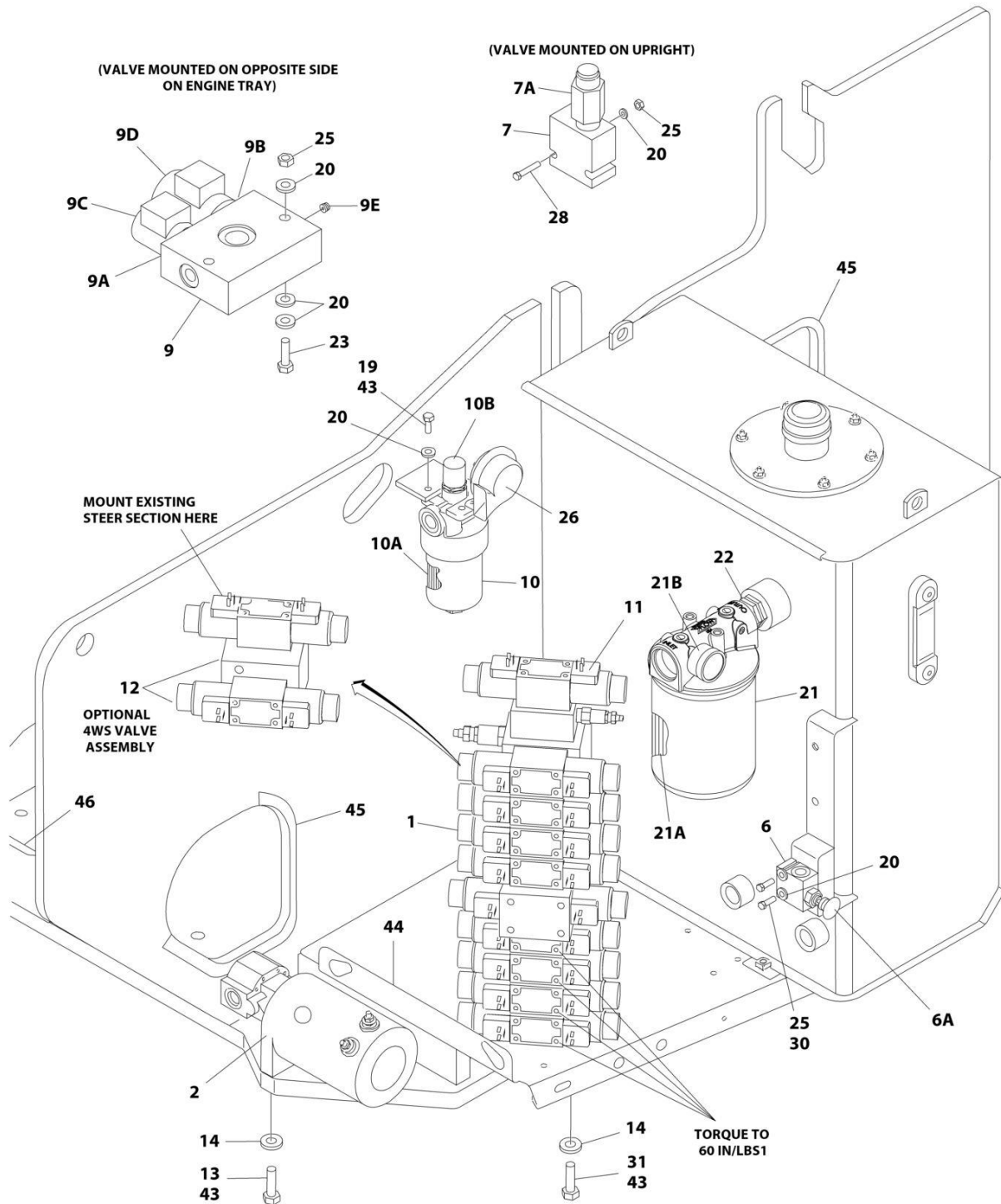
SECTION 2 - TURNTABLE

FIGURE 2-5. CONTROL VALVES INSTALLATION – 4WS WITH DEUTZ TD2.2L3 (STAGE V), DEUTZ TD2.9L4 AND FORD DF 2.5L ENGINES (USA BUILT MACHINES)

ITEM	PART NUMBER	QTY	DESCRIPTION	REV
	1001219478	Ref	CONTROL VALVES INSTALLATION - 4WS	B
1	0100011	AR	Compound, Locking	
3	0641414	2	Bolt 1/4 x 1-3/4	
4	0641416	2	Bolt 1/4 x 2	
6	0641608	3	Bolt 3/8 x 1	
7	0651406	3	Bolt 1/4 x 3/4	
8	2120164	1	Return Filter Assembly	C
8A	2120149	1	Element, Filter	
8B	7020021	1	Manual Indicator	
9	2120209	1	Hydraulic Pressure Filter Assembly	
9A	2120210	1	Element, Filter	
9B	7020020	1	Manual Indicator	
9C	70000934	1	O-Ring, Filter Bowl (Not Shown)	
10	3311405	2	Nut 1/4	
12	4060804	AR	Trim-Loc 3/16	
13	4060807	AR	Trim-Loc 3/8	
14	4060918	AR	Trim-Loc 5/8	
15	4640866	1	Manual Pull Valve Assembly	
15	2900708	1	Seal Kit - 4640866 Valve	
15A	7012959	1	Knob	
17	4711400	17	Flatwasher 1/4	
19	4711600	3	Flatwasher 3/8	
21	1001099391	1	Brake/Selector Valve Assembly	
21A	7012941	1	Cartridge without Coil	
21A	7010543	1	Seal Kit - 7012941 Cartridge	
21B	7012995	1	Cartridge without Coil	
21B	7012518	1	Seal Kit - 7012995 Cartridge	
21C	7012944	1	Coil	
21D	7012943	1	Coil	
21E	70002209	1	Orifice	
22	1001152561	1	Main Valve Block Assembly - 4WS (See Separate Breakdown in this Section)	

SECTION 2 - TURNTABLE

FIGURE 2-6. CONTROL VALVES INSTALLATION – 4WS WITH DEUTZ D2011 ENGINES (CHINA BUILT MACHINES) (PVC 2001)



ART_0274312_10F2

SECTION 2 - TURNTABLE

FIGURE 2-6. CONTROL VALVES INSTALLATION – 4WS WITH DEUTZ D2011 ENGINES (CHINA BUILT MACHINES) (PVC 2001)

ITEM	PART NUMBER	QTY	DESCRIPTION	REV
	0274312	Ref	CONTROL VALVES INSTALLATION - 4WS	4
1	4641452	1	Main Valve Block Assembly - 2WS (See Separate Breakdown in this Section)	
2	3600365	1	Auxiliary Pump Assembly (See Separate Breakdown in this Section)	
6	4640866	1	Manual Pull Valve Assembly	
6	2900708	1	Seal Kit - 4640866 Valve	
6A	7012959	1	Knob	
7	4640929	1	Valve Assembly - Relief	
7A	7012970	1	Cartridge Valve	
7A	7012953	1	Seal Kit - 7012970 Valve	
9	1001099391	1	Brake/Selector Valve Assembly	
9A	7012941	1	Cartridge without Coil	
9A	7010543	1	Seal Kit - 7012941 Cartridge	
9B	7012995	1	Cartridge without Coil	
9B	7012518	1	Seal Kit - 7012995 Cartridge	
9C	7012944	1	Coil	
9D	7012943	1	Coil	
9E	70002209	1	Orifice	
10	2120209	1	Hydraulic Pressure Filter Assembly	
10A	2120210	1	Element, Filter	
10B	7020020	1	Manual Indicator	
10C	70000934	1	O-Ring, Filter Bowl (Not Shown)	
11	4640921	1	Articulating Jib Valve Kit (See Separate Breakdown in this Section)	
12	4640922	1	4WS Valve Assembly (See Separate Breakdown in this Section)	
13	0641613	2	Bolt 3/8 x 1-5/8	
14	4711600	5	Washer 3/8	
19	0651406	3	Bolt 1/4 x 3/4	
20	4711400	19	Washer 1/4	
21	2120164	1	Return Filter Assembly	C
21A	2120149	1	Element, Filter	
21B	7020021	1	Manual Indicator	
22	2220893	1	Fitting, Adapter	
23	0641416	2	Bolt 1/4 x 2	
25	3311405	6	Nut 1/4	
26	0140001	1	Horn	
30	0641414	2	Bolt 1/4 x 1-3/4	
31	0641608	3	Bolt 3/8 x 1	
33	4921927	1	Harness, Articulating Jib (Not Shown)	
33	4460326	1	Plug, Male - 3 Position	
33	4460267	3	Pin, Male	
33	4460499	2	Connector, DIN with Diode	
34	4921928	1	Harness, 4WS (Not Shown)	
34	4460268	3	Socket, Female	
34	4460445	1	Connector, Female - 3 Position	
34	4460499	2	Connector, DIN with Diode	
43	0100011	AR	Compound, Locking	
44	4060804	AR	Trim-Loc 3/16	
45	4060918	AR	Trim-Loc 5/8	

SECTION 2 - TURNTABLE

ITEM	PART NUMBER	QTY	DESCRIPTION	REV
46	4060807	AR	Trim-Loc 3/8	

SECTION 2 - TURNTABLE

FIGURE 2-7. MAIN VALVE BLOCK ASSEMBLY – 2WS (USA BUILT MACHINES - PVC 2001 & 2007, CHINA BUILT MACHINES - PVC 2007)

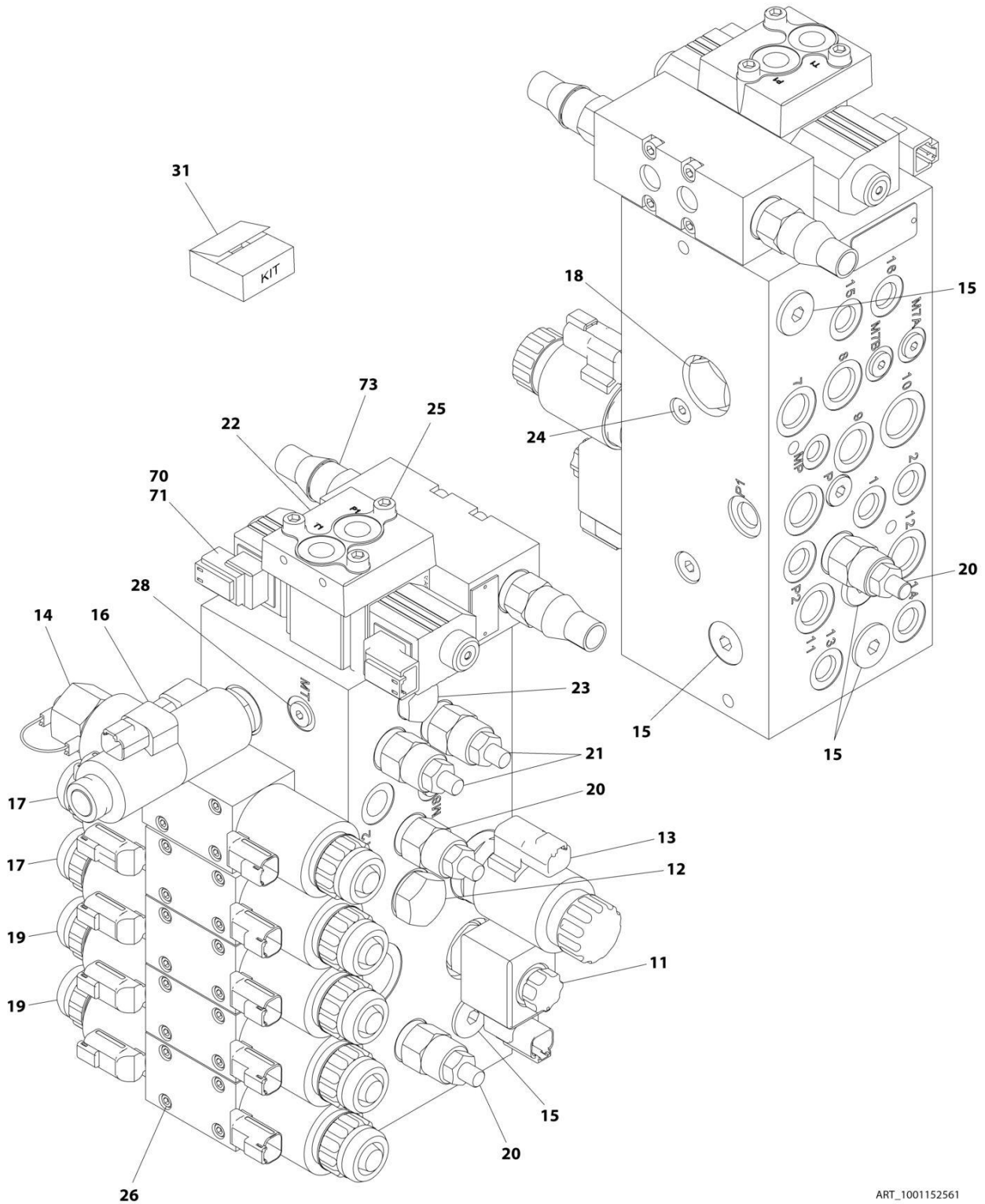
ITEM	PART NUMBER	QTY	DESCRIPTION	REV
	1001152887	Ref	MAIN VALVE BLOCK ASSEMBLY - 2WS	F
11	70004652	1	Valve, Cartridge Less Coil (Dump)	
11	70023867	1	Seal kit - 70004652 Valve	
11	70004653	1	Coil	
11	70004654	1	Nut, Coil	
12	70004655	1	Valve, Cartridge	
12	70004656	1	Seal Kit - 70004655 Valve	
13	70004657	1	Valve, Cartridge Less Coil	
13	70004594	1	Seal Kit - 70004657 Valve	
13	70004595	1	Coil	
13	70004597	1	Nut, Coil	
13	70004596	1	O-Ring, Pole Tube	
14	70004659	1	Valve, Cartridge Less Coil (Steer)	
14	70004660	1	Seal - Kit - 70004659 Valve	
14	80434249	2	Coil	
14	70004661	1	Nut, Coil	
14	70024457	1	O-Ring, Pole Tube (Upper)	
14	70004662	1	O-Ring, Pole Tube (Lower)	
15	70023859	5	Valve, Cartridge	
16	70004663	1	Valve Assembly (Lower Lift)	
16	7012773	1	Seal Kit - 70004663 Valve	
16	70004660	2	Coil	
16	7021375	1	Nut, Coil (Plastic)	
16	70004661	2	O-Ring, Pole Tube	
16	70003525	1	Not, Coil (Aluminum)	
16	70004664	1	Lanyard	
17	70004459	2	Valve Assembly (Upper Tele and Lower Tele)	
17	7012773	1	Seal Kit - 70004459 Valve	
17	70004460	2	Coil	
17	7021375	2	Nut, Coil	
17	70004661	2	O-Ring, Pole Tube	
18	70004665	1	Valve, Cartridge	
18	70023862	1	Seal Kit - 70004665 Valve	
19	70004666	2	Valve Assembly (Swing and Upper Lift)	
19	7012773	1	Seal Kit - 70004666 Valve	
19	70004463	2	Coil	
19	7021375	2	Nut, Coil	
19	70004461	2	O-Ring, Pole Tube	
20	70003019	3	Valve, Cartridge	
20	70004052	3	Seal Kit - 70003019	
21	70003019	2	Valve, Cartridge	
21	70004052	2	Seal Kit - 70003019 Valve	
22	70004667	1	Cover	
23	2220886	1	Plug	
24	70004668	1	Plug	
25	70005201	3	Capscrew	
26	7018942	20	Capscrew	
27	70005202	2	O-Ring (Not Shown - Located under Item 22)	
28	70002758	6	Plug 7/16	

SECTION 2 - TURNTABLE

ITEM	PART NUMBER	QTY	DESCRIPTION	REV
29	70004617	4	Plug 9/16 (Not Shown)	
30	70002759	1	Plug 3/4 (Not Shown - Located under Item 73)	
31	70005232	1	Bolt Kit	

SECTION 2 - TURNTABLE

FIGURE 2-8. MAIN VALVE BLOCK ASSEMBLY – 4WS (USA BUILT MACHINES - PVC 2001 & 2007, CHINA BUILT MACHINES - PVC 2007)



ART_1001152561

SECTION 2 - TURNTABLE

**FIGURE 2-8. MAIN VALVE BLOCK ASSEMBLY – 4WS (USA BUILT MACHINES - PVC 2001 & 2007,
CHINA BUILT MACHINES - PVC 2007)**

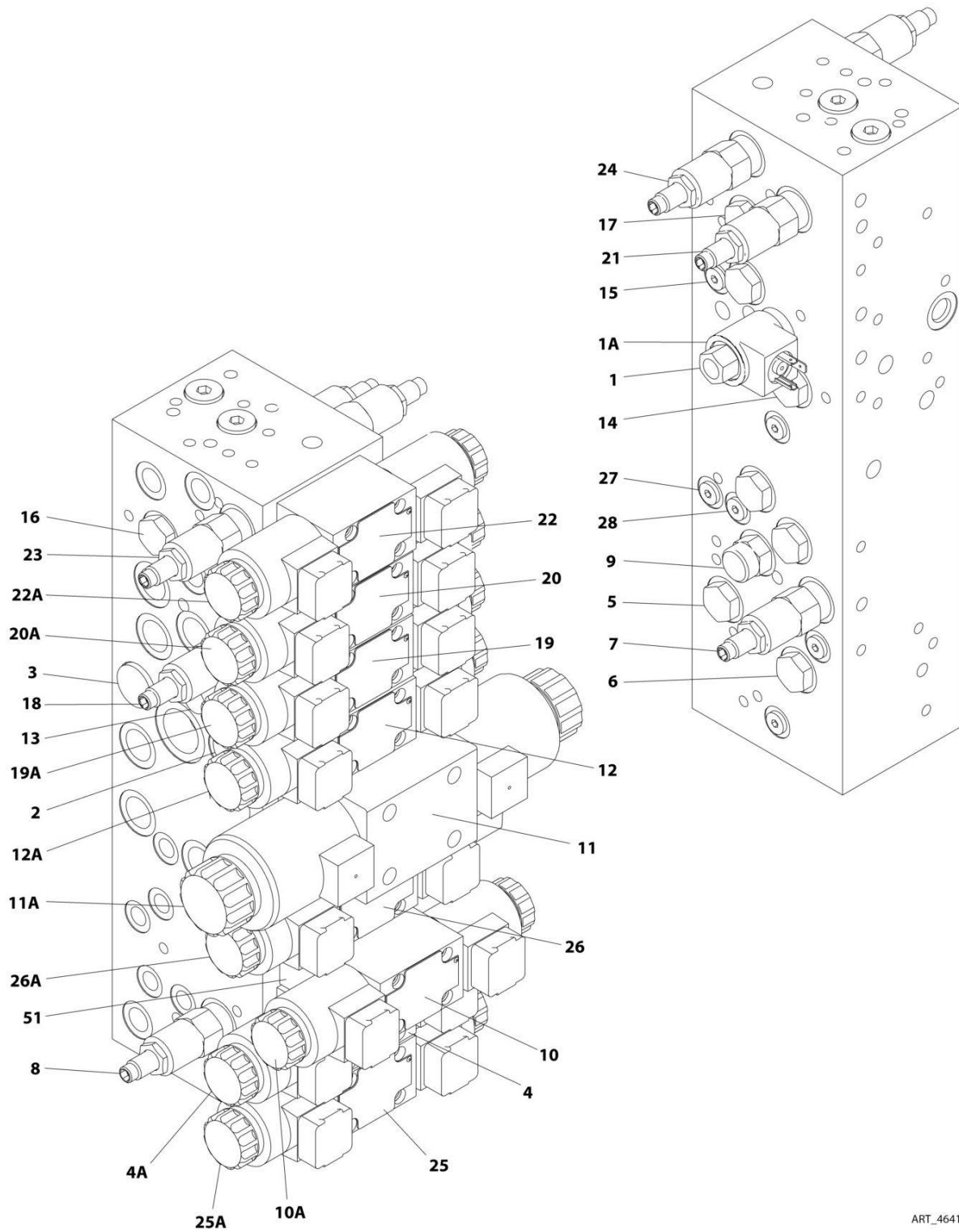
ITEM	PART NUMBER	QTY	DESCRIPTION	REV
	1001152561	Ref	MAIN VALVE BLOCK ASSEMBLY - 4WS	H
11	70004652	1	Valve, Cartridge Less Coil (Dump)	
11	70023867	1	Seal kit - 70004652 Valve	
11	70004653	1	Coil	
11	70004654	1	Nut, Coil	
12	70004655	1	Valve, Cartridge	
12	70004656	1	Seal Kit - 70004655 Valve	
13	70004657	1	Valve, Cartridge Less Coil	
13	70004594	1	Seal Kit - 70004657 Valve	
13	70004595	1	Coil	
13	70004597	1	Nut, Coil	
13	70004596	1	O-Ring, Pole Tube	
14	70004659	1	Valve, Cartridge Less Coil (Steer)	
14	70004660	1	Seal - Kit - 70004659 Valve	
14	80434249	2	Coil	
14	70004661	1	Nut, Coil	
14	70024457	1	O-Ring, Pole Tube (Upper)	
14	70004662	1	O-Ring, Pole Tube (Lower)	
15	70023859	5	Valve, Cartridge	
16	70004663	1	Valve Assembly (Lower Lift)	
16	7012773	1	Seal Kit - 70004663 Valve	
16	70004460	2	Coil	
16	7021375	1	Nut, Coil (Plastic)	
16	70004661	2	O-Ring, Pole Tube	
16	70003525	1	Not, Coil (Aluminum)	
16	70004664	1	Lanyard	
17	70004459	2	Valve Assembly (Upper Tele and Lower Tele)	
17	7012773	1	Seal Kit - 70004459 Valve	
17	70004460	2	Coil	
17	7021375	2	Nut, Coil	
17	70004661	2	O-Ring, Pole Tube	
18	70004665	1	Valve, Cartridge	
18	70023862	1	Seal Kit - 70004665 Valve	
19	70004666	2	Valve Assembly (Swing and Upper Lift)	
19	7012773	1	Seal Kit - 70004666 Valve	
19	70004463	2	Coil	
19	7021375	2	Nut, Coil	
19	70004461	2	O-Ring, Pole Tube	
20	70003019	3	Valve, Cartridge	
20	70004052	3	Seal Kit - 70003019	
21	70003019	2	Valve, Cartridge	
21	70004052	2	Seal Kit - 70003019 Valve	
22	70004667	1	Cover	
23	70004670	1	Plug	
24	70004665	1	Plug	
25	70021202	1	Bolt Kit	
26	7018942	20	Capscrew	
27	70005202	2	O-Ring (Not Shown - Located under Item 22)	
28	70002758	6	Plug 7/16	

SECTION 2 - TURNTABLE

ITEM	PART NUMBER	QTY	DESCRIPTION	REV
29	70004617	4	Plug 9/16 (Not Shown)	
30	70002759	1	Plug 3/4 (Not Shown - Located under Item 73)	
31	70005232	1	Bolt Kit	
32	91474405	2	O-Rings (Not Shown - Located under Item 73)	
70	70004671	1	Valve Assembly (4WS Rear Steer)	
70	70004672	1	Seal Kit - 70004671 Valve	
71	70004673	2	Coil (4WS Rear Steer)	
73	70004674	2	Valve, Cartridge (4WS Rear Steer)	
73	70004052	2	Seal Kit - 70004052 Valve	

SECTION 2 - TURNTABLE

FIGURE 2-9. MAIN VALVE BLOCK ASSEMBLY (CHINA BUILT MACHINES) (PVC 2001)



ART_4641452

SECTION 2 - TURNTABLE

FIGURE 2-9. MAIN VALVE BLOCK ASSEMBLY (CHINA BUILT MACHINES) (PVC 2001)

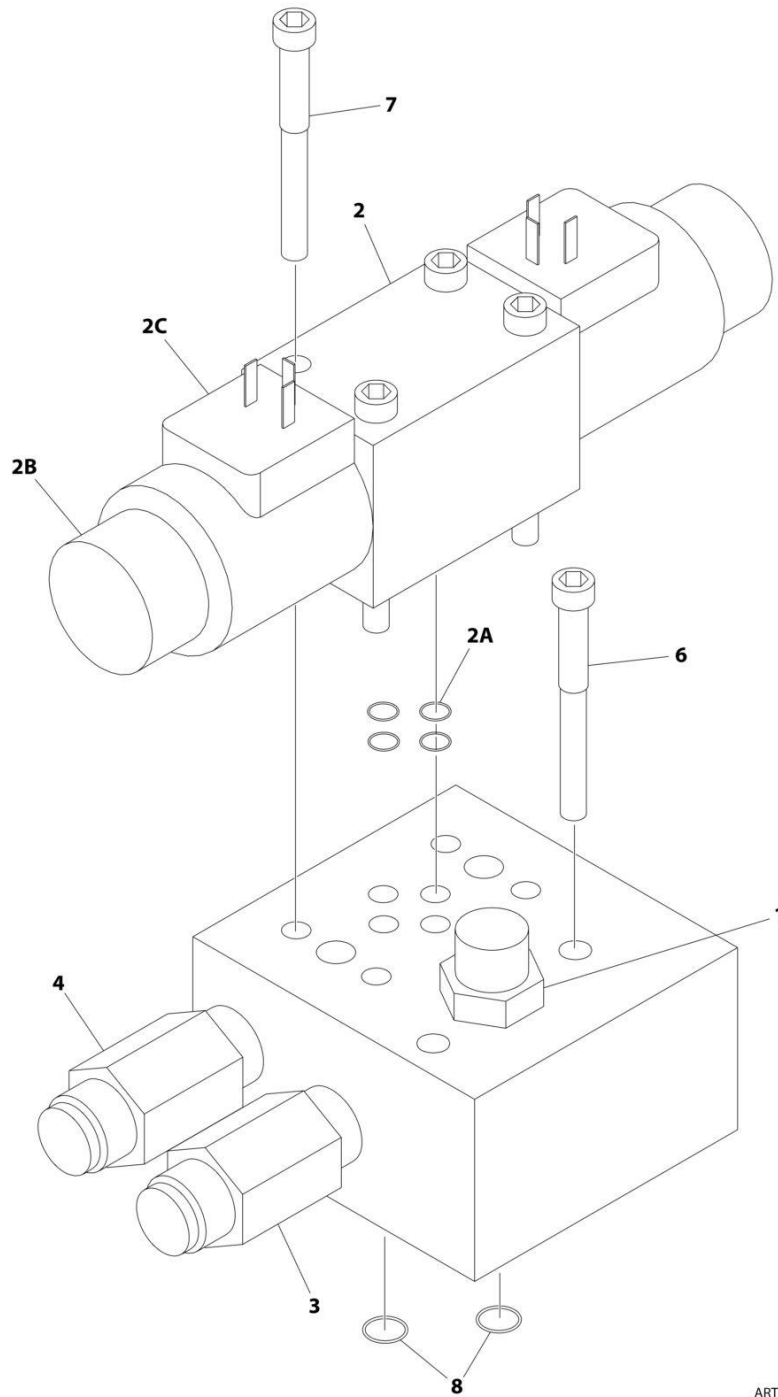
ITEM	PART NUMBER	QTY	DESCRIPTION	REV
	4641452	Ref	MAIN VALVE BLOCK ASSEMBLY	D
1	7017410	1	Cartridge, Without Coil	
1	7012967	1	Seal Kit - 7017410 Cartridge	
1A	7012944	1	Coil	
2	7017464	1	Cartridge, Pressure Sensing	
2	7012518	1	Seal Kit -7017464 Cartridge	
3	7017418	1	Cartridge (Main Relief)	
3	7012998	1	Seal Kit	
4	7018941	2	Orifice, 1.2mm (Located under Control Valve Assembly)	
4	70001976	1	Control Valve Assembly (Platform Level)	
4	7012773	1	Seal Kit	
4A	7012772	2	Coil	
4A	7021375	2	Nut	
5	7012914	1	Cartridge, Check Valve	
5	7012918	1	Seal Kit - 7012914 Cartridge	
6	7012914	1	Cartridge, Check Valve	
6	7012918	1	Seal Kit - 7012914 Cartridge	
7	7017427	1	Cartridge, Relief Valve (Platform Level Backward Relief)	
7	7012998	1	Seal Kit - 7017427 Cartridge	
8	7017428	1	Cartridge, Relief Valve (Platform Level Forward Relief)	
8	7012998	1	Seal Kit - 7017428 Cartridge	
9	7012989	1	Cartridge, Flow Control	
9	7012953	1	Seal Kit - 7012989 Cartridge	
10	70001976	1	Control Valve Assembly (Platform Rotate)	
10	7012773	1	Seal Kit	
10A	7012772	2	Coil	
10A	7018912	2	Nut	
11	70000579	1	Control Valve Assembly (Upper Tele)	
11	70000583	1	Seal Kit - 70000579 Cartridge	
11A	70000582	1	Coil	
11A	70000580	1	Nut, Coil	
12	7012775	1	Control Valve Assembly (Flow Control)	
12	7012773	1	Seal Kit	
12A	7012772	2	Coil	
12A	7018912	2	Nut	
13	7010542	1	Cartridge, Shuttle	
13	7010543	1	Seal Kit - 7010542 Cartridge	
14	7010542	1	Cartridge, Shuttle	
14	7010543	1	Seal Kit - 7010542 Cartridge	
15	7010542	1	Cartridge, Shuttle	
15	7010543	1	Seal Kit - 7010542 Cartridge	
16	7010542	1	Cartridge, Shuttle	
16	7010543	1	Seal Kit - 7010542 Cartridge	
17	7010542	1	Cartridge, Shuttle	
17	7010543	1	Seal Kit - 7010542 Cartridge	
18	7012912	1	Cartridge, Relief Valve	
18	7012998	1	Seal Kit - 7012912 Cartridge	
19	7012775	1	Control Valve Assembly (Upper Lift)	
19	7012773	1	Seal Kit	
19	7012799	1	Lanyard Assembly (Not Shown)	

SECTION 2 - TURNTABLE

ITEM	PART NUMBER	QTY	DESCRIPTION	REV
19A	7012772	2	Coil	
19A	7018912	2	Nut	
20	7012775	1	Control Valve Assembly (Swing)	
20	7012773	1	Seal Kit	
20A	7012772	2	Coil	
20A	7018912	2	Nut	
21	7012912	1	Cartridge, Relief Valve (Swing Right/Left Relief)	
21	7012998	1	Seal Kit - 7012912 Cartridge	
22	7012774	1	Control Valve Assembly (Steer)	
22	7012773	1	Seal Kit	
22A	7012772	2	Coil	
22A	7018912	2	Nut	
23	7017428	1	Cartridge, Relief Valve (Steer Left Relief)	
23	7012998	1	Seal Kit - 7017428 Cartridge	
24	7017428	1	Cartridge, Relief Valve (Steer Right Relief)	
24	7012998	1	Seal Kit - 7017428 Cartridge	
25	70001976	1	Control Valve Assembly (Lower Tele)	
25	7012773	1	Seal Kit	
25A	7012772	2	Coil	
25A	7021375	2	Nut	
26	7018952	1	Control Valve Assembly (Lower Lift)	
26	7012769	1	Seal Kit - 7018952 Cartridge	
26A	7012772	2	Coil	
26A	7018912	2	Nut	
26A	7012799	1	Lanyard Cable Assembly	
27	7012969	1	Cartridge, Check	
27	7012967	1	Seal Kit - 7012969 Cartridge	
28	7012914	1	Cartridge, Check	
28	7012918	1	Seal Kit - 7012914 Cartridge	
30	4460499	19	Connector, Din with Diode (Not Shown - Part of Valve Harness)	
51	2901763	1	Rotate Sandwich Valve Kit	A
51	7021310	1	Block, Valve	

SECTION 2 - TURNTABLE

FIGURE 2-10. ARTICULATING JIB VALVE ASSEMBLY (CHINA BUILT MACHINES) (PVC 2001)



ART_4640921

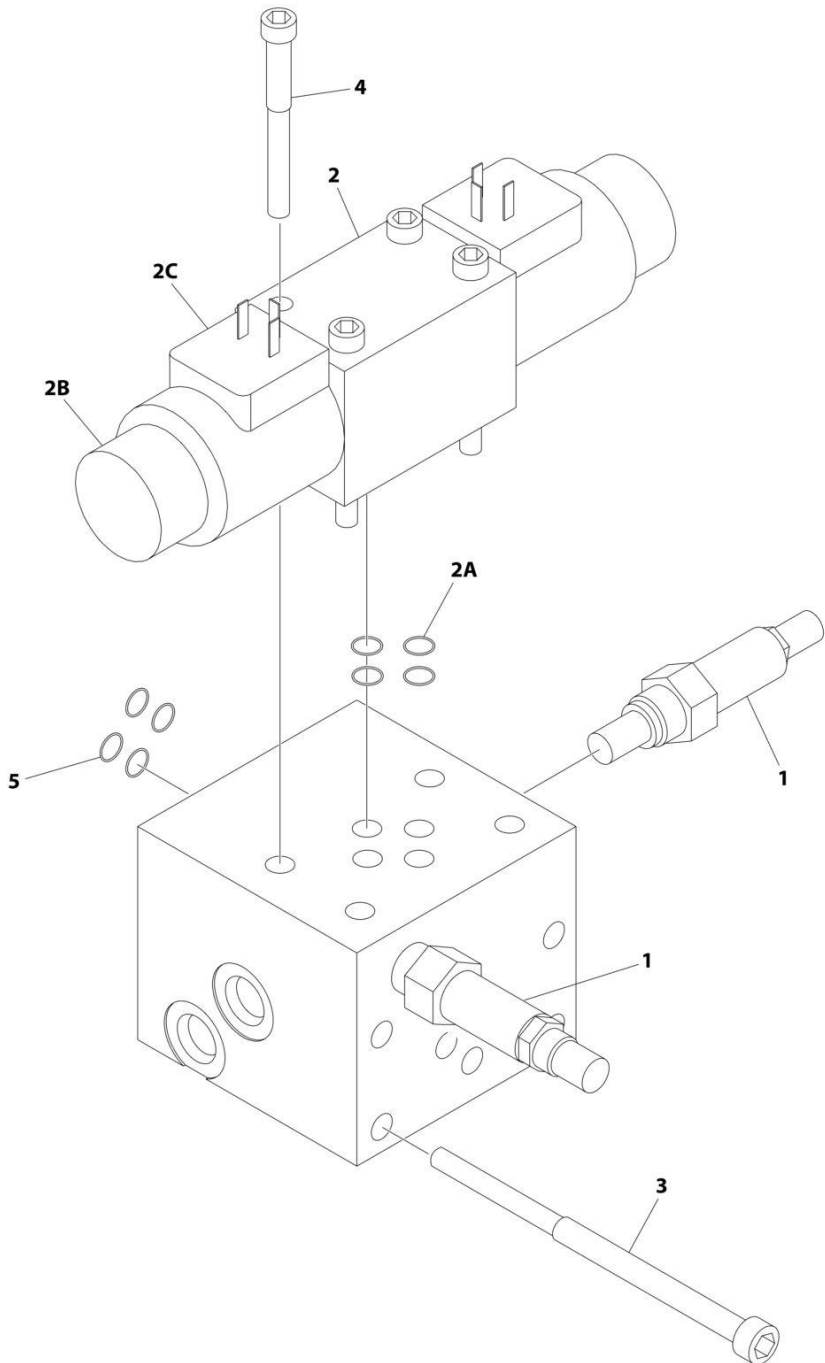
SECTION 2 - TURNTABLE

FIGURE 2-10. ARTICULATING JIB VALVE ASSEMBLY (CHINA BUILT MACHINES) (PVC 2001)

ITEM	PART NUMBER	QTY	DESCRIPTION	REV
	4640921	Ref	ARTICULATING JIB VALVE ASSEMBLY	D
1	7012965	1	Cartridge, Flow Control	
1	7012953	1	Seal Kit - 7012965 Cartridge	
2	70001976	1	Directional Control Valve Assembly (was p/n 7012770)	
2	7012773	1	Seal Kit	
2A	7018945	4	O-Ring	
2B	7018912	2	Nut	
2C	7012772	2	Coil	
3	7017421	1	Cartridge, Relief	
3	7012998	1	Seal Kit - 7017421 Cartridge	
4	7017422	1	Cartridge, Relief	
4	7012998	1	Seal Kit - 7017422 Cartridge	
5	4460499	2	Connector, DIN with Diode (Not Shown - Part of Valve Harness)	
6	7018946	4	Capscrew #10 x 5 (Used to Mount Valve Assembly)	
7	7018942	4	Capscrew #10 x 2	
8	7012776	4	O-Ring (Used to Mount to Main Valve)	

SECTION 2 - TURNTABLE

FIGURE 2-11. VALVE ASSEMBLY – 4WS (CHINA BUILT MACHINES) (PVC 2001)



ART_4640922

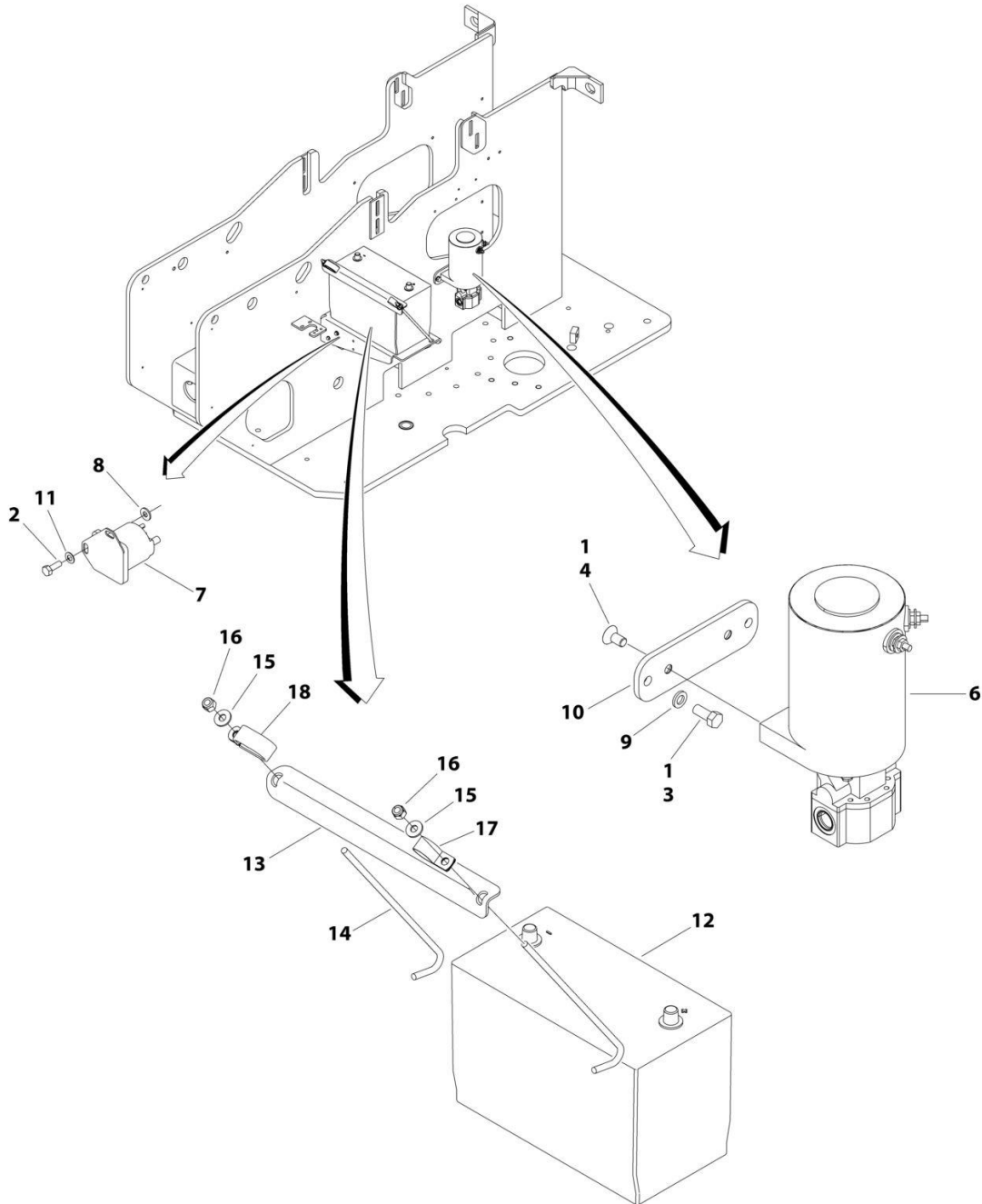
SECTION 2 - TURNTABLE

FIGURE 2-11. VALVE ASSEMBLY – 4WS (CHINA BUILT MACHINES) (PVC 2001)

ITEM	PART NUMBER	QTY	DESCRIPTION	REV
	4640922	Ref	4WS VALVE ASSEMBLY	B
1	7017420	2	Cartridge, Flow Control	
1	7012998	2	Seal Kit - 7017420 Cartridge	
2	7012774	1	Directional Control Valve Assembly	
2	7012773	1	Seal Kit	
2A	7018945	4	O-Ring	
2B	7018912	2	Nut	
2C	7012772	2	Coil	
3	7018946	4	Capscrew, Socket Head #10 x 5 (Used to Mount Valve Assembly)	
4	7018942	4	Capscrew, Socket Head #10 x 2	
5	7018948	4	O-Ring (Used to Mount to Main Valve)	

SECTION 2 - TURNTABLE

FIGURE 2-12. AUXILIARY PUMP INSTALLATION – DEUTZ TD2.9L4, DEUTZ D2.9L4 AND FORD ENGINES)



ART_1001137895

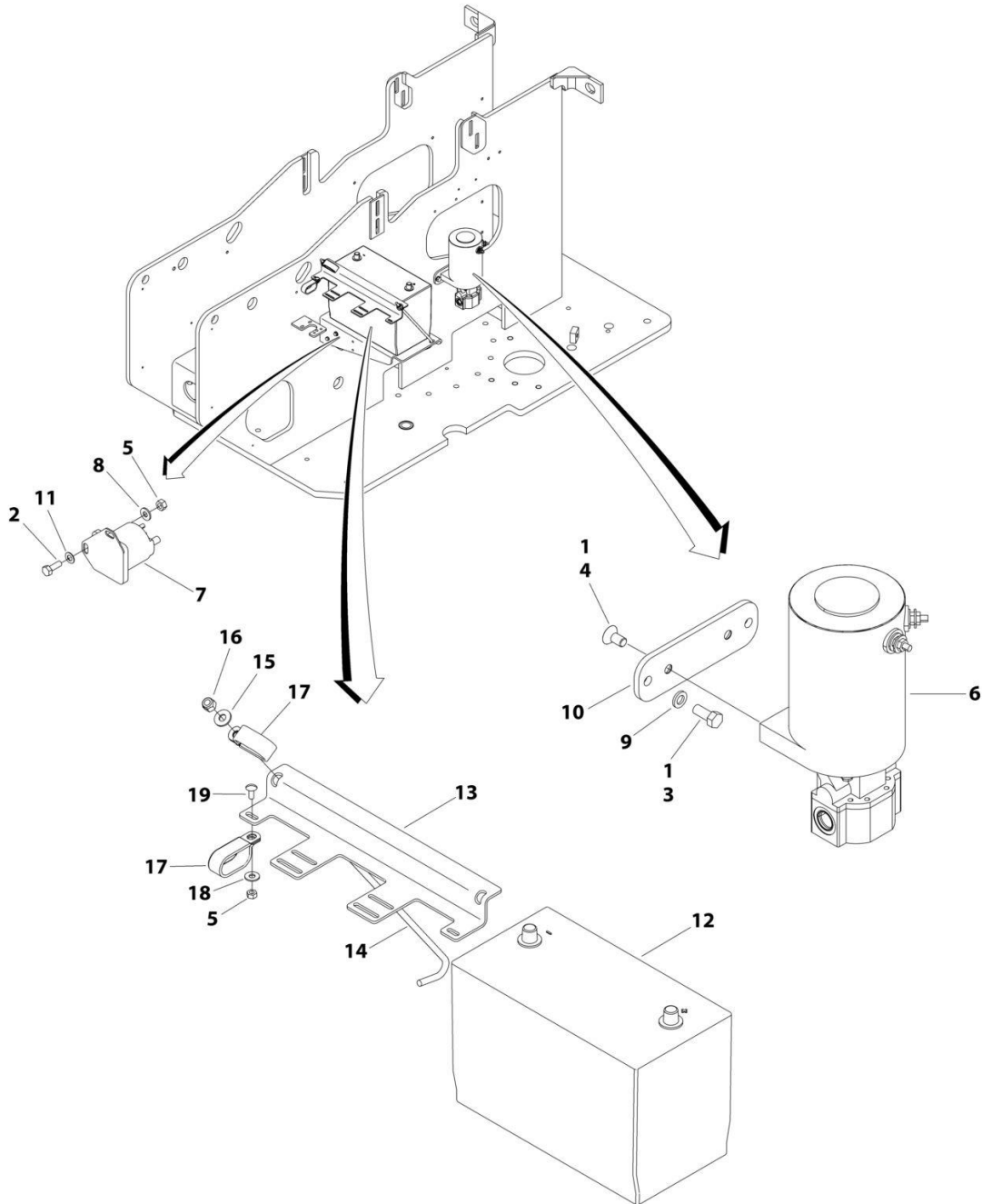
SECTION 2 - TURNTABLE

FIGURE 2-12. AUXILIARY PUMP INSTALLATION – DEUTZ TD2.9L4, DEUTZ D2.9L4 AND FORD ENGINES)

ITEM	PART NUMBER	QTY	DESCRIPTION	REV
	1001137895	Ref	AUXILIARY PUMP INSTALLATION	D
1	0100011	AR	Compound, Locking	
2	0641406	2	Bolt 1/4 x 3/4	
3	0641607	2	Bolt 3/8 x 7/8	
4	0741606	2	Screw, Countersunk 1/4 x 3/4	
5	3311405	2	Nut 1/4	
6	3600365	1	Auxiliary Pump Assembly (See Separate Breakdown in this Section)	
7	3740067	1	Relay	
8	4711400	3	Washer 1/4	
9	4761600	2	Washer 3/8	
10	1001144041	1	Plate	
11	4791400	1	Washer 1/4	
12	0400075	1	Battery	
13	91401281	1	Bracket	
14	1001093382	2	Bolt, J Bolt	
15	4751500	2	Washer 5/16	
16	88521205	2	Nut 5/16	
17	8406201	1	Clip	
18	1321716	1	Clamp	

SECTION 2 - TURNTABLE

FIGURE 2-13. AUXILIARY PUMP WITH BATTERY DISCONNECT INSTALLATION (DEUTZ TD2.2L3 (STAGE V), DEUTZ TD2.9L4, DEUTZ D2.9L4 AND FORD ENGINES)



ART_1001239291

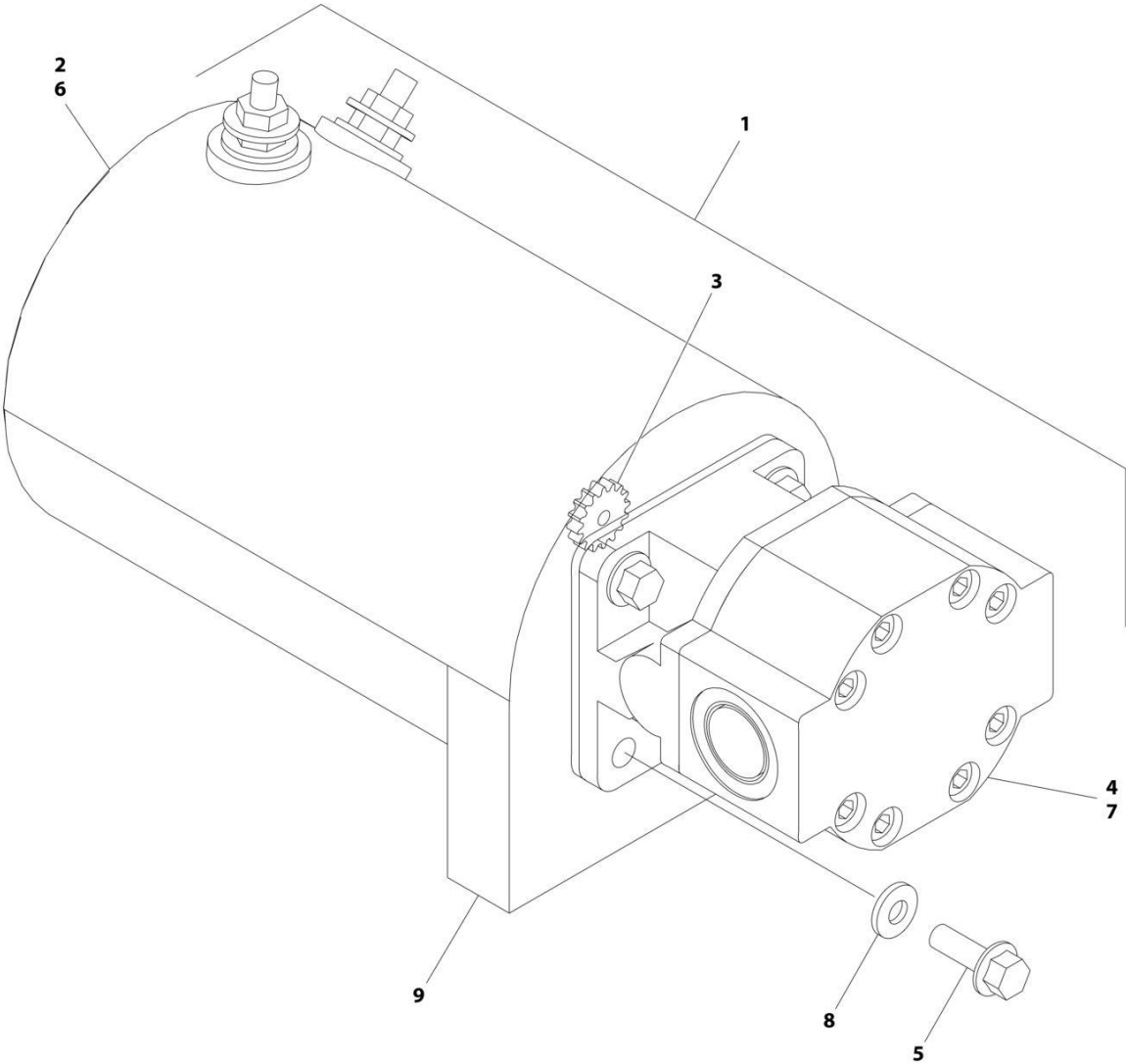
SECTION 2 - TURNTABLE

FIGURE 2-13. AUXILIARY PUMP WITH BATTERY DISCONNECT INSTALLATION (DEUTZ TD2.2L3 (STAGE V), DEUTZ TD2.9L4, DEUTZ D2.9L4 AND FORD ENGINES)

ITEM	PART NUMBER	QTY	DESCRIPTION	REV
	1001239291	Ref	AUXILIARY PUMP WITH BATTERY DISCONNECT INSTALLATION	A
1	0100011	AR	Compound, Locking	
2	0641406	2	Bolt 1/4 x 3/4	
3	0641607	2	Bolt 3/8 x 7/8	
4	0741606	2	Screw, Countersunk 1/4 x 3/4	
5	3311405	3	Nut 1/4	
6	3600365	1	Auxiliary Pump Assembly (See Separate Breakdown in this Section)	
7	3740067	1	Relay	
8	4711400	3	Washer 1/4	
9	4761600	2	Washer 3/8	
10	1001144041	1	Plate	
11	4791400	1	Washer 1/4	
12	0400075	1	Battery	
13	1001236303	1	Plate	
14	1001093382	2	Bolt, J Bolt	
15	4751500	2	Washer 5/16	
16	88521205	2	Nut 5/16	
17	1321716	1	Clamp	
18	4751400	1	Washer 1/4	
19	88411013	1	Bolt 1/4 x 3/4	

SECTION 2 - TURNTABLE

FIGURE 2-14. AUXILIARY PUMP ASSEMBLY



ART_3600365

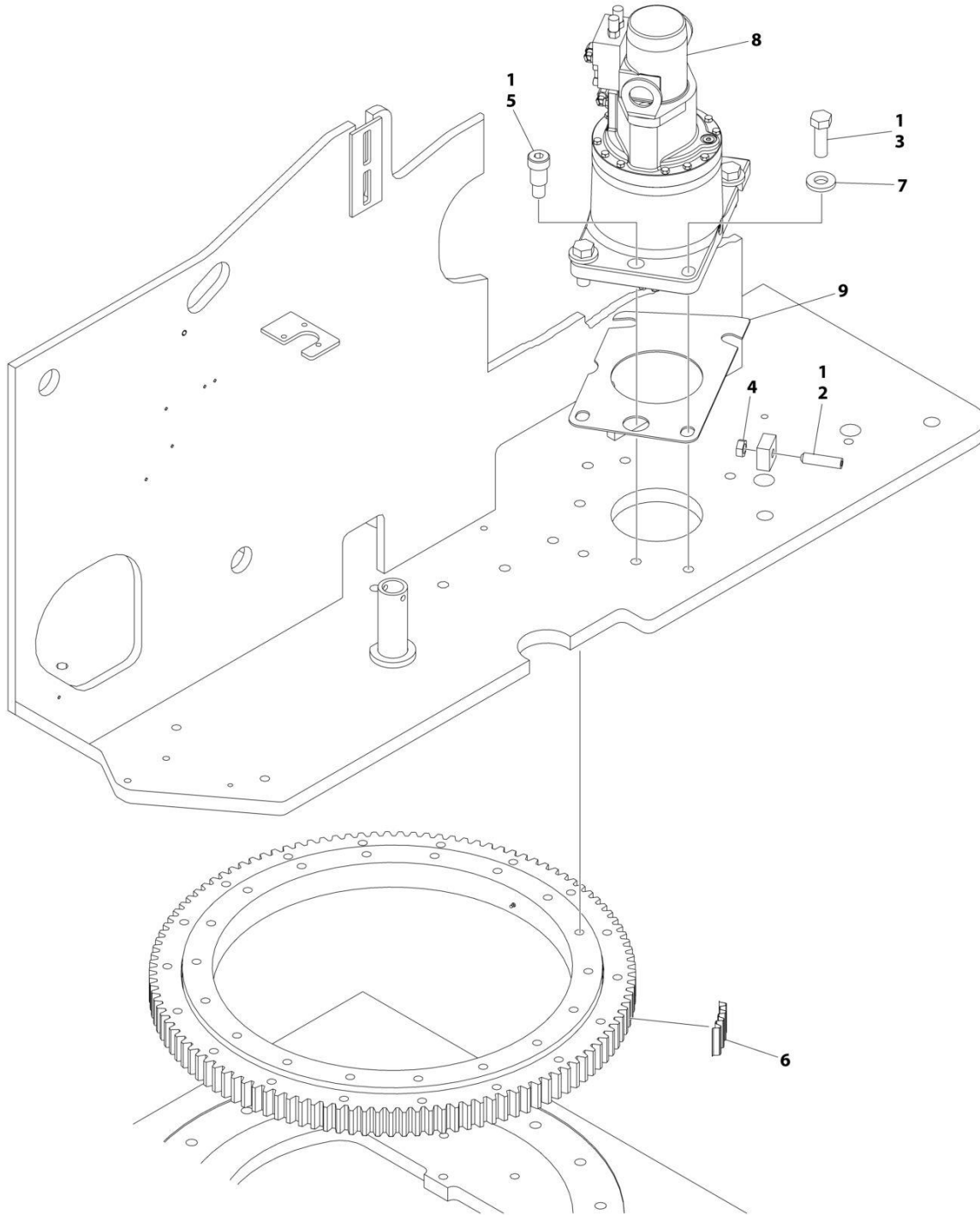
SECTION 2 - TURNTABLE

FIGURE 2-14. AUXILIARY PUMP ASSEMBLY

ITEM	PART NUMBER	QTY	DESCRIPTION	REV
1	3600365	Ref	AUXILIARY PUMP ASSEMBLY	B
2	7004290	1	Replacement Motor with Endhead Item 15H (was p/n 7011067)	
2	7004248	1	Replacement Motor without Endhead Item 15H	
2	7011065	1	Brush Kit - 7011067 Motor	
3	7011063	1	Coupling	
4	7011064	1	Replacement Pump	
4	7011066	1	Seal Kit - 7011064 Pump	
4	7004290	1	Relief Valve (Note: Not Available - Replace Complete Pump)	
5	7011043	4	Bolt (Mounts Pump to Mounting Bracket)	
6	See Note	2	Bolt (Motor to Bracket) (Note: Not Available for Purchase)	
7	7011044	1	Gasket	
8	7011048	4	Washer	
9	7011062	4	Endhead, Motor	

SECTION 2 - TURNTABLE

FIGURE 2-15. SWING DRIVE INSTALLATION (USA BUILT MACHINES - PVC 2001 & 2007, CHINA BUILT MACHINES - PVC 2007)



ART_1001152181

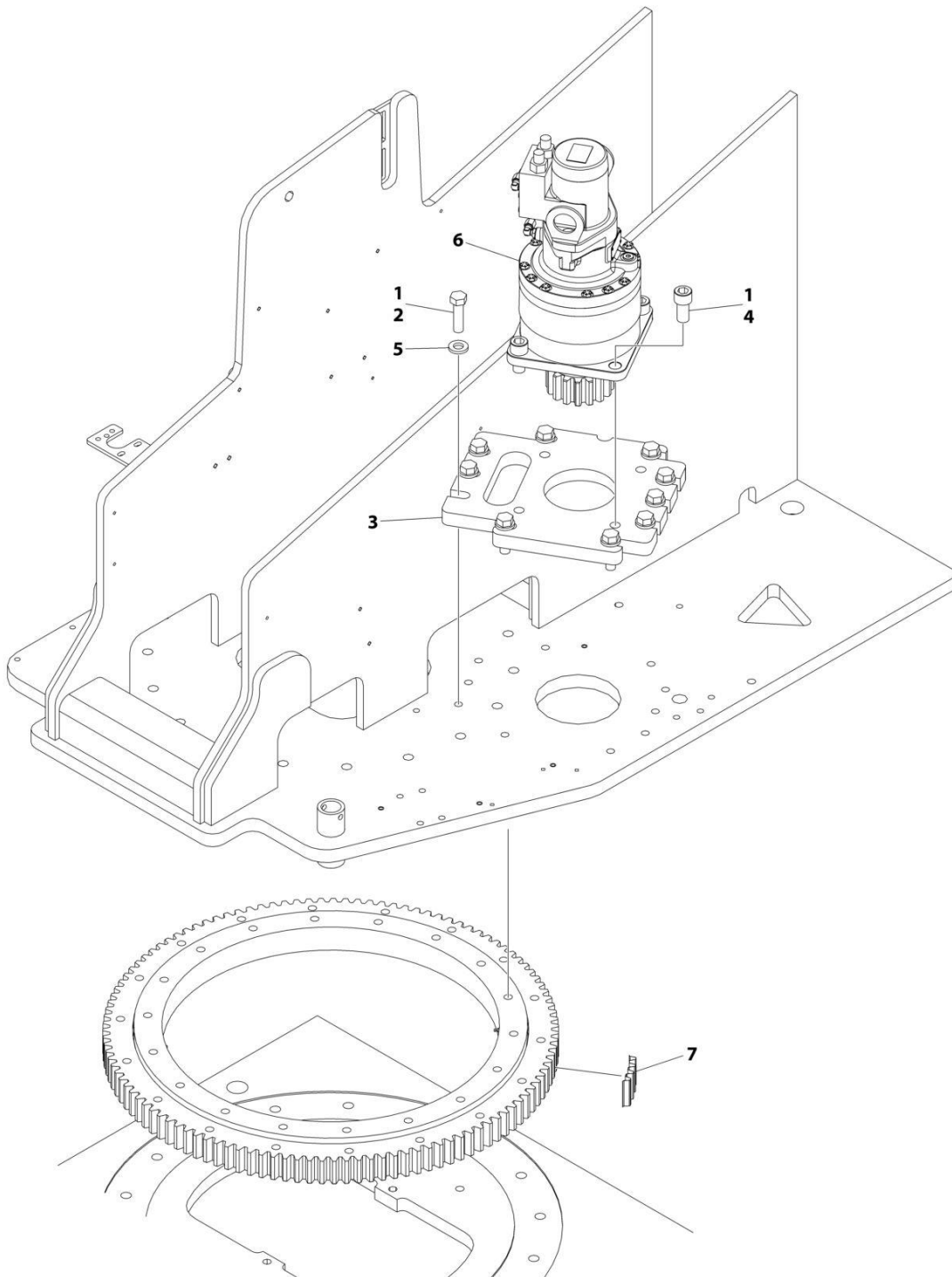
SECTION 2 - TURNTABLE

FIGURE 2-15. SWING DRIVE INSTALLATION (USA BUILT MACHINES - PVC 2001 & 2007, CHINA BUILT MACHINES - PVC 2007)

ITEM	PART NUMBER	QTY	DESCRIPTION	REV
	1001152181	Ref	SWING DRIVE INSTALLATION	E
1	0100019	AR	Compound, Locking	
2	3952020	1	Setscrew 5/8 x 2-1/2	
3	0682218	4	Bolt 3/4 x 2-1/4 Grade 8	
4	3312002	1	Nut, Jam 5/8	
5	3900293	1	Capscrew 1 x 1-1/4	
6	1001125492	1	Shim	
7	4740057	4	Flatwasher, Hardened	
8	1001229810	1	Swing Hub Assembly (See Separate Breakdown in this section)	
9	1001152234	1	Plate, Spacer	

SECTION 2 - TURNTABLE

FIGURE 2-16. SWING DRIVE INSTALLATION (CHINA BUILT MACHINES) (PVC 2001)



ART_1001094828

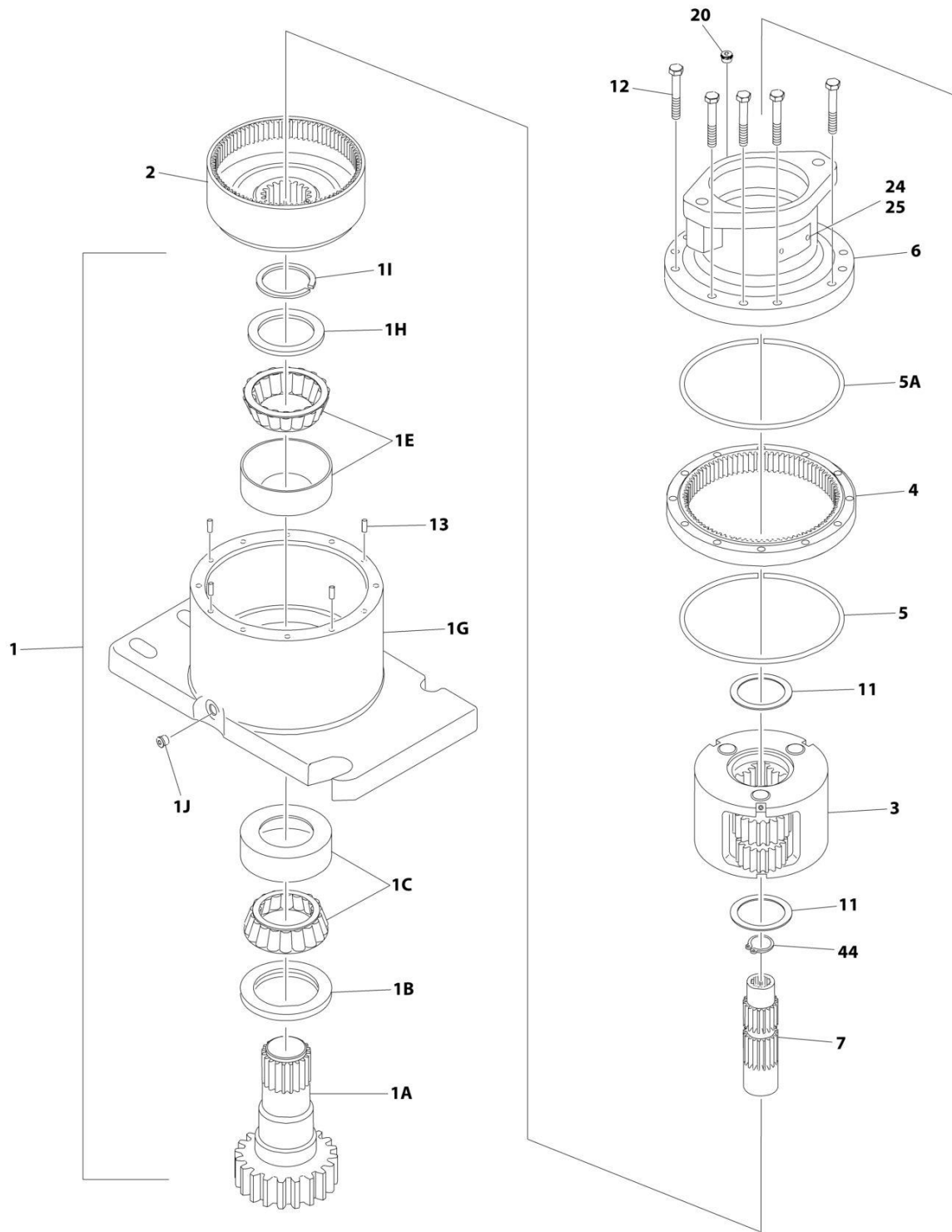
SECTION 2 - TURNTABLE

FIGURE 2-16. SWING DRIVE INSTALLATION (CHINA BUILT MACHINES) (PVC 2001)

ITEM	PART NUMBER	QTY	DESCRIPTION	REV
	1001094828	Ref	SWING DRIVE INSTALLATION	D
1	0100011	AR	Compound, Locking	
2	0642018	10	Bolt 5/8 x 2-1/4	
3	3537318	1	Plate, Swing Drive Mounting	
4	3932224	4	Bolt 1/2 x 1-1/2	
5	4892000	10	Washer 5/8 Hardened	
6	1001248468	1	Swing Hub Assembly (See Separate Breakdown in this section)	
7	1001125492	1	Shim	

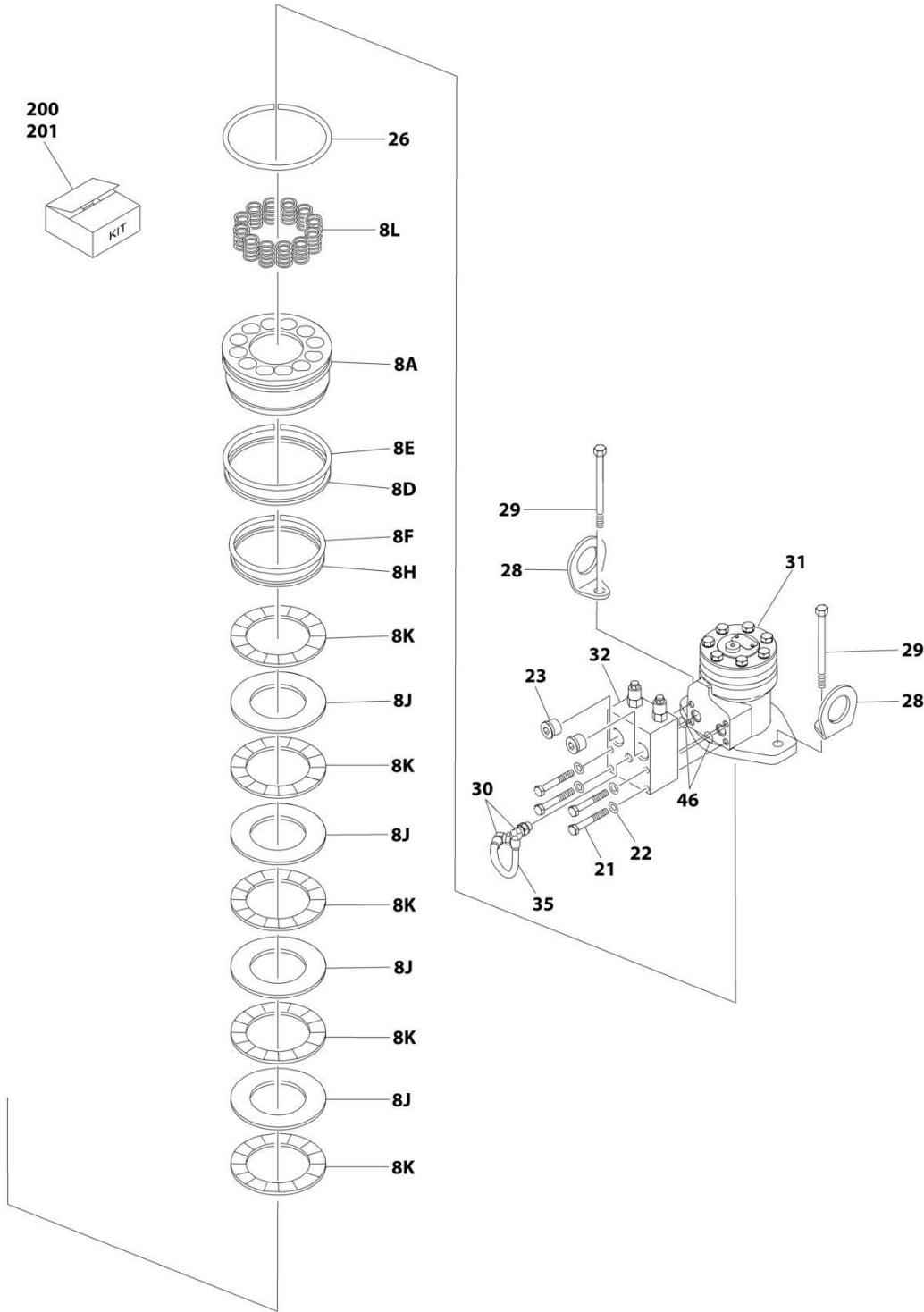
SECTION 2 - TURNTABLE

FIGURE 2-17. SWING MOTOR/HUB ASSEMBLY (USA BUILT MACHINES - PVC 2001 & 2007, CHINA BUILT MACHINES - PVC 2007)



ART_1001229810_10F2

SECTION 2 - TURNTABLE



ART_1001229810_20F2

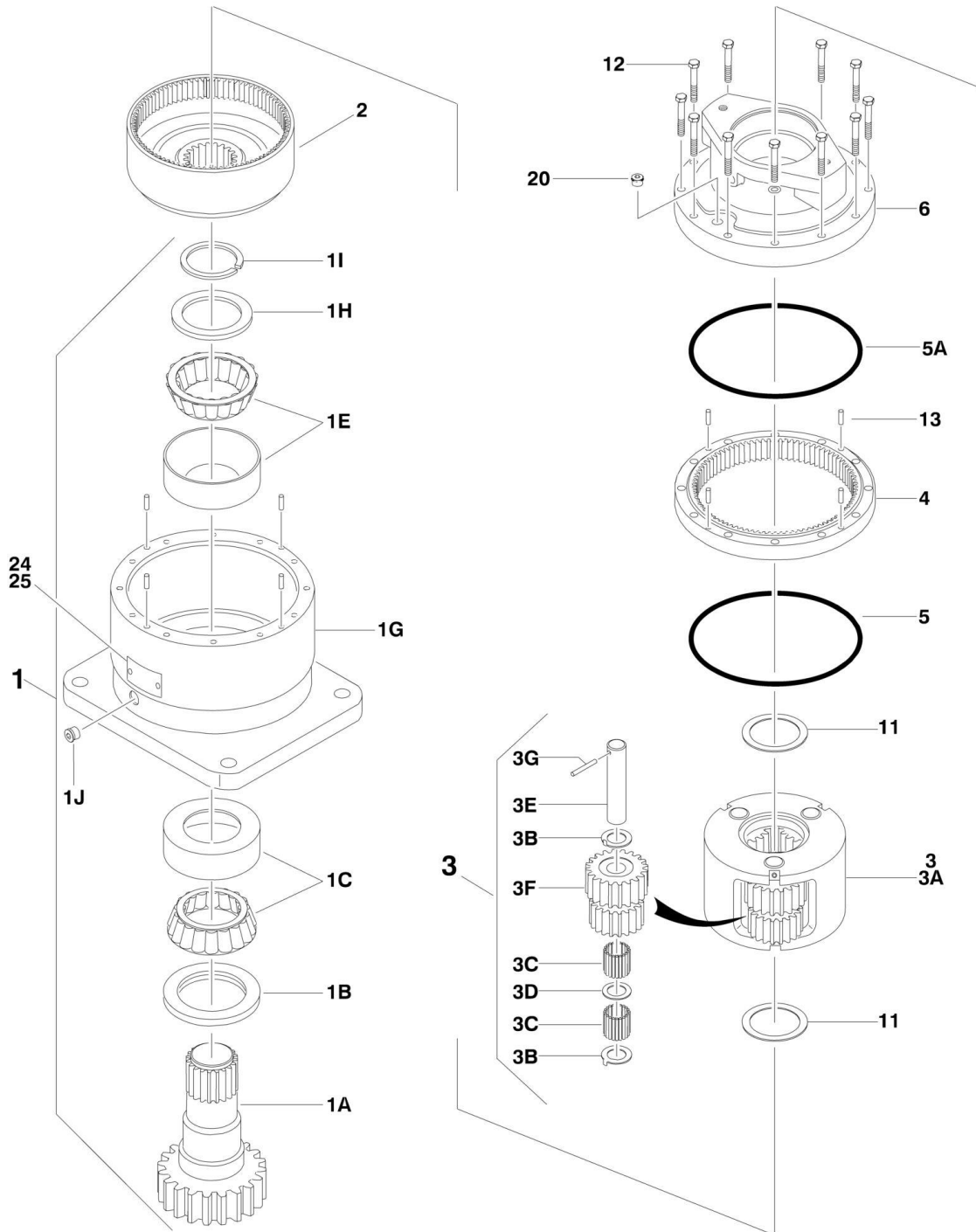
SECTION 2 - TURNTABLE

FIGURE 2-17. SWING MOTOR/HUB ASSEMBLY (USA BUILT MACHINES - PVC 2001 & 2007, CHINA BUILT MACHINES - PVC 2007)

ITEM	PART NUMBER	QTY	DESCRIPTION	REV
	1001229810	Ref	SWING MOTOR/HUB ASSEMBLY	C
1	See Note	1	Housing/Shaft Assembly (Note: Not Available - Purchase Individual Components)	
1A	7010492	1	Shaft, Output	
1B	7000228	1	Seal, Lip	
1C	7000255	1	Bearing Kit (Includes Cup and Cone)	
1E	7000257	1	Bearing Kit (Includes Cup and Cone)	
1G	7024762	1	Housing	
1H	7007633	1	Washer, Thrust	
1I	7000229	1	Ring, Retaining	
1J	7017072	1	Plug, Pipe	
2	7000246	1	Gear, Internal	
3	7000247	1	Carrier Assembly	
4	7000248	1	Gear, Ring	
5	7000230	1	O-Ring	
5A	7017070	1	O-Ring	
6	1001229810	NSS	Housing, Brake (Note: Not Available - Purchase Complete Assembly)	
7	70005203	1	Gear, Sun	
8A	70004037	1	Piston	
8D	70004041	1	O-Ring	
8E	70004044	1	Ring, Back-up	
8F	70004042	1	O-Ring	
8H	70004043	1	Ring, Back-up	
8J	70002085	4	Disc, Rotor	
8K	70002085	5	Disc, Stator	
8L	70002066	14	Spring	
11	7000253	2	Washer, Thrust	
12	7000217	12	Bolt 3/8 x 2-1/4 Grade 8	
13	7017080	4	Pin, Dowel	
20	7017072	1	Plug, Pipe	
21	7024704	4	Bolt 5/16 x 2 Grade 8	
22	70004045	4	Washer	
23	7017023	2	Plug, Pipe	
24	See Note	NSS	Plate, ID (Note: Not Available for Purchase)	
25	See Note	NSS	Rivet (Note: Not Available for Purchase)	
26	7024763	1	O-Ring	
28	See Note	NSS	Lug, Lifting (Note: Not Available for Purchase)	
29	70004040	2	Bolt 1/2 x 1 (Grade 8)	
30	7017085	2	Elbow	
31	70006304	1	Motor Assembly	
32	7024784	1	Valve Assembly - Complete (No Serviceable Parts)	
35	70004047	1	Tube	
44	7017028	1	Ring, Internal Retaining	
45	7000213	2	O-Ring	
		Ref	KIT OPTIONS:	
200	7024100	1	Seal Kit - Swing Hub (Includes Items 1B, 1I, 5, 5A & 11)	
201	70002085	1	Disc Kit - Swing Brake (Includes Items 8J & 8K)	

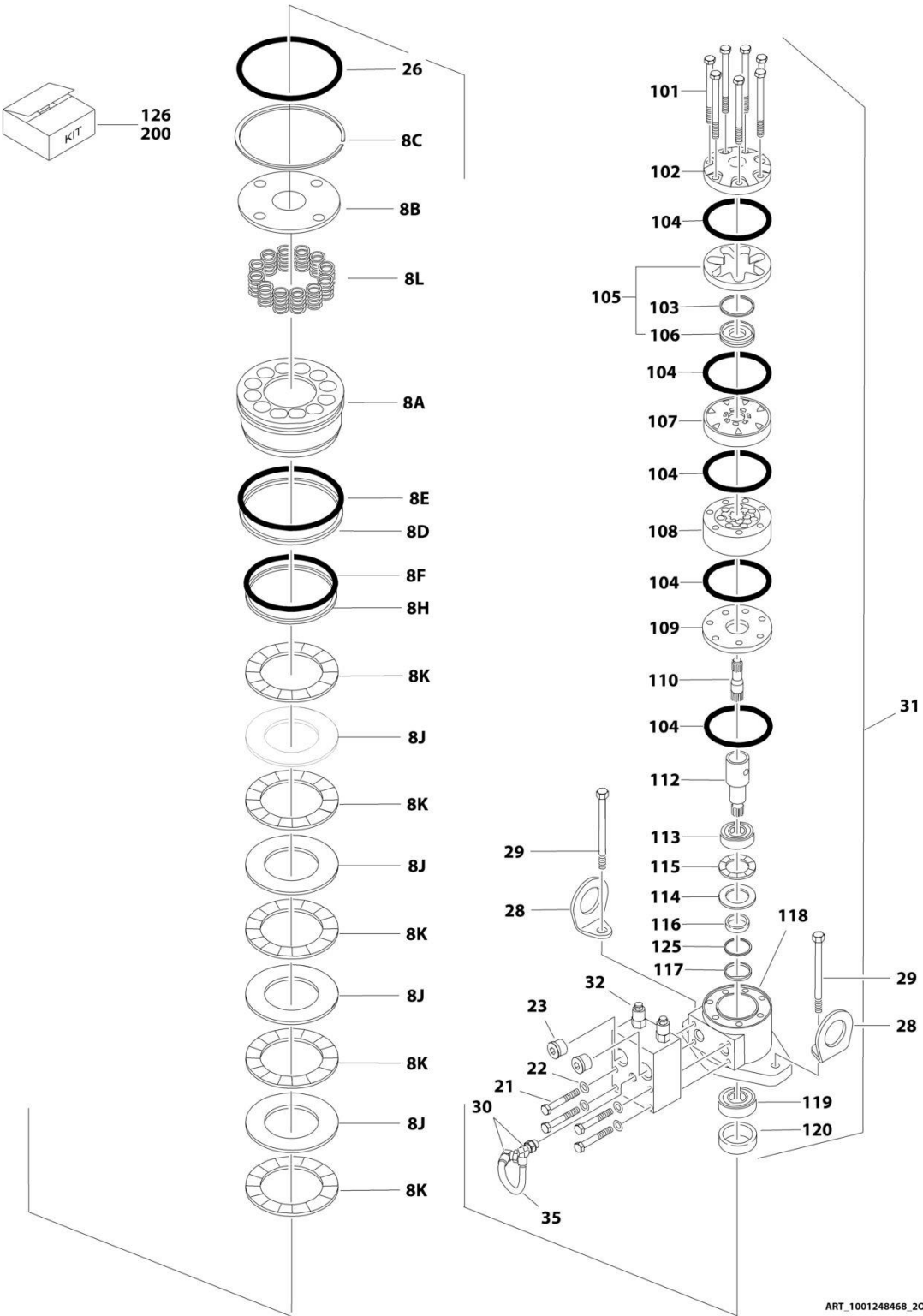
SECTION 2 - TURNTABLE

FIGURE 2-18. SWING MOTOR/BRAKE/HUB ASSEMBLY (PARKER/FAIRFIELD) (CHINA BUILT MACHINES) (PVC 2001)



ART_1001248468_10F2

SECTION 2 - TURNTABLE



ART_1001248468_20F2

SECTION 2 - TURNTABLE

FIGURE 2-18. SWING MOTOR/BRAKE/HUB ASSEMBLY (PARKER/FAIRFIELD) (CHINA BUILT MACHINES) (PVC 2001)

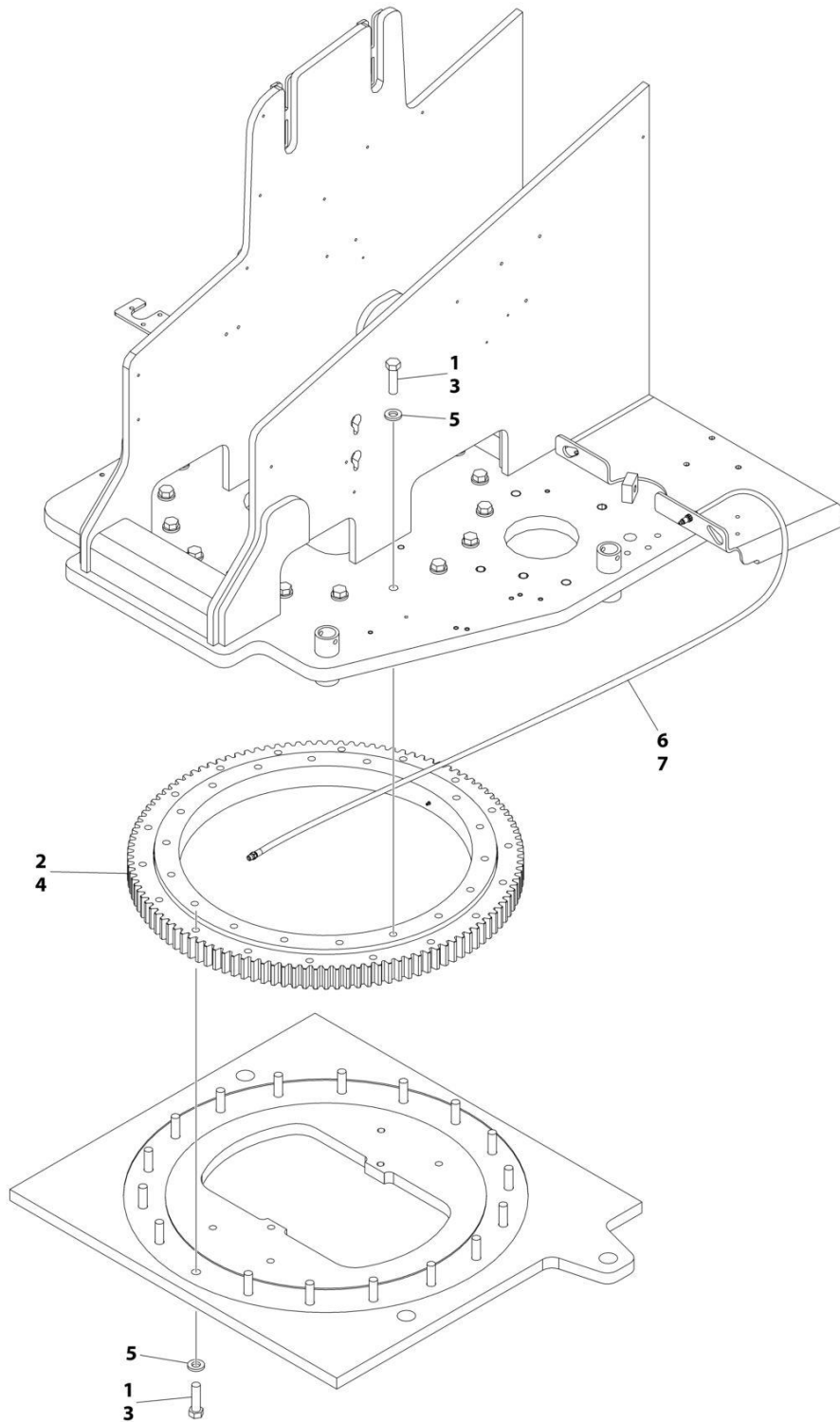
ITEM	PART NUMBER	QTY	DESCRIPTION	REV
	1001248468	Ref	SWING MOTOR/HUB ASSEMBLIES	B
1	See Note	Ref	Housing/Shaft Assembly (Note: Not Available - Purchase Individual Components)	
1A	7010492	1	Shaft, Output	
1B	7000228	1	Seal, Lip	
1C	7000255	1	Bearing Kit (Includes Cup and Cone)	
1E	7000257	1	Bearing Kit (Includes Cup and Cone)	
1G	See Note	NSS	Housing (Note: Not Available for Purchase)	
1H	7007633	1	Washer, Thrust	
1I	7000229	1	Ring, Retaining	
1J	7017072	1	Plug, Pipe	
2	7000246	1	Gear, Internal	
3	7000247	1	Carrier Assembly	
3A	7001931	1	Carrier	
3B	7001985	6	Washer, Tanged	
3C	7001909	96	Bearing, Needle	
3D	7000263	3	Thrustwasher	
3E	7001911	3	Shaft, Planet	
3F	7001912	3	Gear, Cluster	
3G	7010474	3	Roll Pin	
4	7000248	1	Gear, Ring	
5	7000230	1	O-Ring	
5A	7017070	1	O-Ring	
6	1001248468	NSS	Housing, Brake (Note: Not Available - Purchase Complete Assembly)	
7	70005203	1	Gear, Sun	
8		Ref	Brake Components	
8A	70004037	1	Piston	
8B	7024743	1	Plate, Pressure	
8C	70004039	1	Ring, Retaining	
8D	70004041	1	O-Ring	
8E	70004044	1	Ring, Back-up	
8F	70004042	1	O-Ring	
8H	70004043	1	Ring, Back-up	
8J	70002085	4	Disc, Rotor	
8K	70002085	5	Disc, Stator	
8L	70002066	14	Spring	
11	7000253	2	Washer, Thrust	
12	7000217	12	Bolt 3/8 x 2-1/4 Grade 8	
13	7017080	4	Pin, Dowel	
20	7017072	3	Plug, Pipe	
21	7024704	4	Bolt 5/16 x 2 Grade 8	
22	70004045	4	Washer	
23	7017023	2	Plug, Pipe	
24	See Note	NSS	Plate, ID (Note: Not Available for Purchase)	
25	See Note	NSS	Rivet (Note: Not Available for Purchase)	
26	7024763	1	O-Ring	
28	See Note	NSS	Lug, Lifting (Note: Not Available for Purchase)	
29	70004040	2	Bolt 1/2 x 1 (Grade 8)	

SECTION 2 - TURNTABLE

ITEM	PART NUMBER	QTY	DESCRIPTION	REV
30	7017085	2	Elbow	
31	70004048	1	Motor Assembly (See Items 101-126 for Breakdown)	
32	7024784	1	Valve Assembly - Complete (No Serviceable Parts)	
33	7017082	1	Plug, Pipe (Not Shown)	
35	70004047	1	Tube	
	70004048	Ref	Motor Assembly	
101	See Note	NSS	Bolt (Note: Not Available for Purchase)	
102	See Note	NSS	Cover, End (Note: Not Available for Purchase)	
103	See Note	1	Seal, Commutator (Note: Use p/n 7024389)	
104	See Note	5	Seal, Ring (Note: Use p/n 7024389)	
105	7024453	1	Commutator and Ring Assembly	
106	See Note	1	Ring (Note: Use p/n 7024453)	
107	7024379	1	Manifold	
108	See Note	NSS	Rotor Set (Note: Not Available for Purchase)	
109	7024380	1	Plate, Wear	
110	See Note	NSS	Link, Drive (Note: Not Available for Purchase)	
112	7024458	1	Shaft, Coupling	
113	7024381	1	Bushing, Bronze	
114	7004043	1	Thrustwasher	
115	7004044	1	Bearing, Thrust	
116	See Note	1	Seal, Inner (Note: Use p/n 7024389)	
117	See Note	1	Washer, Back-up (Note: Use p/n 7024389)	
118	See Note	NSS	Housing (Note: Not Available for Purchase)	
119	7024390	1	Bearing	
120	See Note	1	Seal (Note: Use p/n 7024389)	
125	See Note	1	Washer, Back-up (Note: Use p/n 7024389)	
126	7024389	1	Seal Kit, Motor (Includes Items 103, 104, 116, 117, 120 & 125)	
		Ref	KIT OPTIONS:	
200	7024100	1	Seal Kit - Swing Hub (Includes Items 1B, 1I, 5, 5A & 11)	

SECTION 2 - TURNTABLE

FIGURE 2-19. TURNTABLE BEARING INSTALLATION (USA BUILT MACHINES - PVC 2001 & 2007,
CHINA BUILT MACHINES - PVC 2007)



ART_1001150391

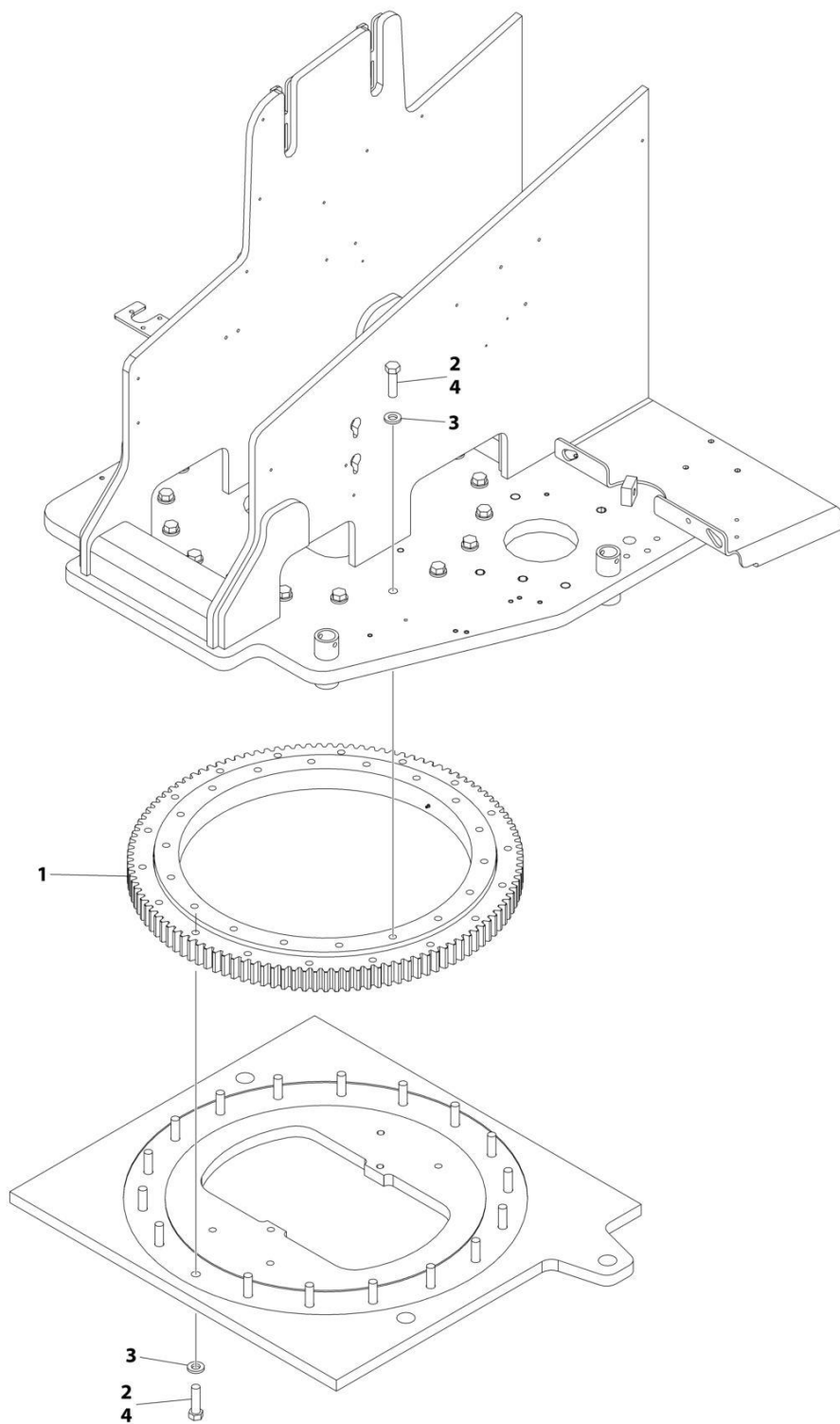
SECTION 2 - TURNTABLE

FIGURE 2-19. TURNTABLE BEARING INSTALLATION (USA BUILT MACHINES - PVC 2001 & 2007, CHINA BUILT MACHINES - PVC 2007)

ITEM	PART NUMBER	QTY	DESCRIPTION	REV
	1001150391	Ref	TURNTABLE BEARING AND REMOTE LUBE INSTALLATION	C
1	0100019	AR	Compound, Locking	
2	0440207	1	Bearing, Turntable	
3	0682018	36	Bolt 5/8 x 2-1/4 Grade 8	
4	3020029	AR	Lubricant	
5	4892000	36	Washer 5/8 Hardened	
6	0100011	AR	Compound, Locking	
7	1001149927	1	Hose (Includes Grease Fitting and Adapter Fittings)	

SECTION 2 - TURNTABLE

FIGURE 2-20. TURNTABLE BEARING INSTALLATION (CHINA BUILT MACHINES) (PVC 2001)



ART_0254798

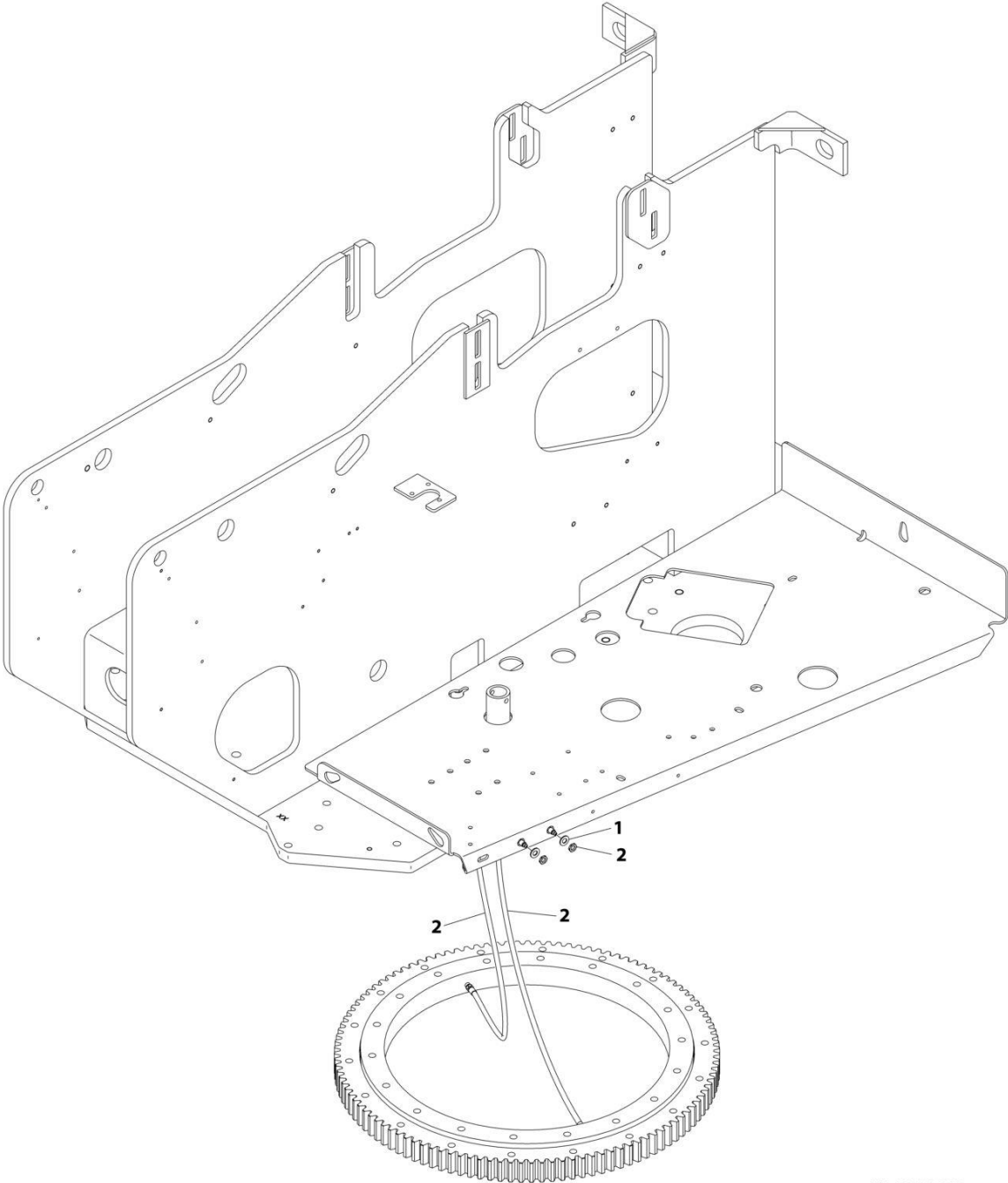
SECTION 2 - TURNTABLE

FIGURE 2-20. TURNTABLE BEARING INSTALLATION (CHINA BUILT MACHINES) (PVC 2001)

ITEM	PART NUMBER	QTY	DESCRIPTION	REV
	0254798	Ref	TURNTABLE BEARING INSTALLATION	2-B
1	0440207	NLA	Bearing, Turntable	
2	0682016	36	Bolt 5/8 x 2 (Grade 8)	
3	4892000	36	Washer 5/8 Hardened	
4	0100019	AR	Compound, Locking	

SECTION 2 - TURNTABLE

FIGURE 2-21. REMOTE BEARING LUBE INSTALLATION (CHINA BUILT MACHINES) (PVC 2001)



ART_1001236973

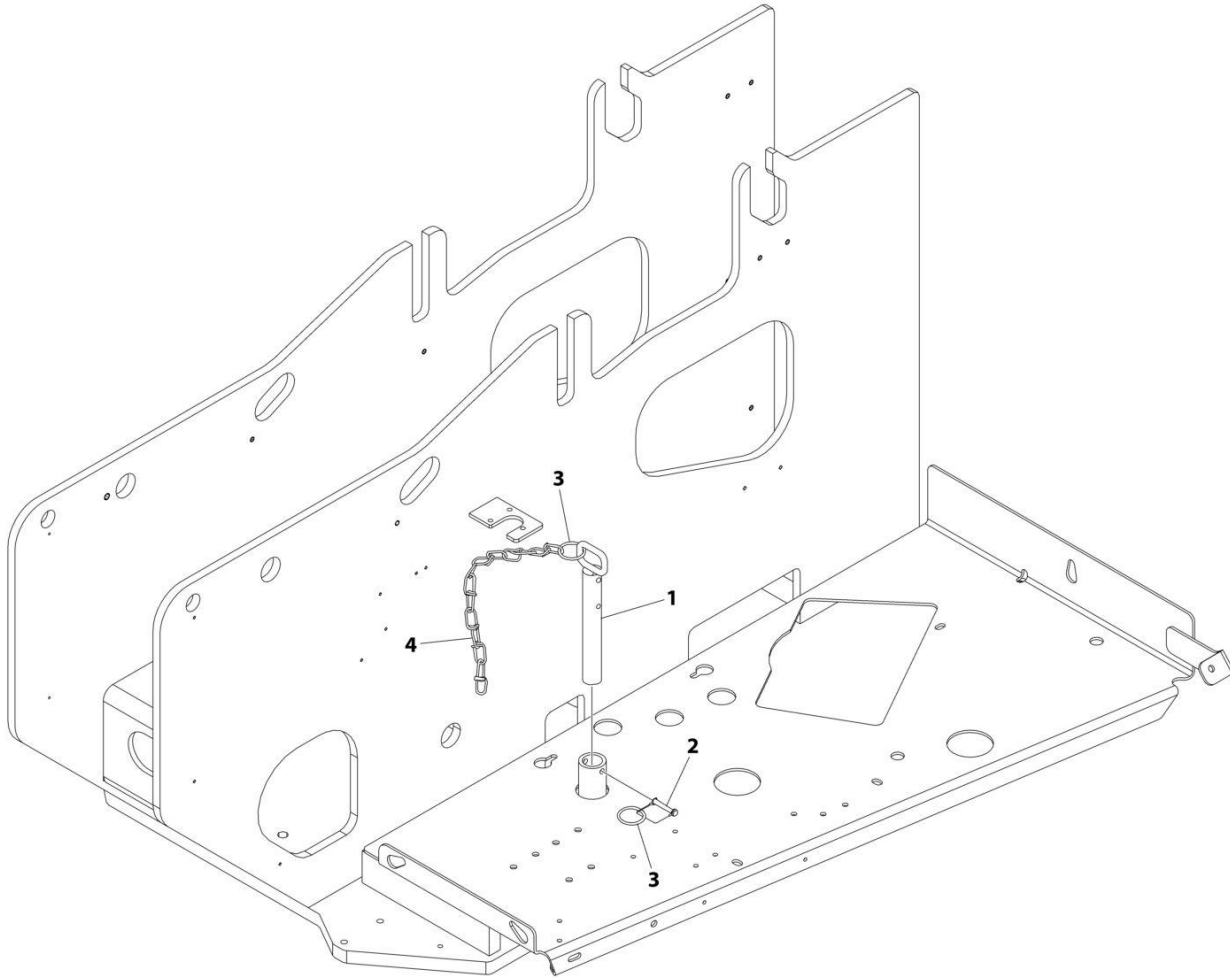
SECTION 2 - TURNTABLE

FIGURE 2-21. REMOTE BEARING LUBE INSTALLATION (CHINA BUILT MACHINES) (PVC 2001)

ITEM	PART NUMBER	QTY	DESCRIPTION	REV
	1001236973	Ref	REMOTE BEARING LUBE INSTALLATION	A
1	4711600	4	Washer 3/8	
2	1001151646	2	Hose	

SECTION 2 - TURNTABLE

FIGURE 2-22. TURNTABLE LOCK INSTALLATION (DEUTZ D2011 AND FORD DF 2.5L ENGINE MACHINES)



ART_0255410

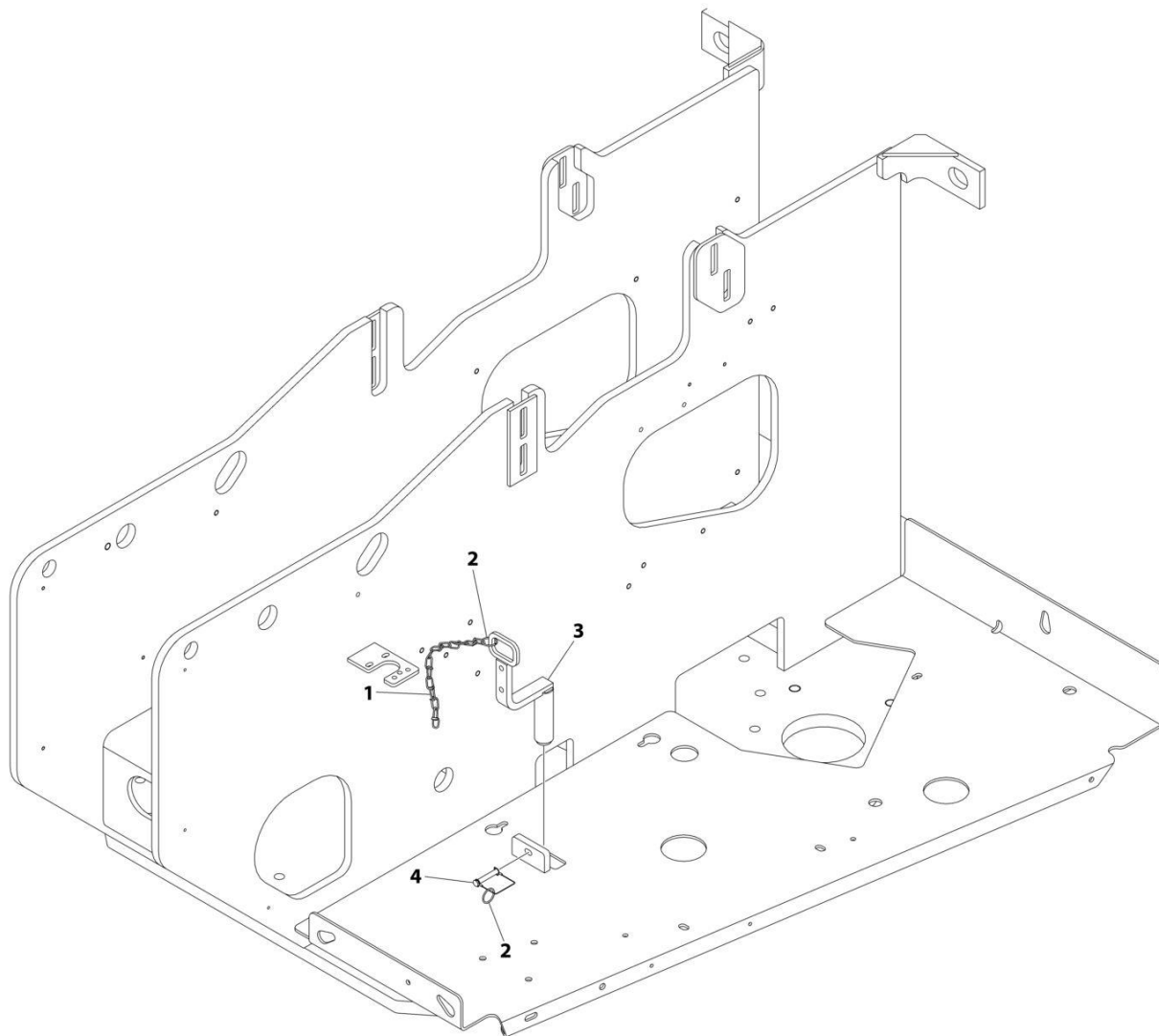
SECTION 2 - TURNTABLE

FIGURE 2-22. TURNTABLE LOCK INSTALLATION (DEUTZ D2011 AND FORD DF 2.5L ENGINE MACHINES)

ITEM	PART NUMBER	QTY	DESCRIPTION	REV
	0255410	Ref	TURNTABLE LOCK INSTALLATION	B
1	4844958	1	Pin	
2	3421565	1	Pin, Snap	
3	3760170	2	Ring, Quick Release	
4	1260017	9 in /23cm	Chain	

SECTION 2 - TURNTABLE

FIGURE 2-23. TURNTABLE LOCK INSTALLATION (DEUTZ TD2.2L3 (STAGE V) AND DEUTZ TD2.9L4 ENGINE MACHINES)



ART_1001137885

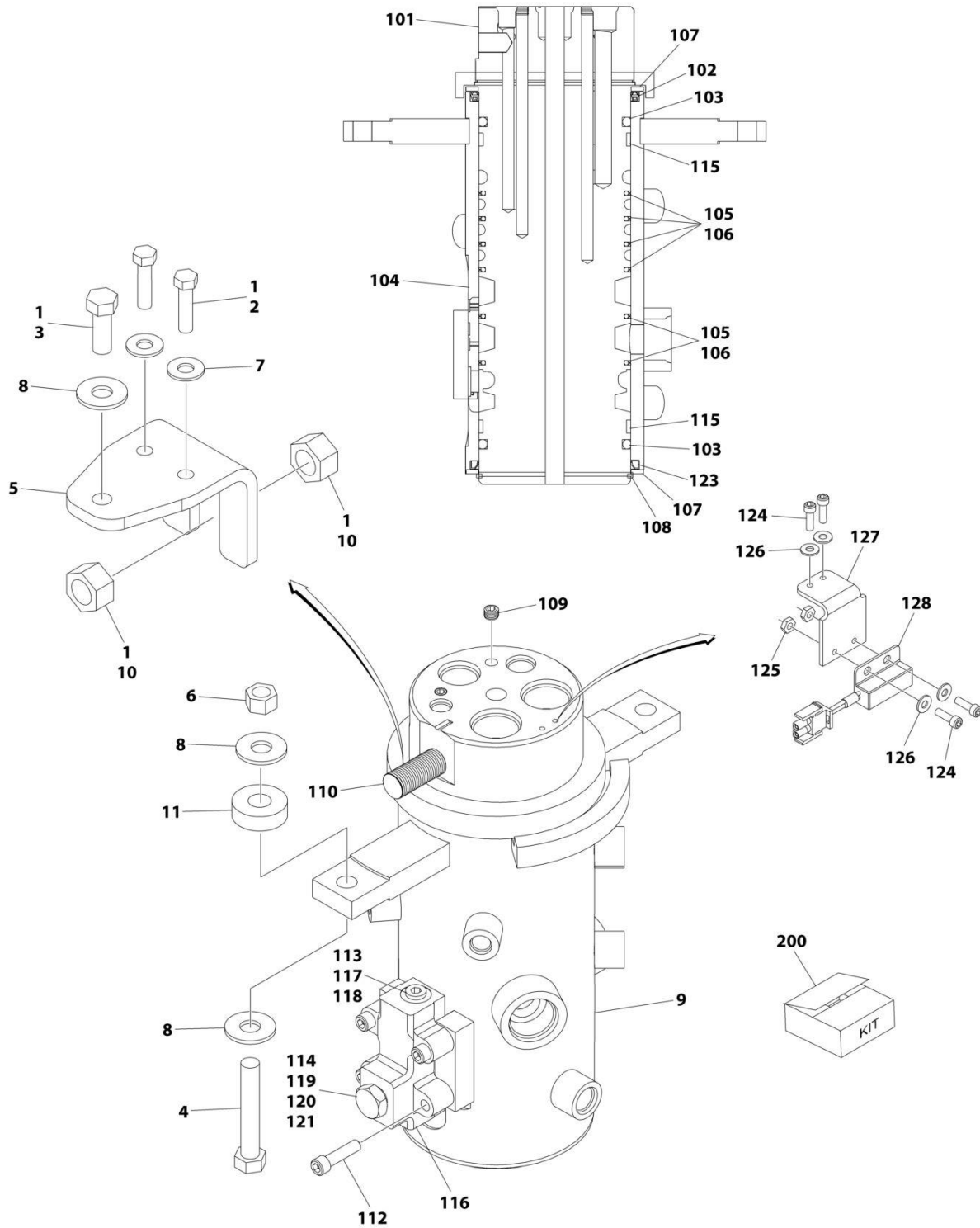
SECTION 2 - TURNTABLE

FIGURE 2-23. TURNTABLE LOCK INSTALLATION (DEUTZ TD2.2L3 (STAGE V) AND DEUTZ TD2.9L4 ENGINE MACHINES)

ITEM	PART NUMBER	QTY	DESCRIPTION	REV
	1001137885	Ref	TURNTABLE LOCK INSTALLATION	A
1	1260017	9 in /23cm	Chain	
2	3760170	2	Ring, Quick Release	
3	1001137896	1	Pin	
4	1001145292	1	Pin, Snap	

SECTION 2 - TURNTABLE

FIGURE 2-24. ROTARY COUPLING INSTALLATION – 2WS



ART_1001107498

SECTION 2 - TURNTABLE

FIGURE 2-24. ROTARY COUPLING INSTALLATION – 2WS

ITEM	PART NUMBER	QTY	DESCRIPTION	REV
	1001107498	Ref	ROTARY COUPLING INSTALLATION	B
1	0100011	AR	Compound, Locking	
2	0641612	2	Bolt 3/8 x 1-1/2	
3	0641811	1	Bolt 1/2 x 1-3/8	
4	0641824	2	Bolt 1/2 x 3	
5	0903056	1	Bracket	
6	3271805	2	Nut 1/2	
7	4751600	2	Washer 3/8	
8	4751800	5	Washer 1/2	
9	1001106974	1	Coupling, Rotary (See Items 101-121 for Breakdown)	
10	3322201	2	Nut 3/4	
11	1001178789	2	Shim	
	1001106974	Ref	ROTARY COUPLING ASSEMBLY	B
101	See Note	NSS	Body (Note: Not Available - Purchase Complete Assembly)	
102	70001248	1	Seal	
103	See Note	NSS	O-Ring (Note: Use Item 200A or 200B) (Note: Use Item 200A or 200B)	
104	See Note	NSS	Housing (Note: Not Available - Purchase Complete Assembly)	
105	70001248	6	Seal, Cap	
106	70001248	6	O-Ring	
107	7026503	2	Ring	
108	7026504	1	Ring, Retaining	
109	80934561	2	Plug	
110	See Note	1	Lug, Torque (Note: Not Available for Purchase)	
112	7026197	4	Bolt 5/16 x 1-1/4	
113	See Note	NSS	O-Ring (Note: Use Item 200A or 200B)	
114	See Note	NSS	O-Ring (Note: Use Item 200A or 200B)	
115	See Note	NSS	Bearing (Note: Use Item 200A or 200B)	
116	7024404	1	Block Valve Assembly	
117	7026505	1	Plug	
118	7026506	1	Valve, Check	
119	7026507	1	Plug	
120	7024404	1	Plunger, Valve (Note: Not Available for Purchase)	
121	7026509	1	Spring, Compression	
122	See Note	NSS	Protective Netting (Not Shown) (Note: Not Available for Purchase)	
123	70001248	1	Seal	
124	See Note	NSS	Screw, Socket Head #10 x 1/2 (Note: Not Available for Purchase)	
125	See Note	NSS	Nut #10 (Note: Not Available for Purchase)	
126	See Note	NSS	Washer #10 (Note: Not Available for Purchase)	
127	70003454	1	Bracket, Switch Mounting	
128	4360517	1	Switch, Proximity	
200	70001248	1	Seal Kit (Includes Items 102, 103, 105, 106, 113, 114, 115 & 123)	

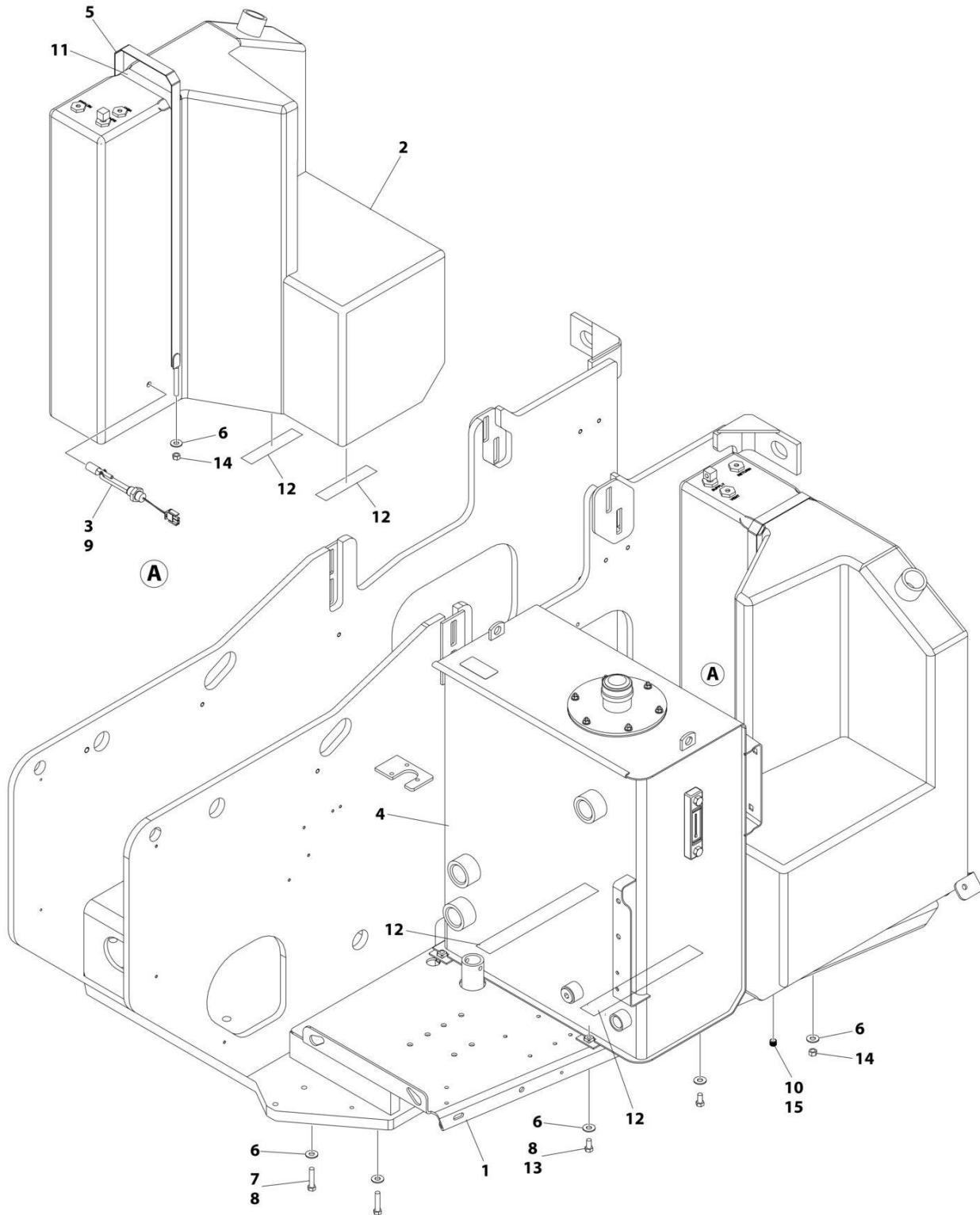
SECTION 2 - TURNTABLE

FIGURE 2-25. ROTARY COUPLING INSTALLATION – 4WS

ITEM	PART NUMBER	QTY	DESCRIPTION	REV
	1001107499	Ref	ROTARY COUPLING INSTALLATION	B
1	0100011	AR	Compound, Locking	
2	0641612	2	Bolt 3/8 x 1-1/2	
3	0641811	1	Bolt 1/2 x 1-3/8	
4	0641824	2	Bolt 1/2 x 3	
5	0903056	1	Bracket	
6	3271805	2	Nut 1/2	
7	4751600	2	Washer 3/8	
8	4751800	5	Washer 1/2	
9	1001106975	1	Coupling, Rotary (See Items 101-121 for Breakdown)	
10	3322201	2	Nut 3/4	
11	1001178789	2	Shim	
	1001106975	Ref	ROTARY COUPLING ASSEMBLY	B
101	See Note	1	Body (Note: Not Available - Purchase Complete Assembly)	
102	70002212	1	Seal	
103	See Note	2	O-Ring (Note: Use Item 200A or 200B) (Note: Use Item 200A or 200B)	
104	See Note	1	Housing (Note: Not Available - Purchase Complete Assembly)	
105	70002212	9	Seal, Cap	
106	70002212	9	O-Ring	
107	7026511	2	Ring	
108	7013189	1	Ring, Retaining	
109	80934561	4	Plug	
110	See Note	1	Lug, Torque (Note: Not Available for Purchase)	
112	7026197	4	Bolt 5/16 x 1-1/4	
113	See Note	NSS	O-Ring (Note: Use Item 200A or 200B)	
114	See Note	NSS	O-Ring (Note: Use Item 200A or 200B)	
115	See Note	NSS	Bearing (Note: Use Item 200A or 200B)	
116	7024404	1	Block Valve Assembly	
117	7026505	1	Plug	
118	7026506	1	Valve, Check	
119	7026507	1	Plug	
120	7024404	1	Plunger, Valve (Note: Not Available for Purchase)	
121	7026509	1	Spring, Compression	
122	See Note	NSS	Protective Netting (Not Shown) (Note: Not Available for Purchase)	
123	70002212	1	Seal	
124	See Note	4	Screw, Socket Head #10 x 1/2 (Note: Not Available for Purchase)	
125	See Note	2	Nut #10 (Note: Not Available for Purchase)	
126	See Note	NSS	Washer #10 (Note: Not Available for Purchase)	
127	70003454	1	Bracket, Switch Mounting	
128	4360517	1	Switch, Proximity	
200	70002212	1	Seal Kit (Includes Items 102, 103, 105, 106, 113, 114, 115 & 123)	

SECTION 2 - TURNTABLE

FIGURE 2-26. TANK INSTALLATION – DEUTZ D2011 ENGINE (USA BUILT MACHINES - PVC 2001 & 2007, CHINA BUILT MACHINES - PVC 2007)



ART_1001152066

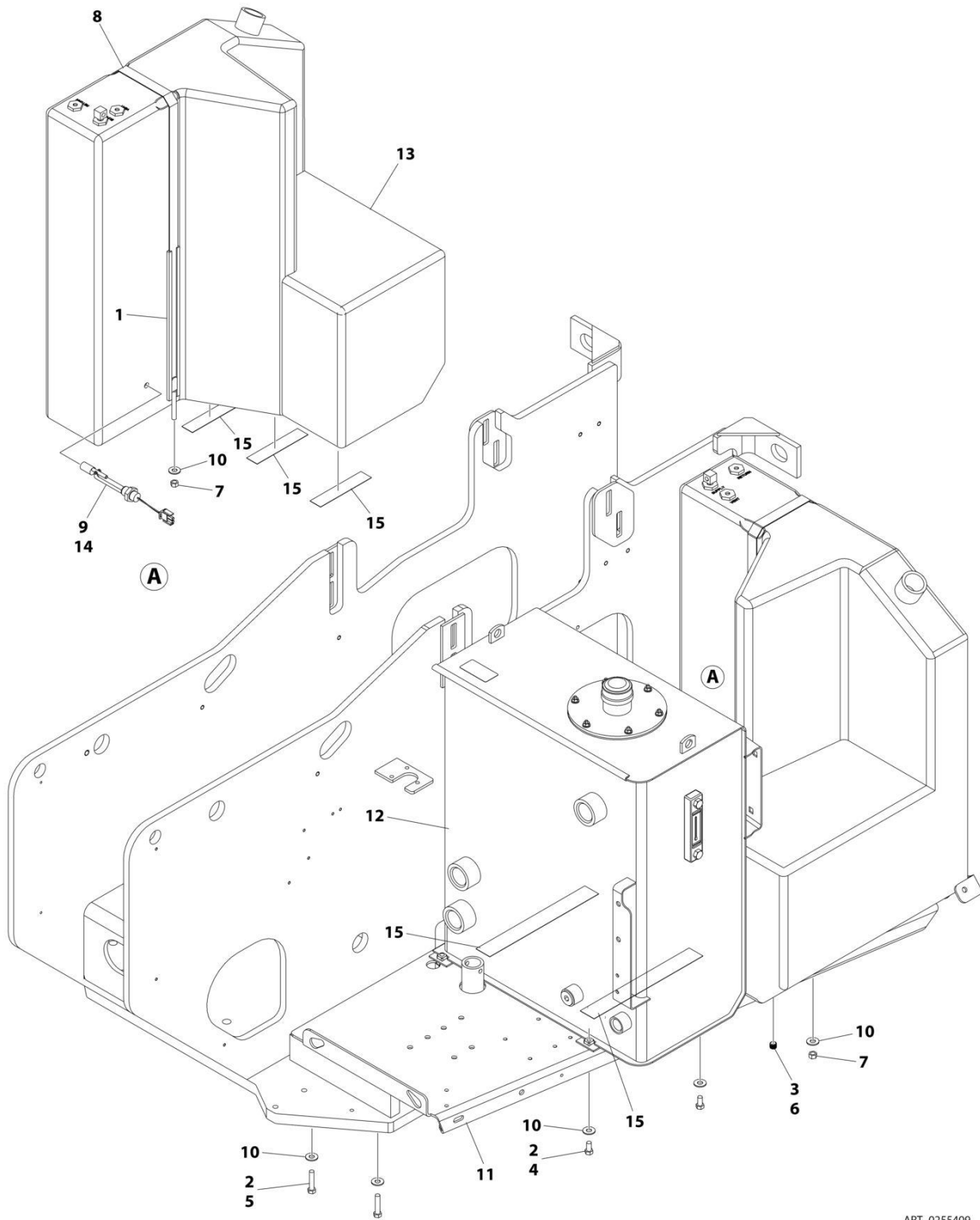
SECTION 2 - TURNTABLE

FIGURE 2-26. TANK INSTALLATION – DEUTZ D2011 ENGINE (USA BUILT MACHINES - PVC 2001 & 2007, CHINA BUILT MACHINES - PVC 2007)

ITEM	PART NUMBER	QTY	DESCRIPTION	REV
	1001152066	Ref	TANK INSTALLATION	C
1	1001152428	1	Tray	
2	1001173896	1	Tank, Fuel	
2	7016314	1	Cap, Fuel (Non-Locking)	
2	7019658	1	Fitting, 90 with Pick up Tube	
3	4360436	1	Switch, Fuel Level	
4	1001151268	1	Hydraulic Oil Tank Assembly (See Separate Breakdown in this Section)	
5	4240102	1	Strap, Tank	
6	4751600	10	Washer 3/8	
7	0641614	4	Bolt 3/8 x 1-3/4	
8	0100011	AR	Compound, Locking	
9	1001182997	AR	Sealant, Pipe	
10	2200222	1	Plug	
11	4280295	18 in /46cm	Strip, Protective	
12	4420038	AR	Tape, Rubber	
13	0641606	4	Bolt 3/8 x 3/4	
14	3311601	2	Nut 3/8	
15	0100020	AR	Sealant	

SECTION 2 - TURNTABLE

FIGURE 2-27. TANK INSTALLATION – DEUTZ D2011 ENGINE (CHINA BUILT MACHINES) (PVC 2001)



ART_0255409

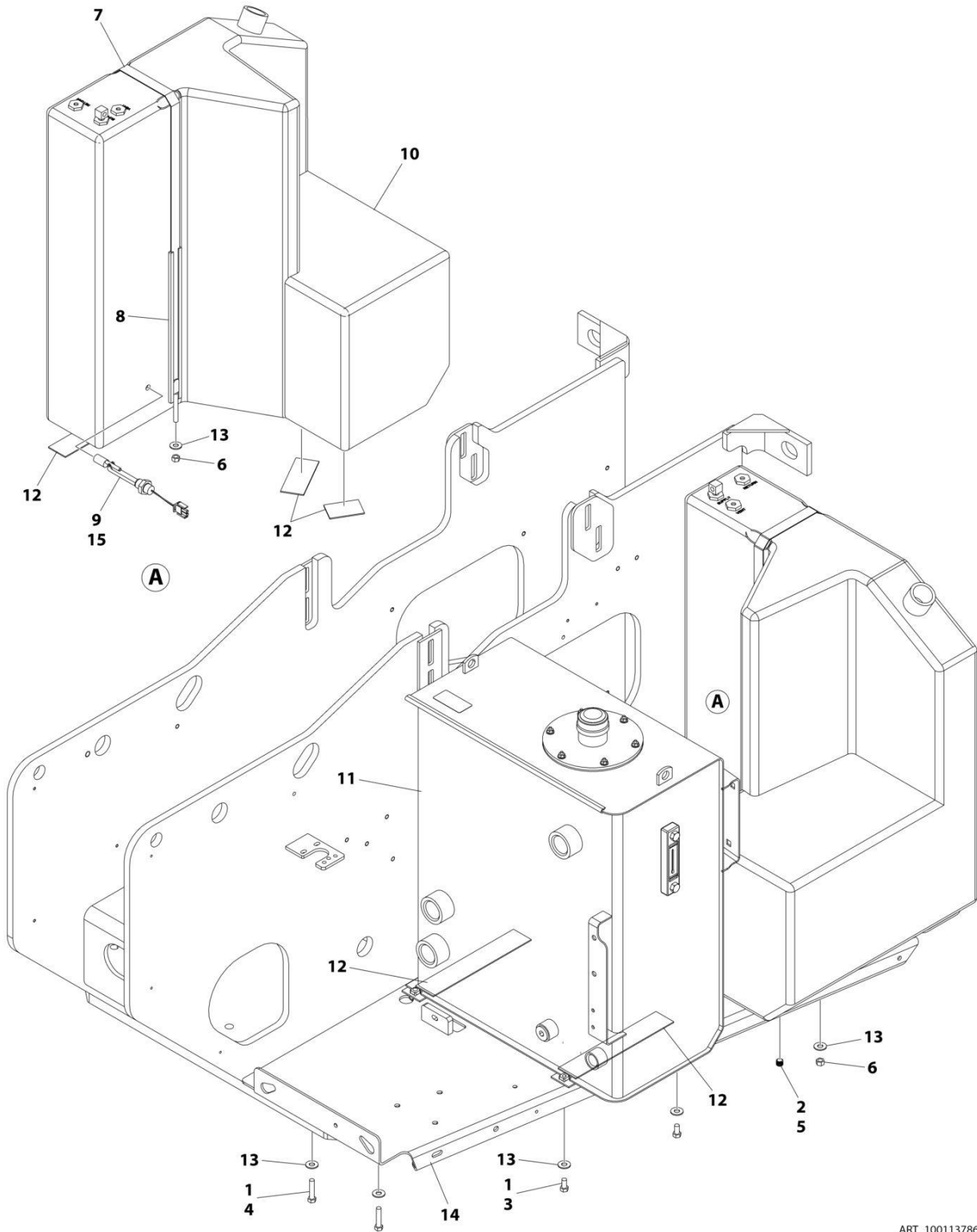
SECTION 2 - TURNTABLE

FIGURE 2-27. TANK INSTALLATION – DEUTZ D2011 ENGINE (CHINA BUILT MACHINES) (PVC 2001)

ITEM	PART NUMBER	QTY	DESCRIPTION	REV
	0255409	Ref	TANK INSTALLATION	1
1	4280295	18 in /46cm	Strip, Protective	
2	0100011	AR	Compound, Locking	
3	0100020	AR	Sealant	
4	0641606	4	Bolt 3/8 x 3/4	
5	0641614	4	Bolt 3/8 x 1-3/4	
6	2200222	1	Plug	
7	3311601	2	Nut 3/8	
8	4240102	1	Strap, Tank	
9	4360436	1	Switch, Fuel Level	
10	4751600	10	Washer 3/8	
11	4844964	1	Tray	
12	1001151268	1	Hydraulic Oil Tank Assembly (See Separate Breakdown in this Section)	
13	1001173896	1	Tank, Fuel	
13	7016314	1	Cap (Non-Locking)	
13	7019658	1	Fitting, 90 with Pick Up Tube	
14	1001182997	AR	Sealant, Pipe	
15	4420038	AR	Tape, Rubber	

SECTION 2 - TURNTABLE

FIGURE 2-28. TANK INSTALLATION – DEUTZ TD2.2L3 (STAGE V) AND DEUTZ TD2.9L4 ENGINE
(USA BUILT MACHINES)



ART_1001137865

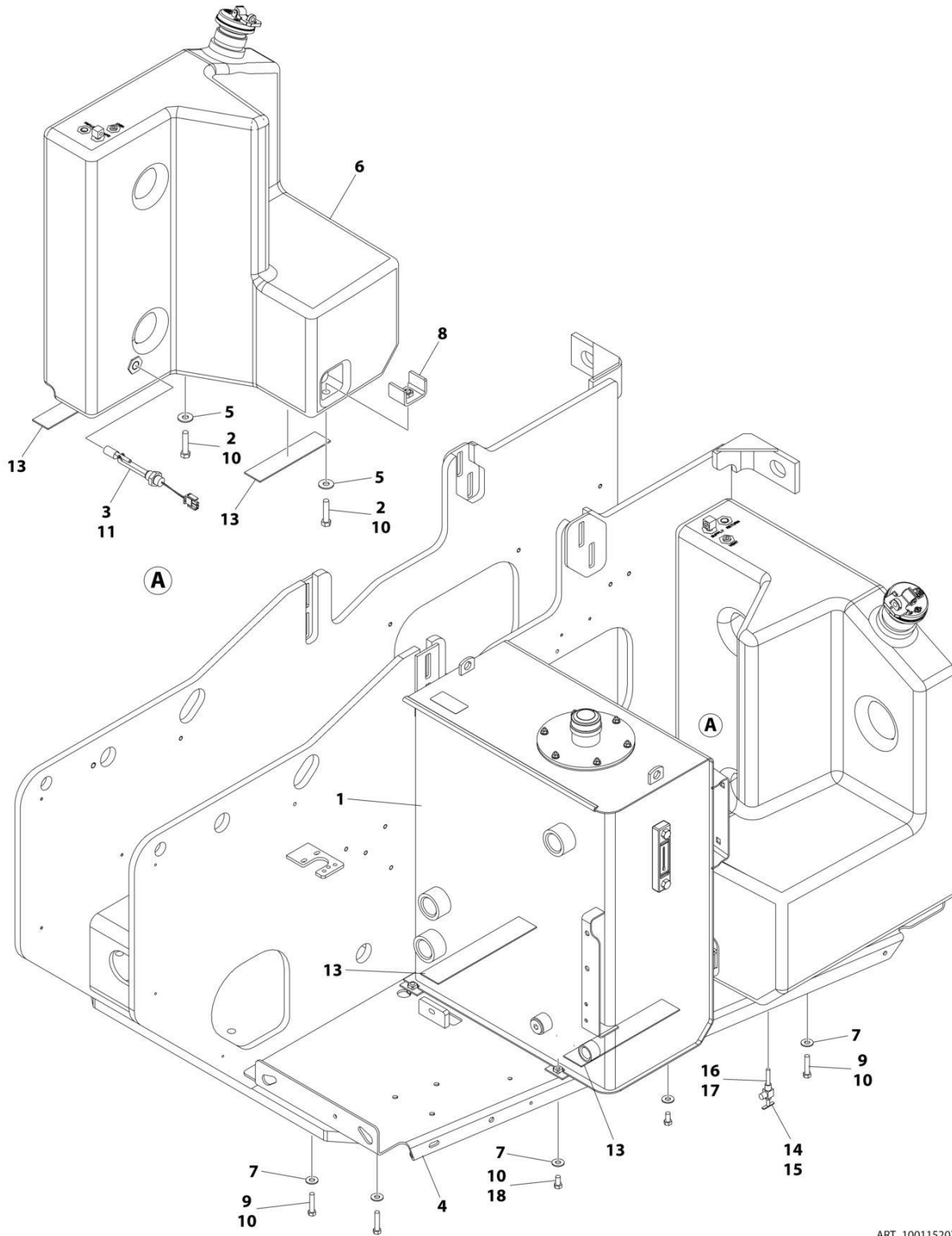
SECTION 2 - TURNTABLE

**FIGURE 2-28. TANK INSTALLATION – DEUTZ TD2.2L3 (STAGE V) AND DEUTZ TD2.9L4 ENGINE
(USA BUILT MACHINES)**

ITEM	PART NUMBER	QTY	DESCRIPTION	REV
	1001137865	Ref	TANK INSTALLATION	F
1	0100011	AR	Compound, Locking	
2	0100020	AR	Sealant	
3	0641606	4	Bolt 3/8 x 3/4	
4	0641614	4	Bolt 3/8 x 1-3/4	
5	2200222	1	Plug	
6	3311601	2	Nut 3/8	
7	4240102	1	Strap, Tank	
8	4280295	18 in /46cm	Strip, Protective	
9	4360436	1	Switch, Fuel Level	
10	1001173896	1	Tank, Fuel	
10	7016314	1	Cap (Non-Locking)	
10	7019658	1	Fitting, 90 with Pick up Tube	
11	1001151268	1	Hydraulic Oil Tank Assembly (See Separate Breakdown in this Section)	
12	4420038	AR	Tape, Rubber	
13	4751600	10	Washer 3/8	
14	1001137863	1	Tray	
15	1001182997	AR	Sealant, Pipe	

SECTION 2 - TURNTABLE

FIGURE 2-29. TANK INSTALLATION – FORD DE 2.5L ENGINE (USA BUILT MACHINES)



ART_1001152070

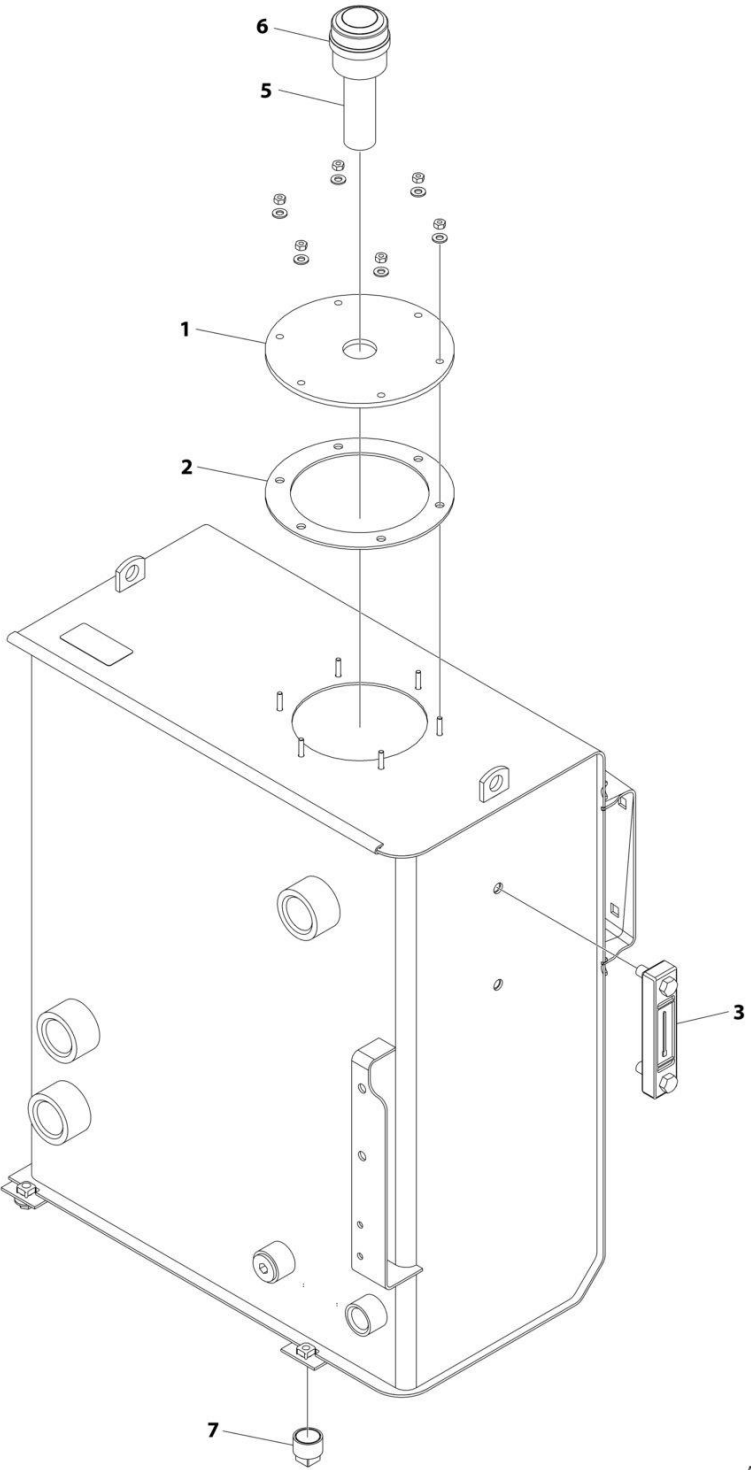
SECTION 2 - TURNTABLE

FIGURE 2-29. TANK INSTALLATION – FORD DE 2.5L ENGINE (USA BUILT MACHINES)

ITEM	PART NUMBER	QTY	DESCRIPTION	REV
	1001152070	Ref	TANK INSTALLATION	D
1	1001151268	1	Hydraulic Oil Tank Assembly (See Separate Breakdown in this Section)	
2	0641818	2	Bolt 1/2 x 2-1/4	
3	4360436	1	Switch, Fuel Level	
4	1001137863	1	Tray	
5	4751800	2	Washer 1/2	
6	1001111514	1	Tank, Fuel	
6	70002715	1	Cap (Non-Locking)	
6	70002716	1	Adpater, Cap	
6	70004149	1	Fitting with Pick up Tube	
7	4751600	8	Washer 3/8	
8	1001118133	2	Bracket	
9	0641614	4	Bolt 3/8 x 1-3/4	
10	0100011	AR	Compound, Locking	
11	1001182997	AR	Sealant, Pipe	
13	4420038	AR	Tape, Rubber	
14	4641022	1	Valve, Needle	
15	0100020	AR	Sealant	
16	0100062	AR	Retaining Compound #680	
17	4568119	1	Tube, Fuel	
18	0641606	4	Bolt 3/8 x 3/4	

SECTION 2 - TURNTABLE

FIGURE 2-30. HYDRAULIC OIL TANK ASSEMBLY



ART_1001151268

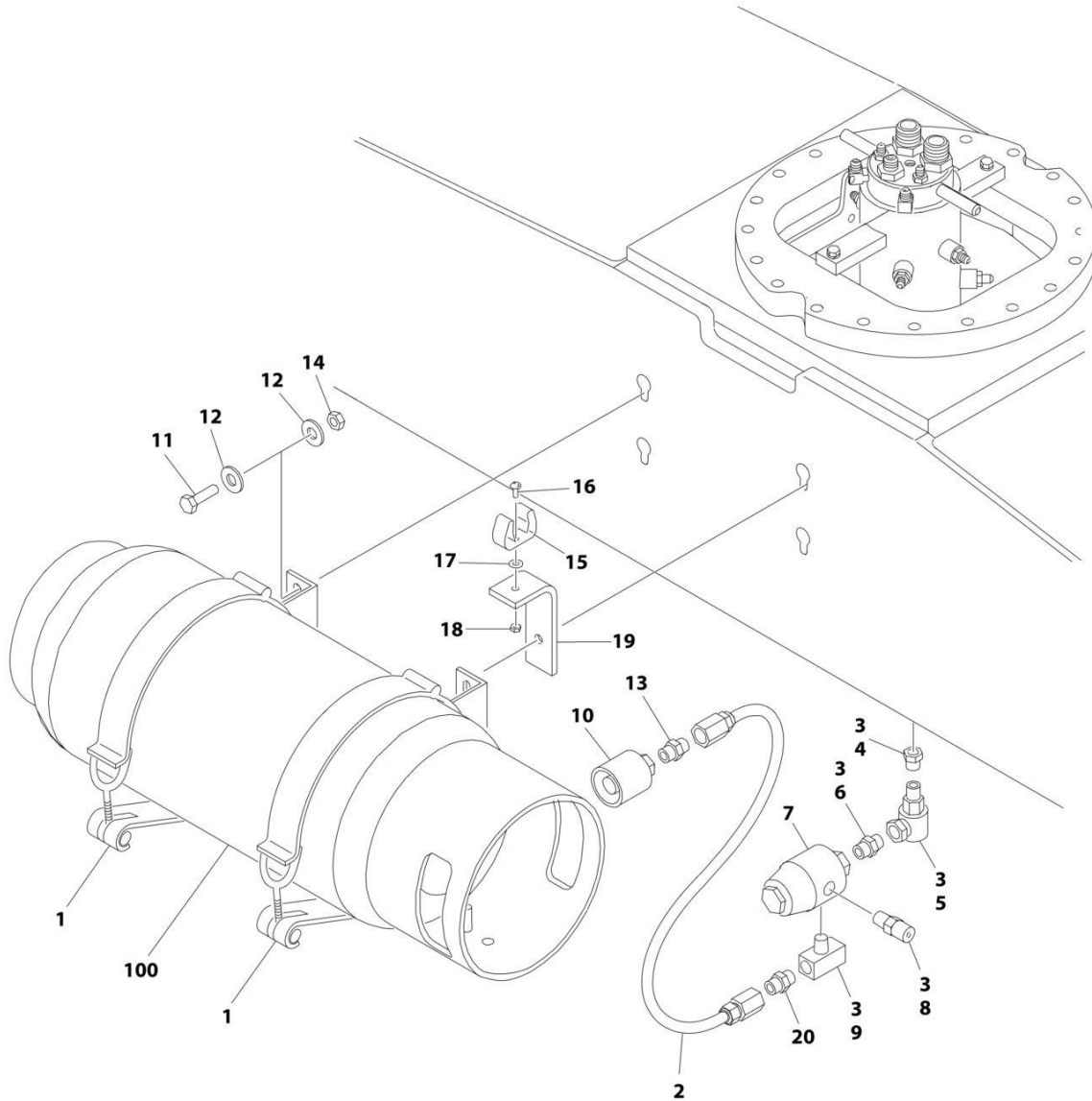
SECTION 2 - TURNTABLE

FIGURE 2-30. HYDRAULIC OIL TANK ASSEMBLY

ITEM	PART NUMBER	QTY	DESCRIPTION	REV
	1001151268	Ref	HYDRAULIC OIL TANK ASSEMBLY	H
1	7024439	1	Cover	
2	7024440	1	Gasket	
3	7024441	1	Gauge, Sight	
5	7024443	1	Neck, Fill (Helgensen Brand)	
5	See Note	NSS	Neck, Fill (Hydac Brand) (Note: Use Item 70004862)	
5	7024445	1	Screen (Helgensen Brand)	
5	See Note	NSS	Screen (Hydac Brand) (Note: Use Item 70004862)	
6	7024444	1	Breather/Fill Cap (Helgensen Brand)	
6	70004862	1	Breather/Fill Cap/Strainer Kit (Hydac Brand)	
7	7024446	1	Plug, Magnetic	

SECTION 2 - TURNTABLE

FIGURE 2-31. LP TANK BRACKET INSTALLATION – FORD DF 2.5L (8FT/2.4M WIDE MACHINES)



ART_1001151010

SECTION 2 - TURNTABLE

FIGURE 2-31. LP TANK BRACKET INSTALLATION – FORD DF 2.5L (8FT/2.4M WIDE MACHINES)

ITEM	PART NUMBER	QTY	DESCRIPTION	REV
	1001151010	Ref	LP TANK BRACKETS INSTALLATION	E
1	1320220	2	Clamp	
1	1320127	2	Clamp, Toggle (1 Per Clamp)	
2	2720144	2	Hose	
3	0100020	AR	Sealant, Pipe	
4	2221197	1	Fitting, Reducer	
5	1001247358	1	Fitting, 90 Swivel	
6	2220261	1	Fitting, Nipple	
7	2180388	1	Fitting, Bulkhead	
8	2180389	1	Valve, Relief	
9	2220418	1	Fitting, Tee	
10	2180387	2	Fitting, Straight	
11	0641617	8	Bolt 3/8 x 2-1/8	
12	4751600	16	Washer 3/8	
13	2180418	2	Fitting, Connector	
14	3311605	8	Nut 3/8	
15	1320218	2	Clamp, Spring	
16	0720804	2	Screw #8 x 1/2	
17	4750800	4	Washer #8	
18	3310805	2	Nut #8	
19	0181949	2	Angle, Support	
20	2221024	2	Fitting, Union Ball Check	
100	4400275	1	Tank, LP - 43.5 Lbs. (Aluminum)	

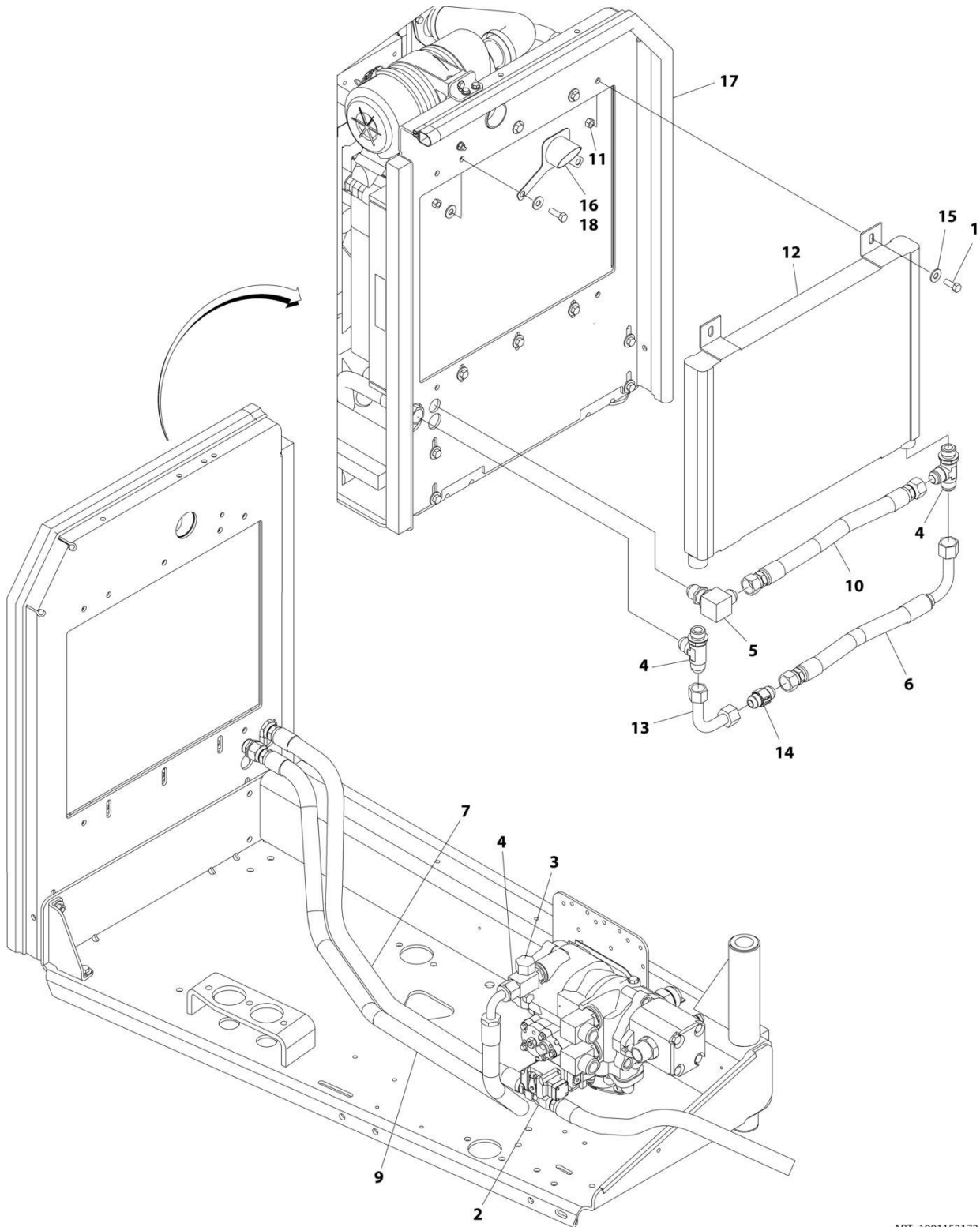
SECTION 2 - TURNTABLE

FIGURE 2-32. LP TANK BRACKET INSTALLATION – FORD DF 2.5L (7FT/2.1M WIDE MACHINES)

ITEM	PART NUMBER	QTY	DESCRIPTION	REV
	1001178512	Ref	LP TANK BRACKETS INSTALLATION	B
1	0100020	AR	Sealant, Pipe	
2	0181949	2	Angle, Support	
3	0641606	8	Bolt 3/8 x 3/4	
4	0720804	2	Screw, Round Head #8 x 1/2	
5	1320218	2	Clamp, Spring	
6	1320220	2	Clamp	
6	1320127	2	Clamp, Toggle (1 Per Clamp)	
7	1001247358	1	Fitting, 90 Swivel	
8	2180387	2	Fitting, Straight	
9	2180388	1	Fitting, Bulkhead	
10	2180389	1	Fitting, Relief Valve	
11	2180418	2	Fitting, Connector	
12	2220261	1	Fitting, Nipple	
13	2220418	1	Fitting, Tee	
14	2221024	2	Fitting, Union Ball Check	
15	2221197	1	Fitting, Reducer	
16	2720144	2	Hose	
17	3310805	2	Nut #8	
18	4750800	4	Washer #8	
19	4751600	8	Washer 3/8	
100	4400275	1	Tank, LP - 43.5 Lbs. (Aluminum)	

SECTION 2 - TURNTABLE

FIGURE 2-33. HYDRAULIC OIL COOLER INSTALLATION - DEUTZ D2011 ENGINES (USA BUILT MACHINES - PVC 2001 & 2007, CHINA BUILT MACHINES - PVC 2007) (OPTIONAL)



ART_1001152172

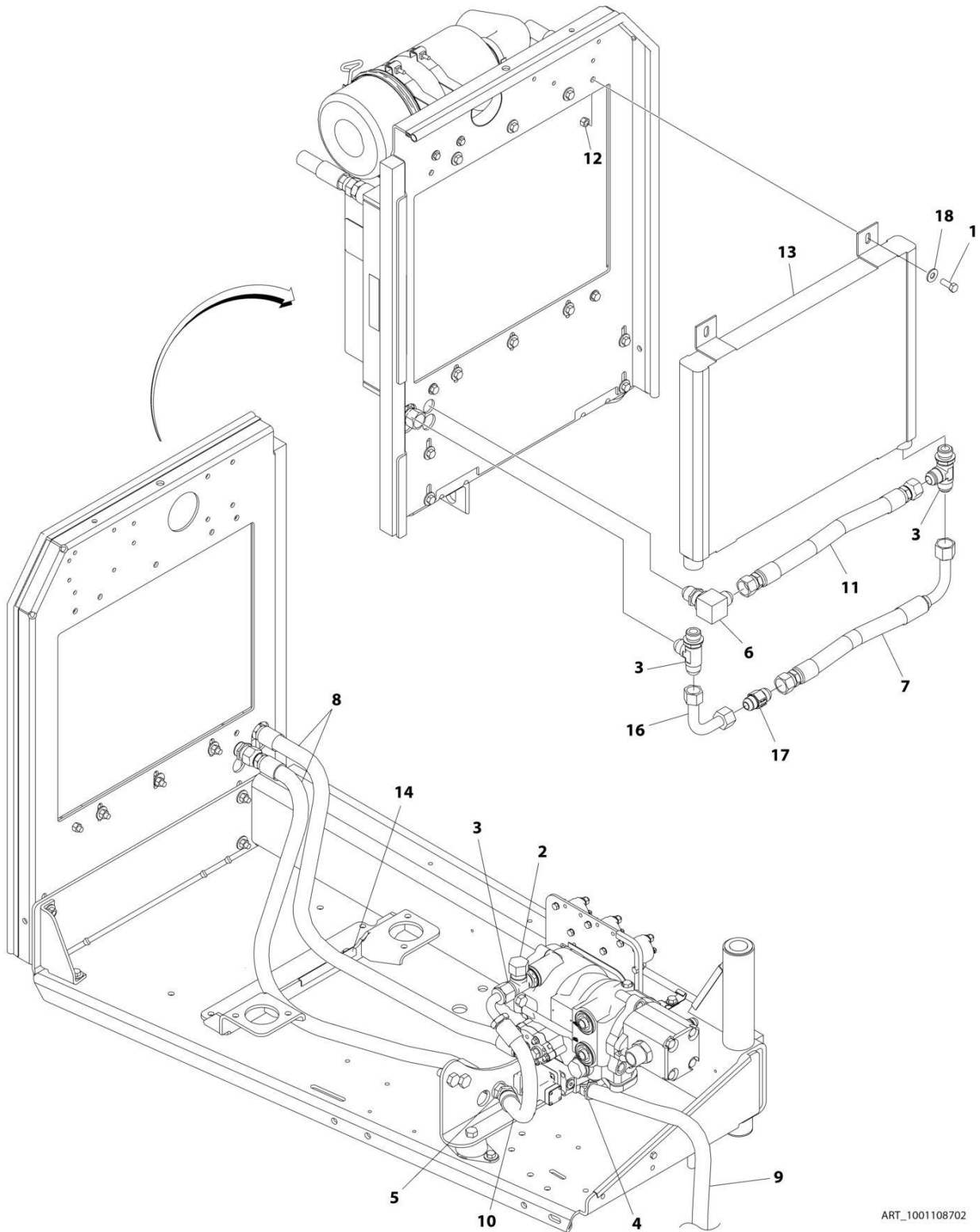
SECTION 2 - TURNTABLE

FIGURE 2-33. HYDRAULIC OIL COOLER INSTALLATION - DEUTZ D2011 ENGINES (USA BUILT MACHINES - PVC 2001 & 2007, CHINA BUILT MACHINES - PVC 2007) (OPTIONAL)

ITEM	PART NUMBER	QTY	DESCRIPTION	REV
	1001152172	Ref	HYDRAULIC OIL COOLER INSTALLATION	C
1	0641608	4	Bolt 3/8 x 1	
2	2220513	1	Fitting, Straight JIC/JIC	
3	2220518	1	Fitting, Cap	
4	2220738	3	Fitting, Tee JIC/ORB/JIC	
5	2230046	1	Fitting, 90 JIC/JIC	
6	2752659	1	Hose	
7	2752661	1	Hose	
9	2753354	1	Hose	
10	2750949	1	Hose	
11	3311605	4	Nut 3/8	
12	3620034	1	Cooler, Hydraulic Oil	
13	4567123	1	Tube 90	
14	4640990	1	Valve, Check	
15	4751600	4	Washer 3/8	
16	0100087	AR	Adhesive	
17	1001157604	5 ft /1.52m	Seal	
18	1001158720	1	Shroud	

SECTION 2 - TURNTABLE

FIGURE 2-34. HYDRAULIC OIL COOLER INSTALLATION - DEUTZ D2011 ENGINES (CHINA BUILT MACHINES) (PVC 2001) (OPTIONAL)



ART_1001108702

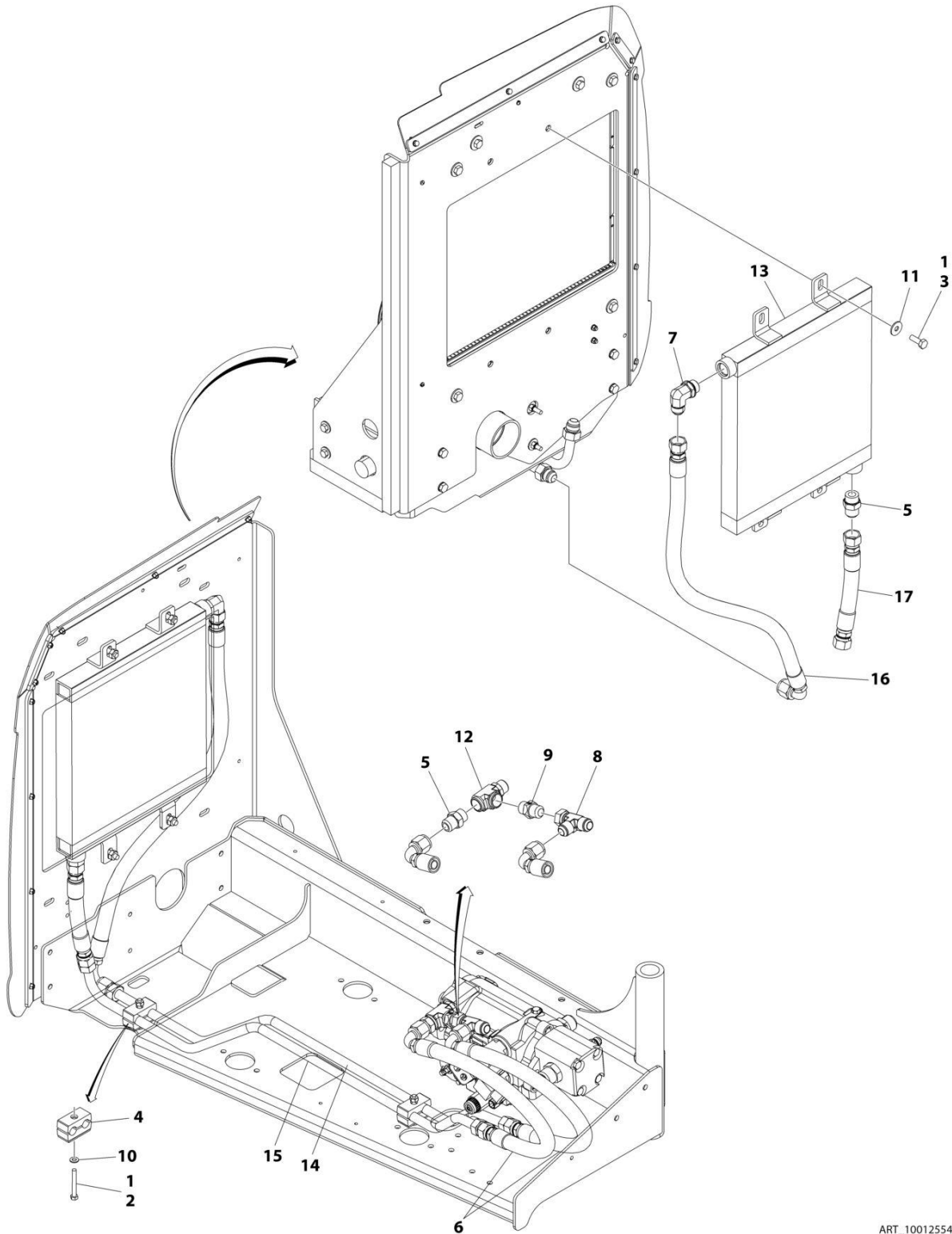
SECTION 2 - TURNTABLE

FIGURE 2-34. HYDRAULIC OIL COOLER INSTALLATION - DEUTZ D2011 ENGINES (CHINA BUILT MACHINES) (PVC 2001) (OPTIONAL)

ITEM	PART NUMBER	QTY	DESCRIPTION	REV
	1001108702	Ref	HYDRAULIC OIL COOLER INSTALLATION	A
1	0641608	4	Bolt 3/8 x 1	
2	2220518	1	Fitting, Cap	
3	2220738	3	Fitting, Tee JIC/ORB/JIC	
4	2230027	1	Fitting, Tee JIC/ORB/JIC	
5	2230036	1	Fitting, 45 JIC/JIC	
6	2230046	1	Fitting, 90 JIC/JIC	
7	2752659	1	Hose	
8	2752661	2	Hose	
9	2752663	1	Hose	
10	2753525	1	Hose	
11	2754311	1	Hose	
12	3311605	4	Nut 3/8	
13	3620034	1	Cooler, Hydraulic Oil	
14	4060805	9 in /23cm	Flex-Trim	
15	4240099	AR	Tie-Strap (Not Shown)	
16	4567123	1	Tube 90	
17	4640990	1	Valve, Check	
18	4711600	4	Washer 3/8	

SECTION 2 - TURNTABLE

FIGURE 2-35. HYDRAULIC OIL COOLER INSTALLATION - DEUTZ TD2.2L3 ENGINES (USA BUILT MACHINES) (OPTIONAL)



ART_1001255413

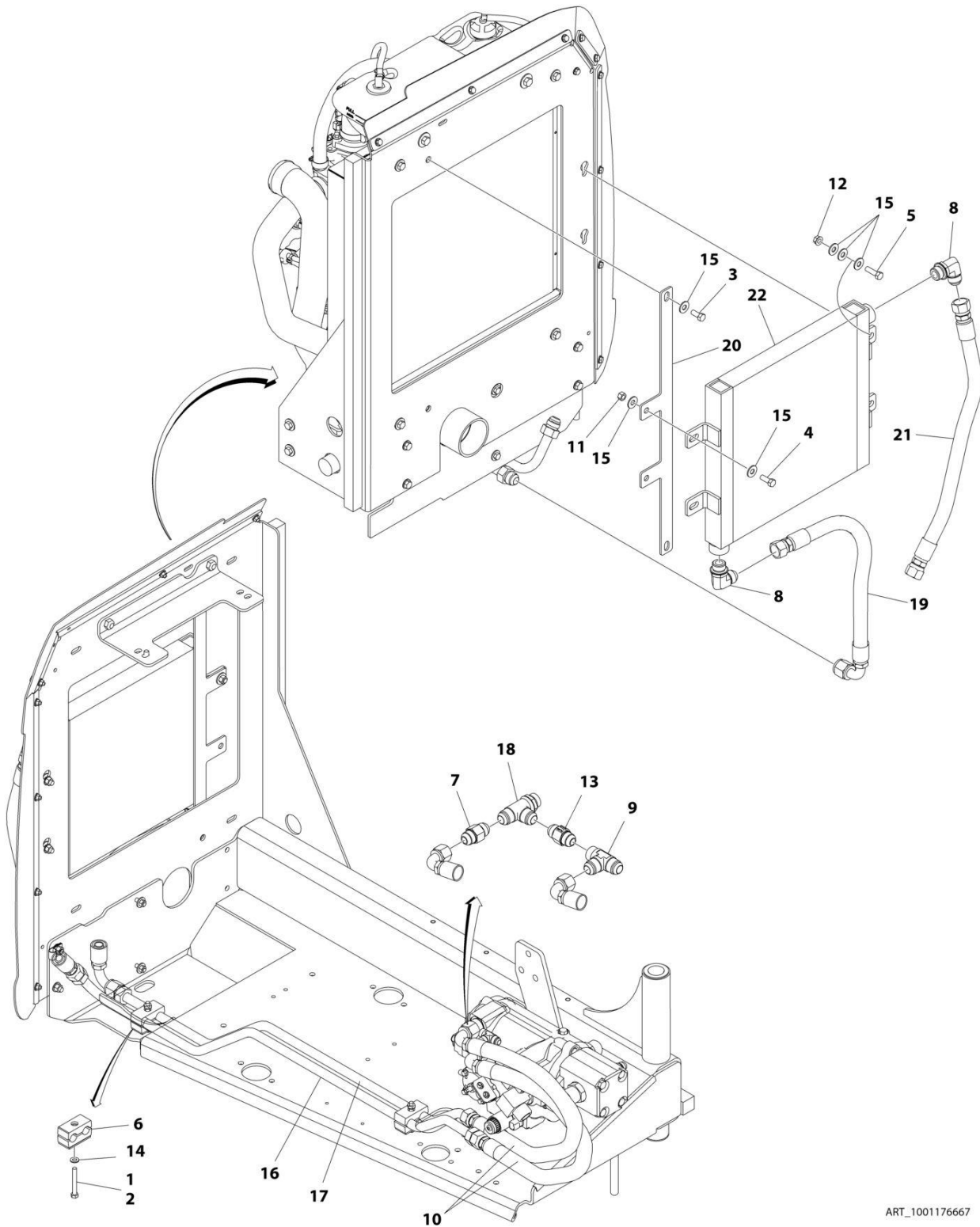
SECTION 2 - TURNTABLE

FIGURE 2-35. HYDRAULIC OIL COOLER INSTALLATION - DEUTZ TD2.2L3 ENGINES (USA BUILT MACHINES) (OPTIONAL)

ITEM	PART NUMBER	QTY	DESCRIPTION	REV
	1001255413	Ref	HYDRAULIC OIL COOLER INSTALLATION	A
1	0100011	AR	Compound, Locking	
2	0641520	2	Bolt 5/16 x 2-1/2	
3	0701014	4	Bolt M10 x 30	
4	1320162	2	Clamp	
5	2220451	2	Fitting, Straight JIC/ORB	
6	2752530	2	Hose	
7	2220578	1	Fitting, 90 JIC/ORB	
8	2220700	1	Fitting, Tee JIC/FSJIC/JIC	
9	4641264	1	Valve, Check	
10	4711500	2	Washer 5/16	
11	4812002	4	Washer M10	
12	1001143812	1	Fitting, Tee ORB/ORB/ORB	
13	1001183924	1	Cooler, Hydraulic Oil	
14	1001249448	1	Tube	
15	1001249449	1	Tube	
16	1001253805	1	Hose	
17	1001253806	1	Hose	

SECTION 2 - TURNTABLE

FIGURE 2-36. HYDRAULIC OIL COOLER INSTALLATION - DEUTZ TD2.9L4 ENGINES (USA BUILT MACHINES) (OPTIONAL)



ART_1001176667

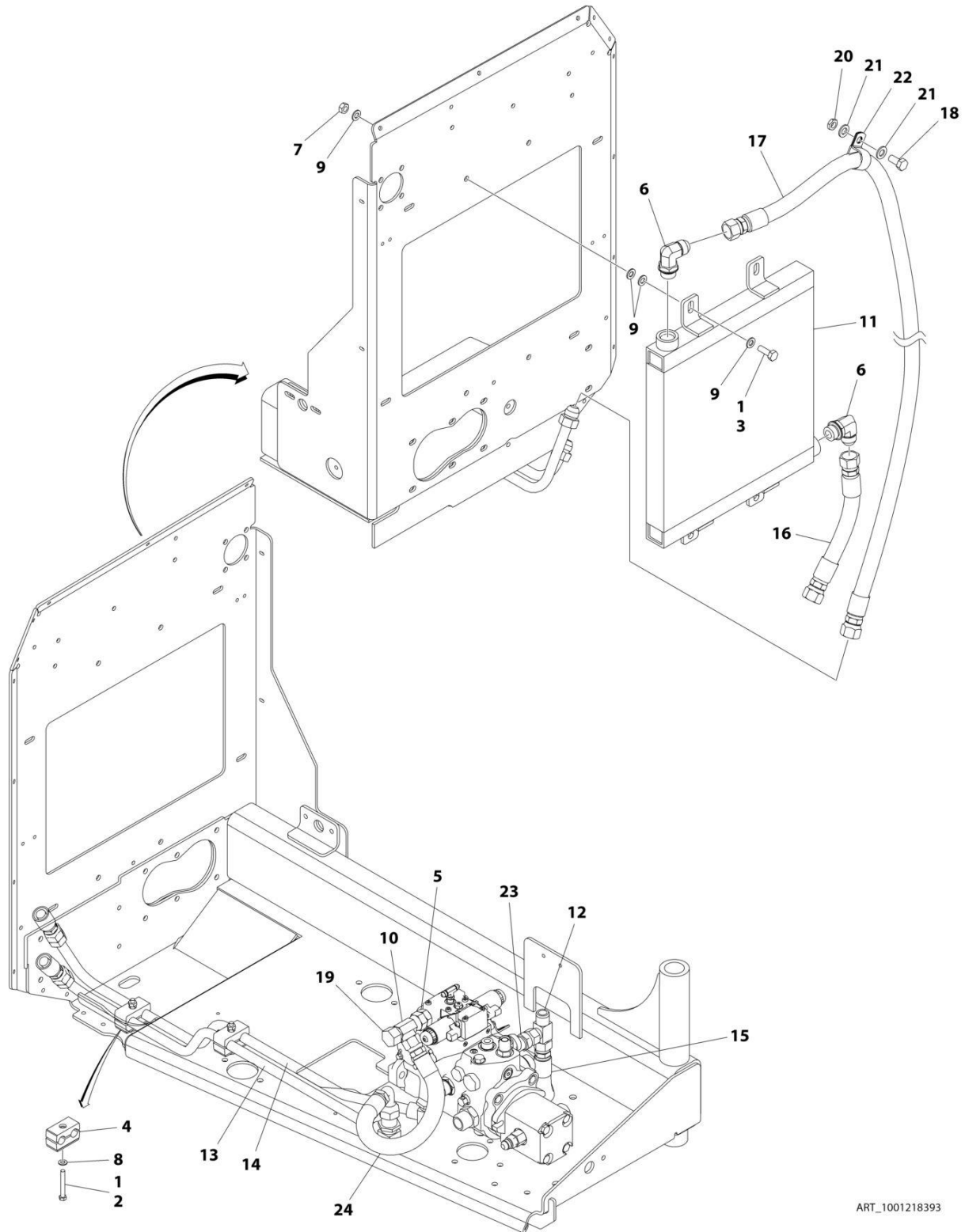
SECTION 2 - TURNTABLE

FIGURE 2-36. HYDRAULIC OIL COOLER INSTALLATION - DEUTZ TD2.9L4 ENGINES (USA BUILT MACHINES) (OPTIONAL)

ITEM	PART NUMBER	QTY	DESCRIPTION	REV
	1001176667	Ref	HYDRAULIC OIL COOLER INSTALLATION	C
1	0100011	AR	Compound, Locking	
2	0641520	2	Bolt 5/16 x 2-1/2	
3	0641607	2	Bolt 3/8 x 7/8	
4	0641608	2	Bolt 3/8 x 1	
5	0641610	2	Bolt 3/8 x 1-1/4	
6	1320162	2	Clamp	
7	2220451	1	Fitting, Straight JIC/ORB	
8	2220578	2	Fitting, 90 JIC/ORB	
9	2220700	1	Fitting, Tee JIC/FSJIC/JIC	
10	2752530	2	Hose	
11	3271601	2	Nut 3/8	
12	3311608	2	Nut 3/8	
13	4641264	1	Valve, Check	
14	4711500	2	Washer 5/16	
15	4751600	12	Washer 3/8	
16	1001143765	1	Tube	
17	1001143766	1	Tube	
18	1001143812	1	Fitting, Tee ORB/ORB/ORB	
19	1001145706	1	Hose	
20	1001176666	1	Plate	
21	1001177090	1	Hose	
22	1001183924	1	Cooler, Hydraulic Oil	

SECTION 2 - TURNTABLE

FIGURE 2-37. HYDRAULIC OIL COOLER INSTALLATION – FORD DF 2.5L ENGINES (USA BUILT MACHINES - PVC 2001 & 2007, CHINA BUILT MACHINES - PVC 2007) OPTIONAL)



ART_1001218393

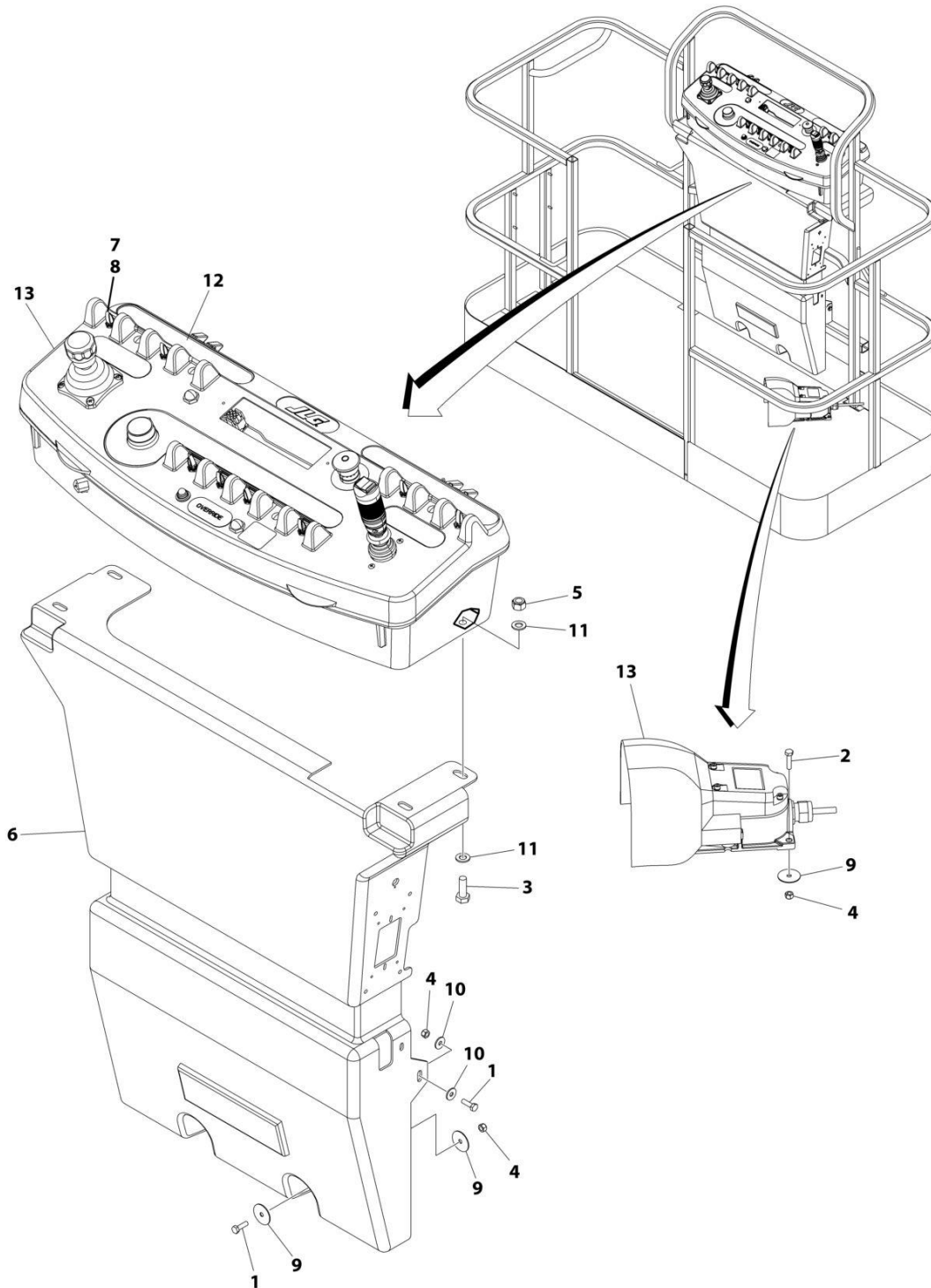
SECTION 2 - TURNTABLE

FIGURE 2-37. HYDRAULIC OIL COOLER INSTALLATION – FORD DF 2.5L ENGINES (USA BUILT MACHINES - PVC 2001 & 2007, CHINA BUILT MACHINES - PVC 2007) OPTIONAL)

ITEM	PART NUMBER	QTY	DESCRIPTION	REV
	1001218393	Ref	HYDRAULIC OIL COOLER INSTALLATION	C
1	0100011	AR	Compound, Locking	
2	0641520	2	Bolt 5/16 x 2-1/2	
3	0771014	4	Bolt M10 x 30	
4	1320162	2	Clamp	
5	2220451	1	Fitting, Straight JIC/ORB	
6	2220578	2	Fitting, 90 JIC/ORB	
7	3291001	4	Nut M10	
8	4711500	2	Washer 5/16	
9	4812000	16	Washer M10	
10	2220700	1	Fitting, Tee JIC/FSJIC/JIC	
11	1001183924	1	Cooler, Hydraulic Oil	
12	2220682	1	Fitting, Tee JIC/JIC/JIC	
13	1001218394	1	Tube	
14	1001218395	1	Tube	
15	1001219457	1	Hose	
16	1001219458	1	Hose	
17	1001096398	1	Hose	
18	0771212	1	Bolt M12 x 25	
19	2220518	1	Fitting, Cap	
20	3291202	1	Nut M12	
21	4812100	2	Washer M12	
22	8406302	1	Clamp	
23	1001179156	1	Valve, Check	
24	1001221621	1	Hose	

SECTION 2 - TURNTABLE

FIGURE 2-38. GROUND CONTROL BOX ASSEMBLY - WITH JIB (DEUTZ D2011 AND DEUTZ D2011 (STAGE V) ENGINES) ENGINE) (USA BUILT MACHINES) (PVC 2001)



ART_1001266073

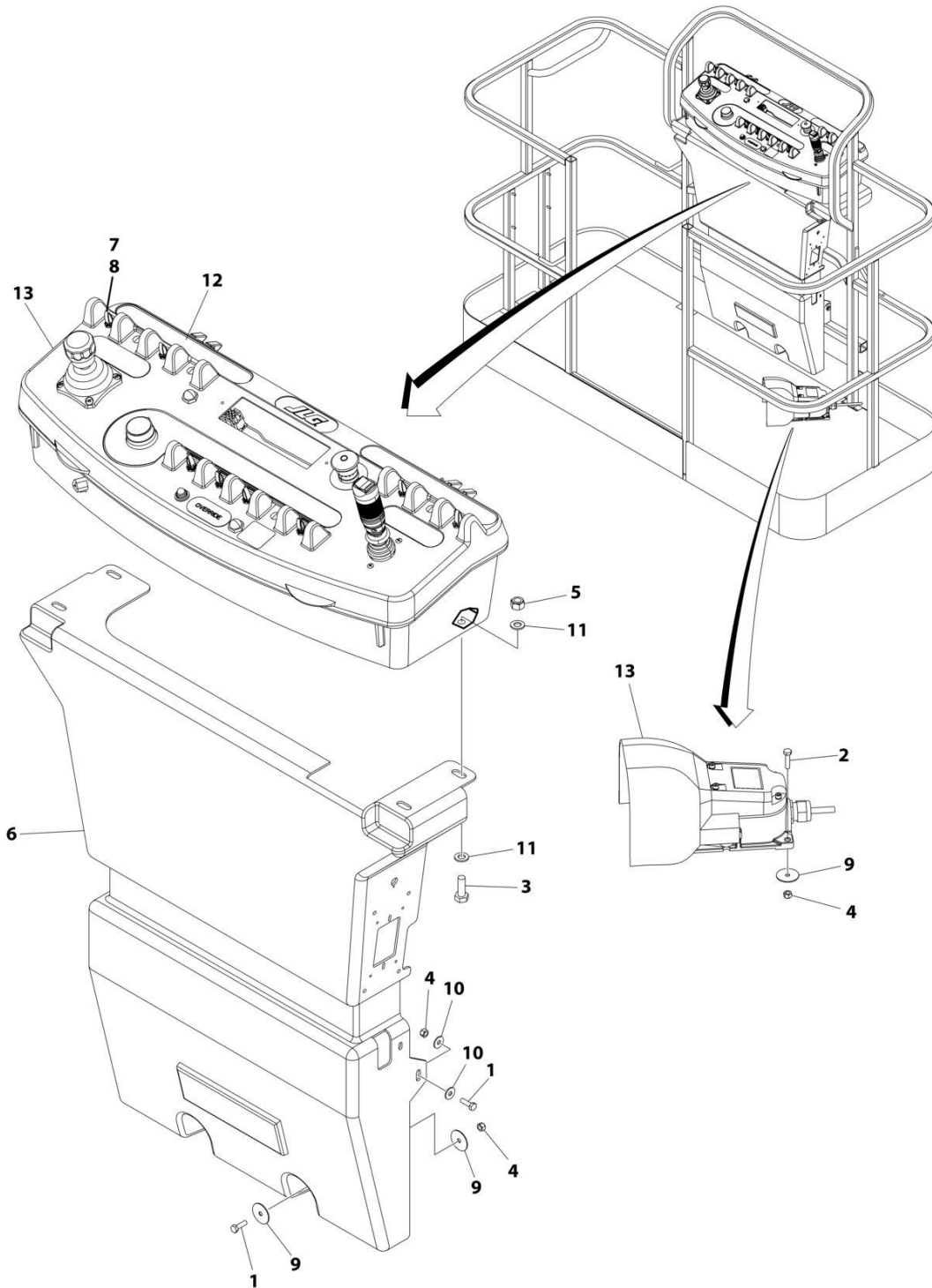
SECTION 2 - TURNTABLE

FIGURE 2-38. GROUND CONTROL BOX ASSEMBLY - WITH JIB (DEUTZ D2011 AND DEUTZ D2011 (STAGE V) ENGINES) ENGINE) (USA BUILT MACHINES) (PVC 2001)

ITEM	PART NUMBER	QTY	DESCRIPTION	REV
	1001266073	Ref	PLATFORM CONSOLE AND FOOTSWITCH INSTALLATION	A
1	0641406	4	Bolt 1/4 x 3/4	
2	0641408	3	Bolt 1/4 x 1	
3	0641610	4	Bolt 3/8 x 1-1/4	
4	3311405	7	Nut 1/4	
5	3311605	4	Nut 3/8	
6	3380434	1	Panel	
7	3790012	1	O-Ring	
8	4360331	1	Switch, Toggle	
9	4740362	7	Washer	
10	4751400	4	Washer 1/4	
11	4761600	8	Washer 3/8	
12	1001184626	1	Decal - Horn	
13	1001266069	1	Platform Console Assembly (See Separate Breakdown in this Section)	

SECTION 2 - TURNTABLE

FIGURE 2-39. PLATFORM CONSOLE AND FOOTSWITCH INSTALLATION



ART_1001264239

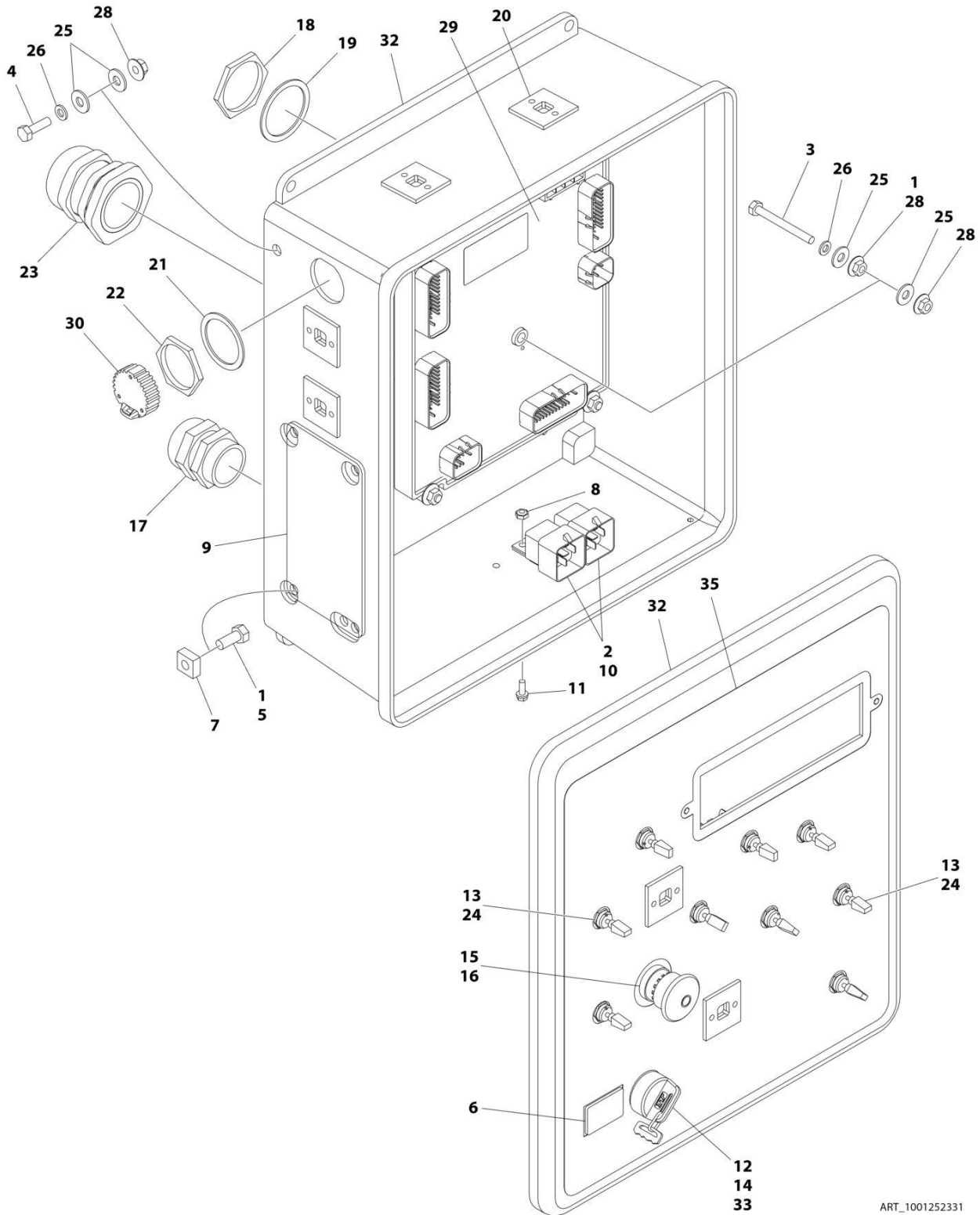
SECTION 2 - TURNTABLE

FIGURE 2-39. PLATFORM CONSOLE AND FOOTSWITCH INSTALLATION

ITEM	PART NUMBER	QTY	DESCRIPTION	REV
	1001264239	Ref	PLATFORM CONSOLE AND FOOTSWITCH INSTALLATION (TOWER STOW)	A
1	0641406	4	Bolt 1/4 x 3/4	
2	0641408	3	Bolt 1/4 x 1	
3	0641610	4	Bolt 3/8 x 1-1/4	
4	3311405	7	Nut 1/4	
5	3311605	4	Nut 3/8	
6	3380434	1	Panel	
7	3790012	AR	O-Ring	
8	4360331	AR	Switch, Toggle	
9	4740362	7	Washer	
10	4751400	4	Washer 1/4	
11	4761600	8	Washer 3/8	
12	1001184626	AR	Decal - Horn	
13	1001263588	1	Platform Console Assembly (See Separate Breakdown in this Section)	

SECTION 2 - TURNTABLE

FIGURE 2-40. GROUND CONTROL BOX ASSEMBLY – DEUTZ D2011 ENGINE (CHINA BUILT MACHINES) (PVC 2001)



ART_1001252331

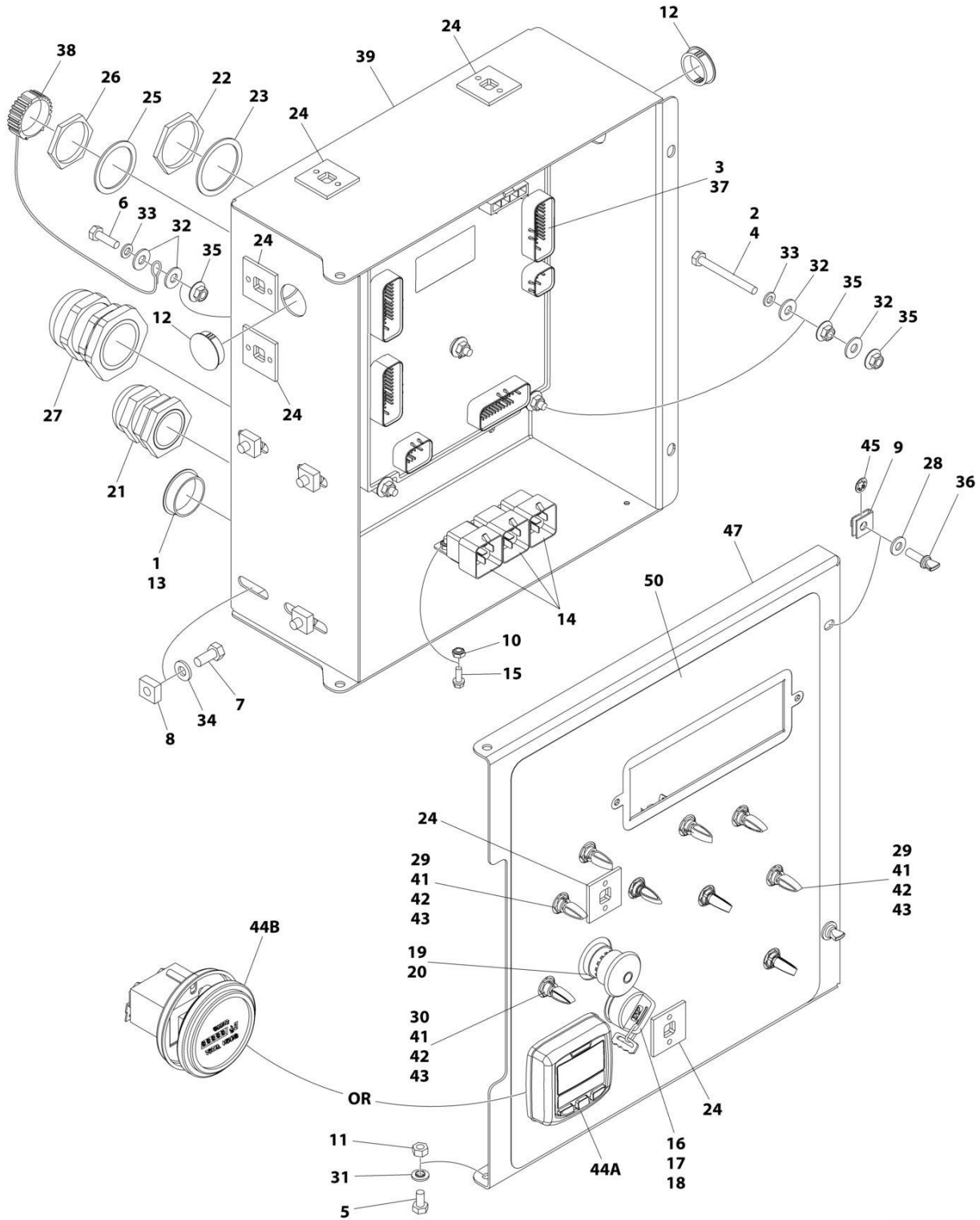
SECTION 2 - TURNTABLE

FIGURE 2-40. GROUND CONTROL BOX ASSEMBLY – DEUTZ D2011 ENGINE (CHINA BUILT MACHINES) (PVC 2001)

ITEM	PART NUMBER	QTY	DESCRIPTION	REV
	1001252331	Ref	GROUND CONTROL BOX ASSEMBLY	A
1	0100011	AR	Compound, Locking	
2	0100048	AR	Grease, Dielectric	
3	0630548	5	Bolt, 2-1/2 Tap	
4	0641407	1	Bolt 1/4 x 7/8	
5	0641506	4	Bolt 5/16 x 3/4	
6	2420172	1	Gauge, Hourmeter	
7	3300205	4	Nut, Retainer	
8	3300408	2	Nut, Plastic Insert	
9	3539219	1	Plate, Reinforcement	
10	3740049	2	Relay	
11	3900268	2	Screw #10 x 1/2	
12	3910804	6	Screw #8 x 1/4	
13	4360268	9	Switch, Toggle	
14	4360469	1	Switch, Key	
14	2860030	1	Key Replacement	
15	4360475	1	Switch, Emergency Stop	
15	7020175	1	Cap, Mushroom	
15	7020176	1	Block, Contact	
16	4360476	1	Switch, Contact Block	
17	4460426	1	Connector, Strain Relief	
18	4460470	1	Nut, Terminal	
19	4460471	1	Washer, Terminal	
20	4460488	6	Mounting Base, Terminal	
21	4460496	1	Washer, Terminal	
22	4460497	1	Nut, Terminal	
23	4460526	1	Connector, Strain Relief	
24	4740444	9	Washer	
25	4751400	12	Washer 1/4	
26	4761400	6	Washer 1/4	
27	4923224	1	Harness, Valve (Not Shown - See Separate Breakdown in ELECTRICAL SECTION)	
28	77143013	11	Nut 1/4-20	
29	1001103667	1	Module, Ground Control	
		Ref	Note: Re-calibration Required when Replaced.	
30	1001106736	1	Cap, Dust	
31	1001110361	1	Harness, Deutz D2011 Engine (Not Shown - See Separate Breakdown in ELECTRICAL SECTION)	
32	1001111021	1	Box	
33	1001151393	1	Shim	
34	1001243263	1	Harness, Ground Control Box (Not Shown - See Separate Breakdown in ELECTRICAL SECTION)	
35	1001243568	1	Decal, Faceplate	

SECTION 2 - TURNTABLE

FIGURE 2-41. GROUND CONTROL BOX ASSEMBLY – WITHOUT JIB (DEUTZ D2011 ENGINE) (USA BUILT MACHINES - PVC 2001 & 2007, CHINA BUILT MACHINES - PVC 2007)



ART_1001266873

SECTION 2 - TURNTABLE

FIGURE 2-41. GROUND CONTROL BOX ASSEMBLY – WITHOUT JIB (DEUTZ D2011 ENGINE) (USA BUILT MACHINES - PVC 2001 & 2007, CHINA BUILT MACHINES - PVC 2007)

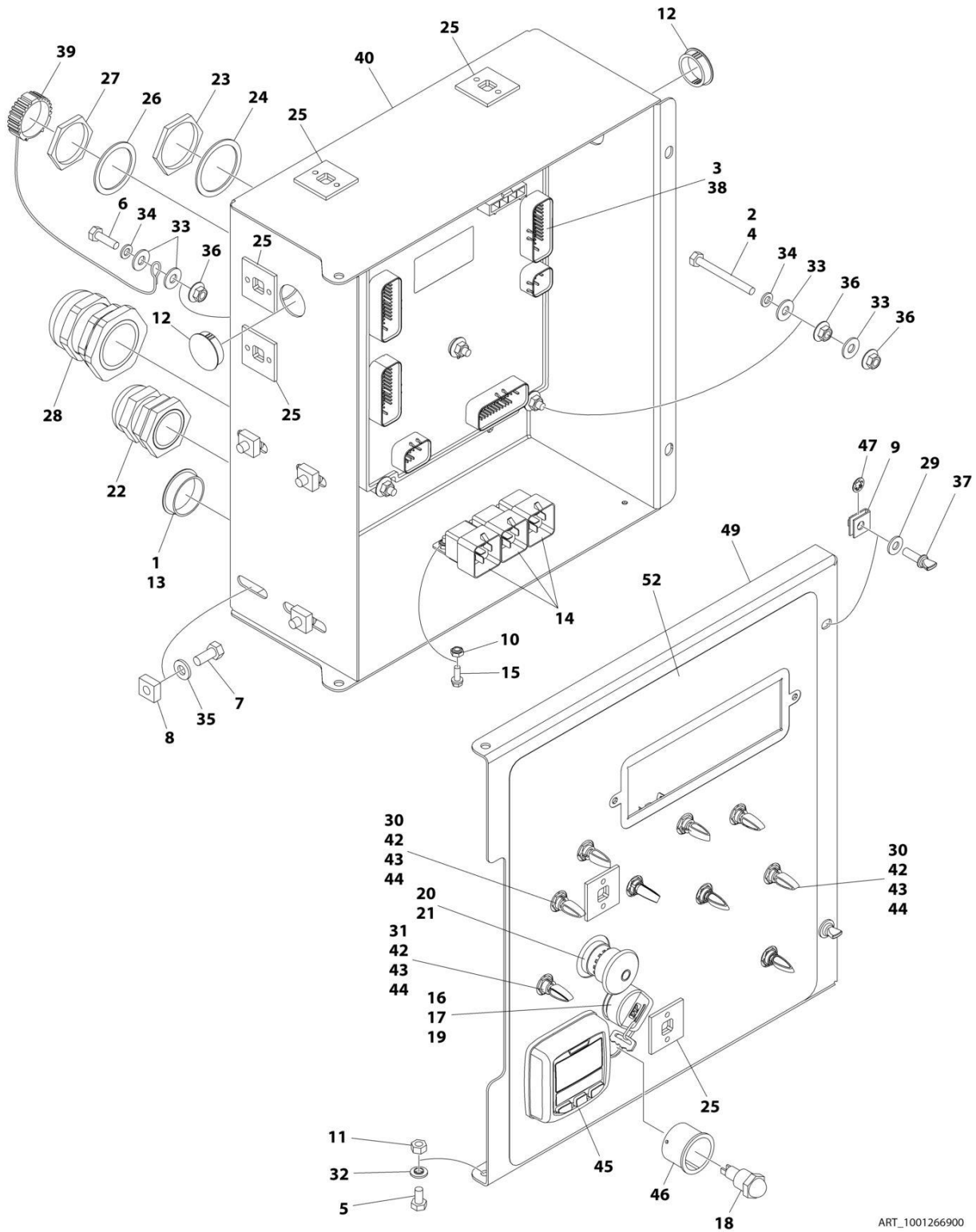
ITEM	PART NUMBER	QTY	DESCRIPTION	REV
	1001266873	Ref	GROUND CONTROL BOX ASSEMBLY	A
1	0100009	AR	Sealant	
2	0100011	AR	Compound, Locking	
3	0100048	AR	Grease, Dielectric	
4	0630548	5	Bolt, 2-1/2 Tap	
5	0641404	2	Bolt 1/4 x 1/2	
6	0641407	1	Bolt 1/4 x 7/8	
7	0641506	4	Bolt 5/16 x 3/4	
8	3300205	4	Nut, Retainer	
9	3300353	2	Nut, Tinnerman	
10	3300408	3	Nut, Plastic Insert	
11	3311405	2	Nut 1/4	
12	3520031	2	Plug	
13	3520035	1	Plug, Cap	
14	3740049	3	Relay	
15	3900268	3	Screw #10 x 1/2	
16	3910804	6	Screw #8 x 1/4	
17	4070991	1	Shim	
18	4360469	1	Switch, Key	
18	2860030	1	Key Replacement	
19	4360475	1	Switch, Emergency Stop	
19	7020175	1	Cap, Mushroom	
19	7020176	1	Block, Contact	
20	4360476	1	Switch, Contact Block	
21	4460426	1	Connector, Strain Relief	
22	4460470	1	Nut, Terminal	
23	4460471	1	Washer, Terminal	
24	4460488	6	Mounting Base, Terminal	
25	4460496	1	Washer, Terminal	
26	4460497	1	Nut, Terminal	
27	4460526	1	Connector, Strain Relief	
28	4711400	2	Washer 1/4	
29	4740397	8	Spacer	
30	4740444	1	Washer	
31	4740518	2	Washer	
32	4751400	12	Washer 1/4	
33	4761400	6	Washer 1/4	
34	4891500	4	Washer 5/16	
35	77143013	11	Nut 1/4-20	
36	1001103308	2	Screw 1/4	
37	1001103667	1	Module, Ground Control	
		Ref	Note: Re-calibration Required when Replaced.	
38	1001106736	1	Cap, Dust	
39	1001152175	1	Plate	
40	1001154392	1	Harness, Valve (Not Shown - See Separate Breakdown in ELECTRICAL Section)	
41	1001155043	9	Washer	
42	1001155044	9	Nut 15/32-32	
43	1001155045	9	Switch, Toggle	

SECTION 2 - TURNTABLE

ITEM	PART NUMBER	QTY	DESCRIPTION	REV
44A	1001171482	1	Gauge, Digital Display	
44B	10836804	1	Hour Meter	
45	1001188874	2	Nut	
46	1001191868	1	Harness, Deutz D2011 Engine (Not Shown - See Separate Breakdown in ELECTRICAL Section)	
47	1001263352	1	Plate (Note: For Use With Item 44A)	
47	1001280403	1	Plate (Note: For Use With Item 44B)	
48	1001266628	1	Harness, Ground Control Box (Not Shown - See Separate Breakdown in ELECTRICAL Section)	
49	1001266665	NLA	Wire Diagram (Not Shown)	
50	1001266876	1	Decal, Faceplate	

SECTION 2 - TURNTABLE

FIGURE 2-42. GROUND CONTROL BOX ASSEMBLY - WITH JIB (DEUTZ D2011 AND DEUTZ D2011 (STAGE V) ENGINES) ENGINE) (USA BUILT MACHINES) (PVC 2001)



SECTION 2 - TURNTABLE

FIGURE 2-42. GROUND CONTROL BOX ASSEMBLY - WITH JIB (DEUTZ D2011 AND DEUTZ D2011 (STAGE V) ENGINES) ENGINE) (USA BUILT MACHINES) (PVC 2001)

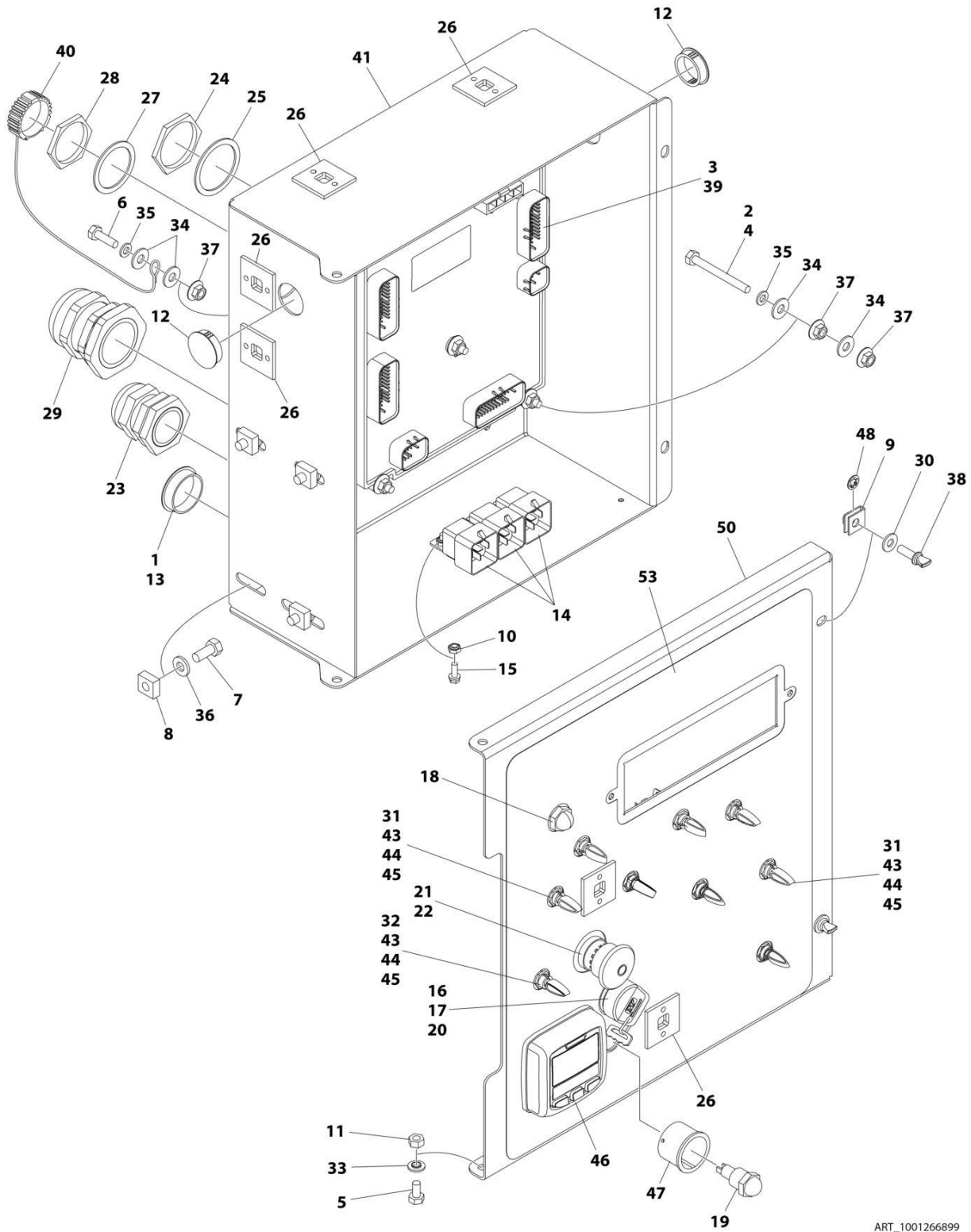
ITEM	PART NUMBER	QTY	DESCRIPTION	REV
	1001266900	Ref	GROUND CONTROL BOX ASSEMBLY	A
1	0100009	AR	Sealant	
2	0100011	AR	Compound, Locking	
3	0100048	AR	Grease, Dielectric	
4	0630548	5	Bolt, 2-1/2 Tap	
5	0641404	2	Bolt 1/4 x 1/2	
6	0641407	1	Bolt 1/4 x 7/8	
7	0641506	4	Bolt 5/16 x 3/4	
8	3300205	4	Nut, Retainer	
9	3300353	2	Nut, Tinnerman	
10	3300408	3	Nut, Plastic Insert	
11	3311405	2	Nut 1/4	
12	3520031	2	Plug	
13	3520035	1	Plug, Cap	
14	3740049	3	Relay	
15	3900268	3	Screw #10 x 1/2	
16	3910804	6	Screw #8 x 1/4	
17	4070991	1	Shim	
18	4360387	1	Switch, Push Button	
19	4360469	1	Switch, Key	
19	2860030	1	Key Replacement	
20	4360475	1	Switch, Emergency Stop	
20	7020175	1	Cap, Mushroom	
20	7020176	1	Block, Contact	
21	4360476	1	Switch, Contact Block	
22	4460426	1	Connector, Strain Relief	
23	4460470	1	Nut, Terminal	
24	4460471	1	Washer, Terminal	
25	4460488	6	Mounting Base, Terminal	
26	4460496	1	Washer, Terminal	
27	4460497	1	Nut, Terminal	
28	4460526	1	Connector, Strain Relief	
29	4711400	2	Washer 1/4	
30	4740397	8	Spacer	
31	4740444	1	Washer	
32	4740518	2	Washer	
33	4751400	12	Washer 1/4	
34	4761400	6	Washer 1/4	
35	4891500	4	Washer 5/16	
36	77143013	11	Nut 1/4-20	
37	1001103308	2	Screw 1/4	
38	1001103667	1	Module, Ground Control	
		Ref	Note: Re-calibration Required when Replaced.	
39	1001106736	1	Cap, Dust	
40	1001152175	1	Box	
41	1001154392	1	Harness, Valve (Not Shown - See Separate Breakdown in ELECTRICAL Section)	
42	1001155043	9	Washer	
43	1001155044	9	Nut 15/32-32	

SECTION 2 - TURNTABLE

ITEM	PART NUMBER	QTY	DESCRIPTION	REV
44	1001155045	9	Switch, Toggle	
45	1001171482	1	Gauge, Display	
46	1001176469	1	Shroud	
47	1001188874	2	Nut	
48	1001191868	1	Harness, Deutz D2011 Engine (Not Shown - See Separate Breakdown in ELECTRICAL SECTION)	
49	1001263353	1	Lid	
50	1001266628	1	Harness, Ground Control Box (Not Shown - See Separate Breakdown in ELECTRICAL Section)	
51	1001266665	NLA	Wire Digram (Not Shown)	
52	1001266874	1	Decal, Faceplate	

SECTION 2 - TURNTABLE

FIGURE 2-43. GROUND CONTROL BOX ASSEMBLY - DEUTZ TD2.2L3 (STAGE V) ENGINES (USA BUILT MACHINES)



ART_1001266899

SECTION 2 - TURNTABLE

FIGURE 2-43. GROUND CONTROL BOX ASSEMBLY - DEUTZ TD2.2L3 (STAGE V) ENGINES (USA BUILT MACHINES)

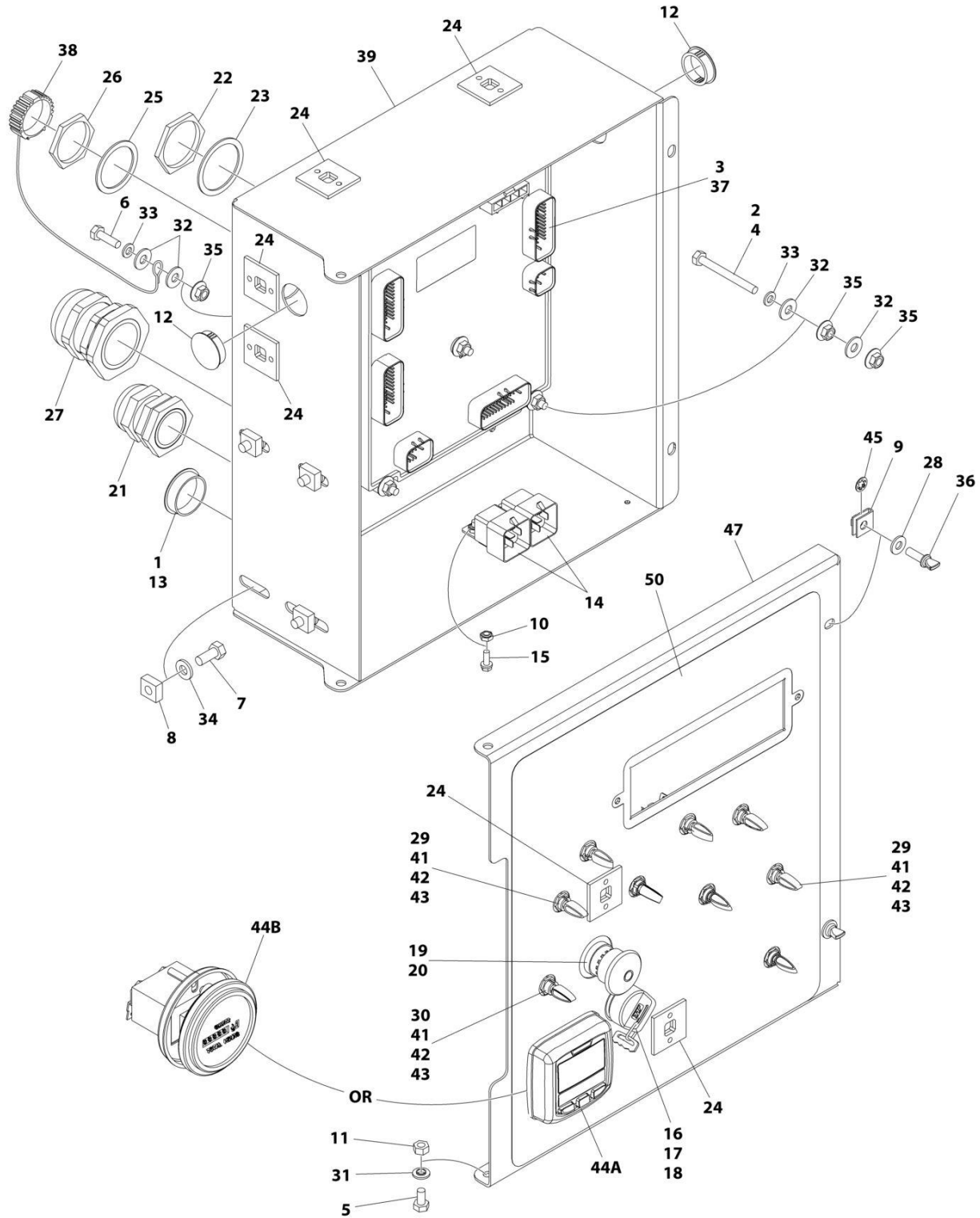
ITEM	PART NUMBER	QTY	DESCRIPTION	REV
	1001266899	Ref	GROUND CONTROL BOX ASSEMBLY	A
1	0100009	AR	Sealant	
2	0100011	AR	Compound, Locking	
3	0100048	AR	Grease, Dielectric	
4	0630548	5	Bolt, 2-1/2 Tap	
5	0641404	2	Bolt 1/4 x 1/2	
6	0641407	1	Bolt 1/4 x 7/8	
7	0641506	4	Bolt 5/16 x 3/4	
8	3300205	4	Nut, Retainer	
9	3300353	2	Nut, Tinnerman	
10	3300408	3	Nut, Plastic Insert	
11	3311405	2	Nut 1/4	
12	3520031	2	Plug	
13	3520035	1	Plug, Cap	
14	3740049	3	Relay	
15	3900268	3	Screw #10 x 1/2	
16	3910804	6	Screw #8 x 1/4	
17	4070991	1	Shim	
18	4360274	1	Switch, Push Button	
19	4360387	1	Switch, Push Button	
20	4360469	1	Switch, Key	
20	2860030	1	Key Replacement	
21	4360475	1	Switch, Emergency Stop	
21	7020175	1	Cap, Mushroom	
21	7020176	1	Block, Contact	
22	4360476	1	Switch, Contact Block	
23	4460426	1	Connector, Strain Relief	
24	4460470	1	Nut, Terminal	
25	4460471	1	Washer, Terminal	
26	4460488	6	Mounting Base, Terminal	
27	4460496	1	Washer, Terminal	
28	4460497	1	Nut, Terminal	
29	4460526	1	Connector, Strain Relief	
30	4711400	2	Washer 1/4	
31	4740397	8	Spacer	
32	4740444	1	Washer	
33	4740518	2	Washer	
34	4751400	12	Washer 1/4	
35	4761400	6	Washer 1/4	
36	4891500	4	Washer 5/16	
37	77143013	11	Nut 1/4-20	
38	1001103308	2	Screw 1/4	
39	1001103667	1	Module, Ground Control	
		Ref	Note: Re-calibration Required when Replaced.	
40	1001106736	1	Cap, Dust	
41	1001152175	1	Box	
42	1001154392	1	Harness, Valve (Not Shown - See Separate Breakdown in ELECTRICAL Section)	
43	1001155043	9	Washer	

SECTION 2 - TURNTABLE

ITEM	PART NUMBER	QTY	DESCRIPTION	REV
44	1001155044	9	Nut 15/32-32	
45	1001155045	9	Switch, Toggle	
46	1001171482	1	Gauge	
47	1001176469	1	Shroud	
48	1001188874	2	Nut	
49	1001191866	1	Harness, Deutz D2011 Engine (Not Shown - See Separate Breakdown in ELECTRICAL Section)	
50	1001263353	1	Lid	
51	1001266628	1	Harness, Ground Control Box (Not Shown - See Separate Breakdown in ELECTRICAL Section)	
52	1001266665	NLA	Wire Diagram (Not Shown)	
53	1001266878	1	Decal, Faceplate	

SECTION 2 - TURNTABLE

FIGURE 2-44. GROUND CONTROL BOX ASSEMBLY - DEUTZ TD2.9L4 AND D2.9L4 ENGINE (USA BUILT MACHINES)



ART_1001266897

SECTION 2 - TURNTABLE

FIGURE 2-44. GROUND CONTROL BOX ASSEMBLY - DEUTZ TD2.9L4 AND D2.9L4 ENGINE (USA BUILT MACHINES)

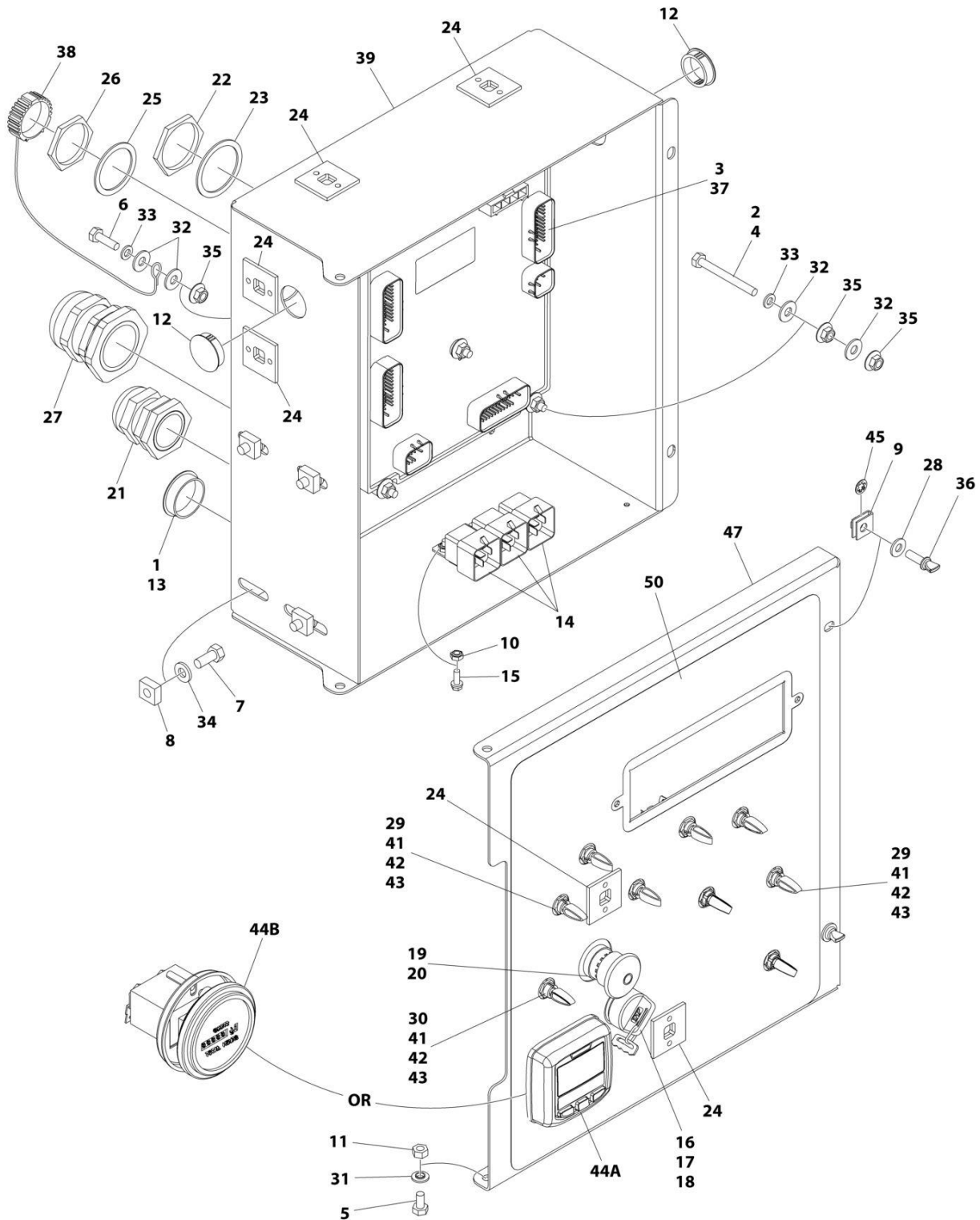
ITEM	PART NUMBER	QTY	DESCRIPTION	REV
	1001266897	Ref	GROUND CONTROL BOX ASSEMBLY	A
1	0100009	AR	Sealant	
2	0100011	AR	Compound, Locking	
3	0100048	AR	Grease, Dielectric	
4	0630548	5	Bolt, 2-1/2 Tap	
5	0641404	2	Bolt 1/4 x 1/2	
6	0641407	1	Bolt 1/4 x 7/8	
7	0641506	4	Bolt 5/16 x 3/4	
8	3300205	4	Nut, Retainer	
9	3300353	2	Nut, Tinnerman	
10	3300408	2	Nut, Plastic Insert	
11	3311405	2	Nut 1/4	
12	3520031	2	Plug	
13	3520035	1	Plug, Cap	
14	3740049	2	Relay	
15	3900268	2	Screw #10 x 1/2	
16	3910804	6	Screw #8 x 1/4	
17	4070991	1	Shim	
18	4360469	1	Switch, Key	
18	2860030	1	Key Replacement	
19	4360475	1	Switch, Emergency Stop	
19	7020175	1	Cap, Mushroom	
19	7020176	1	Block, Contact	
20	4360476	1	Switch, Contact Block	
21	4460426	1	Connector, Strain Relief	
22	4460470	1	Nut, Terminal	
23	4460471	1	Washer, Terminal	
24	4460488	6	Mounting Base, Terminal	
25	4460496	1	Washer, Terminal	
26	4460497	1	Nut, Terminal	
27	4460526	1	Connector, Strain Relief	
28	4711400	2	Washer 1/4	
29	4740397	8	Spacer	
30	4740444	1	Washer	
31	4740518	2	Washer	
32	4751400	12	Washer 1/4	
33	4761400	6	Washer 1/4	
34	4891500	4	Washer 5/16	
35	77143013	11	Nut 1/4-20	
36	1001103308	2	Screw 1/4	
37	1001103667	1	Module, Ground Control	
		Ref	Note: Re-calibration Required when Replaced.	
38	1001106736	1	Cap, Dust	
39	1001152175	1	Box	
40	1001154392	1	Harness, Valve (Not Shown - See Separate Breakdown in ELECTRICAL Section)	
41	1001155043	9	Washer	
42	1001155044	9	Nut 15/32-32	
43	1001155045	9	Switch, Toggle	

SECTION 2 - TURNTABLE

ITEM	PART NUMBER	QTY	DESCRIPTION	REV
44A	1001171482	1	Gauge, Digital Display	
44B	10836804	1	Hour Meter	
45	1001188874	2	Nut	
46	1001191866	1	Harness, Deutz TD2.9L4 Engine (Not Shown - See Separate Breakdown in ELECTRICAL Section)	
47	1001263352	1	Lid (Note: For Use With Item 44A)	
47	1001280403	1	Lid (Note: For Use With Item 44B)	
48	1001266628	1	Harness, Ground Control Box (Not Shown - See Separate Breakdown in ELECTRICAL Section)	
49	1001266665	NLA	Wire Diagram (Not Shown)	
50	1001266876	1	Decal, Faceplate	

SECTION 2 - TURNTABLE

FIGURE 2-45. GROUND CONTROL BOX ASSEMBLY – FORD DF 2.5L ENGINE (USA BUILT MACHINES)



ART_1001266898

SECTION 2 - TURNTABLE

FIGURE 2-45. GROUND CONTROL BOX ASSEMBLY – FORD DF 2.5L ENGINE (USA BUILT MACHINES)

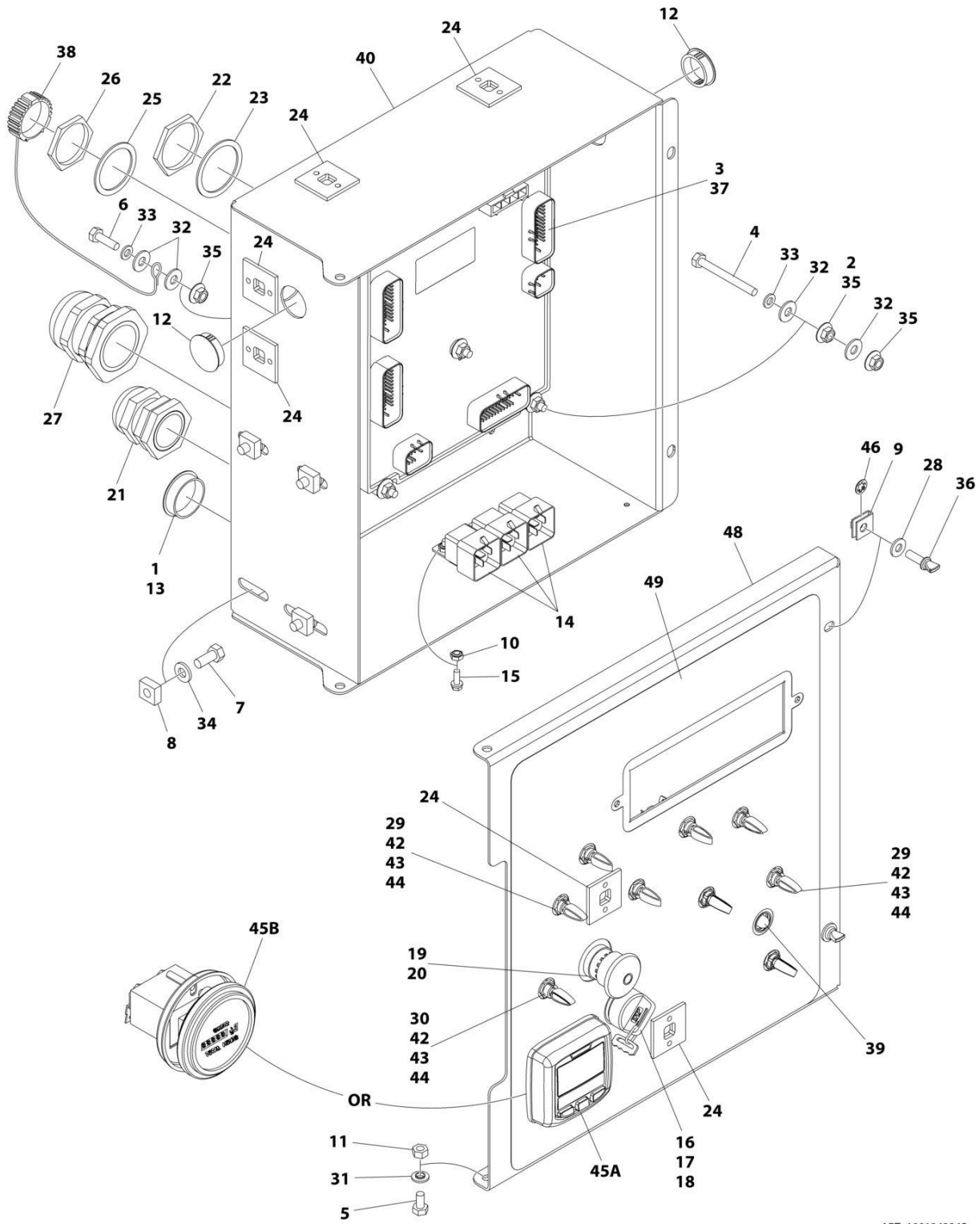
ITEM	PART NUMBER	QTY	DESCRIPTION	REV
	1001266898	Ref	GROUND CONTROL BOX ASSEMBLY	A
1	0100009	AR	Sealant	
2	0100011	AR	Compound, Locking	
3	0100048	AR	Grease, Dielectric	
4	0630548	5	Bolt, 2-1/2 Tap	
5	0641404	2	Bolt 1/4 x 1/2	
6	0641407	1	Bolt 1/4 x 7/8	
7	0641506	4	Bolt 5/16 x 3/4	
8	3300205	4	Nut, Retainer	
9	3300353	2	Nut, Tinnerman	
10	3300408	3	Nut, Plastic Insert	
11	3311405	2	Nut 1/4	
12	3520031	2	Plug	
13	3520035	1	Plug, Cap	
14	3740049	3	Relay	
15	3900268	3	Screw #10 x 1/2	
16	3910804	6	Screw #8 x 1/4	
17	4070991	1	Shim	
18	4360469	1	Switch, Key	
18	2860030	1	Key Replacement	
19	4360475	1	Switch, Emergency Stop	
19	7020175	1	Cap, Mushroom	
19	7020176	1	Block, Contact	
20	4360476	1	Switch, Contact Block	
21	4460426	1	Connector, Strain Relief	
22	4460470	1	Nut, Terminal	
23	4460471	1	Washer, Terminal	
24	4460488	6	Mounting Base, Terminal	
25	4460496	1	Washer, Terminal	
26	4460497	1	Nut, Terminal	
27	4460526	1	Connector, Strain Relief	
28	4711400	2	Washer 1/4	
29	4740397	8	Spacer	
30	4740444	1	Washer	
31	4740518	2	Washer	
32	4751400	12	Washer 1/4	
33	4761400	6	Washer 1/4	
34	4891500	4	Washer 5/16	
35	77143013	11	Nut 1/4-20	
36	1001103308	2	Screw 1/4	
37	1001103667	1	Module, Ground Control	
		Ref	Note: Re-calibration Required when Replaced.	
38	1001106736	1	Cap, Dust	
39	1001152175	1	Box	
40	1001154392	1	Harness, Valve (Not Shown - See Separate Breakdown in ELECTRICAL Section)	
41	1001155043	9	Washer	
42	1001155044	9	Nut 15/32-32	
43	1001155045	9	Switch, Toggle	

SECTION 2 - TURNTABLE

ITEM	PART NUMBER	QTY	DESCRIPTION	REV
44A	1001171482	1	Gauge, Digital Display	
44B	10836804	1	Hour Meter	
45	1001188874	2	Nut	
46	1001214507	1	Harness, Ford DF 2.5L Engine (Not Shown - See Separate Breakdown in ELECTRICAL Section)	
47	1001263352	1	Lid (Note: For Use With Item 44A)	
47	1001280403	1	Lid (Note: For Use With Item 44B)	
48	1001266628	1	Harness, Ground Control Box (Not Shown - See Separate Breakdown in ELECTRICAL Section)	
49	1001266665	NLA	Wire Diagram (Not Shown)	
50	1001266876	1	Decal, Faceplate	

SECTION 2 - TURNTABLE

FIGURE 2-46. CONSOLE BOX ASSEMBLY WITH FOOTSWITCH



ART_1001263365

SECTION 2 - TURNTABLE

FIGURE 2-46. CONSOLE BOX ASSEMBLY WITH FOOTSWITCH

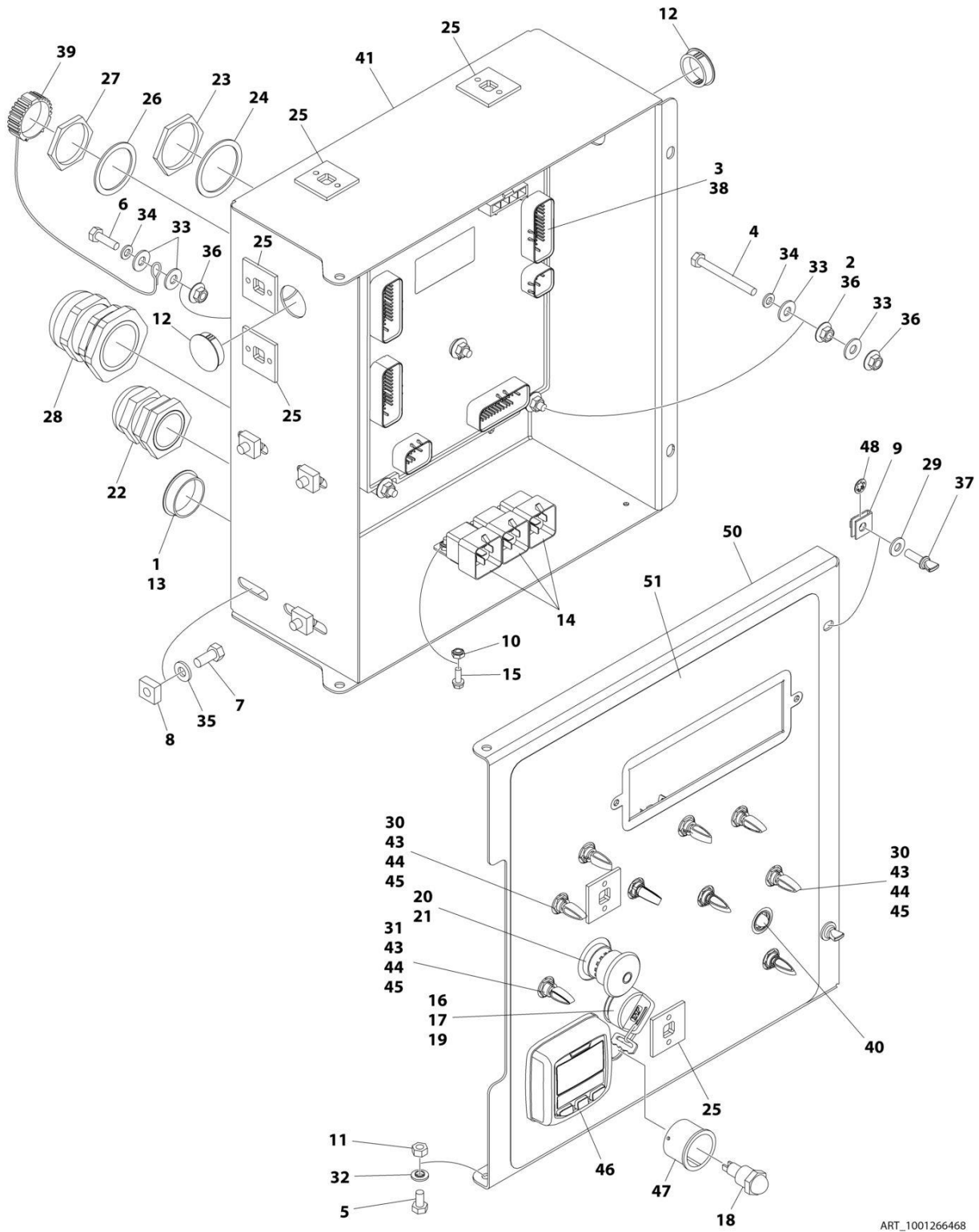
ITEM	PART NUMBER	QTY	DESCRIPTION	REV
	1001263365	Ref	CONSOLE BOX ASSEMBLY	A
1	0100009	AR	Sealant	
2	0100011	AR	Compound, Locking	
3	0100048	AR	Grease, Dielectric	
4	0630548	5	Bolt, 2-1/2 Tap	
5	0641404	2	Bolt 1/4 x 1/2	
6	0641407	1	Bolt 1/4 x 7/8	
7	0641506	4	Bolt 5/16 x 3/4	
8	3300205	4	Nut, Retainer	
9	3300353	2	Nut, Tinnerman	
10	3300408	3	Nut, Plastic Insert	
11	3311405	2	Nut 1/4	
12	3520031	2	Plug	
13	3520035	1	Plug, Cap	
14	3740049	3	Relay	
15	3900268	3	Screw #10 x 1/2	
16	3910804	6	Screw #8 x 1/4	
17	4070991	1	Shim	
18	4360469	1	Switch, Key	
18	2860030	1	Key Replacement	
19	4360475	1	Switch, Emergency Stop	
19	7020175	1	Cap, Mushroom	
19	7020176	1	Block, Contact	
20	4360476	1	Switch, Contact Block	
21	4460426	1	Connector, Strain Relief	
22	4460470	1	Nut, Terminal	
23	4460471	1	Washer, Terminal	
24	4460488	6	Mounting Base, Terminal	
25	4460496	1	Washer, Terminal	
26	4460497	1	Nut, Terminal	
27	4460526	1	Connector, Strain Relief	
28	4711400	2	Washer 1/4	
29	4740397	8	Spacer	
30	4740444	1	Washer	
31	4740518	2	Washer	
32	4751400	12	Washer 1/4	
33	4761400	6	Washer 1/4	
34	4891500	4	Washer 5/16	
35	77143013	11	Nut 1/4-20	
36	1001103308	2	Screw 1/4	
37	1001103667	1	Module, Ground Control	
		Ref	Note: Re-calibration Required when Replaced.	
38	1001106736	1	Cap, Dust	
39	1001137364	1	Lamp	
40	1001152175	1	Box	
41	1001154392	1	Harness, Valve (Not Shown - See Separate Breakdown in ELECTRICAL Section)	
42	1001155043	9	Washer	
43	1001155044	9	Nut 15/32-32	
44	1001155045	9	Switch, Toggle	

SECTION 2 - TURNTABLE

ITEM	PART NUMBER	QTY	DESCRIPTION	REV
45A	1001171482	1	Gauge, Digital Display	
45B	10836804	1	Hour Meter	
46	1001188874	2	Nut	
47	1001191868	1	Harness, Deutz D2011 Engine (Not Shown - See Separate Breakdown in ELECTRICAL Section)	
48	1001263352	1	Lid (Note: For Use With Item 45A)	
48	1001280403	1	Lid (Note: For Use With Item 45B)	
49	1001263356	1	Decal, Faceplate	
50	1001266628	1	Harness, Ground Control Box (Not Shown - See Separate Breakdown in ELECTRICAL Section)	
51	1001266665	NLA	Wire Diagram (Not Shown)	

SECTION 2 - TURNTABLE

FIGURE 2-47. CONSOLE BOX ASSEMBLY WITH FOOTSWITCH



ART_1001266468

SECTION 2 - TURNTABLE

FIGURE 2-47. CONSOLE BOX ASSEMBLY WITH FOOTSWITCH

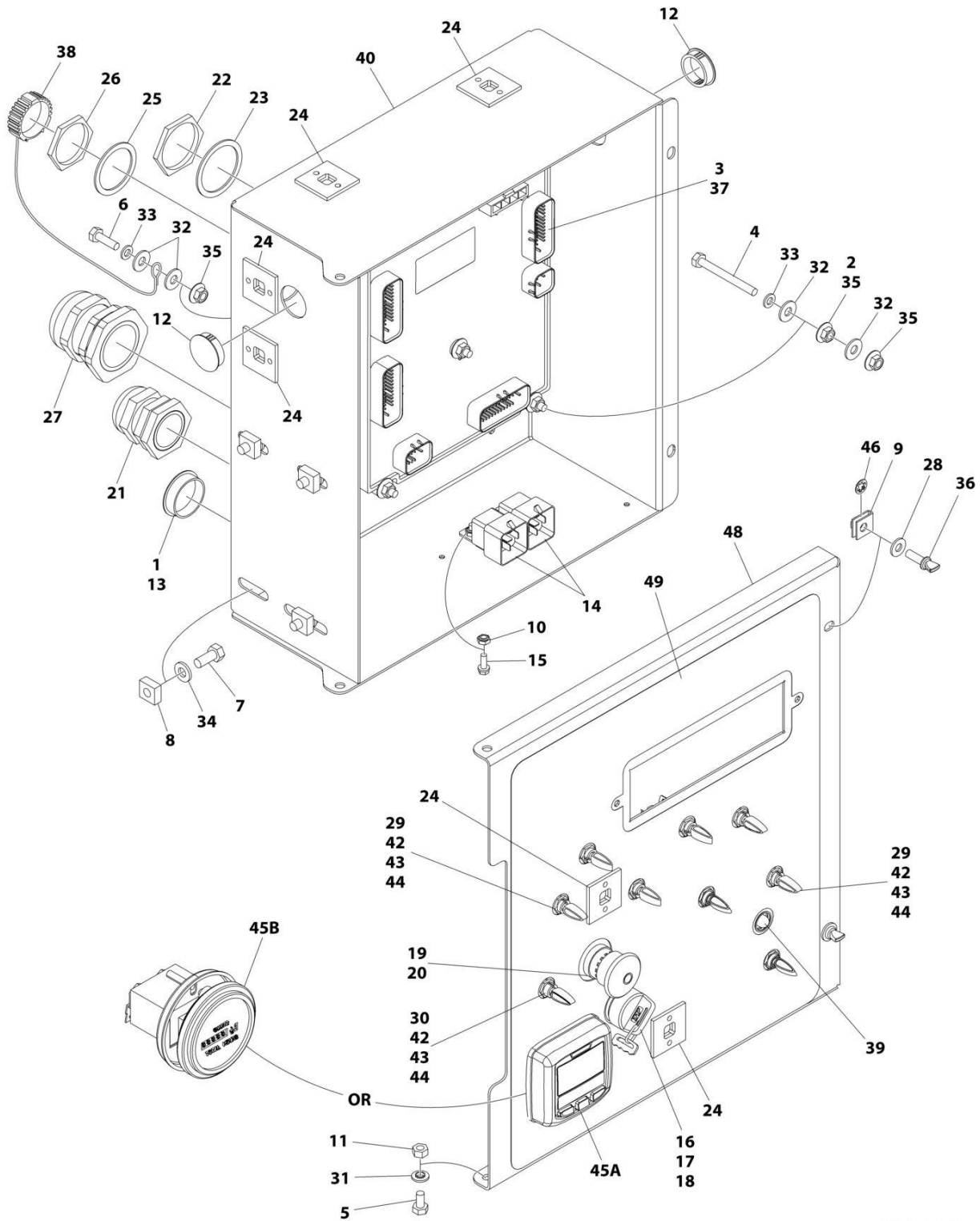
ITEM	PART NUMBER	QTY	DESCRIPTION	REV
	1001266468	Ref	CONSOLE BOX ASSEMBLY (TOWER STOW) (CE & UK CA SPEC)	A
1	0100009	AR	Sealant	
2	0100011	AR	Compound, Locking	
3	0100048	AR	Grease, Dielectric	
4	0630548	5	Bolt, 2-1/2 Tap	
5	0641404	2	Bolt 1/4 x 1/2	
6	0641407	1	Bolt 1/4 x 7/8	
7	0641506	4	Bolt 5/16 x 3/4	
8	3300205	4	Nut, Retainer	
9	3300353	2	Nut, Tinnerman	
10	3300408	3	Nut, Plastic Insert	
11	3311405	2	Nut 1/4	
12	3520031	2	Plug	
13	3520035	1	Plug, Cap	
14	3740049	3	Relay	
15	3900268	3	Screw #10 x 1/2	
16	3910804	6	Screw #8 x 1/4	
17	4070991	1	Shim	
18	4360387	1	Switch, Push Button	
19	4360469	1	Switch, Key	
19	2860030	1	Key Replacement	
20	4360475	1	Switch, Emergency Stop	
20	7020175	1	Cap, Mushroom	
20	7020176	1	Block, Contact	
21	4360476	1	Switch, Contact Block	
22	4460426	1	Connector, Strain Relief	
23	4460470	1	Nut, Terminal	
24	4460471	1	Washer, Terminal	
25	4460488	6	Mounting Base, Terminal	
26	4460496	1	Washer, Terminal	
27	4460497	1	Nut, Terminal	
28	4460526	1	Connector, Strain Relief	
29	4711400	2	Washer 1/4	
30	4740397	8	Spacer	
31	4740444	1	Washer	
32	4740518	2	Washer	
33	4751400	12	Washer 1/4	
34	4761400	6	Washer 1/4	
35	4891500	4	Washer 5/16	
36	77143013	11	Nut 1/4-20	
37	1001103308	2	Screw 1/4	
38	1001103667	1	Module, Ground Control	
		Ref	Note: Re-calibration Required when Replaced.	
39	1001106736	1	Cap, Dust	
40	1001137364	1	Lamp	
41	1001152175	1	Box	
42	1001154392	1	Harness, Valve (Not Shown - See Separate Breakdown in ELECTRICAL Section)	
43	1001155043	9	Washer	

SECTION 2 - TURNTABLE

ITEM	PART NUMBER	QTY	DESCRIPTION	REV
44	1001155044	9	Nut 15/32-32	
45	1001155045	9	Switch, Toggle	
46	1001171482	1	Gauge	
47	1001176469	1	Shroud	
48	1001188874	2	Nut	
49	1001191868	1	Harness, Deutz D2011 Engine (Not Shown - See Separate Breakdown in ELECTRICAL Section)	
50	1001263353	1	Lid	
51	1001263355	1	Decal, Faceplate	
52	1001266628	1	Harness, Ground Control Box (Not Shown - See Separate Breakdown in ELECTRICAL Section)	
53	1001266665	NLA	Wire Diagram (Not Shown)	

SECTION 2 - TURNTABLE

FIGURE 2-48. CONSOLE BOX ASSEMBLY WITH FOOTSWITCH



ART_1001263366

SECTION 2 - TURNTABLE

FIGURE 2-48. CONSOLE BOX ASSEMBLY WITH FOOTSWITCH

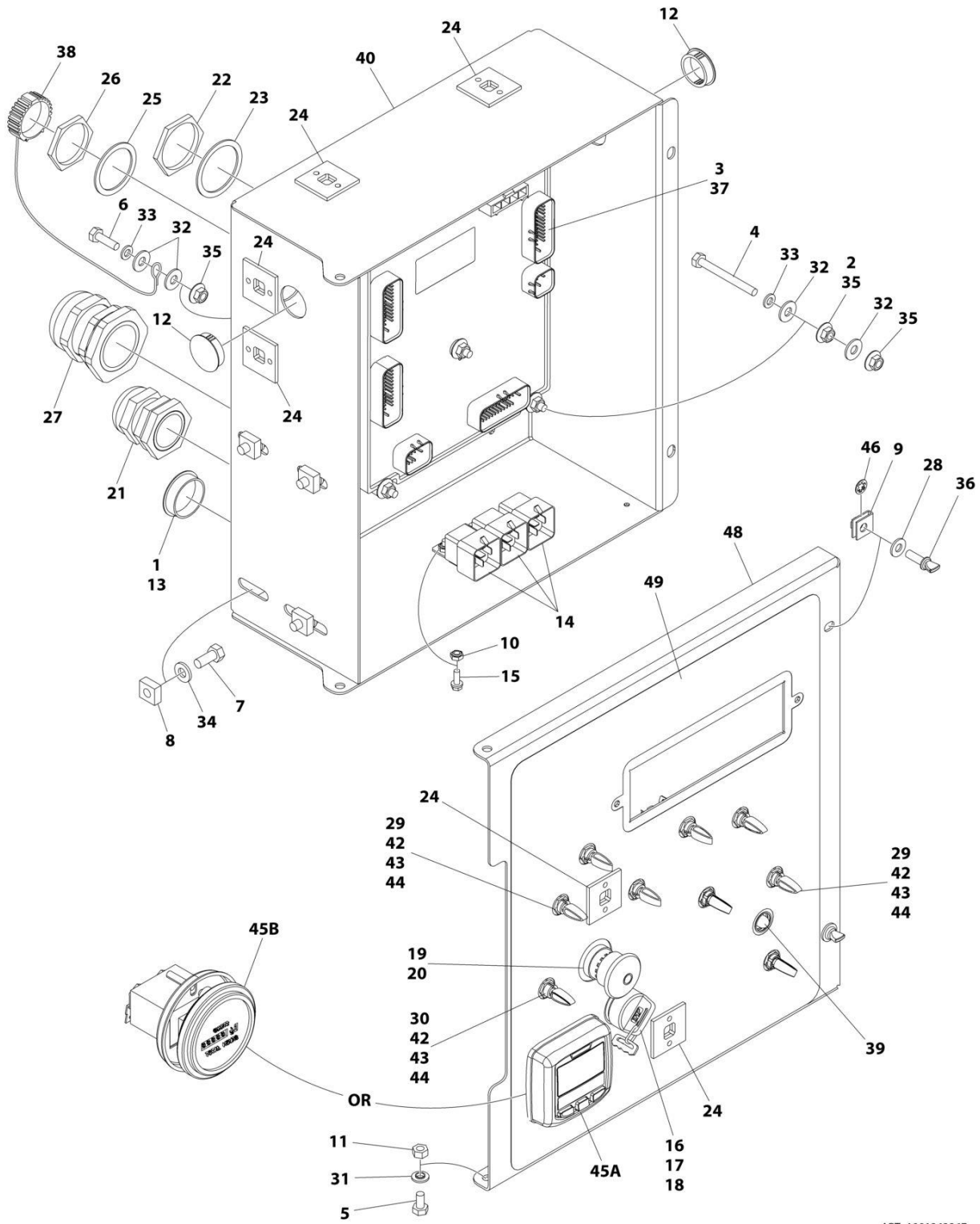
ITEM	PART NUMBER	QTY	DESCRIPTION	REV
	1001263366	Ref	CONSOLE BOX ASSEMBLY (TOWER STOW)	A
1	0100009	AR	Sealant	
2	0100011	AR	Compound, Locking	
3	0100048	AR	Grease, Dielectric	
4	0630548	5	Bolt, 2-1/2 Tap	
5	0641404	2	Bolt 1/4 x 1/2	
6	0641407	1	Bolt 1/4 x 7/8	
7	0641506	4	Bolt 5/16 x 3/4	
8	3300205	4	Nut, Retainer	
9	3300353	2	Nut, Tinnerman	
10	3300408	2	Nut, Plastic Insert	
11	3311405	2	Nut 1/4	
12	3520031	2	Plug	
13	3520035	1	Plug, Cap	
14	3740049	2	Relay	
15	3900268	2	Screw #10 x 1/2	
16	3910804	6	Screw #8 x 1/4	
17	4070991	1	Shim	
18	4360469	1	Switch, Key	
18	2860030	1	Key Replacement	
19	4360475	1	Switch, Emergency Stop	
19	7020175	1	Cap, Mushroom	
19	7020176	1	Block, Contact	
20	4360476	1	Switch, Contact Block	
21	4460426	1	Connector, Strain Relief	
22	4460470	1	Nut, Terminal	
23	4460471	1	Washer, Terminal	
24	4460488	6	Mounting Base, Terminal	
25	4460496	1	Washer, Terminal	
26	4460497	1	Nut, Terminal	
27	4460526	1	Connector, Strain Relief	
28	4711400	2	Washer 1/4	
29	4740397	8	Spacer	
30	4740444	1	Washer	
31	4740518	2	Washer	
32	4751400	12	Washer 1/4	
33	4761400	6	Washer 1/4	
34	4891500	4	Washer 5/16	
35	77143013	11	Nut 1/4-20	
36	1001103308	2	Screw 1/4	
37	1001103667	1	Module, Ground Control	
		Ref	Note: Re-calibration Required when Replaced.	
38	1001106736	1	Cap, Dust	
39	1001137364	1	Lamp	
40	1001152175	1	Box	
41	1001154392	1	Harness, Valve (Not Shown - See Separate Breakdown in ELECTRICAL Section)	
42	1001155043	9	Washer	
43	1001155044	9	Nut 15/32-32	
44	1001155045	9	Switch, Toggle	

SECTION 2 - TURNTABLE

ITEM	PART NUMBER	QTY	DESCRIPTION	REV
45A	1001171482	1	Gauge, Digital Display	
45B	10836804	1	Hour Meter	
46	1001188874	2	Nut	
47	1001191866	1	Harness, Deutz D2011 Engine (Not Shown - See Separate Breakdown in ELECTRICAL Section)	
48	1001263352	1	Lid (Note: For Use With Item 45A)	
48	1001280403	1	Lid (Note: For Use With Item 45B)	
49	1001263356	1	Decal, Faceplate	
50	1001266628	1	Harness, Ground Control Box (Not Shown - See Separate Breakdown in ELECTRICAL Section)	
51	1001266665	NLA	Wire Diagram (Not Shown)	

SECTION 2 - TURNTABLE

FIGURE 2-49. CONSOLE BOX ASSEMBLY WITH FOOTSWITCH



ART_1001263367

SECTION 2 - TURNTABLE

FIGURE 2-49. CONSOLE BOX ASSEMBLY WITH FOOTSWITCH

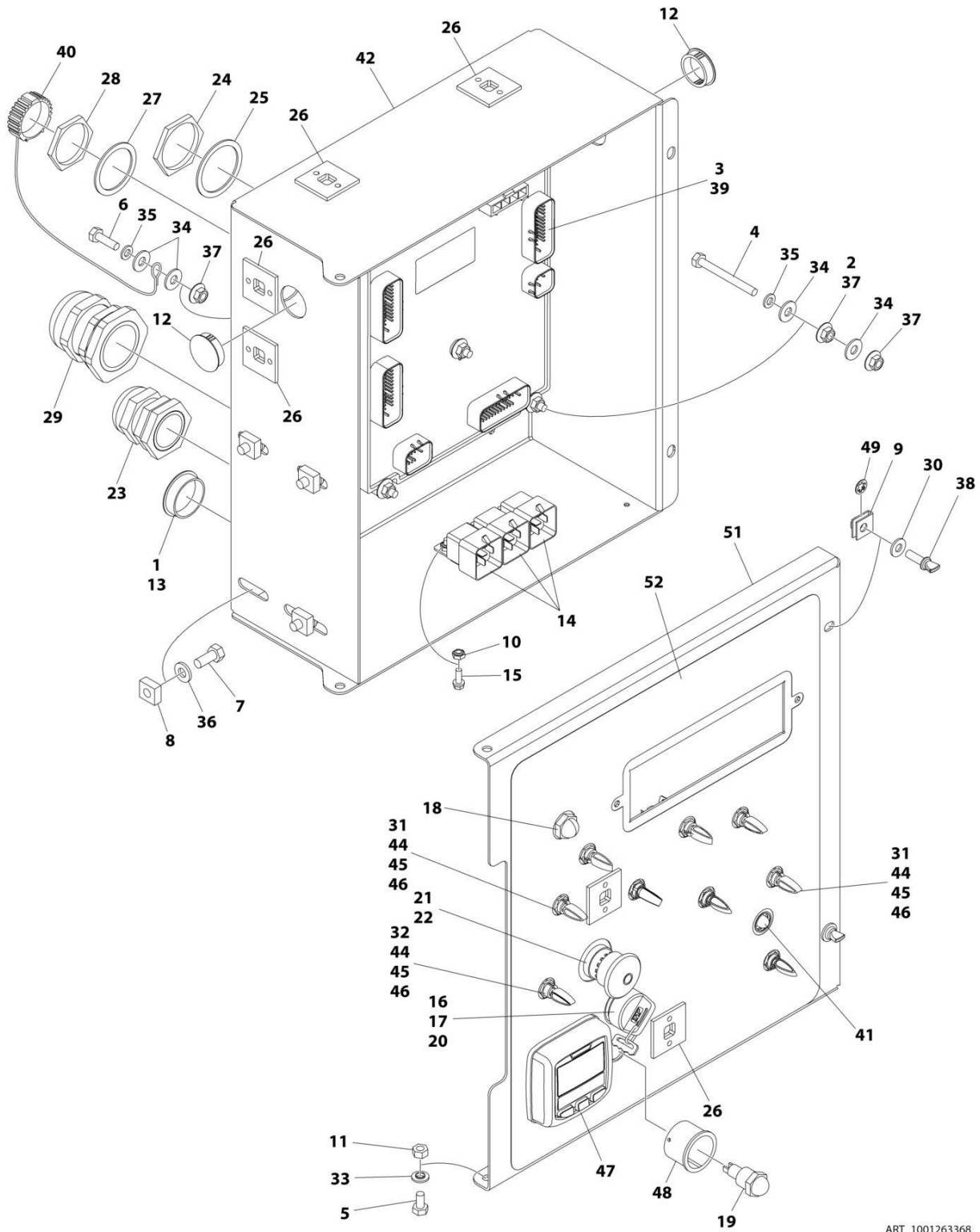
ITEM	PART NUMBER	QTY	DESCRIPTION	REV
	1001263367	Ref	CONSOLE BOX ASSEMBLY (TOWER STOW)	A
1	0100009	AR	Sealant	
2	0100011	AR	Compound, Locking	
3	0100048	AR	Grease, Dielectric	
4	0630548	5	Bolt, 2-1/2 Tap	
5	0641404	2	Bolt 1/4 x 1/2	
6	0641407	1	Bolt 1/4 x 7/8	
7	0641506	4	Bolt 5/16 x 3/4	
8	3300205	4	Nut, Retainer	
9	3300353	2	Nut, Tinnerman	
10	3300408	3	Nut, Plastic Insert	
11	3311405	2	Nut 1/4	
12	3520031	2	Plug	
13	3520035	1	Plug, Cap	
14	3740049	3	Relay	
15	3900268	3	Screw #10 x 1/2	
16	3910804	6	Screw #8 x 1/4	
17	4070991	1	Shim	
18	4360469	1	Switch, Key	
18	2860030	1	Key Replacement	
19	4360475	1	Switch, Emergency Stop	
19	7020175	1	Cap, Mushroom	
19	7020176	1	Block, Contact	
20	4360476	1	Switch, Contact Block	
21	4460426	1	Connector, Strain Relief	
22	4460470	1	Nut, Terminal	
23	4460471	1	Washer, Terminal	
24	4460488	6	Mounting Base, Terminal	
25	4460496	1	Washer, Terminal	
26	4460497	1	Nut, Terminal	
27	4460526	1	Connector, Strain Relief	
28	4711400	2	Washer 1/4	
29	4740397	8	Spacer	
30	4740444	1	Washer	
31	4740518	2	Washer	
32	4751400	12	Washer 1/4	
33	4761400	6	Washer 1/4	
34	4891500	4	Washer 5/16	
35	77143013	11	Nut 1/4-20	
36	1001103308	2	Screw 1/4	
37	1001103667	1	Module, Ground Control	
		Ref	Note: Re-calibration Required when Replaced.	
38	1001106736	1	Cap, Dust	
39	1001137364	1	Lamp	
40	1001152175	1	Box	
41	1001154392	1	Harness, Valve (Not Shown - See Separate Breakdown in ELECTRICAL Section)	
42	1001155043	9	Washer	
43	1001155044	9	Nut 15/32-32	
44	1001155045	9	Switch, Toggle	

SECTION 2 - TURNTABLE

ITEM	PART NUMBER	QTY	DESCRIPTION	REV
45A	1001171482	1	Gauge, Digital Display	
45B	10836804	1	Hour Meter	
46	1001188874	2	Nut	
47	1001214507	1	Harness, Deutz D2011 Engine (Not Shown - See Separate Breakdown in ELECTRICAL Section)	
48	1001263352	1	Lid (Note: For Use With Item 45A)	
48	1001280403	1	Lid (Note: For Use With Item 45B)	
49	1001263356	1	Decal, Faceplate	
50	1001266628	1	Harness, Ground Control Box (Not Shown - See Separate Breakdown in ELECTRICAL Section)	
51	1001266665	NLA	Wire Diagram (Not Shown)	

SECTION 2 - TURNTABLE

FIGURE 2-50. CONSOLE BOX ASSEMBLY WITH FOOTSWITCH



ART_1001263368

SECTION 2 - TURNTABLE

FIGURE 2-50. CONSOLE BOX ASSEMBLY WITH FOOTSWITCH

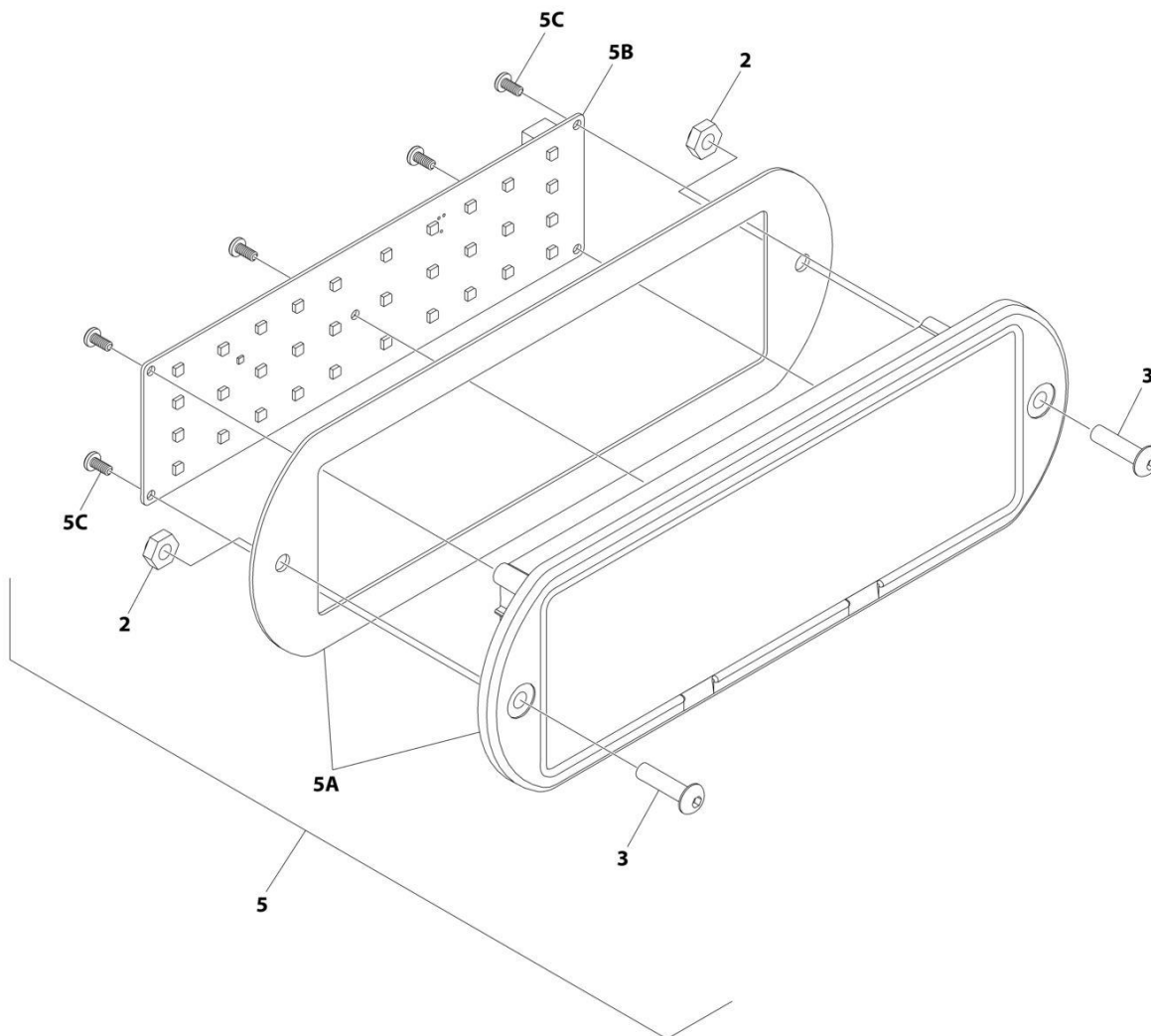
ITEM	PART NUMBER	QTY	DESCRIPTION	REV
	1001263368	Ref	CONSOLE BOX ASSEMBLY (TOWER STOW)	A
1	0100009	AR	Sealant	
2	0100011	AR	Compound, Locking	
3	0100048	AR	Grease, Dielectric	
4	0630548	5	Bolt, 2-1/2 Tap	
5	0641404	2	Bolt 1/4 x 1/2	
6	0641407	1	Bolt 1/4 x 7/8	
7	0641506	4	Bolt 5/16 x 3/4	
8	3300205	4	Nut, Retainer	
9	3300353	2	Nut, Tinnerman	
10	3300408	3	Nut, Plastic Insert	
11	3311405	2	Nut 1/4	
12	3520031	2	Plug	
13	3520035	1	Plug, Cap	
14	3740049	3	Relay	
15	3900268	3	Screw #10 x 1/2	
16	3910804	6	Screw #8 x 1/4	
17	4070991	1	Shim	
18	4360274	1	Switch, Push Button	
19	4360387	1	Switch, Push Button	
20	4360469	1	Switch, Key	
20	2860030	1	Key Replacement	
21	4360475	1	Switch, Emergency Stop	
21	7020175	1	Cap, Mushroom	
21	7020176	1	Block, Contact	
22	4360476	1	Switch, Contact Block	
23	4460426	1	Connector, Strain Relief	
24	4460470	1	Nut, Terminal	
25	4460471	1	Washer, Terminal	
26	4460488	6	Mounting Base, Terminal	
27	4460496	1	Washer, Terminal	
28	4460497	1	Nut, Terminal	
29	4460526	1	Connector, Strain Relief	
30	4711400	2	Washer 1/4	
31	4740397	8	Spacer	
32	4740444	1	Washer	
33	4740518	2	Washer	
34	4751400	12	Washer 1/4	
35	4761400	6	Washer 1/4	
36	4891500	4	Washer 5/16	
37	77143013	11	Nut 1/4-20	
38	1001103308	2	Screw 1/4	
39	1001103667	1	Module, Ground Control	
		Ref	Note: Re-calibration Required when Replaced.	
40	1001106736	1	Cap, Dust	
41	1001137364	1	Lamp	
42	1001152175	1	Box	
43	1001154392	1	Harness, Valve (Not Shown - See Separate Breakdown in ELECTRICAL Section)	
44	1001155043	9	Washer	

SECTION 2 - TURNTABLE

ITEM	PART NUMBER	QTY	DESCRIPTION	REV
45	1001155044	9	Nut 15/32-32	
46	1001155045	9	Switch, Toggle	
47	1001171482	1	Gauge	
48	1001176469	1	Shroud	
49	1001188874	2	Nut	
50	1001191868	1	Harness, Deutz D2011 Engine (Not Shown - See Separate Breakdown in ELECTRICAL Section)	
51	1001263353	1	Lid	
52	1001263357	1	Decal, Faceplate	
53	1001266628	1	Harness, Ground Control Box (Not Shown - See Separate Breakdown in ELECTRICAL Section)	
54	1001266665	NLA	Wire Diagram (Not Shown)	

SECTION 2 - TURNTABLE

FIGURE 2-51. LIGHT PANEL INSTALLATION – GROUND CONTROL



ART_1001241403_10F2

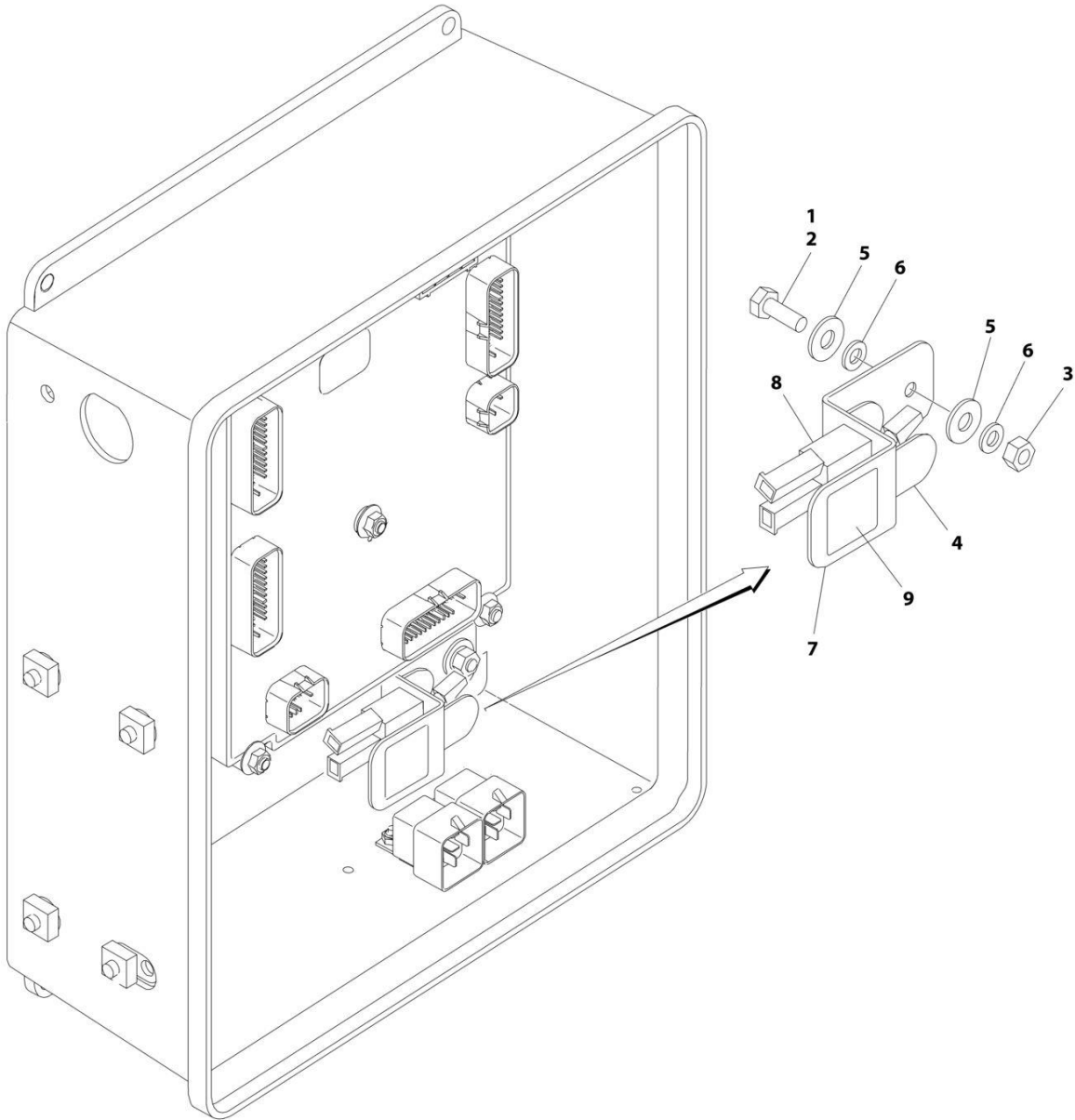
SECTION 2 - TURNTABLE

FIGURE 2-51. LIGHT PANEL INSTALLATION – GROUND CONTROL

ITEM	PART NUMBER	QTY	DESCRIPTION	REV
	1001241403	Ref	LIGHT PANEL INSTALLATION - GROUND CONTROL	C
2	3300408	2	Nut, Nylon Insert	
3	0630518	2	Screw #10 x 3/4	
5	1001238674	1	Light Panel Assembly	H
5A	1001236092	1	Lens Assembly (Includes Housing Shell, Decal/Lens with Icons & Gasket)	
5B	1001238732	1	Panel, LED Light	
5C		Ref	Screw	

SECTION 2 - TURNTABLE

FIGURE 2-52. CRIBBING ENABLE SWITCH INSTALLATION



ART_100115918

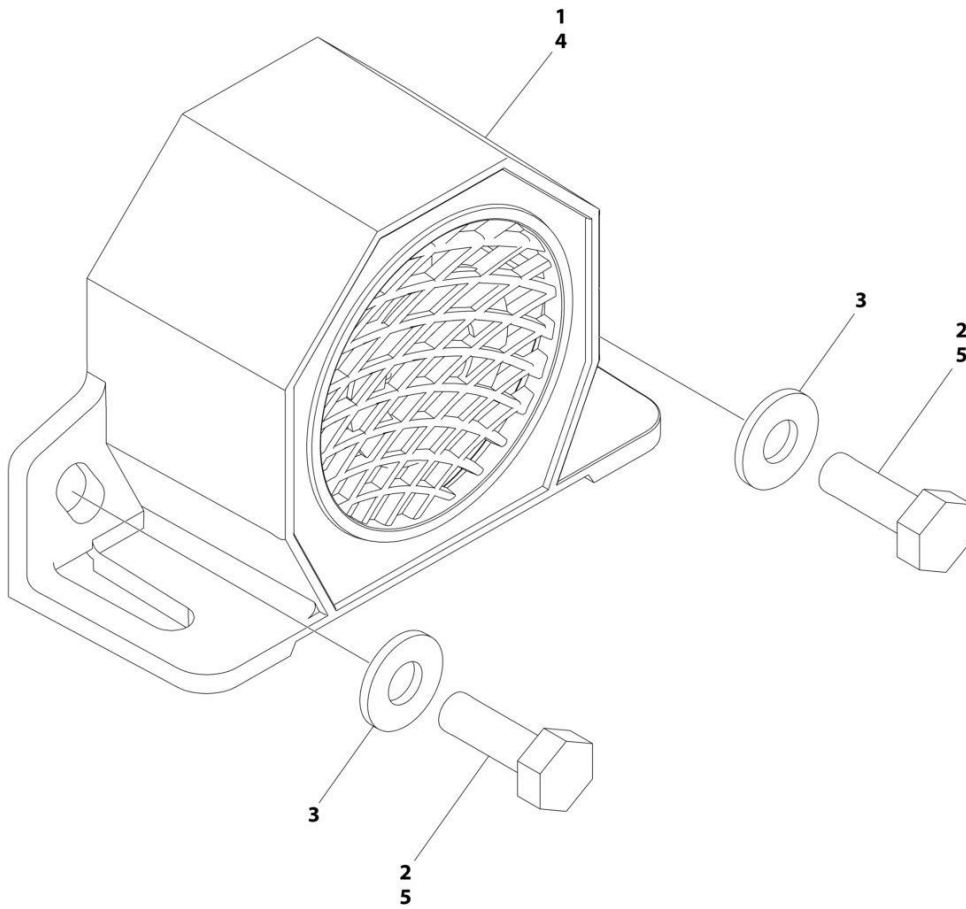
SECTION 2 - TURNTABLE

FIGURE 2-52. CRIBBING ENABLE SWITCH INSTALLATION

ITEM	PART NUMBER	QTY	DESCRIPTION	REV
	1001115918	Ref	CRIBBING ENABLE SWITCH INSTALLATION	A
1	0100011	AR	Compound, Locking	
2	0641406	1	Bolt 1/4 x 3/4	
3	3311401	1	Nut 1/4	
4	4060906	1	Guard, Switch	
5	4751400	2	Washer 1/4	
6	4761400	2	Washer 1/4	
7	1001115889	1	Bracket	
8	1001115915	1	Cribbing Enable Harness	
8	4360336	1	Switch, Toggle	
8	4460226	2	Socket, Female	
9	1001115967	1	Decal - Cribbing	

SECTION 2 - TURNTABLE

FIGURE 2-53. ALARMS INSTALLATION (USA BUILT MACHINES - PVC 2001 & 2007, CHINA BUILT MACHINES - PVC 2007)



ART_1001160074

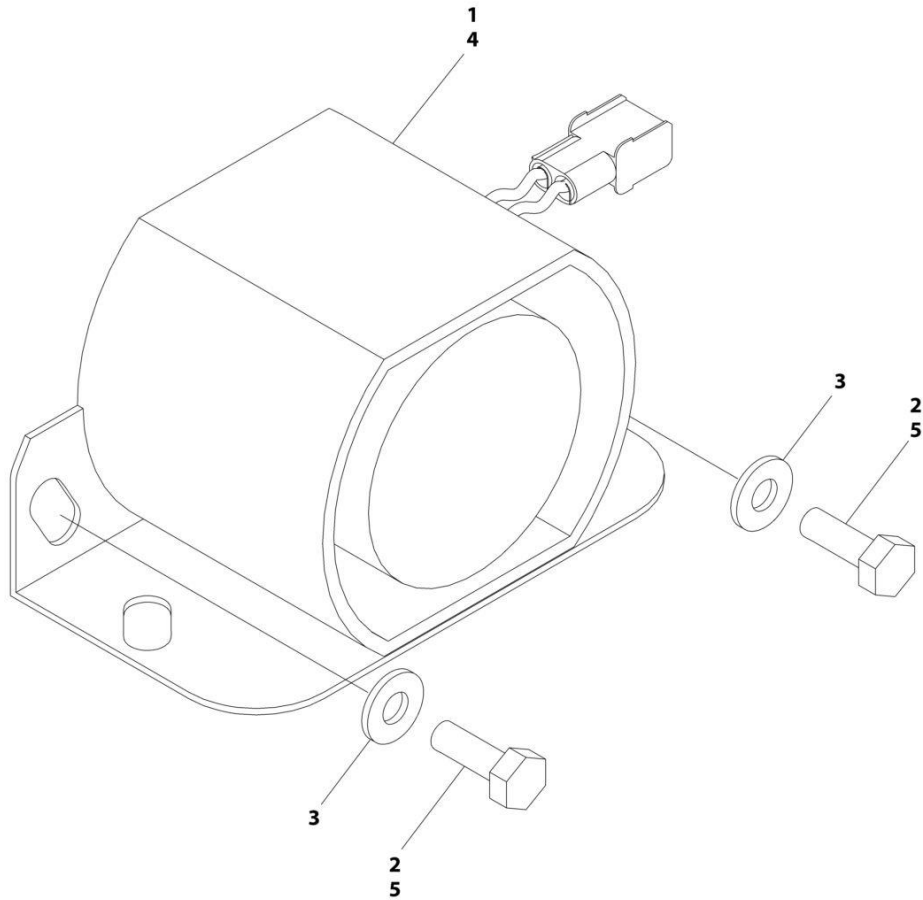
SECTION 2 - TURNTABLE

FIGURE 2-53. ALARMS INSTALLATION (USA BUILT MACHINES - PVC 2001 & 2007, CHINA BUILT MACHINES - PVC 2007)

ITEM	PART NUMBER	QTY	DESCRIPTION	REV
	1001160074	Ref	ALARMS INSTALLATION	A
1	0140044	1	Alarm	
2	0641406	2	Bolt 1/4 x 3/4	
3	4711400	2	Washer 1/4	
4	0100048	AR	Compound, Dielectric	
5	0100011	AR	Compound, Locking	

SECTION 2 - TURNTABLE

FIGURE 2-54. ALARMS INSTALLATION (CHINA BUILT MACHINES) (PVC 2001)



ART_0270833

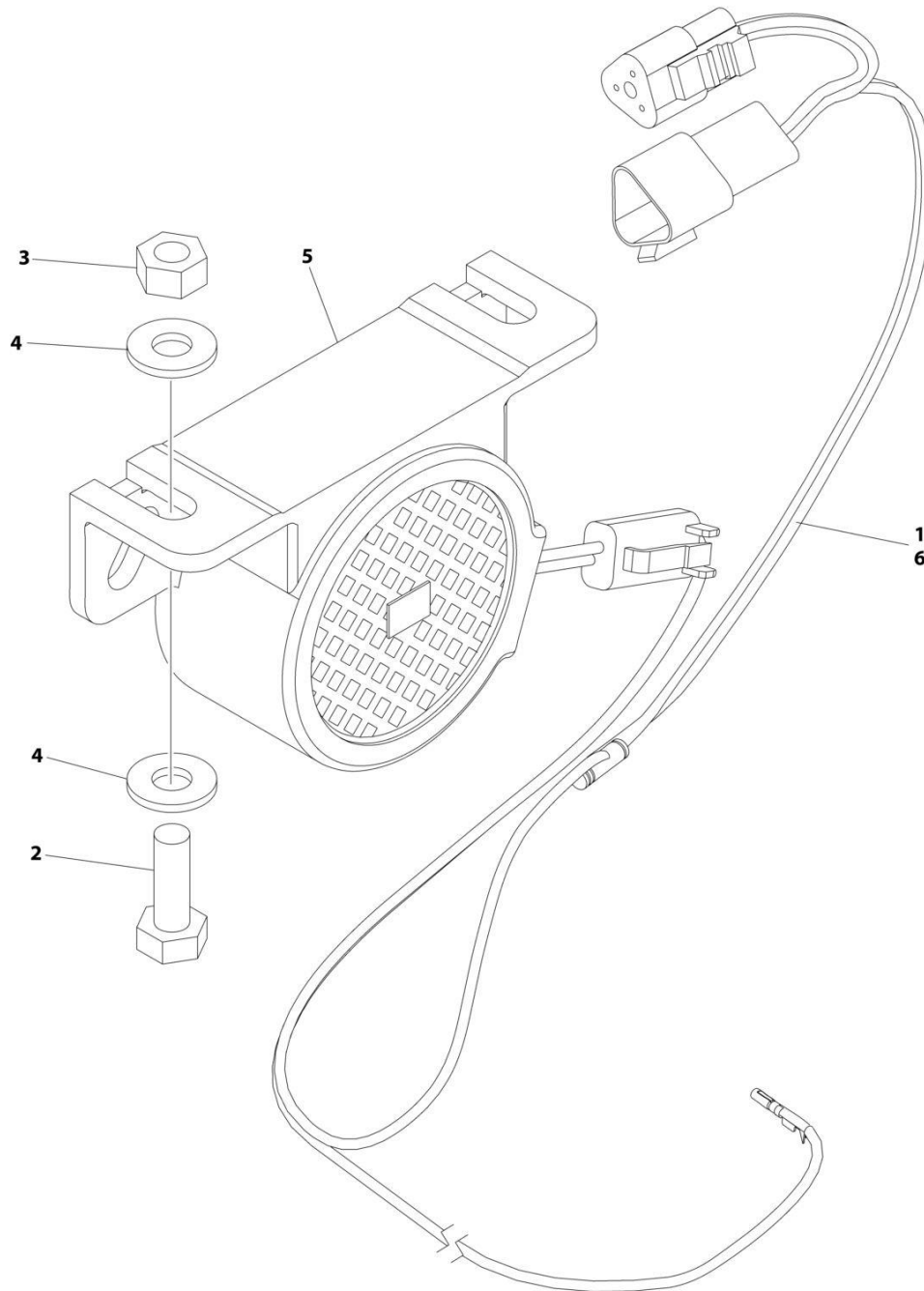
SECTION 2 - TURNTABLE

FIGURE 2-54. ALARMS INSTALLATION (CHINA BUILT MACHINES) (PVC 2001)

ITEM	PART NUMBER	QTY	DESCRIPTION	REV
	0270833	Ref	ALARMS INSTALLATION	D
1	0257887	1	Alarm/Harness Assembly	
1	0140032	1	Alarm	
1	2820035	6 in/15cm	Loom	
1	4460424	1	Plug	
1	4460268	2	Socket	
2	0641406	2	Bolt 1/4 x 3/4	
3	4711400	2	Washer 1/4	
4	0100048	AR	Compound, Dielectric	
5	0100011	AR	Compound, Locking	

SECTION 2 - TURNTABLE

FIGURE 2-55. BACKUP ALARM (WHITE NOISE) INSTALLATION (USA BUILT MACHINES - PVC 2001 & 2007, CHINA BUILT MACHINES - PVC 2007)



ART_1001239346

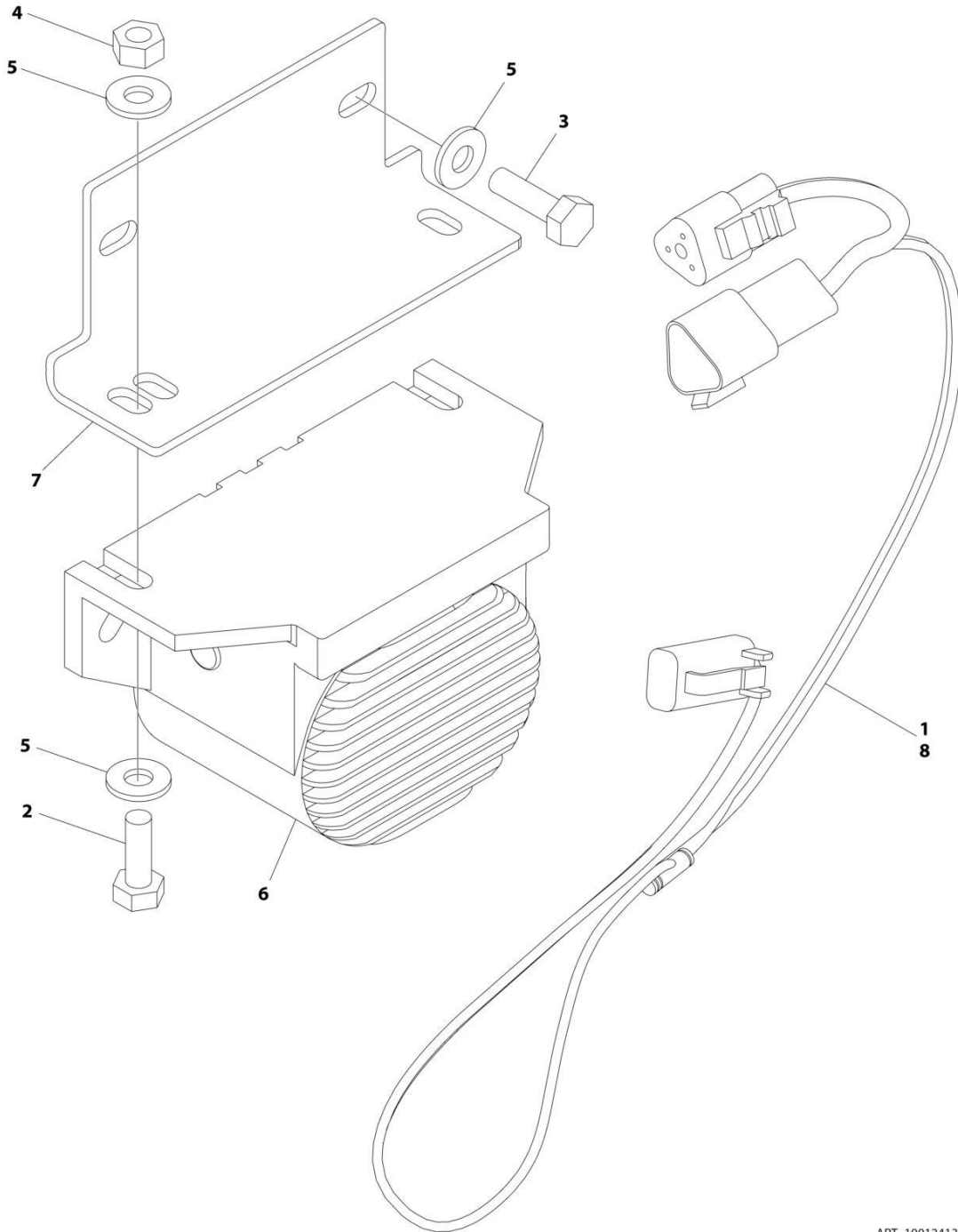
SECTION 2 - TURNTABLE

FIGURE 2-55. BACKUP ALARM (WHITE NOISE) INSTALLATION (USA BUILT MACHINES - PVC 2001 & 2007, CHINA BUILT MACHINES - PVC 2007)

ITEM	PART NUMBER	QTY	DESCRIPTION	REV
	1001239346	Ref	BACKUP ALARM (WHITE NOISE) INSTALLATION	B
1	0100048	AR	Grease, Dielectric	
2	0641406	2	Bolt 1/4 x 3/4	
3	3311405	2	Valve, Check	
4	4711400	4	Washer 1/4	
6	1001184682	1	Alarm	
6	4460897	1	Connector - 2 Position	
6	4460464	2	Pin, Male	
6	1001231007	1	Harness, White Noise Motion Alarm (See Separate Breakdown in ELECTRICAL SECTION)	

SECTION 2 - TURNTABLE

FIGURE 2-56. BACKUP ALARM AMBIENT (WHITE NOISE) INSTALLATION (USA BUILT MACHINES - PVC 2001 & 2007, CHINA BUILT MACHINES - PVC 2007)



ART_1001241384

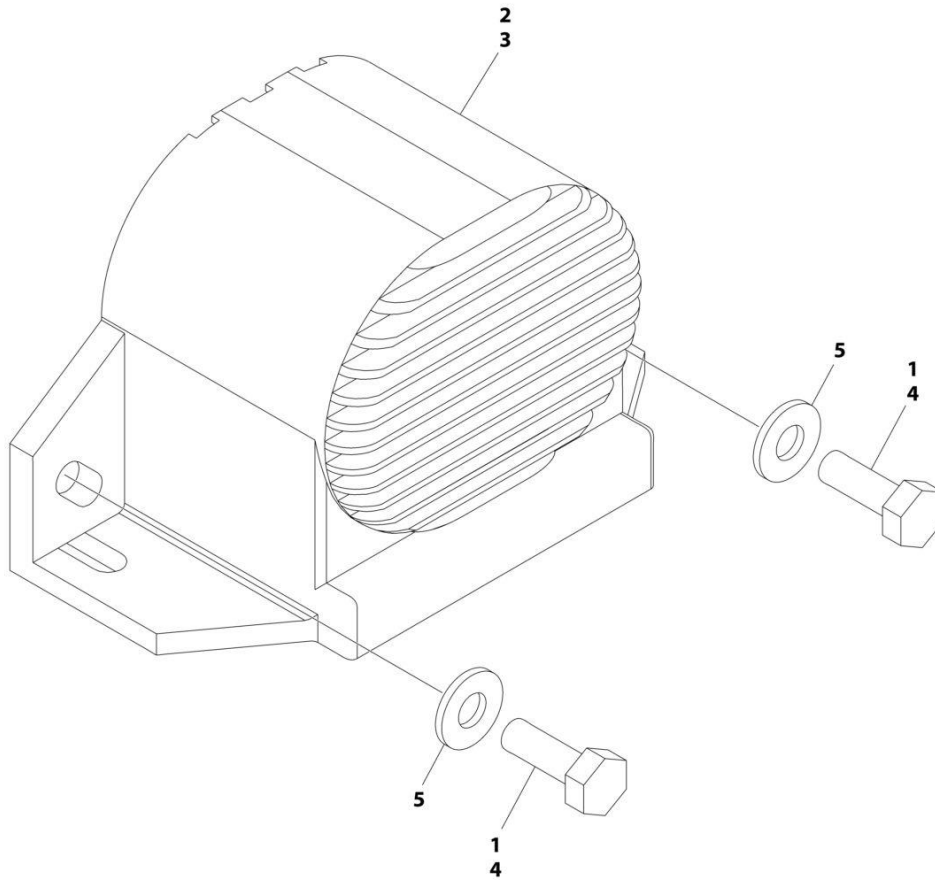
SECTION 2 - TURNTABLE

FIGURE 2-56. BACKUP ALARM AMBIENT (WHITE NOISE) INSTALLATION (USA BUILT MACHINES - PVC 2001 & 2007, CHINA BUILT MACHINES - PVC 2007)

ITEM	PART NUMBER	QTY	DESCRIPTION	REV
	1001241384	Ref	BACKUP ALARM AMBIENT (WHITE NOISE) INSTALLATION	B
1	0100048	AR	Grease, Dielectric	
2	0641406	2	Bolt 1/4 x 3/4	
3	0641407	2	Bolt 1/4 x 7/8	
4	3311405	2	Nut 1/4	
5	4711400	6	Washer 1/4	
6	1001182806	1	Alarm	
6	4460897	1	Connector - 2 Position	
6	4460464	2	Pin, Male	
7	1001231886	1	Plate	
8	1001231007	1	Harness, White Noise Motion Alarm (See Separate Breakdown in ELECTRICAL SECTION)	

SECTION 2 - TURNTABLE

FIGURE 2-57. BACKUP ALARM AMBIENT (WHITE NOISE) INSTALLATION (CHINA BUILT MACHINES)
(PVC 2001)



ART_1001247385

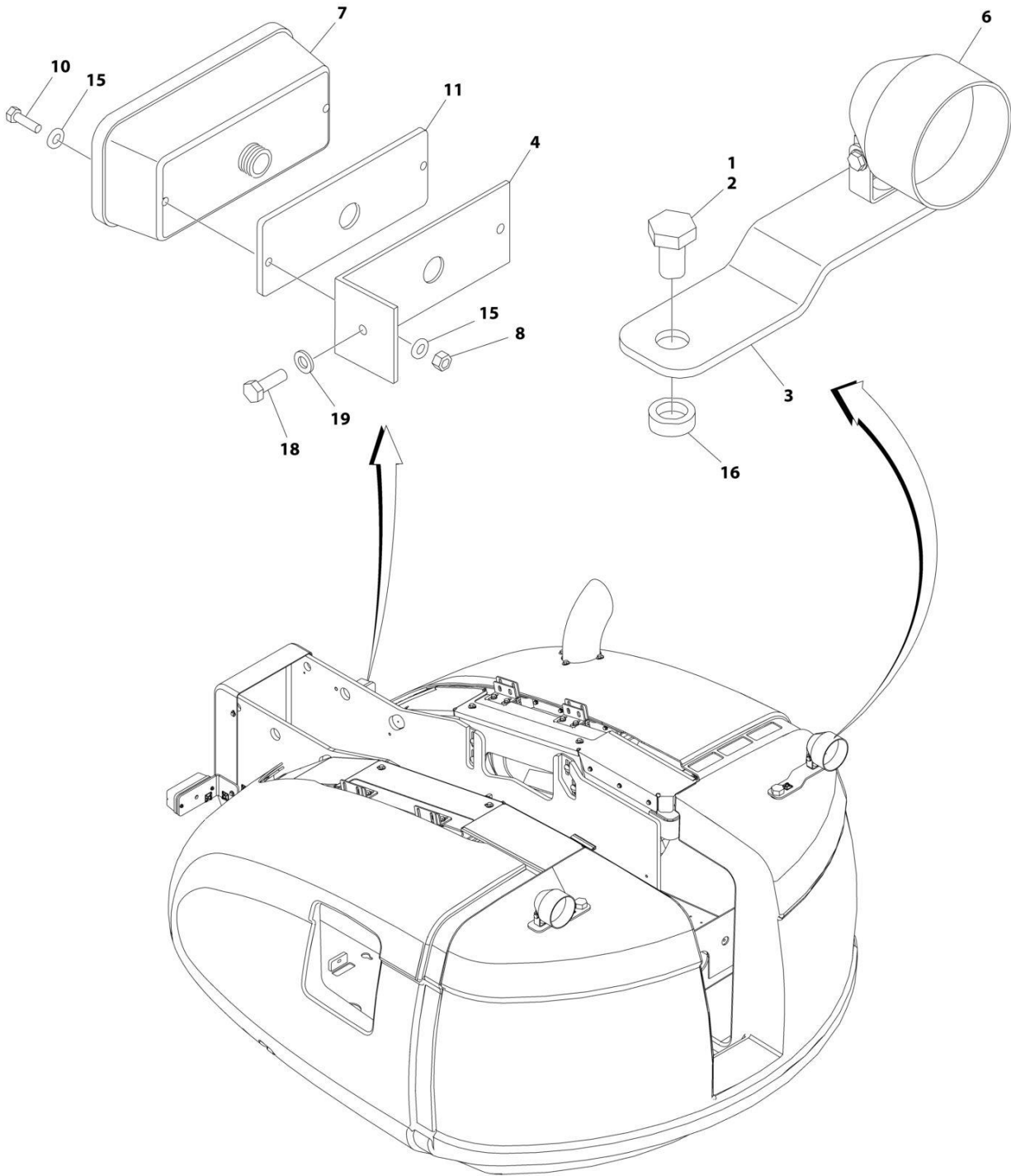
SECTION 2 - TURNTABLE

**FIGURE 2-57. BACKUP ALARM AMBIENT (WHITE NOISE) INSTALLATION (CHINA BUILT MACHINES)
(PVC 2001)**

ITEM	PART NUMBER	QTY	DESCRIPTION	REV
	1001247385	Ref	BACKUP ALARM AMBIENT (WHITE NOISE) INSTALLATION	A
1	0100011	AR	Compound, Locking	
2	0100048	AR	Grease, Dielectric	
3	1001182806	1	Alarm	
3	4460897	1	Connector - 2 Position	
3	4460464	2	Pin, Male	
4	0641406	2	Bolt 1/4 x 3/4	
5	4711400	2	Washer 1/4	

SECTION 2 - TURNTABLE

FIGURE 2-58. HEAD AND TAIL LIGHTS INSTALLATION (OPTIONAL) (USA BUILT MACHINES - PVC 2001 & 2007, CHINA BUILT MACHINES - PVC 2007)



ART_1001176296

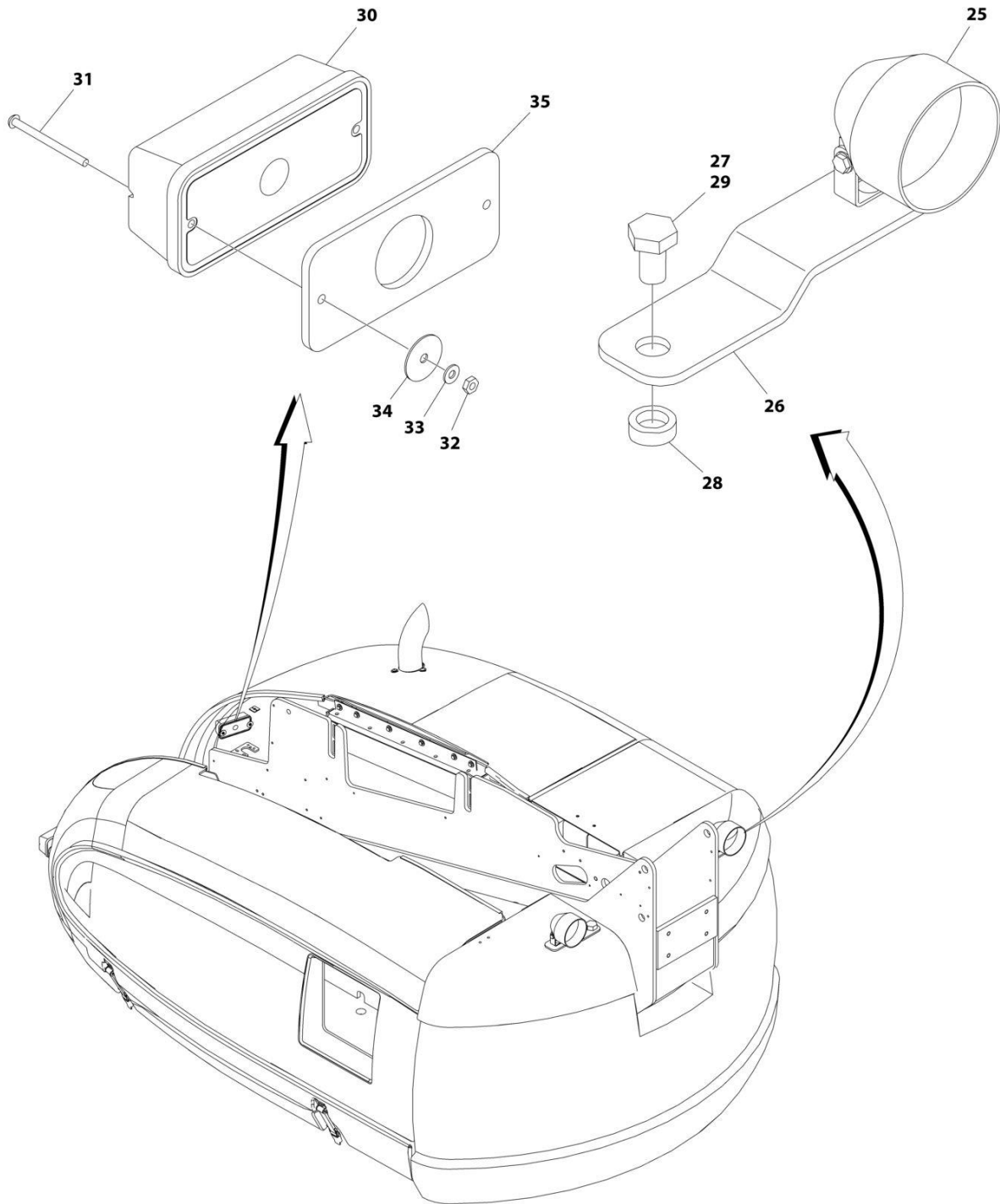
SECTION 2 - TURNTABLE

FIGURE 2-58. HEAD AND TAIL LIGHTS INSTALLATION (OPTIONAL) (USA BUILT MACHINES - PVC 2001 & 2007, CHINA BUILT MACHINES - PVC 2007)

ITEM	PART NUMBER	QTY	DESCRIPTION	REV
	1001176296	Ref	LIGHTS INSTALLATIONS (OPTIONAL)	A
1	0100011	AR	Compound, Locking	
2	0642612	2	Bolt 1 x 1-1/2	
3	0902206	2	Bracket, Mounting	
4	0903119	2	Bracket	
5	1705170	1	Decal - Lights (Not Shown - Located on Console)	
6	2920110	2	Headlight	
7	2920113	2	Tail Light	
8	3311005	4	Nut #10	
9	3311605	2	Nut 3/8 (Not Shown)	
10	3911040	4	Screw #10 x 2-1/2	
11	3960461	2	Gasket	
12	4240032	AR	Tie-Strap (Not Shown)	
13	4360522	1	Switch, Push Button (Not Shown - Located on Console)	
14	4460234	18	Mount, Tie-Strap (Not Shown)	
15	4751000	4	Washer #10	
16	4892600	2	Washer	
18	0641408	2	Bolt 1/4 x 1	
19	4751400	2	Washer 1/4	

SECTION 2 - TURNTABLE

FIGURE 2-59. HEAD AND TAIL LIGHTS INSTALLATION (OPTIONAL) (CHINA BUILT MACHINES) (PVC 2001)



ART_0271552

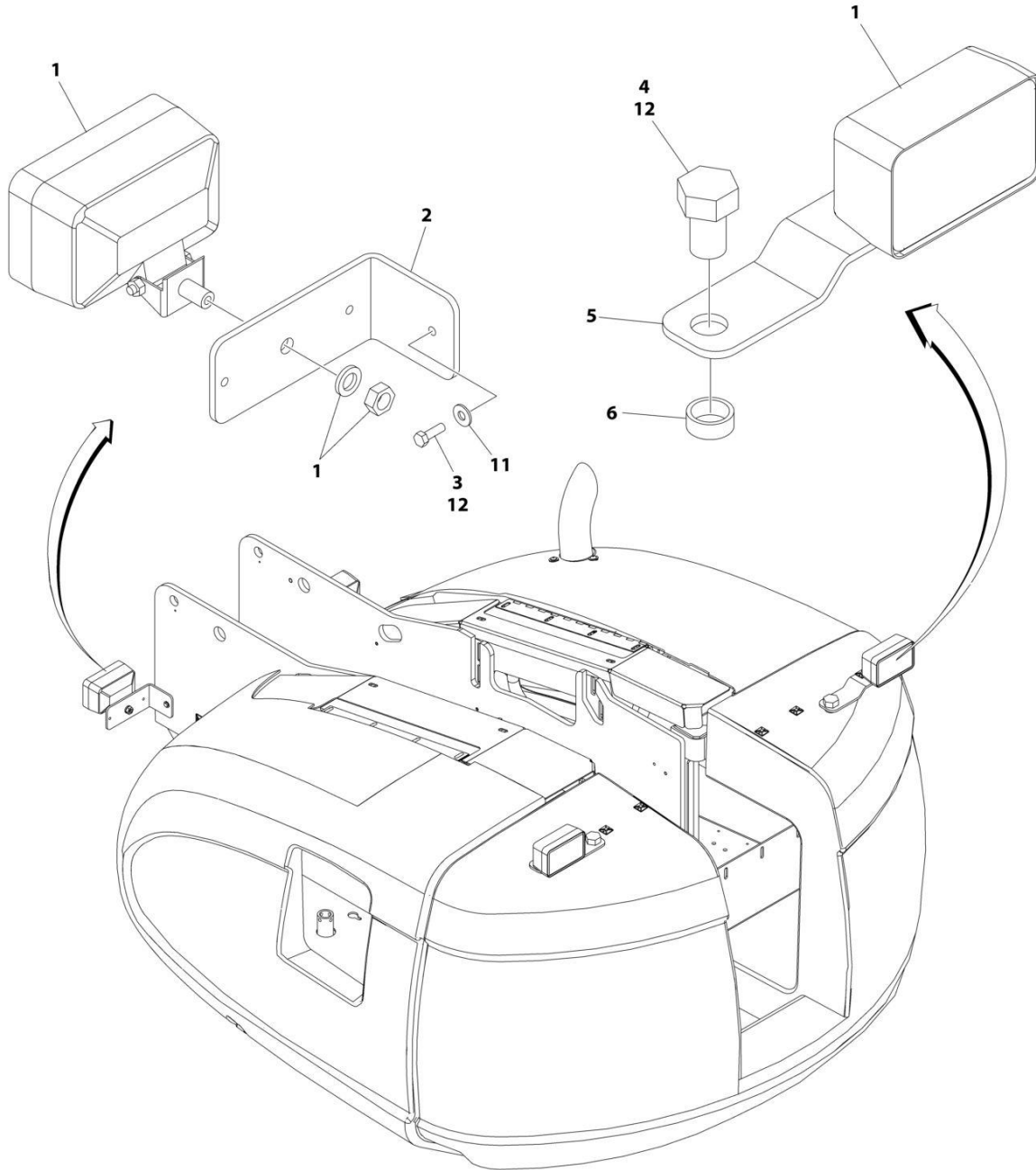
SECTION 2 - TURNTABLE

FIGURE 2-59. HEAD AND TAIL LIGHTS INSTALLATION (OPTIONAL) (CHINA BUILT MACHINES) (PVC 2001)

ITEM	PART NUMBER	QTY	DESCRIPTION	REV
	0271552	Ref	LIGHTS INSTALLATIONS (OPTIONAL)	E
25	2920110	2	Headlight	
26	0902206	2	Bracket, Mounting	
27	0642612	2	Bolt 1 x 1-1/2	
28	4892600	2	Washer	
29	0100011	AR	Compound, Locking	
30	2920113	2	Tail Light	
31	3911040	4	Screw #10 x 2-1/2	
32	3311005	4	Nut #10	
33	4751000	4	Washer #10	
34	4740362	4	Washer, Fender	
35	3960461	2	Gasket	
37	4240032	AR	Tie-Strap (Not Shown)	
38	4460234	18	Mount, Tie-Strap (Not Shown)	
39	4360522	1	Switch, Push Button (Not Shown - Located on Console)	
42	1705170	1	Decal - Lights (Not Shown - Located on Console)	
43	3311605	2	Nut 3/8 (Not Shown)	

SECTION 2 - TURNTABLE

FIGURE 2-60. CHASSIS ILLUMINATION LIGHTS INSTALLATION (OPTIONAL) (PVC 2007)



ART_0274200_C

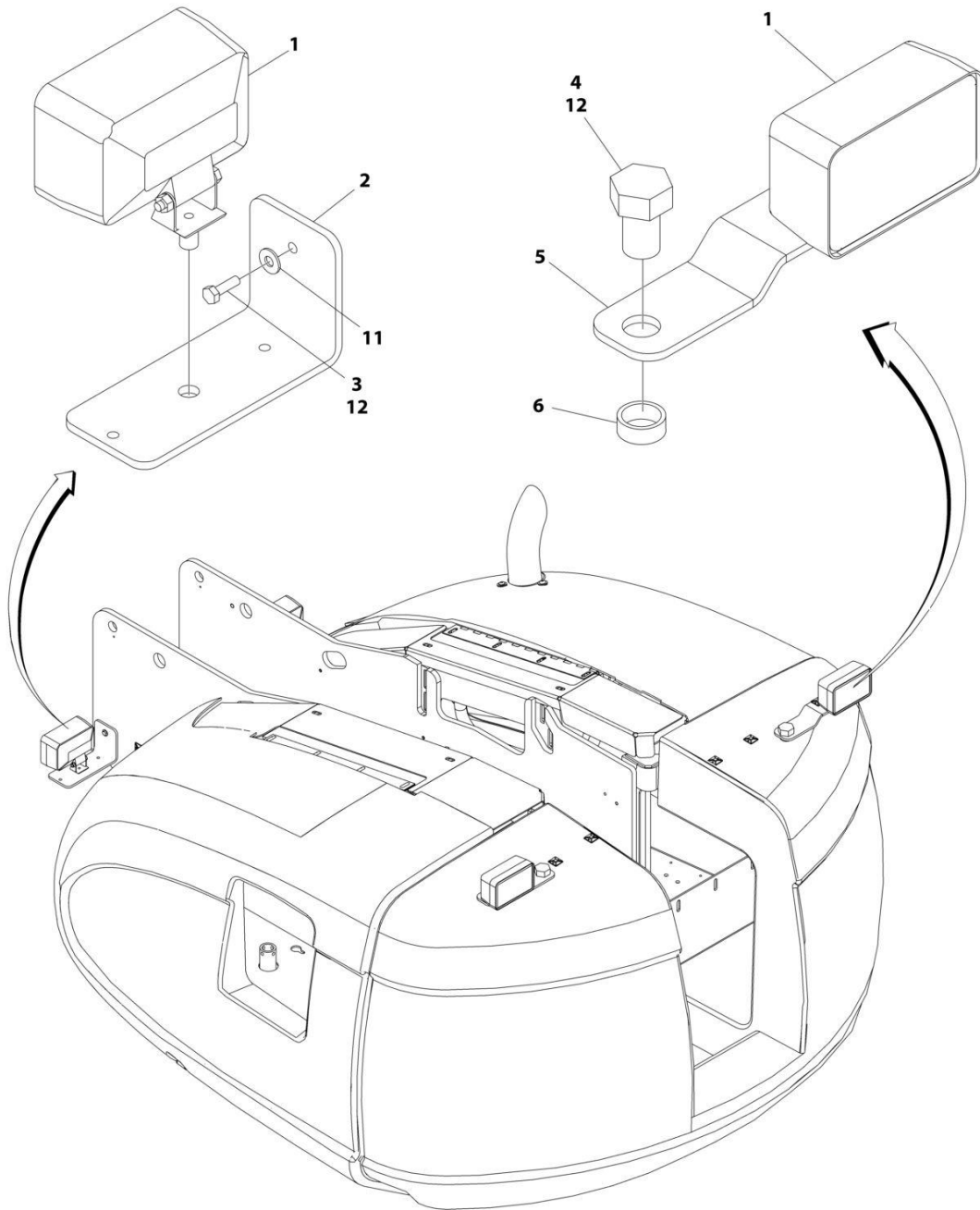
SECTION 2 - TURNTABLE

FIGURE 2-60. CHASSIS ILLUMINATION LIGHTS INSTALLATION (OPTIONAL) (PVC 2007)

ITEM	PART NUMBER	QTY	DESCRIPTION	REV
	0274200	Ref	CHASSIS ILLUMINATION LIGHT INSTALLATION	C
1	2920157	4	Lamp, Worklight	
2	0903119	2	Bracket, Light Mounting	
3	0641508	2	Bolt 5/16 x 1	
4	0642612	2	Bolt 1 x 1-1/2	
5	0902206	2	Bracket, Light Mounting	
6	4220162	2	Spacer	
9	4360522	1	Switch, Push Button (Not Shown - Located on Console)	
10	4460234	10	Mount, Cable (Not Shown)	
11	4751500	2	Washer 5/16	
12	0100011	AR	Compound, Locking	
13	4240032	21	Strap, Tie (Not Shown)	
14	1705170	1	Decal - Lights (Not Shown)	

SECTION 2 - TURNTABLE

FIGURE 2-61. CHASSIS ILLUMINATION LIGHTS INSTALLATION (OPTIONAL) (PVC 2001)



ART_0274200

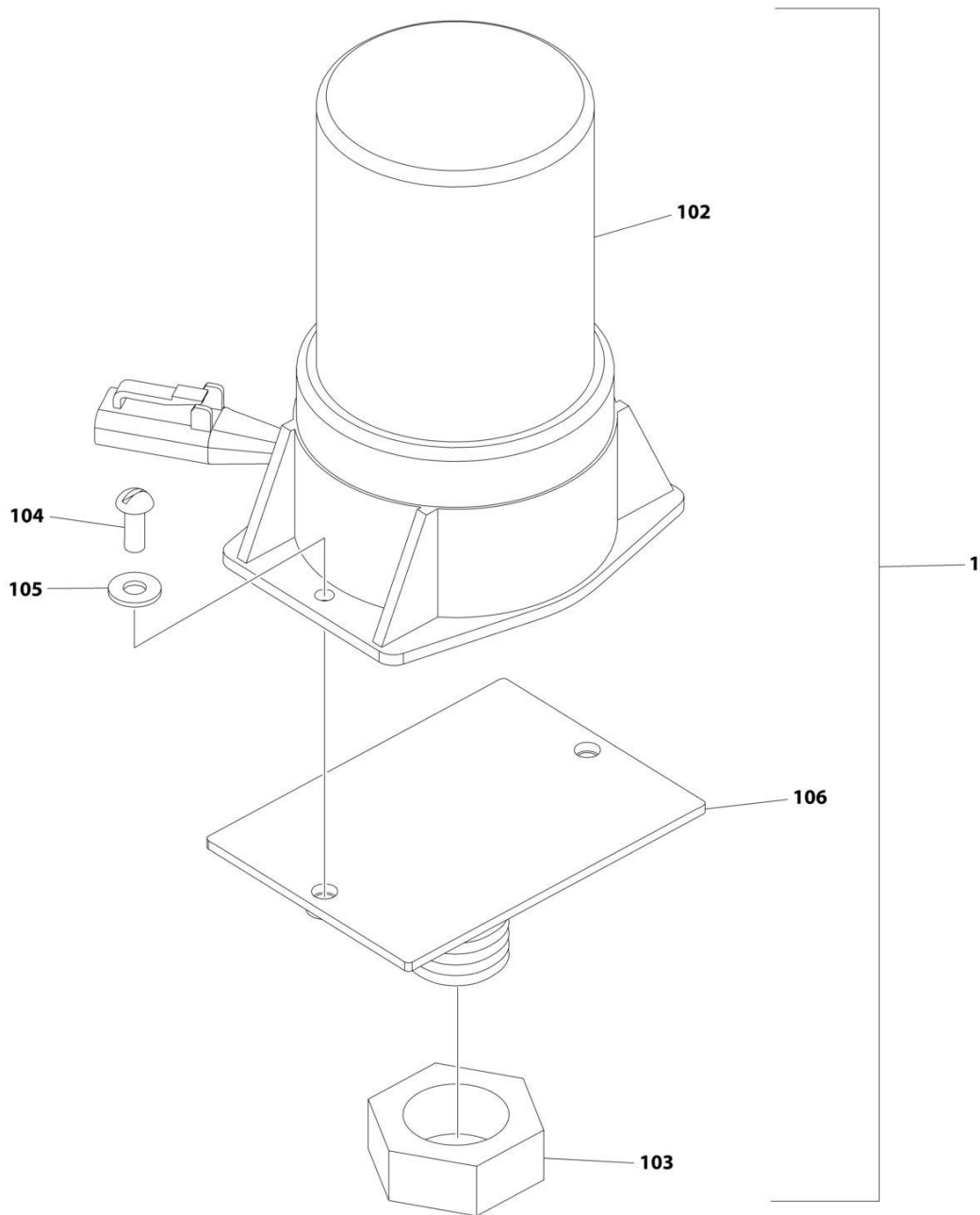
SECTION 2 - TURNTABLE

FIGURE 2-61. CHASSIS ILLUMINATION LIGHTS INSTALLATION (OPTIONAL) (PVC 2001)

ITEM	PART NUMBER	QTY	DESCRIPTION	REV
	0274200	Ref	CHASSIS ILLUMINATION LIGHT INSTALLATION	B
1	2920157	4	Lamp, Worklight	
2	0903119	2	Bracket, Light Mounting	
3	0641407	2	Bolt 1/4 x 7/8	
4	0642612	2	Bolt 1 x 1-1/2	
5	0902206	2	Bracket, Light Mounting	
6	4220162	2	Spacer	
9	4360522	1	Switch, Push Button (Not Shown - Located on Console)	
10	4460234	10	Mount, Cable (Not Shown)	
11	4751400	2	Washer 1/4	
12	0100011	AR	Compound, Locking	
13	4240032	21	Strap, Tie (Not Shown)	
14	1705170	1	Decal - Lights (Not Shown)	

SECTION 2 - TURNTABLE

FIGURE 2-62. STROBE LIGHT INSTALLATION (AMBER) (USA BUILT MACHINES - PVC 2001 & 2007,
CHINA BUILT MACHINES - PVC 2007)



ART_1001160077

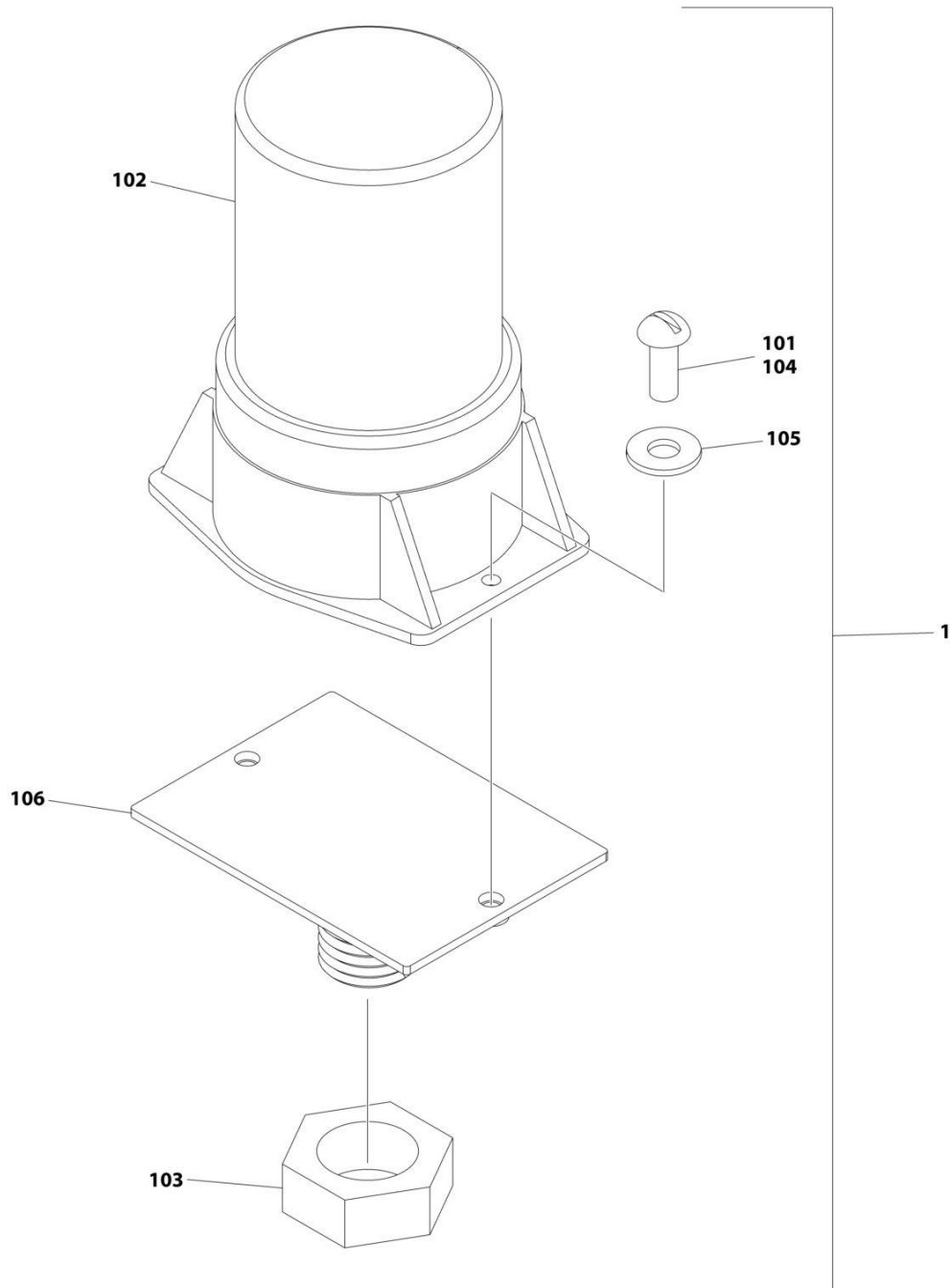
SECTION 2 - TURNTABLE

FIGURE 2-62. STROBE LIGHT INSTALLATION (AMBER) (USA BUILT MACHINES - PVC 2001 & 2007, CHINA BUILT MACHINES - PVC 2007)

ITEM	PART NUMBER	QTY	DESCRIPTION	REV
	1001160077	Ref	STROBE LIGHT INSTALLATION (AMBER)	B
1	1001150406	1	Strobe Light Assembly (Includes Items 102-106)	D
102	2920161	1	Strobe Light/Harness Assembly	
102	7016319	1	Bulb	
102	7016372	1	Lens	
103	3312602	1	Nut 1	
104	3900085	2	Screw #10 x 1/2	
105	4751000	2	Washer 1/4	
106	1001149994	1	Mount, Strobe	

SECTION 2 - TURNTABLE

FIGURE 2-63. STROBE LIGHT INSTALLATION (AMBER) (CHINA BUILT MACHINES) (PVC 2001)



ART_1001149955

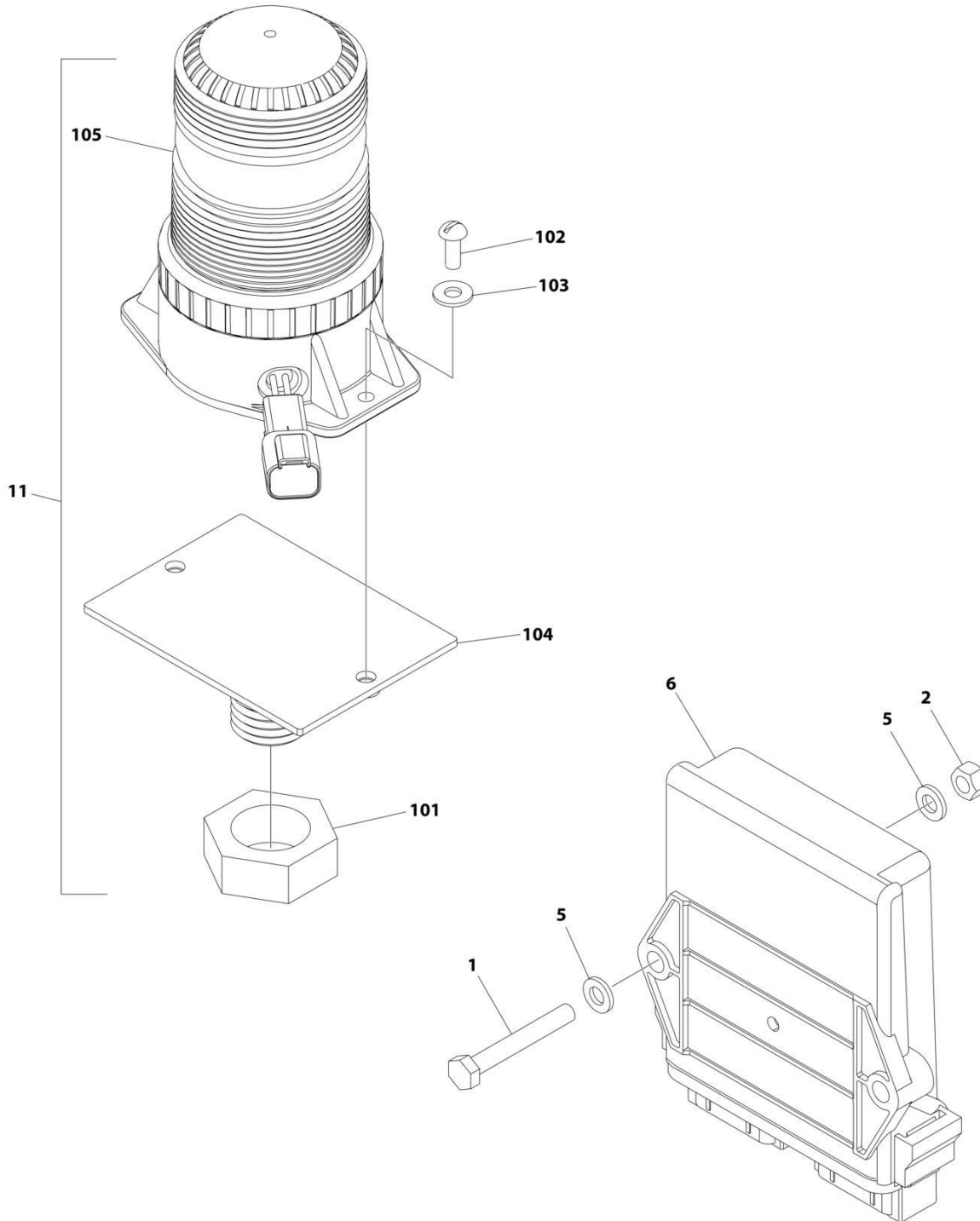
SECTION 2 - TURNTABLE

FIGURE 2-63. STROBE LIGHT INSTALLATION (AMBER) (CHINA BUILT MACHINES) (PVC 2001)

ITEM	PART NUMBER	QTY	DESCRIPTION	REV
	1001149955	Ref	STROBE LIGHT INSTALLATION (AMBER)	B
1	1001150406	1	Strobe Light Assembly (Includes Items 101-106)	D
2	1001149818	1	Harness, Strobe Light (Not Shown - See Separate Breakdown in ELECTRICAL SECTION)	
101	0100035	AR	Compound, Locking	
102	2920161	1	Strobe Light/Harness Assembly	
102	7016319	1	Bulb	
102	7016372	1	Lens	
103	3312602	1	Nut 1	
104	3900085	2	Screw #10 x 1/2	
105	4751000	2	Washer 1/4	
106	1001149994	1	Mount Strobe	

SECTION 2 - TURNTABLE

FIGURE 2-64. STROBE LIGHT INSTALLATION (BLUE)



ART_1001242251

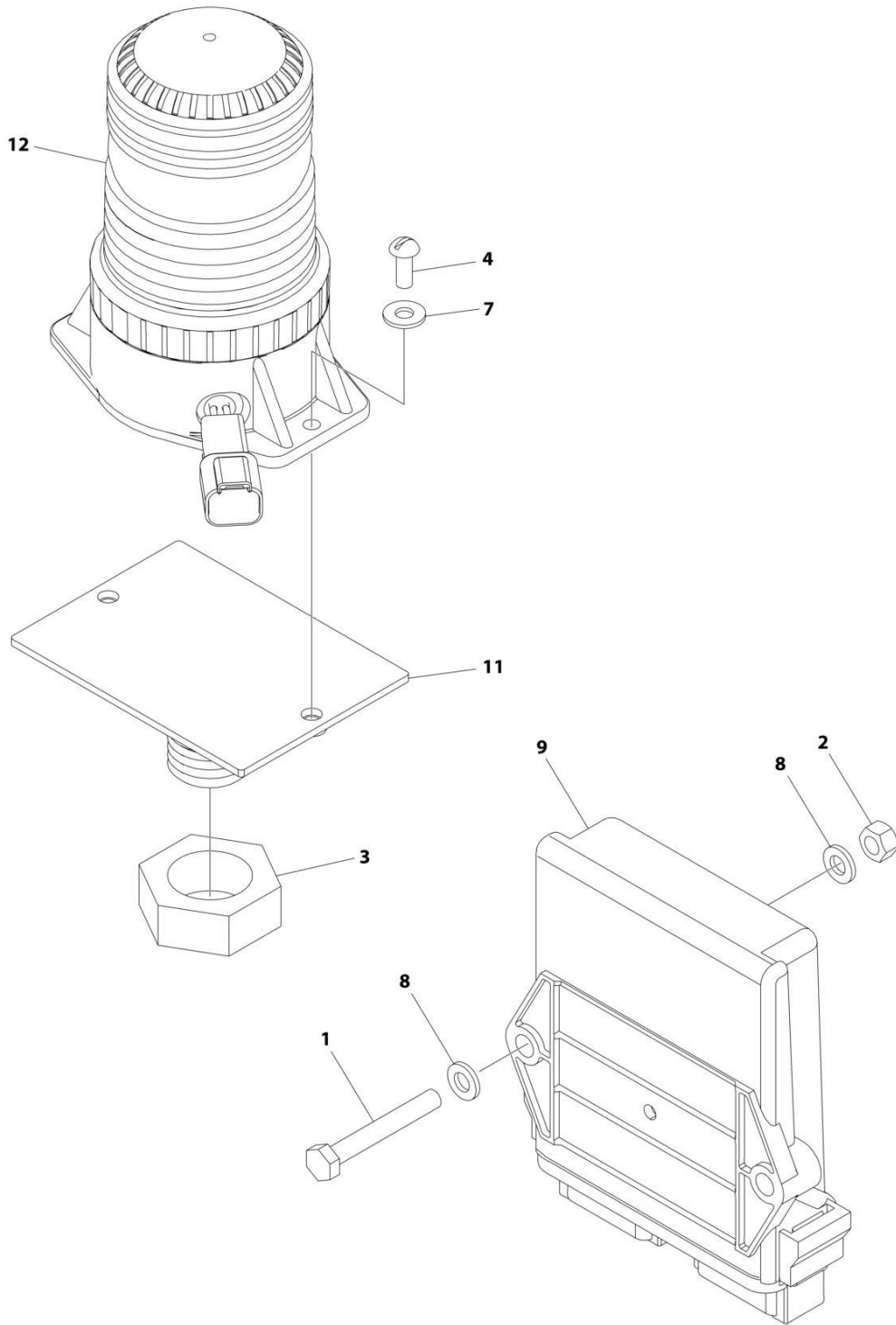
SECTION 2 - TURNTABLE

FIGURE 2-64. STROBE LIGHT INSTALLATION (BLUE)

ITEM	PART NUMBER	QTY	DESCRIPTION	REV
	1001242251	Ref	STROBE LIGHT INSTALLATION (BLUE)	A
1	0700617	2	Bolt M6 x 45	
2	3290607	2	Nut M6 x 1	
3	4240032	AR	Tie-Strap (Not Shown)	
4	4460488	AR	Mounting Base (Not Shown)	
5	4811700	4	Washer M6	
6	1001142683	1	Module, Control Beacon	
7	1001142736	1	Harness, Beacon Control (Not Shown - See Separate Breakdown in ELECTRICAL SECTION)	
11	1001217005	1	Blue Beacon Light Kit (See Items 101-105 for Breakdown)	
101	3312602	1	Nut 1	
102	3900085	2	Screw 10 x 1/2	
103	4751000	2	Washer #10	
104	1001149994	1	Mount, Beacon	
105	1001200910	1	Light, Strobe	
105	7028909	1	Connector - 2 Position	
105	4460943	2	Pin, Male	

SECTION 2 - TURNTABLE

FIGURE 2-65. STROBE LIGHT INSTALLATION (RED)



ART_1001242252

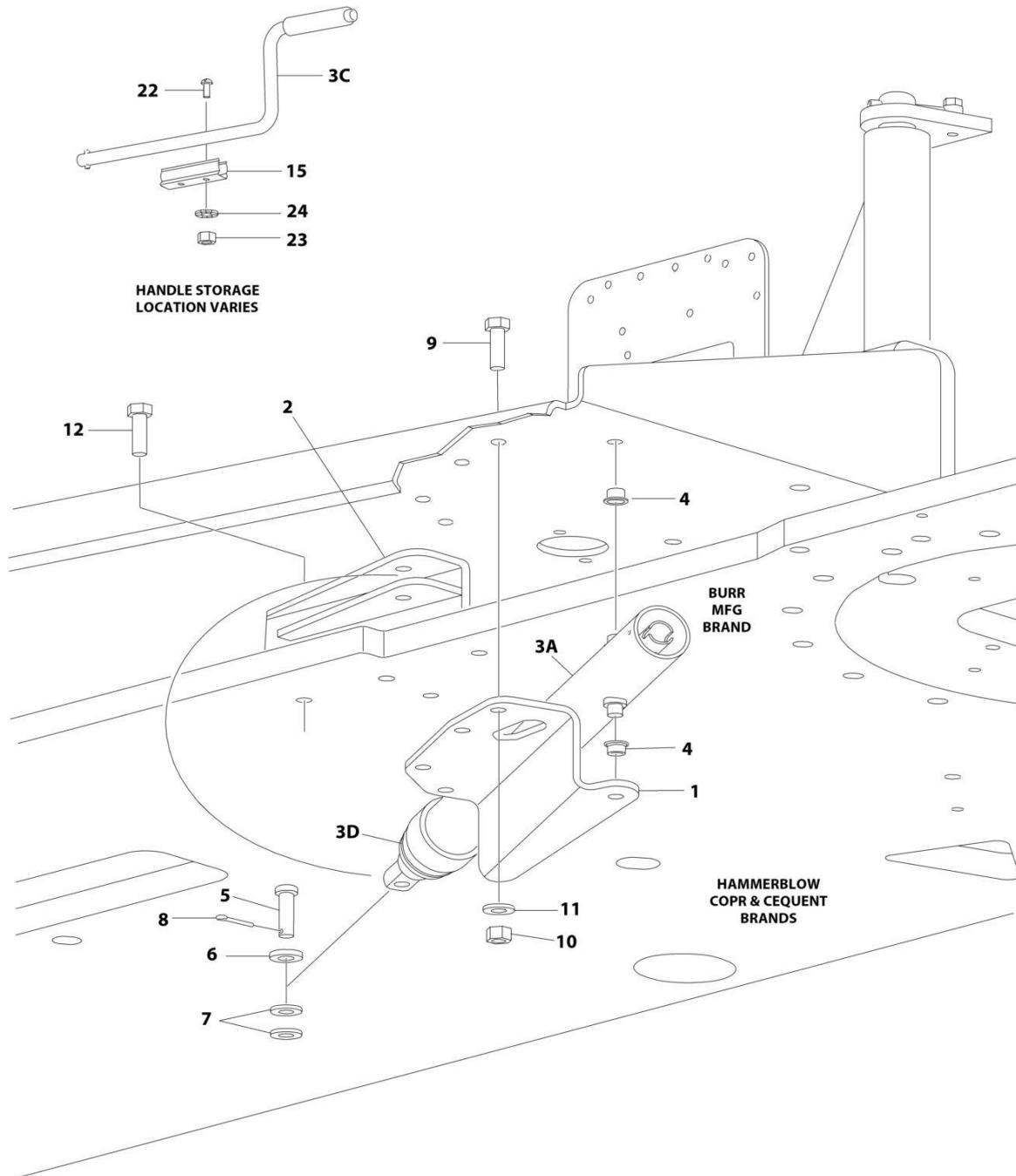
SECTION 2 - TURNTABLE

FIGURE 2-65. STROBE LIGHT INSTALLATION (RED)

ITEM	PART NUMBER	QTY	DESCRIPTION	REV
	1001242252	Ref	STROBE LIGHT INSTALLATION (RED)	A
1	0700617	2	Bolt M6 x 45	
2	3290607	2	Nut M6 x 1	
3	3312602	1	Nut 1	
4	3900085	2	Screw 10 x 1/2	
5	4240032	AR	Tie-Strap (Not Shown)	
6	4460488	AR	Mounting Base (Not Shown)	
7	4751000	2	Washer #10	
8	4811700	4	Washer M6	
9	1001142683	1	Module, Control Beacon	
10	1001142736	1	Harness, Beacon Control (Not Shown - See Separate Breakdown in ELECTRICAL SECTION)	
11	1001149994	1	Mount, Beacon	
12	1001207004	1	Light, Strobe	
12	7028909	1	Connector - 2 Position	
12	4460943	2	Pin, Male	

SECTION 2 - TURNTABLE

FIGURE 2-66. ENGINE TRAY JACK INSTALLATION – DEUTZ D2011 ENGINES (OPTIONAL)



ART_0255880

SECTION 2 - TURNTABLE

FIGURE 2-66. ENGINE TRAY JACK INSTALLATION – DEUTZ D2011 ENGINES (OPTIONAL)

ITEM	PART NUMBER	QTY	DESCRIPTION	REV
	0255880	Ref	ENGINE TRAY JACK INSTALLATION	6-H
1	3537445	1	Bracket	
2	4845163	1	Bracket	
3	2840018	1	Hydraulic Jack Assembly (Not Shown)	
3A		Ref	Burr Manufacturing Brand	
3B		Ref	Hammer blow Corp and Cequent Brands	
3C		Ref	Handle Options:	
3C	7016374	1	Burr Manufacturing Brand	
3C	7024598	1	Hammer blow Corp and Cequent Brands	
3D	7016322	1	Wiper (Burr Manufacturing Brand Only)	
4	0962051	2	Bushing, Flanged	
5	3430816	1	Pin, Clevis	
6	4891800	1	Washer 1/2 Hardened	
7	4711800	2	Washer 1/2	
8	3450404	1	Pin, Cotter 1/8 x 1	
9	0641609	4	Bolt 3/8 x 1-1/8	
10	3311605	4	Nut 3/8	
11	4891600	4	Washer 3/8	
12	0641810	4	Bolt 1/2 x 1-1/4	
15	1380147	1	Clip, Spring	
22	3910608	2	Screw #6 x 1	
23	3310601	2	Nut #6	
24	4770600	2	Washer #6	

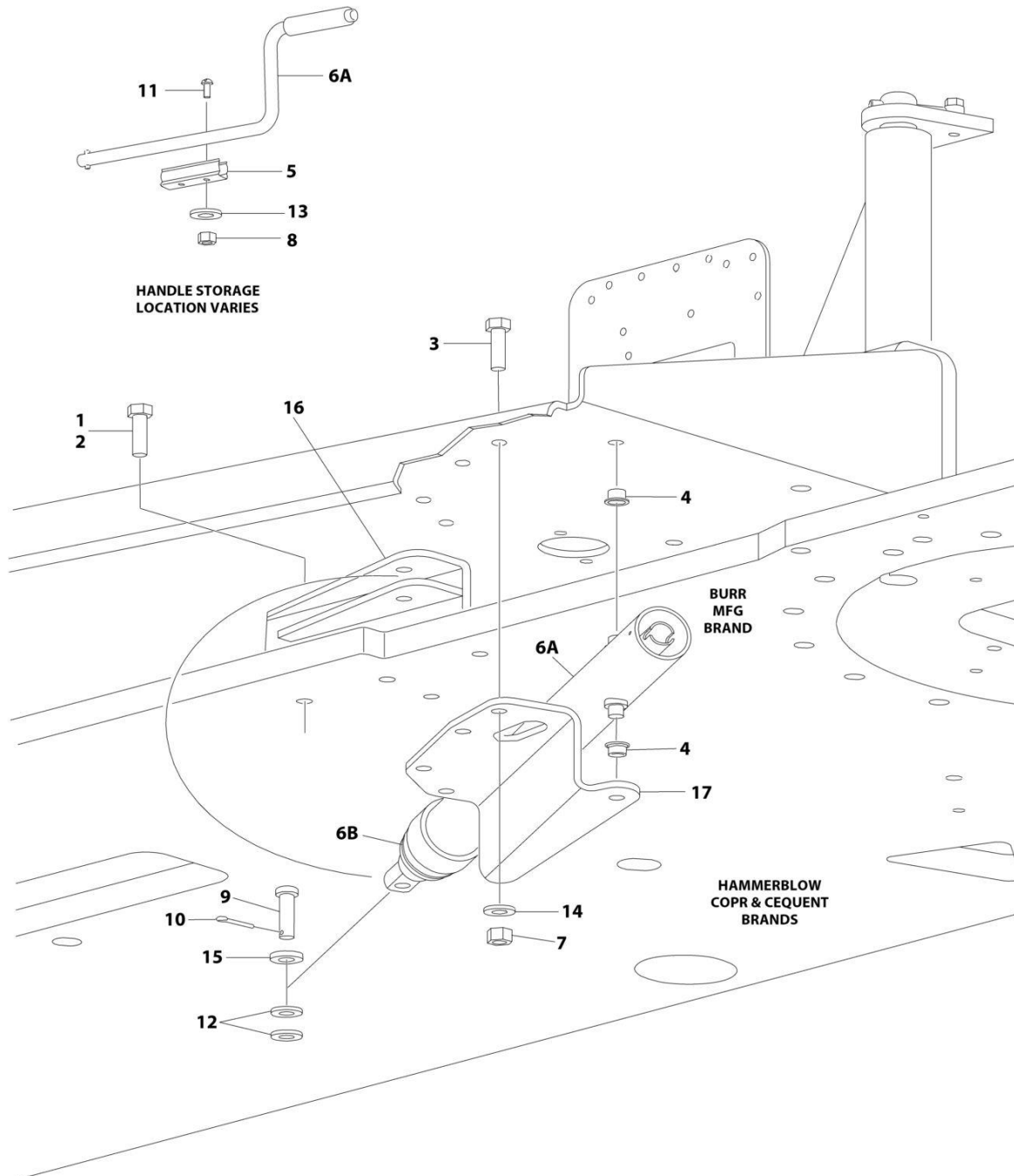
SECTION 2 - TURNTABLE

FIGURE 2-67. ENGINE TRAY JACK INSTALLATION – DEUTZ TD2.2L3 (STAGE V) AND DEUTZ TD2.9L4 ENGINES (OPTIONAL)

ITEM	PART NUMBER	QTY	DESCRIPTION	REV
	1001137891	Ref	ENGINE TRAY JACK INSTALLATION	B
1	0641609	4	Bolt 3/8 x 1-1/8	
2	0641810	4	Bolt 1/2 x 1-1/4	
3	0962051	2	Bushing, Flanged	
4	1380147	1	Clip, Spring	
5	2840016	1	Jack and Handle Assembly (Not Shown)	
5A		Ref	Handle Options:	
5A	7016374	1	Burr Manufacturing Brand	
5A	7024598	1	Hammer blow Corp Brand	
5B	7016322	1	Wiper (Burr Manufacturing Brand Only)	
6	3310601	2	Nut #6	
7	3311605	4	Nut 3/8	
8	3430816	1	Pin, Clevis	
9	3450404	1	Pin, Cotter 1/8 x 1	
10	3537445	1	Bracket	
11	3910608	2	Screw #6 x 1	
12	4711800	6	Washer 1/2	
13	4770600	2	Washer #6	
14	4891600	4	Washer 3/8	
15	4891800	1	Washer 1/2 Hardened	
16	1001137892	1	Bracket	
17	0100011	AR	Compound, Locking	

SECTION 2 - TURNTABLE

FIGURE 2-68. ENGINE TRAY JACK INSTALLATION – FORD DF 2.5L ENGINES (OPTIONAL)



ART_1001218548

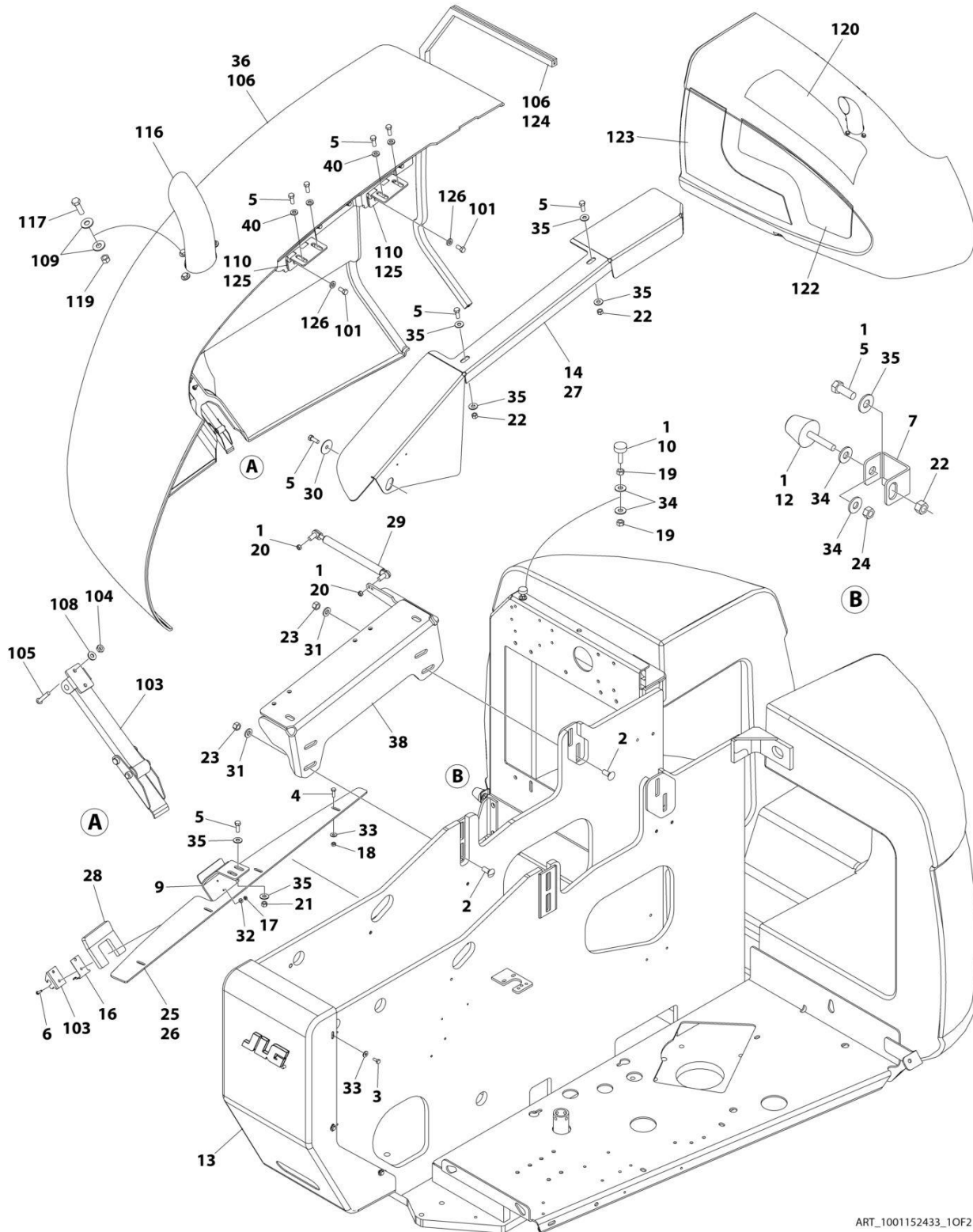
SECTION 2 - TURNTABLE

FIGURE 2-68. ENGINE TRAY JACK INSTALLATION – FORD DF 2.5L ENGINES (OPTIONAL)

ITEM	PART NUMBER	QTY	DESCRIPTION	REV
	1001218548	Ref	ENGINE TRAY JACK INSTALLATION	A
1	0100011	AR	Compound, Locking	
2	0641810	4	Bolt 1/2 x 1-1/4	
3	0761014	3	Bolt M10 x 30	
4	0962051	2	Bushing, Flanged	
5	1380147	1	Clip, Spring	
6	2840016	1	Jack and Handle Assembly (Not Shown)	
6A		Ref	Handle Options:	
6A	7016374	1	Burr Manufacturing Brand	
6A	7024598	1	Hammer blow Corp Brand	
6B	7016322	1	Wiper (Burr Manufacturing Brand Only)	
7	3291007	3	Nut M10	
8	3310601	2	Nut #6	
9	3430816	1	Pin, Clevis	
10	3450404	1	Pin, Cotter 1/8 x 1	
11	3910608	2	Screw #6 x 1	
12	4711800	6	Washer 1/2	
13	4770600	2	Washer #6	
14	4812000	6	Washer M10	
15	4891800	1	Washer 1/2 Hardened	
16	1001137892	1	Bracket	
17	1001218547	1	Bracket	

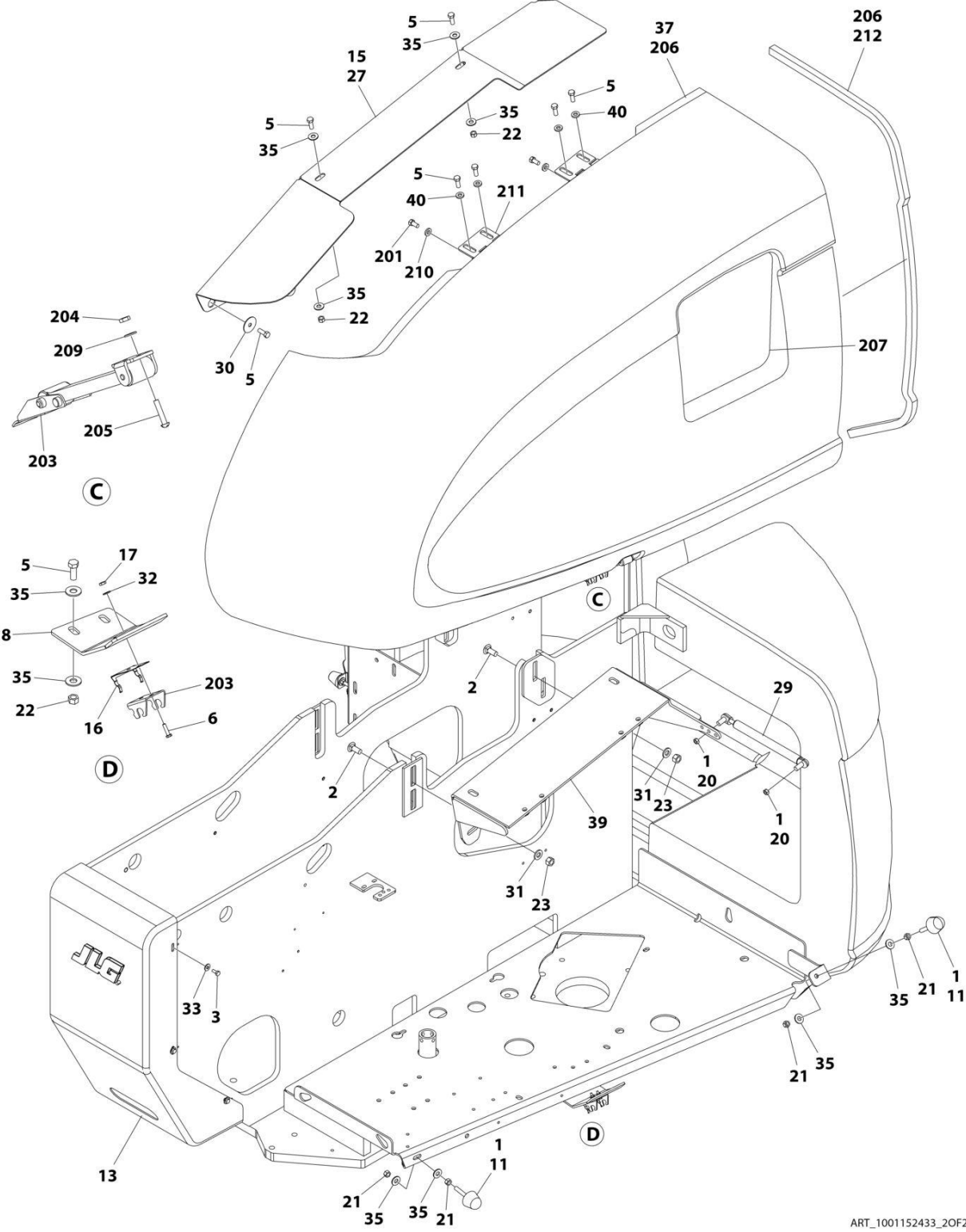
SECTION 2 - TURNTABLE

FIGURE 2-69. HOODS INSTALLATION – DEUTZ D2011 ENGINES WITHOUT NOISE REDUCTION (ABS)



ART_1001152433_10F2

SECTION 2 - TURNTABLE



ART_1001152433_20F2

SECTION 2 - TURNTABLE

FIGURE 2-69. HOODS INSTALLATION – DEUTZ D2011 ENGINES WITHOUT NOISE REDUCTION (ABS)

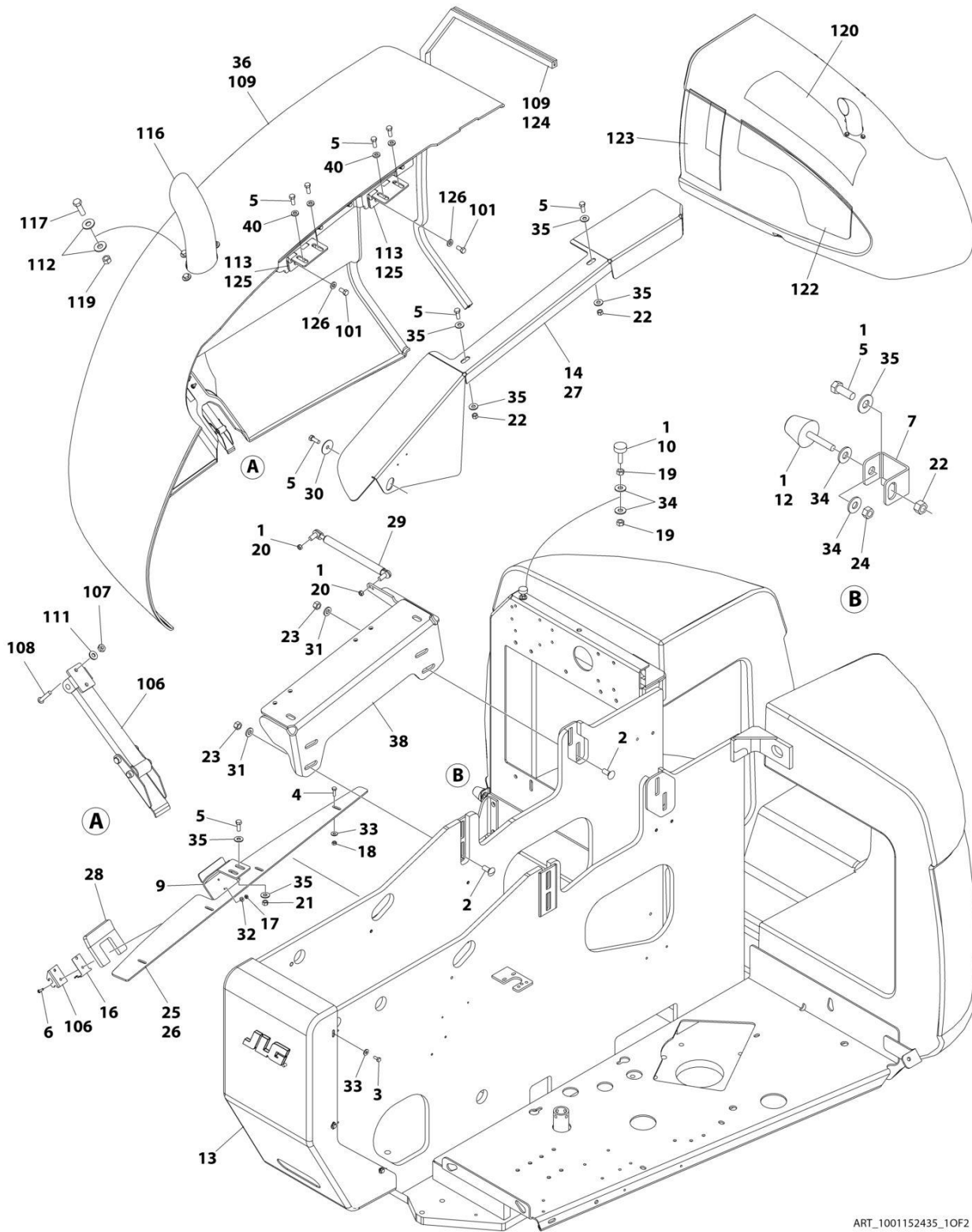
ITEM	PART NUMBER	QTY	DESCRIPTION	REV
		Ref	Note: replacement decals must be ordered separately.	
	1001152433	Ref	HOODS INSTALLATION	I
1	0100011	AR	Compound, Locking	
2	0630507	8	Bolt, Carriage 1/2 x 1-1/4	
3	0641405	6	Bolt 1/4 x 3/4	
4	0641407	4	Bolt 1/4 x 7/8	
5	0641608	19	Bolt 3/8 x 1	
6	0721006	4	Bolt #10 x 3/4	
7	0902219	1	Bracket, Bumper	
8	1001137876	1	Bracket, Latch - Tank Side	
9	0902335	1	Bracket, Latch - Engine Side	
10	0940049	1	Bumper	
11	0940071	2	Bumper	
12	0940088	1	Bumper	
13	1670767	1	Cover, Turntable	
14	2680433	1	Spacer, Hood (Engine Side)	
15	2680434	1	Spacer, Hood (Tank Side)	
16	2940188	2	Latch, Spring Clip	
17	3311005	4	Nut #10	
18	3311405	4	Nut 1/4	
19	3311501	2	Nut 5/16	
20	3311505	4	Nut 5/16	
21	3311601	6	Nut 3/8	
22	3311605	7	Nut 3/8	
23	3311805	8	Nut 1/2	
24	3321501	2	Nut 5/16	
25	3539923	1	Plate, Seal	
26	3960389	3.5 ft/1m	Seal, Bulb	
27	3960418	7 ft/2.1m	Seal	
28	3960467	1	Seal, Foam	
29	4160143	2	Spring, Gas	
30	4740076	2	Washer, Fender	
31	4740171	8	Washer 1/2 Hardened	
32	4751000	4	Washer #10	
33	4751400	10	Washer 1/4	
34	4751500	4	Washer 5/16	
35	4751600	21	Washer 3/8	
38	1001235948	1	Mount - Engine Side	
39	1001152557	1	Mount - Tank Side	
40	4891600	8	Washer 3/8 Hardened	
	1001294637	Ref	HOOD KIT (Includes Items 101 & 201)	A
101	1001160004	Ref	HOOD - ENGINE SIDE	I
102	0641606	4	Bolt 3/8 x 3/4	
103	2940088	1	Latch	
104	3311005	2	Nut #10	
105	3911016	2	Screw #10 x 1	
106	1001164281	2.5 ft /0.78m	Seal	
108	4711000	2	Washer #10	

SECTION 2 - TURNTABLE

ITEM	PART NUMBER	QTY	DESCRIPTION	REV
109	4751600	6	Washer 3/8	
110	1001188467	2	Hinge	
116	1001160598	1	Outlet, Exhaust	
117	0641610	3	Bolt 3/8 x 1-1/4	
119	3311605	3	Nut 3/8	
120	1001160961	1	Insulation	
122	1001160963	1	Insulation	
123	1001160964	1	Insulation	
124	4060805	64 in /1.6m	Flex-Trim	
125	1001169610	2	Spacer, Hinge	
126	4891600	4	Washer 3/8 Hardened	
201	1001160003	Ref	HOOD TANK SIDE	H
202	0641606	4	Bolt 3/8 x 3/4	
203	2940088	1	Latch	
204	3311005	2	Nut #10	
205	3911016	2	Screw #10 x 1	
206	1001164281	3 ft /0.91m	Seal	
207	1001166394	4.5 ft /1.4m	Seal	
209	4751000	2	Washer #10	
210	4891600	4	Washer 3/8 Hardened	
211	1001188467	2	Hinge	
212	4060805	62 in /1.6m	Flex-Trim	

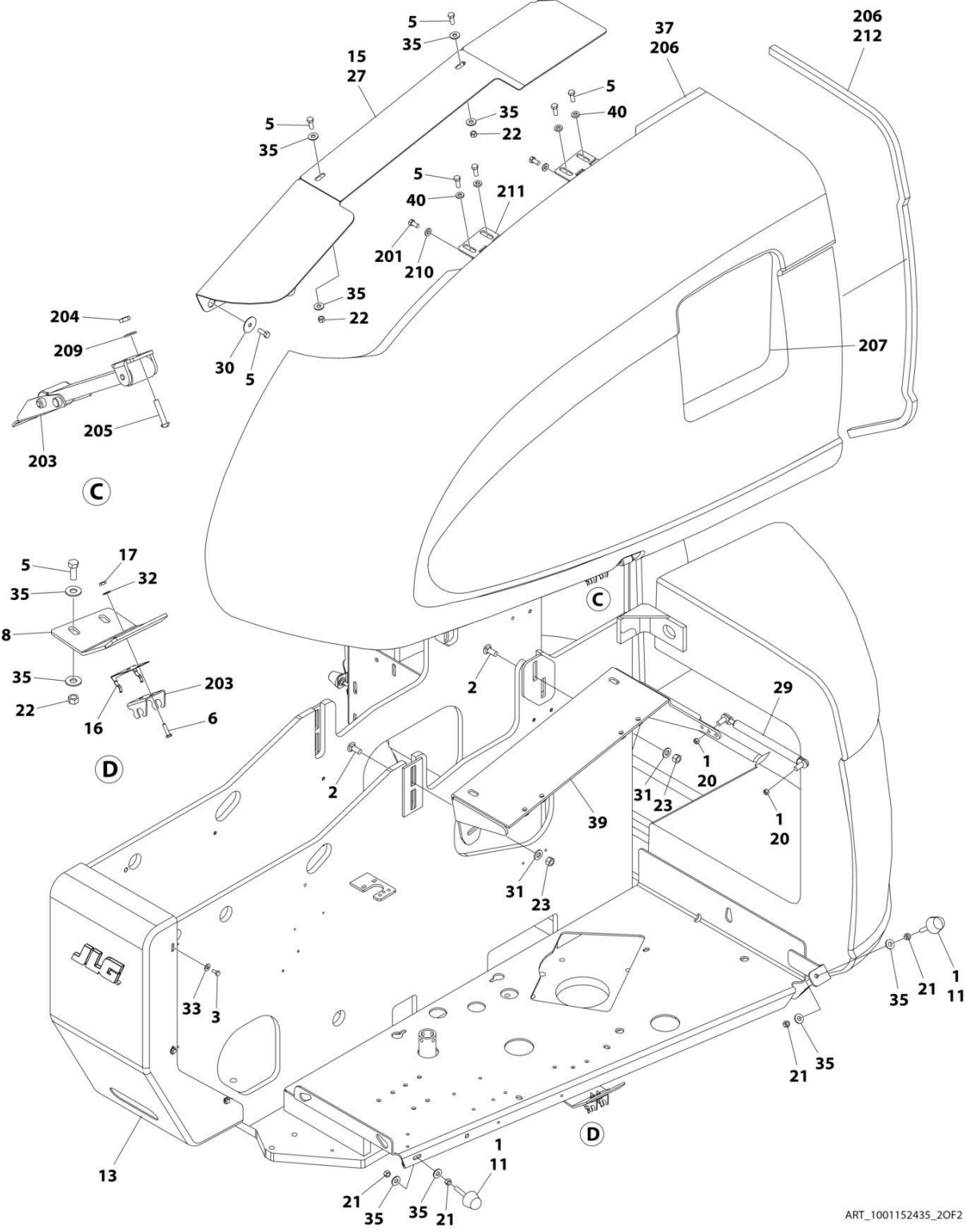
SECTION 2 - TURNTABLE

FIGURE 2-70. HOODS INSTALLATION – DEUTZ D2011 ENGINES WITH NOISE REDUCTION (ABS)



ART_1001152435_10F2

SECTION 2 - TURNTABLE



ART_1001152435_20F2

SECTION 2 - TURNTABLE

FIGURE 2-70. HOODS INSTALLATION – DEUTZ D2011 ENGINES WITH NOISE REDUCTION (ABS)

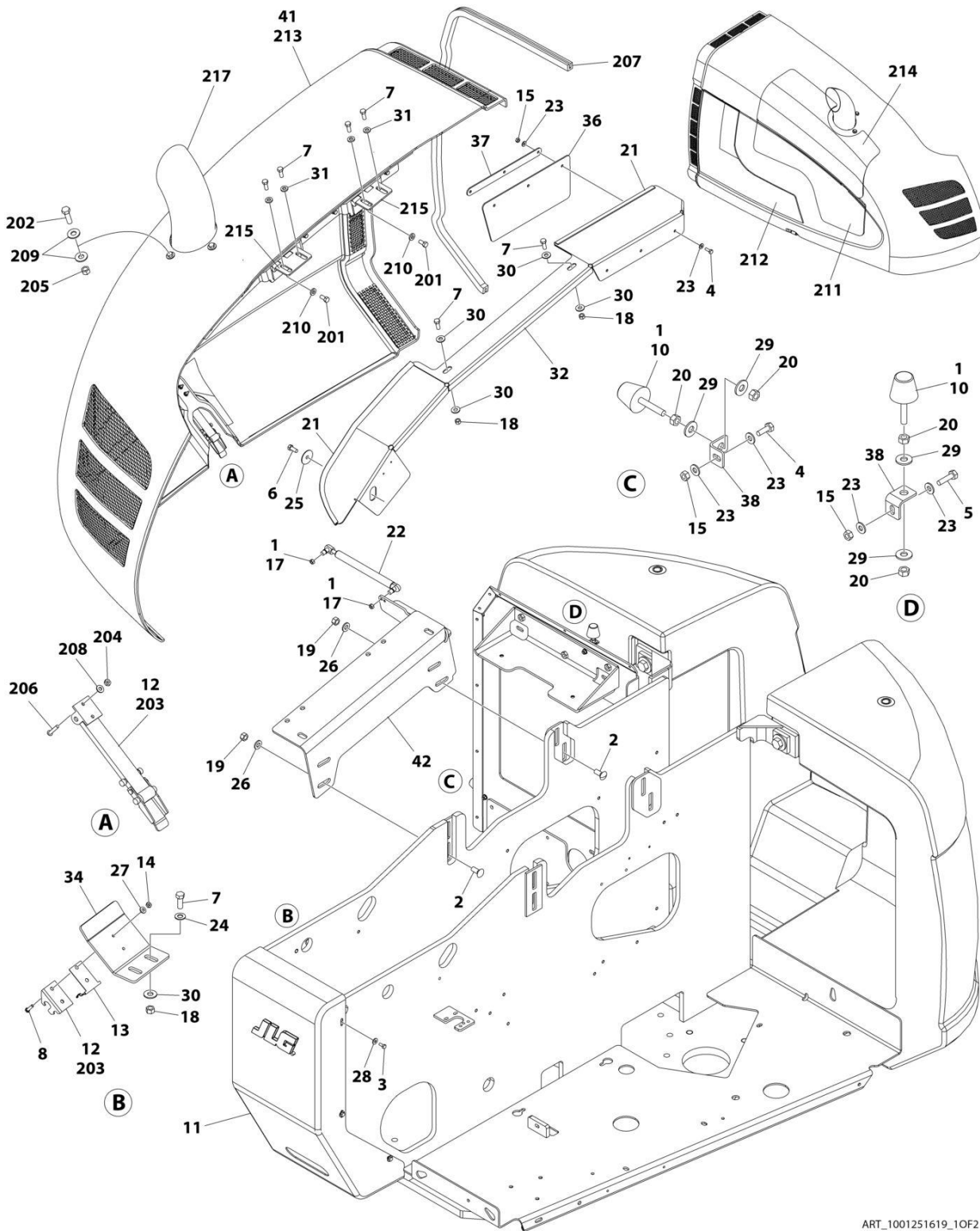
ITEM	PART NUMBER	QTY	DESCRIPTION	REV
	See Note	Ref	Note: replacement decals must be ordered separately.	
	1001152435	Ref	HOODS INSTALLATION	K
1	0100011	AR	Compound, Locking	
2	0630507	8	Bolt, Carriage 1/2 x 1-1/4	
3	0641405	6	Bolt 1/4 x 3/4	
4	0641407	4	Bolt 1/4 x 7/8	
5	0641608	19	Bolt 3/8 x 1	
6	0721006	4	Bolt #10 x 3/4	
7	0902219	1	Bracket, Bumper	
8	1001137876	1	Bracket, Latch - Tank Side	
9	0902335	1	Bracket, Latch - Engine Side	
10	0940049	1	Bumper	
11	0940071	2	Bumper	
12	0940088	1	Bumper	
13	1670767	1	Cover, Turntable	
14	2680433	1	Spacer, Hood (Engine Side)	
15	2680434	1	Spacer, Hood (Tank Side)	
16	2940188	2	Latch, Spring Clip	
17	3311005	4	Nut #10	
18	3311405	4	Nut 1/4	
19	3311501	2	Nut 5/16	
20	3311505	4	Nut 5/16	
21	3311601	6	Nut 3/8	
22	3311605	7	Nut 3/8	
23	3311805	8	Nut 1/2	
24	3321501	2	Nut 5/16	
25	3539923	1	Plate, Seal	
26	3960389	3.5 ft/1m	Seal, Bulb	
27	3960418	7 ft/2.1m	Seal	
28	3960467	1	Seal, Foam	
29	4160143	2	Spring, Gas	
30	4740076	2	Washer, Fender	
31	4740171	8	Washer 1/2 Hardened	
32	4751000	4	Washer #10	
33	4751400	10	Washer 1/4	
34	4751500	4	Washer 5/16	
35	4751600	21	Washer 3/8	
36	1001160034	1	Hood - Engine Side (See Items 101-126 for Breakdown)	
37	1001160003	1	Hood - Tank Side (See Items 201-212 for Breakdown)	
38	1001235948	1	Mount - Engine Side	
39	1001152557	1	Mount - Tank Side	
40	4891600	8	Washer 3/8 Hardened	
100	1001294604	Ref	HOOD KIT (Includes Items 101 & 201)	A
101	1001160034	Ref	HOOD - ENGINE SIDE (Includes Items 102-126)	K
102	0641606	4	Bolt 3/8 x 3/4	
106	2940088	1	Latch	
107	3311005	2	Nut #10	
108	3911016	2	Screw #10 x 1	
109	1001164281	2.5 ft /0.76m	Seal	

SECTION 2 - TURNTABLE

ITEM	PART NUMBER	QTY	DESCRIPTION	REV
111	4711000	2	Washer #10	
112	4751600	6	Washer 3/8	
113	1001188467	2	Hinge	
116	1001160598	1	Outlet, Exhaust	
117	0641610	3	Bolt 3/8 x 1-1/4	
119	3311605	3	Nut 3/8	
120	1001160961	1	Insulation	
122	1001160963	1	Insulation	
123	1001161027	1	Insulation	
124	4060805	64 in /1.6m	Flex-Trim	
125	1001169610	2	Spacer, Hinge	
126	4891600	4	Washer 3/8 Hardened	
201	1001160003	Ref	HOOD TANK SIDE (Includes Items 202-212)	H
202	0641606	4	Bolt 3/8 x 3/4	
203	2940088	1	Latch	
204	3311005	2	Nut #10	
205	3911016	2	Screw #10 x 1	
206	1001164281	3 ft /0.91m	Seal	
207	1001166394	4.5 ft /1.4m	Seal	
209	4751000	2	Washer #10	
210	4891600	4	Washer 3/8 Hardened	
211	1001188467	2	Hinge	
212	4060805	62 in /1.6m	Flex-Trim	

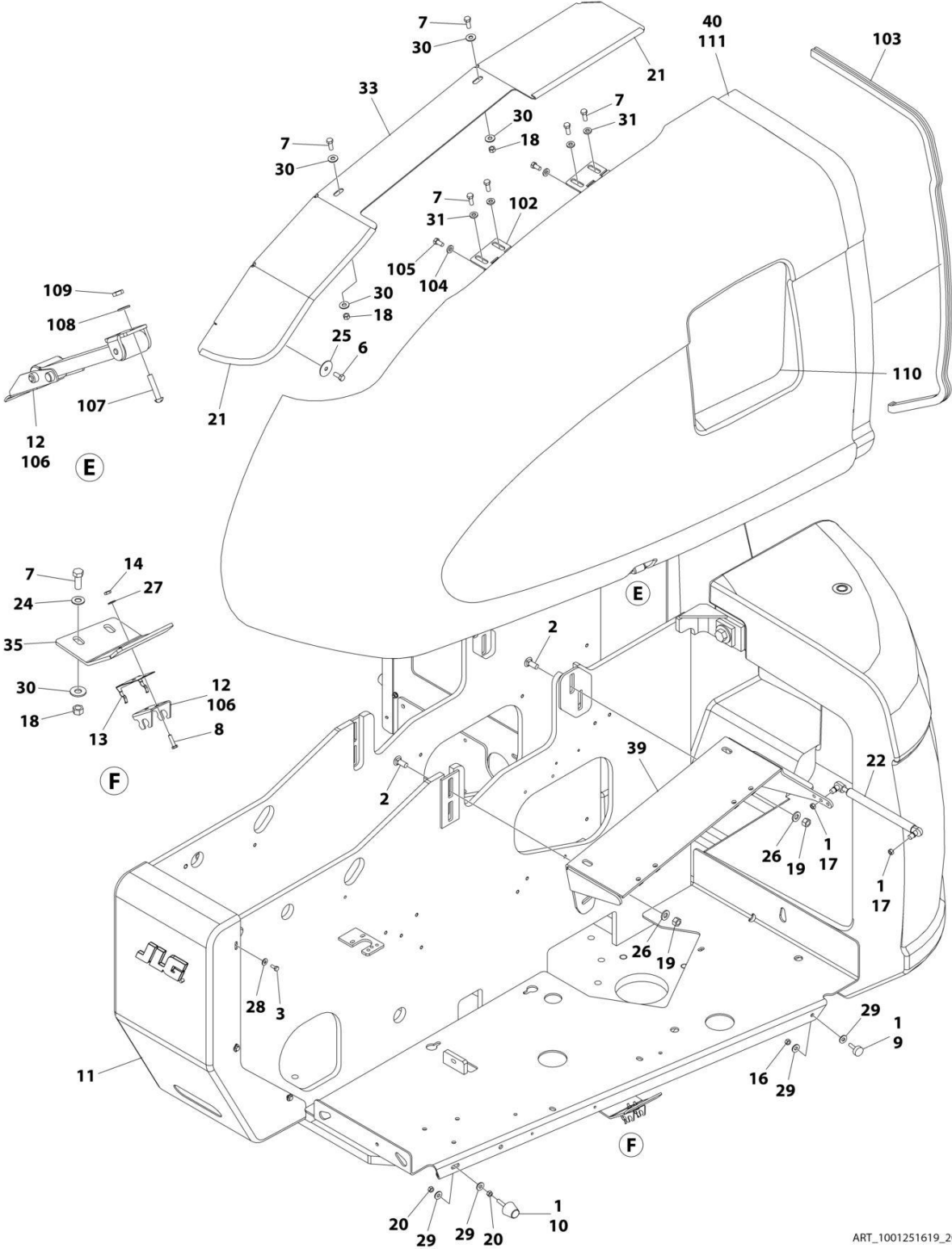
SECTION 2 - TURNTABLE

FIGURE 2-71. HOODS INSTALLATION – DEUTZ TD2.2L3 (STAGE V) ENGINES (ABS)



ART_1001251619_10F2

SECTION 2 - TURNTABLE



ART_1001251619_20F2

SECTION 2 - TURNTABLE

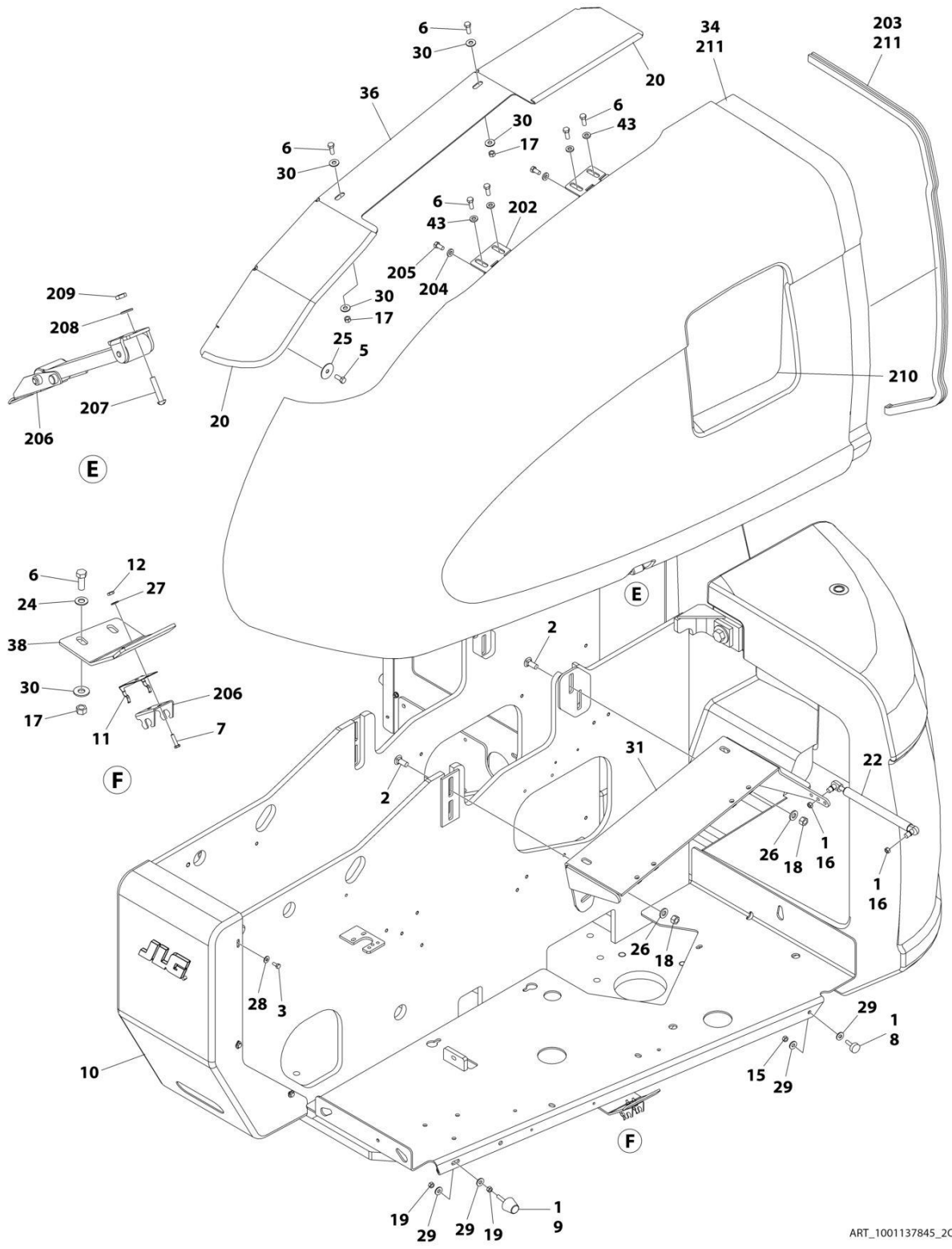
FIGURE 2-71. HOODS INSTALLATION – DEUTZ TD2.2L3 (STAGE V) ENGINES (ABS)

ITEM	PART NUMBER	QTY	DESCRIPTION	REV
	See Note	Ref	Note: replacement decals must be ordered separately.	
	1001251619	Ref	HOODS INSTALLATION	E
1	0100011	AR	Compound, Locking	
2	0630507	8	Bolt, Carriage 1/2 x 1-1/4	
3	0641405	6	Bolt 1/4 x 3/4	
4	0641406	4	Bolt 1/4 x 3/4	
5	0641408	1	Bolt 1/4 x 1	
6	0641607	2	Bolt 3/8 x 7/8	
7	0641608	16	Bolt 3/8 x 1	
8	0721006	4	Bolt #10 x 3/4	
9	0940049	1	Bumper	
10	0940088	3	Bumper	
11	1670767	1	Cover, Turntable	
12	2940088	2	Latch	
13	2940188	2	Latch, Spring Clip	
14	3311005	4	Nut #10	
15	3311405	5	Nut 1/4	
16	3311501	1	Nut 5/16	
17	3311505	4	Nut 5/16	
18	3311605	8	Nut 3/8	
19	3311805	8	Nut 1/2	
20	3321501	6	Nut 5/16	
21	3960418	7 ft/2.1m	Seal	
22	4160143	2	Spring, Gas	
23	4711400	10	Washer 1/4	
24	4711600	4	Washer 3/8	
25	4740076	2	Washer, Fender	
26	4740171	8	Washer 1/2 Hardened	
27	4751000	4	Washer #10	
28	4751400	6	Washer 1/4	
29	4751500	8	Washer 5/16	
30	4751600	12	Washer 3/8	
31	4891600	8	Washer 3/8 Hardened	
32	1001137853	1	Spacer, Hood (Engine Side)	
33	1001137854	1	Spacer, Hood (Tank Side)	
34	1001137875	1	Bracket, Latch - Engine Side	
35	1001137876	1	Bracket, Latch - Tank Side	
36	1001137878	1	Rubber, Baffle	
37	1001137879	1	Bracket, Baffle	
38	1001137886	2	Bracket, Bumper	
39	1001152557	1	Mount - Tank Side	
40	1001160190	1	Hood - Tank Side (See Items 202-211 for Breakdown)	
41	1001251618	1	Hood - Engine Side (See Items 201-217 for Breakdown)	
42	1001253100	1	Mount - Engine Side	
43	3960467	1	Seal	
100	1001294603	Ref	HOOD KIT (Includes Items 101 & 201)	A
	1001160190	Ref	HOOD TANK SIDE (Includes Items 102-111)	G
102	1001188467	2	Hinge	
103	3960462	5 ft /1.52m	Seal	

SECTION 2 - TURNTABLE

ITEM	PART NUMBER	QTY	DESCRIPTION	REV
104	4891600	4	Washer 3/8 Hardened	
105	0641606	4	Bolt 3/8 x 3/4	
106	2940088	1	Latch	
107	3911016	2	Screw #10 x 1	
108	4751000	2	Washer #10	
109	3311005	2	Nut #10	
110	1001166394	4.5 ft /1.4m	Seal	
111	1001164281	2.5 ft /0.8m	Seal	
201	1001251618	Ref	HOOD - ENGINE SIDE	D
201	0641606	4	Bolt 3/8 x 3/4	
202	0641610	3	Bolt 3/8 x 1-1/4	
203	2940088	1	Latch	
204	3311005	2	Nut #10	
205	3311605	3	Nut 3/8	
206	3911016	2	Screw #10 x 1	
207	3960462	5 ft /1.52m	Seal	
208	4751000	2	Washer #10	
209	4751600	6	Washer 3/8	
210	4891600	4	Washer 3/8 Hardened	
211	1001160963	1	Insulation	
212	1001160964	1	Insulation	
213	1001164281	2.5 ft /0.76m	Seal	
214	1001258377	1	Insulation	
215	1001188467	2	Hinge	
217	1001252082	1	Outlet, Exhaust	

SECTION 2 - TURNTABLE



ART_1001137845_20F2

SECTION 2 - TURNTABLE

FIGURE 2-72. HOODS INSTALLATION – DEUTZ TD2.9L4 AND FORD DF 2.5L ENGINES (ABS)

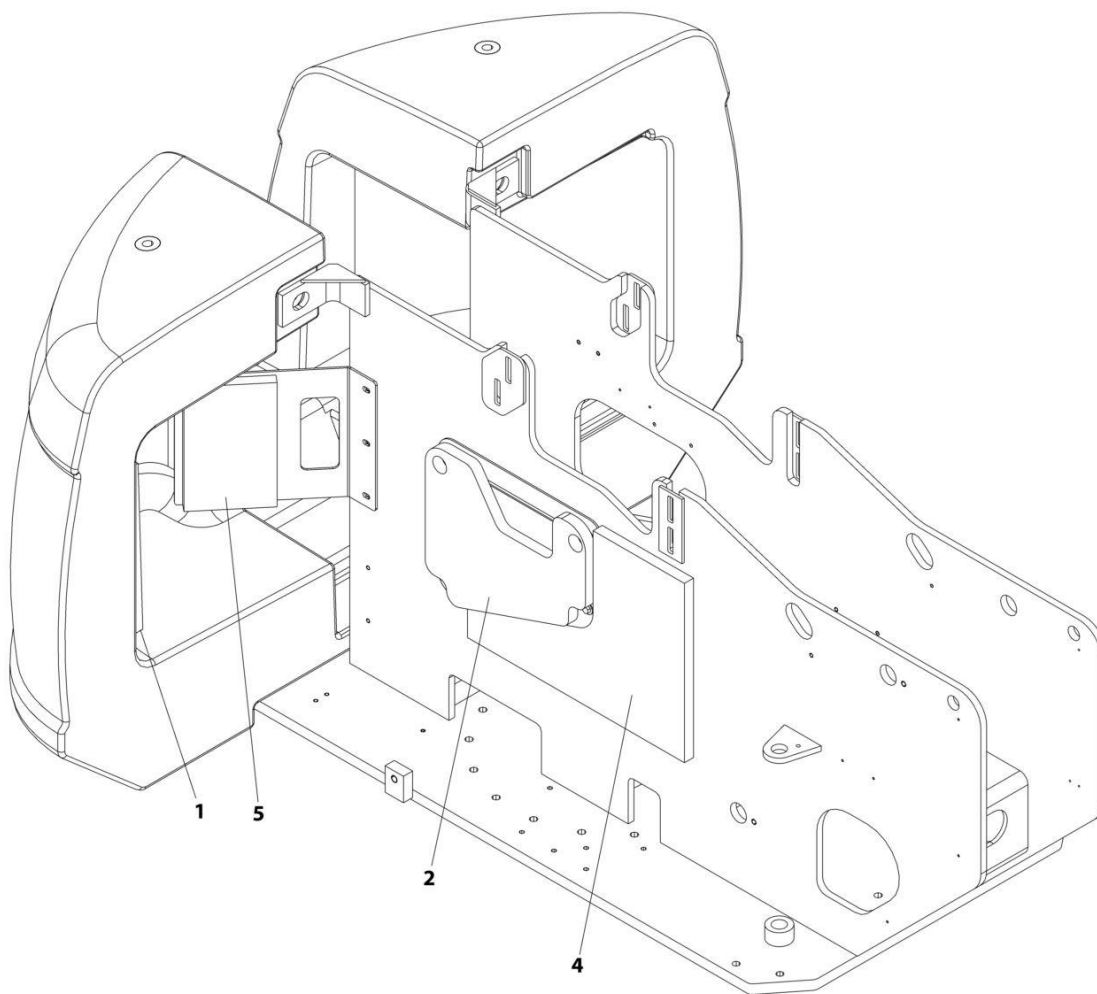
ITEM	PART NUMBER	QTY	DESCRIPTION	REV
	See Note	Ref	Note: replacement decals must be ordered separately.	
	1001137845	Ref	HOODS INSTALLATION	I
1	0100011	AR	Compound, Locking	
2	0630507	8	Bolt, Carriage 1/2 x 1-1/4	
3	0641405	6	Bolt 1/4 x 3/4	
4	0641406	4	Bolt 1/4 x 3/4	
5	0641607	2	Bolt 3/8 x 7/8	
6	0641608	16	Bolt 3/8 x 1	
7	0721006	4	Bolt #10 x 3/4	
8	0940049	1	Bumper	
9	0940088	3	Bumper	
10	1670767	1	Cover, Turntable	
11	2940188	2	Latch, Spring Clip	
12	3311005	4	Nut #10	
14	3311405	5	Nut 1/4	
15	3311501	1	Nut 5/16	
16	3311505	4	Nut 5/16	
17	3311605	8	Nut 3/8	
18	3311805	8	Nut 1/2	
19	3321501	6	Nut 5/16	
20	3960418	7 ft/2.1m	Seal	
22	4160143	2	Spring, Gas	
23	4711400	10	Washer 1/4	
24	4711600	4	Washer 3/8	
25	4740076	2	Washer, Fender	
26	4740171	8	Washer 1/2 Hardened	
27	4751000	4	Washer #10	
28	4751400	6	Washer 1/4	
29	4751500	8	Washer 5/16	
30	4751600	12	Washer 3/8	
31	1001152557	1	Mount - Tank Side	
32	1001235948	1	Mount - Engine Side	
35	1001137853	1	Spacer, Hood (Engine Side)	
36	1001137854	1	Spacer, Hood (Tank Side)	
37	1001137875	1	Bracket, Latch - Engine Side	
38	1001137876	1	Bracket, Latch - Tank Side	
39	1001137878	1	Rubber, Baffle	
40	1001137879	1	Bracket, Baffle	
41	1001137886	2	Bracket, Bumper	
42	0641408	1	Bolt 1/4 x 1	
43	4891600	8	Washer 3/8 Hardened	
100	1001294703	Ref	HOOD KIT (Includes Items 101 & 201)	A
101	1001160189	Ref	HOOD - ENGINE SIDE (Includes items 102-121)	G
102	3311605	3	Nut 3/8	
103	0641610	3	Bolt 3/8 x 1-1/4	
105	4751600	6	Washer 3/8	
106	1001137860	1	Outlet, Exhaust	
107	4751000	2	Washer #10	
108	0641606	4	Bolt 3/8 x 3/4	
109	1001188467	2	Hinge	

SECTION 2 - TURNTABLE

ITEM	PART NUMBER	QTY	DESCRIPTION	REV
110	2940088	1	Latch	
111	3311005	2	Nut #10	
112	3911016	2	Screw #10 x 1	
113	3960462	5 ft /1.52m	Seal	
114	1001164281	2.5 ft /0.76m	Seal	
117	1001165741	1	Insulation	
119	1001160963	1	Insulation	
120	1001160964	1	Insulation	
121	4891600	4	Washer 3/8 Hardened	
201	1001160190	Ref	HOOD TANK SIDE (Includes items 202-211)	G
202	1001188467	2	Hinge	
203	3960462	5 ft /1.52m	Seal	
204	4891600	4	Washer 3/8 Hardened	
205	0641606	4	Bolt 3/8 x 3/4	
206	2940088	1	Latch	
207	3911016	2	Screw #10 x 1	
208	4751000	2	Washer #10	
209	3311005	2	Nut #10	
210	1001166394	4.5 ft /1.4m	Seal	
211	1001164281	2.6 ft /0.8m	Seal	

SECTION 2 - TURNTABLE

FIGURE 2-73. NOISE REDUCTION INSTALLATION - DEUTZ TD2.2L3 (STAGE V) ENGINES (USA BUILT MACHINES)



ART_1001255777

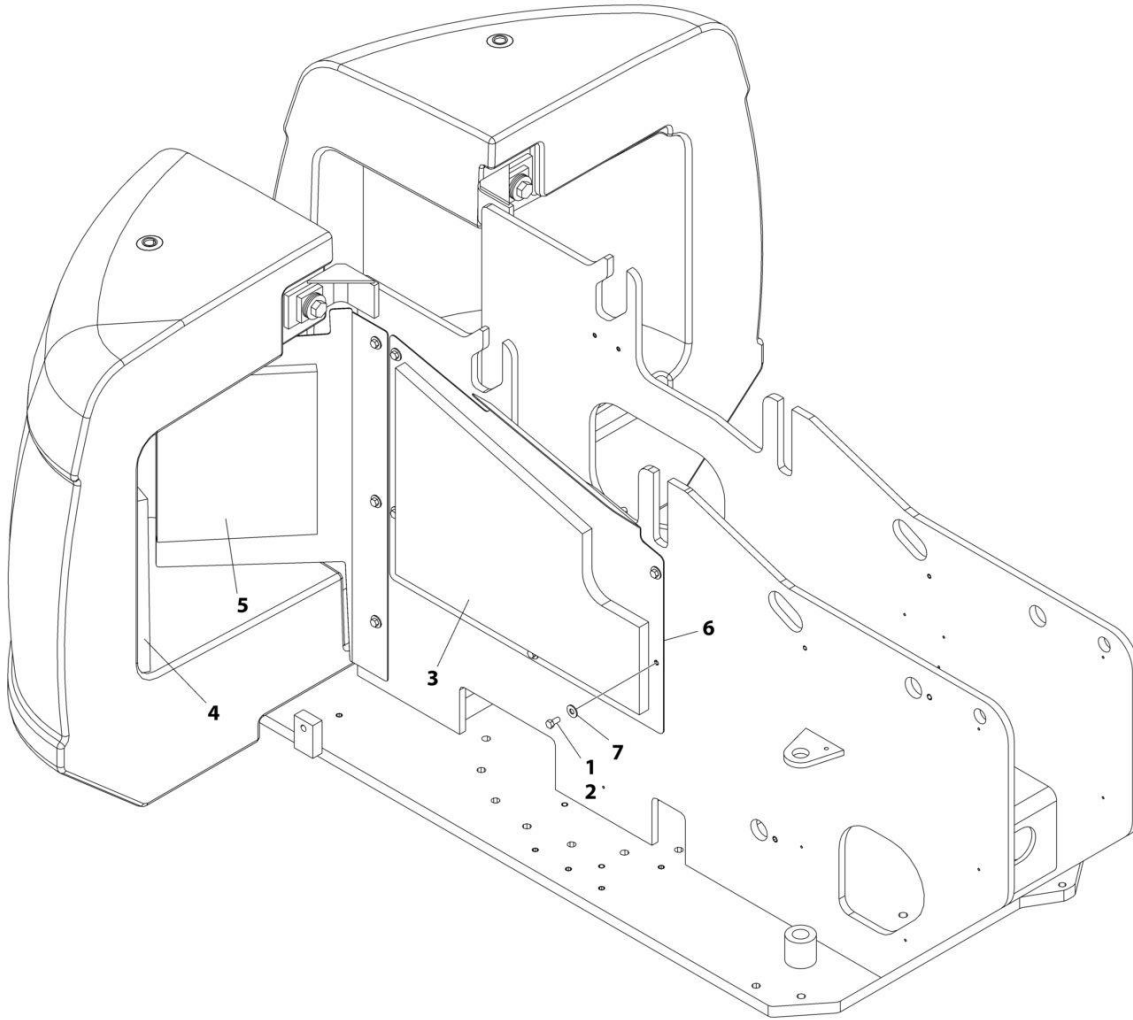
SECTION 2 - TURNTABLE

FIGURE 2-73. NOISE REDUCTION INSTALLATION - DEUTZ TD2.2L3 (STAGE V) ENGINES (USA BUILT MACHINES)

ITEM	PART NUMBER	QTY	DESCRIPTION	REV
	1001255777	Ref	NOISE REDUCTION INSTALLATION	C
1	2820082	1	Foam, Acoustical	
2	1001254499	1	Insulate, Foam	
4	1001254738	1	Insulate, Foam	
5	1001254769	1	Insulate, Foam	

SECTION 2 - TURNTABLE

FIGURE 2-74. NOISE REDUCTION INSTALLATION (USA BUILT MACHINES - PVC 2001 & 2007,
CHINA BUILT MACHINES - PVC 2007)



ART_1001152325

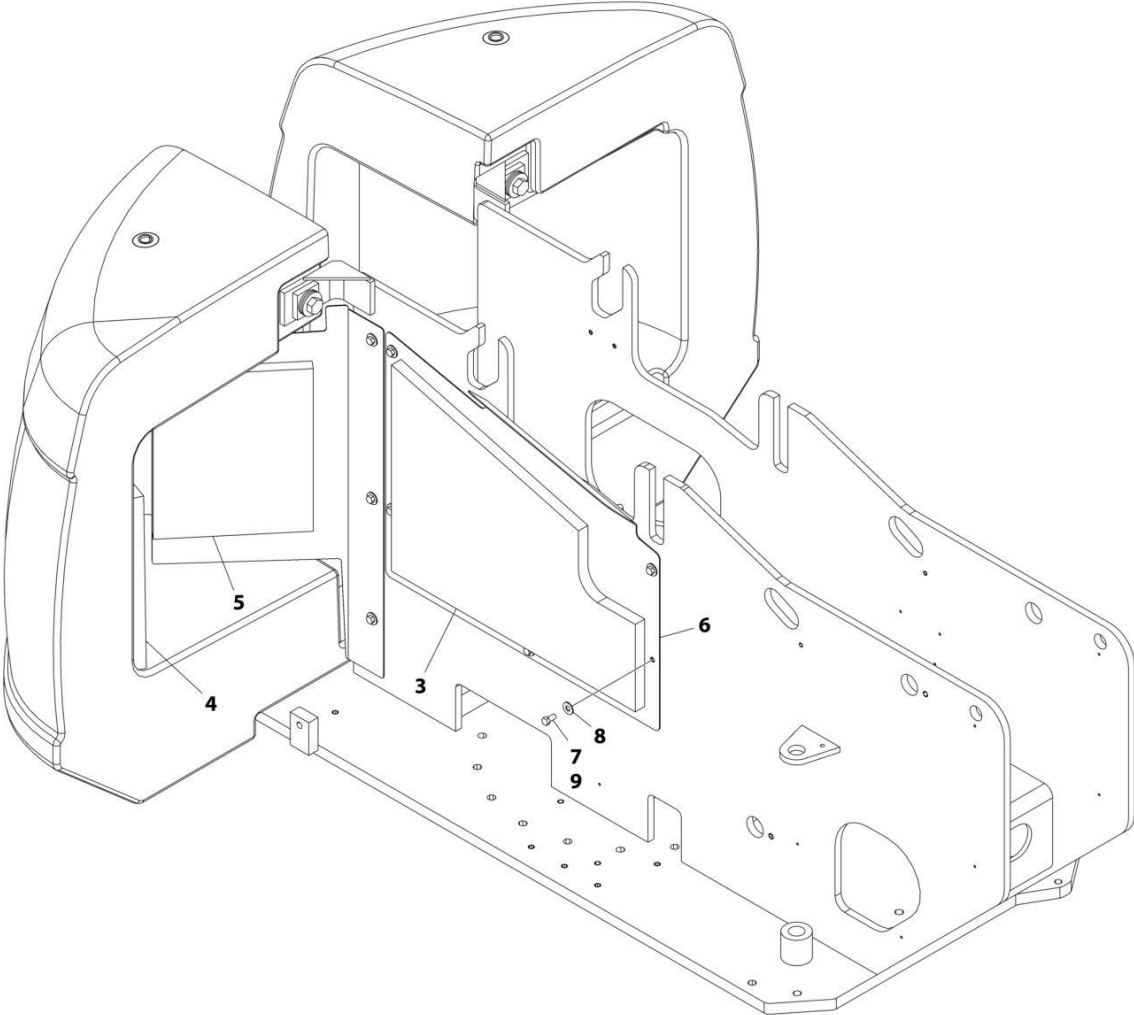
SECTION 2 - TURNTABLE

FIGURE 2-74. NOISE REDUCTION INSTALLATION (USA BUILT MACHINES - PVC 2001 & 2007, CHINA BUILT MACHINES - PVC 2007)

ITEM	PART NUMBER	QTY	DESCRIPTION	REV
	1001152325	Ref	NOISE REDUCTION INSTALLATION	A
1	0100011	AR	Compound, Locking	
2	0641606	5	Bolt 3/8 x 3/4	
3	2820078	1	Foam, Acoustical	
4	2820082	1	Foam, Acoustical	
5	2820083	1	Foam, Acoustical	
6	3539988	1	Plate, Baffle	
7	4751600	5	Washer 3/8	

SECTION 2 - TURNTABLE

FIGURE 2-75. NOISE REDUCTION INSTALLATION (CHINA BUILT MACHINES) (PVC 2001)



ART_0256822

SECTION 2 - TURNTABLE

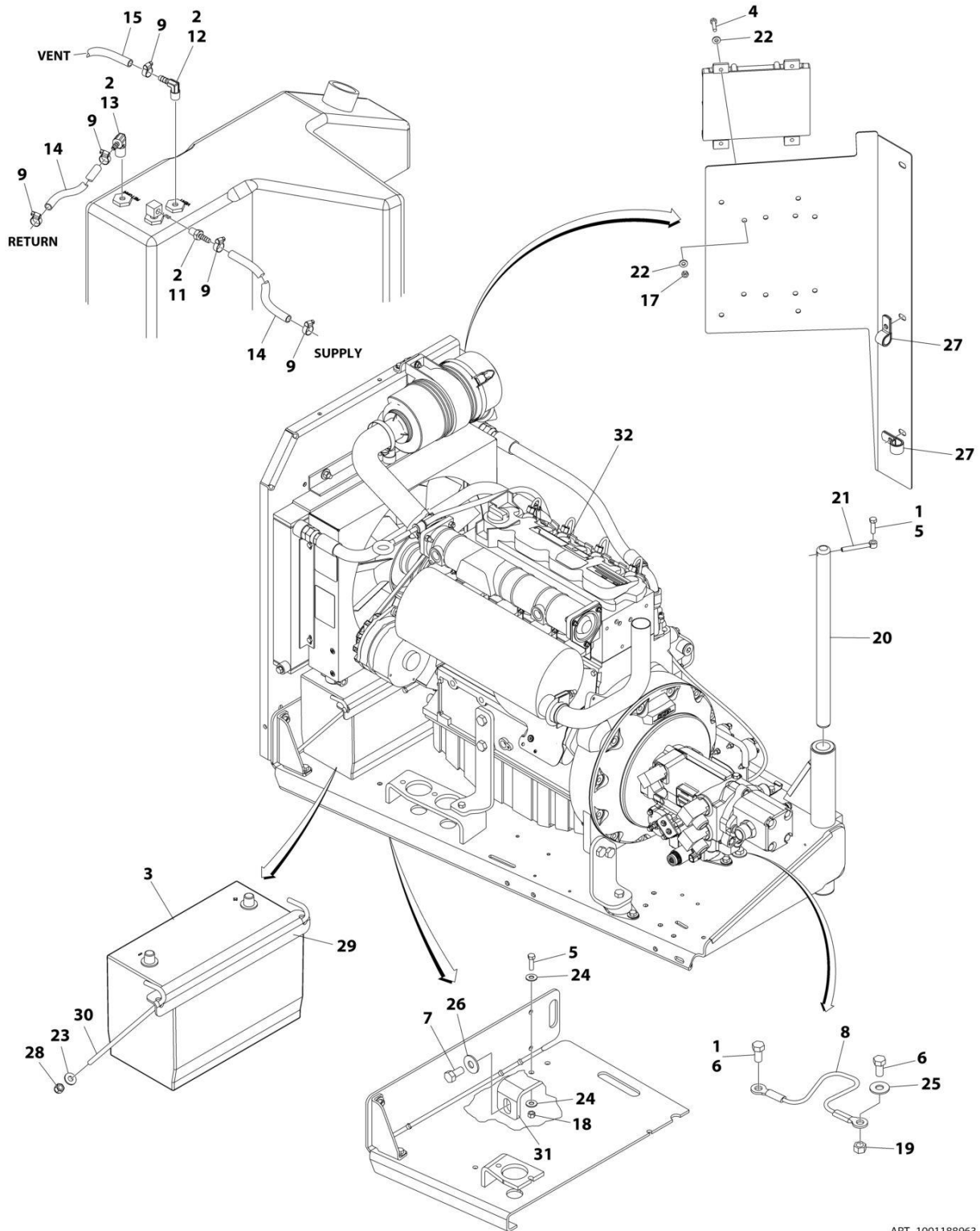
FIGURE 2-75. NOISE REDUCTION INSTALLATION (CHINA BUILT MACHINES) (PVC 2001)

ITEM	PART NUMBER	QTY	DESCRIPTION	REV
	0256822	Ref	NOISE REDUCTION INSTALLATION	1
3	2820078	1	Foam, Acoustical	
4	2820082	1	Foam, Acoustical	
5	2820083	1	Foam, Acoustical	
6	3539988	1	Plate, Baffle	
7	0641606	5	Bolt 3/8 x 3/4	
8	4751600	5	Washer 3/8	
9	0100011	AR	Compound, Locking	

SECTION 3 - ENGINE

SECTION 3 - ENGINE

FIGURE 3-1. DEUTZ D2011 ENGINE INSTALLATION – WITHOUT ARCTIC PACKAGE (USA BUILT MACHINES - PVC 2001 & 2007, CHINA BUILT MACHINES - PVC 2007)



ART_1001188963

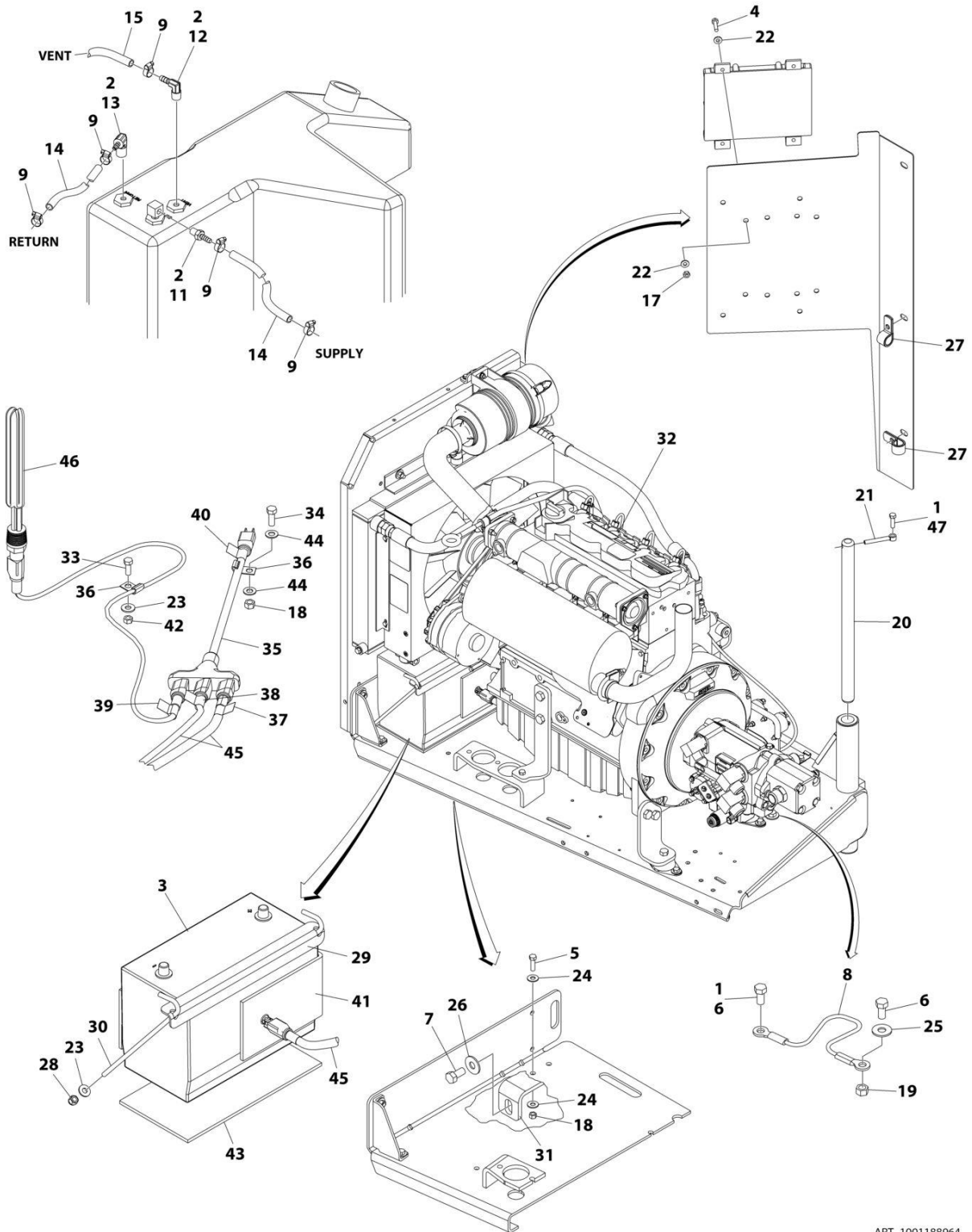
SECTION 3 - ENGINE

FIGURE 3-1. DEUTZ D2011 ENGINE INSTALLATION – WITHOUT ARCTIC PACKAGE (USA BUILT MACHINES - PVC 2001 & 2007, CHINA BUILT MACHINES - PVC 2007)

ITEM	PART NUMBER	QTY	DESCRIPTION	REV
	1001188963	Ref	DEUTZ D2011 ENGINE INSTALLATION	B
1	0100011	AR	Compound, Locking	
2	0100020	AR	Sealant, Pipe	
3	0400075	1	Battery	
4	0641409	4	Bolt 1/4 x 1-1/8	
5	0641610	3	Bolt 3/8 x 1-1/4	
6	0641808	2	Bolt 1/2 x 1	
7	0642010	1	Bolt 5/8 x 1-1/4	
8	1060637	1	Cable, Lanyard	
9	1320022	5	Clamp, Hose	
10	1701505	1	Decal - Diesel (Not Shown - Located on Hood)	
11	2180348	1	Fitting, Straight Barbed	
12	2220313	1	Fitting, 90	
13	2221176	1	Fitting, Straight Barbed	
14	2720058	24 ft /7.3m	Hose	
15	2750532	6 ft /1.8m	Hose	
16	1001241578	1	Battery Cable Kit (No Info at Time of Printing)	A
17	3311405	4	Nut 1/4	
18	3311605	2	Nut 3/8	
19	3311805	1	Nut 1/2	
20	3422448	1	Pin, Pivot	
21	3841143	1	Pin, Keeper	
22	4711400	8	Washer 1/4	
23	4751500	2	Washer 5/16	
24	4751600	4	Washer 3/8	
25	4751800	1	Washer 1/2	
26	4752000	1	Washer 5/8	
27	85941017	2	Clamp	
28	88521205	2	Nut 5/16	
29	91401281	1	Hold-down, Battery	
30	1001093382	2	J-Bolt	
31	1001151070	1	Angle	
32	1001188954	1	Engine Assembly with Pumps (See Separate Breakdown in this Section)	

SECTION 3 - ENGINE

FIGURE 3-2. DEUTZ D2011 ENGINE INSTALLATION – WITH ARCTIC PACKAGE (USA BUILT MACHINES - PVC 2001 & 2007, CHINA BUILT MACHINES - PVC 2007)



ART_1001188964

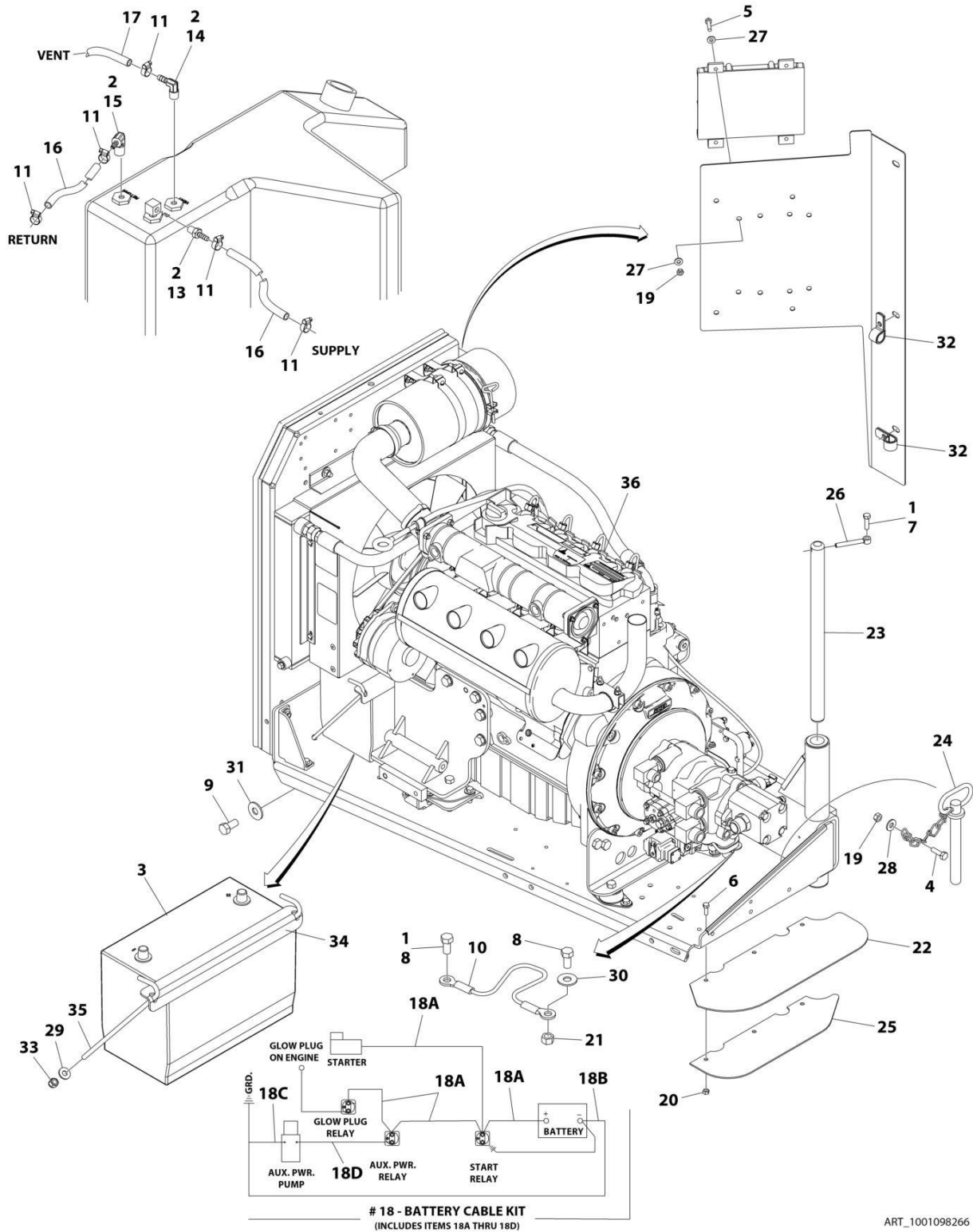
SECTION 3 - ENGINE

FIGURE 3-2. DEUTZ D2011 ENGINE INSTALLATION – WITH ARCTIC PACKAGE (USA BUILT MACHINES - PVC 2001 & 2007, CHINA BUILT MACHINES - PVC 2007)

ITEM	PART NUMBER	QTY	DESCRIPTION	REV
	1001188964	Ref	DEUTZ D2011 ENGINE INSTALLATION	D
1	0100011	AR	Compound, Locking	
2	0100020	AR	Sealant, Pipe	
3	0400075	1	Battery	
4	0641409	4	Bolt 1/4 x 1-1/8	
5	0641610	2	Bolt 3/8 x 1-1/4	
6	0641808	2	Bolt 1/2 x 1	
7	0642010	1	Bolt 5/8 x 1-1/4	
8	1060637	1	Cable, Lanyard	
9	1320022	5	Clamp, Hose	
10	1701505	1	Decal - Diesel (Not Shown - Located on Hood)	
11	2180348	1	Fitting, Straight Barbed	
12	2220313	1	Fitting, 90	
13	2221176	1	Fitting, Straight Barbed	
14	2720058	24 ft /7.3m	Hose	
15	2750532	6 ft /1.8m	Hose	
16	1001241578	1	Battery Cable Kit (No Info at Time of Printing)	
17	3311405	4	Nut 1/4	
18	3311605	3	Nut 3/8	
19	3311805	1	Nut 1/2	
20	3422448	1	Pin, Pivot	
21	3841143	1	Pin, Keeper	
22	4711400	8	Washer 1/4	
23	4751500	3	Washer 5/16	
24	4751600	4	Washer 3/8	
25	4751800	1	Washer 1/2	
26	4752000	1	Washer 5/8	
27	85941017	2	Clamp	
28	88521205	2	Nut 5/16	
29	91401281	1	Hold-down, Battery	
30	1001093382	2	J-Bolt	
31	1001151070	1	Angle	
32	1001188955	1	Engine Assembly with Pumps (See Separate Breakdown in this Section)	
33	0641507	1	Bolt 5/16 x 7/8	
34	0641608	1	Bolt 3/8 x 1	
35	1060626	1	Cord, 3-Way Extension	
36	1320223	2	Clamp	
37	1702941	1	Decal - Battery Heater	
38	1702942	1	Decal - Engine Block Heater	
39	1702943	1	Decal - Hydraulic Tank Heater	
40	1702944	1	Decal - Heater Cord	
41	2580024	1	Heater, Battery	
42	3311505	1	Nut 5/16	
43	3980007	1	Seat, Battery	
44	4711600	2	Washer 3/8	
45	1001150918	2	Cable, Immersion Heater	
46	1001188972	1	Heater, Hydraulic Tank	

SECTION 3 - ENGINE

FIGURE 3-3. DEUTZ D2011 ENGINE INSTALLATION – WITHOUT ARCTIC PACKAGE (CHINA BUILT MACHINES) (PVC 2001)



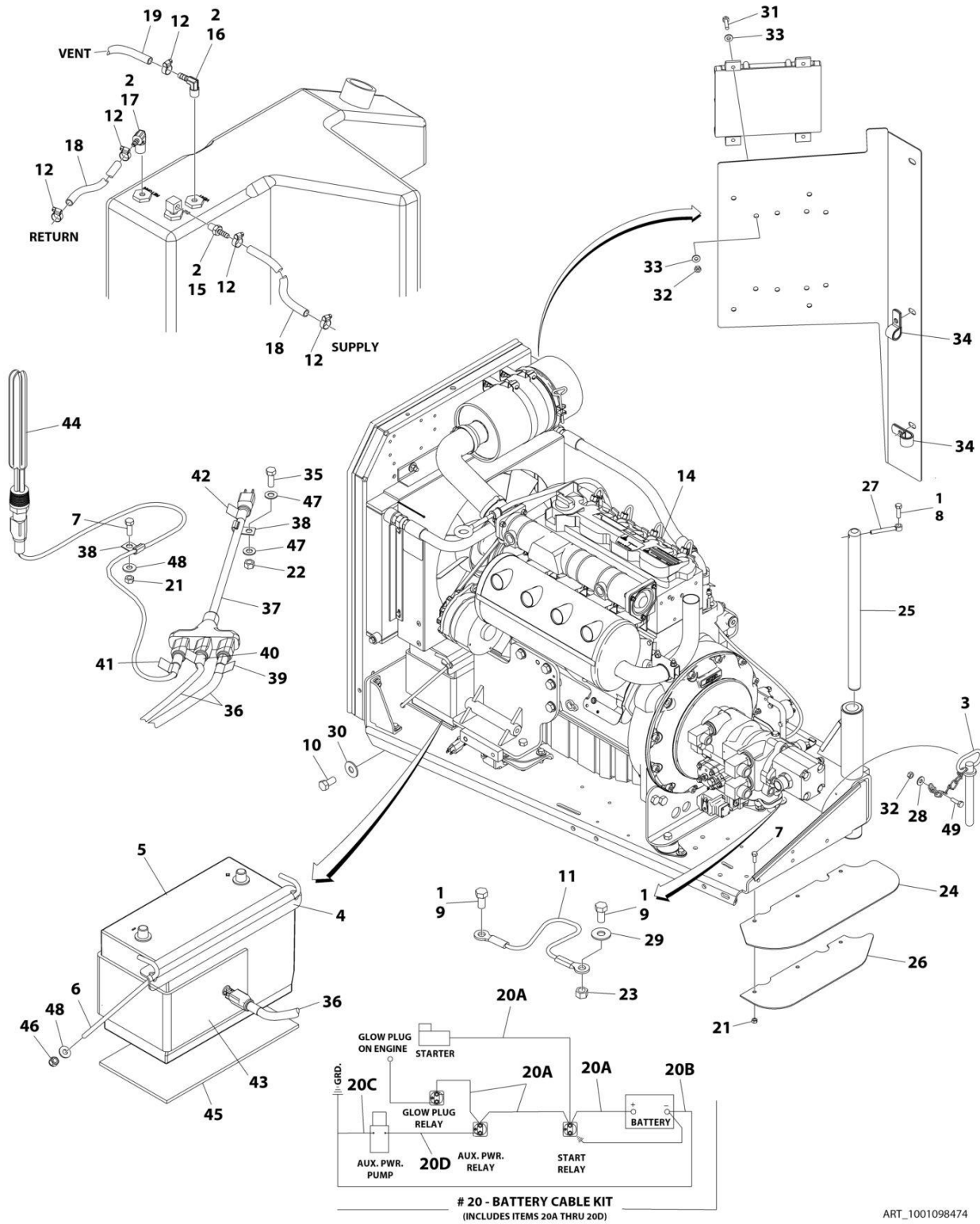
SECTION 3 - ENGINE

FIGURE 3-3. DEUTZ D2011 ENGINE INSTALLATION – WITHOUT ARCTIC PACKAGE (CHINA BUILT MACHINES) (PVC 2001)

ITEM	PART NUMBER	QTY	DESCRIPTION	REV
	1001098266	Ref	DEUTZ D2011 ENGINE INSTALLATION	F
1	0100011	AR	Compound, Locking	
2	0100020	AR	Sealant, Pipe	
3	0400075	1	Battery	
4	0641407	1	Bolt 1/4 x 7/8	
5	0641409	4	Bolt 1/4 x 1-1/8	
6	0641507	3	Bolt 5/16 x 7/8	
7	0641610	1	Bolt 3/8 x 1-1/4	
8	0641808	2	Bolt 1/2 x 1	
9	0642010	1	Bolt 5/8 x 1-1/4	
10	1060637	1	Cable, Lanyard	
11	1320022	5	Clamp, Hose	
12	1701505	1	Decal - Diesel (Not Shown - Located on Hood)	
13	2180348	1	Fitting, Straight Barbed	
14	2220313	1	Fitting, 90	
15	2221176	1	Fitting, Straight Barbed	
16	2720058	24 ft /7.3M	Hose	
17	2750532	6 ft/1.8m	Hose	
18	2902296	1	Battery Cable Kit	
18A	1001116240	1	Cable, Battery (Red)	
18B	7027004	1	Cable, Battery (Black)	
18C	7027003	1	Cable (Black)	
18D	7027002	1	Cable (Red)	
19	3311405	5	Nut 1/4	
20	3311505	3	Nut 5/16	
21	3311801	1	Nut 1/2	
22	3380428	1	Panel, Rubber	
23	3422448	1	Pin, Pivot	
24	3422533	1	Pin, Hitch	
25	3539956	1	Support	
26	3841143	1	Pin, Keeper	
27	4711400	8	Washer 1/4	
28	4751400	1	Washer 1/4	
29	4751500	2	Washer 5/16	
30	4751800	1	Washer 1/2	
31	4752000	1	Washer 5/8	
32	85941017	2	Clamp	
33	88521205	2	Nut 5/16	
34	91401281	1	Hold-down, Battery	
35	1001093382	2	J-Bolt	
36	1001139358	1	Engine Assembly with Pumps (See Separate Breakdown in this Section)	

SECTION 3 - ENGINE

FIGURE 3-4. DEUTZ D2011 ENGINE INSTALLATION – WITH ARCTIC PACKAGE (CHINA BUILT MACHINES) (PVC 2001)



ART_1001098474

SECTION 3 - ENGINE

FIGURE 3-4. DEUTZ D2011 ENGINE INSTALLATION – WITH ARCTIC PACKAGE (CHINA BUILT MACHINES) (PVC 2001)

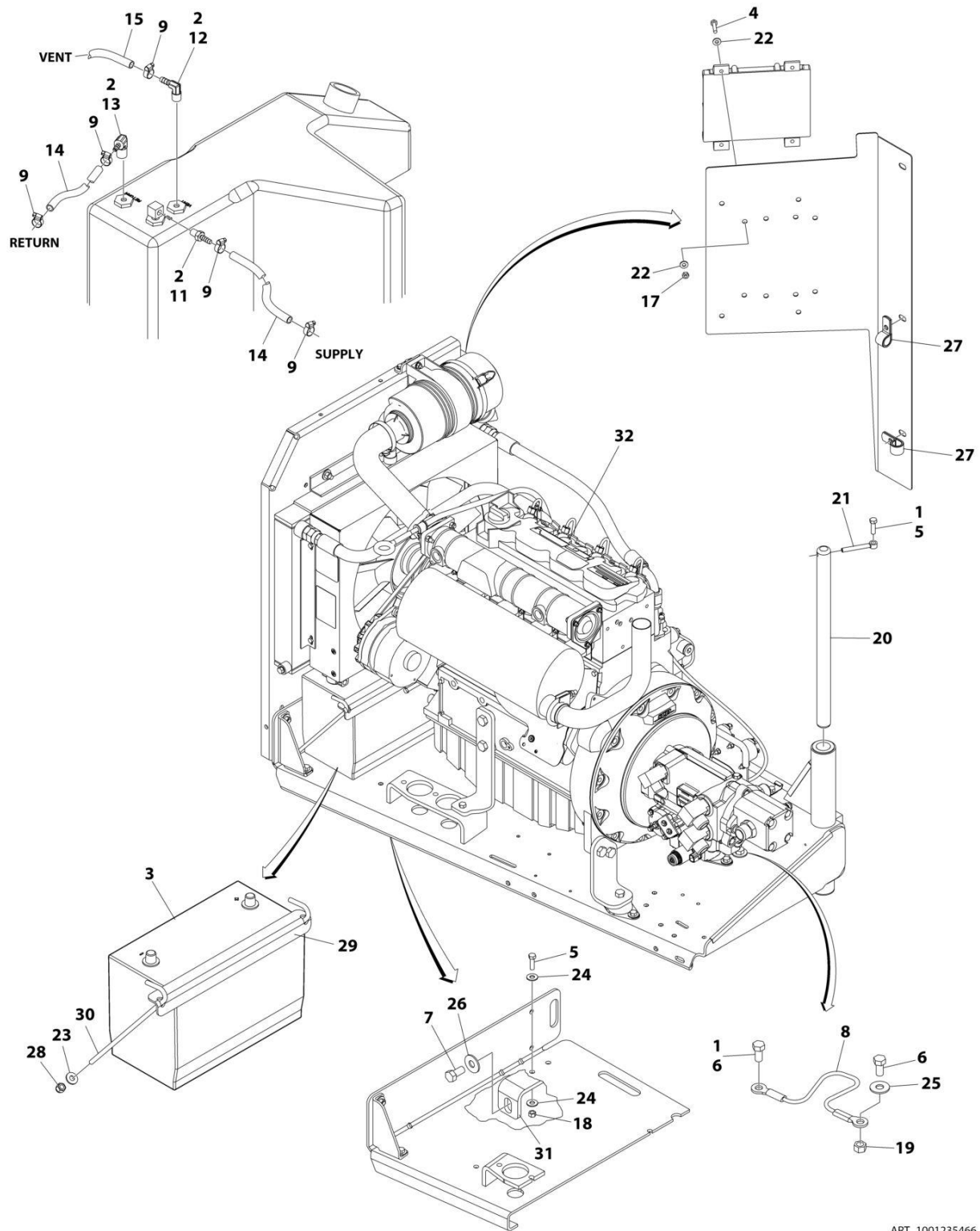
ITEM	PART NUMBER	QTY	DESCRIPTION	REV
	1001098474	Ref	DEUTZ D2011 ENGINE INSTALLATION	F
1	0100011	AR	Compound, Locking	
2	0100020	AR	Sealant, Pipe	
3	3422533	1	Pin, Hitch	
4	91401281	1	Hold-down, Battery	
5	0400075	1	Battery	
6	1001093382	2	J-Bolt	
7	0641507	4	Bolt 5/16 x 7/8	
8	0641610	1	Bolt 3/8 x 1-1/4	
9	0641808	2	Bolt 1/2 x 1	
10	0642010	1	Bolt 5/8 x 1-1/4	
11	1060637	1	Cable, Lanyard	
12	1320022	5	Clamp, Hose	
13	1701505	1	Decal - Diesel (Not Shown - Located on Hood)	
14	1001139359	1	Engine Assembly with Pumps (See Separate Breakdown in this Section)	
15	2180348	1	Fitting, Straight Barbed	
16	2220313	1	Fitting, 90	
17	2221176	1	Fitting, Straight Barbed	
18	2720058	24 ft /7.3m	Hose	
19	2750532	6 ft /1.8m	Hose	
20	2902296	1	Battery Cable Kit	
20A	1001116240	1	Cable, Battery (Red)	
20B	7027004	1	Cable, Battery (Black)	
20C	7027003	1	Cable (Black)	
20D	7027002	1	Cable (Red)	
21	3311505	4	Nut 5/16	
22	3311605	1	Nut 3/8	
23	3311801	1	Nut 1/2	
24	3380428	1	Panel, Rubber	
25	3422448	1	Pin, Pivot	
26	3539956	1	Support	
27	3841143	1	Pin, Keeper	
28	4751400	1	Washer 1/4	
29	4751800	1	Washer 1/2	
30	4752000	1	Washer 5/8	
31	0641409	4	Bolt 1/4 x 1-1/8	
32	3311405	5	Nut 1/4	
33	4711400	8	Washer 1/4	
34	85941017	2	Clamp	
35	0641608	1	Bolt 3/8 x 1	
36	1001150918	1	Cable, Immersion Heater	
37	1060626	1	Cord, 3 Way Extension	
38	1320223	2	Clamp	
39	1702941	1	Decal - Battery Heater	
40	1702942	1	Decal - Engine Block Heater	
41	1702943	1	Decal - Hydraulic Tank Heater	
42	1702944	1	Decal - Heater Cord	

SECTION 3 - ENGINE

ITEM	PART NUMBER	QTY	DESCRIPTION	REV
43	2580024	1	Heater, Battery	
44	1001188972	1	Heater, Hydraulic Tank	
45	3980007	1	Seat, Battery	
46	88521205	2	Nut 5/16	
47	4711600	2	Washer 3/8	
48	4751500	3	Washer 5/16	
49	0641407	1	Bolt 1/4 x 7/8	

SECTION 3 - ENGINE

FIGURE 3-5. DEUTZ D2011 (STAGE V) ENGINE INSTALLATION (USA BUILT MACHINES) (PVC 2001)



ART_1001235466

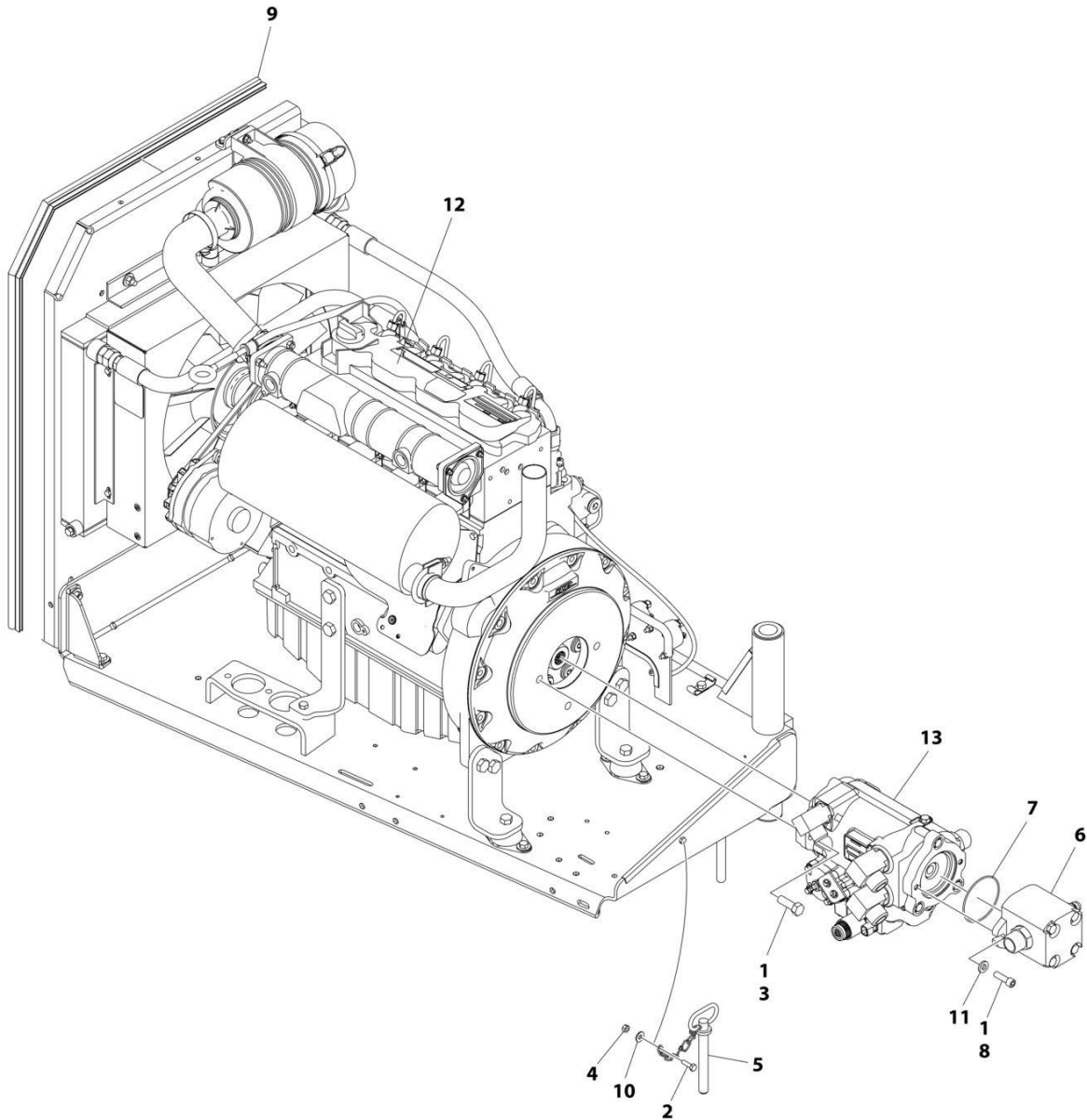
SECTION 3 - ENGINE

FIGURE 3-5. DEUTZ D2011 (STAGE V) ENGINE INSTALLATION (USA BUILT MACHINES) (PVC 2001)

ITEM	PART NUMBER	QTY	DESCRIPTION	REV
	1001235466	Ref	DEUTZ D2011 (STAGE V) ENGINE INSTALLATION	D
1	0100011	AR	Compound, Locking	
2	0100020	AR	Sealant, Pipe	
3	0400075	1	Battery	
4	0641409	4	Bolt 1/4 x 1-1/8	
5	0641610	3	Bolt 3/8 x 1-1/4	
6	0641808	2	Bolt 1/2 x 1	
7	0642010	1	Bolt 5/8 x 1-1/4	
8	1060637	1	Cable, Lanyard	
9	1320022	5	Clamp, Hose	
10	1701505	1	Decal - Diesel (Not Shown - Located on Hood)	
11	2180348	1	Fitting, Straight Barbed	
12	2220313	1	Fitting, 90	
13	2221176	1	Fitting, Straight Barbed	
14	2720058	24 ft /7.3m	Hose	
15	2750532	6 ft /1.8m	Hose	
16	1001241578	1	Battery Cable Kit (No Info at Time of Printing)	A
17	3311405	4	Nut 1/4	
18	3311605	2	Nut 3/8	
19	3311805	1	Nut 1/2	
20	3422448	1	Pin, Pivot	
21	3841143	1	Pin, Keeper	
22	4711400	8	Washer 1/4	
23	4751500	2	Washer 5/16	
24	4751600	4	Washer 3/8	
25	4751800	1	Washer 1/2	
26	4752000	1	Washer 5/8	
27	85941017	2	Clamp	
28	88521205	2	Nut 5/16	
29	91401281	1	Hold-down, Battery	
30	1001093382	2	J-Bolt	
31	1001151070	1	Angle	
32	1001235467	1	Engine Assembly with Pumps (See Separate Breakdown in this Section)	

SECTION 3 - ENGINE

FIGURE 3-6. DEUTZ D2011 ENGINE/PUMP SUB-ASSEMBLY – WITHOUT ARCTIC PACKAGE (USA BUILT MACHINES - PVC 2001 & 2007, CHINA BUILT MACHINES - PVC 2007)



ART_1001188954

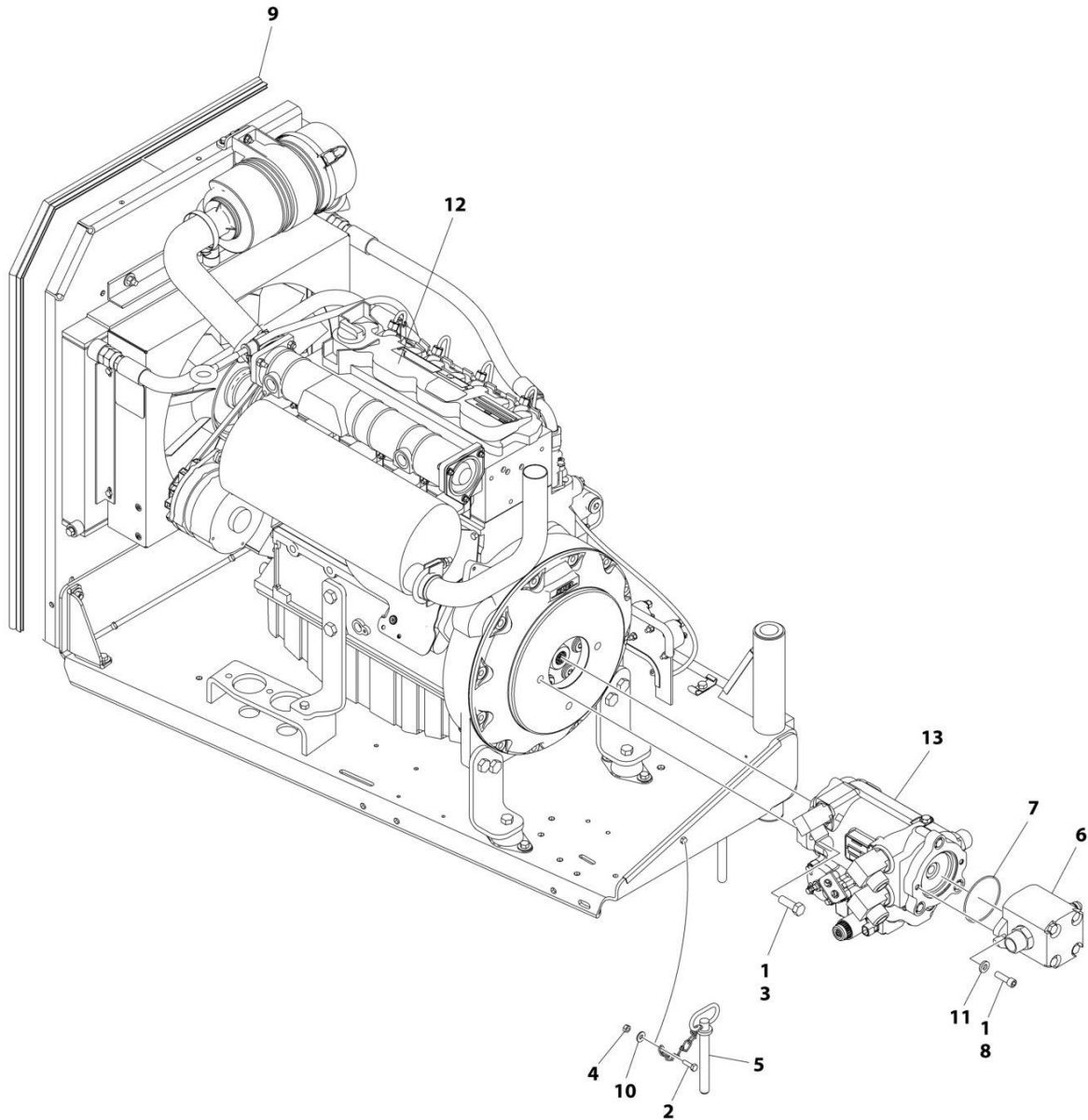
SECTION 3 - ENGINE

FIGURE 3-6. DEUTZ D2011 ENGINE/PUMP SUB-ASSEMBLY – WITHOUT ARCTIC PACKAGE (USA BUILT MACHINES - PVC 2001 & 2007, CHINA BUILT MACHINES - PVC 2007)

ITEM	PART NUMBER	QTY	DESCRIPTION	REV
	1001188954	Ref	DEUTZ D2011 ENGINE/PUMP SUB-ASSEMBLY	B
1	0100011	AR	Compound, Locking	
2	0641407	1	Bolt 1/4 x 7/8	
3	0641812	2	Bolt 1/2 x 1-1/2	
4	3311405	1	Nut 1/4	
5	3422533	1	Pin, Hitch	
6	3600395	1	Gear Pump Assembly with Fittings (See Separate Breakdown in this section)	
7	3790152	1	O-Ring	
8	3931620	2	Capscrew 3/8 x 1-1/4	
9	3960389	5 ft /1.5m	Seal	
10	4751400	1	Washer 1/4	
11	4891600	2	Washer 3/8 Hardened	
12	1001150158	1	Engine Assembly (See Separate Breakdown in this Section)	
13	1001188952	1	Piston Pump Assembly with Fittings (See Separate Breakdown in this section)	

SECTION 3 - ENGINE

FIGURE 3-7. DEUTZ D2011 ENGINE/PUMP SUB-ASSEMBLY – WITH ARCTIC PACKAGE (USA BUILT MACHINES - PVC 2001 & 2007, CHINA BUILT MACHINES - PVC 2007)



ART_1001188955

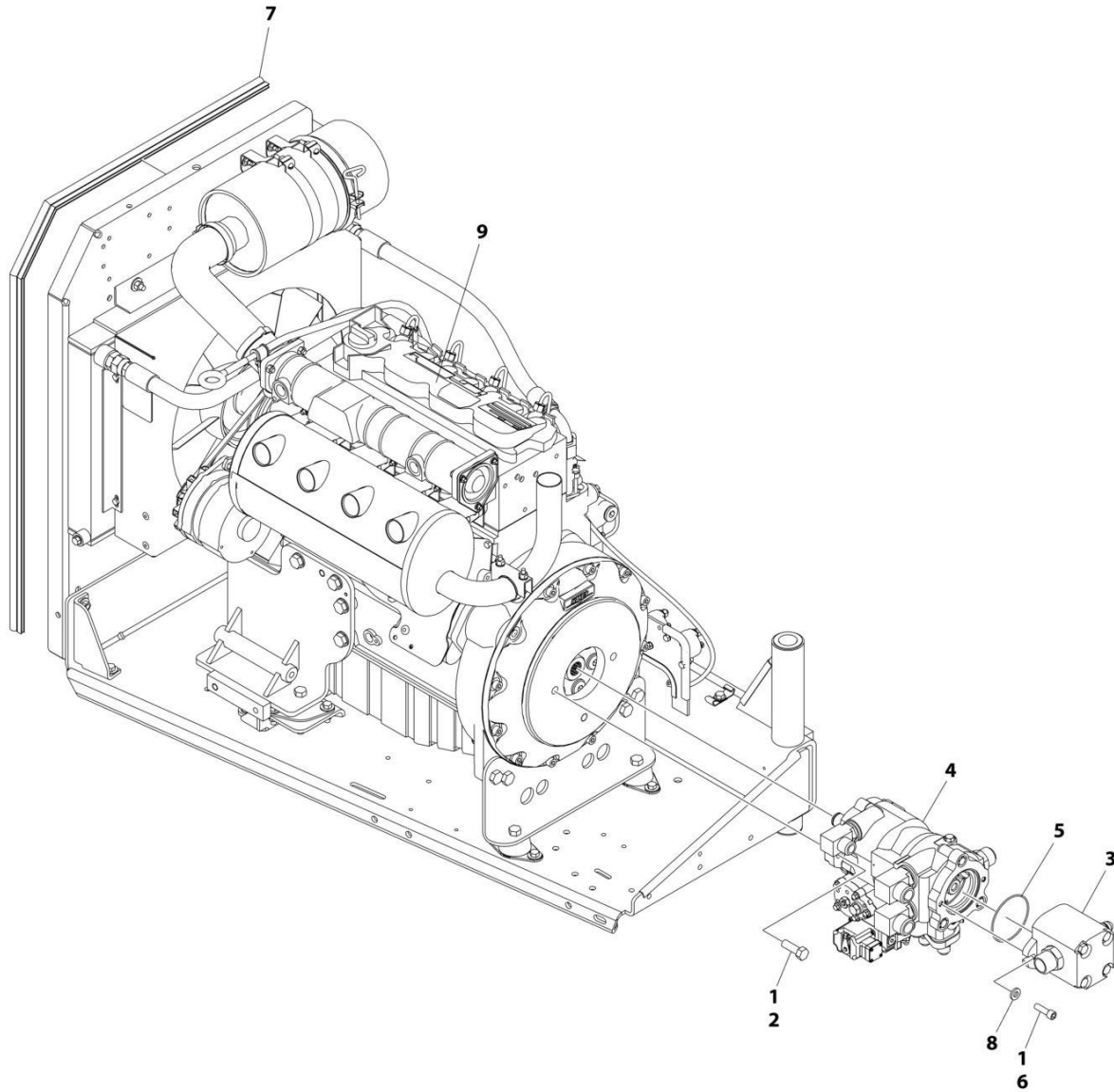
SECTION 3 - ENGINE

FIGURE 3-7. DEUTZ D2011 ENGINE/PUMP SUB-ASSEMBLY – WITH ARCTIC PACKAGE (USA BUILT MACHINES - PVC 2001 & 2007, CHINA BUILT MACHINES - PVC 2007)

ITEM	PART NUMBER	QTY	DESCRIPTION	REV
	1001188955	Ref	DEUTZ D2011 ENGINE/PUMP SUB-ASSEMBLY	A
1	0100011	AR	Compound, Locking	
2	0641407	1	Bolt 1/4 x 7/8	
3	0641812	2	Bolt 1/2 x 1-1/2	
4	3311405	1	Nut 1/4	
5	3422533	1	Pin, Hitch	
6	3600395	1	Gear Pump Assembly with Fittings (See Separate Breakdown in this section)	
7	3790152	1	O-Ring	
8	3931620	2	Capscrew 3/8 x 1-1/4	
9	3960389	5 ft /1.5m	Seal	
10	4751400	1	Washer 1/4	
11	4891600	2	Washer 3/8 Hardened	
12	1001150179	1	Engine Assembly (See Separate Breakdown in this Section)	
13	1001188952	1	Piston Pump Assembly with Fittings (See Separate Breakdown in this section)	

SECTION 3 - ENGINE

FIGURE 3-8. DEUTZ D2011 ENGINE/PUMP SUB-ASSEMBLY – WITHOUT ARCTIC PACKAGE (CHINA BUILT MACHINES) (PVC 2001)



ART_1001139358

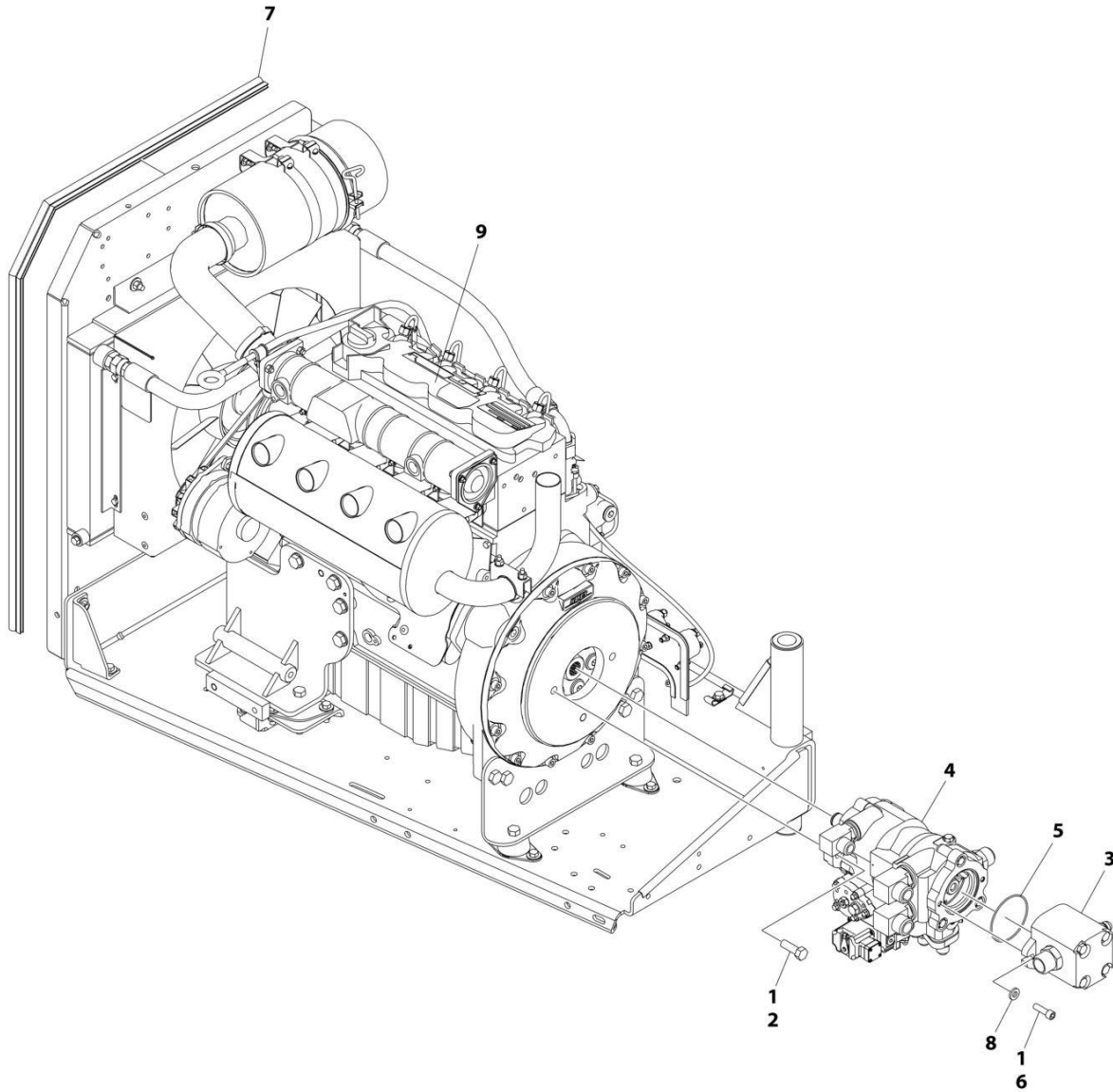
SECTION 3 - ENGINE

FIGURE 3-8. DEUTZ D2011 ENGINE/PUMP SUB-ASSEMBLY – WITHOUT ARCTIC PACKAGE (CHINA BUILT MACHINES) (PVC 2001)

ITEM	PART NUMBER	QTY	DESCRIPTION	REV
	1001139358	Ref	DEUTZ D2011 ENGINE/PUMP SUB-ASSEMBLY	D
1	0100011	AR	Compound, Locking	
2	0641812	2	Bolt 1/2 x 1-1/2	
3	3600395	1	Gear Pump Assembly with Fittings (See Separate Breakdown in this Section)	
4	3600396	1	Piston Pump Assembly with Fittings (See Separate Breakdown in this Section)	
5	3790152	1	O-Ring	
6	3931620	2	Capscrew 3/8 x 1-1/4	
7	3960389	5 ft /1.5m	Seal	
8	4891600	2	Washer 3/8 Hardened	
9	1001094102	1	Engine Assembly (See Separate Breakdown in this Section)	

SECTION 3 - ENGINE

FIGURE 3-9. DEUTZ D2011 ENGINE/PUMP SUB-ASSEMBLY – WITH ARCTIC PACKAGE (CHINA BUILT MACHINES) (PVC 2001)



ART_1001139359

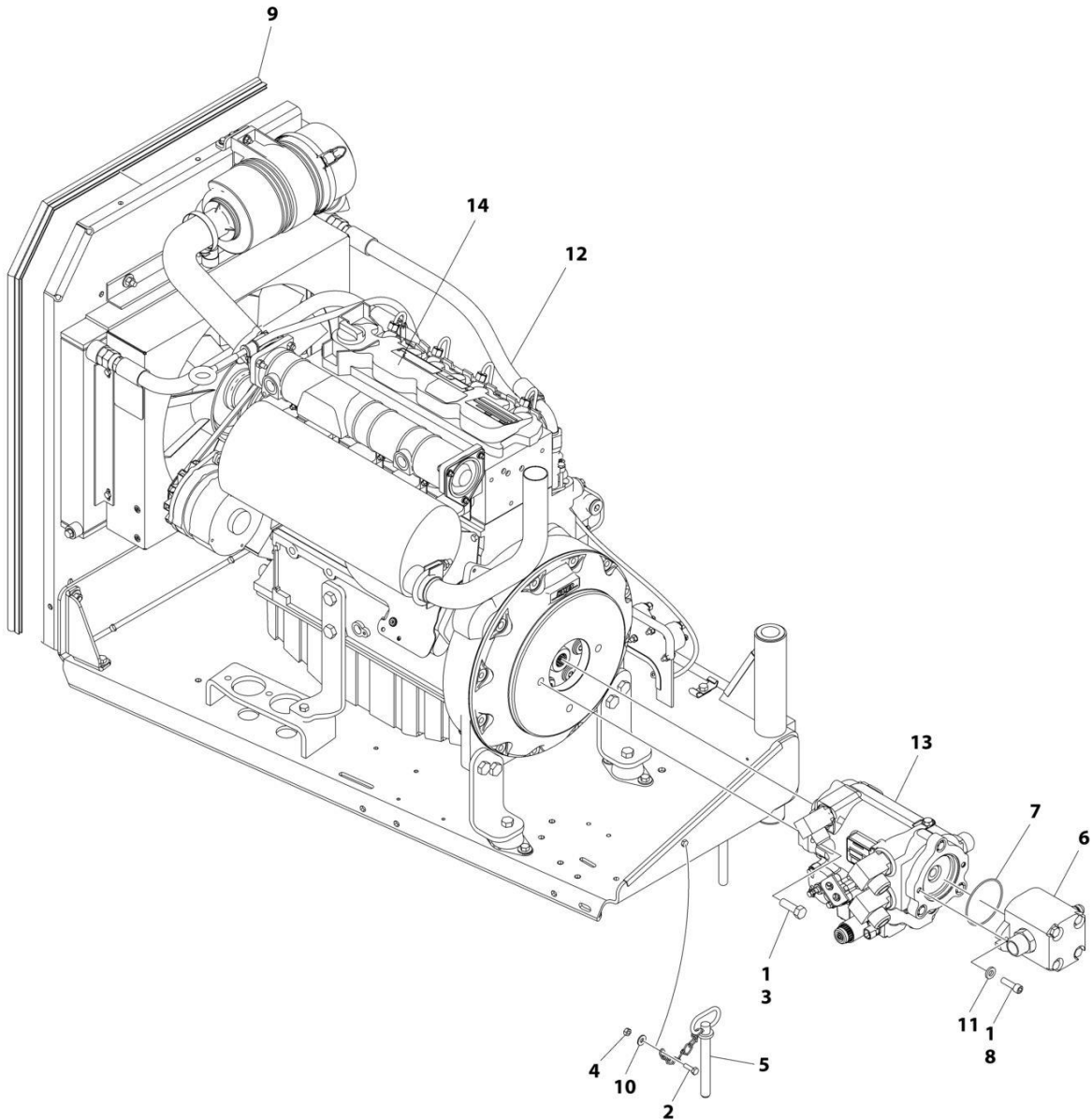
SECTION 3 - ENGINE

FIGURE 3-9. DEUTZ D2011 ENGINE/PUMP SUB-ASSEMBLY – WITH ARCTIC PACKAGE (CHINA BUILT MACHINES) (PVC 2001)

ITEM	PART NUMBER	QTY	DESCRIPTION	REV
	1001139359	Ref	DEUTZ D2011 ENGINE/PUMP SUB-ASSEMBLY	D
1	0100011	AR	Compound, Locking	
2	0641812	2	Bolt 1/2 x 1-1/2	
3	3600395	1	Gear Pump Assembly with Fittings (See Separate Breakdown in this Section)	
4	3600396	1	Piston Pump Assembly with Fittings (See Separate Breakdown in this Section)	
5	3790152	1	O-Ring	
6	3931620	2	Capscrew 3/8 x 1-1/4	
7	3960389	5 ft /1.5m	Seal	
8	4891600	2	Washer 3/8 Hardened	
9	1001098476	1	Engine Assembly (See Separate Breakdown in this Section)	

SECTION 3 - ENGINE

FIGURE 3-10. DEUTZ D2011 (STAGE V) ENGINE/PUMP SUB-ASSEMBLY (USA BUILT MACHINES)
(PVC 2001)



ART_1001235467

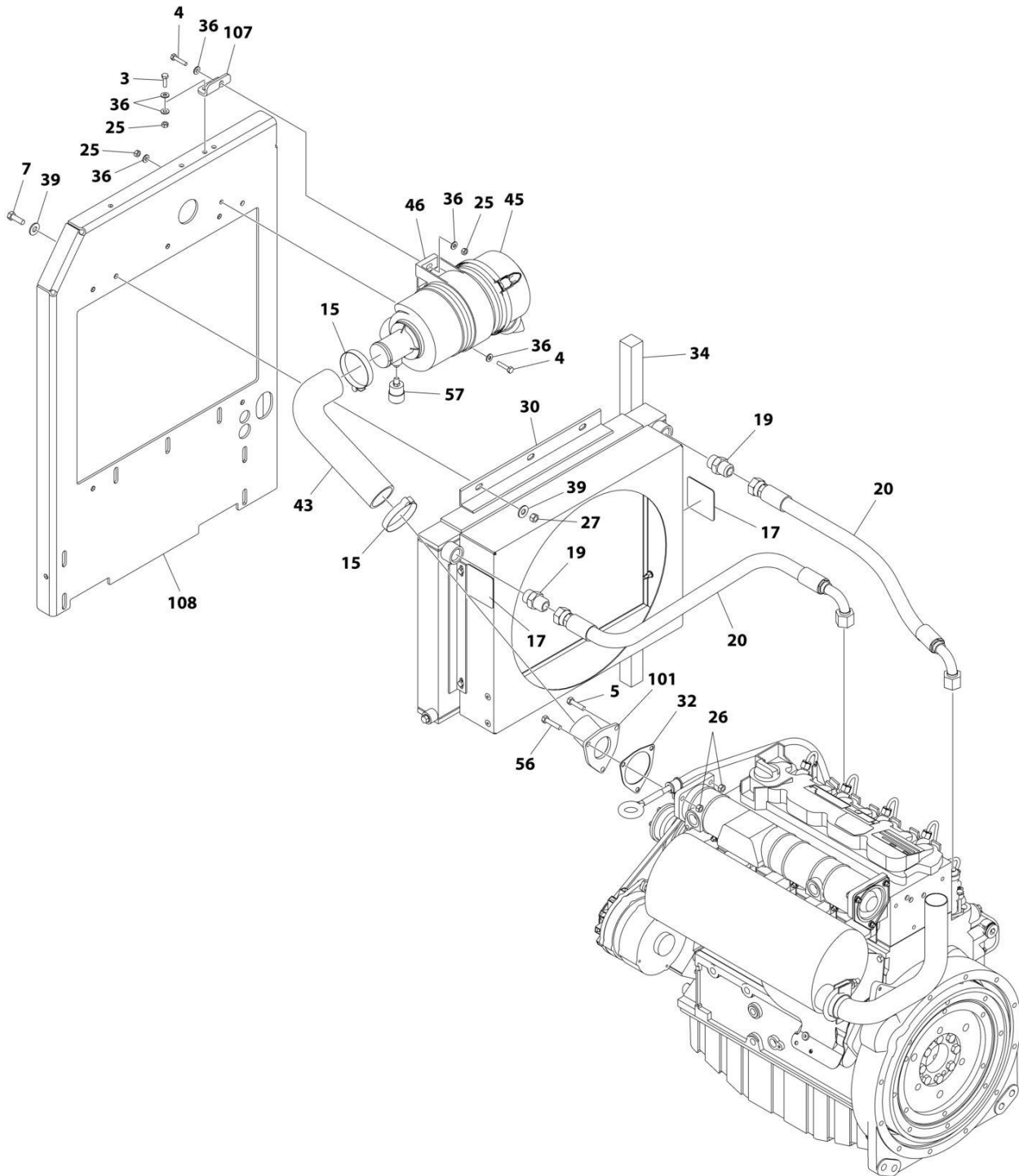
SECTION 3 - ENGINE

**FIGURE 3-10. DEUTZ D2011 (STAGE V) ENGINE/PUMP SUB-ASSEMBLY (USA BUILT MACHINES)
(PVC 2001)**

ITEM	PART NUMBER	QTY	DESCRIPTION	REV
	1001235467	Ref	DEUTZ D2011 (STAGE V) ENGINE/PUMP SUB-ASSEMBLY	B
1	0100011	AR	Compound, Locking	
2	0641407	1	Bolt 1/4 x 7/8	
3	0641812	2	Bolt 1/2 x 1-1/2	
4	3311405	1	Nut 1/4	
5	3422533	1	Pin, Hitch	
6	3600395	1	Gear Pump Assembly with Fittings (See Separate Breakdown in this section)	
7	3790152	1	O-Ring	
8	3931620	2	Capscrew 3/8 x 1-1/4	
9	3960389	5 ft /1.5m	Seal	
10	4751400	1	Washer 1/4	
11	4891600	2	Washer 3/8 Hardened	
12	1001235468	1	Engine Assembly (See Separate Breakdown in this Section)	
13	1001188952	1	Piston Pump Assembly with Fittings (See Separate Breakdown in this Section)	
14	1001235457	1	Deutz D2011 (Stage V) Engine Components (See Separate Breakdown in this Section)	

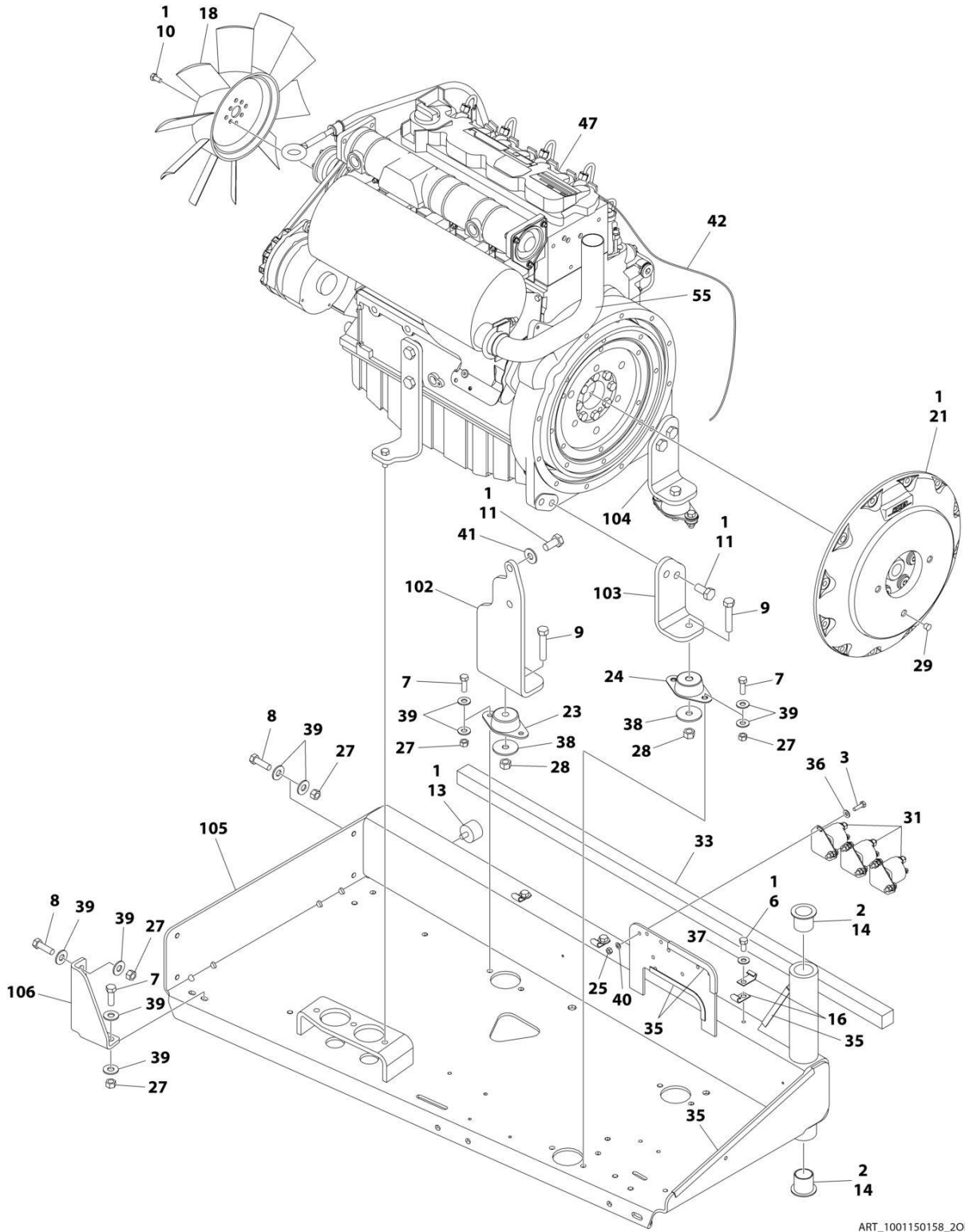
SECTION 3 - ENGINE

FIGURE 3-11. DEUTZ D2011 ENGINE ASSEMBLY – WITHOUT ARCTIC PACKAGE (USA BUILT MACHINES - PVC 2001 & 2007, CHINA BUILT MACHINES - PVC 2007)



ART_1001150158_10F2

SECTION 3 - ENGINE



ART_1001150158_20F2

SECTION 3 - ENGINE

FIGURE 3-11. DEUTZ D2011 ENGINE ASSEMBLY – WITHOUT ARCTIC PACKAGE (USA BUILT MACHINES - PVC 2001 & 2007, CHINA BUILT MACHINES - PVC 2007)

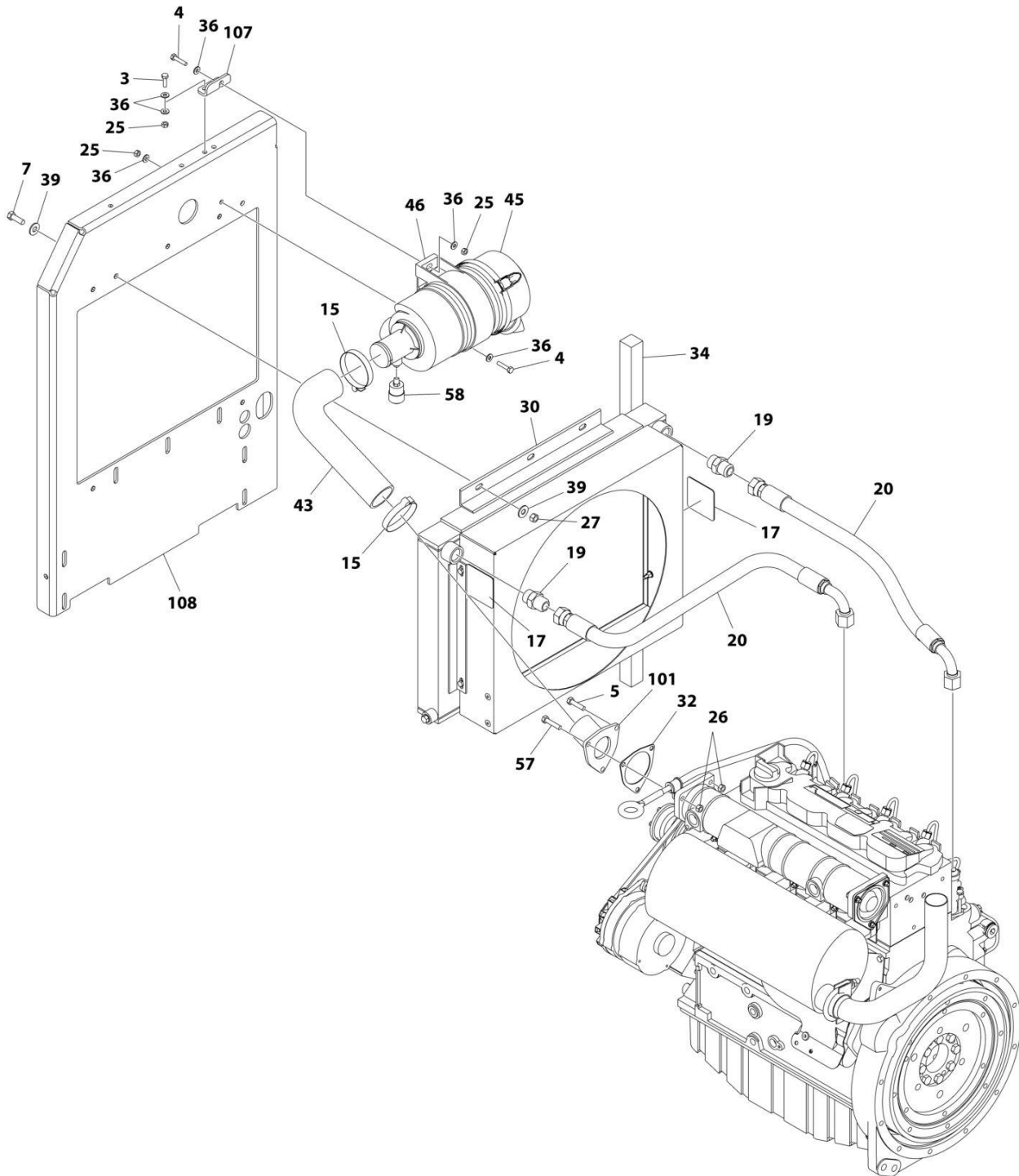
ITEM	PART NUMBER	QTY	DESCRIPTION	REV
	1001150158	Ref	DEUTZ D2011 ENGINE ASSEMBLY	M
1	0100011	AR	Compound, Locking	
2	0100062	AR	Compound, Locking	
3	0641407	8	Bolt 1/4 x 7/8	
4	0641410	2	Bolt 1/4 x 1-1/4	
5	0641510	2	Bolt 5/16 x 1- 1/4	
6	0641606	3	Bolt 3/8 x 3/4	
7	0641609	14	Bolt 3/8 x 1-1/8	
8	0641610	4	Bolt 3/8 x 1-1/4	
9	0641820	3	Bolt 1/2 x 2-1/2	
10	0700808	4	Bolt M8 x 16mm	
11	0771414	6	Bolt M14 x 30	
13	0940070	1	Bumper	
14	0961986	2	Bushing, Flanged	
15	1320016	2	Clamp	
16	1320223	4	J-Clip	
17	1703162	2	Decal - Caution Fan Blade	
18	2060025	1	Fan	
19	2220451	2	Fitting, Straight	
20	2720398	2	Hose, Oil Cooler	
21	2902065	1	Kit, Pump Coupling (See Separate Breakdown in this Section)	
23	3200401	1	Mount, Motor (Front)	
24	3200406	2	Mount, Motor (Rear)	
25	3311405	10	Nut 1/4	
26	3311505	3	Nut 5/16	
27	3311605	18	Nut 3/8	
28	3311805	3	Nut 1/2	
29	3520054	2	Plug, Hole	
30	1001150998	1	Radiator	
31	3740067	3	Relay	
32	3960407	1	Gasket, Air Intake	
33	3960468	1	Seal	
34	3960469	1	Seal	
35	4060805	37 in /1m	Flex-Trim	
36	4711400	14	Washer 1/4	
37	4711600	3	Washer 3/8	
38	4740274	3	Washer, Snubbing	
39	4751600	36	Washer 3/8	
40	4791400	6	Starwasher 1/4	
41	4812200	2	Washer M14	
42	4923379	1	Harness, Glow Plug	
43	1001130041	1	Elbow	
45	1001141693	1	Air Cleaner Assembly	
45	70003783	1	Element, Filter	
46	1001141694	1	Clamp, Air Filter	
47	1001146368	Ref	Deutz D2011 Engine Components (See Separate Breakdown in this Section)	
55	1001151251	1	Pipe, Exhaust	
56	0641512	1	Bolt 5/16 x 1-1/2	

SECTION 3 - ENGINE

ITEM	PART NUMBER	QTY	DESCRIPTION	REV
57	1001143390	1	Indicator, Air Filter Service	A
100	1001265493	1	Kit – Engine Parts	
101	1001139819	1	Adapter, Air Intake	
102	1001149704	1	Support, Engine (Front)	
103	1001149705	1	Support, Engine (Rear)	
104	1001149706	1	Support, Engine (Rear)	
105	1001149793	1	Tray	
106	1001150915	1	Support	
107	1001151078	1	Angle	
108	1001151206	1	Plate, Radiator Mounting	

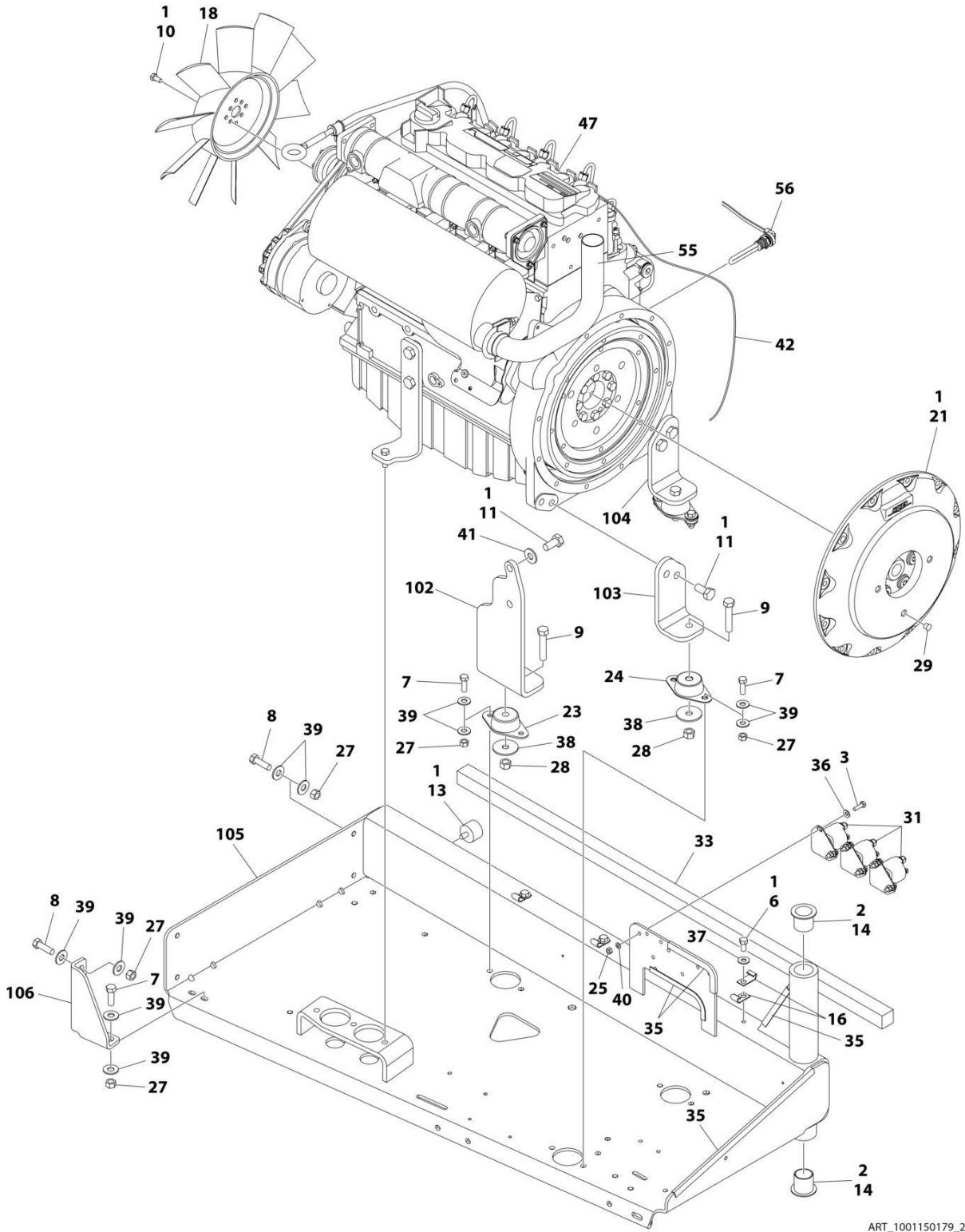
SECTION 3 - ENGINE

FIGURE 3-12. DEUTZ D2011 ENGINE ASSEMBLY – WITH ARCTIC PACKAGE (USA BUILT MACHINES - PVC 2001 & 2007, CHINA BUILT MACHINES - PVC 2007)



ART_1001150179_10F2

SECTION 3 - ENGINE



ART_1001150179_20F2

SECTION 3 - ENGINE

FIGURE 3-12. DEUTZ D2011 ENGINE ASSEMBLY – WITH ARCTIC PACKAGE (USA BUILT MACHINES - PVC 2001 & 2007, CHINA BUILT MACHINES - PVC 2007)

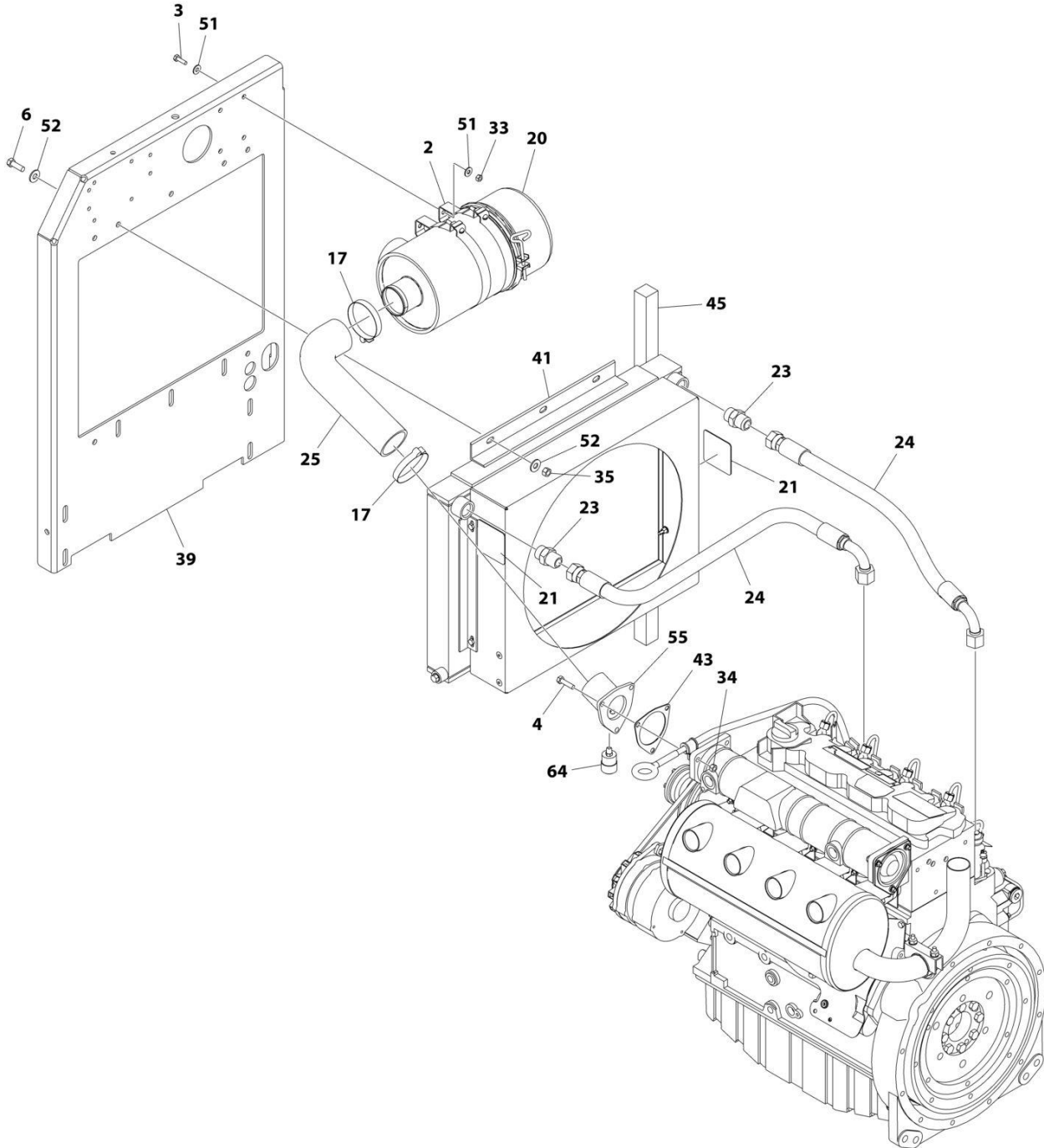
ITEM	PART NUMBER	QTY	DESCRIPTION	REV
	1001150179	Ref	DEUTZ D2011 ENGINE ASSEMBLY	K
1	0100011	AR	Compound, Locking	
2	0100062	AR	Compound, Locking	
3	0641407	8	Bolt 1/4 x 7/8	
4	0641410	2	Bolt 1/4 x 1-1/4	
5	0641510	2	Bolt 5/16 x 1-1/4	
6	0641606	3	Bolt 3/8 x 3/4	
7	0641609	14	Bolt 3/8 x 1-1/8	
8	0641610	4	Bolt 3/8 x 1-1/4	
9	0641820	3	Bolt 1/2 x 2-1/2	
10	0700808	4	Bolt M8 x 16mm	
11	0771414	6	Bolt M14 x 30	
13	0940070	1	Bumper	
14	0961986	2	Bushing, Flanged	
15	1320016	2	Clamp	
16	1320223	4	J-Clip	
17	1703162	2	Decal - Caution Fan Blade	
18	2060025	1	Fan	
19	2220451	2	Fitting, Straight	
20	2720398	2	Hose, Oil Cooler	
21	2902065	1	Kit, Pump Coupling (See Separate Breakdown in this Section)	
23	3200401	1	Mount, Motor (Front)	
24	3200406	2	Mount, Motor (Rear)	
25	3311405	10	Nut 1/4	
26	3311505	3	Nut 5/16	
27	3311605	18	Nut 3/8	
28	3311805	3	Nut 1/2	
29	3520054	2	Plug, Hole	
30	1001150998	1	Radiator	
31	3740067	3	Relay	
32	3960407	1	Gasket, Air Intake	
33	3960468	1	Seal	
34	3960469	1	Seal	
35	4060805	37 in /1m	Flex-Trim	
36	4711400	14	Washer 1/4	
37	4711600	3	Washer 3/8	
38	4740274	3	Washer, Snubbing	
39	4751600	36	Washer 3/8	
40	4791400	6	Starwasher 1/4	
41	4812200	2	Washer M14	
42	4923379	1	Harness, Glow Plug	
43	1001130041	1	Elbow	
45	1001141693	1	Air Cleaner Assembly	
45	70003783	1	Element, Filter	
46	1001141694	1	Clamp, Air Filter	
47	1001146368	Ref	Deutz D2011 Engine Components (See Separate Breakdown in this Section)	
55	1001151251	1	Pipe, Exhaust	
56	2580062	1	Heater, Engine Block	

SECTION 3 - ENGINE

ITEM	PART NUMBER	QTY	DESCRIPTION	REV
57	0641512	1	Bolt 5/16 x 1-1/2	
58	1001143390	1	Indicator, Air Filter Service	
100	1001265493	1	Mounting Kit (Not Shown)	
101	1001139819	1	Adapter, Air Intake	
102	1001149704	1	Support, Engine (Front)	
103	1001149705	1	Support, Engine (Rear)	
104	1001149706	1	Support, Engine (Rear)	
105	1001149793	1	Tray	
106	1001150915	1	Support	
107	1001151078	1	Angle	
108	1001151206	1	Plate, Radiator Mounting	

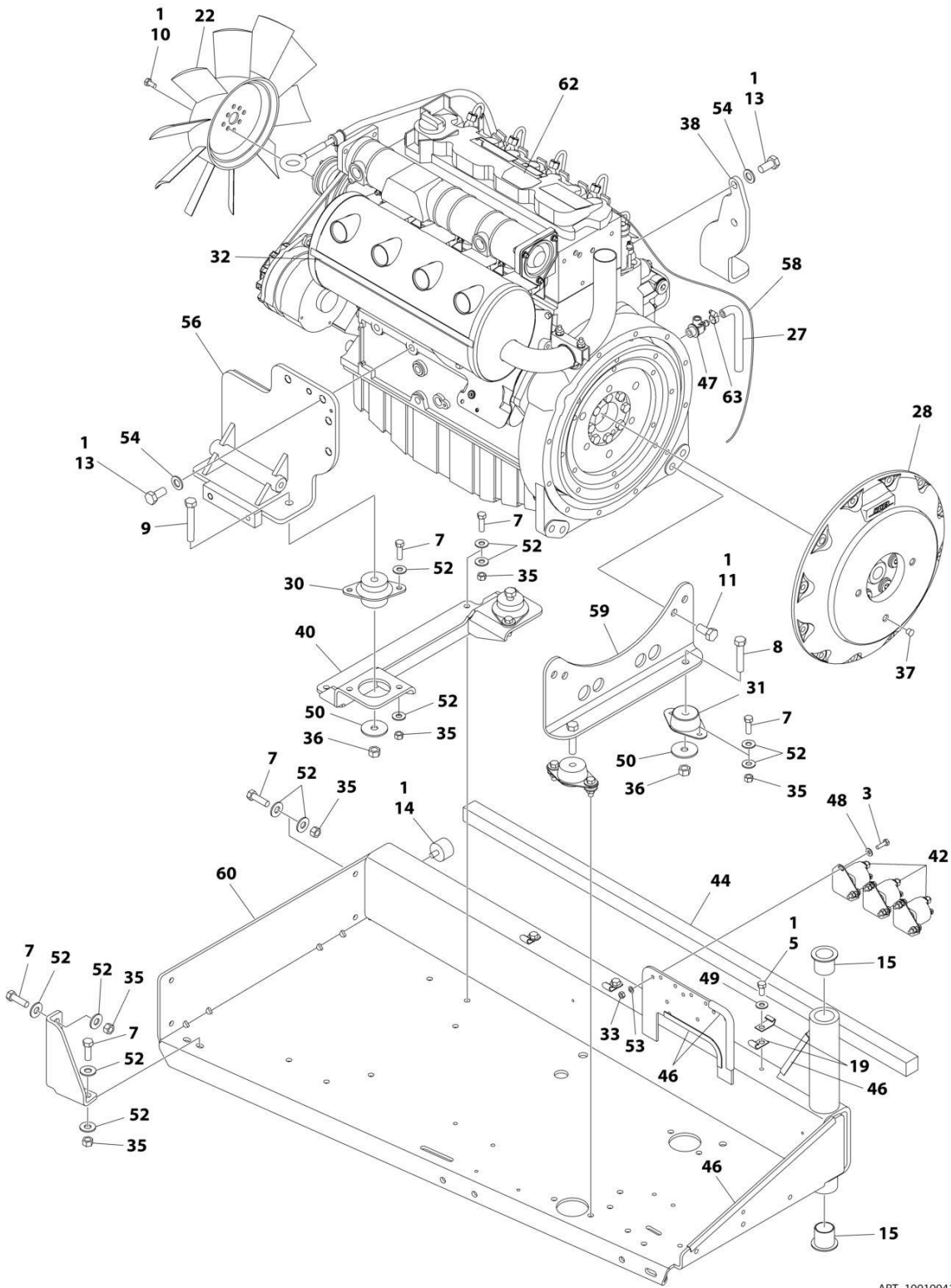
SECTION 3 - ENGINE

FIGURE 3-13. DEUTZ D2011 ENGINE ASSEMBLY – WITHOUT ARCTIC PACKAGE (CHINA BUILT MACHINES) (PVC 2001)



ART_1001094102_O_10F2

SECTION 3 - ENGINE



ART_1001094102_O_20F2

SECTION 3 - ENGINE

FIGURE 3-13. DEUTZ D2011 ENGINE ASSEMBLY – WITHOUT ARCTIC PACKAGE (CHINA BUILT MACHINES) (PVC 2001)

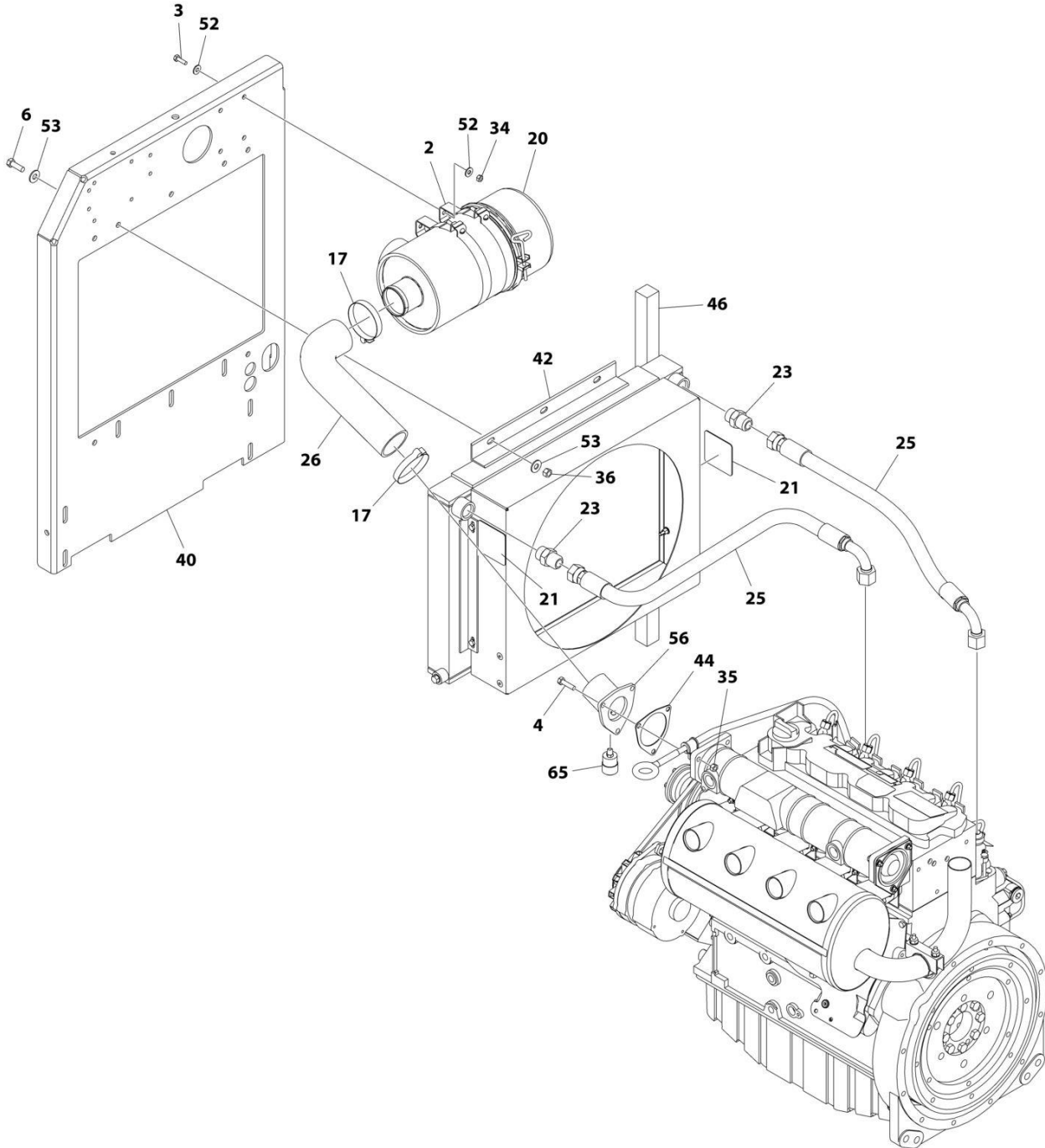
ITEM	PART NUMBER	QTY	DESCRIPTION	REV
	1001094102	Ref	DEUTZ D2011 ENGINE ASSEMBLY	O
1	0100011	AR	Compound, Locking	
2	0340041	2	Band, Mounting	
3	0641407	10	Bolt 1/4 x 7/8	
4	0641510	3	Bolt 5/16 x 1-1/4	
5	0641606	3	Bolt 3/8 x 3/4	
6	0641609	6	Bolt 3/8 x 1-1/8	
7	0641610	16	Bolt 3/8 x 1-1/4	
8	0641818	2	Bolt 1/2 x 2-1/4	
9	0641826	2	Bolt 1/2 x 3-1/4	
10	0700808	4	Bolt M8 x 16	
11	0771414	4	Bolt M14 x 30	
13	0711414	6	Bolt M14 x 30	
14	0940070	1	Bumper	
15	0961986	2	Bushing, Flanged	
17	1320016	2	Clamp	
19	1320223	4	J-Clip	
20	1340060	1	Air Cleaner Assembly	
20	7012664	1	Element, Air Cleaner	
21	1703162	2	Decal - Caution Fan Blade	
22	2060025	1	Fan	
23	2220451	2	Fitting, Straight	
24	2720398	2	Hose, Oil Cooler	
25	1001091179	1	Elbow	
27	2750532	1 ft /0.3m	Hose	
28	2902065	1	Kit, Pump Coupling (See Separate Breakdown in this section)	
30	3200362	2	Mount, Engine	
31	3200406	2	Mount, Engine	
32	1001257281	1	Muffler Spark Arresting	
33	3311405	10	Nut 1/4	
34	3311505	3	Nut 5/16	
35	3311605	22	Nut 3/8	
36	3311805	4	Nut 1/2	
37	3520054	2	Plug, Hole	
38	3537416	1	Plate	
39	3539872	1	Plate	
40	3539971	1	Plate	
41	1001150998	1	Radiator	
42	3740067	3	Relay	
43	3960407	1	Gasket, Air Intake	
44	3960468	1	Seal	
45	3960469	1	Seal	
46	4060805	37 in /1m	Flex-Trim	
47	4640751	1	Valve, Oil Drain	
48	4711400	6	Washer 1/4	
49	4711600	3	Washer 3/8	
50	4740274	4	Washer, Snubbing	
51	4751400	8	Washer 1/4	
52	4751600	44	Washer 3/8	

SECTION 3 - ENGINE

ITEM	PART NUMBER	QTY	DESCRIPTION	REV
53	4791400	6	Starwasher 1/4	
54	4812200	6	Washer M14	
55	1001224965	1	Adapter, Air Intake	
56	4846566	1	Mount, Generator	
58	4923379	1	Harness, Glow Plug	
59	1001093943	1	Plate, Mounting	
60	1001094321	1	Tray	
62	1001146368	Ref	Deutz D2011 Engine Components (See Separate Breakdown in this section)	
63	1320022	1	Clamp	
64	1001149639	1	Indicator, Restriction	

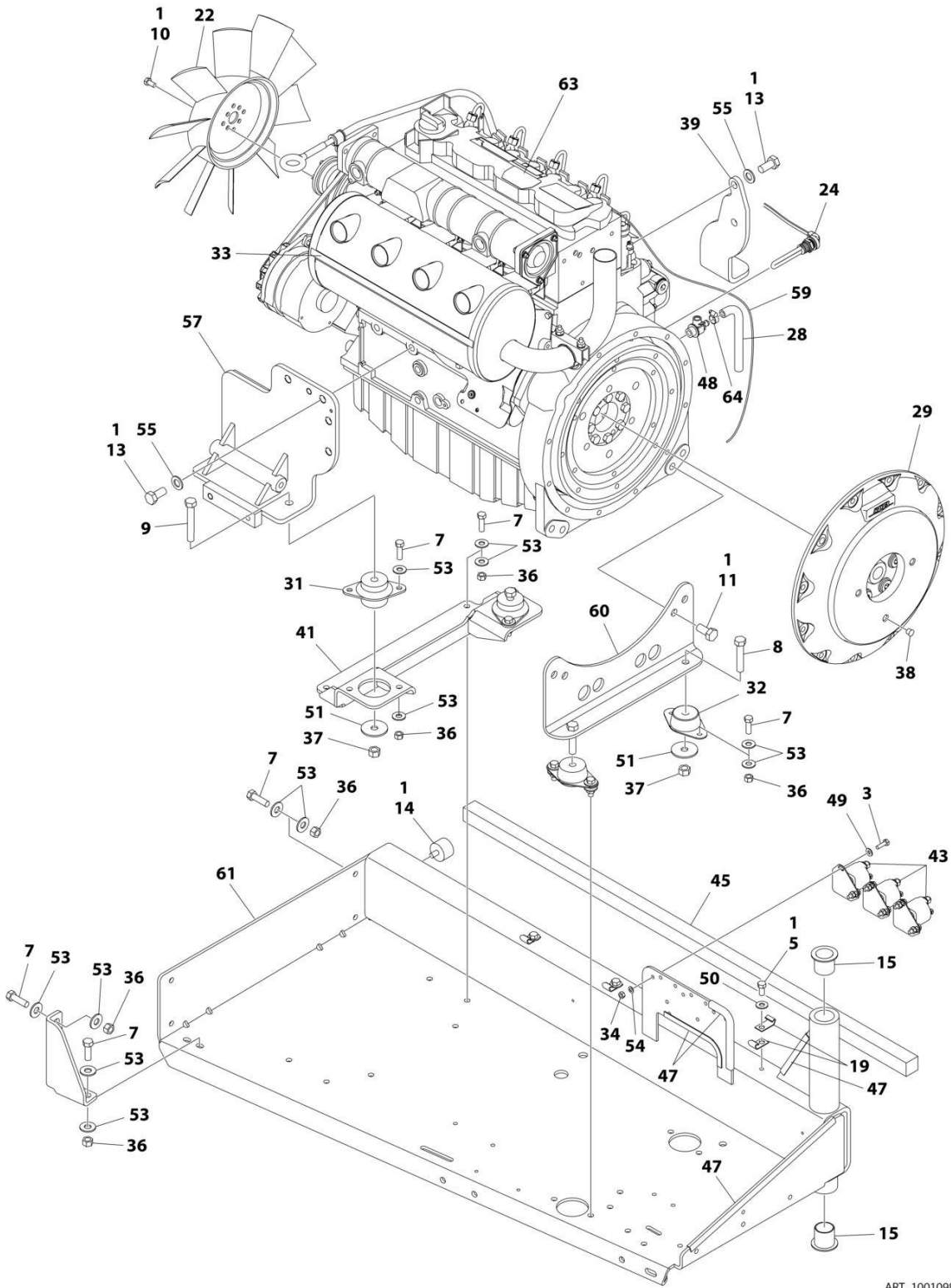
SECTION 3 - ENGINE

FIGURE 3-14. DEUTZ D2011 ENGINE ASSEMBLY – WITHOUT ARCTIC PACKAGE (CHINA BUILT MACHINES) (PVC 2001)



ART_1001098476_O_10F2

SECTION 3 - ENGINE



ART_1001098476_O_20F2

SECTION 3 - ENGINE

FIGURE 3-14. DEUTZ D2011 ENGINE ASSEMBLY – WITHOUT ARCTIC PACKAGE (CHINA BUILT MACHINES) (PVC 2001)

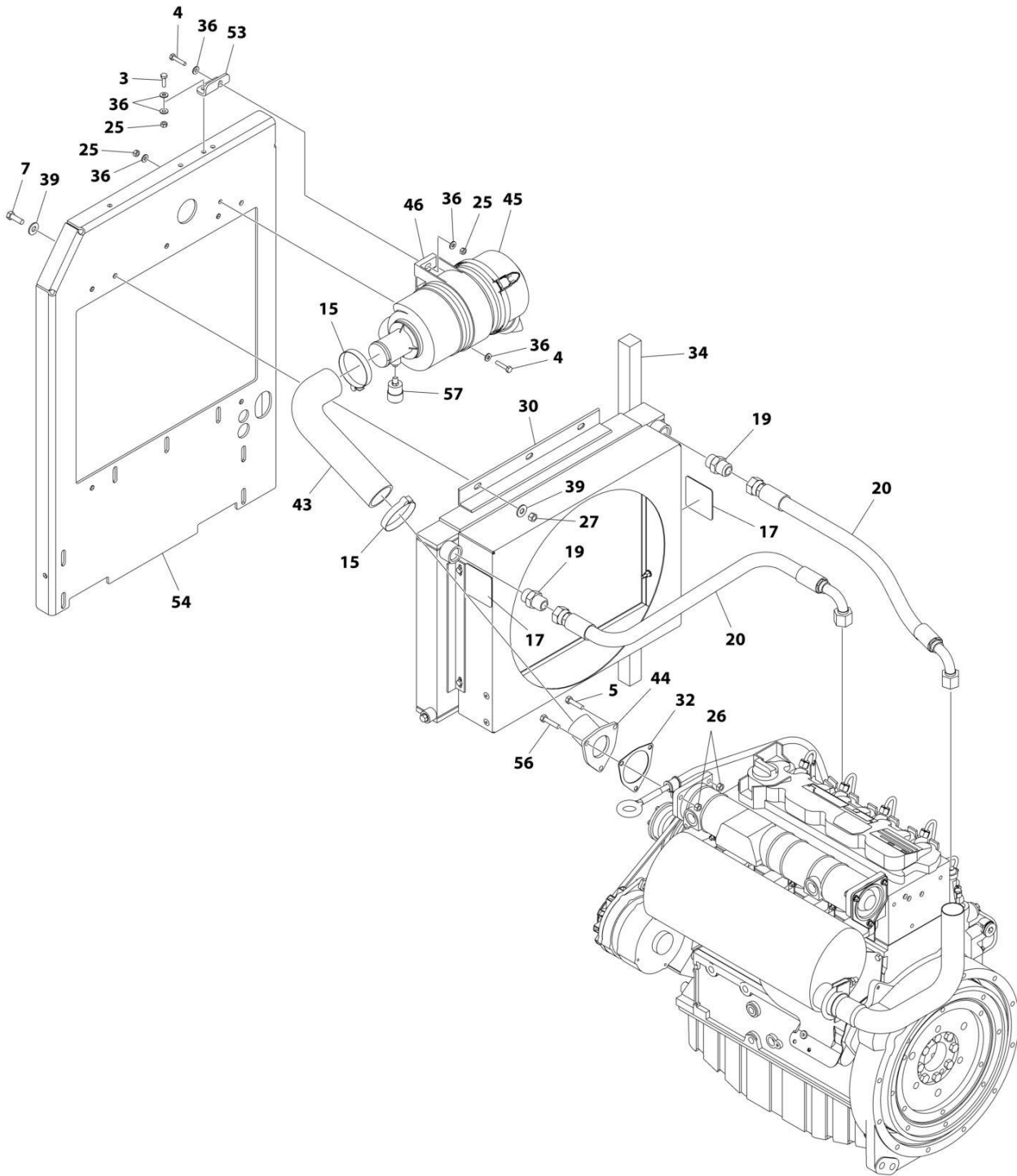
ITEM	PART NUMBER	QTY	DESCRIPTION	REV
	1001098476	Ref	DEUTZ D2011 ENGINE ASSEMBLY	O
1	0100011	AR	Compound, Locking	
2	0340041	2	Band, Mounting	
3	0641407	10	Bolt 1/4 x 7/8	
4	0641510	3	Bolt 5/16 x 1-1/4	
5	0641606	3	Bolt 3/8 x 3/4	
6	0641609	6	Bolt 3/8 x 1-1/8	
7	0641610	16	Bolt 3/8 x 1-1/4	
8	0641818	2	Bolt 1/2 x 2-1/4	
9	0641826	2	Bolt 1/2 x 3-1/4	
10	0700808	4	Bolt M8 x 16	
11	0771414	4	Bolt M14 x 30	
13	0711414	6	Bolt M14 x 30	
14	0940070	1	Bumper	
15	0961986	2	Bushing, Flanged	
17	1320016	2	Clamp	
19	1320223	4	J-Clip	
20	1340060	1	Air Cleaner Assembly	
20	7012664	1	Element, Air Cleaner	
21	1703162	2	Decal - Caution Fan Blade	
22	2060025	1	Fan	
23	2220451	2	Fitting, Straight	
24	2580062	1	Heater, Engine Block	
25	2720398	2	Hose, Oil Cooler	
26	1001091179	1	Elbow	
28	2750532	1 ft /0.3m	Hose	
29	2902065	1	Kit, Pump Coupling (See Separate Breakdown in this Section)	
31	3200362	2	Mount, Engine	
32	3200406	2	Mount, Engine	
33	1001257281	1	Muffler Spark Arresting	
34	3311405	10	Nut 1/4	
35	3311505	3	Nut 5/16	
36	3311605	22	Nut 3/8	
37	3311805	4	Nut 1/2	
38	3520054	2	Plug, Hole	
39	3537416	1	Plate	
40	3539872	1	Plate	
41	3539971	1	Plate	
42	1001150998	1	Radiator	
43	3740067	3	Relay	
44	3960407	1	Gasket, Air Intake	
45	3960468	1	Seal	
46	3960469	1	Seal	
47	4060805	37 in /1m	Flex-Trim	
48	4640751	1	Valve, Oil Drain	
49	4711400	6	Washer 1/4	
50	4711600	3	Washer 3/8	
51	4740274	4	Washer, Snubbing	
52	4751400	8	Washer 1/4	

SECTION 3 - ENGINE

ITEM	PART NUMBER	QTY	DESCRIPTION	REV
53	4751600	44	Washer 3/8	
54	4791400	6	Starwasher 1/4	
55	4812200	6	Washer M14	
56	1001224965	1	Adapter, Air Intake	
57	4846566	1	Mount, Generator	
59	4923379	1	Harness, Glow Plug	
60	1001093943	1	Plate, Mounting	
61	1001094321	1	Tray	
63	1001146368	Ref	Deutz D2011 Engine Components (See Separate Breakdown in this Section)	
64	1320022	1	Clamp	
65	1001149639	1	Indicator, Restriction	

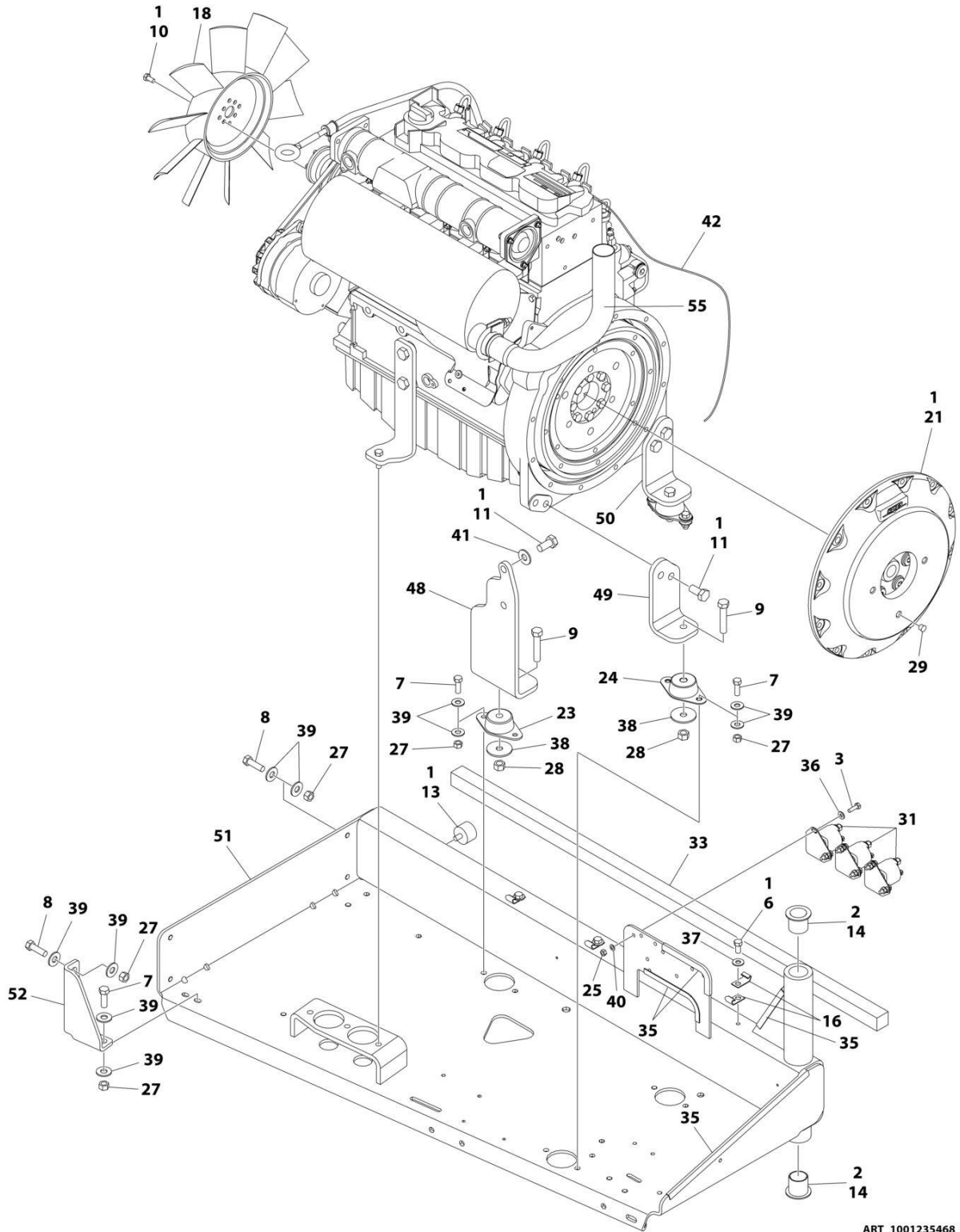
SECTION 3 - ENGINE

FIGURE 3-15. DEUTZ D2011 (STAGE V) ENGINE ASSEMBLY (USA BUILT MACHINES) (PVC 2001)



ART_1001235468_10F2

SECTION 3 - ENGINE



ART_1001235468_20F2

SECTION 3 - ENGINE

FIGURE 3-15. DEUTZ D2011 (STAGE V) ENGINE ASSEMBLY (USA BUILT MACHINES) (PVC 2001)

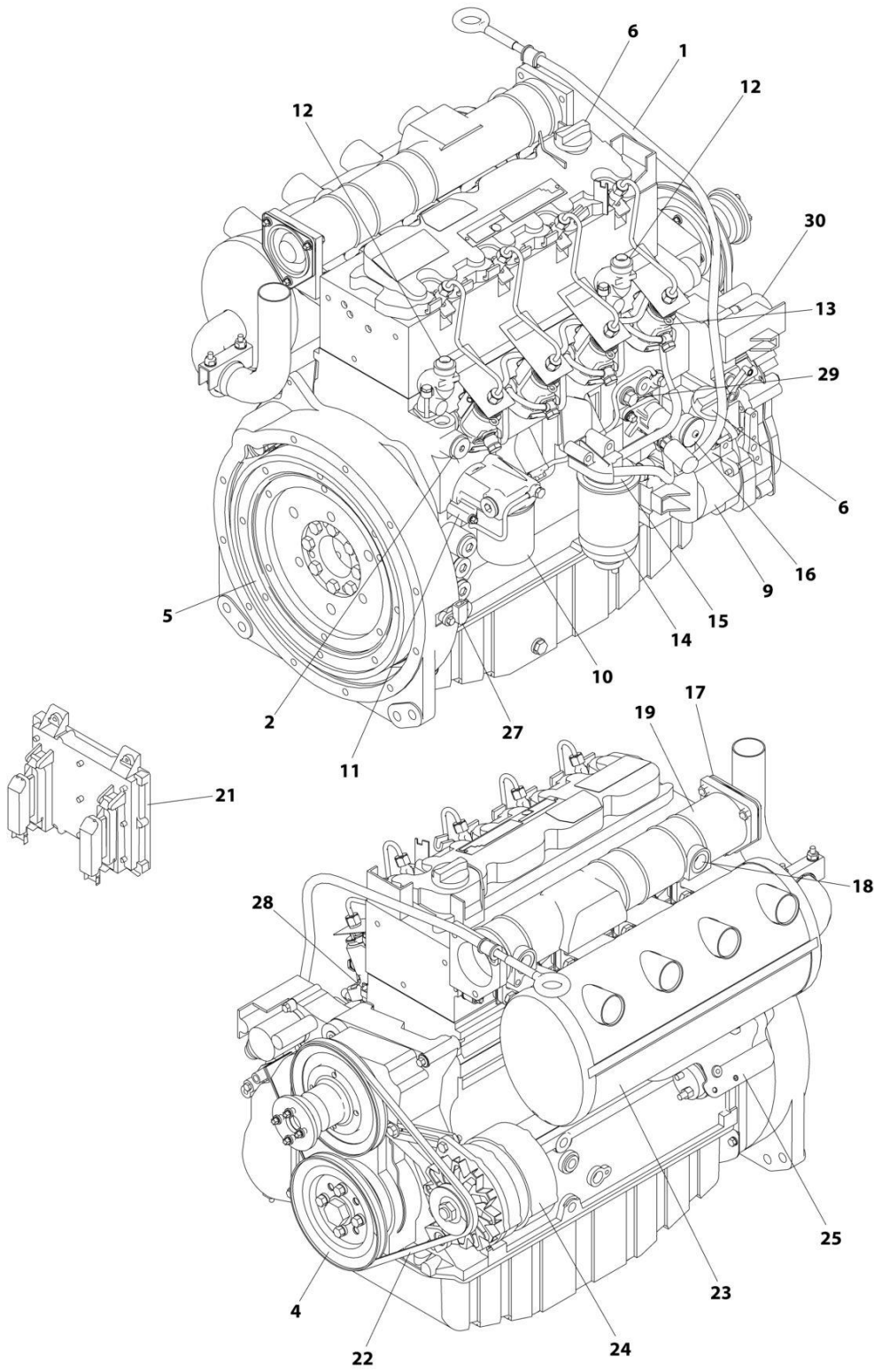
ITEM	PART NUMBER	QTY	DESCRIPTION	REV
	1001235468	Ref	DEUTZ D2011 (STAGE V) ENGINE ASSEMBLY	F
1	0100011	AR	Compound, Locking	
2	0100062	AR	Compound, Locking	
3	0641407	8	Bolt 1/4 x 7/8	
4	0641410	2	Bolt 1/4 x 1-1/4	
5	0641510	2	Bolt 5/16 x 1- 1/4	
6	0641606	3	Bolt 3/8 x 3/4	
7	0641609	14	Bolt 3/8 x 1-1/8	
8	0641610	4	Bolt 3/8 x 1-1/4	
9	0641820	3	Bolt 1/2 x 2-1/2	
10	0700808	4	Bolt M8 x 16mm	
11	0771414	6	Bolt M14 x 30	
13	0940070	1	Bumper	
14	0961986	2	Bushing, Flanged	
15	1320016	2	Clamp	
16	1320223	4	J-Clip	
17	1703162	2	Decal - Caution Fan Blade	
18	2060025	1	Fan	
19	2220451	2	Fitting, Straight	
20	2720398	2	Hose, Oil Cooler	
21	2902065	1	Kit, Pump Coupling (See Separate Breakdown in this Section)	
23	3200401	1	Mount, Motor (Front)	
24	3200406	2	Mount, Motor (Rear)	
25	3311405	10	Nut 1/4	
26	3311505	3	Nut 5/16	
27	3311605	18	Nut 3/8	
28	3311805	3	Nut 1/2	
29	3520054	2	Plug, Hole	
30	1001150998	1	Radiator	
31	3740067	3	Relay	
32	3960407	1	Gasket, Air Intake	
33	3960468	1	Seal	
34	3960469	1	Seal	
35	4060805	37 in /1m	Flex-Trim	
36	4711400	14	Washer 1/4	
37	4711600	3	Washer 3/8	
38	4740274	3	Washer, Snubbing	
39	4751600	36	Washer 3/8	
40	4791400	6	Starwasher 1/4	
41	4812200	2	Washer M14	
42	4923379	1	Harness, Glow Plug	
43	1001130041	1	Elbow	
44	1001139819	1	Adapter, Air Intake	
45	1001141693	1	Air Cleaner Assembly	
45	70003783	1	Element, Filter	
46	1001141694	1	Clamp, Air Filter	
48	1001149704	1	Support, Engine (Front)	
49	1001149705	1	Support, Engine (Rear)	
50	1001149706	1	Support, Engine (Rear)	
51	1001149793	1	Tray	

SECTION 3 - ENGINE

ITEM	PART NUMBER	QTY	DESCRIPTION	REV
52	1001150915	1	Support	
53	1001151078	1	Angle	
54	1001151206	1	Plate, Radiator Mounting	
55	1001151251	1	Pipe, Exhaust	
56	0641512	1	Bolt 5/16 x 1-1/2	
57	1001143390	1	Indicator, Air Filter Service	

SECTION 3 - ENGINE

FIGURE 3-16. DEUTZ D2011 ENGINE COMPONENTS



ART_1001146368

SECTION 3 - ENGINE

FIGURE 3-16. DEUTZ D2011 ENGINE COMPONENTS

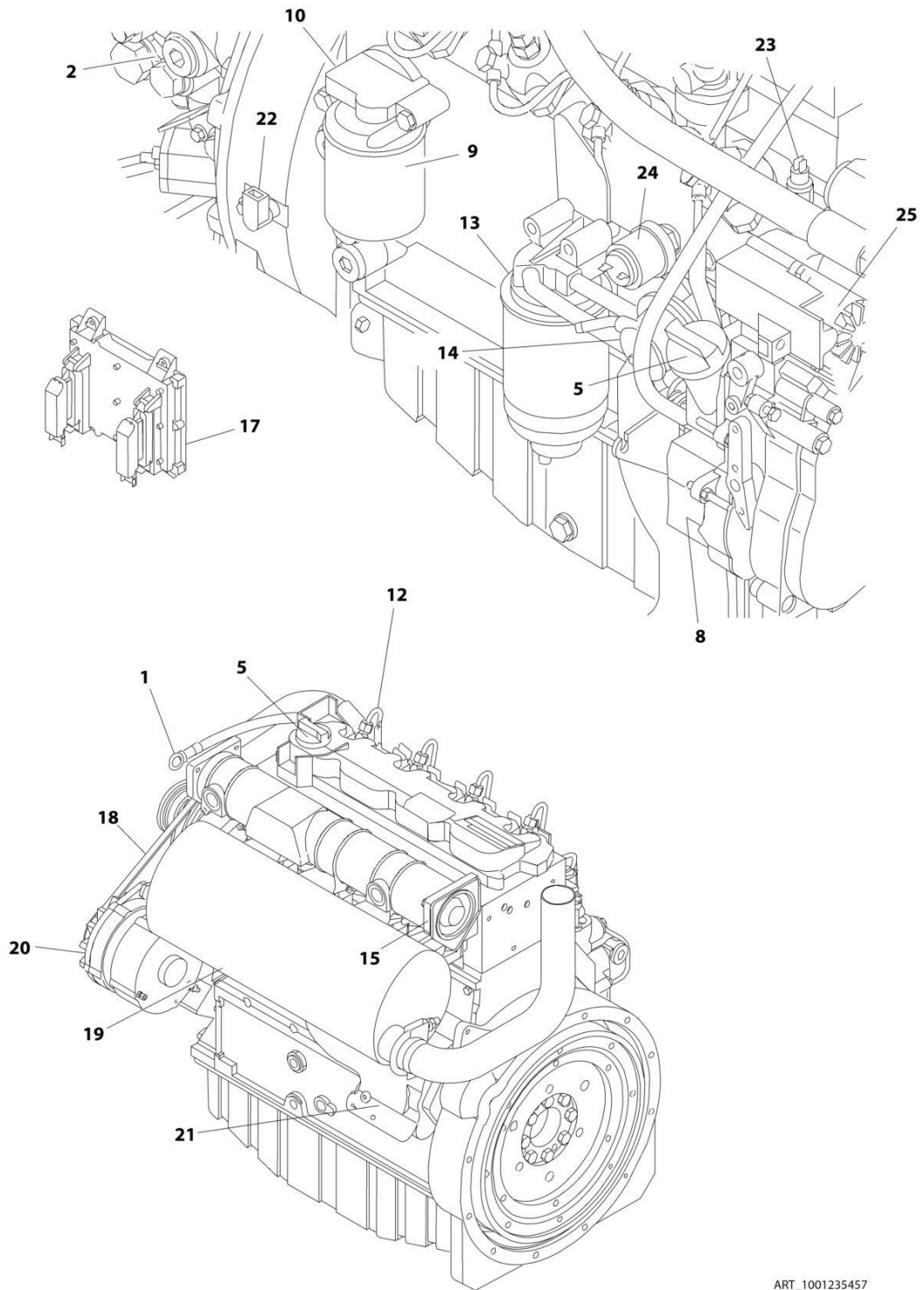
ITEM	PART NUMBER	QTY	DESCRIPTION	REV
	1001146368	Ref	DEUTZ D2011 ENGINE COMPONENTS	E
1	7026631	1	Dipstick	
1	7020487	1	O-Ring, Dipstick	
1	70001002	1	Tube, Dipstick	
1	7020403	1	Seal, Dipstick Tube	
2	70003475	1	Thermostat	
2	7020460	1	Spring, Compression	
3	70002718	1	Seal, Rear Main (Not Shown)	
4	70005479	1	Pulley	
5	70001870	1	Flywheel	
5	7024579	1	Ring Gear	
6	7020465	2	Cap, Filler	
7	70003456	1	Gasket, Head (Not Shown)	
7	70003457	1	Gasket, Head (Not Shown)	
7	70003003	1	Gasket, Head (Not Shown)	
8	7020431	1	Gasket, Valve Cover (Not Shown)	
9	70001850	1	Pump, Oil Lube	
9	7020468	1	Seal Between Oil Pump and Engine Block (Not Shown)	
10	7016331	1	Filter, Oil	
11	70003472	1	Bracket, Oil Filter (Includes Spring, Control Valve, Temperature Sensor, Seal and Plug)	
11	7027236	1	Sensor, Temperature	
11	70003473	1	Gasket, Oil Filter Bracket to Engine Block	
12	70004268	2	Fitting, Radiator Connector (Located Between Item 220 and Engine Block)	
12	70004269	2	Seal for Radiator Connector Fitting	
13	70003478	4	Injector, Fuel	
13	70003136	4	Seal	
13		Ref	Pump, Injector Options:	
13	70000912	1	Series A Injector	
13	70000913	4	Series B Injector	
13	70000914	1	Series C Injector	
13	70000915	1	Series D Injector	
14	7016328	1	Filter, Fuel	
15	70001423	1	Bracket, Fuel Filter	
16	70000916	1	Pump Fuel Supply	
16	70001435	1	Repair Kit for Pump	
16	70000919	1	Hand Pump	
16	70000918	1	Seal, Hand Pump	
16	70000917	1	O-Seal Between Fuel Pump and Engine Block (Not Shown)	
17	70003469	1	Flange	
17	70003468	1	O-Seal	
18	70025084	1	Plug	
19	70003470	1	Manifold, Intake	
19	70001871	4	Gasket, Intake Manifold to Engine Block (Not Shown)	
20	70001847	1	Breather Valve (Not Shown - Located on Front Cover)	
20	70001126	1	Seal, Breather Valve	
21	7027795	1	Module, Control	
22	7020408	1	V-Belt	
23	7000695	1	Muffler (Includes Saddle Clamp)	

SECTION 3 - ENGINE

ITEM	PART NUMBER	QTY	DESCRIPTION	REV
23	7020471	4	Gasket, Exhaust Manifold (Not Shown)	
23	70004270	8	Stud, Exhaust Manifold (Not Shown)	
24	70004056	1	Alternator	
24	70001868	1	Regulator, Voltage Options (Not Shown)	
24	70001866	1	Gasket for Voltage Regulator (Not Shown)	
24	70002234	1	Bracket, Adjusting (Not Shown)	
24	70000851	1	Bracket, Mounting (Not Shown)	
25	7020479	1	Starter	
25	70004058	1	Relay	
25	70001498	1	Shield, Starter Heat	
26	70004059	1	Plug- In Connector for Analyzer (Not Shown)	
26	7027796	1	Harness, Module to Engine Harness (Not Shown)	
26	70004060	1	Plug- In Connector on p/n 7027796 Harness (Not Shown)	
26	70001872	1	Harness, Engine (Not Shown)	
26	70004103	1	Harness, Alternator (Not Shown)	
26	70004271	1	Harness, Starter (Not Shown)	
27	70004272	1	Sensor, Speed	
27	70003932	1	Spacer	
28	7027791	1	Transmitter, Temperature	
29	7027790	1	Sensor, Oil Pressure	
30	7027792	1	Actuator, Throttle	
30	7027276	1	Spring, Actuator	
31	70000345	4	Plug, Glow (Not Shown)	
32	70004273	1	Set, Engine Gasket (Not Shown)	

SECTION 3 - ENGINE

FIGURE 3-17. DEUTZ D2011 (STAGE V) ENGINE COMPONENTS



ART_1001235457

SECTION 3 - ENGINE

FIGURE 3-17. DEUTZ D2011 (STAGE V) ENGINE COMPONENTS

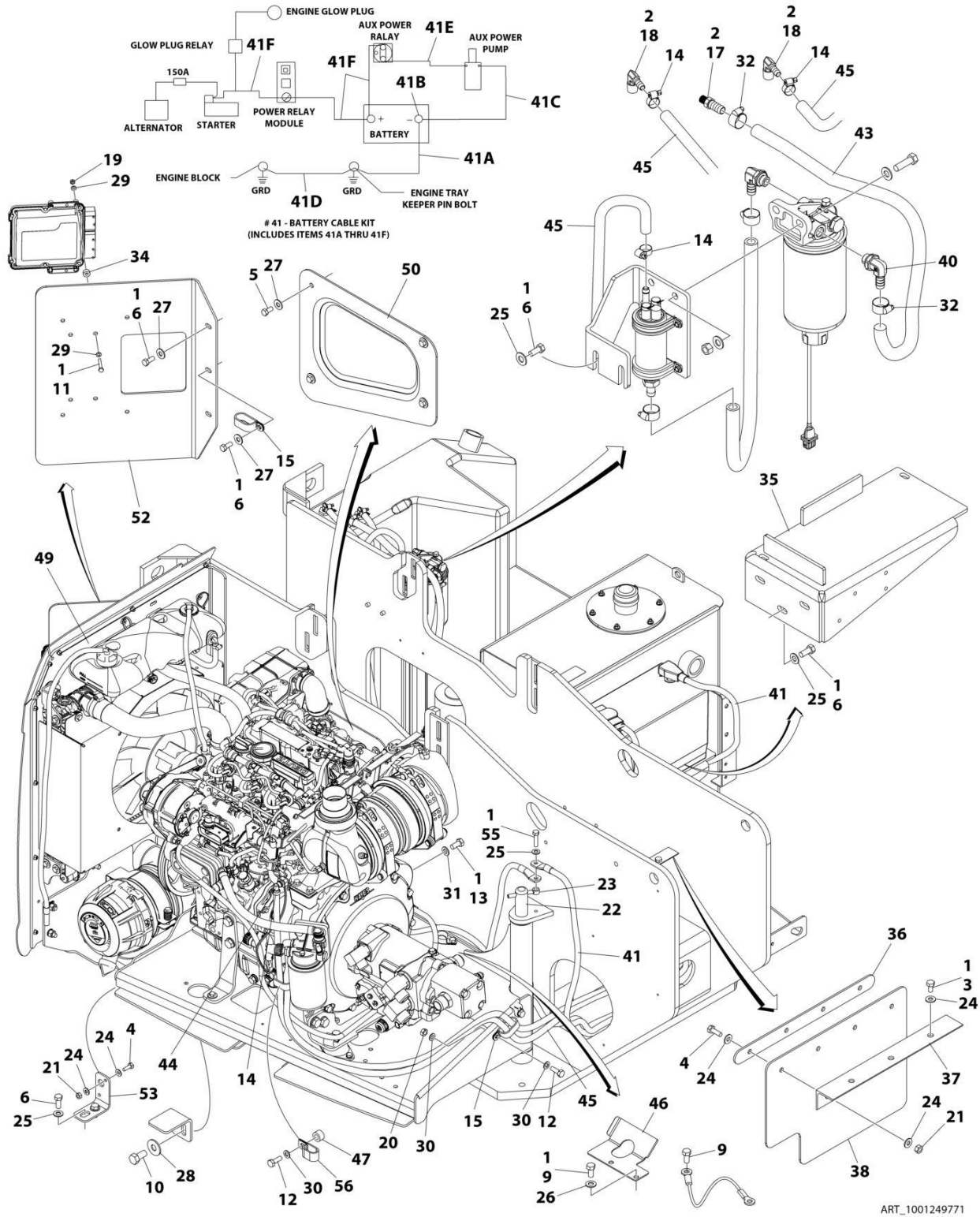
ITEM	PART NUMBER	QTY	DESCRIPTION	REV
	1001235457	Ref	DEUTZ D2011 (STAGE V) ENGINE COMPONENTS	B
1	7026631	1	Dipstick	
1	7020487	1	Seal, Dipstick	
1	70001002	1	Tube, Dipstick	
1	7020403	1	Seal, Dipstick Tube	
2	70003475	1	Thermostat	
3	70002718	1	Seal, Rear Main (Not Shown)	
4	70001870	1	Flywheel (Not Shown)	
4	7024579	1	Ring Gear (Located on Flywheel - Not Shown)	
5	7020465	2	Cap, Filler	
6		Ref	Gasket, Head Options (Not Shown):	
6	70003456	1	Gasket with 1 Notch	
6	70003457	1	Gasket with 2 Notches	
6	70003003	1	Gasket with 3 Notches	
6	7020431	1	Gasket, Valve Cover (Not Shown)	
6	70004273	1	Gasket Kit (Note: Does not include Head Gasket)	
7	70000800	1	Kit, Timing Belt/Idler (Not Shown)	
8	70001850	1	Pump, Oil Lube	
8	7020468	1	Seal Between Oil Pump and Engine Block (Not Shown)	
9	7016331	1	Filter, Oil	
10	70003472	1	Bracket, Oil Filter	
10	7027236	1	Sender, Temperature	
10	70003473	1	Gasket, Bracket to Engine Block	
11	70004268	2	Connector, Radiator Hose (Not Shown)	
11	70004269	2	Ring, Sealing (Not Shown)	
12	70003478	4	Injector, Fuel	
12	70003136	4	Seal	
12		Ref	Pump, Injector Options:	
12	70000912	Ref	Series A Injector	
12	70000913	4	Series B Injector	
12	70000914	4	Series C Injector	
12	70000915	4	Series D Injector	
12	70003464	4	O-Ring	
13	7016328	1	Filter, Fuel	
13	70001423	1	Bracket, Fuel Filter	
14	70000916	1	Pump Fuel Supply	
14	70001435	1	Repair Kit for 70000916 Pump	
14	70000919	1	Hand Pump	
14	70000918	1	Seal, Hand Pump	
14	70000917	1	O-Seal Between Fuel Pump and Engine Block	
15		Ref	Intake Manifold Components	
15	70003469	1	Flange, Blanking	
15	70003468	1	Seal (Flange to Air Intake Manifold)	
15	70001871	4	Gasket, Intake Manifold to Engine Block (Not Shown)	
15	70003470	8	Screw, Torx Head (Not Shown)	
16	70001847	1	Breather Valve (Not Shown - Located On Front Cover)	
16	70001126	1	Seal, Breather Valve	
17	7027795	1	Module, Control	
17		Ref	Left Module Connections:	
17	7027796	1	Cable, Interconnect (Module to 70001872 Cable)	

SECTION 3 - ENGINE

ITEM	PART NUMBER	QTY	DESCRIPTION	REV
17	70004060	1	Plug, Connector	
17	70001872	1	Cable, Harness	
17	70004103	1	Cable (Alternator to 70001872 Cable)	
17	70004271	1	Cable (Starter to 70001872 Cable)	
17		Ref	Right Module Connections:	
17	70004059	1	Plug, Diagnostic	
18	7020408	1	V-Belt	
19		Ref	Muffler Options:	
19	7000695	1	Standard Muffler (Supplied with Engine)	
19	See Note	1	Spark Arrester Muffler	
19	See Note	1	Catalytic Muffler	
19		Ref	Muffler Components:	
19	1320176	1	Clamp, Saddle	
19	70001017	1	Clamp	
19	7024560	1	Plug, Brass	
19	See Note	1	Pipe, Exhaust Standard Muffler (Note: Purchase Locally)	
19	7024398	1	Pipe, Exhaust	
19	7020471	4	Gasket, Exhaust Manifold to Engine Block	
19	70004270	8	Stud, Muffler	
20	70004056	1	Alternator	
20	70001868	1	Regulator, Voltage (Not Shown)	
20	70001866	1	Seal, Gasket for Voltage Regulator (Not Shown)	
20	70000851	1	Bracket, Mounting (Not Shown)	
20	70002234	1	Bracket, Adjusting (Not Shown)	
21	7020479	1	Starter	
21	70004058	1	Relay	
21	70001498	1	Shield, Starter Heat	
22	70004272	1	Sensor, Speed	
22	70003932	1	Spacer, Sensor	
23	7027791	1	Transmitter, Temperature	
24	7027790	1	Sensor, Oil Pressure	
25	7027792	1	Actuator, Throttle	
25	7027276	2	Spring, Actuator	
26	70000345	4	Plug, Glow (Not Shown)	
27	70005479	1	Pulley, Crankshaft (Not Shown)	

SECTION 3 - ENGINE

FIGURE 3-18. DEUTZ TD2.2L3 (STAGE V) ENGINES INSTALLATION - WITHOUT ARCTIC PACKAGE (USA BUILT MACHINES)



SECTION 3 - ENGINE

**FIGURE 3-18. DEUTZ TD2.2L3 (STAGE V) ENGINES INSTALLATION - WITHOUT ARCTIC PACKAGE
(USA BUILT MACHINES)**

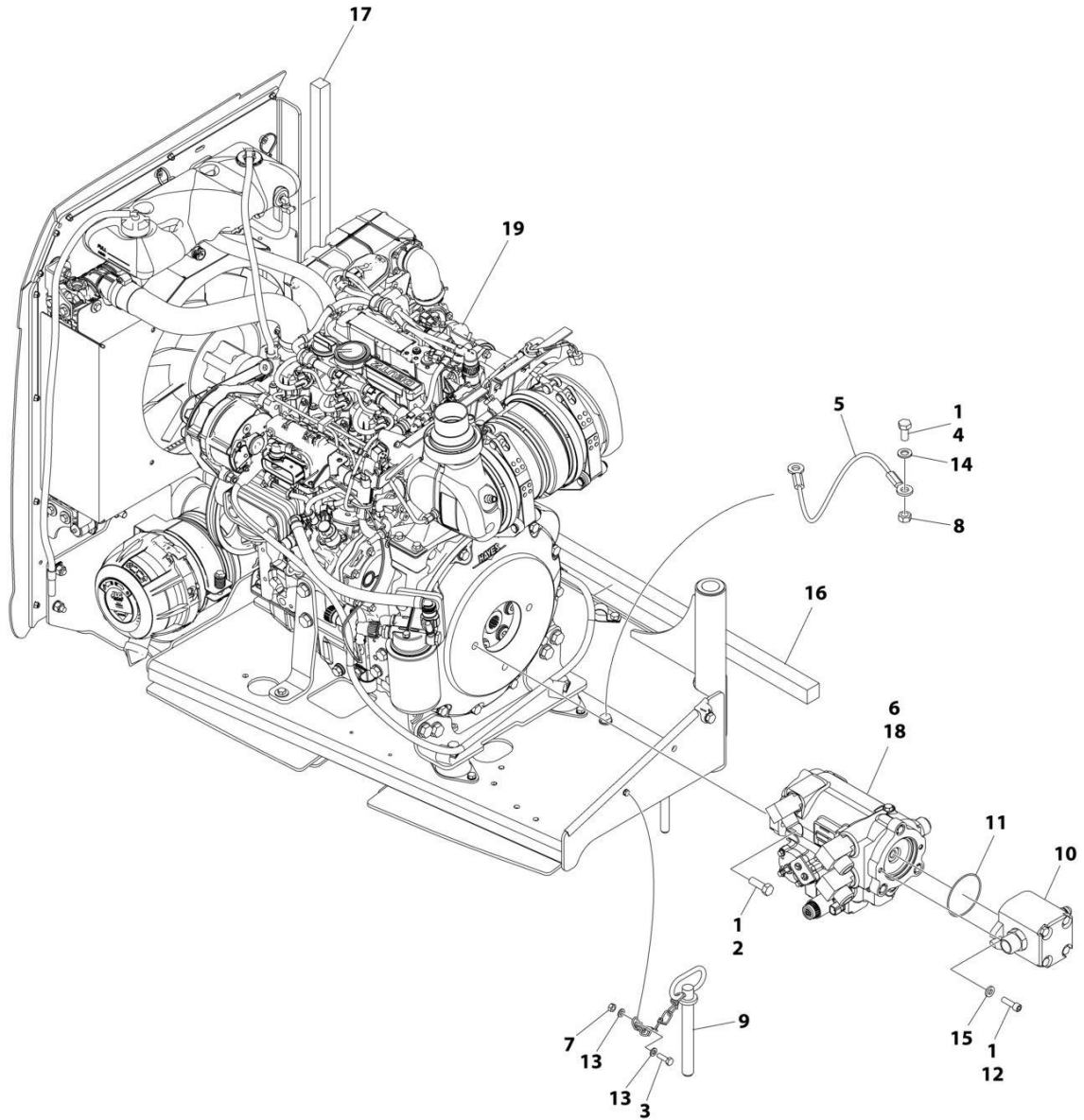
ITEM	PART NUMBER	QTY	DESCRIPTION	REV
	1001249771	Ref	DEUTZ TD2.2L3 (STAGE V) ENGINES INSTALLATION	H
1	0100011	AR	Compound, Locking	
2	0100020	AR	Sealant, Pipe	
3	0641404	3	Bolt 1/4 x 1/2	
4	0641406	5	Bolt 1/4 x 3/4	
5	0641606	4	Bolt 3/8 x 3/4	
6	0641607	12	Bolt 3/8 x 7/8	
7	0641608	1	Bolt 3/8 x 1	
9	0641808	4	Bolt 1/2 x 1	
10	0642010	1	Bolt 5/8 x 1-1/4	
11	0700616	4	Bolt M6 x 40	
12	0761014	2	Bolt M10 x 30	
13	0771212	1	Bolt M12 x 25 Grade 10.9	
14	1320022	5	Clamp	
15	1321716	2	P-Clamp	
16	1701505	1	Decal - Diesel (Not Shown - Located on Hood)	
17	2180832	1	Fitting, Straight Barbed	
18	2220313	2	Fitting, 90 Barbed	
19	3290601	4	Nut M6	
20	3291001	1	Nut M10	
21	3311405	5	Nut 1/4	
22	3422448	1	Pin, Pivot	
23	3841143	1	Pin, Keeper	
24	4711400	13	Washer 1/4	
25	4711600	10	Washer 3/8	
26	4711800	2	Washer 1/2	
27	4751600	7	Washer 3/8	
28	4752000	1	Washer 5/8	
29	4811700	8	Washer M6	
30	4812000	3	Washer M10	
31	4812100	1	Washer M12	
32	8405006	2	Clamp	
33	8406201	6	Clip (Not Shown)	
34	1001110425	4	Spacer	
35	1001137868	1	Bracket, Battery	
36	1001137880	1	Bracket, Baffle	
37	1001137881	1	Angle	
38	1001137882	1	Support, Rubber	
39	1001138491	1	Harness, Fuel Pump (Pump requiring Push-on Terminals) (Not Shown - See Separate Breakdown in ELECTRICAL Section)	
40	1001142501	1	Fitting, 90 Barbed	
41	1001145047	1	Battery Cable Kit	
41A	7027072	1	Cable, Battery (Black) (Battery - to Tray Pivot Grd)	
41B	8270147	1	Terminal, Battery (With Boot)	
41B	See Note	1	Boot, Black (Note: Not Available for Purchase)	
41C	7027073	1	Cable, Battery (Black) (Battery - to Aux Pump and Relay Grd)	
41C	See Note	1	Boot, Black (Note: Not Available for Purchase)	
41D	7027074	1	Cable, Battery (Black) (Engine to Tray Pivot Grd)	
41E	7027075	1	Cable (Red) (Aux Relay to Aux Pump)	

SECTION 3 - ENGINE

ITEM	PART NUMBER	QTY	DESCRIPTION	REV
41E	70003952	2	Boot, Red	
41F	7027076	1	Cable (Red) (Battery + to Aux Relay/Power Module/Starter)	
41F	See Note	1	Boot, Red (Battery) (Note: Not Available for Purchase)	
42	1001146588	1	Tie-Strap (Not Shown)	
43	1001154405	3 ft/ 0.9m	Hose	
44	1001155823	1	Fitting, 90 Quick Disconnect	
45	1001165035	23.5 ft/ 7.2m	Hose	
46	1001172793	1	Guide, Hose	
47	1001220266	1	Spacer	
49	1001249682	1	Engine Assembly with Pumps (See Separate Breakdown in this Section)	
50	1001260654	1	Cover	
52	1001137866	1	Plate, Baffle	
53	1001256879	1	Bracket	
54	4240099	AR	Tie-Strap (Not Shown)	
55	0641612	1	Bolt 3/8 x 1-1/2	
56	1001026127	1	Clamp	

SECTION 3 - ENGINE

FIGURE 3-19. DEUTZ TD2.2L3 (STAGE V) ENGINE/PUMP SUB-ASSEMBLY – WITHOUT ARCTIC PACKAGE (USA BUILT MACHINES)



ART_1001249682

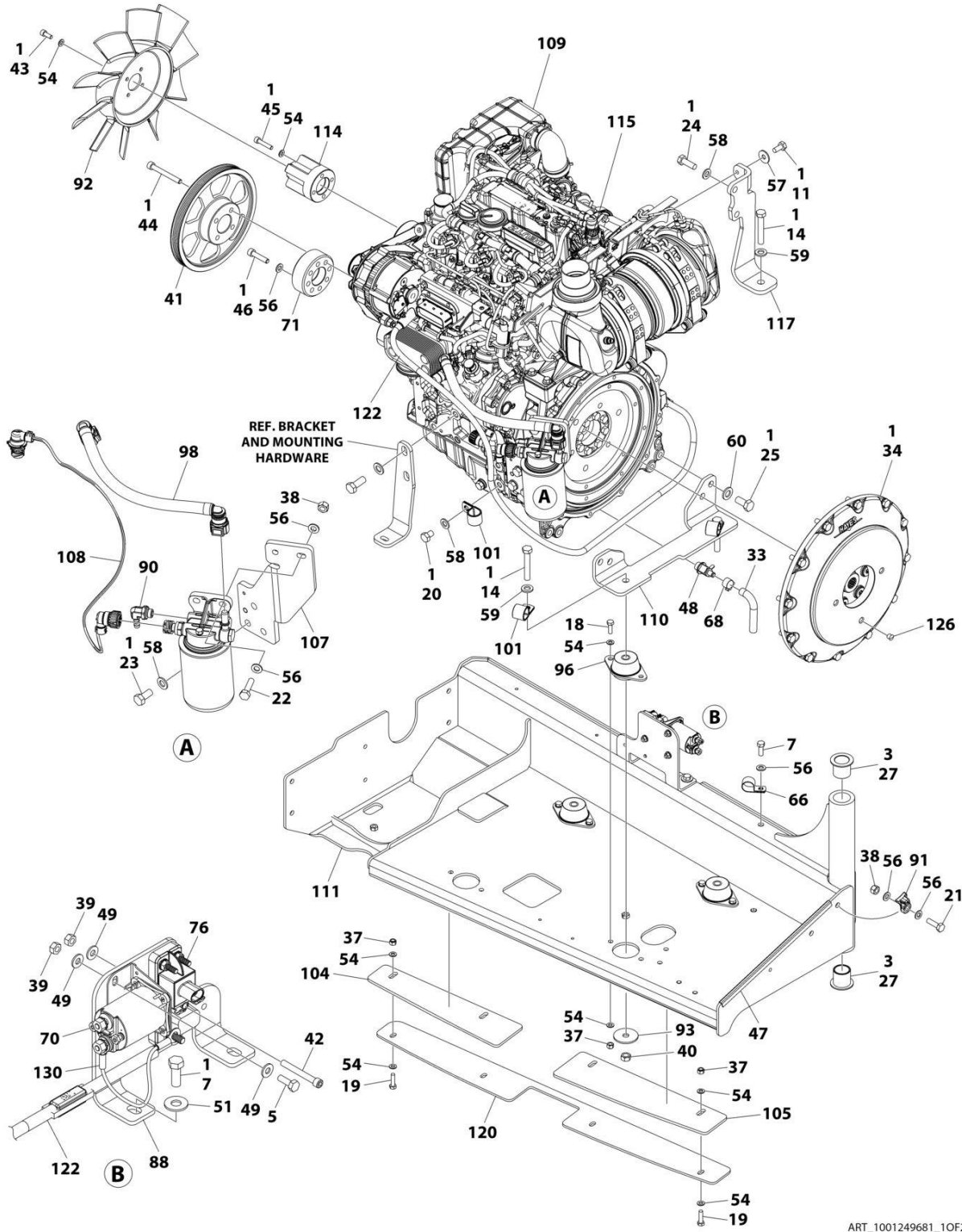
SECTION 3 - ENGINE

FIGURE 3-19. DEUTZ TD2.2L3 (STAGE V) ENGINE/PUMP SUB-ASSEMBLY – WITHOUT ARCTIC PACKAGE (USA BUILT MACHINES)

ITEM	PART NUMBER	QTY	DESCRIPTION	REV
	1001249682	Ref	DEUTZ TD2.9L4 ENGINE/PUMP SUB-ASSEMBLY	B
1	0100011	AR	Compound, Locking	
2	0641812	2	Bolt 1/2 x 1-1/2	
3	0700610	1	Bolt M6 x 20	
4	0761212	1	Bolt M12 x 25	
5	1060637	1	Lanyard	
6	3020037	AR	Grease, Pump Coupling	
7	3290601	1	Nut M6	
8	3291201	1	Nut M12	
9	3422533	1	Pin, Hitch	
10	3600395	1	Gear Pump Assembly with Fittings (See Separate Breakdown in this Section)	
11	3790152	1	O-Ring	
12	3931620	2	Bolt 3/8 x 1-1/4	
13	4811700	2	Washer M6	
14	4812100	1	Washer M12	
15	4891600	2	Washer 3/8 Hardened	
16	1001137873	1	Seal	
17	1001137874	1	Seal	
18	1001188952	1	Pump Assembly with Fittings (See Separate Breakdown in this Section)	
19	1001249681	1	Engine Assembly (See Separate Breakdown in this Section)	

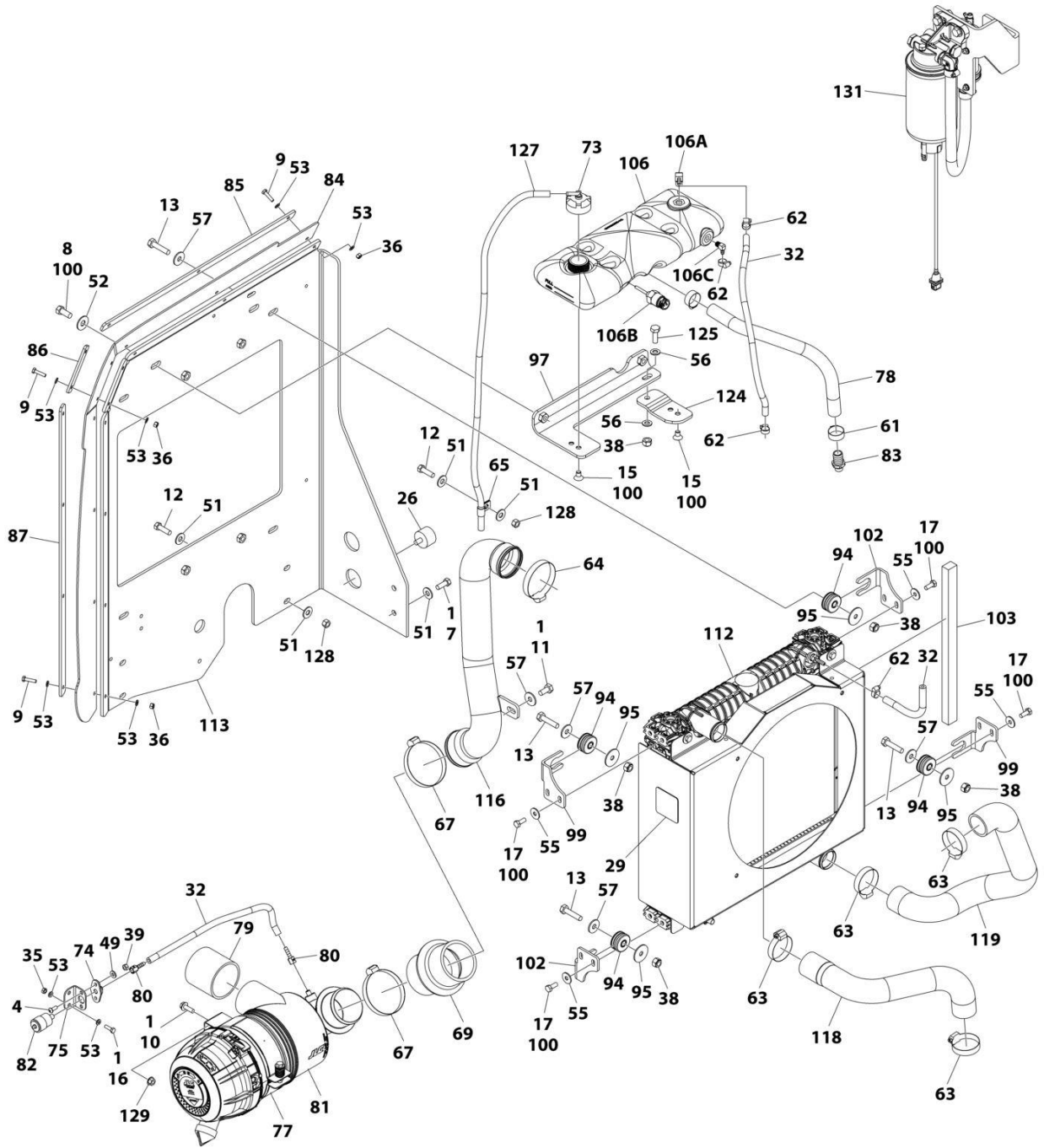
SECTION 3 - ENGINE

FIGURE 3-20. DEUTZ TD2.2L3 (STAGE V) ENGINES ASSEMBLY – WITHOUT ARCTIC PACKAGE (USA BUILT MACHINES)



ART_1001249681_10F2

SECTION 3 - ENGINE



ART_1001249681_2OF2

SECTION 3 - ENGINE

**FIGURE 3-20. DEUTZ TD2.2L3 (STAGE V) ENGINES ASSEMBLY – WITHOUT ARCTIC PACKAGE
(USA BUILT MACHINES)**

ITEM	PART NUMBER	QTY	DESCRIPTION	REV
	1001249681	Ref	DEUTZ TD2.9L4 ENGINE ASSEMBLY	K
1	0100011	AR	Compound, Locking	
3	0100062	AR	Adhesive	
4	0630407	2	Screw 1/4 x 5/8	
5	0641406	5	Bolt 1/4 x 3/4	
7	0641608	5	Bolt 3/8 x 1	
8	0641708	2	Bolt 7/16 x 1	
9	0700612	9	Bolt M6 x 25	
10	5250812	2	Bolt M8 x 25	
11	0701012	1	Bolt M10 x 25	
12	0641610	4	Screw 3/8 x 1-1/4	
13	0701017	4	Bolt M10 x 45	
14	0711223	3	Bolt M12 x 75	
15	0741605	2	Screw, Flathead 3/8 x 5/8	
16	0760610	2	Bolt M6 x 20	
17	0760810	8	Bolt M8 x 20	
18	0760812	6	Bolt M8 x 25	
19	0760814	4	Bolt M8 x 30	
20	0761212	1	Bolt M12 x 25	
21	0761015	1	Bolt M10 x 35	
22	0761016	2	Bolt M10 x 40	
23	0761214	3	Bolt M12 x 30	
24	0711215	2	Bolt M12 x 35	
25	0771414	4	Bolt M14 x 30	
26	0940070	1	Bumper	
27	0961986	2	Bushing, Flanged	
28	1062255	1	Tie-Strap (Not Shown)	
29	1703162	1	Decal - Fan Blade	
32	2720015	42 in / 1.06m	Hose	
33	2720340	6 in / 15cm	Hose	
34	2902065	1	Kit, Pump Coupling (See Separate Breakdown in this Section)	
35	3290601	2	Nut M6	
36	3290605	9	Nut M6	
37	3290805	10	Nut M8	
38	3291005	8	Nut M10	
39	3311405	5	Nut 1/4	
40	3331211	3	Nut M12	
41	1001260432	1	Pulley	
42	3931432	1	Capscrew 1/4 x 2	
43	4031908	4	Capscrew M8 x 20	
44	1001261085	4	Capscrew M10 x 85 Grade 10.9	
45	4031912	4	Capscrew M8 x 40	
46	1001261045	4	Capscrew M10 x 45 Grade 10.9	
47	4060805	14 in / 36cm	Flex-Trim	
48	4640751	1	Valve, Oil Drain	
49	4711400	7	Washer 1/4	

SECTION 3 - ENGINE

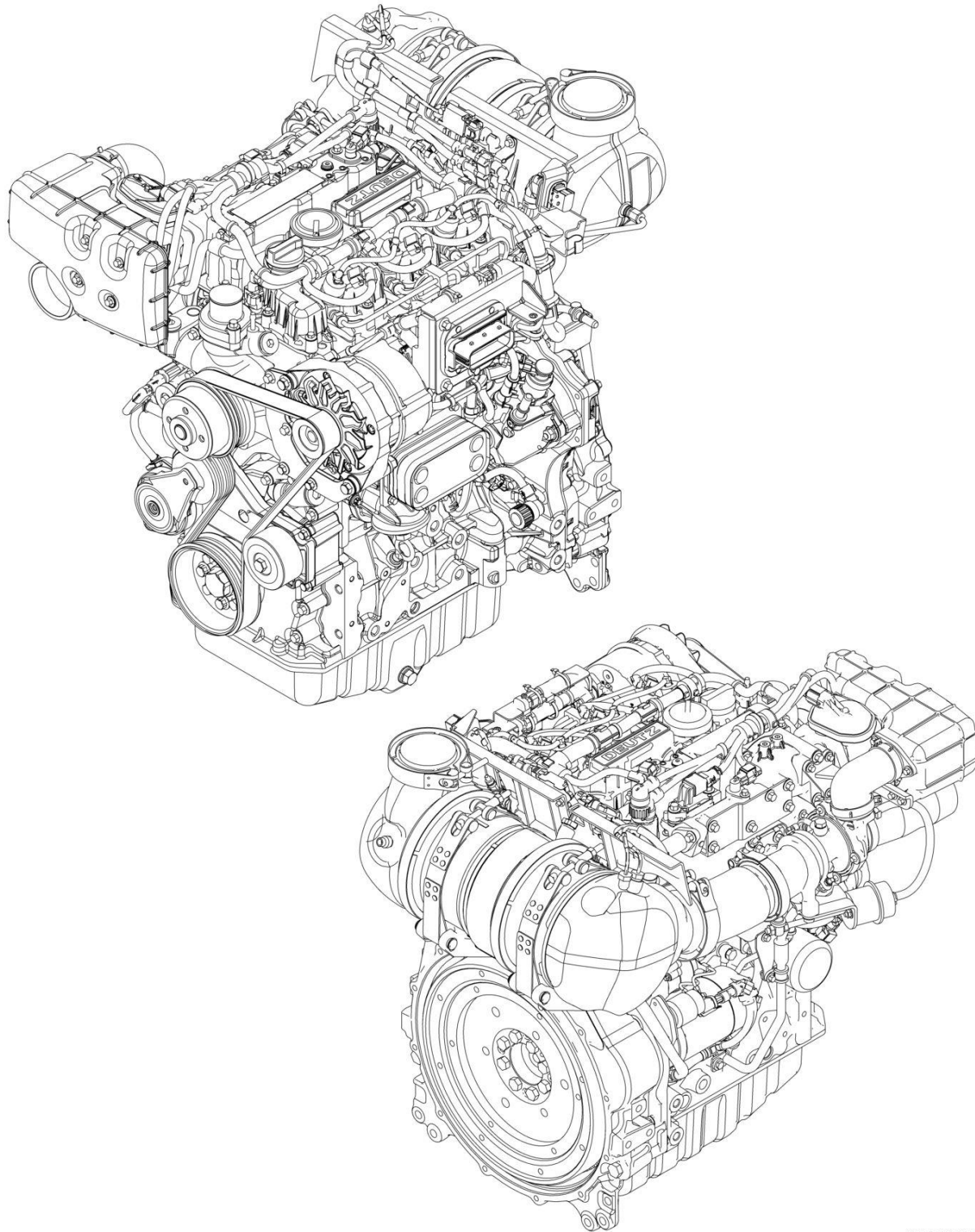
ITEM	PART NUMBER	QTY	DESCRIPTION	REV
51	4751600	12	Washer 3/8	
52	4751700	2	Washer 7/16	
53	4811700	22	Washer M6	
54	4811900	28	Washer M8	
55	4811902	8	Washer M8	
56	4812000	13	Washer M10	
57	4812002	5	Washer M10	
58	4812100	6	Washer M12	
59	5241200	3	Washer M12	
60	4812200	4	Washer M14	
61	8405007	2	Clamp	
62	8405009	4	Clamp	
63	8405104	4	Clamp	
64	8405204	1	Clamp	
65	8406110	1	Clip	
66	8406201	1	Clip	
67	8410011	2	Clamp	
68	8410013	1	Clamp	
69	91403244	1	Hose	
70	1001117308	1	Relay	
71	1001258800	1	Adapter	
73	1001136834	1	Cap, Tank	
74	1001138173	1	Support	
75	1001138175	1	Bracket	
76	1001138228	1	Relay, Power Module	
76	70023593	1	Fuse 30Amp (Battery Output)	
76	70023592	1	Fuse 20Amp (Switched Output)	
77	1001186426	1	Clamp	
78	1001141370	1	Hose	
79	1001141585	1	Hose, Air Inlet	
80	1001141995	2	Fitting, Straight Barbed	
81	1001189979	1	Air Cleaner Assembly Filter Element	
81	70005008	1	Element, Filter (Not Shown)	
82	1001143390	1	Indicator, Service	
83	1001143797	1	Fitting, Straight Barbed	
84	1001144409	1	Panel, Rubber	
85	1001144410	1	Bracket, Panel Clamp	
86	1001144411	1	Bracket, Panel Clamp	
87	1001144412	1	Bracket, Panel Clamp	
88	1001258252	1	Plate, Relay Mounting	
89	1001146588	6	Tie-Strap (Not Shown)	
90	1001152489	1	Fitting, 90 Barbed	
91	1001156107	1	Holder, Cable	
92	1001165849	1	Fan	
93	1001168018	3	Washer	
94	1001169054	4	Isolator	
95	1001169138	4	Washer	
96	1001166718	3	Mount, Motor	
97	1001260413	1	Bracket, Tank	
98	1001177359	1	Hose	
99	1001178223	2	Bracket	

SECTION 3 - ENGINE

ITEM	PART NUMBER	QTY	DESCRIPTION	REV
100	1001180620	AR	Adhesive	
101	1001191620	3	Clamp	
102	1001204325	2	Bracket	
103	1001269861	1	Seal	
104	1001219454	1	Seal	
105	1001219456	1	Seal	
106	1001230635	1	Tank	
106A	1001134488	1	Fitting, 90 Barbed	
106B	1001138827	1	Sensor, Coolant Level	
106C	1001140564	1	Fitting, 90 Barbed	
107	1001237947	1	Mount	
108	1001245913	1	Harness, Deutz Fuel Filter (See Separate Breakdown in ELECTRICAL Section)	
109	1001246012	1	Deutz TD2.2L3 (Stage V) Engines (See Separate Breakdown in this Section)	
110	1001246813	1	Mount, Rear Engine	
111	1001247029	1	Support, Engine Tray	
112	1001247716	1	Radiator and Shroud Assembly	
112	1001250607	1	Radiator	
112	1001247714	1	Shroud	
113	1001248434	1	Mount	
114	1001248608	1	Adapter	
115	1001249045	1	Pipe, Exhaust	
116	1001249232	1	Pipe	
117	1001249234	1	Mount, Engine	
118	1001249261	1	Hose, Radiator - Upper	
119	1001249705	1	Hose, Radiator - Lower	
120	1001251131	1	Plate	
121	1001253798	1	Harness, Engine (Not Shown - See Separate Breakdown in ELECTRICAL Section)	
122	1001143907	1	Cable, Alternator Power	
123	4240099	AR	Tie-Strap (Not Shown)	
124	1001260412	1	Bracket, Surge Tank	
125	0761014	1	Bolt M10 x 30	
126	3520054	1	Plug	
127	1001138248	38 in/ 1m	Tube	
128	3271605	4	Nut Grade 8	
129	5260800	2	Nut M8	
130	1001141304	1	Wire	
131	1001235949	1	Bracket, Fuel Pump/Filter Assembly (See Separate Breakdown in this Section)	

SECTION 3 - ENGINE

FIGURE 3-21. DEUTZ TD2.2L3 (STAGE V) ENGINE COMPONENTS (USA BUILT MACHINES)



ART_1001246012

SECTION 3 - ENGINE

FIGURE 3-21. DEUTZ TD2.2L3 (STAGE V) ENGINE COMPONENTS (USA BUILT MACHINES)

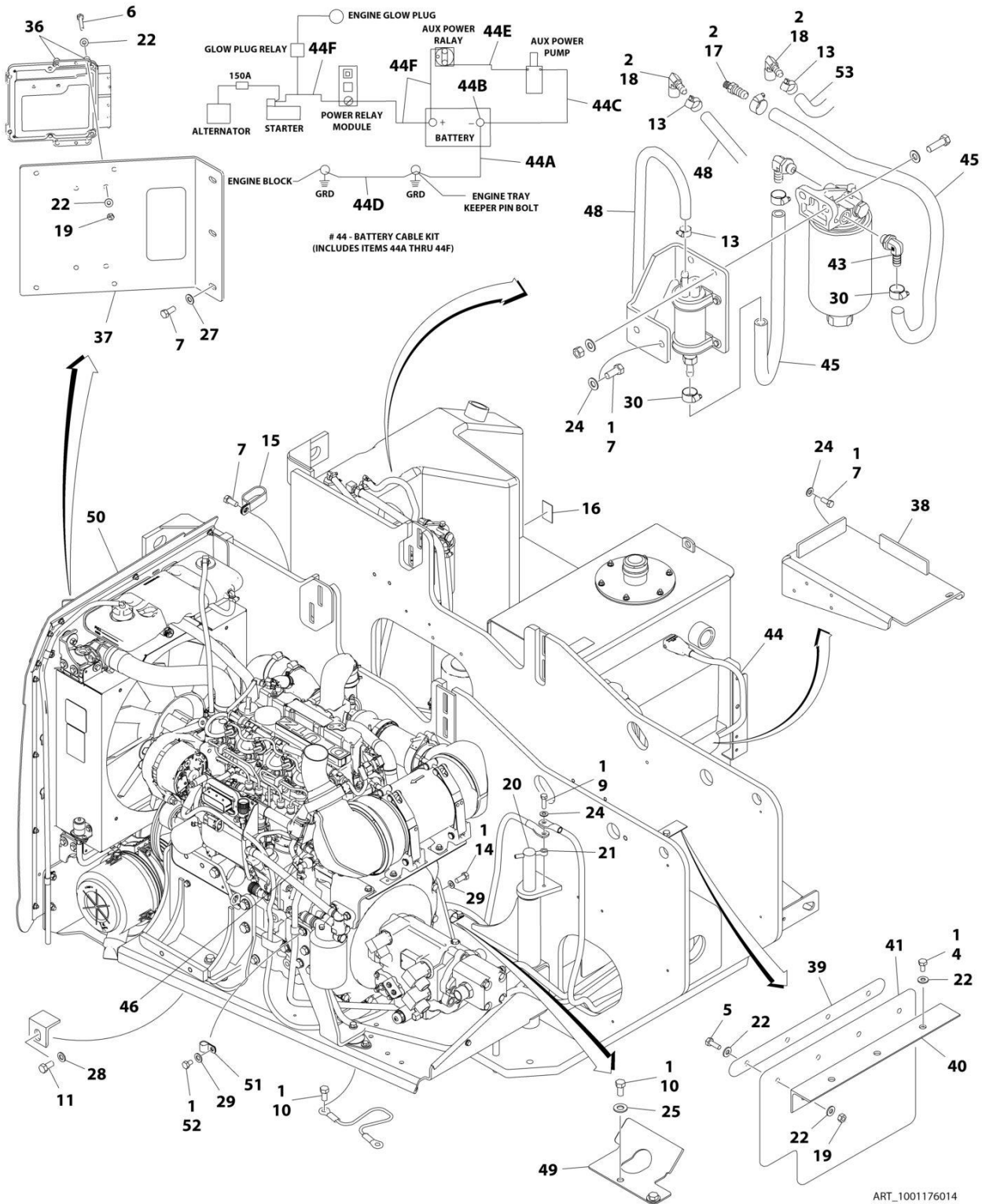
ITEM	PART NUMBER	QTY	DESCRIPTION	REV
	1001246012	Ref	DEUTZ ENGINE COMPONENTS	C
		Ref	Note: For complete list of parts, contact JLG Parts Department	
		Ref	Air Intake System Components	
		Ref	Turbocharger	
		Ref	Cooling System Components	
		Ref	Pump, Coolant (Includes Gasket & Seals)	
	70007603	1	Thermostat	
	70005184	1	O-Ring	
	70005931	1	Gasket	
	70025142	1	Cover	
		Ref	Electrical System Components	
	70029512	1	Module, ECU/ECM	
	70006652	1	Generator (Includes Controller, Fan & Hardware)	
	70124507	1	Starter (Includes Solenoid & Relay)	
	70005648	1	Relay, Starter	
	70026210	1	Sender, Tacho-Generator (Speed) (On Rear of Block & Cover) (Includes Seal)	
	70024922	1	Sender, Temperature (Includes Seal) (On Air Intake Manifold)	
	70024507	1	Sensor, Pressure (Includes Seal) (On Air Intake Manifold)	
	70024504	1	Sensor, Pressure (Includes Seal) (On Fuel Filter & Side of Block)	
		Ref	Sensor, Pressure (Includes Seal) (On Exhaust Manifold)	
		Ref	Sensor, Temperature (Includes Seal) (On Exhaust Manifold)	
		Ref	Plug, Glow	
		Ref	Exhaust System Components	
		Ref	Valve, EGR	
	70025130	8	Bolt, Exhaust Manifold	
		Ref	Gasket, Exhaust Manifold	
		Ref	Outlet, Muffler	
		Ref	Muffler	
		Ref	Bracket, Muffler Mounting	
		Ref	Compensator, Exhaust	
		Ref	Fuel System Components	
	70024924	1	Pump, High Pressure	
	70025181	4	Injector (Includes Sealing washer, Clamp & O-Ring)	
	70006144	1	Pump, Fuel Supply (Includes Clamps)	
	70024961	1	Filter, Fuel (Pre-Filter Assembly) (Includes Head, Spin on filter, Sensor Cable & Seal)	
	70025153	1	Filter, Fuel Spin On	
	70024513	1	Sensor Cable (Includes Seal)	
	70025160	1	Filter, Fuel (Assembly) (Includes Head & Spin on Filter)	
	70025161	1	Filter, Fuel Spin On	
	70004508	1	Vol. Control Valve (Includes O-Ring & Gasket)	
		Ref	Lubricating System Components	
	7020465	2	Cap, Oil Fill	
	70005941	2	Plug, Oil Drain	
	70005942	2	Seal, Oil Drain Plug	
		Ref	Pump, Oil (Includes Seal & Gasket)	
	7016331	1	Filter, Oil	
	70123584	1	Cooler, Oil	
		Ref	Dipstick (Includes Seal)	

SECTION 3 - ENGINE

ITEM	PART NUMBER	QTY	DESCRIPTION	REV
		Ref	Mechanical Components	
		Ref	Flywheel (includes Gear)	
	70004277	1	V-Belt	
	70025477	1	Belt Tensioner	

SECTION 3 - ENGINE

FIGURE 3-22. DEUTZ TD2.9L4 ENGINE INSTALLATION - WITHOUT ARCTIC PACKAGE (USA BUILT MACHINES)



ART_1001176014

SECTION 3 - ENGINE

FIGURE 3-22. DEUTZ TD2.9L4 ENGINE INSTALLATION - WITHOUT ARCTIC PACKAGE (USA BUILT MACHINES)

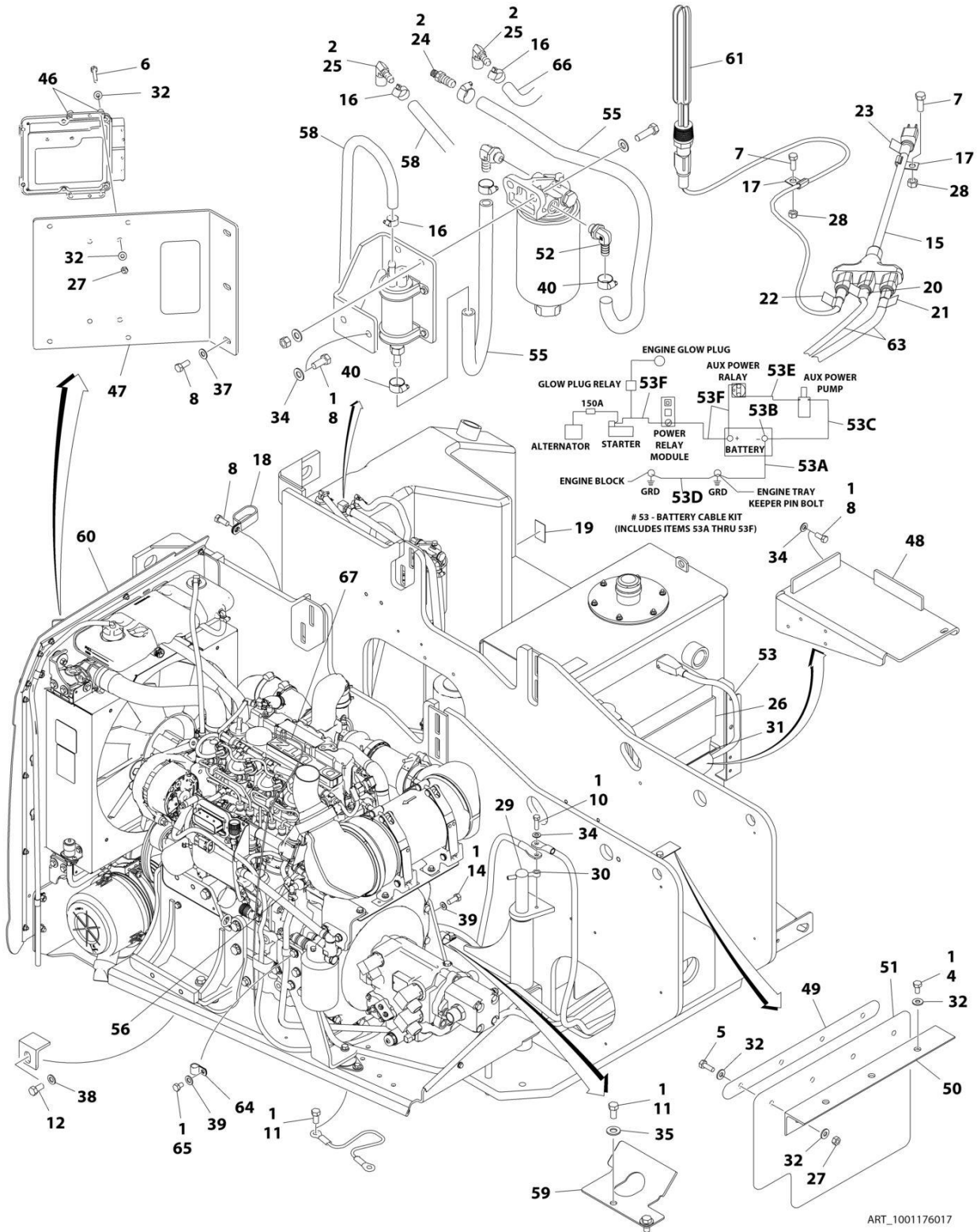
ITEM	PART NUMBER	QTY	DESCRIPTION	REV
	1001176014	Ref	DEUTZ TD2.9L4 ENGINE INSTALLATION	F
1	0100011	AR	Compound, Locking	
2	0100020	AR	Sealant, Pipe	
4	0641404	3	Bolt 1/4 x 1/2	
5	0641406	4	Bolt 1/4 x 3/4	
6	0641412	4	Bolt 1/4 x 1-1/2	
7	0641607	9	Bolt 3/8 x 7/8	
8	0641608	2	Bolt 3/8 x 1 (Not Shown)	
9	0641612	1	Bolt 3/8 x 1-1/2	
10	0641808	3	Bolt 1/2 x 1	
11	0642010	1	Bolt 5/8 x 1-1/4	
13	1320022	5	Clamp	
14	0771212	1	Bolt M12 x 25	
15	1321716	1	P-Clamp	
16	1701505	1	Decal - Diesel	
17	2180832	1	Fitting, Straight Barbed	
18	2220313	2	Fitting, 90 Barbed	
19	3311405	8	Nut 1/4	
20	3422448	1	Pin, Pivot	
21	3841143	1	Pin, Keeper	
22	4711400	19	Washer 1/4	
24	4711600	6	Washer 3/8	
25	4711800	2	Washer 1/2	
27	4751600	3	Washer 3/8	
28	4752000	1	Washer 5/8	
29	4812100	2	Washer M12	
30	8405006	2	Clamp	
32	8406201	4	Clip (Not Shown)	
36	1001110425	4	Spacer	
37	1001137866	1	Plate, Baffle	
38	1001137868	1	Bracket, Battery	
39	1001137880	1	Bracket, Baffle	
40	1001137881	1	Angle	
41	1001137882	1	Support, Rubber	
42	1001138491	1	Harness, Fuel Pump (Pump requiring Push-on Terminals) (Not Shown - See Separate Breakdown in ELECTRICAL Section)	
43	1001142501	1	Fitting, 90 Barbed	
44	1001145047	1	Battery Cable Kit	
44A	7027072	1	Cable, Battery (Black) (Battery - to Tray Pivot Grd)	
44B	8270147	1	Terminal, Battery (With Boot)	
44B	See Note	1	Boot, Black (Note: Not Available for Purchase)	
44C	7027073	1	Cable, Battery (Black) (Battery - to Aux Pump and Relay Grds)	
44C	See Note	1	Boot, Black (Note: Not Available for Purchase)	
44D	7027074	1	Cable, Battery (Black) (Engine to Tray Pivot Grd)	
44E	7027075	1	Cable (Red) (Aux Relay to Aux Pump)	
44E	70003952	2	Boot, Red	
44F	7027076	1	Cable (Red) (Battery + to Aux Relay/Power Module/Starter)	
44F	See Note	1	Boot, Red (Battery) (Note: Not Available for Purchase)	
45	1001154405	3 ft /0.9m	Hose	

SECTION 3 - ENGINE

ITEM	PART NUMBER	QTY	DESCRIPTION	REV
46	1001155823	1	Fitting, 90 Quick Disconnect	
48	1001165035	23.5 ft /7.2m	Hose	
49	1001172793	1	Guide, Hose	
50	1001176013	1	Engine Assembly with Pumps (See Separate Breakdown in this Section)	
51	1320061	1	Clamp	
52	0761008	1	Bolt M10 x 16	
53	2750532	5 ft /1.6m	Hose	

SECTION 3 - ENGINE

FIGURE 3-23. DEUTZ TD2.9L4 ENGINE INSTALLATION - WITH ARCTIC PACKAGE (USA BUILT MACHINES)



ART_1001176017

SECTION 3 - ENGINE

FIGURE 3-23. DEUTZ TD2.9L4 ENGINE INSTALLATION - WITH ARCTIC PACKAGE (USA BUILT MACHINES)

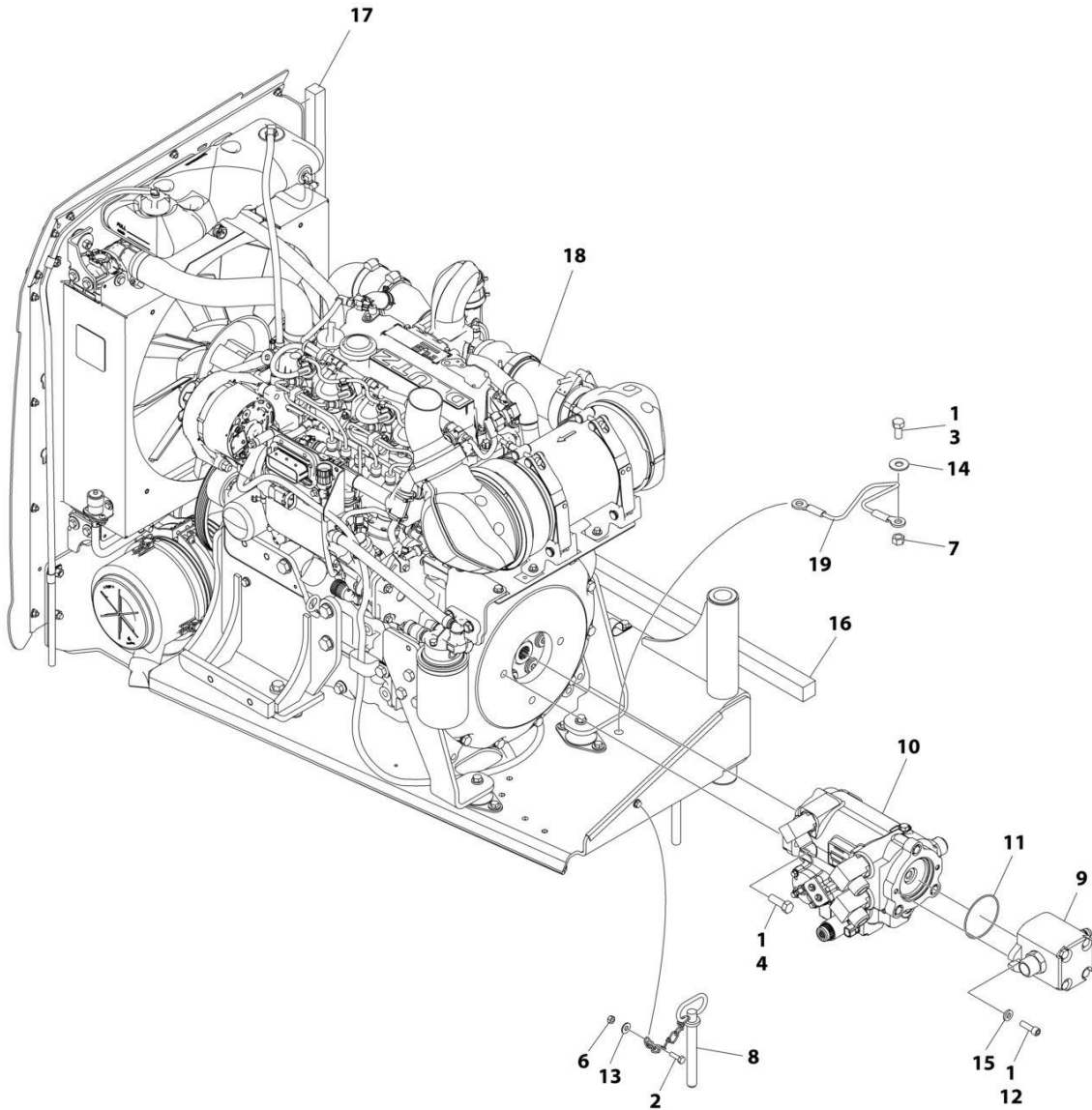
ITEM	PART NUMBER	QTY	DESCRIPTION	REV
	1001176017	Ref	DEUTZ TD2.9L4 ENGINE INSTALLATION	H
1	0100011	AR	Compound, Locking	
2	0100020	AR	Sealant, Pipe	
4	0641404	3	Bolt 1/4 x 1/2	
5	0641406	4	Bolt 1/4 x 3/4	
6	0641412	4	Bolt 1/4 x 1-1/2	
7	0641606	2	Bolt 3/8 x 3/4	
8	0641607	9	Bolt 3/8 x 7/8	
9	0641608	2	Bolt 3/8 x 1 (Not Shown)	
10	0641612	1	Bolt 3/8 x 1-1/2	
11	0641808	3	Bolt 1/2 x 1	
12	0642010	1	Bolt 5/8 x 1-1/4	
14	0771212	1	Bolt M12 x 25	
15	1060626	1	Cord, 3 Way Extension	
16	1320022	5	Clamp	
17	1320223	2	Clamp	
18	1321716	1	P-Clamp	
19	1701505	1	Decal - Diesel	
20	1702941	1	Decal - Battery Heater	
21	1702942	1	Decal - Engine Block Heater	
22	1702943	1	Decal - Hydraulic Tank Heater	
23	1702944	1	Decal - Heater Cord	
24	2180832	1	Fitting, Straight Barbed	
25	2220313	2	Fitting, 90 Barbed	
26	2580024	1	Heater, Battery	
27	3311405	8	Nut 1/4	
28	3311605	2	Nut 3/8	
29	3422448	1	Pin, Pivot	
30	3841143	1	Pin, Keeper	
31	3980007	1	Seat, Battery	
32	4711400	19	Washer 1/4	
34	4711600	8	Washer 3/8	
35	4711800	2	Washer 1/2	
37	4751600	3	Washer 3/8	
38	4752000	1	Washer 5/8	
39	4812100	2	Washer M12	
40	8405006	2	Clamp	
42	8406201	4	Clip (Not Shown)	
46	1001110425	4	Spacer	
47	1001137866	1	Plate, Baffle	
48	1001137868	1	Bracket, Battery	
49	1001137880	1	Bracket, Baffle	
50	1001137881	1	Angle	
51	1001137882	1	Support, Rubber	
52	1001142501	1	Fitting, 90 Barbed	
53	1001145047	1	Battery Cable Kit	
53A	7027072	1	Cable, Battery (Black) (Battery - to Tray Pivot Grd)	
53B	8270147	1	Terminal, Battery (With Boot)	
53B	See Note	1	Boot, Black (Note: Not Available for Purchase)	

SECTION 3 - ENGINE

ITEM	PART NUMBER	QTY	DESCRIPTION	REV
53C	7027073	1	Cable, Battery (Black) (Battery - to Aux Pump and Relay Grds)	
53C	See Note	1	Boot, Black (Note: Not Available for Purchase)	
53D	7027074	1	Cable, Battery (Black) (Engine to Tray Pivot Grd)	
53E	7027075	2	Cable (Red) (Aux Relay to Aux Pump)	
53E	70003952	2	Boot, Red	
53F	7027076	1	Cable (Red) (Battery + to Aux Relay/Power Module/Starter)	
53F	See Note	1	Boot, Red (Battery) (Note: Not Available for Purchase)	
55	1001154405	3 ft /0.9m	Hose	
56	1001155823	1	Fitting, 90 Quick Disconnect	
58	1001165035	23.5 ft /7.2m	Hose	
59	1001172793	1	Guide, Hose	
60	1001176016	1	Engine Assembly with Pumps (See Separate Breakdown in this Section)	
61	1001188972	1	Heater, Hydraulic Tank	
62	1001138491	1	Harness, Fuel Pump (Pump requiring Push-on Terminals) (Not Shown - See Separate Breakdown in ELECTRICAL Section)	
63	1001150918	1	Cable, Immersion Heater	
64	1320061	1	Clamp	
65	0761008	1	Bolt M10 x 16	
66	2750532	5 ft /1.6m	Hose	
67	1001233763	1	Breather Heater Installation (See Separate Breakdown in this Section)	

SECTION 3 - ENGINE

FIGURE 3-24. DEUTZ TD2.9L4 ENGINE/PUMP SUB-ASSEMBLY – WITHOUT ARCTIC PACKAGE (USA BUILT MACHINES)



ART_1001176013

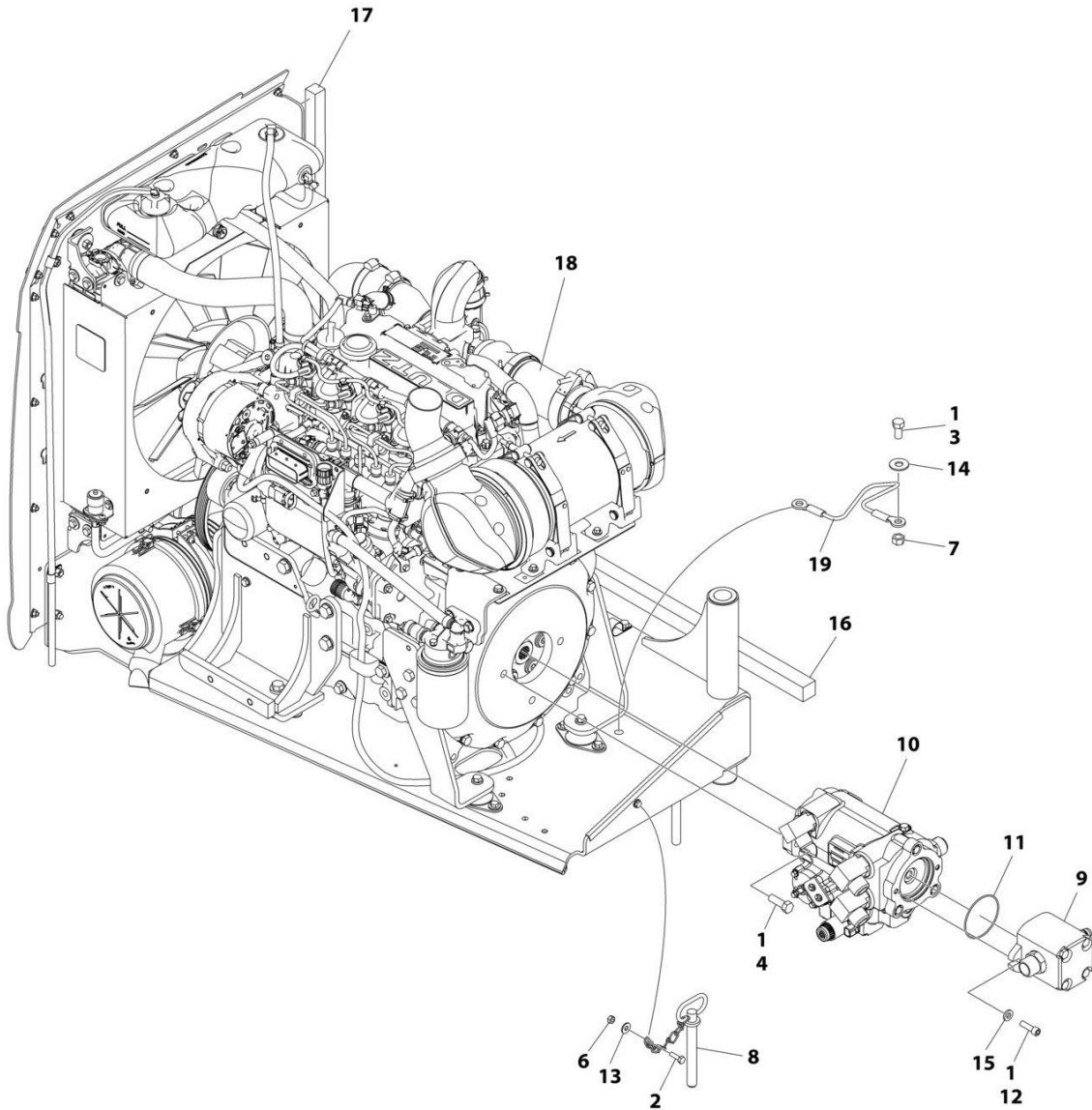
SECTION 3 - ENGINE

FIGURE 3-24. DEUTZ TD2.9L4 ENGINE/PUMP SUB-ASSEMBLY – WITHOUT ARCTIC PACKAGE (USA BUILT MACHINES)

ITEM	PART NUMBER	QTY	DESCRIPTION	REV
	1001176013	Ref	DEUTZ TD2.9L4 ENGINE/PUMP SUB-ASSEMBLY	F
1	0100011	AR	Compound, Locking	
2	0641406	1	Bolt 1/4 x 3/4	
3	0641808	1	Bolt 1/2 x 1	
4	0641812	2	Bolt 1/2 x 1-1/2	
6	3311405	1	Nut 1/4	
7	3311801	1	Nut 1/2	
8	3422533	1	Pin, Hitch	
9	3600395	1	Gear Pump Assembly with Fittings (See Separate Breakdown in this Section)	
10	1001188952	1	Pump Assembly with Fittings (See Separate Breakdown in this Section)	
11	3790152	1	O-Ring	
12	3931620	2	Bolt 3/8 x 1-1/4	
13	4711400	2	Washer 1/4	
14	4751800	1	Washer 1/2	
15	4891600	2	Washer 3/8 Hardened	
16	1001137873	1	Seal	
17	1001137874	1	Seal	
18	1001176012	1	Engine Assembly (See Separate Breakdown in this Section)	
19	1060637	1	Lanyard	

SECTION 3 - ENGINE

FIGURE 3-25. DEUTZ TD2.9L4 ENGINE/PUMP SUB-ASSEMBLY – WITH ARCTIC PACKAGE (USA BUILT MACHINES)



ART_1001176016

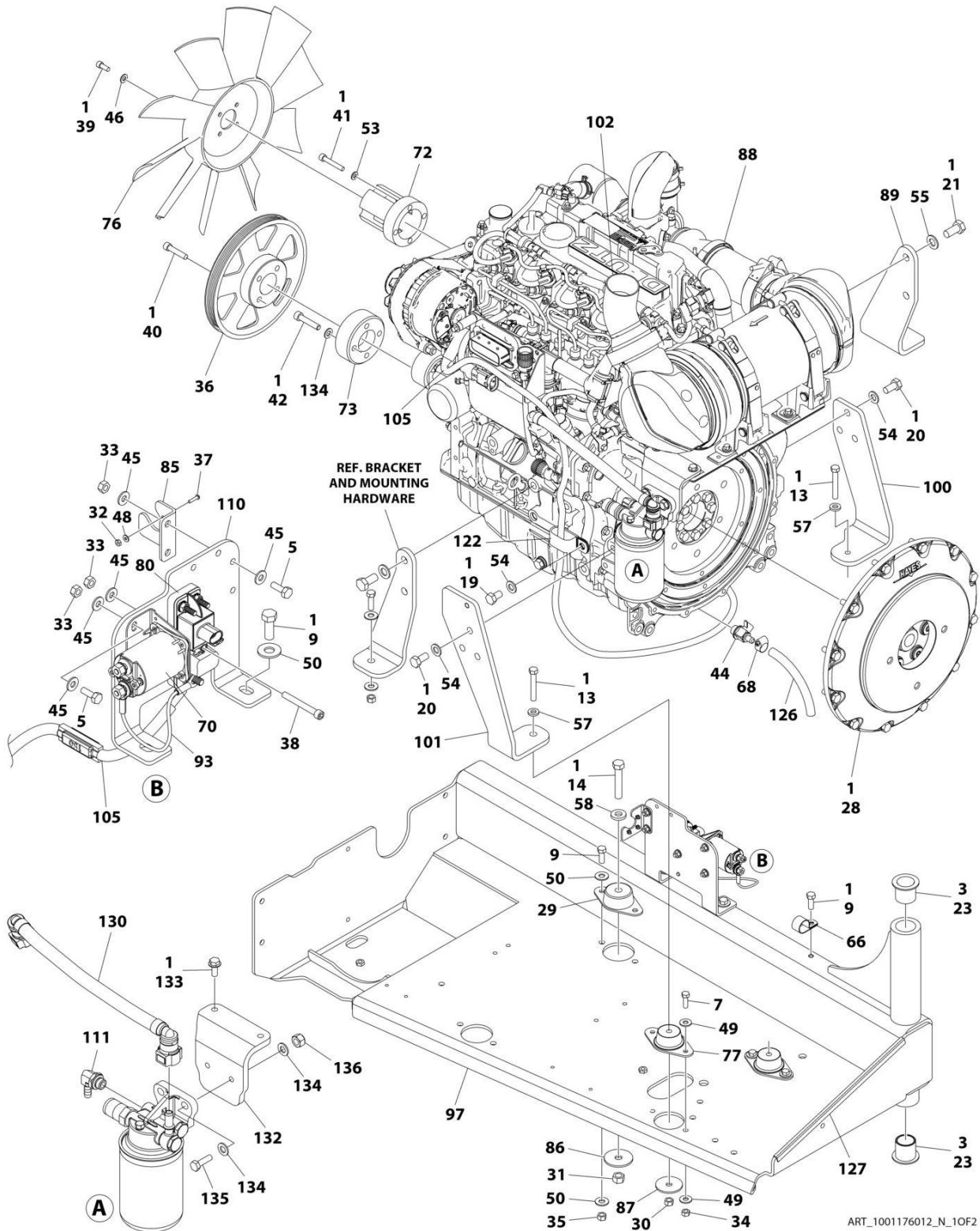
SECTION 3 - ENGINE

FIGURE 3-25. DEUTZ TD2.9L4 ENGINE/PUMP SUB-ASSEMBLY – WITH ARCTIC PACKAGE (USA BUILT MACHINES)

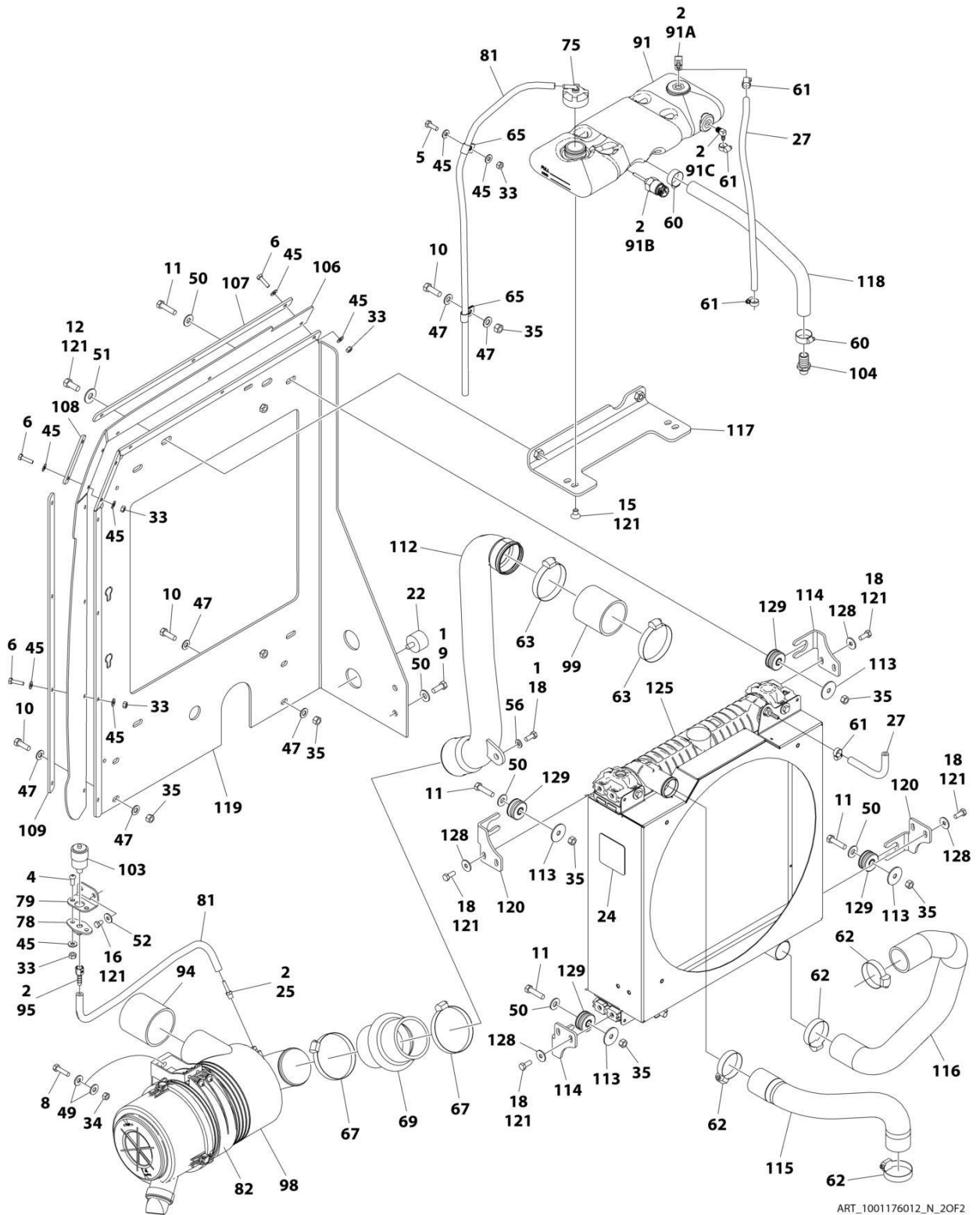
ITEM	PART NUMBER	QTY	DESCRIPTION	REV
	1001176016	Ref	DEUTZ TD2.9L4 ENGINE/PUMP SUB-ASSEMBLY	E
1	0100011	AR	Compound, Locking	
2	0641406	1	Bolt 1/4 x 3/4	
3	0641808	1	Bolt 1/2 x 1	
4	0641812	2	Bolt 1/2 x 1-1/2	
6	3311405	1	Nut 1/4	
7	3311801	1	Nut 1/2	
8	3422533	1	Pin, Hitch	
9	3600395	1	Gear Pump Assembly with Fittings (See Separate Breakdown in this Section)	
10	1001188952	1	Pump Assembly with Fittings (See Separate Breakdown in this Section)	
11	3790152	1	O-Ring	
12	3931620	2	Bolt 3/8 x 1-1/4	
13	4711400	2	Washer 1/4	
14	4751800	1	Washer 1/2	
15	4891600	2	Washer 3/8 Hardened	
16	1001137873	1	Seal	
17	1001137874	1	Seal	
18	1001176015	1	Engine Assembly (See Separate Breakdown in this Section)	
19	1060637	1	Lanyard	

SECTION 3 - ENGINE

FIGURE 3-26. DEUTZ TD2.9L4 ENGINE ASSEMBLY – WITHOUT ARCTIC PACKAGE (USA BUILT MACHINES) (PVC 2001)



SECTION 3 - ENGINE



ART_1001176012_N_20F2

SECTION 3 - ENGINE

FIGURE 3-26. DEUTZ TD2.9L4 ENGINE ASSEMBLY – WITHOUT ARCTIC PACKAGE (USA BUILT MACHINES) (PVC 2001)

ITEM	PART NUMBER	QTY	DESCRIPTION	REV
	1001176012	Ref	DEUTZ TD2.9L4 ENGINE ASSEMBLY	N
1	0100011	AR	Compound, Locking	
2	0100020	AR	Sealant	
3	0100062	AR	Adhesive	
4	0630407	2	Screw 1/4 x 5/8	
5	0641406	5	Bolt 1/4 x 3/4	
6	0641408	9	Bolt 1/4 x 1	
7	0641508	4	Bolt 5/16 x 1	
8	0641510	2	Bolt 5/16 x 1-1/4	
9	0641608	7	Bolt 3/8 x 1	
10	0641609	4	Bolt 3/8 x 1-1/8	
11	0641612	4	Bolt 3/8 x 1-1/2	
12	0641708	2	Bolt 7/16 x 1	
13	0681620	2	Bolt 3/8 x 2-1/2 Grade 8	
14	0681822	1	Bolt 1/2 x 2-3/4 Grade 8	
15	0741605	2	Screw, Flathead 3/8 x 5/8	
16	0760605	2	Bolt M6 x 10	
18	0760810	9	Bolt M8 x 20	
19	0761210	1	Bolt M12 x 20	
20	0771212	6	Bolt M12 x 25 Grade 10.9	
21	0771414	2	Bolt M14 x 30	
22	0940070	1	Bumper	
23	0961986	2	Bushing, Flanged	
24	1703162	1	Decal - Fan Blade	
25	2220315	1	Fitting, Straight Barbed	
27	2720015	26 in /.9m	Hose	
28	2902065	1	Kit, Pump Coupling (See Separate Breakdown in this Section)	
29	3200401	2	Mount, Motor	
30	3271601	2	Nut 3/8 Grade 8	
31	3271801	2	Nut 1/2 Grade 8	
32	3310401	3	Nut #4	
33	3311405	17	Nut 1/4	
34	3311505	6	Nut 5/16	
35	3311605	10	Nut 3/8	
36	3580320	1	Pulley	
37	3910408	3	Screw #4 x 1/2	
38	3931432	1	Capscrew 1/4 x 2	
39	3931512	4	Capscrew 5/16 x 3/4	
40	3931628	4	Capscrew 3/8 x 1-3/4	
41	4031914	4	Capscrew M8 x 50	
42	4032014	4	Capscrew M10 x 50	
43	4240099	AR	Tie-Strap (Not Shown)	
44	4640751	1	Valve, Oil Drain	
45	4711400	31	Washer 1/4	
46	4711500	4	Washer 5/16	
47	4711600	8	Washer 3/8	
48	4750400	3	Washer #4	
49	4751500	12	Washer 5/16	
50	4751600	12	Washer 3/8	

SECTION 3 - ENGINE

ITEM	PART NUMBER	QTY	DESCRIPTION	REV
51	4751700	2	Washer 7/16	
52	4811702	2	Washer M6	
53	4811900	4	Washer M8	
54	4812100	7	Washer M12	
55	4812200	2	Washer M14	
56	4891500	1	Washer 5/16 Hardened	
57	4891600	2	Washer 3/8 Hardened	
58	4891800	4	Washer 1/2 Hardened	
60	8405007	2	Clamp	
61	8405009	4	Clamp	
62	8405104	4	Clamp	
63	8405204	2	Clamp	
65	8406110	2	Clip	
66	8406201	1	Clip	
67	8410011	2	Clamp	
68	8410013	1	Clamp	
69	91403244	1	Hose	
70	1001117308	1	Relay	
72	1001135138	1	Adapter	
73	1001135679	1	Adapter	
75	1001136834	1	Cap, Tank	
76	1001137276	1	Fan	
77	1001138170	2	Mount, Motor	
78	1001138173	1	Support	
79	1001138175	1	Bracket	
80	1001138228	1	Relay, Power Module	
80	70023593	1	Fuse 30Amp (Battery Output)	
80	70023592	1	Fuse 20Amp (Switched Output)	
81	1001138248	67 in /1.7m	Tube	
82	1001138557	1	Clamp	
85	1001139240	1	Bracket	
86	1001139409	1	Washer, Special	
87	1001139429	2	Washer, Special	
88	1001249942	1	Deutz TD2.9L4 Engine Components (See Separate Breakdown in this Section)	
89	1001140454	1	Mount, Front Engine	
91	1001230635	1	Tank	
91A	1001134488	1	Fitting, 90 Barbed	
91B	1001138827	1	Sensor, Coolant Level	
91C	1001140564	1	Fitting, 90 Barbed	
93	1001141304	1	Harness, Glow Plug (See Separate Breakdown in ELECTRICAL SECTION)	
94	1001141585	1	Hose, Air Inlet	
95	1001141995	1	Fitting, Straight Barbed	
97	1001142538	1	Support	
98	1001142615	1	Air Cleaner Assembly Filter Element	
98	91403102	1	Element, Filter (Not Shown)	
99	1001142623	1	Hose, Inlet	
100	1001142635	1	Mount, Rear Engine	
101	1001205051	1	Mount, Rear Engine	
102	1001142689	1	Pipe, Exhaust	

SECTION 3 - ENGINE

ITEM	PART NUMBER	QTY	DESCRIPTION	REV
103	1001143390	1	Indicator, Service	
104	1001143797	1	Fitting, Straight Barbed	
105	1001143907	1	Cable, Alternator Power	
106	1001144409	1	Panel, Rubber	
107	1001144410	1	Bracket, Panel Clamp	
108	1001144411	1	Bracket, Panel Clamp	
109	1001144412	1	Bracket, Panel Clamp	
110	1001145154	1	Plate, Relay Mounting	
111	1001152489	1	Fitting, 90 Barbed	
112	1001165842	1	Pipe	
113	1001169138	4	Washer	
114	1001204325	2	Bracket	
115	1001176225	1	Hose, Radiator - Upper	
116	1001176226	1	Hose, Radiator - Lower	
117	1001176419	1	Bracket, Tank	
118	1001176511	1	Hose	
119	1001176723	1	Plate Radiator Mounting	
120	1001178223	2	Bracket	
121	1001180620	AR	Adhesive	
122	1001181899	1	Clamp	
123	1001143726	1	Harness, Engine (Not Shown - See Separate Breakdown in ELECTRICAL SECTION)	
125	1001167041	1	Radiator	
126	2720340	6 in /15cm	Hose	
127	4060805	14 in / 36cm	Flex-Trim	
128	4811902	8	Washer M8	
129	1001169054	4	Isolator	
130	1001177359	1	Hose	
132	1001178876	1	Mount	
133	5250810	2	Bolt M8 x 20	
134	4812000	8	Washer M10	
135	0761015	2	Bolt M10 x 35	
136	3291005	2	Nut M10	

SECTION 3 - ENGINE

FIGURE 3-27. DEUTZ TD2.9L4 ENGINE ASSEMBLY – WITHOUT ARCTIC PACKAGE (USA BUILT MACHINES) (PVC 2007)

ITEM	PART NUMBER	QTY	DESCRIPTION	REV
	1001176012	Ref	DEUTZ TD2.9L4 ENGINE ASSEMBLY	R
1	0100011	AR	Compound, Locking	
2	0100020	AR	Sealant	
3	0100062	AR	Adhesive	
4	0630407	2	Screw 1/4 x 5/8	
5	0641406	5	Bolt 1/4 x 3/4	
6	0641408	9	Bolt 1/4 x 1	
7	0641508	4	Bolt 5/16 x 1	
8	0641510	2	Bolt 5/16 x 1-1/4	
9	0641608	7	Bolt 3/8 x 1	
10	0641609	4	Bolt 3/8 x 1-1/8	
11	0641612	4	Bolt 3/8 x 1-1/2	
12	0641708	2	Bolt 7/16 x 1	
13	0681620	2	Bolt 3/8 x 2-1/2 Grade 8	
14	0681822	1	Bolt 1/2 x 2-3/4 Grade 8	
15	0741605	2	Screw, Flathead 3/8 x 5/8	
16	0760605	2	Bolt M6 x 10	
18	0760810	9	Bolt M8 x 20	
19	0761210	1	Bolt M12 x 20	
20	0771212	6	Bolt M12 x 25 Grade 10.9	
21	0771414	2	Bolt M14 x 30	
22	0940070	1	Bumper	
23	0961986	2	Bushing, Flanged	
24	1703162	1	Decal - Fan Blade	
25	2220315	1	Fitting, Straight Barbed	
27	2720015	26 in /.9m	Hose	
28	2902065	1	Kit, Pump Coupling (See Separate Breakdown in this Section)	
29	3200401	2	Mount, Motor	
30	3271601	2	Nut 3/8 Grade 8	
31	3271801	2	Nut 1/2 Grade 8	
32	3310401	3	Nut #4	
33	3311405	17	Nut 1/4	
34	3311505	6	Nut 5/16	
35	3311605	11	Nut 3/8	
36	3580320	1	Pulley	
37	3910408	3	Screw #4 x 1/2	
38	3931432	1	Capscrew 1/4 x 2	
39	3931512	4	Capscrew 5/16 x 3/4	
40	3931628	4	Capscrew 3/8 x 1-3/4	
41	4031914	4	Capscrew M8 x 50	
42	4032014	4	Capscrew M10 x 50	
43	4240099	AR	Tie-Strap (Not Shown)	
44	4640751	1	Valve, Oil Drain	
45	4711400	31	Washer 1/4	
46	4711500	4	Washer 5/16	
47	4711600	8	Washer 3/8	
48	4750400	3	Washer #4	
49	4751500	12	Washer 5/16	
50	4751600	14	Washer 3/8	

SECTION 3 - ENGINE

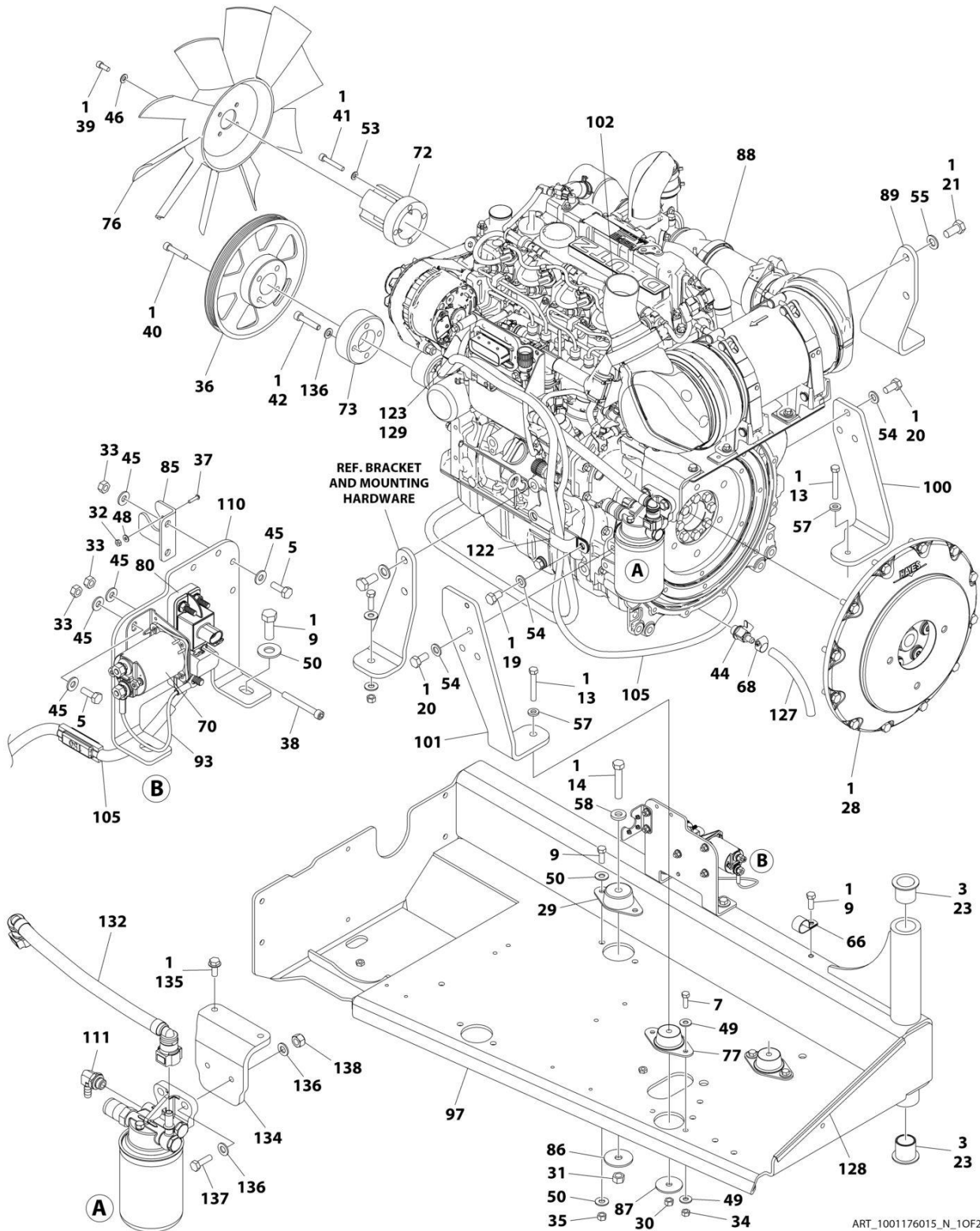
ITEM	PART NUMBER	QTY	DESCRIPTION	REV
51	4751700	2	Washer 7/16	
52	4811702	2	Washer M6	
53	4811900	4	Washer M8	
54	4812100	7	Washer M12	
55	4812200	2	Washer M14	
56	4891500	1	Washer 5/16 Hardened	
57	4891600	2	Washer 3/8 Hardened	
58	4891800	4	Washer 1/2 Hardened	
60	8405007	2	Clamp	
61	8405009	4	Clamp	
62	8405104	4	Clamp	
63	8405204	2	Clamp	
65	8406110	2	Clip	
66	8406201	1	Clip	
67	8410011	2	Clamp	
68	8410013	1	Clamp	
69	91403244	1	Hose	
70	1001117308	1	Relay	
72	1001135138	1	Adapter	
73	1001135679	1	Adapter	
75	1001136834	1	Cap, Tank	
76	1001137276	1	Fan	
77	1001138170	2	Mount, Motor	
78	1001138173	1	Support	
79	1001138175	1	Bracket	
80	1001138228	1	Relay, Power Module	
80	70023593	1	Fuse 30Amp (Battery Output)	
80	70023592	1	Fuse 20Amp (Switched Output)	
81	1001138248	67 in /1.7m	Tube	
82	1001138557	1	Clamp	
85	1001139240	1	Bracket	
86	1001139409	1	Washer, Special	
87	1001139429	2	Washer, Special	
88	1001249942	1	Deutz TD2.9L4 Engine Components (See Separate Breakdown in this Section)	
89	1001140454	1	Mount, Front Engine	
91	1001230635	1	Tank	
91A	1001134488	1	Fitting, 90 Barbed	
91B	1001138827	1	Sensor, Coolant Level	
91C	1001140564	1	Fitting, 90 Barbed	
93	1001141304	1	Harness, Glow Plug	
94	1001141585	1	Hose, Air Inlet	
95	1001141995	1	Fitting, Straight Barbed	
97	1001142538	1	Support	
98	1001142615	1	Air Cleaner Assembly Filter Element	
98	91403102	1	Element, Filter (Not Shown)	
99	1001142623	1	Hose, Inlet	
100	1001142635	1	Mount, Rear Engine	
101	1001205051	1	Mount, Rear Engine	
102	1001142689	1	Pipe, Exhaust	
103	1001143390	1	Indicator, Service	

SECTION 3 - ENGINE

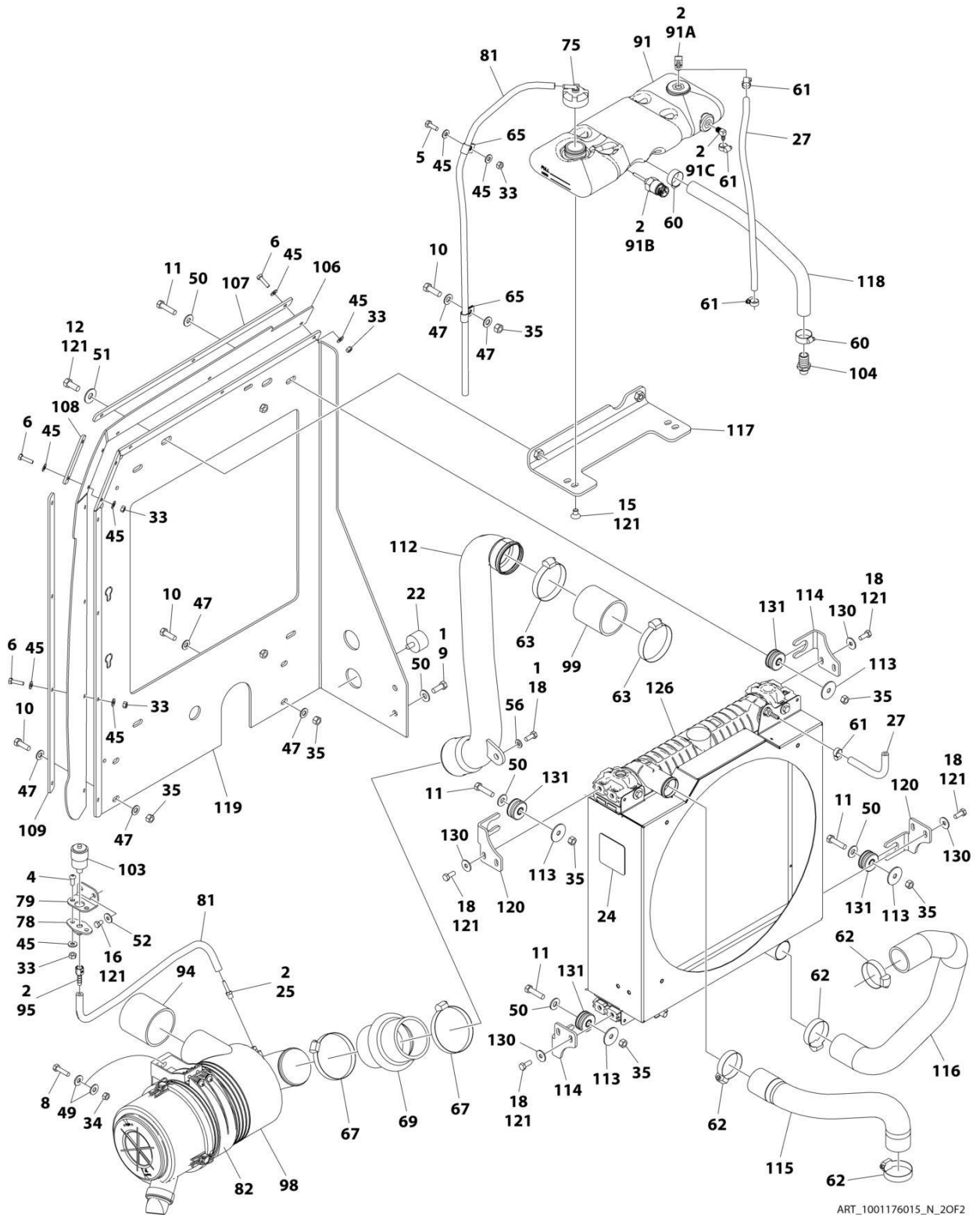
ITEM	PART NUMBER	QTY	DESCRIPTION	REV
104	1001143797	1	Fitting, Straight Barbed	
105	1001143907	1	Cable, Alternator Power	
106	1001144409	1	Panel, Rubber	
107	1001144410	1	Bracket, Panel Clamp	
108	1001144411	1	Bracket, Panel Clamp	
109	1001144412	1	Bracket, Panel Clamp	
110	1001145154	1	Plate, Relay Mounting	
111	1001152489	1	Fitting, 90 Barbed	
112	1001165842	1	Pipe	
113	1001169138	4	Washer	
114	1001204325	2	Bracket	
115	1001176225	1	Hose, Radiator - Upper	
116	1001176226	1	Hose, Radiator - Lower	
117	1001260413	1	Bracket, Tank	
118	1001176511	1	Hose	
119	1001176723	1	Plate Radiator Mounting	
120	1001178223	2	Bracket	
121	1001180620	AR	Adhesive	
122	1001181899	1	Clamp	
123	1001143726	1	Harness, Engine (Not Shown - See Separate Breakdown in ELECTRICAL SECTION)	
125	1001167041	1	Radiator and Shroud Assembly	
125	1001203495	1	Radiator	
125	1001204491	1	Shroud	
126	2720340	6 in /15cm	Hose	
127	4060805	14 in / 36cm	Flex-Trim	
128	4811902	8	Washer M8	
129	1001169054	4	Isolator	
130	1001177359	1	Hose	
132	1001178876	1	Mount	
133	5250810	2	Bolt M8 x 20	
134	4812000	8	Washer M10	
135	0761015	2	Bolt M10 x 35	
136	3291005	2	Nut M10	
137	3520054	1	Plug	
138	0681608	1	Bolt 3/8 x 1 (Grade 8)	
139	1001260412	1	Bracket	

SECTION 3 - ENGINE

FIGURE 3-28. DEUTZ TD2.9L4 ENGINE ASSEMBLY – WITH ARCTIC PACKAGE (USA BUILT MACHINES) (PVC 2001)



SECTION 3 - ENGINE



ART_1001176015_N_2OF2

SECTION 3 - ENGINE

FIGURE 3-28. DEUTZ TD2.9L4 ENGINE ASSEMBLY – WITH ARCTIC PACKAGE (USA BUILT MACHINES) (PVC 2001)

ITEM	PART NUMBER	QTY	DESCRIPTION	REV
	1001176015	Ref	DEUTZ TD2.9L4 ENGINE ASSEMBLY	N
1	0100011	AR	Compound, Locking	
2	0100020	AR	Sealant	
3	0100062	AR	Adhesive	
4	0630407	2	Screw 1/4 x 5/8	
5	0641406	5	Bolt 1/4 x 3/4	
6	0641408	9	Bolt 1/4 x 1	
7	0641508	4	Bolt 5/16 x 1	
8	0641510	2	Bolt 5/16 x 1-1/4	
9	0641608	7	Bolt 3/8 x 1	
10	0641609	4	Bolt 3/8 x 1-1/8	
11	0641612	4	Bolt 3/8 x 1-1/2	
12	0641708	2	Bolt 7/16 x 1	
13	0681620	2	Bolt 3/8 x 2-1/2 Grade 8	
14	0681822	1	Bolt 1/2 x 2-3/4 Grade 8	
15	0741605	2	Screw, Flathead 3/8 x 5/8	
16	0760605	2	Bolt M6 x 10	
18	0760810	9	Bolt M8 x 20	
19	0761210	1	Bolt M12 x 20	
20	0771212	6	Bolt M12 x 25 Grade 10.9	
21	0771414	2	Bolt M14 x 30	
22	0940070	1	Bumper	
23	0961986	2	Bushing, Flanged	
24	1703162	1	Decal - Fan Blade	
25	2220315	1	Fitting, Straight Barbed	
27	2720015	26 in /.9m	Hose	
28	2902065	1	Kit, Pump Coupling (See Separate Breakdown in this Section)	
29	3200401	2	Mount, Motor	
30	3271601	2	Nut 3/8 Grade 8	
31	3271801	1	Nut 1/2 Grade 8	
32	3310401	3	Nut #4	
33	3311405	17	Nut 1/4	
34	3311505	6	Nut 5/16	
35	3311605	10	Nut 3/8	
36	3580320	1	Pulley	
37	3910408	3	Screw #4 x 1/2	
38	3931432	1	Capscrew 1/4 x 2	
39	3931512	4	Capscrew 5/16 x 3/4	
40	3931628	4	Capscrew 3/8 x 1-3/4	
41	4031914	4	Capscrew M8 x 50	
42	4032014	4	Capscrew M10 x 50	
43	4240099	AR	Tie-Strap (Not Shown)	
44	4640751	1	Valve, Oil Drain	
45	4711400	31	Washer 1/4	
46	4711500	4	Washer 5/16	
47	4711600	8	Washer 3/8	
48	4750400	3	Washer #4	
49	4751500	12	Washer 5/16	
50	4751600	12	Washer 3/8	

SECTION 3 - ENGINE

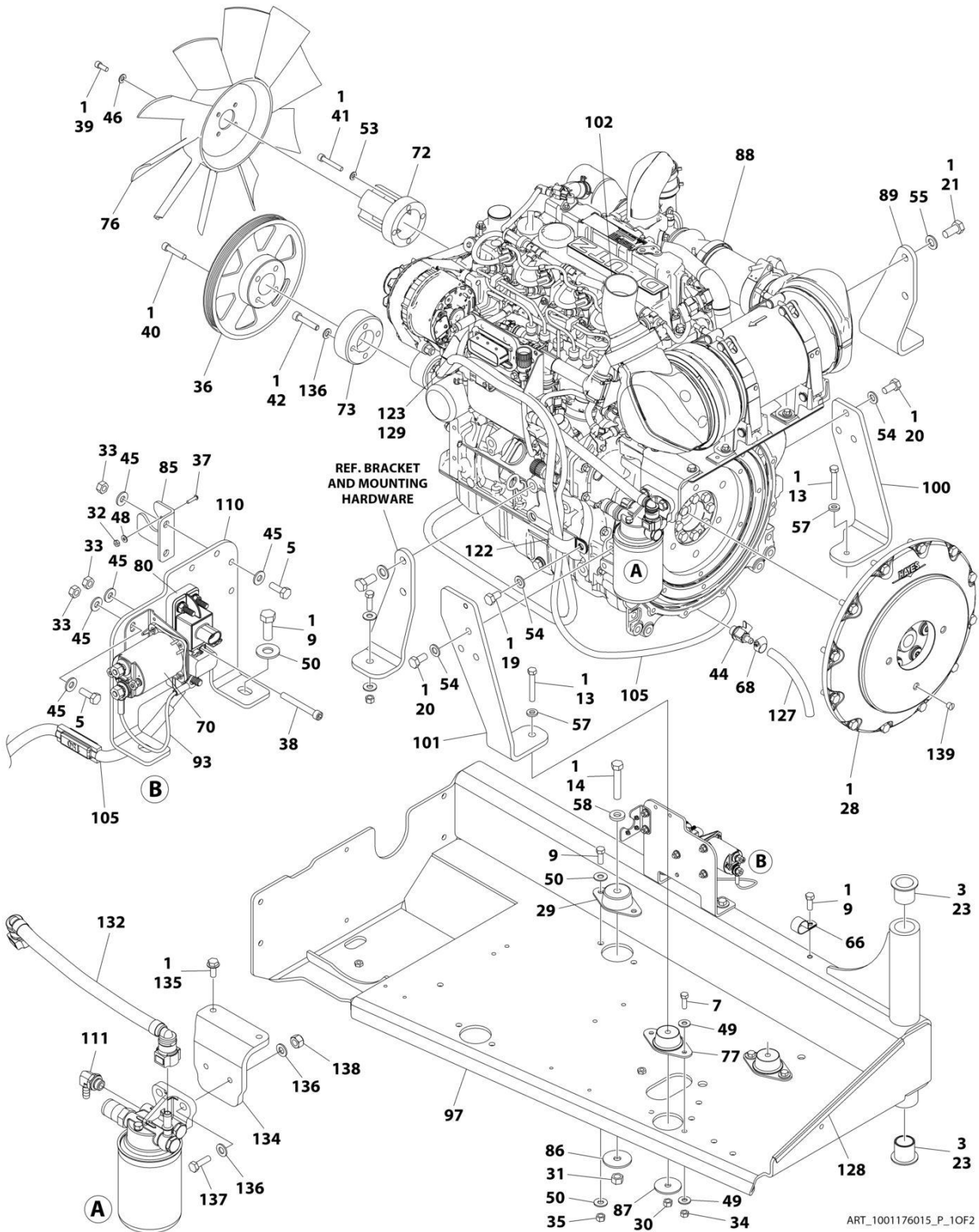
ITEM	PART NUMBER	QTY	DESCRIPTION	REV
51	4751700	2	Washer 7/16	
52	4811702	2	Washer M6	
53	4811900	4	Washer M8	
54	4812100	7	Washer M12	
55	4812200	2	Washer M14	
56	4891500	1	Washer 5/16 Hardened	
57	4891600	2	Washer 3/8 Hardened	
58	4891800	1	Washer 1/2 Hardened	
60	8405007	2	Clamp	
61	8405009	4	Clamp	
62	8405104	4	Clamp	
63	8405204	2	Clamp	
65	8406110	2	Clip	
66	8406201	1	Clip	
67	8410011	2	Clamp	
68	8410013	1	Clamp	
69	91403244	1	Hose	
70	1001117308	1	Relay	
72	1001135138	1	Adapter	
73	1001135679	1	Adapter	
75	1001136834	1	Cap, Tank	
76	1001137276	1	Fan	
77	1001138170	2	Mount, Motor	
78	1001138173	1	Support	
79	1001138175	1	Bracket	
80	1001138228	1	Relay, Power Module	
80	70023593	1	Fuse 30Amp (Battery Output)	
80	70023592	1	Fuse 20Amp (Switched Output)	
81	1001138248	67 in/1.7m	Tube	
82	1001138557	1	Clamp	
85	1001139240	1	Bracket	
86	1001139409	1	Washer, Special	
87	1001139429	2	Washer, Special	
88	1001249942	1	Deutz TD2.9L4 Engine Components (See Separate Breakdown in this Section)	
89	1001140454	1	Mount, Front Engine	
91	1001230635	1	Tank	
91A	1001134488	1	Fitting, 90 Barbed	
91B	1001138827	1	Sensor, Coolant Level	
91C	1001140564	1	Fitting, 90 Barbed	
93	1001141304	1	Harness, Glow Plug	
94	1001141585	1	Hose, Air Inlet	
95	1001141995	1	Fitting, Straight Barbed	
97	1001142538	1	Support	
98	1001142615	1	Air Cleaner Assembly Filter Element	
98	91403102	1	Element, Filter (Not Shown)	
99	1001142623	1	Hose, Inlet	
100	1001142635	1	Mount, Rear Engine	
101	1001205051	1	Mount, Rear Engine	
102	1001142689	1	Pipe, Exhaust	
103	1001143390	1	Indicator, Service	
104	1001143797	1	Fitting, Straight Barbed	

SECTION 3 - ENGINE

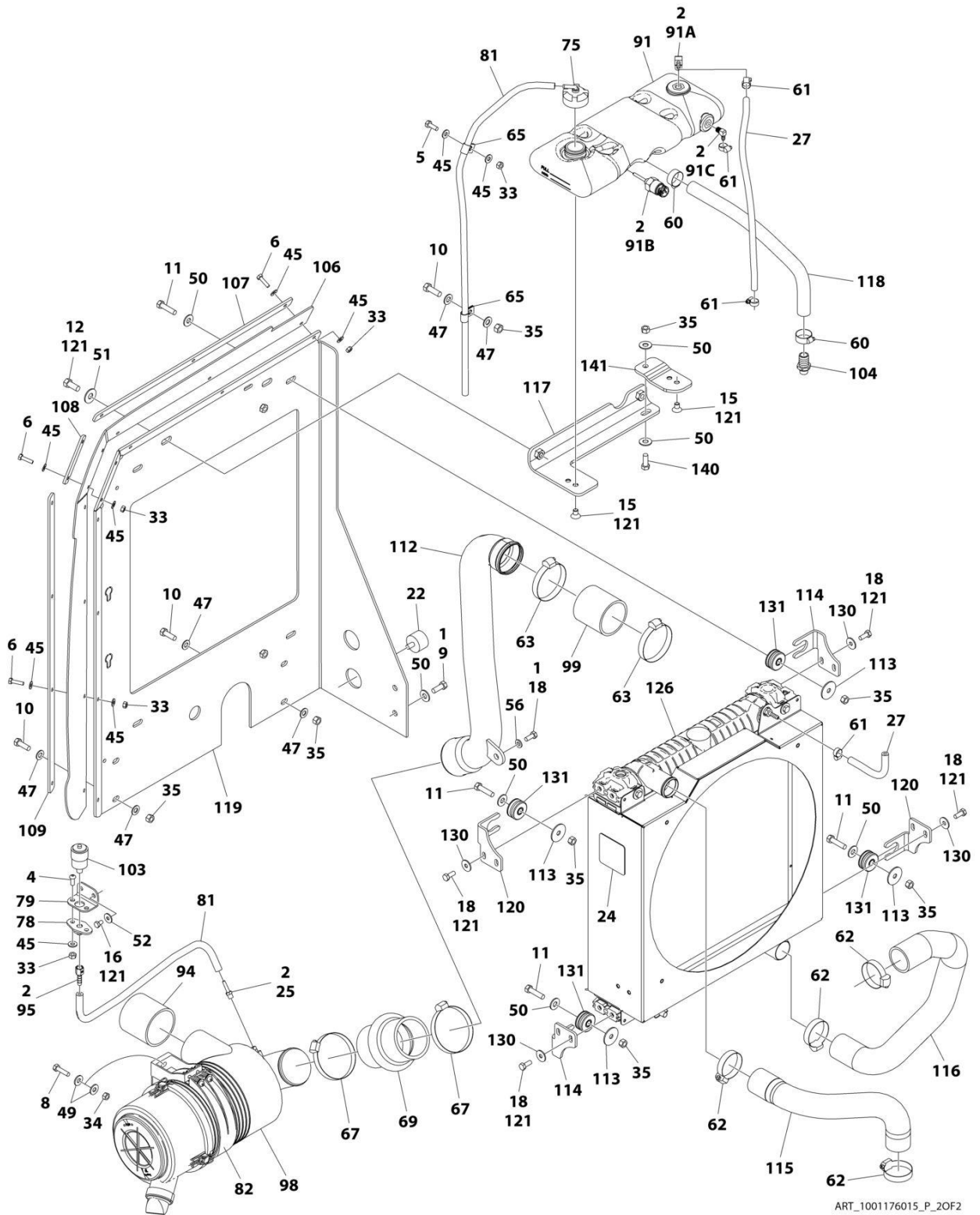
ITEM	PART NUMBER	QTY	DESCRIPTION	REV
105	1001143907	1	Cable, Alternator Power (See Separate Breakdown in ELECTRICAL SECTION)	
106	1001144409	1	Panel, Rubber	
107	1001144410	1	Bracket, Panel Clamp	
108	1001144411	1	Bracket, Panel Clamp	
109	1001144412	1	Bracket, Panel Clamp	
110	1001145154	1	Plate, Relay Mounting	
111	1001152489	1	Fitting, 90 Barbed	
112	1001165842	1	Pipe	
113	1001169138	4	Washer	
114	1001204325	2	Bracket	
115	1001176225	1	Hose, Radiator - Upper	
116	1001176226	1	Hose, Radiator - Lower	
117	1001176419	1	Bracket, Tank	
118	1001176511	1	Hose	
119	1001176723	1	Plate Radiator Mounting	
120	1001178223	2	Bracket	
121	1001180620	AR	Adhesive	
122	1001181899	1	Clamp	
123	1001140312	1	Heater, Engine Block	
124	1001143726	1	Harness, Engine (Not Shown - See Separate Breakdown in ELECTRICAL SECTION)	
126	1001167041	1	Radiator	
127	2720340	6 in /15cm	Hose	
128	4060805	14 in / 36cm	Flex-Trim	
129	1001181895	AR	Adhesive	
130	4811902	8	Washer M8	
131	1001169054	4	Isolator	
132	1001177359	1	Hose	
134	1001178876	1	Mount	
135	5250810	2	Bolt M8 x 20	
136	4812000	8	Washer M10	
137	0761015	2	Bolt M10 x 35	
138	3291005	2	Nut M10	

SECTION 3 - ENGINE

FIGURE 3-29. DEUTZ TD2.9L4 ENGINE ASSEMBLY – WITH ARCTIC PACKAGE (USA BUILT MACHINES) (PVC 2007)



SECTION 3 - ENGINE



ART_1001176015_P_2OF2

SECTION 3 - ENGINE

FIGURE 3-29. DEUTZ TD2.9L4 ENGINE ASSEMBLY – WITH ARCTIC PACKAGE (USA BUILT MACHINES) (PVC 2007)

ITEM	PART NUMBER	QTY	DESCRIPTION	REV
	1001176015	Ref	DEUTZ TD2.9L4 ENGINE ASSEMBLY	P
1	0100011	AR	Compound, Locking	
2	0100020	AR	Sealant	
3	0100062	AR	Adhesive	
4	0630407	2	Screw 1/4 x 5/8	
5	0641406	5	Bolt 1/4 x 3/4	
6	0641408	9	Bolt 1/4 x 1	
7	0641508	4	Bolt 5/16 x 1	
8	0641510	2	Bolt 5/16 x 1-1/4	
9	0641608	7	Bolt 3/8 x 1	
10	0641609	4	Bolt 3/8 x 1-1/8	
11	0641612	4	Bolt 3/8 x 1-1/2	
12	0641708	2	Bolt 7/16 x 1	
13	0681620	2	Bolt 3/8 x 2-1/2 Grade 8	
14	0681822	1	Bolt 1/2 x 2-3/4 Grade 8	
15	0741605	2	Screw, Flathead 3/8 x 5/8	
16	0760605	2	Bolt M6 x 10	
18	0760810	9	Bolt M8 x 20	
19	0761210	1	Bolt M12 x 20	
20	0771212	6	Bolt M12 x 25 Grade 10.9	
21	0771414	2	Bolt M14 x 30	
22	0940070	1	Bumper	
23	0961986	2	Bushing, Flanged	
24	1703162	1	Decal - Fan Blade	
25	2220315	1	Fitting, Straight Barbed	
27	2720015	26 in /.9m	Hose	
28	2902065	1	Kit, Pump Coupling (See Separate Breakdown in this Section)	
29	3200401	2	Mount, Motor	
30	3271601	2	Nut 3/8 Grade 8	
31	3271801	1	Nut 1/2 Grade 8	
32	3310401	3	Nut #4	
33	3311405	17	Nut 1/4	
34	3311505	6	Nut 5/16	
35	3311605	11	Nut 3/8	
36	3580320	1	Pulley	
37	3910408	3	Screw #4 x 1/2	
38	3931432	1	Capscrew 1/4 x 2	
39	3931512	4	Capscrew 5/16 x 3/4	
40	3931628	4	Capscrew 3/8 x 1-3/4	
41	4031914	4	Capscrew M8 x 50	
42	4032014	4	Capscrew M10 x 50	
43	4240099	AR	Tie-Strap (Not Shown)	
44	4640751	1	Valve, Oil Drain	
45	4711400	31	Washer 1/4	
46	4711500	4	Washer 5/16	
47	4711600	8	Washer 3/8	
48	4750400	3	Washer #4	
49	4751500	12	Washer 5/16	
50	4751600	14	Washer 3/8	

SECTION 3 - ENGINE

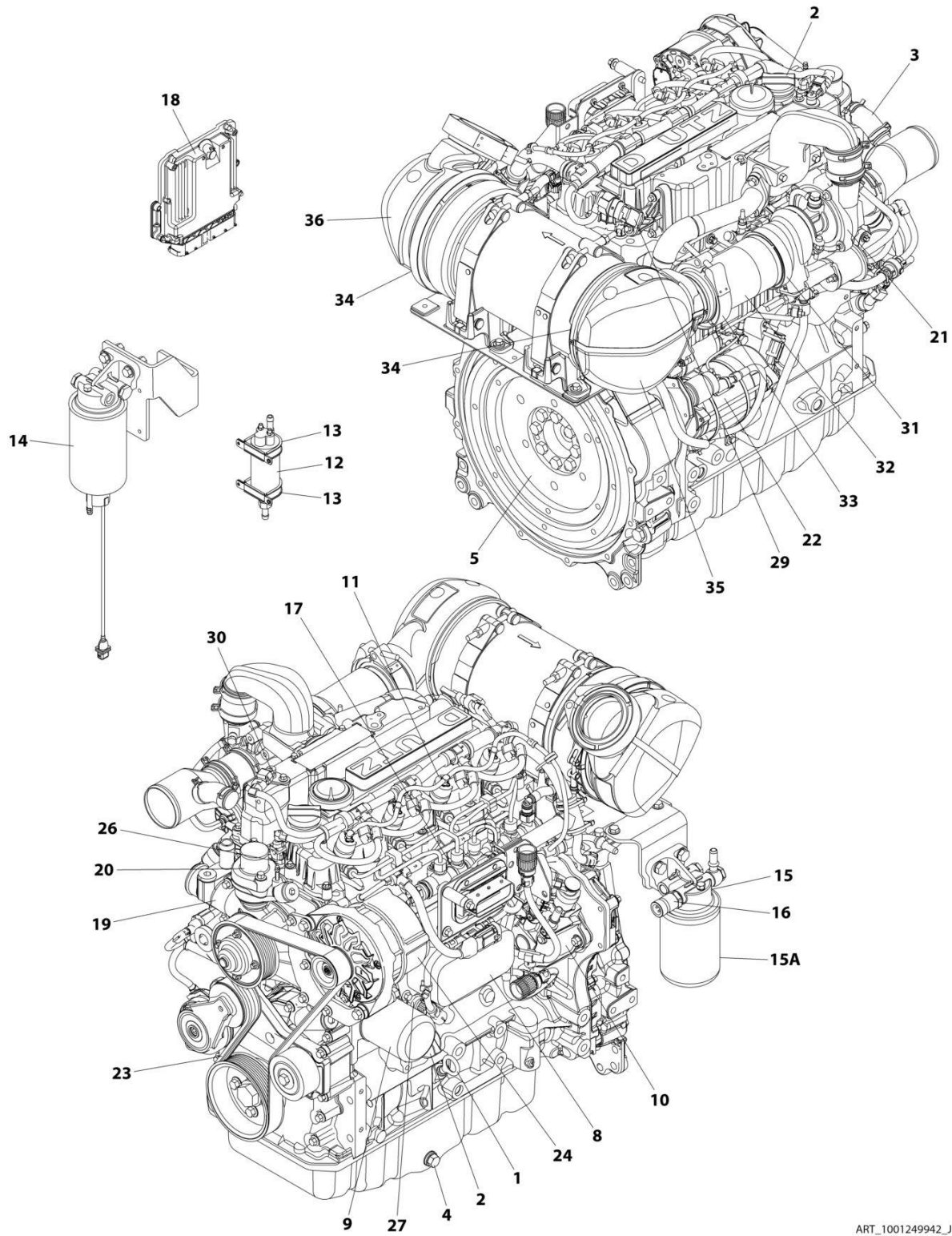
ITEM	PART NUMBER	QTY	DESCRIPTION	REV
51	4751700	2	Washer 7/16	
52	4811702	2	Washer M6	
53	4811900	4	Washer M8	
54	4812100	7	Washer M12	
55	4812200	2	Washer M14	
56	4891500	1	Washer 5/16 Hardened	
57	4891600	2	Washer 3/8 Hardened	
58	4891800	1	Washer 1/2 Hardened	
60	8405007	2	Clamp	
61	8405009	4	Clamp	
62	8405104	4	Clamp	
63	8405204	2	Clamp	
65	8406110	2	Clip	
66	8406201	1	Clip	
67	8410011	2	Clamp	
68	8410013	1	Clamp	
69	91403244	1	Hose	
70	1001117308	1	Relay	
72	1001135138	1	Adapter	
73	1001135679	1	Adapter	
75	1001136834	1	Cap, Tank	
76	1001137276	1	Fan	
77	1001138170	2	Mount, Motor	
78	1001138173	1	Support	
79	1001138175	1	Bracket	
80	1001138228	1	Relay, Power Module	
80	70023593	1	Fuse 30Amp (Battery Output)	
80	70023592	1	Fuse 20Amp (Switched Output)	
81	1001138248	67 in/1.7m	Tube	
82	1001138557	1	Clamp	
85	1001139240	1	Bracket	
86	1001139409	1	Washer, Special	
87	1001139429	2	Washer, Special	
88	1001249942	1	Deutz TD2.9L4 Engine Components (See Separate Breakdown in this Section)	
89	1001140454	1	Mount, Front Engine	
91	1001230635	1	Tank	
91A	1001134488	1	Fitting, 90 Barbed	
91B	1001138827	1	Sensor, Coolant Level	
91C	1001140564	1	Fitting, 90 Barbed	
93	1001141304	1	Harness, Glow Plug	
94	1001141585	1	Hose, Air Inlet	
95	1001141995	1	Fitting, Straight Barbed	
97	1001142538	1	Support	
98	1001142615	1	Air Cleaner Assembly Filter Element	
98	91403102	1	Element, Filter (Not Shown)	
99	1001142623	1	Hose, Inlet	
100	1001142635	1	Mount, Rear Engine	
101	1001205051	1	Mount, Rear Engine	
102	1001142689	1	Pipe, Exhaust	
103	1001143390	1	Indicator, Service	
104	1001143797	1	Fitting, Straight Barbed	

SECTION 3 - ENGINE

ITEM	PART NUMBER	QTY	DESCRIPTION	REV
105	1001143907	1	Cable, Alternator Power (See Separate Breakdown in ELECTRICAL SECTION)	
106	1001144409	1	Panel, Rubber	
107	1001144410	1	Bracket, Panel Clamp	
108	1001144411	1	Bracket, Panel Clamp	
109	1001144412	1	Bracket, Panel Clamp	
110	1001145154	1	Plate, Relay Mounting	
111	1001152489	1	Fitting, 90 Barbed	
112	1001165842	1	Pipe	
113	1001169138	4	Washer	
114	1001204325	2	Bracket	
115	1001176225	1	Hose, Radiator - Upper	
116	1001176226	1	Hose, Radiator - Lower	
117	1001260413	1	Bracket, Tank	
118	1001176511	1	Hose	
119	1001176723	1	Plate Radiator Mounting	
120	1001178223	2	Bracket	
121	1001180620	AR	Adhesive	
122	1001181899	1	Clamp	
123	1001140312	1	Heater, Engine Block	
124	1001143726	1	Harness, Engine (Not Shown - See Separate Breakdown in ELECTRICAL SECTION)	
126	1001167041	1	Radiator	
127	2720340	6 in /15cm	Hose	
128	4060805	14 in / 36cm	Flex-Trim	
129	1001181895	AR	Adhesive	
130	4811902	8	Washer M8	
131	1001169054	4	Isolator	
132	1001177359	1	Hose	
134	1001178876	1	Mount	
135	5250810	2	Bolt M8 x 20	
136	4812000	8	Washer M10	
137	0761015	2	Bolt M10 x 35	
138	3291005	2	Nut M10	
139	3520054	1	Plug	
140	0681608	1	Bolt 3/8 x 1	
141	1001260412	1	Bracket	

SECTION 3 - ENGINE

FIGURE 3-30. DEUTZ TD2.9L4 ENGINE COMPONENTS



ART_1001249942_JLG

SECTION 3 - ENGINE

FIGURE 3-30. DEUTZ TD2.9L4 ENGINE COMPONENTS

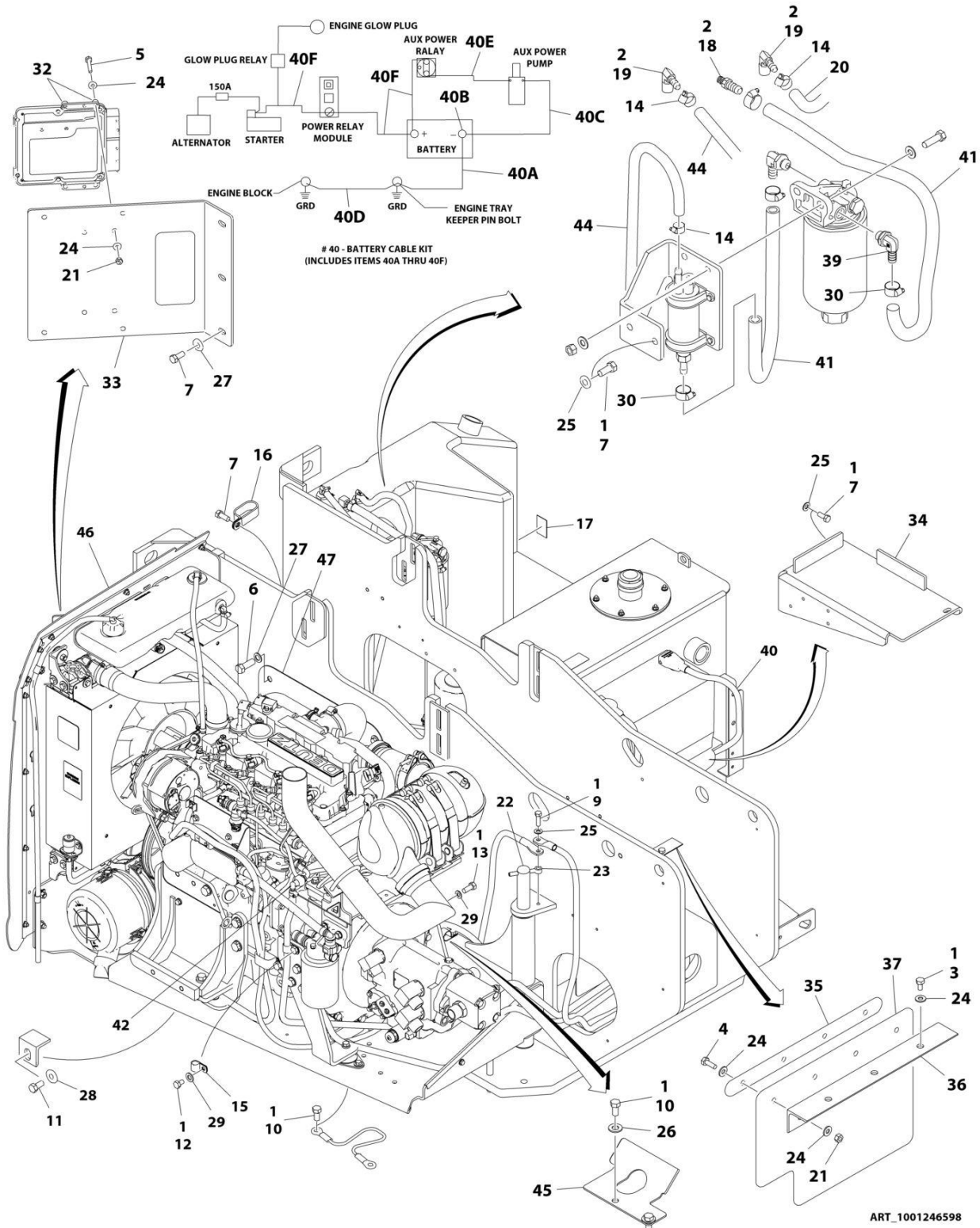
ITEM	PART NUMBER	QTY	DESCRIPTION	REV
	1001249942	Ref	ENGINE COMPONENTS - DEUTZ TD2.9L4	A
1	70024904	1	Dipstick	
1	70024905	1	Seal	
2	7020465	2	Cap, Oil Fill	
3	70025111	2	Clamp	
3	70005920	1	Hose, Breather	
4	70005941	2	Plug	
4	70005942	2	Seal	
5	70001870	1	Flywheel with Ring Gear	
5	7024579	1	Gear, Ring	
6		Ref	Gasket and Seal Options (Not Shown)	
6	70004279	1	Gasket Kit	
6	70024906	1	Gasket, Head	
6	70025205	1	Gasket, Small Valve Cover	
6	70005171	1	Gasket, Large Valve Cover	
6	70005176	1	O-Seal, Valve Cover to Air Charge Elbow	
6	70005177	1	Gasket, Air Charge Pipe to Head	
6	70031095	3	Gasket, Air Charge Pipe & EGR Pipe	
6	70025164	1	Gasket, Exhaust Manifold to Head	
6	70007354	1	Gasket, EGR Pipe to EGR Valve	
6	70007326	1	Gasket, EGR Valve to Housing	
7	70005172	1	Pump, Oil Lube (Not Shown - Located Front Left Side)	
7	70025135	1	O-Ring	
7	70005173	1	Gasket	
8	70024494	1	Cooler, Oil	
8	70024925	1	Gasket	
9	7016331	1	Filter, Oil	
10	70024924	1	Pump, High Pressure (Not Shown - Located Front Left Side)	
10	70025152	1	O-Ring (Between Pump and Spacer)	
10	70024517	1	O-Ring (Between Spacer and Engine Block)	
10	70004505	1	Valve, Overflow	
10	70004506	1	O-Ring	
10	70004507	1	O-Ring	
10	70004508	1	Valve, Volume Control	
10	70004509	1	O-Ring	
10	70004510	1	O-Ring	
11	70025181	4	Injector Fuel	
11	70025140	4	Washer, Sealing	
11	70025146	4	Clamp (Top of Injector)	
11	70025145	4	O-Seal	
11	70025154	4	Shoe, Clamping	
11	70000345	4	Plug, Glow	
11	70025231	1	Harness, Glow Plug (Not Shown)	
12	70006144	1	Pump, Fuel	
13	70025144	2	Clamp	
14	70024961	1	Filter, Fuel	
14	70025153	1	Element, Filter	
14	70024513	1	Cable, Sensor	
14	70025239	1	Seal	
15	70029451	1	Filter With Head	

SECTION 3 - ENGINE

ITEM	PART NUMBER	QTY	DESCRIPTION	REV
15A	70025161	1	Filter, Fuel	
16	70028538	1	Sensor, Pressure	
16	70024920	1	Seal	
17	70025151	1	Rail, Fuel	
17	70025235	1	Repair Kit	
17	70025182	1	Line, Fuel (Cylinders 1 & 2)	
17	70025183	1	Line, Fuel (Cylinders 3 & 4)	
17	70025184	1	Line, Fuel (To Rail)	
18	70025210	1	ECU (Engine Control Unit)	
19	70029797	1	Pump, Water	
19	70025200	1	Seal	
19	70007325	1	Gasket	
20	70005929	1	Thermostat	
20	70005184	1	O-Seal	
20	70025142	1	Cover, Thermostat	
20	70005931	1	Gasket	
21	70004276	1	Turbocharger	
21	70024912	1	Gasket, Square	
21	70024509	1	Gasket, Return Line	
21	70006294	1	O-Seal	
22	70024915	1	Starter	
22	70005648	1	Relay	
22	70005647	1	Solenoid	
23	70004277	1	Belt Drive	
24	70006652	1	Alternator	
24	70006653	1	Regulator, Voltage	
25	70007489	1	Harness, Engine (Not Shown)	
26	70028540	1	Sender, Temperature	
27	70028538	1	Sensor, Pressure	
27	70024920	1	Seal	
28	70026210	2	Sensor, Speed (Not Shown - Located Left Side Front and Flywheel Housing)	
28	70024917	1	Seal (Cam Shaft Speed Sensor)	
28	70005191	1	Seal (Flywheel Shaft Speed Sensor)	
29	70024507	1	Sensor, Pressure	
29	70025120	1	Seal	
30	70024922	1	Sender, Temperature	
30	70025212	1	O-Seal	
31	70005527	1	Clamp	
31	70025788	1	Nut	
32	70004504	1	Compensator	
33	70025242	1	Gasket	
33	70029433	1	Clamp	
34	70029517	2	Clamp	
34	70029520	2	Gasket	
35	70007355	1	Inlet	
36	70007331	1	Outlet	

SECTION 3 - ENGINE

FIGURE 3-31. DEUTZ D2.9L4 ENGINE INSTALLATION - WITHOUT ARCTIC PACKAGE (USA BUILT MACHINES)



ART_1001246598

SECTION 3 - ENGINE

FIGURE 3-31. DEUTZ D2.9L4 ENGINE INSTALLATION - WITHOUT ARCTIC PACKAGE (USA BUILT MACHINES)

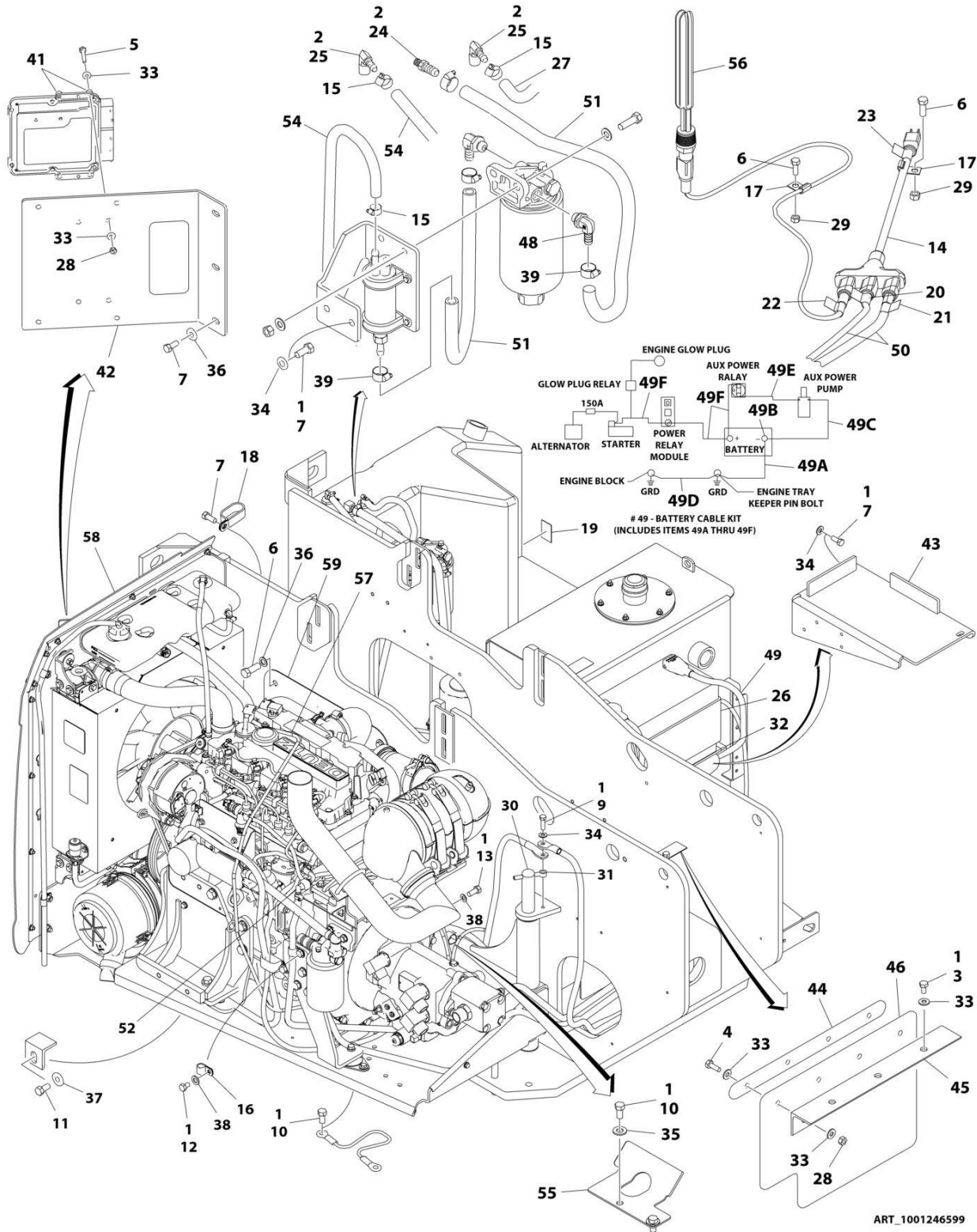
ITEM	PART NUMBER	QTY	DESCRIPTION	REV
	1001246598	Ref	DEUTZ D2.9L4 ENGINE INSTALLATION	C
1	0100011	AR	Compound, Locking	
2	0100020	AR	Sealant, Pipe	
3	0641404	3	Bolt 1/4 x 1/2	
4	0641406	4	Bolt 1/4 x 3/4	
5	0641412	4	Bolt 1/4 x 1-1/2	
6	0641606	4	Bolt 3/8 x 3/4	
7	0641607	9	Bolt 3/8 x 7/8	
8	0641608	2	Bolt 3/8 x 1 (Not Shown)	
9	0641612	1	Bolt 3/8 x 1-1/2	
10	0641808	3	Bolt 3/8 x 1	
11	0642010	1	Bolt 5/8 x 1-1/4	
12	0761008	1	Bolt M10 x 16	
13	0771212	1	Bolt M12 x 25 Grade 10.9	
14	1320022	5	Clamp	
15	1320061	1	Clamp	
16	1321716	1	P-Clamp	
17	1701505	1	Decal - Diesel (Not Shown - Located on Hood)	
18	2180832	1	Fitting, Straight Barbed	
19	2220313	2	Fitting, 90 Barbed	
20	2750532	5 ft / 1.6m	Hose	
21	3311405	8	Nut 1/4	
22	3422448	1	Pin, Pivot	
23	3841143	1	Pin, Keeper	
24	4711400	19	Washer 1/4	
25	4711600	6	Washer 3/8	
26	4711800	2	Washer 1/2	
27	4751600	7	Washer 3/8	
28	4752000	1	Washer 5/8	
29	4812100	2	Washer M12	
30	8405006	2	Clamp	
31	8406201	4	Clip (Not Shown)	
32	1001110425	4	Spacer	
33	1001137866	1	Plate, Baffle	
34	1001137868	1	Bracket, Battery	
35	1001137880	1	Bracket, Baffle	
36	1001137881	1	Angle	
37	1001137882	1	Support, Rubber	
38	1001138491	1	Harness, Fuel Pump (Pump requiring Push-on Terminals) (Not Shown - See Separate Breakdown in ELECTRICAL SECTION)	
39	1001142501	1	Fitting, 90 Barbed	
40	1001145047	1	Battery Cable Kit	
40A	7027072	1	Cable, Battery (Black) (Battery - to Tray Pivot Grd)	
40B	8270147	1	Terminal, Battery (With Boot)	
40B	See Note	1	Boot, Black (Note: Not Available for Purchase)	
40C	7027073	1	Cable, Battery (Black) (Battery - to Aux Pump and Relay Grds)	
40C	See Note	1	Boot, Black (Note: Not Available for Purchase)	
40D	7027074	1	Cable, Battery (Black) (Engine to Tray Pivot Grd)	
40E	7027075	1	Cable (Red) (Aux Relay to Aux Pump)	

SECTION 3 - ENGINE

ITEM	PART NUMBER	QTY	DESCRIPTION	REV
40E	70003952	2	Boot, Red	
40F	7027076	1	Cable (Red) (Battery + to Aux Relay/Power Module/Starter)	
40F	See Note	1	Boot, Red (Battery) (Note: Not Available for Purchase)	
41	1001154405	3 ft /.9m	Hose	
42	1001155823	1	Fitting, 90 Quick Disconnect	
44	1001165035	23.5 ft /7.2m	Hose	
45	1001172793	1	Guide, Hose	
46	1001246594	1	Engine Assembly with Pumps (See Separate Breakdown in this Section)	
47	1001252521	1	Cover	

SECTION 3 - ENGINE

FIGURE 3-32. DEUTZ D2.9L4 ENGINE INSTALLATION - WITH ARCTIC PACKAGE (USA BUILT MACHINES)



ART_1001246599

SECTION 3 - ENGINE

FIGURE 3-32. DEUTZ D2.9L4 ENGINE INSTALLATION - WITH ARCTIC PACKAGE (USA BUILT MACHINES)

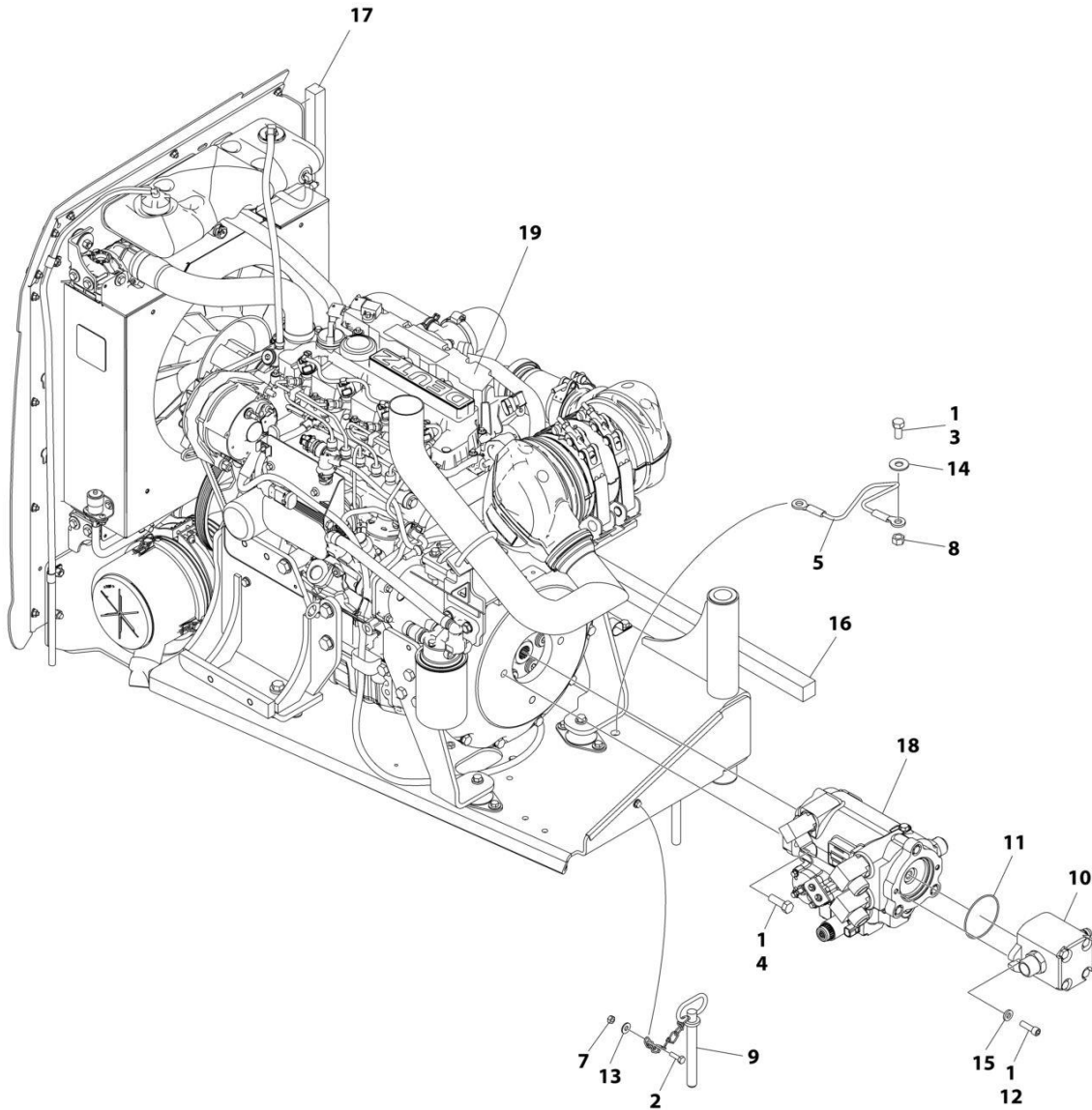
ITEM	PART NUMBER	QTY	DESCRIPTION	REV
	1001246599	Ref	DEUTZ D2.9L4 ENGINE INSTALLATION	C
1	0100011	AR	Compound, Locking	
2	0100020	AR	Sealant, Pipe	
3	0641404	3	Bolt 1/4 x 1/2	
4	0641406	4	Bolt 1/4 x 3/4	
5	0641412	4	Bolt 1/4 x 1-1/2	
6	0641606	6	Bolt 3/8 x 3/4	
7	0641607	9	Bolt 3/8 x 7/8	
8	0641608	2	Bolt 3/8 x 1 (Not Shown)	
9	0641612	1	Bolt 3/8 x 1-1/2	
10	0641808	3	Bolt 1/2 x 1	
11	0642010	1	Bolt 5/8 x 1-1/4	
12	0761008	1	Bolt M10 x 16	
13	0771212	1	Bolt M12 x 25 Grade 10.9	
14	1060626	1	Cord, 3 Way Extension	
15	1320022	5	Clamp	
16	1320061	1	Clamp	
17	1320223	2	Clamp	
18	1321716	1	P-Clamp	
19	1701505	1	Decal - Diesel (Not Shown - Located on Hood)	
20	1702941	1	Decal - Battery Heater	
21	1702942	1	Decal - Engine Block Heater	
22	1702943	1	Decal - Hydraulic Tank Heater	
23	1702944	1	Decal - Heater Cord	
24	2180832	1	Fitting, Straight Barbed	
25	2220313	2	Fitting, 90 Barbed	
26	2580024	1	Heater, Battery	
27	2750532	5 ft /1.6m	Hose	
28	3311405	8	Nut 1/4	
29	3311605	2	Nut 3/8	
30	3422448	1	Pin, Pivot	
31	3841143	1	Pin, Keeper	
32	3980007	1	Seat, Battery	
33	4711400	19	Washer 1/4	
34	4711600	8	Washer 3/8	
35	4711800	2	Washer 1/2	
36	4751600	7	Washer 3/8	
37	4752000	1	Washer 5/8	
38	4812100	2	Washer M12	
39	8405006	2	Clamp	
40	8406201	4	Clip (Not Shown)	
41	1001110425	4	Spacer	
42	1001137866	1	Plate, Baffle	
43	1001137868	1	Bracket, Battery	
44	1001137880	1	Bracket, Baffle	
45	1001137881	1	Angle	
46	1001137882	1	Support, Rubber	
47	1001138491	1	Harness, Fuel Pump (Pump requiring Push-on Terminals) (Not Shown - See Separate Breakdown in ELECTRICAL SECTION)	

SECTION 3 - ENGINE

ITEM	PART NUMBER	QTY	DESCRIPTION	REV
48	1001142501	1	Fitting, 90 Barbed	
49	1001145047	1	Battery Cable Kit	
49A	7027072	1	Cable, Battery (Black) (Battery - to Tray Pivot Grd)	
49B	8270147	1	Terminal, Battery (With Boot)	
49B	See Note	1	Boot, Black (Note: Not Available for Purchase)	
49C	7027073	1	Cable, Battery (Black) (Battery - to Aux Pump and Relay Grds)	
49C	See Note	1	Boot, Black (Note: Not Available for Purchase)	
49D	7027074	1	Cable, Battery (Black) (Engine to Tray Pivot Grd)	
49E	7027075	1	Cable (Red) (Aux Relay to Aux Pump)	
49E	70003952	2	Boot, Red	
49F	7027076	1	Cable (Red) (Battery + to Aux Relay/Power Module/Starter)	
49F	See Note	1	Boot, Red (Battery) (Note: Not Available for Purchase)	
50	1001150918	1	Cable, Immersion Heater	
51	1001154405	3 ft /.9m	Hose	
52	1001155823	1	Fitting, 90 Quick Disconnect	
54	1001165035	23.5 ft /7.2m	Hose	
55	1001172793	1	Guide, Hose	
56	1001188972	1	Heater, Hydraulic Tank	
57	1001233763	1	Breather Heater Installation (Not Shown - See Separate Breakdown in this Section)	
58	1001246592	1	Engine Assembly with Pumps (See Separate Breakdown in this Section)	
59	1001252521	1	Cover	

SECTION 3 - ENGINE

FIGURE 3-33. DEUTZ D2.9L4 ENGINE/PUMP SUB-ASSEMBLY – WITHOUT ARCTIC PACKAGE (USA BUILT MACHINES)



ART_1001246594

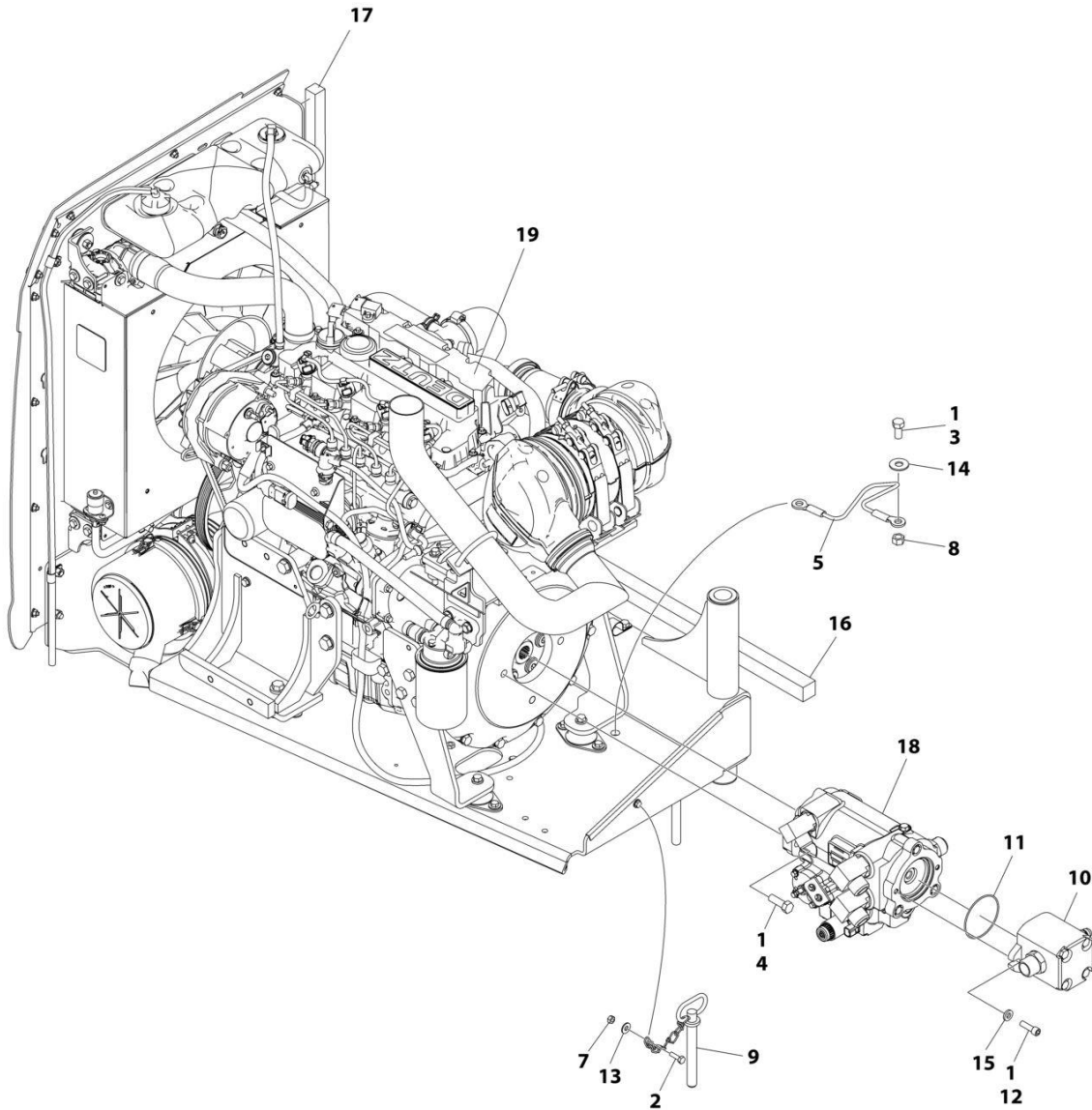
SECTION 3 - ENGINE

FIGURE 3-33. DEUTZ D2.9L4 ENGINE/PUMP SUB-ASSEMBLY – WITHOUT ARCTIC PACKAGE (USA BUILT MACHINES)

ITEM	PART NUMBER	QTY	DESCRIPTION	REV
	1001246594	Ref	DEUTZ D2.9L4 ENGINE/PUMP SUB-ASSEMBLY	C
1	0100011	AR	Compound, Locking	
2	0641406	1	Bolt 1/4 x 3/4	
3	0641808	1	Bolt 1/2 x 1	
4	0641812	2	Bolt 1/2 x 1-1/2	
5	1060637	1	Lanyard	
7	3311405	1	Nut 1/4	
8	3311801	1	Nut 1/2	
9	3422533	1	Pin, Hitch	
10	3600395	1	Gear Pump Assembly with Fittings (See Separate Breakdown in this Section)	
11	3790152	1	O-Ring	
12	3931620	2	Bolt 3/8 x 1-1/4	
13	4711400	2	Washer 1/4	
14	4751800	1	Washer 1/2	
15	4891600	2	Washer 3/8 Hardened	
16	1001137873	1	Seal	
17	1001137874	1	Seal	
18	1001188952	1	Pump Assembly with Fittings (See Separate Breakdown in this Section)	
19	1001246593	1	Engine Assembly (See Separate Breakdown in this Section)	

SECTION 3 - ENGINE

FIGURE 3-34. DEUTZ D2.9L4 ENGINE/PUMP SUB-ASSEMBLY – WITH ARCTIC PACKAGE (USA BUILT MACHINES)



ART_1001246592

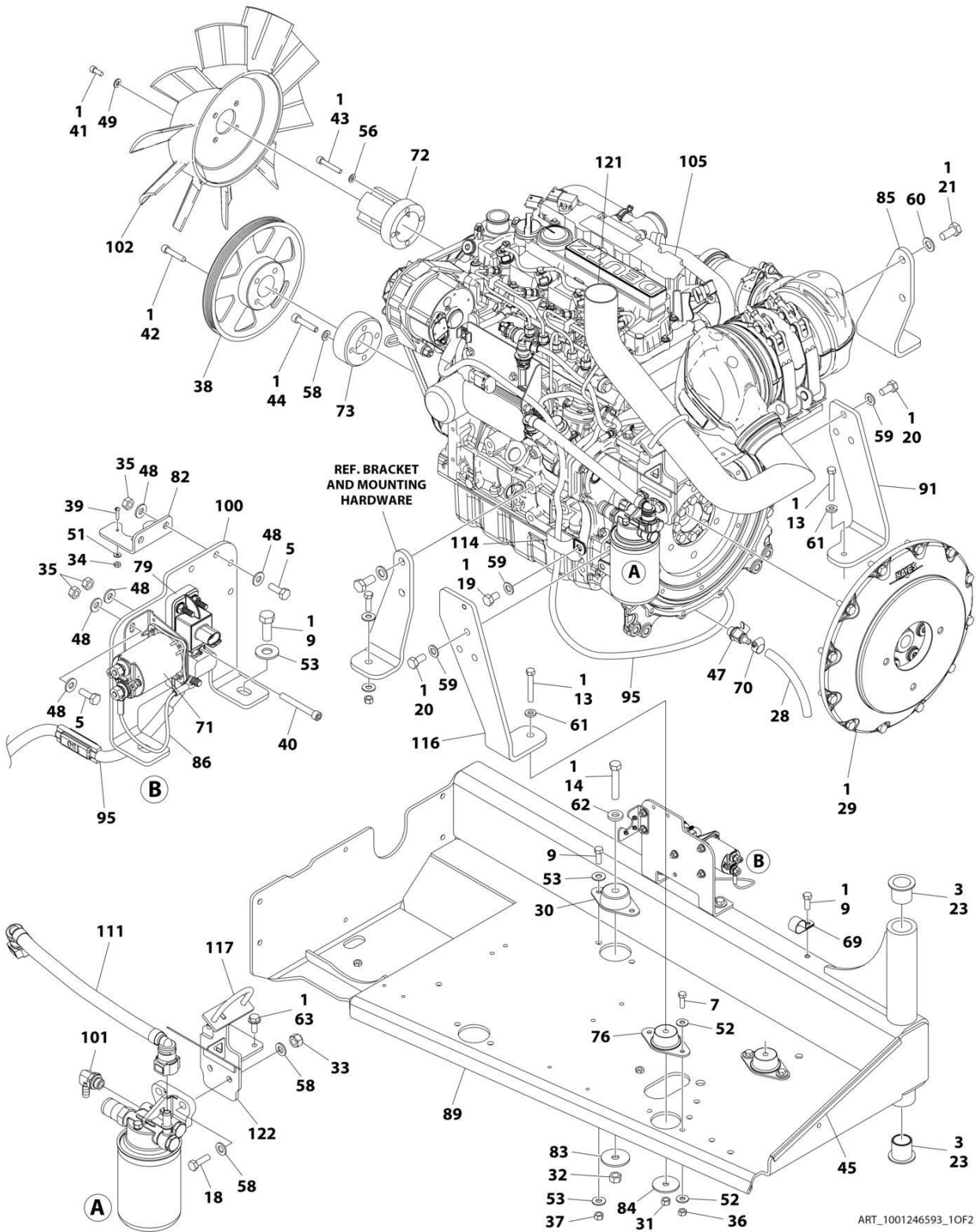
SECTION 3 - ENGINE

FIGURE 3-34. DEUTZ D2.9L4 ENGINE/PUMP SUB-ASSEMBLY – WITH ARCTIC PACKAGE (USA BUILT MACHINES)

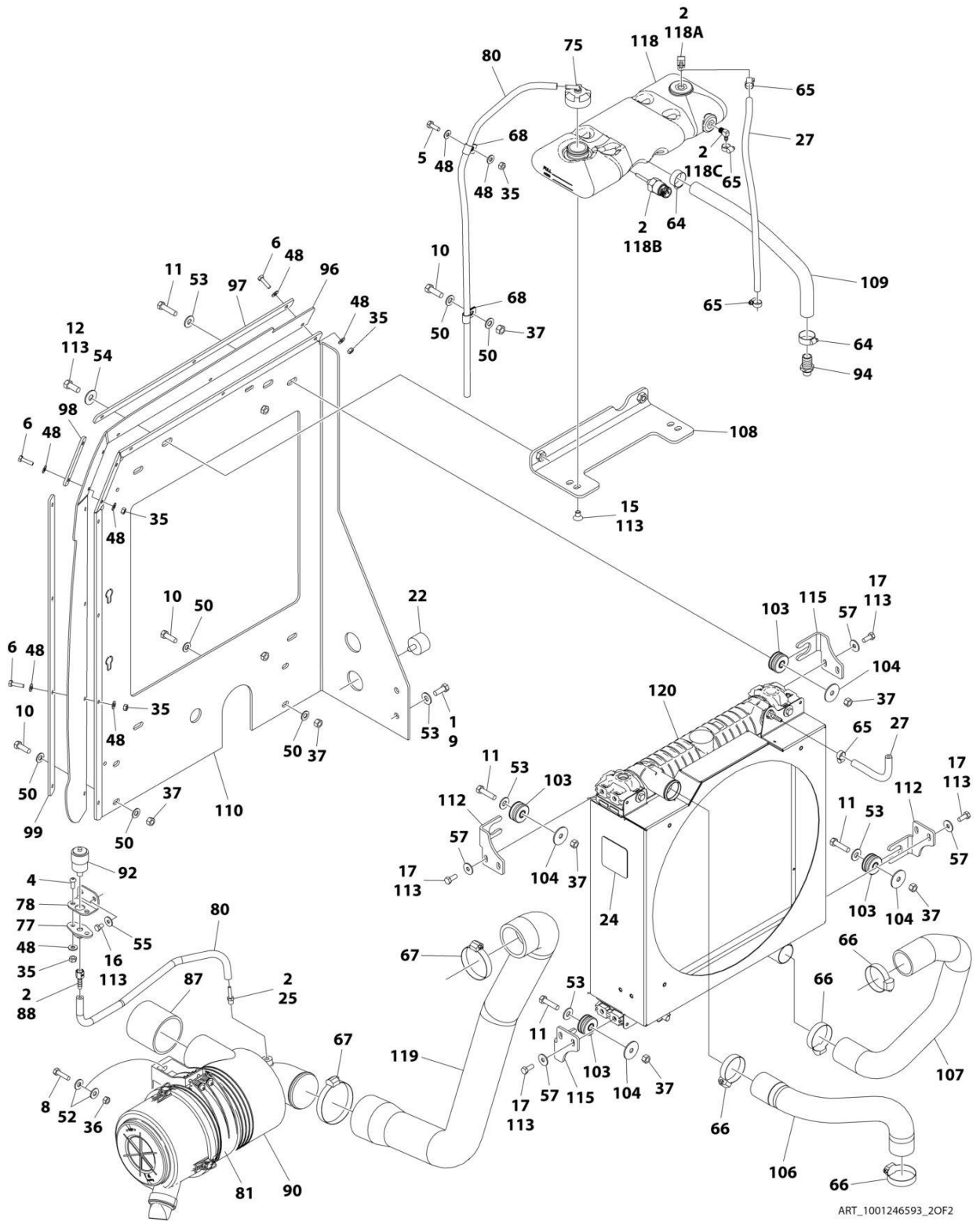
ITEM	PART NUMBER	QTY	DESCRIPTION	REV
	1001246592	Ref	DEUTZ D2.9L4 ENGINE/PUMP SUB-ASSEMBLY	C
1	0100011	AR	Compound, Locking	
2	0641406	1	Bolt 1/4 x 3/4	
3	0641808	1	Bolt 1/2 x 1	
4	0641812	2	Bolt 1/2 x 1-1/2	
5	1060637	1	Lanyard	
7	3311405	1	Nut 1/4	
8	3311801	1	Nut 1/2	
9	3422533	1	Pin, Hitch	
10	3600395	1	Gear Pump Assembly with Fittings (See Separate Breakdown in this Section)	
11	3790152	1	O-Ring	
12	3931620	2	Bolt 3/8 x 1-1/4	
13	4711400	2	Washer 1/4	
14	4751800	1	Washer 1/2	
15	4891600	2	Washer 3/8 Hardened	
16	1001137873	1	Seal	
17	1001137874	1	Seal	
18	1001188952	1	Pump Assembly with Fittings (See Separate Breakdown in this Section)	
19	1001246590	1	Engine Assembly (See Separate Breakdown in this Section)	

SECTION 3 - ENGINE

FIGURE 3-35. DEUTZ D2.9L4 ENGINE ASSEMBLY – WITHOUT ARCTIC PACKAGE (USA BUILT MACHINES) (PVC 2001)



SECTION 3 - ENGINE



ART_1001246593_2OF2

SECTION 3 - ENGINE

FIGURE 3-35. DEUTZ D2.9L4 ENGINE ASSEMBLY – WITHOUT ARCTIC PACKAGE (USA BUILT MACHINES) (PVC 2001)

ITEM	PART NUMBER	QTY	DESCRIPTION	REV
	1001246593	Ref	DEUTZ D2.9L4 ENGINE ASSEMBLY	A
1	0100011	AR	Compound, Locking	
2	0100020	AR	Sealant	
3	0100062	AR	Adhesive	
4	0630407	2	Screw 1/4 x 5/8	
5	0641406	5	Bolt 1/4 x 3/4	
6	0641408	9	Bolt 1/4 x 1	
7	0641508	4	Bolt 5/16 x 1	
8	0641510	2	Bolt 5/16 x 1-1/4	
9	0641608	7	Bolt 3/8 x 1	
10	0641609	4	Bolt 3/8 x 1-1/8	
11	0641612	4	Bolt 3/8 x 1-1/2	
12	0641708	2	Bolt 7/16 x 1	
13	0681620	2	Bolt 3/8 x 2-1/2 Grade 8	
14	0681822	1	Bolt 1/2 x 2-3/4 Grade 8	
15	0741605	2	Screw, Flathead 3/8 x 5/8	
16	0760605	2	Bolt M6 x 10	
17	0760810	8	Bolt M8 x 20	
18	0761015	2	Bolt M10 x 35	
19	0761210	1	Bolt M12 x 20	
20	0771212	6	Bolt M12 x 25 Grade 10.9	
21	0771414	2	Bolt M14 x 30	
22	0940070	1	Bumper	
23	0961986	2	Bushing, Flanged	
24	1703162	1	Decal - Fan Blade	
25	2220315	1	Fitting, Straight Barbed	
27	2720015	26 in / .9m	Hose	
28	2720340	6 in /15cm	Hose	
29	2902065	1	Kit, Pump Coupling (See Separate Breakdown in this Section)	
30	3200401	1	Mount, Motor	
31	3271601	2	Nut 3/8 Grade 8	
32	3271801	1	Nut 1/2 Grade 8	
33	3291005	2	Nut M10	
34	3310401	3	Nut #4	
35	3311405	17	Nut 1/4	
36	3311505	6	Nut 5/16	
37	3311605	10	Nut 3/8	
38	3580320	1	Pulley	
39	3910408	3	Screw #4 x 1/2	
40	3931432	1	Capscrew 1/4 x 2	
41	3931512	4	Capscrew 5/16 x 3/4	
42	3931628	4	Capscrew 3/8 x 1-3/4	
43	4031914	4	Capscrew M8 x 50	
44	4032014	4	Capscrew M10 x 50	
45	4060805	14 in /36cm	Flex-Trim	
46	4240099	AR	Tie-Strap (Not Shown)	
47	4640751	1	Valve, Oil Drain	
48	4711400	31	Washer 1/4	

SECTION 3 - ENGINE

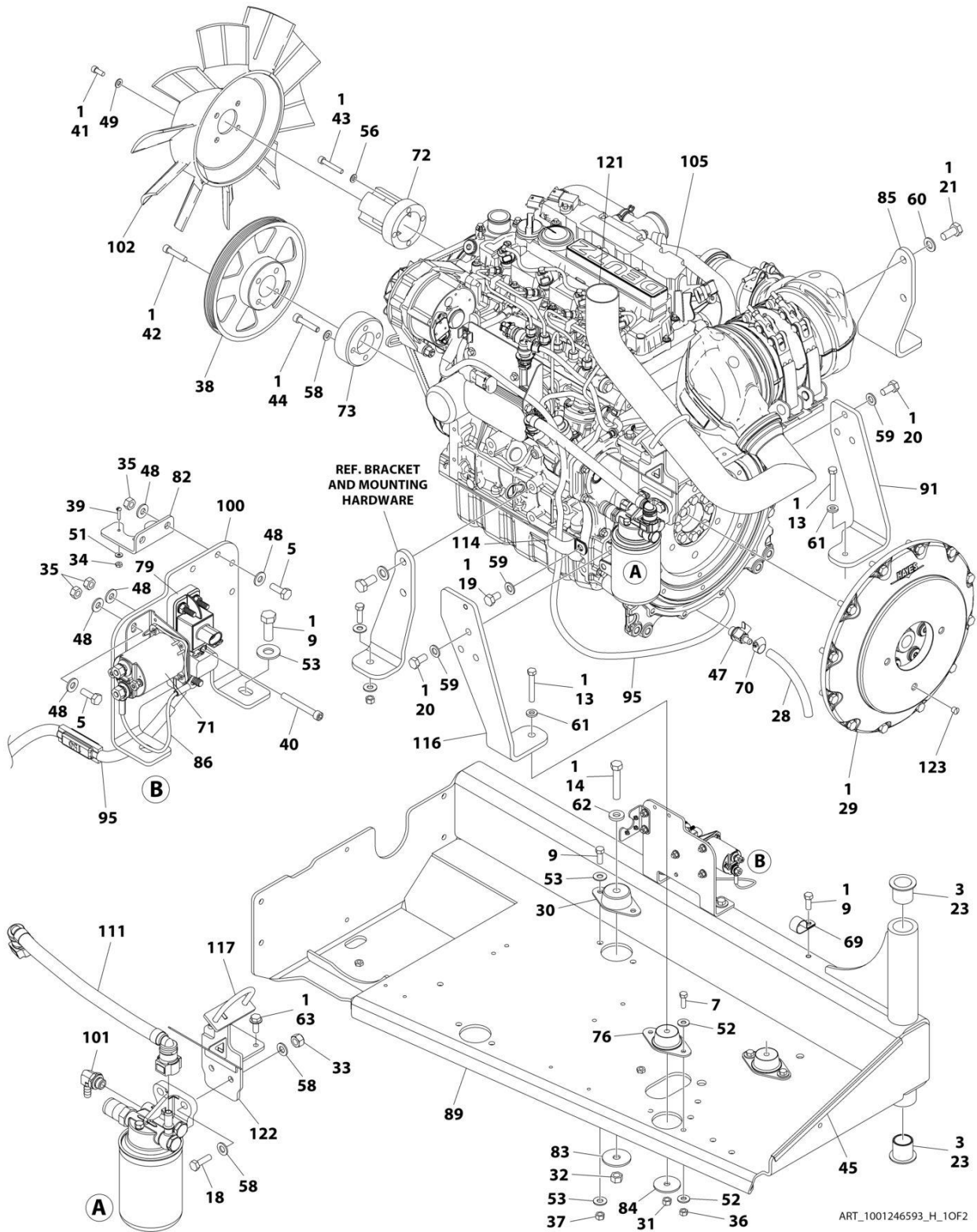
ITEM	PART NUMBER	QTY	DESCRIPTION	REV
49	4711500	4	Washer 5/16	
50	4711600	8	Washer 3/8	
51	4750400	3	Washer #4	
52	4751500	12	Washer 5/16	
53	4751600	12	Washer 3/8	
54	4751700	2	Washer 7/16	
55	4811702	2	Washer M6	
56	4811900	4	Washer M8	
57	4811902	8	Washer M8	
58	4812000	8	Washer M10	
59	4812100	7	Washer M12	
60	4812200	2	Washer M14	
61	4891600	2	Washer 3/8 Hardened	
62	4891800	1	Washer 1/2 Hardened	
63	5250810	2	Bolt M8 x 20	
64	8405007	2	Clamp	
65	8405009	4	Clamp	
66	8405104	4	Clamp	
67	8405204	2	Clamp	
68	8406110	2	Clip	
69	8406201	1	Clip	
70	8410013	1	Clamp	
71	1001117308	1	Relay	
72	1001135138	1	Adapter	
73	1001135679	1	Adapter	
75	1001136834	1	Cap, Tank	
76	1001138170	2	Mount, Motor	
77	1001138173	1	Support	
78	1001138175	1	Bracket	
79	1001138228	1	Relay, Power Module	
79	70023593	1	Fuse 30Amp (Battery Output)	
79	70023592	1	Fuse 20Amp (Switched Output)	
80	1001138248	67 in /1.7m	Tube	
81	1001138557	1	Clamp	
82	1001139240	1	Bracket	
83	1001139409	1	Washer, Special	
84	1001139429	2	Washer, Special	
85	1001140454	1	Mount, Front Engine	
86	1001141304	1	Harness, Glow Plug (See Separate Breakdown in ELECTRICAL SECTION)	
87	1001141585	1	Hose, Air Inlet	
88	1001141995	1	Fitting, Straight Barbed	
89	1001142538	1	Support	
90	1001142615	1	Air Cleaner Assembly Filter Element	
90	91403102	1	Element, Filter (Not Shown)	
91	1001142635	1	Mount, Rear Engine	
92	1001143390	1	Indicator, Service	
93	1001143726	1	Harness, Engine (Not Shown - See Separate Breakdown in ELECTRICAL SECTION)	
94	1001143797	1	Fitting, Straight Barbed	

SECTION 3 - ENGINE

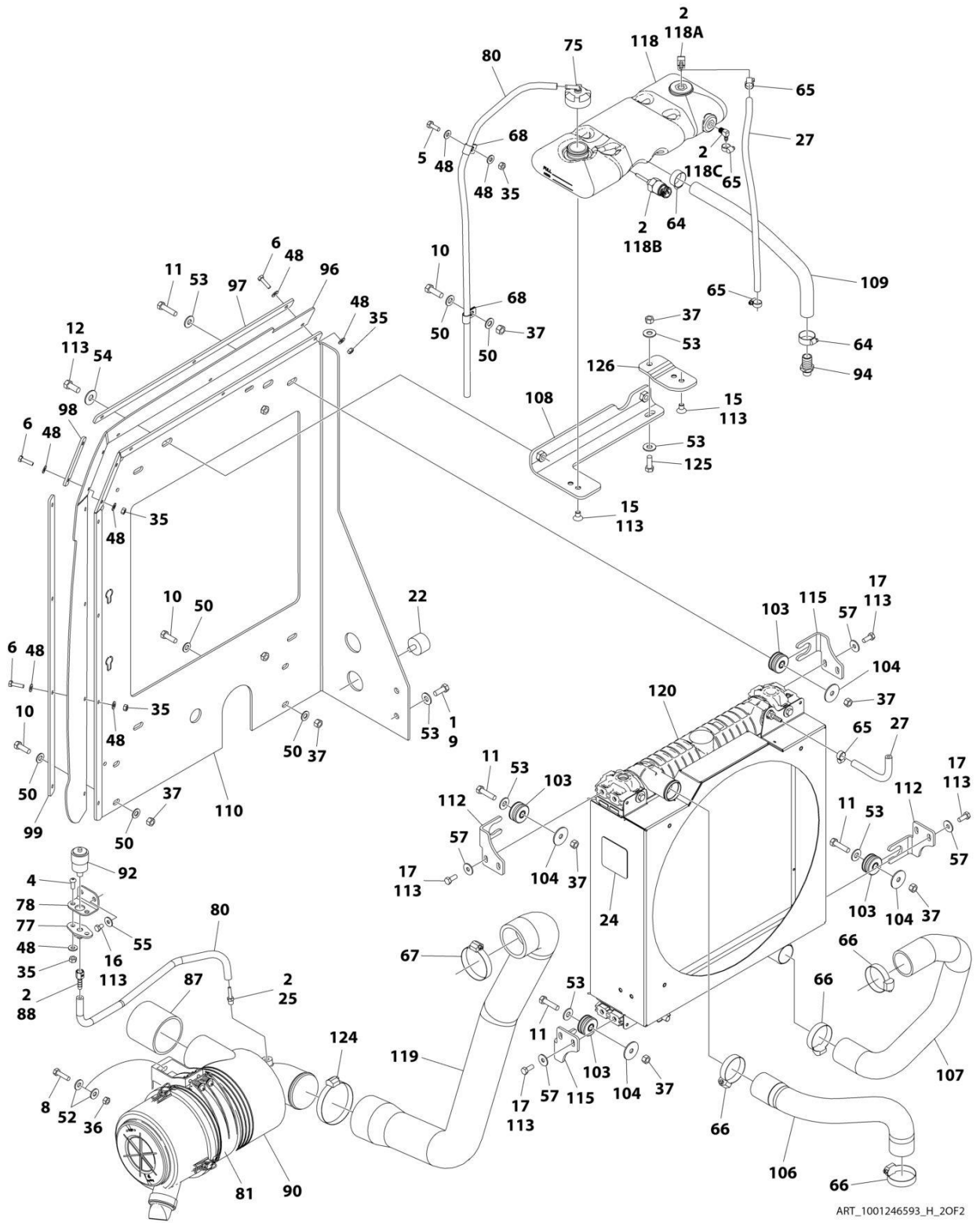
ITEM	PART NUMBER	QTY	DESCRIPTION	REV
95	1001143907	1	Cable, Alternator Power (See Separate Breakdown in ELECTRICAL SECTION)	
96	1001144409	1	Panel, Rubber	
97	1001144410	1	Bracket, Panel Clamp	
98	1001144411	1	Bracket, Panel Clamp	
99	1001144412	1	Bracket, Panel Clamp	
100	1001145154	1	Plate, Relay Mounting	
101	1001152489	1	Fitting, 90 Barbed	
102	1001165849	1	Fan	
103	1001169054	4	Isolator	
104	1001169138	4	Washer	
105	1001170617	1	Deutz D2.9L4 Engine Components (See Separate Breakdown in this Section)	
106	1001176225	1	Hose, Radiator - Upper	
107	1001176226	1	Hose, Radiator - Lower	
108	1001176419	1	Bracket, Tank	
109	1001176511	1	Hose	
110	1001176723	1	Plate Radiator Mounting	
111	1001177359	1	Hose	
112	1001178223	2	Bracket	
113	1001180620	AR	Adhesive	
114	1001181899	1	Clamp	
115	1001204325	2	Bracket	
116	1001205051	1	Mount, Rear Engine	
117	1001228506	1	Bolt, U-Bolt	
118	1001230635	1	Tank	
118A	1001134488	1	Fitting, 90 Barbed	
118B	1001138827	1	Sensor, Coolant Level	
118C	1001140564	1	Fitting, 90 Barbed	
119	1001247105	1	Hose, Inlet	
120	1001247676	1	Radiator	
121	1001248477	1	Pipe, Exhaust	
122	1001248480	1	Bracket	

SECTION 3 - ENGINE

FIGURE 3-36. DEUTZ D2.9L4 ENGINE ASSEMBLY – WITHOUT ARCTIC PACKAGE (USA BUILT MACHINES) (PVC 2007)



SECTION 3 - ENGINE



ART_1001246593_H_20F2

SECTION 3 - ENGINE

FIGURE 3-36. DEUTZ D2.9L4 ENGINE ASSEMBLY – WITHOUT ARCTIC PACKAGE (USA BUILT MACHINES) (PVC 2007)

ITEM	PART NUMBER	QTY	DESCRIPTION	REV
	1001246593	Ref	DEUTZ D2.9L4 ENGINE ASSEMBLY	H
1	0100011	AR	Compound, Locking	
2	0100020	AR	Sealant	
3	0100062	AR	Adhesive	
4	0630407	2	Screw 1/4 x 5/8	
5	0641406	5	Bolt 1/4 x 3/4	
6	0641408	9	Bolt 1/4 x 1	
7	0641508	4	Bolt 5/16 x 1	
8	0641510	2	Bolt 5/16 x 1-1/4	
9	0641608	7	Bolt 3/8 x 1	
10	0641609	4	Bolt 3/8 x 1-1/8	
11	0641612	4	Bolt 3/8 x 1-1/2	
12	0641708	2	Bolt 7/16 x 1	
13	0681620	2	Bolt 3/8 x 2-1/2 Grade 8	
14	0681822	1	Bolt 1/2 x 2-3/4 Grade 8	
15	0741605	2	Screw, Flathead 3/8 x 5/8	
16	0760605	2	Bolt M6 x 10	
17	0760810	8	Bolt M8 x 20	
18	0761015	2	Bolt M10 x 35	
19	0761210	1	Bolt M12 x 20	
20	0771212	6	Bolt M12 x 25 Grade 10.9	
21	0771414	2	Bolt M14 x 30	
22	0940070	1	Bumper	
23	0961986	2	Bushing, Flanged	
24	1703162	1	Decal - Fan Blade	
25	2220315	1	Fitting, Straight Barbed	
27	2720015	26 in / .9m	Hose	
28	2720340	16 in / 40.6cm	Hose	
29	2902065	1	Kit, Pump Coupling (See Separate Breakdown in this Section)	
30	3200401	1	Mount, Motor	
31	3271601	2	Nut 3/8 Grade 8	
32	3271801	1	Nut 1/2 Grade 8	
33	3291005	2	Nut M10	
34	3310401	3	Nut #4	
35	3311405	17	Nut 1/4	
36	3311505	6	Nut 5/16	
37	3311605	11	Nut 3/8	
38	3580320	1	Pulley	
39	3910408	3	Screw #4 x 1/2	
40	3931432	1	Capscrew 1/4 x 2	
41	3931512	4	Capscrew 5/16 x 3/4	
42	3931628	4	Capscrew 3/8 x 1-3/4	
43	4031914	4	Capscrew M8 x 50	
44	4032014	4	Capscrew M10 x 50	
45	4060805	14 in / 36cm	Flex-Trim	
46	4240099	AR	Tie-Strap (Not Shown)	
47	4640751	1	Valve, Oil Drain	

SECTION 3 - ENGINE

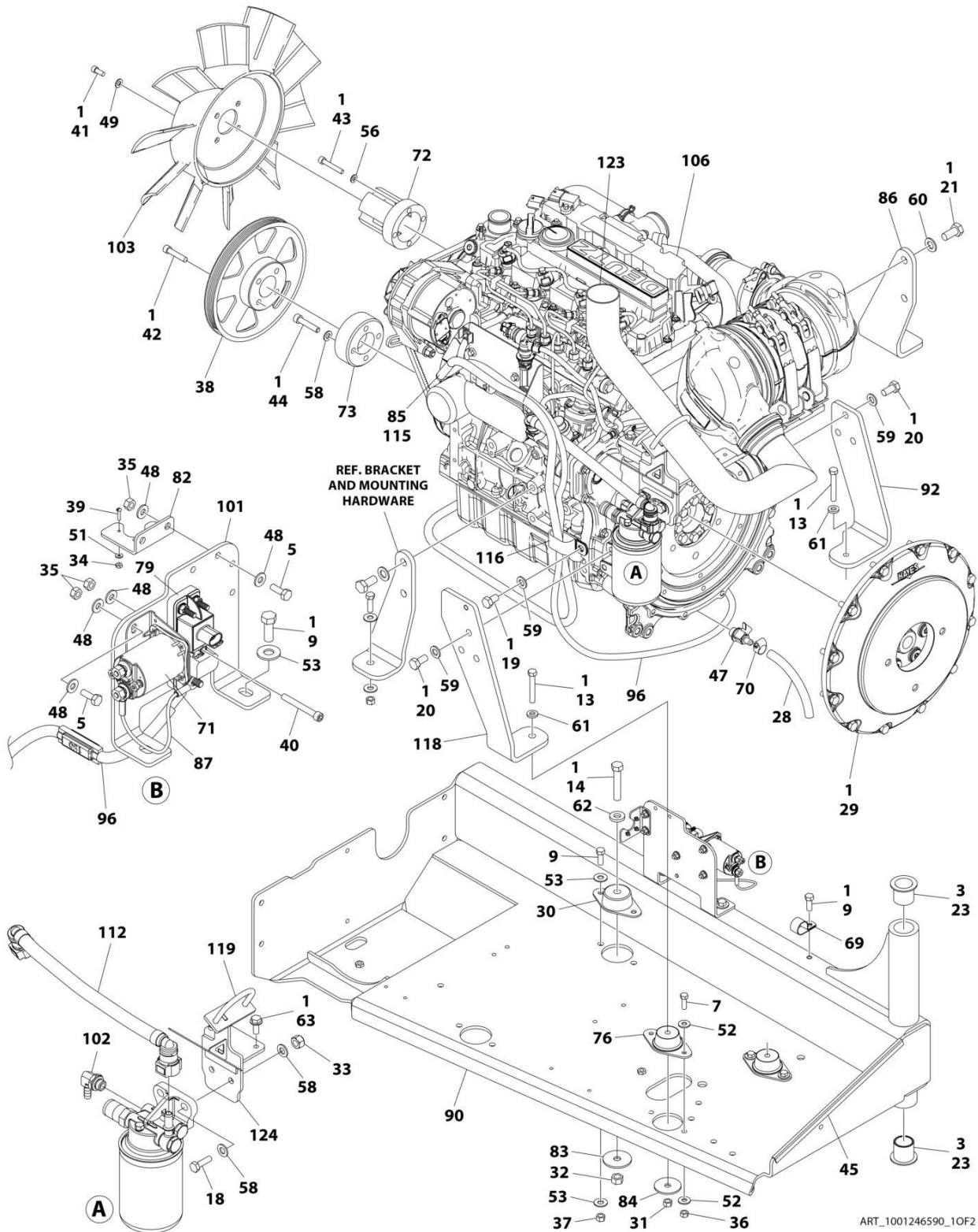
ITEM	PART NUMBER	QTY	DESCRIPTION	REV
48	4711400	31	Washer 1/4	
49	4711500	4	Washer 5/16	
50	4711600	8	Washer 3/8	
51	4750400	3	Washer #4	
52	4751500	12	Washer 5/16	
53	4751600	14	Washer 3/8	
54	4751700	2	Washer 7/16	
55	4811702	2	Washer M6	
56	4811900	4	Washer M8	
57	4811902	8	Washer M8	
58	4812000	8	Washer M10	
59	4812100	7	Washer M12	
60	4812200	2	Washer M14	
61	4891600	2	Washer 3/8 Hardened	
62	4891800	1	Washer 1/2 Hardened	
63	5250810	2	Bolt M8 x 20	
64	8405007	2	Clamp	
65	8405009	4	Clamp	
66	8405104	4	Clamp	
67	8405204	1	Clamp	
68	8406110	2	Clip	
69	8406201	1	Clip	
70	8410013	1	Clamp	
71	1001117308	1	Relay	
72	1001135138	1	Adapter	
73	1001135679	1	Adapter	
75	1001136834	1	Cap, Tank	
76	1001138170	2	Mount, Motor	
77	1001138173	1	Support	
78	1001138175	1	Bracket	
79	1001138228	1	Relay, Power Module	
79	70023593	1	Fuse 30Amp (Battery Output)	
79	70023592	1	Fuse 20Amp (Switched Output)	
80	1001138248	67 in /1.7m	Tube	
81	1001138557	1	Clamp	
82	1001139240	1	Bracket	
83	1001139409	1	Washer, Special	
84	1001139429	2	Washer, Special	
85	1001140454	1	Mount, Front Engine	
86	1001141304	1	Harness, Glow Plug	
87	1001141585	1	Hose, Air Inlet	
88	1001141995	1	Fitting, Straight Barbed	
89	1001142538	1	Support	
90	1001142615	1	Air Cleaner Assembly Filter Element	
90	91403102	1	Element, Filter (Not Shown)	
91	1001142635	1	Mount, Rear Engine	
92	1001143390	1	Indicator, Service	
93	1001143726	1	Harness, Engine (Not Shown - See Separate Breakdown in ELECTRICAL SECTION)	
94	1001143797	1	Fitting, Straight Barbed	
95	1001143907	1	Cable, Alternator Power	

SECTION 3 - ENGINE

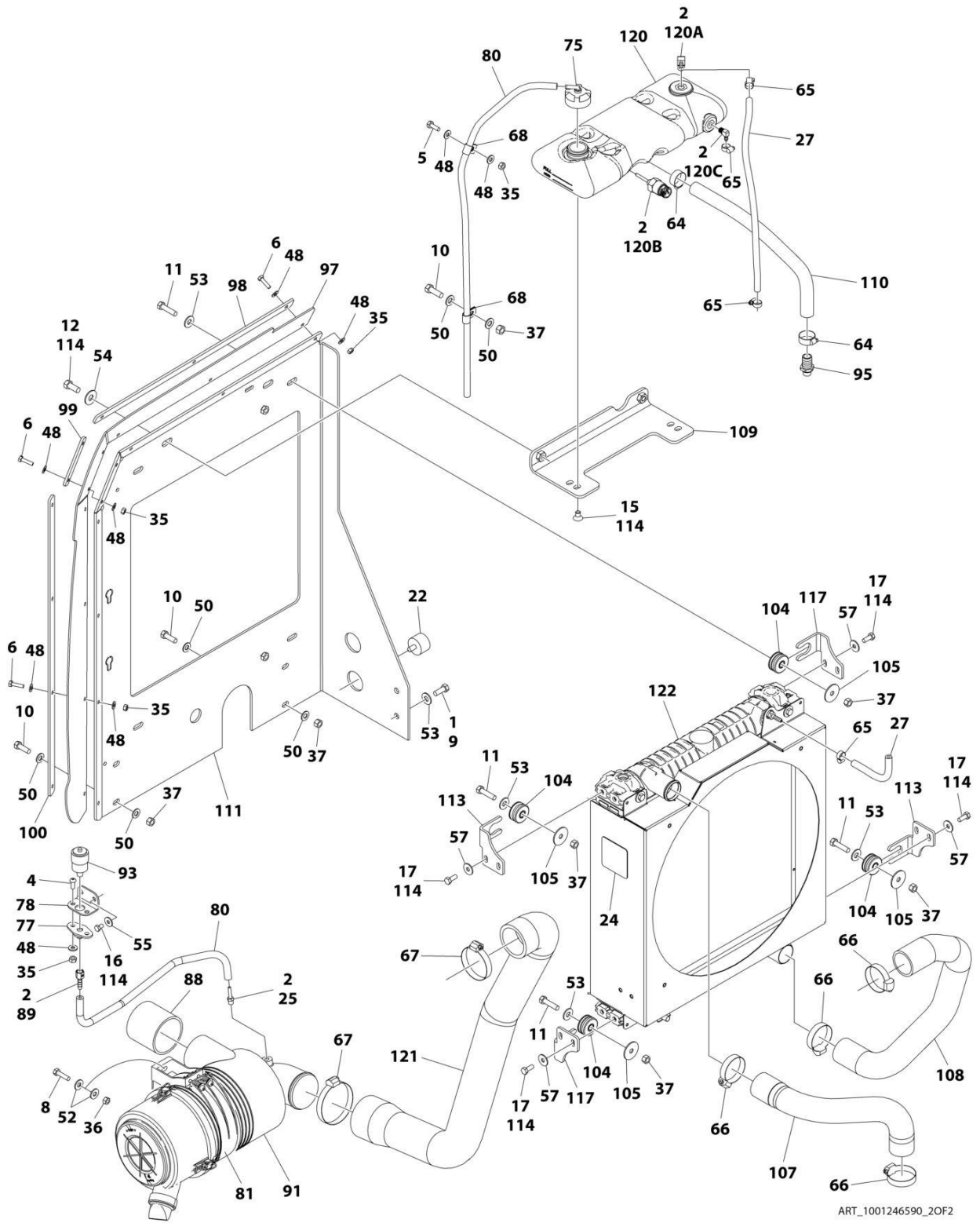
ITEM	PART NUMBER	QTY	DESCRIPTION	REV
96	1001144409	1	Panel, Rubber	
97	1001144410	1	Bracket, Panel Clamp	
98	1001144411	1	Bracket, Panel Clamp	
99	1001144412	1	Bracket, Panel Clamp	
100	1001145154	1	Plate, Relay Mounting	
101	1001152489	1	Fitting, 90 Barbed	
102	1001165849	1	Fan	
103	1001169054	4	Isolator	
104	1001169138	4	Washer	
105	1001170617	1	Deutz D2.9L4 Engine Components (See Separate Breakdown in this Section)	
106	1001176225	1	Hose, Radiator - Upper	
107	1001176226	1	Hose, Radiator - Lower	
108	1001260413	1	Bracket, Tank	
109	1001176511	1	Hose	
110	1001176723	1	Plate Radiator Mounting	
111	1001177359	1	Hose	
112	1001178223	2	Bracket	
113	1001180620	AR	Adhesive	
114	1001181899	1	Clamp	
115	1001204325	2	Bracket	
116	1001205051	1	Mount, Rear Engine	
117	1001228506	1	Bolt, U-Bolt	
118	1001230635	1	Tank	
118A	1001134488	1	Fitting, 90 Barbed	
118B	1001138827	1	Sensor, Coolant Level	
118C	1001140564	1	Fitting, 90 Barbed	
119	1001247105	1	Hose, Inlet	
120	1001247676	1	Radiator and Shroud Assembly	
120	1001203495	1	Radiator	
120	1001247564	1	Shroud	
121	1001248477	1	Pipe, Exhaust	
122	1001248480	1	Bracket	
123	3520054	1	Plug	
124	8410011	1	Clamp	
125	0681608	1	Bolt 3/8 x 1	
126	1001260412	1	Bracket	
127	1001162335	1	Bracket, Fuel Pump/Filter Assembly (Not Shown) (See Separate Breakdown in this Section)	

SECTION 3 - ENGINE

FIGURE 3-37. DEUTZ D2.9L4 ENGINE ASSEMBLY – WITH ARCTIC PACKAGE (USA BUILT MACHINES) (PVC 2001)



SECTION 3 - ENGINE



ART_1001246590_2OF2

SECTION 3 - ENGINE

FIGURE 3-37. DEUTZ D2.9L4 ENGINE ASSEMBLY – WITH ARCTIC PACKAGE (USA BUILT MACHINES) (PVC 2001)

ITEM	PART NUMBER	QTY	DESCRIPTION	REV
	1001246590	Ref	DEUTZ D2.9L4 ENGINE ASSEMBLY	A
1	0100011	AR	Compound, Locking	
2	0100020	AR	Sealant	
3	0100062	AR	Adhesive	
4	0630407	2	Screw 1/4 x 5/8	
5	0641406	5	Bolt 1/4 x 3/4	
6	0641408	9	Bolt 1/4 x 1	
7	0641508	4	Bolt 5/16 x 1	
8	0641510	2	Bolt 5/16 x 1-1/4	
9	0641608	7	Bolt 3/8 x 1	
10	0641609	4	Bolt 3/8 x 1-1/8	
11	0641612	4	Bolt 3/8 x 1-1/2	
12	0641708	2	Bolt 7/16 x 1	
13	0681620	2	Bolt 3/8 x 2-1/2 Grade 8	
14	0681822	1	Bolt 1/2 x 2-3/4 Grade 8	
15	0741605	2	Screw, Flathead 3/8 x 5/8	
16	0760605	2	Bolt M6 x 10	
17	0760810	8	Bolt M8 x 20	
18	0761015	2	Bolt M10 x 35	
19	0761210	1	Bolt M12 x 20	
20	0771212	6	Bolt M12 x 25 Grade 10.9	
21	0771414	2	Bolt M14 x 30	
22	0940070	1	Bumper	
23	0961986	2	Bushing, Flanged	
24	1703162	1	Decal - Fan Blade	
25	2220315	1	Fitting, Straight Barbed	
27	2720015	26 in / .9m	Hose	
28	2720340	6 in /15cm	Hose	
29	2902065	1	Kit, Pump Coupling (See Separate Breakdown in this section)	
30	3200401	1	Mount, Motor	
31	3271601	2	Nut 3/8 Grade 8	
32	3271801	1	Nut 1/2 Grade 8	
33	3291005	2	Nut M10	
34	3310401	3	Nut #4	
35	3311405	17	Nut 1/4	
36	3311505	6	Nut 5/16	
37	3311605	10	Nut 3/8	
38	3580320	1	Pulley	
39	3910408	3	Screw #4 x 1/2	
40	3931432	1	Capscrew 1/4 x 2	
41	3931512	4	Capscrew 5/16 x 3/4	
42	3931628	4	Capscrew 3/8 x 1-3/4	
43	4031914	4	Capscrew M8 x 50	
44	4032014	4	Capscrew M10 x 50	
45	4060805	14 in /36cm	Flex-Trim	
46	4240099	AR	Tie-Strap (Not Shown)	
47	4640751	1	Valve, Oil Drain	
48	4711400	31	Washer 1/4	

SECTION 3 - ENGINE

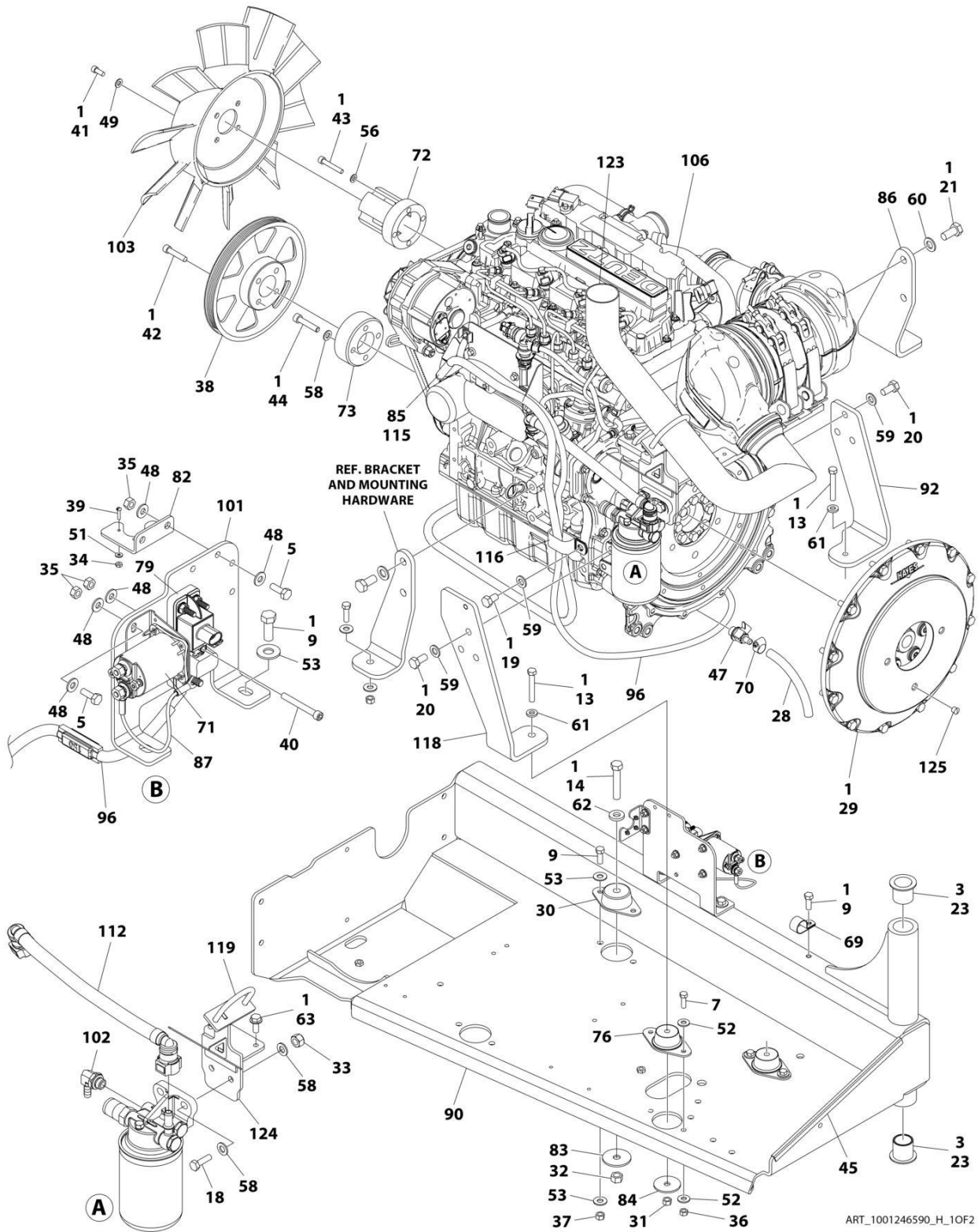
ITEM	PART NUMBER	QTY	DESCRIPTION	REV
49	4711500	4	Washer 5/16	
50	4711600	8	Washer 3/8	
51	4750400	3	Washer #4	
52	4751500	12	Washer 5/16	
53	4751600	12	Washer 3/8	
54	4751700	2	Washer 7/16	
55	4811702	2	Washer M6	
56	4811900	4	Washer M8	
57	4811902	8	Washer M8	
58	4812000	8	Washer M10	
59	4812100	7	Washer M12	
60	4812200	2	Washer M14	
61	4891600	2	Washer 3/8 Hardened	
62	4891800	1	Washer 1/2 Hardened	
63	5250810	2	Bolt M8 x 20	
64	8405007	2	Clamp	
65	8405009	4	Clamp	
66	8405104	4	Clamp	
67	8405204	2	Clamp	
68	8406110	2	Clip	
69	8406201	1	Clip	
70	8410013	1	Clamp	
71	1001117308	1	Relay	
72	1001135138	1	Adapter	
73	1001135679	1	Adapter	
75	1001136834	1	Cap, Tank	
76	1001138170	2	Mount, Motor	
77	1001138173	1	Support	
78	1001138175	1	Bracket	
79	1001138228	1	Relay, Power Module	
79	70023593	1	Fuse 30Amp (Battery Output)	
79	70023592	1	Fuse 20Amp (Switched Output)	
80	1001138248	67 in /1.7m	Tube	
81	1001138557	1	Clamp	
82	1001139240	1	Bracket	
83	1001139409	1	Washer, Special	
84	1001139429	2	Washer, Special	
85	1001140312	1	Heater, Engine Block	
86	1001140454	1	Mount, Front Engine	
87	1001141304	1	Harness, Glow Plug	
88	1001141585	1	Hose, Air Inlet	
89	1001141995	1	Fitting, Straight Barbed	
90	1001142538	1	Support	
91	1001142615	1	Air Cleaner Assembly Filter Element	
91	91403102	1	Element, Filter (Not Shown)	
92	1001142635	1	Mount, Rear Engine	
93	1001143390	1	Indicator, Service	
94	1001143726	1	Harness, Engine (Not Shown - See Separate Breakdown in ELECTRICAL SECTION)	
95	1001143797	1	Fitting, Straight Barbed	
96	1001143907	1	Cable, Alternator Power	

SECTION 3 - ENGINE

ITEM	PART NUMBER	QTY	DESCRIPTION	REV
97	1001144409	1	Panel, Rubber	
98	1001144410	1	Bracket, Panel Clamp	
99	1001144411	1	Bracket, Panel Clamp	
100	1001144412	1	Bracket, Panel Clamp	
101	1001145154	1	Plate, Relay Mounting	
102	1001152489	1	Fitting, 90 Barbed	
103	1001165849	1	Fan	
104	1001169054	4	Isolator	
105	1001169138	4	Washer	
106	1001170617	1	Deutz D2.9L4 Engine Components (See Separate Breakdown in this Section)	
107	1001176225	1	Hose, Radiator - Upper	
108	1001176226	1	Hose, Radiator - Lower	
109	1001176419	1	Bracket, Tank	
110	1001176511	1	Hose	
111	1001176723	1	Plate Radiator Mounting	
112	1001177359	1	Hose	
113	1001178223	2	Bracket	
114	1001180620	AR	Adhesive	
115	1001181895	AR	Adhesive	
116	1001181899	1	Clamp	
117	1001204325	2	Bracket	
118	1001205051	1	Mount, Rear Engine	
119	1001228506	1	Bolt, U-Bolt	
120	1001230635	1	Tank	
120A	1001134488	1	Fitting, 90 Barbed	
120B	1001138827	1	Sensor, Coolant Level	
120C	1001140564	1	Fitting, 90 Barbed	
121	1001247105	1	Hose, Inlet	
122	1001247676	1	Radiator	
123	1001248477	1	Pipe, Exhaust	
124	1001248480	1	Bracket	

SECTION 3 - ENGINE

FIGURE 3-38. DEUTZ D2.9L4 ENGINE ASSEMBLY – WITH ARCTIC PACKAGE (USA BUILT MACHINES) (PVC 2007)



SECTION 3 - ENGINE

FIGURE 3-38. DEUTZ D2.9L4 ENGINE ASSEMBLY – WITH ARCTIC PACKAGE (USA BUILT MACHINES) (PVC 2007)

ITEM	PART NUMBER	QTY	DESCRIPTION	REV
	1001246590	Ref	DEUTZ D2.9L4 ENGINE ASSEMBLY	H
1	0100011	AR	Compound, Locking	
2	0100020	AR	Sealant	
3	0100062	AR	Adhesive	
4	0630407	2	Screw 1/4 x 5/8	
5	0641406	5	Bolt 1/4 x 3/4	
6	0641408	9	Bolt 1/4 x 1	
7	0641508	4	Bolt 5/16 x 1	
8	0641510	2	Bolt 5/16 x 1-1/4	
9	0641608	7	Bolt 3/8 x 1	
10	0641609	4	Bolt 3/8 x 1-1/8	
11	0641612	4	Bolt 3/8 x 1-1/2	
12	0641708	2	Bolt 7/16 x 1	
13	0681620	2	Bolt 3/8 x 2-1/2 Grade 8	
14	0681822	1	Bolt 1/2 x 2-3/4 Grade 8	
15	0741605	2	Screw, Flathead 3/8 x 5/8	
16	0760605	2	Bolt M6 x 10	
17	0760810	8	Bolt M8 x 20	
18	0761015	2	Bolt M10 x 35	
19	0761210	1	Bolt M12 x 20	
20	0771212	6	Bolt M12 x 25 Grade 10.9	
21	0771414	2	Bolt M14 x 30	
22	0940070	1	Bumper	
23	0961986	2	Bushing, Flanged	
24	1703162	1	Decal - Fan Blade	
25	2220315	1	Fitting, Straight Barbed	
27	2720015	26 in / .9m	Hose	
28	2720340	16 in / 40.6cm	Hose	
29	2902065	1	Kit, Pump Coupling (See Separate Breakdown in this section)	
30	3200401	1	Mount, Motor	
31	3271601	2	Nut 3/8 Grade 8	
32	3271801	1	Nut 1/2 Grade 8	
33	3291005	2	Nut M10	
34	3310401	3	Nut #4	
35	3311405	17	Nut 1/4	
36	3311505	6	Nut 5/16	
37	3311605	11	Nut 3/8	
38	3580320	1	Pulley	
39	3910408	3	Screw #4 x 1/2	
40	3931432	1	Capscrew 1/4 x 2	
41	3931512	4	Capscrew 5/16 x 3/4	
42	3931628	4	Capscrew 3/8 x 1-3/4	
43	4031914	4	Capscrew M8 x 50	
44	4032014	4	Capscrew M10 x 50	
45	4060805	14 in / 36cm	Flex-Trim	
46	4240099	AR	Tie-Strap (Not Shown)	
47	4640751	1	Valve, Oil Drain	

SECTION 3 - ENGINE

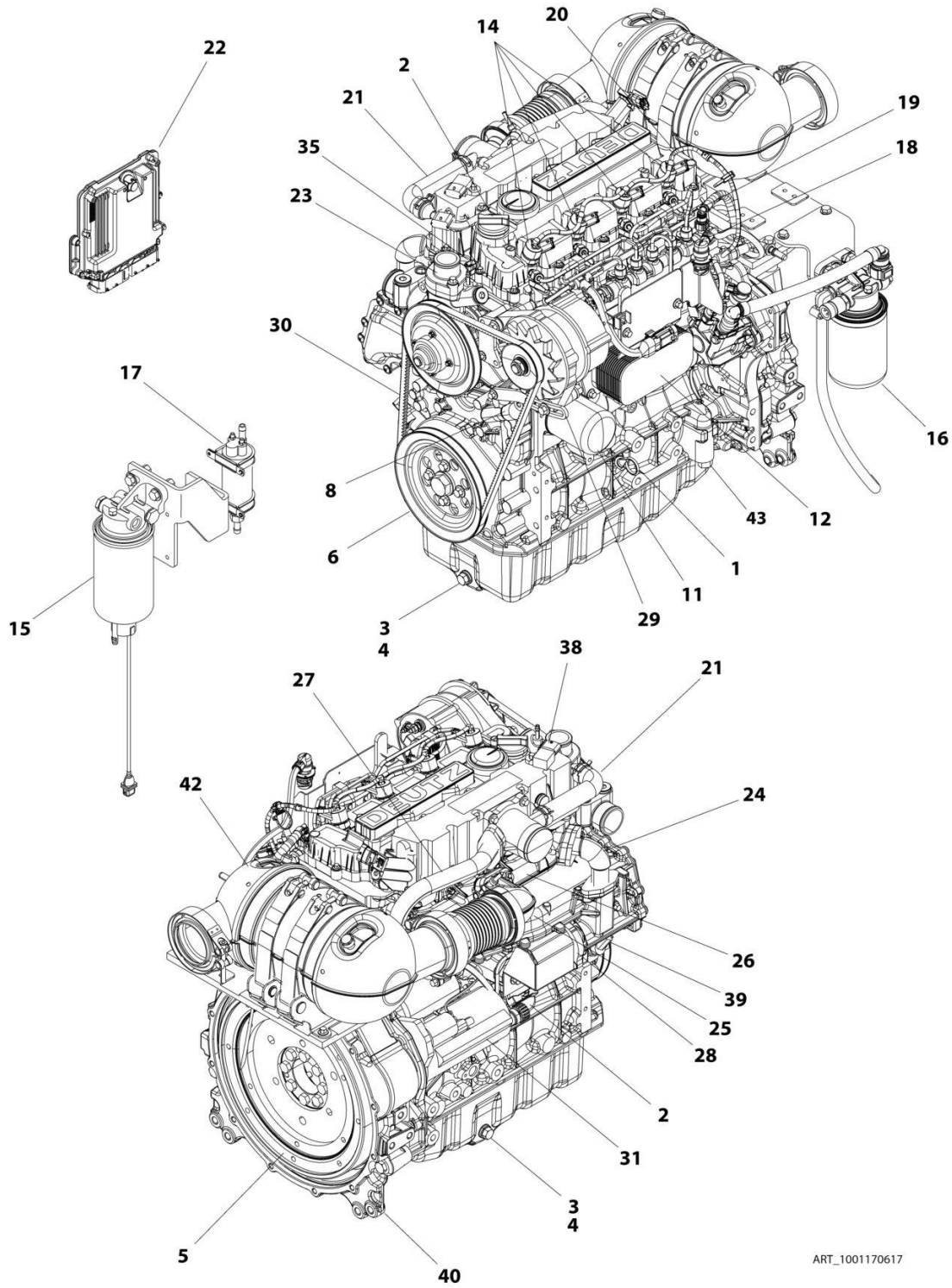
ITEM	PART NUMBER	QTY	DESCRIPTION	REV
48	4711400	31	Washer 1/4	
49	4711500	4	Washer 5/16	
50	4711600	8	Washer 3/8	
51	4750400	3	Washer #4	
52	4751500	12	Washer 5/16	
53	4751600	14	Washer 3/8	
54	4751700	2	Washer 7/16	
55	4811702	2	Washer M6	
56	4811900	4	Washer M8	
57	4811902	8	Washer M8	
58	4812000	8	Washer M10	
59	4812100	7	Washer M12	
60	4812200	2	Washer M14	
61	4891600	2	Washer 3/8 Hardened	
62	4891800	1	Washer 1/2 Hardened	
63	5250810	2	Bolt M8 x 20	
64	8405007	2	Clamp	
65	8405009	4	Clamp	
66	8405104	4	Clamp	
67	8405204	1	Clamp	
68	8406110	2	Clip	
69	8406201	1	Clip	
70	8410013	1	Clamp	
71	1001117308	1	Relay	
72	1001135138	1	Adapter	
73	1001135679	1	Adapter	
75	1001136834	1	Cap, Tank	
76	1001138170	2	Mount, Motor	
77	1001138173	1	Support	
78	1001138175	1	Bracket	
79	1001138228	1	Relay, Power Module	
79	70023593	1	Fuse 30Amp (Battery Output)	
79	70023592	1	Fuse 20Amp (Switched Output)	
80	1001138248	67 in /1.7m	Tube	
81	1001138557	1	Clamp	
82	1001139240	1	Bracket	
83	1001139409	1	Washer, Special	
84	1001139429	2	Washer, Special	
85	1001140312	1	Heater, Engine Block	
86	1001140454	1	Mount, Front Engine	
87	1001141304	1	Harness, Glow Plug	
88	1001141585	1	Hose, Air Inlet	
89	1001141995	1	Fitting, Straight Barbed	
90	1001142538	1	Support	
91	1001142615	1	Air Cleaner Assembly Filter Element	
91	91403102	1	Element, Filter (Not Shown)	
92	1001142635	1	Mount, Rear Engine	
93	1001143390	1	Indicator, Service	
94	1001143726	1	Harness, Engine (Not Shown - See Separate Breakdown in ELECTRICAL SECTION)	
95	1001143797	1	Fitting, Straight Barbed	

SECTION 3 - ENGINE

ITEM	PART NUMBER	QTY	DESCRIPTION	REV
96	1001143907	1	Cable, Alternator Power	
97	1001144409	1	Panel, Rubber	
98	1001144410	1	Bracket, Panel Clamp	
99	1001144411	1	Bracket, Panel Clamp	
100	1001144412	1	Bracket, Panel Clamp	
101	1001145154	1	Plate, Relay Mounting	
102	1001152489	1	Fitting, 90 Barbed	
103	1001165849	1	Fan	
104	1001169054	4	Isolator	
105	1001169138	4	Washer	
106	1001170617	1	Deutz D2.9L4 Engine Components (See Separate Breakdown in this Section)	
107	1001176225	1	Hose, Radiator - Upper	
108	1001176226	1	Hose, Radiator - Lower	
109	1001260413	1	Bracket, Tank	
110	1001176511	1	Hose	
111	1001176723	1	Plate Radiator Mounting	
112	1001177359	1	Hose	
113	1001178223	2	Bracket	
114	1001180620	AR	Adhesive	
115	1001181895	AR	Adhesive	
116	1001181899	1	Clamp	
117	1001204325	2	Bracket	
118	1001205051	1	Mount, Rear Engine	
119	1001228506	1	Bolt, U-Bolt	
120	1001230635	1	Tank	
120A	1001134488	1	Fitting, 90 Barbed	
120B	1001138827	1	Sensor, Coolant Level	
120C	1001140564	1	Fitting, 90 Barbed	
121	1001247105	1	Hose, Inlet	
122	1001247676	1	Radiator and Shroud Assembly	
122	1001203495	1	Radiator	
122	1001247564	1	Shroud	
123	1001248477	1	Pipe, Exhaust	
124	1001248480	1	Bracket	
125	3520054	1	Plug	
126	8410011	1	Clamp	
127	0681608	1	Bolt 3/8 x 1	
128	1001260412	1	Bracket	
129	1001162335	1	Bracket, Fuel Pump/Filter Assembly (Not Shown) (See Separate Breakdown in this Section)	

SECTION 3 - ENGINE

FIGURE 3-39. ENGINE COMPONENTS - DEUTZ D2.9L4 ENGINE



ART_1001170617

SECTION 3 - ENGINE

FIGURE 3-39. ENGINE COMPONENTS - DEUTZ D2.9L4 ENGINE

ITEM	PART NUMBER	QTY	DESCRIPTION	REV
	1001170617	Ref	ENGINE COMPONENTS - DEUTZ D2.9L4 ENGINE	E
1	70024904	1	Dipstick	
1	70024905	1	O-Ring	
2	7020465	2	Cap, Filler	
3	70025088	2	Plug, Oil	
4	7020404	2	Ring, Sealing	
5	70001870	1	Flywheel	
5	7024579	1	Ring, Gear	
6	70025198	1	Pulley, Crank	
7	70024906	1	Gasket, Head (Not Shown)	
7	70025195	1	Gasket, Valve Cover (Not Shown)	
7	70005171	1	Gasket, Valve Cover (Not Shown)	
8	70025076	1	Valve	
8	70025091	1	Plug	
8	70025176	1	Spring	
8	70025082	1	Seal	
9	70004280	1	Seal, Crankshaft (Front) (Not Shown)	
9	70002718	1	Seal, Crankshaft (Rear) (Not Shown)	
10	70005172	1	Pump, Oil Lube (Not Shown)	
10	70025135	1	O-Ring (Not Shown)	
10	70005173	1	Gasket (Not Shown)	
11	7016331	1	Filter, Oil	
12	70004275	1	Cooler, Oil	
12	70024925	1	Gasket	
13	70025171	1	Pipe, Oil Suction (Not Shown)	
14	70004281	4	Injector, Fuel	
14	70025140	4	Washer, Sealing	
14	70025146	4	Clamp (Top of Injector)	
14	70025145	4	O-Ring	
14	70025154	4	Shoe, Clamping	
15	70024961	1	Bracket, Fuel Filter	
15	1001225430	1	Filter, Fuel	
15	70024513	1	Cable, Sensor	
15	70025239	1	Seal	
16	70025160	1	Bracket, Fuel Filter	
16	1001225431	1	Filter, Fuel	
16	70024504	1	Sensor, Pressure	
16	70024920	1	O-Ring	
16	70004513	2	Ring, Sealing	
17	70005174	NLA	Pump, Fuel (Use p/n 1001226098)	
17	70025144	2	Clamp	
18	70025151	1	Rail, Fuel	
18	70025235	1	Repair Kit	
18	70025240	1	O-Ring	
19	70025182	1	Line, Fuel (Cylinder 1 + 2)	
19	70025183	1	Line, Fuel (Cylinder 3 + 4)	
19	70025184	1	Line, Fuel (Fuel Rail to Pump)	
20	70024502	1	Fuel Return Pipe	
20	70025185	1	Hose, Fuel	
20	70025101	2	Clamp	

SECTION 3 - ENGINE

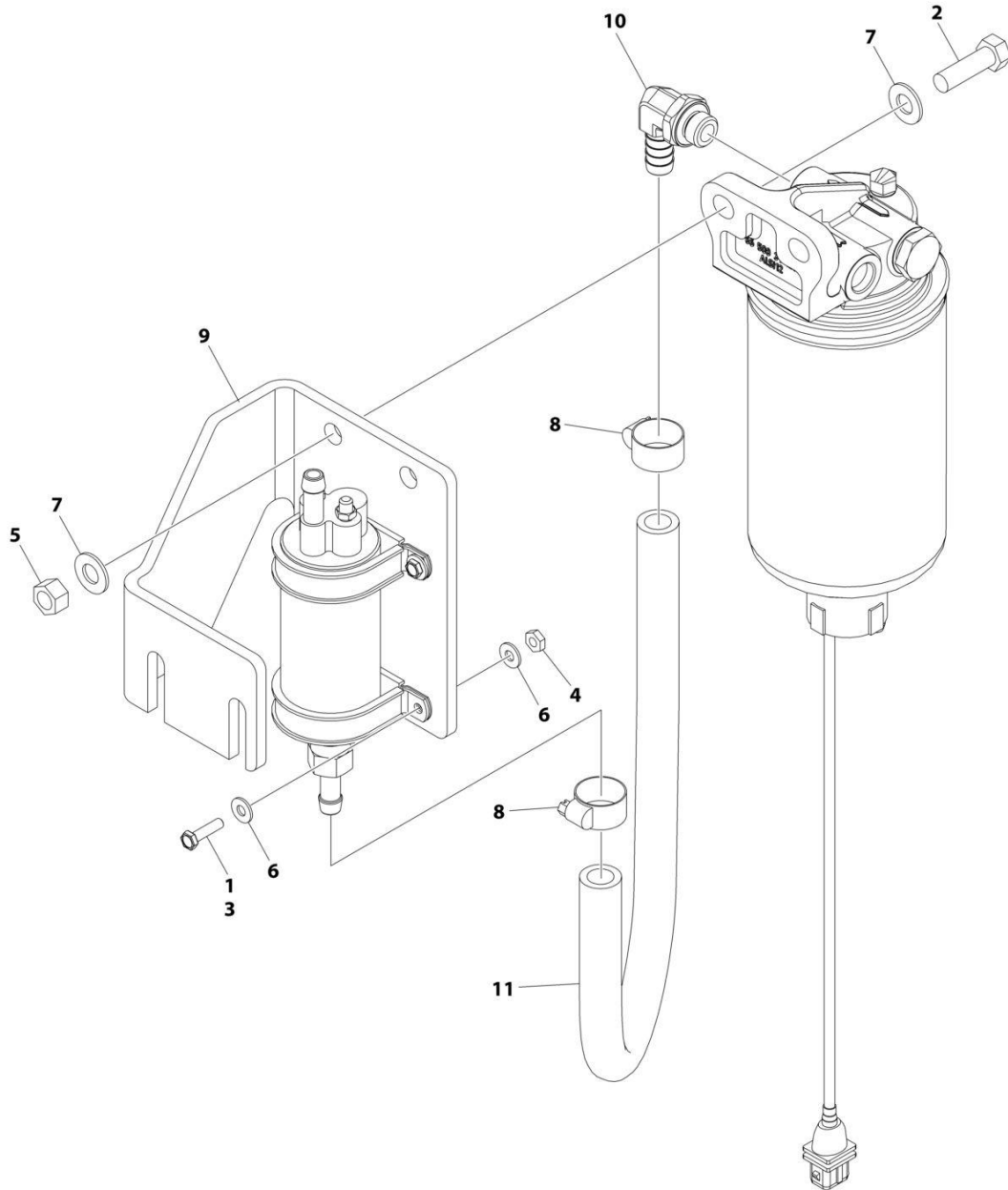
ITEM	PART NUMBER	QTY	DESCRIPTION	REV
20	70025109	2	Clamp	
20	70025115	1	Clamp, Pipe	
20	70025133	1	Hose	
20	70025148	1	Connector, Plug-in	
21	70005182	1	Elbow, Air Charger	
21	70005176	1	O-Ring	
21	70005177	1	Gasket	
21	70005180	1	Line, Breather	
21	70005181	1	O-Ring	
21	70005183	1	Line, Breather	
21	70025111	2	Clamp	
22	70025210	1	Module, ECU	
23	70024910	1	Pump, Water	
23	70025084	1	Plug	
23	7020492	1	O-Ring	
23	70025200	1	Seal	
23	70024473	1	Thermostat	
23	70005184	1	O-Ring (Thermostat)	
23	70025142	1	Cover, Thermostat	
23	70025159	1	Pulley, Water Pump	
24	70025177	1	Pipe	
24	70025179	1	Gasket	
25	70005185	1	Manifold	
25	70024912	1	Gasket	
26	70004282	1	Manifold, Exhaust	
26	70025164	1	Gasket, Exhaust Manifold	
27	70005186	1	Pipe	
27	70025179	1	Gasket (Two Hole)	
27	70025180	1	Gasket (Three Hole)	
28	70004283	1	Module, ERG	
28	70005188	1	Valve, Control	
28	70005189	1	O-Ring	
29	70024914	1	Alternator	
29	70025149	1	Regulator	
29	70025131	1	Fan	
29	70025150	1	Pulley	
29	70025191	1	Plate, Retaining	
29	70025201	1	Bracket, Alternator	
30	70024913	1	V-Belt	
31	70024915	1	Starter	
32	70025231	1	Harness, Glow Plug (Not Shown)	
32	70025233	1	Connector (Not Shown)	
33	70025221	1	Connector, Plug-In (Not Shown)	
33	70025781	1	Connector, Plug-In (Not Shown)	
33	70025779	1	Ring, Fastening (Not Shown)	
34	70004284	1	Harness, Engine (Not Shown)	
34	70025165	1	Plate, Retaining (Not Shown)	
34	70025216	1	Adapter (Not Shown)	
34	70025215	1	Bracket, Fixing (Not Shown)	
34	70025228	2	Bracket (Not Shown)	
34	70025226	1	Connector, Plug-In (Not Shown)	

SECTION 3 - ENGINE

ITEM	PART NUMBER	QTY	DESCRIPTION	REV
34	70025220	5	Connector, Plug-In (Not Shown)	
34	70025222	3	Connector, Plug-In (Not Shown)	
34	70025223	1	Connector, Plug-In (Not Shown)	
34	70025219	1	Connector, Plug-In (Not Shown)	
34	70025238	1	Connector, Plug-In (Not Shown)	
34	70025221	2	Connector, Plug-In (Not Shown)	
34	70025217	8	Clamp (Not Shown)	
34	70025213	2	Clip (Not Shown)	
34	70025209	1	Bracket (Not Shown)	
34	70025225	1	Support (Not Shown)	
34	70025218	3	Clamp (Not Shown)	
34	70025237	1	Connector, Plug-In (Not Shown)	
34	70025214	1	Cap (Not Shown)	
34	70025224	2	Clamp (Not Shown)	
34	70025166	1	Support, Harness (Not Shown)	
34	70025211	1	Plate, Retaining (Not Shown)	
34	70025189	1	Plate, Retaining (Not Shown)	
34	70025236	1	Support, Harness (Not Shown)	
35	70024918	1	Sender, Temperature	
36	70024504	1	Sensor, Pressure (Not Shown - Located Left Side Front)	
36	70024920	1	O-Ring (Not Shown)	
37	70024503	1	Sensor, Speed (Not Shown)	
37	70005191	1	O-Ring	
38	70024507	1	Sensor, Pressure	
38	70025120	1	Seal	
39	70024503	1	Sensor, Speed	
39	70024917	1	Seal	
40	70025192	1	Housing	
40	70025113	2	Pin	
41	70000345	4	Plug, Glow (Not Shown)	
42	70005446	1	Outlet, Muffler	
42	70025241	1	Clip	
42	70025242	2	Gasket	
42	70004504	1	Compensator	
42	70024512	1	Clamp	
42	70025877	1	Clamp	
43	70124530	1	Valve, Relief	
43	70025660	1	Plug	
43	70124538	1	Spring	
43	70104570	1	Seal	

SECTION 3 - ENGINE

FIGURE 3-40. BRACKET ASSEMBLY - FUEL PUMP AND FILTER (DEUTZ D2.2L3 (STAGE V) ENGINES)



ART_1001235949

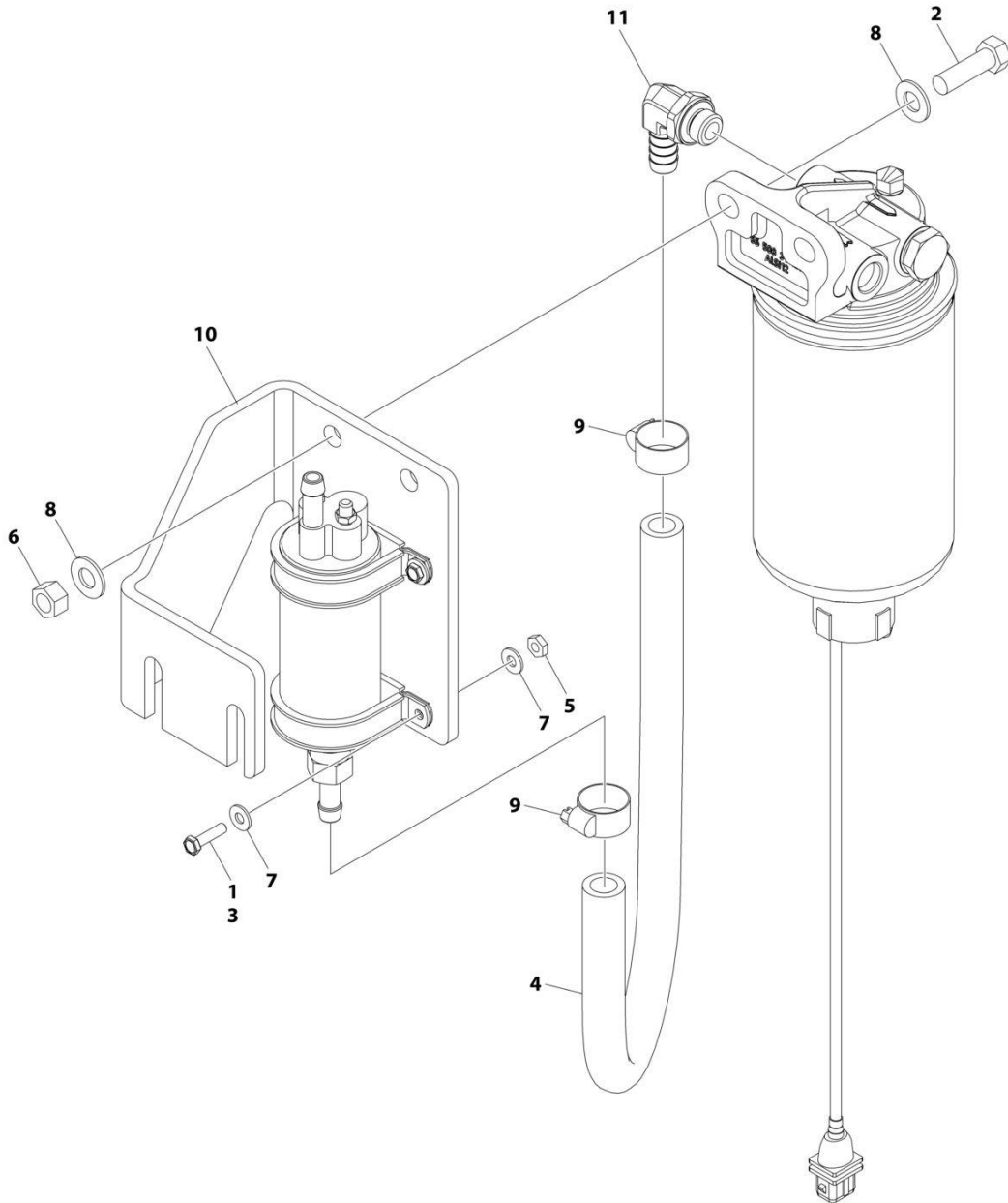
SECTION 3 - ENGINE

FIGURE 3-40. BRACKET ASSEMBLY - FUEL PUMP AND FILTER (DEUTZ D2.2L3 (STAGE V) ENGINES)

ITEM	PART NUMBER	QTY	DESCRIPTION	REV
	1001235949	Ref	BRACKET ASSEMBLY - FUEL PUMP AND FILTER (DEUTZ D2.9L4 (STAGE V) ENGINE)	A
1	0100035	AR	Compound, Locking	
2	0641610	2	Bolt 3/8 x 1-1/4	
3	0721006	4	Bolt #10 x 3/4	
4	3311001	4	Nut #10	
5	3311605	2	Nut 3/8	
6	4711000	8	Washer #10	
7	4711600	4	Washer 3/8	
8	8405006	2	Clamp	
9	1001141870	1	Plate, Fuel Pump Mount	
10	1001142501	1	Fitting, Elbow Barbed	
11	1001154405	1.5 ft /0.4m	Hose	

SECTION 3 - ENGINE

FIGURE 3-41. BRACKET ASSEMBLY - FUEL PUMP AND FILTER (DEUTZ D2.9L4 ENGINE)



ART_1001162335

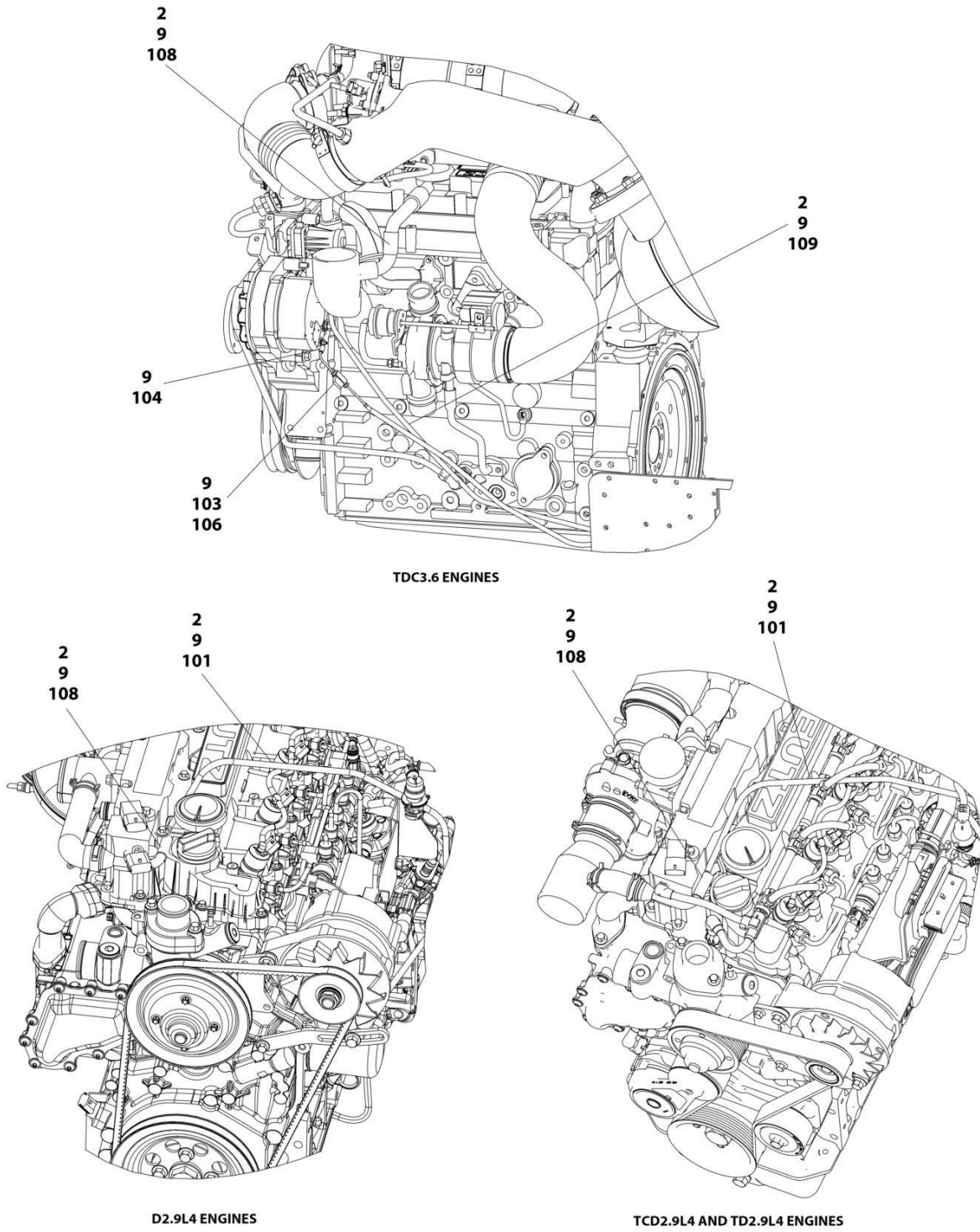
SECTION 3 - ENGINE

FIGURE 3-41. BRACKET ASSEMBLY - FUEL PUMP AND FILTER (DEUTZ D2.9L4 ENGINE)

ITEM	PART NUMBER	QTY	DESCRIPTION	REV
	1001162335	Ref	BRACKET ASSEMBLY - FUEL PUMP AND FILTER (DEUTZ D2.9L4 ENGINE)	E
1	0100011	AR	Compound, Locking	
2	0641610	2	Bolt 3/8 x 1-1/4	
3	0721006	4	Bolt #10 x 3/4	
4	1001154405	AR	Hose	
5	3311001	4	Nut #10	
6	3311605	2	Nut 3/8	
7	4711000	8	Washer #10	
8	4711600	4	Washer 3/8	
9	8405006	2	Clamp	
10	1001141870	1	Plate, Fuel Pump Mount	
11	1001142501	1	Fitting, Elbow Barbed	

SECTION 3 - ENGINE

FIGURE 3-42. BREATHER HEATER INSTALLATION - DEUTZ D2.9L4 ENGINES WITH ARCTIC PACKAGE (USA BUILT MACHINES)



ART_1001233763

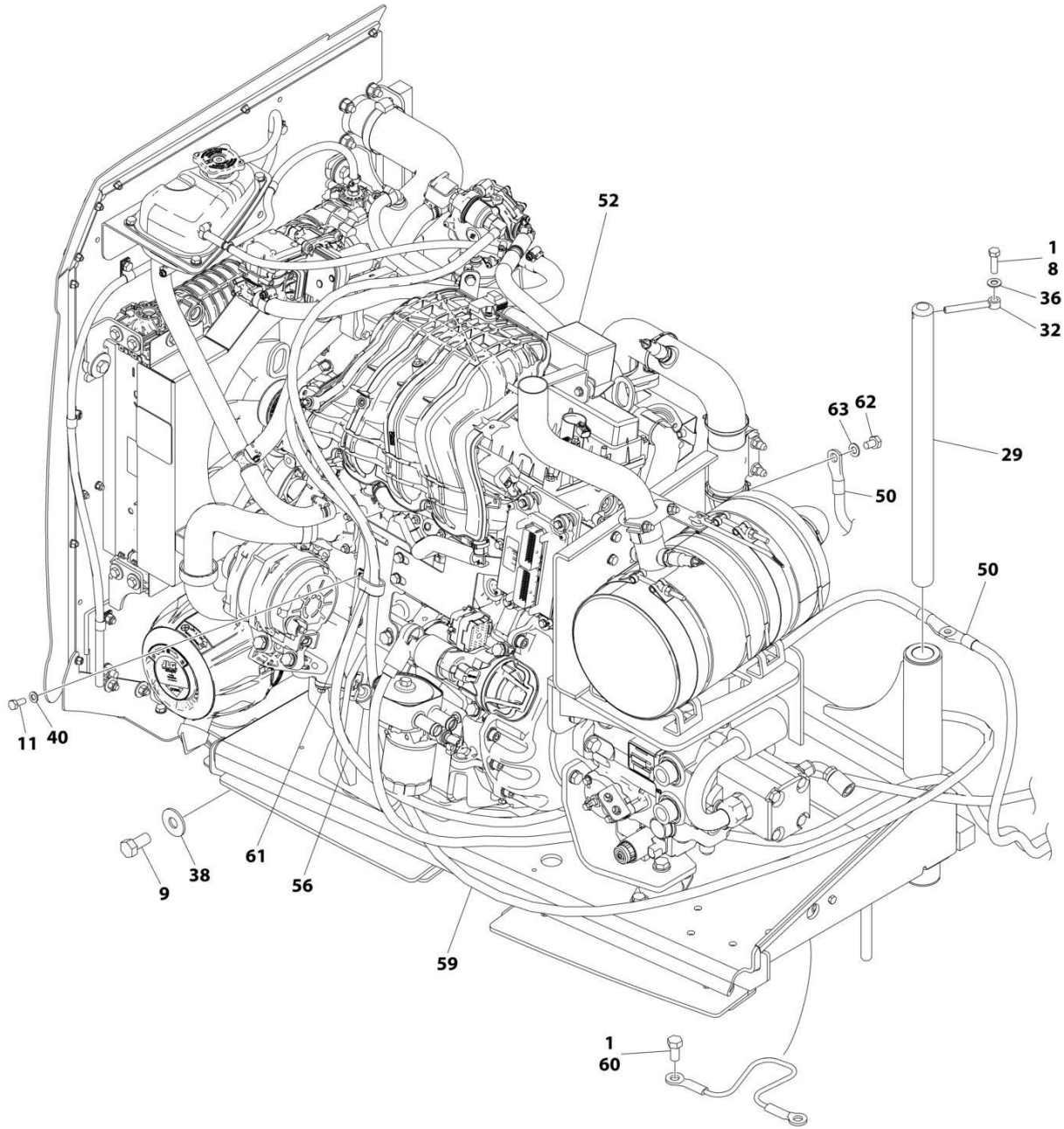
SECTION 3 - ENGINE

FIGURE 3-42. BREATHER HEATER INSTALLATION - DEUTZ D2.9L4 ENGINES WITH ARCTIC PACKAGE (USA BUILT MACHINES)

ITEM	PART NUMBER	QTY	DESCRIPTION	REV
	1001233763	Ref	BREATHER HEATER INSTALLATION - DEUTZ ENGINES	D
2	4240099	AR	Tie-Strap	
9	1001243895	1	Breather Heater Harness	C
101	2820035	AR	Insulation	
103	2400060	1	Fuseholder with Cover	
104	4460043	1	Terminal, Ring	
105	4460722	1	Terminal, Ring (Not Shown)	
106	1001196634	1	Fuse - 2 Amp	
108	1001232842	1	Breather Heater Kit	

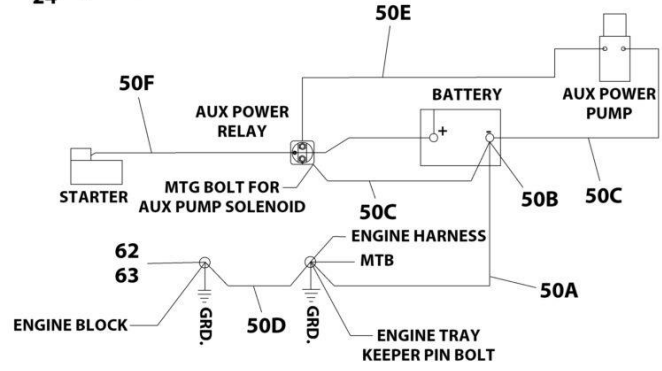
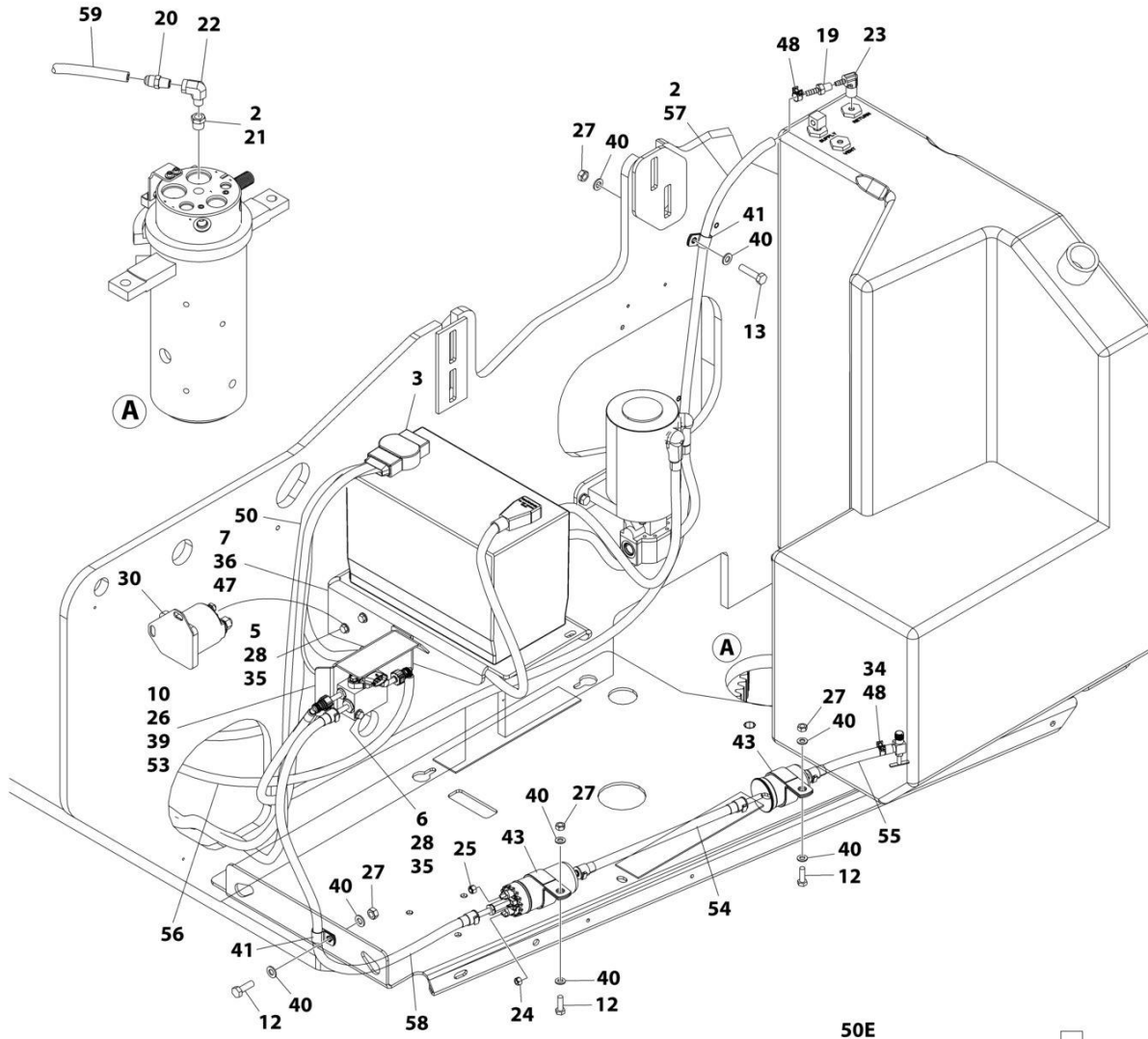
SECTION 3 - ENGINE

FIGURE 3-43. FORD ENGINE INSTALLATION - WITHOUT ARCTIC PACKAGE



ART_1001216912_H_10F2

SECTION 3 - ENGINE



BATTERY CABLE KIT - ITEM 50

ART_1001216912_H_20F2

SECTION 3 - ENGINE

FIGURE 3-43. FORD ENGINE INSTALLATION - WITHOUT ARCTIC PACKAGE

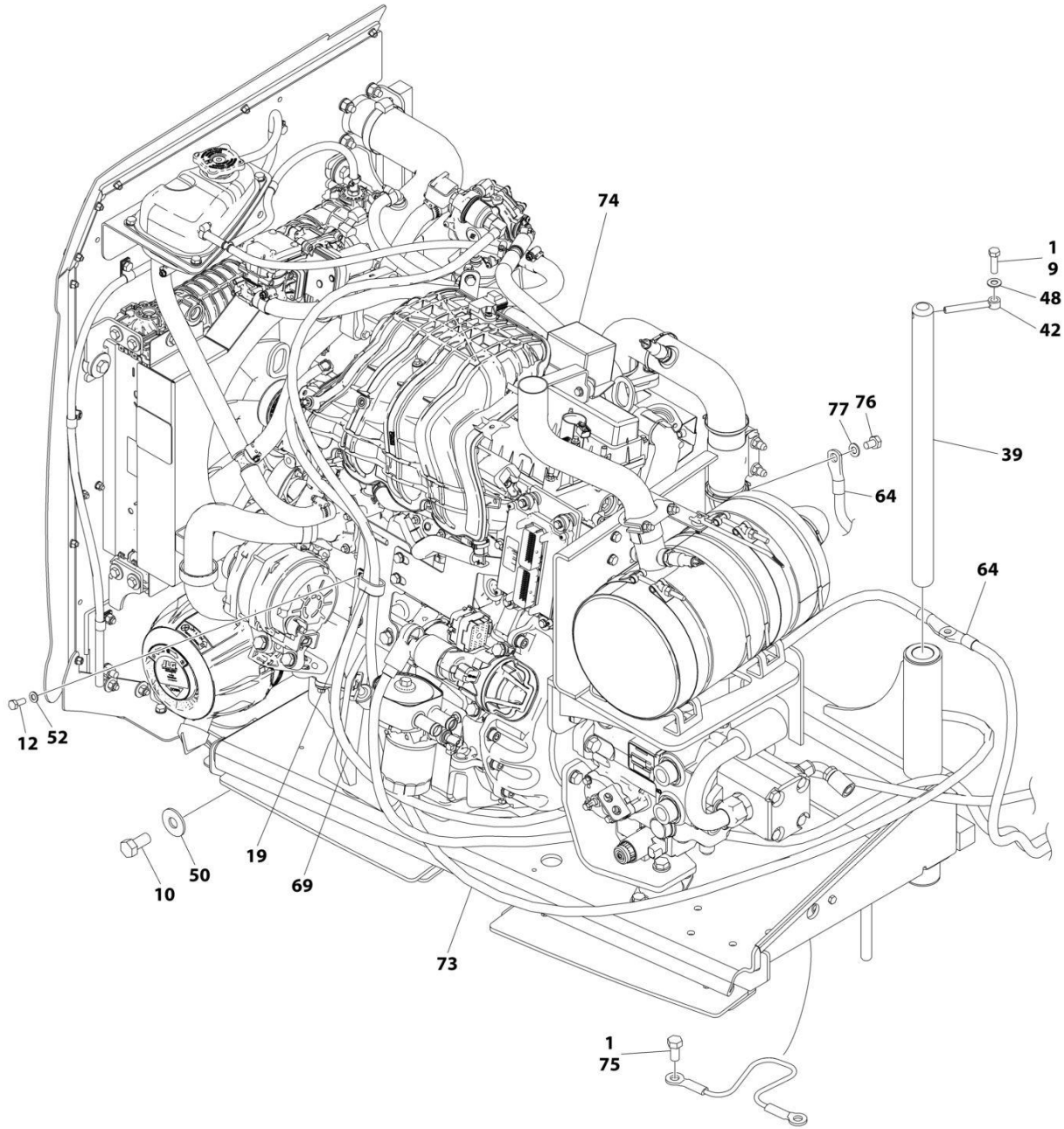
ITEM	PART NUMBER	QTY	DESCRIPTION	REV
	1001216912	Ref	FORD ENGINE INSTALLATION	H
1	0100011	AR	Compound, Locking	
2	0100020	AR	Sealant	
3	0100048	AR	Grease, Terminal	
5	0641406	2	Bolt 1/4 x 3/4	
6	0641416	2	Bolt 1/4 x 2	
7	0641607	3	Bolt 3/8 x 7/8	
8	0641612	1	Bolt 3/8 x 1-1/2	
9	0642010	1	Bolt 5/8 x 1-1/4	
10	0760612	2	Bolt M6 x 25	
11	0760810	1	Bolt M8 x 20	
12	0760812	3	Bolt M8 x 25	
13	0760815	1	Bolt M8 x 35	
17	1701542	1	Decal - Gas (Not Shown)	
18	1701543	2	Decal - LPG (Not Shown)	
19	2180348	1	Fitting, Straight NPT/Barbed	
20	2180418	1	Fitting, Straight	
21	2221197	1	Fitting, Straight NPT	
22	1001247359	1	Fitting, Straight	
23	2221176	1	Fitting, 90	
24	3290405	1	Nut M4	
25	3290505	1	Nut M5	
26	3290605	2	Nut M6	
27	3290801	4	Nut M8	
28	3311405	4	Nut 1/4	
29	3422448	1	Pin	
30	3740067	1	Relay	
31	3790012	1	O-Ring (Not Shown - Located on Platform Console Box)	
32	3841143	1	Keeper, Pin	
33	4360336	1	Switch, Toggle (Not Shown - Located on Platform Console Box)	
34	1001221488	1	Tube, Fuel Line	
35	4711400	6	Washer 1/4	
36	4711600	4	Washer 3/8	
38	4752000	1	Washer 5/8	
39	4811702	4	Washer M6	
40	4811900	9	Washer M8	
41	8406101	2	Clip	
43	85941018	2	Clamp	
47	1001137868	1	Bracket, Battery	
48	1001174486	2	Clamp	
50	1001215142	1	Battery Cable Kit	C
50A	7027073	1	Cable, Battery - Ground to Battery -	
50B	8270147	1	Terminal, Battery with Boot	
50C	7027072	1	Cable, Battery - Auxiliary Pump/Relay to Battery -	
50D	70009018	1	Cable, Battery - Engine to Ground	
50E	7027075	1	Cable, Battery - Auxiliary Relay to Auxiliary Pump	
50F	70009019	1	Cable, Battery - Starter/Auxiliary Relay to Battery +	
52	1001216911	1	Engine Assembly with Pumps (See Separate Breakdown in this Section)	
53	1001217645	1	Bracket	

SECTION 3 - ENGINE

ITEM	PART NUMBER	QTY	DESCRIPTION	REV
54	1001217418	1	Hose	
55	1001217419	1	Hose	
56	1001217420	1	Hose	
57	1001217421	1	Hose	
58	1001217422	1	Hose	
59	1001218638	1	Hose	
60	0641808	1	Bolt 1/2 x 1	
61	1321283	1	Clamp	
62	0761008	1	Bolt M10 x 16	
63	4812000	1	Washer M10	

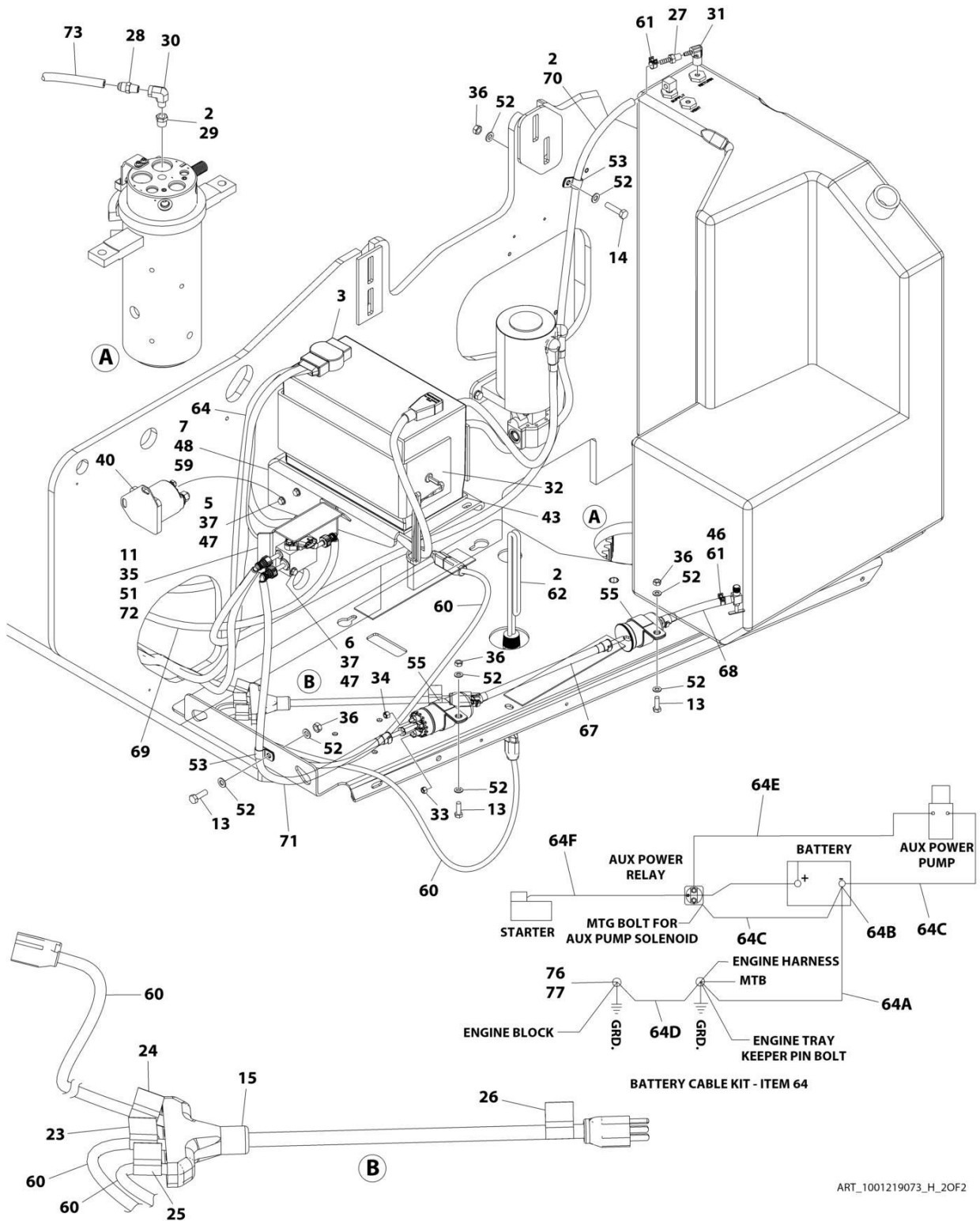
SECTION 3 - ENGINE

FIGURE 3-44. FORD ENGINE INSTALLATION - WITH ARCTIC PACKAGE



ART_1001219073_H_10F2

SECTION 3 - ENGINE



ART_1001219073_H_20F2

SECTION 3 - ENGINE

FIGURE 3-44. FORD ENGINE INSTALLATION - WITH ARCTIC PACKAGE

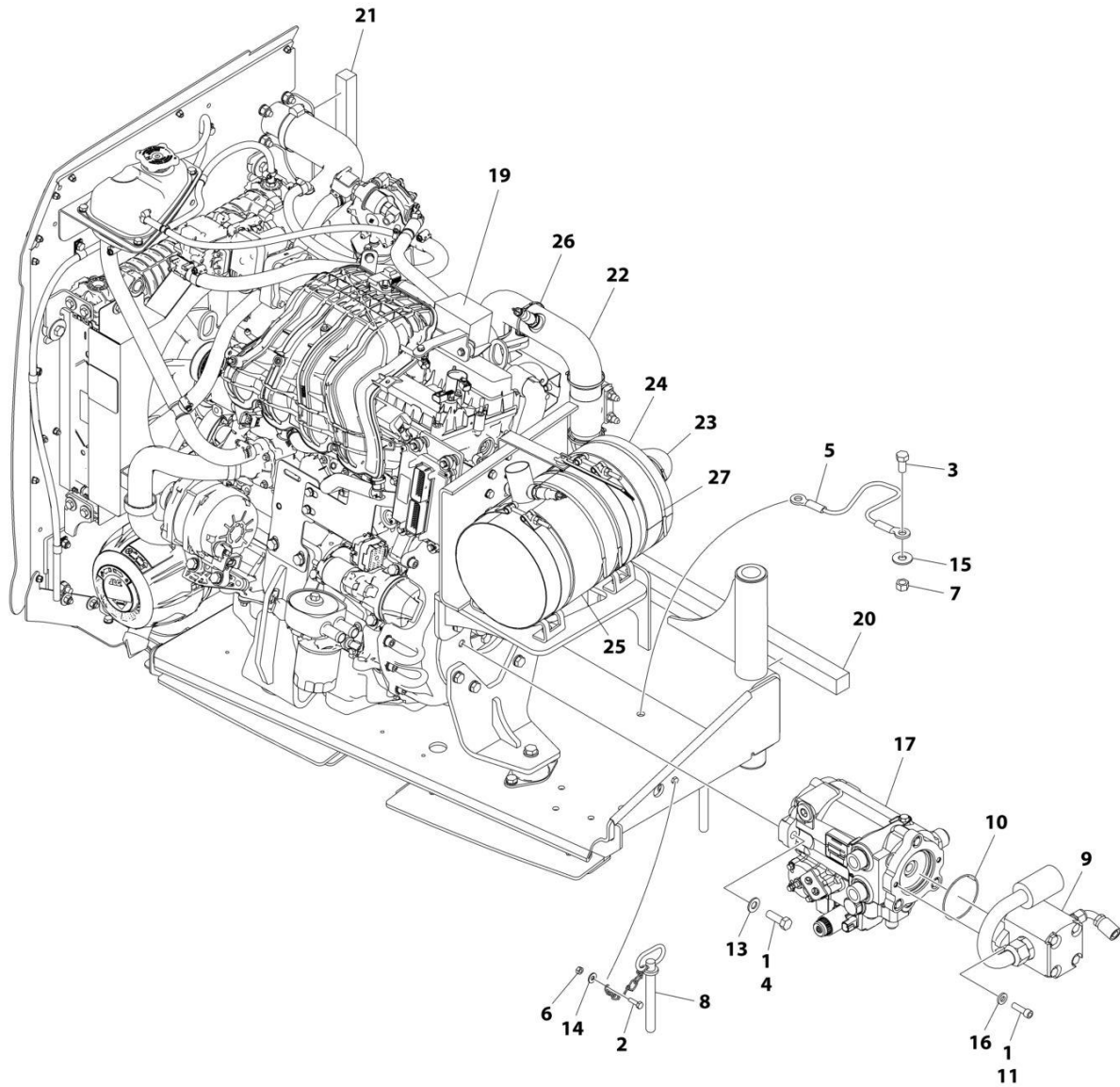
ITEM	PART NUMBER	QTY	DESCRIPTION	REV
	1001219073	Ref	FORD ENGINE INSTALLATION	H
1	0100011	AR	Compound, Locking	
2	0100020	AR	Sealant	
3	0100048	AR	Grease, Terminal	
5	0641406	2	Bolt 1/4 x 3/4	
6	0641416	2	Bolt 1/4 x 2	
7	0641607	3	Bolt 3/8 x 7/8	
9	0641612	1	Bolt 3/8 x 1-1/2	
10	0642010	1	Bolt 5/8 x 1-1/4	
11	0760612	2	Bolt M6 x 25	
12	0760810	1	Bolt M8 x 20	
13	0760812	3	Bolt M8 x 25	
14	0760815	1	Bolt M8 x 35	
15	1060626	1	Plug, 3 Way	
19	1321283	1	Clamp	
21	1701542	1	Decal - Gas (Not Shown)	
22	1701543	2	Decal - LPG (Not Shown)	
23	1702941	1	Decal - Battery Heater	
24	1702942	1	Decal - Engine Block Heater	
25	1702943	1	Decal - Hydraulic Tank Heater	
26	1702944	1	Decal - Heater Cord	
27	2180348	1	Fitting, Straight NPT/Barbed	
28	2180418	1	Fitting, Straight	
29	2221197	1	Fitting, Straight NPT	
30	1001247359	1	Fitting, Straight	
31	2221176	1	Fitting, 90	
32	2580024	1	Heater, Battery	
33	3290405	1	Nut M4	
34	3290505	1	Nut M5	
35	3290605	2	Nut M6	
36	3290801	4	Nut M8	
37	3311405	4	Nut 1/4	
39	3422448	1	Pin	
40	3740067	1	Relay	
41	3790012	1	O-Ring (Not Shown - Located on Platform Console Box)	
42	3841143	1	Keeper, Pin	
43	3980007	1	Seal, Battery	
44	4240099	AR	Tie-Strap (Not Shown)	
45	4360336	1	Switch, Toggle (Not Shown - Located on Platform Console Box)	
46	1001221488	1	Tube, Fuel Line	
47	4711400	6	Washer 1/4	
48	4711600	4	Washer 3/8	
50	4752000	1	Washer 5/8	
51	4811702	4	Washer M6	
52	4811900	9	Washer M8	
53	8406101	2	Clip	
55	85941018	2	Clamp	
59	1001137868	1	Bracket, Battery	
60	1001150918	1	Cable, Immersion Heater	
61	1001174486	2	Clamp	

SECTION 3 - ENGINE

ITEM	PART NUMBER	QTY	DESCRIPTION	REV
62	1001188972	1	Heater, Hydraulic Tank	C
64	1001215142	1	Battery Cable Kit	
64A	7027073	1	Cable, Battery - Ground to Battery -	
64B	8270147	1	Terminal, Battery with Boot	
64C	7027072	1	Cable, Battery - Auxiliary Pump/Relay to Battery -	
64D	70009018	1	Cable, Battery - Engine to Ground	
64E	7027075	1	Cable, Battery - Auxiliary Relay to Auxiliary Pump	
64F	70009019	1	Cable, Battery - Starter/Auxiliary Relay to Battery +	
67	1001217418	1	Hose	
68	1001217419	1	Hose	
69	1001217420	1	Hose	
70	1001217421	1	Hose	
71	1001217422	1	Hose	
72	1001217645	1	Bracket	
73	1001218638	1	Hose	
74	1001219072	1	Engine Assembly with Pumps (See Separate Breakdown in this Section)	
75	0641808	1	Bolt 1/2 x 1	
76	0761008	1	Bolt M10 x 16	
77	4812000	1	Washer M10	

SECTION 3 - ENGINE

FIGURE 3-45. FORD ENGINE/PUMP SUB-ASSEMBLY - WITHOUT ARCTIC PACKAGE



ART_1001216911

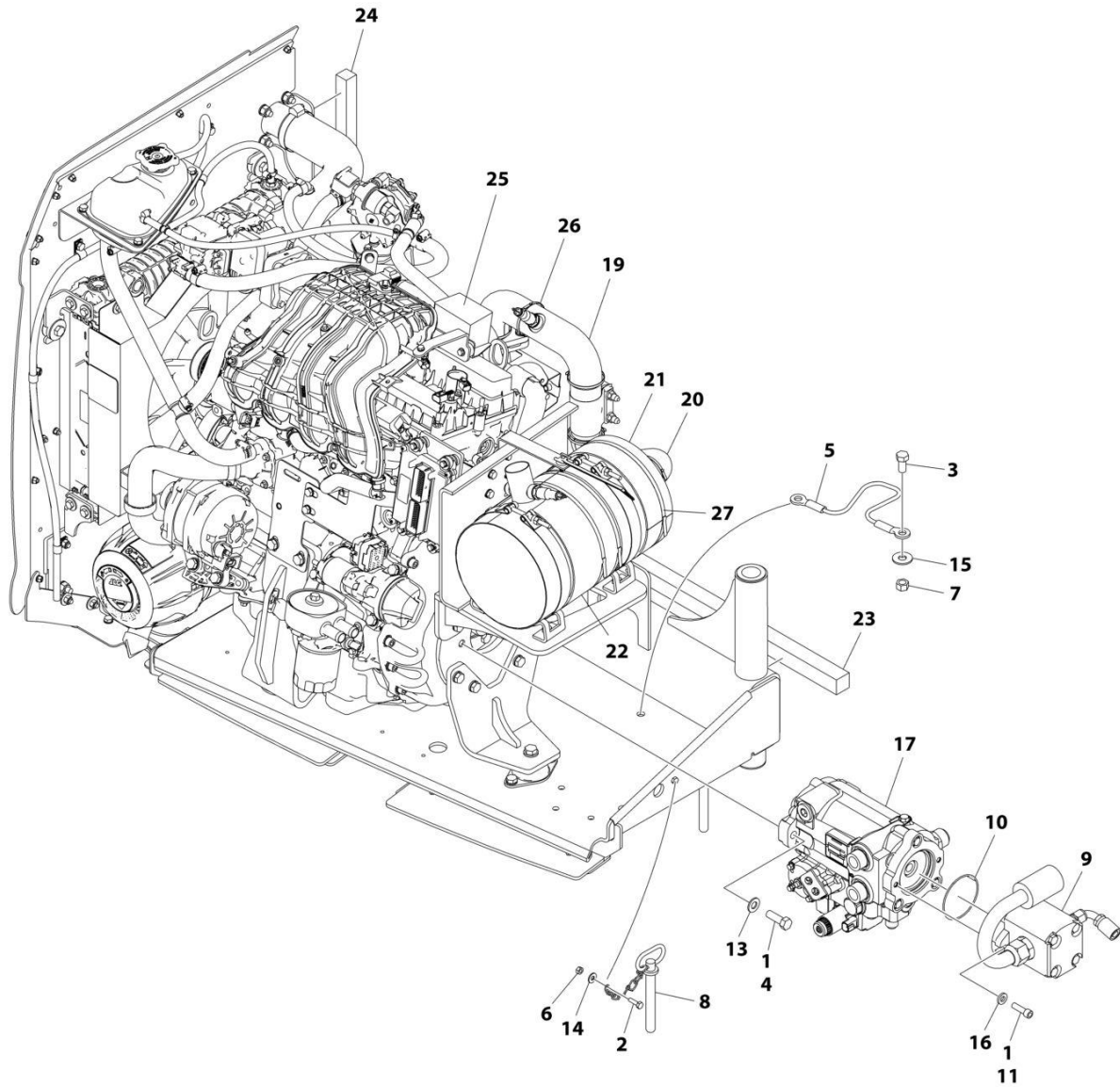
SECTION 3 - ENGINE

FIGURE 3-45. FORD ENGINE/PUMP SUB-ASSEMBLY - WITHOUT ARCTIC PACKAGE

ITEM	PART NUMBER	QTY	DESCRIPTION	REV
	1001216911	Ref	FORD ENGINE AND PUMP SUB-ASSEMBLY	F
1	0100011	AR	Compound, Locking	
2	0641407	1	Bolt 1/4 x 7/8	
3	0641808	1	Bolt 1/2 x 1	
4	0681812	2	Bolt 1/2 x 1-1/2	
5	1060637	1	Cable, Lanyard	
6	3311405	1	Nut 1/4	
7	3311805	1	Nut 1/2	
8	3422533	1	Pin	
9	3600395	1	Gear Pump and Fittings Assembly (See Separate Breakdown in this Section)	
10	3790152	1	O-Ring	
11	3931620	2	Capscrew 3/8 x 1-1/4	
13	4711800	2	Washer 1/2	
14	4751400	1	Washer 1/4	
15	4751800	1	Washer 1/2	
16	4891600	2	Washer 3/8	
17	1001188953	1	Piston Pump and Fitting Assembly (See Separate Breakdown in this Section)	
19	1001215413	1	Engine Assembly (See Separate Breakdown in this Section)	
20	1001217170	1	Seal	
21	1001217184	1	Seal	
22	1001216532	1	Insulate, Exhaust Pipe	
23	1001216533	1	Insulate, Exhaust Pipe	
24	1001216534	1	Insulate, Muffler	
25	1001216535	1	Insulate, Muffler	
26	1001100825	6	Strap	
27	1001221464	3	Strap	

SECTION 3 - ENGINE

FIGURE 3-46. FORD ENGINE/PUMP SUB-ASSEMBLY - WITH ARCTIC PACKAGE



ART_1001219072

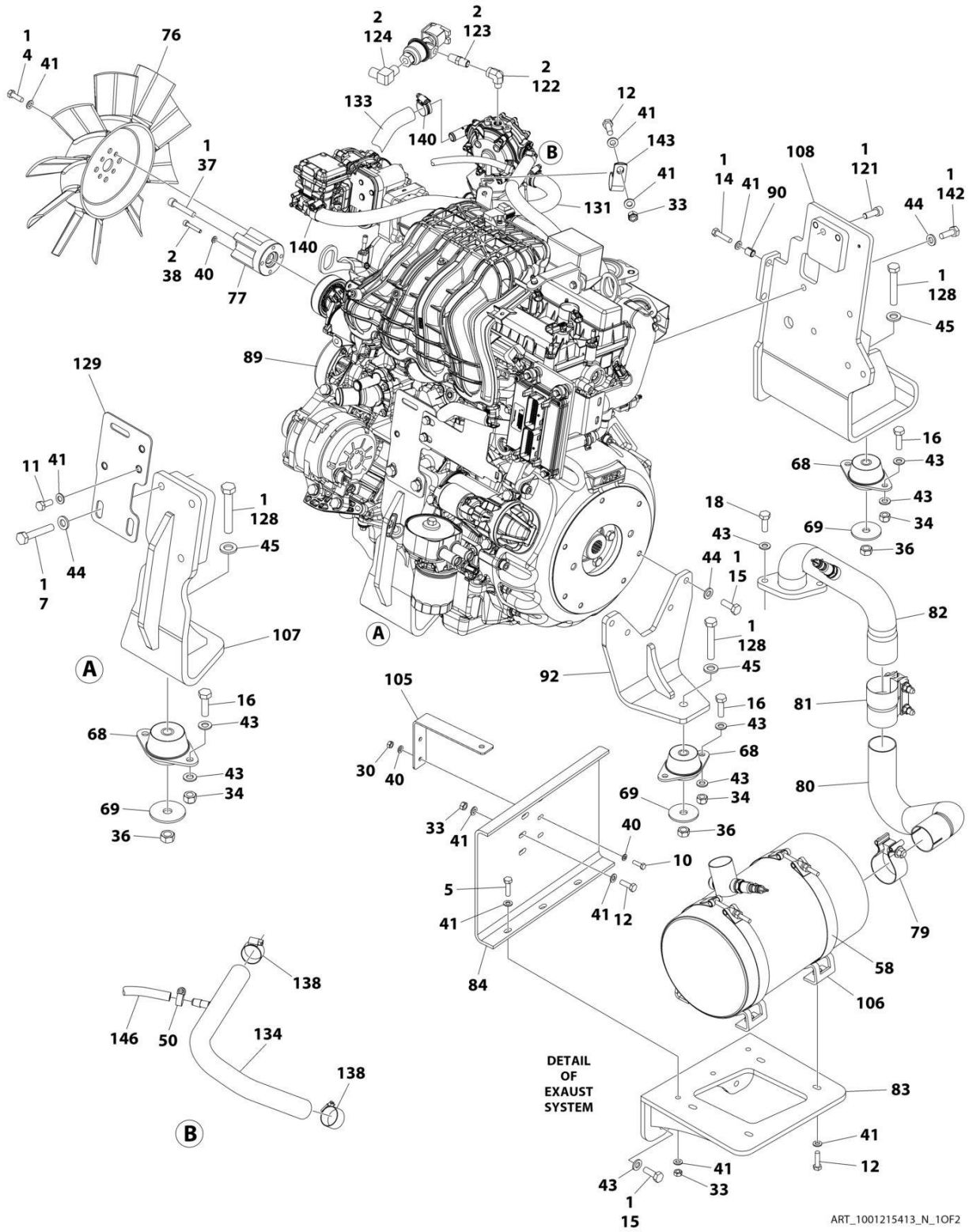
SECTION 3 - ENGINE

FIGURE 3-46. FORD ENGINE/PUMP SUB-ASSEMBLY - WITH ARCTIC PACKAGE

ITEM	PART NUMBER	QTY	DESCRIPTION	REV
	1001219072	Ref	FORD ENGINE AND PUMP SUB-ASSEMBLY	E
1	0100011	AR	Compound, Locking	
2	0641407	1	Bolt 1/4 x 7/8	
3	0641808	1	Bolt 1/2 x 1	
4	0681812	2	Bolt 1/2 x 1-1/2	
5	1060637	1	Cable, Lanyard	
6	3311405	1	Nut 1/4	
7	3311805	1	Nut 1/2	
8	3422533	1	Pin	
9	3600395	1	Gear Pump and Fittings Assembly (See Separate Breakdown in this Section)	
10	3790152	1	O-Ring	
11	3931620	2	Capscrew 3/8 x 1-1/4	
13	4711800	2	Washer 1/2	
14	4751400	1	Washer 1/4	
15	4751800	1	Washer 1/2	
16	4891600	2	Washer 3/8	
17	1001188953	1	Piston Pump and Fitting Assembly (See Separate Breakdown in this Section)	
19	1001216532	1	Insulate, Exhaust Pipe	
20	1001216533	1	Insulate, Exhaust Pipe	
21	1001216534	1	Insulate, Muffler	
22	1001216535	1	Insulate, Muffler	
23	1001217170	1	Seal	
24	1001217184	1	Seal	
25	1001219071	1	Engine Assembly (See Separate Breakdown in this Section)	
26	1001100825	6	Strap	
27	1001221464	3	Strap	

SECTION 3 - ENGINE

FIGURE 3-47. FORD ENGINE ASSEMBLY - WITHOUT ARCTIC PACKAGE



SECTION 3 - ENGINE

FIGURE 3-47. FORD ENGINE ASSEMBLY - WITHOUT ARCTIC PACKAGE

ITEM	PART NUMBER	QTY	DESCRIPTION	REV
	1001215413	Ref	FORD ENGINE ASSEMBLY	Q
1	0100011	AR	Compound, Locking	
2	0100020	AR	Sealant	
3	0700810	3	Bolt M8 x 20	
4	0700812	5	Bolt M8 x 25	
5	0700814	3	Bolt M8 x 30	
7	0711020	3	Bolt M10 x 60	
8	0760608	2	Bolt M6 x 16	
9	0760610	4	Bolt M6 x 20	
10	0760612	10	Bolt M6 x 25	
11	0760810	11	Bolt M8 x 20	
12	0760812	19	Bolt M8 x 25	
13	0760814	8	Bolt M8 x 30	
14	0760815	2	Bolt M8 x 35	
15	0761014	11	Bolt M10 x 30	
16	0761015	13	Bolt M10 x 35	
17	0761016	4	Bolt M10 x 40	
18	0771014	2	Bolt M10 x 30	
19	0940070	1	Bumper	
20	0961986	2	Bearing	
21	1320110	1	Clamp	
22	1001187781	1	Tie-Strap (Not Shown)	
24	1703162	2	Decal - Fan Blade	
25	2180467	1	Fitting, Straight NPT/Barbed	
26	2720058	AR	Hose	
28	1001165035	11 in /26cm	Hose	
29	3290601	2	Nut M6	
30	3290605	10	Nut M6	
31	3290607	2	Nut M6	
32	3290801	1	Nut M8	
33	3290805	27	Nut M8	
34	3291005	17	Nut M10	
35	3291001	4	Nut M10	
36	3291201	3	Nut M12	
37	3931632	1	Capscrew 3/8 x 2	
38	4031711	4	Capscrew M6 x 35	
39	4240099	AR	Tie-Strap (Not Shown)	
40	4811700	34	Washer M6	
41	4811900	64	Washer M8	
42	4811902	15	Washer M8	
43	4812000	43	Washer M10	
44	5241000	13	Washer M10	
45	5241200	3	Washer M10	
46	8305401	2	Nut 1/4	
47	8307109	2	Washer 1/4	
48	8310548	2	Screw 1/4 x 1/2	
49	8405006	2	Clamp	
50	8405009	5	Clamp	
51	8405102	2	Clamp	

SECTION 3 - ENGINE

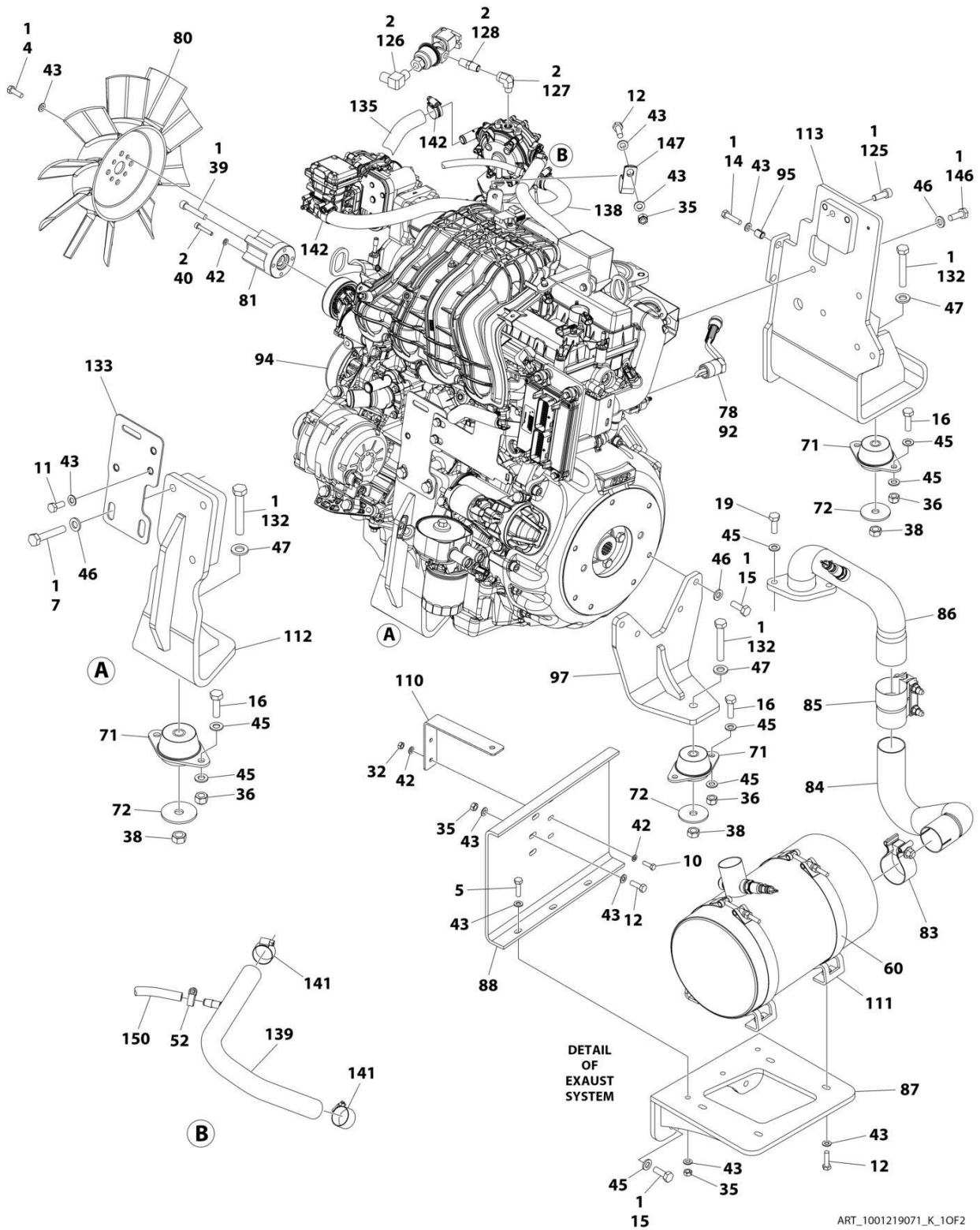
ITEM	PART NUMBER	QTY	DESCRIPTION	REV
52	8405104	2	Clamp	
53	8405203	3	Clamp	
54	8406109	6	Clip	
56	8410001	1	Clamp	
57	8410011	1	Clamp	
58	1001128901	2	Strap, Clamp	
59	1001138173	1	Support	
60	1001138175	1	Bracket	
61	1001138248	31 in/ 77cm	Tube, Nylon	
62	1001141585	1	Hose, Air Cleaner Inlet	
63	1001141995	1	Fitting, Straight NPT/Barbed	
64	1001144410	1	Panel, Clamp	
65	1001144411	1	Panel, Clamp	
66	1001149160	1	Nut, Tinnerman M8	
67	1001149639	1	Indicator, Restriction	
68	1001191610	3	Mount, Motor	
69	1001168018	3	Washer	
70	1001169054	4	Isolator	
71	1001169138	4	Pad	
72	1001170035	2	Bracket	
73	1001176329	2	Bracket	
74	1001180620	AR	Adhesive	
75	1001189979	1	Air Filter Assembly	
75	70005008	1	Element, Filter	
76	1001223042	1	Fan	
77	1001215647	1	Spacer, Fan	
78	1001223923	1	Radiator	
79	1001215681	1	Clamp	
80	1001215899	1	Pipe, Exhaust Inlet	
81	1001215974	1	Clamp	
82	1001216075	1	Pipe, Exhaust Inlet	
83	1001216086	1	Bracket	
84	1001216092	1	Shield, Heat	
85	1001216204	1	Hose, Radiator (Lower)	
86	1001216205	1	Hose, Radiator (Upper)	
89	1001216910	1	Ford Engine Prep Assembly (See Separate Breakdown in this Section)	
90	1001216919	2	Sleeve	
91	1001216951	1	Tray	
92	1001216995	1	Mount, Engine (Rear)	
93	1001217032	1	Tube, Air Intake	
94	1001217046	1	Bracket	
95	1001217082	1	Plate, Radiator	
96	1001217089	1	Tube, Intake (Lower)	
97	1001217090	1	Tube, Intake (Intermediate)	
100	1001217146	1	Support	
101	1001217174	1	Seal	
102	1001217175	1	Seal	
103	1001217183	2	Seal	
104	1001217185	2	Seal	
105	1001217186	1	Support	

SECTION 3 - ENGINE

ITEM	PART NUMBER	QTY	DESCRIPTION	REV
106	1001217543	2	Mount	
107	1001218362	1	Mount, Engine (Front Left)	
108	1001218449	1	Mount, Engine (Front Right)	
109	1001218599	1	Panel, Clamp	
110	1001218600	1	Panel, Rubber	
112	1001134488	1	Fitting, 90 Barbed	
115	1001219445	1	Seal	
116	1001219448	1	Plate	
117	1001219454	1	Seal	
118	1001219456	1	Seal	
120	4812002	6	Washer M10	
121	5272010	1	Capscrew M10 x 30	
122	1001247359	1	Fitting, 90 FSNPSM/NPTF	
123	2220261	1	Fitting, Straight	
124	2180504	1	Fitting, Straight	
125	1001186426	1	Clamp, Air Cleaner	
127	1001221615	2	Nut, Tinnerman M8	
128	0711223	3	Bolt M12 x 75	
129	1001222033	1	Plate	
130	1001224489	1	Hose	
131	1001216531	1	Hose	
133	1001224486	1	Hose	
134	1001227666	1	Hose	
135	1001223584	1	Tank	
136	1001224419	1	Bracket	
138	8410009	2	Clamp	
139	2180348	1	Fitting, Straight Barbed	
140	1001173535	6	Clamp	
141	1001225510	1	Decal - Full Cold	
142	0711014	5	Bolt M10 x 30	
143	8406201	1	Clip	
144	4060805	16 in/.4m	Flex-Trim	
145	0100062	AR	Adhesive	
146	1001227667	1	Hose (Includes Tee)	

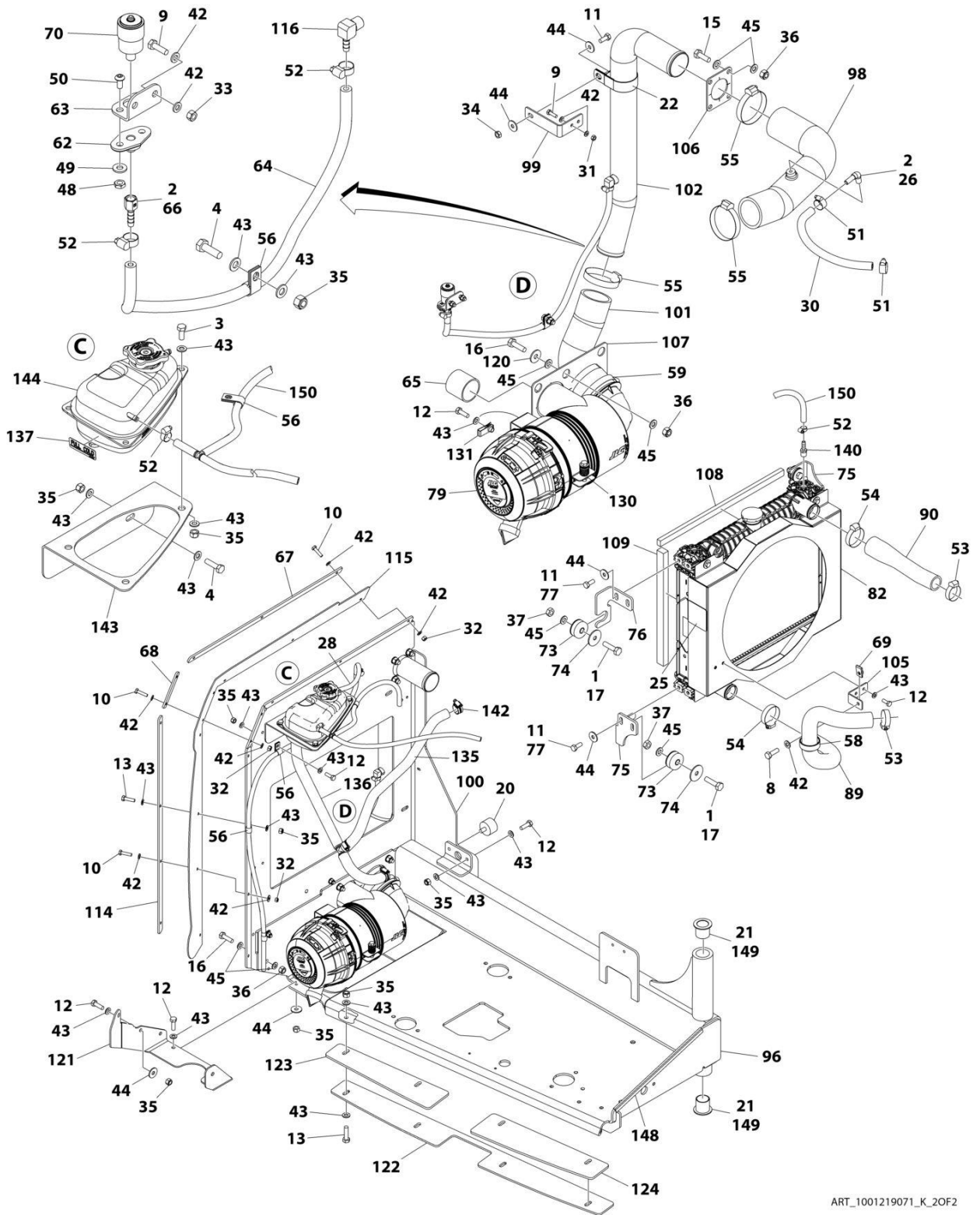
SECTION 3 - ENGINE

FIGURE 3-48. FORD ENGINE ASSEMBLY - WITH ARCTIC PACKAGE



ART_1001219071_K_10F2

SECTION 3 - ENGINE



ART_1001219071_K_20F2

SECTION 3 - ENGINE

FIGURE 3-48. FORD ENGINE ASSEMBLY - WITH ARCTIC PACKAGE

ITEM	PART NUMBER	QTY	DESCRIPTION	REV
	1001219071	Ref	FORD ENGINE ASSEMBLY	N
1	0100011	AR	Compound, Locking	
2	0100020	AR	Sealant	
3	0700810	3	Bolt M8 x 20	
4	0700812	5	Bolt M8 x 25	
5	0700814	3	Bolt M8 x 30	
7	0711020	3	Bolt M10 x 60	
8	0760608	2	Bolt M6 x 16	
9	0760610	4	Bolt M6 x 20	
10	0760612	10	Bolt M6 x 25	
11	0760810	11	Bolt M8 x 20	
12	0760812	19	Bolt M8 x 25	
13	0760814	8	Bolt M8 x 30	
14	0760815	2	Bolt M8 x 35	
15	0761014	11	Bolt M10 x 30	
16	0761015	13	Bolt M10 x 35	
17	0761016	4	Bolt M10 x 40	
19	0771014	2	Bolt M10 x 30	
20	0940070	1	Bumper	
21	0961986	2	Bearing	
22	1320110	1	Clamp	
23	1001187781	1	Tie-Strap (Not Shown)	
25	1703162	2	Decal - Fan Blade	
26	2180467	1	Fitting, Straight NPT/Barbed	
28	2720058	AR	Hose	
30	1001165035	11 in /26cm	Hose	
31	3290601	2	Nut M6	
32	3290605	10	Nut M6	
33	3290607	2	Nut M6	
34	3290801	1	Nut M8	
35	3290805	27	Nut M8	
36	3291005	17	Nut M10	
37	3291001	4	Nut M10	
38	3291201	3	Nut M12	
39	3931632	1	Capscrew 3/8 x 2	
40	4031711	4	Capscrew M6 x 35	
41	4240099	AR	Tie-Strap (Not Shown)	
42	4811700	34	Washer M6	
43	4811900	64	Washer M8	
44	4811902	15	Washer M8	
45	4812000	43	Washer M10	
46	5241000	13	Washer M10	
47	5241200	3	Washer M10	
48	8305401	2	Nut 1/4	
49	8307109	2	Washer 1/4	
50	8310548	2	Screw 1/4 x 1/2	
51	8405006	2	Clamp	
52	8405009	5	Clamp	
53	8405102	2	Clamp	

SECTION 3 - ENGINE

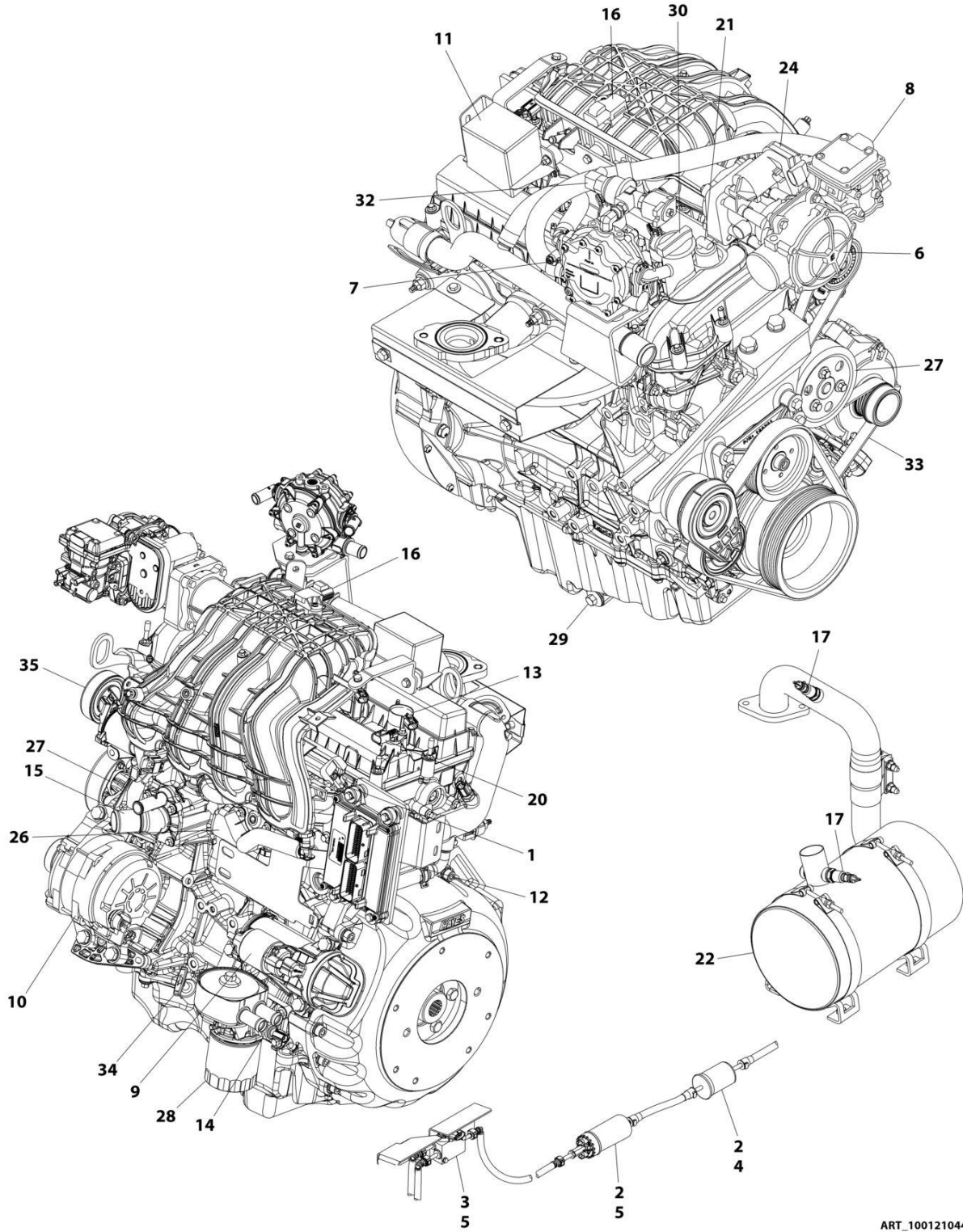
ITEM	PART NUMBER	QTY	DESCRIPTION	REV
54	8405104	2	Clamp	
55	8405203	3	Clamp	
56	8406109	6	Clip	
58	8410001	1	Clamp	
59	8410011	1	Clamp	
60	1001128901	2	Strap, Clamp	
62	1001138173	1	Support	
63	1001138175	1	Bracket	
64	1001138248	31 in/ 77cm	Tube, Nylon	
65	1001141585	1	Hose, Air Cleaner Inlet	
66	1001141995	1	Fitting, Straight NPT/Barbed	
67	1001144410	1	Panel, Clamp	
68	1001144411	1	Panel, Clamp	
69	1001149160	1	Nut, Tinnerman M8	
70	1001149639	1	Indicator, Restriction	
71	1001191610	3	Mount, Motor	
72	1001168018	3	Washer	
73	1001169054	4	Isolator	
74	1001169138	4	Pad	
75	1001170035	2	Bracket	
76	1001176329	2	Bracket	
77	1001180620	AR	Adhesive	
78	1001181895	AR	Adhesive	
79	1001189979	1	Air Filter Assembly	
79	70005008	1	Element, Filter	
80	1001223042	1	Fan	
81	1001215647	1	Spacer, Fan	
82	1001223923	1	Radiator	
83	1001215681	1	Clamp	
84	1001215899	1	Pipe, Exhaust Inlet	
85	1001215974	1	Clamp	
86	1001216075	1	Pipe, Exhaust Inlet	
87	1001216086	1	Bracket	
88	1001216092	1	Shield, Heat	
89	1001216204	1	Hose, Radiator (Lower)	
90	1001216205	1	Hose, Radiator (Upper)	
92	1001216393	1	Heater, Engine Block	
94	1001216910	1	Ford Engine Prep Assembly (See Separate Breakdown in this Section)	
95	1001216919	2	Sleeve	
96	1001216951	1	Tray	
97	1001216995	1	Mount, Engine (Rear)	
98	1001217032	1	Tube, Air Intake	
99	1001217046	1	Bracket	
100	1001217082	1	Plate, Radiator	
101	1001217089	1	Tube, Intake (Lower)	
102	1001217090	1	Tube, Intake (Intermediate)	
105	1001217146	1	Support	
106	1001217174	1	Seal	
107	1001217175	1	Seal	
108	1001217183	2	Seal	

SECTION 3 - ENGINE

ITEM	PART NUMBER	QTY	DESCRIPTION	REV
109	1001217185	2	Seal	
110	1001217186	1	Support	
111	1001217543	2	Mount	
112	1001218362	1	Mount, Engine (Front Left)	
113	1001218449	1	Mount, Engine (Front Right)	
114	1001218599	1	Panel, Clamp	
115	1001218600	1	Panel, Rubber	
116	1001134488	1	Fitting, 90 Barbed	
120	4812002	6	Washer M10	
121	1001219445	1	Seal	
122	1001219448	1	Plate	
123	1001219454	1	Seal	
124	1001219456	1	Seal	
125	5272010	1	Capscrew M10 x 30	
126	2180504	1	Fitting, Straight	
127	1001247359	1	Fitting, 90 FSNPSM/NPTF	
128	2220261	1	Fitting, Straight	
130	1001186426	1	Clamp, Air Cleaner	
131	1001221615	2	Nut, Tinnerman M8	
132	0711223	3	Bolt M12 x 75	
133	1001222033	1	Plate	
135	1001224486	1	Hose	
136	1001224489	1	Hose	
137	1001225510	1	Decal - Full Cold	
138	1001216531	1	Hose	
139	1001227666	1	Hose	
140	2180348	1	Fitting, Straight Barbed	
141	8410009	2	Clamp	
142	1001173535	6	Clamp	
143	1001224419	1	Bracket	
144	1001223584	1	Tank	
146	0711014	5	Bolt M10 x 30	
147	8406201	1	Clip	
148	4060805	16 in/.4m	Flex-Trim	
149	0100062	AR	Adhesive	
150	1001227667	1	Hose (Includes Tee)	

SECTION 3 - ENGINE

FIGURE 3-49. FORD ENGINE COMPONENTS



ART_1001210448

SECTION 3 - ENGINE

FIGURE 3-49. FORD ENGINE COMPONENTS

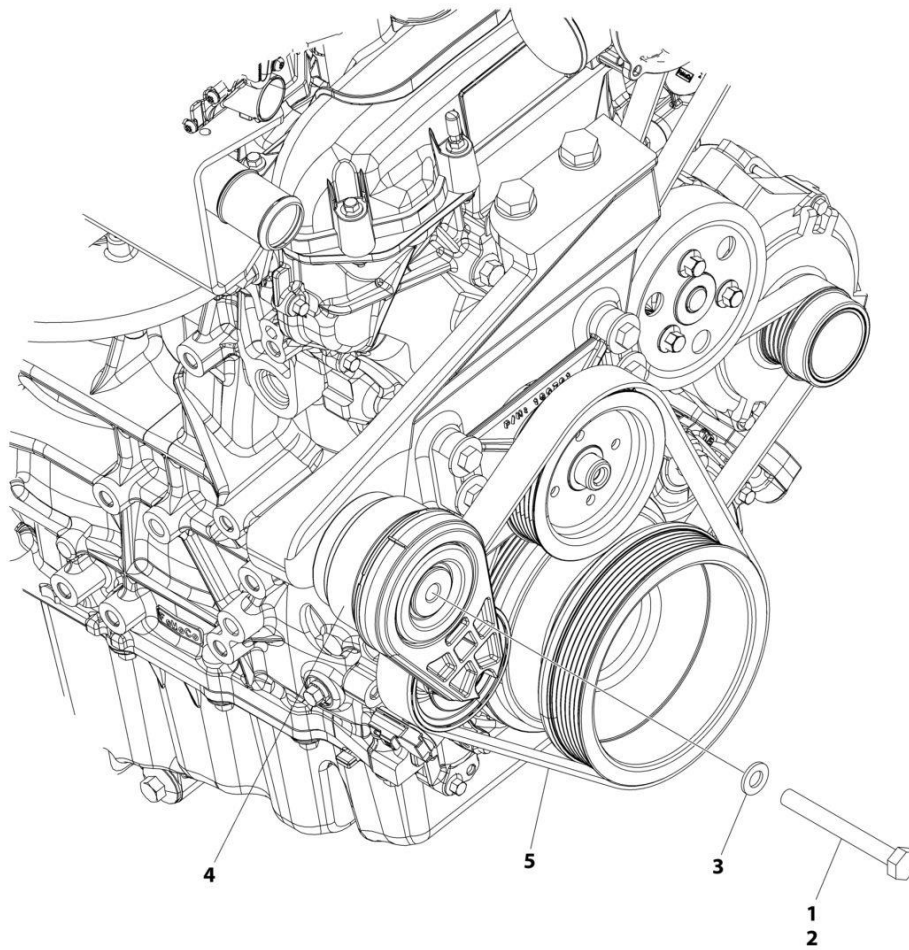
ITEM	PART NUMBER	QTY	DESCRIPTION	REV
	1001210448	Ref	FORD ENGINE COMPONENTS	H
1	70006145	4	Injector, Fuel	
1	70006147	1	Rail, Fuel	
2	70006150	1	Pump, Fuel	
2	70006154	1	Fitting M10	
3	70006151	1	Block, Fuel	
3	70006152	2	Fitting SAE6	
3	70006153	1	Fitting SAE3	
3	70006189	1	Harness, Fuel Block	
4	70006155	1	Filter, Fuel	
5	7022162	8	Clamp	
5	70006157	8	Clip, Fuel Quick Disconnect	
6	70006158	1	Mixer, LP	
6	70006168	1	Mixer Diaphragm Replacement Kit	
6	70006159	1	Adapter, Mixer to Governor	
6	70006160	1	O-Ring, Mixer to Adapter	
6	70006161	1	Seal, Mixer to Adapter	
7	70006162	1	Regulator, LP Vapor	
7	70006166	2	Fitting	
7	70006167	1	Fitting, Straight	
7	70006165	2	Isolator, Rubber	
8	70006163	1	Regulator, Direct Electronic Pressure	
8	70006164	1	Adapter, Fitting 90	
9	70006169	1	Starter	
9	70006233	1	Harness, Alternator/Starter	
10	70006170	1	Alternator	
11	70006173	1	Cover, Relay Box	
11	70006171	2	Relay (Fuel Pump & Power)	
11	70006172	1	Relay (Starter)	
11	70006175	1	Fuse - 20Amp (Starter)	
11	70006174	1	Decal - Relay Box Cover	
11	70006188	1	Harness, Engine	
11	70006165	2	Isolator, Rubber	
12	70006176	1	Module - Engine Control Unit (ECU/GCP)	
12	70006191	1	Software & Diagnostic Cable	
13	70006177	4	Coil and Boot Assembly	
13	70006178	4	Plug, Spark	
14	70006179	1	Switch, Oil Pressure	
15	70006180	1	Sensor, Knock	
16	70006181	1	Sensor, TMAP	
17	70006182	2	Sensor, O2	
18	70006183	1	Sensor, Coolant Temperature (Not Shown - Located Rear of Engine Block)	
19	70006184	1	Sensor, Crank Position (Not Shown - Located at Front RH Side of Block)	
20	70006185	1	Sensor, Cam Position	
21	70006186	1	Solenoid, Timing	
21	70006187	1	Grommet, Rubber	
22	70006194	1	Muffler	
22	70006195	1	Plug (Located at Muffler Outlet)	

SECTION 3 - ENGINE

ITEM	PART NUMBER	QTY	DESCRIPTION	REV
23		Ref	Gasket Options (Not Shown)	
23	70006196	1	Gasket, Exhaust Manifold to Head	
23	70006197	1	Gasket, Exhaust Manifold Outlet	
23	70006200	1	Gasket, Intake Manifold to Head	
23	70006219	1	Gasket Set - Camshaft Cover	
23	70006225	1	Gasket, Cylinder Head	
24	70006198	1	Governor	
24	7027404	1	Gasket, Governor Actuator	
24	70006199	1	Gasket, Governor to Intake Manifold Adapter	
25	70006203	1	Flywheel (Not Shown)	
26	70006205	1	Thermostat (Includes Housing)	
26	70006206	1	Gasket, Water Inlet	
27	70006207	1	Pump, Water	
27	70006208	1	O-Ring, Water Pump	
27	See Note	NSS	Pulley, Water Pump (Note: Not Available for Purchase at This Time)	
28	70006213	1	Filter, Oil	
29	70006215	1	Plug, Oil Drain	
29	70006217	1	Gasket, Oil Drain Plug	
30	70006221	1	Cap, Oil Fill	
31	70006232	1	Sensor, Crank (Not Shown)	
32	70006235	1	Valve, Lock-Off (Includes Filter)	
33	70006202	1	Belt	
34	70006236	1	Dipstick	
35	70007108	1	Belt Tensioner	

SECTION 3 - ENGINE

FIGURE 3-50. DRIVE BELT INSTALLATION - FORD ENGINES MACHINES WITHOUT GENERATORS



ART_1001220404

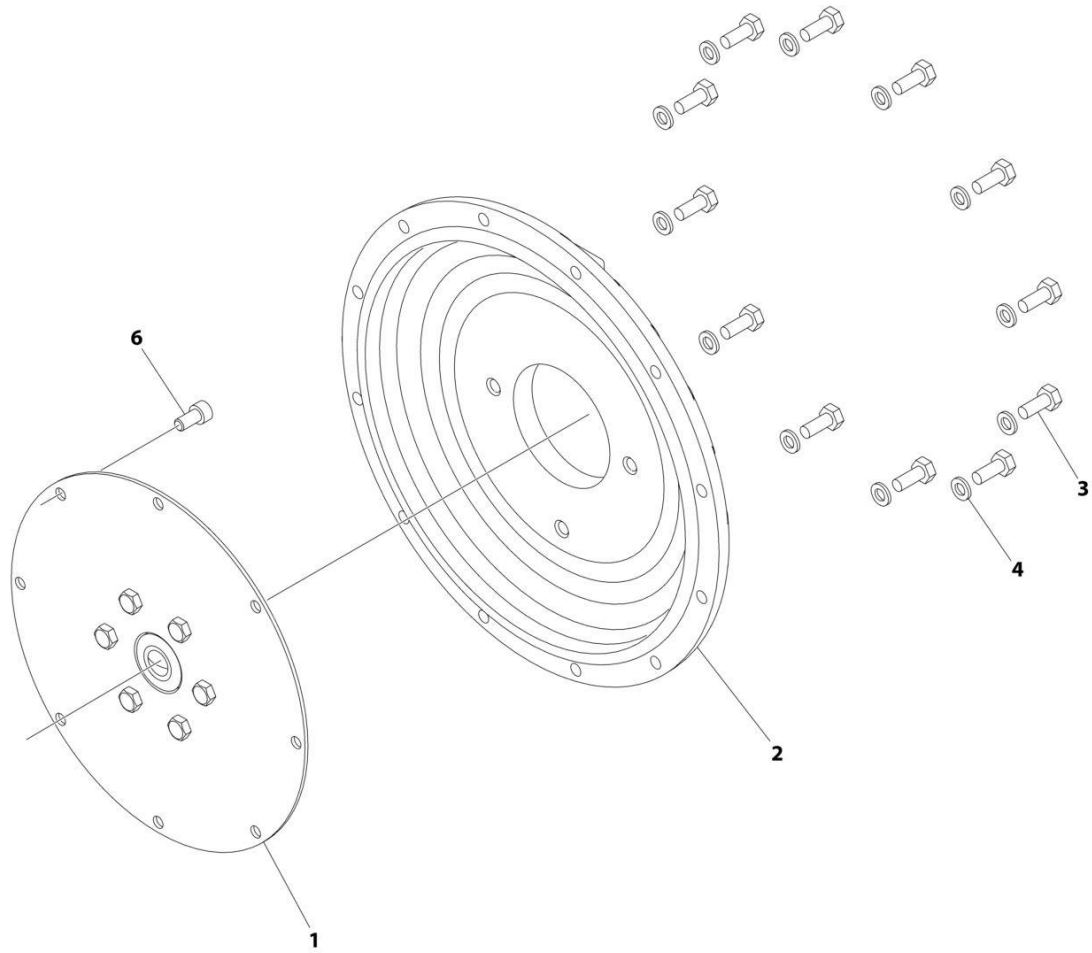
SECTION 3 - ENGINE

FIGURE 3-50. DRIVE BELT INSTALLATION - FORD ENGINES MACHINES WITHOUT GENERATORS

ITEM	PART NUMBER	QTY	DESCRIPTION	REV
	1001220404	Ref	DRIVE BELT INSTALLATION	C
1	0100011	AR	Compound, Locking	
2	0701026	1	Bolt M10 x 90	
3	4812002	1	Washer M10	
4	1001216300	1	Pulley	
5	1001216619	1	V-Belt	

SECTION 3 - ENGINE

FIGURE 3-51. PUMP COUPLING KIT - DEUTZ ENGINES



ART_2902065

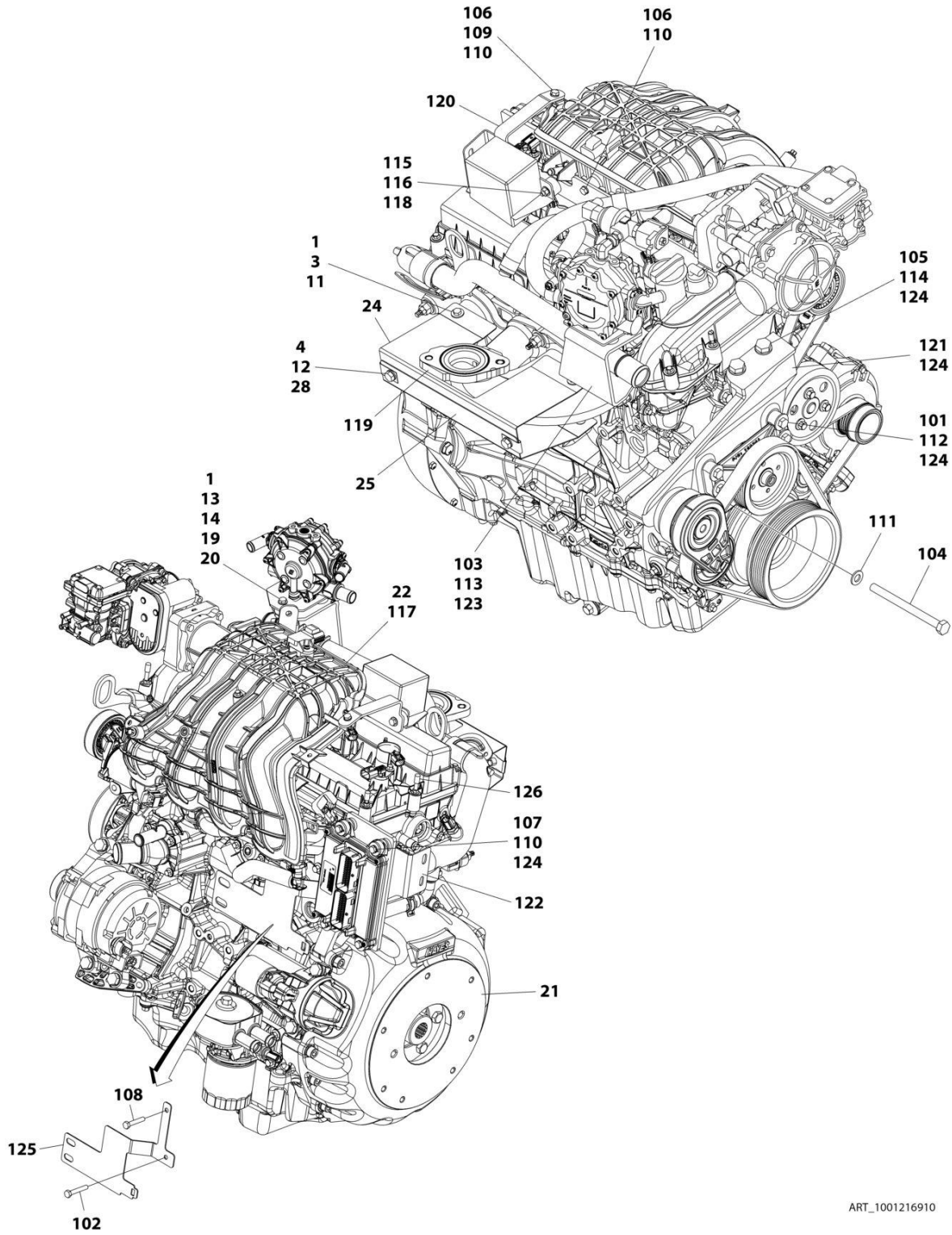
SECTION 3 - ENGINE

FIGURE 3-51. PUMP COUPLING KIT - DEUTZ ENGINES

ITEM	PART NUMBER	QTY	DESCRIPTION	REV
	2902065	Ref	PUMP COUPLING KIT	L
1	70000793	1	Coupling, Hayes	
2	See Note	NSS	Plate, Pump Adapter (Note: Use p/n 2902065)	
3	See Note	NSS	Bolt M10 x 30 Grade 10.9 (Note: Use p/n 2902065)	
4	See Note	NSS	Washer M10 (Note: Use p/n 2902065)	
6	See Note	NSS	Bolt M10 x 20 Grade 10.9 (Note: Use p/n 2902065)	

SECTION 3 - ENGINE

FIGURE 3-52. PUMP COUPLING AND FUEL SYSTEM ASSEMBLY (FORD ENGINES)



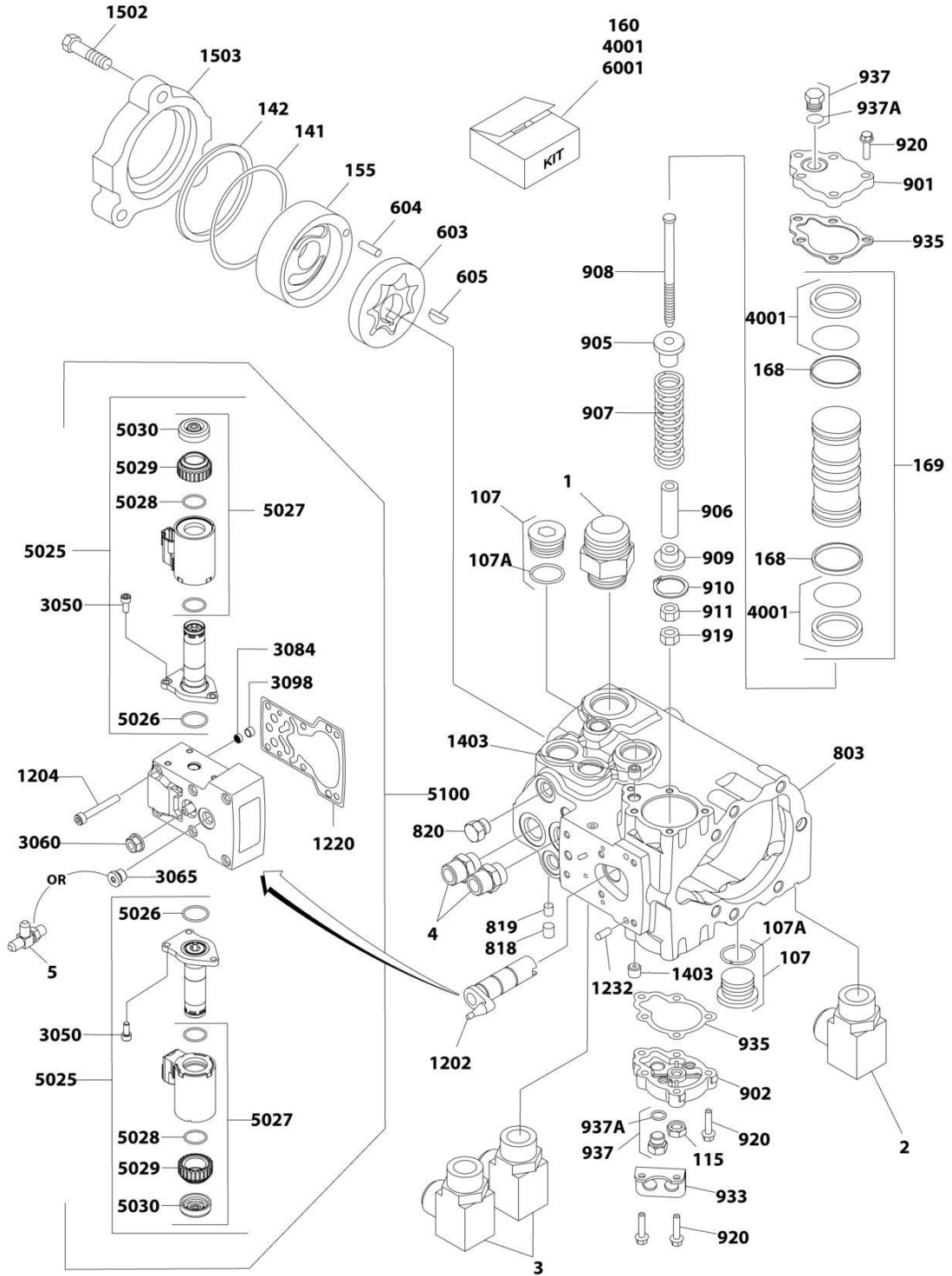
ART_1001216910

SECTION 3 - ENGINE

FIGURE 3-52. PUMP COUPLING AND FUEL SYSTEM ASSEMBLY (FORD ENGINES)

ITEM	PART NUMBER	QTY	DESCRIPTION	REV
	1001216910	Ref	FORD ENGINE PREP ASSEMBLY	F
1	0100011	AR	Compound, Locking	
3	0760605	4	Bolt M6 x 10	
4	0760807	2	Bolt M8 x 14	
11	4811702	4	Washer M6	
12	4811900	2	Washer M8	
13	5250605	3	Bolt M6 x 10	
14	5260600	1	Nut M6 Class 10	
19	1001211794	3	Mount, Isolator	
20	1001227769	1	Plate	
21	1001213810	1	Pump Coupling Kit	
21	70006134	1	Coupling	
21	70006135	1	Housing	
21	70006136	1	Hardware Kit	
22	1001216065	1	Ford Engine Assembly (See Items 101-126 for Breakdown)	
24	1001216768	1	Bracket	
25	1001216769	1	Bracket	
28	1001149160	2	Nut, Tinnerman M8	
	1001216065	Ref	FORD ENGINE PREP ASSEMBLY - BRACKETS/EXHAUST MANIFOLD	M
101	0700816	4	Bolt M8 x 40	
102	0700818	1	Bolt M8 x 50	
103	0701014	2	Bolt M10 x 30	
104	0710827	1	Bolt M8 x 100 Grade 10.9	
105	0711216	2	Bolt M12 x 40	
106	0760610	3	Bolt M6 x 20	
107	0760615	4	Bolt M6 x 35	
108	0760817	1	Bolt M8 x 45	
109	3290601	1	Nut M6	
110	4811700	8	Washer M6	
111	4811900	1	Washer M8	
112	4811902	4	Washer M8	
113	4812000	1	Washer M10	
114	4812100	2	Washer M12	
115	5250605	2	Bolt M6 x 10	
116	5260600	2	Nut M6 Class 10	
117	1001210448	1	Engine, Ford 2.5L (See Separate Breakdown in this Section)	
118	1001211794	2	Mount	
119	1001214827	1	Manifold, Exhaust	
120	1001215384	1	Bracket	
121	1001216071	1	Bracket	
122	1001216144	1	Support, Muffler	
123	1001227772	1	Mount, Vaporizer	
124	0100011	AR	Compound, Locking	
125	1001221545	1	Plate	
126	1001222641	6	Cap	

SECTION 3 - ENGINE



ART_1001188952_20F2

SECTION 3 - ENGINE

FIGURE 3-53. PISTON PUMP ASSEMBLY - DEUTZ ENGINES

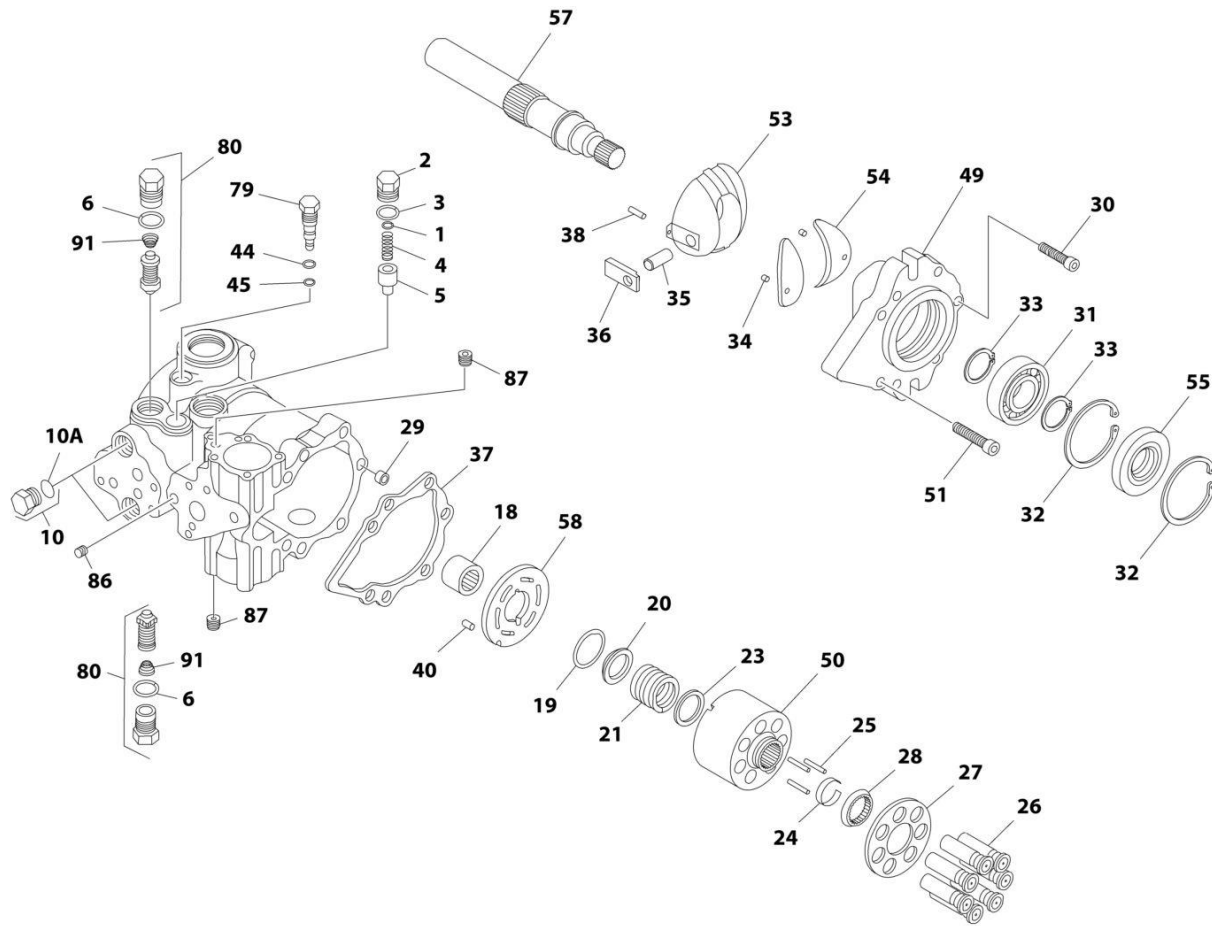
ITEM	PART NUMBER	QTY	DESCRIPTION	REV
	1001188952	Ref	PUMP AND FITTING ASSEMBLY	A
1	2220377	1	Fitting, Straight JIC/ORB	
2	2220578	1	Fitting, 90 JIC/ORB	
3	2220646	2	Fitting, 90 JIC/ORB	
4	2220947	2	Fitting, Straight JIC/ORB	
5	2221034	1	Fitting, Tee JIC/ORB	
	1001186542	1	PISTON PUMP ASSEMBLY	B
101	7007413	1	Shim Kit	
103	7007415	1	O-Ring (Part of Item 106)	
104	7021200	1	Spring, Relief Valve	
105	7007417	1	Valve, Relief	
106	7024874	2	Plug (Includes Items 103)	
107	7007419	2	Plug	
107A	7007418	2	O-Ring	
110	7007420	2	Plug	
110A	7021256	2	O-Ring	
115	7007423	1	Nut, Special	
118	7007425	1	Bearing, Needle	
129	7007435	1	Pin, Spring	
130	7021202	1	Screw	
131	70002176	1	Bearing, Ball	
132	7007438	2	Ring, Retainer	
133	7007439	2	Ring	
136	7007442	1	Sleeve, Bearing	
137	7007443	1	Gasket, Front Cover	
140	7007446	1	Pin	
141	7021233	1	O-Ring	
142	7007448	1	Ring, Load Temper	
152	7007420	1	Plug Assembly	
152A	7021256	1	O-Ring	
155	70005466	1	Cover, Gerotor	
158	7007208	1	Plug	
158A	7007207	1	O-Ring	
160	7010116	1	Cylinder Block Kit (Includes Items 2164-2168)	
161	7024875	1	Cover Assembly - Front (Includes Items 202 & 2134)	
163	7021207	6	Screw	
165	70005467	2	Spring	
168	7021210	2	Bearing	
169	70005468	1	Servo Piston Assembly (Includes Items 168 & 4001)	
174	7007418	2	O-Ring	
201	7007457	1	Swash Plate Assembly (Includes Items 2135 & 2138)	
202	7021212	1	Journal, Bearing	
301	7007459	1	Seal, Lip	
401	7010121	1	Shaft, Main Pump	
501	7021214	1	Plate, Valve	
603	7007463	1	Gerotor Assembly	
604	7007464	1	Pin	
605	7007465	1	Key, Woodruff	
803	See Note	NSS	Housing, Pump (Note: Use p/n 1001186542)	
818	70005469	1	Plug	

SECTION 3 - ENGINE

ITEM	PART NUMBER	QTY	DESCRIPTION	REV
819	70005470	1	Plug	
820	70005469	1	Plug	
901	7021219	1	Cover, Servo (With Adjuster)	
902	7021220	1	Cover, Servo (Without Adjuster)	
905	7023979	1	Guide, Spring	
906	7007484	1	Stop, Servo	
907	7007485	1	Spring	
908	7021221	1	Screw	
909	7007487	1	Guide, Spring	
910	7007488	1	Ring, Retaining	
911	7021222	1	Locknut	
919	7021206	1	Nut	
920	7021223	10	Screw	
933	7021201	1	Bracket, Lifting	
935	7007422	2	Gasket, Servo Cover	
937	7007420	2	Plug	
937A	7021256	2	O-Ring	
1002	7007450	1	Ring, Back-up	
1003	70005471	1	O-Ring	
1004	7024877	1	Valve, Bypass	
1103	7024851	2	Valve, Pressure Relief (Includes Items 165 & 174)	
1202	70005472	1	Sleeve	
1204	70002156	6	Screw	
1220	70002154	1	Gasket	
1232	70002157	2	Pin	
1403	7007477	2	Plug, Orifice (.37)	
1502	7007453	3	Bolt, Hex	
1503	7007476	1	Adapter, Auxiliary Pump	
2134	7021203	2	Pin, Spring	
2135	7007441	1	Handle, Pin	
2138	7007444	1	Pin	
2164	7010117	7	Piston Assembly	
2165	7007431	3	Pin, Slipper Holddown	
2166	7007430	1	Retainer	
2167	7007434	1	Guide, Retainer	
2168	7010119	1	Retainer, Slipper	
3050	70002150	6	Screw	
3060	70005473	1	Nut, Seal	
3065	70002151	1	Plug	
3084	70002134	1	Screen	
3098	70002153	1	Ring	
4001	7007412	1	Seal Kit - Servo Piston	
5025	70002147	2	Solenoid Assembly (Includes Items 5026-5030)	
5026	70002148	2	O-Ring	
5027	70002149	2	Coil Assembly (Includes Items 5028-5030)	
5028	70005474	2	O-Ring	
5029	70005475	2	Screw	
5030	70005476	2	Cap	
5100	70002146	1	EDC Assembly (Includes Items 1204, 1220, 3050-3098 & 5025-5030)	
6001	7021232	1	Seal Kit - Complete (Includes Items 103, 137, 141, 142, 168, 174, 301, 935, 1002, 1003, 4001 and Plug O-Ring)	

SECTION 3 - ENGINE

FIGURE 3-54. PISTON PUMP ASSEMBLY – DEUTZ ENGINES (CHINA BUILT MACHINES) (PVC 2001)



ART_3600381_10F2

SECTION 3 - ENGINE

FIGURE 3-54. PISTON PUMP ASSEMBLY – DEUTZ ENGINES (CHINA BUILT MACHINES) (PVC 2001)

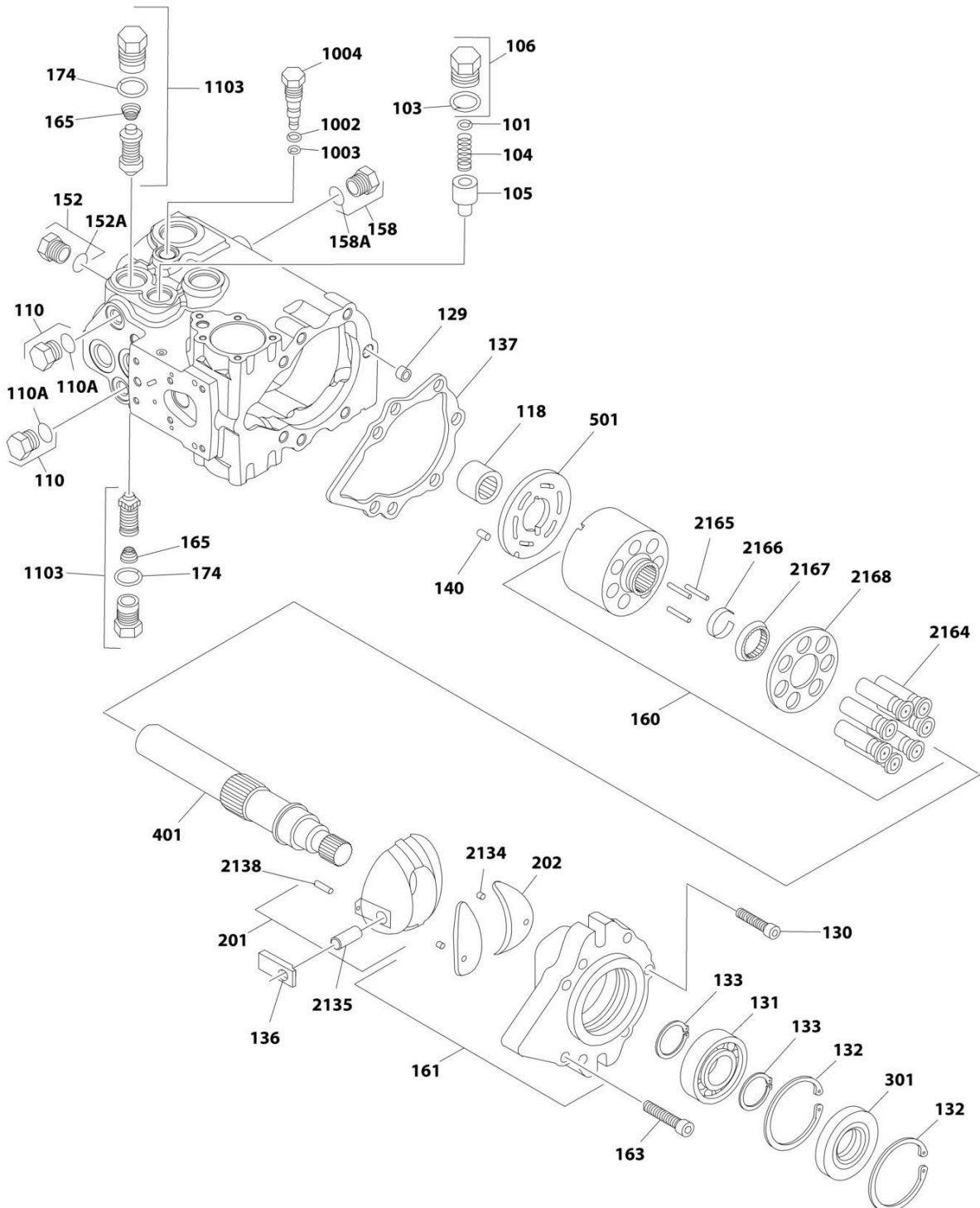
ITEM	PART NUMBER	QTY	DESCRIPTION	REV
	3600381	Ref	PISTON PUMP ASSEMBLY	A
1	7007413	1	Shim Kit	
2	7007414	1	Plug	
3	See Note	NSS	O-Ring (Note: Use Item 101A)	
4	7021200	1	Spring, Relief Valve	
5	7007417	1	Valve, Relief	
6	See Note	NSS	O-Ring (Note: Use Item 101A)	
7	7007419	2	Plug	
7A	7007418	2	O-Ring	
10	7007470	2	Plug	
10A	7021256	2	O-Ring	
11	7007470	2	Plug	
11A	7021256	2	O-Ring	
12	7021223	10	Screw	
14	See Note	NSS	Gasket, Servo Cover (Note: Use Item 101A)	
15	7007423	1	Nut, Special	
18	7007425	1	Bearing, Needle	
19	See Note	NSS	Ring, Retaining (Note: Use Item 102)	
20	See Note	NSS	Washer (Note: Use Item 102)	
21	See Note	NSS	Spring (Note: Use Item 102)	
23	See Note	NSS	Washer (Note: Use Item 102)	
24	See Note	NSS	Retainer (Note: Use Item 102)	
25	See Note	NSS	Pin, Slipper Holddown (Note: Use Item 102)	
26	See Note	NSS	Piston Assembly (Note: Use Item 102)	
27	See Note	NSS	Retainer, Slipper (Note: Use Item 102)	
28	See Note	NSS	Guide, Retainer (Note: Use Item 102)	
29	7007435	1	Pin, Spring	
30	7021202	1	Screw	
31	7007437	1	Bearing, Ball	
32	7007438	2	Ring, Retainer	
33	7007439	2	Ring	
34	7021203	2	Pin, Spring	
35	7007441	1	Handle, Pin	
36	7007442	1	Sleeve, Bearing	
37	See Note	NSS	Gasket, Front Cover (Note: Use Item 101A)	
38	7007444	1	Pin	
40	7007446	1	Pin	
41	See Note	NSS	O-Ring (Note: Use Item 101A)	
42	See Note	NSS	Ring, Load Temper (Note: Use Item 101A)	
43	7023977	1	Housing, Pump	
44	See Note	NSS	Ring, Back-up (Note: Use Item 101A)	
45	See Note	NSS	O-Ring (Note: Use Item 101A)	
46	7007452	1	Cover, Gerotor	
47	7007453	3	Bolt, Hex	
48	7007208	1	Plug	
48A	7007207	1	O-Ring	
49	7007454	1	Cover, Front	
50	7010116	1	Block, Cylinder	
51	7021207	6	Screw	
53	7007457	1	Swash Plate	

SECTION 3 - ENGINE

ITEM	PART NUMBER	QTY	DESCRIPTION	REV
54	7021212	1	Journal, Bearing	
55	7007459	1	Seal, Lip	
56	See Note	NSS	O-Ring (Note: Use Item 101A)	
57	7010121	1	Shaft, Main Pump	
58	7021214	1	Plate, Valve	
59	7007463	1	Gerotor Assembly	
60	7007464	1	Pin	
61	7007465	1	Key, Woodruff	
62	7007466	1	Adaptor, Remote Filtration (Without By-Pass)	
64	7021218	3	Screw	
67	7021220	1	Cover, Servo (Without Adjuster)	
68	7021219	1	Cover, Servo (Without Adjuster)	
69	7023979	1	Guide, Spring	
70	7007484	1	Stop, Servo	
71	7007485	1	Spring	
72	7021221	1	Screw	
73	7007487	1	Guide, Spring	
74	7007488	1	Ring, Retaining	
75	7021222	1	Locknut	
76	See Note	NSS	Ring, Piston (Note: Use Item 101A or 101B)	
77	7007494	1	Piston, Servo	
78	See Note	NSS	O-Ring (Note: Use Item 101A or 101B)	
79	7007472	1	Valve, Bypass	
80	7024851	2	Valve, Pressure Relief (Includes Item 6)	
81	7007474	1	Control, Dual Oil-Filled	
81	7007496	1	Coil Assembly (Pilot)	
81	7007497	1	Plug (Pump)	
81	7007498	1	Plug (Valve Harness)	
82	7001498	2	Screw	
83	7007478	2	Screw	
84	7001433	2	O-Ring	
86	7007475	1	Plug, Orifice/Screen (.156)	
87	7007477	2	Plug, Orifice (.37)	
88	7007476	1	Adapter, Auxiliary Pump	
89	7021217	1	Spacer/Gasket	
90	7021206	1	Nut	
91	7024800	2	Spring	
92	7021201	1	Bracket, Lifting	
101		Ref	Seal Kit Options:	
101A	7021232	1	Seal Kit - Complete (Includes Items 3, 6, 14, 37, 41, 42, 44, 45, 55, 56, 76, 78 & 89)	
101B	7007412	1	Seal Kit - Servo Piston (Includes Items 76 & 78)	
102	7010116	1	Cylinder Block Kit (Includes Items 19-28 & 50)	
	3600396	Ref	PISTON PUMP AND FITTING ASSEMBLY	C
201	2220377	1	Fitting, Straight	
202	2220578	1	Fitting, 90	
203	2220646	2	Fitting, 90	
204	2220947	2	Fitting, Straight	

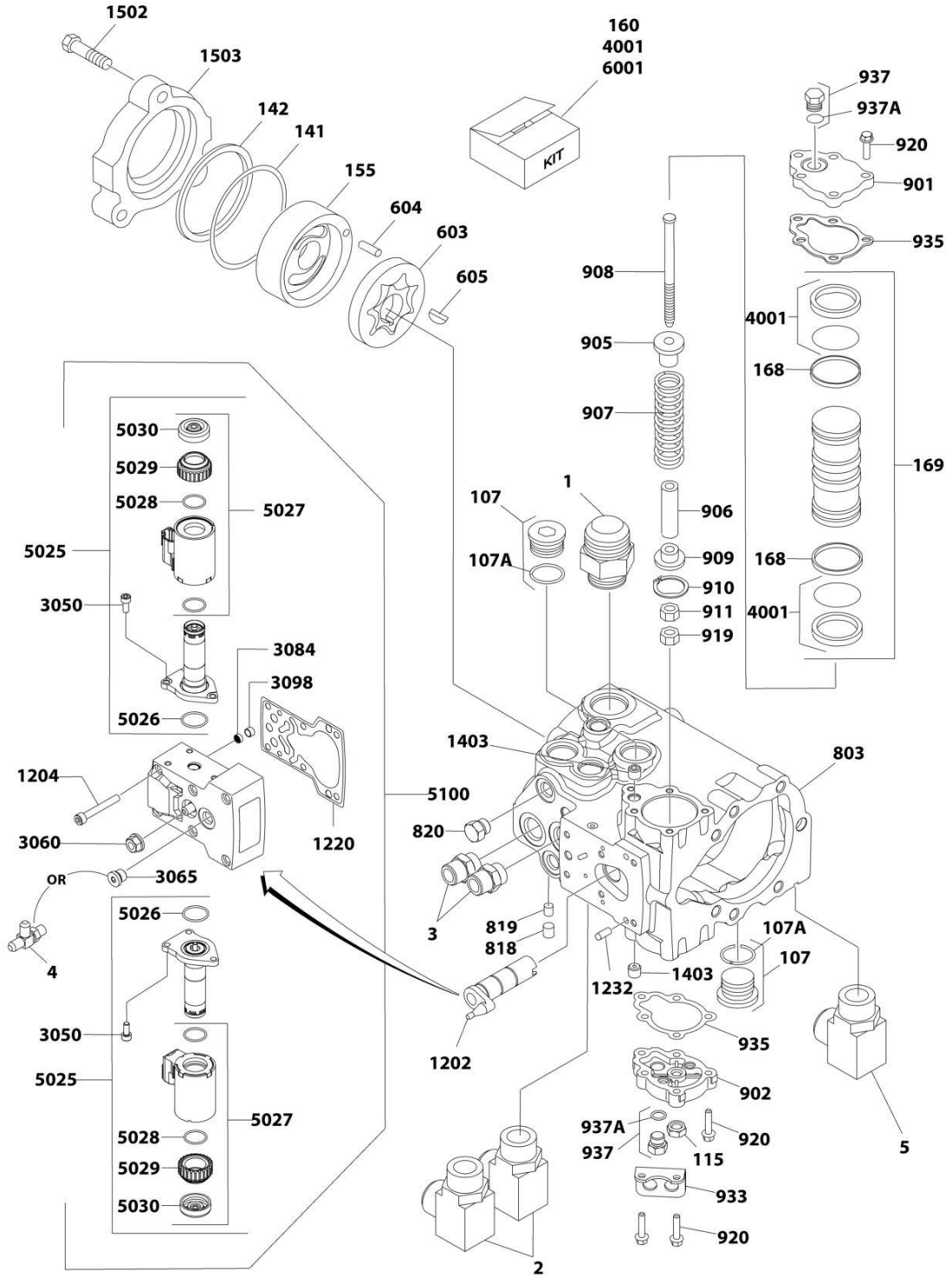
SECTION 3 - ENGINE

FIGURE 3-55. PISTON PUMP ASSEMBLY - FORD ENGINES



ART_1001188953_10F2

SECTION 3 - ENGINE



ART_1001188953_20F2

SECTION 3 - ENGINE

FIGURE 3-55. PISTON PUMP ASSEMBLY - FORD ENGINES

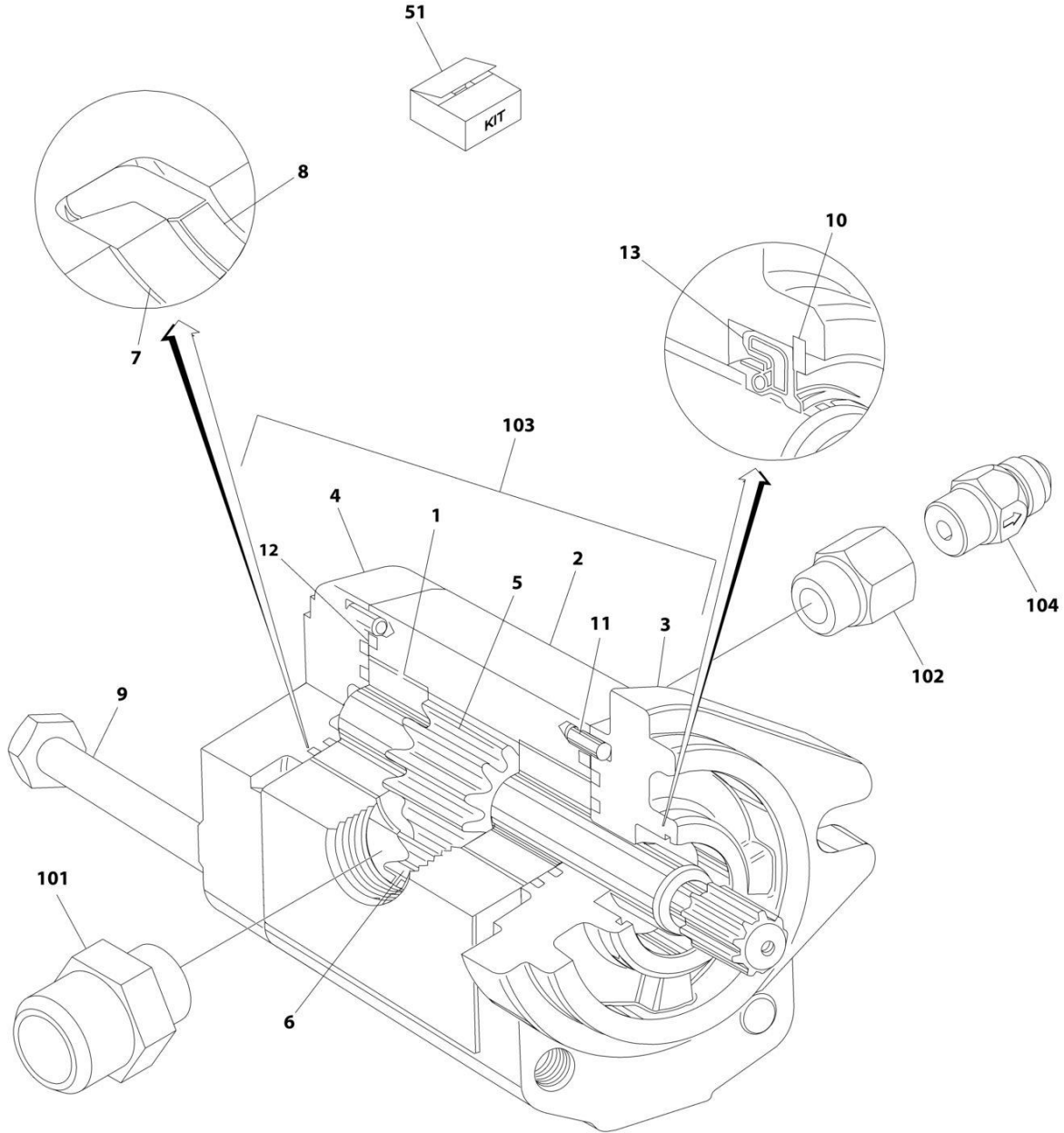
ITEM	PART NUMBER	QTY	DESCRIPTION	REV
	1001188953	Ref	PUMP AND FITTING ASSEMBLY	A
1	2220377	1	Fitting, Straight JIC/ORB	
2	2220451	1	Fitting, Straight JIC/ORB	
3	2220646	2	Fitting, 90 JIC/ORB	
4	2220947	2	Fitting, Straight JIC/ORB	
5	2220711	1	Fitting, Tee JIC/ORB	
	1001186542	Ref	PISTON PUMP ASSEMBLY	B
101	7007413	1	Shim Kit	
103	7007415	1	O-Ring (Part of Item 106)	
104	7021200	1	Spring, Relief Valve	
105	7007417	1	Valve, Relief	
106	7024874	2	Plug (Includes Items 103)	
107	7007419	2	Plug	
107A	7007418	2	O-Ring	
110	7007420	2	Plug	
110A	7021256	2	O-Ring	
115	7007423	1	Nut, Special	
118	7007425	1	Bearing, Needle	
129	7007435	1	Pin, Spring	
130	7021202	1	Screw	
131	70002176	1	Bearing, Ball	
132	7007438	2	Ring, Retainer	
133	7007439	2	Ring	
136	7007442	1	Sleeve, Bearing	
137	7007443	1	Gasket, Front Cover	
140	7007446	1	Pin	
141	7021233	1	O-Ring	
142	7007448	1	Ring, Load Temper	
152	7007420	1	Plug Assembly	
152A	7021256	1	O-Ring	
155	70005466	1	Cover, Gerotor	
158	7007208	1	Plug	
158A	7007207	1	O-Ring	
160	7010116	1	Cylinder Block Kit (Includes Items 2164-2168)	
161	7024875	1	Cover Assembly - Front (Includes Items 202 & 2134)	
163	7021207	6	Screw	
165	70005467	2	Spring	
168	7021210	2	Bearing	
169	70005468	1	Servo Piston Assembly (Includes Items 168 & 4001)	
174	7007418	2	O-Ring	
201	7007457	1	Swash Plate Assembly (Includes Items 2135 & 2138)	
202	7021212	1	Journal, Bearing	
301	7007459	1	Seal, Lip	
401	7010121	1	Shaft, Main Pump	
501	7021214	1	Plate, Valve	
603	7007463	1	Gerotor Assembly	
604	7007464	1	Pin	
605	7007465	1	Key, Woodruff	
803	See Note	NSS	Housing, Pump (Note: Use p/n 1001186542)	
818	70005469	1	Plug	

SECTION 3 - ENGINE

ITEM	PART NUMBER	QTY	DESCRIPTION	REV
819	70005470	1	Plug	
820	70005469	1	Plug	
901	7021219	1	Cover, Servo (With Adjuster)	
902	7021220	1	Cover, Servo (Without Adjuster)	
905	7023979	1	Guide, Spring	
906	7007484	1	Stop, Servo	
907	7007485	1	Spring	
908	7021221	1	Screw	
909	7007487	1	Guide, Spring	
910	7007488	1	Ring, Retaining	
911	7021222	1	Locknut	
919	7021206	1	Nut	
920	7021223	10	Screw	
933	7021201	1	Bracket, Lifting	
935	7007422	2	Gasket, Servo Cover	
937	7007420	2	Plug	
937A	7021256	2	O-Ring	
1002	7007450	1	Ring, Back-up	
1003	70005471	1	O-Ring	
1004	7024877	1	Valve, Bypass	
1103	7024851	2	Valve, Pressure Relief (Includes Items 165 & 174)	
1202	70005472	1	Sleeve	
1204	70002156	6	Screw	
1220	70002154	1	Gasket	
1232	70002157	2	Pin	
1403	7007477	2	Plug, Orifice (.37)	
1502	7007453	3	Bolt, Hex	
1503	7007476	1	Adapter, Auxiliary Pump	
2134	7021203	2	Pin, Spring	
2135	7007441	1	Handle, Pin	
2138	7007444	1	Pin	
2164	7010117	7	Piston Assembly	
2165	7007431	3	Pin, Slipper Holddown	
2166	7007430	1	Retainer	
2167	7007434	1	Guide, Retainer	
2168	7010119	1	Retainer, Slipper	
3050	70002150	6	Screw	
3060	70005473	1	Nut, Seal	
3065	70002151	1	Plug	
3084	70002134	1	Screen	
3098	70002153	1	Ring	
4001	7007412	1	Seal Kit - Servo Piston	
5025	70002147	2	Solenoid Assembly (Includes Items 5026-5030)	
5026	70002148	2	O-Ring	
5027	70002149	2	Coil Assembly (Includes Items 5028-5030)	
5028	70005474	2	O-Ring	
5029	70005475	2	Screw	
5030	70005476	2	Cap	
5100	70002146	1	EDC Assembly (Includes Items 1204, 1220, 3050-3098 & 5025-5030)	
6001	7021232	1	Seal Kit - Complete (Includes Items 103, 137, 141, 142, 168, 174, 301, 935, 1002, 1003, 4001 and Plug O-Ring)	

SECTION 3 - ENGINE

FIGURE 3-56. GEAR PUMP ASSEMBLY



ART_3600242

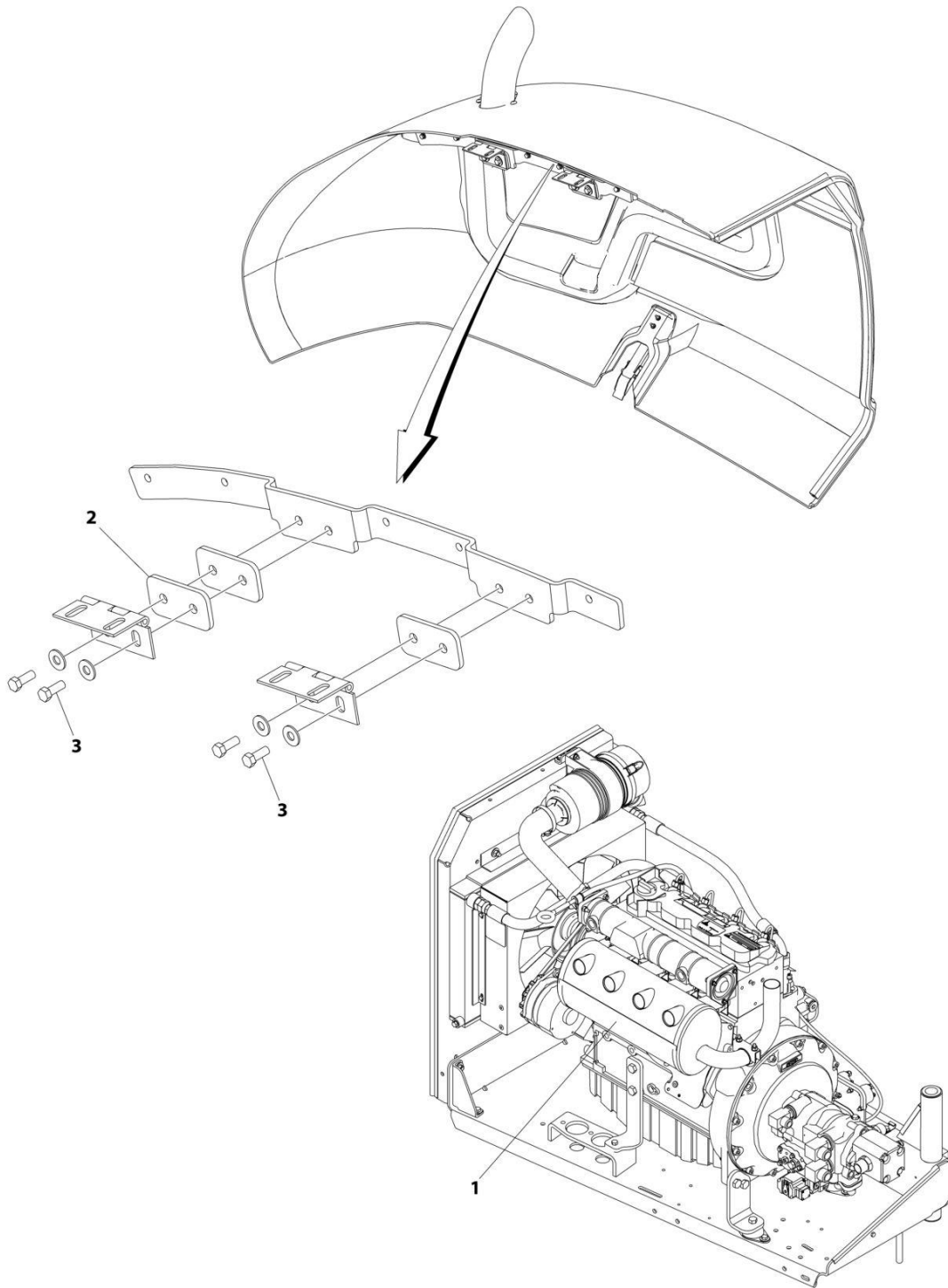
SECTION 3 - ENGINE

FIGURE 3-56. GEAR PUMP ASSEMBLY

ITEM	PART NUMBER	QTY	DESCRIPTION	REV
	3600242	Ref	GEAR PUMP ASSEMBLY	
1	7010105	2	Bearing/Bushing	
2	See Note	NSS	Housing (Note: Use Item 3600242)	
3	See Note	NSS	Flange (Note: Use Item 3600242)	
4	7010103	1	Cover	
5	7012987	1	Gear, Drive	
6	7012988	1	Gear, Idler	
7	See Note	NSS	Ring, Anti-Extrusion (Note: Use Item 51)	
8	See Note	NSS	Seal (Note: Use Item 51)	
9	See Note	4	Bolt (Note: Not Available for Purchase)	
10	7010104	1	Ring, Retaining	
11	See Note	NSS	Pin, Dowel (Note: Not Available for Purchase)	
12	See Note	NSS	Seal, O-Ring (Note: Use Item 51)	
13	See Note	NSS	Seal, Shaft (Note: Use Item 51)	
51	7007489	1	Seal Kit (Includes Items 7, 8, 12 & 13)	
	3600395	Ref	GEAR PUMP AND FITTING ASSEMBLY	B
101	2220376	1	Fitting, Straight	
102	2220810	1	Fitting, Reducer	
103	3600242	1	Pump (Includes Items 1 - 13)	
104	4640744	1	Fitting, Check Valve	

SECTION 3 - ENGINE

FIGURE 3-57. SPARK ARRESTOR MUFFLER INSTALLATION - DEUTZ D2011 ENGINES



ART_1001182906

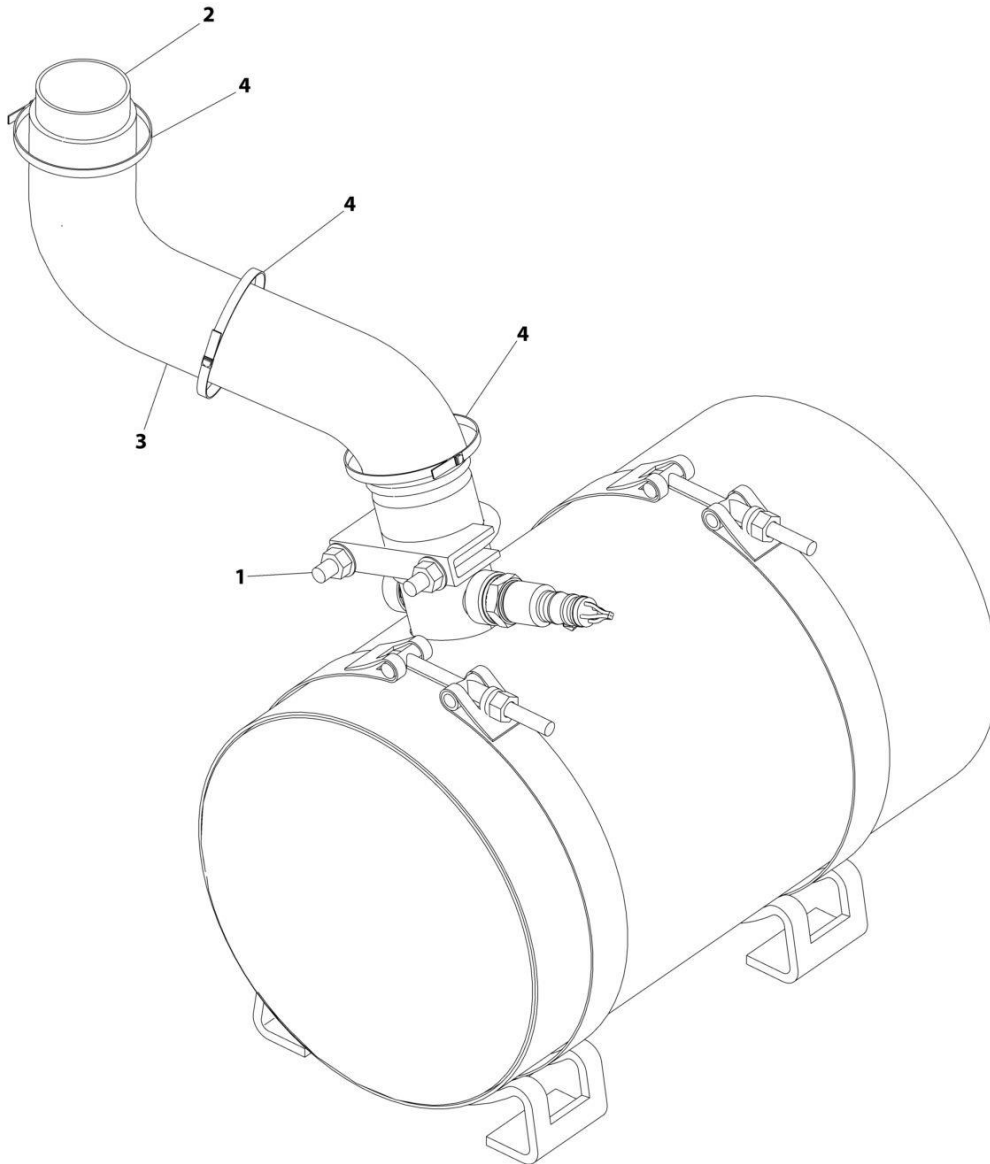
SECTION 3 - ENGINE

FIGURE 3-57. SPARK ARRESTOR MUFFLER INSTALLATION - DEUTZ D2011 ENGINES

ITEM	PART NUMBER	QTY	DESCRIPTION	REV
	1001182906	Ref	MUFFLER INSTALLATION SPARK ARRESTOR	B
1	3220103	1	Muffler	
2	1001169610	1	Spacer	
3	0641608	4	Bolt 3/8 x 1	

SECTION 3 - ENGINE

FIGURE 3-58. EXHAUST PIPE INSTALLATION – FORD DF 2.5L ENGINES



ART_1001220215

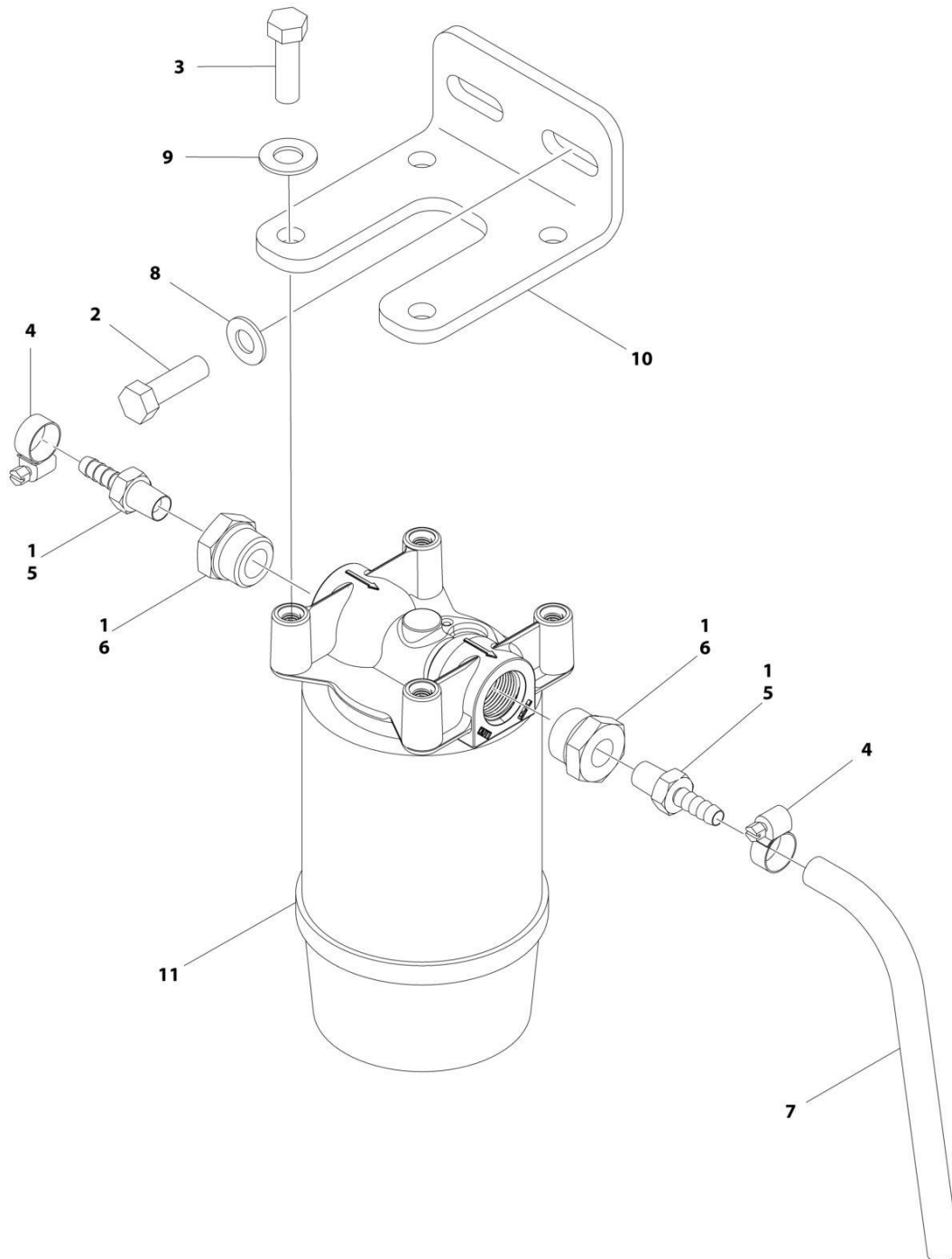
SECTION 3 - ENGINE

FIGURE 3-58. EXHAUST PIPE INSTALLATION – FORD DF 2.5L ENGINES

ITEM	PART NUMBER	QTY	DESCRIPTION	REV
	1001220215	Ref	EXHAUST PIPE INSTALLATION	B
1	1001221397	1	Clamp	
2	1001216160	1	Pipe, Tail	
3	1001216536	1	Insulate	
4	1001100825	3	Strap	

SECTION 3 - ENGINE

FIGURE 3-59. FUEL-WATER SEPARATOR INSTALLATION - DEUTZ D2011 AND DEUTZ D2011 STAGE V ENGINES



ART_1001199784

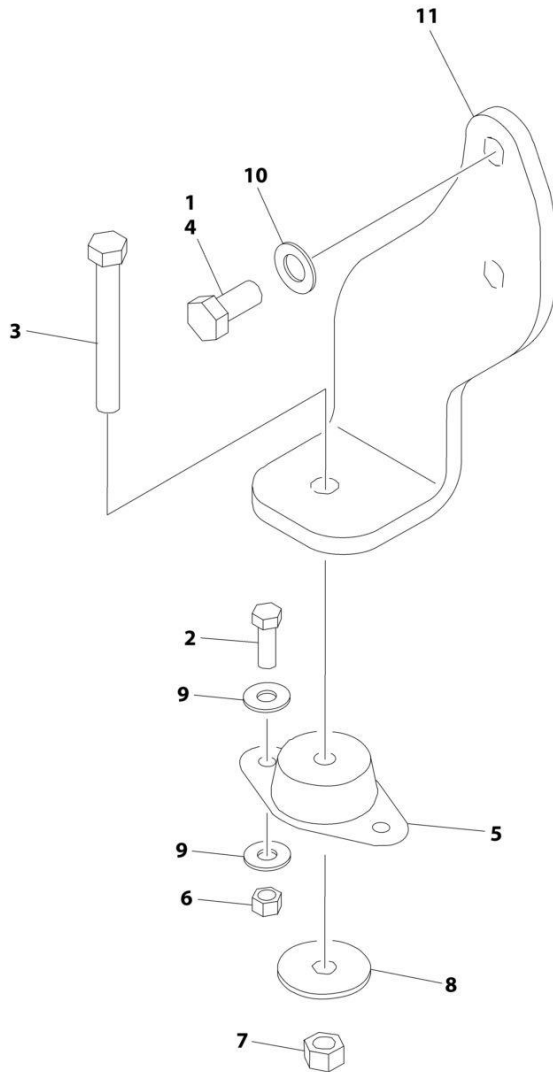
SECTION 3 - ENGINE

**FIGURE 3-59. FUEL-WATER SEPARATOR INSTALLATION - DEUTZ D2011 AND DEUTZ D2011
STAGE V ENGINES**

ITEM	PART NUMBER	QTY	DESCRIPTION	REV
	1001199784	Ref	FUEL-WATER SEPARATOR INSTALLATION	A
1	0100079	AR	Sealant	
2	0641607	2	Bolt 3/8 x 7/8	
3	0641610	4	Bolt 3/8 x 1-1/4	
4	1320022	2	Clamp	
5	2180348	2	Fitting, Straight	
6	2220816	2	Fitting, Straight	
7	2720058	12 in /31cm	Hose	
8	4711600	2	Washer 3/8	
9	4711700	4	Washer 7/16	
10	1001188884	1	Bracket	
11	1001188887	1	Fuel/Water Separator Assembly	
11	1001202280	1	Head	
11	1001202281	1	Element	

SECTION 3 - ENGINE

FIGURE 3-60. RIGHT ENGINE SUPPORT INSTALLATION (DEUTZ D2011 ENGINES MACHINES WITHOUT GENERATORS)



ART_1001151253

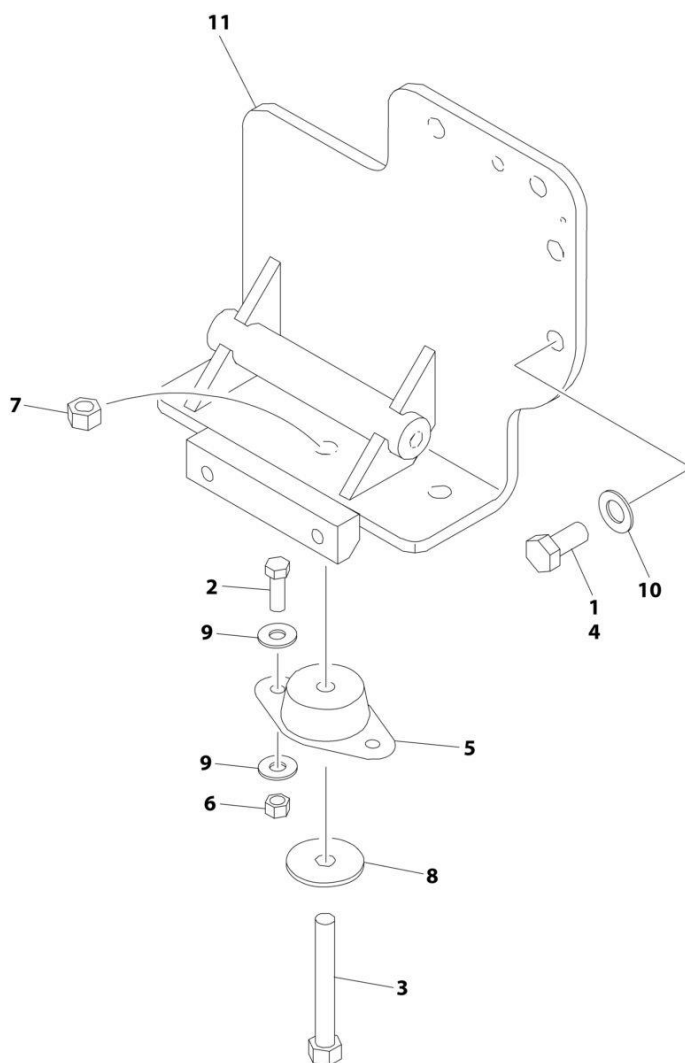
SECTION 3 - ENGINE

FIGURE 3-60. RIGHT ENGINE SUPPORT INSTALLATION (DEUTZ D2011 ENGINES MACHINES WITHOUT GENERATORS)

ITEM	PART NUMBER	QTY	DESCRIPTION	REV
	1001151253	Ref	RIGHT ENGINE SUPPORT INSTALLATION	A
1	0100011	AR	Compound, Locking	
2	0641609	2	Bolt 3/8 x 1-1/8	
3	0641820	1	Bolt 1/2 x 2-1/2	
4	0711414	2	Bolt M14 x 30 Grade 10.9	
5	3200401	1	Mount, Motor	
6	3311605	2	Nut 3/8	
7	3311805	1	Nut 1/2	
8	4740274	1	Washer	
9	4751600	4	Washer 3/8	
10	4812200	2	Washer M14	
11	1001149703	1	Support, Engine (Right Front)	

SECTION 3 - ENGINE

FIGURE 3-61. RIGHT ENGINE SUPPORT INSTALLATION (DEUTZ D2011 ENGINES MACHINES WITH GENERATORS)



ART_1001151252

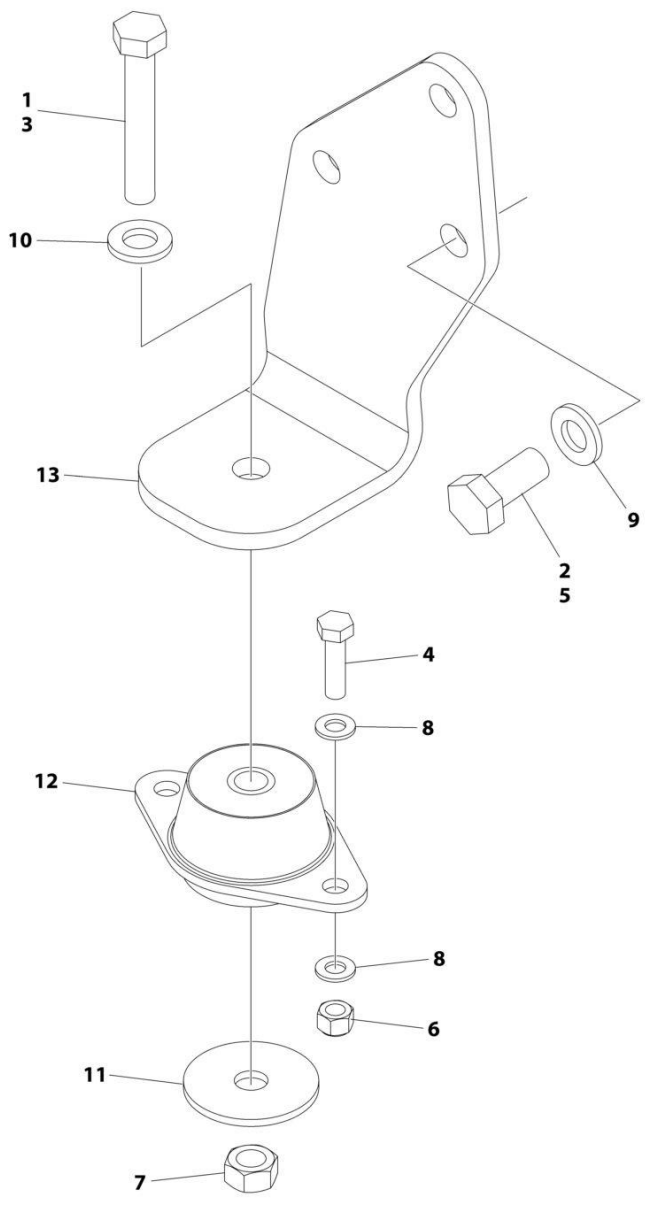
SECTION 3 - ENGINE

FIGURE 3-61. RIGHT ENGINE SUPPORT INSTALLATION (DEUTZ D2011 ENGINES MACHINES WITH GENERATORS)

ITEM	PART NUMBER	QTY	DESCRIPTION	REV
	1001151252	Ref	RIGHT ENGINE SUPPORT INSTALLATION	B
1	0100011	AR	Compound, Locking	
2	0641609	2	Bolt 3/8 x 1-1/8	
3	0641818	1	Bolt 1/2 x 2-1/2	
4	0711414	3	Bolt M14 x 30 Grade 10.9	
5	3200401	1	Mount, Motor	
6	3311605	2	Nut 3/8	
7	3311805	1	Nut 1/2	
8	4740274	1	Washer	
9	4751600	4	Washer 3/8	
10	4812200	3	Washer M14	
11	1001150890	1	Support, Engine (Right Front)	

SECTION 3 - ENGINE

FIGURE 3-62. RIGHT ENGINE SUPPORT INSTALLATION (DEUTZ TD2.2L3 (STAGE V) ENGINES MACHINES WITHOUT GENERATORS)



ART_1001255419

SECTION 3 - ENGINE

**FIGURE 3-62. RIGHT ENGINE SUPPORT INSTALLATION (DEUTZ TD2.2L3 (STAGE V) ENGINES
MACHINES WITHOUT GENERATORS)**

ITEM	PART NUMBER	QTY	DESCRIPTION	REV
	1001255419	Ref	RIGHT ENGINE SUPPORT INSTALLATION	B
1	0100011	AR	Compound, Locking	
2	0100019	AR	Compound, Locking	
3	0711223	1	Bolt M12 x 75	
4	0700814	2	Bolt M8 x 30	
5	0771414	3	Bolt M14 x 30	
6	3290805	2	Nut M8	
7	3331211	1	Nut M12	
8	4811900	4	Washer M8	
9	4812200	3	Washer M14	
10	5241200	1	Washer M12 Hardened	
11	1001168018	1	Washer, Snubbing	
12	1001166718	1	Mount, Motor	
13	1001249986	1	Support, Engine (Right Front)	

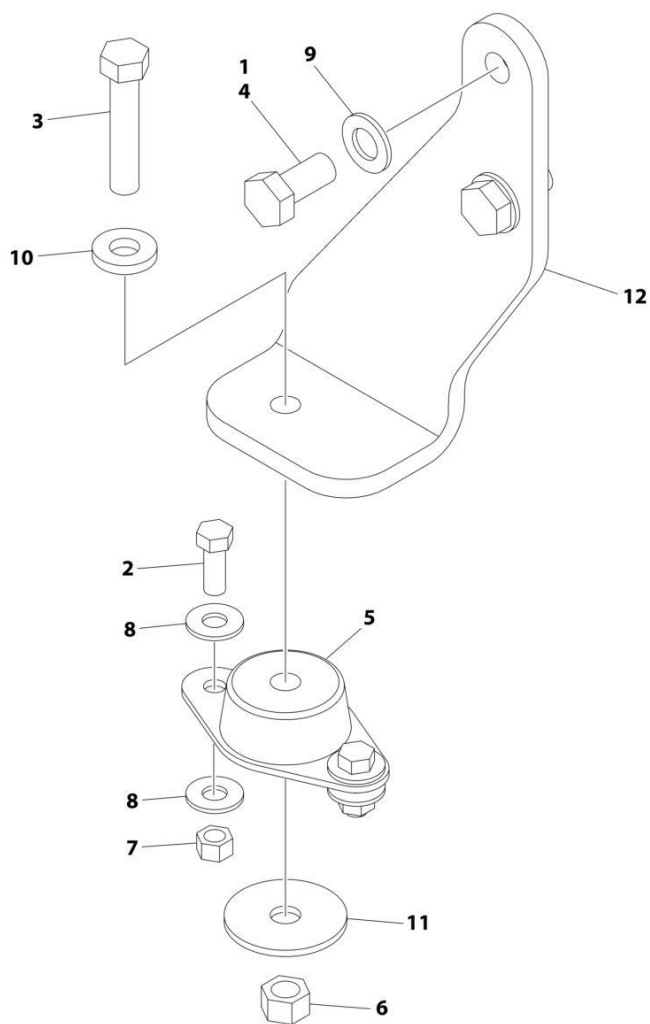
SECTION 3 - ENGINE

FIGURE 3-63. RIGHT ENGINE SUPPORT INSTALLATION (DEUTZ TD2.2L3 (STAGE V) ENGINES MACHINES WITH GENERATORS)

ITEM	PART NUMBER	QTY	DESCRIPTION	REV
	1001255418	Ref	RIGHT ENGINE SUPPORT INSTALLATION	B
1	0100011	AR	Compound, Locking	
2	0100019	AR	Compound, Locking	
3	0700812	1	Bolt M8 x 25	
4	0711223	1	Bolt M12 x 75	
5	0700814	2	Bolt M8 x 30	
6	0771414	3	Bolt M14 x 30	
7	3290805	2	Nut M8	
8	3331211	1	Nut M12	
9	4811900	5	Washer M8	
10	4812200	3	Washer M14	
11	5241200	1	Washer M12 Hardened	
12	1001168018	1	Washer, Snubbing	
13	1001166718	1	Mount, Motor	
14	1001196382	1	Stud	
15	1001247178	1	Support, Engine (Right Front)	

SECTION 3 - ENGINE

FIGURE 3-64. RIGHT ENGINE SUPPORT INSTALLATION (DEUTZ TD2.9L4 AND DEUTZ D2.9L4 ENGINES MACHINES WITHOUT GENERATORS)



ART_1001177043

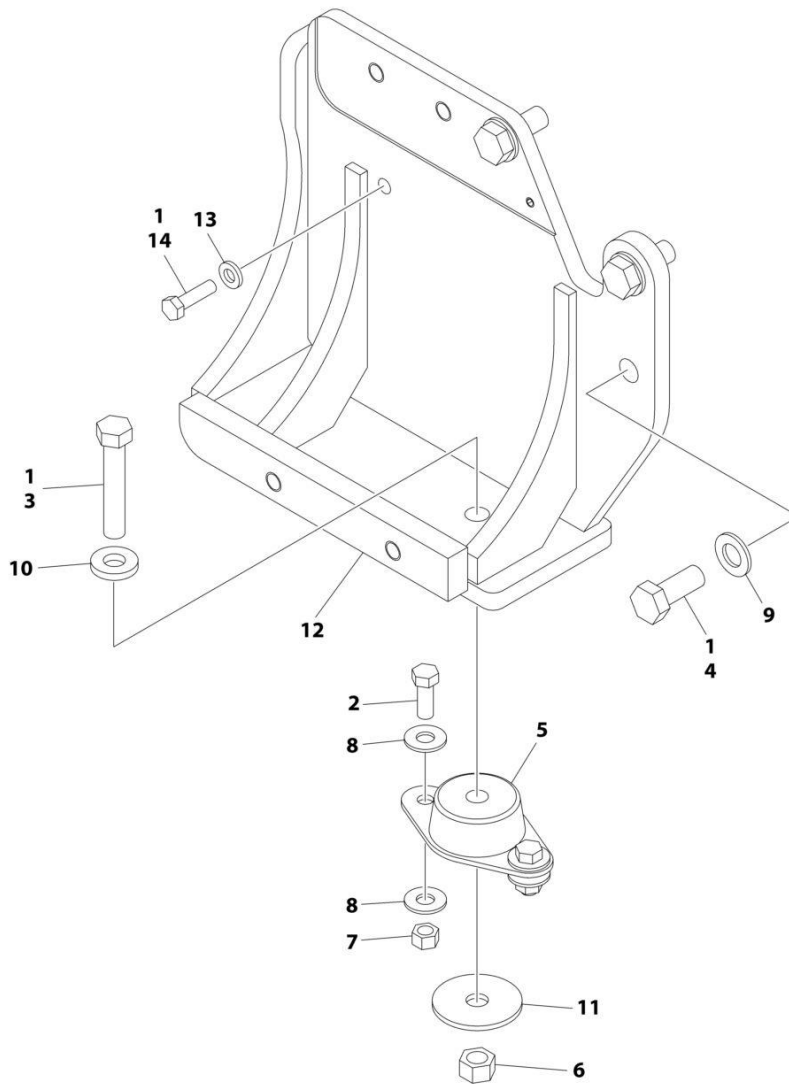
SECTION 3 - ENGINE

**FIGURE 3-64. RIGHT ENGINE SUPPORT INSTALLATION (DEUTZ TD2.9L4 AND DEUTZ D2.9L4
ENGINES MACHINES WITHOUT GENERATORS)**

ITEM	PART NUMBER	QTY	DESCRIPTION	REV
	1001177043	Ref	RIGHT ENGINE SUPPORT INSTALLATION	A
1	0100011	AR	Compound, Locking	
2	0641608	2	Bolt 3/8 x 1	
3	0681820	1	Bolt 1/2 x 2-1/2	
4	0771414	2	Bolt M14 x 30 Grade 10.9	
5	3200401	1	Mount, Motor	
6	3271801	1	Nut 1/2	
7	3311605	2	Nut 3/8	
8	4751600	4	Washer 3/8	
9	4812200	2	Washer M14	
10	4891800	1	Washer 1/2 Hardened	
11	1001139409	1	Washer, Snubbing	
12	1001177038	1	Support, Engine (Right Front)	

SECTION 3 - ENGINE

FIGURE 3-65. RIGHT ENGINE SUPPORT INSTALLATION (DEUTZ TD2.9L4 AND DEUTZ D2.9L4 ENGINES MACHINES WITH GENERATORS)



ART_1001177399

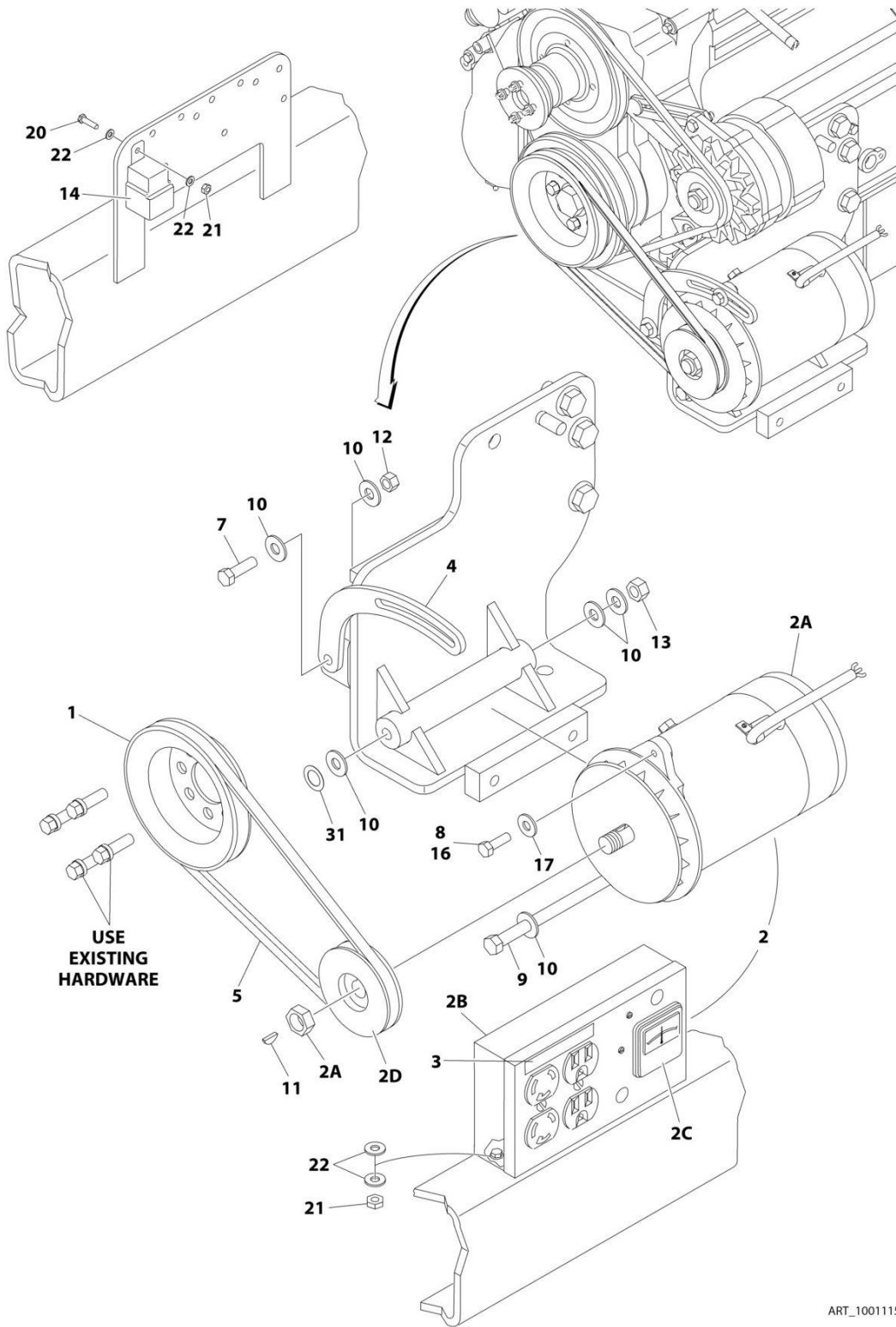
SECTION 3 - ENGINE

FIGURE 3-65. RIGHT ENGINE SUPPORT INSTALLATION (DEUTZ TD2.9L4 AND DEUTZ D2.9L4 ENGINES MACHINES WITH GENERATORS)

ITEM	PART NUMBER	QTY	DESCRIPTION	REV
	1001177399	Ref	RIGHT ENGINE SUPPORT INSTALLATION	B
1	0100011	AR	Compound, Locking	
2	0641608	2	Bolt 3/8 x 1	
3	0681822	1	Bolt 1/2 x 2-3/4 Grade 8	
4	0771415	3	Bolt M14 x 35	
5	3200401	1	Mount, Motor	
6	3271801	1	Nut 1/2 Grade 8	
7	3311605	2	Nut 3/8	
8	4751600	4	Washer 3/8	
9	4812200	2	Washer M14	
10	4891800	1	Washer 1/2 Hardened	
11	1001139409	1	Washer, Snubbing	
12	1001202368	1	Support, Engine (Right Front)	
13	5240800	1	Washer M8 Hardened	
14	0700814	1	Bolt M8 x 30	

SECTION 3 - ENGINE

FIGURE 3-66. 2500W/110V/60HZ GENERATOR INSTALLATION - DEUTZ D2011 ENGINES



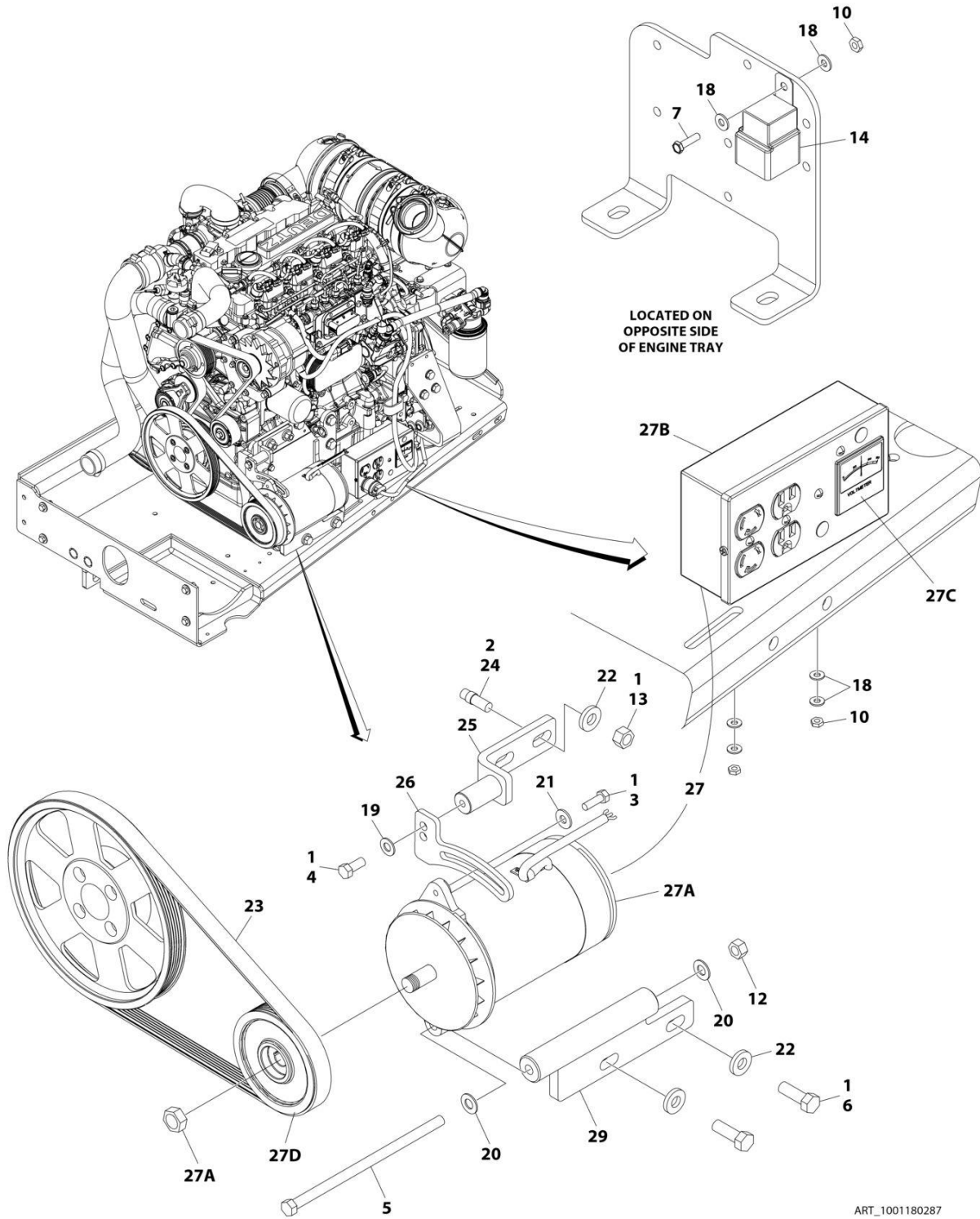
SECTION 3 - ENGINE

FIGURE 3-66. 2500W/110V/60HZ GENERATOR INSTALLATION - DEUTZ D2011 ENGINES

ITEM	PART NUMBER	QTY	DESCRIPTION	REV
	1001115405	Ref	2500W GENERATOR INSTALLATION - 110V/60Hz	B
1	3580158	1	Pulley	
2	2460055	1	Generator and Control Box Assembly:	
2A	7012558	1	Generator Only - 110V/60Hz	
2A		Ref	Note: Replacement Generators come standard with p/n 3580134 pulley. This pulley may not be correct for all applications. Refer to pulley options below.	
2A	7026199	1	Armature with Slip Rings	
2A	7012513	4	Cap, Brush Holder	
2A	7020108	4	Brush	
2A	7020109	4	Holder, Brush	
2A	7012514	1	Fan	
2A	7020110	1	Bell, Front	
2A	7020111	1	Bell, Rear	
2A	7020190	1	Bearing	
2B	7019680	1	Box, Control	
2B		Ref	Receptacle Options:	
2B	4460190	1	Receptacle, Standard	
2B	4460027	1	Receptacle, Twistlock	
2B	4360542	1	Breaker, Circuit	
2B	3520028	1	Plug, Hole	
2C	2420203	1	Voltmeter	
2D	3580276	1	Pulley	
2D	7027887	1	Key, Woodruff	
3	3251243	1	Decal - 110V/60Hz	
4	0200742	1	Arm, Adjusting	
5	0480121	1	V-Belt	
7	0641610	1	Bolt 3/8 x 1-1/4	
8	0100011	AR	Compound, Locking	
9	0641772	1	Bolt 7/16 x 9	
10	4751600	6	Washer 3/8	
11	2860012	1	Key, Woodruff	
12	3311605	1	Nut 3/8	
13	3311705	1	Nut 7/16	
14	3740080	1	Relay	
16	0641508	1	Bolt 5/16 x 1	
17	4751500	AR	Washer 5/16	
18	1001112588	1	Wiring Diagram Components (Not Shown)	
18	1001112589	1	Generator Harness (Not Shown)	
18	4922641	1	Generator ON/OFF Switch Harness (Not Shown - Located at Platform)	
20	0721006	AR	Bolt #10 x 3/4	
21	3311005	3	Nut #10	
22	4751000	AR	Washer #10	
25	4360336	1	Switch, Toggle (Not Shown - Located at Platform)	
26	4740397	1	Bushing (Not Shown - Located at Platform)	
27	4060802	1	Guard, Switch (Not Shown - Located at Platform)	
29	2820031	4 in/ 10cm	Heat Shrink (Not Shown - Located at Platform)	
30	3251102	1	Decal (Not Shown - Located at Platform)	
31	4070585	AR	Shim	

SECTION 3 - ENGINE

FIGURE 3-67. 2500W/110V/60HZ GENERATOR INSTALLATION - DEUTZ TD2.9L4 ENGINES



ART_1001180287

SECTION 3 - ENGINE

FIGURE 3-67. 2500W/110V/60HZ GENERATOR INSTALLATION - DEUTZ TD2.9L4 ENGINES

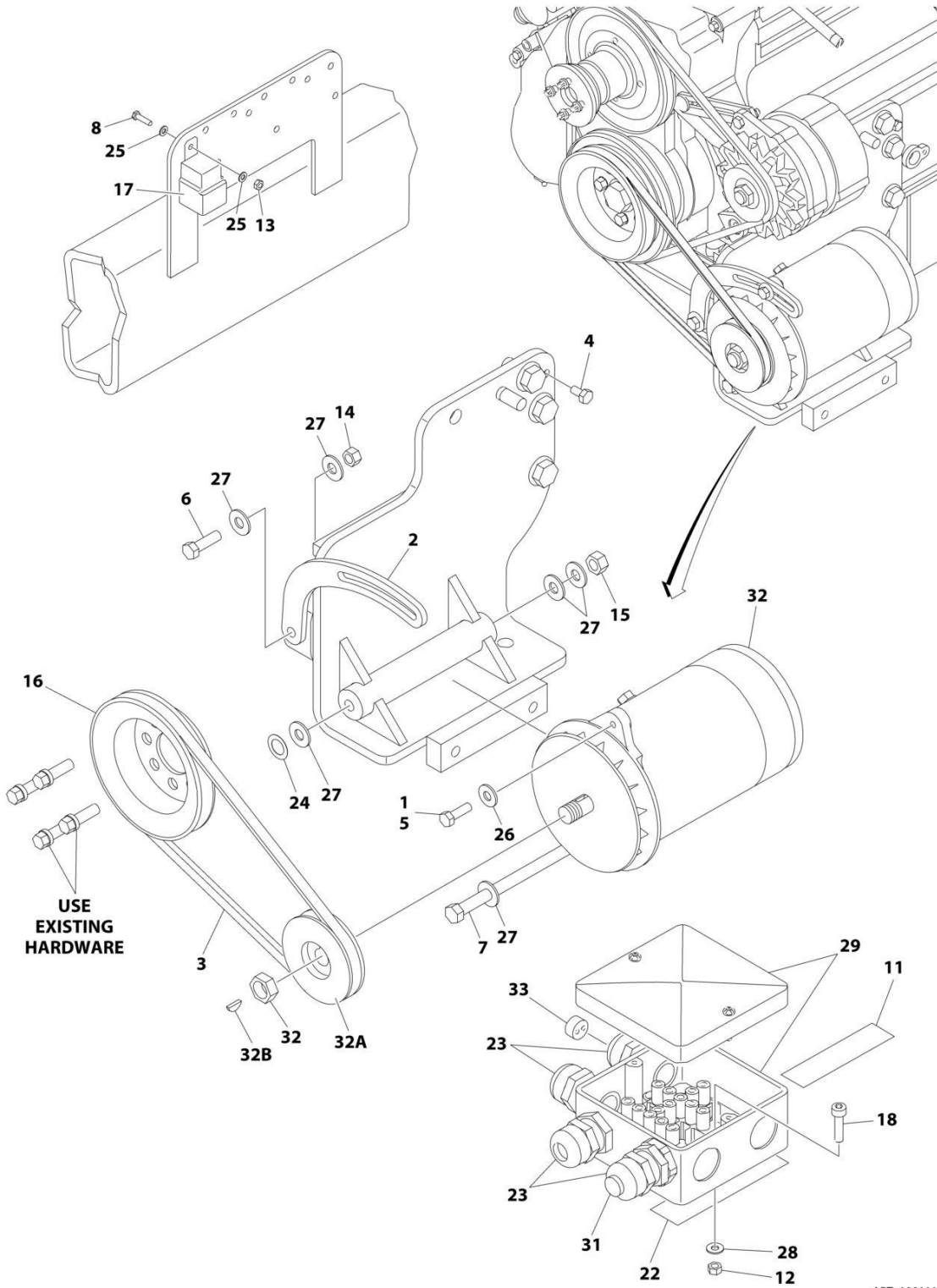
ITEM	PART NUMBER	QTY	DESCRIPTION	REV
	1001180287	Ref	2500W GENERATOR INSTALLATION - DEUTZ TD2.9L4 (OPTIONAL)	C
1	0100011	AR	Compound, Locking	
2	0100019	AR	Compound, Locking	
3	0641508	1	Bolt 5/16 x 1	
4	0641607	1	Bolt 3/8 x 7/8	
5	0641772	1	Bolt 7/16 x 9	
6	0641812	2	Bolt 1/2 x 1-1/2	
7	0721006	1	Screw #10 x 3/4	
8	2820031	AR	Heat Shrink (Not Shown - Located at Platform)	
9	3251102	1	Name Plate - Generator On (Not Shown - Located at Platform)	
10	3311005	3	Nut #10	
12	3311705	1	Nut 7/16	
13	3311801	2	Nut 1/2	
14	3740080	1	Relay	
15	4060802	1	Guard, Switch (Not Shown - Located at Platform)	
16	4240018	AR	Strap, Cable Tie (Not Shown)	
17	4360336	1	Switch, Toggle (Not Shown - Located at Platform)	
18	4711000	6	Washer #10	
19	4711600	1	Washer 3/8	
20	4711700	2	Washer 7/16	
21	4751500	1	Washer 5/16	
22	4891800	4	Washer 1/2	
23	1001148138	1	V-Belt	
24	1001163599	2	Stud	
25	1001216015	1	Bracket	
26	1001179837	1	Arm, Adjustment	
27	1001180001	1	Generator and Control Box Assembly	
27A	7012558	1	Generator Only - 110V/60Hz	
27A		Ref	Note: Replacement Generators come standard with p/n 3580134 pulley. This pulley may not be correct for all applications. Refer to pulley options below.	
27A	7026199	1	Armature with Slip Rings	
27A	7012513	4	Cap, Brush Holder	
27A	7020108	4	Brush	
27A	7020109	4	Holder, Brush	
27A	7012514	1	Fan	
27A	7020110	1	Bell, Front	
27A	7020111	1	Bell, Rear	
27A	7020190	2	Bearing	
27B	7019680	1	Box, Control - 110V/60Hz	
27B		Ref	Receptacle Options:	
27B	4460190	1	Receptacle, Standard (110V Only)	
27B	4460027	1	Receptacle, Twistlock (110V Only)	
27B	4360542	1	Breaker, Circuit	
27B	3520028	1	Plug, Hole	
27C	2420203	1	Voltmeter	
27D	3580276	1	Pulley	
27D	7027887	1	Key, Woodruff	
28		Ref	Wiring Diagram Components (Not Shown)	

SECTION 3 - ENGINE

ITEM	PART NUMBER	QTY	DESCRIPTION	REV
28	4922641	1	Generator On/Off Switch Harness (Not Shown - Located at Platform)	
28	1001180052	1	Generator Harness (Not Shown)	
29	1001181243	1	Mount, Generator	

SECTION 3 - ENGINE

FIGURE 3-68. 2500W/220V/50HZ GENERATOR INSTALLATION - DEUTZ D2011 ENGINES (AUSTRALIAN AND CE SPECS)



ART_1001115409

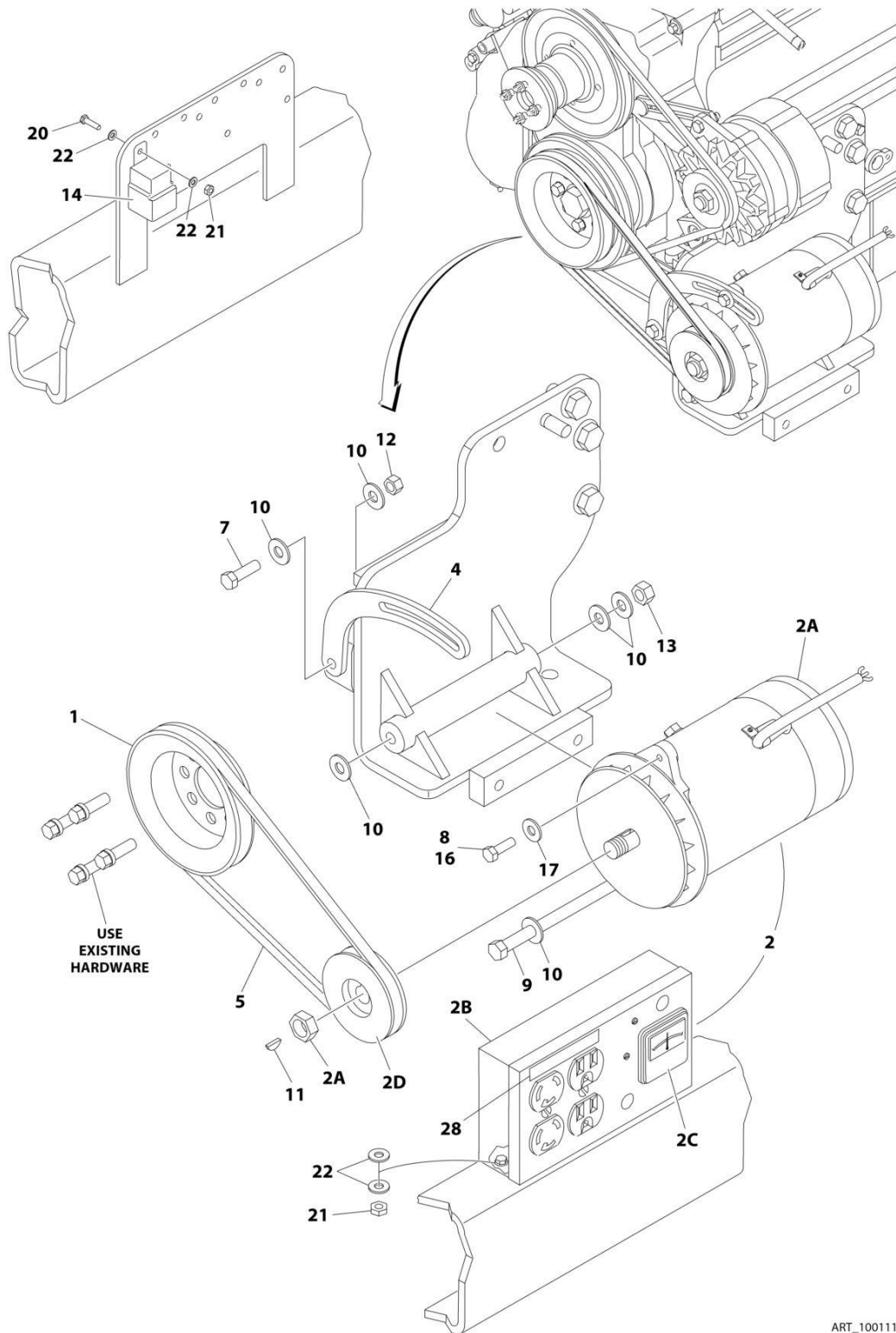
SECTION 3 - ENGINE

**FIGURE 3-68. 2500W/220V/50HZ GENERATOR INSTALLATION - DEUTZ D2011 ENGINES
(AUSTRALIAN AND CE SPECS)**

ITEM	PART NUMBER	QTY	DESCRIPTION	REV
	1001115409	Ref	2500W GENERATOR INSTALLATION - 220V/50Hz	B
1	0100011	AR	Compound, Locking	
2	0200742	1	Arm, Adjusting	
3	0480121	1	V-Belt	
4	0641404	1	Bolt 1/4 x 1/2	
5	0641508	1	Bolt 5/16 x 1	
6	0641610	1	Bolt 3/8 x 1-1/4	
7	0641772	1	Bolt 7/16 x 9	
8	0721006	AR	Bolt #10 x 3/4	
9	2820031	4 in/10cm	Heat Shrink (Not Shown - Located at Platform)	
10	3251102	1	Decal (Not Shown - Located at Platform)	
11	3252507	2	Decal - 220V - 50Hz	
		Ref	Note: One Decal Not Shown - Located on the Inside of Platform Rail.	
12	3290505	1	Nut M5	
13	3311005	1	Nut #10	
14	3311605	1	Nut 3/8	
15	3311705	1	Nut 7/16	
16	3580158	1	Pulley	
17	3740080	1	Relay	
18	4031608	1	Bolt M5 x 20	
19	4060802	1	Guard, Switch (Not Shown - Located at Platform)	
20	4240018	1	Tie Strap (Not Shown)	
21	4360336	1	Switch, Toggle (Not Shown - Located at Platform)	
22	4420060	AR	Tape, Double Coated Acrylic Foam	
23	4460968	3	Connector, Strain Relief	
24	4740397	1	Shim	
25	4751000	2	Washer #10	
26	4751500	1	Washer 5/16	
27	4751600	6	Washer 3/8	
28	4811600	1	Washer M5	
29	1001099869	1	Box, Junction	
30		Ref	Wiring Diagram Components (Not Shown)	
30	4922641	1	Generator On/Off Switch Harness (Not Shown - Located at Platform)	
30	1001112589	1	Generator Harness (Not Shown)	
31	1001100234	1	Light, Red	
32	1001100321	1	Generator	
32	70000123	1	Armature with Slip Rings	
32	7012513	4	Cap, Brush Holder	
32	7020108	4	Brush	
32	7020109	4	Holder, Brush	
32	7012514	1	Fan	
32	7020110	1	Bell, Front	
32	7020111	1	Bell, Rear	
32	7020190	1	Bearing	
32A	3580134	1	Pulley - 50Hz	
32B	7027887	1	Key, Woodruff	
33	0962449	1	Bushing	

SECTION 3 - ENGINE

FIGURE 3-69. 2500W/220V/50HZ GENERATOR INSTALLATION - DEUTZ D2011 ENGINES (ANSI EXPORT AND CHINA SPECS)



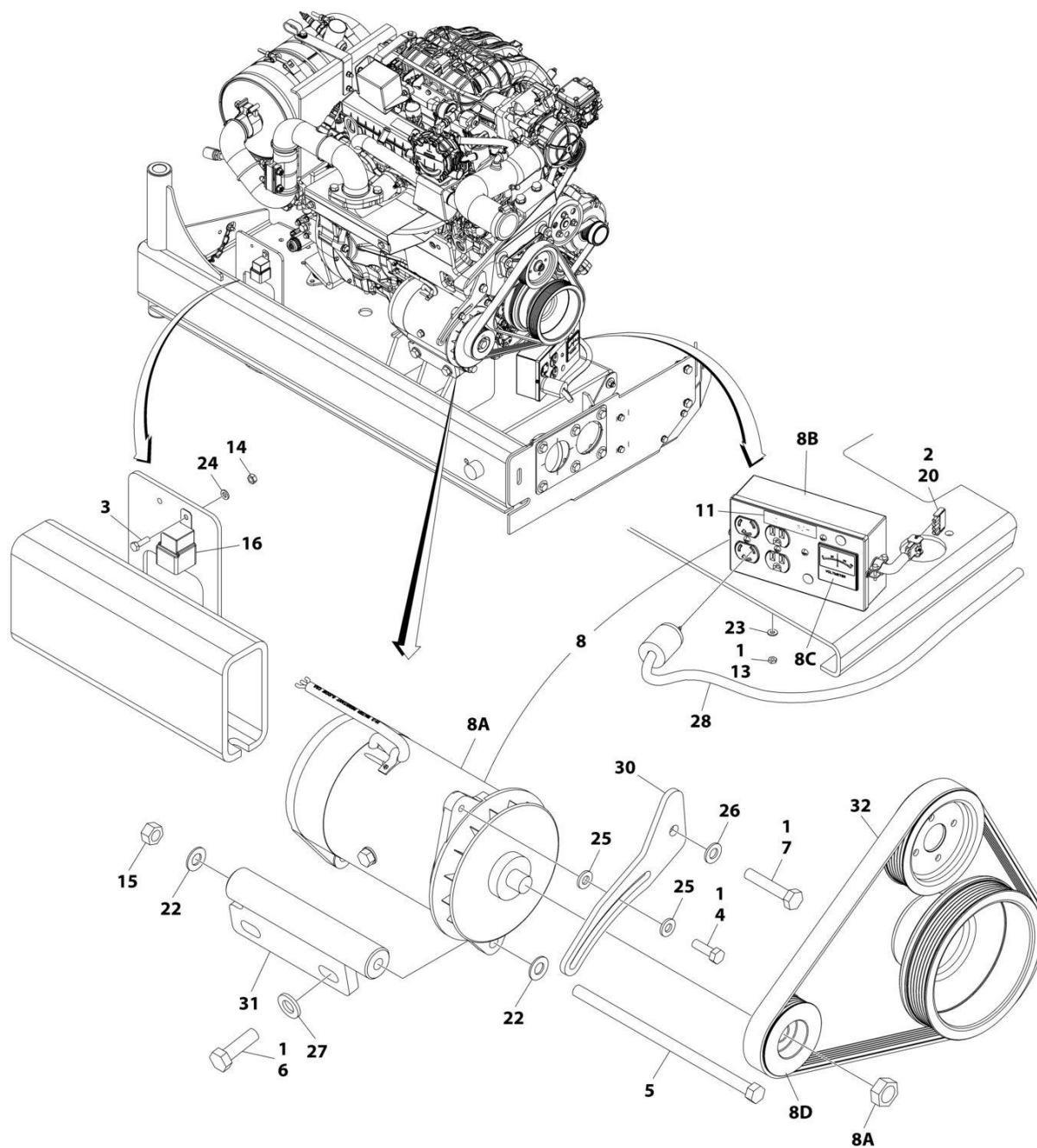
SECTION 3 - ENGINE

FIGURE 3-69. 2500W/220V/50HZ GENERATOR INSTALLATION - DEUTZ D2011 ENGINES (ANSI EXPORT AND CHINA SPECS)

ITEM	PART NUMBER	QTY	DESCRIPTION	REV
	1001115406	Ref	2500W GENERATOR INSTALLATION - 220V/50Hz	B
1	3580158	1	Pulley	
2	2460056	1	Generator and Control Box Assembly:	
2A	1001100321	1	Generator Only	
2A		Ref	Note: Replacement Generators come standard with p/n 3580134 pulley. This pulley may not be correct for all applications. Refer to pulley options below.	
2A	70000123	1	Armature with Slip Rings	
2A	7012513	4	Cap, Brush Holder	
2A	7020108	4	Brush	
2A	7020109	4	Holder, Brush	
2A	7012514	1	Fan	
2A	7020110	1	Bell, Front	
2A	7020111	1	Bell, Rear	
2A	7020190	1	Bearing	
2B	70000127	1	Box, Control	
2B		Ref	Receptacle Options:	
2B	70000124	1	Receptacle, Double	
2B	70000125	1	Receptacle, Single	
2B	70000126	1	Breaker, Circuit:	
2B	3520028	1	Plug, Hole	
2C	7020192	1	Voltmeter	
2D	3580134	1	Pulley	
2D	7027887	1	Key, Woodruff	
4	0200742	1	Arm, Adjusting	
5	0480121	1	V-Belt	
7	0641610	1	Bolt 3/8 x 1-1/4	
8	0100011	AR	Compound, Locking	
9	0641772	1	Bolt 7/16 x 9	
10	4751600	6	Washer 3/8	
11	2860012	1	Key, Woodruff	
12	3311605	1	Nut 3/8	
13	3311705	1	Nut 7/16	
14	3740080	1	Relay	
16	0641508	1	Bolt 5/16 x 1	
17	4751500	AR	Washer 5/16	
18	1001112588	1	Wiring Diagram Components (Not Shown)	
18	4922641	1	Generator ON/OFF Switch Harness (Not Shown - Located at Platform)	
18	1001112589	1	Generator Harness (Not Shown)	
20	0721006	1	Bolt #10 x 3/4	
21	3311005	1	Nut #10	
22	4751000	1	Washer #10	
25	4360336	1	Switch, Toggle (Not Shown - Located at Platform)	
26	4740397	1	Bushing (Not Shown - Located at Platform)	
27	4060802	1	Guard, Switch (Not Shown - Located at Platform)	
28	3252507	2	Decal - 220V - 50Hz	
29	2820031	4 in/10cm	Heat Shrink (Not Shown - Located at Platform)	
30	3251102	1	Decal (Not Shown - Located at Platform)	

SECTION 3 - ENGINE

FIGURE 3-70. 2500W GENERATOR INSTALLATION - FORD ENGINES



ART_1001217188

SECTION 3 - ENGINE

FIGURE 3-70. 2500W GENERATOR INSTALLATION - FORD ENGINES

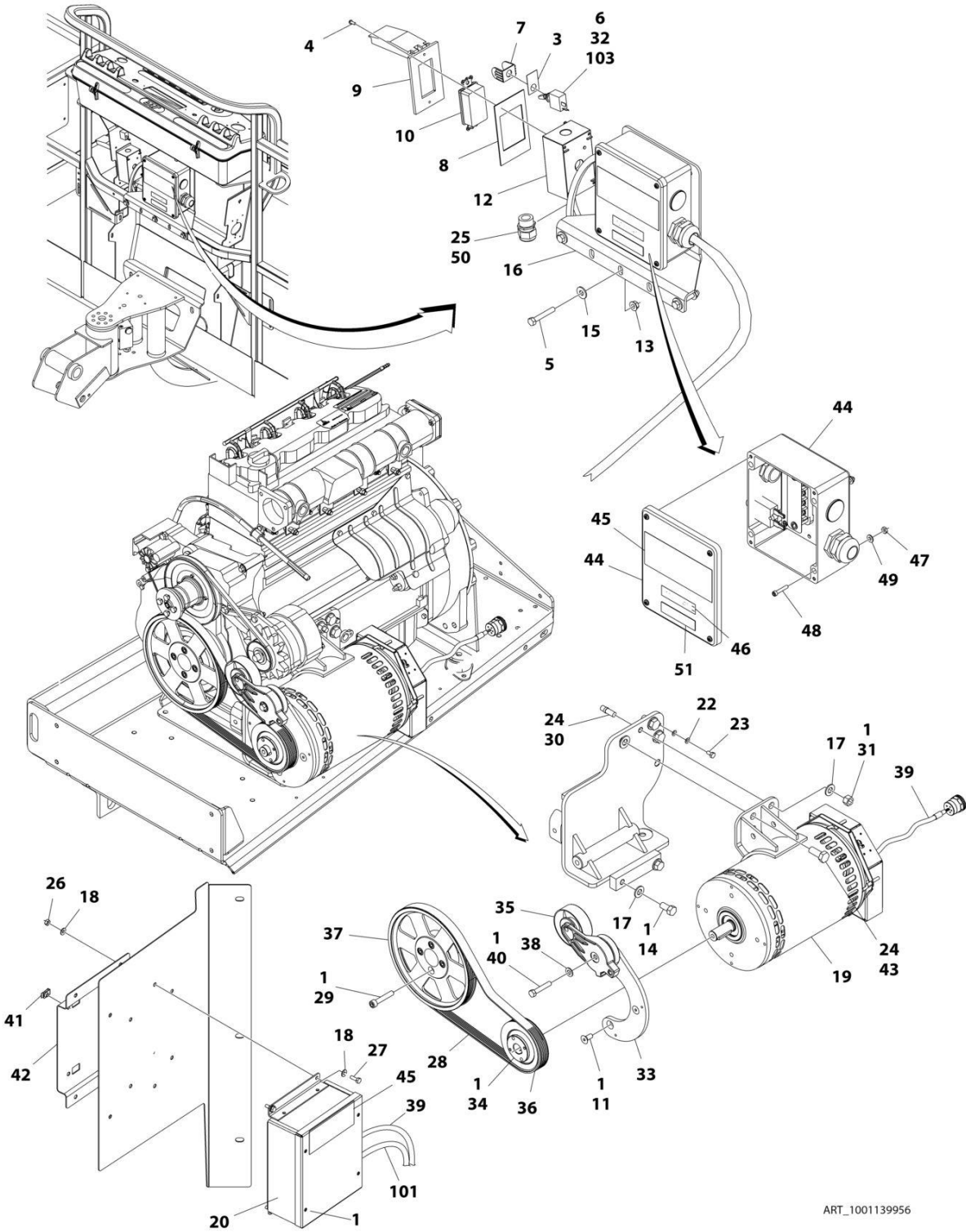
ITEM	PART NUMBER	QTY	DESCRIPTION	REV
	1001217188	Ref	2500W GENERATOR INSTALLATION	G
1	0100011	AR	Compound, Locking	
2	0100048	AR	Grease, Dielectric	
3	0760610	1	Bolt M6 x 20	
4	0641508	1	Bolt 5/16 x 1	
5	0641772	1	Bolt 7/16 x 9	
6	0761216	2	Bolt M12 x 40	
7	0761019	1	Bolt M10 x 55	
8	2460051	1	Generator and Control Box Assembly	
8A	7012558	1	Generator Only - 110V/60Hz	
		Ref	Note: Replacement Generators come standard with pin 3580134 pulley. This pulley may not be correct for all applications. Refer to pulley options below.	
8A	7026199	1	Armature with Slip Rings	
8A	7012513	4	Cap, Brush Holder	
8A	7020108	4	Brush	
8A	7020109	4	Holder, Brush	
8A	7012514	1	Fan	
8A	7020110	1	Bell, Front	
8A	7020111	1	Bell, Rear	
8A	7020190	2	Bearing	
8B	7019680	1	Box, Control - 110V/60Hz	
8B		Ref	Receptacle Options:	
8B	4460190	Ref	Receptacle, Standard (110V Only)	
8B	4460027	1	Receptacle, Twistlock (110V Only)	
8B	4360542	1	Breaker, Circuit	
8B	3520028	1	Plug, Hole	
8C	2420203	1	Voltmeter	
8D	3580324	1	Pulley	
8D	7027887	1	Key, Woodruff	
9	2820031	1	Heat Shrink (Not Shown - Located at Platform)	
10	3251102	1	Nameplate Generator (Not Shown - Located at Platform)	
11	3251243	1	Decal - 120V-60Hz	
13	3311005	2	Nut #10	
14	3290601	1	Nut M6	
15	3311705	1	Nut 7/16	
16	3740080	1	Relay	
17	4060802	1	Guard Switch (Not Shown - Located at Platform)	
18	4240099	AR	Tie-Strap (Not Shown)	
19	4360336	1	Switch, Toggle (Not Shown - Located at Platform)	
20	4460321	1	Plug, Male - 4 Position	
21	4460906	1	Socket, Female (Not Shown)	
22	4711700	2	Washer 7/16	
23	4751000	2	Washer #10	
24	4811700	1	Washer M6	
25	4891500	2	Washer 5/16	
26	4812000	1	Washer M10	
27	5241200	2	Washer M12	
28	4921829	1	Harness, Inverter	
30	1001219632	1	Arm, Adjustment	

SECTION 3 - ENGINE

ITEM	PART NUMBER	QTY	DESCRIPTION	REV
31	1001219630	1	Mount, Generator	
32	1001216391	1	V-Belt	

SECTION 3 - ENGINE

FIGURE 3-71. 4000W/60HZ GENERATOR INSTALLATION - DEUTZ D2011 ENGINES



ART_1001139956

SECTION 3 - ENGINE

FIGURE 3-71. 4000W/60HZ GENERATOR INSTALLATION - DEUTZ D2011 ENGINES

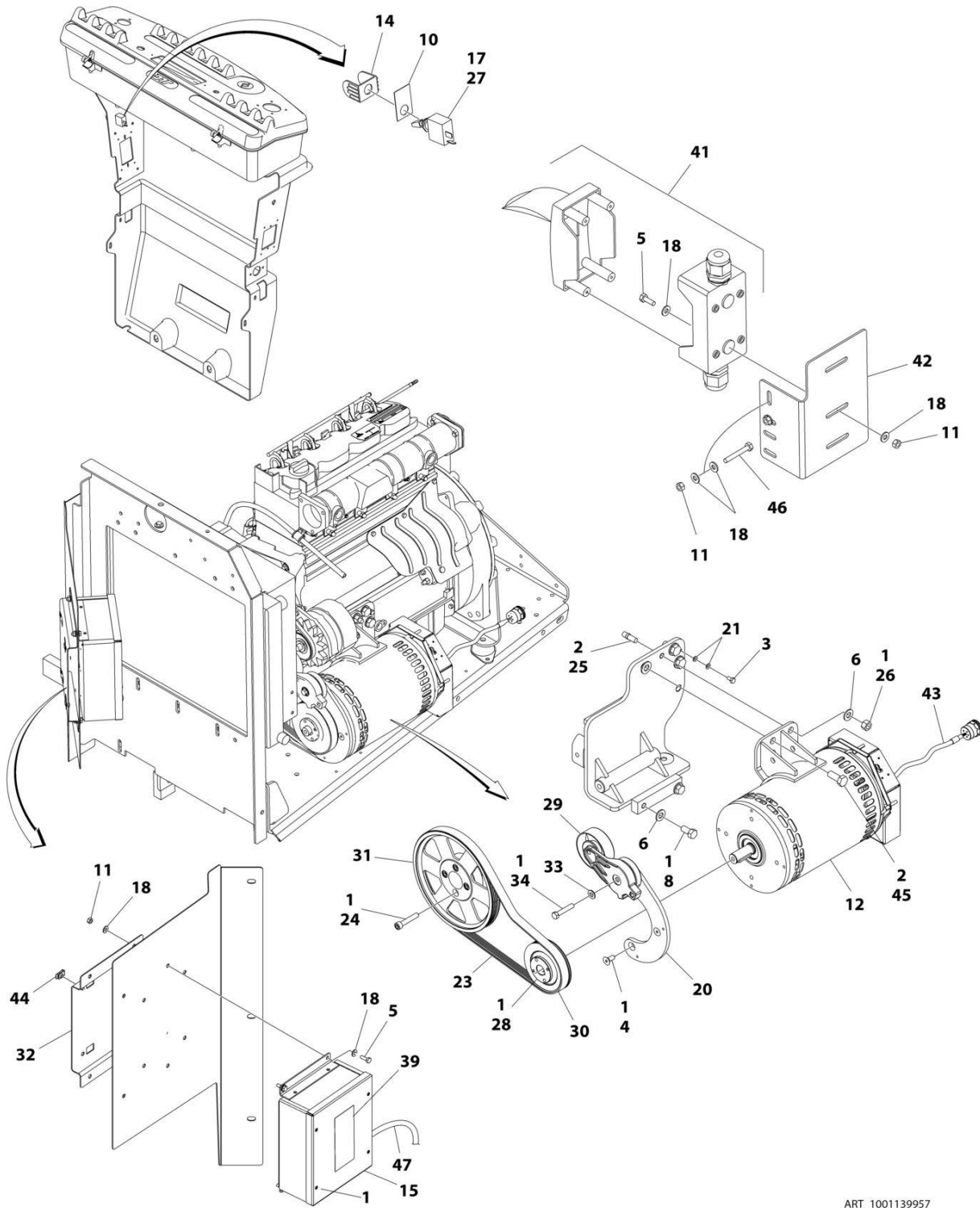
ITEM	PART NUMBER	QTY	DESCRIPTION	REV
	1001139956	Ref	4000W/60Hz Generator Installation - Deutz D2011 Engines	B
1	0100011	1	Compound, Locking	
3	3251102	1	Nameplate, Generator	
4	3910606	4	Screw #6 x 3/8	
5	0641516	3	Bolt 5/16 x 2	
6	4360336	1	Switch, Toggle	
7	4060802	1	Guard, Switch	
8	3960422	1	Gasket, AC Receptacle	
9	1001110873	1	Cover, Gang Vertical Receptacle GFCI	
10	4460346	1	Receptacle	
11	0741607	3	Screw 3/8 x 7/8	
12	0860038	1	Box, Switch-Weatherhead	
13	3311508	3	Nut 5/16	
14	0641808	2	Bolt 1/2 x 1	
15	4751500	3	Washer 5/16	
16	0902888	1	Bracket, Junction Box	
17	4711800	3	Washer 1/2	
18	4711400	8	Washer 1/4	
19	1001129858	1	Generator Assembly	
19	70003709	1	Ring, Retaining (External)	
19	70003708	1	Ring, Retaining (Internal)	
19	70001966	1	Bearing	
19	70004092	1	Endbell (Shaft End)	
19	70004171	1	Key	
19	70004676	1	Rotor	
19	70004684	1	Stator	
19	70004678	1	Endbell (Rear)	
19	70004679	1	Cover, Endbell (Rear)	
19	70004680	1	Enclosure, Wiring	
19	70004685	1	Cover, Enclosure	
19	70004682	1	Switch, Reset (Located on Enclosure Cover)	
19	70004098	1	Connector, Strain Relief (Located on Enclosure Cover)	
20	1001138566	1	Box, Control	
20	70006552	1	Capacitor	
20	70006553	1	Relay	
21	4240018	AR	Tie-Strap (Not Shown)	
22	4791400	2	Washer 1/4	
23	0641404	1	Bolt 1/4 x 1/2	
24	0100019	AR	Compound, Locking	
25	4460071	1	Connector, Strain Relief	
26	3311405	4	Nut 1/4	
27	0641406	4	Bolt 1/4 x 3/4	
28	0480129	1	Belt, Generator	
29	4032015	4	Capscrew M10 x 55	
30	4300157	1	Stud	
31	3311801	1	Nut 1/2	
32	2820031	AR	Heat Shrink	
33	1001139357	1	Mount, Tensioner	
34	0962520	1	Bushing, Split	
35	3580317	1	Tensioner, Belt with Pulley	

SECTION 3 - ENGINE

ITEM	PART NUMBER	QTY	DESCRIPTION	REV
36	3580318	1	Pulley, Generator	
37	3580320	1	Pulley, Engine Deutz	
38	4711600	1	Washer 3/8	
39	1001152532	1	Harness, Generator (See Separate Breakdown in ELECTRICAL Section)	
40	0641616	1	Bolt 3/8 x 2	
41	3300454	4	Nut, U-Style 1/4	
42	3575863	1	Plate	
43	0771415	1	Bolt M14 x 35 Grade 10.9	
44	1001152457	1	Junction Box Assembly	
44	3300396	1	Cover, Breaker	
44	4360070	1	Breaker, Circuit - 15Amp	
44	4460425	1	Connector, Strain Relief (LH Side)	
44	4460426	1	Connector, Strain Relief (RH Side)	
44	1001152530	1	Block, Terminal	
44	1001158363	1	Cover, Terminal Block	
44	1001153260	1	Decal - Wiring Diagram	
45	1705387	3	Decal - Hazardous Voltage	
46	3251243	1	Decal, 120V-60Hz	
47	3311005	4	Nut #10	
48	3931016	4	Capscrew #10 x 1	
49	4751000	4	Washer #10	
50	0100020	AR	Sealant	
51	1705374	1	Decal, 240V-60Hz	
		Ref	ELECTRICAL DIAGRAM COMPONENTS	
101	1001153197	1	Harness, Generator (See Separate Breakdown in ELECTRICAL Section)	
103	4922641	1	Harness, Switch	

SECTION 3 - ENGINE

FIGURE 3-72. 4000W/50HZ GENERATOR INSTALLATION - DEUTZ D2011 ENGINES



ART_1001139957

SECTION 3 - ENGINE

FIGURE 3-72. 4000W/50HZ GENERATOR INSTALLATION - DEUTZ D2011 ENGINES

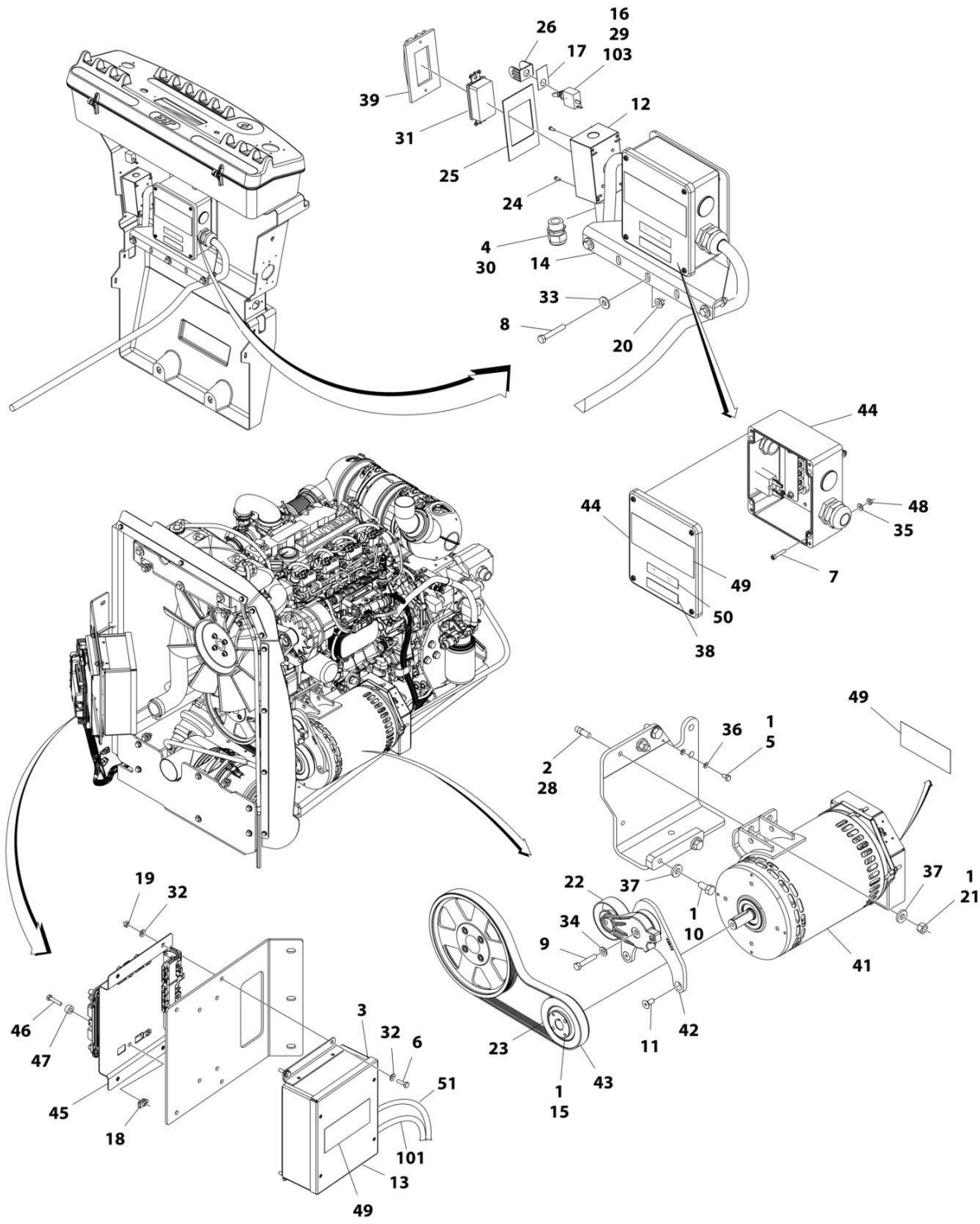
ITEM	PART NUMBER	QTY	DESCRIPTION	REV
	1001139957	Ref	4000W/50HZ Generator Installation - Deutz D2011 Engines	D
1	0100011	AR	Compound, Locking	
2	0100019	AR	Compound, Locking	
3	0641404	1	Bolt 1/4 x 1/2	
4	0741607	3	Screw 3/8 x 7/8	
5	0641406	6	Bolt 1/4 x 3/4	
6	4711800	3	Washer 1/2	
8	0641808	2	Bolt 1/2 x 1	
10	3251102	1	Nameplate, Generator	
11	3311405	8	Nut 1/4	
12	1001138565	1	Generator Assembly	
12	70003709	1	Ring, Retaining (External)	
12	70003708	1	Ring, Retaining (Internal)	
12	70001966	1	Bearing	
12	70004092	1	Endbell (Shaft End)	
12	70004171	1	Key	
12	70004676	1	Rotor	
12	70004677	1	Stator	
12	70004678	1	Endbell (Rear)	
12	70004679	1	Cover, Endbell (Rear)	
12	70004680	1	Enclosure, Wiring	
12	70004681	1	Cover, Enclosure	
12	70004682	1	Switch, Reset (Located on Enclosure Cover)	
12	70004683	1	Connector, Strain Relief (Located on Enclosure Cover)	
14	4060802	1	Guard, Switch	
15	1001138566	1	Box, Control	
15	70006552	1	Capacitor	
15	70006553	1	Relay	
16	4240018	AR	Tie-Strap (Not Shown)	
17	4360336	1	Switch, Toggle	
17	4922641	1	Harness, On/Off Switch	
18	4711400	16	Washer 1/4	
20	1001139357	1	Mount, Tensioner	
21	4791400	2	Washer 1/4	
23	0480126	1	Belt, Generator	
24	4032015	4	Capscrew M10 x 55	
25	4300157	1	Stud	
26	3311801	1	Nut 1/2	
27	2820031	AR	Heat Shrink	
28	0962520	1	Bushing, Split	
29	3580317	1	Tensioner, Belt with Pulley	
30	3580319	1	Pulley, Generator	
31	3580320	1	Pulley, Engine Deutz	
32	3575863	1	Plate	
33	4711600	1	Washer 3/8	
34	0641616	1	Bolt 3/8 x 2	
39	1705489	2	Decal - Hazardous Voltage	
41	1001096070	1	Breaker Box Kit (Not Shown) (See Separate Breakdown in ELECTRICAL SECTION)	
42	1001153636	1	Bracket	

SECTION 3 - ENGINE

ITEM	PART NUMBER	QTY	DESCRIPTION	REV
43	1001152532	1	Harness, Generator (See Separate Breakdown in ELECTRICAL SECTION)	
44	3300454	4	Nut, U-Style 1/4	
45	0771415	1	Bolt M14 x 35 Grade 10.9	
46	0641415	2	Capscrew 1/4 x 1-7/8	
47	1001153197	1	Harness, Generator (See Separate Breakdown in ELECTRICAL SECTION)	

SECTION 3 - ENGINE

FIGURE 3-73. 4000W/60HZ GENERATOR INSTALLATION - DEUTZ TD2.9L4 AND DEUTZ D2.9L4 ENGINES



ART_1001171126

SECTION 3 - ENGINE

FIGURE 3-73. 4000W/60HZ GENERATOR INSTALLATION - DEUTZ TD2.9L4 AND DEUTZ D2.9L4 ENGINES

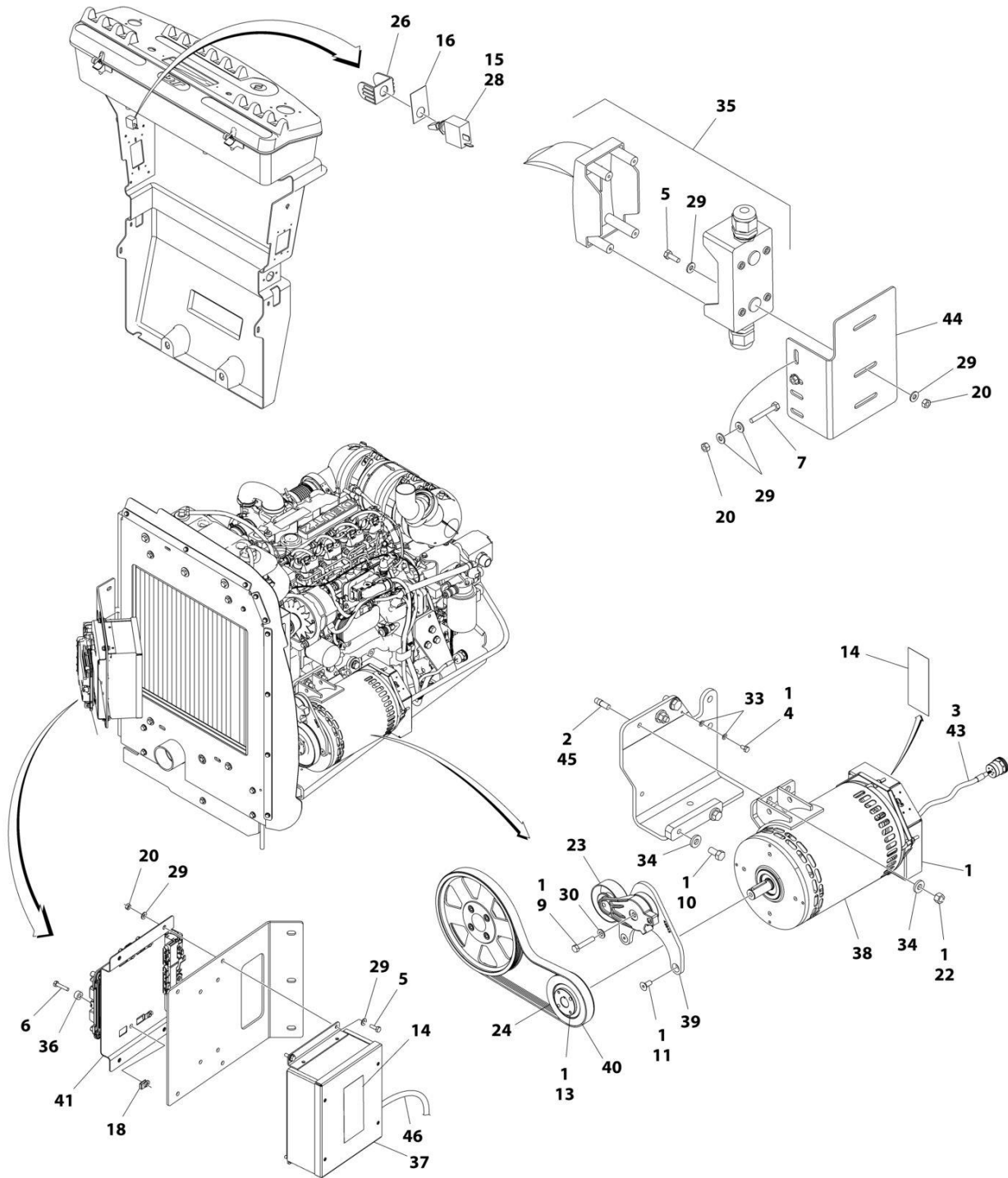
ITEM	PART NUMBER	QTY	DESCRIPTION	REV
	1001171126	Ref	4000W/60HZ Generator Installation	B
1	0100011	AR	Compound, Locking	
2	0100019	AR	Compound, Locking	
3	0100048	AR	Grease, Dielectric	
4	0100079	AR	Sealant	
5	0641404	1	Bolt 1/4 x 1/2	
6	0641407	4	Bolt 1/4 x 7/8	
7	3931016	4	Capscrew #10 x 1	
8	0641516	3	Bolt 5/16 x 2	
9	0641616	1	Bolt 3/8 x 2	
10	0641808	2	Bolt 1/2 x 1	
11	0741607	3	Screw, Flathead 3/8 x 7/8	
12	0860038	1	Box, Switch	
13	1001138566	1	Box, Control	
13	70006552	1	Capacitor	
13	70006553	1	Relay	
14	0902888	1	Bracket, Junction Box	
15	0962520	1	Bushing, Split	
16	2820031	0.33 ft /.10m	Heat Shrink	
17	3251102	1	Nameplate, Generator	
18	3300454	4	Nut, U-Style 1/4	
19	3311405	4	Nut 1/4	
20	3311508	3	Nut 5/16	
21	3311801	2	Nut 1/2	
22	3580317	1	Tensioner, Belt with Pulley	
23	3580318	1	Pulley, Generator	
24	3910606	4	Screw #6 x 3/8	
25	3960422	1	Gasket, AC Receptacle	
26	4060802	1	Guard, Switch	
27	4240018	AR	Tie-Strap (Not Shown)	
28	1001163599	2	Stud	
29	4360336	1	Switch, Toggle	
30	4460071	1	Connector, Strain Relief	
31	4460346	1	Receptacle	
32	4711400	8	Washer 1/4	
33	4751500	3	Washer 5/16	
34	4711600	1	Washer 3/8	
35	4751000	4	Washer #10	
36	4791400	2	Washer 1/4	
37	4891800	4	Washer 1/2	
38	1705374	1	Decal, 240V	
39	1001110873	1	Cover, Receptacle	
41	1001140346	1	Generator Assembly	
41	70003709	1	Ring, Retaining (External)	
41	70003708	1	Ring, Retaining (Internal)	
41	70001966	1	Bearing	
41	70004092	1	Endbell (Shaft End)	
41	70004099	1	Key	

SECTION 3 - ENGINE

ITEM	PART NUMBER	QTY	DESCRIPTION	REV
41	70004676	1	Rotor	
41	70004687	1	Stator	
41	70004678	1	Endbell (Rear)	
41	70004679	1	Cover, Endbell (Rear)	
41	70004680	1	Enclosure, Wiring	
41	70004685	1	Cover, Enclosure	
41	70004682	1	Switch, Reset (Located on Enclosure Cover)	
41	70004098	1	Connector, Strain Relief (Located on Enclosure Cover)	
41	4460224	1	Receptacle, Female - 6 Position (Connects to Generator Harness)	
41	4460294	6	Pin, Male (Use with p/n 4460224)	
41	4460807	6	Seal, Terminal (Use with p/n 4460224)	
41	4460808	1	Seal, Interface (Use with p/n 4460224)	
42	1001142643	1	Support, Gen Tensioner	
43	1001142646	1	Belt, Generator	
44	1001152457	1	Junction Box Assembly	
44	3300396	1	Cover, Breaker	
44	4360070	1	Breaker, Circuit - 15Amp	
44	4460425	1	Connector, Strain Relief (LH Side)	
44	4460426	1	Connector, Strain Relief (RH Side)	
44	1001152530	1	Block, Terminal	
44	1001158363	1	Cover, Terminal Block	
44	1001153260	1	Decal - Wiring Diagram	
45	1001145330	1	Bracket	
46	0641410	4	Bolt 1/4 x 1-1/4	
47	1001110425	4	Spacer	
48	3311005	4	Nut #10	
49	1705387	3	Decal - Hazardous Voltage	
50	3251243	1	Decal, 120V-60Hz	
51	1001152532	1	Harness, Generator (See Separate Breakdown in ELECTRICAL SECTION)	
		Ref	ELECTRICAL DIAGRAM COMPONENTS	
101	1001153259	1	Harness, Generator	
103	4922641	1	Harness, Switch	

SECTION 3 - ENGINE

FIGURE 3-74. 4000W/50HZ GENERATOR INSTALLATION - DEUTZ TD2.9L4 AND DEUTZ D2.9L4 ENGINES



ART_1001171268

SECTION 3 - ENGINE

FIGURE 3-74. 4000W/50HZ GENERATOR INSTALLATION - DEUTZ TD2.9L4 AND DEUTZ D2.9L4 ENGINES

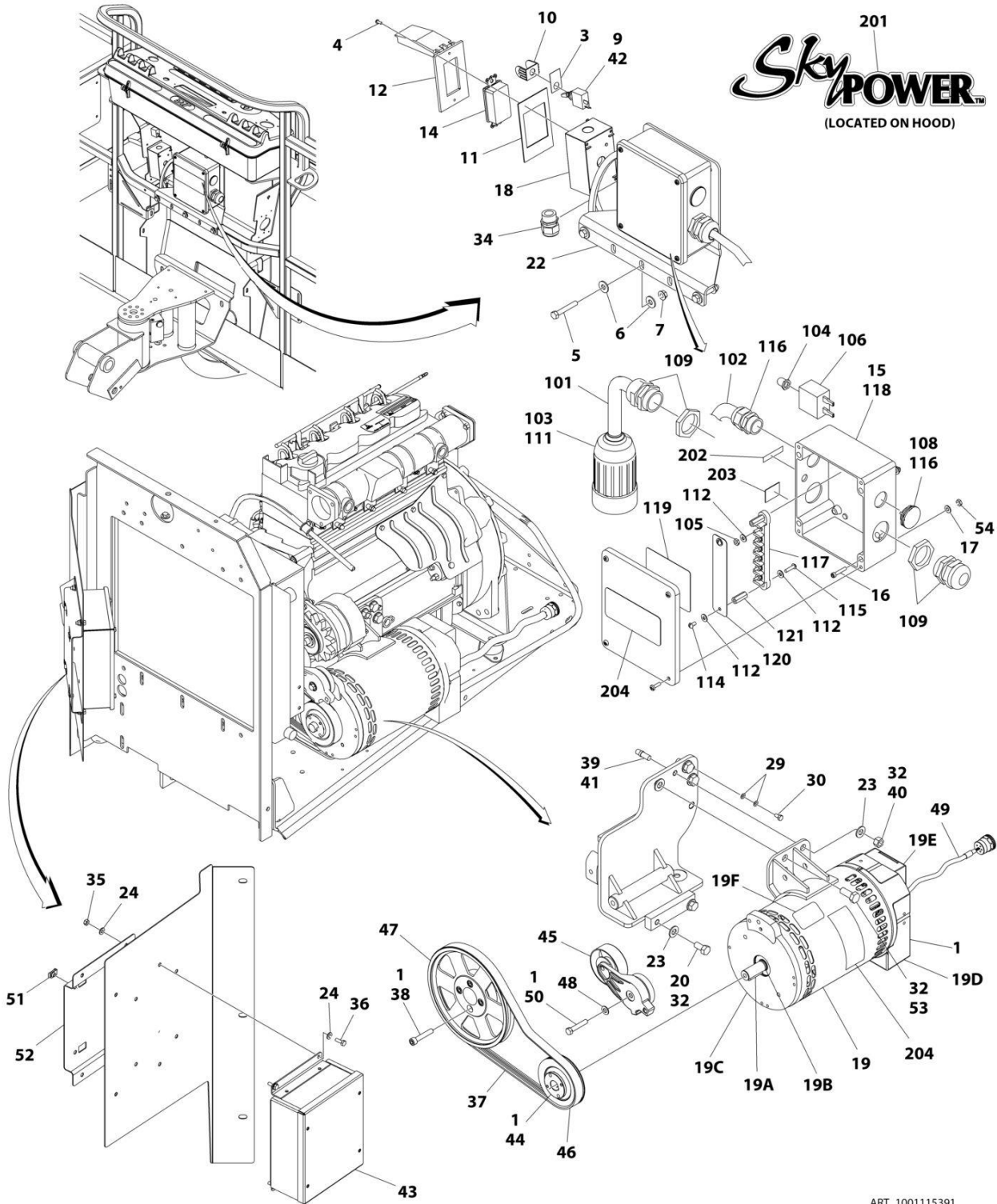
ITEM	PART NUMBER	QTY	DESCRIPTION	REV
	1001171268	Ref	4000W/50HZ Generator Installation	C
1	0100011	AR	Compound, Locking	
2	0100019	AR	Compound, Locking	
3	0100048	AR	Grease, Dielectric	
4	0641404	1	Bolt 1/4 x 1/2	
5	0641406	6	Bolt 1/4 x 3/4	
6	0641410	4	Bolt 1/4 x 1-1/4	
7	0641415	2	Bolt 1/4 x 1-7/8	
9	0641618	1	Bolt 3/8 x 2-1/4	
10	0641808	2	Bolt 1/2 x 1	
11	0741607	3	Screw, Flathead 3/8 x 7/8	
13	0962520	1	Bushing, Split	
14	1705489	2	Decal - Hazardous Voltage	
15	2820031	0.33 ft /.10m	Heat Shrink	
16	3251102	1	Nameplate, Generator	
18	3300454	4	Nut, U-Style 1/4	
20	3311405	4	Nut 1/4	
22	3311801	2	Nut 1/2	
23	3580317	1	Tensioner, Belt with Pulley	
24	3580319	1	Pulley, Generator	
26	4060802	1	Guard, Switch	
27	4240018	AR	Tie-Strap (Not Shown)	
28	4360336	1	Switch, Toggle	
29	4711400	16	Washer 1/4	
30	4711600	1	Washer 3/8	
33	4791400	2	Washer 1/4	
34	4891800	4	Washer 1/2	
35	1001096070	1	Breaker Box Kit (Not Shown) (See Separate Breakdown in ELECTRICAL SECTION)	
36	1001110425	4	Spacer	
37	1001138566	1	Box, Control	
37	70006552	1	Capacitor	
37	70006553	1	Relay	
38	1001140347	1	Generator Assembly	
38	70003709	1	Ring, Retaining (External)	
38	70003708	1	Ring, Retaining (Internal)	
38	70001966	1	Bearing	
38	70004092	1	Endbell (Shaft End)	
38	70004099	1	Key	
38	70004676	1	Rotor	
38	70004686	1	Stator	
38	70004678	1	Endbell (Rear)	
38	70004679	1	Cover, Endbell (Rear)	
38	70004680	1	Enclosure, Wiring	
38	70004681	1	Cover, Enclosure	
38	70004682	1	Switch, Reset (Located on Enclosure Cover)	
38	70004683	1	Connector, Strain Relief (Located on Enclosure Cover)	

SECTION 3 - ENGINE

ITEM	PART NUMBER	QTY	DESCRIPTION	REV
38	4460224	1	Receptacle, Female - 6 Position (Connects to Generator Harness)	
38	4460294	6	Pin, Male (Use with p/n 4460224)	
38	4460807	6	Seal, Terminal (Use with p/n 4460224)	
38	4460808	1	Seal, INterface (Use with p/n 4460224)	
39	1001142643	1	Support, Gen Tensioner	
40	1001142645	1	Belt	
41	1001145330	1	Bracket	
43	1001152532	1	Harness, Generator (See Separate Breakdown in ELECTRICAL SECTION)	
44	1001153636	1	Bracket	
45	1001163599	2	Stud	
46	1001153259	1	Harness, Generator	

SECTION 3 - ENGINE

FIGURE 3-75. 7500W/60HZ SKYPOWER GENERATOR INSTALLATION - DEUTZ D2011 ENGINES



SECTION 3 - ENGINE

FIGURE 3-75. 7500W/60HZ SKYPOWER GENERATOR INSTALLATION - DEUTZ D2011 ENGINES

ITEM	PART NUMBER	QTY	DESCRIPTION	REV
	1001115391	Ref	7500W/60HZ SKYPOWER GENERATOR INSTALLATION	F
1	0100011	AR	Compound, Locking	
3	3252764	1	Nameplate	
4	3910606	4	Screw #6 x 3/8	
5	0641516	3	Bolt 5/16 x 2	
6	4711500	6	Washer	
7	3311505	3	Nut 5/16	
9	4360336	1	Switch, Toggle	
10	4060802	1	Guard, Switch	
11	3960422	1	Gasket	
12	1001110873	1	Cover, Receptacle	
14	4460346	1	Receptacle	
15	1001157592	Ref	Junction Box Assembly Options (See Items 101-121 for Breakdown)	
16	3931016	4	Capscrew #10 x 1	
17	4751000	4	Washer #10	
18	0860038	1	Box, Switch	
19	2460048	1	Generator Assembly	D
19	70001100	1	Rotor (Includes p/n 70001384 & 70000863) (Not Shown)	
19	70001384	1	Bearing, Ball Radial (Not Shown)	
19	70000863	1	Fan (Not Shown)	
19	70002088	1	Stator (Not Shown)	
19	70002297	1	Stud	
19	70003631	1	Brushholder Assembly (Not Shown)	
19A	70004171	1	Key	
19B	70001966	1	Bearing, Ball Radial (Located in Belt Tensioner Endbell)	
19B	70003708	1	Ring, Internal Retaining (Located in Belt Tensioner Endbell)	
19B	70003709	1	Ring, External Retaining (Located in Belt Tensioner Endbell)	
19C	70001953	1	Endbell, Belt Tensioner	
19D	70004169	1	Endbell, Brush Block	
19E	70002290	1	Shroud	
19E	7027799	1	Block, Connector 6 Position (Not Shown)	
19E	7026626	1	Connector - 6 Position with Seal (Not Shown)	
19E	70002460	1	Nut, Brass (Attaches p/n 7027799 to Cover) (Not Shown)	
19E	7024485	1	Breaker, Circuit 30Amp (Not Shown)	
19E	70001696	1	Boot, Breaker (Not Shown)	
19E	7026597	1	Connector, W/Leads (Not Shown)	
19E	7026188	1	Clamp, Cable (Not Shown)	
19E	70003708	1	Ring, Retaining (Internal) (Not Shown)	
19E	70003709	1	Ring, Retaining (External) (Not Shown)	
19E	70004169	1	Plate, End Panel	
19E	70001974	1	Decal - Terminal Connections	
19F	70001973	1	Decal - Warning Moving Parts	
20	0641808	2	Bolt 1/2 x 1	
22	0902888	1	Bracket, Box Mounting	
23	4711800	3	Washer 1/2	
24	4711400	8	Washer 1/4	
28	4240018	AR	Tie-Strap (Not Shown)	
29	4791400	2	Starwasher 1/4	
30	0641403	1	Bolt 1/4 x 3/8	

SECTION 3 - ENGINE

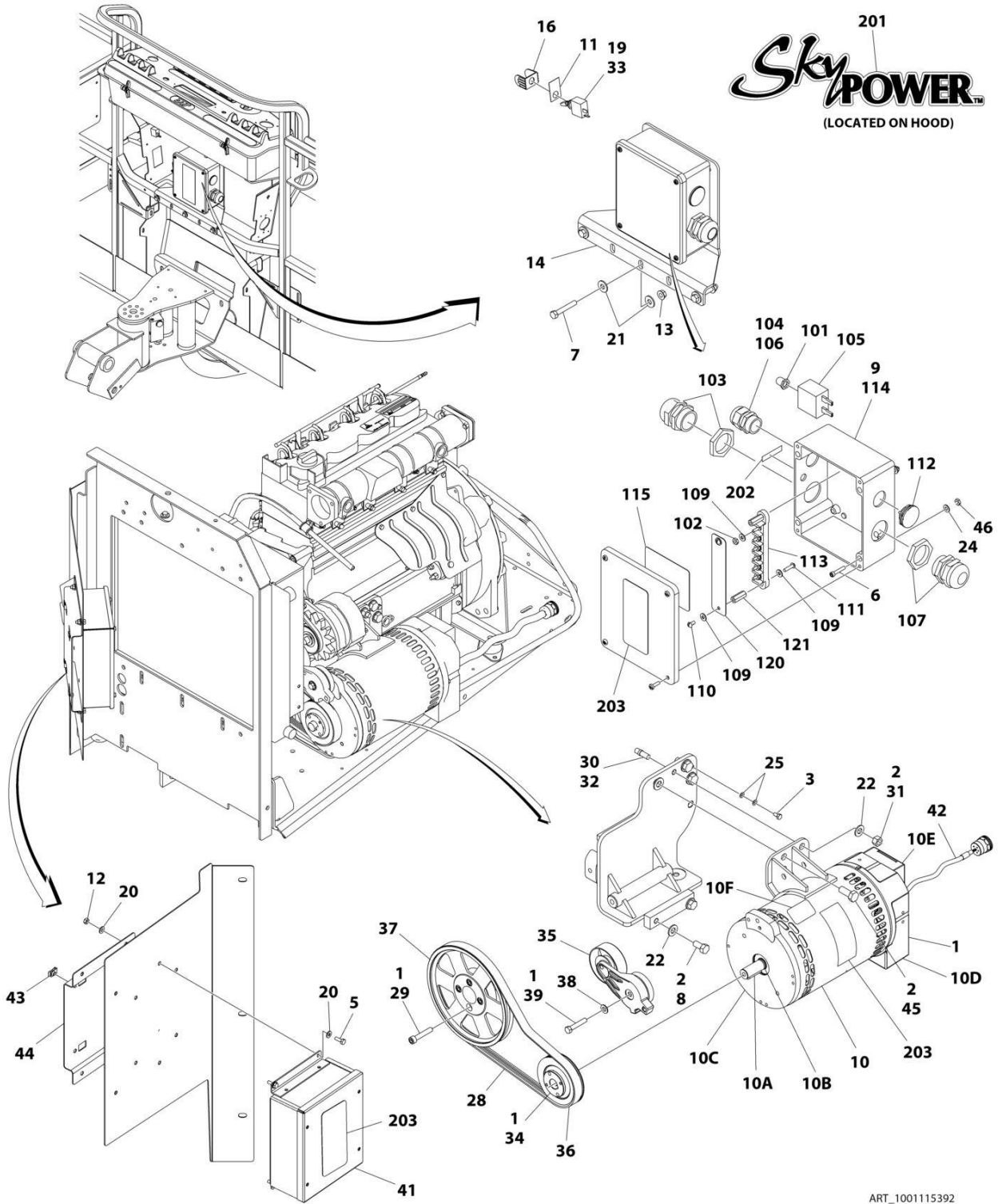
ITEM	PART NUMBER	QTY	DESCRIPTION	REV
32	0100019	AR	Compound, Locking	
34	4460071	1	Connector, Strain Relief	
35	3311405	4	Nut 1/4	
36	0641406	4	Bolt 1/4 x 3/4	
37	0480129	1	Belt, Drive	
38	4032015	4	Capscrew M10 x 55	
39	4300157	1	Stud	
40	3311801	1	Nut 1/2	
41	0100062	AR	Adhesive	
42	2820031	1	Insulator	
43	0861538	1	Control Box Assembly	
43	7024488	1	Card, Circuit - Generator Power	
43	See Note	1	Fuse (Note: Not Available - Purchase Locally)	
43	7024489	1	Card, Circuit - Control	
		Ref	Note: Same Circuit Card (p/n 7024489) is used for both 60Hz and 50Hz. When replacing card, rocker switch on card must be set for required application	
43	70000619	1	Harness, Circuit Card	
44	0962520	1	Bushing, Split Taper	
45	3580317	1	Tensioner, Belt	
46	3580318	1	Pulley	
47	3580320	1	Pulley	
48	4711600	1	Washer 3/8	
49	4922925	1	Harness, Generator (See Separate Breakdown in ELECTRICAL SECTION)	
50	0641618	1	Bolt 3/8 x 2-1/4	
51	3300454	4	Nut Special 1/4	
52	3575863	1	Plate, EMR2 Mount	
53	0771415	1	Bolt M14 x 35	
54	3311005	4	Nut #10	
	1001157592	Ref	JUNCTION BOX ASSEMBLY	D
101	1060343	AR	Cable, Electrical 10/4	
102	1001179154	2 ft/.6m	Cable, Electrical 12/3	
103	1671092	1	Cover	
104	3300396	1	Cover, Fuse	
105	3311001	6	Nut #10	
106	4360070	1	Circuit Breaker - 15 Amp	
108	4460425	1	Strain Relief, Terminal	
109	4460426	2	Connector, Strain Relief	
111	4460963	1	Connector	
112	4711000	10	Washer #10	
114	10702077	2	Screw #10 x 3/8	
115	10702082	2	Screw #10 x 3/4	
116	1001152525	1	Plug, Hole	
117	1001157520	1	Block, Terminal - 6 Pole	
118	1001157521	1	Box, Junction	
119	1001157528	1	Decal - Wiring Schematic	
120	1001158007	1	Cover, PVC	
121	1001158008	2	Stand-Off	
	0272435	Ref	DECAL INSTALLATION	D
201	1705460	2	Decal - SkyPower	
202	3251243	1	Decal - 120V - 60Hz (Located on Opposite Side)	

SECTION 3 - ENGINE

ITEM	PART NUMBER	QTY	DESCRIPTION	REV
203	1705375	1	Decal - 240V - 3 Phase	B
204	1705387	3	Decal, Hazardous Voltage	
	1001157769	Ref	ELECTRICAL DIAGRAM COMPONENTS	
301	1001152429	1	Generator Harness (Not Shown - See Separate Breakdown in ELECTRICAL SECTION)	
304	4922641	1	Switch Harness (Not Shown)	

SECTION 3 - ENGINE

FIGURE 3-76. 7500W/50HZ SKYPOWER GENERATOR INSTALLATION - DEUTZ D2011 ENGINES



ART_1001115392

SECTION 3 - ENGINE

FIGURE 3-76. 7500W/50HZ SKYPOWER GENERATOR INSTALLATION - DEUTZ D2011 ENGINES

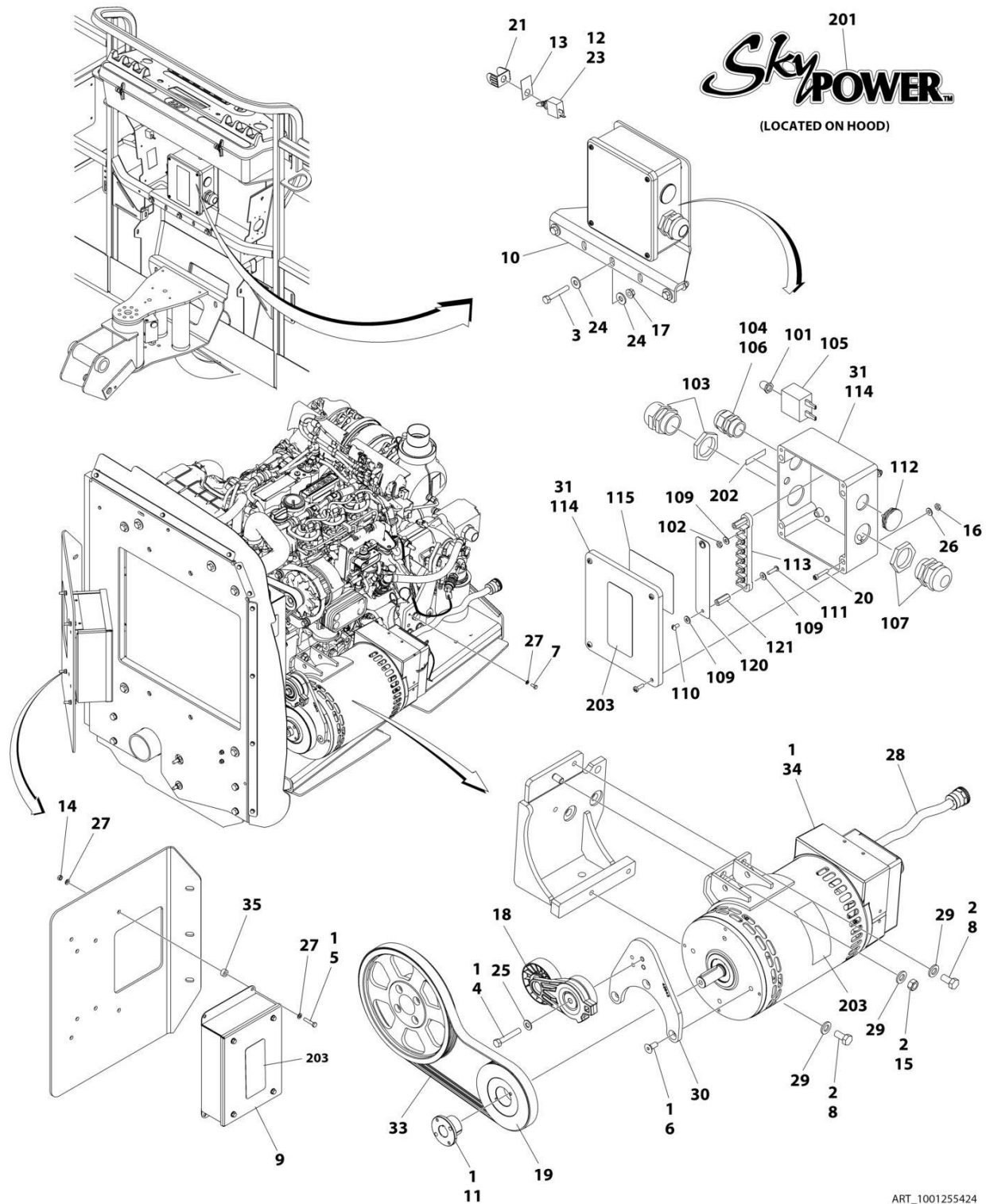
ITEM	PART NUMBER	QTY	DESCRIPTION	REV
	1001115392	Ref	7500W/50HZ SKYPOWER GENERATOR INSTALLATION	E
1	0100011	AR	Compound, Locking	
2	0100019	AR	Compound, Locking	
3	0641403	1	Bolt 1/4 x 3/8	
5	0641406	4	Bolt 1/4 x 3/4	
6	3931016	4	Capscrew #10 x 1	
7	0641516	3	Bolt 5/16 x 2	
8	0641808	2	Bolt 1/2 x 1	
9	1001157525	Ref	Junction Box Assembly Options (See Items 101-121 for Breakdown)	
10	2460048	1	Generator Assembly	D
10	70001100	1	Rotor (Includes p/n 70001384 & 70000863) (Not Shown)	
10	70001384	1	Bearing, Ball Radial (Not Shown)	
10	70000863	1	Fan (Not Shown)	
10	70002088	1	Stator (Not Shown)	
10	70002297	1	Stud	
10	70003631	1	Brushholder Assembly (Not Shown)	
10A	70004171	1	Key	
10B	70001966	1	Bearing, Ball Radial (Located in Belt Tensioner Endbell)	
10B	70003708	1	Ring, Internal Retaining (Located in Belt Tensioner Endbell)	
10B	70003709	1	Ring, External Retaining (Located in Belt Tensioner Endbell)	
10C	70001953	1	Endbell, Belt Tensioner	
10D	70004169	1	Endbell, Brush Block	
10E	70002290	1	Shroud	
10E	7027799	1	Block, Connector 6 Position (Not Shown)	
10E	7026626	1	Connector - 6 Position with Seal (Not Shown)	
10E	70002460	1	Nut, Brass (Attaches p/n 7027799 to Cover) (Not Shown)	
10E	7024485	1	Breaker, Circuit 30Amp (Not Shown)	
10E	70001696	1	Boot, Breaker (Not Shown)	
10E	7026597	1	Connector, W/Leads (Not Shown)	
10E	7026188	1	Clamp, Cable (Not Shown)	
10E	70003708	1	Ring, Retaining (Internal) (Not Shown)	
10E	70003709	1	Ring, Retaining (External) (Not Shown)	
10E	70004169	1	Plate, End Panel	
10E	70001974	1	Decal - Terminal Connections	
10F	70001973	1	Decal - Warning Moving Parts	
11	3252764	1	Nameplate	
12	3311405	4	Nut 1/4	
13	3311505	3	Nut 5/16	
14	0902888	1	Bracket, Box Mounting	
16	4060802	1	Guard, Switch	
18	4240018	AR	Tie-Strap (Not Shown)	
19	4360336	1	Switch, Toggle	
20	4711400	8	Washer 1/4	
21	4711500	6	Washer	
22	4711800	3	Washer 1/2	
24	4751000	4	Washer #10	
25	4791400	2	Starwasher 1/4	
28	0480126	1	Belt, Drive	
29	4032015	4	Capscrew M10 x 55	

SECTION 3 - ENGINE

ITEM	PART NUMBER	QTY	DESCRIPTION	REV
30	4300157	1	Stud	
31	3311801	1	Nut 1/2	
32	0100062	AR	Adhesive	
33	2820031	1	Insulator	
34	0962520	1	Bushing, Split Taper	
35	3580317	1	Tensioner, Belt	
36	3580319	1	Pulley	
37	3580320	1	Pulley	
38	4711600	1	Washer 3/8	
39	0641618	1	Bolt 3/8 x 2-1/4	
41	0861572	1	Control Box Assembly	
41	7024488	1	Card, Circuit - Generator Power	
41	See Note	1	Fuse (Note: Not Available - Purchase Locally)	
41	7024489	1	Card, Circuit - Control	
		Ref	"Note: Same Circuit Card (p/n 7024489) is used for both 60Hz and 50Hz. When replacing card, rocker switch on card must be set for required application."	
41	70000619	1	Harness, Circuit Card	
42	4922925	1	Harness, Generator (See Separate Breakdown in ELECTRICAL SECTION)	
43	3300454	4	Nut Special 1/4	
44	3575863	1	Plate, EMR2 Mount	
45	0771415	1	Bolt M14 x 35	
46	3311005	4	Nut #10	
	1001157525	Ref	JUNCTION BOX ASSEMBLY	B
101	3300396	1	Cover, Fuse	
102	3311001	6	Nut #10	
103	3520189	1	Plug	
104	3520192	1	Plug	
105	4360070	1	Circuit Breaker - 15 Amp	
106	4460425	1	Strain Relief, Terminal	
107	4460426	2	Connector, Strain Relief	
109	4711000	10	Washer #10	
110	10702077	2	Screw #10 x 3/8	
111	10702082	2	Screw #10 x 3/4	
112	1001152525	1	Plug, Hole	
113	1001157520	1	Block, Terminal - 6 Pole	
114	1001157521	1	Box, Junction	
115	1001157528	1	Decal - Wiring Schematic	
120	1001158007	1	Cover, PVC	
121	1001158008	2	Stand-Off	
	0272589	Ref	DECAL INSTALLATION	A
201	1705460	2	Decal - SkyPower	
202	1705461	1	Decal - 240V - 3 Phase	
203	1705489	Ref	Decal, Hazardous Voltage	
	1001157769	Ref	ELECTRICAL DIAGRAM COMPONENTS	B
301	1001152429	1	Generator Harness (Not Shown - See Separate Breakdown in ELECTRICAL SECTION)	
304	4922641	1	Switch Harness (Not Shown)	

SECTION 3 - ENGINE

FIGURE 3-77. 7500W/50HZ SKYPOWER GENERATOR INSTALLATION - DEUTZ TD2.2L3 (STAGE V) ENGINES



ART_1001255424

SECTION 3 - ENGINE

FIGURE 3-77. 7500W/50HZ SKYPOWER GENERATOR INSTALLATION - DEUTZ TD2.2L3 (STAGE V) ENGINES

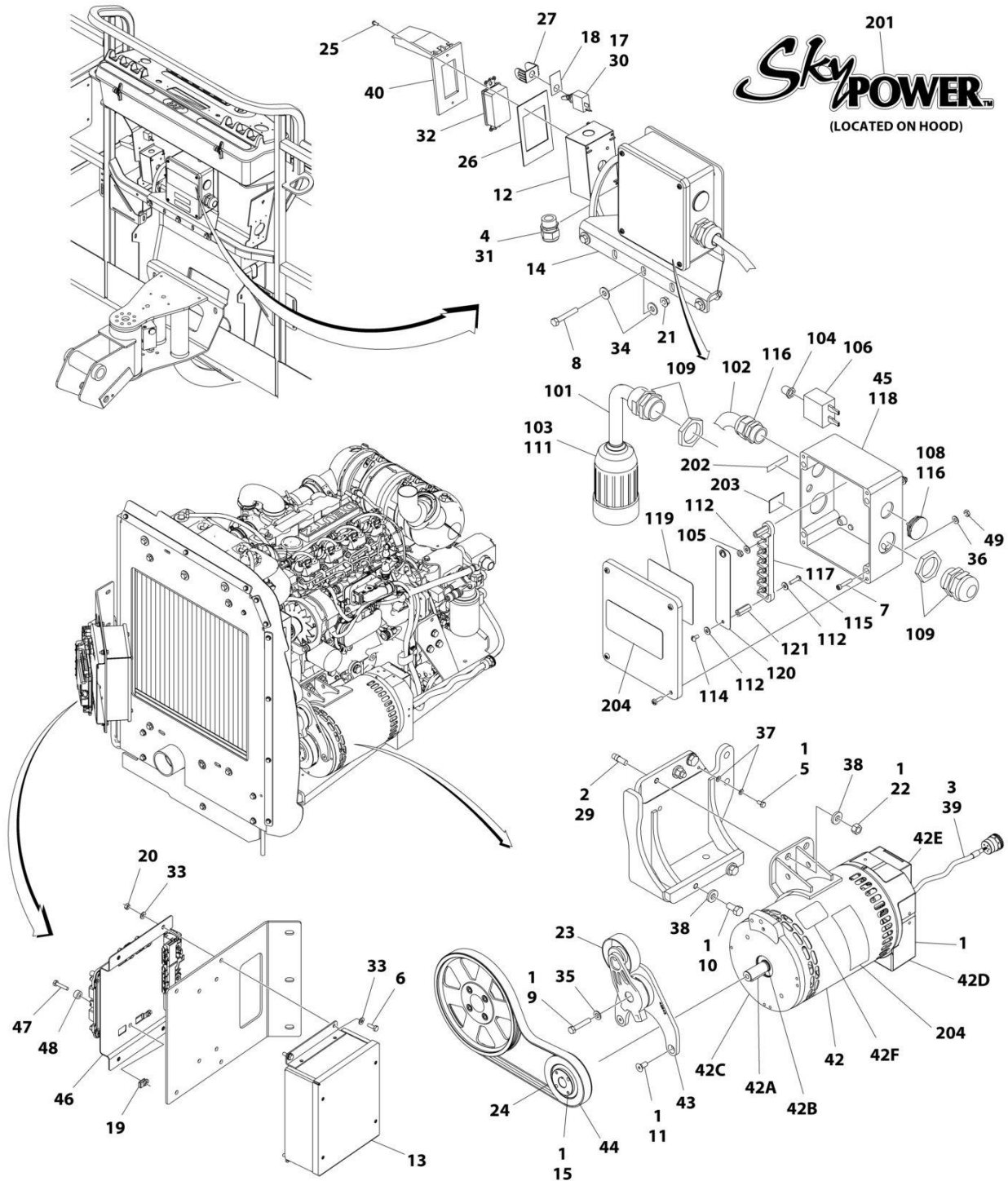
ITEM	PART NUMBER	QTY	DESCRIPTION	REV
	1001255424	Ref	7500W/50HZ SKYPOWER GENERATOR INSTALLATION	B
1	0100011	AR	Compound, Locking	
2	0100019	AR	Compound, Locking	
3	0641516	3	Bolt 5/16 x 2	
4	0641618	1	Bolt 3/8 x 2-1/4	
5	0700614	4	Bolt M6 x 30	
6	0741607	3	Screw, Flathead 3/8 x 7/8	
7	0760607	1	Bolt M6 x 14	
8	0761212	3	Bolt M12 x 25	
9	0861572	1	Control Box Assembly	
9	7024488	1	Card, Circuit - Generator Power	
9	See Note	1	Fuse (Note: Not Available - Purchase Locally)	
9	7024489	1	Card, Circuit - Control	
		Ref	"Note: Same Circuit Card (p/n 7024489) is used for both 60Hz and 50Hz. When replacing card, rocker switch on card must be set for required application."	
9	70000619	1	Harness, Circuit Card	
10	0902888	1	Bracket, Box Mounting	
11	0962520	1	Bushing, Split Taper	
12	2820031	AR	Insulator	
13	3252764	1	Nameplate	
14	3290601	4	Nut M6	
15	3291201	1	Nut M12	
16	3311005	4	Nut #10	
17	3311505	3	Nut 5/16	
18	3580317	1	Tensioner, Belt	
19	3580319	1	Pulley	
20	3931016	4	Capscrew #10 x 1	
21	4060802	1	Guard, Switch	
22	4240018	AR	Tie-Strap (Not Shown)	
23	4360336	1	Switch, Toggle	
24	4711500	6	Washer	
25	4711800	1	Washer 1/2	
26	4751000	4	Washer #10	
27	4811700	9	Washer M6	
28	4922925	1	Harness, Generator (See Separate Breakdown in ELECTRICAL SECTION)	
29	5241200	4	Washer M12	
30	1001142643	1	Support, Gen Tensioner	
31	1001157525	Ref	Junction Box Assembly Options (See Items 101-121 for Breakdown)	
33	1001214683	1	Belt, Generator	
34	1001248105	1	Generator Assembly - 50Hz (Note: No service parts available at time of printing)	
35	1001110425	1	Spacer	
	1001157525	Ref	JUNCTION BOX ASSEMBLY	B
101	3300396	1	Cover, Fuse	
102	3311001	6	Nut #10	
103	3520189	1	Plug	
104	3520192	1	Plug	

SECTION 3 - ENGINE

ITEM	PART NUMBER	QTY	DESCRIPTION	REV
105	4360070	1	Circuit Breaker - 15 Amp	
106	4460425	1	Strain Relief, Terminal	
107	4460426	2	Connector, Strain Relief	
109	4711000	10	Washer #10	
110	10702077	2	Screw #10 x 3/8	
111	10702082	2	Screw #10 x 3/4	
112	1001152525	1	Plug, Hole	
113	1001157520	1	Block, Terminal - 6 Pole	
114	1001157521	1	Box, Junction	
115	1001157528	1	Decal - Wiring Schematic	
120	1001158007	1	Cover, PVC	
121	1001158008	2	Stand-Off	
	0272589	Ref	DECAL INSTALLATION	A
201	1705460	2	Decal - SkyPower	
202	1705461	1	Decal - 240V - 3 Phase	
203	1705489	Ref	Decal, Hazardous Voltage	
	1001157769	Ref	ELECTRICAL DIAGRAM COMPONENTS	B
301	1001152429	1	Generator Harness (Not Shown - See Separate Breakdown in ELECTRICAL SECTION)	
304	4922641	1	Switch Harness (Not Shown)	

SECTION 3 - ENGINE

FIGURE 3-78. 7500W/60HZ SKYPOWER GENERATOR INSTALLATION - DEUTZ TD2.9L4 AND DEUTZ D2.9L4 ENGINES



ART_1001145227

SECTION 3 - ENGINE

FIGURE 3-78. 7500W/60HZ SKYPOWER GENERATOR INSTALLATION - DEUTZ TD2.9L4 AND DEUTZ D2.9L4 ENGINES

ITEM	PART NUMBER	QTY	DESCRIPTION	REV
	1001145227	Ref	7500W/60HZ SKYPOWER GENERATOR INSTALLATION	G
1	0100011	AR	Compound, Locking	
2	0100019	AR	Compound, Locking	
3	0100048	AR	Grease, Dielectric	
4	0100079	AR	Sealant	
5	0641404	1	Bolt 1/4 x 1/2	
6	0641407	4	Bolt 1/4 x 7/8	
7	3931016	4	Capscrew #10 x 1	
8	0641516	3	Bolt 5/16 x 2	
9	0641616	1	Bolt 3/8 x 2	
10	0641808	2	Bolt 1/2 x 1	
11	0741607	3	Screw, Flathead 3/8 x 7/8	
12	0860038	1	Box, Switch	
13	0861538	1	Control Box Assembly	
13	7024488	1	Card, Circuit - Generator Power	
13	See Note	1	Fuse (Note: Not Available - Purchase Locally)	
13	7024489	1	Card, Circuit - Control	
		Ref	Note: Same Circuit Card (p/n 7024489) is used for both 60Hz and 50Hz. When replacing card, rocker switch on card must be set for required application.	
13	70000619	1	Harness, Circuit Card	
14	0902888	1	Bracket, Box Mounting	
15	0962520	1	Bushing, Split Taper	
17	2820031	1	Insulator	
18	3252764	1	Nameplate	
19	3300454	4	Nut Special 1/4	
20	3311405	4	Nut 1/4	
21	3311505	3	Nut 5/16	
22	3311801	2	Nut 1/2	
23	3580317	1	Tensioner, Belt	
24	3580318	1	Pulley	
25	3910606	4	Screw #6 x 3/8	
26	3960422	1	Gasket	
27	4060802	1	Guard, Switch	
28	4240018	AR	Tie-Strap (Not Shown)	
29	1001163599	2	Stud	
30	4360336	1	Switch, Toggle	
31	4460071	1	Connector, Strain Relief	
32	4460346	1	Receptacle	
33	4711400	8	Washer 1/4	
34	4711500	6	Washer	
35	4711600	1	Washer 3/8	
36	4751000	4	Washer #10	
37	4791400	2	Starwasher 1/4	
38	4891800	4	Washer 1/2	
39	4922925	1	Harness, Generator (See Separate Breakdown in ELECTRICAL SECTION)	
40	1001110873	1	Cover, Receptacle	
42	1001212223	1	Generator Assembly	

SECTION 3 - ENGINE

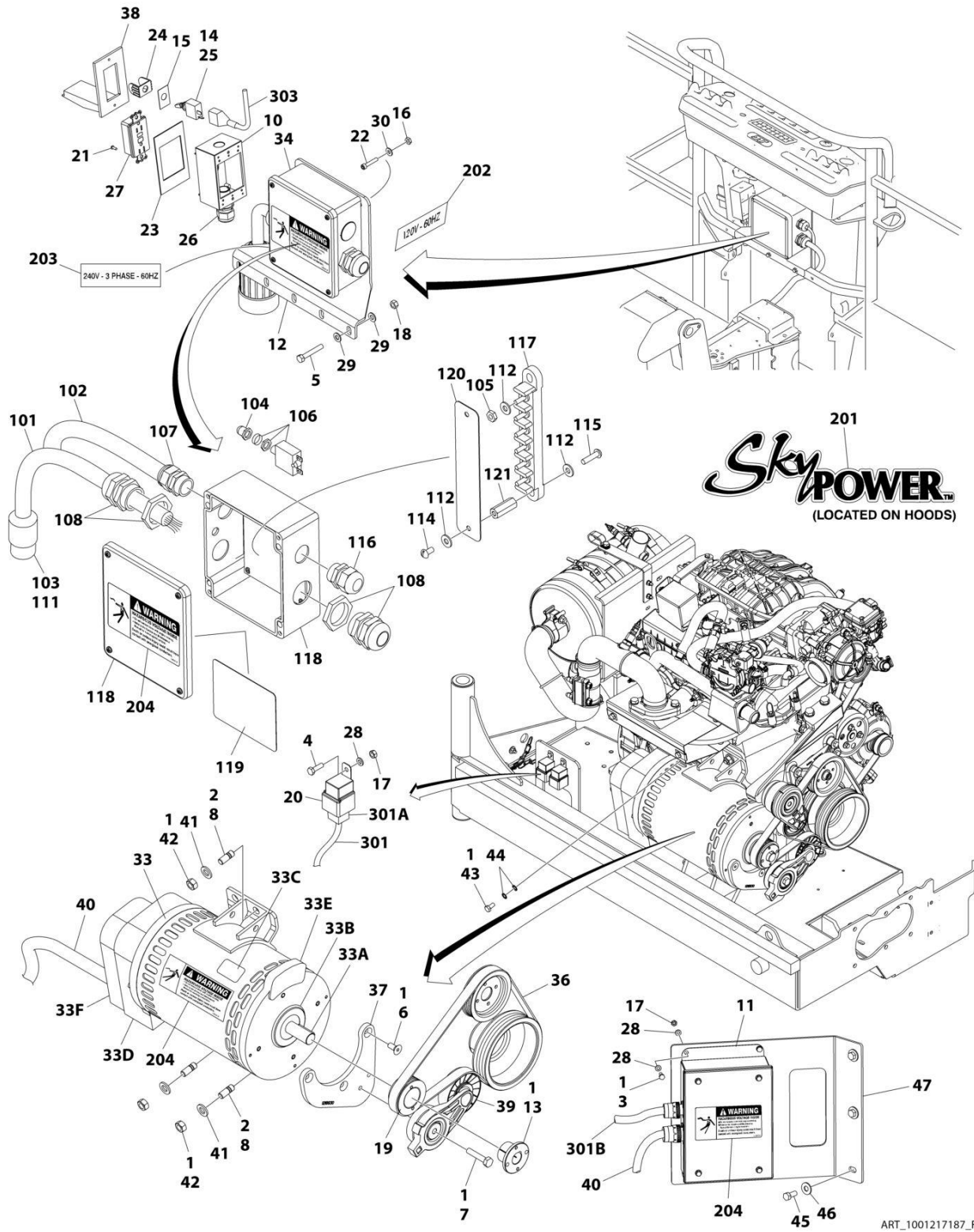
ITEM	PART NUMBER	QTY	DESCRIPTION	REV
42	70001100	1	Rotor (Includes p/n 70001384 & 70000863) (Not Shown)	
42	70001384	1	Bearing, Ball Radial (Not Shown)	
42	70000863	1	Fan (Not Shown)	
42	70006093	1	Stator (Not Shown)	
42	70002297	1	Stud	
42	70003631	1	Brushholder Assembly (Not Shown)	
42A	70004099	1	Key	
42B	70001966	1	Bearing, Ball Radial (Located in Belt Tensioner Endbell)	
42B	70003708	1	Ring, Internal Retaining (Located in Belt Tensioner Endbell)	
42B	70003709	1	Ring, External Retaining (Located in Belt Tensioner Endbell)	
42C	70004092	1	Endbell, Belt Tensioner	
42D	70004094	1	Endbell, Brush Block	
42E	70006094	1	Shroud	
42E	70002291	1	Insulator, Endbell	
42E	7027799	1	Block, Connector - 6 Position (Not Shown)	
42E	70002460	1	Nut, Brass (Attaches p/n 7027799 to Cover) (Not Shown)	
42E	70006095	1	Breaker, Circuit 30Amp (Not Shown)	
42E	70006096	1	Boot, Breaker (Not Shown)	
42E	7026626	1	Connector, 6 Position (Includes Seal) (Not Shown - Plugs into Item 45)	
42E	7026597	1	Connector with Leads (Not Shown)	
42E	70004098	1	Clamp, Cable (Not Shown)	
42E	70006097	1	Plate, End Panel	
42E	70001974	1	Decal - Terminal Connections	
42F	70001973	1	Decal - Warning Moving Parts	
43	1001142643	1	Support, Gen Tensioner	
44	1001142646	1	Belt, Generator	
45	1001157592	Ref	Junction Box Assembly Options (See Items 101-121 for Breakdown)	
46	1001145330	1	Bracket	
47	0641410	4	Bolt 1/4 x 1-1/4	
48	1001110425	4	Spacer	
49	3311005	4	Nut #10	
	1001157592	Ref	JUNCTION BOX ASSEMBLY	D
101	1060343	AR	Cable, Electrical 10/4	
102	1001179154	2 ft /0.6m	Cable, Electrical 12/3	
103	1671092	1	Cover	
104	3300396	1	Cover, Fuse	
105	3311001	6	Nut #10	
106	4360070	1	Circuit Breaker - 15 Amp	
108	4460425	1	Strain Relief, Terminal	
109	4460426	2	Connector, Strain Relief	
111	4460963	1	Connector	
112	4711000	10	Washer #10	
114	10702077	2	Screw #10 x 3/8	
115	10702082	2	Screw #10 x 3/4	
116	1001152525	1	Plug, Hole	
117	1001157520	1	Block, Terminal - 6 Pole	
118	1001157521	1	Box, Junction	
119	1001157528	1	Decal - Wiring Schematic	
120	1001158007	1	Cover, PVC	
121	1001158008	2	Stand-Off	

SECTION 3 - ENGINE

ITEM	PART NUMBER	QTY	DESCRIPTION	REV
	0272435	Ref	DECAL INSTALLATION	D
201	1705460	2	Decal - SkyPower	
202	3251243	1	Decal - 120V - 60Hz (Located on Opposite Side)	
203	1705375	1	Decal - 240V - 3 Phase	
204	1705387	3	Decal, Hazardous Voltage	
	1001157770	Ref	ELECTRICAL DIAGRAM COMPONENTS	A
301	1001119968	1	Generator Harness (Not Shown - See Separate Breakdown in ELECTRICAL SECTION)	
303	4922641	1	Switch Harness (Not Shown)	

SECTION 3 - ENGINE

FIGURE 3-79. 7500W/60HZ SKYPOWER GENERATOR INSTALLATION - FORD ENGINES (PVC 2001)



SECTION 3 - ENGINE

FIGURE 3-79. 7500W/60HZ SKYPOWER GENERATOR INSTALLATION - FORD ENGINES (PVC 2001)

ITEM	PART NUMBER	QTY	DESCRIPTION	REV
	1001217187	Ref	7500W/60HZ SKYPOWER GENERATOR INSTALLATION	F
1	0100011	AR	Compound, Locking	
2	0100019	AR	Compound, Locking	
3	0760608	4	Bolt M6 x 16	
4	0760610	2	Bolt M6 x 20	
5	0641516	3	Bolt 5/16 x 2	
6	0741607	3	Screw 3/8 x 7/8	
7	0761018	1	Bolt M10 x 50	
8	1001196382	4	Stud	
10	0860038	1	Box, Switch	
11	0861538	1	Control Box Assembly	
11	7024488	1	Card, Circuit - Generator Power	
11	See Note	1	Fuse (Note: Not Available - Purchase Locally)	
11	7024489	1	Card, Circuit - Control	
11	70000619	1	Harness, Circuit Card	
12	0902888	1	Bracket, Box Mounting	
13	0962520	1	Bushing, Spilt Taper	
14	2820031	1	Heat Shrink	
15	3252764	1	Nameplate - AC & Weld	
16	3311005	4	Nut #10	
17	3290601	6	Nut M6	
18	3311505	3	Nut 5/16	
19	3580314	1	Pulley	
20	3740080	2	Relay	
21	3910606	2	Screw #6 x 3/8	
22	3931016	4	Capscrew #10 x 1	
23	3960422	1	Gasket	
24	4060802	1	Guard, Switch	
25	4360336	1	Switch, Toggle	
26	4460071	1	Connector, Strain Relief	
27	4460346	1	Receptacle	
28	4811700	10	Washer #10	
29	4711500	6	Washer 5/16	
30	4751000	4	Washer #10	
33	1001136104	1	Generator Assembly	
33	70003631	1	Brushholder Assembly (Not Shown)	
33	7024485	1	Breaker, Circuit 30Amp (Not Shown)	
33	70001696	1	Boot, Breaker (Not Shown)	
33	70001966	1	Bearing, Ball Radial (Located in Belt Tensioner Endbell - Not Shown)	
33	7027799	1	Block, Connector 6 Position (Not Shown)	
33	70002460	6	Nut, Brass (Attaches p/n 7027799 to Cover) (Not Shown)	
33	7026188	1	Clamp, Cable (Not Shown)	
33	7026597	1	Connector, W/Leads (Not Shown)	
33	7026626	1	Connector - 6 Position with Seal (Not Shown)	
33	70002088	1	Stator (Not Shown)	
33	70004169	1	Panel, End (Not Shown)	
33	70001974	1	Decal - Terminal Connections (Not Shown)	
33	70000863	1	Fan (Not Shown)	
33	70002297	4	Stud (Not Shown)	

SECTION 3 - ENGINE

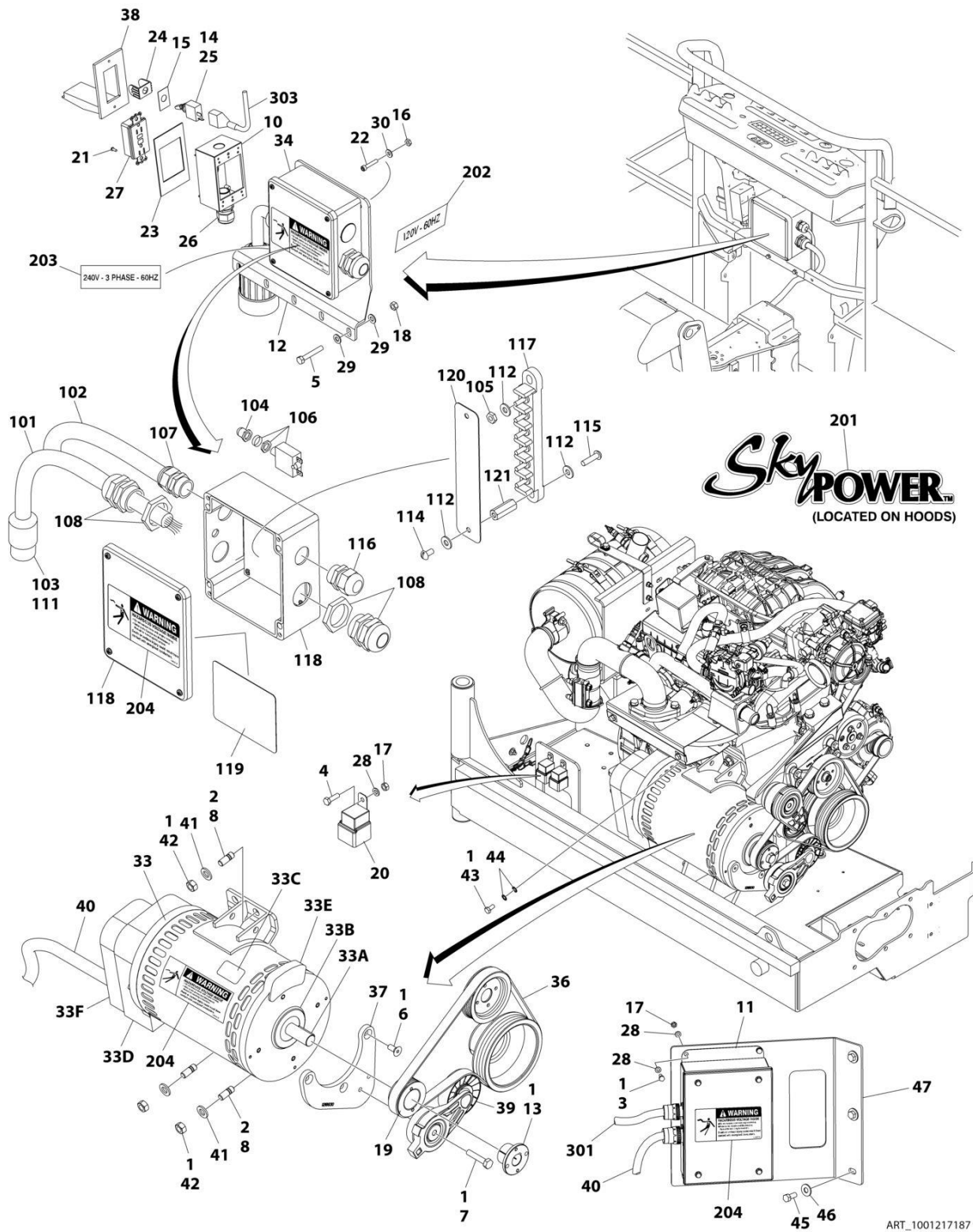
ITEM	PART NUMBER	QTY	DESCRIPTION	REV
33A	70004171	1	Key	
33A	70001100	1	Armature, Generator (Includes Radial Ball Bearing on End with Brushes and Fan)	
33A	70001384	1	Bearing, Ball Radial	
33B	70001966	1	Bearing, Radial Ball	
33B	70003708	1	Ring, Internal Retaining (Located in Belt Tensioner Endbell)	
33B	70003709	1	Ring, External Retaining (Located in Belt Tensioner Endbell)	
33C	70001973	1	Decal - Warning Moving Parts	
33D	70004169	1	Endbell, Brush Block	
33E	70001953	1	Endbell, Belt Tensioner	
33F	70004169	1	Endbell, Shroud Assembly	
34	1001157592	1	Junction Box Assembly (See Items 101-121 for Breakdown)	
36	1001216390	1	V-Belt	
37	1001218930	1	Mount, Tensioner	
38	1001110873	1	Cover, Receptacle	
39	3580317	1	Tensioner, Belt	
40	4922925	1	Harness, Generator (See Separate Breakdown in ELECTRICAL SECTION)	
41	5241200	4	Washer M12	
42	3291201	4	Nut M12	
43	0760606	1	Bolt M6 x 12	
44	4871700	2	Washer M6	
45	0641607	3	Bolt 3/8 x 7/8	
46	4751600	3	Washer 3/8	
47	1001137866	1	Bracket	
	1001157592	Ref	JUNCTION BOX ASSEMBLY	C
101	1060343	1.5 ft /0.5m	Cable, Electrical - 10/4	
102	1001179154	2.5 ft /0.8m	Cable Electrical - 12/3	
103	1671092	1	Cover, Connector	
104	3300396	1	Cover, Fuse	
105	3311001	6	Nut #10	
106	4360070	1	Breaker, Circuit 15Amp	
107	4460425	1	Connector, Strain Relief	
108	4460426	2	Connector, Strain Relief	
111	4460963	1	Receptacle	
112	4711000	10	Washer #10	
114	10702077	2	Screw #10 x 3/8	
115	10702082	2	Screw #10 x 3/4	
116	1001152525	1	Plug, Hole	
117	1001157520	1	Block, Terminal Pole	
118	1001157521	1	Box, Junction	
119	1001157528	1	Decal - Box Junction	
120	1001158007	1	Cover	
121	1001158008	2	Standoff	
	0272435	Ref	DECAL INSTALLATION	D
201	1705460	2	Decal - SkyPower	
202	3251243	1	Decal - 120V - 60Hz (Located on Opposite Side)	
203	1705375	1	Decal - 240V - 3 Phase	
204	1705387	3	Decal, Hazardous Voltage	
	1001221498	Ref	ELECTRICAL DIAGRAM COMPONENTS	B

SECTION 3 - ENGINE

ITEM	PART NUMBER	QTY	DESCRIPTION	REV
301	1001221208	1	Generator Harness (See Separate Breakdown in ELECTRICAL SECTION)	A
301A	4460374	2	Plug, Sealed Relay	
301A	4460375	8	Terminal	
301B	4460967	1	Plug, Male - 3 Position	
301B	4460465	3	Socket, Female	
301C	2400060	2	Fuseholder (Not Shown)	
301C	2400064	2	Fuse - 5 Amp (Not Shown)	
301D	4460742	1	Plug, Male - 2 Position (Not Shown)	
301D	4460743	2	Socket, Female (Not Shown)	
303	4922641	1	Switch Harness	

SECTION 3 - ENGINE

FIGURE 3-80. 7500W/60HZ SKYPOWER GENERATOR INSTALLATION - FORD ENGINES (PVC 2007)



SECTION 3 - ENGINE

FIGURE 3-80. 7500W/60HZ SKYPOWER GENERATOR INSTALLATION - FORD ENGINES (PVC 2007)

ITEM	PART NUMBER	QTY	DESCRIPTION	REV
	1001217187	Ref	7500W/60HZ SKYPOWER GENERATOR INSTALLATION	F
1	0100011	AR	Compound, Locking	
2	0100019	AR	Compound, Locking	
3	0760608	4	Bolt M6 x 16	
4	0760610	2	Bolt M6 x 20	
5	0641516	3	Bolt 5/16 x 2	
6	0741607	3	Screw 3/8 x 7/8	
7	0761018	1	Bolt M10 x 50	
8	1001196382	4	Stud	
10	0860038	1	Box, Switch	
11	0861538	1	Control Box Assembly	
11	7024488	1	Card, Circuit - Generator Power	
11	See Note	1	Fuse (Note: Not Available - Purchase Locally)	
11	7024489	1	Card, Circuit - Control	
11	70000619	1	Harness, Circuit Card	
12	0902888	1	Bracket, Box Mounting	
13	0962520	1	Bushing, Spilt Taper	
14	2820031	1	Heat Shrink	
15	3252764	1	Nameplate - AC & Weld	
16	3311005	4	Nut #10	
17	3290601	6	Nut M6	
18	3311505	3	Nut 5/16	
19	3580314	1	Pulley	
20	3740080	2	Relay	
21	3910606	2	Screw #6 x 3/8	
22	3931016	4	Capscrew #10 x 1	
23	3960422	1	Gasket	
24	4060802	1	Guard, Switch	
25	4360336	1	Switch, Toggle	
26	4460071	1	Connector, Strain Relief	
27	4460346	1	Receptacle	
28	4811700	10	Washer #10	
29	4711500	6	Washer 5/16	
30	4751000	4	Washer #10	
33	1001136104	1	Generator Assembly	
33	70003631	1	Brushholder Assembly (Not Shown)	
33	7024485	1	Breaker, Circuit 30Amp (Not Shown)	
33	70001696	1	Boot, Breaker (Not Shown)	
33	70001966	1	Bearing, Ball Radial (Located in Belt Tensioner Endbell - Not Shown)	
33	7027799	1	Block, Connector 6 Position (Not Shown)	
33	70002460	6	Nut, Brass (Attaches p/n 7027799 to Cover) (Not Shown)	
33	7026188	1	Clamp, Cable (Not Shown)	
33	7026597	1	Connector, W/Leads (Not Shown)	
33	7026626	1	Connector - 6 Position with Seal (Not Shown)	
33	70002088	1	Stator (Not Shown)	
33	70004169	1	Panel, End (Not Shown)	
33	70001974	1	Decal - Terminal Connections (Not Shown)	
33	70000863	1	Fan (Not Shown)	
33	70002297	4	Stud (Not Shown)	

SECTION 3 - ENGINE

ITEM	PART NUMBER	QTY	DESCRIPTION	REV
33A	70004171	1	Key	
33A	70001100	1	Armature, Generator (Includes Radial Ball Bearing on End with Brushes and Fan)	
33A	70001384	1	Bearing, Ball Radial	
33B	70001966	1	Bearing, Radial Ball	
33B	70003708	1	Ring, Internal Retaining (Located in Belt Tensioner Endbell)	
33B	70003709	1	Ring, External Retaining (Located in Belt Tensioner Endbell)	
33C	70001973	1	Decal - Warning Moving Parts	
33D	70004169	1	Endbell, Brush Block	
33E	70001953	1	Endbell, Belt Tensioner	
33F	70004169	1	Endbell, Shroud Assembly	
34	1001157592	1	Junction Box Assembly (See Items 101-121 for Breakdown)	
36	1001216390	1	V-Belt	
37	1001218930	1	Mount, Tensioner	
38	1001110873	1	Cover, Receptacle	
39	3580317	1	Tensioner, Belt	
40	4922925	1	Harness, Generator (See Separate Breakdown in ELECTRICAL SECTION)	
41	5241200	4	Washer M12	
42	3291201	4	Nut M12	
43	0760606	1	Bolt M6 x 12	
44	4871700	2	Washer M6	
45	0641607	3	Bolt 3/8 x 7/8	
46	4751600	3	Washer 3/8	
47	1001137866	1	Bracket	
	1001157592	Ref	JUNCTION BOX ASSEMBLY	C
101	1060343	1.5 ft /0.5m	Cable, Electrical - 10/4	
102	1001179154	2.5 ft /0.8m	Cable Electrical - 12/3	
103	1671092	1	Cover, Connector	
104	3300396	1	Cover, Fuse	
105	3311001	6	Nut #10	
106	4360070	1	Breaker, Circuit 15Amp	
107	4460425	1	Connector, Strain Relief	
108	4460426	2	Connector, Strain Relief	
111	4460963	1	Receptacle	
112	4711000	10	Washer #10	
114	10702077	2	Screw #10 x 3/8	
115	10702082	2	Screw #10 x 3/4	
116	1001152525	1	Plug, Hole	
117	1001157520	1	Block, Terminal Pole	
118	1001157521	1	Box, Junction	
119	1001157528	1	Decal - Box Junction	
120	1001158007	1	Cover	
121	1001158008	2	Standoff	
	0272435	Ref	DECAL INSTALLATION	D
201	1705460	2	Decal - SkyPower	
202	3251243	1	Decal - 120V - 60Hz (Located on Opposite Side)	
203	1705375	1	Decal - 240V - 3 Phase	
204	1705387	3	Decal, Hazardous Voltage	
	1001221498	Ref	ELECTRICAL DIAGRAM COMPONENTS	B

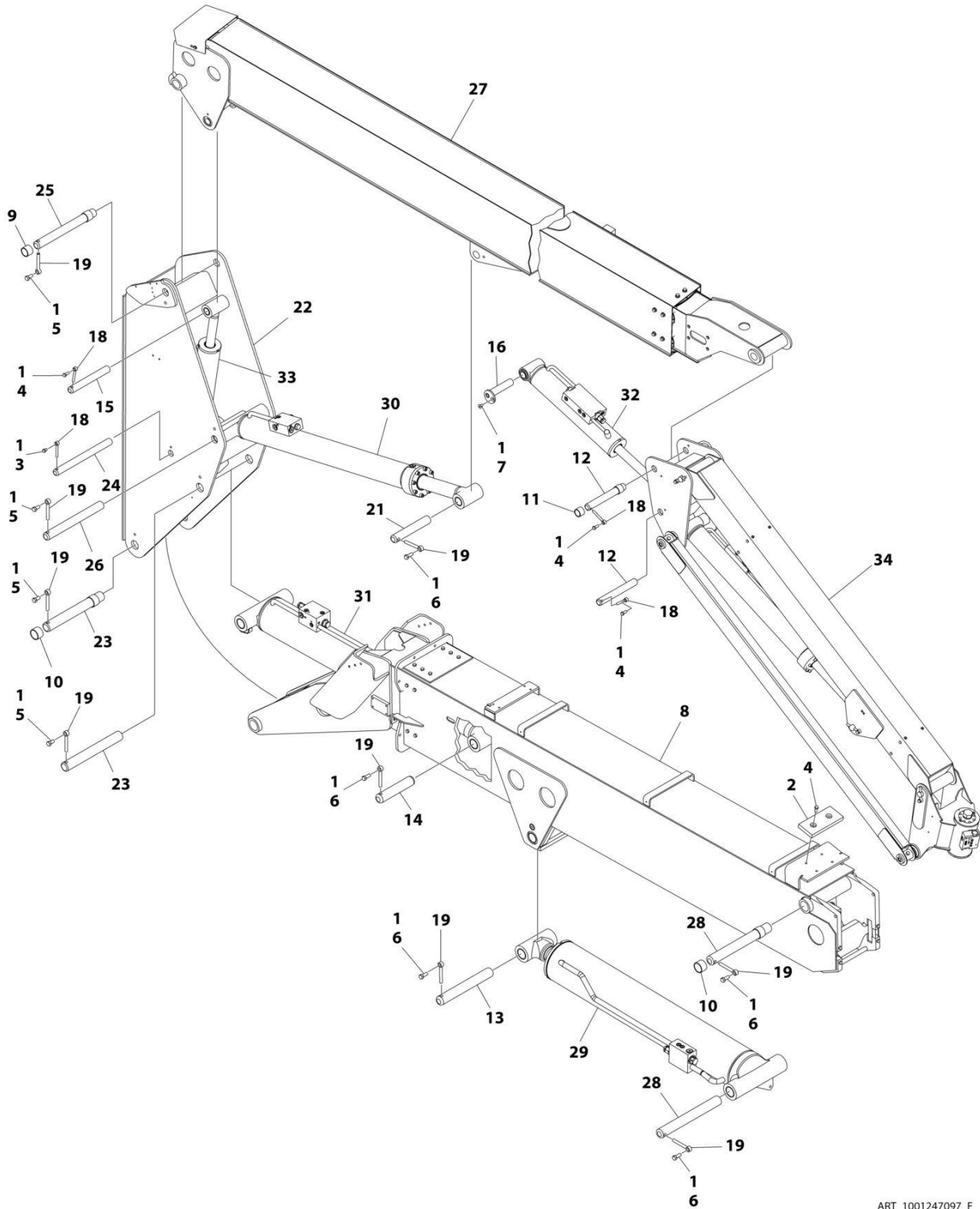
SECTION 3 - ENGINE

ITEM	PART NUMBER	QTY	DESCRIPTION	REV
301	1001257972	1	Generator Harness (See Separate Breakdown in ELECTRICAL SECTION)	A
303	4922641	1	Switch Harness	

SECTION 4 - BOOM

SECTION 4 - BOOM

FIGURE 4-1. BOOMS AND CYLINDERS INSTALLATION - WITHOUT ARCTRIC PACKAGE (USA BUILT MACHINES - PVC 2001 & 2007, CHINA BUILT MACHINES - PVC 2007)



ART_1001247097_F

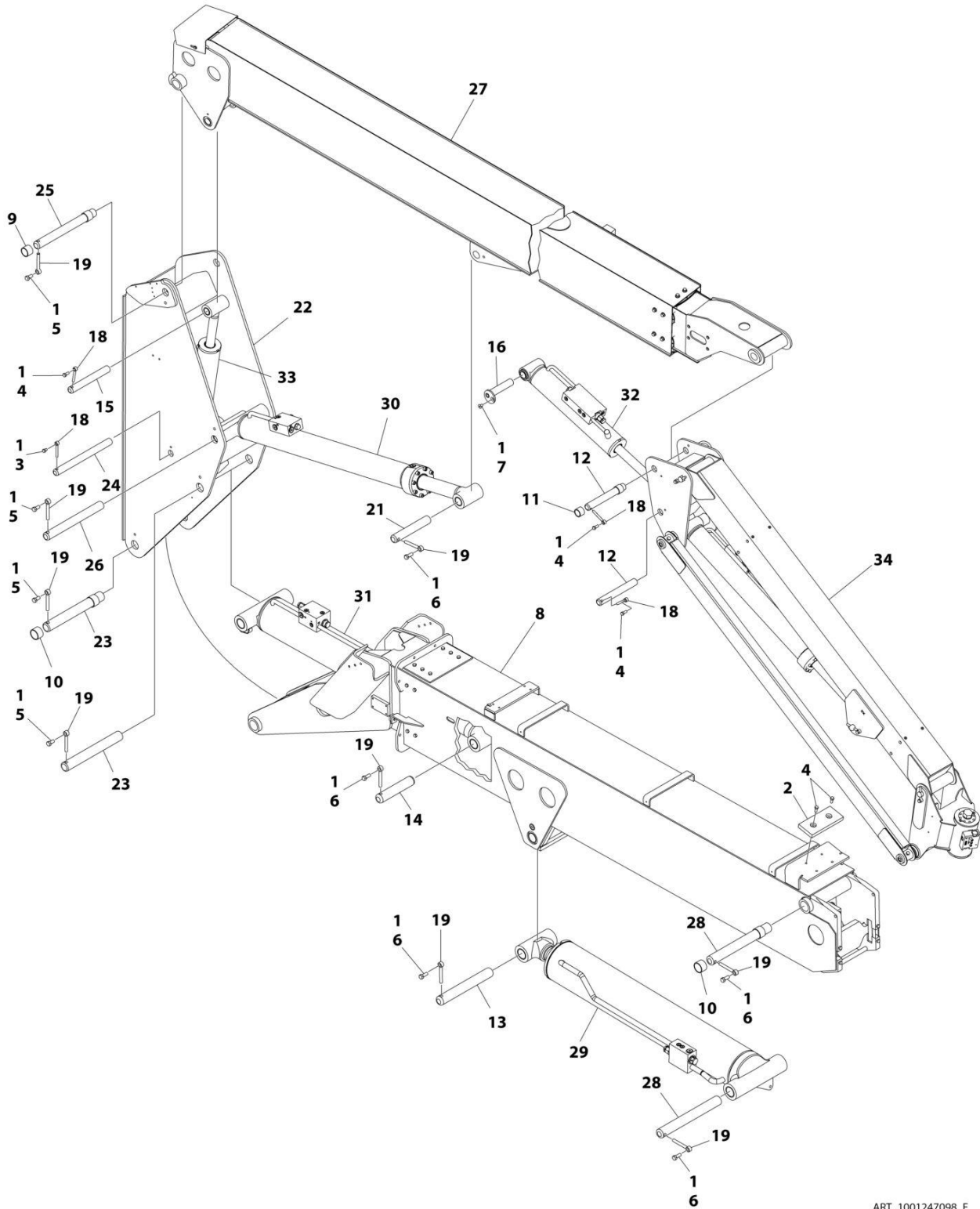
SECTION 4 - BOOM

FIGURE 4-1. BOOMS AND CYLINDERS INSTALLATION - WITHOUT ARCTRIC PACKAGE (USA BUILT MACHINES - PVC 2001 & 2007, CHINA BUILT MACHINES - PVC 2007)

ITEM	PART NUMBER	QTY	DESCRIPTION	REV
	1001247097	Ref	BOOMS AND CYLINDERS INSTALLATION	F
1	0100011	AR	Compound, Locking	
2	0561076	1	Block, Boom Rest	
3	0641604	1	Bolt 3/8 x 1/2	
4	0641607	5	Bolt 3/8 x 7/8	
5	0641808	4	Bolt 1/2 x 1	
6	0641810	5	Bolt 1/2 x 1-1/4	
7	0741605	1	Screw, Countersunk 3/8 x 5/8	
8	0801019	1	Tower Boom Assembly (See Separate Breakdown in this Section)	
9	0961948	2	Bushing	
10	0961949	4	Bushing	
11	0961951	2	Bushing	
12	3422561	2	Pin	
13	3422573	1	Pin	
14	3422575	1	Pin	
15	3422579	1	Pin	
16	3422583	1	Pin	
17	3790012	1	O-Ring (Not Shown – Used with Item 20 Located on Platform Console Box)	
18	3841143	7	Keeper, Pin - 3/8	
19	3841203	9	Keeper, Pin - 1/2	
20	4360328	1	Toggle, Switch (Not Shown – Located on Platform Console Box)	
21	1001097822	1	Pin	
22	1001152639	1	Upright	
23	1001155093	2	Pin	
24	1001155094	1	Pin	
25	1001155096	1	Pin	
26	1001155097	1	Pin	
27	1001156501	1	Main Boom Assembly (See Separate Breakdown in this Section)	
28	1001158810	2	Pin	
29	1001261003	1	Tower Lift Cylinder Assembly (See Separate Breakdown in CYLINDER SECTION)	
30	1001228004	1	Main Lift Cylinder Assembly (See Separate Breakdown in CYLINDER SECTION)	
31	1001228042	1	Upright Level Cylinder Assembly (See Separate Breakdown in CYLINDER SECTION)	
32	1001251051	1	Platform (Slave) Level Cylinder Assembly (See Separate Breakdown in CYLINDER SECTION)	
33	1001251052	1	Master Cylinder Assembly (See Separate Breakdown in CYLINDER SECTION)	
34	1001247146	1	Jib Boom Assembly (See Separate Breakdown in this Section)	

SECTION 4 - BOOM

FIGURE 4-2. BOOMS AND CYLINDERS INSTALLATION – WITH ARCTRIC PACKAGE (USA BUILT MACHINES - PVC 2001 & 2007, CHINA BUILT MACHINES - PVC 2007)



ART_1001247098_F

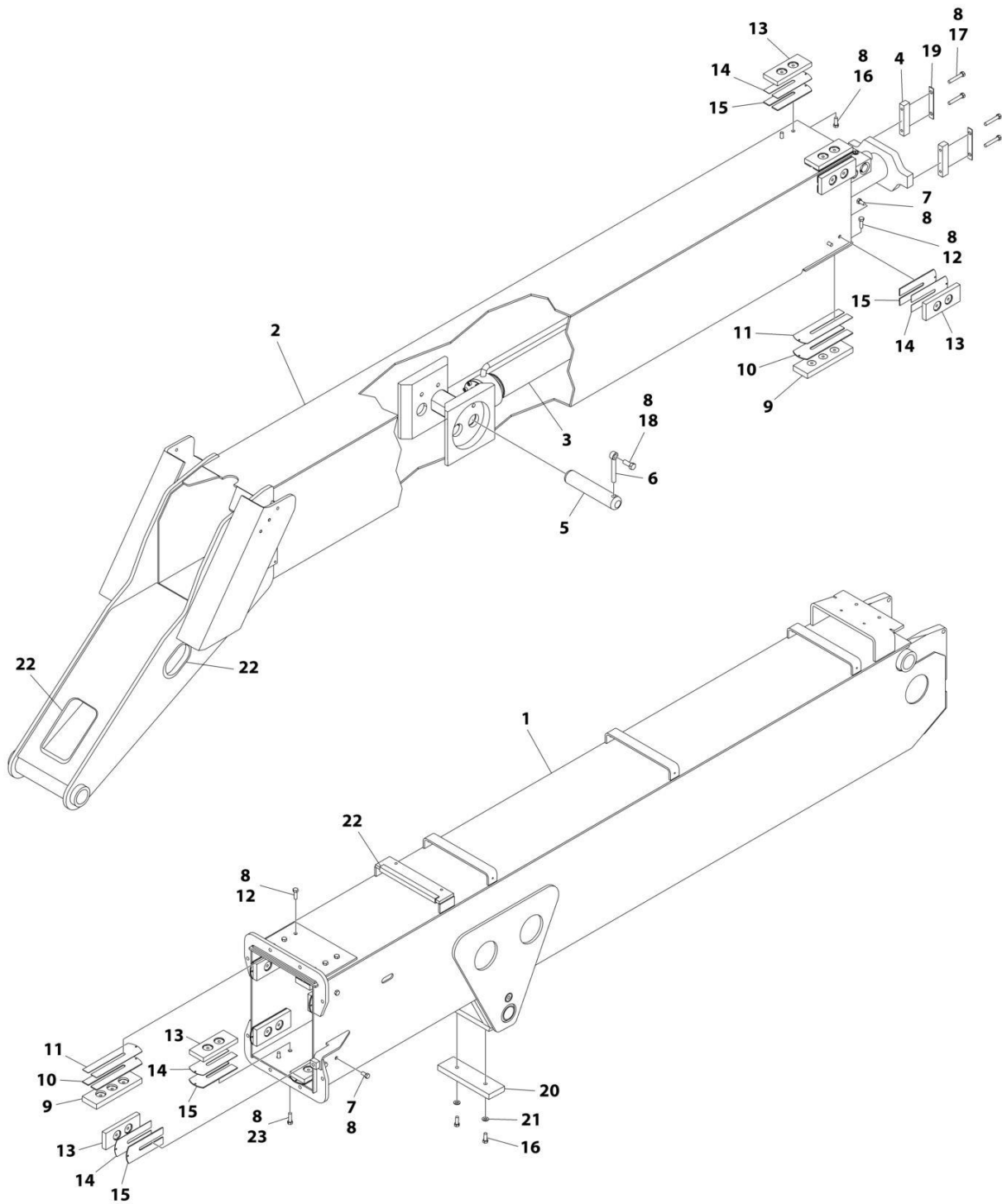
SECTION 4 - BOOM

FIGURE 4-2. BOOMS AND CYLINDERS INSTALLATION – WITH ARCTRIC PACKAGE (USA BUILT MACHINES - PVC 2001 & 2007, CHINA BUILT MACHINES - PVC 2007)

ITEM	PART NUMBER	QTY	DESCRIPTION	REV
	1001247098	Ref	BOOMS AND CYLINDERS INSTALLATION	F
1	0100011	AR	Compound, Locking	
2	0561076	1	Block, Boom Rest	
3	0641604	1	Bolt 3/8 x 1/2	
4	0641607	5	Bolt 3/8 x 7/8	
5	0641808	4	Bolt 1/2 x 1	
6	0641810	5	Bolt 1/2 x 1-1/4	
7	0741605	1	Screw, Countersunk 3/8 x 5/8	
8	0801019	1	Tower Boom Assembly (See Separate Breakdown in this Section)	
9	0961948	2	Bushing	
10	0961949	4	Bushing	
11	0961951	2	Bushing	
12	3422561	2	Pin	
13	3422573	1	Pin	
14	3422575	1	Pin	
15	3422579	1	Pin	
16	3422583	1	Pin	
17	3790012	1	O-Ring (Not Shown - Used with Item #20 located on Platform Console Box)	
18	3841143	7	Keeper, Pin - 3/8	
19	3841203	9	Keeper, Pin - 1/2	
20	4360328	1	Toggle, Switch (Not Shown - Located on Platform Console Box)	
21	1001097822	1	Pin	
22	1001152639	1	Upright	
23	1001155093	2	Pin	
24	1001155094	1	Pin	
25	1001155096	1	Pin	
26	1001155097	1	Pin	
27	1001156501	1	Main Boom Assembly (See Separate Breakdown in this Section)	
28	1001158810	2	Pin	
29	1001261003	1	Tower Lift Cylinder Assembly (See Separate Breakdown in CYLINDER SECTION)	
30	1001228004	1	Main Lift Cylinder Assembly (See Separate Breakdown in CYLINDER SECTION)	
31	1001228042	1	Upright Level Cylinder Assembly (See Separate Breakdown in CYLINDER SECTION)	
32	1001251051	1	Platform (Slave) Level Cylinder Assembly (See Separate Breakdown in CYLINDER SECTION)	
33	1001251052	1	Master Cylinder Assembly (See Separate Breakdown in CYLINDER SECTION)	
34	1001247146	1	Jib Boom Assembly (See Separate Breakdown in this Section)	

SECTION 4 - BOOM

FIGURE 4-3. TOWER BOOM ASSEMBLY (USA BUILT MACHINES - PVC 2001 & 2007, CHINA BUILT MACHINES - PVC 2007)



ART_0801019

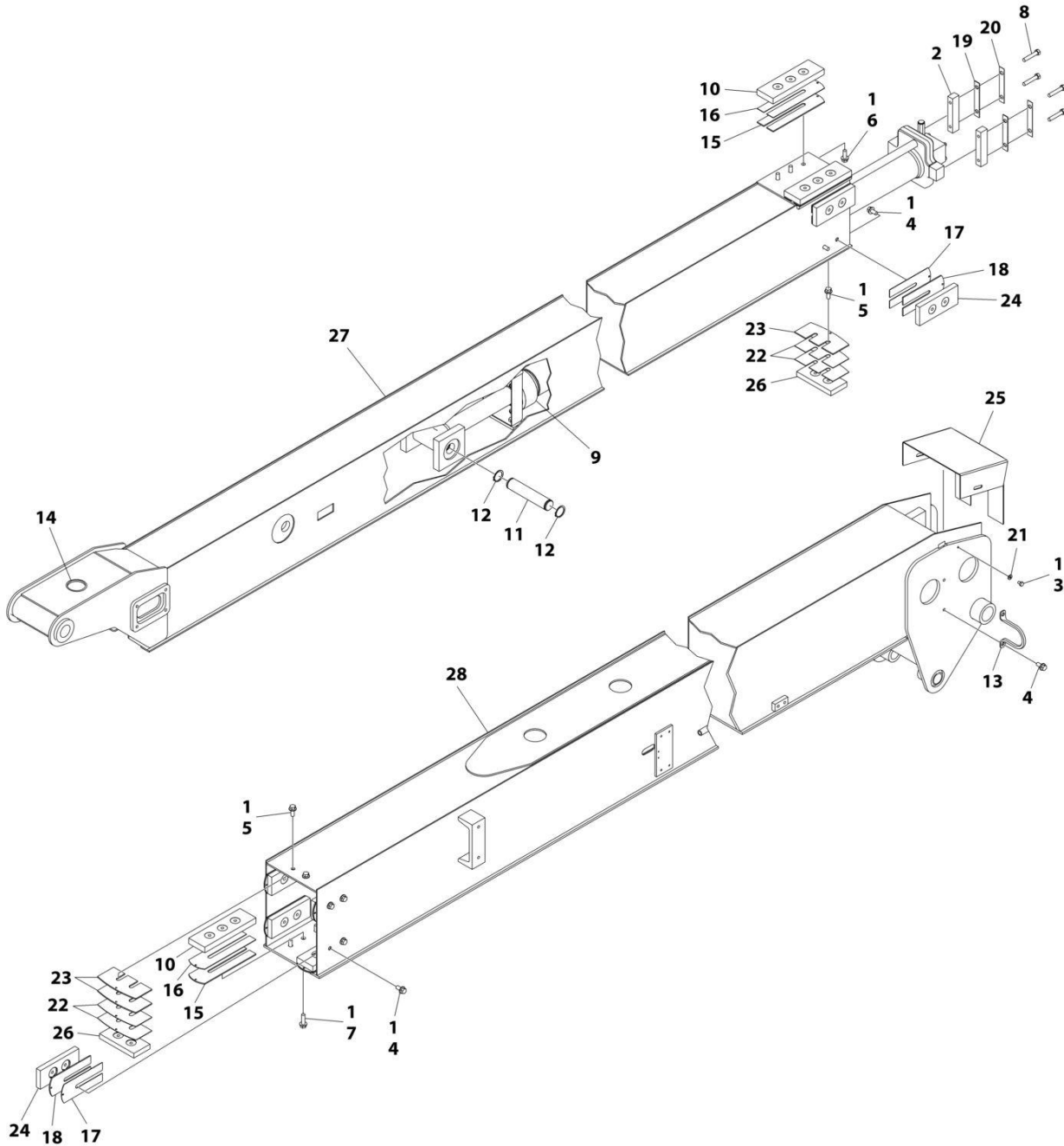
SECTION 4 - BOOM

FIGURE 4-3. TOWER BOOM ASSEMBLY (USA BUILT MACHINES - PVC 2001 & 2007, CHINA BUILT MACHINES - PVC 2007)

ITEM	PART NUMBER	QTY	DESCRIPTION	REV
	0801019	Ref	TOWER BOOM ASSEMBLY	J
1	0801622	NLA	Base	
2	0801637	1	Fly	
3	1001228006	1	Cylinder Assembly - Tower Telescope (See Separate Breakdown in CYLINDER SECTION)	
4	0561185	2	Block, Attach	
5	3422575	1	Pin	
6	3841203	1	Keeper, Pin	
7	0641606	26	Bolt 3/8 x 3/4	
8	0100011	AR	Compound, Locking	
9	3340871	4	Pad, Wear	
10	4070863	4	Shim .12	
11	4070864	4	Shim .05	
12	0641609	12	Bolt 3/8 x 1-1/8	
13	3340881	12	Pad, Wear	
14	4070897	12	Shim .05	
15	4070898	12	Shim .12	
16	0641608	6	Bolt 3/8 x 1	
17	0641618	4	Bolt 3/8 x 2-1/4	
18	0641810	1	Bolt 1/2 x 1-1/4	
19	4070929	AR	Shim	
20	0561248	1	Block, Boom Rest	
21	4711600	2	Washer 3/8	
22	4060808	AR	Flex-Trim	
23	0641610	4	Bolt 3/8 x 1-1/4	

SECTION 4 - BOOM

FIGURE 4-4. MAIN BOOM ASSEMBLY (USA BUILT MACHINES - PVC 2001 & 2007, CHINA BUILT MACHINES - PVC 2007)



ART_1001156501

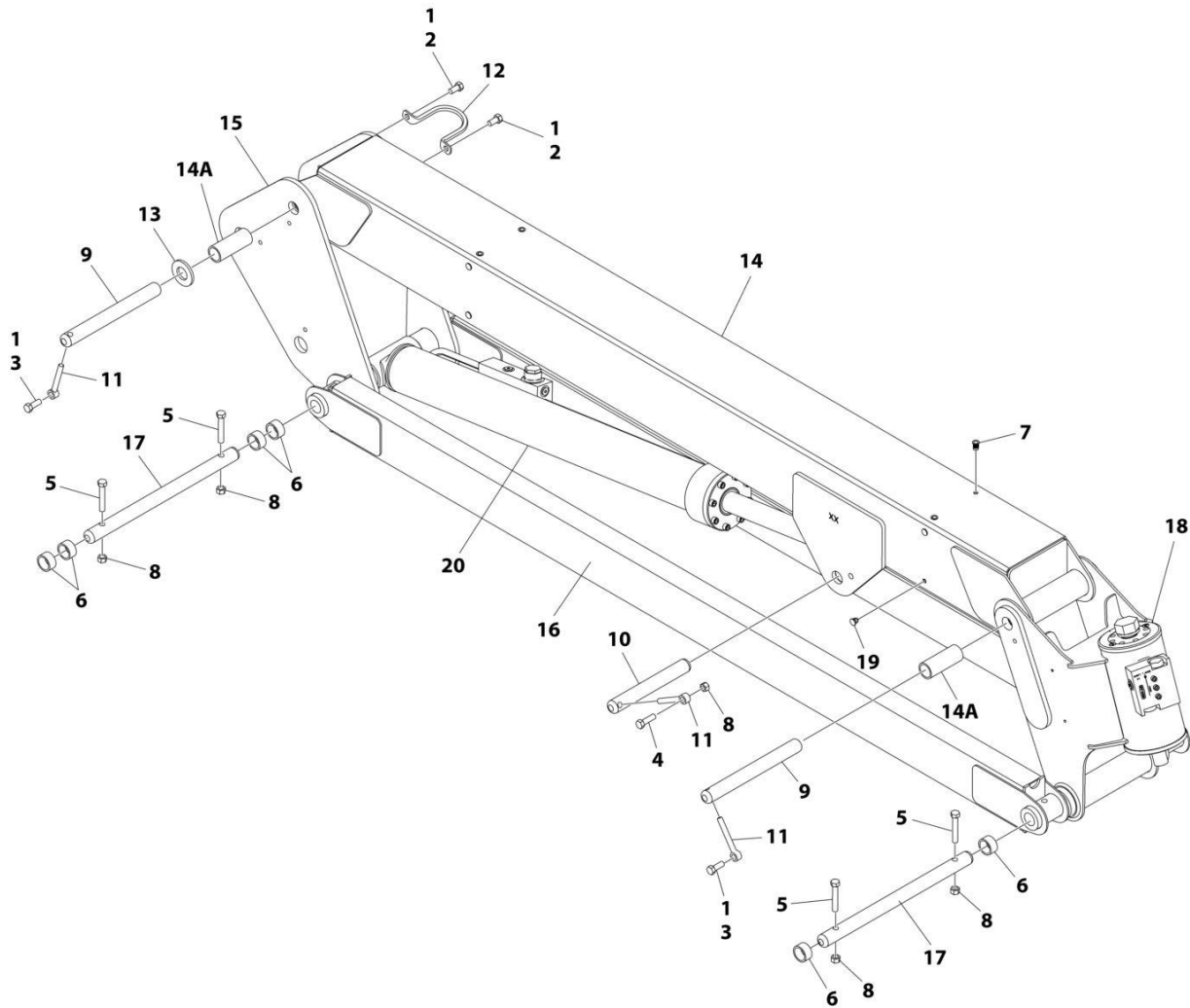
SECTION 4 - BOOM

FIGURE 4-4. MAIN BOOM ASSEMBLY (USA BUILT MACHINES - PVC 2001 & 2007, CHINA BUILT MACHINES - PVC 2007)

ITEM	PART NUMBER	QTY	DESCRIPTION	REV
	1001156501	Ref	BOOM ASSEMBLY	F
1	0100011	AR	Compound, Locking	
2	0561185	2	Block	
3	0641403	2	Bolt 1/4 x 3/8	
4	0811606	18	Bolt 3/8 x 3/4	
5	0811607	4	Bolt 3/8 x 7/8	
6	0811608	6	Bolt 3/8 x 1	
7	0811610	6	Bolt 3/8 x 1-1/4	
8	0641616	4	Bolt 3/8 x 2	
9	1001228007	1	Telescope Cylinder Assembly (See Separate Breakdown in CYLINDER SECTION)	
10	3340871	4	Pad, Wear	
11	3422457	1	Pin	
12	3760133	2	Ring, Retaining	
13	3841340	1	Loop, Hose	
14	4060805	AR	Flex-Trim	
15	4070863	AR	Shim .12	
16	4070864	AR	Shim .05	
17	4070897	AR	Shim .05	
18	4070898	AR	Shim .12	
19	4070929	AR	Shim	
20	4071007	AR	Shim	
21	4751200	2	Washer #12	
22	1001136590	AR	Shim 18Ga	
23	1001138436	AR	Shim 11Ga	
24	1001148652	8	Pad, Wear	
25	1001162828	1	Cover, Boom	
26	1001152127	2	Pad, Wear	
27	1001156502	1	Fly, Boom	
28	1001152249	1	Base, Boom	

SECTION 4 - BOOM

FIGURE 4-5. JIB BOOM ASSEMBLY (USA BUILT MACHINES - PVC 2001 & 2007, CHINA BUILT MACHINES - PVC 2007)



ART_1001247146

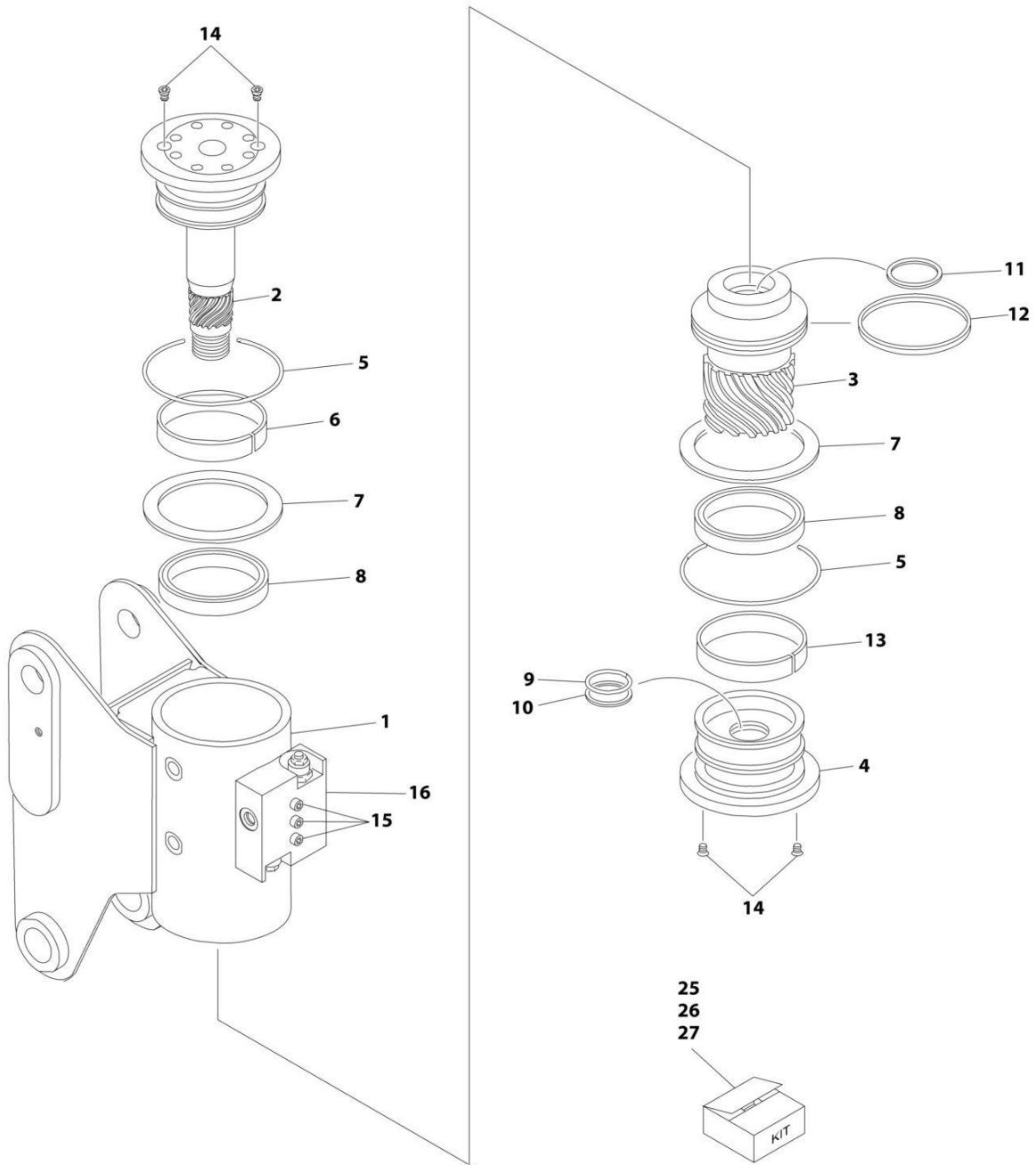
SECTION 4 - BOOM

FIGURE 4-5. JIB BOOM ASSEMBLY (USA BUILT MACHINES - PVC 2001 & 2007, CHINA BUILT MACHINES - PVC 2007)

ITEM	PART NUMBER	QTY	DESCRIPTION	REV
	1001247146	Ref	JIB BOOM ASSEMBLY	C
1	0100011	AR	Compound, Locking	
2	0641606	2	Bolt 3/8 x 3/4	
3	0641608	2	Bolt 3/8 x 1	
4	0641610	1	Bolt 3/8 x 1-1/4	
5	0641618	4	Bolt 3/8 x 2-1/4	
6	0961947	6	Bushing	
7	1001176636	4	Rivnut	
8	3311605	5	Nut 3/8	
9	3422860	2	Pin	
10	3422867	1	Pin	
11	3841143	3	Keeper, Pin	
12	3841340	1	Loop, Hose	
13	4740439	2	Washer, Thrust	
14	4844816	1	Tube - Top	
14A	0962335	4	Bushing	
15	1001169384	1	Pivot Weldment	
16	4844817	2	Tube - Bottom	
17	3422861	2	Pin	
18	1001217780	1	Rotator Assembly (See Separate Breakdown in this Section)	
19	1001223899	8	Fastener	
20	1001248012	1	Jib Lift Cylinder Assembly (See Separate Breakdown in CYLINDER SECTION)	

SECTION 4 - BOOM

FIGURE 4-6. ROTATOR ASSEMBLY (USA BUILT MACHINES - PVC 2001 & 2007, CHINA BUILT MACHINES - PVC 2007)



ART_1001217780

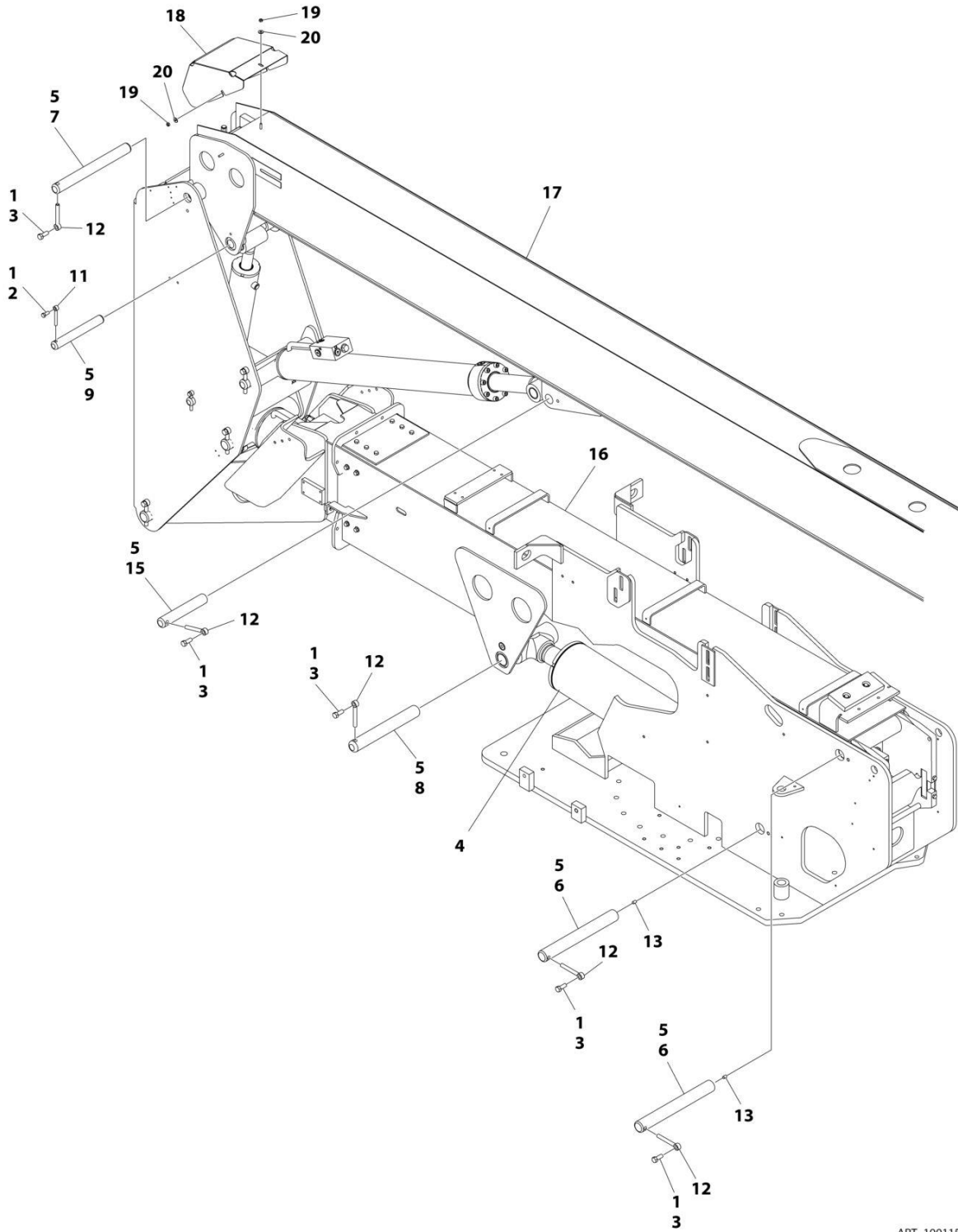
SECTION 4 - BOOM

FIGURE 4-6. ROTATOR ASSEMBLY (USA BUILT MACHINES - PVC 2001 & 2007, CHINA BUILT MACHINES - PVC 2007)

ITEM	PART NUMBER	QTY	DESCRIPTION	REV
	1001217780	Ref	ROTATOR ASSEMBLY	A
1	See Note	NSS	Housing/Ring Gear Assembly (Note: Not Available - Purchase Complete Assembly)	
2	7017162	1	Shaft	
2	7017195	2	Bushing, Shaft	
3	7017163	1	Piston/Sleeve Assembly	
4	7017164	1	Cap, End	
5	See Note	NSS	O-Ring (Note: Use Item 25)	
6	See Note	NSS	Bearing, Shaft (Note: Use Item 26)	
7	See Note	NSS	Washer, Thrust (Note: Use Item 26)	
8	See Note	NSS	Packing, Bearing (Note: Use Item 25)	
9	See Note	NSS	Seal, Cap (Note: Use Item 25)	
10	See Note	NSS	Ring, Back-up Cap (Note: Use Item 25)	
11	See Note	NSS	Seal, Rod (Note: Use Item 25)	
12	See Note	NSS	Seal, Piston (Note: Use Item 25)	
13	See Note	NSS	Bearing, Cap (Note: Use Item 26)	
14	70001697	6	Capscrew 1/4 x 3/8 Grade 8	
15	See Note	3	Bolt 1/4 x 1-1/2 Grade 8 (Note: Not Available - Purchase Locally)	
16	7017172	1	Valve Assembly	
16	7017192	2	Cartridge, Valve	
16	See Note	NSS	Seal Kit - 7017192 Valve (Note: Not Available - Purchase Cartridge)	
16	See Note	NSS	Cartridge, Valve (Not Shown - Located on Side of Block) (Note: Not Available - Purchase Complete Valve)	
16	See Note	NSS	Seal Kit - Valve Located on Side of Block (Note: Not Available - Purchase Cartridge)	
25	70000342	1	Seal Kit (Includes Items 5, 8-12 & 27)	
26	7017159	1	Bearing Kit (Includes Items 6, 7 & 13)	
27	7017142	1	Hardware Kit (Includes Dowel Pins, Plugs and Item 14)	

SECTION 4 - BOOM

FIGURE 4-7. BOOMS AND CYLINDERS INSTALLATION (CHINA BUILT MACHINES) (PVC 2001)



ART_1001158732_G

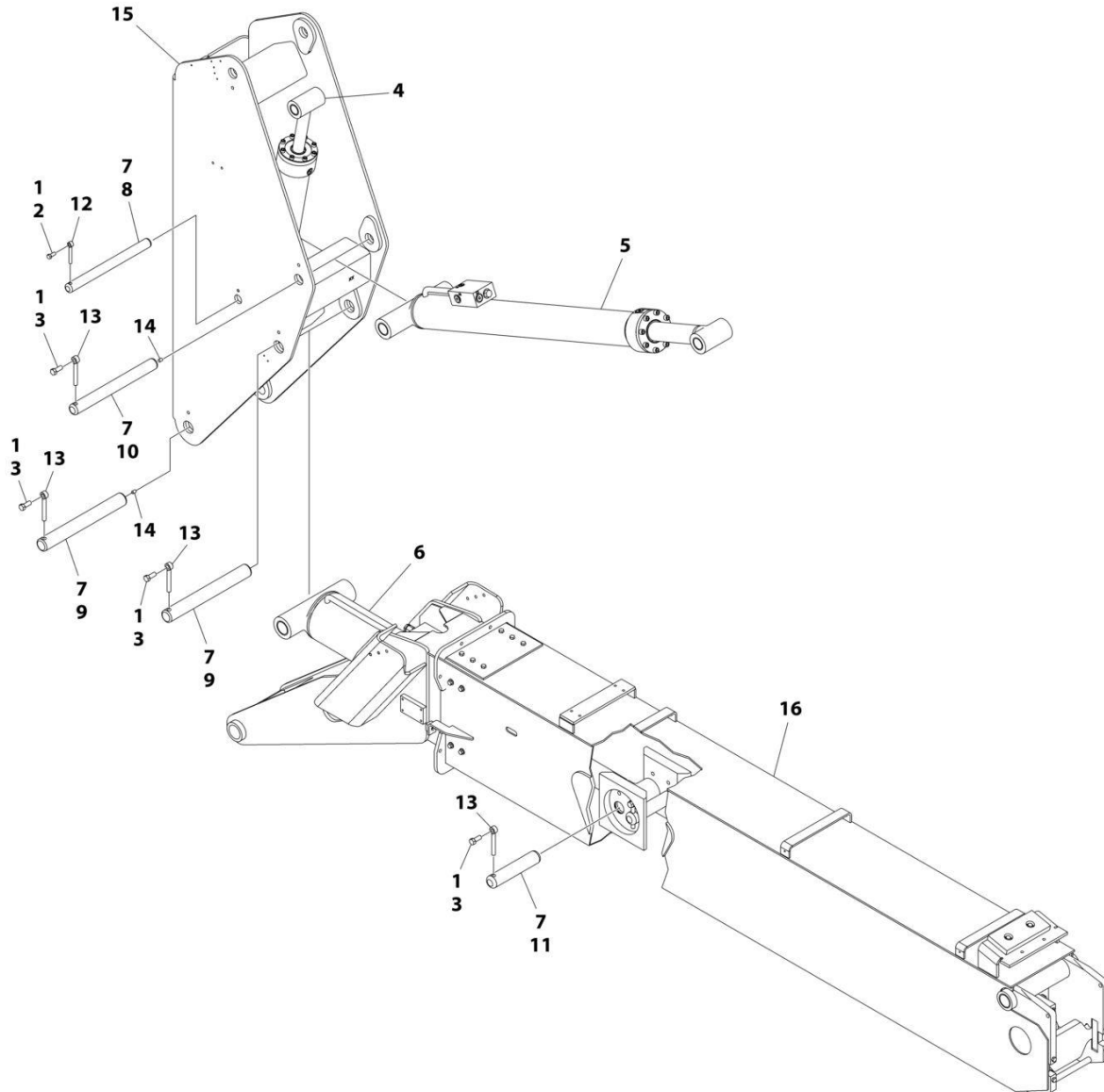
SECTION 4 - BOOM

FIGURE 4-7. BOOMS AND CYLINDERS INSTALLATION (CHINA BUILT MACHINES) (PVC 2001)

ITEM	PART NUMBER	QTY	DESCRIPTION	REV
	1001158732	Ref	BOOMS AND CYLINDERS INSTALLATION	G
1	0100011	AR	Compound, Locking	
2	0641607	1	Bolt 3/8 x 7/8	
3	0641810	5	Bolt 1/2 x 1-1/4	
4	1001261003	1	Tower Lift Cylinder Assembly (See Separate Breakdown in CYLINDER SECTION)	
5	3020039	AR	Lubricant	
6	3422571	2	Pin	
7	3422572	1	Pin	
8	3422573	1	Pin	
9	3422579	1	Pin	
10	3790012	1	O-Ring (Not Shown)	
11	3841143	1	Keeper, Pin - 3/8	
12	3841203	5	Keeper, Pin - 1/2	
13	3900239	2	Setscrew	
14	4360328	1	Toggle, Switch (Not Shown - Located on Platform Console Box)	
15	1001097822	1	Pin	
16	1001115335	1	Tower Boom Sub-Assembly (See Separate Breakdown in this Section)	
17	1001158731	1	Main Boom Assembly (See Separate Breakdown in this Section)	
18	1670768	1	Cover	
19	3311401	3	Nut 1/4	
20	4751400	3	Washer 1/4	

SECTION 4 - BOOM

FIGURE 4-8. TOWER BOOM SUB-ASSEMBLY (CHINA BUILT MACHINES) (PVC 2001)



ART_1001115335

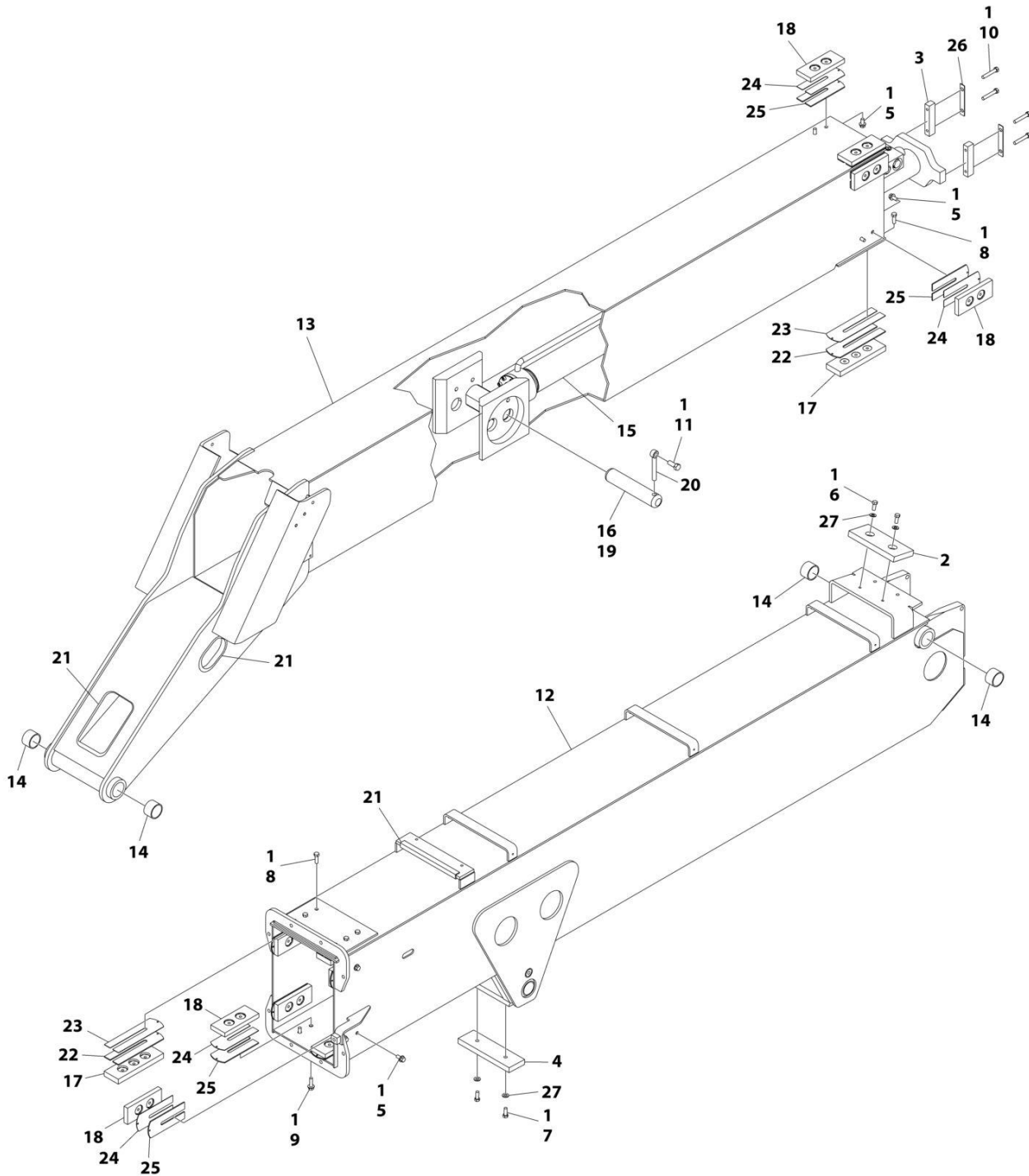
SECTION 4 - BOOM

FIGURE 4-8. TOWER BOOM SUB-ASSEMBLY (CHINA BUILT MACHINES) (PVC 2001)

ITEM	PART NUMBER	QTY	DESCRIPTION	REV
	1001115335	Ref	TOWER BOOM SUB-ASSEMBLY	F
1	0100011	AR	Compound, Locking	
2	0641607	1	Bolt 3/8 x 7/8	
3	0641810	4	Bolt 1/2 x 1-1/4	
4	1001251052	1	Master Cylinder Assembly (See Separate Breakdown in CYLINDER SECTION)	
5	1001228004	1	Main Lift Cylinder Assembly (See Separate Breakdown in CYLINDER SECTION)	
6	1001228042	1	Upright Level Cylinder Assembly (See Separate Breakdown in CYLINDER SECTION)	
7	3020039	AR	Lubricant	
8	3422566	1	Pin	
9	3422571	2	Pin	
10	3422572	1	Pin	
11	3422575	1	Pin	
12	3841143	1	Keeper, Pin - 3/8	
13	3841203	4	Keeper, Pin - 1/2	
14	3900239	2	Setscrew	
15	1001114557	1	Upright	
16	1001115334	1	Tower Boom Assembly (See Separate Breakdown in this Section)	

SECTION 4 - BOOM

FIGURE 4-9. TOWER BOOM ASSEMBLY (CHINA BUILT MACHINES) (PVC 2001)



ART_1001115334

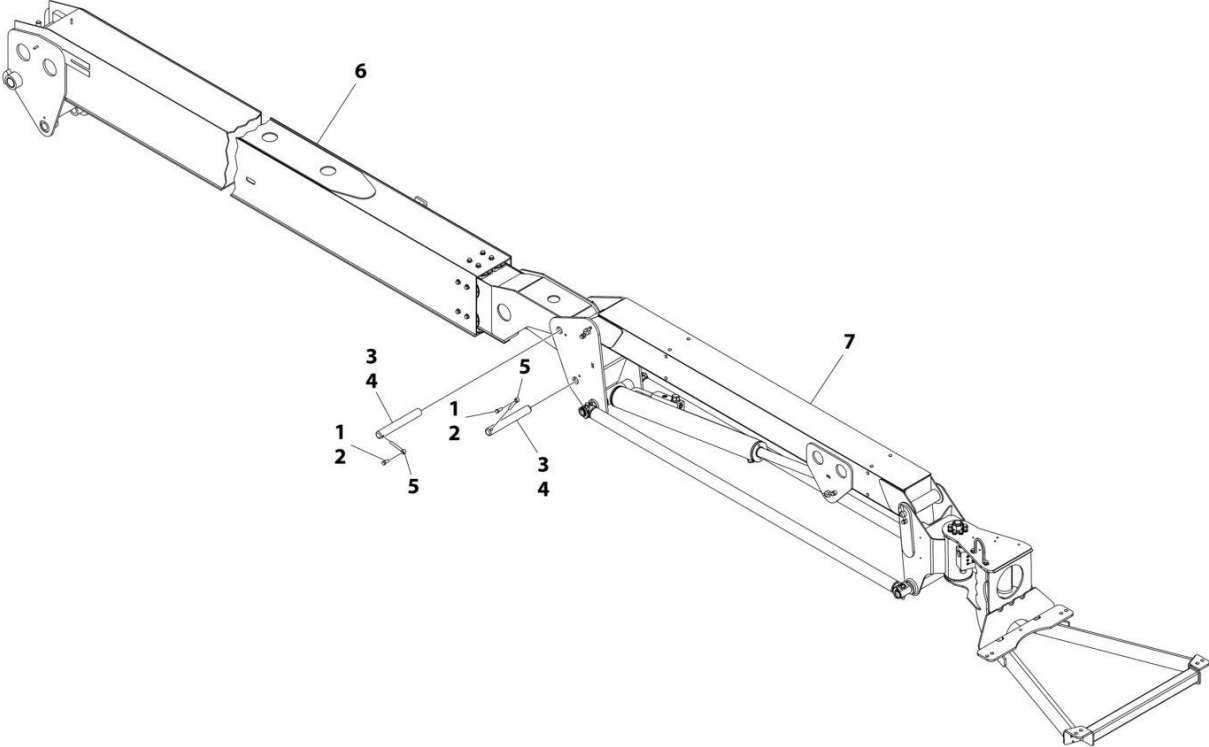
SECTION 4 - BOOM

FIGURE 4-9. TOWER BOOM ASSEMBLY (CHINA BUILT MACHINES) (PVC 2001)

ITEM	PART NUMBER	QTY	DESCRIPTION	REV
	1001115334	Ref	TOWER BOOM ASSEMBLY	D
1	0100011	AR	Compound, Locking	
2	0561076	1	Block, Boom Rest	
3	0561185	2	Block, Attach	
4	0561248	1	Block, Boom Rest	
5	0811606	20	Bolt 3/8 x 3/4	
6	0641607	2	Bolt 3/8 x 7/8	
7	0641608	2	Bolt 3/8 x 1	
8	0641609	12	Bolt 3/8 x 1-1/8	
9	0811610	4	Bolt 3/8 x 1-1/4	
10	0641618	4	Bolt 3/8 x 2-1/4	
11	0641810	1	Bolt 3/8 x 1-1/4	
12	0801622	1	Base	
13	0801637	1	Fly	
14	0961949	4	Bushing	
15	1001228006	1	Cylinder Assembly - Tower Telescope (See Separate Breakdown in CYLINDER SECTION)	
16	3020039	AR	Lubricant	
17	3340871	4	Pad, Wear	
18	3340881	12	Pad, Wear	
19	3422575	1	Pin	
20	3841203	1	Keeper, Pin	
21	4060808	AR	Flex-Trim	
22	4070863	4	Shim .12	
23	4070864	4	Shim .05	
24	4070897	12	Shim .05	
25	4070898	12	Shim .12	
26	4070929	4	Shim	
27	4711600	4	Washer 3/8	

SECTION 4 - BOOM

FIGURE 4-10. MAIN BOOM ASSEMBLY (CHINA BUILT MACHINES) (PVC 2001)



ART_1001158731

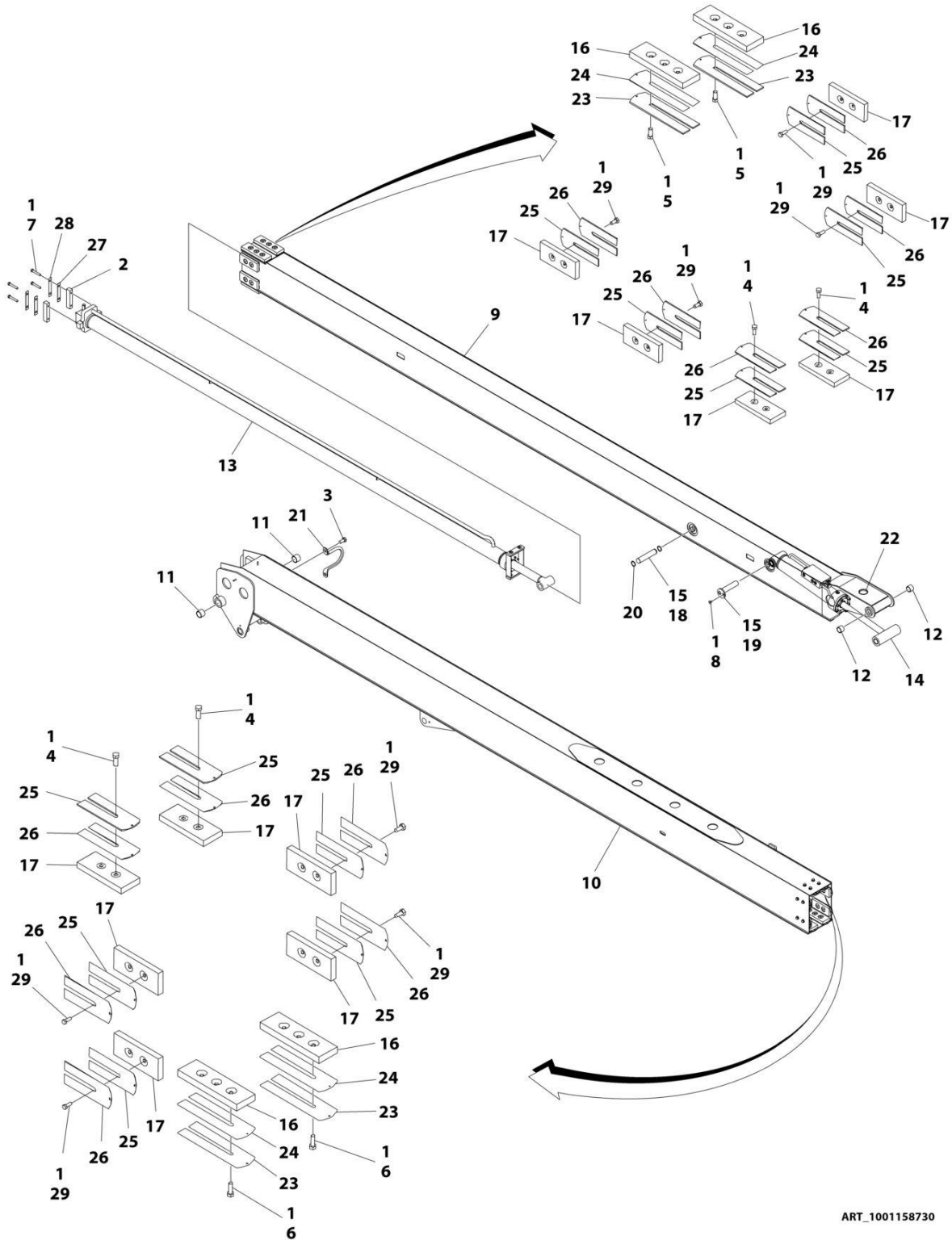
SECTION 4 - BOOM

FIGURE 4-10. MAIN BOOM ASSEMBLY (CHINA BUILT MACHINES) (PVC 2001)

ITEM	PART NUMBER	QTY	DESCRIPTION	REV
	1001158731	Ref	BOOM ASSEMBLY	E
1	0100011	AR	Compound, Locking	
2	0811607	2	Bolt 3/8 x 7/8	
3	3020039	AR	Lubricant	
4	3422561	2	Pin	
5	3841143	2	Keeper, Pin	
6	1001158730	1	Main Boom Sub-Assembly (See Separate Breakdown in this Section)	
7	1001247624	1	Jib Boom Assembly (See Separate Breakdown in this Section)	

SECTION 4 - BOOM

FIGURE 4-11. MAIN BOOM SUB-ASSEMBLY (CHINA BUILT MACHINES) (PVC 2001)



ART_1001158730

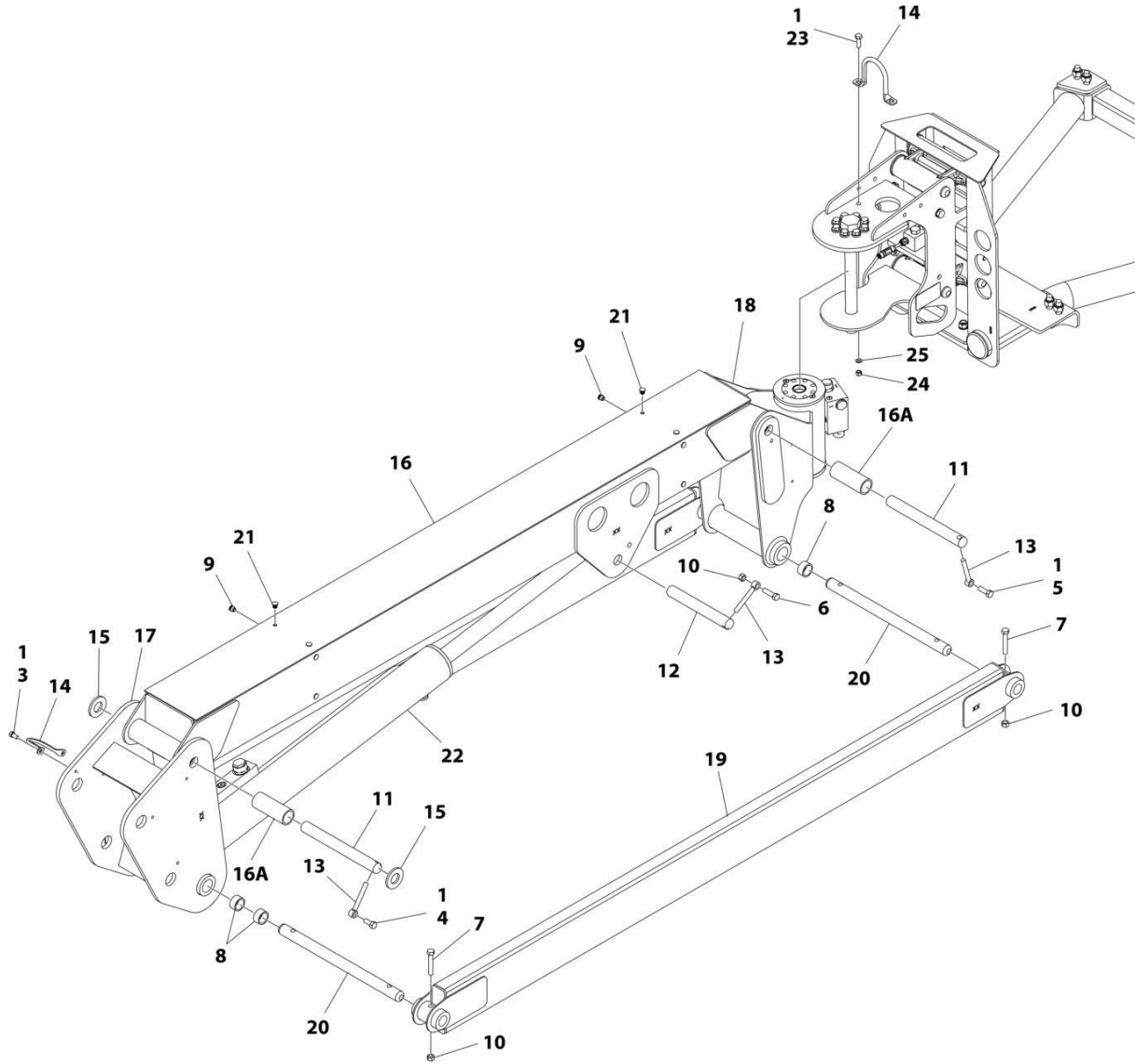
SECTION 4 - BOOM

FIGURE 4-11. MAIN BOOM SUB-ASSEMBLY (CHINA BUILT MACHINES) (PVC 2001)

ITEM	PART NUMBER	QTY	DESCRIPTION	REV
	1001158730	Ref	BOOM SUB-ASSEMBLY	F
1	0100011	AR	Compound, Locking	
2	0561185	2	Block	
3	0641606	2	Bolt 3/8 x 3/4	
4	0811607	8	Bolt 3/8 x 7/8	
5	0811608	6	Bolt 3/8 x 1	
6	0811610	6	Bolt 3/8 x 1-1/4	
7	0641618	4	Bolt 3/8 x 2-1/4	
8	0741605	1	Screw, Countersunk 3/8 x 5/8	
9	1001157533	1	Fly, Boom	
10	0801621	1	Base, Boom	
11	0961948	2	Bushing	
12	0961951	2	Bushing	
13	1001228007	1	Telescope Cylinder Assembly (See Separate Breakdown in CYLINDER SECTION)	
14	1001251051	1	Platform (Slave) Level Cylinder Assembly (See Separate Breakdown in CYLINDER SECTION)	
15	3020039	AR	Lubricant	
16	3340871	4	Pad, Wear	
17	3340881	12	Pad, Wear	
18	3422457	1	Pin	
19	3422583	1	Pin	
20	3760133	2	Ring, Retaining	
21	3841340	1	Loop, Hose	
22	4060805	AR	Flex-Trim	
23	4070863	AR	Shim .12	
24	4070864	AR	Shim .05	
25	4070897	AR	Shim .05	
26	4070898	AR	Shim .12	
27	4070929	AR	Shim	
28	4071007	AR	Shim	
29	0811606	16	Bolt 3/8 x 3/4	

SECTION 4 - BOOM

FIGURE 4-12. JIB BOOM ASSEMBLY (CHINA BUILT MACHINES) (PVC 2001)



ART_1001247624

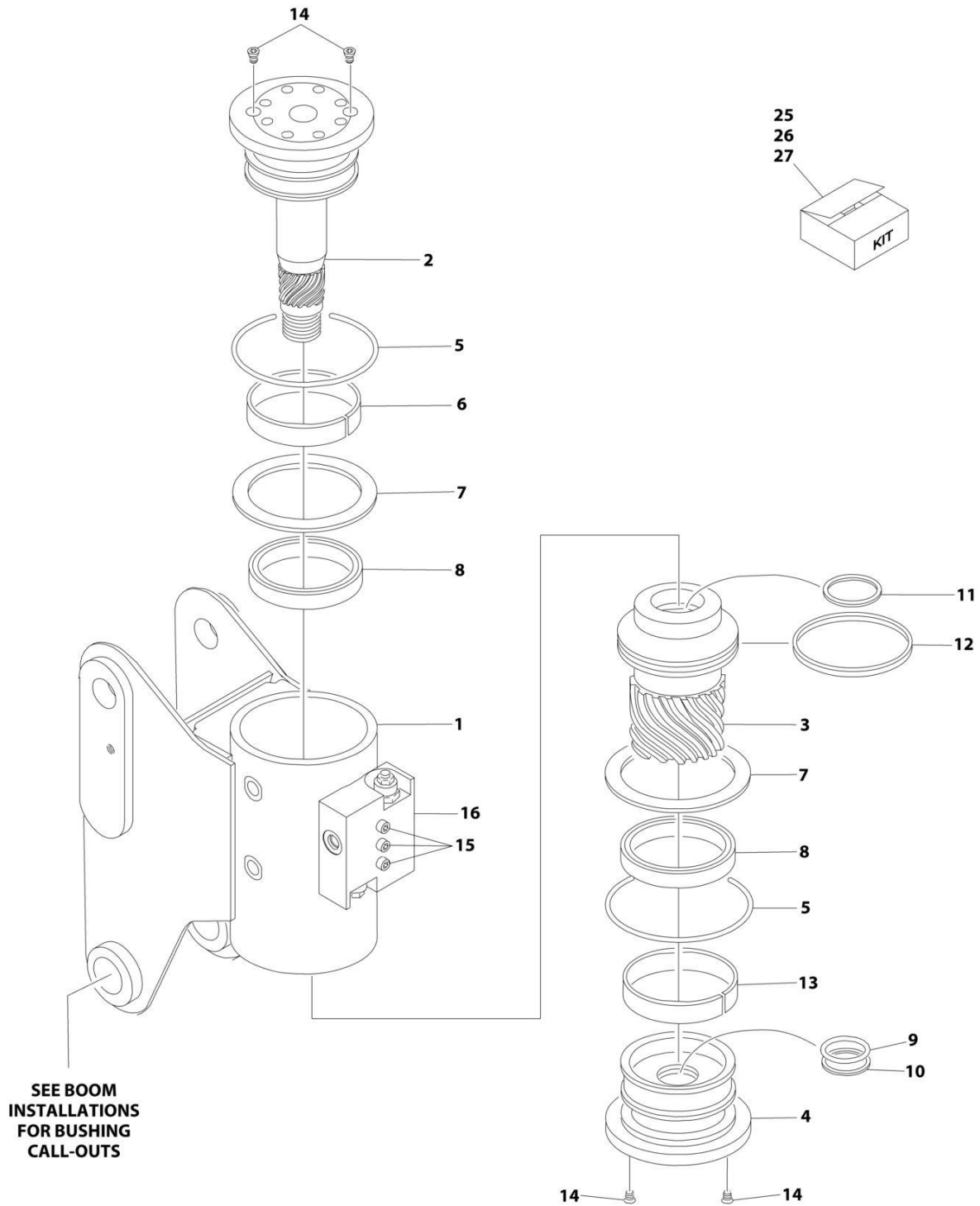
SECTION 4 - BOOM

FIGURE 4-12. JIB BOOM ASSEMBLY (CHINA BUILT MACHINES) (PVC 2001)

ITEM	PART NUMBER	QTY	DESCRIPTION	REV
	1001247624	Ref	JIB BOOM ASSEMBLY	C
1	0100011	AR	Compound, Locking	
3	0641606	2	Bolt 3/8 x 3/4	
4	0641607	1	Bolt 3/8 x 7/8	
5	0641609	1	Bolt 3/8 x 1-1/8	
6	0641611	1	Bolt 3/8 x 1-3/8	
7	0641618	4	Bolt 3/8 x 2-1/4	
8	0961947	6	Bushing	
9	2080044	4	Rivnut	
10	3311605	5	Nut 3/8	
11	3422860	2	Pin	
12	3422867	1	Pin	
13	3841143	3	Keeper, Pin	
14	3841340	2	Loop, Hose	
15	4740439	2	Washer, Thrust	
16	1001113386	1	Tube - Top	
16A	0962335	4	Bushing	
17	1001113423	1	Pivot Weldment	
18	1001178269	1	Rotator Assembly (See Separate Breakdown in this Section)	
19	1001113407	2	Tube - Bottom	
20	3422861	2	Pin	
21	1001223899	8	Fastener	
22	1001230371	1	Jib Lift Cylinder Assembly (See Separate Breakdown in CYLINDER SECTION)	
23	0760812	2	Bolt M8 x 25	
24	3290805	2	Nut M8	
25	4811900	2	Washer M8	

SECTION 4 - BOOM

FIGURE 4-13. ROTATOR ASSEMBLY (CHINA BUILT MACHINES) (PVC 2001)



ART_1001178269

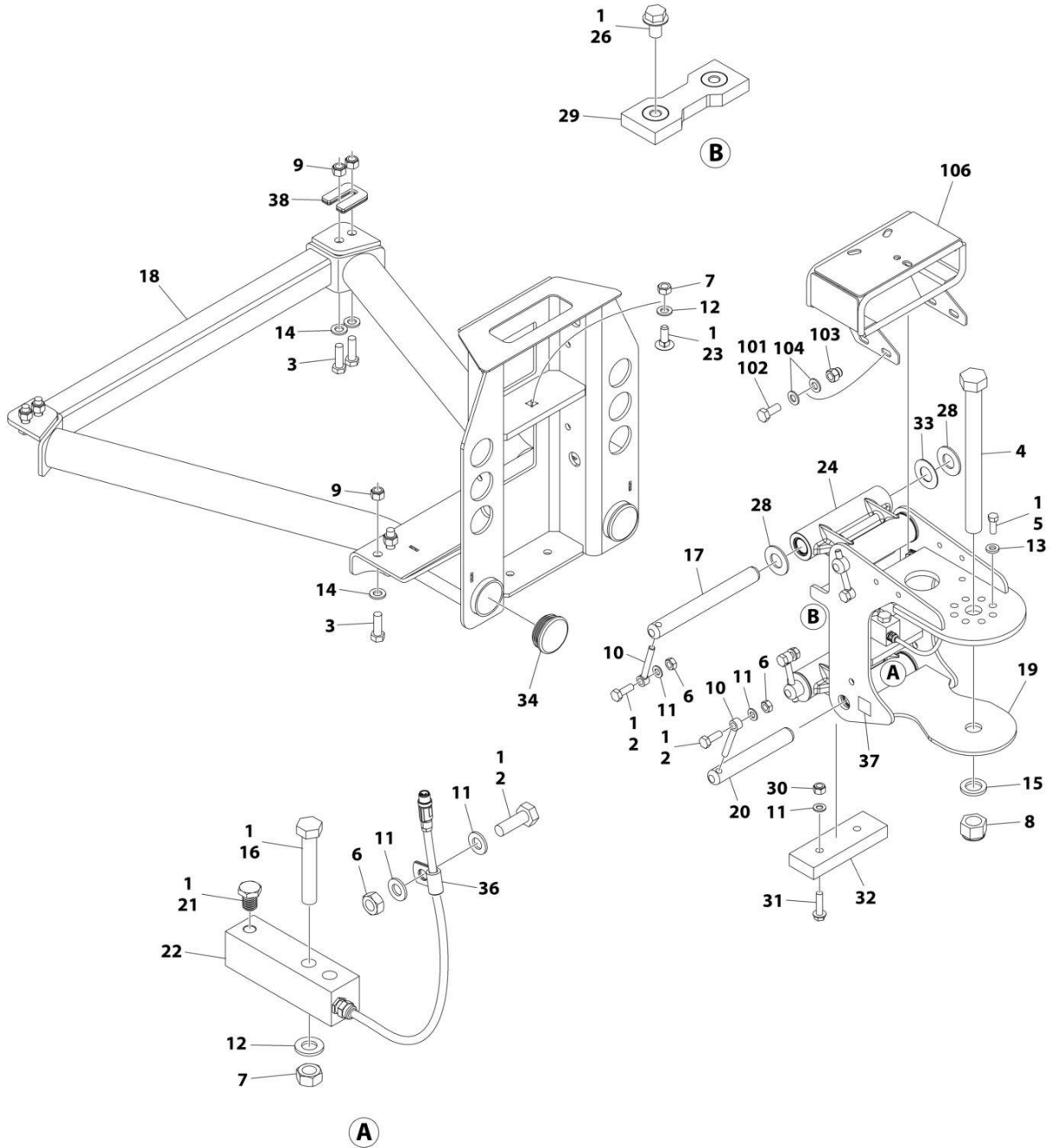
SECTION 4 - BOOM

FIGURE 4-13. ROTATOR ASSEMBLY (CHINA BUILT MACHINES) (PVC 2001)

ITEM	PART NUMBER	QTY	DESCRIPTION	REV
	1001178269	Ref	ROTATOR ASSEMBLY	A
1	See Note	NSS	Housing/Ring Gear Assembly (Note: Not Available - Purchase Complete Assembly)	
2	7017162	1	Shaft	
2	7017195	2	Bushing, Shaft	
3	7017163	1	Piston/Sleeve Assembly	
4	7017164	1	Cap, End	
5	See Note	NSS	O-Ring (Note: Use Item 25)	
6	See Note	NSS	Bearing, Shaft (Note: Use Item 26)	
7	See Note	NSS	Washer, Thrust (Note: Use Item 26)	
8	See Note	NSS	Packing, Bearing (Note: Use Item 25)	
9	See Note	NSS	Seal, Cap (Note: Use Item 25)	
10	See Note	NSS	Ring, Back-up Cap (Note: Use Item 25)	
11	See Note	NSS	Seal, Rod (Note: Use Item 25)	
12	See Note	NSS	Seal, Piston (Note: Use Item 25)	
13	See Note	NSS	Bearing, Cap (Note: Use Item 26)	
14	70001697	6	Capscrew 1/4 x 3/8 Grade 8	
15	See Note	3	Bolt 1/4 x 1-1/2 Grade 8 (Note: Not Available - Purchase Locally)	
16	7017183	1	Valve Assembly	
16	7017193	2	Cartridge, Valve	
16	See Note	NSS	Seal Kit - 7017192 Valve (Note: Not Available - Purchase Cartridge)	
16	See Note	NSS	Cartridge, Valve (Not Shown - Located on Side of Block) (Note: Not Available - Purchase Complete Valve)	
16	See Note	NSS	Seal Kit - Valve Located on Side of Block (Note: Not Available - Purchase Cartridge)	
25	70000342	1	Seal Kit (Includes Items 5, 8-12 & 27)	
26	7017159	1	Bearing Kit (Includes Items 6, 7 & 13)	
27	7017142	1	Hardware Kit (Includes Dowel Pins, Plugs and Item 14)	

SECTION 4 - BOOM

FIGURE 4-14. SUPPORT, PLATFORM INSTALLATION



ART_1001167596_N

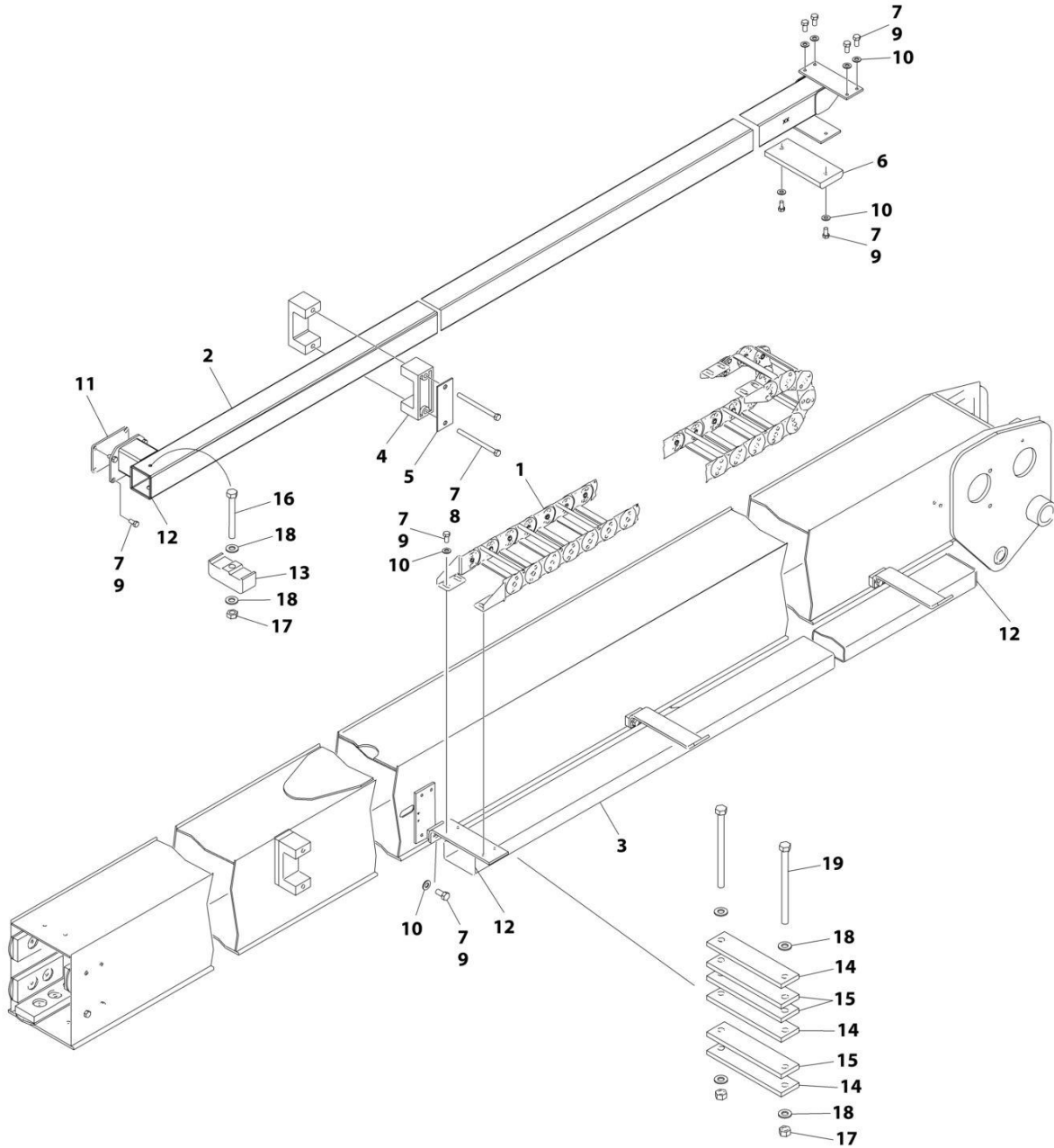
SECTION 4 - BOOM

FIGURE 4-14. SUPPORT, PLATFORM INSTALLATION

ITEM	PART NUMBER	QTY	DESCRIPTION	REV
	1001167596	Ref	PLATFORM SUPPORT INSTALLATION	N
1	0100011	AR	Compound, Locking	
2	0761014	5	Bolt M10 x 30	
3	0761216	8	Bolt M12 x 40	
4	1001255133	1	Bolt 1 x 11 GRD8	
5	0681608	8	Bolt 3/8 x 1 GRD8	
6	3291001	5	Nut M10	
7	3291201	3	Nut M12	
8	1001174040	1	Nut 1	
9	3291205	8	Nut M12	
10	3841143	4	Keeper, Pin	
11	4812000	8	Washer M10	
12	4812100	3	Washer M12	
13	4891600	8	Washer 3/8	
14	5241200	8	Washer M12	
15	4892600001	1	Washer 1	
16	1001098828	2	Bolt M12 x 70 CL10.9	
17	1001167565	2	Pin	
18	1001200494	1	Support, Platform	
19	1001167567	1	Support, Rotator	
20	1001168402	2	Pin	
21	1001188622	1	Screw	
22	1001247468	1	Loadcell	
23	1001188844	1	Bolt M12 x 35	
24	1001201351	2	Link	
24	1001187382	4	Bearing	
24	1001187383	4	Seal	
26	5251008	2	Bolt M10 x 16 CL10.9	
28	1001189002	8	Bearing	
29	1001190985	1	Pad, Wear	
30	3291005	2	Nut M10	
31	5251016	2	Bolt M10 x 40 CL10.9	
32	1001200491	1	Pad, Wear	
33	1001189001	4	Bearing	
34	1001204725	2	Plug	
36	91203039	1	Clamp	
37	1001216630	2	Decal - Tie Down/No Lift	
38	1001238421	Ref	Kit, Platform Leveling (Not Shown)	
	1001202687	Ref	VALVE MOUNT INSTALLATION	B
101	0100011	AR	Compound, Locking	
102	0760810	4	Bolt M8 x 20	
103	3290806	4	Nut M8	
104	4811900	8	Washer M8	
106	1001208994	1	Mount, Valve	

SECTION 4 - BOOM

FIGURE 4-15. POWER TRACK INSTALLATION - MAIN BOOM (USA BUILT MACHINES) (PVC 2001)



ART_0255288

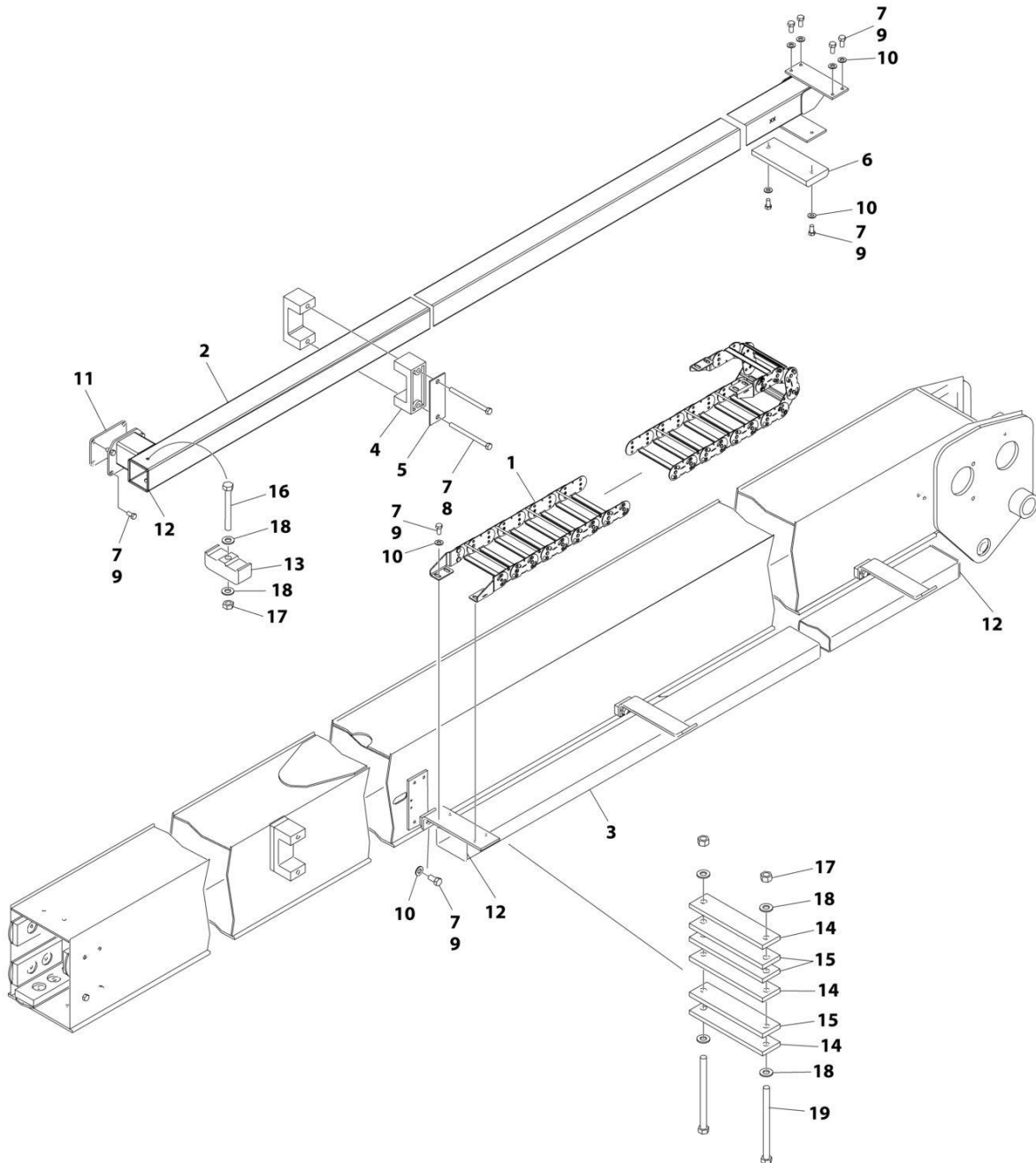
SECTION 4 - BOOM

FIGURE 4-15. POWER TRACK INSTALLATION - MAIN BOOM (USA BUILT MACHINES) (PVC 2001)

ITEM	PART NUMBER	QTY	DESCRIPTION	REV
	0255288	Ref	POWER TRACK INSTALLATION	G
1	1001099836	1	Power Track Assembly	
1	70001999	AR	Repair Section	
1	70002000	1	Mounting Bracket Kit	
2	1001161417	1	Tube Weldment	
3	4844979	1	Support, Power Track	
4	3340764	2	Pad, Wear	
5	3538758	1	Plate, Cover Support	
6	3340765	1	Pad	
7	0100011	AR	Compound, Locking	
8	0641640	2	Bolt 3/8 x 5	
9	0641606	20	Bolt 3/8 x 3/4	
10	4711600	16	Washer 3/8	
11	4070969	AR	Shim	
12	4060803	3.5 ft/ 1.07m	Flex-Trim	
13	1320314	1	Clamp, Hose/Cable	
14	3574185	3	Plate	
15	4071062	4	Shim	
16	0641522	1	Bolt 5/16 x 2-3/4	
17	3311505	3	Nut 5/16	
18	4711500	6	Washer 5/16	
19	0641540	2	Bolt 5/16 x 5	

SECTION 4 - BOOM

FIGURE 4-16. POWER TRACK INSTALLATION - MAIN BOOM (USA BUILT MACHINES - PVC 2001 & 2007, CHINA BUILT MACHINES - PVC 2007)



ART_0255288_H

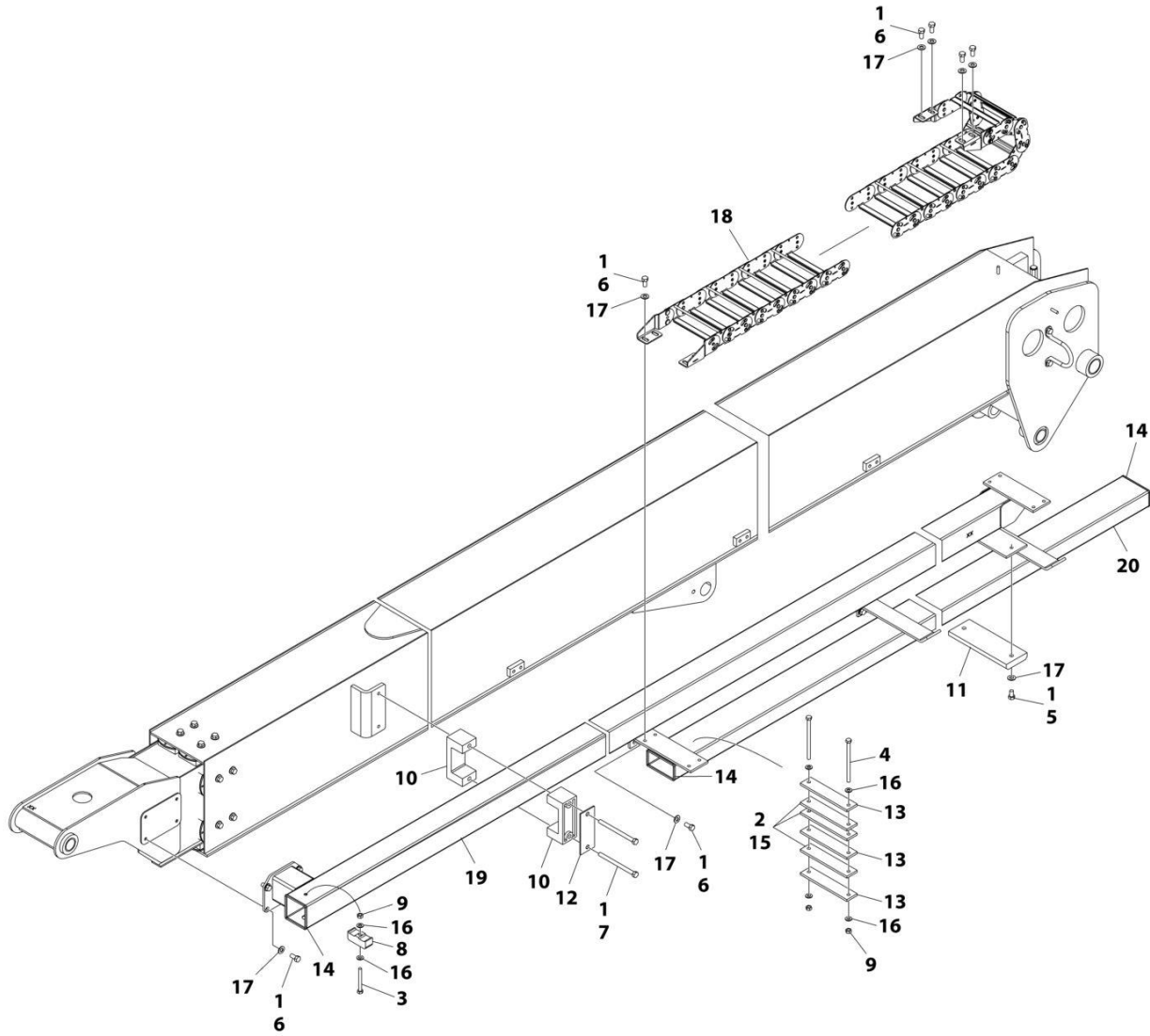
SECTION 4 - BOOM

FIGURE 4-16. POWER TRACK INSTALLATION - MAIN BOOM (USA BUILT MACHINES - PVC 2001 & 2007, CHINA BUILT MACHINES - PVC 2007)

ITEM	PART NUMBER	QTY	DESCRIPTION	REV
	0255288	Ref	POWER TRACK INSTALLATION	H
1	1001255961	1	Power Track Assembly	
1	70007467	AR	Repair Section	
1	70007466	1	Mounting Bracket Kit	
2	1001161417	1	Tube Weldment	
3	4844979	1	Support, Power Track	
4	3340764	2	Pad, Wear	
5	3538758	1	Plate, Cover Support	
6	3340765	1	Pad	
7	0100011	AR	Compound, Locking	
8	0641640	2	Bolt 3/8 x 5	
9	0641606	20	Bolt 3/8 x 3/4	
10	4711600	16	Washer 3/8	
11	4070969	AR	Shim	
12	4060803	3.5 ft/ 1.07m	Flex-Trim	
13	1320314	1	Clamp, Hose/Cable	
14	3574185	3	Plate	
15	4071062	4	Shim	
16	0641522	1	Bolt 5/16 x 2-3/4	
17	3311505	3	Nut 5/16	
18	4711500	6	Washer 5/16	
19	0641540	2	Bolt 5/16 x 5	

SECTION 4 - BOOM

FIGURE 4-17. POWER TRACK INSTALLATION - MAIN BOOM (CHINA BUILT MACHINES) (PVC 2001)



ART_100115218_C

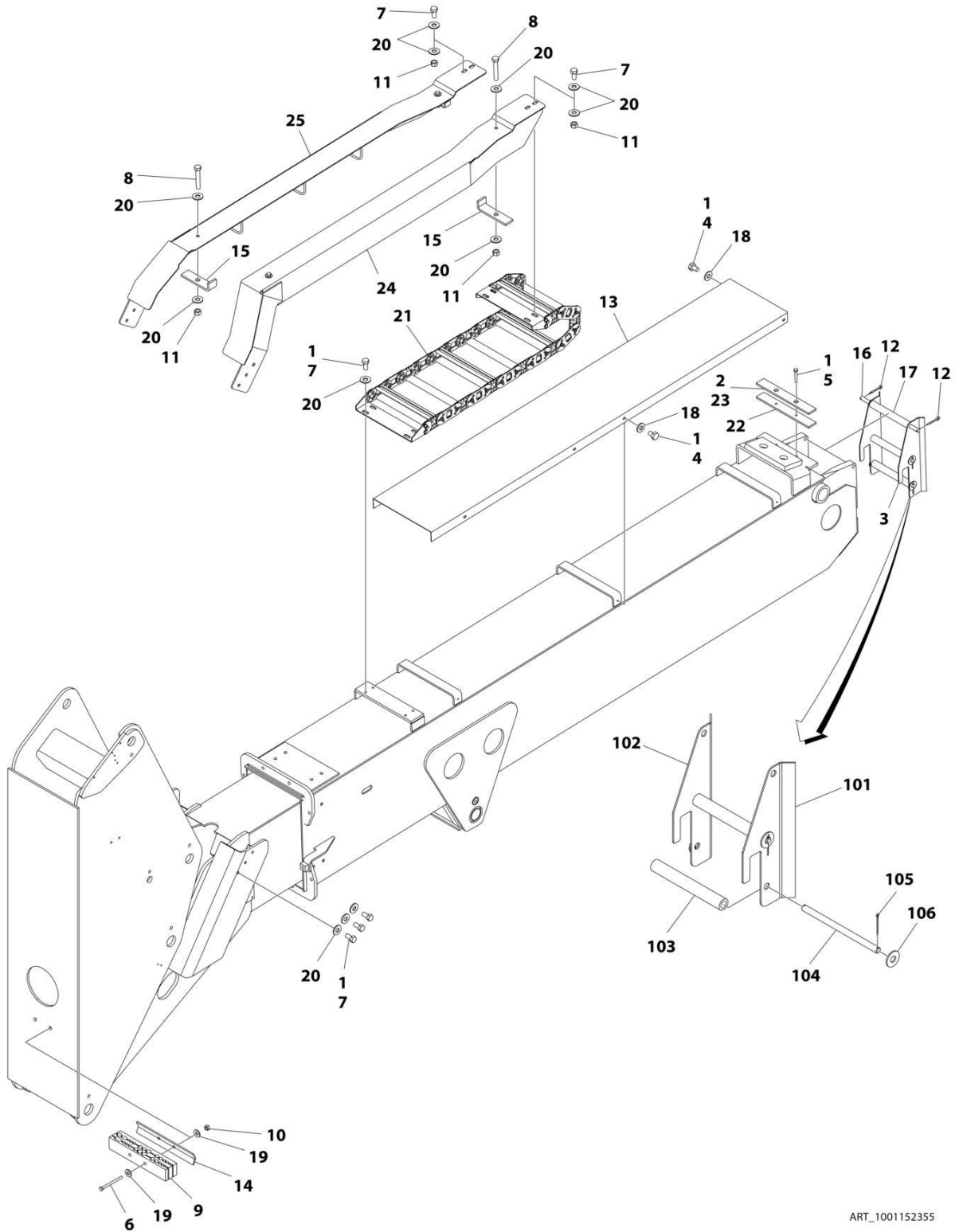
SECTION 4 - BOOM

FIGURE 4-17. POWER TRACK INSTALLATION - MAIN BOOM (CHINA BUILT MACHINES) (PVC 2001)

ITEM	PART NUMBER	QTY	DESCRIPTION	REV
	1001115218	Ref	POWER TRACK INSTALLATION	C
1	0100011	AR	Compound, Locking	
2	0100081	AR	Adhesive	
3	0641522	1	Bolt 5/16 x 2-3/4	
4	0641540	2	Bolt 5/16 x 5	
5	0641605	2	Bolt 3/8 x 5/8	
6	0641606	18	Bolt 3/8 x 3/4	
7	0641640	2	Bolt 3/8 x 5	
8	1320314	1	Clamp, Hose/Cable	
9	3311505	3	Nut 5/16	
10	3340764	2	Pad, Wear	
11	3340765	1	Pad	
12	3538758	1	Plate, Cover Support	
13	3574185	3	Plate	
14	4060803	3.5 ft/ 1.07m	Flex-Trim	
15	4071062	4	Shim	
16	4711500	6	Washer 5/16	
17	4711600	20	Washer 3/8	
18	1001255961	1	Power Track Assembly	
18	70007467	AR	Repair Section	
18	70007466	1	Mounting Bracket Kit	
19	1001115054	1	Tube Weldment	
20	1001155063	1	Support, Power Track	

SECTION 4 - BOOM

FIGURE 4-18. POWER TRACK INSTALLATION - TOWER BOOM (USA BUILT MACHINES - PVC 2001 & 2007, CHINA BUILT MACHINES - PVC 2007)



ART_1001152355

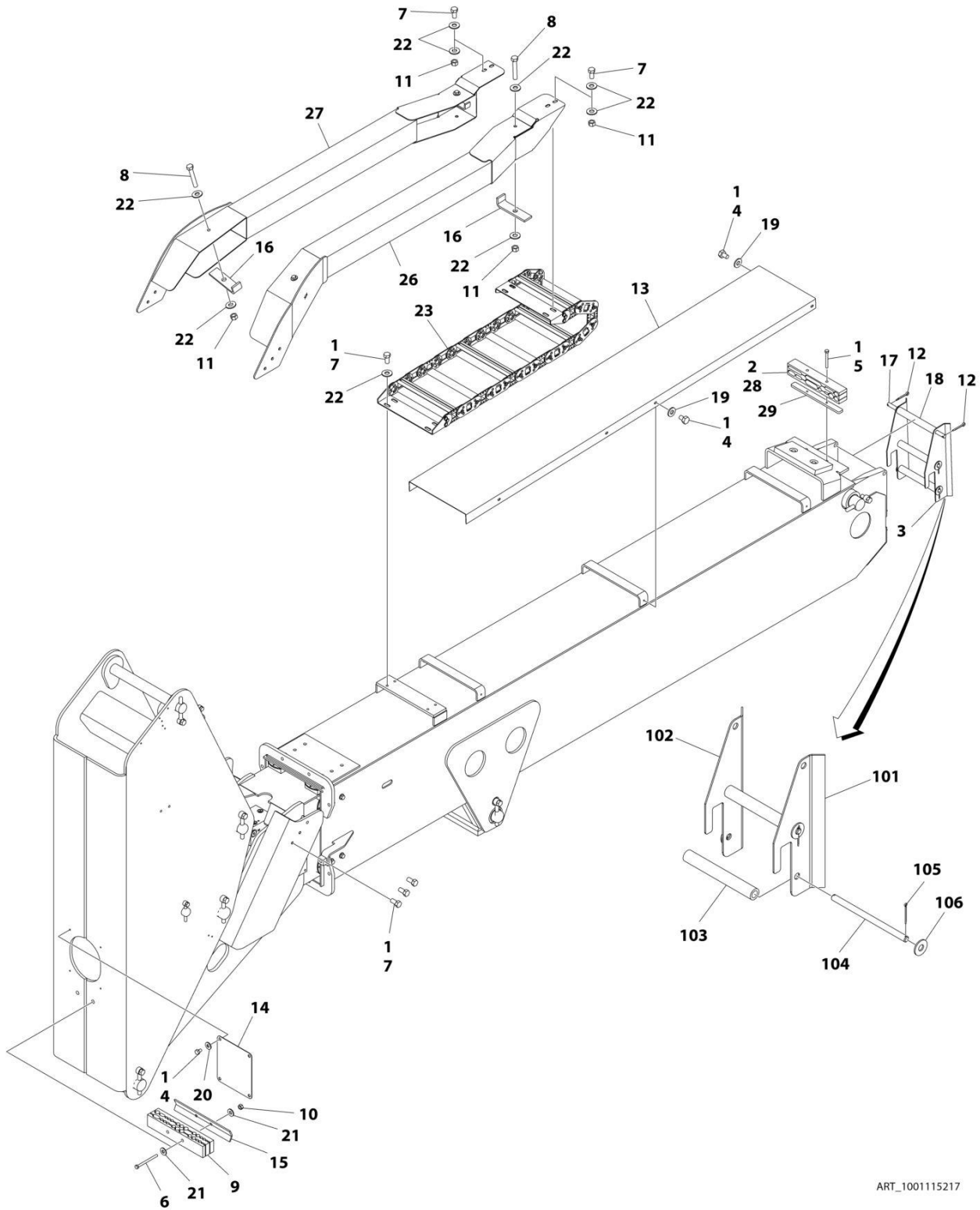
SECTION 4 - BOOM

FIGURE 4-18. POWER TRACK INSTALLATION - TOWER BOOM (USA BUILT MACHINES - PVC 2001 & 2007, CHINA BUILT MACHINES - PVC 2007)

ITEM	PART NUMBER	QTY	DESCRIPTION	REV
	1001152355	Ref	POWER TRACK INSTALLATION	D
1	0100011	AR	Compound, Locking	
2	0100081	AR	Adhesive	
3	0257573	1	Roller Hanger Assembly (Includes Items 101-106)	
4	0641403	6	Bolt 1/4 x 3/8	
5	0641516	2	Bolt 5/16 x 2	
6	0641532	2	Bolt 5/16 x 4	
7	0641606	14	Bolt 3/8 x 3/4	
8	0641618	4	Bolt 3/8 x 2-1/4	
9	1320243	1	Clamp, Block	
10	3311505	2	Nut 5/16	
11	3311605	8	Nut 3/8	
12	3450606	2	Pin, Cotter	
13	3539228	1	Plate, Cover	
14	3570374	1	Plate	
15	1001232880	4	Plate	
16	3841295	1	Rod	
17	4567241	1	Tube	
18	4711400	6	Washer 1/4	
19	4751500	4	Washer 5/16	
20	4751600	26	Washer 3/8	
21	1001099835	1	Power Track Assembly	
21	70002001	AR	Repair Section	
21	70002002	1	Mounting Bracket Kit	
22	1001110500	1	Plate	
23	1001110501	1	Pad	
24	1001151542	1	Bracket	
25	1001151586	1	Bracket	
	0257573	Ref	ROLLER HANGER ASSEMBLY	B
101	3570277	1	Plate (Left Side)	
102	3570270	1	Plate (Right Side)	
103	4567241	2	Roller, Tube	
104	3841347	2	Rod	
105	3450306	4	Pin, Cotter	
106	4751800	4	Washer 1/2	

SECTION 4 - BOOM

FIGURE 4-19. POWER TRACK INSTALLATION - TOWER BOOM (CHINA BUILT MACHINES) (PVC 2001)



ART_1001115217

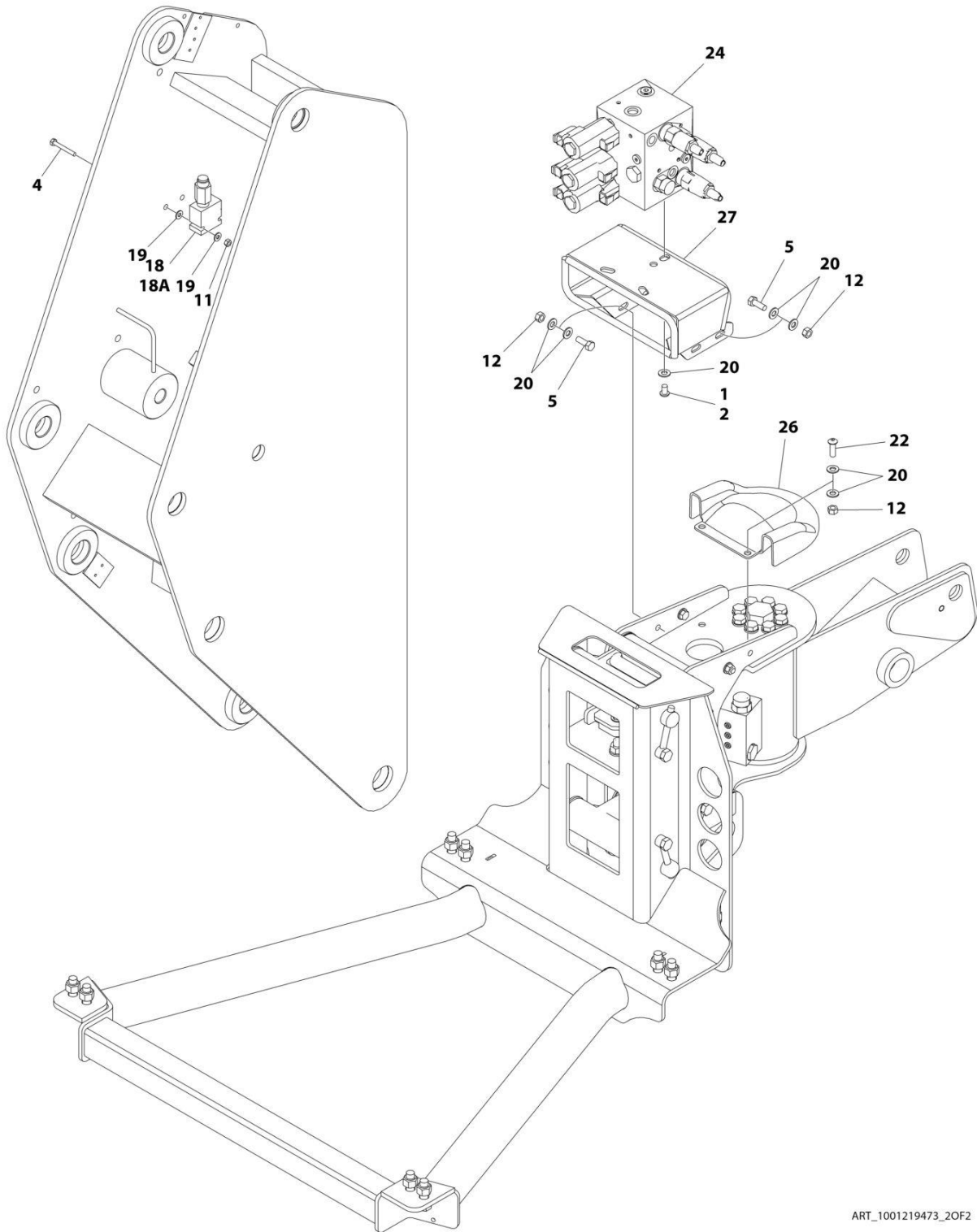
SECTION 4 - BOOM

FIGURE 4-19. POWER TRACK INSTALLATION - TOWER BOOM (CHINA BUILT MACHINES) (PVC 2001)

ITEM	PART NUMBER	QTY	DESCRIPTION	REV
	1001115217	Ref	POWER TRACK INSTALLATION	C
1	0100011	AR	Compound, Locking	
2	0100081	AR	Adhesive	
3	0257573	1	Roller Hanger Assembly (Includes Items 101-106)	
4	0641403	10	Bolt 1/4 x 3/8	
5	0641522	2	Bolt 5/16 x 2-3/4	
6	0641532	2	Bolt 5/16 x 4	
7	0641606	14	Bolt 3/8 x 3/4	
8	0641618	4	Bolt 3/8 x 2-1/4	
9	1320243	1	Clamp, Block	
10	3311505	2	Nut 5/16	
11	3311605	8	Nut 3/8	
12	3450606	2	Pin, Cotter	
13	3539228	1	Plate, Cover	
14	3539779	1	Plate, Cover	
15	3570374	1	Plate	
16	3570375	4	Plate	
17	3571295	1	Rod	
18	4567241	1	Tube	
19	4711400	6	Washer 1/4	
20	4751400	4	Washer 1/4	
21	4751500	4	Washer 5/16	
22	4751600	20	Washer 3/8	
23	1001099835	1	Power Track Assembly	
23	70002001	AR	Repair Section	
23	70002002	1	Mounting Bracket Kit	
26	1001115080	1	Tube, Push (Left Side)	
27	1001115081	1	Tube, Push (Right Side)	
28	1001217402	1	Clamp	
29	1001217403	1	Plate	
	0257573	Ref	ROLLER HANGER ASSEMBLY	B
101	3570277	1	Plate (Left Side)	
102	3570270	1	Plate (Right Side)	
103	4567241	2	Roller, Tube	
104	3841347	2	Rod	
105	3450306	4	Pin, Cotter	
106	4751800	4	Washer 1/2	

SECTION 4 - BOOM

FIGURE 4-20. CONTROL VALVES INSTALLATION – 2WS WITH DEUTZ D2011 AND DEUTZ D2011 (STAGE V) ENGINES (USA BUILT MACHINES - PVC 2001 & 2007, CHINA BUILT MACHINES - PVC 2007)



ART_1001219473_20F2

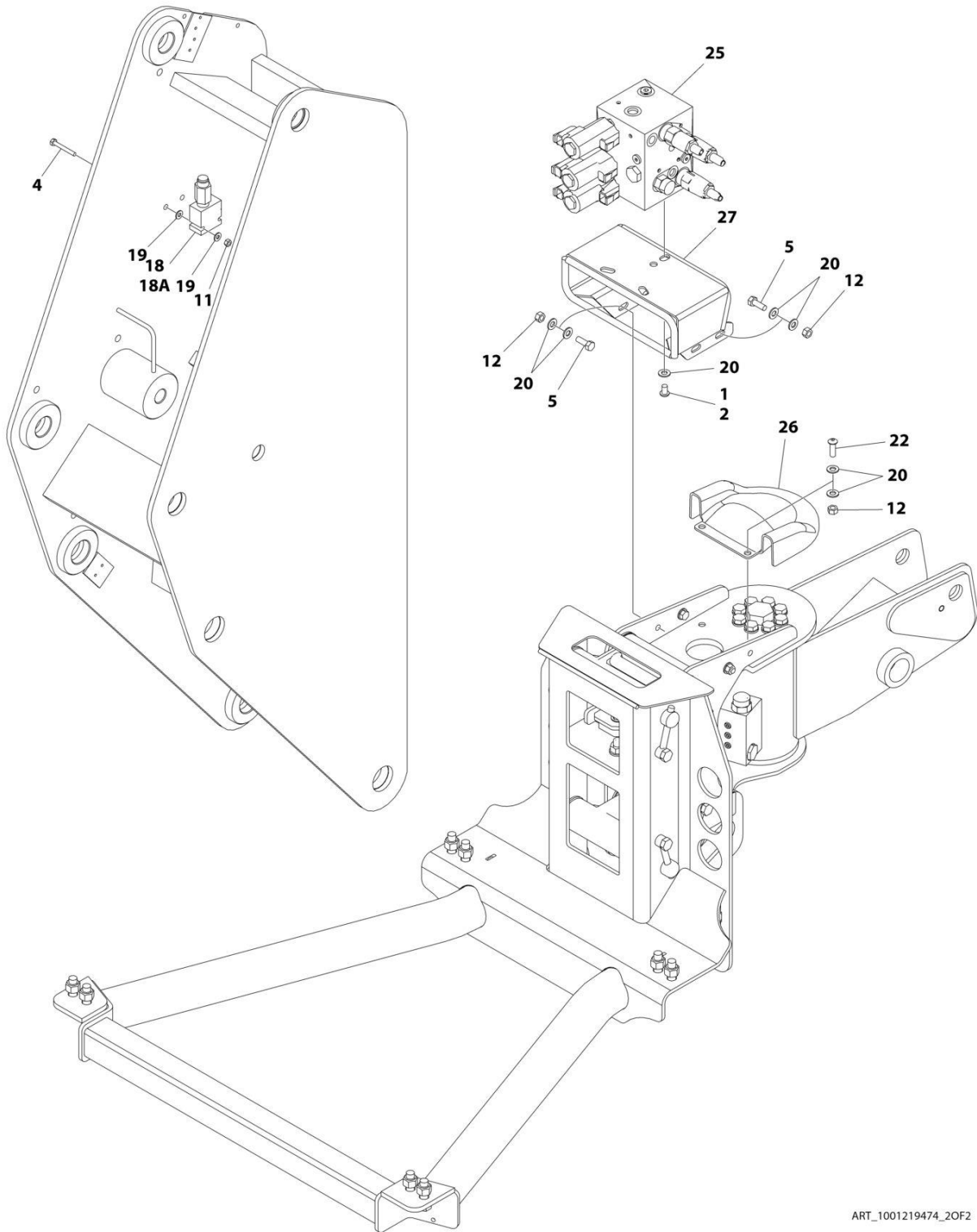
SECTION 4 - BOOM

FIGURE 4-20. CONTROL VALVES INSTALLATION – 2WS WITH DEUTZ D2011 AND DEUTZ D2011 (STAGE V) ENGINES (USA BUILT MACHINES - PVC 2001 & 2007, CHINA BUILT MACHINES - PVC 2007)

ITEM	PART NUMBER	QTY	DESCRIPTION	REV
	1001219473	Ref	CONTROL VALVES INSTALLATION	B
1	0100011	AR	Compound, Locking	
2	0630467	3	Screw 5/6-18 x 1/2	
4	0641416	2	Bolt 1/4 x 2	
5	0641507	4	Bolt 5/16 x 7/8	
11	3311405	2	Nut 1/4-20	
12	3311505	6	Nut 5/16	
18	4640929	1	Valve Assembly - Relief	
18A	7012970	1	Cartridge Valve	
18A	7012953	1	Seal Kit - 7012970 Valve	
19	4711400	4	Washer 1/4	
20	4711500	15	Washer 5/16	
22	88261024	2	Screw 5/16 x 1	
24	1001152565	1	Control Valve Assembly (See Separate Breakdown in this Section)	
26	1001207969	1	Cover	
27	1001208994	1	Mount	

SECTION 4 - BOOM

FIGURE 4-21. CONTROL VALVES INSTALLATION – 4WS WITH DEUTZ D2011 AND DEUTZ D2011 (STAGE V) ENGINES (USA BUILT MACHINES - PVC 2001 & 2007, CHINA BUILT MACHINES - PVC 2007)



ART_1001219474_20F2

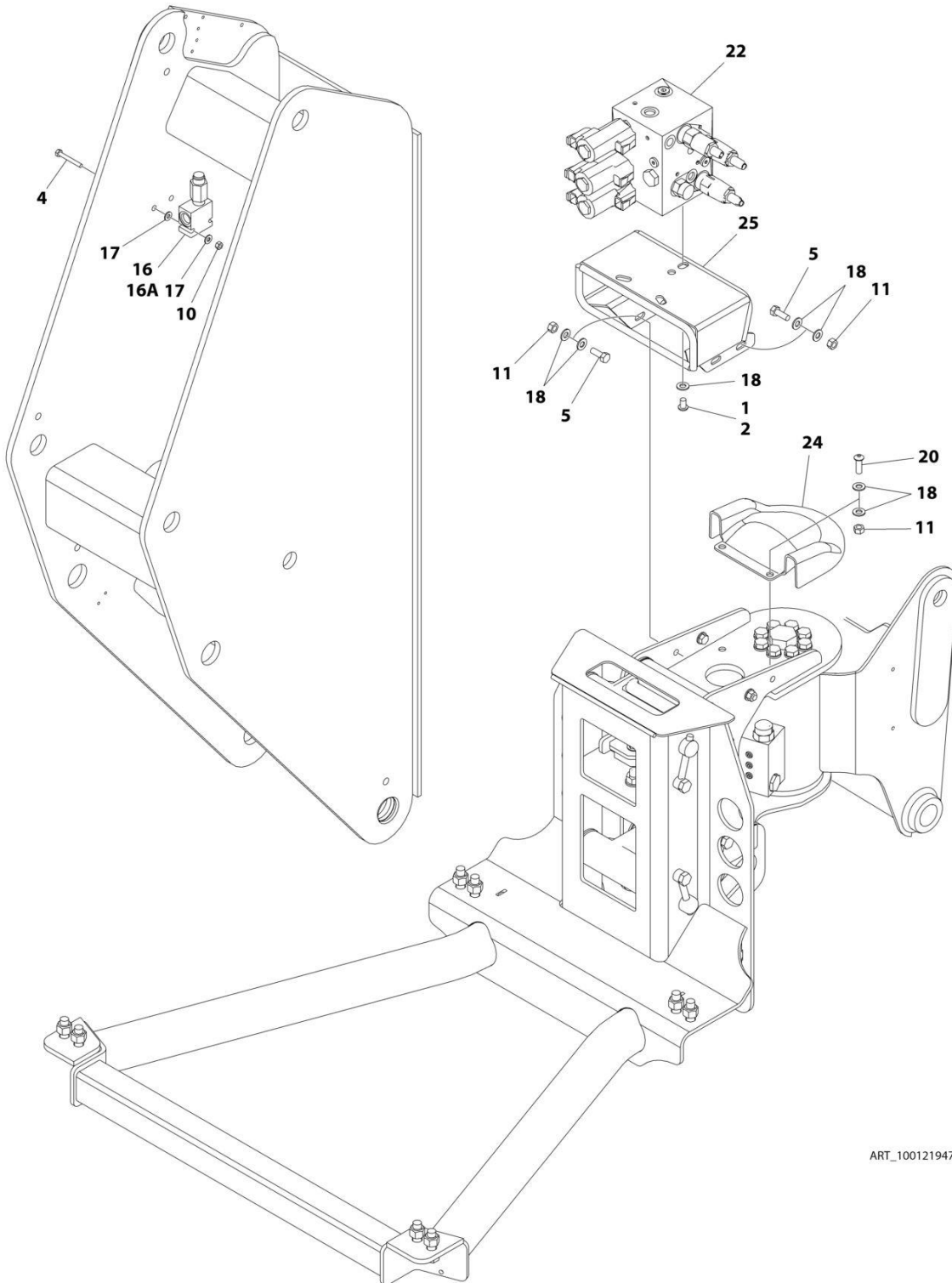
SECTION 4 - BOOM

FIGURE 4-21. CONTROL VALVES INSTALLATION – 4WS WITH DEUTZ D2011 AND DEUTZ D2011 (STAGE V) ENGINES (USA BUILT MACHINES - PVC 2001 & 2007, CHINA BUILT MACHINES - PVC 2007)

ITEM	PART NUMBER	QTY	DESCRIPTION	REV
	1001219474	Ref	CONTROL VALVES INSTALLATION	B
1	0100011	AR	Compound, Locking	
2	0630467	3	Screw 5/6-18 x 1/2	
4	0641416	2	Bolt 1/4 x 2	
5	0641507	4	Bolt 5/16 x 7/8	
11	3311405	2	Nut 1/4-20	
12	3311505	6	Nut 5/16	
18	4640929	1	Valve Assembly - Relief	
18A	7012970	1	Cartridge Valve	
18A	7012953	1	Seal Kit - 7012970 Valve	
19	4711400	4	Washer 1/4	
20	4711500	15	Washer 5/16	
22	88261024	2	Screw 5/16 x 1	
25	1001152565	1	Control Valve Assembly (See Separate Breakdown in this Section)	
26	1001207969	1	Cover	
27	1001208994	1	Mount	

SECTION 4 - BOOM

FIGURE 4-22. CONTROL VALVES INSTALLATION – 2WS WITH DEUTZ TD2.9L4 ENGINES (USA BUILT MACHINES)



ART_1001219476_2OF2

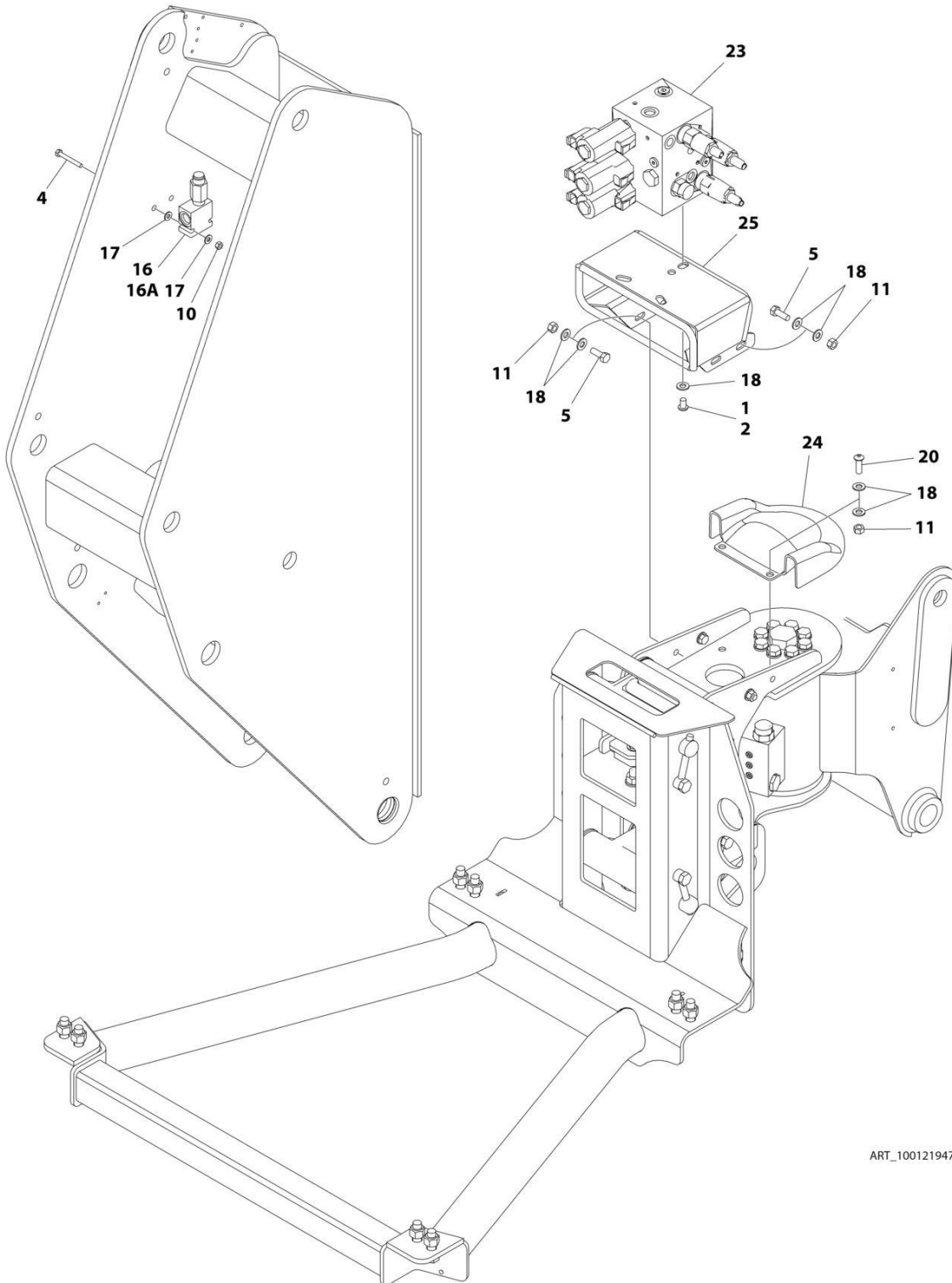
SECTION 4 - BOOM

FIGURE 4-22. CONTROL VALVES INSTALLATION – 2WS WITH DEUTZ TD2.9L4 ENGINES (USA BUILT MACHINES)

ITEM	PART NUMBER	QTY	DESCRIPTION	REV
	1001219476	Ref	CONTROL VALVES INSTALLATION	B
1	0100011	AR	Compound, Locking	
2	0630467	3	Screw 5/6-18 x 1/2	
4	0641416	2	Bolt 1/4 x 2	
5	0641507	4	Bolt 5/16 x 7/8	
10	3311405	2	Nut 1/4-20	
11	3311505	6	Nut 5/16	
16	4640929	1	Valve Assembly - Relief	
16A	7012970	1	Cartridge Valve	
16A	7012953	1	Seal Kit - 7012970 Valve	
17	4711400	4	Washer 1/4	
18	4711500	15	Washer 5/16	
20	88261024	2	Screw 5/16 x 1	
22	1001152565	1	Control Valve Assembly (See Separate Breakdown in this Section)	
24	1001207969	1	Cover	
25	1001208994	1	Mount	

SECTION 4 - BOOM

FIGURE 4-23. CONTROL VALVES INSTALLATION – 4WS WITH DEUTZ TD2.2L3 (STAGE V), DEUTZ TD2.9L4 AND FORD DF 2.5L ENGINES (USA BUILT MACHINES)



ART_1001219476_2OF2

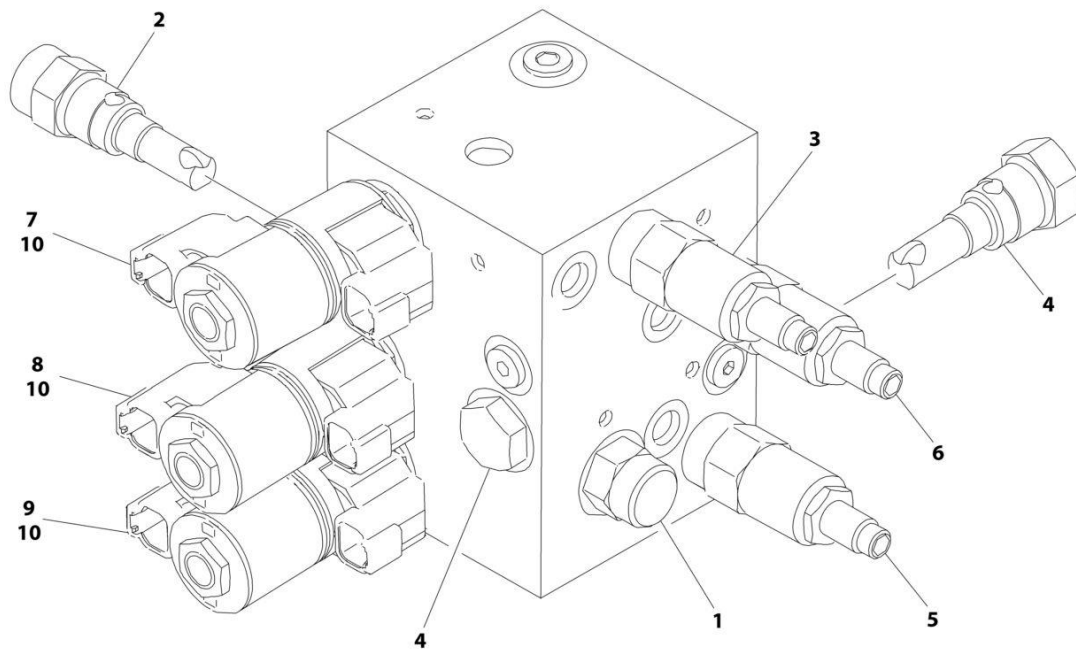
SECTION 4 - BOOM

FIGURE 4-23. CONTROL VALVES INSTALLATION – 4WS WITH DEUTZ TD2.2L3 (STAGE V), DEUTZ TD2.9L4 AND FORD DF 2.5L ENGINES (USA BUILT MACHINES)

ITEM	PART NUMBER	QTY	DESCRIPTION	REV
	1001219478	Ref	CONTROL VALVES INSTALLATION	B
1	0100011	AR	Compound, Locking	
2	0630467	3	Screw 5/6-18 x 1/2	
4	0641416	2	Bolt 1/4 x 2	
5	0641507	4	Bolt 5/16 x 7/8	
10	3311405	2	Nut 1/4-20	
11	3311505	6	Nut 5/16	
16	4640929	1	Valve Assembly - Relief	
16A	7012970	1	Cartridge Valve	
16A	7012953	1	Seal Kit - 7012970 Valve	
17	4711400	4	Washer 1/4	
18	4711500	15	Washer 5/16	
20	88261024	2	Screw 5/16 x 1	
23	1001152565	1	Control Valve Assembly (See Separate Breakdown in this Section)	
24	1001207969	1	Cover	
25	1001208994	1	Mount	

SECTION 4 - BOOM

FIGURE 4-24. CONTROL VALVE ASSEMBLY



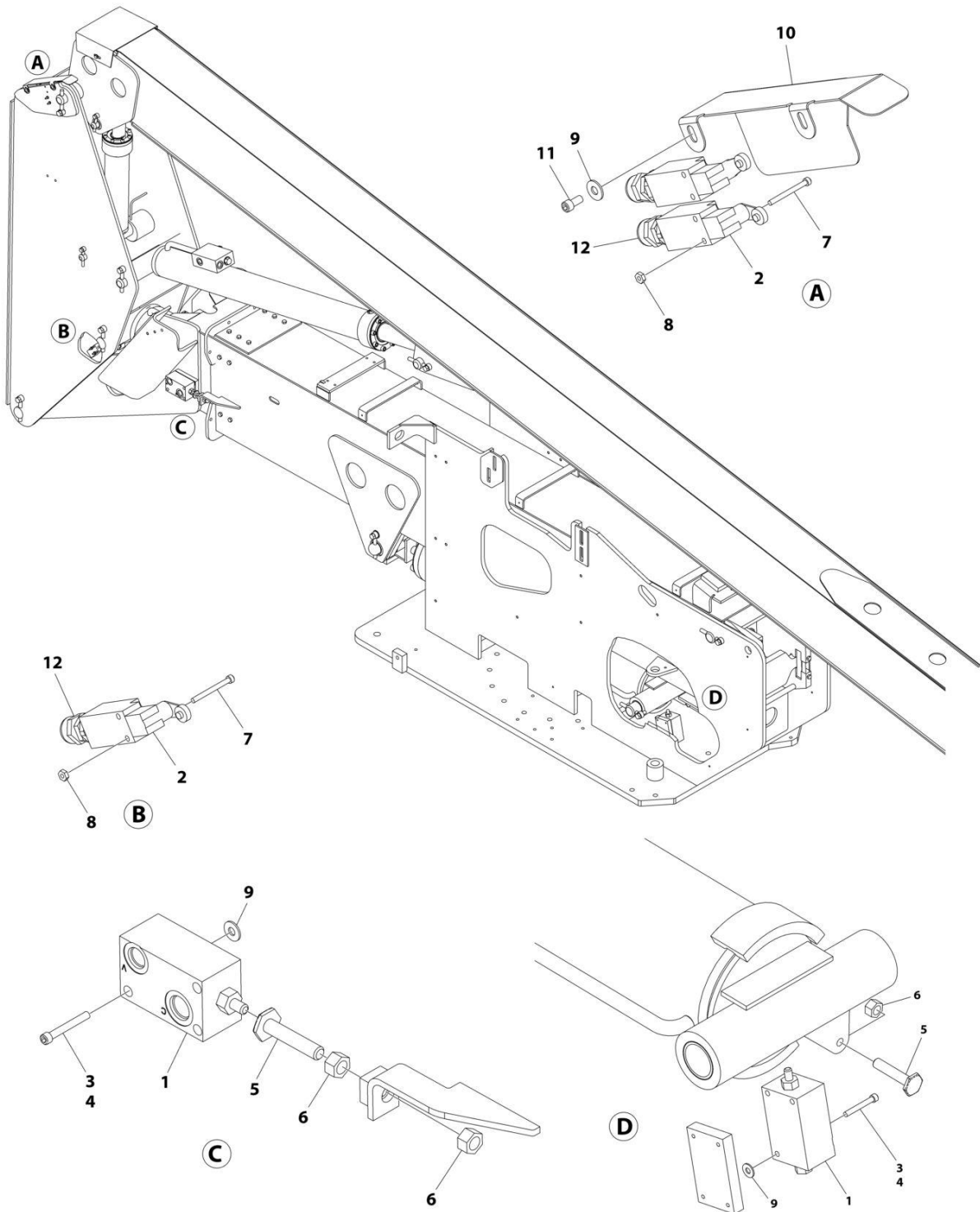
ART_1001152565

FIGURE 4-24. CONTROL VALVE ASSEMBLY

ITEM	PART NUMBER	QTY	DESCRIPTION	REV
	1001152565	Ref	BOOM VALVE ASSEMBLY	C
1	7012989	1	Valve, Flow	
1	7012953	1	Seal Kit - 7012989 Valve	
2	7012965	1	Valve, Flow	
2	7012953	1	Seal Kit - 7012965 Valve	
3	70003790	1	Valve, Relief	
3	7021653	1	Seal Kit - 70003790 Valve	
4	7012914	2	Valve, Cartridge	
4	7012918	2	Seal Kit - 7012914 Valve	
5	7023911	1	Valve, Relief	
5	7012967	1	Seal Kit - 7023911 Valve	
6	7023912	1	Valve, Relief	
6	7012967	1	Seal Kit - 7023912 Valve	
7	7017452	1	Valve, Solenoid (Jib)	
7	7017402	2	Seal Kit - 7017452 Valve	
8	7017452	1	Valve, Solenoid (Platform Level)	
8	7017402	1	Seal Kit - 7017452 Valve	
9	7017452	1	Valve, Solenoid (Rotator)	
9	7017402	2	Seal Kit - 7017452 Valve	
10	70002386	6	Coil	
11	70002064	2	Plug, Orifice (Not Shown)	
12	7017406	2	Plug (Not Shown)	

SECTION 4 - BOOM

FIGURE 4-25. BOOM VALVES AND LIMIT SWITCHES INSTALLATION (USA BUILT MACHINES - PVC 2001 & 2007, CHINA BUILT MACHINES - PVC 2007)



ART_1001155267

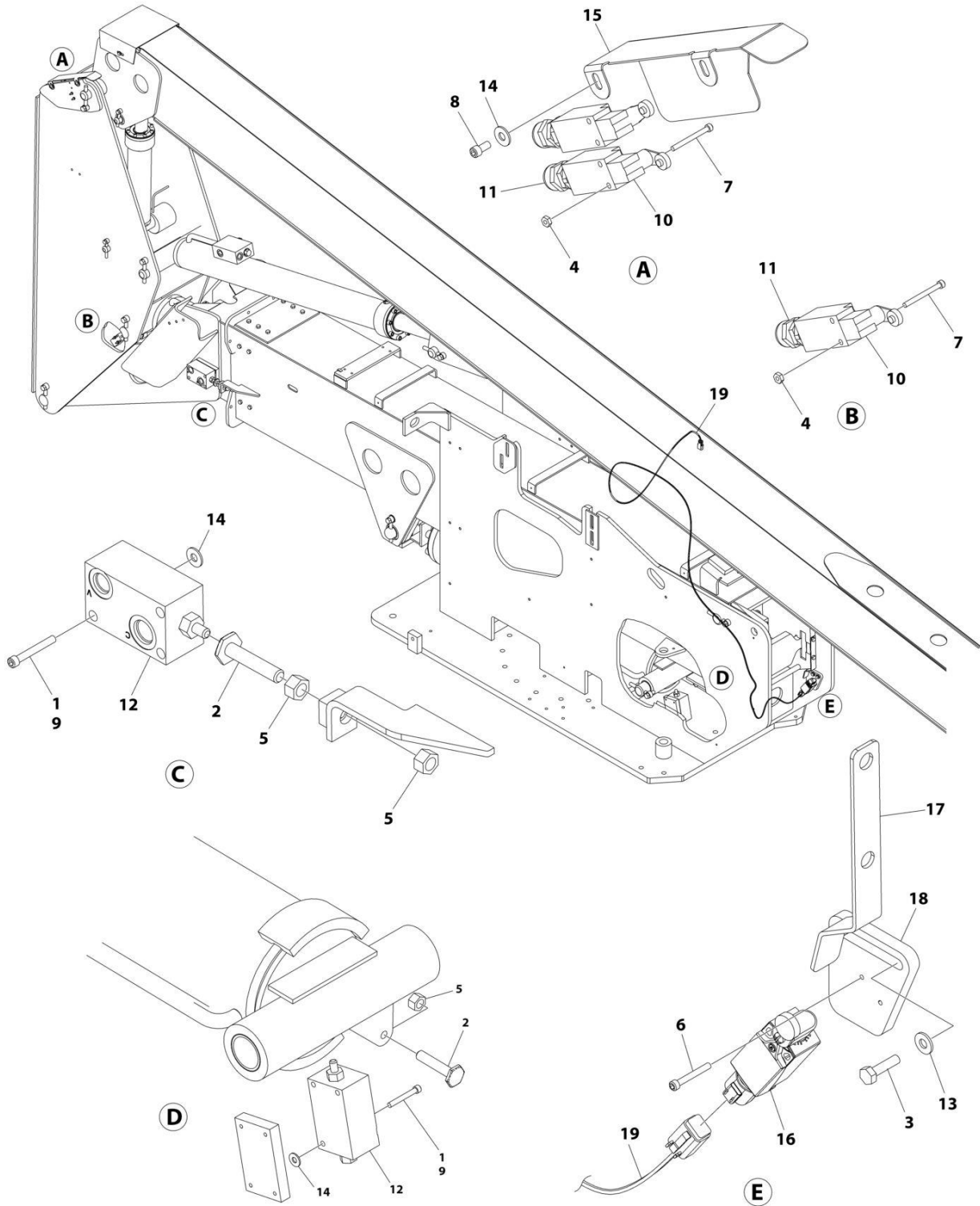
SECTION 4 - BOOM

FIGURE 4-25. BOOM VALVES AND LIMIT SWITCHES INSTALLATION (USA BUILT MACHINES - PVC 2001 & 2007, CHINA BUILT MACHINES - PVC 2007)

ITEM	PART NUMBER	QTY	DESCRIPTION	REV
	1001155267	Ref	BOOM VALVES AND LIMIT SWITCHES INSTALLATION	C
1	4641436	2	Valve, Manual 2-Way	
2	4360578	2	Switch, Limit	
3	3931430	6	Bolt, Socket Head 1/4 x 1-7/8	
4	0100011	AR	Compound, Locking	
5	0630427	2	Bolt, Special	
6	3311801	3	Nut 1/2	
7	3930828	4	Bolt, Socket Head #8 x 1-3/4	
8	3310801	4	Nut #8	
9	4751400	8	Washer 1/4	
10	1001155399	1	Cover, Switch	
11	3931408	2	Bolt, Socket 1/4 x 1/2	
12	4460968	2	Connector, Strain Relief	

SECTION 4 - BOOM

FIGURE 4-26. BOOM VALVES AND LIMIT SWITCHES INSTALLATION (TOWER STOW)



ART_1001266165

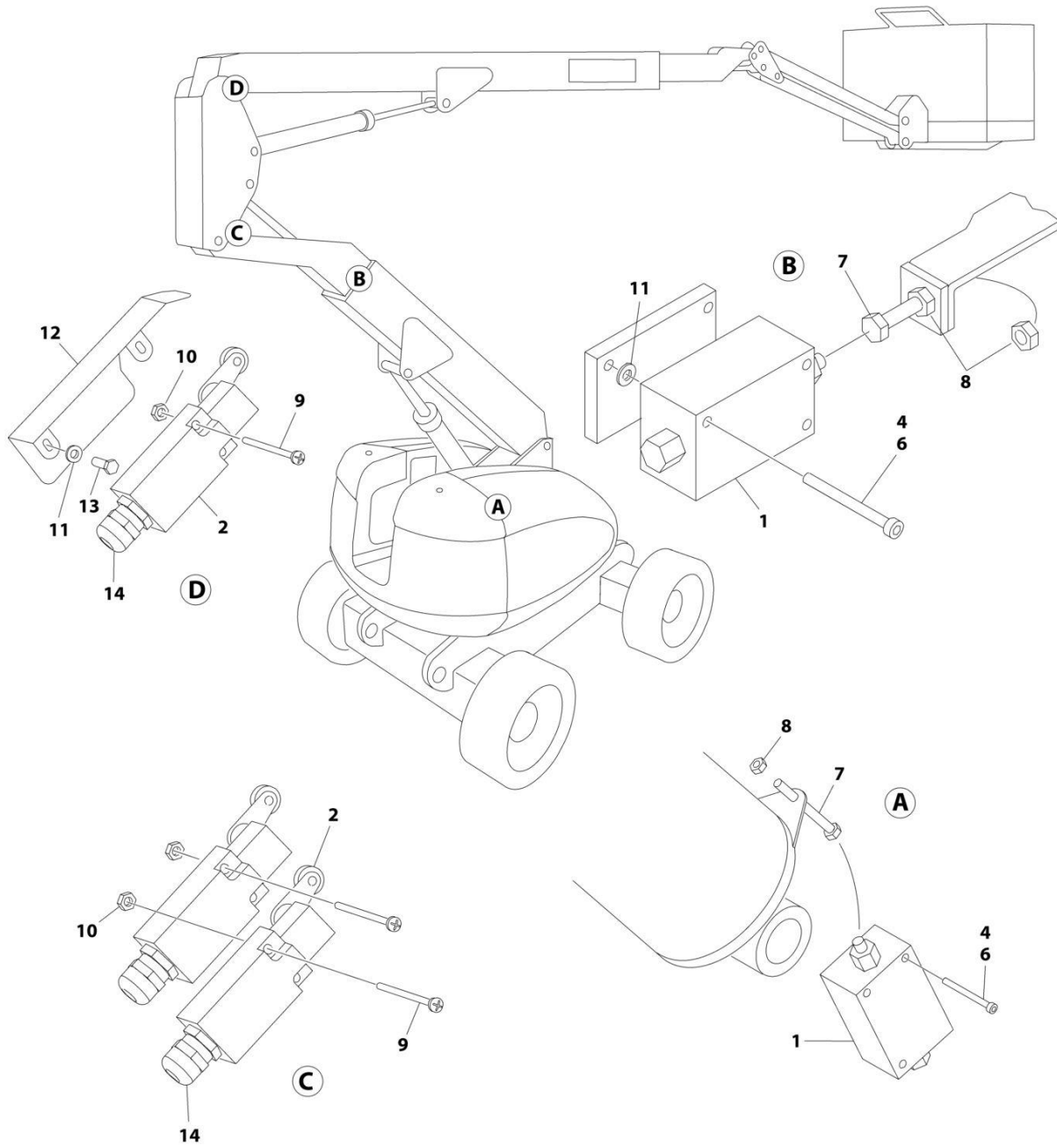
SECTION 4 - BOOM

FIGURE 4-26. BOOM VALVES AND LIMIT SWITCHES INSTALLATION (TOWER STOW)

ITEM	PART NUMBER	QTY	DESCRIPTION	REV
	1001266165	Ref	BOOM VALVES AND LIMIT SWITCHES INSTALLATION	A
1	0100011	AR	Compound, Locking	
2	0630427	2	Bolt, Special	
3	0641408	2	Bolt 1/4 x 1	
4	3310801	4	Nut #8	
5	3311801	3	Nut 1/2	
6	3930820	2	Bolt, Socket Head #8 x 1-1/4	
7	3930828	4	Bolt, Socket Head #8 x 1-3/4	
8	3931408	2	Bolt, Socket 1/4 x 1/2	
9	3931430	6	Bolt, Socket Head 1/4 x 1-7/8	
10	4360578	2	Switch, Limit	
11	4460968	2	Connector, Strain Relief	
12	4641436	2	Valve, Manual 2-Way	
13	4711400	2	Washer 1/4	
14	4751400	8	Washer 1/4	
15	1001155399	1	Cover, Switch	
16	1001172271	1	Switch, Roller Limit	
17	1001259642	1	Plate	
18	1001260070	1	Beacket	
19	1001266829	1	Harness, Tower Stow Indicator	

SECTION 4 - BOOM

FIGURE 4-27. BOOM VALVES AND LIMIT SWITCHES INSTALLATION (CHINA BUILT MACHINES) (PVC 2001)



ART_0255438

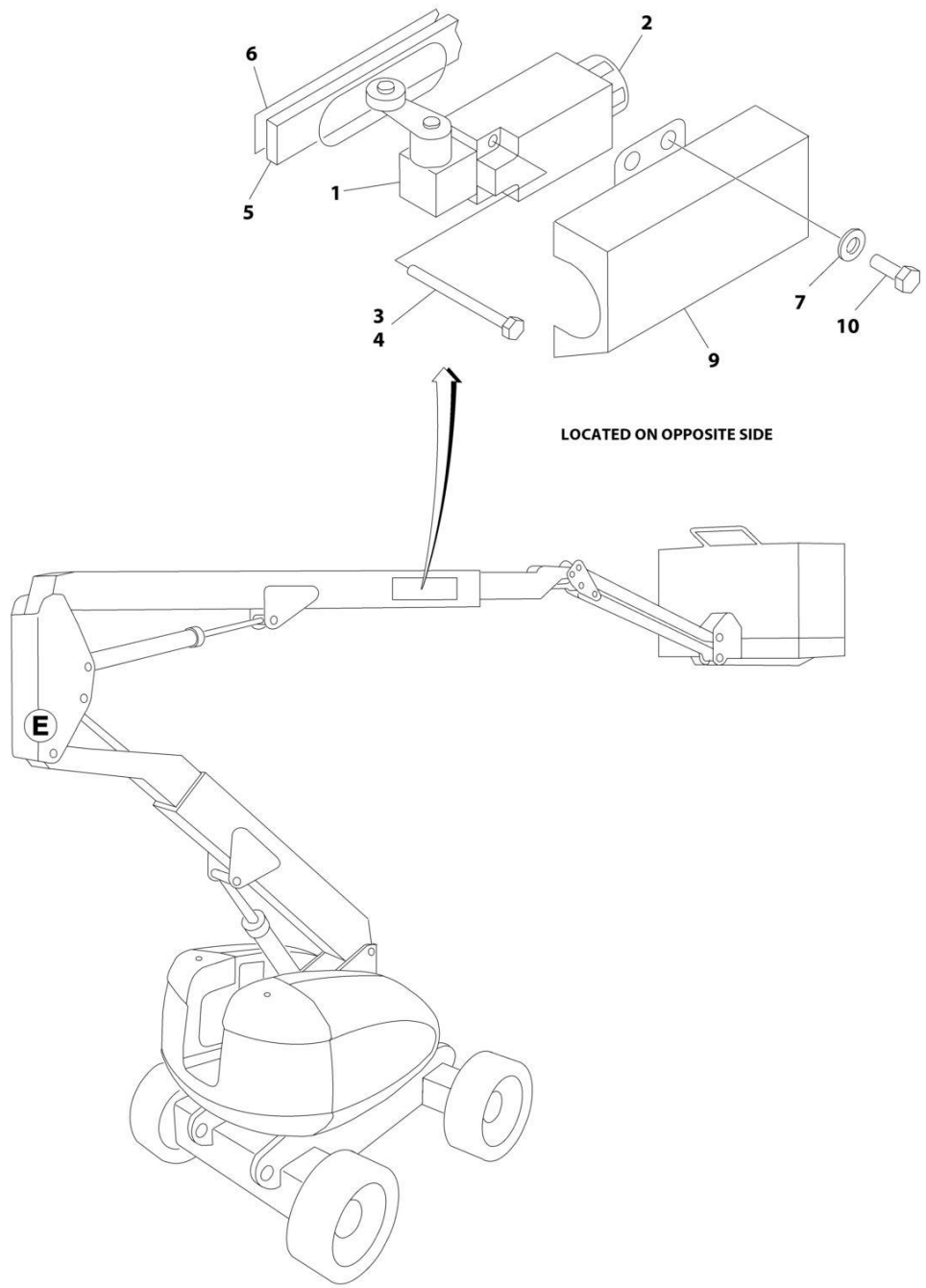
SECTION 4 - BOOM

**FIGURE 4-27. BOOM VALVES AND LIMIT SWITCHES INSTALLATION (CHINA BUILT MACHINES)
(PVC 2001)**

ITEM	PART NUMBER	QTY	DESCRIPTION	REV
	0255438	Ref	BOOM VALVES AND LIMIT SWITCHES INSTALLATION	10/J
1	4641436	2	Valve, Manual 2-Way	
2	4360578	2	Switch, Limit	
4	3931430	6	Bolt, Socket Head 1/4 x 1-7/8	
6	0100011	AR	Compound, Locking	
7	0630427	2	Bolt, Special	
8	3311801	3	Nut 1/2	
9	3930824	4	Bolt, Socket Head #8 x 1-1/2	
10	3310801	4	Nut #8	
11	4751400	8	Washer 1/4	
12	1670819	1	Cover, Switch	
13	3931408	2	Bolt, Socket 1/4 x 1/2	
14	4460968	2	Connector, Strain Relief	

SECTION 4 - BOOM

FIGURE 4-28. TRANSPORT POSITION SWITCH INSTALLATION (USA BUILT MACHINES)



ART_0256336

SECTION 4 - BOOM

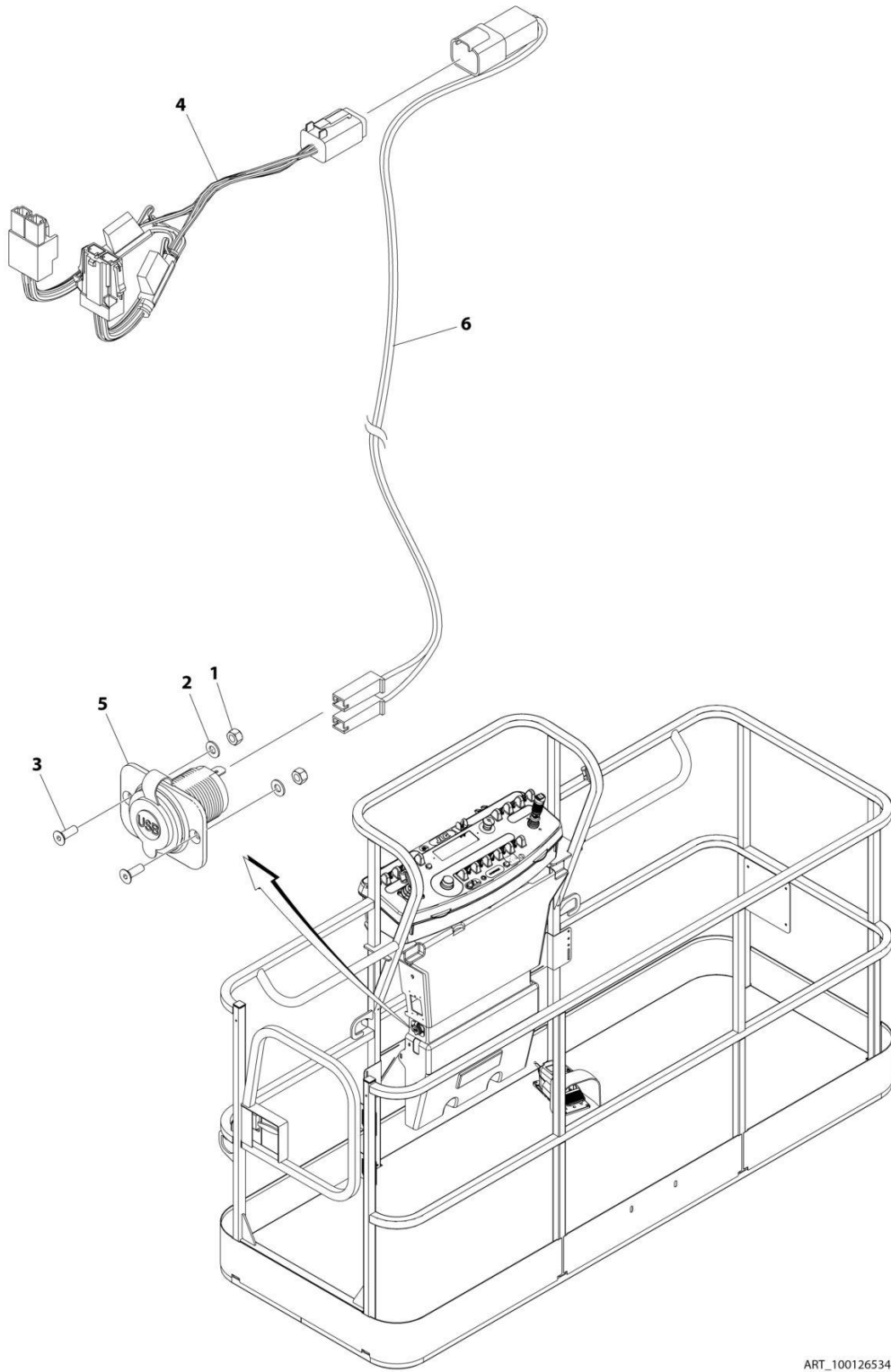
FIGURE 4-28. TRANSPORT POSITION SWITCH INSTALLATION (USA BUILT MACHINES)

ITEM	PART NUMBER	QTY	DESCRIPTION	REV
	0256336	Ref	TRANSPORT POSITION SWITCHES INSTALLATION	C
1	4360578	1	Switch, Limit	
2	4460968	1	Connector, Strain Relief	
3	0100035	AR	Compound, Locking	
4	3930816	2	Bolt, Socket Head #8 x 1	
5	1001106480	1	Bar, Fiberglass	
6	4420060	10.5 ft/ 3.2m	Tape, Foam	
7	4751400	4	Washer 1/4	
9	1670824	1	Cover, Switch	
10	0641403	4	Bolt 3/8 x 3/8	

SECTION 5 - PLATFORM

SECTION 5 - PLATFORM

FIGURE 5-1. USB CHARGER INSTALLATION



ART_1001265342

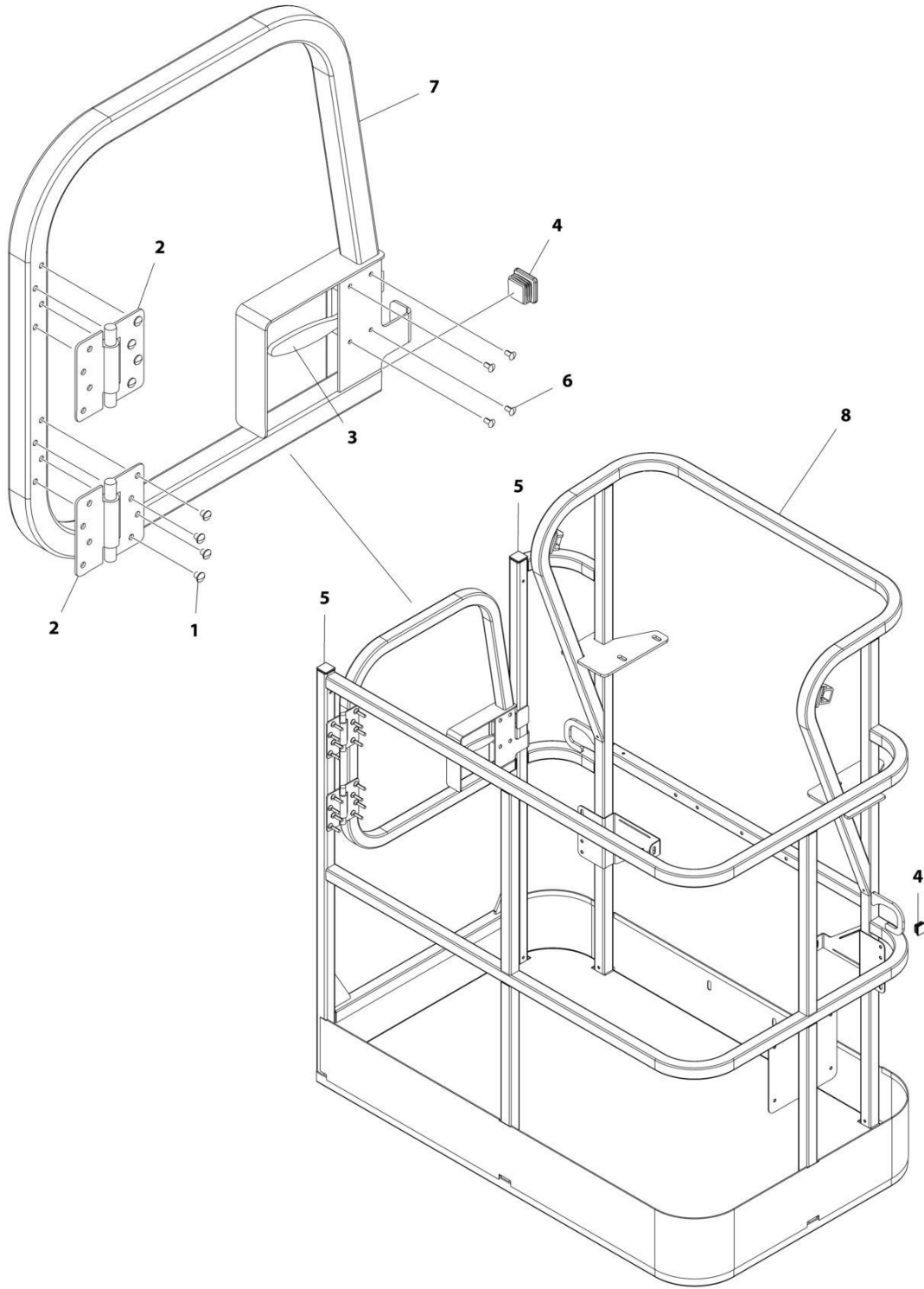
SECTION 5 - PLATFORM

FIGURE 5-1. USB CHARGER INSTALLATION

ITEM	PART NUMBER	QTY	DESCRIPTION	REV
	1001265342	Ref	USB CHARGER INSTALLATION	A
1	3290405	2	Nut M4	
2	4811400	2	Washer M4	
3	1001097244	2	Screw M4 x 12	
4	1001120484	1	Harness, Work Lights	
4	4460879	1	Plug, Male - 2 Position	
4	4460887	2	Terminal	
4	2400060	2	Fuseholder Includes Cover	
4	8229249	2	Fuse, 3 Amp	
4	4460884	1	Connector - 4 Position	
4	4460465	4	Socket, Female	
4	1001120471	1	Connector - 2 Position	
4	1001120477	2	Terminal	
5	1001210636	1	Receptacle, USB	
6	1001265163	1	Harness, USB	A
6	4460260	2	Cover, Terminal	
6	4460259	2	Terminal	
6	4460932	1	Receptacle, Bussbar - 4 Position	
6	4460464	2	Pin, Male	
6	4460466	2	Plug, Terminal	

SECTION 5 - PLATFORM

FIGURE 5-2. PLATFORM ASSEMBLY - 30IN X 4FT (76.2CM X 1.22M) WITH SWING GATE (USA BUILT MACHINES - PVC 2001 & 2007, CHINA BUILT MACHINES - PVC 2007)



ART_1001186387

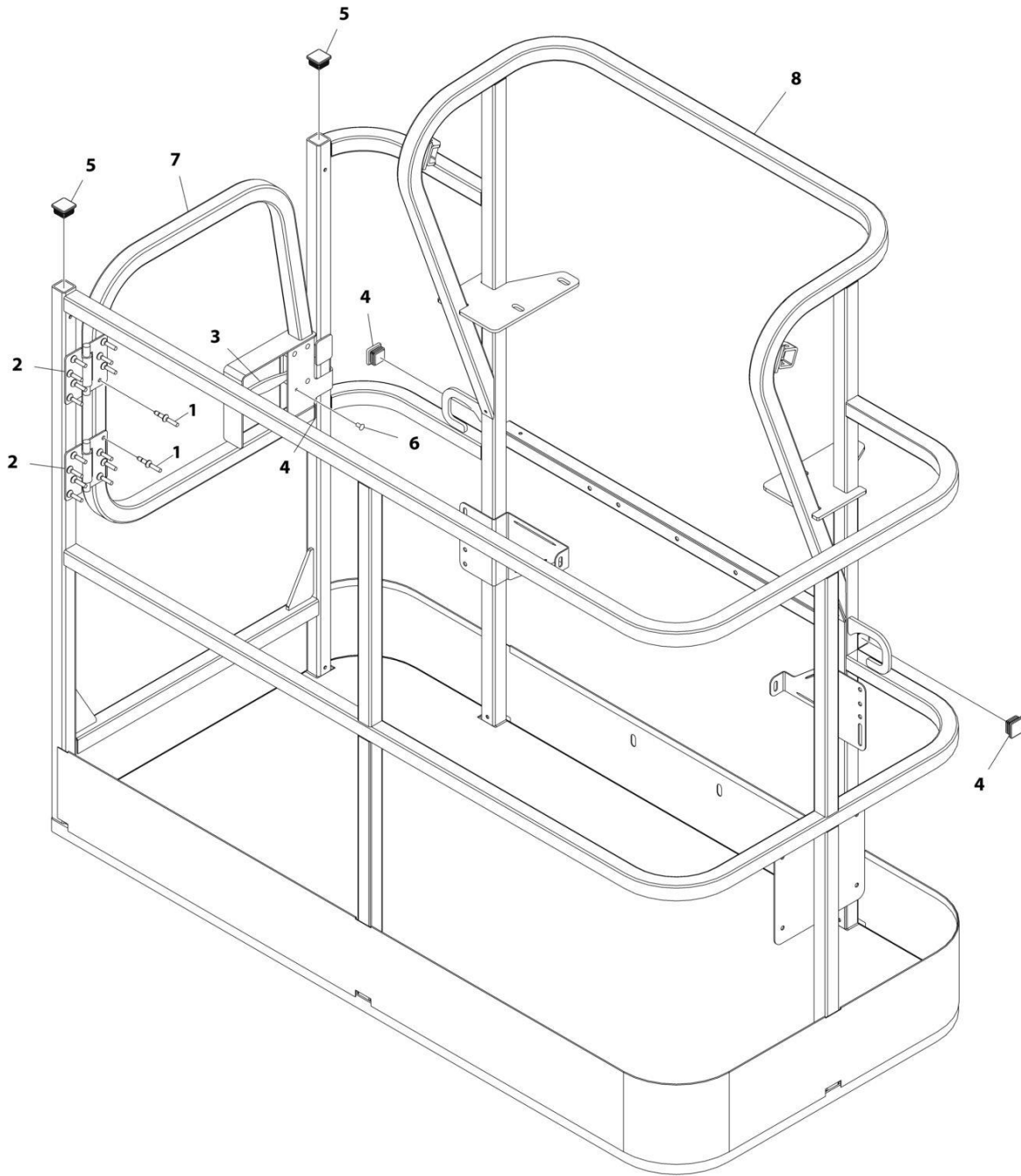
SECTION 5 - PLATFORM

FIGURE 5-2. PLATFORM ASSEMBLY - 30IN X 4FT (76.2CM X 1.22M) WITH SWING GATE (USA BUILT MACHINES - PVC 2001 & 2007, CHINA BUILT MACHINES - PVC 2007)

ITEM	PART NUMBER	QTY	DESCRIPTION	REV
	1001186387	Ref	PLATFORM ASSEMBLY	C
		Ref	Note: Platform and Mesh must be ordered separately for Platforms with Mesh. See SPECIAL OPTIONS SECTION for Mesh Installations.	
		Ref	Note: Replacement Decals Must be Ordered Separately - See DECALS SECTION.	
1	2080040	16	Fastener, Huck	
2	2600281	2	Hinge, Self-Closing	
3	2940074	1	Latch	
4	3520072	3	Plug	
5	3520198	2	Plug	
6	3820020	4	Rivet	
7	1001144629	1	Gate	
8	See Note	1	Platform (Note: Not Available - Purchase Platform Assembly)	

SECTION 5 - PLATFORM

FIGURE 5-3. PLATFORM ASSEMBLY - 30IN X 5FT (76CM X 1.52M) - GATE ENTRY (USA BUILT MACHINES - PVC 2001 & 2007, CHINA BUILT MACHINES - PVC 2007)



ART_1001186386

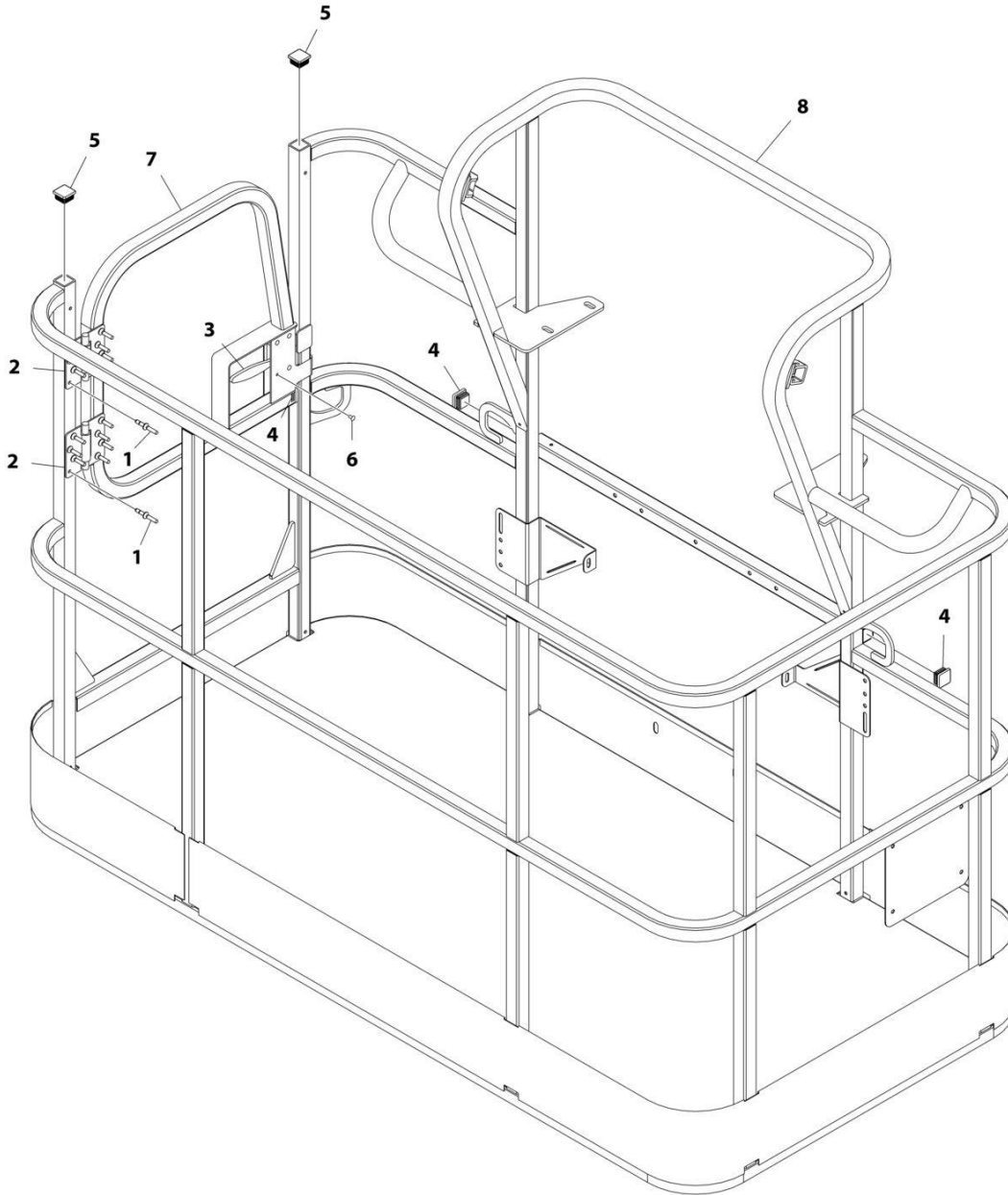
SECTION 5 - PLATFORM

FIGURE 5-3. PLATFORM ASSEMBLY - 30IN X 5FT (76CM X 1.52M) - GATE ENTRY (USA BUILT MACHINES - PVC 2001 & 2007, CHINA BUILT MACHINES - PVC 2007)

ITEM	PART NUMBER	QTY	DESCRIPTION	REV
	1001186386	Ref	PLATFORM ASSEMBLY	C
		Ref	Note: Platform and Mesh must be ordered separately for Platforms with Mesh. See SPECIAL OPTIONS SECTION for Mesh Installations.	
		Ref	Note: Replacement Decals Must be Ordered Separately - See DECALS SECTION.	
1	2080040	16	Fastener, Huck	
2	2600281	2	Hinge, Self-Closing	
3	2940074	1	Latch	
4	3520072	3	Plug	
5	3520198	2	Plug	
6	3820020	4	Rivet	
7	1001144629	1	Gate	
8	See Note	NSS	Platform (Note: Not Available - Purchase Platform Assembly)	

SECTION 5 - PLATFORM

FIGURE 5-4. PLATFORM ASSEMBLY - 36IN X 6FT (91.5CM X 1.83M) WITH SWING GATE (USA BUILT MACHINES - PVC 2001 & 2007, CHINA BUILT MACHINES - PVC 2007)



ART_1001186384

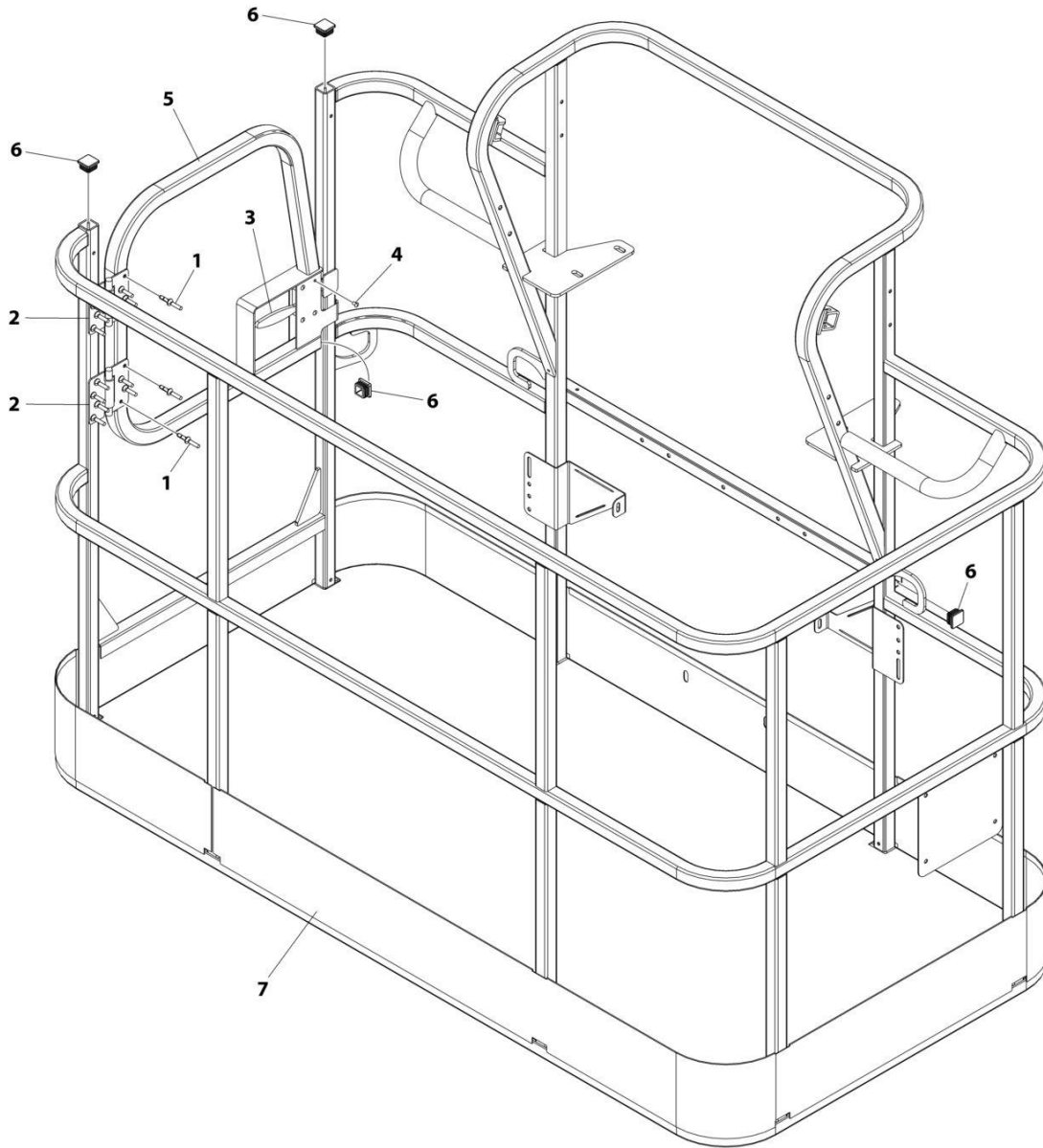
SECTION 5 - PLATFORM

FIGURE 5-4. PLATFORM ASSEMBLY - 36IN X 6FT (91.5CM X 1.83M) WITH SWING GATE (USA BUILT MACHINES - PVC 2001 & 2007, CHINA BUILT MACHINES - PVC 2007)

ITEM	PART NUMBER	QTY	DESCRIPTION	REV
	1001186384	Ref	PLATFORM ASSEMBLY - 36IN X 6FT (91.5CM X 1.83M) WITH SWING GATE	C
	See Note	Ref	Note: Platform and Mesh must be ordered separately for Platforms with Mesh. See SPECIAL OPTIONS SECTION for Mesh Installations.	
	See Note	Ref	Note: Replacement Decals Must be Ordered Separately - See DECALS SECTION.	
1	2080040	16	Fastener, Huck	
2	2600281	2	Hinge	
3	2940074	1	Latch	
4	3520072	3	Plug	
5	3520198	2	Plug	
6	3820020	4	Rivet	
7	1001144629	1	Gate	
8	See Note	NSS	Platform (Note: Not Available - Purchase Platform Assembly)	

SECTION 5 - PLATFORM

FIGURE 5-5. PLATFORM ASSEMBLY - 36IN X 6FT (91.5CM X 1.83M) WITH SWING GATE (CHINA BUILT MACHINES) (PVC 2001)



ART_1001188305

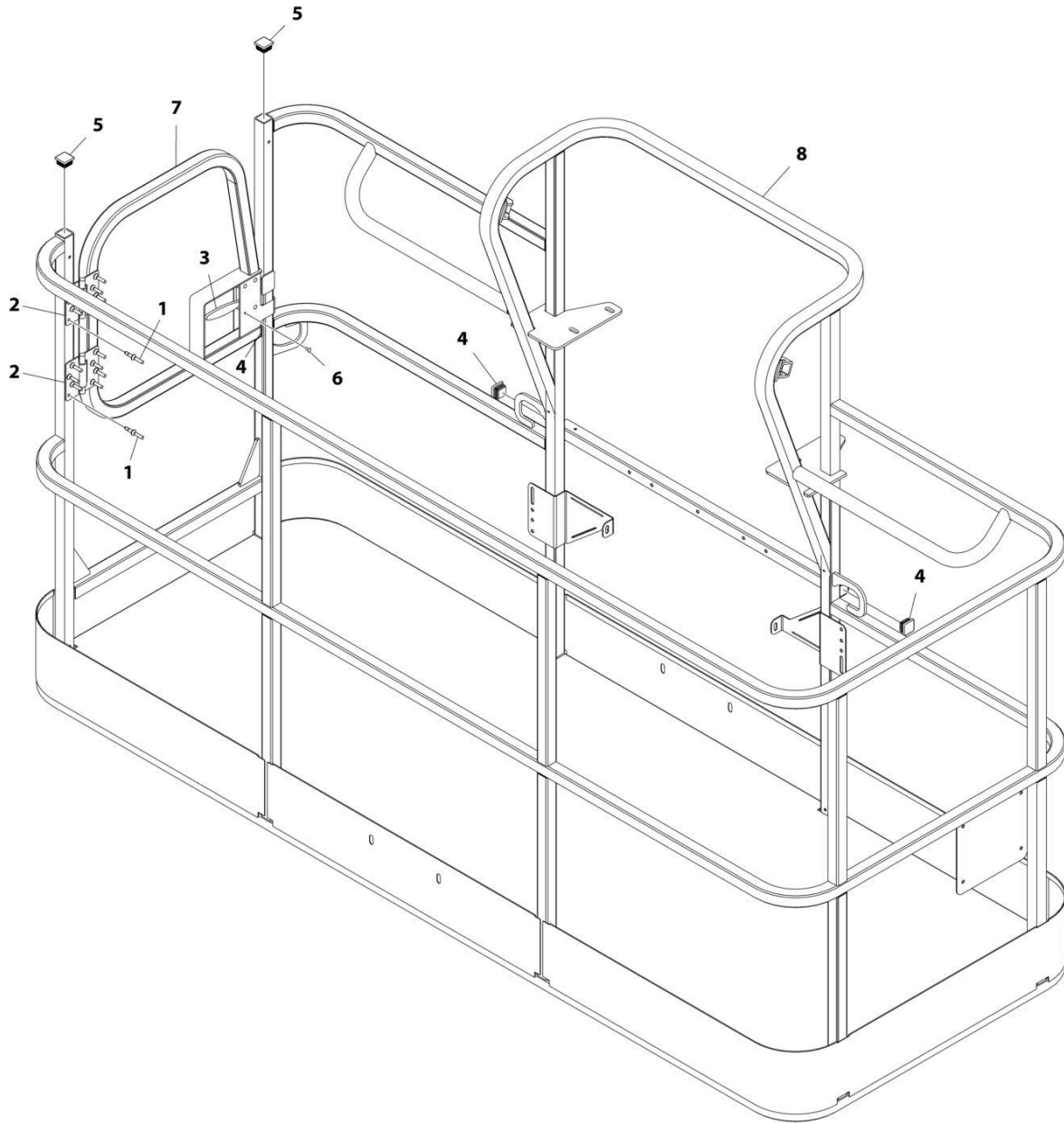
SECTION 5 - PLATFORM

FIGURE 5-5. PLATFORM ASSEMBLY - 36IN X 6FT (91.5CM X 1.83M) WITH SWING GATE (CHINA BUILT MACHINES) (PVC 2001)

ITEM	PART NUMBER	QTY	DESCRIPTION	REV
	1001188305	Ref	PLATFORM ASSEMBLY - 36IN X 6FT (91.5CM X 1.83M) WITH SWING GATE	D
	See Note	Ref	Note: Platform and Mesh must be ordered separately for Platforms with Mesh. See SPECIAL OPTIONS SECTION for Mesh Installations.	
	See Note	Ref	Note: Replacement Decals Must be Ordered Separately - See DECALS SECTION.	
1	2080040	16	Fastener, Huck	
2	2600281	2	Hinge	
3	2940074	1	Latch	
4	3820020	4	Rivet	
5	1001144629	1	Gate	
6	1001145781	5	Plug	
7	See Note	NSS	Platform (Note: Not Available - Purchase Platform Assembly)	

SECTION 5 - PLATFORM

FIGURE 5-6. PLATFORM ASSEMBLY - 36IN X 8FT (91.5CM X 2.44M) WITH SWING GATE (USA BUILT MACHINES - PVC 2001 & 2007, CHINA BUILT MACHINES - PVC 2007)



ART_1001186383

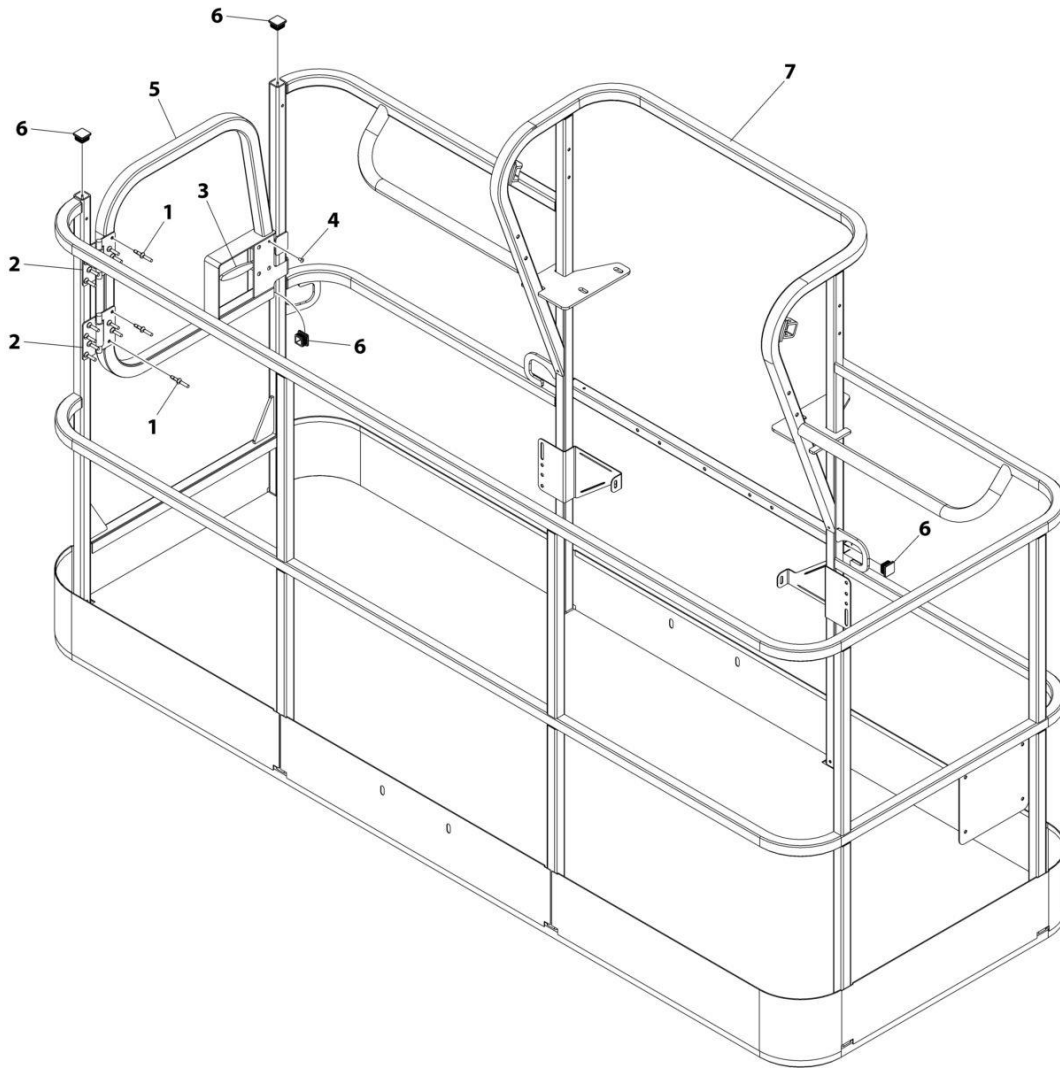
SECTION 5 - PLATFORM

FIGURE 5-6. PLATFORM ASSEMBLY - 36IN X 8FT (91.5CM X 2.44M) WITH SWING GATE (USA BUILT MACHINES - PVC 2001 & 2007, CHINA BUILT MACHINES - PVC 2007)

ITEM	PART NUMBER	QTY	DESCRIPTION	REV
	1001186383	Ref	PLATFORM ASSEMBLY - 36IN X 8FT (91.5CM X 2.44M) WITH SWING GATE	D
		Ref	Note: Platform and Mesh must be ordered separately for Platforms with Mesh. See SPECIAL OPTIONS SECTION for Mesh Installations.	
		Ref	Note: Replacement Decals Must be Ordered Separately - See DECALS SECTION.	
1	2080040	16	Fastener, Huck	
2	2600281	2	Hinge	
3	2940074	1	Latch	
4	3520072	3	Plug	
5	3520198	2	Plug	
6	3820020	4	Rivet	
7	1001144629	1	Gate	
8	See Note	NSS	Platform (Note: Not Available - Purchase Platform Assembly)	

SECTION 5 - PLATFORM

FIGURE 5-7. PLATFORM ASSEMBLY - 36IN X 8FT (91.5CM X 2.44M) WITH SWING GATE (CHINA BUILT MACHINES) (PVC 2001)



ART_1001188308

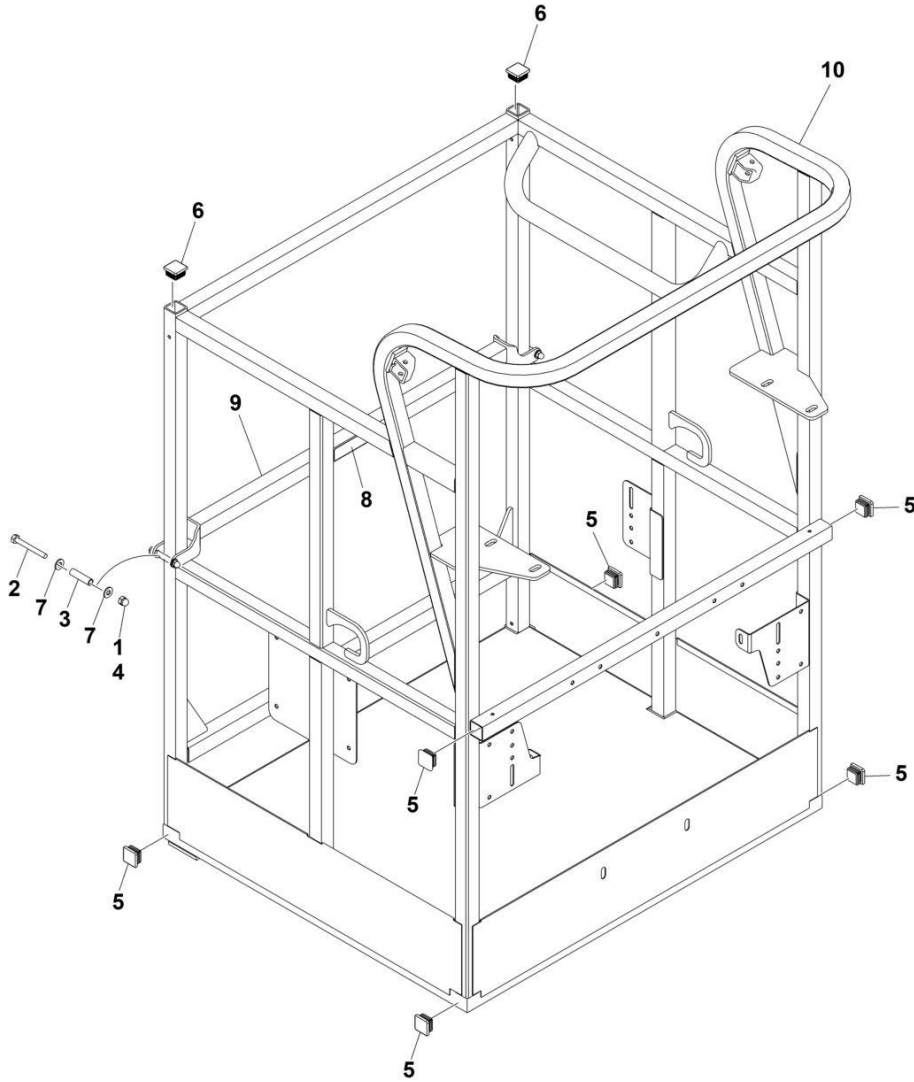
SECTION 5 - PLATFORM

FIGURE 5-7. PLATFORM ASSEMBLY - 36IN X 8FT (91.5CM X 2.44M) WITH SWING GATE (CHINA BUILT MACHINES) (PVC 2001)

ITEM	PART NUMBER	QTY	DESCRIPTION	REV
	1001188308	Ref	PLATFORM ASSEMBLY - 36IN X 8FT (91.5CM X 2.44M) WITH SWING GATE	F
	See Note	Ref	Note: Platform and Mesh must be ordered separately for Platforms with Mesh. See SPECIAL OPTIONS SECTION for Mesh Installations.	
	See Note	Ref	Note: Replacement Decals Must be Ordered Separately - See DECALS SECTION.	
1	2080040	16	Fastener, Huck	
2	2600281	2	Hinge	
3	2940074	1	Latch	
4	3820020	4	Rivet	
5	1001144629	1	Gate	
6	1001145781	5	Plug	
7	See Note	NSS	Platform (Note: Not Available - Purchase Platform Assembly)	

SECTION 5 - PLATFORM

FIGURE 5-8. PLATFORM ASSEMBLY - 30IN X 3FT (76CM X .91M) - DROP BAR ENTRY



ART_1001228215

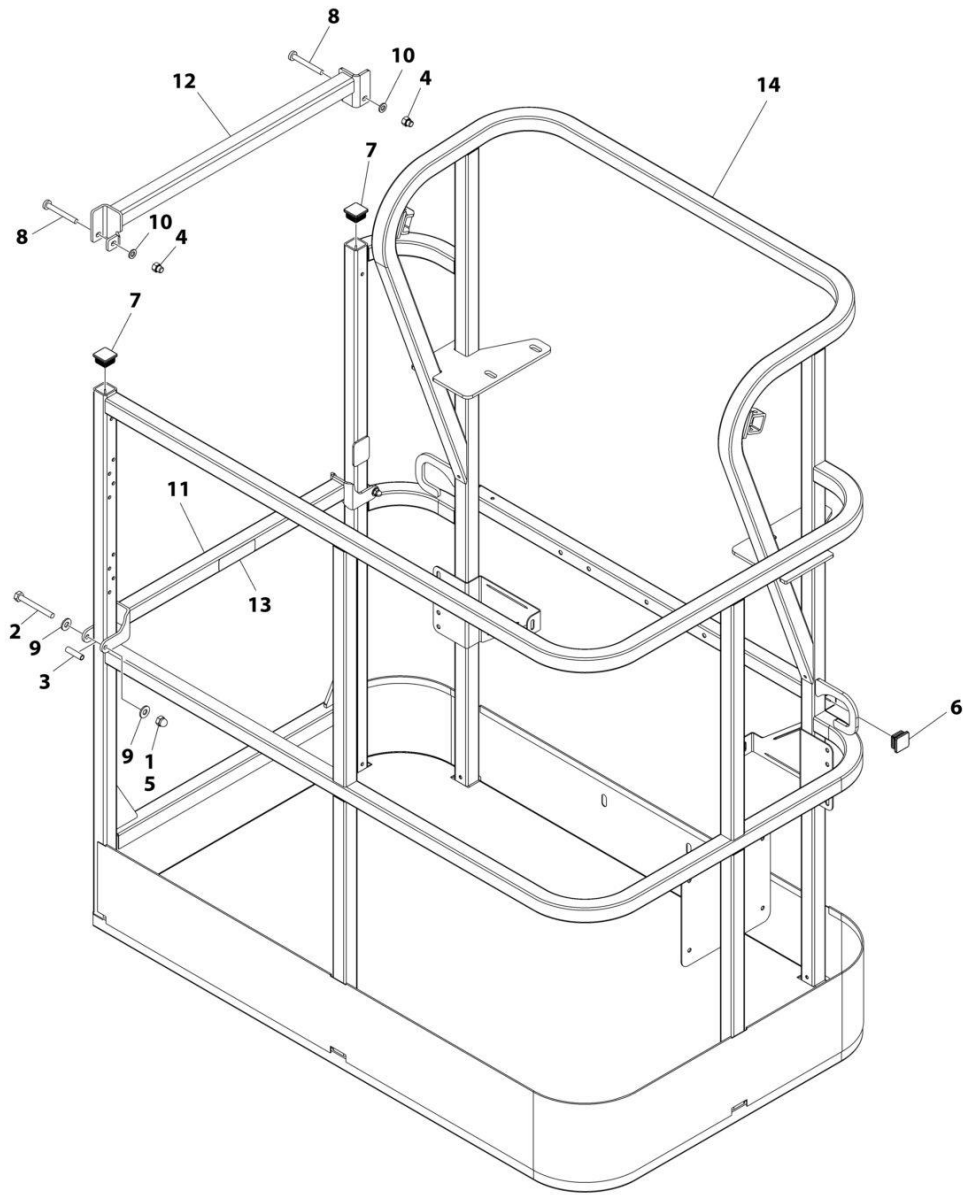
SECTION 5 - PLATFORM

FIGURE 5-8. PLATFORM ASSEMBLY - 30IN X 3FT (76CM X .91M) - DROP BAR ENTRY

ITEM	PART NUMBER	QTY	DESCRIPTION	REV
	1001228215	Ref	PLATFORM ASSEMBLY	A
	See Note	Ref	Note: Platform and Mesh must be ordered separately for Platforms with Mesh. See SPECIAL OPTIONS SECTION for Mesh Installations.	
	See Note	Ref	Note: Replacement Decals Must be Ordered Separately - See DECAL SECTION.	
1	0100011	AR	Compound, Locking	
2	0641418	2	Bolt 1/4 x 2-1/4	
3	0961845	2	Bushing	
4	3300151	2	Nut 1/4	
5	3520072	6	Cap, Plug	
6	3520198	2	Cap, Plug	
7	4711400	4	Washer 1/4	
8	1001140429	1	Decal - Drop Bar	
9	1001226872	1	Bar, Drop	
10	See Note	NSS	Platform (Note: Not Available - Purchase Platform Assembly)	

SECTION 5 - PLATFORM

FIGURE 5-9. PLATFORM ASSEMBLY - 30IN X 4FT (76.2CM X 1.22M) WITH DROP BAR (USA BUILT MACHINES - PVC 2001 & 2007, CHINA BUILT MACHINES - PVC 2007)



ART_1001186375

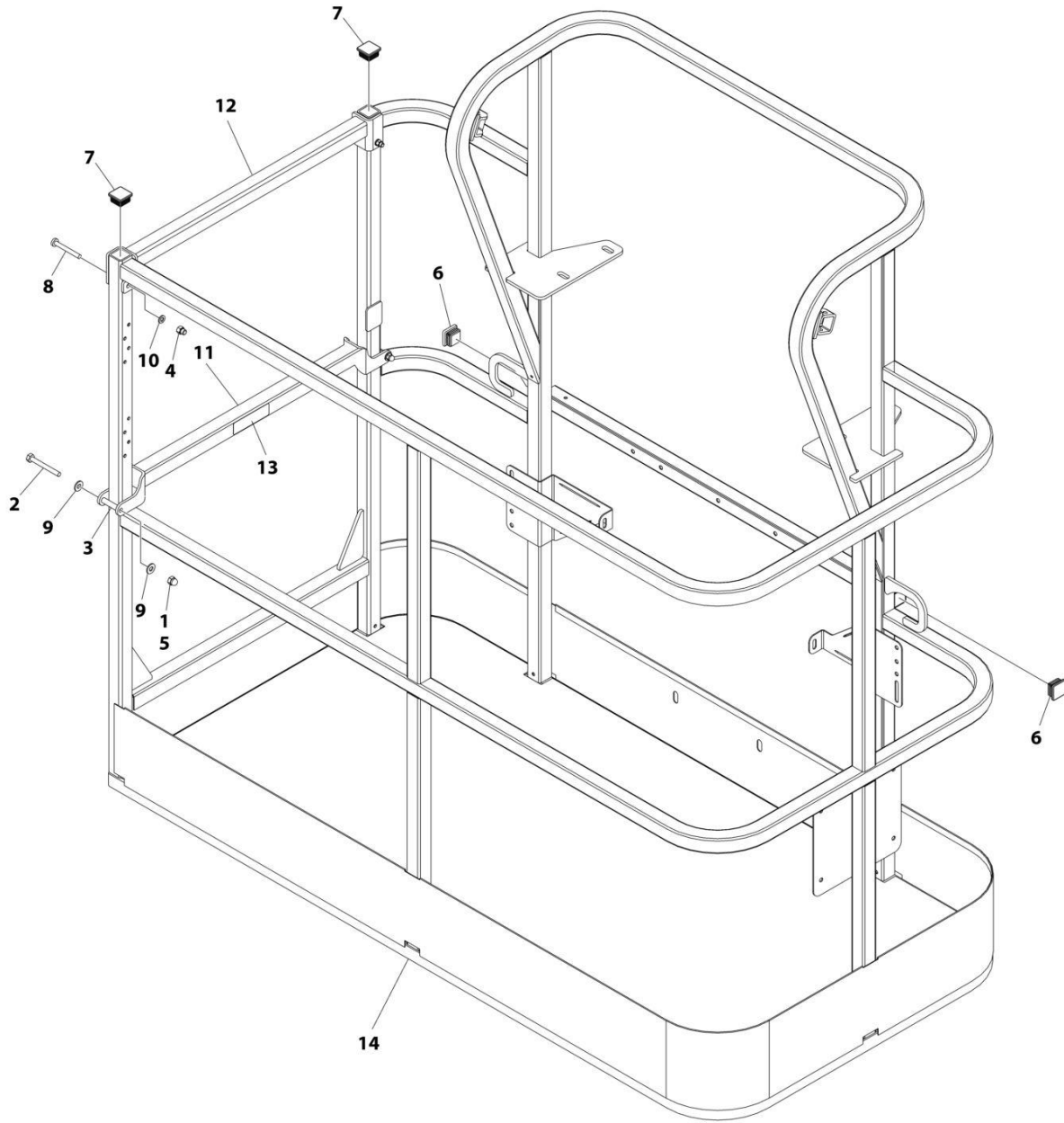
SECTION 5 - PLATFORM

FIGURE 5-9. PLATFORM ASSEMBLY - 30IN X 4FT (76.2CM X 1.22M) WITH DROP BAR (USA BUILT MACHINES - PVC 2001 & 2007, CHINA BUILT MACHINES - PVC 2007)

ITEM	PART NUMBER	QTY	DESCRIPTION	REV
	1001186375	Ref	PLATFORM ASSEMBLY	B
		Ref	Note: Platform and Mesh must be ordered separately for Platforms with Mesh. See SPECIAL OPTIONS SECTION for Mesh Installations.	
		Ref	Note: Replacement Decals Must be Ordered Separately - See DECALS SECTION.	
1	0100011	AR	Compound, Locking	
2	0641418	2	Bolt 1/4 x 2-1/4	
3	0961845	2	Bushing	
4	3290606	2	Nut M6	
5	3300151	2	Nut 1/4	
6	3520072	2	Plug	
7	3520198	2	Plug	
8	4010618	2	Screw M6 x 50	
9	4711400	4	Washer 1/4	
10	4811700	2	Washer M6	
11	1001138494	1	Bar, Drop	
12	1001138514	1	Rail - Top	
13	1001140429	1	Decal - Drop Bar	
14	See Note	1	Platform (Note: Not Available - Purchase Platform Assembly)	

SECTION 5 - PLATFORM

FIGURE 5-10. PLATFORM ASSEMBLY - 30IN X 5FT (76CM X 1.52M) - DROP BAR ENTRY (USA BUILT MACHINES - PVC 2001 & 2007, CHINA BUILT MACHINES - PVC 2007)



ART_1001186377

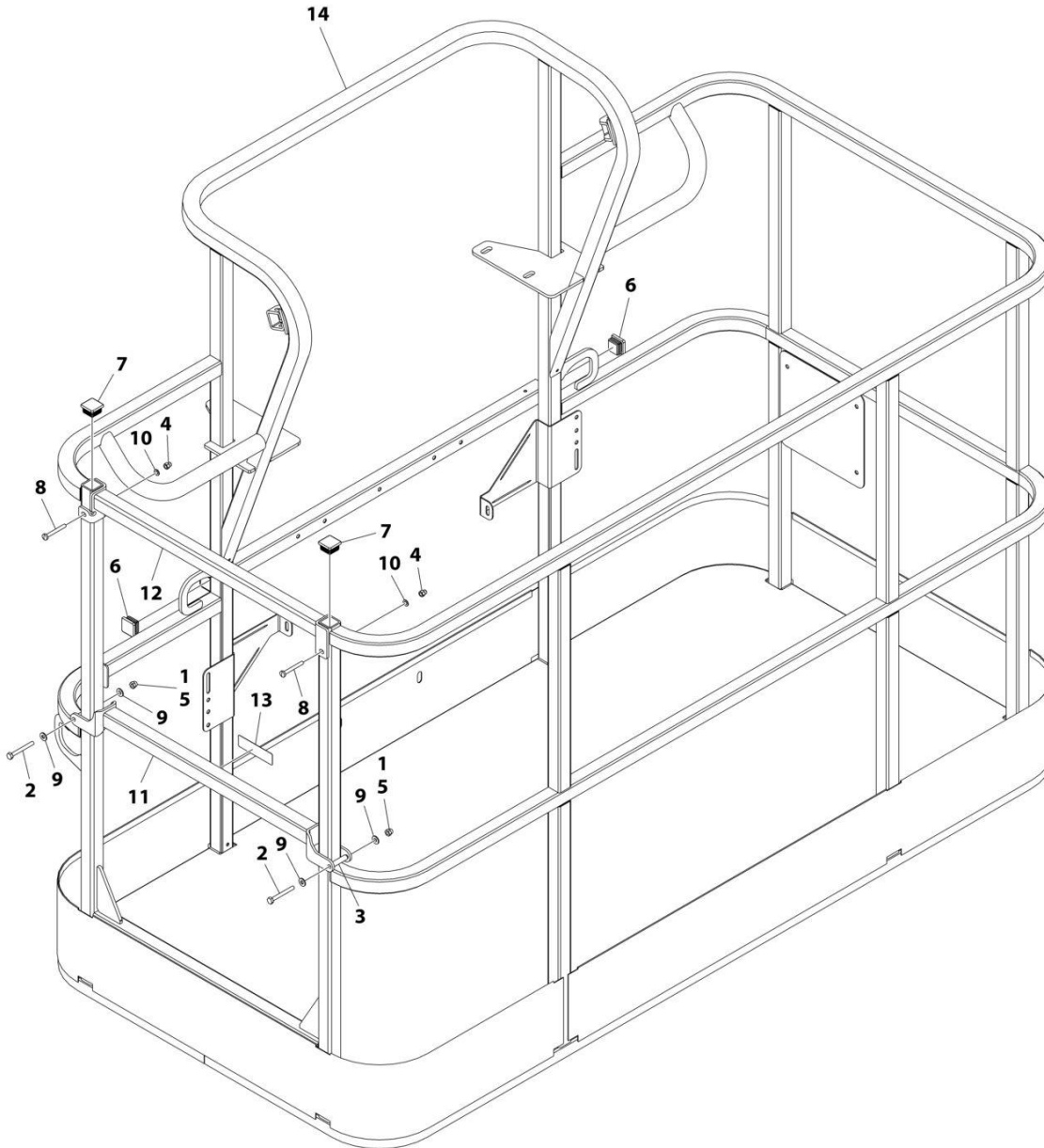
SECTION 5 - PLATFORM

FIGURE 5-10. PLATFORM ASSEMBLY - 30IN X 5FT (76CM X 1.52M) - DROP BAR ENTRY (USA BUILT MACHINES - PVC 2001 & 2007, CHINA BUILT MACHINES - PVC 2007)

ITEM	PART NUMBER	QTY	DESCRIPTION	REV
	1001186377	Ref	PLATFORM ASSEMBLY	C
		Ref	Note: Platform and Mesh must be ordered separately for Platforms with Mesh. See SPECIAL OPTIONS SECTION for Mesh Installations.	
		Ref	Note: Replacement Decals Must be Ordered Separately - See DECALS SECTION.	
1	0100011	AR	Compound, Locking	
2	0641420	2	Bolt 1/4 x 2-1/2	
3	0961845	2	Bushing	
4	3290606	2	Nut M6	
5	3300151	2	Nut 1/4	
6	3520072	2	Plug	
7	3520198	2	Plug	
8	4010618	2	Screw M6 x 50	
9	4711400	4	Washer 1/4	
10	4811700	2	Washer M6	
11	1001138494	1	Bar, Drop	
12	1001138514	1	Rail (Top)	
13	1001140429	1	Decal - Drop Bar	
14	See Note	NSS	Platform (Note: Not Available - Purchase Platform Assembly)	

SECTION 5 - PLATFORM

FIGURE 5-11. PLATFORM ASSEMBLY - 36IN X 6FT (91.5CM X 1.83M) WITH DROP BAR (USA BUILT MACHINES - PVC 2001 & 2007, CHINA BUILT MACHINES - PVC 2007)



ART_1001186379

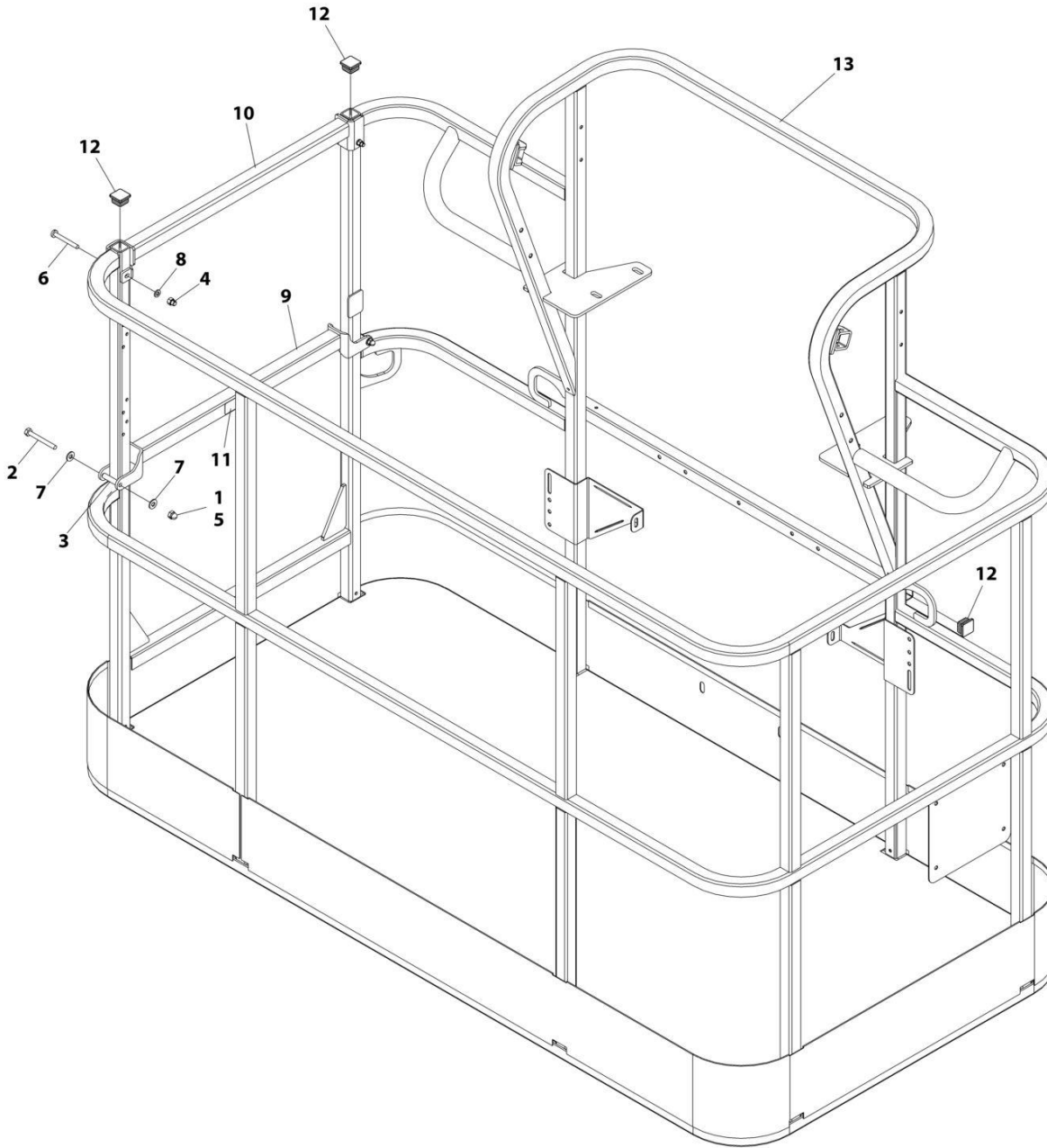
SECTION 5 - PLATFORM

FIGURE 5-11. PLATFORM ASSEMBLY - 36IN X 6FT (91.5CM X 1.83M) WITH DROP BAR (USA BUILT MACHINES - PVC 2001 & 2007, CHINA BUILT MACHINES - PVC 2007)

ITEM	PART NUMBER	QTY	DESCRIPTION	REV
	1001186379	Ref	PLATFORM ASSEMBLY - 36IN X 6FT (91.5CM X 1.83M) WITH DROP BAR	B
		Ref	Note: Platform and Mesh must be ordered separately for Platforms with Mesh. See SPECIAL OPTIONS SECTION for Mesh Installations.	
		Ref	Note: Replacement Decals Must be Ordered Separately - See DECALS SECTION.	
1	0100011	AR	Compound, Locking	
2	0641418	2	Bolt 1/4 x 2-1/4	
3	0961845	2	Bushing	
4	3290606	2	Nut M6	
5	3300151	2	Nut 1/4	
6	3520072	2	Plug	
7	3520198	2	Plug	
8	4010618	2	Screw M6 x 50	
9	4711400	4	Washer 1/4	
10	4811700	2	Washer M6	
11	1001138494	1	Bar, Drop	
12	1001138514	1	Rail (Top)	
13	1001140429	1	Decal - Drop Bar	
14	See Note	NSS	Platform (Note: Not Available - Purchase Platform Assembly)	

SECTION 5 - PLATFORM

FIGURE 5-12. PLATFORM ASSEMBLY - 36IN X 6FT (91.5CM X 1.83M) WITH DROP BAR (CHINA BUILT MACHINES) (PVC 2001)



ART_1001188306

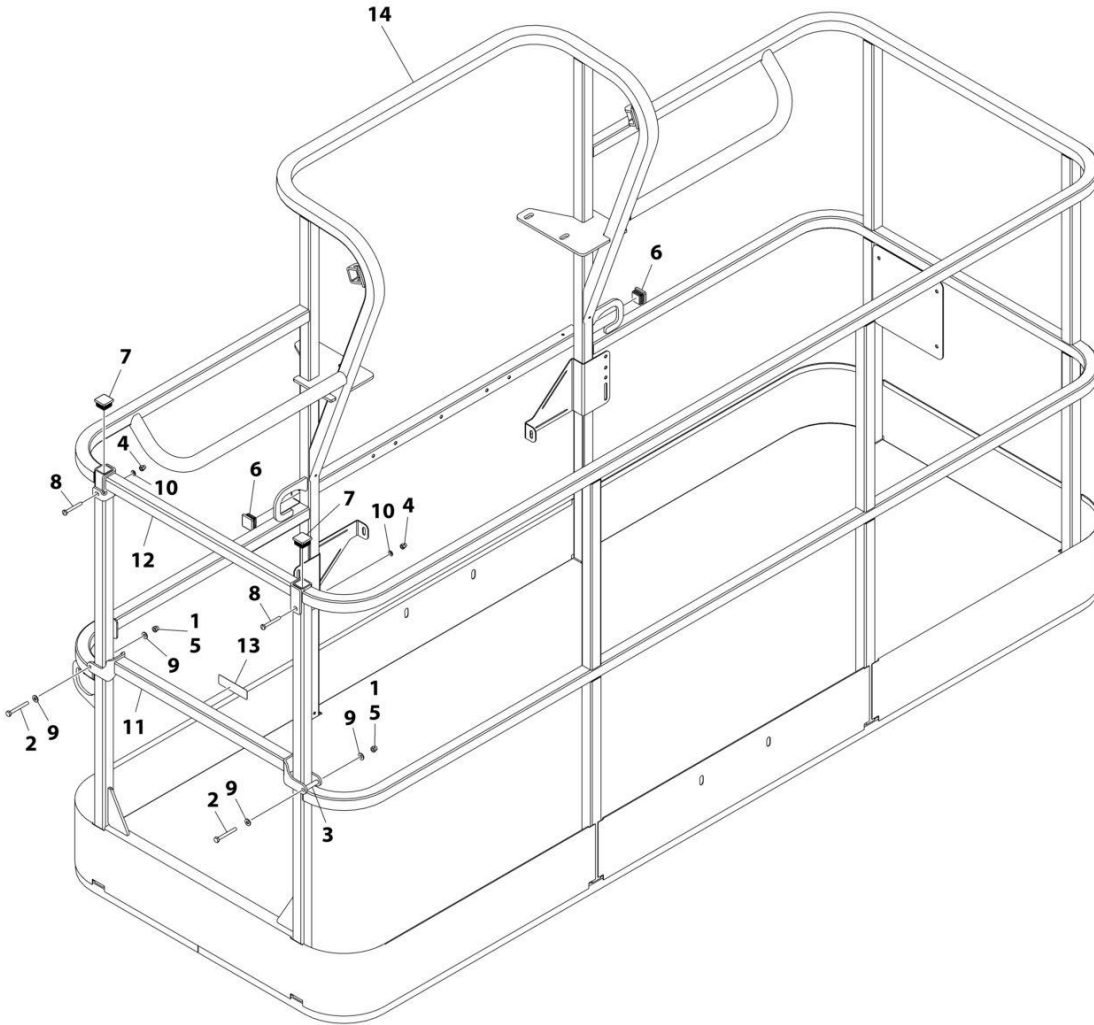
SECTION 5 - PLATFORM

FIGURE 5-12. PLATFORM ASSEMBLY - 36IN X 6FT (91.5CM X 1.83M) WITH DROP BAR (CHINA BUILT MACHINES) (PVC 2001)

ITEM	PART NUMBER	QTY	DESCRIPTION	REV
	1001188306	Ref	PLATFORM ASSEMBLY - 36IN X 6FT (91.5CM X 1.83M) WITH DROP BAR	C
	See Note	Ref	Note: Platform and Mesh must be ordered separately for Platforms with Mesh. See SPECIAL OPTIONS SECTION for Mesh Installations.	
	See Note	Ref	Note: Replacement Decals Must be Ordered Separately - See DECALS SECTION.	
1	0100011	AR	Compound, Locking	
2	0641418	2	Bolt 1/4 x 2-1/4	
3	0961845	2	Bushing	
4	3290606	2	Nut M6	
5	3300151	2	Nut 1/4	
6	4010618	2	Screw M6 x 50	
7	4711400	4	Washer 1/4	
8	4811700	2	Washer M6	
9	1001138494	1	Bar, Drop	
10	1001138514	1	Rail (Top)	
11	1001140429	1	Decal - Drop Bar	
12	1001145781	4	Plug	
13	See Note	NSS	Platform (Note: Not Available - Purchase Platform Assembly)	

SECTION 5 - PLATFORM

FIGURE 5-13. PLATFORM ASSEMBLY - 36IN X 8FT (91.5CM X 2.44M) WITH DROP BAR (USA BUILT MACHINES - PVC 2001 & 2007, CHINA BUILT MACHINES - PVC 2007)



ART_1001186382

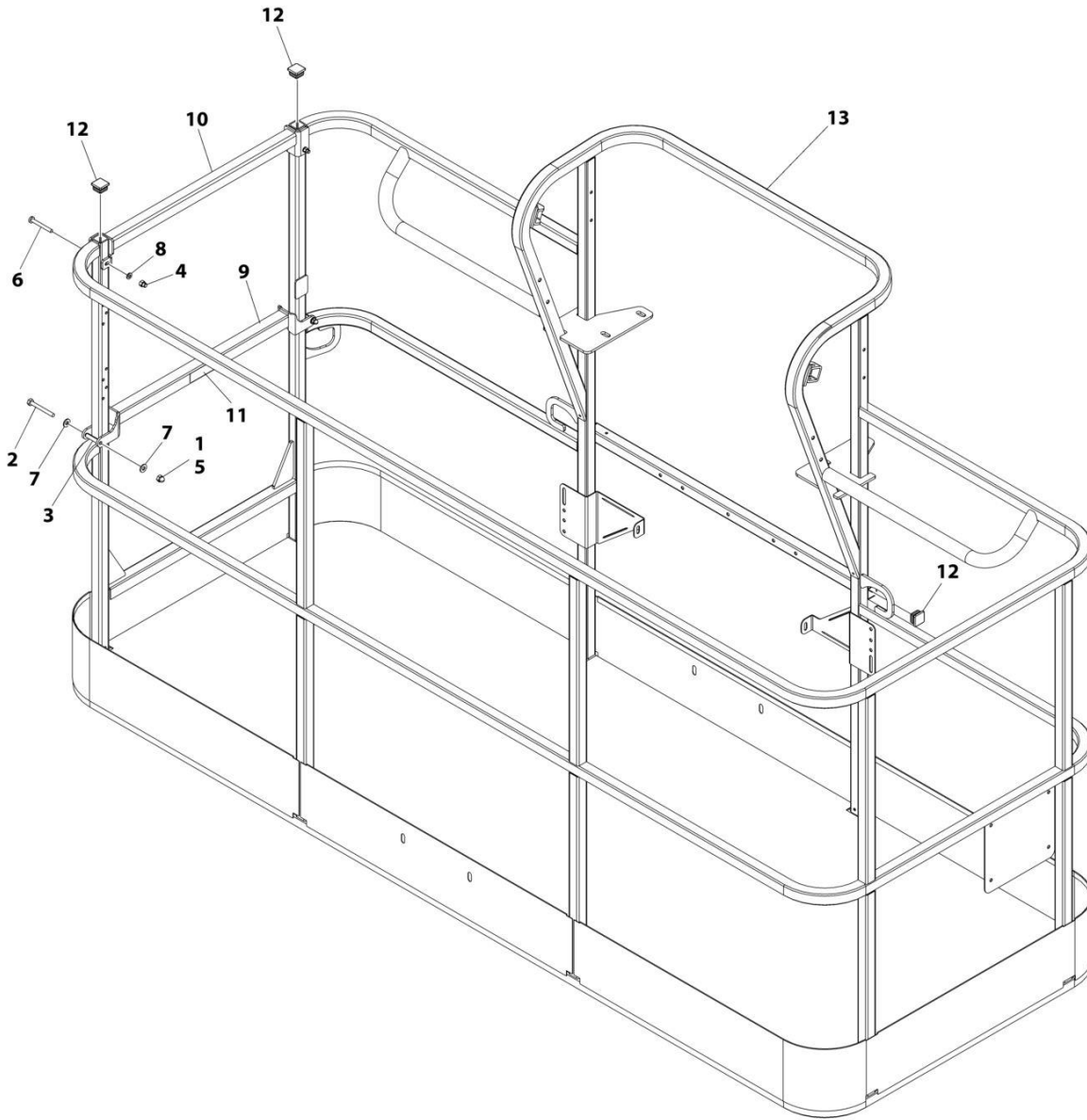
SECTION 5 - PLATFORM

FIGURE 5-13. PLATFORM ASSEMBLY - 36IN X 8FT (91.5CM X 2.44M) WITH DROP BAR (USA BUILT MACHINES - PVC 2001 & 2007, CHINA BUILT MACHINES - PVC 2007)

ITEM	PART NUMBER	QTY	DESCRIPTION	REV
	1001186382	Ref	PLATFORM ASSEMBLY - 36IN X 8FT (91.5CM X 2.44M) WITH DROP BAR	C
		Ref	Note: Platform and Mesh must be ordered separately for Platforms with Mesh. See SPECIAL OPTIONS SECTION for Mesh Installations.	
		Ref	Note: Replacement Decals Must be Ordered Separately - See DECALS SECTION.	
1	0100011	AR	Compound, Locking	
2	0641418	2	Bolt 1/4 x 2-1/4	
3	0961845	2	Bushing	
4	3290606	2	Nut M6	
5	3300151	2	Nut 1/4	
6	3520072	2	Plug	
7	3520198	2	Plug	
8	4010618	2	Screw M6 x 50	
9	4711400	4	Washer 1/4	
10	4811700	2	Washer M6	
11	1001138494	1	Bar, Drop	
12	1001138514	1	Rail (Top)	
13	1001140429	1	Decal - Drop Bar	
14	See Note	NSS	Platform (Note: Not Available - Purchase Platform Assembly)	

SECTION 5 - PLATFORM

FIGURE 5-14. PLATFORM ASSEMBLY - 36IN X 8FT (91.5CM X 2.44M) WITH DROP BAR (CHINA BUILT MACHINES) (PVC 2001)



ART_1001188309

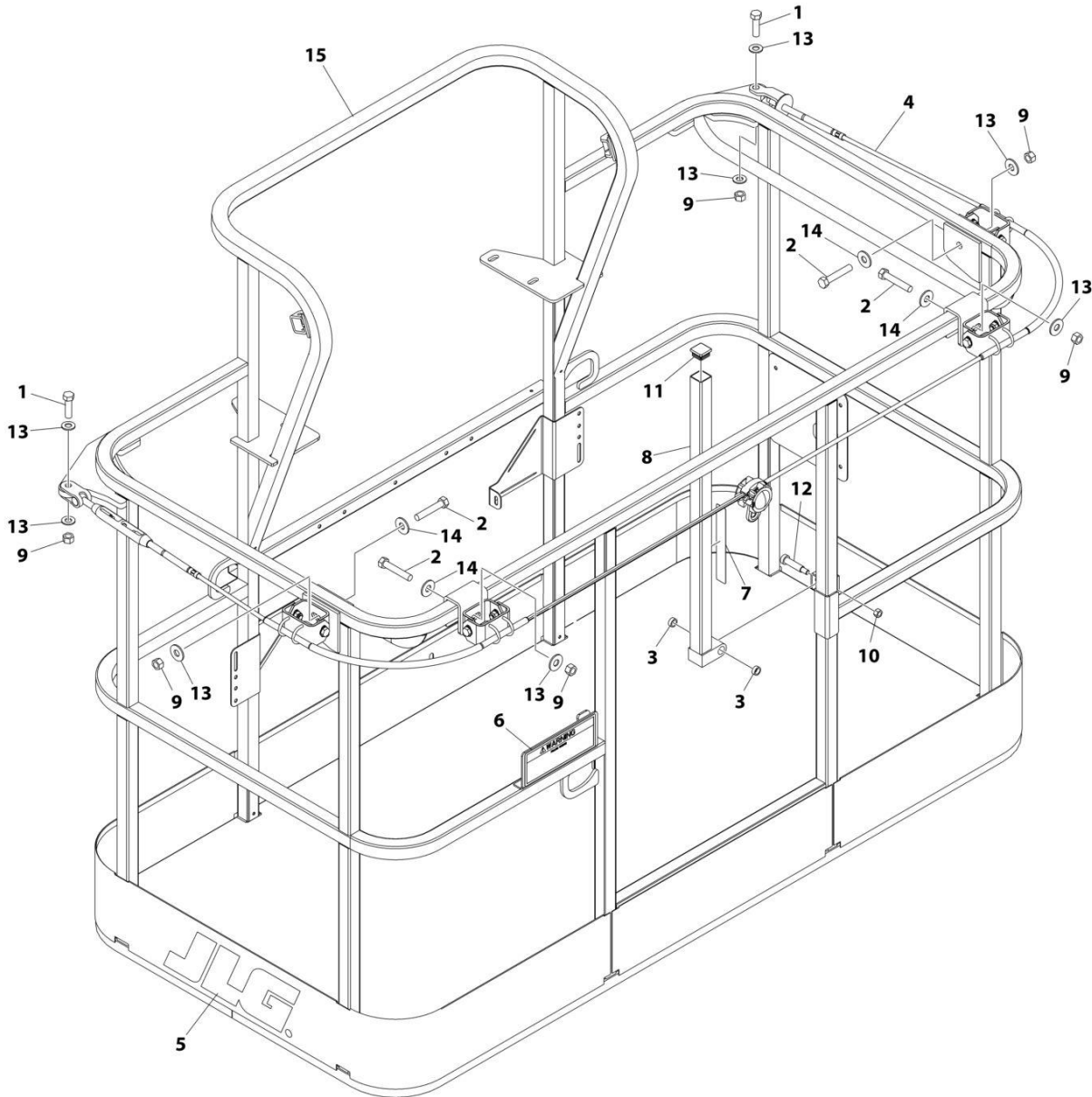
SECTION 5 - PLATFORM

FIGURE 5-14. PLATFORM ASSEMBLY - 36IN X 8FT (91.5CM X 2.44M) WITH DROP BAR (CHINA BUILT MACHINES) (PVC 2001)

ITEM	PART NUMBER	QTY	DESCRIPTION	REV
	1001188309	Ref	PLATFORM ASSEMBLY - 36IN X 8FT (91.5CM X 2.44M) WITH DROP BAR	B
	See Note	Ref	Note: Platform and Mesh must be ordered separately for Platforms with Mesh. See SPECIAL OPTIONS SECTION for Mesh Installations.	
	See Note	Ref	Note: Replacement Decals Must be Ordered Separately - See DECALS SECTION.	
1	0100011	AR	Compound, Locking	
2	0641418	2	Bolt 1/4 x 2-1/4	
3	0961845	2	Bushing	
4	3290606	2	Nut M6	
5	3300151	2	Nut 1/4	
6	4010618	2	Screw M6 x 50	
7	4711400	4	Washer 1/4	
8	4811700	2	Washer M6	
9	1001138494	1	Bar, Drop	
10	1001138514	1	Rail (Top)	
11	1001140429	1	Decal - Drop Bar	
12	1001145781	4	Plug	
13	See Note	NSS	Platform (Note: Not Available - Purchase Platform Assembly)	

SECTION 5 - PLATFORM

FIGURE 5-15. PLATFORM ASSEMBLY - 36IN X 6FT (91.5CM X 1.83M) WITH FALL ARREST (USA BUILT MACHINES - PVC 2001 & 2007, CHINA BUILT MACHINES - PVC 2007)



ART_1001186333

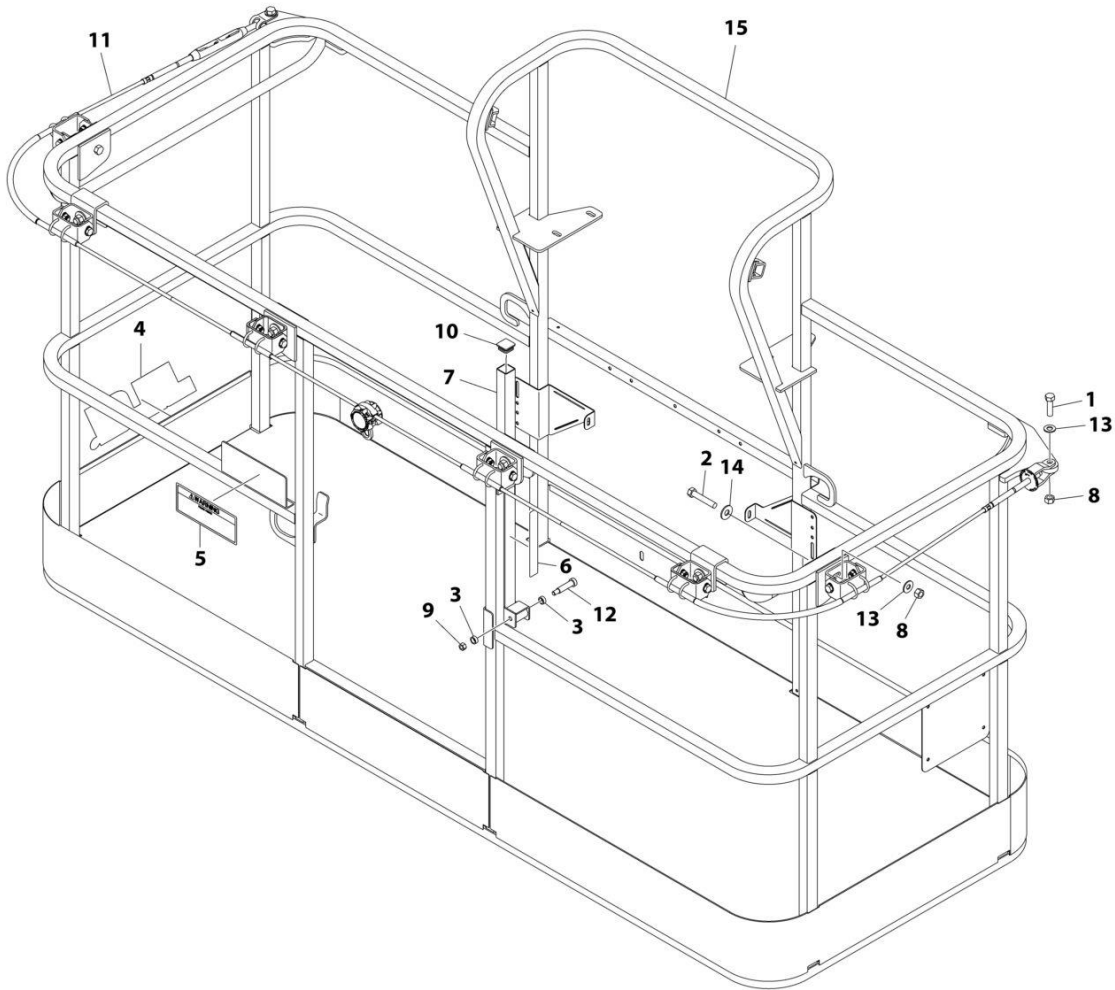
SECTION 5 - PLATFORM

FIGURE 5-15. PLATFORM ASSEMBLY - 36IN X 6FT (91.5CM X 1.83M) WITH FALL ARREST (USA BUILT MACHINES - PVC 2001 & 2007, CHINA BUILT MACHINES - PVC 2007)

ITEM	PART NUMBER	QTY	DESCRIPTION	REV
	1001186333	Ref	PLATFORM ASSEMBLY	C
		Ref	Note: Replacement Decals Must be Ordered Separately - See DECALS SECTION.	
1	0681814	2	Bolt 1/2 x 1-3/4 Grade 8	
2	0681822	4	Bolt 1/2 x 2-3/4 Grade 8	
3	0962270	2	Bearing	
4	1001203655	1	Cable	
5	1702773	1	Decal - JLG	
6	1705014	1	Decal - Safety	
7	1706385	1	Decal - Drop Bar	
8	2410014	1	Bar, Drop	
9	3271805	6	Nut 1/2 Grade 8	
10	3311605	1	Nut 3/8	
11	3520072	1	Plug	
12	3900054	1	Bolt 1/2 x 1-3/4	
13	4711800	8	Washer 1/2	
14	4751800	4	Washer 1/2	
15	See Note	NSS	Platform (Note: Not Available - Purchase Platform Assembly)	

SECTION 5 - PLATFORM

FIGURE 5-16. PLATFORM ASSEMBLY - 36IN X 8FT (91.5CM X 2.44M) WITH FALL ARREST



ART_1001186334

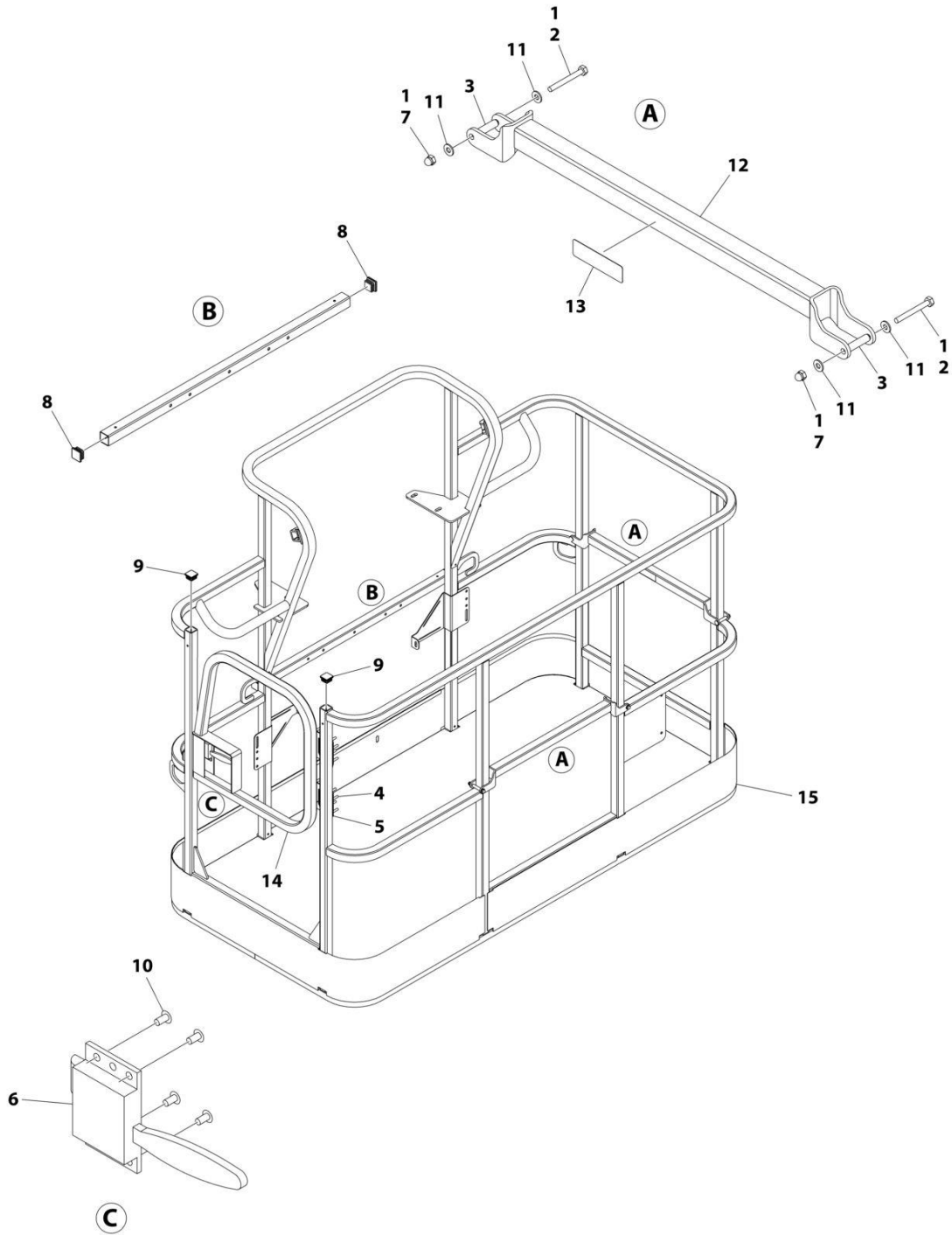
SECTION 5 - PLATFORM

FIGURE 5-16. PLATFORM ASSEMBLY - 36IN X 8FT (91.5CM X 2.44M) WITH FALL ARREST

ITEM	PART NUMBER	QTY	DESCRIPTION	REV
	1001186334	Ref	PLATFORM ASSEMBLY	D
		Ref	Note: Replacement Decals Must be Ordered Separately - See DECALS SECTION.	
1	0681814	2	Bolt 1/2 x 1-3/4 Grade 8	
2	0681822	6	Bolt 1/2 x 2-3/4 Grade 8	
3	0962270	2	Bearing	
4	1702773	1	Decal - JLG	
5	1705014	1	Decal - Safety	
6	1706385	1	Decal - Drop Bar	
7	2410014	1	Bar, Drop	
8	3271805	8	Nut 1/2 Grade 8	
9	3311605	1	Nut 3/8	
10	3520072	1	Plug	
11	1001203656	1	Cable	
12	3900054	1	Bolt 1/2 x 1-3/4	
13	4711800	2	Washer 1/2	
14	4751800	6	Washer 1/2	
15	See Note	NSS	Platform (Note: Purchase Platform Assembly)	

SECTION 5 - PLATFORM

FIGURE 5-17. PLATFORM ASSEMBLY - 36IN X 6FT (91.5CM X 1.83M) TRI-ENTRY WITH SWING GATE



ART_1001228376

SECTION 5 - PLATFORM

FIGURE 5-17. PLATFORM ASSEMBLY - 36IN X 6FT (91.5CM X 1.83M) TRI-ENTRY WITH SWING GATE

ITEM	PART NUMBER	QTY	DESCRIPTION	REV
	1001228376	Ref	PLATFORM ASSEMBLY - 36IN x 6FT (91.5CM x 1.83M)	B
		Ref	Note: Platform and Mesh must be ordered separately for Platforms with Mesh. See SPECIAL OPTIONS SECTION for Mesh Installations.	
		Ref	Note: Replacement Decals Must be Ordered Separately - See DECAL SECTION.	
1	0100011	AR	Compound, Locking	
2	0641418	4	Bolt 1/4 x 2-1/4	
3	0961845	4	Bushing	
4	2080040	16	Fastener	
5	2600281	2	Hinge	
6	2940074	1	Latch	
7	3300151	4	Nut 1/4	
8	3520072	3	Plug	
9	3520198	2	Plug	
10	3820020	4	Rivet	
11	4711400	8	Washer 1/4	
12	1001138494	2	Bar, Drop	
13	1001140429	2	Decal - Drop Bar	
14	1001144629	1	Gate	
15	See Note	NSS	Platform (Note: Not Available - Purchase Platform Assembly)	

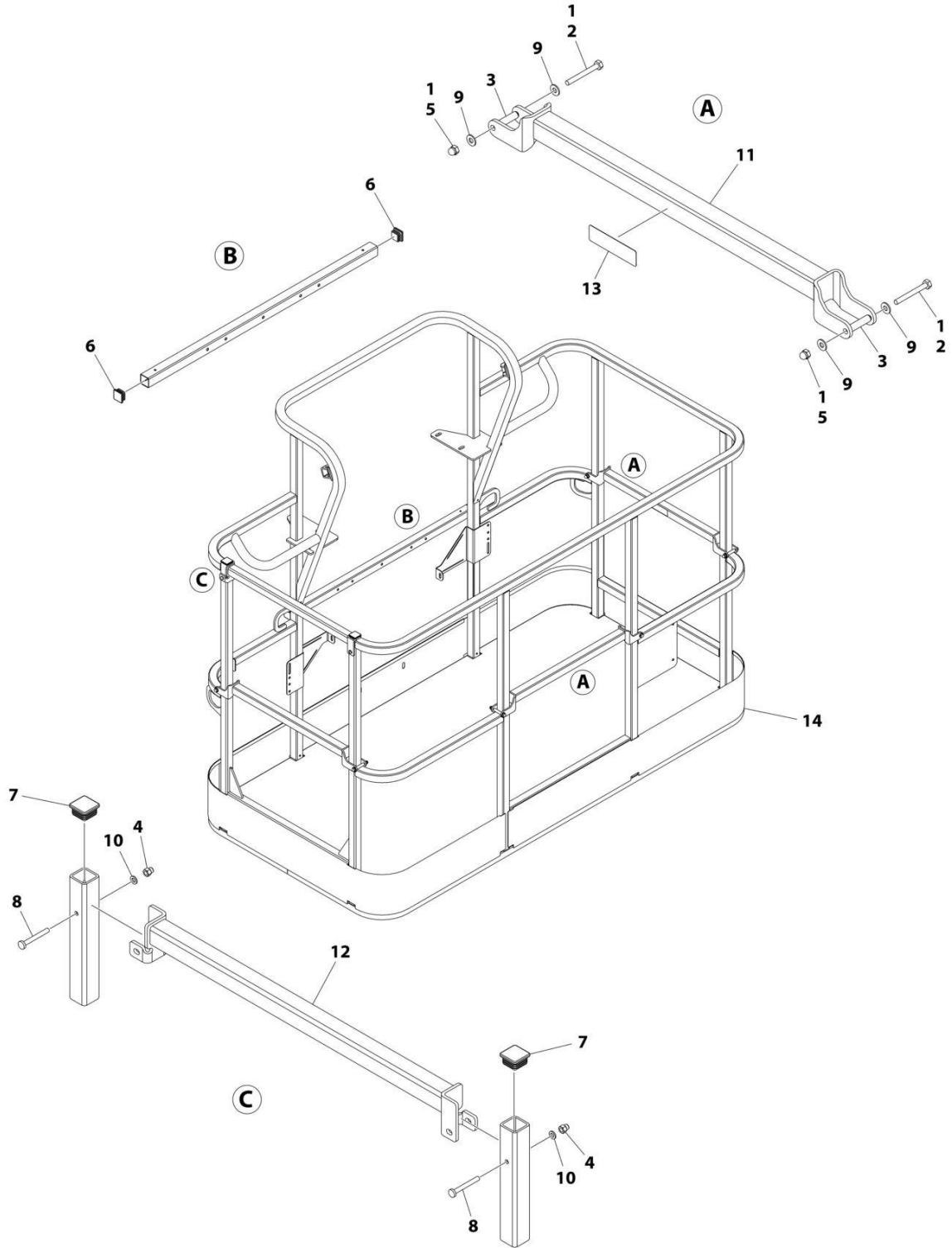
SECTION 5 - PLATFORM

**FIGURE 5-18. PLATFORM ASSEMBLY - 36IN X 8FT (91.5CM X 2.44M) TRI-ENTRY WITH SWING GATE
(USA BUILT MACHINES - PVC 2001 & 2007, CHINA BUILT MACHINES - PVC 2007)**

ITEM	PART NUMBER	QTY	DESCRIPTION	REV
	1001228243	Ref	PLATFORM ASSEMBLY - 36IN X 8FT (91.5CM X 2.44M) WITH TRI-ENTRY	A
		Ref	Note: Platform and Mesh must be ordered separately for Platforms with Mesh. See SPECIAL OPTIONS SECTION for Mesh Installations.	
1	0100011	AR	Compound, Locking	
2	0641418	4	Bolt 1/4 x 2-1/4	
3	0961845	4	Bushing	
4	2080040	16	Fastener, Huck	
5	2600281	2	Hinge, Self-Closing	
6	2940074	1	Latch	
7	3300151	4	Nut 1/4	
8	3520072	3	Cap, Plug	
9	3520198	2	Cap, Plug	
10	3820020	4	Rivet	
11	4711400	8	Washer 1/4	
12	1001138494	2	Bar, Drop	
13	1001140429	2	Decal - Drop Bar	
14	1001144629	1	Gate, Weldment	
15	See Note	1	Platform (Note: Not Available - Purchase Platform Assembly)	

SECTION 5 - PLATFORM

FIGURE 5-19. PLATFORM ASSEMBLY - 36IN X 6FT (91.5CM X 1.83M) TRI-ENTRY WITH DROPBAR



ART_1001228377

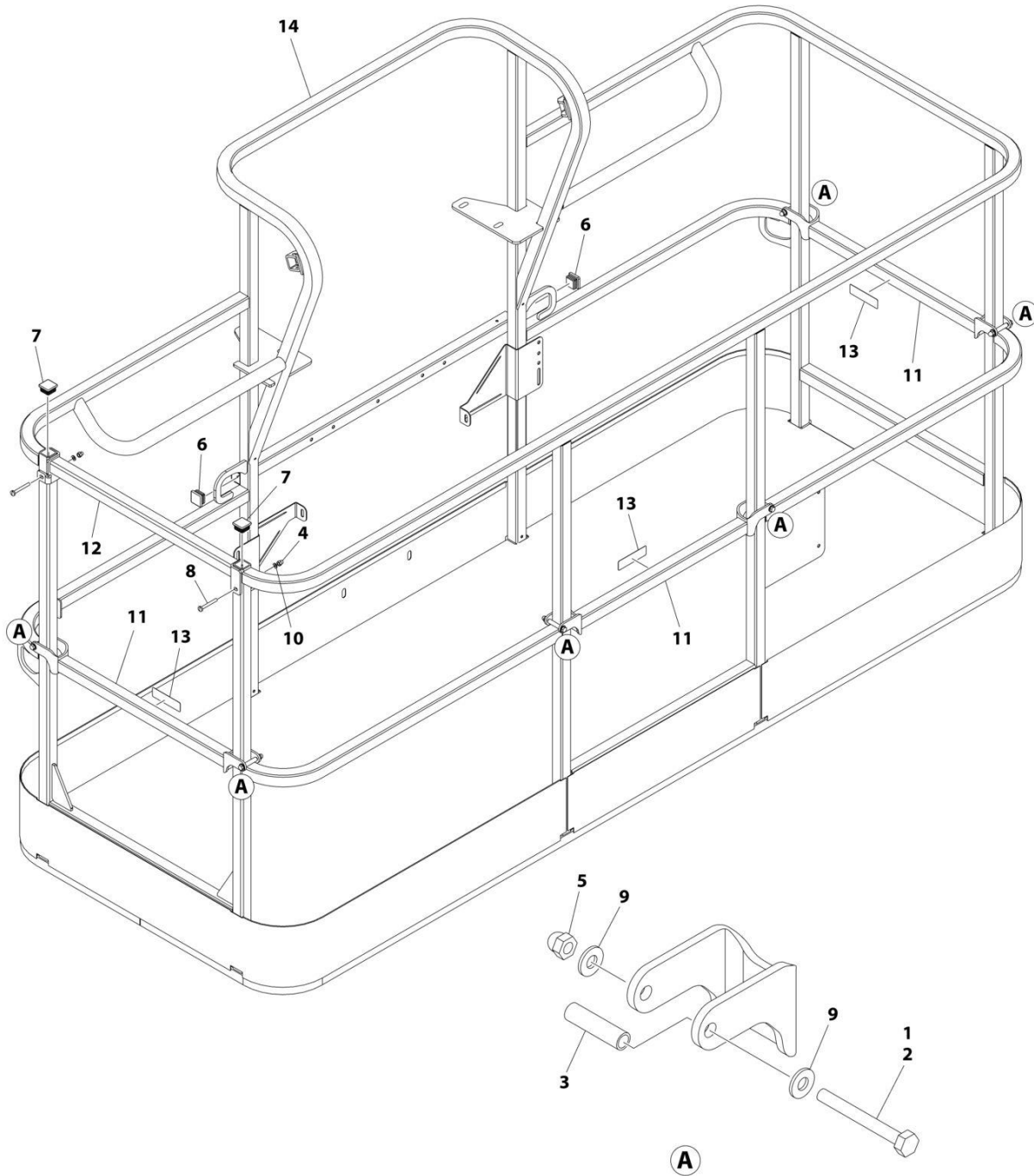
SECTION 5 - PLATFORM

FIGURE 5-19. PLATFORM ASSEMBLY - 36IN X 6FT (91.5CM X 1.83M) TRI-ENTRY WITH DROPBAR

ITEM	PART NUMBER	QTY	DESCRIPTION	REV
	1001228377	Ref	PLATFORM ASSEMBLY - 36IN x 6FT (91.5CM x 1.83M)	B
		Ref	Note: Platform and Mesh must be ordered separately for Platforms with Mesh. See SPECIAL OPTIONS SECTION for Mesh Installations.	
		Ref	Note: Replacement Decals Must be Ordered Separately - See DECAL SECTION.	
1	0100011	1	Compound, Locking	
2	0641418	6	Bolt 1/4 x 2-1/4	
3	0961845	6	Bushing	
4	3290606	2	Nut M6	
5	3300151	6	Nut 1/4	
6	3520072	2	Plug	
7	3520198	2	Plug	
8	4010618	2	Screw M6 x 50	
9	4711400	12	Washer 1/4	
10	4811700	2	Washer M6	
11	1001138494	3	Bar, Drop	
12	1001138514	1	Rail (Top)	
13	1001140429	3	Decal - Drop Bar	
14	See Note	NSS	Platform, Weldment (Note: Not Available - Purchase Platform Assembly)	

SECTION 5 - PLATFORM

FIGURE 5-20. PLATFORM ASSEMBLY - 36IN X 8FT (91.5CM X 2.44M) TRI-ENTRY WITH DROPBAR
(USA BUILT MACHINES - PVC 2001 & 2007, CHINA BUILT MACHINES - PVC 2007)



ART_1001228375

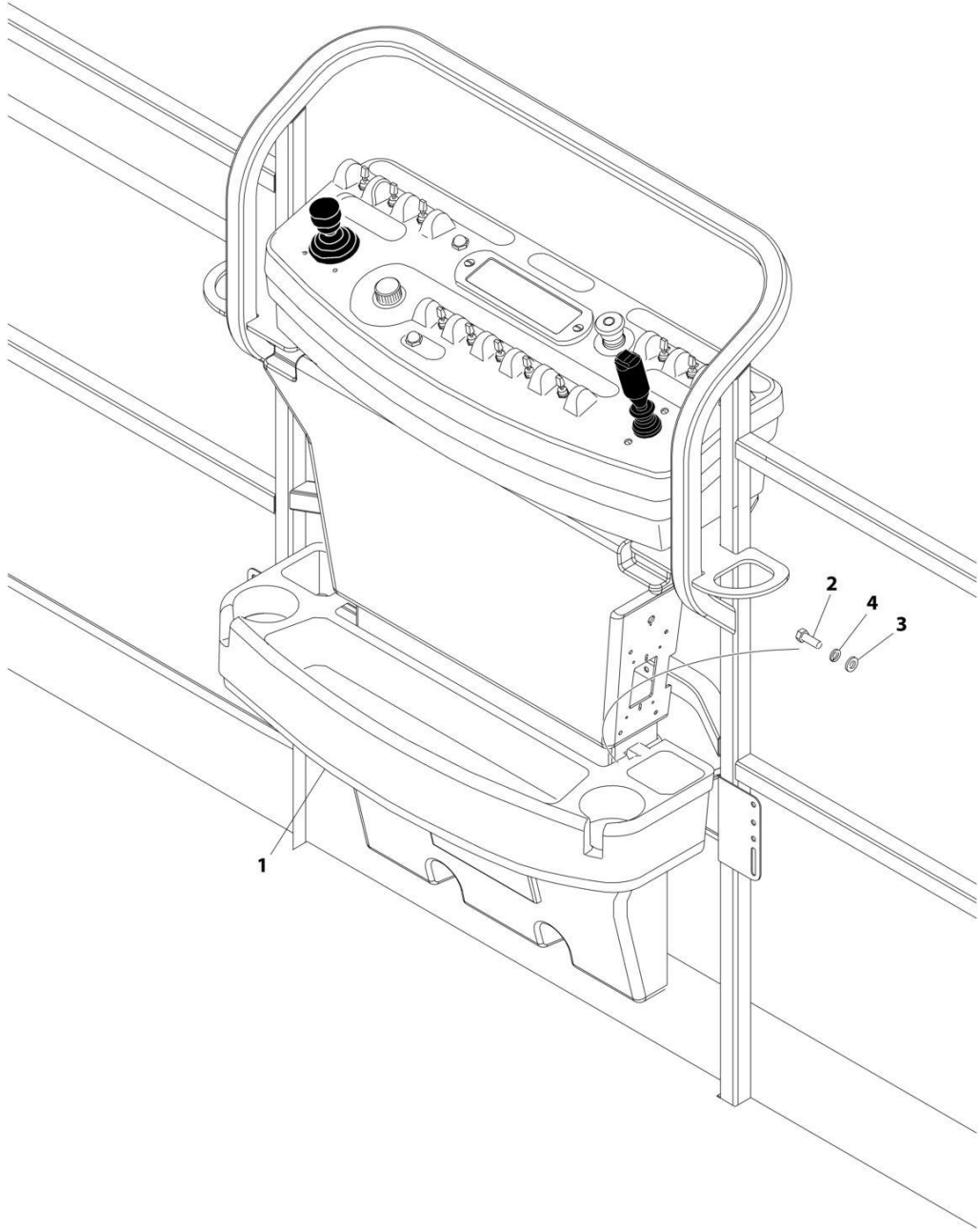
SECTION 5 - PLATFORM

**FIGURE 5-20. PLATFORM ASSEMBLY - 36IN X 8FT (91.5CM X 2.44M) TRI-ENTRY WITH DROPBAR
(USA BUILT MACHINES - PVC 2001 & 2007, CHINA BUILT MACHINES - PVC 2007)**

ITEM	PART NUMBER	QTY	DESCRIPTION	REV
	1001228375	Ref	PLATFORM ASSEMBLY - 36IN X 8FT (91.5CM X 2.44M) WITH TRI-ENTRY	A
		Ref	Note: Platform and Mesh must be ordered separately for Platforms with Mesh. See SPECIAL OPTIONS SECTION for Mesh Installations.	
		Ref	Note: Replacement Decals Must be Ordered Separately - See DECAL SECTION.	
1	0100011	AR	Compound, Locking	
2	0641418	6	Bolt 1/4 x 2-1/4	
3	0961845	6	Bushing	
4	3290606	2	Nut M6 x 1	
5	3300151	6	Nut 1/4	
6	3520072	2	Cap, Plug	
7	3520198	2	Cap, Plug	
8	4010618	2	Screw M6 x 50	
9	4711400	12	Washer 1/4	
10	4811700	2	Washer M6	
11	1001138494	3	Bar, Drop	
12	1001138514	1	Rail (Top)	
13	1001140429	3	Decal - Drop Bar	
14	See Note	1	Platform (Note: Not Available - Purchase Platform Assembly)	

SECTION 5 - PLATFORM

FIGURE 5-21. TRAY ASSEMBLY



ART_1580012

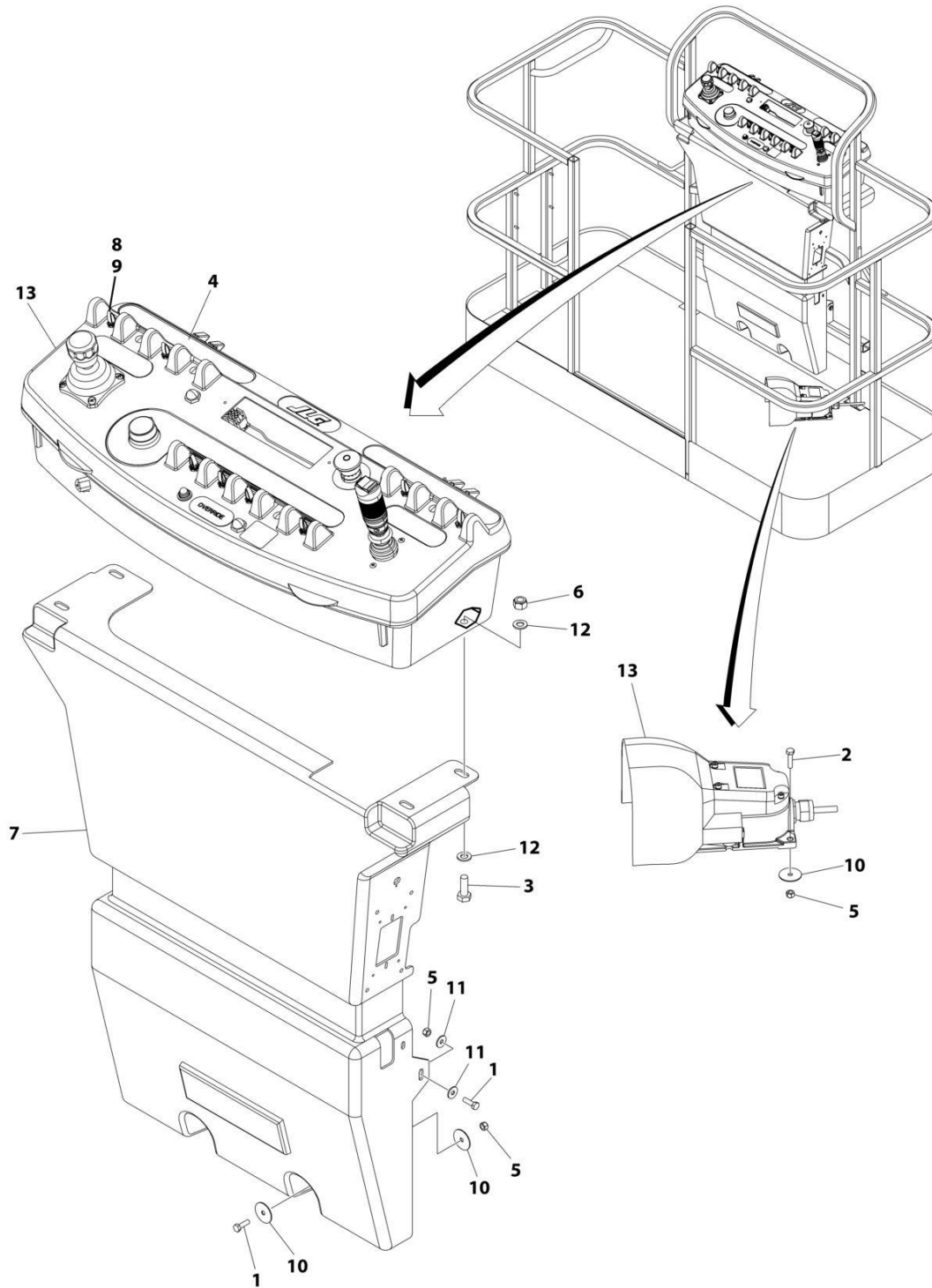
SECTION 5 - PLATFORM

FIGURE 5-21. TRAY ASSEMBLY

ITEM	PART NUMBER	QTY	DESCRIPTION	REV
	1580012	Ref	TRAY ASSEMBLY	C
1	See Note	NSS	Tray, Storage (Center) (Note: Purchase p/n 1580012)	
2	0641406	2	Bolt 1/4 x 3/4	
3	4751400	2	Washer 1/4	
4	4761400	2	Washer 1/4	

SECTION 5 - PLATFORM

FIGURE 5-22. CONSOLE AND FOOT SWITCH INSTALLATION (USA BUILT MACHINES - PVC 2001 & 2007, CHINA BUILT MACHINES - PVC 2007)



ART_1001243748

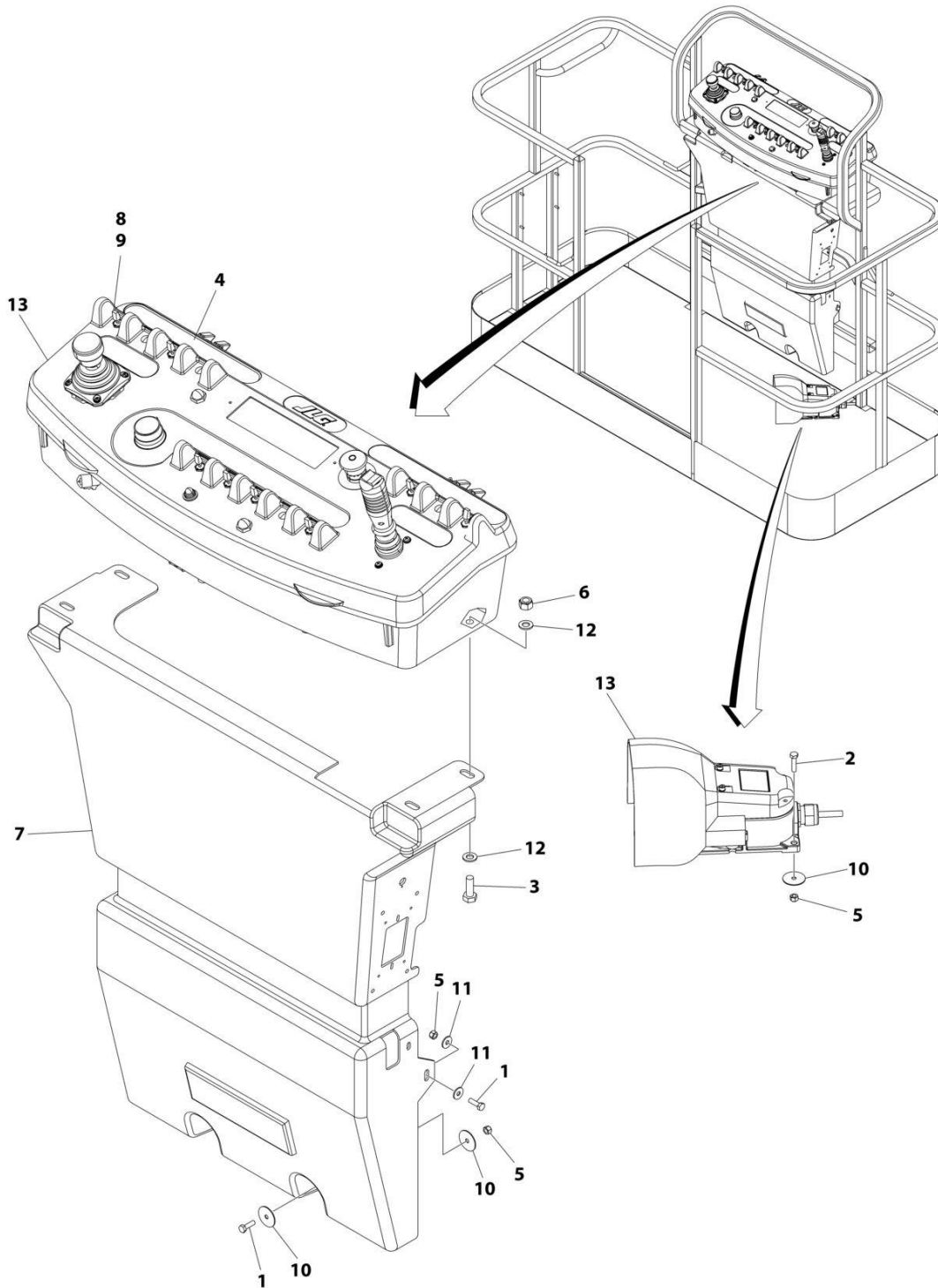
SECTION 5 - PLATFORM

FIGURE 5-22. CONSOLE AND FOOT SWITCH INSTALLATION (USA BUILT MACHINES - PVC 2001 & 2007, CHINA BUILT MACHINES - PVC 2007)

ITEM	PART NUMBER	QTY	DESCRIPTION	REV
	1001243748	Ref	PLATFORM CONSOLE AND FOOTSWITCH INSTALLATION	C
1	0641406	4	Bolt 1/4 x 3/4	
2	0641408	3	Bolt 1/4 x 1	
3	0641610	4	Bolt 3/8 x 1-1/4	
4	1001184626	1	Decal - Horn	
5	3311405	7	Nut 1/4	
6	3311605	4	Nut 3/8	
7	3380434	1	Panel	
8	3790012	1	O-Ring	
9	4360331	1	Switch, Toggle	
10	4740362	7	Washer	
11	4751400	4	Washer 1/4	
12	4761600	8	Washer 3/8	
13	1001243723	1	Platform Console Assembly (See Separate Breakdown in this Section)	

SECTION 5 - PLATFORM

FIGURE 5-23. CONSOLE AND FOOT SWITCH INSTALLATION (CHINA BUILT MACHINES) (PVC 2001)



ART_1001252328

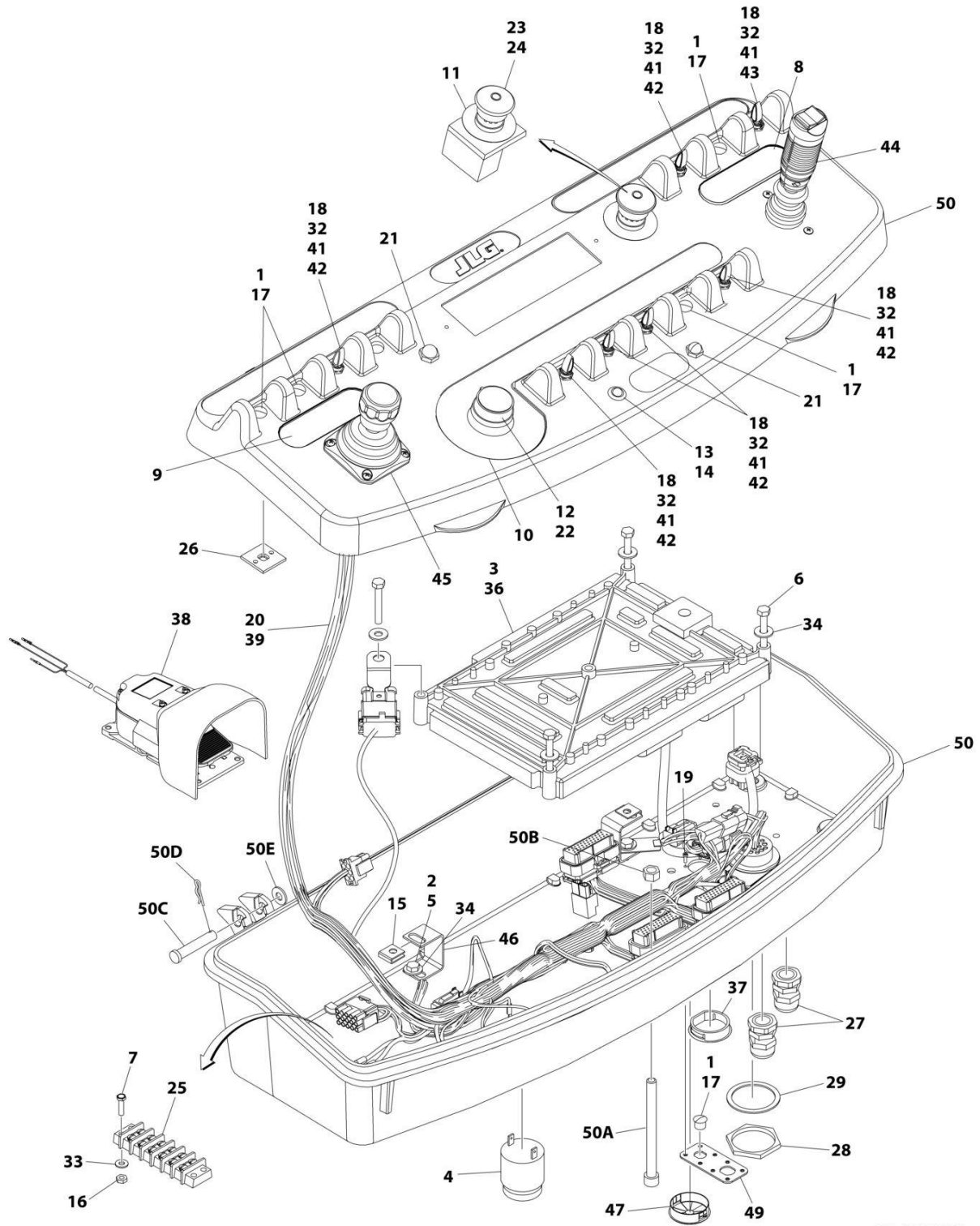
SECTION 5 - PLATFORM

FIGURE 5-23. CONSOLE AND FOOT SWITCH INSTALLATION (CHINA BUILT MACHINES) (PVC 2001)

ITEM	PART NUMBER	QTY	DESCRIPTION	REV
	1001252328	Ref	PLATFORM CONSOLE AND FOOTSWITCH INSTALLATION	A
1	0641406	4	Bolt 1/4 x 3/4	
2	0641408	3	Bolt 1/4 x 1	
3	0641610	4	Bolt 3/8 x 1-1/4	
4	1001184626	1	Decal - Horn	
5	3311405	7	Nut 1/4	
6	3311605	4	Nut 3/8	
7	3380434	1	Panel	
8	3790012	1	O-Ring	
9	4360331	1	Switch, Toggle	
10	4740362	7	Washer	
11	4751400	4	Washer 1/4	
12	4761600	8	Washer 3/8	
13	1001252329	1	Platform Console Assembly (See Separate Breakdown in this Section)	

SECTION 5 - PLATFORM

FIGURE 5-24. CONSOLE BOX ASSEMBLY WITH FOOTSWITCH (USA BUILT MACHINES - PVC 2001 & 2007, CHINA BUILT MACHINES - PVC 2007)



ART_1001243723

SECTION 5 - PLATFORM

FIGURE 5-24. CONSOLE BOX ASSEMBLY WITH FOOTSWITCH (USA BUILT MACHINES - PVC 2001 & 2007, CHINA BUILT MACHINES - PVC 2007)

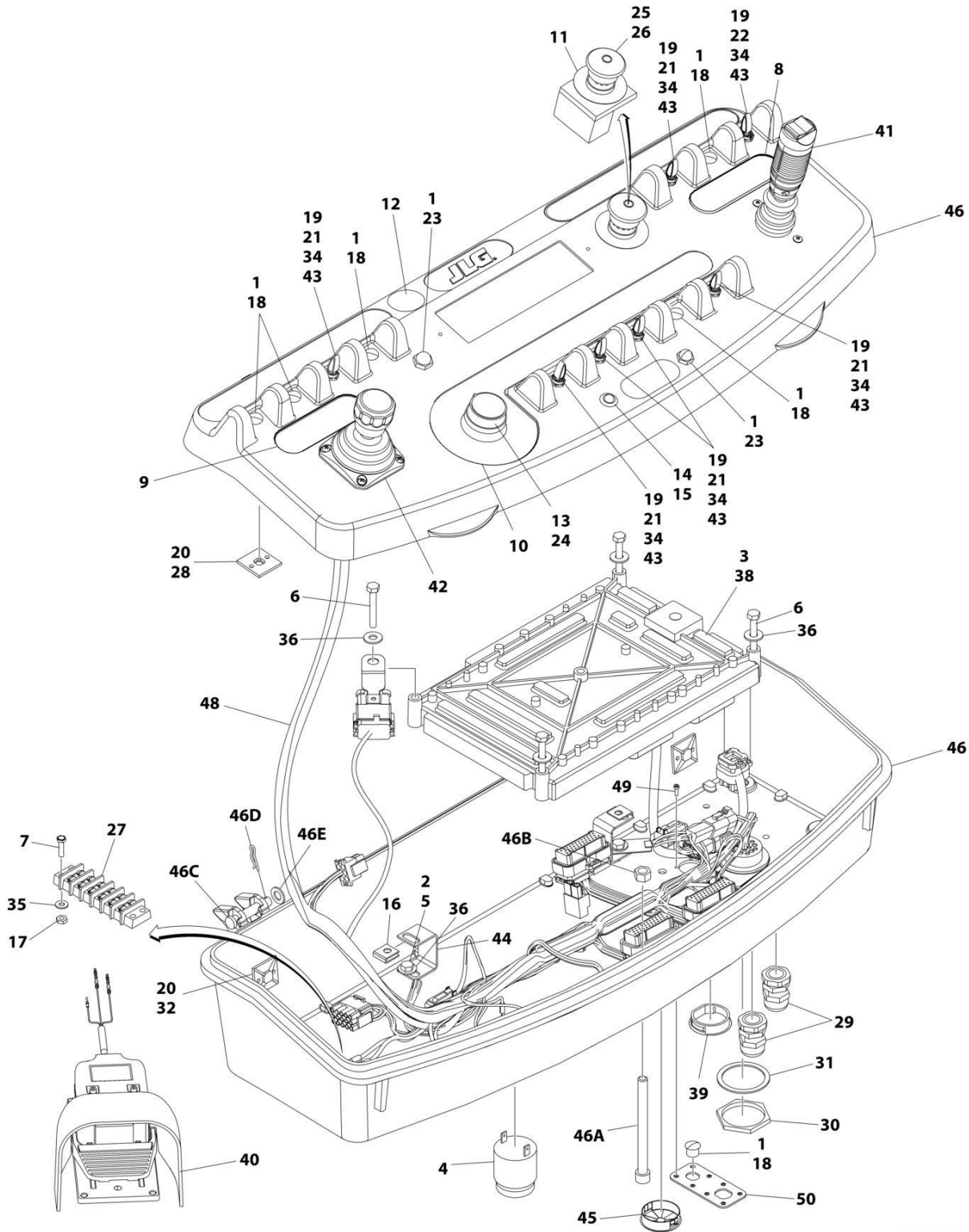
ITEM	PART NUMBER	QTY	DESCRIPTION	REV
	1001243723	Ref	CONSOLE BOX ASSEMBLY	C
1	0100009	AR	Sealant	
2	0100035	AR	Compound, Locking	
3	0100048	AR	Grease, Dielectric	
4	0140011	1	Alarm	
5	0641404	4	Bolt 1/4 x 1/2	
6	0641414	4	Bolt 1/4 x 1-3/4	
7	0721006	1	Bolt #10 x 3/4	
8	1702565	1	Decal - Drive and Steer	
9	1702566	1	Decal - Lift and Swing	
10	1702567	1	Decal - Function Speed	
11	1704260	1	Decal - Emergency Stop	
12	2560136	1	Handle, Knob	
13	2920028	1	Light, Indicator	
14	2920029	1	Bulb, Light	
15	3300353	4	Nut, Tinnerman	
16	3311005	4	Nut #10	
17	3520054	5	Plug	
18	3790012	7	O-Ring	
19	3900349	8	Capscrew M2.5 x 8	
20	1001243984	1	Platform Console Harness (See Separate Breakdown in ELECTRICAL SECTION)	
21	4360387	2	Switch, Push Button	
22	4360407	1	Controller, Speed	
22	4460224	1	Receptacle, Female - 6 Position	
22	4460226	6	Socket, Female	
22	See Note	1	Gasket "Top Hat" (Included with Switch) (Note: Not Available - Purchase Complete Controller)	
22	70003784	1	Seal	
23	4360475	1	Switch, Emergency Stop	
23	7020175	1	Cap, Red	
23	7020176	1	Block, Contact	
24	4360476	1	Contact, Switch	
25	4460007	1	Bussbar	
26	4460234	3	Mount, Tie-Strap	
27	4460428	2	Connector, Strain Relief	
28	4460470	1	Nut, Terminal	
29	4460471	1	Washer, Terminal	
31	4460708	1	Connector - 15 Position (Not Shown)	
32	4740397	1	Washer	
33	4751000	2	Washer #10	
34	4751400	8	Washer 1/4	
35	4922666	1	Analyzer Harness (Not SHown)	
35	4460761	1	Receptacle, Female - 4 Position	
35	4460227	4	Pin, Male	
36	1001106938	1	Module, Platform (Note: Re-calibration Required when Replaced)	
37	1001110434	1	Plug	
38	1001117174	1	Footswitch Assembly (See Separate Breakdown in this Section)	

SECTION 5 - PLATFORM

ITEM	PART NUMBER	QTY	DESCRIPTION	REV
39	1001139135	1	Boom Valve Harness (Not Shown - See Separate Breakdown in ELECTRICAL SECTION)	
41	1001155044	7	Nut 15/32	
42	1001155045	6	Switch, Toggle	
43	1001159256	1	Switch, Toggle	
44	1001166538	NLA	Controller Assembly (Drive and Steer) (Use p/n 1001212415) (See Separate Breakdown in this Section)	
45	1001166539	NLA	Controller Assembly (Lift and Swing) (Use p/n 1001129555) (See Separate Breakdown in this Section)	
46	1001172760	4	Bracket	
47	1001185281	1	Plug	
49	1001213882	1	Mount	
50	1001215228	1	Console Box Assembly	
50A	0630568	1	Capscrew 3/8 x 4-1/2	
50B	3311601	1	Nut 3/8	
50C	3430616	2	Pin	
50D	3470003	2	Hairpin	
50E	4711600	2	Washer 3/8	

SECTION 5 - PLATFORM

FIGURE 5-25. CONSOLE BOX ASSEMBLY WITH FOOTSWITCH (CHINA BUILT MACHINES) (PVC 2001)



ART_1001252329

SECTION 5 - PLATFORM

FIGURE 5-25. CONSOLE BOX ASSEMBLY WITH FOOTSWITCH (CHINA BUILT MACHINES) (PVC 2001)

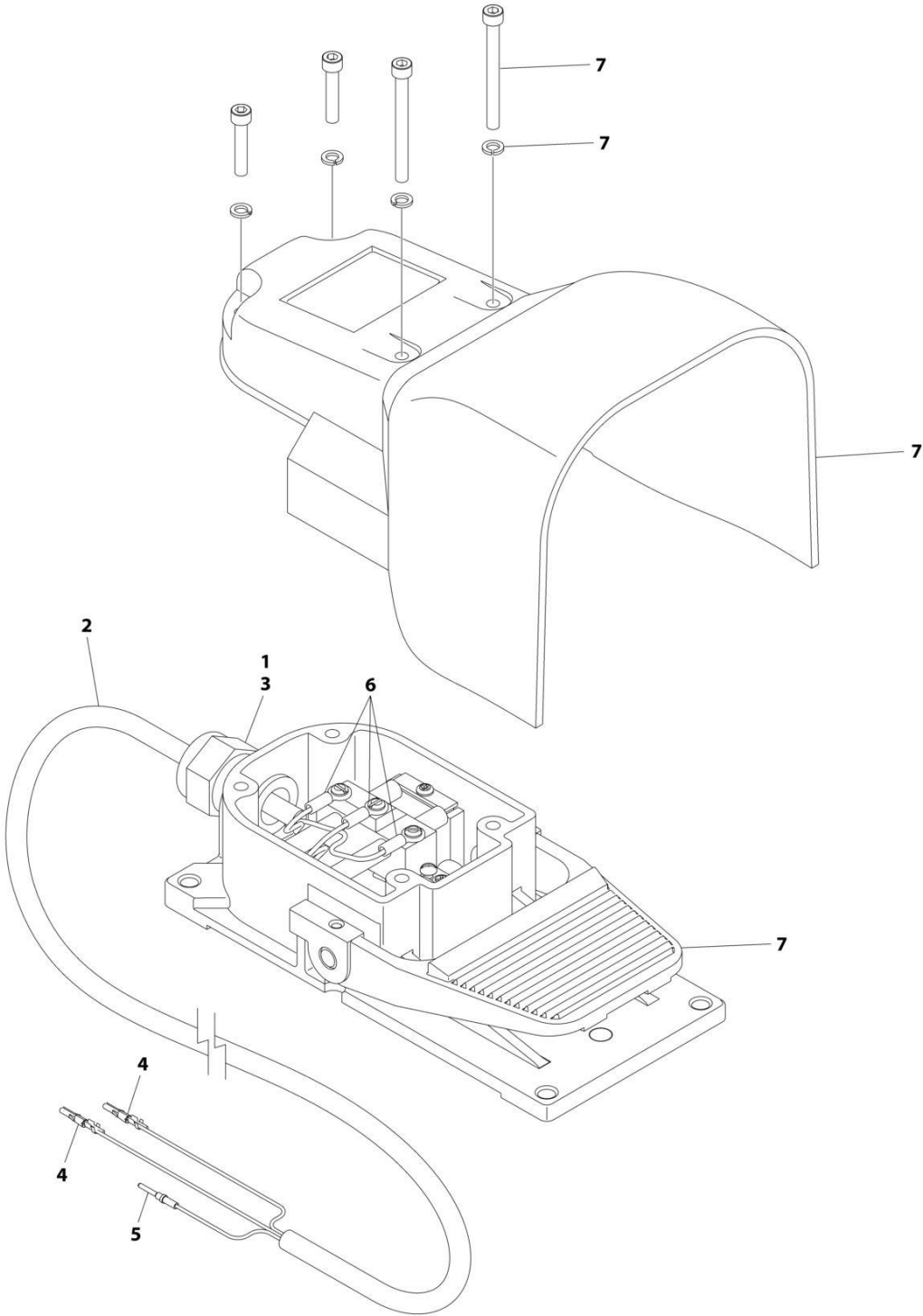
ITEM	PART NUMBER	QTY	DESCRIPTION	REV
	1001252329	Ref	CONSOLE BOX ASSEMBLY	B
1	0100009	AR	Sealant	
2	0100035	AR	Compound, Locking	
3	0100048	AR	Grease, Dielectric	
4	0140011	1	Alarm	
5	0641404	4	Bolt 1/4 x 1/2	
6	0641414	4	Bolt 1/4 x 1-3/4	
7	0721006	2	Bolt #10 x 3/4	
8	1702565	1	Decal - Drive and Steer	
9	1702566	1	Decal - Lift and Swing	
10	1702567	1	Decal - Function Speed	
11	1704260	1	Decal - Emergency Stop	
12	1705132	1	Decal - ADE	
13	2560136	1	Handle, Knob	
14	2920028	1	Light, Indicator	
15	2920029	1	Bulb, Light	
16	3300353	4	Nut, Tinnerman	
17	3311005	2	Nut #10	
18	3520054	6	Plug	
19	3790012	7	O-Ring	
20	4240032	AR	Tie-Strap	
21	4360328	6	Switch, Toggle	
22	4360330	1	Switch, Toggle	
23	4360387	2	Switch, Push Button	
24	4360407	1	Controller, Speed	
24	4460224	1	Receptacle, Female - 6 Position	
24	4460226	6	Socket, Female	
24	See Note	1	Gasket "Top Hat" (Included with Switch) (Note: Not Available - Purchase Complete Controller)	
24	70003784	1	Seal	
25	4360475	1	Switch, Emergency Stop	
25	7020175	1	Cap, Red	
25	7020176	1	Block, Contact	
26	4360476	1	Contact, Switch	
27	4460007	1	Bussbar	
28	4460234	3	Mount, Tie-Strap	
29	4460428	2	Connector, Strain Relief	
30	4460470	1	Nut, Terminal	
31	4460471	1	Washer, Terminal	
32	4460488	2	Mount, Tie-Strap	
33	4460708	2	Connector - 15 Position (Not Shown)	
34	4740397	7	Washer	
35	4751000	2	Washer #10	
36	4751400	8	Washer 1/4	
37	4922666	1	Analyzer Harness (Not SHown)	
37	4460761	1	Receptacle, Female - 4 Position	
37	4460227	4	Pin, Male	
38	1001106355	1	Controller, Module (Note: Re-calibration Required when Replaced.)	

SECTION 5 - PLATFORM

ITEM	PART NUMBER	QTY	DESCRIPTION	REV
39	1001110434	1	Plug	A
40	1001117174	1	Footswitch Assembly (See Separate Breakdown in this Section)	
41	1001118416	NLA	Controller Assembly (Drive and Steer) (Use p/n 1001212415) (See Separate Breakdown in this Section)	
42	1001118417	NLA	Controller Assembly (Lift and Swing) (Use p/n 1001129555) (See Separate Breakdown in this Section)	
43	1001155044	7	Nut 15/32	
44	1001172760	4	Bracket	
45	1001185281	1	Plug	
46	1001215228	1	Console Box Components	
46A	0630568	1	Capscrew 3/8 x 4-1/2	
46B	3311601	1	Nut 3/8	
46C	3430616	2	Pin	
46D	3470003	1	Hairpin	
46E	4751600	AR	Washer 3/8	
48	1001243984	1	Platform Console Harness (See Separate Breakdown in ELECTRICAL SECTION)	
49	3900349	8	Capscrew M2.5 x 8	
50	1001213882	1	Mount	

SECTION 5 - PLATFORM

FIGURE 5-26. FOOTSWITCH ASSEMBLY



ART_100117174

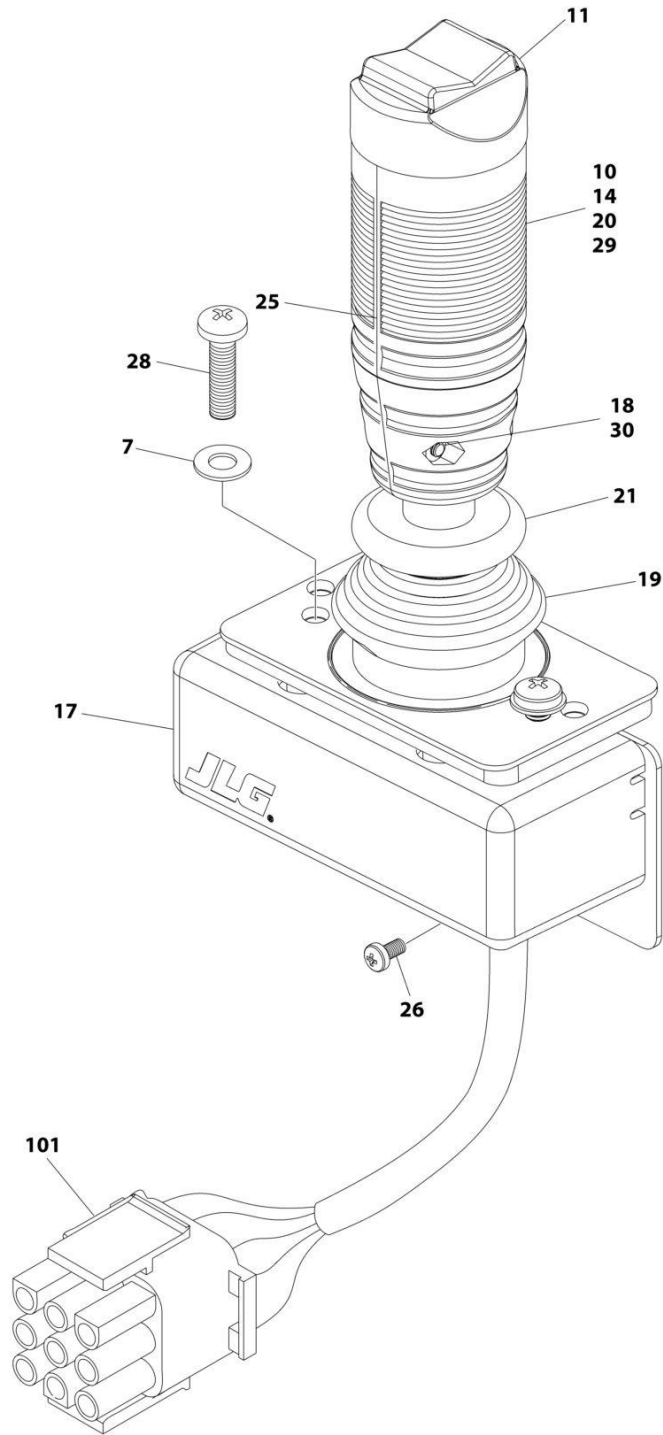
SECTION 5 - PLATFORM

FIGURE 5-26. FOOTSWITCH ASSEMBLY

ITEM	PART NUMBER	QTY	DESCRIPTION	REV
	1001117174	Ref	FOOTSWITCH ASSEMBLY	C
1	0100020	AR	Sealant	
2	1060918	7.5 ft/ 2.3m	Cable, Electrical - 18/3	
3	4460071	1	Connector, Strain Relief	
4	4460226	2	Socket, Female	
5	4460464	1	Pin, Male	
6	1001098122	3	Terminal	
7	1001117172	1	Footswitch	
7	70002902	1	Switch, 20Amp	
7	70002903	1	Gasket	
7	70002905	1	Cover	
7	70002904	1	Kit, Replacement Bolt	

SECTION 5 - PLATFORM

FIGURE 5-27. CONTROLLER ASSEMBLY- DRIVE/STEER (USA BUILT MACHINES - PVC 2001 & 2007, CHINA BUILT MACHINES - PVC 2007)



ART_1001166538

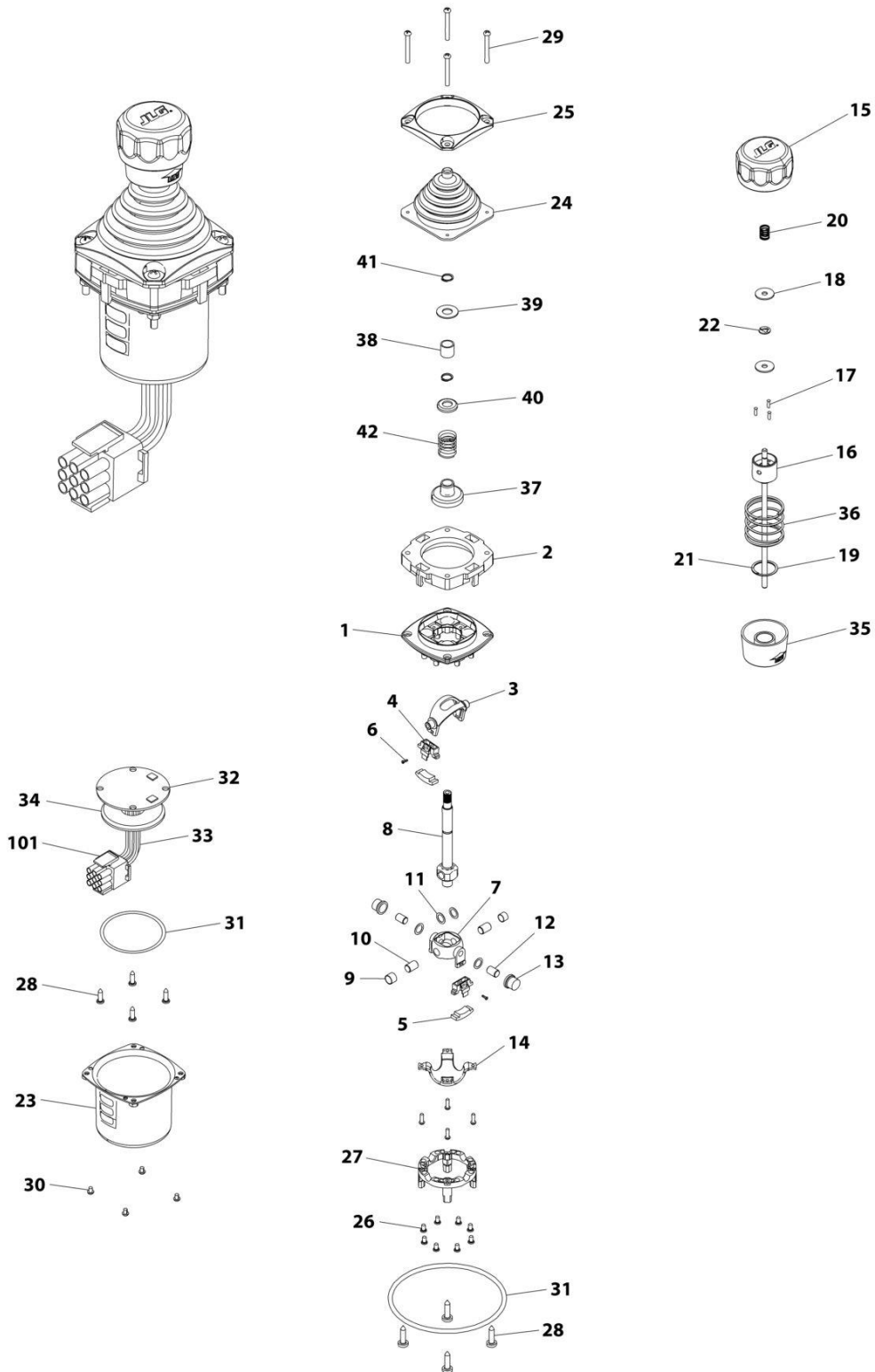
SECTION 5 - PLATFORM

**FIGURE 5-27. CONTROLLER ASSEMBLY- DRIVE/STEER (USA BUILT MACHINES - PVC 2001 & 2007,
CHINA BUILT MACHINES - PVC 2007)**

ITEM	PART NUMBER	QTY	DESCRIPTION	REV
	1001166538	Ref	CONTROLLER ASSEMBLY - DRIVE AND STEER	G
		Ref	Note: For Replacement, Use p/n 1001212415.	
7	70004738	2	Washer	
10	70004739	1	Roller	
11	70004740	1	Boot, Switch	
14	70004741	2	Half, Handle	
17	70004742	1	Enclosure	
18	70004743	4	Nut	
19	70004744	NLA	Boot, Controller (Use p/n 70005230 Boot/Base Assembly)	
20	70004745	NLA	Tube, Locking (Use p/n 70005230 Boot/Base Assembly)	
21	70004746	NLA	Disc, Locking (Use p/n 70005230 Boot/Base Assembly)	
25	70004747	2	Seal, Rope	
26	70004748	1	Screw M3 x 6	
28	70004749	2	Screw M5 x 20	
29	70004750	1	Pin, Dowel	
30	70004751	4	Screw M3 x 16	
101	4460265	1	Connector - 9 Position	
101	4460226	7	Socket, Female	

SECTION 5 - PLATFORM

FIGURE 5-28. CONTROLLER ASSEMBLY - LIFT/SWING (USA BUILT MACHINES - PVC 2001 & 2007, CHINA BUILT MACHINES - PVC 2007)



ART_1001166539

SECTION 5 - PLATFORM

FIGURE 5-28. CONTROLLER ASSEMBLY - LIFT/SWING (USA BUILT MACHINES - PVC 2001 & 2007, CHINA BUILT MACHINES - PVC 2007)

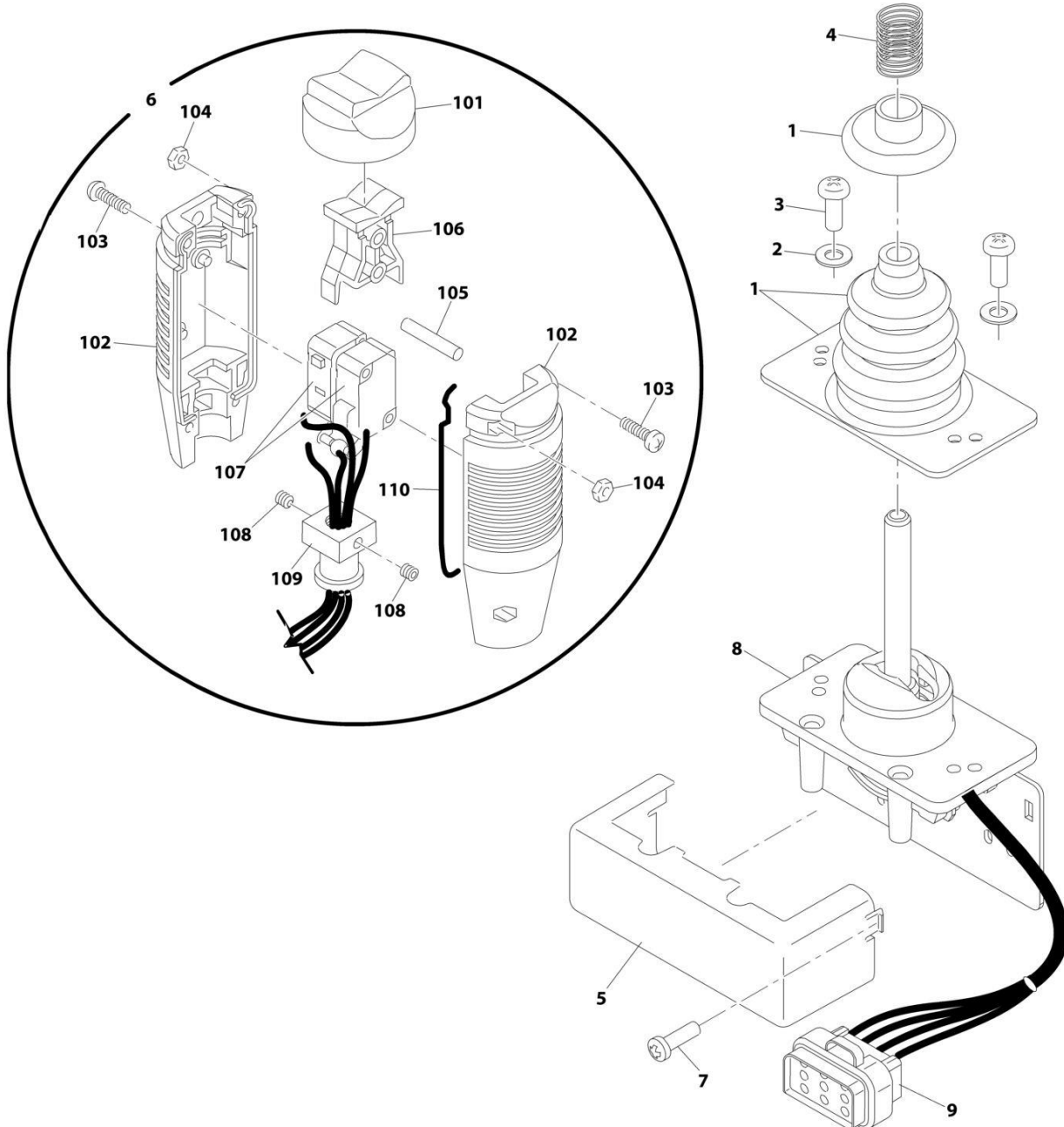
ITEM	PART NUMBER	QTY	DESCRIPTION	REV
	1001166539	Ref	CONTROLLER ASSEMBLY	E
		Ref	Note: Original Equipment Controller May Have Been Replaced with Service Replacement Controller. Visually Identify Controller Before Ordering Parts.	
		Ref	Note: For Replacement, Use p/n 1001129555	
1	See Note	NSS	Main Cast Body (Note: Not Available - Purchase Complete Assembly)	
2	70004752	1	Adapter	
3	See Note	NSS	Pivot Arm, Plastic (Note: Not Available - Purchase Complete Assembly)	
4	See Note	NSS	Holder, Magnet (Note: Not Available - Purchase Complete Assembly)	
5	See Note	NSS	Arc, Magnet (Note: Not Available - Purchase Complete Assembly)	
6	See Note	NSS	Screw (Note: Not Available for Purchase)	
7	See Note	NSS	Pivot Arm, Cast (Note: Not Available - Purchase Complete Assembly)	
8	See Note	NSS	Shaft, Main (Note: Not Available - Purchase Complete Assembly)	
9	See Note	NSS	Bearing (Note: Not Available - Purchase Complete Assembly)	
10	See Note	NSS	Pin (Note: Not Available - Purchase Complete Assembly)	
11	See Note	NSS	Shim (Note: Not Available - Purchase Complete Assembly)	
12	See Note	NSS	Pin (Note: Not Available - Purchase Complete Assembly)	
13	See Note	NSS	Bearing (Note: Not Available - Purchase Complete Assembly)	
14	See Note	NSS	Dome, Centering (Note: Not Available - Purchase Complete Assembly)	
15	70004753	1	Cap	
16	70004754	1	Insert, Cap	
17	70004755	3	Pin	
18	70004756	2	Washer	
19	70004757	1	Pin, Centering	
20	70004758	1	Spring	
21	70004759	1	Ring, Retaining	
22	70004760	1	E-Ring	
23	70004761	1	Can, Enclosure	
24	70004762	1	Boot	
25	70004763	1	Bezel	
26	See Note	NSS	Screw (Note: Not Available for Purchase)	
27	See Note	NSS	Base Mounting (Note: Not Available - Purchase Complete Assembly)	
28	See Note	NSS	Screw (Note: Not Available for Purchase)	
29	70004764	4	Screw	
30	70004765	4	Screw	
31	70004766	1	O-Ring	
32	See Note	NSS	Plate (Note: Not Available - Purchase Complete Assembly)	
33	See Note	NSS	Harness (Note: Not Available - Purchase Complete Assembly)	
34	70004767	1	Grommet, Rubber	
35	70004768	1	Housing	
36	70004769	1	Spring	
37	70004770	1	Stopper	
38	70004771	1	Spacer	
39	70004772	1	Washer	

SECTION 5 - PLATFORM

ITEM	PART NUMBER	QTY	DESCRIPTION	REV
40	70004773	1	Disc	
41	70004774	2	Ring, Retaining	
42	70004775	1	Spring	
101	4460265	1	Connector - 9 Position	
101	4460226	6	Socket, Female	

SECTION 5 - PLATFORM

FIGURE 5-29. CONTROLLER ASSEMBLY (DRIVE AND STEER) (CHINA BUILT MACHINES) (PVC 2001)



Note: Original Equipment controller may have been replaced with Service Replacement controller. Visually identify controller before ordering parts.

ART_100118416

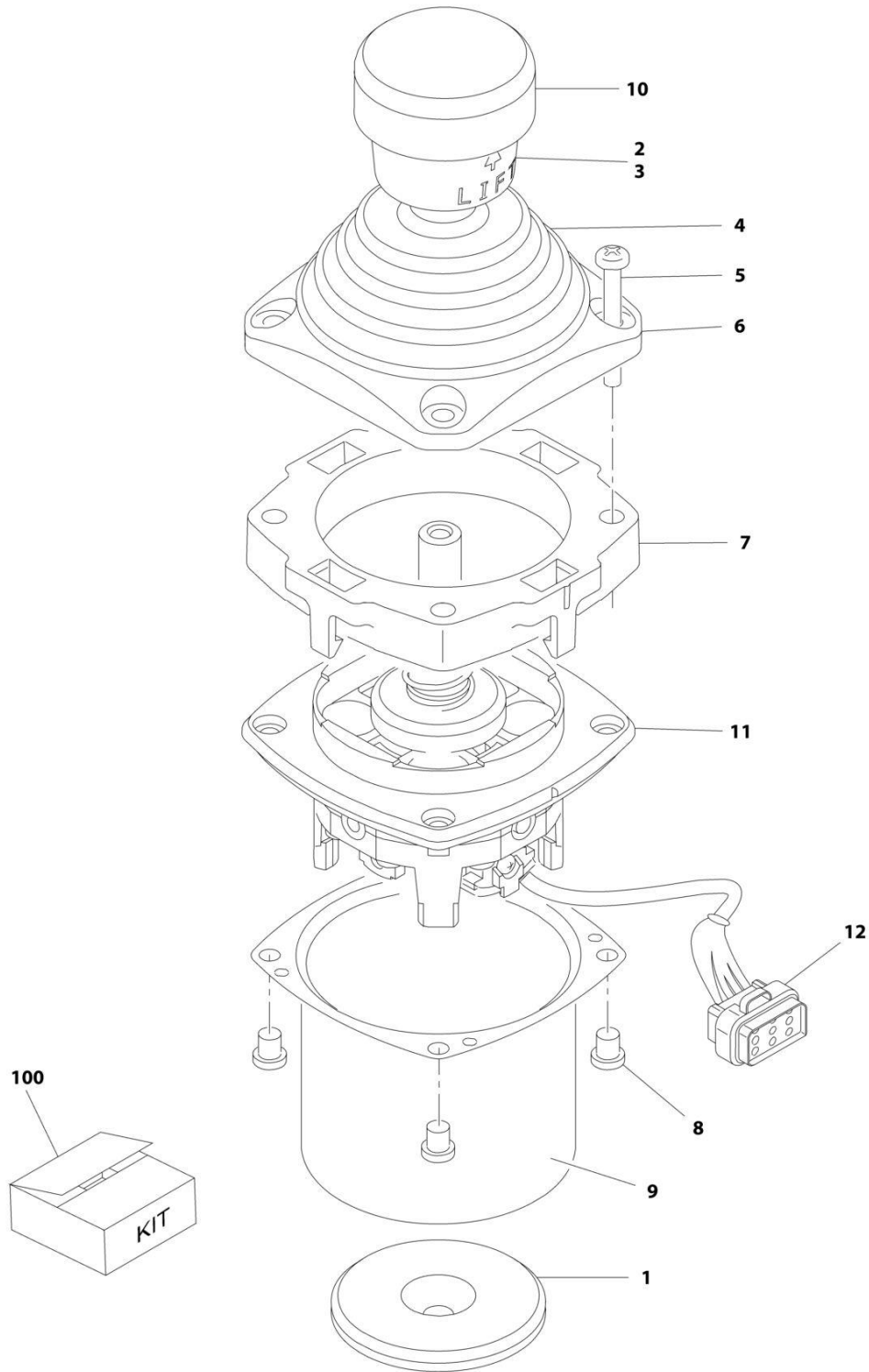
SECTION 5 - PLATFORM

FIGURE 5-29. CONTROLLER ASSEMBLY (DRIVE AND STEER) (CHINA BUILT MACHINES) (PVC 2001)

ITEM	PART NUMBER	QTY	DESCRIPTION	REV
		Ref	Note: Original Equipment controller may have been replaced with a Service Replacement controller. Visually identify controller before ordering parts.	
	1001118416	Ref	CONTROLLER ASSEMBLY (DRIVE AND STEER)	D
		Ref	Note: Use p/n 1001212415 as replacement.	
1	70002724	1	Boot and Control Lock Assembly	
2	7003941	2	Washer	
3	70002725	2	Screw	
4	7019162	1	Spring	
5	70002726	1	Enclosure	
6	70002727	1	Handle Assembly (See Items 101-110 for Breakdown)	
7	70002728	1	Screw	
8	1001118416	NSS	Mechanical Assembly (Note: Not Available for Purchase)	
9	7022825	1	Plug, Male - 8 Position (Black)	
9	4460871	7	Socket, Female	
	70002727	Ref	HANDLE ASSEMBLY	
101	7003972	1	Boot, Switch	
102	7003973	2	Half, Handle	
103	7003980	4	Screw	
104	7019167	4	Nut	
105	7019164	1	Axle	
106	7019165	1	Rocker	
107	70002729	1	Wiring Assembly	
107	7003982	2	Switch, Micro	
108	7003983	2	Setscrew	
109	7019194	1	Coupling	
110	7003989	2	Gasket	

SECTION 5 - PLATFORM

FIGURE 5-30. CONTROLLER ASSEMBLY (LIFT AND SWING) (CHINA BUILT MACHINES) (PVC 2001)



ART_100118417-E

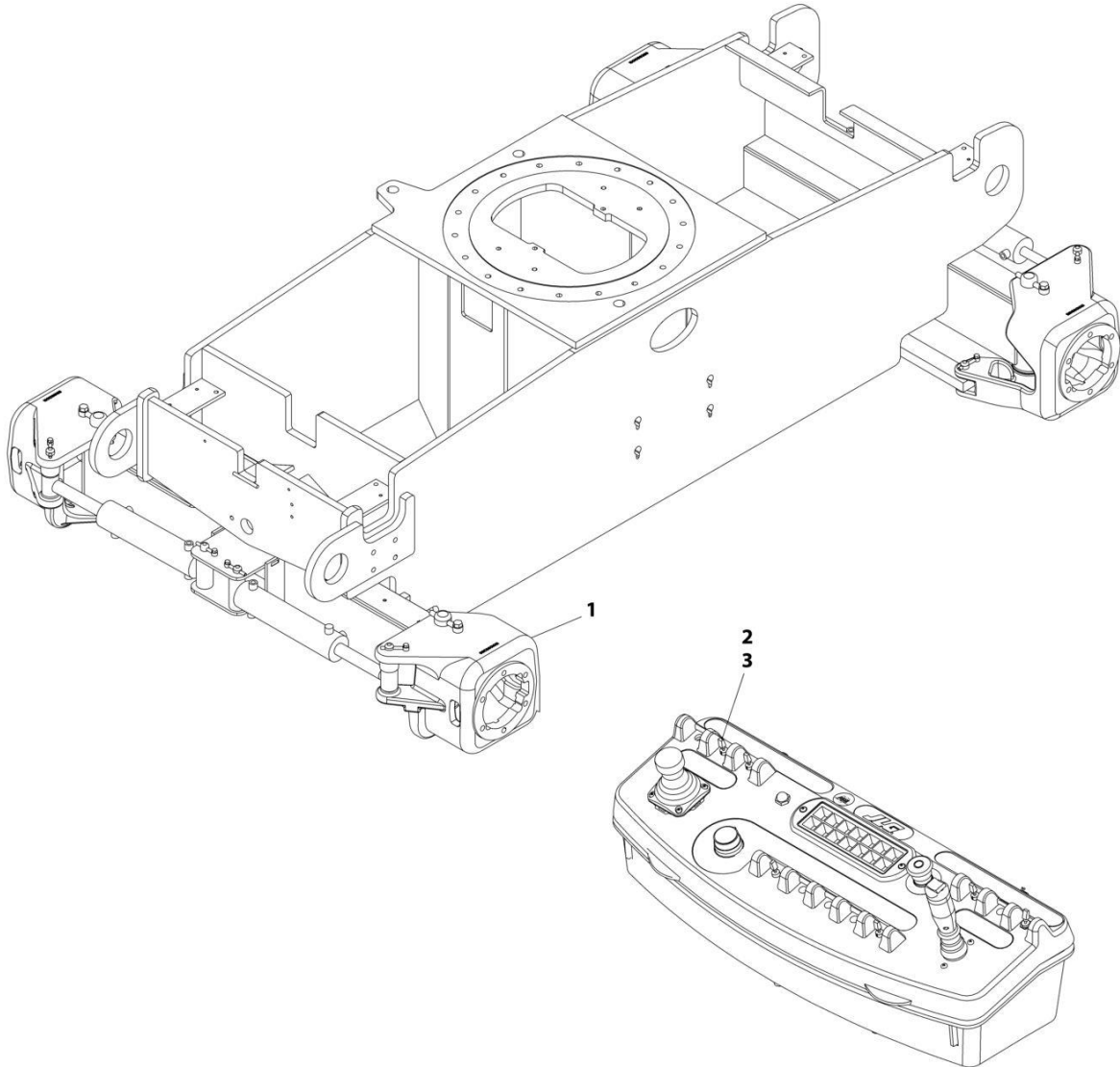
SECTION 5 - PLATFORM

FIGURE 5-30. CONTROLLER ASSEMBLY (LIFT AND SWING) (CHINA BUILT MACHINES) (PVC 2001)

ITEM	PART NUMBER	QTY	DESCRIPTION	REV
		Ref	Note: Original Equipment controller may have been replaced with a Service Replacement controller. Visually identify controller before ordering parts.	
	1001118417	Ref	CONTROLLER ASSEMBLY (LIFT AND SWING)	E
		Ref	Note: Use p/n 1001129555 as Replacement.	
1	70002730	1	Gasket	
2	7003928	1	Spring	
3	7022808	1	Cap, Lift	
4	70002731	1	Boot	
5	70002732	4	Screw	
6	7022815	1	Bezel	
7	70002733	1	Adapter	
8	70002734	4	Screw	
9	70002735	1	Can, Enclosure	
10	70002906	1	Cap	
11	See Note	NSS	Mechanical Assembly (Note: Use p/n 1001129555)	
12	7022819	1	Plug, Male 8 Position (Natural) (Not Shown)	
12	4460871	6	Socket, Female	
100	1001129555	1	Joystick Replacement Service Kit	
	1001166539	1	Controller, Lift/Swing	
	3128764	1	Instructions, Joystick Replacement	

SECTION 5 - PLATFORM

FIGURE 5-31. CRAB STEER SWITCH INSTALLATION - 4WS (WITHOUT TOW PACKAGE) (USA BUILT MACHINES - PVC 2001 & 2007, CHINA BUILT MACHINES - PVC 2007)



ART_1001148163

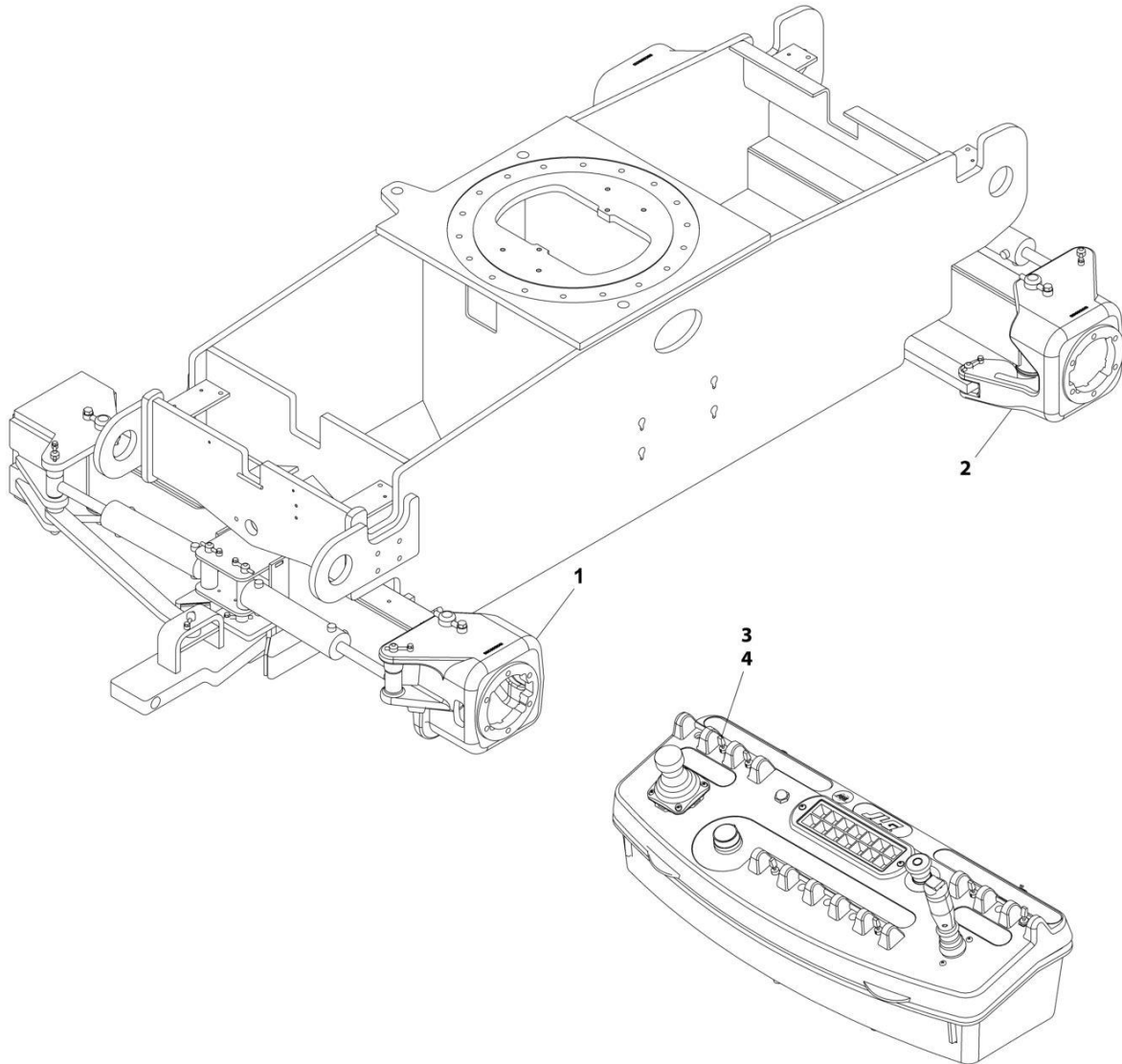
SECTION 5 - PLATFORM

FIGURE 5-31. CRAB STEER SWITCH INSTALLATION - 4WS (WITHOUT TOW PACKAGE) (USA BUILT MACHINES - PVC 2001 & 2007, CHINA BUILT MACHINES - PVC 2007)

ITEM	PART NUMBER	QTY	DESCRIPTION	REV
1	1001148163	Ref	CRAB STEER SWITCH INSTALLATION - 4WS	B
	1001148162	Ref	Steering Installation (Crab Steer) (See Separate Breakdown in FRAME SECTION)	
2	4360331	1	Switch, Toggle	
3	3790012	1	O-Ring	

SECTION 5 - PLATFORM

FIGURE 5-32. CRAB STEER SWITCH INSTALLATION - 4WS (WITH TOW PACKAGE) (USA BUILT MACHINES)



ART_1001148166

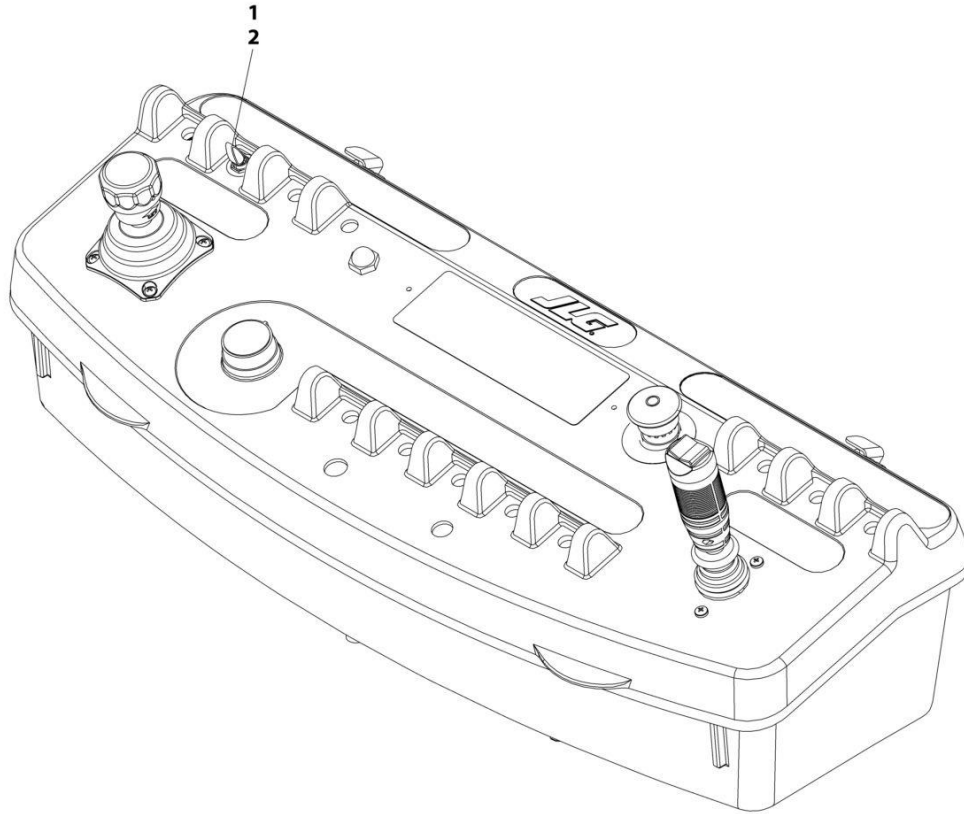
SECTION 5 - PLATFORM

FIGURE 5-32. CRAB STEER SWITCH INSTALLATION - 4WS (WITH TOW PACKAGE) (USA BUILT MACHINES)

ITEM	PART NUMBER	QTY	DESCRIPTION	REV
1	1001148166	Ref	CRAB STEER SWITCH INSTALLATION - 4WS	B
	1001148164	Ref	Steering Installation (Not Shown - See Separate Breakdown in FRAME SECTION)	
2	1001148162	Ref	Steering Installation (Crab Steer) (Not Shown - See Separate Breakdown in FRAME SECTION)	
3	4360331	1	Switch, Toggle	
4	3790012	1	O-Ring	

SECTION 5 - PLATFORM

FIGURE 5-33. STEER SWITCH INSTALLATION – 4WS (CHINA BUILT MACHINES) (PVC 2001)



ART_0258945

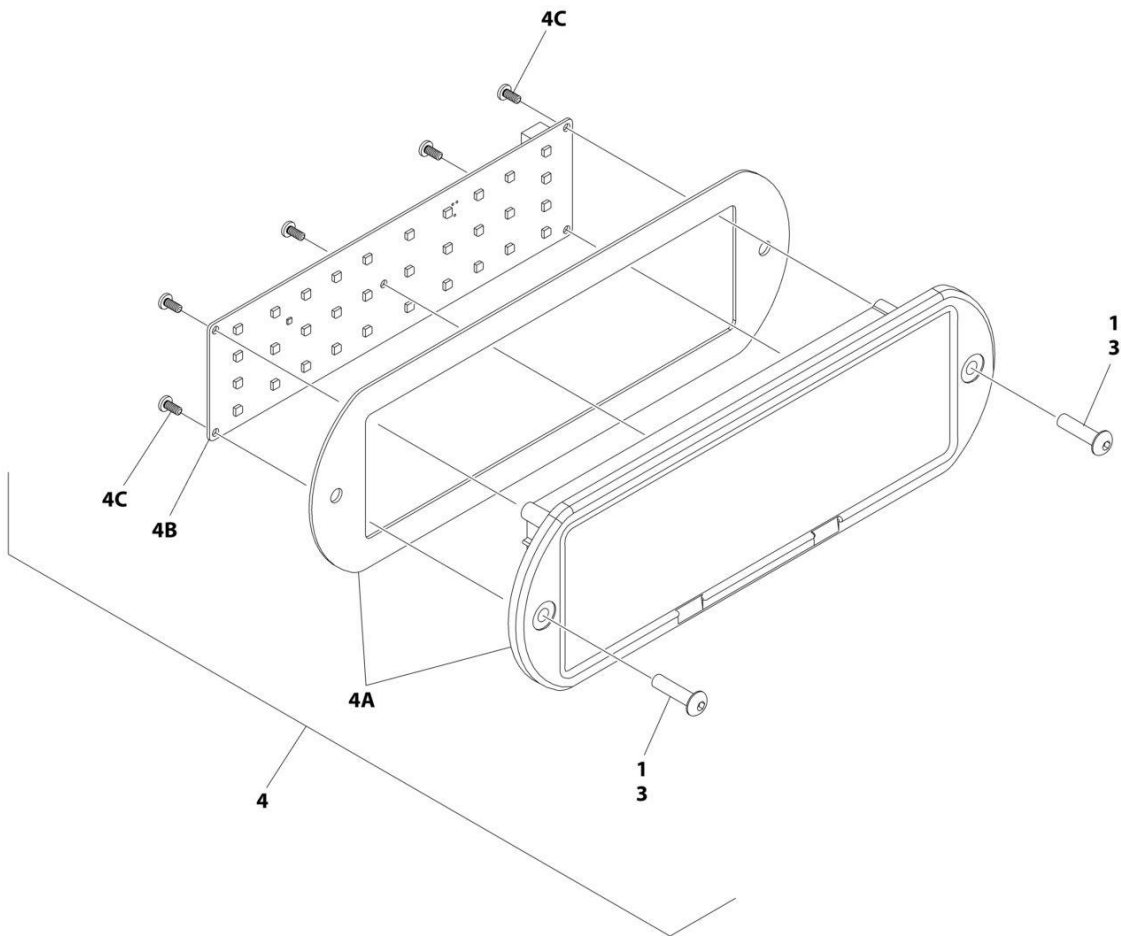
SECTION 5 - PLATFORM

FIGURE 5-33. STEER SWITCH INSTALLATION – 4WS (CHINA BUILT MACHINES) (PVC 2001)

ITEM	PART NUMBER	QTY	DESCRIPTION	REV
	0258945	Ref	STEER SWITCH INSTALLATION - 4WS	A
1	4360331	1	Switch, Toggle	
2	3790012	1	O-Ring	

SECTION 5 - PLATFORM

FIGURE 5-34. LIGHT PANEL INSTALLATION



ART_1001241403_2OF2

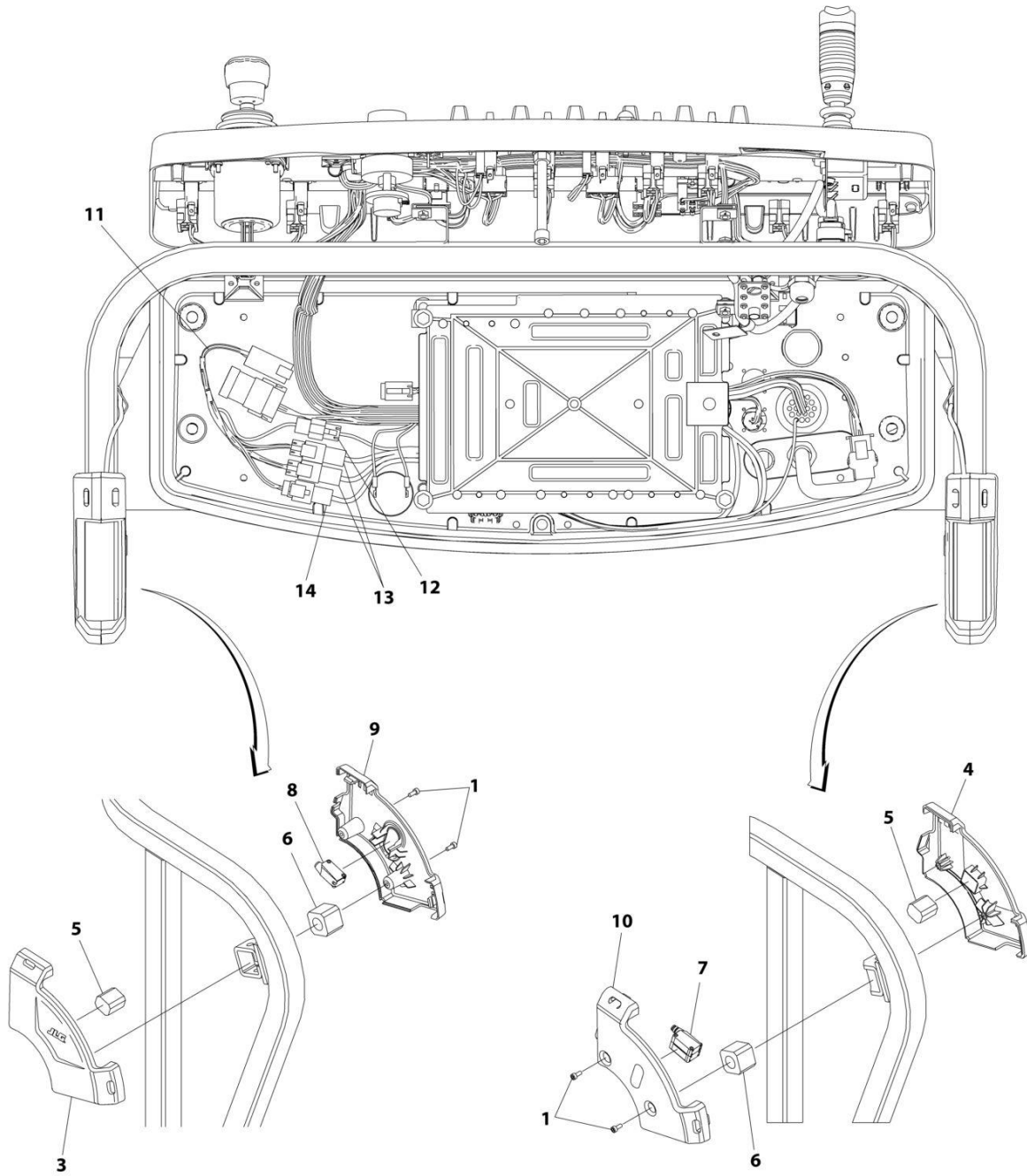
SECTION 5 - PLATFORM

FIGURE 5-34. LIGHT PANEL INSTALLATION

ITEM	PART NUMBER	QTY	DESCRIPTION	REV
	1001241403	Ref	LIGHT PANEL INSTALLATION - PLATFORM CONSOLE	C
1	3300408	1	Nut, Nylon Insert	
3	0630518	2	Screw #10 x 3/4	
4	1001238672	1	Light Panel Electrical Assembly	H
4A	1001236089	1	Lens Assembly (Includes Housing Shell, Decal/Lens with Icons & Gasket)	
4B	1001238732	1	Panel, LED Light	
4C		Ref	Screw	

SECTION 5 - PLATFORM

FIGURE 5-35. SKYEYE INSTALLATION



ART_1001229341

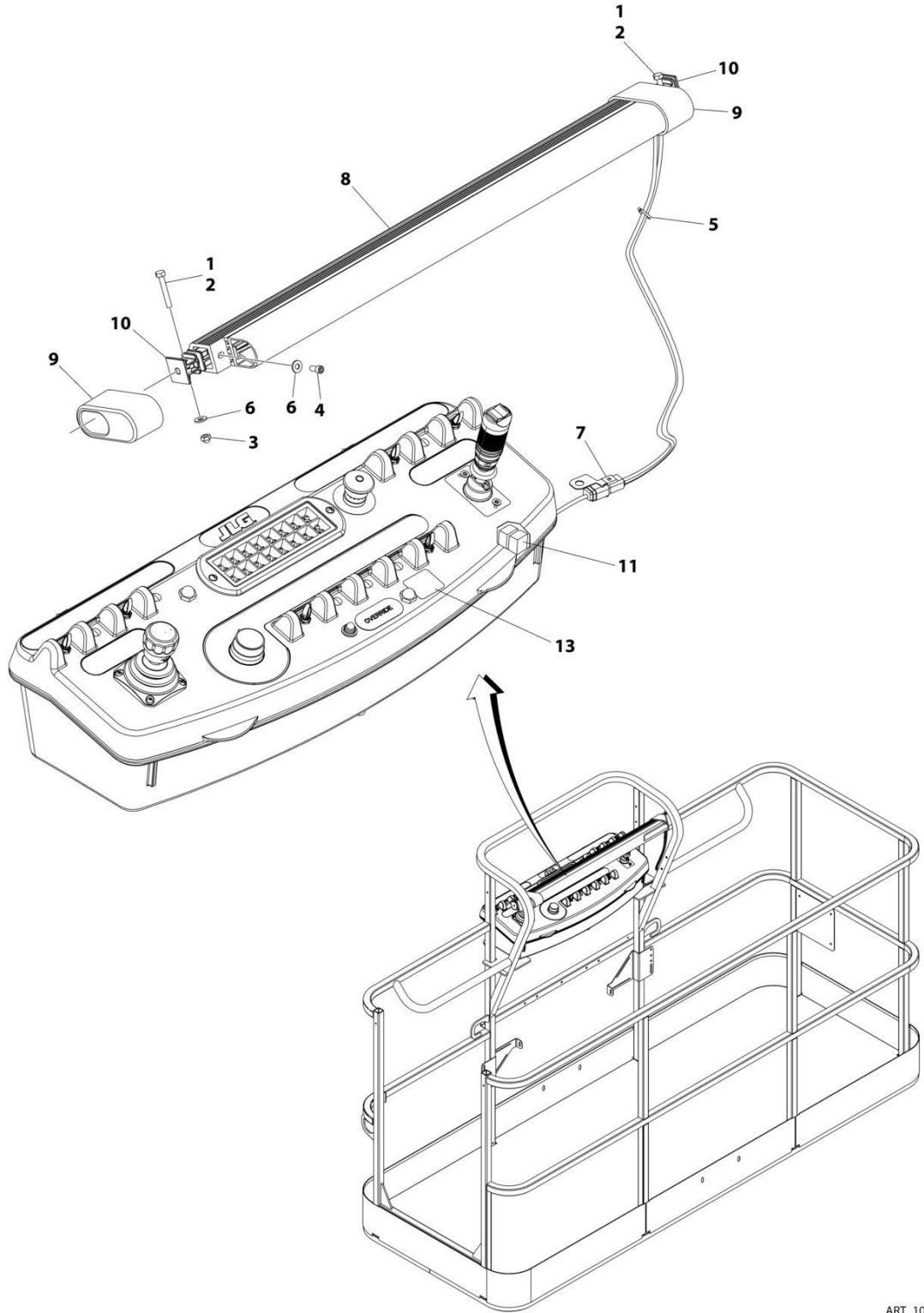
SECTION 5 - PLATFORM

FIGURE 5-35. SKYEYE INSTALLATION

ITEM	PART NUMBER	QTY	DESCRIPTION	REV
	1001229341	Ref	SKYEYE INSTALLATION	B
1	4031505	4	Bolt M4 x 10	
2	4240033	AR	Tie-Strap (Not Shown)	
3	1001227633	1	Housing, LH Outer	
4	1001227634	1	Housing, RH Outer	
5	1001227985	2	Shim	
6	1001227987	2	Shim	
7	1001228224	2	Sensor, Receiver	
8	1001228225	1	Sensor, Emitter	
9	1001232164	1	Housing, LH Inner	
10	1001232165	1	Housing, RH Inner	
11	1001237865	1	Harness, Skyeeye Intermediate (See Separate Breakdown in ELECTRICAL Section)	
12	1001238319	NLA	Harness, Skyeeye Drain Jumper	
12	1001187674	1	Plug, Male - 2 Position	
12	4460942	1	Terminal	
12	4460466	1	Plug, Terminal	
12	4460508	1	Pin, Male	
13	1001237863	2	Harness, Skyeeye Receiver (See Separate Breakdown in ELECTRICAL Section)	
14	1001237864	1	Harness, Skyeeye Emitter (See Separate Breakdown in ELECTRICAL Section)	

SECTION 5 - PLATFORM

FIGURE 5-36. SKYGUARD BAR INSTALLATION



ART_1001238495

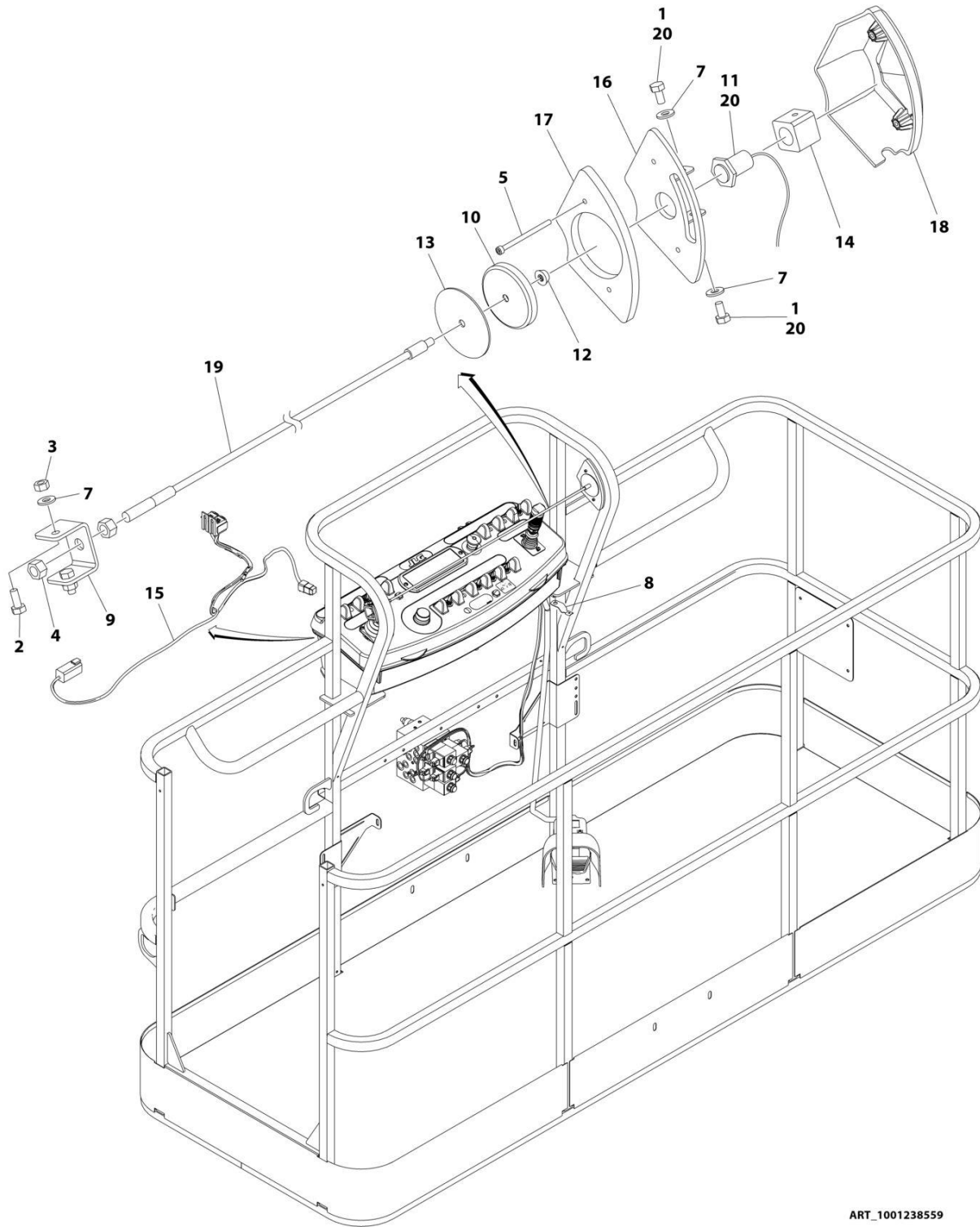
SECTION 5 - PLATFORM

FIGURE 5-36. SKYGUARD BAR INSTALLATION

ITEM	PART NUMBER	QTY	DESCRIPTION	REV
	1001238495	Ref	SKYGUARD BAR INSTALLATION	A
1	0100011	AR	Compound, Locking	
2	0641414	2	Bolt 1/4 x 1-3/4	
3	3300430	2	Nut 1/4	
4	3931408	2	Capscrew 1/4 x 1/2	
5	4240033	8	Tie-Strap	
6	4711400	6	Washer 1/4	
7	1001120328	1	Mount	
8	1001137673	1	SkyGuard Switch Assembly	
9	1001186517	2	Cover, Platform Sensor	
10	1001209664	2	Support, Block	
11	1001186431	2	Relay	
12	1001225580	1	Interface Harness Assembly (Not Shown - Located Inside Console Box) (See Separate Breakdown in ELECTRICAL Section)	
13	1001144433	1	Decal - No Weight SkyGuard	

SECTION 5 - PLATFORM

FIGURE 5-37. SKYLINE INSTALLATION



ART_1001238559

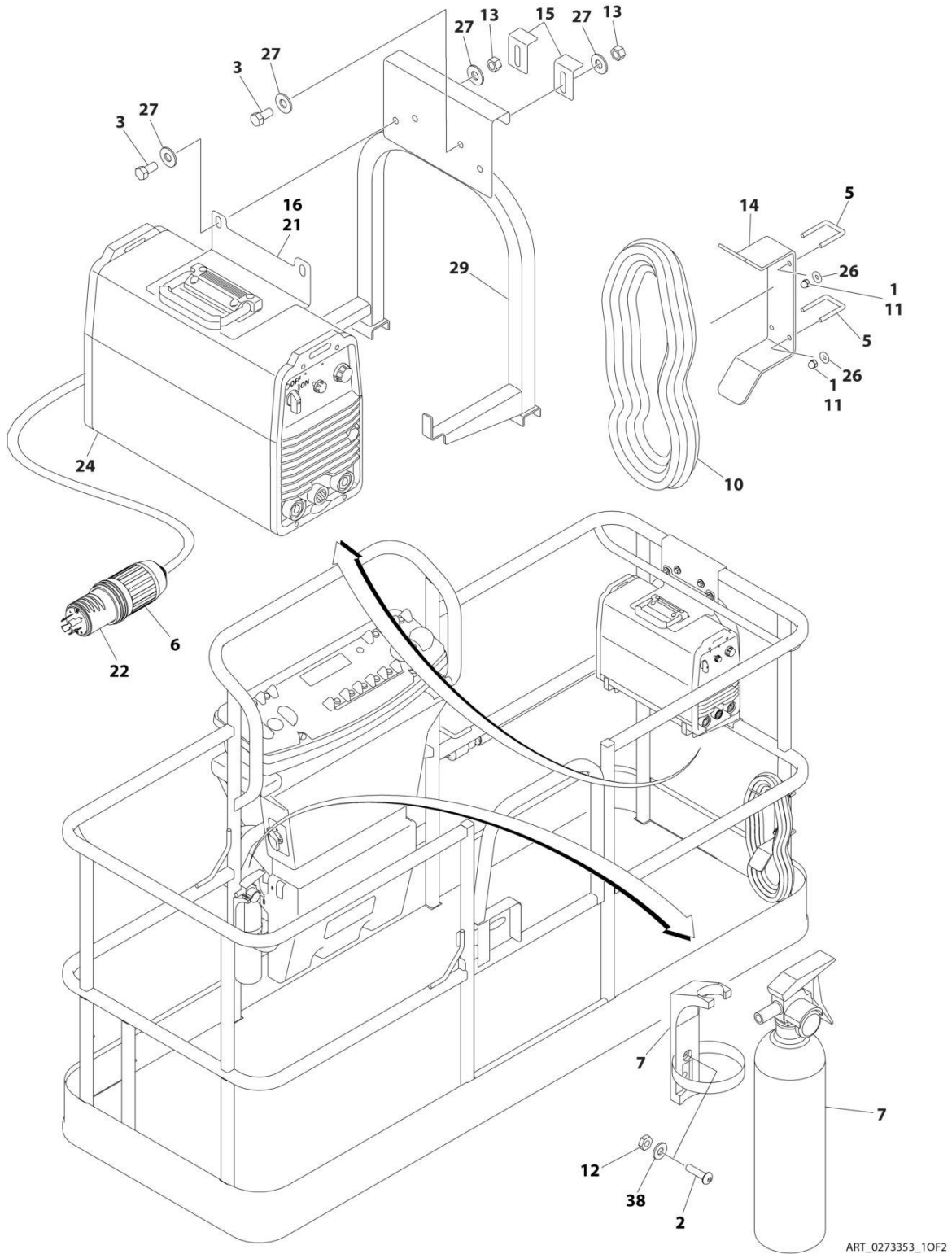
SECTION 5 - PLATFORM

FIGURE 5-37. SKYLINE INSTALLATION

ITEM	PART NUMBER	QTY	DESCRIPTION	REV
	1001238559	Ref	SKYLINE INSTALLATION	B
1	0641404	2	Bolt 1/4 x 1/2	
2	0641405	2	Bolt 1/4 x 5/8	
3	3311405	2	Nut 1/4	
4	3311601	2	Nut 3/8	
5	4031516	2	Capscrew M4 x 60	
6	4240033	AR	Tie-Strap (Not Shown)	
7	4711400	4	Washer 1/4	
8	1001120328	1	Mount	
9	1001232642	1	Bracket	
10	1001232650	1	Magnet	
11	1001232667	1	Sensor, Proximity	
12	1001235011	1	Nut	
13	1001235013	1	Washer	
14	1001236552	1	Block	
15	1001238418	1	Harness, Skyline (See Separate Breakdown in ELECTRICAL Section)	
16	1001238472	1	Mount	
17	1001238477	1	Housing, LH	
18	1001241965	1	Housing, RH	
19	1001238824	1	Rope	
20	0100011	AR	Compound, Locking	

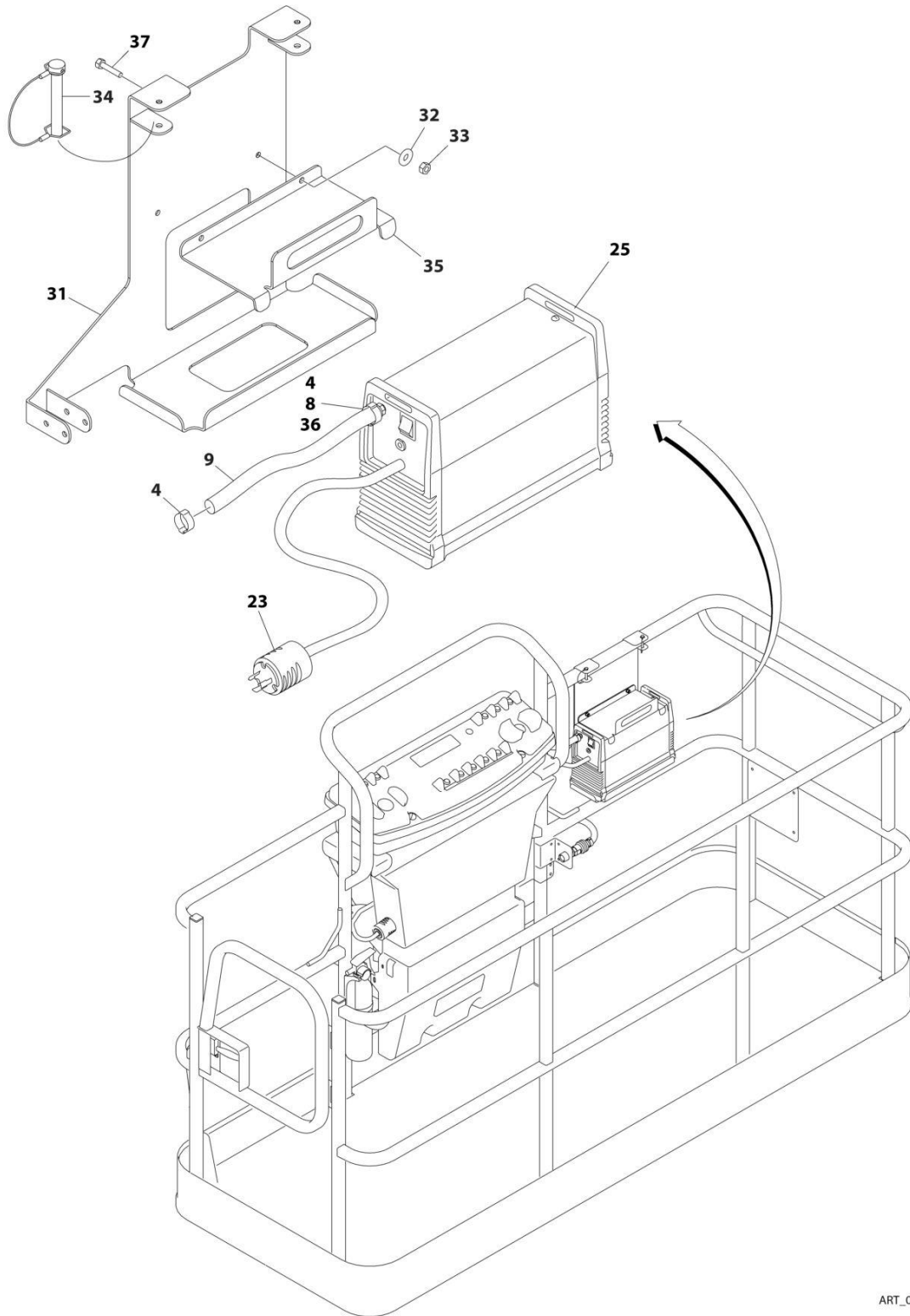
SECTION 5 - PLATFORM

FIGURE 5-38. SKYWELDER/SKYCUTTER COMBO INSTALLATION (60HZ) (ANSI, ANSI EXPORT, AUSTRALIAN, CHINA, CSA AND JAPANESE SPECS)



ART_0273353_10F2

SECTION 5 - PLATFORM



ART_0273353_20F2

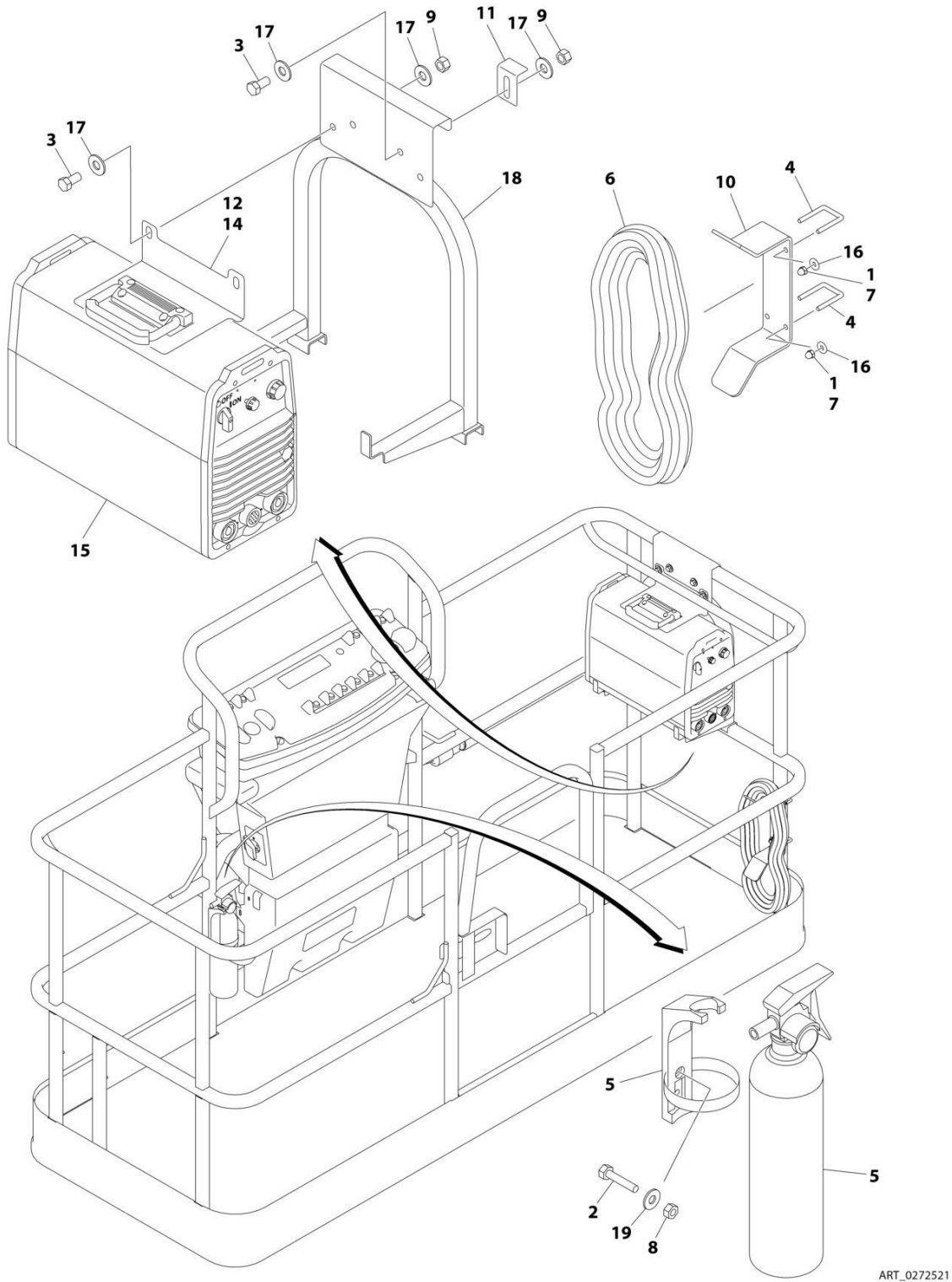
SECTION 5 - PLATFORM

FIGURE 5-38. SKYWELDER/SKYCUTTER COMBO INSTALLATION (60HZ) (ANSI, ANSI EXPORT, AUSTRALIAN, CHINA, CSA AND JAPANESE SPECS)

ITEM	PART NUMBER	QTY	DESCRIPTION	REV
	0273353	Ref	SKYWELDER/SKYCUTTER COMBO INSTALLATION (60HZ)	G
1	0100011	AR	Compound, Locking	
2	0630518	2	Screw #10 x 3/4	
3	0641606	4	Bolt 3/8 x 3/4	
4	1320177	2	Clamp	
5	1320302	2	Clamp	
6	1671093	1	Cover, Plug	
7	2030010	1	Extinguisher, Fire	
8	2180832	1	Fitting, Barbed/NPT	
9	2720160	4.5 ft /1.37m	Hose	
10	2902217	1	Weld Leads Kit	
11	3300151	4	Nut 1/4	
12	3311005	2	Nut #10	
13	3311605	4	Nut 3/8	
14	3573400	1	Bracket	
15	3577121	2	Angle	
16	3573642	1	Plate	
20	4240099	AR	Tie-Strap (Not Shown)	
21	4420037	2.36 ft /.71m	Tape	
22	4460962	1	Plug, Twist Lock	
23	4460971	1	Plug, Twist Lock	
24	4530028	1	Welder Assembly (See Separate Breakdown in this section)	
25	1001098012	1	Plasma Cutter Assembly (See Separate Breakdown in this Section)	
26	4751400	4	Washer 1/4	
27	4751600	8	Washer 3/8	
29	4846627	1	Support	
31	1001145405	1	Bracket	
32	4811700	2	Washer M6	
33	3290605	2	Nut M6	
34	3421453	3	Pin	
35	3576799	1	Plate, Hold-Down	
36	0100020	1	Sealant	
37	4010608	2	Screw M6 x 16	
38	4751000	2	Washer #10	

SECTION 5 - PLATFORM

FIGURE 5-39. SKYWELDER INSTALLATION (50HZ)



ART_0272521

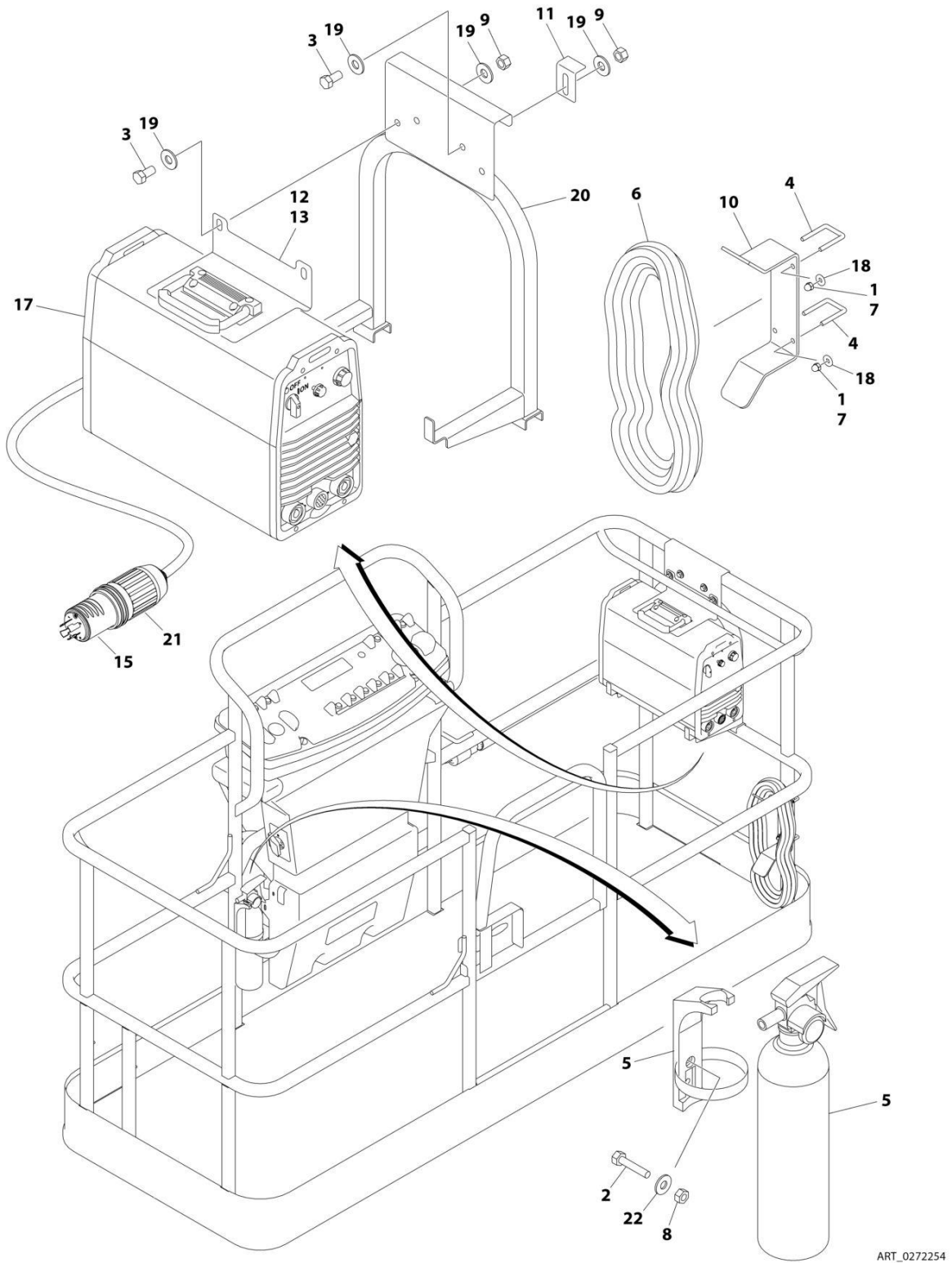
SECTION 5 - PLATFORM

FIGURE 5-39. SKYWELDER INSTALLATION (50HZ)

ITEM	PART NUMBER	QTY	DESCRIPTION	REV
	0272521	Ref	SKYWELDER INSTALLATION	F
1	0100011	AR	Compound, Locking	
2	0630518	2	Screw #10 x 3/4	
3	0641606	4	Bolt 3/8 x 3/4	
4	1320302	2	U-Clamp	
5	2030010	1	Extinguisher, Fire	
6	2902217	1	Weld Leads Kit	
7	3300151	4	Nut 1/4	
8	3311005	2	Nut #10	
9	3311605	4	Nut 3/8	
10	3573400	1	Bracket	
11	3577121	2	Angle	
12	3573642	1	Plate	
13	4240099	AR	Tie-Strap (Not Shown)	
14	4420037	AR	Tape	
15	4530028	1	Welder Assembly (See Separate Breakdown in this Section)	
16	4751400	4	Washer 1/4	
17	4751600	8	Washer 3/8	
18	4846627	1	Support	
19	4751000	2	Washer #10	

SECTION 5 - PLATFORM

FIGURE 5-40. SKYWELDER INSTALLATION (60HZ)



ART_0272254

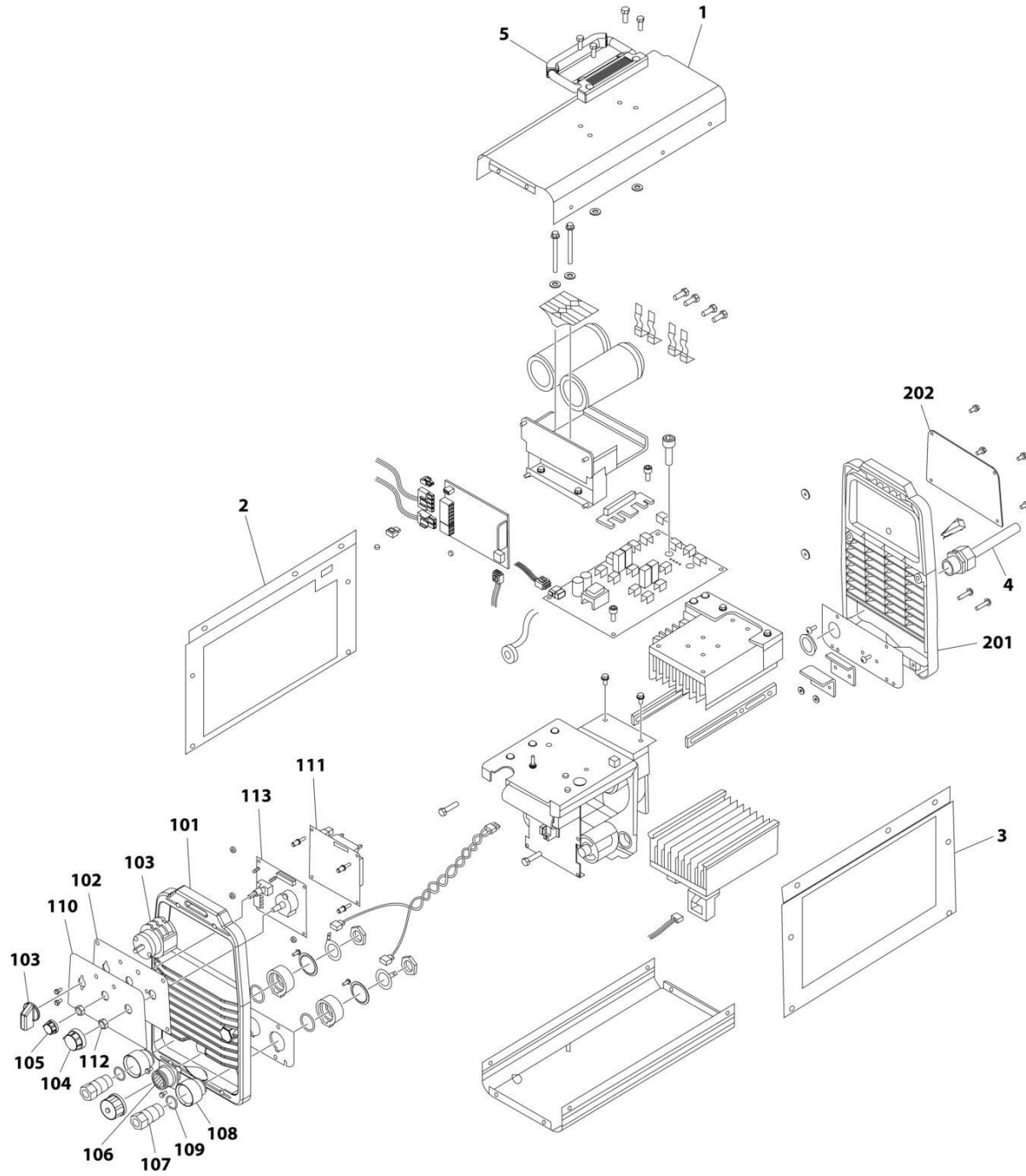
SECTION 5 - PLATFORM

FIGURE 5-40. SKYWELDER INSTALLATION (60HZ)

ITEM	PART NUMBER	QTY	DESCRIPTION	REV
	0272254	Ref	SKYWELDER INSTALLATION	1
1	0100011	AR	Compound, Locking	
2	0630518	2	Screw #10 x 3/4	
3	0641606	4	Bolt 3/8 x 3/4	
4	1320302	2	U-Clamp	
5	2030010	1	Extinguisher, Fire	
6	2902217	1	Weld Leads Kit	
7	3300151	4	Nut 1/4	
8	3311005	2	Nut #10	
9	3311605	4	Nut 3/8	
10	3573400	1	Bracket	
11	3577121	2	Angle	
12	3573642	1	Plate	
13	4420037	AR	Tape	
14	4240099	AR	Tie-Strap (Not Shown)	
15	4460962	1	Plug, Male Twistlock	
17	4530028	1	Welder Assembly (See Separate Breakdown in this Section)	
18	4751400	4	Washer 1/4	
19	4751600	8	Washer 3/8	
20	4846627	1	Support	
21	1671093	1	Cover, Plug	
22	4751000	2	Washer #10	

SECTION 5 - PLATFORM

FIGURE 5-41. WELDER ASSEMBLY



ART_4530028

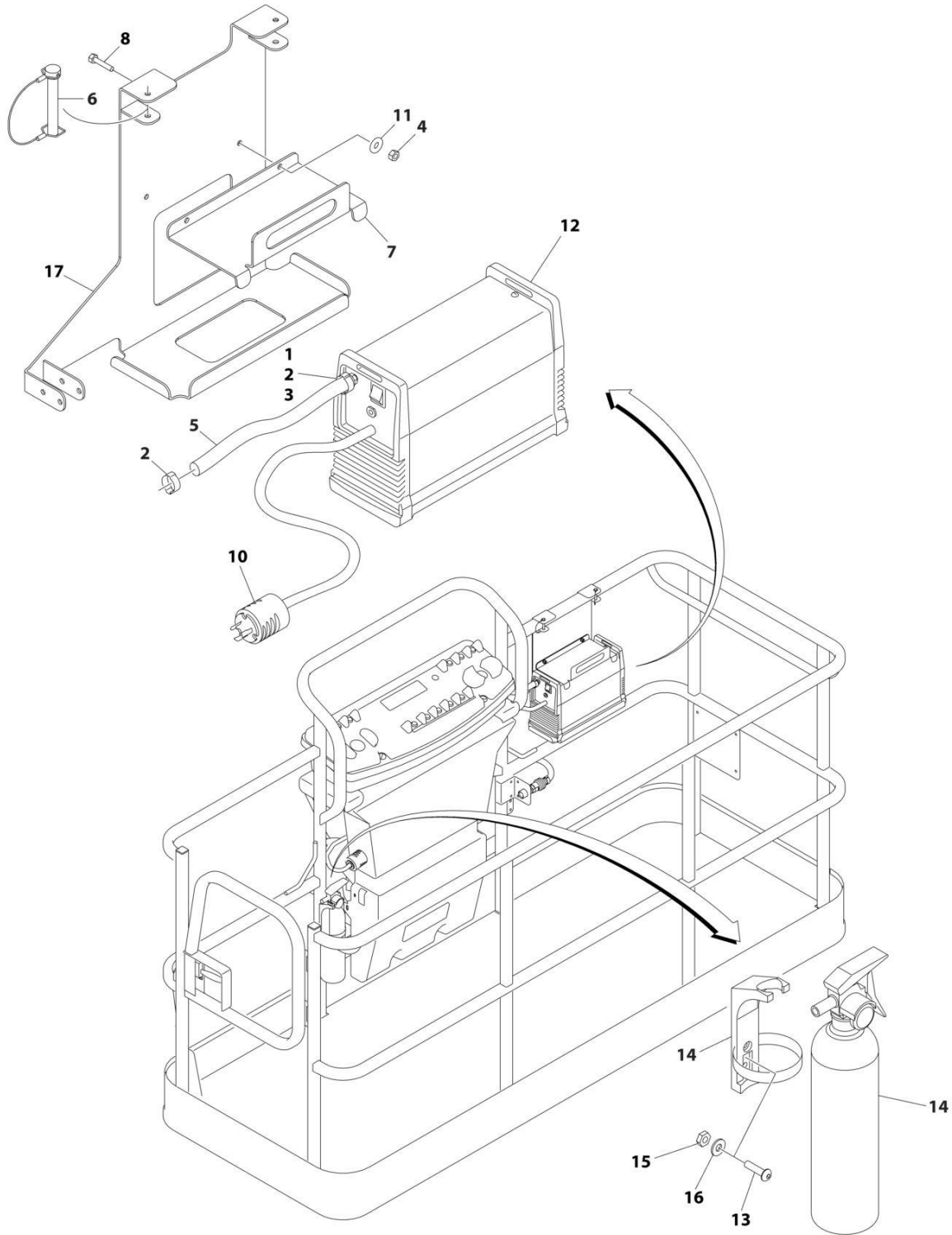
SECTION 5 - PLATFORM

FIGURE 5-41. WELDER ASSEMBLY

ITEM	PART NUMBER	QTY	DESCRIPTION	REV
	4530028	Ref	WELDER ASSEMBLY	B
		Ref	Note: For Other Components, contact your Miller Welder Dealer.	
1	7027773	1	Cover, Top	
1	7027774	1	Decal - Static Precautionary Warning	
2	See Note	NSS	Panel, LH Side (Note: Part of Item 1. Purchase Item 1)	
3	See Note	NSS	Panel, RH Side (Note: Part of Item 1. Purchase Item 1)	
4	7024467	1	Cable, Power	
4	7027775	1	Decal - Electrical Shock Warning (Not Shown)	
5	7027776	1	Handle, Carrying	
101	7024462	1	Panel, Front	
102	7024463	1	Panel, Console	
103	7024469	1	Switch with Lead	
104	7024470	1	Knob	
105	7024471	1	Knob	
106	7024472	1	Receptacle with Leads and Plugs	
107	7024473	2	Receptacle, Twistlock Female	
108	7024474	2	Insulator	
109	7024475	2	O-Ring	
110	7027777	1	Nameplate	
111	7027779	1	Circuit Card Assembly (Process Control)	
112	7024478	2	Nut	
113	7027778	1	Circuit Card Assembly (Operator Interface)	
201	7024462	1	Panel, Rear	
202	7027780	1	Panel, Cover	

SECTION 5 - PLATFORM

FIGURE 5-42. SKYCUTTER INSTALLATION (ANSI, ANSI EXPORT, CHINA, CSA AND JAPANESE SPECS)



ART_1001098149_D

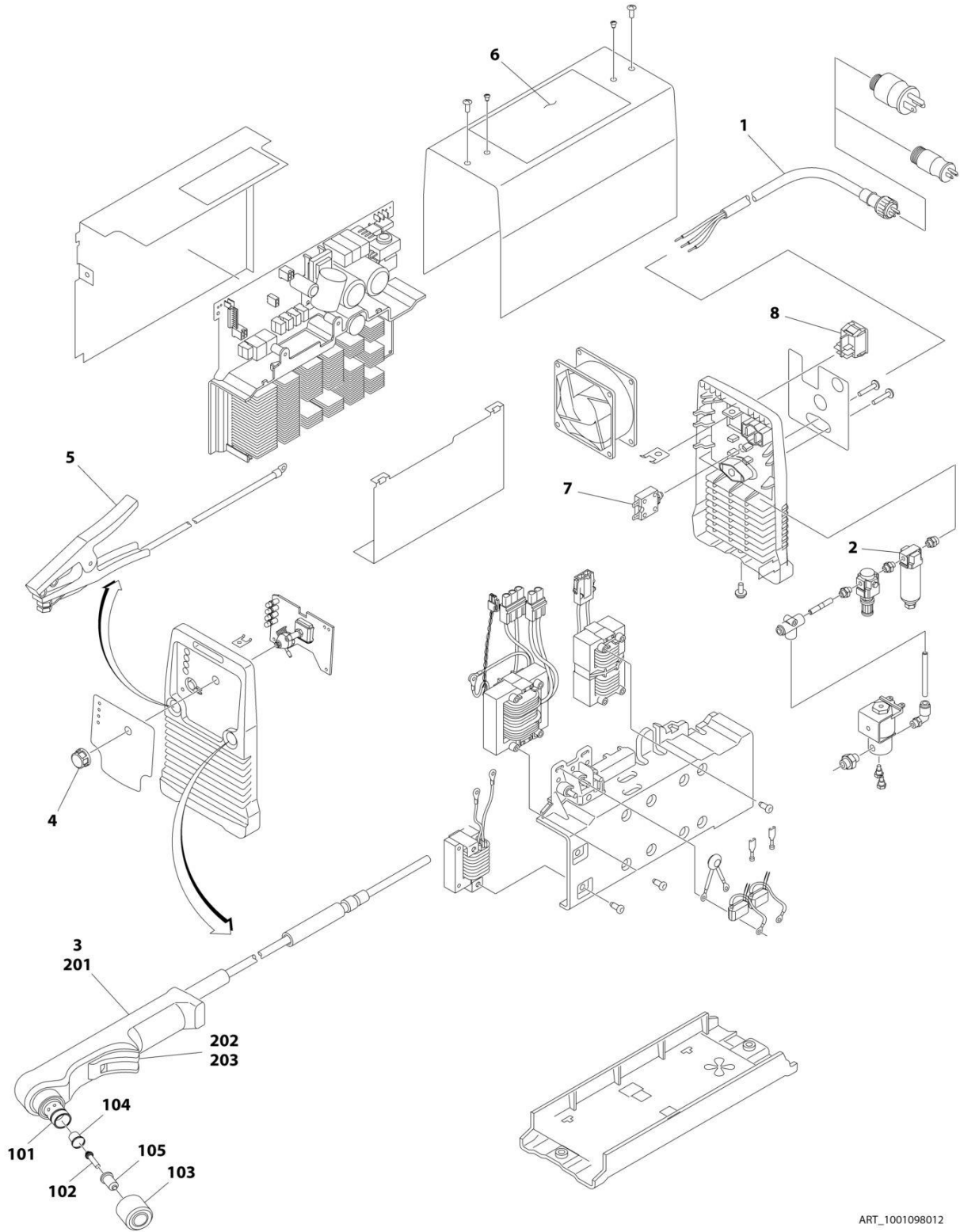
SECTION 5 - PLATFORM

FIGURE 5-42. SKYCUTTER INSTALLATION (ANSI, ANSI EXPORT, CHINA, CSA AND JAPANESE SPECS)

ITEM	PART NUMBER	QTY	DESCRIPTION	REV
	1001098149	Ref	SKYCUTTER INSTALLATION	D
		Ref	Note: When replacing platform on machines with SkyCutter option, new bracket p/n 1001145405 must be purchased to accommodate SkyCutter components.	
1	0100020	AR	Sealant	
2	1320177	2	Clamp, Hose	
3	2180832	1	Fitting, NPT/Barbed	
4	3290605	2	Nut M6	
5	2720160	3 ft /.9m	Hose	
6	3421453	3	Pin	
7	3576799	1	Plate, Hold-Down	
8	4010608	2	Screw M6 x 16	
10	4460971	1	Plug, Twistlock	
11	4811700	2	Washer M6	
12	1001098012	1	Plasma Cutter Assembly (See Separate Breakdown in this Section)	
13	0630518	2	Screw #10 x 3/4	
14	2030010	1	Extinguisher, Fire	
15	3311005	2	Nut #10	
16	4751000	2	Washer #10	
17	1001145405	1	Support	

SECTION 5 - PLATFORM

FIGURE 5-43. PLASMA CUTTER ASSEMBLY



ART_1001098012

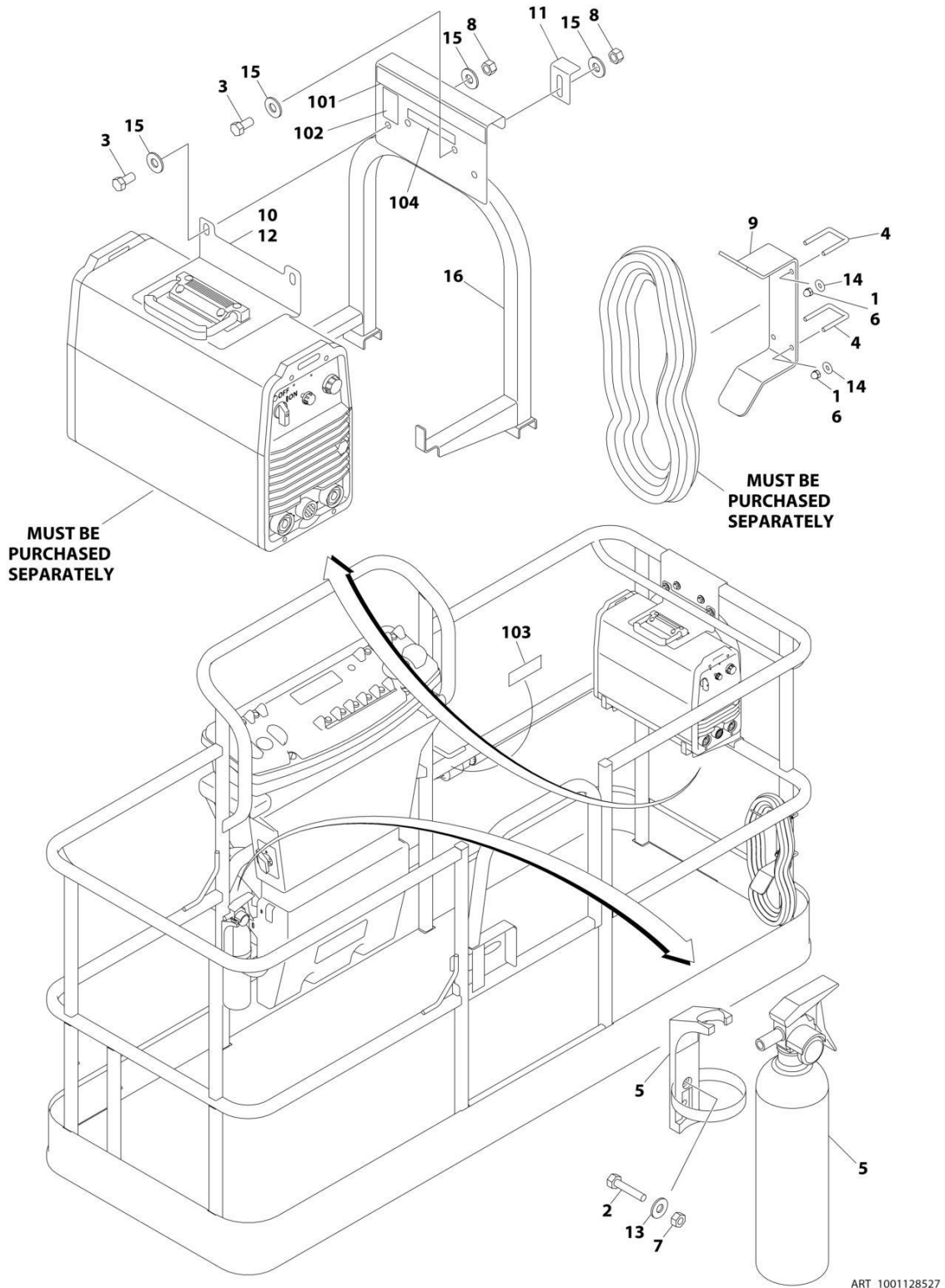
SECTION 5 - PLATFORM

FIGURE 5-43. PLASMA CUTTER ASSEMBLY

ITEM	PART NUMBER	QTY	DESCRIPTION	REV
	1001098012	Ref	PLASMA CUTTER ASSEMBLY	A
		Ref	Note: For Other Components, contact your Miller Welder Dealer.	
1	70001424	1	Cable, Power	
1	70001425	1	Decal - Voltage Warning	
2	70001427	1	Filter, Regulator	
3	70001428	1	Torch Assembly (See Items 101-203 for Breakdown)	
4	7024471	1	Knob	
5	70001429	1	Clamp with Cable	
6	70001430	1	Decal - Caution	
7	70001431	1	Breaker, Circuit	
8	70001432	1	Switch, Rocker	
	70001428	Ref	TORCH ASSEMBLY	
101	7024530	1	O-Ring	
102	7024531	1	Electrode	
103	7024532	1	Cup, Retaining	
104	7024533	1	Swirl Ring	
105	7024534	1	Tip	
201	7024535	1	Handle, Torch	
202	7024536	1	Switch	
203	7024537	1	Trigger	

SECTION 5 - PLATFORM

FIGURE 5-44. SKYWELDER PREP PACKAGE (60HZ)



ART_1001128527

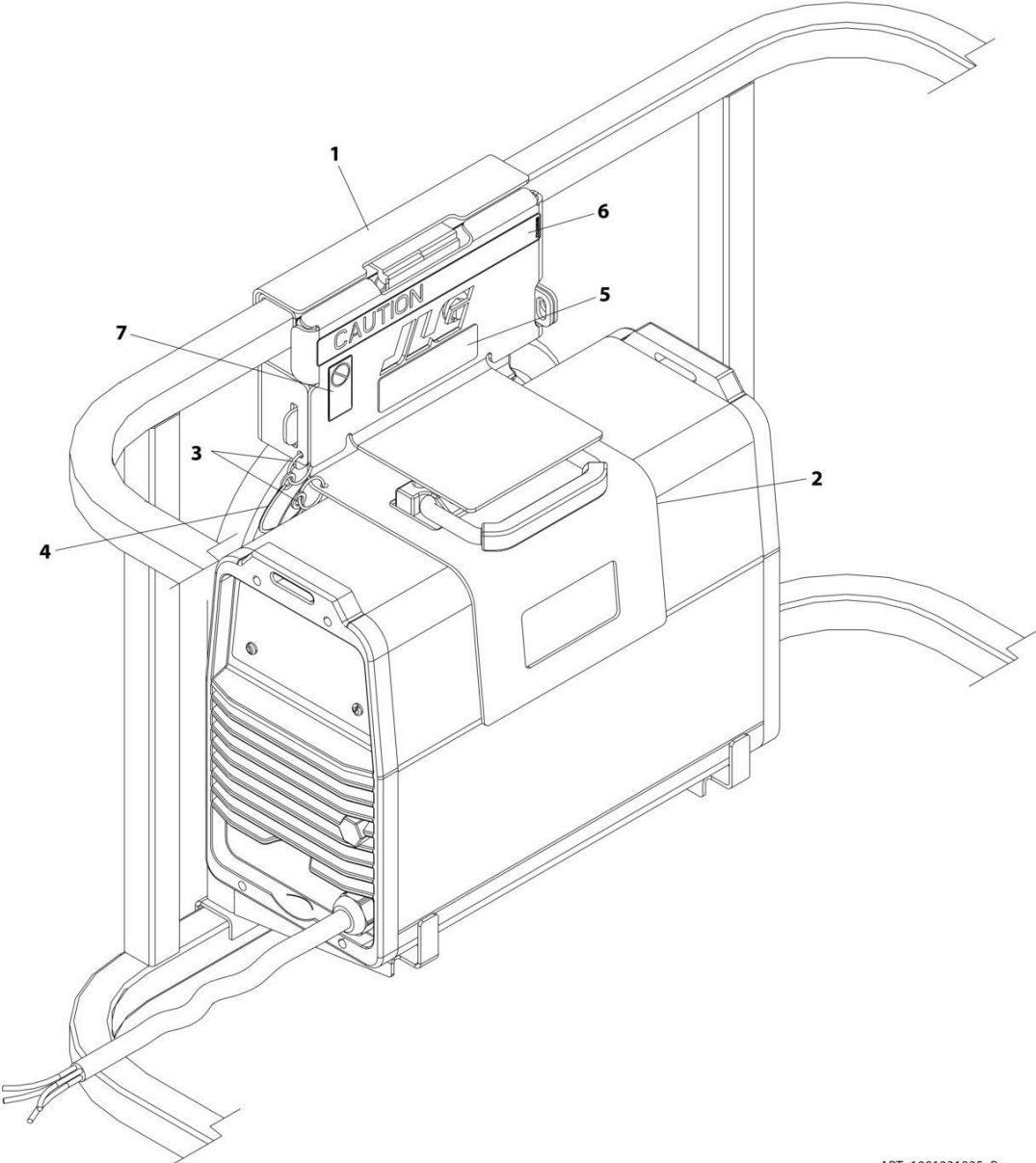
SECTION 5 - PLATFORM

FIGURE 5-44. SKYWELDER PREP PACKAGE (60HZ)

ITEM	PART NUMBER	QTY	DESCRIPTION	REV
	1001128527	Ref	SKYWELDER PREP PACKAGE (60HZ)	B
1	0100011	AR	Compound, Locking	
2	0630518	2	Screw #10 x 3/4	
3	0641606	4	Bolt 3/8 x 3/4	
4	1320302	2	U-Clamp	
5	2030010	1	Extinguisher, Fire	
6	3300151	4	Nut 1/4	
7	3311005	2	Nut #10	
8	3311605	4	Nut 3/8	
9	3573400	1	Bracket	
10	3573642	1	Plate	
11	3577121	2	Angle	
12	4420037	AR	Tape	
13	4751000	2	Washer #10	
14	4751400	4	Washer 1/4	
15	4751600	8	Washer 3/8	
16	4846627	1	Support	
	1001128556	Ref	SKYWELDER DECAL INSTALLATION	C
101	1702868	1	Decal - No Hands	
102	1705305	1	Decal - Weld Lead	
103	1705375	1	Decal - 240V - 3 Phase - 60Hz	
104	1001228988	1	Decal - Weight	

SECTION 5 - PLATFORM

FIGURE 5-45. SKYWELDER LOCKING BRACKET INSTALLATION



ART_1001231235_B

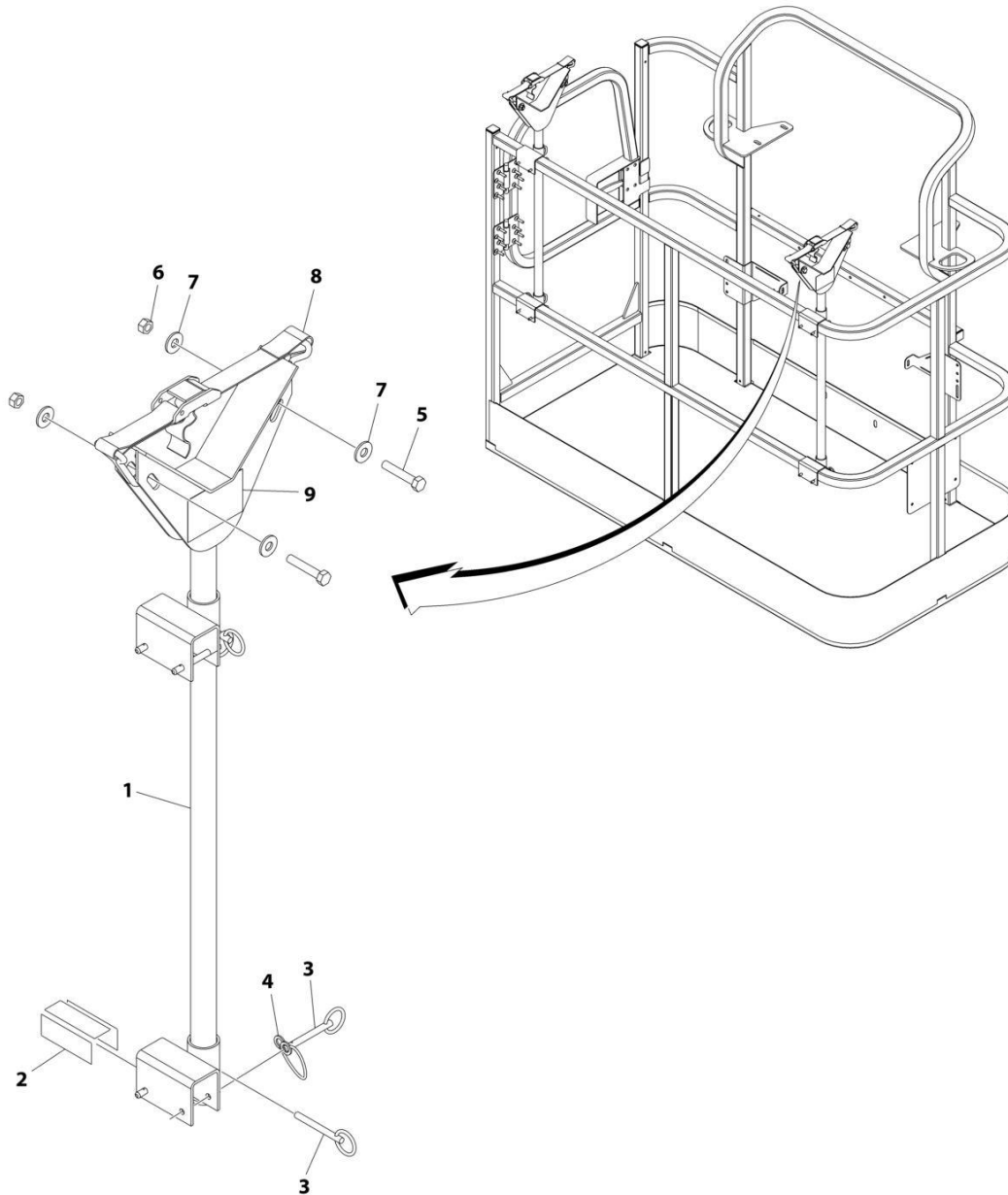
SECTION 5 - PLATFORM

FIGURE 5-45. SKYWELDER LOCKING BRACKET INSTALLATION

ITEM	PART NUMBER	QTY	DESCRIPTION	REV
	1001231235	Ref	SKYWELDER LOCKING BRACKET INSTALLATION	B
1	1001231180	1	Bracket	
2	1001231183	1	Plate	
3	3760170	2	Ring	
4	1060379	1	Lanyard	
5	1001252628	1	Decal - Weight	
6	1702868	1	Decal - No Hands	
7	1705305	1	Decal - Weld Lead	

SECTION 5 - PLATFORM

FIGURE 5-46. PIPE RACKS INSTALLATION (ANSI AND CSA SPECS) (USA BUILT MACHINES)



ART_0257728

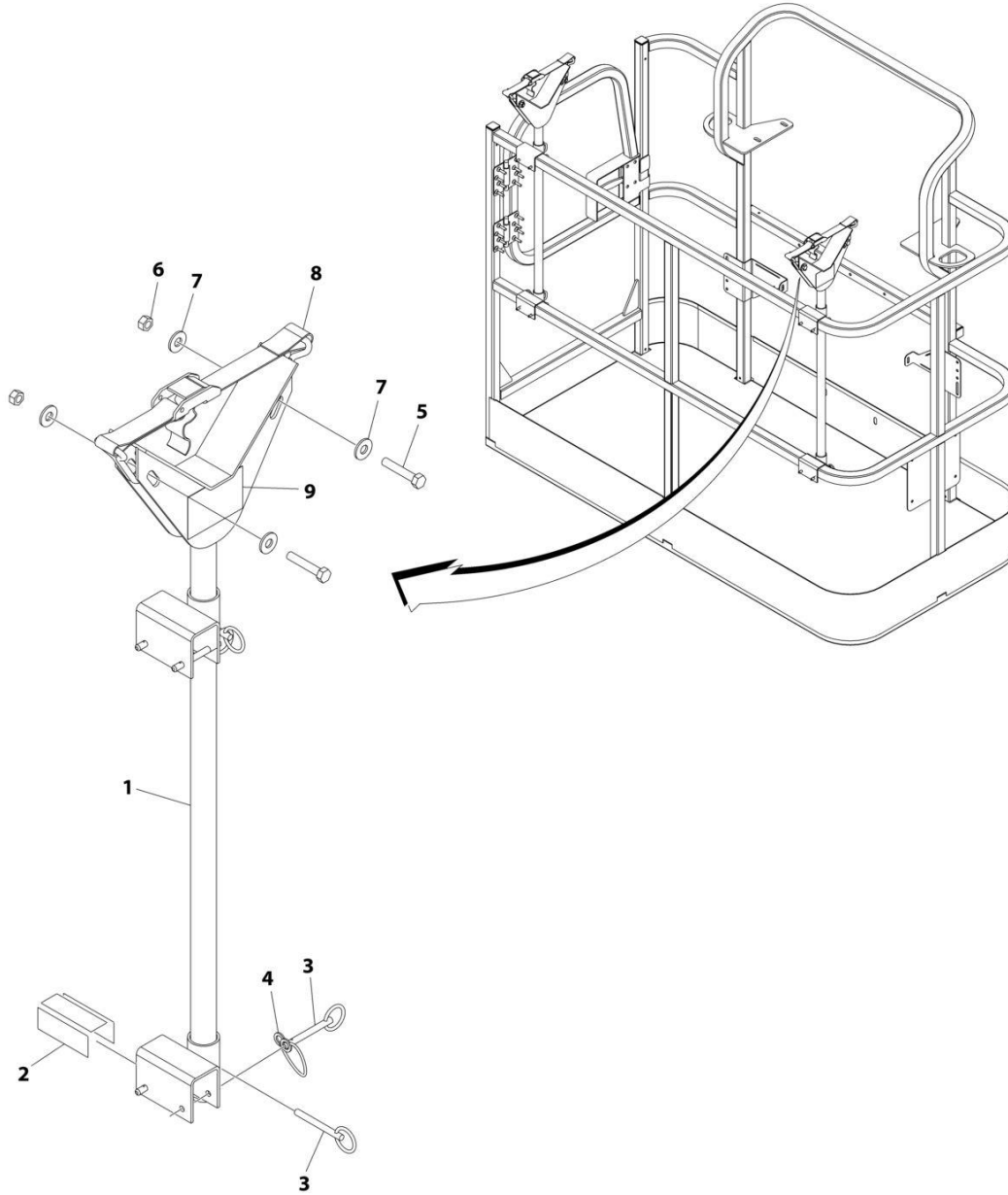
SECTION 5 - PLATFORM

FIGURE 5-46. PIPE RACKS INSTALLATION (ANSI AND CSA SPECS) (USA BUILT MACHINES)

ITEM	PART NUMBER	QTY	DESCRIPTION	REV
	0257728	Ref	PIPE RACK INSTALLATION	3/E
1	4845582	2	Rack, Pipe	
2	4420062	AR	Tape	
3	3422661	10	Pin	
4	1060379	4	Lanyard	
5	0641514	4	Bolt 5/16 x 1-3/4	
6	3311505	4	Nut 5/16	
7	4751500	8	Washer 5/16	
8	0480100	2	Tie-Down	
11	1001252946	2	Decal - Tube Rack Cap (1)	
12	1001252947	2	Decal - Tube Rack Cap (2)	

SECTION 5 - PLATFORM

FIGURE 5-47. PIPE RACKS INSTALLATION (AUSTRALIAN SPECS) (USA BUILT MACHINES - PVC 2001 & 2007, CHINA BUILT MACHINES - PVC 2007)



ART_0274661

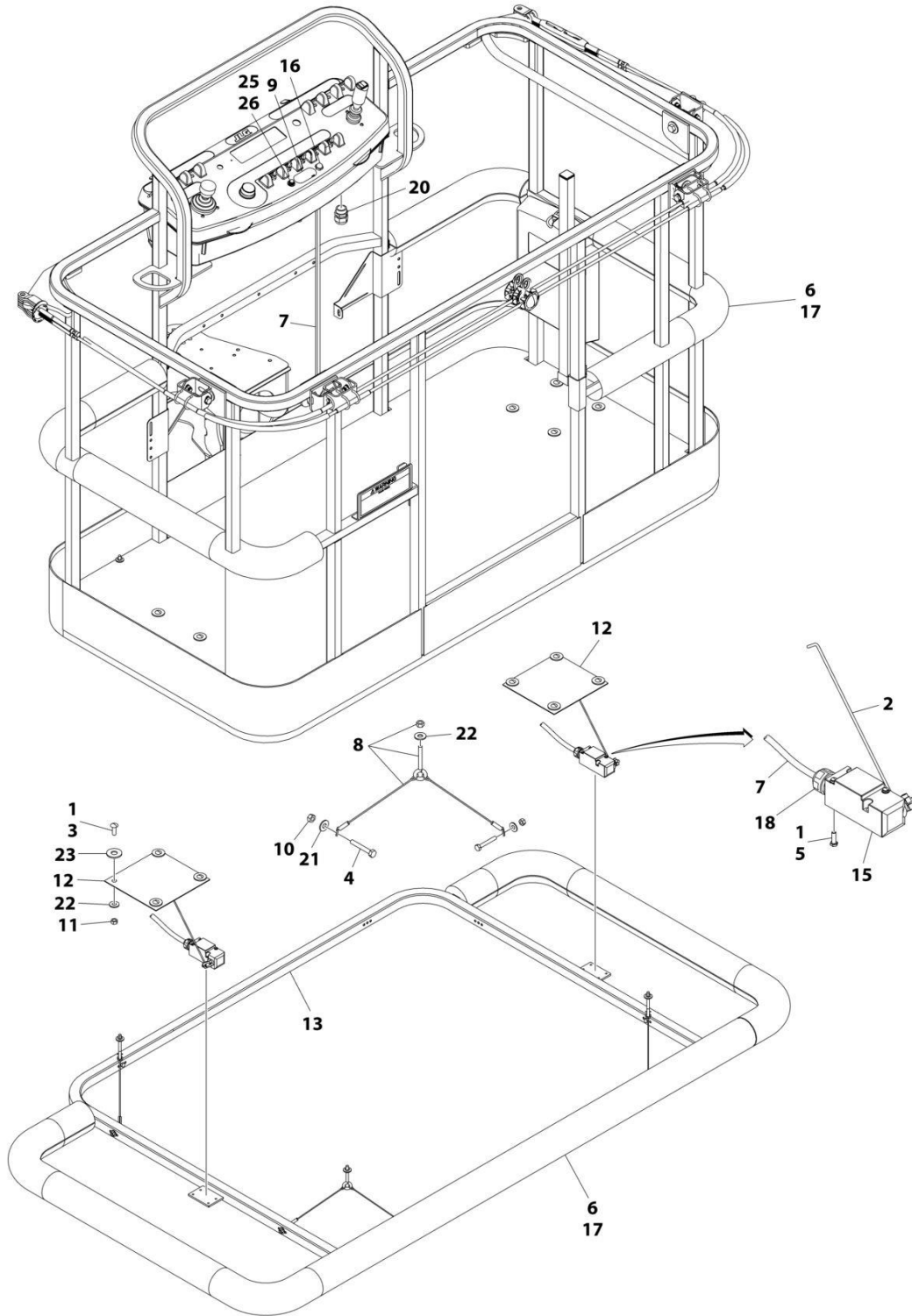
SECTION 5 - PLATFORM

FIGURE 5-47. PIPE RACKS INSTALLATION (AUSTRALIAN SPECS) (USA BUILT MACHINES - PVC 2001 & 2007, CHINA BUILT MACHINES - PVC 2007)

ITEM	PART NUMBER	QTY	DESCRIPTION	REV
	0274661	Ref	PIPE RACK INSTALLATION	3/C
1	4845582	2	Rack, Pipe	
2	4420062	AR	Tape	
3	3422661	10	Pin	
4	1060379	4	Lanyard	
5	0641514	4	Bolt 5/16 x 1-3/4	
6	3311505	4	Nut 5/16	
7	4751500	8	Washer 5/16	
8	0480100	2	Tie-Down	
9	1706510	2	Decal - Capacity	

SECTION 5 - PLATFORM

FIGURE 5-48. SOFT TOUCH INSTALLATION - 6FT (1.83M) FALL ARREST PLATFORM (OPTIONAL)



ART_1001108256

SECTION 5 - PLATFORM

FIGURE 5-48. SOFT TOUCH INSTALLATION - 6FT (1.83M) FALL ARREST PLATFORM (OPTIONAL)

ITEM	PART NUMBER	QTY	DESCRIPTION	REV
	1001108256	Ref	SOFT TOUCH INSTALLATION	C
1	0100011	AR	Compound, Locking	
2	0200048	2	Arm, Switch	
3	0630462	8	Bolt	
4	0641414	8	Bolt 1/4 x 1-3/4	
5	0731005	4	Bolt #10 x 5/8	
6	0940177	1	Bumper Kit (Includes Corners and Enough Straight Material for One Platform)	
6	0940092	8	Bumper (Corner)	
6	0940094	AR	Bumper (12ft Length)	
7	1060341	23 ft/7m	Cable, Soft Touch - 16/2	
8	1060903	4	Wire Rope and Eyebolt Assembly	
9	1702938	1	Decal - Soft Touch Override	
10	3311401	8	Nut 1/4	
11	3311501	8	Nut 5/16	
12	3575359	2	Plate, Switch Strike	
13	3641569	1	Rail, Soft Touch	
14	4240099	7	Tie-Strap (Not Shown)	
15	4360057	2	Switch, Limit	
16	4360387	1	Switch, Push Button	
17	4420068	AR	Tape, Adhesive	
17	1001197017	AR	Tie-Strap	
18	4460049	2	Connector, Strain Relief	
19	4460234	7	Tie-Strap (Not Shown)	
20	4460425	1	Connector, Strain Relief	
21	4751400	8	Washer 1/4	
22	4751500	9	Washer 5/16	
23	4751800	8	Washer 1/2	
25	2920028	1	Light, Indicator	
26	2920029	1	Bulb, Light	

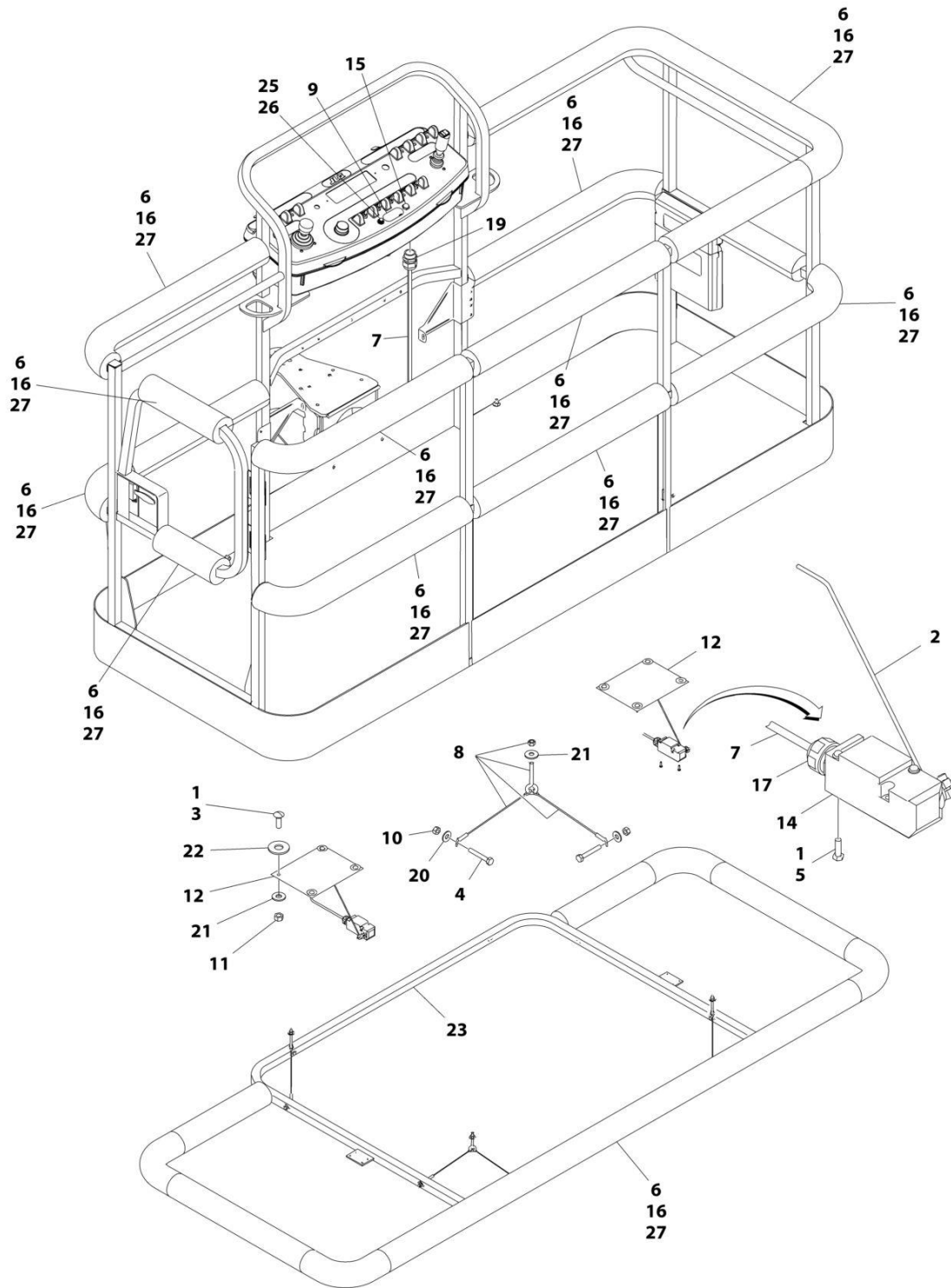
SECTION 5 - PLATFORM

FIGURE 5-49. SOFT TOUCH SYSTEM INSTALLATION - 6FT/1.8M PLATFORMS (OPTIONAL)

ITEM	PART NUMBER	QTY	DESCRIPTION	REV
	0273824	Ref	SOFT TOUCH SYSTEM INSTALLATION	D
1	0100011	AR	Compound, Locking	
2	0200048	2	Arm, Switch	
3	0630462	8	Bolt	
4	0641414	8	Bolt 1/4 x 1-3/4	
5	0731005	4	Bolt #10 x 5/8	
6	0940134	1	Bumper Kit (Includes Corners and Enough Straight Material for One Platform)	
6	0940092	AR	Bumper (Corner)	
6	0940094	AR	Bumper (12ft Length)	
7	1060341	23 ft/7m	Cable, Soft Touch - 16/2	
8	1060903	4	Wire Rope and Eyebolt Assembly	
9	1702938	1	Decal - Soft Touch Override	
10	3311401	8	Nut 1/4	
11	3311501	8	Nut 5/16	
12	3575359	2	Plate, Switch Strike	
13	3641569	1	Rail, Soft Touch	
14	4240099	7	Tie-Strap (Not Shown)	
15	4360057	2	Switch, Limit	
16	4360387	1	Switch, Push Button	
17	4420068	AR	Tape, Adhesive	
17	1001197017	AR	Tie-Strap	
18	4460049	2	Connector, Strain Relief	
19	4460234	7	Tie-Strap (Not Shown)	
20	4460425	1	Connector, Strain Relief	
21	4751400	8	Washer 1/4	
22	4751500	12	Washer 5/16	
23	4751800	8	Washer 1/2	
24	4933218	1	Wiring Diagram (Not Shown - Reference Only)	
25	2920028	1	Light, Indicator	
26	2920029	1	Bulb, Light	

SECTION 5 - PLATFORM

FIGURE 5-50. SOFT TOUCH SYSTEM INSTALLATION - 8FT/2.44M PLATFORM (OPTIONAL)



ART_0272427

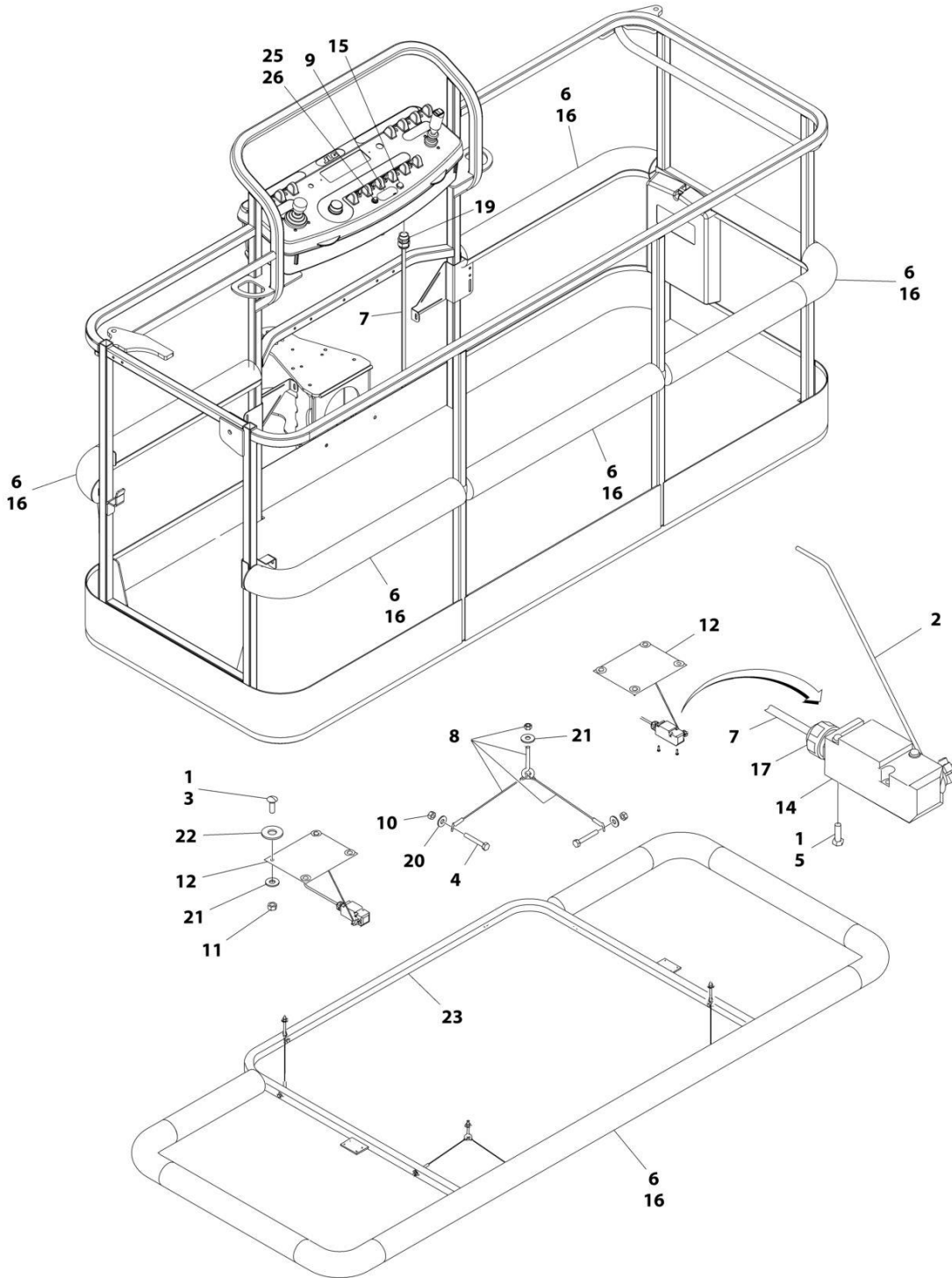
SECTION 5 - PLATFORM

FIGURE 5-50. SOFT TOUCH SYSTEM INSTALLATION - 8FT/2.44M PLATFORM (OPTIONAL)

ITEM	PART NUMBER	QTY	DESCRIPTION	REV
	0272427	Ref	SOFT TOUCH SYSTEM INSTALLATION	G
1	0100011	AR	Compound, Locking	
2	0200048	2	Arm, Switch	
3	0630462	8	Bolt	
4	0641414	8	Bolt 1/4 x 1-3/4	
5	0721005	4	Bolt #10 x 5/8	
6	0940103	1	Bumper Kit (Includes Corners and Enough Straight Material for One Platform)	
6	0940092	12	Bumper (Corner)	
6	0940094	AR	Bumper (12ft Length)	
7	1060341	23 ft/7m	Cable, Electrical - 16/2	
8	1060903	4	Wire Rope and Eyebolt Assembly	
9	1702938	1	Decal - Soft Touch Override	
10	3311401	8	Nut 1/4	
11	3311501	8	Nut 5/16	
12	3574091	2	Plate, Switch Strike	
13	4240099	7	Tie-Strap (Not Shown)	
14	4360057	2	Switch, Limit	
15	4360387	1	Switch, Push Button	
16	4420068	AR	Tape, Adhesive	
16	1001197017	AR	Tie-Strap	
17	4460049	2	Connector, Strain Relief	
18	4460234	7	Tie-Strap (Not Shown)	
19	4460425	1	Connector, Strain Relief	
20	4751400	8	Washer 1/4	
21	4751500	12	Washer 5/16	
22	4751800	8	Washer 1/2	
23	4846673	1	Rail, Soft Touch	
24	4933218	1	Soft Touch Wiring Diagram (Not Shown - Reference Only)	
25	2920028	1	Light, Indicator	
26	2920029	1	Bulb, Light	

SECTION 5 - PLATFORM

FIGURE 5-51. SOFT TOUCH INSTALLATION - 8FT (2.4M) FALL ARREST PLATFORM (OPTIONAL)



ART_0273706

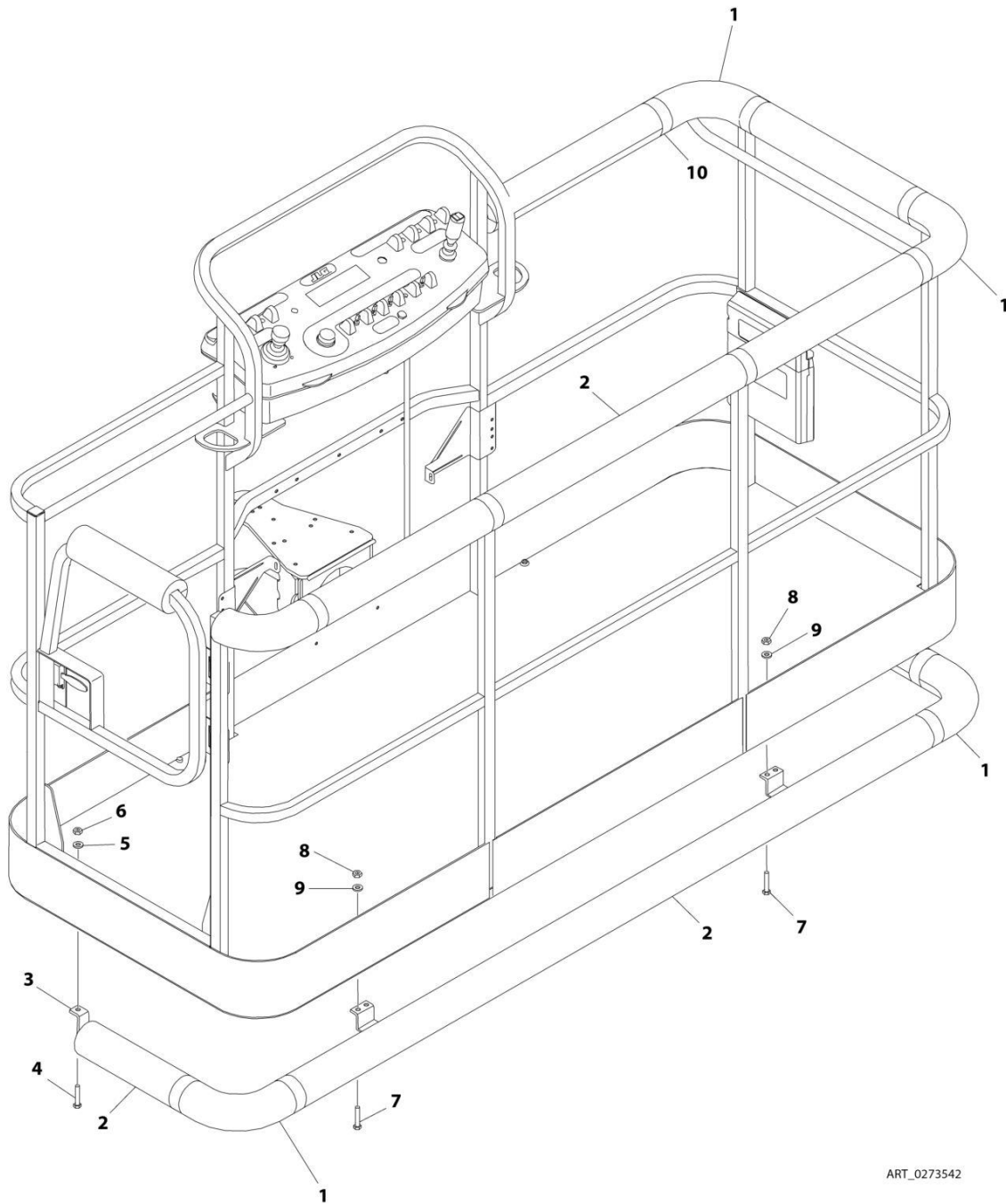
SECTION 5 - PLATFORM

FIGURE 5-51. SOFT TOUCH INSTALLATION - 8FT (2.4M) FALL ARREST PLATFORM (OPTIONAL)

ITEM	PART NUMBER	QTY	DESCRIPTION	REV
	0273706	Ref	SOFT TOUCH INSTALLATION	D
1	0100011	AR	Compound, Locking	
2	0200048	2	Arm, Switch	
3	0630462	8	Bolt	
4	0641414	8	Bolt 1/4 x 1-3/4	
5	0721005	4	Bolt #10 x 5/8	
6	0940133	1	Bumper Kit (Includes Corners and Enough Straight Material for One Platform)	
6	0940092	8	Bumper (Corner)	
6	0940094	AR	Bumper (12ft Length)	
7	1060341	23 ft/7m	Cable, Soft Touch - 16/2	
8	1060903	4	Wire Rope and Eyebolt Assembly	
9	1702938	1	Decal - Soft Touch Override	
10	3311401	8	Nut 1/4	
11	3311501	8	Nut 5/16	
12	3574091	2	Plate, Switch Strike	
13	4240099	7	Tie-Strap (Not Shown)	
14	4360057	2	Switch, Limit	
15	4360387	1	Switch, Push Button	
16	4420068	AR	Tape, Adhesive	
16	1001197017	AR	Tie-Strap	
17	4460049	2	Connector, Strain Relief	
18	4460234	7	Tie-Strap (Not Shown)	
19	4460425	1	Connector, Strain Relief	
20	4751400	8	Washer 1/4	
21	4751500	12	Washer 5/16	
22	4751800	8	Washer 1/2	
23	4846673	1	Rail, Soft Touch	
25	2920028	1	Light, Indicator	
26	2920029	1	Bulb, Light	

SECTION 5 - PLATFORM

FIGURE 5-52. PLATFORM PADDING INSTALLATION (30IN/76CM DEPTH PLATFORMS) (ANSI, ANSI EXPORT, CSA AND CHINA SPECS) (OPTIONAL)



ART_0273542

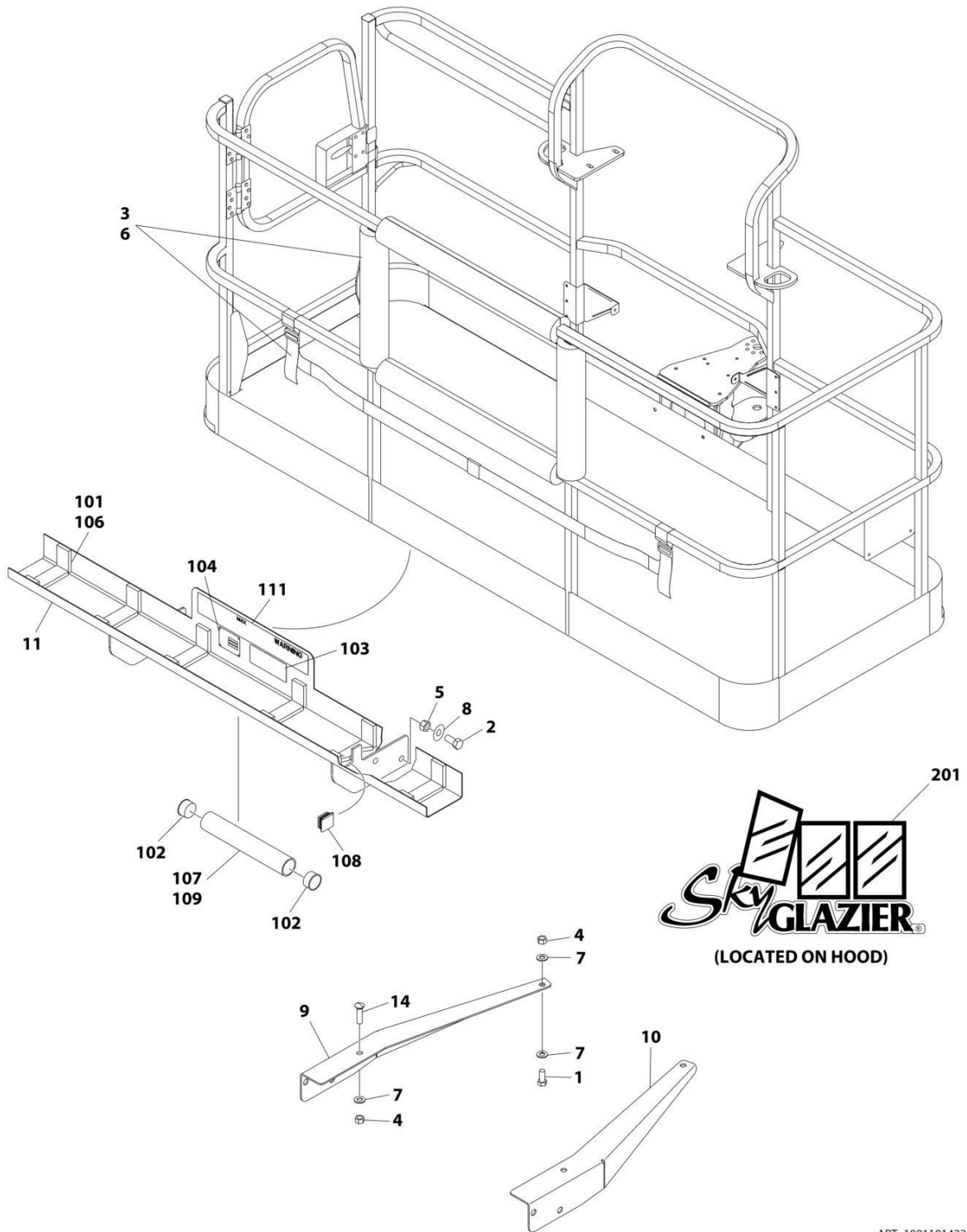
SECTION 5 - PLATFORM

FIGURE 5-52. PLATFORM PADDING INSTALLATION (30IN/76CM DEPTH PLATFORMS) (ANSI, ANSI EXPORT, CSA AND CHINA SPECS) (OPTIONAL)

ITEM	PART NUMBER	QTY	DESCRIPTION	REV
	0273542	Ref	PADDING INSTALLATION (30 X 48 SIDE ENTRY PLATFORM)	A
1	0940092	4	Bumper, Pad (Corner)	
2	0940094	9 ft /2.7m	Bumper, Pad (Square Tubing)	
3	0940131	1	Bumper, Rail	
4	0641516	2	Bolt 5/16 x 2	
5	4751500	2	Washer 5/16	
6	3311505	2	Nut 5/16	
7	0641813	4	Bolt 1/2 x 1-5/8	
8	3311805	4	Nut 1/2	
9	4891800	4	Washer 1/2 Hardened	
10	4420068	30 ft /9.1m	Tape	

SECTION 5 - PLATFORM

FIGURE 5-53. SKYGLAZIER INSTALLATION (ALL SPECS EXCEPT JAPANESE SPECS)



ART_1001101422

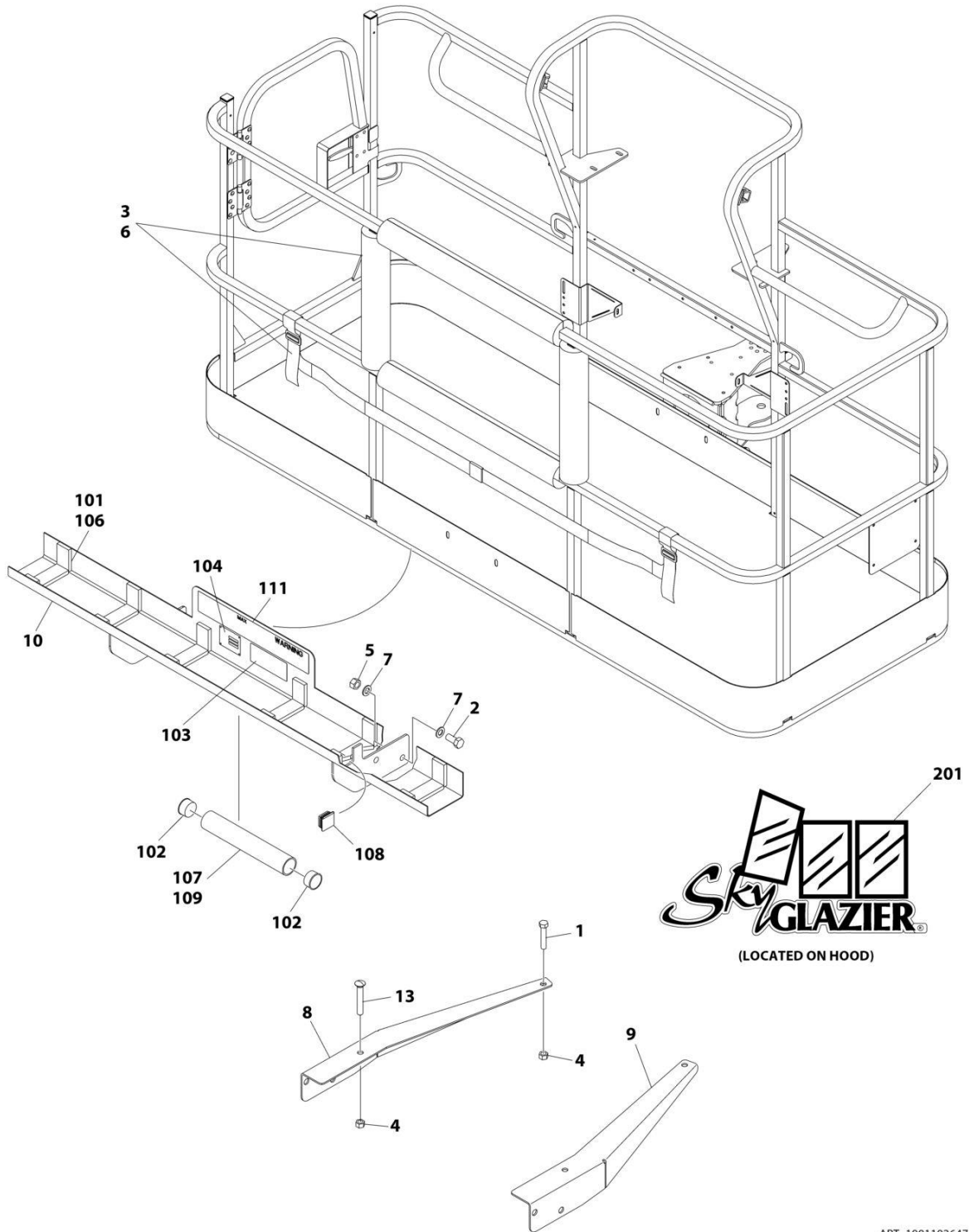
SECTION 5 - PLATFORM

FIGURE 5-53. SKYGLAZIER INSTALLATION (ALL SPECS EXCEPT JAPANESE SPECS)

ITEM	PART NUMBER	QTY	DESCRIPTION	REV
	1001101422	Ref	SKYGLAZIER INSTALLATION	C
1	0642012	2	Bolt 5/8 x 1-1/2	
2	0642212	4	Bolt 3/4 x 1-1/2	
3	2902212	1	Bumpers and Strap Kit	
3	0940102	1	Bumper Only	
3	4240149	1	Strap Only	
4	3312005	4	Nut 5/8	
5	3312205	4	Nut 3/4	
6	4420014	AR	Tape	
7	4712000	6	Washer 5/8	
8	4712200	8	Washer 3/4	
9	1001099366	1	Support	
10	1001099367	1	Support	
11	1001101421	1	Tray Assembly (See Items 101-111 for Breakdown)	
14	8310129	2	Bolt 3/4 x 2-1/2	
	1001101421	Ref	TRAY ASSEMBLY	F
101	0100081	AR	Adhesive	
102	1120555	2	Cap, Tube	
103	1701509	1	Decal - Manual	
104	See Note	NSS	Nameplate - Serial Number (Note: Not Available for Purchase)	
106	3340956	1	Pad Kit	
107	3460334	1	Tube	
108	3520071	2	Plug	
109	4420066	AR	Tape, Double Sided	
111	1001163131	2	Decal - Glazier Capacity	
	0272418	Ref	SKYGLAZIER DECAL INSTALLATION	4
201	1705358	2	Decal - SkyGlazier	

SECTION 5 - PLATFORM

FIGURE 5-54. SKYGLAZIER INSTALLATION (AUSTRALIAN SPECS)



ART_1001102647

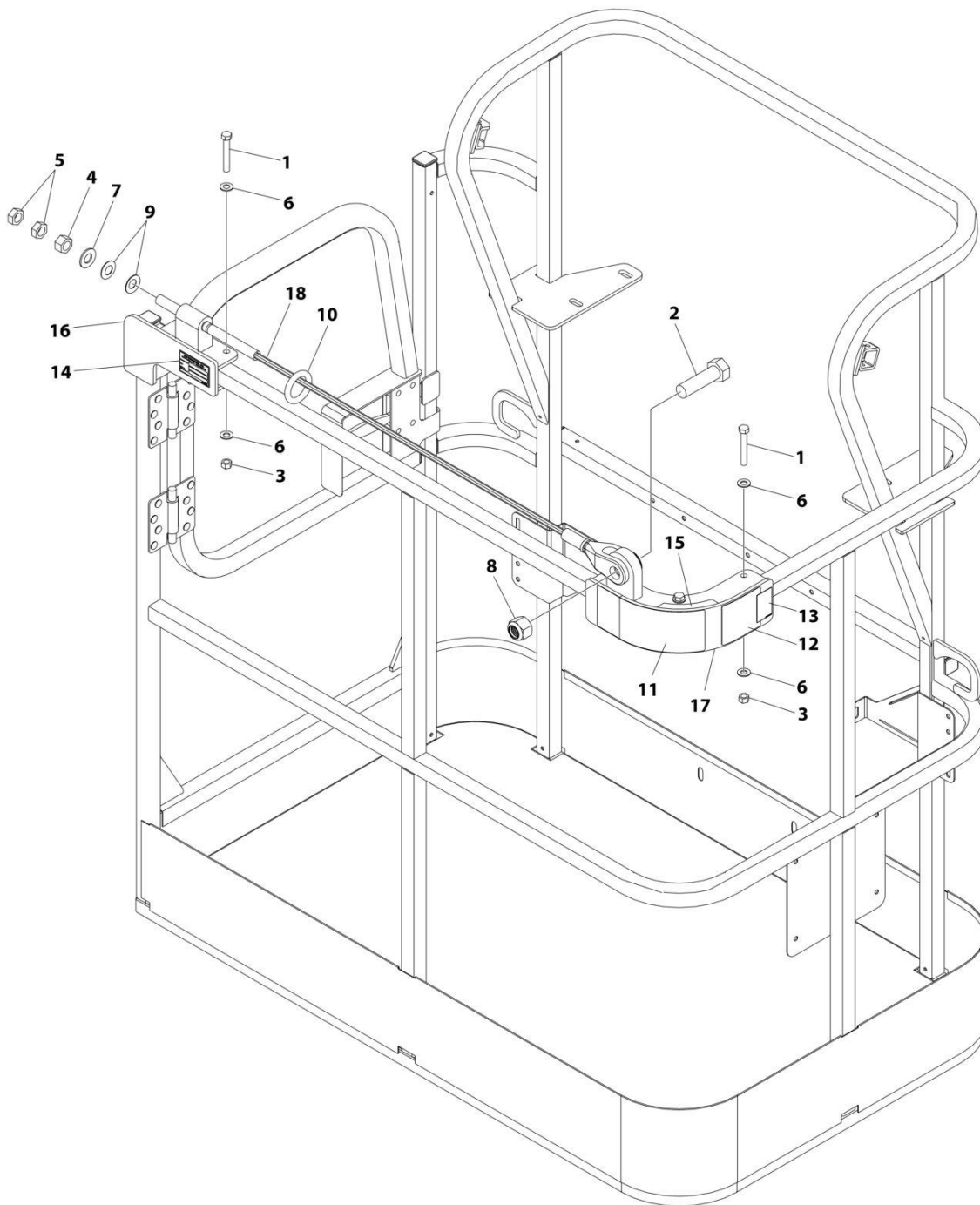
SECTION 5 - PLATFORM

FIGURE 5-54. SKYGLAZIER INSTALLATION (AUSTRALIAN SPECS)

ITEM	PART NUMBER	QTY	DESCRIPTION	REV
	1001102647	Ref	SKYGLAZIER INSTALLATION (AUSTRALIAN SPECS)	C
1	0642026	2	Bolt 5/8 x 3-1/4	
2	0642212	4	Bolt 3/4 x 1-1/2	
3	2902212	1	Bumpers and Strap Kit	
3	0940102	1	Bumper Only	
3	4240149	1	Strap Only	
4	3312005	4	Nut 5/8	
5	3312205	4	Nut 3/4	
6	4420014	AR	Tape	
7	4712200	8	Washer 3/4	
8	1001099366	1	Support	
9	1001099367	1	Support	
10	1001101421	1	Tray Assembly (See Items 101-111 for Breakdown)	
13	8310230	2	Bolt 5/8 x 4	
	1001101421	Ref	TRAY ASSEMBLY	E
101	0100081	AR	Adhesive	
102	1120555	2	Cap, Tube	
103	1701509	1	Decal - Manual	
104	See Note	NSS	Nameplate - Serial Number (Note: Not Available for Purchase)	
106	3340956	1	Pad Kit	
107	3460334	1	Tube	
108	3520071	2	Plug	
109	4420066	AR	Tape, Double Sided	
111	1001163131	2	Decal - Glazier Capacity	
	0272418	Ref	SKYGLAZIER DECAL INSTALLATION	4
201	1705358	2	Decal - SkyGlazier	

SECTION 5 - PLATFORM

FIGURE 5-55. FALL ARREST INSTALLATION (BOLT-ON) (4FT/1.22M PLATFORM)



ART_1001261338

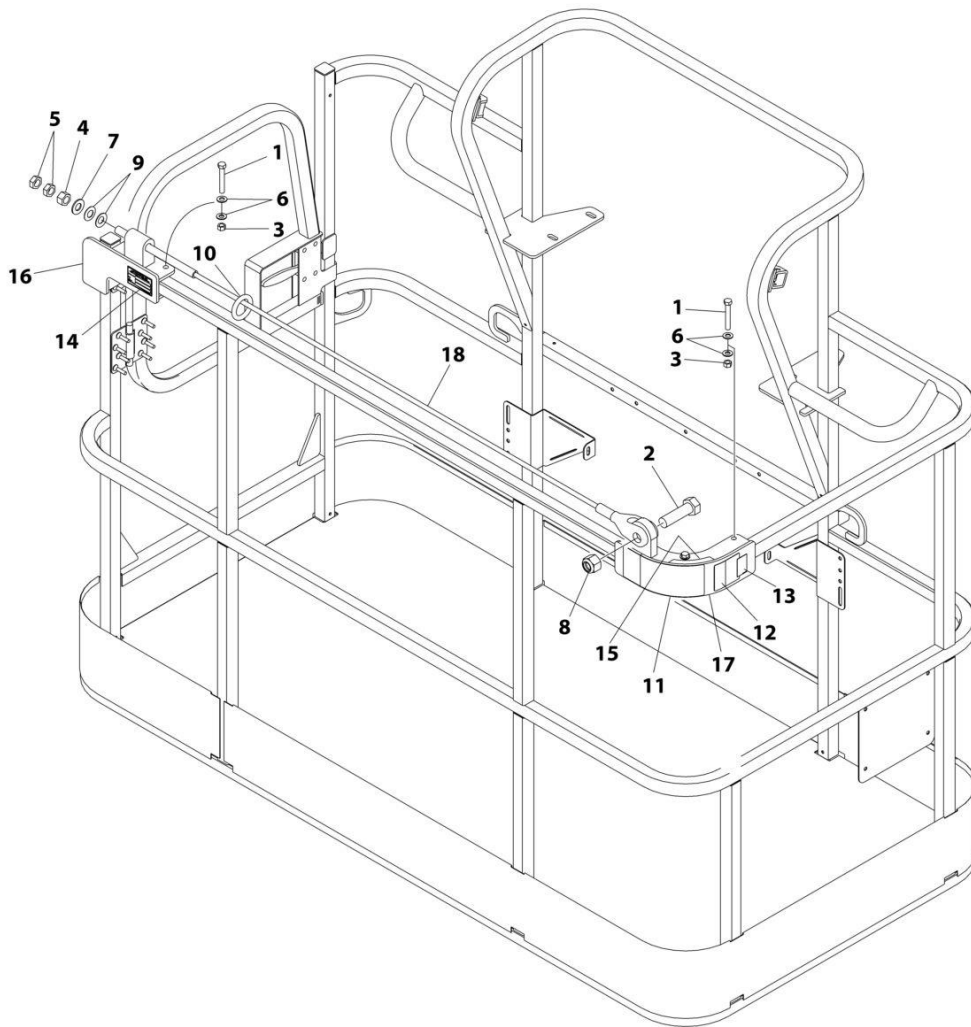
SECTION 5 - PLATFORM

FIGURE 5-55. FALL ARREST INSTALLATION (BOLT-ON) (4FT/1.22M PLATFORM)

ITEM	PART NUMBER	QTY	DESCRIPTION	REV
	1001261338	Ref	FALL ARREST INSTALLATION	A
1	0681620	6	Bolt 3/8 x 2-1/2	
2	0682424	1	Bolt 7/8 x 3	
3	3271605	6	Nut 3/8	
4	3272001	1	Nut 5/8	
5	3312002	2	Nut 5/8	
6	4711600	12	Washer 3/8	
7	4712000	1	Washer 5/8	
8	88521214	1	Nut 7/8	
9	1001236891	2	Washer	
10	1001236895	1	Ring	
11	1001238263	1	Decal - Warning Falling Hazard	
12	1001248140	1	Decal - Bolt Fall Arrest Re-Cert	
13	1001248141	1	Decal - Incription	
14	See Note	NSS	Nameplate - Manufacturers Serial Number (Note: Not Available for Purchase)	
15	1001252629	1	Decal - Weight	
16	1001257271	1	Bracket (RH)	
17	1001257274	1	Bracket (LH)	
18	1001261335	1	Rope	

SECTION 5 - PLATFORM

FIGURE 5-56. FALL ARREST INSTALLATION (BOLT-ON EXTERNAL) (5FT/1.52M PLATFORM)



ART_1001257275

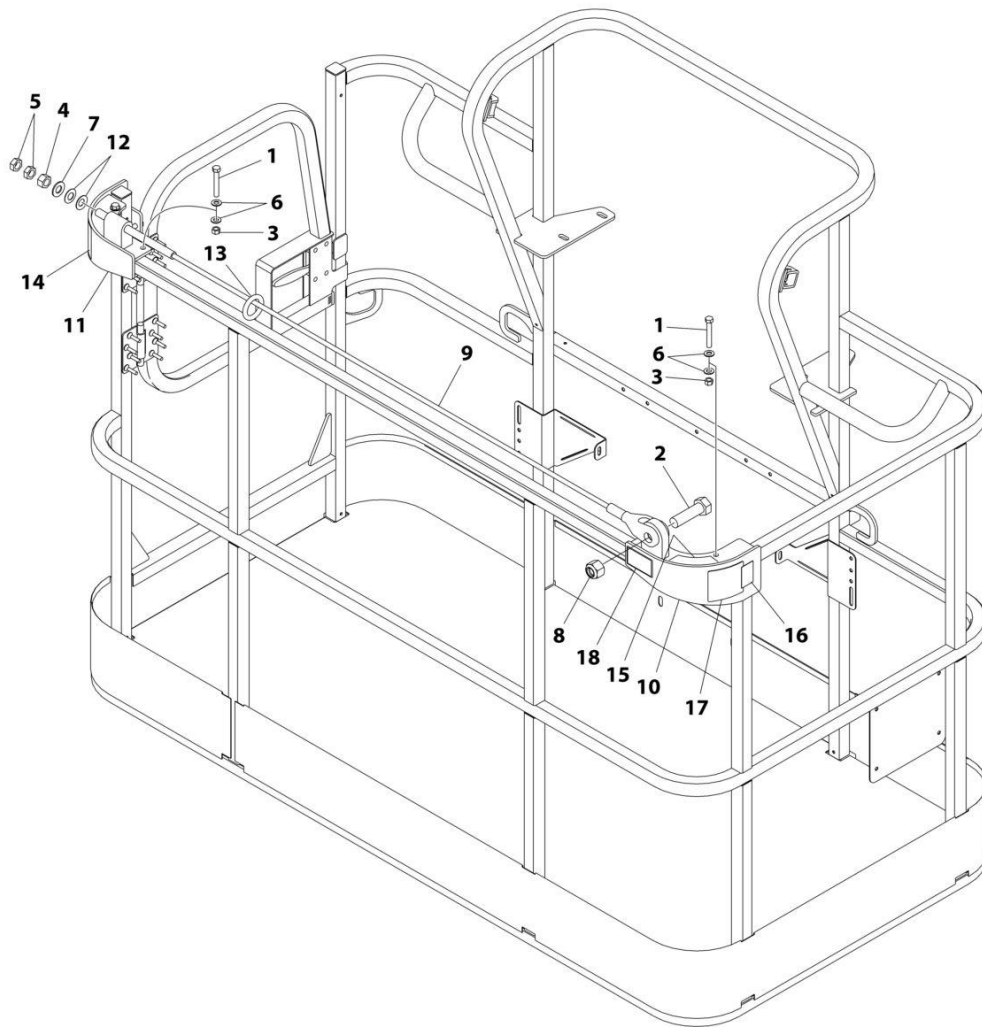
SECTION 5 - PLATFORM

FIGURE 5-56. FALL ARREST INSTALLATION (BOLT-ON EXTERNAL) (5FT/1.52M PLATFORM)

ITEM	PART NUMBER	QTY	DESCRIPTION	REV
	1001257275	Ref	FALL ARREST INSTALLATION (BOLT - ON) 6FT/1.82M PLATFORM	A
1	0681620	6	Bolt 3/8 x 2-1/2	
2	0682424	1	Bolt 7/8 x 3	
3	3271605	6	Nut 3/8	
4	3272001	1	Nut 5/8	
5	3312002	2	Nut 5/8	
6	4711600	12	Washer 3/8	
7	4712000	1	Washer 5/8	
8	88521214	1	Nut 7/8	
9	1001236891	2	Washer	
10	1001236895	1	Ring	
11	1001238263	1	Decal - Warning Falling Hazard	
12	1001248140	1	Decal - Bolt Fall Arrest Re-Cert	
13	1001248141	1	Decal - Incription	
14	See Note	NSS	Nameplate - Manufacturers Serial Number (Note: Not Available for Purchase)	
15	1001252629	1	Decal - Weight	
16	1001257271	1	Bracket (RH)	
17	1001257274	1	Bracket (LH)	
18	1001258005	1	Rope	

SECTION 5 - PLATFORM

FIGURE 5-57. FALL ARREST INSTALLATION (BOLT-ON EXTERNAL) (6FT/1.82M PLATFORM)



ART_1001236747

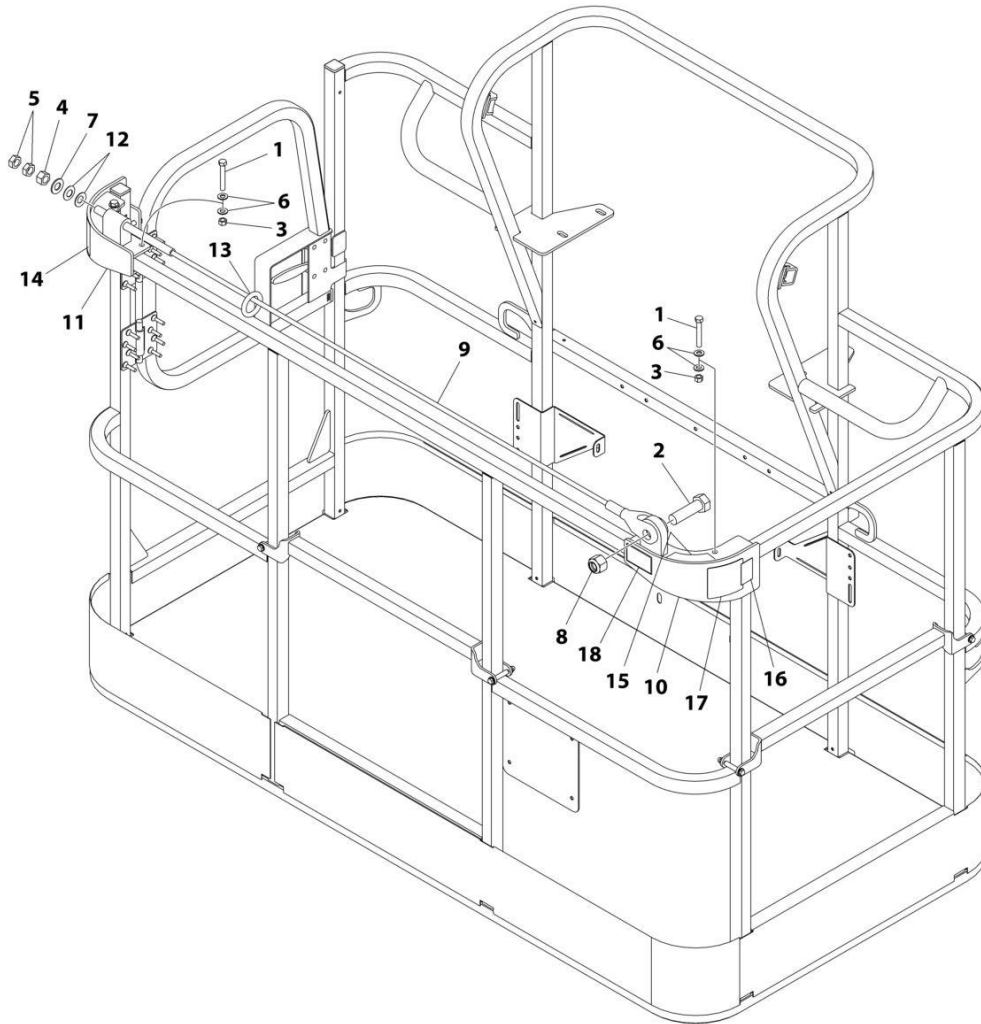
SECTION 5 - PLATFORM

FIGURE 5-57. FALL ARREST INSTALLATION (BOLT-ON EXTERNAL) (6FT/1.82M PLATFORM)

ITEM	PART NUMBER	QTY	DESCRIPTION	REV
	1001236747	Ref	FALL ARREST INSTALLATION (BOLT - ON) 6FT/1.82M PLATFORM	C
1	0681620	6	Bolt 3/8 x 2-1/2	
2	0682424	1	Bolt 7/8 x 3	
3	3271605	6	Nut 3/8	
4	3272001	1	Nut 5/8	
5	3312002	2	Nut 5/8	
6	4711600	12	Washer 3/8	
7	4712000	1	Washer 5/8	
8	88521214	1	Nut 7/8	
9	1001231950	1	Rope	
10	1001232010	1	Bracket (RH)	
11	1001232011	1	Bracket (LH)	
12	1001236891	2	Washer	
13	1001236895	1	Ring	
14	1001238263	1	Decal - Warning Falling Hazard	
15	1001252629	1	Decal - Weight	
16	1001248140	1	Decal - Bolt Fall Arrest Re-Cert	
17	1001248141	1	Decal - Inscription	

SECTION 5 - PLATFORM

FIGURE 5-58. FALL ARREST INSTALLATION (BOLT-ON EXTERNAL) (6FT/1.82M TRI-ENTRY PLATFORM)



ART_1001238463

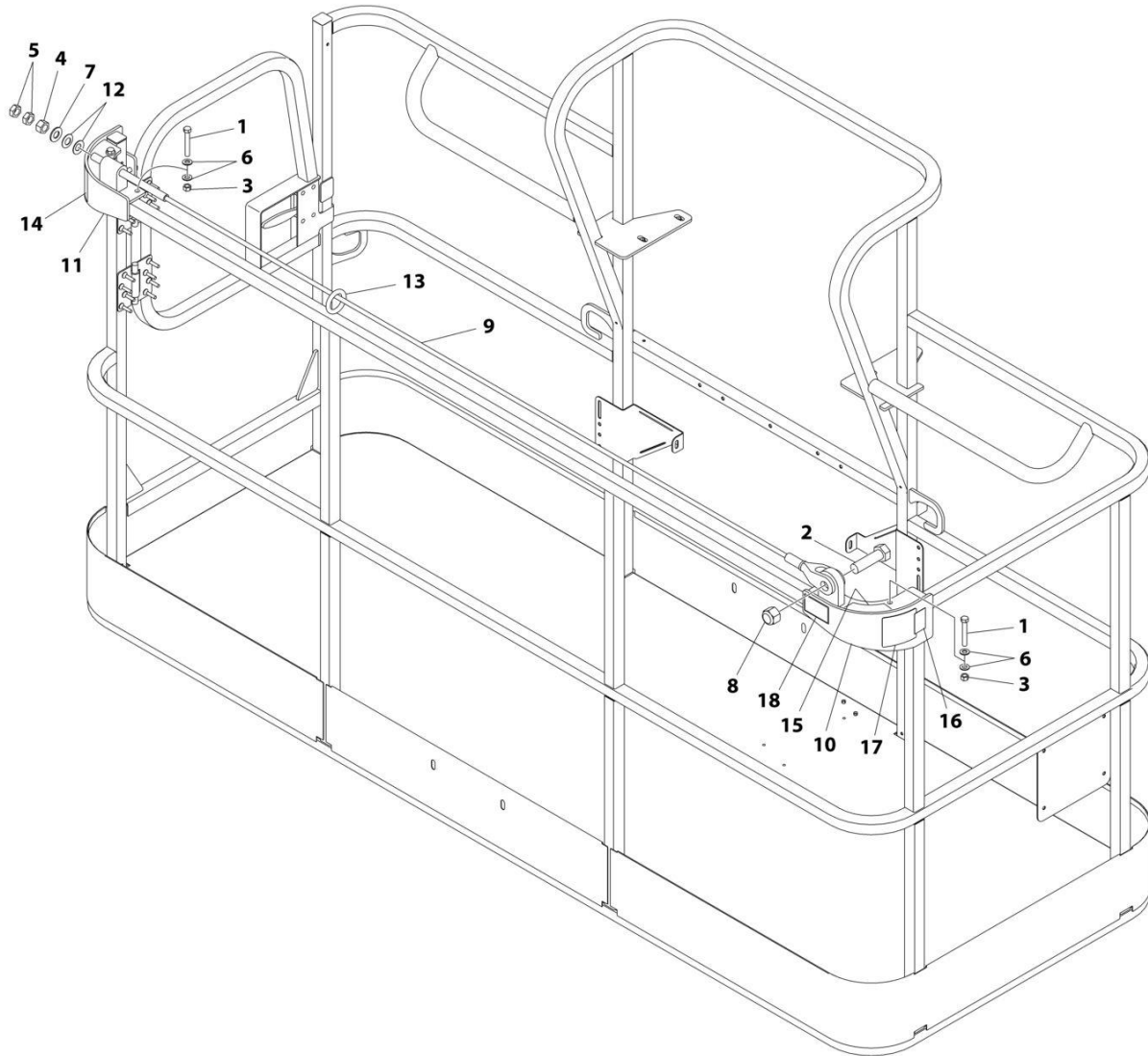
SECTION 5 - PLATFORM

FIGURE 5-58. FALL ARREST INSTALLATION (BOLT-ON EXTERNAL) (6FT/1.82M TRI-ENTRY PLATFORM)

ITEM	PART NUMBER	QTY	DESCRIPTION	REV
	1001238463	Ref	FALL ARREST INSTALLATION (BOLT - ON) 6FT/1.82M PLATFORM	C
1	0681620	6	Bolt 3/8 x 2-1/2	
2	0682424	1	Bolt 7/8 x 3	
3	3271605	6	Nut 3/8	
4	3272001	1	Nut 5/8	
5	3312002	2	Nut 5/8	
6	4711600	12	Washer 3/8	
7	4712000	1	Washer 5/8	
8	88521214	1	Nut 7/8	
9	1001231950	1	Rope	
10	1001232010	1	Bracket (RH)	
11	1001232011	1	Bracket (LH)	
12	1001236891	2	Washer	
13	1001236895	1	Ring	
14	1001238263	1	Decal - Warning Falling Hazard	
15	1001252629	1	Decal - Weight	
16	1001248140	1	Decal - Bolt Fall Arrest Re-Cert	
17	1001248141	1	Decal - Inscription	

SECTION 5 - PLATFORM

FIGURE 5-59. FALL ARREST INSTALLATION (BOLT-ON EXTERNAL) (8FT/2.4M PLATFORM)



ART_1001236746

SECTION 5 - PLATFORM

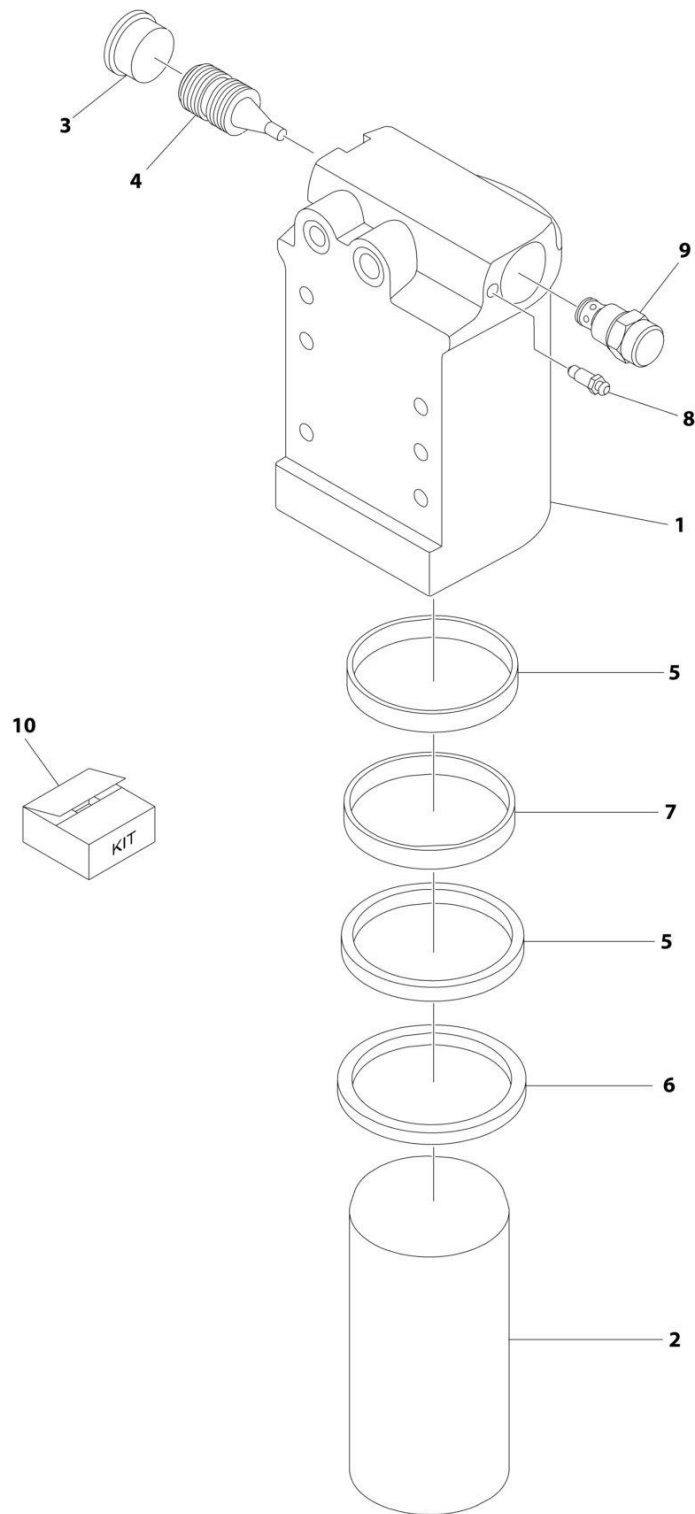
FIGURE 5-59. FALL ARREST INSTALLATION (BOLT-ON EXTERNAL) (8FT/2.4M PLATFORM)

ITEM	PART NUMBER	QTY	DESCRIPTION	REV
	1001236746	Ref	FALL ARREST INSTALLATION (BOLT - ON) 8FT/2.4M PLATFORM	C
1	0681620	6	Bolt 3/8 x 2-1/2	
2	0682424	1	Bolt 7/8 x 3	
3	3271605	6	Nut 3/8	
4	3272001	1	Nut 5/8	
5	3312002	2	Nut 5/8	
6	4711600	12	Washer 3/8	
7	4712000	1	Washer 5/8	
8	88521214	1	Nut 7/8	
9	1001231949	1	Rope	
10	1001232010	1	Bracket (RH)	
11	1001232011	1	Bracket (LH)	
12	1001236891	2	Washer	
13	1001236895	1	Ring	
14	1001238263	1	Decal - Warning Falling Hazard	
15	1001252629	1	Decal - Weight 23LBS/10.4KG	
16	1001248140	1	Decal - Bolt Fall Arrest Re-Cert	
17	1001248141	1	Decal - Inscription	

SECTION 6 - CYLINDER

SECTION 6 - CYLINDER

FIGURE 6-1. AXLE LOCKOUT CYLINDER ASSEMBLY



ART_1684465

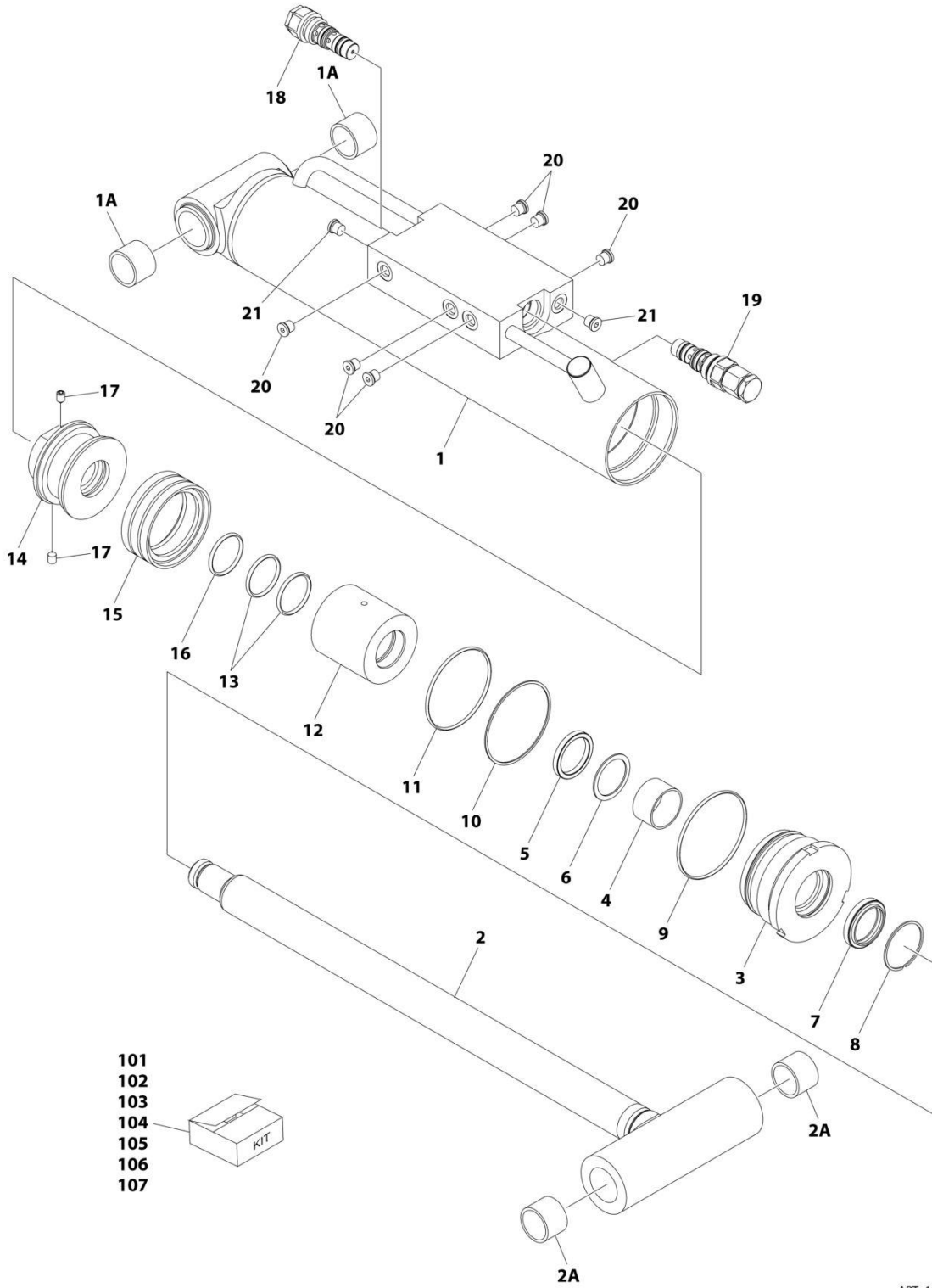
SECTION 6 - CYLINDER

FIGURE 6-1. AXLE LOCKOUT CYLINDER ASSEMBLY

ITEM	PART NUMBER	QTY	DESCRIPTION	REV
	1684465	Ref	AXLE LOCKOUT CYLINDER ASSEMBLY	J
		Ref	Note: Original Cylinder may have been replaced with Service Replacement. Identify PN Stamped on Cylinder Before Ordering Parts.	
1	0370026	1	Barrel	
2	1684290	1	Rod	
3	2220890	1	Plug	
4	3480288	1	Piston, Pilot	
5	See Note	NSS	Ring, Wear (Note: Use Item 110)	
6	See Note	NSS	Wiper (Note: Use Item 110)	
7	See Note	NSS	Seal, Rod (Note: Use Item 110)	
8	4640858	1	Bleeder	
9	4641390	1	Cartridge, Valve	
9	7017496	1	Seal Kit	
10	2902266	1	Seal Kit (Includes Items 105-107)	

SECTION 6 - CYLINDER

FIGURE 6-2. LEVEL (PLATFORM SLAVE) CYLINDER ASSEMBLY



ART_1001251051

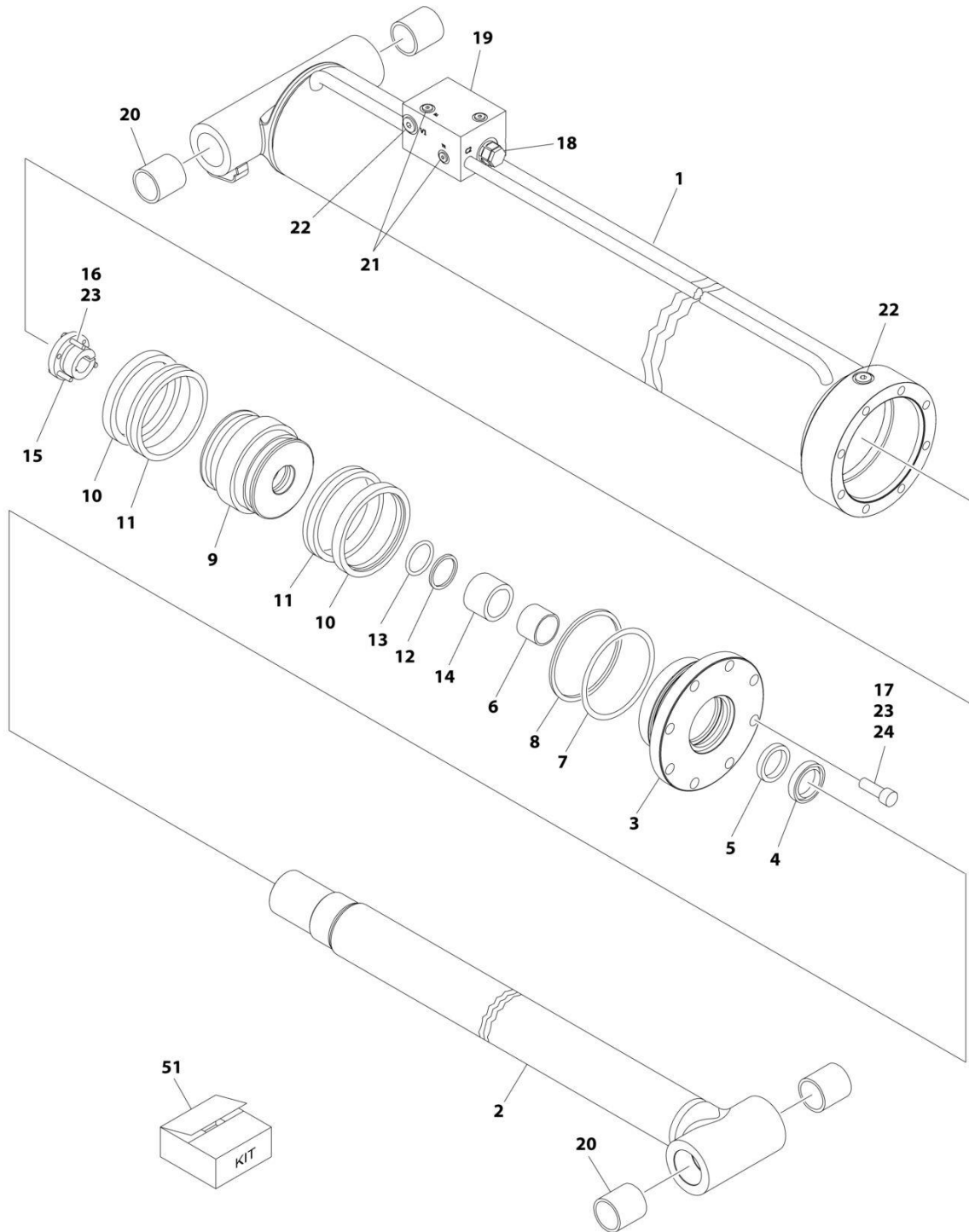
SECTION 6 - CYLINDER

FIGURE 6-2. LEVEL (PLATFORM SLAVE) CYLINDER ASSEMBLY

ITEM	PART NUMBER	QTY	DESCRIPTION	REV
	1001251051	Ref	LEVEL CYLINDER ASSEMBLY	A
		Ref	Note: Original Cylinder May Have Been Replaced with Service Replacement. Identify PN Stamped on Cylinder Before Ordering Parts.	
1	See Note	NSS	Barrel (Note: Use p/n 1001251051)	
1A	0961951	2	Bushing	
2	See Note	NSS	Rod (Note: Use Item 102)	
2A	0961951	2	Bushing	
3	See Note	NSS	Head (Note: Use Item 103)	
4	See Note	NSS	Ring, Wear (Note: Use Item 103)	
5	See Note	NSS	Seal (Note: Use Item 104)	
6	See Note	NSS	Ring, Back-up (Note: Use Item 104)	
7	See Note	NSS	Wiper (Note: Use Item 104)	
8	See Note	NSS	Ring, Retaining (Note: Use Item 104)	
9	See Note	NSS	O-Ring (Note: Use Item 104)	
10	See Note	NSS	Ring, Back-up (Note: Use Item 104)	
11	See Note	NSS	O-Ring (Note: Use Item 104)	
12	See Note	NSS	Spacer (Note: Use Item 105)	
13	See Note	NSS	O-Ring (Note: Use Item 105)	
14	See Note	NSS	Piston (Note: Use Item 106)	
15	See Note	NSS	Seal (Note: Use Item 104)	
16	See Note	NSS	O-Ring (Note: Use Item 104)	
17	See Note	NSS	Setscrew (Note: Use Item 106)	
18	4640509	1	Cartridge, Valve	
18	2900792	1	Seal Kit - 4640509 Valve	
19	4640932	1	Cartridge, Valve	
19	7011112	1	Seal Kit - 4640932 Valve	
20	See Note	NSS	Plug (Note: Use Item 107)	
20	See Note	NSS	O-Ring (Note: Use Item 107)	
21	See Note	NSS	Dust Cap (Note: Use Item 101)	
101	See Note	NSS	Barrel Kit - Cylinder 1001258051 (Includes Items 1, 1A & 21)	
102	70007387	1	Rod Kit - Cylinder 1001258051 (Includes Items 2 & 2A)	
103	70007388	1	Rod Cover Kit - Cylinder 1001258051 (Includes Items 3 & 4)	
104	70007389	1	Seal Kit - 1001228051 Cylinder (Includes Items 5-11, 15 & 16)	
105	70007390	1	Spacer Kit - 1001228051 Cylinder (Includes Items 12 & 13)	
106	70007391	1	Piston Kit - 1001228051 Cylinder (Includes Items 14 & 17)	
107	70007392	1	Plug Kit - 1001228051 Cylinder (Includes Items 1 & 20)	

SECTION 6 - CYLINDER

FIGURE 6-3. LEVEL (UPRIGHT) CYLINDER ASSEMBLY



ART_1001228042

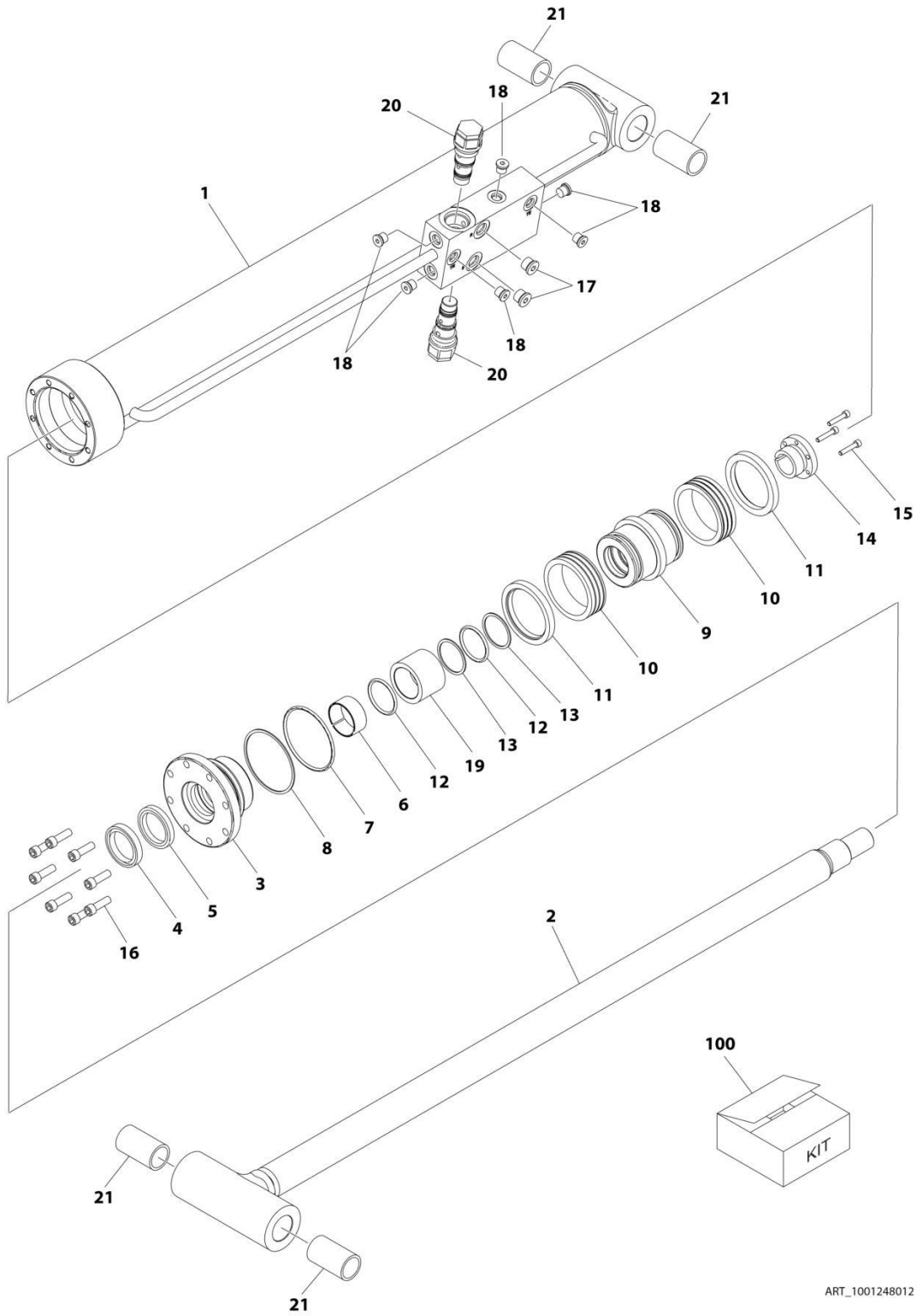
SECTION 6 - CYLINDER

FIGURE 6-3. LEVEL (UPRIGHT) CYLINDER ASSEMBLY

ITEM	PART NUMBER	QTY	DESCRIPTION	REV
	1001228042	Ref	UPRIGHT LEVEL CYLINDER ASSEMBLY	E
		Ref	Note: Original Equipment components may have been replaced with Service Replacement components part. Identify p/n stamped on cylinder before ordering parts.	
1	See Note	NSS	Barrel (Note: Not Available for Purchase)	
2	70006489	1	Rod	
3	70006488	1	Head	
4	See Note	NSS	Wiper (Note: Use Item 51)	
5	See Note	NSS	Seal, Rod (Note: Use Item 51)	
6	See Note	NSS	Ring, Wear (Note: Use Item 51)	
7	See Note	NSS	O-Ring (Note: Use Item 51)	
8	See Note	NSS	Ring, Back-up (Note: Use Item 51)	
9	70006487	1	Piston	
10	See Note	NSS	Ring, Lock (Note: Use Item 51)	
11	See Note	NSS	Seal, Hydrolock (Note: Use Item 51)	
12	See Note	NSS	O-Ring (Note: Use Item 51)	
13	See Note	NSS	Ring, Back-up (Note: Use Item 51)	
14	70006486	1	Spacer, Tube	
15	0961898	1	Bushing, Tapered (Use Item #16 in place of supplied bolts)	
16	0630536	3	Bolt 3/8 x 1-1/2	
17	3932032	8	Bolt, Socket Head 5/16 x 2	
18	4640509	1	Cartridge, Valve	
18	2900792	1	Seal Kit - 4640509 Valve	
19	4640605	1	Cartridge, Valve	
19	2900792	1	Seal Kit - 4640605 Valve	
20	0961949	4	Bushing	
21	2220883	5	Plug, O-Ring	
22	2220886	AR	Plug, O-Ring	
23	0100011	AR	Compound, Locking	
24	0100038	AR	Primer, Locking	
51	2901285	1	Seal Kit (Includes Items 4-8 & 10-13)	

SECTION 6 - CYLINDER

FIGURE 6-4. LIFT CYLINDER ASSEMBLY - JIB



ART_1001248012

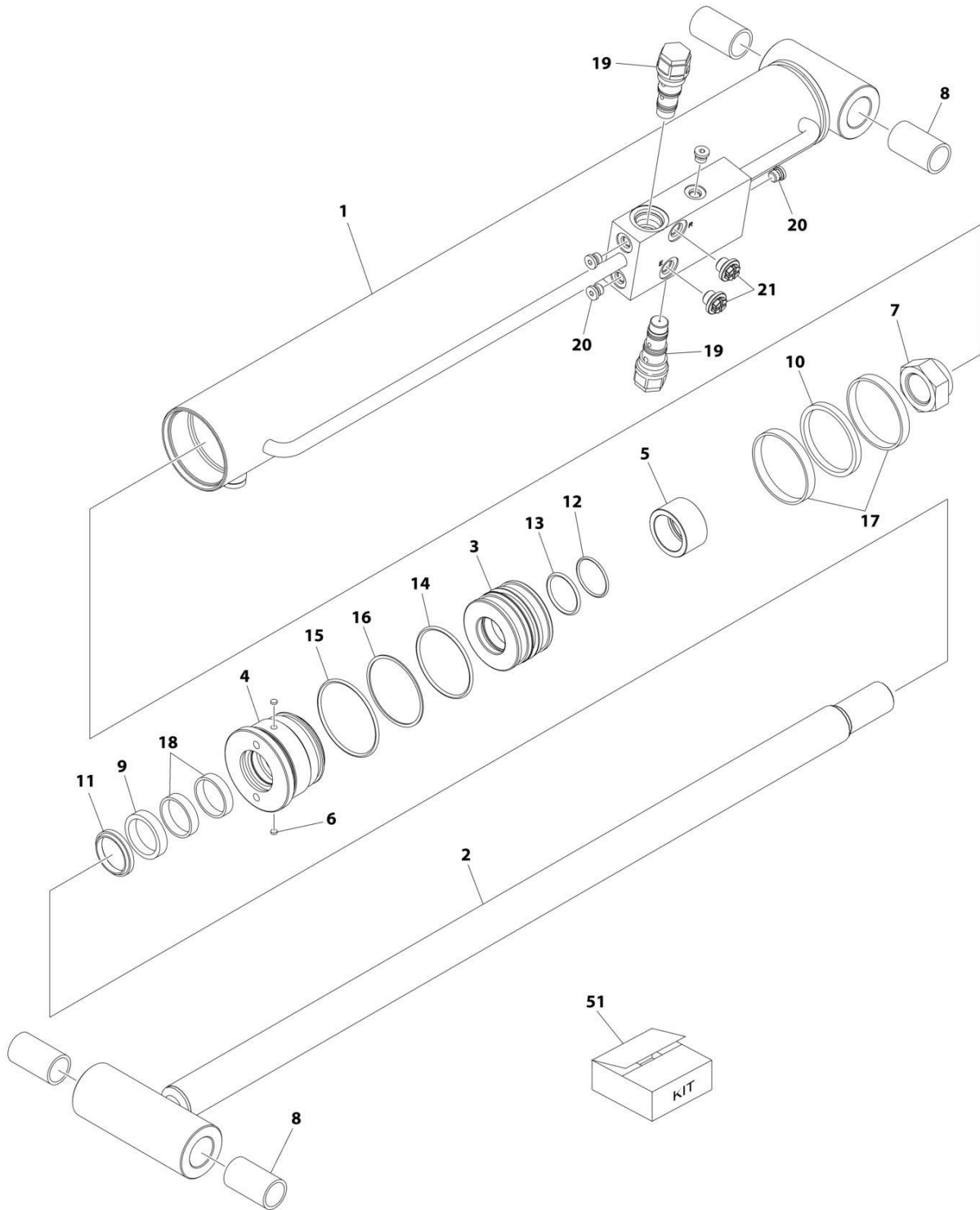
SECTION 6 - CYLINDER

FIGURE 6-4. LIFT CYLINDER ASSEMBLY - JIB

ITEM	PART NUMBER	QTY	DESCRIPTION	REV
	1001248012	Ref	LIFT CYLINDER ASSEMBLY - JIB	C
		Ref	Note: Original Cylinder May Have Been Replaced with Service Replacement. Identify PN Stamped on Cylinder Before Ordering Parts.	
1	See Note	NSS	Barrel (Note: Not Available for Purchase)	
2	70006734	1	Rod	
3	70006649	1	Head	
4	See Note	NSS	Wiper (Note: Use Item 100)	
5	See Note	NSS	Seal, Rod (Note: Use Item 100)	
6	See Note	NSS	Ring, Wear (Note: Use Item 100)	
7	See Note	NSS	O-Ring (Note: Use Item 100)	
8	See Note	NSS	Ring, Back-up (Note: Use Item 100)	
9	70006650	1	Piston	
10	See Note	NSS	Seal (Note: Use Item 100)	
11	See Note	NSS	Ring, Lock (Note: Use Item 100)	
12	See Note	NSS	O-Ring (Note: Use Item 100)	
13	See Note	NSS	Ring, Back-up (Note: Use Item 100)	
14	0961893	1	Bushing, Tapered	
15	0630534	3	Capscrew, Socket Head #10 x 1	
16	70006735	8	Capscrew 5/16	
17	2220885	2	Plug, O-Ring	
18	2220883	6	Plug, O-Ring	
19	70006736	1	Spacer	
20	4640509	2	Cartridge, Valve	
20	2900792	2	Seal Kit - 4640509 Valve	
21	0962336	4	Bushing	
100	1001138795	1	Seal Kit (Includes Items 4-8 & 10-13)	

SECTION 6 - CYLINDER

FIGURE 6-5. LIFT CYLINDER ASSEMBLY – JIB



ART_1001230371

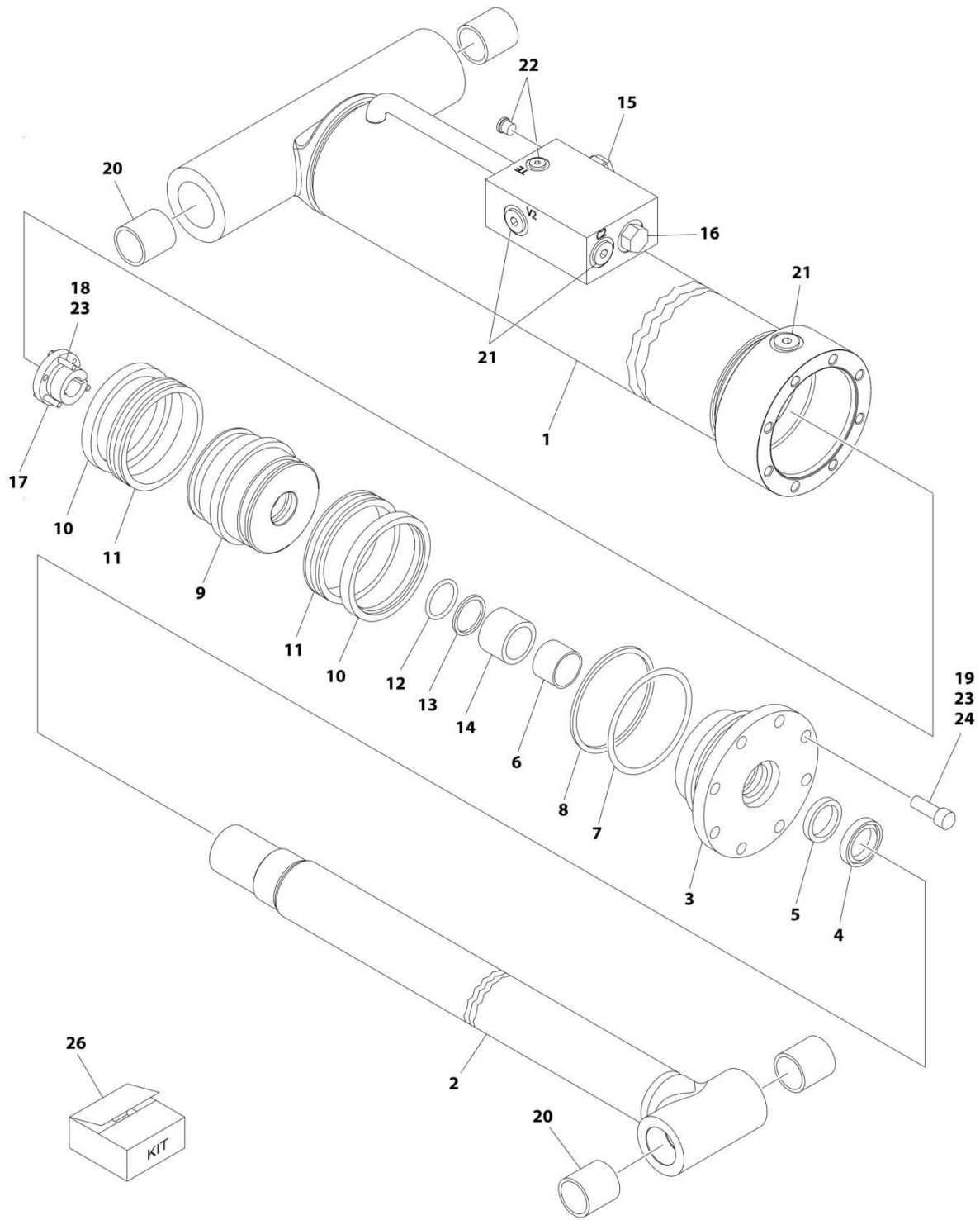
SECTION 6 - CYLINDER

FIGURE 6-5. LIFT CYLINDER ASSEMBLY – JIB

ITEM	PART NUMBER	QTY	DESCRIPTION	REV
	1001230371	Ref	LIFT CYLINDER ASSEMBLY - JIB	A
		Ref	Note: Original Cylinder may have been replaced with Service Replacement. Identify PN Stamped on Cylinder Before Ordering Parts.	
1	See Note	NSS	Barrel (Note: Purchase Complete Assembly)	
2	70006930	1	Rod	
3	70006931	1	Piston	
4	70006932	1	Head	
5	70006933	1	Spacer, Tube	
6	70003636	1	Lock, Insert	
7	70006900	1	Nut	
8	0962336	4	Bushing	
9	See Note	NSS	Seal, Rod (Note: Use Item 51)	
10	See Note	NSS	Seal, Piston (Note: Use Item 51)	
11	See Note	NSS	Wiper (Note: Use Item 51)	
12	See Note	NSS	O-Ring (Note: Use Item 51)	
13	See Note	NSS	O-Ring (Note: Use Item 51)	
14	See Note	NSS	O-Ring (Note: Use Item 51)	
15	See Note	NSS	O-Ring (Note: Use Item 51)	
16	See Note	NSS	Ring, Back-up (Note: Use Item 51)	
17	See Note	NSS	Ring, Wear (Note: Use Item 51)	
18	See Note	NSS	Ring, Wear (Note: Use Item 51)	
19	4640509	2	Catridge, Valve	
19	2900792	2	Seal Kit - 4640509 Valve	
20	2220883	4	Plug	
21	2220885	2	Plug	
51	70006934	1	Seal Kit (Includes Item 9-18)	

SECTION 6 - CYLINDER

FIGURE 6-6. LIFT CYLINDER ASSEMBLY - MAIN BOOM



ART_1001228004

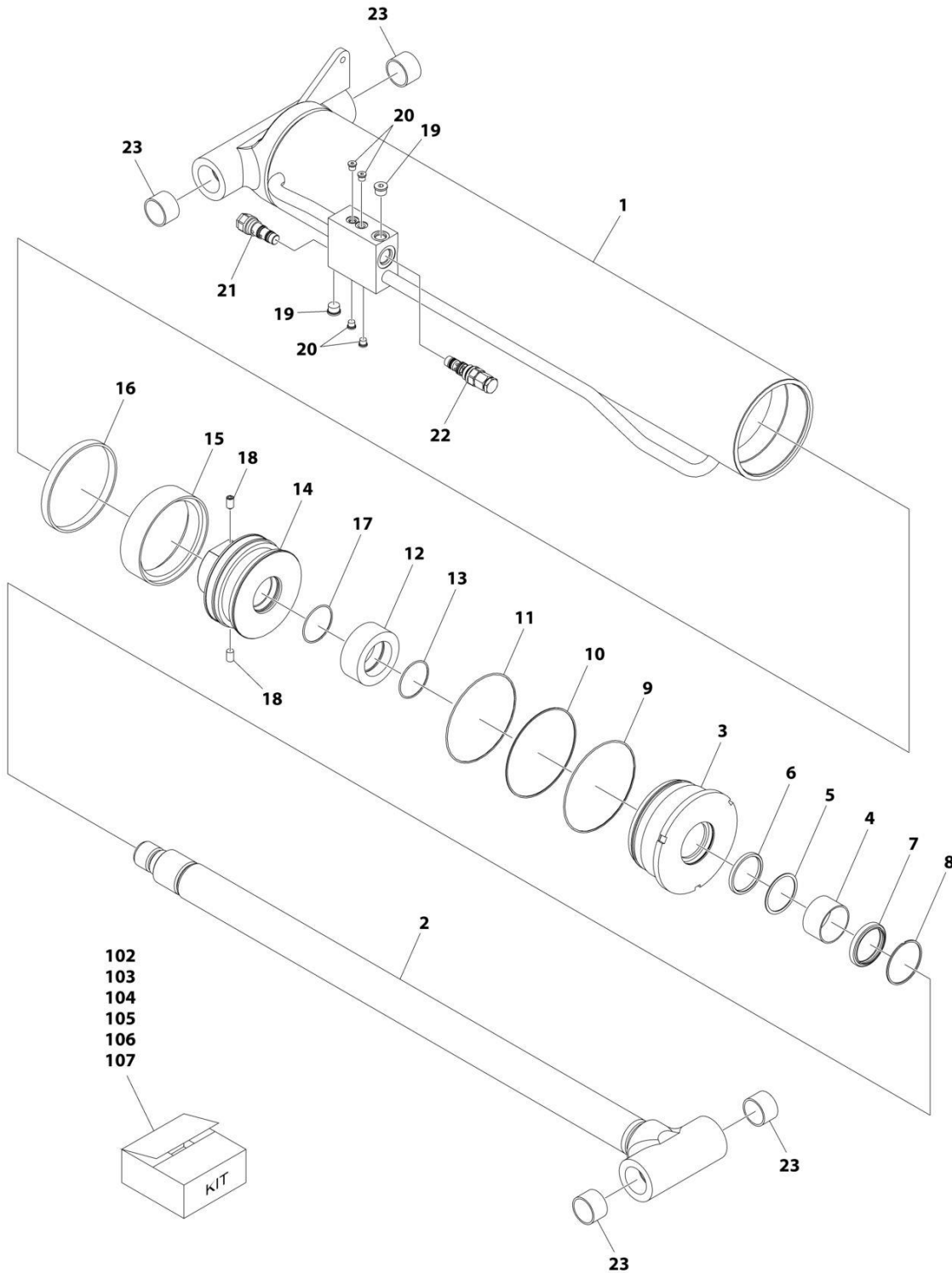
SECTION 6 - CYLINDER

FIGURE 6-6. LIFT CYLINDER ASSEMBLY - MAIN BOOM

ITEM	PART NUMBER	QTY	DESCRIPTION	REV
	1001228004	Ref	LIFT CYLINDER ASSEMBLY - MAIN BOOM	C
		Ref	Note: Original Equipment components may have been replaced with Service Replacement components part. Identify p/n stamped on cylinder before ordering parts.	
1	See Note	NSS	Barrel (Note: Not Available for Purchase)	
2	70006481	1	Rod	
3	70006480	1	Head	
4	See Note	NSS	Wiper (Note: Use Item 26)	
5	See Note	NSS	Seal, Rod (Note: Use Item 26)	
6	See Note	NSS	Ring, Wear (Note: Use Item 26)	
7	See Note	NSS	O-Ring (Note: Use Item 26)	
8	See Note	NSS	Ring, Back-up (Note: Use Item 26)	
9	70006479	1	Piston	
10	See Note	NSS	Ring, Lock (Note: Use Item 26)	
11	See Note	NSS	Seal (Note: Use Item 26)	
12	See Note	NSS	O-Ring (Note: Use Item 26)	
13	See Note	NSS	Ring, Back-up (Note: Use Item 26)	
14	70006478	1	Spacer	
15	4640509	1	Cartridge, Valve	
15	2900792	1	Seal Kit - 4640509 Valve	
16	4640438	1	Cartridge, Valve	
16	2900770	1	Seal Kit - 4640438 Valve	
17	0961897	1	Bushing, Tapered	
18	0630535	3	Bolt 1/4 x 1-1/8	
19	3931720	8	Capscrew, Socket Head 7/16 x 1-1/4	
20	0961948	2	Bushing	
21	2220886	4	Plug, O-Ring	
22	2220883	3	Plug, O-Ring	
23	0100011	AR	Compound, Locking	
24	0100038	AR	Primer, Locking	
26	2901273	1	Seal Kit (Includes Items 4-8 & 10-13)	

SECTION 6 - CYLINDER

FIGURE 6-7. LIFT CYLINDER ASSEMBLY - TOWER BOOM



ART_1001261003

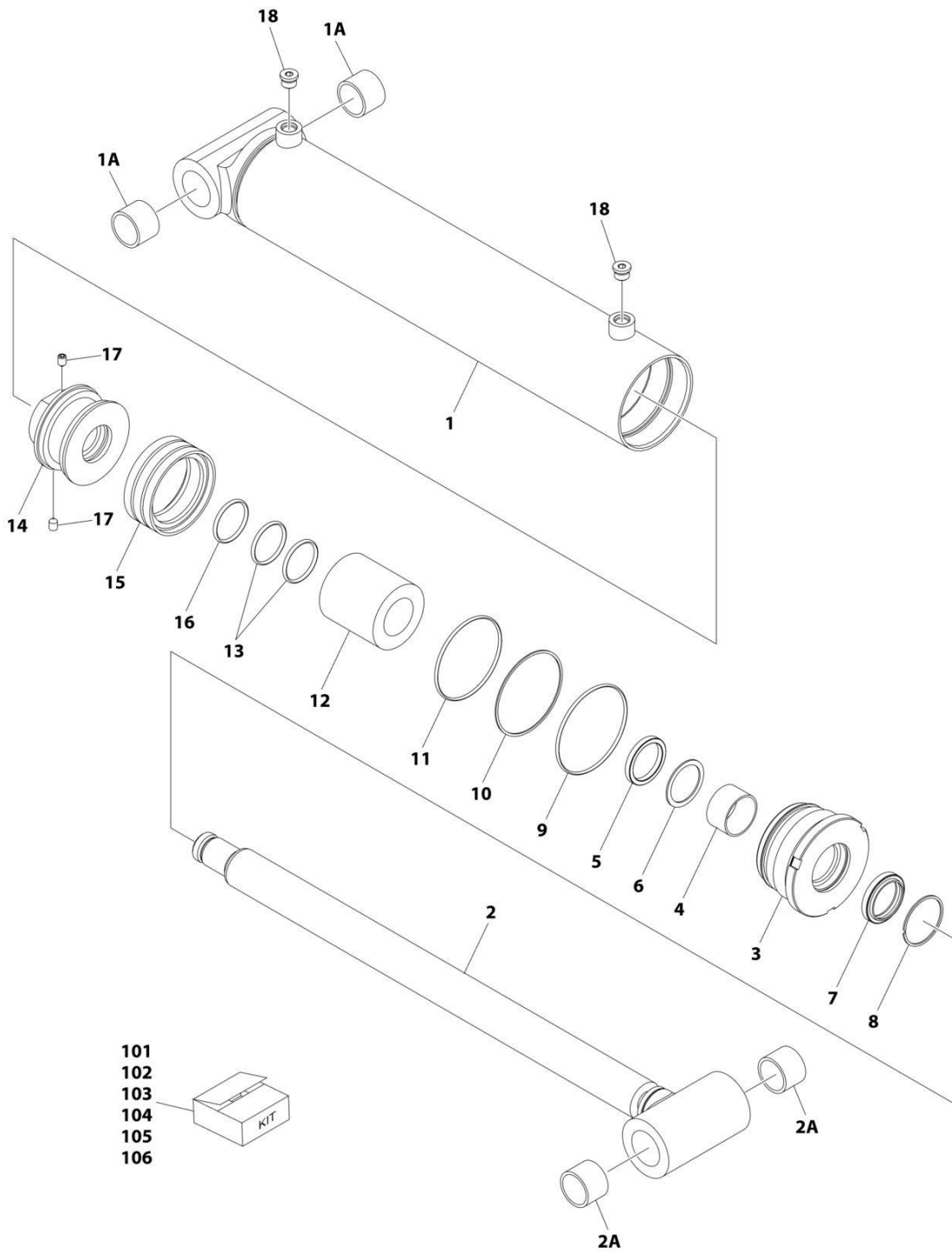
SECTION 6 - CYLINDER

FIGURE 6-7. LIFT CYLINDER ASSEMBLY - TOWER BOOM

ITEM	PART NUMBER	QTY	DESCRIPTION	REV
	1001261003	Ref	LIFT CYLINDER ASSEMBLY - MAIN BOOM	A
		Ref	Note: Original Cylinder May Have Been Replaced with Service Replacement. Identify PN Stamped on Cylinder Before Ordering Parts.	
1	See Note	NSS	Barrel (Use p/n 1001261003)	
2	See Note	NSS	Rod (Use Item 102)	
3	See Note	NSS	Head (Use Item 103)	
4	See Note	NSS	Ring, Wear (Use Item 103)	
5	See Note	NSS	O-Ring (Note: Use Item 104)	
6	See Note	NSS	Ring, Back-up (Note: Use Item 104)	
7	See Note	NSS	Wiper (Note: Use Item 104)	
8	See Note	NSS	Ring, Retainer (Note: Use Item 104)	
9	See Note	NSS	O-Ring (Note: Use Item 104)	
10	See Note	NSS	Ring, Back-Up (Note: Use Item 104)	
11	See Note	NSS	O-Ring (Note: Use Item 104)	
12	See Note	NSS	Spacer (Note: Use Item 105)	
13	See Note	NSS	O-Ring (Note: Use Item 105)	
14	See Note	NSS	Piston (Note: Use Item 106)	
15	See Note	NSS	Seal (Note: Use Item 104)	
16	See Note	NSS	Ring, Wear (Note: Use Item 104)	
17	See Note	NSS	O-Ring (Note: Use Item 104)	
18	See Note	NSS	Setscrew (Note: Use Item 106)	
19	See Note	NSS	Plug 3/4	
20	See Note	NSS	Plug 7/16	
21	4640509	1	Cartridge, Counterbalance Valve	
21	2900792	1	Seal Kit - 4640509 Valve	
22	4640605	1	Cartridge, Counterbalance Valve	
22	2900792	1	Seal Kit - 4640605 Valve	
23	0961949	4	Bearing	
102	70007460	1	Rod Kit (Includes Item 2 & 23)	
103	70007461	1	Rod Cover Kit (Includes Item 3 & 4)	
104	70007462	1	Seal Kit (Includes Item 5-11 & 15-17)	
105	70007463	1	Spacer Kit (Includes Item 12 & 13)	
106	70007464	1	Piston Kit (Includes Item 14 & 18)	
107	70007465	1	Plug Kit (Includes Item 20)	

SECTION 6 - CYLINDER

FIGURE 6-8. MASTER CYLINDER ASSEMBLY



ART_1001251052

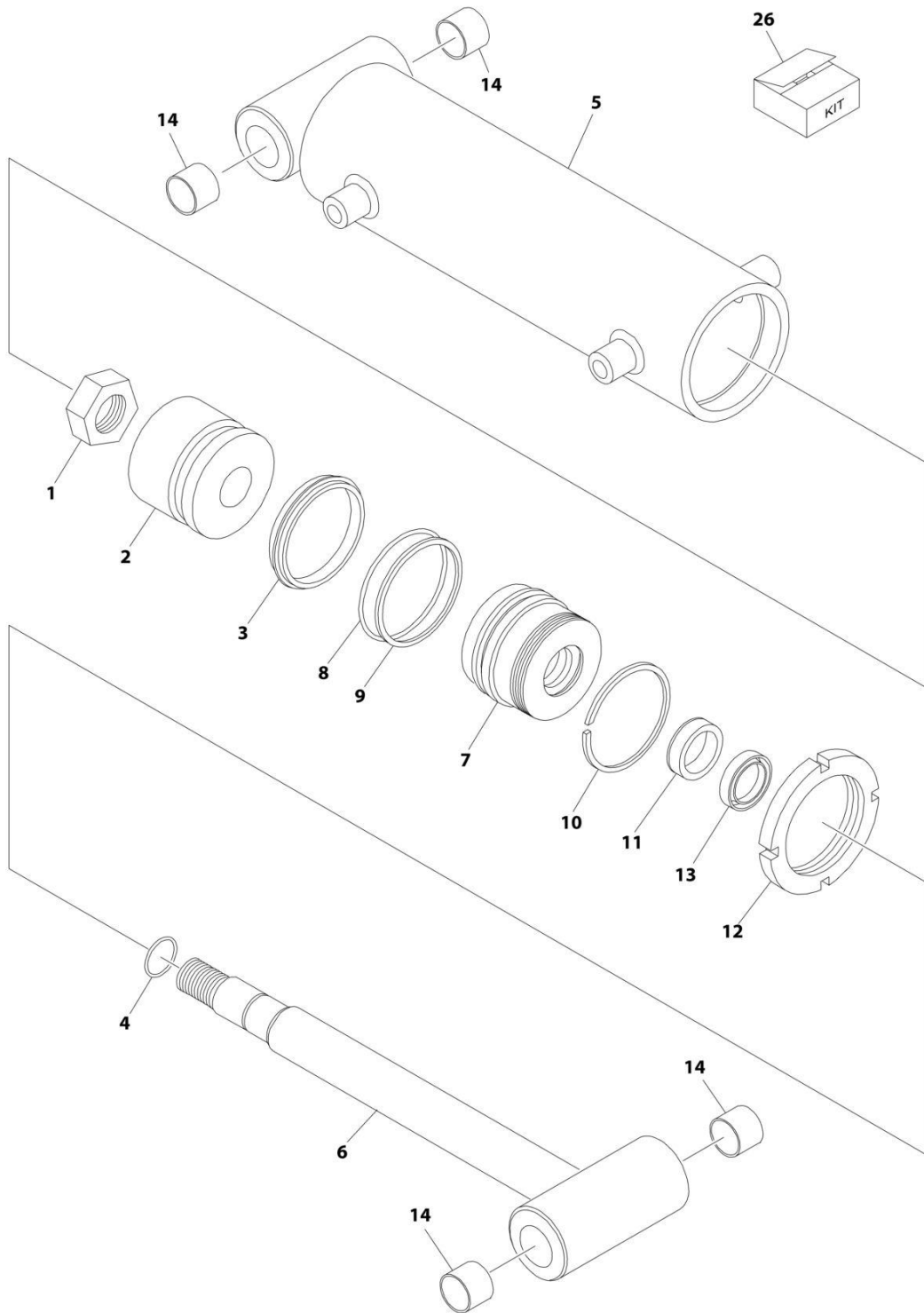
SECTION 6 - CYLINDER

FIGURE 6-8. MASTER CYLINDER ASSEMBLY

ITEM	PART NUMBER	QTY	DESCRIPTION	REV
	1001251052	Ref	MASTER CYLINDER ASSEMBLY	A
		Ref	Note: Original Cylinder May Have Been Replaced with Service Replacement. Identify PN Stamped on Cylinder Before Ordering Parts.	
1	See Note	NSS	Barrel (Note: Not Available for Purchase)	
1A	0961951	2	Bushing	
2	See Note	NSS	Rod Weldment (Note: Use Item 102)	
2A	0961951	2	Bushing	
3	See Note	NSS	Head (Note: Use Item 103)	
4	See Note	NSS	Ring, Wear (Note: Use Item 103)	
5	See Note	NSS	Seal (Note: Use Item 104)	
6	See Note	NSS	Ring, Back-up (Note: Use Item 104)	
7	See Note	NSS	Wiper (Note: Use Item 104)	
8	See Note	NSS	Ring, Retaining (Note: Use Item 104)	
9	See Note	NSS	O-Ring (Note: Use Item 104)	
10	See Note	NSS	Ring, Back-up (Note: Use Item 104)	
11	See Note	NSS	O-Ring (Note: Use Item 104)	
12	See Note	NSS	Spacer (Note: Use Item 105)	
13	See Note	NSS	O-Ring (Note: Use Item 105)	
14	See Note	NSS	Piston (Note: Use Item 106)	
15	See Note	NSS	Seal (Note: Use Item 104)	
16	See Note	NSS	O-Ring (Note: Use Item 104)	
17	See Note	NSS	Setscrew (Note: Use Item 106)	
18	See Note	NSS	Dust Cap (Note: Use Item 101)	
101	See Note	NSS	Barrel Kit - Cylinder 1001258052 (Includes Items 1, 1A & 18)	
102	70007393	1	Rod Kit - Cylinder 1001258052 (Includes Items 2 & 2A)	
103	70007388	1	Rod Cover Kit - Cylinder 1001258052 (Includes Items 3 & 4)	
104	70007389	1	Seal Kit - 1001228052 Cylinder (Includes Items 5-11, 15 & 16)	
104	70007390	1	Spacer Kit - 1001228052 Cylinder (Includes Items 12 & 13)	
106	70007391	1	Piston Kit - 1001228052 Cylinder (Includes Items 14 & 17)	

SECTION 6 - CYLINDER

FIGURE 6-9. STEER CYLINDER ASSEMBLY (7FT/2.1M WIDE MACHINES)



ART_1684418

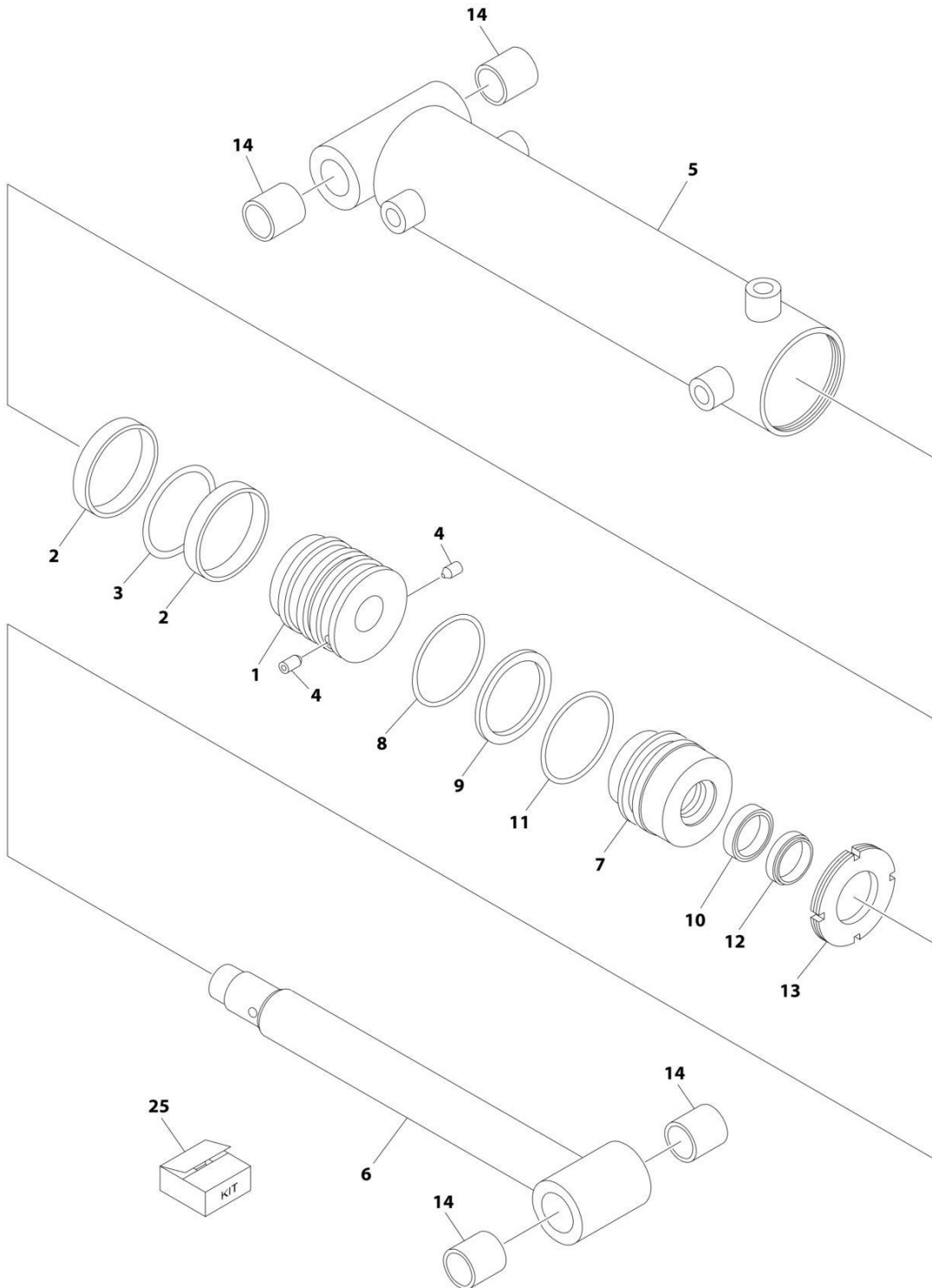
SECTION 6 - CYLINDER

FIGURE 6-9. STEER CYLINDER ASSEMBLY (7FT/2.1M WIDE MACHINES)

ITEM	PART NUMBER	QTY	DESCRIPTION	REV
	1684418	Ref	STEER CYLINDER ASSEMBLY (7FT/2.1M WIDE MACHINES)	A
		Ref	Note: Original Cylinder may have been replaced with Service Replacement. Identify PN Stamped on Cylinder Before Ordering Parts.	
1	7001626	1	Locknut	
2	7001627	1	Piston	
3	7001625	1	Seal	
4	7001625	1	O-Ring	
5	See Note	1	Barrel (Note: Not Available for Purchase)	
6	7023038	1	Rod	
7	7001629	1	Guide	
8	See Note	NSS	O-Ring (Note: Use Item 26)	
9	See Note	NSS	Ring, Back-Up (Note: Use Item 26)	
10	See Note	NSS	Ring, Retaining (Note: Use Item 26)	
11	See Note	NSS	Seal, Lip (Note: Use Item 26)	
12	7001630	1	Nut, Spanner	
13	See Note	NSS	Ring, Wiper (Note: Use Item 26)	
14	0961890	4	Bushing	
26	7001625	1	Seal Kit (Includes Items 3, 4, 8-11 & 13)	

SECTION 6 - CYLINDER

FIGURE 6-10. STEER CYLINDER ASSEMBLY (8FT/2.4M WIDE MACHINES)



ART_1001097242

SECTION 6 - CYLINDER

FIGURE 6-10. STEER CYLINDER ASSEMBLY (8FT/2.4M WIDE MACHINES)

ITEM	PART NUMBER	QTY	DESCRIPTION	REV
	1001097242	Ref	STEER CYLINDER ASSEMBLY	A
		Ref	Note: Original Cylinder may have been replaced with Service Replacement. Identify PN Stamped on Cylinder Before Ordering Parts.	
1	70002752	1	Piston	
1	0100011	AR	Compound, Locking	
1	0100038	AR	Primer, Locking	
2	See Note	NSS	Seal (Note: Use Item 25)	
3	See Note	NSS	O-Ring (Note: Use Item 25)	
4	70002745	2	Setscrew	
5	70002753	1	Barrel	
6	70002754	1	Rod	
7	70002755	1	Head	
8	See Note	NSS	O-Ring (Note: Use Item 25)	
9	See Note	NSS	Ring, Back-Up (Note: Use Item 25)	
10	See Note	NSS	Seal (Note: Use Item 25)	
11	See Note	NSS	O-Ring (Note: Use Item 25)	
12	See Note	NSS	Wiper (Note: Use Item 25)	
13	70002756	1	Nut, Spanner	
13	0100011	AR	Compound, Locking	
13	0100038	AR	Primer, Locking	
14	0962356	4	Bushing	
25	70002757	1	Seal Kit (Includes Items 2, 3 & 8-12)	

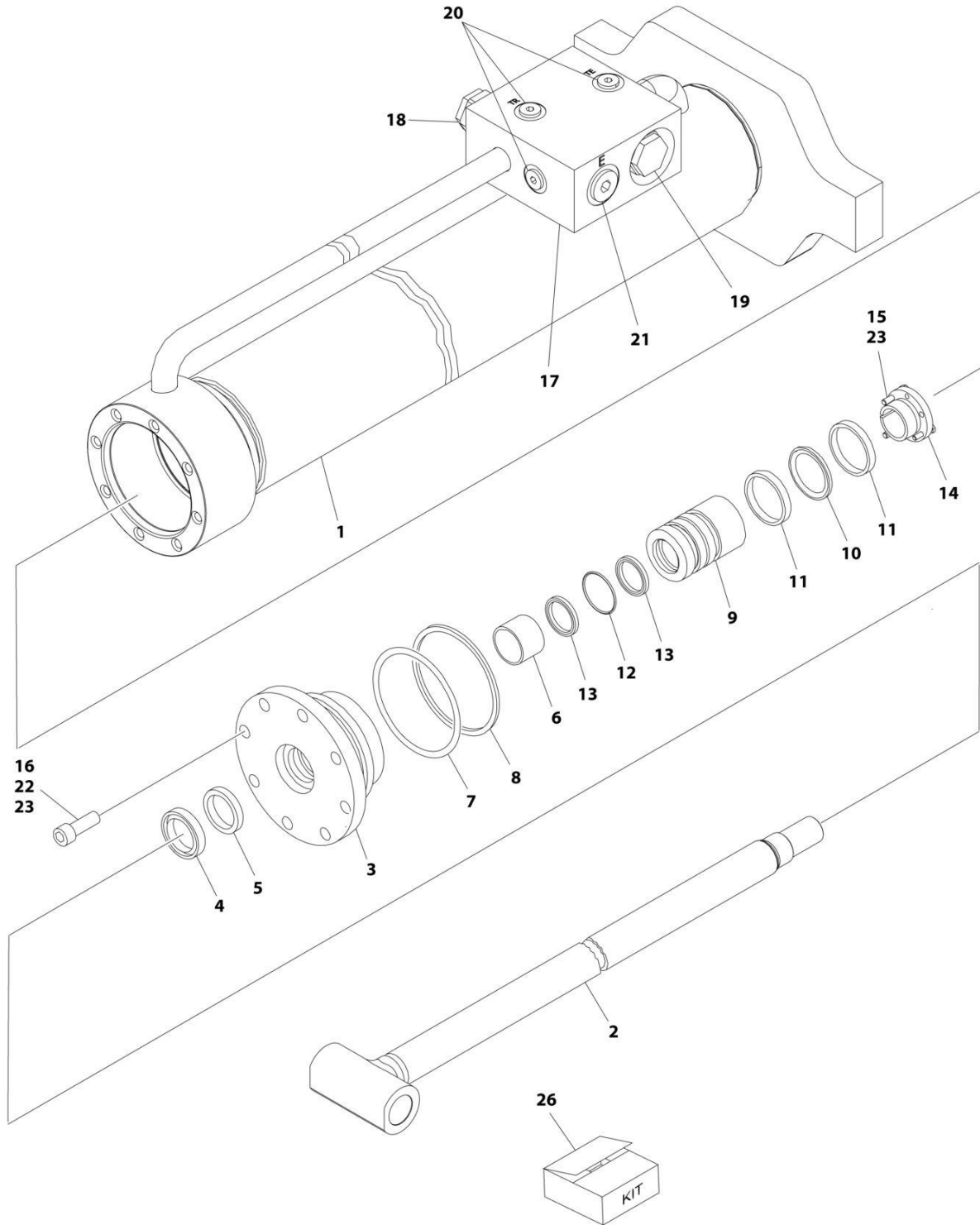
SECTION 6 - CYLINDER

FIGURE 6-11. TELESCOPE CYLINDER ASSEMBLY - MAIN BOOM

ITEM	PART NUMBER	QTY	DESCRIPTION	REV
	1001228007	Ref	TELESCOPE CYLINDER ASSEMBLY	E
		Ref	Note: Original Cylinder may have been replaced with Service Replacement. Identify PN Stamped on Cylinder Before Ordering Parts.	
1	See Note	NSS	Barrel (Note: Use p/n 1001228007)	
2	70006654	1	Rod	
3	70006483	1	Head	
4	See Note	NSS	Wiper (Note: Use Item 51)	
5	See Note	NSS	Seal, Rod (Note: Use Item 51)	
6	See Note	NSS	Ring, Wear (Note: Use Item 51)	
7	See Note	NSS	O-Ring (Note: Use Item 51)	
8	See Note	NSS	Ring, Back-up (Note: Use Item 51)	
9	70006482	1	Piston	
10	See Note	NSS	Seal (Note: Use Item 51)	
11	See Note	NSS	Ring, Wear (Note: Use Item 51)	
12	See Note	NSS	O-Ring (Note: Use Item 51)	
13	See Note	NSS	Ring, Back-up (Note: Use Item 51)	
14	70006655	1	Spacer	
15	0961896	1	Bushing, Tapered	
16	See Note	NSS	O-Ring (Note: Use Item 51)	
17	3538247	1	Plate, Wear Pad Mounting	
18	3340608	2	Pad, Wear	
19	4640862	1	Valve Block Assembly (Note: No Service Part Available - Replace Complete Assembly)	
20	0630535	3	Bolt 1/4 x 1-1/8	
21	0641604	4	Bolt 3/8 x 1/2	
22	3931516	8	Capscrew 5/16 x 1	
22	0100038	AR	Primer, Locking	
22	0100011	AR	Compound, Locking	
23	3931448	4	Capscrew 1/4 x 3	
24	2220885	AR	Plug, O-Ring	
51	2901861	1	Seal Kit - 1001228007 Cylinder (Includes Item 4-8, 10-13 & 16)	

SECTION 6 - CYLINDER

FIGURE 6-12. TELESCOPE CYLINDER ASSEMBLY - TOWER BOOM



ART_1001228006

SECTION 6 - CYLINDER

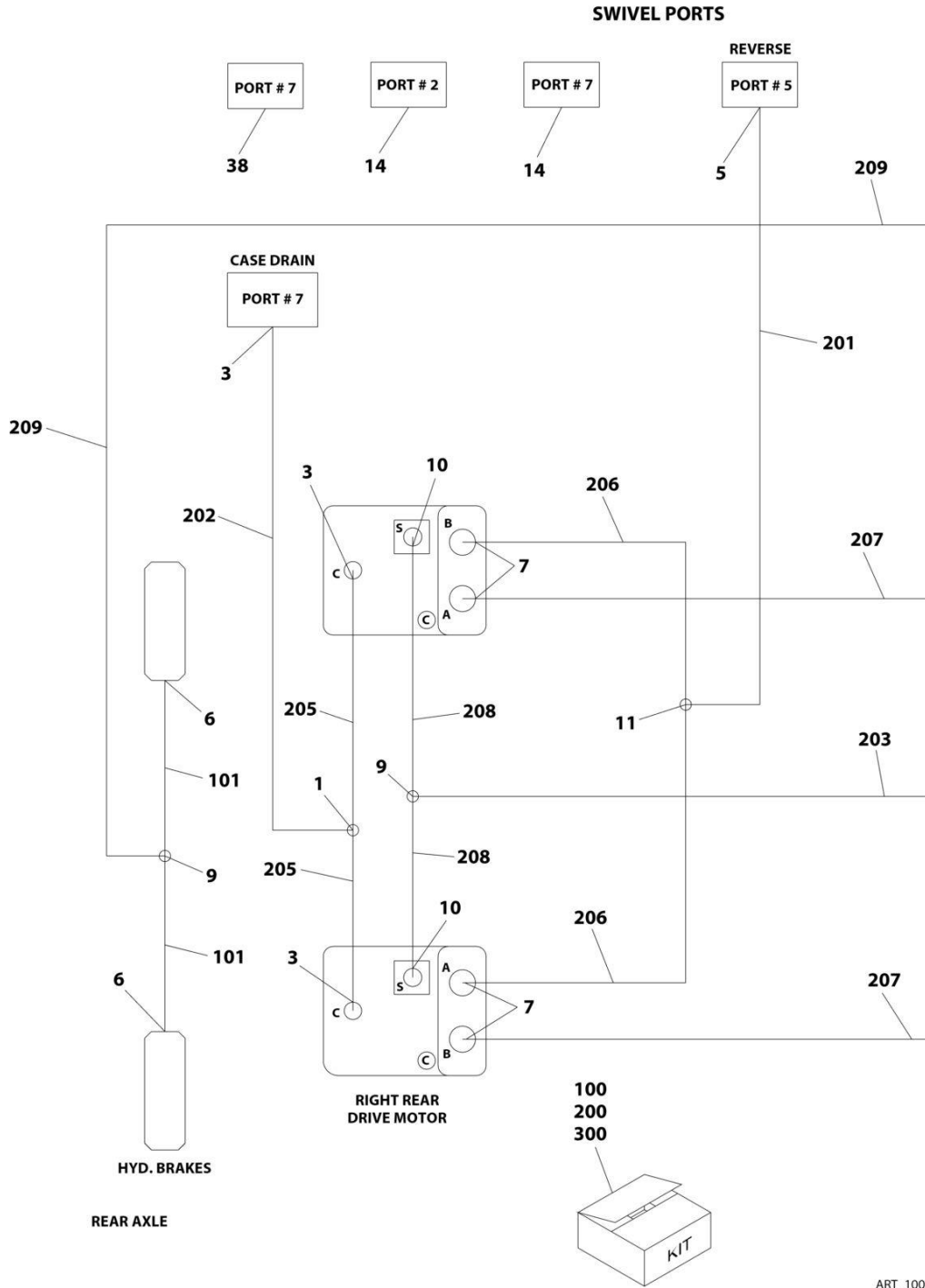
FIGURE 6-12. TELESCOPE CYLINDER ASSEMBLY - TOWER BOOM

ITEM	PART NUMBER	QTY	DESCRIPTION	REV
	1001228006	Ref	TELESCOPE CYLINDER ASSEMBLY - TOWER BOOM	D
		Ref	Note: Original Equipment components may have been replaced with Service Replacement components part. Identify p/n stamped on cylinder before ordering parts.	
1	See Note	NSS	Barrel (Note: Not Available for Purchase)	
2	70006484	1	Rod	
3	70006483	1	Head	
4	See Note	NSS	Wiper (Note: Use Item 26)	
5	See Note	NSS	Seal, Rod (Note: Use Item 26)	
6	See Note	NSS	Ring, Wear (Note: Use Item 26)	
7	See Note	NSS	O-Ring (Note: Use Item 26)	
8	See Note	NSS	Ring, Back-Up (Note: Use Item 26)	
9	70006482	1	Piston	
10	See Note	NSS	T-Seal (Note: Use Item 26)	
11	See Note	NSS	Ring, Wear (Note: Use Item 26)	
12	See Note	NSS	O-Ring (Note: Use Item 26)	
13	See Note	NSS	Ring, Back-Up (Note: Use Item 26)	
14	0961896	1	Bushing, Tapered	
15	0630535	3	Bolt 1/4 x 1-1/8	
16	3931516	8	Capscrew 5/16 x 1	
17	4640647	1	Cartridge, Valve	
17	2900770	1	Seal Kit - 4640647 Valve	
18	4640509	2	Cartridge, Valve	
18	2900792	2	Seal Kit - 4640509 Valve	
19	4640999	1	Cartridge, Valve	
19	2900792	1	Seal Kit - 4640999 Valve	
20	2220883	3	Plug, O-Ring	
21	2220886	2	Plug, O-Ring	
22	0100038	AR	Primer, Locking	
23	0100011	AR	Compound, Locking	
26	2901861	1	Seal Kit - 1001228006 Cylinder (Includes Items 4-8 & 10-13)	

SECTION 7 - HYDRAULIC

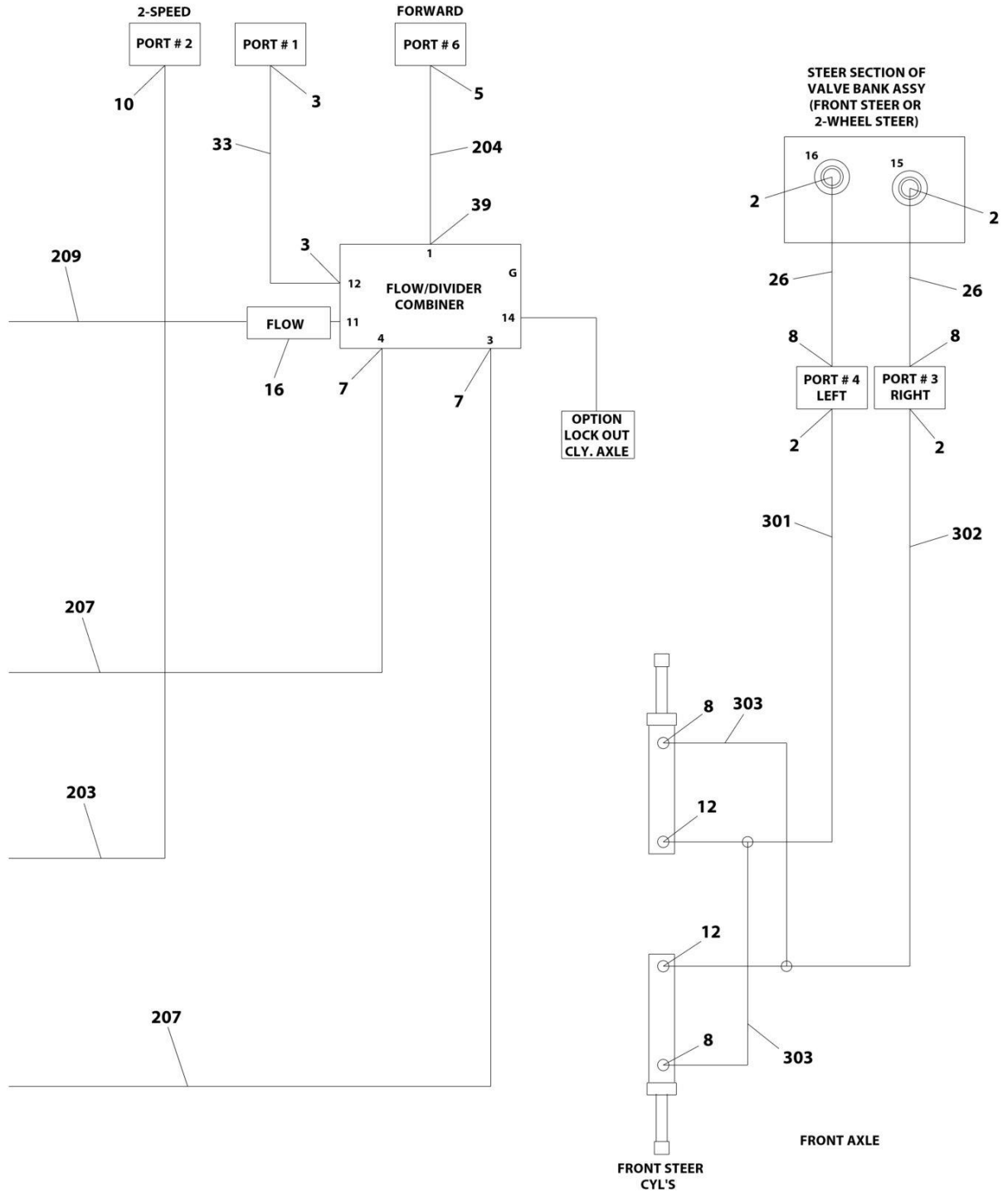
SECTION 7 - HYDRAULIC

FIGURE 7-1. DRIVE HYDRAULIC DIAGRAM - 2WD/2WS (USA BUILT MACHINES - PVC 2001 & 2007, CHINA BUILT MACHINES - PVC 2007)



ART_1001140416_10F2

SECTION 7 - HYDRAULIC



ART_1001140416_2OF2

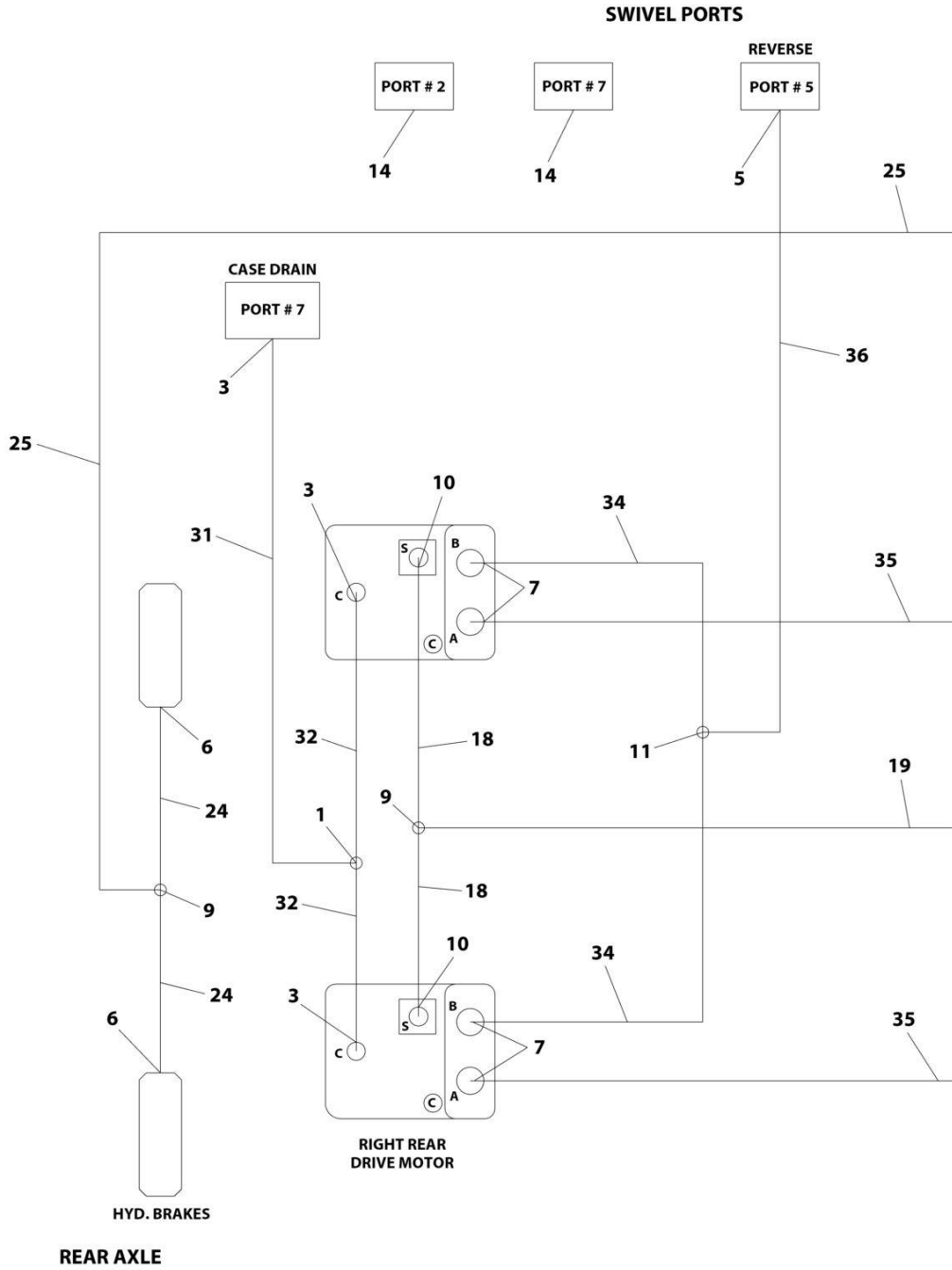
SECTION 7 - HYDRAULIC

FIGURE 7-1. DRIVE HYDRAULIC DIAGRAM - 2WD/2WS (USA BUILT MACHINES - PVC 2001 & 2007, CHINA BUILT MACHINES - PVC 2007)

ITEM	PART NUMBER	QTY	DESCRIPTION	REV
	1001140416	Ref	DRIVE HYDRAULIC DIAGRAM - 2WD/2WS	F
1	2220362	1	Fitting, Tee JIC/JIC/JIC	
2	2220371	4	Fitting, Straight JIC/ORB	
3	2220373	5	Fitting, Straight JIC/ORB	
5	2220377	2	Fitting, Straight JIC/ORB	
6	2220415	2	Fitting, Straight JIC/ORB	
7	2220451	6	Fitting, Straight JIC/ORB	
8	2220473	4	Fitting, 90 JIC/ORB	
9	2220504	2	Fitting, Tee JIC/JIC/JIC	
10	2220582	3	Fitting, Straight JIC/ORB	
11	2221170	1	Fitting, Tee JIC/JIC/JIC	
12	2220606	2	Fitting, Tee JIC/ORB/JIC	
14	2220237	3	Fitting, Plug ORB	
16	4641307	1	Valve, Check	
26	2752620	2	Hose	
33	2752929	1	Hose	
38	2220238	1	Plug	
39	2220646	1	Fitting, 90 JIC/ORB	
100	1001269820	1	Hose Assembly - Axle Kit	
101	1001152527	2	Hose	
200	1001269821	1	Hose Assembly - Rear Kit	
201	2752341	1	Hose	
202	2752928	1	Hose	
203	2753924	1	Hose	
204	2754227	1	Hose	
205	1001140449	2	Hose	
206	1001151364	2	Hose	
207	1001151365	2	Hose	
208	1001152527	2	Hose	
209	1001155379	1	Hose	
300	1001269822	1	Hose Assembly - Front Kit	
301	2752475	1	Hose	
302	2752611	1	Hose	
303	2753397	2	Hose	

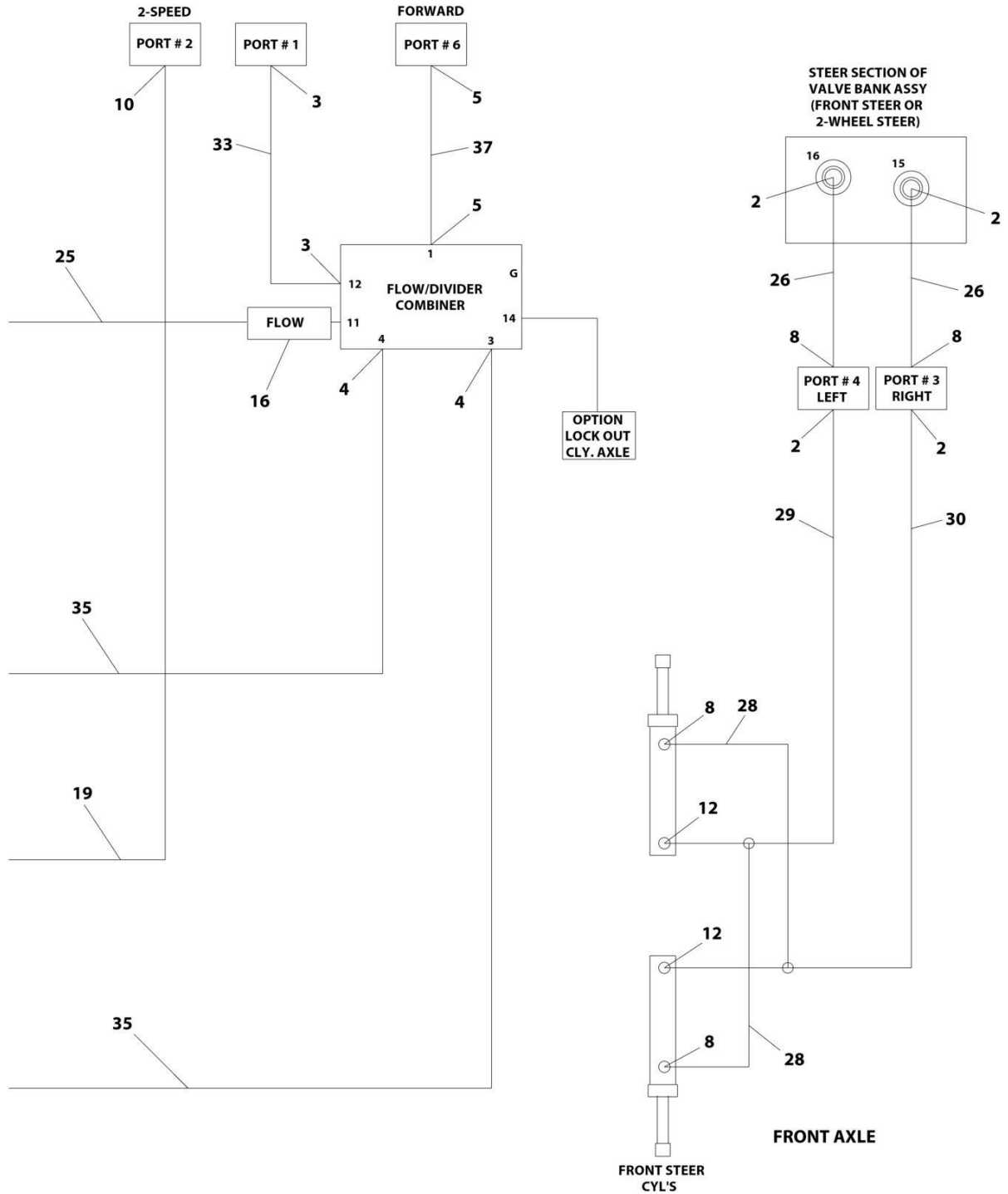
SECTION 7 - HYDRAULIC

FIGURE 7-2. DRIVE HYDRAULIC DIAGRAM - 2WD/2WS (CHINA BUILT MACHINES) (PVC 2001)



ART_2792692_10F2

SECTION 7 - HYDRAULIC



ART_2792692_2OF2

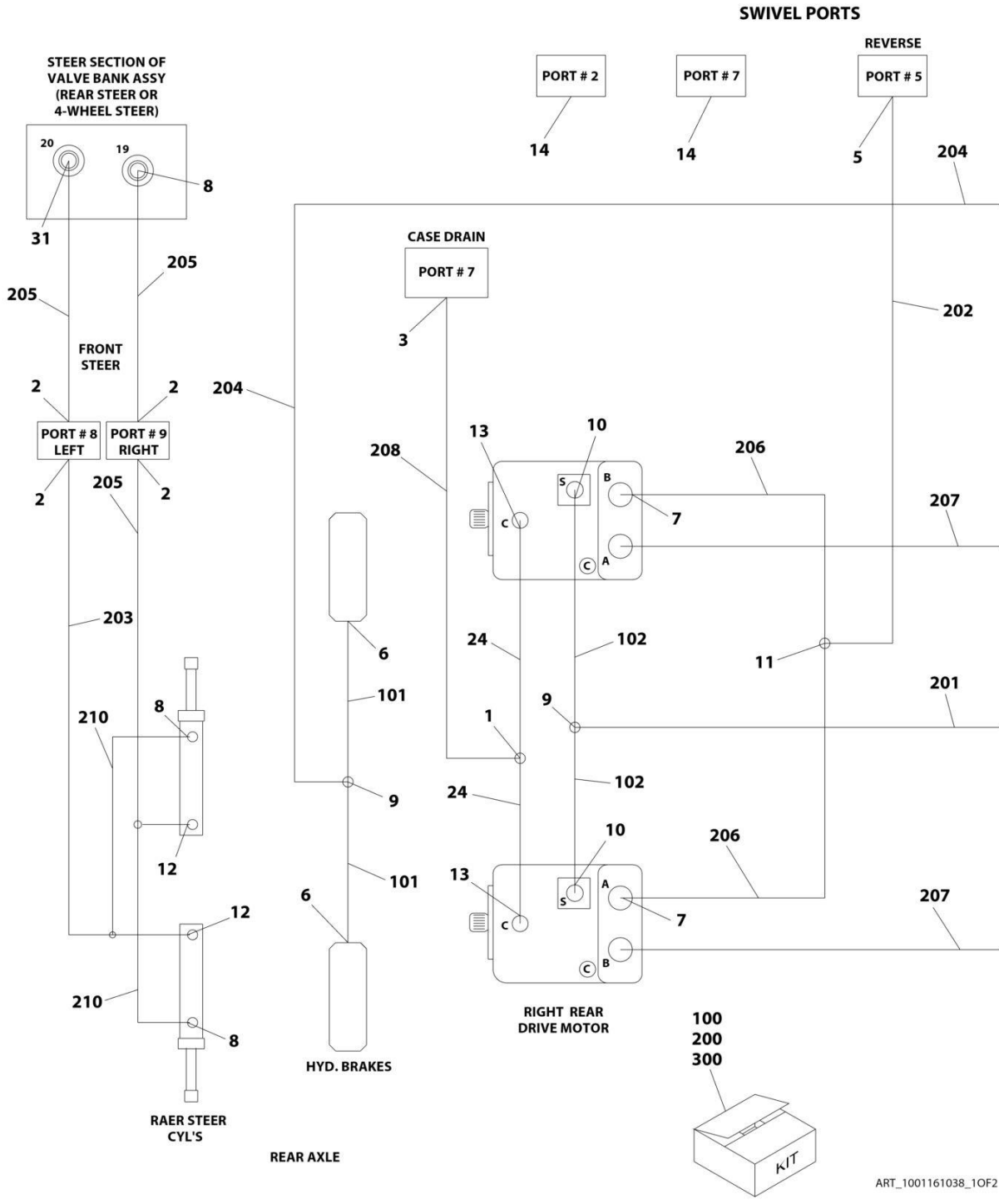
SECTION 7 - HYDRAULIC

FIGURE 7-2. DRIVE HYDRAULIC DIAGRAM - 2WD/2WS (CHINA BUILT MACHINES) (PVC 2001)

ITEM	PART NUMBER	QTY	DESCRIPTION	REV
	2792692	Ref	DRIVE HYDRAULIC DIAGRAM - 2WD/2WS	3-R
1	2220362	1	Fitting, Tee JIC/JIC/JIC	
2	2220371	4	Fitting, Straight JIC/ORB	
3	2220373	5	Fitting, Straight JIC/ORB	
4	2220451	2	Fitting, Straight JIC/ORB	
5	2220377	3	Fitting, Straight JIC/ORB	
6	2220415	2	Fitting, Straight JIC/ORB	
7	2220451	4	Fitting, Straight JIC/ORB	
8	2220473	4	Fitting, 90 JIC/ORB	
9	2220504	2	Fitting, Tee JIC/JIC/JIC	
10	2220582	3	Fitting, Straight JIC/ORB	
11	2221170	1	Fitting, Tee JIC/JIC/JIC	
12	2220606	2	Fitting, Tee JIC/ORB/JIC	
14	2220237	2	Fitting, Plug ORB	
16	4641307	1	Valve, Check	
18	2753925	2	Hose	
19	2753924	1	Hose	
24	2752592	2	Hose	
25	2752910	1	Hose	
26	2752620	2	Hose	
28	2754235	2	Hose	
29	2752475	1	Hose	
30	2752611	1	Hose	
31	2752928	1	Hose	
32	2753929	2	Hose	
33	2752929	1	Hose	
34	2753969	2	Hose	
35	2753967	2	Hose	
36	2752341	1	Hose	
37	2753435	1	Hose	

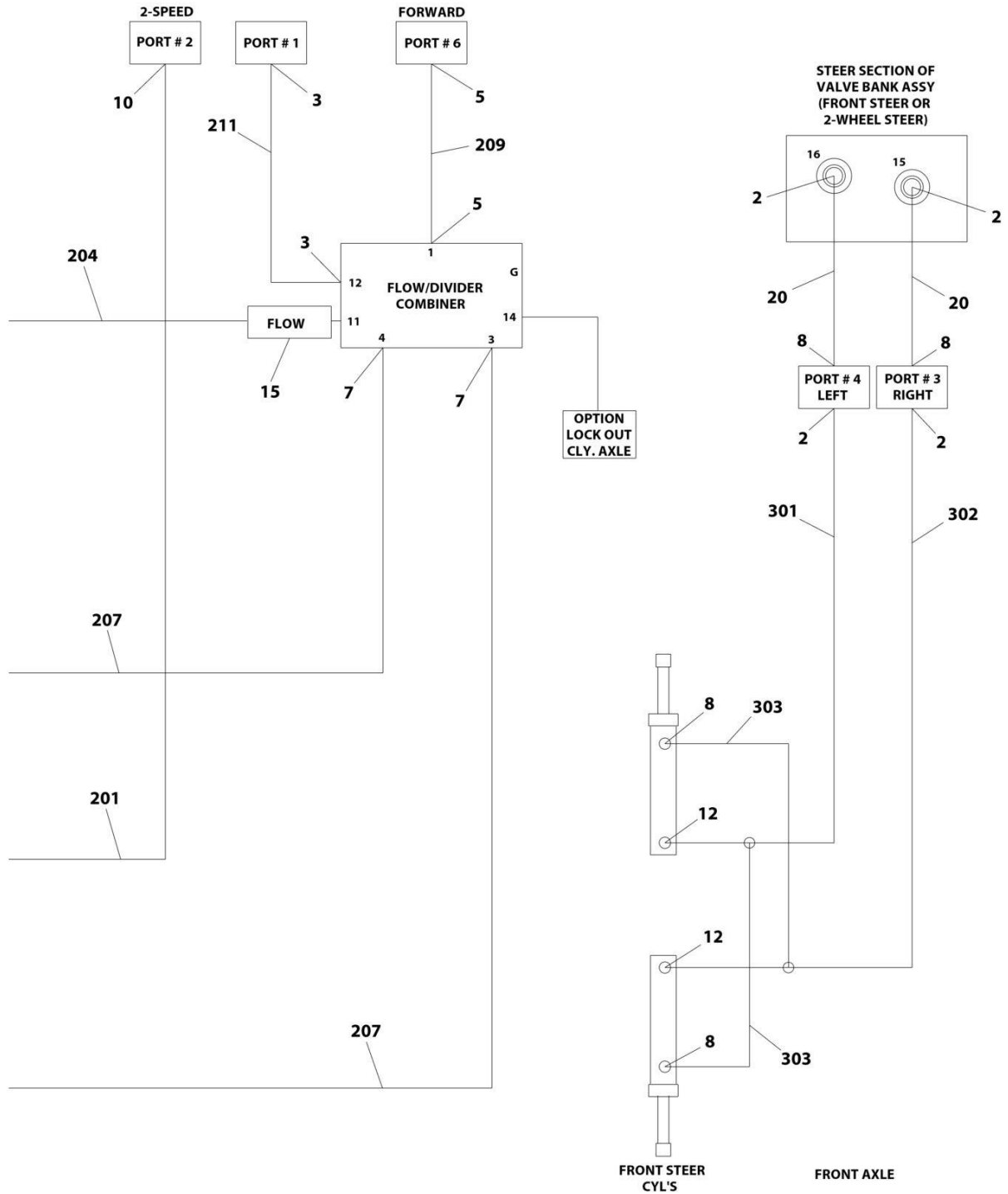
SECTION 7 - HYDRAULIC

FIGURE 7-3. DRIVE HYDRAULIC DIAGRAM - 2WD/4WS (USA BUILT MACHINES)



ART_1001161038_10F2

SECTION 7 - HYDRAULIC



ART_1001161038_2OF2

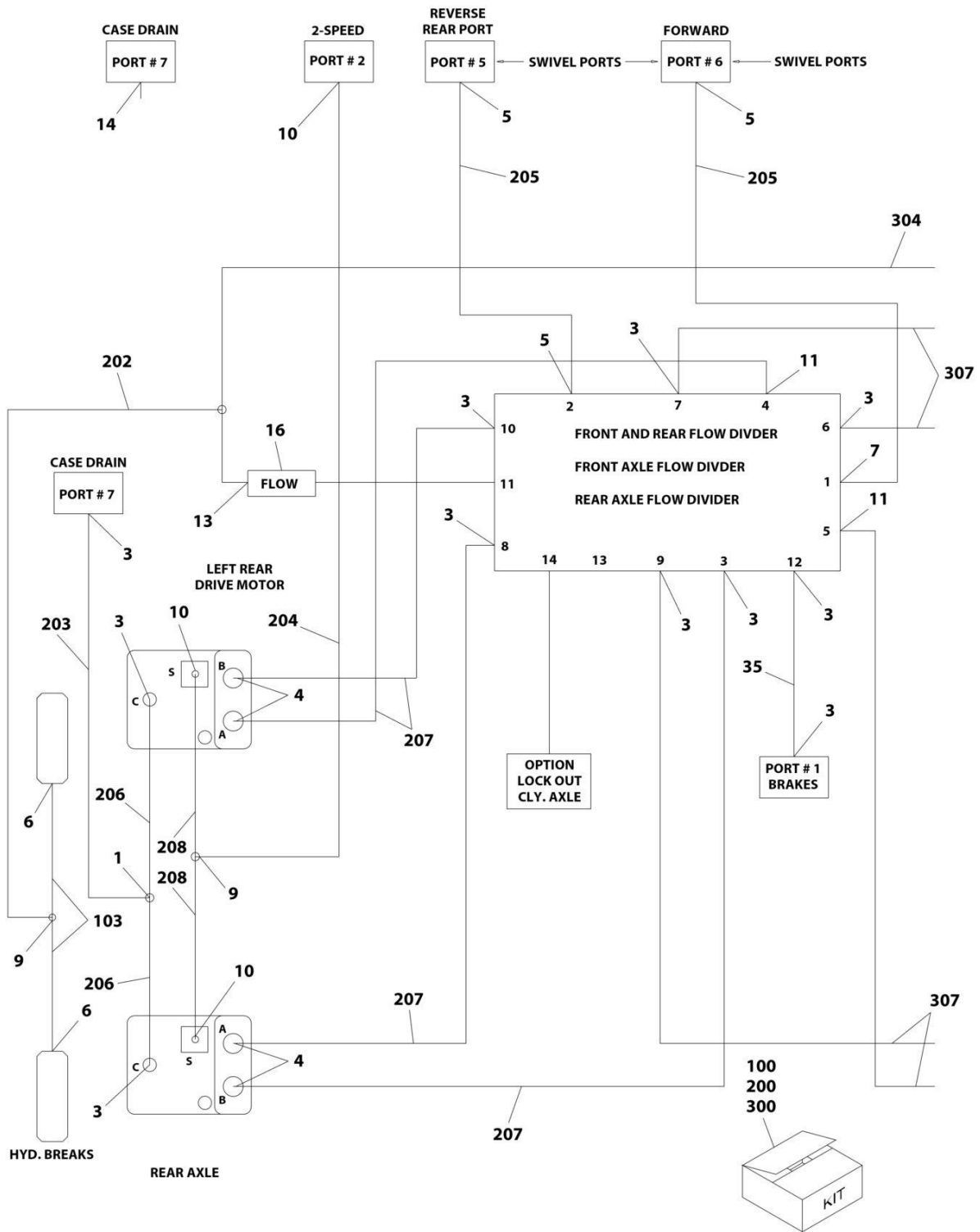
SECTION 7 - HYDRAULIC

FIGURE 7-3. DRIVE HYDRAULIC DIAGRAM - 2WD/4WS (USA BUILT MACHINES)

ITEM	PART NUMBER	QTY	DESCRIPTION	REV
	1001161038	Ref	DRIVE HYDRAULIC DIAGRAM - 2WD/4WS	F
1	2220362	1	Fitting, Tee JIC/JIC/JIC	
2	2220371	8	Fitting, Straight JIC/ORB	
3	2220373	3	Fitting, Straight JIC/ORB	
5	2220377	3	Fitting, Straight JIC/ORB	
6	2220415	2	Fitting, Straight JIC/ORB	
7	2220451	6	Fitting, Straight JIC/ORB	
8	2220473	7	Fitting, 90 JIC/ORB	
9	2220504	2	Fitting, Tee JIC/JIC/JIC	
10	2220582	3	Fitting, Straight JIC/ORB	
11	2221170	1	Fitting, Tee JIC/JIC/JIC	
12	2220606	4	Fitting, Tee JIC/ORB/JIC	
13	2220596	2	Fitting, 90 JIC/ORB	
14	2220237	3	Fitting, Plug ORB	
15	4641307	1	Valve, Check	
20	2752620	2	Hose	
24	84719619	2	Hose	
31	2220819	1	Fitting, 90 JIC/ORB	
100	1001269823	1	Hose Assembly - Axle Kit	
101	2751410	2	Hose	
102	2752445	2	Hose	
200	1001269824	1	Hose Assembly - Rear Kit	
201	2751410	1	Hose	
202	2752321	1	Hose	
203	2752475	1	Hose	
204	2752574	1	Hose	
205	2752611	3	Hose	
206	2753016	2	Hose	
207	2753017	2	Hose	
208	2753187	1	Hose	
209	2753435	1	Hose	
210	2754235	2	Hose	
211	2754323	1	Hose	
300	1001269825	1	Hose Assembly - Front Kit	
301	2752475	1	Hose	
302	2752611	1	Hose	
303	2754235	1	Hose	

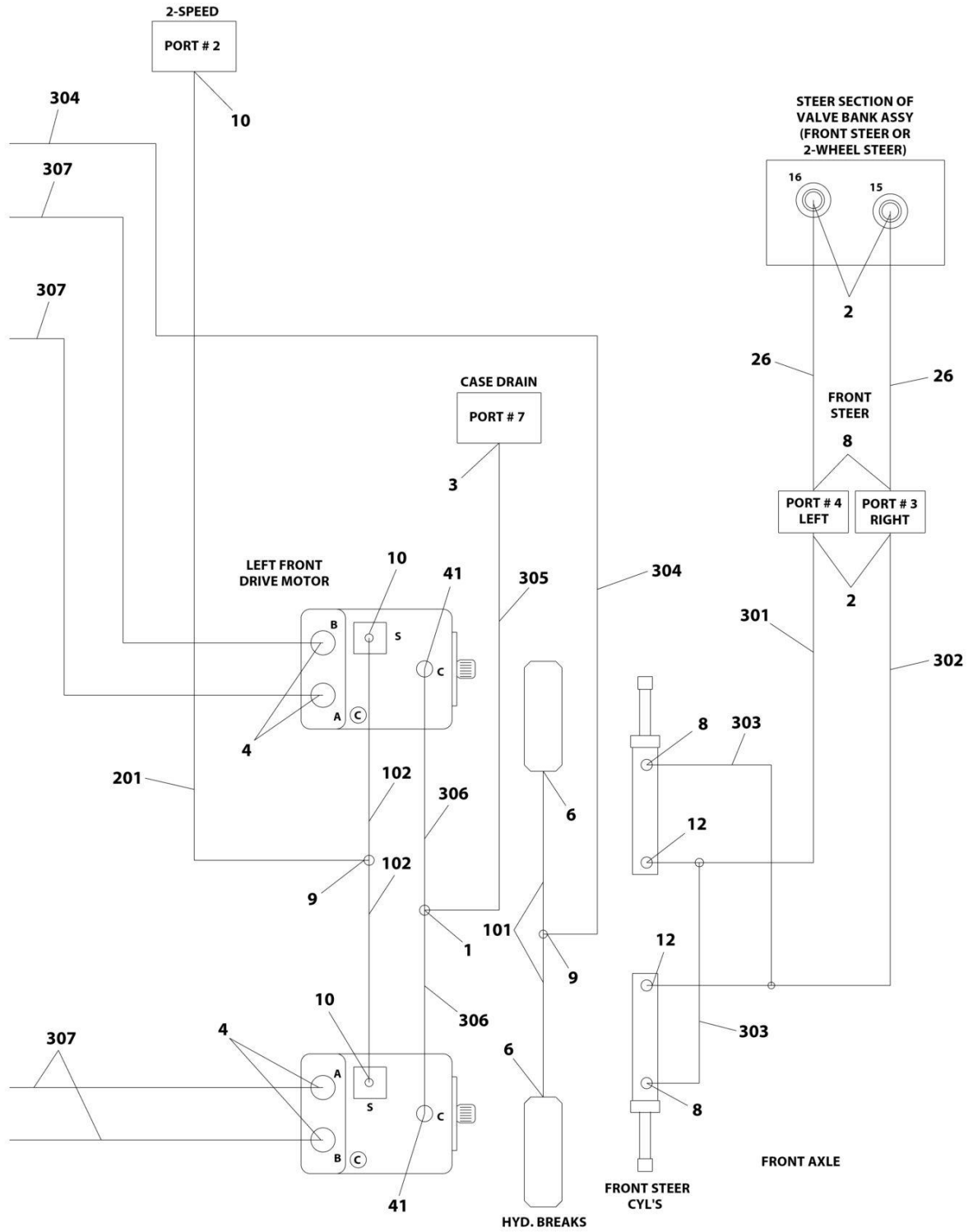
SECTION 7 - HYDRAULIC

FIGURE 7-4. DRIVE HYDRAULIC DIAGRAM - 4WD/2WS WITHOUT ARCTIC PACKAGE (USA BUILT MACHINES - PVC 2001 & 2007, CHINA BUILT MACHINES - PVC 2007)



ART_1001140418_10F2

SECTION 7 - HYDRAULIC



ART_1001140418_2OF2

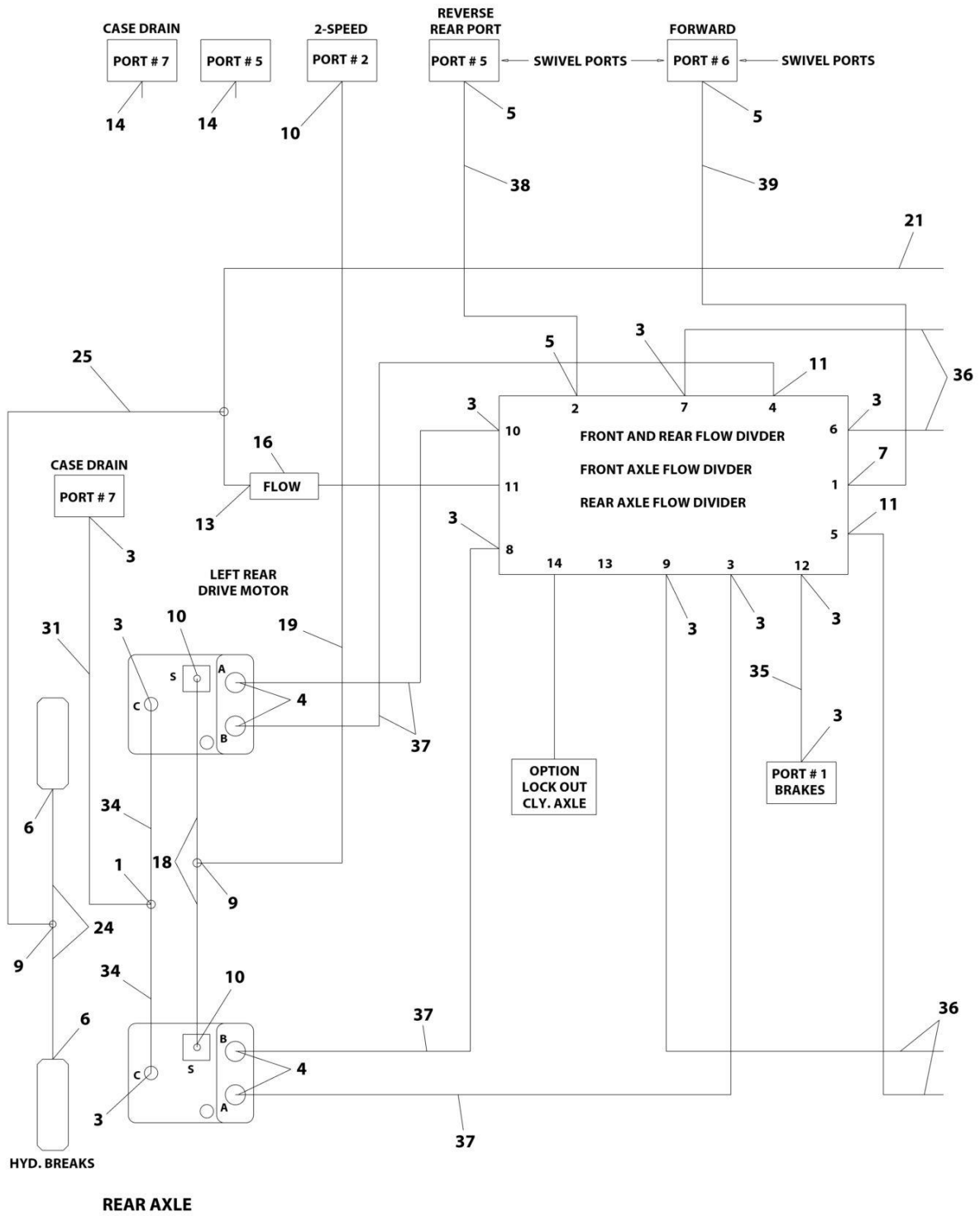
SECTION 7 - HYDRAULIC

FIGURE 7-4. DRIVE HYDRAULIC DIAGRAM - 4WD/2WS WITHOUT ARCTIC PACKAGE (USA BUILT MACHINES - PVC 2001 & 2007, CHINA BUILT MACHINES - PVC 2007)

ITEM	PART NUMBER	QTY	DESCRIPTION	REV
	1001140418	Ref	DRIVE HYDRAULIC DIAGRAM - 4WD/2WS	E
1	2220362	2	Fitting, Tee JIC/JIC/JIC	
2	2220371	4	Fitting, Straight JIC/ORB	
3	2220373	12	Fitting, Straight JIC/ORB	
4	2220375	8	Fitting, Straight JIC/ORB	
5	2220377	3	Fitting, Straight JIC/ORB	
6	2220415	4	Fitting, Straight JIC/ORB	
7	2220646	1	Fitting, 90 JIC/ORB	
8	2220473	4	Fitting, 90 JIC/ORB	
9	2220504	4	Fitting, Tee JIC/JIC/JIC	
10	2220582	6	Fitting, Straight JIC/ORB	
11	2220596	2	Fitting, 90 JIC/ORB	
12	2220606	2	Fitting, Tee JIC/ORB/JIC	
13	2220861	1	Fitting, Tee JIC/FSJIC/JIC	
14	2220237	1	Fitting, Plug ORB	
16	4641284	1	Valve, Check	
26	2752620	2	Hose	
35	2753929	1	Hose	
41	2220474	2	Fitting, 90 JIC/ORB	
100	1001269814	1	Hose Assembly - Axle Kit	
101	2753926	2	Hose	
102	1001140451	2	Hose	
103	1001152527	2	Hose	
200	1001269815	1	Hose Assembly - Rear Kit	
201	2752592	1	Hose	
202	2752910	1	Hose	
203	2752928	1	Hose	
204	2753924	1	Hose	
205	2754227	2	Hose	
206	1001140449	2	Hose	
207	1001151358	4	Hose	
208	1001152527	2	Hose	
300	1001269816	1	Hose Assembly - Front Kit	
301	2752475	1	Hose	
302	2752611	1	Hose	
303	2753397	2	Hose	
304	2754229	1	Hose	
305	2754231	1	Hose	
306	1001140455	2	Hose	
307	1001152491	4	Hose	

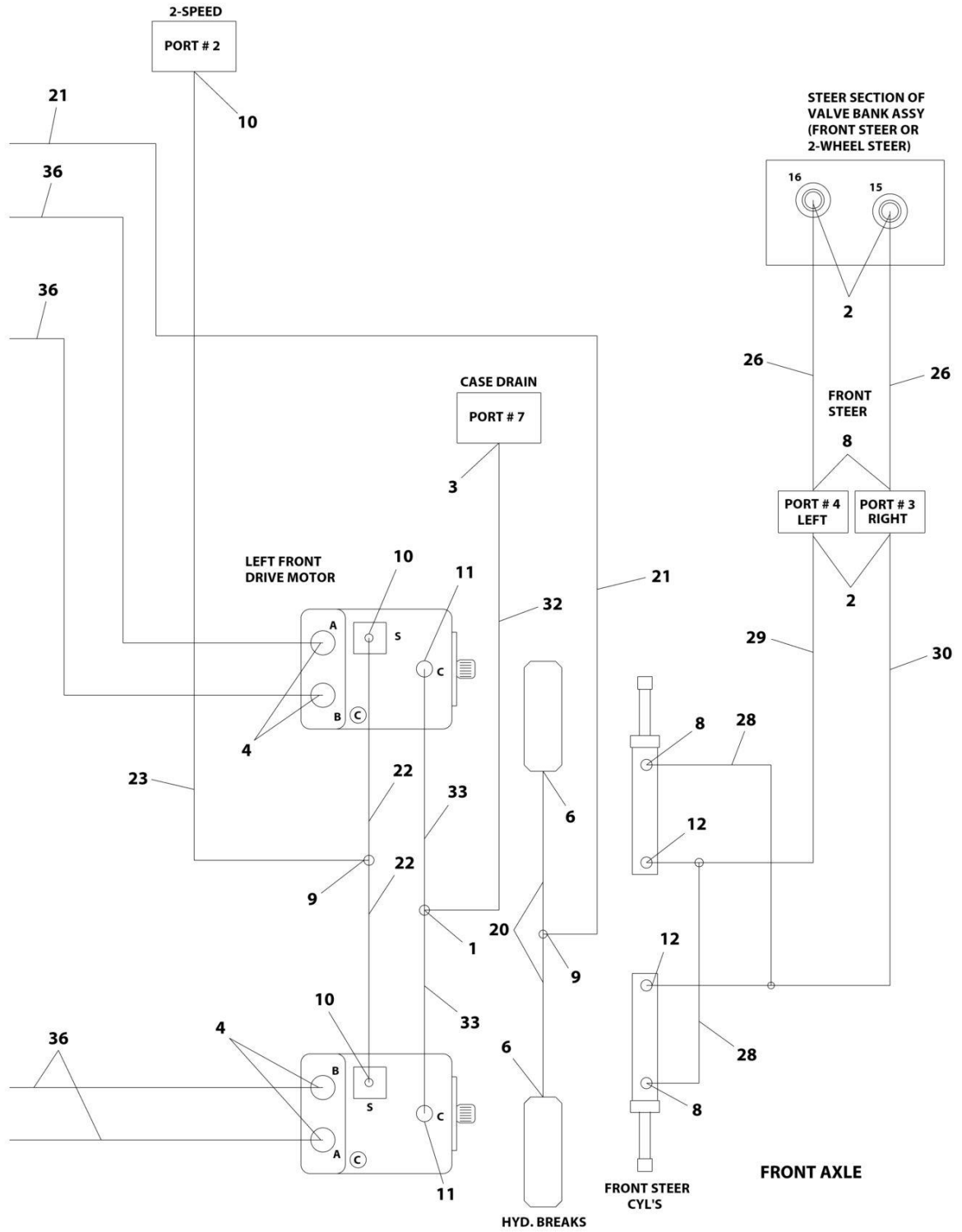
SECTION 7 - HYDRAULIC

FIGURE 7-5. DRIVE HYDRAULIC DIAGRAM - 4WD/2WS WITHOUT ARCTIC PACKAGE (CHINA BUILT MACHINES) (PVC 2001)



ART_1001165439_1OF2

SECTION 7 - HYDRAULIC



ART_1001165439_20F2

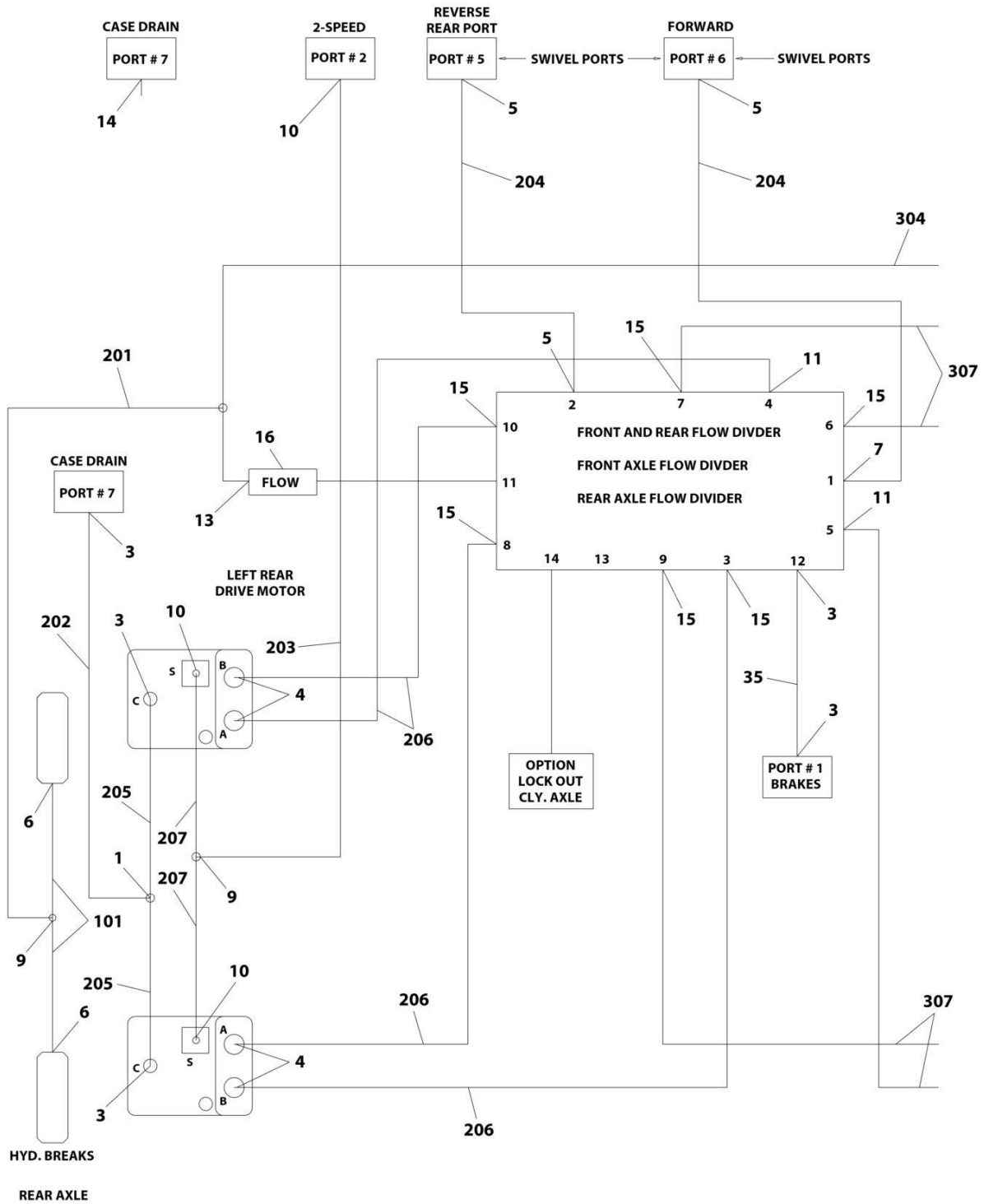
SECTION 7 - HYDRAULIC

FIGURE 7-5. DRIVE HYDRAULIC DIAGRAM - 4WD/2WS WITHOUT ARCTIC PACKAGE (CHINA BUILT MACHINES) (PVC 2001)

ITEM	PART NUMBER	QTY	DESCRIPTION	REV
	1001165439	Ref	DRIVE HYDRAULIC DIAGRAM - 4WD/2WS	C-F
1	2220362	2	Fitting, Tee JIC/JIC/JIC	
2	2220371	4	Fitting, Straight JIC/ORB	
3	2220373	12	Fitting, Straight JIC/ORB	
4	2220375	8	Fitting, Straight JIC/ORB	
5	2220377	3	Fitting, Straight JIC/ORB	
6	2220415	4	Fitting, Straight JIC/ORB	
7	2220646	1	Fitting, 90 JIC/ORB	
8	2220473	4	Fitting, 90 JIC/ORB	
9	2220504	4	Fitting, Tee JIC/JIC/JIC	
10	2220582	6	Fitting, Straight JIC/ORB	
11	2220596	4	Fitting, 90 JIC/ORB	
12	2220606	2	Fitting, Tee JIC/ORB/JIC	
13	2220861	1	Fitting, Tee JIC/FSJIC/JIC	
14	2220237	2	Fitting, Plug ORB	
16	4641284	1	Valve, Check	
18	1001113864	2	Hose	
19	1001113862	1	Hose	
20	1001113866	2	Hose	
21	1001113881	1	Hose	
22	1001113805	2	Hose	
23	1001113882	1	Hose	
24	1001113809	2	Hose	
25	1001113890	1	Hose	
26	1001113820	2	Hose	
28	1001113884	2	Hose	
29	1001113793	1	Hose	
30	1001113818	1	Hose	
31	2752928	1	Hose	
32	2754231	1	Hose	
33	2753928	2	Hose	
34	1001113878	2	Hose	
35	1001113836	1	Hose	
36	2754232	4	Hose	
37	1001113894	4	Hose	
38	1001113903	1	Hose	
39	1001113904	1	Hose	

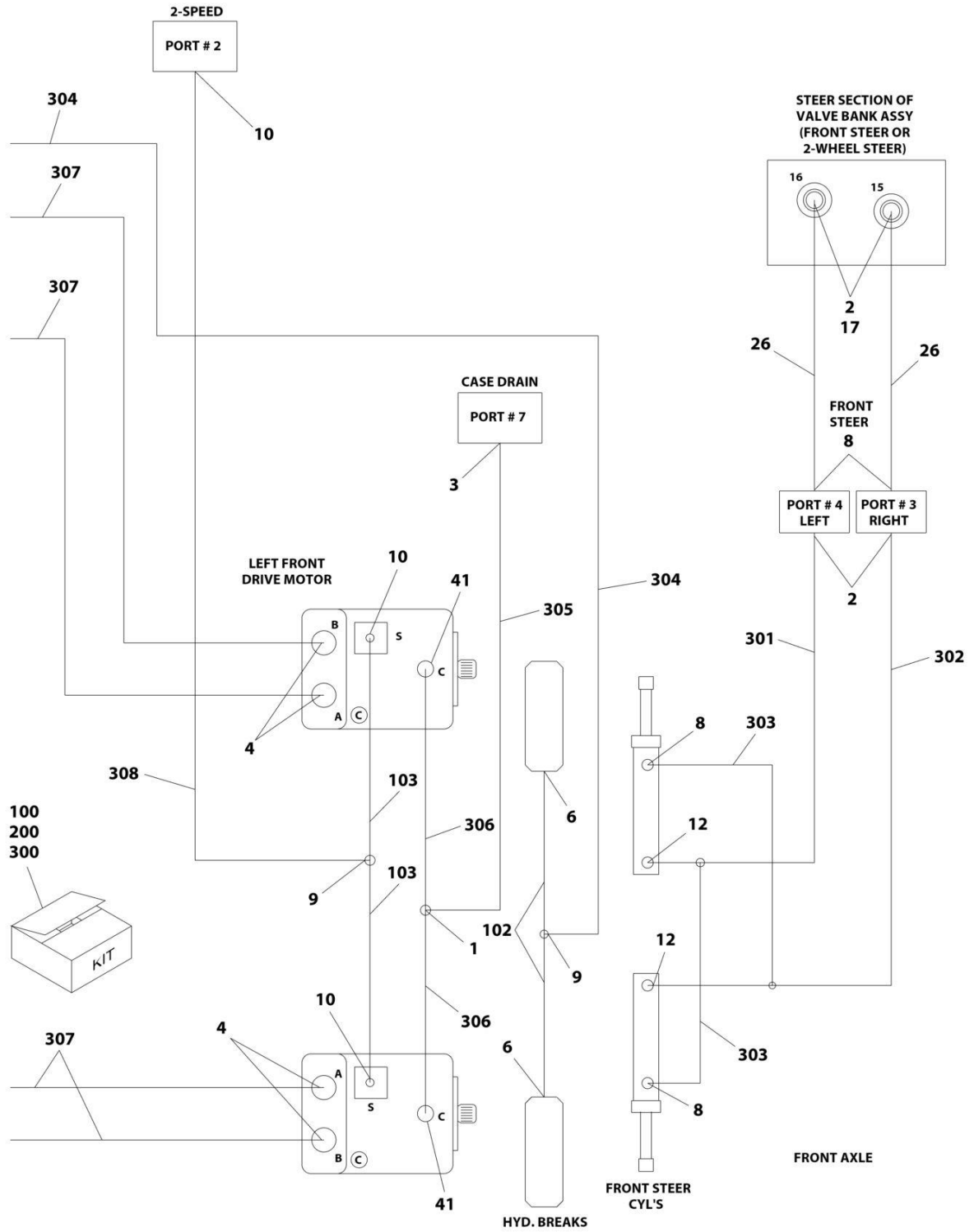
SECTION 7 - HYDRAULIC

FIGURE 7-6. DRIVE HYDRAULIC DIAGRAM - 4WD/2WS WITH ARCTIC PACKAGE (USA BUILT MACHINES - PVC 2001 & 2007, CHINA BUILT MACHINES - PVC 2007)



ART_1001140420_10F2

SECTION 7 - HYDRAULIC



ART_1001140420_20F2

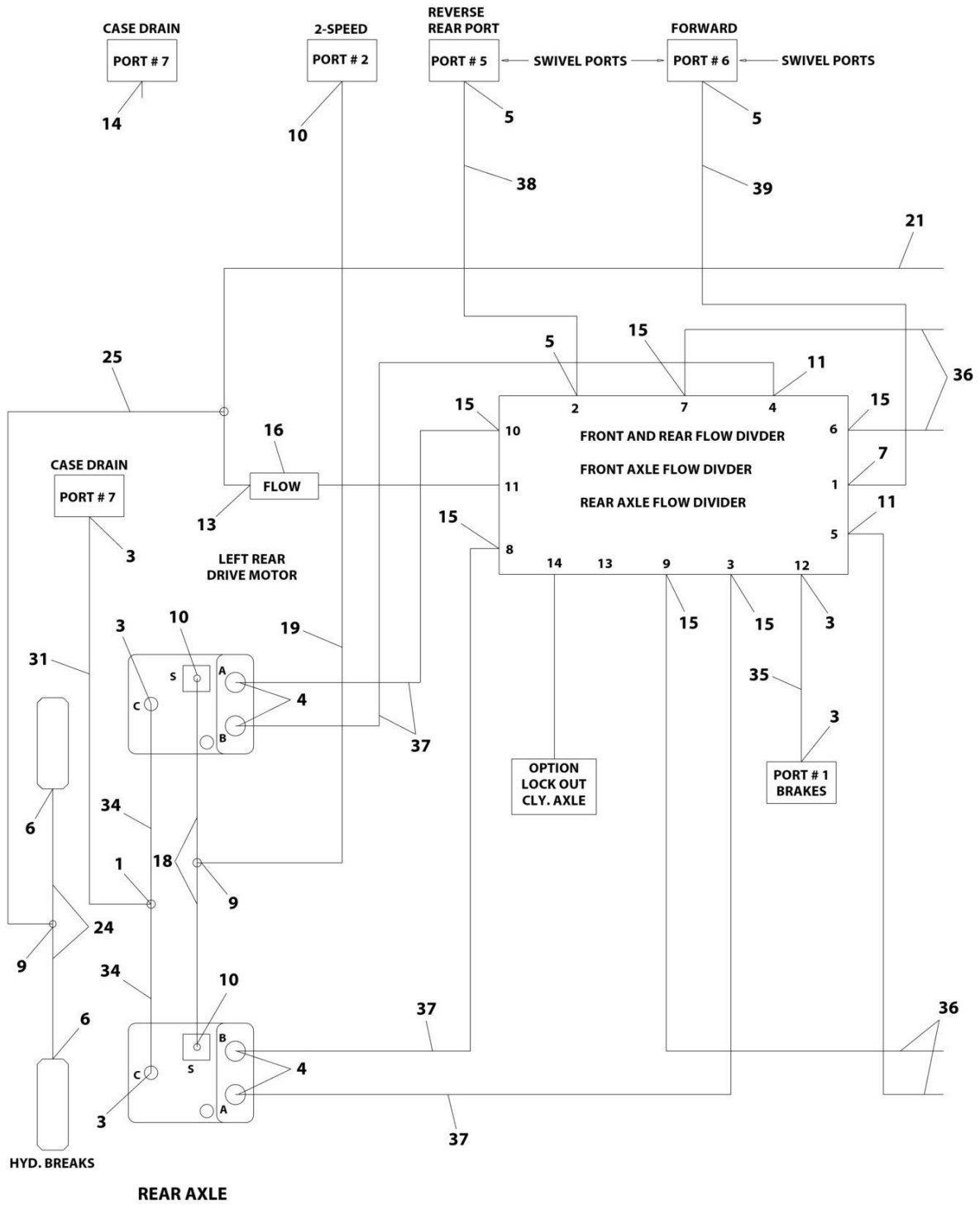
SECTION 7 - HYDRAULIC

FIGURE 7-6. DRIVE HYDRAULIC DIAGRAM - 4WD/2WS WITH ARCTIC PACKAGE (USA BUILT MACHINES - PVC 2001 & 2007, CHINA BUILT MACHINES - PVC 2007)

ITEM	PART NUMBER	QTY	DESCRIPTION	REV
	1001140420	Ref	DRIVE HYDRAULIC DIAGRAM - 4WD/2WS	E
1	2220362	2	Fitting, Tee JIC/JIC/JIC	
2	2220371	4	Fitting, Straight JIC/ORB	
3	2220373	6	Fitting, Straight JIC/ORB	
4	2220375	8	Fitting, Straight JIC/ORB	
5	2220377	3	Fitting, Straight JIC/ORB	
6	2220415	4	Fitting, Straight JIC/ORB	
7	2220646	1	Fitting, 90 JIC/ORB	
8	2220473	4	Fitting, 90 JIC/ORB	
9	2220504	4	Fitting, Tee JIC/JIC/JIC	
10	2220582	6	Fitting, Straight JIC/ORB	
11	2220596	2	Fitting, 90 JIC/ORB	
12	2220606	2	Fitting, Tee JIC/ORB/JIC	
13	2220861	1	Fitting, Tee JIC/FSJIC/JIC	
14	2220237	1	Fitting, Plug ORB	
15	2220500	6	Fitting, 45 JIC/ORB	
16	4641284	1	Valve, Check	
17	2220507	2	Fitting, 90	
26	2752620	2	Hose	
35	2752929	1	Hose	
41	2220474	2	Fitting, 90 JIC/ORB	
100	1001269817	1	Hose Assembly - Axle Kit	
101	2752592	2	Hose	
102	2754731	2	Hose	
103	1001140456	2	Hose	
200	1001269818	1	Hose Assembly - Rear Kit	
201	2752910	1	Hose	
202	2752928	1	Hose	
203	2753924	1	Hose	
204	2754227	2	Hose	
205	1001140449	2	Hose	
206	1001151358	4	Hose	
207	1001152527	2	Hose	
300	1001269819	1	Hose Assembly - Front Kit	
301	2752475	1	Hose	
302	2752611	1	Hose	
303	2753397	2	Hose	
304	2754229	1	Hose	
305	2754231	1	Hose	
306	1001140458	2	Hose	
307	1001152499	4	Hose	
308	1001152527	1	Hose	

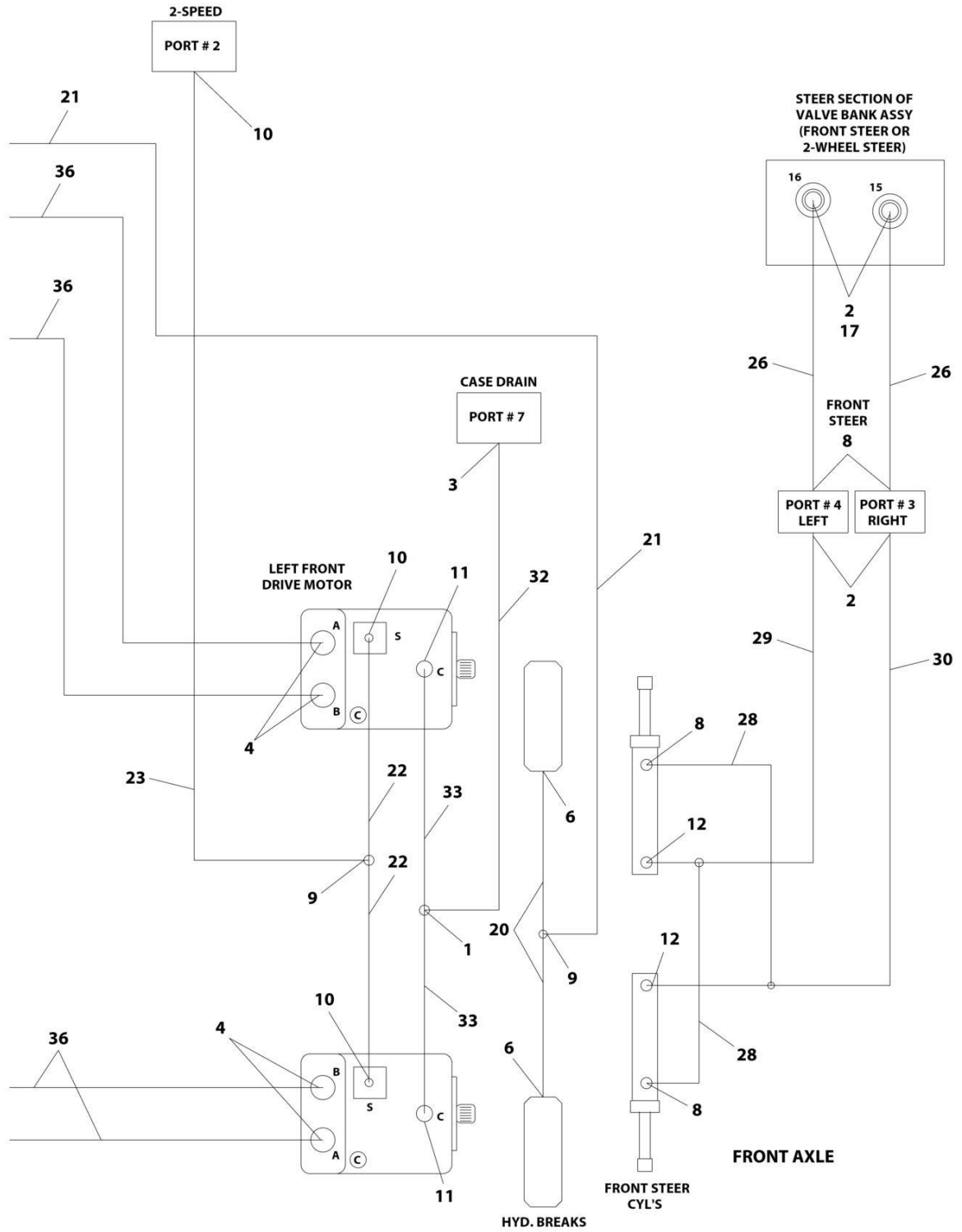
SECTION 7 - HYDRAULIC

FIGURE 7-7. DRIVE HYDRAULIC DIAGRAM - 4WD/2WS WITH ARCTIC PACKAGE (CHINA BUILT MACHINES) (PVC 2001)



ART_2792730_10F2

SECTION 7 - HYDRAULIC



ART_2792730_2OF2

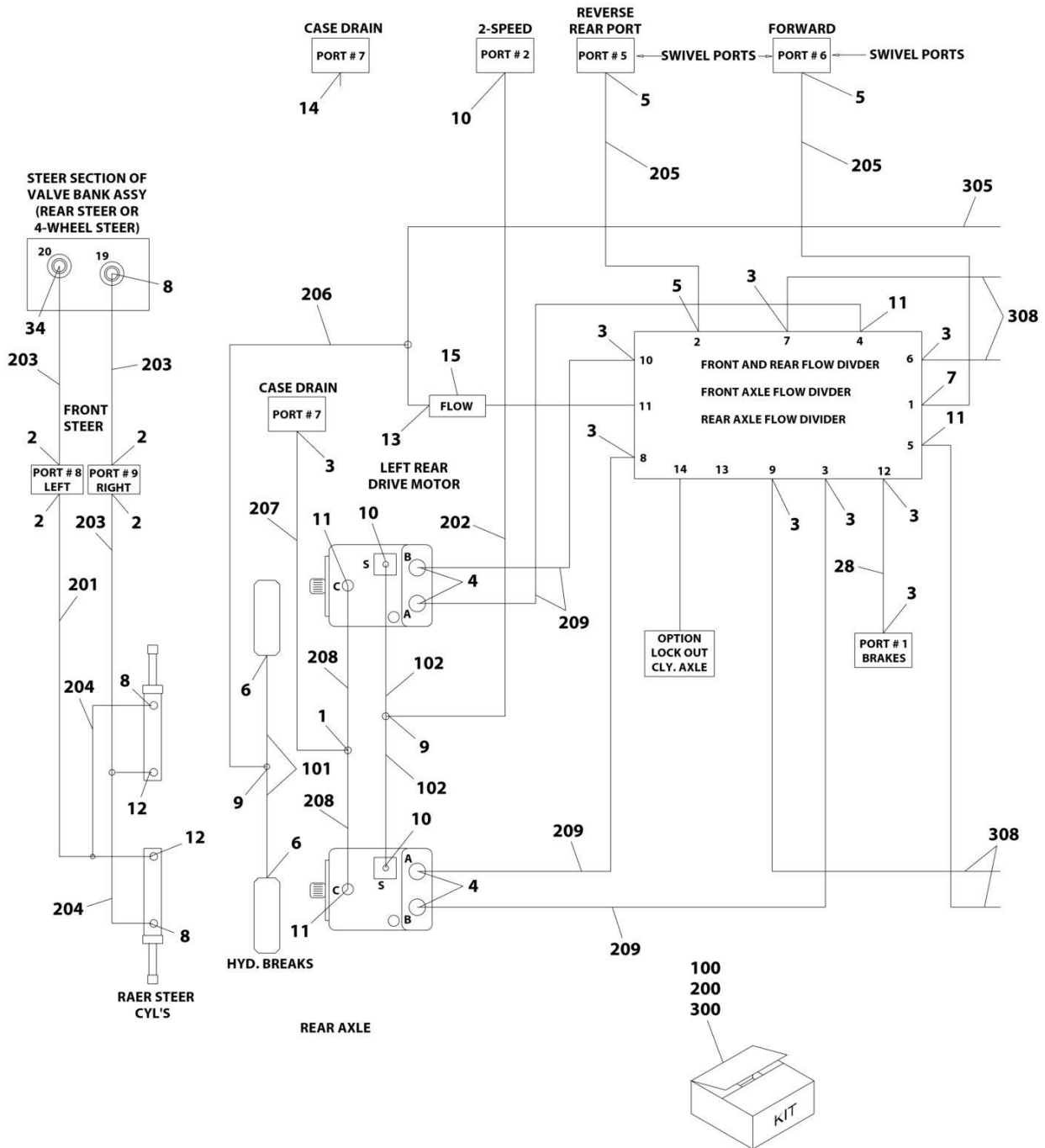
SECTION 7 - HYDRAULIC

FIGURE 7-7. DRIVE HYDRAULIC DIAGRAM - 4WD/2WS WITH ARCTIC PACKAGE (CHINA BUILT MACHINES) (PVC 2001)

ITEM	PART NUMBER	QTY	DESCRIPTION	REV
	2792730	Ref	DRIVE HYDRAULIC DIAGRAM - 4WD/2WS	2-A
1	2220362	2	Fitting, Tee JIC/JIC/JIC	
2	2220371	4	Fitting, Straight JIC/ORB	
3	2220373	6	Fitting, Straight JIC/ORB	
4	2220375	8	Fitting, Straight JIC/ORB	
5	2220377	3	Fitting, Straight JIC/ORB	
6	2220415	4	Fitting, Straight JIC/ORB	
7	2220646	1	Fitting, 90 JIC/ORB	
8	2220473	4	Fitting, 90 JIC/ORB	
9	2220504	4	Fitting, Tee JIC/JIC/JIC	
10	2220582	6	Fitting, Straight JIC/ORB	
11	2220596	4	Fitting, 90 JIC/ORB	
12	2220606	2	Fitting, Tee JIC/ORB/JIC	
13	2220861	1	Fitting, Tee JIC/FSJIC/JIC	
14	2220237	2	Fitting, Plug ORB	
15	2220500	6	Fitting, 45 JIC/ORB	
16	4641284	1	Valve, Check	
17	2220507	2	Fitting, 90	
18	2753925	2	Hose	
19	2753924	1	Hose	
20	2754731	2	Hose	
21	2754229	1	Hose	
22	2754732	2	Hose	
23	2754230	1	Hose	
24	2752592	2	Hose	
25	2752910	1	Hose	
26	2752620	2	Hose	
28	2754235	2	Hose	
29	2752475	1	Hose	
30	2752611	1	Hose	
31	2752928	1	Hose	
32	2754231	1	Hose	
33	2754733	2	Hose	
34	2753929	2	Hose	
35	2752929	1	Hose	
36	2754734	4	Hose	
37	2753930	4	Hose	
38	2754227	1	Hose	
39	2754228	1	Hose	

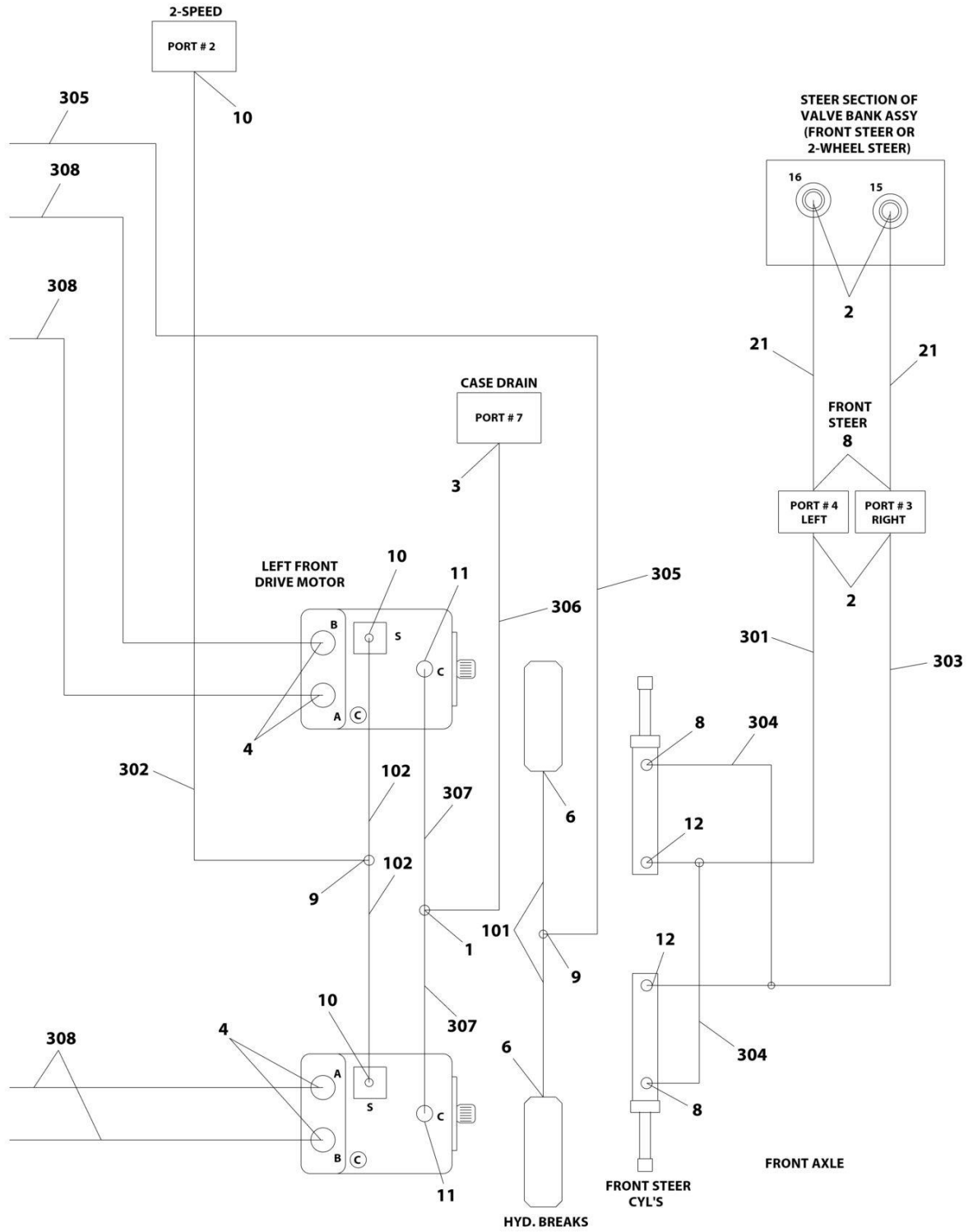
SECTION 7 - HYDRAULIC

FIGURE 7-8. DRIVE HYDRAULIC DIAGRAM - 4WD/4WS WITHOUT ARCTIC PACKAGE (USA BUILT MACHINES - PVC 2001 & 2007, CHINA BUILT MACHINES - PVC 2007)



ART_1001161039_10F2

SECTION 7 - HYDRAULIC



ART_1001161039_2OF2

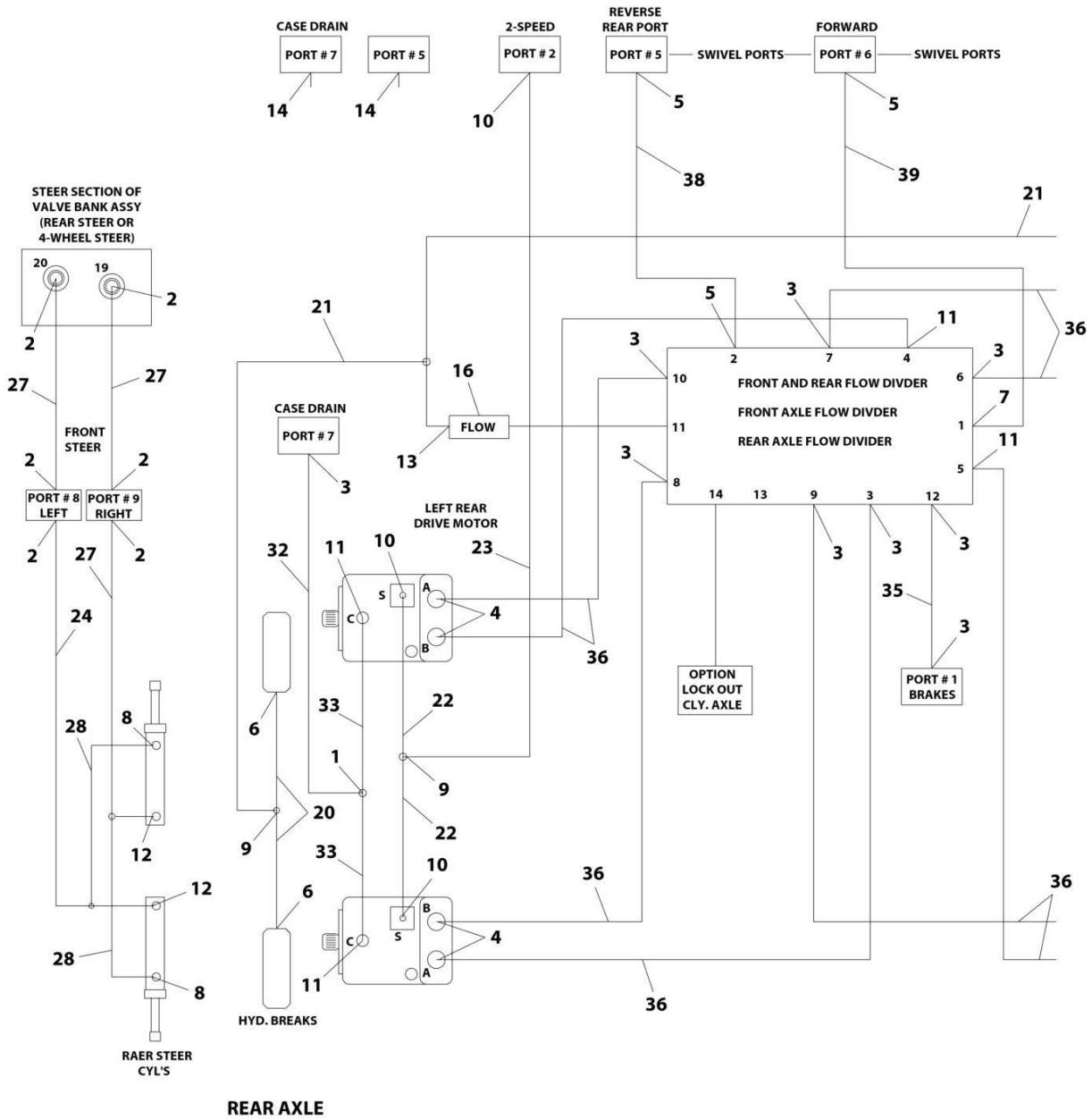
SECTION 7 - HYDRAULIC

FIGURE 7-8. DRIVE HYDRAULIC DIAGRAM - 4WD/4WS WITHOUT ARCTIC PACKAGE (USA BUILT MACHINES - PVC 2001 & 2007, CHINA BUILT MACHINES - PVC 2007)

ITEM	PART NUMBER	QTY	DESCRIPTION	REV
	1001161039	Ref	DRIVE HYDRAULIC DIAGRAM - 4WD/4WS	C
1	2220362	2	Fitting, Tee JIC/JIC/JIC	
2	2220371	8	Fitting, Straight JIC/ORB	
3	2220373	10	Fitting, Straight JIC/ORB	
4	2220375	8	Fitting, Straight JIC/ORB	
5	2220377	3	Fitting, Straight JIC/ORB	
6	2220415	4	Fitting, Straight JIC/ORB	
7	2220646	1	Fitting, 90 JIC/ORB	
8	2220473	7	Fitting, 90 JIC/ORB	
9	2220504	4	Fitting, Tee JIC/JIC/JIC	
10	2220582	6	Fitting, Straight JIC/ORB	
11	2220596	6	Fitting, 90 JIC/ORB	
12	2220606	4	Fitting, Tee JIC/ORB/JIC	
13	2220861	1	Fitting, Tee JIC/FSJIC/JIC	
14	2220237	1	Fitting, Plug ORB	
15	4641284	1	Valve, Check	
21	2752620	2	Hose	
28	2752929	1	Hose	
34	2220819	1	Fitting, 90 JIC/ORB	
100	1001269826	1	Hose Assembly - Axle Kit	
101	2753926	4	Hose	
102	1001140451	4	Hose	
200	1001269827	1	Hose Assembly - Rear Kit	
201	2752475	1	Hose	
202	2752592	1	Hose	
203	2752611	3	Hose	
204	2753397	2	Hose	
205	2754227	2	Hose	
206	2754229	1	Hose	
207	2754231	1	Hose	
208	1001140455	2	Hose	
209	1001152491	4	Hose	
300	1001269828	1	Hose Assembly - Front Kit	
301	2752475	1	Hose	
302	2752592	1	Hose	
303	2752611	1	Hose	
304	2753397	2	Hose	
305	2754229	1	Hose	
306	2754231	1	Hose	
307	1001140455	2	Hose	
308	1001152491	4	Hose	

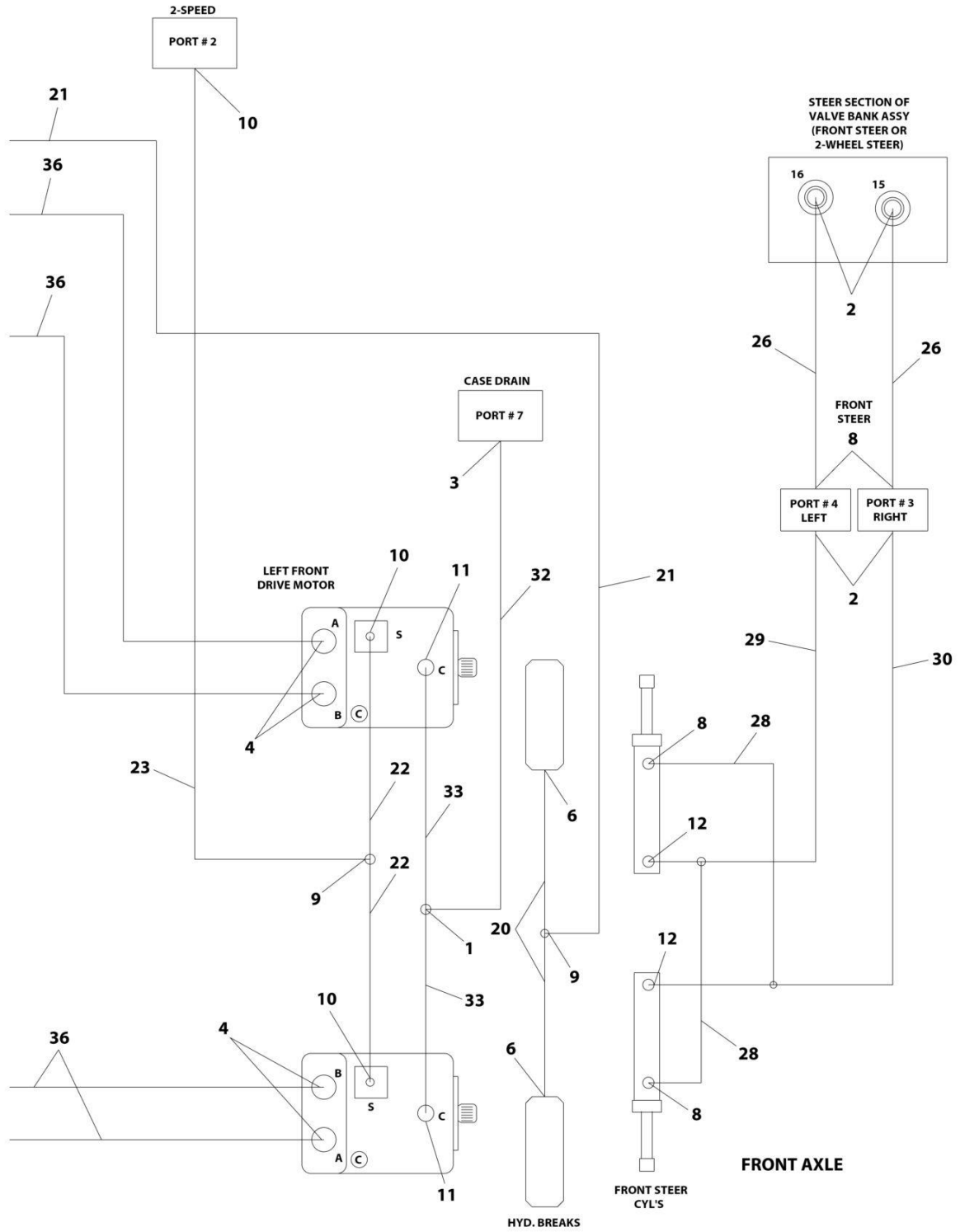
SECTION 7 - HYDRAULIC

FIGURE 7-9. DRIVE HYDRAULIC DIAGRAM - 4WD/4WS WITHOUT ARCTIC PACKAGE (CHINA BUILT MACHINES) (PVC 2001)



ART_1001138034_10F2

SECTION 7 - HYDRAULIC



ART_1001138034_2OF2

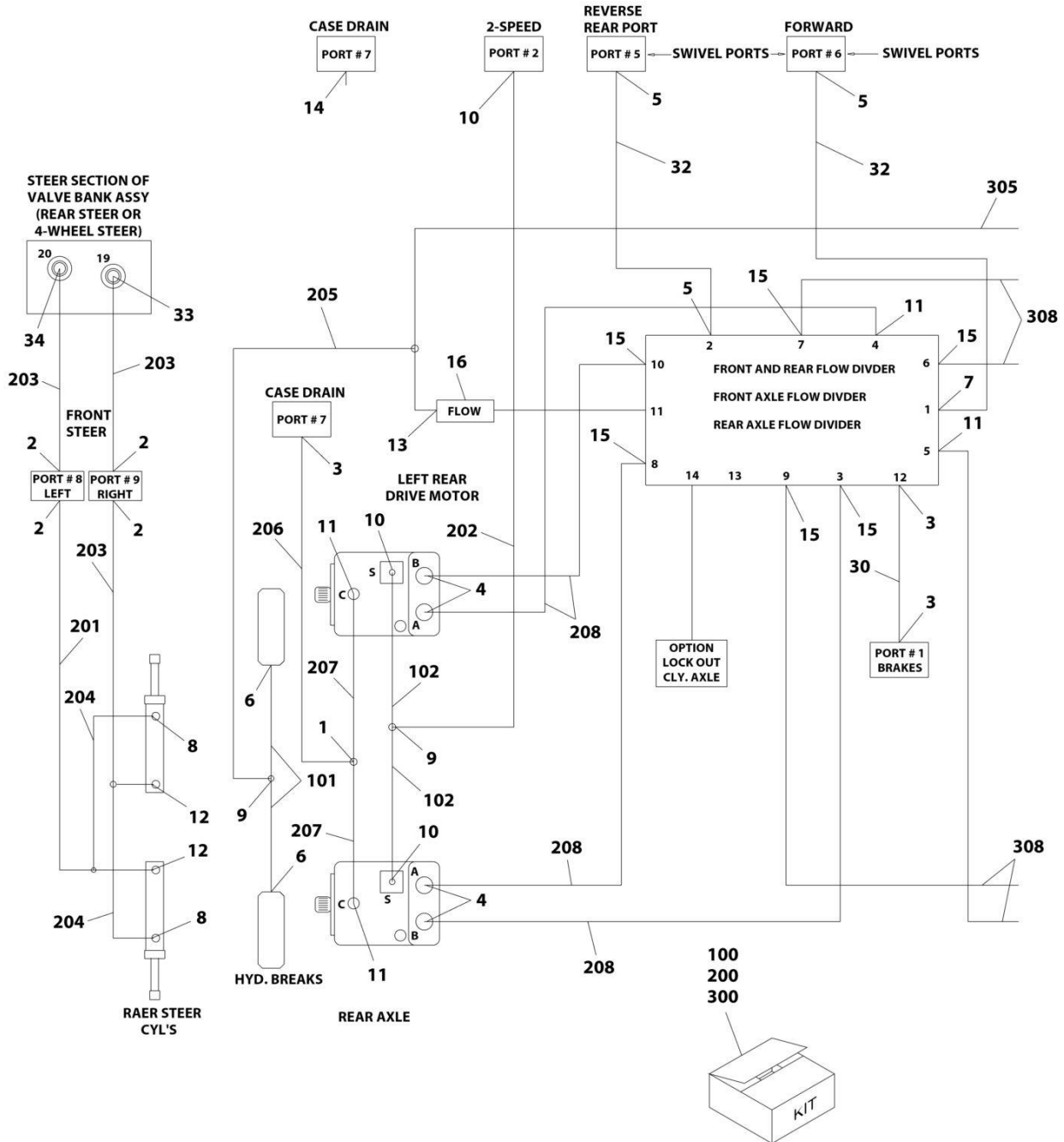
SECTION 7 - HYDRAULIC

FIGURE 7-9. DRIVE HYDRAULIC DIAGRAM - 4WD/4WS WITHOUT ARCTIC PACKAGE (CHINA BUILT MACHINES) (PVC 2001)

ITEM	PART NUMBER	QTY	DESCRIPTION	REV
	1001138034	Ref	DRIVE HYDRAULIC DIAGRAM - 4WD/4WS	F
1	2220362	2	Fitting, Tee JIC/JIC/JIC	
2	2220371	10	Fitting, Straight JIC/ORB	
3	2220373	10	Fitting, Straight JIC/ORB	
4	2220375	8	Fitting, Straight JIC/ORB	
5	2220377	3	Fitting, Straight JIC/ORB	
6	2220415	4	Fitting, Straight JIC/ORB	
7	2220646	1	Fitting, 90 JIC/ORB	
8	2220473	6	Fitting, 90 JIC/ORB	
9	2220504	4	Fitting, Tee JIC/JIC/JIC	
10	2220582	6	Fitting, Straight JIC/ORB	
11	2220596	6	Fitting, 90 JIC/ORB	
12	2220606	4	Fitting, Tee JIC/ORB/JIC	
13	2220861	1	Fitting, Tee JIC/FSJIC/JIC	
14	2220237	2	Fitting, Plug ORB	
16	4641284	1	Valve, Check	
20	1001113866	4	Hose	
21	1001113881	2	Hose	
22	1001113805	4	Hose	
23	1001113882	2	Hose	
24	1001113793	1	Hose	
26	1001113820	2	Hose	
27	1001113818	3	Hose	
28	1001113884	4	Hose	
29	1001113793	1	Hose	
30	1001113818	1	Hose	
32	2754231	2	Hose	
33	2753928	4	Hose	
35	1001113836	1	Hose	
36	2754232	8	Hose	
38	1001113903	1	Hose	
39	1001113904	1	Hose	

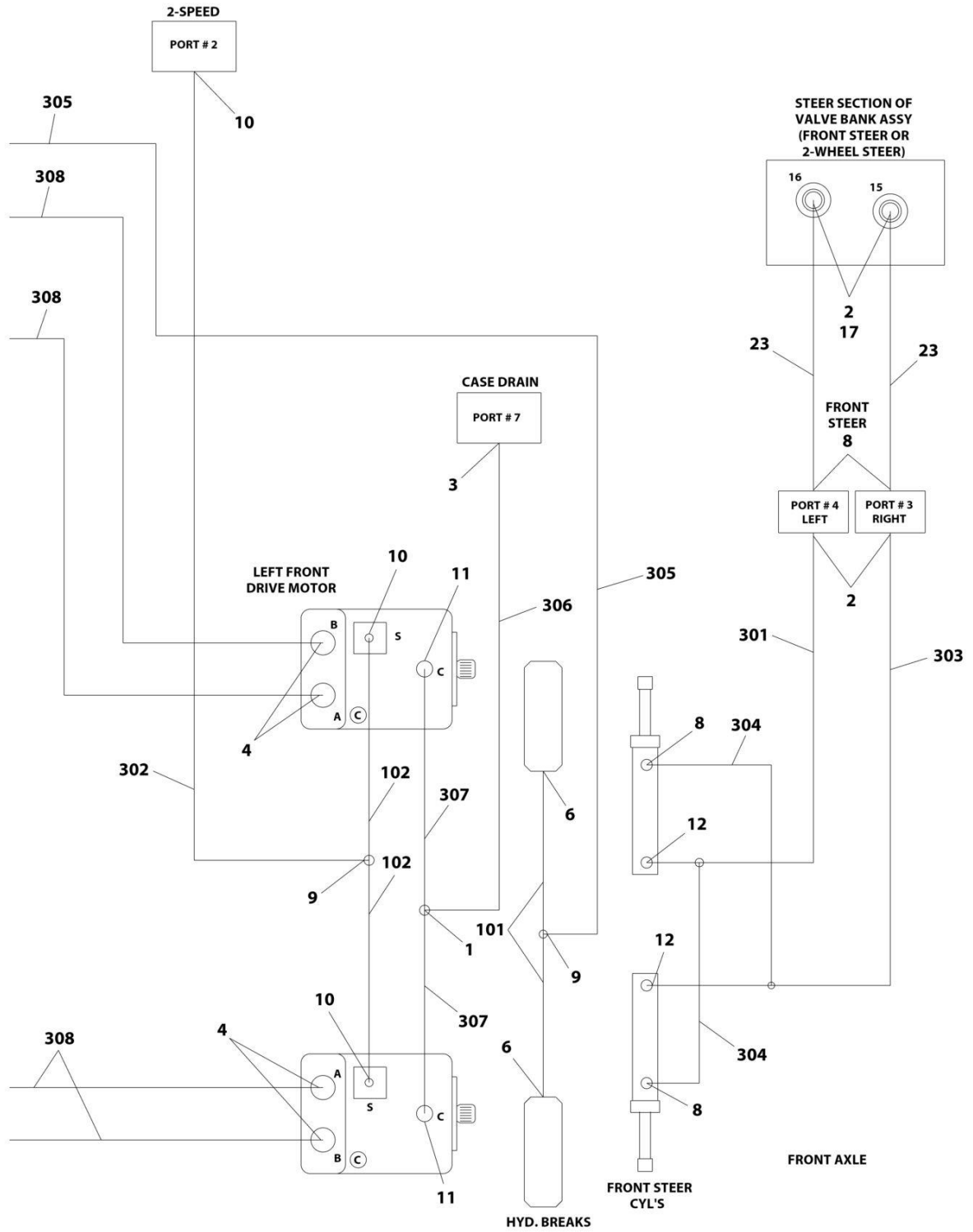
SECTION 7 - HYDRAULIC

FIGURE 7-10. DRIVE HYDRAULIC DIAGRAM - 4WD/4WS WITH ARCTIC PACKAGE (USA BUILT MACHINES - PVC 2001 & 2007, CHINA BUILT MACHINES - PVC 2007)



ART_1001161040_10F2

SECTION 7 - HYDRAULIC



ART_1001161040_2OF2

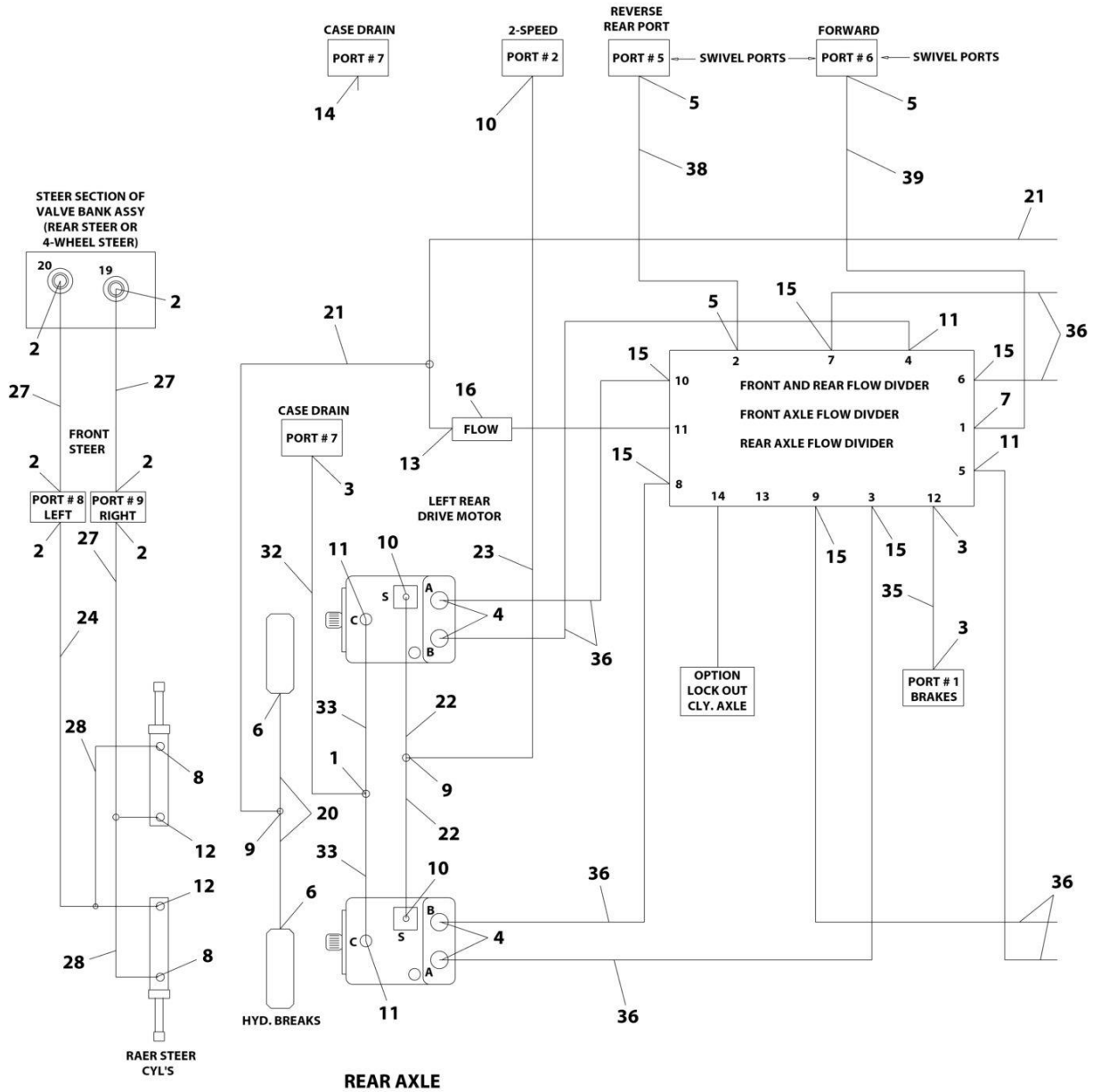
SECTION 7 - HYDRAULIC

FIGURE 7-10. DRIVE HYDRAULIC DIAGRAM - 4WD/4WS WITH ARCTIC PACKAGE (USA BUILT MACHINES - PVC 2001 & 2007, CHINA BUILT MACHINES - PVC 2007)

ITEM	PART NUMBER	QTY	DESCRIPTION	REV
	1001161040	Ref	DRIVE HYDRAULIC DIAGRAM - 4WD/4WS	C
1	2220362	2	Fitting, Tee JIC/JIC/JIC	
2	2220371	8	Fitting, Straight JIC/ORB	
3	2220373	4	Fitting, Straight JIC/ORB	
4	2220375	8	Fitting, Straight JIC/ORB	
5	2220377	3	Fitting, Straight JIC/ORB	
6	2220415	4	Fitting, Straight JIC/ORB	
7	2220646	1	Fitting, 90 JIC/ORB	
8	2220473	6	Fitting, 90 JIC/ORB	
9	2220504	4	Fitting, Tee JIC/JIC/JIC	
10	2220582	6	Fitting, Straight JIC/ORB	
11	2220596	6	Fitting, 90 JIC/ORB	
12	2220606	4	Fitting, Tee JIC/ORB/JIC	
13	2220861	1	Fitting, Tee JIC/FSJIC/JIC	
14	2220237	1	Fitting, Plug ORB	
15	2220500	6	Fitting, 45 JIC/ORB	
16	4641284	1	Valve, Check	
17	2220507	2	Fitting, 90	
23	2752620	2	Hose	
30	2752929	1	Hose	
32	2754227	2	Hose	
33	2220473	1	Fitting, 90 JIC/ORB	
34	2220819	1	Fitting, 90 JIC/ORB	
100	1001269829	1	Hose Assembly - Arctic Axle Kit	
101	2754731	4	Hose	
102	1001140456	4	Hose	
200	1001269830	1	Hose Assembly - Arctic Rear Kit	
201	2752475	1	Hose	
202	2752592	1	Hose	
203	2752611	3	Hose	
204	2753397	2	Hose	
205	2754229	1	Hose	
206	2754231	1	Hose	
207	1001140458	2	Hose	
208	1001152499	4	Hose	
300	1001269831	1	Hose Assembly - Arctic Front Kit	
301	2752475	1	Hose	
302	2752592	1	Hose	
303	2752611	1	Hose	
304	2753397	2	Hose	
305	2754229	1	Hose	
306	2754231	1	Hose	
307	1001140458	2	Hose	
308	1001152499	4	Hose	

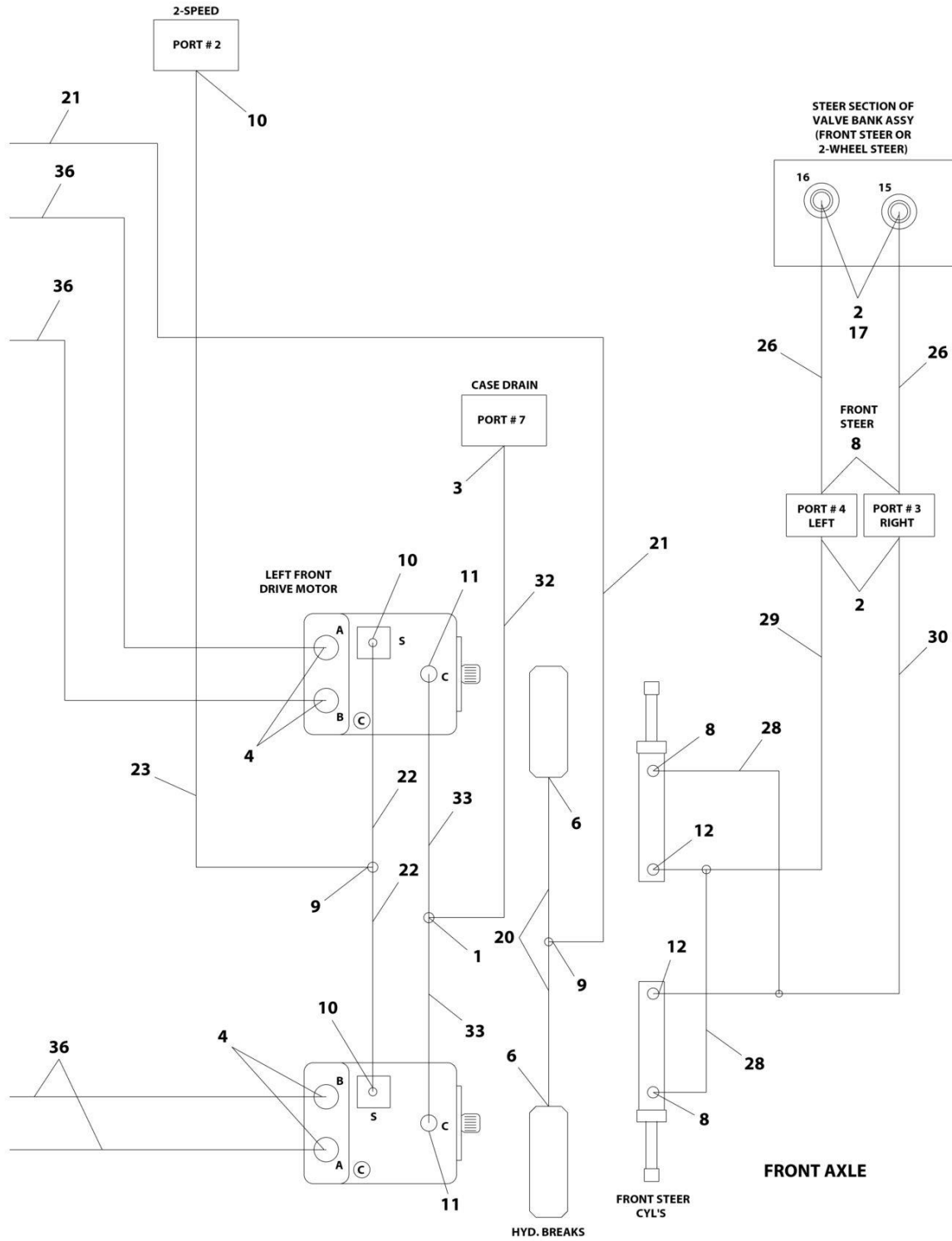
SECTION 7 - HYDRAULIC

FIGURE 7-11. DRIVE HYDRAULIC DIAGRAM - 4WD/4WS WITH ARCTIC PACKAGE (CHINA BUILT MACHINES) (PVC 2001)



ART_1001102165_10F2

SECTION 7 - HYDRAULIC



ART_1001102165_2OF2

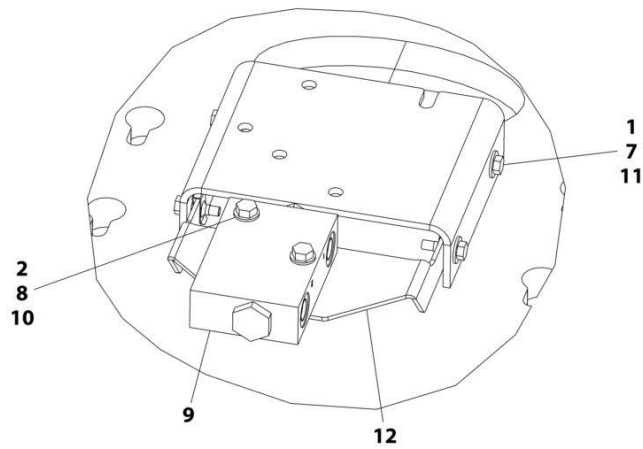
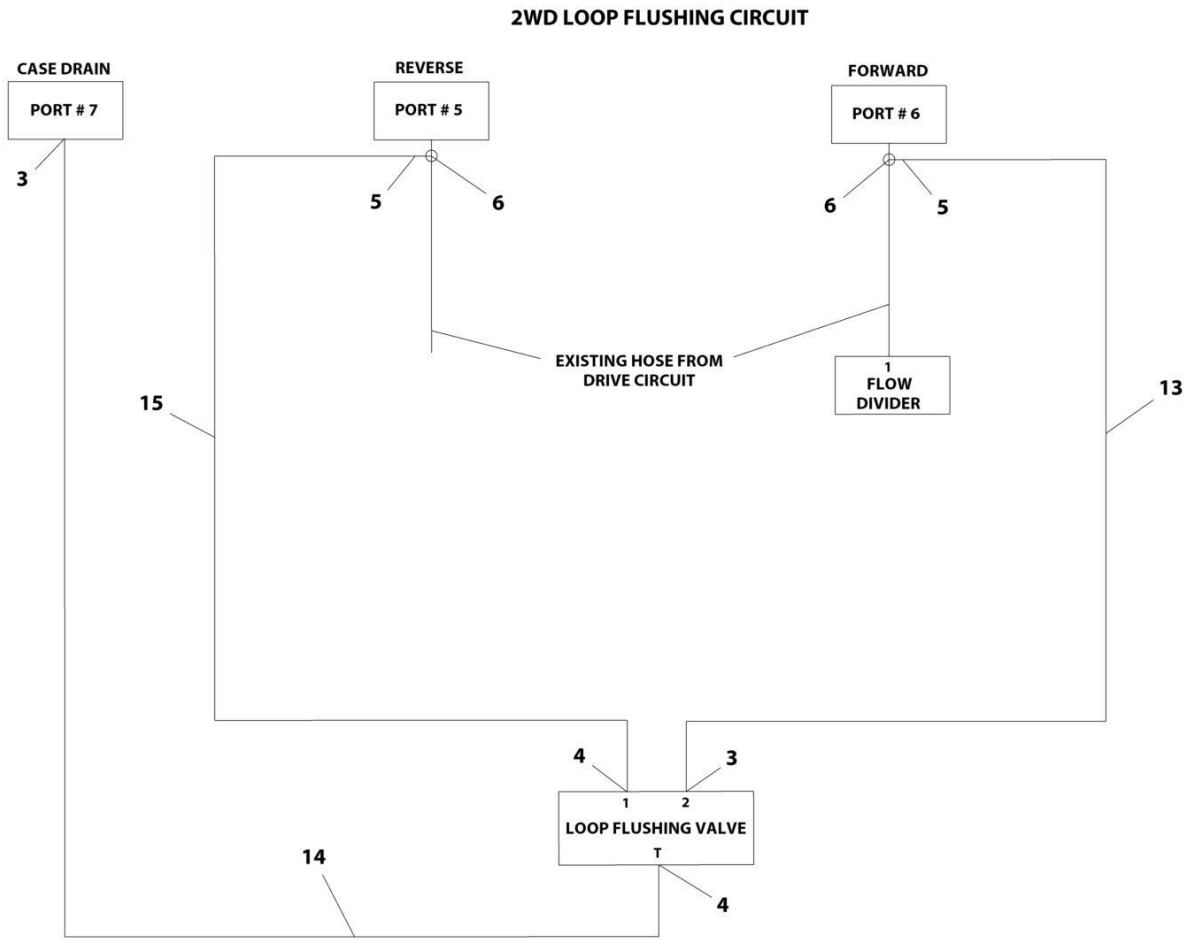
SECTION 7 - HYDRAULIC

FIGURE 7-11. DRIVE HYDRAULIC DIAGRAM - 4WD/4WS WITH ARCTIC PACKAGE (CHINA BUILT MACHINES) (PVC 2001)

ITEM	PART NUMBER	QTY	DESCRIPTION	REV
	1001102165	Ref	DRIVE HYDRAULIC DIAGRAM - 4WD/4WS	B
1	2220362	2	Fitting, Tee JIC/JIC/JIC	
2	2220371	10	Fitting, Straight JIC/ORB	
3	2220373	4	Fitting, Straight JIC/ORB	
4	2220375	8	Fitting, Straight JIC/ORB	
5	2220377	3	Fitting, Straight JIC/ORB	
6	2220415	4	Fitting, Straight JIC/ORB	
7	2220646	1	Fitting, 90 JIC/ORB	
8	2220473	5	Fitting, 90 JIC/ORB	
9	2220504	4	Fitting, Tee JIC/JIC/JIC	
10	2220582	6	Fitting, Straight JIC/ORB	
11	2220596	6	Fitting, 90 JIC/ORB	
12	2220606	4	Fitting, Tee JIC/ORB/JIC	
13	2220861	1	Fitting, Tee JIC/FSJIC/JIC	
14	2220237	1	Fitting, Plug ORB	
15	2220500	6	Fitting, 45 JIC/ORB	
16	4641284	1	Valve, Check	
17	2220507	2	Fitting, 90	
20	2754731	4	Hose	
21	2754229	2	Hose	
22	2754732	4	Hose	
23	2754230	2	Hose	
24	2752475	1	Hose	
26	2752620	2	Hose	
27	2752611	3	Hose	
28	2754235	4	Hose	
29	2752475	1	Hose	
30	2752611	1	Hose	
32	2754231	2	Hose	
33	2754733	4	Hose	
35	2752929	1	Hose	
36	2754734	8	Hose	
38	2754227	1	Hose	
39	2754228	1	Hose	

SECTION 7 - HYDRAULIC

FIGURE 7-12. FLUSHING LOOP HYDRAULIC INSTALLATION - 2WD (USA BUILT MACHINES - PVC 2001 & 2007, CHINA BUILT MACHINES - PVC 2007)



ART_1001152620

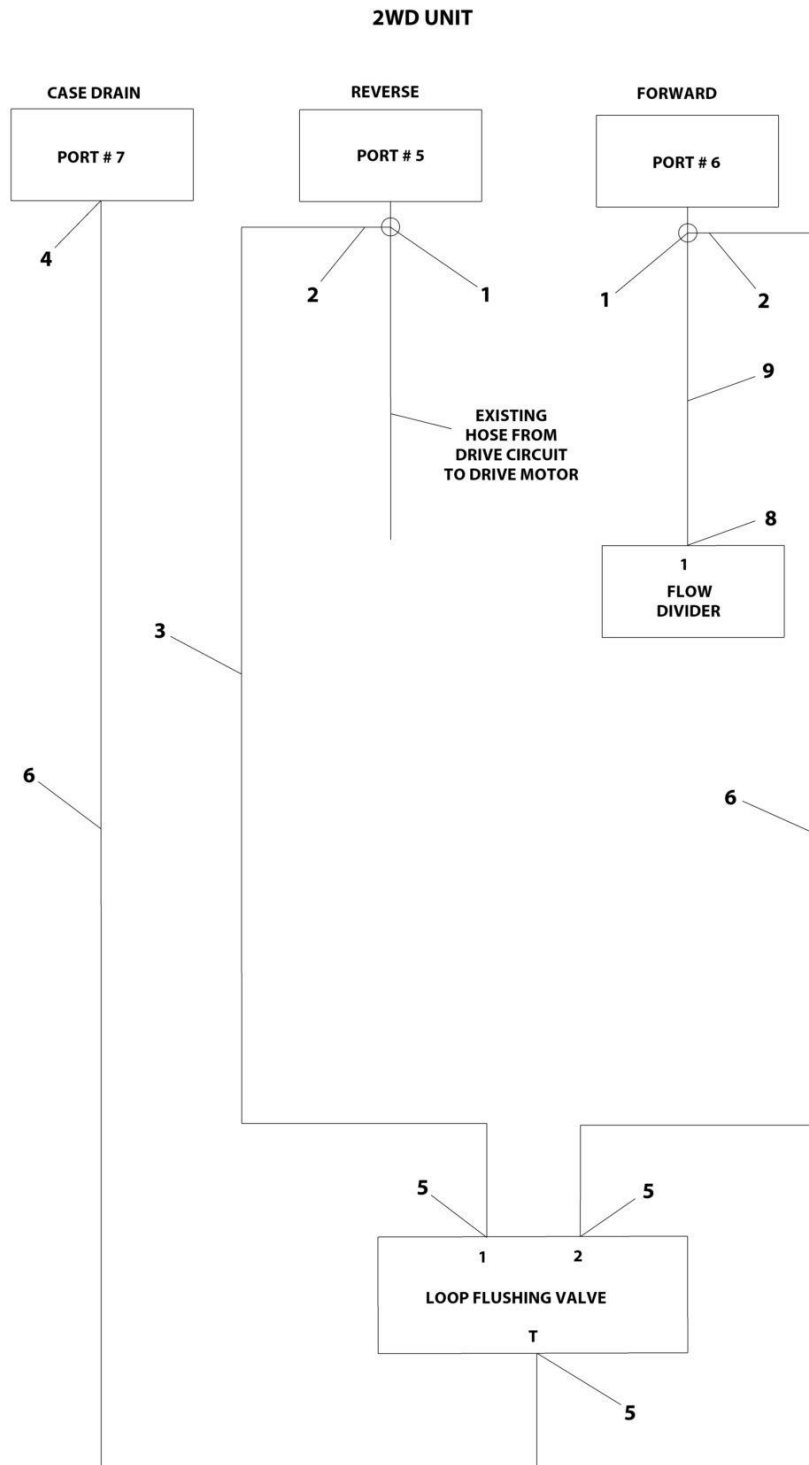
SECTION 7 - HYDRAULIC

FIGURE 7-12. FLUSHING LOOP HYDRAULIC INSTALLATION - 2WD (USA BUILT MACHINES - PVC 2001 & 2007, CHINA BUILT MACHINES - PVC 2007)

ITEM	PART NUMBER	QTY	DESCRIPTION	REV
	1001152620	Ref	FLUSHING LOOP HYDRAULIC INSTALLATION - 2WD	C
1	0641408	4	Bolt 1/4 x 1	
2	0641516	2	Bolt 5/16 x 2	
3	2220371	2	Fitting, Straight JIC/ORB	
4	2220473	2	Fitting, 90 JIC/ORB	
5	2220623	2	Fitting, Straight JIC/FSJIC	
6	2221026	2	Fitting, Tee JIC/ORB/JIC	
7	3300454	4	Nut 1/4	
8	3311505	2	Nut 5/16	
9	1001224927	1	Valve, Flushing Loop	
9	7024881	1	Piston, Pilot	
9	7021639	2	Cartridge, Check Valve	
9	2900756	2	Seal Kit - 7021639 Valve	
10	4711500	4	Washer 5/16	
11	4751400	4	Washer 1/4	
12	1001150612	1	Bracket14	
13	1001152636	1	Hose	
14	1001152637	1	Hose	
15	1001152731	1	Hose	

SECTION 7 - HYDRAULIC

FIGURE 7-13. FLUSHING LOOP HYDRAULIC INSTALLATION - 2WD (CHINA BUILT MACHINES) (PVC 2001)



ART_2792787

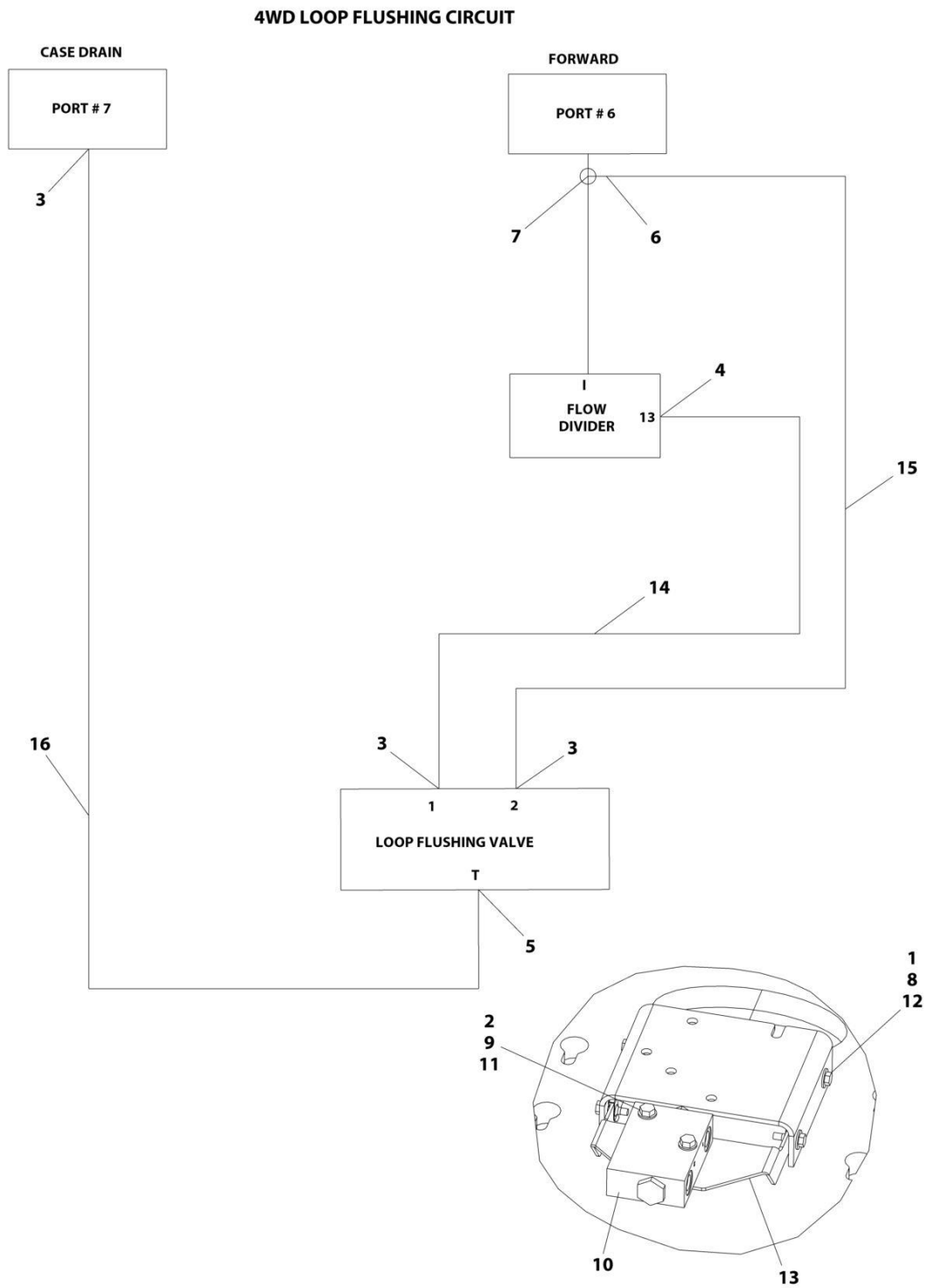
SECTION 7 - HYDRAULIC

FIGURE 7-13. FLUSHING LOOP HYDRAULIC INSTALLATION - 2WD (CHINA BUILT MACHINES) (PVC 2001)

ITEM	PART NUMBER	QTY	DESCRIPTION	REV
	2792787	Ref	FLUSHING LOOP HYDRAULIC INSTALLATION - 2WD	3
1	2221026	2	Fitting, Tee JIC/ORB/JIC	
2	2220623	2	Fitting, Straight JIC/FSJIC	
3	2751112	1	Hose	
4	2220371	1	Fitting, Straight JIC/ORB	
5	2220473	3	Fitting, 90 JIC/ORB	
6	2751101	2	Hose	
7	0275941	Ref	Flushing Valve Installation (Not Shown)	
7	4641329	1	Valve, Loop Flushing	
7	7021639	2	Cartridge	
7	7017496	2	Seal Kit - 7021639 Cartridge	
8	2220646	1	Fitting, 90 JIC/ORB	
9	2754227	1	Hose	

SECTION 7 - HYDRAULIC

FIGURE 7-14. FLUSHING LOOP HYDRAULIC INSTALLATION - 4WD (USA BUILT MACHINES - PVC 2001 & 2007, CHINA BUILT MACHINES - PVC 2007)



ART_1001152619

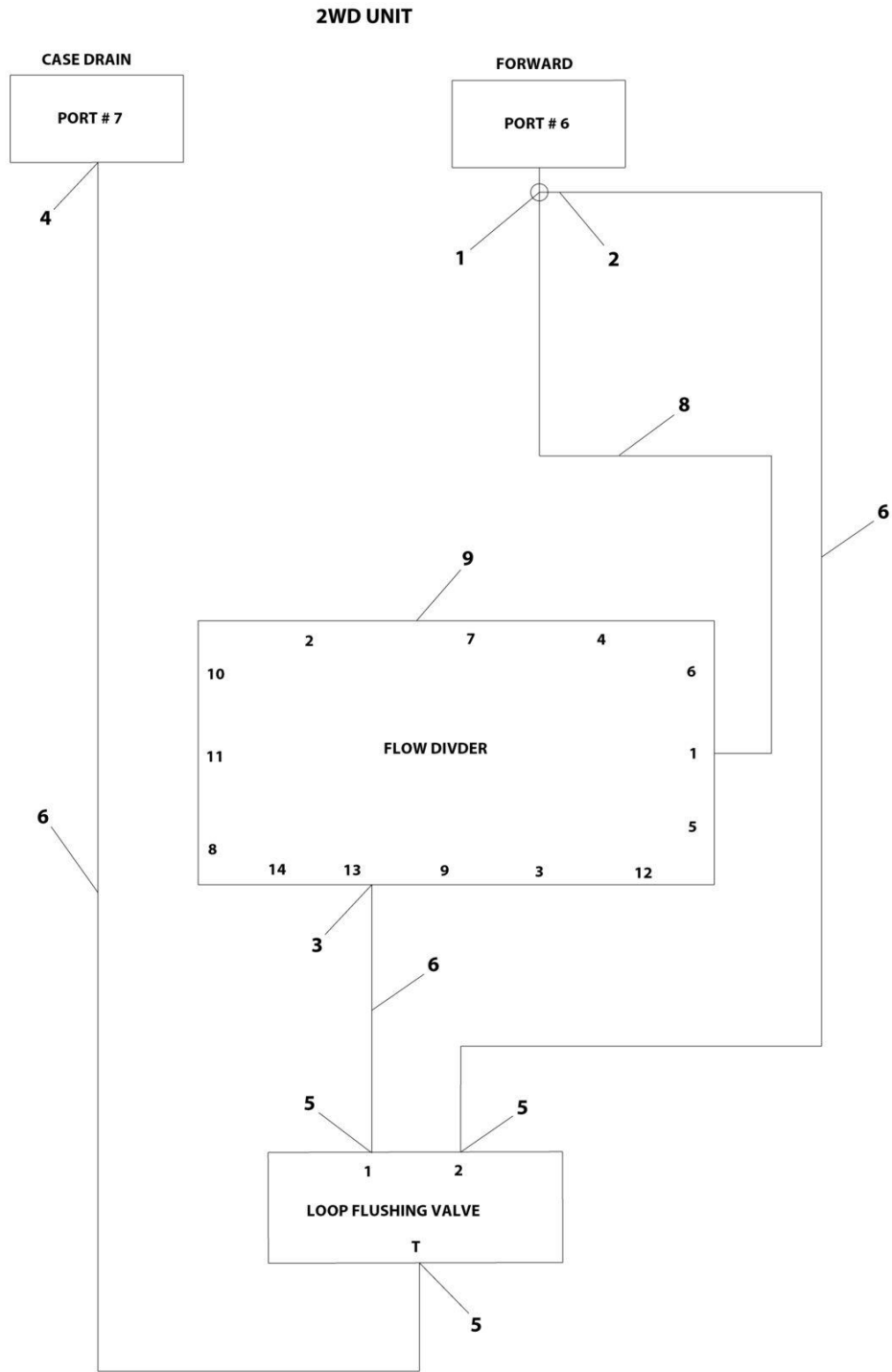
SECTION 7 - HYDRAULIC

FIGURE 7-14. FLUSHING LOOP HYDRAULIC INSTALLATION - 4WD (USA BUILT MACHINES - PVC 2001 & 2007, CHINA BUILT MACHINES - PVC 2007)

ITEM	PART NUMBER	QTY	DESCRIPTION	REV
	1001152619	Ref	FLUSHING LOOP HYDRAULIC INSTALLATION - 4WD	C
1	0641408	4	Bolt 1/4 x 1	
2	0641516	2	Bolt 5/16 x 2	
3	2220371	3	Fitting, Straight JIC/ORB	
4	2220372	1	Fitting, Straight JIC/ORB	
5	2220473	1	Fitting, 90 JIC/ORB	
6	2220623	1	Fitting, Straight JIC/FSJIC	
7	2221026	1	Fitting, Tee JIC/ORB/JIC	
8	3300454	4	Nut 1/4	
9	3311505	2	Nut 5/16	
10	1001224927	1	Valve, Flushing Loop	
10	7024881	1	Piston, Pilot	
10	7021639	2	Cartridge, Check Valve	
10	2900756	2	Seal Kit - 7021639 Valve	
11	4711500	4	Washer 5/16	
12	4751400	4	Washer 1/4	
13	1001150612	1	Bracket14	
14	1001152635	1	Hose	
15	1001152636	1	Hose	
16	1001152637	1	Hose	

SECTION 7 - HYDRAULIC

FIGURE 7-15. FLUSHING LOOP HYDRAULIC INSTALLATION - 4WD (CHINA BUILT MACHINES) (PVC 2001)



ART_2792786

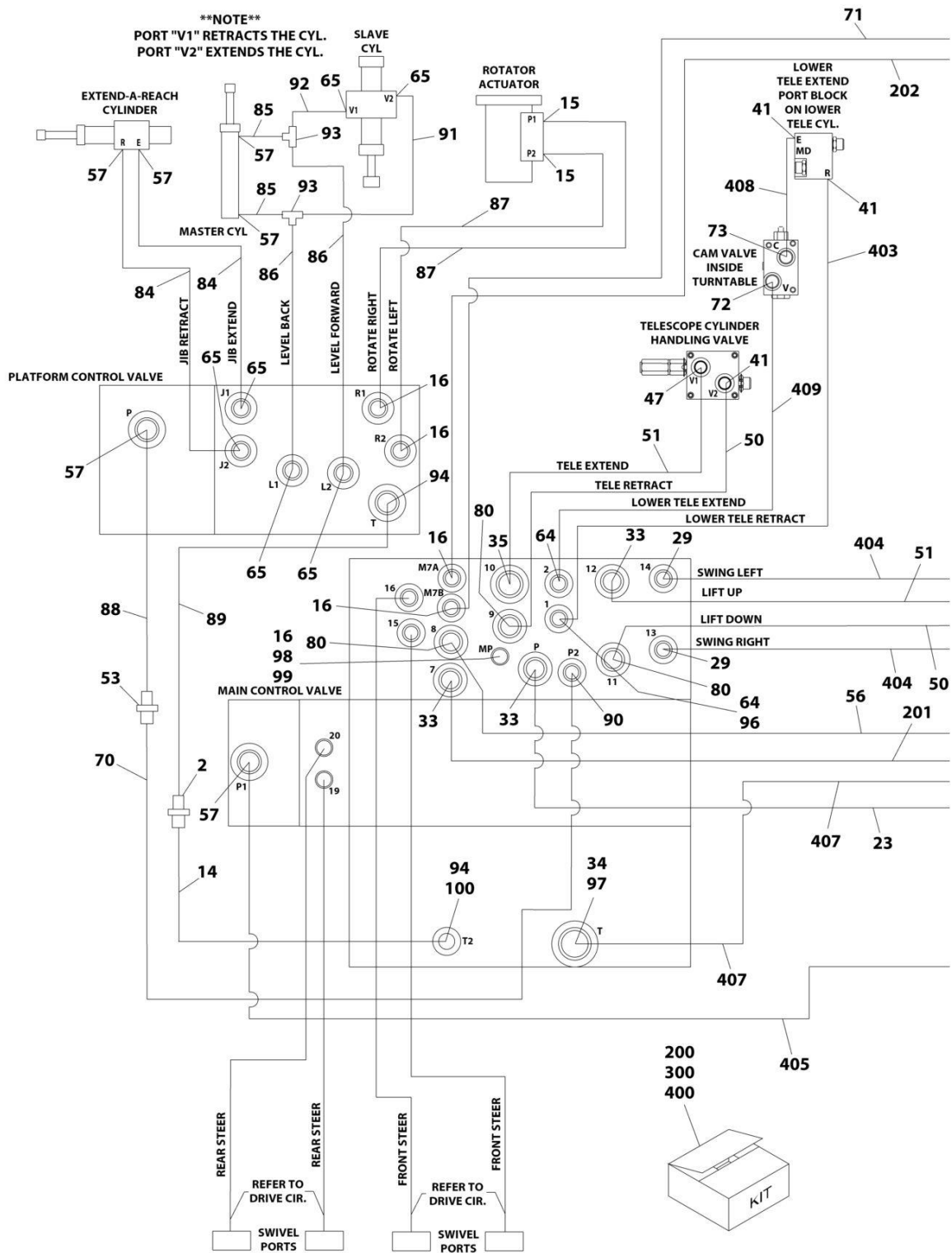
SECTION 7 - HYDRAULIC

FIGURE 7-15. FLUSHING LOOP HYDRAULIC INSTALLATION - 4WD (CHINA BUILT MACHINES) (PVC 2001)

ITEM	PART NUMBER	QTY	DESCRIPTION	REV
	2792786	Ref	FLUSHING LOOP HYDRAULIC INSTALLATION - 4WD	5
1	2221026	1	Fitting, Tee JIC/ORB/JIC	
2	2220623	1	Fitting, Straight JIC/FSJIC	
3	2220372	1	Fitting, Straight JIC/ORB	
4	2220371	1	Fitting, Straight JIC/ORB	
5	2220473	3	Fitting, 90 JIC/ORB	
6	2753933	3	Hose	
7	0275941	Ref	Flushing Valve Installation (Not Shown)	
7	4641329	1	Valve, Loop Flushing	
7	7021639	2	Cartridge	
7	7017496	2	Seal Kit - 7021639 Cartridge	
8	2754227	1	Hose	
9	2220373	1	Fitting, Straight JIC/ORB	

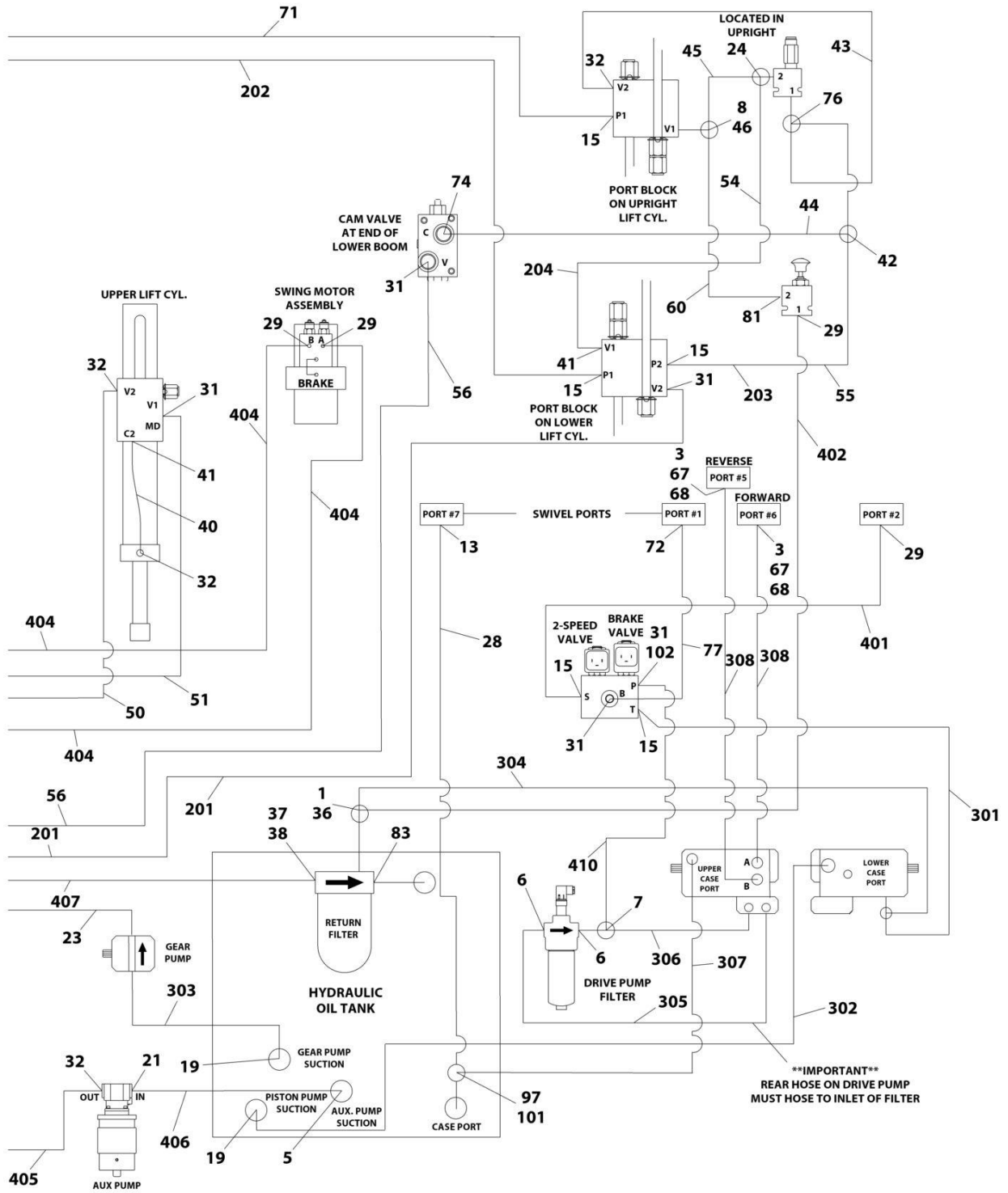
SECTION 7 - HYDRAULIC

FIGURE 7-16. HYDRAULIC DIAGRAM – STANDARD (DEUTZ D2011 (STAGE V) AND DEUTZ D2011 ENGINES) (USA BUILT MACHINES - PVC 2001 & 2007, CHINA BUILT MACHINES - PVC 2007)



ART_1001189668_10F2

SECTION 7 - HYDRAULIC



ART_1001189668_2OF2

SECTION 7 - HYDRAULIC

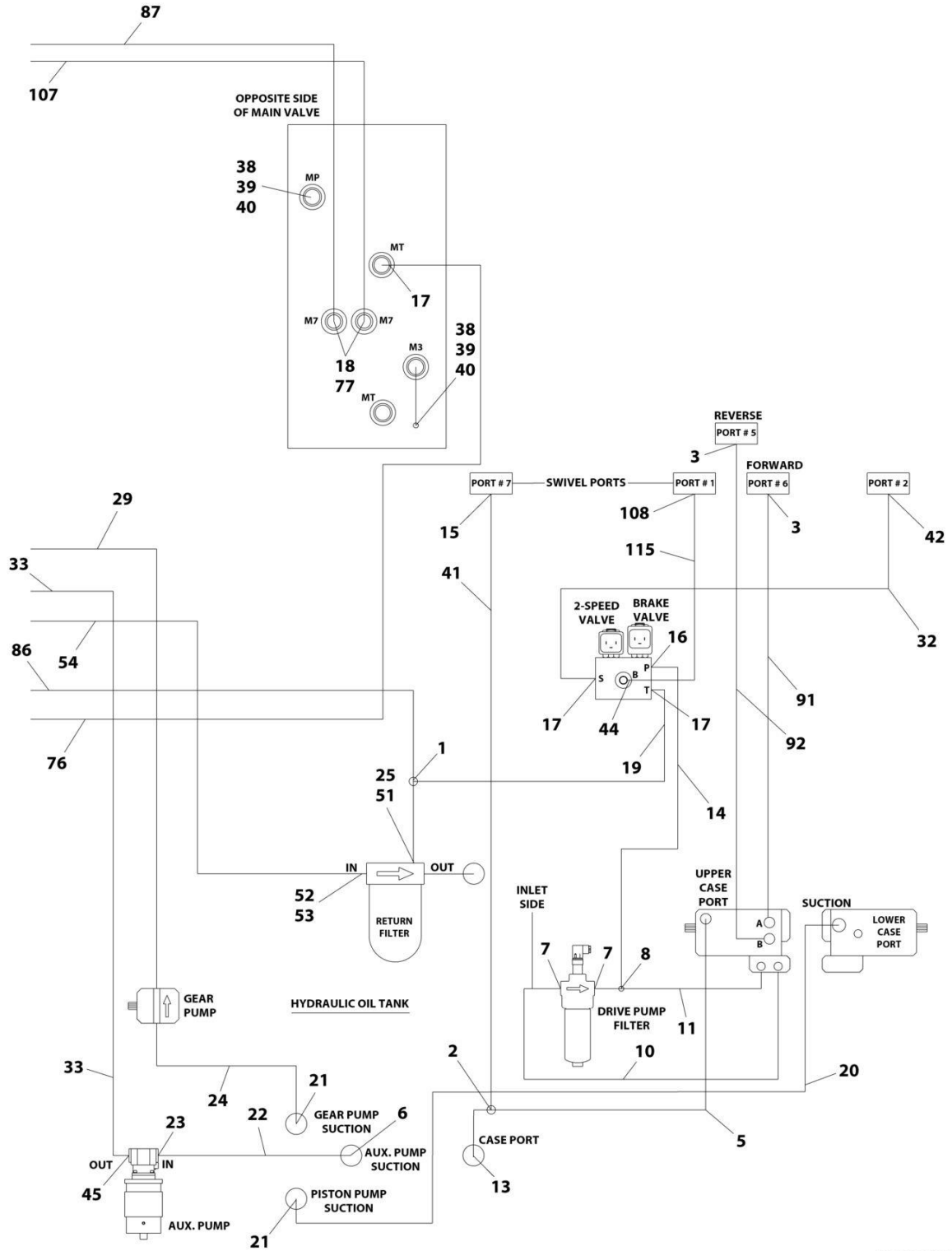
FIGURE 7-16. HYDRAULIC DIAGRAM – STANDARD (DEUTZ D2011 (STAGE V) AND DEUTZ D2011 ENGINES) (USA BUILT MACHINES - PVC 2001 & 2007, CHINA BUILT MACHINES - PVC 2007)

ITEM	PART NUMBER	QTY	DESCRIPTION	REV
	1001189668	Ref	HYDRAULIC DIAGRAM- STANDARD	D
1	2220605	1	Fitting, Tee JIC/FSJIC/JIC	
2	2220512	1	Fitting, Straight JIC/JIC	
3	2220377	2	Fitting, Straight JIC/ORB	
5	2220578	1	Fitting, 90 JIC/ORB	
6	2221042	2	Fitting, 90 JIC/ORB	
7	2220948	1	Fitting, Tee JIC/FSJIC/JIC	
8	2220618	1	Fitting, Straight JIC/FSJIC	
13	2220375	1	Fitting, Straight JIC/ORB	
14	1001161036	1	Hose	
15	2220466	7	Fitting, 90 JIC/ORB	
16	2220415	5	Fitting, Straight JIC/ORB	
19	2220379	2	Fitting, Straight JIC/ORB	
21	2220567	1	Fitting, 90 JIC/ORB	
23	2752929	1	Hose	
24	2220602	1	Fitting, Tee JIC/ORB/JIC	
28	2753968	1	Hose	
29	2220582	6	Fitting, Straight JIC/ORB	
31	2220596	4	Fitting, 90 JIC/ORB	
32	2220628	3	Fitting, 90 JIC/ORB	
33	2220381	3	Fitting, Straight JIC/ORB	
34	2220451	1	Fitting, Straight JIC/ORB	
35	2220374	1	Fitting, Straight JIC/ORB	
36	2220574	1	Fitting, Straight JIC/NPTF	
37	2220921	1	Fitting, Straight FORB/ORB	
38	2220498	1	Fitting, 45 JIC/ORB	
41	2220372	4	Fitting, Straight JIC/ORB	
42	2221065	1	Fitting, Tee JIC/FSJIC/JIC	
43	2752462	1	Hose	
44	2753134	1	Hose	
45	2752497	1	Hose	
46	2220999	1	Fitting, Tee JIC/ORB/JIC	
47	2220500	1	Fitting, 45 JIC/ORB	
50	2753055	2	Hose	
51	2752939	2	Hose	
53	2220511	1	Fitting, Straight JIC/JIC	
54	2753056	1	Hose	
55	2752991	1	Hose	
56	2753135	1	Hose	
57	2220473	6	Fitting, 90 JIC/ORB	
60	2752990	1	Hose	
64	2220998	2	Fitting, Straight JIC/ORB	
65	2220603	6	Fitting, Straight JIC/ORB	
67	0100011	AR	Compound, Locking	
68	0100038	AR	Primer, Locking	
69	1703534	2	Decal - Hose Tags (Not Shown)	
70	1001161030	1	Hose	
71	2752987	1	Hose	
72	2220373	1	Fitting, Straight JIC/ORB	

SECTION 7 - HYDRAULIC

ITEM	PART NUMBER	QTY	DESCRIPTION	REV
73	2220947	1	Fitting, Straight JIC/ORB	
74	2221036	1	Fitting, 90 JIC/ORB	
76	2221053	1	Fitting, Tee JIC/ORB/JIC	
77	2752519	1	Hose	
80	1001104423	3	Fitting, Straight JIC/ORB	
81	2220472	1	Fitting, 90 JIC/ORB	
83	2220893	1	Fitting, Straight ORB/ORB	
84	1001155672	2	Hose	
85	1001155675	2	Hose	
86	1001155673	2	Hose	
87	1001155669	2	Hose	
88	1001155678	1	Hose	
89	1001155677	1	Hose	
90	80233041	1	Valve, Check	
91	1001155670	1	Hose	
92	1001155671	1	Hose	
93	2220490	2	Fitting, Tee JIC/JIC/JIC	
94	2220600	2	Fitting, Straight JIC/ORB	
96	2220657	1	Fitting, 45 JIC/FSJIC	
97	2220409	2	Fitting, 45 JIC/FSJIC	
98	2752995	1	Hose	
99	91143177	1	Fitting, Test	
100	2220386	1	Fitting, 90 JIC/FSJIC	
101	2220738	1	Fitting, Tee JIC/ORB/JIC	
102	2220474	1	Fitting, 90 JIC/ORB	
200	1001269805	1	Hose Assembly - Turntable Kit	
201	2752506	1	Hose	
202	2752593	1	Hose	
203	2752985	1	Hose	
204	2753052	1	Hose	
300	1001269809	1	Hose Assembly - T4I Turntable E/S Kit	
301	2752573	1	Hose	
302	2752723	1	Hose	
303	2752724	1	Hose	
304	2753390	1	Hose	
305	2754329	1	Hose	
306	2754330	1	Hose	
307	1001093549	1	Hose	
308	1001150715	2	Hose	
400	1001269810	1	Hose Assembly - T4I Turntable T/S Kit	
401	2751396	1	Hose	
402	2752453	1	Hose	
403	2752484	1	Hose	
404	2752600	2	Hose	
405	2752635	1	Hose	
406	2752656	1	Hose	
407	2752783	1	Hose	
408	2753132	1	Hose	
409	2753133	1	Hose	
410	2754328	1	Hose	

SECTION 7 - HYDRAULIC



ART_1001165404_10F2

SECTION 7 - HYDRAULIC

FIGURE 7-17. HYDRAULIC DIAGRAM – STANDARD (DEUTZ D2011 ENGINES) (CHINA BUILT MACHINES) (PVC 2001)

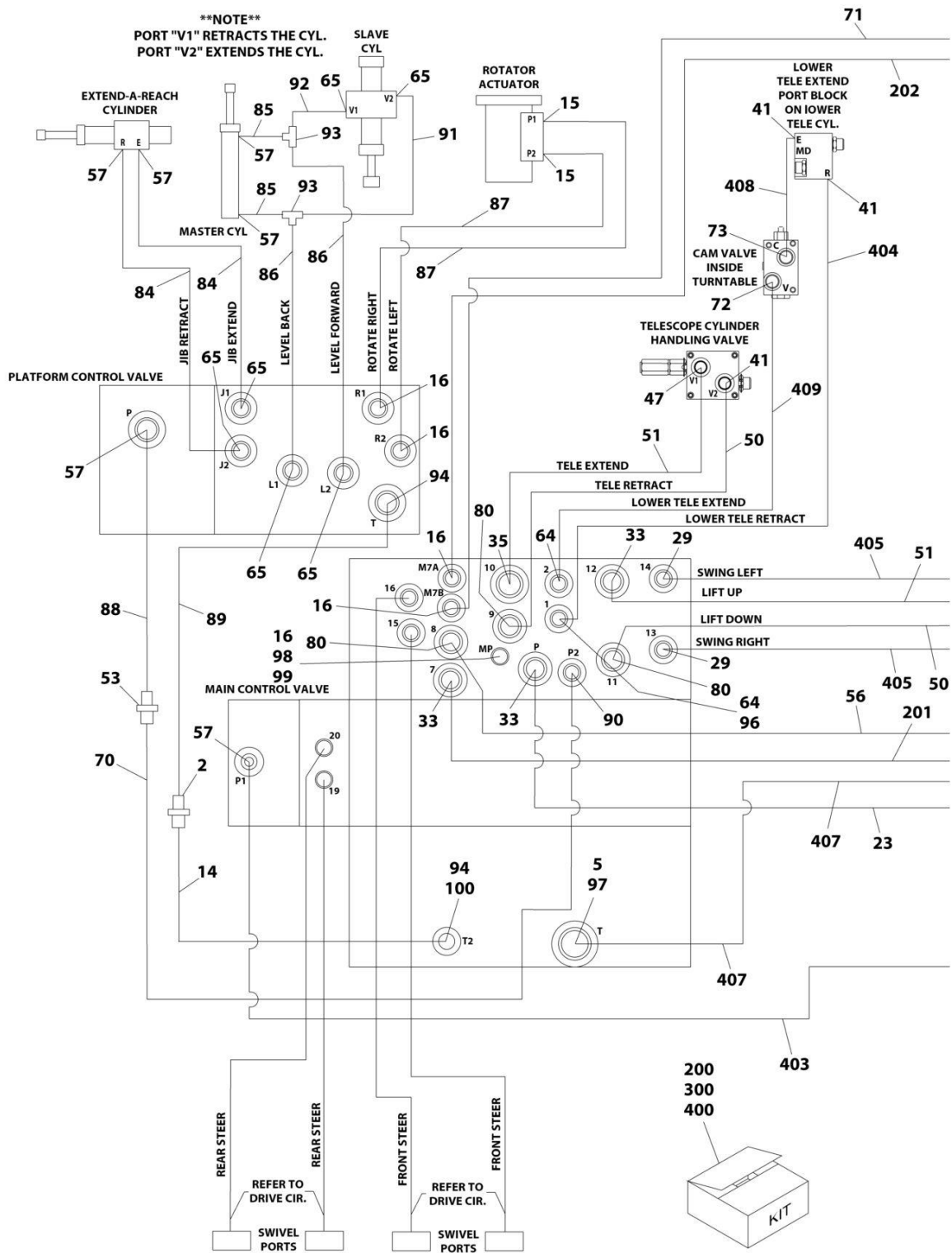
ITEM	PART NUMBER	QTY	DESCRIPTION	REV
	1001165404	Ref	HYDRAULIC DIAGRAM- STANDARD	C
1	2220605	1	Fitting, Tee JIC/FSJIC/JIC	
2	2220409	2	Fitting, 45 JIC/FSJIC	
3	2220377	2	Fitting, Straight JIC/ORB	
5	1001113889	1	Hose	
6	2220578	1	Fitting, 90 JIC/ORB	
7	2221042	2	Fitting, 90 JIC/ORB	
8	2220948	1	Fitting, Tee JIC/FSJIC/JIC	
9	2220618	1	Fitting, Straight JIC/FSJIC	
10	2754329	1	Hose	
11	2754330	1	Hose	
12	2753132	1	Hose	
13	2220738	1	Fitting, Tee JIC/ORB/JIC	
14	1001113885	1	Hose	
15	2220375	1	Fitting, Straight JIC/ORB	
16	2220474	1	Fitting, 90 JIC/ORB	
17	2220466	9	Fitting, 90 JIC/ORB	
18	2220415	2	Fitting, Straight JIC/ORB	
19	1001113855	1	Fitting, Straight JIC/ORB	
20	1001113909	1	Hose	
21	2220379	2	Fitting, Straight JIC/ORB	
22	1001113908	1	Hose	
23	2220567	1	Fitting, 90 JIC/ORB	
24	2752724	1	Hose	
25	0100020	AR	Sealant	
28	2752604	2	Hose	
29	1001113836	1	Hose	
30	2220602	1	Fitting, Tee JIC/ORB/JIC	
32	1001113912	1	Hose	
33	1001113824	1	Hose	
34	2753133	1	Hose	
38	2220428	4	Fitting, Quick Coupling	
39	2220429	4	Cap, Dust	
40	2220873	3	Fitting NPTF/ORB	
41	1001113896	1	Hose	
42	2220582	6	Fitting, Straight JIC/ORB	
43	1001113802	1	Hose	
44	2220596	4	Fitting, 90 JIC/ORB	
45	2220628	4	Fitting, 90 JIC/ORB	
46	2220609	2	Fitting, Reducer JIC/JIC	
47	2220381	3	Fitting, Straight JIC/ORB	
48	2220974	1	Fitting, Long Straight JIC/ORB	
49	2220923	4	Fitting, Long Straight JIC/ORB	
50	2220374	1	Fitting, Straight JIC/ORB	
51	2220574	1	Fitting, Straight JIC/NPTF	
52	2220921	1	Fitting, Straight FORB/ORB	
53	2220498	1	Fitting, 45 JIC/ORB	
54	1001113911	1	Hose	
55	1001113792	1	Hose	

SECTION 7 - HYDRAULIC

ITEM	PART NUMBER	QTY	DESCRIPTION	REV
56	2220372	7	Fitting, Straight JIC/ORB	
57	2220899	2	Fitting, Tee JIC/ORB/JIC	
58	2752468	1	Hose	
61	2221065	1	Fitting, Tee JIC/FSJIC/JIC	
62	2752462	1	Hose	
63	1001113852	1	Hose	
64	1001113796	1	Hose	
65	2220999	1	Fitting, Tee JIC/ORB/JIC	
67	2220500	1	Fitting, 45 JIC/ORB	
68	2752601	3	Hose	
69	2220510	3	Fitting, Coupling JIC/JIC	
71	1001113847	1	Hose	
73	1001113816	2	Hose	
74	2753055	2	Hose	
75	2752939	2	Hose	
76	2752579	1	Hose	
77	2220654	2	Fitting, 90 JIC/FSJIC	
78	2220511	2	Fitting, Straight JIC/JIC	
79	2753056	1	Hose	
80	2752991	1	Hose	
81	2753135	1	Hose	
84	2753047	2	Hose	
85	2220473	1	Fitting, 90 JIC/ORB	
86	1001113786	1	Hose	
87	1001113810	1	Hose	
89	2752990	1	Hose	
90	1001113840	1	Hose	
91	2752343	1	Hose	
92	2752341	1	Hose	
94	2220998	2	Fitting, Straight JIC/ORB	
95	2220603	2	Fitting, Straight JIC/ORB	
96	2752650	1	Hose	
98	2220473	1	Fitting, 90 JIC/ORB	
100	2180724	1	Fitting, Straight JIC/ORB	
101	2180380	1	Fitting, Straight Plug	
102	0100011	AR	Compound, Locking (Not Shown)	
103	0100038	AR	Compound, Locking (Not Shown)	
104	1703534	2	Decal - Hose Tag (Not Shown)	
105	2752989	2	Hose	
106	2752618	2	Hose	
107	2752987	1	Hose	
108	2220373	2	Fitting, Straight JIC/ORB	
109	2220947	1	Fitting, Straight JIC/ORB	
110	2221036	1	Fitting, 90 JIC/ORB	
111	1001113795	1	Hose	
112	2220873	1	Fitting, Straight NPTF/ORB	
113	2221053	1	Fitting, Tee JIC/ORB/JIC	
115	2752519	1	Hose	
118	1001104423	3	Fitting, Straight JIC/ORB	
119	2220507	4	Fitting, 90 JIC/FSJIC	
120	2220472	1	Fitting, 90 JIC/ORG	

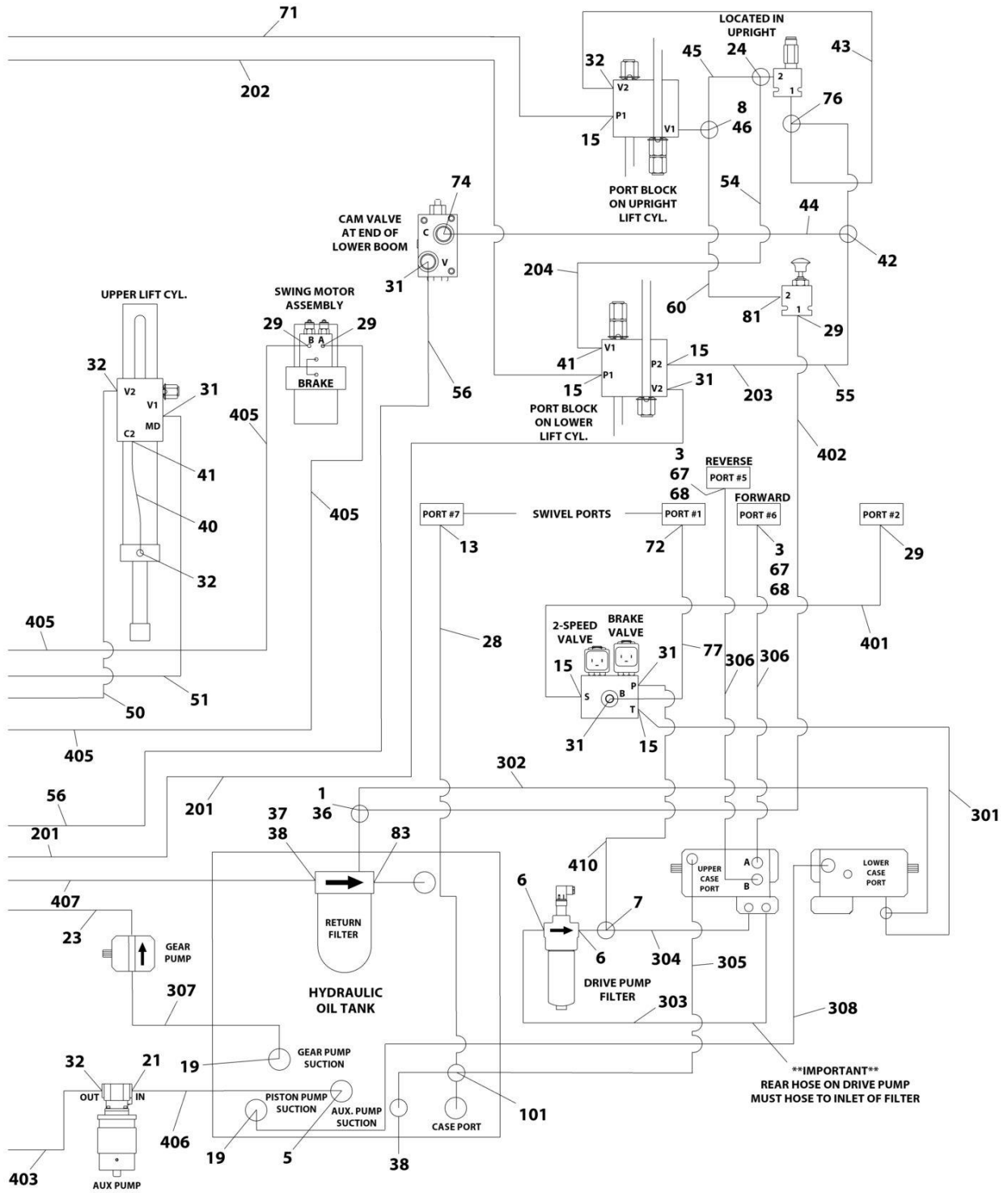
SECTION 7 - HYDRAULIC

FIGURE 7-18. HYDRAULIC DIAGRAM - STANDARD (DEUTZ TD2.2L3 (STAGE V), DEUTZ TD2.9L4 AND DEUTZ D2.9L4 ENGINES) (USA BUILT MACHINES)



ART_1001189666_10F2

SECTION 7 - HYDRAULIC



ART_1001189666_2OF2

SECTION 7 - HYDRAULIC

FIGURE 7-18. HYDRAULIC DIAGRAM - STANDARD (DEUTZ TD2.2L3 (STAGE V), DEUTZ TD2.9L4 AND DEUTZ D2.9L4 ENGINES) (USA BUILT MACHINES)

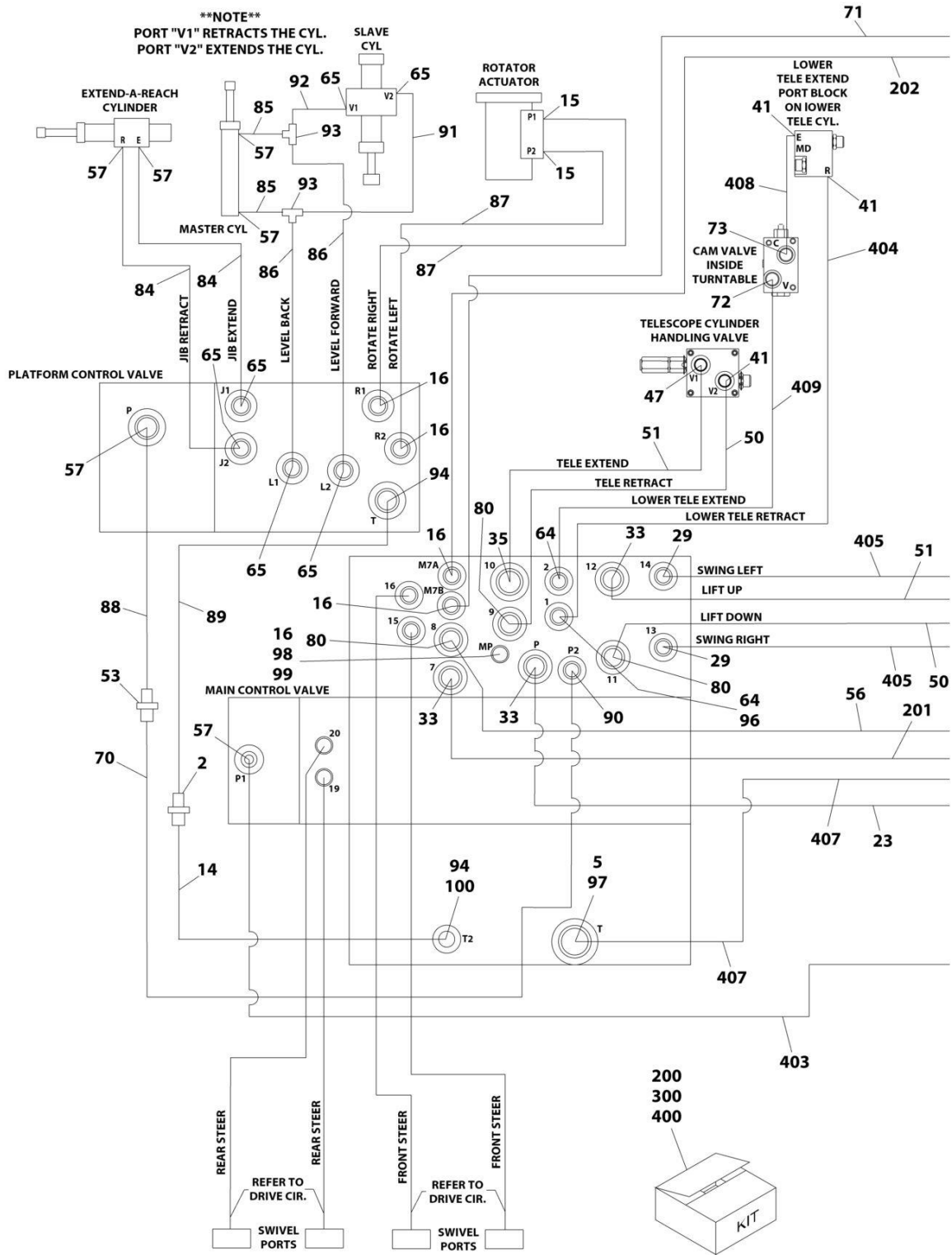
ITEM	PART NUMBER	QTY	DESCRIPTION	REV
	1001189666	Ref	HYDRAULIC DIAGRAM- STANDARD	F
1	2220605	1	Fitting, Tee JIC/FSJIC/JIC	
2	2220512	1	Fitting, Straight JIC/JIC	
3	2220377	2	Fitting, Straight JIC/ORB	
5	2220451	2	Fitting, Straight JIC/ORB	
6	2221042	2	Fitting, 90 JIC/ORB	
7	2220948	1	Fitting, Tee JIC/FSJIC/JIC	
8	2220618	1	Fitting, Straight JIC/FSJIC	
13	2220375	1	Fitting, Straight JIC/ORB	
14	1001161036	1	Hose	
15	2220466	7	Fitting, 90 JIC/ORB	
16	2220415	5	Fitting, Straight JIC/ORB	
19	2220379	2	Fitting, Straight JIC/ORB	
21	2220567	1	Fitting, 90 JIC/ORB	
23	2752929	1	Hose	
24	2220602	1	Fitting, Tee JIC/ORB/JIC	
28	2753968	1	Hose	
29	2220582	6	Fitting, Straight JIC/ORB	
31	2220596	5	Fitting, 90 JIC/ORB	
32	2220628	3	Fitting, 90 JIC/ORB	
33	2220381	3	Fitting, Straight JIC/ORB	
35	2220374	1	Fitting, Straight JIC/ORB	
36	2220574	1	Fitting, Straight JIC/NPTF	
37	2220921	1	Fitting, Straight FORB/ORB	
38	2220498	1	Fitting, 45 JIC/ORB	
41	2220372	4	Fitting, Straight JIC/ORB	
42	2221065	1	Fitting, Tee JIC/FSJIC/JIC	
43	2752462	1	Hose	
44	2753134	1	Hose	
45	2752497	1	Hose	
46	2220999	1	Fitting, Tee JIC/ORB/JIC	
47	2220500	1	Fitting, 45 JIC/ORB	
50	2753055	2	Hose	
51	2752939	2	Hose	
53	2220511	1	Fitting, Straight JIC/JIC	
54	2753056	1	Hose	
55	2752991	1	Hose	
56	2753135	1	Hose	
57	2220473	6	Fitting, 90 JIC/ORB	
60	2752990	1	Hose	
64	2220998	2	Fitting, Straight JIC/ORB	
65	2220603	6	Fitting, Straight JIC/ORB	
67	0100011	AR	Compound, Locking	
68	0100038	AR	Primer, Locking	
69	1703534	2	Decal - Hose Tags (Not Shown)	
70	1001161030	1	Hose	
71	2752987	1	Hose	
72	2220373	1	Fitting, Straight JIC/ORB	
73	2220947	1	Fitting, Straight JIC/ORB	

SECTION 7 - HYDRAULIC

ITEM	PART NUMBER	QTY	DESCRIPTION	REV
74	2221036	1	Fitting, 90 JIC/ORB	
76	2221053	1	Fitting, Tee JIC/ORB/JIC	
77	2752519	1	Hose	
80	1001104423	3	Fitting, Straight JIC/ORB	
81	2220472	1	Fitting, 90 S JIC/ORB	
83	2220893	1	Fitting, Straight ORB/ORB	
84	1001155672	2	Hose	
85	1001155675	2	Hose	
86	1001155673	2	Hose	
87	1001155669	2	Hose	
88	1001155678	1	Hose	
89	1001155677	1	Hose	
90	80233041	1	Valve, Check	
91	1001155670	1	Hose	
92	1001155671	1	Hose	
93	2220490	2	Fitting, Tee JIC/JIC/JIC	
94	2220600	2	Fitting, Straight JIC/ORB	
96	2220657	1	Fitting, 45 JIC/FSJIC	
97	2220409	1	Fitting, 45 JIC/FSJIC	
98	2752995	1	Hose	
99	91143177	1	Fitting, Test	
100	2220386	1	Fitting, 90 JIC/FSJIC	
101	2220578	1	Fitting, 90 JIC/ORB	
200	1001269805	1	Hose Assembly - Turntable Kit	
201	2752506	1	Hose	
202	2752593	1	Hose	
203	2752985	1	Hose	
204	2753052	1	Hose	
300	1001269812	1	Hose Assembly - Turntable E/S Kit	
301	2753002	1	Hose	
302	2753390	1	Hose	
303	2754329	1	Hose	
304	2754330	1	Hose	
305	1001150714	1	Hose	
306	1001150715	2	Hose	
307	1001150718	1	Hose	
308	1001172535	1	Hose	
400	1001269807	1	Hose Assembly - T4F Turntable T/S Kit	
401	2751396	1	Hose	
402	2752453	1	Hose	
403	2752478	1	Hose	
404	2752484	1	Hose	
405	2752600	2	Hose	
406	2752656	1	Hose	
407	2752783	1	Hose	
408	2753132	1	Hose	
409	2753133	1	Hose	
410	1001150717	1	Hose	

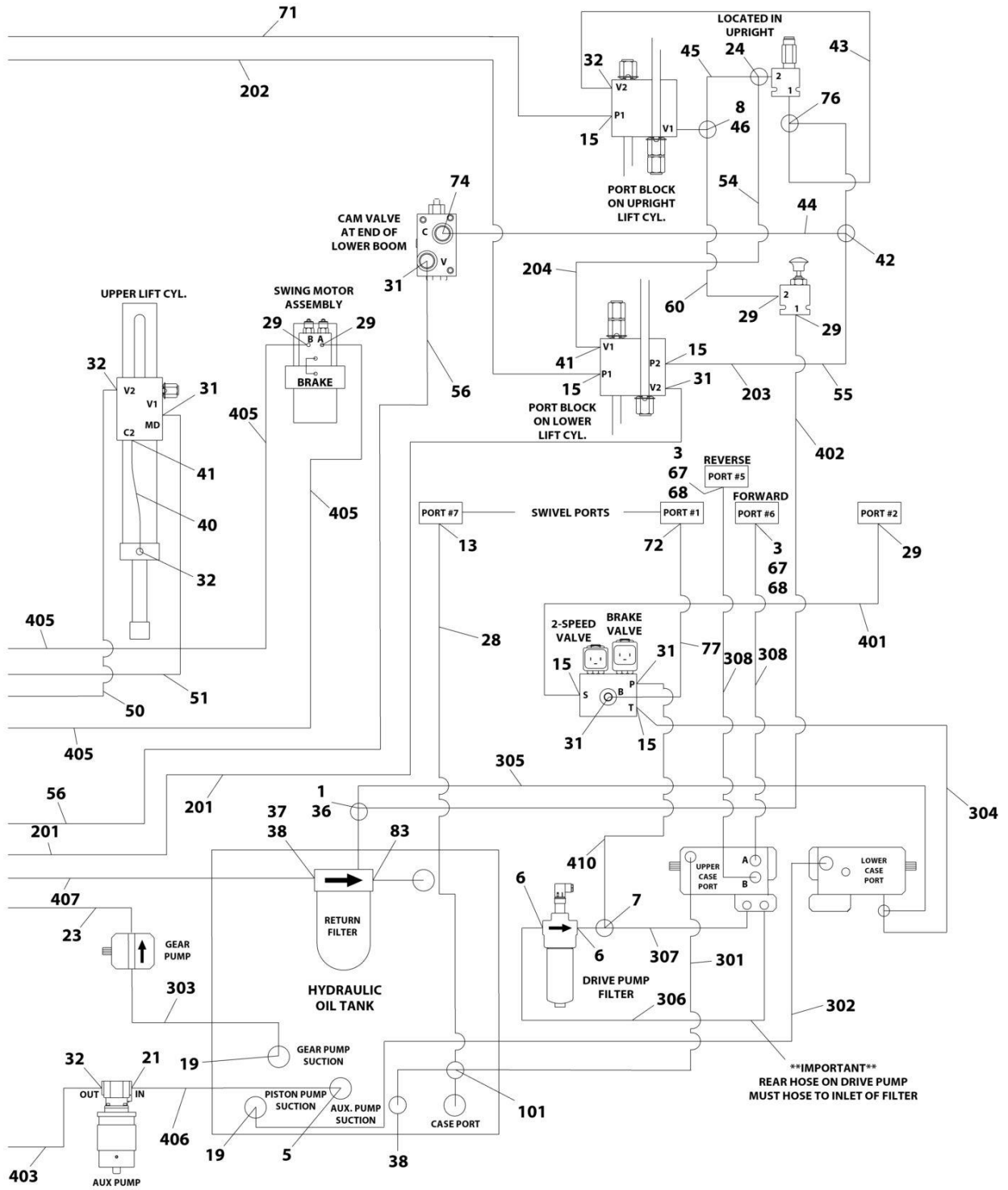
SECTION 7 - HYDRAULIC

FIGURE 7-19. HYDRAULIC DIAGRAM – STANDARD (FORD DF 2.5L ENGINES) (USA BUILT MACHINES)



ART_1001221613_10F2

SECTION 7 - HYDRAULIC



ART_1001221613_2OF2

SECTION 7 - HYDRAULIC

FIGURE 7-19. HYDRAULIC DIAGRAM – STANDARD (FORD DF 2.5L ENGINES) (USA BUILT MACHINES)

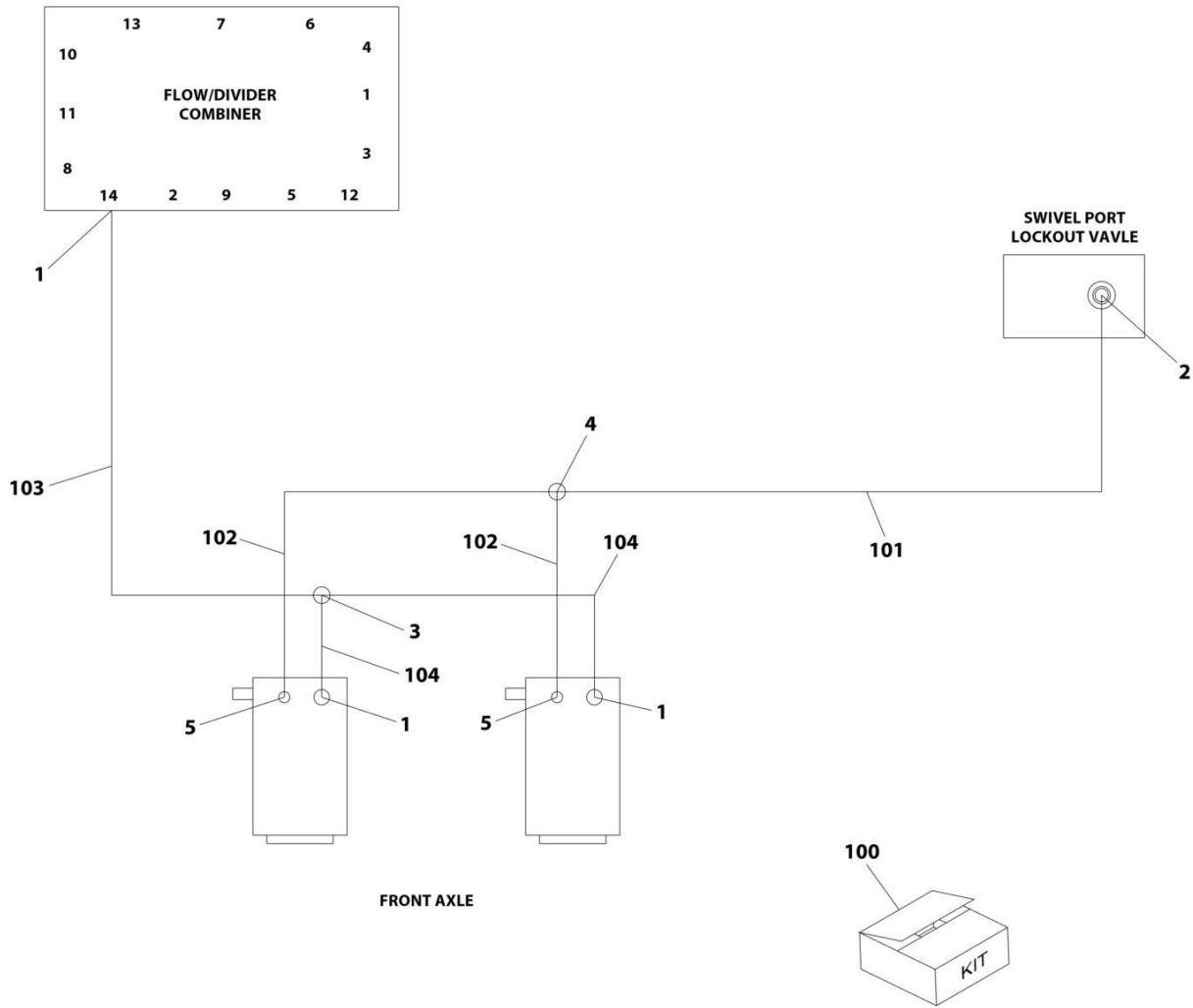
ITEM	PART NUMBER	QTY	DESCRIPTION	REV
	1001221613	Ref	HYDRAULIC DIAGRAM- STANDARD	E
1	2220605	1	Fitting, Tee JIC/FSJIC/JIC	
2	2220512	1	Fitting, Straight JIC/JIC	
3	2220377	2	Fitting, Straight JIC/ORB	
5	2220451	2	Fitting, Straight JIC/ORB	
6	2221042	2	Fitting, 90 JIC/ORB	
7	2220948	1	Fitting, Tee JIC/FSJIC/JIC	
8	2220618	1	Fitting, Straight JIC/FSJIC	
13	2220375	1	Fitting, Straight JIC/ORB	
14	1001161036	1	Hose	
15	2220466	7	Fitting, 90 JIC/ORB	
16	2220415	5	Fitting, Straight JIC/ORB	
19	2220379	2	Fitting, Straight JIC/ORB	
21	2220567	1	Fitting, 90 JIC/ORB	
23	2752929	1	Hose	
24	2220602	1	Fitting, Tee JIC/ORB/JIC	
28	2753968	1	Hose	
29	2220582	7	Fitting, Straight JIC/ORB	
31	2220596	5	Fitting, 90 JIC/ORB	
32	2220628	3	Fitting, 90 JIC/ORB	
33	2220381	3	Fitting, Straight JIC/ORB	
35	2220374	1	Fitting, Straight JIC/ORB	
36	2220574	1	Fitting, Straight JIC/NPTF	
37	2220921	1	Fitting, Straight FORB/ORB	
38	2220498	2	Fitting, 45 JIC/ORB	
41	2220372	4	Fitting, Straight JIC/ORB	
42	2221065	1	Fitting, Tee JIC/FSJIC/JIC	
43	2752462	1	Hose	
44	2753134	1	Hose	
45	2752497	1	Hose	
46	2220999	1	Fitting, Tee JIC/ORB/JIC	
47	2220500	1	Fitting, 45 JIC/ORB	
50	2753055	2	Hose	
51	2752939	2	Hose	
53	2220511	1	Fitting, Straight JIC/JIC	
54	2753056	1	Hose	
55	2752991	1	Hose	
56	2753135	1	Hose	
57	2220473	6	Fitting, 90 JIC/ORB	
60	2752990	1	Hose	
64	2220998	2	Fitting, Straight JIC/ORB	
65	2220603	6	Fitting, Straight JIC/ORB	
67	0100011	AR	Compound, Locking	
68	0100038	AR	Primer, Locking	
69	1703534	2	Decal - Hose Tags (Not Shown)	
70	1001161030	1	Hose	
71	2752987	1	Hose	
72	2220373	2	Fitting, Straight JIC/ORB	
73	2220947	1	Fitting, Straight JIC/ORB	

SECTION 7 - HYDRAULIC

ITEM	PART NUMBER	QTY	DESCRIPTION	REV
74	2221036	1	Fitting, 90 JIC/ORB	
76	2221053	1	Fitting, Tee JIC/ORB/JIC	
77	2752519	1	Hose	
80	1001104423	3	Fitting, Straight JIC/ORB	
83	2220893	1	Fitting, Straight ORB/ORB	
84	1001155672	2	Hose	
85	1001155675	2	Hose	
86	1001155673	2	Hose	
87	1001155669	2	Hose	
88	1001155678	1	Hose	
89	1001155677	1	Hose	
90	80233041	1	Valve, Check	
91	1001155670	1	Hose	
92	1001155671	1	Hose	
93	2220490	2	Fitting, Tee JIC/JIC/JIC	
94	2220600	2	Fitting, Straight JIC/ORB	
96	2220657	1	Fitting, 45 JIC/FSJIC	
97	2220409	1	Fitting, 45 JIC/FSJIC	
98	2752995	1	Hose	
99	91143177	1	Fitting, Test	
100	2220386	1	Fitting, 90 JIC/FSJIC	
101	2220578	1	Fitting, 90 JIC/ORB	
200	1001269805	1	Hose Assembly - Turntable Kit	
201	2752506	1	Hose	
202	2752593	1	Hose	
203	2752985	1	Hose	
204	2753052	1	Hose	
300	1001269806	1	Hose Assembly - Turntable E/S Kit	
301	2751362	1	Hose	
302	2752723	1	Hose	
303	2752724	1	Hose	
304	2753000	1	Hose	
305	2753390	1	Hose	
306	2754329	1	Hose	
307	2754330	1	Hose	
308	1001150715	2	Hose	
400	1001269807	1	Hose Assembly - Turntable T/S Kit	
401	2751396	1	Hose	
402	2752453	1	Hose	
403	2752478	1	Hose	
404	2752484	1	Hose	
405	2752600	2	Hose	
406	2752656	1	Hose	
407	2752783	1	Hose	
408	2753132	1	Hose	
409	2753133	1	Hose	
410	1001150717	1	Hose	

SECTION 7 - HYDRAULIC

FIGURE 7-20. HYDRAULIC DIAGRAM - OSCILLATING AXLE (7FT/2.1M WIDE MACHINES)



ART_2792690

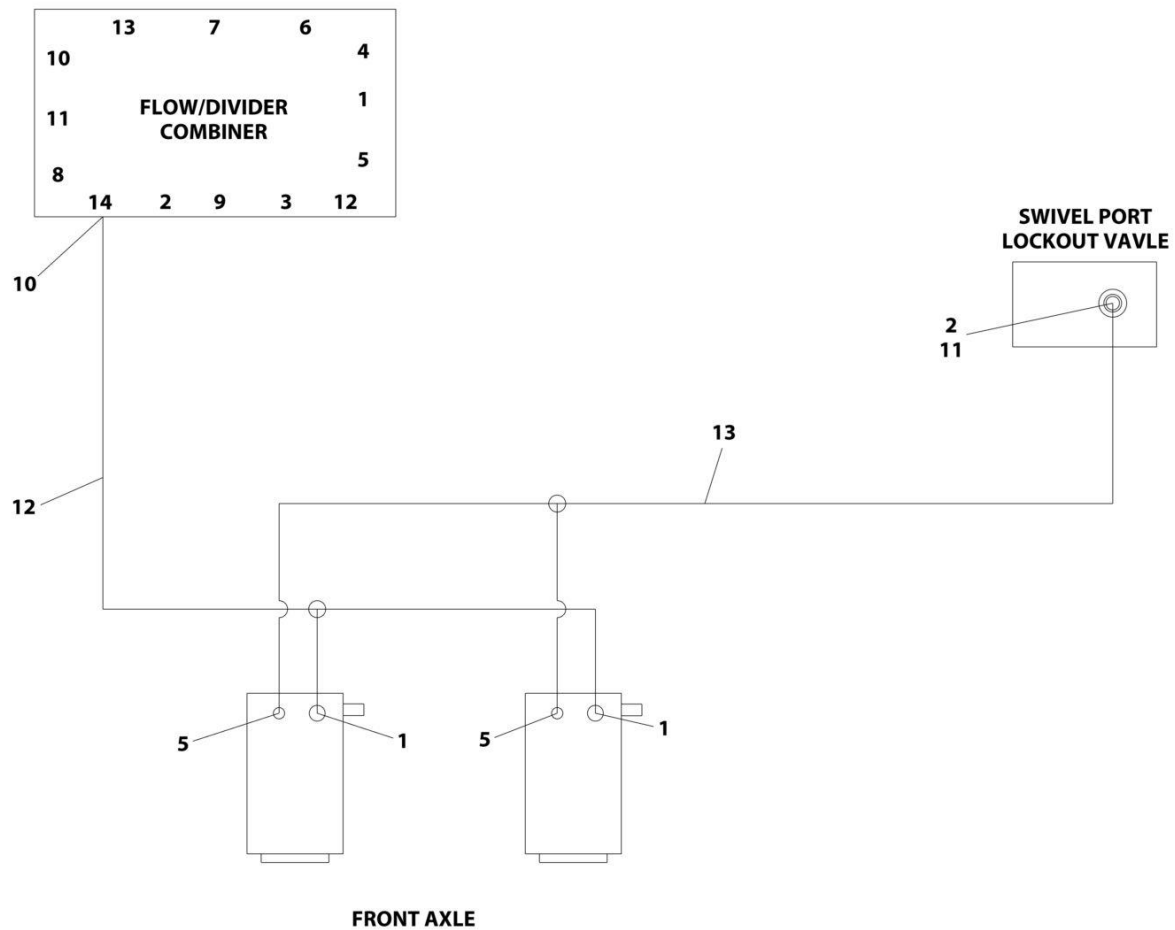
SECTION 7 - HYDRAULIC

FIGURE 7-20. HYDRAULIC DIAGRAM - OSCILLATING AXLE (7FT/2.1M WIDE MACHINES)

ITEM	PART NUMBER	QTY	DESCRIPTION	REV
	2792690	Ref	AXLE LOCKOUT DIAGRAM - OSCILLATING AXLE	B
1	2220371	3	Fitting, Straight JIC/ORB	
2	2220468	1	Fitting, Straight JIC/ORB	
3	2220490	1	Fitting, Tee JIC/JIC/JIC	
4	2220504	1	Fitting, Tee JIC/JIC/JIC	
5	2220415	2	Fitting, Straight JIC/ORB	
100	1001284737	1	Hose Kit (Includes Items 101-104)	
101	2751410	1	Hose	
102	2751434	2	Hose	
103	2752462	1	Hose	
104	2753933	2	Hose	

SECTION 7 - HYDRAULIC

FIGURE 7-21. HYDRAULIC DIAGRAM - OSCILLATING AXLE (8FT/2.4M WIDE MACHINES) (USA BUILT MACHINES - PVC 2001 & 2007, CHINA BUILT MACHINES - PVC 2007)



ART_1001151349

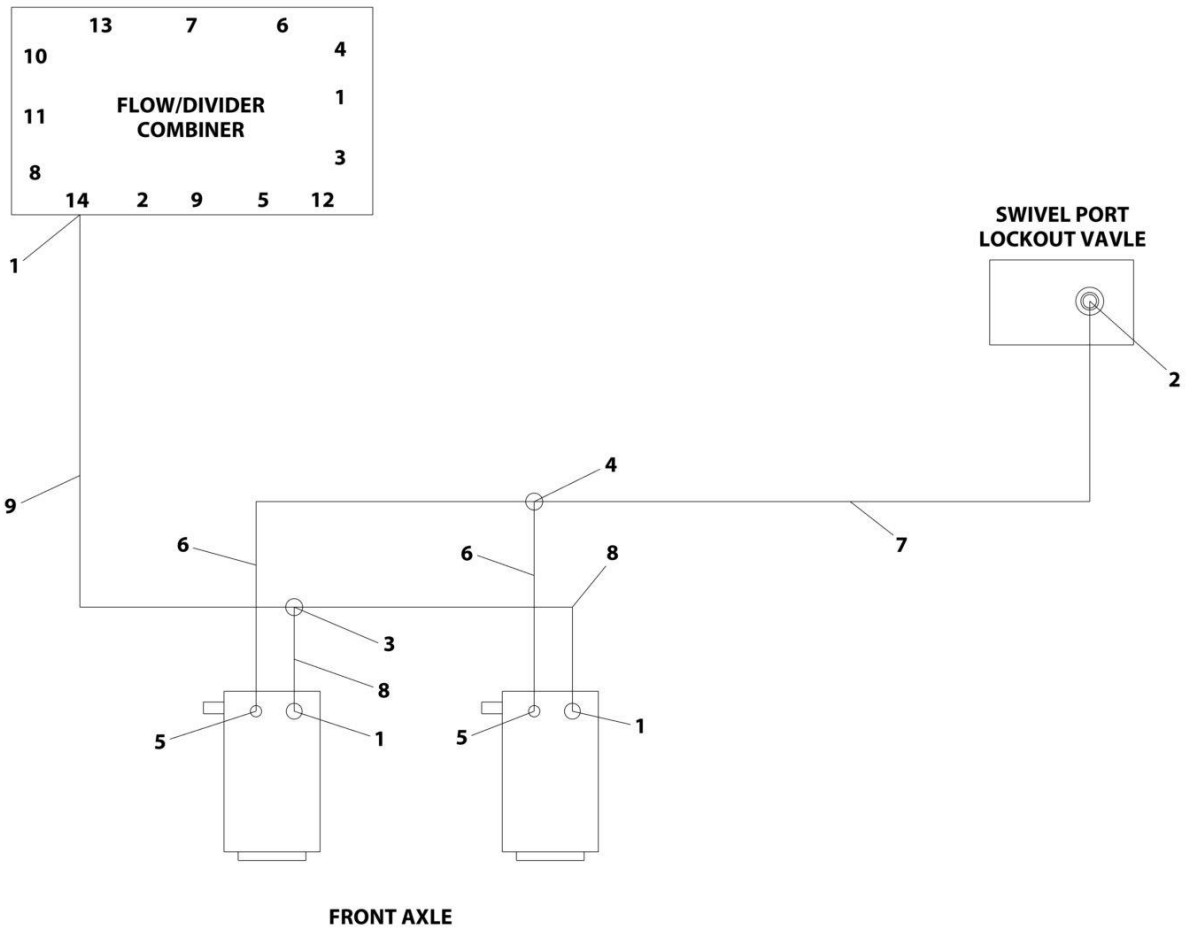
SECTION 7 - HYDRAULIC

FIGURE 7-21. HYDRAULIC DIAGRAM - OSCILLATING AXLE (8FT/2.4M WIDE MACHINES) (USA BUILT MACHINES - PVC 2001 & 2007, CHINA BUILT MACHINES - PVC 2007)

ITEM	PART NUMBER	QTY	DESCRIPTION	REV
	1001151349	Ref	AXLE LOCKOUT DIAGRAM - OSCILLATING AXLE	C
1	2220371	2	Fitting, Straight JIC/ORB	
2	2220468	1	Fitting, Straight JIC/ORB	
5	2220415	2	Fitting, Straight JIC/ORB	
10	2220473	1	Fitting, 90 JIC/ORB	
11	2220654	1	Fitting, 90 JIC/FSJIC	
12	1001188890	1	Hose	
13	1001188891	1	Hose	

SECTION 7 - HYDRAULIC

FIGURE 7-22. HYDRAULIC DIAGRAM - OSCILLATING AXLE (8FT/2.4M WIDE MACHINES) (CHINA BUILT MACHINES) (PVC 2001)



ART_1001114079

SECTION 7 - HYDRAULIC

FIGURE 7-22. HYDRAULIC DIAGRAM - OSCILLATING AXLE (8FT/2.4M WIDE MACHINES) (CHINA BUILT MACHINES) (PVC 2001)

ITEM	PART NUMBER	QTY	DESCRIPTION	REV
	1001114079	Ref	AXLE LOCKOUT DIAGRAM - OSCILLATING AXLE	D
1	2220371	2	Fitting, Straight JIC/ORB	
2	2220468	1	Fitting, Straight JIC/ORB	
3	2220490	1	Fitting, Tee JIC/JIC/JIC	
4	2220504	1	Fitting, Tee JIC/JIC/JIC	
5	2220415	2	Fitting, Straight JIC/ORB	
6	1001113914	2	Hose	
7	1001113913	1	Hose	
8	1001113879	2	Hose	
9	2752462	1	Hose	

SECTION 7 - HYDRAULIC

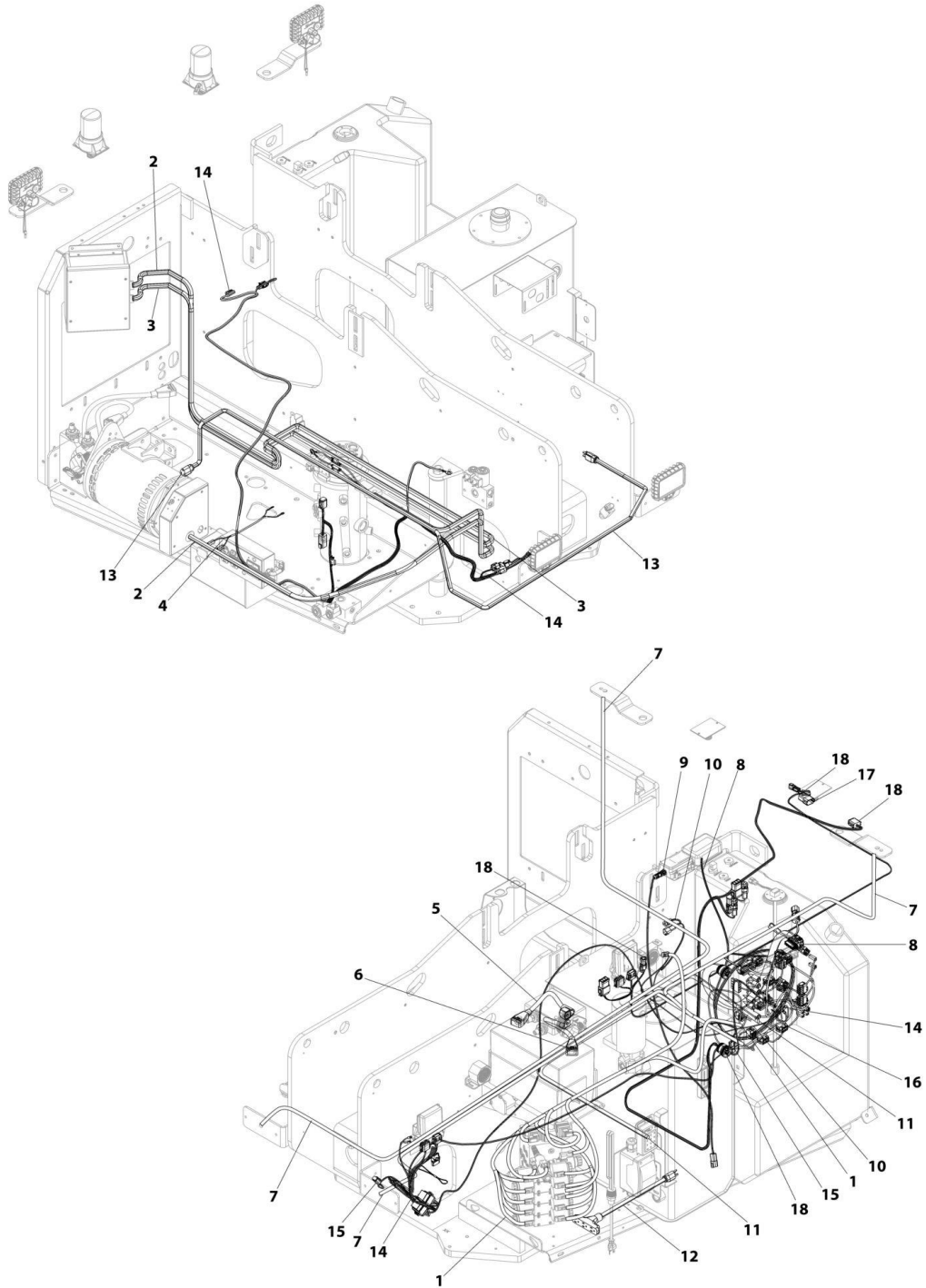
FIGURE 7-23. HYDRAULIC DIAGRAM – TOW BAR (USA BUILT MACHINES)

ITEM	PART NUMBER	QTY	DESCRIPTION	REV
	2792630	Ref	TOW BAR DIAGRAM	C
1	2220473	1	Fitting, 90 JIC/ORB	
2	2220628	1	Fitting, 90 JIC/ORB	
3	2221053	1	Fitting, Tee JIC/ORB/JIC	
4	1001113790	2	Hose	
5	1001113818	1	Hose	
6	2220372	1	Fitting, Straight JIC/ORB	
7	2220635	1	Fitting, Tee JIC/FSJIC/JIC	

SECTION 8 - ELECTRICAL

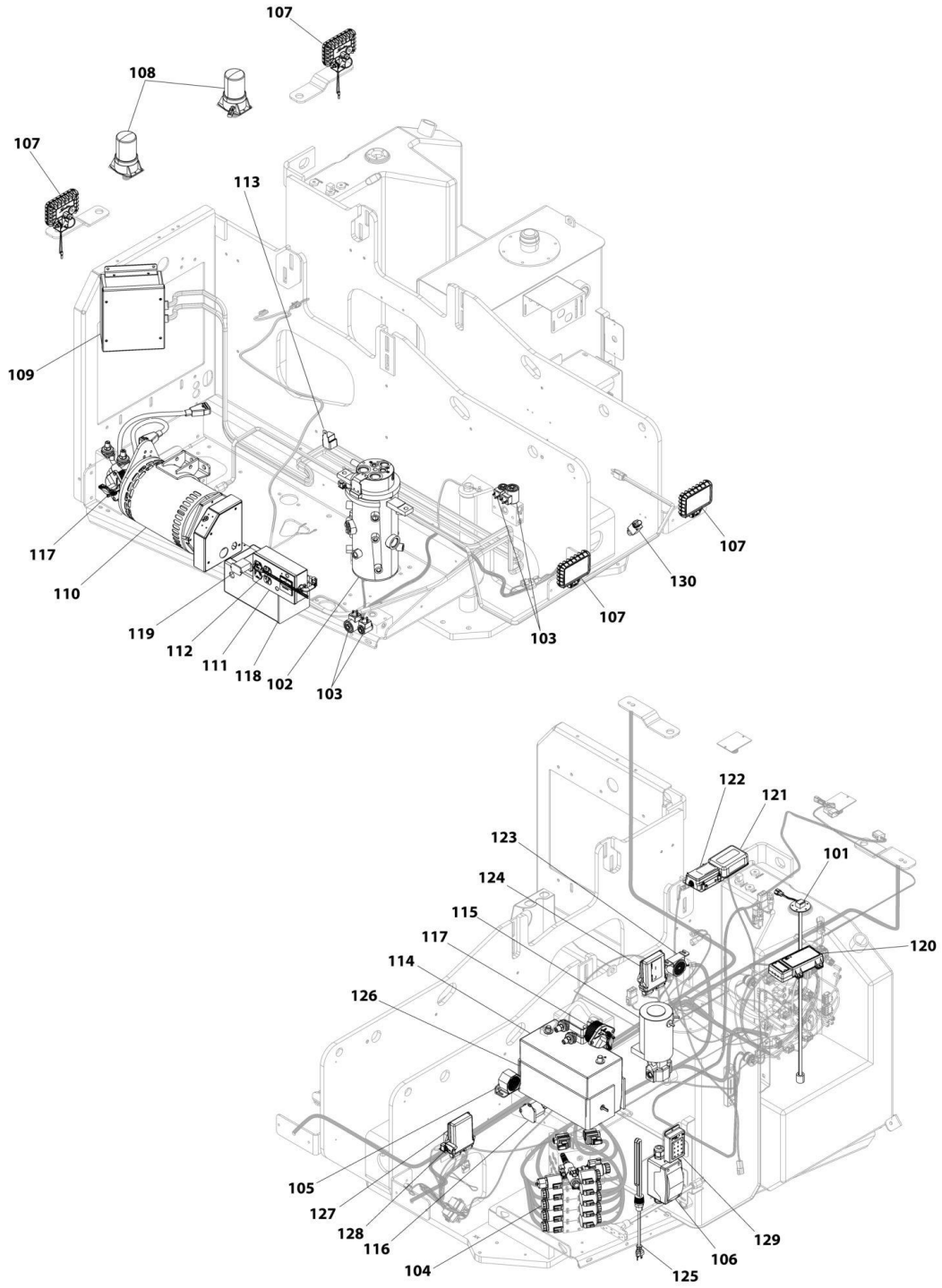
SECTION 8 - ELECTRICAL

FIGURE 8-1. 600AJ ELECTRICAL LAYOUT



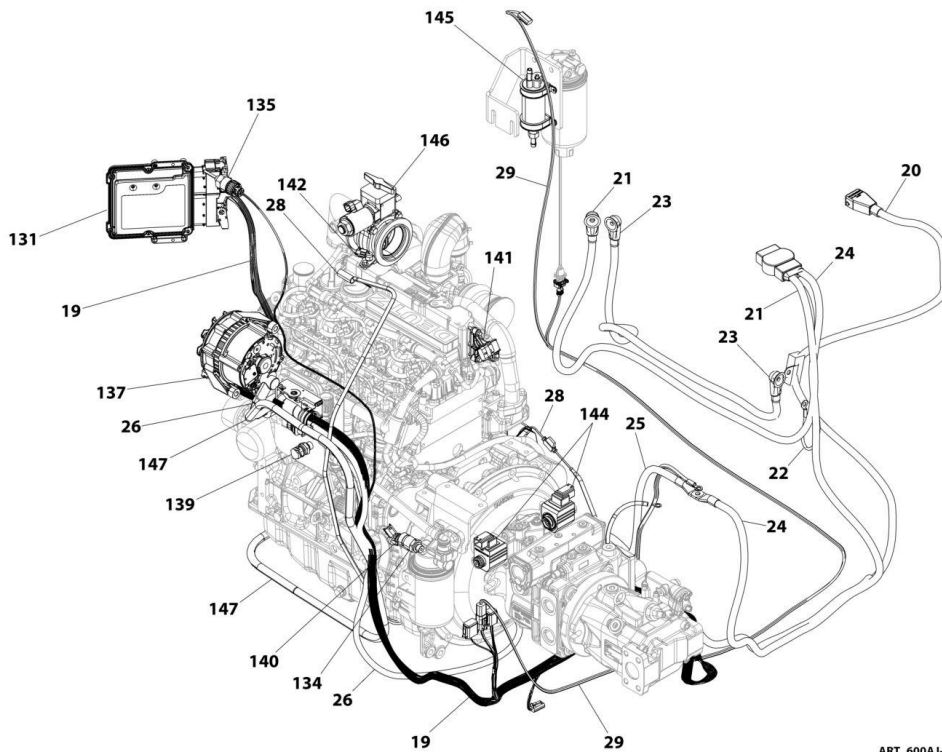
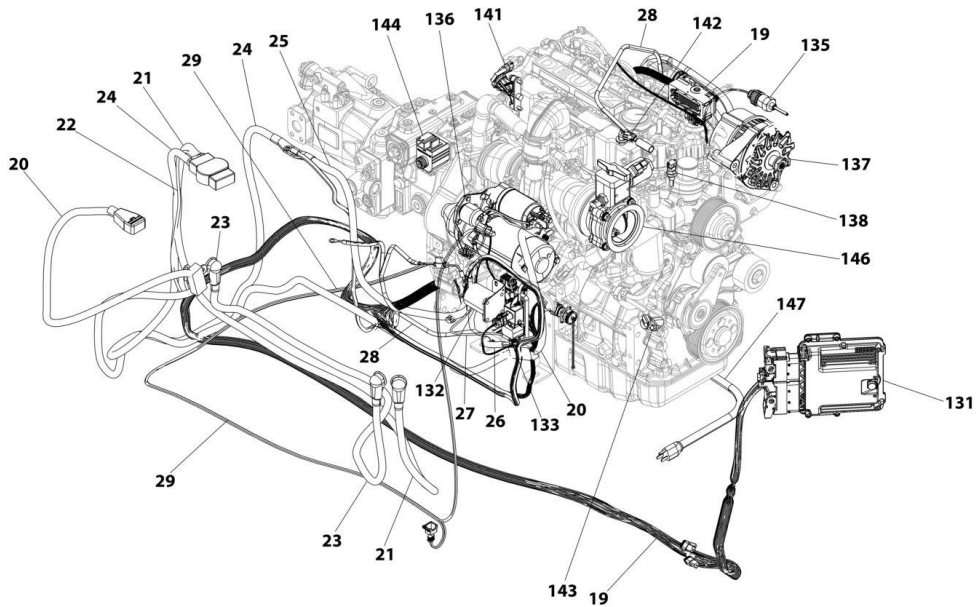
ART_600AJ-ELECTRICAL_TURNTABLE-HARNESS

SECTION 8 - ELECTRICAL



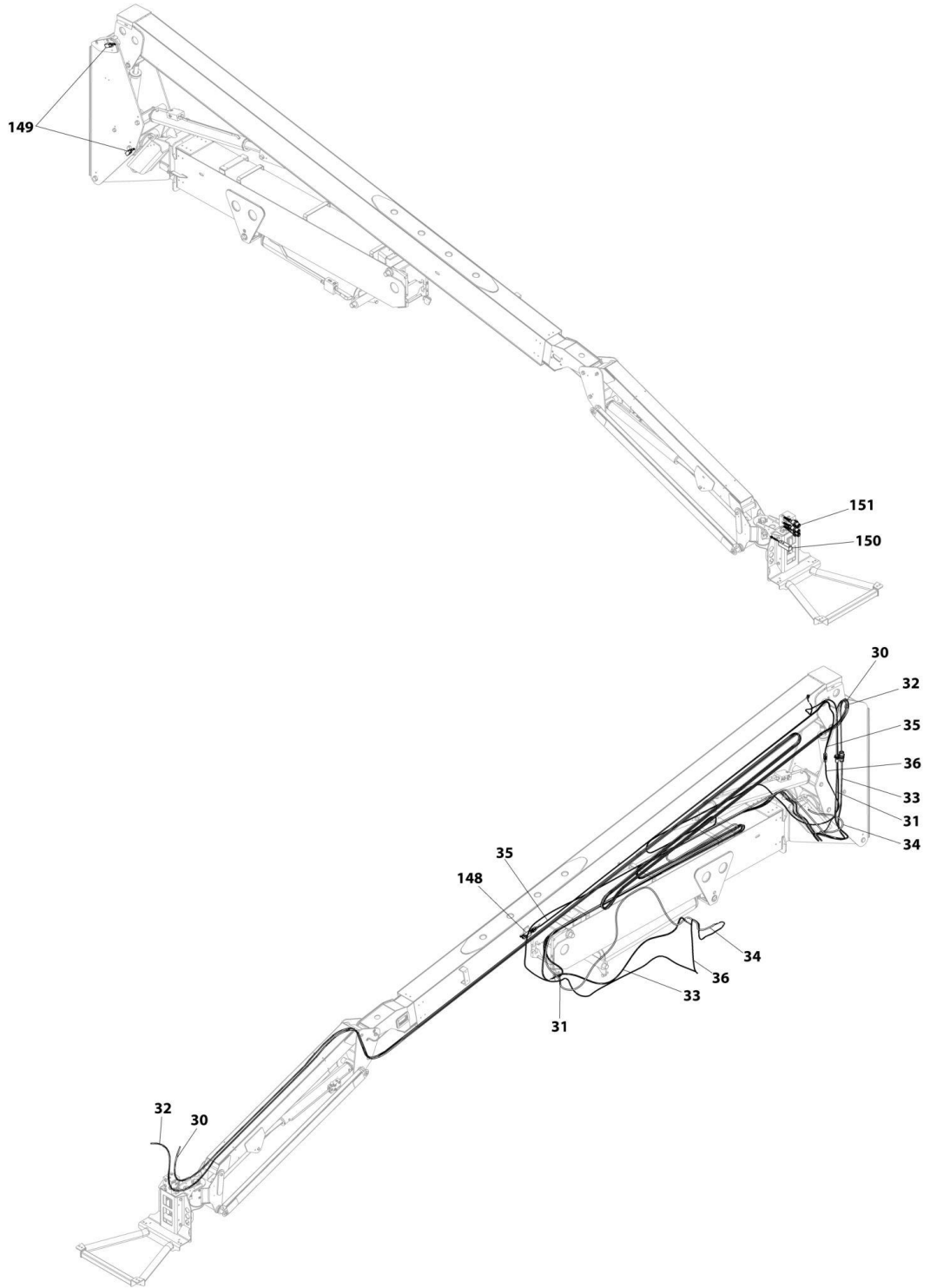
ART_600AJ-ELECTRICAL_TURNTABLE-COMPONENT

SECTION 8 - ELECTRICAL



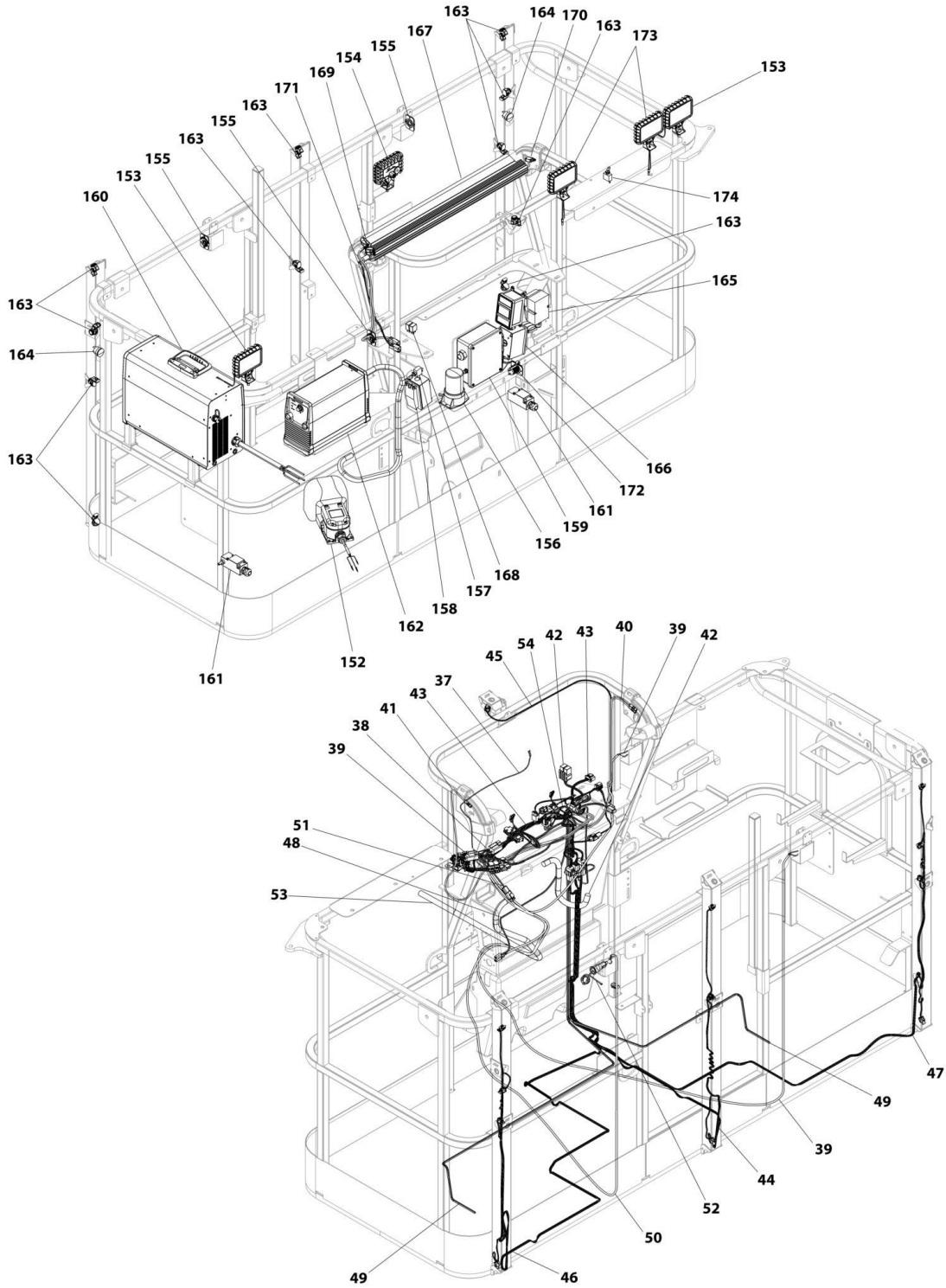
ART_600AJ-ELECTRICAL_ENGINE_DEUTZ-2.9L4

SECTION 8 - ELECTRICAL



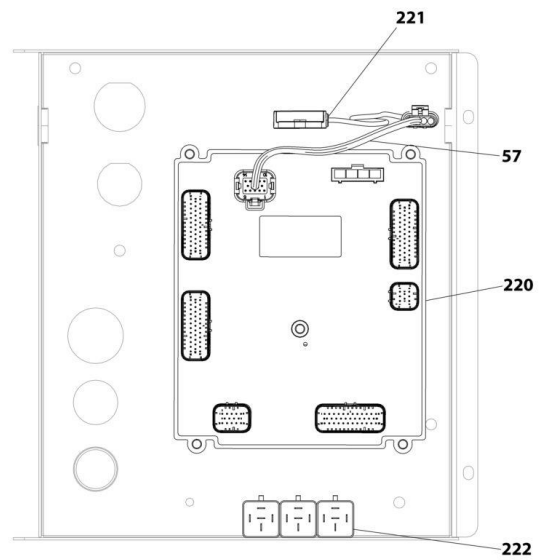
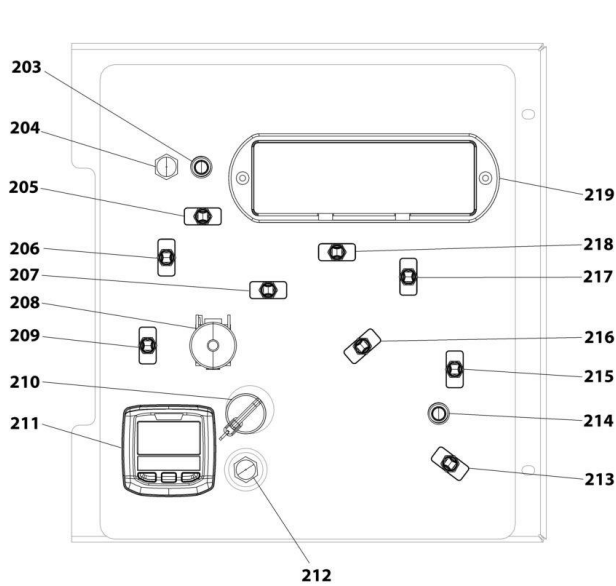
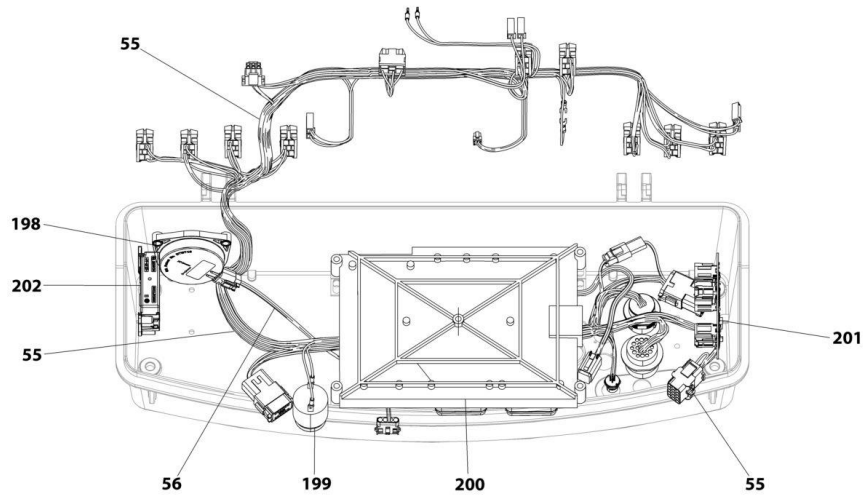
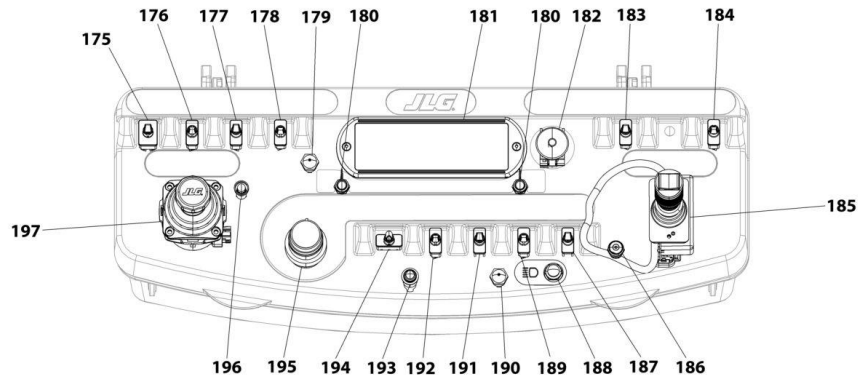
ART_600AJ-ELECTRICAL_BOOM

SECTION 8 - ELECTRICAL



ART_600AJ-ELECTRICAL_PLATFORM

SECTION 8 - ELECTRICAL



ART_600AJ-ELECTRICAL_CONTROLS

SECTION 8 - ELECTRICAL

FIGURE 8-1. 600AJ ELECTRICAL LAYOUT

ITEM	PART NUMBER	QTY	DESCRIPTION	REV
		Ref	Note: This figure is for identifying part location only. Not all machine configurations/options shown.	
		Ref	HARNESS LIST	
1		Ref	Harness, Main Valve	
2		Ref	Harness, Generator to Control Box	
3		Ref	Harness, Generator Control Box to Engine	
4		Ref	Harness, Hourmeter	
5		Ref	Cable, Battery (+) to Disconnect	
6		Ref	Cable, Battery (-) to Disconnect	
7		Ref	Harness, Head and Tail Light	
8		Ref	Harness, Clearsky	
9		Ref	Harness, Xirgo Jumper	
10		Ref	Harness, White Noise Alarm	
11		Ref	Harness, Security Lock	
12		Ref	3-Way Plug	
13		Ref	Cable, Extension	
14		Ref	Harness, ASOV	
15		Ref	Harness, Tower Stow	
16		Ref	Harness, Ground Control	
17		Ref	Harness, Strobe Light Jumper	
18		Ref	Harness, Strobe Light Control	
19		Ref	Harness, Engine	
20		Ref	Cable, Battery (+) to Starter	
21		Ref	Cable, Battery (-) to Aux Pump	
22		Ref	Cable, Battery (-) to Relay	
23		Ref	Cable, Aux Pump to Relay	
24		Ref	Cable, Battery (-) to Ground	
25		Ref	Cable, Engine Ground	
26		Ref	Harness, Alternator Power	
27		Ref	Harness, Glow Plug Fuse	
28		Ref	Heater, Breather	
29		Ref	Harness, Fuel Pump	
30		Ref	Cable, AC Ground to Platform (Upper)	
31		Ref	Cable, AC Ground to Platform (Lower)	
32		Ref	Cable, Boom (Upper)	
33		Ref	Cable, Boom (Lower)	
34		Ref	Harness, Tilt Sensor	
35		Ref	Harness, Proximity Sensor (Upper)	
36		Ref	Harness, Proximity Sensor (Lower)	
37		Ref	Harness, Platform Strobe Light	
38		Ref	Harness, SkyGuard	
39		Ref	Harness, SkyEye Intermediate	
40		Ref	Harness, SkyEye Receiver	
41		Ref	Harness, SkyEye Emitter	
42		Ref	Harness, SkyLine	
43		Ref	Harness, SkySense Main	
44		Ref	Harness, SkySense Mid Tube	
45		Ref	Harness SkySense Overhead Sensor	
46		Ref	Harness, SkySense Left Tube	
47		Ref	Harness, SkySense Right Tube	

SECTION 8 - ELECTRICAL

ITEM	PART NUMBER	QTY	DESCRIPTION	REV
48		Ref	Harness, USB	
49		Ref	Cable, Soft Touch	
50		Ref	Harness, Portable Work Light	
51		Ref	Harness, Portable Light Power	
52		Ref	Harness, Portable Work Light Extension	
53		Ref	Harness, Platform Valve	
54		Ref	Harness, Platform Work Light	
55		Ref	Harness, Platform Console	
56		Ref	Harness, Tilt Sensor	
57		Ref	Harness, Tilt Sensor	
		Ref	COMPONENT LIST	
101		Ref	Sensor, Fuel Level	
102		Ref	Rotary Coupling	
103		Ref	Solenoids, Axle Valve	
104		Ref	Solenoids, Main Control Valve	
105		Ref	Alarm	
106		Ref	AC Breaker Box	
107		Ref	Road Lights	
108		Ref	Light, Strobe	
109		Ref	Box, Generator Control	
110		Ref	Generator	
111		Ref	Generator Junction Box	
112		Ref	Light, Generator	
113		Ref	Relay	
114		Ref	Battery	
115		Ref	Auxiliary Pump/Motor	
116		Ref	Relay	
117		Ref	Switch, Battery Disconnect	
118		Ref	Transformer, Cold Weather	
119		Ref	Generator Hourmeter	
120		Ref	Module, ClearSky Telematics CANBUS	
121		Ref	Antenna, ClearSky Telematics	
122		Ref	Module, ClearSky Telematics 3-Wire	
123		Ref	Alarm, White Noise	
124		Ref	Module, Strobe Control	
125		Ref	Heater, Immersion	
126		Ref	Heater, Battery	
127		Ref	Module, ASOV Control	
128		Ref	Switch, ASOV	
129		Ref	Lock, Programmable	
130		Ref	Sensor, Tower Stow	
131		Ref	Module, Engine Control	
132		Ref	Relay	
133		Ref	Relay	
134		Ref	Sensor, Pressure	
135		Ref	Sensor, Coolant Level	
136		Ref	Starter	
137		Ref	Alternator	
138		Ref	Sensor, Engine Coolant Temperature	
139		Ref	Sensor, Pressure	
140		Ref	Sensor, Speed	

SECTION 8 - ELECTRICAL

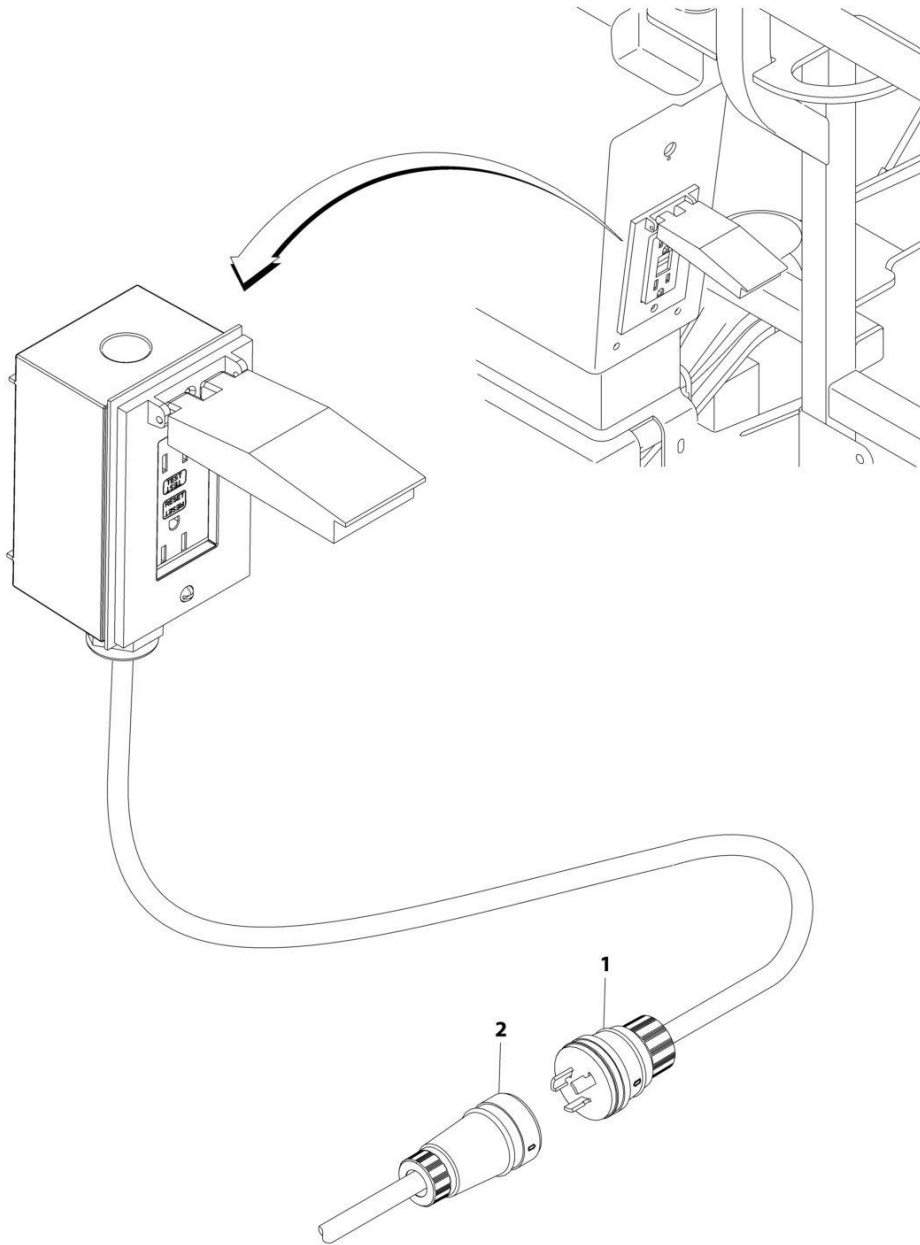
ITEM	PART NUMBER	QTY	DESCRIPTION	REV
141		Ref	Sensor, Oil Pressure	
142		Ref	Sensor, Temperature	
143		Ref	Sensor, Speed	
144		Ref	Solenoids, Hydrostatic Pump	
145		Ref	Fuel Pump	
146		Ref	Air Shut Off Valve (ASOV)	
147		Ref	Heater, Engine Block	
148		Ref	Sensor, Transport Position	
149		Ref	Sensor, Proximity	
150		Ref	Cell, Load Sensing	
151		Ref	Solenoids, Platform Valve	
152		Ref	Footswitch	
153		Ref	Platform Work Light	
154		Ref	Portable Work Light	
155		Ref	AC Receptacle	
156		Ref	Light, Platform Strobe	
157		Ref	Switch, Generator	
158		Ref	AC Receptacle	
159		Ref	Junction Box	
160		Ref	Welding Machine	
161		Ref	Switch, Soft Touch Limit	
162		Ref	Plasma Cutter	
163		Ref	Sensor, SkySense	
164		Ref	Alarm	
165		Ref	AC Receptacle	
166		Ref	AC Receptacle/Breaker Box	
167		Ref	Switch, SkyGuard	
168		Ref	Relay	
169		Ref	Sensor, SkyEye Receiver	
170		Ref	Sensor, SkyEye Emitter	
171		Ref	Sensor, SkyLine Proximity	
172		Ref	USB Receptacle	
173		Ref	Platform Flood Light	
174		Ref	Switch, Platform Flood Light	
175		Ref	Switch, Drive Speed/ Torque Select	
176		Ref	Switch, Steer Select	
177		Ref	Switch, Platform Leveling Override	
178		Ref	Switch, Fuel Select	
179		Ref	Switch, Horn	
180		Ref	Light, SkySense Indicator	
181		Ref	Display, Platform	
182		Ref	Switch, Emergency Stop	
183		Ref	Switch, Start/Auxilliary Power	
184		Ref	Switch, Drive Orientation Override	
185		Ref	Controller, Drive/Steer	
186		Ref	Switch, SkySense	
187		Ref	Switch, Boom Telescope	
188		Ref	Switch, Lights	
189		Ref	Switch, Jib Up/Down	
190		Ref	Switch, Soft Touch/SkyGuard/SkySense Override	
191		Ref	Switch, Tower Telescope	

SECTION 8 - ELECTRICAL

ITEM	PART NUMBER	QTY	DESCRIPTION	REV
192		Ref	Switch, Tower Lift	
193		Ref	Light, Soft Touch/SkyGuard/SkySense Indicator	
194		Ref	Switch, Platform Rotate	
195		Ref	Switch, Function Speed Control	
196		Ref	Light, Boom Stow Indicator	
197		Ref	Controller, Main Lift/Swing	
198		Ref	Sensor, Tilt	
199		Ref	Alarm	
200		Ref	Module, Platform	
201		Ref	Module, SkySense Control	
202		Ref	Module, SkySense Sensor	
203		Ref	Light, ASOV Indicator	
204		Ref	Switch, Diesel Particulate Filter (DPF)	
205		Ref	Switch, Platform Rotate	
206		Ref	Switch, Platform Leveling Override	
207		Ref	Switch, Jib Up/Down	
208		Ref	Switch, Emergency Stop	
209		Ref	Switch, Engine Start/ Auxiliary Power	
210		Ref	Switch, Key	
211		Ref	Display, Ground	
212		Ref	Switch, Machine Safety System Override (MSSO)	
213		Ref	Switch, Turntable Swing	
214		Ref	Light, Boom Stow/ASOV Indicator	
215		Ref	Switch, Tower Lift	
216		Ref	Switch, Tower Telescope	
217		Ref	Switch, Boom Lift	
218		Ref	Switch, Boom Telescope	
219		Ref	Indicator Panel	
220		Ref	Module, Ground Control	
221		Ref	Sensor, Tilt	
222		Ref	Relay	

SECTION 8 - ELECTRICAL

**FIGURE 8-2. AC CABLE CONNECTOR INSTALLATION - 110V/220V (MACHINES NO GENERATOR)
(ANSI EXPORT, AUSTRALIAN, CE AND CHINA SPECS)**



ART_1001213655

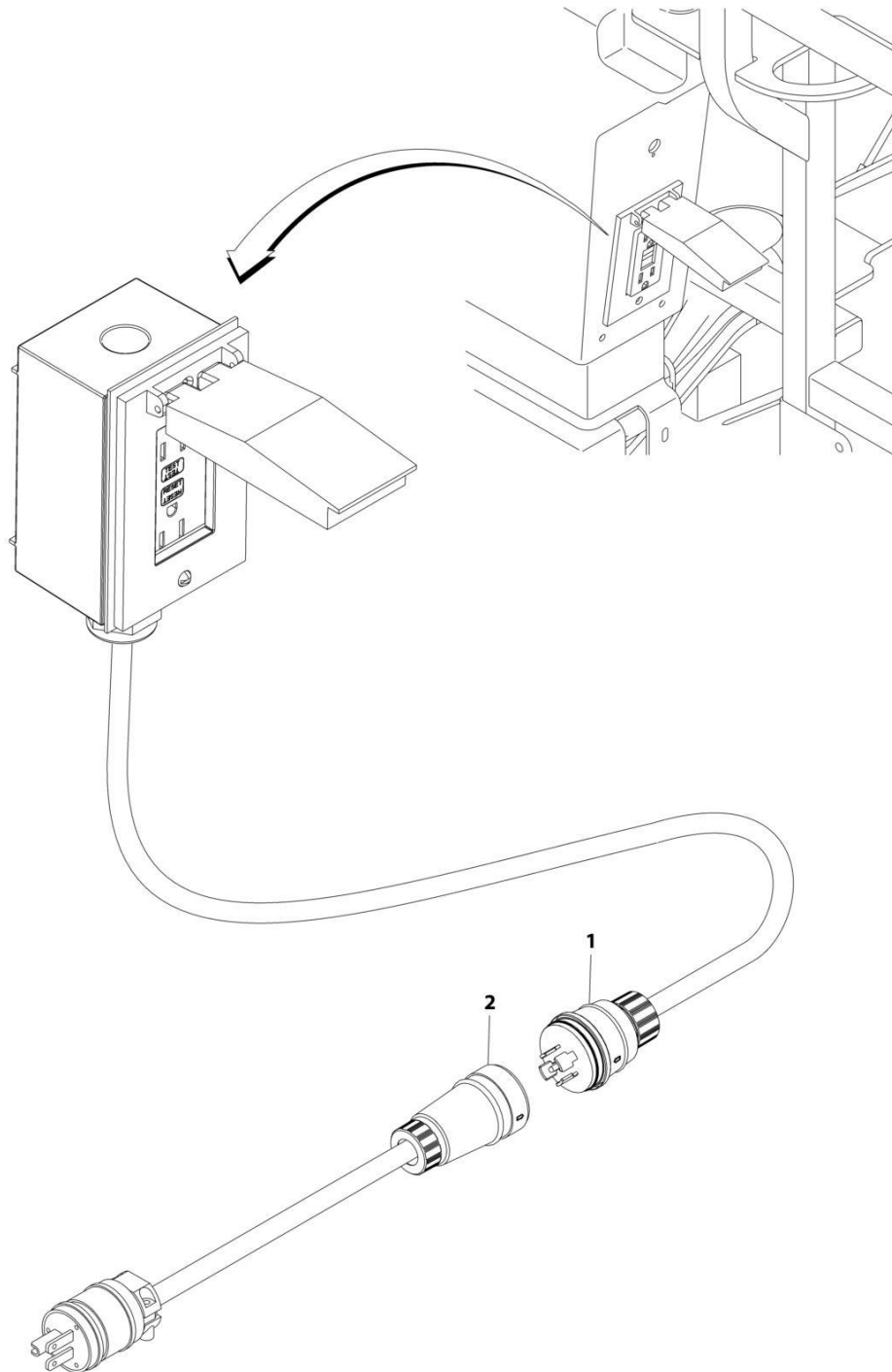
SECTION 8 - ELECTRICAL

**FIGURE 8-2. AC CABLE CONNECTOR INSTALLATION - 110V/220V (MACHINES NO GENERATOR)
(ANSI EXPORT, AUSTRALIAN, CE AND CHINA SPECS)**

ITEM	PART NUMBER	QTY	DESCRIPTION	REV
	1001213655	Ref	AC CABLE INSTALLATION - 110V/220V	A
1	1001214095	1	Plug, Male	
2	1001214096	1	Plug, Female	

SECTION 8 - ELECTRICAL

FIGURE 8-3. AC CABLE CONNECTOR INSTALLATION – SKYPOWER (MACHINES NO GENERATOR)
(ALL SPECS)



ART_0272433

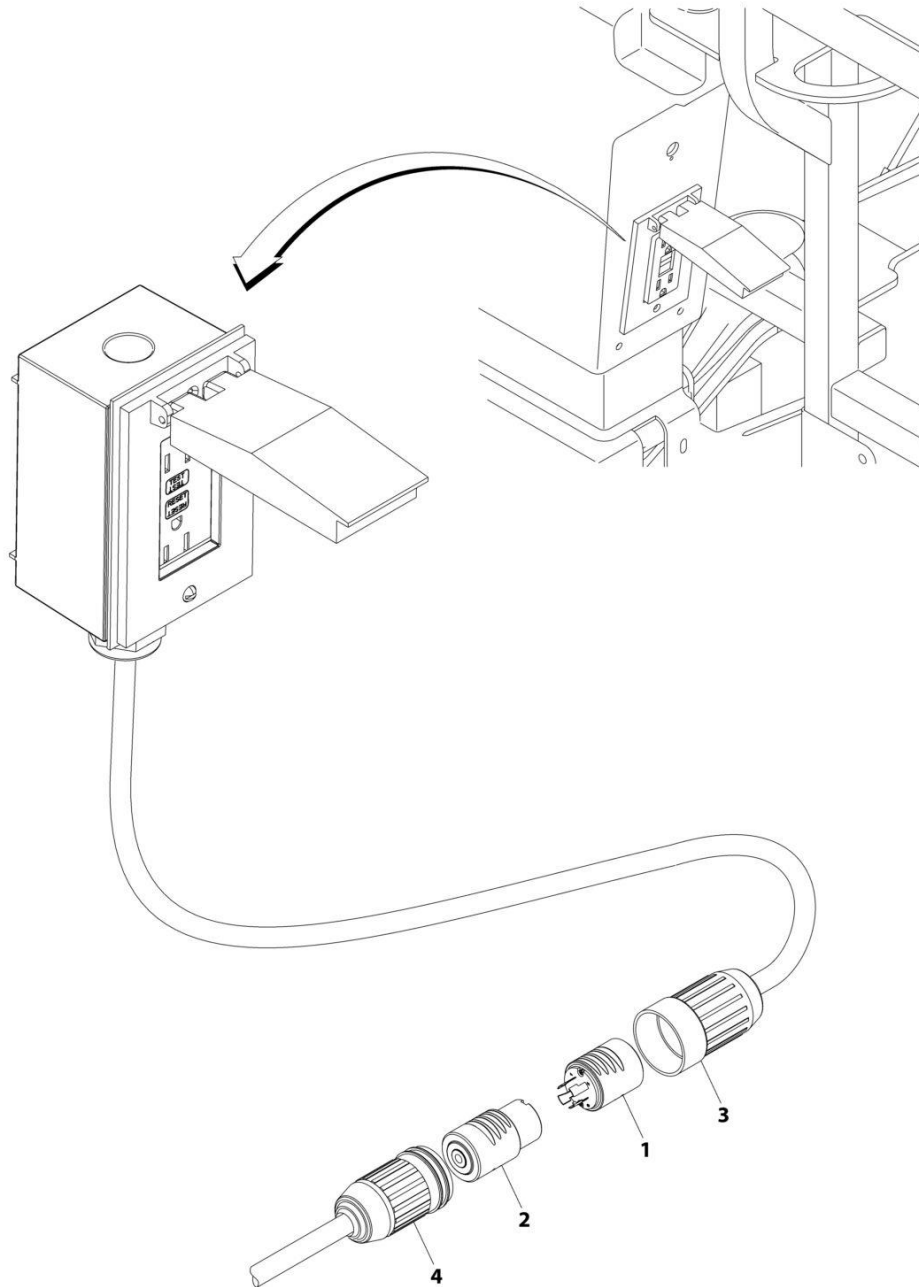
SECTION 8 - ELECTRICAL

**FIGURE 8-3. AC CABLE CONNECTOR INSTALLATION – SKYPOWER (MACHINES NO GENERATOR)
(ALL SPECS)**

ITEM	PART NUMBER	QTY	DESCRIPTION	REV
	0272433	Ref	AC CABLE INSTALLATION - 110V/220V	D
1	1001218622	1	Plug, Male	
2	1001218623	1	Plug, Female	

SECTION 8 - ELECTRICAL

FIGURE 8-4. AC CABLE CONNECTOR INSTALLATION – 4000W GENERATOR (MACHINES NO GENERATOR) (ALL SPECS EXCEPT AUSTRALIAN AND CE SPECS)



ART_1001160272

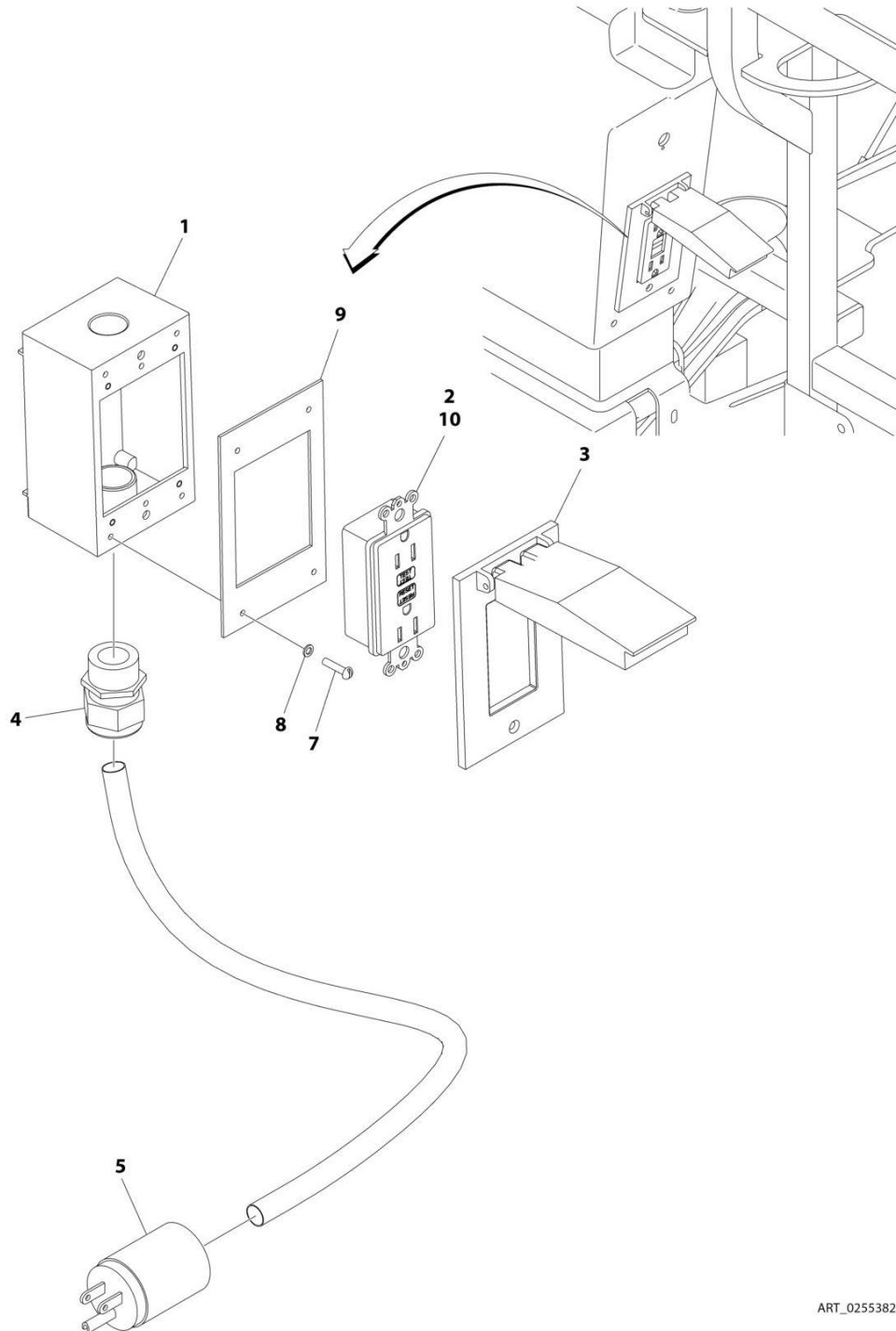
SECTION 8 - ELECTRICAL

FIGURE 8-4. AC CABLE CONNECTOR INSTALLATION – 4000W GENERATOR (MACHINES NO GENERATOR) (ALL SPECS EXCEPT AUSTRALIAN AND CE SPECS)

ITEM	PART NUMBER	QTY	DESCRIPTION	REV
	1001160272	Ref	AC CABLE CONNECTOR INSTALLATION – 4000W GENERATOR	A
1	4460962	1	Plug, Male	
2	4460963	1	Connector	
3	1671092	1	Cover	
4	1671093	1	Plug	

SECTION 8 - ELECTRICAL

FIGURE 8-5. AC BOX AT PLATFORM INSTALLATION - 110V GFI RECEPTACLE (MACHINES WITH 2500W GENERATOR/NO GENERATOR OPTIONS) (ALL SPECS EXCEPT AUSTRALIAN AND CE SPECS)



ART_0255382

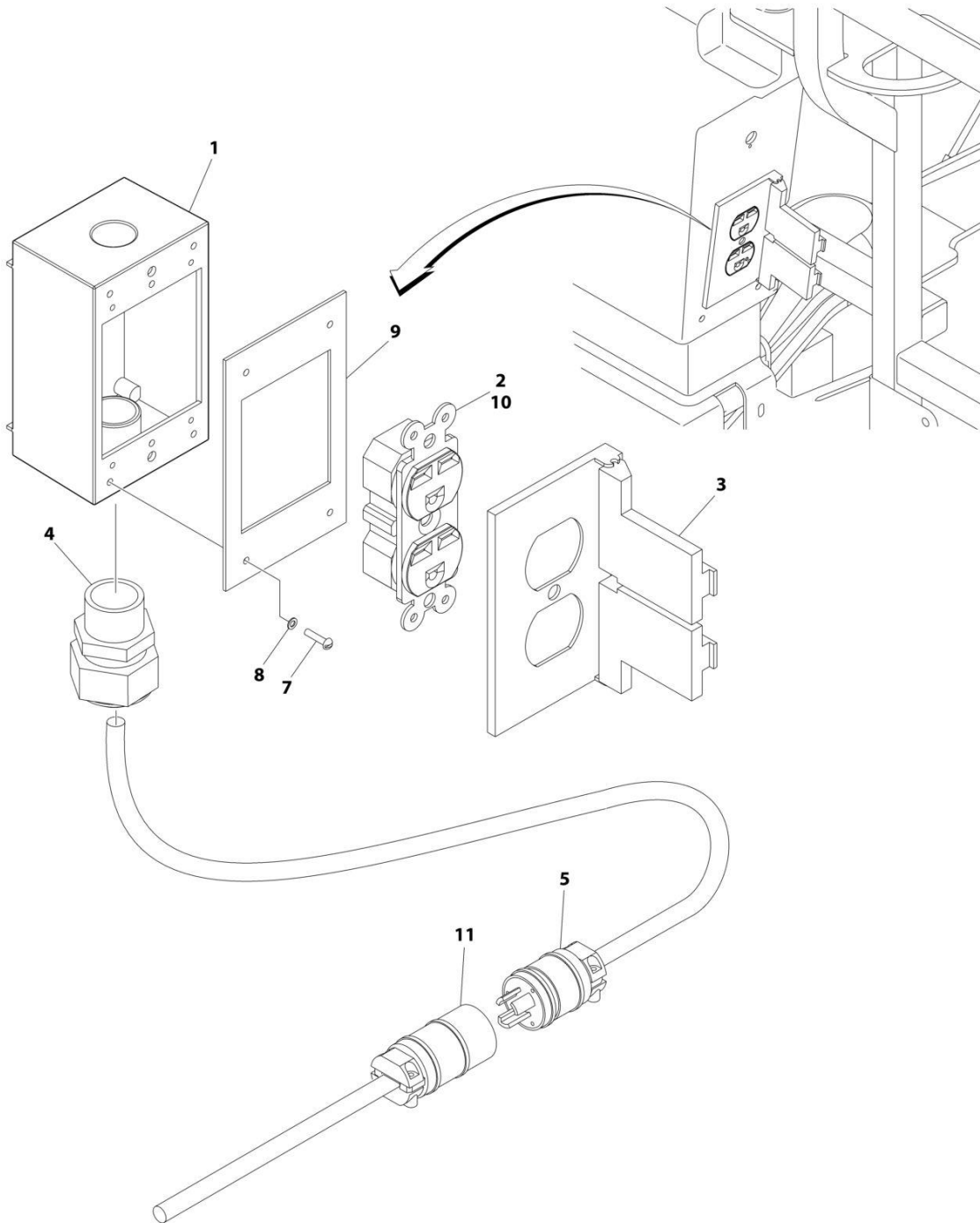
SECTION 8 - ELECTRICAL

FIGURE 8-5. AC BOX AT PLATFORM INSTALLATION - 110V GFI RECEPTACLE (MACHINES WITH 2500W GENERATOR/NO GENERATOR OPTIONS) (ALL SPECS EXCEPT AUSTRALIAN AND CE SPECS)

ITEM	PART NUMBER	QTY	DESCRIPTION	REV
	0255382	Ref	AC BOX AT PLATFORM INSTALLATION - 110V	C
1	0860038	1	Box, Switch	
2	4460346	1	Receptacle	
3	1001110873	1	Shield, Cover	
4	4460071	1	Connector, Strain Relief	
5	1001227309	1	Plug, Male	
7	3910610	4	Screw #6 x 5/8	
8	4760600	4	Washer #6	
9	3960422	1	Gasket	
10	4460315	1	Terminal, Spade	
18	4460205	1	Plug, Male (Not Shown - Located at turntable base)	

SECTION 8 - ELECTRICAL

FIGURE 8-6. AC BOX AT PLATFORM INSTALLATION - 220V RECEPTACLE (MACHINES WITH 2500W GENERATOR/NO GENERATOR OPTIONS) (ANSI, CSA AND JAPANESE SPECS)



ART_0257176

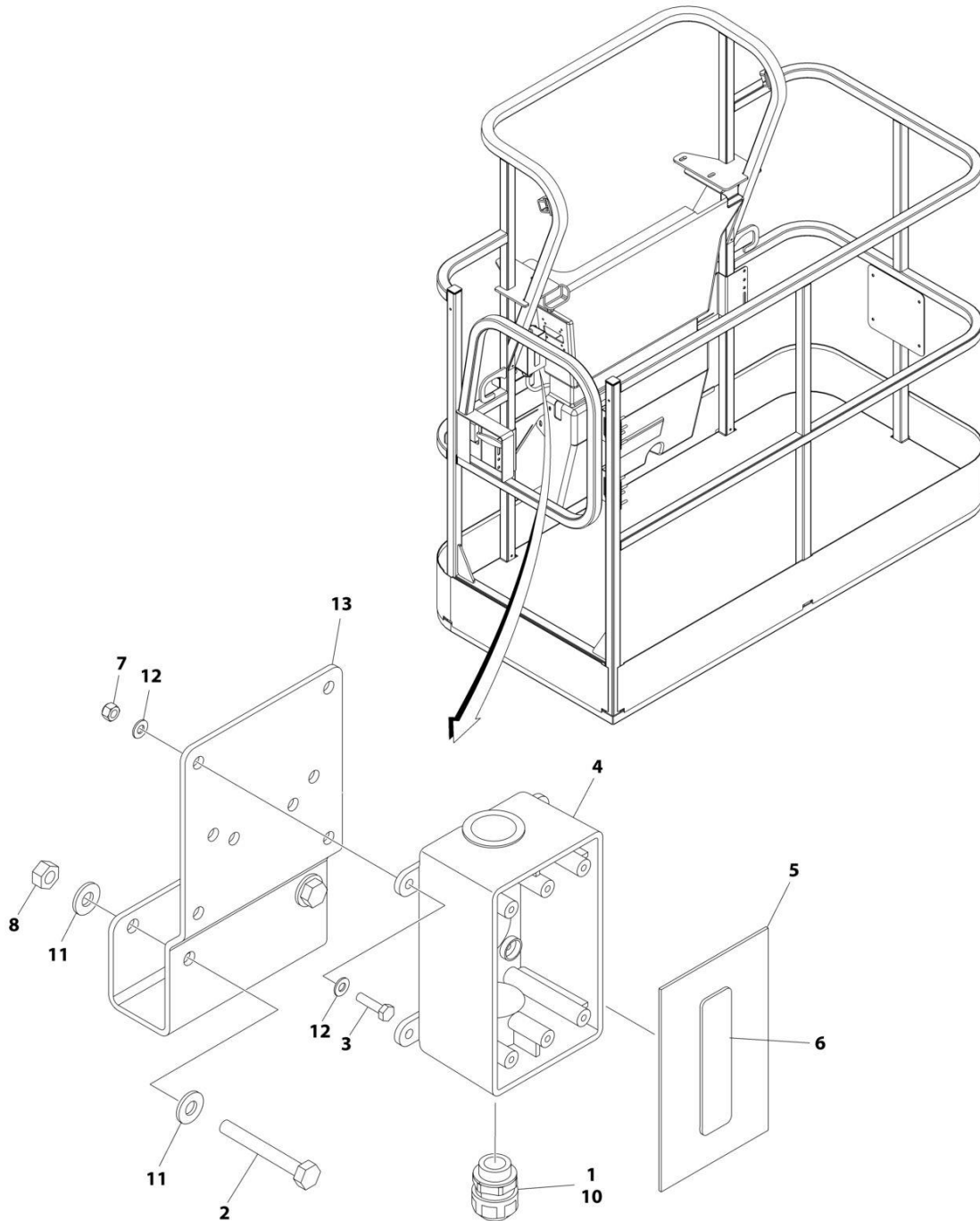
SECTION 8 - ELECTRICAL

FIGURE 8-6. AC BOX AT PLATFORM INSTALLATION - 220V RECEPTACLE (MACHINES WITH 2500W GENERATOR/NO GENERATOR OPTIONS) (ANSI, CSA AND JAPANESE SPECS)

ITEM	PART NUMBER	QTY	DESCRIPTION	REV
	0257176	Ref	AC BOX AT PLATFORM INSTALLATION - 220V	C
1	0860038	1	Box, Switch	
2	4460125	1	Receptacle	
3	4060092	1	Shield, Cover	
4	4460071	1	Connector, Strain Relief	
5	1001227309	1	Plug, Male	
7	3910610	4	Screw #6 x 5/8	
8	4760600	4	Washer #6	
9	3960422	1	Gasket	
10	4460315	1	Terminal, Spade	
11	1001227310	1	Connector, Female	
18	4460233	1	Plug (Not Shown - Located at turntable base)	

SECTION 8 - ELECTRICAL

FIGURE 8-7. AC BOX AT PLATFORM INSTALLATION - BOX WITH COVER (2X4 BOX) (ANSI EXPORT SPECS) (4000W GENERATOR)



ART_1001194365

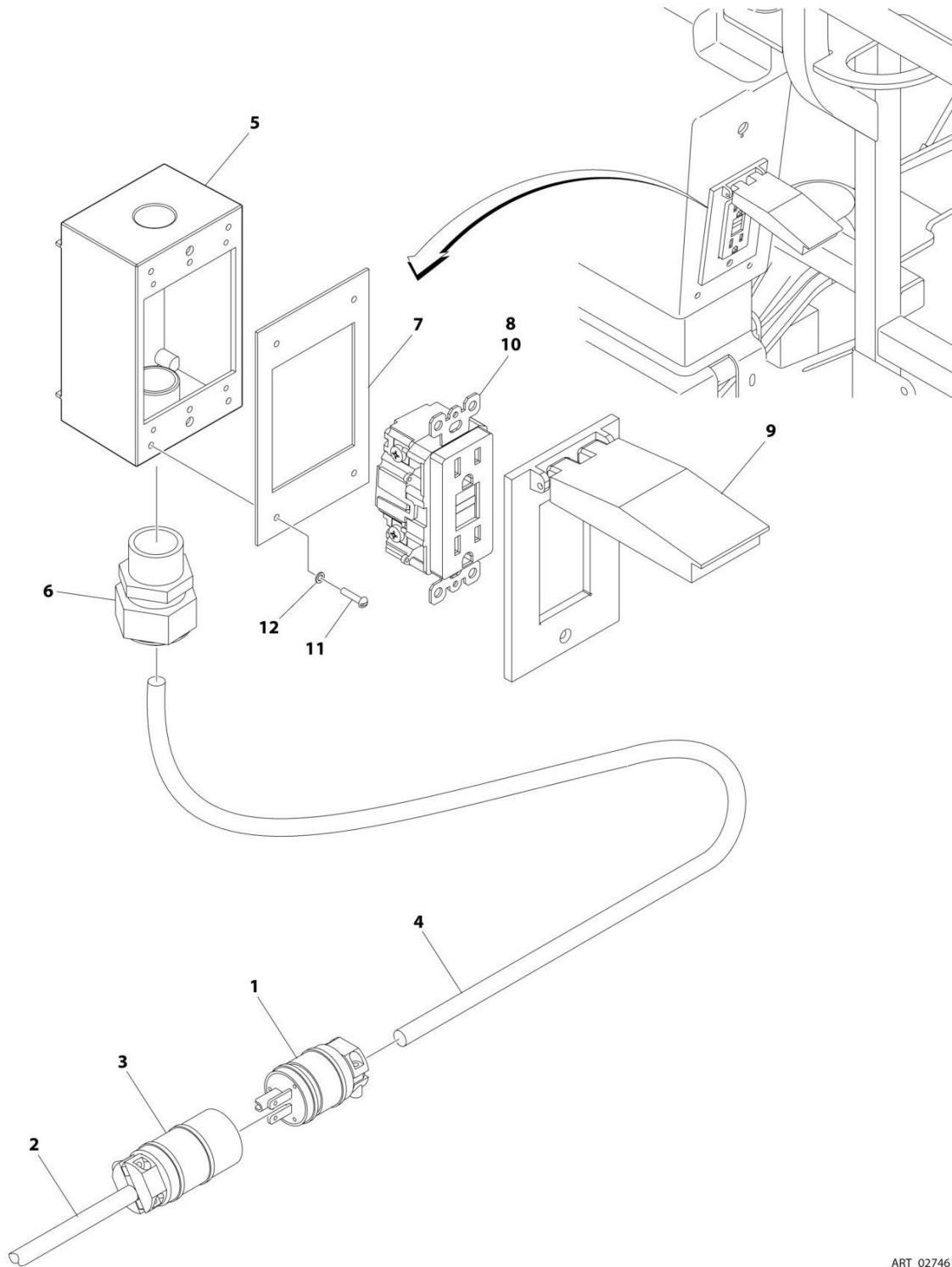
SECTION 8 - ELECTRICAL

FIGURE 8-7. AC BOX AT PLATFORM INSTALLATION - BOX WITH COVER (2X4 BOX) (ANSI EXPORT SPECS) (4000W GENERATOR)

ITEM	PART NUMBER	QTY	DESCRIPTION	REV
	1001194365	Ref	AC BOX AT PLATFORM INSTALLATION - BOX WITH COVER (2X4 BOX)	A
1	0100020	AR	Sealant	
2	0641416	2	Bolt 1/4 x 2	
3	0700408	4	Bolt M4 x 16	
4	0861731	1	Box, Switch	
5	1670603	1	Cover	
6	3251242	1	Decal - 240V/50Hz	
7	3290405	4	Nut M4	
8	3311405	2	Nut 1/4	
9	4460384	3	Terminal (Not Shown)	
10	4460662	1	Connector, Strain Relief	
11	4711400	4	Washer 1/4	
12	4811400	8	Washer M4	
13	1001193018	1	Bracket, AC Receptacle	

SECTION 8 - ELECTRICAL

FIGURE 8-8. AC BOX AT PLATFORM INSTALLATION – DUAL AC 110V GFI (MACHINES WITH 2500W GENERATOR) (ANSI EXPORT AND CHINA SPECS)



ART_0274618

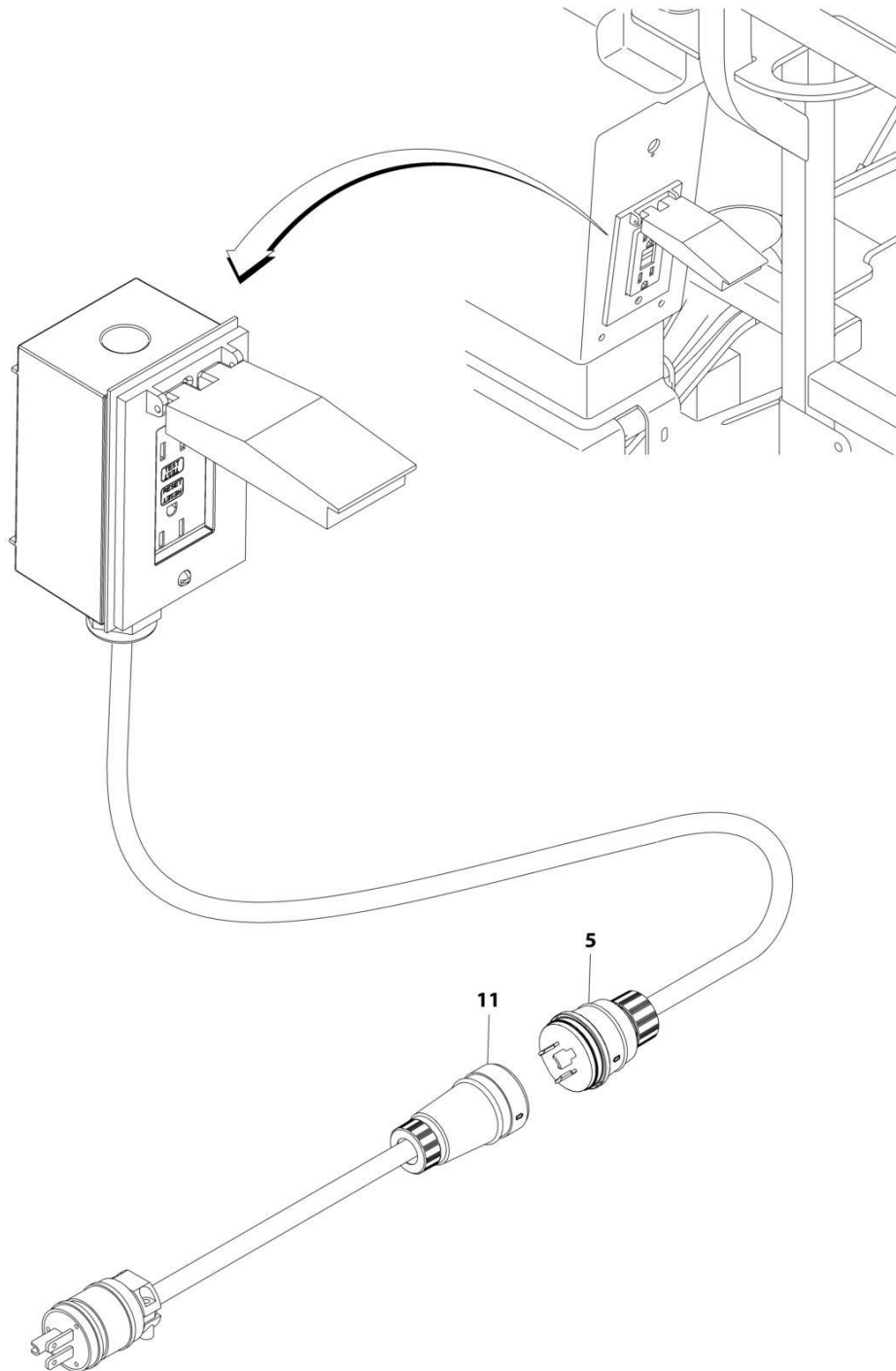
SECTION 8 - ELECTRICAL

FIGURE 8-8. AC BOX AT PLATFORM INSTALLATION – DUAL AC 110V GFI (MACHINES WITH 2500W GENERATOR) (ANSI EXPORT AND CHINA SPECS)

ITEM	PART NUMBER	QTY	DESCRIPTION	REV
	0274618	Ref	AC BOX AT PLATFORM INSTALLATION – DUAL AC 110V GFI	2
1	4460205	4	Plug, Male	
2	4922892	1	Cable, Electrical 12/3 (Tower Boom)	
3	4460134	2	Plug, Female	
4	4922894	1	Cable, Electrical 12/3 (Main Boom)	
5	0860038	1	Box, Switch	
6	4460071	1	Connector, Strain Relief	
7	3960422	1	Gasket	
8	4460346	1	Receptacle	
9	1001110873	1	Shield, Cover	
10	4460315	1	Terminal, Spade	
11	3910606	4	Screw #6 x 3/8	
12	4760600	4	Washer #6	

SECTION 8 - ELECTRICAL

FIGURE 8-9. AC BOX AT PLATFORM MID-BOOM PLUG INSTALLATION (WITHOUT 7500W SKYPOWER GENERATOR) (CHINA BUILT MACHINES) (PVC 2001)



ART_0256202

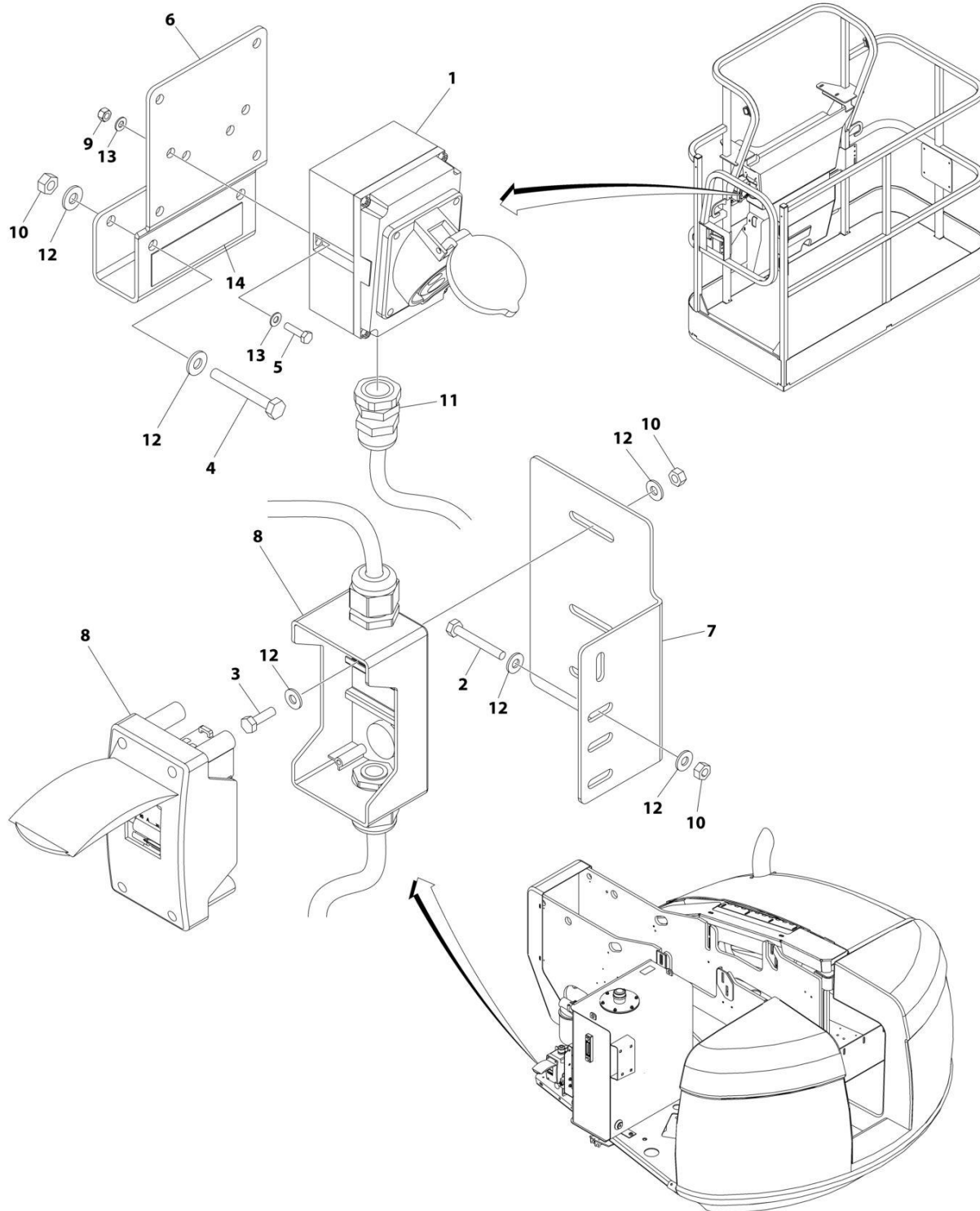
SECTION 8 - ELECTRICAL

FIGURE 8-9. AC BOX AT PLATFORM MID-BOOM PLUG INSTALLATION (WITHOUT 7500W SKYPOWER GENERATOR) (CHINA BUILT MACHINES) (PVC 2001)

ITEM	PART NUMBER	QTY	DESCRIPTION	REV
	0256202	Ref	AC BOX AT PLATFORM MID-BOOM PLUG INSTALLATION	D
5	1001213584	1	Plug	
11	1001213585	1	Receptacle	

SECTION 8 - ELECTRICAL

FIGURE 8-10. AC BOX AT PLATFORM INSTALLATION - 110V IEC YELLOW (CE SPECS)



ART_0275656

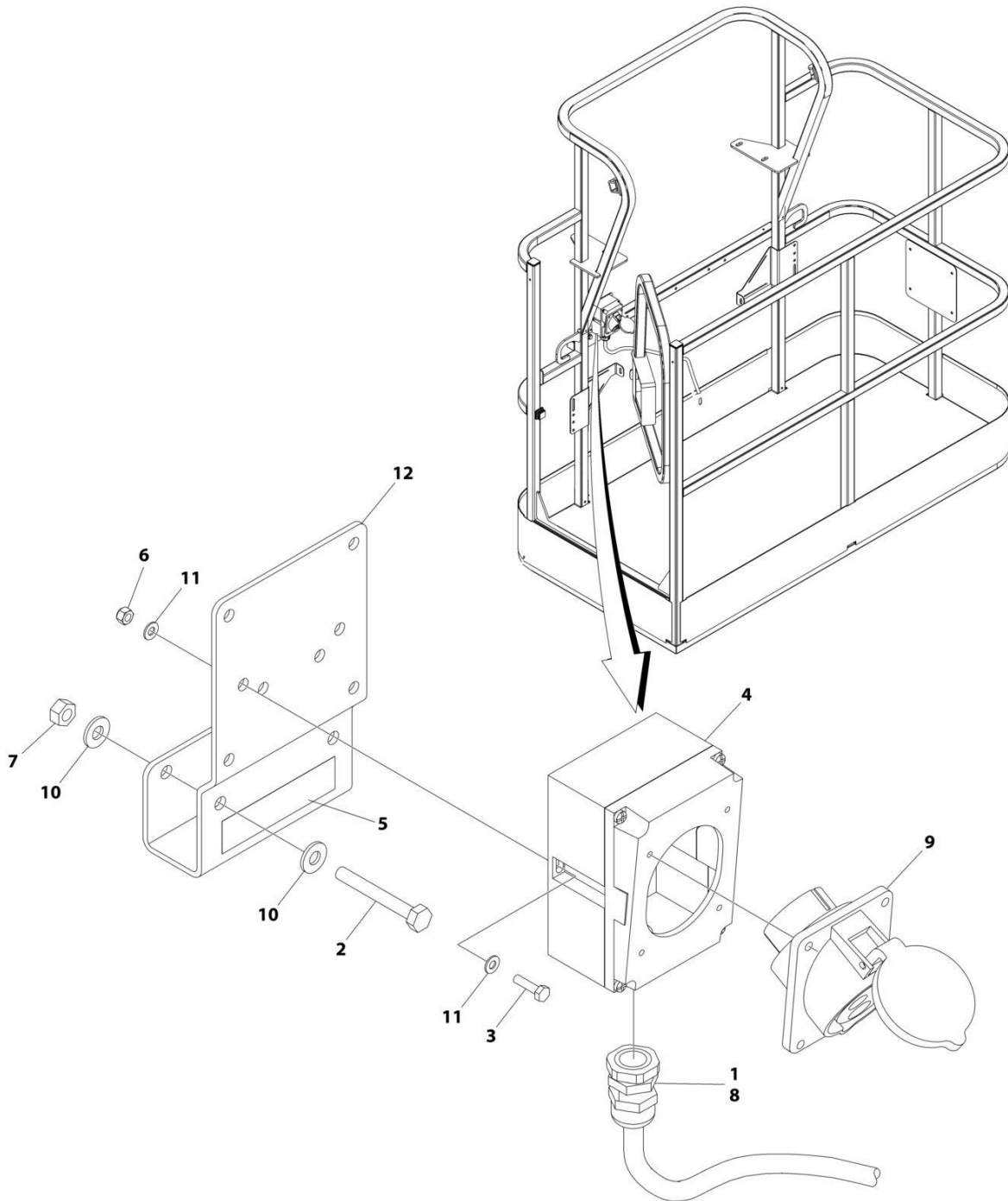
SECTION 8 - ELECTRICAL

FIGURE 8-10. AC BOX AT PLATFORM INSTALLATION - 110V IEC YELLOW (CE SPECS)

ITEM	PART NUMBER	QTY	DESCRIPTION	REV
	0275656	Ref	AC BOX AT PLATFORM INSTALLATION - 110V IEC YELLOW	F
1	0275216	1	Receptacle Box Kit (See Separate Breakdown in this Section)	
2	0641415	2	Bolt 1/4 x 1-7/8	
3	0641407	2	Bolt 1/4 x 7/8	
4	0641416	2	Bolt 1/4 x 2	
5	0700408	2	Bolt M4 x 16	
6	1001193018	1	Bracket	
7	1001153636	1	Bracket	
8	1001096070	1	Breaker Box Kit (See Separate Breakdown in this Section)	
9	3290405	2	Nut M4	
10	3311405	6	Nut 1/4	
11	4460968	1	Connector, Strain Relief	
12	4711400	12	Washer 1/4	
13	4811400	4	Washer M4	
14	1705325	2	Decal - 110V	

SECTION 8 - ELECTRICAL

FIGURE 8-11. AC BOX AT PLATFORM INSTALLATION - 110V IEC 60309 YELLOW (CE SPECS)
(4000W GENERATOR)



ART_1001194203

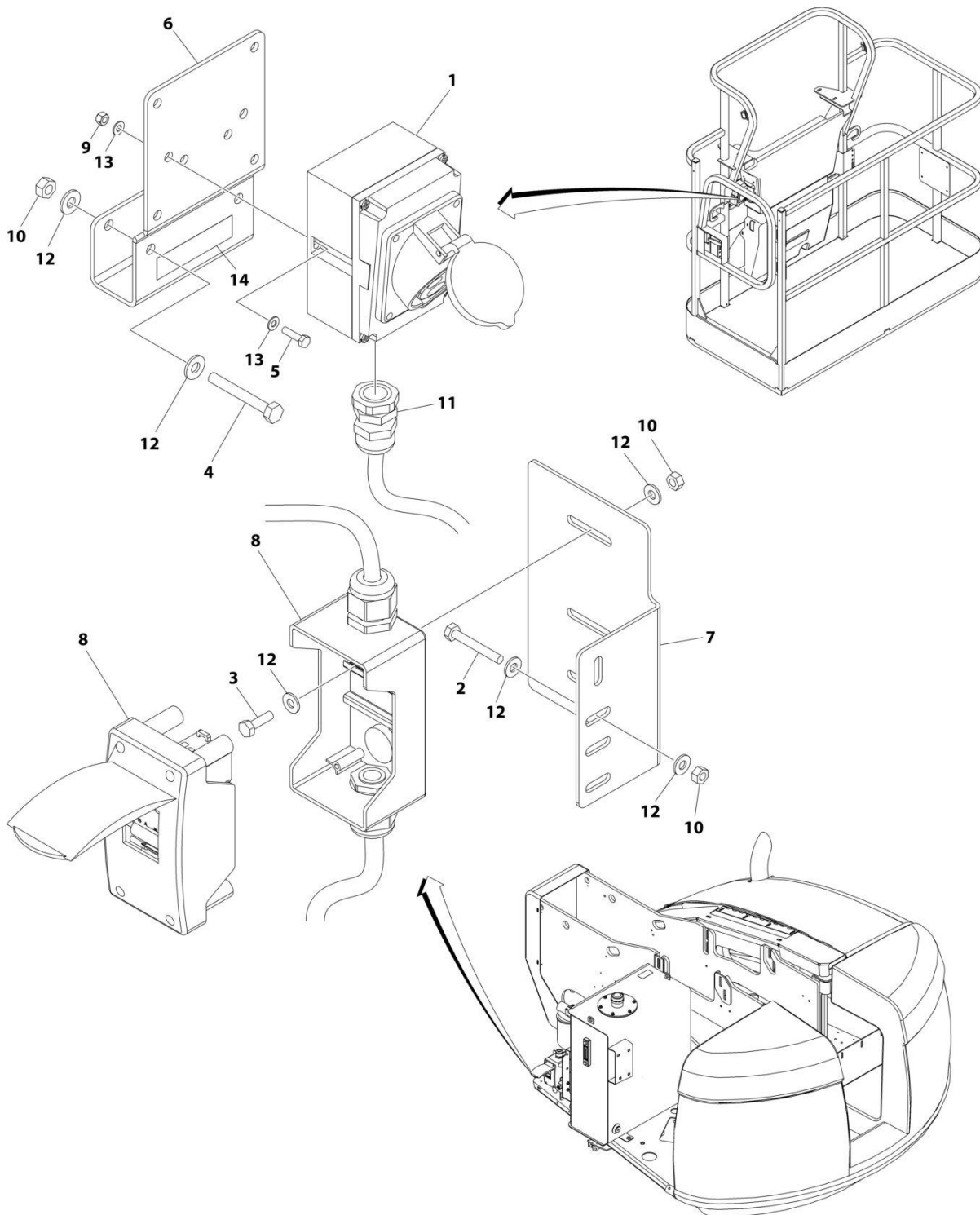
SECTION 8 - ELECTRICAL

**FIGURE 8-11. AC BOX AT PLATFORM INSTALLATION - 110V IEC 60309 YELLOW (CE SPECS)
(4000W GENERATOR)**

ITEM	PART NUMBER	QTY	DESCRIPTION	REV
	1001194203	Ref	AC BOX AT PLATFORM INSTALLATION	B
1	0100020	AR	Sealant, Pipe	
2	0641416	2	Bolt 1/4 x 2	
3	0700408	2	Bolt M4 x 16	
4	0861781	1	Box, Switch	
5	1705325	1	Decal - 110V	
6	3290405	2	Nut M4	
7	3311405	2	Nut 1/4	
8	4460968	1	Connector, Strain Relief	
9	4461198	1	Receptacle	
10	4711400	4	Washer 1/4	
11	4811400	4	Washer M4	
12	1001193018	1	Bracket, AC Receptacle	

SECTION 8 - ELECTRICAL

FIGURE 8-12. AC BOX AT PLATFORM INSTALLATION - 220V IEC BLUE (CE SPECS)



ART_0275652

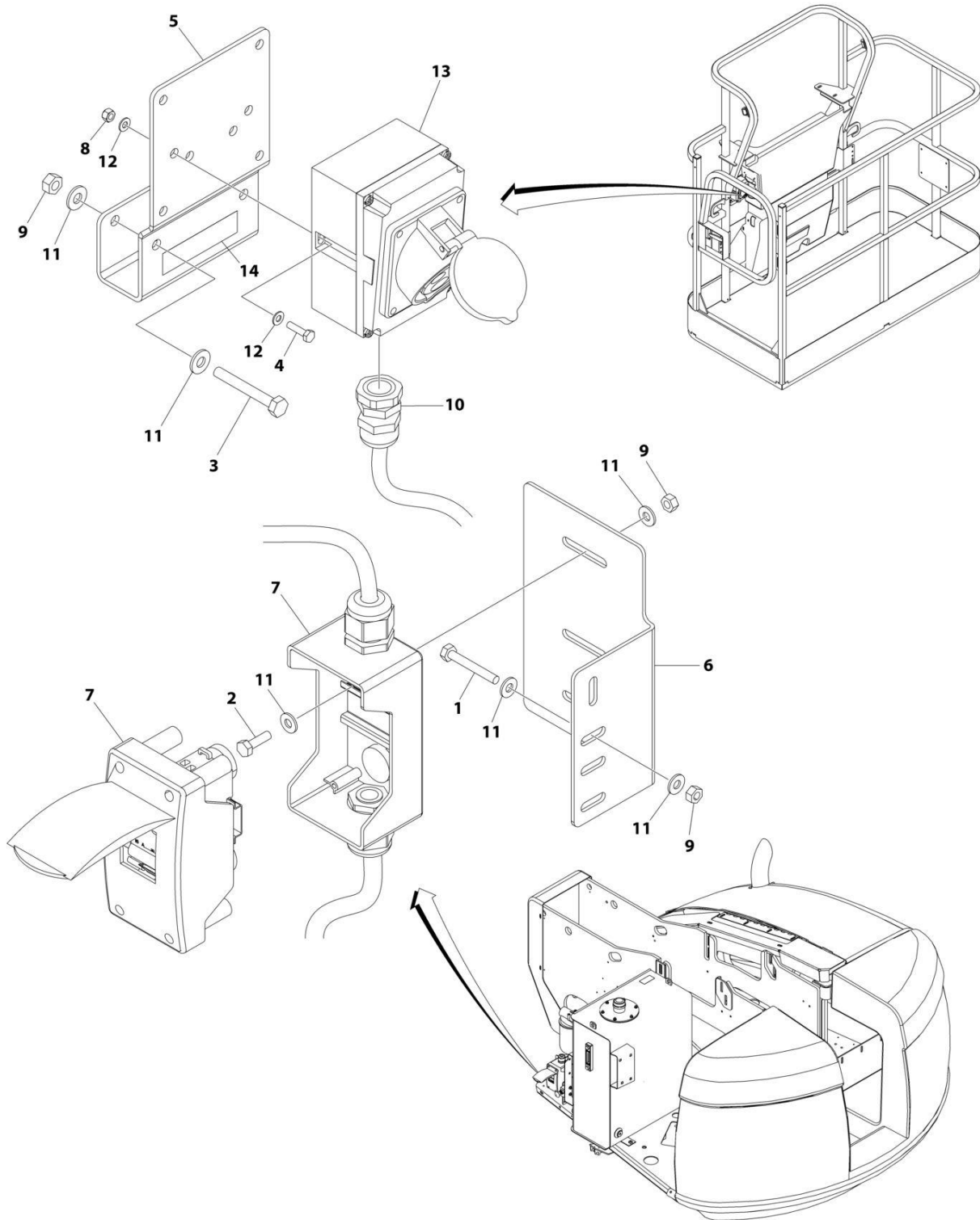
SECTION 8 - ELECTRICAL

FIGURE 8-12. AC BOX AT PLATFORM INSTALLATION - 220V IEC BLUE (CE SPECS)

ITEM	PART NUMBER	QTY	DESCRIPTION	REV
	0275652	Ref	AC BOX AT PLATFORM INSTALLATION - 220V IEC BLUE	F
1	0275217	1	Receptacle Box Kit (See Separate Breakdown in this Section)	
2	0641415	2	Bolt 1/4 x 1-7/8	
3	0641407	2	Bolt 1/4 x 7/8	
4	0641416	2	Bolt 1/4 x 2	
5	0700408	2	Bolt M4 x 16	
6	1001193018	1	Bracket	
7	1001153636	1	Bracket	
8	1001096070	1	Breaker Box Kit (See Separate Breakdown in this Section)	
9	3290405	2	Nut M4	
10	3311405	6	Nut 1/4	
11	4460968	1	Connector, Strain Relief	
12	4711400	12	Washer 1/4	
13	4811400	4	Washer M4	
14	3252507	1	Decal - 240V-50/60Hz	

SECTION 8 - ELECTRICAL

FIGURE 8-13. AC BOX AT PLATFORM INSTALLATION - 220V IEC BLUE (CE SPECS) (2500W GENERATOR)



ART_1001100401

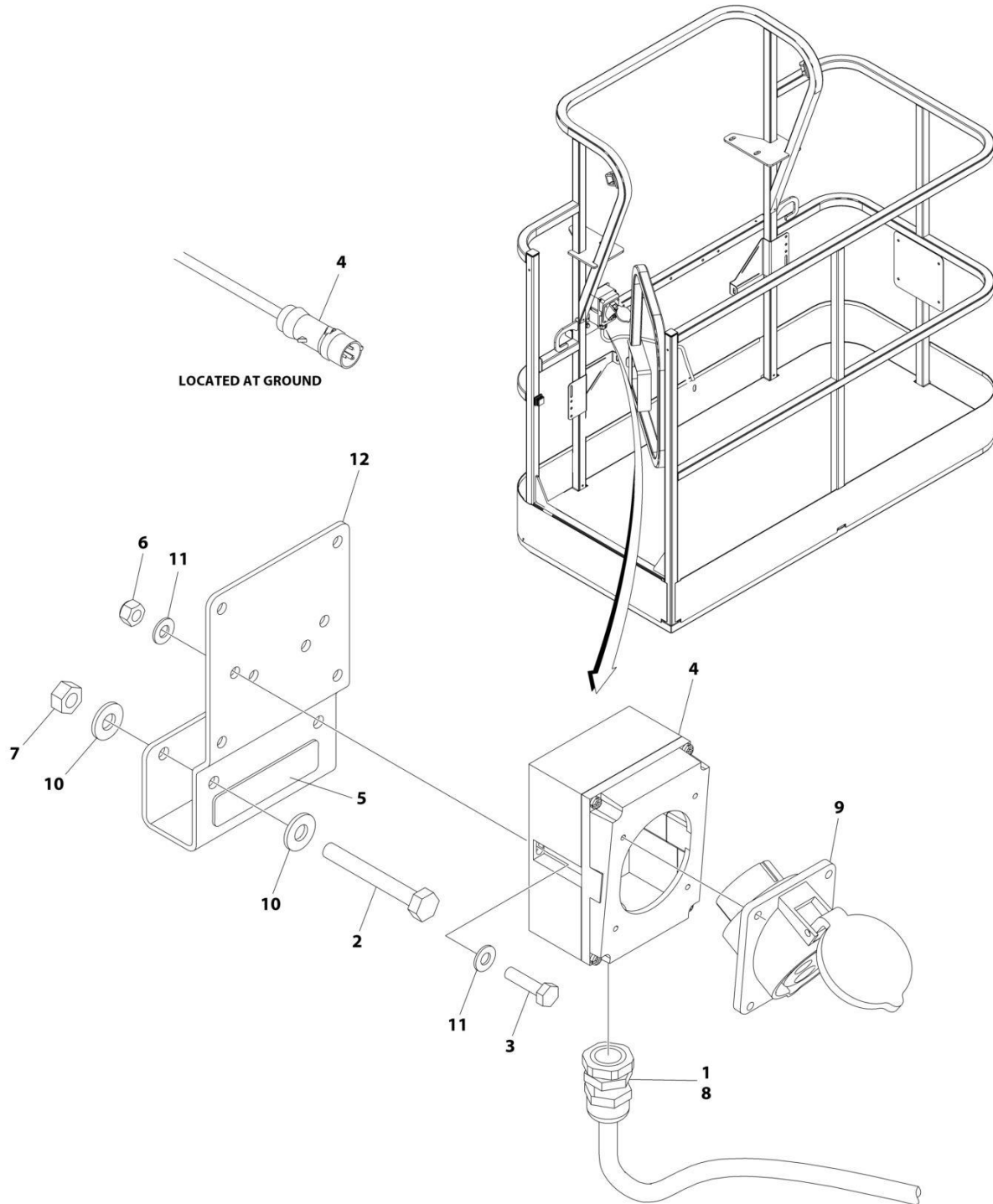
SECTION 8 - ELECTRICAL

FIGURE 8-13. AC BOX AT PLATFORM INSTALLATION - 220V IEC BLUE (CE SPECS) (2500W GENERATOR)

ITEM	PART NUMBER	QTY	DESCRIPTION	REV
	1001100401	Ref	AC BOX AT PLATFORM INSTALLATION	F
1	0641415	2	Bolt 1/4 x 1-7/8	
2	0641407	2	Bolt 1/4 x 7/8	
3	0641416	2	Bolt 1/4 x 2	
4	0700408	2	Bolt M4 x 16	
5	1001193018	1	Bracket	
6	1001153636	1	Bracket	
7	1001109554	1	Breaker Box Kit (See Separate Breakdown in this Section)	
8	3290405	2	Nut M4	
9	3311405	6	Nut 1/4	
10	4460662	1	Connector, Strain Relief	
11	4711400	12	Washer 1/4	
12	4811400	8	Washer M4	
13	1001100342	1	Receptacle Box Kit (See Separate Breakdown in this Section)	
14	3252507	1	Decal - 240V-50/60Hz	

SECTION 8 - ELECTRICAL

FIGURE 8-14. AC BOX AT PLATFORM INSTALLATION - 220V IEC 60309 BLUE (CE SPECS) (4000W GENERATOR)



ART_1001194204

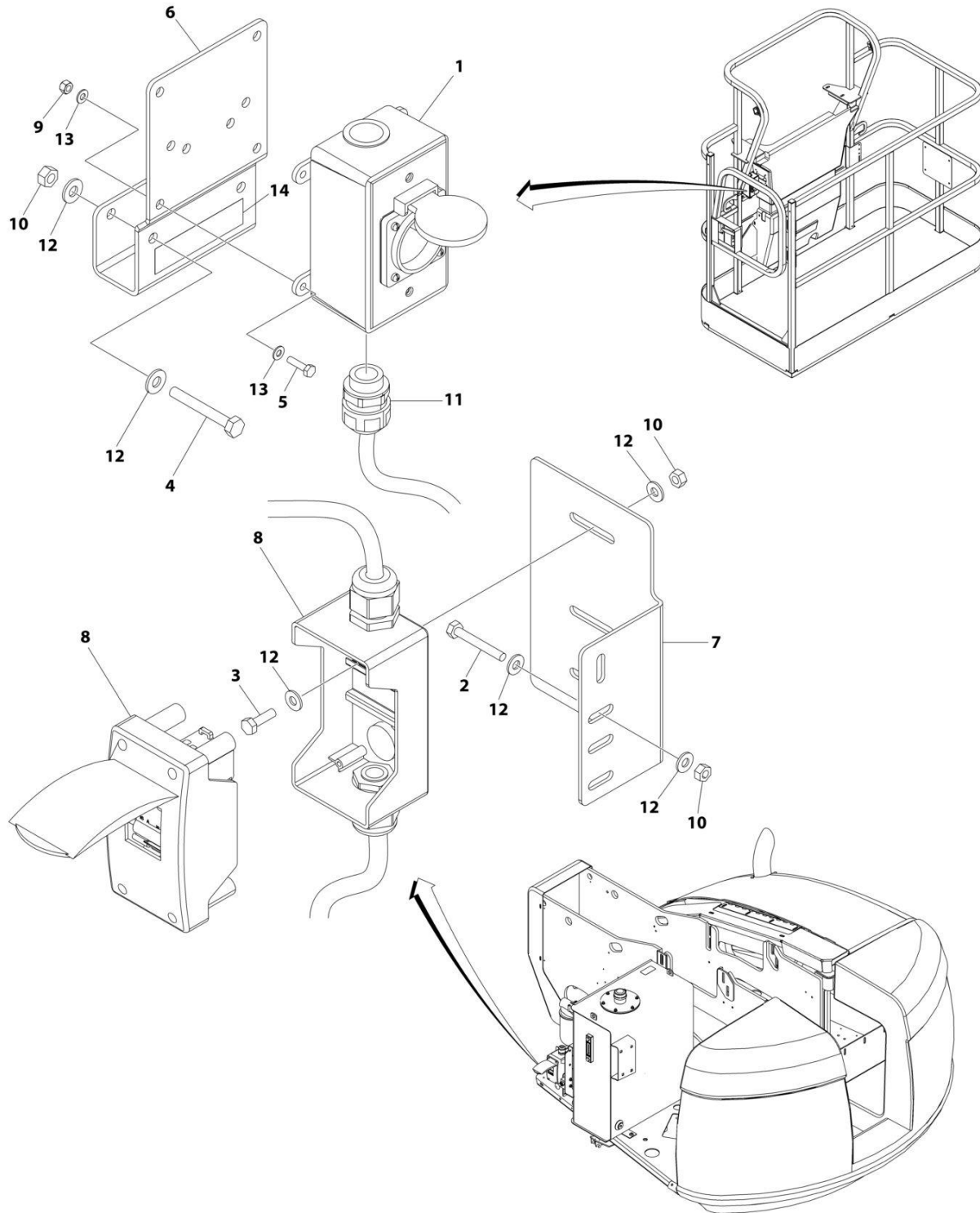
SECTION 8 - ELECTRICAL

FIGURE 8-14. AC BOX AT PLATFORM INSTALLATION - 220V IEC 60309 BLUE (CE SPECS) (4000W GENERATOR)

ITEM	PART NUMBER	QTY	DESCRIPTION	REV
	1001194204	Ref	AC BOX AT PLATFORM INSTALLATION	B
1	0100020	AR	Sealant, Pipe	
2	0641416	2	Bolt 1/4 x 2	
3	0700408	2	Bolt M4 x 16	
4	0861781	1	Box, Switch	
5	3251242	1	Decal - 240V/50Hz	
6	3290405	2	Nut M4	
7	3311405	2	Nut 1/4	
8	4460968	1	Connector, Strain Relief	
9	4461201	1	Receptacle	
10	4711400	4	Washer 1/4	
11	4811400	4	Washer M4	
12	1001193018	1	Bracket, AC Receptacle	

SECTION 8 - ELECTRICAL

FIGURE 8-15. AC BOX AT PLATFORM INSTALLATION - 220V CEE7 POST GROUND (CE SPECS)



ART_0275653

SECTION 8 - ELECTRICAL

FIGURE 8-15. AC BOX AT PLATFORM INSTALLATION - 220V CEE7 POST GROUND (CE SPECS)

ITEM	PART NUMBER	QTY	DESCRIPTION	REV
	0275653	Ref	AC BOX AT PLATFORM INSTALLATION	G
1	0275452	1	Receptacle Box Kit - 220V CEE7 Post Ground 21in x 4in (See Separate Breakdown in this Section)	
2	0641415	2	Bolt 1/4 x 1-7/8	
3	0641407	2	Bolt 1/4 x 7/8	
4	0641416	2	Bolt 1/4 x 2	
5	0700408	4	Bolt M4 x 16	
6	1001193018	1	Bracket	
7	1001153636	1	Bracket	
8	1001096070	1	Breaker Box Kit (See Separate Breakdown in this Section)	
9	3290405	4	Nut M4	
10	3311405	6	Nut 1/4	
11	4460662	1	Connector, Strain Relief	
12	4711400	12	Washer 1/4	
13	4811400	8	Washer M4	
14	3252507	1	Decal - 240V-50/60Hz	

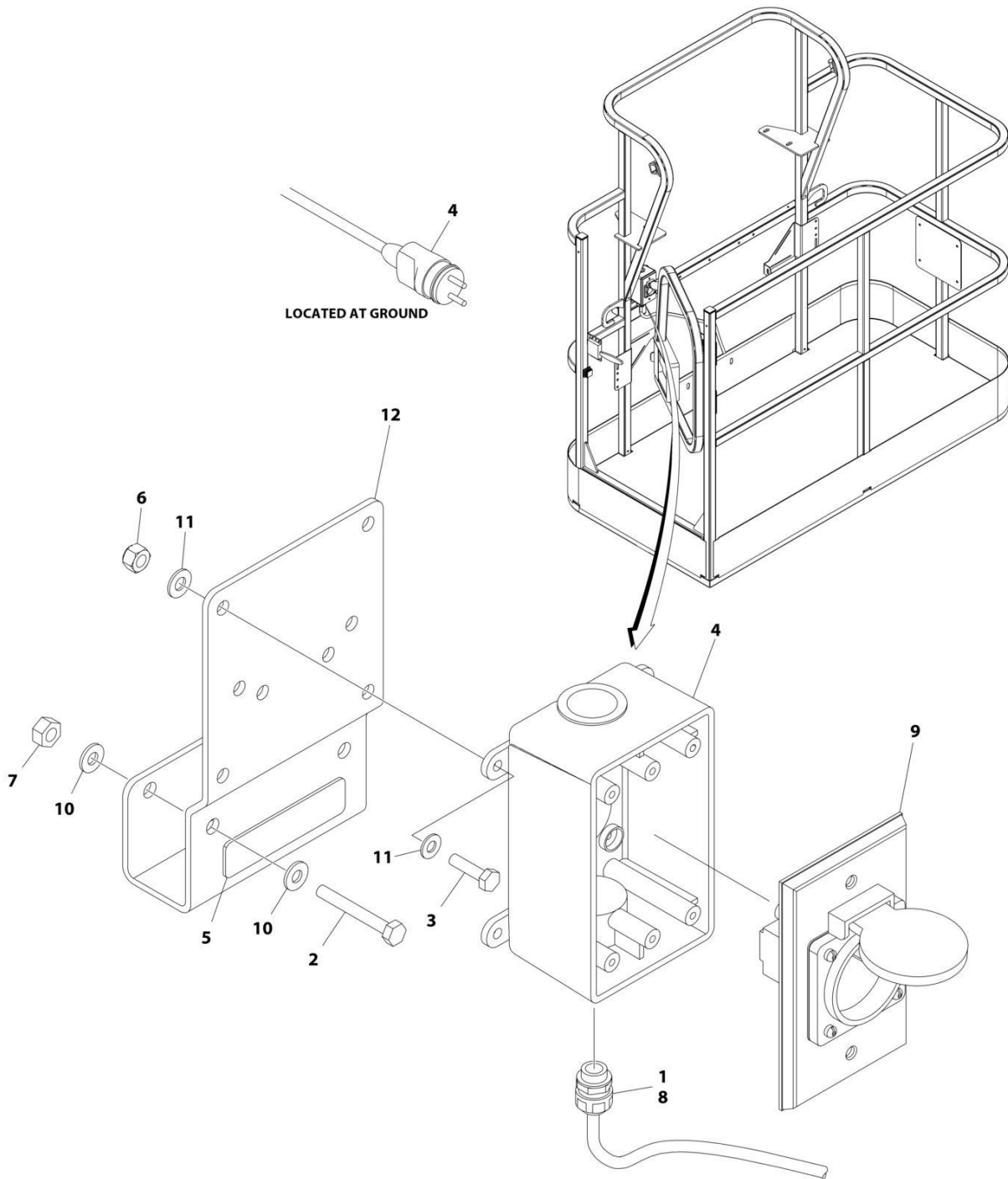
SECTION 8 - ELECTRICAL

**FIGURE 8-16. AC BOX AT PLATFORM INSTALLATION - 220V CEE7 POST GROUND (CE SPECS)
(2500W GENERATOR)**

ITEM	PART NUMBER	QTY	DESCRIPTION	REV
	1001100397	Ref	AC BOX AT PLATFORM INSTALLATION	H
1	0641415	2	Bolt 1/4 x 1-7/8	
2	0641407	2	Bolt 1/4 x 7/8	
3	0641416	2	Bolt 1/4 x 2	
4	0700408	4	Bolt M4 x 16	
5	1001193018	1	Bracket	
6	1001153636	1	Bracket	
7	1001109554	1	Breaker Box Kit (See Separate Breakdown in this Section)	
8	3290405	4	Nut M4	
9	3311405	6	Nut 1/4	
10	4460662	1	Connector, Strain Relief	
11	4711400	12	Washer 1/4	
12	4811400	8	Washer M4	
13	1001100345	1	Receptacle Box Kit (See Separate Breakdown in this Section)	
14	3252507	1	Decal - 240V-50/60Hz	

SECTION 8 - ELECTRICAL

FIGURE 8-17. AC BOX AT PLATFORM INSTALLATION - 220V CEE7 POST GROUND (2X4 BOX) (CE SPECS) (4000W GENERATOR)



ART_1001194197

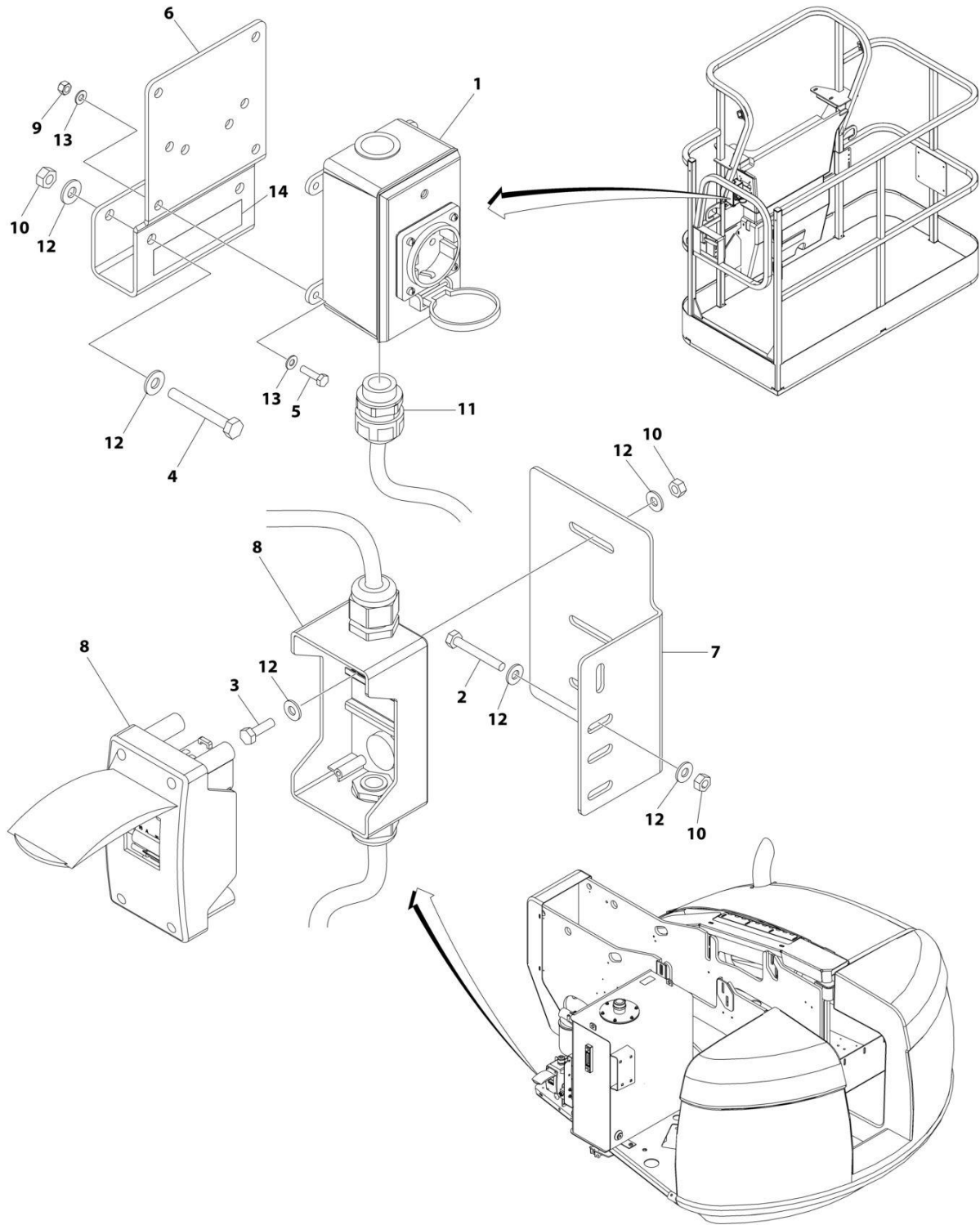
SECTION 8 - ELECTRICAL

FIGURE 8-17. AC BOX AT PLATFORM INSTALLATION - 220V CEE7 POST GROUND (2X4 BOX) (CE SPECS) (4000W GENERATOR)

ITEM	PART NUMBER	QTY	DESCRIPTION	REV
	1001194197	Ref	AC BOX AT PLATFORM INSTALLATION	B
1	0100020	AR	Sealant, Pipe	
2	0641416	2	Bolt 1/4 x 2	
3	0700408	4	Bolt M4 x 16	
4	0861731	1	Box, Switch	
5	3251242	1	Decal - 240V/50Hz	
6	3290405	4	Nut M4	
7	3311405	2	Nut 1/4	
8	4460662	1	Connector, Strain Relief	
9	4461244	1	Receptacle	
10	4711400	4	Washer 1/4	
11	4811400	8	Washer M4	
12	1001193018	1	Bracket, AC Receptacle	
13	4460806	2	Terminal, Fork (Not Shown)	
14	1001205958	1	Terminal (Not Shown)	

SECTION 8 - ELECTRICAL

FIGURE 8-18. AC BOX AT PLATFORM INSTALLATION - 220V CEE7 SIDE GROUND (CE SPECS)



ART_0275654

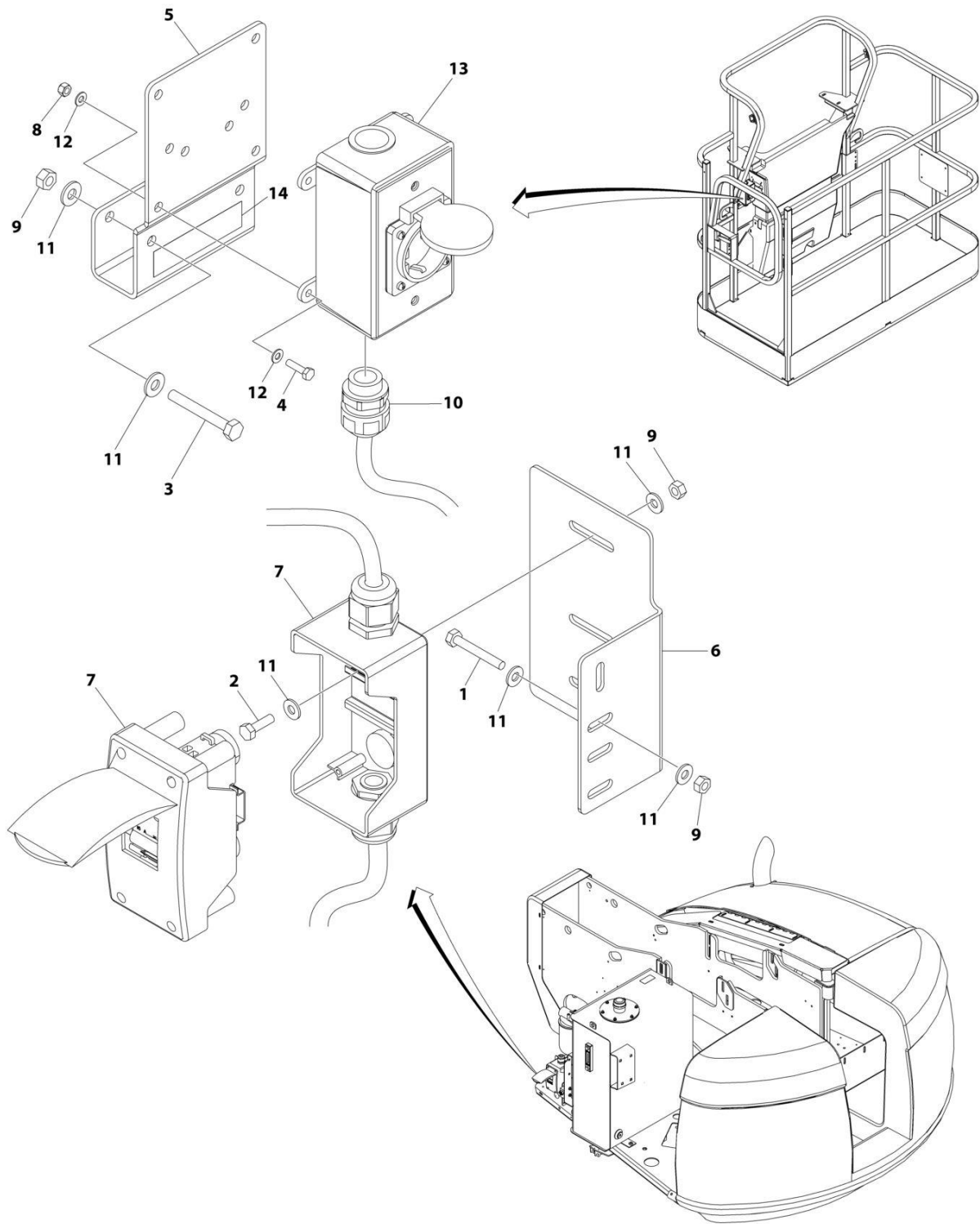
SECTION 8 - ELECTRICAL

FIGURE 8-18. AC BOX AT PLATFORM INSTALLATION - 220V CEE7 SIDE GROUND (CE SPECS)

ITEM	PART NUMBER	QTY	DESCRIPTION	REV
	0275654	Ref	AC BOX AT PLATFORM INSTALLATION - 220V CEE7 2X4 BOX SIDE GROUND	G
1	0275453	1	Receptacle Box Kit (See Separate Breakdown in this Section)	
2	0641415	2	Bolt 1/4 x 1-7/8	
3	0641407	2	Bolt 1/4 x 7/8	
4	0641416	2	Bolt 1/4 x 2	
5	0700408	4	Bolt M4 x 16	
6	1001193018	1	Bracket	
7	1001153636	1	Bracket	
8	1001096070	1	Breaker Box Kit (See Separate Breakdown in this Section)	
9	3290405	4	Nut M4	
10	3311405	6	Nut 1/4	
11	4460662	1	Connector, Strain Relief	
12	4711400	12	Washer 1/4	
13	4811400	8	Washer M4	
14	3252507	1	Decal - 240V-50/60Hz	

SECTION 8 - ELECTRICAL

FIGURE 8-19. AC BOX AT PLATFORM INSTALLATION - 220V CEE7 SIDE GROUND (CE SPECS)
(2500W GENERATOR)



ART_1001100398

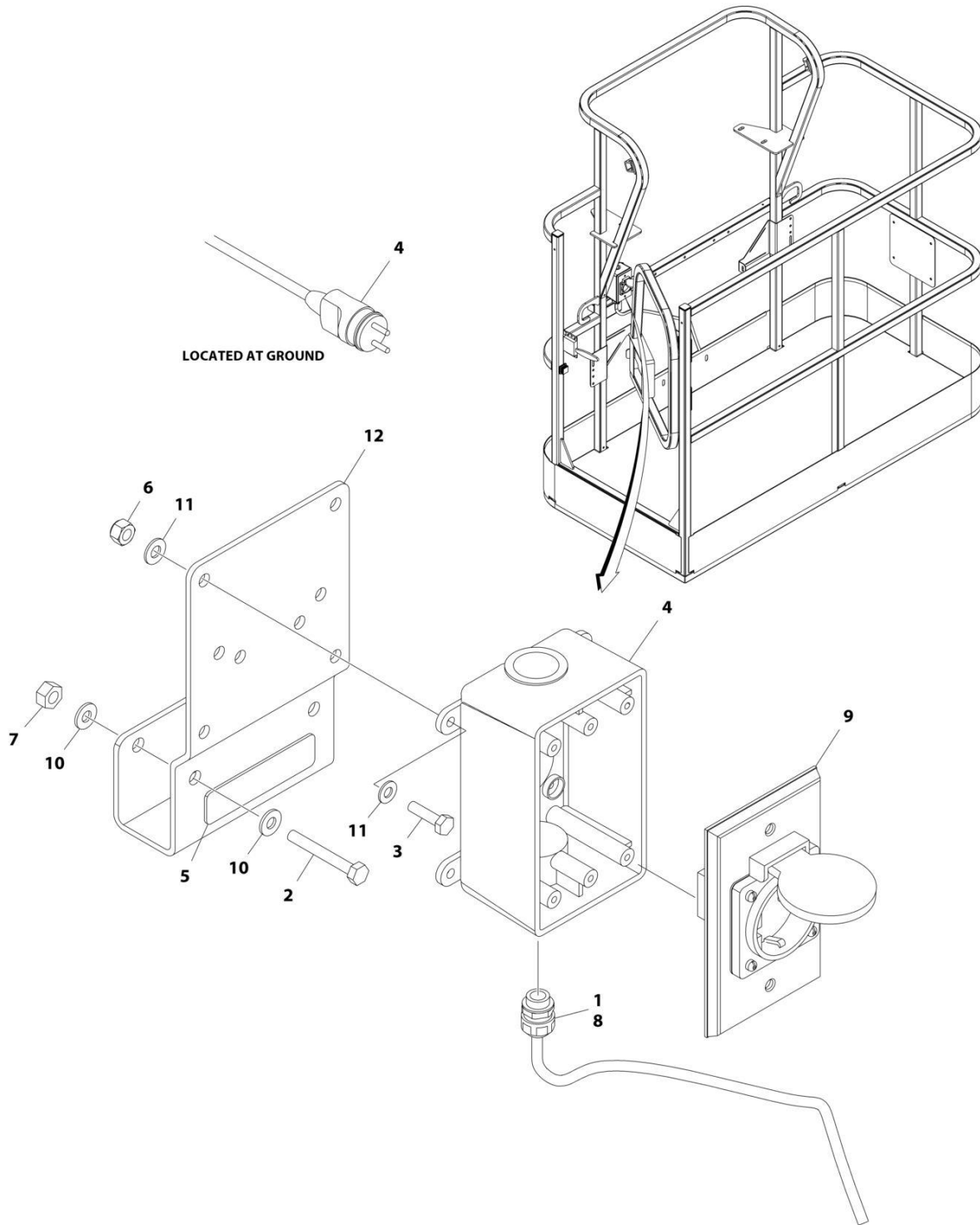
SECTION 8 - ELECTRICAL

**FIGURE 8-19. AC BOX AT PLATFORM INSTALLATION - 220V CEE7 SIDE GROUND (CE SPECS)
(2500W GENERATOR)**

ITEM	PART NUMBER	QTY	DESCRIPTION	REV
	1001100398	Ref	AC BOX AT PLATFORM INSTALLATION	H
1	0641415	2	Bolt 1/4 x 1-7/8	
2	0641407	2	Bolt 1/4 x 7/8	
3	0641416	2	Bolt 1/4 x 2	
4	0700408	4	Bolt M4 x 16	
5	1001193018	1	Bracket	
6	1001153636	1	Bracket	
7	1001109554	1	Breaker Box Kit (See Separate Breakdown in this Section)	
8	3290405	4	Nut M4	
9	3311405	6	Nut 1/4	
10	4460662	1	Connector, Strain Relief	
11	4711400	12	Washer 1/4	
12	4811400	8	Washer M4	
13	1001100347	1	Receptacle Box Kit (See Separate Breakdown in this Section)	
14	3252507	1	Decal - 240V-50/60Hz	

SECTION 8 - ELECTRICAL

FIGURE 8-20. AC BOX AT PLATFORM INSTALLATION - 220V CEE7 SIDE GROUND (2X4 BOX) (CE SPECS) (4000W GENERATOR)



ART_1001194198

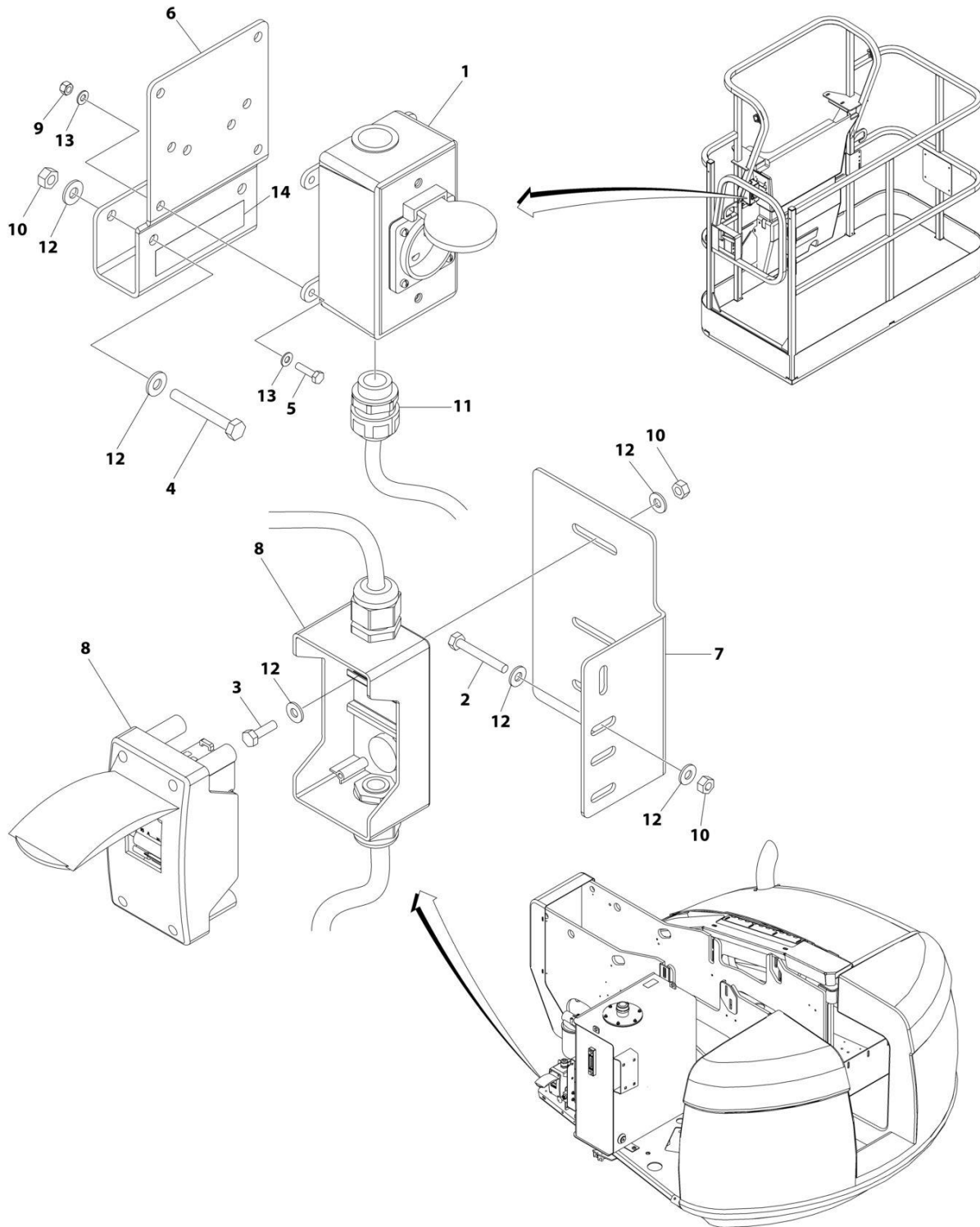
SECTION 8 - ELECTRICAL

FIGURE 8-20. AC BOX AT PLATFORM INSTALLATION - 220V CEE7 SIDE GROUND (2X4 BOX) (CE SPECS) (4000W GENERATOR)

ITEM	PART NUMBER	QTY	DESCRIPTION	REV
	1001194198	Ref	AC BOX AT PLATFORM INSTALLATION	B
1	0100020	AR	Sealant, Pipe	
2	0641416	2	Bolt 1/4 x 2	
3	0700408	4	Bolt M4 x 16	
4	0861731	1	Box, Switch	
5	3251242	1	Decal - 240V/50Hz	
6	3290405	4	Nut M4	
7	3311405	2	Nut 1/4	
8	4460662	1	Connector, Strain Relief	
9	4461245	1	Receptacle	
10	4711400	4	Washer 1/4	
11	4811400	8	Washer M4	
12	1001193018	1	Bracket, AC Receptacle	
13	4460806	2	Terminal, Fork (Not Shown)	
14	1001205958	1	Terminal (Not Shown)	

SECTION 8 - ELECTRICAL

FIGURE 8-21. AC BOX AT PLATFORM INSTALLATION - 220V AFSINT 107 (CE SPECS)



ART_0275660

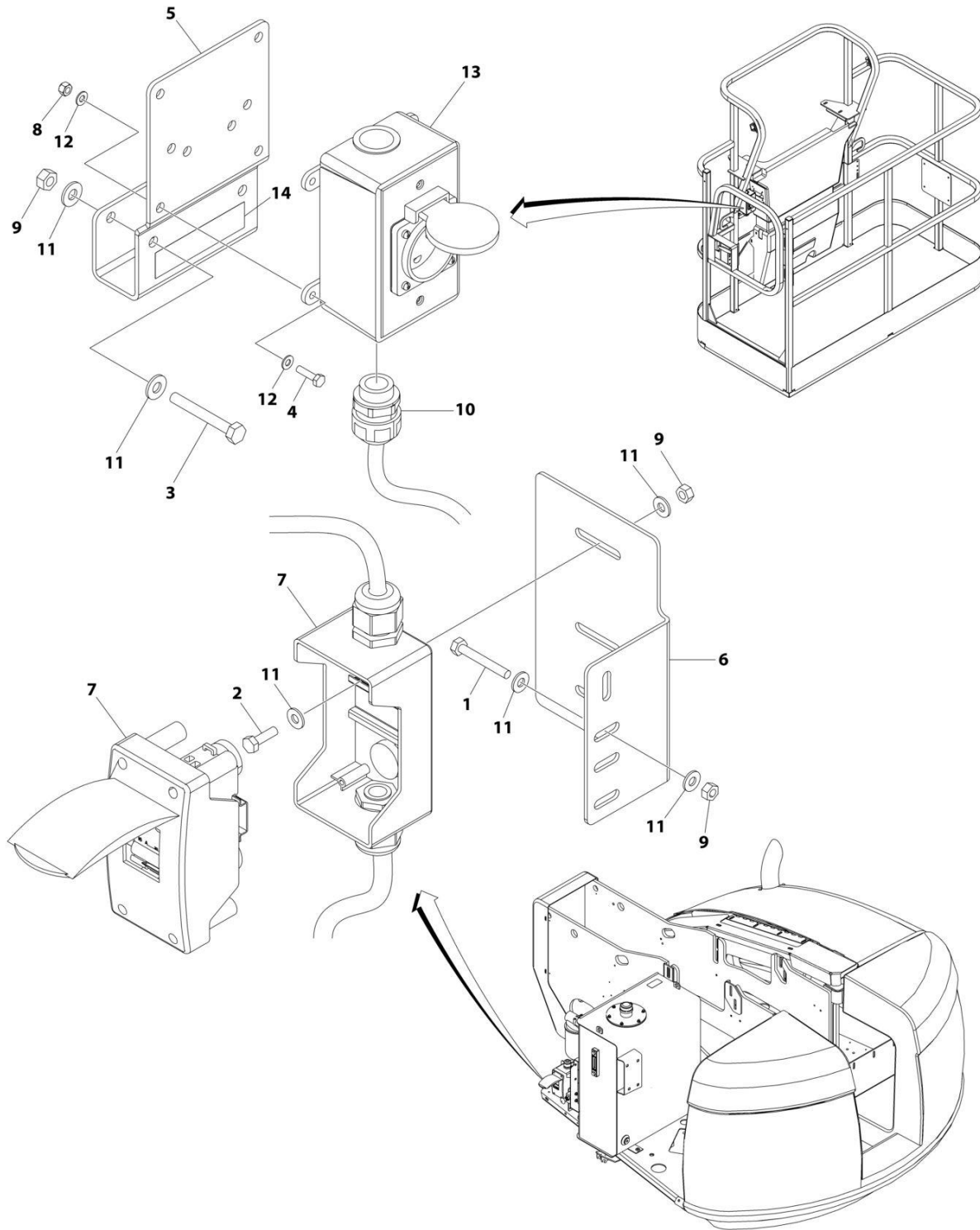
SECTION 8 - ELECTRICAL

FIGURE 8-21. AC BOX AT PLATFORM INSTALLATION - 220V AFSINT 107 (CE SPECS)

ITEM	PART NUMBER	QTY	DESCRIPTION	REV
	0275660	Ref	AC BOX AT PLATFORM INSTALLATION - 220V AFSINT 107	G
1	0275454	1	Receptacle Box Kit (See Separate Breakdown in this Section)	
2	0641415	2	Bolt 1/4 x 1-7/8	
3	0641407	2	Bolt 1/4 x 7/8	
4	0641416	2	Bolt 1/4 x 2	
5	0700408	4	Bolt M4 x 16	
6	1001193018	1	Bracket	
7	1001153636	1	Bracket	
8	1001096070	1	Breaker Box Kit (See Separate Breakdown in this Section)	
9	3290405	4	Nut M4	
10	3311405	6	Nut 1/4	
11	4460662	1	Connector, Strain Relief	
12	4711400	12	Washer 1/4	
13	4811400	8	Washer M4	
14	3252507	1	Decal - 240V-50/60Hz	

SECTION 8 - ELECTRICAL

FIGURE 8-22. AC BOX AT PLATFORM INSTALLATION - 220V AFSINT 107 (CE SPECS) (2500W GENERATOR)



ART_1001100399

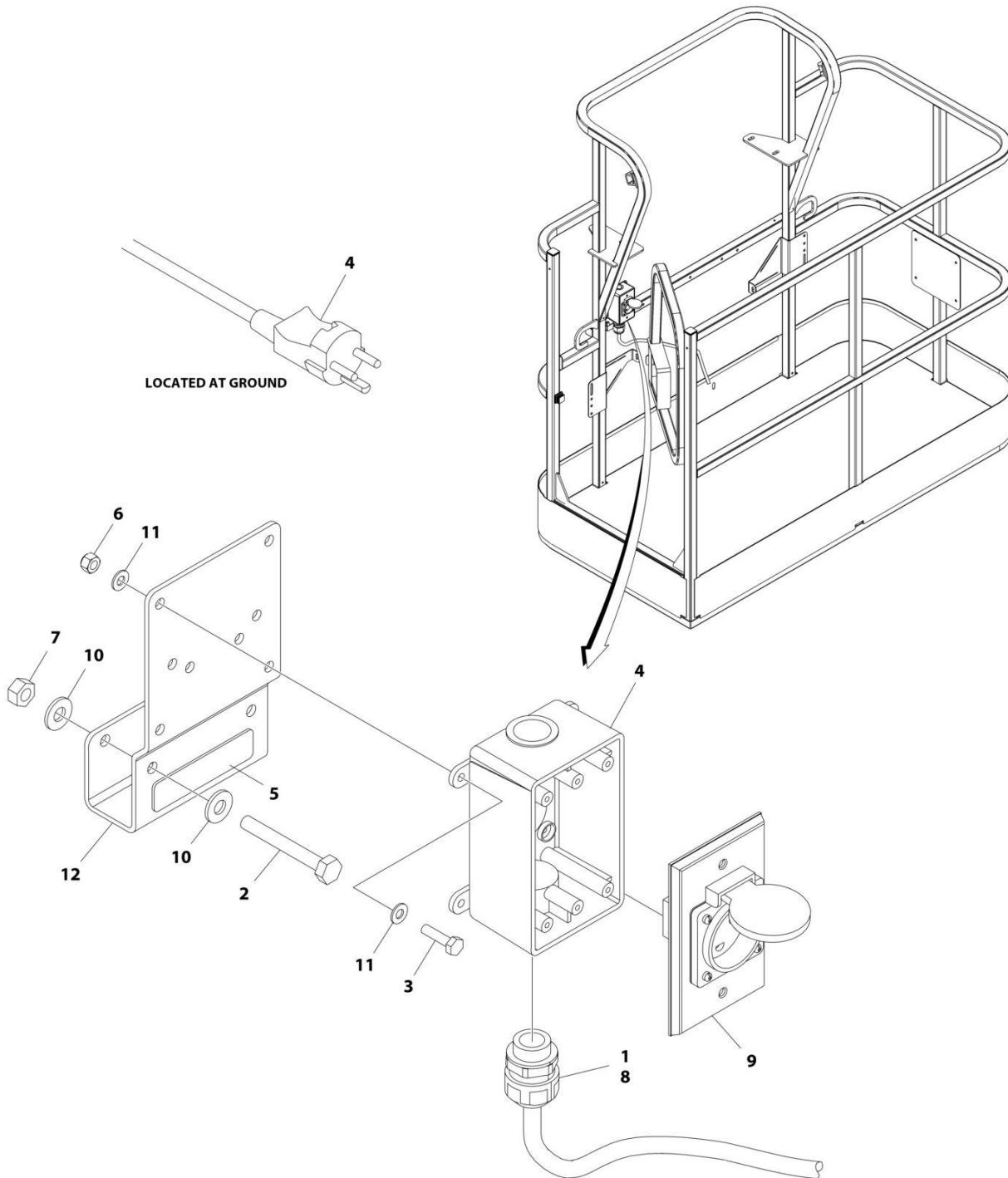
SECTION 8 - ELECTRICAL

FIGURE 8-22. AC BOX AT PLATFORM INSTALLATION - 220V AFSINT 107 (CE SPECS) (2500W GENERATOR)

ITEM	PART NUMBER	QTY	DESCRIPTION	REV
	1001100399	Ref	AC BOX AT PLATFORM INSTALLATION	G
1	0641415	2	Bolt 1/4 x 1-7/8	
2	0641407	2	Bolt 1/4 x 7/8	
3	0641416	2	Bolt 1/4 x 2	
4	0700408	4	Bolt M4 x 16	
5	1001193018	1	Bracket	
6	1001153636	1	Bracket	
7	1001109554	1	Breaker Box Kit (See Separate Breakdown in this Section)	
8	3290405	4	Nut M4	
9	3311405	6	Nut 1/4	
10	4460662	1	Connector, Strain Relief	
11	4711400	12	Washer 1/4	
12	4811400	8	Washer M4	
13	1001100346	1	Receptacle Box Kit (See Separate Breakdown in this Section)	
14	3252507	1	Decal - 240V-50/60Hz	

SECTION 8 - ELECTRICAL

FIGURE 8-23. AC BOX AT PLATFORM INSTALLATION - 220V AFSINT 107 KEYED GROUND (2X4 BOX) (CE SPECS) (4000W GENERATOR)



ART_1001194200

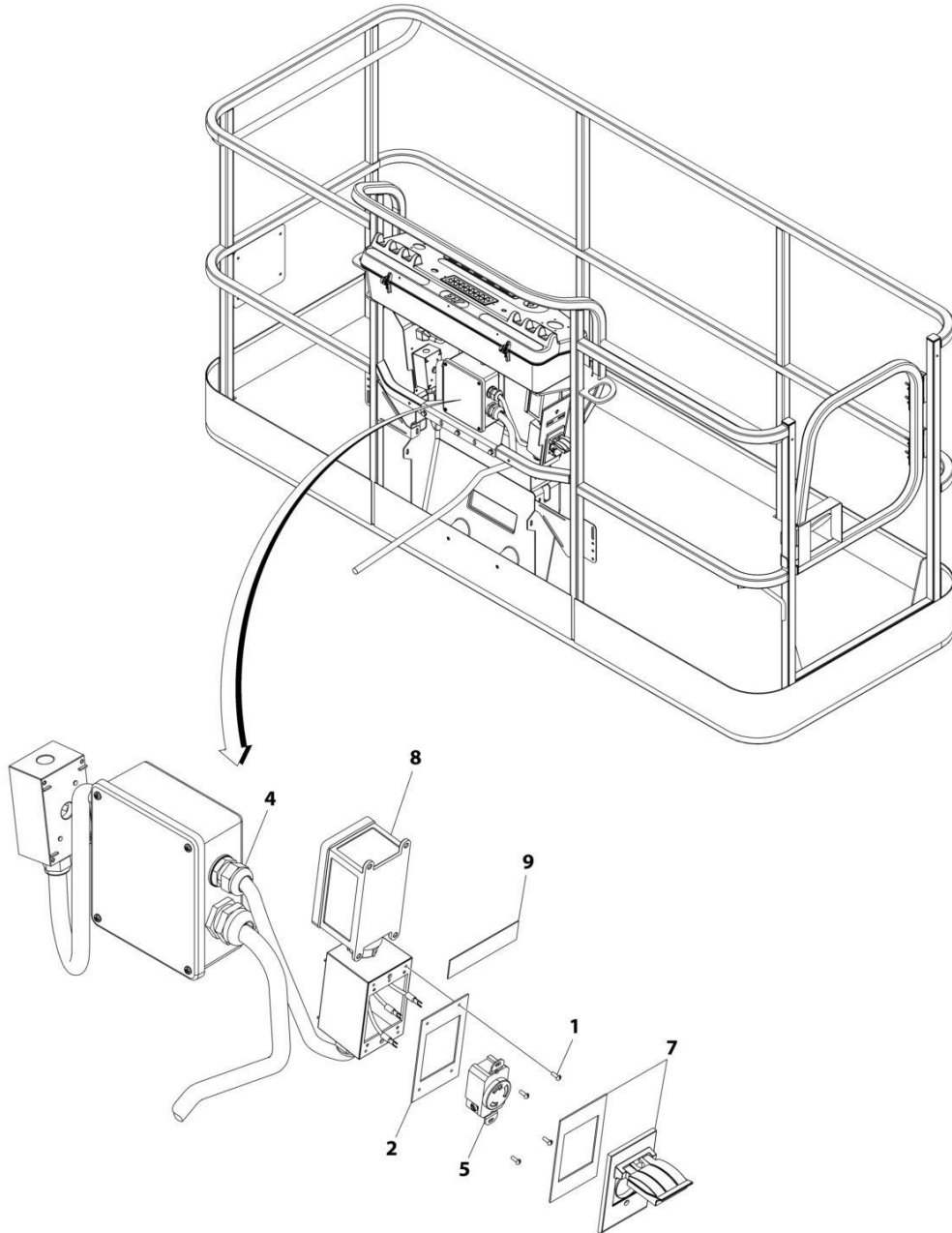
SECTION 8 - ELECTRICAL

FIGURE 8-23. AC BOX AT PLATFORM INSTALLATION - 220V AFSINT 107 KEYED GROUND (2X4 BOX) (CE SPECS) (4000W GENERATOR)

ITEM	PART NUMBER	QTY	DESCRIPTION	REV
	1001194200	Ref	AC BOX AT PLATFORM INSTALLATION	B
1	0100020	AR	Sealant, Pipe	
2	0641416	2	Bolt 1/4 x 2	
3	0700408	4	Bolt M4 x 16	
4	0861731	1	Box, Switch	
5	3251242	1	Decal - 240V/50Hz	
6	3290405	4	Nut M4	
7	3311405	2	Nut 1/4	
8	4460662	1	Connector, Strain Relief	
9	4461246	1	Receptacle	
10	4711400	4	Washer 1/4	
11	4811400	8	Washer M4	
12	1001193018	1	Bracket, AC Receptacle	
13	1001205958	1	Terminal (Not Shown)	

SECTION 8 - ELECTRICAL

FIGURE 8-24. AC BOX AT PLATFORM INSTALLATION - 240V GFCI RECEPTACLE (ANSI, ANSI EXPORT, CHINA, CSA AND JAPANESE SPECS WITH 4000W SKYPOWER GENERATOR)



ART_1001171131

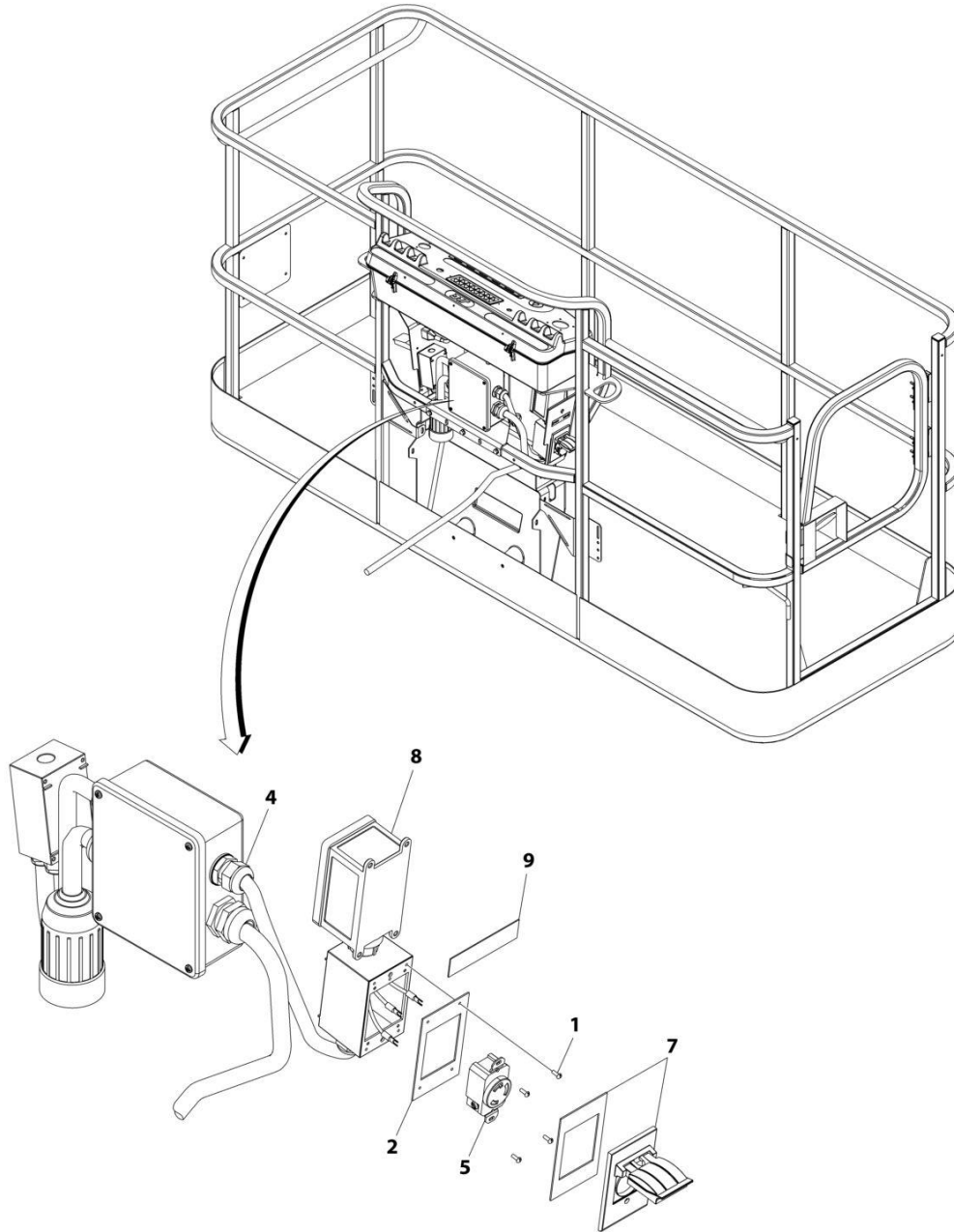
SECTION 8 - ELECTRICAL

FIGURE 8-24. AC BOX AT PLATFORM INSTALLATION - 240V GFCI RECEPTACLE (ANSI, ANSI EXPORT, CHINA, CSA AND JAPANESE SPECS WITH 4000W SKYPOWER GENERATOR)

ITEM	PART NUMBER	QTY	DESCRIPTION	REV
	1001171131	Ref	AC BOX AT PLATFORM INSTALLATION - 240V RECEPTACLE	B
1	3910606	4	Screw 6 x 3/8	
2	3960422	1	Gasket	
3	4240018	AR	Tie-Strap (Not Shown)	
4	4460425	1	Connector, Strain Relief	
5	1001176862	1	Receptacle	
7	1001110872	1	Cover, Receptacle	
8	1001159120	1	Receptacle/Breaker Box Assembly	
8	1001148675	1	Box, Receptacle	
8	1001159118	1	Breaker GFCI 30Amp 240VAC	
8	4460612	1	Connector, Strain Relief	
8	1001159119	1	Connector (Between Boxes)	
9	1705374	1	Decal - 240V/60Hz	

SECTION 8 - ELECTRICAL

FIGURE 8-25. AC BOX AT PLATFORM INSTALLATION - 240V GFCI RECEPTACLE (ANSI AND CSA SPECS WITH 7500W SKYPOWER GENERATOR)



ART_1001159121

SECTION 8 - ELECTRICAL

FIGURE 8-25. AC BOX AT PLATFORM INSTALLATION - 240V GFCI RECEPTACLE (ANSI AND CSA SPECS WITH 7500W SKYPOWER GENERATOR)

ITEM	PART NUMBER	QTY	DESCRIPTION	REV
	1001159121	Ref	AC BOX AT PLATFORM INSTALLATION - 240V RECEPTACLE	B
1	3910606	4	Screw 6 x 3/8	
2	3960422	1	Gasket	
3	4240018	AR	Tie-Strap (Not Shown)	
4	4460425	1	Connector, Strain Relief	
5	4460958	1	Receptacle	
7	1001110872	1	Cover, Receptacle	
8	1001159120	1	Receptacle/Breaker Box Assembly	
8	1001148675	1	Box, Receptacle	
8	1001159118	1	Breaker Box Assembly	
8	4460612	1	Connector, Strain Relief	
8	1001159119	1	Connector (Between Boxes)	
9	1705374	1	Decal - 240V/60Hz	

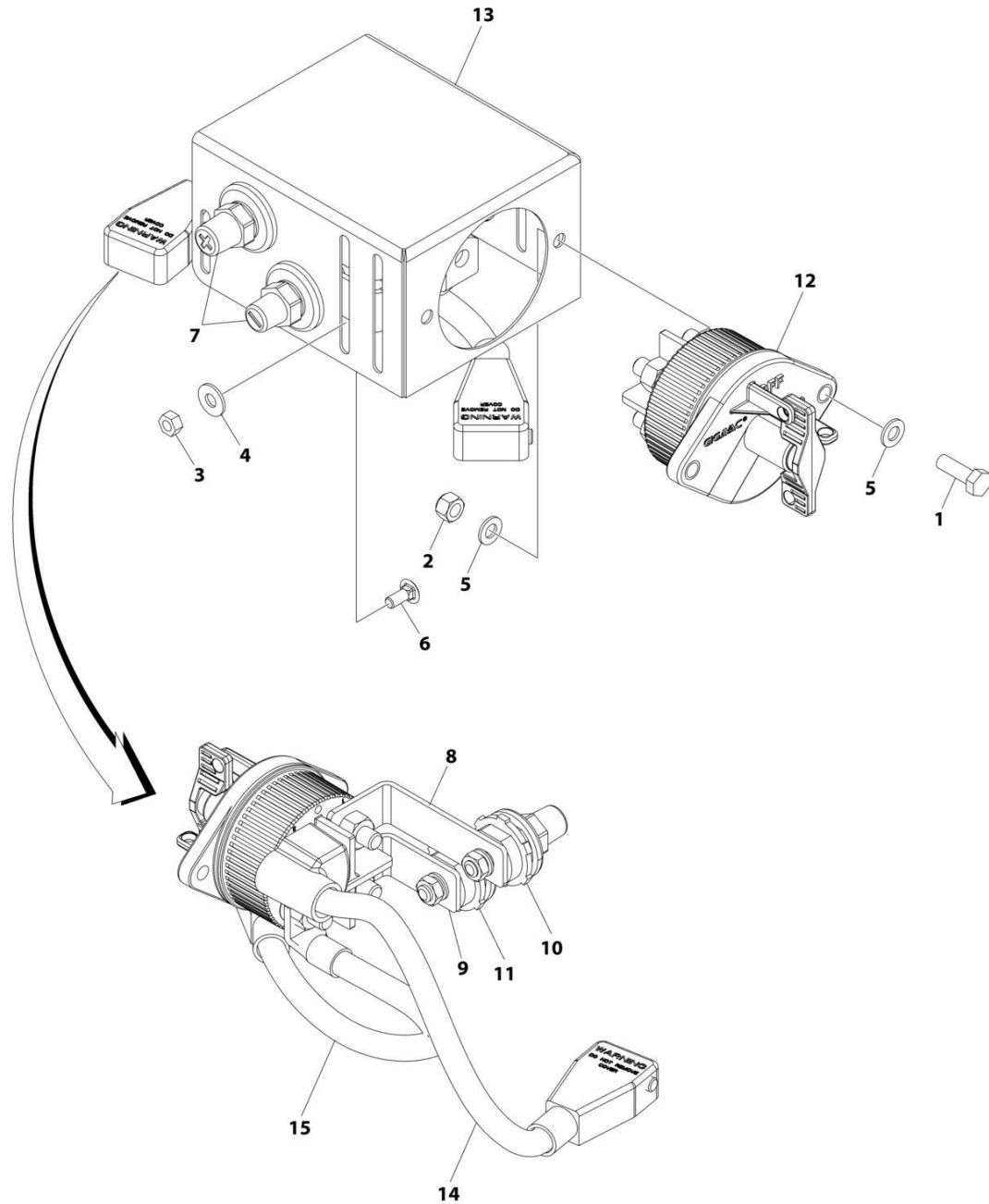
SECTION 8 - ELECTRICAL

FIGURE 8-26. BATTERY DISCONNECT SWITCH INSTALLATION – DEUTZ D2011 AND D2011 (STAGE V) ENGINES (USA BUILT MACHINES - PVC 2001 & 2007, CHINA BUILT MACHINES - PVC 2007)

ITEM	PART NUMBER	QTY	DESCRIPTION	REV
	1001214396	Ref	BATTERY DISCONNECT SWITCH INSTALLATION	B
1	1001225346	1	Switch	
2	1001226529	1	Mount	
3	1001214570	1	Connector (Red)	
4	1001214571	1	Connector (Black)	
5	1001236375	1	Cable (Positive)	
6	1001236376	1	Cable (Negative)	
7	1001236377	1	Cable (Positive)	
8	1001236378	1	Cable (Negative)	
9	1001206476	1	Connector	
10	0760812	2	Bolt M8 x 25	
11	3290805	2	Nut M8	
12	4811900	4	Washer M8	
13	0761012	1	Bolt M10 x 25	
14	3291005	1	Nut M10	
15	4812000	2	Washer M10	
16	1320223	2	Clamp	

SECTION 8 - ELECTRICAL

FIGURE 8-27. BATTERY DISCONNECT SWITCH INSTALLATION (DEUTZ TD2.2L3 (STAGE V), DEUTZ TD2.9L4, DEUTZ D2.9L4 AND FORD DF2.5L ENGINES) (USA BUILT MACHINES - PVC 2001 & 2007, CHINA BUILT MACHINES - PVC 2007)



ART_1001236304

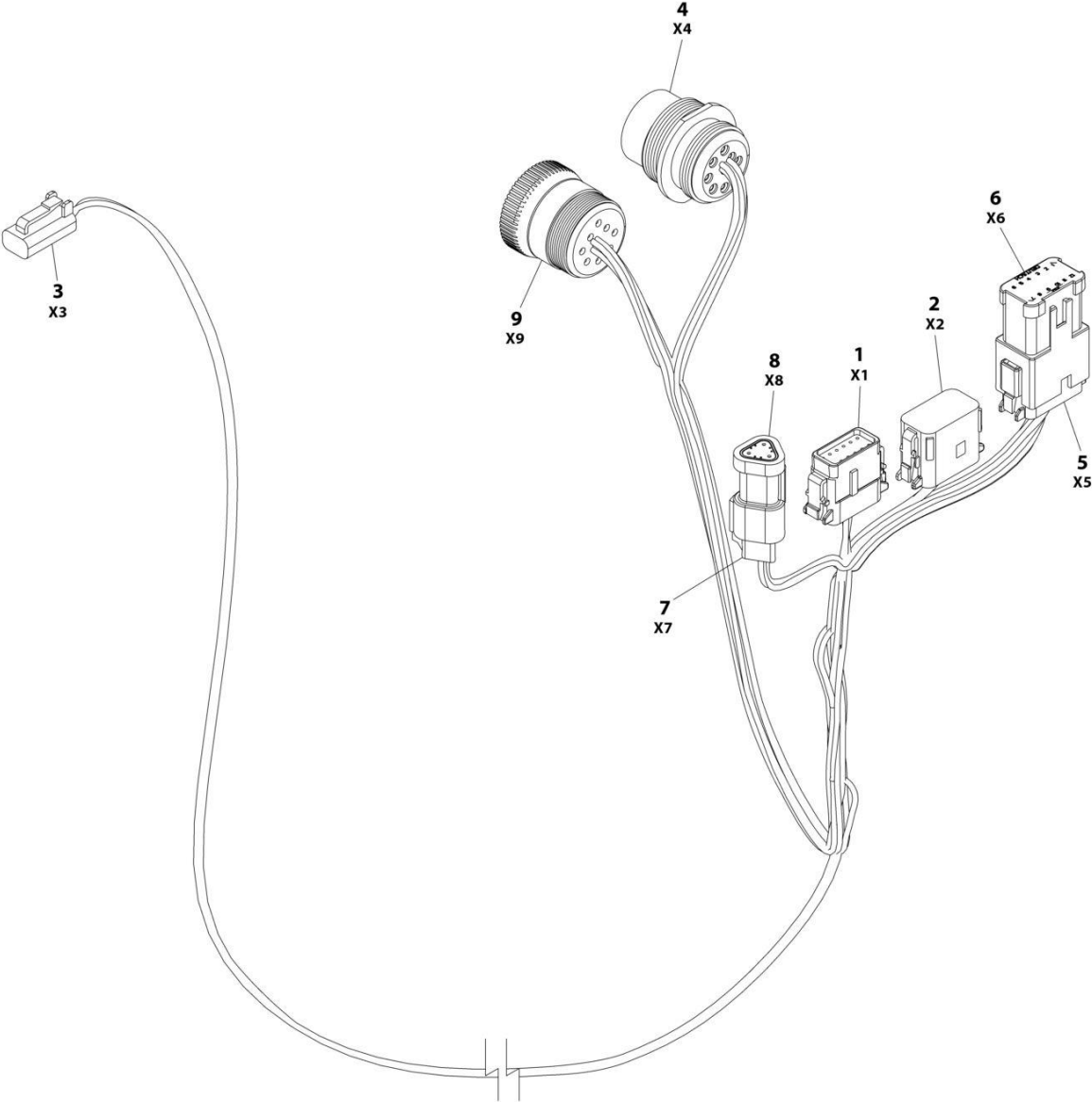
SECTION 8 - ELECTRICAL

FIGURE 8-27. BATTERY DISCONNECT SWITCH INSTALLATION (DEUTZ TD2.2L3 (STAGE V), DEUTZ TD2.9L4, DEUTZ D2.9L4 AND FORD DF2.5L ENGINES) (USA BUILT MACHINES - PVC 2001 & 2007, CHINA BUILT MACHINES - PVC 2007)

ITEM	PART NUMBER	QTY	DESCRIPTION	REV
	1001236304	Ref	BATTERY DISCONNECT SWITCH INSTALLATION	A
1	0760812	2	Bolt M8 x 25	
2	3290805	2	Nut M8	
3	3311405	3	Nut 1/4	
4	4751400	3	Washer 1/4	
5	4811900	4	Washer M8	
6	88411013	3	Bolt 1/4 x 3/4	
7	1001206476	1	Connectors, Post	
8	1001209432	1	Bussbar	
9	1001209474	1	Bussbar	
10	1001214570	1	Connector (Red)	
11	1001214571	1	Connector (Black)	
12	1001225346	1	Switch, Battery	
13	1001226531	1	Mount	
14	1001236504	1	Cable, Battery (+)	
15	1001236505	1	Cable, Battery (-)	

SECTION 8 - ELECTRICAL

FIGURE 8-28. BEACON LIGHT HARNESS (BLUE AND RED BEACON LIGHT)



ART_1001142736

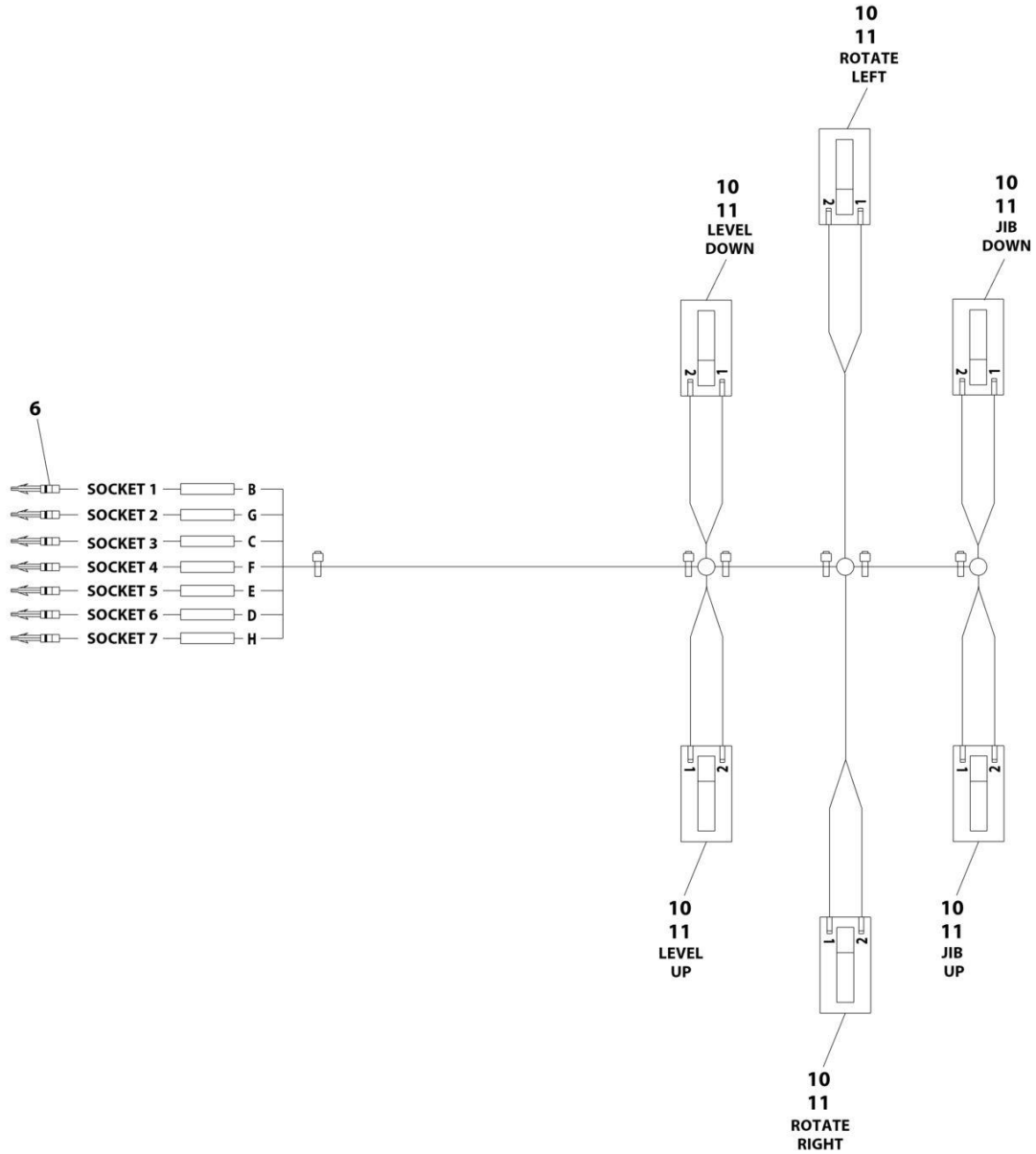
SECTION 8 - ELECTRICAL

FIGURE 8-28. BEACON LIGHT HARNESS (BLUE AND RED BEACON LIGHT)

ITEM	PART NUMBER	QTY	DESCRIPTION	REV
	1001142736	Ref	STROBE LIGHT HARNESS	F
1	1001116808	1	Plug, Male - 12 Position	
1	4460928	3	Socket, Female	
1	4460518	9	Plug, Terminal	
2	1001116774	1	Plug, Male - 12 Position	
2	4460928	3	Socket, Female	
2	4460518	9	Plug, Terminal	
3	4460891	1	Plug, Male - 2 Position	
3	4460465	2	Socket, Female	
4	1001112612	1	Connector - 9 Position	
4	4460464	6	Pin, Male	
4	4460466	3	Plug, Terminal	
5	4460933	1	Plug, Male - 12 Position	
5	4460465	12	Socket, Female	
6	1001119020	1	Bussbar - 12 Position	
7	4461095	1	Plug, Male - 3 Position	
7	4460465	3	Socket, Female	
8	4461070	1	Bussbar - 3 Position	
9	1001112796	1	Connector - 9 Position	
9	4460465	6	Socket, Female	
9	4460466	3	Plug, Terminal	

SECTION 8 - ELECTRICAL

FIGURE 8-29. BOOM VALVE HARNESS



ART_1001139135

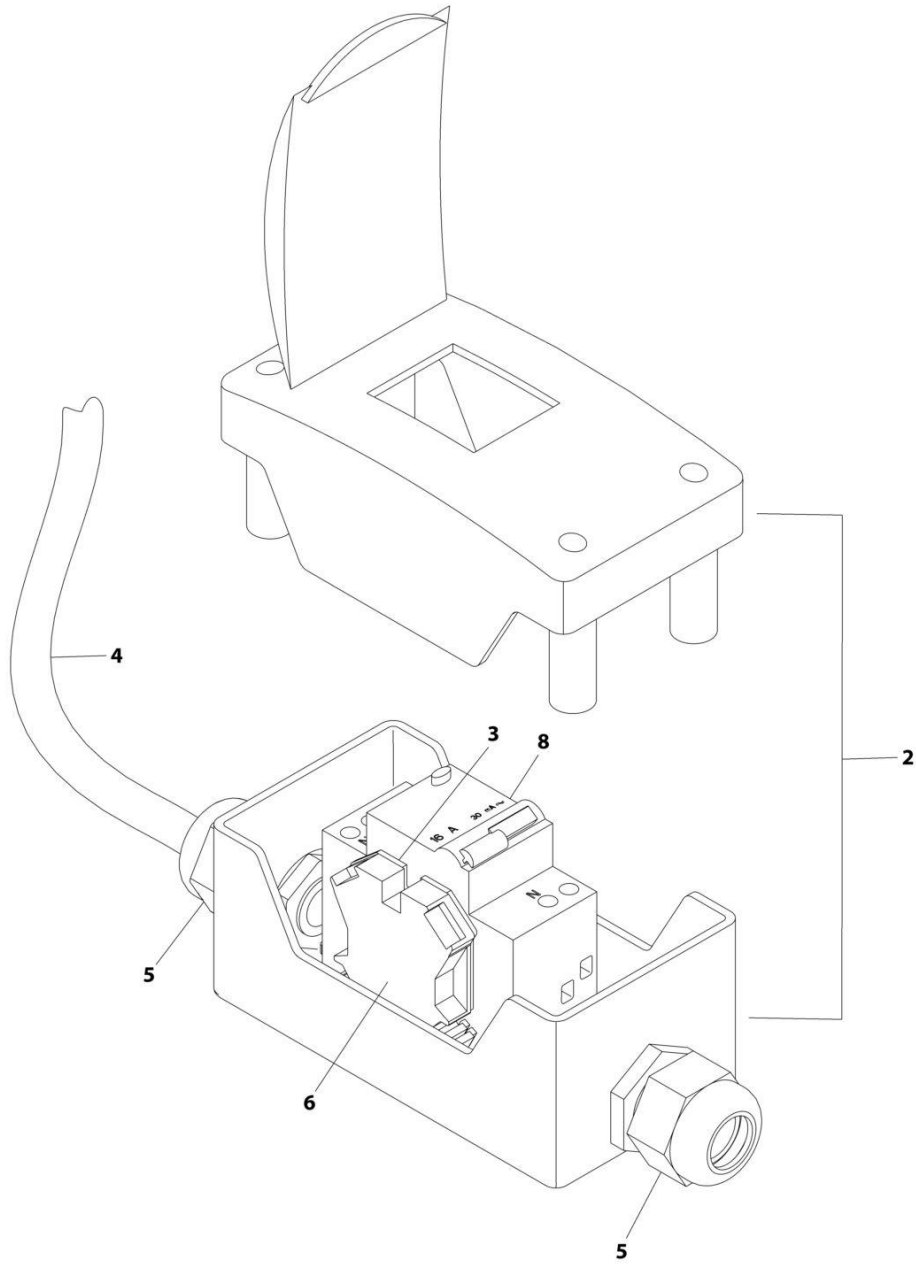
SECTION 8 - ELECTRICAL

FIGURE 8-29. BOOM VALVE HARNESS

ITEM	PART NUMBER	QTY	DESCRIPTION	REV
	1001139135	Ref	BOOM VALVE HARNESS	3
6	4460226	7	Terminal, Socket	
10	4460891	6	Deutsch connector	
11	1001116692	12	Socket	

SECTION 8 - ELECTRICAL

FIGURE 8-30. BREAKER BOX KIT - SINGLE DOUBLE POLE BREAKER (WITH 4000W/50HZ GENERATOR)



ART_1001096070

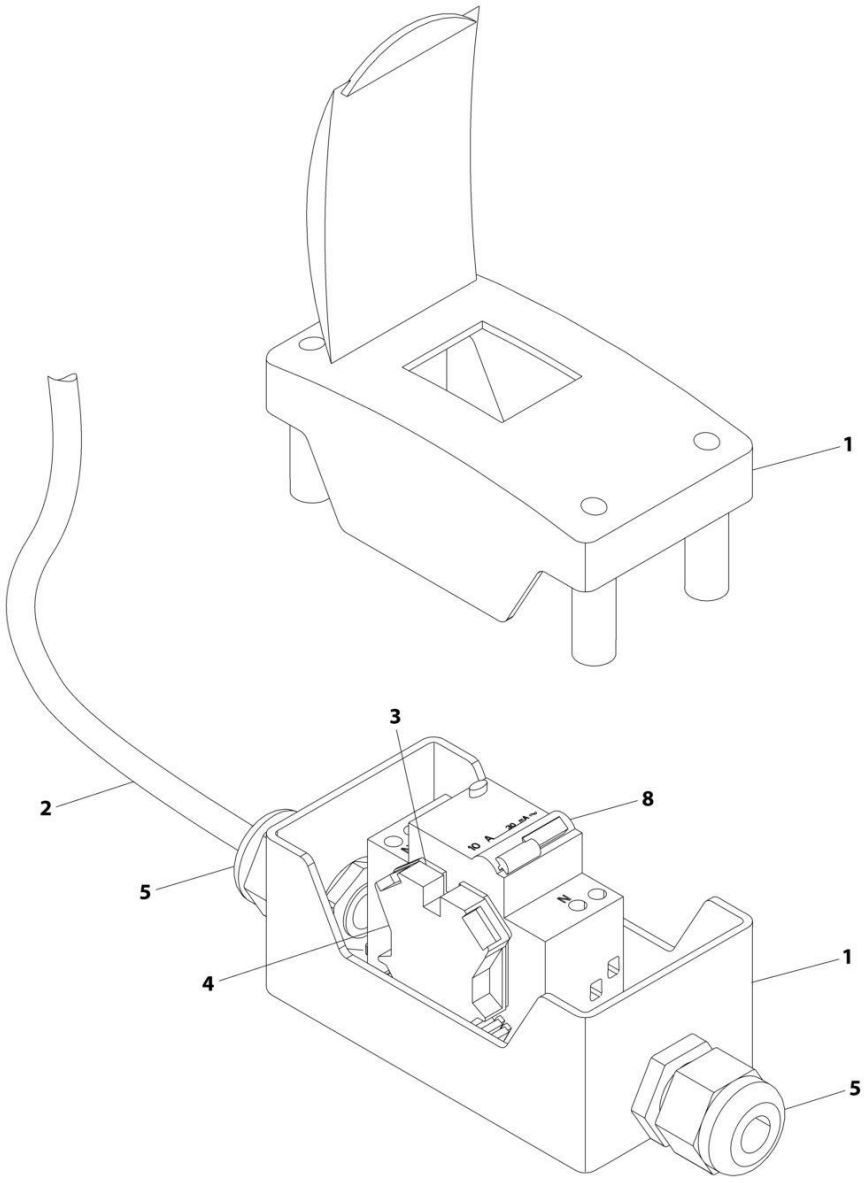
SECTION 8 - ELECTRICAL

FIGURE 8-30. BREAKER BOX KIT - SINGLE DOUBLE POLE BREAKER (WITH 4000W/50HZ GENERATOR)

ITEM	PART NUMBER	QTY	DESCRIPTION	REV
	1001096070	Ref	BREAKER BOX KIT	E
2	0861880	1	Box	
3	4460956	1	Barrier, Terminal Block End	
4	1060908	12 ft/ 3.6m	Cable, 12/3	
5	1001097150	2	Connector, Strain Relief	
6	4460957	1	Block, Terminal	
8	1001181045	1	Breaker, 16Amp	

SECTION 8 - ELECTRICAL

FIGURE 8-31. BREAKER BOX KIT - 30MA/16 AMP (WITH GENERATOR)



ART_1001109554

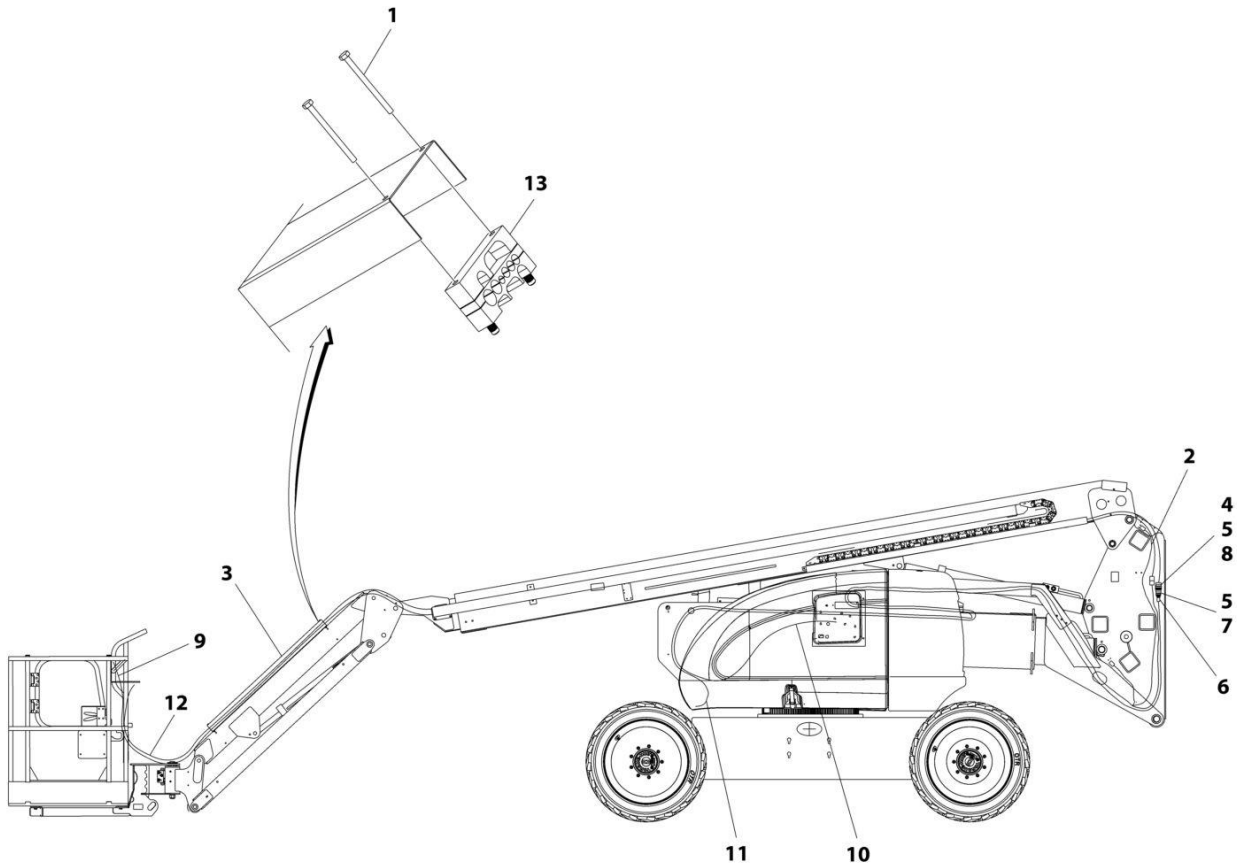
SECTION 8 - ELECTRICAL

FIGURE 8-31. BREAKER BOX KIT - 30MA/16 AMP (WITH GENERATOR)

ITEM	PART NUMBER	QTY	DESCRIPTION	REV
	1001109554	Ref	BREAKER BOX KIT - 30mA/16 AMP	C
1	0861880	1	Box, Breaker	
2	1060908	12 ft /3.6m	Cable, Electrical 12/3	
3	4460956	1	Barrier, Terminal Block End	
4	4460957	1	Block, Terminal	
5	1001097150	2	Connector, Strain Relief	
8	1001181046	1	Breaker, Double 30mA/16Amp	

SECTION 8 - ELECTRICAL

FIGURE 8-32. BOOM CABLES INSTALLATION - WITH 2500W GENERATOR OR NO GENERATOR AND WITHOUT ARCTIC PACKAGE (ANSI SPECS) (USA BUILT MACHINES)



ART_1001165366

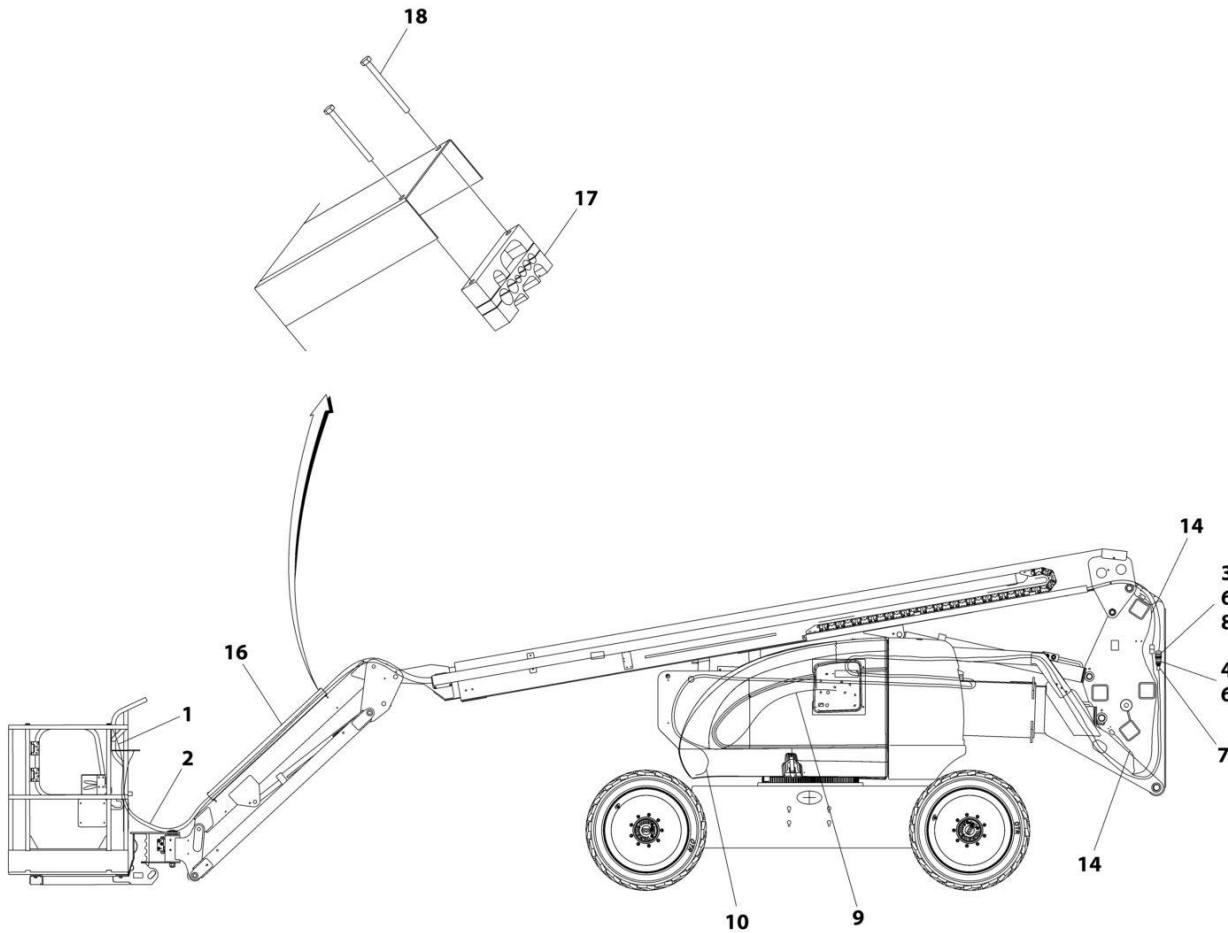
SECTION 8 - ELECTRICAL

FIGURE 8-32. BOOM CABLES INSTALLATION - WITH 2500W GENERATOR OR NO GENERATOR AND WITHOUT ARCTIC PACKAGE (ANSI SPECS) (USA BUILT MACHINES)

ITEM	PART NUMBER	QTY	DESCRIPTION	REV
	1001165366	Ref	BOOM CABLES INSTALLATION	B
1	0700626	4	Bolt M6 x 90	
2	1061033	2	Cable, Electrical 18/2	
3	1671034	1	Cover	
4	2820031	4 in /10.1cm	Heat Shrink	
5	4460466	8	Plug, Terminal	
6	4460473	1	Clamp, Cable	
7	4460865	1	Connector - 19 Position	
8	4460866	1	Connector - 19 Position	
9	4922493	1	Harness, Main Boom without Arctic Package (See Separate Breakdown in this Section)	
10	4922494	1	Harness, Tower Boom Cable without Arctic Package (See Separate Breakdown in this Section)	
11	4922892	1	Cable, Electrical 12/3 (Tower Boom)	
12	4922894	1	Cable, Electrical 12/3 (Main Boom)	
13	1001165350	2	Clamp, Block	

SECTION 8 - ELECTRICAL

FIGURE 8-33. BOOM CABLES INSTALLATION - WITH 2500W GENERATOR OR NO GENERATOR AND WITH ARCTIC PACKAGE (ANSI EXPORT AND CHINA SPECS) (CHINA BUILT MACHINES) (PVC 2001)



ART_0275140

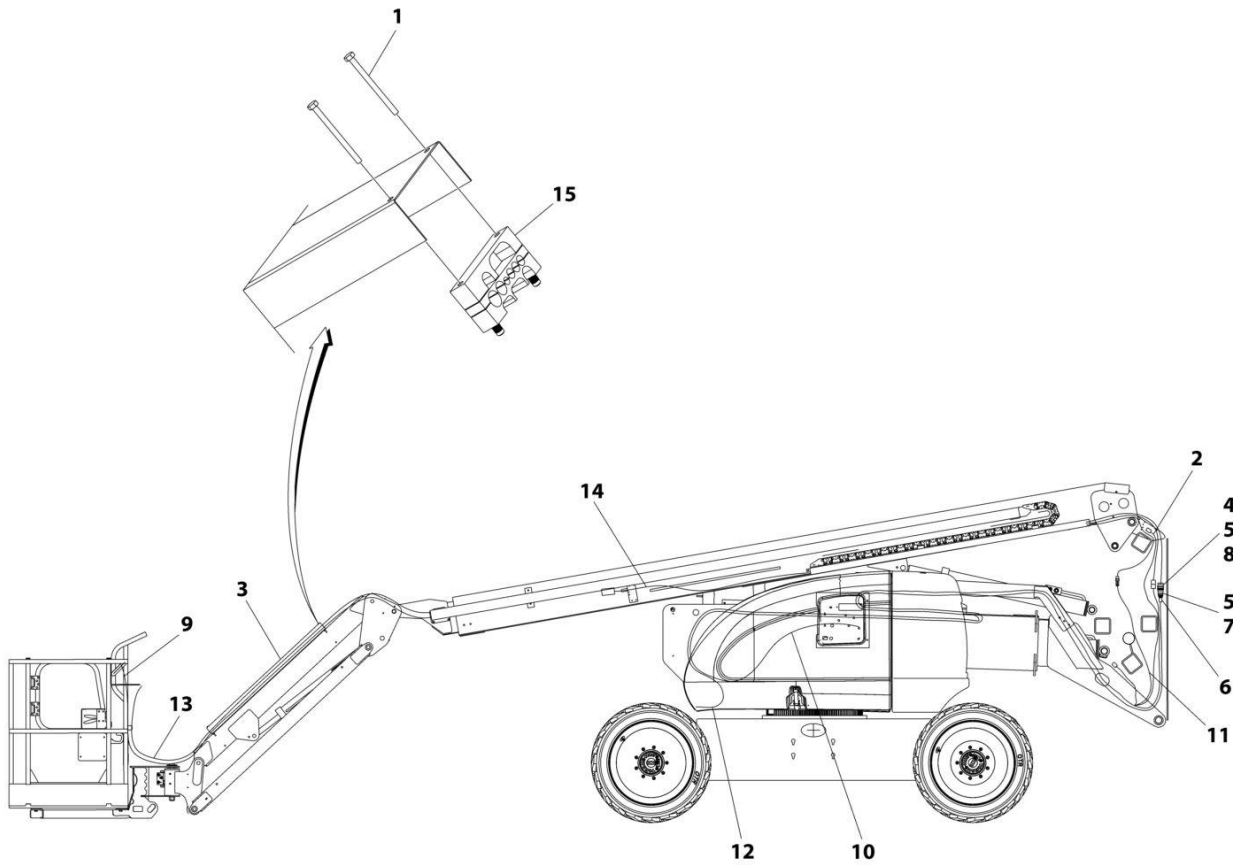
SECTION 8 - ELECTRICAL

FIGURE 8-33. BOOM CABLES INSTALLATION - WITH 2500W GENERATOR OR NO GENERATOR AND WITH ARCTIC PACKAGE (ANSI EXPORT AND CHINA SPECS) (CHINA BUILT MACHINES) (PVC 2001)

ITEM	PART NUMBER	QTY	DESCRIPTION	REV
	0275140	Ref	BOOM CABLES INSTALLATION	1
1	4923472	1	Harness, Main Boom with Arctic Package (See Separate Breakdown in this Section)	
2	4923474	1	Cable, Electrical 12/3 (Main Boom)	
3	2820031	4 in /10.1cm	Heat Shrink	
4	4460865	1	Connector - 19 Position	
6	4460466	8	Plug, Terminal	
7	4460473	1	Clamp, Cable	
8	4460866	1	Connector - 19 Position	
9	4923473	1	Harness, Tower Boom Cable with Arctic Package (See Separate Breakdown in this Section)	
10	4923475	1	Cable, Electrical 12/3 (Tower Boom)	
14	4923476	2	Cable, Electrical 18/2	
16	1670769	1	Cover	
17	0561237	2	Clamp, Block	
18	0641416	4	Bolt 1/4 x 2	

SECTION 8 - ELECTRICAL

FIGURE 8-34. BOOM CABLES INSTALLATION – WITH 2500W GENERATOR OR NO GENERATOR AND WITHOUT ARCTIC PACKAGE (CE SPECS) (USA BUILT MACHINES)



ART_1001165551

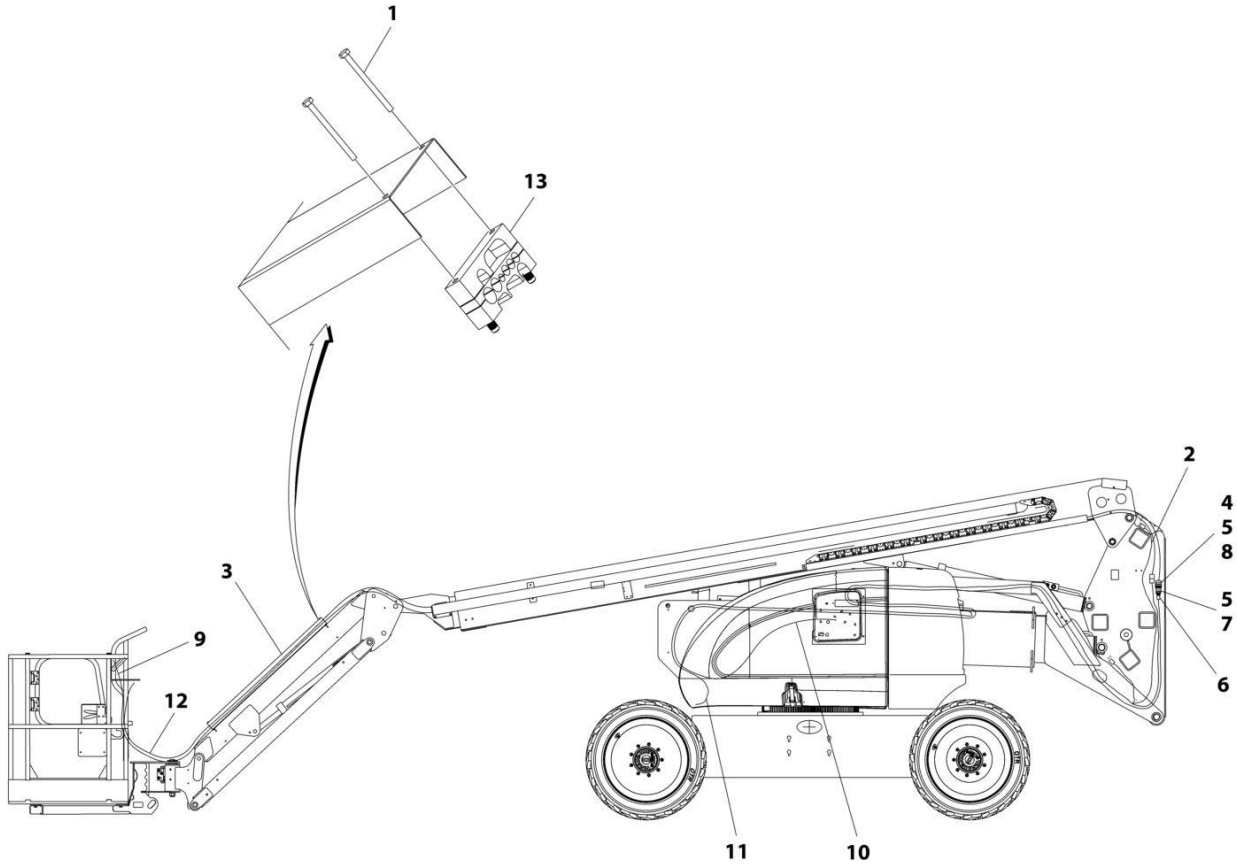
SECTION 8 - ELECTRICAL

FIGURE 8-34. BOOM CABLES INSTALLATION – WITH 2500W GENERATOR OR NO GENERATOR AND WITHOUT ARCTIC PACKAGE (CE SPECS) (USA BUILT MACHINES)

ITEM	PART NUMBER	QTY	DESCRIPTION	REV
	1001165551	Ref	BOOM CABLES INSTALLATION	C
1	0700626	4	Bolt 1/4 x 3	
2	1061033	2	Cable, Electrical 18/2	
3	1671034	1	Cover	
4	2820031	4 in /10.1cm	Heat Shrink	
5	4460466	8	Plug, Terminal	
6	4460473	1	Clamp, Cable	
7	4460865	1	Connector - 19 Position	
8	4460866	1	Connector - 19 Position	
9	4922493	1	Harness, Main Boom without Arctic Package (See Separate Breakdown in this Section)	
10	4922494	1	Harness, Tower Boom Cable without Arctic Package (See Separate Breakdown in this Section)	
11	4922891	1	Cable, Electrical - 18/2 Tower Boom Length	
12	4922893	1	Cable, Electrical 12/3 (Tower Boom)	
13	4922895	1	Cable, Electrical 12/3 (Main Boom)	
14	4922896	1	Cable, Electrical - 18/2 Main Boom Length	
15	1001165350	2	Clamp, Block	

SECTION 8 - ELECTRICAL

FIGURE 8-35. BOOM CABLES INSTALLATION – WITH 2500W GENERATOR OR NO GENERATOR WITHOUT AND ARCTIC PACKAGE (ANSI EXPORT, AUSTRALIAN AND CHINA SPECS) (USA BUILT MACHINES - PVC 2001 & 2007, CHINA BUILT MACHINES - PVC 2007)



ART_1001165554

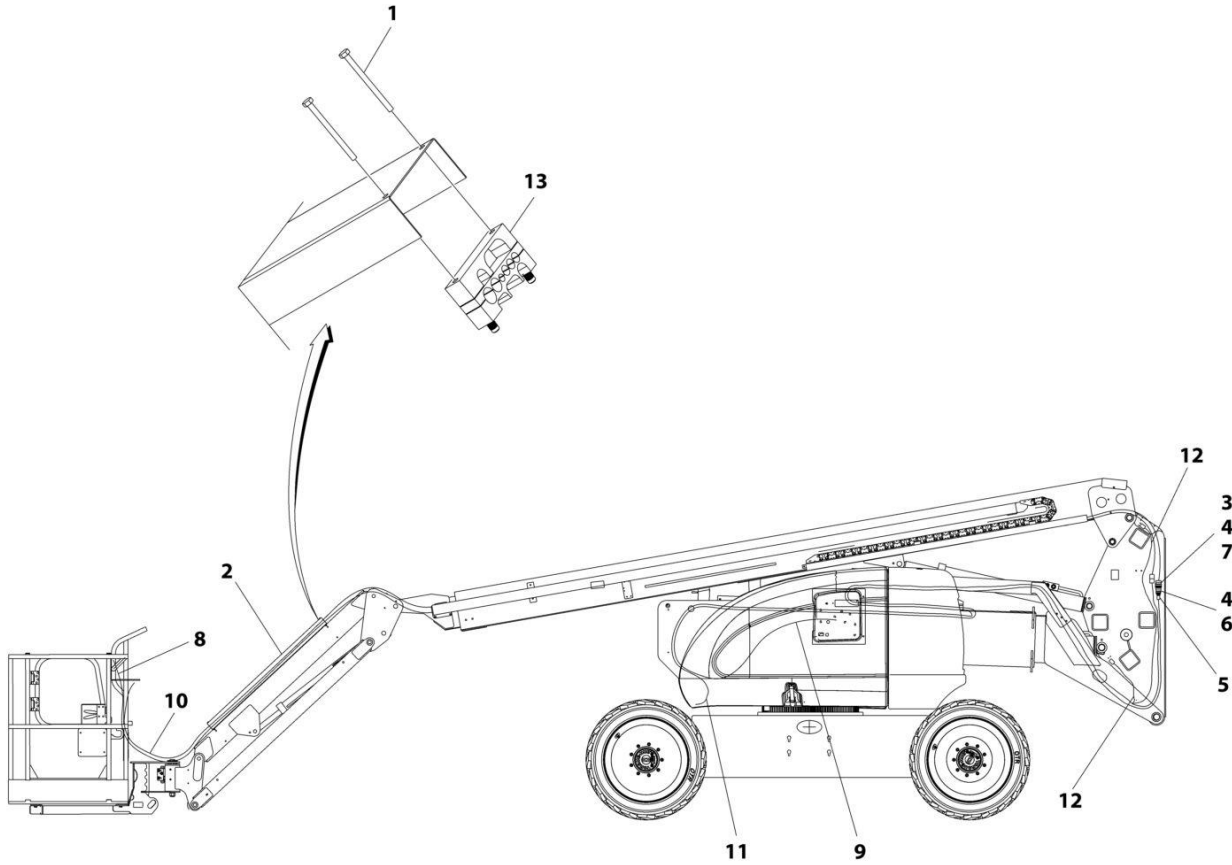
SECTION 8 - ELECTRICAL

FIGURE 8-35. BOOM CABLES INSTALLATION – WITH 2500W GENERATOR OR NO GENERATOR WITHOUT AND ARCTIC PACKAGE (ANSI EXPORT, AUSTRALIAN AND CHINA SPECS) (USA BUILT MACHINES - PVC 2001 & 2007, CHINA BUILT MACHINES - PVC 2007)

ITEM	PART NUMBER	QTY	DESCRIPTION	REV
	1001165554	Ref	BOOM CABLES INSTALLATION	B
1	0700626	4	Bolt M6 x 90	
2	1061033	2	Cable, Electrical 18/2	
3	1671034	1	Cover	
4	2820031	4 in /10.1cm	Heat Shrink	
5	4460466	8	Plug, Terminal	
6	4460473	1	Clamp, Cable	
7	4460865	1	Connector - 19 Position	
8	4460866	1	Connector - 19 Position	
9	4922493	1	Harness, Main Boom without Arctic Package (See Separate Breakdown in this Section)	
10	4922494	1	Harness, Tower Boom Cable without Arctic Package (See Separate Breakdown in this Section)	
11	4922893	1	Cable, Electrical 12/3 (Tower Boom)	
12	4922895	1	Cable, Electrical 12/3 (Main Boom)	
13	1001165350	2	Clamp, Block	

SECTION 8 - ELECTRICAL

FIGURE 8-36. BOOM CABLES INSTALLATION – WITH 2500W GENERATOR OR NO GENERATOR AND WITH ARCTIC PACKAGE (ANSI EXPORT, AUSTRALIAN AND CHINA SPECS) (USA BUILT MACHINES - PVC 2001 & 2007, CHINA BUILT MACHINES - PVC 2007)



ART_1001165556

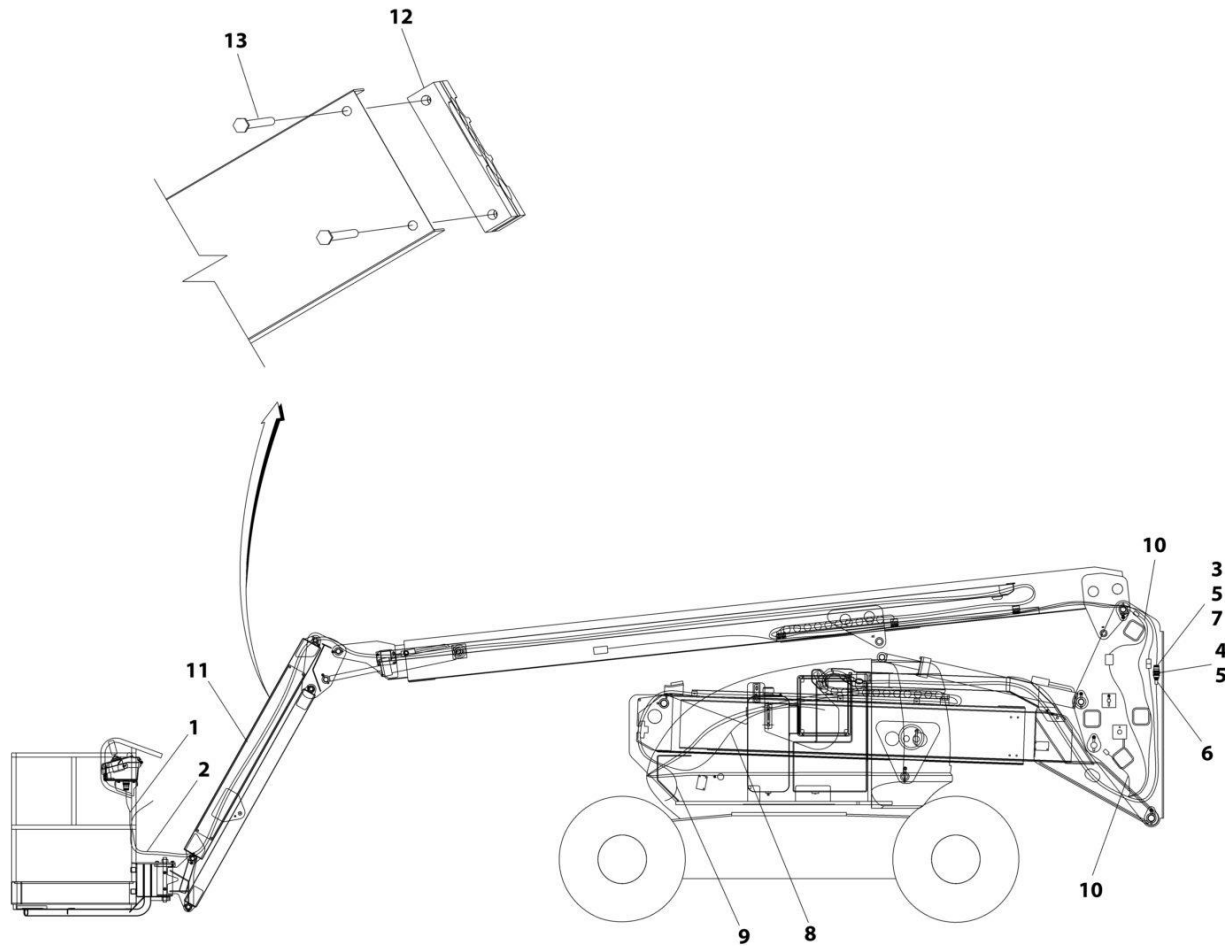
SECTION 8 - ELECTRICAL

FIGURE 8-36. BOOM CABLES INSTALLATION – WITH 2500W GENERATOR OR NO GENERATOR AND WITH ARCTIC PACKAGE (ANSI EXPORT, AUSTRALIAN AND CHINA SPECS) (USA BUILT MACHINES - PVC 2001 & 2007, CHINA BUILT MACHINES - PVC 2007)

ITEM	PART NUMBER	QTY	DESCRIPTION	REV
	1001165556	Ref	BOOM CABLES INSTALLATION	B
1	0700626	4	Bolt M6 x 90	
2	1671034	1	Cover	
3	2820031	4 in /10.1cm	Heat Shrink	
4	4460466	8	Plug, Terminal	
5	4460473	1	Clamp, Cable	
6	4460865	1	Connector - 19 Position	
7	4460866	1	Connector - 19 Position	
8	4923472	1	Harness, Main Boom with Arctic Package (See Separate Breakdown in this Section)	
9	4923473	1	Harness, Tower Boom Cable with Arctic Package (See Separate Breakdown in this Section)	
10	4923474	1	Cable, Electrical 12/3 (Main Boom)	
11	4923475	1	Cable, Electrical 12/3 (Tower Boom)	
12	4923476	2	Cable, Electrical 18/2	
13	1001165350	2	Clamp, Block	

SECTION 8 - ELECTRICAL

FIGURE 8-37. BOOM CABLES INSTALLATION – WITH 2500W GENERATOR (FORD DF 2.5L ENGINES) (ALL SPECS EXCEPT AUSTRALIAN, CE AND JAPANESE SPECS) (USA BUILT MACHINES)



ART_1001153322

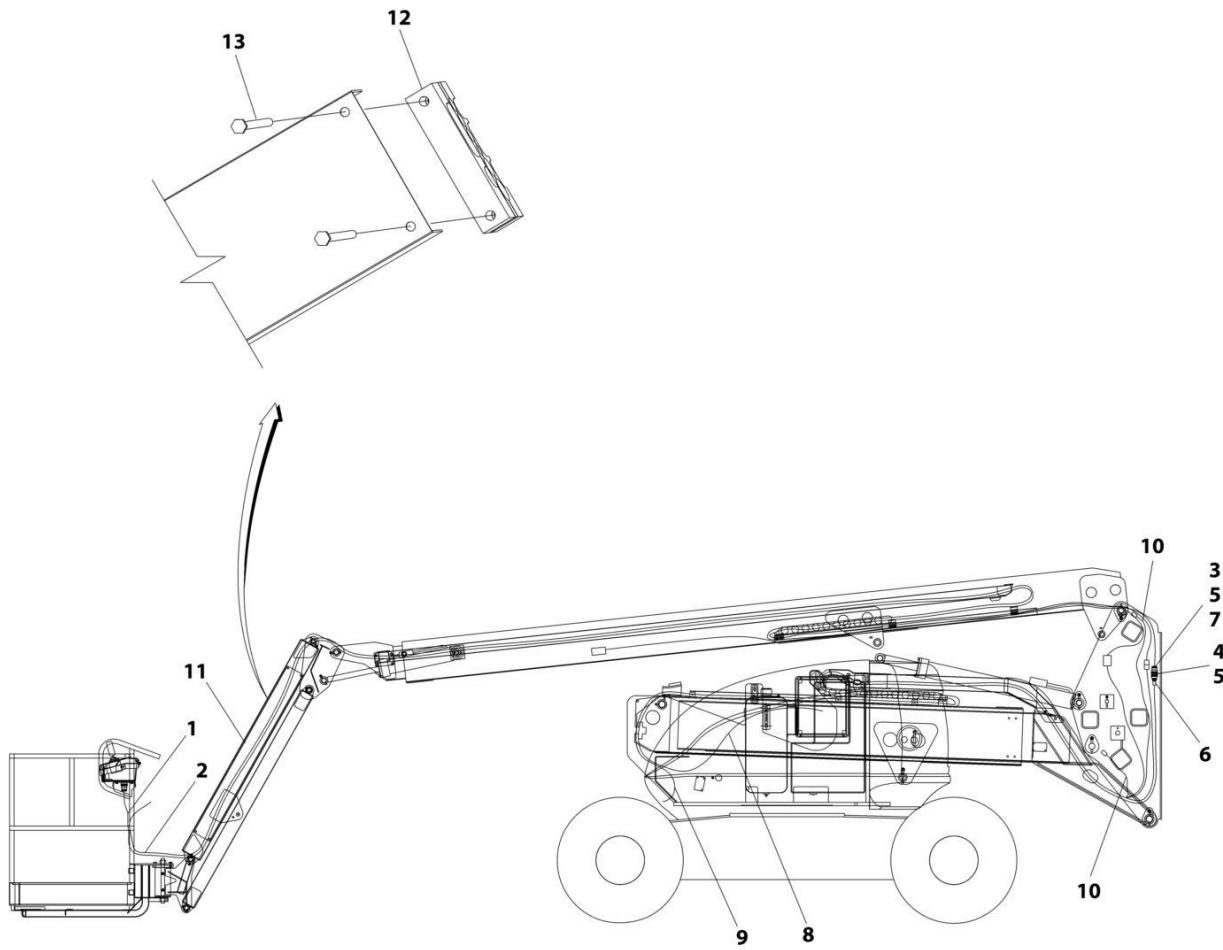
SECTION 8 - ELECTRICAL

FIGURE 8-37. BOOM CABLES INSTALLATION – WITH 2500W GENERATOR (FORD DF 2.5L ENGINES) (ALL SPECS EXCEPT AUSTRALIAN, CE AND JAPANESE SPECS) (USA BUILT MACHINES)

ITEM	PART NUMBER	QTY	DESCRIPTION	REV
	1001153322	Ref	BOOM CABLES INSTALLATION	A
1	4922493	1	Harness, Main Boom without Arctic Package (See Separate Breakdown in this Section)	
2	1001156489	1	Cable, Electrical 10/4	
3	2820031	4 in /10.1cm	Heat Shrink	
4	4460865	1	Connector - 19 Position	
5	4460466	8	Plug, Terminal	
6	4460473	1	Clamp, Cable	
7	4460866	1	Connector - 19 Position	
8	4922494	1	Harness, Tower Boom Cable without Arctic Package (See Separate Breakdown in this Section)	
9	1001156490	1	Cable, Electrical 10/4	
10	1061033	2	Cable, Electrical 18/2	
11	1670769	1	Cover	
12	0561237	2	Clamp, Block	
13	0641416	4	Bolt 1/4 x 2	

SECTION 8 - ELECTRICAL

FIGURE 8-38. BOOM CABLES INSTALLATION – WITH 4000W GENERATOR (ALL SPECS EXCEPT AUSTRALIAN AND CE SPECS)



ART_1001153322

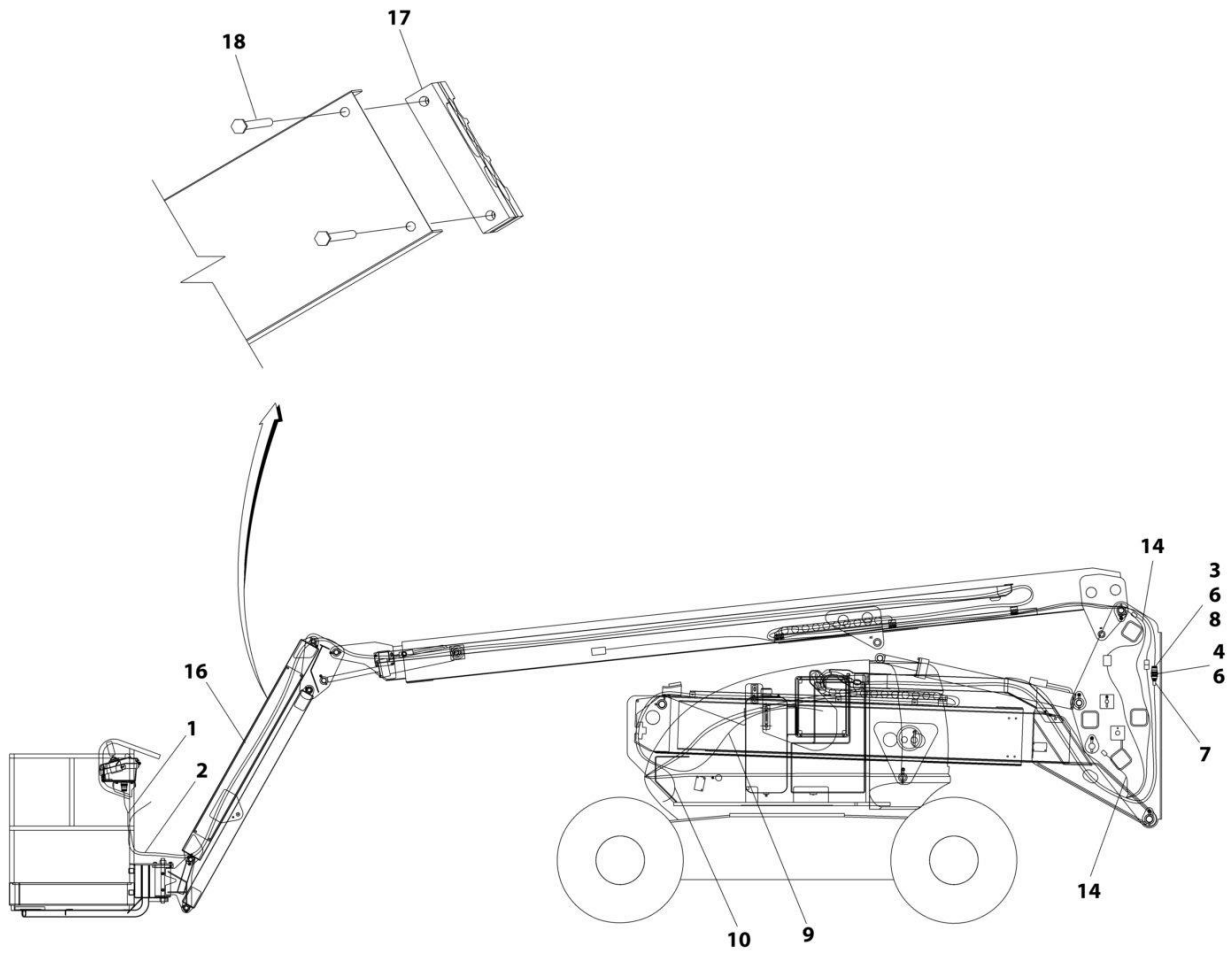
SECTION 8 - ELECTRICAL

FIGURE 8-38. BOOM CABLES INSTALLATION – WITH 4000W GENERATOR (ALL SPECS EXCEPT AUSTRALIAN AND CE SPECS)

ITEM	PART NUMBER	QTY	DESCRIPTION	REV
	1001153322	Ref	BOOM CABLES INSTALLATION	A
1	4922493	1	Harness, Main Boom without Arctic Package (See Separate Breakdown in this Section)	
2	1001156489	1	Cable, Electrical 10/4	
3	2820031	4 in /10.1cm	Heat Shrink	
4	4460865	1	Connector - 19 Position	
5	4460466	8	Plug, Terminal	
6	4460473	1	Clamp, Cable	
7	4460866	1	Connector - 19 Position	
8	4922494	1	Harness, Tower Boom Cable without Arctic Package (See Separate Breakdown in this Section)	
9	1001156490	1	Cable, Electrical 10/4	
10	1061033	2	Cable, Electrical 18/2	
11	1670769	1	Cover	
12	0561237	2	Clamp, Block	
13	0641416	4	Bolt 1/4 x 2	

SECTION 8 - ELECTRICAL

FIGURE 8-39. BOOM CABLES INSTALLATION – WITH 4000W GENERATOR (ANSI EXPORT AND CHINA SPECS) (CHINA BUILT MACHINES) (PVC 2001)



ART_0270820

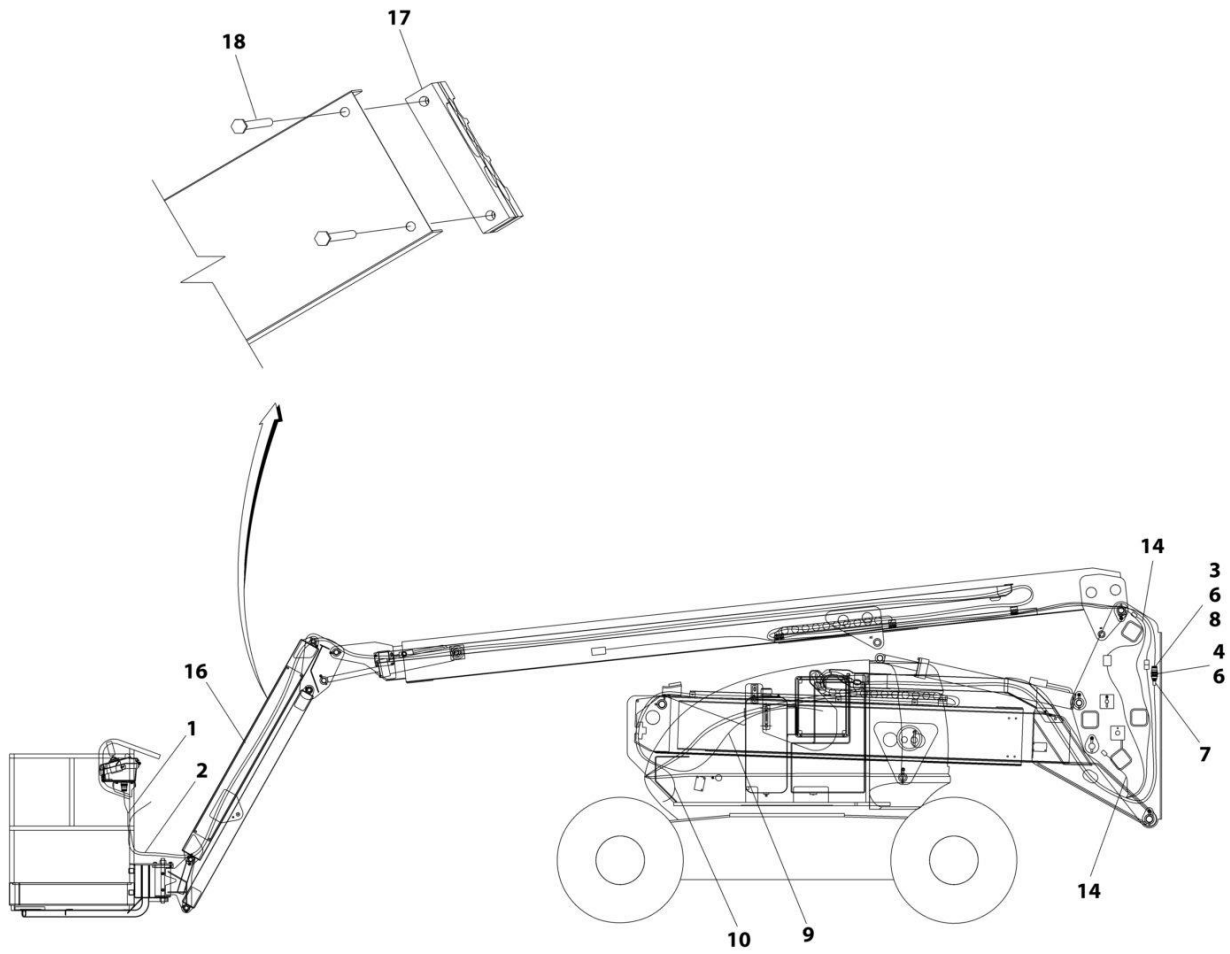
SECTION 8 - ELECTRICAL

FIGURE 8-39. BOOM CABLES INSTALLATION – WITH 4000W GENERATOR (ANSI EXPORT AND CHINA SPECS) (CHINA BUILT MACHINES) (PVC 2001)

ITEM	PART NUMBER	QTY	DESCRIPTION	REV
	0270820	Ref	BOOM CABLES INSTALLATION	6
1	4922493	1	Harness, Main Boom without Arctic Package (See Separate Breakdown in this Section)	
2	4922894	1	Cable, Electrical 12/3 (Main Boom)	
3	2820031	4 in /10.1cm	Heat Shrink	
4	4460865	1	Connector - 19 Position	
6	4460466	8	Plug, Terminal	
7	4460473	1	Clamp, Cable	
8	4460866	1	Connector - 19 Position	
9	4922494	1	Harness, Tower Boom Cable without Arctic Package (See Separate Breakdown in this Section)	
10	4922892	1	Cable, Electrical 12/3 (Tower Boom)	
14	1061033	2	Cable, Electrical 18/2	
16	1670769	1	Cover	
17	0561237	2	Clamp, Block	
18	0641416	4	Bolt 1/4 x 2	

SECTION 8 - ELECTRICAL

FIGURE 8-40. BOOM CABLES INSTALLATION – WITH 4000W GENERATOR (AUSTRALIAN SPECS)
(CHINA BUILT MACHINES) (PVC 2001)



ART_0273428

SECTION 8 - ELECTRICAL

**FIGURE 8-40. BOOM CABLES INSTALLATION – WITH 4000W GENERATOR (AUSTRALIAN SPECS)
(CHINA BUILT MACHINES) (PVC 2001)**

ITEM	PART NUMBER	QTY	DESCRIPTION	REV
	0273428	Ref	BOOM CABLES INSTALLATION	1
1	4922493	1	Harness, Main Boom without Arctic Package (See Separate Breakdown in this Section)	
2	4922895	1	Cable, Electrical 12/3 (Main Boom)	
3	2820031	4 in /10.1cm	Heat Shrink	
4	4460865	1	Connector - 19 Position	
6	4460466	8	Plug, Terminal	
7	4460473	1	Clamp, Cable	
8	4460866	1	Connector - 19 Position	
9	4922494	1	Harness, Tower Boom Cable without Arctic Package (See Separate Breakdown in this Section)	
10	4922893	1	Cable, Electrical 12/3 (Tower Boom)	
14	1061033	2	Cable, Electrical 18/2	
16	1670769	1	Cover	
17	0561237	2	Clamp, Block	
18	0641416	4	Bolt 1/4 x 2	

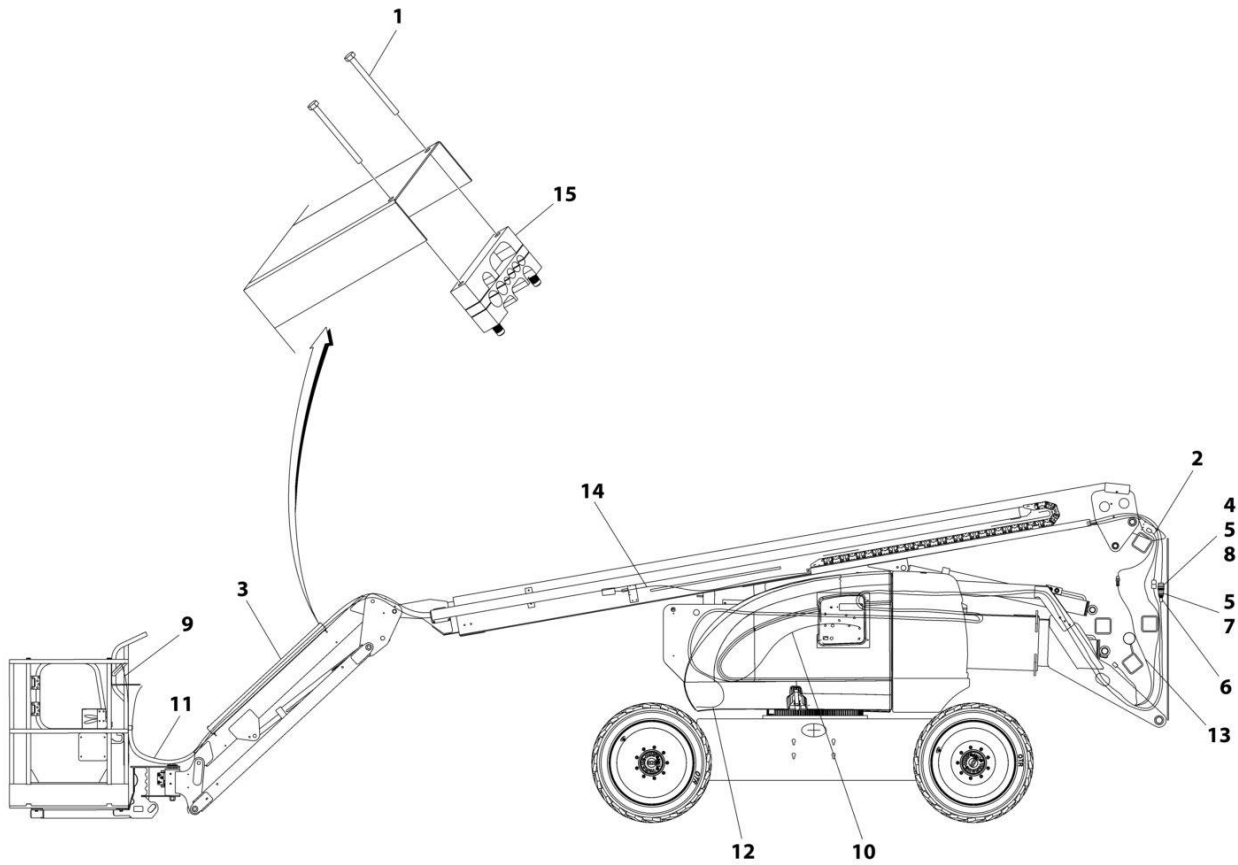
SECTION 8 - ELECTRICAL

FIGURE 8-41. BOOM CABLES INSTALLATION – WITH 7500W GENERATOR WITHOUT ARCTIC PACKAGE (ALL SPEC EXCEPT AUSTRALIAN, CE AND JAPANESE SPECS) (USA BUILT MACHINES - PVC 2001 & 2007, CHINA BUILT MACHINES - PVC 2007)

ITEM	PART NUMBER	QTY	DESCRIPTION	REV
	1001165552	Ref	BOOM CABLES INSTALLATION	B
1	0700626	4	Bolt M6 x 90	
2	1061033	2	Cable, Electrical 18/2	
3	1671034	1	Cover	
4	2820031	4 in /10.1cm	Heat Shrink	
5	4460466	8	Plug, Terminal	
6	4460473	1	Clamp, Cable	
7	4460865	1	Connector - 19 Position	
8	4460866	1	Connector - 19 Position	
9	4922493	1	Harness, Main Boom without Arctic Package (See Separate Breakdown in this Section)	
10	4922494	1	Harness, Tower Boom Cable without Arctic Package (See Separate Breakdown in this Section)	
11	4922810	1	Cable, Electrical 8/5 (Main Boom)	
12	4922811	1	Cable, Electrical 8/5 (Tower Boom)	
13	1001165350	2	Clamp, Block	

SECTION 8 - ELECTRICAL

FIGURE 8-42. BOOM CABLES INSTALLATION – WITH 7500W GENERATOR WITHOUT ARCTIC PACKAGE (CE SPECS) (USA BUILT MACHINES)



ART_1001165553

SECTION 8 - ELECTRICAL

FIGURE 8-42. BOOM CABLES INSTALLATION – WITH 7500W GENERATOR WITHOUT ARCTIC PACKAGE (CE SPECS) (USA BUILT MACHINES)

ITEM	PART NUMBER	QTY	DESCRIPTION	REV
	1001165553	Ref	BOOM CABLES INSTALLATION	C
1	0700626	4	Bolt M6 x 90	
2	1061033	2	Cable, Electrical 18/2	
3	1671034	1	Cover	
4	2820031	4 in /10.1cm	Heat Shrink	
5	4460466	8	Plug, Terminal	
6	4460473	1	Clamp, Cable	
7	4460865	1	Connector - 19 Position	
8	4460866	1	Connector - 19 Position	
9	4922493	1	Harness, Main Boom without Arctic Package (See Separate Breakdown in this Section)	
10	4922494	1	Harness, Tower Boom Cable without Arctic Package (See Separate Breakdown in this Section)	
11	4922810	1	Cable, Electrical 8/5 (Main Boom)	
12	4922811	1	Cable, Electrical 8/5 (Tower Boom)	
13	4922891	1	Cable, Electrical - 18/2 Tower Boom Length	
14	4922896	1	Cable, Electrical - 18/2 Main Boom Length	
15	1001165350	2	Clamp, Block	

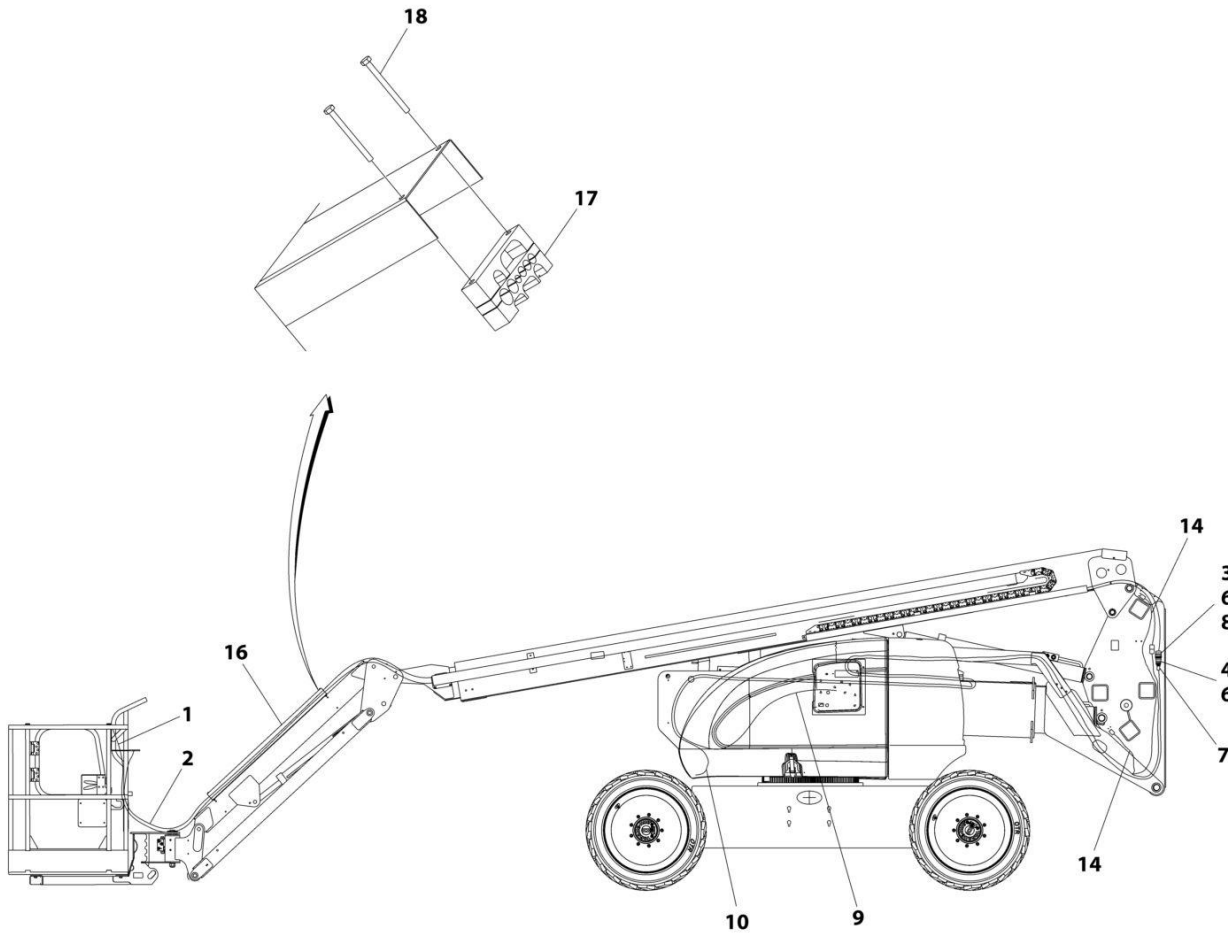
SECTION 8 - ELECTRICAL

FIGURE 8-43. BOOM CABLES INSTALLATION – WITH 7500W GENERATOR WITHOUT ARCTIC PACKAGE (AUSTRALIAN AND JAPANESE SPECS) (USA BUILT MACHINES - PVC 2001 & 2007, CHINA BUILT MACHINES - PVC 2007)

ITEM	PART NUMBER	QTY	DESCRIPTION	REV
	1001165555	Ref	BOOM CABLES INSTALLATION	B
1	0700626	4	Bolt M6 x 90	
2	1061033	2	Cable, Electrical 18/2	
3	1671034	1	Cover	
4	2820031	4 in /10.1cm	Heat Shrink	
5	4460466	8	Plug, Terminal	
6	4460473	1	Clamp, Cable	
7	4460865	1	Connector - 19 Position	
8	4460866	1	Connector - 19 Position	
9	4922493	1	Harness, Main Boom without Arctic Package (See Separate Breakdown in this Section)	
10	4922494	1	Harness, Tower Boom Cable without Arctic Package (See Separate Breakdown in this Section)	
11	4922810	1	Cable, Electrical 8/5 (Main Boom)	
12	4922811	1	Cable, Electrical 8/5 (Tower Boom)	
13	1001165350	2	Clamp, Block	

SECTION 8 - ELECTRICAL

FIGURE 8-44. BOOM CABLES INSTALLATION – WITH 7500W 60HZ GENERATOR WITHOUT ARCTIC PACKAGE (ANSI EXPORT AND CHINA SPECS) (CHINA BUILT MACHINES) (PVC 2001)



ART_0272625

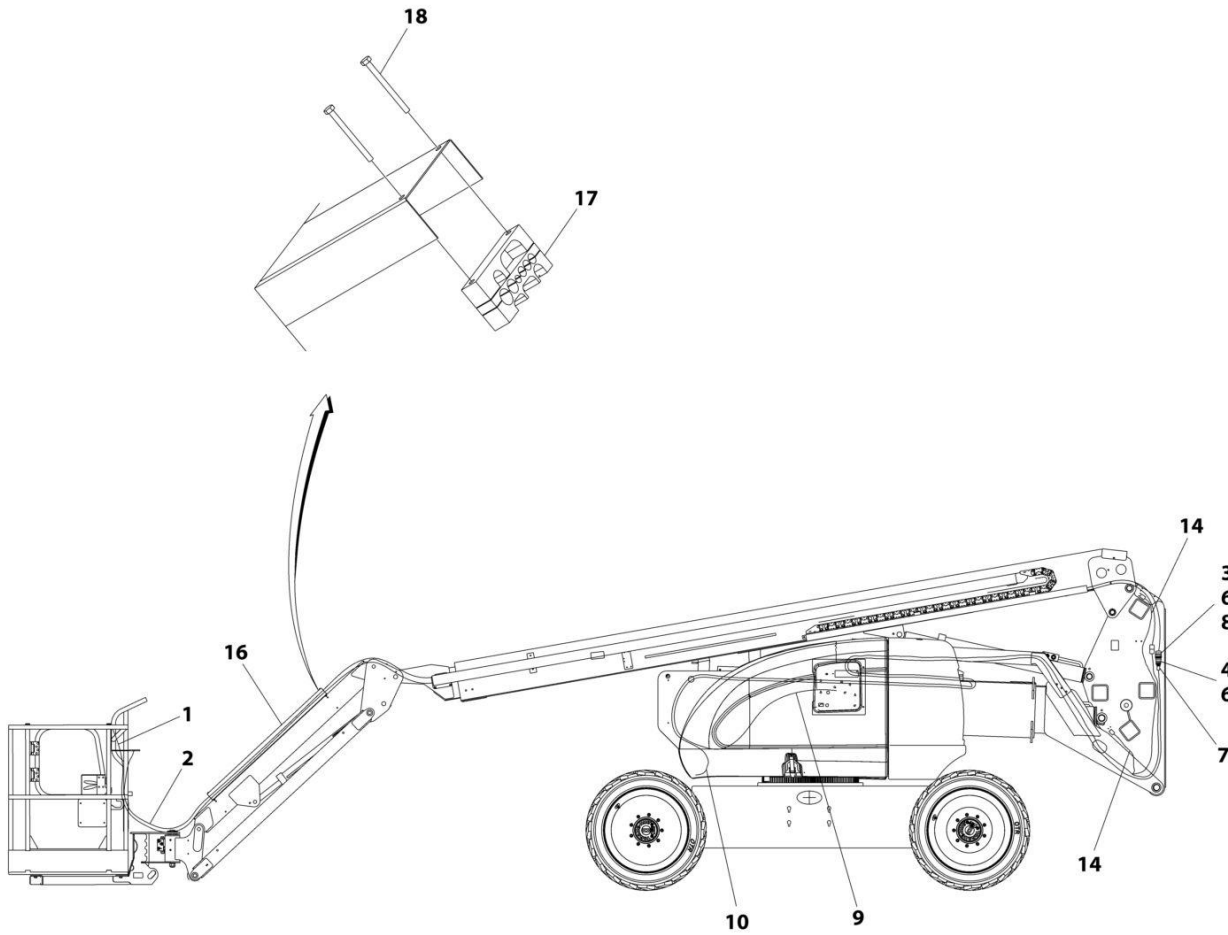
SECTION 8 - ELECTRICAL

FIGURE 8-44. BOOM CABLES INSTALLATION – WITH 7500W 60HZ GENERATOR WITHOUT ARCTIC PACKAGE (ANSI EXPORT AND CHINA SPECS) (CHINA BUILT MACHINES) (PVC 2001)

ITEM	PART NUMBER	QTY	DESCRIPTION	REV
	0272625	Ref	BOOM CABLES INSTALLATION	2
1	4922493	1	Harness, Main Boom without Arctic Package (See Separate Breakdown in this Section)	
2	4922810	1	Cable, Electrical 8/5 (Main Boom)	
3	2820031	4 in /10.1cm	Heat Shrink	
4	4460865	1	Connector - 19 Position	
6	4460466	8	Plug, Terminal	
7	4460473	1	Clamp, Cable	
8	4460866	1	Connector - 19 Position	
9	4922494	1	Harness, Tower Boom Cable without Arctic Package (See Separate Breakdown in this Section)	
10	4922811	1	Cable, Electrical 8/5 (Tower Boom)	
14	1061033	2	Cable, Electrical 18/2	
16	1670769	1	Cover	
17	0561237	2	Clamp, Block	
18	0641416	4	Bolt 1/4 x 2	

SECTION 8 - ELECTRICAL

FIGURE 8-45. BOOM CABLES INSTALLATION – WITH 7500W 50HZ GENERATOR WITHOUT ARCTIC PACKAGE (AUSTRALIAN SPECS) (CHINA BUILT MACHINES) (PVC 2001)



ART_0273430

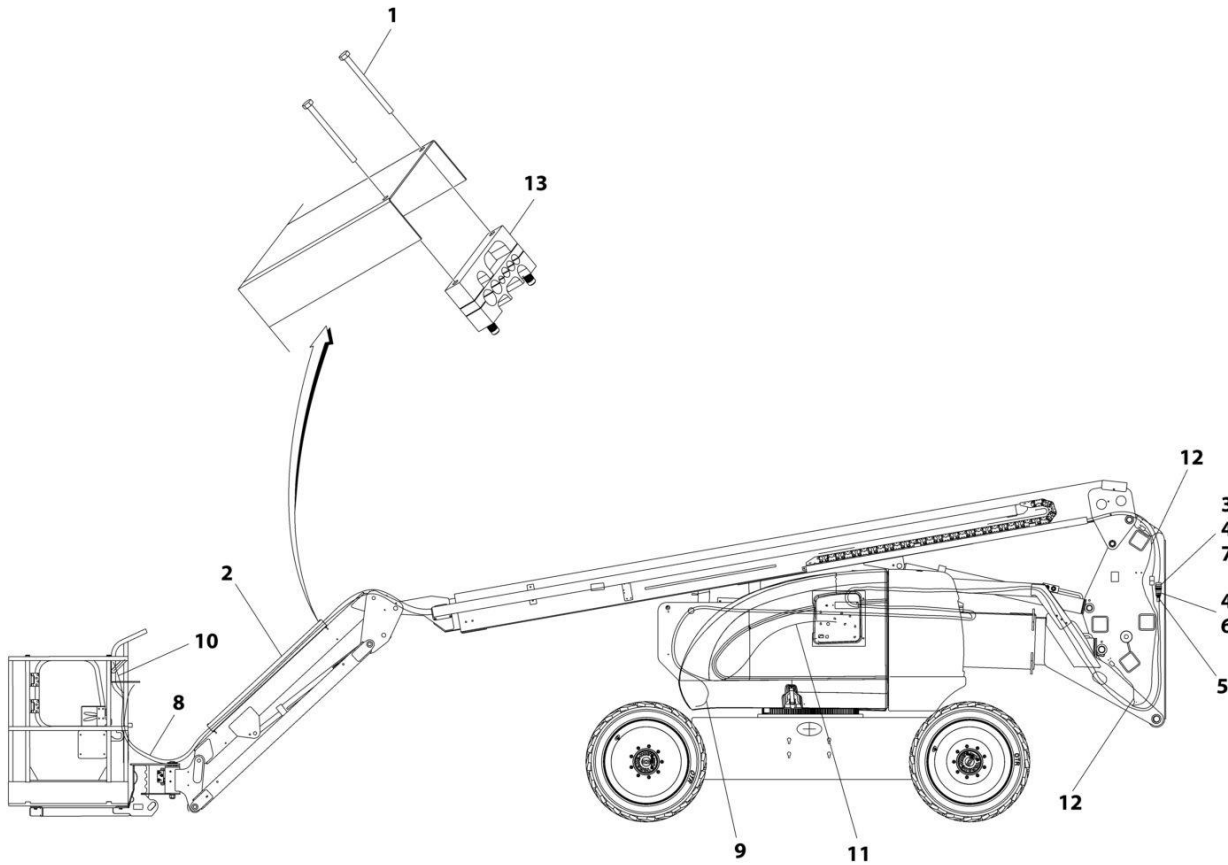
SECTION 8 - ELECTRICAL

FIGURE 8-45. BOOM CABLES INSTALLATION – WITH 7500W 50HZ GENERATOR WITHOUT ARCTIC PACKAGE (AUSTRALIAN SPECS) (CHINA BUILT MACHINES) (PVC 2001)

ITEM	PART NUMBER	QTY	DESCRIPTION	REV
	0273430	Ref	BOOM CABLES INSTALLATION	1
1	4922493	1	Harness, Main Boom without Arctic Package (See Separate Breakdown in this Section)	
2	4922810	1	Cable, Electrical 8/5 (Main Boom)	
3	2820031	4 in /10.1cm	Heat Shrink	
4	4460865	1	Connector - 19 Position	
6	4460466	8	Plug, Terminal	
7	4460473	1	Clamp, Cable	
8	4460866	1	Connector - 19 Position	
9	4922494	1	Harness, Tower Boom Cable without Arctic Package (See Separate Breakdown in this Section)	
10	4922811	1	Cable, Electrical 8/5 (Tower Boom)	
14	1061033	2	Cable, Electrical 18/2	
16	1670769	1	Cover	
17	0561237	2	Clamp, Block	
18	0641416	4	Bolt 1/4 x 2	

SECTION 8 - ELECTRICAL

**FIGURE 8-46. BOOM CABLES INSTALLATION – WITH 7500W GENERATOR AND ARCTIC PACKAGE
(ALL SPECS EXCEPT AUSTRALIAN, CE AND JAPANESE SPECS) (USA BUILT MACHINES - PVC
2001 & 2007, CHINA BUILT MACHINES - PVC 2007)**



ART_1001165557

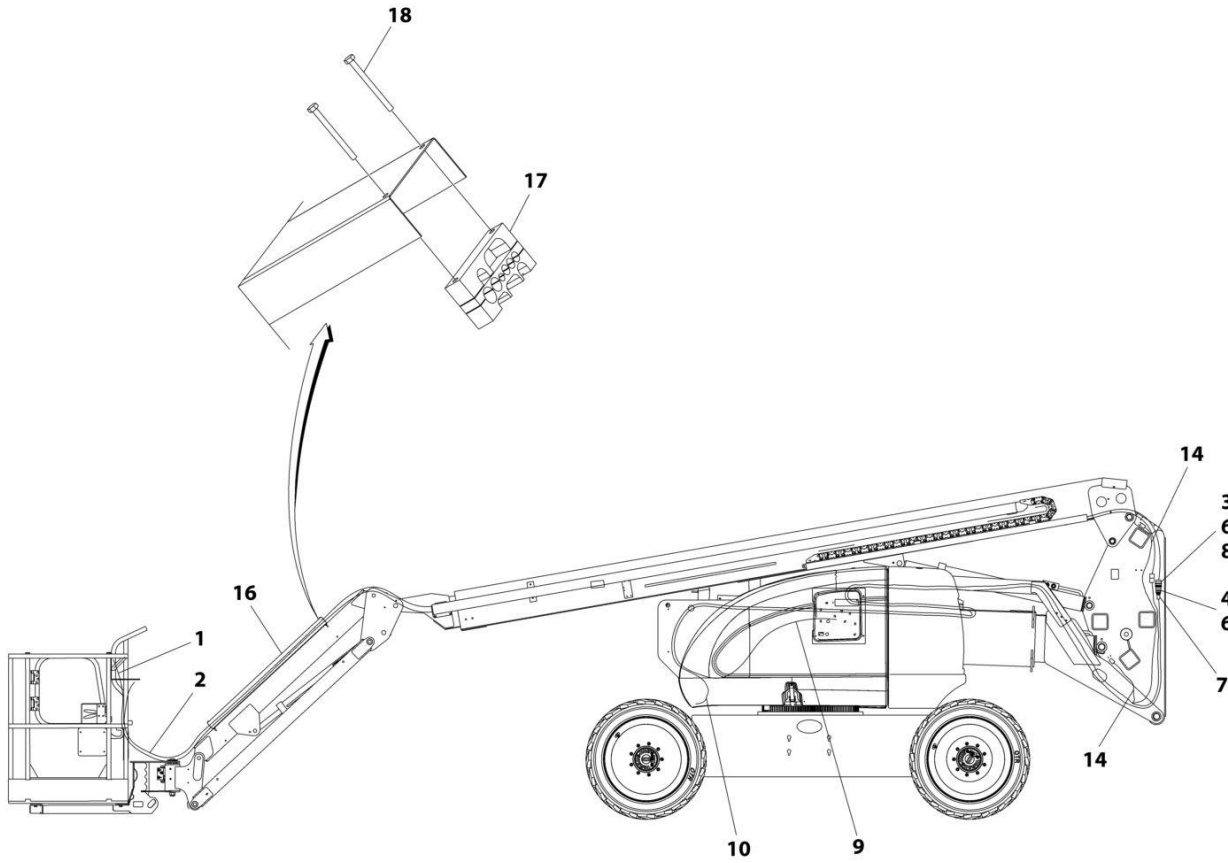
SECTION 8 - ELECTRICAL

**FIGURE 8-46. BOOM CABLES INSTALLATION – WITH 7500W GENERATOR AND ARCTIC PACKAGE
(ALL SPECS EXCEPT AUSTRALIAN, CE AND JAPANESE SPECS) (USA BUILT MACHINES - PVC
2001 & 2007, CHINA BUILT MACHINES - PVC 2007)**

ITEM	PART NUMBER	QTY	DESCRIPTION	REV
	1001165557	Ref	BOOM CABLES INSTALLATION	B
1	0700626	4	Bolt M6 x 90	
2	1671034	1	Cover	
3	2820031	4 in /10.1cm	Heat Shrink	
4	4460466	8	Plug, Terminal	
5	4460473	1	Clamp, Cable	
6	4460865	1	Connector - 19 Position	
7	4460866	1	Connector - 19 Position	
8	4922810	1	Cable, Electrical 8/5 (Main Boom)	
9	4922811	1	Cable, Electrical 8/5 (Tower Boom)	
10	4923472	1	Harness, Main Boom with Arctic Package (See Separate Breakdown in this Section)	
11	4923473	1	Harness, Tower Boom Cable with Arctic Package (See Separate Breakdown in this Section)	
12	1061033	2	Cable, Electrical 18/2	
13	1001165350	2	Clamp, Block	

SECTION 8 - ELECTRICAL

FIGURE 8-47. BOOM CABLES INSTALLATION – WITH 7500W GENERATOR AND ARCTIC PACKAGE
(ANSI EXPORT AND CHINA SPECS) (CHINA BUILT MACHINES) (PVC 2001)



ART_1001093432

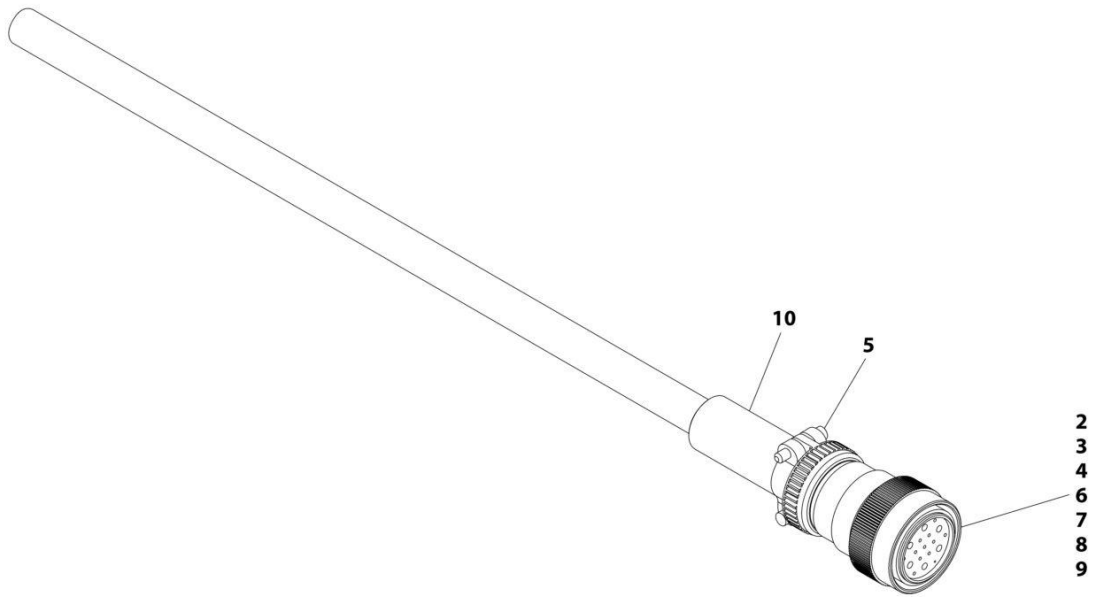
SECTION 8 - ELECTRICAL

**FIGURE 8-47. BOOM CABLES INSTALLATION – WITH 7500W GENERATOR AND ARCTIC PACKAGE
(ANSI EXPORT AND CHINA SPECS) (CHINA BUILT MACHINES) (PVC 2001)**

ITEM	PART NUMBER	QTY	DESCRIPTION	REV
	1001093432	Ref	BOOM CABLES INSTALLATION	A
1	4923472	1	Harness, Main Boom with Arctic Package (See Separate Breakdown in this Section)	
2	4922810	1	Cable, Electrical 8/5 (Main Boom)	
3	2820031	4 in /10.1cm	Heat Shrink	
4	4460865	1	Connector - 19 Position	
6	4460466	8	Plug, Terminal	
7	4460473	1	Clamp, Cable	
8	4460866	1	Connector - 19 Position	
9	4923473	1	Harness, Tower Boom Cable with Arctic Package (See Separate Breakdown in this Section)	
10	4922811	1	Cable, Electrical 8/5 (Tower Boom)	
14	4923476	2	Cable, Electrical 18/2	
16	1670769	1	Cover	
17	1321700	2	Clamp, Block	
18	0641416	4	Bolt 1/4 x 2	

SECTION 8 - ELECTRICAL

FIGURE 8-48. BOOM CABLE - MAIN BOOM (WITHOUT ARCTIC PACKAGE)



ART_4922493

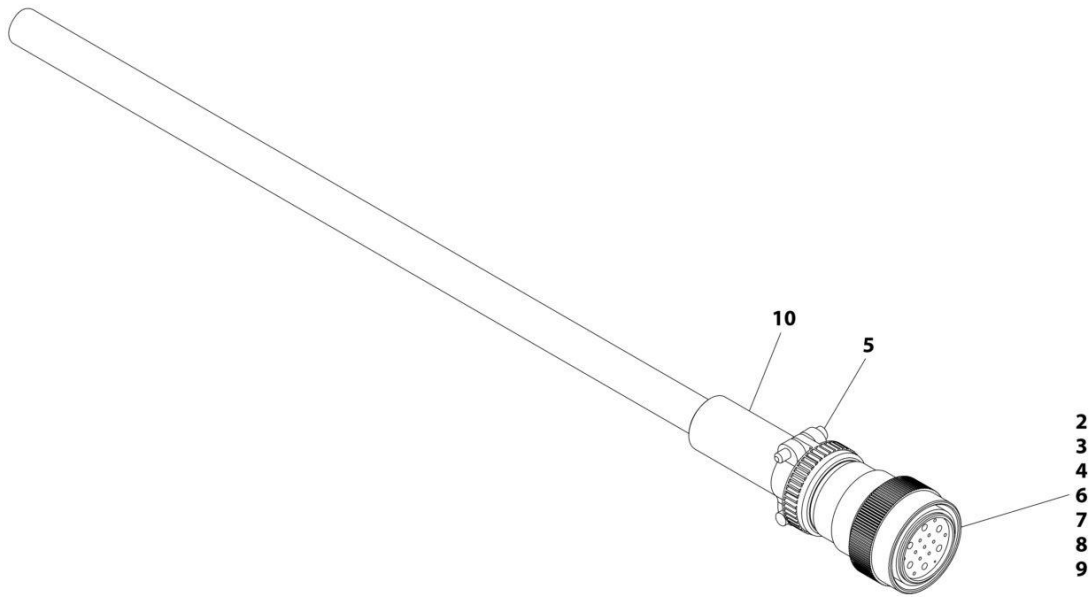
SECTION 8 - ELECTRICAL

FIGURE 8-48. BOOM CABLE - MAIN BOOM (WITHOUT ARCTIC PACKAGE)

ITEM	PART NUMBER	QTY	DESCRIPTION	REV
	4922493	Ref	BOOM CABLE - MAIN BOOM	D
2	4460465	11	Socket, Female	
3	4460865	1	Connector - 19 Position	
4	4460509	4	Socket, Female	
5	4460473	1	Clamp	
6	4460466	4	Plug, Terminal	
7	4460464	11	Pin, Male	
8	4460508	4	Pin, Male	
9	2820118	AR	Heatshrink, Clear	
10	1001226400	1	Insulate, Heatshrink	

SECTION 8 - ELECTRICAL

FIGURE 8-49. BOOM CABLE - MAIN BOOM (WITH ARCTIC PACKAGE)



ART_4923472

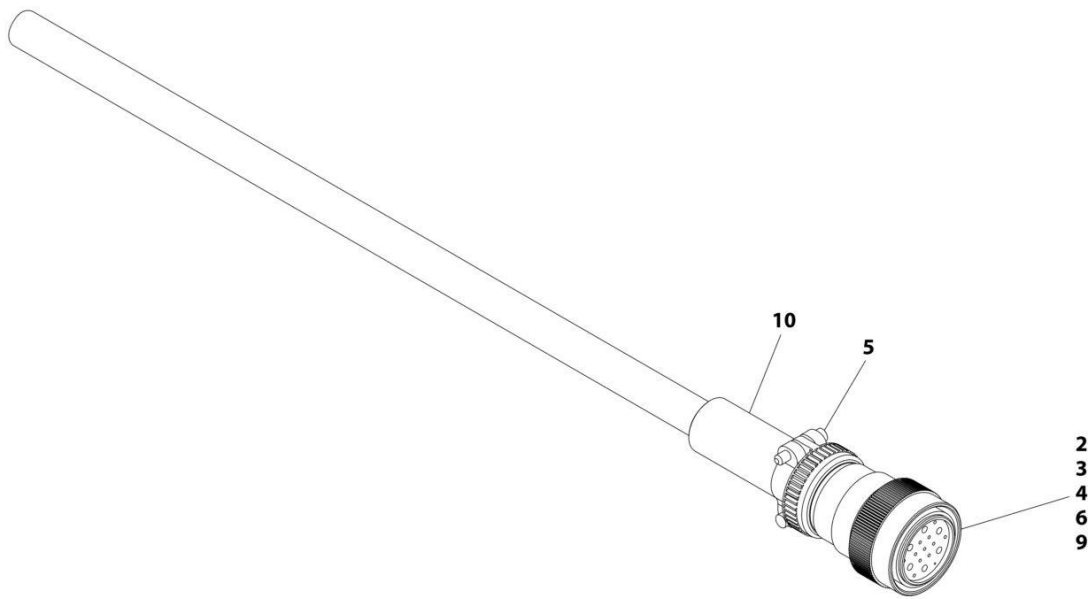
SECTION 8 - ELECTRICAL

FIGURE 8-49. BOOM CABLE - MAIN BOOM (WITH ARCTIC PACKAGE)

ITEM	PART NUMBER	QTY	DESCRIPTION	REV
	4923472	Ref	BOOM CABLE - MAIN BOOM	B
2	4460465	11	Socket, Female	
3	4460865	1	Connector - 19 Position	
4	4460509	4	Socket, Female	
5	4460473	1	Clamp	
6	4460466	4	Plug, Terminal	
7	4460464	11	Pin, Male	
8	4460508	4	Pin, Male	
9	2820118	AR	Heatshrink, Clear	
10	1001226400	1	Insulate, Heatshrink	

SECTION 8 - ELECTRICAL

FIGURE 8-50. BOOM CABLE - TOWER BOOM (WITHOUT ARCTIC PACKAGE)



ART_4922494

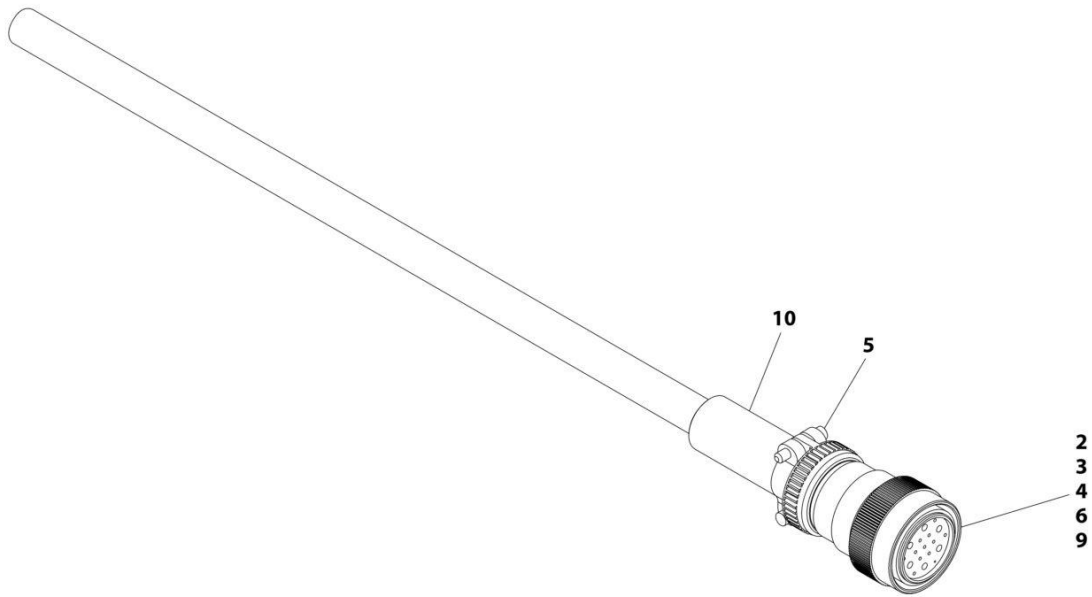
SECTION 8 - ELECTRICAL

FIGURE 8-50. BOOM CABLE - TOWER BOOM (WITHOUT ARCTIC PACKAGE)

ITEM	PART NUMBER	QTY	DESCRIPTION	REV
	4922494	Ref	BOOM CABLE - TOWER BOOM	C
2	4460465	22	Socket, Female	
3	4460865	1	Connector - 19 Position	
4	4460509	8	Socket, Female	
5	4460473	1	Clamp	
6	4460466	4	Plug, Terminal	
9	2820118	AR	Heatshrink, Clear	
10	1001226400	1	Insulate, Heatshrink	

SECTION 8 - ELECTRICAL

FIGURE 8-51. BOOM CABLE - TOWER BOOM (WITH ARCTIC PACKAGE)



ART_4923473

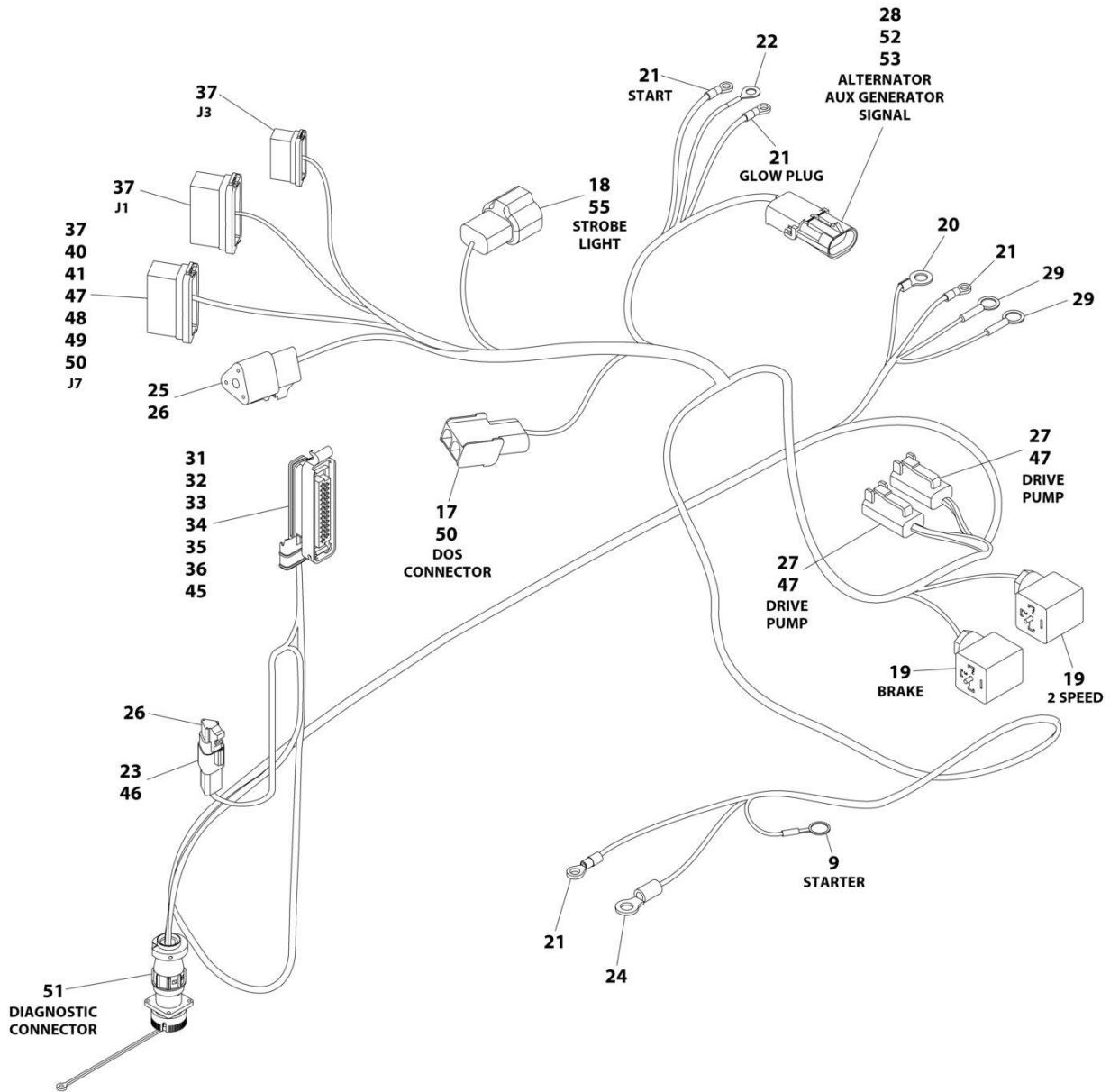
SECTION 8 - ELECTRICAL

FIGURE 8-51. BOOM CABLE - TOWER BOOM (WITH ARCTIC PACKAGE)

ITEM	PART NUMBER	QTY	DESCRIPTION	REV
	4923473	Ref	BOOM CABLE - TOWER BOOM	B
2	4460465	22	Socket, Female	
3	4460865	1	Connector - 19 Position	
4	4460509	8	Socket, Female	
5	4460473	1	Clamp	
6	4460466	4	Plug, Terminal	
9	2820118	AR	Heatshrink, Clear	
10	1001226400	1	Insulate, Heatshrink	

SECTION 8 - ELECTRICAL

FIGURE 8-52. ENGINE HARNESS ASSEMBLY (DEUTZ D2011, DEUTZ D2011 (STAGE V) AND DEUTZ TD2.2L3 (STAGE V) ENGINES) (USA BUILT MACHINES) (PVC 2001)



ART_1001191868

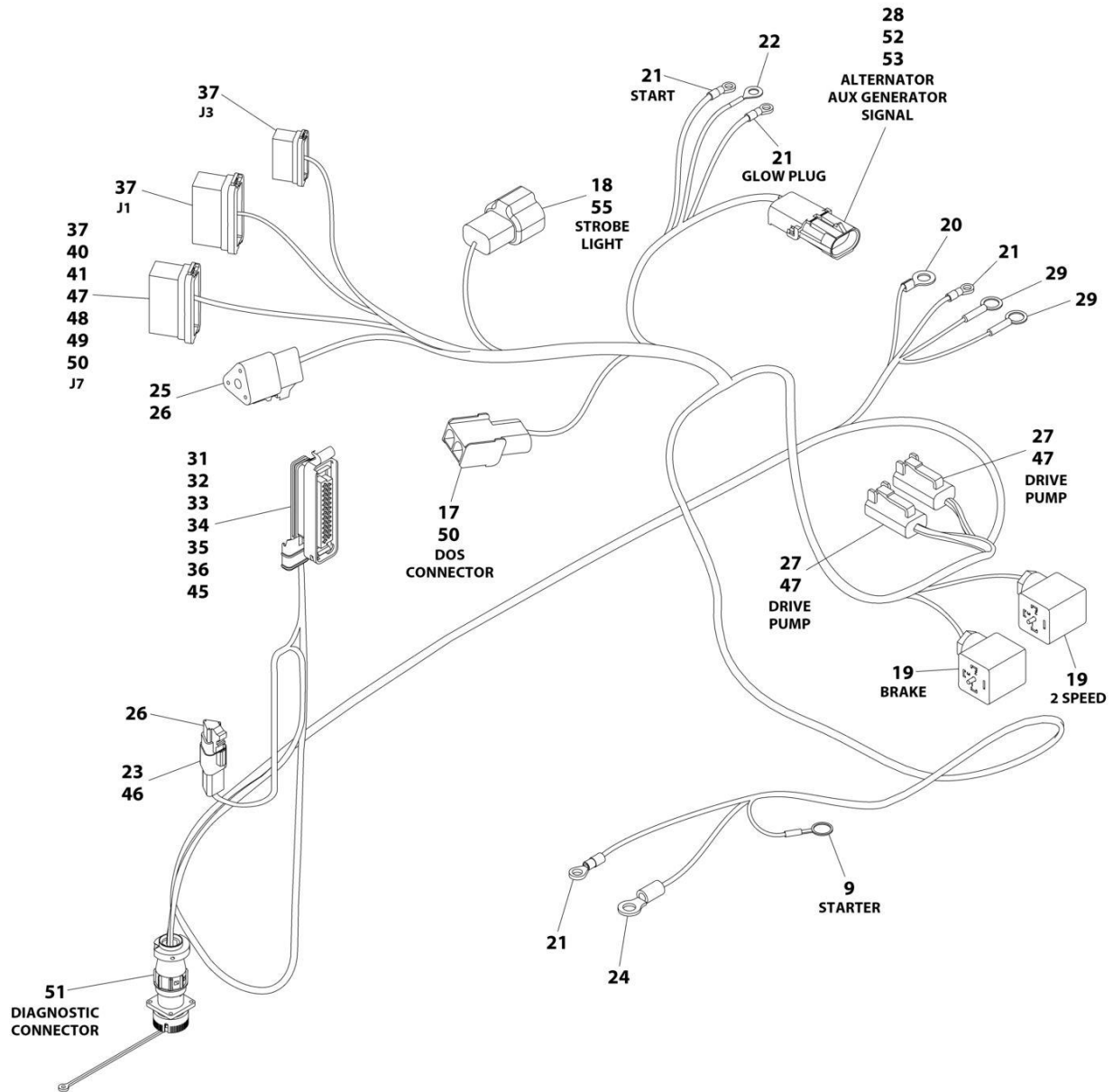
SECTION 8 - ELECTRICAL

FIGURE 8-52. ENGINE HARNESS ASSEMBLY (DEUTZ D2011, DEUTZ D2011 (STAGE V) AND DEUTZ TD2.2L3 (STAGE V) ENGINES) (USA BUILT MACHINES) (PVC 2001)

ITEM	PART NUMBER	QTY	DESCRIPTION	REV
	1001191868	Ref	ENGINE HARNESS - DEUTZ D2011 ENGINES	C
9	4460142	1	Terminal, Ring	
17	4460424	1	Connector - 2 Position	
18	4460464	2	Pin, Male	
19	1001263923	2	DIN Connector without Diode	
20	4460312	1	Terminal, Ring	
21	4460313	4	Terminal, Ring	
22	4460019	1	Terminal, Ring	
23	4461070	1	Connector with Resistor - 3 Position	
24	4460043	1	Terminal, Ring	
25	4460539	1	Connector - 3 Position	
26	4460944	6	Socket, Female	
27	4460891	2	Connector - 2 Position	
28	4460458	6	Seal, Terminal	
29	4460256	2	Terminal, Ring	
31	4461052	1	Connector - 25 Position	
32	4461005	5	Terminal	
33	4461060	2	Terminal	
34	4461006	5	Seal, Terminal	
35	4461054	2	Seal, Terminal	
36	4461008	18	Plug, Terminal	
37	4460871	10	Socket, Female	
40	4460464	1	Pin, Male	
41	4460887	1	Pin, Male	
45	4461053	1	Cover, Plug	
46	4461095	1	Connector - 3 Position	
47	4460465	6	Socket, Female	
48	4460259	1	Terminal	
49	4460260	1	Housing, Terminal	
50	4460226	2	Socket, Female	
51	2902443	1	Receptacle Kit	
51	4461071	8	Socket, Female	
51	4461072	1	Receptacle with Flange - 8 Position	
51	4461073	1	Cap, Dust	
51	4461074	1	Shell, Black	
52	4461157	1	Connector - 2 Position	
53	4460979	2	Pin, Male	
55	4460897	1	Connector - 2 Position	

SECTION 8 - ELECTRICAL

FIGURE 8-53. ENGINE HARNESS ASSEMBLY (DEUTZ D2011, DEUTZ D2011 (STAGE V) AND DEUTZ TD2.2L3 (STAGE V) ENGINES) (USA BUILT MACHINES - PVC 2001 & 2007, CHINA BUILT MACHINES - PVC 2007)



ART_1001191868_C

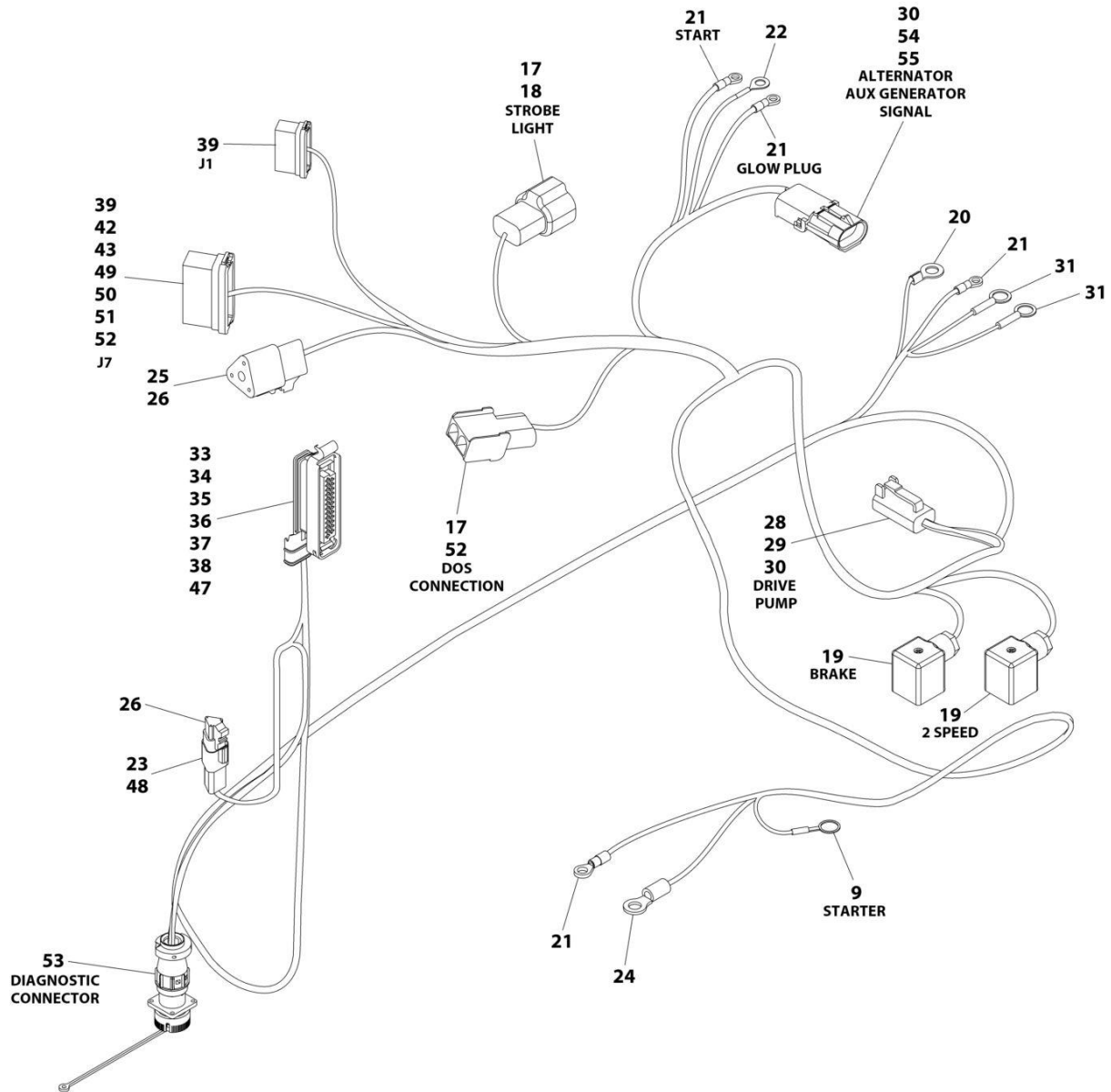
SECTION 8 - ELECTRICAL

FIGURE 8-53. ENGINE HARNESS ASSEMBLY (DEUTZ D2011, DEUTZ D2011 (STAGE V) AND DEUTZ TD2.2L3 (STAGE V) ENGINES) (USA BUILT MACHINES - PVC 2001 & 2007, CHINA BUILT MACHINES - PVC 2007)

ITEM	PART NUMBER	QTY	DESCRIPTION	REV
	1001191868	Ref	ENGINE HARNESS - DEUTZ D2011 ENGINES	C
9	4460142	1	Terminal, Ring	
17	4460424	1	Connector - 2 Position	
18	4460464	2	Pin, Male	
19	1001263923	2	DIN Connector without Diode	
20	4460312	1	Terminal, Ring	
21	4460313	4	Terminal, Ring	
22	4460019	1	Terminal, Ring	
23	4461070	1	Connector with Resistor - 3 Position	
24	4460043	1	Terminal, Ring	
25	4460539	1	Connector - 3 Position	
26	4460944	6	Socket, Female	
27	4460891	2	Connector - 2 Position	
28	4460458	6	Seal, Terminal	
29	4460256	2	Terminal, Ring	
31	4461052	1	Connector - 25 Position	
32	4461005	5	Terminal	
33	4461060	2	Terminal	
34	4461006	5	Seal, Terminal	
35	4461054	2	Seal, Terminal	
36	4461008	18	Plug, Terminal	
37	4460871	10	Socket, Female	
40	4460464	1	Pin, Male	
41	4460887	1	Pin, Male	
45	4461053	1	Cover, Plug	
46	4461095	1	Connector - 3 Position	
47	4460465	6	Socket, Female	
48	4460259	1	Terminal	
49	4460260	1	Housing, Terminal	
50	4460226	2	Socket, Female	
51	2902443	1	Receptacle Kit	
51	4461071	8	Socket, Female	
51	4461072	1	Receptacle with Flange - 8 Position	
51	4461073	1	Cap, Dust	
51	4461074	1	Shell, Black	
52	4461157	1	Connector - 2 Position	
53	4460979	2	Pin, Male	
55	4460897	1	Connector - 2 Position	

SECTION 8 - ELECTRICAL

FIGURE 8-54. ENGINE HARNESS ASSEMBLY (DEUTZ D2011 ENGINES) (CHINA BUILT MACHINES) (PVC 2001)



ART_1001110361

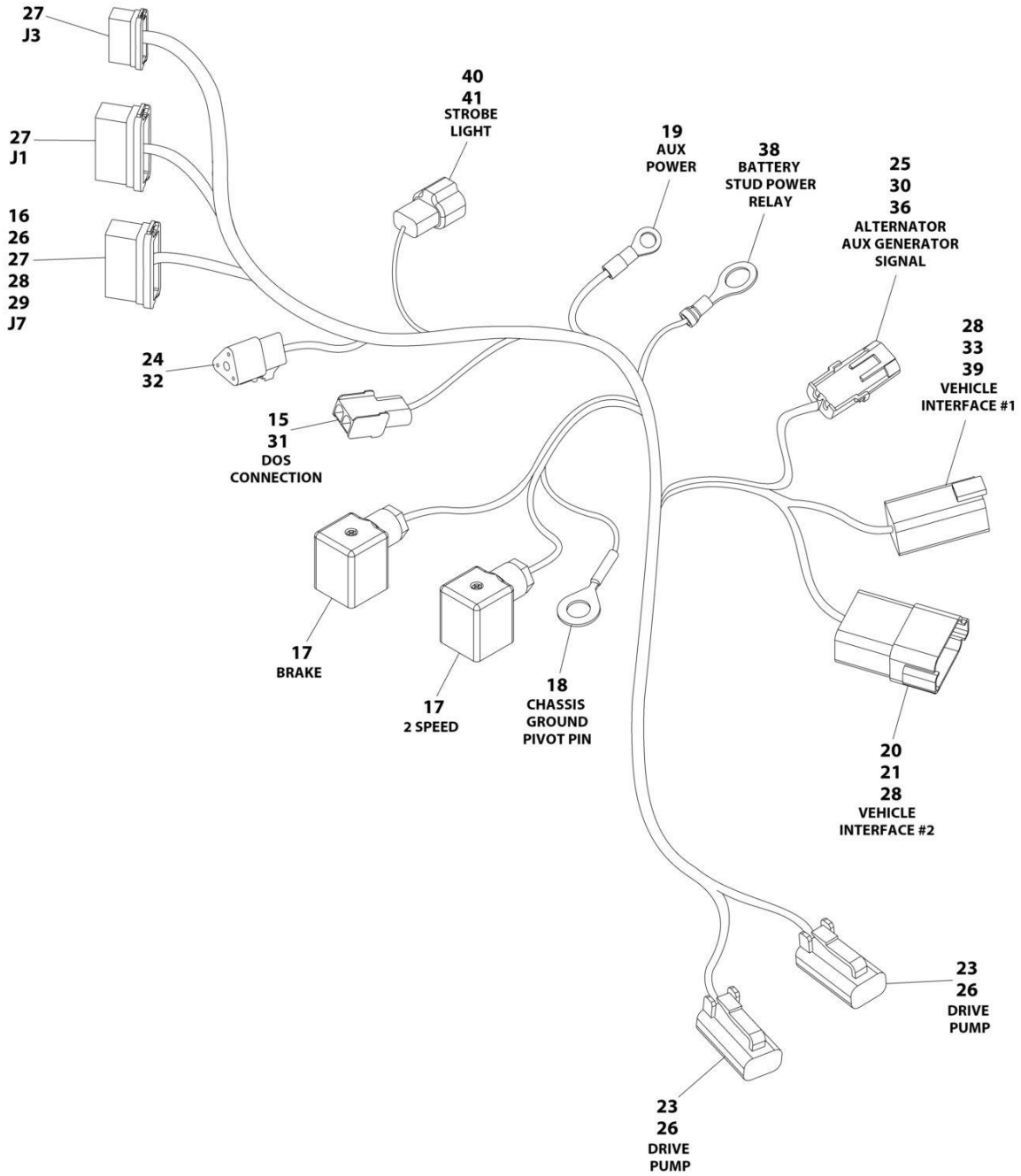
SECTION 8 - ELECTRICAL

**FIGURE 8-54. ENGINE HARNESS ASSEMBLY (DEUTZ D2011 ENGINES) (CHINA BUILT MACHINES)
(PVC 2001)**

ITEM	PART NUMBER	QTY	DESCRIPTION	REV
	1001110361	Ref	ENGINE HARNESS - DEUTZ D2011 ENGINES	A
9	4460142	1	Terminal, Ring	
17	4460424	1	Connector - 2 Position	
18	4460268	2	Socket, Female	
19	4460880	2	DIN Connector without Diode	
20	4460312	1	Terminal, Ring	
21	4460313	4	Terminal, Ring	
22	4460019	1	Terminal, Ring	
23	4461070	1	Connector with Resistor - 3 Position	
24	4460043	1	Terminal, Ring	
25	4460539	1	Connector - 3 Position	
26	4460944	6	Socket, Female	
28	4460460	1	Connector, Male - 4 Position	
29	4460457	4	Terminal, Female	
30	4460458	6	Seal, Terminal	
31	4460256	2	Terminal, Ring	
33	4461052	1	Connector - 25 Position	
34	4461005	5	Terminal	
35	4461060	2	Terminal	
36	4461006	5	Seal, Terminal	
37	4461054	2	Seal, Terminal	
38	4461008	18	Plug, Terminal	
39	4460871	11	Socket, Female	
42	4460464	1	Pin, Male	
43	4460887	1	Pin, Male	
47	4461053	1	Cover, Plug	
48	4461095	1	Connector - 3 Position	
49	4460465	2	Socket, Female	
50	4460259	1	Terminal	
51	4460260	1	Housing, Terminal	
52	4460226	4	Socket, Female	
53	2902443	1	Receptacle Kit	
53	4461071	8	Socket, Female	
53	4461072	1	Receptacle with Flange - 8 Position	
53	4461073	1	Cap, Dust	
53	4461074	1	Shell, Black	
54	4461157	1	Connector - 2 Position	
55	4460979	2	Pin, Male	

SECTION 8 - ELECTRICAL

FIGURE 8-55. ENGINE HARNESS ASSEMBLY (DEUTZ TD2.9L4 ENGINES) (PVC 2001)



ART_1001191866

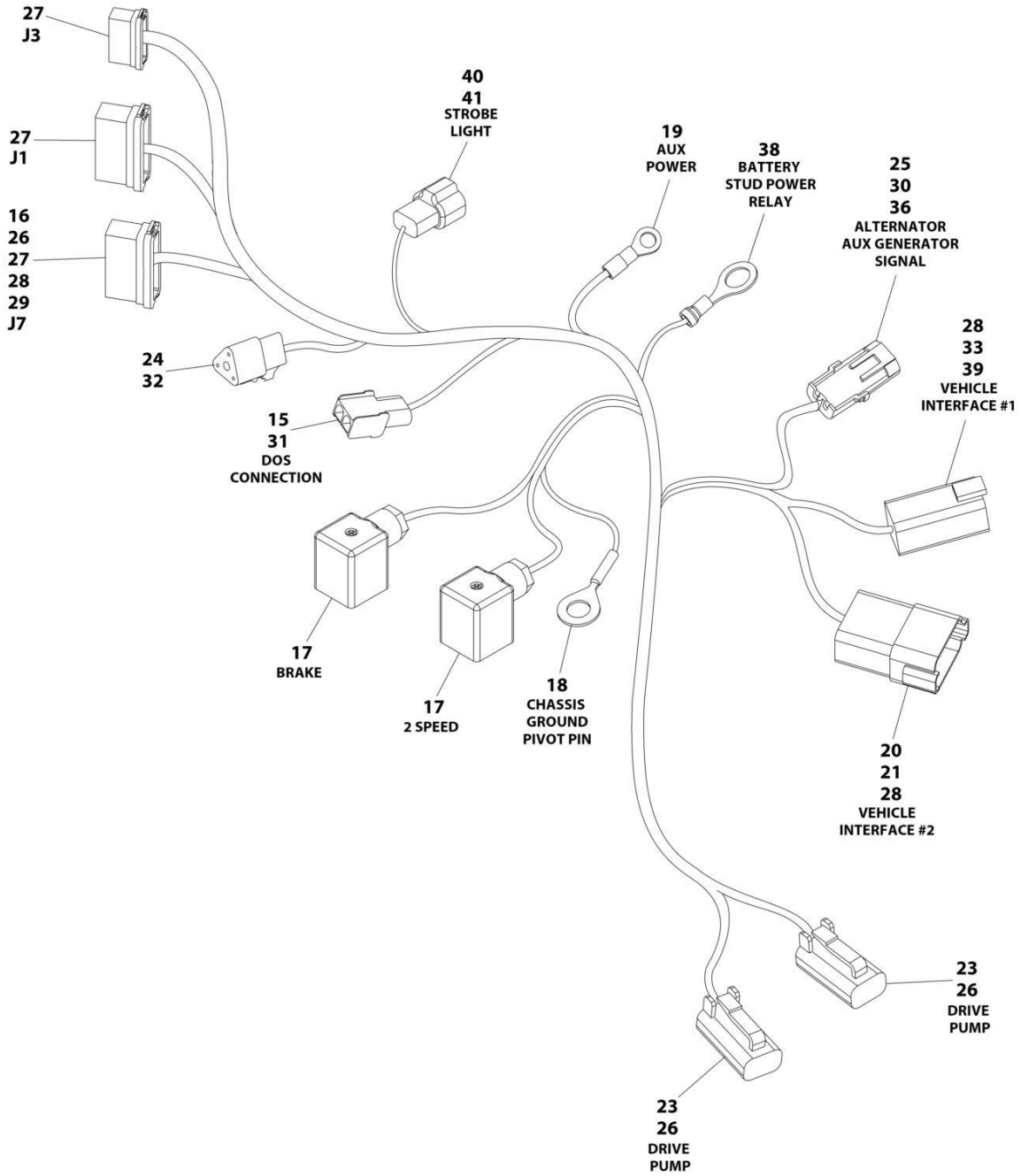
SECTION 8 - ELECTRICAL

FIGURE 8-55. ENGINE HARNESS ASSEMBLY (DEUTZ TD2.9L4 ENGINES) (PVC 2001)

ITEM	PART NUMBER	QTY	DESCRIPTION	REV
	1001191866	Ref	ENGINE HARNESS	D
15	4460424	1	Connector - 2 Position	
16	4460268	1	Socket, Female	
17	1001263923	2	DIN Connector without Diode	
18	4460019	1	Terminal, Ring	
19	4460313	1	Terminal, Ring	
20	4460931	1	Connector - 8 Position	
21	4460466	4	Plug, Terminal	
23	4460891	2	Connector - 2 Position	
24	4460539	1	Connector - 3 Position	
25	4460458	2	Seal, Terminal	
26	4460465	7	Socket, Female	
27	4460871	11	Socket, Female	
28	4460464	8	Pin, Male	
29	4460887	1	Pin, Male	
30	4461157	1	Connector - 2 Position	
31	4460226	2	Socket, Female	
32	4460944	3	Socket, Female	
33	4460899	1	Connector - 6 Position	
36	4460979	2	Pin, Male	
38	4460738	1	Terminal, Ring	
39	4460943	3	Pin, Male	
40	4460897	1	Connector - 2 Position	
41	1001116693	2	Pin, Male	

SECTION 8 - ELECTRICAL

FIGURE 8-56. ENGINE HARNESS ASSEMBLY (DEUTZ TD2.9L4 ENGINES) (PVC 2007)



ART_1001191866_D

SECTION 8 - ELECTRICAL

FIGURE 8-56. ENGINE HARNESS ASSEMBLY (DEUTZ TD2.9L4 ENGINES) (PVC 2007)

ITEM	PART NUMBER	QTY	DESCRIPTION	REV
	1001191866	Ref	ENGINE HARNESS - DEUTZ TD2.9L4 ENGINES	D
15	4460424	1	Connector - 2 Position	
16	4460268	1	Socket, Female	
17	1001263923	2	DIN Connector without Diode	
18	4460019	1	Terminal, Ring	
19	4460313	1	Terminal, Ring	
20	4460931	1	Connector - 8 Position	
21	4460466	4	Plug, Terminal	
23	4460891	2	Connector - 2 Position	
24	4460539	1	Connector - 3 Position	
25	4460458	2	Seal, Terminal	
26	4460465	7	Socket, Female	
27	4460871	11	Socket, Female	
28	4460464	8	Pin, Male	
29	4460887	1	Pin, Male	
30	4461157	1	Connector - 2 Position	
31	4460226	2	Socket, Female	
32	4460944	3	Socket, Female	
33	4460899	1	Connector - 6 Position	
36	4460979	2	Pin, Male	
38	4460738	1	Terminal, Ring	
39	4460943	3	Pin, Male	
40	4460897	1	Connector - 2 Position	
41	1001116693	2	Pin, Male	

SECTION 8 - ELECTRICAL

FIGURE 8-57. ENGINE HARNESS - DEUTZ TD2.2L3 (STAGE V) ENGINES

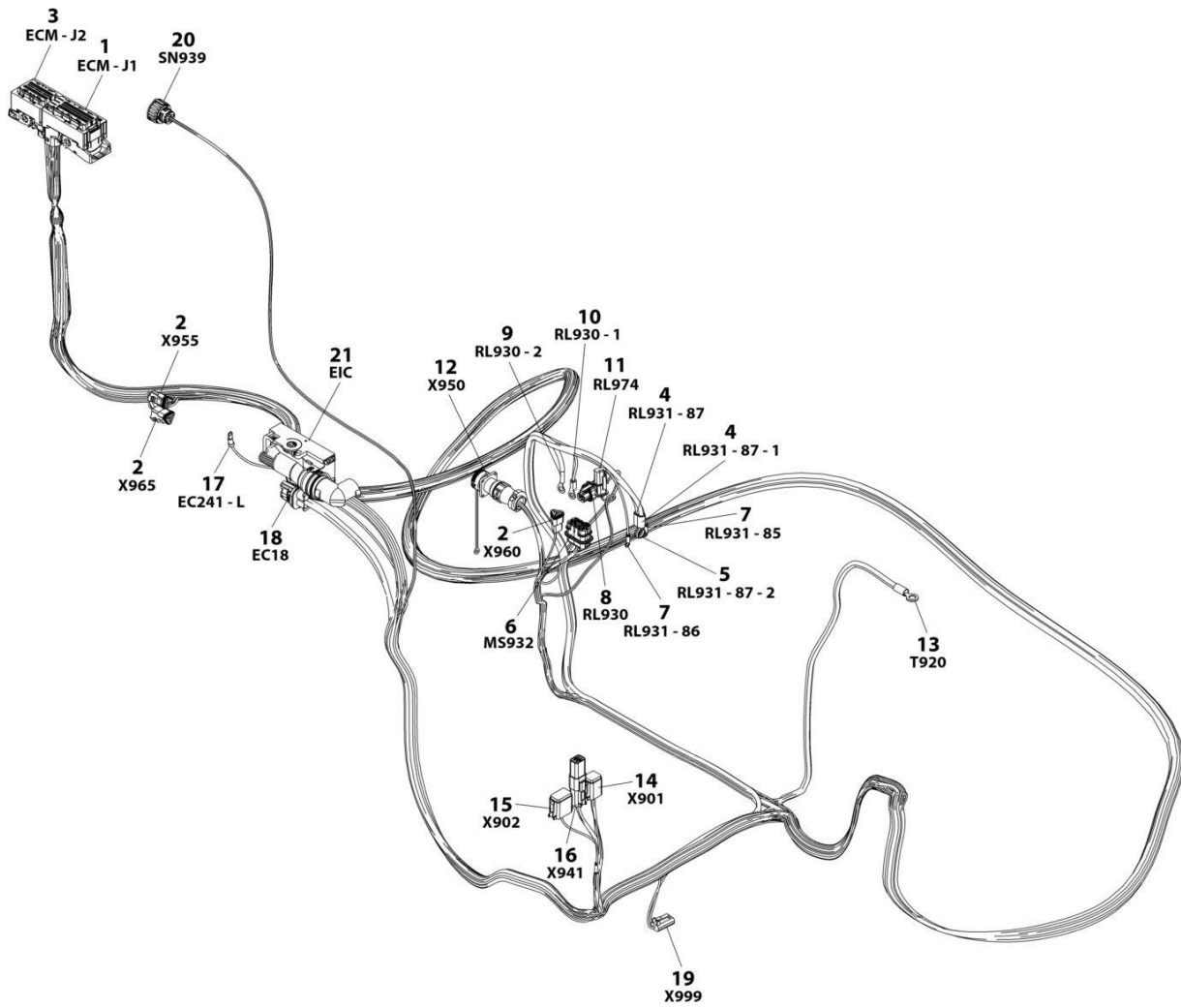
ITEM	PART NUMBER	QTY	DESCRIPTION	REV
	1001253798	Ref	ENGINE HARNESS	D
1	1001133714	1	Connector - 4 Position	
1	1001133715	3	Terminal	
1	1001135651	1	Plug, Terminal	
1	1001135650	3	Seal	
2	1001117106	1	Terminal, Ring	
3	4460703	1	Terminal, Ring	
4	4460247	1	Terminal, Ring	
5	1001117107	1	Terminal, Ring	
6	4460247	1	Terminal, Ring	
7	4460043	1	Terminal, Ring	
8	1001116952	1	Plug, Male - 2 Position	
8	4460465	2	Socket, Female	
9	1001170764	1	Holder, Fuse	
9	1001197719	1	Resistor 0.5 Watt	
10	4460894	1	Plug, Male - 6 Position	
10	4460465	2	Socket, Female	
10	4460944	2	Socket, Female	
10	4460466	2	Plug, Terminal	
11	1001116812	5	Connector, 3 Position	
11	4460944	10	Socket, Female	
11	4460466	5	Plug, Terminal	
12	4460539	4	Plug, Male - 3 Position	
12	4460944	8	Socket, Female	
12	4460466	4	Plug, Terminal	
13	2902443	1	Receptacle Kit	
13	4461071	6	Terminal	
14	80484084	1	Plug, Male - 8 Position	
14	1001116728	4	Terminal	
14	1001116727	4	Plug, Terminal	
14	4460458	4	Plug, Terminal	
15	4460884	1	Plug, Male - 4 Position	
15	4460465	3	Socket, Female	
15	4460942	1	Socket, Female	
16	4460019	1	Terminal, Ring	
17	4460930	1	Plug, Male - 8 Position	
17	4460465	1	Socket, Female	
17	4460466	7	Plug, Terminal	
18	8220164	1	Terminal, Ring	
19	1001253873	1	Connector, 1 Position	
19	1001142940	1	Terminal	
19	1001142941	1	Seal	
20	1001239202	1	Connector - 8 Position	
20	1001126363	7	Terminal	
20	1001126391	1	Seal, Terminal	
20	1001126364	7	Seal, Terminal	
21	1001126362	1	Connector - 62 Position	
21	1001126363	37	Terminal	
21	1001126365	2	Terminal	
21	1001126391	9	Plug, Terminal	

SECTION 8 - ELECTRICAL

ITEM	PART NUMBER	QTY	DESCRIPTION	REV
21	4461008	4	Plug, Terminal	
21	1001126392	10	Terminal	
21	1001126364	37	Seal, Terminal	
21	1001223459	10	Seal, Terminal	
21	4461054	2	Seal	
22	4460042	1	Terminal, Ring	
23	1001133956	1	Connector - 94 Position	
23	1001126351	3	Terminal	
23	1001182361	6	Terminal	
23	1001252527	4	Terminal	
23	1001230934	25	Terminal	
23	1001230935	55	Plug, Terminal	
23	1001230936	1	Plug, Terminal	
23	1001182365	6	Seal, Terminal	
24	1001126487	1	Connector - 2 Position	
24	1001167635	2	Terminal	
24	1001126485	2	Seal	
25	1001133957	1	Connector - 60 Position	
25	1001126351	11	Terminal	
25	1001230934	26	Terminal	
25	1001230935	10	Plug, Terminal	
25	1001230936	13	Plug, Terminal	
26	4460466	4	Plug, Terminal	
27	4460932	1	Receptacle, Bussbar - 4 Position	
28	4460945	4	Connector, 3-Way Tee	
29	8229242	1	Fuse 5Amp	
30	80983191	1	Fuse, 10Amp	
31	1001116815	3	Plug, Male - 3 Position	
32	1001147264	1	Cap	

SECTION 8 - ELECTRICAL

FIGURE 8-58. ENGINE HARNESS - DEUTZ TD2.9L4 AND D2.9L4 ENGINES



ART_1001143726

SECTION 8 - ELECTRICAL

FIGURE 8-58. ENGINE HARNESS - DEUTZ TD2.9L4 AND D2.9L4 ENGINES

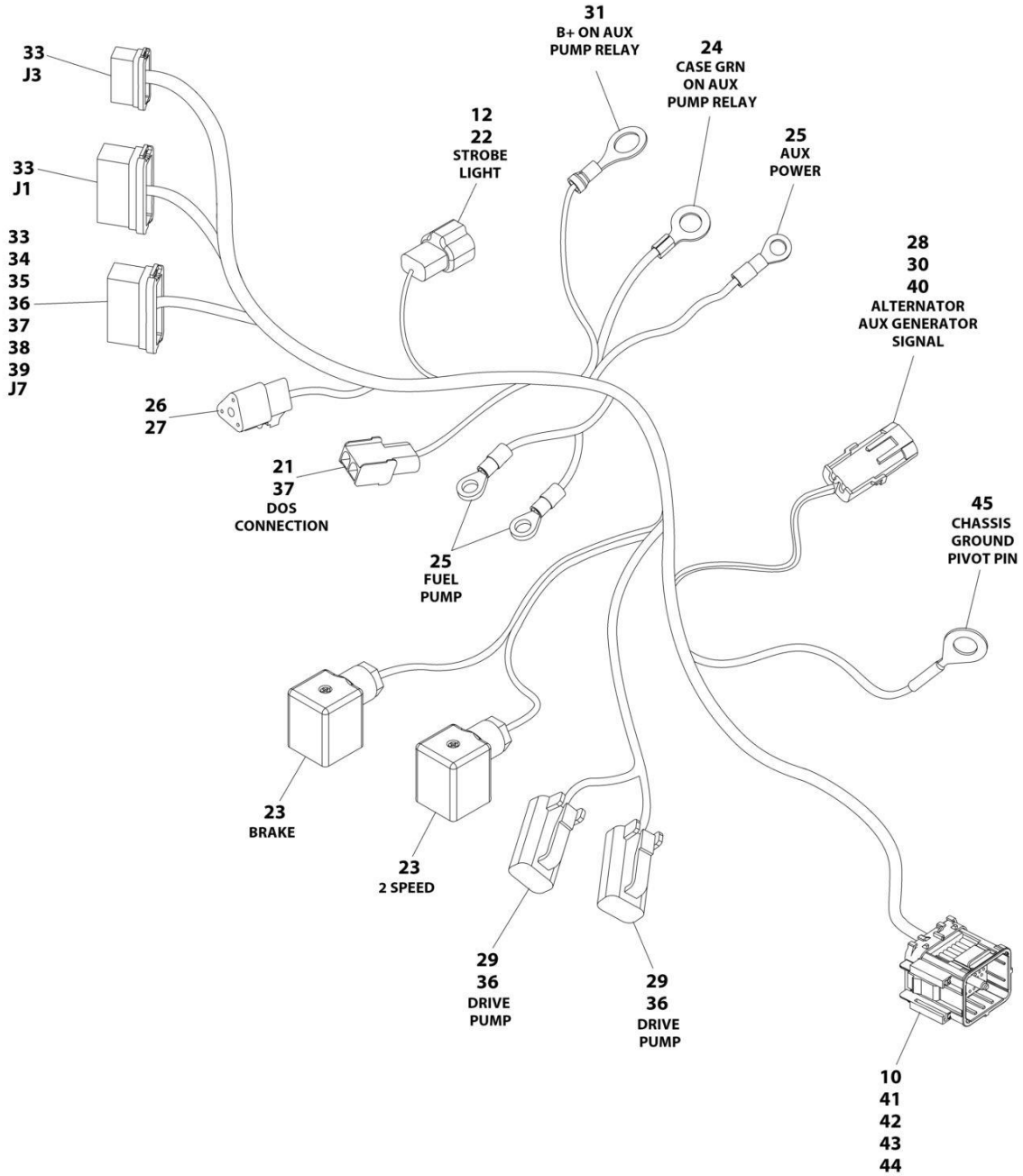
ITEM	PART NUMBER	QTY	DESCRIPTION	REV
	1001143726	Ref	ENGINE HARNESS	L
1	1001133956	1	Connector - 94 Position	
1	1001126351	2	Terminal	
1	1001126352	6	Terminal	
1	1001126384	21	Terminal	
1	1001126357	2	Plug, Terminal	
1	1001126356	63	Plug, Terminal	
2	4461095	3	Plug, Male - 3 Position	
2	4460944	6	Socket, Female	
2	4460466	3	Plug, Terminal	
3	1001133957	1	Connector - 60 Position	
3	1001126351	13	Terminal	
3	1001126384	17	Terminal	
3	1001126357	11	Plug, Terminal	
3	1001126356	19	Plug, Terminal	
4	1001117107	2	Terminal, Ring	
5	4460703	1	Terminal, Ring	
6	80484084	1	Plug, Male - 8 Position	
6	8229242	1	Fuse - 5Amp	
6	80983191	1	Fuse - 10Amp	
6	1001116728	4	Socket, Female	
6	1001116727	4	Plug, Terminal	
6	4460458	4	Seal, Terminal	
6	1001147264	1	Cap	
7	4460247	2	Terminal, Ring	
8	1001116952	1	Plug, Male - 2 Position	
8	4460465	2	Socket, Female	
9	1001117106	1	Terminal, Ring	
10	4460043	1	Terminal, Ring	
11	1001138110	1	Connector - 2 Position	
11	1001138111	2	Terminal	
11	1001138113	2	Seal	
12	2902443	1	Receptacle Kit	
12	4461073	1	Cap, Dust	
12	4461071	6	Terminal	
13	8220115	1	Terminal, Ring	
14	4460894	1	Plug, Male - 6 Position	
14	4460465	3	Socket, Female	
14	4460944	2	Socket, Female	
14	4460466	1	Plug, Terminal	
15	4460930	1	Plug, Male - 8 Position	
15	4460465	1	Socket, Female	
15	4460466	7	Plug, Terminal	
16	1001220379	1	Plug, Male - 4 Position	
16	4460465	2	Socket, Female	
16	4460942	2	Socket, Female	
16	4460932	1	Receptacle, Bussbar - 4 Position	
17	4460042	1	Terminal, Ring	
18	1001142938	1	Plug, Male - 2 Position	
18	1001142940	2	Terminal	

SECTION 8 - ELECTRICAL

ITEM	PART NUMBER	QTY	DESCRIPTION	REV
18	1001142941	2	Seal	
19	4460891	1	Plug, Male - 4 Position	
19	4460465	2	Socket, Female	
19	1001171403	1	Resistor Assembly	
19	4460897	1	Receptacle, Female - 4 Position	
20	1001133714	1	Connector - 4 Position	
20	1001133715	3	Terminal	
20	1001135650	3	Seal, Terminal	
20	1001135651	1	Plug, Terminal	
21	1001126362	1	Connector - 62 Position	
21	1001126363	23	Terminal	
21	1001126392	10	Terminal	
21	1001126365	2	Terminal	
21	1001126391	23	Plug, Terminal	
21	4461008	4	Plug, Terminal	
21	1001256506	2	Seal, Terminal	
21	1001126364	21	Seal, Terminal	
21	1001223459	10	Seal, Terminal	
21	4461008	4	Plug, Terminal	
21	1001151856	1	Elbow	

SECTION 8 - ELECTRICAL

FIGURE 8-59. ENGINE HARNESS ASSEMBLY (FORD DF2.5L ENGINES) (PVC 2001)



ART_1001214507

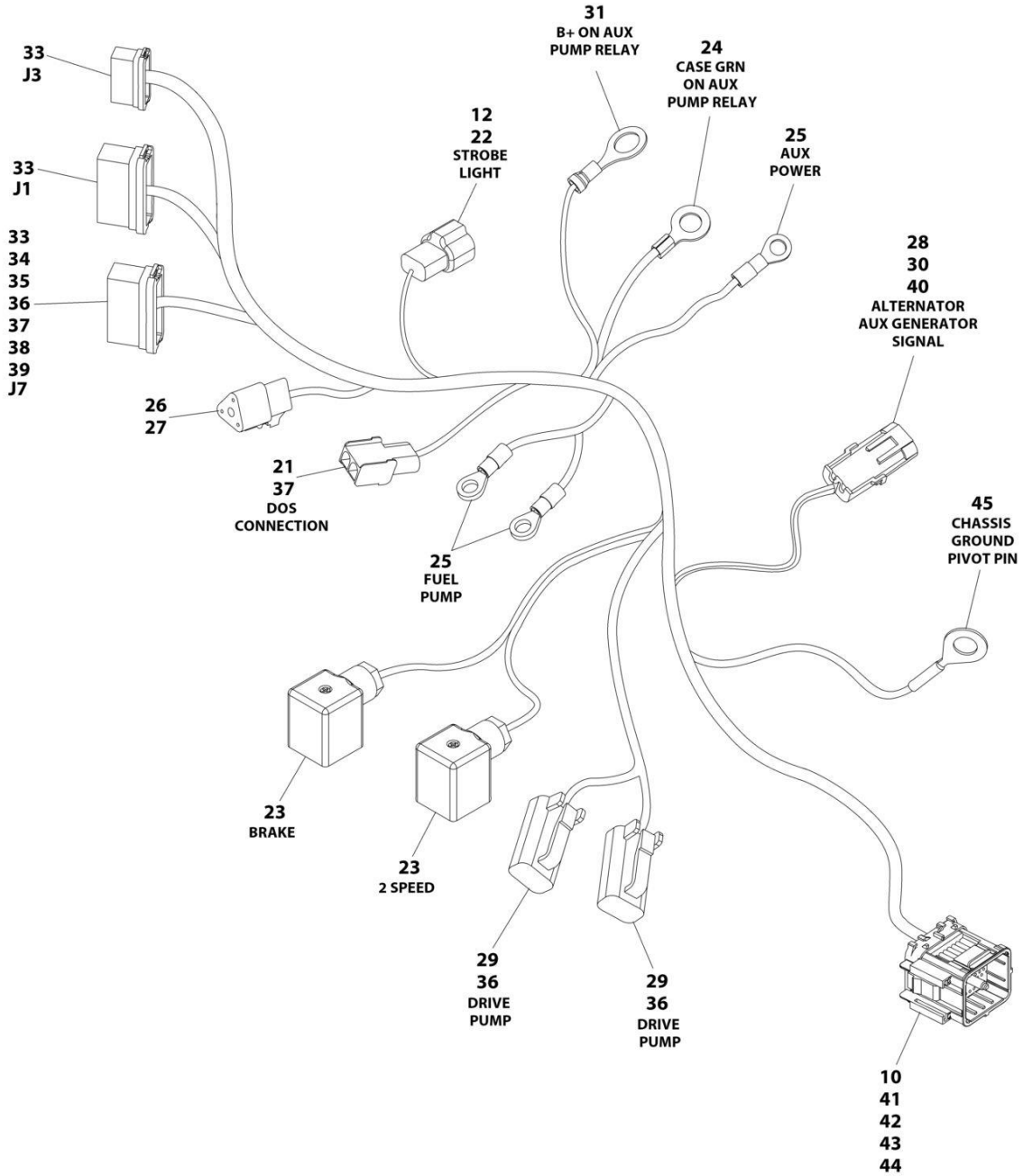
SECTION 8 - ELECTRICAL

FIGURE 8-59. ENGINE HARNESS ASSEMBLY (FORD DF2.5L ENGINES) (PVC 2001)

ITEM	PART NUMBER	QTY	DESCRIPTION	REV
	1001214507	Ref	ENGINE HARNESS – FORD DF2.5L ENGINES	F
10	1001216213	3	Plug, Terminal	
12	4460897	1	Connector - 2 Position	
21	4460424	1	Connector - 2 Position	
22	1001116693	2	Pin, Male	
23	1001263923	2	DIN Connector without Diode	
24	4460312	1	Terminal, Ring	
25	4460313	3	Terminal, Ring	
26	4460539	1	Connector - 3 Position	
27	4460944	3	Socket, Female	
28	4461157	1	Connector - 2 Position	
29	4460891	2	Connector - 2 Position	
30	4460458	2	Seal, Terminal	
31	4460738	1	Terminal, Ring	
33	4460871	9	Socket, Female	
34	4460464	1	Pin, Male	
35	4460887	1	Pin, Male	
36	4460465	6	Socket, Female	
37	4460226	3	Socket, Female	
38	4460259	1	Terminal	
39	4460260	1	Housing, Terminal	
40	4460979	2	Pin, Male	
41	1001215016	1	Connector - 42 Position	
42	1001215091	5	Terminal	
43	1001215534	33	Plug, Terminal	
44	1001216212	1	Terminal	
45	4460019	1	Terminal, Ring	

SECTION 8 - ELECTRICAL

FIGURE 8-60. ENGINE HARNESS ASSEMBLY (FORD DF2.5L ENGINES) (PVC 2007)



ART_1001214507_F

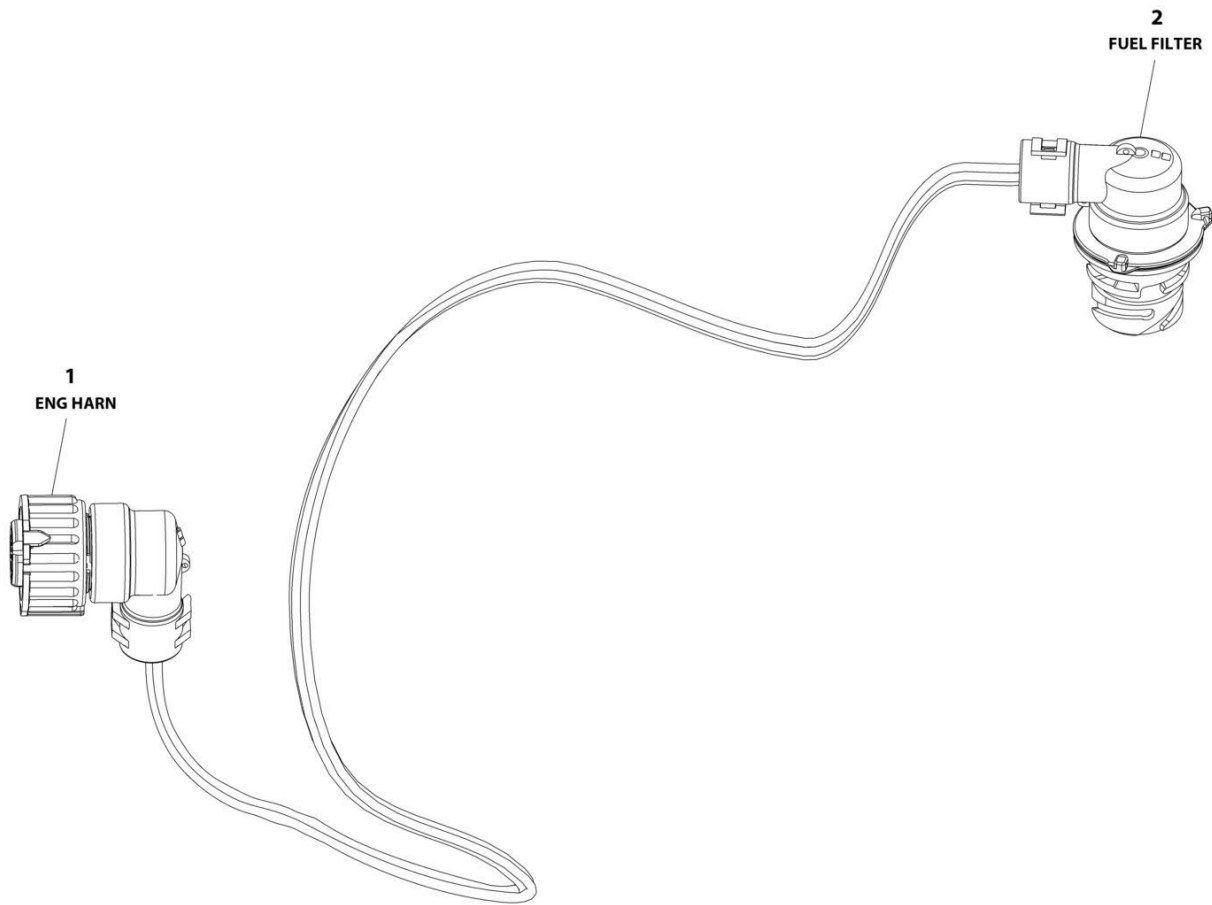
SECTION 8 - ELECTRICAL

FIGURE 8-60. ENGINE HARNESS ASSEMBLY (FORD DF2.5L ENGINES) (PVC 2007)

ITEM	PART NUMBER	QTY	DESCRIPTION	REV
	1001214507	Ref	ENGINE HARNESS – FORD DF2.5L ENGINES	F
10	1001216213	3	Plug, Terminal	
12	4460897	1	Connector - 2 Position	
21	4460424	1	Connector - 2 Position	
22	1001116693	2	Pin, Male	
23	1001263923	2	DIN Connector without Diode	
24	4460312	1	Terminal, Ring	
25	4460313	3	Terminal, Ring	
26	4460539	1	Connector - 3 Position	
27	4460944	3	Socket, Female	
28	4461157	1	Connector - 2 Position	
29	4460891	2	Connector - 2 Position	
30	4460458	2	Seal, Terminal	
31	4460738	1	Terminal, Ring	
33	4460871	9	Socket, Female	
34	4460464	1	Pin, Male	
35	4460887	1	Pin, Male	
36	4460465	6	Socket, Female	
37	4460226	3	Socket, Female	
38	4460259	1	Terminal	
39	4460260	1	Housing, Terminal	
40	4460979	2	Pin, Male	
41	1001215016	1	Connector - 42 Position	
42	1001215091	5	Terminal	
43	1001215534	33	Plug, Terminal	
44	1001216212	1	Terminal	
45	4460019	1	Terminal, Ring	

SECTION 8 - ELECTRICAL

FIGURE 8-61. FUEL HARNESS - DEUTZ TD2.2L3 (STAGE V) ENGINES



ART_1001245913

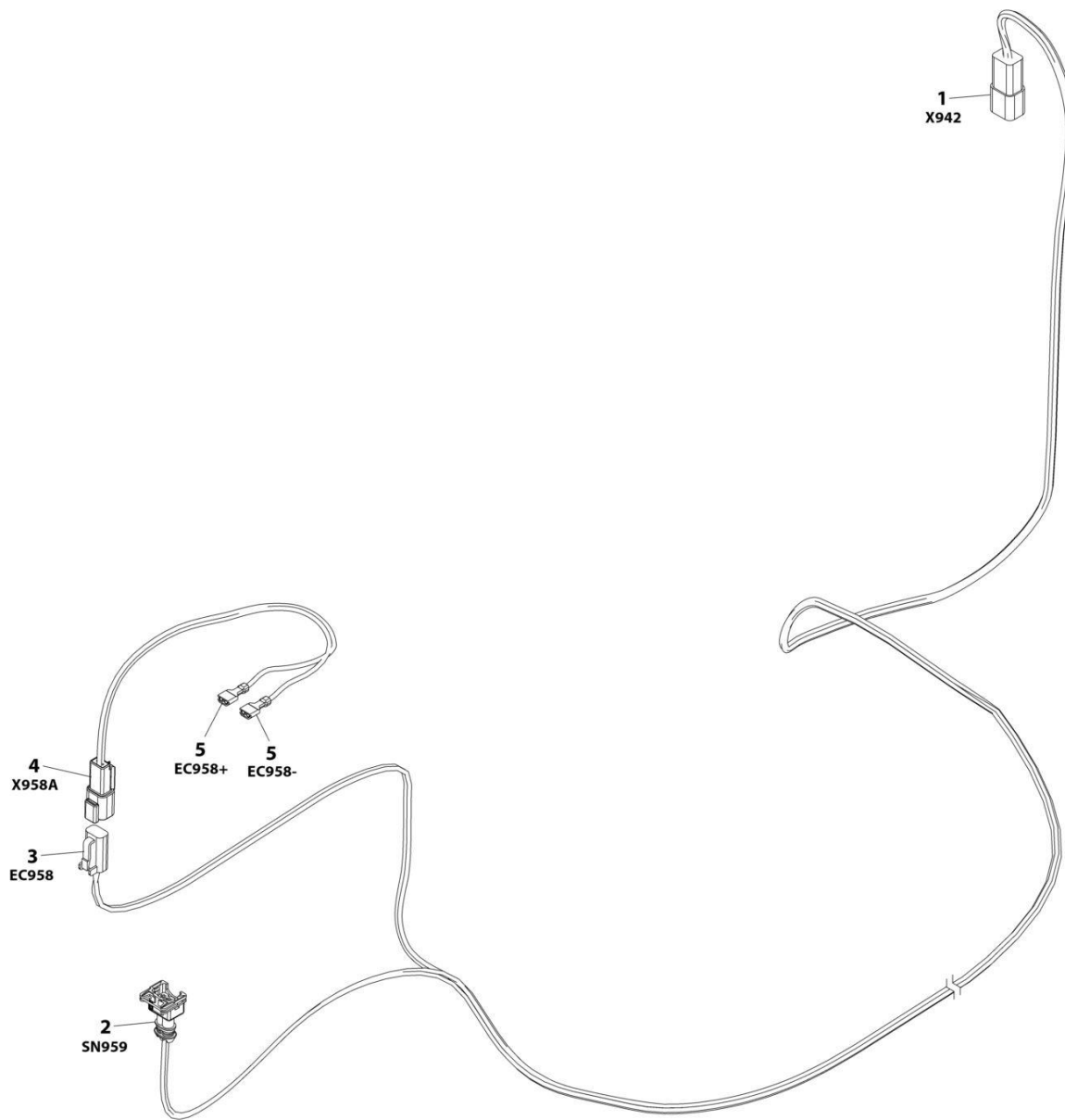
SECTION 8 - ELECTRICAL

FIGURE 8-61. FUEL HARNESS - DEUTZ TD2.2L3 (STAGE V) ENGINES

ITEM	PART NUMBER	QTY	DESCRIPTION	REV
	1001245913	Ref	FUEL HARNESS - DEUTZ (STAGE V) ENGINE	D
1	1001148842	1	Connector - 4 Position	
1	1001148841	4	Pin, Male	
1	1001135650	4	Seal	
2	1001133714	1	Plug, Male - 4 Position	
2	1001133715	4	Socket, Female	
2	1001135650	4	Seal	

SECTION 8 - ELECTRICAL

FIGURE 8-62. FUEL HARNESS - DEUTZ TCD2.9L4 ENGINES AND DEUTZ D2.9L4 ENGINES



ART_1001138491

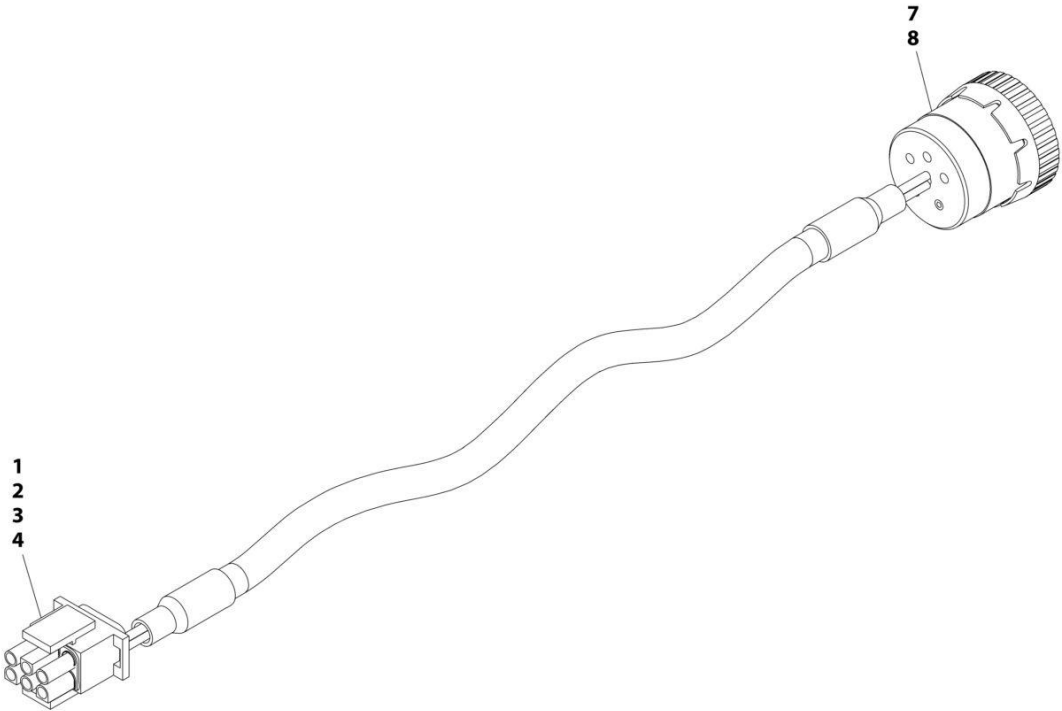
SECTION 8 - ELECTRICAL

FIGURE 8-62. FUEL HARNESS - DEUTZ TCD2.9L4 ENGINES AND DEUTZ D2.9L4 ENGINES

ITEM	PART NUMBER	QTY	DESCRIPTION	REV
	1001138491	Ref	FUEL PUMP HARNESS	D
1	4460932	1	Receptacle, Female - 4 Position	
1	4460941	2	Pin, Male	
1	4460464	2	Pin, Male	
2	1001116983	1	Plug, Male - 2 Position	
2	1001116710	2	Socket, Female	
2	4461054	2	Seal	
3	4460891	1	Plug, Male - 2 Position	
3	4460942	2	Socket, Female	
4	4460897	1	Connector - 2 Position	
4	4460941	2	Pin, Male	
5	8220051	2	Terminal, Ring	

SECTION 8 - ELECTRICAL

FIGURE 8-63. GENERATOR TO CONTROL BOX HARNESS - 4000W



ART_1001152532

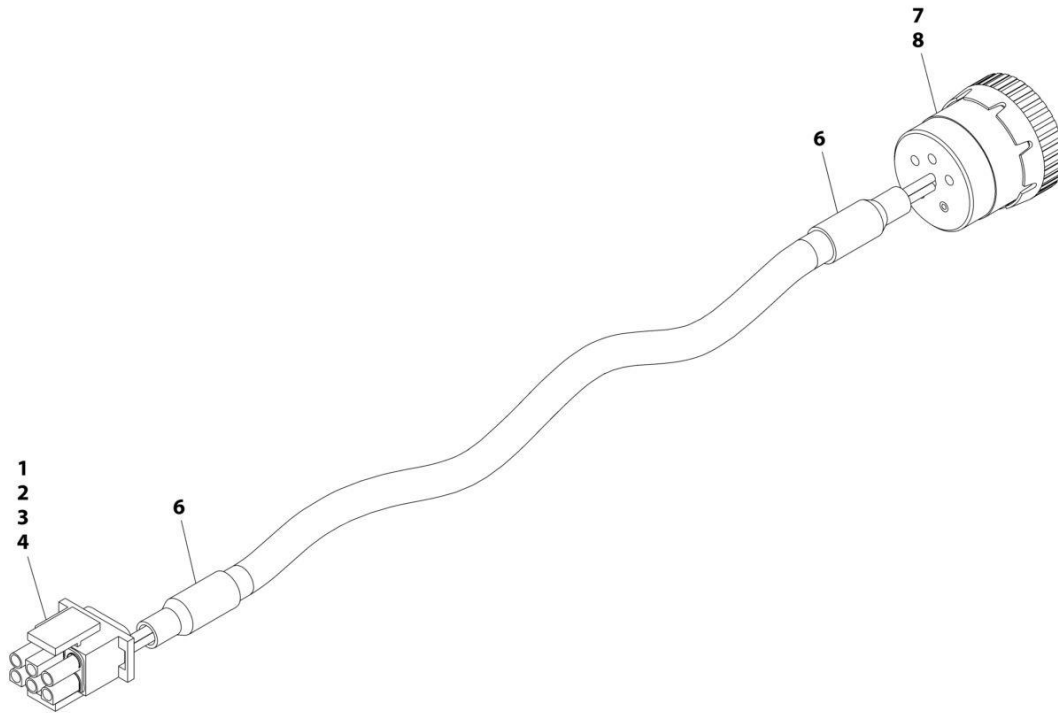
SECTION 8 - ELECTRICAL

FIGURE 8-63. GENERATOR TO CONTROL BOX HARNESS - 4000W

ITEM	PART NUMBER	QTY	DESCRIPTION	REV
	1001152532	Ref	GENERATOR HARNESS	A
1	4460225	1	Connector - 6 Position	
2	4460268	2	Socket, Female	
3	4460807	1	Seal	
4	4460808	1	Seal	
7	4460465	2	Socket, Female	
8	77363233	1	Connector - 6 Position	

SECTION 8 - ELECTRICAL

FIGURE 8-64. GENERATOR TO CONTROL BOX HARNESS (7500W GENERATOR)



ART_4922925

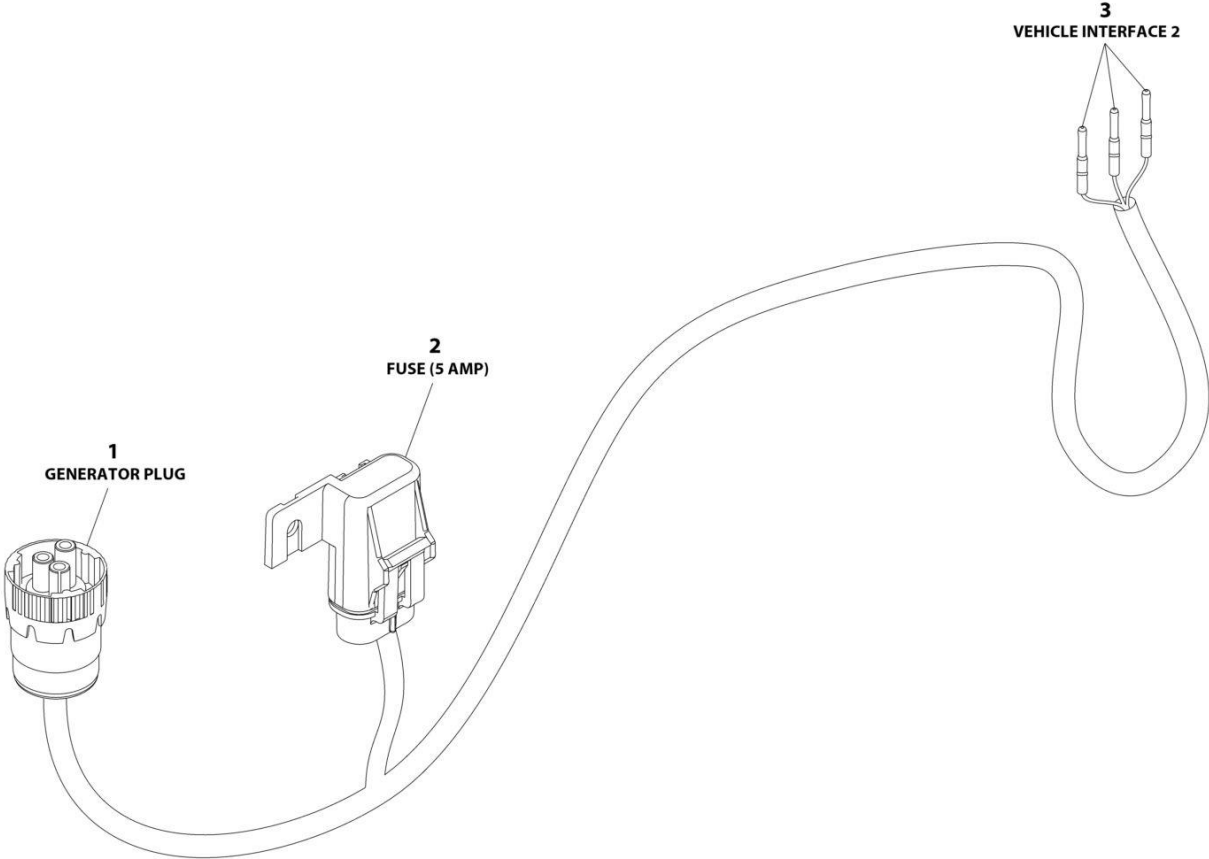
SECTION 8 - ELECTRICAL

FIGURE 8-64. GENERATOR TO CONTROL BOX HARNESS (7500W GENERATOR)

ITEM	PART NUMBER	QTY	DESCRIPTION	REV
	4922925	Ref	GENERATOR TO CONTROL BOX HARNESS (7500W GENERATOR)	C
1	4460225	1	Plug, Male - 2 Position	
2	4460268	6	Socket, Female	
3	4460807	1	Seal	
4	4460808	1	Seal	
6	2820019	AR	Heat Shrink	
7	4460465	6	Socket, Female	
8	77363233	1	Connector - 6 Position	

SECTION 8 - ELECTRICAL

FIGURE 8-65. GENERATOR HARNESS - 7500W GENERATOR



ART_1001119968

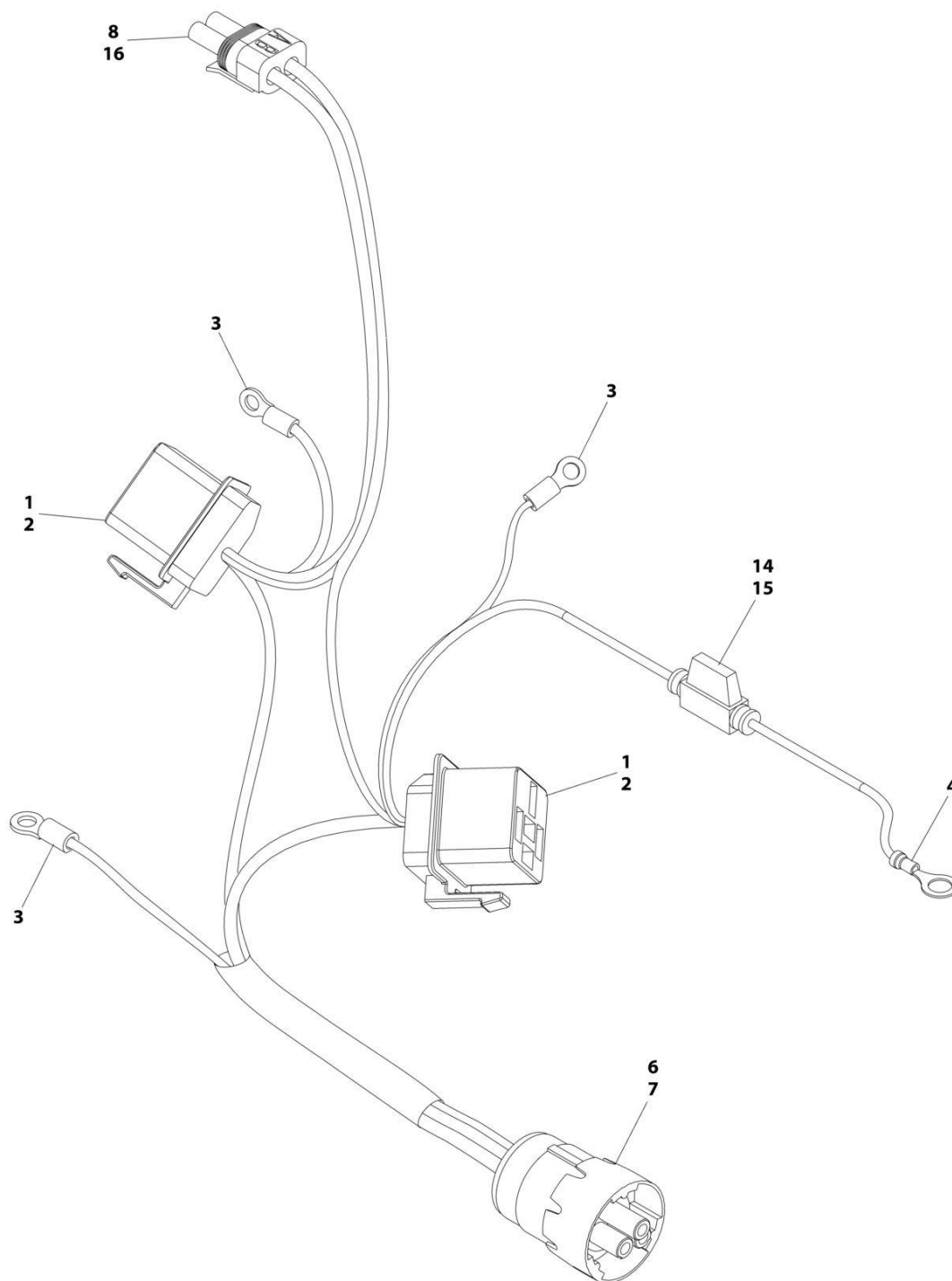
SECTION 8 - ELECTRICAL

FIGURE 8-65. GENERATOR HARNESS - 7500W GENERATOR

ITEM	PART NUMBER	QTY	DESCRIPTION	REV
	1001119968	Ref	GENERATOR HARNESS - 7500W GENERATOR	C
1	4460967	1	Connector - 3 Position	
1	4460465	3	Socket, Female	
2	1001117078	1	Connector, Metri-Pack with 5Amp Fuse	
3	4460465	3	Socket, Female	

SECTION 8 - ELECTRICAL

FIGURE 8-66. GENERATOR TO ENGINE HARNESS - 2500W



ART_1001221208

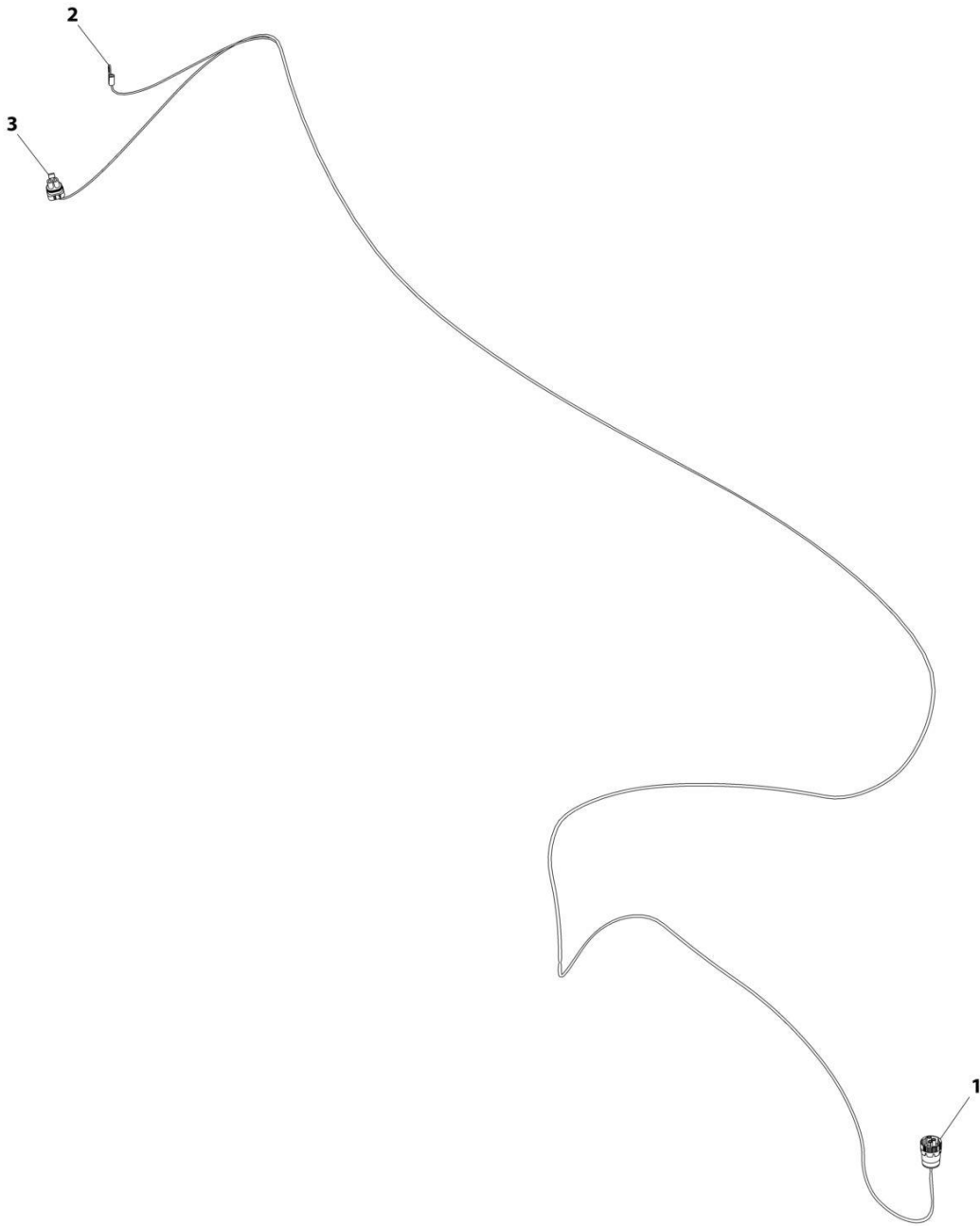
SECTION 8 - ELECTRICAL

FIGURE 8-66. GENERATOR TO ENGINE HARNESS - 2500W

ITEM	PART NUMBER	QTY	DESCRIPTION	REV
	1001221208	Ref	GENERATOR TO ENGINE HARNESS	A
1	4460374	2	Plug, Sealed Relay	
2	4460375	8	Terminal	
3	4460043	3	Terminal, Ring	
4	4460670	1	Terminal, Ring	
6	4460967	1	Plug, Male - 3 Position	
7	4460465	3	Socket, Female	
8	4460742	1	Plug, Male - 2 Position	
14	2400060	1	Fuseholder (Includes Cover)	
15	2400064	1	Fuse - 5Amp	
16	4460743	2	Socket, Female	

SECTION 8 - ELECTRICAL

FIGURE 8-67. GENERATOR TO ENGINE HARNESS - 4000W



ART_1001153197

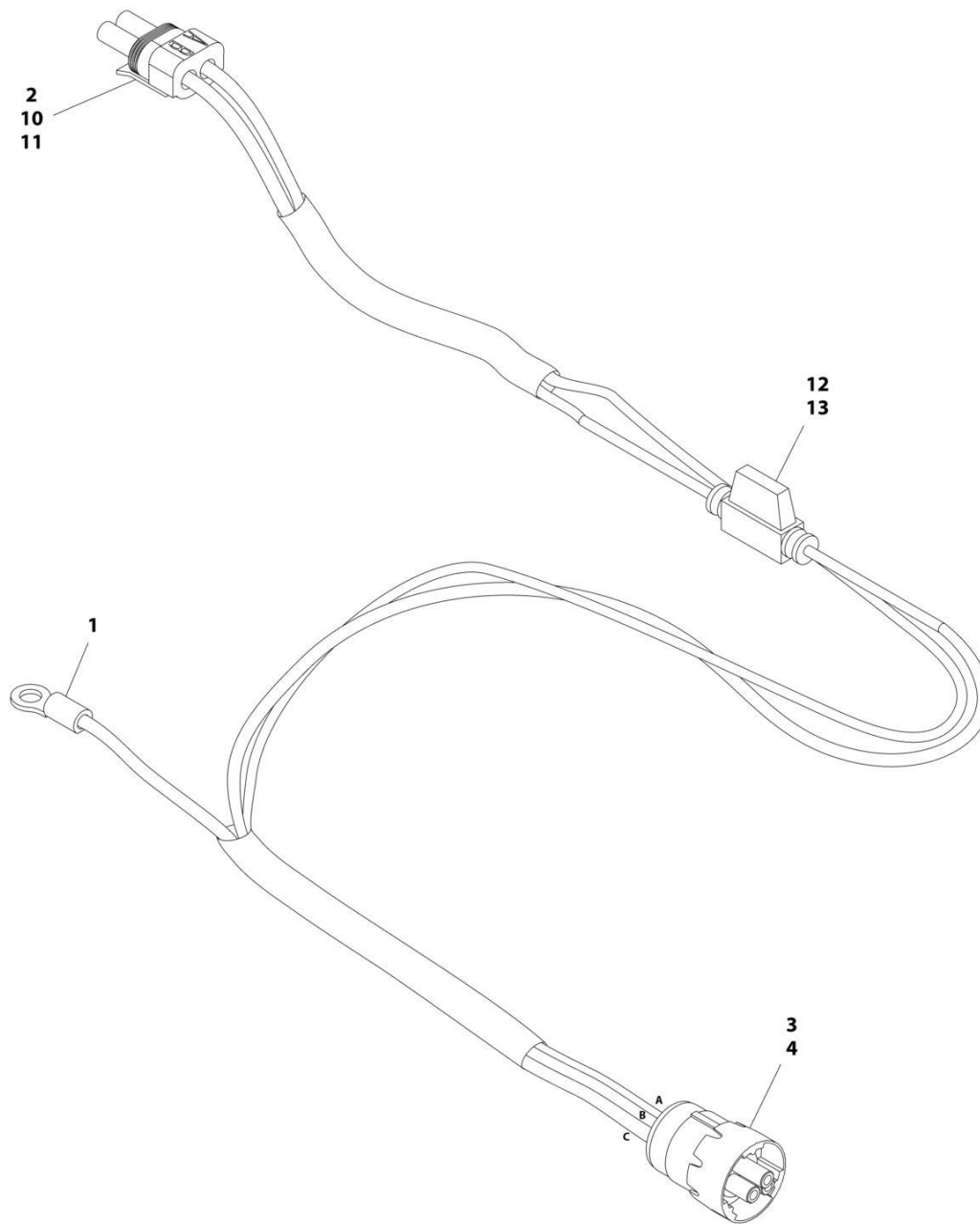
SECTION 8 - ELECTRICAL

FIGURE 8-67. GENERATOR TO ENGINE HARNESS - 4000W

ITEM	PART NUMBER	QTY	DESCRIPTION	REV
	1001153197	Ref	GENERATOR TO ENGINE HARNESS	B
1	4460967	1	Plug, Male - 3 Position	
1	4460465	2	Socket, Female	
2	4460043	1	Terminal, Ring	
3	4460742	1	Plug, Male - 2 Position	
3	4460743	1	Socket, Female	
3	4460458	1	Seal, Terminal	
3	1001116727	1	Plug, Terminal	

SECTION 8 - ELECTRICAL

FIGURE 8-68. GENERATOR TO ENGINE HARNESS - 7500W SKYPOWER GENERATOR (DEUTZ D2011 ONLY)



ART_1001152429

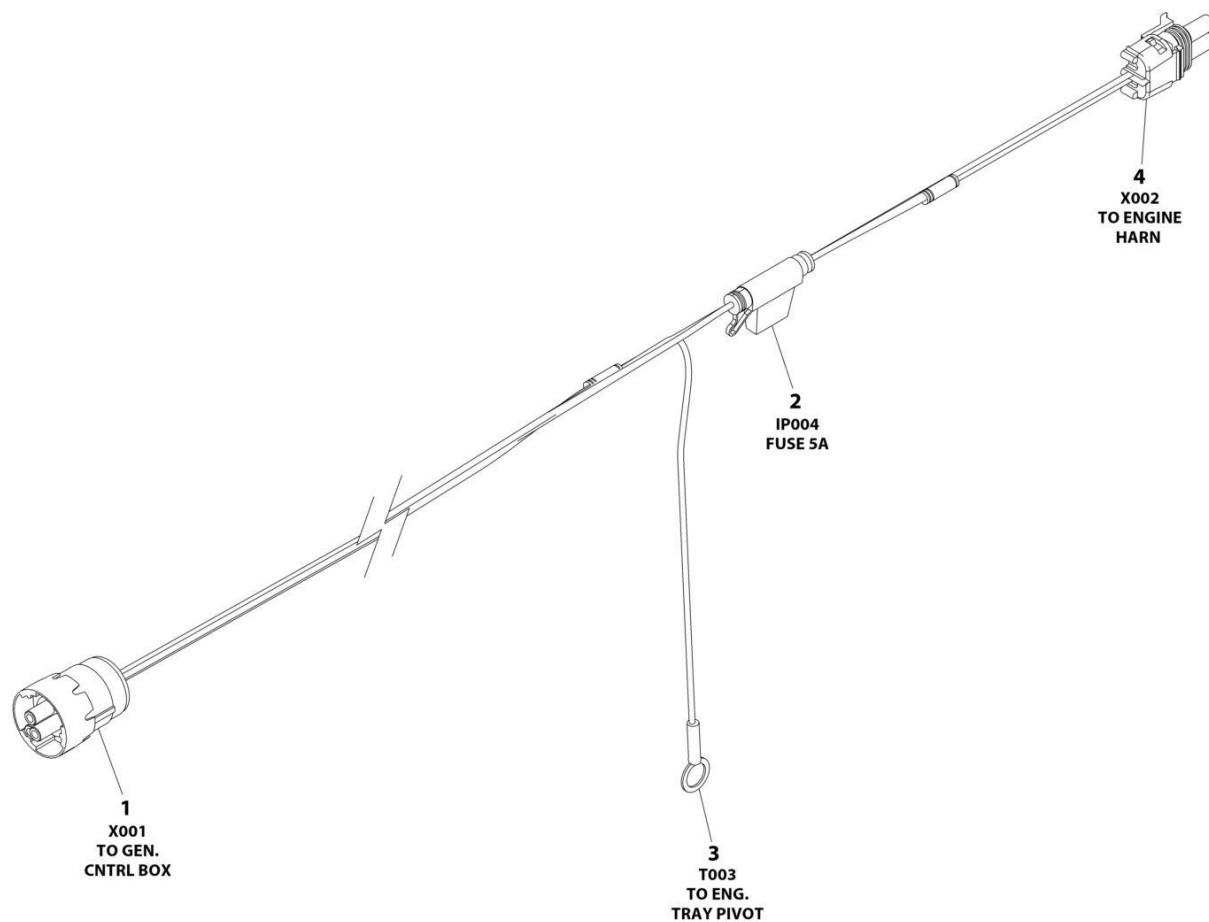
SECTION 8 - ELECTRICAL

FIGURE 8-68. GENERATOR TO ENGINE HARNESS - 7500W SKYPOWER GENERATOR (DEUTZ D2011 ONLY)

ITEM	PART NUMBER	QTY	DESCRIPTION	REV
	1001152429	Ref	GENERATOR TO ENGINE HARNESS	C
1	4460043	1	Terminal, Ring	
2	4460742	1	Plug, Male - 2 Position	
3	4460967	1	Connector - 3 Position	
4	4460465	3	Socket, Female	
10	4460743	2	Terminal, Female	
11	4460458	2	Seal	
12	2400060	1	Fuseholder (Includes Cover)	
13	2400064	1	Fuse - 5Amp	

SECTION 8 - ELECTRICAL

FIGURE 8-69. GENERATOR TO ENGINE HARNESS - 7500W SKYPOWER GENERATOR (FORD ENGINES ONLY)



ART_1001257972

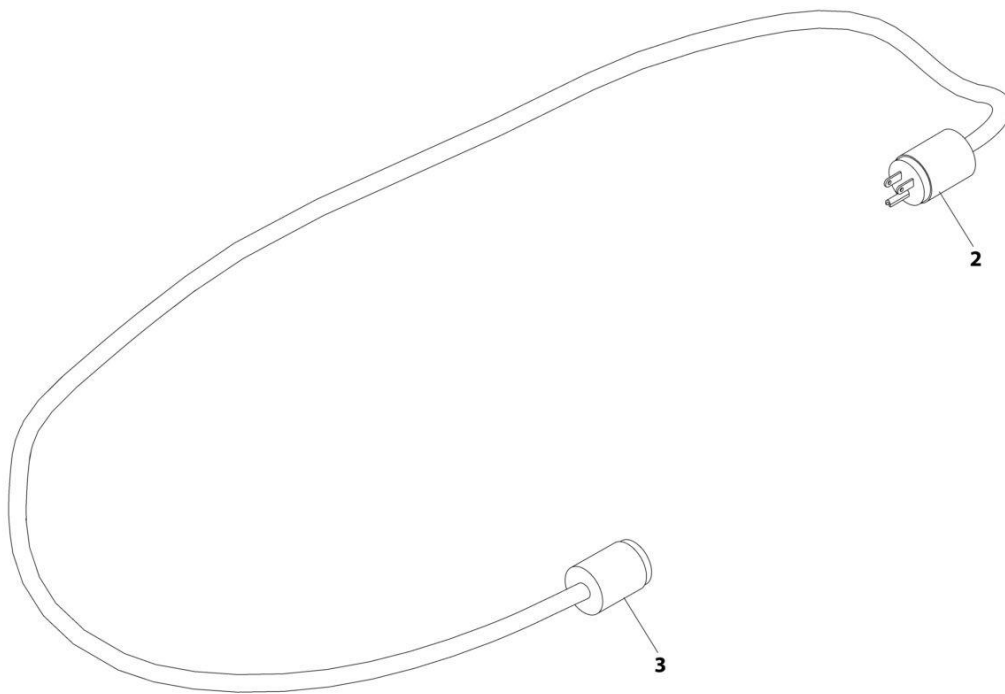
SECTION 8 - ELECTRICAL

FIGURE 8-69. GENERATOR TO ENGINE HARNESS - 7500W SKYPOWER GENERATOR (FORD ENGINES ONLY)

ITEM	PART NUMBER	QTY	DESCRIPTION	REV
	1001257972	Ref	GENERATOR TO ENGINE HARNESS	A
1	4460967	1	Plug, Male - 3 Position	
1	4460465	3	Socket, Female	
2	2400060	1	Fuse-holder (Includes Cover)	
2	2400064	1	Fuse - 5Amp	
3	4460256	1	Terminal, Ring	
4	4460742	1	Plug, Male - 2 Position	
4	4460457	2	Socket, Female	
4	4460458	2	Seal, Terminal	

SECTION 8 - ELECTRICAL

FIGURE 8-70. GENERATOR TO REAR OF BOOM HARNESS - 110V



ART_4921829

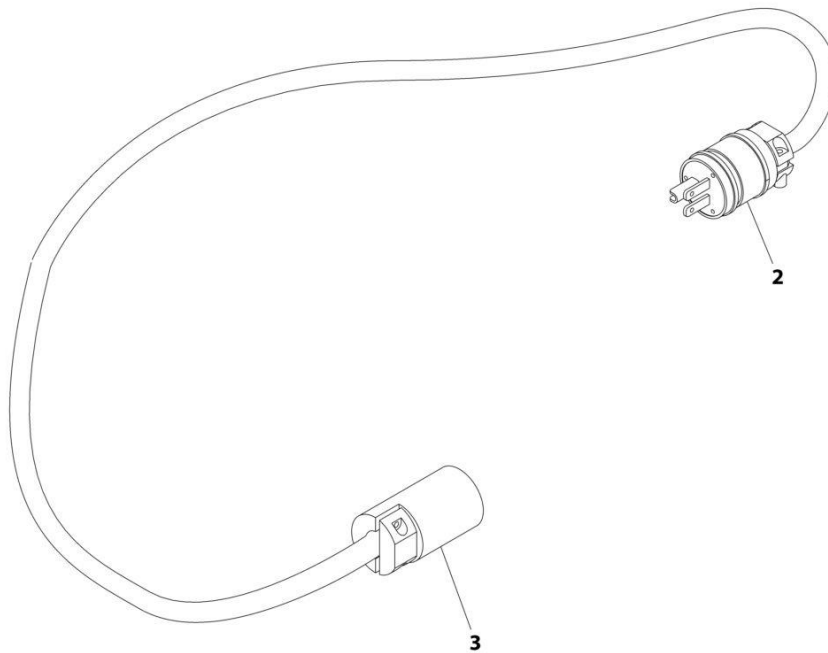
SECTION 8 - ELECTRICAL

FIGURE 8-70. GENERATOR TO REAR OF BOOM HARNESS - 110V

ITEM	PART NUMBER	QTY	DESCRIPTION	REV
	4921829	Ref	GENERATOR TO REAR OF BOOM HARNESS - 110V	Z-A
2	4460205	1	Plug, Male	
3	4460134	1	Connector, Female	

SECTION 8 - ELECTRICAL

FIGURE 8-71. GENERATOR TO REAR OF BOOM HARNESS - 220V



ART_4921954

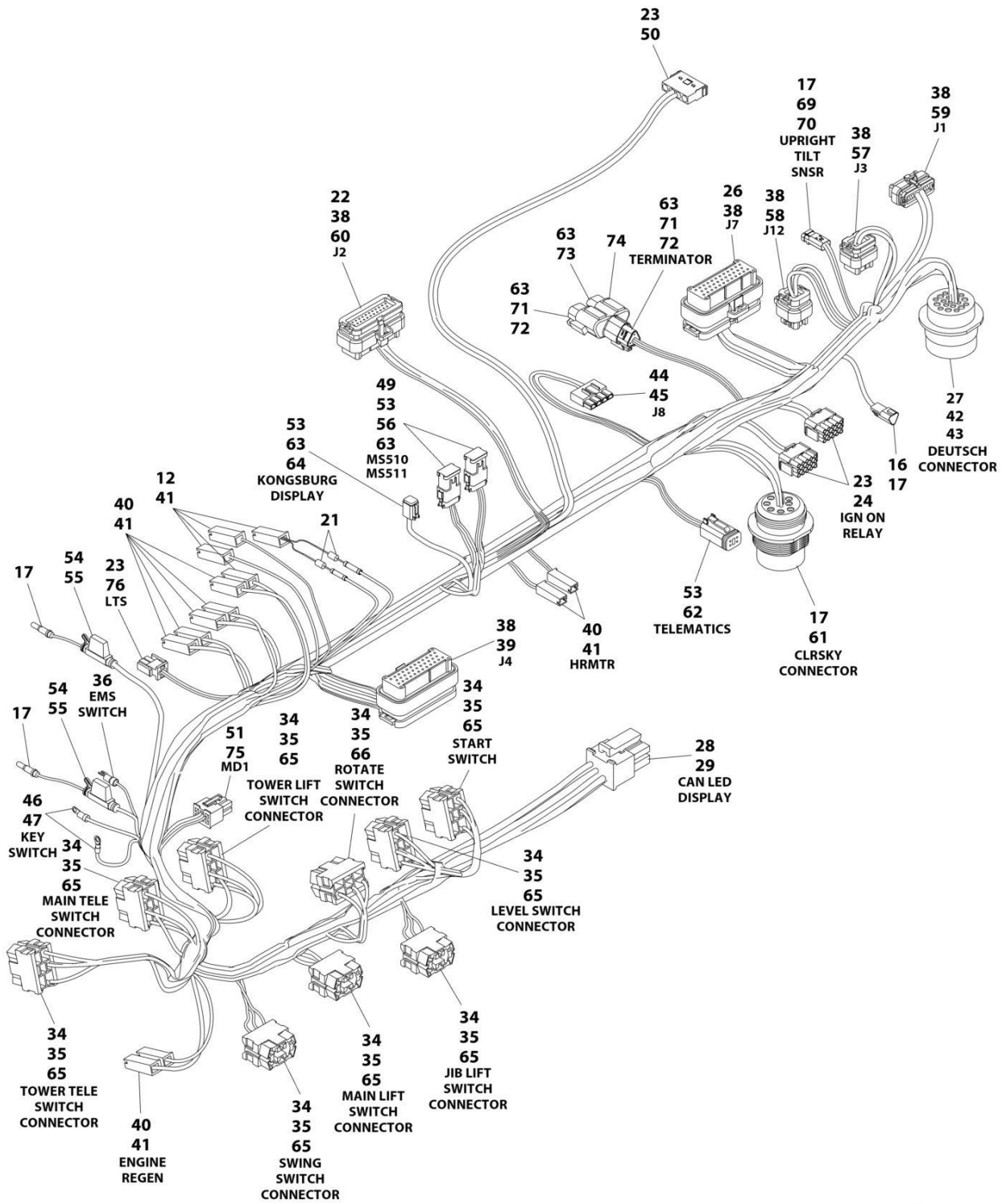
SECTION 8 - ELECTRICAL

FIGURE 8-71. GENERATOR TO REAR OF BOOM HARNESS - 220V

ITEM	PART NUMBER	QTY	DESCRIPTION	REV
	4921954	Ref	GENERATOR TO REAR OF BOOM HARNESS - 220V	2
2	4460233	1	Terminal, Plug	
3	4460701	1	Terminal, Connector	

SECTION 8 - ELECTRICAL

FIGURE 8-72. GROUND CONTROL BOX HARNESS



ART_1001243263

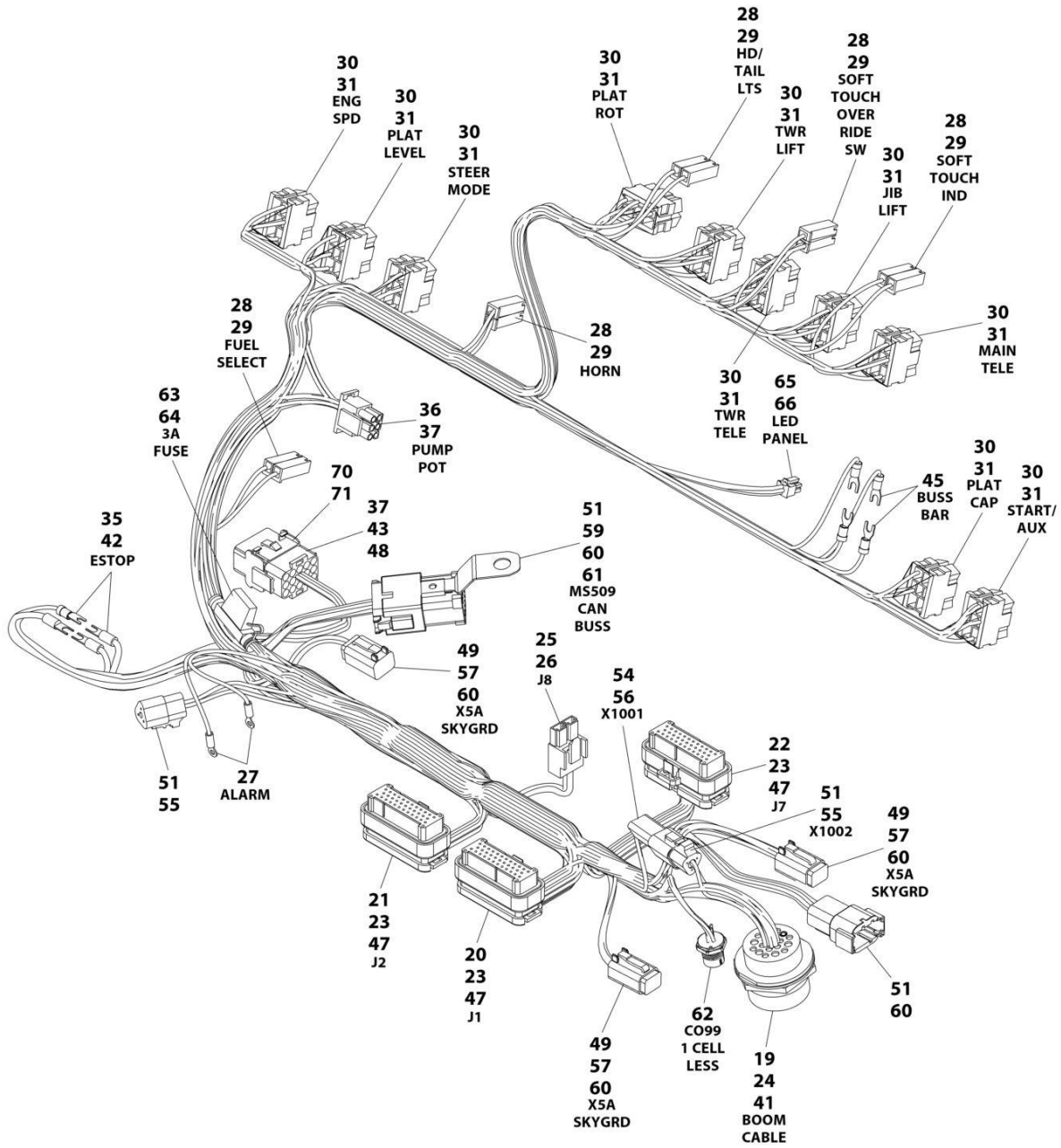
SECTION 8 - ELECTRICAL

FIGURE 8-72. GROUND CONTROL BOX HARNESS

ITEM	PART NUMBER	QTY	DESCRIPTION	REV
	1001243263	Ref	GROUND CONTROL BOX HARNESS	F
12	4460297	4	Terminal	
16	4460536	1	Receptacle, Female - 3 Position	
17	4460943	12	Pin, Male	
21	3990010	2	Diode, 6 Amp	
22	4460905	2	Seal, Terminal	
23	4460227	34	Pin, Male	
24	4460434	2	Plug Male - 15 Position	
26	4460873	1	Connector - 35 Position	
27	4460508	3	Terminal	
28	1001237667	1	Plug Male - 6 Position	
29	1001237668	5	Terminal	
34	1001159186	18	Terminal	
35	4460418	9	Connector, Switch	
36	4460806	5	Terminal, Fork	
38	4460871	73	Socket, Female	
39	4460876	1	Connector - 35 Position	
40	4460259	9	Terminal	
41	4460260	13	Housing, Terminal	
42	4460464	10	Pin, Male	
43	4460866	1	Connector - 19 Position	
44	4460878	1	Plug Male - 4 Position	
45	4460887	3	Terminal	
46	4460142	4	Terminal, Ring	
47	4460313	3	Terminal	
49	1001119020	1	Connector, Buss Bar - 12 Position	
50	4460761	1	Receptacle, Female - 4 Position	
51	4460868	AR	Terminal	
53	4460465	30	Socket, Female	
54	2400060	2	Fuse Holder, Includes Cover	
55	8229242	2	Fuse 5Amp	
56	4460933	2	Plug, Male - 12 Position	
57	4460872	1	Connector - 14 Position	
58	1001113961	1	Connector - 8 Position	
59	4460874	1	Connector - 35 Position	
60	4460875	1	Connector - 35 Position	
61	1001112612	1	Connector - 9 Position	
62	4460884	1	Plug, Male - 4 Position	
63	4460466	9	Plug, Terminal	
64	4460894	1	Plug, Male - 6 Position	
65	4460419	8	Terminal	
66	1001191598	1	Terminal	
69	1001229530	1	Receptacle, Female - 3 Position	
70	1001200497	1	Plug, Male - 3 Position	
71	1001116812	2	Plug, Male - 3 Position	
72	4460944	1	Socket, Female	
73	1001116815	1	Plug, Male - 3 Position	
74	4460945	1	Connector, 3-Way Tee	
75	4460877	1	Terminal	
76	4460320	1	Connector - 2 Position	

SECTION 8 - ELECTRICAL

FIGURE 8-73. PLATFORM CONSOLE BOX HARNESS



ART_1001243984

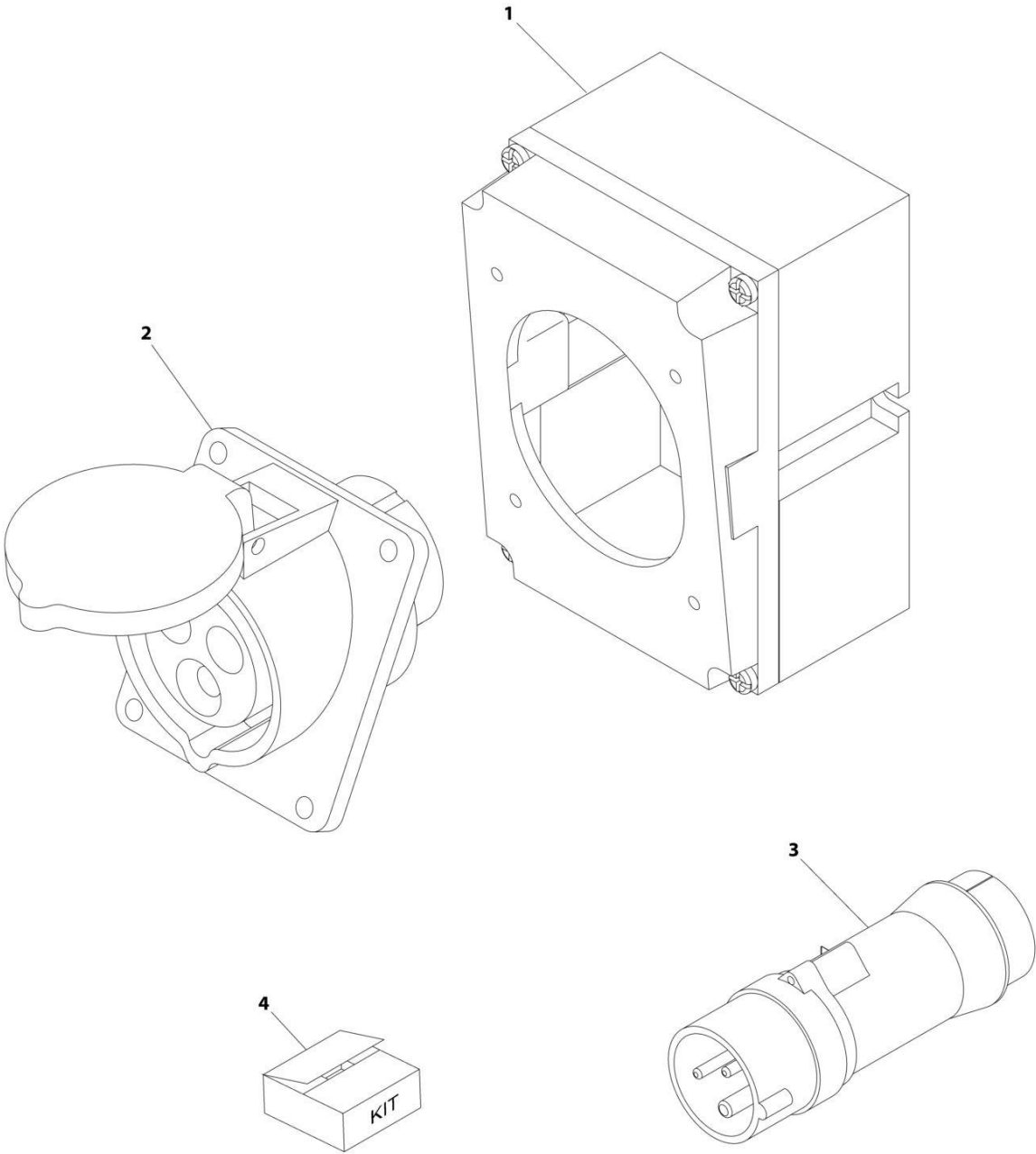
SECTION 8 - ELECTRICAL

FIGURE 8-73. PLATFORM CONSOLE BOX HARNESS

ITEM	PART NUMBER	QTY	DESCRIPTION	REV
	1001243984	Ref	PLATFORM CONSOLE BOX HARNESS	E
19	4460866	1	Connector - 19 Position	
20	4460874	1	Connector - 35 Position	
21	4460875	1	Connector - 35 Position	
22	4460873	1	Connector - 35 Position	
23	4460871	81	Socket, Female	
24	4460464	7	Pin, Male	
25	4460879	1	Plug, Male - 2 Position	
26	4460887	2	Terminal	
27	1001098122	2	Terminal, Ring	
28	4460260	10	Housing, Terminal	
29	4460259	10	Terminal	
30	4460418	9	Connector, Switch	
31	4460419	27	Terminal	
32	4120035	14	Socket, Light (Not Shown)	
33	4460634	14	Socket, Lamp (Single Wire) (Not Shown)	
34	4460635	14	Socket, Lamp (Double Wire) (Not Shown)	
35	4460888	3	Terminal, Fork	
36	4460225	1	Plug, Male - 6 Position	
37	4460227	31	Pin, Male	
41	4460508	3	Pin, Male	
42	4460806	1	Terminal, Fork	
43	4460434	2	Connector - 15 Position	
44	2920129	14	Bulb (Not Shown)	
45	4460183	4	Terminal, Fork	
46	4460016	2	Terminal (Not Shown)	
47	4460905	24	Plug, Terminal	
48	4460267	1	Pin, Male	
49	4460465	5	Socket, Female	
51	4460944	11	Socket, Female	
54	4460536	1	Receptacle, Female - 3 Position	
55	4460539	1	Plug, Male - 3 Position	
56	4460943	3	Pin, Male	
57	4460894	2	Plug, Male - 6 Position	
59	4460933	1	Plug, Male - 12 Position	
60	4460466	5	Plug, Terminal	
61	1001119020	1	Connector, Buss Bar - 12 Position	
62	1001213447	1	Connector - 5 Position	
63	2400060	1	Fuseholder Includes Cover	
64	8229249	1	Fuse, 3 Amp	
65	1001237667	1	Plug, Male - 6 Position	
66	1001237668	4	Socket, Female	
70	4460708	1	Connector - 15 Position	
71	4460226	2	Socket, Female	

SECTION 8 - ELECTRICAL

FIGURE 8-74. RECEPTACLE BOX KIT - 110V IEC YELLOW (CE SPEC)



ART_0275216

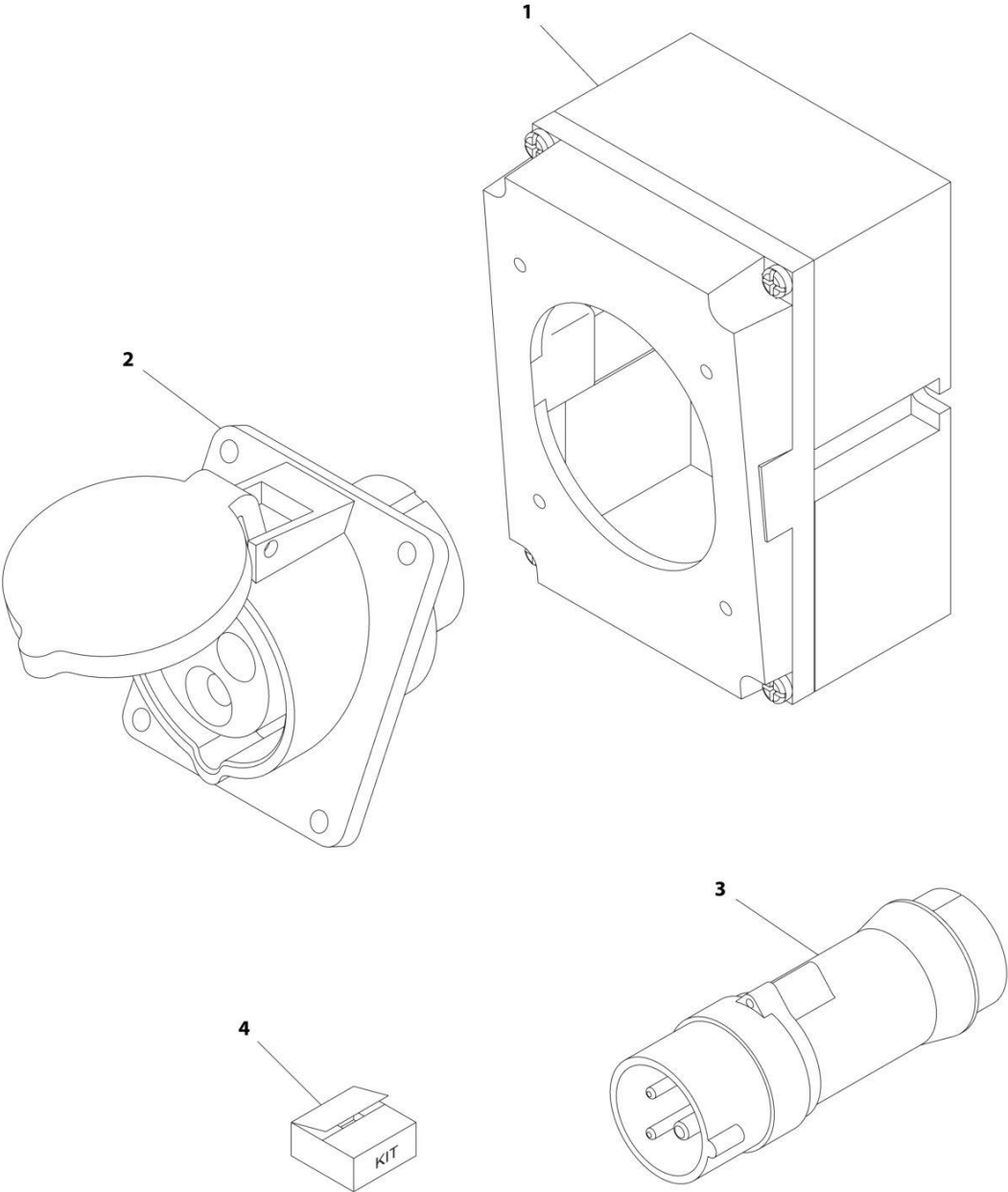
SECTION 8 - ELECTRICAL

FIGURE 8-74. RECEPTACLE BOX KIT - 110V IEC YELLOW (CE SPEC)

ITEM	PART NUMBER	QTY	DESCRIPTION	REV
	0275216	Ref	RECEPTACLE BOX KIT - 110V IEC YELLOW	B
1	0861781	1	Box, Switch	
2	4461198	1	Receptacle	
3	4461196	1	Plug, Male	
4	1001100341	1	Plug and Socket Kit (Includes Items 1-3 and Female Plug p/n 4461197)	

SECTION 8 - ELECTRICAL

FIGURE 8-75. RECEPTACLE BOX KIT - 220V IEC BLUE (CE SPEC)



ART_0275217

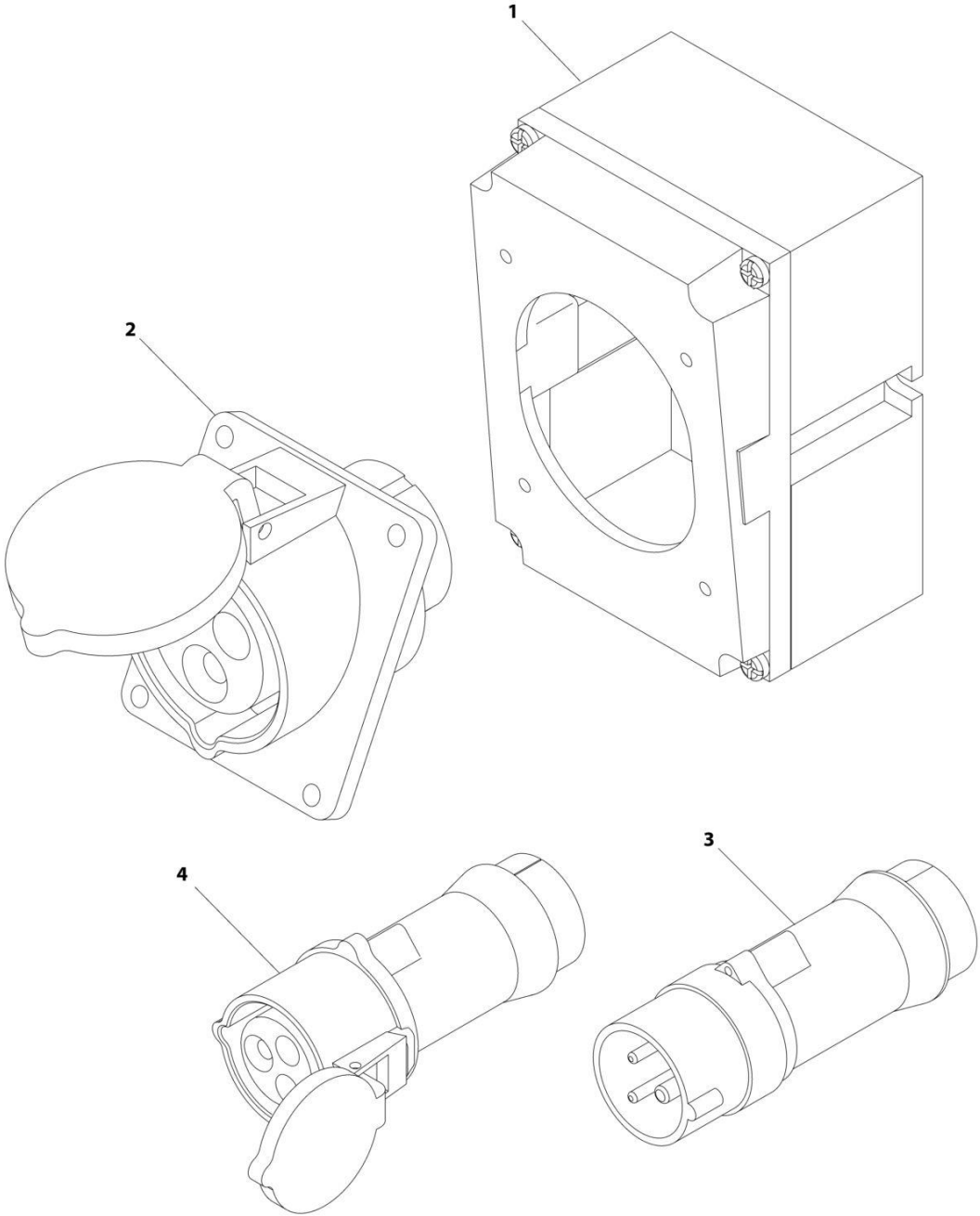
SECTION 8 - ELECTRICAL

FIGURE 8-75. RECEPTACLE BOX KIT - 220V IEC BLUE (CE SPEC)

ITEM	PART NUMBER	QTY	DESCRIPTION	REV
	0275217	Ref	RECEPTACLE BOX KIT - 220V IEC BLUE	B
1	0861781	1	Box, Switch	
2	4461201	1	Receptacle	
3	4461199	1	Plug, Male	
4	1001100342	1	Plug and Socket Kit (Includes Items 1-3 and Female Plug p/n 4461200)	

SECTION 8 - ELECTRICAL

FIGURE 8-76. RECEPTACLE BOX KIT - 220V IEC BLUE (CE SPECS) (2500W GENERATOR)



ART_1001100342

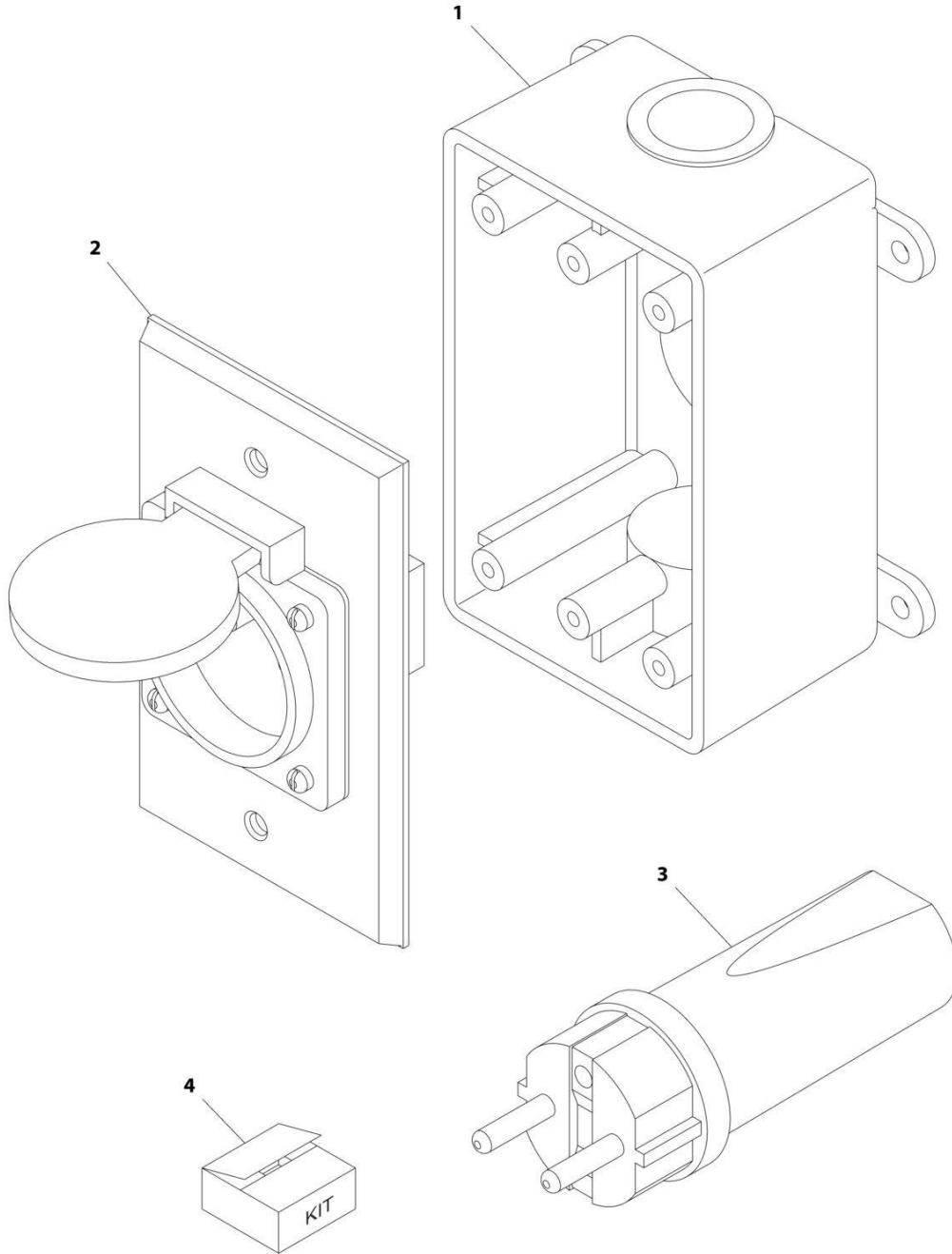
SECTION 8 - ELECTRICAL

FIGURE 8-76. RECEPTACLE BOX KIT - 220V IEC BLUE (CE SPECS) (2500W GENERATOR)

ITEM	PART NUMBER	QTY	DESCRIPTION	REV
	1001100342	Ref	RECEPTACLE BOX KIT - 220V IEC BLUE WITH 2500W GENERATOR (CE & UK CA SPECS)	2
1	0861781	1	Box, Switch	
2	4461201	1	Receptacle	
3	4461199	1	Plug, Male	
4	4461200	1	Plug, Female	

SECTION 8 - ELECTRICAL

FIGURE 8-77. RECEPTACLE BOX KIT - 220V CEE7 POST GROUND WITHOUT 2500W GENERATOR (2X4 BOX) (CE SPECS)



ART_0275452

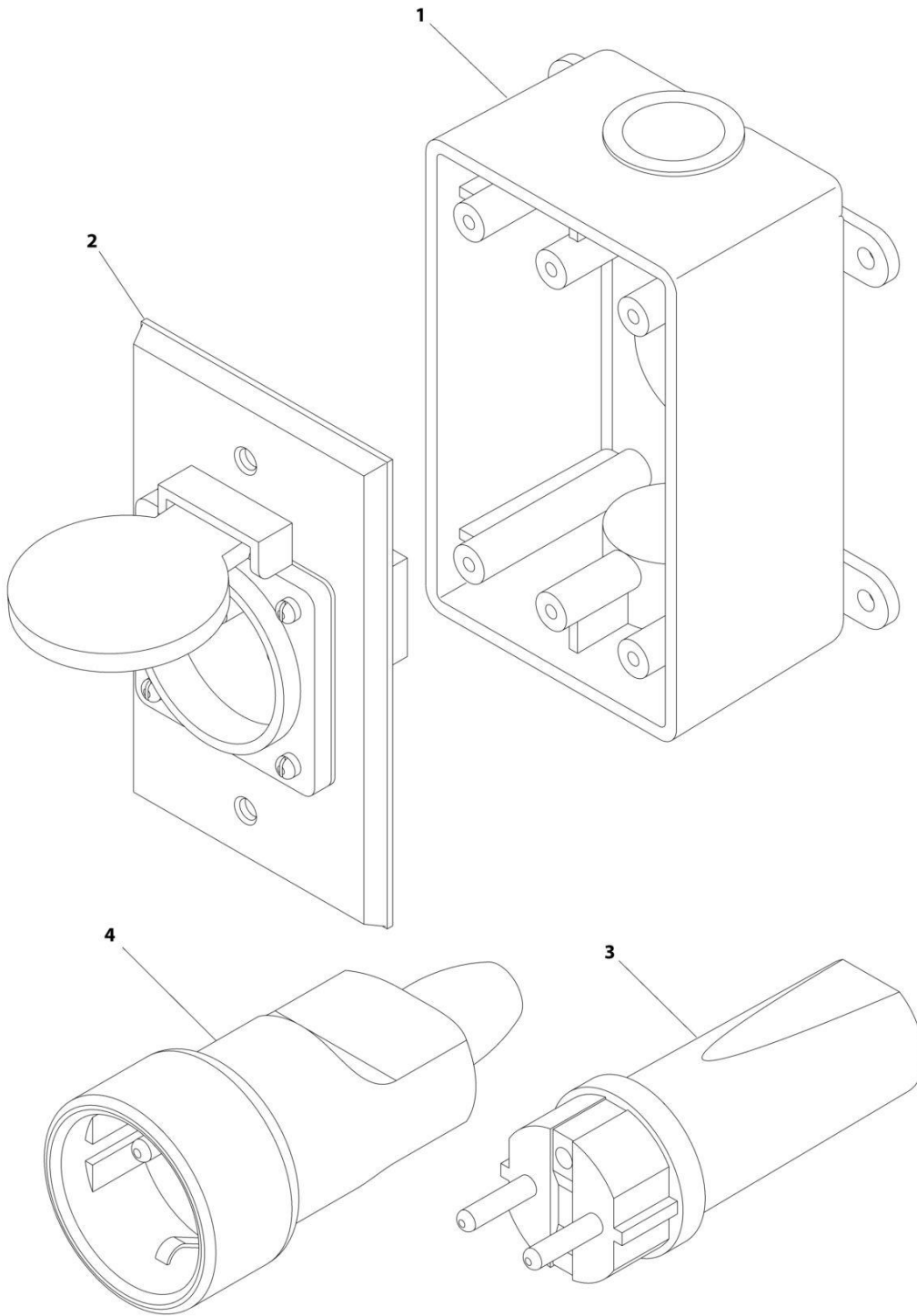
SECTION 8 - ELECTRICAL

FIGURE 8-77. RECEPTACLE BOX KIT - 220V CEE7 POST GROUND WITHOUT 2500W GENERATOR (2X4 BOX) (CE SPECS)

ITEM	PART NUMBER	QTY	DESCRIPTION	REV
	0275452	Ref	RECEPTACLE BOX KIT - 220V CEE7 POST GROUND	C
1	0861731	1	Box, Switch	
2	4461244	1	Receptacle	
3	4461205	1	Plug, Male	
4	1001100345	1	Plug and Socket Kit (Includes Items 1-3 and Female Plug p/n 4461206)	

SECTION 8 - ELECTRICAL

FIGURE 8-78. RECEPTACLE BOX KIT - 220V CEE7 POST GROUND (2X4 BOX) (CE SPECS) (2500W GENERATOR)



ART_1001100345

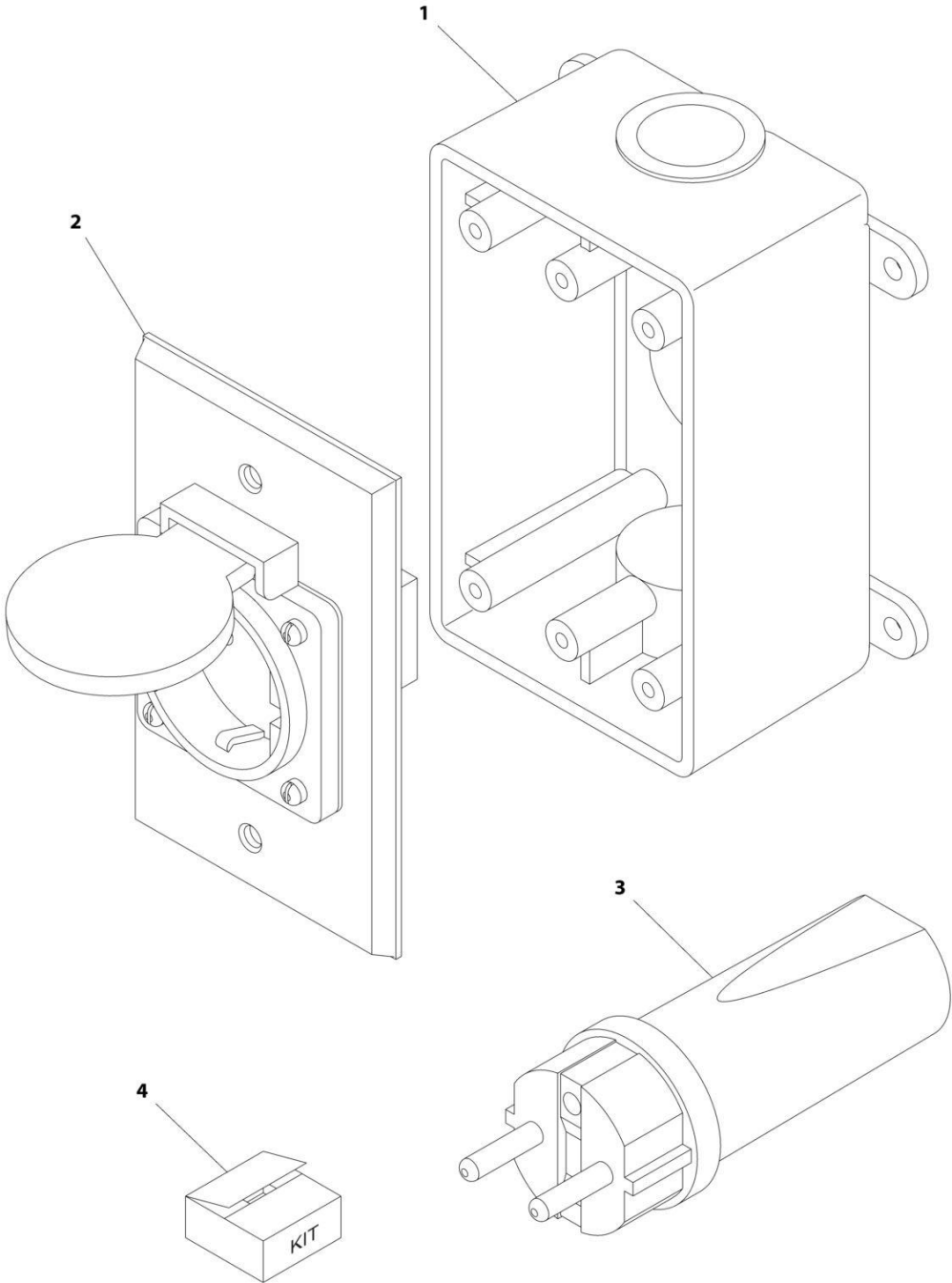
SECTION 8 - ELECTRICAL

FIGURE 8-78. RECEPTACLE BOX KIT - 220V CEE7 POST GROUND (2X4 BOX) (CE SPECS) (2500W GENERATOR)

ITEM	PART NUMBER	QTY	DESCRIPTION	REV
	1001100345	Ref	RECEPTACLE BOX KIT - 220V CEE7 POST GROUND	C
1	0861731	1	Box, Switch	
2	4461244	1	Receptacle	
3	4461205	1	Plug, Male	
4	4461203	1	Plug, Female	

SECTION 8 - ELECTRICAL

FIGURE 8-79. RECEPTACLE BOX KIT - 220V CEE7 SIDE GROUND (CE SPEC)



ART_0275453

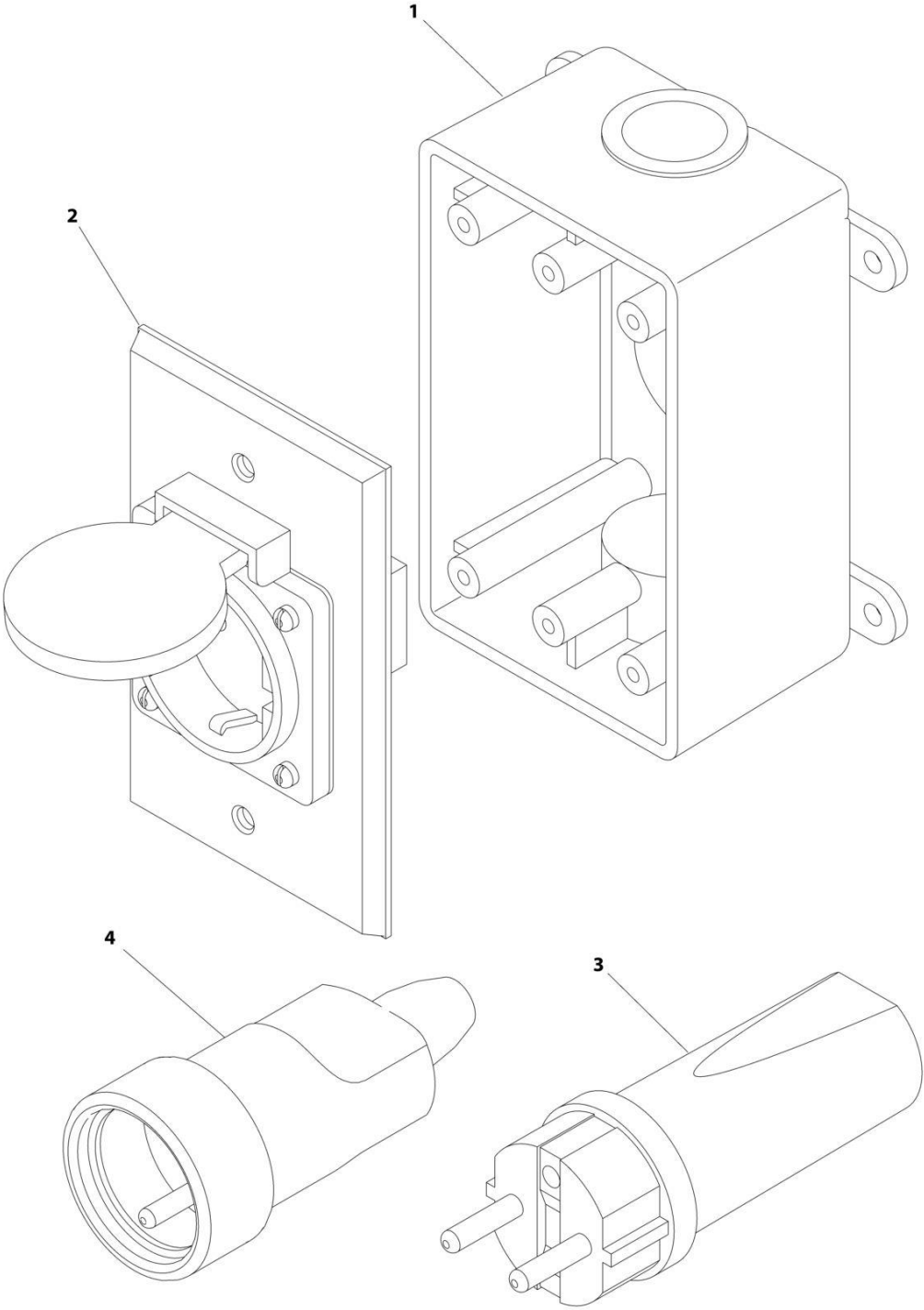
SECTION 8 - ELECTRICAL

FIGURE 8-79. RECEPTACLE BOX KIT - 220V CEE7 SIDE GROUND (CE SPEC)

ITEM	PART NUMBER	QTY	DESCRIPTION	REV
	0275453	Ref	RECEPTACLE BOX KIT - 220V CEE7 SIDE GROUND	B
1	0861731	1	Box, Switch	
2	4461245	1	Receptacle	
3	4461205	1	Plug, Male	
4	1001100347	1	Plug and Socket Kit (Includes Items 1-3 and Female Plug p/n 4461206)	

SECTION 8 - ELECTRICAL

FIGURE 8-80. RECEPTACLE BOX KIT - 220V CEE7 SIDE GROUND (2X4 BOX) (CE SPECS) (2500W GENERATOR)



ART_1001100347

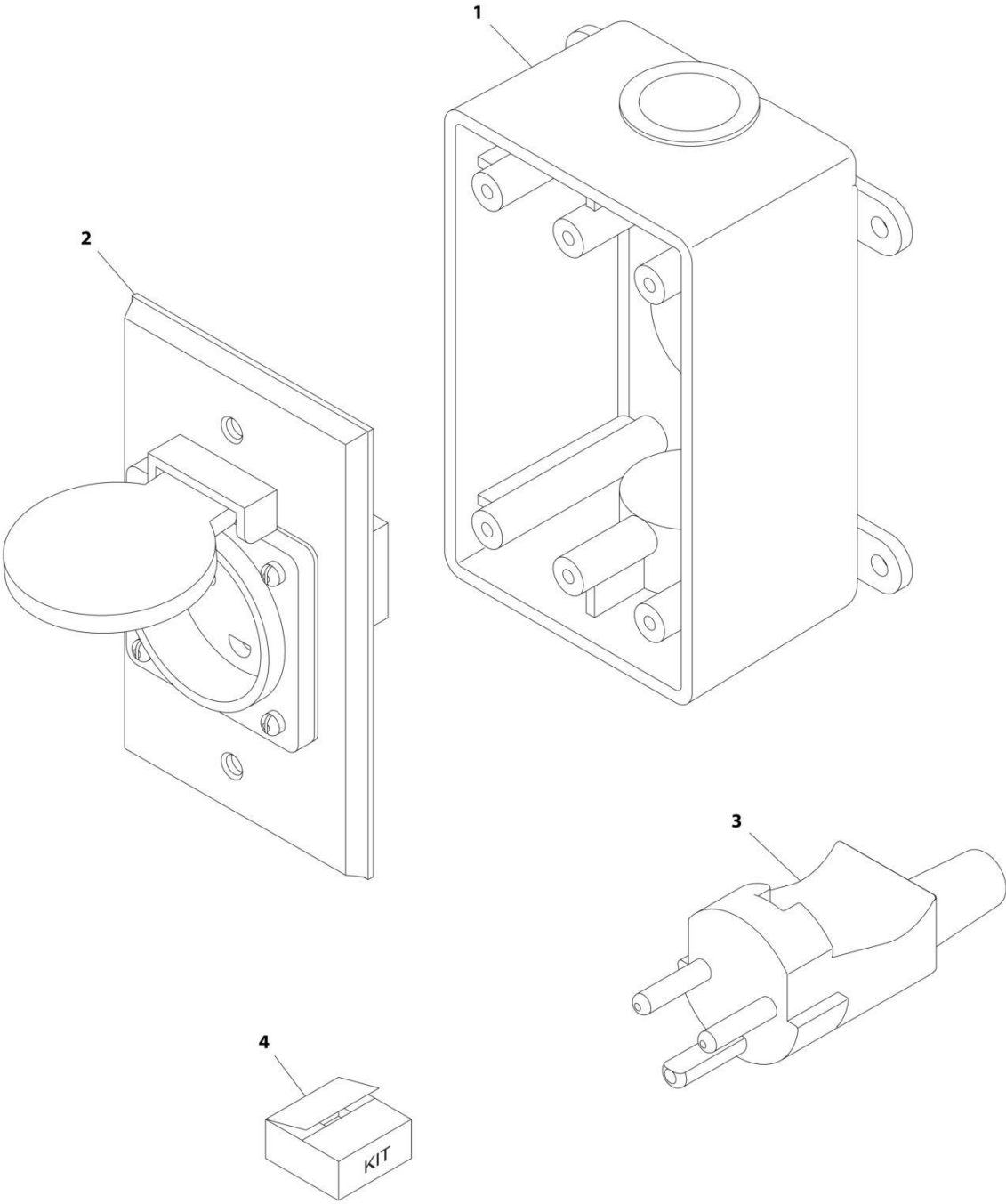
SECTION 8 - ELECTRICAL

FIGURE 8-80. RECEPTACLE BOX KIT - 220V CEE7 SIDE GROUND (2X4 BOX) (CE SPECS) (2500W GENERATOR)

ITEM	PART NUMBER	QTY	DESCRIPTION	REV
	1001100347	Ref	RECEPTACLE BOX KIT - 220V CEE7 SIDE GROUND	3
1	0861731	1	Box, Switch	
2	4461245	1	Receptacle	
3	4461205	1	Plug, Male	
4	4461206	1	Plug, Female	

SECTION 8 - ELECTRICAL

FIGURE 8-81. RECEPTACLE BOX KIT - 220V AFSINT 107 (CE SPEC)



ART_0275454

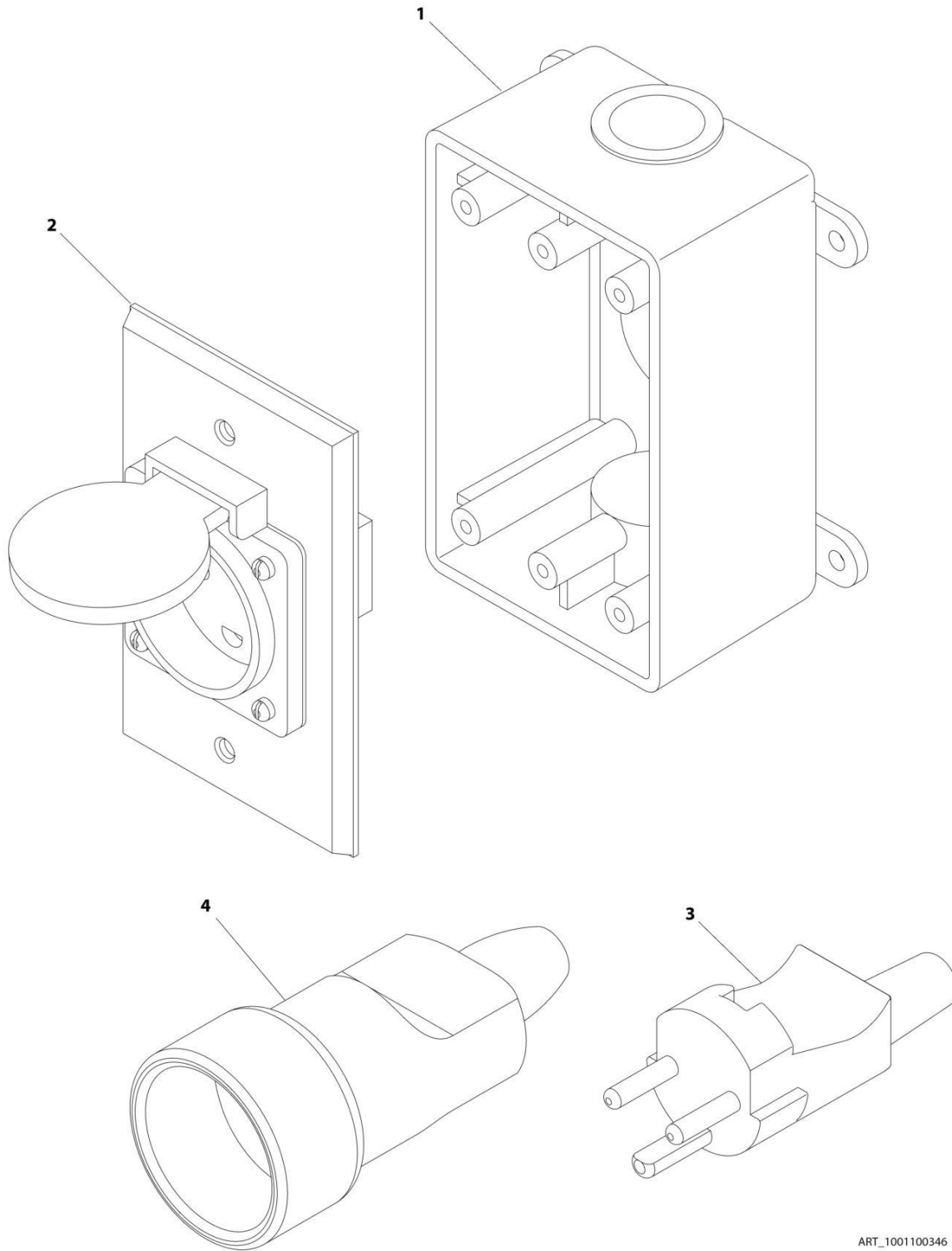
SECTION 8 - ELECTRICAL

FIGURE 8-81. RECEPTACLE BOX KIT - 220V AFSINT 107 (CE SPEC)

ITEM	PART NUMBER	QTY	DESCRIPTION	REV
	0275454	Ref	RECEPTACLE BOX KIT - 220V AFSINT 107	B
1	0861731	1	Box, Switch	
2	4461246	1	Receptacle	
3	4461249	1	Plug, Male	
4	1001100346	1	Plug and Socket Kit (Includes Items 1-3 and Female Plug p/n 4461250)	

SECTION 8 - ELECTRICAL

**FIGURE 8-82. RECEPTACLE BOX KIT - 220V AFSINT 107 KEYED GROUND (2X4 BOX) (CE SPECS)
(2500W GENERATOR)**



ART_1001100346

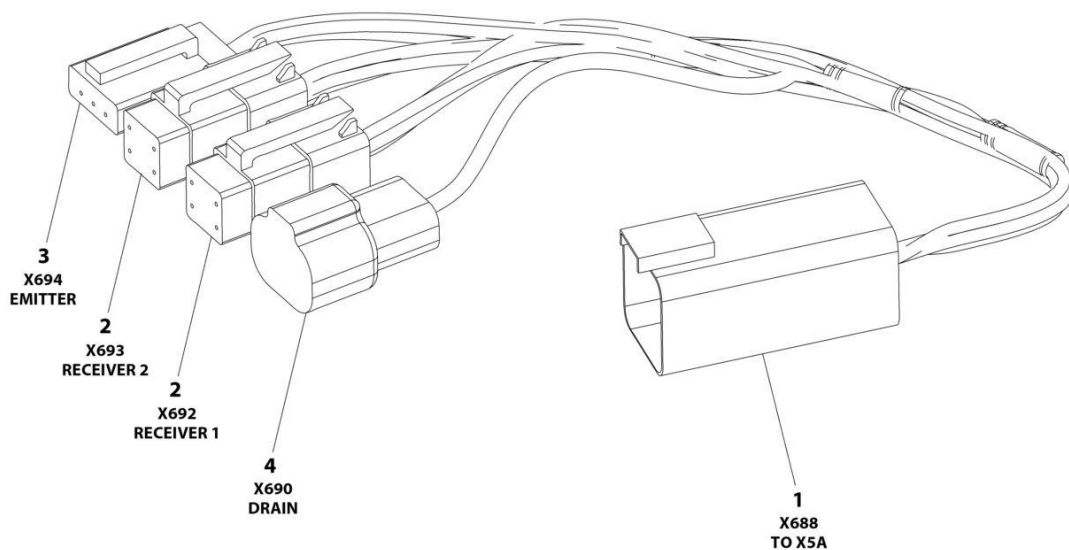
SECTION 8 - ELECTRICAL

**FIGURE 8-82. RECEPTACLE BOX KIT - 220V AFSINT 107 KEYED GROUND (2X4 BOX) (CE SPECS)
(2500W GENERATOR)**

ITEM	PART NUMBER	QTY	DESCRIPTION	REV
	1001100346	Ref	RECEPTACLE BOX KIT - 220V AFSINT 107 KEYED GROUND WITH 2500W GENERATOR (2X4 BOX) (CE & UK CA SPECS)	2
1	0861731	1	Box, Switch	
2	4461246	1	Receptacle	
3	4461249	1	Plug, Male	
4	4461250	1	Plug, Female	

SECTION 8 - ELECTRICAL

FIGURE 8-83. SKYEYE INTERMEDIATE HARNESS



ART_1001237865

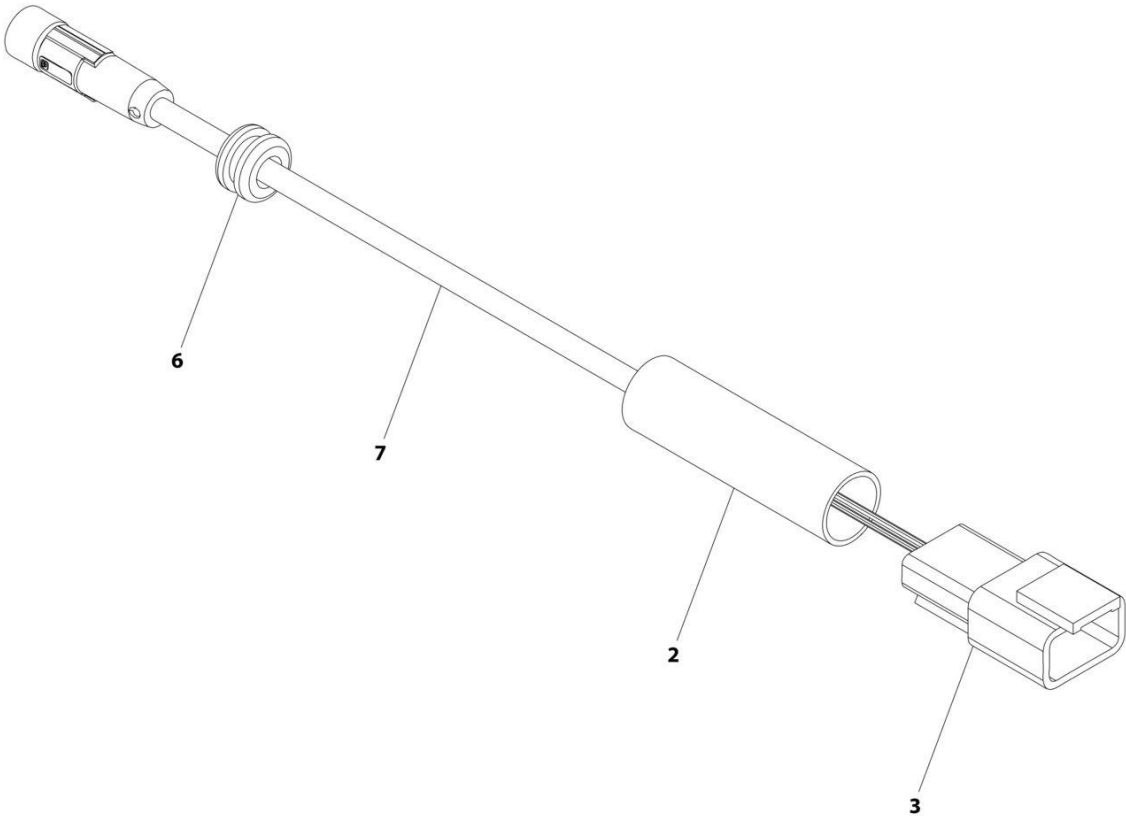
SECTION 8 - ELECTRICAL

FIGURE 8-83. SKYEYE INTERMEDIATE HARNESS

ITEM	PART NUMBER	QTY	DESCRIPTION	REV
	1001237865	Ref	SKYEYE INTERMEDIATE HARNESS	A
1	4460899	1	Connector - 6 Position	
1	4460943	4	Pin, Male	
1	4460466	2	Plug, Terminal	
2	4461077	2	Connector - 4 Position	
2	1001119619	8	Socket, Female	
3	4460911	1	Connector - 3 Position	
3	1001119619	3	Socket, Female	
4	1001187681	1	Connector - 2 Position	
4	4460941	1	Pin, Male	
4	4460466	1	Plug, Terminal	

SECTION 8 - ELECTRICAL

FIGURE 8-84. SKYEYE EMITTER HARNESS



ART_1001237864

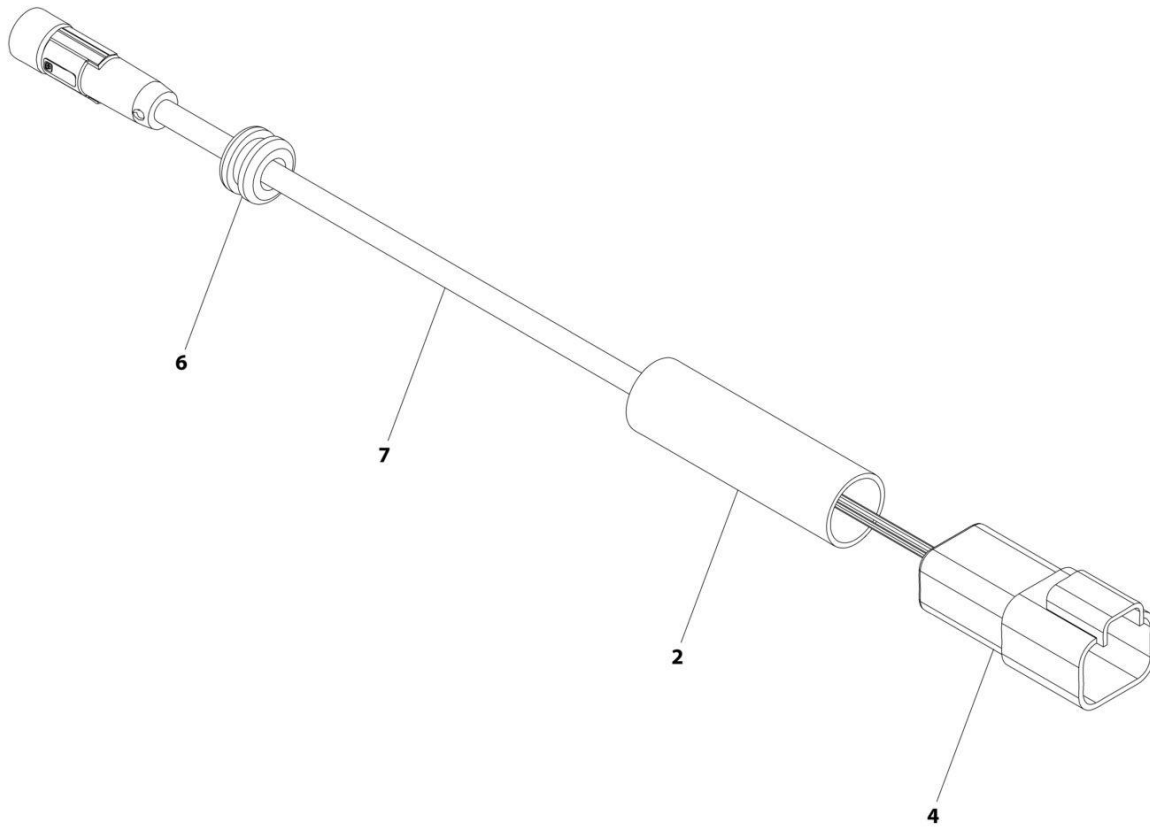
SECTION 8 - ELECTRICAL

FIGURE 8-84. SKYEYE EMITTER HARNESS

ITEM	PART NUMBER	QTY	DESCRIPTION	REV
	1001237864	Ref	SKYEYE EMITTER HARNESS	A
2	2820247	AR	Tubing, Heat Shrink	
3	4460910	1	Connector - 3 Position	
3	1001119620	3	Pin, Male	
6	1001227996	1	Grommet	
7	1001237862	1	Cable, M8 Female Cordset	

SECTION 8 - ELECTRICAL

FIGURE 8-85. SKYEYE RECEIVER HARNESS



ART_1001237863

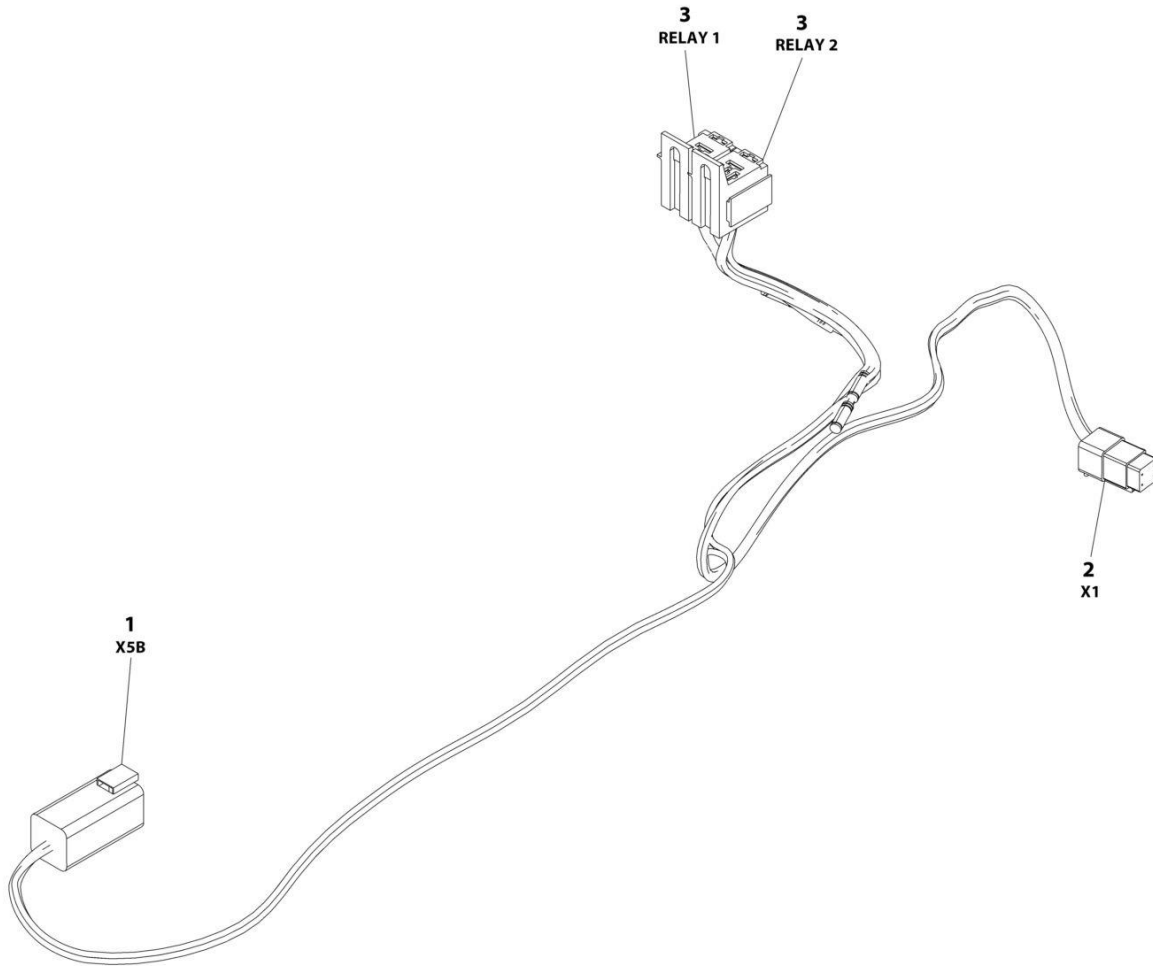
SECTION 8 - ELECTRICAL

FIGURE 8-85. SKYEYE RECEIVER HARNESS

ITEM	PART NUMBER	QTY	DESCRIPTION	REV
	1001237863	Ref	SKYEYE RECEIVER HARNESS	A
2	2820247	AR	Tubing, Heat Shrink	
4	1001097051	1	Connector - 4 Position	
4	1001119620	4	Pin, Male	
6	1001227996	1	Grommet	
7	1001237862	1	Cable, M8 Female Cordset	

SECTION 8 - ELECTRICAL

FIGURE 8-86. SKYLINE HARNESS



ART_1001238418

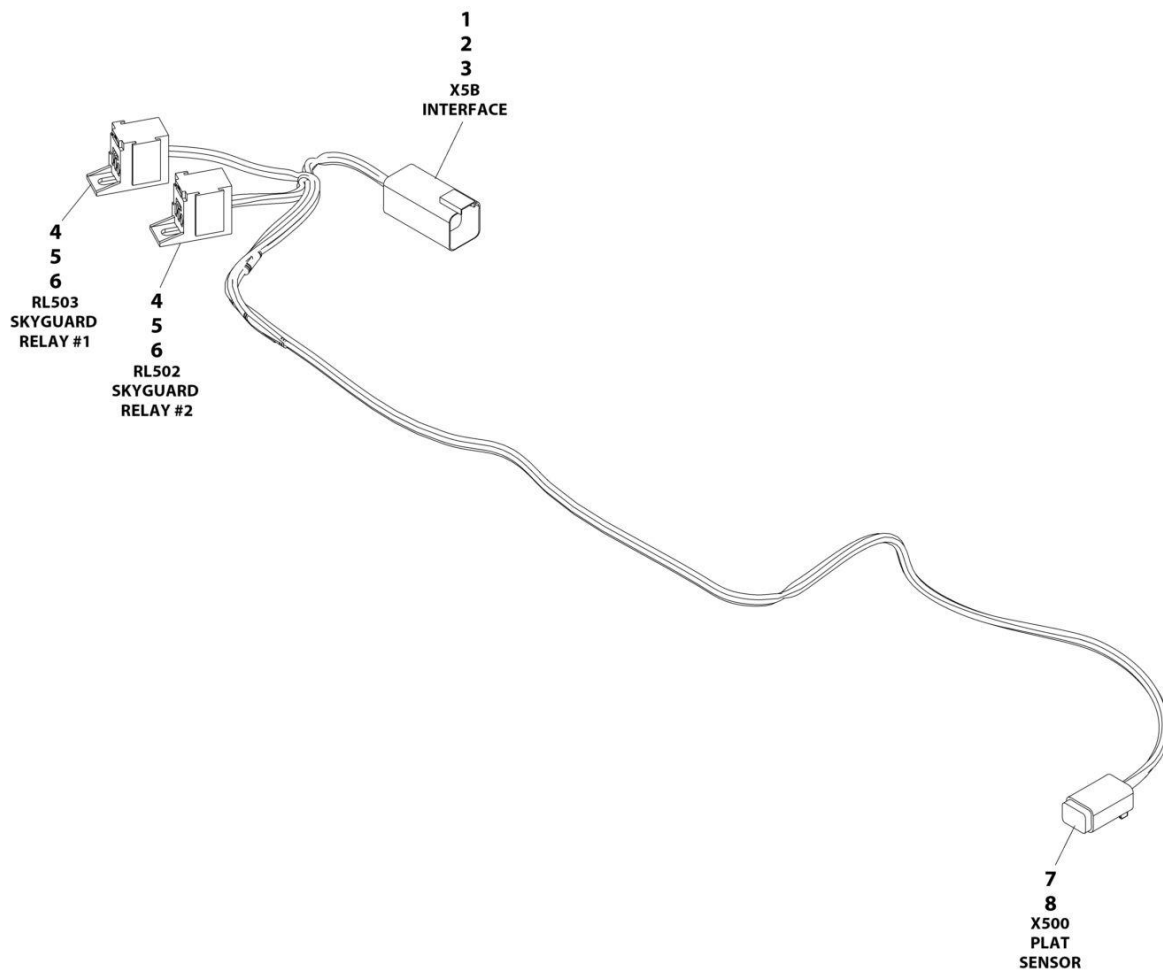
SECTION 8 - ELECTRICAL

FIGURE 8-86. SKYLINE HARNESS

ITEM	PART NUMBER	QTY	DESCRIPTION	REV
	1001238418	Ref	SKYLINE HARNESS	B
1	4460899	1	Connector - 6 Position	
1	4460464	4	Pin, Male	
1	4460466	2	Plug, Terminal	
2	4461077	1	Connector - 4 Position	
2	1001126009	4	Socket, Female	
3	1001186432	2	Plug, Relay	
3	1001118388	5	Terminal	
3	1001118384	3	Terminal	
3	3740086	2	Relay	

SECTION 8 - ELECTRICAL

FIGURE 8-87. SKYGUARD INTERFACE HARNESS



ART_1001225580

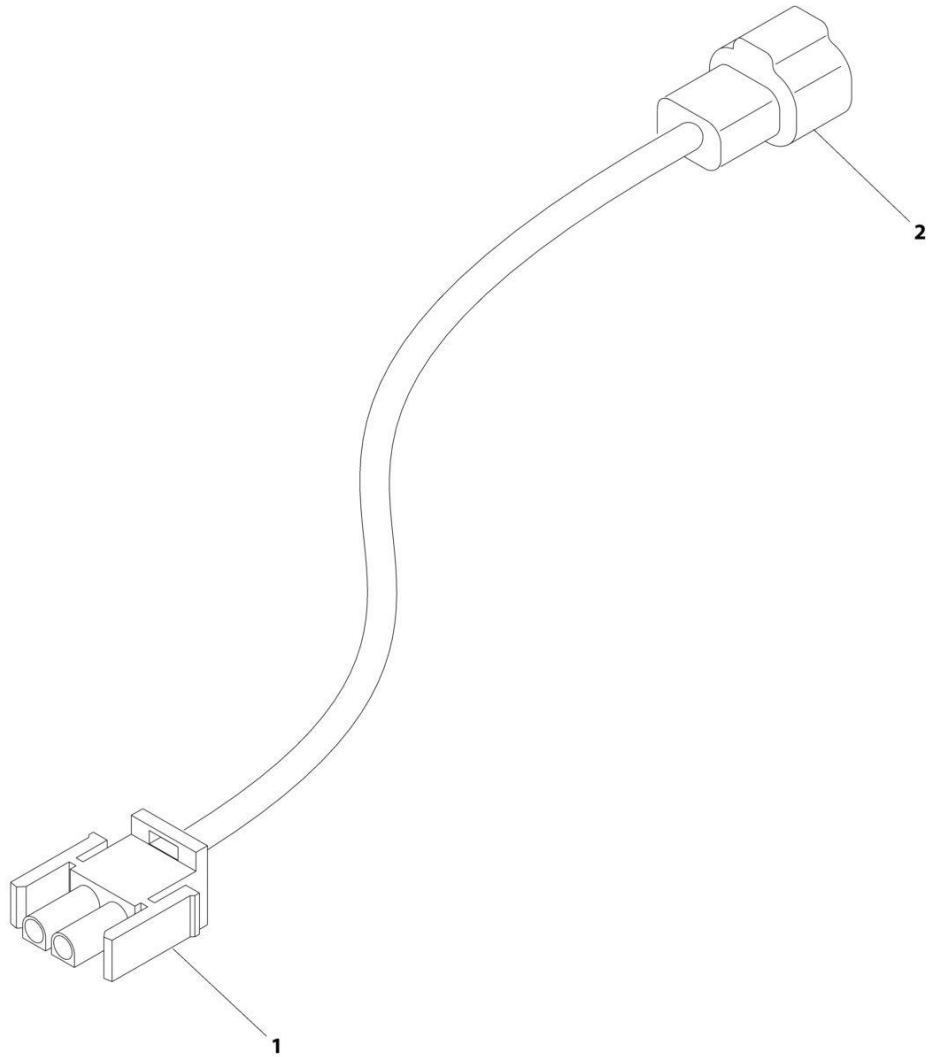
SECTION 8 - ELECTRICAL

FIGURE 8-87. SKYGUARD INTERFACE HARNESS

ITEM	PART NUMBER	QTY	DESCRIPTION	REV
	1001225580	Ref	INTERFACE HARNESS - WITH 1 CELL LSS	D
1	4460899	1	Connector	
2	4460464	4	Terminal	
3	4460466	2	Plug	
4	1001186432	2	Connector	
5	1001116720	4	Terminal	
6	1001118388	4	Terminal	
7	4460884	1	Connector	
8	4460465	4	Terminal	

SECTION 8 - ELECTRICAL

FIGURE 8-88. STROBE LIGHT HARNESS (AMBER)



ART_1001149818

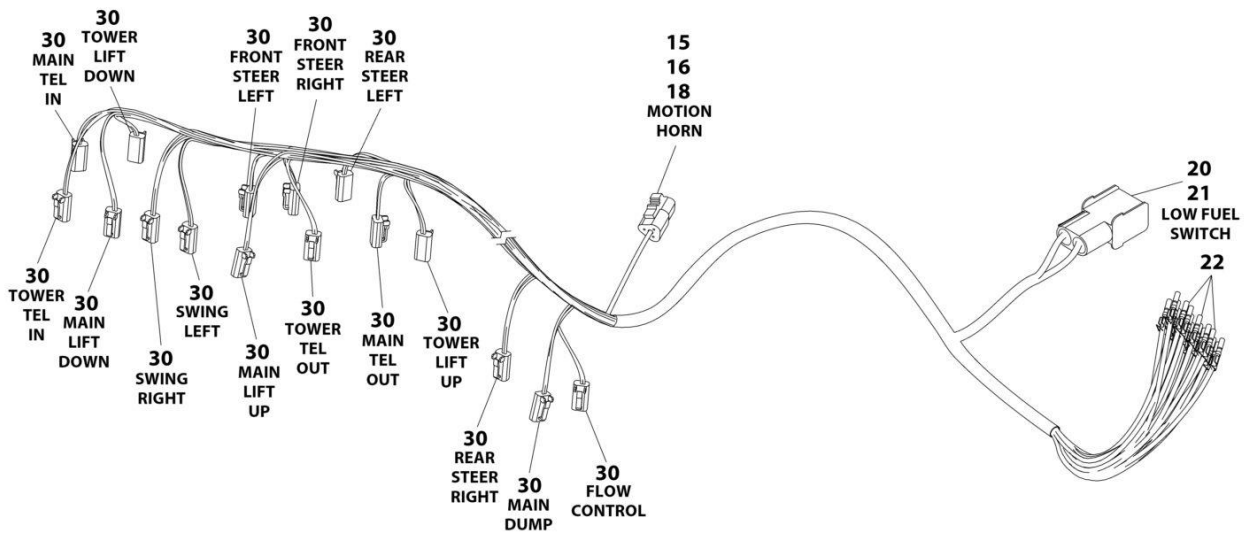
SECTION 8 - ELECTRICAL

FIGURE 8-88. STROBE LIGHT HARNESS (AMBER)

ITEM	PART NUMBER	QTY	DESCRIPTION	REV
	1001149818	Ref	STROBE LIGHT HARNESS (AMBER)	D
1	4460320	1	Plug, Male - 2 Position	
1	4460267	2	Pin, Male	
2	4460897	1	Connector - 2 Position	
2	4460464	2	Pin, Male	

SECTION 8 - ELECTRICAL

FIGURE 8-89. VALVE HARNESS (USA BUILT MACHINES - PVC 2001 & 2007, CHINA BUILT MACHINES - PVC 2007)



ART_1001154392

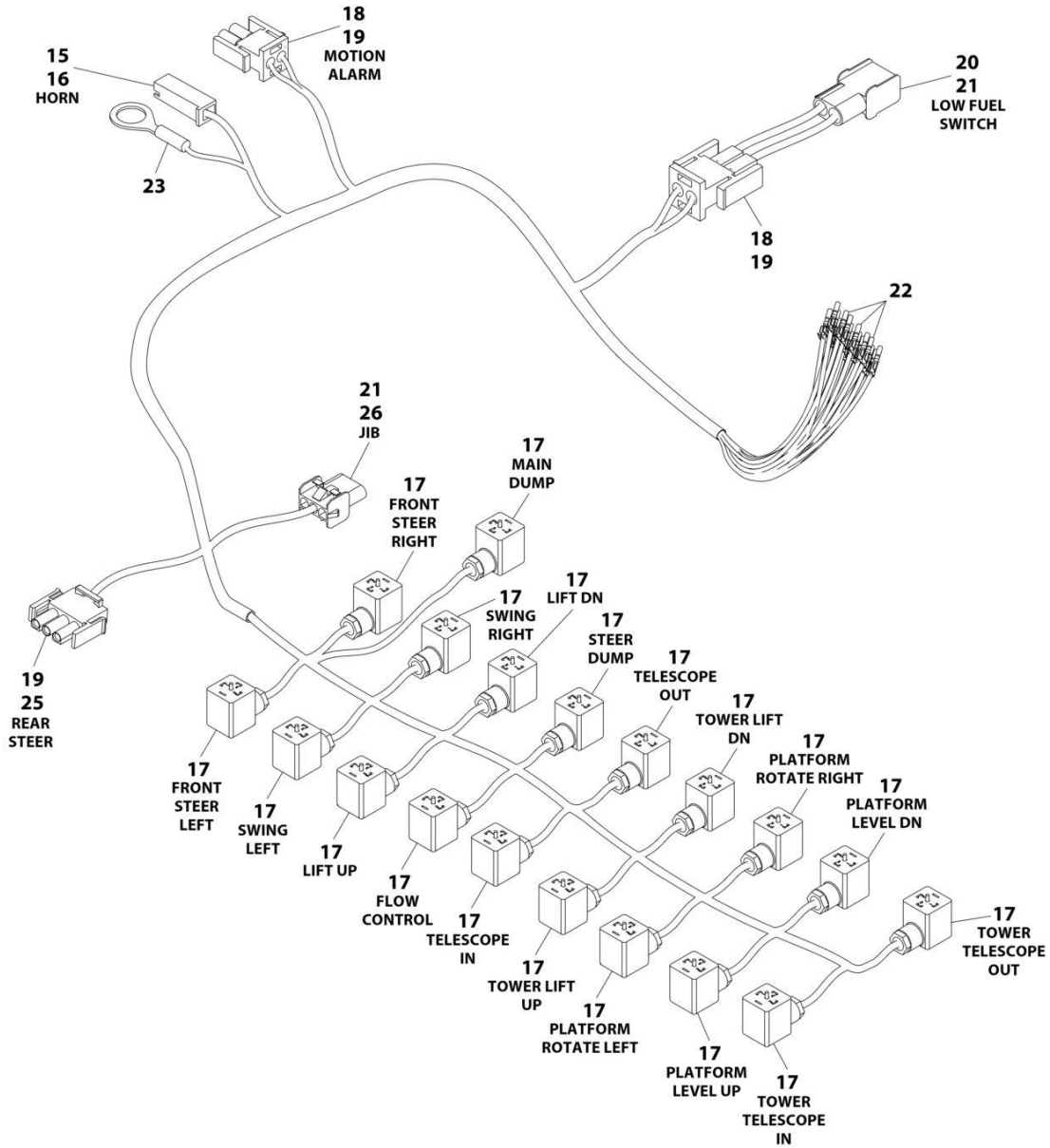
SECTION 8 - ELECTRICAL

FIGURE 8-89. VALVE HARNESS (USA BUILT MACHINES - PVC 2001 & 2007, CHINA BUILT MACHINES - PVC 2007)

ITEM	PART NUMBER	QTY	DESCRIPTION	REV
	1001154392	Ref	VALVE HARNESS - MAIN VALVE	C
15	4460539	1	Connector - 3 Position	
16	1001116692	34	Socket, Female	
18	4460466	1	Plug, Terminal	
19	4460267	5	Pin, Male (Not Shown)	
20	4460424	1	Plug, Male - 2 Position	
21	4460268	2	Socket, Female	
22	4460871	26	Socket, Female	
28	4240032	AR	Tie-Strap (Not Shown)	
30	4460891	16	Connector - 2 Position	

SECTION 8 - ELECTRICAL

FIGURE 8-90. VALVE HARNESS (CHINA BUILT MACHINES) (PVC 2001)



ART_4923224

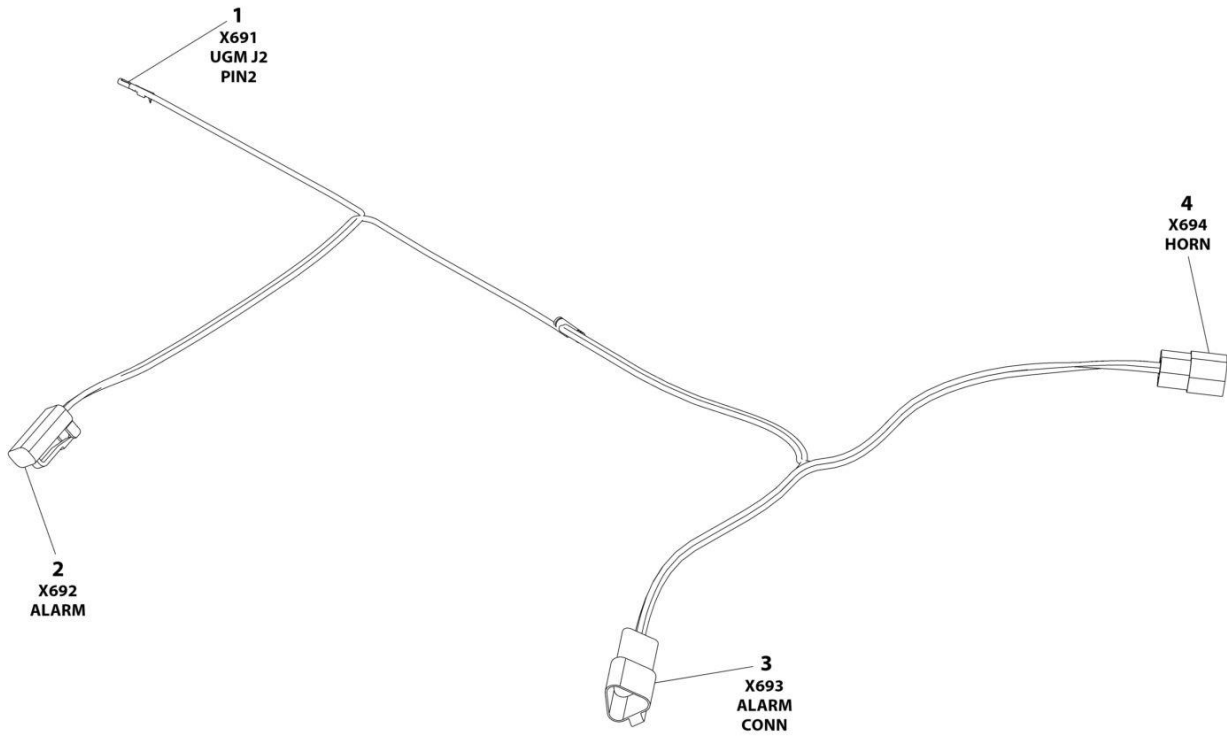
SECTION 8 - ELECTRICAL

FIGURE 8-90. VALVE HARNESS (CHINA BUILT MACHINES) (PVC 2001)

ITEM	PART NUMBER	QTY	DESCRIPTION	REV
	4923224	Ref	VALVE HARNESS - MAIN VALVE	F
15	4460259	1	Terminal	
16	4460260	1	Housing, Terminal	
17	4460880	19	DIN Connector without Diode	
18	4460320	2	Connector - 2 Position	
19	4460267	7	Pin, Male	
20	4460424	1	Connector - 2 Position	
21	4460268	5	Socket, Female	
22	4460871	31	Socket, Female	
23	4460703	1	Terminal, Ring	
25	4460326	1	Connector - 3 Position	
26	4460445	1	Connector - 3 Position	
28	4240033	AR	Tie-Strap (Not Shown)	

SECTION 8 - ELECTRICAL

FIGURE 8-91. WHITE NOISE ALARM HARNESS



ART_1001231007

SECTION 8 - ELECTRICAL

FIGURE 8-91. WHITE NOISE ALARM HARNESS

ITEM	PART NUMBER	QTY	DESCRIPTION	REV
	1001231007	Ref	WHITE NOISE ALARM INSTALLATION	B
1	4460871	1	Terminal	
2	4460891	1	Plug, Male - 2 Position	
2	4460465	2	Socket, Female	
3	4460536	1	Receptacle, Female - 3 Position	
3	4460464	3	Pin, Male	
4	4460539	1	Plug, Male - 3 Position	
4	4460465	3	Socket, Female	

SECTION 9 - DECALS

SECTION 9 - DECALS

**FIGURE 9-1. DECAL INSTALLATION - ANSI SPECS (USA BUILT MACHINES - PVC 2001 & 2007,
CHINA BUILT MACHINES - PVC 2007)**

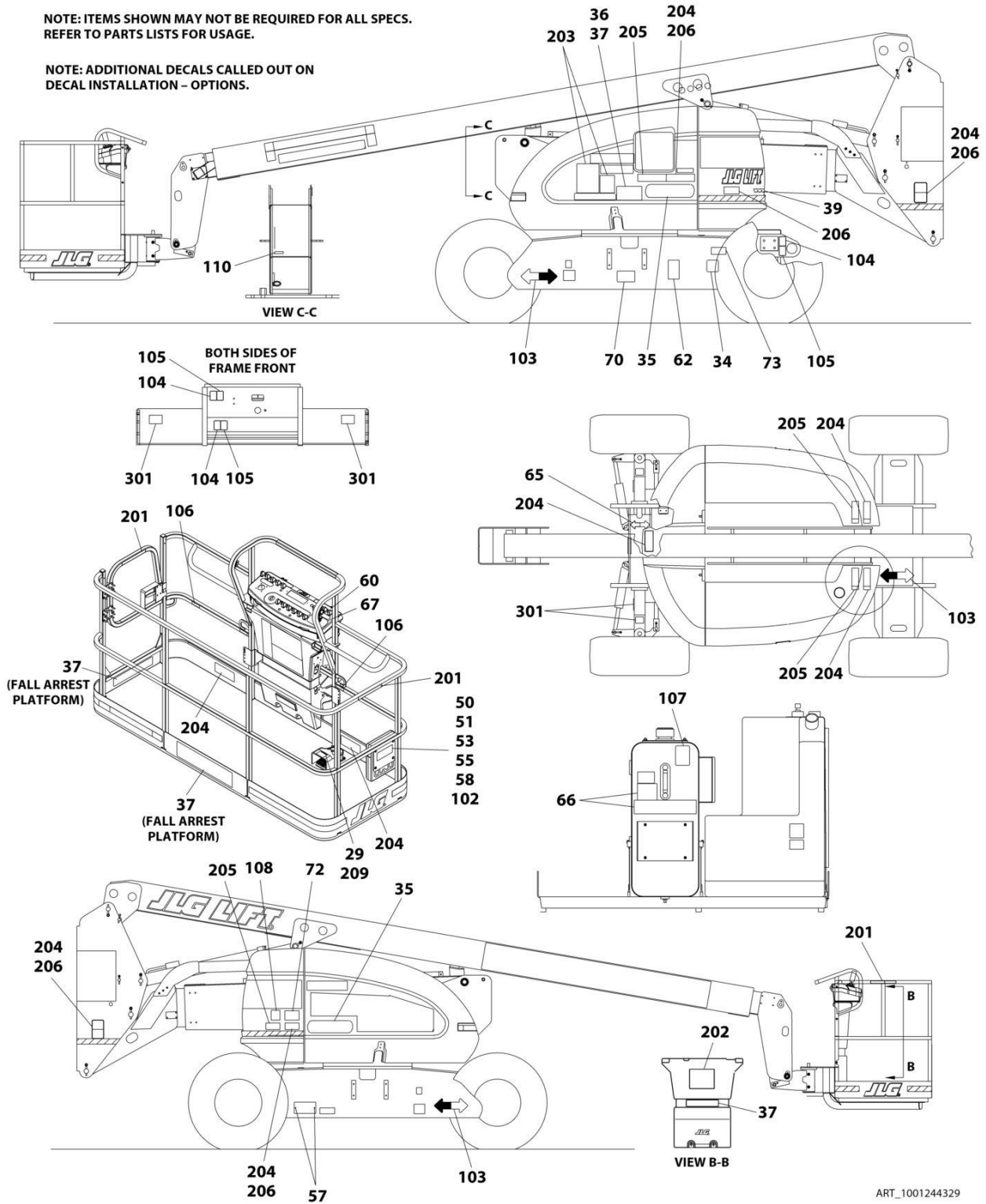
ITEM	PART NUMBER	QTY	DESCRIPTION	REV
	1001243539	Ref	DECALS INSTALLATION	F
29	3252347	1	Nameplate - Footswitch	
34	See Note	NSS	Decal - Bar Code (Note: Not Available for Purchase)	
35	1001267311	2	Decal - 600AJ	
36	1001253921	1	Decal - Capacity	
37	1001253920	1	Decal - Capacity	
39	1704885	1	Decal - Website	
50	0100011	AR	Compound, Locking	
51	0641406	4	Bolt 1/4 x 3/4	
53	0860520	1	Box, Manual Storage	
55	3311405	4	Nut 1/4	
57	3820001	2	Rivet	
58	4751400	8	Washer 1/4	
60	1001184618	AR	Decal - Stop	
61	4420051	22 ft/6.7m	Decal - Warning Stripe	
62	1001131269	1	Decal - Patent	
65	1703687	1	Decal - Direction Arrow	
66	1702265	1	Decal - Upright Level Over-Ride	
67	1705351	1	Decal - Drive/Steer Instructions	
70	1001223055	1	Decal - Yearly Inspection	
72	1001284682	1	Decal - Lift Diagram	
73	1001223453	1	Decal - ICES	
100	2902303	1	Decal Kit - Master (Includes Items 102-110)	
102	1701509	1	Decal - Manual	
103	1701529	6	Decal - Arrow	
104	1703811	4	Decal - Tie Down/Lift	
105	1703814	6	Decal - Tie Down	
106	1704277	4	Decal - Attach Lanyard Here	
107	1704412	1	Decal - Hydraulic Oil Chart	
110	3251243	1	Nameplate - 120V-60Hz	
201	1702868	2	Decal - No Hands	
202	1703797	1	Decal - Warning/Danger	
203	1705336	1	Decal - Warning Inspection (MTB)	
204	1703804	5	Decal - Warning Crushing	
205	1703805	5	Decal - Danger Electrocution	
206	1703953	7	Decal - Warning Crushing	
300	1001156892	1	Decal Max Tire Load Kit (Includes Item 301)	
301	1001156891	4	Decal - Max Tire Load	

SECTION 9 - DECALS

FIGURE 9-2. DECAL INSTALLATION - AUSTRALIAN SPECS (USA BUILT MACHINES - PVC 2001 & 2007, CHINA BUILT MACHINES - PVC 2007)

NOTE: ITEMS SHOWN MAY NOT BE REQUIRED FOR ALL SPECS.
REFER TO PARTS LISTS FOR USAGE.

NOTE: ADDITIONAL DECALS CALLED OUT ON
DECAL INSTALLATION - OPTIONS.



ART_1001244329

SECTION 9 - DECALS

FIGURE 9-2. DECAL INSTALLATION - AUSTRALIAN SPECS (USA BUILT MACHINES - PVC 2001 & 2007, CHINA BUILT MACHINES - PVC 2007)

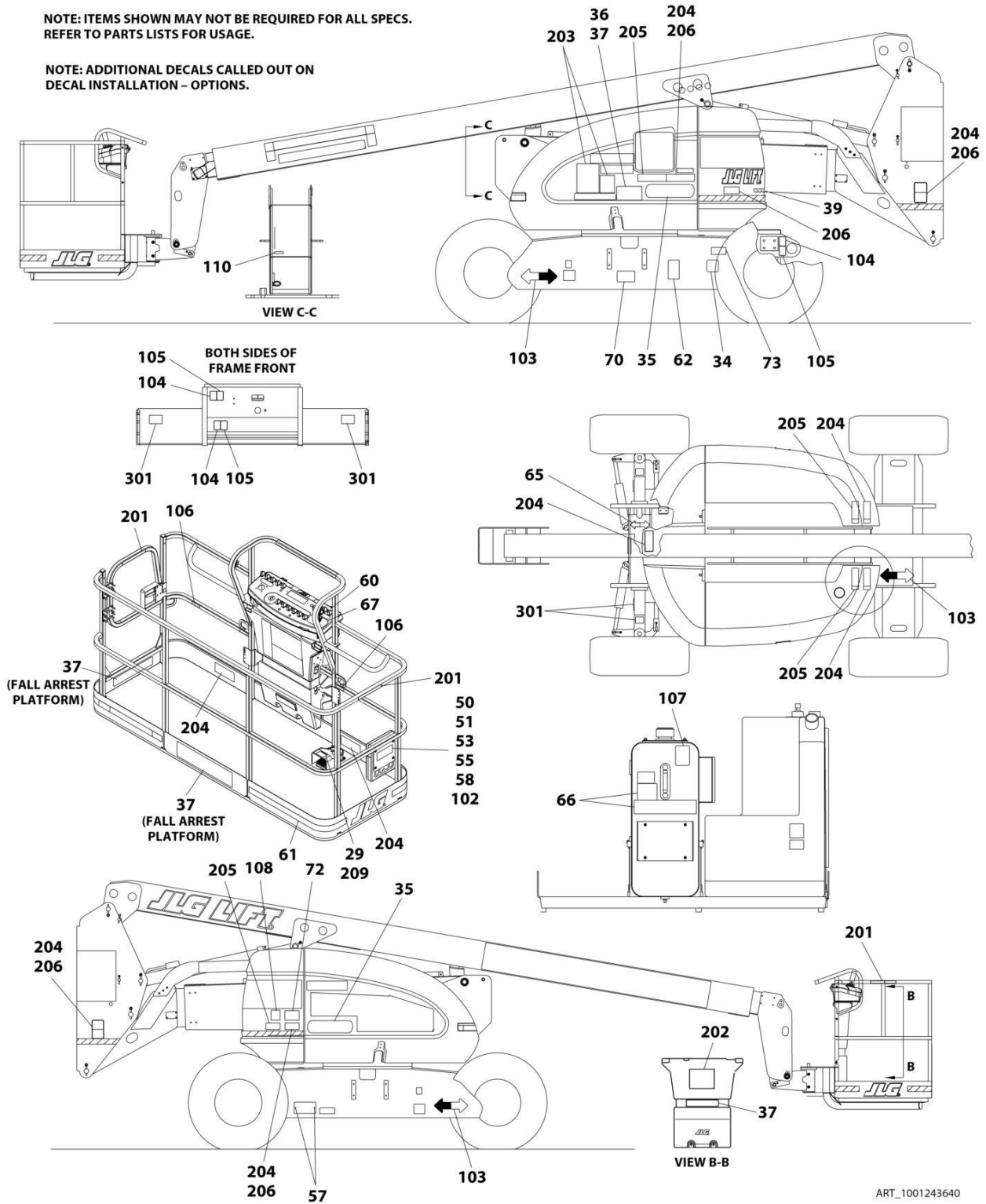
ITEM	PART NUMBER	QTY	DESCRIPTION	REV
	1001244329	Ref	DECALS INSTALLATION	F
34	See Note	NSS	Decal - Bar Code (Note: Not Available for Purchase)	
35	1001267311	2	Decal - 600AJ	
37	1705978	2	Decal - Capacity	
39	1704885	1	Decal - Website	
50	0100011	AR	Compound, Locking	
51	0641406	4	Bolt 1/4 x 3/4	
53	0860520	1	Box, Manual Storage	
55	3311405	4	Nut 1/4	
57	3820001	2	Rivet	
58	4751400	8	Washer 1/4	
60	1001184618	AR	Decal - Stop	
65	1703687	1	Decal - Direction Arrow	
66	1705977	1	Decal - Upright Level Over-Ride	
67	1001112551	1	Decal - Emergency Controls	
72	1001284682	1	Decal - Lift Diagram	
100	2902303	1	Decal Kit - Master (Includes Items 102-108)	
102	1701509	1	Decal - Manual	
103	1701529	6	Decal - Arrow	
104	1703811	4	Decal - Tie Down/Lift	
105	1703814	6	Decal - Tie Down	
106	1704277	4	Decal - Attach Lanyard Here	
107	1704412	1	Decal - Hydraulic Oil Chart	
108	1705084	1	Decal - Sound Level	
200	2902329	1	Decal Kit - Country Spec (Includes Items 202-209)	
202	1705921	1	Decal - Tipping/Electrical Platform	
203	1705822	1	Decal - Electrical/Safety Manual	
204	1701518	10	Decal - Warning Crushing	
205	1705961	5	Decal - Danger Electrocution	
209	1705828	1	Decal - Footswitch	
300	1001156892	1	Decal Max Tire Load Kit (Includes Item 301)	
301	1001156891	4	Decal - Max Tire Load	

SECTION 9 - DECALS

FIGURE 9-3. DECAL INSTALLATION - BRAZILIAN SPECS (USA BUILT MACHINES - PVC 2001 & 2007, CHINA BUILT MACHINES - PVC 2007)

NOTE: ITEMS SHOWN MAY NOT BE REQUIRED FOR ALL SPECS.
REFER TO PARTS LISTS FOR USAGE.

NOTE: ADDITIONAL DECALS CALLED OUT ON
DECAL INSTALLATION - OPTIONS.



ART_1001243640

SECTION 9 - DECALS

FIGURE 9-3. DECAL INSTALLATION - BRAZILIAN SPECS (USA BUILT MACHINES - PVC 2001 & 2007, CHINA BUILT MACHINES - PVC 2007)

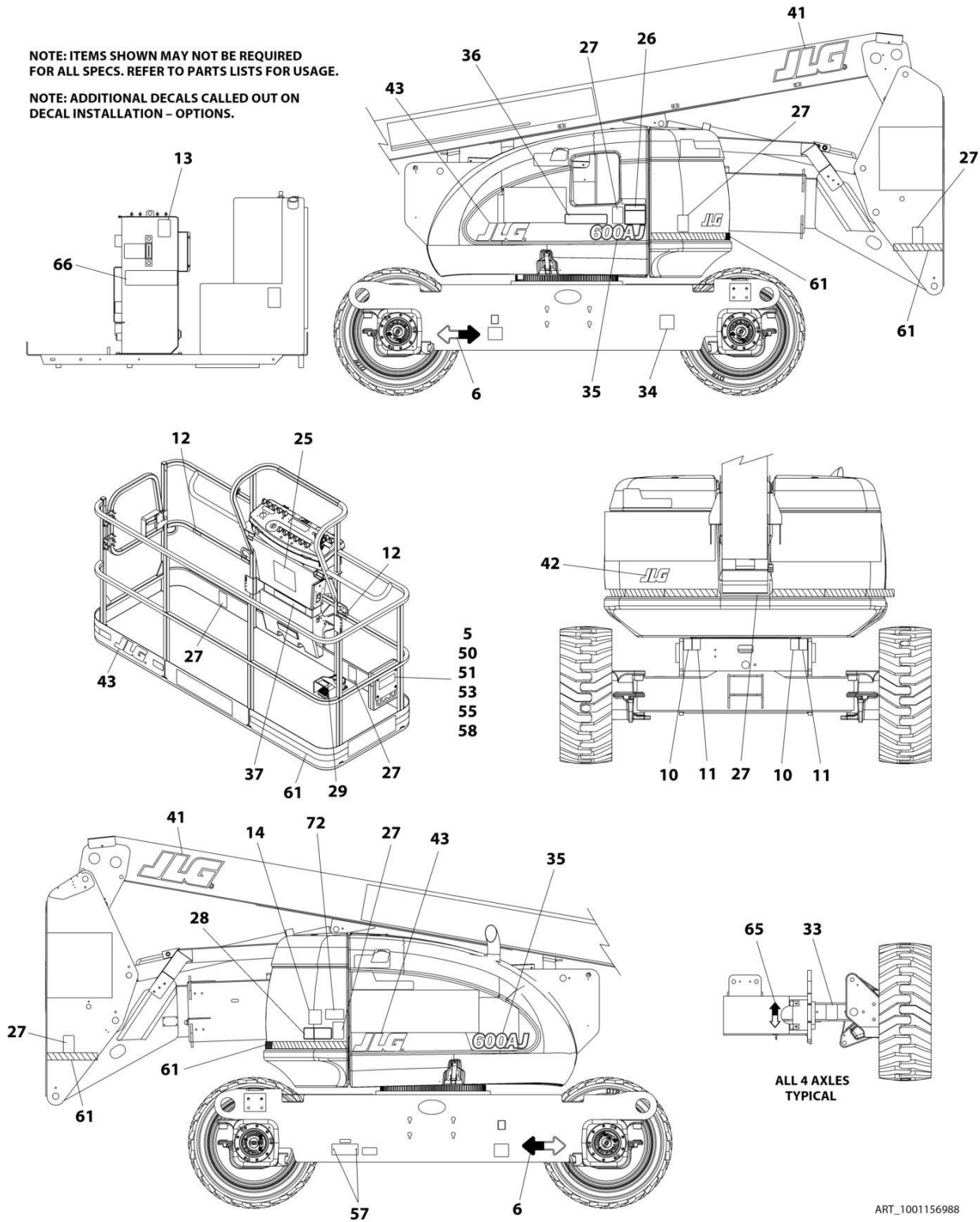
ITEM	PART NUMBER	QTY	DESCRIPTION	REV
	1001243640	Ref	DECAL INSTALLATION	F
34	See Note	NSS	Decal - Bar Code (Note: Not Available for Purchase)	
35	1001267311	2	Decal - 600AJ	
36	1001253937	1	Decal - Capacity	
37	1001253936	1	Decal - Capacity	
39	1704885	1	Decal - Website	
50	0100011	AR	Compound, Locking	
51	0641406	4	Bolt 1/4 x 3/4	
53	0860520	1	Box, Manual Storage	
55	3311405	4	Nut 1/4	
57	3820001	2	Rivet	
58	4751400	8	Washer 1/4	
60	1001184618	AR	Decal - Stop	
61	4420051	22 ft/6.7m	Decal - Warning Stripe	
65	1703687	1	Decal - Direction Arrow	
66	1703544	1	Decal - Upright Level Over-Ride	
67	1705905	1	Decal - Drive/Steer Instructions	
70	1001267885	1	Decal - Yearly Inspection	
72	1001284682	1	Decal - Lift Diagram	
100	2902303	1	Decal Kit - Master (Includes Items 102-110)	
102	1701509	1	Decal - Manual	
103	1701529	6	Decal - Arrow	
104	1703811	4	Decal - Tie Down/Lift	
105	1703814	6	Decal - Tie Down	
106	1704277	4	Decal - Attach Lanyard Here	
107	1704412	1	Decal - Hydraulic Oil Chart	
200	2902312	1	Decal Kit - Country Spec (Includes Items 201-209)	
201	1705967	2	Decal - No Hands	
202	1705895	1	Decal - Warning/Danger	
203	1705896	1	Decal - Warning Inspection (MTB)	
204	1705898	5	Decal - Warning Crushing	
205	1705897	5	Decal - Danger Electrocution	
206	1705903	7	Decal - Warning Crushing	
209	1705902	1	Decal - Footswitch	
300	1001156892	1	Decal Max Tire Load Kit (Includes Item 301)	
301	1001156891	4	Decal - Max Tire Load	

SECTION 9 - DECALS

FIGURE 9-4. DECAL INSTALLATION - CE SPECS (USA BUILT MACHINES)

NOTE: ITEMS SHOWN MAY NOT BE REQUIRED FOR ALL SPECS. REFER TO PARTS LISTS FOR USAGE.

NOTE: ADDITIONAL DECALS CALLED OUT ON DECAL INSTALLATION - OPTIONS.



ART_1001156988

SECTION 9 - DECALS

FIGURE 9-4. DECAL INSTALLATION - CE SPECS (USA BUILT MACHINES)

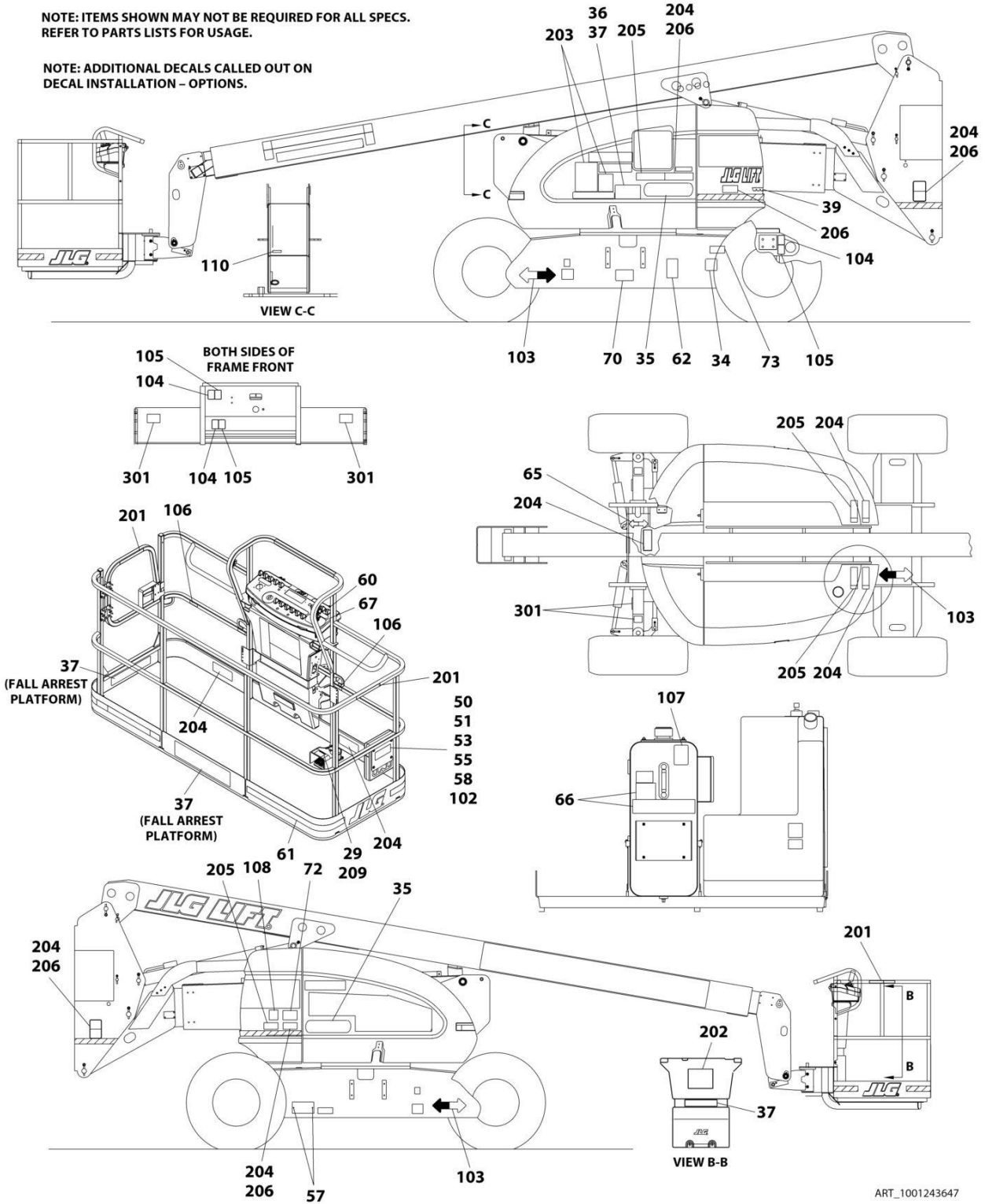
ITEM	PART NUMBER	QTY	DESCRIPTION	REV
	1001156988	Ref	DECALS INSTALLATION	M
1	2902303	1	Decal Kit - Master (Includes Items 5-13)	
5	1701509	1	Decal - Manual	
6	1701529	3	Decal - Arrow	
10	1703811	4	Decal - Tie Down/Lift	
11	1703814	4	Decal - Tie Down	
12	1704277	3	Decal - Attach Lanyard Here	
13	1704412	1	Decal - Hydraulic Oil Chart	
14	1001273784	1	Decal - Sound Power 100dB Deutz (Stage V)	
18	2902329	1	Decal Kit - Country Spec (Includes Items 25-29)	
25	1705921	1	Decal - Tipping/Electrical Platform	
26	1705822	1	Decal - Electrical/Safety Manual	
27	1701518	10	Decal - Warning Crushing	
28	1705961	3	Decal - Danger Electrocution	
29	1705828	4	Decal - Footswitch	
32	1001156892	1	Decal Max Tire Load Kit (Includes Item 33)	
33	1001156891	4	Decal - Max Tire Load	
34	See Note	NSS	Decal - Bar Code (Note: Not Available for Purchase)	
35	1001267311	2	Decal - 600AJ	
36	1705978	1	Decal - Capacity	
37	1705978	1	Decal - Capacity	
41	1001159323	2	Decal - JLG (8in Height)	
42	1701435	1	Decal - JLG (3-1/2in Height)	
43	1702773	3	Decal - JLG (5in Height)	
50	0100011	AR	Compound, Locking	
51	0641406	4	Bolt 1/4 x 3/4	
53	0860520	1	Box, Manual Storage	
55	3311405	4	Nut 1/4	
57	3820001	2	Rivet	
58	4751400	8	Washer 1/4	
61	4420051	22 ft /6.7m	Decal - Warning Stripe	
65	1703687	1	Decal - Direction Arrow	
66	1705977	1	Decal - Upright Level Over-Ride	
72	1001284682	1	Decal - Lift Diagram	
73	1001184618	AR	Decal - Stop (Not Shown)	

SECTION 9 - DECALS

FIGURE 9-5. DECAL INSTALLATION - CHINESE SPECS (TRADITIONAL) (USA BUILT MACHINES - PVC 2001 & 2007, CHINA BUILT MACHINES - PVC 2007)

NOTE: ITEMS SHOWN MAY NOT BE REQUIRED FOR ALL SPECS.
REFER TO PARTS LISTS FOR USAGE.

NOTE: ADDITIONAL DECALS CALLED OUT ON
DECAL INSTALLATION - OPTIONS.



ART_1001243647

SECTION 9 - DECALS

FIGURE 9-5. DECAL INSTALLATION - CHINESE SPECS (TRADITIONAL) (USA BUILT MACHINES - PVC 2001 & 2007, CHINA BUILT MACHINES - PVC 2007)

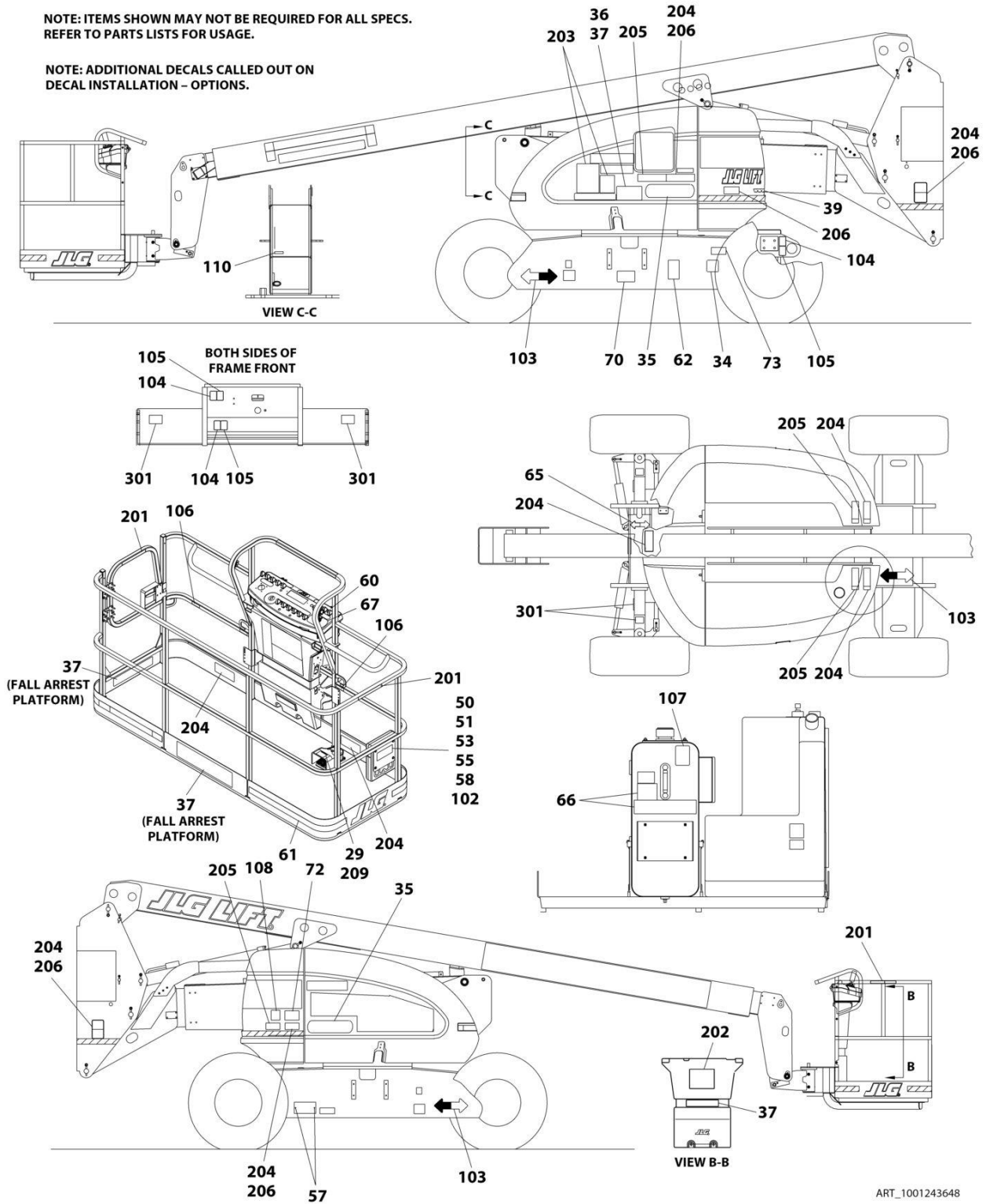
ITEM	PART NUMBER	QTY	DESCRIPTION	REV
	1001243647	Ref	DECALS INSTALLATION	E
34	See Note	NSS	Decal - Bar Code (Note: Not Available for Purchase)	
35	1001267311	2	Decal - 600AJ	
36	1001253927	1	Decal - Capacity	
37	1001253926	1	Decal - Capacity	
39	1704885	1	Decal - Website	
50	0100011	AR	Compound, Locking	
51	0641406	4	Bolt 1/4 x 3/4	
53	0860520	1	Box, Manual Storage	
55	3311405	4	Nut 1/4	
57	3820001	2	Rivet	
58	4751400	8	Washer 1/4	
60	1001184618	AR	Decal - Stop	
61	4420051	22 ft/6.7m	Decal - Warning Stripe	
65	1703687	1	Decal - Direction Arrow	
66	1001116862	1	Decal - Upright Level Over-Ride	
67	1001116863	1	Decal - Drive/Steer Instructions	
70	1001224050	1	Decal - Yearly Inspection	
72	1001284682	1	Decal - Lift Diagram	
100	2902303	1	Decal Kit - Master (Includes Items 102-110)	
102	1701509	1	Decal - Manual	
103	1701529	6	Decal - Arrow	
104	1703811	4	Decal - Tie Down/Lift	
105	1703814	6	Decal - Tie Down	
106	1704277	4	Decal - Attach Lanyard Here	
107	1704412	1	Decal - Hydraulic Oil Chart	
110	3251243	1	Nameplate - 120V-60Hz	
200	2902309	1	Decal Kit - Country Spec (Includes Items 201-209)	
201	1001116846	2	Decal - No Hands	
202	1703925	1	Decal - Warning/Danger	
203	1001116849	2	Decal - Warning Inspection (MTB)	
204	1703949	5	Decal - Warning Crushing	
205	1001116851	5	Decal - Danger Electrocution	
206	1703943	7	Decal - Warning Crushing	
209	1703982	1	Decal - Foot Switch	
300	1001156892	1	Decal Max Tire Load Kit (Includes Item 301)	
301	1001156891	4	Decal - Max Tire Load	

SECTION 9 - DECALS

FIGURE 9-6. DECAL INSTALLATION - CHINESE SPECS (SIMPLIFIED) (USA BUILT MACHINES - PVC 2001 & 2007, CHINA BUILT MACHINES - PVC 2007)

NOTE: ITEMS SHOWN MAY NOT BE REQUIRED FOR ALL SPECS.
REFER TO PARTS LISTS FOR USAGE.

NOTE: ADDITIONAL DECALS CALLED OUT ON
DECAL INSTALLATION - OPTIONS.



ART_1001243648

SECTION 9 - DECALS

FIGURE 9-6. DECAL INSTALLATION - CHINESE SPECS (SIMPLIFIED) (USA BUILT MACHINES - PVC 2001 & 2007, CHINA BUILT MACHINES - PVC 2007)

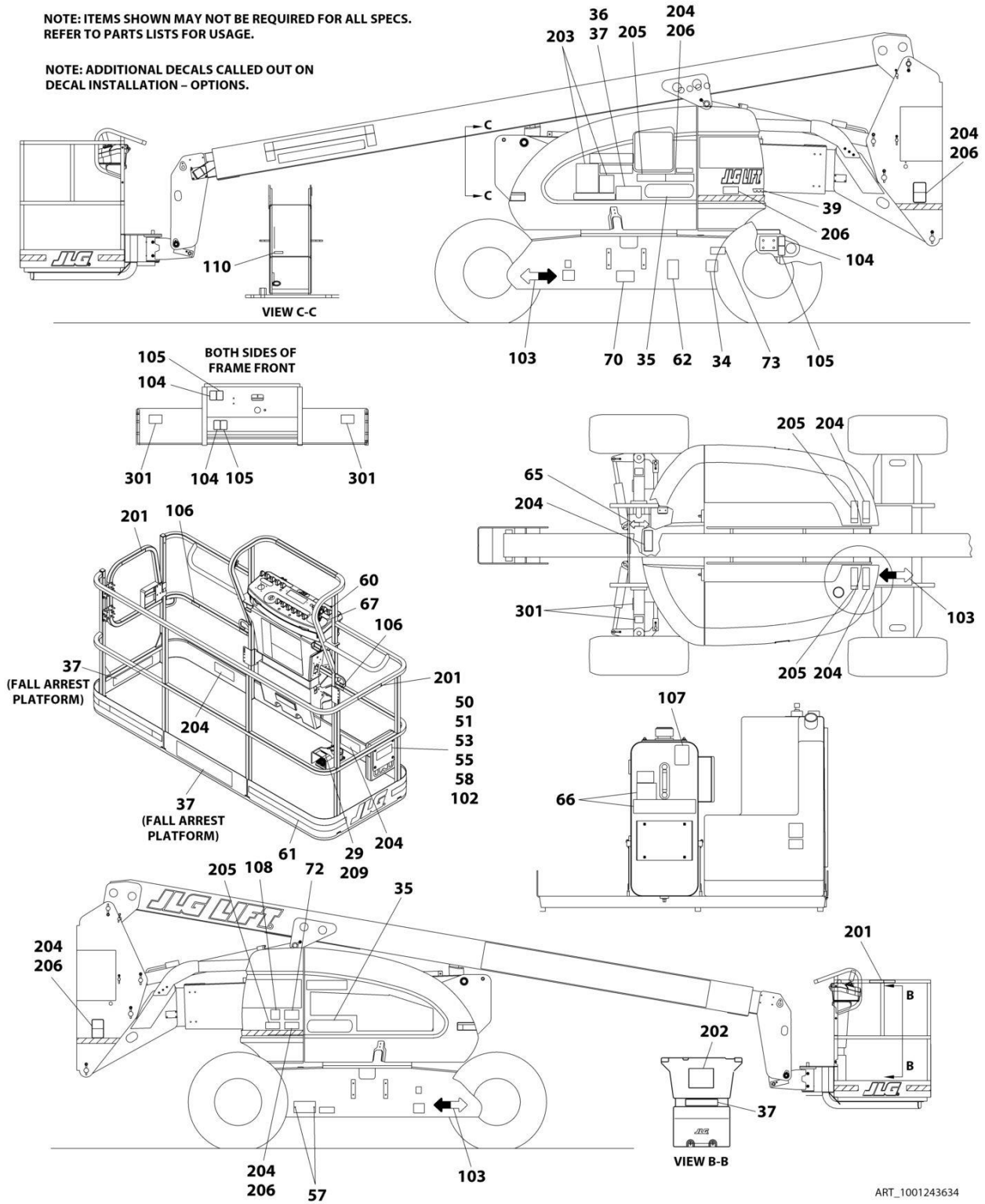
ITEM	PART NUMBER	QTY	DESCRIPTION	REV
	1001243648	Ref	DECALS INSTALLATION	E
34	See Note	NSS	Decal - Bar Code (Note: Not Available for Purchase)	
35	1001267311	2	Decal - 600AJ	
36	1001253935	1	Decal - Capacity	
37	1001253934	1	Decal - Capacity	
39	1704885	1	Decal - Website	
50	0100011	AR	Compound, Locking	
51	0641406	4	Bolt 1/4 x 3/4	
53	0860520	1	Box, Manual Storage	
55	3311405	4	Nut 1/4	
57	3820001	2	Rivet	
58	4751400	8	Washer 1/4	
60	1001184618	AR	Decal - Stop	
61	4420051	22 ft/6.7m	Decal - Warning Stripe	
65	1703687	1	Decal - Direction Arrow	
66	1001116861	1	Decal - Upright Level Over-Ride	
67	1705430	1	Decal - Drive/Steer Instructions	
70	1001224051	1	Decal - Yearly Inspection	
72	1001284682	1	Decal - Lift Diagram	
100	2902303	1	Decal Kit - Master (Includes Items 102-110)	
102	1701509	1	Decal - Manual	
103	1701529	6	Decal - Arrow	
104	1703811	4	Decal - Tie Down/Lift	
105	1703814	6	Decal - Tie Down	
106	1704277	4	Decal - Attach Lanyard Here	
107	1704412	1	Decal - Hydraulic Oil Chart	
110	3251243	1	Nameplate - 120V-60Hz	
200	1001116844	1	Decal Kit - Country Spec (Includes Items 201-209)	
201	1705968	2	Decal - No Hands	
202	1001116847	1	Decal - Warning/Danger	
203	1001116848	2	Decal - Warning Inspection (MTB)	
204	1001116850	6	Decal - Warning Crushing	
205	1703937	5	Decal - Danger Electrocution	
206	1001116845	7	Decal - Warning Crushing	
209	1001116852	1	Decal - Foot Switch	
300	1001156892	1	Decal Max Tire Load Kit (Includes Item 301)	
301	1001156891	4	Decal - Max Tire Load	

SECTION 9 - DECALS

FIGURE 9-7. DECAL INSTALLATION - CSA SPECS (USA BUILT MACHINES)

NOTE: ITEMS SHOWN MAY NOT BE REQUIRED FOR ALL SPECS.
REFER TO PARTS LISTS FOR USAGE.

NOTE: ADDITIONAL DECALS CALLED OUT ON
DECAL INSTALLATION - OPTIONS.



SECTION 9 - DECALS

FIGURE 9-7. DECAL INSTALLATION - CSA SPECS (USA BUILT MACHINES)

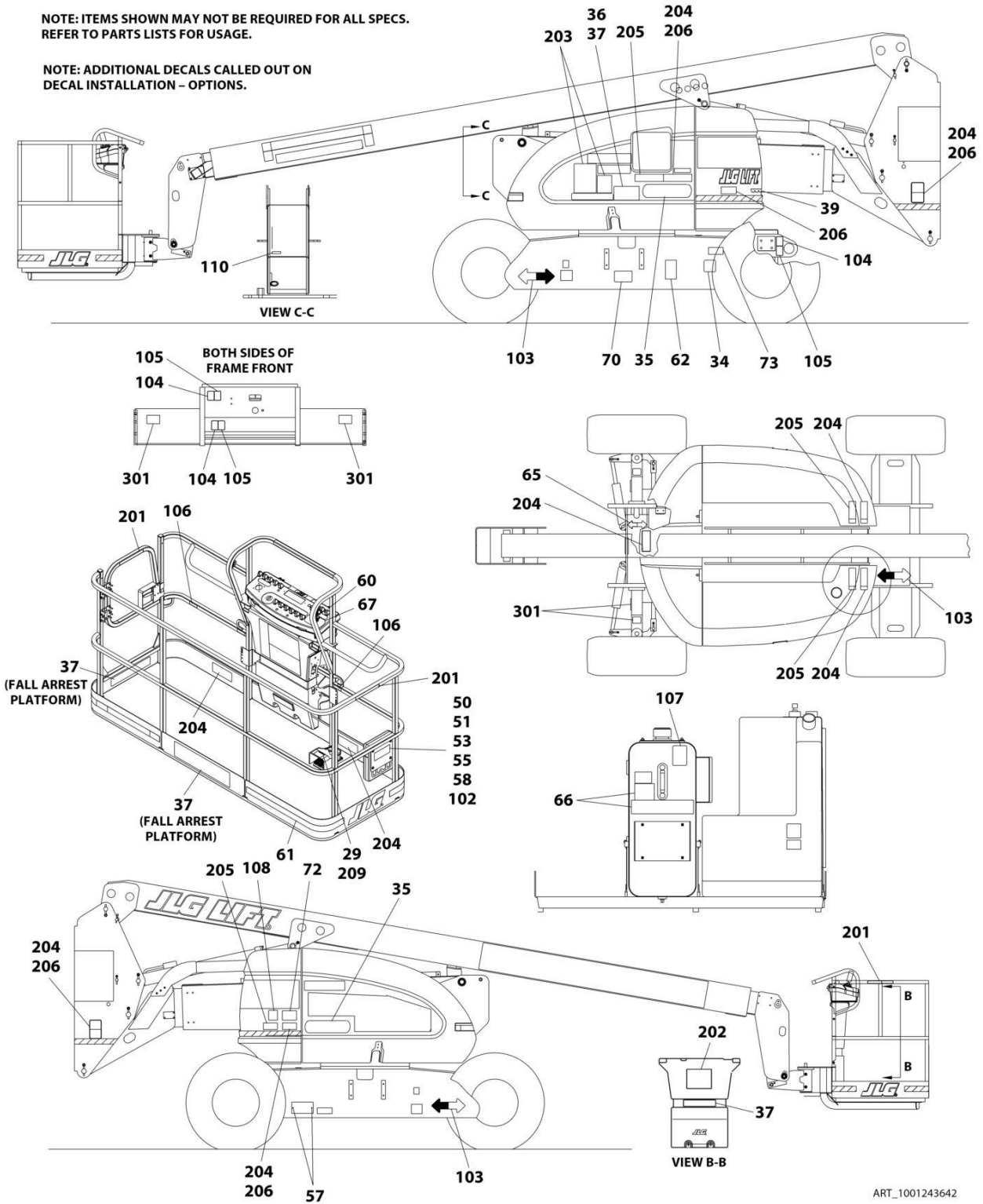
ITEM	PART NUMBER	QTY	DESCRIPTION	REV
	1001243634	Ref	DECALS INSTALLATION	E
34	See Note	NSS	Decal - Bar Code (Note: Not Available for Purchase)	
35	1001267311	2	Decal - 600AJ	
36	1001253923	1	Decal - Capacity	
37	1001253922	1	Decal - Capacity	
39	1704885	1	Decal - Website	
50	0100011	AR	Compound, Locking	
51	0641406	4	Bolt 1/4 x 3/4	
53	0860520	1	Box, Manual Storage	
55	3311405	4	Nut 1/4	
57	3820001	2	Rivet	
58	4751400	8	Washer 1/4	
60	1001184618	AR	Decal - Stop	
61	4420051	22 ft/6.7m	Decal - Warning Stripe	
62	1001131269	1	Decal - Patent	
65	1703687	1	Decal - Direction Arrow	
66	1703990	1	Decal - Upright Level Over-Ride	
67	1705429	1	Decal - Drive/Steer Instructions	
70	1001223971	1	Decal - Yearly Inspection	
72	1001284682	1	Decal - Lift Diagram	
73	1001223453	1	Decal - ICES	
100	2902303	1	Decal Kit - Master (Includes Items 102-110)	
102	1701509	1	Decal - Manual	
103	1701529	6	Decal - Arrow	
104	1703811	4	Decal - Tie Down/Lift	
105	1703814	6	Decal - Tie Down	
106	1704277	4	Decal - Attach Lanyard Here	
107	1704412	1	Decal - Hydraulic Oil Chart	
110	3251243	1	Nameplate - 120V-60Hz	
200	2902322	1	Decal Kit - Country Spec (Includes Items 201-209)	
201	1704000	2	Decal - No Hands	
202	1703624	1	Decal - Warning/Danger	
203	1705347	1	Decal - Warning Inspection (MTB)	
204	1703948	5	Decal - Warning Crushing	
205	1703936	5	Decal - Danger Electrocution	
206	1703942	7	Decal - Warning Crushing	
209	1703984	1	Decal - Footswitch	
300	1001156892	1	Decal Max Tire Load Kit (Includes Item 301)	
301	1001156891	4	Decal - Max Tire Load	

SECTION 9 - DECALS

FIGURE 9-8. DECAL INSTALLATION - JAPANESE SPECS (USA BUILT MACHINES - PVC 2001 & 2007, CHINA BUILT MACHINES - PVC 2007)

NOTE: ITEMS SHOWN MAY NOT BE REQUIRED FOR ALL SPECS.
REFER TO PARTS LISTS FOR USAGE.

NOTE: ADDITIONAL DECALS CALLED OUT ON
DECAL INSTALLATION - OPTIONS.



ART_1001243642

SECTION 9 - DECALS

FIGURE 9-8. DECAL INSTALLATION - JAPANESE SPECS (USA BUILT MACHINES - PVC 2001 & 2007, CHINA BUILT MACHINES - PVC 2007)

ITEM	PART NUMBER	QTY	DESCRIPTION	REV
	1001243642	Ref	DECALS INSTALLATION	E
34	See Note	NSS	Decal - Bar Code (Note: Not Available for Purchase)	
35	1001267311	2	Decal - 600AJ	
36	1001253933	1	Decal - Capacity	
37	1001253932	1	Decal - Capacity	
39	1704885	1	Decal - Website	
50	0100011	AR	Compound, Locking	
51	0641406	4	Bolt 1/4 x 3/4	
53	0860520	1	Box, Manual Storage	
55	3311405	4	Nut 1/4	
57	3820001	2	Rivet	
58	4751400	8	Washer 1/4	
60	1001184618	AR	Decal - Stop	
61	4420051	22 ft/6.7m	Decal - Warning Stripe	
65	1703687	1	Decal - Direction Arrow	
66	1702271	1	Decal - Upright Level Over-Ride	
67	1705426	1	Decal - Drive/Steer Instructions	
70	1001224053	1	Decal - Yearly Inspection	
72	1001284682	1	Decal - Lift Diagram	
100	2902303	1	Decal Kit - Master (Includes Items 102-110)	
102	1701509	1	Decal - Manual	
103	1701529	6	Decal - Arrow	
104	1703811	4	Decal - Tie Down/Lift	
105	1703814	6	Decal - Tie Down	
106	1704277	4	Decal - Attach Lanyard Here	
107	1704412	1	Decal - Hydraulic Oil Chart	
110	3251243	1	Nameplate - 120V-60Hz	
200	2902308	1	Decal Kit - Country Spec (Includes Items 202-209)	
202	1703926	1	Decal - Warning/Danger	
203	1705344	1	Decal - Warning Inspection (MTB)	
204	1703950	5	Decal - Warning Crushing	
205	1703938	5	Decal - Danger Electrocution	
206	1703944	7	Decal - Warning Crushing	
209	1703980	1	Decal - Footswitch	
300	1001156892	1	Decal Max Tire Load Kit (Includes Item 301)	
301	1001156891	4	Decal - Max Tire Load	

SECTION 9 - DECALS

FIGURE 9-9. DECAL INSTALLATION - KOREAN SPECS (USA BUILT MACHINES)

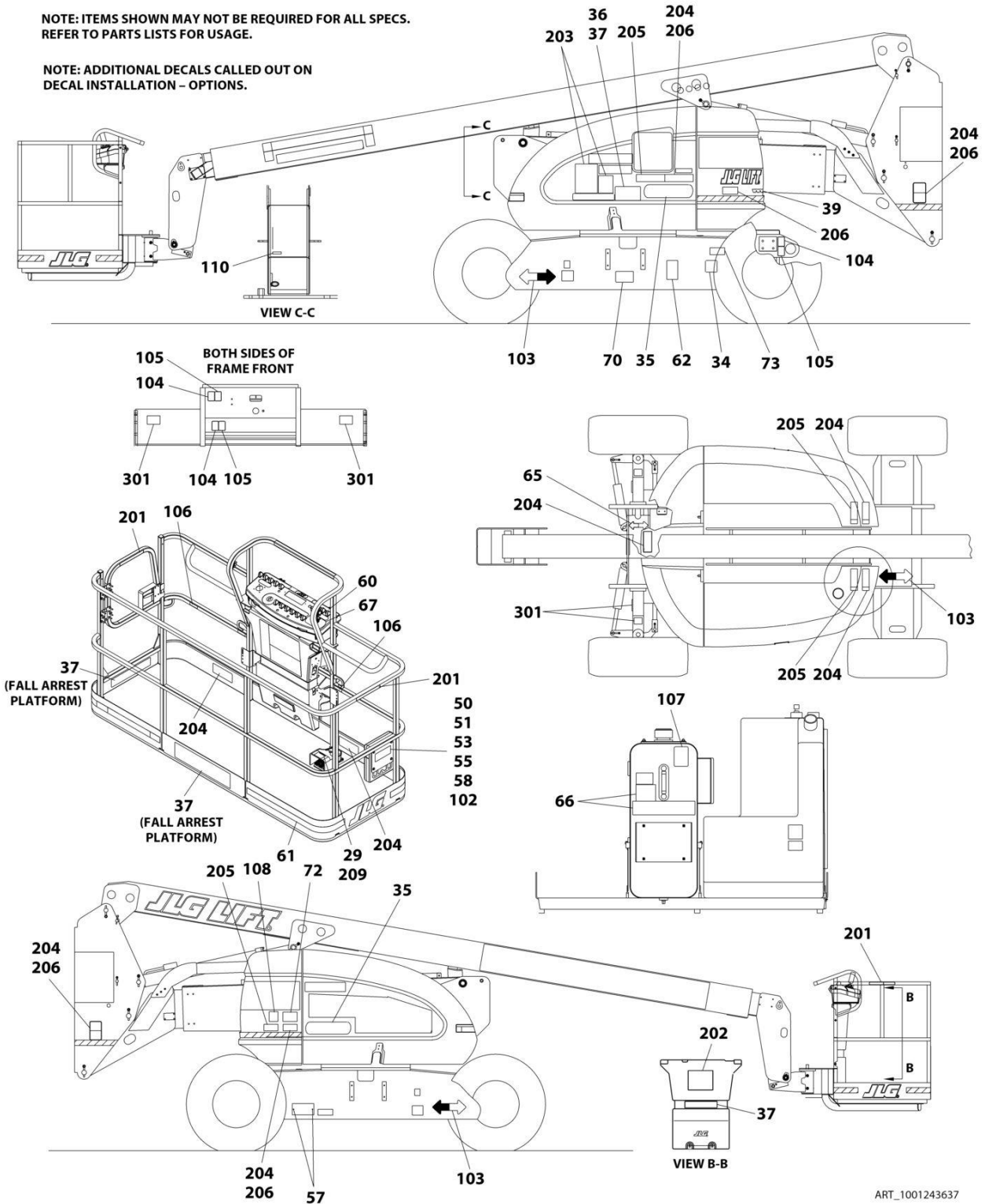
ITEM	PART NUMBER	QTY	DESCRIPTION	REV
	1001244191	Ref	DECALS INSTALLATION	F
34	See Note	NSS	Decal - Bar Code (Note: Not Available for Purchase)	
35	1001267311	2	Decal - 600AJ	
36	1001253925	1	Decal - Capacity	
37	1001253924	1	Decal - Capacity	
39	1704885	1	Decal - Website	
50	0100011	AR	Compound, Locking	
51	0641406	4	Bolt 1/4 x 3/4	
53	0860520	1	Box, Manual Storage	
55	3311405	4	Nut 1/4	
57	3820001	2	Rivet	
58	4751400	8	Washer 1/4	
60	1001184618	AR	Decal - Stop	
61	4420051	22 ft/6.7m	Decal - Warning Stripe	
65	1703687	1	Decal - Direction Arrow	
66	1703987	1	Decal - Upright Level Over-Ride	
67	1705427	1	Decal - Drive/Steer Instructions	
70	1001224048	1	Decal - Yearly Inspection	
72	1001284682	1	Decal - Lift Diagram	
100	2902303	1	Decal Kit - Master (Includes Items 102-110)	
102	1701509	1	Decal - Manual	
103	1701529	6	Decal - Arrow	
104	1703811	4	Decal - Tie Down/Lift	
105	1703814	6	Decal - Tie Down	
106	1704277	4	Decal - Attach Lanyard Here	
107	1704412	1	Decal - Hydraulic Oil Chart	
110	3251243	1	Nameplate - 120V-60Hz	
200	2902310	1	Decal Kit - Country Spec (Includes Items 201-209)	
201	1705969	2	Decal - No Hands	
202	1703927	1	Decal - Warning/Danger	
203	1705345	1	Decal - Warning Inspection (MTB)	
204	1703951	5	Decal - Warning Crushing	
205	1703939	5	Decal - Danger Electrocution	
206	1703945	7	Decal - Warning Crushing	
209	1703981	1	Decal - Footswitch	
300	1001156892	1	Decal Max Tire Load Kit (Includes Item 301)	
301	1001156891	4	Decal - Max Tire Load	

SECTION 9 - DECALS

FIGURE 9-10. DECAL INSTALLATION – LATIN AMERICAN SPECS (USA BUILT MACHINES - PVC 2001 & 2007, CHINA BUILT MACHINES - PVC 2007)

NOTE: ITEMS SHOWN MAY NOT BE REQUIRED FOR ALL SPECS.
REFER TO PARTS LISTS FOR USAGE.

NOTE: ADDITIONAL DECALS CALLED OUT ON
DECAL INSTALLATION – OPTIONS.



ART_1001243637

SECTION 9 - DECALS

FIGURE 9-10. DECAL INSTALLATION – LATIN AMERICAN SPECS (USA BUILT MACHINES - PVC 2001 & 2007, CHINA BUILT MACHINES - PVC 2007)

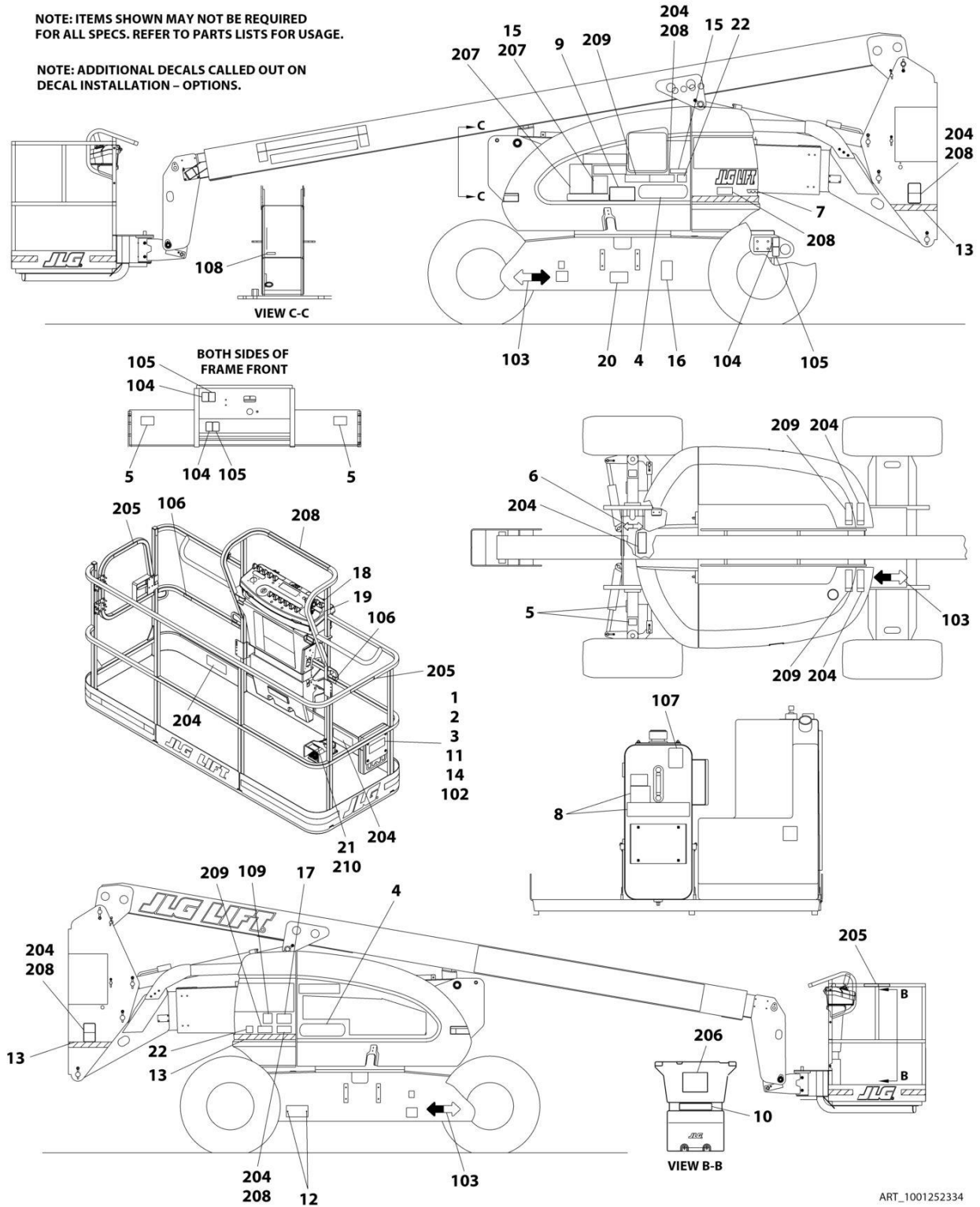
ITEM	PART NUMBER	QTY	DESCRIPTION	REV
	1001243637	Ref	DECALS INSTALLATION	E
34	See Note	NSS	Decal - Bar Code (Note: Not Available for Purchase)	
35	1001267311	2	Decal - 600AJ	
36	1001253931	1	Decal - Capacity	
37	1001253930	1	Decal - Capacity	
39	1704885	1	Decal - Website	
50	0100011	AR	Compound, Locking	
51	0641406	4	Bolt 1/4 x 3/4	
53	0860520	1	Box, Manual Storage	
55	3311405	4	Nut 1/4	
57	3820001	2	Rivet	
58	4751400	8	Washer 1/4	
60	1001184618	AR	Decal - Stop	
61	4420051	22 ft/6.7m	Decal - Warning Stripe	
65	1703687	1	Decal - Direction Arrow	
66	1702617	1	Decal - Upright Level Over-Ride	
67	1705910	1	Decal - Drive/Steer Instructions	
70	1001224049	1	Decal - Yearly Inspection	
72	1001284682	1	Decal - Lift Diagram	
100	2902303	1	Decal Kit - Master (Includes Items 102-110)	
102	1701509	1	Decal - Manual	
103	1701529	6	Decal - Arrow	
104	1703811	4	Decal - Tie Down/Lift	
105	1703814	6	Decal - Tie Down	
106	1704277	4	Decal - Attach Lanyard Here	
107	1704412	1	Decal - Hydraulic Oil Chart	
110	3251243	1	Nameplate - 120V-60Hz	
200	2902311	1	Decal Kit - Country Spec (Includes Items 201-209)	
201	1704001	2	Decal - No Hands	
202	1703923	1	Decal - Warning/Danger	
203	1705917	1	Decal - Warning Inspection (MTB)	
204	1703947	5	Decal - Warning Crushing	
205	1703935	5	Decal - Danger Electrocution	
206	1703941	7	Decal - Warning Crushing	
209	1703983	1	Decal - Footswitch	
300	1001156892	1	Decal Max Tire Load Kit (Includes Item 301)	
301	1001156891	4	Decal - Max Tire Load	

SECTION 9 - DECALS

FIGURE 9-11. DECAL INSTALLATION – ANSI EXPORT SPECS (CHINA BUILT MACHINES) (PVC 2001)

NOTE: ITEMS SHOWN MAY NOT BE REQUIRED FOR ALL SPECS. REFER TO PARTS LISTS FOR USAGE.

NOTE: ADDITIONAL DECALS CALLED OUT ON DECAL INSTALLATION – OPTIONS.



ART_1001252334

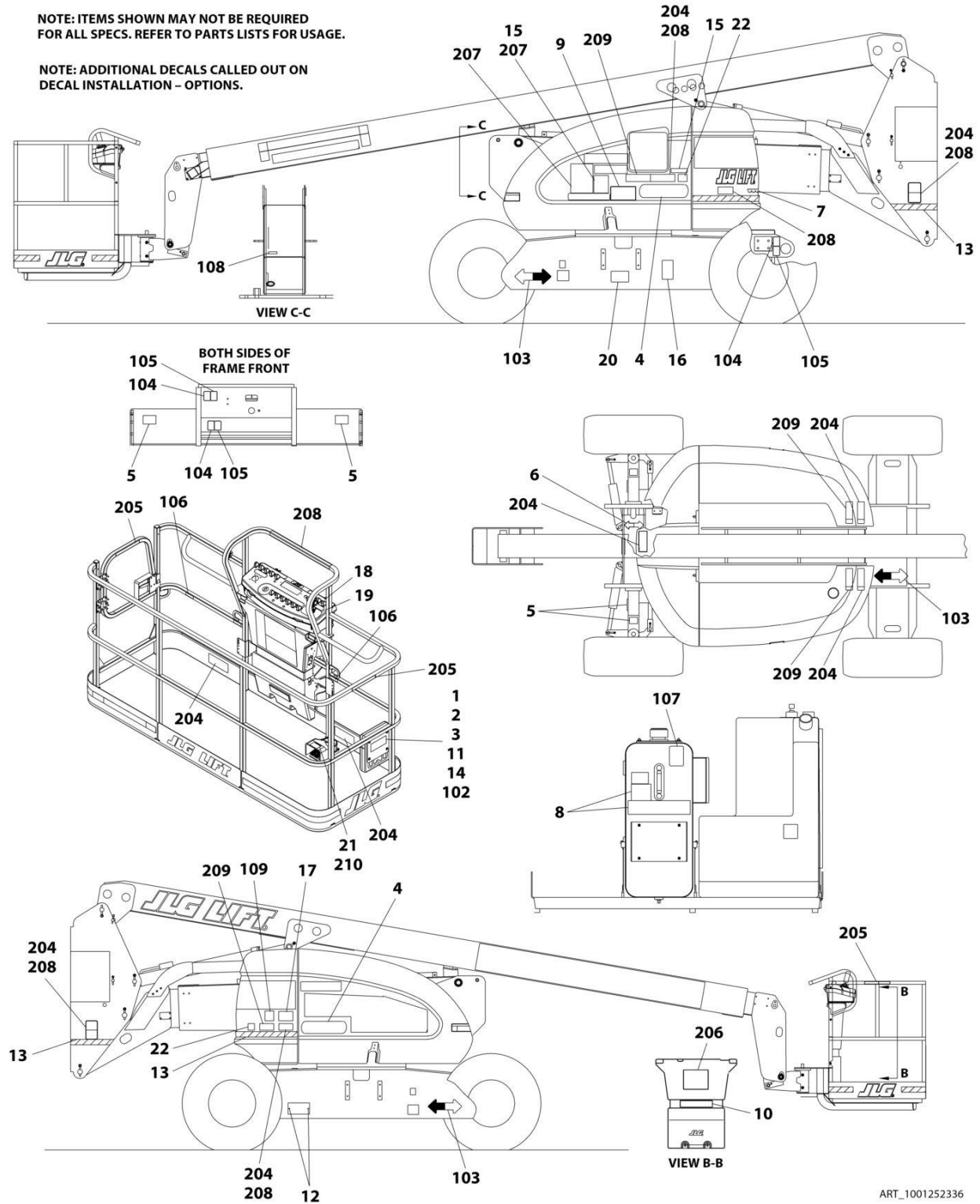
SECTION 9 - DECALS

FIGURE 9-11. DECAL INSTALLATION – ANSI EXPORT SPECS (CHINA BUILT MACHINES) (PVC 2001)

ITEM	PART NUMBER	QTY	DESCRIPTION	REV
	1001252334	Ref	DECALS INSTALLATION	C
1	0100011	AR	Compound, Locking	
2	0641406	4	Bolt 1/4 x 3/4	
3	0860520	1	Box, Manual Storage	
4	1001267311	2	Decal - 600AJ	
5	1703469	4	Decal - Max Tire Load	
6	1703687	1	Decal - Direction Arrow	
7	1704885	1	Decal - Website	
8	1702265	1	Decal - Upright Level Over-Ride	
9	1001253921	1	Decal - Capacity	
10	1001253920	1	Decal - Capacity	
11	3311405	4	Nut 1/4	
12	3820001	2	Rivet	
13	4420051	22 ft /6.7m	Decal - Warning Stripe	
14	4751400	8	Washer 1/4	
16	1001131269	1	Decal - Patent	
17	1001229010	1	Decal - Lift Diagram	
18	1001184618	1	Decal - Stop	
19	1705351	1	Decal - Drive/Steer Instructions	
20	1001223055	1	Decal - Yearly Inspection	
21	3252347	1	Nameplate - Footswitch	
100	1001248539	1	Decal Kit - Master (Includes Items 102-108)	
102	1701509	1	Decal - Manual	
103	1701529	6	Decal - Arrow	
104	1703811	4	Decal - Tie Down/Lift	
105	1703814	6	Decal - Tie Down	
106	1704277	4	Decal - Attach Lanyard Here	
107	1704412	1	Decal - Hydraulic Oil Chart	
108	3251243	1	Nameplate - 120V-60Hz	
200	1001248542	1	Decal Kit - Country Spec (Includes Items 201-206)	
204	1703804	5	Decal - Warning Crushing	
205	1702868	2	Decal - No Hands	
206	1703797	1	Decal - Warning/Danger	
207	1705336	1	Decal - Warning Inspection (MTB)	
208	1703953	7	Decal - Warning Crushing	
209	1703805	5	Decal - Danger Electrocution	

SECTION 9 - DECALS

FIGURE 9-12. DECAL INSTALLATION – ANSI EXPORT SPECS (CHINA BUILT MACHINES) (PVC 2001)



ART_1001252336

SECTION 9 - DECALS

FIGURE 9-12. DECAL INSTALLATION – ANSI EXPORT SPECS (CHINA BUILT MACHINES) (PVC 2001)

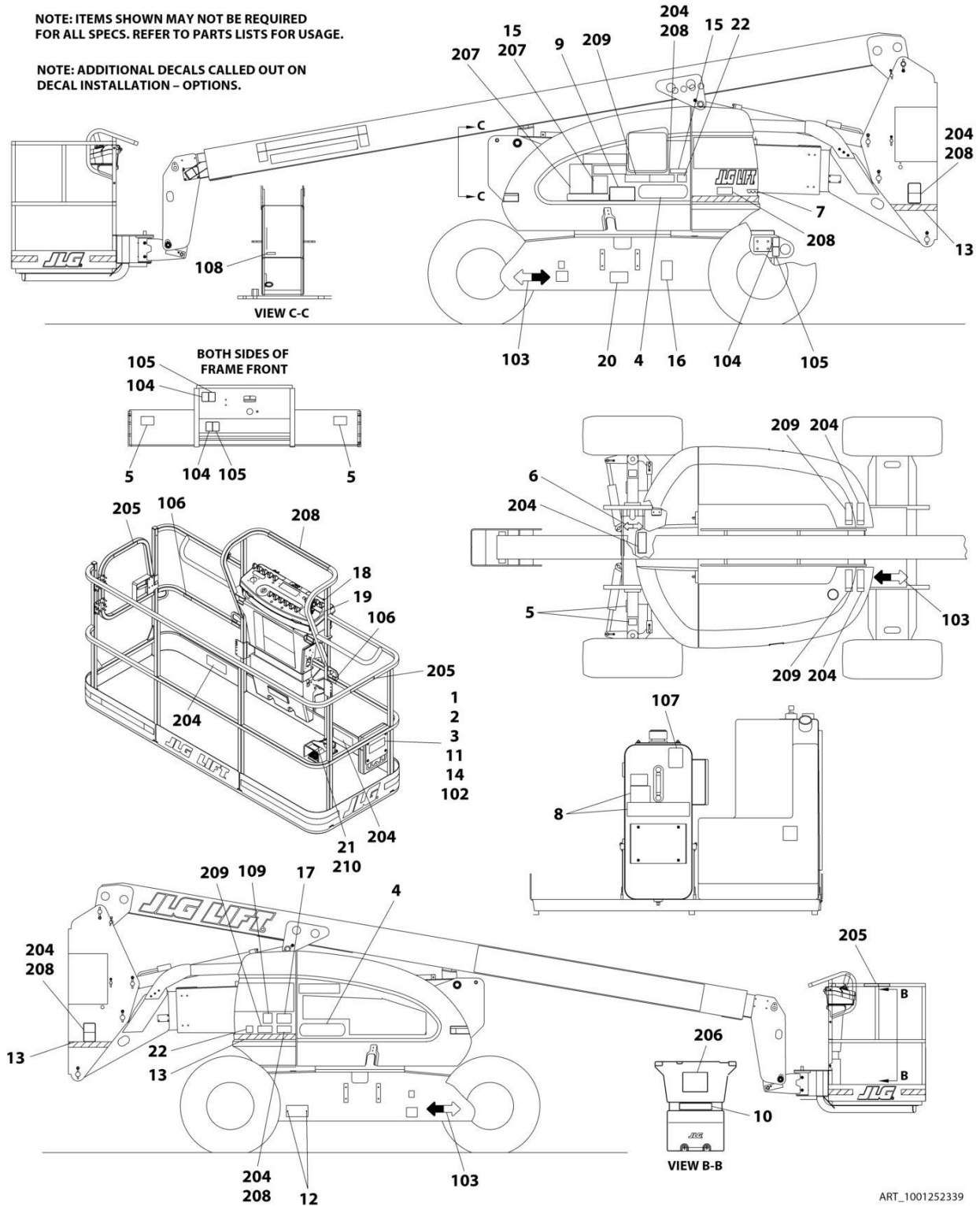
ITEM	PART NUMBER	QTY	DESCRIPTION	REV
	1001252336	Ref	DECALS INSTALLATION	B
1	0100011	AR	Compound, Locking	
2	0641406	4	Bolt 1/4 x 3/4	
3	0860520	1	Box, Manual Storage	
4	1001267311	2	Decal - 600AJ	
5	1703469	4	Decal - Max Tire Load	
6	1703687	1	Decal - Direction Arrow	
7	1704885	1	Decal - Website	
8	1705977	1	Decal - Upright Level Over-Ride	
9	1705978	2	Decal - Capacity	
11	3311405	4	Nut 1/4	
12	3820001	2	Rivet	
13	4420051	22 ft /6.7m	Decal - Warning Stripe	
14	4751400	8	Washer 1/4	
15	1001112551	1	Decal - Emergency Controls	
17	1001229010	1	Decal - Lift Diagram	
18	1001184618	1	Decal - Stop	
100	1001248539	1	Decal Kit - Master (Includes Items 102-108)	
102	1701509	1	Decal - Manual	
103	1701529	6	Decal - Arrow	
104	1703811	4	Decal - Tie Down/Lift	
105	1703814	6	Decal - Tie Down	
106	1704277	4	Decal - Attach Lanyard Here	
107	1704412	1	Decal - Hydraulic Oil Chart	
109	1705084	1	Decal - Sound Level	
200	1001248546	1	Decal Kit - Country Spec (Includes Items 204-210)	
204	1701518	5	Decal - Warning Crushing	
206	1705921	1	Decal - Tipping/Electrical Platform	
207	1705822	1	Decal - Electrical/Safety Manual	
209	1705961	5	Decal - Danger Electrocution	
210	1705828	1	Decal - Footswitch	

SECTION 9 - DECALS

FIGURE 9-13. DECAL INSTALLATION - CHINESE SPECS (TRADITIONAL) (CHINA BUILT MACHINES) (PVC 2001)

NOTE: ITEMS SHOWN MAY NOT BE REQUIRED FOR ALL SPECS. REFER TO PARTS LISTS FOR USAGE.

NOTE: ADDITIONAL DECALS CALLED OUT ON DECAL INSTALLATION - OPTIONS.



ART_1001252339

SECTION 9 - DECALS

**FIGURE 9-13. DECAL INSTALLATION - CHINESE SPECS (TRADITIONAL) (CHINA BUILT MACHINES)
(PVC 2001)**

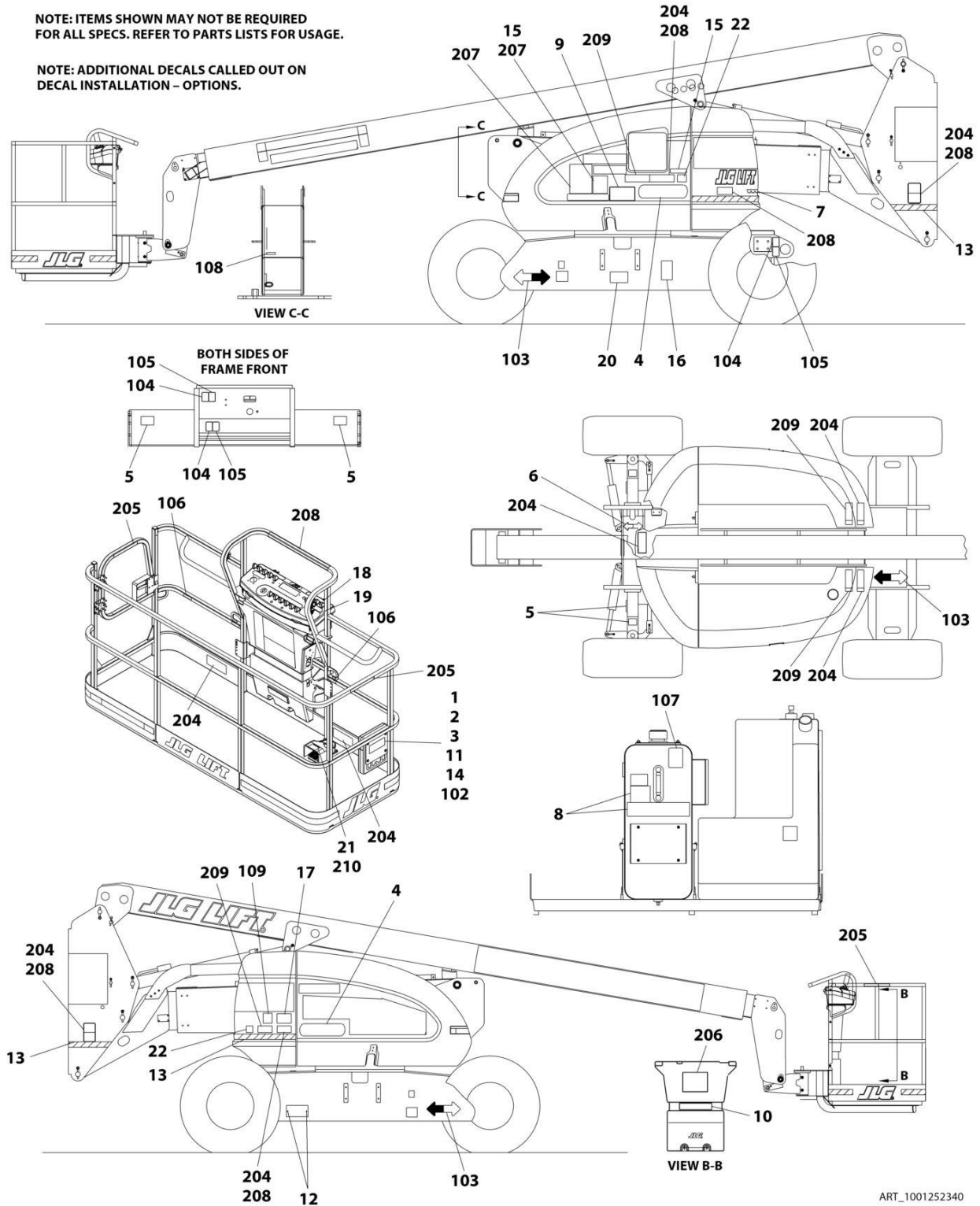
ITEM	PART NUMBER	QTY	DESCRIPTION	REV
	1001252339	Ref	DECALS INSTALLATION	C
1	0100011	AR	Compound, Locking	
2	0641406	4	Bolt 1/4 x 3/4	
3	0860520	1	Box, Manual Storage	
4	1001267311	2	Decal - 600AJ	
5	1703469	4	Decal - Max Tire Load	
6	1703687	1	Decal - Direction Arrow	
7	1704885	1	Decal - Website	
8	1001116862	1	Decal - Upright Level Over-Ride	
9	1001253927	1	Decal - Capacity	
10	1001253926	1	Decal - Capacity	
11	3311405	5	Nut 1/4	
12	3820001	2	Rivet	
13	4420051	22 ft /6.7m	Decal - Warning Stripe	
14	4751400	10	Washer 1/4	
17	1001229010	1	Decal - Lift Diagram	
18	1001184618	1	Decal - Stop	
19	1001116863	1	Decal - Drive/Steer Instructions	
20	1001224050	1	Decal - Yearly Inspection	
100	1001248539	1	Decal Kit - Master (Includes Items 102-108)	
102	1701509	1	Decal - Manual	
103	1701529	6	Decal - Arrow	
104	1703811	4	Decal - Tie Down/Lift	
105	1703814	6	Decal - Tie Down	
106	1704277	4	Decal - Attach Lanyard Here	
107	1704412	1	Decal - Hydraulic Oil Chart	
108	3251243	1	Nameplate - 120V-60Hz	
200	1001248544	1	Decal Kit - Country Spec (Includes Items 204-210)	
204	1703949	4	Decal - Warning Crushing	
205	1001116846	2	Decal - No Hands	
206	1703925	1	Decal - Warning/Danger	
207	1001116849	2	Decal - Warning Inspection	
208	1703953	7	Decal - Warning Crushing	
209	1001116851	6	Decal - Danger Electrocutation	
210	1703982	1	Decal - Foot Switch	

SECTION 9 - DECALS

FIGURE 9-14. DECAL INSTALLATION - CHINESE SPECS (SIMPLIFIED) (CHINA BUILT MACHINES) (PVC 2001)

NOTE: ITEMS SHOWN MAY NOT BE REQUIRED FOR ALL SPECS. REFER TO PARTS LISTS FOR USAGE.

NOTE: ADDITIONAL DECALS CALLED OUT ON DECAL INSTALLATION - OPTIONS.



ART_1001252340

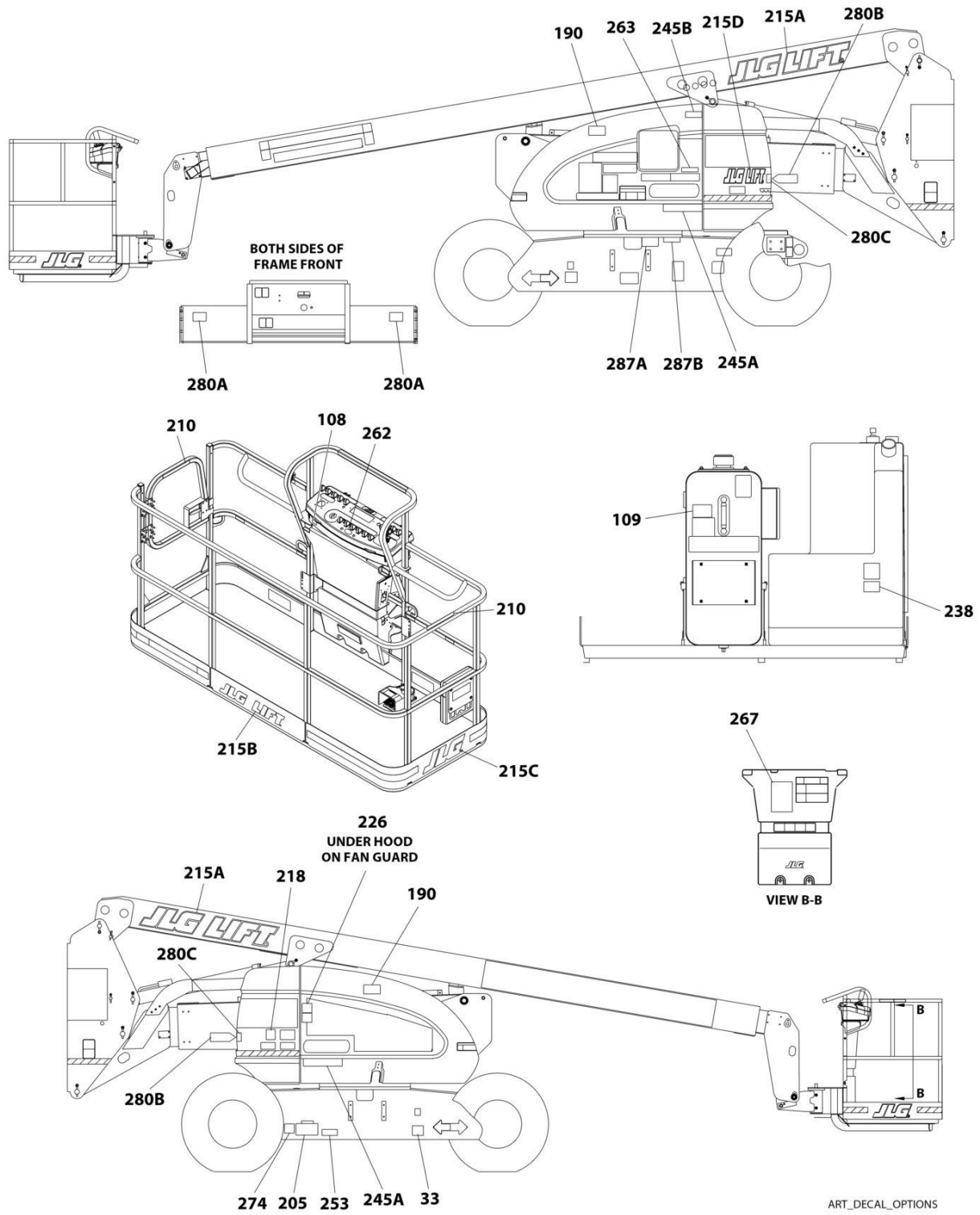
SECTION 9 - DECALS

**FIGURE 9-14. DECAL INSTALLATION - CHINESE SPECS (SIMPLIFIED) (CHINA BUILT MACHINES)
(PVC 2001)**

ITEM	PART NUMBER	QTY	DESCRIPTION	REV
	1001252340	Ref	DECALS INSTALLATION	C
1	0100011	AR	Compound, Locking	
2	0641406	4	Bolt 1/4 x 3/4	
3	0860520	1	Box, Manual Storage	
4	1001267311	2	Decal - 600AJ	
5	1703469	4	Decal - Max Tire Load	
6	1703687	1	Decal - Direction Arrow	
7	1704885	1	Decal - Website	
8	1001116861	1	Decal - Upright Level Over-Ride	
9	1001253935	1	Decal - Capacity	
10	1001253934	1	Decal - Capacity	
11	3311405	5	Nut 1/4	
12	3820001	2	Rivet	
13	4420051	22 ft /6.7m	Decal - Warning Stripe	
14	4751400	10	Washer 1/4	
17	1001229010	1	Decal - Lift Diagram	
18	1001184618	1	Decal - Stop	
19	1705430	1	Decal - Drive/Steer Instructions	
20	1001224051	1	Decal - Yearly Inspection	
22	1001244298	1	Decal - App	
100	1001248539	1	Decal Kit - Master (Includes Items 102-108)	
102	1701509	1	Decal - Manual	
103	1701529	6	Decal - Arrow	
104	1703811	4	Decal - Tie Down/Lift	
105	1703814	6	Decal - Tie Down	
106	1704277	4	Decal - Attach Lanyard Here	
107	1704412	1	Decal - Hydraulic Oil Chart	
108	3251243	1	Nameplate - 120V-60Hz	
200	1001252341	1	Decal Kit - Country Spec (Includes Items 204-208)	
204	1001116845	7	Decal - Warning Crushing	
205	1706968	2	Decal - No Hands	
206	1001116847	1	Decal - Warning/Danger	
207	1001116848	2	Decal - Warning Inspection	
208	1001116850	6	Decal - Warning Crushing	

SECTION 9 - DECALS

FIGURE 9-15. DECAL INSTALLATION - OPTIONS (USA BUILT MACHINES) (PVC 2001)



SECTION 9 - DECALS

FIGURE 9-15. DECAL INSTALLATION - OPTIONS (USA BUILT MACHINES) (PVC 2001)

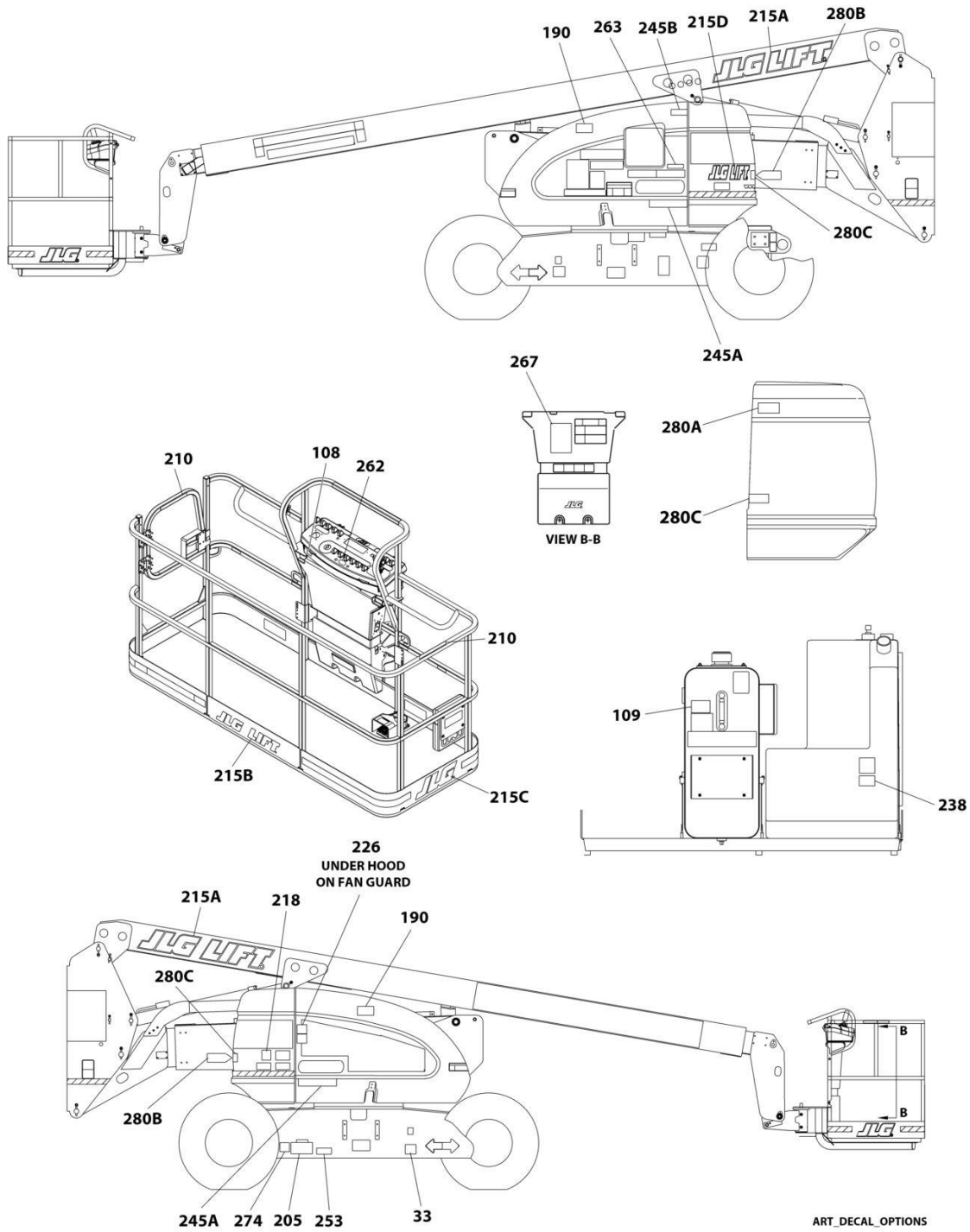
ITEM	PART NUMBER	QTY	DESCRIPTION	REV
	1001244322	Ref	DECAL INSTALLATION - REFERENCE CHART (ALL SPECS EXCEPT CE SPECS) (USA BUILT MACHINES)	A
	1001217567	Ref	DECAL INSTALLATION - REFERENCE CHART (CE SPECS) (USA BUILT MACHINES)	G
	1001252332	Ref	DECAL INSTALLATION - REFERENCE CHART (CHINA BUILT MACHINES)	
	1001245477	Ref	DECAL INSTALLATION - OPTIONS (USA BUILT MACHINES)	A
	1001260601	Ref	DECAL INSTALLATION - OPTIONS (CHINA BUILT MACHINES)	A
33	1700818	1	Decal - Fuel (LP Gas Machines) (English Language) (ANSI and Australian Specs)	
33	1704271	1	Decal - Fuel (LP Gas Machines) (English/French Languages) (CSA Specs)	
33	1702720	1	Decal - Fuel (LP Gas Machines) (English/Spanish Languages) (ANSI Export Specs)	
108	1001231801	1	Decal - Warning Proposition 65 (ANSI Specs)	
109	1702788	1	Decal - Biodegradable Hydraulic Fluid (English Language) (ANSI, Australian, CE & CSA Specs)	
109	1703479	1	Decal - Biodegradable Hydraulic Fluid (German Language) (CE Specs)	
190	0272418	Ref	Decal - SkyGlazier (Machines with SkyGlazier Option)	
190	1705358	2	Decal - SkyGlazier	
205	See Note	1	Nameplate - Manufacturers Serial Number (Note: Not Available for Purchase)	
210	1702868	2	Decal - No Hands (English Language)	
210	1705968	2	Decal - No Hands (English/Chinese Language) (Simplified)	
210	1001116846	2	Decal - No Hands (English/Chinese Language) (Traditional)	
210	1704000	2	Decal - No Hands (English/French Language)	
210	1705969	2	Decal - No Hands (English/Korean Language)	
210	1705967	2	Decal - No Hands (English/Portuguese Language)	
210	1704001	2	Decal - No Hands (English/Spanish Language)	
215	0274094	Ref	Decal - Logo Installation (All Specs Except CE Specs)	
215A	1702861	2	Decal - JLG Lift 41	
215B	1702774	2	Decal - JLG Lift 42	
215C	1702773	1	Decal - JLG 43	
215D	1702860	1	Decal - JLG Lift 44	
218	3251813	1	Decal - USA	
226	1704972	1	Decal - Warning Explosion/ Fire (English Language) (Diesel Machines) (ANSI Specs)	
226	1706098	1	Decal - Warning Explosion/Fire (English Language) (Diesel Machines) (Australian & CE Specs)	
226	1706059	1	Decal - Warning Explosion/Fire (English/Portuguese Language) (Diesel Machines) (Brazil Specs)	
226	1706060	1	Decal - Warning Explosion/Fire (English/Chinese Language) (Diesel Machines) (Chinese Specs)	
226	1706064	1	Decal - Warning Explosion/Fire (English Language) (Diesel Machines) (CSA Specs)	
226	1706062	1	Decal - Warning Explosion/Fire (English/Japanese Language) (Diesel Machines) (Japanese Specs)	
226	1706061	1	Decal - Warning Explosion/Fire (English/Korean Language) (Diesel Machines) (Korean Specs)	
226	1706063	1	Decal - Warning Explosion/Fire - (English/Spanish Language) (Diesel Machines) (Latin American Specs)	

SECTION 9 - DECALS

ITEM	PART NUMBER	QTY	DESCRIPTION	REV
238	1001125387	1	Decal - Ultra Low Sulfur Fuel (Diesel Machines) (ANSI, ANSI Export (HRC) & CSA Specs)	
238	1001139654	1	Decal - Ultra Low Sulfur Fuel (Diesel Machines) (CE and Japanese Specs)	
245	1001127095	Ref	Decal Installation - ClearSky (Machines with ClearSky Option)	
245A	1001116208	2	Decal - ClearSky	
245B	1001120989	1	Decal - Radio Frequency	
253	1001143852	1	Decal - Emission Compliance (Diesel Machines) (ANSI Export (LRC), Australian, CE & Chinese Specs)	
262	1001141300	1	Decal - SkyGuard Override (Machines without Soft Touch Option)	
262	1001141302	1	Decal - SkyGuard Override (Machines with Soft Touch Option)	
263	1001197408	1	Decal - MSSO (CE Specs)	
267	1001200124	1	Decal - Quick Start Guide (Danish Language)	
267	1001200121	1	Decal - Quick Start Guide (Dutch Language)	
267	1001180861	1	Decal - Quick Start Guide (English Language)	
267	1001200120	1	Decal - Quick Start Guide (French Language)	
267	1001200122	1	Decal - Quick Start Guide (German Language)	
267	1001200127	1	Decal - Quick Start Guide (Norwegian Language)	
267	1001200125	1	Decal - Quick Start Guide (Swedish Language)	
267	1001200126	1	Decal - Quick Start Guide (Spanish Language)	
280	1001220864	Ref	Decal Kit - Boom Transport Position	
280A	1001220512	2	Decal - Lower Boom	
280B	1001220510	2	Decal - Warning Arrow	
280C	1001220511	2	Decal - Warning Stripe	
287	1001236436	Ref	Decal - ECO Installation (China Built Machines)	
287A	1001232904	1	Decal - ECO Label	
287A	3820001	4	Rivet	
287B	See Note	1	Nameplate - Mein Code (Note: Not Available for Purchase)	
287B	3820001	4	Rivet	

SECTION 9 - DECALS

FIGURE 9-16. DECAL INSTALLATION - OPTIONS (USA BUILT MACHINES - PVC 2007, CHINA BUILT MACHINES - PVC 2007)



SECTION 9 - DECALS

FIGURE 9-16. DECAL INSTALLATION - OPTIONS (USA BUILT MACHINES - PVC 2007, CHINA BUILT MACHINES - PVC 2007)

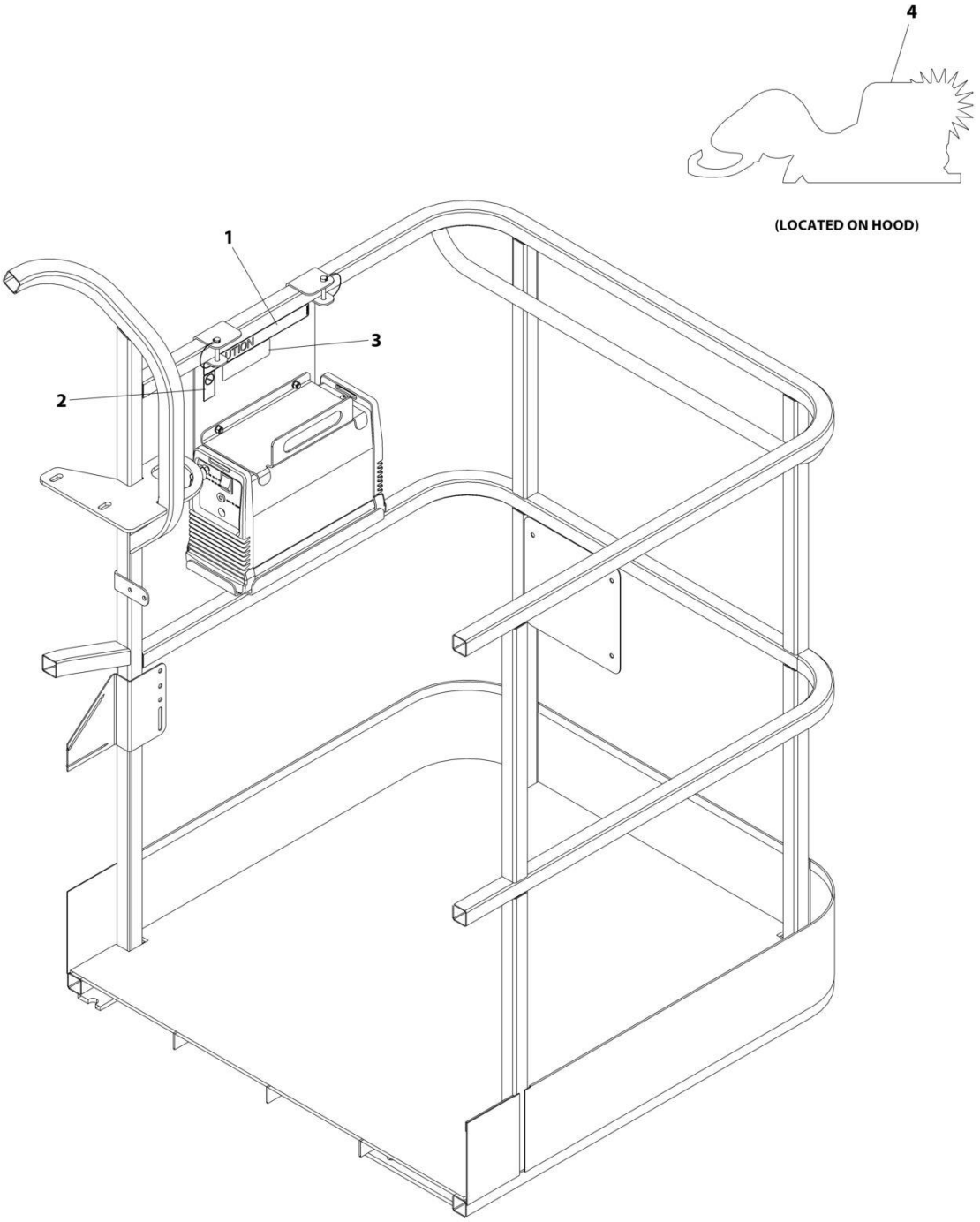
ITEM	PART NUMBER	QTY	DESCRIPTION	REV
	1001244322	Ref	DECAL INSTALLATION - REFERENCE CHART (ALL SPECS EXCEPT CE SPECS)	E
	1001217567	Ref	DECAL INSTALLATION - REFERENCE CHART (CE SPECS)	A
	1001245477	Ref	DECAL INSTALLATION - OPTIONS	H
33	1700818	1	Decal - Fuel (LP Gas Machines) (English Language) (ANSI and Australian Specs)	
33	1704271	1	Decal - Fuel (LP Gas Machines) (English/French Languages) (CSA Specs)	
33	1702720	1	Decal - Fuel (LP Gas Machines) (English/Spanish Languages) (ANSI Export Specs)	
108	1001231801	1	Decal - Warning Proposition 65 (ANSI Specs)	
109	1702788	1	Decal - Biodegradable Hydraulic Fluid (English Language)	
109	1703479	1	Decal - Biodegradable Hydraulic Fluid (German Language) (CE Specs)	
190	0272418	Ref	Decal - SkyGlazier (Machines with SkyGlazier Option)	
190	1705358	2	Decal - SkyGlazier	
205	See Note	1	Nameplate - Manufacturers Serial Number (Note: Not Available for Purchase)	
210	1702868	2	Decal - No Hands (English Language)	
210	1705968	2	Decal - No Hands (English/Chinese Language) (Simplified)	
210	1001116846	2	Decal - No Hands (English/Chinese Language) (Traditional)	
210	1704000	2	Decal - No Hands (English/French Language)	
210	1705969	2	Decal - No Hands (English/Korean Language)	
210	1705967	2	Decal - No Hands (English/Portuguese Language)	
210	1704001	2	Decal - No Hands (English/Spanish Language)	
215	0274094	Ref	Decal - Logo Installation (All Specs Except CE Specs)	
215A	1702861	2	Decal - JLG Lift 41	
215B	1702774	2	Decal - JLG Lift 42	
215C	1702773	1	Decal - JLG 43	
215D	1702860	1	Decal - JLG Lift 44	
218	3251813	1	Decal - USA	
226	1704972	1	Decal - Warning Explosion/ Fire (English Language) (Diesel Machines) (ANSI Specs)	
226	1706098	1	Decal - Warning Explosion/Fire (English Language) (Diesel Machines) (Australian & CE Specs)	
226	1706059	1	Decal - Warning Explosion/Fire (English/Portuguese Language) (Diesel Machines) (Brazil Specs)	
226	1706060	1	Decal - Warning Explosion/Fire (English/Chinese Language) (Diesel Machines) (Chinese Specs)	
226	1706064	1	Decal - Warning Explosion/Fire (English Language) (Diesel Machines) (CSA Specs)	
226	1706062	1	Decal - Warning Explosion/Fire (English/Japanese Language) (Diesel Machines) (Japanese Specs)	
226	1706061	1	Decal - Warning Explosion/Fire (English/Korean Language) (Diesel Machines) (Korean Specs)	
226	1706063	1	Decal - Warning Explosion/Fire - (English/Spanish Language) (Diesel Machines) (Latin American Specs)	
238	1001125387	1	Decal - Ultra Low Sulfur Fuel (Diesel Machines) (ANSI, ANSI Export (HRC) & CSA Specs)	
238	1001139654	1	Decal - Ultra Low Sulfur Fuel (Diesel Machines) (CE and Japanese Specs)	
245	1001127095	Ref	Decal Installation - ClearSky (Machines with ClearSky Option)	

SECTION 9 - DECALS

ITEM	PART NUMBER	QTY	DESCRIPTION	REV
245A	1001116208	2	Decal - ClearSky	
245B	1001120989	1	Decal - Radio Frequency	
253	1001143852	1	Decal - Emission Compliance (Diesel Machines) (ANSI Export (LRC), Australian, CE & Chinese Specs)	
262	1001141300	1	Decal - SkyGuard Override (Machines without Soft Touch Option)	
262	1001141302	1	Decal - SkyGuard Override (Machines with Soft Touch Option)	
263	1001197408	1	Decal - MSSO (CE Specs)	
267	1001200124	1	Decal - Quick Start Guide (Danish Language)	
267	1001200121	1	Decal - Quick Start Guide (Dutch Language)	
267	1001180861	1	Decal - Quick Start Guide (English Language)	
267	1001200120	1	Decal - Quick Start Guide (French Language)	
267	1001200122	1	Decal - Quick Start Guide (German Language)	
267	1001200127	1	Decal - Quick Start Guide (Norwegian Language)	
267	1001200125	1	Decal - Quick Start Guide (Swedish Language)	
267	1001200126	1	Decal - Quick Start Guide (Spanish Language)	
280	1001220864	Ref	Decal Kit - Boom Transport Position	
280A	1001220512	2	Decal - Lower Boom	
280B	1001220510	2	Decal - Warning Arrow	
280C	1001220511	2	Decal - Warning Stripe	

SECTION 9 - DECALS

FIGURE 9-17. SKYCUTTER DECAL INSTALLATION (ANSI, ANSI EXPORT, CSA AND CHINA SPECS)



ART_0272599

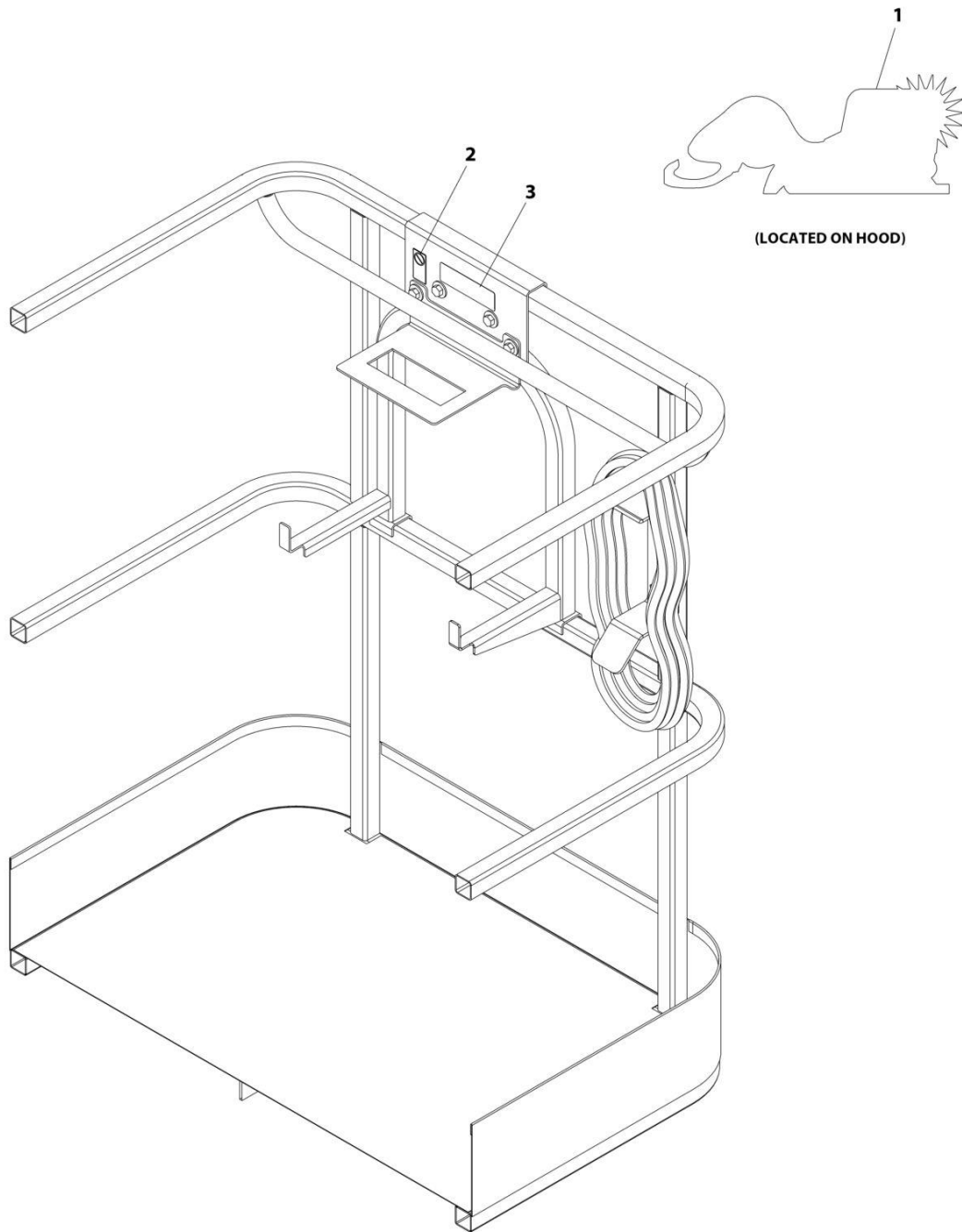
SECTION 9 - DECALS

FIGURE 9-17. SKYCUTTER DECAL INSTALLATION (ANSI, ANSI EXPORT, CSA AND CHINA SPECS)

ITEM	PART NUMBER	QTY	DESCRIPTION	REV
	0272599	Ref	SKYCUTTER DECAL INSTALLATION	C
1	1702868	1	Decal - No Hands	
2	1705305	1	Decal - Weld Leads	
3	1001252627	1	Decal - Weight	
4	1705490	2	Decal - SkyCutter	

SECTION 9 - DECALS

FIGURE 9-18. SKYCUTTER DECAL INSTALLATION (JAPANESE SPECS)



ART_0272607_C

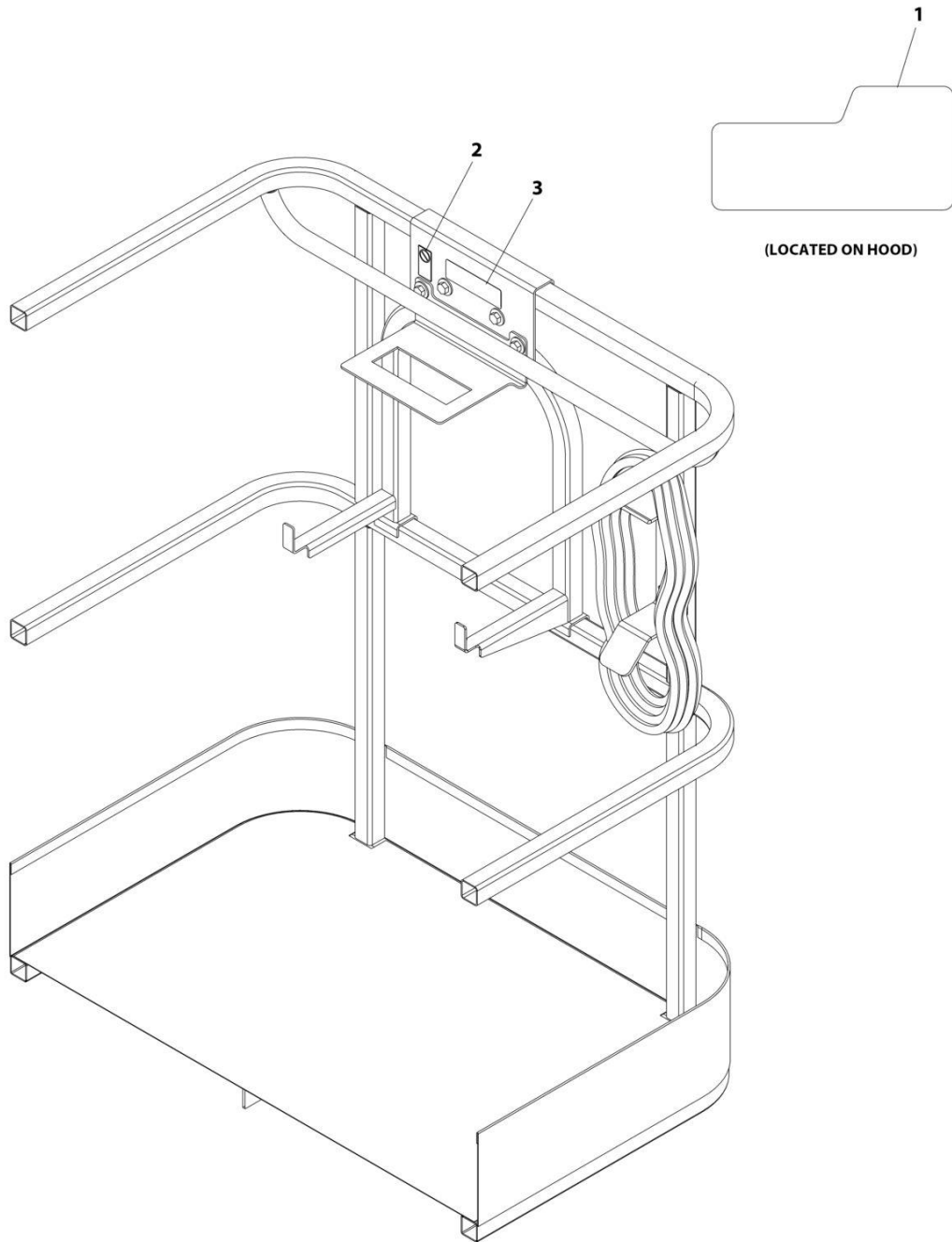
SECTION 9 - DECALS

FIGURE 9-18. SKYCUTTER DECAL INSTALLATION (JAPANESE SPECS)

ITEM	PART NUMBER	QTY	DESCRIPTION	REV
	0272607	1	SKYCUTTER DECAL INSTALLATION	C
1	1705490	2	Decal - SkyCutter	
2	1705305	1	Decal - Weld Lead	
3	1001252627	1	Decal - Weight	

SECTION 9 - DECALS

FIGURE 9-19. SKYWELDER DECAL INSTALLATION - 50HZ



ART_0272588

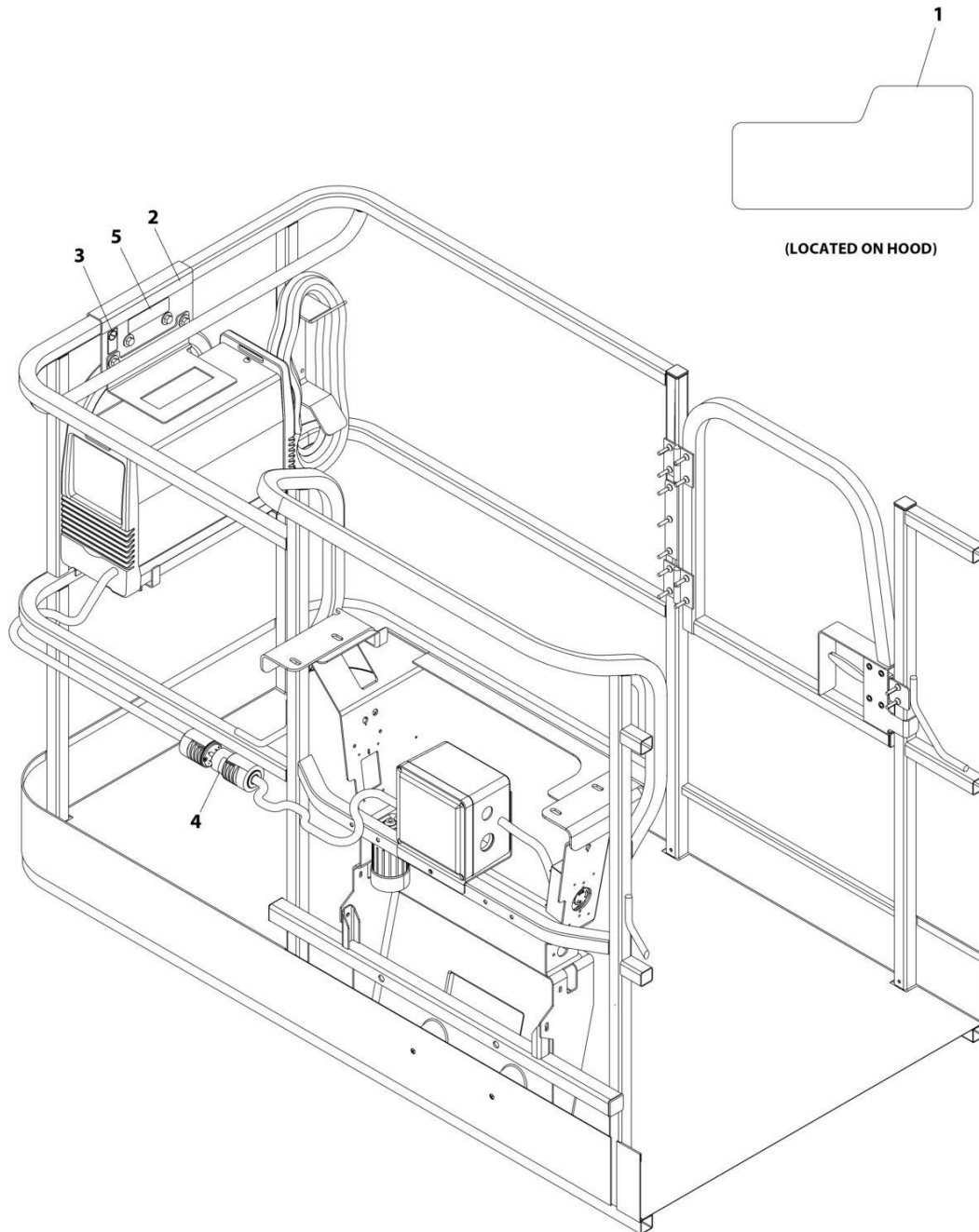
SECTION 9 - DECALS

FIGURE 9-19. SKYWELDER DECAL INSTALLATION - 50HZ

ITEM	PART NUMBER	QTY	DESCRIPTION	REV
	0272588	Ref	SKYWELDER DECAL INSTALLATION - 50Hz	B
1	1705355	2	Decal - SkyWelder	
2	1705305	1	Decal - Weld Lead	
3	1001228988	1	Decal - Weight	

SECTION 9 - DECALS

FIGURE 9-20. SKYWELDER DECAL INSTALLATION - 60HZ (PVC 2001)



ART_0272448

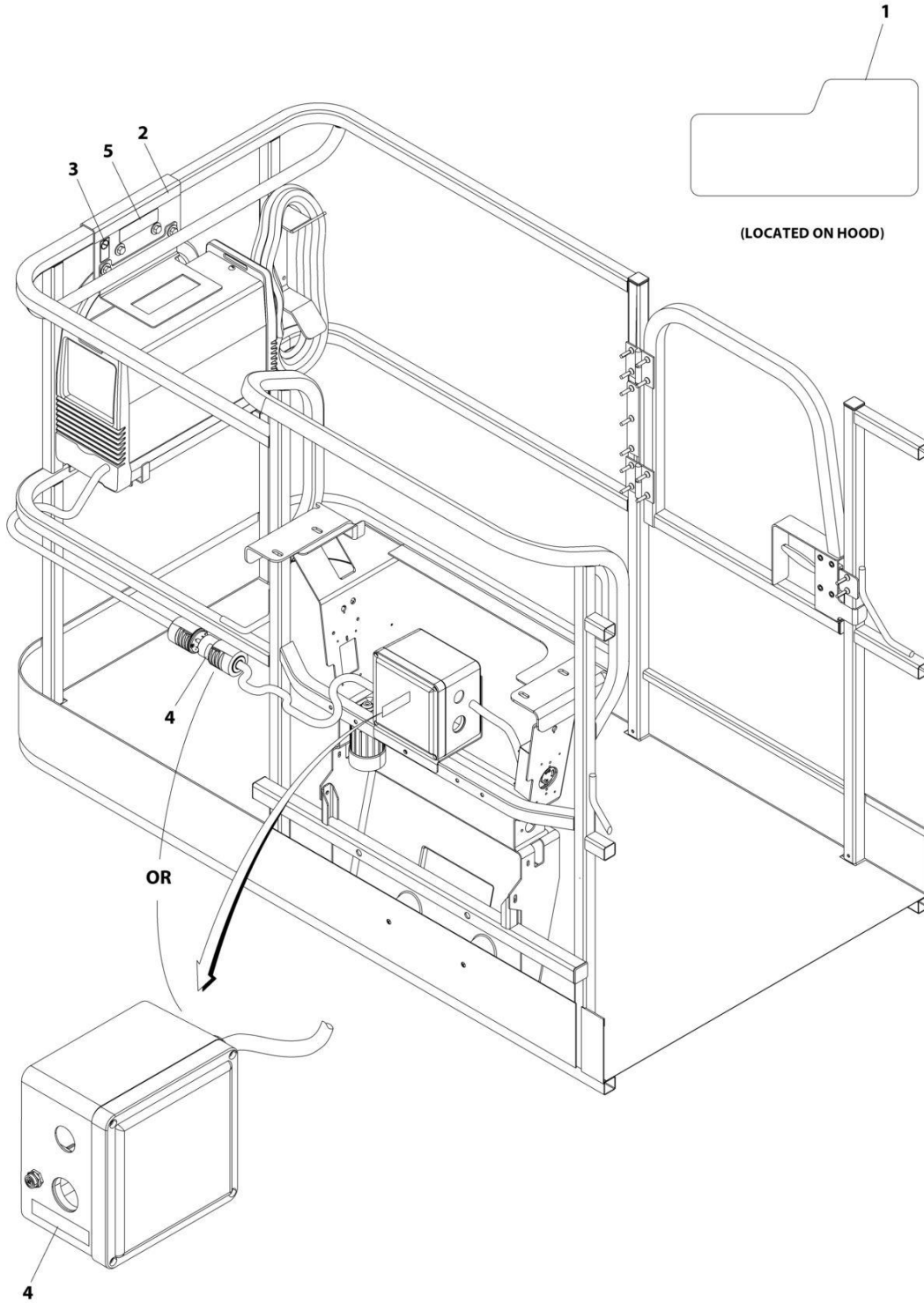
SECTION 9 - DECALS

FIGURE 9-20. SKYWELDER DECAL INSTALLATION - 60HZ (PVC 2001)

ITEM	PART NUMBER	QTY	DESCRIPTION	REV
	0272448	Ref	SKYWELDER DECAL INSTALLATION - 60Hz	B
1	1705355	2	Decal - SkyWelder	
2	1702868	1	Decal - No Hands	
3	1705305	1	Decal - Weld Lead	
4	1705375	1	Decal - 240V - 3 Phase - 60Hz	
5	1001228988	1	Decal - Weight	

SECTION 9 - DECALS

FIGURE 9-21. DECAL INSTALLATION - SKYWELDER (60HZ) (PVC 2007)



ART_0272448_C

SECTION 9 - DECALS

FIGURE 9-21. DECAL INSTALLATION - SKYWELDER (60HZ) (PVC 2007)

ITEM	PART NUMBER	QTY	DESCRIPTION	REV
	0272448	Ref	SKYWELDER DECAL INSTALLATION - 60Hz	C
1	1705355	2	Decal - SkyWelder	
2	1702868	1	Decal - No Hands	
3	1705305	1	Decal - Weld Lead	
4	1705375	1	Decal - 240V - 3 Phase - 60Hz	
5	1001228988	1	Decal - Weight	

SECTION 10 - RECOMMENDED SERVICE PARTS STOCK

SECTION 10 - RECOMMENDED SERVICE PARTS STOCK

SECTION 10 - RECOMMENDED SERVICE PARTS STOCK

FIGURE 10-1. MODEL 600AJ STANDARD PARTS

ITEM	PART NUMBER	QTY	DESCRIPTION	REV
	See Note	Ref	Note: The following list will service one machine (built to current production per date on the front cover) with emergency repair parts which can be installed in the field. Parts from the list should be replaced when inventory is depleted to keep service parts stock supplied. For further information, contact your JLG dealer or the JLG Industries Parts Department.	
		Ref	STANDARD PARTS	
	2120149	12	Element, Filter	
	2120210	12	Element, Filter	
	3740067	1	Relay	
	7012944	1	Coil	
	7012943	1	Coil	
	7012772	1	Coil	
	70000582	1	Coil	
	70004595	1	Coil	
	80434249	1	Coil	
	70004653	1	Coil	
	70004660	1	Coil	
	70004463	1	Coil	
	70004673	1	Coil	
	4360517	1	Switch	
	3740049	1	Relay	
	4360328	1	Switch	
	2860030	1	Key, Replacement	
	4360475	1	Switch, Mushroom	
	4360476	1	Contact, Switch Block	
	70002386	1	Coil	
	2940074	1	Latch	
	4360331	1	Switch, Toggle	
	4360330	1	Switch, Toggle	
	1001155045	1	Switch, Toggle	
	1001159256	1	Switch, Toggle	
	4360387	1	Switch, Push Button	
	4360407	1	Controller	
	8229242	2	Fuse, 5Amp	
	80983191	2	Fuse, 10Amp	
	3990010	2	Diode, 6Amp	

SECTION 10 - RECOMMENDED SERVICE PARTS STOCK

FIGURE 10-2. MODEL 600AJ VARIABLE PARTS

ITEM	PART NUMBER	QTY	DESCRIPTION	REV
	See Note	Ref	Note: The following list will service one machine (built to current production per date on the front cover) with emergency repair parts which can be installed in the field. Parts from the list should be replaced when inventory is depleted to keep service parts stock supplied. For further information, contact your JLG dealer or the JLG Industries Parts Department.	
		Ref	VARIABLE PARTS	
	70003783	12	Element, Air Cleaner (Machines with Deutz 2011 Engine) (USA Built Machines – PVC 2001 & 2007, China Built Machines - PVC 2007)	
	7012664	12	Element, Air Cleaner (Machines with Deutz 2011 Engine) (China Built Machines) (PVC 2001)	
	7016328	1	Filter, Fuel (Machines with Deutz D2011 Engine)	
	7016331	4	Filter, Oil (Machines with Deutz D2011 Engine)	
	7027795	1	Engine EMR2 Control Module (Machines with Deutz D2011 Engine)	
	70003783	12	Element, Air Cleaner (Machines with Deutz D2011 (Stage V) Engine) (PVC 2001)	
	7016328	1	Filter, Fuel (Machines with Deutz D2011 (Stage V) Engine)	
	7016331	4	Filter, Oil (Machines with Deutz D2011 (Stage V) Engine)	
	7027795	1	Engine EMR2 Control Module (Machines with Deutz D2011 (Stage V) Engine)	
	70005008	12	Element, Air Cleaner (Machines with Deutz TD2.2L3 (Stage V) Engine)	
	91403102	12	Element, Air Cleaner (Machines with Deutz TD2.9L4 Engine)	
	70025153	12	Filter, Fuel (Machines with Deutz TD2.9L4 Engine)	
	7016331	4	Filter, Oil (Machines with Deutz TD2.9L4 Engine)	
	70025210	1	Engine Control Module (Machines with Deutz TD2.9L4 Engine)	
	1001117308	1	Relay (Machines with Deutz TD2.9L4 Engine)	
	1001138228	1	Power Module/Relay (Machines with Deutz TD2.9L4 Engine)	
	7016331	4	Filter, Oil (Machines with Deutz D2.9L4 Engine)	
	1001225430	1	Filter, Fuel (Machines with Deutz D2.9L4 Engine)	
	1001225431	1	Filter, Fuel (Machines with Deutz D2.9L4 Engine)	
	1001117308	1	Relay (Machines with Deutz D2.9L4 Engine)	
	70025210	1	Engine Control Module (Machines with Deutz D2.9L4 Engine)	
	1001138228	1	Power Module/Relay (Machines with Deutz D2.9L4 Engine)	
	70005008	12	Element, Air Cleaner (Machines with Ford Engine)	
	70006155	12	Filter, Fuel (Machines with Ford Engine)	
	70006213	12	Filter, Oil (Machines with Ford Engine)	
	70006176	1	Module - Engine Control Unit (Machines with Ford Engine)	
	7024444	1	Breather/Fill Cap (Helgensen Brand)	
	70004862	1	Breather/Fill Cap (Hydac Brand)	
	1001103667	1	Module, Ground Control	
	4360469	1	Switch, Key	
	4360522	1	Switch, Push Button (Machines with Lights Option)	
	4360336	1	Switch, Toggle (Machines with Ford Engine or Cribbing Enable Switch or 2500W Generator)	
	3740080	1	Relay, Bosch (Machine with Generator)	
	4360336	1	Switch, Toggle (Machine with Generator)	
	4360542	1	Breaker, Circuit - 110Volt (Machines with 2500W Generator)	
	70000126	1	Breaker, Circuit - 220Volt (Machines with 2500W Generator)	

SECTION 10 - RECOMMENDED SERVICE PARTS STOCK

ITEM	PART NUMBER	QTY	DESCRIPTION	REV
	4360070	1	Breaker, Circuit (Machines with SkyPower 7500W Generator)	
	2400064	1	Fuse - 5 Amp (Deutz D2011 Machines with SkyPower 7500W Generator)	
	70001999	1	Power Track Repair Section	
	4360578	1	Switch, Limit	
	1001106938	1	Platform Control Module	
	4360057	1	Switch, Limit (Machines with Soft Touch System Engine)	
	1001129555	1	Lift/Swing Controller Kit	
	1001212415	1	Drive/Steer Controller Kit	

SECTION 11 - SPECIAL OPTIONS

SECTION 11 - SPECIAL OPTIONS

FIGURE 11-1. SPECIAL OPTIONS

ITEM	PART NUMBER	QTY	DESCRIPTION	REV
		Ref	Note: This list is to accommodate machines ordered with special equipment. Options may not be applicable to all models. For more specific parts information contact JLG Parts Department.	
		Ref	MISCELLANEOUS SPECIAL OPTIONS	
	1001204884	Ref	Air Intake Shut-off Valve Installation (Deutz DT2.9L4 Engines) (ANSI & CSA Specs)	
	1001247570	Ref	Air Intake Shut-off Valve Installation (Deutz D2.9L4 Engines) (ANSI & CSA Specs)	
		Ref	Airline to Platform Installation Options:	
	0258966	Ref	1/2in – Without Arctic Package (600AJ)	
	1001093438	Ref	1/2in - With Arctic Package (600AJ)	
	1001249695	Ref	Analyzer and Cable Kit	
	1001249941	Ref	Battery Powered Analyzer Installation Kit	
	0256366	Ref	Boom Wiper Installation (600AJ)	
	1001172045	Ref	Cable/Ladder Carrier Installation	
		Ref	ClearSky (Telematics) Installations (Dealer Installed)	
	1001242409	Ref	ClearSky (Telematics) Access Control Installation Kit (Dealer Installed) (ANSI, ANSI Export and CSA Specs)	
	1001243183	Ref	ClearSky (Telematics) Added-on Kit (Dealer Installed) (ANSI, ANSI Export and CSA Specs)	
	1001246142	Ref	ClearSky (Telematics) Added-on Kit (Dealer Installed) (Australian Specs)	
	1001243184	Ref	ClearSky (Telematics) Added-on Kit (Dealer Installed) (CE Specs)	
		Ref	ClearSky Telematics Installation (Factory Installed) (USA Built Machines)	
	1001227472	Ref	ClearSky Telematics - Canbus (ANSI and CSA Specs)	
	1001228946	Ref	ClearSky Telematics - Canbus (ANSI Export and CE Specs)	
	1001246522	Ref	ClearSky Telematics - Canbus (Australian Specs)	
	1001246523	Ref	ClearSky Telematics - Canbus (China Specs)	
	1001229107	Ref	ClearSky Telematics 3-Wire Connection (ANSI and CSA Specs)	
	1001233237	Ref	ClearSky Telematics 3-Wire Connection (ANSI Export and CE Specs)	
		Ref	ClearSky Telematics Installation (Factory Installed) (China Built Machines) (PVC 2007)	
	1001228946	Ref	ClearSky Telematics - Canbus (ANSI Export Specs)	
	1001246522	Ref	ClearSky Telematics - Canbus (Australian Specs)	
	1001246523	Ref	ClearSky Telematics - Canbus (China Specs)	
	1001233237	Ref	ClearSky Telematics 3-Wire Connection (ANSI Export Specs)	
	1001262959	Ref	ClearSky, Voltage Regulator Installation Kit	
		Ref	Cold Weather Package	
	1001152340	Ref	Cold Weather Package - Deutz D2011 Engines (USA Built Machines - PVC 2001 & 2007, China Built Machines - PVC 2007)	
	0271912	Ref	Cold Weather Package - Deutz D2011 Engines (China Built Machines) (PVC 2001)	
	0274883	Ref	Cold Weather Package with Transformer- Deutz D2011 Engines	
	1001151900	Ref	Cold Weather Package - Deutz TD2.9L4 Engines	
	1001217832	Ref	Cold Weather Package - Ford Engines	
	1001157013	Ref	Counterweight Installation (Required for Soft Touch Systems) (USA Built Machines)	
	0255928	Ref	Cylinder Bellows Installation (Boom) (600AJ)	

SECTION 11 - SPECIAL OPTIONS

ITEM	PART NUMBER	QTY	DESCRIPTION	REV
		Ref	Cylinder Bellows Installation (Frame) (USA Built Machines - PVC 2001 & 2007, China Built Machines - PVC 2007)	
	1001151379	Ref	2WD/2WS & 4WD/2WS 8ft/2.4m Width	
	1001151380	Ref	2WD/4WS & 4WD/4WS 8ft/2.4m Width Machines	
	1001152771	Ref	2WD/4WS 7ft/2.1m Width Machines	
		Ref	Cylinder Bellows Installation (Frame) (China Built Machines) (PVC 2001)	
	0255483	Ref	2WS 8ft/2.4m Width	
	0255487	Ref	4WS 8ft/2.4m Width Machines	
	0257195	Ref	Decal - Government Warranty	
		Ref	Decal Kits Options:	
	2902307	Ref	Decal Kit - Country Spec (ANSI and ANSI Export)	
	2902329	Ref	Decal Kit - Country Spec (Australian and CE)	
	2902312	Ref	Decal Kit - Country Spec (Brazil)	
	2902322	Ref	Decal Kit - Country Spec (CSA)	
	1001116844	Ref	Decal Kit - Country Spec (Chinese - Simplified)	
	2902309	Ref	Decal Kit - Country Spec (Chinese - Traditional)	
	2902308	Ref	Decal Kit - Country Spec (Japanese)	
	2902310	Ref	Decal Kit - Country Spec (Korean)	
	2902311	Ref	Decal Kit - Country Spec (Latin America)	
	2902303	Ref	Decal Kit - Master	
	1001238895	Ref	Decal Kit - Platform	
	1001119561	Ref	Decal Kit - Platform Console Box	
	4932990	Ref	Drive Cutout Kit (Above Elevation Beyond Transport)	
	4932993	Ref	Drive Cutout Kit (Above Elevation Tilt) (ANSI, ANSI Export, Australian, Japanese and China Specs Only)	
		Ref	Electrical Connector Kits	
	1001148902	Ref	Amp/Tyco Electrical Connector Kit	
	1001148903	Ref	Deutsch DT Electrical Connector Kit	
	1001148904	Ref	Deutsch HD Electrical Connector Kit	
	1001148905	Ref	Packard Electrical Connector Kit	
	1001148906	Ref	Various Electrical Connectors Kit	
	1001218022	Ref	Engine Block Heater Installations (Ford Engines Only)	
	1001246867	Ref	Enhanced Detection System (EDS) Level 1 (2-Bar) Installation Kit	
	1001246860	Ref	Enhanced Detection System (EDS) Level 2 (3-Bar) Installation Kit	
	1001237883	Ref	Fall Arrest (Bolt-on) Add-on Kit (6ft/1.82m Platform (ANSI, ANSI Export, CHINA, CSA & Japanese Specs Only) (Fits Platform p/ns 1001186384 & 1001144024)	
	1001237882	Ref	Fall Arrest (Bolt-on) Add-on Kit (8ft/2.4m Platform (ANSI, ANSI Export, CHINA, CSA & Japanese Specs Only) (Fits Platform p/ns 1001186383 & 1001144023)	
		Ref	Fan Cover/Guard Options:	
	1001182599	Ref	Fan Guard Installation (Deutz D2011 and Deutz D2011 Stage V Engines)	
	1001258140	Ref	Fan Guard Installation, Deutz TD2.2L3 (Stage V) Engines	
	1001177694	Ref	Fan Guard Installation (Deutz TD2.9L4 Engines)	
	1001093389	Ref	Fan Cover Installation (Ford DF 2.5L Engines)	
		Ref	Filter Kits:	
		Ref	Combined Filter Kit (Hydraulic/Air and Fuel/Engine Oil)	
	1001166960	1	Deutz D2011 Engine	
	1001181148	1	Deutz TD2.9L4 Engine	
	1001114042	1	Ford DF2.5L Engine	
	1001139099	Ref	Fire Extinguisher Installation	

SECTION 11 - SPECIAL OPTIONS

ITEM	PART NUMBER	QTY	DESCRIPTION	REV
	1001117294	Ref	Footswitch Shield (Arctic Package) (USA Built Machines - PVC 2001 & 2007, China Built Machines - PVC 2007)	
	3380652	Ref	Footswitch Shield (China Built Machines) (PVC 2001)	
	1001202749	Ref	Fuel Cap Cover Installation (Black) (All Machines) (Note: Lock p/n 1001102157 Must be purchased separately)	
	1001191395	Ref	Fuel Cap Cover Installation (Green) (Diesel Machines) (Note: Lock p/n 1001102157 Must be purchased separately)	
	1001247338	Ref	Fuel Cap Cover Installation (Red) (Gasoline Machines) (Note: Lock p/n 1001102157 Must be purchased separately)	
		Ref	Hose Kits (Contact JLG Customer Service for contents of kits):	
	1001166791	Ref	Hose Kit - Boom Lower	
	1001209349	Ref	Hose Kit - Boom Lower	
	1001212515	Ref	Hose Kit - Boom Lower	
	1001166790	Ref	Hose Kit - Boom Upper	
	1001209348	Ref	Hose Kit - Boom Upper	
	1001209629	Ref	Hose Kit - Platform Valve	
	1001239617	Ref	Hose Kit - Power Track Upper	
	1001241406	Ref	Hostile Environment Add-on Kit (7FT Chassis)	
	1001204924	Ref	Hostile Environment Add-on Kit (8FT Chassis) (600AJ)	
	1001094475	Ref	Hourmeter for Generator Installation	
	1001229940	Ref	Hydraulic Tank Locker Installation (China Built Machines) (PVC 2001)	
	0273492	Ref	Lights Installation - Platform Worklights	
	0274180	Ref	Lights Installation - Platform Flood Lights	
	1001243597	Ref	Lights Installation - Portable Platform Worklights	
	1001236951	Ref	Low Temperature Cut-out Switch Installation (Russian Specs)	
	1001204296	Ref	Oil Cooler Replacement Kit (Deutz TD2.9L4 Engine Only) (RCP to Ymer Cooler)	
	1580013	Ref	Platform Corner Storage Tray	
	1001195304	Ref	Platform Console Cover Installation (Clear Polycarbonate)	
	1001266290	Ref	Platform Console Cover Installation (Steel) (All Specs except Australian Specs)	
	1001125230	Ref	Platform Console Cover Installation (Steel) (Chinese Specs)	
	1001125229	Ref	Platform Console Cover Installation (Steel) (Korean Specs)	
	1001214984	Ref	Platform Control Box Film Installation (China Built Machines)	
		Ref	Platform Entry Kit	
	1001142504	Ref	Kit, Replace Swing Gate with Drop Bar	
	1001142505	Ref	Kit, Replace Drop Bar with Swing Gate	
		Ref	Platform Mesh to Top Rail Add-on Kits:	
	1001214552	Ref	30in x 4ft (76cm x 1.22m) with Gate	
	1001214559	Ref	30in x 5ft (76cm x 1.52m) with Gate	
	1001214561	Ref	36in x 6ft (91.5cm x 1.83m) with Gate	
	1001214562	Ref	36in x 8ft (91.5cm x 2.44m) with Gate	
		Ref	Platform Mesh to Top Rail Installations	
	0273147	Ref	30in x 4ft (76cm x 1.22m)	
	0273146	Ref	30in x 5ft (76cm x 1.52m)	
	0273149	Ref	36in x 6ft (91.5cm x 1.83m)	
	0273145	Ref	36in x 8ft (91.5cm x 2.44m)	
		Ref	Platform Mesh to Mid Rail Add-on Kits:	
	1001214478	Ref	30in x 4ft (76cm x 1.22m) with Gate	
	1001214515	Ref	30in x 5ft (76cm x 1.52m) with Gate	
	1001214540	Ref	36in x 6ft (91.5cm x 1.83m) with Gate	
	1001214548	Ref	36in x 8ft (91.5cm x 2.44m) with Gate	

SECTION 11 - SPECIAL OPTIONS

ITEM	PART NUMBER	QTY	DESCRIPTION	REV
		Ref	Platform Mesh to Mid Rail Installation	
	1001140318	Ref	30in x 4ft (76cm x 1.22m)	
	1001140315	Ref	30in x 5ft (76cm x 1.52m)	
	1001138772	Ref	36in x 6ft (91.5cm x 1.83m)	
	1001138773	Ref	36in x 8ft (91.5cm x 2.44m)	
		Ref	Plastic Mesh to Top Rail Installations	
	1001266807	Ref	30in x 4ft (76cm x 1.22m)	
	1001266801	Ref	30in x 5ft (76cm x 1.52m)	
	1001266489	Ref	36in x 6ft (91.5cm x 1.83m)	
	1001266056	Ref	36in x 8ft (91.5cm x 2.44m)	
		Ref	Plastic Mesh to Mid Rail Installations	
	1001266969	Ref	30in x 4ft (76cm x 1.22m)	
	1001266799	Ref	30in x 5ft (76cm x 1.52m)	
	1001266284	Ref	36in x 6ft (91.5cm x 1.83m)	
	1001266098	Ref	36in x 8ft (91.5cm x 2.44m)	
		Ref	Platform, Top Rail Extension (USA Built Machines - PVC 2001 & 2007, China Built Machines - PVC 2007)	
	0272733	Ref	3ft x 6ft Platforms	
	0272725	Ref	3ft x 8ft Platforms	
	1001209059	Ref	Platform Work Surface Installation	
	1001200234	Ref	Radiator Replacement Kit (RCP to Modine) (Deutz TD2.9L4 Engine Only)	
	1001171018	Ref	RCD Box Installation (Brazil Spec)	
	1001099572	Ref	Security Lock (Programmable) Installation (USA Built Machines)	
	1001247073	Ref	SkyEye Retrofit Kit	
	1001241547	Ref	SkyEye Housing Kit (LH)	
	1001241548	Ref	SkyEye Housing Kit (RH)	
		Ref	SkyGuard Component Options:	
	1001206477	Ref	SkyGuard Complete Add-on Kit (Blue Beacon)	
	1001210026	Ref	SkyGuard Complete Add-on Kit (Red Beacon)	
	1001250035	Ref	SkyGuard Platform Sensor Kit	
	1001137440	1	SkyGuard Platform Sensor Harness	
	1001186431	2	Relay	
	1001250595	Ref	SkyGuard 6-Pin Retrofit Installation Kit	
	1001249052	Ref	SkyGuard Retrofit Kit (Dealer Installed)	
	1001232643	Ref	SkyLine Kit	
	1001253945	Ref	SkySense/Enhanced Detection System (EDS) Level 1 (2 Bar) Installation Kit (PVC 2001)	
	1001250465	Ref	SkySense/Enhanced Detection System (EDS) Level 1 (2 Bar) Installation Kit (PVC 2007)	
	1001253946	Ref	SkySense/Enhanced Detection System (EDS) Level 2 (3 Bar) Installation Kit (PVC 2001)	
	1001250466	Ref	SkySense/Enhanced Detection System (EDS) Level 2 (3 Bar) Installation Kit (PVC 2001)	
		Ref	Strobe Light Installations (Amber)	
	1001152965	Ref	Strobe Light Installations - Platform Mounted	
	1001154231	Ref	Strobe Light Installations - Dual Platform/Ground Mounted	
		Ref	Tools for Service	
	2901443	1	Analyzer Kit	
	7002840	1	Antirotation Pin Removal Tool	
	8896941	1	Wire Stripper	
	7002821	1	Wire Crimper (To install wire ends to wires)	

SECTION 11 - SPECIAL OPTIONS

ITEM	PART NUMBER	QTY	DESCRIPTION	REV
	7002823	1	Pin/Socket Extractor - Universal (To Remove Pins/Sockets from Connectors)	
	4460467	1	Extractor - 16-18 Gauge (For Removal of Pin/Sockets from Deutsch Connectors)	
	4460510	1	Extractor - 12-14 Gauge (For Removal of Pin/Sockets from Deutsch Connectors)	
	7002822	1	Screwdriver, Potentiometer (To Adjust Drive Controllers)	
	7016654	1	Screwdriver, Magnetic	
	7004275	1	Seal Installation Tool - 1in	
	7004276	1	Seal Installation Tool - 1 1/2in	
	7002826	1	Seal Installation Tool - 2in	
	7016655	1	Wire Rope Sheave Gauge	
	7016652	1	Huck Bolt Fastener (For Small Huck Bolts Only)	
	2900838	1	U.S. Standards Fastener (Hardware) Kit	
	7014676	1	U.S. Standards Tool Kit	
	1001137005	1	Software Cable Kit	
	1001238825	Ref	Turntable Bearing Kit	
	2910167	Ref	Wear Pad Kit	
	0272772	Ref	Weld Leads	

PART NUMBER INDEX

SECTION 11 - SPECIAL OPTIONS

0100009....215, 219, 223, 227, 231, 235, 239, 243, 247, 251, 693, 697	737, 858, 899, 907, 913, 919, 925, 931	0272588 1115	0440207.....171, 173
0100011....23, 25, 27, 29, 31, 33, 35, 37, 39, 41, 43, 45, 47, 49, 51, 53, 55, 59, 61, 63, 65, 67, 69, 71, 113, 115, 117, 119, 123, 125, 127, 129, 131, 133, 153, 155, 161, 171, 181, 183, 185, 187, 189, 191, 203, 205, 207, 213, 215, 219, 223, 227, 231, 235, 239, 243,247, 251, 257, 259, 261, 267, 269, 271, 273, 275, 287, 289, 292, 296, 300, 304, 309, 311, 315, 317, 319, 321, 325, 327, 329, 331, 333, 335, 338, 342, 346, 350, 354, 365, 369, 372, 381, 385, 389, 391, 394, 400, 406, 412, 421, 425, 429, 431, 434, 440, 446, 452, 463, 468, 472, 475, 477, 480, 486, 495, 499, 521, 523, 525, 527, 529, 531, 533, 535, 539, 541, 543, 547, 551, 555, 559, 563, 567, 571, 575, 579, 583, 589, 591, 593, 595, 597, 601, 603, 605, 607, 609, 611, 615, 617, 619, 621, 623, 625, 627, 629, 631, 633, 637, 639, 641, 661, 663, 665, 667, 669, 671, 673, 679, 681, 683, 685, 723, 725, 728, 731, 733, 741, 749, 751, 753, 755, 779, 785, 793, 795, 797, 854, 859, 862, 866, 1075, 1077, 1079, 1081, 1083, 1085, 1087, 1089, 1091, 1093, 1095, 1097, 1099, 1101	0100035... 279, 461, 643, 693, 697	0272589 568, 572	0480100.....745, 747
0100019.... 159, 171, 173, 525, 527, 535, 547, 551, 555, 559, 564, 567, 571, 575, 579, 583	0100038... 23, 25, 27, 33, 35, 779, 785, 793, 795, 797, 854, 859, 862, 866	0272599 1111	0480121.....533, 539, 541
0100020.... 185, 187, 189, 191, 195, 197, 315, 317, 319, 321, 325, 365, 381, 385, 394, 400, 406, 412, 421, 425, 434, 440, 446, 452, 468, 472, 480, 486, 548, 701, 728,	0100048... 213, 215, 219, 223, 227, 231, 235, 239, 243, 247, 251, 259, 261, 263, 265, 267, 468, 472, 543, 555, 559, 575, 693, 697	0272607 1113	0480126.....551, 567
	0100062... 191, 338, 342, 354, 372, 394, 400, 406, 412, 434, 440, 446, 452, 482, 488, 564, 568	0272625 973	0480129.....547, 564
	0100063 45, 47, 53	0272725 1131	0561076.....589, 591, 605
	0100079 519, 555, 575	0272733 1131	0561185.....593, 595, 605, 609
	0100081 ... 621, 623, 625, 759, 761	0272772 1132	0561237....951, 959, 961, 963, 965, 973, 975
	0100087 199	0273048 67	0561248.....593, 605
	0140001 127, 133	0273049 61	0630407....372, 394, 400, 406, 412, 434, 440, 446, 452
	0140011 693, 697	0273145 1130	0630427....637, 639, 641
	0140032 261	0273146 1130	0630462....749, 751, 753, 755
	0140044 259	0273147 1130	0630467....627, 629, 631, 633
	0181949 195, 197	0273149 1130	0630490....49, 53, 55, 57
	0200048 ... 749, 751, 753, 755	0273353 728	0630507....292, 296, 300, 304
	0200742 533, 539, 541	0273366 71	0630518....255, 719, 728, 731, 733, 737, 741
	0254798 173	0273428 965	0630534.....781
	0255288 617, 619	0273430 975	0630535....785, 795, 797
	0255382 895	0273492 1130	0630536.....779
	0255409 187	0273542 757	0630548....213, 215, 219, 223, 227, 231, 235, 239, 243, 247, 251
	0255410 177	0273706 755	0630568.....694, 698
	0255438 641	0273824 751	0641403....563, 567, 595, 623, 625, 643
	0255483 1129	0273959 31	0641404 53, 55, 215, 219, 223, 227, 231, 235, 239, 243, 247, 251, 365, 381, 385, 421, 425, 539, 547, 551, 555, 559, 575, 693, 697, 725
	0255487 1129	0274047 33	0641405....292, 296, 300, 304, 725
	0255880 285	0274054 37	0641406....153, 155, 209, 211, 257, 259, 261, 263, 265, 267, 300, 304, 365, 372, 381, 385, 389, 391, 394, 400, 406, 412, 421, 425, 429, 431, 434, 440, 446, 452, 468, 472, 547, 551, 559, 564, 567, 687, 689, 691, 1075, 1077, 1079, 1081, 1083, 1085, 1087, 1089, 1091, 1093, 1095, 1097, 1099, 1101
	0255928 1128	0274062 53	0641407....213, 215, 219, 223, 227, 231, 235, 239, 243, 247, 251, 265, 275, 292, 296, 319, 322, 327, 329, 335, 338, 342, 346, 350, 354, 475, 477, 555, 575, 905, 909, 911, 915, 917, 921, 923, 927, 929
	0256202 903	0274094 1103, 1107	
	0256336 643	0274132 41	
	0256366 1128	0274180 1130	
	0256822 311	0274200 1130	
	0257176 897	0274229 111	
	0257195 1129	0274256 35	
	0257573 623, 625	0274257 55	
	0257728 745	0274310 127	
	0257887 261	0274312 133	
	0258945 717	0274348 109	
	0258966 1128	0274349 105	
	0270528 ... 113, 115, 117, 119	0274618 901	
	0270820 963	0274661 747	
	0270833 261	0274883 1128	
	0271552 271	0275140 951	
	0271912 1128	0275216 905, 1037	
	0272254 733	0275217 909, 1039	
	0272418. 759, 761, 1103, 1107	0275452 915, 1043	
	0272427 753	0275453 921, 1047	
	0272433 891	0275454 927, 1051	
	0272435 ... 564, 577, 580, 584	0275652 909	
	0272448 1117, 1119	0275653 915	
	0272521 731	0275654 921	
		0275656 905	
		0275660 927	
		0275941 847, 851	
		0280167 31	
		0280171 33, 37	
		0280185 35	
		0340041 346, 350	
		0362910 119	
		0363012 ... 63, 65, 67, 69, 71	
		0370026 775	
		0400075 ... 153, 155, 315, 317, 319, 321, 325	
		0440018 53, 55	
		0440019 53, 55	
		0440161 53, 55	
		0440170 49, 57	
		0440171 49, 57	

SECTION 11 - SPECIAL OPTIONS

0641408 ... 209, 211, 269, 300, 304, 394, 400, 406, 412, 434, 440, 446, 452, 639, 689, 691, 845, 849	593, 597, 609, 611, 617, 619, 621, 623, 625, 728, 731, 733, 741	0641812....327, 329, 331, 333, 335, 369, 389, 391, 429, 431, 535	0700818..... 499
0641409 ... 315, 317, 319, 321, 325	0641607 ... 153, 155, 205, 300, 304, 365, 381, 385, 421, 425, 468, 472, 519, 535, 580, 584, 589, 591, 601, 603, 605, 611	0641813.....757	0701012..... 372
0641410 ... 338, 342, 354, 556, 559, 576	0641608 ... 39, 41, 43, 45, 47, 49, 51, 53, 55, 105, 109, 123, 125, 127, 129, 131, 133, 199, 201, 205, 292, 296, 300, 304, 317, 321, 365, 372, 381, 385, 394, 400, 406, 412, 421, 425, 434, 440, 446, 452, 515, 529, 531, 593, 597, 605	0641814....23, 25, 27, 33, 35	0701014..... 203, 499
0641412 ... 381, 385, 421, 425	0641609 ... 285, 287, 338, 342, 346, 350, 354, 394, 400, 406, 412, 434, 440, 446, 452, 521, 523, 593, 605, 611	0641816.....37	0701017..... 372
0641414 ... 123, 125, 127, 129, 131, 133, 693, 697, 723, 749, 751, 753, 755	0641610 ... 205, 209, 211, 293, 297, 301, 304, 315, 317, 319, 321, 325, 338, 342, 346, 350, 354, 372, 461, 463, 519, 533, 539, 541, 593, 597, 689, 691	0641818.....31, 191, 346, 350, 523	0701026..... 495
0641415 ... 552, 559, 905, 909, 911, 915, 917, 921, 923, 927, 929	0641611 63, 611	0641820....338, 342, 354, 521	0710827..... 499
0641416 ... 123, 125, 127, 129, 131, 133, 468, 472, 627, 629, 631, 633, 899, 905, 907, 909, 911, 913, 915, 917, 919, 921, 923, 925, 927, 929, 931, 951, 959, 961, 963, 965, 973, 975, 979	0641612 ... 181, 183, 366, 381, 385, 394, 400, 406, 412, 421, 425, 434, 440, 446, 452, 468, 472	0641824..... 181, 183	0711014..... 482, 488
0641418 ... 661, 663, 667, 669, 671, 673, 679, 681, 683, 685	0641613 ... 123, 127, 129, 133	0641826.....346, 350	0711020..... 480, 486
0641420 665	0641614 ... 185, 187, 189, 191	0642010.... 119, 315, 317, 319, 321, 325, 365, 381, 385, 421, 425, 468, 472	0711215..... 372
0641424 127	0641616 ... 548, 551, 555, 575, 595	0642012....23, 25, 27, 29, 31, 33, 35, 37, 39, 41, 43, 45, 47, 49, 51, 53, 759	0711223... 372, 482, 488, 525, 527
0641505 103, 107	0641617 195	0642018..... 161	0711414... 346, 350, 521, 523
0641506 ... 213, 215, 219, 223, 227, 231, 235, 239, 243, 247, 251	0641618 ... 63, 65, 67, 69, 71, 559, 564, 568, 571, 593, 597, 605, 609, 611, 623, 625	0642026.....761	0720804..... 195, 197
0641507 ... 317, 319, 321, 627, 629, 631, 633	0641640 617, 619, 621	0642212.....759, 761	0721003..... 49, 57
0641508 ... 273, 394, 400, 406, 412, 434, 440, 446, 452, 533, 535, 539, 541, 543	0641708 ... 372, 394, 400, 406, 412, 434, 440, 446, 452	0642612....269, 271, 273, 275	0721004..... 119
0641510 ... 338, 342, 346, 350, 354, 394, 400, 406, 412, 434, 440, 446, 452	0641772 ... 533, 535, 539, 541, 543	0651406.... 123, 125, 127, 129, 131, 133	0721005..... 753, 755
0641512 338, 343, 355	0641808 ... 315, 317, 319, 321, 325, 365, 381, 385, 389, 391, 421, 425, 429, 431, 469, 473, 475, 477, 547, 551, 555, 559, 563, 567, 575, 589, 591	068160853, 55, 402, 414, 442, 454, 615	0721006... 292, 296, 300, 304, 461, 463, 533, 535, 539, 541, 693, 697
0641514 745, 747	0641810 61, 67, 71	0681620....394, 400, 406, 412, 434, 440, 446, 452, 763, 765, 767, 769, 771	0731005 749, 751
0641516 ... 113, 115, 117, 547, 555, 563, 567, 571, 575, 579, 583, 623, 757, 845, 849	0641812.....61, 67, 71	0681810..... 61, 67, 71	0741605... 372, 394, 400, 406, 412, 434, 440, 446, 452, 589, 591, 609
0641520 203, 205, 207	0641814.....675, 677	0681812..... 529	0741606 153, 155
0641522 ... 617, 619, 621, 625	0641818..... 480, 486, 527	0681822....394, 400, 406, 412, 434, 440, 446, 452, 531, 675, 677	0741607. 49, 51, 55, 119, 547, 551, 555, 559, 571, 575, 579, 583
0641530 59, 63	0641819 480, 486	0682016...61, 67, 71, 173	0760605... 394, 400, 406, 412, 434, 440, 446, 452, 499
0641532 61, 623, 625	0641810 480, 486, 527	0682018..... 171	0760606 580, 584
0641540 617, 619, 621	0641811 181, 183	0682020.....41	0760607 571
0641552 65, 67, 69, 71		0682022.....39	0760608 ... 103, 107, 111, 480, 486, 579, 583
0641604 589, 591, 795		0682218..... 159	0760610 ... 372, 480, 486, 499, 543, 579, 583
0641605 621		0682424....763, 765, 767, 769, 771	0760612 ... 468, 472, 480, 486
0641606 ... 185, 187, 189, 191, 197, 292, 293, 296, 297, 301, 304, 305, 309, 311, 338, 342, 346, 350, 354, 365, 385, 421, 425,		0700408....899, 905, 907, 909, 911, 913, 915, 917, 919, 921, 923, 925, 927, 929, 931	0760615 499
		0700610.....369	0760807 499
		0700612.....372	0760810 ... 372, 394, 400, 406, 412, 434, 440, 446, 452, 468, 472, 480, 486, 615
		0700614.....571	0760812 ... 372, 468, 472, 480, 486, 611, 937, 939
		0700616.....365	0760814 372, 480, 486
		0700617.....281, 283	0760815 ... 468, 472, 480, 486
		0700626....949, 953, 955, 957, 967, 969, 971, 977	0760817 499
		0700808....338, 342, 346, 350, 354	0761008 ... 382, 386, 421, 425, 469, 473
		0700810.....480, 486	0761012 937
		0700812.....480, 486, 527	0761014 ... 289, 365, 374, 480, 486, 615
		0700814....480, 486, 525, 527, 531	0761015... 372, 396, 402, 408, 414, 434, 440, 446, 452, 480, 486
		0700816.....499	0761016 372, 480, 486
			0761018 579, 583
			0761019 543
			0761210 ... 394, 400, 406, 412, 434, 440, 446, 452
			0761212 369, 372, 571
			0761214 372

SECTION 11 - SPECIAL OPTIONS

0761216.....543, 615	0961845 ... 661, 663, 665,	1001098474 321	1001110501.....623
0771014.....207, 480, 486	667, 669, 671, 673,	1001098476 333, 350	1001110872.....933, 935
0771212.....207, 365, 381,	679, 681, 683, 685	1001098503 ... 65, 67, 69,	1001110873.....547, 555,
385, 394, 400, 406,	0961890 791	71, 101	563, 575, 580, 584,
412, 421, 425, 434,	0961893 781	1001098828 615	895, 901
440, 446, 452	0961896 795, 797	1001099196 39, 43	1001111021.....213
0771414.....338, 342, 346,	0961897 785	1001099366 759, 761	1001111514.....191
350, 354, 372, 394,	0961898 779	1001099367 759, 761	1001112551... 1077, 1097
400, 406, 412, 434,	0961947 597, 611	1001099387 ... 39, 43, 51	1001112588.....533, 541
440, 446, 452, 525,	0961948 ... 589, 591, 609,	1001099391 123, 125,	1001112589.....533, 539,
527, 529	785	127, 129, 131, 133	541
0771415.....531, 548, 552,	0961949 ... 589, 591, 605,	1001099572 1131	1001112612.....941, 1033
564, 568	779, 787	1001099835 623, 625	1001112796.....941
0801019.....589, 591, 593	0961950 ... 23, 25, 27, 29,	1001099836 617	1001113386.....611
0801621609	31, 33, 35, 37	1001099869 539	1001113407.....611
0801622593, 605	0961951 ... 589, 591, 609,	1001100120 ... 59, 61, 63,	1001113423.....611
0801637593, 605	777, 789	97, 99	1001113537.....25
0811606.....595, 605, 609	0961986 ... 338, 342, 346,	1001100234 539	1001113539.....25
0811607595, 607, 609	350, 354, 372, 394,	1001100321 539, 541	1001113654.....45
0811608595, 609	400, 406, 412, 434,	1001100341 1037	1001113655.....45, 47
0811610.....595, 605, 609	440, 446, 452, 480, 486	1001100342 ... 911, 1039,	1001113656.....45, 47
0860038.....547, 555, 563,	0962005 ... 41, 45, 47, 53,	1041	1001113715.....45, 47
575, 579, 583, 895,	55	1001100345 ... 917, 1043,	1001113786.....859
897, 901	0962051 ... 285, 287, 289	1045	1001113790.....875
0860520.....1075, 1077,	0962131 ... 39, 41, 43, 45,	1001100346 ... 929, 1051,	1001113792.....858
1079, 1081, 1083,	47, 49, 51, 53	1053	1001113793.....818, 834
1085, 1087, 1089,	0962270 675, 677	1001100347 ... 923, 1047,	1001113795.....859
1091, 1093, 1095,	0962272 53, 55	1049	1001113796.....859
1097, 1099, 1101	0962292 49, 51, 55	1001100397 917	1001113802.....858
0861538.....564, 575, 579,	0962335 597, 611	1001100398 923	1001113805.....818, 834
583	0962336 781, 783	1001100399 929	1001113809.....818
0861572.....568, 571	0962348 49, 51, 55	1001100401 911	1001113810.....859
0861731.....899, 919, 925,	0962356 ... 39, 43, 49, 51,	1001100825 475, 477,	1001113816.....859
931, 1043, 1045, 1047,	793	517	1001113818.....818, 834,
1049, 1051, 1053	0962449 539	1001101421 759, 761	875
0861781..907, 913, 1037,	0962520 ... 547, 551, 555,	1001101422 759	1001113820.....818, 834
1039, 1041	559, 564, 568, 571,	1001102165 842	1001113824.....858
0861880.....945, 947	575, 579, 583	1001102647 761	1001113836.....818, 834,
0902206.....269, 271, 273,	1001026127 366	1001103308 215, 219,	858
275	1001091179 346, 350	223, 227, 231, 235,	1001113840.....859
0902219.....292, 296	1001093382 153, 155,	239, 243, 247, 251	1001113847.....859
0902335.....292, 296	315, 317, 319, 321, 325	1001103667 213, 215,	1001113852.....859
0902888.....547, 555, 563,	1001093389 1129	219, 223, 227, 231,	1001113855.....858
567, 571, 575, 579, 583	1001093432 979	235, 239, 243, 247,	1001113862.....818
0903056.....181, 183	1001093438 1128	251, 1124	1001113864.....818
0903119.....269, 273, 275	1001093549 855	1001104423 855, 859,	1001113866.....818, 834
0940049.....292, 296, 300,	1001093943 347, 351	863, 867	1001113878.....818
304	1001094102 331, 346	1001106355 697	1001113879.....873
0940070.....338, 342, 346,	1001094321 347, 351	1001106480 643	1001113881.....818, 834
350, 354, 372, 394,	1001094475 1130	1001106736 213, 215,	1001113882.....818, 834
400, 406, 412, 434,	1001094828 161	219, 223, 227, 231,	1001113884.....818, 834
440, 446, 452, 480, 486	1001096070 551, 559,	235, 239, 243, 247, 251	1001113885.....858
0940071292, 296	905, 909, 915, 921,	1001106938 ... 693, 1125	1001113889.....858
0940088.....292, 296, 300,	927, 945	1001106974 181	1001113890.....818
304	1001096398 207	1001106975 183	1001113894.....818
0940092.....749, 751, 753,	1001097051 1059	1001107498 181	1001113896.....858
755, 757	1001097150 945, 947	1001107499 183	1001113903.....818, 834
0940094.....749, 751, 753,	1001097242 ... 39, 41, 43,	1001108256 749	1001113904.....818, 834
755, 757	45, 47, 49, 51, 793	1001108702 201	1001113908.....858
0940102.....759, 761	1001097244 647	1001109554 911, 917,	1001113909.....858
0940103.....753	1001097822 589, 591,	923, 929, 947	1001113911.....858
0940131757	601	1001110361 213, 993	1001113912.....858
0940133755	1001098012 728, 737,	1001110425 365, 381,	1001113913.....873
0940134751	739	385, 421, 425, 556,	1001113914.....873
0940177749	1001098122 701, 1035	559, 571, 576	1001113961.....1033
	1001098149 737	1001110434 693, 698	1001113984... 59, 63, 65,
	1001098266 319	1001110500 623	69, 81

SECTION 11 - SPECIAL OPTIONS

1001114042	1129	1001119620... 1057, 1059	1001137005..... 1132	1001138557	395, 401, 407, 413, 435, 441, 447, 453
1001114079	873	1001119968..... 577, 1019	1001137276..... 395, 401, 407, 413	1001138565	551
1001114557	603	1001120328..... 723, 725	1001120471..... 647	1001138566	547, 551, 555, 559
1001115054	621	1001120477..... 647	1001120484..... 647	1001138772	1131
1001115080	625	1001120477..... 647	1001120989... 1104, 1108	1001138773	1131
1001115081	625	1001121244..... 47	1001125229..... 1130	1001138795	781
1001115217	625	1001125230..... 1130	1001125387... 1104, 1107	1001138827	374, 395, 401, 407, 413, 436, 442, 448, 454
1001115218	621	1001125492..... 159, 161	1001126009..... 1061	1001139099	1129
1001115334	603, 605	1001126351... 1000, 1003	1001126352..... 1003	1001139135	694, 943
1001115335	601, 603	1001126356..... 1003	1001126357..... 1003	1001139240	395, 401, 407, 413, 435, 441, 447, 453
1001115391	563	1001126362.... 999, 1004	1001126363.... 999, 1004	1001139357	547, 551
1001115392	567	1001126364.... 999, 1000, 1004	1001126365.... 999, 1004	1001139358	319, 331
1001115405	533	1001126384..... 1003	1001126384..... 1003	1001139359	321, 333
1001115406	541	1001126391.... 999, 1004	1001126392... 1000, 1004	1001139409	395, 401, 407, 413, 435, 441, 447, 453, 529, 531
1001115409	539	1001126485..... 1000	1001126485..... 1000	1001139429	395, 401, 407, 413, 435, 441, 447, 453
1001115409	539	1001126487..... 1000	1001127095... 1104, 1107	1001139654 .. 1104, 1107	
1001115889	257	1001128527..... 741	1001128527..... 741	1001139819	339, 343, 354
1001115915	257	1001128556..... 741	1001128901..... 481, 487	1001139956	547
1001115918	257	1001129555..... 711, 1125	1001129555..... 711, 1125	1001139957	551
1001115967	257	1001129858..... 547	1001130041..... 338, 342, 354	1001140312	408, 414, 447, 453
1001116208 .. 1104, 1108		1001130041..... 338, 342, 354	1001130220..... 103, 107	1001140315	1131
1001116240	319, 321	1001130220..... 103, 107	1001131269.. 1075, 1087, 1095	1001140318	1131
1001116692 943, 1067		1001131269.. 1075, 1087, 1095	1001133714.... 999, 1004, 1011	1001140346	555
1001116693 995, 997, 1007, 1009		1001133714.... 999, 1004, 1011	1001133715.... 999, 1004, 1011	1001140347	559
1001116710	1013	1001133956... 1000, 1003	1001133956... 1000, 1003	1001140416	802
1001116720	1063	1001133957... 1000, 1003	1001134488..... 374, 395, 401, 407, 413, 436, 442, 448, 454, 482, 488	1001140418	814
1001116727 ... 999, 1003, 1023		1001134488..... 374, 395, 401, 407, 413, 436, 442, 448, 454, 482, 488	1001135138..... 395, 401, 407, 413, 435, 441, 447, 453	1001140420	822
1001116728 999, 1003		1001135138..... 395, 401, 407, 413, 435, 441, 447, 453	1001135600.... 65, 69, 91	1001140429	661, 663, 665, 667, 669, 671, 673, 679, 681, 683, 685
1001116774	941	1001135600.... 65, 69, 91	1001135650.... 999, 1004, 1011	1001140449	802, 814, 822
1001116808	941	1001135651.... 999, 1004	1001135651.... 999, 1004	1001140451	814, 830
1001116812 999, 1033		1001135679..... 395, 401, 407, 413, 435, 441, 447, 453	1001135679..... 395, 401, 407, 413, 435, 441, 447, 453	1001140454	395, 401, 407, 413, 435, 441, 447, 453
1001116815 .. 1000, 1033		1001136104..... 579, 583	1001136104..... 579, 583	1001140455	814, 830
1001116844 .. 1085, 1129		1001136590..... 595	1001136590..... 595	1001140456	822, 838
1001116845 .. 1085, 1101		1001136667..... 59	1001136667..... 59	1001140458	822, 838
1001116846 .. 1083, 1099, 1103, 1107		1001136668..... 65	1001136668..... 65	1001140564	374, 395, 401, 407, 413, 436, 442, 448, 454
1001116847 .. 1085, 1101		1001136669..... 69	1001136669..... 69	1001141300 .. 1104, 1108	
1001116848 .. 1085, 1101		1001136670..... 63	1001136670..... 63	1001141302 .. 1104, 1108	
1001116849 .. 1083, 1099		1001136672.... 59, 63, 89	1001136672.... 59, 63, 89	1001141304	374, 395, 401, 407, 413, 435, 441, 447, 453
1001116850 .. 1085, 1101		1001136834..... 373, 395, 401, 407, 413, 435, 441, 447, 453	1001136834..... 373, 395, 401, 407, 413, 435, 441, 447, 453	1001141370	373
1001116851 .. 1083, 1099		1001136834..... 373, 395, 401, 407, 413, 435, 441, 447, 453	1001136834..... 373, 395, 401, 407, 413, 435, 441, 447, 453	1001141585	373, 395, 401, 407, 413, 435, 441, 447, 453, 481, 487
1001116852	1085	1001137005..... 1132	1001137005..... 1132	1001141693	338, 342, 354
1001116861 .. 1085, 1101		1001137276..... 395, 401, 407, 413	1001137276..... 395, 401, 407, 413		
1001116862 ... 1083, 1099		1001137364..... 235, 239, 243, 247, 251	1001137364..... 235, 239, 243, 247, 251		
1001116863 .. 1083, 1099		1001137440..... 1131	1001137440..... 1131		
1001116952 999, 1003		1001137673..... 723	1001137673..... 723		
1001116983	1013	1001137845..... 304	1001137845..... 304		
1001117078	1019	1001137853..... 300, 304	1001137853..... 300, 304		
1001117106 999, 1003		1001137854..... 300, 304	1001137854..... 300, 304		
1001117107 999, 1003		1001137860..... 304	1001137860..... 304		
1001117172	701	1001137863..... 189, 191	1001137863..... 189, 191		
1001117174	693, 698, 701	1001137865..... 189	1001137865..... 189		
1001117294	1130	1001137866..... 366, 381, 385, 421, 425, 580, 584	1001137866..... 366, 381, 385, 421, 425, 580, 584		
1001117308	373, 395, 401, 407, 413, 435, 441, 447, 453, 1124	1001137868..... 365, 381, 385, 421, 425, 468, 472	1001137868..... 365, 381, 385, 421, 425, 468, 472		
1001118133	191	1001137873..... 369, 389, 391, 429, 431	1001137873..... 369, 389, 391, 429, 431		
1001118384	1061	1001137874..... 369, 389, 391, 429, 431	1001137874..... 369, 389, 391, 429, 431		
1001118388 .. 1061, 1063		1001137875..... 300, 304	1001137875..... 300, 304		
1001118416	698, 709	1001137876..... 292, 296, 300, 304	1001137876..... 292, 296, 300, 304		
1001118417	698, 711	1001137878..... 300, 304	1001137878..... 300, 304		
1001119020 ... 941, 1033, 1035		1001137879..... 300, 304	1001137879..... 300, 304		
1001119561	1129	1001137880..... 365, 381, 385, 421, 425	1001137880..... 365, 381, 385, 421, 425		
1001119619	1055	1001137881..... 365, 381, 385, 421, 425	1001137881..... 365, 381, 385, 421, 425		
		1001137882..... 365, 381, 385, 421, 425	1001137882..... 365, 381, 385, 421, 425		
		1001137885..... 179	1001137885..... 179		
		1001137886..... 300, 304	1001137886..... 300, 304		
		1001137891..... 287	1001137891..... 287		
		1001137892..... 287, 289	1001137892..... 287, 289		
		1001137895..... 153	1001137895..... 153		
		1001137896..... 179	1001137896..... 179		
		1001138034..... 834	1001138034..... 834		
		1001138110..... 1003	1001138110..... 1003		
		1001138111..... 1003	1001138111..... 1003		
		1001138113..... 1003	1001138113..... 1003		
		1001138170..... 395, 401, 407, 413, 435, 441, 447, 453	1001138170..... 395, 401, 407, 413, 435, 441, 447, 453		
		1001138173..... 373, 395, 401, 407, 413, 435, 441, 447, 453, 481, 487	1001138173..... 373, 395, 401, 407, 413, 435, 441, 447, 453, 481, 487		
		1001138175..... 373, 395, 401, 407, 413, 435, 441, 447, 453, 481, 487	1001138175..... 373, 395, 401, 407, 413, 435, 441, 447, 453, 481, 487		
		1001138228..... 373, 395, 401, 407, 413, 435, 441, 447, 453, 1124	1001138228..... 373, 395, 401, 407, 413, 435, 441, 447, 453, 1124		
		1001138248..... 374, 395, 401, 407, 413, 435, 441, 447, 453, 481, 487	1001138248..... 374, 395, 401, 407, 413, 435, 441, 447, 453, 481, 487		
		1001138436..... 595	1001138436..... 595		
		1001138491..... 365, 381, 386, 421, 425, 1013	1001138491..... 365, 381, 386, 421, 425, 1013		
		1001138494..... 663, 665, 667, 669, 671, 673, 679, 681, 683, 685	1001138494..... 663, 665, 667, 669, 671, 673, 679, 681, 683, 685		
		1001138514..... 663, 665, 667, 669, 671, 673, 683, 685	1001138514..... 663, 665, 667, 669, 671, 673, 683, 685		

SECTION 11 - SPECIAL OPTIONS

1001141694.....338, 342, 354	1001145047 365, 381, 385, 421, 426	1001150714 863	1001152527..... 802, 814, 822
1001141870.....461, 463	1001145154 396, 402, 408, 414, 436, 442, 448, 454	1001150715 855, 863, 867	1001152530..... 548, 556
1001141995.....373, 395, 401, 407, 413, 435, 441, 447, 453, 481, 487	1001145227 575	1001150717 863, 867	1001152532..... 548, 552, 556, 560, 1015
1001142501.....365, 381, 385, 421, 426, 461, 463	1001145292 179	1001150718 863	1001152557..... 292, 296, 300, 304
1001142504.....1130	1001145330 556, 560, 576	1001150890 523	1001152561..... 129, 131, 141
1001142505.....1130	1001145405 728, 737	1001150915 339, 343, 355	1001152565..... 627, 629, 631, 633, 635
1001142538.....395, 401, 407, 413, 435, 441, 447, 453	1001145706 205	1001150918 317, 321, 386, 426, 472	1001152619..... 849
1001142615.....395, 401, 407, 413, 435, 441, 447, 453	1001145781 655, 659, 669, 673	1001150998 338, 342, 346, 350, 354	1001152620..... 845
1001142623.....395, 401, 407, 413	1001146368 338, 342, 347, 351, 357	1001151010 195	1001152635..... 849
1001142635.....395, 401, 407, 413, 435, 441, 447, 453	1001146588 366, 373	1001151070 315, 317, 325	1001152636..... 845, 849
1001142643.....556, 560, 571, 576	1001147067 77	1001151078 339, 343, 355	1001152639..... 589, 591
1001142645.....560	1001147068 79	1001151206 339, 343, 355	1001152731..... 845
1001142646.....556, 576	1001147264 .. 1000, 1003	1001151251 338, 342, 355	1001152771..... 1129
1001142683.....281, 283	1001148138 535	1001151252 523	1001152887..... 123, 125, 137
1001142689.....395, 401, 407, 413	1001148161 39	1001151253 521	1001152965..... 1131
1001142736.....281, 283, 941	1001148162 43, 713, 715	1001151268 185, 187, 189, 191, 193	1001153197..... 548, 552, 1023
1001142938.....1003	1001148163 713	1001151349 871	1001153259..... 556, 560
1001142940.....999, 1003	1001148164 51, 715	1001151358 814, 822	1001153260..... 548, 556
1001142941.....999, 1004	1001148165 49	1001151364 802	1001153322..... 959, 961
1001143390.....339, 343, 355, 373, 396, 401, 407, 413, 435, 441, 447, 453	1001148166 715	1001151365 802	1001153636..... 551, 560, 905, 909, 911, 915, 917, 921, 923, 927, 929
1001143726.....396, 402, 408, 414, 435, 441, 447, 453, 1003	1001148168 23	1001151379 1129	1001154231..... 1131
1001143765.....205	1001148169 29	1001151380 1129	1001154392..... 215, 219, 223, 227, 231, 235, 239, 243, 247, 251, 1067
1001143766.....205	1001148170 27	1001151393 213	1001154405..... 366, 381, 386, 422, 426, 461, 463
1001143797 373, 396, 402, 407, 413, 435, 441, 447, 453	1001148171 23, 29	1001151542 623	1001155043..... 215, 219, 223, 227, 231, 235, 239, 243, 247, 251
1001143812.....203, 205	1001148172 27	1001151584 103, 107	1001155044..... 215, 219, 224, 227, 231, 235, 240, 243, 247, 252, 694, 698
1001143852... 1104, 1108	1001148178 49, 51	1001151586 623	1001155045..... 215, 220, 224, 227, 231, 235, 240, 243, 247, 252, 694, 1122
1001143907.....374, 396, 402, 408, 414, 436, 441, 447, 454	1001148652 595	1001151646 175	1001155063..... 621
1001144041 153, 155	1001148675 933, 935	1001151856 1004	1001155093..... 589, 591
1001144409.....373, 396, 402, 408, 414, 436, 442, 448, 454	1001148841 1011	1001151897 103	1001155094..... 589, 591
1001144410.....373, 396, 402, 408, 414, 436, 442, 448, 454, 481, 487	1001148842 1011	1001151900 1128	1001155096..... 589, 591
1001144411.....373, 396, 402, 408, 414, 436, 442, 448, 454, 481, 487	1001148902 1129	1001152046 107	1001155097..... 589, 591
1001144412.....373, 396, 402, 408, 414, 436, 442, 448, 454	1001148903 1129	1001152049 107	1001155267..... 637
1001144433.....723	1001148904 1129	1001152066 185	1001155379..... 802
1001144629.....649, 651, 653, 655, 657, 659, 679, 681	1001148905 1129	1001152070 191	1001155399..... 637, 639
	1001148906 1129	1001152127 595	1001155574..... 39, 43, 49, 51
	1001149160 481, 487, 499	1001152172 199	1001155669..... 855, 863, 867
	1001149639 347, 351, 481, 487	1001152175 215, 219, 223, 227, 231, 235, 239, 243, 247, 251	1001155670..... 855, 863, 867
	1001149703 521	1001152181 159	1001155671..... 855, 863, 867
	1001149704 339, 343, 354	1001152234 159	1001155672..... 855, 863, 867
	1001149705 339, 343, 354	1001152249 595	
	1001149706 339, 343, 354	1001152325 309	
	1001149793 339, 343, 354	1001152340 1128	
	1001149818 279, 1065	1001152355 623	
	1001149927 171	1001152428 185	
	1001149955 279	1001152429 565, 568, 572, 1025	
	1001149994 277, 279, 281, 283	1001152433 292	
	1001150158 327, 338	1001152435 296	
	1001150179 329, 342	1001152457 548, 556	
	1001150391 171	1001152489 373, 396, 402, 408, 414, 436, 442, 448, 454	
	1001150406 277, 279	1001152491 814, 830	
	1001150569 117	1001152499 822, 838	
	1001150570 115	1001152525 564, 568, 572, 576, 580, 584	
	1001150571 113		
	1001150612 845, 849		

SECTION 11 - SPECIAL OPTIONS

1001155673 855, 863, 867	1001160598.....293, 297	1001169138.....373, 396, 402, 408, 414, 436, 442, 448, 454, 481, 487	1001178223 373, 396, 402, 408, 414, 436, 442, 448, 454
1001155675 855, 863, 867	1001160961.....293, 297	1001169384.....597	1001178269 611, 613
1001155677 855, 863, 867	1001160963.....293, 297, 301, 305	1001169610.....293, 297, 515	1001178512 197
1001155678 855, 863, 867	1001160964.....293, 301, 305	1001170035.....481, 487	1001178789 181, 183
1001155823 366, 382, 386, 422, 426	1001161027.....297	1001170617436, 442, 448, 454, 457	1001178876 396, 402, 408, 414
1001156107 373	1001161030.....854, 862, 866	1001170764999	1001179154 564, 576, 580, 584
1001156489 959, 961	1001161036.....854, 862, 866	1001171018.....1131	1001179156 207
1001156490 959, 961	1001161038.....810	1001171126.....555	1001179837 535
1001156501 589, 591, 595	1001161039.....830	1001171131933	1001180001 535
1001156502 595	1001161040.....838	1001171268.....559	1001180052 536
1001156891 . 1075, 1077, 1079, 1081, 1083, 1085, 1087, 1089, 1091, 1093	1001161417..... 617, 619	1001171403.....1004	1001180287 535
1001156892 . 1075, 1077, 1079, 1081, 1083, 1085, 1087, 1089, 1091, 1093	1001161761..... 103, 107	1001171482.....216, 220, 224, 228, 232, 236, 240, 244, 248, 252	1001180620 374, 396, 402, 408, 414, 436, 442, 448, 454, 481, 487
1001156988 1081	1001162828.....595	1001172045 1128	1001180861 .. 1104, 1108
1001157013 1128	1001163131..... 759, 761	1001172271639	1001181045 945
1001157520 564, 568, 572, 576, 580, 584	1001163599.....535, 555, 560, 575	1001172535.....863	1001181046 947
1001157521 564, 568, 572, 576, 580, 584	1001164281.....292, 293, 296, 297, 301, 305	1001172760.....694, 698	1001181148 1129
1001157525 567, 568, 571	1001165035.....366, 382, 386, 422, 426, 480, 486	1001172793.....366, 382, 386, 422, 426	1001181243 536
1001157528 564, 568, 572, 576, 580, 584	1001165350.....949, 953, 955, 957, 967, 969, 971, 977	1001173535.....482, 488	1001181895 408, 414, 448, 454, 487
1001157533 609	1001165366.....949	1001173896.....185, 187, 189	1001181899 396, 402, 408, 414, 436, 442, 448, 454
1001157592 563, 564, 576, 580, 584	1001165404.....858	1001174040.....615	1001182361 1000
1001157604 199	1001165439.....818	1001174486.....468, 472	1001182365 1000
1001157769 565, 568, 572	1001165551.....953	1001176012.....389, 394, 400	1001182599 1129
1001157770 577	1001165552.....967	1001176013.....382, 389	1001182806 265, 267
1001158007 564, 568, 572, 576, 580, 584	1001165553.....969	1001176014.....381	1001182906 515
1001158008 564, 568, 572, 576, 580, 584	1001165554.....955	1001176015.....391, 406, 412	1001182997 185, 187, 189, 191
1001158363 548, 556	1001165555.....971	1001176016.....386, 391	1001183924 203, 205, 207
1001158720 199	1001165556.....957	1001176017385	1001184618 . 1075, 1077, 1079, 1081, 1083, 1085, 1087, 1089, 1091, 1093, 1095, 1097, 1099, 1101
1001158730 607, 609	1001165557.....977	1001176225.....396, 402, 408, 414, 436, 442, 448, 454	1001184626 209, 211, 689, 691
1001158731 601, 607	1001165741.....305	1001176226.....396, 402, 408, 414, 436, 442, 448, 454	1001184682 263
1001158732 601	1001165842.....396, 402, 408, 414	1001176296.....269	1001184881 75
1001158810 589, 591	1001165849.....373, 436, 442, 448, 454	1001176329.....481, 487	1001185030 ... 25, 33, 35, 37
1001159118 933, 935	1001166394.....293, 297, 301, 305	1001176419.....396, 408, 436, 448	1001185281 694, 698
1001159119 933, 935	1001166538.....694, 703	1001176469.....220, 224, 240, 252	1001186333 675
1001159120 933, 935	1001166539.....694, 705, 711	1001176511.....396, 402, 408, 414, 436, 442, 448, 454	1001186334 677
1001159121 935	1001166718.....373, 525, 527	1001176636597	1001186375 663
1001159186 1033	1001166790.....1130	1001176666.....205	1001186377 665
1001159256 694, 1122	1001166791.....1130	1001176667205	1001186379 667
1001159323 1081	1001166960.....1129	1001176723.....396, 402, 408, 414, 436, 442, 448, 454	1001186382 671
1001160003 293, 296, 297	1001167041.....396, 402, 408, 414	1001176862.....933	1001186383 657
1001160004 292	1001167565.....615	1001177038.....529	1001186384 653
1001160034 296	1001167567.....615	1001177043.....529	1001186386 651
1001160074 259	1001167596.....615	1001177090.....205	1001186387 649
1001160077 277	1001167635.....1000	1001177359.....373, 396, 402, 408, 414, 436, 442, 448, 454	1001186426 373, 482, 488
1001160189 304	1001168018.....373, 481, 487, 525, 527	1001177694.....1129	1001186431 ... 723, 1131
1001160190 300, 305	1001168402.....615		1001186432 .. 1061, 1063
1001160272 893	1001169054.....373, 396, 402, 408, 414, 436, 442, 448, 454, 481, 487		1001186517 723

SECTION 11 - SPECIAL OPTIONS

1001187674.....721	1001200125.. 1104, 1108	1001214540 1130	1001217183.....481, 487
1001187681.....1055	1001200126.. 1104, 1108	1001214548 1130	1001217184.....475, 477
1001187781.....480, 486	1001200127.. 1104, 1108	1001214552 1130	1001217185.....481, 488
1001188305.....655	1001200234 1131	1001214559 1130	1001217186.....481, 488
1001188306.....669	1001200491 615	1001214561 1130	1001217187.....579, 583
1001188308.....659	1001200494 615	1001214562 1130	1001217188.....543
1001188309.....673	1001200497 1033	1001214570 937, 939	1001217402.....625
1001188467.....293, 297, 300, 301, 304, 305	1001200910 281	1001214571 937, 939	1001217403.....625
1001188622.....615	1001201351 615	1001214683 571	1001217418.....469, 473
1001188844.....615	1001202280 519	1001214747 79	1001217419.....469, 473
1001188874.....216, 220, 224, 228, 232, 236, 240, 244, 248, 252	1001202281 519	1001214748 79	1001217420.....469, 473
1001188884.....519	1001202368 531	1001214827 499	1001217421.....469, 473
1001188887.....519	1001202687 615	1001214984 1130	1001217422.....469, 473
1001188890.....871	1001202749 1130	1001215016 .. 1007, 1009	1001217543.....482, 488
1001188891.....871	1001203495 402, 442, 454	1001215091 .. 1007, 1009	1001217567... 1103, 1107
1001188952.....327, 329, 335, 369, 389, 391, 429, 431, 502	1001203655 675	1001215142 468, 473	1001217645.....468, 473
1001188953.....475, 477, 510	1001203656 677	1001215228 694, 698	1001217780.....597, 599
1001188954.....315, 327	1001204296 1130	1001215384 499	1001217832.....1128
1001188955.....317, 329	1001204325 374, 396, 402, 408, 414, 436, 442, 448, 454	1001215413 475, 480	1001218022.....1129
1001188963.....315	1001204491 402	1001215534 .. 1007, 1009	1001218362.....482, 488
1001188964.....317	1001204725 615	1001215647 481, 487	1001218393.....207
1001188972.....317, 322, 386, 426, 473	1001204884 1128	1001215681 481, 487	1001218394.....207
1001189001.....615	1001204924 1130	1001215899 481, 487	1001218395.....207
1001189002.....615	1001205051 395, 401, 407, 413, 436, 442, 448, 454	1001215974 481, 487	1001218449.....482, 488
1001189666.....862	1001205958 919, 925, 931	1001216015 535	1001218547.....289
1001189668.....854	1001206476 937, 939	1001216065 499	1001218548.....289
1001189979.....373, 481, 487	1001206477 1131	1001216071 499	1001218599.....482, 488
1001190985.....615	1001207004 283	1001216075 481, 487	1001218600.....482, 488
1001191395.....1130	1001207345 77	1001216086 481, 487	1001218622.....891
1001191598.....1033	1001207346 77	1001216092 481, 487	1001218623.....891
1001191610.....481, 487	1001207969 627, 629, 631, 633	1001216144 499	1001218638.....469, 473
1001191620.....374	1001208994 615, 627, 629, 631, 633	1001216160 517	1001218930.....580, 584
1001191866.....224, 228, 244, 995, 997	1001209059 1131	1001216204 481, 487	1001219071.....477, 486
1001191868.....216, 220, 236, 240, 252, 989, 991	1001209348 1130	1001216205 481, 487	1001219072.....473, 477
1001193018.....899, 905, 907, 909, 911, 913, 915, 917, 919, 921, 923, 925, 927, 929, 931	1001209349 1130	1001216212 .. 1007, 1009	1001219073.....472
1001194197.....919	1001209432 939	1001216213 .. 1007, 1009	1001219445.....482, 488
1001194198.....925	1001209474 939	1001216300 495	1001219448.....482, 488
1001194200.....931	1001209629 1130	1001216390 580, 584	1001219454.....374, 482, 488
1001194203.....907	1001209664 723	1001216391 544	1001219456.....374, 482, 488
1001194204.....913	1001210026 1131	1001216393 487	1001219457.....207
1001194365.....899	1001210448 491, 499	1001216531 482, 488	1001219458.....207
1001195304.....1130	1001210636 647	1001216532 475, 477	1001219473.....123, 627
1001196382.....527, 579, 583	1001210636 647	1001216533 475, 477	1001219474.....129, 629
1001196634.....465	1001211794 499	1001216534 475, 477	1001219475.....125, 631
1001197017.....749, 751, 753, 755	1001212223 575	1001216535 475, 477	1001219476.....131, 633
1001197408... 1104, 1108	1001212415 1125	1001216536 517	1001219478.....131, 633
1001197719.....999	1001212515 1130	1001216619 495	1001219630.....544
1001199784.....519	1001213447 1035	1001216630 615	1001219632.....543
1001200120... 1104, 1108	1001213584 903	1001216768 499	1001220215.....517
1001200121... 1104, 1108	1001213585 903	1001216769 499	1001220266.....366
1001200122... 1104, 1108	1001213655 889	1001216910 481, 487, 499	1001220379.....1003
1001200124... 1104, 1108	1001213810 499	1001216911 468, 475	1001220404.....495
	1001213882 694, 698	1001216912 468	1001220510... 1104, 1108
	1001214095 889	1001216919 481, 487	1001220511... 1104, 1108
	1001214096 889	1001216951 481, 487	1001220512... 1104, 1108
	1001214396 937	1001216995 481, 487	1001220864... 1104, 1108
	1001214478 1130	1001217005 281	1001221208.....581, 1021
	1001214507 232, 248, 1007, 1009	1001217032 481, 487	1001221397.....517
	1001214515 1130	1001217046 481, 487	1001221464.....475, 477
		1001217082 481, 487	1001221488.....468, 472
		1001217089 481, 487	1001221498.....580, 584
		1001217090 481, 487	1001221545.....499
		1001217146 481, 487	1001221613.....866
		1001217170 475, 477	1001221615.....482, 488
		1001217174 481, 487	1001221621.....207
		1001217175 481, 487	1001222033.....482, 488

SECTION 11 - SPECIAL OPTIONS

1001222641	499	1001229940.....	1130	1001237862... 1057, 1059	1001246592	426, 431	
1001223042	481, 487	1001230371.....	611, 783	1001237863.....	721, 1059	1001246593	429, 434, 440
1001223055 ..	1075, 1095	1001230635.....	374, 395, 401, 407, 413, 436, 442, 448, 454	1001237864.....	721, 1057	1001246594	422, 429
1001223453 ..	1075, 1087			1001237865.....	721, 1055	1001246598	421
1001223459 ..	1000, 1004			1001237882.....	1129	1001246599	425
1001223584	482, 488	1001230934.....	1000	1001237883.....	1129	1001246813	374
1001223899	597, 611	1001230935.....	1000	1001237947.....	374	1001246860	1129
1001223923	481, 487	1001230936.....	1000	1001238263.....	763, 765, 767, 769, 771	1001246867	1129
1001223971	1087	1001231007.....	263, 265, 1071	1001238319.....	721	1001247029	374
1001224048	1091	1001231180.....	743	1001238418.....	725, 1061	1001247073	1131
1001224049	1093	1001231183.....	743	1001238421	615	1001247097	589
1001224050 ..	1083, 1099	1001231235.....	743	1001238463.....	769	1001247098	591
1001224051 ..	1085, 1101	1001231676.....	75	1001238472.....	725	1001247105	436, 442, 448, 454
1001224053	1089	1001231677.....	75	1001238477.....	725	1001247146	589, 591, 597
1001224419	482, 488	1001231678.....	75	1001238495.....	723	1001247178	527
1001224486	482, 488	1001231801... 1103, 1107		1001238559.....	725	1001247338	1130
1001224489	482, 488	1001231886.....	265	1001238672.....	719	1001247358	195, 197
1001224927	845, 849	1001231949.....	771	1001238674.....	255	1001247359	468, 472, 482, 488
1001224965	347, 351	1001231950.....	767, 769	1001238732.....	255, 719	1001247385	267
1001225346	937, 939	1001232010.....	767, 769, 771	1001238824.....	725	1001247468	615
1001225430	457, 1124	1001232011.....	767, 769, 771	1001238825.....	1132	1001247564	442, 454
1001225431	457, 1124	1001232011.....	767, 769, 771	1001238895.....	1129	1001247570	1128
1001225510	482, 488	1001232164.....	721	1001239202.....	999	1001247624	607, 611
1001225580	723, 1063	1001232165.....	721	1001239291.....	155	1001247676	436, 442, 448, 454
1001226400	981, 983, 985, 987	1001232642.....	725	1001239346.....	263	1001247714	374
1001226529	937	1001232643.....	1131	1001239617.....	1130	1001247716	374
1001226531	939	1001232643.....	1131	1001241384.....	265	1001248012	597, 781
1001226872	661	1001232650.....	725	1001241403.....	255, 719	1001248105	571
1001227309	895, 897	1001232667.....	725	1001241406.....	1130	1001248140	763, 765, 767, 769, 771
1001227310	897	1001232842.....	465	1001241547.....	1131	1001248141	763, 765, 767, 769, 771
1001227472	1128	1001232880.....	623	1001241548.....	1131	1001248434	374
1001227633	721	1001232904.....	1104	1001241578.....	315, 317, 325	1001248468	161, 168
1001227634	721	1001233237.....	1128	1001241965.....	725	1001248477	436, 442, 448, 454
1001227666	482, 488	1001233763.....	386, 426, 465	1001242251.....	281	1001248480	436, 442, 448, 454
1001227667	482, 488	1001235011.....	725	1001242252.....	283	1001248539	1095, 1097, 1099, 1101
1001227769	499	1001235013.....	725	1001242409.....	1128	1001248542	1095
1001227772	499	1001235457.....	335, 361	1001242409.....	1128	1001248544	1099
1001227985	721	1001235466.....	325	1001243183.....	1128	1001248546	1097
1001227987	721	1001235467.....	325, 335	1001243184.....	1128	1001248608	374
1001227996 ..	1057, 1059	1001235467.....	325, 335	1001243263.....	213, 1033	1001249045	374
1001228004	589, 591, 603, 785	1001235468.....	335, 354	1001243263.....	213, 1033	1001249052	1131
1001228006	593, 605, 797	1001235948.....	292, 296, 304	1001243539.....	1075	1001249232	374
1001228007	595, 609, 795	1001235949.....	374, 461	1001243568.....	213	1001249234	374
1001228042	589, 591, 603, 779	1001236089.....	719	1001243597.....	1130	1001249261	374
1001228215	661	1001236092.....	255	1001243634.....	1087	1001249448	203
1001228224	721	1001236303.....	155	1001243637.....	1093	1001249449	203
1001228225	721	1001236304.....	939	1001243640.....	1079	1001249681	369, 372
1001228243	681	1001236375.....	937	1001243642.....	1089	1001249682	366, 369
1001228375	685	1001236376.....	937	1001243644.....	1089	1001249682	366, 369
1001228376	679	1001236377.....	937	1001243647.....	1083	1001249695	1128
1001228377	683	1001236378.....	937	1001243647.....	1083	1001249705	374
1001228506	436, 442, 448, 454	1001236436.....	1104	1001243648.....	1085	1001249771	365
1001228946	1128	1001236504.....	939	1001243648.....	1085	1001249941	1128
1001228988 ..	741, 1115, 1117, 1119	1001236505.....	939	1001243723.....	689, 693	1001249942	395, 401, 407, 413, 417
1001229010 ..	1095, 1097, 1099, 1101	1001236552.....	725	1001243748.....	689	1001249986	525
1001229107	1128	1001236746.....	771	1001243895.....	465	1001250035	1131
1001229341	721	1001236747.....	767	1001243984.....	693, 698, 1035	1001250465	1131
1001229530	1033	1001236891.....	763, 765, 767, 769, 771	1001244191.....	1091		
1001229810	159, 164	1001236895.....	763, 765, 767, 769, 771	1001244298.....	1101		
		1001236951.....	1130	1001244322... 1103, 1107	1103, 1107		
		1001236973.....	175	1001244329.....	1077		
		1001237667... 1033, 1035		1001245477 ... 1103, 1107	1103, 1107		
		1001237668... 1033, 1035		1001245913.....	374, 1011		
				1001246012.....	374, 377		
				1001246142.....	1128		
				1001246522.....	1128		
				1001246523.....	1128		
				1001246590.....	431, 446, 452		

SECTION 11 - SPECIAL OPTIONS

1001250466.....1131	1001257281 346, 350	1001266898 231	967, 969, 971, 973, 975, 977
1001250595.....1131	1001257972 585, 1027	1001266899 223	1062255.....372
1001250607374	1001258005 765	1001266900 219	10702077..564, 568, 572, 576, 580, 584
1001251051589, 591, 609, 777	1001258140 1129	1001266969 1131	10702082..564, 568, 572, 576, 580, 584
1001251052.....589, 591, 603, 789	1001258252 373	1001267311 . 1075, 1077, 1079, 1081, 1083, 1085, 1087, 1089, 1091, 1093, 1095, 1097, 1099, 1101	10836804..216, 228, 232, 236, 244, 248
1001251131374	1001258377 301	1001267885 1079	1120304.....49, 57
1001251618.....300, 301	1001258800 373	1001269805 855, 863, 867	1120460.....53, 55
1001251619.....300	1001259642 639	1001269806 867	1120555.....759, 761
1001252082.....301	1001260070 639	1001269807 863, 867	1260017.....177, 179
1001252328.....691	1001260412 374, 402, 414, 442, 454	1001269809 855	1320016....338, 342, 346, 350, 354
1001252329.....691, 697	1001260413 373, 402, 414, 442, 454	1001269810 855	1320022....315, 317, 319, 321, 325, 347, 351, 365, 381, 385, 421, 425, 519
1001252331213	1001260432 372	1001269812 863	1320061....382, 386, 421, 425
10012523321103	1001260601 1103	1001269814 814	1320110.....480, 486
10012523341095	1001260654 366	1001269815 814	1320127.....195, 197
1001252336.....1097	1001261003 589, 591, 601, 787	1001269816 814	1320162....203, 205, 207
1001252339.....1099	1001261045 372	1001269817 822	1320176.....362
10012523401101	1001261085 372	1001269818 822	1320177.....728, 737
10012523411101	1001261335 763	1001269819 822	1320218.....195, 197
1001252521422, 426	1001261338 763	1001269820 802	1320220.....195, 197
10012525271000	1001262959 1128	1001269821 802	1320223....317, 321, 338, 342, 346, 350, 354, 385, 425, 937
1001252627 ...1111, 1113	1001263352 216, 228, 232, 236, 244, 248	1001269822 802	1320243.....623, 625
1001252628743	1001263353 220, 224, 240, 252	1001269823 810	1320302....728, 731, 733, 741
1001252629763, 765, 767, 769, 771	1001263355 240	1001269824 810	1320314....617, 619, 621
1001252946745	1001263356 236, 244, 248	1001269825 810	1321283.....469, 472
1001252947745	1001263357 252	1001269826 830	1321700.....979
1001253100.....300	1001263365 235	1001269827 830	1321716....153, 155, 365, 381, 385, 421, 425
1001253798374, 999	1001263366 243	1001269828 830	1340060.....346, 350
1001253805203	1001263367 247	1001269829 838	1380147....285, 287, 289
1001253806203	1001263368 251	1001269830 838	1580012.....687
1001253873999	1001263588 211	1001269831 838	1580013.....1130
1001253920 ...1075, 1095	1001263923 989, 991, 995, 997, 1007, 1009	1001269861 374	1670603.....899
1001253921 ...1075, 1095	1001264239 211	1001273784 1081	1670767....292, 296, 300, 304
10012539221087	1001265163 647	1001276664 39, 43, 49	1670768.....601
10012539231087	1001265342 647	1001280403 216, 228, 232, 236, 244, 248	1670769....951, 959, 961, 963, 965, 973, 975, 979
10012539241091	1001265493 339, 343	1001284682 . 1075, 1077, 1079, 1081, 1083, 1085, 1087, 1089, 1091, 1093	1670819.....641
10012539251091	1001266056 1131	1001284737 869	1670824.....643
1001253926 ...1083, 1099	1001266069 209	1001294603 300	1671034....949, 953, 955, 957, 967, 969, 971, 977
1001253927 ...1083, 1099	1001266073 209	1001294604 296	1671092....564, 576, 580, 584, 893
10012539301093	1001266098 1131	1001294637 292	1671093....728, 733, 893
10012539311093	1001266165 639	1001294703 304	1684290.....775
10012539321089	1001266284 1131	1060341 ... 749, 751, 753, 755	1684418.....53, 55, 791
10012539331089	1001266290 1130	1060343 ... 564, 576, 580, 584	1684465....23, 27, 33, 35, 775
1001253934 ...1085, 1101	1001266468 239	1060379 743, 745, 747	1700818.....1103, 1107
1001253935 ...1085, 1101	1001266489 1131	1060584 119	1701435.....1081
10012539361079	1001266628 216, 220, 224, 228, 232, 236, 240, 244, 248, 252	1060626 ... 317, 321, 385, 425, 472	1701505....315, 317, 319, 321, 325, 365, 381, 385, 421, 425
10012539371079	1001266665 216, 220, 224, 228, 232, 236, 240, 244, 248, 252	1060637 ... 315, 317, 319, 321, 325, 369, 389, 391, 429, 431, 475, 477	1701509..759, 761, 1075, 1077, 1079, 1081,
10012539451131	1001266799 1131	1060900 945, 947	
10012539461131	1001266801 1131	1060908 701	
1001254499307	1001266807 1131	1061033 ... 949, 953, 955, 959, 961, 963, 965,	
1001254738307	1001266829 639		
1001254769307	1001266873 215		
1001255133615	1001266874 220		
1001255413203	1001266876 216, 228, 232		
1001255418527	1001266878 224		
1001255419525	1001266897 227		
1001255424571			
1001255777307			
1001255961619, 621			
100125618125			
10012565061004			
1001256879366			
1001257271763, 765			
1001257274763, 765			
1001257275765			

SECTION 11 - SPECIAL OPTIONS

1083, 1085, 1087, 1089, 1091, 1093, 1095, 1097, 1099, 1101 1701518 1077, 1081, 1097 1701529 1075, 1077, 1079, 1081, 1083, 1085, 1087, 1089, 1091, 1093, 1095, 1097, 1099, 1101 1701542 468, 472 1701543 468, 472 1702265 1075, 1095 1702271 1089 1702565 693, 697 1702566 693, 697 1702567 693, 697 1702617 1093 1702720 1103, 1107 1702773 . 675, 677, 1081, 1103, 1107 1702774 1103, 1107 1702788 1103, 1107 1702860 1103, 1107 1702861 1103, 1107 1702868 . 741, 743, 1075, 1095, 1103, 1107, 1111, 1117, 1119 1702938 ... 749, 751, 753, 755 1702941 ... 317, 321, 385, 425, 472 1702942 ... 317, 321, 385, 425, 472 1702943 ... 317, 321, 385, 425, 472 1702944 ... 317, 321, 385, 425, 472 1703162 ... 338, 342, 346, 350, 354, 372, 394, 400, 406, 412, 434, 440, 446, 452, 480, 486 1703469 1095, 1097, 1099, 1101 1703479 1103, 1107 1703534 ... 854, 859, 862, 866 1703544 1079 1703624 1087 1703687 1075, 1077, 1079, 1081, 1083, 1085, 1087, 1089, 1091, 1093, 1095, 1097, 1099, 1101 1703797 1075, 1095 1703804 1075, 1095 1703805 1075, 1095 1703811 1075, 1077, 1079, 1081, 1083, 1085, 1087, 1089, 1091, 1093, 1095, 1097, 1099, 1101 1703814 1075, 1077, 1079, 1081, 1083, 1085, 1087, 1089, 1091, 1093, 1095, 1097, 1099, 1101	1703923 1093 1703925 1083, 1099 1703926 1089 1703927 1091 1703935 1093 1703936 1087 1703937 1085 1703938 1089 1703939 1091 1703941 1093 1703942 1087 1703943 1083 1703944 1089 1703945 1091 1703947 1093 1703948 1087 1703949 1083, 1099 1703950 1089 1703951 1091 1703953 1075, 1095, 1099 1703980 1089 1703981 1091 1703982 1083, 1099 1703983 1093 1703984 1087 1703987 1091 1703990 1087 1704000 1087, 1103, 1107 1704001 1093, 1103, 1107 1704260 693, 697 1704271 1103, 1107 1704272 115 1704277 1075, 1077, 1079, 1081, 1083, 1085, 1087, 1089, 1091, 1093, 1095, 1097, 1099, 1101 1704412 1075, 1077, 1079, 1081, 1083, 1085, 1087, 1089, 1091, 1093, 1095, 1097, 1099, 1101 1704578 113 1704885 1075, 1077, 1079, 1083, 1085, 1087, 1089, 1091, 1093, 1095, 1097, 1099, 1101 1704972 1103, 1107 1705014 675, 677 1705084 1077, 1097 1705090 113 1705132 697 1705170 ... 269, 271, 273, 275 1705305 . 741, 743, 1111, 1113, 1115, 1117, 1119 1705325 905, 907 1705336 1075, 1095 1705344 1089 1705345 1091 1705347 1087 1705351 1075, 1095	1705355..... 1115, 1117, 1119 1705358.. 759, 761, 1103, 1107 1705374.... 548, 555, 933, 935 1705375.... 565, 577, 580, 584, 741, 1117, 1119 1705387.... 548, 556, 565, 577, 580, 584 1705426..... 1089 1705427..... 1091 1705429..... 1087 1705430..... 1085, 1101 1705460.... 564, 568, 572, 577, 580, 584 1705461..... 568, 572 1705489.... 551, 559, 568, 572 1705490..... 1111, 1113 1705820..... 115 1705822..... 1077, 1081, 1097 1705828..... 1077, 1081, 1097 1705895..... 1079 1705896..... 1079 1705897..... 1079 1705898..... 1079 1705902..... 1079 1705903..... 1079 1705905..... 1079 1705910..... 1093 1705917..... 1093 1705921..... 1077, 1081, 1097 1705961..... 1077, 1081, 1097 1705967..... 1079, 1103, 1107 1705968..... 1085, 1103, 1107 1705969..... 1091, 1103, 1107 1705977..... 1077, 1081, 1097 1705978..... 1077, 1081, 1097 1706059..... 1103, 1107 1706060..... 1103, 1107 1706061..... 1103, 1107 1706062..... 1103, 1107 1706063..... 1103, 1107 1706064..... 1103, 1107 1706098..... 1103, 1107 1706385..... 675, 677 1706510..... 747 1706593..... 115 1706957..... 117 1706960..... 117 1706968..... 1101 2030010.... 728, 731, 733, 737, 741 2060025.... 338, 342, 346, 350, 354 2080040.... 649, 651, 653, 655, 657, 659, 679, 681	2080044 611 2120149... 123, 125, 127, 129, 131, 133, 1122 2120164... 123, 125, 127, 129, 131, 133 2120209... 123, 125, 127, 129, 131, 133 2120210... 123, 125, 127, 129, 131, 133, 1122 2180348 ... 315, 317, 319, 321, 325, 468, 472, 482, 488, 519 2180380 859 2180387 195, 197 2180388 195, 197 2180389 195, 197 2180418 ... 195, 197, 468, 472 2180467 480, 486 2180504 482, 488 2180724 859 2180832 ... 365, 381, 385, 421, 425, 728, 737 2200222 185, 187, 189 2220237 53, 802, 806, 810, 814, 818, 822, 826, 830, 834, 838, 842 2220238 802 2220261 ... 195, 197, 482, 488 2220313 ... 315, 317, 319, 321, 325, 365, 381, 385, 421, 425 2220315 ... 394, 400, 406, 412, 434, 440, 446, 452 2220362 ... 802, 806, 810, 814, 818, 822, 826, 830, 834, 838, 842 2220371 ... 802, 806, 810, 814, 818, 822, 826, 830, 834, 838, 842, 845, 847, 849, 851, 869, 871, 873 2220372 ... 849, 851, 854, 859, 862, 866, 875 2220373 ... 802, 806, 810, 814, 818, 822, 826, 830, 834, 838, 842, 851, 854, 859, 862, 866 2220374 ... 854, 858, 862, 866 2220375 ... 814, 818, 822, 826, 830, 834, 838, 842, 854, 858, 862, 866 2220376 513 2220377 ... 502, 507, 510, 802, 806, 810, 814, 818, 822, 826, 830, 834, 838, 842, 854, 858, 862, 866 2220379 ... 854, 858, 862, 866 2220381 ... 854, 858, 862, 866 2220386 855, 863, 867 2220409 ... 855, 858, 863, 867
--	---	--	--

SECTION 11 - SPECIAL OPTIONS

2220415....802, 806, 810, 814, 818, 822, 826, 830, 834, 838, 842, 854, 858, 862, 866, 869, 871, 873	2220609..... 858 2220618... 854, 858, 862, 866 2220623... 845, 847, 849, 851	2400060 ... 465, 581, 647, 1021, 1025, 1027, 1033, 1035 2400064 581, 1021, 1025, 1027, 1125	2752601..... 859 2752604..... 858 2752611.... 802, 806, 810, 814, 822, 826, 830, 838, 842
2220418..... 195, 197 2220428..... 858 2220429..... 858 2220451.... 203, 205, 207, 338, 342, 346, 350, 354, 510, 802, 806, 810, 854, 862, 866	2220628... 854, 858, 862, 866, 875 2220635 875 2220646 ... 502, 507, 510, 802, 814, 818, 822, 826, 830, 834, 838, 842, 847	2410014 675, 677 2420172 213 2420203 533, 535, 543 2460048 563, 567 2460051 543 2460055 533 2460056 541 2560136 693, 697 2580024 ... 317, 322, 385, 425, 472	2752618..... 859 2752620.... 802, 806, 810, 814, 822, 826, 830, 838, 842
2220466.... 854, 858, 862, 866 2220468.... 869, 871, 873 2220472.... 855, 859, 863 2220473.... 802, 806, 810, 814, 818, 822, 826, 830, 834, 838, 842, 845, 847, 849, 851, 854, 859, 862, 866, 871, 875	2220654 859, 871 2220657 ... 855, 863, 867 2220682 207 2220700 ... 203, 205, 207 2220711 510 2220738 ... 199, 201, 855, 858	2580062 342, 350 2600281 ... 649, 651, 653, 655, 657, 659, 679, 681 2680433 292, 296 2680434 292, 296 2720015 ... 372, 394, 400, 406, 412, 434, 440, 446, 452	2752635..... 855 2752650..... 859 2752656.... 855, 863, 867 2752659..... 199, 201 2752661..... 199, 201 2752663..... 201 2752723..... 855, 867 2752724.... 855, 858, 867 2752783.... 855, 863, 867 2752910.... 806, 814, 822, 826
2220474.... 814, 822, 855, 858 2220490.... 855, 863, 867, 869, 873 2220498.... 854, 858, 862, 866 2220500.... 822, 826, 838, 842, 854, 859, 862, 866 2220504.... 802, 806, 810, 814, 818, 822, 826, 830, 834, 838, 842, 869, 873	2220810 513 2220816 519 2220819 ... 810, 830, 838 2220861 ... 814, 818, 822, 826, 830, 834, 838, 842 2220873 858, 859 2220883 93, 95, 779, 781, 783, 785, 797 2220885 781, 783, 795 2220886 93, 95, 137, 779, 785, 797	2720058 ... 315, 317, 319, 321, 325, 480, 486, 519 2720144 195, 197 2720160 728, 737 2720340 ... 372, 396, 402, 408, 414, 434, 440, 446, 452 2720398 ... 338, 342, 346, 350, 354 2750532 ... 315, 317, 319, 321, 325, 346, 350, 382, 386, 421, 425	2752928.... 802, 806, 814, 818, 822, 826 2752929.... 802, 806, 822, 826, 830, 838, 842, 854, 862, 866 2752939.... 854, 859, 862, 866 2752985.... 855, 863, 867 2752987.... 854, 859, 862, 866
2220507 822, 826, 838, 842, 859 2220510 859 2220511 854, 859, 862, 866 2220512 854, 862, 866 2220513 199 2220518 199, 201, 207 2220567 854, 858, 862, 866 2220574 854, 858, 862, 866 2220578 203, 205, 207, 502, 507, 854, 858, 863, 867	2220890 775 2220893 ... 127, 133, 855, 863, 867 2220899 859 2220921 ... 854, 858, 862, 866 2220923 858 2220947 ... 502, 507, 510, 855, 859, 862, 866 2220948 ... 854, 858, 862, 866 2220974 858 2220998 ... 854, 859, 862, 866 2220999 ... 854, 859, 862, 866 2221024 195, 197 2221026 ... 845, 847, 849, 851	2750949 199 2751101 847 2751112 847 2751362 867 2751396 855, 863, 867 2751410 810, 869 2751434 869 2752321 810 2752341 802, 806, 859 2752343 859 2752445 810 2752453 855, 863, 867 2752462 ... 854, 859, 862, 866, 869, 873 2752468 859 2752475 ... 802, 806, 810, 814, 822, 826, 830, 838, 842 2752478 863, 867 2752484 855, 863, 867 2752497 854, 862, 866 2752506 855, 863, 867 2752519 ... 855, 859, 863, 867 2752530 203, 205 2752573 855 2752574 810 2752579 859 2752592 ... 806, 814, 822, 826, 830, 838 2752593 855, 863, 867 2752600 855, 863, 867	2752989..... 859 2752990.... 854, 859, 862, 866 2752991 854, 859, 862, 866 2752995.... 855, 863, 867 2753000..... 867 2753002..... 863 2753016..... 810 2753017..... 810 2753047..... 859 2753052.... 855, 863, 867 2753055.... 854, 859, 862, 866 2753056.... 854, 859, 862, 866 2753132.... 855, 858, 863, 867 2753133.... 855, 858, 863, 867 2753134.... 854, 862, 866 2753135.... 854, 859, 862, 866 2753187..... 810 2753354..... 199 2753390.... 855, 863, 867 2753397.... 802, 814, 822, 830, 838 2753435..... 806, 810 2753525..... 201 2753924.... 802, 806, 814, 822, 826 2753925..... 806, 826 2753926..... 814, 830 2753928..... 818, 834 2753929.... 806, 814, 826 2753930..... 826
2220574 854, 858, 862, 866 2220578 203, 205, 207, 502, 507, 854, 858, 863, 867 2220582.... 802, 806, 810, 814, 818, 822, 826, 830, 834, 838, 842, 854, 858, 862, 866 2220596.... 810, 814, 818, 822, 826, 830, 834, 838, 842, 854, 858, 862, 866 2220600.... 855, 863, 867 2220602.... 854, 858, 862, 866 2220603.... 854, 859, 862, 866 2220605.... 854, 858, 862, 866 2220606.... 802, 806, 810, 814, 818, 822, 826, 830, 834, 838, 842	2221034 502 2221036 ... 855, 859, 863, 867 2221042 ... 854, 858, 862, 866 2221053 ... 855, 859, 863, 867, 875 2221065 ... 854, 859, 862, 866 2221170 802, 806, 810 2221176 ... 315, 317, 319, 321, 325, 468, 472 2221197 ... 195, 197, 468, 472 2230027 201 2230036 201 2230046 199, 201	2752599 ... 806, 814, 822, 826, 830, 838 2752593 855, 863, 867 2752600 855, 863, 867	2753939.... 802, 814, 822, 830, 838 2753435..... 806, 810 2753525..... 201 2753924.... 802, 806, 814, 822, 826 2753925..... 806, 826 2753926..... 814, 830 2753928..... 818, 834 2753929.... 806, 814, 826 2753930..... 826

SECTION 11 - SPECIAL OPTIONS

2753933	851, 869	2900838	1132	3251242....	899, 913, 919,	3300353 ...	215, 219, 223,
2753967	806	2901273	785	925, 931		227, 231, 235, 239,	
2753968	854, 862, 866	2901285	779	3251243....	533, 543, 548,	243, 247, 251, 693, 697	
2753969	806	2901443	1131	556, 564, 577, 580,		3300396 ...	548, 556, 564,
2754227 ...	802, 814, 822,	2901763	146	584, 1075, 1083, 1085,		568, 571, 576, 580, 584	
826, 830, 838, 842,		2901861	795, 797	1087, 1089, 1091,		3300408 ...	213, 215, 219,
847, 851		2902065 ...	338, 342, 346,	1093, 1095, 1099, 1101		223, 227, 231, 235,	
2754228	826, 842	350, 354, 372, 394,		3251813.....	1103, 1107	239, 243, 247, 251,	
2754229 ...	814, 822, 826,	400, 406, 412, 434,		3252347.....	1075, 1095	255, 719	
830, 838, 842		440, 446, 452, 497		3252507....	539, 541, 909,	3300430	723
2754230	826, 842	2902212	759, 761	911, 915, 917, 921,		3300454 ...	548, 552, 555,
2754231 ...	814, 818, 822,	2902217	728, 731, 733	923, 927, 929		559, 564, 568, 575,	
826, 830, 834, 838, 842		2902266	775	3252764....	563, 567, 571,	845, 849	
2754232	818, 834	2902296	319, 321	575, 579, 583		3310401 ...	394, 400, 406,
2754235 ...	806, 810, 826,	2902303	1075, 1077,	3271601.....	63, 205, 394,	412, 434, 440, 446, 452	
842		1079, 1081, 1083,		400, 406, 412, 434,		3310601	285, 287, 289
2754311	201	1085, 1087, 1089,		440, 446, 452		3310801	637, 639, 641
2754323	810	1091, 1093, 1129		3271605....	374, 763, 765,	3310805	195, 197
2754328	855	2902307	1129	767, 769, 771		3311001 ...	461, 463, 564,
2754329 ...	855, 858, 863,	2902308	1089, 1129	3271801....	394, 400, 406,	568, 571, 576, 580, 584	
867		2902309	1083, 1129	412, 434, 440, 446,		3311005 ...	269, 271, 292,
2754330 ...	855, 858, 863,	2902310	1091, 1129	452, 529, 531		293, 296, 297, 300,	
867		2902311	1093, 1129	3271805....	181, 183, 675,	301, 304, 305, 533,	
2754731 ...	822, 826, 838,	2902312	1079, 1129	677		535, 539, 541, 543,	
842		2902322	1087, 1129	3272001 39, 41, 763, 765,		548, 556, 564, 568,	
2754732	826, 842	2902329	1077, 1081,	767, 769, 771		571, 576, 579, 583,	
2754733	826, 842	1129		3290405....	468, 472, 647,	693, 697, 728, 731,	
2754734	826, 842	2902443 ...	989, 991, 993,	899, 905, 907, 909,		733, 737, 741	
2780269	61, 67, 71, 85	999, 1003		911, 913, 915, 917,		3311401 ...	257, 601, 749,
2780271	49, 57	2910167	1132	919, 921, 923, 925,		751, 753, 755	
2780276	53, 55	2920028 ...	693, 697, 749,	927, 929, 931		3311405 ...	123, 125, 127,
2792630	875	751, 753, 755		3290505....	468, 472, 539	129, 131, 133, 153,	
2792690	33, 35, 869	2920029 ...	693, 697, 749,	3290601....	365, 369, 372,	155, 209, 211, 215,	
2792692	806	751, 753, 755		480, 486, 499, 543,		219, 223, 227, 231,	
2792730	826	2920110	269, 271	571, 579, 583		235, 239, 243, 247,	
2792786	851	2920113	269, 271	3290605....	372, 468, 472,	251, 263, 265, 292,	
2792787	847	2920129	1035	480, 486, 728, 737		296, 300, 304, 315,	
2820019	1017	2920157	273, 275	3290606....	663, 665, 667,	317, 319, 321, 325,	
2820031 ...	533, 535, 539,	2920161	277, 279	669, 671, 673, 683, 685		327, 329, 335, 338,	
541, 543, 547, 551,		2940074 ...	649, 651, 653,	3290607....	281, 283, 480,	342, 346, 350, 354,	
555, 559, 564, 568,		655, 657, 659, 679,		486		365, 372, 381, 385,	
571, 575, 579, 583,		681, 1122		3290801....	468, 472, 480,	389, 391, 394, 400,	
949, 951, 953, 955,		2940088 ...	292, 293, 296,	486		406, 412, 421, 425,	
957, 959, 961, 963,		297, 300, 301, 305		3290805....	372, 480, 486,	429, 431, 434, 440,	
965, 967, 969, 971,		2940188 ...	292, 296, 300,	525, 527, 611, 937, 939		446, 452, 468, 472,	
973, 975, 977, 979		304		3290806.....	615	475, 477, 547, 551,	
2820035	261, 465	2980125	55	3291001....	207, 365, 480,	555, 559, 564, 567,	
2820078	309, 311	3020017	57	486, 615		575, 627, 629, 631,	
2820082	307, 309, 311	3020029	171	3291005....	372, 396, 402,	633, 689, 691, 725,	
2820083	309, 311	3020037	369	408, 414, 434, 440,		899, 905, 907, 909,	
2820118 ...	981, 983, 985,	3020039 ...	601, 603, 605,	446, 452, 480, 486,		911, 913, 915, 917,	
987		607, 609		615, 937		919, 921, 923, 925,	
2820247	1057, 1059	3128764	711	3291007.....	289	927, 929, 931, 939,	
2840016	287, 289	3160349	61, 93	3291201....	369, 480, 486,	1075, 1077, 1079,	
2840018	285	3160350	67, 71, 95	571, 580, 584, 615		1081, 1083, 1085,	
2841677	53	3200362	346, 350	3291202.....	207	1087, 1089, 1091,	
2860012	533, 541	3200401 ...	338, 342, 354,	3291205.....	615	1093, 1095, 1097,	
2860030 ...	213, 215, 219,	394, 400, 406, 412,		3300106....	53, 55, 59, 61,	1099, 1101	
223, 227, 231, 235,		434, 440, 446, 452,		63, 65, 67, 69, 71		3311501 ...	292, 296, 300,
239, 243, 247, 251,		521, 523, 529, 531		3300151....	661, 663, 665,	304, 749, 751, 753, 755	
1122		3200406 ...	338, 342, 346,	667, 669, 671, 673,		3311505 ...	59, 61, 63, 65,
2900708 ...	123, 125, 127,	350, 354		679, 681, 683, 685,		67, 69, 71, 292, 296,	
129, 131, 133		3220103	515	728, 731, 733, 741		300, 304, 317, 319,	
2900756	845, 849	3250872	113	3300205....	213, 215, 219,	321, 338, 342, 346,	
2900770	785, 797	3251102 ...	533, 535, 539,	223, 227, 231, 235,		350, 354, 394, 400,	
2900792 ...	777, 779, 781,	541, 543, 547, 551,		239, 243, 247, 251		406, 412, 434, 440,	
783, 785, 787, 797		555, 559				446, 452, 563, 567,	

SECTION 11 - SPECIAL OPTIONS

571, 575, 579, 583, 617, 619, 621, 623, 625, 627, 629, 631, 633, 745, 747, 757, 845, 849	3421565 119, 177 3422326 ... 39, 43, 49, 51 3422327 55 3422426 ... 41, 45, 47, 53, 55 3422429 ... 41, 45, 47, 53, 55 3422430 ... 41, 45, 47, 53, 55 3422448 ... 315, 317, 319, 321, 325, 365, 381, 385, 421, 425, 468, 472 3422457 595, 609 3422533 ... 319, 321, 327, 329, 335, 369, 389, 391, 429, 431, 475, 477 3422561 ... 589, 591, 607 3422566 603 3422567 49, 51 3422571 601, 603 3422572 601, 603 3422573 ... 589, 591, 601 3422575 ... 589, 591, 593, 603, 605 3422579 ... 589, 591, 601 3422583 ... 589, 591, 609 3422592 31 3422661 745, 747 3422813 49, 51, 55 3422841 119 3422847 119 3422848 49, 51, 55 3422860 597, 611 3422861 597, 611 3422867 597, 611 3422900 ... 39, 41, 43, 45, 47, 49, 51, 53 3422902 ... 39, 43, 49, 51 3422903 ... 39, 43, 49, 51 3423175 53, 55 3423184 23, 27, 29 3430616 694, 698 3430816 ... 285, 287, 289 3450306 623, 625 3450404 ... 285, 287, 289 3450606 623, 625 3450810 53 3451010 ... 49, 53, 55, 57 3460334 759, 761 3470003 694, 698 3480288 775 3520028 ... 533, 535, 541, 543 3520031 ... 215, 219, 223, 227, 231, 235, 239, 243, 247, 251 3520035 ... 215, 219, 223, 227, 231, 235, 239, 243, 247, 251 3520054 ... 338, 342, 346, 350, 354, 374, 402, 414, 442, 454, 693, 697 3520071 759, 761 3520072 ... 649, 651, 653, 657, 661, 663, 665, 667, 671, 675, 677, 679, 681, 683, 685	3520189 568, 571 3520192 568, 571 3520198 ... 649, 651, 653, 657, 661, 663, 665, 667, 671, 679, 681, 683, 685 3537318 161 3537416 346, 350 3537445 285, 287 3538247 795 3538758 ... 617, 619, 621 3539219 213 3539228 623, 625 3539779 625 3539872 346, 350 3539877 29, 31, 37 3539878 31 3539923 292, 296 3539956 319, 321 3539971 346, 350 3539988 309, 311 3570270 623, 625 3570277 623, 625 3570374 623, 625 3570375 625 3571295 625 3572009 119 3572010 119 3572011 119 3572012 119 3573400 ... 728, 731, 733, 741 3573642 ... 728, 731, 733, 741 3574091 753, 755 3574185 ... 617, 619, 621 3575359 749, 751 3575716 55 3575863 ... 548, 551, 564, 568 3576799 728, 737 3577121 ... 728, 731, 733, 741 3580134 539, 541 3580158 ... 533, 539, 541 3580276 533, 535 3580314 579, 583 3580317 ... 547, 551, 555, 559, 564, 568, 571, 575, 580, 584 3580318 ... 548, 555, 564, 575 3580319 ... 551, 559, 568, 571 3580320 ... 394, 400, 406, 412, 434, 440, 446, 452, 548, 551, 564, 568 3580324 543 3600242 513 3600365 ... 123, 127, 129, 133, 153, 155, 157 3600381 506 3600395 ... 327, 329, 331, 333, 335, 369, 389, 391, 429, 431, 475, 477, 513 3600396 ... 331, 333, 507	3620034 199, 201 3641569 749, 751 3740049 ... 213, 215, 219, 223, 227, 231, 235, 239, 243, 247, 251, 1122 3740067 ... 153, 155, 338, 342, 346, 350, 354, 468, 472, 1122 3740080 ... 533, 535, 539, 541, 543, 579, 583, 1124 3740086 1061 3760133 595, 609 3760170 ... 119, 177, 179, 743 3790012 53, 55, 209, 211, 468, 472, 589, 591, 601, 689, 691, 693, 697, 713, 715, 717 3790152 ... 327, 329, 331, 333, 335, 369, 389, 391, 429, 431, 475, 477 3790158 ... 59, 63, 65, 69 3820001 1075, 1077, 1079, 1081, 1083, 1085, 1087, 1089, 1091, 1093, 1095, 1097, 1099, 1101, 1104 3820020 ... 649, 651, 653, 655, 657, 659, 679, 681 3841143 ... 39, 41, 43, 45, 47, 49, 51, 53, 55, 315, 317, 319, 321, 325, 365, 381, 385, 421, 425, 468, 472, 589, 591, 597, 601, 603, 607, 611, 615 3841203 ... 589, 591, 593, 601, 603, 605 3841258 ... 23, 25, 27, 29, 31, 33, 35, 37, 39, 41, 43, 45, 47, 49, 51, 53 3841263 53, 55 3841285 41 3841295 623 3841340 ... 595, 597, 609, 611 3841347 623, 625 3900054 675, 677 3900085 ... 277, 279, 281, 283 3900239 601, 603 3900268 ... 213, 215, 219, 223, 227, 231, 235, 239, 243, 247, 251 3900293 159 3900349 693, 698 3910408 ... 394, 400, 406, 412, 434, 440, 446, 452 3910606 ... 547, 555, 563, 575, 579, 583, 901, 933, 935 3910608 ... 285, 287, 289 3910610 895, 897
--	---	---	--

SECTION 11 - SPECIAL OPTIONS

3910804 ... 213, 215, 219, 223, 227, 231, 235, 239, 243, 247, 251	4031914 ... 394, 400, 406, 412, 434, 440, 446, 452	4240033....721, 723, 725, 1069	1089, 1091, 1093, 1095, 1097, 1099, 1101
3911016 ... 292, 293, 296, 297, 301, 305	4032014 ... 394, 400, 406, 412, 434, 440, 446, 452	4240084.....63	4420060 539, 643
3911040 269, 271	4032015 ... 547, 551, 564, 567	4240099....201, 366, 374, 394, 400, 406, 412, 434, 440, 446, 452, 465, 472, 480, 486, 543, 728, 731, 733, 749, 751, 753, 755	4420062 745, 747
3930816 643	4060092 897	4240102.....185, 187, 189	4420066 759, 761
3930820 639	4060802 ... 533, 535, 539, 541, 543, 547, 551, 555, 559, 563, 567, 571, 575, 579, 583	4240149.....759, 761	4420068 ... 749, 751, 753, 755, 757
3930824 641	4060803 617, 619, 621	4280295..... 185, 187, 189	4460007 693, 697
3930828 637, 639	4060804 ... 103, 107, 123, 125, 127, 129, 131, 133	4300157....547, 551, 564, 568	4460016 1035
3931016 ... 548, 555, 563, 567, 571, 575, 579, 583	4060805 ... 201, 293, 297, 338, 342, 346, 350, 354, 372, 396, 402, 408, 414, 434, 440, 446, 452, 482, 488, 595, 609	4360057....749, 751, 753, 755, 1125	4460019 ... 989, 991, 993, 995, 997, 999, 1007, 1009
3931408 ... 637, 639, 641, 723	4060807 59, 65, 123, 125, 127, 129, 131, 134	4360070....548, 556, 564, 568, 572, 576, 580, 584, 1125	4460027 533, 535, 543
3931430 637, 639, 641	4060808 61, 67, 593, 605	4360268.....213	4460042 1000, 1003
3931432 ... 372, 394, 400, 406, 412, 434, 440, 446, 452	4060906 257	4360274 223, 251	4460043 ... 465, 989, 991, 993, 999, 1003, 1021, 1023, 1025
3931448 795	4060918 ... 123, 125, 127, 129, 131, 133	4360328....589, 591, 601, 697, 1122	4460049 ... 749, 751, 753, 755
3931512 ... 394, 400, 406, 412, 434, 440, 446, 452	4070585 533	4360330..... 697, 1122	4460071 ... 547, 555, 564, 575, 579, 583, 701, 895, 897, 901
3931516 795, 797	4070863 ... 593, 595, 605, 609	4360331 53, 55, 209, 211, 689, 691, 713, 715, 717, 1122	4460125 897
3931620 ... 327, 329, 331, 333, 335, 369, 389, 391, 429, 431, 475, 477	4070864 ... 593, 595, 605, 609	4360336....257, 468, 472, 533, 535, 539, 541, 543, 547, 551, 555, 559, 563, 567, 571, 575, 579, 583, 1124	4460134 901, 1029
3931628 ... 394, 400, 406, 412, 434, 440, 446, 452	4070897 ... 593, 595, 605, 609	4360387....219, 223, 239, 251, 693, 697, 749, 751, 753, 755, 1122	4460142 ... 989, 991, 993, 1033
3931632 480, 486	4070898 ... 593, 595, 605, 609	4360407...693, 697, 1122	4460183 1035
3931720 785	4070929 ... 593, 595, 605, 609	4360436....185, 187, 189, 191	4460190 533, 535, 543
3931840 29	4070944 29, 31	4360469....213, 215, 219, 223, 227, 231, 235, 239, 243, 247, 251, 1124	4460205 .. 895, 901, 1029
3932030 59, 63, 65, 69	4070945 29	4360475....213, 215, 219, 223, 227, 231, 235, 239, 243, 247, 251, 693, 697, 1122	4460224 ... 556, 560, 693, 697
3932032 779	4070969 617, 619	4360476....213, 215, 219, 223, 227, 231, 235, 239, 243, 247, 251, 693, 697, 1122	4460225 1015, 1017, 1035
3932224 161	4070991 ... 215, 219, 223, 227, 231, 235, 239, 243, 247, 251	4400275..... 195, 197	4460226 ... 257, 693, 697, 701, 703, 706, 943, 989, 991, 993, 995, 997, 1007, 1009, 1035
3940604 113	4071007 595, 609	4420014.....759, 761	4460227 . 693, 697, 1033, 1035
3952020 159	4071059 49, 51, 55	4420037....728, 731, 733, 741	4460233 897, 1031
3960098 53, 55	4071062 617, 619, 621	4420038....185, 187, 189, 191	4460234 ... 269, 271, 273, 275, 693, 697, 749, 751, 753, 755
3960343 49, 57	4071101 ... 23, 25, 27, 29, 31	4420051....113, 115, 117, 1075, 1079, 1081, 1083, 1085, 1087,	4460259 ... 647, 989, 991, 993, 1007, 1009, 1033, 1035, 1069
3960389 ... 292, 296, 327, 329, 331, 333, 335	4120035 1035		4460265 703, 706
3960407 ... 338, 342, 346, 350, 354	4130396 49		4460267 . 127, 133, 1035, 1065, 1067, 1069
3960418 ... 292, 296, 300, 304	4130399 51		4460268 ... 133, 261, 993, 995, 997, 1015, 1017, 1067, 1069
3960422 ... 547, 555, 563, 575, 579, 583, 895, 897, 901, 933, 935	4130400 49		4460294 556, 560
3960461 269, 271	4130401 41, 53		4460297 1033
3960462 300, 301, 305	4130402 41, 53		4460312 ... 989, 991, 993, 1007, 1009
3960467 292, 296, 300	4130409 57		4460313 ... 989, 991, 993, 995, 997, 1007, 1009, 1033
3960468 ... 338, 342, 346, 350, 354	4130410 39, 41, 57		4460315 895, 897, 901
3960469 ... 338, 342, 346, 350, 354	4130413 53, 55		
3960526 61, 67, 71	4130414 53, 55		
3980007 ... 317, 322, 385, 425, 472	4160143 ... 292, 296, 300, 304		
3990010 1033, 1122	4220162 273, 275		
4010608 728, 737	4240018 ... 535, 539, 547, 551, 555, 559, 563, 567, 571, 575, 933, 935		
4010618 ... 663, 665, 667, 669, 671, 673, 683, 685	4240032 ... 269, 271, 273, 275, 281, 283, 697, 1067		
4031505 721			
4031516 725			
4031608 539			
4031711 480, 486			
4031908 372			
4031912 372			

SECTION 11 - SPECIAL OPTIONS

4460320.....1033, 1065, 1069	971, 973, 975, 977, 979, 981, 983, 985, 987	4460872 1033	4461054....989, 991, 993, 1000, 1013
4460321.....543	4460488... 213, 215, 219, 223, 227, 231, 235, 239, 243, 247, 251, 281, 283, 697	4460873 1033, 1035	4461060....989, 991, 993
4460326... 127, 133, 1069		4460874 1033, 1035	4461070....941, 989, 991, 993
4460346....547, 555, 563, 575, 579, 583, 895, 901		4460875 1033, 1035	4461071....989, 991, 993, 999, 1003
4460374.....581, 1021	4460496... 213, 215, 219, 223, 227, 231, 235, 239, 243, 247, 251	4460876 1033	4461072....989, 991, 993
4460375.....581, 1021		4460877 1033	4461073....989, 991, 993, 1003
4460384.....899	4460497... 213, 215, 219, 223, 227, 231, 235, 239, 243, 247, 251	4460878 1033	4461074....989, 991, 993
4460418.....1033, 1035		4460879 647, 1035	4461077.....1055, 1061
4460419.....1033, 1035	4460499... 127, 133, 146, 149	4460880 993, 1069	4461095....941, 989, 991, 993, 1003
4460424....261, 989, 991, 993, 995, 997, 1007, 1009, 1067, 1069	4460508... 721, 981, 983, 1033, 1035	4460884 . 647, 999, 1033, 1063	4461157....989, 991, 993, 995, 997, 1007, 1009
4460425....548, 556, 564, 568, 572, 576, 580, 584, 749, 751, 753, 755, 933, 935	4460509... 981, 983, 985, 987	4460887 ... 647, 989, 991, 993, 995, 997, 1007, 1009, 1033, 1035	4461196.....1037
4460426....213, 215, 219, 223, 227, 231, 235, 239, 243, 247, 251, 548, 556, 564, 568, 572, 576, 580, 584	4460510 1132	4460888 1035	4461198.....907, 1037
4460428.....693, 697	4460518 941	4460891 ... 941, 943, 989, 991, 995, 997, 1004, 1007, 1009, 1013, 1067, 1071	4461199.....1039, 1041
4460434.....1033, 1035	4460526... 213, 215, 219, 223, 227, 231, 235, 239, 243, 247, 251	4460894 999, 1003, 1033, 1035	4461200.....1041
4460445.....133, 1069	4460536 1033, 1035, 1071	4460897 ... 263, 265, 267, 989, 991, 995, 997, 1004, 1007, 1009, 1013, 1065	4461201.913, 1039, 1041
4460457.....993, 1027	4460539... 989, 991, 993, 995, 997, 999, 1007, 1009, 1035, 1067, 1071	4460899 . 995, 997, 1055, 1061, 1063	4461203.....1045
4460458....989, 991, 993, 995, 997, 999, 1003, 1007, 1009, 1023, 1025, 1027	4460612 933, 935	4460905 1033, 1035	4461205.....1043, 1045, 1047, 1049
4460460.....993	4460634 1035	4460906 543	4461206.....1049
4460464....263, 265, 267, 647, 701, 941, 981, 983, 989, 991, 993, 995, 997, 1007, 1009, 1013, 1033, 1035, 1061, 1063, 1065, 1071	4460635 1035	4460910 1057	4461244.919, 1043, 1045
4460465....581, 647, 941, 981, 983, 985, 987, 989, 991, 993, 995, 997, 999, 1003, 1004, 1007, 1009, 1015, 1017, 1019, 1021, 1023, 1025, 1027, 1033, 1035, 1063, 1071	4460662... 899, 911, 915, 917, 919, 921, 923, 925, 927, 929, 931	4460911 1055	4461245.925, 1047, 1049
4460466....647, 721, 941, 949, 951, 953, 955, 957, 959, 961, 963, 965, 967, 969, 971, 973, 975, 977, 979, 981, 983, 985, 987, 995, 997, 999, 1000, 1003, 1033, 1035, 1055, 1061, 1063, 1067	4460670 1021	4460928 941	4461246.931, 1051, 1053
4460467.....1132	4460701 1031	4460930 999, 1003	4461249.....1051, 1053
4460470....213, 215, 219, 223, 227, 231, 235, 239, 243, 247, 251, 693, 697	4460703.999, 1003, 1069	4460931 995, 997	4461250.....1053
4460471....213, 215, 219, 223, 227, 231, 235, 239, 243, 247, 251, 693, 697	4460708.. 693, 697, 1035	4460932 647, 1000, 1003, 1013	4520287.....73, 75
4460473....949, 951, 953, 955, 957, 959, 961, 963, 965, 967, 969,	4460722 465	4460933 941, 1033, 1035	4520288.....73
	4460738 . 995, 997, 1007, 1009	4460941 1013, 1055	4520344.....73
	4460742 581, 1021, 1023, 1025, 1027	4460942 . 721, 999, 1003, 1013	4520345.....73
	4460743 581, 1021, 1023, 1025	4460943 ... 281, 283, 995, 997, 1033, 1035, 1055	4520346.....73
	4460761.. 693, 697, 1033	4460944 ... 989, 991, 993, 995, 997, 999, 1003, 1007, 1009, 1033, 1035	4530028....728, 731, 733, 735
	4460806 . 919, 925, 1033, 1035	4460945 1000, 1033	4567123.....199, 201
	4460807 . 556, 560, 1015, 1017	4460956 945, 947	4567241.....623, 625
	4460808 . 556, 560, 1015, 1017	4460957 945, 947	4568119.....191
	4460865... 949, 951, 953, 955, 957, 959, 961, 963, 965, 967, 969, 971, 973, 975, 977, 979, 981, 983, 985, 987	4460958 935	4568133.....119
	4460866... 949, 951, 953, 955, 957, 959, 961, 963, 965, 967, 969, 971, 973, 975, 977, 979, 1033, 1035	4460962 728, 733, 893	4640113.....73
	4460868 1033	4460963 ... 564, 576, 580, 584, 893	4640261.... 113, 115, 117
	4460871 ... 709, 711, 989, 991, 993, 995, 997, 1007, 1009, 1033, 1035, 1067, 1069, 1071	4460967 581, 1019, 1021, 1023, 1025, 1027	4640438.....785
		4460968 ... 539, 637, 639, 641, 643, 905, 907, 909, 913	4640509....777, 779, 781, 783, 785, 787, 797
		4460971 728, 737	4640605.....779, 787
		4460979 ... 989, 991, 993, 995, 997, 1007, 1009	4640647.....797
		4461005 989, 991, 993	4640744.....513
		4461006 989, 991, 993	4640751.... 346, 350, 372, 394, 400, 406, 412, 434, 440, 446, 452
		4461008 ... 989, 991, 993, 1000, 1004	4640858.....775
		4461052 989, 991, 993	4640862.....795
		4461053 989, 991, 993	4640866.... 123, 125, 127, 129, 131, 133
			4640921.... 127, 133, 149
			4640922..... 133, 151
			4640929.... 127, 133, 627, 629, 631, 633
			4640932.....777
			4640990..... 199, 201
			4640999.....797
			4641022.....191
			4641122.....75
			4641264.....203, 205

SECTION 11 - SPECIAL OPTIONS

4641284 ... 814, 818, 822, 826, 830, 834, 838, 842	4740036 119	4751500....59, 61, 63, 65, 69, 153, 155, 273, 292, 296, 300, 304, 315, 317, 319, 322, 325, 394, 400, 406, 412, 435, 441, 447, 453, 533, 535, 539, 541, 547, 555, 623, 625, 745, 747, 749, 751, 753, 755, 757	4811900 ... 373, 395, 401, 407, 413, 435, 441, 447, 453, 468, 472, 480, 486, 499, 525, 527, 611, 615, 937, 939
4641307 802, 806, 810	4740057 159		4811902... 373, 396, 402, 408, 414, 435, 441, 447, 453, 480, 486, 499
4641329 847, 851	4740076 ... 292, 296, 300, 304		4812000... 207, 289, 365, 373, 396, 402, 408, 414, 435, 441, 447, 453, 469, 473, 480, 486, 499, 543, 615, 937
4641390 775	4740111 ... 39, 43, 49, 51, 55		4812002... 203, 373, 482, 488, 495
4641436 637, 639, 641	4740155 49, 51, 55		4812100... 207, 365, 369, 373, 381, 385, 395, 401, 407, 413, 421, 425, 435, 441, 447, 453, 499, 615
4641452 127, 133, 145	4740158 ... 23, 25, 27, 29, 31, 33, 35, 37		4812200 ... 338, 342, 347, 351, 354, 373, 395, 401, 407, 413, 435, 441, 447, 453, 521, 523, 525, 527, 529, 531
4711000 ... 292, 297, 461, 463, 535, 564, 568, 572, 576, 580, 584	4740171 ... 292, 296, 300, 304	4751600....63, 65, 67, 69, 71, 111, 181, 183, 185, 187, 189, 191, 195, 197, 199, 205, 292, 293, 296, 297, 300, 301, 304, 309, 311, 315, 317, 325, 338, 342, 346, 351, 354, 365, 373, 381, 385, 394, 400, 406, 412, 421, 425, 435, 441, 447, 453, 521, 523, 529, 531, 533, 539, 541, 580, 584, 623, 625, 698, 728, 731, 733, 741	4844816 597
4711400 ... 123, 125, 127, 129, 131, 133, 153, 155, 215, 219, 223, 227, 231, 235, 239, 243, 247, 251, 259, 261, 263, 265, 267, 300, 304, 315, 317, 319, 321, 325, 338, 342, 346, 350, 354, 365, 372, 381, 385, 389, 391, 394, 400, 406, 412, 421, 425, 429, 431, 434, 441, 446, 453, 468, 472, 547, 551, 555, 559, 563, 567, 575, 623, 625, 627, 629, 631, 633, 639, 661, 663, 665, 667, 669, 671, 673, 679, 681, 683, 685, 723, 725, 899, 905, 907, 909, 911, 913, 915, 917, 919, 921, 923, 925, 927, 929, 931	4740184 55	4751700....373, 395, 401, 407, 413, 435, 441, 447, 453	4844817 597
471150067, 71, 103, 107, 203, 205, 207, 394, 400, 406, 412, 435, 441, 447, 453, 563, 567, 571, 575, 579, 583, 617, 619, 621, 627, 629, 631, 633, 845, 849	4740229 23, 27, 29	4751800.... 181, 183, 191, 315, 317, 319, 321, 325, 389, 391, 429, 431, 475, 477, 623, 625, 675, 677, 749, 751, 753, 755	4844958 177
4711600 ... 105, 109, 123, 125, 127, 129, 131, 133, 175, 201, 300, 304, 317, 322, 338, 342, 346, 350, 354, 365, 381, 385, 394, 400, 406, 412, 421, 425, 435, 441, 447, 453, 461, 463, 468, 472, 519, 535, 548, 551, 555, 559, 564, 568, 575, 593, 605, 617, 619, 621, 694, 763, 765, 767, 769, 771	4740256 ... 39, 41, 43, 45, 47, 49, 51, 53	4752000....315, 317, 319, 321, 325, 365, 381, 385, 421, 425, 468, 472	4844964 187
4711700 519, 535, 543	4740274 ... 338, 342, 346, 350, 354, 521, 523	4760600....895, 897, 901	4844979 617, 619
4711800 ... 285, 287, 289, 365, 381, 385, 421, 425, 475, 477, 547, 551, 563, 567, 571, 675, 677	4740283 49, 57	4761000.....49, 57	4845163 285
4712000 ... 759, 763, 765, 767, 769, 771	4740362 ... 209, 211, 271, 689, 691	4761400....213, 215, 219, 223, 227, 231, 235, 239, 243, 247, 251, 257, 687	4845582 745, 747
4712200 759, 761	4740393 ... 59, 61, 63, 65, 67, 69, 71	4761600.... 153, 155, 209, 211, 689, 691	4846295 119
4740016 53, 55	4740397 ... 215, 219, 223, 227, 231, 235, 239, 243, 247, 251, 533, 539, 541, 693, 697	4770600....285, 287, 289	4846296 119
	4740439 597, 611	4791400.... 153, 155, 338, 342, 347, 351, 354, 547, 551, 555, 559, 563, 567, 575	4846566 347, 351
	4740444 ... 213, 215, 219, 223, 227, 231, 235, 239, 243, 247, 251	4791600.....63	4846627 ... 728, 731, 733, 741
	4740463 ... 39, 41, 43, 45, 47, 49, 51, 53	4811400....647, 899, 905, 907, 909, 911, 913, 915, 917, 919, 921, 923, 925, 927, 929, 931	4846673 753, 755
	4740518 ... 215, 219, 223, 227, 231, 235, 239, 243, 247, 251	4811600.....539	4846935 49, 51
	4740542 37	4811700.... 580, 584	4846935 49, 51
	4750400 ... 394, 400, 406, 412, 435, 441, 447, 453	4811700.....539	4846935 49, 51
	4750800 195, 197	4811700....281, 283, 365, 369, 373, 480, 486, 499, 543, 571, 579, 583, 663, 665, 667, 669, 671, 673, 683, 685, 728, 737	4846935 49, 51
	4751000 ... 119, 269, 271, 277, 279, 281, 283, 292, 293, 296, 297, 300, 301, 304, 305, 533, 539, 541, 543, 548, 555, 563, 567, 571, 575, 579, 583, 693, 697, 728, 731, 733, 737, 741	4811702.... 103, 107, 395, 401, 407, 413, 435, 441, 447, 453, 468, 472, 499	4846935 49, 51
	4751200 595		4846935 49, 51
	4751400 ... 155, 209, 211, 213, 215, 219, 223, 227, 231, 235, 239, 243, 247, 251, 257, 269, 275, 292, 296, 300, 304, 319, 321, 327, 329, 335, 346, 350, 475, 477, 601, 625, 637, 639, 641, 643, 687, 689, 691, 693, 697, 728, 731, 733, 741, 749, 751, 753, 755, 845, 849, 939, 1075, 1077, 1079, 1081, 1083, 1085, 1087, 1089, 1091, 1093, 1095, 1097, 1099, 1101		4846935 49, 51

SECTION 11 - SPECIAL OPTIONS

4922493.....949, 953, 955, 959, 961, 963, 965, 967, 969, 971, 973, 975, 981	70000781 97, 99 70000782 85 70000793 497 70000794 93, 95 70000795 93, 95 70000800 361 70000851 358, 362 70000852 89, 91 70000853 89, 91 70000854 89, 91 70000857 89, 91 70000858 89, 91 70000861 89, 91 70000862 89, 91 70000863 . 563, 567, 576, 579, 583 70000912 357, 361 70000913 357, 361 70000914 357, 361 70000915 357, 361 70000916 357, 361 70000917 357, 361 70000918 357, 361 70000919 357, 361 70000934 . 123, 125, 127, 129, 131, 133 70001002 357, 361 70001017 362 70001100 . 563, 567, 576, 580, 584 70001119 85 70001126 357, 361 70001248 181 70001384 . 563, 567, 576, 580, 584 70001423 357, 361 70001424 739 70001425 739 70001427 739 70001428 739 70001429 739 70001430 739 70001431 739 70001432 739 70001435 357, 361 70001498 358, 362 70001696 . 563, 567, 579, 583 70001697 599, 613 70001847 357, 361 70001850 357, 361 70001866 358, 362 70001868 358, 362 70001870 . 357, 361, 417, 457 70001871 357, 361 70001872 358, 362 70001953 . 563, 567, 580, 584 70001966 . 547, 551, 555, 559, 563, 567, 576, 579, 580, 583, 584 70001973 . 563, 567, 576, 580, 584 70001974 . 563, 567, 576, 579, 583 70001976 .. 145, 146, 149	70001999 617, 1125 70002000 617 70002001 623, 625 70002002 623, 625 70002020 81 70002026 81 70002027 81 70002054 81 70002057 81 70002059 81 70002063 101 70002064 101, 635 70002066 164, 168 70002085 164, 168 70002088 . 563, 567, 579, 583 7000213 164 70002133 89, 91 70002134 503, 511 70002146 503, 511 70002147 503, 511 70002148 503, 511 70002149 503, 511 70002150 503, 511 70002151 503, 511 70002153 503, 511 70002154 503, 511 70002156 503, 511 70002157 503, 511 7000216 85 7000217 164, 168 70002176 89, 91, 502, 510 70002201 81 70002209 . 123, 125, 127, 129, 131, 133 70002212 183 70002234 358, 362 7000228 164, 168 7000229 164, 168 70002290 563, 567 70002291 576 70002297 . 563, 567, 576, 579, 583 7000230 164, 168 70002386 635, 1122 7000246 164, 168 70002460 . 563, 567, 576, 579, 583 7000247 164, 168 7000248 164, 168 7000253 164, 168 7000255 164, 168 7000257 164, 168 7000263 168 70002715 191 70002716 191 70002718 .. 357, 361, 457 70002724 709 70002725 709 70002726 709 70002727 709 70002728 709 70002729 709 70002730 711 70002731 711 70002732 711	70002733.....711 70002734.....711 70002735.....711 70002745.....793 70002752.....793 70002753.....793 70002754.....793 70002755.....793 70002756.....793 70002757.....793 70002758..... 137, 141 70002759..... 138, 142 7000281.....86 70002902.....701 70002903.....701 70002904.....701 70002905.....701 70002906.....711 70003003..... 357, 361 70003019..... 137, 141 70003136..... 357, 361 70003408.....101 70003454..... 181, 183 70003456..... 357, 361 70003457..... 357, 361 70003464.....361 70003468..... 357, 361 70003469..... 357, 361 70003470..... 357, 361 70003472..... 357, 361 70003473..... 357, 361 70003475..... 357, 361 70003478..... 357, 361 70003525..... 137, 141 70003628..... 89, 91 70003631..563, 567, 576, 579, 583 70003636.....783 70003708..547, 551, 555, 559, 563, 567, 576, 580, 584 70003709..547, 551, 555, 559, 563, 567, 576, 580, 584 70003783..338, 342, 354, 1124 70003784.....693, 697 70003790.....635 70003932.....358, 362 70003952..366, 381, 386, 422, 426 70004017.....99 70004037..... 164, 168 70004039..... 168 70004040..... 164, 168 70004041..... 164, 168 70004042..... 164, 168 70004043..... 164, 168 70004044..... 164, 168 70004045..... 164, 168 70004047..... 164, 169 70004048..... 169 70004052.. 137, 141, 142 70004056.....358, 362 70004058.....358, 362 70004059.....358, 362 70004060.....358, 362
--	---	--	---

SECTION 11 - SPECIAL OPTIONS

70004092 . 547, 551, 555, 559, 576	70004660 137, 141, 1122	70004774.....706	70005931..... 377, 418
70004094..... 576	70004661..... 137, 141	70004775.....706	70005941..... 377, 417
70004098 .. 547, 556, 576	70004662..... 137, 141	70004862.....193, 1124	70005942..... 377, 417
70004099 .. 555, 559, 576	70004663..... 137, 141	70005008..373, 481, 487, 1124	70006093..... 576
70004103..... 358, 362	70004664..... 137, 141	70005171.....417, 457	70006094..... 576
70004149..... 191	70004665..... 137, 141	70005172.....417, 457	70006095..... 576
70004169 . 563, 567, 579, 580, 583, 584	70004666..... 137, 141	70005173.....417, 457	70006096..... 576
70004171 . 547, 551, 563, 567, 580, 584	70004667..... 137, 141	70005174.....457	70006097..... 576
70004201..... 89, 91	70004668..... 137	70005176.....417, 458	70006134..... 499
70004202..... 89, 91	70004670..... 141	70005177.....417, 458	70006135..... 499
70004203..... 89, 91	70004671..... 142	70005180.....458	70006136..... 499
70004204..... 89, 91	70004672..... 142	70005181.....458	70006144..... 377, 417
70004205..... 91	70004673..... 142, 1122	70005182.....458	70006145..... 491
70004207..... 89	70004674..... 142	70005182.....458	70006147..... 491
70004268..... 357, 361	70004676 . 547, 551, 556, 559	70005183.....458	70006150..... 491
70004269..... 357, 361	70004677..... 551	70005184...377, 418, 458	70006151..... 491
70004270..... 358, 362	70004678 . 547, 551, 556, 559	70005185.....458	70006152..... 491
70004271..... 358, 362	70004679 . 547, 551, 556, 559	70005186.....458	70006153..... 491
70004272..... 358, 362	70004680 . 547, 551, 556, 559	70005188.....458	70006154..... 491
70004273..... 358, 361	70004681..... 551, 559	70005189.....458	70006155..... 491, 1124
70004275..... 457	70004682 . 547, 551, 556, 559	70005191.....418, 459	70006157..... 491
70004276..... 418	70004683..... 551, 559	70005201.....137	70006158..... 491
70004277..... 378, 418	70004684..... 547	70005202..... 137, 141	70006159..... 491
70004279..... 417	70004685..... 547, 556	70005203.....164, 168	70006160..... 491
70004280..... 457	70004686..... 559	70005232..... 138, 142	70006161..... 491
70004281..... 457	70004687..... 556	70005298.....81	70006162..... 491
70004282..... 458	70004688..... 703	70005299.....81	70006163..... 491
70004283..... 458	70004738..... 703	70005300.....81	70006164..... 491
70004284..... 458	70004739..... 703	70005301.....81	70006165..... 491
70004353..... 81	70004740..... 703	70005302.....81	70006166..... 491
70004355..... 81	70004741..... 703	70005303.....81	70006167..... 491
70004356..... 81	70004742..... 703	70005304.....81	70006168..... 491
70004361..... 81	70004743..... 703	70005305.....81	70006169..... 491
70004363..... 81	70004744..... 703	70005306.....81	70006170..... 491
70004365..... 81	70004745..... 703	70005307.....81	70006171..... 491
70004367..... 81	70004746..... 703	70005308.....81	70006172..... 491
70004369..... 81	70004747..... 703	70005309.....81	70006173..... 491
70004370..... 81	70004748..... 703	70005311.....81	70006174..... 491
70004371..... 81	70004749..... 703	70005312.....81	70006175..... 491
70004447..... 81	70004750..... 703	70005313.....81	70006176..... 491, 1124
70004459..... 137, 141	70004751..... 703	70005314.....81	70006177..... 491
70004460..... 137, 141	70004752..... 705	70005315.....81	70006178..... 491
70004461..... 137, 141	70004753..... 705	70005316.....81	70006179..... 491
70004463 137, 141, 1122	70004754..... 705	70005317.....81	70006180..... 491
70004504..... 418, 459	70004755..... 705	70005318.....81	70006181..... 491
70004505..... 417	70004756..... 705	70005319.....82	70006182..... 491
70004506..... 417	70004757..... 705	70005320.....82	70006183..... 491
70004507..... 417	70004758..... 705	70005321.....82	70006184..... 491
70004508..... 377, 417	70004759..... 705	70005446.....459	70006185..... 491
70004509..... 417	70004760..... 705	70005466.....502, 510	70006186..... 491
70004510..... 417	70004761..... 705	70005467.....502, 510	70006187..... 491
70004513..... 457	70004762..... 705	70005468.....502, 510	70006188..... 491
70004594..... 137, 141	70004763..... 705	70005469..502, 503, 510, 511	70006189..... 491
70004595 137, 141, 1122	70004764..... 705	70005470.....503, 511	70006191..... 491
70004596..... 137, 141	70004765..... 705	70005471.....503, 511	70006194..... 491
70004597..... 137, 141	70004766..... 705	70005472.....503, 511	70006195..... 491
70004617..... 138, 142	70004767..... 705	70005473.....503, 511	70006196..... 492
70004652..... 137, 141	70004768..... 705	70005474.....503, 511	70006197..... 492
70004653 137, 141, 1122	70004769..... 705	70005475.....503, 511	70006198..... 492
70004654..... 137, 141	70004770..... 705	70005476.....503, 511	70006199..... 492
70004655..... 137, 141	70004771..... 705	70005479.....357, 362	70006200..... 492
70004656..... 137, 141	70004772..... 705	70005527.....418	70006202..... 492
70004657..... 137, 141	70004773..... 706	70005647.....418	70006203..... 492
70004659..... 137, 141		70005648.....377, 418	70006205..... 492
		70005920.....417	70006206..... 492
		70005929.....418	70006207..... 492
			70006208..... 492

SECTION 11 - SPECIAL OPTIONS

70006213.....492, 1124	70009018..... 468, 473	70025142 .. 377, 418, 458	70025781.....458
70006215.....492	70009019..... 468, 473	70025144 417, 457	70025788.....418
70006217.....492	7001433..... 507	70025145 417, 457	70025877.....459
70006219.....492	7001498..... 507	70025146 417, 457	70026210..... 377, 418
70006221.....492	7001625..... 791	70025148 458	7002821..... 1131
70006225.....492	7001626..... 791	70025149 458	7002822..... 1132
70006232.....492	7001627..... 791	70025150 458	7002823..... 1132
70006233.....491	7001629..... 791	70025151 418, 457	7002826..... 1132
70006235.....492	7001630..... 791	70025152 417	7002840..... 1131
70006236.....492	7001909..... 168	70025153 377, 417, 1124	70028538.....418
70006294.....418	7001911..... 168	70025154 417, 457	70028540.....418
70006304..... 164	7001912..... 168	70025159 458	70029433.....418
70006478..... 785	7001913..... 85	70025160 377, 457	70029451.....417
70006479..... 785	7001931..... 168	70025161 377, 418	70029512.....377
70006480..... 785	7001985..... 168	70025164 417, 458	70029517.....418
70006481..... 785	70021202..... 141	70025165 458	70029520.....418
70006482..... 795, 797	70023592. 373, 395, 401,	70025166 459	70029797.....418
70006483..... 795, 797	407, 413, 435, 441,	70025171 457	70031095.....417
70006484..... 797	447, 453	70025176 457	7003928..... 711
70006486..... 779	70023593. 373, 395, 401,	70025177 458	7003941..... 709
70006487..... 779	407, 413, 435, 441,	70025179 458	7003972..... 709
70006488..... 779	447, 453	70025180 458	7003973..... 709
70006489..... 779	70023859..... 137, 141	70025181 377, 417	7003980..... 709
70006552..547, 551, 555,	70023862..... 137, 141	70025182 418, 457	7003982..... 709
559	70023867..... 137, 141	70025183 418, 457	7003983..... 709
70006553..547, 551, 555,	70024457..... 137, 141	70025184 418, 457	7003989..... 709
559	70024473..... 458	70025185 457	7004043..... 169
70006649..... 781	70024494..... 417	70025189 459	7004044..... 169
70006650..... 781	70024502..... 457	70025191 458	7004248..... 157
70006652..... 377, 418	70024503..... 459	70025192 459	7004275..... 1132
70006653.....418	70024504.. 377, 457, 459	70025195 457	7004276..... 1132
70006654..... 795	70024507.. 377, 418, 459	70025198 457	7004290..... 157
70006655..... 795	70024509..... 418	70025200 418, 458	7007207..... 502, 506, 510
70006734..... 781	70024512..... 459	70025201 458	7007208..... 502, 506, 510
70006735..... 781	70024513.. 377, 417, 457	70025205 417	7007412..... 503, 507, 511
70006736..... 781	70024517..... 417	70025209 459	7007413..... 502, 506, 510
70006900..... 783	70024904..... 417, 457	70025210 418, 458, 1124	7007414..... 506
70006930..... 783	70024905..... 417, 457	70025211 459	7007415..... 502, 510
70006931..... 783	70024906..... 417, 457	70025212 418	7007417..... 502, 506, 510
70006932..... 783	70024910..... 458	70025213 459	7007418..... 502, 506, 510
70006933..... 783	70024912..... 418, 458	70025214 459	7007419 89, 91, 502, 506,
70006934..... 783	70024913..... 458	70025215 458	510
7000695..... 357, 362	70024914..... 458	70025216 458	7007420 89, 91, 502, 503,
70007108..... 492	70024915..... 418, 458	70025217 459	510, 511
70007325..... 418	70024917..... 418, 459	70025218 459	7007422..... 503, 511
70007326..... 417	70024918..... 459	70025219 459	7007423..... 502, 506, 510
70007331..... 418	70024920.. 418, 457, 459	70025220 459	7007425..... 502, 506, 510
70007354..... 417	70024922..... 377, 418	70025221 458, 459	7007430..... 503, 511
70007355..... 418	70024924..... 377, 417	70025222 459	7007431..... 503, 511
70007387..... 777	70024925..... 417, 457	70025223 459	7007434..... 503, 511
70007388..... 777, 789	70024961.. 377, 417, 457	70025224 459	7007435..... 502, 506, 510
70007389..... 777, 789	70025076..... 457	70025225 459	7007437..... 93, 95, 506
70007390..... 777, 789	70025082..... 457	70025226 458	7007438 93, 95, 502, 506,
70007391..... 777, 789	70025084..... 357, 458	70025228 458	510
70007392..... 777	70025088..... 457	70025231 417, 458	7007439..... 89, 91, 93, 95,
70007393..... 789	70025091..... 457	70025233 458	502, 506, 510
70007438..... 89, 91	70025101..... 457	70025235 418, 457	7007441..... 503, 506, 511
70007460..... 787	70025109..... 458	70025236 459	7007442..... 502, 506, 510
70007461..... 787	70025111..... 417, 458	70025237 459	7007443..... 502, 510
70007462..... 787	70025113..... 459	70025238 459	7007444..... 503, 506, 511
70007463..... 787	70025115..... 458	70025239 417, 457	7007446..... 89, 91, 93, 95,
70007464..... 787	70025120..... 418, 459	70025240 457	502, 506, 510
70007465..... 787	70025130..... 377	70025241 459	7007448..... 502, 510
70007466..... 619, 621	70025131..... 458	70025242 418, 459	7007450..... 503, 511
70007467..... 619, 621	70025133..... 458	70025477..... 378	7007452..... 506
70007489..... 418	70025135..... 417, 457	70025660..... 459	7007453..... 503, 506, 511
70007603..... 377	70025140..... 417, 457	70025779..... 458	7007454..... 506

SECTION 11 - SPECIAL OPTIONS

7007457 502, 506, 510	7012912 145, 146	7017422.....149	7021218 507
7007459 502, 507, 510	7012914 145, 146, 635	7017427 145	7021219 503, 507, 511
7007463 502, 507, 510	7012918 145, 146, 635	7017428 145, 146	7021220 503, 507, 511
7007464 502, 507, 510	7012941 ... 123, 125, 127, 129, 131, 133	7017452 635	7021221 503, 507, 511
7007465 502, 507, 510	7012943 ... 123, 125, 127, 129, 131, 133, 1122	7017464 145	7021222 503, 507, 511
7007466 507	7012944 ... 123, 125, 127, 129, 131, 133, 145, 1122	7017496.....775, 847, 851	7021223 503, 506, 511
7007470 506	7012953 ... 127, 133, 145, 149, 627, 629, 631, 633, 635	7018912.... 145, 146, 149, 151	7021232 503, 507, 511
7007472 507	7012959 ... 123, 125, 127, 129, 131, 133	7018941 145	7021233 502, 510
7007474 507	7012965 149, 635	7018942.... 137, 141, 149, 151	7021249 89, 91, 93, 95
7007475 507	7012967 145, 146, 635	7018945..... 149, 151	7021256 ... 502, 503, 506, 510, 511
7007476 503, 507, 511	7012969 146	7018946 149, 151	7021275 89, 91, 93, 95
7007477 503, 507, 511	7012970 ... 127, 133, 627, 629, 631, 633	7018948 151	7021310 146
7007478 507	7012987 513	7018952 146	7021375 ... 137, 141, 145, 146
7007484 503, 507, 511	7012988 513	7019162 709	7021625 97, 99, 101
7007485 503, 507, 511	7012989 145, 635	7019164 709	7021639 ... 845, 847, 849, 851
7007487 503, 507, 511	7012995 ... 123, 125, 127, 129, 131, 133	7019165 709	7021653 635
7007488 503, 507, 511	7012998 ... 145, 146, 149, 151	7019167 709	7022162 491
7007489 513	7013189 183	7019194 709	7022302 93, 95
7007494 507	7014676 1132	7019658 185, 187, 189	7022311 89, 91, 93, 95
7007496 507	7016314 185, 187, 189	7019680 533, 535, 543	7022313 93, 95
7007497 507	7016319 277, 279	7020020 123, 125, 127, 129, 131, 133	7022314 89, 91, 93, 95
7007498 507	7016322 285, 287, 289	7020021 123, 125, 127, 129, 131, 133	7022321 89, 91
7007633 164, 168	7016328 .. 357, 361, 1124	7020108 533, 535, 539, 541, 543	7022326 93, 95
7010103 513	7016331 ... 357, 361, 377, 417, 457, 1124	7020109 533, 535, 539, 541, 543	7022328 93, 95
7010104 513	7016372 277, 279	7020110 533, 535, 539, 541, 543	7022368 89, 91, 93, 95
7010105 513	7016374 285, 287, 289	7020111 533, 535, 539, 541, 543	7022371 89, 91, 93, 95
7010116 ... 502, 506, 507, 510	7016652 1132	7020175 213, 215, 219, 223, 227, 231, 235, 239, 243, 247, 251, 693, 697	7022372 95
7010117 503, 511	7016654 1132	7020176 213, 215, 219, 223, 227, 231, 235, 239, 243, 247, 251, 693, 697	7022397 97, 99, 101
7010119 503, 511	7016655 1132	7020190 533, 535, 539, 541, 543	7022399 97, 99, 101
7010121 502, 507, 510	7017022 86	7020192 541	7022808 711
70104570 459	7017023 164, 168	7020403 357, 361	7022815 711
7010474 168	7017027 85	7020404 457	7022819 711
7010492 164, 168	7017028 164	7020408 357, 362	7022825 709
7010542 145	7017070 164, 168	7020431 357, 361	7023038 791
7010543 ... 123, 125, 127, 129, 131, 133, 145	7017072 85, 164, 168	7020460 357	7023910 93, 95
7011043 157	7017080 164, 168	7020465 357, 361, 377, 417, 457	7023911 635
7011044 157	7017082 169	7020468 357, 361	7023912 635
7011048 157	7017085 164, 169	7020471 358, 362	7023917 101
7011062 157	7017093 85	7020479 358, 362	7023933 97, 101
7011063 157	7017095 85	7020487 357, 361	7023935 97, 99, 101
7011064 157	7017142 599, 613	7020492 458	7023936 97, 99, 101
7011065 157	7017159 599, 613	7021200 502, 506, 510	7023977 506
7011066 157	7017162 599, 613	7021201 503, 507, 511	7023979 503, 507, 511
7011112 777	7017163 599, 613	7021202 502, 506, 510	7024100 164, 169
70123584 377	7017164 599, 613	7021203 503, 506, 511	7024124 85
70124507 377	7017172 599	7021206 503, 507, 511	7024125 85
70124530 459	7017183 613	7021207 502, 506, 510	7024127 85
70124538 459	7017192 599	7021210 502, 510	7024129 85
7012513 ... 533, 535, 539, 541, 543	7017193 613	7021212 502, 507, 510	7024134 86
7012514 ... 533, 535, 539, 541, 543	7017195 599, 613	7021214 502, 507, 510	7024379 169
7012518 ... 123, 125, 127, 129, 131, 133, 145	7017402 635	7021217 507	7024380 169
7012558 533, 535, 543	7017406 635		7024381 169
7012664 .. 346, 350, 1124	7017410 145		7024389 169
7012769 146	7017418 145		7024390 169
7012772 ... 145, 146, 149, 151, 1122	7017420 151		7024398 362
7012773 ... 137, 141, 145, 146, 149, 151	7017421 149		7024404 181, 183
7012774 146, 151			7024439 193
7012775 145, 146			7024440 193
7012776 149			7024441 193
7012799 145, 146			7024443 193
			7024444 193, 1124
			7024445 193
			7024446 193
			7024453 169

SECTION 11 - SPECIAL OPTIONS

7024458.....169	7024742.....85	7027276.....358, 362	8405009....373, 395, 401,
7024462.....735	7024743.....85, 168	7027404.....492	407, 413, 435, 441,
7024463.....735	7024744.....85, 86	7027419.....93, 95	447, 453, 480, 486
7024467.....735	7024762.....164	7027740....89, 91, 93, 95	8405102.....480, 486
7024469.....735	7024763.....164, 168	7027773.....735	8405104....373, 395, 401,
7024470.....735	7024764.....86	7027774.....735	407, 413, 435, 441,
7024471.....735, 739	7024765.....86	7027775.....735	447, 453, 481, 487
7024472.....735	7024766.....86	7027776.....735	8405203.....481, 487
7024473.....735	7024784.....164, 169	7027777.....735	8405204....373, 395, 401,
7024474.....735	7024800.....507	7027778.....735	407, 413, 435, 441,
7024475.....735	7024851....503, 507, 511	7027779.....735	447, 453
7024478.....735	7024853.....93	7027780.....735	8406101.....468, 472
7024485....563, 567, 579,	7024862.....93, 95	7027790.....358, 362	8406109.....481, 487
583	7024865.....93, 95	7027791.....358, 362	8406110....373, 395, 401,
7024488....564, 568, 571,	7024867...89, 91, 93, 95	7027792.....358, 362	407, 413, 435, 441,
575, 579, 583	7024868.....89, 91	7027795...357, 361, 1124	447, 453
7024489....564, 568, 571,	7024871.....93, 95	7027796.....358, 361	8406201....153, 365, 373,
575, 579, 583	7024874.....502, 510	7027799...563, 567, 576,	381, 385, 395, 401,
7024530.....739	7024875.....502, 510	579, 583	407, 413, 421, 425,
7024531.....739	7024877.....503, 511	7027887...533, 535, 539,	435, 441, 447, 453,
7024532.....739	7024881.....845, 849	541, 543	482, 488
7024533.....739	7024892.....97, 99, 101	7028909.....281, 283	8406302.....207
7024534.....739	7026188...563, 567, 579,	77143013.213, 215, 219,	8410001.....481, 487
7024535.....739	583	223, 227, 231, 235,	8410009.....482, 488
7024536.....739	7026197.....181, 183	239, 243, 247, 251	8410011....373, 395, 401,
7024537.....739	7026199....533, 535, 543	77363233.....1015, 1017	407, 413, 442, 454,
7024560.....362	7026503.....181	80233041..855, 863, 867	481, 487
7024579....357, 361, 417,	7026504.....181	80434249.137, 141, 1122	8410013....373, 395, 401,
457	7026505.....181, 183	80484084.....999, 1003	407, 413, 435, 441,
7024598....285, 287, 289	7026506.....181, 183	80934561.....181, 183	447, 453
7024704.....164, 168	7026507.....181, 183	80983191.....1000, 1003,	84719619.....810
7024721.....86	7026509.....181, 183	1122	85941017..315, 317, 319,
7024722.....85	7026511.....183	8220051.....1013	321, 325
7024723.....86	7026597...563, 567, 576,	8220115.....1003	85941018.....468, 472
7024724.....85	579, 583	8220164.....999	88261024..627, 629, 631,
7024725.....85	7026626...563, 567, 576,	8229242.....1000, 1003,	633
7024726.....85	579, 583	1033, 1122	88411013.....155, 939
7024727.....85	7026631.....357, 361	8229249.....647, 1035	88521205..153, 155, 315,
7024728.....85	7027002.....319, 321	8270147...365, 381, 385,	317, 319, 322, 325
7024729.....85	7027003.....319, 321	421, 426, 468, 473	88521214..763, 765, 767,
7024730.....85	7027004.....319, 321	8305401.....480, 486	769, 771
7024731.....85	7027072...365, 381, 385,	8307109.....480, 486	8896941.....1131
7024732.....85	421, 426, 468, 473	8310129.....759	91143177...855, 863, 867
7024733.....85	7027073...365, 381, 386,	8310230.....761	91203039.....615
7024734.....85	421, 426, 468, 473	8310548.....480, 486	91401281..153, 315, 317,
7024735.....85	7027074...365, 381, 386,	8405006...365, 381, 385,	319, 321, 325
7024736.....85	421, 426	421, 425, 461, 463,	91403102..395, 401, 407,
7024737.....86	7027075...365, 381, 386,	480, 486	413, 435, 441, 447,
7024738.....85	421, 426, 468, 473	8405007...373, 395, 401,	453, 1124
7024739.....85	7027076...366, 381, 386,	407, 413, 435, 441,	91403244..373, 395, 401,
7024740.....85	422, 426	447, 453	407, 413
7024741.....85	7027236.....357, 361		91474405.....142



**Corporate Office
JLG Industries, Inc.
1 JLG Drive
McConnellsburg, PA 17233-9533 USA**
☎ (717) 485-5161 (Corporate)
☎ (877) 554-5438 (Customer Support)
📠 (717) 485-6417

**Visit our website for JLG Worldwide Locations.
www.jlg.com**



OSHKOSH™