



# Illustrated Parts Manual

## **Models** **600A** **600AJ**

SN 0300177361  
TO SN 0300272252

**P/N**  
**3121617**

March 30, 2020 - Rev S

**ANSI**

**CE**



**AS/NZS**



An Oshkosh Corporation Company



## REVISION LOG

### NOTES:

**Note: The 600A & 600AJ Boom Lifts are manufactured by JLG Industries in the following countries: USA and China. Refer to the Serial Number Tag to identify the country of manufacture. The country of manufacture may be determined by the Serial Number. machines manufactured in the USA will have a serial number prefix of 03 (i.e. 03xxxxxxxx). Machines manufactured in China will have a serial number prefix of B3 (i.e. B3xxxxxxxx).**

### PARTS MANUAL REVISION LOG:

September 1, 2013 - A - Original Issue of Manual (Manual edited to 1001160000 Revision B)  
September 30, 2014 - B - Revised Manual (Manual edited to 1001160000 Revision B)  
April 3, 2015 - C - Revised Manual (Manual edited to 1001160000 Revision B)  
June 1, 2015 - D - Revised Manual (Manual edited to 1001160000 Revision AC)  
September 1, 2015 - E - Revised Manual (Manual edited to 1001160000 Revision AL) (Revision 5)  
December 14, 2015 - F - Revised Manual (Manual edited to 1001160000 Revision AL) (Revision 3)  
March 14, 2016 - G - Revised Manual (Manual edited to 1001160000 Revision AN) (Revision 3)  
June 7, 2016 - H - Revised Manual (Manual edited to 1001160000 Revision AN) (Revision 2)  
September 14, 2016 - I - Revised Manual (Manual edited to 1001160000 Revision AN) (Revision 2)  
December 22, 2016 - J - Revised Manual (Manual edited to 1001160000 Revision BC) (Revision 2)  
March 31, 2017 - K - Revised Manual (Manual edited to 1001160000 Revision BC) (Revision 2)  
June 15, 2017 - L - Revised Manual (Manual edited to 1001160000 Revision BH) (Revision 1)  
September 11, 2017 - M - Revised Manual (Manual edited to 1001160000 Revision BH) (Revision 3)  
December 15, 2017 - N - Revised Manual (Manual edited to 1001160000 Revision BJ) (Revision 2)  
March 9, 2018 - O - Revised Manual (Manual edited to 1001160000 Revision BL) (Revision 2)  
June 22, 2018 - P - Revised Manual (Manual edited to 1001160000 Revision BQ) (Revision 2)  
September 1, 2018 - Q - Revised Manual (Manual edited to 1001160000 Revision BS) (Revision 1)  
December 18, 2018 - R - Revised Manual (Manual edited to 1001160000 Revision CG) (Revision 3)  
March 30, 2020 - S - Revised Manual (Manual edited to 1001160000 Revision CG) (Revision 3)

# GENERAL INFORMATION

**SECTION 6 CYLINDER**

**FIGURE 6-3. LIFT CYLINDER ASSEMBLY**

PG#      Model Designation      Manual #

**SECTION 6 CYLINDER**

**FIGURE 6-3. LIFT CYLINDER ASSEMBLY**

ITEM #	PART NUMBER	QTY.	DESCRIPTION	REV.
	1001140104	Ref	LIFT CYLINDER ASSEMBLY	B
1	0100011	AR	Compound, Locking	
2	0630535	3	Capscrew 1/4-20 x 1-1/8	
3	0791003	1	Screw #10-24 x 3/8	
4	0961897	1	Bushing, Tapered	
5	1320136	1	Clamp, Cable	
6	1663063	1	Head	
7	2220893	1	Plug, O-Ring	
8	2220885	2	Plug, O-Ring	
9	2220886	1	Plug, O-Ring	
10	3020039	AR	Lubricant	
11	3480282	1	Piston	
12	3760371	1	Ring, Washer	
13	3931420	8	Capscrew 1/4-20 x 1-1/4	
14	3931824	8	Capscrew 1/2-13 x 1-1/2	
15	3951003	1	Set screw #10-24 x 3/8	
16	4100099	1	Spacer	
17	4640999	1	Cartridge, Holding Valve (Non Vented)	
17	2900792		Kit, Seal - 4640999 Cartridge Valve	
18	4641248	1	Cartridge, Counterbalance Valve (Non Vented)	
18	70004186		Kit, Seal - 4641248 Cartridge Valve	
19	1001117991	1	Sensor, Cylinder Length	
20	1001118070	1	Cap, Retainer	
21	1001118084	1	Barrel	
21A	0961950	2	Bushing	
22	1001118086	1	Rod	
22A	0961950	2	Bushing	
100	1001139996	1	Kit, Seal (Includes Items 101-109)	
101	See Note	2	Ring, Wear (Note: Use p/n 1001139996)	
102	See Note	1	Ring, Back-Up (Note: Use p/n 1001139996)	
103	See Note	2	Ring, Lock (Note: Use p/n 1001139996)	
104	See Note	2	Ring, Back-Up (Note: Use p/n 1001139996)	
105	See Note	2	O-Ring (Note: Use p/n 1001139996)	
106	See Note	1	O-Ring (Note: Use p/n 1001139996)	
107	See Note	1	Seal (Note: Use p/n 1001139996)	
108	See Note	1	Wiper, Rod (Note: Use p/n 1001139996)	
109	See Note	2	Seal (Note: Use p/n 1001139996)	
200	1001119105	1	Kit, Sensor Magnet (Includes Items 201-203)	
201	See Note	NSS	Sleeve, Spacer (Note: Use p/n 1001119105)	
202	1001118066	1	Magnet, Sensor	
203	1001118069	1	Spring, Internal Retaining	

Manual #      Model Designation      PG#

## 1) MACHINE IDENTIFICATION

Machines are identified by model and in some cases a combination of models, serial number (SN) or regional standard (i.e. ANSI, CE, CSA). Components may also be identified by SN or manufacturer. Common components that may be identified by these characteristics are engines and hydraulic components.

## 2) PARTS MANUAL ORGANIZATION

Product information in this manual is organized under section titles. Frame, Cylinder, Hydraulic and Electrical are a few examples. Each section is organized by figure and page number. The information within the Figure is then organized by item number, part number, description and corresponding illustration(s).

## 3) TABLE OF CONTENTS

A table of contents is found toward the beginning of the manual. Figure number, description and page number are provided for quick reference to the page containing the related information.

## 4) RECOMMENDED SPARE PARTS

The Recommended Spare Parts, located near the end of the manual, reference most frequently used maintenance parts.

## 5) PART NUMBER INDEX

A numerical index listing all part numbers and the corresponding page number(s) appears at the back of the manual.

## GENERAL INFORMATION

### 6) NON-SERVICED PARTS

In some instances, it is necessary to display non-serviced parts, assemblies or installations. In the case of assemblies and installations there will be a Ref in the Qty column. In case of parts that are not available for service within assemblies or components, there will be a NSS (Not Sold Separately) or NLA (No Longer Available) listed in the Qty. column of the manual.

### 7) PARTS LIST ITEM NUMBERS

Numbers shown in the item# column correspond to numbers used in the associated illustration (s). Item numbers which are missing from the sequence in the parts list are not used on that page

### 8) INDENTED PARTS DESCRIPTION

An indented part description is included in the item under which it is indented.

### 9) ABB REVIATION AND SYMBOLS

AC.....	.. Alternating Current	LCD .....	.. Liquid Crystal Display
ADE.....	..Advanced Design Electronics	LED .....	.. Light Emitting Diodes
ANSI .....	..American National Standards Institute	LH.....	.. Left Hand
AR.....	..As Required	LSS .....	..Load Sensing System
ASSY .....	.. Assembly	M(m).....	.. Metric/Meter
AUX.....	..Auxiliary	MM (mm) .....	..Milimeter
AWG.....	..American WireGauge	mA.....	.. Miliamps
B/M.....	.. Bill of Material	NLA.....	..No Longer Available
CE.....	..European Conformity	NPT .....	.. National Pipe Threads
CCW .....	..Counter Clockwise	NSS .....	..Not So Id Separately
cm.....	..Centimeter	OD.....	..Outside Diameter
CW .....	..Clockwise	ORB.....	.. O-Ring Boss
CSA.....	..Canadian Standards Association	ORFS.....	.. O-Ring Face Seal
CYL.....	..Cylinder	OZ (oz) .....	..Ounces
DIA.....	..Diameter	PG .....	..Page
DC.....	..Direct Current	P/N.....	..Part Number
EMS .....	.. Emergency Stop	qt.....	..Quarts
ENG .....	..Engine	QTY.....	..Quantity
FT (ft).....	..Feet	REF .....	..Reference
GA (Ga).....	..Gauge	REV .....	..Revision Level
HYD.....	..Hydraulic	RH.....	.. Right Hand
Hz.....	..Hertz	SAE.....	.. Society of Automotive Engineers
ID.....	..Inside Diameter	SN.....	..Serial Number
in.....	..inches	SPEC(S).....	..Specifications
ISO .....	..International Organization for Standards	T/T.....	..Turntable
JIC.....	..Joint Industry Council	UGM .....	..Universal Ground Module
KG .....	..Kilogram	V.....	..Volts
L.....	..Liter	W.....	..Watts
LB.....	..Pounds	#.....	.. Number

### 10) ILLUSTRATION REFERENCE LETTERS

When necessary, illustrations may contain reference letters that are intended to track information (i. e. hoses, harnesses) from one point to another or to track visual enlargement of components to show details that may be located in another area on the illustration.

*Note: Due to continuous product improvements, JLG Industries, Inc. reserves the right to make specification changes without prior notification. Contact JLG Industries, Inc. for updated information.*



# TABLE OF CONTENTS

SECTION 1 - FRAME.....	11
FIGURE 1-1. AXLE INSTALLATION .....	12
FIGURE 1-2. STEERING INSTALLATION (8FT/2.4M WIDE MACHINES WITHOUT TOW PACKAGE) .....	14
FIGURE 1-3. STEERING INSTALLATION (8FT/2.4M WIDE MACHINES WITH TOW PACKAGE).....	18
FIGURE 1-4. STEERING INSTALLATION (7FT/2.1M WIDE MACHINES) .....	22
FIGURE 1-5. TIRE AND WHEEL DRIVE INSTALLATIONS.....	26
FIGURE 1-6. DRIVE HUB ASSEMBLY .....	30
FIGURE 1-7. DRIVE MOTOR ASSEMBLY .....	34
FIGURE 1-8. DRIVE VALVES AND SHIELDS INSTALLATION (FRAME MOUNTED).....	38
FIGURE 1-9. TOW PACKAGE INSTALLATION (OPTIONAL) .....	42
SECTION 2 - TURNTABLE.....	45
FIGURE 2-1. CONTROL VALVES INSTALLATIONS.....	46
FIGURE 2-2. MAIN VALVE BLOCK ASSEMBLY .....	50
FIGURE 2-3. MAIN VALVE BLOCK ASSEMBLY .....	54
FIGURE 2-4. ACCESSORY VALVE ASSEMBLIES .....	58
FIGURE 2-5. SWING DRIVE, TURNTABLE BEARING AND LOCK INSTALLATIONS.....	60
FIGURE 2-6. SWING MOTOR/HUB ASSEMBLY (Prior to SN 0300269965) .....	62
FIGURE 2-7. SWING MOTOR/HUB ASSEMBLY (SN 0300269965 to Present) .....	66
FIGURE 2-8. DEUTZ D2011 ENGINE INSTALLATION .....	70
FIGURE 2-9. DEUTZ TD2.9L4 ENGINE INSTALLATION .....	80
FIGURE 2-10. BREATHER HEATER INSTALLATION - DEUTZ D2.9L4 ENGINES WITH ARCTIC PACKAGE .....	92
FIGURE 2-11. FORD ENGINE INSTALLATION.....	94
FIGURE 2-12. GM ENGINE INSTALLATION .....	106
FIGURE 2-13. PISTON PUMP ASSEMBLY (SN 0300177361 through 0300208081).....	114
FIGURE 2-14. PISTON PUMP ASSEMBLY (SN 0300208082 through 0300272252).....	118
FIGURE 2-15. GEAR PUMP ASSEMBLY .....	124
FIGURE 2-16. FUEL-WATER SEPARATOR INSTALLATION - DEUTZ D2011 AND DEUTZ D2011 STAGE V ENGINES .....	126
FIGURE 2-17. TANK INSTALLATIONS.....	128
FIGURE 2-18. ROTARY COUPLING INSTALLATION.....	132
FIGURE 2-19. GROUND CONTROL BOX ASSEMBLY (SN 0300177361 through 0300181174).....	136
FIGURE 2-20. GROUND CONTROL BOX ASSEMBLY (SN 0300181175 through 0300272252).....	140
FIGURE 2-21. ELECTRICAL OPTIONS INSTALLATIONS (TURNTABLE MOUNTED) .....	146
FIGURE 2-22. ENGINE TRAY JACK INSTALLATIONS (OPTIONAL) .....	150
FIGURE 2-23. HOODS INSTALLATIONS.....	152
FIGURE 2-24. 2500W GENERATOR INSTALLATION - DEUTZ D2011 MACHINES (OPTIONAL).....	158
FIGURE 2-25. 2500W GENERATOR INSTALLATION - DEUTZ TD2.9L4 (OPTIONAL) .....	162
FIGURE 2-26. 2500W GENERATOR INSTALLATION - FORD MACHINES (OPTIONAL).....	164
FIGURE 2-27. 2500W GENERATOR INSTALLATION - GM MACHINES (OPTIONAL) .....	168
FIGURE 2-28. 4000W GENERATOR INSTALLATION - DEUTZ D2011 ENGINES.....	172
FIGURE 2-29. 4000W GENERATOR INSTALLATION - DEUTZ TD2.9L4 ENGINES.....	176
FIGURE 2-30. 4000W GENERATOR INSTALLATION - GM ENGINES.....	180
FIGURE 2-31. 7500W SKYPOWER GENERATOR INSTALLATION - DEUTZ ENGINES.....	184
FIGURE 2-32. 7500W SKYPOWER GENERATOR INSTALLATION - FORD ENGINES.....	192
FIGURE 2-33. 7500W SKYPOWER GENERATOR INSTALLATION - GM ENGINES.....	196

# TABLE OF CONTENTS

SECTION 3 - BOOM.....	201
FIGURE 3-1. BOOMS AND CYLINDERS INSTALLATION (600A) .....	202
FIGURE 3-2. BOOMS AND CYLINDERS INSTALLATION (600AJ) .....	206
FIGURE 3-3. TOWER BOOM ASSEMBLY .....	214
FIGURE 3-4. MAIN BOOM ASSEMBLY .....	218
FIGURE 3-5. ROTATOR ASSEMBLIES .....	222
FIGURE 3-6. PLATFORM SUPPORT INSTALLATION - WITHOUT LSS OR WITH 4 CELL LSS .....	224
FIGURE 3-7. PLATFORM SUPPORT INSTALLATION - WITH 1 CELL LSS .....	228
FIGURE 3-8. VALVES AND SWITCHES INSTALLATION (BOOM MOUNTED) .....	230
SECTION 4 - PLATFORM .....	235
FIGURE 4-1. PLATFORM ASSEMBLIES .....	236
FIGURE 4-2. CONSOLE BOX INSTALLATION (WITH 1 CELL LSS) (SN 0300177361 through 0300259736).....	240
FIGURE 4-3. CONSOLE BOX INSTALLATION (WITH 1 CELL LSS) (SN 0300259737 through 0300272252).....	242
FIGURE 4-4. PLATFORM COMPONENTS INSTALLATION (FALL ARREST PLATFORM) .....	244
FIGURE 4-5. PLATFORM CONSOLE ASSEMBLY (WITHOUT SKYGUARD) .....	246
FIGURE 4-6. PLATFORM CONSOLE ASSEMBLY (WITH SKYGUARD).....	250
FIGURE 4-7. CONTROLLER ASSEMBLY (LIFT AND SWING) (SN 0300177361 through 0300188647) .....	254
FIGURE 4-8. CONTROLLER ASSEMBLY (LIFT AND SWING) (SN 0300188648 through 0300272252) .....	256
FIGURE 4-9. CONTROLLER ASSEMBLY (DRIVE AND STEER) (SN 0300177361 through 0300188647).....	260
FIGURE 4-10. CONTROLLER ASSEMBLY (DRIVE AND STEER) (SN 0300188648 through 0300272252).....	262
FIGURE 4-11. SKYEYE INSTALLATION.....	264
FIGURE 4-12. SKYGUARD SYSTEM INSTALLATION (SN 0300177361 through 0300259736) .....	266
FIGURE 4-13. SKYGUARD BAR INSTALLATION (SN 0300259737 through 0300272252).....	268
FIGURE 4-14. SKYLINE INSTALLATION .....	270
FIGURE 4-15. CROSS RAIL INSTALLATION .....	272
FIGURE 4-16. PLATFORM PADDING INSTALLATION (30IN/76CM DEPTH PLATFORMS) (OPTIONAL).....	274
FIGURE 4-17. SOFT TOUCH SYSTEM INSTALLATION (36IN/91.5CM DEPTH PLATFORMS) (OPTIONAL) .....	276
FIGURE 4-18. SKYGLAZIER INSTALLATION.....	280
FIGURE 4-19. SKYWELDER/SKYCUTTER COMBO INSTALLATION (60HZ) .....	284
FIGURE 4-20. SKYWELDER INSTALLATION (50HZ).....	288
FIGURE 4-21. SKYWELDER INSTALLATION (60HZ).....	290
FIGURE 4-22. SKYWELDER PREP PACKAGE (60HZ) .....	292
FIGURE 4-23. WELDER ASSEMBLY .....	294
FIGURE 4-24. SKYWELDER LOCKING BRACKET INSTALLATION.....	296
FIGURE 4-25. SKYCUTTER INSTALLATION .....	298
FIGURE 4-26. PLASMA CUTTER ASSEMBLY .....	300
FIGURE 4-27. PIPE RACKS INSTALLATION.....	302
FIGURE 4-28. FALL ARREST INSTALLATION (BOLT-ON EXTERNAL) (6FT/1.82M PLATFORM).....	304
FIGURE 4-29. FALL ARREST INSTALLATION (BOLT-ON EXTERNAL) (6FT/1.82M TRI-ENTRY PLATFORM).....	306
FIGURE 4-30. FALL ARREST INSTALLATION (BOLT-ON EXTERNAL) (8FT/2.4M PLATFORM).....	308
SECTION 5 - CYLINDER.....	311
FIGURE 5-1. AXLE LOCKOUT CYLINDER ASSEMBLY.....	312
FIGURE 5-2. LEVEL (PLATFORM SLAVE) CYLINDER ASSEMBLY.....	314
FIGURE 5-3. LEVEL (PLATFORM SLAVE) CYLINDER ASSEMBLY (600A) (SN 0300233771 through 0300241337).....	318



# TABLE OF CONTENTS

FIGURE 5-4. LEVEL (PLATFORM SLAVE) CYLINDER ASSEMBLY (600A) (SN 0300241338 through 0300272252) .....	320
FIGURE 5-5. LEVEL (PLATFORM SLAVE) CYLINDER ASSEMBLY - WITHOUT ARCTIC PACKAGE (600AJ) (SN 0300229829 through 0300241337) .....	322
FIGURE 5-6. LEVEL (PLATFORM SLAVE) CYLINDER ASSEMBLY - WITH ARCTIC PACKAGE (600AJ) (SN 0300229829 through 0300241337) .....	324
FIGURE 5-7. LEVEL (PLATFORM SLAVE) CYLINDER ASSEMBLY (600AJ) (SN 0300241338 through 0300272252) .....	326
FIGURE 5-8. LEVEL (UPRIGHT) CYLINDER ASSEMBLY (SN 0300177361 through 0300237381) .....	328
FIGURE 5-9. LEVEL (UPRIGHT) CYLINDER ASSEMBLY (SN 0300237382 through 0300272252) .....	330
FIGURE 5-10. LIFT CYLINDER ASSEMBLY - JIB (600AJ) (SN 0300177361 through 0300241337) .....	332
FIGURE 5-11. LIFT CYLINDER ASSEMBLY - JIB (600AJ) (SN 0300241338 through 0300244755) .....	334
FIGURE 5-12. LIFT CYLINDER ASSEMBLY - JIB (600AJ) (SN 0300244756 through 0300272252) .....	336
FIGURE 5-13. LIFT CYLINDER ASSEMBLY - MAIN BOOM (SN 0300177361 through 0300237381) .....	338
FIGURE 5-14. LIFT CYLINDER ASSEMBLY - MAIN BOOM (SN 0300237382 through 0300272252) .....	340
FIGURE 5-15. LIFT CYLINDER ASSEMBLY - TOWER BOOM (SN 0300177361 through 0300239707) .....	342
FIGURE 5-16. LIFT CYLINDER ASSEMBLY - TOWER BOOM (SN 03000239708 through 0300272252) .....	344
FIGURE 5-17. MASTER CYLINDER ASSEMBLY (SN 0300177361 through 0300241337) .....	346
FIGURE 5-18. MASTER CYLINDER ASSEMBLY (600A) (SN 0300241338 through 0300272252) .....	350
FIGURE 5-19. MASTER CYLINDER ASSEMBLY (600AJ) (SN 0300241338 through 0300272252) .....	352
FIGURE 5-20. STEER CYLINDER ASSEMBLY (7FT/2.1M WIDE MACHINES) .....	354
FIGURE 5-21. STEER CYLINDER ASSEMBLY (8FT/2.4M WIDE MACHINES) .....	356
FIGURE 5-22. TELESCOPE CYLINDER ASSEMBLY - MAIN BOOM .....	358
FIGURE 5-23. TELESCOPE CYLINDER ASSEMBLY - MAIN BOOM (600A) (SN 0300241338 through 0300272252) .....	360
FIGURE 5-24. TELESCOPE CYLINDER ASSEMBLY - MAIN BOOM (600AJ) (SN 0300242729 through 0300272252) .....	362
FIGURE 5-25. TELESCOPE CYLINDER ASSEMBLY - TOWER BOOM (SN 0300177361 through 0300237381) .....	364
FIGURE 5-26. TELESCOPE CYLINDER ASSEMBLY - TOWER BOOM (SN 0300237382 through 0300272252) .....	366
SECTION 6 - HYDRAULIC .....	369
FIGURE 6-1. DRIVE HYDRAULIC DIAGRAM - 2WD/2WS .....	370
FIGURE 6-2. DRIVE HYDRAULIC DIAGRAM - 4WD/2WS .....	372
FIGURE 6-3. HYDRAULIC DIAGRAM - OSCILLATING AXLE .....	376
FIGURE 6-4. HYDRAULIC DIAGRAM - STANDARD (SN 0300177361 through 0300181174) .....	378
FIGURE 6-5. HYDRAULIC DIAGRAM - STANDARD (SN 0300181175 through 0300208081) .....	384
FIGURE 6-6. HYDRAULIC DIAGRAM - STANDARD (SN 0300208082 through 0300272252) .....	388
FIGURE 6-7. HYDRAULIC DIAGRAM LIST .....	394
SECTION 7 - ELECTRICAL .....	397
FIGURE 7-1. ELECTRICAL DIAGRAM LIST .....	398
FIGURE 7-2. HARNESS COMPONENTS INSTALLATION (SN 0300177361 through 0300181174) .....	400
FIGURE 7-3. HARNESS COMPONENTS INSTALLATION (SN 0300181175 through 0300272252) .....	420
FIGURE 7-4. BATTERY DISCONNECT SWITCH INSTALLATION – DEUTZ 2.9L4, GM AND FORD ENGINES .....	442
FIGURE 7-5. BATTERY DISCONNECT SWITCH INSTALLATION – DEUTZ D2011 AND D2011 (STAGE V) ENGINES .....	444
FIGURE 7-6. SKYEYE INTERMEDIATE HARNESS .....	446
FIGURE 7-7. SKYEYE EMITTER HARNESS .....	448
FIGURE 7-8. SKYEYE RECEIVER HARNESS .....	450
FIGURE 7-9. SKYLINE HARNESS .....	452
SECTION 8 - DECALS .....	455

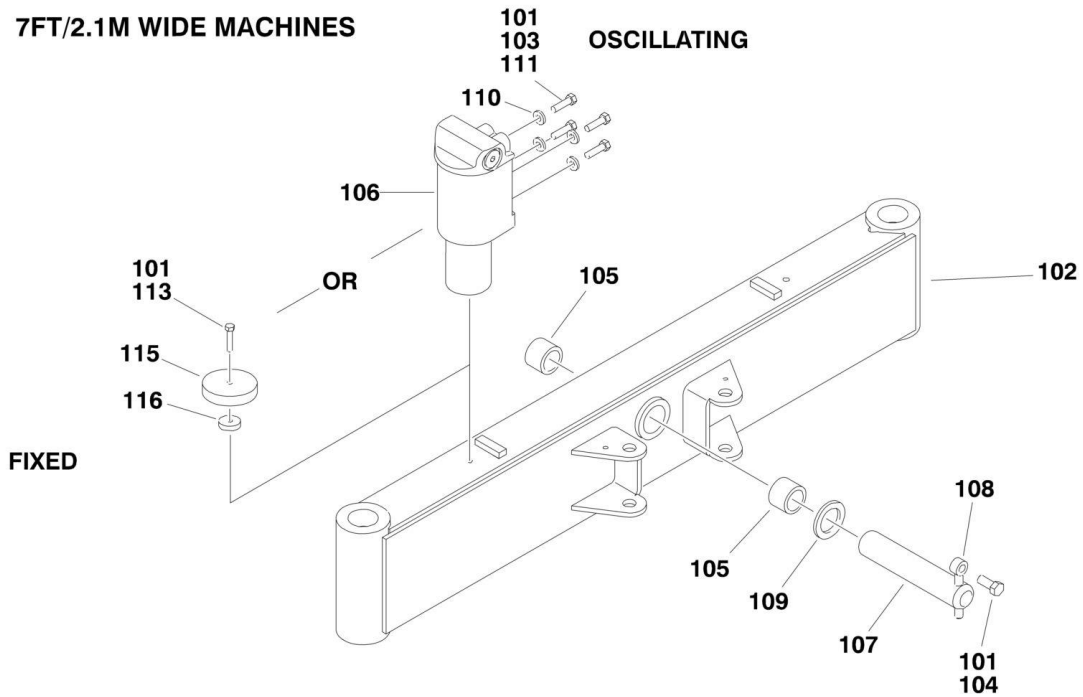
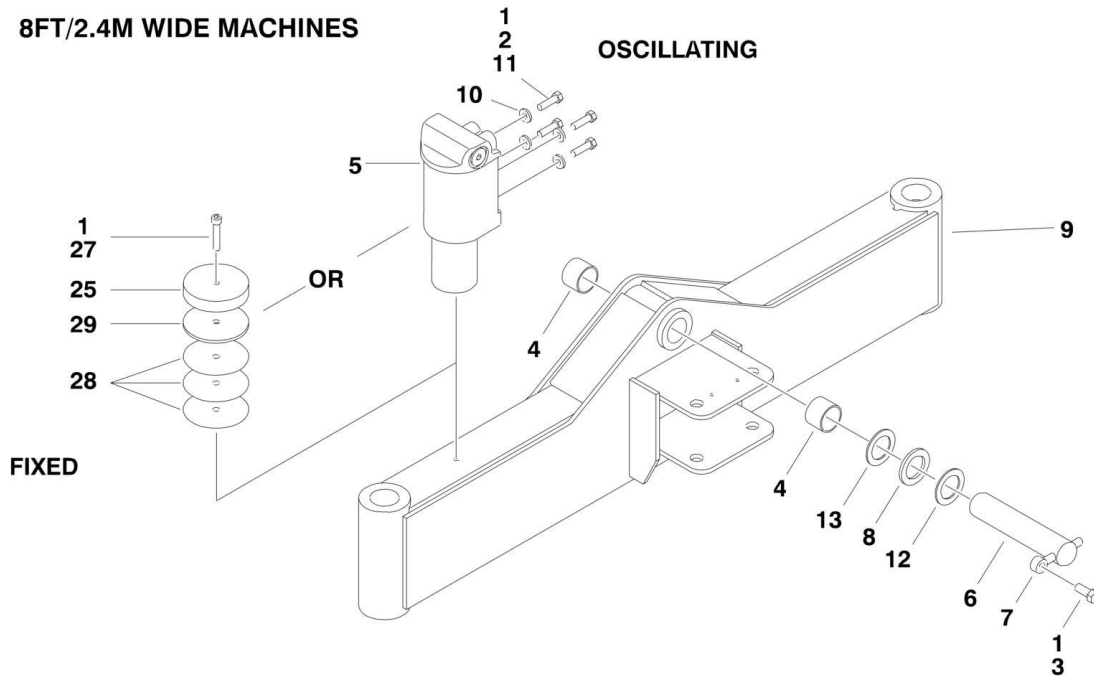
# TABLE OF CONTENTS

FIGURE 8-1. DECAL INSTALLATION (ANSI SPEC).....	456
FIGURE 8-2. DECAL INSTALLATION (COUNTRY SPEC) .....	460
FIGURE 8-3. DECAL INSTALLATION (AUSTRALIAN AND CE SPECS).....	466
SECTION 9 - RECOMMENDED SERVICE PARTS STOCK.....	469
FIGURE 9-1. STANDARD PARTS.....	470
FIGURE 9-2. VARIABLE PARTS .....	472
SECTION 10 - SPECIAL OPTIONS .....	475
FIGURE 10-1. SPECIAL OPTIONS .....	476
PART NUMBER INDEX.....	485

**SECTION 1 - FRAME**

# SECTION 1 - FRAME

## FIGURE 1-1. AXLE INSTALLATION



# SECTION 1 - FRAME

## FIGURE 1-1. AXLE INSTALLATION

ITEM	PART NUMBER	QTY	DESCRIPTION	REV
		Ref	<b>AXLE INSTALLATIONS (8FT/2.4M WIDE MACHINES)</b>	
	1001148168	Ref	<b>Oscillating Axle without Tow Package</b>	C
	1001152448	Ref	<b>Oscillating Axle without Tow Package (With Turf Tire)</b>	B
	1001148170	Ref	<b>Oscillating Axle with Tow Package</b>	C
	1001148169	Ref	<b>Fixed Axle Machines</b>	C
1	0100011	AR	Compound, Locking	
2	0641814	8	Bolt 1/2in-13NC x 1-3/4in	
3	0642012	1	Bolt 5/8in-11NC x 1-1/2in	
4	0961950	2	Bearing	
5	1684465	2	Axle Lockout Cylinder Assembly (Oscillating Axle Only) (See CYLINDER SECTION for Breakdown)	
6	3423184	1	Pin	
7	3841258	1	Keeper, Pin	
8	4740158	1	Thrustwasher (1/4in Thick)	
9		Ref	Axle Weldment Options:	
9	1001148171	1	Machines without Tow Package	
9	1001151966	1	Machines without Tow Package (With Turf Tire)	
9	1001148172	1	Machines with Tow Package	
10	4891800	8	Flatwasher 1/2in Hardened	
11	0100038	AR	Primer, Locking	
12	4740229	AR	Thrustwasher (1/8in Thick)	
13	4071101	AR	Shim	
25	3539877	2	Plate, Stop (Fixed Axle Only)	
27	3931840		Capscrew 1/2in-13NC x 2-1/2in	
28	4070944	6	Shim (.06) (Fixed Axle Only)	
29	4070945	2	Shim (.25) (Fixed Axle Only)	
		Ref	<b>AXLE INSTALLATIONS (7FT/2.1M WIDE MACHINES)</b>	
	0274047	Ref	<b>Oscillating Axle without Tow Package</b>	B
	0274256	Ref	<b>Oscillating Axle with Tow Package</b>	B
	0274054	Ref	<b>Fixed Axle</b>	B
101	0100011	AR	Compound, Locking	
102		Ref	Axle Weldment Options:	
102	0280171	1	Machine without Tow Package	
102	0280185	1	Machine with Tow Package	
103	0641814	8	Bolt 1/2in-13NC x 1-3/4in	
104	0642012	1	Bolt 5/8in-11NC x 1-1/2in	
105	0961950	2	Bearing	
106	1684465	2	Axle Lockout Cylinder Assembly (Oscillating Axle Only) (See CYLINDER SECTION for Breakdown)	
107	3422592	1	Pin	
108	3841258	1	Keeper, Pin	
109	4740158	1	Thrustwasher (1/4in Thick)	
110	4891800	8	Flatwasher 1/2in Hardened	
111	0100038	AR	Primer, Locking	
113	0641816	2	Bolt 1/2in-13NC x 2in	
115	3539877	2	Plate, Stop (Fixed Axle Only)	
116	4740542	2	Spacer (Fixed Axle Only)	



## SECTION 1 - FRAME

**FIGURE 1-2. STEERING INSTALLATION (8FT/2.4M WIDE MACHINES WITHOUT TOW PACKAGE)**

ITEM	PART NUMBER	QTY	DESCRIPTION	REV
		Ref	<b>4WD STEERING INSTALLATION</b>	
	1001148162	Ref	<b>4WD/2WS</b>	C
	1001148163	Ref	<b>4WD/4WS (Note: Double Qty for 4WD/4WS Machines)</b>	B
1	0100011	AR	Compound, Locking	
2	0641608	6	Bolt 3/8in-16NC x 1in	
3	1001097242	2	Steer Cylinder Assembly (See CYLINDER SECTION for Breakdown)	
4	0642012	2	Bolt 5/8in-11NC x 1-1/2in	
5	0962356	2	Bushing	
6	0962131	4	Bushing	
8	3422326	2	Pin	
9	3422900	2	Kingpin	
10	3422902	2	Pin	
11	3422903	2	Pin	
12	3841143	6	Keeper, Pin	
13	3841258	2	Keeper, Pin	
14	1001155574	1	Tie-Rod	
15	1001099387	1	Spindle	
16	1001099196	1	Spindle	
17	4740111	6	Thrustwasher	
18	4740256	2	Thrustwasher	
19	4740463	2	Thrustwasher	
	1001148161	Ref	<b>2WD STEERING INSTALLATION</b>	C
101	0100011	AR	Compound, Locking	
104	0641608	6	Bolt 3/8in-16NC x 1in	
106	0642012	2	Bolt 5/8in-11NC x 1-1/2in	
108	0962356	2	Bushing	
109	0962131	4	Bushing	
111	1001097242	2	Steer Cylinder Assembly (See CYLINDER SECTION for Breakdown)	
112	4130410	2	Hub Assembly (See Items 201-212 for Breakdown)	
114	3422326	2	Pin	
115	3422900	2	Kingpin	
116	3422902	2	Pin	
117	3422903	2	Pin	
118	3841143	6	Keeper, Pin	
119	3841258	2	Keeper, Pin	
120	1001155574	1	Tie-Rod	
122	1001099387	1	Spindle	
123	1001099196	1	Spindle	
124	4740111	6	Thrustwasher	
125	4740256	2	Thrustwasher	
127	4740463	2	Thrustwasher	
130	0682020	12	Bolt 5/8in-11NC x 2-1/2in (Grade 8)	
131	3272001	12	Nut 5/8in-11NC (Grade 8)	
132	4892000	24	Flatwasher 5/8in Hardened	
	4130409	Ref	<b>HUB ASSEMBLY</b>	C
201	0440170	2	Cone, Bearing	
202	0440171	2	Cup, Bearing	
203	0721003	3	Bolt #10-24NC x 3/8in	

## SECTION 1 - FRAME

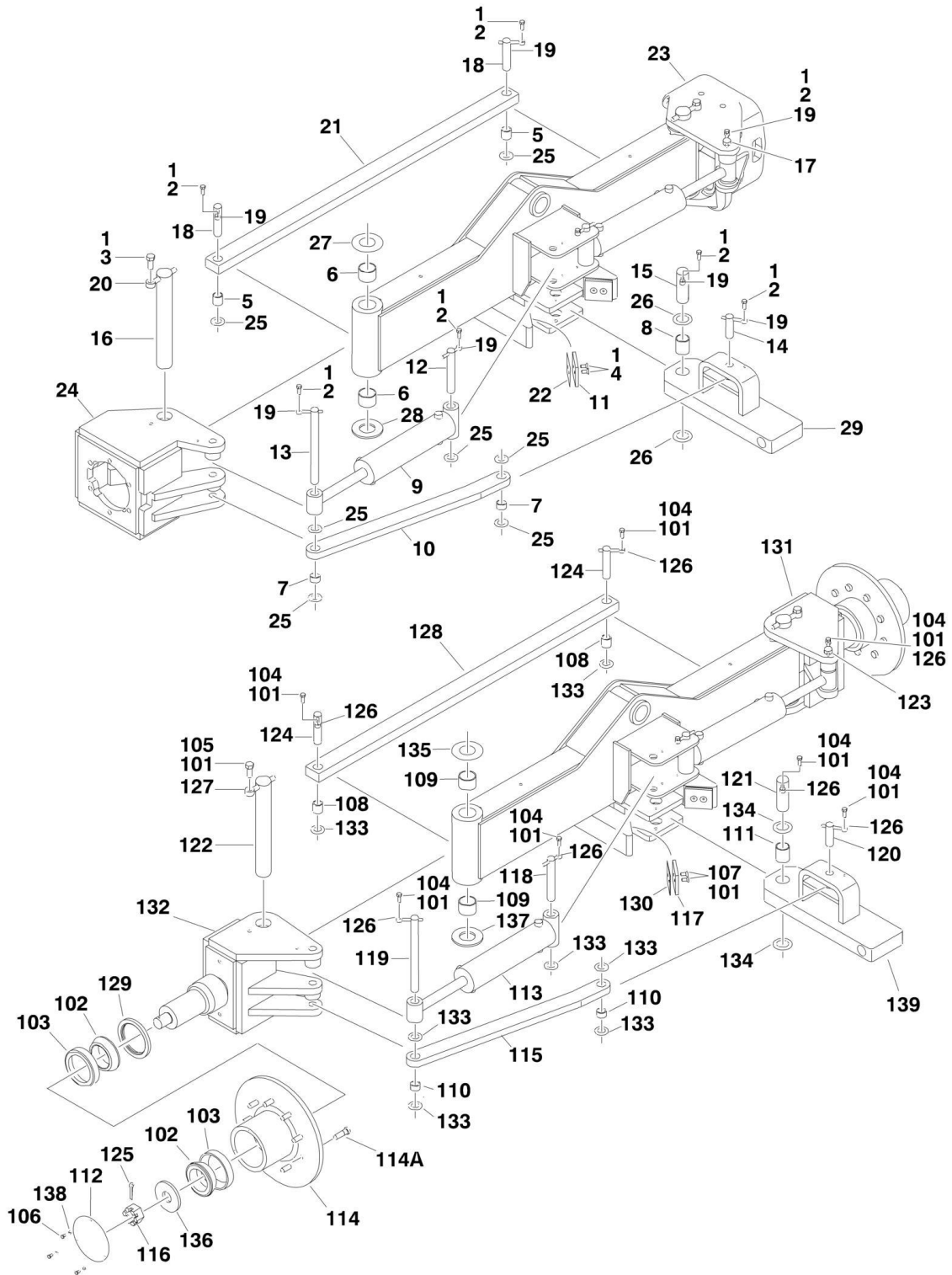
ITEM	PART NUMBER	QTY	DESCRIPTION	REV
204	1120304	1	Cap, Hub	
205	2780271	1	Hub	
205A	0630490	9	Stud, Wheel	
206	3323403	1	Nut, Slotted 1-1/2in -12NF	
207	3451010	1	Pin, Cotter 5/8in x 2-1/2in	
208	3960343	1	Seal, Grease	
209	4130409	1	Adapter, Spindle	
210	4740283	1	Flatwasher, Hardened	
211	4761000	3	Lockwasher #10	
212	3020017	AR	Grease, Bearing	





# SECTION 1 - FRAME

## FIGURE 1-3. STEERING INSTALLATION (8FT/2.4M WIDE MACHINES WITH TOW PACKAGE)



## SECTION 1 - FRAME

**FIGURE 1-3. STEERING INSTALLATION (8FT/2.4M WIDE MACHINES WITH TOW PACKAGE)**

ITEM	PART NUMBER	QTY	DESCRIPTION	REV
		Ref	<b>4WD STEERING INSTALLATION</b>	
	1001148164	Ref	<b>4WD/2WS</b>	C
	1001148166	Ref	<b>4WD/4WS (Note: Double Qty for 4WD/4WS Machines)</b>	C
1	0100011	AR	Compound, Locking	
2	0641608	8	Bolt 3/8in-16NC x 1in	
3	0642012	2	Bolt 5/8in-11NC x 1-1/2in	
4	0741607	4	Screw 3/8in-16NC x 7/8in	
5	0962356	2	Bushing	
6	0962131	4	Bushing	
7	0962292	2	Bushing	
8	0962348	1	Bushing	
9	1001097242	2	Steer Cylinder Assembly (See CYLINDER SECTION for Breakdown)	
10	1001148178	1	Link	
11	3340966	2	Pad	
12	3422326	2	Pin	
13	3422567	1	Pin	
14	3422813	1	Pin	
15	3422848	1	Pin	
16	3422900	2	Pin	
17	3422902	1	Pin	
18	3422903	2	Pin	
19	3841143	8	Keeper, Pin	
20	3841258	2	Keeper, Pin	
21	1001155574	1	Tie-Rod	
22	4071059	2	Shim	
23	1001099387	1	Spindle	
24	4130399	1	Spindle	
25	4740111	9	Thrustwasher	
26	4740155	2	Thrustwasher	
27	4740256	2	Thrustwasher	
28	4740463	2	Thrustwasher	
29	4846935	1	Pivot	
	1001148165	Ref	<b>2WD STEERING INSTALLATION</b>	C
101	0100011	AR	Compound, Locking	
102	0440170	4	Cone, Bearing	
103	0440171	4	Cup, Bearing	
104	0641608	8	Bolt 3/8in-16NC x 1in	
105	0642012	2	Bolt 5/8in-11NC x 1-1/2in	
106	0721003	6	Bolt #10-24NC x 3/8in	
107	0741607	4	Screw 3/8in-16NC x 7/8in	
108	0962356	2	Bushing	
109	0962131	4	Bushing	
110	0962292	2	Bushing	
111	0962348	1	Bushing	
112	1120304	2	Cap, Hub	
113	1001097242	2	Steer Cylinder Assembly (See CYLINDER SECTION for Breakdown)	
114	2780271	2	Hub	
114A	0630490	18	Stud, Wheel (9 Per Hub)	

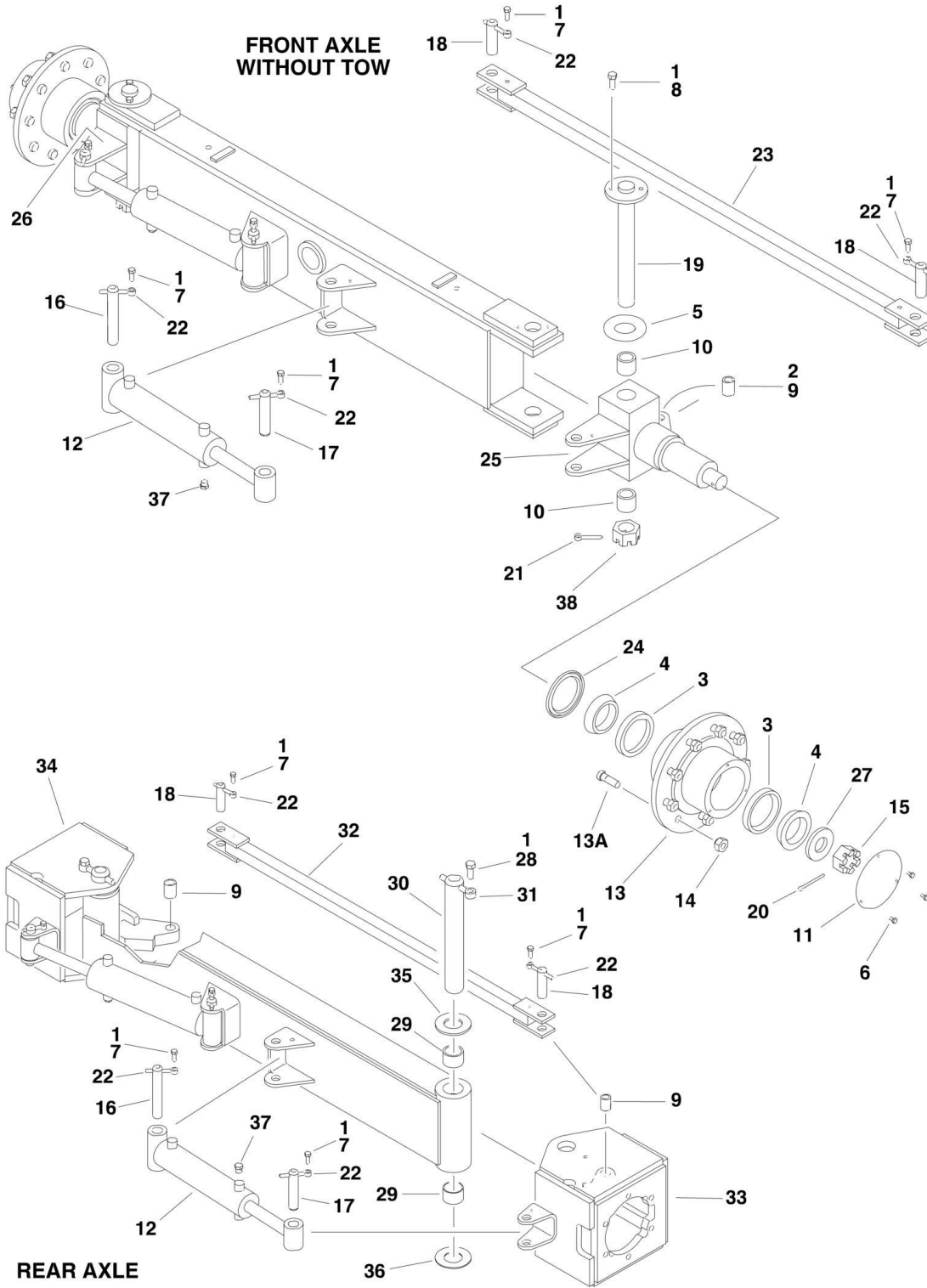
## SECTION 1 - FRAME

ITEM	PART NUMBER	QTY	DESCRIPTION	REV
115	1001148178	1	Link	
116	3323403	2	Nut, Slotted 1-1/2in -12NF	
117	3340966	2	Pad	
118	3422326	2	Pin	
119	3422567	1	Pin	
120	3422813	1	Pin	
121	3422848	1	Pin	
122	3422900	2	Pin	
123	3422902	1	Pin	
124	3422903	2	Pin	
125	3451010	1	Pin, Cotter 5/8in x 2-1/2in	
126	3841143	8	Keeper, Pin	
127	3841258	2	Keeper, Pin	
128	1001155574	1	Tie-Rod	
129	3960343	2	Seal, Grease	
130	4071059	2	Shim	
131	4130396	1	Spindle	
132	4130400	1	Spindle	
133	4740111	9	Thrustwasher	
134	4740155	2	Thrustwasher	
135	4740256	2	Thrustwasher	
136	4740283	2	Flatwasher, Hardened	
137	4740463	2	Thrustwasher	
138	4761000	6	Lockwasher #10	
139	4846935	1	Pivot	

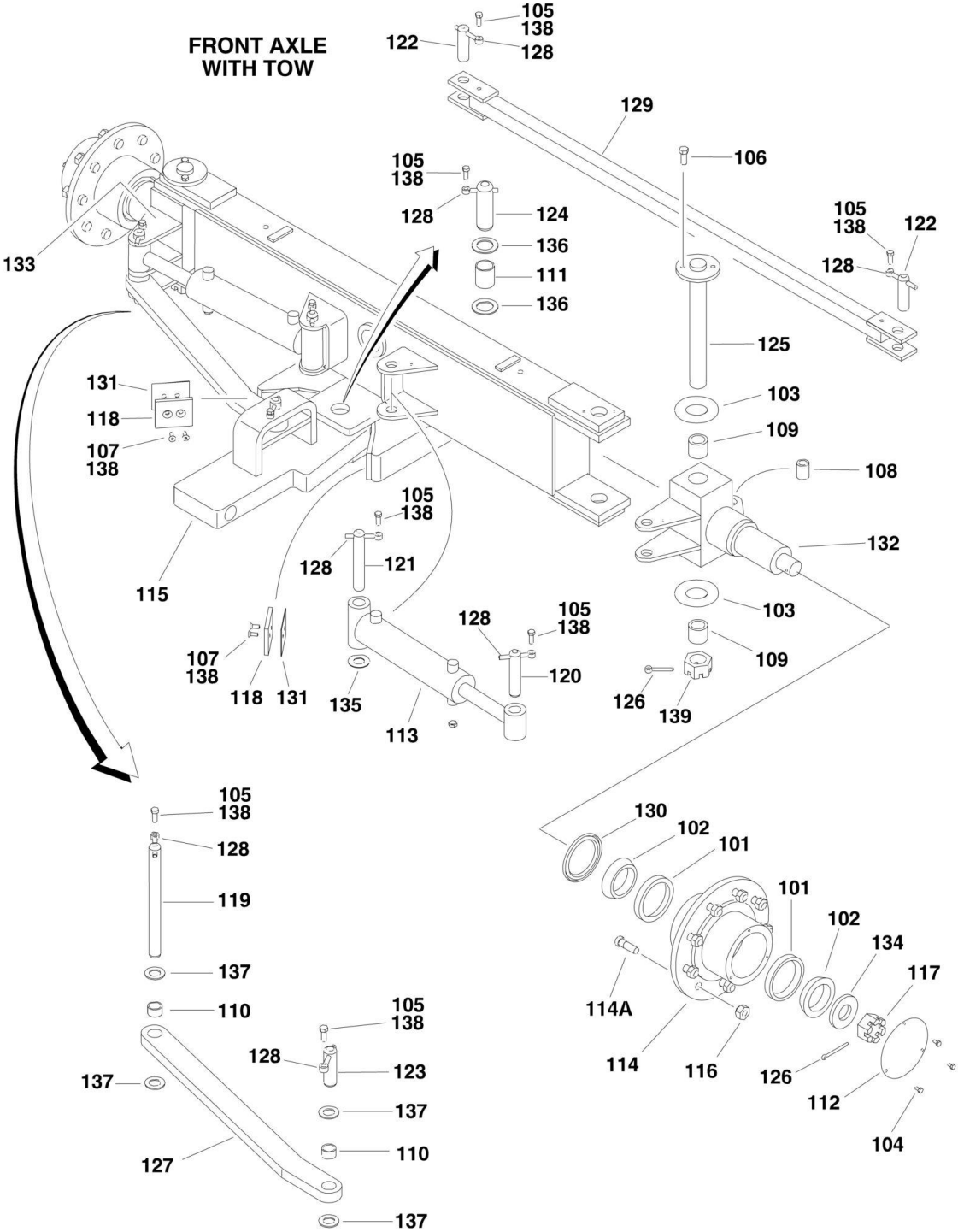


# SECTION 1 - FRAME

## FIGURE 1-4. STEERING INSTALLATION (7FT/2.1M WIDE MACHINES)



# SECTION 1 - FRAME



# SECTION 1 - FRAME

## FIGURE 1-4. STEERING INSTALLATION (7FT/2.1M WIDE MACHINES)

ITEM	PART NUMBER	QTY	DESCRIPTION	REV
		Ref	<b>STEERING INSTALLATION (7FT/2.1M WIDTH MACHINES)</b>	
	0274062	Ref	<b>2WD/4WS with 7ft/2.1m Width Frame without Tow Package</b>	I
1	0100011	AR	Compound, Locking	
2	0100063	AR	Adhesive	
3	0440018	4	Cup, Bearing	
4	0440019	4	Cone, Bearing	
5	0440161	2	Thrustwasher	
6	0641404	6	Bolt 1/4in-20NC x 1/2in	
7	0641608	12	Bolt 3/8in-16NC x 1in	
8	0681608	4	Bolt 3/8in-16NC x 1in (Grade 8)	
9	0962005	4	Bushing	
10	0962272	4	Bushing	
11	1120460	2	Cap, Hub	
12	1684418	4	Steer Cylinder Assembly (See CYLINDER SECTION for Breakdown)	
13	2780276	2	Hub	
13A	0630490	18	Stud, Wheel (9 Per Hub)	
14	3300106	18	Nut, Wheel	
15	3323403	2	Nut, Slotted 1-1/2in-12NF	
16	3422426	4	Pin	
17	3422429	4	Pin	
18	3422430	4	Pin	
19	3423175	2	Kingpin	
20	3450810	2	Pin, Cotter 1/4in x 2-1/2in	
21	3451010	2	Pin, Cotter 5/16in x 2-1/2in	
22	3841143	12	Keeper	
23	3841263	1	Tie-Rod	
24	3960098	2	Seal	
25	4130413	1	Spindle	
26	4130414	1	Spindle	
27	4740016	2	Flatwasher, Hardened	
28	0642012	2	Bolt 5/8in-11NC x 1/1/2in	
29	0962131	4	Bearing	
30	3422900	2	Kingpin	
31	3841258	2	Keeper	
32	2841677	1	Tie-Rod	
33	4130401	1	Spindle	
34	4130402	1	Spindle	
35	4740256	2	Thrustwasher	
36	4740463	2	Thrustwasher	
37	2220237	4	Plug	
38	3313403	2	Nut, Slotted 1-1/2in-6NC	
39	4360331	1	Switch, Toggle (Crab Steer) (Not Shown - Located on Platform Console Box)	
40	3790012	1	O-Ring, Toggle (Crab Steer) (Not Shown - Located on Platform Console Box)	
	0274257	Ref	<b>2WD/2WS with 7ft/2.1m Width Frame without Tow Package</b>	C
101	0440018	4	Cup, Bearing	
102	0440019	4	Cone, Bearing	
103	0440161	4	Thrustwasher	

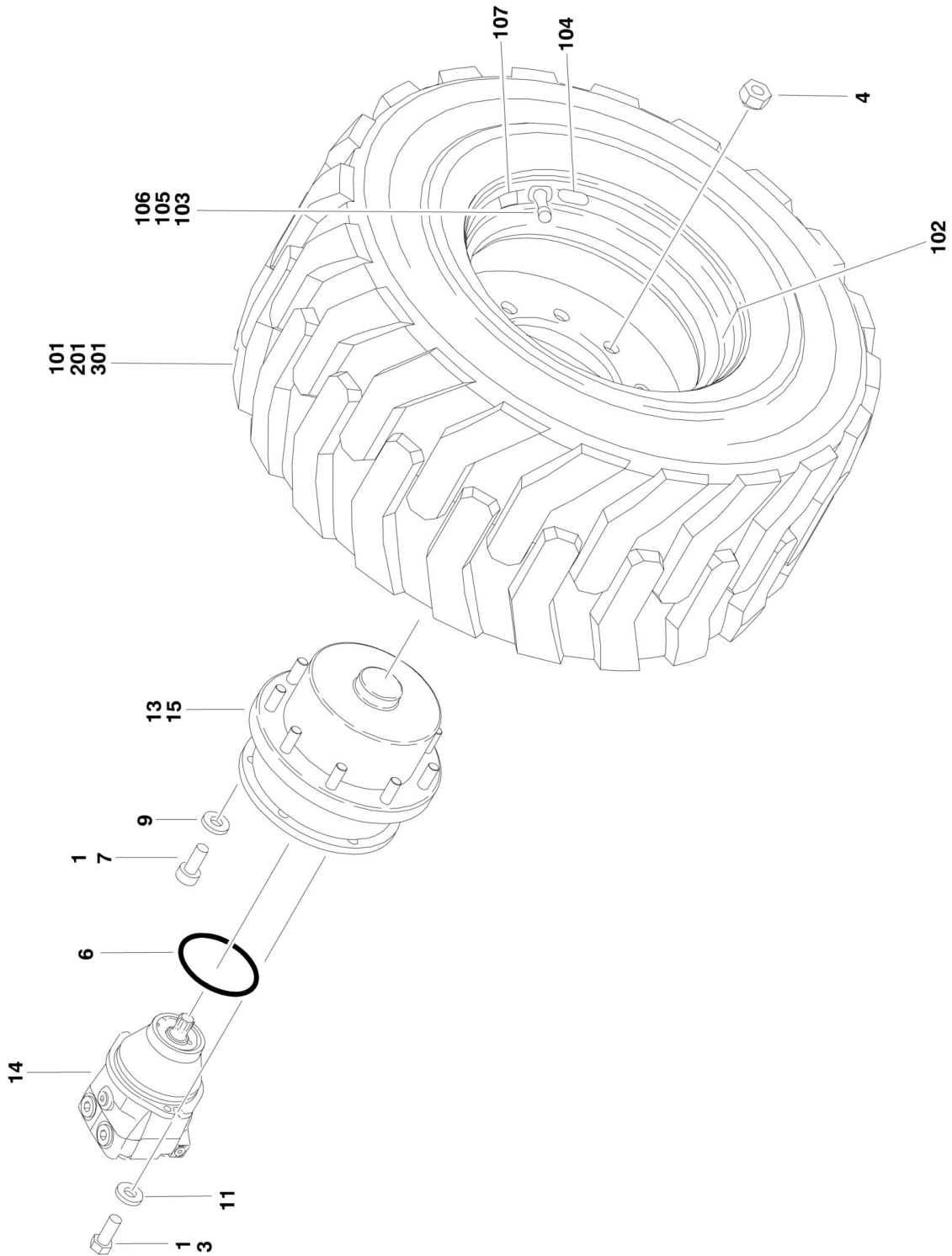


## SECTION 1 - FRAME

ITEM	PART NUMBER	QTY	DESCRIPTION	REV
104	0641404	6	Bolt 1/4in-20NC x 1/2in	
105	0641608	8	Bolt 3/8in-16NC x 1in	
106	0681608	4	Bolt 3/8in-16NC x 1in (Grade 8)	
107	0741607	4	Screw, Countersunk 3/8in-16NC x 7/8in	
108	0962005	2	Bushing	
109	0962272	4	Bushing	
110	0962292	2	Bushing	
111	0962348	1	Bushing	
112	1120460	2	Cap, Hub	
113	1684418	2	Steer Cylinder Assembly (See CYLINDER SECTION for Breakdown)	
114	2780276	2	Hub	
114A	0630490	18	Stud, Wheel (9 Per Hub)	
115	2980125	1	Pivot	
116	3300106	18	Nut, Wheel	
117	3323403	2	Nut, Slotted 1-1/2in-12NF	
118	3340966	2	Pad	
119	3422327	1	Pin	
120	3422426	2	Pin	
121	3422429	AR	Pin	
122	3422430	2	Pin	
123	3422813	1	Pin	
124	3422848	1	Pin	
125	3423175	2	Kingpin	
126	3451010	4	Pin, Cotter 5/16in x 2-1/2in	
127	3575716	1	Link	
128	3841143	6	Keeper	
129	3841263	1	Tie-Rod	
130	3960098	2	Seal	
131	4071059	2	Shim	
132	4130413	1	Spindle	
133	4130414	1	Spindle	
134	4740016	2	Flatwasher, Hardened	
135	4740111	4	Thrustwasher	
136	4740155	2	Thrustwasher	
137	4740184	1	Flatwasher, Special	
138	0100011	AR	Compound, Locking	
139	3313403	2	Nut, Slotted 1-1/2in-6NC	
140	4360331	1	Switch, Toggle (Crab Steer) (Not Shown - Located on Platform Console Box)	
141	3790012	1	O-Ring, Toggle (Crab Steer) (Not Shown - Located on Platform Console Box)	

# SECTION 1 - FRAME

## FIGURE 1-5. TIRE AND WHEEL DRIVE INSTALLATIONS



# SECTION 1 - FRAME

## FIGURE 1-5. TIRE AND WHEEL DRIVE INSTALLATIONS

ITEM	PART NUMBER	QTY	DESCRIPTION	REV
		Ref	<b>WHEEL DRIVE INSTALLATIONS</b>	
	1001136667	Ref	<b>Wheel Drive Installations 2WD/2WS</b>	D
	1001136670	Ref	<b>Wheel Drive Installations 2WD/4WS</b>	C
	1001136668	Ref	<b>Wheel Drive Installations 4WD/2WS</b>	F
	1001136669	Ref	<b>Wheel Drive Installations 4WD/4WS</b>	E
		Ref	<b>Note: 2WD Qty Shown. For 4WD, Double Qty Shown.</b>	
1	0100011	AR	Compound, Locking	
3	0681710	4	Bolt 7/16in-14NC x 1-1/4in (Grade 8)	
4	3300106	18	Nut, Wheel	
6	3790158	2	O-Ring	
7		Ref	Capscrew Options:	
7	3932030	AR	Capscrew 5/8in-11NC x 1-7/8in	
7	3932032	AR	Capscrew 5/8in-11NC x 2in	
9	4740393	12	Flatwasher 5/8in Hardened	
11	5241000	4	Flatwasher M10 Hardened	
13	1001113984	2	Drive Hub Assembly (See DRIVE HUB ASSEMBLY for Breakdown)	
14		Ref	Drive Motor Assembly Options (See DRIVE MOTOR ASSEMBLY for Breakdown)	
14	1001136672	2	Drive Motor Assembly 2WD	
14	1001135600	2	Drive Motor Assembly 4WD	
15	3020008	AR	Lube, Gear 80W-90	
		Ref	<b>PNEUMATIC AND FOAM-FILLED TIRE AND WHEEL INSTALLATIONS (8FT/2.4M WIDTH MACHINES)</b>	
	4520328	Ref	<b>Tire and Wheel Installation - Pneumatic (ANSI, ANSI Export and Japanese Specs Only)</b>	B
	0274533	Ref	<b>Tire and Wheel Installation - Pneumatic W/Sealant (ANSI and ANSI Export Spec Only) (Only Available on USA Built Machines)</b>	C
	0275860	Ref	<b>Tire and Wheel Installation - Pneumatic W/Sealant (ANSI, ANSI Export and Japanese Spec Only) (Note: Not an Add-on Option - Special Counterweight Required. Consult JLG Service Dept to add to a machine)</b>	1
	4520346	Ref	<b>Tire and Wheel Installation - Foam-Filled (Available on All Specs)</b>	C
	1001231678	Ref	<b>Tire and Wheel Installation - Foam-Filled Non-Marking (Available on All Specs)</b>	A
		Ref	<b>Note: Assemblies may require ballast/foam filling to manufacturer's specifications prior to installing on a machine. Refer to Operation and Safety or Service and Maintenance Manuals.</b>	
		Ref	<b>Note: Purchase individual tire and/or rim only if able to foam fill tire and wheel assembly, otherwise, purchase complete assembly.</b>	
	4520289	2	Tire and Wheel Assembly - Pneumatic (Left Side)	F
	4520427	2	Tire and Wheel Assembly - Pneumatic W/Sealant (Left Side)	D
	4520290	2	Tire and Wheel Assembly - Pneumatic (Right Side)	F
	4520428	2	Tire and Wheel Assembly - Pneumatic W/Sealant (Right Side)	D
	4520674	4	Tire and Wheel Assembly - Pneumatic Turf/Sand Tire (Note: Not an Add-on Option - Special Counterweight Required. Consult JLG Service Dept to add to a machine)	B
	4520344	2	Tire and Wheel Assembly - Foam-Filled (Left Side)	H
	4520345	2	Tire and Wheel Assembly - Foam-Filled (Right Side)	H

# SECTION 1 - FRAME

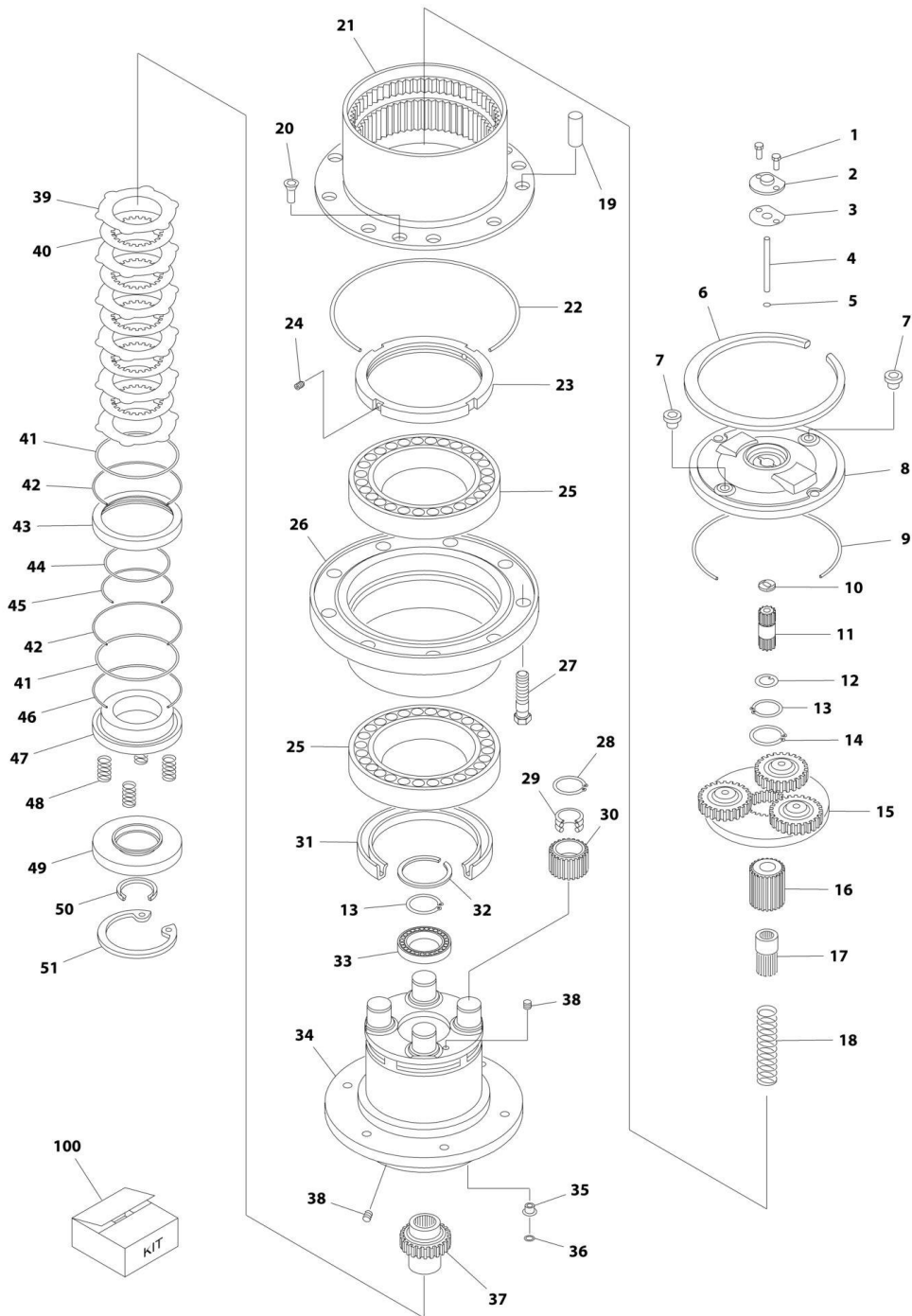
ITEM	PART NUMBER	QTY	DESCRIPTION	REV
	1001231677	2	Tire and Wheel Assembly - Foam-Filled Non-Marking (Left Side)	A
	1001231676	2	Tire and Wheel Assembly - Foam-Filled Non-Marking (Right Side)	A
101		Ref	Tire Options (1 Per Assembly)	
101	4520288	AR	Tire - IN355/55D625	
101	1001184881	AR	Tire - IN355/55D625 Non-Marking	
101	4520256	AR	Tire - 41/18LLx22.5 Turf/Sand Tire	
102		Ref	Rim, Wheel (1 Per Assembly)	
102	4520287	AR	Tire - IN355/55D625 (24.5 x 11.75)	
102	4520672	AR	Tire - 41/18LLx22.5 Turf/Sand Tire	
103	4640113	AR	Valve, Air (1 Per Assembly) (All Assemblies Except 1001231677 and 1001231676)	
103	4641122	AR	Valve, Air (1 Per Assembly) (1001231677 and 1001231676 Assemblies)	
104		Ref	Decal - Tire Pressure Options (1 Per Assembly)	
104	1702740	AR	Tire - IN355/55D625	
104	1701643	AR	Tire - 41/18LLx22.5 Turf/Sand Tire	
		Ref	<b>Note: Items 105-107 used with tires with sealant only.</b>	
105	1120552	AR	Cap, Valve Stem (1 Per Assembly)	
106	1300019	AR	Sealant, Tire (1 Per Assembly)	
107	1705364	AR	Decal - Tire Sealant (1 Per Assembly)	
201		Ref	<b>AIRBOSS TIRE AND WHEEL INSTALLATIONS (7FT/2.1M WIDTH)</b>	
		Ref	<b>Note: Available on 600A All Specs except Japanese Specs. Available on 600AJ All Specs except Australian, CE &amp; Japanese Specs.)</b>	
201	4520341	Ref	<b>Tire and Wheel Installation - Air-Boss</b>	A
201	4520284	2	Tire and Wheel Assembly - Right Side	
201	4520283	2	Tire and Wheel Assembly - Left Side	
201	7016206	80	Tire Repair Section (20 Per Assembly)	
201	4520604	Ref	<b>Tire and Wheel Installation - Air-Boss Non Marking</b>	1
201	4520602	2	Tire and Wheel Assembly - Right Side	
201	4520601	2	Tire and Wheel Assembly - Left Side	
201	7020135	80	Tire Repair Section (20 Per Assembly)	
301		Ref	<b>SOLIDBOSS TIRE AND WHEEL INSTALLATIONS (7FT/2.1M WIDTH) (600AJ)</b>	
301	1001147067	Ref	<b>Tire and Wheel Installation - SolidBoss (Available on ANSI, ANSI Export &amp; CSA Spec Only) (600AJ)</b>	C
301	1001146828	NLA	Tire and Wheel Assembly - Right Side (Use p/n 1001207346) (600AJ) (SN 0300177361 through 0300223869)	
301	1001207346	2	Tire and Wheel Assembly - Right Side (600AJ) (SN 0300223870 through 0300272252)	
301	1001146827	NLA	Tire and Wheel Assembly - Left Side (Use p/n 1001207345) (600AJ) (SN 0300177361 through 0300223869)	
301	1001207345	2	Tire and Wheel Assembly - Left Side (600AJ) (SN 0300223870 through 0300272252)	
301	1001147068	Ref	<b>Tire and Wheel Installation - SolidBoss Non Marking (Available on ANSI, ANSI Export &amp; CSA Spec Only) (600AJ)</b>	B
301	1001147020	NLA	Tire and Wheel Assembly - Right Side (Use p/n 1001214748) (600AJ) (SN 0300177361 through 0300223869)	
301	1001214748	2	Tire and Wheel Assembly - Right Side (600AJ) (SN 0300223870 through 0300272252)	
301	1001147019	NLA	Tire and Wheel Assembly - Left Side (Use p/n 1001214747) (600AJ) (SN 0300177361 through 0300223869)	

**SECTION 1 - FRAME**

<b>ITEM</b>	<b>PART NUMBER</b>	<b>QTY</b>	<b>DESCRIPTION</b>	<b>REV</b>
301	1001214747	2	Tire and Wheel Assembly - Left Side (600AJ) (SN 0300223870 through 0300272252)	

# SECTION 1 - FRAME

## FIGURE 1-6. DRIVE HUB ASSEMBLY



# SECTION 1 - FRAME

## FIGURE 1-6. DRIVE HUB ASSEMBLY

ITEM	PART NUMBER	QTY	DESCRIPTION	REV
	1001113984	Ref	<b>DRIVE HUB ASSEMBLY</b>	E
1	70004353	2	Screw	
2	70005298	1	Cover, Disengagement	
3	70002201	1	Gasket	
4	70002059	1	Pin, Disengagement	
5	See Note	NSS	O-Ring (Note: Use Item 100)	
6	70005299	1	Ring	
7	70002057	4	Plug	
8	70005300	1	Cover	
9	See Note	NSS	O-Ring (Note: Use Item 100)	
10	70002054	1	Shim	
11	70005301	1	Pinion	
12	70005302	1	Shim	
13	70004355	2	Ring, Outer Retention	
14	70004356	1	Ring, Inner Retention	
15	70005303	1	Reduction Gear Assembly	
16	70005304	1	Pinion	
17	70005305	1	Coupling, Disengagement Half	
18	70005306	1	Spring, Disengagement	
19	70005307	9	Plug	
20	70004361	3	Screw	
21	70005308	1	Ring, Planetary	
22	See Note	NSS	O-Ring (Note: Use Item 100)	
23	70005309	1	Nut, Ring	
24	70004363	2	Screw	
25	70005311	2	Bearing	
26	70004365	1	Support, Hub	
27	70005312	9	Wheel Stud	
28	70004367	4	Ring, Outer Retention	
29	70005313	4	Bearing	
30	70004369	4	Wheel, Planet	
31	See Note	NSS	Seal, Oil (Note: Use Item 100)	
32	70004370	1	Ring	
33	70004371	1	Bearing	
34	70005314	1	Axle, Stub	
35	70005315	1	Plug	
36	See Note	NSS	O-Ring (Note: Use Item 100)	
37	70005316	1	Shaft, Input	
38	70004447	2	Plug	
39	70002027	6	Disc, Steel	
40	70002026	5	Disc, Sintered	
41	See Note	NSS	Seal (Note: Use Item 100)	
42	See Note	NSS	O-Ring (Note: Use Item 100)	
43	70005317	1	Spacer	
44	See Note	NSS	Seal (Note: Use Item 100)	
45	See Note	NSS	O-Ring (Note: Use Item 100)	
46	See Note	NSS	O-Ring (Note: Use Item 100)	
47	70005318	1	Piston	
48	70002020	6	Spring, Brake	
49	70005319	1	Spacer	

## SECTION 1 - FRAME

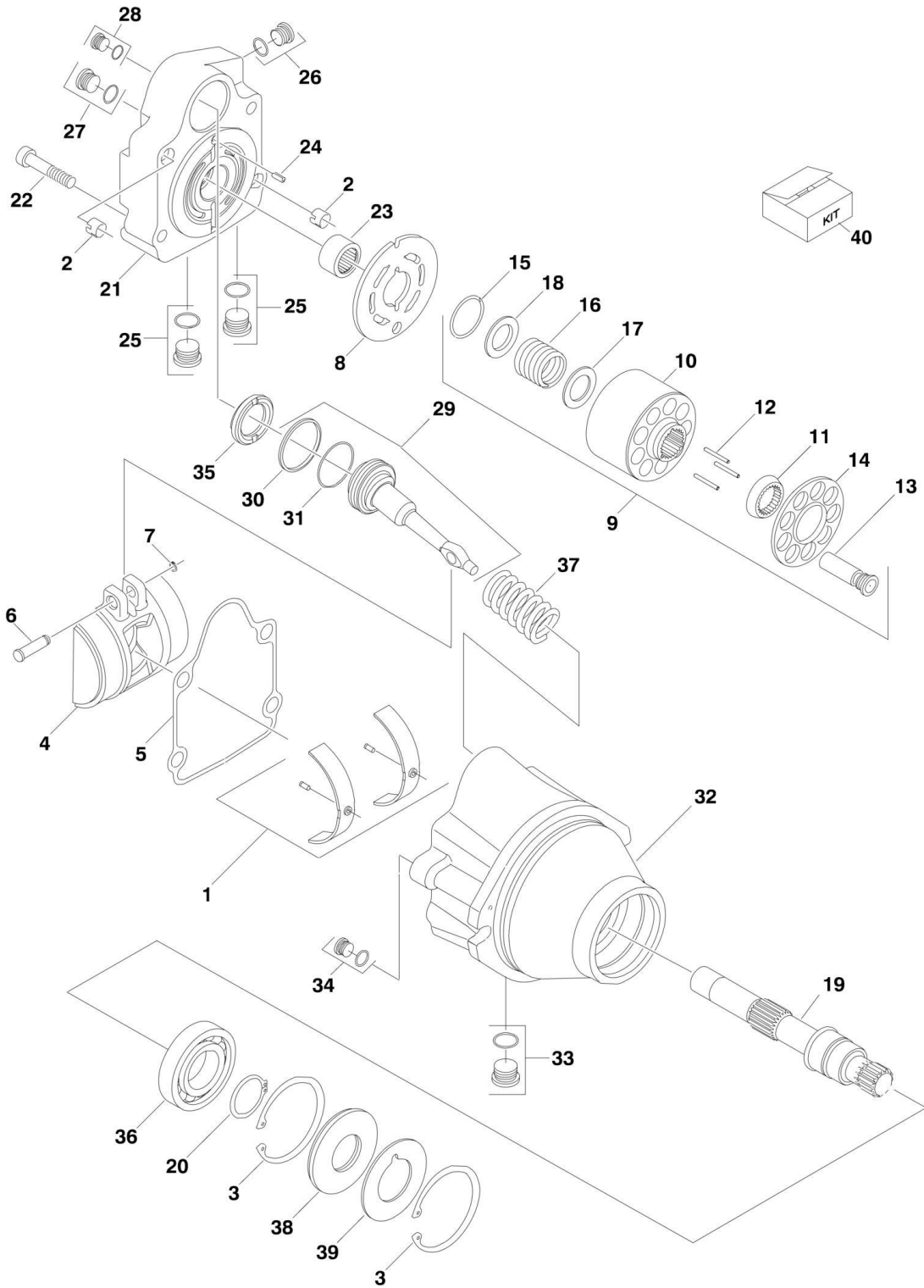
ITEM	PART NUMBER	QTY	DESCRIPTION	REV
50	See Note	NSS	Seal, Oil (Note: Use Item 100)	
51	70005320	1	Ring, Inner Retention	
100	70005321	1	Seal Kit (Includes Items 5, 9, 22, 31, 36, 41, 42, 44, 45, 46 & 50)	





# SECTION 1 - FRAME

## FIGURE 1-7. DRIVE MOTOR ASSEMBLY



# SECTION 1 - FRAME

## FIGURE 1-7. DRIVE MOTOR ASSEMBLY

ITEM	PART NUMBER	QTY	DESCRIPTION	REV
		Ref	<b>DRIVE MOTOR ASSEMBLY</b>	
	1001136672	Ref	<b>Drive Motor Assembly 2WD</b>	C
	1001135600	Ref	<b>Drive Motor Assembly 4WD</b>	C
1	70000852	1	Swash Plate Bearing Kit	
2	70003628	2	Pin	
3	70007438	2	Ring, Retaining	
4	70000853	1	Swash Plate	
5	See Note	NSS	Gasket (Note: Use Item 40)	
6	70004201	1	Pin	
7	70004202	1	Ring, Retaining	
8	70000854	1	Plate, Valve	
9	7027740	1	Cylinder Block Kit (Includes Items 10-18)	
10	7027740	1	Block, Cylinder	
11	70000854	1	Guide, Slipper Retainer	
12	7021275	3	Pin, Slipper Hold Down	
13	70004203	9	Piston Assembly	
14	70000857	1	Retainer, Slipper	
15	7022311	1	Ring, Retaining	
16	7024867	1	Spring	
17	7024868	1	Washer	
18	7022314	1	Retainer, Spring	
19	70000858	1	Shaft	
20	7007439	1	Ring, Retaining	
21	70004204	1	Cap, End - Axial	
22	7022368	4	Capscrew	
23	7021249	1	Bearing, Needle	
24	7007446	1	Pin	
25	7007419	2	Plug with O-Ring	
25	See Note	NSS	O-Ring (Note: Not Sold Separately - Purchase Item 25 or 40)	
26	7007420	1	Plug with O-Ring	
26	70000862	1	O-Ring (Note: Not Sold Separately - Purchase Item 26 or 40)	
27	7022321	1	Plug with O-Ring	
27	70000862	1	O-Ring (Note: Not Sold Separately - Purchase Item 27 or 40)	
28	7007420	1	Plug with O-Ring	
28	70000862	1	O-Ring (Note: Not Sold Separately - Purchase Item 28 or 40)	
29		Ref	Servo Piston Assembly Options:	
29	70004207	1	Servo - 2WD	
29	70004205	1	Servo - 4WD	
30	See Note	NSS	Ring, Piston (Note: Not Sold Separately - Purchase Item 29 or 40)	
31	See Note	NSS	O-Ring (Note: Not Sold Separately - Purchase Item 29 or 40)	
32	See Note	NSS	Housing (Note: Not Available - Purchase Complete Motor)	
33	7022321	1	Plug with O-Ring	
33	70000862	1	O-Ring (Note: Not Sold Separately - Purchase Item 33 or 40)	
34	70002133	1	Plug with O-Ring	
34	70000862	1	O-Ring (Note: Not Sold Separately - Purchase Item 34 or 40)	
35	70004205	1	Stop (4WD Motor Only)	
36	70002176	1	Bearing	
37	70000861	1	Spring	
38	See Note	NSS	Seal, Lip (Note: Use Item 40)	

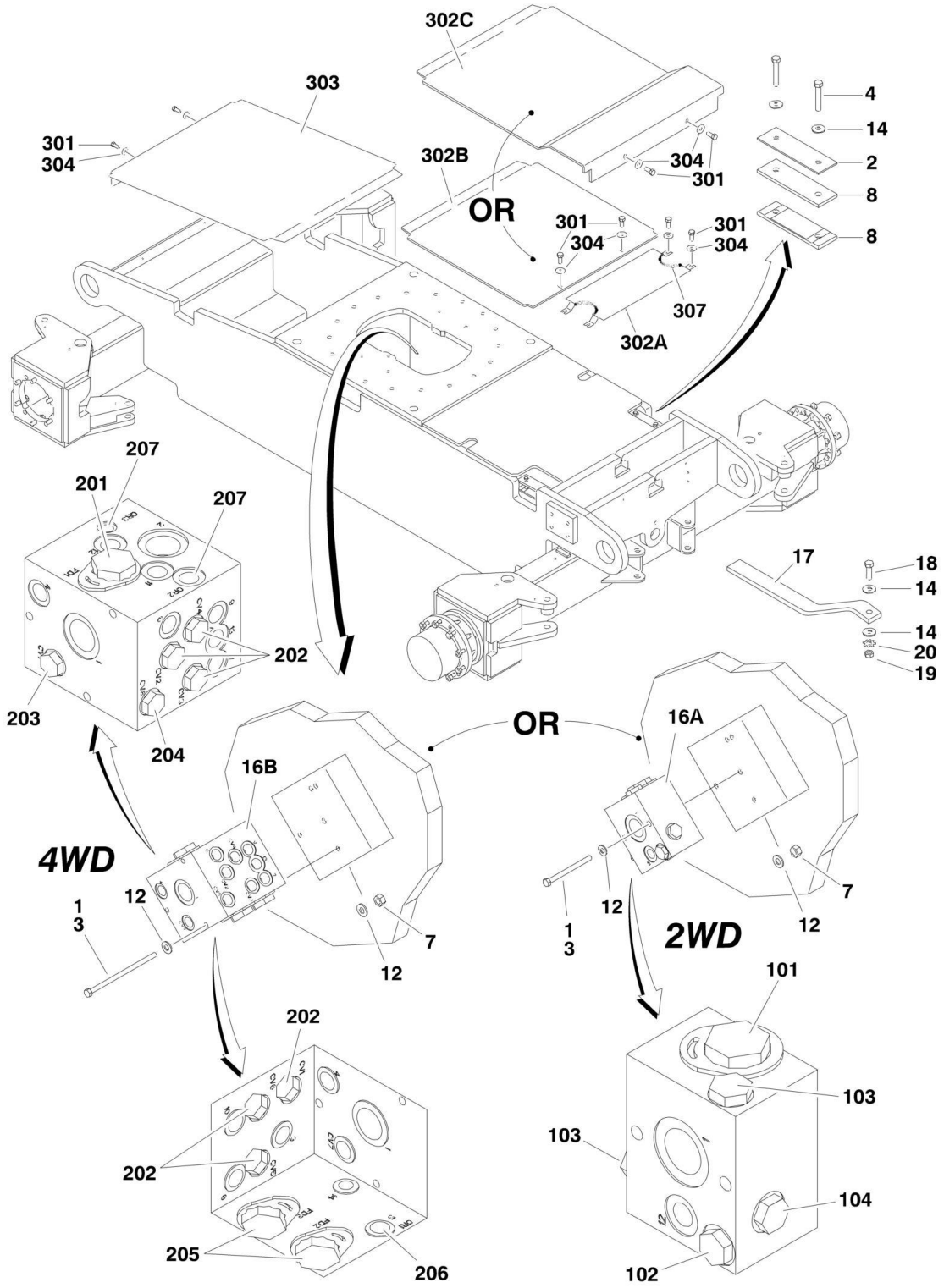
## SECTION 1 - FRAME

ITEM	PART NUMBER	QTY	DESCRIPTION	REV
39	7022371	1	Washer, Support	
40	7000862	1	Seal Kit (Includes Items 5, 30, 31, 38 and Plug O-Rings)	



# SECTION 1 - FRAME

FIGURE 1-8. DRIVE VALVES AND SHIELDS INSTALLATION (FRAME MOUNTED)



# SECTION 1 - FRAME

**FIGURE 1-8. DRIVE VALVES AND SHIELDS INSTALLATION (FRAME MOUNTED)**

ITEM	PART NUMBER	QTY	DESCRIPTION	REV
		Ref	<b>DRIVE VALVES INSTALLATION</b>	
	1001136667	Ref	<b>Drive Valves installation 2WD/2WS</b>	D
	1001136670	Ref	<b>Drive Valves installation 2WD/4WS</b>	C
	1001136668	Ref	<b>Drive Valves installation 4WD/2WS</b>	F
	1001136669	Ref	<b>Drive Valves installation 4WD/4WS</b>	E
1	0100011	AR	Compound, Locking	
2		Ref	Bar, Clamping	
2	Not Required	0	Bar, Clamping 2WD/2WS	
2	0363012	2	Bar, Clamping 2WD/2WS & 4WD/2WS	
2	0363012	4	Bar, Clamping 4WD/4WS	
3		Ref	Bolt 5/16in-18NC Options:	
3	0641530	2	3-3/4in Length (2WD)	
3	0641552	3	6-1/2in Length (4WD)	
4	0641618	4	Bolt 3/8in-16NC x 2-1/4in	
7	3311505	AR	Locknut 5/16in-18NC	
8	3340911	4	Rubber, Clamp	
12		Ref	Flatwasher Options:	
12	4751500	AR	Flatwasher 5/16in Regular	
12	4711500	AR	Flatwasher 5/16in Thin	
14	4751600	AR	Flatwasher 3/8in Regular	
16		Ref	Flow Divider Valve Assembly Options:	
16A	1001100120	1	2WD (See Items 101-104 for Breakdown)	
16B	1001098503	1	4WD (See Items 201-205 for Breakdown)	
17	4240084	1	Strap, Anti-Static (2WD/4WS Only)	
18	0641611	1	Bolt 3/8in-16NC x 2 3/8in	
19	3271601	1	Nut 3/8in-16NC (Grade 8)	
20	4791600	1	Starwasher 3/8in	
	1001100120	Ref	<b>FLOW DIVIDER ASSEMBLY (2WD)</b>	A
101	7023933	1	Valve, Cartridge (Flow Divider)	
101	7021625	1	Seal Kit - Flow Divider Cartridge	
101	70000781	1	Locking Kit	
102	7024892	1	Valve, Cartridge (Check)	
102	7023936	1	Seal Kit - Check Cartridge	
103	7022397	2	Valve, Cartridge (Check)	
103	7022399	2	Seal Kit - Check Cartridge	
104	7023935	1	Valve, Cartridge (Check)	
104	7023936	1	Seal Kit - Check Cartridge	
	1001098503	Ref	<b>FLOW DIVIDER ASSEMBLIES (4WD)</b>	B
201	7023933	1	Valve, Cartridge (Flow Divider)	
201	7021625	1	Seal Kit - Flow Divider Cartridge	
202		Ref	Valve, Cartridge (Check) Options:	
202	7022397	6	Valve p/n 4641410	
202	7022399	6	Seal Kit - Check Cartridge	
202	70003408	6	Valve p/n 1001098503	
202	7022399	6	Seal Kit - Check Cartridge	
203	7023935	1	Valve, Cartridge (Check)	
203	7023936	1	Seal Kit - Check Cartridge	
204	7024892	1	Valve, Cartridge (Check)	
204	7023936	1	Seal Kit - Check Cartridge	
205	7023917	2	Valve, Cartridge (Flow Divider)	

## SECTION 1 - FRAME

ITEM	PART NUMBER	QTY	DESCRIPTION	REV
205	7021625	2	Seal Kit - Flow Divider Cartridge	
206	70002063	1	Plug, Orifice	
207	70002064	2	Plug, Orifice	
		Ref	<b>FRAME SHIELDS INSTALLATION</b>	
	1001151897	Ref	<b>2WD/2WS</b>	C
	0274229	Ref	<b>2WD/4WS</b>	C
	1001151897	Ref	<b>4WD/2WS</b>	C
	1001152049	Ref	<b>4WD/4WS</b>	C
301		Ref	Bolt Options:	
301	0641505	AR	Bolt 5/16in-16NC x 5/8in	
301	0641608	AR	Bolt 3/8in-16NC x 7/8in	
301	0760608	AR	Bolt M6 x 16mm	
302		Ref	Shield, Frame - Front Options:	
302A	1001161761	1	Machines with 8ft/2.4m Wide Frame (Axle Cover)	
302B	1001151584	1	Machines with 8ft/2.4m Wide Frame (Flat Cover)	
302C	3380560	1	Machines with 7ft/2.1m Wide Frame (Axle/Flat Cover Combo)	
303		Ref	Shield, Frame - Rear Options:	
303	Not Required	0	2WS Machines with 8ft/2.4m Wide Frame	
303	1001152046	1	4WS Machines with 8ft/2.4m Wide Frames	
303	3380558	1	Machines with 7ft/2.1m Wide Frames	
304		Ref	Flatwasher Options:	
304	4751500	AR	Flatwasher 5/16in Regular	
304	4751600	AR	Flatwasher 3/8in Regular	
304	4811702	AR	Flatwasher M6	
307	4060804	AR	Flex-Trim	







# SECTION 1 - FRAME

## FIGURE 1-9. TOW PACKAGE INSTALLATION (OPTIONAL)

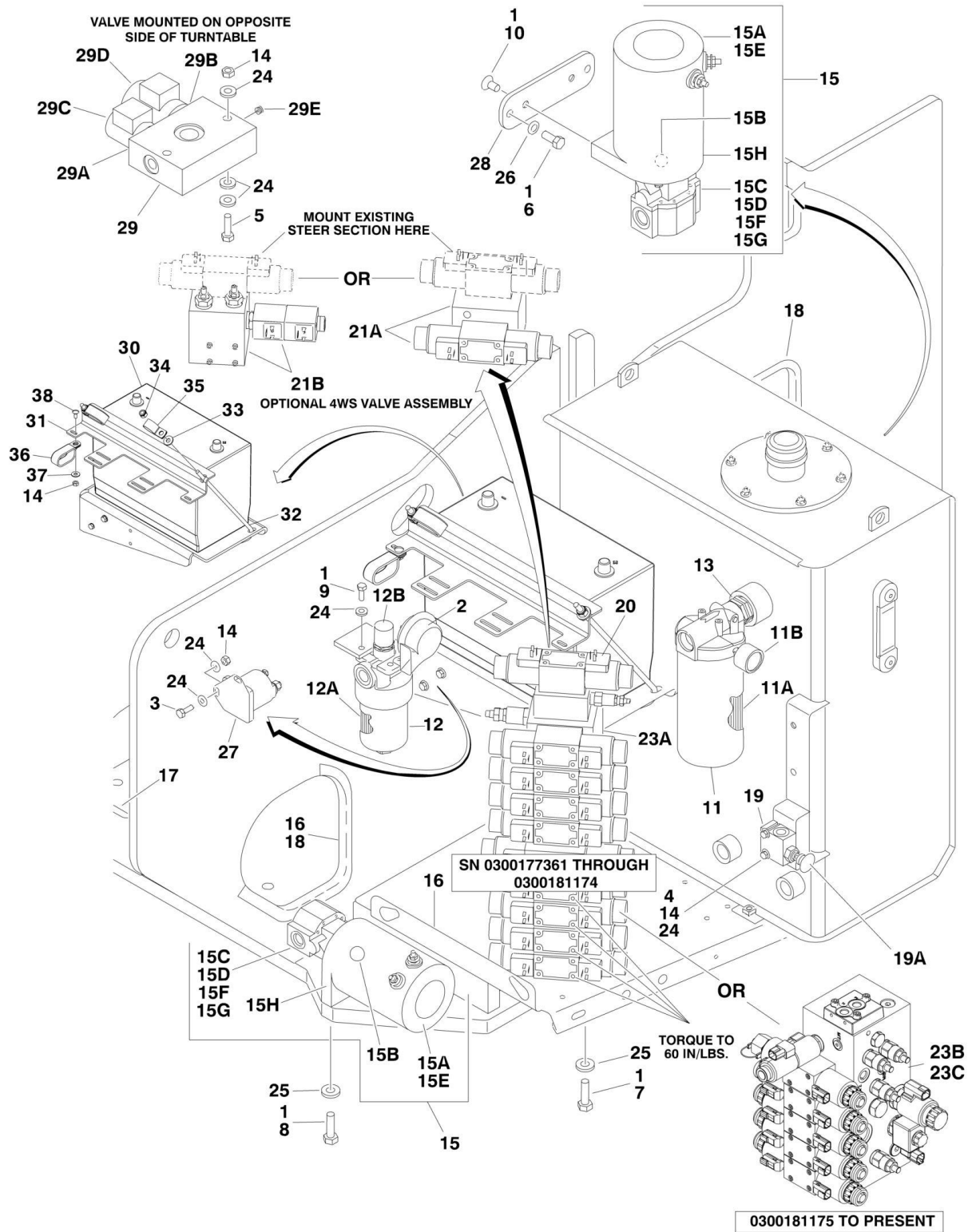
ITEM	PART NUMBER	QTY	DESCRIPTION	REV
		Ref	<b>TOW BAR INSTALLATIONS</b>	
	1001150571	Ref	<b>All Specs except CSA and CE Specs</b>	D
	1001150570	Ref	<b>CSA Spec</b>	C
	1001150569	Ref	<b>CE Spec</b>	A
101	0100011	AR	Compound, Locking	
102	0270528	1	Bar Assembly (See Items 201-221 for Breakdown)	
103	0641516	2	Bolt 5/16in-18NC x 2in	
104	1704578	2	Decal - Crushing (All Specs except CE & CSA Specs)	
104	1706960	2	Decal - Crushing (CE Specs)	
104	1704578	2	Decal - Crushing (CSA Specs) <b>(SN 0300177361 through 0300223274)</b>	
104	1706593	2	Decal - Crushing (CSA Specs) <b>(SN 0300223275 through 0300272252)</b>	
105	1705090	1	Decal - Towing Instruction (All Specs except CSA and CE Specs)	
105	1706957	1	Decal - Towing Instruction (CE Specs)	
105	1705820	1	Decal - Towing Instruction (CSA Specs)	
106	3250872	1	Nameplate, Steer/Tow Select Valve (All Specs except CSA and CE Specs)	
106	Not Required	0	Nameplate, Steer/Tow Select Valve (CE Specs)	
106	1704272	1	Nameplate, Steer/Tow Select Valve (CSA Specs)	
107	3940604	4	Screw, Self-Tapping #6-32NF x 1/2in	
108	4420051	AR	Tape, Safety	
109	4640261	1	Valve, Float Position	
	0270528	Ref	<b>TOW BAR ASSEMBLY</b>	A
201	0100011	AR	Compound, Locking	
202	0362910	1	Pintle, Draw Eye	
203	0642010	4	Bolt 5/8in-11NC x 1-1/4in	
204	0721004	2	Screw, Hex Machine	
205	0741607	24	Screw, Countersunk 3/8in-16NC x 7/8in	
206	1060584	6	Cable, Lanyard	
207	3420372	2	Pin, Cotter	
208	3420447	1	Pin, Towing	
209	3421565	2	Pin, Snap	
210	3422841	2	Pin	
211	3422847	1	Pin	
212	3572009	2	Plate, Slide Stop	
213	3572010	2	Plate, Slide Stop	
214	3572011	2	Plate, Slide Stop	
215	3572012	2	Plate, Slide Stop	
216	3760170	8	Ring, Split	
217	4568133	1	Tube, Tow Bar	
218	4740036	1	Flatwasher	
219	4751000	2	Flatwasher #10 Regular	
220	4846295	1	Tow Bar Attach Weldment	
221	4846296	1	Pintle Attach Weldment	



**SECTION 2 - TURNTABLE**

# SECTION 2 - TURNTABLE

## FIGURE 2-1. CONTROL VALVES INSTALLATIONS



## SECTION 2 - TURNTABLE

### FIGURE 2-1. CONTROL VALVES INSTALLATIONS

ITEM	PART NUMBER	QTY	DESCRIPTION	REV
		Ref	<b>CONTROL VALVES INSTALLATIONS</b>	
		Ref	<b>Machines without LSS or with 4 Cell LSS:</b>	
	1001152535	Ref	<b>Control Valves Installations - 2WS with Deutz D2011 and GM Engines (600A) (SN 0300177361 through 0300181174)</b>	C
	1001160038	Ref	<b>Control Valves Installations - 2WS with Deutz D2011, Ford and GM Engines (600A) (SN 0300181175 through 0300272252)</b>	B
	1001145379	Ref	<b>Control Valves Installations - 2WS with Deutz TD2.9L4 Engines (600A) (SN 0300177361 through 0300181174)</b>	C
	1001164168	Ref	<b>Control Valves Installations - 2WS with Deutz TD2.9L4 Engines (600A) (SN 0300181175 through 0300272252)</b>	B
	1001152534	Ref	<b>Control Valves Installations - 4WS with Deutz D2011 and GM Engines (600A) (SN 0300177361 through 0300181174)</b>	C
	1001160039	Ref	<b>Control Valves Installations - 4WS with Deutz D2011, Ford and GM Engines (600A) (SN 0300181175 through 0300272252)</b>	B
	1001145720	Ref	<b>Control Valves Installations - 4WS with Deutz TD2.9L4 Engines (600A) (SN 0300177361 through 0300181174)</b>	D
	1001164160	Ref	<b>Control Valves Installations - 4WS with Deutz TD2.9L4 Engines (600A) (SN 0300181175 through 0300272252)</b>	B
	1001152537	Ref	<b>Control Valves Installations - 2WS with Deutz D2011 and GM Engines (600AJ) (SN 0300177361 through 0300181174)</b>	C
	1001160068	Ref	<b>Control Valves Installations - 2WS with Deutz D2011, Ford and GM Engines (600AJ) (SN 0300181175 through 0300272252)</b>	B
	1001145719	Ref	<b>Control Valves Installations - 2WS with Deutz TD2.9L4 Engines (600AJ) (SN 0300177361 through 0300181174)</b>	D
	1001164164	Ref	<b>Control Valves Installations - 2WS with Deutz TD2.9L4 Engines (600AJ) (SN 0300181175 through 0300272252)</b>	B
	1001152265	Ref	<b>Control Valves Installations - 4WS with Deutz D2011 and GM Engines (600AJ) (SN 0300177361 through 0300181174)</b>	C
	1001164170	Ref	<b>Control Valves Installations - 4WS with Deutz D2011, Ford and GM Engines (600AJ) (SN 0300181175 through 0300272252)</b>	B
	1001145721	Ref	<b>Control Valves Installations - 4WS with Deutz TD2.9L4 Engines (600AJ) (SN 0300177361 through 0300181174)</b>	D
	1001160069	Ref	<b>Control Valves Installations - 4WS with Deutz TD2.9L4 Engines (600AJ) (SN 0300181175 through 0300272252)</b>	B
		Ref	<b>Machines with 1 Cell LSS:</b>	
	1001219471	Ref	<b>Control Valves Installations - 2WS with Deutz D2011 and Ford Engines (600A)</b>	C
	1001219477	Ref	<b>Control Valves Installations - 2WS with Deutz TD2.9L4 Engines (600A)</b>	C
	1001219472	Ref	<b>Control Valves Installations - 4WS with Deutz D2011 and Ford Engines (600A)</b>	C
	1001219475	Ref	<b>Control Valves Installations - 4WS with Deutz TD2.9L4 Engines (600A)</b>	C
	1001219473	Ref	<b>Control Valves Installations - 2WS with Deutz D2011 and Ford Engines (600AJ)</b>	B
	1001219476	Ref	<b>Control Valves Installations - 2WS with Deutz TD2.9L4 Engines (600AJ)</b>	B
	1001219474	Ref	<b>Control Valves Installations - 4WS with Deutz D2011 and Ford Engines (600AJ)</b>	B
	1001219478	Ref	<b>Control Valves Installations - 4WS with Deutz TD2.9L4 Engines (600AJ)</b>	B
	1001137895	Ref	<b>Auxiliary Pump Installation (Deutz TD2.9L4 &amp; Ford Engines)</b>	D

## SECTION 2 - TURNTABLE

ITEM	PART NUMBER	QTY	DESCRIPTION	REV
	1001239291	Ref	<b>Auxiliary Pump with Battery Disconnect Installation (Deutz TD2.9L4, Ford &amp; GM Engines)</b>	A
1	0100011	AR	Compound, Locking	
2	0140001	1	Horn	
3	0641406	AR	Bolt 1/4in-20NC x 3/4in	
4	0641414	2	Bolt 1/4in-20NC x 1-3/4in	
5	0641416	2	Bolt 1/4in-20NC x 2in	
6	0641607	AR	Bolt 3/8in-16NC x 7/8in	
7	0641608	3	Bolt 3/8in-16NC x 1in	
8	0641613	AR	Bolt 3/8in-16NC x 1-5/8in	
9	0651406	3	Bolt 1/4in-28NF x 3/4in	
10	0741606	AR	Screw, Countersunk 1/4in-20NC x 3/4in	
11	2120164	1	Return Filter Assembly	B
11A	2120149	1	Element, Filter	
11B	7020021	1	Manual Indicator	
12	2120209	1	Hydraulic Pressure Filter Assembly	
12A	2120210	1	Element, Filter	
12B	7020020	1	Manual Indicator	
12C	70000934	1	O-Ring, Filter Bowl (Not Shown)	
13	2220893	1	Fitting, Adapter	
14	3311405	AR	Locknut 1/4in x 20NC	
15	3600365	1	Auxiliary Pump Assembly	B
15A	7004290	1	Replacement Motor with Endhead Item 15H (was p/n 7011067)	
15A	7004248	1	Replacement Motor without Endhead Item 15H	
15A	7011065	1	Brush Kit - 7011067 Motor	
15B	7011063	1	Coupling	
15C	7011064	1	Replacement Pump	
15C	7011066	1	Seal Kit - 7011064 Pump	
15C	7004290	1	Relief Valve (Note: Not Available - Replace Complete Pump)	
15D	7011043	4	Bolt (Mounts Pump to Mounting Bracket)	
15E	See Note	2	Bolt (Motor to Bracket) (Note: Not Available for Purchase)	
15F	7011044	1	Gasket	
15G	7011048	4	Lockwasher	
15H	7011062	4	Endhead, Motor	
16	4060804	AR	Trim-Loc 3/16in	
17	4060807	AR	Trim-Loc 3/8in	
18	4060918	AR	Trim-Loc 5/8in	
19	4640866	1	Manual Pull Valve Assembly	
19	2900708	1	Seal Kit - 4640866 Valve	
19A	7012959	1	Knob	
20		Ref	Jib Valve Kit (See ACCESSORY VALVE ASSEMBLIES for Breakdown) Options:	
20	Not Required	0	Jib Valve Kit (600A)	
20	4640921	1	Jib Valve Kit (600AJ) <b>(SN 0300177361 through 0300181174)</b>	
20	4921927	1	Harness, Jib Valve (Not Shown - See ELECTRICAL SECTION for Breakdown) <b>(SN 0300177361 through 0300181174)</b>	
21		Ref	Valve Assembly (See ACCESSORY VALVE ASSEMBLIES for Breakdown) Options:	
21	Not Required	0	2WS	
21A	4640922	1	4WS Machines with Deutz D2011 and GM Engines <b>(SN 0300177361 through 0300181174)</b>	

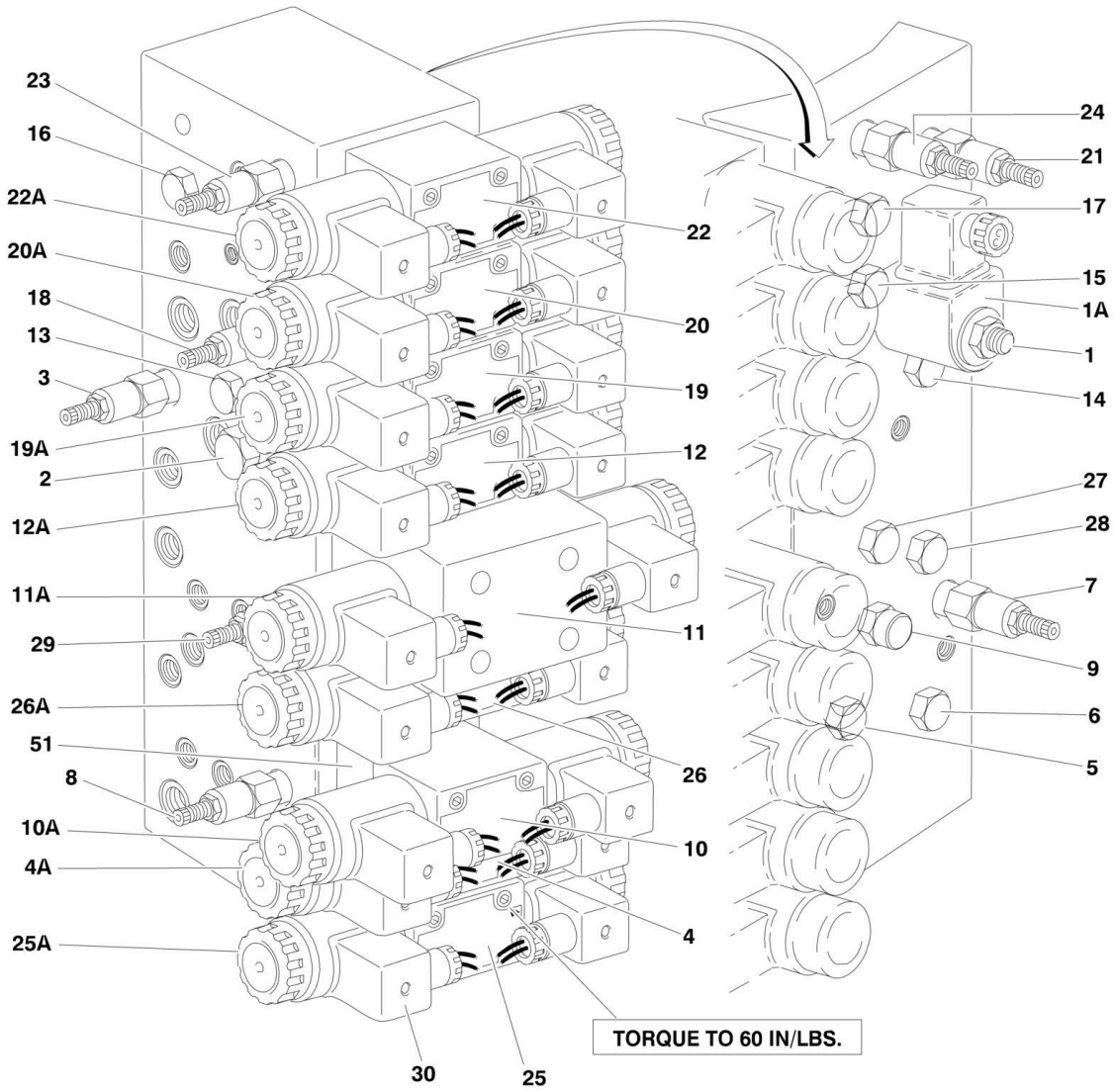


## SECTION 2 - TURNTABLE

ITEM	PART NUMBER	QTY	DESCRIPTION	REV
21B	1001148664	1	4WS Machines with Deutz TD2.9L4 Engines <b>(SN 0300177361 through 0300181174)</b>	
21B	4921928	1	Harness, 4WS (Not Shown - See ELECTRICAL SECTION for Breakdown) <b>(SN 0300177361 through 0300181174)</b>	
23A	4641452	1	Main Valve Block Assembly (See MAIN VALVE BLOCK ASSEMBLY for Breakdown) <b>(SN 0300177361 through 0300181174)</b>	
23B	1001152887	1	Main Valve Block Assembly - 2WS (See MAIN VALVE BLOCK ASSEMBLY for Breakdown) <b>(SN 0300181175 through 0300272252)</b>	
23C	1001152561	1	Main Valve Block Assembly - 4WS (See MAIN VALVE BLOCK ASSEMBLY for Breakdown) <b>(SN 0300181175 through 0300272252)</b>	
24	4711400	AR	Flatwasher 1/4in Thin	
24	4791400	AR	Starwasher 1/4in	
25	4711600	5	Flatwasher 3/8in Thin	
26	4761600	AR	Lockwasher 3/8in	
27	3740067	1	Relay (Machines with Deutz TD2.9L4 Engines Only)	
28	1001144041	1	Plate, Mounting (Machines with Deutz TD2.9L4 Engines Only)	
29	1001099391	1	Brake/Selector Valve Assembly	
29A	7012941	1	Cartridge without Coil	
29A	7010543	1	Seal Kit - 7012941 Cartridge	
29B	7012995	1	Cartridge without Coil	
29B	7012518	1	Seal Kit - 7012995 Cartridge	
29C	7012944	1	Coil	
29D	7012943	1	Coil	
29E	70002209	1	Orifice	
30	0400075	1	Battery <b>(SN 0300259737 through 0300272252)</b>	
31	91401281	1	Bracket, without Battery Disconnect Switch <b>(SN 0300259737 through 0300272252)</b>	
31	1001236303	1	Bracket, with Battery Disconnect Switch <b>(SN 0300259737 through 0300272252)</b>	
32	1001093382	2	Bolt	
33	4751500	2	Washer 5/16	
34	88521205	2	Nut 5/16	
35	8406201	1	Clip <b>(SN 0300259737 through 0300272252)</b>	
36	1321716	AR	Clamp <b>(SN 0300259737 through 0300272252)</b>	
37	4751400	1	Washer 1/4	
38	88411013	1	Bolt ¼ - 3/4	

# SECTION 2 - TURNTABLE

## FIGURE 2-2. MAIN VALVE BLOCK ASSEMBLY



**SECTION 2 - TURNTABLE**

**FIGURE 2-2. MAIN VALVE BLOCK ASSEMBLY**

ITEM	PART NUMBER	QTY	DESCRIPTION	REV
	4641452	Ref	<b>MAIN VALVE BLOCK ASSEMBLY (SN 0300177361 through 0300181174)</b>	D
1	7017410	1	Cartridge, Without Coil	
1	7012967	1	Seal Kit - 7017410 Cartridge	
1A	7012944	1	Coil	
2	7017464	1	Cartridge, Pressure Sensing	
2	7012518	1	Seal Kit -7017464 Cartridge	
3	7017418	1	Cartridge (Main Relief)	
3	7012998	1	Seal Kit	
4	7018941	2	Orifice, 1.2mm (Located under Control Valve Assembly)	
4	70001976	1	Control Valve Assembly (Platform Level) (was p/n 7012770)	
4	7012773	1	Seal Kit	
4A	7012772	2	Coil	
4A	7021375	2	Nut	
5	7012914	1	Cartridge, Check Valve	
5	7012918	1	Seal Kit - 7012914 Cartridge	
6	7012914	1	Cartridge, Check Valve	
6	7012918	1	Seal Kit - 7012914 Cartridge	
7	7017427	1	Cartridge, Relief Valve (Platform Level Backward Relief)	
7	7012998	1	Seal Kit - 7017427 Cartridge	
8	7017428	1	Cartridge, Relief Valve (Platform Level Forward Relief)	
8	7012998	1	Seal Kit - 7017428 Cartridge	
9	7012989	1	Cartridge, Flow Control	
9	7012953	1	Seal Kit - 7012989 Cartridge	
10	70001976	1	Control Valve Assembly (Platform Rotate) (was p/n 7012770)	
10	7012773	1	Seal Kit	
10A	7012772	2	Coil	
10A	7018912	2	Nut	
11	70000579	1	Control Valve Assembly (Upper Tele)	
11	70000583	1	Seal Kit - 70000579 Cartridge	
11A	70000582	1	Coil	
11A	70000580	1	Nut, Coil	
12	7012775	1	Control Valve Assembly (Flow Control)	
12	7012773	1	Seal Kit	
12A	7012772	2	Coil	
12A	7018912	2	Nut	
13	7010542	1	Cartridge, Shuttle	
13	7010543	1	Seal Kit - 7010542 Cartridge	
14	7010542	1	Cartridge, Shuttle	
14	7010543	1	Seal Kit - 7010542 Cartridge	
15	7010542	1	Cartridge, Shuttle	
15	7010543	1	Seal Kit - 7010542 Cartridge	
16	7010542	1	Cartridge, Shuttle	
16	7010543	1	Seal Kit - 7010542 Cartridge	
17	7010542	1	Cartridge, Shuttle	
17	7010543	1	Seal Kit - 7010542 Cartridge	
18	7012912	1	Cartridge, Relief Valve	
18	7012998	1	Seal Kit - 7012912 Cartridge	
19	7012775	1	Control Valve Assembly (Upper Lift)	
19	7012773	1	Seal Kit	

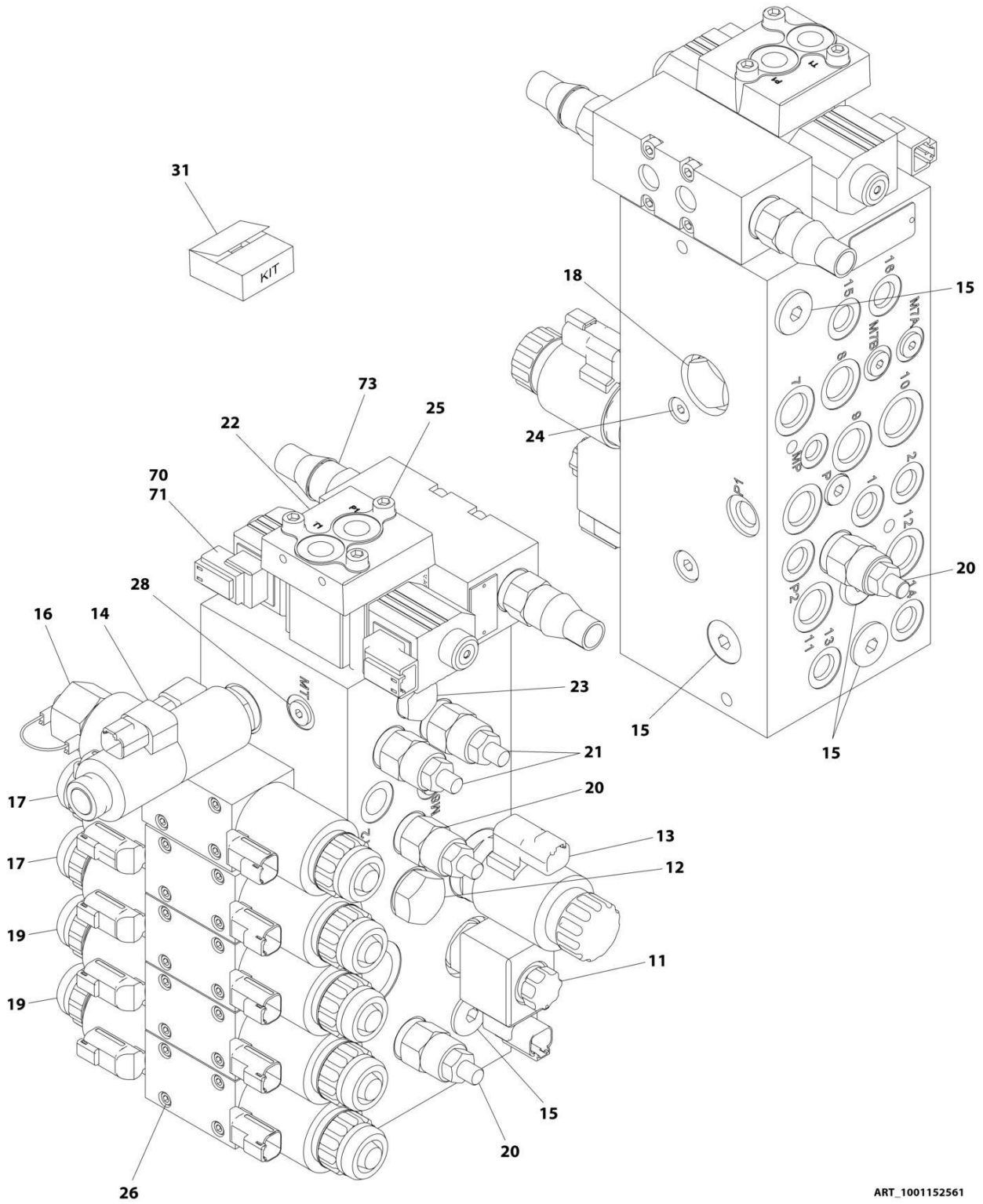
## SECTION 2 - TURNTABLE

ITEM	PART NUMBER	QTY	DESCRIPTION	REV
19	7012799	1	Lanyard Assembly (Not Shown)	
19A	7012772	2	Coil	
19A	7018912	2	Nut	
20	7012775	1	Control Valve Assembly (Swing)	
20	7012773	1	Seal Kit	
20A	7012772	2	Coil	
20A	7018912	2	Nut	
21	7012912	1	Cartridge, Relief Valve (Swing Right/Left Relief)	
21	7012998	1	Seal Kit - 7012912 Cartridge	
22	7012774	1	Control Valve Assembly (Steer)	
22	7012773	1	Seal Kit	
22A	7012772	2	Coil	
22A	7018912	2	Nut	
23	7017428	1	Cartridge, Relief Valve (Steer Left Relief)	
23	7012998	1	Seal Kit - 7017428 Cartridge	
24	7017428	1	Cartridge, Relief Valve (Steer Right Relief)	
24	7012998	1	Seal Kit - 7017428 Cartridge	
25	70001976	1	Control Valve Assembly (Lower Tele) (was p/n 7012770)	
25	7012773	1	Seal Kit	
25A	7012772	2	Coil	
25A	7021375	2	Nut	
26	7018952	1	Control Valve Assembly (Lower Lift)	
26	7012769	1	Seal Kit - 7018952 Cartridge	
26A	7012772	2	Coil	
26A	7018912	2	Nut	
26A	7012799	1	Lanyard Cable Assembly	
27	7012969	1	Cartridge, Check	
27	7012967	1	Seal Kit - 7012969 Cartridge	
28	7012914	1	Cartridge, Check	
28	7012918	1	Seal Kit - 7012914 Cartridge	
30	4460499	19	Connector, Din with Diode (Part of Valve Harness)	
51	2901763	1	Rotate Sandwich Valve Kit	A
51	7021310	1	Block, Valve	



# SECTION 2 - TURNTABLE

## FIGURE 2-3. MAIN VALVE BLOCK ASSEMBLY



ART\_1001152561

## SECTION 2 - TURNTABLE

### FIGURE 2-3. MAIN VALVE BLOCK ASSEMBLY

ITEM	PART NUMBER	QTY	DESCRIPTION	REV
	1001152887	Ref	<b>MAIN VALVE BLOCK ASSEMBLY - 2WS</b>	C
	1001152561	Ref	<b>MAIN VALVE BLOCK ASSEMBLY - 4WS</b>	E
11	70004652	1	Valve, Cartridge Less Coil ( Dump)	
11	70023867	1	Seal kit - 70004652 Valve	
11	70004653	1	Coil	
11	70004654	1	Nut, Coil	
12	70004655	1	Valve, Cartridge	
12	70004656	1	Seal Kit - 70004655 Valve	
13	70004657	1	Valve, Cartridge Less Coil	
13	70004594	1	Seal Kit - 70004657 Valve	
13	70004595	1	Coil	
13	70004597	1	Nut, Coil	
13	70004596	1	O-Ring, Pole Tube	
14	70004659	1	Valve, Cartridge Less Coil (Steer)	
14	70004660	1	Seal - Kit - 70004659 Valve	
14	80434249	2	Coil	
14	70004661	1	Nut, Coil	
14	70024457	1	O-Ring, Pole Tube ( Upper)	
14	70004662	1	O-Ring, Pole Tube ( Lower)	
15	70023859	5	Valve, Cartridge	
16	70004663	1	Valve Assembly ( Lower Lift)	
16	7012773	1	Seal Kit - 70004663 Valve	
16	70004660	2	Coil	
16	7021375	1	Nut, Coil (Plastic)	
16	70004661	2	O-Ring, Pole Tube	
16	70003525	1	Not, Coil (Aluminum)	
16	70004664	1	Lanyard	
17	70004459	2	Valve Assembly ( Upper Tele and Lower Tele)	
17	7012773	1	Seal Kit - 70004459 Valve	
17	70004460	2	Coil	
17	7021375	2	Nut, Coil	
17	70004661	2	O-Ring, Pole Tube	
18	70004665	1	Valve, Cartridge	
18	70023862	1	Seal Kit - 70004665 Valve	
19	70004666	2	Valve Assembly (Swing and Upper Lift)	
19	7012773	1	Seal Kit - 70004666 Valve	
19	70004463	2	Coil	
19	7021375	2	Nut, Coil	
19	70004461	2	O-Ring, Pole Tube	
20	70003019	3	Valve, Cartridge	
20	70004052	3	Seal Kit - 70003019	
21	70003019	2	Valve, Cartridge	
21	70004052	2	Seal Kit - 70003019 Valve	
22	70004667	1	Cover	
23	2220886	1	Plug (2WS)	
23	70004670	1	Plug (4WS)	
24	70004668	1	Plug (2WS)	
24	70004665	1	Plug (4WS)	
25	70005201	3	Capscrew (Valve p/n 1001152887 Only)	
25	70021202	1	Bolt Kit (Valve p/n 1001152561 Only)	

## SECTION 2 - TURNTABLE

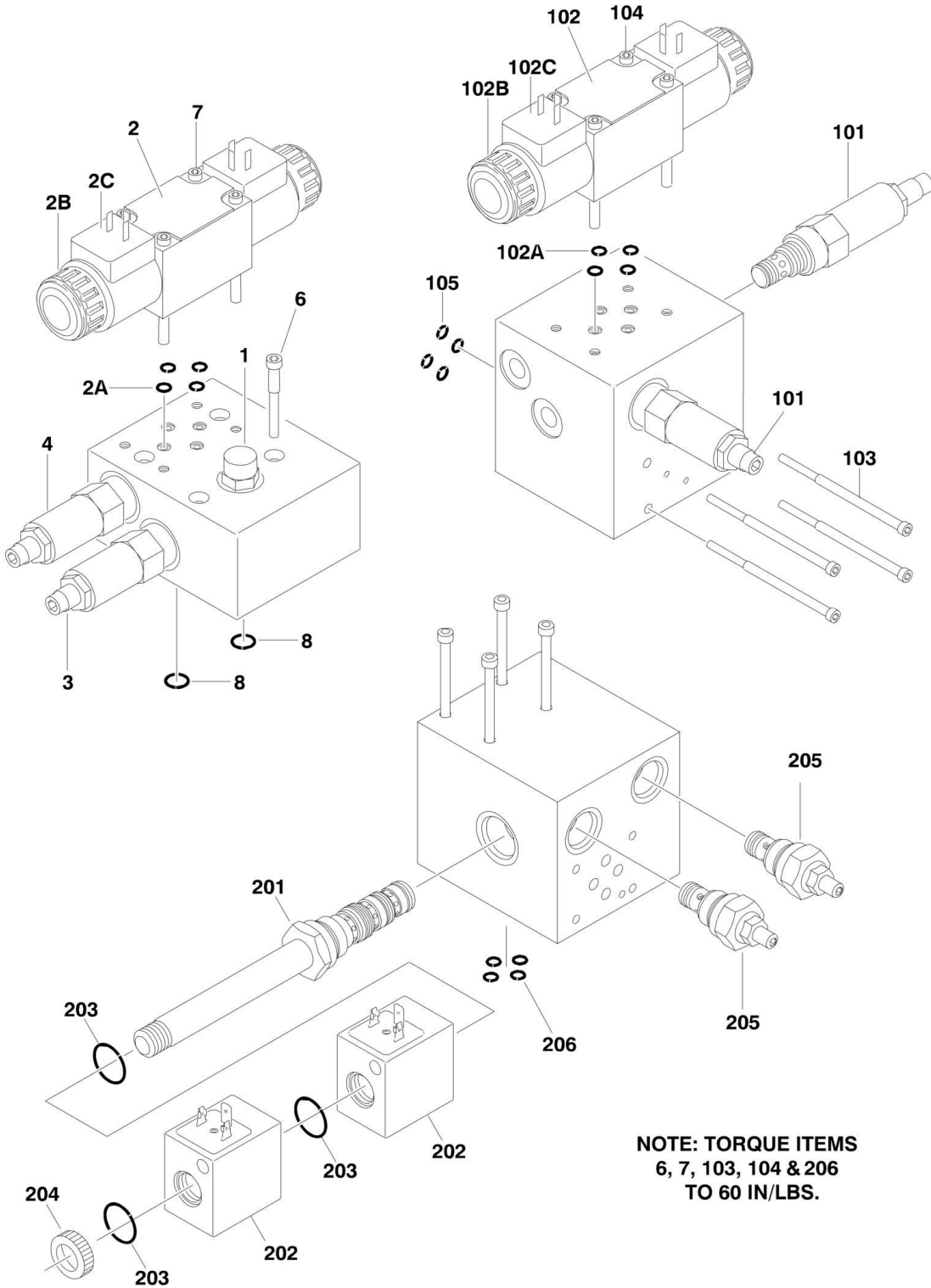
ITEM	PART NUMBER	QTY	DESCRIPTION	REV
26	7018942	20	Capscrew	
27	70005202	2	O-Ring (Not Shown - Located under Item 22)	
28	70002758	6	Plug 7/16	
29	70004617	4	Plug 9/16 (Not Shown)	
30	70002759	1	Plug 3/4 (Not Shown - Located under Item 73)	
31	70005232	1	Bolt Kit (Valve p/n 1001152561 Only)	
32	91474405	2	O-Rings (Not Shown - Located under Item 73) (Valve p/n 1001152561 Only)	
70	70004671	1	Valve Assembly (4WS Rear Steer) (1001152561 Valve Only)	
70	70004672	1	Seal Kit - 70004671 Valve	
71	70004673	2	Coil (4WS Rear Steer) (1001152561 Valve Only)	
73	70004674	2	Valve, Cartridge (4WS Rear Steer) (1001152561 Valve Only)	
73	70004052	2	Seal Kit - 70004052 Valve	





# SECTION 2 - TURNTABLE

## FIGURE 2-4. ACCESSORY VALVE ASSEMBLIES



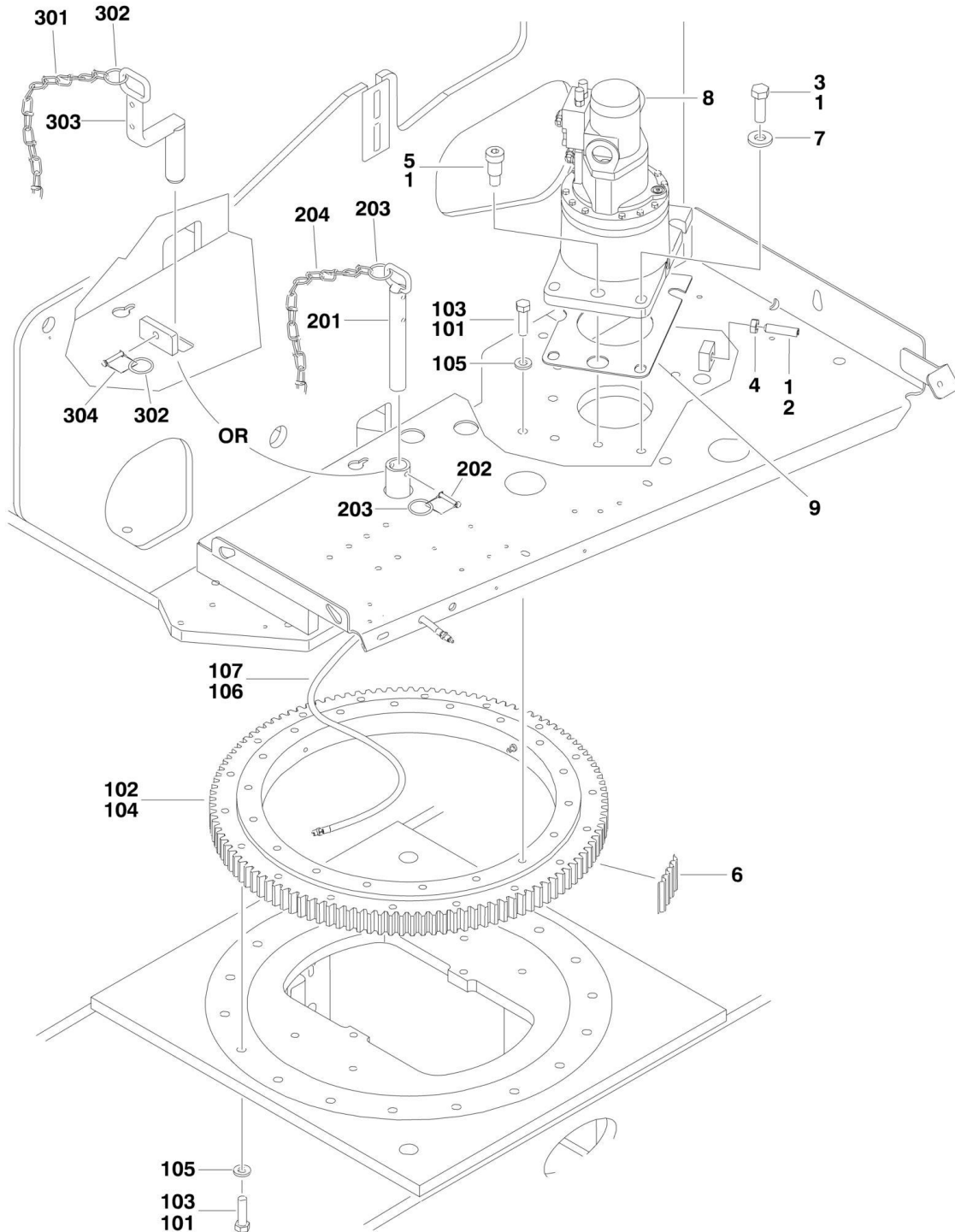
## SECTION 2 - TURNTABLE

**FIGURE 2-4. ACCESSORY VALVE ASSEMBLIES**

ITEM	PART NUMBER	QTY	DESCRIPTION	REV
	4640921	Ref	<b>ARTICULATING JIB VALVE ASSEMBLY</b>	D
1	7012965	1	Cartridge, Flow Control	
1	7012953	1	Seal Kit - 7012965 Cartridge	
2	70001976	1	Directional Control Valve Assembly (was p/n 7012770)	
2	7012773	1	Seal Kit	
2A	7018945	4	O-Ring	
2B	7018912	2	Nut	
2C	7012772	2	Coil	
3	7017421	1	Cartridge, Relief	
3	7012998	1	Seal Kit - 7017421 Cartridge	
4	7017422	1	Cartridge, Relief	
4	7012998	1	Seal Kit - 7017422 Cartridge	
5	4460499	2	Connector, DIN with Diode (Not Shown - Part of Valve Harness)	
6	7018946	4	Capscrew, Socket Head #10-24NC x 5in (Not Shown - Used to Mount Valve Assembly)	
7	7018942	4	Capscrew, Socket Head #10-24NC x 2in	
8	7012776	4	O-Ring (Not Shown - Used to Mount to Main Valve)	
	4640922	Ref	<b>4WS VALVE ASSEMBLY (MACHINES WITH DEUTZ D2011 AND GM ENGINES)</b>	B
101	7017420	2	Cartridge, Flow Control	
101	7012998	2	Seal Kit - 7017420 Cartridge	
102	7012774	1	Directional Control Valve Assembly	
102	7012773	1	Seal Kit	
102A	7018945	4	O-Ring	
102B	7018912	2	Nut	
102C	7012772	2	Coil	
103	7018946	4	Capscrew, Socket Head #10-24NC x 5in (Used to Mount Valve Assembly)	
104	7018942	4	Capscrew, Socket Head #10-24NC x 2in	
105	7018948	4	O-Ring (Used to Mount to Main Valve)	
	1001148664	Ref	<b>4WS VALVE ASSEMBLY (MACHINES WITH DEUTZ TD2.9L4 ENGINES)</b>	B
201	70004165	1	Cartridge Less Coils	
201	70004164	1	Seal Kit - 70004165 Valve	
202	70004161	2	Coil	
203	70004163	1	Seal Kit (Includes O-Rings for between Coil, Nut and Cartridge)	
204	70004162	1	Nut, Coil	
205	70004166	2	Cartridge	
205	70004052	2	Seal Kit - 70004166 Valve (1 Per Cartridge)	
206	7018948	4	O-Ring	

# SECTION 2 - TURNTABLE

## FIGURE 2-5. SWING DRIVE, TURNTABLE BEARING AND LOCK INSTALLATIONS



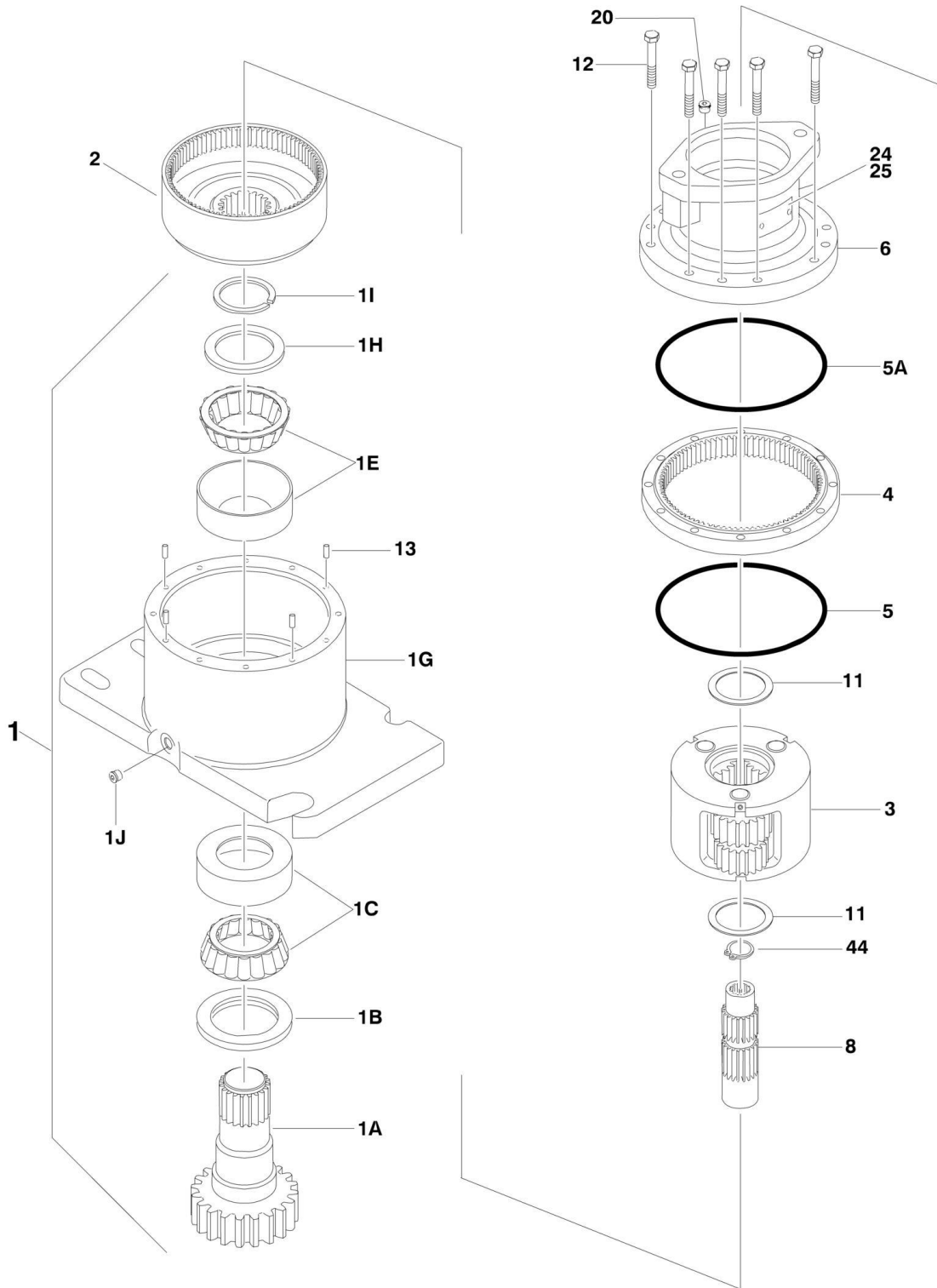
## SECTION 2 - TURNTABLE

**FIGURE 2-5. SWING DRIVE, TURNTABLE BEARING AND LOCK INSTALLATIONS**

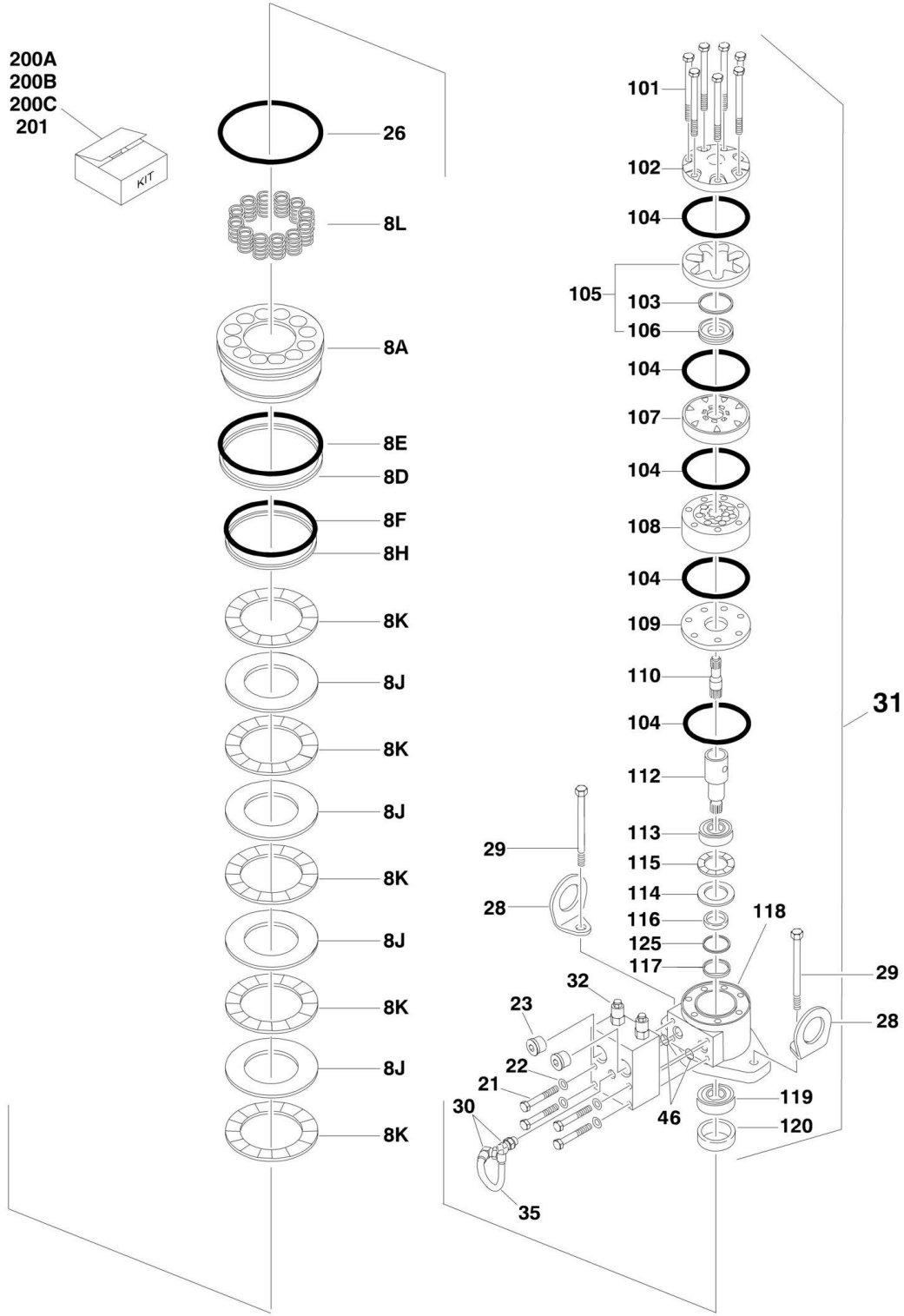
ITEM	PART NUMBER	QTY	DESCRIPTION	REV
	1001152181	Ref	<b>SWING DRIVE INSTALLATION</b>	E
1	0100019	AR	Compound, Locking	
2	3952020	1	Setscrew 5/8in - 11NC x 2-1/2in	
3	0682218	4	Bolt 3/4in - 10NC x 2-1/4in Grade 8	
4	3312002	1	Nut, Jam 5/8in - 11NC	
5	3900293	1	Capscrew 1in x 1-1/4in	
6	4071009	1	Shim <b>(SN 0300177361 through 0300181174)</b>	
6	1001125492	1	Shim <b>(SN 0300181175 through 0300272252)</b>	
7	4740057	4	Flatwasher, Hardened	
8	1001101060	1	Swing Hub Assembly (See SWING MOTOR/HUB ASSEMBLY for Breakdown) <b>(Prior to SN 0300269965)</b>	
8	1001229810	1	Swing Hub Assembly (See SWING MOTOR/HUB ASSEMBLY for Breakdown) <b>(SN 0300269965 to Present)</b>	
9	1001152234	1	Plate, Spacer	
	1001150391	Ref	<b>TURNTABLE BEARING AND REMOTE LUBE INSTALLATION</b>	C
101	0100019	AR	Compound, Locking	
102	0440207	1	Bearing, Turntable	
103	0682018	36	Bolt 5/8in - 11NC x 2-1/4in Grade 8	
104	3020029	AR	Lubricant	
105	4892000	36	Flatwasher 5/8in Hardened	
106	0100011	AR	Compound, Locking	
107	1001149927	1	Hose (Includes Grease Fitting and Adapter Fittings)	
	0255410	Ref	<b>TURNTABLE LOCK INSTALLATION (MACHINES WITH DEUTZ D2011 AND GM ENGINES)</b>	B
201	4844958	1	Pin	
202	3421565	1	Pin, Snap	
203	3760170	2	Ring, Quick Release	
204	1260017	9 in/23cm	Chain	
	1001137885	Ref	<b>TURNTABLE LOCK INSTALLATION (MACHINES WITH DEUTZ TD2.9L4 ENGINES)</b>	A
301	1260017	9 in/23cm	Chain	
302	3760170	2	Ring, Quick Release	
303	1001137896	1	Pin	
304	1001145292	1	Pin, Snap	

# SECTION 2 - TURNTABLE

FIGURE 2-6. SWING MOTOR/HUB ASSEMBLY (Prior to SN 0300269965)



# SECTION 2 - TURNTABLE



## SECTION 2 - TURNTABLE

FIGURE 2-6. SWING MOTOR/HUB ASSEMBLY (Prior to SN 0300269965)

ITEM	PART NUMBER	QTY	DESCRIPTION	REV
	1001101060	Ref	<b>SWING MOTOR/HUB ASSEMBLY</b>	B
1	See Note	1	Housing/Shaft Assembly (Note: Not Available - Purchase Individual Components)	
1A	7010492	1	Shaft, Output	
1B	7000228	1	Seal, Lip	
1C	7000255	1	Bearing Kit (Includes Cup and Cone)	
1E	7000257	1	Bearing Kit (Includes Cup and Cone)	
1G	7024762	1	Housing	
1H	7007633	1	Washer, Thrust	
1I	7000229	1	Ring, Retaining	
1J	7017072	1	Plug, Pipe	
2	7000246	1	Gear, Internal	
3	80424002	1	Carrier Assembly	
4	7000248	1	Gear, Ring	
5	7000230	1	O-Ring	
5A	7017070	1	O-Ring	
6	1001101060	NSS	Housing, Brake (Note: Not Available - Purchase Complete Assembly)	
8	70002065	1	Gear, Sun	
8A	70000782	1	Piston	
8D	70002070	1	O-Ring	
8E	70002071	1	Ring, Back-up	
8F	70002073	1	O-Ring	
8H	70002072	1	Ring, Back-up	
8J	70002067	4	Disc, Rotor	
8K	70002068	5	Disc, Stator	
8L	70002066	14	Spring	
11	7000253	2	Washer, Thrust	
12	7000217	12	Bolt 3/8in-16NC x 2-1/4in (Grade 8)	
13	7017080	4	Pin, Dowel	
20	7017072	1	Plug, Pipe	
21	7024704	4	Bolt 5/16in-18NC x 2in (Grade 8)	
22	See Note	NSS	Lockwasher (Note: Not Available for Purchase)	
23	7017023	2	Plug, Pipe	
24	See Note	NSS	Plate, ID (Note: Not Available for Purchase)	
25	7000281	2	Screw, Drive	
26	7024763	1	O-Ring	
28	See Note	NSS	Lug, Lifting (Note: Not Available for Purchase)	
29	70002069	2	Bolt 1/2in-13NC x 2in (Grade 8)	
30	7017085	2	Elbow	
31	70002075	1	Motor Assembly (See Items 101-125 for Breakdown)	
32	7024784	1	Valve Assembly - Complete (No Serviceable Parts)	
35	70002074	1	Tube	
44	7017028	1	Ring, Internal Retaining	
46	7000213	2	O-Ring	
	70002075	Ref	<b>Motor Assembly</b>	
101	7024454	5	Bolt	
102	7004035	1	Cover, End	
103	7023318	1	Seal, Commutator	
104	7004036	5	Seal, Ring	

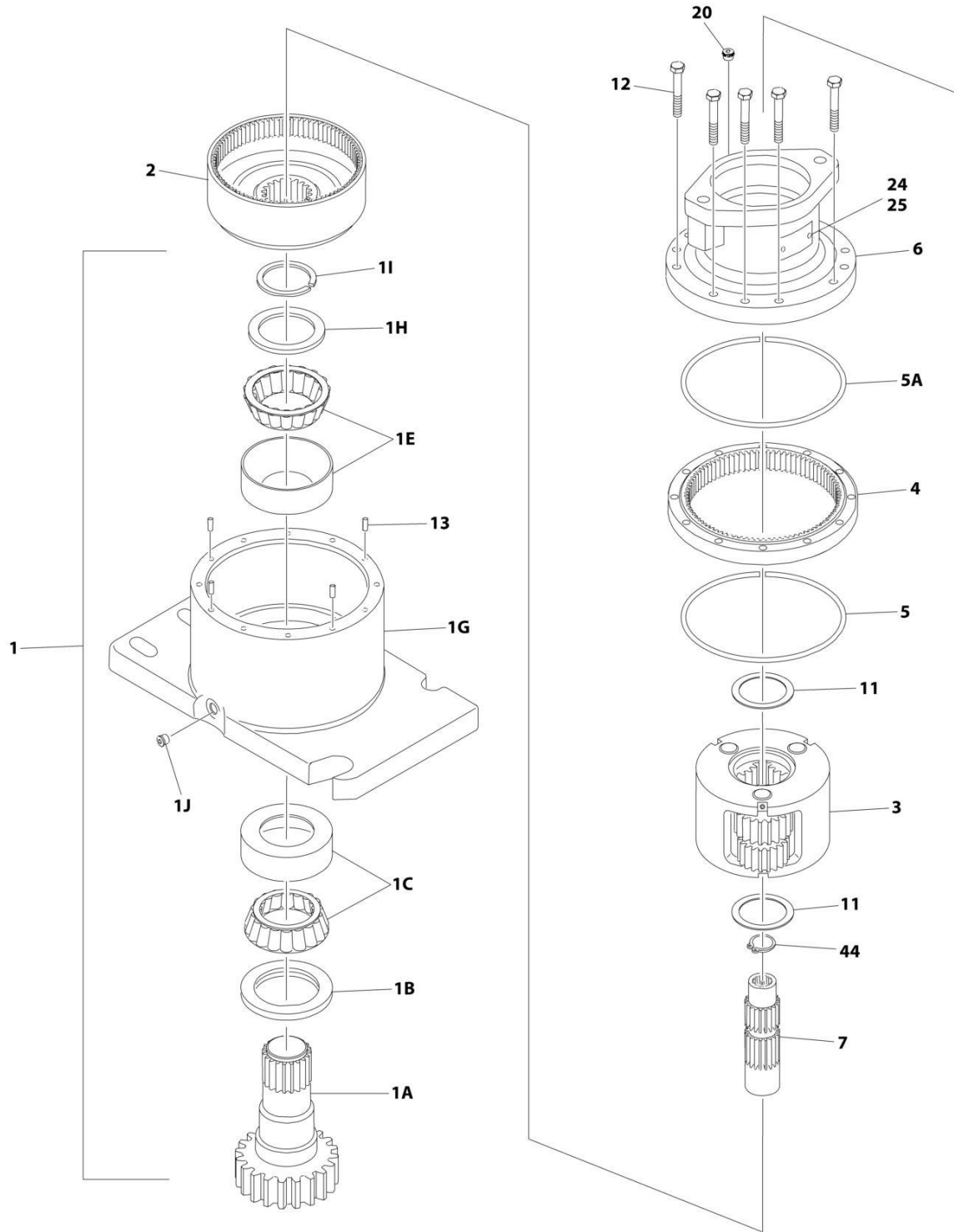


## SECTION 2 - TURNTABLE

ITEM	PART NUMBER	QTY	DESCRIPTION	REV
105	7024453	1	Commutator and Ring Assembly	
106	7024453	1	Ring	
107	7024379	1	Manifold	
108	7024455	1	Rotor Set	
109	7024380	1	Plate, Wear	
110	7024456	1	Link, Drive	
112	7024458	1	Shaft, Coupling	
113	7024381	1	Bearing, Inner	
114	7004043	1	Washer, Thrust	
115	7004044	1	Bearing, Thrust	
116	7004049	1	Seal, Inner	
117	7004045	1	Washer, Back-up	
118	7024457	1	Housing	
119	7024390	1	Bearing, Outer	
120	7004047	1	Seal	
125	80424043	1	Washer, Back-up	
		Ref	<b>Kit Options:</b>	
200		Ref	Seal Kit Options:	
200A	7024100	1	Swing Hub (Includes Items 1B, 1I, 5, 5A & 11)	
200B	70002086	1	Swing Brake (Includes Items 8D, 8E, 8F, 8H & 26)	
200C	7024396	1	Swing Motor (Includes Items 103, 104, 116, 117, 120 & 125)	
201	70002085	1	Disc Kit - Swing Brake (Includes Items 8J & 8K)	

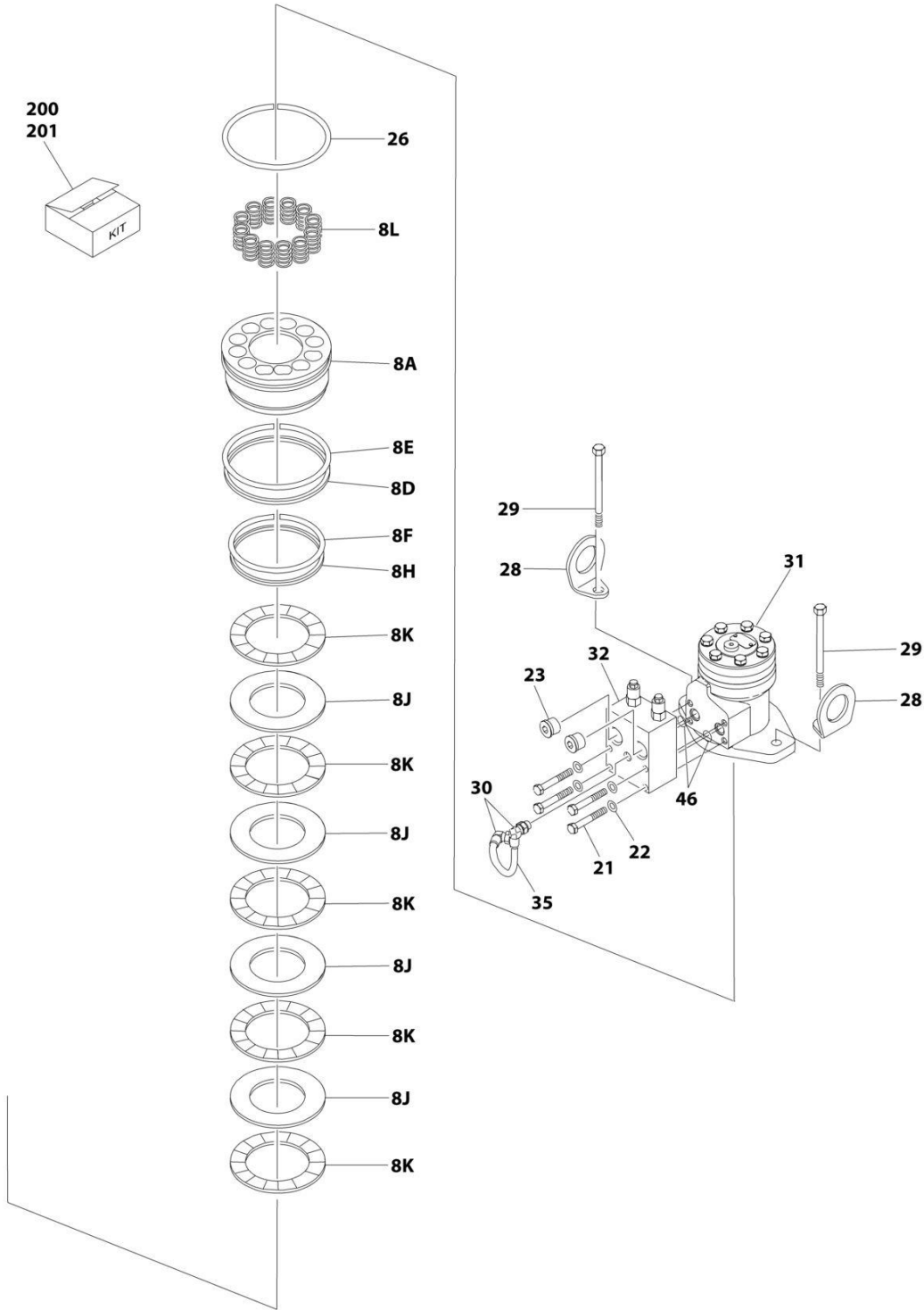
# SECTION 2 - TURNTABLE

## FIGURE 2-7. SWING MOTOR/HUB ASSEMBLY (SN 0300269965 to Present)



ART\_1001229810\_10F2

**SECTION 2 - TURNTABLE**



ART\_1001229810\_20F2

## SECTION 2 - TURNTABLE

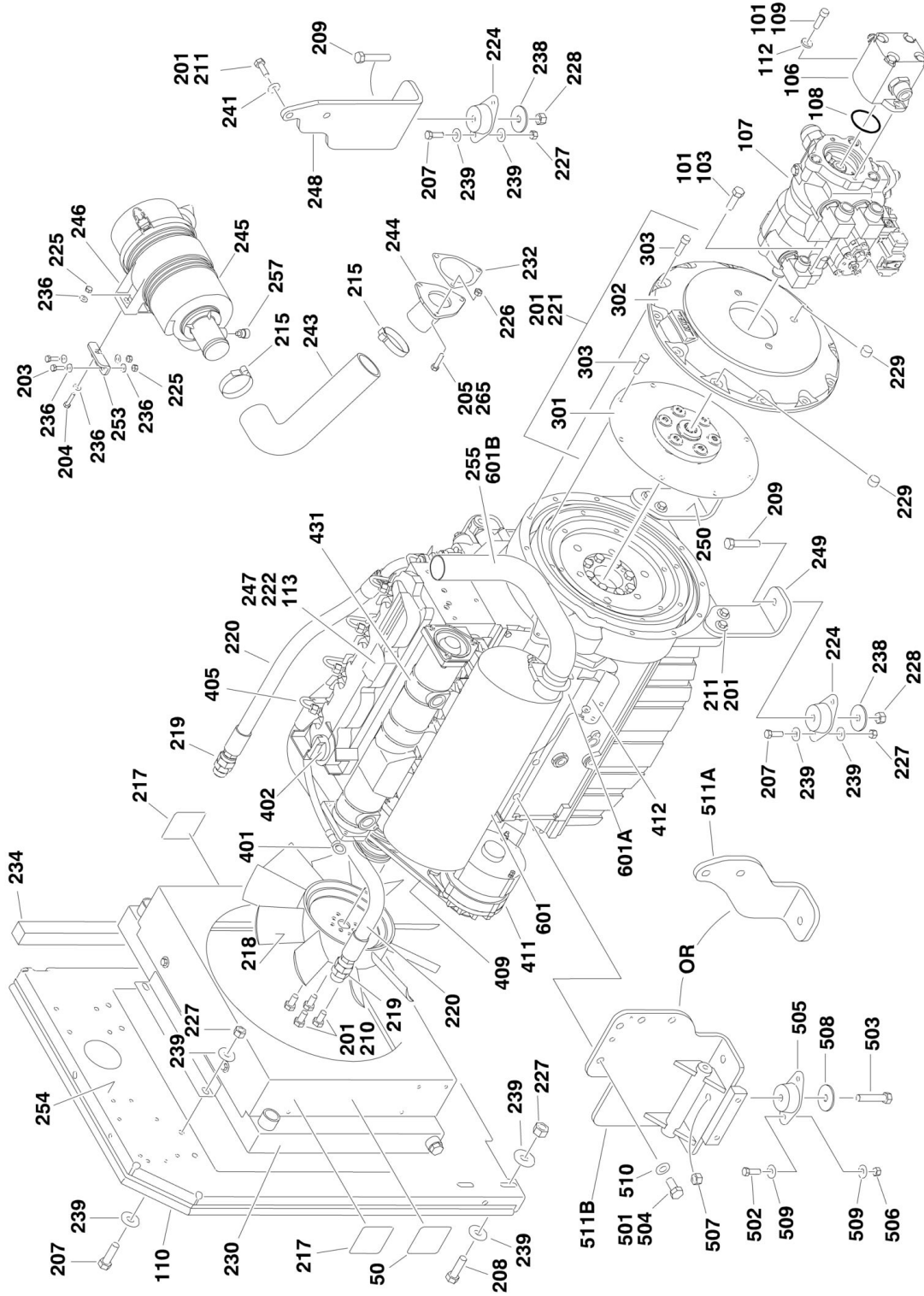
**FIGURE 2-7. SWING MOTOR/HUB ASSEMBLY (SN 0300269965 to Present)**

ITEM	PART NUMBER	QTY	DESCRIPTION	REV
	1001229810	Ref	SWING MOTOR/HUB ASSEMBLY	C
1	See Note	1	Housing/Shaft Assembly (Note: Not Available - Purchase Individual Components)	
1A	7010492	1	Shaft, Output	
1B	7000228	1	Seal, Lip	
1C	7000255	1	Bearing Kit (Includes Cup and Cone)	
1E	7000257	1	Bearing Kit (Includes Cup and Cone)	
1G	7024762	1	Housing	
1H	7007633	1	Washer, Thrust	
1I	7000229	1	Ring, Retaining	
1J	7017072	1	Plug, Pipe	
2	7000246	1	Gear, Internal	
3	7000247	1	Carrier Assembly	
4	7000248	1	Gear, Ring	
5	7000230	1	O-Ring	
5A	7017070	1	O-Ring	
6	1001229810	NSS	Housing, Brake (Note: Not Available - Purchase Complete Assembly)	
7	70005203	1	Gear, Sun	
8A	70004037	1	Piston	
8D	70004041	1	O-Ring	
8E	70004044	1	Ring, Back-up	
8F	70004042	1	O-Ring	
8H	70004043	1	Ring, Back-up	
8J	70002085	4	Disc, Rotor	
8K	70002085	5	Disc, Stator	
8L	70002066	14	Spring	
11	7000253	2	Washer, Thrust	
12	7000217	12	Bolt 3/8 x 2-1/4 Grade 8	
13	7017080	4	Pin, Dowel	
20	7017072	1	Plug, Pipe	
21	7024704	4	Bolt 5/16 x 2 Grade 8	
22	70004045	4	Washer	
23	7017023	2	Plug, Pipe	
24	See Note	NSS	Plate, ID (Note: Not Available for Purchase)	
25	See Note	NSS	Rivet (Note: Not Available for Purchase)	
26	7024763	1	O-Ring	
28	See Note	NSS	Lug, Lifting (Note: Not Available for Purchase)	
29	70004040	2	Bolt 1/2 x 1 (Grade 8)	
30	7017085	2	Elbow	
31	70006304	1	Motor Assembly	
32	7024784	1	Valve Assembly - Complete (No Serviceable Parts)	
35	70004047	1	Tube	
44	7017028	1	Ring, Internal Retaining	
45	7000213	2	O-Ring	
		Ref	KIT OPTIONS:	
200	7024100	1	Seal Kit - Swing Hub (Includes Items 1B, 1I, 5, 5A & 11)	
201	70002085	1	Disc Kit - Swing Brake (Includes Items 8J & 8K)	

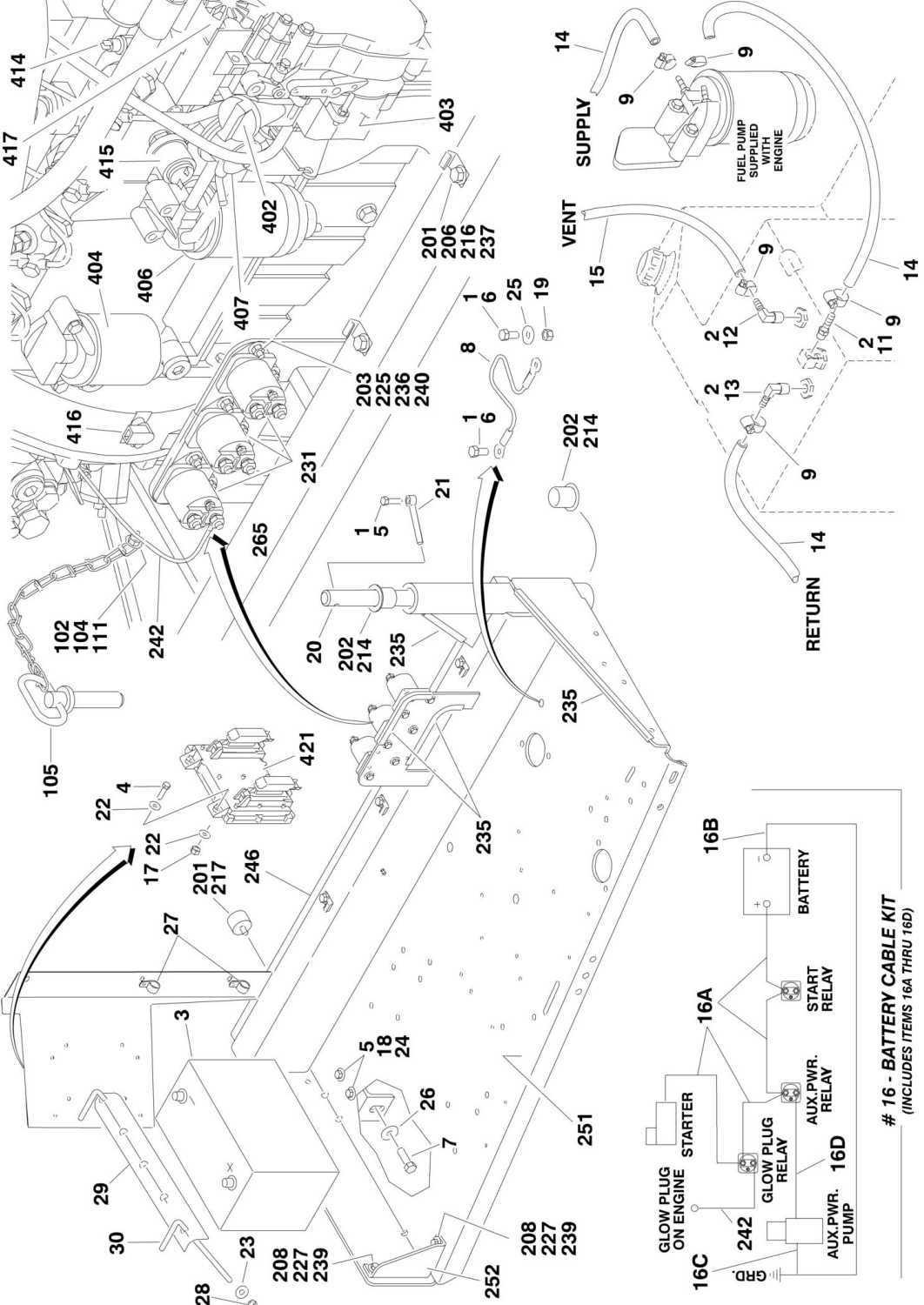


# SECTION 2 - TURNTABLE

## FIGURE 2-8. DEUTZ D2011 ENGINE INSTALLATION



# SECTION 2 - TURNTABLE



# 16 - BATTERY CABLE KIT  
(INCLUDES ITEMS 16A THRU 16D)

## SECTION 2 - TURNTABLE

FIGURE 2-8. DEUTZ D2011 ENGINE INSTALLATION

ITEM	PART NUMBER	QTY	DESCRIPTION	REV
		Ref	<b>DEUTZ ENGINE INSTALLATIONS</b>	
		Ref	<b>Without Arctic Package</b>	
	1001152223	Ref	<b>Tier IVi-Flex Engines (ANSI and CSA Specs)</b>	A
	1001151843	Ref	<b>Tier IVi Engines (ANSI Export, Australian, CE and Japanese Specs) (SN 0300177361 through 0300208081)</b>	B
	1001188963	Ref	<b>Tier IVi Engines (ANSI Export, Australian and Japanese Specs) (SN 0300208082 through 0300272252)</b>	B
	1001188963	Ref	<b>Tier IVi Engines (CE Specs) (SN 0300208082 through 0300257375)</b>	A
	1001235466	Ref	<b>Tier IVi Stage V Engines (CE Specs) (SN 0300257376 through 0300272252)</b>	C
		Ref	<b>With Arctic Package</b>	
	1001152224	Ref	<b>Tier IVi-Flex Engines (ANSI and CSA Specs)</b>	A
	1001151844	Ref	<b>Tier IVi Engines (ANSI Export, Australian, CE and Japanese Specs) (SN 0300177361 through 0300208081)</b>	C
	1001188964	Ref	<b>Tier IVi Engines (ANSI Export, Australian, CE and Japanese Specs) (SN 0300208082 through 0300272252)</b>	C
1	0100011	AR	Compound, Locking	
2	0100020	AR	Sealant, Pipe	
3	0400075	1	Battery	
4	0641409	4	Bolt 1/4in-20NC x 1-1/8in	
5	0641610	3	Bolt 3/8in-16NC x 1-1/4in	
6	0641808	2	Bolt 1/2in-13NC x 1in	
7	0642010	1	Bolt 5/8in-11NC x 1-1/4in	
8	1060637	1	Cable, Lanyard	
9	1320022	5	Clamp, Hose	
10	1701505	1	Decal - Diesel (Not Shown - Located on Hood)	
11	2180348	1	Fitting, Straight Barbed	
12	2220313	1	Fitting, 90	
13	2221176	1	Fitting, Straight Barbed	
14	2720058	24 ft/7.3m	Hose	
15	2750532	6 ft/1.8m	Hose	
16	2902296	1	Battery Cable Kit (All Except 1001235466 Installation)	F
16	1001241578	1	Battery Cable Kit (1001235466 Installation) (No Info at Time of Printing)	A
16A	1001116240	1	Cable, Battery (Red)	
16B	7027004	1	Cable, Battery (Black)	
16C	7027003	1	Cable (Black)	
16D	7027002	1	Cable (Red)	
17	3311405	4	Locknut 1/4in-20NC	
18	3311605	AR	Locknut 3/8in-16NC	
19	3311805	1	Nut 1/2in-13NC	
20	3422448	1	Pin, Pivot	
21	3841143	1	Pin, Keeper	
22	4711400	8	Flatwasher 1/4in Thin	
23	4751500	2	Flatwasher 5/16in Regular	
24	4751600	4	Flatwasher 3/8in Regular	
25	4751800	1	Flatwasher 1/2in Regular	
26	4752000	1	Flatwasher 5/8in Regular	
27	85941017	2	Clamp	
28	88521205	2	Locknut 5/16in-18NC	



## SECTION 2 - TURNTABLE

ITEM	PART NUMBER	QTY	DESCRIPTION	REV
29	91401281	1	Hold-down, Battery	
30	1001093382	2	J-Bolt	
31	1001151070	1	Angle	
50		Ref	Decal - Warning Explosion/Fire Options:	
50	1704972	1	ANSI Spec	
50	1706098	1	Australian and CE Spec	
50	1706059	1	Brazilian Spec	
50	1706060	1	Chinese Spec	
50	1706064	1	CSA Spec	
50	1706062	1	Japanese Spec	
50	1706061	1	Korean Spec	
50	1706063	1	Spanish Language	
51	1001241835	1 l	Fluid, Diesel Fuel Additive (1001235466 Installation (Not	
		Ref	<b>Note: Arctic Package Items 65 - 75 are Not Shown - Used on Arctic Machines Only.</b>	
65	1060625	1	Cable, Immersion Heater (Located on bottom of Hydraulic Oil Tank) (SN 0300177361 through 0300206631)	
65	1001150918	1	Cable, Immersion Heater (Located on bottom of Hydraulic Oil Tank) (SN 0300206632 through 0300272252)	
66	1060626	1	Cord, 3 Way Extension (Located on Left Front of Engine)	
67	1320223	2	Clamp	
68	1702941	1	Decal - Battery Heater (Located on Battery Heater)	
69	1702942	1	Decal - Engine Block Heater (Located on Right Side of Engine)	
70	1702943	1	Decal - Hydraulic Tank Heater (Located on bottom of Hydraulic Oil Tank)	
71	1702944	1	Decal - Heater Cord (Located on Left Front of Engine)	
72	2580024	1	Heater, Battery (Located on Battery)	
73	2580050	1	Heater, Hydraulic Tank (Located on bottom of Hydraulic Oil Tank) (SN 0300177361 through 0300206631)	
73	1001188972	1	Heater, Hydraulic Tank (Located on bottom of Hydraulic Oil Tank) (SN 0300206632 through 0300272252)	
75	3980007	1	Seat, Battery (Located Under Battery)	
		Ref	<b>ENGINE/PUMP SUBASSEMBLIES</b>	
		Ref	<b>Without Arctic Package</b>	
	1001152221	Ref	<b>Tier IVi-Flex Engines (ANSI and CSA Specs)</b>	A
	1001151841	Ref	<b>Tier IVi Engines (ANSI Export, Australian, CE and Japanese Specs) (SN 0300177361 through 0300208081)</b>	C
	1001188954	Ref	<b>Tier IVi Engines (ANSI Export, Australian and Japanese Specs) (SN 0300208082 through 0300272252)</b>	A
	1001188954	Ref	<b>Tier IVi Engines (CE Specs) (SN 0300208082 through 0300257375)</b>	A
	1001235467	Ref	<b>Tier IVi Stage V Engines (CE Specs) (SN 0300257376 through 0300272252)</b>	B
		Ref	<b>With Arctic Package</b>	
	1001152222	Ref	<b>Tier IVi-Flex Engines (ANSI and CSA Specs)</b>	A
	1001151842	Ref	<b>Tier IVi Engines (ANSI Export, Australian, CE and Japanese Specs) (SN 0300177361 through 0300208081)</b>	C
	1001188955	Ref	<b>Tier IVi Engines (ANSI Export, Australian, CE and Japanese Specs) (SN 0300208082 through 0300272252)</b>	A
101	0100011	AR	Compound, Locking	
102	0641407	1	Bolt 1/4in-20NC x 7/8in	
103	0641812	2	Bolt 1/2in-13NC x 1-1/2in	
104	3311405	1	Locknut 1/4in-20NC	
105	3422533	1	Pin, Hitch	

## SECTION 2 - TURNTABLE

ITEM	PART NUMBER	QTY	DESCRIPTION	REV
106	3600395	1	Gear Pump Assembly with Fittings (See HOOD INSTALLATION for Breakdown)	
107	3600396	1	Piston Pump Assembly with Fittings (See PISTON PUMP ASSEMBLY for Breakdown) <b>(SN 0300177361 through 0300208081)</b>	
107	1001188952	1	Piston Pump Assembly with Fittings (See PISTON PUMP ASSEMBLY for Breakdown) <b>(SN 0300208082 through 0300272252)</b>	
108	3790152	1	O-Ring	
109	3931620	2	Capscrew 3/8in-16NC x 1-1/4in	
110	3960389	5 ft/1.5m	Seal	
111	4751400	8	Flatwasher 1/4in Regular	
112	4891600	2	Flatwasher 3/8in Hardened	
113	1001235457	1	Deutz D2011 Engine Options (1001235467 Subassembly) (See Items 401-431 for Serviced Components) <b>(SN 0300256415 through 0300272252)</b>	
		Ref	<b>ENGINE ASSEMBLIES</b>	
		Ref	<b>Without Arctic Package</b>	
	1001151631	Ref	<b>Tier IVi-Flex Engines (ANSI and CSA Specs)</b>	C
	1001150158	Ref	<b>Tier IVi Engines (ANSI Export, Australian and Japanese Specs)</b>	F
	1001150158	Ref	<b>Tier IVi Engines (CE Specs) (SN 0300177361 through 0300257375)</b>	F
	1001235468	Ref	<b>Tier IVi Stage V Engines (CE Specs) (SN 0300257376 through 0300272252)</b>	C
		Ref	<b>With Arctic Package</b>	
	1001151635	Ref	<b>Tier IVi-Flex Engines (ANSI and CSA Specs)</b>	D
	1001150179	Ref	<b>Tier IVi Engines (ANSI Export, Australian, CE and Japanese Specs)</b>	F
201	0100011	AR	Compound, Locking	
202	0100062	AR	Compound, Locking	
203	0641407	8	Bolt 1/4in-20NC x 7/8in	
204	0641410	2	Bolt 1/4in-20NC x 1-1/4in	
205	0641510	2	Bolt 5/16in-18NC x 1- 1/4in	
206	0641606	3	Bolt 3/8in-16NC x 3/4in	
207	0641609	14	Bolt 3/8in-16NC x 1-1/8in	
208	0641610	4	Bolt 3/8in-16NC x 1-1/4in	
209	0641820	3	Bolt 1/2in-13NC x 2-1/2in	
210	0700808	4	Bolt M8 x 16mm	
211	0771414	6	Bolt M14 x 30mm	
213	0940070	1	Bumper	
214	0961986	2	Bushing, Flanged	
215	1320016	2	Clamp	
216	1320223	4	J-Clip	
217	1703162	2	Decal - Caution Fan Blade	
218	2060025	1	Fan	
219	2220451	2	Fitting, Straight	
220	2720398	2	Hose, Oil Cooler	
221	2902065	1	Kit, Pump Coupling (See Items 301-302 for Breakdown)	
222		Ref	Oil, Motor Options (Not Shown)	
222	3020016	AR	Oil, Motor 15W-40 (Without Arctic Package)	
222	3020044	AR	Oil, Motor 0W-40 (With Arctic Package)	
224	3200406	3	Mount, Motor (All Except 1001235468 Assembly)	
224	3200401	1	Mount, Motor (Front) (1001235468 Assembly)	

## SECTION 2 - TURNTABLE

ITEM	PART NUMBER	QTY	DESCRIPTION	REV
224	3200406	2	Mount, Motor (Rear) (1001235468 Assembly)	
225	3311405	10	Locknut 1/4in-20NC	
226	3311505	3	Locknut 5/16in-18NC	
227	3311605	18	Locknut 3/8in-16NC	
228	3311805	3	Locknut 1/2in-13NC	
229	3520054	AR	Plug, Hole	
230	1001150998	1	Radiator	
231	3740067	3	Relay	
232	3960407	1	Gasket, Air Intake	
233	3960468	1	Seal	
234	3960469	1	Seal	
235	4060805	37 in/1m	Flex-Trim	
236	4711400	14	Flatwasher 1/4in Thin	
237	4711600	3	Flatwasher 3/8in Thin	
238	4740274	3	Washer, Snubbing	
239	4751600	36	Flatwasher 3/8in Regular	
240	4791400	6	Starwasher 1/4in	
241	4812200	2	Flatwasher M14	
242	4923379	1	Harness, Glow Plug	
243	1001130041	1	Elbow	
244	1001139819	1	Adapter, Air Intake	
245	1001141693	1	Air Cleaner Assembly	
245	70003783	1	Element, Filter	
246	1001141694	1	Clamp, Air Filter	
247		Ref	Deutz D2011 Engine Options (See Items 401-427 for Serviced Components)	
247	1001151630	1	Without Arctic Package (All Except 1001235468 Assembly)	
247	1001235457	1	Without Arctic Package (1001235468 Assembly) <b>(SN 0300177361 through 0300256414)</b>	
247	1001146368	1	With Arctic Package	
248	1001149704	1	Support, Engine (Front)	
249	1001149705	1	Support, Engine (Rear)	
250	1001149706	1	Support, Engine (Rear)	
251	1001149793	1	Tray	
252	1001150915	1	Support	
253	1001151078	1	Angle	
254	1001151206	1	Plate, Radiator Mounting	
255	1001151251	1	Pipe, Exhaust	
256	0641512	1	Bolt 5/16in-18NC x 1-1/2in	
257	1001143390	1	Indicator, Air Filter Service <b>(SN 0300229131 through 0300272252)</b>	
		Ref	<b>Note: Arctic Package Item 275 Not Shown - Used on Arctic Machines Only.</b>	
275	2580062	1	Heater, Engine Block	
	2902065	Ref	<b>KIT PUMP COUPLING AND MOUNTING PLATE</b>	K
301	70000793	1	Coupling, Hayes	
302	2902065	1	Plate, Pump Adapter	
303	See Note	8	Capscrew M10 x 20 Grade 10.9 (Note: Not Available - Purchase p/n 2902065)	
304	See Note	12	Bolt M10 x 25mm Grade 10.9 (Note: Not Available - Purchase p/n 2902065)	
		Ref	<b>ENGINE COMPONENTS</b>	
	1001151630	Ref	<b>Without Arctic Package (All Except 1001235468 Assembly)</b>	C

## SECTION 2 - TURNTABLE

ITEM	PART NUMBER	QTY	DESCRIPTION	REV
	1001235457	Ref	<b>Without Arctic Package (1001235468 Assembly)</b>	B
	1001146368	Ref	<b>With Arctic Package</b>	D
401	7026631	1	Dipstick	
401	7020487	1	O-Ring, Dipstick	
401	7020403	1	Seal, Dipstick Tube	
401	70001002	1	Tube, Dipstick	
402	7020465	2	Cap, Filler	
403	70001850	1	Pump, Oil Lube	
403	7020468	1	Seal Between Oil Pump and Engine Block (Not Shown)	
404	7016331	1	Filter, Oil	
404	70003473	1	Gasket, Oil Filter Bracket to Engine Block	
404	70003472	1	Bracket, Oil Filter (Includes Spring, Control Valve, Temperature Sensor, Seal and Plug)	
404	7027236	1	Sensor, Temperature	
405	70003478	4	Injector, Fuel	
405	70003136	4	Ring, Seal	
405		Ref	Pump, Injector Options:	
405	70000912	AR	Series A Injector	
405	70000913	AR	Series B Injector	
405	70000914	AR	Series C Injector	
405	70000915	AR	Series D Injector	
406	7016328	1	Filter, Fuel	
406	70001423	1	Bracket, Fuel Filter	
407	70000916	1	Pump Fuel Supply	
407	70001435	1	Repair Kit for Pump	
407	70000919	1	Hand Pump	
407	70000918	1	Seal, Hand Pump	
407	70000917	1	O-Seal Between Fuel Pump and Engine Block (Not Shown)	
408	7020471	4	Gasket, Exhaust Manifold (Not Shown)	
408	70004270	8	Stud, Exhaust Manifold (Not Shown)	
409	7020408	1	V-Belt	
410	70001871	4	Gasket, Intake Manifold to Engine Block (Not Shown)	
411	70004056	1	Alternator	
411	70001868	1	Regulator, Voltage Options (Not Shown)	
411	70001866	1	Gasket for Voltage Regulator (Not Shown)	
411	70002234	1	Bracket, Adjusting (Not Shown)	
411	70000851	1	Bracket, Mounting (Not Shown)	
412	7020479	1	Starter	
412	70004058	1	Relay	
412	70001498	1	Shield, Starter Heat	
413	70004059	1	Plug- In Connector for Analyzer (Not Shown)	
413	70004060	1	Plug- In Connector on p/n 7027796 Harness (Not Shown)	
413	7027796	1	Harness, Module to Engine Harness (Not Shown)	
413	70001872	1	Harness, Engine (Not Shown)	
413	70004103	1	Harness, Alternator (Not Shown)	
413	70004271	1	Harness, Starter (Not Shown)	
414	7027791	1	Transmitter, Temperature	
415	7027790	1	Sensor, Oil Pressure	
416	70004272	1	Sensor, Speed	
416	70003932	1	Spacer	
417	7027792	1	Actuator, Throttle	
417	7027276	1	Spring, Actuator	

**SECTION 2 - TURNTABLE**

ITEM	PART NUMBER	QTY	DESCRIPTION	REV
418	70003475	1	Thermostat (Located at rear of engine block - Not Shown)	
418	7020460	1	Spring, Compression	
419	70001870	1	Flywheel (Not Shown)	
419	7024579	1	Ring Gear (Located on Flywheel - Not Shown)	
421	7027795	1	Module, Control	
422	70000345	4	Plug, Glow (Not Shown)	
424	70001847	1	Breather Valve (Not Shown - Located On Front Cover)	
424	70001126	1	Seal, Breather Valve	
425	70004273	1	Set, Engine Gasket (Not Shown)	
426	70003456	1	Gasket, Head (Not Shown)	
426	70003457	1	Gasket, Head (Not Shown)	
426	70003003	1	Gasket, Head (Not Shown)	
427	70003623	1	Kit, Timing Belt/Idler (Not Shown)	
428	70002718	1	Seal, Rear Main (Not Shown)	
429	7020431	1	Gasket, Valve Cover (Not Shown)	
430	70004268	2	Fitting, Radiator Connector (Not Shown - Located Between Item 220 and Engine Block)	
430	70004269	2	Seal for Radiator Connector Fitting (Not Shown)	
431	70003470	1	Manifold, Intake	
		Ref	<b>RIGHT ENGINE SUPPORT INSTALLATIONS</b>	
	1001151253	Ref	<b>Machines without Generator</b>	A
	1001151252	Ref	<b>Machines with Generator</b>	B
501	0100011	AR	Compound, Locking	
502	0641609	2	Bolt 3/8in-16NC x 1-1/8in	
503	0641818	1	Bolt 1/2in-13NC x 2-1/4in	
504	0771414	3	Bolt 14mm x 30mm Grade 10.9	
505	3200401	1	Mount, Motor	
506	3311605	2	Locknut 3/8in-16NC	
507	3311805	1	Locknut 1/2in-13NC	
508	4740274	1	Washer, Snubbing	
509	4751600	4	Flatwasher 3/8in Regular	
510	4812200	3	Flatwasher M14	
511		Ref	Support, Engine (Right Front)	
511A	1001149703	1	Machines without Generator	
511B	1001150890	1	Machines with Generator	
		Ref	<b>MUFFLER INSTALLATIONS</b>	
		Ref	<b>Standard Muffler</b>	
	0256690	Ref	<b>Catalytic Muffler</b>	
	0256689	Ref	<b>Spark Arresting (SN 030087000 through 0300177361)</b>	
	1001182906	Ref	<b>Spark Arresting (SN 0300177362 through 0300272252)</b>	
601		Ref	Muffler Options:	
601	7000695		Standard Muffler (Includes Saddle Clamp)	
601	3220104	1	Catalytic Muffler	
601	3220103	1	Spark Arresting	
601A		Ref	Clamp Options:	
601A	Not Available		Standard Muffler	
601A	1320176	1	Catalytic Muffler	
601A	70001017	1	Spark Arresting	
601B		Ref	Tube, Exhaust Options:	
601B	See Note	1	Standard Muffler (Note: Not Part of Muffler Assembly - Must be Purchased Separately - Use Item 255)	
601B	7024398	1	Catalytic and Spark Arresting Mufflers	

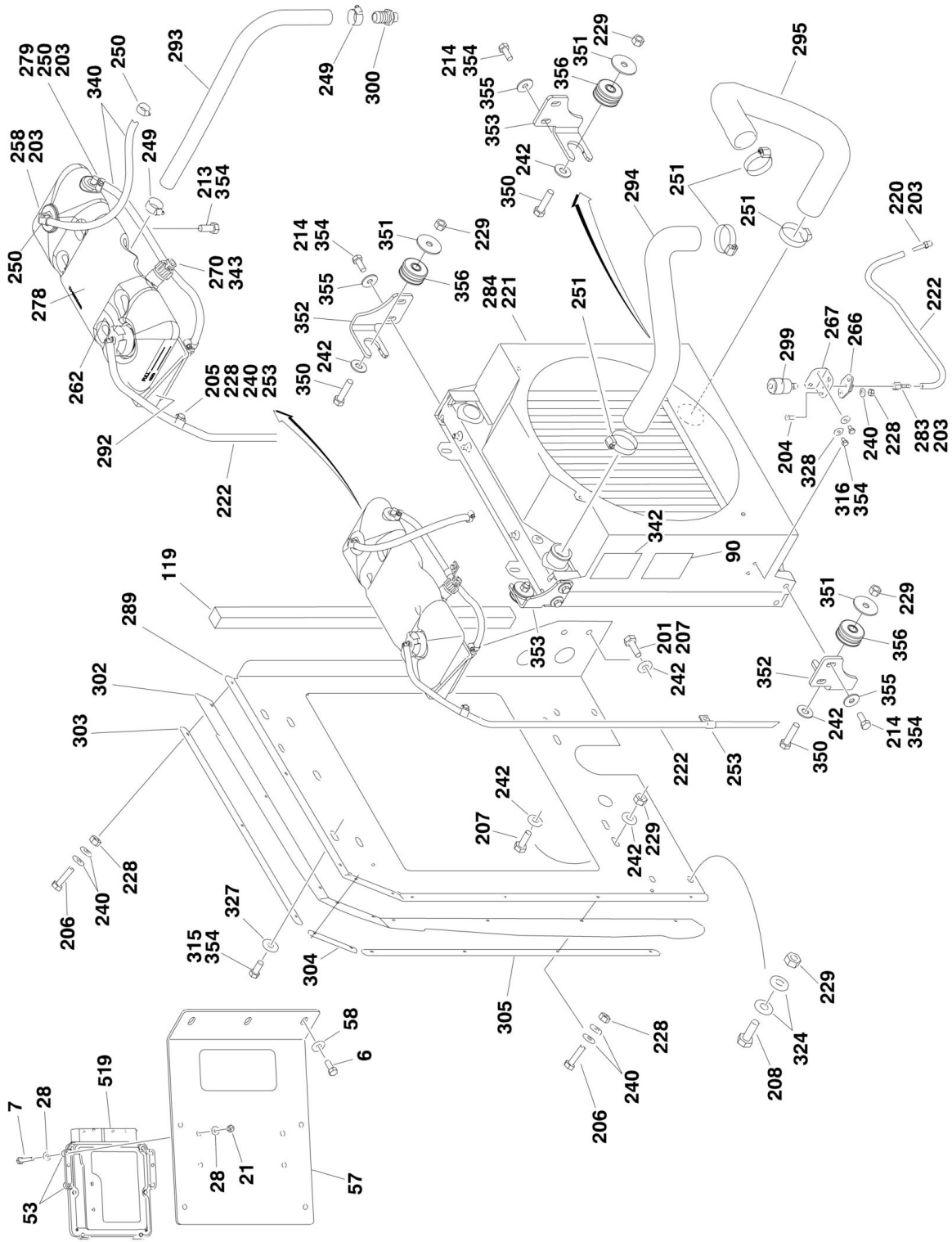
## SECTION 2 - TURNTABLE

ITEM	PART NUMBER	QTY	DESCRIPTION	REV
601C	7024560	1	Plug, Brass (Not Shown - 3220104 & 3220103 Mufflers Only)	
602	1001169610	1	Spacer, Hood (Not Shown) (Use with 1001182906 Installation Only)	
603	0641608	4	Bolt 3/8in-16NC x 1in (Not Shown) (Use with 1001182906 Installation Only)	



# SECTION 2 - TURNTABLE

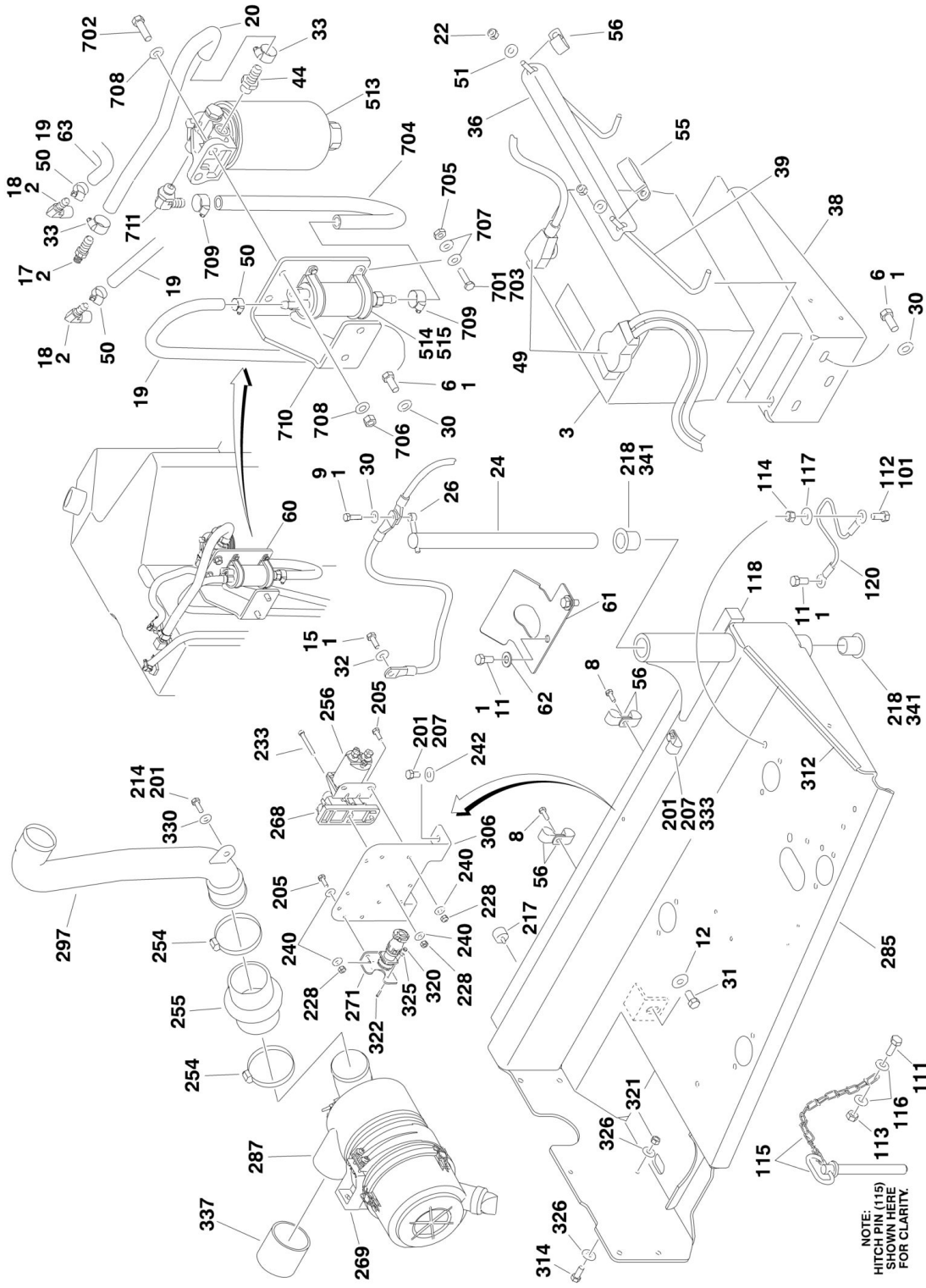
## FIGURE 2-9. DEUTZ TD2.9L4 ENGINE INSTALLATION







# SECTION 2 - TURNTABLE



## SECTION 2 - TURNTABLE

### FIGURE 2-9. DEUTZ TD2.9L4 ENGINE INSTALLATION

ITEM	PART NUMBER	QTY	DESCRIPTION	REV
		Ref	<b>DEUTZ ENGINE INSTALLATIONS</b>	
	1001141928	Ref	<b>Without Arctic Package (SN 0300177361 through 0300208081)</b>	K
	1001188956	Ref	<b>Without Arctic Package (SN 0300208082 through 0300230455)</b>	C
	1001176014	Ref	<b>Without Arctic Package (SN 0300230456 through 0300272252)</b>	D
	1001141931	Ref	<b>With Arctic Package (SN 0300177361 through 0300208081)</b>	L
	1001188965	Ref	<b>With Arctic Package (SN 0300208082 through 0300230455)</b>	C
	1001176017	Ref	<b>With Arctic Package (SN 0300230456 through 0300272252)</b>	F
1	0100011	AR	Compound, Locking	
2	0100020	AR	Sealant, Pipe	
3	0400075	1	<b>Battery (SN 0300177361 through 0300259736)</b>	
4	0641404	3	Bolt 1/4in-20NC x 1/2in	
5	0641406	4	Bolt 1/4in-20NC x 3/4in	
6	0641607	9	Screw 3/8in-16NC x 7/8in	
7	0641412	4	Bolt 1/4in-20NC x 1-1/2in	
8	0641608	2	Screw 3/8in-16NC x 1in	
9	0641610	1	Screw 3/8in-16NC x 1-1/4in	
11	0641808	3	Bolt 1/2in-13NC x 1in	
12	0642010	1	Bolt 5/8in-11NC x 1-1/4in	
14	0760810	AR	Bolt M8 x 20mm	
15	0771212	1	Bolt M12 x 25mm Grade 10.9	
16	1701505	1	Decal - Diesel (Not Shown - Located on Hood)	
17	2180832	1	Fitting, Straight Barbed	
18	2220313	2	Fitting, 90 Barbed	
19	2720340	NLA	Hose (Use p/n 1001165035) <b>(SN 0300177361 through 0300181825)</b>	
19	1001165035	29 ft/8.7m	Hose <b>(SN 0300181826 through 0300230455)</b>	
19	1001165035	23.5 ft/ 7.2m	Hose <b>(SN 0300230456 through 0300272252)</b>	
20	2720615	NLA	Hose (Use p/n 1001154405) <b>(SN 0300177361 through 0300181825)</b>	
20	1001154405	3 ft/.9m	Hose <b>(SN 0300181826 through 0300272252)</b>	
21	3311405	8	Locknut 1/4in-20NC	
22	88521205	AR	Nut 5/16in-18NC	
24	3422448	1	Pin, Pivot	
26	3841143	1	Pin, Keeper	
28	4711400	19	Flatwasher 1/4in Thin	
29	4711500	AR	Flatwasher 5/16in Thin	
30	4711600	6	Flatwasher 3/8in Thin	
31	4752000	1	Flatwasher 5/8in Regular	
32	4812100	1	Flatwasher M12	
33	8405006	2	Clamp	
35	8406112	2	<b>Clip (SN 0300177361 through 0300219292)</b>	
36	91401281	1	Hold-down, Battery <b>(SN 0300177361 through 0300259736)</b>	
38	1001137868	1	Bracket, Battery	
39	1001093382	2	<b>J-Bolt (SN 0300177361 through 0300259736)</b>	
40	1001137880	1	Bracket, Battery	
41	1001137881	1	Angle	
42	1001137882	1	Support, Rubber	
44	1001141718	1	Fitting, Straight Barbed <b>(SN 0300177361 through 0300181825)</b>	
44	1001142501	1	Fitting, 90 Degree <b>(SN 0300181826 through 0300272252)</b>	

## SECTION 2 - TURNTABLE

ITEM	PART NUMBER	QTY	DESCRIPTION	REV
44	1001222665	1	Harness, Fuel Pump (Pump requiring Ring Terminals) (Not Shown - See ELECTRICAL SECTION for Breakdown) <b>(SN 0300177361 through 0300234681)</b>	
48	1001138491	1	Harness, Fuel Pump (Pump requiring Push-on Terminals) (Not Shown - See ELECTRICAL SECTION for Breakdown) <b>(SN 0300234682 through 0300272252)</b>	
49	1001145047	1	Battery Cable Kit	F
49A	7027072	1	Cable, Battery (Black) (Battery - to Tray Pivot Grd)	
49B	8270147	1	Terminal, Battery (With Boot)	
49B	See Note	1	Boot, Black (Note: Not Available for Purchase)	
49C	7027073	1	Cable, Battery (Black) (Battery - to Aux Pump and Relay Grds)	
49C	See Note	1	Boot, Black (Note: Not Available for Purchase)	
49D	7027074	1	Cable, Battery (Black) (Engine to Tray Pivot Grd)	
49E	7027075	1	Cable (Red) (Aux Relay to Aux Pump)	
49E	70003952	2	Boot, Red	
49F	7027076	1	Cable (Red) (Battery + to Aux Relay/Power Module/Starter)	
49F	See Note	1	Boot, Red (Battery) (Note: Not Available for Purchase)	
50	1320022	5	Clamp	
51	4751500	2	Flatwasher 5/16in Regular	
52	1320061	1	Clamp	
53	1001110425	4	Spacer	
54	0761008	1	Bolt M10 x 16	
55	1321716	2	P-Clamp	
56	8406201	5	Clip	
57	1001137866	1	Plate, Baffle	
58	4751600	3	Flatwasher 3/8in Regular	
59	1001155823	1	Fitting, 90 Quick Disconnect	
60	1001162335	1	Bracket, Fuel Pump/Filter Assembly (See Items 701-711 for Breakdown)	
61	1001172793	1	Guide, Hose <b>(SN 0300185927 through 0300272252)</b>	
62	4711800	AR	Washer 1/2	
63	2750532	5 ft/1.6m	Hose <b>(SN 0300230456 through 0300272252)</b>	
		Ref	<b>Note: Arctic Package Items 77 - 88 are Not Shown - Used on Arctic Machines Only.</b>	
77	1060625	AR	Cable, Immersion Heater (14Ft Length)	
77	1001150918	AR	Cable, Immersion Heater (8Ft Length) <b>(SN 0300206632 through 0300233401)</b>	
78	1320223	3	Clamp, Muffler	
79	1702941	1	Decal - Battery Heater	
80	1702942	1	Decal - Engine Block Heater	
81	1702943	1	Decal - Hydraulic Tank Heater	
82	1702944	1	Decal - Heater Cord	
83	2580050	1	Heater, Hydraulic Tank <b>(SN 0300177361 through 0300206631)</b>	
83	1001188972	1	Heater, Hydraulic Tank <b>(SN 0300206632 through 0300272252)</b>	
84	3980007	1	Seat, Battery	
85	1001150918	1	Cord, 8ft Extension	
86	1060626	1	Plug, 3 Way	
87	2580024	1	Heater, Battery	
88	1001233763	Ref	Breather Heater Installation (Not Shown - See Separate Breakdown in this Section)	
90		Ref	Decal - Warning Explosion/Fire Options:	
90	1704972	1	ANSI Spec	
90	1706098	1	Australian and CE Spec	

## SECTION 2 - TURNTABLE

ITEM	PART NUMBER	QTY	DESCRIPTION	REV
90	1706064	1	CSA Spec	
		Ref	<b>ENGINE AND PUMP ASSEMBLIES</b>	
	1001141927	Ref	<b>Without Arctic Package (SN 0300177361 through 0300208081)</b>	E
	1001188957	Ref	<b>Without Arctic Package (SN 0300208082 through 0300230455)</b>	C
	1001176013	Ref	<b>Without Arctic Package (SN 0300230456 through 0300272252)</b>	C
	1001141930	Ref	<b>With Arctic Package (SN 0300177361 through 0300208081)</b>	E
	1001188958	Ref	<b>With Arctic Package (SN 0300208082 through 0300230455)</b>	C
	1001176016	Ref	<b>With Arctic Package (SN 0300230456 through 0300272252)</b>	C
101	0100011	AR	Compound, Locking	
102	0641812	2	Bolt 1/2in-13NC x 1-1/2in	
103	3020037	AR	Grease, Pump Coupling	
104	3600395	1	Gear Pump Assembly with Fittings (See GEAR PUMP ASSEMBLY for Breakdown)	
105	3600396	1	Pump Assembly with Fittings (See PISTON PUMP ASSEMBLY for Breakdown) <b>(SN 0300177361 through 0300208081)</b>	
105	1001188952	1	Pump Assembly with Fittings (See PISTON PUMP ASSEMBLY for Breakdown) <b>(SN 0300208082 through 0300272252)</b>	
106	3790152	1	O-Ring	
107	3931620	2	Bolt 3/8in-16NC x 1-1/4in	
109	4891600	2	Flatwasher 3/8in Hardened	
111	0641406	1	Bolt 1/4in-20NC x 3/4in	
112	0641808	1	Bolt 1/2in-13NC x 1in	
113	3311405	1	Locknut 1/4in-20NC	
114	3311801	1	Nut 1/2in-13NC	
115	3422533	1	Pin, Hitch	
116	4711400	2	Flatwasher 1/4in Thin	
117	4751800	8	Flatwasher 1/2in Regular	
118	1001137873	1	Seal	
119	1001137874	1	Seal	
120	1060637	1	Lanyard	
		Ref	<b>ENGINE ASSEMBLIES</b>	
	1001141926	Ref	<b>Without Arctic Package (SN 0300177361 through 0300230455)</b>	R
	1001176012	Ref	<b>Without Arctic Package (SN 0300230456 through 0300272252)</b>	M
	1001141929	Ref	<b>With Arctic Package (SN 0300177361 through 0300230455)</b>	S
	1001176015	Ref	<b>With Arctic Package (SN 0300230456 through 0300272252)</b>	M
201	0100011	AR	Compound, Locking	
202	0100019	AR	Compound, Locking (Not Shown)	
203	0100020	AR	Sealant	
204	0630407	2	Screw 1/4in-20 x 5/8in	
205	0641406	AR	Bolt 1/4in-20NC x 3/4in	
206	0641408	9	Bolt 1/4in-20NC x 1in	
207	0641608	AR	Bolt 3/8in-16NC x 1in	
208	0641609	4	Bolt 3/8in-16NC x 1-1/8in	
211	0681620	2	Bolt 3/8in-16NC x 2-1/2in Grade 8	
212	0681822	AR	Bolt 1/2in-13NC x 2-3/4in Grade 8	
213	0741605	2	Screw, Flathead 3/8in-16NC x 5/8in	
214	0760810	AR	Bolt M8 x 20mm	
216	0771212	6	Bolt M12 x 25 Grade 10.9	
217	0940070	1	Bumper	
218	0961986	2	Bushing, Flanged	
220	2220315	1	Fitting, Straight Barbed	
221		Ref	Coolant Options:	

## SECTION 2 - TURNTABLE

ITEM	PART NUMBER	QTY	DESCRIPTION	REV
221	2300004	AR	Without Arctic Package	
221	2300041	AR	With Arctic Package	
222	1001138248	44 in/1.1m	Tube (SN 0300177361 through 0300230455)	
222	1001138248	67 in/1.7m	Tube (SN 0300230456 through 0300272252)	
223	2902065	1	Pump Coupling Kit (See Items 401-405 for Breakdown)	
224	3200401	2	Mount, Motor	
225	3271601	2	Nut 3/8in-16NC Grade 8	
226	3271801	AR	Nut 1/2in-13NC Grade 8	
228	3311405	AR	Locknut 1/4in-20NC	
229	3311605	AR	Locknut 3/8in-16NC	
231	3580320	1	Pulley	
233	3931432	1	Capscrew 1/4in-20NC x 2in	
234	3931512	4	Capscrew 5/16in-18NC x 3/4in	
235	3931628	4	Capscrew 3/8in-16NC x 1-3/4in	
236	4031914	4	Capscrew M8 x 50mm	
237	4032014	4	Capscrew M10 x 50mm	
238	4640751	1	Valve, Oil Drain	
240	4711400	AR	Flatwasher 1/4in Thin	
241	4711500	AR	Flatwasher 5/16in Thin	
242	4751600	AR	Flatwasher 3/8in Regular	
244	4811900	4	Flatwasher M8	
246	4812100	7	Flatwasher M12	
247	4891600	2	Flatwasher 3/8in Hardened	
248	4891800	AR	Flatwasher 1/2in Hardened	
249	8405007	2	Clamp	
250	8405009	4	Clamp	
251	8405104	4	Clamp	
252	8405204	2	Clamp	
253	8406110	2	Clip	
254	8410011	2	Clamp	
255	91403244	1	Hose	
256	1001117308	1	Relay	
258	1001134488	1	Fitting, 90 Barbed (Part of Item 278)	
259	1001135138	1	Adapter	
260	1001135679	1	Adapter	
261		Ref	Oil, Motor Options:	
261	1001136079	AR	Without Arctic Package	
261	1001136172	AR	With Arctic Package	
262	1001136834	1	Cap, Tank	
263	1001137276	1	Fan	
266	1001138173	1	Support	
267	1001138175	1	Bracket	
268	1001138228	1	Relay, Power Module	
268	70023593	1	Fuse 30Amp (Battery Output)	
268	70023592	1	Fuse 20Amp (Switched Output)	
269	1001138557	1	Clamp	
270	1001138827	1	Sensor, Coolant Level (Part of Item 278)	
271	1001139240	1	Bracket	
272	1001139409	AR	Washer, Special	
273	1001139429	2	Washer, Special	
275	1001139813	1	Engine, Deutz TD2.9L4	

## SECTION 2 - TURNTABLE

ITEM	PART NUMBER	QTY	DESCRIPTION	REV
276	1001140454	1	Mount, Front Engine	
278	1001140535	NLA	Tank (Use p/n 1001230635) <b>(SN 0300177361 through 0300241006)</b>	
278	1001230635	1	Tank (Includes items 258, 270 & 279) <b>(SN 0300241007 through 0300272252)</b>	
279	1001140564	1	Fitting, 90 Barbed (Part of Item 278)	
280	1001141304	1	Harness, Glow Plug (See ELECTRICAL SECTION for Breakdown)	
281	1001152489	1	Fitting, 90 Barbed	
282	1001142501	1	Fitting, 90 Barbed <b>(SN 0300177361 through 0300219292)</b>	
283	1001141995	1	Fitting, Straight Barbed	
284	1001155385	1	Radiator (RCP) <b>(SN 0300177361 through 0300230455)</b>	
284	1001167041	1	Radiator (Modine) <b>(SN 0300230456 through 0300272252)</b>	
285	1001142538	1	Tray	
287	1001142615	1	Air Cleaner Assembly Filter Element	
287	91403102	1	Element, Filter (Not Shown)	
288	1001142623	1	Hose, Inlet	
289	1001142634	1	Plate, Radiator Mounting (RCP Radiator) <b>(SN 0300177361 through 0300230455)</b>	
289	1001176723	1	Plate Radiator Mounting (Modine Radiator) <b>(SN 0300230456 through 0300272252)</b>	
290	1001142635	1	Mount, Rear Engine	
291	1001142636	1	Mount, Rear Engine <b>(SN 0300177361 through 0300219292)</b>	
291	1001205051	1	Mount, Rear Engine <b>(SN 0300219293 through 0300272252)</b>	
292	1001142648	1	Bracket, Tank (Used with RCP Radiator) <b>(SN 0300177361 through 0300230455)</b>	
292	1001176419	1	Bracket, Tank (Not Shown - Used with Modine Radiator) <b>(SN 0300230456 through 0300272252)</b>	
293	1001142668	1	Hose <b>(SN 0300177361 through 0300230455)</b>	
293	1001176511	1	Hose <b>(SN 0300230456 through 0300272252)</b>	
294	1001142669	1	Hose, Radiator - Upper (RCP Radiator) <b>(SN 0300177361 through 0300230455)</b>	
294	1001176225	1	Hose, Radiator - Upper (Modine Radiator) <b>(SN 0300230456 through 0300272252)</b>	
295	1001142670	1	Hose, Radiator - Lower (RCP Radiator) <b>(SN 0300177361 through 0300230455)</b>	
295	1001176226	1	Hose, Radiator - Lower (Modine Radiator) <b>(SN 0300230456 through 0300272252)</b>	
296	1001142689	1	Pipe, Exhaust	
297	1001142733	1	Pipe <b>(SN 0300177361 through 0300187632)</b>	
297	1001165842	1	Pipe <b>(SN 0300187633 through 0300272252)</b>	
299	1001143390	1	Indicator, Service	
300	1001143797	1	Fitting, Straight Barbed	
301	1001143907	1	Cable, Alternator Power (See ELECTRICAL SECTION for Breakdown)	
302	1001144409	1	Panel, Rubber	
303	1001144410	1	Bracket, Panel Clamp	
304	1001144411	1	Bracket, Panel Clamp	
305	1001144412	1	Bracket, Panel Clamp	
306	1001145154	1	Plate, Relay Mounting	
310	1001143726	1	Harness, Engine (Not Shown - See ELECTRICAL SECTION for Breakdown)	
311	2720340	6 in /15cm	Hose	

## SECTION 2 - TURNTABLE

ITEM	PART NUMBER	QTY	DESCRIPTION	REV
312	4060805	14 in / 36cm	Flex-Trim	
313	0641508	4	Bolt 5/16in-18NC x 1in	
314	0641510	2	Bolt 5/16in-18NC x 1-1/4in	
315	0641708	3	Bolt 7/16in-18NC x 1in	
316	0760605	2	Bolt M6 x 10mm	
317	0761210	1	Bolt M12 x 20mm	
318	0771414	AR	Bolt M14 x 30mm Grade 10.9	
319	1321716	1	P-Clamp (SN 0300177361 through 0300196107)	
319	1001181899	1	Clamp (SN 0300196108 through 0300272252)	
320	3310401	3	Nut #4-40NC	
321	3311505	6	Locknut 5/16in-18NC	
322	3910408	3	Screw #4-40NC x 1/2in	
323	4240099	AR	Tie-Strap (Not Shown)	
324	4711600	8	Flatwasher 3/8in Thin	
325	4750400	3	Flatwasher #4 Regular	
326	4751500	12	Flatwasher 5/16in Regular	
327	4711700	3	Flatwasher 7/16in Thin	
328	4811702	2	Flatwasher M6	
329	4812200	AR	Flatwasher M14	
330	4891500	1	Flatwasher 5/16in Hardened	
331	8405006	2	Clamp (SN 0300177361 through 0300219292)	
332	8406102	1	Clip (SN 0300177361 through 0300219292)	
333	8406201	1	Clip	
334	8410013	1	Clamp	
335	1001138170	2	Mount, Motor	
336	1001138717	1	Bracket (SN 0300177361 through 0300219292)	
337	1001141585	1	Hose, Air Inlet	
338	1001148641	1	Bracket (SN 0300177361 through 0300196107)	
339	1001154405	AR	Hose (Not Shown) (SN 0300177361 through 0300219292)	
340	2720015	36 in/.9m	Hose	
341	0100062	AR	Adhesive	
342	1703162	1	Decal - Fan Blade	
343	1001182997	NLA	Adhesive (Use Item 203)	
344	1001178876	1	Mount (SN 0300219293 through 0300272252)	
345	5250810	2	Bolt M8 x 20	
346	0761015	2	Bolt M10 x 35	
347	4812000	8	Washer M10	
348	3291005	2	Nut M10	
349	1001177359	1	Hose (SN 0300219293 through 0300272252)	
350	0641612	AR	Bolt 3/8 x 1-1/2	
351	1001169138	AR	Washer	
352	1001204325	2	Bracket (Modine Radiator) (SN 0300230456 through 0300272252)	
353	1001178223	2	Bracket (Modine Radiator) (SN 0300230456 through 0300272252)	
354	1001180620	AR	Adhesive	
355	4811902	AR	Washer M8	
356	1001169054	4	Isolator (SN 0300230456 through 0300272252)	
		Ref	<b>Note: Arctic Package Item 399 Not Shown - Used on Arctic Machines Only.</b>	
399	1001140312	1	Heater, Engine Block	



## SECTION 2 - TURNTABLE

ITEM	PART NUMBER	QTY	DESCRIPTION	REV
399	1001181895	AR	Adhesive	
	2902065	Ref	<b>KIT PUMP COUPLING AND MOUNTING PLATE</b>	K
401	70000793	1	Coupling	
402	2902065	1	Plate, Pump Adapter	
403	See Note	8	Capscrew M10 x 20 Grade 10.9 (Note: Not Available - Purchase Locally)	
404	See Note	12	Bolt M10 x 25 Grade 10.9 (Note: Not Available - Purchase Locally)	
405	See Note	12	Flatwasher M10 (Note: Not Available - Purchase Locally)	
	1001139813	Ref	<b>ENGINE COMPONENTS</b>	J
501	70004274	1	Dipstick (Not Shown - Located On Site Left Front)	
501	70024905	1	Seal	
502	7020465	2	Cap, Oil Fill	
503	70025111	2	Clamp	
504	70025088	1	Plug	
504	7020404	1	Seal	
505	70001870	1	Flywheel with Ring Gear	
505	7024579	1	Gear, Ring	
506		Ref	Gasket and Seal Options (Not Shown)	
506	70024906	1	Gasket, Head	
506	70025206	1	Gasket, Small Valve Cover	
506	70025207	1	Gasket, Large Valve Cover	
506	7002508	1	Gasket, Valve Cover to Air Charge Elbow	
506	70002718	1	Seal, Rear Main	
506	70024907	1	Gasket, Front Cover	
506	70025164	1	Gasket, Exhaust Manifold to Head	
506	70024912	1	Gasket, Exhaust Manifold to Turbocharger	
506	70004279	1	Gasket Kit	
507	70025091	1	Plug	
507	70025082	1	Seal	
507	70025176	1	Spring	
507	70025076	1	Valve, Pressure Control	
508	70025202	1	Pump, Oil Lube (Not Shown - Located Front Left Side)	
508	70025135	1	O-Ring	
508	70025136	1	Seal	
509	7016331	1	Filter, Oil	
510	70004275	1	Cooler, Oil	
510	70024925	1	Gasket	
511	70024924	1	Pump, High Pressure (Not Shown - Located Front Left Side)	
511	70025152	1	O-Ring (Between Pump and Spacer)	
511	70024488	1	Spacer	
511	70025152	1	O-Ring (Between Spacer and Engine Block)	
512	70025181	4	Injector, Fuel	
512	70025140	4	Washer, Sealing	
512	70025146	4	Clamp (Top of Injector)	
512	70025416	4	O-Seal	
512	70025154	4	Shoe, Clamping	
512	70000345	4	Plug, Glow	
512	70025231	1	Harness, Glow Plug (Not Shown)	
513	70025153	NLA	Filter, Fuel (Use p/n 1001225430)	
513	70024513	1	Cable, Sensor	
513	70025239	1	Seal	
514	70024486	1	Pump, Fuel	

## SECTION 2 - TURNTABLE

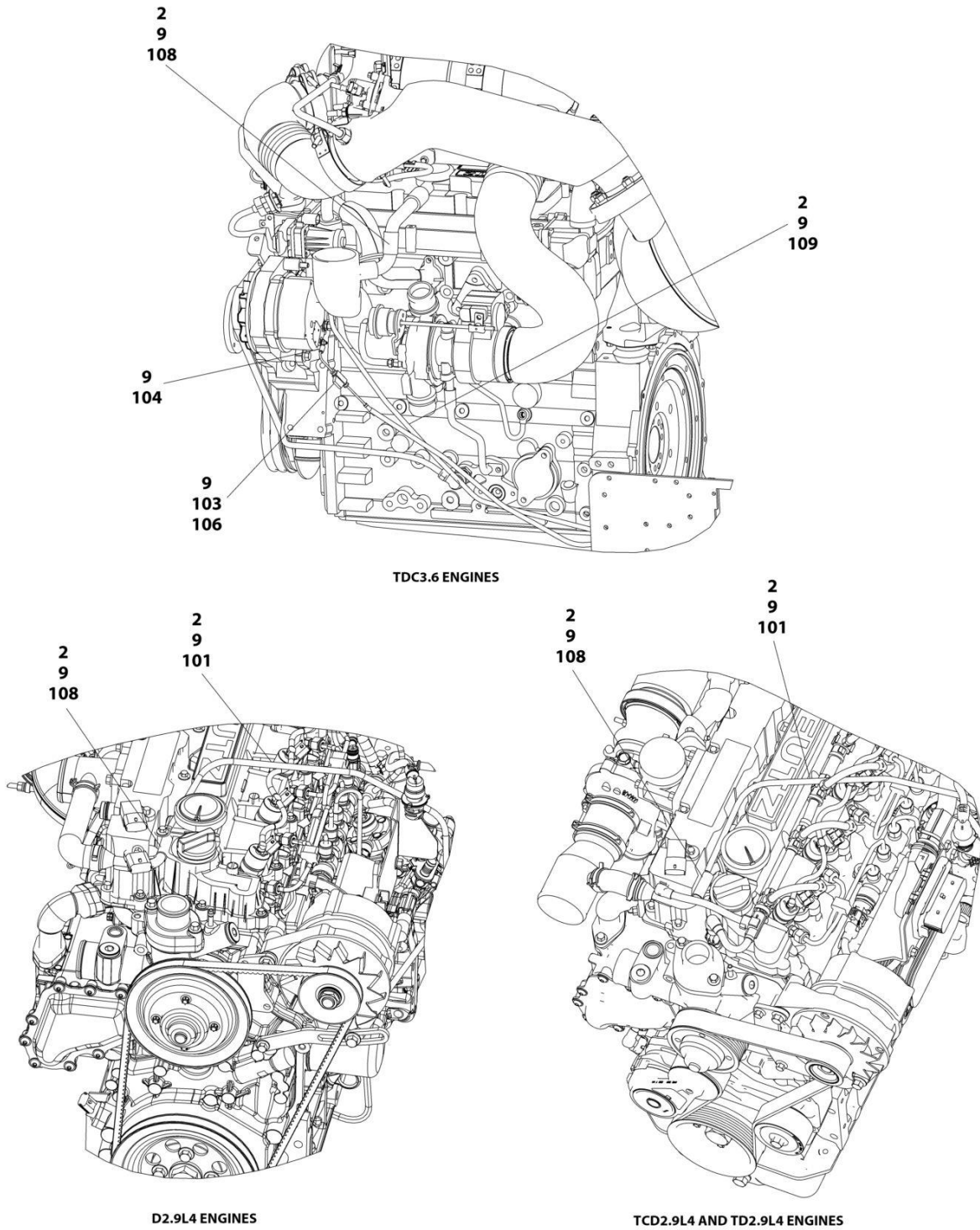
ITEM	PART NUMBER	QTY	DESCRIPTION	REV
515	70025144	2	Clamp	
516	70025160	1	Filter with Head	
516	70025161	NLA	Filter, Fuel (Use p/n 1001225431)	
517	70024504	1	Sensor, Pressure	
517	70024920	1	Seal	
518	70025151	1	Rail, Fuel (Not Shown)	
518	70025235	1	Repair Kit	
519	70025210	1	ECU (Engine Control Unit)	
520	70024910	1	Pump, Water	
520	70025200	1	Seal	
520	70025084	2	Plug	
520	7020492	2	Seal	
521	70024473	1	Thermostat	
521	70025143	1	O-Seal	
521	70025142	1	Cover, Thermostat	
522	70025178	1	Pipe	
522	70025156	1	Valve, Shuttle	
522	70025179	2	Gasket	
522	70025180	1	Gasket	
523	70025203	1	Module, EGR (Not Shown - Located on Left Side)	
524	70004276	1	Turbocharger	
525	70025477	1	Tensioner, Belt	
526	70004277	1	Belt, Drive	
527	70024914	1	Alternator	
527	70025149	1	Regulator, Voltage	
528	70024915	1	Starter (Not Shown - Located on Left Side)	
529	70025077	1	Harness, Engine (Not Shown)	
530	70024503	2	Sensor, Speed (Not Shown - Located Left Side Front and Flywheel Housing)	
530	70024917	2	Seal	
531	70024918	1	Sender, Temperature (Not Shown - Located Top Front)	
532	70024504	1	Sensor, Pressure (Not Shown - Located Left Side Front)	
532	70024920	1	Seal	
533	70024507	1	Sensor, Pressure	
533	70025120	1	Seal	
534	70024922	1	Sender, Temperature	
534	70025212	1	Seal	
535	70004278	1	Outlet	
535	70025799	1	Muffler, Inlet	
535	70024515	1	Clamp	
535	70025801	1	Gasket	
536	70124530	1	Valve, Pressure Relief	
536	70124538	1	Spring	
536	70104570	1	Ring, Sealing	
536	70025660	1	Screw, Locking	
	1001145750	Ref	<b>SPARK ARRESTER INSTALLATION (OPTIONAL)</b>	A
601	1001145751	1	Arrester, Spark	
	1001162335	Ref	<b>FUEL PUMP/FILTER ASSEMBLY</b>	D
701	0100011	AR	Compound, Locking	
702	0641610	2	Bolt 3/8in-16NC x 1-1/4in	
703	0721006	4	Screw # .10 x .750	

## SECTION 2 - TURNTABLE

ITEM	PART NUMBER	QTY	DESCRIPTION	REV
704	1001154405	1.5 ft / .45m	Hose	
705	3311001	4	Nut #10-24NC	
706	3311605	2	Locknut 3/8in-16NC	
707	4711000	8	Flatwasher #10 Thin	
708	4711600	4	Flatwasher 3/8in Thin	
709	8405006	2	Clamp	
710	1001141870	1	Plate, Mounting	
711	1001142501	1	Fitting, Barbed 90 Degree	
	1001177399	Ref	<b>ENGINE MOUNT INSTALLATION WITH GENERATOR</b>	B
	1001177043	Ref	<b>ENGINE MOUNT INSTALLATION WITHOUT GENERATOR</b>	A
801	0100011	AR	Compound, Locking	
802	0641608	2	Bolt 3/8in-16NC x 1in	
803	0681820	1	Bolt 1/2 x 2-1/2 Grade 8	
803	0681822	1	Bolt 1/2 x 2-3/4 Grade 8	
804	0771414	3	Bolt M14 x 30 Grade 10.9	
804	0771415	3	Bolt M14 x 35 Grade 10.9	
805	3200401	1	Mount, Engine	
806	3271801	1	Nut 1/2in-13NC Grade 8	
807	3311605	2	Locknut 3/8in-16NC	
808	4751600	4	Flatwasher 3/8in Regular	
809	4812200	3	Flatwasher M14	
810	4891800	1	Flatwasher 1/2in Hardened	
811	1001139409	1	Washer, Special	
812	1001140466	1	Support, Engine with Generator <b>(SN 0300197408 through 0300227100)</b>	
812	1001202368	1	Support, Engine with Generator <b>(SN 0300227101 through 0300272252)</b>	
812	1001177038	1	Support, Engine without Generator (Not Shown) <b>(SN 0300197408 through 0300272252)</b>	
812	1001140466	1	Support, Engine <b>(SN 0300177361 through 0300197407)</b>	
813	5240800	AR	Washer M8	
814	0700814	AR	Bolt M8 x 30	

## SECTION 2 - TURNTABLE

FIGURE 2-10. BREATHER HEATER INSTALLATION - DEUTZ D2.9L4 ENGINES WITH ARCTIC PACKAGE



ART\_1001233763

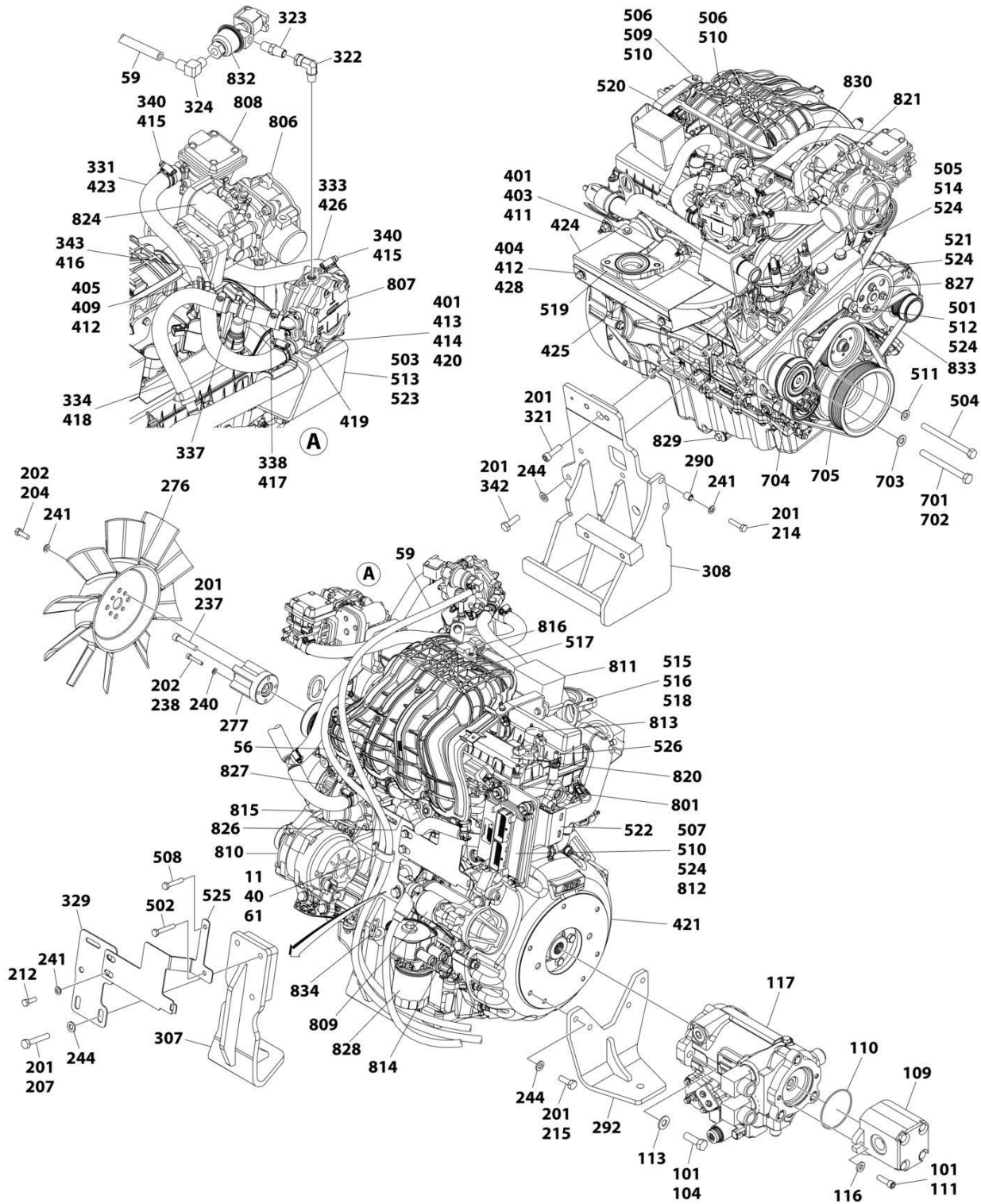
**SECTION 2 - TURNTABLE**

**FIGURE 2-10. BREATHER HEATER INSTALLATION - DEUTZ D2.9L4 ENGINES WITH ARCTIC PACKAGE**

<b>ITEM</b>	<b>PART NUMBER</b>	<b>QTY</b>	<b>DESCRIPTION</b>	<b>REV</b>
	1001233763	Ref	BREATHER HEATER INSTALLATION - DEUTZ ENGINES	D
2	4240099	AR	Tie-Strap	
9	1001243895	1	Breather Heater Harness	C
101	2820035	AR	Insulation	
103	2400060	1	Fuseholder with Cover	
104	4460043	1	Terminal, Ring	
105	4460722	1	Terminal, Ring (Not Shown)	
106	1001196634	1	Fuse - 2 Amp	
108	1001232842	1	Breather Heater Kit	

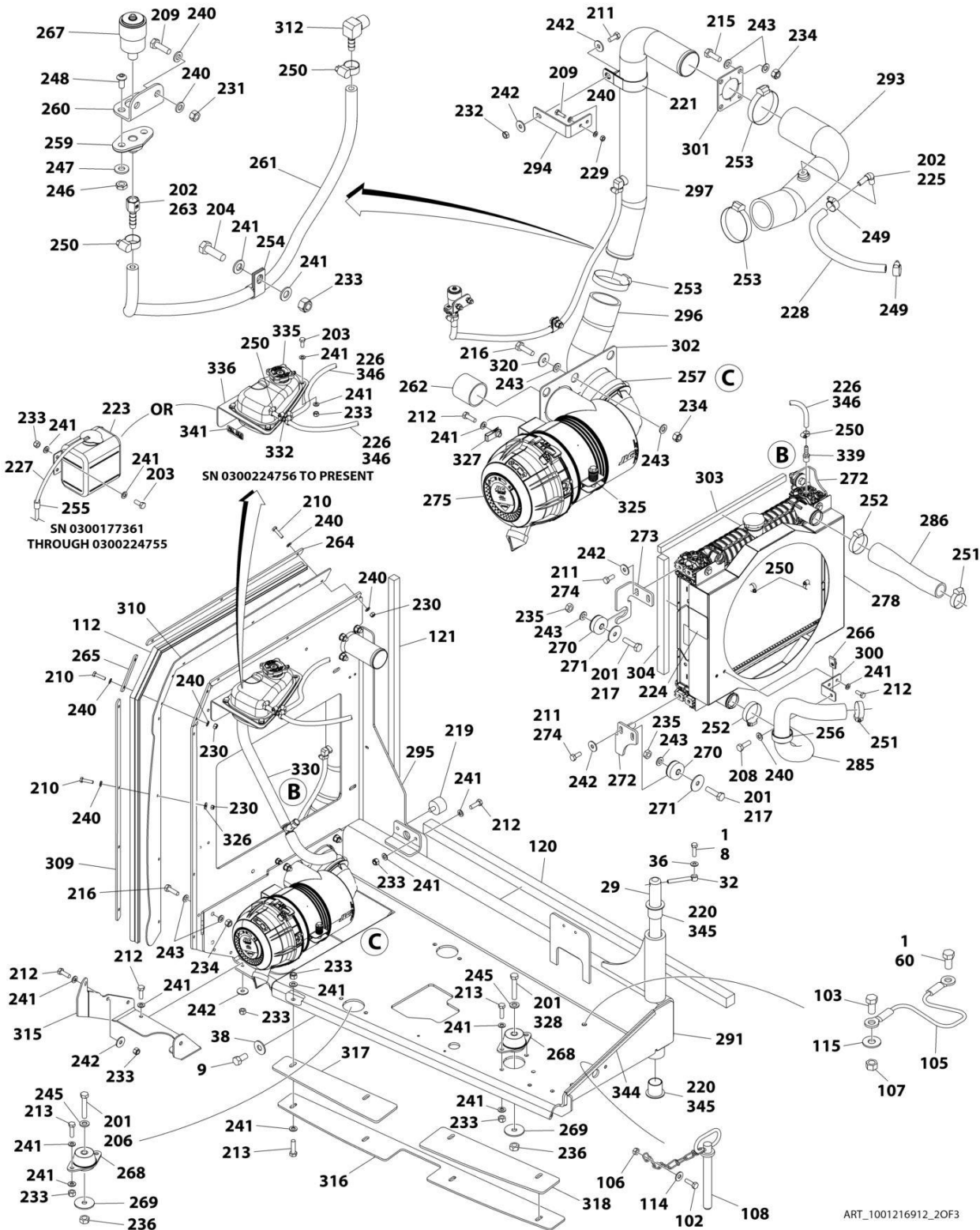
# SECTION 2 - TURNTABLE

## FIGURE 2-11. FORD ENGINE INSTALLATION



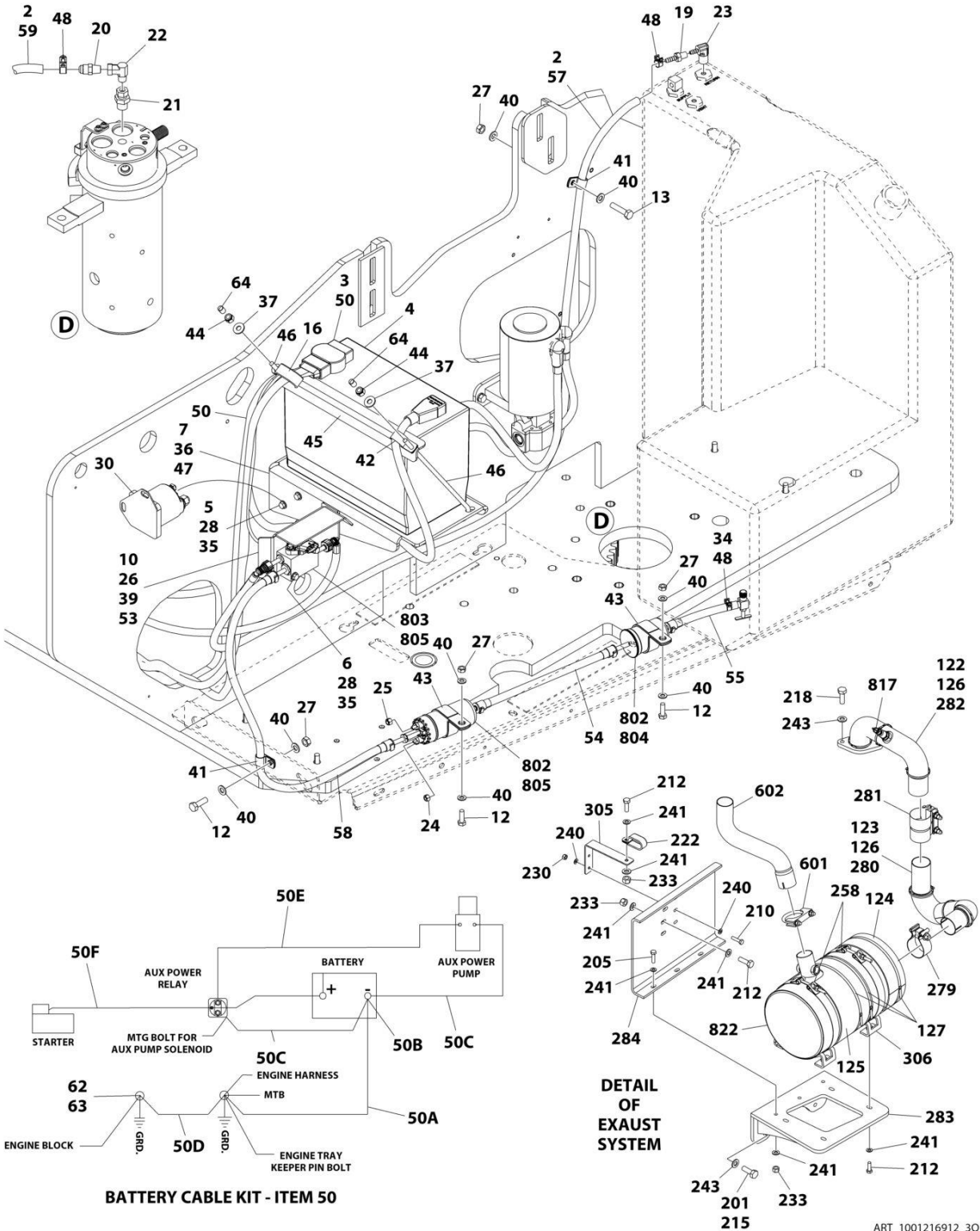
ART\_1001216912\_10F3

# SECTION 2 - TURNTABLE



ART\_1001216912\_20F3

# SECTION 2 - TURNTABLE



ART\_1001216912\_30F3



## SECTION 2 - TURNTABLE

### FIGURE 2-11. FORD ENGINE INSTALLATION

ITEM	PART NUMBER	QTY	DESCRIPTION	REV
		Ref	<b>FORD ENGINE INSTALLATION</b>	
	1001216912	Ref	<b>Ford Engine Installation without Arctic Package</b>	F
	1001219073	Ref	<b>Ford Engine Installation with Arctic Package</b>	F
1	0100011	AR	Compound, Locking	
2	0100020	AR	Sealant	
3	0100048	AR	Grease, Terminal	
4	0400075	1	<b>Battery (SN 0300177361 through 0300259736)</b>	
5	0641406	2	Bolt 1/4 x 3/4	
6	0641416	2	Bolt 1/4 x 2	
7	0641607	3	Bolt 3/8 x 7/8	
8	0641610	1	Bolt 3/8 x 1-1/4	
9	0642010	1	Bolt 5/8 x 1-1/4	
10	0760612	2	Bolt M6 x 25	
11	0760810	1	Bolt M8 x 20	
12	0760812	3	Bolt M8 x 25	
13	0760815	1	Bolt M8 x 35	
16	1321716	1	<b>Clamp (SN 0300177361 through 0300259736)</b>	
17	1701542	1	Decal - Gas (Not Shown)	
18	1701543	1	Decal - LPG (Not Shown)	
19	2180348	1	Fitting, Straight NPT/Barbed	
20	2180418	1	Fitting, Straight	
21	2220005	1	Fitting, Straight NPT	
22	2220064	1	Fitting, Straight	
23	2221176	1	Fitting, 90	
24	3290405	1	Nut M4	
25	3290505	1	Nut M5	
26	3290605	2	Nut M6	
27	3290801	4	Nut M8	
28	3311405	4	Nut 1/4	
29	3422448	1	Pin	
30	3740067	1	Relay	
31	3790012	1	O-Ring (Not Shown - Located on Platform Console Box)	
32	3841143	1	Keeper, Pin	
33	4360336	1	Switch, Toggle (Not Shown - Located on Platform Console Box)	
34	1001221488	1	Tube, Fuel Line	
35	4711400	6	Washer 1/4	
36	4711600	4	Washer 3/8	
37	4751500	2	Washer 5/16 <b>(SN 0300177361 through 0300259736)</b>	
38	4752000	1	Washer 5/8	
39	4811702	4	Washer M6	
40	4811900	9	Washer M8	
41	8406101	2	Clip	
42	8406201	1	Clip <b>(SN 0300177361 through 0300259736)</b>	
43	85941018	2	Clamp	
44	88521205	2	Nut 5/16	
45	91401281	1	<b>Bracket, Battery Hold Down (SN 0300177361 through 0300259736)</b>	
46	1001093382	2	<b>J-Bolt (SN 0300177361 through 0300259736)</b>	
47	1001137868	1	Bracket, Battery	
48	1001174486	4	Clamp	

## SECTION 2 - TURNTABLE

ITEM	PART NUMBER	QTY	DESCRIPTION	REV
50	1001215142	1	Battery Cable Kit	C
50A	7027073	1	Cable, Battery - Ground to Battery -	
50B	8270147	1	Terminal, Battery with Boot	
50C	7027072	1	Cable, Battery - Auxiliary Pump/Relay to Battery -	
50D	70009018	1	Cable, Battery - Engine to Ground	
50E	7027075	1	Cable, Battery - Auxiliary Relay to Auxiliary Pump	
50F	70009019	1	Cable, Battery - Starter/Auxiliary Relay to Battery +	
53	1001217645	1	Bracket	
54	1001217418	1	Hose	
55	1001217419	1	Hose	
56	1001217420	1	Hose	
57	1001217421	1	Hose	
58	1001217422	1	Hose	
59	1001218638	1	Hose	
60	0641808	1	Bolt 1/2 x 1	
61	1321283	1	Clamp	
62	0761008	1	Bolt M10 x 16	
63	4812000	1	Washer M10	
64	1001218572	2	Cap (SN 0300177361 through 0300259736)	
		Ref	<b>Note: Arctic Package Items 80-88 Not Shown (Machines with Arctic Package Only)</b>	
80	1060626	1	Plug, 3 Way	
81	1702941	1	Decal - Battery Heater	
82	1702942	1	Decal - Engine Block Heater	
83	1702943	1	Decal - Hydraulic Tank Heater	
84	1702944	1	Decal - Heater Cord	
85	2560024	1	Heater, Battery	
86	3980007	1	Seal, Battery	
87	1001150918	1	Cord, Extension - 8ft	
88	1001188972	1	Heater, Hydraulic Tank Immersion	
		Ref	<b>FORD ENGINE AND PUMP SUB-ASSEMBLY</b>	
	1001216911	Ref	<b>Ford Engine and Pump Sub-Assembly without Arctic Package</b>	D
	1001219072	Ref	<b>Ford Engine and Pump Sub-Assembly with Arctic Package</b>	C
101	0100011	AR	Compound, Locking	
102	0641407	1	Bolt 1/4 x 7/8	
103	0641808	1	Bolt 1/2 x 1	
104	0681812	2	Bolt 1/2 x 1-1/2	
105	1060637	1	Cable, Lanyard	
106	3311405	1	Nut 1/4	
107	3311805	1	Nut 1/2	
108	3422533	1	Pin	
109	3600395	1	Gear Pump and Fittings Assembly (See GEAR PUMP ASSEMBLY for Breakdown)	
110	3790152	1	O-Ring	
111	3931620	2	Capscrew 3/8 x 1-1/4	
112	3960389	60 in /1.5m	Seal (SN 0300177361 through 0300240729)	
113	4711800	2	Washer 1/2	
114	4751400	1	Washer 1/4	
115	4751800	1	Washer 1/2	
116	4891600	2	Washer 3/8	

## SECTION 2 - TURNTABLE

ITEM	PART NUMBER	QTY	DESCRIPTION	REV
117	1001188953	1	Piston Pump and Fitting Assembly (See PISTON PUMP ASSEMBLY for Breakdown)	
118		Ref	Oil, Motor Options (Not Shown):	
118	1001190775	AR	Oil, Motor (Machines without Arctic Package)	
118	1001115931	AR	Oil, Motor (Machines with Arctic Package) <b>(SN 0300177361 through 0300240729)</b>	
118	1001190775	1	Oil, Motor (Machines with Arctic Package) <b>(SN 0300240730 through 0300272252)</b>	
120	1001217170	1	Seal	
121	1001217184	1	Seal	
122	1001216532	1	Insulate, Exhaust Pipe	
123	1001216533	1	Insulate, Exhaust Pipe	
124	1001216534	1	Insulate, Muffler	
125	1001216535	1	Insulate, Muffler	
126	1001100825	6	Strap	
127	1001221464	3	Strap	
		Ref	<b>FORD ENGINE ASSEMBLY</b>	
	1001215413	Ref	<b>Ford Engine Assembly without Arctic Package</b>	M
	1001219071	Ref	<b>Ford Engine Assembly with Arctic Package</b>	J
201	0100011	AR	Compound, Locking	
202	0100020	AR	Sealant	
203	0700810	AR	Bolt M8 x 20	
204	0700812	5	Bolt M8 x 25	
205	0700814	3	Bolt M8 x 30	
206	0701224	1	Bolt M12 x 80	
207	0711020	3	Bolt M10 x 60	
208	0760608	2	Bolt M6 x 16	
209	0760610	4	Bolt M6 x 20	
210	0760612	AR	Bolt M6 x 25	
211	0760810	AR	Bolt M8 x 20	
212	0760812	AR	Bolt M8 x 25	
213	0760814	AR	Bolt M8 x 30	
214	0760815	2	Bolt M8 x 35	
215	0761014	11	Bolt M10 x 30	
216	0761015	AR	Bolt M10 x 35	
217	0761016	4	Bolt M10 x 40	
218	0771014	2	Bolt M10 x 30	
219	0940070	1	Bumper	
220	0961986	2	Bearing	
221	1320110	1	Clamp	
222	1321283	1	Clamp <b>(SN 0300177361 through 0300240729)</b>	
222	1001187781	1	Tie-Strap (Not Shown) <b>(SN 0300240730 through 0300272252)</b>	
223	1580011	1	Container, Coolant Overflow <b>(SN 0300177361 through 0300224755)</b>	
224	1703162	2	Decal - Fan Blade	
225	2180467	1	Fitting, Straight NPT/Barbed	
226	2720058	AR	Hose	
227	2720271	39 in/1m	Hose <b>(SN 0300177361 through 0300224755)</b>	
228	1001165035	11 in/26cm	Hose	
229	3290601	2	Nut M6	
230	3290605	AR	Nut M6	

## SECTION 2 - TURNTABLE

ITEM	PART NUMBER	QTY	DESCRIPTION	REV
231	3290607	2	Nut M6	
232	3290801	1	Nut M8	
233	3290805	AR	Nut M8	
234	3291005	AR	Nut M10	
235	3291001	4	Nut M10	
236	3291201	3	Nut M12	
237	3931632	1	Capscrew 3/8 x 2	
238	4031711	4	Capscrew M6 x 35	
239	4240099	AR	Tie-Strap (Not Shown)	
240	4811700	AR	Washer M6	
241	4811900	AR	Washer M8	
242	4811902	15	Washer M8	
243	4812000	33	Washer M10	
244	5241000	12	Washer M10	
245	5241200	3	Washer M10	
246	8305401	2	Nut 1/4	
247	8307109	2	Washer 1/4	
248	8310548	2	Screw 1/4 x 1/2	
249	8405006	2	Clamp	
250	8405009	AR	Clamp	
251	8405102	2	Clamp	
252	8405104	2	Clamp	
253	8405203	3	Clamp	
254	8406109	AR	Clip	
255	8406110	2	Clip (SN 0300177361 through 0300224755)	
256	8410001	1	Clamp	
257	8410011	1	Clamp	
258	1001128901	2	Strap, Clamp	
259	1001138173	1	Support	
260	1001138175	1	Bracket	
261	1001138248	31 in/ 77cm	Tube, Nylon	
262	1001141585	1	Hose, Air Cleaner Inlet	
263	1001141995	1	Fitting, Straight NPT/Barbed	
264	1001144410	1	Panel, Clamp	
265	1001144411	1	Panel, Clamp	
266	1001149160	1	Nut, Tinnerman M8	
267	1001149639	1	Indicator, Restriction	
268	1001191610	3	Mount, Motor	
269	1001168018	3	Washer	
270	1001169054	4	Isolator	
271	1001169138	4	Pad	
272	1001170035	2	Bracket	
273	1001176329	2	Bracket	
274	1001180620	AR	Adhesive	
275	1001189979	1	Air Filter Assembly	
275	70005008	1	Element, Filter	
276	1001213357	1	Fan (SN 0300177361 through 0300224755)	
276	1001223042	1	Fan (SN 0300224756 through 0300272252)	
277	1001215647	1	Spacer, Fan	
278	1001215674	1	Radiator (SN 0300177361 through 0300224755)	
278	1001223923	1	Radiator (SN 0300224756 through 0300272252)	

## SECTION 2 - TURNTABLE

ITEM	PART NUMBER	QTY	DESCRIPTION	REV
279	1001215681	1	Clamp	
280	1001215899	1	Pipe, Exhaust Inlet	
281	1001215974	1	Clamp	
282	1001216075	1	Pipe, Exhaust Inlet	
283	1001216086	1	Bracket	
284	1001216092	1	Shield, Heat	
285	1001216204	1	Hose, Radiator (Lower)	
286	1001216205	1	Hose, Radiator (Upper)	
290	1001216919	2	Sleeve	
291	1001216951	1	Tray	
292	1001216995	1	Mount, Engine (Rear)	
293	1001217032	1	Tube, Air Intake	
294	1001217046	1	Bracket	
295	1001217082	1	Plate, Radiator	
296	1001217089	1	Tube, Intake (Lower)	
297	1001217090	1	Tube, Intake (Intermediate)	
300	1001217146	1	Support	
301	1001217174	1	Seal	
302	1001217175	1	Seal	
303	1001217183	2	Seal	
304	1001217185	2	Seal	
305	1001217186	1	Support	
306	1001217543	2	Mount	
307	1001218362	1	Mount, Engine (Front Left)	
308	1001218449	1	Mount, Engine (Front Right)	
309	1001218599	1	Panel, Clamp	
310	1001218600	1	Panel, Rubber	
312	1001134488	1	Fitting, 90 Barbed	
313	2300004	AR	Coolant (Not Shown)	
315	1001219445	1	Seal	
316	1001219448	1	Plate	
317	1001219454	1	Seal	
318	1001219456	1	Seal	
320	4812002	6	Washer M10	
321	4032011	AR	Capscrew M10 x 35	
321	5272010	AR	Capscrew M10 x 30	
322	2220064	1	Fitting, 90 FSNPSM/NPTF	
323	2220261	1	Fitting, Straight	
324	2180504	1	Fitting, Straight	
325	1001186426	1	Clamp, Air Cleaner	
326	4811702	1	Washer M6	
327	1001221615	2	Nut, Tinnerman M8	
328	1001098828	AR	Bolt M12 x 70 Grade 10.9	
328	0711223	AR	Bolt M12 x 75	
329	1001222033	1	Plate	
330	1001224489	1	Hose (SN 0300224756 through 0300272252)	
331	1001216531	1/.6m	Hose (SN 0300224756 through 0300272252)	
332	1001224432	1	Fitting, Tee Barbed (SN 0300224756 through 0300240729)	
333	1001224486	1	Hose (SN 0300224756 through 0300272252)	
334	82033995	13 in/ 33cm	Hose (SN 0300224756 through 0300240729)	

## SECTION 2 - TURNTABLE

ITEM	PART NUMBER	QTY	DESCRIPTION	REV
334	1001227666	24 in/ 60cm	Hose (SN 0300240730 through 0300272252)	
335	1001223584	1	Tank (SN 0300224756 through 0300272252)	
336	1001224419	1	Bracket (SN 0300224756 through 0300272252)	
337	1001224431	1	Fitting, Tee (SN 0300224756 through 0300272252)	
338	8410009	AR	Clamp (SN 0300224756 through 0300272252)	
339	8420231	1	Fitting, Straight Barbed (SN 0300224756 through 0300240729)	
339	2180348	1	Fitting, Straight Barbed (SN 0300240730 through 0300272252)	
340	1001173535	6	Clamp (SN 0300224756 through 0300272252)	
341	1001225510	1	Decal - Full Cold (SN 0300224756 through 0300272252)	
342	0711014	5	Bolt M10 x 30 (SN 0300224756 through 0300272252)	
343	8406201	1	Clip (SN 0300224756 through 0300272252)	
344	4060805	16 in/.4m	Flex-Trim (SN 0300224756 through 0300272252)	
345	0100062	AR	Adhesive (SN 0300224756 through 0300272252)	
346	1001227667	1	Hose (Includes Tee) (SN 0300240730 through 0300272252)	
350	1001216393	1	Heater, Engine Block (Arctic Package Only) (Not Shown)	
	1001216910	Ref	<b>FORD ENGINE ASSEMBLY - PUMP COUPLING/ FUEL SYSTEM</b>	F
401	0100011	AR	Compound, Locking	
403	0760605	4	Bolt M6 x 10	
404	0760807	2	Bolt M8 x 14	
405	0760812	AR	Bolt M8 x 25	
409	3290805	AR	Nut M8	
411	4811702	4	Washer M6	
412	4811900	AR	Washer M8	
413	5250605	3	Bolt M6 x 10	
414	5260600	1	Nut M6 Class 10	
415	1001173535	4	Clamp (SN 0300177361 through 0300227100)	
416	8406201	1	Clip (SN 0300177361 through 0300227100)	
417	8410009	2	Clamp (SN 0300177361 through 0300227100)	
418	82033995	10 in/ 27cm	Hose (SN 0300177361 through 0300227100)	
419	1001211794	3	Mount, Isolator	
420	1001213045	1	Bracket (SN 0300177361 through 0300232334)	
420	1001227769	1	Bracket (SN 0300232335 through 0300272252)	
421	1001213810	1	Pump Coupling, Kit	
421	70006134	1	Coupling, Pump	
421	70006135	1	Housing, Pump Coupling	
421	70006136	1	Bolt Kit	
423	1001216531	1	Hose (SN 0300177361 through 0300227100)	
424	1001216768	1	Bracket	
425	1001216769	1	Bracket	
426	1001216810	1	Hose (SN 0300177361 through 0300227100)	
428	1001149160	2	Nut, Tinnerman M8	
	1001216065	Ref	<b>FORD ENGINE ASSEMBLY - BRACKETS/EXHAUST MANIFOLD</b>	K
501	0700816	4	Bolt M8 x 40	
502	0700818	1	Bolt M8 x 50	
503	0701014	2	Bolt M10 x 30	
504	0710827	1	Bolt M8 x 100 Grade 10.9	
505	0711216	2	Bolt M12 x 40	
506	0760610	3	Bolt M6 x 20	
507	0760615	4	Bolt M6 x 35	
508	0760817	1	Bolt M8 x 45	

## SECTION 2 - TURNTABLE

ITEM	PART NUMBER	QTY	DESCRIPTION	REV
509	3290601	1	Nut M6	
510	4811700	8	Washer M6	
511	4811900	1	Washer M8	
512	4811902	4	Washer M8	
513	4812000	2	Washer M10	
514	4812100	2	Washer M12	
515	5250605	2	Bolt M6 x 10	
516	5260600	2	Nut M6 Class 10	
517	1001210448	1	Engine Ford 2.5L DF MSG425 (See FORD ENGINE COMPONENTS for Serviced Parts)	
518	1001211794	2	Mount	
519	1001214827	1	Manifold, Exhaust	
520	1001215384	1	Bracket	
521	1001216071	1	Bracket	
522	1001216144	1	Support, Muffler	
523	1001216616	1	Mount, Vaporizer (SN 0300177361 through 0300232332)	
523	1001227772	1	Mount, Vaporizer (SN 0300232333 through 0300272252)	
524	0100011	AR	Compound, Locking	
525	1001221545	1	Plate	
526	1001222641	6	Cap	
		Ref	<b>EXHAUST PIPE INSTALLATION</b>	
	1001220215	Ref	<b>Exhaust Pipe Installation without Spark Arrestor</b>	B
	1001219325	Ref	<b>Exhaust Pipe Installation with Spark Arrestor</b>	C
601	1001221397	1	Clamp	
602		Ref	Tail Pipe Options	
602	1001216160	1	Tail Pipe without Spark Arrestor	
602	1001217294	1	Tail Pipe with Spark Arrestor	
602		Ref	Insulate Options	
602	1001216536	1	Insulate without Spark Arrestor	
602	1001217562	1	Insulate with Spark Arrestor	
602	1001100825	3	Strap	
	1001220404	Ref	<b>DRIVE BELT INSTALLATION (MACHINES WITHOUT GENERATOR)</b>	C
701	0100011	AR	Compound, Locking	
702	0701026	1	Bolt M10 x 90	
703	4812002	1	Washer M10	
704	1001216300	1	Pulley	
705	1001216619	1	V-Belt	
		Ref	<b>FORD ENGINE COMPONENTS</b>	
801	70006145	4	Injector, Fuel	
801	70006147	1	Rail, Fuel	
802	70006150	1	Pump, Fuel	
802	70006154	1	Fitting M10	
803	70006151	1	Block, Fuel	
803	70006152	2	Fitting SAE6	
803	70006153	1	Fitting SAE3	
803	70006189	1	Harness, Fuel Block	
804	70006155	1	Filter, Fuel	
805	7022162	8	Clamp	
805	70006157	8	Clip, Fuel Quick Disconnect	
806	70006158	1	Mixer, LP	
806	70006168	1	Mixer Diaphragm Replacement Kit	

## SECTION 2 - TURNTABLE

ITEM	PART NUMBER	QTY	DESCRIPTION	REV
806	70006159	1	Adapter, Mixer to Governor	
806	70006160	1	O-Ring, Mixer to Adapter	
806	70006161	1	Seal, Mixer to Adapter	
807	70006162	1	Regulator, LP Vapor	
807	70006166	2	Fitting, 70	
807	70006167	1	Fitting, Straight	
807	70006165	2	Isolator, Rubber	
808	70006163	1	Regulator, Direct Electronic Pressure	
808	70006164	1	Adapter, Fitting 90	
809	70006169	1	Starter	
809	70006233	1	Harness, Alternator/Starter	
810	70006170	1	Alternator	
811	70006173	1	Cover, Relay Box	
811	70006171	2	Relay (Fuel Pump & Power)	
811	70006172	1	Relay (Starter)	
811	70006175	1	Fuse - 20AMP (Starter)	
811	70006174	1	Decal - Relay Box Cover	
811	70006188	1	Harness, Engine	
811	70006165	2	Isolator, Rubber	
812	70006176	1	Module - Engine Control Unit (ECU/GCP)	
812	70006191	1	Software & Diagnostic Cable	
813	70006177	4	Coil and Boot Assembly	
813	70006178	4	Plug, Spark	
814	70006179	1	Switch, Oil Pressure	
815	70006180	1	Sensor, Knock	
816	70006181	1	Sensor, TMAP	
817	70006182	2	Sensor, O2	
818	70006183	1	Sensor, Coolant Temperature (Not Shown - Located Rear of Engine Block)	
819	70006184	1	Sensor, Crank Position (Not Shown - Located at Front RH Side of Block)	
820	70006185	1	Sensor, Cam Position	
821	70006186	1	Solenoid, Timing	
821	70006187	1	Grommet, Rubber	
822	70006194	1	Muffler	
822	70006195	1	Plug (Located at Muffler Outlet)	
823		Ref	Gasket Options (Not Shown):	
823	70006196	1	Gasket, Exhaust Manifold to Head	
823	70006197	1	Gasket, Exhaust Manifold Outlet	
823	70006200	1	Gasket, Intake Manifold to Head	
823	70006219	1	Gasket Set - Camshaft Cover	
823	70006225	1	Gasket, Cylinder Head	
824	70006198	1	Governor	
824	7027404	1	Gasket, Governor Actuator	
824	70006199	1	Gasket, Governor to Intake Manifold Adapter	
825	70006203	1	Flywheel (Not Shown)	
826	70006205	1	Thermostat (Includes Housing)	
826	70006206	1	Gasket, Water Inlet	
827	70006207	1	Pump, Water	
827	70006208	1	O-Ring, Water Pump	
827	See Note	NSS	Pulley, Water Pump (Note: Not Available for Purchase at This Time)	

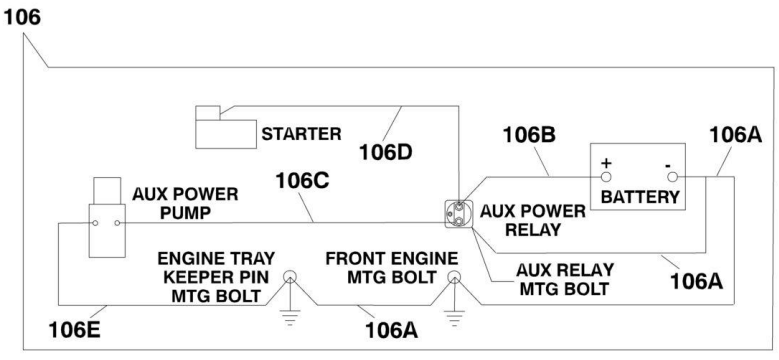
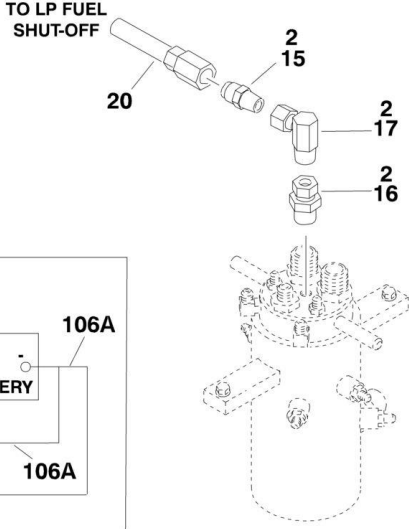
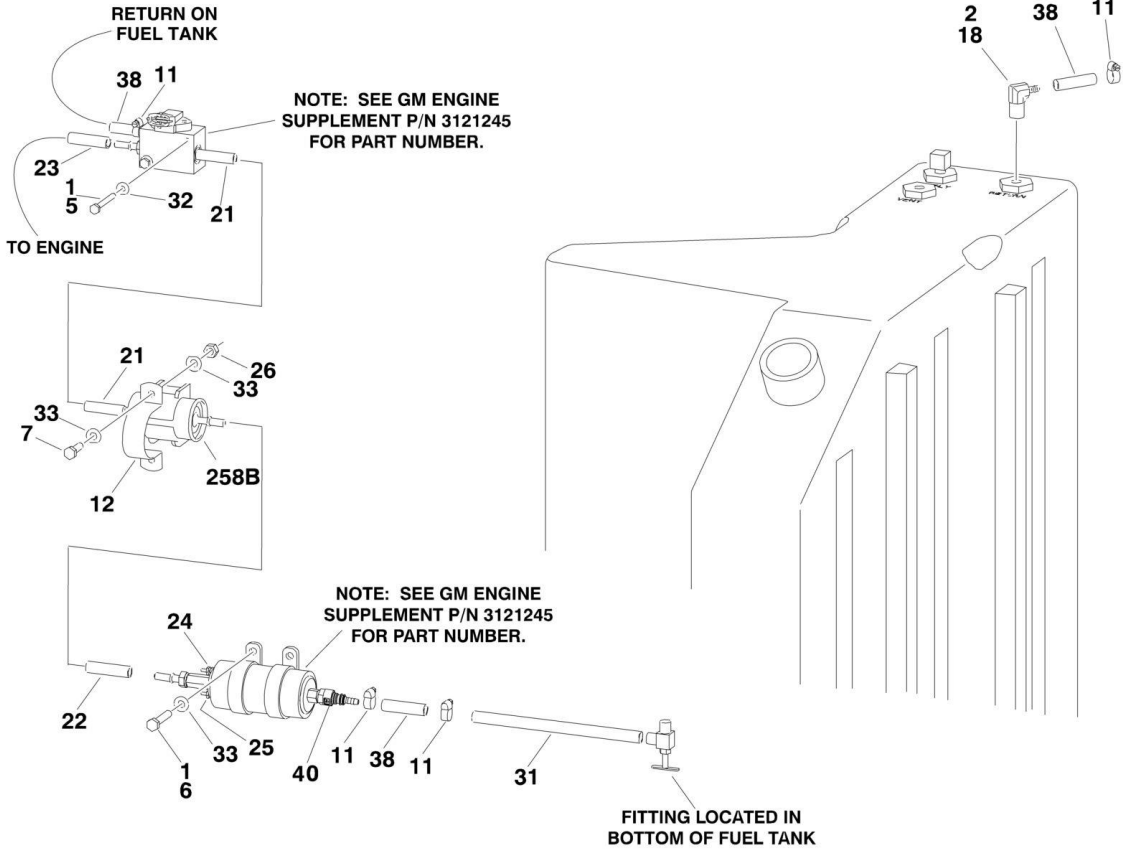


**SECTION 2 - TURNTABLE**

<b>ITEM</b>	<b>PART NUMBER</b>	<b>QTY</b>	<b>DESCRIPTION</b>	<b>REV</b>
828	70006213	1	Filter, Oil	
829	70006215	1	Plug, Oil Drain	
829	70006217	1	Gasket, Oil Drain Plug	
830	70006221	1	Cap, Oil Fill	
831	70006232	1	Sensor, Crank (Not Shown)	
832	70006235	1	Valve, Lock-Off (Includes Filter)	
833	70006202	1	Belt	
834	70006236	1	Dipstick	



# SECTION 2 - TURNTABLE



## SECTION 2 - TURNTABLE

FIGURE 2-12. GM ENGINE INSTALLATION

ITEM	PART NUMBER	QTY	DESCRIPTION	REV
		Ref	<b>GM ENGINE INSTALLATION</b>	
	1001114640	Ref	<b>Machines without Arctic Package (SN 0300177361 through 0300208081)</b>	F
	1001188966	Ref	<b>Machines without Arctic Package (SN 0300208082 through 0300222204)</b>	B
	1001216848	Ref	<b>Machines without Arctic Package (SN 0300222205 through 0300272252)</b>	B
	1001114642	Ref	<b>Machines with Arctic Package (SN 0300177361 through 0300208081)</b>	F
	1001188967	Ref	<b>Machines with Arctic Package (SN 0300208082 through 0300222204)</b>	B
	1001216849	Ref	<b>Machines with Arctic Package (SN 0300222205 through 0300272252)</b>	B
1	0100011	AR	Compound, Locking	
2	0100020	AR	Sealant, Pipe	
3	0100048	AR	Grease, Dielectric	
4	0400075	1	Battery (Wet)	
5	0641416	2	Bolt 1/4in-20NC x 2in	
6	0641505	2	Bolt 5/16in-18NC x 5/8in	
7	0641506	2	Bolt 5/16in-18NC x 3/4in	
8	0641608	1	Bolt 3/8in-16NC x 1in	
9	0641808	1	Bolt 1/2in-13NC x 1in	
10	0642010	1	Bolt 5/8in-11NC x 1-1/4in	
11	1320022	NLA	Clamp, Fuel Line (Use p/n 1001174486) <b>(SN 0300147361 through 0300195655)</b>	
11	1001174486	AR	Clamp, Fuel Line <b>(SN 0300195656 through 0300272252)</b>	
12	1320323	1	Clamp	
13	1701542	1	Decal, Gas (Not Shown)	
14	1701543	1	Decal, LPG (Not Shown)	
15	2180418	1	Fitting, Straight	
16	2220005	1	Fitting, Straight	
17	2220064	1	Fitting, Adapter	
18	2221176	1	Fitting, 90	
19		Ref	Coolant Options (Not Shown):	
19	2300004	AR	Machines without Arctic Package	
19	2300041	AR	Machines with Arctic Package	
20	2720392	1	Hose, LP	
21	2720496	1	Hose, High Pressure Fuel Line <b>(SN 0300177361 through 0300181785)</b>	
21	1001156821	1	Hose, High Pressure Fuel Line <b>(SN 0300181786 through 0300272252)</b>	
22	2720566	1	Hose <b>(SN 0300177361 through 0300181785)</b>	
22	1001156823	1	Hose <b>(SN 0300181786 through 0300272252)</b>	
23	2720598	1	Hose <b>(SN 0300177361 through 0300181785)</b>	
23	1001156826	1	Hose <b>(SN 0300181786 through 0300272252)</b>	
24	3290405	1	Locknut M4 x 0.7	
25	3290505	1	Locknut M5 x 0.8	
26	3311505	2	Locknut 5/16in-18NC	
27	3422448	1	Pin	
28	3790012	1	O-Ring (Not Shown - Located in Console Box)	
29	3841143	1	Keeper	
30	4360336	1	Switch, Toggle (Not Shown - Located in Console Box)	

## SECTION 2 - TURNTABLE

ITEM	PART NUMBER	QTY	DESCRIPTION	REV
31	4569385	1	Tube, Fuel Line	
32	4711400	2	Flatwasher 1/4in Thin	
33	4711500	6	Flatwasher 5/16in Thin	
34	4751500	2	Flatwasher 5/16in Regular	
35	4752000	1	Flatwasher 5/8in Regular	
36	88521205	2	Locknut 5/16in-18NC	
37	91401281	1	Angle, Battery Hold Down	
38	1001091587	6.25 ft /1.9m	Hose, Fuel Line (SN 0300177361 through 0300181785)	
38	1001156819	6.25 ft /1.9m	Hose, Fuel Line (SN 0300181786 through 0300196752)	
38	1001177157	1	Hose, Fuel Line (Fuel Supply) (SN 0300196753 through 0300272252)	
38	1001177161	1	Hose, Fuel Line (Tank Return Line) (SN 0300196753 through 0300272252)	
39	1001093382	2	Bolt, Battery Hold Down	
40	1001174093	1	Coupling, Quick Connect (SN 0300195656 through 0300196752)	
		Ref	<b>Note: Arctic Package Items 41 - 53 Not Shown - Used on Arctic Machines Only</b>	
41	1060625	1	Cable, Immersion Heater (Located on bottom of Hydraulic Oil Tank) (SN 0300177361 through 0300206631)	
41	1001150918	1	Cable, Immersion Heater (Located on bottom of Hydraulic Oil Tank) (SN 0300206632 through 0300272252)	
42	1060626	1	Cord, 3 Way Extension (Located on Left Front of Engine)	
43	1320223	3	Clamp	
44	1702941	1	Decal - Battery Heater (Located on Battery Heater)	
45	1702942	1	Decal - Engine Block Heater (Located on Right Side of Engine)	
46	1702943	1	Decal - Hydraulic Tank Heater (Located on bottom of Hydraulic Oil Tank)	
47	1702944	1	Decal - Heater Cord (Located on Left Front of Engine)	
48	2580024	1	Heater, Battery (Located on Battery)	
49	2580050	1	Heater, Hydraulic Tank (Located on bottom of Hydraulic Oil Tank) (SN 0300177361 through 0300206631)	
49	1001188972	1	Heater, Hydraulic Tank (Located on bottom of Hydraulic Oil Tank) (SN 0300206632 through 0300272252)	
50	2580063	1	Heater, Engine Block (Located on Right Side of Engine)	
51	3311605	2	Locknut 3/8in-16NC	
52	3980007	1	Seat, Battery (Located Under Battery)	
53	4711600	2	Flatwasher 3/8in Thin	
		Ref	<b>GM ENGINE AND PUMP SUB-ASSEMBLY</b>	
	1001114639	Ref	<b>Machines without Arctic Package (SN 0300177361 through 0300208081)</b>	E
	1001188959	Ref	<b>Machines without Arctic Package (SN 0300208082 through 0300222204)</b>	B
	1001216846	Ref	<b>Machines without Arctic Package (SN 0300222205 through 0300272252)</b>	B
	1001114641	Ref	<b>Machines with Arctic Package (SN 0300177361 through 0300208081)</b>	E
	1001188960	Ref	<b>Machines with Arctic Package (SN 0300208082 through 0300222204)</b>	B
	1001216847	Ref	<b>Machines with Arctic Package (SN 0300222205 through 0300272252)</b>	B
101	0100011	AR	Compound, Locking	
102	0641407	1	Bolt 1/4in-20NC x 7/8in	

## SECTION 2 - TURNTABLE

ITEM	PART NUMBER	QTY	DESCRIPTION	REV
103	0641808	1	Bolt 1/2in-13NC x 1in	
104	0641812	2	Bolt 1/2in-13NC x 1-1/2in	
105	1060637	1	Cable, Lanyard	
106	2902531	1	Battery Cable Kit	B
106A	7016822	1	Cable (Battery - to Ground)	
106B	7027015	1	Cable (Battery + to Auxiliary Relay)	
106C	7027016	1	Cable (Relay to Auxiliary Pump)	
106D	7027017	1	Cable (Relay to Starter)	
106E	7027003	1	Cable (Auxiliary Pump to Ground)	
107	3311405	1	Locknut 1/4in-20NC	
108	3311805	1	Locknut 1/2in-13NC	
109	3422533	1	Pin, Hitch	
110	3600395	1	Gear Pump Assembly with Fittings (See GEAR PUMP ASSEMBLY for Breakdown)	
111	3790012	1	O-Ring	
112	3931620	2	Bolt 3/8in-16NC x 1-1/4in	
113	3960389	5 ft/1.5m	Seal	
114	4751400	1	Flatwasher 1/4in Regular	
115	4751800	1	Flatwasher 1/2in Regular	
116	4891600	2	Flatwasher 3/8in Hardened	
117	1001093410	1	Piston Pump Assembly with Fittings (See PISTON PUMP ASSEMBLY for Breakdown) (SN 0300177361 through 0300208081)	
117	1001188953	1	Piston Pump Assembly with Fittings (See PISTON PUMP ASSEMBLY for Breakdown) (SN 0300208082 through 0300272252)	
119		Ref	Oil, Engine (Not Shown)	
119	1001115930	AR	10W-30 - without Arctic Package	
119	1001115931	AR	5W-30 Fully Synthetic - with Arctic Package	
	1001114601	Ref	<b>GM ENGINE ASSEMBLY (SN 0300177361 through 0300222204)</b>	D
	1001216845	Ref	<b>GM ENGINE ASSEMBLY (SN 0300222205 through 0300272252)</b>	B
201	0080201	2	Fitting, 90	
202	0100011	AR	Compound, Locking	
203	0340041	2	Band, Mounting	
204	0641406	12	Bolt 1/4in-20NC x 3/4in	
205	0641606	4	Bolt 3/8in-16NC x 3/4in	
206	0641608	9	Bolt 3/8in-16NC x 1in	
207	0641609	4	Bolt 3/8in-16NC x 1-1/8in	
208	0641610	10	Bolt 3/8in-16NC x 1-1/4in	
209	0641612	4	Bolt 3/8in-16NC x 1- 1/2in	
210	0641826	2	Bolt 1/2in-13NC x 3-1/4in	
211	0641828	2	Bolt 1/2in-13NC x 3-1/2in	
212	0700810	4	Bolt M8 x 20mm	
213	0903490	1	Bracket, Exhaust Strap	
214	0940070	1	Bumper	
215	0961986	2	Bearing, Flanged	
216	1320012	3	Clamp	
217	1320016	5	Clamp	
218	1320022	4	Clamp	
219	1320219	1	Clamp	
220	1320223	3	Clamp	
221	1340060	1	Air Cleaner Assembly	

## SECTION 2 - TURNTABLE

ITEM	PART NUMBER	QTY	DESCRIPTION	REV
221	7012664	1	Element, Air Cleaner	
222	1580011	1	Container, Coolant Overflow	
223	1703162	2	Decal - Caution Fan	
224	2060025	1	Fan	
225	2180877	1	Fitting 90	
226	2720058	1 ft /0.3m	Hose	
227	2720271	18 in /46cm	Hose	
228	2720563	1	Hose, Radiator (Top)	
229	2720564	1	Hose, Radiator (Bottom)	
230	2820243	1	Exhaust Elbow, Insulation	
231	2820244	1	Exhaust, Insulation	
232	3200362	4	Mount, Engine	
233	3311405	12	Locknut 1/4in-20NC	
234	3311605	27	Locknut 3/8in-16NC	
235	3311608	1	Locknut 3/8in-16NC	
236	3311805	4	Locknut 1/2in-13NC	
237	3572280	1	Plate, Engine Mount	
238	3620040	1	Radiator	
238	8180311	1	Cap, Radiator (was p/n 7019656)	
239	3740067	1	Relay	
240	3960468	1	Seal	
241	3960469	1	Seal	
242	4060805	3 ft/0.9m	Seal	
243	4341239	1	Tray, Engine	
244	4341241	1	Mount, Engine (Front)	
245	4711400	16	Flatwasher 1/4in Thin	
246	4711600	37	Flatwasher 3/8in Thin	
247	4740274	4	Flatwasher, Snubbing	
248	4751400	8	Flatwasher 1/4in Regular	
249	4751600	18	Flatwasher 3/8in Regular	
250	4751800	4	Flatwasher 1/2in Regular	
251	4791400	2	Starwasher 1/4in	
252	4831900	4	Lockwasher M8	
253	4920385	10 ft/3m	Wire, Safety	
254	1001091793	1	Insulation, Muffler	
255	1001091892	NLA	Hose (Use p/n 2750532)	
256	1001093248	1	Pipe, Exhaust	
257	1001105872	NLA	Valve, Oil Drain (Use p/n 4640952)	
258	1001114600	1	Engine, GM 3.0L (See GM Engine Supplement p/n 3121245 for Breakdown of Additional Components) <b>(SN 0300177361 through 0300222204)</b>	
258	1001216844	1	Engine, GM 3.0L with Mounting Brackets (See GM Engine Supplement p/n 3121245 for Breakdown of Additional Components) <b>(SN 0300222205 through 0300272252)</b>	
258	1001214862	1	Engine, GM 3.0L without Mounting Brackets (See GM Engine Supplement p/n 3121245 for Breakdown of Additional Components) <b>(SN 0300222205 through 0300272252)</b>	
258	70000164	1	Plug, Spark (Not Shown)	
258A	7027965	1	Filter, Oil	
258B	7027972	1	Filter, Fuel	
258C	70002895	1	Module, Control (ECU)	
259	1001116131	1	Plate, Radiator Mounting	

## SECTION 2 - TURNTABLE

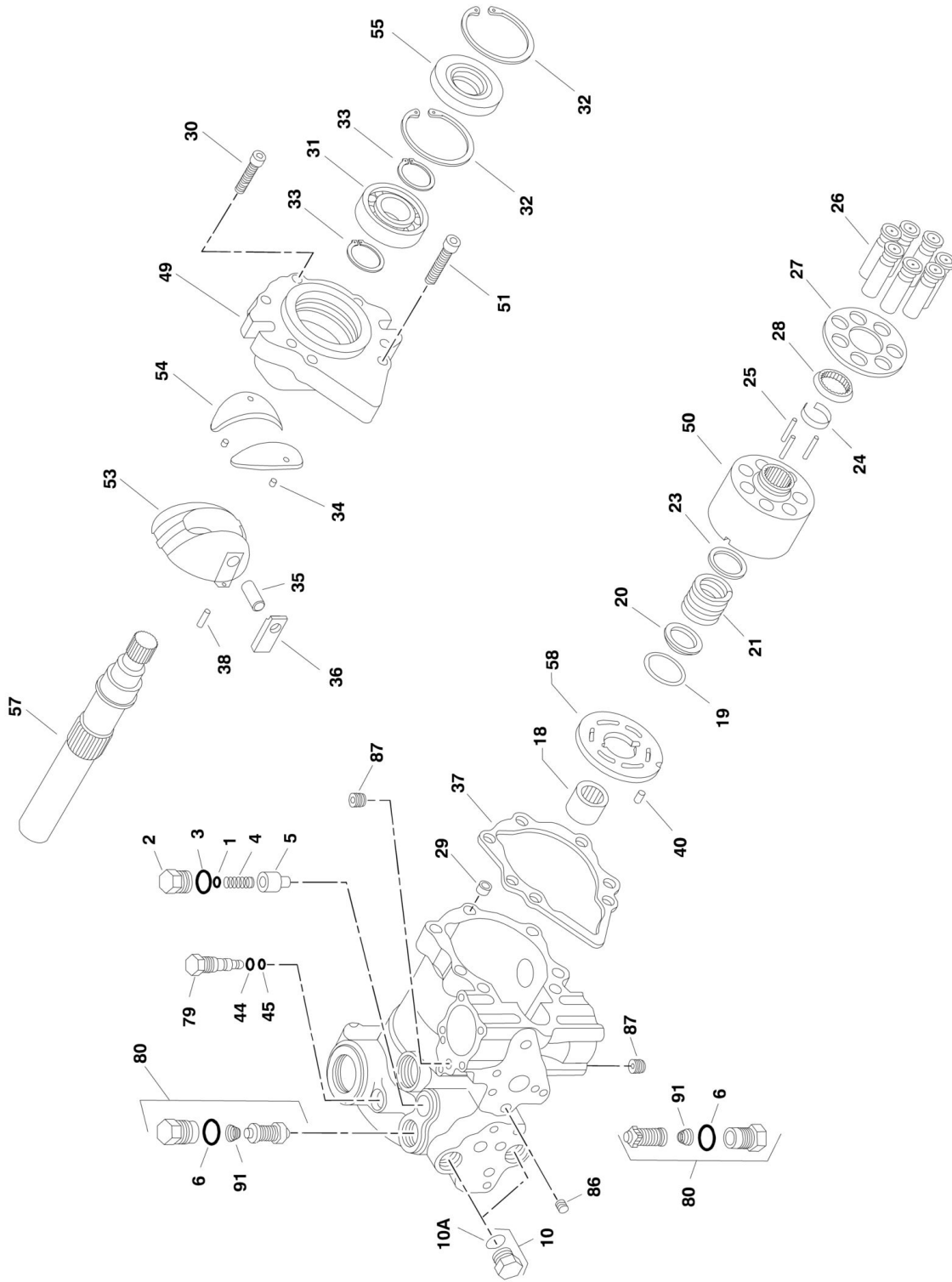
ITEM	PART NUMBER	QTY	DESCRIPTION	REV
260	1001116183	1	Tube, Intake	
261	1001116200	1	Bracket	
262	0100020	AR	Sealant	



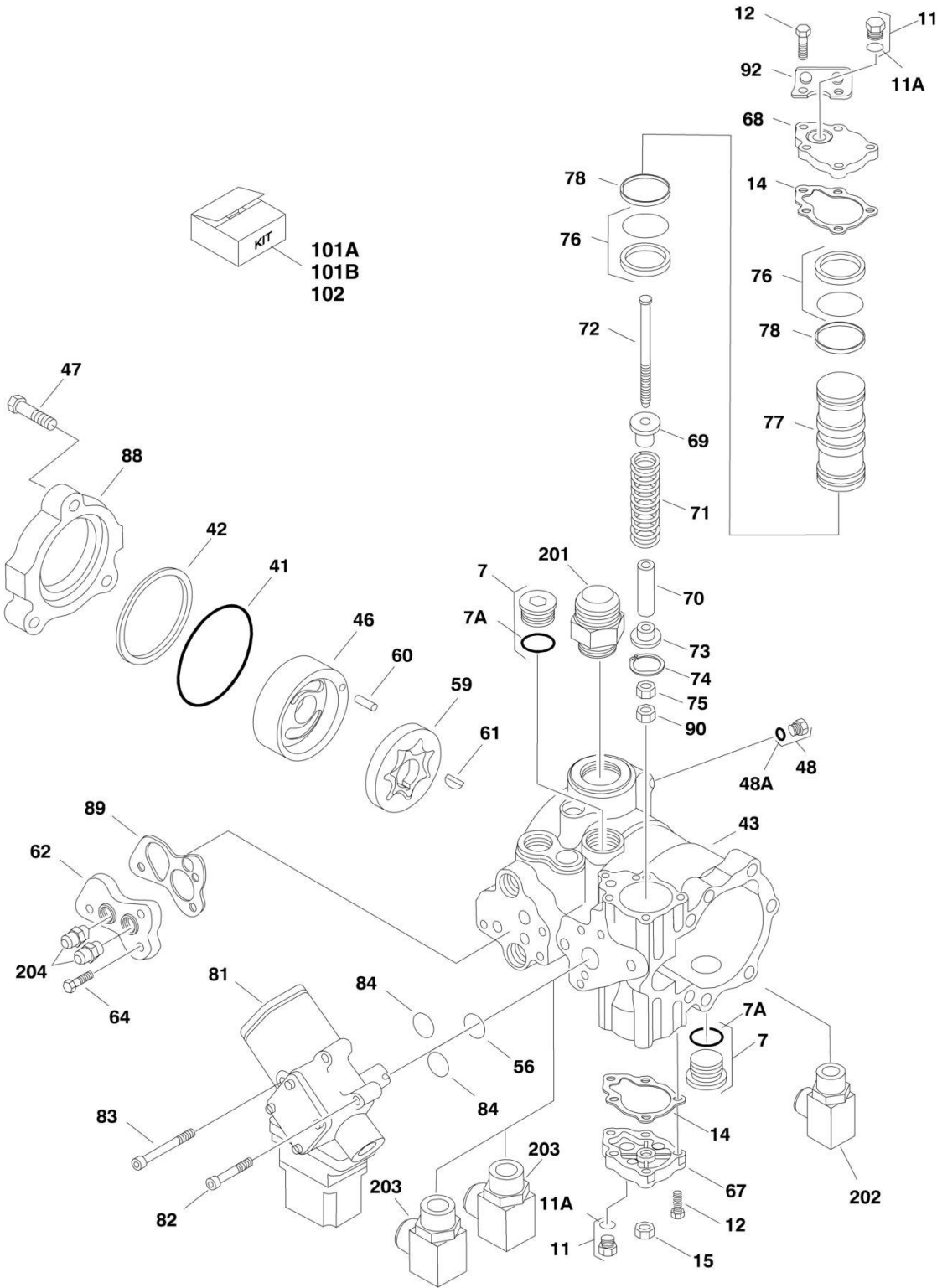


# SECTION 2 - TURNTABLE

FIGURE 2-13. PISTON PUMP ASSEMBLY (SN 0300177361 through 0300208081)



# SECTION 2 - TURNTABLE



## SECTION 2 - TURNTABLE

FIGURE 2-13. PISTON PUMP ASSEMBLY (SN 0300177361 through 0300208081)

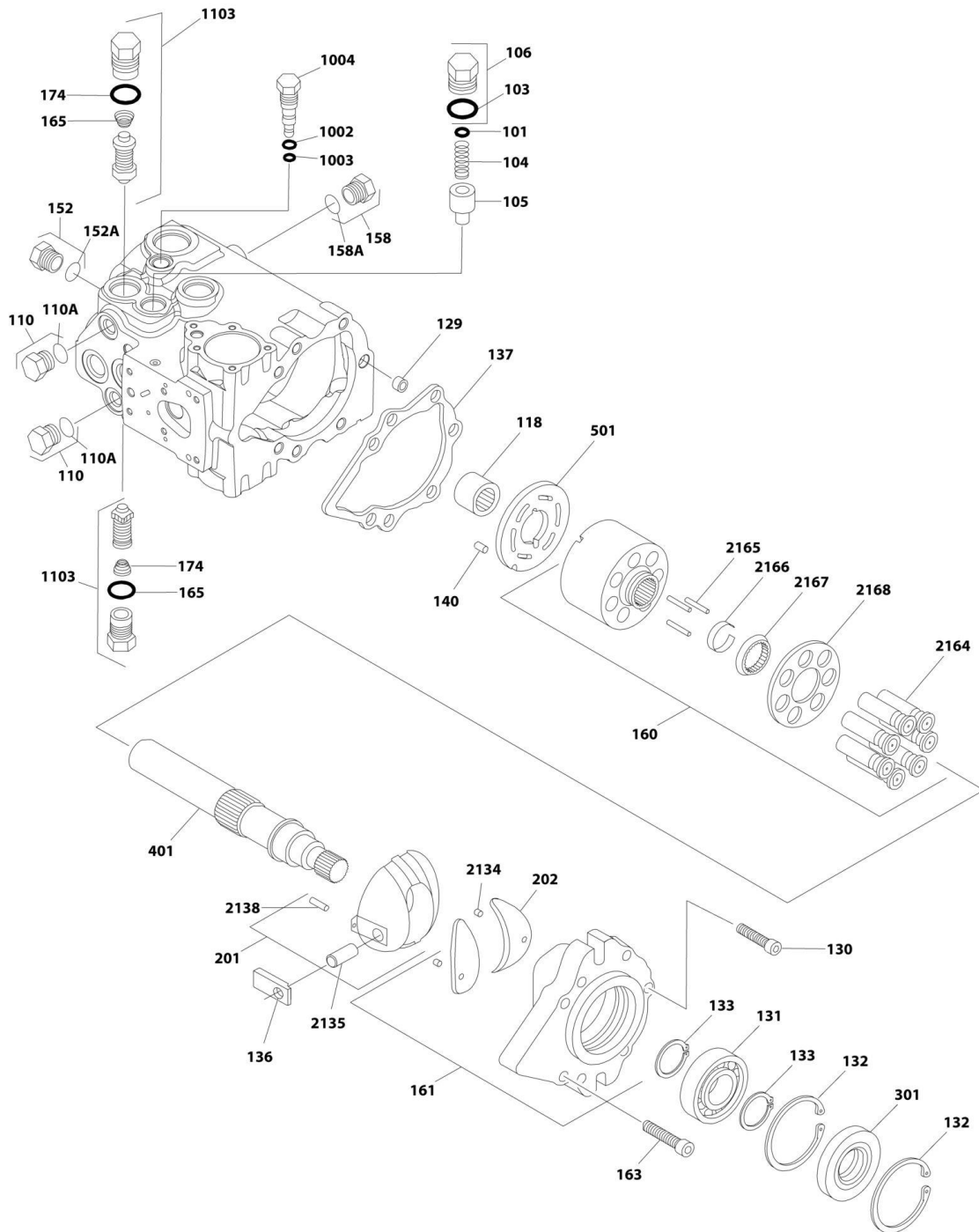
ITEM	PART NUMBER	QTY	DESCRIPTION	REV
	3600381	Ref	<b>PISTON PUMP ASSEMBLY</b>	A
1	7007413	1	Shim Kit	
2	7007414	1	Plug	
3	See Note	NSS	O-Ring (Note: Use Item 101A)	
4	7021200	1	Spring, Relief Valve	
5	7007417	1	Valve, Relief	
6	See Note	NSS	O-Ring (Note: Use Item 101A)	
7	7007419	2	Plug	
7A	7007418	2	O-Ring	
10	7007420	2	Plug	
10A	7021256	2	O-Ring	
11	7007420	2	Plug	
11A	7021256	2	O-Ring	
12	7021223	10	Screw	
14	See Note	NSS	Gasket, Servo Cover (Note: Use Item 101A)	
15	7007423	1	Nut, Special	
18	7007425	1	Bearing, Needle	
19	See Note	NSS	Ring, Retaining (Note: Use Item 102)	
20	See Note	NSS	Washer (Note: Use Item 102)	
21	See Note	NSS	Spring (Note: Use Item 102)	
23	See Note	NSS	Washer (Note: Use Item 102)	
24	See Note	NSS	Retainer (Note: Use Item 102)	
25	See Note	NSS	Pin, Slipper Holddown (Note: Use Item 102)	
26	See Note	NSS	Piston Assembly (Note: Use Item 102)	
27	See Note	NSS	Retainer, Slipper (Note: Use Item 102)	
28	See Note	NSS	Guide, Retainer (Note: Use Item 102)	
29	7007435	1	Pin, Spring	
30	7021202	1	Screw	
31	7007437	1	Bearing, Ball	
32	7007438	2	Ring, Retainer	
33	7007439	2	Ring	
34	7021203	2	Pin, Spring	
35	7007441	1	Handle, Pin	
36	7007442	1	Sleeve, Bearing	
37	See Note	NSS	Gasket, Front Cover (Note: Use Item 101A)	
38	7007444	1	Pin	
40	7007446	1	Pin	
41	7021233	1	O-Ring	
42	7007448	1	Ring, Load Temper	
43	7023977	1	Housing, Pump	
44	See Note	NSS	Ring, Back-Up (Note: Use Item 101A)	
45	See Note	NSS	O-Ring (Note: Use Item 101A)	
46	7007452	1	Cover, Gerotor	
47	7007453	3	Bolt, Hex	
48	7007208	1	Plug	
48A	7007207	1	O-Ring	
49	7007454	1	Cover, Front	
50	See Note	NSS	Block, Cylinder (Note: Use Item 102)	
51	7021207	6	Screw	
53	7007457	1	Swash Plate	

## SECTION 2 - TURNTABLE

ITEM	PART NUMBER	QTY	DESCRIPTION	REV
54	7021212	1	Journal, Bearing	
55	7007459	1	Seal, Lip	
56	See Note	NSS	O-Ring (Note: Use Item 101A)	
57	7010121	1	Shaft, Main Pump	
58	7021214	1	Plate, Valve	
59	7007463	1	Gerotor Assembly	
60	7007464	1	Pin	
61	7007465	1	Key, Woodruff	
62	7007466	1	Adaptor, Remote Filtration (Without By-Pass)	
64	7021218	3	Screw	
67	7021220	1	Cover, Servo (Without Adjuster)	
68	7021219	1	Cover, Servo (Without Adjuster)	
69	7023979	1	Guide, Spring	
70	7007484	1	Stop, Servo	
71	7007485	1	Spring	
72	7021221	1	Screw	
73	7007487	1	Guide, Spring	
74	7007488	1	Ring, Retaining	
75	7021222	1	Locknut	
76	See Note	NSS	Ring, Piston (Note: Use Item 101A or 101B)	
77	7007494	1	Piston, Servo	
78	See Note	NSS	O-Ring (Note: Use Item 101A or 101B)	
79	7007472	1	Valve, Bypass	
80	7024851	2	Valve, Pressure Relief (Includes Item 6)	
81	7007474	1	Control, Dual Oil-Filled	
81	7007496	1	Coil Assembly (Pilot)	
81	7007497	1	Plug (Pump)	
81	7007498	1	Plug (Valve Harness)	
82	7001498	2	Screw	
83	7007478	2	Screw	
84	7001433	2	O-Ring	
86	7007475	1	Plug, Orifice/Screen (.156)	
87	7007477	2	Plug, Orifice (.37)	
88	7007476	1	Adapter, Auxiliary Pump	
89	7021217	1	Spacer/Gasket	
90	7021206	1	Nut	
91	7024800	2	Spring	
92	7021201	1	Bracket, Lifting	
101		Ref	Seal Kit Options:	
101A	7021232	1	Seal Kit - Complete (Includes Items 3, 6, 14, 37, 41, 42, 44, 45, 55, 56, 76, 78 & 89)	
101B	7007412	1	Seal Kit - Servo Piston (Includes Items 76 & 78)	
102	7010116	1	Cylinder Block Kit (Includes Items 19-28 & 50)	
		Ref	<b>PISTON PUMP AND FITTING ASSEMBLY</b>	
	3600396	Ref	<b>Deutz Engine Machines</b>	C
	1001093410	Ref	<b>GM Engine Machines</b>	B
201	2220377	1	Fitting, Straight	
202		Ref	Fitting, 90 Options	
202	2220578	1	3600396 Pump	
202	8770157	1	1001093410 Pump	
203	2220646	2	Fitting, 90	
204	2220947	2	Fitting, Straight	

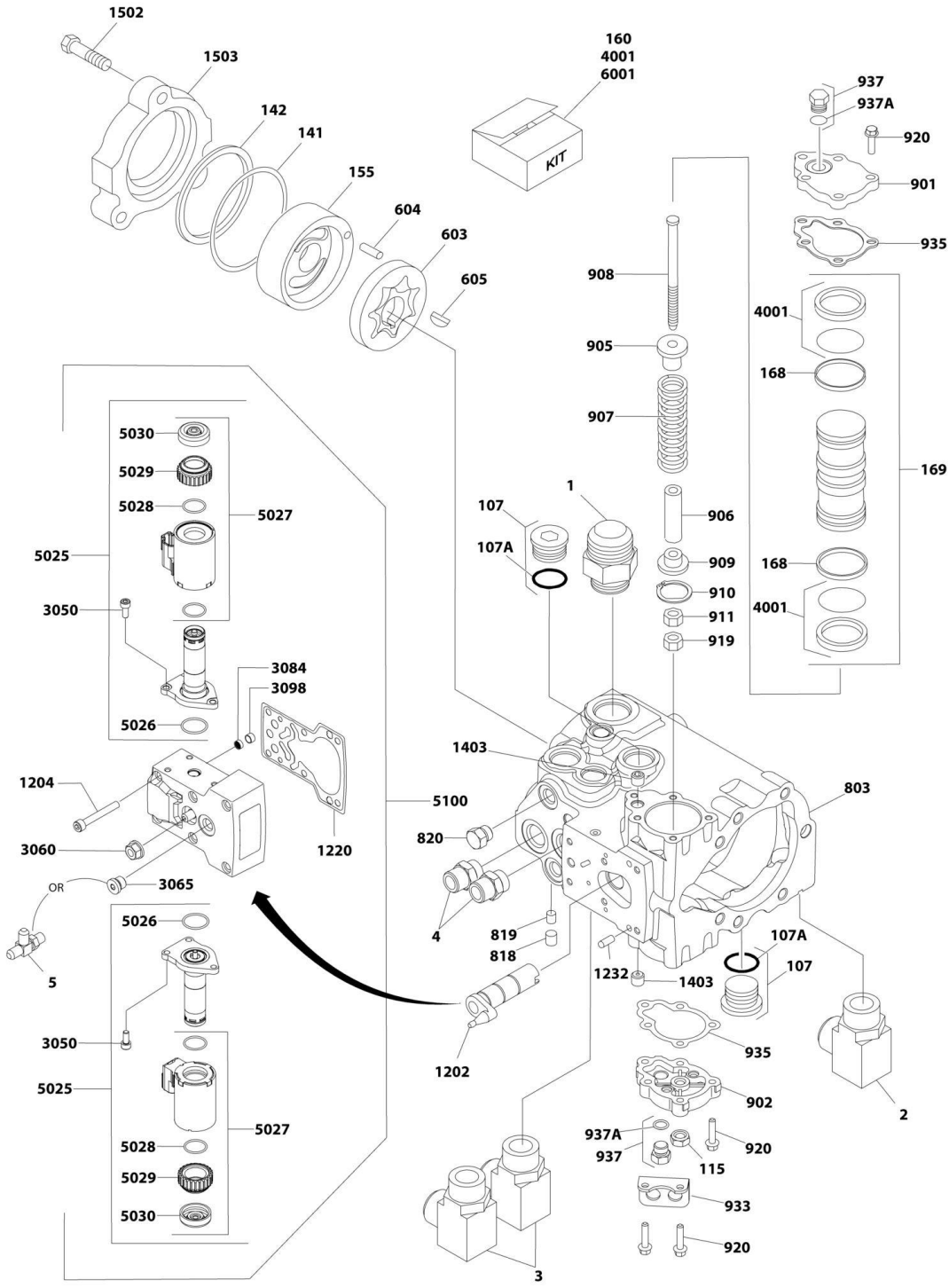
# SECTION 2 - TURNTABLE

FIGURE 2-14. PISTON PUMP ASSEMBLY (SN 0300208082 through 0300272252)



ART\_1001186542\_10F2

# SECTION 2 - TURNTABLE



ART\_1001186542\_20F2

## SECTION 2 - TURNTABLE

FIGURE 2-14. PISTON PUMP ASSEMBLY (SN 0300208082 through 0300272252)

ITEM	PART NUMBER	QTY	DESCRIPTION	REV
	1001188952	Ref	<b>PUMP AND FITTING ASSEMBLY - DEUTZ ENGINE MACHINES</b>	A
	1001188953	Ref	<b>PUMP AND FITTING ASSEMBLY - GM &amp; FORD ENGINE MACHINES</b>	A
1	2220377	1	Fitting, Straight JIC/ORB	
2	2220578	1	Fitting, 90 JIC/ORB (Deutz Engine Machines)	
2	8770157	1	Fitting, 90 JIC/ORB (GM Engine Machines)	
2	2220451	1	Fitting, Straight JIC/ORB (Ford Engine Machines)	
3	2220646	2	Fitting, 90 JIC/ORB	
4	2220947	2	Fitting, Straight JIC/ORB	
5	2221034	1	Fitting, Tee JIC/ORB (Deutz & GM Engine Machines)	
5	2220711	1	Fitting, Tee JIC/ORB (Ford Engine Machines)	
	1001186542	1	<b>PISTON PUMP ASSEMBLY</b>	B
101	7007413	1	Shim Kit	
103	7007415	1	O-Ring (Part of Item 106)	
104	7021200	1	Spring, Relief Valve	
105	7007417	1	Valve, Relief	
106	7024874	2	Plug (Includes Items 103)	
107	7007419	2	Plug	
107A	7007418	2	O-Ring	
110	7007420	2	Plug	
110A	7021256	2	O-Ring	
115	7007423	1	Nut, Special	
118	7007425	1	Bearing, Needle	
129	7007435	1	Pin, Spring	
130	7021202	1	Screw	
131	70002176	1	Bearing, Ball	
132	7007438	2	Ring, Retainer	
133	7007439	2	Ring	
136	7007442	1	Sleeve, Bearing	
137	7007443	1	Gasket, Front Cover	
140	7007446	1	Pin	
141	7021233	1	O-Ring	
142	7007448	1	Ring, Load Temper	
152	7007420	1	Plug Assembly	
152A	7021256	1	O-Ring	
155	70005466	1	Cover, Gerotor	
158	7007208	1	Plug	
158A	7007207	1	O-Ring	
160	7010116	1	Cylinder Block Kit (Includes Items 2164-2168)	
161	7024875	1	Cover Assembly - Front (Includes Items 202 & 2134)	
163	7021207	6	Screw	
165	70005467	2	Spring	
168	7021210	2	Bearing	
169	70005468	1	Servo Piston Assembly (Includes Items 168 & 4001)	
174	7007418	2	O-Ring	
201	7007457	1	Swash Plate Assembly (Includes Items 2135 & 2138)	
202	7021212	1	Journal, Bearing	
301	7007459	1	Seal, Lip	
401	7010121	1	Shaft, Main Pump	
501	7021214	1	Plate, Valve	



## SECTION 2 - TURNTABLE

ITEM	PART NUMBER	QTY	DESCRIPTION	REV
603	7007463	1	Gerotor Assembly	
604	7007464	1	Pin	
605	7007465	1	Key, Woodruff	
803	See Note	NSS	Housing, Pump (Note: Use p/n 1001186542)	
818	70005469	1	Plug	
819	70005470	1	Plug	
820	70005469	1	Plug	
901	7021219	1	Cover, Servo (With Adjuster)	
902	7021220	1	Cover, Servo (Without Adjuster)	
905	7023979	1	Guide, Spring	
906	7007484	1	Stop, Servo	
907	7007485	1	Spring	
908	7021221	1	Screw	
909	7007487	1	Guide, Spring	
910	7007488	1	Ring, Retaining	
911	7021222	1	Locknut	
919	7021206	1	Nut	
920	7021223	10	Screw	
933	7021201	1	Bracket, Lifting	
935	7007422	2	Gasket, Servo Cover	
937	7007420	2	Plug	
937A	7021256	2	O-Ring	
1002	7007450	1	Ring, Back-up	
1003	70005471	1	O-Ring	
1004	7024877	1	Valve, Bypass	
1103	7024851	2	Valve, Pressure Relief (Includes Items 165 & 174)	
1202	70005472	1	Sleeve	
1204	70002156	6	Screw	
1220	70002154	1	Gasket	
1232	70002157	2	Pin	
1403	7007477	2	Plug, Orifice (.37)	
1502	7007453	3	Bolt, Hex	
1503	7007476	1	Adapter, Auxiliary Pump	
2134	7021203	2	Pin, Spring	
2135	7007441	1	Handle, Pin	
2138	7007444	1	Pin	
2164	7010117	7	Piston Assembly	
2165	7007431	3	Pin, Slipper Holddown	
2166	7007430	1	Retainer	
2167	7007434	1	Guide, Retainer	
2168	7010119	1	Retainer, Slipper	
3050	70002150	6	Screw	
3060	70005473	1	Nut, Seal	
3065	70002151	1	Plug	
3084	70002134	1	Screen	
3098	70002153	1	Ring	
4001	7007412	1	Seal Kit - Servo Piston	
5025	70002147	2	Solenoid Assembly (Includes Items 5026-5030)	
5026	70002148	2	O-Ring	
5027	70002149	2	Coil Assembly (Includes Items 5028-5030)	
5028	70005474	2	O-Ring	

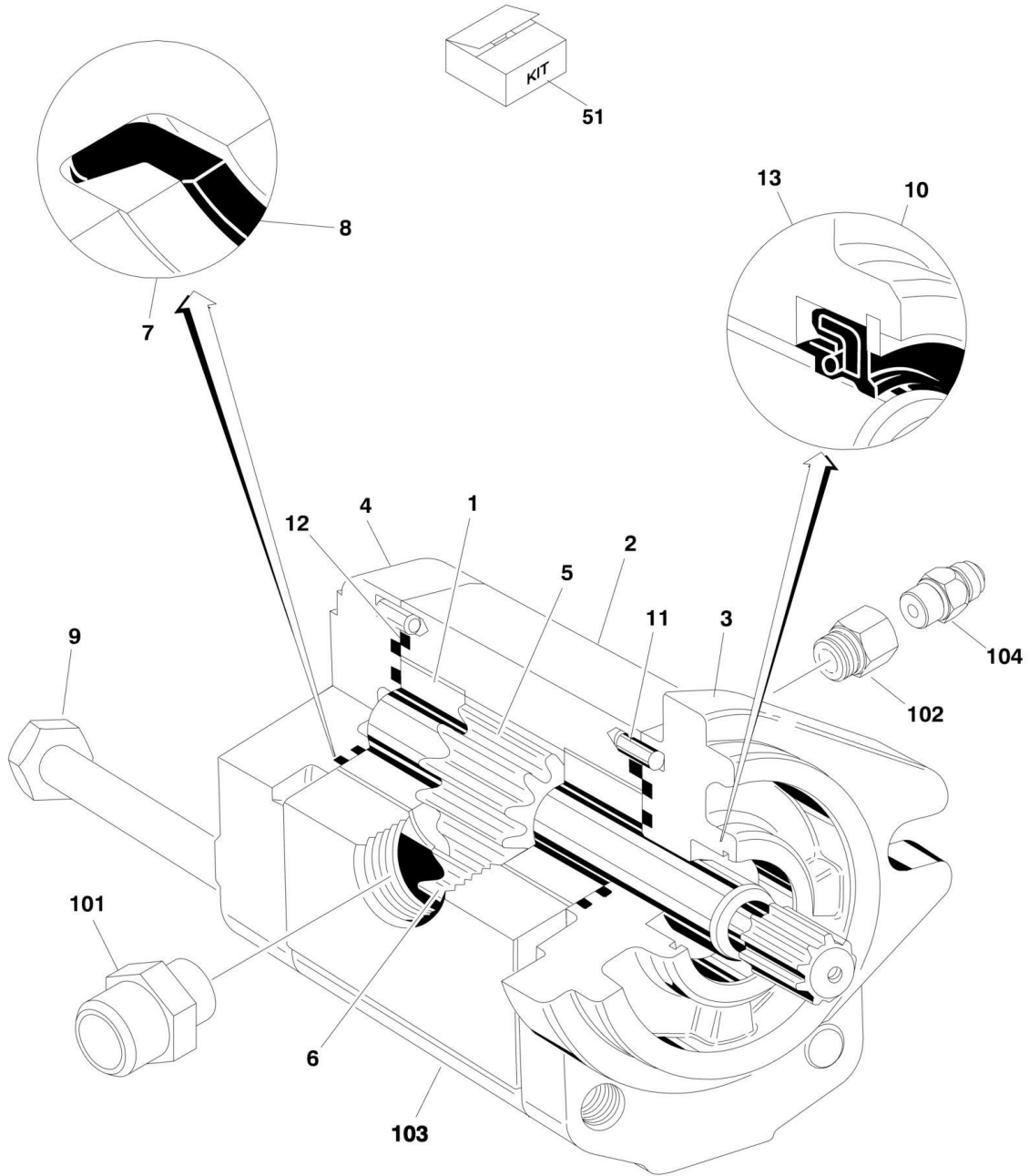
## SECTION 2 - TURNTABLE

ITEM	PART NUMBER	QTY	DESCRIPTION	REV
5029	70005475	2	Screw	
5030	70005476	2	Cap	
5100	70002146	1	EDC Assembly (Includes Items 1204, 1220, 3050-3098 & 5025-5030)	
6001	7021232	1	Seal Kit - Complete (Includes Items 103, 137, 141, 142, 168, 174, 301, 935, 1002, 1003, 4001 and Plug O-Ring)	



# SECTION 2 - TURNTABLE

## FIGURE 2-15. GEAR PUMP ASSEMBLY



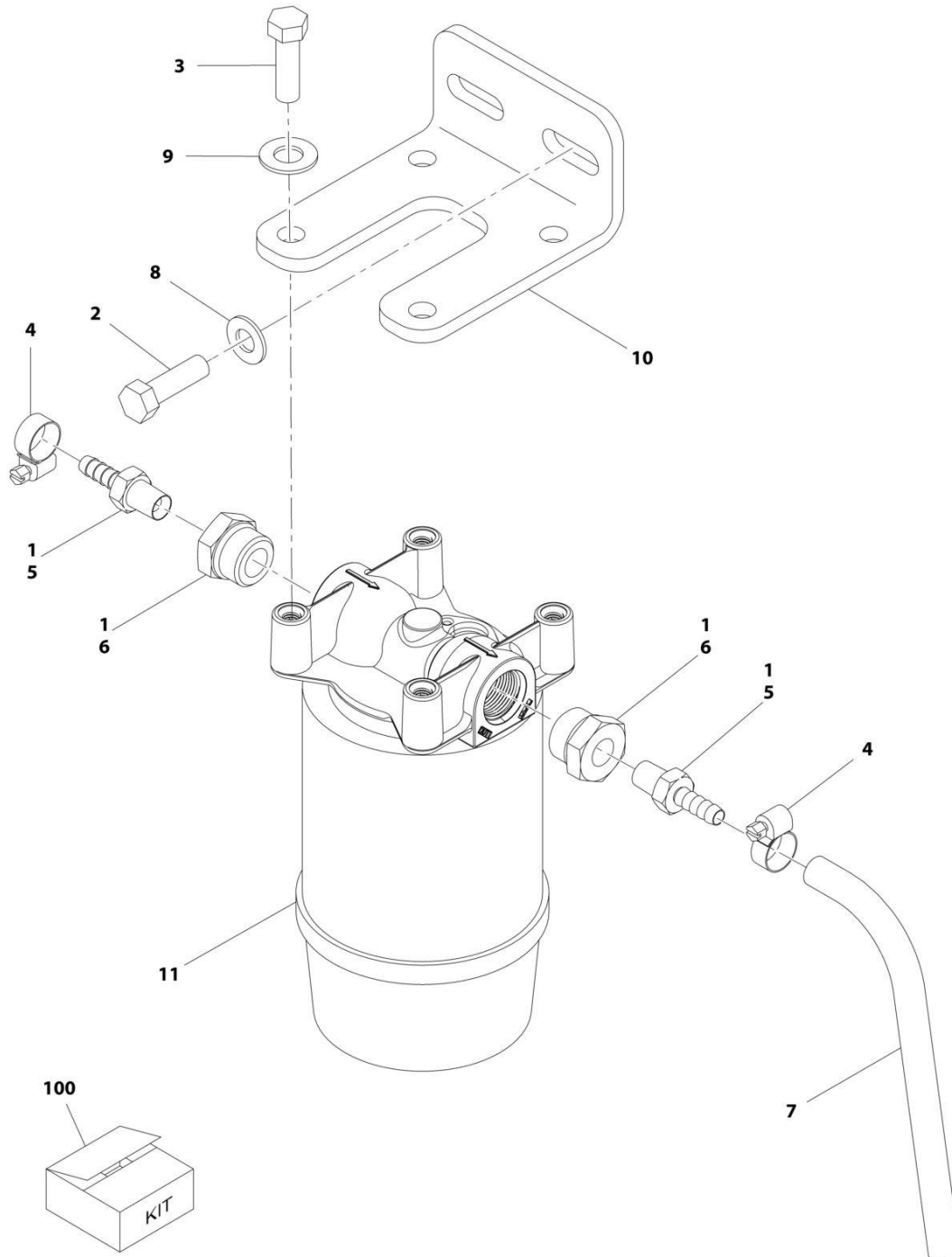
**SECTION 2 - TURNTABLE**

**FIGURE 2-15. GEAR PUMP ASSEMBLY**

ITEM	PART NUMBER	QTY	DESCRIPTION	REV
	3600242	Ref	<b>GEAR PUMP ASSEMBLY</b>	
1	7010105	2	Bearing/Bushing	
2	See Note	NSS	Housing (Note: Use Item 3600242)	
3	See Note	NSS	Flange (Note: Use Item 3600242)	
4	7010103	1	Cover	
5	7012987	1	Gear, Drive	
6	7012988	1	Gear, Idler	
7	See Note	NSS	Ring, Anti-Extrusion (Note: Use Item 51)	
8	See Note	NSS	Seal (Note: Use Item 51)	
9	See Note	4	Bolt (Note: Not Available for Purchase)	
10	7010104	1	Ring, Retaining	
11	See Note	NSS	Pin, Dowel (Note: Not Available for Purchase)	
12	See Note	NSS	Seal, O-Ring (Note: Use Item 51)	
13	See Note	NSS	Seal, Shaft (Note: Use Item 51)	
51	7007489	1	Seal Kit (Includes Items 7, 8, 12 & 13)	
	3600395	Ref	<b>GEAR PUMP AND FITTING ASSEMBLY</b>	B
101	2220376	1	Fitting, Straight	
102	2220810	1	Fitting, Reducer	
103	3600242	1	Pump (Includes Items 1 - 13)	
104	4640744	1	Fitting, Check Valve	

## SECTION 2 - TURNTABLE

FIGURE 2-16. FUEL-WATER SEPARATOR INSTALLATION - DEUTZ D2011 AND DEUTZ D2011 STAGE V ENGINES



ART\_1001199784

## SECTION 2 - TURNTABLE

**FIGURE 2-16. FUEL-WATER SEPARATOR INSTALLATION - DEUTZ D2011 AND DEUTZ D2011  
STAGE V ENGINES**

ITEM	PART NUMBER	QTY	DESCRIPTION	REV
	1001199784	Ref	<b>FUEL-WATER SEPARATOR INSTALLATION - DEUTZ D2011 AND DEUTZ D2011 STAGE V ENGINES (OPTIONAL)</b>	A
1	0100079	AR	Sealant	
2	0641607	2	Bolt 3/8 x 7/8	
3	0641610	4	Bolt 3/8 x 1-1/4	
4	1320022	2	Clamp	
5	2180348	2	Fitting, Straight	
6	2220816	2	Fitting, Straight	
7	2720058	12 in /31cm	Hose	
8	4711600	2	Washer 3/8	
9	4711700	4	Washer 7/16	
10	1001188884	1	Bracket	
11	1001188887	1	Fuel/Water Separator Assembly	
11	1001202280	1	Head	
11	1001202281	1	Element	
100	1001204667	1	Fuel/Water Separator Add-on Kit	





## SECTION 2 - TURNTABLE

### FIGURE 2-17. TANK INSTALLATIONS

ITEM	PART NUMBER	QTY	DESCRIPTION	REV
		Ref	<b>TANK INSTALLATIONS</b>	
	1001152066	Ref	<b>Machines with Deutz D2011 Engine</b>	C
	1001137865	Ref	<b>Machines with Deutz TD2.9L4 Engine</b>	F
	1001152070	Ref	<b>Machines with Ford &amp; GM Engines</b>	D
1	1001151268	1	Hydraulic Oil Tank Assembly (See Items 101-107 for Breakdown)	
2		Ref	Tank, Fuel Options:	
2	4400399	1	Tank (Deutz Engine Machines) <b>(SN 0300177361 through 0300195206)</b>	
2	1001173896	1	Tank (Deutz Engine Machines) <b>(SN 0300195207 through 0300272252)</b>	
2	1001111514	1	Tank (Gas Engine Machines)	
2A		Ref	Cap, Fuel Tank Options:	
2A	7016314	1	Standard Black - Non-Locking (Diesel Machines)	
2A	70002715	1	Lockable Black (Gas Machines) (Lock Not Included)	
2A	1001151391	1	Lockable Red (Gas Machines) (Lock Not Included) (Note: This Cap must be Purchased Separately) <b>(SN 0300177361 through 0300224542)</b>	
2A	1120487	1	Lockable Blue (Diesel Machines) (Lock Not Included) (Note: This Cap must be Purchased Separately) <b>(SN 0300177361 through 0300224542)</b>	
2B		Ref	Fitting, 90 with Pick-Up Tube Options:	
2B	7019658	1	Diesel Machines	
2B	70004149	1	Gas Machines	
2C	70002716	1	Adapter (Gas Machines Only)	
3	4360436	1	Switch, Fuel Level	
4		Ref	Tray Options:	
4	1001152428	1	Tray -Machines with Deutz D2011 Engine	
4	1001137863	1	Tray - Machines with Deutz TD2.9L4 Engine	
4	1001152428	1	Tray - Machines with Ford & GM Engines <b>(SN 0300177361 through 0300227098)</b>	
	1001137863	1	Tray - Machines with Ford & GM Engines <b>(SN 0300227099 through 0300272252)</b>	
5	4240102	1	Strap, Tank (Diesel Machines Only)	
6	4751600	AR	Flatwasher 3/8in Regular	
7	0641614	AR	Bolt 3/8in-16NC x 1-3/4in	
8	0100011	AR	Compound, Locking	
9	0100079	AR	Sealant, Pipe <b>(SN 0300177361 through 0300198765)</b>	
9	1001182997	AR	Sealant, Pipe <b>(SN 0300198766 through 0300272252)</b>	
10	2200222	1	Plug (Diesel Machines Only)	
11	4280295	18 in /46cm	Strip, Protective (Diesel Machines Only)	
12	4420038	AR	Tape, Rubber	
13	0641606	4	Bolt 3/8in-16NC x 3/4in	
14	3311601	2	Nut 3/8in-16NC (Diesel Machines Only)	
15	1001118133	2	Bracket (Gas Machines Only)	
16	0641818	2	Bolt 1/2in-13NC x 2-1/4in (Gas Machines Only)	
17	4751800	2	Flatwasher 1/2in Regular (Gas Machines Only)	
18	2200233	1	Plug (Gas Machines Only) <b>(SN 0300177361 through 0300198765)</b>	
19	4641022	1	Valve, Needle (Gas Machines Only)	
20	0100020	AR	Sealant	
21	0100062	AR	Retaining Compound #680	

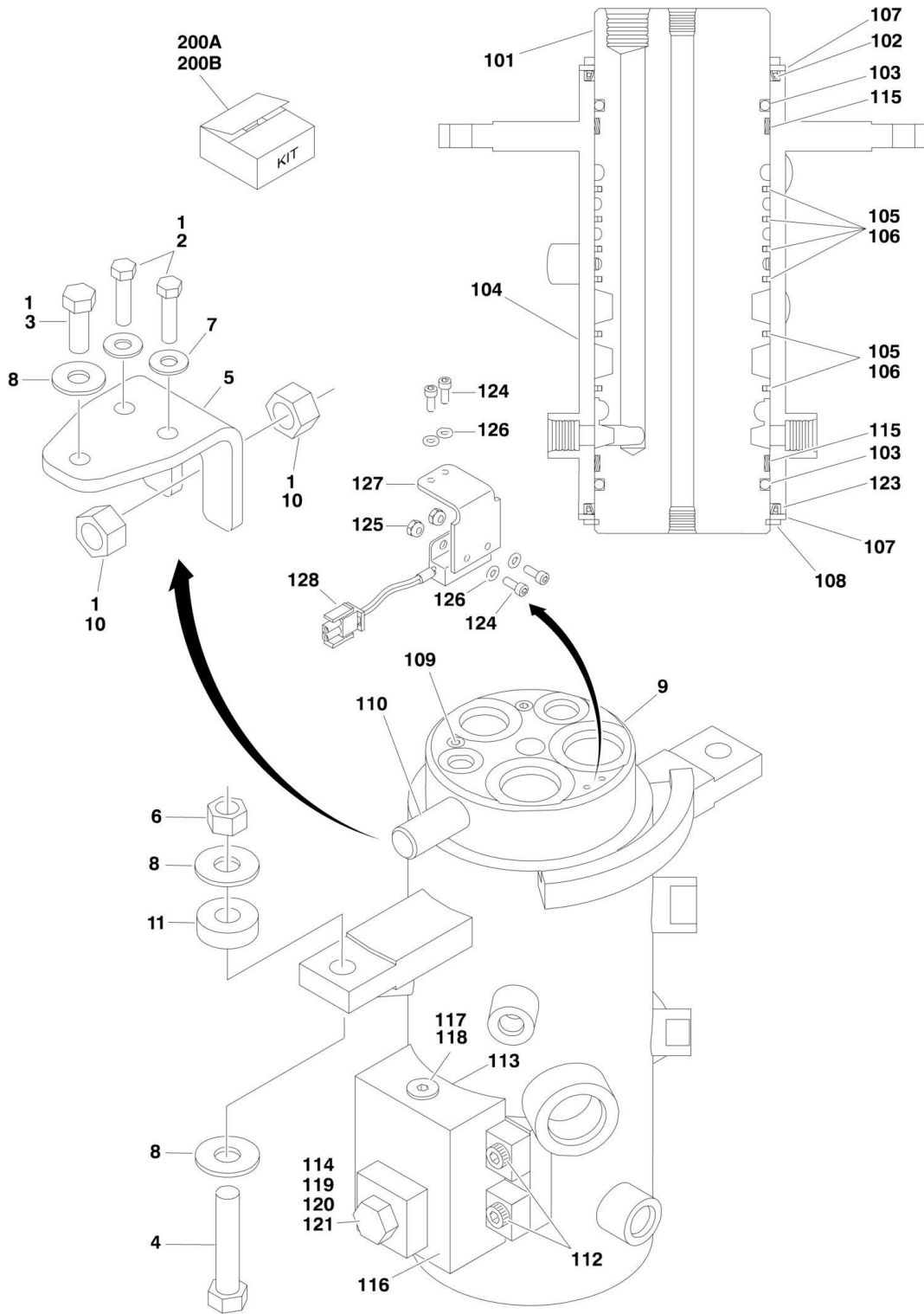
## SECTION 2 - TURNTABLE

ITEM	PART NUMBER	QTY	DESCRIPTION	REV
22	4568119	1	Tube, Fuel (Gas Machines Only)	
23	0100020	AR	Sealant (SN 0300198766 through 0300272252)	
	1001151268	Ref	<b>HYDRAULIC OIL TANK ASSEMBLY</b>	H
101	7024439	1	Cover	
102	7024440	1	Gasket	
103	7024441	1	Gauge, Sight	
105	7024443	1	Neck, Fill (Helgensen Brand)	
105	See Note	NSS	Neck, Fill (Hydac Brand) (Note: Use Item 70004862)	
105	7024445	1	Screen (Helgensen Brand)	
105	See Note	NSS	Screen (Hydac Brand) (Note: Use Item 70004862)	
106	7024444	1	Breather/Fill Cap (Helgensen Brand)	
106	70004862	1	Breather/Fill Cap/Strainer Kit (Hydac Brand)	
107	7024446	1	Plug, Magnetic	
	1001151010	Ref	<b>LP TANK BRACKETS INSTALLATION (FORD &amp; GM ENGINE MACHINES ONLY) (8FT/2.4M WIDE MACHINES)</b>	D
	1001178512	Ref	<b>LP TANK BRACKETS INSTALLATION (FORD &amp; GM ENGINE MACHINES ONLY) (7FT/2.1M WIDE MACHINES)</b>	A
200		Ref	Tank, LP - 43.5 Lbs. Options:	
200	4400275	1	Aluminum	
200	4400420	1	Steel	
201	1320220	2	Clamp	
201	1320127	2	Clamp, Toggle (1 Per Clamp)	
202	2720144	2	Hose	
203	0100020	AR	Sealant, Pipe	
204	2221197	1	Fitting, Reducer	
205	2180125	1	Fitting, 90 Swivel	
206	2220261	1	Fitting, Nipple	
207	2180388	1	Fitting, Bulkhead	
208	2180389	1	Valve, Relief	
209	2220418	1	Fitting, Tee Options:	
210	2180387	2	Fitting, Straight	
211	0641617	8	Bolt 3/8in-16NC x 2-1/8in (8ft/2.4m Wide Machines)	
211	0641606	8	Bolt 3/8in-16NC x 3/4in (7ft/2.1m Wide Machines)	
212	4891600	16	Flatwasher 3/8in Hardened (8ft/2.4m Wide Machines)	
212	4751600	8	Flatwasher 3/8in Hardened (7ft/2.1m Wide Machines)	
213	2180418	2	Fitting, Connector	
214	3311605	8	Locknut 3/8in-16NC (8ft/2.4m Wide Machines)	
215	1320218	2	Clamp, Spring	
216	0720804	2	Screw, Round Head #8-32NC x 1/2in	
217	4750800	4	Flatwasher #8 Regular	
218	3310805	2	Locknut #8-32NC	
219	0181949	2	Angle, Support	
220	2221024	2	Fitting, Union Ball Check	



# SECTION 2 - TURNTABLE

## FIGURE 2-18. ROTARY COUPLING INSTALLATION



## SECTION 2 - TURNTABLE

### FIGURE 2-18. ROTARY COUPLING INSTALLATION

ITEM	PART NUMBER	QTY	DESCRIPTION	REV
		Ref	<b>ROTARY COUPLING INSTALLATION</b>	
	1001107498	Ref	<b>Rotary Coupling Installation 2WS</b>	B
	1001107499	Ref	<b>Rotary Coupling Installation 4WS</b>	B
1	0100011	AR	Compound, Locking	
2	0641612	2	Bolt 3/8in-16NC x 1-1/2in	
3	0641811	1	Bolt 1/2in-13NC x 1-3/8in	
4	0641820	2	Bolt 1/2in-13NC x 2-1/2in	
4	0641824	2	Bolt 1/2in-13NC x 3in	
5	0903056	1	Bracket	
6	3271805	2	Locknut 1/2in-13NC	
7	4751600	2	Flatwasher 3/8in Regular	
8	4751800	5	Flatwasher 1/2in Regular	
9		Ref	Coupling, Rotary Options (See Items 101-121 for Breakdown)	
9	1001106974	1	2WS	
9	1001106975	1	4WS	
10	3322201	2	Locknut 3/4in x 16NF	
11	1001178789	2	Shim (SN 0300191376 through 0300272252)	
		Ref	<b>ROTARY COUPLING ASSEMBLY</b>	
	1001106974	Ref	<b>Rotary Coupling Assembly 2WS</b>	B
	1001106975	Ref	<b>Rotary Coupling Assembly 4WS</b>	B
101	See Note	1	Body (Note: Not Available - Purchase Complete Assembly)	
102		Ref	Seal Options:	
102	70001248	1	Seal 2WS	
102	70002212	1	Seal 4WS	
103	See Note	2	O-Ring (Note: Use Item 200A or 200B) (Note: Use Item 200A or 200B)	
104	See Note	1	Housing (Note: Not Available - Purchase Complete Assembly)	
105		Ref	Seal, Cap	
105	70001248	6	Seal, Cap 2WS	
105	70002212	9	Seal, Cap 4WS	
106		Ref	O-Ring	
106	70001248	6	O-Ring 2WS	
106	70002212	9	O-Ring 4WS	
107		Ref	Ring Options:	
107	7026503	2	Ring 2WS	
107	7026511	2	Ring 4WS	
108		Ref	Ring, Retaining Options:	
108	7026504	1	Ring, Retaining 2WS	
108	7013189	1	Ring, Retaining 4WS	
109		Ref	Plug Options:	
109	80934561	2	Plug 2WS	
109	80934561	4	Plug 4WS	
110	See Note	1	Lug, Torque (Note: Not Available for Purchase)	
112	7026197	4	Bolt 5/16in-18NC x 1-1/4in	
113	See Note	NSS	O-Ring (Note: Use Item 200A or 200B)	
114	See Note	NSS	O-Ring (Note: Use Item 200A or 200B)	
115	See Note	NSS	Bearing (Note: Use Item 200A or 200B)	
116	7024404	1	Block Valve Assembly	
117	7026505	1	Plug	
118	7026506	1	Valve, Check	

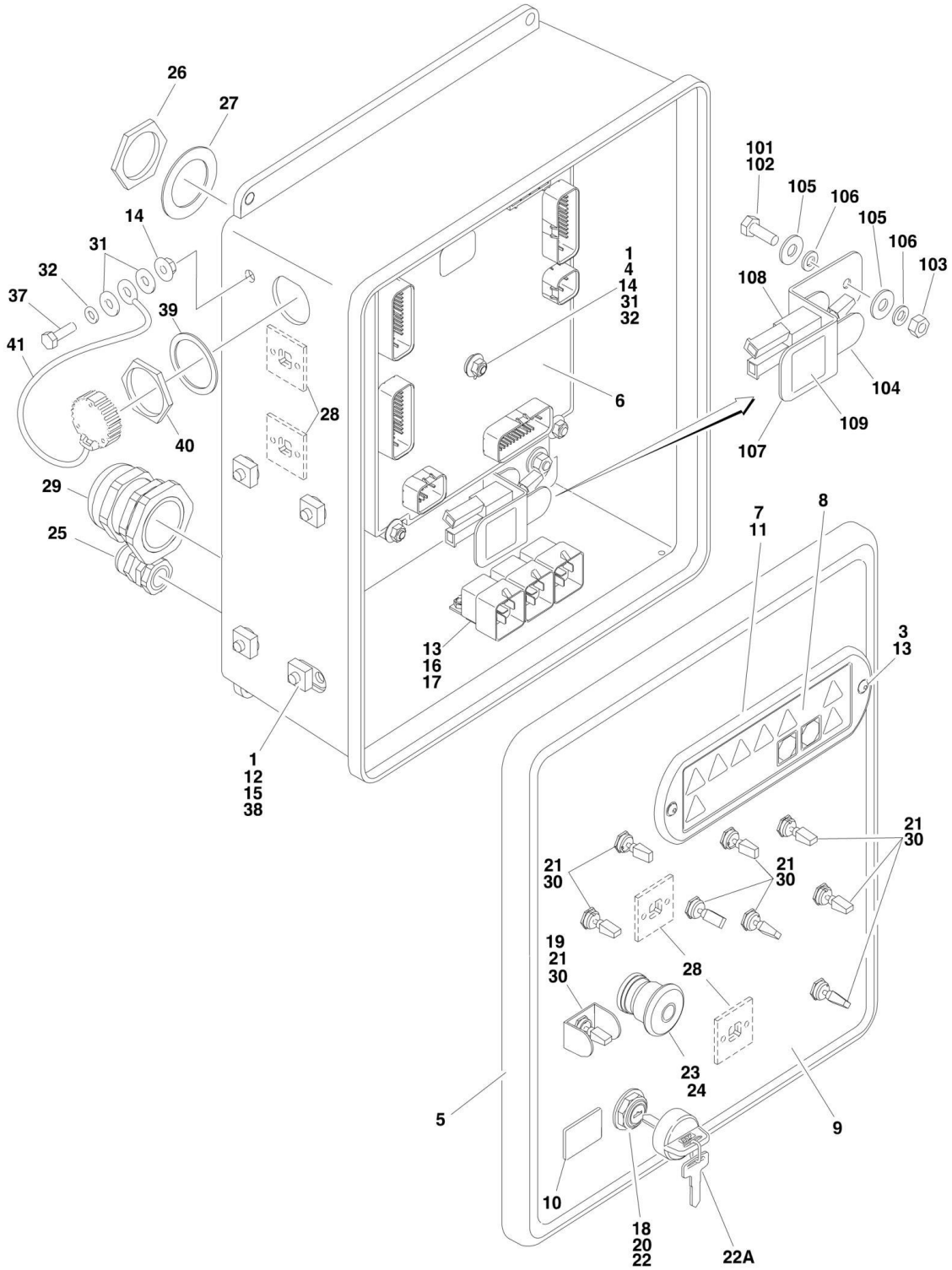
## SECTION 2 - TURNTABLE

ITEM	PART NUMBER	QTY	DESCRIPTION	REV
119	7026507	1	Plug	
120	7024404	1	Plunger, Valve (Note: Not Available for Purchase)	
121	7026509	1	Spring, Compression	
122	See Note	NSS	Protective Netting (Not Shown) (Note: Not Available for Purchase)	
123		Ref	Seal Options:	
123	70001248	1	Seal 2WS	
123	70002212	1	Seal 4WS	
124	See Note	4	Screw, Socket Head #10-24NC x 1/2in (Note: Not Available for Purchase)	
125	See Note	2	Locknut #10-24NC (Note: Not Available for Purchase)	
126	See Note	4	Flatwasher #10 (Note: Not Available for Purchase)	
127	70003454	1	Bracket, Switch Mounting	
128	4360517	1	Switch, Proximity	
200		Ref	Seal Kit Options:	
200A	70001248	1	2WS (Includes Items 102, 103, 105, 106, 113, 114, 115 & 123)	
200B	70002212	1	4WS (Includes Items 102, 103, 105, 106, 113, 114, 115 & 123)	



# SECTION 2 - TURNTABLE

FIGURE 2-19. GROUND CONTROL BOX ASSEMBLY (SN 0300177361 through 0300181174)





**SECTION 2 - TURNTABLE**

**FIGURE 2-19. GROUND CONTROL BOX ASSEMBLY (SN 0300177361 through 0300181174)**

ITEM	PART NUMBER	QTY	DESCRIPTION	REV
		Ref	<b>GROUND CONTROL BOX ASSEMBLIES (SN 0300177361 through 0300181174)</b>	
		Ref	<b>Ground Control Box Assemblies (600A)</b>	
	1001110368	Ref	<b>Deutz D2011 Engine (ANSI and ANSI Export Specs) (600A)</b>	B
	1001110371	Ref	<b>Deutz D2011 Engine (ANSI Export and CE Specs) (600A)</b>	C
	1001145036	Ref	<b>Deutz TD2.9L4 Engine (600A)</b>	C
	1001110367	Ref	<b>GM Engine (ANSI and ANSI Export Specs) (600A)</b>	C
		Ref	<b>Ground Control Box Assemblies (600AJ)</b>	
	1001110370	Ref	<b>Deutz D2011 Engine (ANSI, ANSI Export and Australian Spec) (600AJ)</b>	B
	1001110372	Ref	<b>Deutz D2011 Engine (ANSI Export and CE Specs) (600AJ)</b>	C
	1001145037	Ref	<b>Deutz TD2.9L4 Engine (600AJ)</b>	C
	1001110369	Ref	<b>GM Engine (ANSI and ANSI Export Specs) (600AJ)</b>	C
1	0100011	AR	Compound, Locking	
2	0100048	AR	Grease, Dielectric	
3	0630518	2	Capscrew, Button Head	
4	0630548	5	Tap, Bolt 2-1/2in	
5	1001111021	1	Box, Fiberglass	
6	1001103667	1	Module, Ground Control	
		Ref	Note: Re-calibration Required when Replaced.	
7	1670829	1	Bezel	
8	1706712	1	Decal - Ground Control Display	
9		Ref	Decal - Faceplate Options:	
9	1001102599	1	Decal - Faceplate (600A)	
9	1001102600	1	Decal - Faceplate (600AJ)	
10	2420172	1	Gauge, Hourmeter	
11	2760105	1	Housing, Display Light	
12	3300205	4	Nut, Retainer	
13	3300408	5	Locknut, Plastic Insert	
14	77143013	11	Nut 1/4in-20NC, Whiz Lock	
15	3539219	1	Plate, Reinforcement	
16	3740049	AR	Relay	
17	3900268	AR	Screw, Flange #10 x 1/2in	
18	3910804	6	Screw #8-32NC x 1/4in	
19	4060906	1	Shield, Toggle Switch	
20		Ref	Shim (.125in Dia) Options:	
20	4070987	1	Shim (.015in Thick)	
20	1001151393	1	Shim (.063in Thick)	
21	4360328	AR	Switch, Toggle Options:	
21		Ref	Switch, Toggle (600A)	
21		Ref	Switch, Toggle (600AJ)	
22		Ref	Switch, Key Options:	
22	4360469	1	ANSI, ANSI Export and Australian Specs	
22	4360470	1	ANSI Export and CE Specs	
22A	2860030	1	Key, Replacement (Fits Both Switches)	
23	4360475	1	Switch, Emergency Stop	
24	4360476	1	Switch, Contact Block	
25	4460426	1	Terminal, Strain Relief	
26	4460470	1	Nut, Terminal	
27	4460471	1	Lockwasher, Terminal	

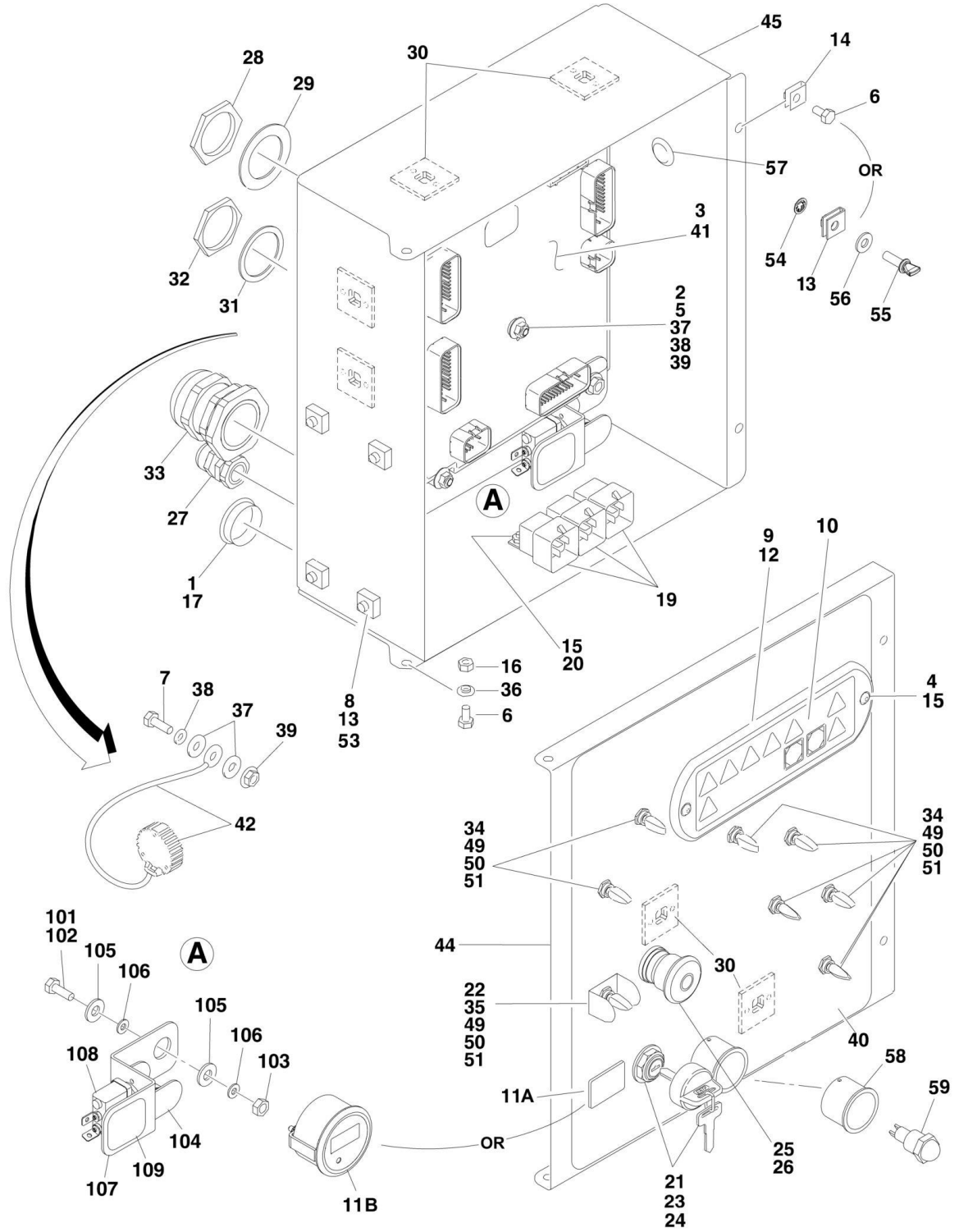
## SECTION 2 - TURNTABLE

ITEM	PART NUMBER	QTY	DESCRIPTION	REV
28	4460488	6	Mounting Base, Terminal	
29	4460526	1	Connector, Strain Relief	
30	4740444	AR	Washer, Special	
31	4751400	12	Flatwasher 1/4in Regular	
32	4761400	6	Lockwasher 1/4in	
33	4923224	1	Harness, Valve (See ELECTRICAL SECTION for Breakdown) (Not Shown)	
34		Ref	Harness, Engine (See ELECTRICAL SECTION for Breakdown) (Not Shown)	
34	1001110361	1	Deutz D2011 Engine	
34	1001145046	1	Deutz TD2.9L4 Engine	
34	1001110359	1	GM Engine	
35		Ref	Harness, Ground Control Box Options (See ELECTRICAL SECTION for Breakdown) (Not Shown)	
35	1001110379	1	Deutz D2011 Engine	
35	1001145992	1	Deutz TD2.9L4 Engine	
35	1001110379	1	GM Engine	
37	0641407	1	Bolt 1/4in-20NC x 7/8in	
38	0641506	4	Bolt 5/16in-18NC x 3/4in	
39	4460496	1	Lockwasher, Terminal	
40	4460497	1	Nut, Terminal	
41	1001106736	1	Cap, Dust	
	1001115918	Ref	<b>CRIBBING ENABLE SWITCH INSTALLATION</b>	A
101	0100011	AR	Compound, Locking	
102	0641406	1	Bolt 1/4in-20NC x 3/4in	
103	3311401	1	Nut 1/4in-20NC	
104	4060906	1	Guard, Switch	
105	4751400	2	Flatwasher 1/4in Regular	
106	4761400	2	Lockwasher 1/4in	
107	1001115889	1	Bracket	
108	1001115915	1	Cribbing Enable Harness	
108	4360336	1	Switch, Toggle	
108	4460226	2	Socket, Female	
109	1001115967	1	Decal - Cribbing	



# SECTION 2 - TURNTABLE

FIGURE 2-20. GROUND CONTROL BOX ASSEMBLY (SN 0300181175 through 0300272252)



## SECTION 2 - TURNTABLE

**FIGURE 2-20. GROUND CONTROL BOX ASSEMBLY (SN 0300181175 through 0300272252)**

ITEM	PART NUMBER	QTY	DESCRIPTION	REV
	1001165547	Ref	GROUND CONTROL BOX ASSEMBLY - DEUTZ TD2.9L4 ENGINE (ANSI AND CSA SPECS) (600A) (SN 0300181175 through 0300208081)	D
	1001191912	Ref	GROUND CONTROL BOX ASSEMBLY - DEUTZ TD2.9L4 ENGINE (ANSI AND CSA SPECS) (600A) (SN 0300208082 through 0300272252)	C
	1001154671	Ref	GROUND CONTROL BOX ASSEMBLY - DEUTZ D2011 ENGINE (ANSI EXPORT SPECS) (600A) (SN 0300181175 through 0300208081)	D
	1001191878	Ref	GROUND CONTROL BOX ASSEMBLY - DEUTZ D2011 ENGINE (ANSI EXPORT SPECS) (600A) (SN 0300208082 through 0300272252)	C
	1001154674	Ref	GROUND CONTROL BOX ASSEMBLY - DEUTZ D2011 ENGINE (CE SPECS) (600A) (SN 0300181175 through 0300200808)	D
	1001188015	Ref	GROUND CONTROL BOX ASSEMBLY - DEUTZ D2011 ENGINE (CE SPECS) (600A) (SN 0300200809 through 0300208081)	C
	1001191863	Ref	GROUND CONTROL BOX ASSEMBLY - DEUTZ D2011 ENGINE (CE SPECS) (600A) (SN 0300208082 through 0300272252)	C
	1001219224	Ref	GROUND CONTROL BOX ASSEMBLY - FORD ENGINE (600A)	B
	1001154670	Ref	GROUND CONTROL BOX ASSEMBLY - GM ENGINE (600A) (SN 0300181175 through 0300208081)	E
	1001191877	Ref	GROUND CONTROL BOX ASSEMBLY - GM ENGINE (600A) (SN 0300208082 through 0300272252)	C
	1001165548	Ref	GROUND CONTROL BOX ASSEMBLY - DEUTZ TD2.9L4 ENGINE (ANSI AND CSA SPECS) (600AJ) (SN 0300181175 through 0300208081)	D
	1001191913	Ref	GROUND CONTROL BOX ASSEMBLY - DEUTZ TD2.9L4 ENGINE (ANSI AND CSA SPECS) (600AJ) (SN 0300208082 through 0300272252)	D
	1001154673	Ref	GROUND CONTROL BOX ASSEMBLY - DEUTZ D2011 ENGINE (ANSI EXPORT AND AUSTRALIAN SPECS) (600AJ) (SN 0300181175 through 0300208081)	D
	1001191909	Ref	GROUND CONTROL BOX ASSEMBLY - DEUTZ D2011 ENGINE (ANSI EXPORT AND AUSTRALIAN SPECS) (600AJ) (SN 0300208082 through 0300272252)	C
	1001154675	Ref	GROUND CONTROL BOX ASSEMBLY - DEUTZ D2011 ENGINE (CE SPECS) (600AJ) (SN 0300181175 through 0300200808)	D
	1001188016	Ref	GROUND CONTROL BOX ASSEMBLY - DEUTZ D2011 ENGINE (CE SPECS) (600AJ) (SN 0300200809 through 0300208081)	C
	1001191862	Ref	GROUND CONTROL BOX ASSEMBLY - DEUTZ D2011 ENGINE (CE SPECS) (600AJ) (SN 0300208082 through 0300272252)	C
	1001219225	Ref	GROUND CONTROL BOX ASSEMBLY - FORD ENGINE (600AJ)	B
	1001154672	Ref	GROUND CONTROL BOX ASSEMBLY - GM ENGINE (600AJ) (SN 0300181175 through 0300208081)	E
	1001191879	Ref	GROUND CONTROL BOX ASSEMBLY - GM ENGINE (600AJ) (SN 0300208082 through 0300272252)	C
1	0100009	AR	Sealant	
2	0100011	AR	Compound, Locking	
3	0100048	AR	Grease, Dielectric	
4	0630518	2	Capscrew, button Head	
5	0630548	5	Bolt, 2-1/2in Tap	
6	0641404	4	Bolt 1/4-20 x 1/2	
7	0641407	1	Bolt 1/4-20 x 7/8	
8	0641507	AR	Bolt 5/16-18 x 7/8	
8	0641506	AR	Bolt 5/16-18 x 3/4	

## SECTION 2 - TURNTABLE

ITEM	PART NUMBER	QTY	DESCRIPTION	REV
9	1670829	1	Bezel	
10	1706712	1	Decal - Ground Control Display	
11A	2420172	1	Gauge, Hourmeter	
11B	1001109503	1	Gauge, Hourmeter	
12	2760105	1	Housing, Display Light	
13	3300205	4	Nut, Retainer	
14	3300353	2	Nut, Tinnerman	
15	3300408	4	Locknut, Plastic Insert	
16	3311405	2	Nut 1/4-20	
17	3520035	1	Plug, Cap	
19	3740049	AR	Relay	
20	3900268	AR	Screw #10 x 1/2	
21	3910804	4	Screw #8-32 x 1/4	
22	4060906	1	Shield, Toggle Switch	
23	4070991	1	Shim	
24	4360469	1	Switch, Key - All Specs except CE Specs	
24	4360470	1	Switch, Key - CE Specs <b>(SN 0300181175 through 0300200808)</b>	
24	4360469	1	Switch, Key - CE Specs <b>(SN 0300200809 through 0300272252)</b>	
24	2860030	1	Key Replacement - All Specs	
25	4360475	1	Switch, Emergency Stop	
25	7020175	1	Cap, Mushroom	
25	7020176	1	Block, Contact	
26	4360476	1	Switch, Contact Block	
27	4460426	1	Connector, Strain Relief	
28	4460470	1	Nut, Terminal <b>(SN 0300177361 through 0300219038)</b>	
28	1001205043	1	Nut, Terminal <b>(SN 0300219039 through 0300272252)</b>	
29	4460471	1	Washer, Terminal <b>(SN 0300177361 through 0300219038)</b>	
29	1001205044	1	Washer, Terminal <b>(SN 0300219039 through 0300272252)</b>	
30	4460488	6	Mounting Base, Terminal	
31	4460496	1	Washer, Terminal <b>(SN 0300177361 through 0300219038)</b>	
31	1001125784	1	Washer, Terminal <b>(SN 0300219039 through 0300272252)</b>	
32	4460497	1	Nut, Terminal <b>(SN 0300177361 through 0300219038)</b>	
32	1001125785	1	Nut, Terminal <b>(SN 0300219039 through 0300272252)</b>	
33	4460526	1	Connector, Strain Relief	
34	4740397	7	Spacer	
35	4740444	1	Washer	
36	4740518	2	Washer	
37	4751400	12	Washer 1/4	
38	4761400	6	Washer 1/4	
39	77143013	11	Nut 1/4-20	
40	1001102599	1	Decal, Faceplate (All Specs except CE) (600A)	
40	1001102599	1	Decal, Faceplate (CE Spec) (600A) <b>(SN 0300181175 through 0300200808)</b>	
40	1001180093	1	Decal, Faceplate (CE Spec) (600A) <b>(SN 0300200809 through 0300272252)</b>	
40	1001102600	1	Decal, Faceplate (All Specs except CE) (600AJ)	
40	1001102600	1	Decal, Faceplate (CE Spec) (600AJ) <b>(SN 0300181175 through 0300200808)</b>	
40	1001180094	1	Decal, Faceplate (CE Spec) (600AJ) <b>(SN 0300200809 through 0300272252)</b>	
41	1001103667	1	Module, Ground Control	
		Ref	Note: Re-calibration Required when Replaced.	

## SECTION 2 - TURNTABLE

ITEM	PART NUMBER	QTY	DESCRIPTION	REV
42	1001106736	1	Cap, Dust	
43		Ref	Harness, Ground Control Box Options (Not Shown - See ELECTRICAL SECTION for Breakdown)	
43	1001110379	1	Harness, Ground Control Box (Deutz D2011 Engines - All Specs except CE Spec)	
43	1001110379	1	Harness, Ground Control Box (Deutz D2011 Engines - CE Spec) <b>(SN 0300181175 through 0300200808)</b>	
43	1001185897	1	Harness, Ground Control Box (Deutz D2011 Engines - CE Spec) <b>(SN 0300200809 through 0300272252)</b>	
43	1001145992	1	Harness, Ground Control Box (Deutz TD2.9L4 Engines)	
43	1001110379	1	Harness, Ground Control Box (Ford Engines)	
43	1001110379	1	Harness, Ground Control Box (GM Engines)	
44	1001152173	1	Lid (All Specs except CE Spec) <b>(SN 0300177361 through 0300211784)</b>	
44	1001204150	1	Lid (All Specs except CE Spec) <b>(SN 0300211785 through 0300272252)</b>	
44	1001152173	1	Lid (CE Spec) <b>(SN 0300181175 through 0300200808)</b>	
44	1001188042	1	Lid (CE Spec) <b>(SN 0300200809 through 0300211784)</b>	
44	1001201995	1	Lid (CE Spec) <b>(SN 0300211785 through 0300272252)</b>	
45	1001152175	1	Box <b>(SN 0300177361 through 0300211784)</b>	
45	1001201996	1	Box <b>(SN 0300211785 through 0300272252)</b>	
46	1001164563	1	Harness, Deutz TD2.9L4 Engine (Not Shown - See ELECTRICAL SECTION for Breakdown) <b>(SN 0300181175 through 0300208081)</b>	
46	1001191866	1	Harness, Deutz TD2.9L4 Engine (Not Shown - See ELECTRICAL SECTION for Breakdown) <b>(SN 0300208082 through 0300272252)</b>	
46	1001154390	1	Harness, Deutz D2011 Engine (Not Shown - See ELECTRICAL SECTION for Breakdown) <b>(SN 0300181175 through 0300208081)</b>	
46	1001191868	1	Harness, Deutz D2011 Engine (Not Shown - See ELECTRICAL SECTION for Breakdown) <b>(SN 0300208082 through 0300272252)</b>	
46	1001214507	1	Harness, Ford Engine (Not Shown - See ELECTRICAL SECTION for Breakdown)	
46	1001154388	1	Harness, GM Engine (Not Shown - See ELECTRICAL SECTION for Breakdown) <b>(SN 0300181175 through 0300208081)</b>	
46	1001191867	1	Harness, GM Engine (Not Shown - See ELECTRICAL SECTION for Breakdown) <b>(SN 0300208082 through 0300272252)</b>	
47	1001154392	1	Harness, Valve (Not Shown - See ELECTRICAL SECTION for Breakdown)	
49	1001155043	AR	Washer	
50	1001155044	AR	Nut 15/32-32	
51	1001155045	AR	Switch, Toggle	
53	4891500	4	Washer 5/16	
54	1001188874	2	Nut	
55	1001103308	2	Screw 1/4	
56	4711400	2	Washer 1/4	
57	3520031	2	Plug	
58	1001176469	1	Shroud (CE Spec) <b>(SN 0300200809 through 0300272252)</b>	
59	4360387	1	Switch, Push Button (CE Spec) <b>(SN 0300200809 through 0300272252)</b>	
	1001115918	Ref	<b>CRIBBING ENABLE SWITCH INSTALLATION</b>	A
101	0100011	AR	Compound, Locking	
102	0641406	1	Bolt 1/4in-20NC x 3/4in	
103	3311401	1	Nut 1/4in-20NC	
104	4060906	1	Guard, Switch	
105	4751400	2	Flatwasher 1/4in Regular	
106	4761400	2	Lockwasher 1/4in	

## SECTION 2 - TURNTABLE

ITEM	PART NUMBER	QTY	DESCRIPTION	REV
107	1001115889	1	Bracket	
108	1001115915	1	Cribbing Enable Harness	
108	4360336	1	Switch, Toggle	
108	4460226	2	Socket, Female	
109	1001115967	1	Decal - Cribbing	







## SECTION 2 - TURNTABLE

**FIGURE 2-21. ELECTRICAL OPTIONS INSTALLATIONS (TURNTABLE MOUNTED)**

ITEM	PART NUMBER	QTY	DESCRIPTION	REV
	0270833	Ref	<b>ALARMS INSTALLATIONS (SN 0300177361 through 0300181174)</b>	D
1	0257887	1	Alarm/Harness Assembly	
1	0140032	1	Alarm	
1	2820035	6 in/15cm	Loom	
1	4460424	1	Plug	
1	4460268	2	Socket	
2	0641406	2	Bolt 1/4in-20NC x 3/4in	
3	4711400	2	Flatwasher 1/4in Thin	
4	0100011	AR	Compound, Locking	
5	0100048	AR	Sealant, Silicone	
	1001160074	Ref	<b>ALARMS INSTALLATIONS (SN 0300181175 through 0300272252)</b>	B
11	0140044	1	Alarm	
12	0641406	2	Bolt 1/4-20 x 3/4	
13	4711400	2	Washer 1/4	
14	0100048	AR	Compound, Dielectric	
15	0100011	AR	Compound, Locking	
	0271552	Ref	<b>LIGHTS INSTALLATIONS (OPTIONAL) (SN 0300177361 through 0300201472)</b>	D
	1001176296	Ref	<b>LIGHTS INSTALLATIONS (OPTIONAL) (SN 0200201473 through 0300272252)</b>	A
25	2920110	2	Headlight	
26	0902206	2	Bracket, Mounting	
27	0642612	1	Bolt 1in-8NC x 1-1/2in	
28	4220162	2	Spacer <b>(SN 0300177361 through 0300184391)</b>	
28	4892600	2	Washer <b>(SN 0300184392 through 0300272252)</b>	
29	0100011	AR	Compound, Locking	
30	2920113	2	Tail Light	
31	3911040	4	Screw, Machine #10-24NC x 2-1/2	
32	3311005	4	Nut #10-24NC	
33	4751000	4	Flatwasher #10 Regular	
34	4740362	4	Washer, Fender	
35	3960461	2	Gasket	
37	4240032	18	Tie-Strap (Not Shown)	
38	4460234	18	Mount, Tie-Strap (Not Shown)	
39	4360522	1	Switch, Push Button (Not Shown - Located on Console)	
41	3820001	11	Pop Rivet (Not Shown)	
42	1705170	1	Decal - Lights (Not Shown - Located on Console)	
43	3311605	2	Nut 3/8 (Not Shown)	
44	0903119	2	Bracket <b>(SN 0300201473 through 0300272252)</b>	
45	0641408	2	Bolt 1/4 x 1	
46	4751400	2	Washer 1/4	
	0274200	Ref	<b>CHASSIS ILLUMINATION LIGHT INSTALLATION</b>	B
101	2920157	4	Lamp, Worklight	
102	0903119	2	Bracket, Light Mounting	
103	0642612	AR	Bolt 1/4in-20NC x 7/8in	
104	0642612	2	Bolt 1in-8NC x 1-1/2in	
105	0902206	2	Bracket, Light Mounting	
106	4220162	2	Spacer	

## SECTION 2 - TURNTABLE

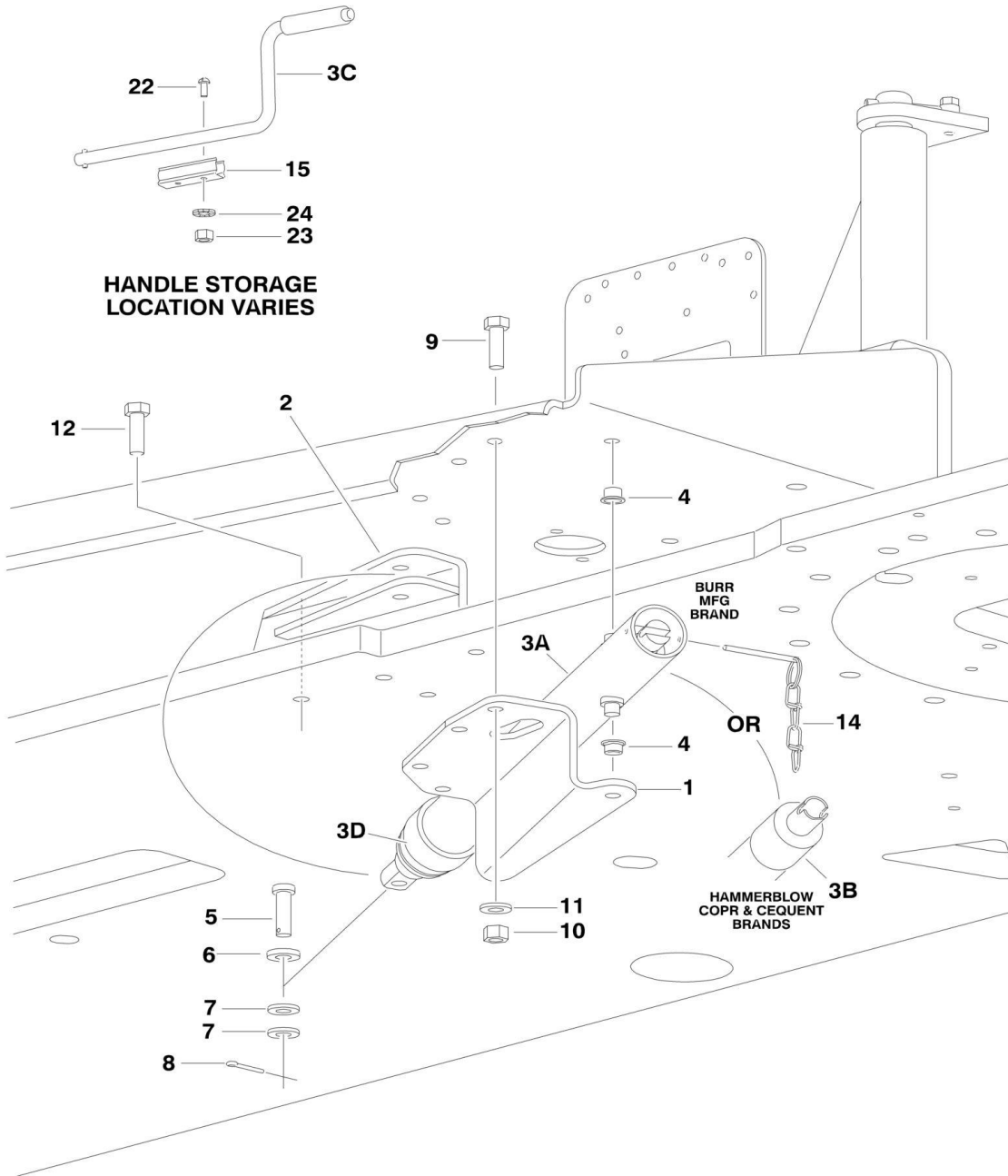
ITEM	PART NUMBER	QTY	DESCRIPTION	REV
109	4360522	1	Switch, Push Button (Not Shown - Located on Console)	
110	4460234	10	Mount, Cable (Not Shown)	
111	4751400	2	Flatwasher 1/4in Regular	
112	0100011	AR	Compound, Locking	
113	4240032	21	Strap, Tie (Not Shown)	
114	1705170	1	Decal - Lights	
	1001149955	Ref	<b>STROBE LIGHT AND HARNESS INSTALLATION (AMBER) (OPTIONAL) (SN 0300177361 through 0300181174)</b>	B
	1001160077	Ref	<b>STROBE LIGHT AND HARNESS INSTALLATION (AMBER) (OPTIONAL) (SN 0300181175 through 0300272252)</b>	B
	1001150406	Ref	<b>Strobe Light Assembly (Amber) (Optional)</b>	B
201	0100035	AR	Compound, Locking	
202	2920161	1	Strobe Light/Harness Assembly	
202	7016319	1	Bulb	
202	7016372	1	Lens	
203	3312602	1	Nut, Jam 1in-8NC	
204	3900085	2	Screw #10-32 x 1/2in	
205	4751000	2	Flatwasher 1/4in Thin	
206	1001149994	1	Mount Strobe	
210	1001149818	1	Harness, Strobe Light (Not Shown - See ELECTRICAL SECTION for Breakdown) (SN 0300177361 through 0300181174)	
	1001188857	Ref	<b>STROBE LIGHT AND HARNESS INSTALLATION (BLUE) (OPTIONAL) (SN 0300177361 through 0300217819)</b>	C
	1001207305	Ref	<b>STROBE LIGHT AND HARNESS INSTALLATION (RED) (OPTIONAL) (SN 0300177361 through 0300217138)</b>	B
301	0641607	AR	Bolt 3/8 x 7/8	
302	0642612	1	Bolt 1 x 1-1/2	
303	0700615	2	Bolt M6 x 35	
303	0700617	2	Bolt M6 x 45	
304	3290607	2	Nut M6	
305	3311005	3	Nut #10	
306	3911012	3	Screw #10 x 3/4	
307	4711000	3	Washer #10	
308	4712600	1	Washer 1	
309	4751600	AR	Washer 3/8	
310	4811700	4	Washer M6	
311	1001142683	1	Module, Beacon Light	
312	1001142694	1	Bracket	
313	1001142722	1	Bracket (SN 0300177361 through 0300210914)	
314	1001142736	1	Harness, Beacon Control (Module to Light) (Not Shown - See ELECTRICAL SECTION for Breakdown)	
315	1001143431	1	Light, Strobe (Blue)	
315	1001197067	1	Light, Strobe (Red)	
316	1001150944	1	Harness, Beacon Control (Module to Ground Control Box) (Not Shown - See ELECTRICAL SECTION for Breakdown) (SN 0300177361 through 0300210914)	
	1001205499	Ref	<b>STROBE LIGHT AND HARNESS INSTALLATION (BLUE) (OPTIONAL) (SN 0300217820 through 0300259736)</b>	E
	1001209869	Ref	<b>STROBE LIGHT AND HARNESS INSTALLATION (RED) (OPTIONAL) (SN 0300217820 through 0300259736)</b>	E
401	0700617	2	Bolt M6 x 45	
402	3290607	2	Nut M6	
403	3312602	1	Nut 1	
404	3900085	2	Screw #10 x 1/2	

## SECTION 2 - TURNTABLE

ITEM	PART NUMBER	QTY	DESCRIPTION	REV
405	4751000	2	Washer #10	
406	4711700	4	Washer 7/16	
407	1001142683	1	Module, Beacon Control	
408	1001142736	1	Harness, Beacon Control (Module to Ground Control Box) (Not Shown - See ELECTRICAL SECTION for Breakdown)	
409	1001149994	1	Mount	
411	1001200910	1	Light, Strobe (Blue)	
411	1001207004	1	Light, Strobe (Red)	
412	4240032	AR	Tie-Strap (Not Shown)	
413	4460488	AR	Mount, Tie-Strap (Not Shown)	
	1001242251	Ref	STROBE LIGHT AND HARNESS INSTALLATION (BLUE) (OPTIONAL) (SN 0300259737 through 0300272252)	A
501	0700617	2	Bolt M6 x 45	
502	3290607	2	Nut M6	
503	4240032	AR	Tie-Strap (Not Shown)	
504	4460488	AR	Mount, Tie-Strap (Not Shown)	
505	4711700	4	Washer 7/16	
506	1001142683	1	Module, Beacon Control	
507	1001142736	1	Harness, Beacon Control (Module to Ground Control Box) (Not Shown - See ELECTRICAL SECTION for Breakdown)	
508	1001217005	1	Beacon Light Kit – Blue (Not Shown)	
	1001242252	Ref	STROBE LIGHT AND HARNESS INSTALLATION (RED) (OPTIONAL) (SN 0300259737 through 0300272252)	A
601	0700617	2	Bolt M6 x 45	
602	3290607	2	Nut M6	
603	3312602	1	Nut 1	
604	3900085	2	Screw #10 x 1/2	
605	4240032	AR	Tie-Strap (Not Shown)	
606	4460488	AR	Mount, Tie-Strap (Not Shown)	
607	4751000	2	Washer #10	
608	4711700	4	Washer 7/16	
609	1001142683	1	Module, Beacon Control	
610	1001142736	1	Harness, Beacon Control (Module to Ground Control Box) (Not Shown - See ELECTRICAL SECTION for Breakdown)	
611	1001149994	1	Mount	
612	1001207004	1	Beacon Light Kit – Red (Not Shown)	

# SECTION 2 - TURNTABLE

## FIGURE 2-22. ENGINE TRAY JACK INSTALLATIONS (OPTIONAL)



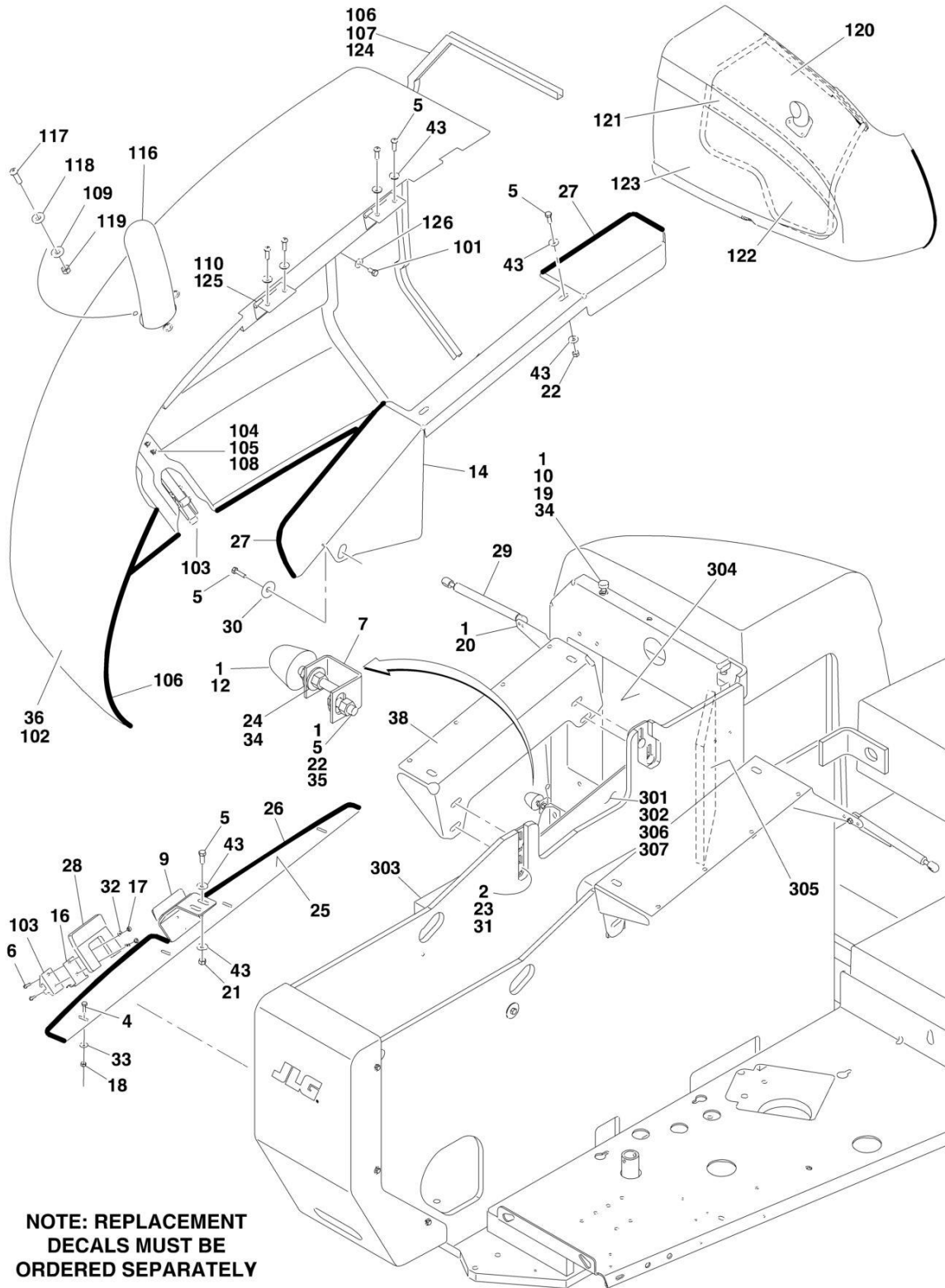
**SECTION 2 - TURNTABLE**

**FIGURE 2-22. ENGINE TRAY JACK INSTALLATIONS (OPTIONAL)**

ITEM	PART NUMBER	QTY	DESCRIPTION	REV
		Ref	<b>ENGINE TRAY JACK INSTALLATION</b>	
	0255880	Ref	<b>Machines with Deutz D2011 Engines</b>	6-H
	1001137891	Ref	<b>Machines with Deutz TD2.9L4 Engines</b>	B
	1001218548	Ref	<b>Machines with Ford Engines</b>	A
	0255880	Ref	<b>Machines with GM Engines</b>	6-H
1		Ref	Bracket Options:	
1	3537445	1	Bracket (All Except Ford Engine)	
1	1001218547	1	Bracket (Ford Engines)	
2		Ref	Bracket Options:	
2	4845163	1	Machines with Deutz D2011 Engines	
2	1001137892	1	Machines with Deutz TD2.9L4 & Ford Engines	
2	4845163	1	Machines with GM Engines	
3	2840018	1	Hydraulic Jack Assembly (Deutz D2011 & GM Engines)	
3	2840016	1	Hydraulic Jack Assembly (Deutz TD2.9L4 & Ford Engines)	
3A		Ref	Burr Manufacturing Brand	
3B		Ref	Hammerblow Corp and Cequent Brands	
3C		Ref	Handle Options:	
3C	7016374	1	Burr Manufacturing Brand	
3C	7024598	1	Hammerblow Corp and Cequent Brands	
3D	7016322	1	Wiper (Burr Manufacturing Brand Only)	
4	0962051	2	Bushing, Flanged	
5	3430816	1	Pin, Clevis	
6	4891800	1	Flatwasher 1/2in Hardened	
7	4711800	AR	Flatwasher 1/2in Thin	
8	3450404	1	Pin, Cotter 1/8in x 1in	
9	0641609	AR	Bolt 3/8 x 1-1/8	
9	0761014	AR	Bolt M10 x 30	
10	3311605	AR	Nut 3/8	
10	3291007	AR	Nut M10	
11	4891600	AR	Washer 3/8	
11	4812000	AR	Washer M10	
12	0641810	4	Bolt 1/2in-13NC x 1-1/4in	
14	Not Required	0	Not Required	
15	1380147	1	Clip, Spring	
22	3910608	2	Screw #6-32NC x 1in	
23	3310601	2	Nut #6-32NC	
24	4770600	2	Starwasher #6	

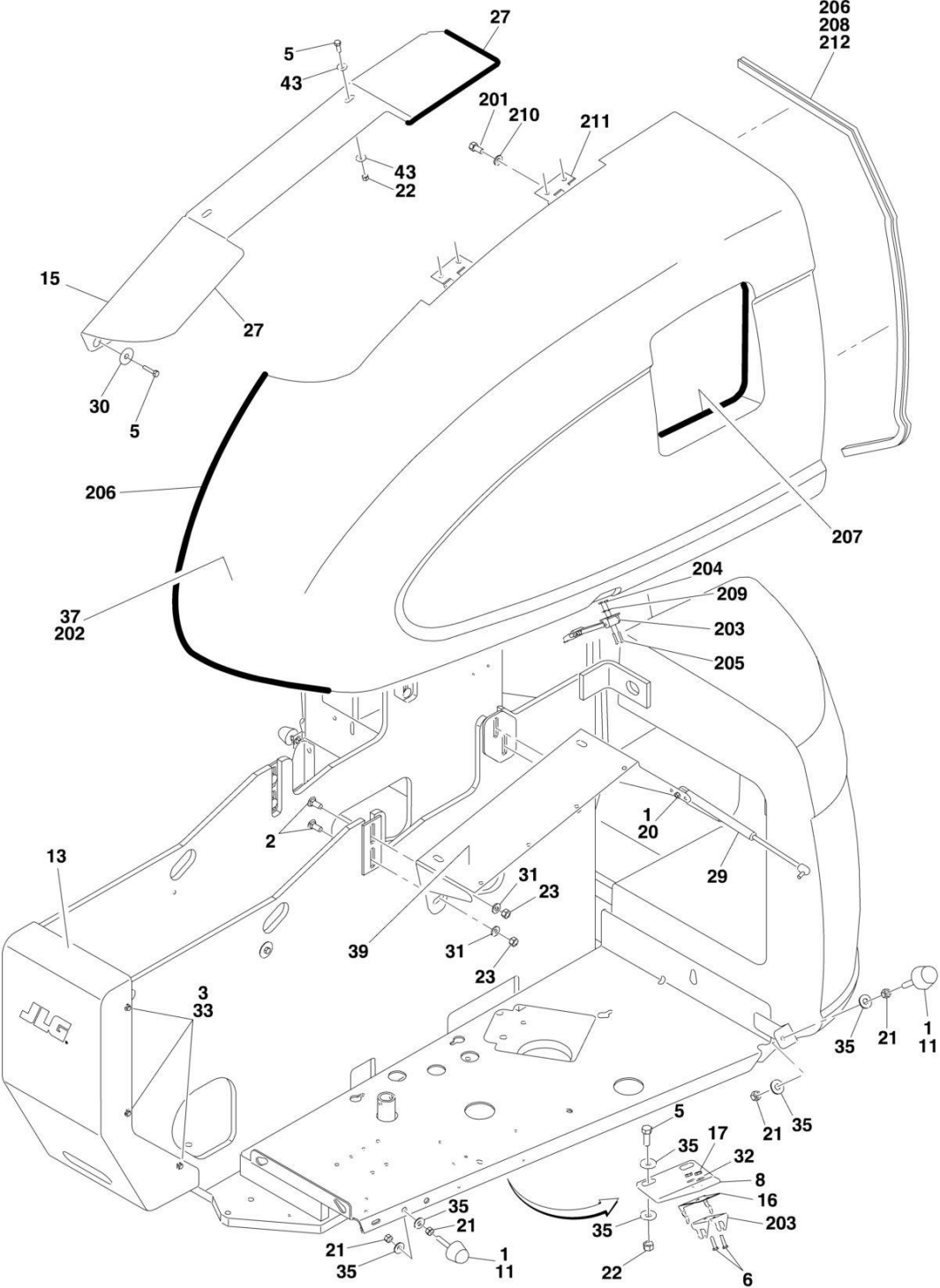
# SECTION 2 - TURNTABLE

## FIGURE 2-23. HOODS INSTALLATIONS





**SECTION 2 - TURNTABLE**



**NOTE: REPLACEMENT DECALS MUST BE ORDERED SEPARATELY**

## SECTION 2 - TURNTABLE

### FIGURE 2-23. HOODS INSTALLATIONS

ITEM	PART NUMBER	QTY	DESCRIPTION	REV
		Ref	<b>Note: replacement decals must be ordered separately.</b>	
		Ref	<b>HOODS INSTALLATIONS</b>	
	1001152433	Ref	<b>Hoods for Deutz D2011 Engine Machines (ANSI, ANSI Export, CSA and Japanese Specs)</b>	G
	1001152435	Ref	<b>Hoods with Noise Reduction for Deutz D2011 Engine Machines (ANSI Export, Australian, CE and Japanese Specs)</b>	I
	1001137845	Ref	<b>Hoods for Deutz TD2.9L4 &amp; Ford Engine Machines</b>	G
	1001154151	Ref	<b>Hoods for GM Engine Machines</b>	H
1	0100011	AR	Compound, Locking	
2	0630507	8	Bolt, Carriage 1/2in-13NC x 1-1/4in	
3	0641405	6	Bolt 1/4in-20NC x 3/4in	
4	0641407	4	Bolt 1/4in-20NC x 7/8in	
5	0641608	19	Bolt 3/8in-16NC x 1in	
6	0721006	4	Bolt #10-24NC x 3/4in	
7	0902219	1	Bracket, Bumper	
8	1001154514	1	Bracket, Latch - Tank Side <b>(SN 0300177361 through 0300185143)</b>	
8	1001137876	1	Bracket, Latch - Tank Side <b>(SN 0300185144 through 0300272252)</b>	
9	0902335	1	Bracket, Latch - Engine Side	
10	0940049	1	Bumper	
11	0940071	2	Bumper	
12	0940088	1	Bumper	
13	1670767	1	Cover, Turntable	
14	2680433	1	Spacer, Hood (Engine Side)	
15	2680434	1	Spacer, Hood (Tank Side)	
16	2940188	2	Latch, Spring Clip	
17	3311005	4	Locknut #10-24NC	
18	3311405	4	Locknut 1/4in-20NC	
19	3311501	2	Nut 5/16in-18NC	
20	3311505	4	Locknut 5/16in-18NC	
21	3311601	6	Nut 3/8in-16NC	
22	3311605	7	Locknut 3/8in-16NC	
23	3311805	8	Locknut 1/2in-13NC	
24	3321501	2	Nut 5/16in-24NC	
25	3539923	1	Plate, Seal	
26	3960389	3.5 ft/1m	Seal, Bulb (Machines with Deutz D2011 Engine Only)	
27	3960418	7 ft/2.1m	Seal	
28	3960467	1	Seal, Foam	
29	4160143	2	Spring, Gas	
30	4740076	2	Washer, Fender	
31	4740171	8	Flatwasher 1/2in Hardened	
32	4751000	4	Flatwasher #10 Regular	
33	4751400	10	Flatwasher 1/4in Regular	
34	4751500	4	Flatwasher 5/16in Regular	
35	4751600	AR	Flatwasher 3/8in Regular	
35	0940088	1	Bumper	
36		Ref	Hood - Engine Side Options (See Items 101- 120 for Breakdown)	
36	1001160004	1	Hood for Deutz D2011 Engine Machines (ANSI, ANSI Export, CSA and Japanese Specs)	

## SECTION 2 - TURNTABLE

ITEM	PART NUMBER	QTY	DESCRIPTION	REV
36	1001160034	1	Hood with Noise Reduction for Deutz D2011 Engine Machines (ANSI Export, Australian, CE and Japanese Specs)	
36	1001160189	1	Hood for Deutz TD2.9L4 & Ford Engine Machines	
36	1001160047	1	Hood for GM Engine Machines	
37		Ref	Hood - Tank Side Options (See Items 201- 213 for Breakdown)	
37	1001160003	1	Hood for Deutz D2011 Engine Machines	
37	1001160190	1	Hood for Deutz TD2.9L4 & Ford Engine Machines	
37	1001160003	1	Hood for GM Engine Machines	
38	1001152556	NLA	Mount - Engine Side (Use p/n 1001235948) <b>(SN 0300177361 through 0300213835)</b>	
38	1001207792	NLA	Mount - Engine Side (Use p/n 1001235948) <b>(SN 0300213836 through 0300251141)</b>	
38	1001235948	1	Mount - Engine Side <b>(SN 0300251142 through 0300272252)</b>	
39	1001152557	1	Mount - Tank Side	
43	4891600	AR	Flatwasher 3/8in Hardened	
		Ref	<b>HOOD - ENGINE SIDE</b>	
	1001160004	Ref	<b>Hoods for Deutz D2011 Engine Machines (ANSI, ANSI Export, CSA and Japanese Specs)</b>	I
	1001160034	Ref	<b>Hoods with Noise Reduction for Deutz D2011 Engine Machines (ANSI Export, Australian, CE and Japanese Specs)</b>	I
	1001160189	Ref	<b>Hoods for Deutz TD2.9L4 &amp; Ford Engine Machines</b>	G
	1001160047	Ref	<b>Hoods for GM Engine Machines</b>	H
101	0641606	4	Bolt 3/8in-16NC x 3/4in	
102		Ref	Hood, Engine Side Options:	
102	1001160004	1	Hood for Deutz D2011 Engine Machines (ANSI, ANSI Export, CSA and Japanese Specs)	
102	1001160034	1	Hood with Noise Reduction for Deutz D2011 Engine Machines (ANSI Export, Australian, CE and Japanese Specs)	
102	1001160189	1	Hood for Deutz TD2.9L4 & Ford Engine Machines	
102	1001160047	1	Hood for GM Engine Machines	
103	2940088	1	Latch	
104	3311005	2	Locknut #10-24NC	
105	3911016	2	Screw #10-24NC x 1in	
106	3960389	3 ft/0.9m	Seal <b>(SN 0300177361 through 0300181748)</b>	
106	1001164281	8 ft/2.4m	Seal <b>(SN 0300181749 through 0300272252)</b>	
107	3960462	68 in/1.7m	Seal	
108	4711000	2	Flatwasher #10 Thin	
109	4751600	AR	Flatwasher 3/8in Regular	
110	1001151670	2	Hinge <b>(SN 0300177361 through 0300206631)</b>	
110	1001188467	2	Hinge <b>(SN 0300206632 through 0300272252)</b>	
116		Ref	Outlet, Exhaust Options:	
116	1001160598	1	Deutz D2011 Engine Machines	
116	1001137860	1	Deutz TD2.9L4 & Ford Engine Machines	
116	1001117039	1	GM Engine Machines	
117	3900232	3	Bolt, Button Head 3/8in-16NC x 1-1/4in <b>(SN 0300177361 through 0300206631)</b>	
117	0641610	3	Bolt 3/8-16NC x 1-1/4 <b>(SN 0300206632 through 0300272252)</b>	
118	4740500	3	Washer, Nylon Shoulder <b>(SN 0300177361 through 0300206631)</b>	
119	3311605	3	Locknut 3/8in-16NC	
120		Ref	Insulation Options:	
120	1001160961	1	Insulation for Deutz D2011 Engine Machines (ANSI, ANSI Export, CSA and Japanese Specs)	
120	1001161025	1	Insulation with Noise Reduction for Deutz D2011 Engine Machines (ANSI Export, Australian, CE and Japanese Specs)	

## SECTION 2 - TURNTABLE

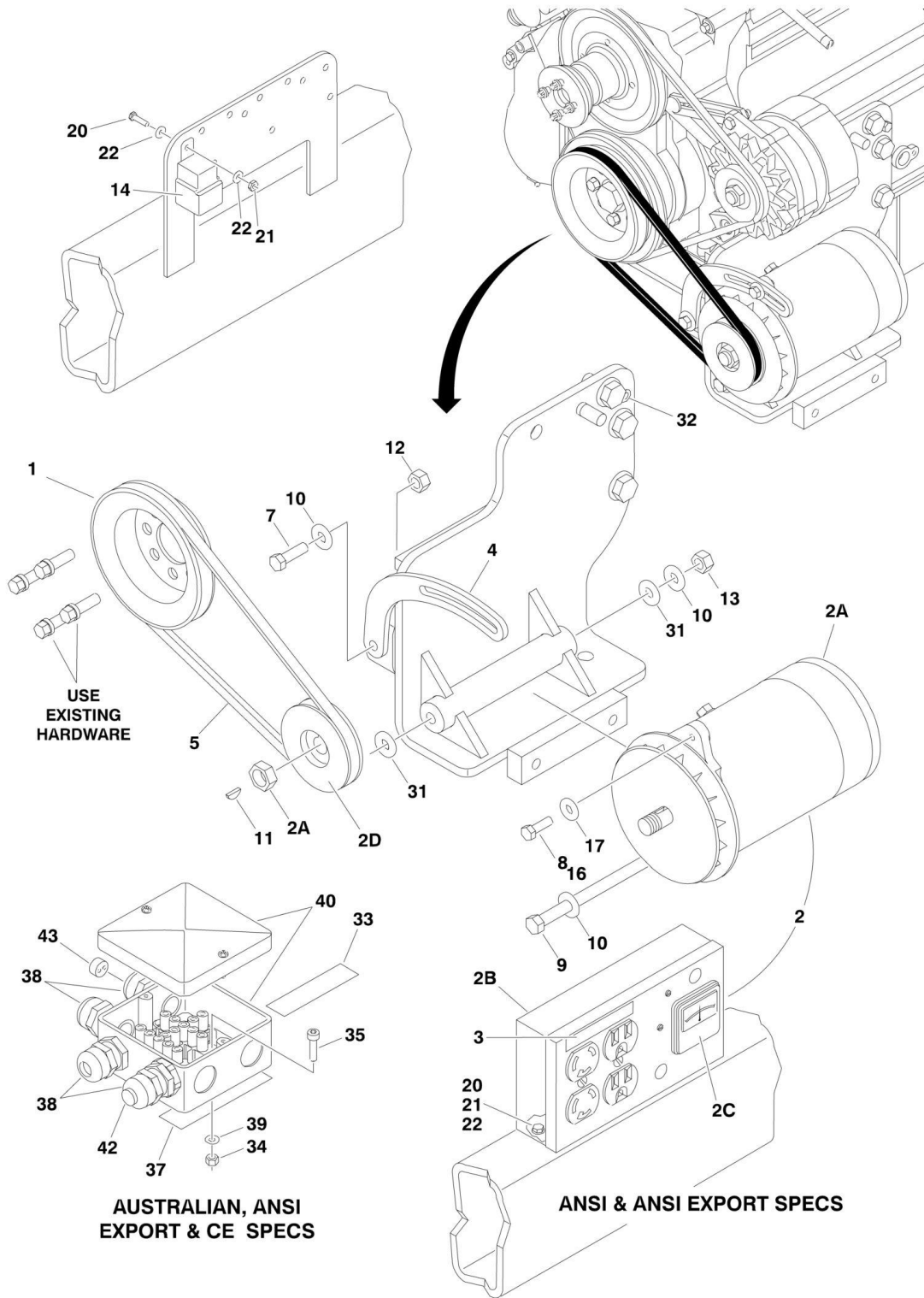
ITEM	PART NUMBER	QTY	DESCRIPTION	REV
120	1001161059	1	Insulation for Deutz TD2.9L4 & Ford Engine Machines ( <b>SN 0300177361 through 0300185533</b> )	
120	1001165741	1	Insulation for Deutz TD2.9L4 & Ford Engine Machines ( <b>SN 0300185534 through 0300272252</b> )	
120	1001161059	1	Insulation for GM Engine Machines	
121	1001160962		Insulation ( <b>SN 0300177361 through 0300181748</b> )	
122		Ref	Insulation Options:	
122	1001160963	1	Insulation for Deutz D2011 Engine Machines (ANSI, ANSI Export, CSA and Japanese Specs)	
122	1001161026	1	Insulation with Noise Reduction for Deutz D2011 Engine Machines (ANSI Export, Australian, CE and Japanese Specs)	
122	1001160963	1	Insulation for Deutz TD2.9L4 & Ford Engine Machines	
122	1001160963	1	Insulation for GM Engine Machines	
123	4061010	1	Insulation Options:	
123	1001160964	1	Insulation for Deutz D2011 Engine Machines (ANSI, ANSI Export, CSA and Japanese Specs)	
123	1001161027	1	Insulation with Noise Reduction for Deutz D2011 Engine Machines (ANSI Export, Australian, CE and Japanese Specs)	
123	1001160964	1	Insulation for Deutz TD2.9L4 & Ford Engine Machines	
123	1001160964	1	Insulation for GM Engine Machines	
124	4060805	62 in/1.6m	Flex-Trim ( <b>SN 0300184421 through 0300272252</b> )	
125	1001169610	2	Spacer, Hinge ( <b>SN 0300184421 through 0300272252</b> )	
126	4891600	AR	Flatwasher 3/8 Hardened	
	1671216	Ref	<b>HOOD TANK SIDE</b>	
	1001160003	Ref	<b>Hood for Deutz D2011 Engine Machines</b>	H
	1001160190	Ref	<b>Hood for Deutz TD2.9L4 &amp; Ford Engine Machines</b>	G
	1001160003	Ref	<b>Hood for GM Engine Machines</b>	H
201	0641606	4	Bolt 3/8in-16NC x 3/4in	
202		Ref	Hood, Tank Side Options:	
202	1001160003	1	Hood for Deutz D2011 Engine Machines	
202	1001160190	1	Hood for Deutz TD2.9L4 & Ford Engine Machines	
202	1001160003	1	Hood for GM Engine Machines	
203	2940088	1	Latch	
204	3311005	2	Locknut #10-24NC	
205	3911016	2	Screw #10-24NC x 1in	
206	3960389	3 ft /0.9m	Seal ( <b>SN 0300177361 through 0300181748</b> )	
206	1001164281	8 ft /2.5m	Seal ( <b>SN 0300181749 through 0300272252</b> )	
207	3960438	4.5 ft /1.4m	Seal ( <b>SN 0300177361 through 0300184420</b> )	
207	1001166394	4.5 ft /1.4m	Seal ( <b>SN 0300184421 through 0300272252</b> )	
208	3960462	5.5 ft /1.6m	Seal	
209	4751000	2	Flatwasher #10 Regular	
210	4751600	4	Flatwasher 3/8in Regular ( <b>SN 0300177361 through 0300206631</b> )	
210	4891600	4	Flatwasher 3/8in Hardened ( <b>SN 0300206632 through 0300272252</b> )	
211	1001151670	2	Hinge ( <b>SN 0300177361 through 0300206631</b> )	
211	1001188467	2	Hinge ( <b>SN 0300206632 through 0300272252</b> )	
212	4060805	62 in /1.6m	Flex-Trim ( <b>SN 0300184421 through 0300272252</b> )	
	1001152325	Ref	<b>NOISE REDUCTION INSTALLATION (DEUTZ TD2.9L4 ENGINE MACHINES ONLY)</b>	A

**SECTION 2 - TURNTABLE**

<b>ITEM</b>	<b>PART NUMBER</b>	<b>QTY</b>	<b>DESCRIPTION</b>	<b>REV</b>
301	0100011	AR	Compound, Locking	
302	0641606	5	Bolt 3/8in-16NC x 3/4in	
303	2820078	1	Foam, Acoustical	
304	2820082	1	Foam, Acoustical	
305	2820083	1	Foam, Acoustical	
306	3539988	1	Plate, Baffle	
307	4751600	5	Flatwasher 3/8in Regular	

# SECTION 2 - TURNTABLE

## FIGURE 2-24. 2500W GENERATOR INSTALLATION - DEUTZ D2011 MACHINES (OPTIONAL)



## SECTION 2 - TURNTABLE

**FIGURE 2-24. 2500W GENERATOR INSTALLATION - DEUTZ D2011 MACHINES (OPTIONAL)**

ITEM	PART NUMBER	QTY	DESCRIPTION	REV
		Ref	<b>2500W GENERATOR INSTALLATIONS - DEUTZ D2011 MACHINES (OPTIONAL)</b>	
	1001115405	Ref	<b>110V/60Hz (ANSI and ANSI Export Specs)</b>	B
	1001115406	Ref	<b>220V/50Hz (ANSI Export Specs)</b>	B
	1001115409	Ref	<b>220V/50Hz (Australian and CE Specs)</b>	B
1	3580158	1	Pulley	
2		Ref	Generator and Control Box Assembly Options:	
2	2460055	1	110V/60Hz (ANSI and ANSI Export Specs)	
2	2460056	1	220V/50Hz (ANSI Export Specs)	
2	1001100321	1	220V/50Hz (Australian and CE Specs)	
2A	7012558	1	Generator Only - 110V/60Hz	
2A	1001100321	1	Generator Only - 220V/50Hz	
2A		Ref	<b>Note: Replacement Generators come standard with p/n 3580134 pulley. This pulley may not be correct for all applications. Refer to pulley options below.</b>	
2A		Ref	Armature with Slip Rings Options:	
2A	7026199	1	Armature with Slip Rings - 110V/60Hz	
2A	70000123	1	Armature with Slip Rings - 220V/50Hz	
2A	7012513	4	Cap, Brush Holder	
2A	7020108	4	Brush	
2A	7020109	4	Holder, Brush	
2A	7012514	1	Fan	
2A	7020110	1	Bell, Front	
2A	7020111	1	Bell, Rear	
2A	7020190	2	Bearing	
2B	7019680	1	Box, Control - 110V/60Hz	
2B	70000127	1	Box, Control - 220V/50Hz (ANSI Export Specs)	
2B	Not Required	0	Box, Control - 220V/50Hz (Australian and CE Specs)	
2B		Ref	Receptacle Options:	
2B	4460190	1	Receptacle, Standard (110V Only)	
2B	4460027	1	Receptacle, Twistlock (110V Only)	
2B	70000124	1	Receptacle, Double (220V/50Hz Only)	
2B	70000125	1	Receptacle, Single (220V/50Hz Only)	
2B		Ref	Breaker, Circuit Options:	
2B	4360542	1	Breaker 110V/60Hz	
2B	70000126	1	Breaker 220V/50Hz	
2B	3520028	1	Plug, Hole	
2C		Ref	Voltmeter Options:	
2C	2420203	1	Voltmeter - 110V	
2C	7020192	1	Voltmeter - 220V	
2D		Ref	Pulley Options:	
2D	3580276	1	Pulley - 60Hz	
2D	3580134	1	Pulley - 50Hz	
2D	7027887	1	Key, Woodruff	
3		Ref	Decal Options:	
3	3251243	1	110V/60Hz (ANSI and ANSI Export Specs)	
3	Not Required	0	220V/50Hz (ANSI Export, Australian and CE Specs)	
4	0200742	1	Arm, Adjusting	
5	0480121	1	V-Belt	
7	0641610	1	Bolt 3/8in-16NC x 1-1/4in	

## SECTION 2 - TURNTABLE

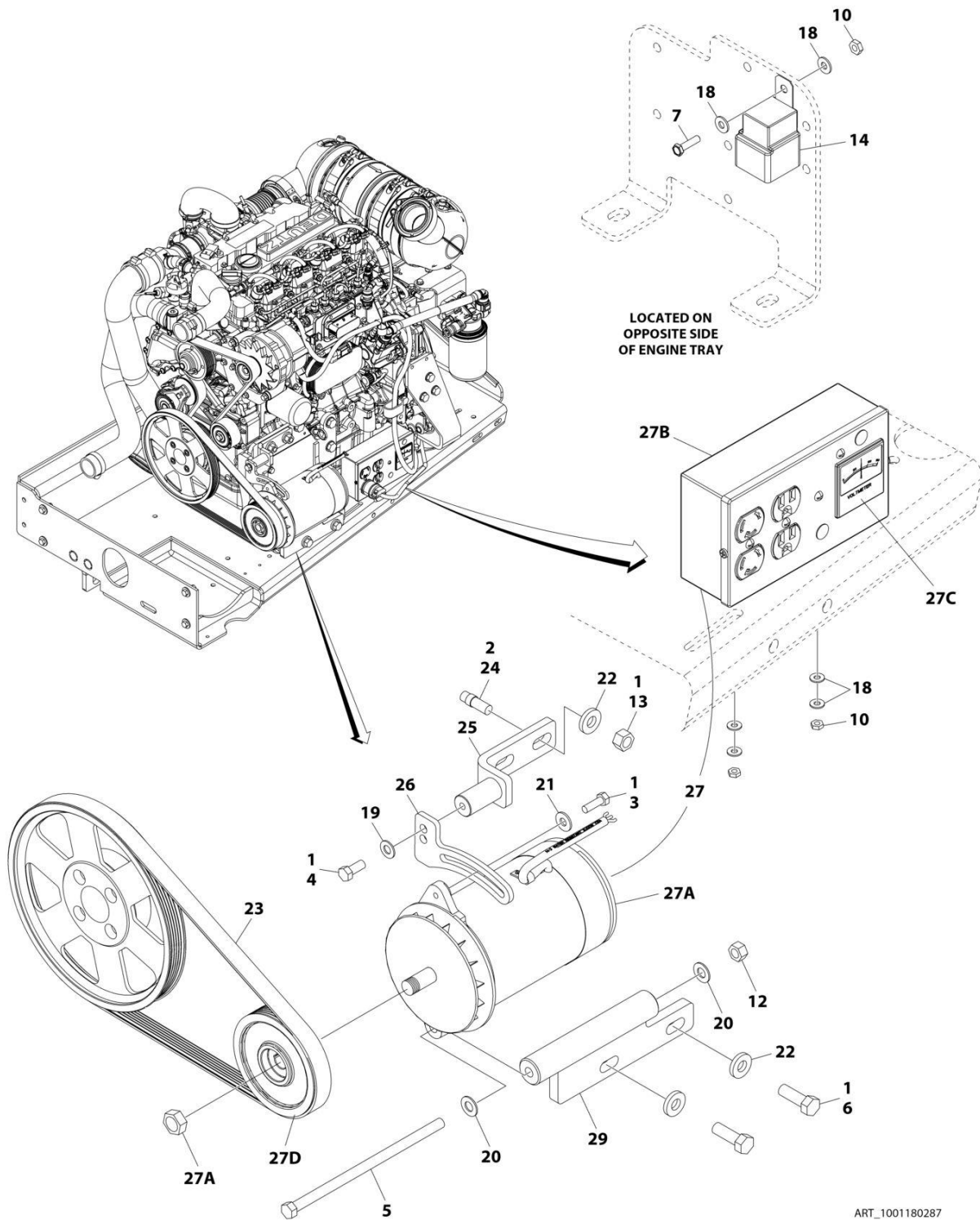
ITEM	PART NUMBER	QTY	DESCRIPTION	REV
8	0100011	AR	Compound, Locking	
9	0641772	1	Bolt 7/16in-14NC x 9in	
10	4751600	6	Flatwasher 3/8in Regular	
11	2860012	1	Key, Woodruff	
12	3311605	1	Locknut 3/8in-16NC	
13	3311705	1	Locknut 7/16in-14NC	
14	3740080	1	Relay	
16	0641508	1	Bolt 5/16in-18NC x 1in	
17	4751500	AR	Flatwasher 5/16in Regular	
20	0721006	AR	Bolt #10-24NC x 3/4in	
21	3311005	AR	Locknut #10-24NC	
22	4751000	AR	Flatwasher #10 Regular	
25	4360336	1	Switch, Toggle (Not Shown - Located at Platform)	
26	4740397	1	Bushing (Not Shown - Located at Platform)	
27	4060802	1	Guard, Switch (Not Shown - Located at Platform)	
28	3252507	1	Decal - 220V - 50/60Hz (Not Shown - Located on Turntable)	
29	2820031	4 in/10cm	Heat Shrink (Not Shown - Located at Platform)	
30	3251102	1	Decal (Not Shown - Located at Platform)	
		Ref	<b>Note: Items 32-43 Used on ANSI Export, Australian and CE Specs Only.</b>	
32	0641404	1	Bolt 1/4in-20NC x 1/2	
33	3252507	2	Decal - 220V - 50Hz	
		Ref	<b>Note: One Decal Not Shown - Located on the Inside of Platform Rail.</b>	
34	3290505	1	Locknut M5 x 0.8mm	
35	4031608	1	Bolt M5 x 20mm	
36	4240018	1	Tie Strap (Not Shown)	
37	4420060	1	Tape, Double Coated Acrylic Foam	
38	4460968	3	Connector, Strain Relief	
39	4811600	1	Flatwasher M5	
40	1001099869	1	Box, Junction	
42		Ref	Light Red Options:	
42	1001100233	1	125 Vac	
42	1001100234	1	250 Vac	
43	0962449	1	Bushing	
	2902085	1	Kit, Powermite Generator Mounting	





# SECTION 2 - TURNTABLE

## FIGURE 2-25. 2500W GENERATOR INSTALLATION - DEUTZ TD2.9L4 (OPTIONAL)



ART\_1001180287

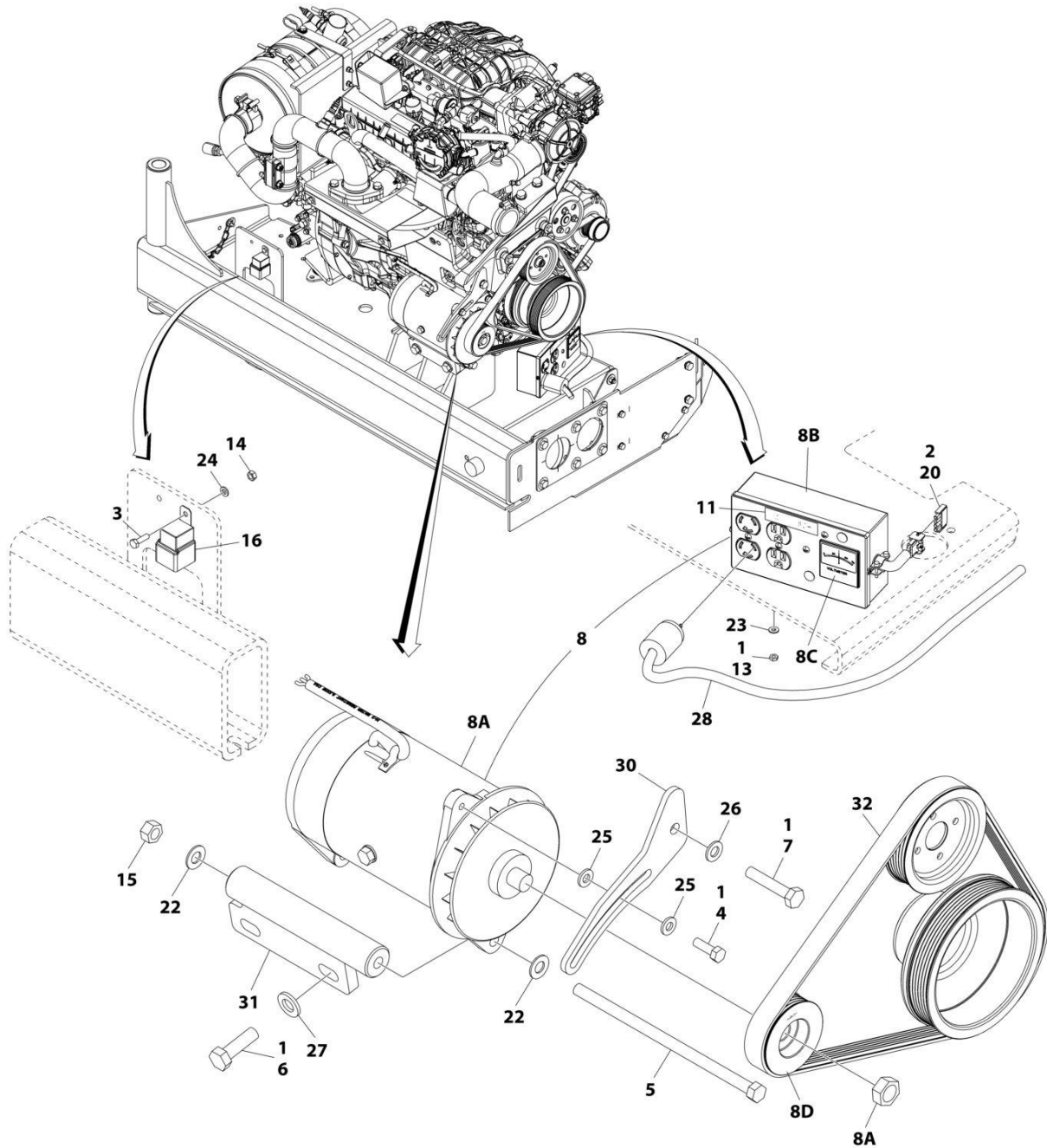
## SECTION 2 - TURNTABLE

### FIGURE 2-25. 2500W GENERATOR INSTALLATION - DEUTZ TD2.9L4 (OPTIONAL)

ITEM	PART NUMBER	QTY	DESCRIPTION	REV
	1001180287	Ref	<b>2500W GENERATOR INSTALLATION - DEUTZ TD2.9L4 (OPTIONAL)</b>	C
1	0100011	AR	Compound, Locking	
2	0100019	AR	Compound, Locking	
3	0641508	1	Bolt 5/16 x 1	
4	0641607	1	Bolt 3/8 x 7/8	
5	0641772	1	Bolt 7/16 x 9	
6	0641812	2	Bolt 1/2 x 1-1/2	
7	0721006	1	Screw #10 x 3/4	
8	2820031	AR	Heat Shrink (Not Shown - Located at Platform)	
9	3251102	1	Name Plate - Generator On (Not Shown - Located at Platform)	
10	3311005	3	Nut #10	
12	3311705	1	Nut 7/16	
13	3311801	2	Nut 1/2	
14	3740080	1	Relay	
15	4060802	1	Guard, Switch (Not Shown - Located at Platform)	
16	4240018	AR	Strap, Cable Tie (Not Shown)	
17	4360336	1	Switch, Toggle (Not Shown - Located at Platform)	
18	4711000	6	Washer #10	
19	4711600	1	Washer 3/8	
20	4711700	2	Washer 7/16	
21	4751500	1	Washer 5/16	
22	4891800	4	Washer 1/2	
23	1001148138	1	V-Belt	
24	1001163599	2	Stud	
25	1001216015	1	Bracket	
26	1001179837	1	Arm, Adjustment	
27	1001180001	1	Generator and Control Box Assembly	
27A	7012558	1	Generator Only - 110V/60Hz	
27A		Ref	<b>Note: Replacement Generators come standard with p/n 3580134 pulley. This pulley may not be correct for all applications. Refer to pulley options below.</b>	
27A	7026199	1	Armature with Slip Rings	
27A	7012513	4	Cap, Brush Holder	
27A	7020108	4	Brush	
27A	7020109	4	Holder, Brush	
27A	7012514	1	Fan	
27A	7020110	1	Bell, Front	
27A	7020111	1	Bell, Rear	
27A	7020190	2	Bearing	
27B	7019680	1	Box, Control - 110V/60Hz	
27B		Ref	Receptacle Options:	
27B	4460190	1	Receptacle, Standard (110V Only)	
27B	4460027	1	Receptacle, Twistlock (110V Only)	
27B	4360542	1	Breaker, Circuit	
27B	3520028	1	Plug, Hole	
27C	2420203	1	Voltmeter	
27D	1001179893	1	Pulley	
27D	7027887	1	Key, Woodruff	
29	1001181243	1	Mount, Generator	

# SECTION 2 - TURNTABLE

## FIGURE 2-26. 2500W GENERATOR INSTALLATION - FORD MACHINES (OPTIONAL)



ART\_1001217188

## SECTION 2 - TURNTABLE

**FIGURE 2-26. 2500W GENERATOR INSTALLATION - FORD MACHINES (OPTIONAL)**

ITEM	PART NUMBER	QTY	DESCRIPTION	REV
	1001217188	Ref	<b>2500W GENERATOR INSTALLATION - FORD MACHINES (OPTIONAL)</b>	G
1	0100011	AR	Compound, Locking	
2	0100048	AR	Grease, Dielectric	
3	0760610	1	Bolt M6 x 20	
4	0641508	1	Bolt 5/16 x 1	
5	0641772	1	Bolt 7/16 x 9	
6	0761216	2	Bolt M12 x 40	
7	0761019	1	Bolt M10 x 55	
8	2460051	1	Generator and Control Box Assembly	
8A	7012558	1	Generator Only - 110V/60Hz	
		Ref	<b>Note: Replacement Generators come standard with pin 3580134 pulley. This pulley may not be correct for all applications. Refer to pulley options below.</b>	
8A	7026199	1	Armature with Slip Rings	
8A	7012513	4	Cap, Brush Holder	
8A	7020108	4	Brush	
8A	7020109	4	Holder, Brush	
8A	7012514	1	Fan	
8A	7020110	1	Bell, Front	
8A	7020111	1	Bell, Rear	
8A	7020190	2	Bearing	
8B	7019680	1	Box, Control - 110V/60Hz	
8B		Ref	Receptacle Options:	
8B	4460190	Ref	Receptacle, Standard (110V Only)	
8B	4460027	1	Receptacle, Twistlock (110V Only)	
8B	4360542	1	Breaker, Circuit	
8B	3520028	1	Plug, Hole	
8C	2420203	1	Voltmeter	
8D	3580324	1	Pulley	
8D	7027887	1	Key, Woodruff	
9	2820031	1	Heat Shrink (Not Shown - Located at Platform)	
10	3251102	1	Nameplate Generator (Not Shown - Located at Platform)	
11	3251243	1	Decal - 120V-60Hz	
13	3311005	2	Nut #10	
14	3290601	1	Nut M6	
15	3311705	1	Nut 7/16	
16	3740080	1	Relay	
17	4060802	1	Guard Switch (Not Shown - Located at Platform)	
18	4240099	AR	Tie-Strap (Not Shown)	
19	4360336	1	Switch, Toggle (Not Shown - Located at Platform)	
20	4460321	1	Plug, Male - 4 Position	
21	4460906	1	Socket, Female (Not Shown)	
22	4711700	2	Washer 7/16	
23	4751000	2	Washer #10	
24	4811700	1	Washer M6	
25	4891500	2	Washer 5/16	
26	4812000	1	Washer M10	
27	5241200	2	Washer M12	
28	4921829	1	Harness, Inverter	

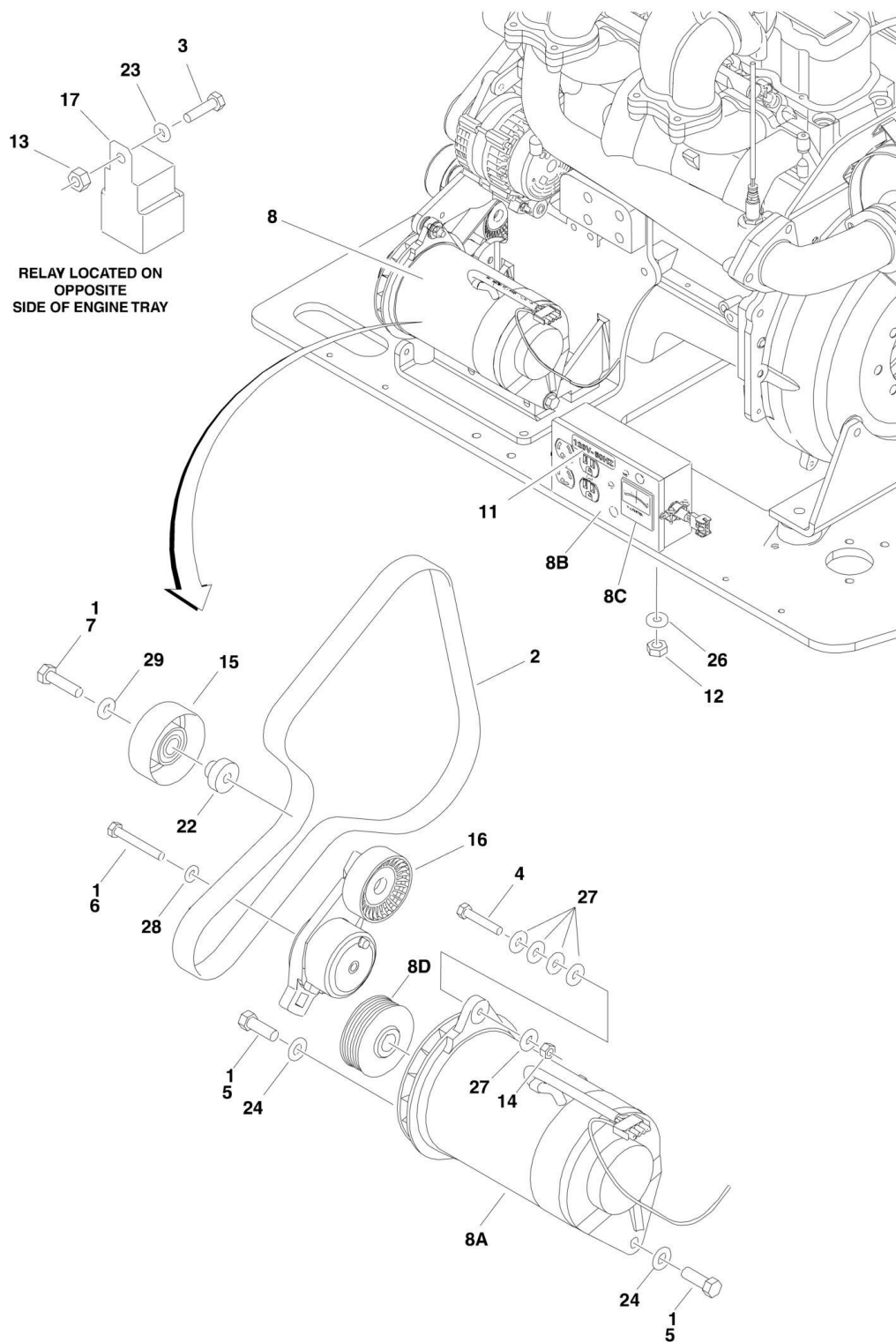
## SECTION 2 - TURNTABLE

ITEM	PART NUMBER	QTY	DESCRIPTION	REV
30	1001219632	1	Arm, Adjustment	
31	1001219630	1	Mount, Generator	
32	1001216391	1	V-Belt	



## SECTION 2 - TURNTABLE

FIGURE 2-27. 2500W GENERATOR INSTALLATION - GM MACHINES (OPTIONAL)





## SECTION 2 - TURNTABLE

### FIGURE 2-27. 2500W GENERATOR INSTALLATION - GM MACHINES (OPTIONAL)

ITEM	PART NUMBER	QTY	DESCRIPTION	REV
		Ref	<b>GENERATOR INSTALLATION OPTIONS:</b>	
	0275039	Ref	<b>110V Generator</b>	F
1	0100011	AR	Compound, Locking	
2	0480142	1	V-Belt	
3	0641405	1	Bolt 1/4in-20NC x 5/8in	
4		Ref	Bolt Options:	
4	0641514	1	Bolt 5/16in-18NC x 1-3/4in	
4	0641510	1	Bolt 5/16in-18NC x 1-1/4in	
5	0641710	2	Bolt 7/16in-14NC x 1-1/4in	
6	0700820	1	Bolt M8 x 60mm	
7	0701016	1	Bolt M10 x 340mm	
8	2460051	1	Generator and Control Box Assembly	
8A	7012558	1	Generator Only - 110V/60Hz	
		Ref	<b>Note: Replacement Generators come standard with p/n 3580134 pulley. This pulley may not be correct for all applications. Refer to pulley options below.</b>	
8A		Ref	Armature with Slip Rings Options:	
8A	7026199	1	Armature with Slip Rings - 110V/60Hz	
8A	70000123	1	Armature with Slip Rings - 220V/50Hz	
8A	7012513	4	Cap, Brush Holder	
8A	7020108	4	Brush	
8A	7020109	4	Holder, Brush	
8A	7012514	1	Fan	
8A	7020110	1	Bell, Front	
8A	7020111	1	Bell, Rear	
8A	7020190	2	Bearing	
8B	7019680	1	Box, Control - 110V/60Hz	
8B		Ref	Receptacle Options:	
8B	4460190	1	Receptacle, Standard (110V Only)	
8B	4460027	1	Receptacle, Twistlock (110V Only)	
8B	4360542	1	Breaker, Circuit	
8B	3520028	1	Plug, Hole	
8C	2420203	1	Voltmeter	
8D	3580324	1	Pulley	
8D	7027887	1	Key, Woodruff	
9	2820031	AR	Heat Shrink (Not Shown - Located at Platform)	
10	3251102	1	Nameplate - Generator (Not Shown - Located at Platform)	
11	3251243	1	Decal - 110 Volt	
12	3311005	2	Locknut # 10-24NC	
13	3311405	1	Locknut 1/4in-20NC	
14	3311505	1	Locknut 5/16in-18NC	
15	3580312	1	Pulley, Idler	
16	3580348	1	Tensioner, Belt	
17	3740080	1	Relay, Bosch	
18	4060802	1	Guard, Switch (Not Shown - Located at Platform)	
19	4240018	AR	Tie-Strap (Not Shown)	
20	4360336	1	Switch, Toggle (Not Shown - Located at Platform)	
21	4460906	3	Terminal (Not Shown)	
22	4568735	1	Spacer, Tube (Idler Pulley Grooved)	
23	4711400	1	Flatwasher 1/4in Thin	

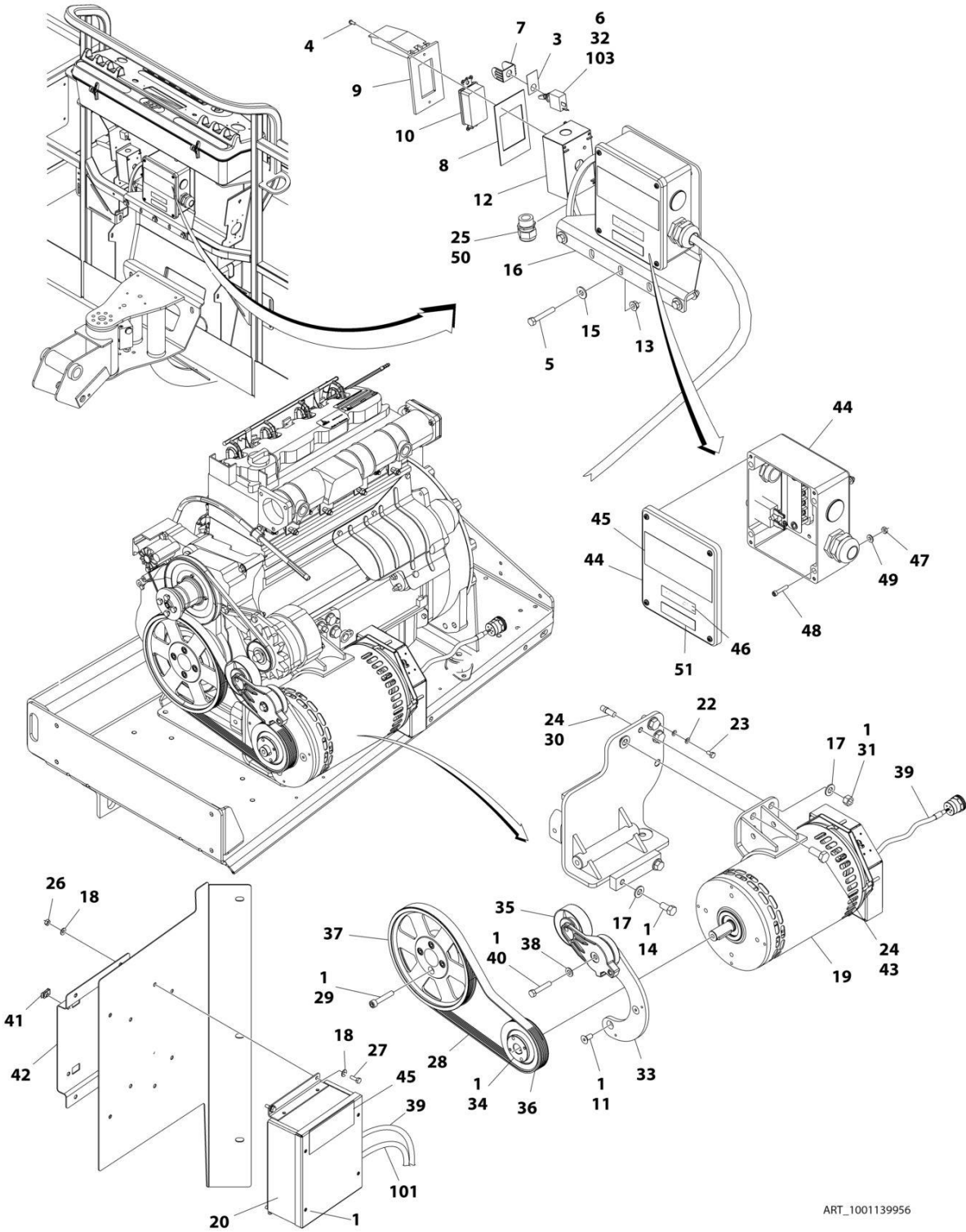
## SECTION 2 - TURNTABLE

ITEM	PART NUMBER	QTY	DESCRIPTION	REV
24	4711700	2	Flatwasher 7/16in Thin	
25	4740397	1	Spacer (Not Shown - Located at Platform)	
26	4751000	2	Flatwasher #10 Regular	
27	4751500	AR	Flatwasher 5/16in Regular	
28	4811900	1	Flatwasher M8	
29	4891600	1	Flatwasher 3/8in Hardened	



# SECTION 2 - TURNTABLE

## FIGURE 2-28. 4000W GENERATOR INSTALLATION - DEUTZ D2011 ENGINES



ART\_1001139956

## SECTION 2 - TURNTABLE

**FIGURE 2-28. 4000W GENERATOR INSTALLATION - DEUTZ D2011 ENGINES**

ITEM	PART NUMBER	QTY	DESCRIPTION	REV
		Ref	<b>4000W Generator Installation - Deutz D2011 Engines</b>	
	1001139956	Ref	<b>4000W/60Hz Generator Installation - Deutz D2011 Engines</b>	B
	1001139957	Ref	<b>4000W/50Hz Generator Installation - Deutz D2011 Engines</b>	D
1	0100011	1	Compound, Locking	
3	3251102	1	Nameplate, Generator	
4	3910606	4	Screw #6 x 3/8	
5	0641516	3	Bolt 5/16 x 2	
6	4360336	1	Switch, Toggle	
7	4060802	1	Guard, Switch	
8	3960422	1	Gasket, AC Receptacle (60Hz)	
9	1001110873	1	Cover, Gang Vertical Receptacle GFCI (60Hz)	
10	4460346	1	Receptacle (60Hz)	
11	0741607	3	Screw 3/8 x 7/8	
12	0860038	1	Box, Switch-Weatherhead (60Hz)	
13	3311508	3	Nut 5/16	
14	0641808	2	Bolt 1/2 x 1	
15	4751500	3	Washer 5/16	
16	0902888	1	Bracket, Junction Box (60Hz)	
17	4711800	3	Washer 1/2	
18	4711400	8	Washer 1/4	
19	1001129858	1	Generator Assembly (60Hz)	
19	1001138565	1	Generator Assembly (50Hz)	
19	70003709	1	Ring, Retaining (External)	
19	70003708	1	Ring, Retaining (Internal)	
19	70001966	1	Bearing	
19	70004092	1	Endbell (Shaft End)	
19	70004171	1	Key	
19	70004676	1	Rotor	
19	70004684	1	Stator (60Hz)	
19	70004677	1	Stator (50Hz)	
19	70004678	1	Endbell (Rear)	
19	70004679	1	Cover, Endbell (Rear)	
19	70004680	1	Enclosure, Wiring	
19	70004685	1	Cover, Enclosure (60Hz)	
19	70004681	1	Cover, Enclosure (50Hz)	
19	70004682	1	Switch, Reset (Located on Enclosure Cover)	
19	70004098	1	Connector, Strain Relief (60Hz) (Located on Enclosure Cover)	
19	70004683	1	Connector, Strain Relief (50Hz) (Located on Enclosure Cover)	
20	1001138566	1	Box, Control	
20	70006552	1	Capacitor	
20	70006553	1	Relay	
21	4240018	AR	Tie-Strap (Not Shown)	
22	4791400	2	Washer 1/4	
23	0641404	1	Bolt 1/4 x 1/2	
24	0100019	AR	Compound, Locking	
25	4460071	1	Connector, Strain Relief (60Hz)	
26	3311405	4	Nut 1/4	
27	0641406	4	Bolt 1/4 x 3/4	
28	0480129	1	Belt, Generator (60Hz)	
28	0480126	1	Belt, Generator (50Hz)	

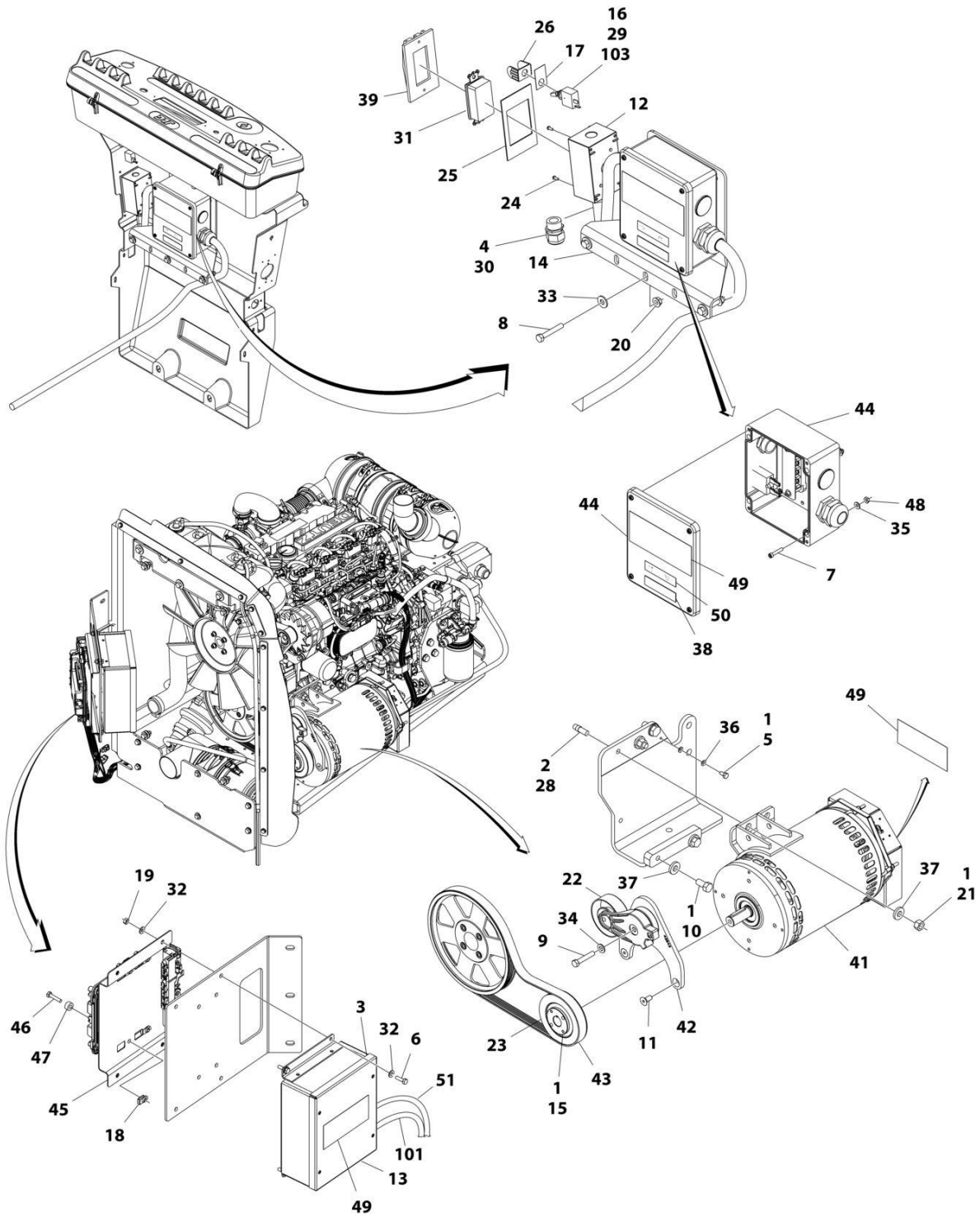
## SECTION 2 - TURNTABLE

ITEM	PART NUMBER	QTY	DESCRIPTION	REV
29	4032015	4	Capscrew M10 x 55	
30	4300157	1	Stud	
31	3311801	1	Nut 1/2	
32	2820031	AR	Heat Shrink	
33	1001139357	1	Mount, Tensioner	
34	0962520	1	Bushing, Split	
35	3580317	1	Tensioner, Belt with Pulley	
36	3580318	1	Pulley, Generator (60Hz)	
36	3580319	1	Pulley, Generator (50Hz)	
37	3580320	1	Pulley, Engine Deutz	
38	4711600	1	Washer 3/8	
39	1001152532	1	Harness, Generator	
40	0641616	1	Bolt 3/8 x 2	
41	3300454	4	Nut, U-Style 1/4	
42	3575863	1	Plate	
43	0771415	1	Bolt M14 x 35 Grade 10.9	
44	1001152457	1	Junction Box Assembly (60Hz)	
44	3300396	1	Cover, Breaker	
44	4360070	1	Breaker, Circuit - 15Amp	
44	4460425	1	Connector, Strain Relief (LH Side)	
44	4460426	1	Connector, Strain Relief (RH Side)	
44	1001152530	1	Block, Terminal	
44	1001158363	1	Cover, Terminal Block	
44	1001153260	1	Decal - Wiring Diagram	
45	1705387	3	Decal - Hazardous Voltage (60Hz)	
45	1705489	2	Decal - Hazardous Voltage (50Hz)	
46	3251243	1	Decal, 120V-60Hz (60Hz)	
47	3311005	4	Nut #10	
48	3931016	4	Capscrew #10 x 1	
49	4751000	4	Washer #10	
50	0100020	AR	Sealant	
51	1705374	1	Decal, 240V-60Hz (60Hz)	
61	1001096070	1	Breaker Box Kit (Not Shown) (50Hz) (See ELECTRICAL SECTION for Breakdown)	
62	1001153636	1	Bracket (Attaches Item 61) (Not Shown) (50Hz)	
66	0641415	2	Capscrew 1/4 x 1-7/8 (Attaches Item 61) (Not Shown) (50Hz)	
		Ref	<b>ELECTRICAL DIAGRAM COMPONENTS</b>	
101	1001153197	1	Harness, Generator	
103	4922641	1	Harness, Switch	
105	1001164091	1	Harness, Ground (50Hz) (Not Shown)	



# SECTION 2 - TURNTABLE

## FIGURE 2-29. 4000W GENERATOR INSTALLATION - DEUTZ TD2.9L4 ENGINES



ART\_1001171126



# SECTION 2 - TURNTABLE

**FIGURE 2-29. 4000W GENERATOR INSTALLATION - DEUTZ TD2.9L4 ENGINES**

ITEM	PART NUMBER	QTY	DESCRIPTION	REV
		Ref	<b>4000W Generator Installation - Deutz TD2.9L4 Engines</b>	
	1001171126	Ref	<b>4000W/60Hz Generator Installation - Deutz TD2.9L4 Engines</b>	B
	1001171268	Ref	<b>4000W/50Hz Generator Installation - Deutz TD2.9L4 Engines</b>	C
1	0100011	AR	Compound, Locking	
2	0100019	AR	Compound, Locking	
3	0100048	AR	Grease, Dielectric	
4	0100079	AR	Sealant	
5	0641404	1	Bolt 1/4 x 1/2	
6	0641407	4	Bolt 1/4 x 7/8	
7	3931016	4	Capscrew #10 x 1	
8	0641516	3	Bolt 5/16 x 2	
9	0641616	1	Bolt 3/8 x 2 (60Hz)	
9	0641618	1	Bolt 3/8 x 2-1/4 (50Hz)	
10	0641808	2	Bolt 1/2 x 1	
11	0741607	3	Screw, Flathead 3/8in-16NC x 7/8in	
12	0860038	1	Box, Switch (60Hz)	
13	1001138566	1	Box, Control	
13	70006552	1	Capacitor	
13	70006553	1	Relay	
14	0902888	1	Bracket, Junction Box (60Hz)	
15	0962520	1	Bushing, Split	
16	2820031	0.33 ft /.10m	Heat Shrink	
17	3251102	1	Nameplate, Generator	
18	3300454	4	Nut, U-Style 1/4	
19	3311405	4	Nut 1/4	
20	3311508	3	Nut 5/16	
21	3311801	2	Nut 1/2	
22	3580317	1	Tensioner, Belt with Pulley	
23	3580318	1	Pulley, Generator (60Hz)	
23	3580319	1	Pulley, Generator (50Hz)	
24	3910606	4	Screw #6 x 3/8	
25	3960422	1	Gasket, AC Receptacle (60Hz)	
26	4060802	1	Guard, Switch	
27	4240018	AR	Tie-Strap (Not Shown)	
28	1001163599	2	Stud	
29	4360336	1	Switch, Toggle	
30	4460071	1	Connector, Strain Relief (60Hz)	
31	4460346	1	Receptacle (60Hz)	
32	4711400	8	Washer 1/4	
33	4751500	3	Washer 5/16	
34	4711600	1	Washer 3/8	
35	4751000	4	Washer #10	
36	4791400	2	Washer 1/4	
37	4891800	4	Washer 1/2	
38	1705374	1	Decal, 240V (60Hz)	
39	1001110873	1	Cover, Receptacle (60Hz)	
41	1001140346	1	Generator Assembly (60Hz)	
41	1001140347	1	Generator Assembly (50Hz)	
41	70003709	1	Ring, Retaining (External)	

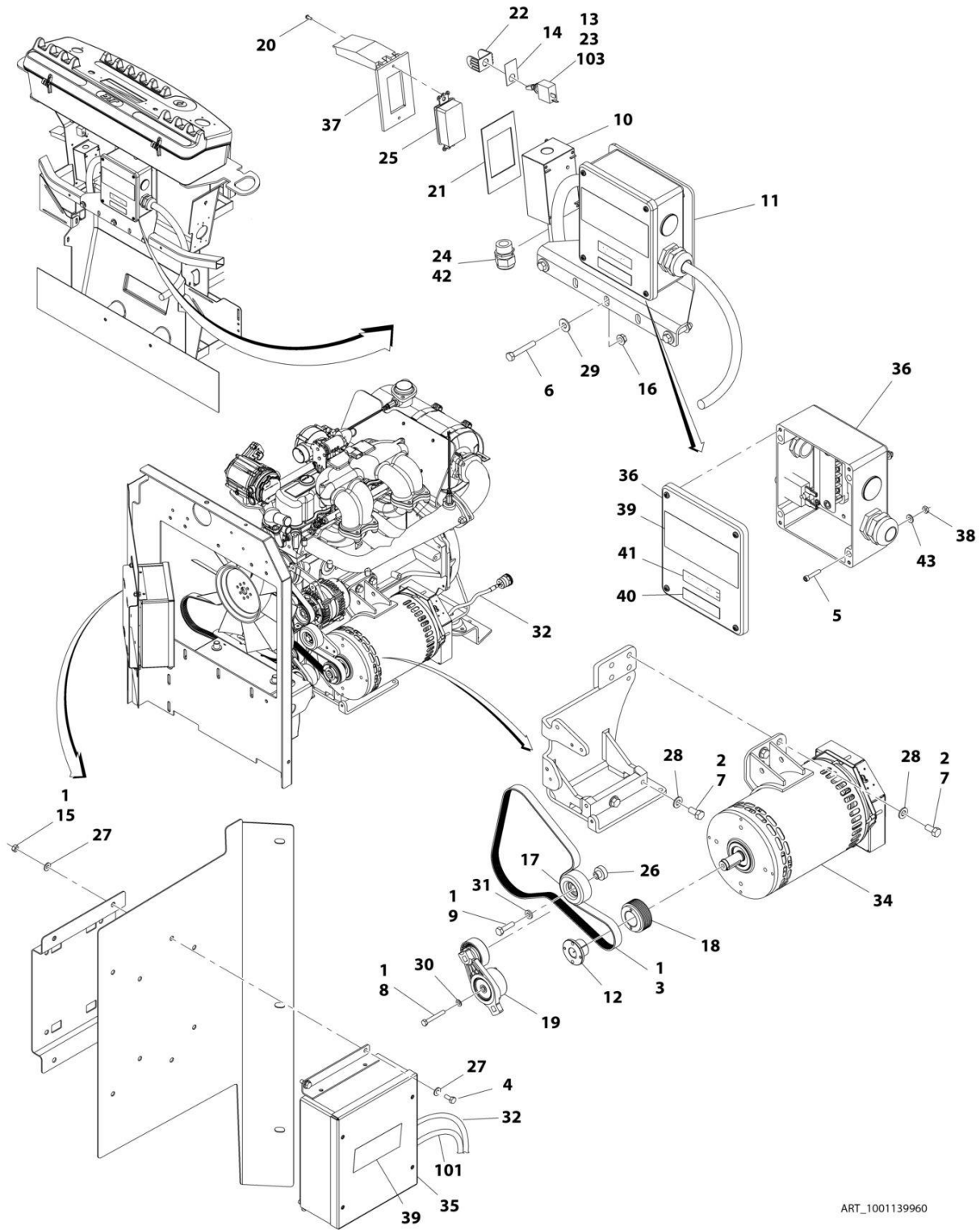
## SECTION 2 - TURNTABLE

ITEM	PART NUMBER	QTY	DESCRIPTION	REV
41	70003708	1	Ring, Retaining (Internal)	
41	70001966	1	Bearing	
41	70004092	1	Endbell (Shaft End)	
41	70004099	1	Key	
41	70004676	1	Rotor	
41	70004687	1	Stator (60Hz)	
41	70004686	1	Stator (50Hz)	
41	70004678	1	Endbell (Rear)	
41	70004679	1	Cover, Endbell (Rear)	
41	70004680	1	Enclosure, Wiring	
41	70004685	1	Cover, Enclosure (60Hz)	
41	70004681	1	Cover, Enclosure (50Hz)	
41	70004682	1	Switch, Reset (Located on Enclosure Cover)	
41	70004098	1	Connector, Strain Relief (60Hz) (Located on Enclosure Cover)	
41	70004683	1	Connector, Strain Relief (50Hz) (Located on Enclosure Cover)	
41	4460224	1	Receptacle, Female - 6 Position (Connects to Generator Harness)	
41	4460294	6	Pin, Male (Use with p/n 4460224)	
41	4460807	6	Seal, Terminal (Use with p/n 4460224)	
41	4460808	1	Seal, INterface (Use with p/n 4460224)	
42	1001142643	1	Support, Gen Tensioner	
43	1001142646	1	Belt, Generator (60Hz)	
43	See Note	1	Belt, Generator (50Hz)	
44	1001152457	1	Junction Box Assembly (60Hz)	
44	3300396	1	Cover, Breaker	
44	4360070	1	Breaker, Circuit - 15Amp	
44	4460425	1	Connector, Strain Relief (LH Side)	
44	4460426	1	Connector, Strain Relief (RH Side)	
44	1001152530	1	Block, Terminal	
44	1001158363	1	Cover, Terminal Block	
44	1001153260	1	Decal - Wiring Diagram	
45	1001145330	1	Bracket	
46	0641410	4	Bolt 1/4 x 1-1/4	
47	1001110425	4	Spacer	
48	3311005	4	Nut #10	
49	1705387	3	Decal - Hazardous Voltage (60Hz)	
49	1705489	2	Decal - Hazardous Voltage (50Hz)	
50	3251243	1	Decal, 120V-60Hz (60Hz)	
51	1001152532	1	Harness, Generator	
75	1001096070	1	Breaker Box Kit (Not Shown) (50Hz) (See ELECTRICAL SECTION for Breakdown)	
76	1001153636	1	Bracket (Used to Attach Item 75) (Not Shown) (50Hz)	
		Ref	<b>ELECTRICAL DIAGRAM COMPONENTS</b>	
101	1001153197	1	Harness, Generator (SN 0300177361 through 0300213430)	
101	1001153259	1	Harness, Generator (SN 0300213431 through 0300272252)	
103	4922641	1	Harness, Switch	
105	1001164091	1	Harness, Ground (50Hz) (Not Shown)	



# SECTION 2 - TURNTABLE

## FIGURE 2-30. 4000W GENERATOR INSTALLATION - GM ENGINES



ART\_1001139960

## SECTION 2 - TURNTABLE

**FIGURE 2-30. 4000W GENERATOR INSTALLATION - GM ENGINES**

ITEM	PART NUMBER	QTY	DESCRIPTION	REV
	1001139960	Ref	<b>4000W GENERATOR INSTALLATION - GM ENGINES</b>	B
1	0100011	AR	Compound, Locking	
2	0100019	AR	Compound, Locking	
3	0480142	1	Belt, Generator	
4	0641405	4	Bolt 1/4 x 5/8	
5	3931016	4	Capscrew #10 x 1	
6	0641516	3	Bolt 5/16 x 2	
7	0641808	4	Bolt 1/2 x 1	
8	0700820	1	Bolt M8 x 60	
9	0701016	1	Bolt M10 x 40	
10	0860038	1	Box, Switch	
11	0902888	1	Bracket, Junction Box	
12	0962520	1	Bushing, Split	
13	2820031	33 ft / 10.05m	Heat Shrink	
14	3251102	1	Nameplate, Generator	
15	3311405	4	Nut 1/4	
16	3311508	3	Nut 5/16	
17	3580312	1	Pulley, Idler	
18	3580314	1	Pulley, Drive	
19	3580348	1	Tensioner, Belt with Pulley	
20	3910606	4	Screw #6 x 3/8	
21	3960422	1	Gasket	
22	4060802	1	Guard, Switch	
23	4360336	1	Switch, Toggle	
24	4460071	1	Connector, Strain Relief	
25	4460346	1	Receptacle	
26	4568735	1	Tube, Spacer	
27	4711400	8	Washer 1/4	
28	4711800	4	Washer 1/2	
29	4751500	3	Washer 5/16	
30	4811900	1	Washer, M8	
31	4891600	1	Washer 3/8	
32	1001152532	1	Harness, Generator	
34	1001129858	1	Generator Assembly	
34	70003709	1	Ring, Retaining (External)	
34	70003708	1	Ring, Retaining (Internal)	
34	70001966	1	Bearing	
34	70004092	1	Endbell (Shaft End)	
34	70004171	1	Key	
34	70004676	1	Rotor	
34	70004684	1	Stator	
34	70004678	1	Endbell (Rear)	
34	70004679	1	Cover, Endbell (Rear)	
34	70004680	1	Enclosure, Wiring	
34	70004685	1	Cover, Enclosure	
34	70004682	1	Switch, Reset (Located on Enclosure Cover)	
34	70004098	1	Connector, Strain Relief (Located on Enclosure Cover)	
35	1001138566	1	Box, Control	
35	70006552	1	Capacitor	

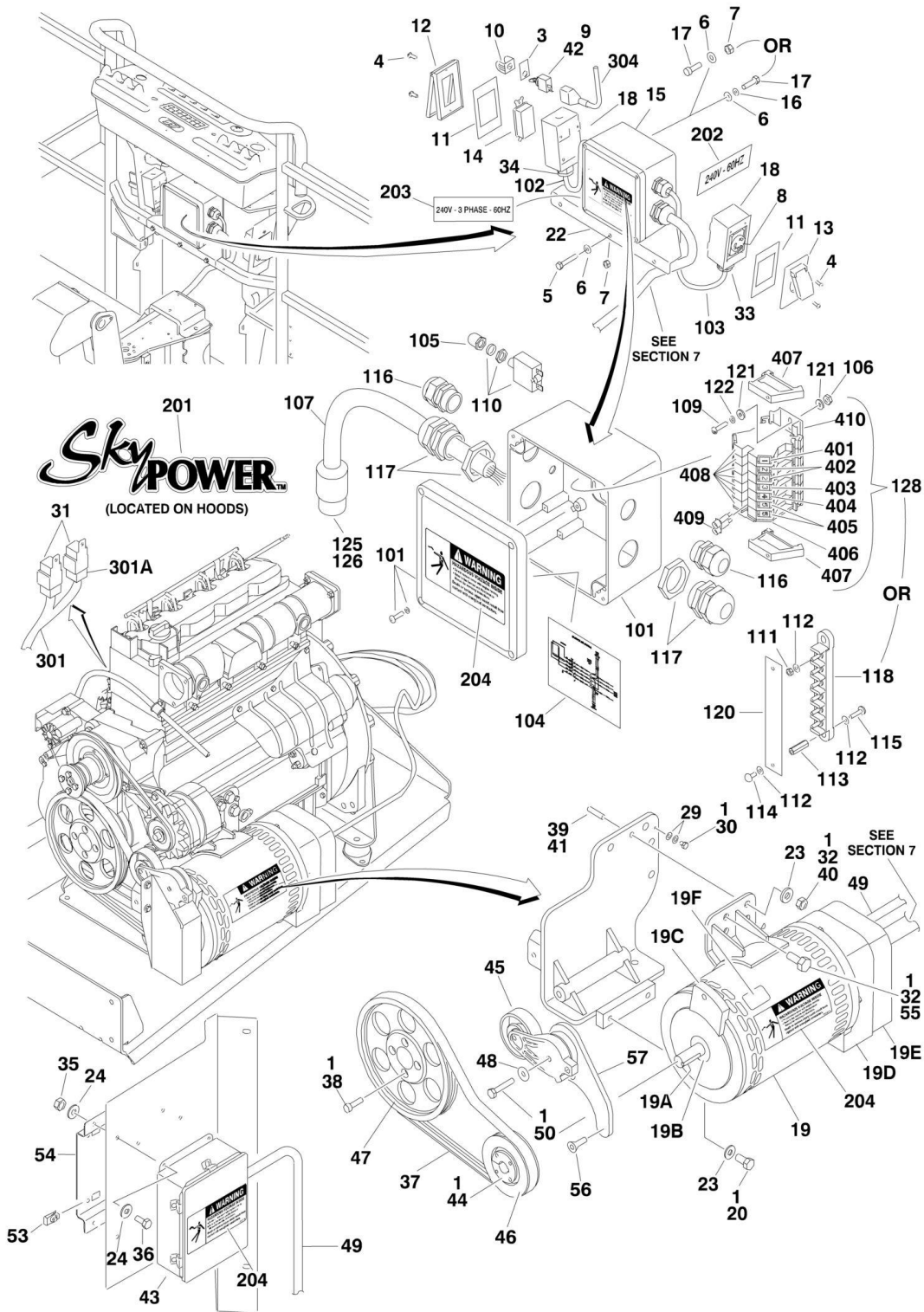
## SECTION 2 - TURNTABLE

ITEM	PART NUMBER	QTY	DESCRIPTION	REV
35	70006553	1	Relay	
36	1001152457	1	Junction Box Assembly	
36	3300396	1	Cover, Breaker	
36	4360070	1	Breaker, Circuit - 15Amp	
36	4460425	1	Connector, Strain Relief (LH Side)	
36	4460426	1	Connector, Strain Relief (RH Side)	
36	1001152530	1	Block, Terminal	
36	1001158363	1	Cover, Terminal Block	
36	1001153260	1	Decal - Wiring Diagram	
37	1001110873	1	Cover	
38	3311005	4	Nut #10	
39	1705387	3	Decal - Hazardous Voltage	
40	1705374	1	Decal - 240V-60Hz	
41	3251243	1	Decal - 120V-60Hz	
42	0100020	AR	Sealant	
43	4751000	4	Washer #10	
		Ref	<b>ELECTRICAL DIAGRAM COMPONENTS</b>	
101	1001153197	1	Harness, Generator	
103	4922641	1	Harness, Switch	



# SECTION 2 - TURNTABLE

FIGURE 2-31. 7500W SKYPOWER GENERATOR INSTALLATION - DEUTZ ENGINES





# SECTION 2 - TURNTABLE

**FIGURE 2-31. 7500W SKYPOWER GENERATOR INSTALLATION - DEUTZ ENGINES**

ITEM	PART NUMBER	QTY	DESCRIPTION	REV
		Ref	<b>7500W SKYPOWER GENERATOR INSTALLATION</b>	
	1001115391	Ref	<b>60Hz and Deutz D2011 Engine (ANSI and ANSI Export Specs)</b>	F
	1001145227	Ref	<b>60Hz and Deutz TD2.9L4 Engine (ANSI and ANSI Export Specs)</b>	G
	1001115392	Ref	<b>50Hz and Deutz D2011 Engine (ANSI Export, Australian and CE Specs)</b>	E
	1001145228	1	50Hz and Deutz TD2.9L4 Engine (ANSI Export, Australian and CE Specs)	D
		Ref	<b>Note: See ELECTRICAL SECTION for Boom Cable Components.</b>	
1	0100011	AR	Compound, Locking	
3	3252764	1	Nameplate	
4	3910606	8	Screw #6-32NC x 3/8in	
5	0641516	3	Bolt 5/16in-18NC x 2in	
6		Ref	Flatwasher Options:	
6	4711500	AR	Flatwasher 5/16in Thin	
6	4751000	AR	Flatwasher #10 Regular	
7		Ref	Locknut Options:	
7	3311505	AR	Locknut 5/16in-18NC	
7	3311005	AR	Locknut #10-24NC	
8		Ref	Receptacle, Female Twist-Lock Options (Deutz 2011 Engines Only)	
8	4460958	1	60Hz (ANSI and ANSI Export Specs)	
8	See Note	1	50Hz (ANSI Export, Australian and CE Specs) (Note: Not Available - Purchase Locally)	
9	4360336	1	Switch, Toggle	
10	4060802	1	Guard, Switch	
11		Ref	Gasket Options:	
11	3960422	AR	60Hz (ANSI and ANSI Export Specs)	
11	See Note	AR	50Hz (ANSI Export, Australian and CE Specs) (Note: Not Available - Purchase Locally)	
12		Ref	Cover, Receptacle Options:	
12	See Note	1	Cover for 50Hz (ANSI Export, Australian and CE Specs) (Note: Not Available - Purchase Locally)	
12	1001110873	1	Cover for 60Hz (ANSI and ANSI Export Specs)	
13		Ref	Cover, Receptacle Options (Deutz D2011 Engines Only)	
13	See Note	1	Cover for 50Hz (ANSI Export, Australian and CE Specs) (Note: Not Available - Purchase Locally)	
13	1001110872	1	Cover for 60Hz (ANSI and ANSI Export Specs)	
14		Ref	Receptacle Options:	
14	4460346	1	60Hz (ANSI and ANSI Export Specs)	
14	See Note	1	50Hz (ANSI Export, Australian and CE Specs) (Note: Not Available - Purchase Locally)	
15		Ref	Junction Box Assembly Options (See Items 101-128 for Breakdown)	
15	0861542	1	60Hz and Deutz D2011 Engines (ANSI and ANSI Export Spec) <b>(SN 0300177361 through 0300182752)</b>	
15	1001157592	1	60Hz and Deutz D2011 Engines (ANSI and ANSI Export Spec) <b>(SN 0300182753 through 0300272252)</b>	
15	1001157592	1	60Hz and Deutz TD2.9L4 Engines (ANSI and ANSI Export Spec)	
15	0861567	1	50Hz and Deutz D2011 Engines (ANSI Export, Australian and CE Specs) <b>(SN 0300177361 through 0300182752)</b>	

## SECTION 2 - TURNTABLE

ITEM	PART NUMBER	QTY	DESCRIPTION	REV
15	1001157525	1	50Hz and Deutz D2011 Engines (ANSI Export, Australian and CE Specs) <b>(SN 0300182753 through 0300272252)</b>	
15	0861567	1	50Hz and Deutz TD2.9L4 Engines (ANSI Export, Australian and CE Specs)	
16	4761500	4	Lockwasher 5/16in	
17		Ref	Fastener Options:	
17	0641505	4	Bolt 5/16in-18NC x 5/8in	
17	3931016	4	Capscrew #10-24NC x 1in	
18		Ref	Box, Switch Options:	
18	0860038	AR	60Hz (ANSI and ANSI Export Specs)	
18	See Note	AR	50Hz (ANSI Export, Australian and CE Specs) (Note: Not Available - Purchase Locally)	
19		Ref	Generator Assembly Options:	
19	2460048	1	Deutz D2011 Engine	D
19	1001136988	1	Deutz TD2.9L4 Engine <b>(SN 0300177361 through 0300226221)</b>	F
19	1001212223	1	Deutz TD2.9L4 Engine <b>(SN 03002261222 through 0300272252)</b>	A
19	70001100	1	Rotor (Includes p/n 70001384 & 70000863) (Not Shown)	
19	70001384	1	Bearing, Ball Radial (Not Shown)	
19	70000863	1	Fan (Not Shown)	
19		Ref	Stator Options (Not Shown)	
19	70002088	1	2460048 Generator	
19	70004093	1	1001136988 Generator	
19	70006093	1	1001212223 Generator	
19	70002297	1	Stud	
19	70003631	1	Brushholder Assembly (Not Shown) (was p/n 7024484)	
19A		Ref	Key (was p/n 7024561)	
19A	70004171	1	2460048 Generator (was p/n 7024561)	
19A	70004099	1	1001136988 & 1001212223 Generators	
19B	70001966	1	Bearing, Ball Radial (Located in Belt Tensioner Endbell)	
19B	70003708	1	Ring, Internal Retaining (Located in Belt Tensioner Endbell)	
19B	70003709	1	Ring, External Retaining (Located in Belt Tensioner Endbell)	
19C		Ref	Endbell, Belt Tensioner	
19C	70001953	1	2460048 Generator	
19C	70004092	1	1001136988 & 1001212223 Generators	
19D		Ref	Endbell, Brush Block Options (was p/n 70001385)	
19D	70004169	1	2460048 Generator (was p/n 70001385)	
19D	70004094	1	1001136988 & 1001212223 Generators	
19E		Ref	Shroud Options:	
19E	70004169	1	2460048 Generator (was p/n 70002290)	
19E	70004096	1	1001136988 Generator	
19E	70006094	1	1001212223 Generator	
19E		Ref	Block, Connector 6 Position (Not Shown)	
19E	7027799	1	2460048 Generator	
19E	70004097	1	1001136988 Generator	
19E	70002291	1	1001212223 Generator	
19E	7026626	1	Connector - 6 Position with Seal (Not Shown)	
19E	70002460	1	Nut, Brass (Attaches p/n 7027799 to Cover) (Not Shown)	
19E		Ref	Breaker, Circuit 30Amp Options (Not Shown):	
19E	7024485	1	2460048 & 1001136988 Generators	
19E	70006095	1	1001212223 Generator	

## SECTION 2 - TURNTABLE

ITEM	PART NUMBER	QTY	DESCRIPTION	REV
19E		Ref	Boot, Breaker Options (Not Shown):	
19E	70001696	1	2460048 & 1001136988 Generators (was p/n 7024486)	
19E	70006096	1	1001212223 Generators	
19E	7026597	1	Connector, W/Leads (Not Shown)	
19E		Ref	Clamp, Cable (Not Shown)	
19E	7026188	1	2460048 Generator	
19E	70004098	1	1001136988 & 1001212223 Generators	
19E	70003708	1	Ring, Retaining (Internal) (Not Shown)	
19E	70003709	1	Ring, Retaining (External) (Not Shown)	
19E		Ref	Plate, End Panel Options:	
19E	70004169	1	2460048 Generator (was p/n 70002255)	
19E	70004095	1	1001136988 Generator	
19E	70006097	1	1001212223 Generator	
19E	70001974	1	Decal - Terminal Connections	
19F	70001973	1	Decal - Warning Moving Parts	
20	0641808	2	Bolt 1/2in-13NC x 1in	
22	0902888	1	Bracket, Box Mounting	
23		Ref	Flatwasher 1/2in Options:	
23	4711800	AR	Flatwasher 1/2in Thin	
23	4891800	AR	Flatwasher 1/2in Hardened	
24	4711400	AR	Flatwasher 1/4in Thin	
28	4240018	AR	Tie-Strap (Not Shown)	
29	4791400	2	Starwasher 1/4in	
30		Ref	Bolt 1/4in-20NC Options:	
30	0641403	1	Bolt 1/4in-20NC x 3/8in	
30	0641404	1	Bolt 1/4in-20NC x 1/2in	
31	3740080	2	Relay (Deutz D2011 Engines Only) <b>(SN 0300177361 through 0300181890)</b>	
32	0100019	AR	Compound, Locking	
33		Ref	Connector, Strain Relief Options (Deutz D2011 Engines Only)	
33	4460051	1	60Hz (ANSI and ANSI Export Specs)	
33	See Note	1	50Hz (ANSI Export, Australian and CE Specs) (Note: Not Available - Purchase Locally)	
34		Ref	Connector, Strain Relief Options:	
34	4460071	1	60Hz (ANSI and ANSI Export Specs)	
34	See Note	1	50Hz (ANSI Export, Australian and CE Specs) (Note: Not Available - Purchase Locally)	
35	3311405	AR	Locknut 1/4in-20NC	
36		Ref	Bolt 1/4in-20NC Options:	
36	0641406	AR	Bolt 1/4in-20NC x 3/4in	
36	0641405	AR	Bolt 1/4in-20NC x 5/8in	
37		Ref	Belt, Drive Options:	
37	0480129	1	60Hz and Deutz D2011 Engine (ANSI and ANSI Export Spec)	
37	1001142646	1	60Hz and Deutz TD2.9L4 Engine (ANSI and ANSI Export Spec)	
37	0480126	1	50Hz (ANSI Export, Australian and CE Specs)	
38	4032015	4	Capscrew M10 x 55mm	
39	4300157	1	Stud (Deutz D2011 Engine)	
39	1001163599	1	Stud (Deutz TD2.9L4 Engine)	
40	3311801	1	Nut 1/2in-13NC	
41	0100062	AR	Adhesive, Loctite #680	
42	2820031	1	Insulator	

## SECTION 2 - TURNTABLE

ITEM	PART NUMBER	QTY	DESCRIPTION	REV
43		Ref	Control Box Assembly Options:	
43	0861538	1	60Hz Control Box Assembly (ANSI and ANSI Export Specs)	
43	0861572	1	50Hz Control Box Assembly (ANSI Export, Australian and CE Specs)	
43	7024488	1	Card, Circuit - Generator Power	
43	See Note	1	Fuse (Note: Not Available - Purchase Locally)	
43	7024489	1	Card, Circuit - Control	
		Ref	<b>Note: Same Circuit Card (p/n 7024489) is used for both 60Hz and 50Hz. When replacing card, rocker switch on card must be set for required application.</b>	
43	70000619	1	Harness, Circuit Card	
44	0962520	1	Bushing, Split Taper	
45	3580317	1	Tensioner, Belt	
46		Ref	Pulley Options:	
46	3580318	1	60Hz (ANSI and ANSI Export Specs)	
46	3580319	1	50Hz (ANSI Export, Australian and CE Specs)	
47	3580320	1	Pulley	
48	4711600	1	Flatwasher 3/8in Thin	
49	4922925	1	Harness, Generator	
50		Ref	Bolt 3/8in-16NC Options:	
50	0641616	1	Bolt 3/8in-16NC x 2in	
50	0641618	1	Bolt 3/8in-16NC x 2-1/4in	
53	3300454	4	Nut Special 1/4in-20NC	
54		Ref	Plate, EMR2 Mount Options:	
54	3575863	1	Deutz D2011 Engine	
54	1001145330	1	Deutz TD2.9L4 Engine	
55	0771415	1	Bolt M14 x 35mm	
56	0741607	2	Screw, Flathead 3/8in-16NC x 7/8in (Deutz TD2.9L4 Engines Only)	
57	1001142643	1	Bracket (Deutz TD2.9L4 Engines Only)	
		Ref	<b>JUNCTION BOX ASSEMBLY</b>	
	0861542	Ref	<b>60Hz and Deutz D2011 Engines (ANSI and ANSI Export Spec) (SN 0300177361 through 0300182752)</b>	E
	1001157592	Ref	<b>60Hz and Deutz D2011 Engines (ANSI and ANSI Export Spec) (SN 0300182753 through 0300272252)</b>	C
	1001157592	Ref	<b>60Hz and Deutz TD2.9L4 Engines (ANSI and ANSI Export Spec)</b>	C
	0861567	Ref	<b>50Hz and Deutz D2011 Engines (ANSI Export, Australian and CE Specs) (SN 0300177361 through 0300182752)</b>	B
	1001157525	Ref	<b>50Hz and Deutz D2011 Engines (ANSI Export, Australian and CE Specs) (SN 0300182753 through 0300272252)</b>	B
	0861567	Ref	<b>50Hz and Deutz TD2.9L4 Engines (ANSI Export, Australian and CE Specs)</b>	B
101		Ref	Box, Junction Options:	
101	0861541	1	Deutz D2011 Engines (SN 0300177361 through 0300182752)	
101	1001157521	1	Deutz D2011 Engines (SN 0300182753 through 0300272252)	
101	1001157521	1	Deutz TD2.9L4 Engines	
102		Ref	Cable, Electrical 12/3 Options:	
102	1060494	2 ft/.6m	60Hz (ANSI and ANSI Export Specs) (SN 0300177361 through 0300205261)	
102	1001179154	2 ft/.6m	60Hz (ANSI and ANSI Export Specs) (SN 0300205262 through 0300272252)	

## SECTION 2 - TURNTABLE

ITEM	PART NUMBER	QTY	DESCRIPTION	REV
102	See Note	2 ft/.6m	50Hz (ANSI Export, Australian and CE Specs) (Note: Not Available - Purchase Locally) <b>(SN 0300177361 through 0300182752)</b>	
103		Ref	Cable, Electrical 10/3 Options:	
103	1060708	2.5 ft /.76m	60Hz and Deutz D2011 Engines (ANSI and ANSI Export Spec) <b>(SN 0300177361 through 0300182752)</b>	
103	Not Required	0	60Hz and Deutz D2011 Engines (ANSI and ANSI Export Spec) <b>(SN 0300182753 through 0300272252)</b>	
103	Not Required	0	60Hz and Deutz TD2.9L4 Engines (ANSI and ANSI Export Spec)	
103	See Note		50Hz (ANSI Export, Australian and CE Specs) (Note: Not Available - Purchase Locally)	
104		Ref	Decal - Wiring Schematic Options:	
104	1705376	1	Deutz D2011 Engines <b>(SN 0300177361 through 0300182752)</b>	
104	1001157528	1	Deutz D2011 Engines <b>(SN 0300182753 through 0300272252)</b>	
104	1001157528	1	Deutz TD2.9L4 Engines (60Hz)	
104	1705376	1	Deutz TD2.9L4 Engines (50Hz)	
105	3300396	1	Cover, Fuse	
106	3310601	2	Nut 6-32NC	
107	1060343	AR	Cable, Electrical 10/4 (60Hz Spec Only)	
109	3910610	2	Bolt 6-32NC x 5/8	
110	4360070	1	Circuit Breaker - 15 Amp	
111	3311001	6	Nut #10-24NC	
112	4711000	10	Flatwasher #10 Thin	
113	1001158008	2	Stand-Off	
114	10702077	2	Screw #10-32NF x 3/8in	
115	10702082	2	Screw #10-32NF x 3/4in	
116	4460425	AR	Strain Relief, Terminal	
116	3520192	AR	Plug (50Hz Spec Only)	
117	4460426	AR	Connector, Strain Relief (60Hz Spec Only)	
117	3520189	AR	Plug (50Hz Spec Only)	
118	1001157520	1	Block, Terminal - 6 Pole	
120	1001158007	1	Cover, PVC	
121	4750600	4	Flatwasher #6 Regular	
122	4760600	2	Lockwasher #6	
125	1671092	1	Cover (60Hz Spec Only)	
126	4460963	1	Connector (60Hz Spec Only)	
128	1001121340	1	Terminal Block Assembly (Deutz D2011 Engines) (See Items 401-410 for Breakdown) <b>(SN 0300177361 through 0300182752)</b>	
		Ref	<b>DECAL INSTALLATION</b>	
	0272435	Ref	<b>60Hz (ANSI and ANSI Export Specs)</b>	D
	0272589	Ref	<b>50Hz (ANSI Export, Australian and CE Specs)</b>	A
201	1705460	2	Decal - SkyPower	
202	1705374	1	Decal - 240V - 60Hz (60Hz Spec Only) <b>(SN 0300177361 through 0300201802)</b>	
202	3251243	1	Decal - 120V - 60Hz (60Hz Spec Only) (Located on Opposite Side) <b>(SN 0300222414 through 0300272252)</b>	
203		Ref	Decal - 240V - 3 Phase Options:	
203	1705375	1	60Hz (ANSI and ANSI Export Specs)	
203	1705461	1	50Hz (ANSI Export, Australian and CE Specs)	
204		Ref	Decal, Hazardous Voltage Options:	
204	1705387	3	60Hz (ANSI and ANSI Export Specs)	
204	1705489	3	50Hz (ANSI Export, Australian and CE Specs)	

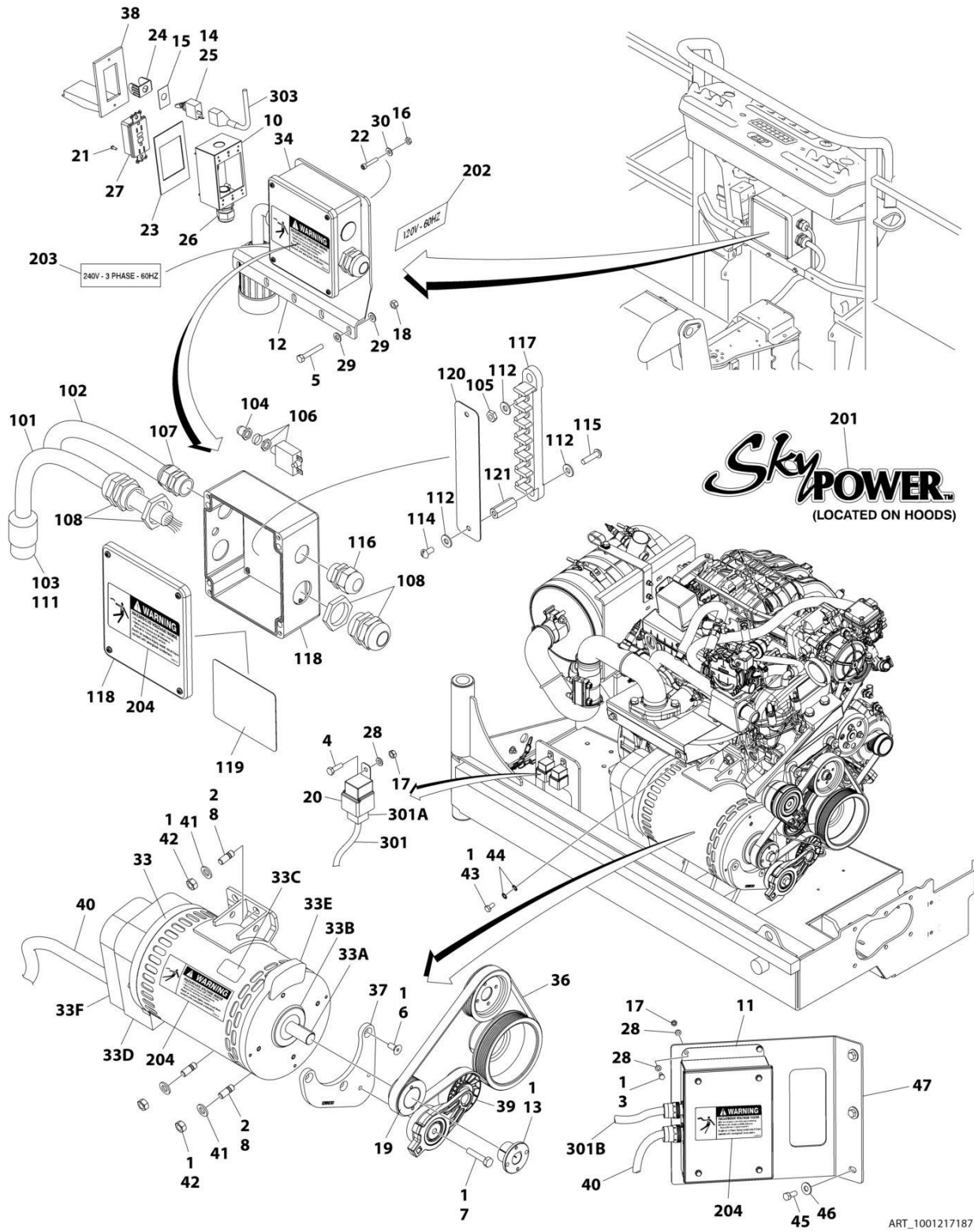
## SECTION 2 - TURNTABLE

ITEM	PART NUMBER	QTY	DESCRIPTION	REV
		Ref	<b>ELECTRICAL DIAGRAM COMPONENTS</b>	
	1001112586	Ref	<b>Deutz D2011 Engines (SN 0300177361 through 0300182752)</b>	B
	1001157769	Ref	<b>Deutz D2011 Engines (SN 0300182753 through 0300272252)</b>	B
	1001157770	Ref	<b>Deutz TD2.9L4 Engines</b>	A
301		Ref	Generator Harness Options (See ELECTRICAL SECTION for Breakdown)	
301	1001112587	1	Deutz D2011 Engines ( <b>SN 0300177361 through 0300182752</b> )	B
301	1001152429	1	Deutz D2011 Engines ( <b>SN 0300182753 through 0300272252</b> )	B
301	1001119968	1	Deutz TD2.9L4 Engines	C
301A	4460374	2	Plug, Sealed Relay (Deutz D2011 Engines Only) ( <b>SN 0300177361 through 0300182752</b> )	
301A	4460375	7	Terminal (Deutz D2011 Engines Only) ( <b>SN 0300177361 through 0300182752</b> )	
301B	4460967	1	Plug, Male - 3 Position	
301B	4460465	3	Socket, Female	
301C		Ref	Component Options:	
301C	2400060	1	Fuseholder (Deutz D2011 Engines) (Not Shown)	
301C	2400064	1	Fuse - 5 Amp (Deutz D2011 Engines) (Not Shown)	
301C	1001117078	1	Fuseholder (Includes Fuse and Cap) (Deutz TD2.9L4 Engines) (Not Shown)	
301C	See Note	1	Fuse - 5 Amp (Deutz TD2.9L4 Engines) (Not Shown) (Note: Use 1001117078 Assembly or Purchase Fuse Locally)	
301C	1001096134	1	Cover, Fuseholder (Deutz TD2.9L4 Engines) (Not Shown)	
301D	4460742	1	Connector - 2 Position (1001152429 Harness) (Not Shown)	
301D	4460743	2	Terminal (1001152429 Harness) (Not Shown)	
304	4922641	1	Switch Harness	
	1001121340	Ref	<b>TERMINAL BLOCK ASSEMBLY (DEUTZ D2011 ENGINES) (SN 0300177361 through 0300182752)</b>	A
401	70002818	2	Marker Strip #1	
402	70002819	4	Marker Strip #2	
403	70002820	2	Marker Strip #3	
404	70002821	2	Marker Strip #4	
405	70002822	4	Marker Strip #5	
406	70002823	1	Terminal, End Barrier	
407	70002824	2	Terminal, End Block	
408	70002825	7	Terminal, Block	
409	70002826	2	Terminal, Cross Connector Jumper	
410	3641533	1	Rail, Relay	



# SECTION 2 - TURNTABLE

FIGURE 2-32. 7500W SKYPOWER GENERATOR INSTALLATION - FORD ENGINES





## SECTION 2 - TURNTABLE

### FIGURE 2-32. 7500W SKYPOWER GENERATOR INSTALLATION - FORD ENGINES

ITEM	PART NUMBER	QTY	DESCRIPTION	REV
	1001217187	Ref	<b>7500W SKYPOWER GENERATOR INSTALLATION - FORD ENGINES</b>	F
		Ref	<b>Note: See ELECTRICAL SECTION for Boom Cable Components.</b>	
1	0100011	AR	Compound, Locking	
2	0100019	AR	Compound, Locking	
3	0760608	4	Bolt M6 x 16	
4	0760610	2	Bolt M6 x 20	
5	0641516	3	Bolt 5/16 x 2	
6	0741607	3	Screw 3/8 x 7/8	
7	0761018	1	Bolt M10 x 50	
8	1001196382	4	Stud	
10	0860038	1	Box, Switch	
11	0861538	1	Control Box Assembly	
11	7024488	1	Card, Circuit - Generator Power	
11	See Note	1	Fuse (Note: Not Available - Purchase Locally)	
11	7024489	1	Card, Circuit - Control	
11	70000619	1	Harness, Circuit Card	
12	0902888	1	Bracket, Box Mounting	
13	0962520	1	Bushing, Spilt Taper	
14	2820031	1	Heat Shrink	
15	3252764	1	Nameplate - AC & Weld	
16	3311005	4	Nut #10	
17	3290601	6	Nut M6	
18	3311505	3	Nut 5/16	
19	3580314	1	Pulley	
20	3740080	2	Relay	
21	3910606	2	Screw #6 x 3/8	
22	3931016	4	Capscrew #10 x 1	
23	3960422	1	Gasket	
24	4060802	1	Guard, Switch	
25	4360336	1	Switch, Toggle	
26	4460071	1	Connector, Strain Relief	
27	4460346	1	Receptacle	
28	4811700	10	Washer #10	
29	4711500	6	Washer 5/16	
30	4751000	4	Washer #10	
33	1001136104	1	Generator Assembly	
33	70003631	1	Brushholder Assembly (Not Shown) (was p/n 7024484)	
33	7024485	1	Breaker, Circuit 30Amp (Not Shown)	
33	70001696	1	Boot, Breaker (was p/n 7024486 - Not Shown)	
33	70001966	1	Bearing, Ball Radial (Located in Belt Tensioner Endbell - Not Shown)	
33	7027799	1	Block, Connector 6 Position (Not Shown)	
33	70002460	6	Nut, Brass (Attaches p/n 7027799 to Cover) (Not Shown)	
33	7026188	1	Clamp, Cable (Not Shown)	
33	7026597	1	Connector, W/Leads (Not Shown)	
33	7026626	1	Connector - 6 Position with Seal (Not Shown)	
33	70002088	1	Stator (Not Shown)	
33	70004169	1	Panel, End (Not Shown) (was p/n 70002255)	

## SECTION 2 - TURNTABLE

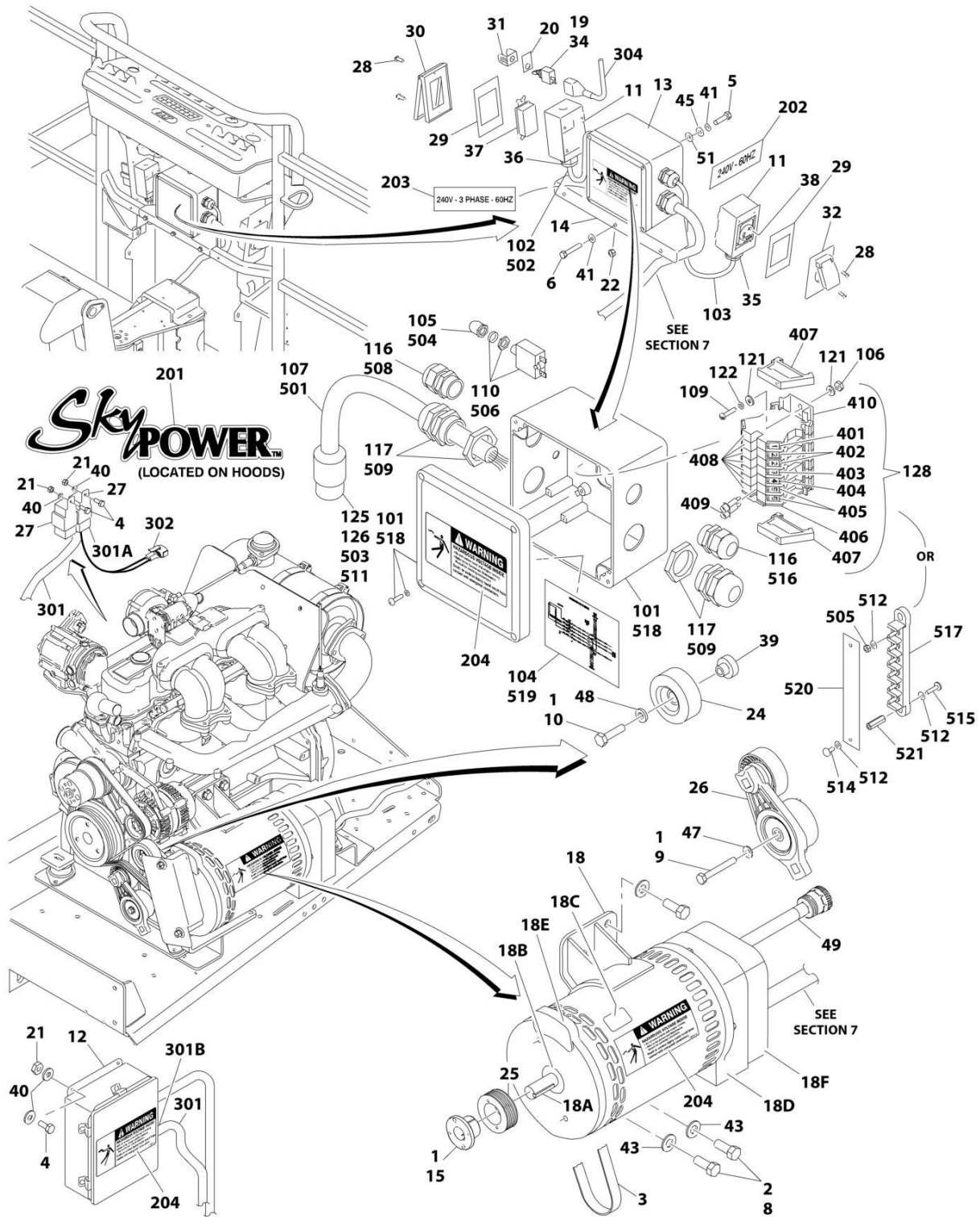
ITEM	PART NUMBER	QTY	DESCRIPTION	REV
33	70001974	1	Decal - Terminal Connections (Not Shown)	
33	70000863	1	Fan (Not Shown)	
33	70002297	4	Stud (Not Shown)	
33A	70004171	1	Key (was p/n 7024561)	
33A	70001100	1	Armature, Generator (Includes Radial Ball Bearing on End with Brushes and Fan)	
33A	70001384	1	Bearing, Ball Radial	
33B	70001966	1	Bearing, Radial Ball	
33B	70003708	1	Ring, Internal Retaining (Located in Belt Tensioner Endbell)	
33B	70003709	1	Ring, External Retaining (Located in Belt Tensioner Endbell)	
33C	70001973	1	Decal - Warning Moving Parts	
33D	70004169	1	Endbell, Brush Block (was p/n 70001385)	
33E	70001953	1	Endbell, Belt Tensioner	
33F	70004169	1	Endbell, Shroud Assembly (was p/n 70002290)	
34	1001157592	1	Junction Box Assembly (See Items 101-121 for Breakdown)	
36	1001216390	1	V-Belt	
37	1001218930	1	Mount, Tensioner	
38	1001110873	1	Cover, Receptacle	
39	3580317	1	Tensioner, Belt	
40	4922925	1	Harness, Generator	
41	5241200	4	Washer M12	
42	3291201	4	Nut M12	
43	0760606	1	Bolt M6 x 12	
44	4871700	2	Washer M6	
45	0641607	3	Bolt 3/8 x 7/8	
46	4751600	3	Washer 3/8	
47	1001137866	1	Bracket	
	1001157592	Ref	<b>JUNCTION BOX ASSEMBLY</b>	C
101	1060343	1.5 ft /0.5m	Cable, Electrical - 10/4 (60Hz Only)	
102	1001179154	2.5 ft /0.8m	Cable Electrical - 12/3	
103	1671092	1	Cover, Connector	
104	3300396	1	Cover, Fuse	
105	3311001	6	Nut #10	
106	4360070	1	Breaker, Circuit 15Amp	
107	4460425	1	Connector, Strain Relief	
108	4460426	2	Connector, Strain Relief	
111	4460963	1	Receptacle	
112	4711000	10	Washer #10	
114	10702077	2	Screw #10 x 3/8	
115	10702082	2	Screw #10 x 3/4	
116	1001152525	1	Plug, Hole	
117	1001157520	1	Block, Terminal Pole	
118	1001157521	1	Box, Junction	
119	1001157528	1	Decal - Box Junction	
120	1001158007	1	Cover	
121	1001158008	2	Standoff	
	0272435	Ref	<b>DECAL INSTALLATION</b>	D
201	1705460	2	Decal - SkyPower	
202	3251243	1	Decal - 120V - 60Hz (60Hz Spec Only) (Located on Opposite Side)	
203	1705375	1	Decal - 240V - 3 Phase	

**SECTION 2 - TURNTABLE**

ITEM	PART NUMBER	QTY	DESCRIPTION	REV
204	1705387	3	Decal, Hazardous Voltage	
	1001221498	Ref	<b>ELECTRICAL DIAGRAM COMPONENTS</b>	A
301	1001221208	1	Generator Harness	A
301A	4460374	2	Plug, Sealed Relay	
301A	4460375	8	Terminal	
301B	4460967	1	Plug, Male - 3 Position	
301B	4460465	3	Socket, Female	
301C	2400060	2	Fuseholder (Not Shown)	
301C	2400064	2	Fuse - 5 Amp (Not Shown)	
301D	4460742	1	Plug, Male - 2 Position (Not Shown)	
301D	4460743	2	Socket, Female (Not Shown)	
303	4922641	1	Switch Harness	

# SECTION 2 - TURNTABLE

FIGURE 2-33. 7500W SKYPOWER GENERATOR INSTALLATION - GM ENGINES



## SECTION 2 - TURNTABLE

**FIGURE 2-33. 7500W SKYPOWER GENERATOR INSTALLATION - GM ENGINES**

ITEM	PART NUMBER	QTY	DESCRIPTION	REV
	0275257	Ref	<b>7500W SKYPOWER GENERATOR INSTALLATION</b>	H
		Ref		
1	0100011	AR	Compound, Locking	
2	0100019	AR	Compound, Locking	
3	0480142	1	Belt, Generator	
4	0641405	6	Bolt 1/4in-20NC x 5/8in	
5	0641505	4	Bolt 5/16in-18NC x 5/8in <b>(SN 0300177361 through 0300182752)</b>	
5	3931016	4	Capscrew #10-24NC x 1in <b>(SN 0300182753 through 0300272252)</b>	
6	0641516	3	Bolt 5/16in-18NC x 2in	
8	0641808	4	Bolt 1/2in-13NC x 1in	
9	0700820	1	Bolt, Metric M8 x 60mm	
10	0701016	1	Bolt, Metric M10 x 40mm	
11	0860038	AR	Box, Switch	
12	0861538	1	Control Box Assembly	
12	7024488	1	Card, Circuit - Generator Power	
12	See Note	1	Fuse (Note: Not Available - Purchase Locally)	
12	7024489	1	Card, Circuit - Control	
12	70000619	1	Harness, Circuit Card	
13	0861542	1	Junction Box Assembly (See Items 101-128 for Breakdown) <b>(SN 0300177361 through 0300182752)</b>	
13	1001157592	1	Junction Box Assembly (See Items 501-521 for Breakdown) <b>(SN 0300182753 through 0300272252)</b>	
14	0902888	1	Bracket, Box Mounting	
15	0962520	1	Bushing, Split Taper	
18	2460048	1	Generator Assembly	
18	70003631	1	Brushholder Assembly (Not Shown) (was p/n 7024484)	
18	7024485	1	Breaker, Circuit 30Amp (Not Shown)	
18	70001696	1	Boot, Breaker (was p/n 7024486 - Not Shown)	
18	70001966	1	Bearing, Ball Radial (Located In Belt Tensioner Endbell - Not Shown)	
18	7027799	1	Block, Connector 6 Position (Not Shown)	
18	70002460	6	Nut, Brass (Attaches p/n 7027799 to Cover) (Not Shown)	
18	7026188	1	Clamp, Cable (Not Shown)	
18	7026597	1	Connector, W/Leads (Not Shown)	
18	7026626	1	Connector - 6 Position with Seal (Not Shown)	
18	70002088	1	Stator (Not Shown)	
18	70004169	1	Panel, End (Not Shown) (was p/n 70002255)	
18	70001974	1	Decal - Terminal Connections (Not Shown)	
18	70000863	1	Fan (Not Shown)	
18	70002297	4	Stud (Not Shown)	
18A	70004171	1	Key (was p/n 7024561)	
18A	70001100	1	Armature, Generator (Includes Radial Ball Bearing on End with Brushes and Fan)	
18A	70001384	1	Bearing, Ball Radial	
18B	70001966		Bearing, Radial Ball	
18B	70003708	1	Ring, Internal Retaining (Located in Belt Tensioner Endbell)	
18B	70003709	1	Ring, External Retaining (Located in Belt Tensioner Endbell)	
18C	70001973	1	Decal - Warning Moving Parts	
18D	70004169	1	Endbell, Brush Block (was p/n 70001385)	

## SECTION 2 - TURNTABLE

ITEM	PART NUMBER	QTY	DESCRIPTION	REV
18E	70001953	1	Endbell, Belt Tensioner	
18F	70004169	1	Endbell, Shroud Assembly (was p/n 70002290)	
19	2820031	1	Insulator	
20	3252764	1	Nameplate	
21	3311405	6	Locknut 1/4in-20NC	
22	3311505	3	Locknut 5/16in-18NC	
24	3580312	2	Pulley, Idler	
25	3580314	1	Pulley, Drive Grooved	
26	3580348	1	Tensioner, Belt with Pulley	
27	3740080	2	Relay	
28	3910606	AR	Screw #6-32NC x 3/8in	
29	3960422	AR	Gasket	
30	1001110873	1	Cover, Receptacle	
31	4060802	1	Guard, Switch	
32	1001110872	1	Cover, Receptacle <b>(SN 0300177361 through 0300182752)</b>	
34	4360336	1	Switch, Toggle	
35	4460051	1	Connector, Strain Relief <b>(SN 0300177361 through 0300182752)</b>	
36	4460071	1	Connector, Strain Relief	
37	4460346	1	Receptacle	
38	4460958	1	Receptacle, Female Twist-Lock <b>(SN 0300177361 through 0300182752)</b>	
39	4568735	1	Tube, Spacer Pulley Grooved	
40	4711400	10	Flatwasher 1/4in Thin	
41	4711500	AR	Flatwasher 5/16in Thin	
43	4711800	4	Flatwasher 1/2in Thin	
45	4761500	AR	Lockwasher 5/16in	
45	4751000	AR	Flatwasher #10	
47	4811900	1	Flatwasher M8	
48	4891600	1	Flatwasher 3/8in Hardened	
49	4922925	1	Harness, Generator	
51	3311005	AR	Locknut #10-24	
	0861542	Ref	<b>JUNCTION BOX ASSEMBLY (SN 0300177361 through 0300182752)</b>	E
101	0861541	1	Box, Junction	
102	1060494	2 ft /.6m	Cable, Electrical 12/3 <b>(SN 0300177361 through 0300205261)</b>	
102	1001179154	2 ft /.6m	Cable, Electrical 12/3 <b>(SN 0300205262 through 0300272252)</b>	
103	1060708	2.5 ft /.76m	Cable, Electrical 10/3	
104	1705376	1	Decal - Wiring Schematic	
105	3300396	1	Cover, Fuse	
106	3310601	2	Nut 6-32NC	
107	1060343	1.5 ft /.46m	Cable, Electrical 10/4	
109	3910610	2	Bolt 6-32NC x 5/8	
110	4360070	1	Circuit Breaker - 15 Amp	
116	4460425	2	Strain Relief, Terminal	
117	4460426	2	Connector, Strain Relief	
121	4750600	4	Flatwasher #6 Regular	
122	4760600	2	Lockwasher #6	
125	1671092	1	Cover	
126	4460963	1	Connector	
128	1001121340	1	Terminal Block Assembly (See Items 401-410 for Breakdown)	

## SECTION 2 - TURNTABLE

ITEM	PART NUMBER	QTY	DESCRIPTION	REV
	0272435	Ref	<b>DECAL INSTALLATION</b>	D
201	1705460	2	Decal - SkyPower	
202	1705374	1	Decal - 240V - 60Hz (60Hz Specs Only) <b>(SN 0300177361 through 0300201802)</b>	
202	3251243	1	Decal - 120V - 60Hz (60Hz Spec Only) (Located on Opposite Side) <b>(SN 0300222577 through 0300272252)</b>	
203	1705375	1	Decal - 240V - 3 Phase	
204	1705387	3	Decal, Hazardous Voltage	
	4933349	Ref	<b>ELECTRICAL DIAGRAM COMPONENTS (SN 0300177361 through 0300182752)</b>	A
	1001157768	Ref	<b>ELECTRICAL DIAGRAM COMPONENTS (SN 0300182753 through 0300272252)</b>	A
301	4923420	1	Generator Harness	A
301A	4460374	2	Plug, Sealed Relay	
301A	4460375	8	Terminal	
301B	4460967	1	Plug, Male - 3 Position	
301B	4460465	3	Socket, Female	
301C	2400060	2	Fuseholder (Not Shown)	
301C	2400064	2	Fuse - 5 Amp (Not Shown)	
302	4460742	1	Connector - 2 Position <b>(SN 0300177361 through 0300182752)</b>	
302	4460743	2	Socket, Female <b>(SN 0300177361 through 0300182752)</b>	
302	4460458	2	Seal <b>(SN 0300177361 through 0300182752)</b>	
304	4922641	1	Switch Harness	
	1001121340	Ref	<b>TERMINAL BLOCK ASSEMBLY</b>	A
401	70002818	2	Marker Strip #1	
402	70002819	4	Marker Strip #2	
403	70002820	2	Marker Strip #3	
404	70002821	2	Marker Strip #4	
405	70002822	4	Marker Strip #5	
406	70002823	1	Terminal, End Barrier	
407	70002824	2	Terminal, End Block	
408	70002825	7	Terminal, Block	
409	70002826	2	Terminal, Cross Connector Jumper	
410	3641533	1	Rail, Relay	
	1001157592	Ref	<b>JUNCTION BOX ASSEMBLY (SN 0300182753 through 0300272252)</b>	C
501	1060343	1.5 ft /.46m	Cable, Electrical - 10/4 (60Hz Only)	
502	1060494	2 ft /.6m	Cable Electrical - 12/3 <b>(SN 0300177361 through 0300205491)</b>	
502	1001179154	2.5 ft /.76m	Cable Electrical - 12/3 <b>(SN 0300205492 through 0300272252)</b>	
503	1671092	1	Cover, Connector	
504	3300396	1	Cover, Fuse	
505	3311001	6	Nut #10	
506	4360070	1	Breaker, Circuit 15Amp	
508	4460425	1	Connector, Strain Relief	
509	4460426	2	Connector, Strain Relief	
511	4460963	1	Receptacle	
512	4711000	10	Washer #10	
514	10702077	2	Screw #10 x 3/8	
515	10702082	2	Screw #10 x 3/4	
516	1001152525	1	Plug, Hole	
517	1001157520	1	Block, Terminal Pole	

## SECTION 2 - TURNTABLE

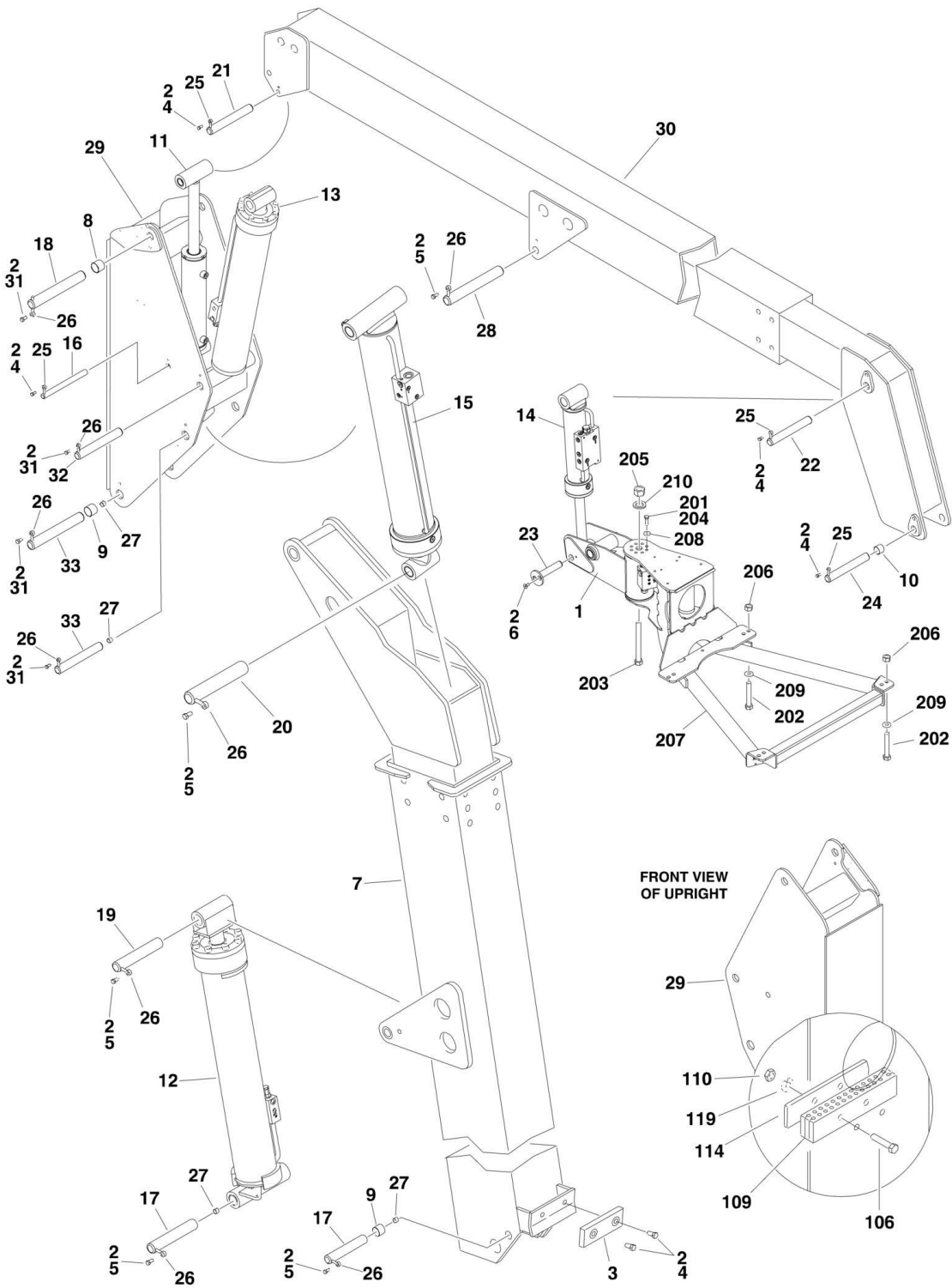
ITEM	PART NUMBER	QTY	DESCRIPTION	REV
518	1001157521	1	Box, Junction	
519	1001157528	1	Decal - Box Junction	
520	1001158007	1	Cover	
521	1001158008	2	Standoff	



**SECTION 3 - BOOM**

# SECTION 3 - BOOM

## FIGURE 3-1. BOOMS AND CYLINDERS INSTALLATION (600A)



## SECTION 3 - BOOM

**FIGURE 3-1. BOOMS AND CYLINDERS INSTALLATION (600A)**

ITEM	PART NUMBER	QTY	DESCRIPTION	REV
	1001152539	Ref	<b>BOOMS AND CYLINDERS INSTALLATION (SN 0300177361 through 0300181174)</b>	D
	1001159692	Ref	<b>BOOMS AND CYLINDERS INSTALLATION (SN 0300181175 through 0300272252)</b>	J
1	0060068	1	Rotator Assembly (See ROTATOR ASSEMBLIES for Breakdown)	
1	1001157222	1	Rotator Assembly (See ROTATOR ASSEMBLIES for Breakdown) <b>(SN 0300181175 through 0300201144)</b>	
1	1001181056	1	Rotator Assembly (See ROTATOR ASSEMBLIES for Breakdown) <b>(SN 0300201145 through 0300272252)</b>	
2	0100011	AR	Compound, Locking	
3	0561076	1	Block, Boom Rest	
4	0641607	6	Bolt 3/8in-16NC x 7/8in	
5	0641810	5	Bolt 1/2in-13NC x 1-1/4in	
6	0741607	1	Screw, Countersunk 3/8in-16NC x 7/8in	
7	0801019	1	Tower Boom Assembly (See TOWER BOOM ASSEMBLY for Breakdown)	
8	0961948	2	Bushing	
9	0961949	4	Bushing	
10	0961951	2	Bushing	
11	1683266	NLA	Master Cylinder Assembly (Use p/n 1001228002) (See CYLINDER SECTION for Breakdown) <b>(SN 0300177361 through 0300241337)</b>	
11	1001228002	1	Master Cylinder Assembly (See CYLINDER SECTION for Breakdown) <b>(SN 0300241338 through 0300272252)</b>	
12	1683288	NLA	Tower Lift Cylinder Assembly (Use p/n 1001228003) (See CYLINDER SECTION for Breakdown) <b>(SN 0300177361 through 0300239707)</b>	
12	1001228003	1	Tower Lift Cylinder Assembly (See CYLINDER SECTION for Breakdown) <b>(SN 0300239708 through 0300272252)</b>	
13	1683294	NLA	Main Lift Cylinder Assembly (Use p/n 1001228004) (See CYLINDER SECTION for Breakdown) <b>(SN 0300177361 through 0300237381)</b>	
13	1001228004	1	Main Lift Cylinder Assembly (See CYLINDER SECTION for Breakdown) <b>(SN 0300237382 through 0300272252)</b>	
14	1683415	NLA	Platform Level Cylinder Assembly (See CYLINDER SECTION for Breakdown) (Use p/n 1001223512) <b>(SN 0300177361 through 0300233770)</b>	
14	1001223512	NLA	Platform Level Cylinder Assembly (Use p/n 1001228008) (See CYLINDER SECTION for Breakdown) <b>(SN 0300233771 through 0300241337)</b>	
14	1001228008	1	Platform Level Cylinder Assembly (See CYLINDER SECTION for Breakdown) <b>(SN 0300241338 through 0300272252)</b>	
15	1684498	NLA	Upright Level Cylinder Assembly (Use p/n 1001228042) (See CYLINDER SECTION FOR BREAKDOWN) <b>(SN 0300177361 through 0300237381)</b>	
15	1001228042	1	Upright Level Cylinder Assembly (See CYLINDER SECTION FOR BREAKDOWN) <b>(SN 0300237382 through 0300272252)</b>	
16	1001155098	1	Pin	
17	3422571	2	Pin <b>(SN 0300177361 through 0300200466)</b>	
17	1001158810	2	Pin <b>(SN 0300200467 through 0300272252)</b>	
18	1001155096	1	Pin	
19	3422573	1	Pin	
20	3422575	1	Pin	
21	3422577	1	Pin	
22	3422578	1	Pin	

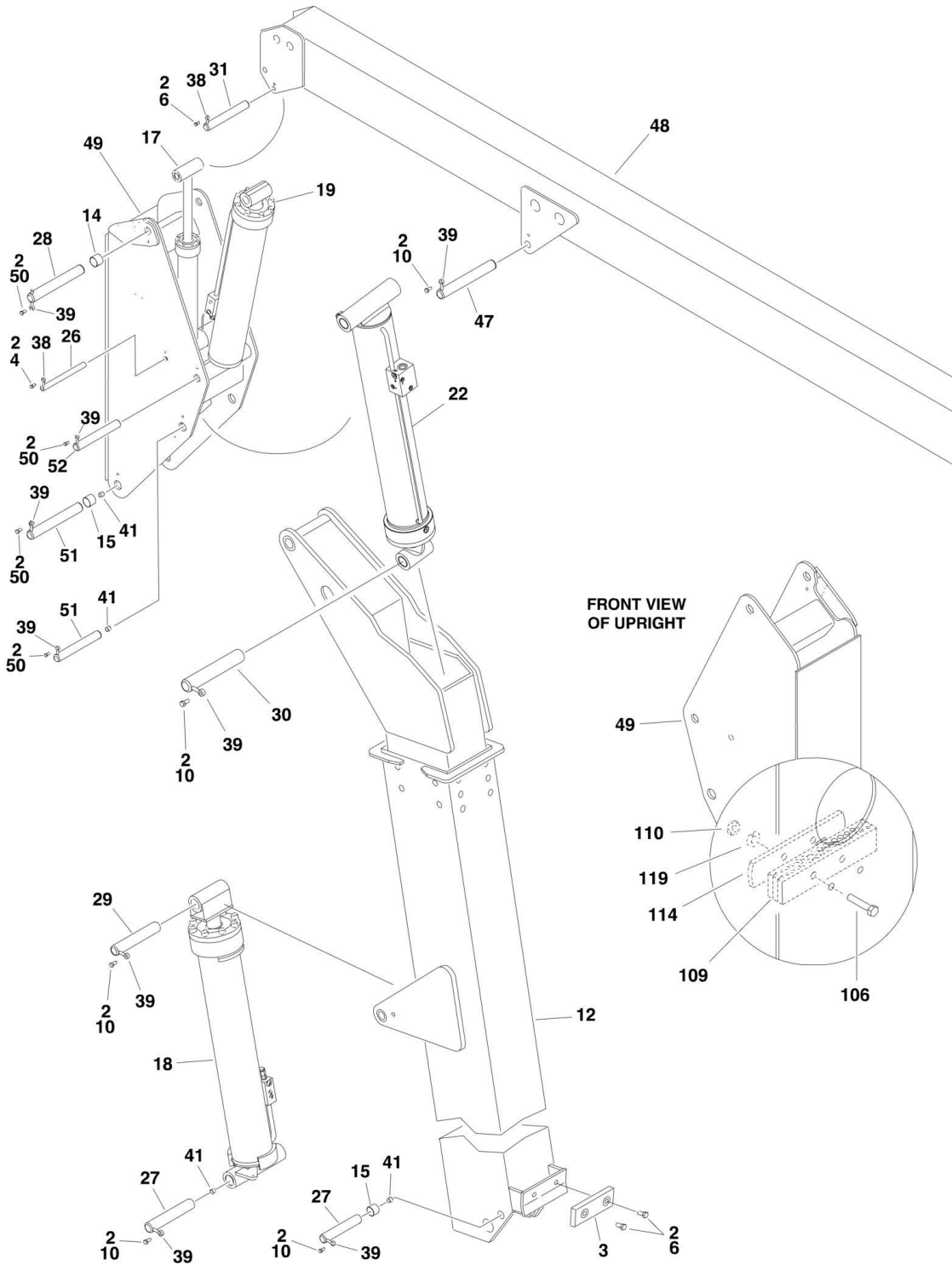
## SECTION 3 - BOOM

ITEM	PART NUMBER	QTY	DESCRIPTION	REV
23	3422580	1	Pin	
24	3422582	1	Pin	
25	3841143	4	Keeper, Pin - 3/8in	
26	3841203	9	Keeper, Pin - 1/2in	
27	3900239	4	Setscrew <b>(SN 0300177361 through 0300200466)</b>	
28	1001097822	1	Pin	
29	1001152031	1	Upright Weldment	
30	1001152138	1	Main Boom Assembly (See MAIN BOOM ASSEMBLY for Breakdown)	
31	0641808	4	Bolt 1/2in-13NC x 1in	
32	1001155097	1	Pin	
33	1001155093	2	Pin	
	1001152355	Ref	<b>POWER TRACK INSTALLATION</b>	D
106	0641532	2	Bolt 5/16in-18NC x 4in	
109	1320243	1	Clamp, Block	
110	3311505	2	Nut 5/16in-18NC	
114	3570374	1	Plate	
119	4751500	2	Flatwasher 5/16in Regular	
		Ref	<b>PLATFORM SUPPORT INSTALLATION</b>	
	0272070	Ref	<b>Machines without LSS and without SkyGlazier</b>	E
	See Note	Ref	<b>Machines with LSS (Note: See Separate Breakdown in this Section)</b>	
201	0100011	AR	Compound, Locking	
202	0641812	8	Bolt 1/2in-13NC x 1-1/2in	
203	0642684	1	Bolt 1in-8NC x 10-1/2in	
204	0681608	8	Bolt 3/8in-16NC x 1in	
205	3272605	NLA	Locknut 1in-8NC (Use p/n 3300243)	
206	3311805	8	Locknut 1/2in-13NC	
207	4846573	1	Support Weldment	
208	4891600	8	Flatwasher 3/8in Hardened	
209	4891800	8	Flatwasher 1/2in Hardened	
210	4892600	1	Flatwasher 1in Hardened	

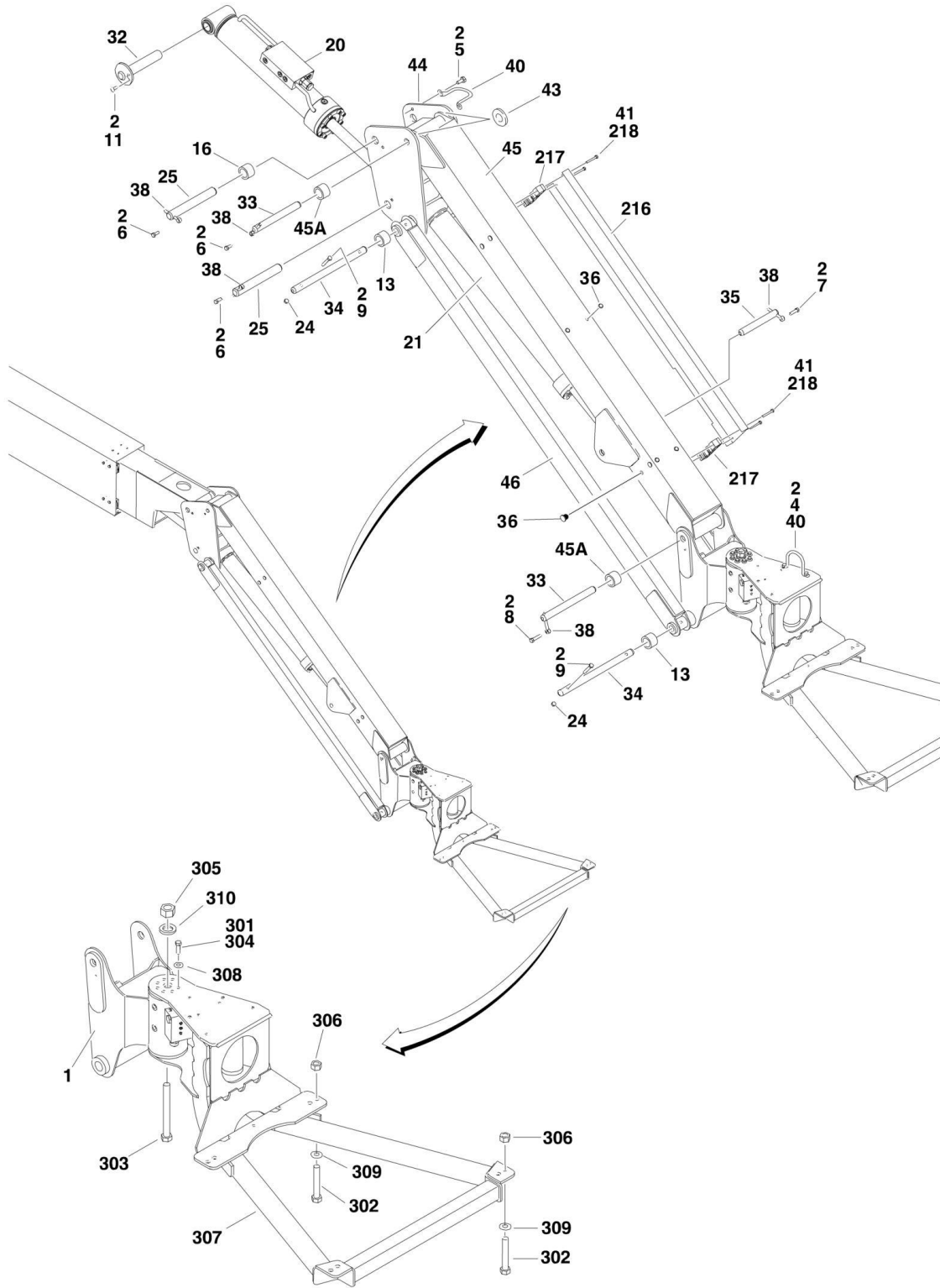


# SECTION 3 - BOOM

## FIGURE 3-2. BOOMS AND CYLINDERS INSTALLATION (600AJ)



# SECTION 3 - BOOM



## SECTION 3 - BOOM

FIGURE 3-2. BOOMS AND CYLINDERS INSTALLATION (600AJ)

ITEM	PART NUMBER	QTY	DESCRIPTION	REV
		Ref	<b>BOOMS AND CYLINDERS INSTALLATION</b>	
	1001152540	Ref	<b>Machines without Arctic Package (SN 0300177361 through 0300181174)</b>	D
	1001159693	Ref	<b>Machines without Arctic Package (SN 0300181175 through 0300261799)</b>	P
	1001247097	Ref	<b>Machines without Arctic Package (SN 0300261800 through 0300272252)</b>	A
	1001155189	Ref	<b>Machines with Arctic Package (SN 0300177361 through 0300181174)</b>	D
	1001159694	Ref	<b>Machines with Arctic Package (SN 0300181175 through 0300261799)</b>	P
	1001247098	Ref	<b>Machines with Arctic Package (SN 0300261800 through 0300272252)</b>	A
	1001247146	Ref	<b>Jib Boom Installation (SN 0300261800 through 0300272252)</b>	A
1	0060066	1	Rotator Assembly (See ROTATOR ASSEMBLIES for Breakdown) <b>(SN 0300177361 through 0300181174)</b>	
1	1001157220	1	Rotator Assembly (See ROTATOR ASSEMBLIES for Breakdown) <b>(SN 0300181175 through 0300201144)</b>	
1	1001178256	NLA	Rotator Assembly (See ROTATOR ASSEMBLIES for Breakdown) (Use p/n 1001217780) <b>(SN 0300201145 through 0300235566)</b>	
1	1001217780	1	Rotator Assembly (See ROTATOR ASSEMBLIES for Breakdown)	
2	0100011	AR	Compound, Locking	
3	0561076	1	Block, Boom Rest	
4	0641604	AR	Bolt 3/8in-16NC x 1/2in	
5	0641606	2	Bolt 3/8in-16NC x 3/4in	
6	0641607	AR	Bolt 3/8in-16NC x 7/8in	
6	0641608	AR	Bolt 3/8in-16NC x 1in	
7	0641611	1	Bolt 3/8in-16NC x 1-3/8in	
7	0641610	1	Bolt 3/8in-16NC x 1-3/4in	
8	0641614	1	Bolt 3/8in-16NC x 1-3/4in	
8	0641608	1	Bolt 3/8in-16NC x 1in	
9	0641618	4	Bolt 3/8in-16NC x 2-1/4in	
10	0641810	5	Bolt 1/2in-13NC x 1-1/4in	
11	0741605	1	Screw, Countersunk 3/8in-16NC x 5/8in	
12	0801019	1	Tower Boom Assembly (See TOWER BOOM ASSEMBLY for Breakdown)	
13	0961947	6	Bushing	
14	0961948	2	Bushing	
15	0961949	4	Bushing	
16	0961951	2	Bushing	
17		Ref	Master Cylinder Assembly Options (See CYLINDER SECTION for Breakdown)	
17	1683263	NLA	Master Cylinder - Machines without Arctic Package (Use p/n 1001228052) <b>(SN 0300177361 through 0300241337)</b>	
17	1001228052	1	Master Cylinder - Machines without Arctic Package <b>(SN 0300241338 through 0300272252)</b>	
17	1001138799	NLA	Master Cylinder - Machines with Arctic Package (Use p/n 1001228052) <b>(SN 0300177361 through 0300241337)</b>	
17	1001228052	1	Master Cylinder - Machines with Arctic Package <b>(SN 0300241338 through 0300272252)</b>	



## SECTION 3 - BOOM

ITEM	PART NUMBER	QTY	DESCRIPTION	REV
18	1683288	NLA	Tower Lift Cylinder Assembly (use p/n 1001228003) (See CYLINDER SECTION for Breakdown) <b>(SN 0300177361 through 0300239707)</b>	
18	1001228003	1	Tower Lift Cylinder Assembly (See CYLINDER SECTION for Breakdown) <b>(SN 0300239708 through 0300272252)</b>	
19	1683294	NLA	Main Lift Cylinder Assembly (Use p/n 1001228004) (See CYLINDER SECTION for Breakdown) <b>(SN 0300177361 through 0300237381)</b>	
19	1001228004	1	Main Lift Cylinder Assembly (See CYLINDER SECTION for Breakdown) <b>(SN 0300237382 through 0300272252)</b>	
20		Ref	Platform (Slave) Level Cylinder Assembly Options (See CYLINDER SECTION for Breakdown)	
20	1683418	NLA	Level Cylinder - Machines without Arctic Package (Use p/n 1001228051) <b>(SN 0300177361 through 0300229828)</b>	
20	1001223331	NLA	Level Cylinder - Machines without Arctic Package (Use p/n 1001228051) <b>(SN 0300229829 through 0300241337)</b>	
20	1001228051	1	Level Cylinder - Machines without Arctic Package <b>(SN 0300241338 through 0300272252)</b>	
20	1001138798	NLA	Level Cylinder - Machines with Arctic Package (Use p/n 1001228051) <b>(SN 0300177361 through 0300229828)</b>	
20	1001223335	NLA	Level Cylinder - Machines with Arctic Package (Use p/n 1001228051) <b>(SN 0300229829 through 0300241337)</b>	
20	1001228051	1	Level Cylinder - Machines with Arctic Package <b>(SN 0300241338 through 0300272252)</b>	
21		Ref	Jib Lift Cylinder Assembly Options (See CYLINDER SECTION for Breakdown)	
21	1683609	NLA	Jib Cylinder - Machines without Arctic Package (Use p/n 1001248012) <b>(SN 0300177361 through 0300241337)</b>	
21	1001138792	NLA	Jib Cylinder - Machines with Arctic Package (Use p/n 1001248012) <b>(SN 0300177361 through 0300241337)</b>	
21	1001228012	NLA	Jib Cylinder - All Machines (Use p/n 1001248012) <b>(SN 0300241338 through 0300244755)</b>	
21	1001248012	1	Jib Cylinder - All Machines <b>(SN 0300244756 through 0300272252)</b>	
22	1684498	NLA	Upright Level Cylinder Assembly (Use p/n 1001228042) (See CYLINDER SECTION for Breakdown) <b>(SN 0300177361 through 0300237381)</b>	
22	1001228042	1	Upright Level Cylinder Assembly (See CYLINDER SECTION for Breakdown) <b>(SN 0300237382 through 0300272252)</b>	
23	2080044	4	Rivnut	
24	3311605	5	Locknut 3/8in-16NC	
25	3422561	2	Pin	
26	1001155094	1	Pin	
27	3422571	2	Pin <b>(SN 0300177361 through 0300200466)</b>	
27	1001158810	2	Pin <b>(SN 0300200467 through 0300272252)</b>	
28	1001155096	1	Pin	
29	3422573	1	Pin	
30	3422575	1	Pin	
31	3422579	1	Pin	
32	3422583	1	Pin	
33	3422860	2	Pin	
34	3422861	2	Pin <b>(SN 0300177361 through 0300261799)</b>	
34	1001182064	2	Pin <b>(SN 0300261800 through 0300272252)</b>	
35	3422867	1	Pin	
36	3520034	4	Plug <b>(SN 0300177361 through 0300229836)</b>	
36	1001223899	8	Fastener <b>(SN 0300229837 through 0300272252)</b>	

## SECTION 3 - BOOM

ITEM	PART NUMBER	QTY	DESCRIPTION	REV
38	3841143	7	Keeper, Pin - 3/8in	
39	3841203	9	Keeper, Pin - 1/2in	
40	3841340	AR	Loop, Hose	
41	3900239	4	Setscrew (SN 0300177361 through 0300200466)	
43	4740439	2	Thrustwasher	
44	4844815	1	Pivot Weldment (SN 0300177361 through 0300181174)	
44	1001169384	1	Pivot Weldment (SN 0300181175 through 0300272252)	
45	4844816	1	Tube - Top	
45A	0962335	4	Bushing	
46	4844817	2	Tube - Bottom (SN 0300177361 through 0300261799)	
46	1001181960	2	Tube - Bottom (SN 0300261800 through 0300272252)	
47	1001097822	1	PIN	
48	1001152253	1	Main Boom Assembly (See MAIN BOOM ASSEMBLY for Breakdown) (SN 0300177361 through 0300181174)	
48	1001156501	1	Main Boom Assembly (See MAIN BOOM ASSEMBLY for Breakdown) (SN 0300181175 through 0300272252)	
49	1001152639	1	Upright	
50	0641808	4	Bolt 1/2in-13NC x 1in	
51	1001155093	2	Pin	
52	1001155097	1	Pin	
	1001152355	Ref	<b>POWER TRACK INSTALLATION</b>	D
106	0641532	2	Bolt 5/16in-18NC x 4in	
109	1320243	1	Clamp, Block	
110	3311505	2	Nut 5/16in-18NC	
114	3570374	1	Plate	
119	4751500	2	Flatwasher 5/16in Regular	
		Ref	<b>CABLE COVER INSTALLATION (600AJ)</b>	
	0270820	Ref	<b>ANSI, ANSI Export, CSA and Japanese Specs without 4000W or 7500W Generator (600AJ) (SN 0300117361 through 0300181174)</b>	6-G
	1001165366	Ref	<b>ANSI, ANSI Export, CSA and Japanese Specs without 4000W or 7500W Generator (600AJ) (SN 0300181175 through 0300272252)</b>	A
	1001153322	Ref	<b>ANSI, ANSI Export, CSA and Japanese Specs with 4000W Generator (600AJ)</b>	A
	0272625	Ref	<b>ANSI, ANSI Export and CSA Specs with 7500W Generator (600AJ) (SN 0300117361 through 0300181174)</b>	2-G
	1001165552	Ref	<b>ANSI, ANSI Export and CSA Specs with 7500W Generator (600AJ) (SN 0300181175 through 0300272252)</b>	A
	0275140	Ref	<b>ANSI, ANSI Export and CSA Specs with Arctic Package without 4000W or 7500W Generator (600AJ) (SN 0300117361 through 0300181174)</b>	1
	1001165556	Ref	<b>ANSI, ANSI Export and CSA Specs with Arctic Package without 4000W or 7500W Generator (600AJ) (SN 0300181175 through 0300272252)</b>	A
	1001093432	Ref	<b>ANSI, ANSI Export and CSA Specs with Arctic Package with 7500W Generator (600AJ) (SN 0300117361 through 0300181174)</b>	2-A
	1001165557	Ref	<b>ANSI, ANSI Export and CSA Specs with Arctic Package with 7500W Generator (600AJ) (SN 0300181175 through 0300272252)</b>	A
	1001115974	Ref	<b>ANSI and ANSI Export with David Clark Communication System without 7500W Generator (Note: Not Shown - Contact your JLG Parts Department) (600AJ) (SN 0300177361 through 0300181174)</b>	B

## SECTION 3 - BOOM

ITEM	PART NUMBER	QTY	DESCRIPTION	REV
	1001165558	Ref	<b>ANSI and ANSI Export with David Clark Communication System without 7500W Generator (Note: Not Shown - Contact your JLG Parts Department) (600AJ) (SN 0300181175 through 0300272252)</b>	B
	1001116515	Ref	<b>ANSI and ANSI Export with David Clark Communication System with 7500W Generator (Note: Not Shown - Contact your JLG Parts Department) (600AJ) (SN 0300177361 through 0300181174)</b>	B
	1001165559	Ref	<b>ANSI and ANSI Export with David Clark Communication System with 7500W Generator (Note: Not Shown - Contact your JLG Parts Department) (600AJ) (SN 0300181175 through 0300272252)</b>	B
	0273428	Ref	<b>Australian Specs without 7500W Generator (600AJ) (SN 0300117361 through 0300181174)</b>	1-G
	1001165554	Ref	<b>Australian Specs without 7500W Generator (600AJ) (SN 0300181175 through 0300272252)</b>	A
	0273430	Ref	<b>Australian Specs with 7500W Generator (600AJ) (SN 0300117361 through 0300181174)</b>	1-G
	1001165555	Ref	<b>Australian Specs with 7500W Generator (600AJ) (SN 0300181175 through 0300272252)</b>	A
	0270821	Ref	<b>CE Spec without 7500W Generator (600AJ) (SN 0300117361 through 0300181174)</b>	B
	1001165551	Ref	<b>CE Spec without 7500W Generator (600AJ) (SN 0300181175 through 0300272252)</b>	B
	0272627	Ref	<b>CE and Japanese Specs with 7500W Generator (600AJ) (SN 0300117361 through 0300181174)</b>	B
	1001165553	Ref	<b>CE and Japanese Specs with 7500W Generator (600AJ) (SN 0300181175 through 0300272252)</b>	B
216	1670769	1	Cover (600AJ) (SN 0300177361 through 0300181174)	
216	1671034	1	Cover (600AJ) (SN 0300181175 through 0300272252)	
217		Ref	Clamp, Block Options: (600AJ)	
217	0561237	2	All Installations except 1001093432 (600AJ) (SN 0300177361 through 0300181174)	
217	1321700	2	1001093432 Installation Only (600AJ) (SN 0300177361 through 0300181174)	
217	1001165350	2	All Installations (600AJ) (SN 0300181175 through 0300272252)	
218	0641416	4	Bolt 1/4in-20NC x 2in (600AJ)	
		Ref	<b>PLATFORM SUPPORT INSTALLATION</b>	
	0272070	Ref	<b>Machines without LSS</b>	E
	See Note	Ref	<b>Machines with LSS (Note: See Separate Breakdown in this Section)</b>	
301	0100011	AR	Compound, Locking	
302	0641812	8	Bolt 1/2in-13NC x 1-1/2in	
303	0642684	1	Bolt 1in-8NC x 10-1/2in	
304	0681608	8	Bolt 3/8in-16NC x 1in	
305	3272605	NLA	Locknut 1in-8NC (Use p/n 3300243)	
306	3311805	8	Locknut 1/2in-13NC	
307		Ref	Support Weldment Options:	
307	4846573	1	Machines without Load Sensing and without SkyGlazier	
307	See Note	1	Machines without Load Sensing and with SkyGlazier (Note: Refer to JLG Supplement p/n 3124242 for Components)	
307	See Note	1	Machines with Load Sensing and without SkyGlazier (Note: Refer to JLG Supplement p/n 3124287 for Components)	
307	See Note	1	Machines with Load Sensing and with SkyGlazier (Note: Refer to JLG Supplement p/n 3124287 for Components)	
308	4891600	8	Flatwasher 3/8in Hardened	

## SECTION 3 - BOOM

ITEM	PART NUMBER	QTY	DESCRIPTION	REV
309	4891800	8	Flatwasher 1/2in Hardened	
310	4892600	1	Flatwasher 1in Hardened	





# SECTION 3 - BOOM

## FIGURE 3-3. TOWER BOOM ASSEMBLY

ITEM	PART NUMBER	QTY	DESCRIPTION	REV
	0801019	Ref	<b>TOWER BOOM ASSEMBLY</b>	J
1	0801085	NLA	Base (Use p/n 0801622)	
2	0801637	1	Fly	
3	1683312	1	Cylinder Assembly - Tower Telescope (See CYLINDER SECTION for Breakdown) <b>(SN 0300177361 through 0300237381)</b>	
3	1001228006	1	Cylinder Assembly - Tower Telescope (See CYLINDER SECTION for Breakdown) <b>(SN 0300237382 through 0300272252)</b>	
4	0561185	2	Block, Attach	
5	3422575	1	Pin	
6	3841203	1	Keeper, Pin	
7	0641606	26	Bolt 3/8in-16NC x 3/4in	
8	0100011	AR	Compound, Locking	
9	3340871	4	Pad, Wear	
10	4070863	AR	Shim .12	
11	4070864	AR	Shim .05	
12	0641612	12	Bolt 3/8in-16NC x 1-1/2in	
13	3340881	12	Pad, Wear	
14	4070897	AR	Shim .05	
15	4070898	AR	Shim .12	
16	0641608	6	Bolt 3/8in-16NC x 1in	
17	0641618	4	Bolt 3/8in-16NC x 2-1/4in	
18	0641809	1	Bolt 3/8in-16NC x 1-1/8in	
19	4070929	AR	Shim	
20	0561248	1	Block, Boom Rest	
21	4711600	2	Flatwasher 3/8in Thin	
22	4060808	AR	Flex-Trim	
23	0641610	4	Bolt 3/8in-16NC x 1-1/4in	
24	0961949	4	Bushing	
	1001152355	Ref	<b>POWER TRACK INSTALLATION</b>	D
101	0100011	AR	Compound, Locking	
102	0100081	AR	Adhesive (Used with Item 125)	
103	0257573	1	Roller Hanger Assembly (Includes Items 201-205)	
104	0641403	10	Bolt 1/4in-20NC x 3/8in	
105	0641516	2	Bolt 5/16in-18NC x 2in	
107	0641606	14	Bolt 3/8in-16NC x 3/4in	
108	0641618	2	Bolt 3/8in-16NC x 2-1/4in	
111	3311605	8	Locknut 3/8in-16NC	
112	3450606	2	Pin, Cotter	
113	3539228	1	Plate, Cover	
115	3570375	4	Plate <b>(SN 0300177361 through 0300238901)</b>	
115	1001232880	4	Plate <b>(SN 0300238902 through 0300272252)</b>	
116	3571295	1	Rod	
117	4567241	1	Tube	
118	4711400	6	Flatwasher 1/4in Thin	
120	4751600	14	Flatwasher 3/8in Regular	
121	1001099835	1	Power Track Assembly	
121	70002001	AR	Repair Section	
121	70002002	1	Mounting Bracket Kit	
122	1001110500	1	Plate	
123	1001110501	1	Pad	

## SECTION 3 - BOOM

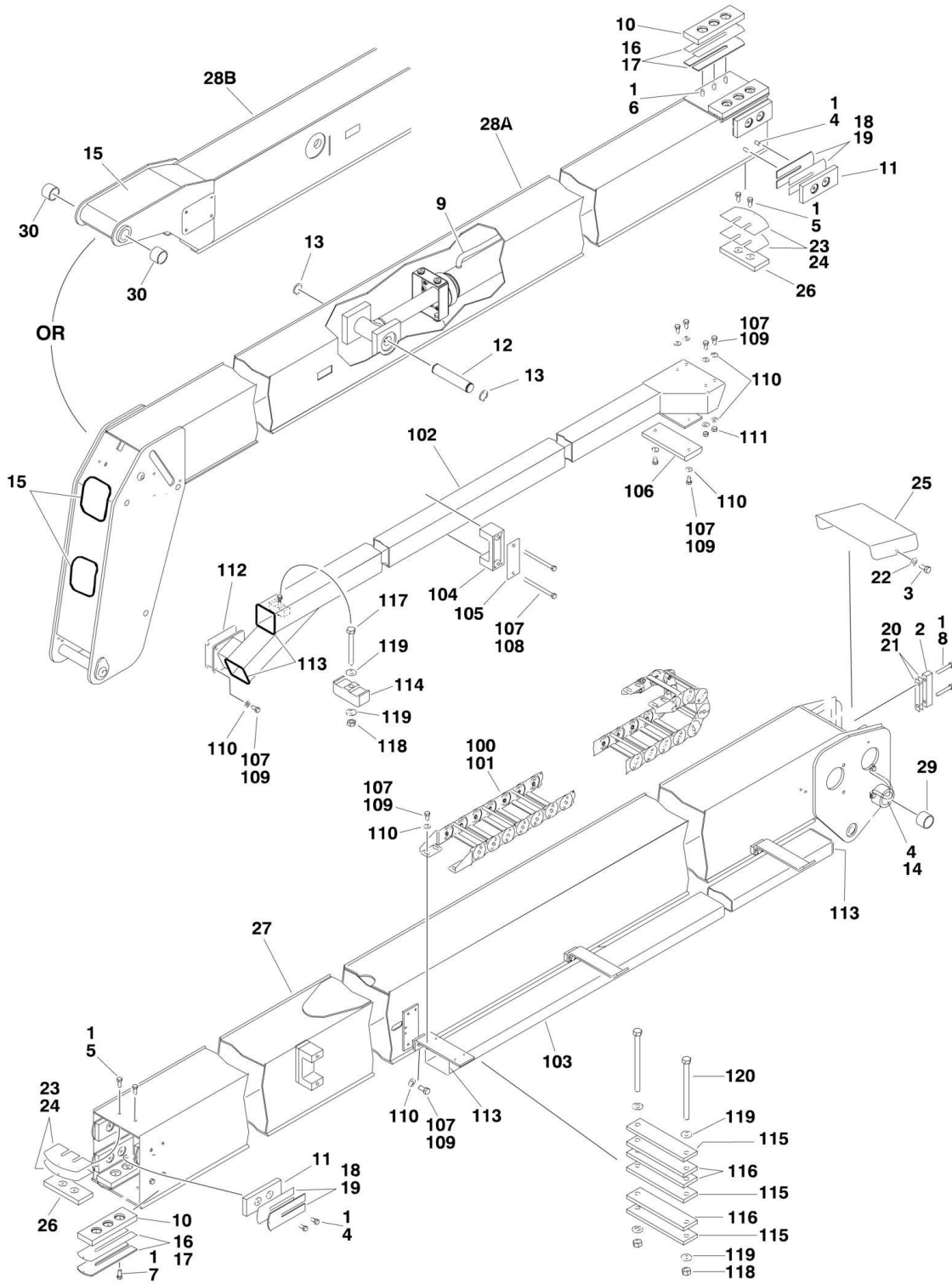
ITEM	PART NUMBER	QTY	DESCRIPTION	REV
124	1001151542	1	Bracket	1-A
125	1001151586	1	Bracket	
	0257573	Ref	<b>ROLLER HANGER ASSEMBLY</b>	
201	3570277	1	Plate (Left Side)	
202	3570270	1	Plate (Right Side)	
203	4567241	2	Roller, Tube	
204	3841347	2	Rod	
205	3450306	4	Pin, Cotter	
206	4751800	4	Flatwasher 1/2in Regular	





# SECTION 3 - BOOM

## FIGURE 3-4. MAIN BOOM ASSEMBLY



## SECTION 3 - BOOM

FIGURE 3-4. MAIN BOOM ASSEMBLY

ITEM	PART NUMBER	QTY	DESCRIPTION	REV
		Ref	<b>BOOM ASSEMBLY</b>	
	1001152138	Ref	<b>Boom Assembly (600A)</b>	F
	1001152253	Ref	<b>Boom Assembly (600AJ) (SN 0300177361 through 0300181174)</b>	E
	1001156501	Ref	<b>Boom Assembly (600AJ) (SN 0300181175 through 0300272252)</b>	F
1	0100011	AR	Compound, Locking	
2	0561185	2	Block	
3	0641403	2	Bolt 1/4in-20NC x 3/8	
4	0811606	18	Bolt 3/8in-16NC x 3/4	
5	0811607	4	Bolt 3/8in-16NC x 7/8	
6	0811608	6	Bolt 3/8in-16NC x 1	
7	0811610	6	Bolt 3/8in-16NC x 1-1/4	
8	0641616	AR	Bolt 3/8in-16NC x 2	
8	0641618	AR	Bolt 3/8in-16NC x 2-1/4	
9		Ref	Telescope Cylinder Assembly Options (See CYLINDER SECTION for Breakdown)	
9	1683307	NLA	Telescope Cylinder Assembly (Use p/n 1001228005) (600A) <b>(SN 0300177361 through 0300241337)</b>	
9	1001228005	1	Telescope Cylinder Assembly (600A) <b>(SN 0300241338 through 0300272252)</b>	
9	1683317	NLA	Telescope Cylinder Assembly (Use pn 1001228007) (600AJ) <b>(SN 0300177361 through 0300242728)</b>	
9	1001228007	1	Telescope Cylinder Assembly (600AJ) <b>(SN 0300242729 through 0300272252)</b>	
10	3340871	4	Pad, Wear	
11	1001148652	8	Pad, Wear	
12	3422457	1	Pin	
13	3760133	2	Ring, Retaining	
14	3841340	1	Loop, Hose	
15	4060805	AR	Flex-Trim	
16	4070863	AR	Shim .12	
17	4070864	AR	Shim .05	
18	4070897	AR	Shim .05	
19	4070898	AR	Shim .12	
20	4070929	AR	Shim	
21	4071007	AR	Shim	
22	4751200	3	Flatwasher #12 Regular	
23	1001136590	AR	Shim 18Ga	
24	1001138436	AR	Shim 11Ga	
25	1001151826	1	Cover, Boom <b>(SN 0300177361 through 0300182514)</b>	
25	1001162828	1	Cover, Boom <b>(SN 0300182515 through 0300272252)</b>	
26	1001152127	2	Pad, Wear	
27		Ref	Base, Boom Options:	
27	1001152130	1	Base, Boom (600A)	
27	1001152249	1	Base, Boom (600AJ)	
28		Ref	Fly, Boom Options:	
28A	1001152131	1	Fly, Boom (600A)	
28B	1001152246	1	Fly, Boom (600AJ) <b>(SN 0300177361 through 0300181174)</b>	
28B	1001156502	1	Fly, Boom (600AJ) <b>(SN 0300181175 through 0300272252)</b>	
29	0961948	2	Bushing	

## SECTION 3 - BOOM

ITEM	PART NUMBER	QTY	DESCRIPTION	REV
30	0961951	2	Bushing (600AJ)	
		Ref	<b>POWER TRACK INSTALLATION</b>	
	0255281	Ref	<b>Power Track Installation (600A)</b>	G
	0255288	Ref	<b>Power Track Installation (600AJ)</b>	F
100	1001107153	NLA	Power Track Assembly (Use p/n 1001224892) (600A) (SN <b>0300177361 through 0300229510</b> )	
100	70002011	AR	Repair Section (600A) (SN <b>0300177361 through 0300229510</b> )	
100	70002012	1	Mounting Bracket Kit (600A) (SN <b>0300177361 through 0300229510</b> )	
100	1001224892	1	Power Track Assembly (600A) (SN <b>0300229511 through 0300272252</b> )	
100	70006257	1	Repair Section (600A) (SN <b>0300229511 through 0300272252</b> )	
100	70006273	1	Mounting Bracket Kit (600A) (SN <b>0300229511 through 0300272252</b> )	
101	1001099836		Power Track Assembly (600AJ)	
101	70001999	AR	Repair Section (600AJ)	
101	70002000	1	Mounting Bracket Kit (600AJ)	
102		Ref	Tube Weldment Options:	
102	4844969	1	Tube Weldment (600A)	
102	4844978	1	Tube Weldment (600AJ) (SN <b>030017361 through 0300200466</b> )	
102	1001161417	1	Tube Weldment (600AJ) (SN <b>0300200467 through 0300272252</b> )	
103		Ref	Support, Power Track Options:	
103	4844972	1	Support, Power Track (600A)	
103	4844979	1	Support, Power Track (600AJ)	
104	3340764	2	Pad, Wear	
105	3538758	1	Plate, Cover Support	
106		Ref	Pad Options:	
106	3340787	1	Pad (600A)	
106	3340765	1	Pad (600AJ)	
107	0100011	AR	Compound, Locking	
108	0641536	2	Bolt 5/16in-18NC x 4-1/2in	
109	0641606	22	Bolt 3/8in-16NC x 3/4in	
110	4711600	18	Flatwasher 3/8in Thin	
111	3311605	4	Locknut 3/8in-16NC	
112	4070932	AR	Shim	
113	4060803	4 ft/1.2m	Flex-Trim	
114	1320314	1	Clamp, Hose/Cable	
115		Ref	Plate	
115	1001106758	3	Plate (600A)	
115	3574185	3	Plate (600AJ)	
116		Ref	Shim Options:	
116	1001106759	3	Shim (600A)	
116	4071062	3	Shim (600AJ)	
117	0641522	1	Bolt 5/16in-18NC x 2-3/4in	
118	3311505	3	Locknut 5/16in-18NC	
119	4711500	6	Flatwasher 5/16in Thin	
120	0641640	2	Bolt 3/8in-16NC x 5in	



# SECTION 3 - BOOM

## FIGURE 3-5. ROTATOR ASSEMBLIES

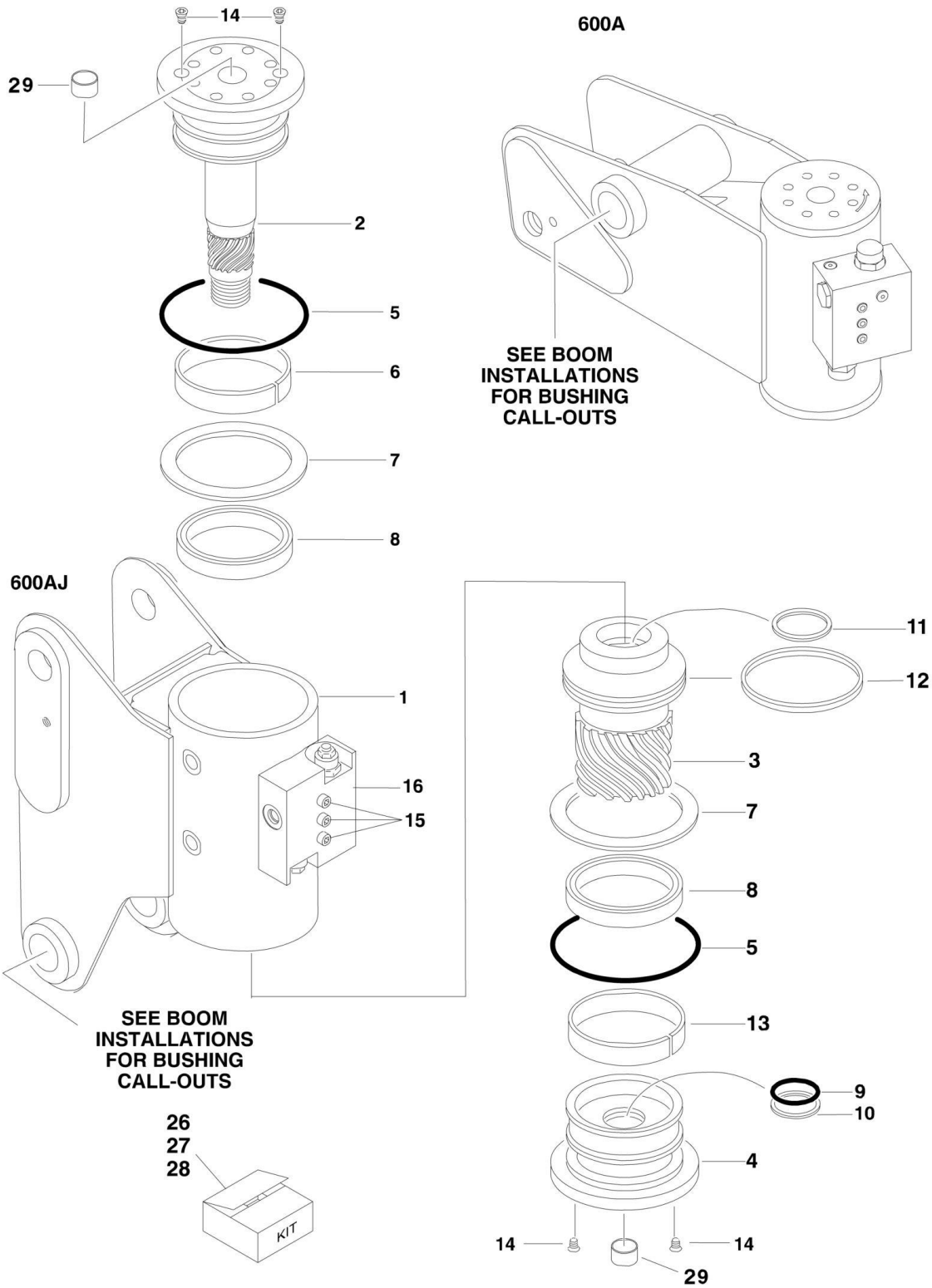
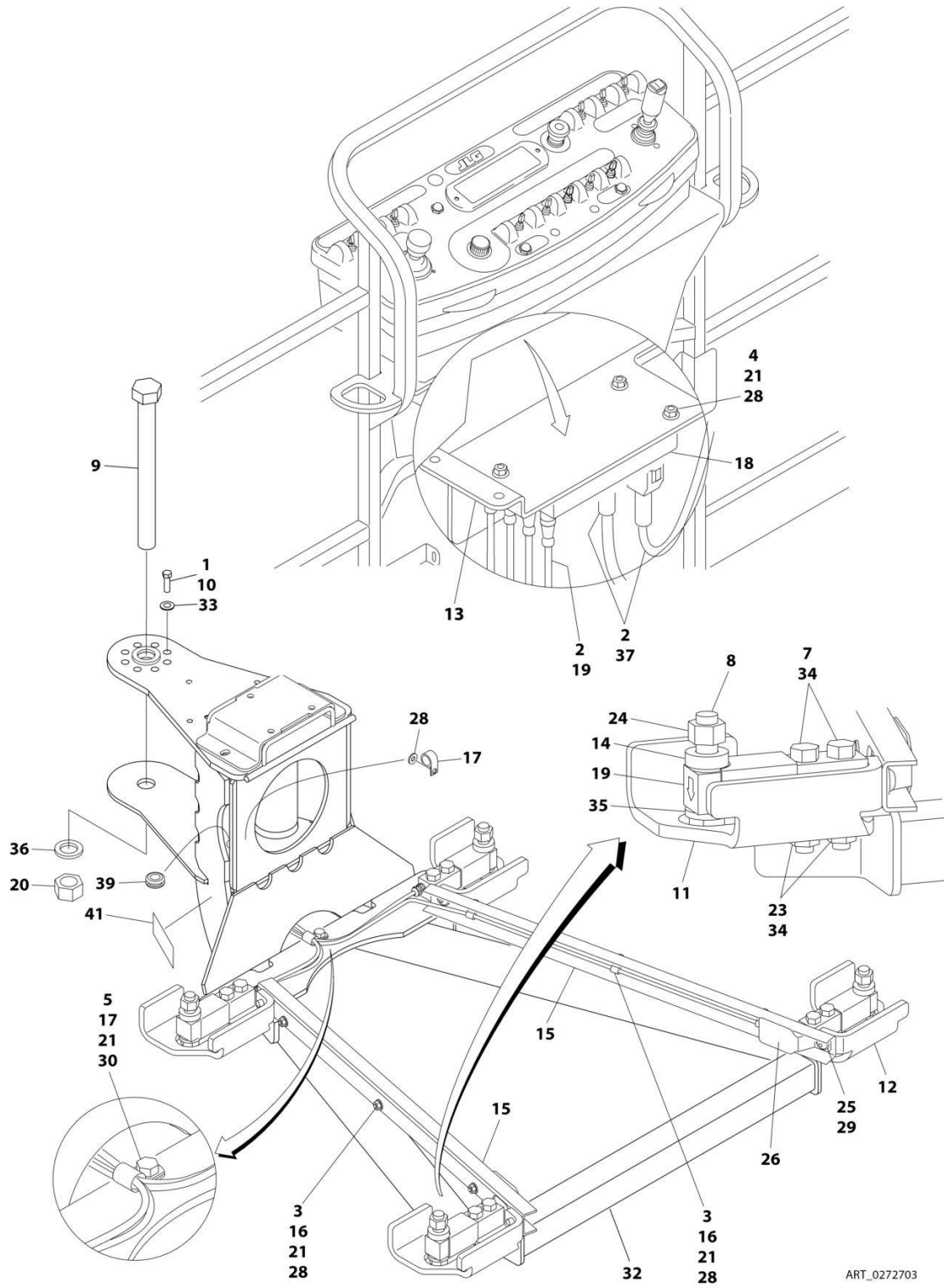


FIGURE 3-5. ROTATOR ASSEMBLIES

ITEM	PART NUMBER	QTY	DESCRIPTION	REV
		Ref	<b>ROTATOR ASSEMBLIES</b>	
	0060068	Ref	<b>Rotator Assemblies (600A) (SN 0300177361 through 0300181174)</b>	A
	1001157222	Ref	<b>Rotator Assemblies (600A) (SN 0300181175 through 0300201144)</b>	B
	1001181056	Ref	<b>Rotator Assemblies (600A) (SN 0300201145 through 0300272252)</b>	A
	0060066	Ref	<b>Rotator Assemblies (600AJ) (SN 0300177361 through 0300181174)</b>	C
	1001157220	Ref	<b>Rotator Assemblies (600AJ) (SN 0300181175 through 0300201144)</b>	B
	1001178256	Ref	<b>Rotator Assemblies (600AJ) (SN 0300201145 through 0300235566)</b>	B
	1001217780	Ref	<b>Rotator Assemblies (600AJ) (SN 0300235567 through 0300272252)</b>	A
1	See Note	1	Housing/Ring Gear Assembly (Note: Not Available - Purchase Complete Assembly)	
2	7017162	1	Weldment, Shaft	
3	7017163	1	Piston/Sleeve Assembly	
4	7017164	1	Cap, End	
5	See Note	NSS	O-Ring (Note: Use Item 26)	
6	See Note	NSS	Bearing, Shaft (Note: Use p/n 7017159)	
7	See Note	NSS	Thrustwasher (Note: Use p/n 7017159)	
8	See Note	NSS	Packing, Bearing (Note: Use Item 26)	
9	See Note	NSS	Seal, Cap (Note: Use Item 26)	
10	See Note	NSS	Ring, Back-Up Cap (Note: Use Item 26)	
11	See Note	NSS	Seal, Rod (Note: Use Item 26)	
12	See Note	NSS	Seal, Piston (Note: Use Item 26)	
13	See Note	NSS	Bearing, Cap (Note: Use p/n 7017159)	
14	70001697	6	Capscrew 1/4in-20NC x 3/8in (Grade 8)	
15	See Note	NSS	Bolt 1/4 x 1-1/2 (Grade 8) (Note: Not Available for Purchase)	
16	7017183	1	Valve Assembly (0060068 & 0060066 Rotators)	
16	7017172	1	Valve Assembly (1001157222, 1001157220, 1001178256, 1001181056 & 1001217780 Rotators)	
16	7017193	2	Cartridge, Valve (0060068 & 0060066 Rotators)	
16	7017192	2	Cartridge, Valve (1001157222, 1001157220, 1001178256, 1001181056 & 1001217780 Rotators)	
16	See Note	NSS	Seal Kit - 7017193 & 7017192 Valve (Note: Not Available - Purchase Complete Assembly)	
16	See Note	NSS	Cartridge, Valve (Not Shown - Located on Side of Block) (Note: Not Available - Purchase Complete Assembly)	
16	See Note	NSS	Seal Kit - Valve Located on Side of Block (Note: Not Available - Purchase Complete Assembly)	
26		Ref	Seal Kit Options Rotator (Includes Items 5, 8-12 & 28)	
26	7017158	1	Standard Seal Kit	
26	70000342	1	Low Temperature Seal Kit	
27	7017159	1	Bearing Kit (Includes Items 6, 7 & 13)	
28	7017142	1	Hardware Kit (Includes Qty 2 Plugs, Qty 2 Dowel Pins and Item 14)	
29	7017195	2	Bushing	

# SECTION 3 - BOOM

## FIGURE 3-6. PLAFORM SUPPORT INSTALLATION - WITHOUT LSS OR WITH 4 CELL LSS





## SECTION 3 - BOOM

**FIGURE 3-6. PLATFORM SUPPORT INSTALLATION - WITHOUT LSS OR WITH 4 CELL LSS**

ITEM	PART NUMBER	QTY	DESCRIPTION	REV
	0272703	Ref	<b>PLATFORM SUPPORT INSTALLATION - WITHOUT LSS OR WITH 4 CELL LSS</b>	Q
1	0100011	AR	Compound, Locking	
2	0100048	AR	Grease, Dielectric	
3	0641405	6	Bolt 1/4 x 5/8	
4	0641416	3	Bolt 1/4 x 2	
5	0641407	1	Bolt 1/4 x 7/8	
7	0641822	8	Bolt 1/2 x 2-3/4	
8	0642024	4	Bolt 5/8 x 3	
9	0642684	1	Bolt 1 x 10-1/2	
10	0681608	8	Bolt 3/8 x 1 Grade 8	
11	0902919	2	Bracket, Cell Guard	
12	0902920	2	Bracket, Cell Guard	
13	1001113483	1	Bracket, Module Mount	
14	0962450	4	Bushing, Spacer	
15	1271538	2	Channel	
16	1320136	6	Clamp	
17	1320224	2	Clamp	
18	1600387	1	Module, Control - LSS (Note: Recalibration Required When Replaced)	
19	2420202	4	Cell, Load (Includes Cable)	
20	3272605	1	Nut 1 Grade 8	
21	3311405	10	Nut 1/4	
23	3311805	8	Nut 1/2	
24	3312005	4	Nut 5/8	
25	3900283	4	Screw 3/8 x 3/4	
26	4061054	2	Shield	
27	4240033	AR	Tie-Strap (Not Shown)	
28	4711400	10	Washer 1/4	
29	4711600	4	Washer 3/8	
30	4751400	1	Washer 1/4	
32	4846573	1	Support, Platform	
33	4891600	8	Washer 3/8	
34	4891800	8	Washer 1/2	
35	4892000	4	Washer 5/8	
36	4892600	1	Washer 1	
37	4922869	1	LSS Harness	
37	4922705	1	Analyzer Harness (Not Shown)	
37	4460761	1	Receptacle, Female - 4 Position (Not Shown)	
37	4460226	1	Socket, Female	
37	4460836	1	Connector - 12 Position (Black) (J2)	
37	4460465	1	Socket, Female	
37	4460466	1	Plug, Terminal	
37	0840055	1	Boot	
37	4460933	1	Connector - 12 Position (Grey) (J1)	
37	4460465	1	Socket, Female	
37	4460466	1	Plug, Terminal	
37	0840055	1	Boot	
39	2540038	1	Grommet	
40	2920129	1	Bulb, Light (Not Shown - Located on Ground Control Box)	

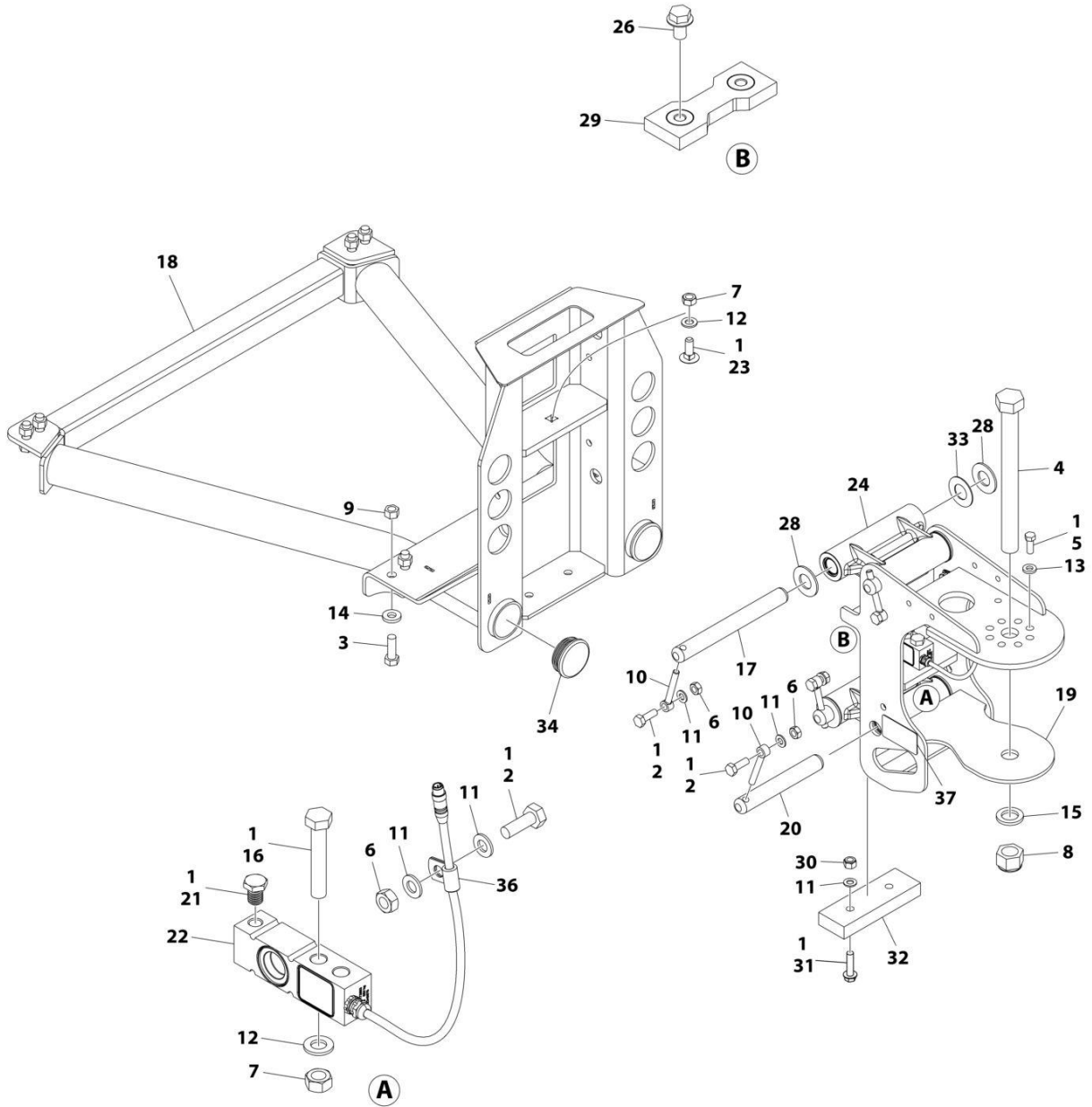
## SECTION 3 - BOOM

ITEM	PART NUMBER	QTY	DESCRIPTION	REV
41	1001216630	2	Decal - Tie Down/No Lift	



# SECTION 3 - BOOM

## FIGURE 3-7. PLATFORM SUPPORT INSTALLATION - WITH 1 CELL LSS



ART\_1001167596

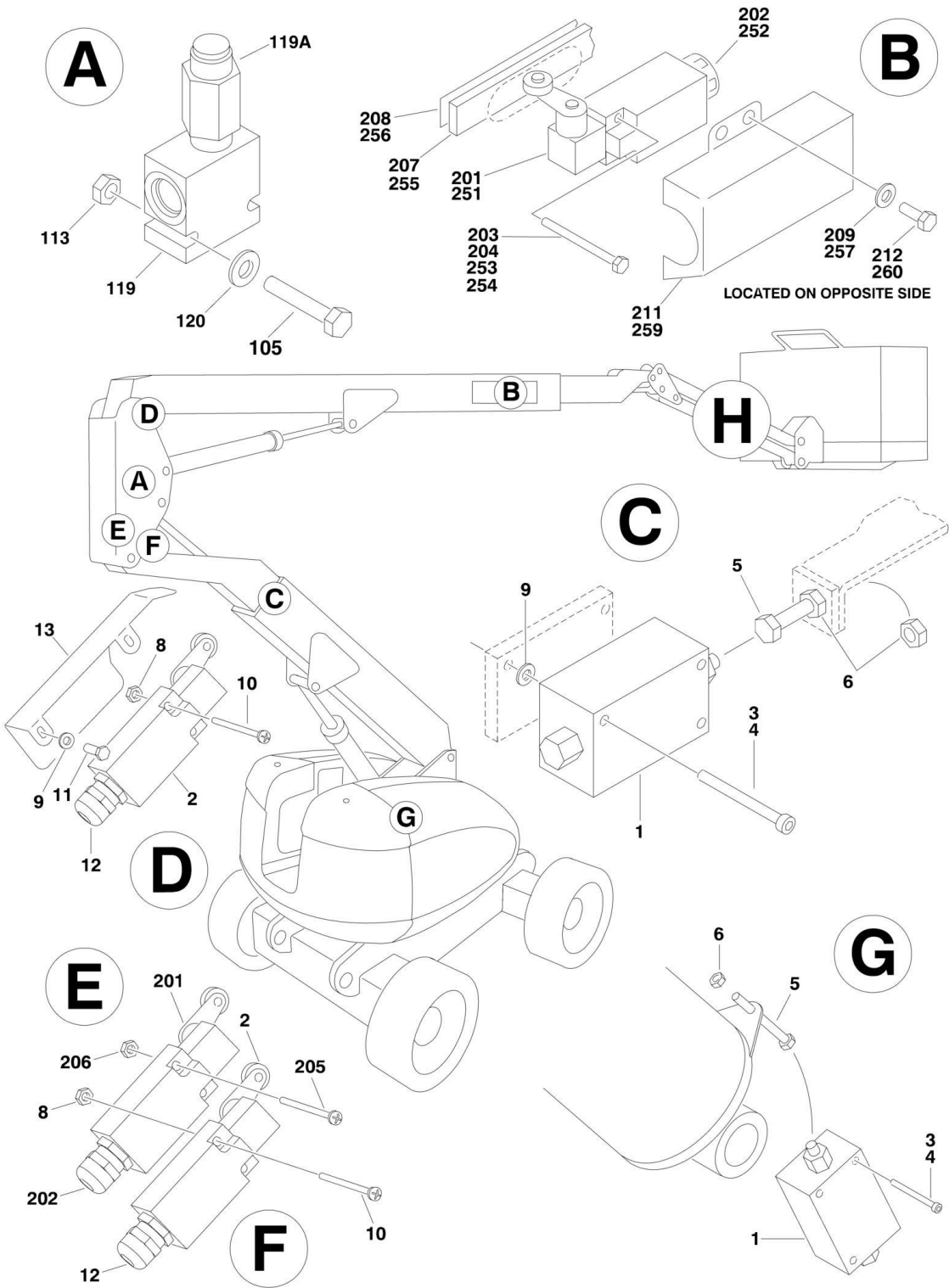
## SECTION 3 - BOOM

**FIGURE 3-7. PLATFORM SUPPORT INSTALLATION - WITH 1 CELL LSS**

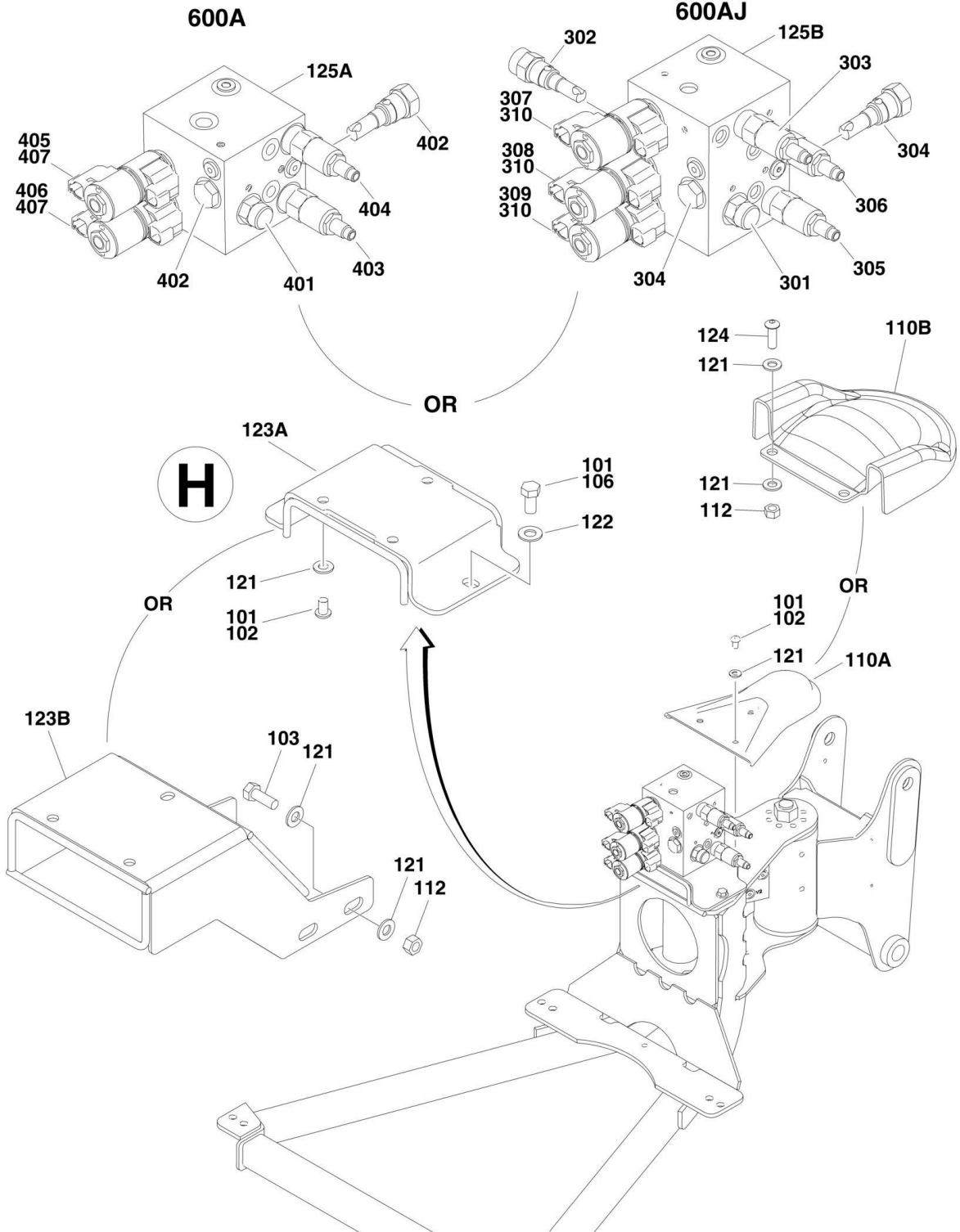
ITEM	PART NUMBER	QTY	DESCRIPTION	REV
	1001167596	Ref	<b>PLATFORM SUPPORT INSTALLATION - WITH 1 CELL LSS</b>	J
1	0100011	AR	Compound, Locking	
2	0761014	5	Bolt M10 x 30	
3	0641812	8	Bolt 1/2 x 1-1/2	
3	0761216	8	Bolt M12 x 40	
4	0642684	1	Bolt 1 x 10-1/2	
5	0681608	8	Bolt 3/8 x 1	
6	3291001	5	Nut M10	
7	3291201	3	Nut M12	
8	3300243	1	Nut 1	
9	3311805	8	Nut 1/2	
9	3291205	8	Nut M12	
10	3841143	4	Keeper, Pin	
11	4812000	8	Washer M10	
12	4812100	3	Washer M12	
13	4891600	8	Washer 3/8	
14	4891800	8	Washer 1/2	
14	5241200	8	Washer M12	
15	4892600	1	Washer 1	
16	1001098828	2	Bolt M12 x 70 Grade 10.9	
17	1001167565	2	Pin	
18	1001200494	1	Support, Platform	
19	1001167567	1	Support, Rotator	
20	1001168402	2	Pin	
21	1001188622	1	Screw	
22	1001172663	1	Gauge, Load Sensing	
23	1001188844	1	Bolt M12 x 35	
24	1001201351	2	Link, LSS Assembly	
26	5251008	2	Bolt M10 x 16	
28	1001189002	8	Bearing	
29	1001190985	1	Pad, Wear	
30	3291005	2	Nut M10	
31	5251016	2	Bolt M10 x 40	
32	1001200491	1	Pad, Wear	
33	1001189001	4	Bearing	
34	1001204725	2	Plug	
36	91203039	1	Clamp	
37	1001216630	2	Decal - Tie Down/No Lift	

# SECTION 3 - BOOM

## FIGURE 3-8. VALVES AND SWITCHES INSTALLATION (BOOM MOUNTED)



# SECTION 3 - BOOM



## SECTION 3 - BOOM

**FIGURE 3-8. VALVES AND SWITCHES INSTALLATION (BOOM MOUNTED)**

ITEM	PART NUMBER	QTY	DESCRIPTION	REV
	1001155267	Ref	<b>BOOM VALVES AND LIMIT SWITCHES INSTALLATION (ALL SPECS)</b>	C
1	4641436	2	Valve, Manual 2-Way	
2	4360578	2	Switch, Limit	
3	3931430	6	Bolt, Socket Head 1/4in-20NC x 1-7/8in	
4	0100011	AR	Compound, Locking	
5	0630427	2	Bolt, Special	
6	3311801	3	Nut 1/2in-13NC	
8	3310801	4	Nut #8-32NC	
9	4751400	8	Flatwasher 1/4in Regular	
10	3930828	4	Bolt, Socket Head #8-32NC x 1-3/4in	
11	3931408	2	Bolt, Socket 1/4in-20NC x 1/2in	
12	4460968	2	Connector, Strain Relief	
13	1001155399	1	Cover, Switch	
		Ref	<b>CONTROL VALVES INSTALLATION (ALL SPECS)</b>	
		Ref	<b>Machines without LSS or 4 Cell LSS:</b>	
	1001152535	Ref	<b>Control Valves Installation - 2WS with Deutz D2011 and GM Engines (600A) (SN 0300177361 through 0300181174)</b>	C
	1001160038	Ref	<b>Control Valves Installation - 2WS with Deutz D2011, Ford and GM Engines (600A) (SN 0300181175 through 0300272252)</b>	B
	1001145379	Ref	<b>Control Valves Installation - 2WS with Deutz TD2.9L4 Engines (600A) (SN 0300177361 through 0300181174)</b>	C
	1001164168	Ref	<b>Control Valves Installation - 2WS with Deutz TD2.9L4 Engines (600A) (SN 0300181175 through 0300272252)</b>	B
	1001152534	Ref	<b>Control Valves Installation - 4WS with Deutz D2011 and GM Engines (600A) (SN 0300177361 through 0300181174)</b>	C
	1001160039	Ref	<b>Control Valves Installation - 4WS with Deutz D2011, Ford and GM Engines (600A) (SN 0300181175 through 0300272252)</b>	B
	1001145720	Ref	<b>Control Valves Installation - 4WS with Deutz TD2.9L4 Engines (600A) (SN 0300177361 through 0300181174)</b>	D
	1001164160	Ref	<b>Control Valves Installation - 4WS with Deutz TD2.9L4 Engines (600A) (SN 0300181175 through 0300272252)</b>	B
	1001152537	Ref	<b>Control Valves Installation - 2WS with Deutz D2011 and GM Engines (600AJ) (SN 0300177361 through 0300181174)</b>	C
	1001160068	Ref	<b>Control Valves Installation - 2WS with Deutz D2011, Ford and GM Engines (600AJ) (SN 0300181175 through 0300272252)</b>	B
	1001145719	Ref	<b>Control Valves Installation - 2WS with Deutz TD2.9L4 Engines (600AJ) (SN 0300177361 through 0300181174)</b>	D
	1001164164	Ref	<b>Control Valves Installation - 2WS with Deutz TD2.9L4 Engines (600AJ) (SN 0300181175 through 0300272252)</b>	B
	1001152265	Ref	<b>Control Valves Installation - 4WS with Deutz D2011 and GM Engines (600AJ) (SN 0300177361 through 0300181174)</b>	C
	1001164170	Ref	<b>Control Valves Installation - 4WS with Deutz D2011, Ford and GM Engines (600AJ) (SN 0300181175 through 0300272252)</b>	B
	1001145721	Ref	<b>Control Valves Installation - 4WS with Deutz TD2.9L4 Engines (600AJ) (SN 0300177361 through 0300181174)</b>	D
	1001160069	Ref	<b>Control Valves Installation - 4WS with Deutz TD2.9L4 Engines (600AJ) (SN 0300181175 through 0300272252)</b>	B
		Ref	<b>Machines with 1 Cell LSS:</b>	
	1001219471	Ref	<b>Control Valves Installations - 2WS with Deutz D2011 and Ford Engines (600A)</b>	C
	1001219477	Ref	<b>Control Valves Installations - 2WS with Deutz TD2.9L4 Engines (600A)</b>	C



## SECTION 3 - BOOM

ITEM	PART NUMBER	QTY	DESCRIPTION	REV
	1001219472	Ref	<b>Control Valves Installations - 4WS with Deutz D2011 and Ford Engines (600A)</b>	C
	1001219475	Ref	<b>Control Valves Installations - 4WS with Deutz TD2.9L4 Engines (600A)</b>	C
	1001219473	Ref	<b>Control Valves Installations - 2WS with Deutz D2011 and Ford Engines (600AJ)</b>	B
	1001219476	Ref	<b>Control Valves Installations - 2WS with Deutz TD2.9L4 Engines (600AJ)</b>	B
	1001219474	Ref	<b>Control Valves Installations - 4WS with Deutz D2011 and Ford Engines (600AJ)</b>	B
	1001219478	Ref	<b>Control Valves Installations - 4WS with Deutz TD2.9L4 Engines (600AJ)</b>	B
101	0100011	AR	Compound, Locking (SN 0300181175 through 0300272252)	
102	0630467	6	Screw 5/6-18 x 1/2 (SN 0300181175 through 0300272252)	
103	0641507	4	Bolt 5/16 x 7/8	
105	0641424	2	Bolt 1/4-20 x 3	
106	0641606	2	Bolt 3/8-16 x 3/4 (SN 0300181175 through 0300272252)	
110A	1670964	1	Cover (Machines without LSS or with 4 Cell LSS) (SN 0300181175 through 0300272252)	
110B	1001207969	1	Cover (Machines with 1 Cell LSS)	
112	3311505	6	Nut 5/16	
113	3311405	2	Nut 1/4-20	
119	4640929	1	Valve Assembly - Relief	
119A	7012970	1	Cartridge Valve	
119A	7012953	1	Seal Kit - 7012970 Valve	
120	4711400	AR	Washer 1/4	
121	4711500	AR	Washer 5/16 (SN 0300181175 through 0300272252)	
122	4711600	2	Washer 3/8 (SN 0300181175 through 0300272252)	
123A	4846218	1	Plate, Valve Mounting (Machines without LSS or with 4 Cell LSS) (SN 0300181175 through 0300272252)	
123B	1001226744	1	Plate, Valve Mounting (Machines with 1 Cell LSS)	
124	88261024	2	Screw 5/16 x 1	
125A	1001152564	1	Control Valve Assembly (See Items 401-409 for Breakdown) (600A) (SN 0300181175 through 0300272252)	
125B	1001152565	1	Control Valve Assembly (See Items 301-312 for Breakdown) (600AJ) (SN 0300181175 through 0300272252)	
	0255699	Ref	<b>LIMIT SWITCHES INSTALLATION - DUAL CAPACITY (ANSI, ANSI EXPORT, CSA AND JAPANESE SPECS) (600A)</b>	D
201	4360578	2	Switch, Limit	
202	4460968	2	Connector, Strain Relief	
203	0100035	AR	Compound, Locking	
204	3930816	2	Bolt, Socket Head #8-32NC x 1in	
205	3930824	2	Bolt, Socket Head #8-32NC x 1-1/2in	
206	3310805	2	Locknut #8-32NC	
207	1001106480	1	Bar, Fiberglass	
208	4420060	9.8 ft/3m	Tape, Foam	
209	4751400	4	Flatwasher 1/4in Regular	
211	1670824	1	Cover, Switch	
212	0641403	4	Bolt 1/4in-20NC x 3/8in	
		Ref	<b>TRANSPORT POSITION SWITCHES INSTALLATION (CE SPEC ONLY)</b>	
	0256331	Ref	<b>Transport Position Switches Installation (600A)</b>	B
	0256336	Ref	<b>Transport Position Switches Installation (600AJ)</b>	C
251	4360578	1	Switch, Limit	

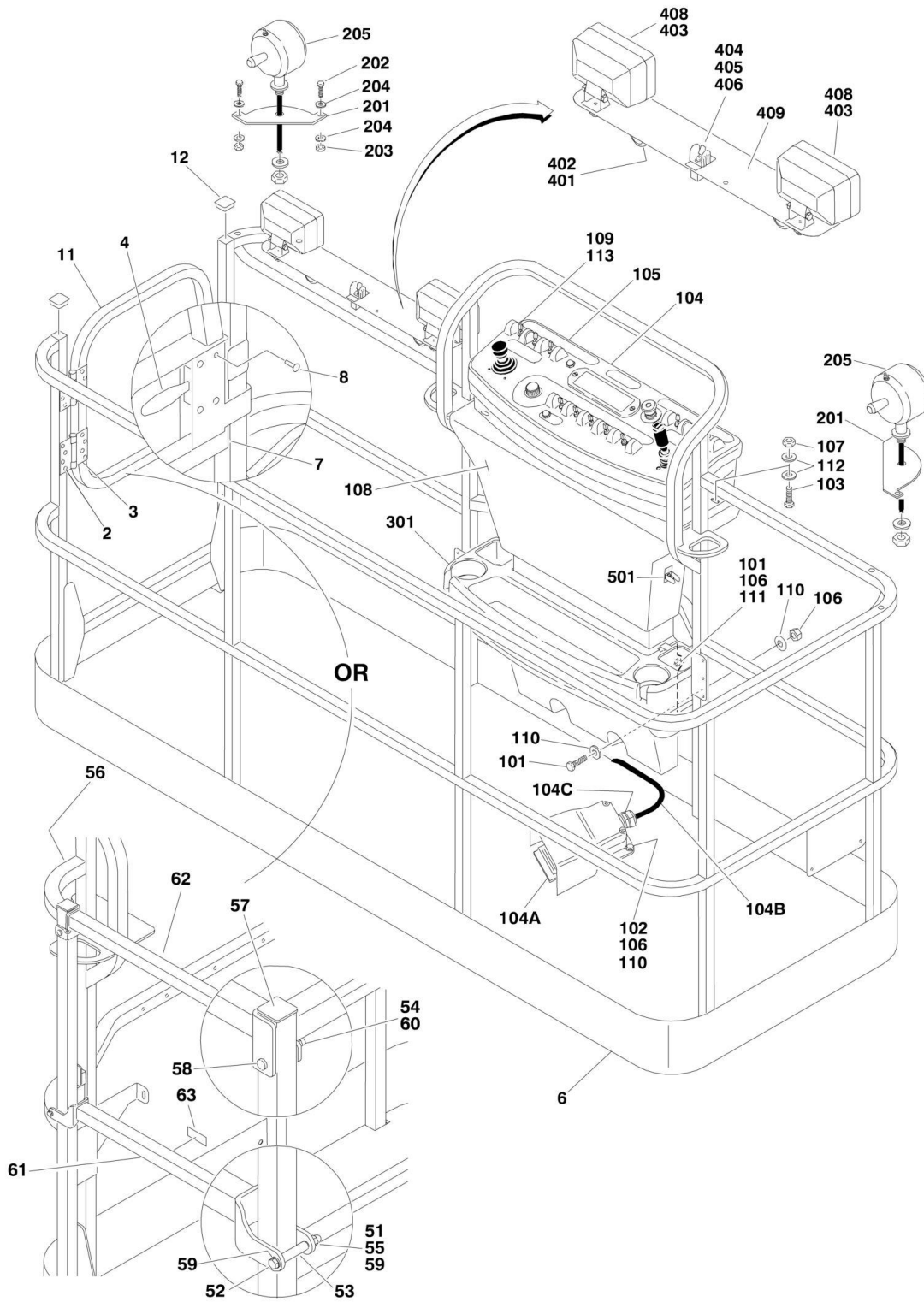
## SECTION 3 - BOOM

ITEM	PART NUMBER	QTY	DESCRIPTION	REV
252	4460968	1	Connector, Strain Relief	
253	0100035	AR	Compound, Locking	
254	3930816	2	Bolt, Socket Head #8-32NC x 1in	
255		Ref	Bar, Fiberglass	
255	0362611	1	Bar, Fiberglass (600A)	
255	1001106480	1	Bar, Fiberglass (600AJ)	
256	4420060	AR	Tape, Foam	
256	4420060	13.1 ft /4m	Tape, Foam (600A)	
256	4420060	10.5 ft /3.2m	Tape, Foam (600AJ)	
257	4751400	4	Flatwasher 1/4in Regular	
259	1670824	1	Cover, Switch	
260	0641403	4	Bolt 3/8in-16NC x 3/8in	
	1001152564	Ref	<b>CONTROL VALVE ASSEMBLY (600A)</b>	D
401	7012965	1	Valve, Flow (600A)	
401	7012953	1	Seal Kit - 7012965 Valves (600A)	
402	7012914	2	Valve, Cartridge (600A)	
402	7012918	2	Seal Kit - 7012914 Valve (600A)	
403	7023911	1	Valve, Relief (600A)	
403	7012967	1	Seal Kit - 7023911 Valve (600A)	
404	7023912	1	Valve, Relief (600A)	
404	7012967	1	Seal Kit - 7023912 Valve (600A)	
405	7017452	1	Valve, Solenoid (Platform Level) (600A)	
405	7017402	1	Seal Kit - 7017452 Valve (600A)	
406	7017452	1	Valve, Solenoid (Rotator) (600A)	
406	7017402	2	Seal Kit - 7017452 Valve (600A)	
407	70002386	4	Coil (600A)	
408	70002064	2	Plug, Orifice (Not Shown) (600A)	
409	7017406	2	Plug (Not Shown) (600A)	
	1001152565	Ref	<b>CONTROL VALVE ASSEMBLY (600AJ)</b>	C
301	7012989	1	Valve, Flow (600AJ)	
301	7012953	1	Seal Kit - 7012989 Valves (600AJ)	
302	7012965	1	Valve, Flow (600AJ)	
302	7012953	1	Seal Kit - 7012965 Valves (600AJ)	
303	70003790	1	Valve, Relief (600AJ)	
303	7021653	1	Seal Kit - 70003790 Valve (600AJ)	
304	7012914	2	Valve, Cartridge (600AJ)	
304	7012918	2	Seal Kit - 7012914 Valve (600AJ)	
305	7023911	1	Valve, Relief (600AJ)	
305	7012967	1	Seal Kit - 7023911 Valve (600AJ)	
306	7023912	1	Valve, Relief (600AJ)	
306	7012967	1	Seal Kit - 7023912 Valve (600AJ)	
307	7017452	1	Valve, Solenoid (Jib) (600AJ)	
307	7017402	2	Seal Kit - 7017452 Valve (600AJ)	
308	7017452	1	Valve, Solenoid (Platform Level) (600AJ)	
308	7017402	1	Seal Kit - 7017452 Valve (600AJ)	
309	7017452	1	Valve, Solenoid (Rotator) (600AJ)	
309	7017402	2	Seal Kit - 7017452 Valve (600AJ)	
310	70002386	6	Coil (600AJ)	
311	70002064	2	Plug, Orifice (Not Shown) (600AJ)	
312	7017406	2	Plug (Not Shown) (600AJ)	

**SECTION 4 - PLATFORM**

# SECTION 4 - PLATFORM

## FIGURE 4-1. PLATFORM ASSEMBLIES



## SECTION 4 - PLATFORM

### FIGURE 4-1. PLATFORM ASSEMBLIES

ITEM	PART NUMBER	QTY	DESCRIPTION	REV
		Ref	<b>PLATFORM ASSEMBLY WITH GATE</b>	
	1001144027	Ref	2.6ft x 4ft (0.70m x 1.22m) with No Mesh (SN 0300177361 through 0300200808)	D
	1001186387	Ref	2.6ft x 4ft (0.70m x 1.22m) with No Mesh (SN 0300200809 through 0300272252)	C
	1001144026	Ref	2.6ft x 5ft (0.70m x 1.52m) with No Mesh (SN 0300177361 through 0300200808)	D
	1001186386	Ref	2.6ft x 5ft (0.70m x 1.52m) with No Mesh (SN 0300200809 through 0300272252)	C
	1001144024	Ref	3ft x 6ft (0.90m x 1.83m) with No Mesh (SN 0300177361 through 0300200808)	D
	1001186384	Ref	3ft x 6ft (0.90m x 1.83m) with No Mesh (SN 0300200809 through 0300272252)	C
	1001228376	Ref	3ft x 6ft (0.9m x 1.83m) with Tri-Entry (1 Gate/2 Drop Bars)	A
	1001144023	Ref	3ft x 8ft (0.90m x 2.44m) with No Mesh (SN 0300177361 through 0300200808)	D
	1001186383	Ref	3ft x 8ft (0.90m x 2.44m) with No Mesh (SN 0300200809 through 0300272252)	D
	1001228243	Ref	3ft x 8ft (0.9m x 2.44m) with Tri-Entry (1 Gate/2 Drop Bars)	A
		Ref	<b>Note: Platform and Mesh must be ordered separately for Platforms with Mesh. See SPECIAL OPTIONS SECTION for Mesh Installations.</b>	
		Ref	<b>Note: Replacement Decals Must Be Purchased Separately - See DECALS SECTION.</b>	
		Ref	<b>Note: When replacing 8ft/2.44m platform with Soft Touch option, new Soft Touch Rail p/n 4846673 must be purchased to accommodate limit switch locations.</b>	
		Ref	<b>Note: When replacing platform on machines with SkyCutter option, new bracket p/n 1001145405 must be purchased to accommodate SkyCutter components.</b>	
2	2080040	16	Fastener, Huck	
3	2600281	2	Hinge, Self-Closing	
4	2940074	1	Latch	
6	See Note	NSS	Platform (Note: Purchase Platform Assembly)	
7	3520072	AR	Plug	
8	3820020	4	Rivet	
9	4751000	4	Flatwasher #10 Regular	
11	1001144629	1	Gate	
12	3520198	2	Plug	
14	3520072	2	Plug (Not Shown - Used on Mid Rail Behind Console Box)	
		Ref	<b>PLATFORM ASSEMBLY WITH DROP-BAR</b>	
	1001228215	Ref	3ft x 2.5ft (1m x .76m)	A
	1001144018	Ref	4ft x 2.5ft (1.2m x .76m) (SN 0300177361 through 0300200808)	D
	1001186375	Ref	4ft x 2.5ft (1.2m x .76m) (SN 0300200809 through 0300272252)	B
	1001144019	Ref	5ft x 2.5ft (1.5m x .76m) (SN 0300177361 through 0300200808)	D
	1001186377	Ref	5ft x 2.5ft (1.5m x .76m) (SN 0300200809 through 0300272252)	C
	1001144021	Ref	6ft x 3ft (1.83m x .91m) (SN 0300177361 through 0300200808)	D
	1001186379	Ref	6ft x 3ft (1.83m x .91m) (SN 0300200809 through 0300272252)	B
	1001228377	Ref	3ft x 6ft (0.9m x 1.83m) with Tri-Entry (3 Drop Bars)	A
	1001144022	Ref	8ft x 3ft (2.44m x .91m) (SN 0300177361 through 0300200808)	D
	1001186382	Ref	8ft x 3ft (2.44m x .91m)	B
	1001228375	Ref	3ft x 8ft (0.9m x 2.44m) with Tri-Entry (3 Drop Bars)	A

## SECTION 4 - PLATFORM

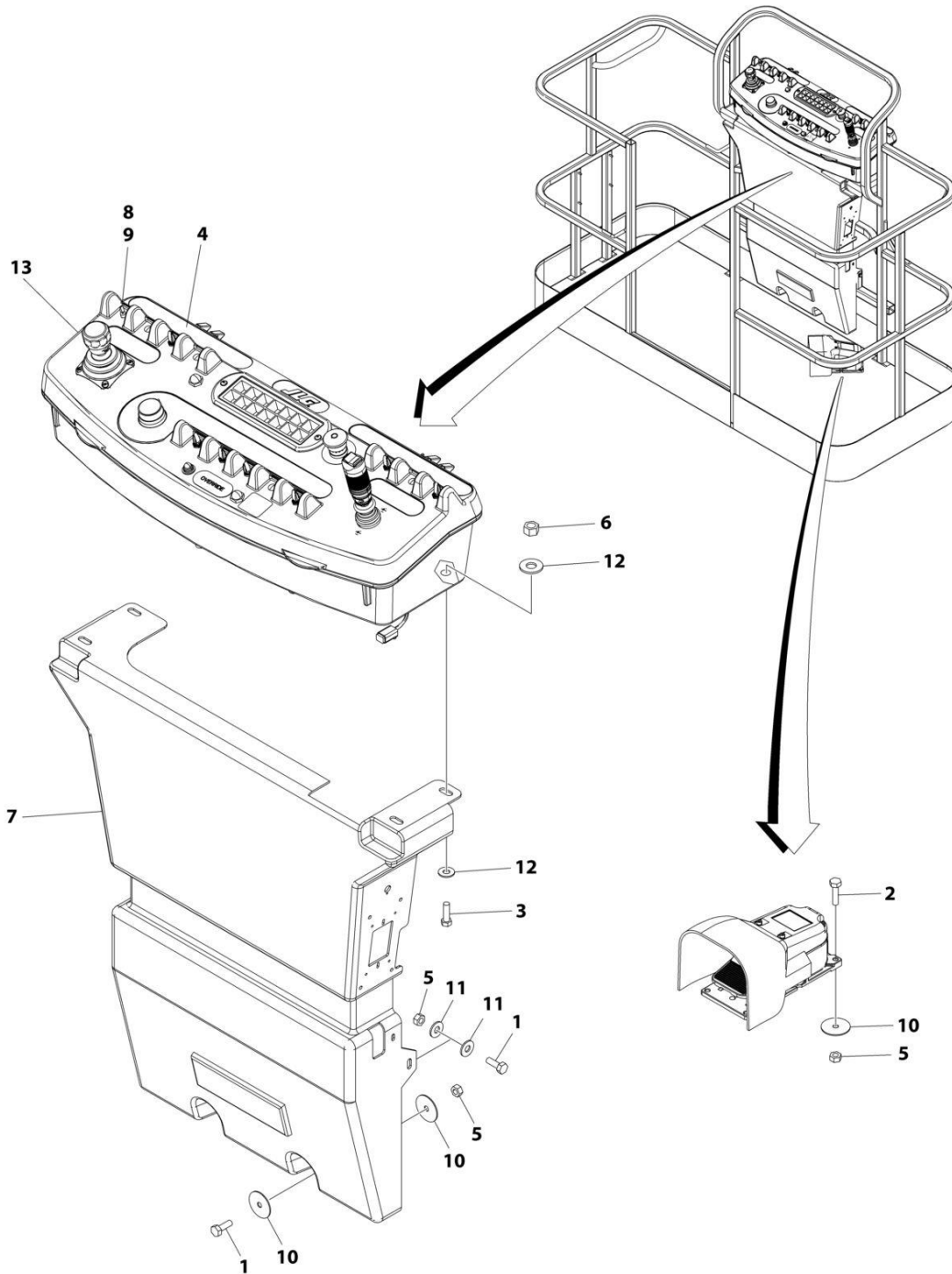
ITEM	PART NUMBER	QTY	DESCRIPTION	REV
		Ref	<b>Note: replacement decals must be ordered separately - See DECALS SECTION.</b>	
51	0100011	AR	Compound, Locking	
52	0641418	AR	Bolt 1/4 x 2-1/4	
52	0641420	AR	Bolt 1/4 x 2-1/2	
53	0961845	2	Bushing	
54	3290606	2	Nut M6	
55	3300151	2	Nut, Acorn	
56	See Note	NSS	Platform (Note: Purchase Platform Assembly)	
57	3520198	2	Plug	
58	4010618	2	Screw M6 x 50mm	
59	4711400	4	Flatwasher 1/4in	
60	4811700	2	Flatwasher M6	
61	1001138494	1	Bar, Drop (All except 3ft x 2.5ft (1m x .76m) Platform)	
61	1001226872	1	Bar, Drop (3ft x 2.5ft (1m x .76m) Platform Only)	
62	1001138514	1	Rail (Top)	
63	1001140429	1	Decal - Drop-Bar	
64	3520072	2	Plug (Not Shown - Used on Mid Rail Behind Console Box)	
	1001145835	Ref	<b>CONSOLE BOX INSTALLATION (WITHOUT SKYGUARD) (SN 0300177361 through 0300181174)</b>	A
	1001159096	Ref	<b>CONSOLE BOX INSTALLATION (WITHOUT SKYGUARD) (SN 0300181175 through 0300272252)</b>	C
	1001190113	Ref	<b>CONSOLE BOX INSTALLATION (WITH SKYGUARD) (WITHOUT LSS OR WITH 4 CELL LSS)</b>	B
101	0641406	4	Bolt 1/4in-20NC x 3/4in	
102	0641408	3	Bolt 1/4in-20NC x 1in	
103	0641610	4	Bolt 3/8in-16NC x 1-1/4in	
104	1001145834	1	Platform Console Box Assembly (Without SkyGuard) (See PLATFORM CONSOLE ASSEMBLY for Breakdown) <b>(SN 0300177361 through 0300181174)</b>	
104	1001159099	1	Platform Console Box Assembly (Without SkyGuard) (See PLATFORM CONSOLE ASSEMBLY for Breakdown) <b>(SN 0300181175 through 0300188647)</b>	
104	1001166672	1	Platform Console Box Assembly (Without SkyGuard) (See PLATFORM CONSOLE ASSEMBLY for Breakdown) <b>(SN 0300188648 through 0300219885)</b>	
104	1001202577	1	Platform Console Box Assembly (Without SkyGuard) (See PLATFORM CONSOLE ASSEMBLY for Breakdown) <b>(SN 0300219886 through 0300272252)</b>	
104	1001190089	1	Platform Console Box Assembly (With SkyGuard) (See PLATFORM CONSOLE ASSEMBLY for Breakdown) <b>(SN 0300177361 through 0300219885)</b>	
104	1001202573	1	Platform Console Box Assembly (With SkyGuard) (See PLATFORM CONSOLE ASSEMBLY for Breakdown) <b>(SN 0300219886 through 0300272252)</b>	
104A	1001117174	1	Footswitch Assembly (Includes Footswitch and Items 104B & 104C)	
104A	1001117172	1	Footswitch	
104A	70002902	1	Block, Contact for 1001117172 Footswitch	
104A	70002903	1	Gasket for 1001117172 Footswitch	
104A	70002905	1	Cover for 1001117172 Footswitch	
104A	70002904	1	Bolt Replacement Kit for 1001117172 Footswitch	
104B	1060918	7 ft/2.14m	Cable, Electrical - 18/3	
104C	4460071	1	Connector, Strain Relief	
105	1702676		Decal	

## SECTION 4 - PLATFORM

ITEM	PART NUMBER	QTY	DESCRIPTION	REV
106	3311405	7	Locknut 1/4in-20NC	
107	3311605	4	Locknut 3/8in-16NC	
108	3380434	1	Panel, Decal Mount	
109	4360331	1	Switch, Toggle	
110	4740362	7	Washer, Fender 1/4in	
111	4751400	4	Flatwasher 1/4in Regular	
112	4751600	8	Flatwasher 3/8in Regular	
113	3790012	1	O-Ring	
	0273492	Ref	<b>WORKLIGHTS INSTALLATIONS (OPTIONAL)</b>	E
201	3536089	2	Plate, Mounting	
202		Ref	Hardware Options:	
202	0641414	4	Bolt 1/4in-20NC x 1-3/4in (USA Built Machines) <b>(SN 0300087000 through 0300112399)</b>	
202	2080040	4	Fastener, Huck (USA Built Machines) <b>(SN 0300112400 through 0300272252)</b>	
203	3311405	4	Locknut 1/4in-20NC (USA Built Machines Only) <b>(SN 0300087000 through 0300112400)</b>	
204	4711400	8	Flatwasher 1/4in Thin (USA Built Machines Only) <b>(SN 0300087000 through 0300112400)</b>	
205	2920140	NLA	Worklight (Use p/n 1001222838) <b>(SN 0300177361 through 0300258807)</b>	
205	7016399	2	Bulb, Replacement (1 Per Worklight)	
205	1001232838	1	Worklight w/Switch Kit <b>(SN 0300258808 through 0300272252)</b>	
205	1001232586	1	Worklight w/Switch	
205	1001232799	1	Harness, Light	
206	4240099	10	Tie-Strap (Not Shown)	
207	2820035	9	Loom, Vinyl (Not Shown)	
209	4460426	1	Connector, Strain Relief Options (Not Shown - Located at Console Box)	
		Ref	<b>TRAY INSTALLATIONS (OPTIONAL)</b>	
301	1580012	1	Tray, Storage (Center)	
302	1580013	1	Tray, Storage (Rail Mounted - Not Shown)	
	0274180	Ref	<b>FLOODLIGHT INSTALLATION</b>	A
401	0641518	2	Bolt 5/16in-18NC x 2-1/4in	
402	2560173	2	Handle	
403	2920157	2	Lamp, Work Light	
404	3250585	1	Nameplate - Light On	
405	4060802	1	Guard, Switch	
406	4360336	1	Switch, Toggle	
407	4420037	1	Tape, Insulation (Not Shown)	
408	4751800	2	Flatwasher 1/2in Regular	
409	4846561	1	Mount, Light	
410	4922892	1	Harness 12/3 (Lower Boom) (Not Shown)	
411	4922894	1	Harness 12/3 (Upper Boom) (Not Shown)	
		Ref	<b>2500W GENERATOR INSTALLATION (OPTIONAL)</b>	
501	4360336	1	Switch, Toggle	
501	4740397	1	Bushing	
501	4060802	1	Guard, Switch	
501	3251102	1	Decal - Generator ON/OFF	

# SECTION 4 - PLATFORM

FIGURE 4-2. CONSOLE BOX INSTALLATION (WITH 1 CELL LSS) (SN 0300177361 through 0300259736)



ART\_1001221703



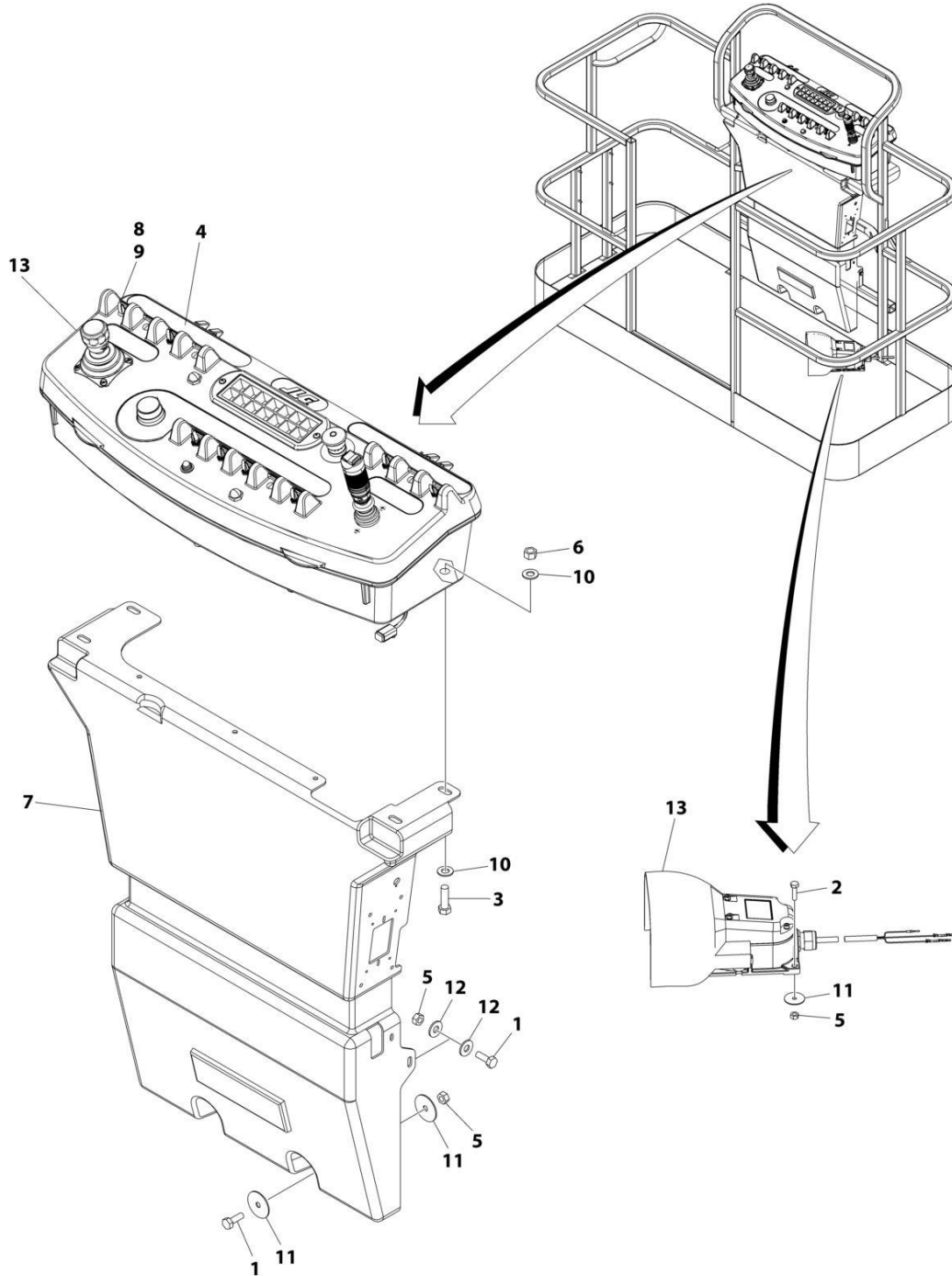
## SECTION 4 - PLATFORM

**FIGURE 4-2. CONSOLE BOX INSTALLATION (WITH 1 CELL LSS) (SN 0300177361 through 0300259736)**

ITEM	PART NUMBER	QTY	DESCRIPTION	REV
	1001221703	Ref	CONSOLE BOX INSTALLATION (WITH 1 CELL LSS)	B
1	0641406	4	Bolt 1/4 x 3/4	
2	0641408	3	Bolt 1/4 x 1	
3	0641610	4	Bolt 3/8 x 16	
4	1702676	1	Decal	
5	3311405	7	Nut 1/4	
6	3311605	4	Nut 3/8	
7	3380434	1	Panel, Decal Mount	
8	3790012	1	O-Ring	
9	4360331	1	Switch, Toggle	
10	4740362	7	Washer	
11	4751400	4	Washer 1/4	
12	4751600	8	Washer 3/8	
13	1001219973	NLA	Platform Console Box Assembly (Use p/n 1001241715) (See Separate Breakdown in this Section)	

# SECTION 4 - PLATFORM

FIGURE 4-3. CONSOLE BOX INSTALLATION (WITH 1 CELL LSS) (SN 0300259737 through 0300272252)



ART\_1001241719

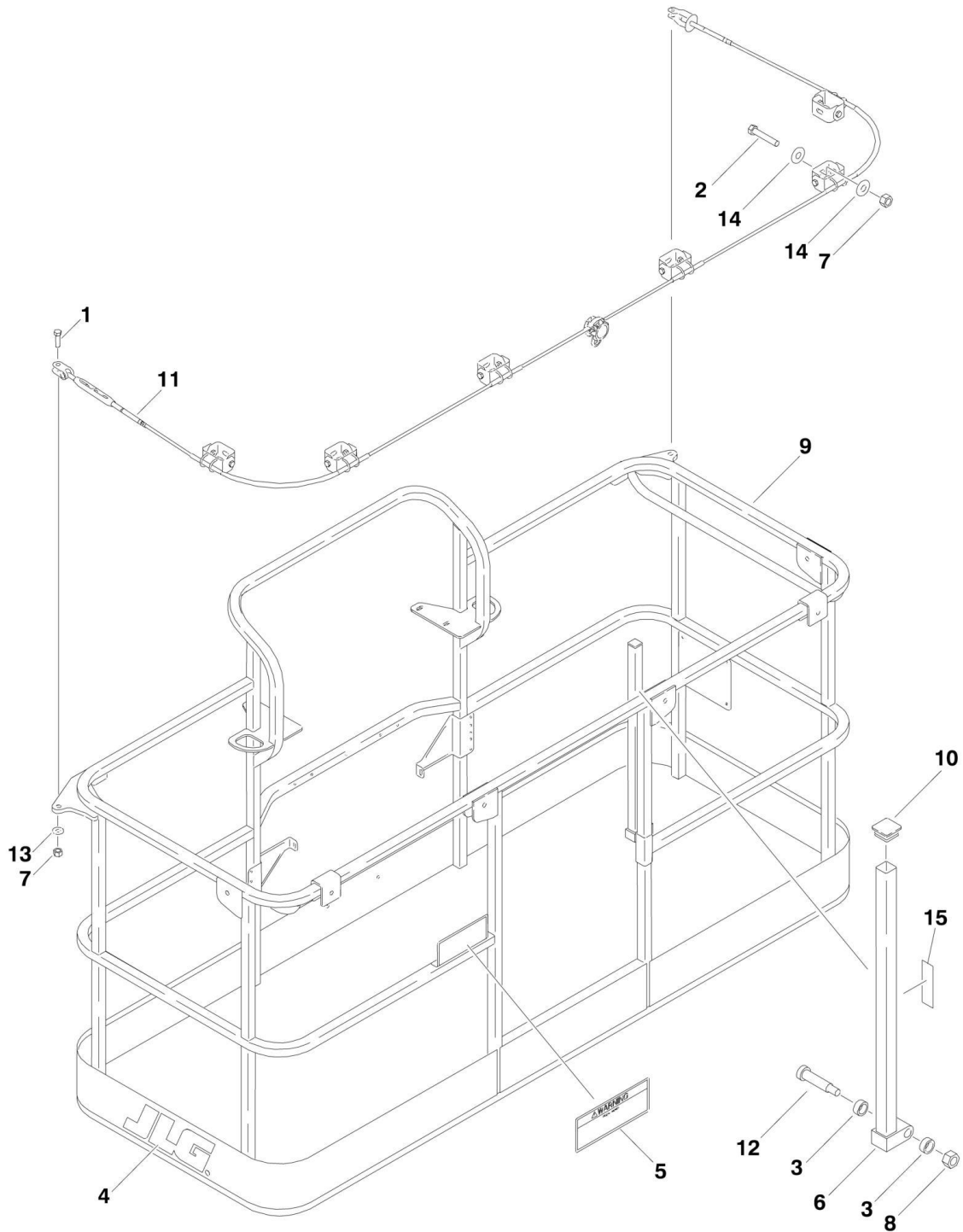
## SECTION 4 - PLATFORM

**FIGURE 4-3. CONSOLE BOX INSTALLATION (WITH 1 CELL LSS) (SN 0300259737 through 0300272252)**

ITEM	PART NUMBER	QTY	DESCRIPTION	REV
	1001241719	Ref	CONSOLE BOX INSTALLATION (WITH 1 CELL LSS)	A
1	0641406	4	Bolt 1/4 x 3/4	
2	0641408	3	Bolt 1/4 x 1	
3	0641610	4	Bolt 3/8 x 16	
4	1702676	1	Decal	
5	3311405	7	Nut 1/4	
6	3311605	4	Nut 3/8	
7	3380434	1	Panel, Decal Mount	
8	3790012	1	O-Ring	
9	4360331	1	Switch, Toggle	
10	4751600	8	Washer 3/8	
11	4740362	7	Washer	
12	4751400	4	Washer 1/4	
13	1001241715	1	Platform Console Box Assembly (See Separate Breakdown in this Section)	

# SECTION 4 - PLATFORM

## FIGURE 4-4. PLATFORM COMPONENTS INSTALLATION (FALL ARREST PLATFORM)



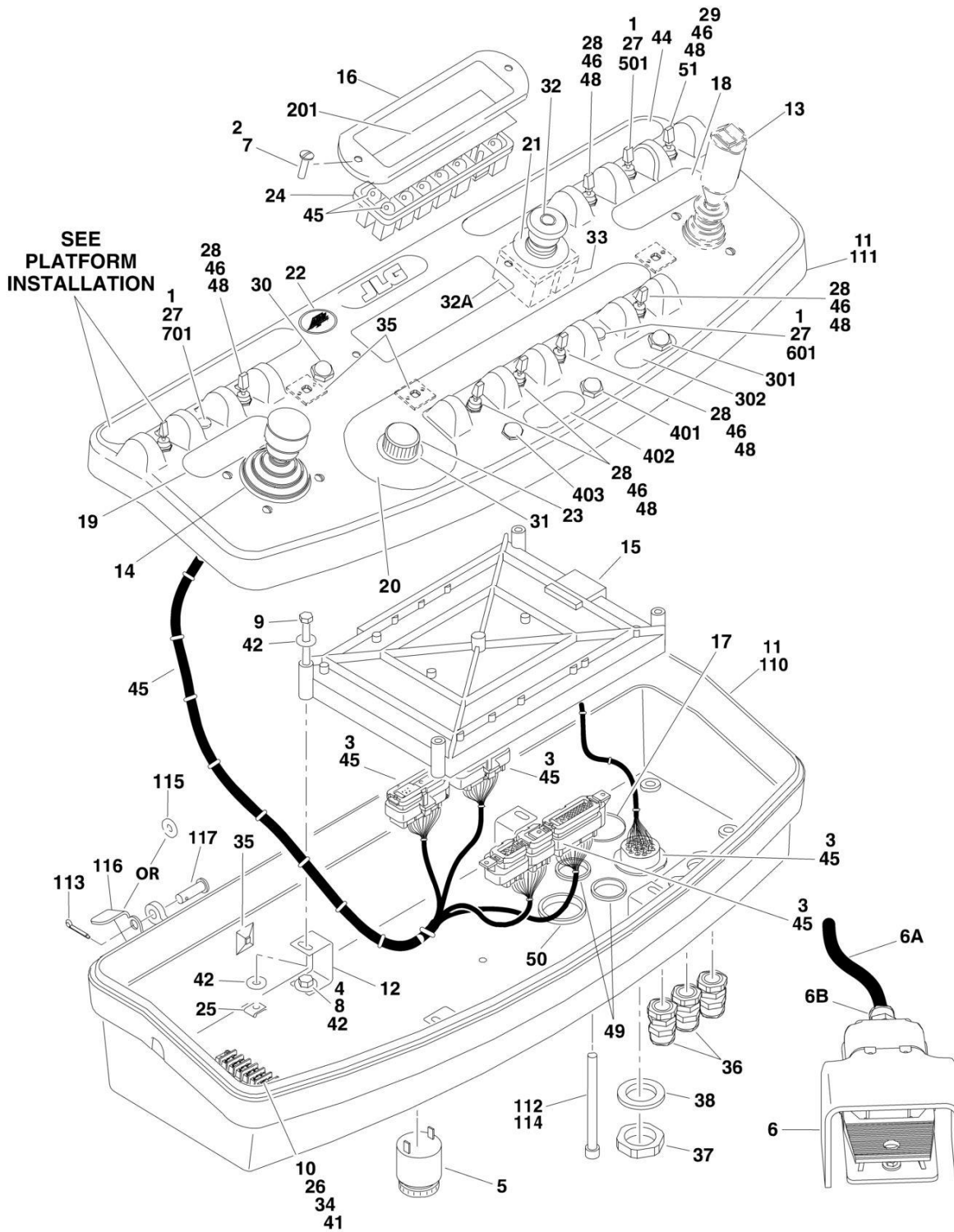
## SECTION 4 - PLATFORM

**FIGURE 4-4. PLATFORM COMPONENTS INSTALLATION (FALL ARREST PLATFORM)**

ITEM	PART NUMBER	QTY	DESCRIPTION	REV
		Ref	<b>PLATFORM ASSEMBLY (FALL ARREST)</b>	
		Ref	<b>Note: Not Available on CE Specs.</b>	
	3510884	Ref	<b>3ft x 6ft (0.9m x 1.83m) (SN 0300177361 through 0300185926)</b>	F
	1001144597	Ref	<b>3ft x 6ft (0.9m x 1.83m) (SN 0300185927 through 0300200808)</b>	D
	1001186333	Ref	<b>3ft x 6ft (0.9m x 1.83m) (SN 0300200809 through 0300272252)</b>	C
	3510868	Ref	<b>3ft x 8ft (0.9m x 2.44m) (SN 0300177361 through 0300185926)</b>	F
	1001144596	Ref	<b>3ft x 8ft (0.9m x 2.44m) (SN 0300185927 through 0300200808)</b>	D
	1001186334	Ref	<b>3ft x 8ft (0.9m x 2.44m) (SN 0300200809 through 0300272252)</b>	D
		Ref	<b>Note: Replacement Decals Must Be Purchased Separately - See DECALS SECTION.</b>	
1	0681814	2	Bolt 1/2in-13NC x 1-3/4in (Grade 8)	
2	0681822	AR	Bolt 1/2in-13NC x 2-3/4in (Grade 8)	
3	0962270	2	Bearing	
4	1702773	1	Decal - JLG (3ft x 8ft (0.9m x 2.44m) Platform Only)	
5	1705014	1	Decal - Safety	
6	2410014	1	Gate Weldment	
7	3271805	AR	Locknut 1/2in-13NC (Grade 8)	
8	3311605	1	Locknut 3/8in-16NC	
9	See Note	NSS	Platform (Note: Purchase Platform Assembly)	
10	3520072	1	Cap-Plug	
11		Ref	Cable, Fall Arrest Options:	
11	1060919	NLA	Cable (3ft x 6ft (0.9m x 1.83m) Platform) (Use p/n 1001203655) <b>(SN 0300177361 through 0300213938)</b>	
11	1001203655	1	Cable (3ft x 6ft (0.9m x 1.83m) Platform) <b>(SN 0300213939 through 0300272252)</b>	
11	3890040	NLA	Cable (3ft x 8ft (0.9m x 2.44m) Platform) (Use p/n 1001203656) <b>(SN 0300177361 through 0300215775)</b>	
11	1001203656	1	Cable (3ft x 8ft (0.9m x 2.44m) Platform) <b>(SN 0300215776 through 0300272252)</b>	
12	3900054	1	Bolt 1/2in-13NC x 1 3/4in	
13	4711800	AR	Flatwasher 1/2in Thin	
14	4751800	AR	Flatwasher 1/2in Regular	
15	1706385	1	Decal - Drop Bar	

# SECTION 4 - PLATFORM

## FIGURE 4-5. PLATFORM CONSOLE ASSEMBLY (WITHOUT SKYGUARD)



## SECTION 4 - PLATFORM

**FIGURE 4-5. PLATFORM CONSOLE ASSEMBLY (WITHOUT SKYGUARD)**

ITEM	PART NUMBER	QTY	DESCRIPTION	REV
	1001145834	Ref	<b>CONSOLE BOX AND FOOTSWITCH ASSEMBLY (SN 0300177361 through 0300181174)</b>	C
	1001159099	Ref	<b>CONSOLE BOX AND FOOTSWITCH ASSEMBLY (SN 0300181175 through 0300188647)</b>	B
	1001166672	Ref	<b>CONSOLE BOX AND FOOTSWITCH ASSEMBLY (SN 0300188648 through 0300219885)</b>	C
	1001202577	Ref	<b>CONSOLE BOX AND FOOTSWITCH ASSEMBLY (SN 0300219886 through 0300272252)</b>	C
1	0100009	AR	Sealant	
2	0100035	AR	Compound, Locking	
3	0100048	AR	Grease, Dielectric	
4	0100081	AR	Adhesive	
5	0140011	1	Alarm	
6	1001117174	1	Footswitch Assembly (Includes Footswitch and Items 6A & 6B)	
6	1001117172	1	Footswitch	
6	70002902	1	Block, Contact for 1001117172 Footswitch	
6	70002903	1	Gasket for 1001117172 Footswitch	
6	70002905	1	Cover for 1001117172 Footswitch	
6	70002904	1	Bolt Replacement Kit for 1001117172 Footswitch	
6A	1060918	7 ft/2.14m	Cable, Electrical - 18/3	
6A	4460042	3	Terminal, Ring (Not Shown)	
6A	4460464	1	Pin, Male	
6A	4460226	2	Socket, Female	
6B	4460071	1	Connector, Strain Relief	
6B	0100020	AR	Sealant	
7	0630464	2	Screw, Button Head #10-24NC x 1/2in	
8	0641404	4	Bolt 1/4in-20NC x 1/2in	
9	0641414	4	Bolt 1/4in-20NC x 1 3/4in	
10	0721006	2	Bolt #10-24NC x 3/4in	
11		Ref	Box, Console Options (See Items 101-117 for Breakdown):	
11	0861537	1	Box, Console <b>(SN 0300177361 through 0300219885)</b>	
11	1001201890	1	Box, Console <b>(SN 0300219886 through 0300272252)</b>	
12	0902751	4	Bracket, Card Support <b>(SN 0300177361 through 0300219885)</b>	
12	1001172760	4	Bracket, Card Support <b>(SN 0300219886 through 0300272252)</b>	
13	1001118416	NLA	Controller Assembly (Drive and Steer) (Use p/n 1001212415) (See CONTROLLER ASSEMBLY (DRIVE AND STEER) for Breakdown) <b>(SN 0300181175 through 0300188647)</b>	
13	1001166538	NLA	Controller Assembly (Drive and Steer) (Use p/n 1001212415) (See CONTROLLER ASSEMBLY (DRIVE AND STEER) for Breakdown) <b>(SN 0300188648 through 0300272252)</b>	
14	1001118417	NLA	Controller Assembly (Lift and Swing) (Use p/n 1001129555) (See CONTROLLER ASSEMBLY (LIFT AND SWING) for Breakdown) <b>(SN 0300181175 through 0300188647)</b>	
14	1001166539	NLA	Controller Assembly (Lift and Swing) (Use p/n 1001129555) (See CONTROLLER ASSEMBLY (LIFT AND SWING) for Breakdown) <b>(SN 0300188648 through 0300272252)</b>	
15	1001106355	1	Controller, Module <b>(SN 0300177361 through 0300181174)</b>	
		Ref	Note: Re-calibration Required when Replaced.	
15	1001106938	1	Controller, Module <b>(SN 0300181175 through 0300272252)</b>	
		Ref	Note: Re-calibration Required when Replaced.	
16	1670829	1	Bezel	
17	1001110434	1	Plug	

## SECTION 4 - PLATFORM

ITEM	PART NUMBER	QTY	DESCRIPTION	REV
18	1702565	1	Decal (Drive and Steer)	
19	1702566	1	Decal (Lift and Swing)	
20	1702567	1	Decal (Function Speed)	
21	1704260	1	Decal - EMS	
22	1705132	1	Decal - ADE (SN 0300177361 through 0300219885)	
23	2560136	1	Handle, Knob	
24	2760105	1	Housing, Display Light	
25	3300353	4	Nut, Tinnerman	
26	3311005	2	Locknut #10-24NC	
27	3520054	3	Plug, Hole	
28	4360328	6	Switch, Toggle (SN 0300177361 through 0300181174)	
28	1001155045	6	Switch, Toggle (SN 0300181175 through 0300272252)	
29	4360330	1	Switch, Toggle (SN 0300177361 through 0300181174)	
29	1001159256	1	Switch, Toggle (SN 0300181175 through 0300272252)	
30	4360387	1	Switch, Pushbutton	
31	4360407	1	Controller, Speed	
31	See Note	1	Gasket "Top Hat" (Included with Switch) (Note: Not Available - Purchase Complete Controller)	
31	70003784	1	Seal (Note: Must be purchased separately)	
32	4360475	1	Switch, Emergency Stop	
32	7020175	1	Cap, Red	
32	7020176	1	Contact Block	
33	4360476	1	Block, Contact	
34	4460007	1	Bar, Buss	
35	4460234	3	Base, Mounting	
36	4460428	2	Connector, Strain Relief	
37	4460470	1	Nut, Terminal	
38	4460471	1	Lockwasher, Terminal	
39	4460708	2	Connector, Female - 15 Position (Not Shown - See ELECTRICAL SECTION for Location)	
41	4751000	AR	Flatwasher #10 Regular	
42	4751400	8	Flatwasher 1/4in Regular	
43	4922666	1	Harness, Analyzer Cable (Not Shown - See ELECTRICAL SECTION for Breakdown)	
44	1001131168	1	Decal (Stop)	
45	1001107753	1	Harness, Platform Box (See ELECTRICAL SECTION for Breakdown)	
46	3790012	7	O-Ring	
47	1001139135	1	Platform Valve Harness (Not shown- See ELECTRICAL SECTION for Breakdown)	
48	1001155044	7	Nut (SN 0300181175 through 0300272252)	
49	3520033	2	Plug (SN 0300219886 through 0300224049)	
49	1001220486	1	Plug (SN 0300224050 through 0300272252)	
50	3520035	1	Plug (SN 0300219886 through 0300272252)	
51	4740397	1	Spacer (SN 0300219886 through 0300272252)	
	0861537	Ref	<b>CONSOLE BOX ASSEMBLY (SN 0300177361 through 0300219885)</b>	I
	1001201890	Ref	<b>CONSOLE BOX ASSEMBLY (SN 0300219886 through 0300272252)</b>	A
110	See Note	NSS	Console Bottom (Note: Not Available for Purchase)	
111	See Note	NSS	Console Top (Note: Not Available for Purchase)	
112	3311601	1	Nut 3/8in-16NC	
113	3470003	2	Hairpin	

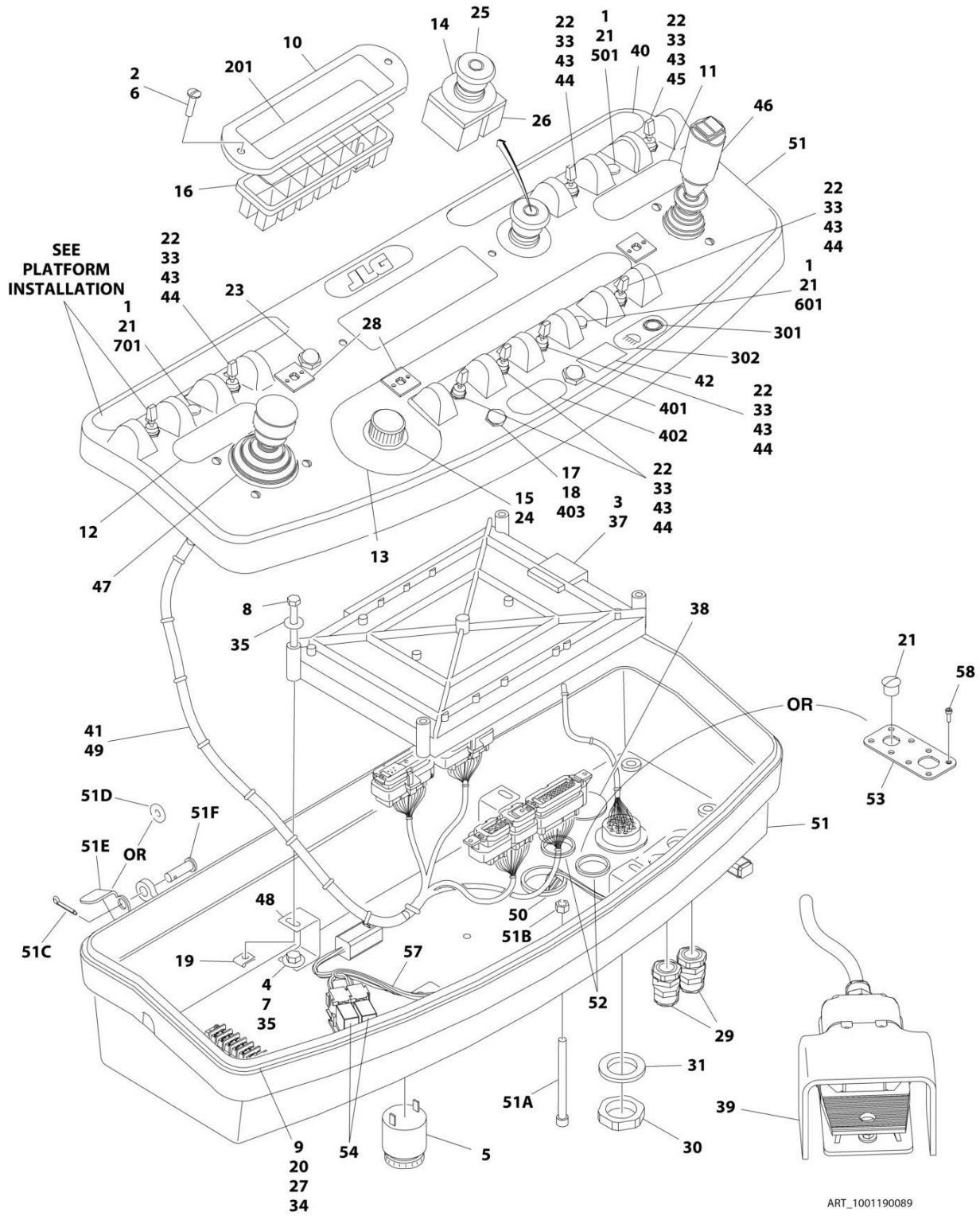


## SECTION 4 - PLATFORM

ITEM	PART NUMBER	QTY	DESCRIPTION	REV
114	0630568	1	Screw 3/8in-16NC x 4-1/2in	
115	4711500	AR	Washer 5/16	
115	4751600	AR	Washer 3/8	
116	1001200575	2	Bracket	
117	3430616	2	Pin (SN 0300219886 through 0300272252)	
		Ref	<b>LIGHT PANEL DECAL INSTALLATION</b>	
	1001108763	Ref	<b>ANSI, ANSI Export, CSA and Japanese Specs</b>	B
	1001108764	Ref	<b>ANSI Export, Australian and CE Specs</b>	A
201		Ref	Decal - Display Options:	
201	1001121657	1	ANSI, ANSI Export, CSA and Japanese Specs	
201	1001107926	1	ANSI Export, Australian and CE Specs	
		Ref	<b>LIGHT SWITCH INSTALLATION</b>	
	0271552	Ref	<b>Head and Tail Lights Installation (Optional) (SN 0300177361 through 0300201472)</b>	D
	1001176296	Ref	<b>Head and Tail Lights Installation (Optional) (SN 0300201473 through 0300272252)</b>	
	0274200	Ref	<b>Chassis Illumination Light Installation (Optional)</b>	B
301	4360522	1	Switch, Push Button	
302	1705170	1	Decal - Lights (SN 0300136623 through 0300272252)	
		Ref	<b>SOFT TOUCH SYSTEM INSTALLATIONS</b>	
	0273824	Ref	<b>6ft Platform</b>	D
	0272427	Ref	<b>8ft Platform</b>	G
	1001108256	Ref	<b>6ft/1.8m Platform w/Fall Arrest</b>	C
	0273706	Ref	<b>8ft/2.4m Platform w/Fall Arrest</b>	D
401	4360387	1	Switch, Pushbutton	
402	1702938	1	Decal - Soft Touch Override	
403	2920028	1	Lamp, Indicator	
403	2920029	1	Bulb, Light	
		Ref	<b>DUAL FUEL SWITCH INSTALLATION (GM POWERED MACHINES ONLY)</b>	
501	4360336	1	Switch, Toggle	
501	3790012	1	O-Ring	
		Ref	<b>JIB SWITCH INSTALLATION (600AJ)</b>	
601	4360328	1	Switch, Toggle (600AJ)	
601	3790012	1	O-Ring (600AJ)	
		Ref	<b>CRAB STEER INSTALLATION (4WS ONLY) (600AJ)</b>	
701	4360331	1	Switch, Toggle (600AJ)	
701	3790012	1	O-Ring (600AJ)	

# SECTION 4 - PLATFORM

## FIGURE 4-6. PLATFORM CONSOLE ASSEMBLY (WITH SKYGUARD)



## SECTION 4 - PLATFORM

**FIGURE 4-6. PLATFORM CONSOLE ASSEMBLY (WITH SKYGUARD)**

ITEM	PART NUMBER	QTY	DESCRIPTION	REV
	1001190089	Ref	<b>PLATFORM CONSOLE ASSEMBLY - WITH SKYGUARD (WITHOUT LSS OR WITH 4 CELL LSS) (SN 0300177361 through 0300219885)</b>	C
	1001202573	Ref	<b>PLATFORM CONSOLE ASSEMBLY - WITH SKYGUARD (WITHOUT LSS OR WITH 4 CELL LSS) (SN 0300219886 through 0300272252)</b>	D
	1001219973	Ref	<b>PLATFORM CONSOLE ASSEMBLY - WITH SKYGUARD (WITH 1 CELL LSS) (SN 0300177361 through 0300259736)</b>	C
	1001241715	Ref	<b>PLATFORM CONSOLE ASSEMBLY - WITH SKYGUARD (WITH 1 CELL LSS) (SN 0300259737 through 0300272252)</b>	A
1	0100009	AR	Sealant	
2	0100035	AR	Compound, Locking	
3	0100048	AR	Grease, Dielectric	
4	0100081	AR	Adhesive (SN 0300219886 through 03000300237184)	
5	0140011	1	Alarm	
6	0630464	2	Screw #10 x 1/2	
7	0641404	4	Bolt 1/4 x 1/2	
8	0641414	4	Bolt 1/4 x 1-3/4	
9	0721006	2	Screw #10 X 3/4	
10	1670829	1	Bezel	
11	1702565	1	Decal - Drive and Steer	
12	1702566	1	Decal - Lift and Swing	
13	1702567	1	Decal - Function Speed	
14	1704260	1	Decal, Emergency Stop	
15	2560136	1	Knob	
16	2760105	1	Fixture, Light	
17	2920028	1	Light, Indicator	
18	2920029	1	Lamp, Bulb	
19	3300353	4	Nut, Tinnerman	
20	3311005	2	Nut #10	
21	3520054	AR	Plug, Hole	
22	3790012	7	O-Ring	
23	4360387	2	Switch, Push Button	
24	4360407	1	Switch, Flow Control	
24	See Note	1	Gasket "Top Hat" (Included with Switch (Note: Not Available for Purchase))	
24	70003784	1	Seal	
25	4360475	1	Switch, Emergency Stop	
25	7020175	1	Cap, Red	
25	7020176	1	Block, Contact	
26	4360476	1	Switch, Contact	
27	4460007	1	Bussbar	
28	4460234	3	Mount Cable, Tie	
29	4460428	2	Connector, Strain Relief	
30	4460470	1	Terminal, Nut	
31	4460471	1	Terminal, Washer	
32	4460708	2	Connector - 15 Position (Not Shown)	
33	4740397	7	Spacer, Washer	
34	4751000	2	Washer #10	
35	4751400	8	Washer 1/4	

## SECTION 4 - PLATFORM

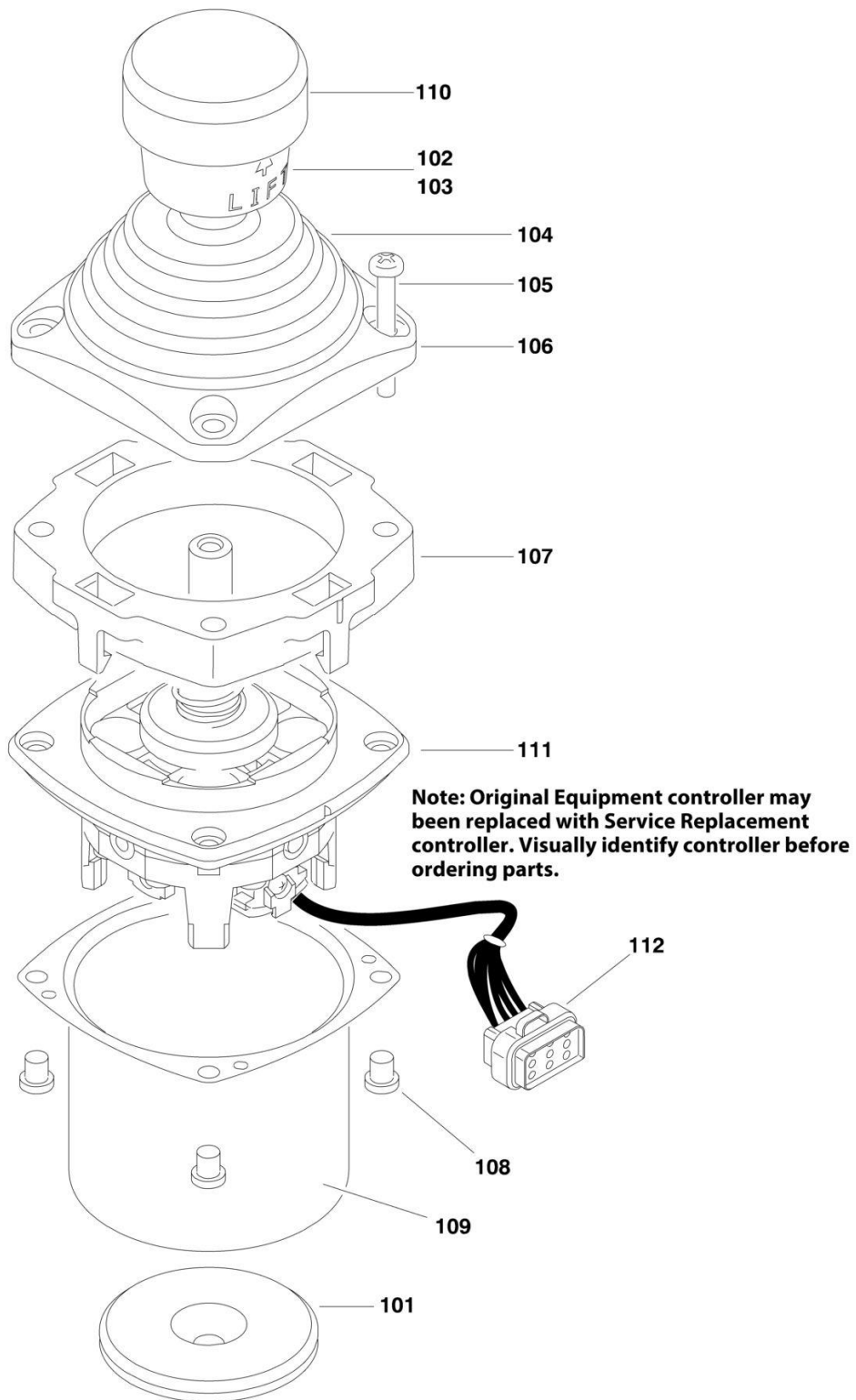
ITEM	PART NUMBER	QTY	DESCRIPTION	REV
36	4922666	1	Harness, Analyzer Cable (Not Shown) (See ELECTRICAL SECTION for Breakdown)	
37	1001106938	1	Module, Control	
		Ref	Note: Re-calibration Required when Replaced.	
38	1001110434	1	Plug, Hole	
39	1001117174	1	Footswitch Assembly	
39	1001117172	1	Footswitch	
39	70002902	1	Block, Contact for 1001117172 Footswitch	
39	70002903	1	Gasket for 1001117172 Footswitch	
39	70002905	1	Cover for 1001117172 Footswitch	
39	70002904	1	Bolt Replacement Kit for 1001117172 Footswitch	
39	1060918	7 ft/2.14m	Cable, Electrical - 18/3	
39	4460042	3	Terminal, Ring (Not Shown)	
39	4460464	1	Pin, Male	
39	4460226	2	Socket, Female	
39	4460071	1	Connector, Strain Relief	
39	0100020	AR	Sealant	
40	1001131168	1	Decal - Stop	
41	1001139135	1	Harness, Platform Valve (See ELECTRICAL SECTION for Breakdown)	
42	1001144433	1	Decal - No Weight SkyGuard (SN 0300177361 through 0300259736)	
43	1001155044	7	Nut 15/32	
44	1001155045	6	Switch, Toggle	
45	1001159256	1	Switch, Toggle	
46	1001166538	NLA	Controller Assembly - Drive/Steer (Use p/n 1001212415) (See CONTROLLER ASSEMBLY (DRIVE AND STEER) for Breakdown)	
47	1001166539	NLA	Controller Assembly - Lift/Swing (Use p/n 1001129555) (See CONTROLLER ASSEMBLY (LIFT AND SWING) for Breakdown)	
48	1001172760	4	Bracket	
49	1001185280	1	Harness, Console Box (Machines without LSS or with 4 Cell LSS) (See ELECTRICAL SECTION for Breakdown)	
49	1001220281	1	Harness, Console Box (Machines with 1 Cell LSS) (See ELECTRICAL SECTION for Breakdown)	
50	1001185281	1	Plug	
51	1001189116	1	Console Box Components (Machines without LSS or with Cell LSS) (SN 0300177361 through 0300219885)	D
51	1001201891	1	Console Box Components (Machines without LSS or with 4 Cell LSS) (SN 0300219886 through 0300272252)	A
51	1001215228	1	Console Box Components (Machines with 1 Cell LSS)	A
51A	0630568	1	Capscrew 3/8 x 4-1/2	
51B	3311601	1	Nut 3/8	
51C	3470003	1	Hairpin	
51D	4711500	AR	Washer 5/16	
51D	4751600	AR	Washer 3/8	
51E	1001200575	2	Bracket (SN 0300219886 through 0300272252)	
51F	3430616	2	Pin (SN 0300219886 through 0300272252)	
52	3520033	AR	Plug (SN 0300219886 through 0300224049)	
52	1001220486	AR	Plug (SN 0300224050 through 0300272252)	
53	1001213882	1	Mount (Machines with 1 Cell LSS)	
54	1001186431	2	Relay (Machines with 1 Cell LSS) (SN 0300177361 through 0300259736)	
54	4240032	AR	Tie-Strap	
54	4460488	AR	Mount, Tie-Strap	

## SECTION 4 - PLATFORM

ITEM	PART NUMBER	QTY	DESCRIPTION	REV
57	1001225580	1	Interface Harness (Machines with 1 Cell LSS)	
58	3900349	AR	Capscrew M2.5	
		Ref	<b>LIGHT PANEL DECAL INSTALLATION</b>	
	1001108763	Ref	<b>ANSI, ANSI Export, CSA and Japanese Specs</b>	B
	1001108764	Ref	<b>ANSI Export, Australian and CE Specs</b>	A
201		Ref	Decal - Display Options:	
201	1001121657	1	ANSI, ANSI Export, CSA and Japanese Specs	
201	1001107926	1	ANSI Export, Australian and CE Specs	
		Ref	<b>LIGHT SWITCH INSTALLATION</b>	
	0271552	Ref	<b>Head and Tail Lights Installation (Optional) (SN 0300177361 through 0300201472)</b>	D
	1001176296	Ref	<b>Head and Tail Lights Installation (Optional) (SN 0300201473 through 0300272252)</b>	A
	0274200	Ref	<b>Chassis Illumination Light Installation (Optional)</b>	B
301	4360522	1	Switch, Push Button	
302	1705170	1	Decal - Lights (SN 0300136623 through 0300272252)	
		Ref	<b>SOFT TOUCH SYSTEM INSTALLATIONS</b>	
	0273824	Ref	<b>6ft Platform</b>	D
	0272427	Ref	<b>8ft Platform</b>	G
	1001108256	Ref	<b>6ft/1.8m Platform with Fall Arrest</b>	C
	0273706	Ref	<b>8ft/2.4m Platform with Fall Arrest</b>	D
401	4360387	1	Switch, Push Button	
402	1702938	1	Decal - Soft Touch Override	
403	2920028	1	Lamp, Indicator	
403	2920029	1	Bulb, Light	
		Ref	<b>DUAL FUEL SWITCH INSTALLATION (GM POWERED MACHINES ONLY)</b>	
501	4360336	1	Switch, Toggle	
501	3790012	1	O-Ring	
		Ref	<b>JIB SWITCH INSTALLATION (600AJ)</b>	
601	4360328	1	Switch, Toggle (600AJ,600AJ HC3)	
601	3790012	1	O-Ring (600AJ)	
		Ref	<b>CRAB STEER INSTALLATION (4WS ONLY)</b>	
701	4360331	1	Switch, Toggle	
701	3790012	1	O-Ring	

## SECTION 4 - PLATFORM

FIGURE 4-7. CONTROLLER ASSEMBLY (LIFT AND SWING) (SN 0300177361 through 0300188647)



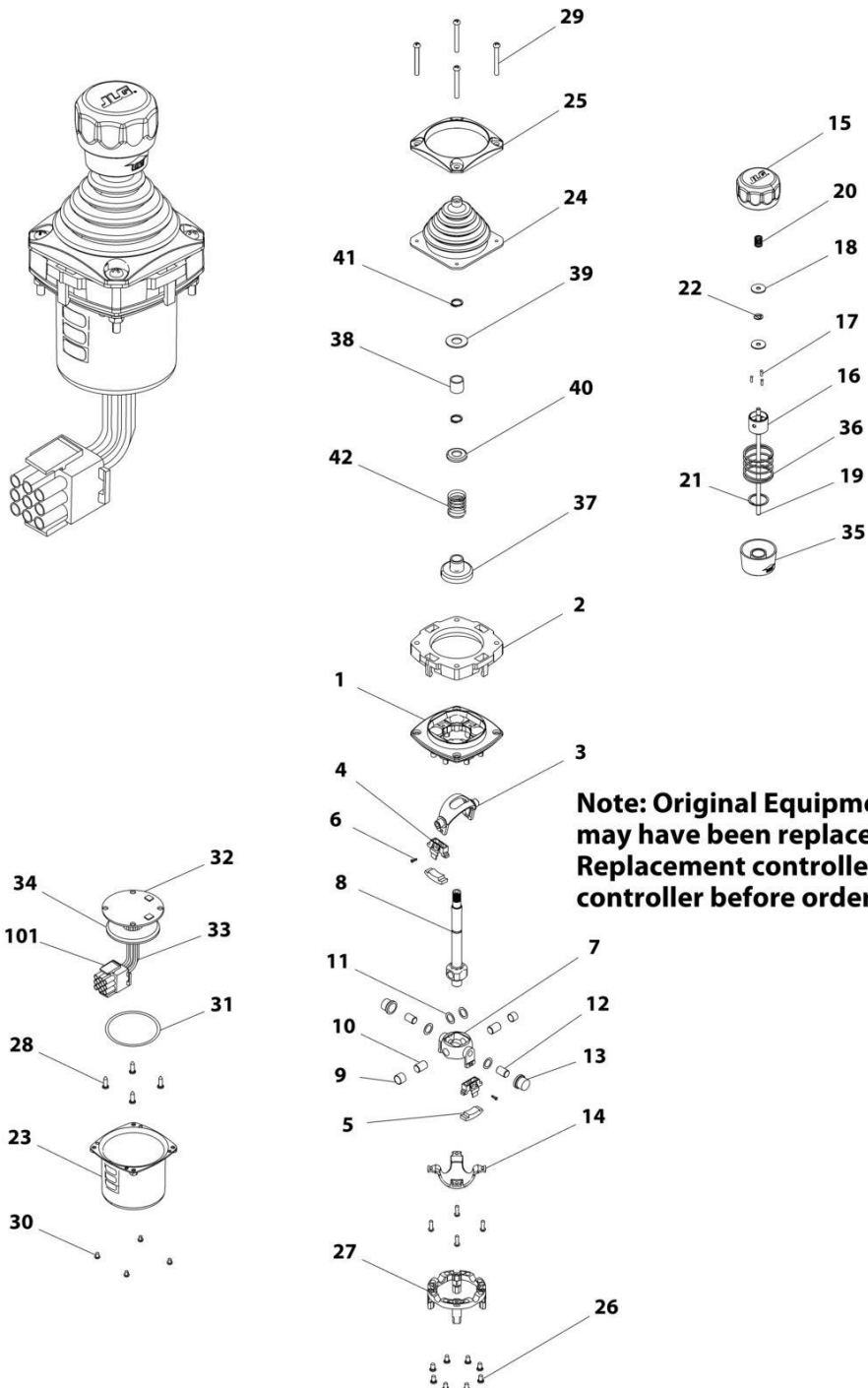
## SECTION 4 - PLATFORM

**FIGURE 4-7. CONTROLLER ASSEMBLY (LIFT AND SWING) (SN 0300177361 through 0300188647)**

ITEM	PART NUMBER	QTY	DESCRIPTION	REV
		Ref	<b>Note: Original Equipment controller may have been replaced with a Service Replacement controller. Visually identify controller before ordering parts.</b>	
	1001118417	Ref	<b>CONTROLLER ASSEMBLY (LIFT AND SWING)</b>	E
		Ref	<b>Note: Use p/n 1001129555 as Replacement.</b>	
101	70002730	1	Gasket	
102	7003928	1	Spring	
103	7022808	1	Cap, Lift	
104	70002731	1	Boot	
105	70002732	4	Screw	
106	7022815	1	Bezel	
107	70002733	1	Adapter	
108	70002734	4	Screw	
109	70002735	1	Can, Enclosure	
110	70002906	1	Cap	
111	See Note	NSS	Mechanical Assembly (Note: Use p/n 1001129555)	
112	7022819	1	Plug, Male 8 Position (Natural) (Not Shown)	
112	4460871	6	Socket, Female	

# SECTION 4 - PLATFORM

FIGURE 4-8. CONTROLLER ASSEMBLY (LIFT AND SWING) (SN 0300188648 through 0300272252)



ART\_1001166539



## SECTION 4 - PLATFORM

**FIGURE 4-8. CONTROLLER ASSEMBLY (LIFT AND SWING) (SN 0300188648 through 0300272252)**

ITEM	PART NUMBER	QTY	DESCRIPTION	REV
		Ref	<b>Note: Original Equipment controller may have been replaced with a Service Replacement controller. Visually identify controller before ordering parts.</b>	
	1001166539	Ref	<b>CONTROLLER ASSEMBLY (LIFT AND SWING)</b>	D
		Ref	<b>Note: Use p/n 1001129555 as replacement.</b>	
1	See Note	1	Main Cast Body (Note: Not Available - Purchase Complete Assembly)	
2	70004752	1	Adapter	
3	See Note	NSS	Pivot Arm, Plastic (Note: Not Available - Purchase Complete Assembly)	
4	See Note	NSS	Holder, Magnet (Note: Not Available - Purchase Complete Assembly)	
5	See Note	NSS	Arc, Magnet (Note: Not Available - Purchase Complete Assembly)	
6	See Note	NSS	Screw (Note: Not Available for Purchase)	
7	See Note	NSS	Pivot Arm, Cast (Note: Not Available - Purchase Complete Assembly)	
8	See Note	NSS	Shaft, Main (Note: Not Available - Purchase Complete Assembly)	
9	See Note	NSS	Bearing (Note: Not Available - Purchase Complete Assembly)	
10	See Note	NSS	Pin (Note: Not Available - Purchase Complete Assembly)	
11	See Note	NSS	Shim (Note: Not Available - Purchase Complete Assembly)	
12	See Note	NSS	Pin (Note: Not Available - Purchase Complete Assembly)	
13	See Note	NSS	Bearing (Note: Not Available - Purchase Complete Assembly)	
14	See Note	NSS	Dome, Centering (Note: Not Available - Purchase Complete Assembly)	
15	70004753	1	Cap	
16	70004754	1	Insert, Cap	
17	70004755	3	Pin	
18	70004756	2	Washer	
19	70004757	1	Pin, Centering	
20	70004758	1	Spring	
21	70004759	1	Ring, Retaining	
22	70004760	1	E-Ring	
23	70004761	1	Can, Enclosure	
24	70004762	1	Boot	
25	70004763	1	Bezel	
26	See Note	NSS	Screw (Note: Not Available for Purchase)	
27	See Note	NSS	Base Mounting (Note: Not Available - Purchase Complete Assembly)	
28	See Note	NSS	Screw (Note: Not Available for Purchase)	
29	70004764	4	Screw	
30	70004765	4	Screw	
31	70004766	1	O-Ring	
32	See Note	NSS	Plate (Note: Not Available - Purchase Complete Assembly)	
33	See Note	NSS	Harness (Note: Not Available - Purchase Complete Assembly)	
34	70004767	1	Grommet, Rubber	
35	70004768	1	Housing	
36	70004769	1	Spring	
37	70004770	1	Stopper	
38	70004771	1	Spacer	
39	70004772	1	Washer	
40	70004773	1	Disc	

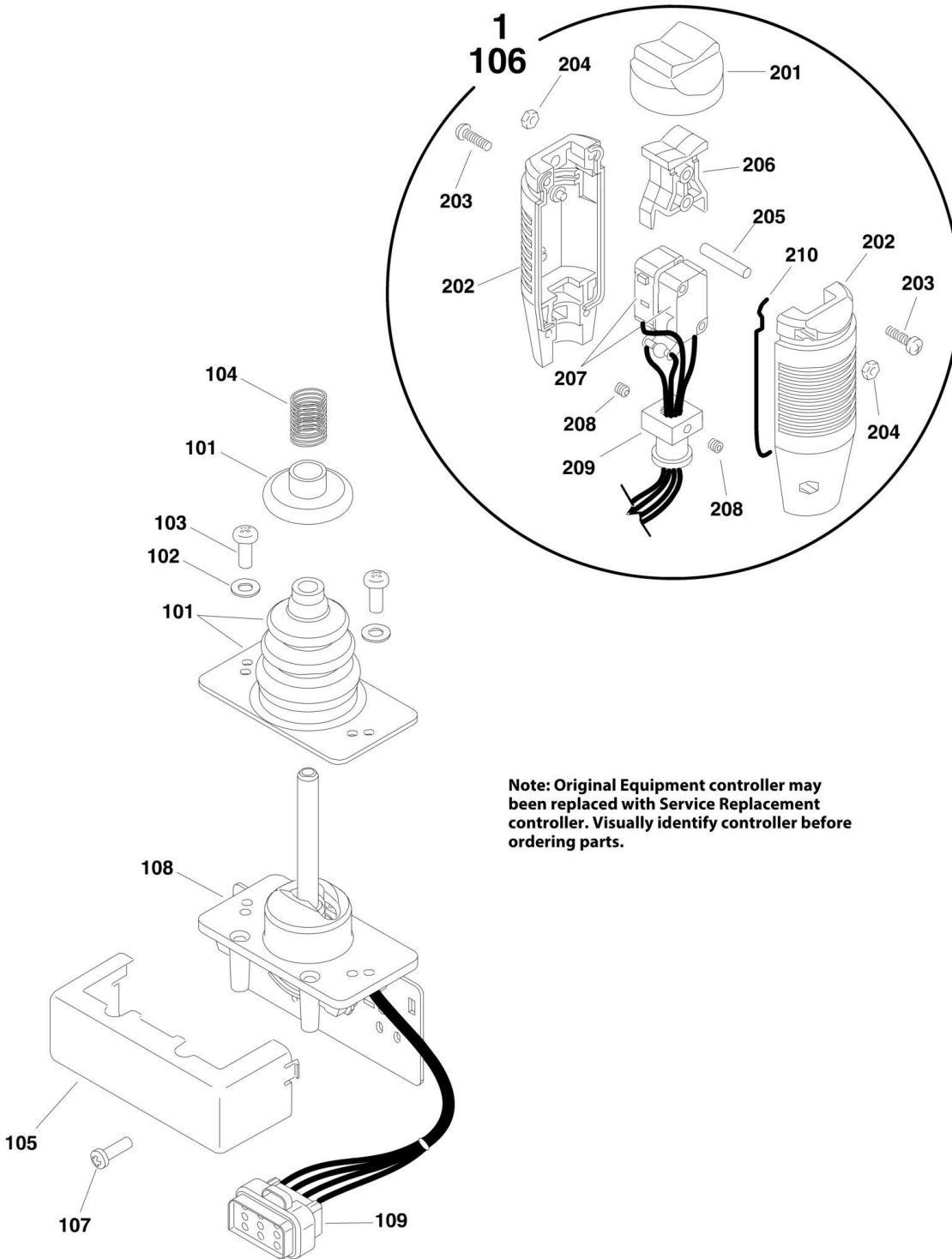
## SECTION 4 - PLATFORM

ITEM	PART NUMBER	QTY	DESCRIPTION	REV
41	70004774	2	Ring, Retaining	
42	70004775	1	Spring	
101	4460265	1	Connector - 9 Position	
101	4460226	6	Socket, Female	



# SECTION 4 - PLATFORM

FIGURE 4-9. CONTROLLER ASSEMBLY (DRIVE AND STEER) (SN 0300177361 through 0300188647)



**Note: Original Equipment controller may be replaced with Service Replacement controller. Visually identify controller before ordering parts.**

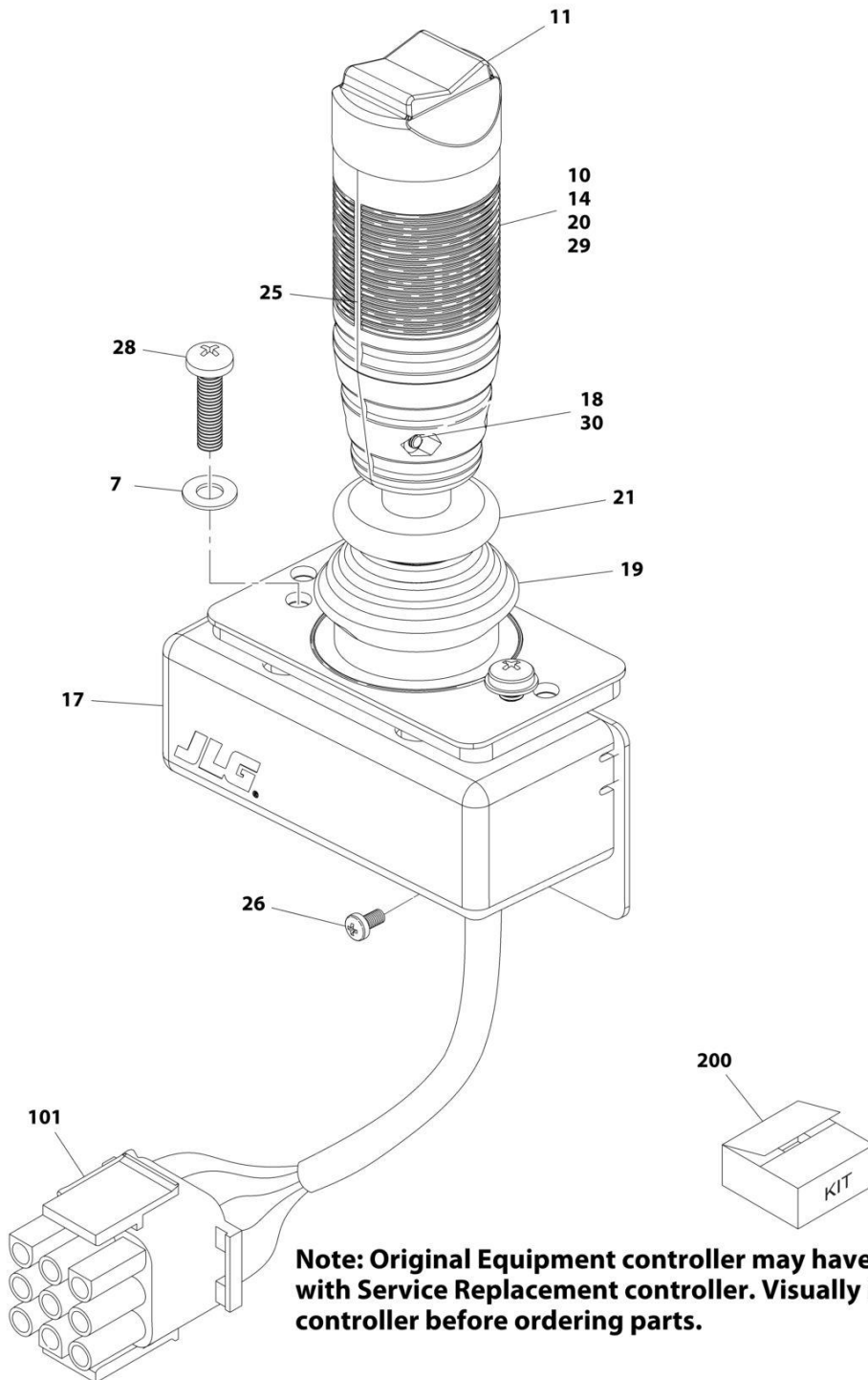
## SECTION 4 - PLATFORM

**FIGURE 4-9. CONTROLLER ASSEMBLY (DRIVE AND STEER) (SN 0300177361 through 0300188647)**

ITEM	PART NUMBER	QTY	DESCRIPTION	REV
		Ref	<b>Note: Original Equipment controller may have been replaced with a Service Replacement controller. Visually identify controller before ordering parts.</b>	
	1001118416	Ref	<b>CONTROLLER ASSEMBLY (DRIVE AND STEER)</b>	D
		Ref	<b>Note: Use p/n 1001212415 as replacement.</b>	
101	70002724	1	Boot and Control Lock Assembly	
102	7003941	2	Washer	
103	70002725	2	Screw	
104	7019162	1	Spring	
105	70002726	1	Enclosure	
106	70002727	1	Handle Assembly (See Items 201-210 for Breakdown)	
107	70002728	1	Screw	
108	1001118416	NSS	Mechanical Assembly (Note: Not Available for Purchase)	
109	7022825	1	Plug, Male - 8 Position (Black)	
109	4460871	7	Socket, Female	
	70002727	Ref	<b>HANDLE ASSEMBLY</b>	
201	7003972	1	Boot, Switch	
202	7003973	2	Half, Handle	
203	7003980	4	Screw	
204	7019167	4	Nut	
205	7019164	1	Axle	
206	7019165	1	Rocker	
207	70002729	1	Wiring Assembly	
207	7003982	2	Switch, Micro	
208	7003983	2	Setscrew	
209	7019194	1	Coupling	
210	7003989	2	Gasket	

## SECTION 4 - PLATFORM

FIGURE 4-10. CONTROLLER ASSEMBLY (DRIVE AND STEER) (SN 0300188648 through 0300272252)



**Note: Original Equipment controller may have been replaced with Service Replacement controller. Visually identify controller before ordering parts.**

ART\_1001166538

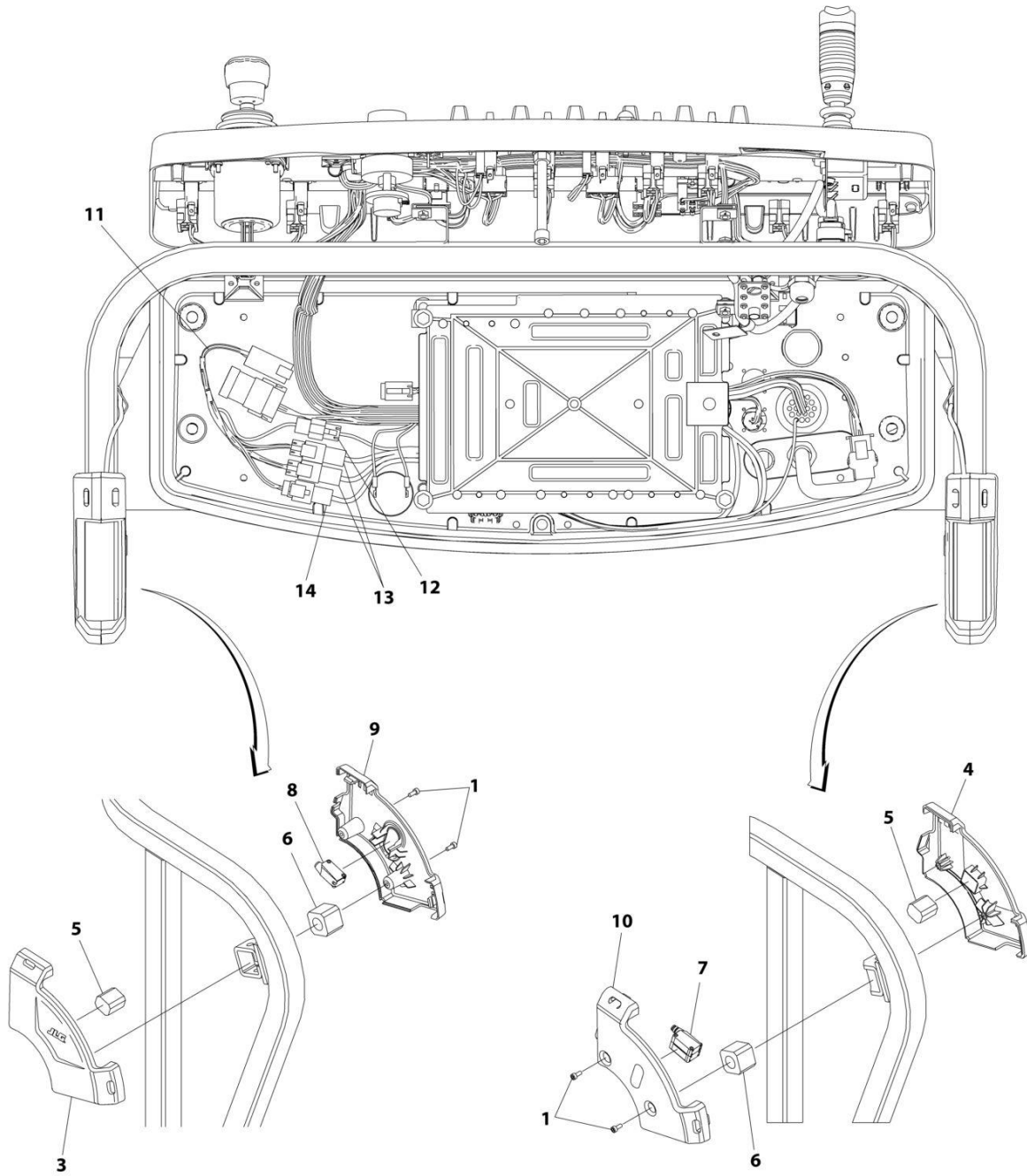
## SECTION 4 - PLATFORM

**FIGURE 4-10. CONTROLLER ASSEMBLY (DRIVE AND STEER) (SN 0300188648 through 0300272252)**

ITEM	PART NUMBER	QTY	DESCRIPTION	REV
		Ref	<b>Note: Original Equipment controller may have been replaced with a Service Replacement controller. Visually identify controller before ordering parts.</b>	
	1001166538	Ref	<b>CONTROLLER ASSEMBLY (DRIVE AND STEER)</b>	G
		Ref	<b>Note: Use p/n 1001212415 as Replacement.</b>	
7	70004738	2	Washer	
10	70004739	1	Roller	
11	70004740	1	Boot, Switch	
14	70004741	2	Half, Handle	
17	70004742	1	Enclosure	
18	70004743	4	Nut	
19	70004744	NLA	Boot, Controller (Use Item 200)	
20	70004745	NLA	Tube, Locking (Use Item 200)	
21	70004746	NLA	Disc, Looking (Use Item 200)	
25	70004747	2	Seal, Rope	
26	70004748	1	Screw M3 x 6mm	
28	70004749	2	Screw M5 x 20mm	
29	70004750	1	Pin, Dowel	
30	70004751	4	Screw M3 x 16mm	
101	4460265	1	Connector - 9 Position	
101	4460226	7	Socket, Female	
200	70005230	1	Boot Kit (Includes Items 19-21)	

# SECTION 4 - PLATFORM

## FIGURE 4-11. SKYEYE INSTALLATION



ART\_1001229341



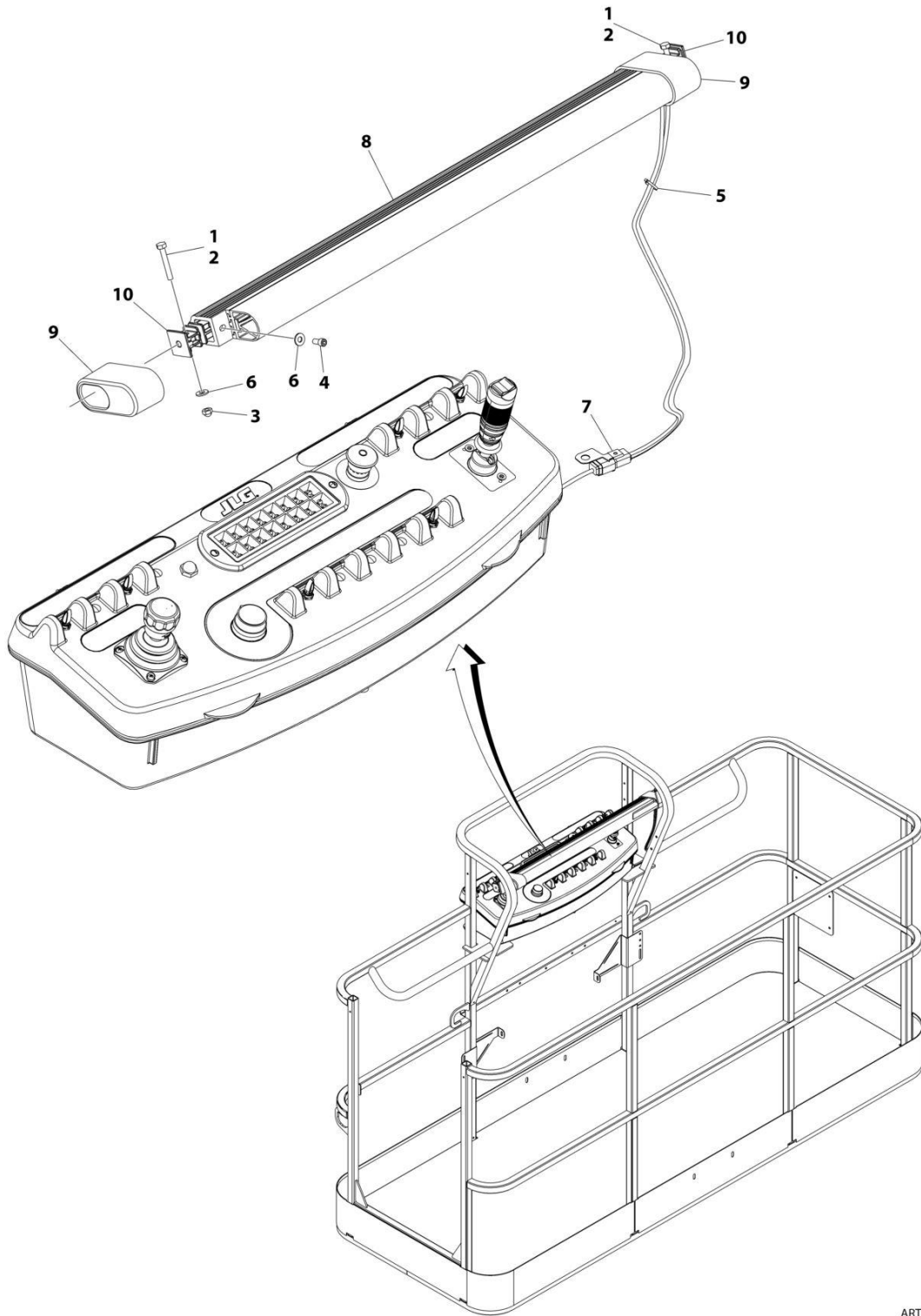
## SECTION 4 - PLATFORM

**FIGURE 4-11. SKYEYE INSTALLATION**

ITEM	PART NUMBER	QTY	DESCRIPTION	REV
	1001229341	Ref	SKYEYE INSTALLATION	B
1	4031505	4	Bolt M4 x 10	
2	4240033	AR	Tie-Strap (Not Shown)	
3	1001227633	1	Housing, LH Outer	
4	1001227634	1	Housing, RH Outer	
5	1001227985	2	Shim	
6	1001227987	2	Shim	
7	1001228224	2	Sensor, Receiver	
8	1001228225	1	Sensor, Emitter	
9	1001232164	1	Housing, LH Inner	
10	1001232165	1	Housing, RH Inner	
11	1001237865	1	Harness, Skyeeye Intermediate (See Separate Breakdown in ELECTRICAL Section)	
12	1001238319	NLA	Harness, Skyeeye Drain Jumper	
12	1001187674	1	Plug, Male - 2 Position	
12	4460942	1	Terminal	
12	4460466	1	Plug, Terminal	
12	4460508	1	Pin, Male	
13	1001237863	2	Harness, Skyeeye Receiver (See Separate Breakdown in ELECTRICAL Section)	
14	1001237864	1	Harness, Skyeeye Emitter (See Separate Breakdown in ELECTRICAL Section)	

# SECTION 4 - PLATFORM

FIGURE 4-12. SKYGUARD SYSTEM INSTALLATION (SN 0300177361 through 0300259736)



ART\_1001187508

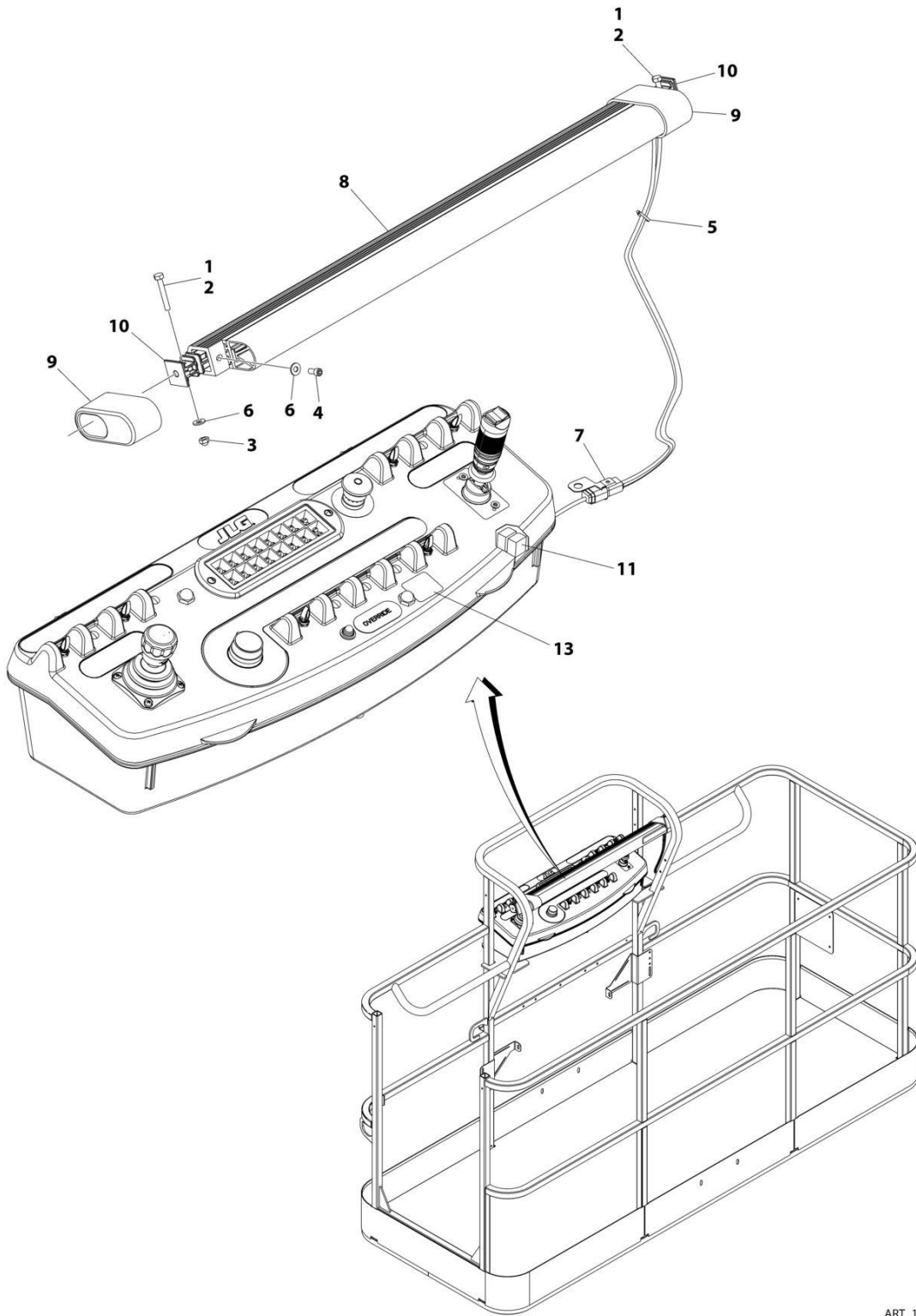
## SECTION 4 - PLATFORM

**FIGURE 4-12. SKYGUARD SYSTEM INSTALLATION (SN 0300177361 through 0300259736)**

ITEM	PART NUMBER	QTY	DESCRIPTION	REV
	1001187508	Ref	<b>SKYGUARD SYSTEM INSTALLATION</b>	C
		Ref	<b>Note: For Machines SN 0300177361 through SN 0300200808, refer to SPECIAL OPTIONS Section.</b>	
1	0100011	AR	Compound, Locking	
2	0641414	2	Bolt 1/4 x 1-3/4	
3	3300430	2	Nut, Acorn 1/4	
4	3931424	AR	Capscrew 1/4 x 1-1/2	
4	3931408	AR	Capscrew 1/4 x 1/2	
5	4240033	AR	Tie-Strap	
6	4711400	AR	Washer 1/4	
7	1001120328	1	Mount	
8	1001137673	1	Switch, SkyGuard Assembly	
9	1001186517	2	Cover, Platform Sensor	
10	1001188889	2	Support, Block <b>(SN 0300177361 through 0300241337)</b>	
10	1001209664	2	Support, Block <b>(SN 0300241338 through 0300259736)</b>	

# SECTION 4 - PLATFORM

FIGURE 4-13. SKYGUARD BAR INSTALLATION (SN 0300259737 through 0300272252)



ART\_1001238495

## SECTION 4 - PLATFORM

**FIGURE 4-13. SKYGUARD BAR INSTALLATION (SN 0300259737 through 0300272252)**

ITEM	PART NUMBER	QTY	DESCRIPTION	REV
	1001238495	Ref	SKYGUARD BAR INSTALLATION	A
1	0100011	AR	Compound, Locking	
2	0641414	2	Bolt 1/4 x 1-3/4	
3	3300430	2	Nut 1/4	
4	3931408	2	Capscrew 1/4 x 1/2	
5	4240033	8	Tie-Strap	
6	4711400	6	Washer 1/4	
7	1001120328	1	Mount	
8	1001137673	1	SkyGuard Switch Assembly	
9	1001186517	2	Cover, Platform Sensor	
10	1001209664	2	Support, Block	
11	1001186431	2	Relay	
12	1001225580	1	Interface Harness Assembly (Not Shown - Located Inside Console Box) (See Separate Breakdown in ELECTRICAL Section)	
13	1001144433	1	Decal - No Weight SkyGuard	



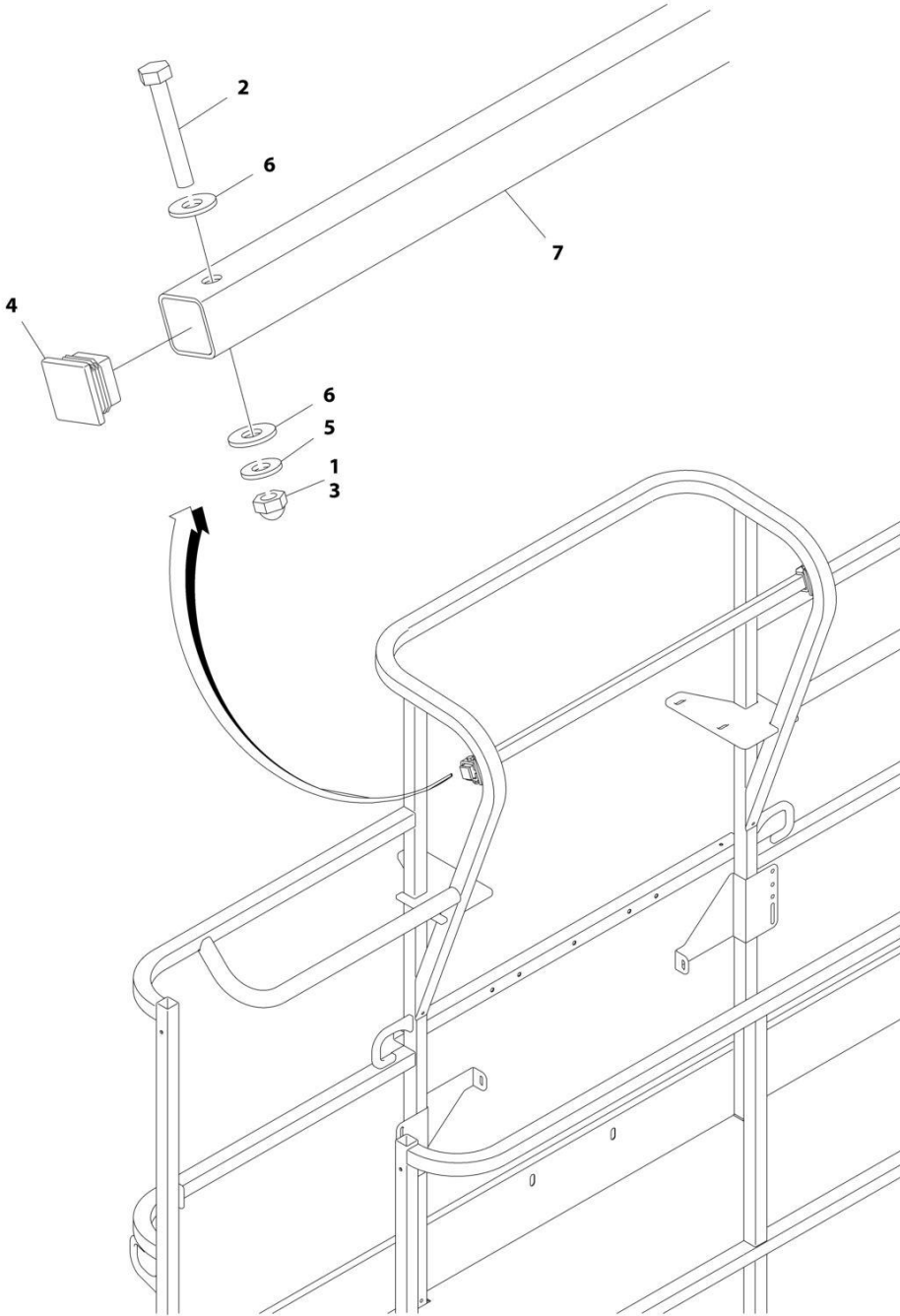
## SECTION 4 - PLATFORM

**FIGURE 4-14. SKYLINE INSTALLATION**

ITEM	PART NUMBER	QTY	DESCRIPTION	REV
	1001238559	Ref	SKYLINE INSTALLATION	B
1	0641404	2	Bolt 1/4 x 1/2	
2	0641405	2	Bolt 1/4 x 5/8	
3	3311405	2	Nut 1/4	
4	3311601	2	Nut 3/8	
5	4031516	2	Capscrew M4 x 60	
6	4240033	AR	Tie-Strap (Not Shown)	
7	4711400	4	Washer 1/4	
8	1001120328	1	Mount	
9	1001232642	1	Bracket	
10	1001232650	1	Magnet	
11	1001232667	1	Sensor, Proximity	
12	1001235011	1	Nut	
13	1001235013	1	Washer	
14	1001236552	1	Block	
15	1001238418	1	Harness, Skyline (See Separate Breakdown in ELECTRICAL Section)	
16	1001238472	1	Mount	
17	1001238477	1	Housing, LH	
18	1001241965	1	Housing, RH	
19	1001238824	1	Rope	
20	0100011	AR	Compound, Locking	

**SECTION 4 - PLATFORM**

**FIGURE 4-15. CROSS RAIL INSTALLATION**



ART\_1001182138



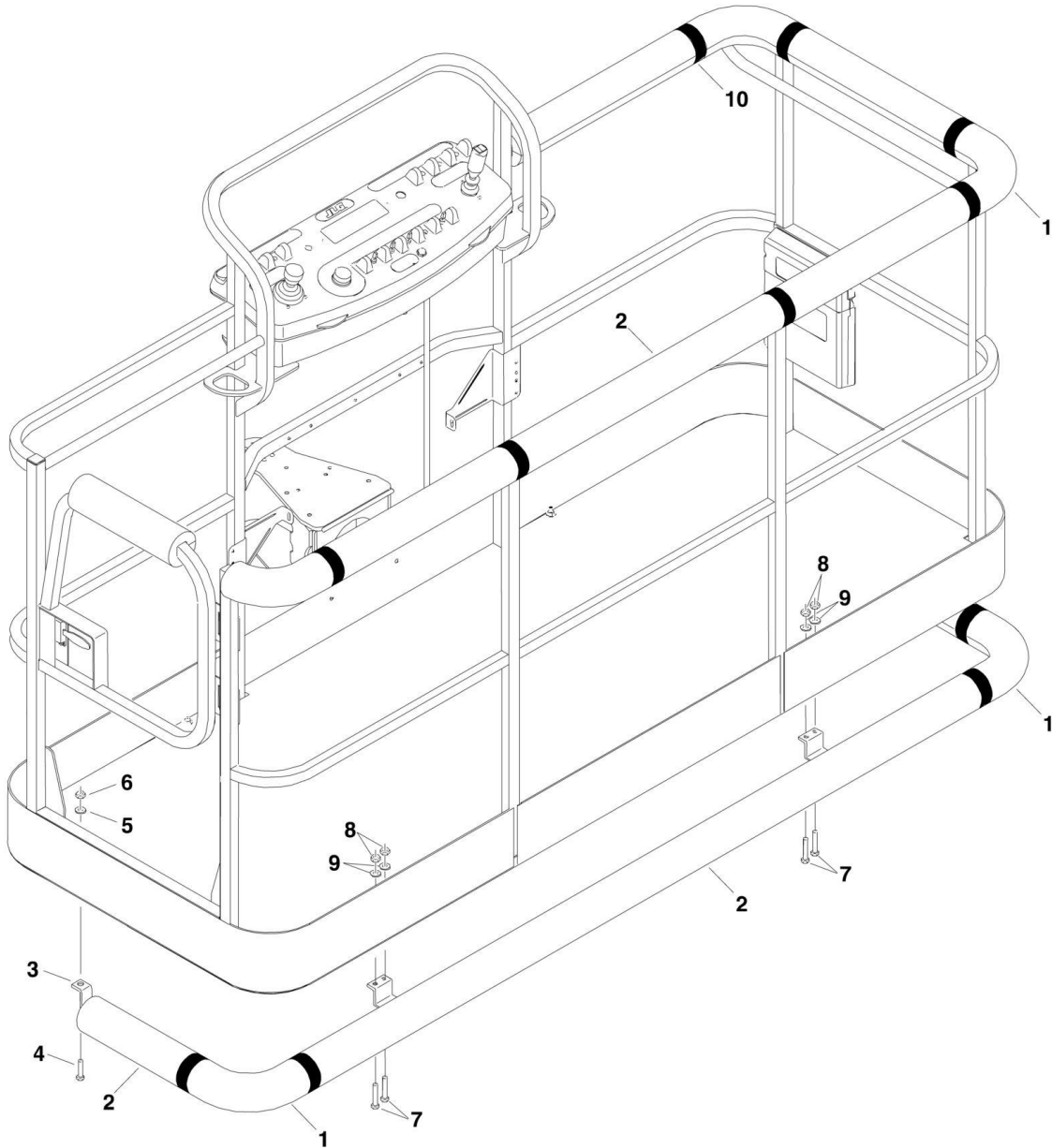
## SECTION 4 - PLATFORM

### FIGURE 4-15. CROSS RAIL INSTALLATION

ITEM	PART NUMBER	QTY	DESCRIPTION	REV
	1001182138	Ref	<b>CROSS RAIL INSTALLATION</b>	A
1	0100071	AR	Compound, Locking	
2	0641414	2	Bolt 1/4 x 1-3/4	
3	3300430	2	Nut 1/4	
4	3520182	2	Plug	
5	4711400	2	Washer 1/4	
6	4751400	4	Washer 1/4	
7	1001191708	1	Bar	

# SECTION 4 - PLATFORM

FIGURE 4-16. PLATFORM PADDING INSTALLATION (30IN/76CM DEPTH PLATFORMS) (OPTIONAL)



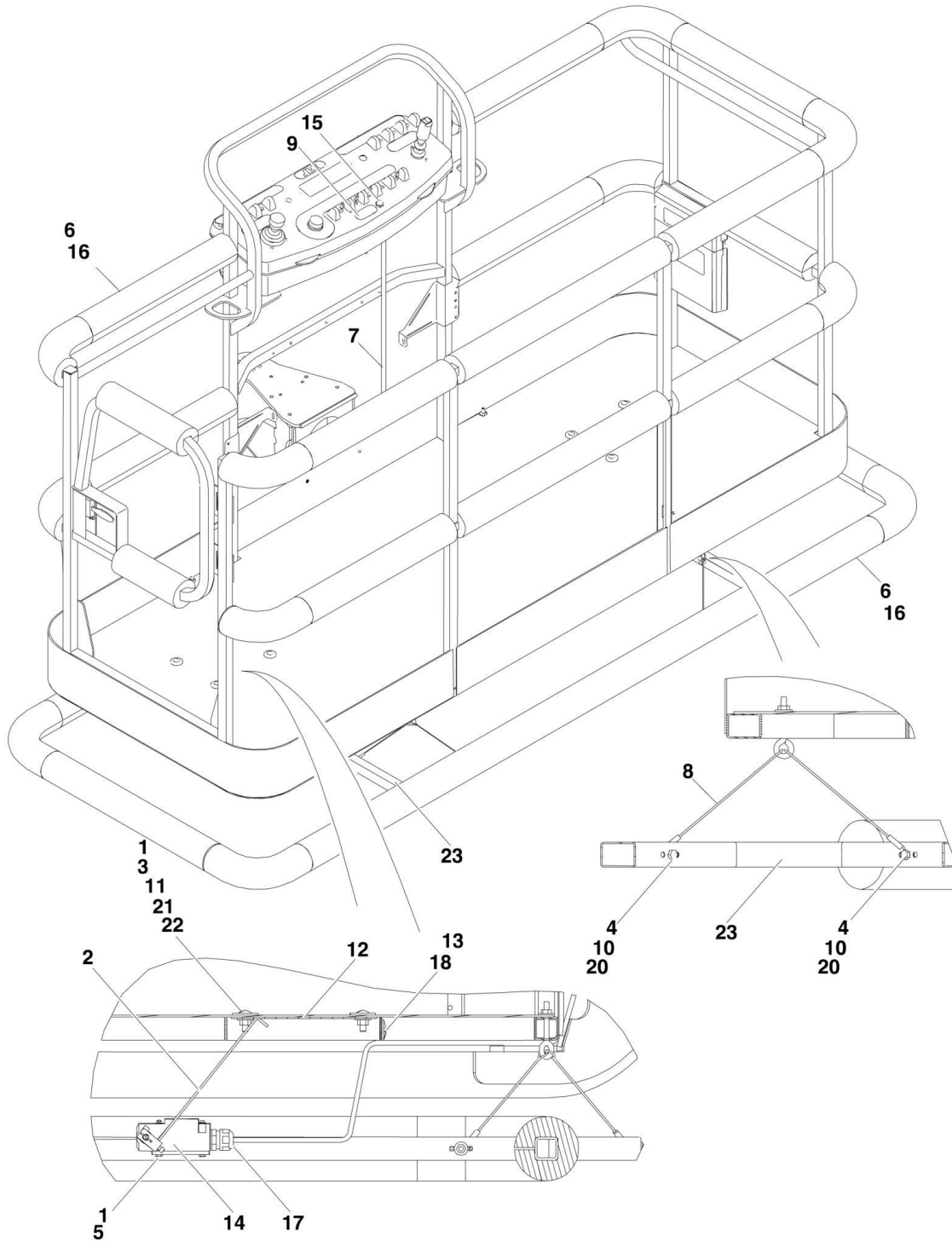
## SECTION 4 - PLATFORM

**FIGURE 4-16. PLATFORM PADDING INSTALLATION (30IN/76CM DEPTH PLATFORMS) (OPTIONAL)**

ITEM	PART NUMBER	QTY	DESCRIPTION	REV
	0273542	Ref	<b>PADDING INSTALLATION (30 X 48 SIDE ENTRY PLATFORM)</b> <b>Note: Only Available on ANSI, ANSI Export and CSA Specs</b>	A
		Ref		
1	0940092	4	Bumper, Pad (Corner)	
2	0940094	9 ft/2.7m	Bumper, Pad (Square Tubing)	
3	0940131	1	Bumper, Rail	
4	0641516	2	Bolt 5/16in-18NC x 2in	
5	4751500	2	Flatwasher 5/16in Regular	
6	3311505	2	Locknut 5/16in-18NC	
7	0641813	4	Bolt 1/2in-13NC x 1-5/8in	
8	3311805	4	Locknut 1/2in-13NC	
9	4891800	4	Flatwasher 1/2in Hardened	
10	4420068	30 ft/9.1m	Tape	

# SECTION 4 - PLATFORM

## FIGURE 4-17. SOFT TOUCH SYSTEM INSTALLATION (36IN/91.5CM DEPTH PLATFORMS) (OPTIONAL)



## SECTION 4 - PLATFORM

**FIGURE 4-17. SOFT TOUCH SYSTEM INSTALLATION (36IN/91.5CM DEPTH PLATFORMS)  
(OPTIONAL)**

ITEM	PART NUMBER	QTY	DESCRIPTION	REV
		Ref	<b>SOFT TOUCH SYSTEM INSTALLATIONS</b>	
	0273824	Ref	<b>6ft Platform</b>	D
	0272427	Ref	<b>8ft Platform</b>	G
	1001108256	Ref	<b>6ft/1.8m Platform w/Fall Arrest</b>	C
	0273706	Ref	<b>8ft/2.4m Platform w/Fall Arrest</b>	D
1	0100011	AR	Compound, Locking	
2	0200048	2	Arm, Switch	
3	0630462	8	Bolt, Carriage	
4	0641414	8	Bolt 1/4in-20NC x 1-3/4in	
5		Ref	Bolt Options:	
5	0721005	4	Bolt #10-24NC x 5/8in	
5	0731005	4	Bolt #10-32NF x 5/8in	
6		Ref	Bumper Kits (Includes Corners and Enough Straight Material for One Platform)	
6	0940134	1	6ft Platform	
6	0940103	1	8ft Platform	
6	0940177	1	6ft Platform with Fall Arrest	
6	0940133	1	8ft Platform with Fall Arrest	
6	0940092	1	Bumper (Corner) Options:	
6		Ref	6ft/8ft Platform without Fall Arrest	
6		Ref	6ft/8ft Platform with Fall Arrest	
6	0940094	AR	Bumper (12ft Length)	
7	1060341	23 ft/7m	Cable, Electrical - 16/2	
8	1060903	4	Wire Rope and Eyebolt Assembly	
9	1702938	1	Decal - Soft Touch Override	
10	3311401	8	Nut 1/4in-20NC	
11	3311501	8	Nut 5/16in-18NC	
12		Ref	Plate, Switch Strike Options:	
12	3575359	2	6ft Platform	
12	3574091	2	8ft Platform	
13	4240099	7	Tie-Strap	
14	4360057	2	Switch, Limit	
15	4360387	1	Switch, Push Button	
16	4420068	AR	Tape, Adhesive	
16	1001197017	AR	Tie-Strap	
17	4460049	2	Connector, Strain Relief	
18	4460234	7	Tie-Strap	
19	4460425	1	Connector, Strain Relief	
20	4751400	8	Flatwasher 1/4in Regular	
21	4751500	AR	Flatwasher 5/16in Regular	
22	4751800	8	Flatwasher 1/2in Regular	
23		Ref	Rail, Soft Touch Options:	
23	3641569	1	6ft Platform	
23	4846673	1	8ft Platform	
24		Ref	Soft-Touch Installation Kit Options (Not Shown) (Includes Items 2-23)	
		Ref	<b>Note: May not be available for all machines depending on existing options. Contact JLG Parts Dept before ordering.</b>	
24	1001121592	1	Kit - 6ft Platform without Fall Arrest	

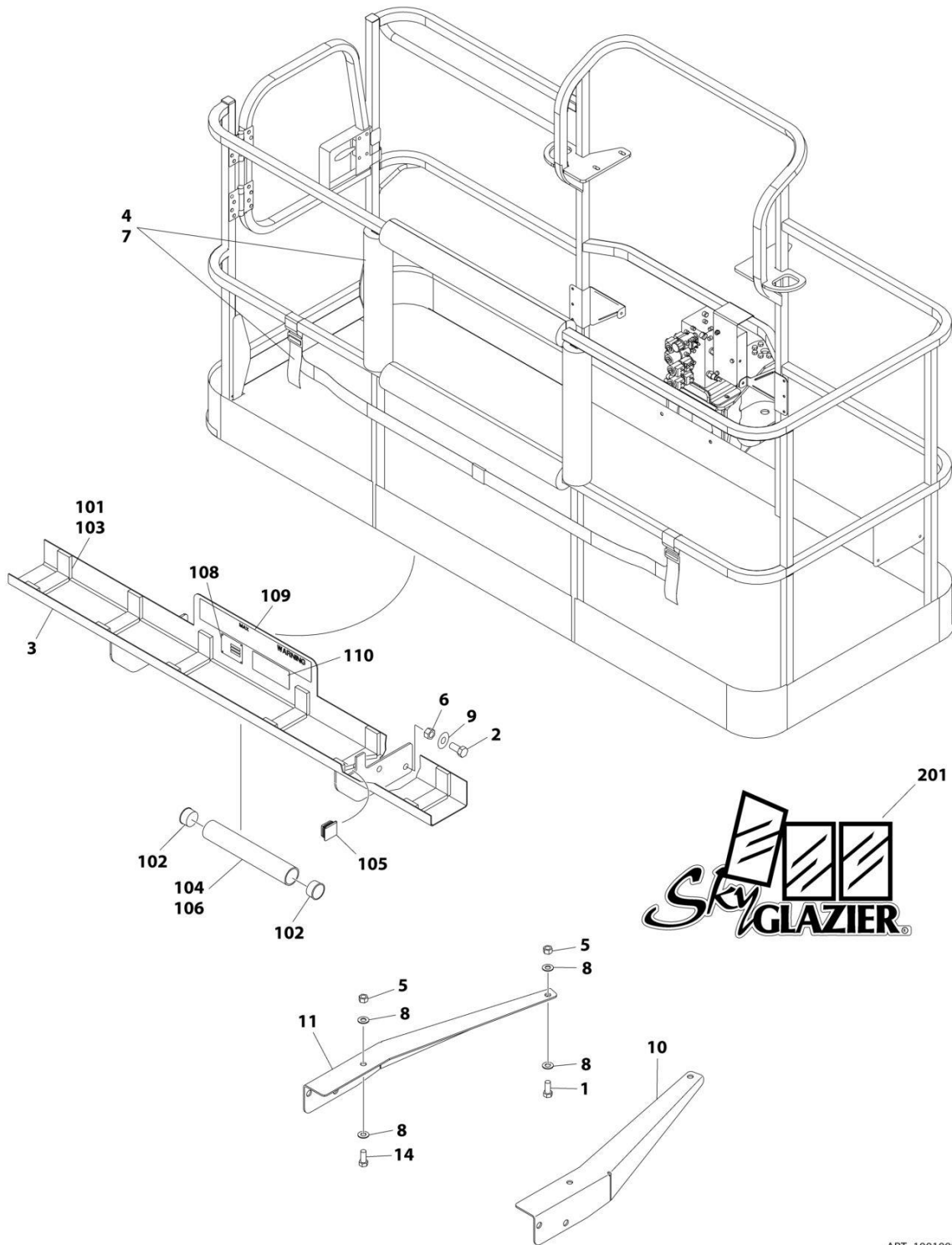
## SECTION 4 - PLATFORM

ITEM	PART NUMBER	QTY	DESCRIPTION	REV
24	1001121593	1	Kit - 8ft Platform without Fall Arrest	



# SECTION 4 - PLATFORM

## FIGURE 4-18. SKYGLAZIER INSTALLATION



ART\_1001099422



## SECTION 4 - PLATFORM

**FIGURE 4-18. SKYGLAZIER INSTALLATION**

ITEM	PART NUMBER	QTY	DESCRIPTION	REV
	1001101422	Ref	<b>SKYGLAZIER INSTALLATION (ANSI, ANSI EXPORT &amp; CSA SPECS)</b>	C
	1001102647	Ref	<b>SKYGLAZIER INSTALLATION (AUSTRALIAN SPECS) (SN 0300177361 through 0300235566)</b>	C
	1001101422	Ref	<b>SKYGLAZIER INSTALLATION (AUSTRALIAN SPECS) (SN 0300235567 through 0300272252)</b>	C
	1001099422	Ref	<b>SKYGLAZIER INSTALLATION (AUSTRALIAN SPECS) (SN 0300235567 through 0300272252)</b>	C
	1001099421	Ref	<b>SKYGLAZIER INSTALLATION (LATIN AMERICAN SPECS)</b>	C
		Ref	<b>Note: Only Available on 600AJ for Brazil &amp; Latin American Specs. Available on 600A &amp; 600AJ for ANSI, ANSI Export, Australian &amp; CSA Specs.</b>	
1	0642012	2	Bolt 5/8 x 1-1/2	
1	0642026	2	Bolt 5/8 x 3-1/4	
2	0642212	4	Bolt 3/4 x 1-1/2	
3	1001101421	1	Tray Assembly (All Spec except Brazil & Latin American Specs) (See Items 101-110 for Breakdown)	
3	0272951	1	Tray Assembly (Brazil Spec) (See Items 101-110 for Breakdown)	
3	0272948	1	Tray Assembly (Latin American Spec) (See Items 101-110 for Breakdown)	
4	2902212	1	Bumpers and Strap Kit	
4	0940102	1	Bumper Only	
4	4240149	1	Strap Only	
5	3312005	4	Nut 5/8	
5	1001149924	AR	Nut, Plastic 5/8	
6	3312205	4	Nut 3/4	
7	4420014	AR	Tape	
8	4712000	6	Washer 5/8	
9	4712200	8	Washer 3/4	
10	1001099366	1	Support	
11	1001099367	1	Support	
14	8310129	2	Bolt 5/8 x 2-1/2	
14	0642026	2	Bolt 5/8 X 3-1/4	
14	8310230	2	Bolt 5/8 x 4	
	1001101421	Ref	<b>TRAY ASSEMBLY (ALL SPECS EXCEPT BRAZIL &amp; LATIN AMERICAN SPECS)</b>	E
	0272951	Ref	<b>TRAY ASSEMBLY (BRAZIL SPECS)</b>	E
	0272948	Ref	<b>TRAY ASSEMBLY (LATIN AMERICAN SPECS)</b>	E
101	0100081	AR	Adhesive	
102	1120555	2	Cap, Tube	
103	3340956	1	Pad Kit	
104	3460334	1	Tube	
105	3520071	2	Plug	
106	4420066	AR	Tape, Double Sided	
108	See Note	NSS	Nameplate - Serial Number (Note: Not Available for Purchase)	
109	1001163131	1	Decal - Glazier Capacity (All Specs except Brazil & Latin American Specs)	
109	1001163297	2	Decal - Glazier Capacity (Brazil Specs)	
109	1001163296	2	Decal - Glazier Capacity (Latin American Specs)	
110	1701509	2	Decal - Manual	
	0272418	Ref	<b>SKYGLAZIER DECAL INSTALLATION</b>	4

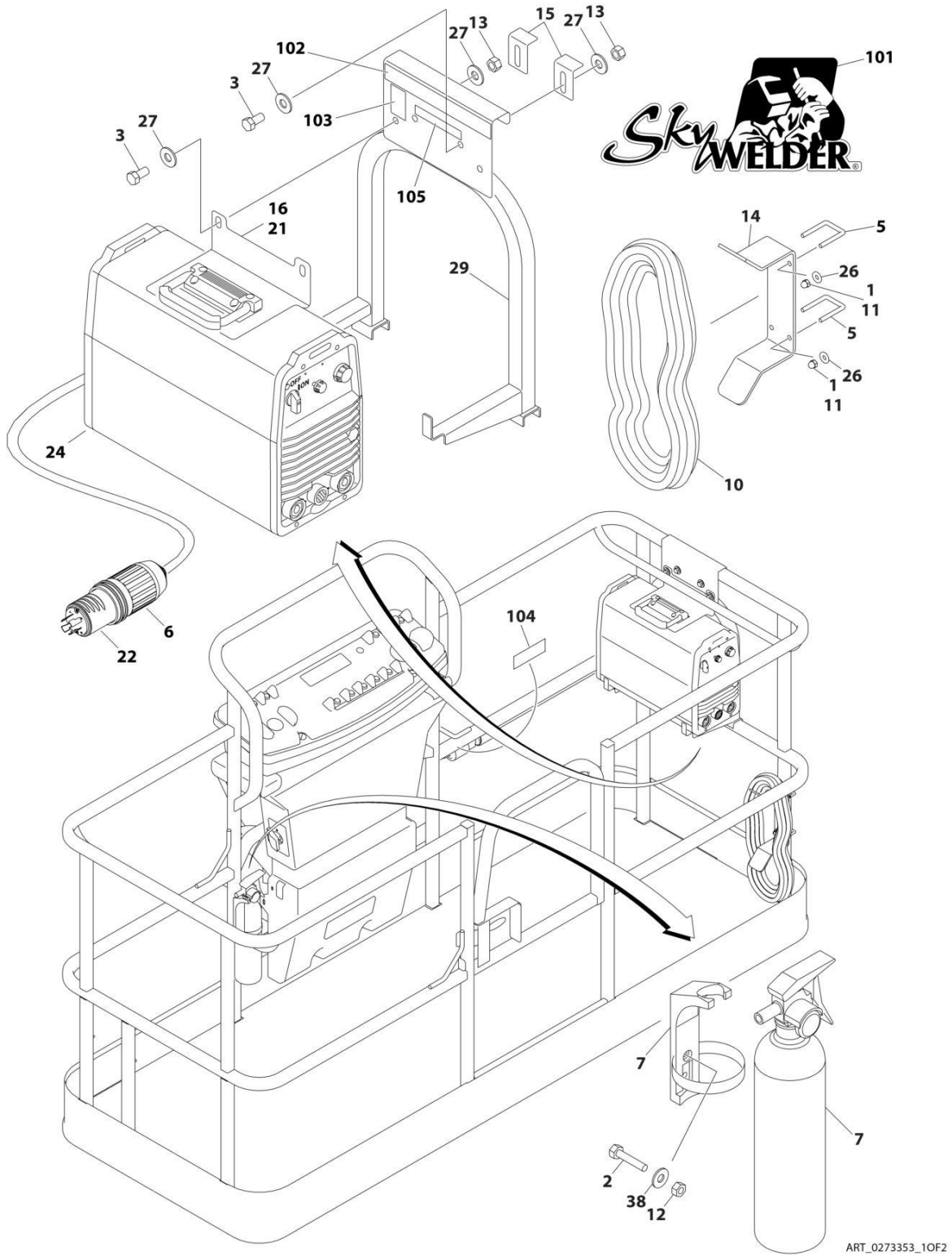
## SECTION 4 - PLATFORM

ITEM	PART NUMBER	QTY	DESCRIPTION	REV
201	1705358	2	Decal - SkyGlazier	

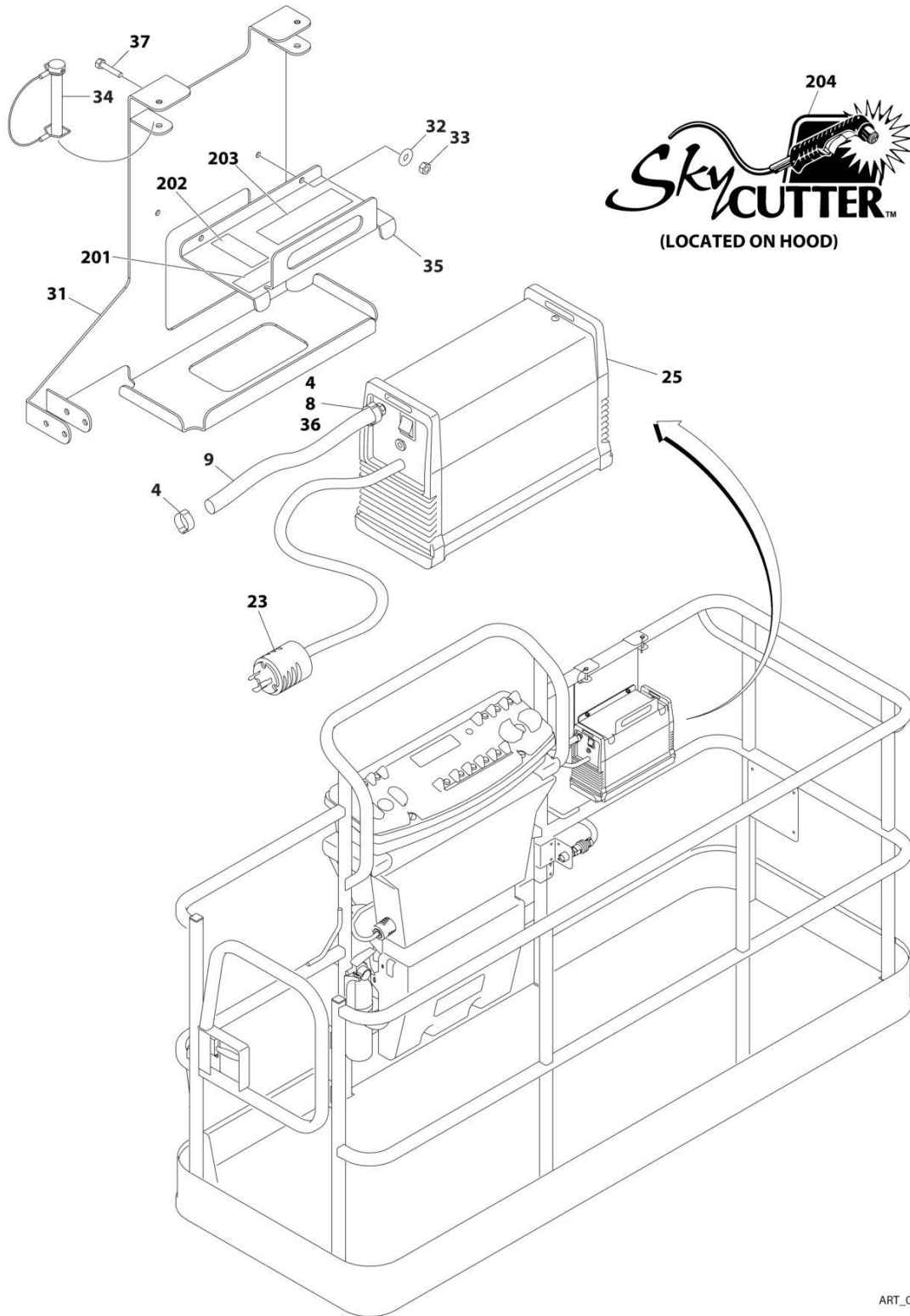


# SECTION 4 - PLATFORM

## FIGURE 4-19. SKYWELDER/SKYCUTTER COMBO INSTALLATION (60HZ)



# SECTION 4 - PLATFORM



ART\_0273353\_20F2

# SECTION 4 - PLATFORM

**FIGURE 4-19. SKYWELDER/SKYCUTTER COMBO INSTALLATION (60HZ)**

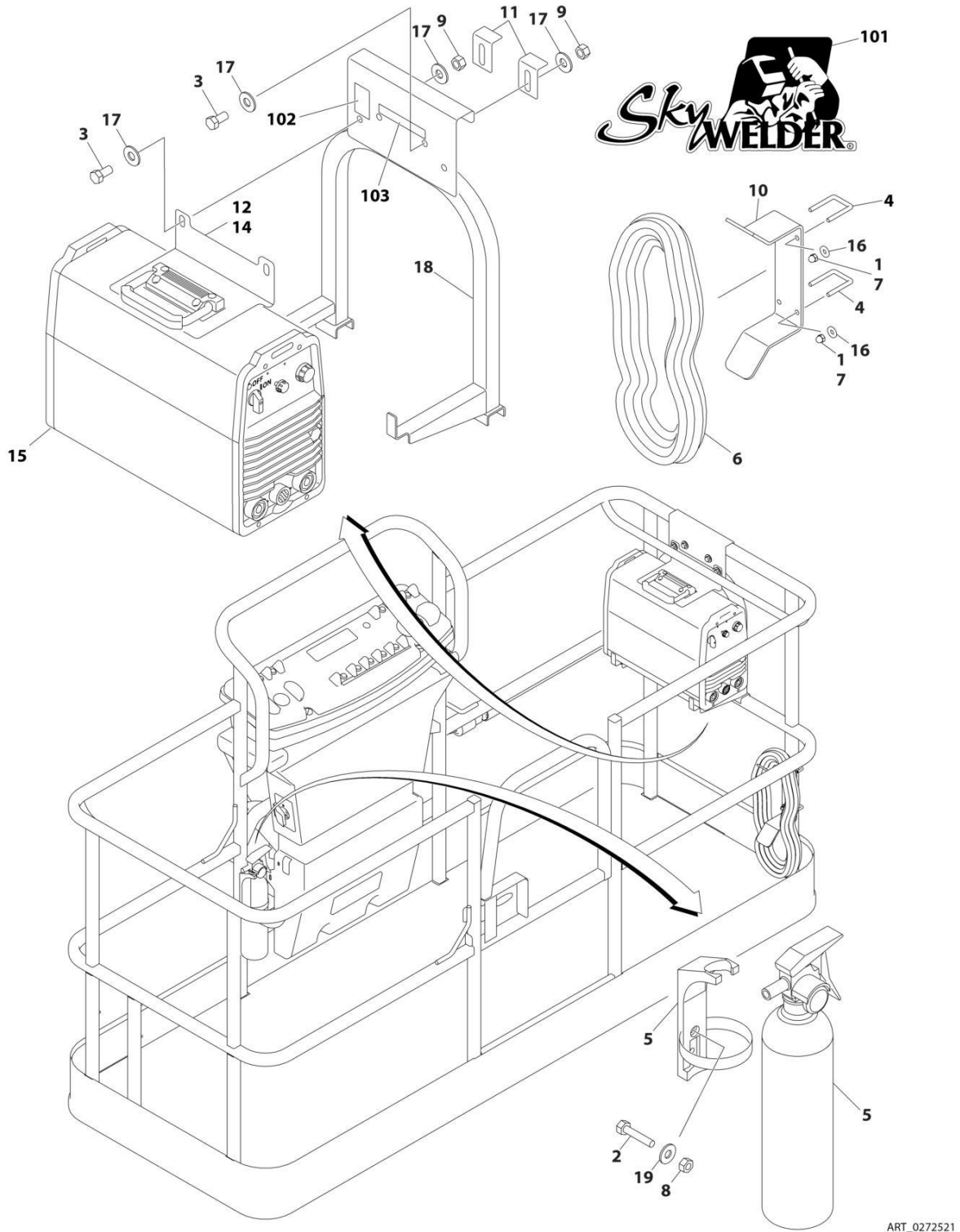
ITEM	PART NUMBER	QTY	DESCRIPTION	REV
	0273353	Ref	<b>SKYWELDER/SKYCUTTER COMBO INSTALLATION (60HZ)</b>	G
		Ref	<b>Note: ANSI, ANSI Export, CSA and Japanese Spec Only.</b>	
1	0100011	AR	Compound, Locking	
2	0630518	2	Screw #10 x 3/4	
3	0641606	4	Bolt 3/8 x 3/4	
4	1320177	2	Clamp	
5	1320302	2	Clamp	
6	1671093	1	Cover, Plug	
7	2030010	1	Extinguisher, Fire	
8	2180832	1	Fitting, Barbed/NPT	
9	2720160	4.5 ft/ 1.37m	Hose	
10	2902217	1	Weld Leads Kit	
11	3300151	4	Nut 1/4	
12	3311005	2	Nut #10	
13	3311605	4	Nut 3/8	
14	3573400	1	Bracket	
15	3577121	2	Angle	
16	3573642	1	Plate	
20	4240099	AR	Tie-Strap (Not Shown)	
21	4420037	2.36 ft/ .71m	Tape	
22	4460962	1	Plug, Twist Lock	
23	4460971	1	Plug, Twist Lock	
24	4530028	1	Welder Assembly (See WELDER ASSEMBLY for Breakdown)	
25	1001098012	1	Plasma Cutter Assembly (See PLASMA CUTTER ASSEMBLY for Breakdown)	
26	4751400	4	Washer 1/4	
27	4751600	8	Washer 3/8	
29	4846627	1	Support	
31	1001145405	1	Bracket	
32	4811700	2	Washer M6	
33	3290605	2	Nut M6	
34	3421453	3	Pin	
35	3576799	1	Plate, Hold-Down	
36	0100020	1	Sealant	
37	4010608	2	Screw M6 x 16	
38	4751000	2	Washer #10	
	0272448	Ref	<b>SKYWELDER DECAL INSTALLATION</b>	B
101	1705355	2	Decal - SkyWelder	
102	1702868	1	Decal - No Hands	
103	1705305	1	Decal - Weld Leads	
104	1705375	1	Decal - 240V - 3 Phase - 60 Hz	
105	1705466	NLA	Decal - Weight (Use p/n 1001228988) (SN 0300177361 through 0300232659)	
105	1001228988	1	Decal - Weight (SN 0300232660 through 0300272252)	
	0272599	Ref	<b>SKYCUTTER DECAL INSTALLATION</b>	B
201	1702868	1	Decal - No Hands	
202	1705305	1	Decal - Weld Leads	
203	1705466	NLA	Decal - Weight (Use p/n 1001228988) (SN 0300177361 through 0300232659)	

## SECTION 4 - PLATFORM

ITEM	PART NUMBER	QTY	DESCRIPTION	REV
203	1001228988	1	Decal - Weight (SN 0300232660 through 0300272252)	
204	1705490	2	Decal - SkyCutter	

# SECTION 4 - PLATFORM

## FIGURE 4-20. SKYWELDER INSTALLATION (50HZ)



ART\_0272521



## SECTION 4 - PLATFORM

**FIGURE 4-20. SKYWELDER INSTALLATION (50HZ)**

ITEM	PART NUMBER	QTY	DESCRIPTION	REV
	0272521	Ref	<b>SKYWELDER INSTALLATION (50HZ)</b>	F
		Ref	<b>Note: ANSI Export, Australian, CE &amp; Japanese Specs Only.</b>	
1	0100011	AR	Compound, Locking	
2	0630518	2	Screw #10 x 3/4	
3	0641606	4	Bolt 3/8 x 3/4	
4	1320302	2	U-Clamp	
5	2030010	1	Extinguisher, Fire	
6	2902217	1	Weld Leads Kit	
7	3300151	4	Nut 1/4	
8	3311005	2	Nut #10	
9	3311605	4	Nut 3/8	
10	3573400	1	Bracket	
11	3577121	2	Angle	
12	3573642	1	Plate	
13	4240099	AR	Tie-Strap (Not Shown)	
14	4420037	AR	Tape	
15	4530028	1	Welder Assembly (See WELDER ASSEMBLY for Breakdown)	
16	4751400	4	Washer 1/4	
17	4751600	8	Washer 3/8	
18	4846627	1	Support	
19	4751000	2	Washer #10	
	0272588	Ref	<b>SKYWELDER DECAL INSTALLATION</b>	B
101	1705355	2	Decal - SkyWelder	
102	1705305	1	Decal - Weld Lead	
103	1705466	NLA	Decal - Weight (Use p/n 1001228988) <b>(SN 0300177361 through 0300232659)</b>	
103	1001228988	1	Decal - Weight <b>(SN 0300232660 through 0300272252)</b>	



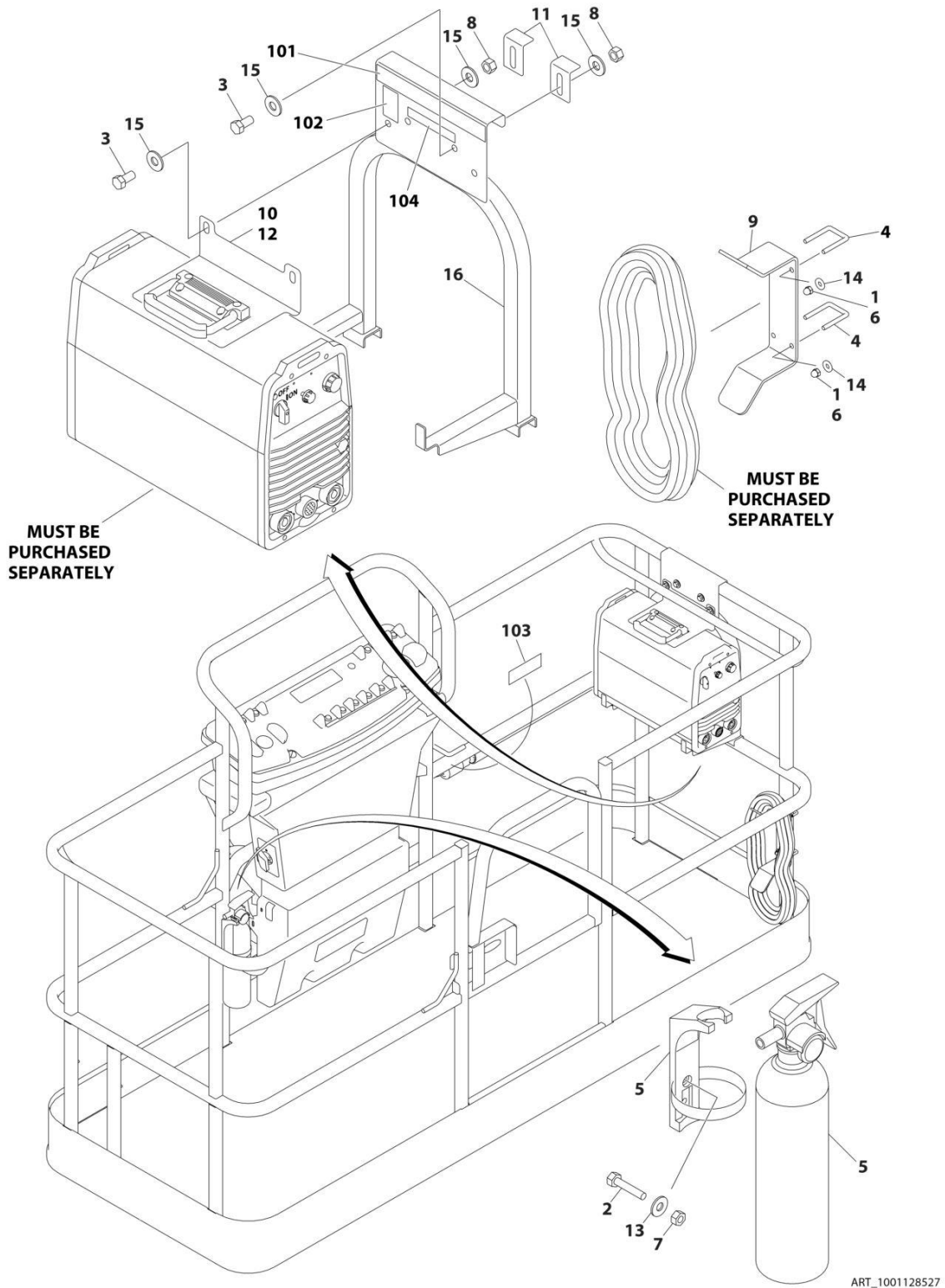
## SECTION 4 - PLATFORM

**FIGURE 4-21. SKYWELDER INSTALLATION (60HZ)**

ITEM	PART NUMBER	QTY	DESCRIPTION	REV
	0272254	Ref	<b>SKYWELDER INSTALLATION (60HZ)</b>	I
		Ref	<b>Note: ANSI, ANSI Export and CSA Specs Only.</b>	
1	0100011	AR	Compound, Locking	
2	0630518	2	Screw #10 x 3/4	
3	0641606	4	Bolt 3/8 x 3/4	
4	1320302	2	U-Clamp	
5	2030010	1	Extinguisher, Fire	
6	2902217	1	Weld Leads Kit	
7	3300151	4	Nut 1/4	
8	3311005	2	Nut #10	
9	3311605	4	Nut 3/8	
10	3573400	1	Bracket	
11	3577121	2	Angle	
12	3573642	1	Plate	
13	4420037	AR	Tape	
14	4240099	AR	Tie-Strap (Not Shown)	
15	4460962	1	Plug, Male Twistlock	
17	4530028	1	Welder Assembly (See WELDER ASSEMBLY for Breakdown)	
18	4751400	4	Washer 1/4	
19	4751600	8	Washer 3/8	
20	4846627	1	Support	
21	1671093	1	Cover, Plug	
22	4751000	2	Washer #10	
	0272448	Ref	<b>SKYWELDER DECAL INSTALLATION</b>	B
101	1705355	2	Decal - SkyWelder	
102	1702868	1	Decal - No Hands	
103	1705305	1	Decal - Weld Lead	
104	1705375	1	Decal - 240V - 3 Phase - 60Hz	
105	1705466	NLA	Decal - Weight (Use p/n 1001228988) <b>(SN 0300177361 through 0300232659)</b>	
105	1001228988	1	Decal - Weight <b>(SN 0300232660 through 0300272252)</b>	

# SECTION 4 - PLATFORM

## FIGURE 4-22. SKYWELDER PREP PACKAGE (60HZ)



ART\_1001128527

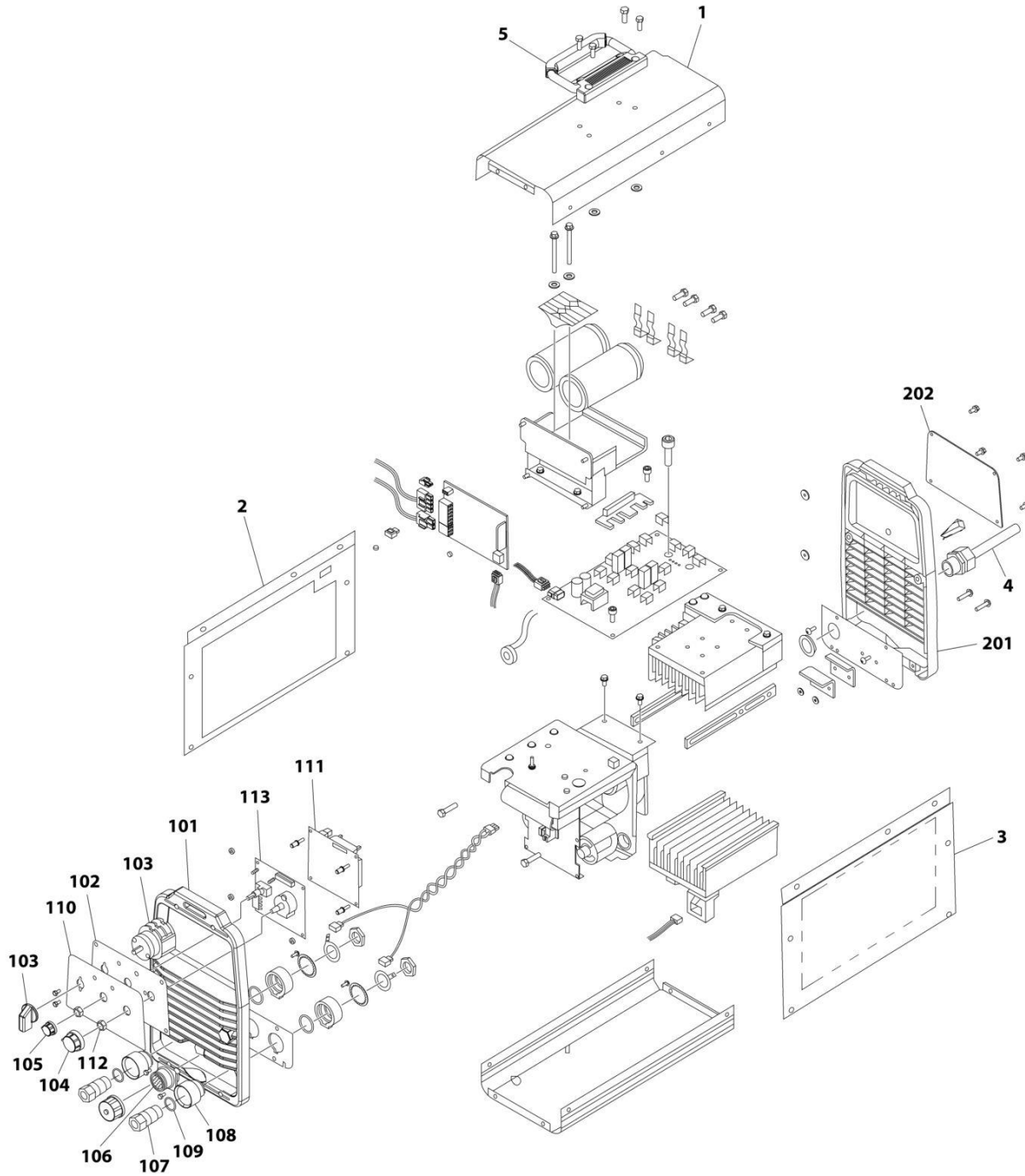
## SECTION 4 - PLATFORM

**FIGURE 4-22. SKYWELDER PREP PACKAGE (60HZ)**

ITEM	PART NUMBER	QTY	DESCRIPTION	REV
	1001128527	Ref	<b>SKYWELDER PREP PACKAGE (60HZ)</b>	
		Ref	<b>Note: ANSI, ANSI Export and CSA Specs Only.</b>	
1	0100011	AR	Compound, Locking	
2	0630518	2	Screw #10 x 3/4	
3	0641606	4	Bolt 3/8 x 3/4	
4	1320302	2	U-Clamp	
5	2030010	1	Extinguisher, Fire	
6	3300151	4	Nut 1/4	
7	3311005	2	Nut #10	
8	3311605	4	Nut 3/8	
9	3573400	1	Bracket	
10	3573642	1	Plate	
11	3577121	2	Angle	
12	4420037	AR	Tape	
13	4751000	2	Washer #10	
14	4751400	4	Washer 1/4	
15	4751600	8	Washer 3/8	
16	4846627	1	Support	
	1001128556	Ref	<b>SKYWELDER DECAL INSTALLATION</b>	B
101	1702868	1	Decal - No Hands	
102	1705305	1	Decal - Weld Lead	
103	1705375	1	Decal - 240V - 3 Phase - 60Hz	
104	1705466	1	Decal - Weight <b>(SN 0300177361 through 0300232659)</b>	
104	1001228988	1	Decal – Weight <b>(SN 0300232660 through 0300272252)</b>	

# SECTION 4 - PLATFORM

## FIGURE 4-23. WELDER ASSEMBLY



ART\_4530028

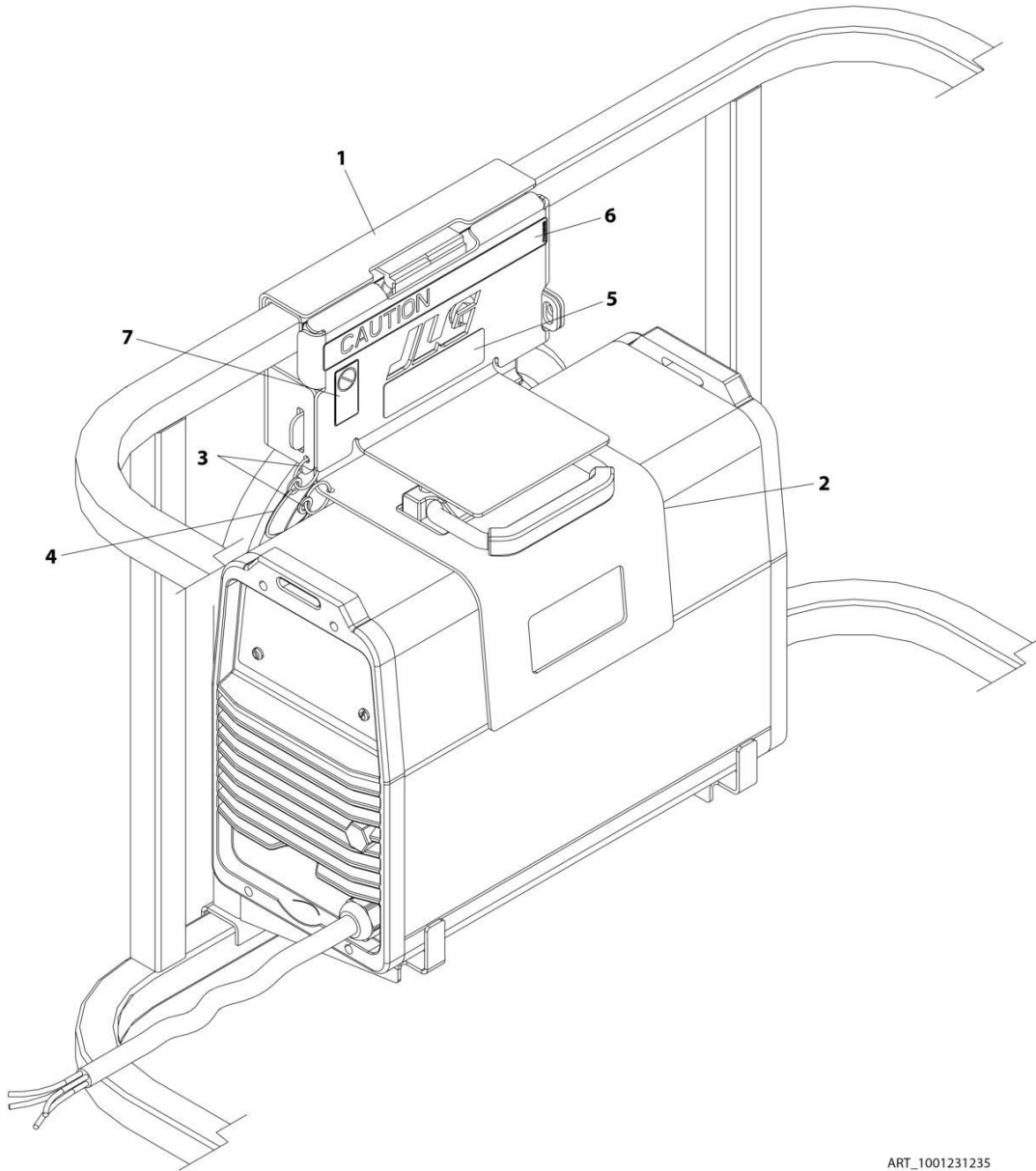
## SECTION 4 - PLATFORM

### FIGURE 4-23. WELDER ASSEMBLY

ITEM	PART NUMBER	QTY	DESCRIPTION	REV
	4530028	Ref	<b>WELDER ASSEMBLY</b>	B
		Ref	<b>Note: For Other Components, contact your Miller Welder Dealer.</b>	
1	7027773	1	Cover, Top	
1	7027774	1	Decal - Static Precautionary Warning	
2	See Note	NSS	Panel, LH Side (Note: Part of Item 1. Purchase Item 1)	
3	See Note	NSS	Panel, RH Side (Note: Part of Item 1. Purchase Item 1)	
4	7024467	1	Cable, Power	
4	7027775	1	Decal - Electrical Shock Warning (Not Shown)	
5	7027776	1	Handle, Carrying	
101	7024462	1	Panel, Front	
102	7024463	1	Panel, Console	
103	7024469	1	Switch with Lead	
104	7024470	1	Knob	
105	7024471	1	Knob	
106	7024472	1	Receptacle with Leads and Plugs	
107	7024473	2	Receptacle, Twistlock Female	
108	7024474	2	Insulator	
109	7024475	2	O-Ring	
110	7027777	1	Nameplate	
111	7027779	1	Circuit Card Assembly (Process Control)	
112	7024478	2	Nut	
113	7027778	1	Circuit Card Assembly (Operator Interface)	
201	7024462	1	Panel, Rear	
202	7027780	1	Panel, Cover	

## SECTION 4 - PLATFORM

FIGURE 4-24. SKYWELDER LOCKING BRACKET INSTALLATION



ART\_1001231235



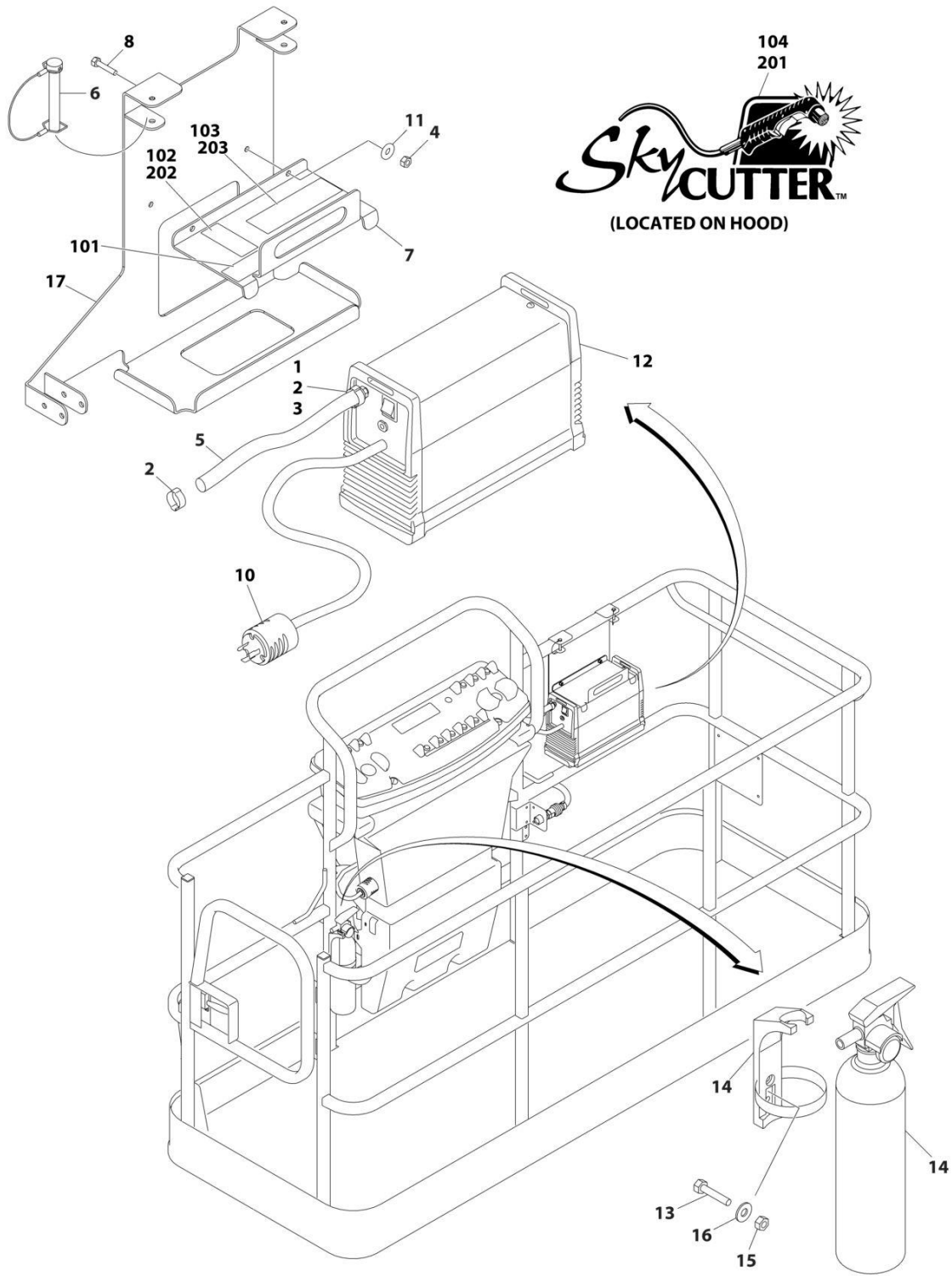
## SECTION 4 - PLATFORM

### FIGURE 4-24. SKYWELDER LOCKING BRACKET INSTALLATION

ITEM	PART NUMBER	QTY	DESCRIPTION	REV
	1001231235	Ref	SKYWELDER LOCKING BRACKET INSTALLATION	A
1	1001231180	1	Bracket	
2	1001231183	1	Plate	
3	3760170	2	Ring	
4	1060379	1	Lanyard	
5	1001228988	1	Decal - Weight	
6	1702868	1	Decal - No Hands	
7	1705305	1	Decal - Weld Lead	

# SECTION 4 - PLATFORM

## FIGURE 4-25. SKYCUTTER INSTALLATION



ART\_1001098149

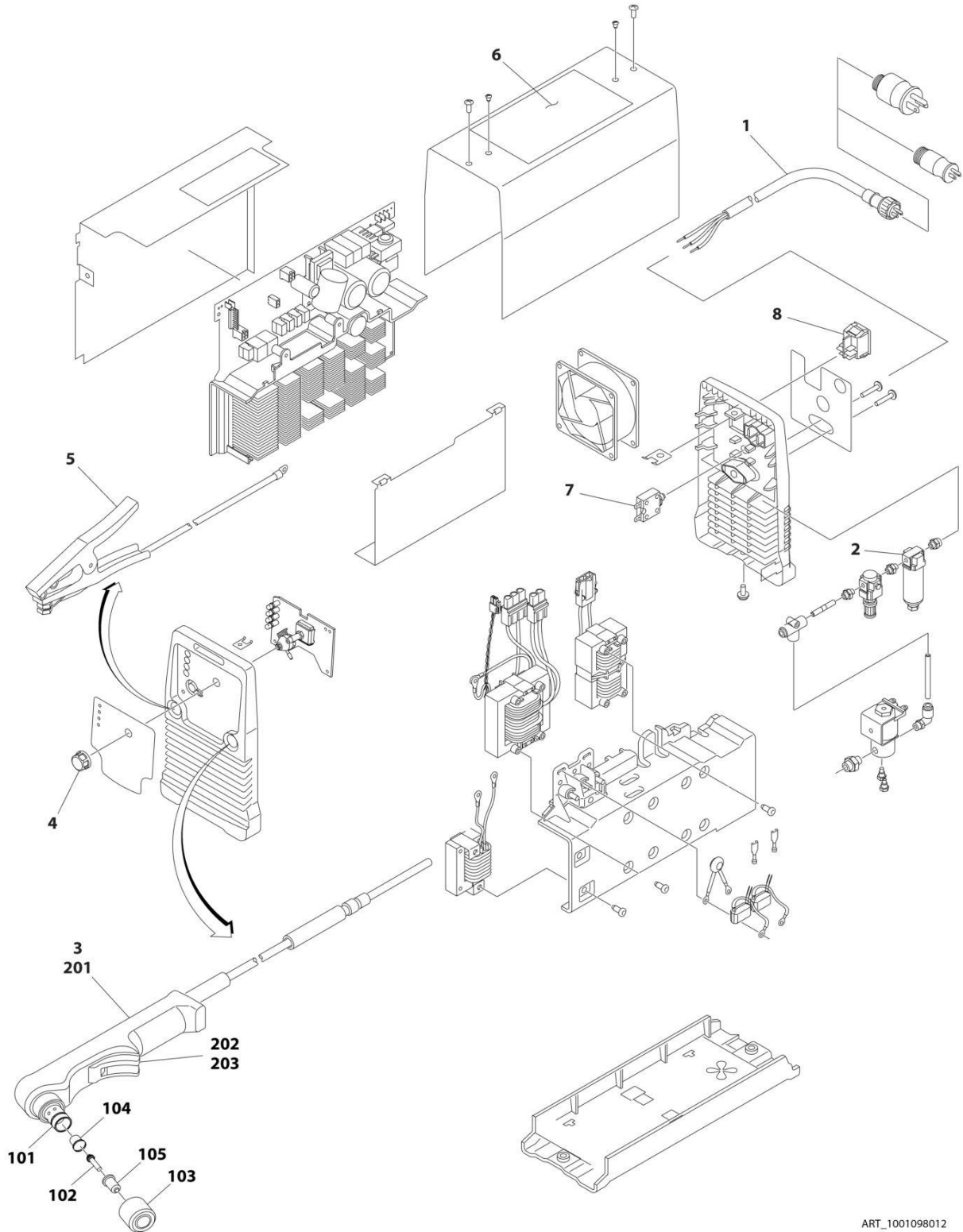
## SECTION 4 - PLATFORM

**FIGURE 4-25. SKYCUTTER INSTALLATION**

ITEM	PART NUMBER	QTY	DESCRIPTION	REV
	1001098149	Ref	<b>SKYCUTTER INSTALLATION</b>	D
		Ref	<b>Note: ANSI, ANSI Export, CSA and Japanese Specs Only.</b>	
		Ref	<b>Note: When replacing platform on machines with SkyCutter option, new bracket p/n 1001145405 must be purchased to accommodate SkyCutter components.</b>	
1	0100020	AR	Sealant	
2	1320177	2	Clamp, Hose	
3	2180832	1	Fitting, NPT/Barbed	
4	3290605	2	Nut M6	
5	2720160	3 ft/.9m	Hose	
6	3421453	3	Pin	
7	3576799	1	Plate, Hold-Down	
8	4010608	2	Screw M6 x 16	
10	4460971	1	Plug, Twistlock	
11	4811700	2	Washer M6	
12	1001098012	1	Plasma Cutter Assembly (See PLASMA CUTTER ASSEMBLY for Breakdown)	
13	0630518	2	Screw #10 x 3/4	
14	2030010	1	Extinguisher, Fire	
15	3311005	2	Nut #10	
16	4751000	2	Washer #10	
17	1001145405	1	Support	
	0272599	Ref	<b>SKYCUTTER DECAL INSTALLATION (ANSI, ANSI EXPORT &amp; CSA SPECS)</b>	B
101	1702868	1	Decal - No Hands	
102	1705305	1	Decal - Weld Lead	
103	1705466	NLA	Decal - Weight (Use p/n 1001228988) <b>(SN 0300177361 through 0300232659)</b>	
103	1001228988	1	Decal - Weight <b>(SN 0300232660 through 0300272252)</b>	
104	1705490	2	Decal - SkyCutter	
	0272607	Ref	<b>SKYCUTTER DECAL INSTALLATION (JAPANESE SPECS)</b>	B
201	1705490	2	Decal - SkyCutter	
202	1705305	1	Decal - Weld Lead	
203	1705466	NLA	Decal - Weight (Use p/n 1001228988) <b>(SN 0300177361 through 0300232659)</b>	
203	1001228988	1	Decal - Weight <b>(SN 0300232660 through 0300272252)</b>	

# SECTION 4 - PLATFORM

## FIGURE 4-26. PLASMA CUTTER ASSEMBLY



ART\_1001098012

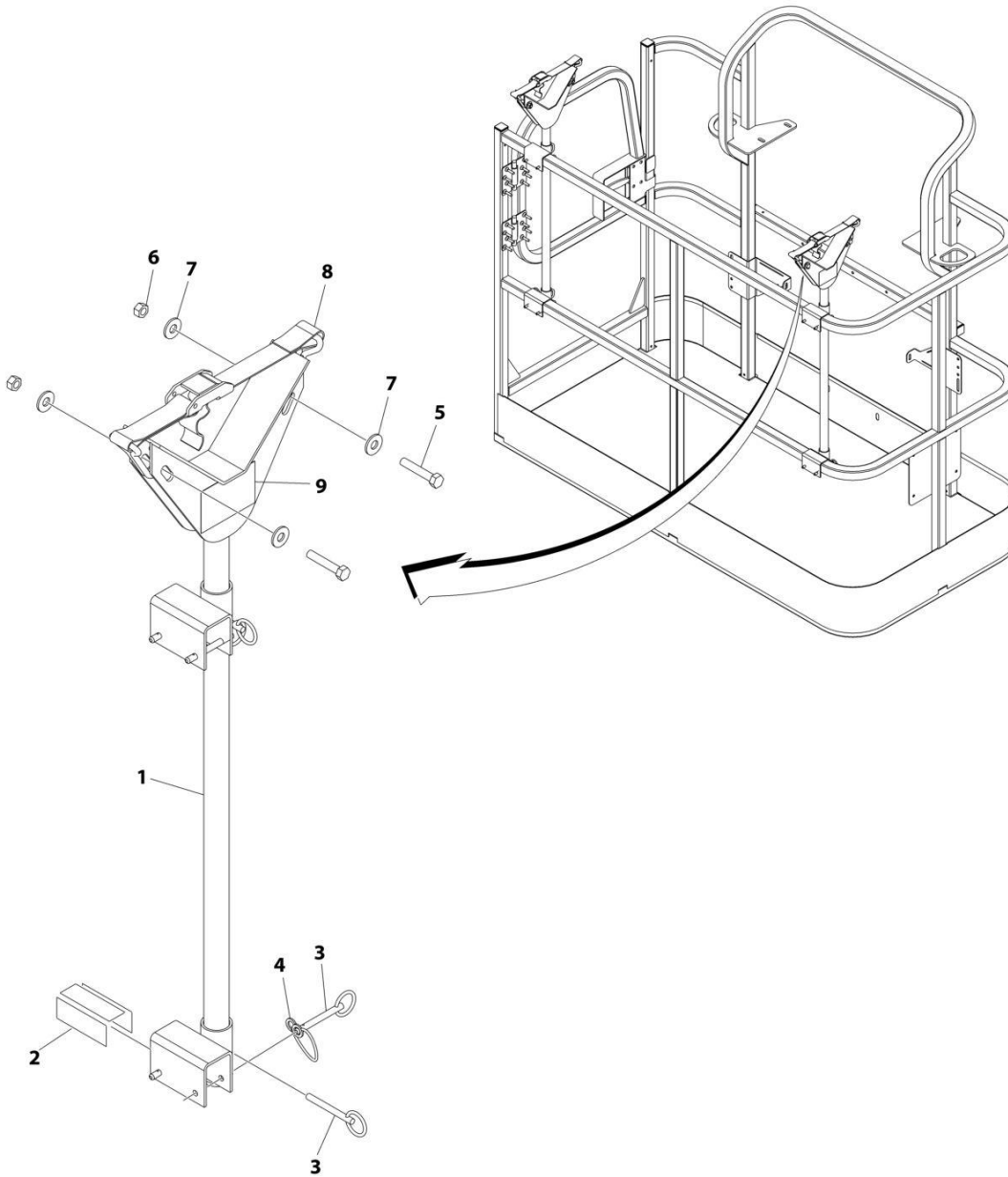
## SECTION 4 - PLATFORM

**FIGURE 4-26. PLASMA CUTTER ASSEMBLY**

ITEM	PART NUMBER	QTY	DESCRIPTION	REV
	1001098012	Ref	<b>PLASMA CUTTER ASSEMBLY</b>	A
		Ref	<b>Note: For Other Components, contact your Miller Welder Dealer.</b>	
1	70001424	1	Cable, Power	
1	70001425	1	Decal - Voltage Warning	
2	70001427	1	Filter, Regulator	
3	70001428	1	Torch Assembly (See Items 101-203 for Breakdown)	
4	7024471	1	Knob	
5	70001429	1	Clamp with Cable	
6	70001430	1	Decal - Caution	
7	70001431	1	Breaker, Circuit	
8	70001432	1	Switch, Rocker	
	70001428	Ref	<b>TORCH ASSEMBLY</b>	
101	7024530	1	O-Ring	
102	7024531	1	Electrode	
103	7024532	1	Cup, Retaining	
104	7024533	1	Swirl Ring	
105	7024534	1	Tip	
201	7024535	1	Handle, Torch	
202	7024536	1	Switch	
203	7024537	1	Trigger	

# SECTION 4 - PLATFORM

## FIGURE 4-27. PIPE RACKS INSTALLATION



ART\_PIPE\_RACKS

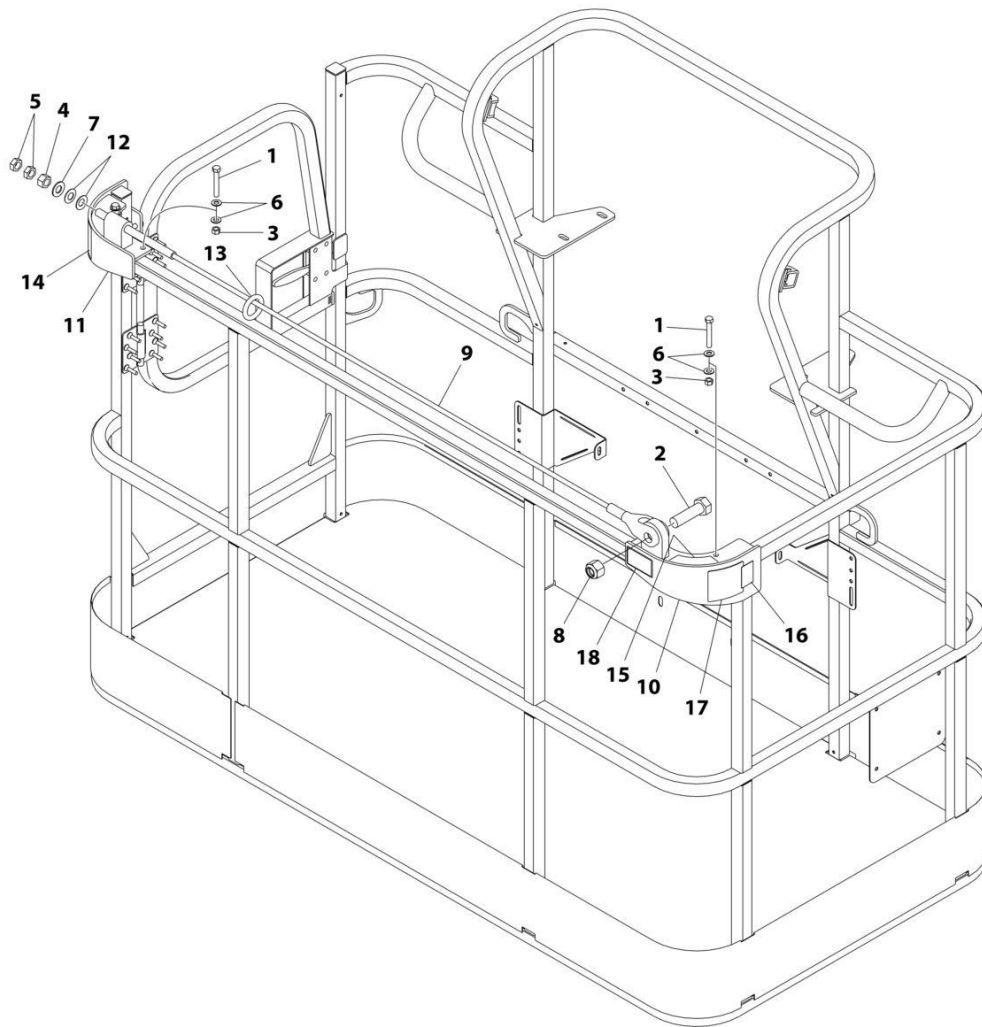
## SECTION 4 - PLATFORM

**FIGURE 4-27. PIPE RACKS INSTALLATION**

ITEM	PART NUMBER	QTY	DESCRIPTION	REV
	0257728	Ref	<b>PIPE RACK INSTALLATION (ANSI &amp; CSA SPECS)</b>	2/C
	0274661	Ref	<b>PIPE RACK INSTALLATION (AUSTRALIAN SPECS)</b>	1/A
		Ref	<b>Note: Available on ANSI, Australian &amp; CSA Specs</b>	
1	4845582	2	Rack, Pipe	
2	4420062	AR	Tape	
3	3422661	10	Pin	
4	1060379	4	Lanyard	
5	0641514	4	Bolt 5/16 x 1-3/4	
6	3311505	4	Nut 5/16	
7	4751500	8	Washer 5/16	
8	0480100	2	Tie-Down	
9	1703683	2	Decal - Capacity (ANSI & CSA Specs)	
9	1706510	2	Decal - Capacity (Australian Specs)	

# SECTION 4 - PLATFORM

FIGURE 4-28. FALL ARREST INSTALLATION (BOLT-ON EXTERNAL) (6FT/1.82M PLATFORM)



ART\_1001236747



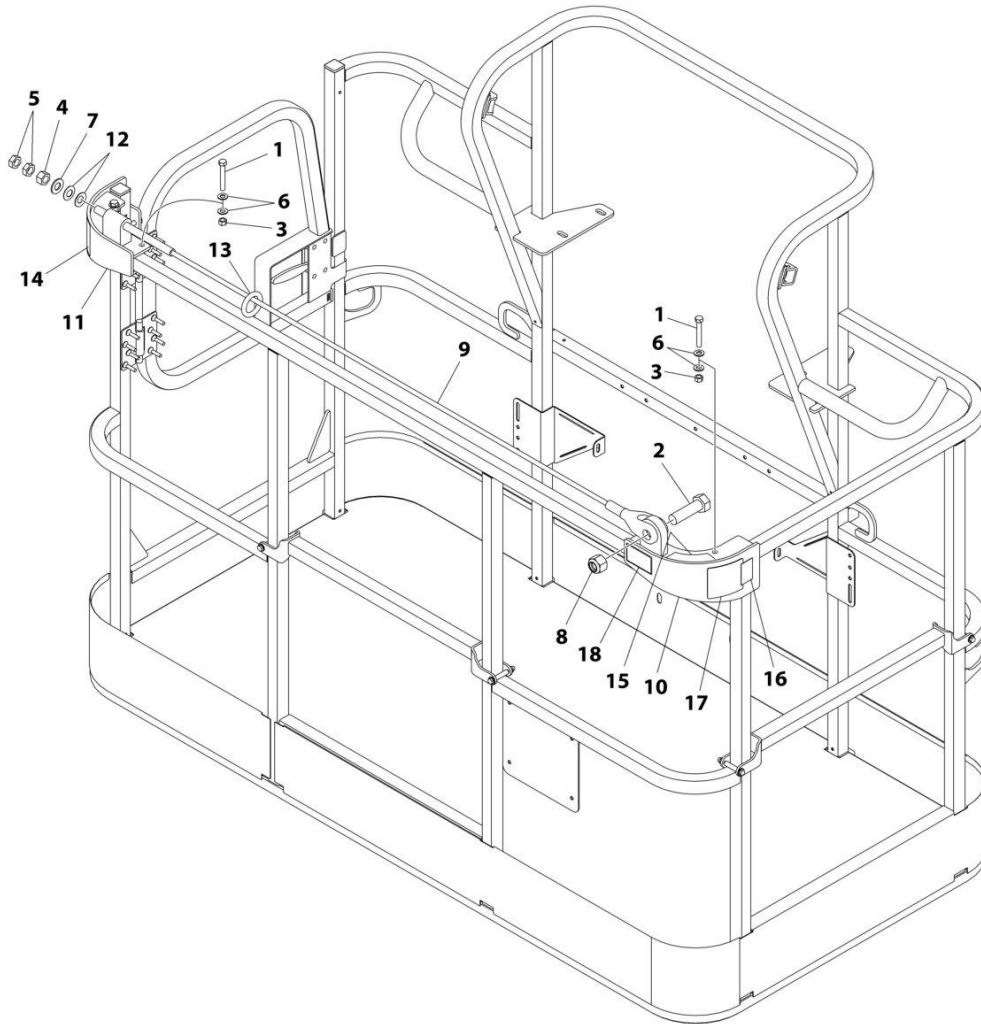
## SECTION 4 - PLATFORM

**FIGURE 4-28. FALL ARREST INSTALLATION (BOLT-ON EXTERNAL) (6FT/1.82M PLATFORM)**

ITEM	PART NUMBER	QTY	DESCRIPTION	REV
	1001236747	Ref	FALL ARREST INSTALLATION (BOLT - ON) 6FT/1.82M PLATFORM	C
1	0681620	6	Bolt 3/8 x 2-1/2	
2	0682424	1	Bolt 7/8 x 3	
3	3271605	6	Nut 3/8	
4	3272001	1	Nut 5/8	
5	3312002	2	Nut 5/8	
6	4711600	12	Washer 3/8	
7	4712000	1	Washer 5/8	
8	88521214	1	Nut 7/8	
9	1001231950	1	Rope	
10	1001232010	1	Bracket (RH)	
11	1001232011	1	Bracket (LH)	
12	1001236891	2	Washer	
13	1001236895	1	Ring	
14	1001238263	1	Decal - Warning Falling Hazard	
15	1001252629	1	Decal - Weight	
16	1001248140	1	Decal - Bolt Fall Arrest Re-Cert	
17	1001248141	1	Decal - Inscription	

# SECTION 4 - PLATFORM

FIGURE 4-29. FALL ARREST INSTALLATION (BOLT-ON EXTERNAL) (6FT/1.82M TRI-ENTRY PLATFORM)



ART\_1001238463

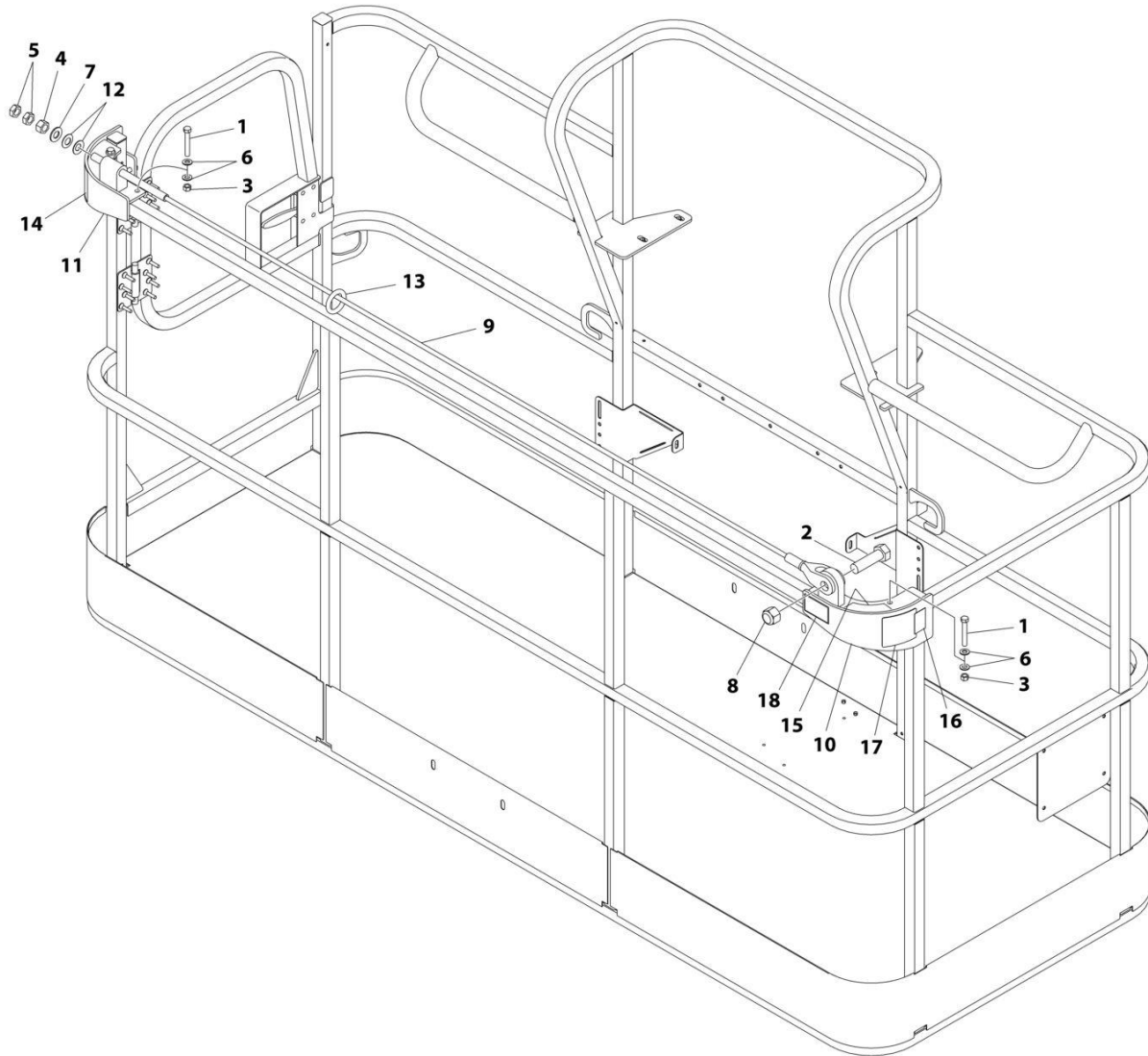
## SECTION 4 - PLATFORM

**FIGURE 4-29. FALL ARREST INSTALLATION (BOLT-ON EXTERNAL) (6FT/1.82M TRI-ENTRY PLATFORM)**

ITEM	PART NUMBER	QTY	DESCRIPTION	REV
	1001238463	Ref	FALL ARREST INSTALLATION (BOLT - ON) 6FT/1.82M PLATFORM	C
1	0681620	6	Bolt 3/8 x 2-1/2	
2	0682424	1	Bolt 7/8 x 3	
3	3271605	6	Nut 3/8	
4	3272001	1	Nut 5/8	
5	3312002	2	Nut 5/8	
6	4711600	12	Washer 3/8	
7	4712000	1	Washer 5/8	
8	88521214	1	Nut 7/8	
9	1001231950	1	Rope	
10	1001232010	1	Bracket (RH)	
11	1001232011	1	Bracket (LH)	
12	1001236891	2	Washer	
13	1001236895	1	Ring	
14	1001238263	1	Decal - Warning Falling Hazard	
15	1001252629	1	Decal - Weight	
16	1001248140	1	Decal - Bolt Fall Arrest Re-Cert	
17	1001248141	1	Decal - Inscription	

# SECTION 4 - PLATFORM

## FIGURE 4-30. FALL ARREST INSTALLATION (BOLT-ON EXTERNAL) (8FT/2.4M PLATFORM)



ART\_1001236746

## SECTION 4 - PLATFORM

**FIGURE 4-30. FALL ARREST INSTALLATION (BOLT-ON EXTERNAL) (8FT/2.4M PLATFORM)**

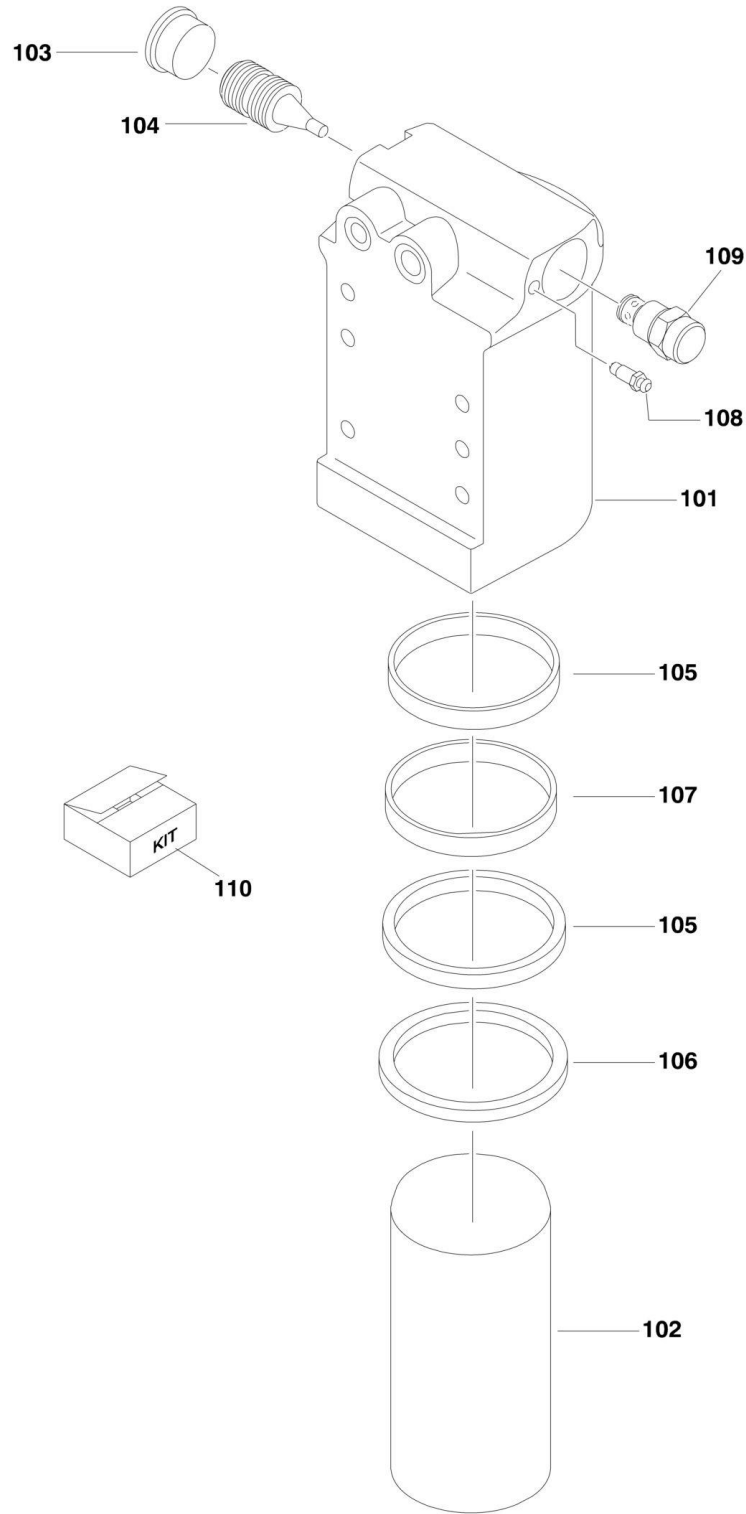
ITEM	PART NUMBER	QTY	DESCRIPTION	REV
	1001236746	Ref	FALL ARREST INSTALLATION (BOLT - ON) 8FT/2.4M PLATFORM	C
1	0681620	6	Bolt 3/8 x 2-1/2	
2	0682424	1	Bolt 7/8 x 3	
3	3271605	6	Nut 3/8	
4	3272001	1	Nut 5/8	
5	3312002	2	Nut 5/8	
6	4711600	12	Washer 3/8	
7	4712000	1	Washer 5/8	
8	88521214	1	Nut 7/8	
9	1001231949	1	Rope	
10	1001232010	1	Bracket (RH)	
11	1001232011	1	Bracket (LH)	
12	1001236891	2	Washer	
13	1001236895	1	Ring	
14	1001238263	1	Decal - Warning Falling Hazard	
15	1001252629	1	Decal - Weight 23LBS/10.4KG	
16	1001248140	1	Decal - Bolt Fall Arrest Re-Cert	
17	1001248141	1	Decal - Inscription	



**SECTION 5 - CYLINDER**

# SECTION 5 - CYLINDER

## FIGURE 5-1. AXLE LOCKOUT CYLINDER ASSEMBLY





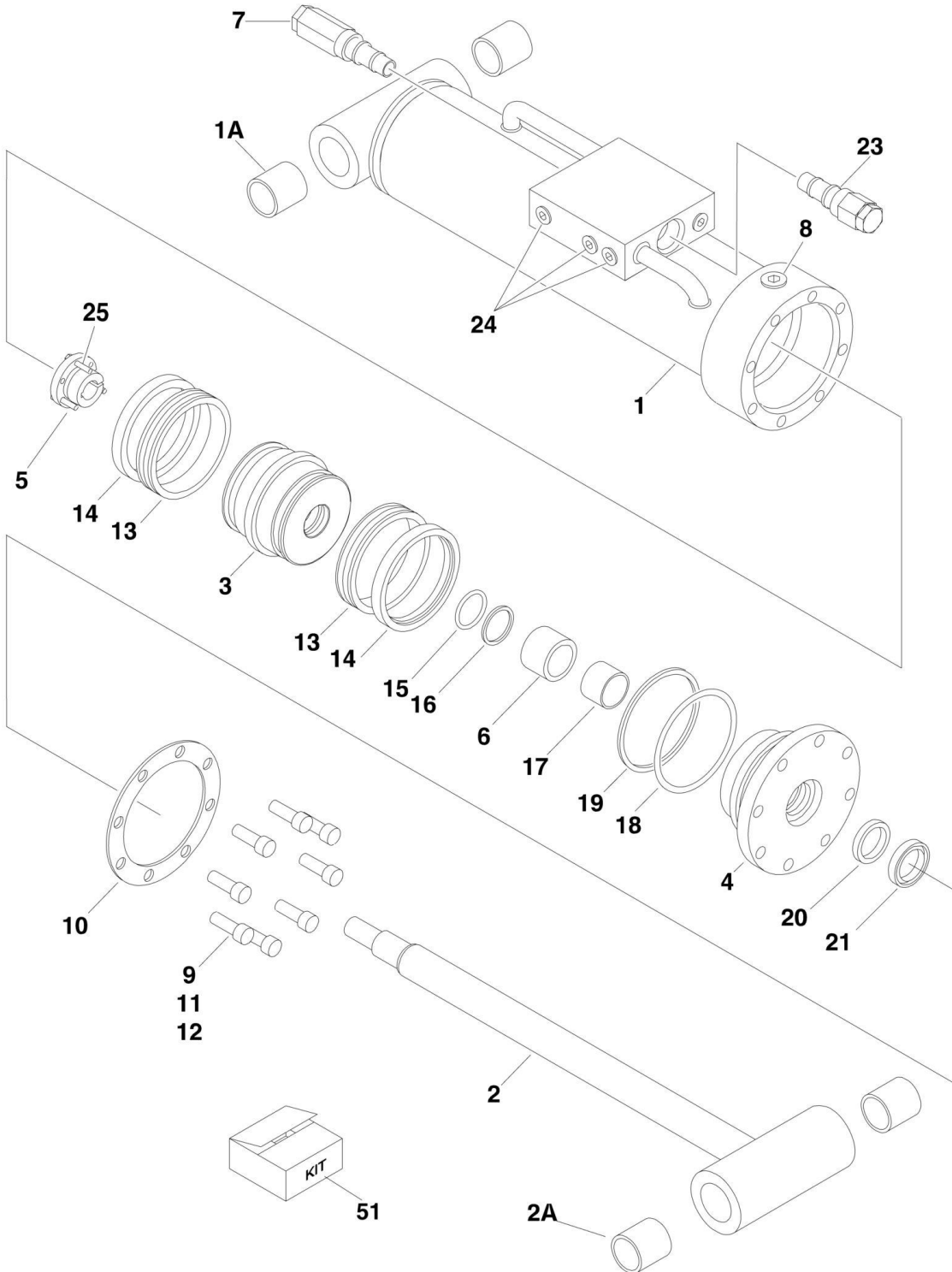
## SECTION 5 - CYLINDER

**FIGURE 5-1. AXLE LOCKOUT CYLINDER ASSEMBLY**

ITEM	PART NUMBER	QTY	DESCRIPTION	REV
	1684465	Ref	<b>AXLE LOCKOUT CYLINDER ASSEMBLY</b> Note: Original Cylinder may have been replaced with Service Replacement. Identify PN Stamped on Cylinder Before Ordering Parts.	J
		Ref		
101	0370026	1	Barrel	
102	1684290	1	Rod	
103	2220890	1	Plug	
104	3480288	1	Piston, Pilot	
105	See Note	NSS	Ring, Wear (Note: Use Item 110)	
106	See Note	NSS	Wiper (Note: Use Item 110)	
107	See Note	NSS	Seal, Rod (Note: Use Item 110)	
108	4640858	1	Bleeder	
109	4641390	1	Cartridge, Valve	
109	7017496	1	Seal Kit	
110	2902266	1	Seal Kit (Includes Items 105-107)	

# SECTION 5 - CYLINDER

## FIGURE 5-2. LEVEL (PLATFORM SLAVE) CYLINDER ASSEMBLY



## SECTION 5 - CYLINDER

**FIGURE 5-2. LEVEL (PLATFORM SLAVE) CYLINDER ASSEMBLY**

ITEM	PART NUMBER	QTY	DESCRIPTION	REV
		Ref	<b>PLATFORM LEVEL (SLAVE) CYLINDER ASSEMBLY</b>	
		Ref	Note: Original Cylinder may have been replaced with Service Replacement. Identify PN Stamped on Cylinder Before Ordering Parts.	
	1683415	Ref	Platform Level (Slave) Cylinder Assembly (600A) <b>(SN 0300177361 through 0300233770)</b>	H
	1683418	Ref	Platform Level (Slave) Cylinder Assembly - without Arctic Package (600AJ) <b>(SN 0300177361 through 0300233770)</b>	G
	1001138798	Ref	Platform Level (Slave) Cylinder Assembly - with Arctic Package (600AJ) <b>(SN 0300177361 through 0300233770)</b>	B
1	1683952	1	Barrel (Note: Item 1A not included - Purchase Separately)	
1A		Ref	Bushing Options:	
1A	0961947	2	Bushing (600A)	
1A	0961951	2	Bushing (600AJ)	
2		Ref	Rod Options:	
2	1683976	1	Rod (Note: Includes Item 2A) (600A)	
2	1683963	1	Rod (Note: Item 2A not included - Purchase Separately) (600AJ)	
2A		Ref	Bushing Options:	
2A	0961947	2	Bushing (600A)	
2A	0961951	2	Bushing (600AJ)	
3		Ref	Piston Options:	
3	3480210	1	Piston (600A)	
3	3480188	1	Piston (600AJ)	
4		Ref	Head Options:	
4	1683053	1	Head (600A)	
4	1683055	1	Head (600AJ)	
5		Ref	Bushing, Tapered (Includes Item 25) Options:	
5	0961893	1	Bushing, Tapered (600A)	
5	0961894	1	Bushing, Tapered (600AJ)	
6	4566468	1	Spacer	
7	4640509	1	Cartridge, Valve	
7	2900792	1	Seal Kit - 4640509 Valve	
8	2220885	1	Plug, O-Ring	
9		Ref	Capscrew, Socket Head Options:	
9	3931516	8	Capscrew 5/16 x1 (600A)	
9	3931620	8	Capscrew 3/8 x 1-1/4 (600AJ)	
10		Ref	Ring, Washer Options:	
10	3760368	1	Ring, Washer (600A)	
10	3760369	1	Ring, Washer (600AJ)	
11	0100011	AR	Compound, Locking	
12	0100038	AR	Primer, Locking	
13	See Note	NSS	Seal (Note: Use Item 51)	
14	See Note	NSS	Ring, Lock (Note: Use Item 51)	
15	See Note	NSS	O-Ring (Note: Use Item 51)	
16	See Note	NSS	Ring, Back-up (Note: Use Item 51)	
17	See Note	NSS	Ring, Wear (Note: Use Item 51)	
18	See Note	NSS	O-Ring (Note: Use Item 51)	
19	See Note	NSS	Ring, Back-up (Note: Use Item 51)	
20	See Note	NSS	Seal, Rod (Note: Use Item 51)	
21	See Note	NSS	Wiper (Note: Use Item 51)	

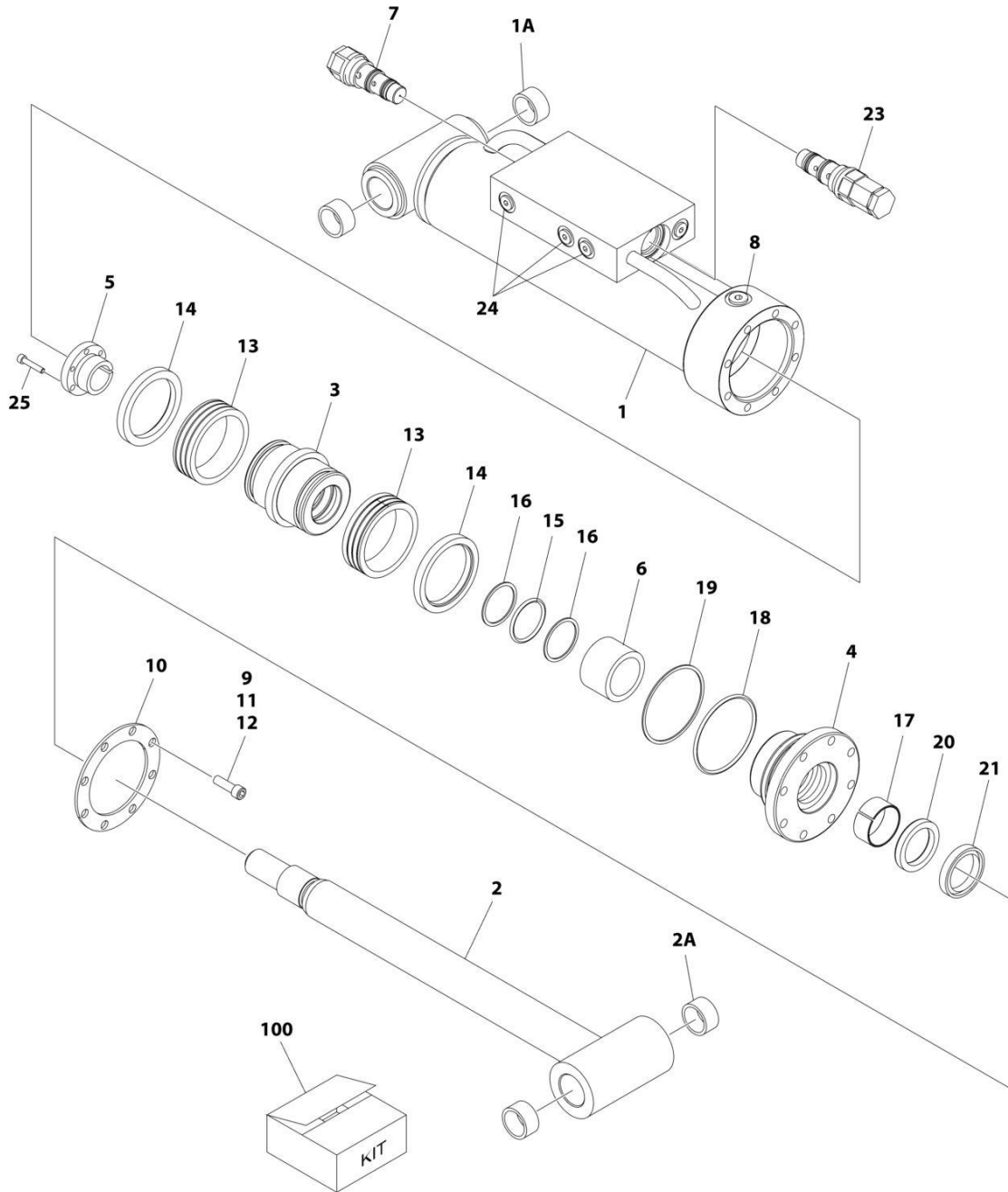
## SECTION 5 - CYLINDER

ITEM	PART NUMBER	QTY	DESCRIPTION	REV
23	4640932	1	Cartridge, Valve	
23	7011112	1	Seal Kit - 4640932 Valve	
24	2220883	8	Plug, O-Ring	
25		Ref	Bolt Options:	
25	0630534	3	Bolt #10 - 24NC x 1in (600A)	
25	0630535	3	Bolt 1/4in - 20NC x 1-1/8in (600AJ)	
51		Ref	Seal Kit Options (Includes Items 13-21)	
51	2901303	1	Seal Kit (600A)	
51	2901301	1	Seal Kit - without Arctic Package (600AJ)	
51	1001138796	1	Seal Kit - with Arctic Package (600AJ)	



# SECTION 5 - CYLINDER

FIGURE 5-3. LEVEL (PLATFORM SLAVE) CYLINDER ASSEMBLY (600A) (SN 0300233771 through 0300241337)



ART\_1001223512

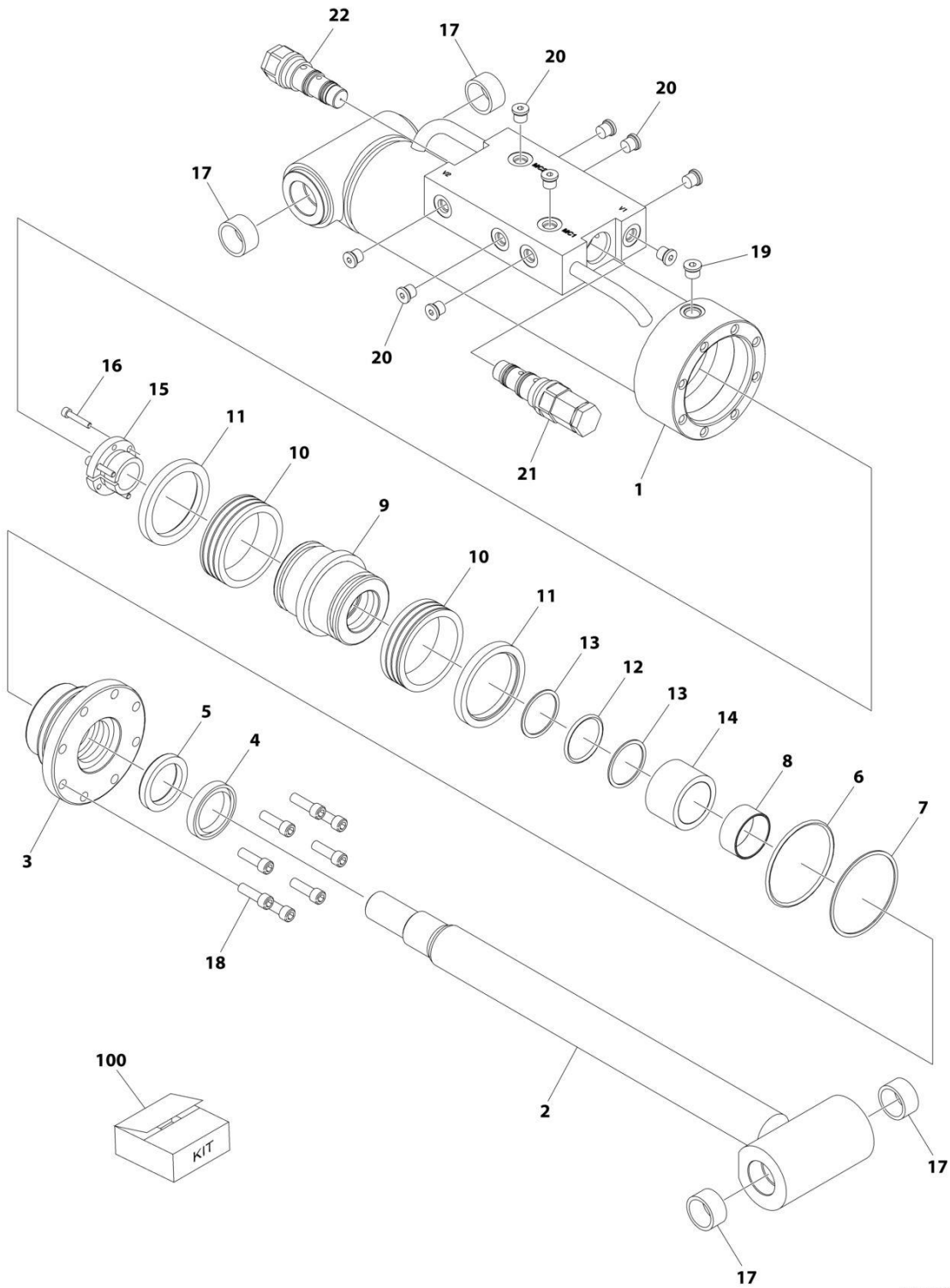
## SECTION 5 - CYLINDER

**FIGURE 5-3. LEVEL (PLATFORM SLAVE) CYLINDER ASSEMBLY (600A) (SN 0300233771 through 0300241337)**

ITEM	PART NUMBER	QTY	DESCRIPTION	REV
	1001223512	Ref	<b>PLATFORM LEVEL (SLAVE) CYLINDER ASSEMBLY (SN 0300233771 through 0300241337)</b>	A
		Ref	Note: Original Cylinder may have been replaced with Service Replacement. Identify PN Stamped on Cylinder Before Ordering Parts.	
1	1001223511	1	Barrel	
1A	0961947	2	Bushing	
2	1683976	1	Rod	
2A	0961947	2	Bushing	
3	3480210	1	Piston	
4	1683053	1	Head	
5	0961893	1	Bushing, Tapered	
6	4566468	1	Spacer	
7	4640509	1	Cartridge, Valve	
7	2900792	1	Seal Kit - 4640509 Valve	
8	2220885	1	Plug, O-Ring	
9	3931516	8	Capscrew, Socket Head	
10	3760368	1	Ring, Washer	
11	0100011	AR	Compound, Locking	
12	0100038	AR	Primer, Locking	
13	See Note	NSS	Seal (Note: Use Item 100)	
14	See Note	NSS	Ring, Lock (Note: Use Item 100)	
15	See Note	NSS	O-Ring (Note: Use Item 100)	
16	See Note	NSS	Ring, Back-up (Note: Use Item 100)	
17	See Note	NSS	Ring, Wear (Note: Use Item 100)	
18	See Note	NSS	O-Ring (Note: Use Item 100)	
19	See Note	NSS	Ring, Back-up (Note: Use Item 100)	
20	See Note	NSS	Seal, Rod (Note: Use Item 100)	
21	See Note	NSS	Wiper (Note: Use Item 100)	
23	4640932	1	Cartridge, Valve	
23	7011112	1	Seal Kit - 4640932 Valve	
24	2220883	8	Plug, O-Ring	
25	0630534	3	Bolt #10 x 1	
100	2901303	1	Seal Kit (Includes Items 13-21)	

# SECTION 5 - CYLINDER

FIGURE 5-4. LEVEL (PLATFORM SLAVE) CYLINDER ASSEMBLY (600A) (SN 0300241338 through 0300272252)



ART\_1001228008



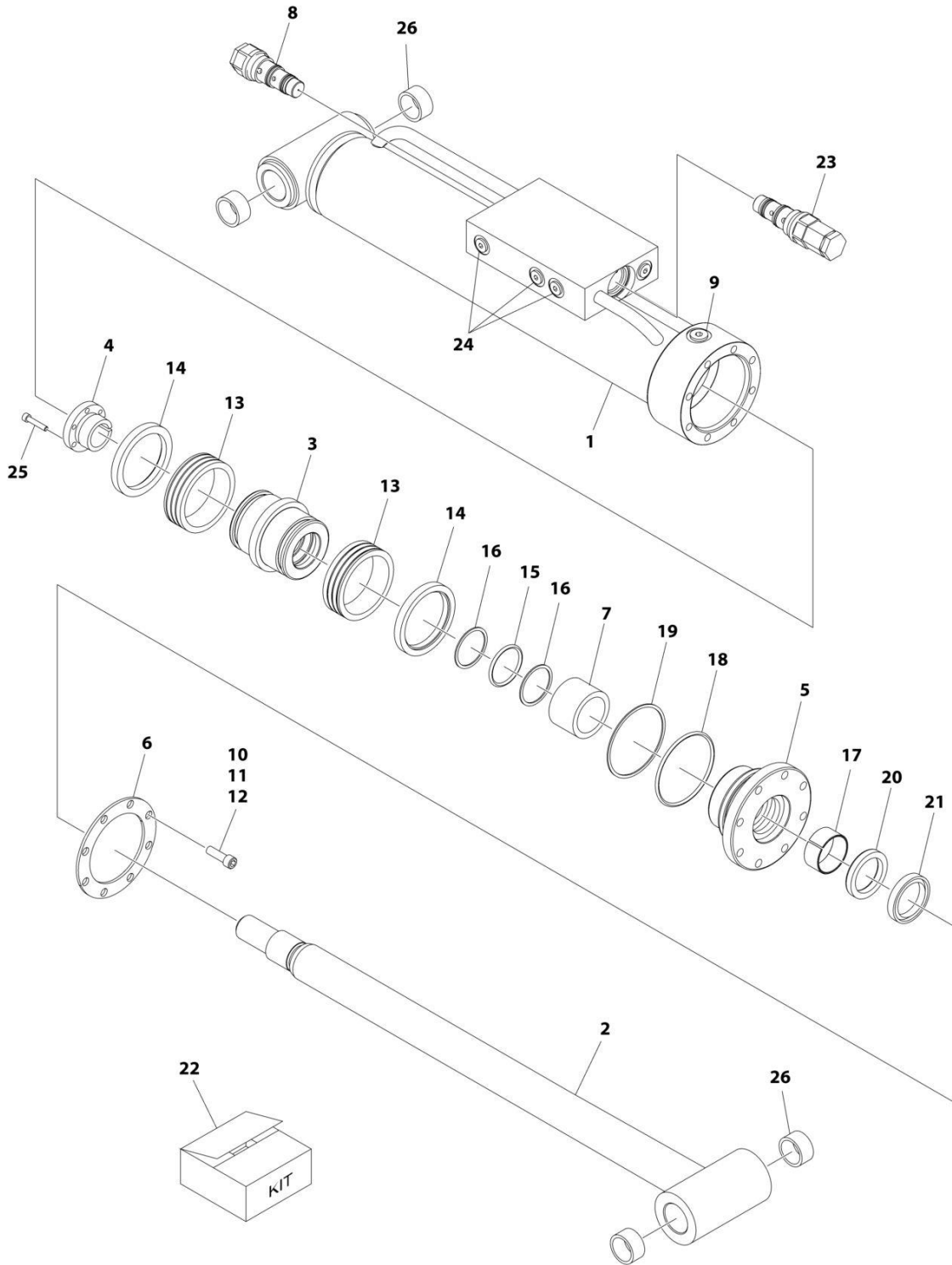
## SECTION 5 - CYLINDER

**FIGURE 5-4. LEVEL (PLATFORM SLAVE) CYLINDER ASSEMBLY (600A) (SN 0300241338 through 0300272252)**

ITEM	PART NUMBER	QTY	DESCRIPTION	REV
	1001228008	Ref	LEVEL CYLINDER ASSEMBLY - PLATFORM SLAVE	C
		Ref	Note: Original Cylinder may have been replaced with Service Replacement. Identify PN Stamped on Cylinder Before Ordering Parts.	
1	See Note	NSS	Barrel (Note: Use p/n 1001228008)	
2	70006648	1	Rod	
3	70006649	1	Head	
4	See Note	NSS	Wiper (Note: Use Item 100)	
5	See Note	NSS	Seal Rod (Note: Use Item 100)	
6	See Note	NSS	O-Ring (Note: Use Item 100)	
7	See Note	NSS	Ring, Back-up (Note: Use Item 100)	
8	See Note	NSS	Ring, Wear (Note: Use Item 100)	
9	70006650	1	Piston	
10	See Note	NSS	Seal (Note: Use Item 100)	
11	See Note	NSS	Ring, Lock (Note: Use Item 100)	
12	See Note	NSS	O-Ring (Note: Use Item 100)	
13	See Note	NSS	Ring, Back-up (Note: Use Item 100)	
14	70006651	1	Spacer	
15	0961893	1	Bushing, Tapered	
16	0630534	3	Bolt #10 x 1	
17	0961947	4	Bushing	
18	3931516	8	Capscrew, Socket Head	
19	2220885	AR	Plug, O-Ring	
20	2220883	10	Plug, O-Ring	
21	4640932	1	Cartridge, Valve	
21	7011112	1	Seal Kit - 4640932 Valve	
22	4640509	1	Cartridge, Valve	
22	2900792	1	Seal Kit - 4640509 Valve	
100	2901303	1	Seal Kit - 1001228008 Cylinder (Includes Items 4-8 & 10-13)	

# SECTION 5 - CYLINDER

FIGURE 5-5. LEVEL (PLATFORM SLAVE) CYLINDER ASSEMBLY - WITHOUT ARCTIC PACKAGE  
(600AJ) (SN 0300229829 through 0300241337)



ART\_1001223331

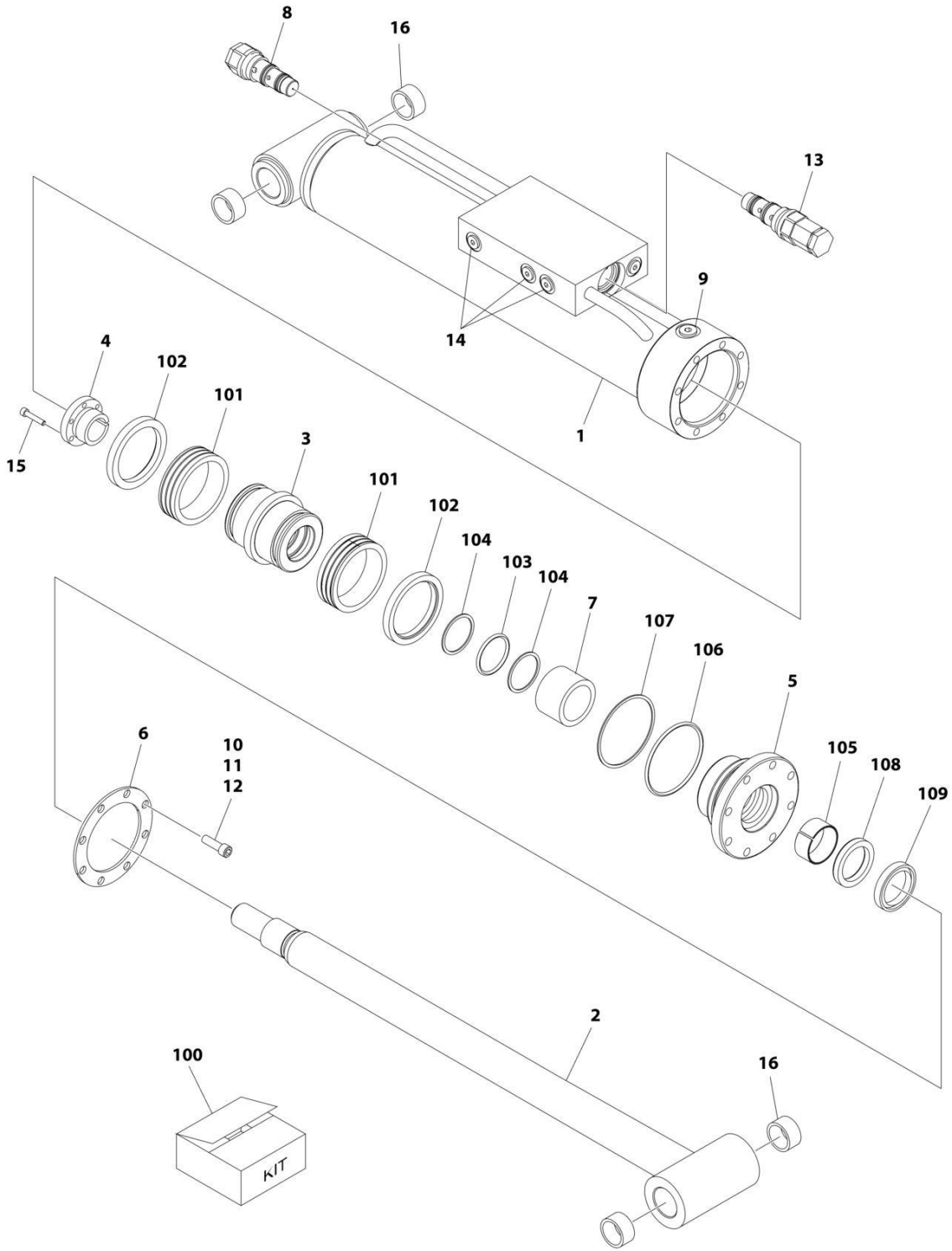
## SECTION 5 - CYLINDER

**FIGURE 5-5. LEVEL (PLATFORM SLAVE) CYLINDER ASSEMBLY - WITHOUT ARCTIC PACKAGE  
(600AJ) (SN 0300229829 through 0300241337)**

ITEM	PART NUMBER	QTY	DESCRIPTION	REV
	1001223331	Ref	LEVEL CYLINDER ASSEMBLY	B
		Ref	Note: Original Cylinder may have been replaced with Service Replacement. Identify PN Stamped on Cylinder Before Ordering Parts.	
1	1001223332	1	Barrel	
2	1683963	1	Rod	
3	3480188	1	Head	
4	0961894	1	Bushing, Tapered	
5	1683055	1	Head	
6	3760369	1	Ring, Washer	
7	4566468	1	Spacer	
8	4640509	1	Cartridge, Valve	
8	2900792	1	Seal Kit - 4640509 Valve	
9	2220885	1	Plug	
10	3931620	8	Capscrew 3/8 x 1-1/4	
11	0100011	AR	Compound, Locking	
12	0100038	AR	Primer, Locking	
13	See Note	NSS	Seal (Note: Use Item 22)	
14	See Note	NSS	Ring, Lock (Note: Use Item 22)	
15	See Note	NSS	O-Ring (Note: Use Item 22)	
16	See Note	NSS	Ring, Back-up (Note: Use Item 22)	
17	See Note	NSS	Ring, Wear (Note: Use Item 22)	
18	See Note	NSS	O-Ring (Note: Use Item 22)	
19	See Note	NSS	Ring, Back-up (Note: Use Item 22)	
20	See Note	NSS	Seal (Note: Use Item 22)	
21	See Note	NSS	Wiper (Note: Use Item 22)	
22	2901301	1	Seal Kit (Includes Items 13-21)	
23	4640932	1	Cartridge, Valve	
23	7011112	1	Seal Kit - 4640932 Valve	
24	2220883	8	Plug	
25	0630535	3	Bolt 1/4 x 1-1/8	
26	0961951	4	Bushing	

# SECTION 5 - CYLINDER

FIGURE 5-6. LEVEL (PLATFORM SLAVE) CYLINDER ASSEMBLY - WITH ARCTIC PACKAGE (600AJ)  
(SN 0300229829 through 0300241337)



ART\_1001223335

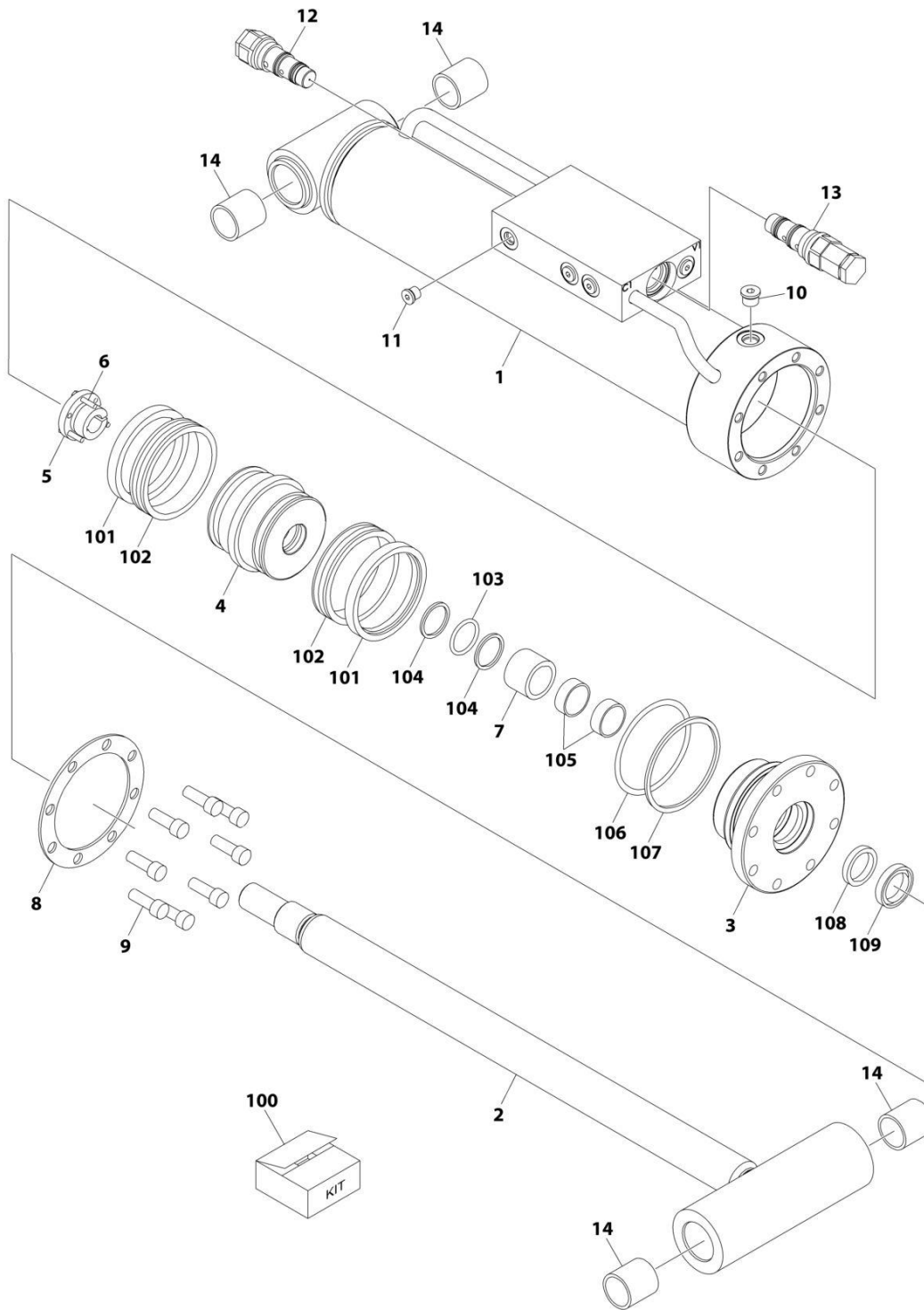
## SECTION 5 - CYLINDER

**FIGURE 5-6. LEVEL (PLATFORM SLAVE) CYLINDER ASSEMBLY - WITH ARCTIC PACKAGE (600AJ)  
(SN 0300229829 through 0300241337)**

ITEM	PART NUMBER	QTY	DESCRIPTION	REV
	1001223335	Ref	LEVEL CYLINDER ASSEMBLY	B
		Ref	Note: Original Cylinder may have been replaced with Service Replacement. Identify PN Stamped on Cylinder Before Ordering Parts.	
1	1001223332	1	Barrel	
2	1683963	1	Rod	
3	3480188	1	Head	
4	0961894	1	Bushing, Tapered	
5	1683055	1	Head	
6	3760369	1	Ring, Washer	
7	4566468	1	Spacer	
8	4640509	1	Cartridge, Valve	
8	2900792	1	Seal Kit - 4640509 Valve	
9	2220885	1	Plug	
10	3931620	8	Capscrew 3/8 x 1-1/4	
11	0100011	AR	Compound, Locking	
12	0100038	AR	Primer, Locking	
13	4640932	1	Cartridge, Valve	
13	7011112	1	Seal Kit - 4640932 Valve	
14	2220883	8	Plug	
15	0630535	3	Bolt 1/4 x 1-1/8	
16	0961951	4	Bushing	
100	1001138796	1	Seal Kit (Includes Items 101-109)	
101	See Note	NSS	Seal (Note: Use Item 100)	
102	See Note	NSS	Ring, Lock (Note: Use Item 100)	
103	See Note	NSS	O-Ring (Note: Use Item 100)	
104	See Note	NSS	Ring, Back-up (Note: Use Item 100)	
105	See Note	NSS	Ring, Wear (Note: Use Item 100)	
106	See Note	NSS	O-Ring (Note: Use Item 100)	
107	See Note	NSS	Ring, Back-up (Note: Use Item 100)	
108	See Note	NSS	Seal (Note: Use Item 100)	
109	See Note	NSS	Wiper (Note: Use Item 100)	

# SECTION 5 - CYLINDER

FIGURE 5-7. LEVEL (PLATFORM SLAVE) CYLINDER ASSEMBLY (600AJ) (SN 0300241338 through 0300272252)



ART\_1001228051

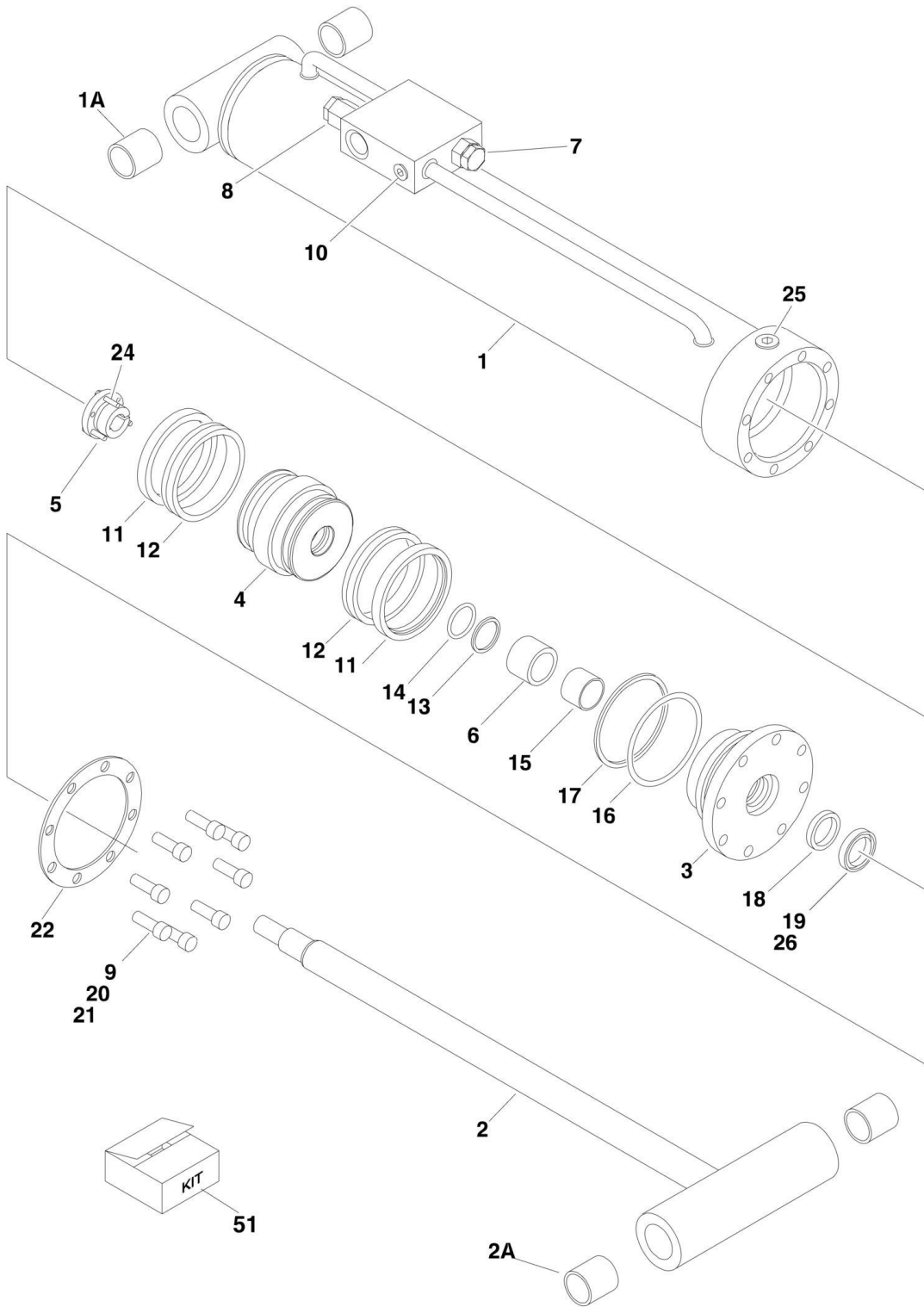
## SECTION 5 - CYLINDER

**FIGURE 5-7. LEVEL (PLATFORM SLAVE) CYLINDER ASSEMBLY (600AJ) (SN 0300241338 through 0300272252)**

ITEM	PART NUMBER	QTY	DESCRIPTION	REV
	1001228051	Ref	LEVEL CYLINDER ASSEMBLY	A
		Ref	Note: Original Cylinder May Have Been Replaced with Service Replacement. Identify PN Stamped on Cylinder Before Ordering Parts.	
1	See Note	NSS	Barrel (Note: Use p/n 1001228051)	
2	70006823	1	Rod	
3	70006446	1	Head	
4	70006445	1	Piston	
5	70006444	1	Bushing, Tapered	
6	0630535	3	Bolt 1/4 x 1-1/8	
7	70006443	1	Spacer	
8	70006822	1	Ring, Washer	
9	3931620	8	Capscrew 3/8 x 1-1/4	
10	2220885	1	Plug, O-Ring	
11	2220883	8	Plug, O-Ring	
12	4640509	1	Cartridge, Valve	
12	2900792	1	Seal Kit - 4640509 Valve	
13	4640932	1	Cartridge, Valve	
13	7011112	1	Seal Kit - 4640932 Valve	
14	0961951	4	Bushing	
100	1001138796	1	Seal Kit - 1001228051 Cylinder (Includes Items 101-109)	
101	See Note	NSS	Ring, Lock (Note: Use Item 100)	
102	See Note	NSS	Seal (Note: Use Item 100)	
103	See Note	NSS	O-Ring (Note: Use Item 100)	
104	See Note	NSS	Ring, Back-up (Note: Use Item 100)	
105	See Note	NSS	Ring, Wear (Note: Use Item 100)	
106	See Note	NSS	O-Ring (Note: Use Item 100)	
107	See Note	NSS	Ring, Back-up (Note: Use Item 100)	
108	See Note	NSS	Seal, Rod (Note: Use Item 100)	
109	See Note	NSS	Wiper (Note: Use Item 100)	

# SECTION 5 - CYLINDER

FIGURE 5-8. LEVEL (UPRIGHT) CYLINDER ASSEMBLY (SN 0300177361 through 0300237381)





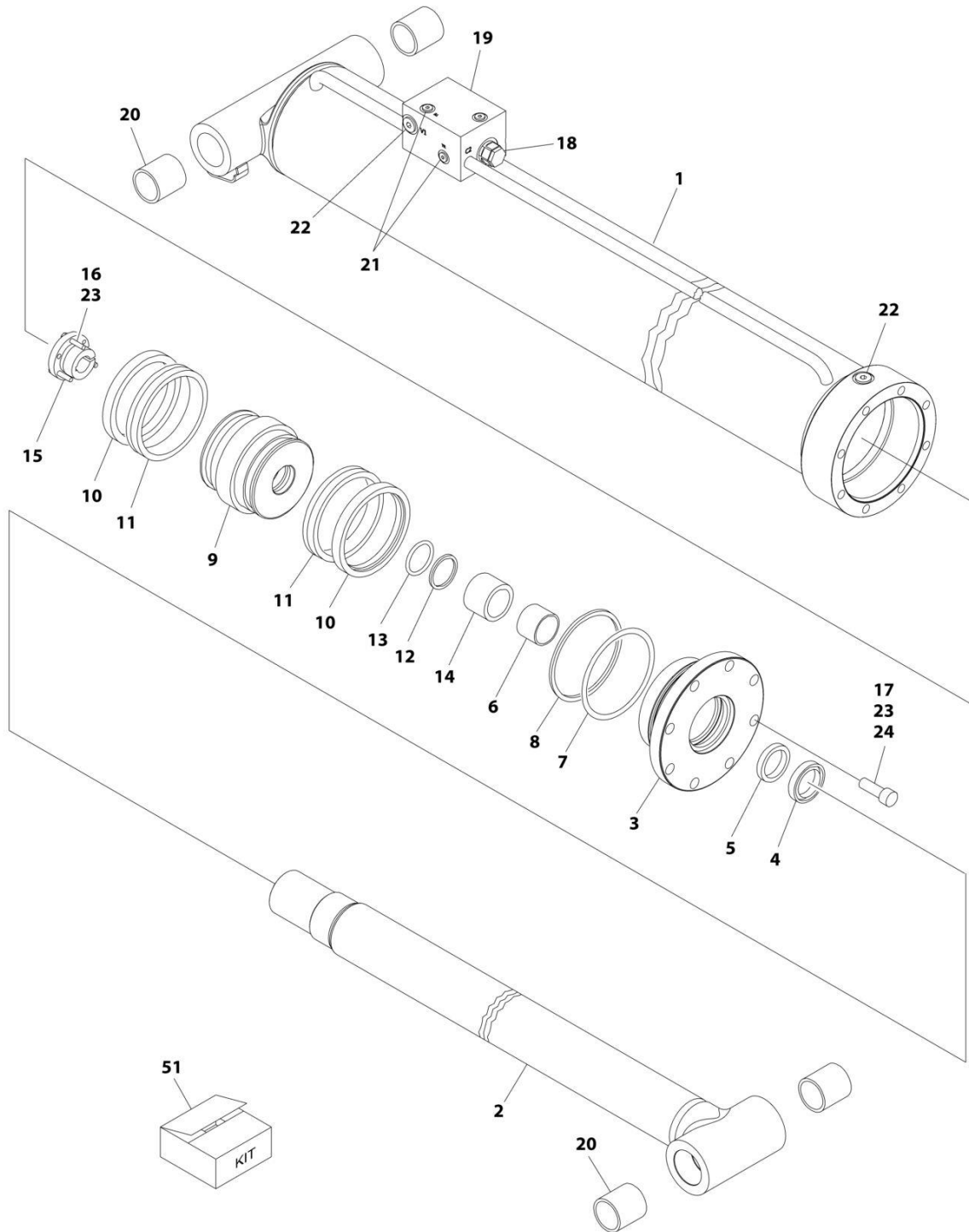
## SECTION 5 - CYLINDER

**FIGURE 5-8. LEVEL (UPRIGHT) CYLINDER ASSEMBLY (SN 0300177361 through 0300237381)**

ITEM	PART NUMBER	QTY	DESCRIPTION	REV
	1684498	Ref	<b>UPRIGHT LEVEL CYLINDER ASSEMBLY</b>	E
		Ref		
			Note: Original Cylinder may have been replaced with Service Replacement. Identify PN Stamped on Cylinder Before Ordering Parts.	
1	0370035	1	Barrel Weldment	
1A	0961949	2	Bushing	
2	1684015	1	Rod Weldment	
2A	0961949	2	Bushing	
3	1683067	1	Head	
4	3480206	1	Piston	
5	0961898	1	Bushing, Tapered (Use Item#24 in place of supplied bolts)	
6	4566501	1	Spacer, Tube	
7	4640509	1	Cartridge, Valve	
7	2900792	1	Seal Kit - 4640509 Valve	
8	4640605	1	Cartridge, Valve	
8	2900792	1	Seal Kit - 4640605 Valve	
9	3932032	8	Bolt, Socket Head 5/16in-11NC x 2in	
10	2220883	2	Plug, O-Ring	
11	See Note	NSS	Ring, Lock (Note: Use Item 51)	
12	See Note	NSS	Seal, Hydrolock (Note: Use Item 51)	
13	See Note	NSS	O-Ring (Note: Use Item 51)	
14	See Note	NSS	Ring, Back-up (Note: Use Item 51)	
15	See Note	NSS	Ring, Wear (Note: Use Item 51)	
16	See Note	NSS	O-Ring (Note: Use Item 51)	
17	See Note	NSS	Ring, Back-up (Note: Use Item 51)	
18	See Note	NSS	Seal, Rod (Note: Use Item 51)	
19	See Note	NSS	Wiper (Note: Use Item 51)	
20	0100011	AR	Compound, Locking	
21	0100038	AR	Primer, Locking	
22	3760372	1	Washer, Ring	
24	0630536	3	Bolt 3/8in-16NC x 1-1/2in	
25	2220886	1	Plug, O-Ring	
26	0100063	AR	Adhesive	
51	2901285	1	Seal Kit (Includes Items 11-19)	

# SECTION 5 - CYLINDER

FIGURE 5-9. LEVEL (UPRIGHT) CYLINDER ASSEMBLY (SN 0300237382 through 0300272252)



ART\_1001228042

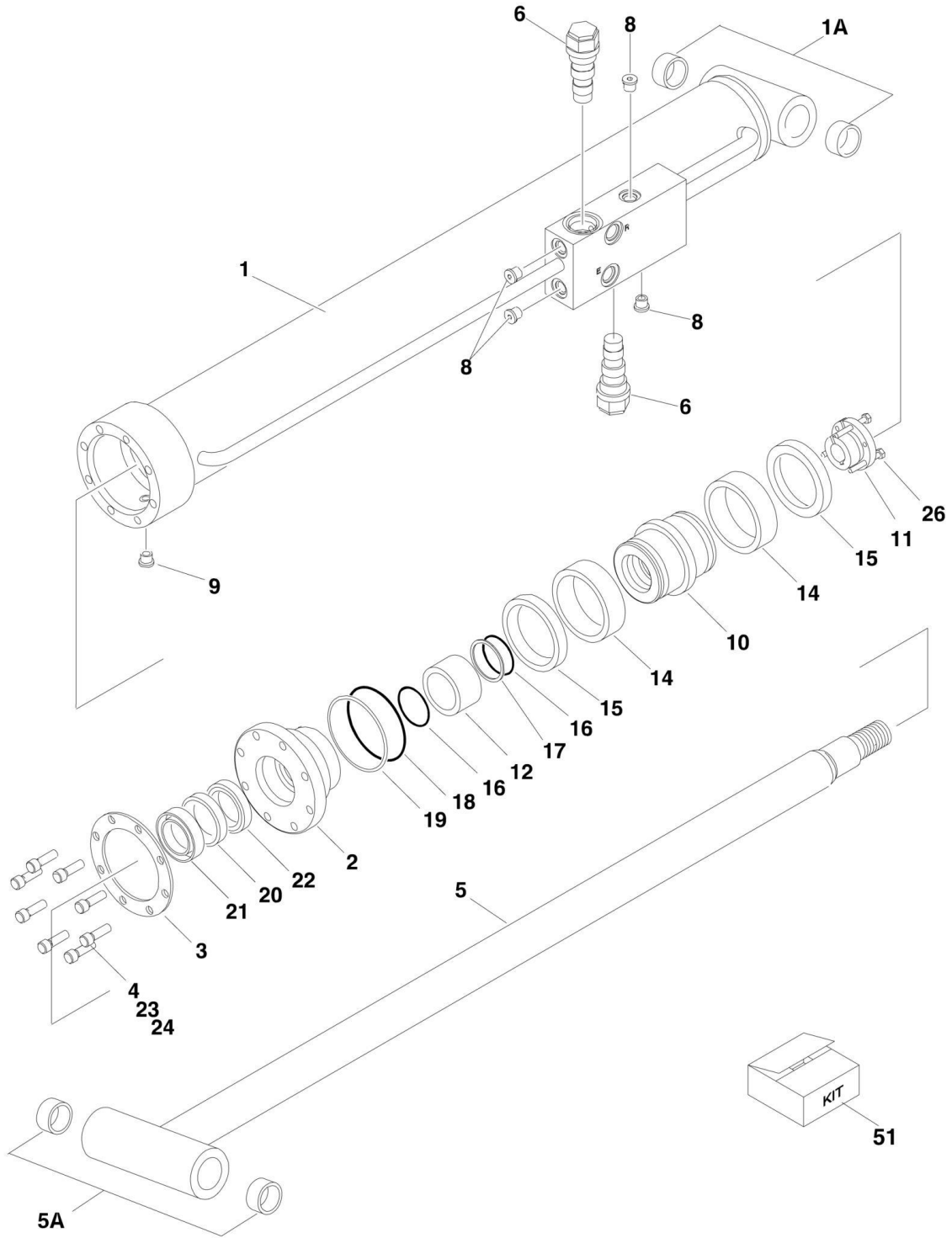
## SECTION 5 - CYLINDER

**FIGURE 5-9. LEVEL (UPRIGHT) CYLINDER ASSEMBLY (SN 0300237382 through 0300272252)**

ITEM	PART NUMBER	QTY	DESCRIPTION	REV
	1001228042	Ref	UPRIGHT LEVEL CYLINDER ASSEMBLY	D
		Ref	Note: Original Cylinder may have been replaced with Service Replacement. Identify PN Stamped on Cylinder Before Ordering Parts.	
1	See Note	NSS	Barrel Weldment (Note: Not Available for Purchase)	
2	70006489	1	Rod Weldment	
3	70006488	1	Head	
4	See Note	NSS	Wiper (Note: Use Item 51)	
5	See Note	NSS	Seal, Rod (Note: Use Item 51)	
6	See Note	NSS	Ring, Wear (Note: Use Item 51)	
7	See Note	NSS	O-Ring (Note: Use Item 51)	
8	See Note	NSS	Ring, Back-up (Note: Use Item 51)	
9	70006487	1	Piston	
10	See Note	NSS	Ring, Lock (Note: Use Item 51)	
11	See Note	NSS	Seal, Hydrolock (Note: Use Item 51)	
12	See Note	NSS	O-Ring (Note: Use Item 51)	
13	See Note	NSS	Ring, Back-up (Note: Use Item 51)	
14	70006486	1	Spacer, Tube	
15	0961898	1	Bushing, Tapered (Use Item #16 in place of supplied bolts)	
16	0630536	3	Bolt 3/8 x 1-1/2	
17	3932032	8	Bolt, Socket Head 5/16 x 2	
18	4640509	1	Cartridge, Valve	
18	2900792	1	Seal Kit - 4640509 Valve	
19	4640605	1	Cartridge, Valve	
19	2900792	1	Seal Kit - 4640605 Valve	
20	0961949	4	Bushing	
21	2220883	5	Plug, O-Ring	
22	2220886	AR	Plug, O-Ring	
23	0100011	AR	Compound, Locking	
24	0100038	AR	Primer, Locking	
51	2901285	1	Seal Kit (Includes Items 4-8 & 10-13)	

# SECTION 5 - CYLINDER

FIGURE 5-10. LIFT CYLINDER ASSEMBLY - JIB (600AJ) (SN 0300177361 through 0300241337)



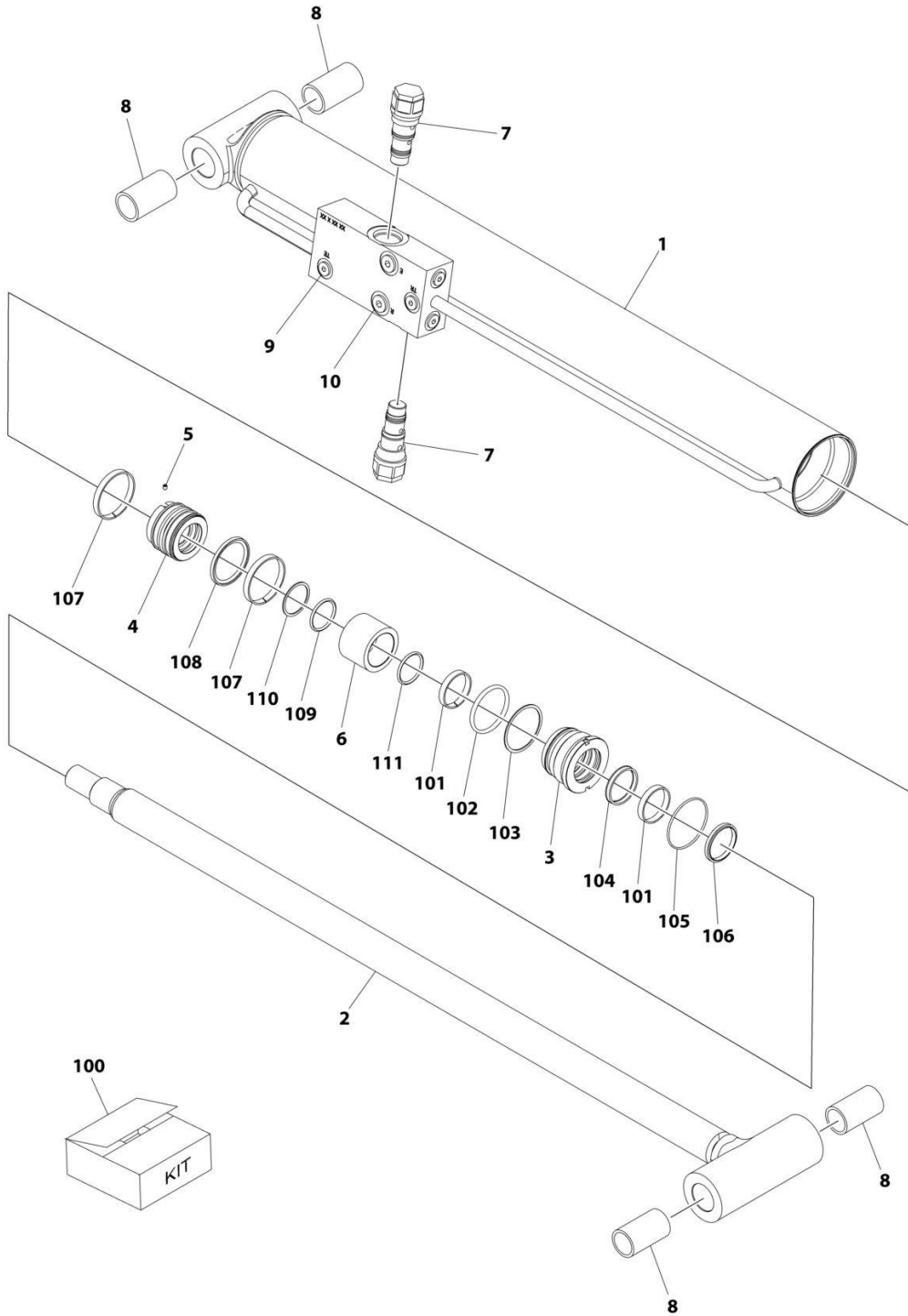
## SECTION 5 - CYLINDER

**FIGURE 5-10. LIFT CYLINDER ASSEMBLY - JIB (600AJ) (SN 0300177361 through 0300241337)**

ITEM	PART NUMBER	QTY	DESCRIPTION	REV
		Ref	<b>JIB LIFT CYLINDER ASSEMBLY</b>	
		Ref	Note: Original Cylinder may have been replaced with Service Replacement. Identify PN Stamped on Cylinder Before Ordering Parts.	
	1683609	Ref	Jib Lift Cylinder Assembly - without Arctic Package (600AJ)	I
	1001138792	Ref	Jib Lift Cylinder Assembly - (with Arctic Package) (600AJ)	A
1	1684089	1	Barrel	
1A	0962336	2	Bushing	
2	1683053	1	Head	
3	3760368	1	Ring, Washer	
4	3931516	8	Capscrew, Socket Head 5/16in-18NC x 1in	
5	1684090	1	Rod	
5A	0962336	2	Bushing	
6	4640509	2	Cartridge, Valve	
6	2900792	2	Seal Kit - 4640509 Valve	
8	2220883	2	Plug, O-Ring #4	
9	2220885	1	Plug, O-Ring #6	
10	3480210	1	Piston	
11	0961893	1	Bushing, Tapered	
12	4100100	1	Spacer, Tube	
14	See Note	NSS	Seal (Note: Use Item 51)	
15	See Note	NSS	Ring, Lock (Note: Use Item 51)	
16	See Note	NSS	O-Ring (Note: Use Item 51)	
17	See Note	NSS	Ring, Back-up (Note: Use Item 51)	
18	See Note	NSS	O-Ring (Note: Use Item 51)	
19	See Note	NSS	Ring, Back-up (Note: Use Item 51)	
20	See Note	NSS	Seal, Rod (Note: Use Item 51)	
21	See Note	NSS	Wiper (Note: Use Item 51)	
22	See Note	NSS	Ring, Wear (Note: Use Item 51)	
23	0100011	AR	Compound, Locking	
24	0100038	AR	Primer, Locking	
26	0630534	3	Bolt #10 - 24NC x 1in	
51		Ref	Seal Kit Options (Includes Items 14-22)	
51	2901303	1	Seal Kit without Arctic Package	
51	1001138795	1	Seal Kit with Arctic Package	

# SECTION 5 - CYLINDER

FIGURE 5-11. LIFT CYLINDER ASSEMBLY - JIB (600AJ) (SN 0300241338 through 0300244755)



ART\_1001228012

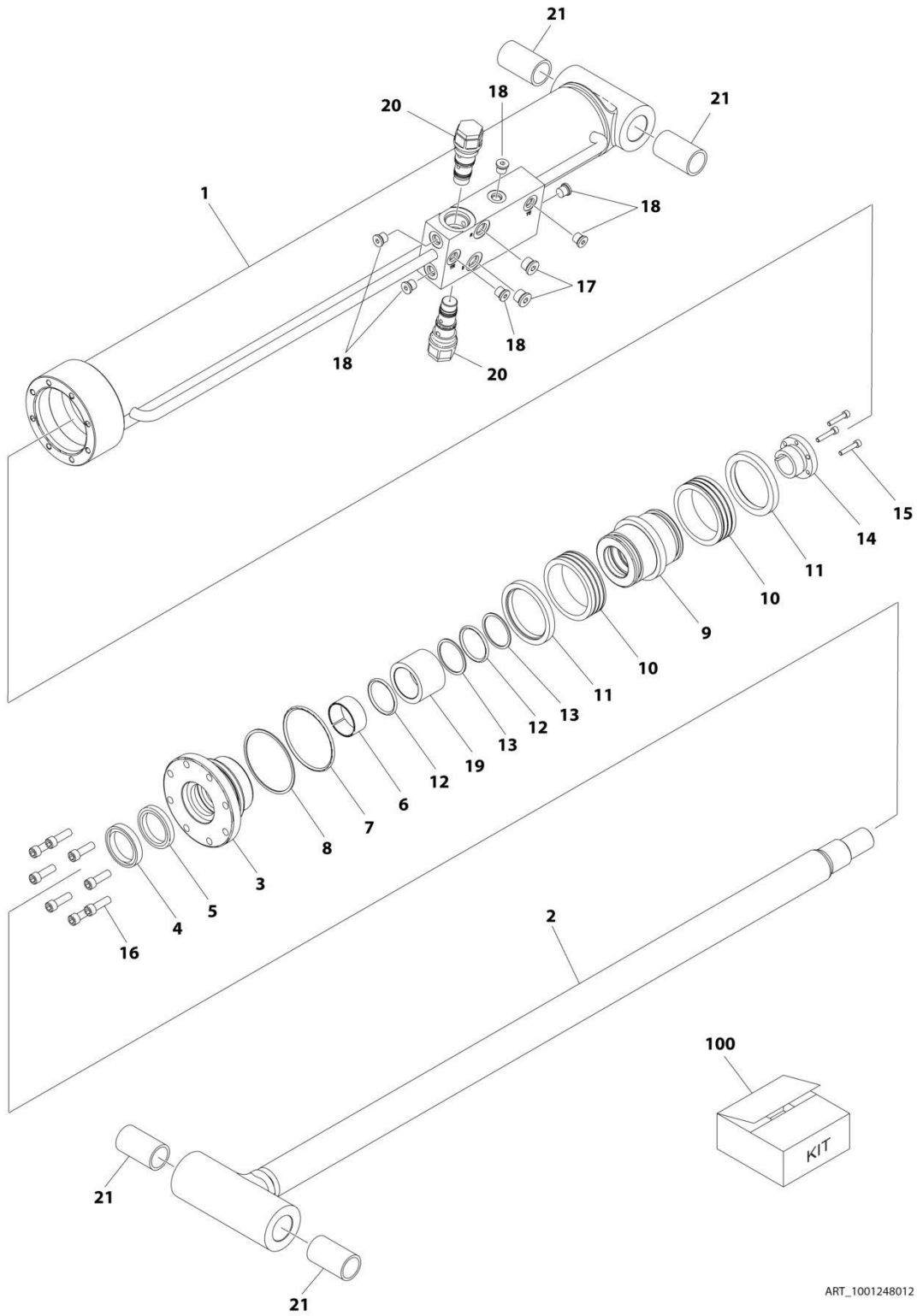
## SECTION 5 - CYLINDER

**FIGURE 5-11. LIFT CYLINDER ASSEMBLY - JIB (600AJ) (SN 0300241338 through 0300244755)**

ITEM	PART NUMBER	QTY	DESCRIPTION	REV
	1001228012	Ref	LIFT CYLINDER ASSEMBLY - JIB	C
		Ref	Note: Original Cylinder May Have Been Replaced with Service Replacement. Identify PN Stamped on Cylinder Before Ordering Parts.	
1	See Note	NSS	Barrel (Note: Not Available for Purchase)	
2	70006572	1	Rod	
3	70006571	1	Head	
4	70006570	1	Piston	
5	70023915	1	Screw	
6	70006569	1	Spacer	
7	4640509	2	Cartridge, Valve	
7	2900792	2	Seal Kit - 4640509 Valve	
8	0962336	4	Bushing	
9	2220883	6	Plug, O-Ring	
10	2220885	2	Plug, O-Ring	
100	70006568	1	Seal Kit (Includes Items 101-111)	
101	See Note	NSS	Ring, Wear (Note: Use Item 100)	
102	See Note	NSS	O-Ring (Note: Use Item 100)	
103	See Note	NSS	Ring, Back-up (Note: Use Item 100)	
104	See Note	NSS	Seal, Rod (Note: Use Item 100)	
105	See Note	NSS	O-Ring (Note: Use Item 100)	
106	See Note	NSS	Wiper (Note: Use Item 100)	
107	See Note	NSS	Ring, Wear (Note: Use Item 100)	
108	See Note	NSS	Seal (Note: Use Item 100)	
109	See Note	NSS	O-Ring (Note: Use Item 100)	
110	See Note	NSS	Ring, Back-up (Note: Use Item 100)	
111	See Note	NSS	O-Ring (Note: Use Item 100)	

# SECTION 5 - CYLINDER

FIGURE 5-12. LIFT CYLINDER ASSEMBLY - JIB (600AJ) (SN 0300244756 through 0300272252)



ART\_1001248012



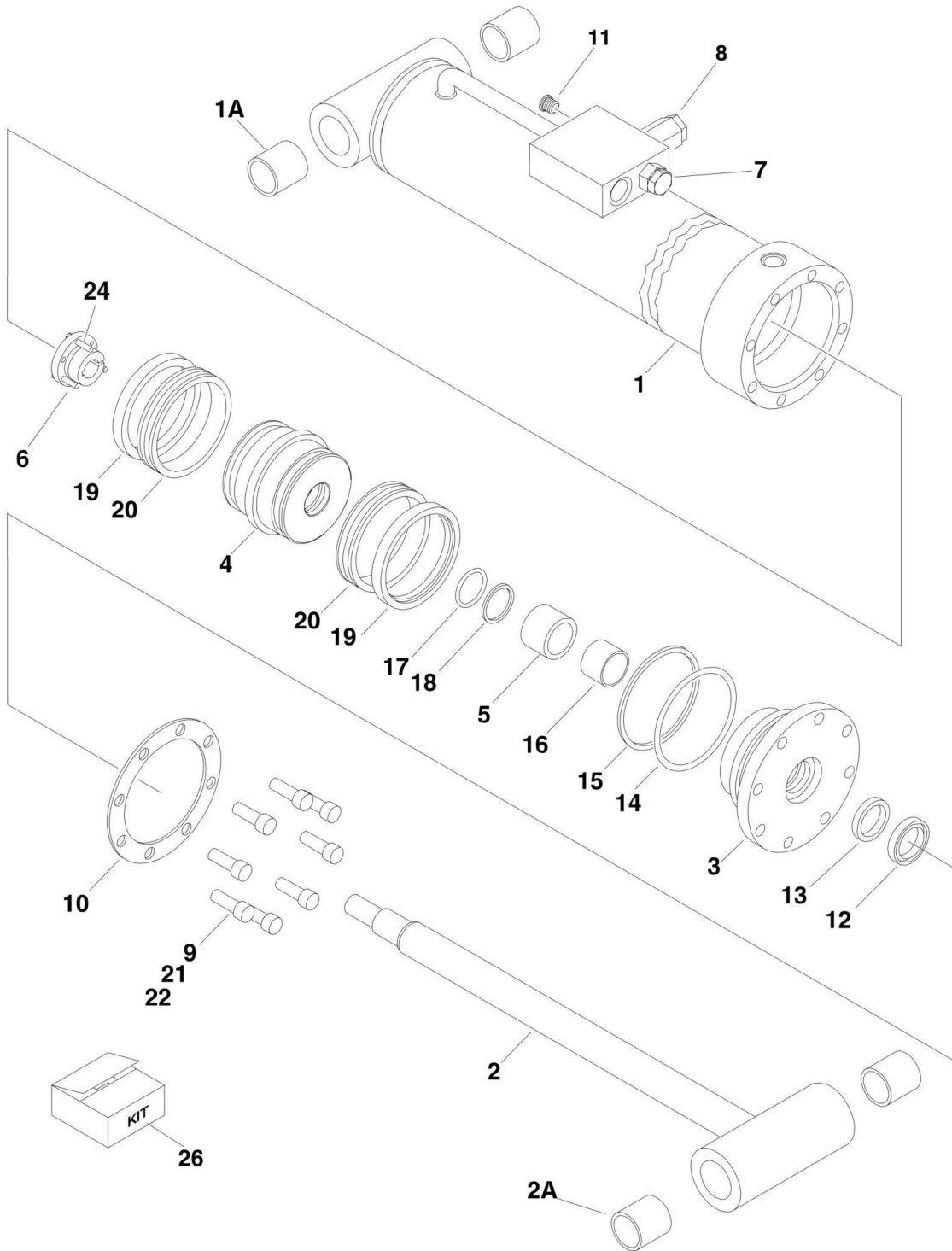
## SECTION 5 - CYLINDER

**FIGURE 5-12. LIFT CYLINDER ASSEMBLY - JIB (600AJ) (SN 0300244756 through 0300272252)**

ITEM	PART NUMBER	QTY	DESCRIPTION	REV
	1001248012	Ref	LIFT CYLINDER ASSEMBLY - JIB	C
		Ref	Note: Original Cylinder May Have Been Replaced with Service Replacement. Identify PN Stamped on Cylinder Before Ordering Parts.	
1	See Note	NSS	Barrel (Note: Not Available for Purchase)	
2	70006734	1	Rod	
3	70006649	1	Head	
4	See Note	NSS	Wiper (Note: Use Item 100)	
5	See Note	NSS	Seal, Rod (Note: Use Item 100)	
6	See Note	NSS	Ring, Wear (Note: Use Item 100)	
7	See Note	NSS	O-Ring (Note: Use Item 100)	
8	See Note	NSS	Ring, Back-up (Note: Use Item 100)	
9	70006650	1	Piston	
10	See Note	NSS	Seal (Note: Use Item 100)	
11	See Note	NSS	Ring, Lock (Note: Use Item 100)	
12	See Note	NSS	O-Ring (Note: Use Item 100)	
13	See Note	NSS	Ring, Back-up (Note: Use Item 100)	
14	0961893	1	Bushing, Tapered	
15	0630534	3	Capscrew, Socket Head #10 x 1	
16	70006735	8	Capscrew 5/16	
17	2220885	2	Plug, O-Ring	
18	2220883	6	Plug, O-Ring	
19	70006736	1	Spacer	
20	4640509	2	Cartridge, Valve	
20	2900792	2	Seal Kit - 4640509 Valve	
21	0962336	4	Bushing	
100	1001138795	1	Seal Kit (Includes Items 4-8 & 10-13)	

# SECTION 5 - CYLINDER

FIGURE 5-13. LIFT CYLINDER ASSEMBLY - MAIN BOOM (SN 0300177361 through 0300237381)



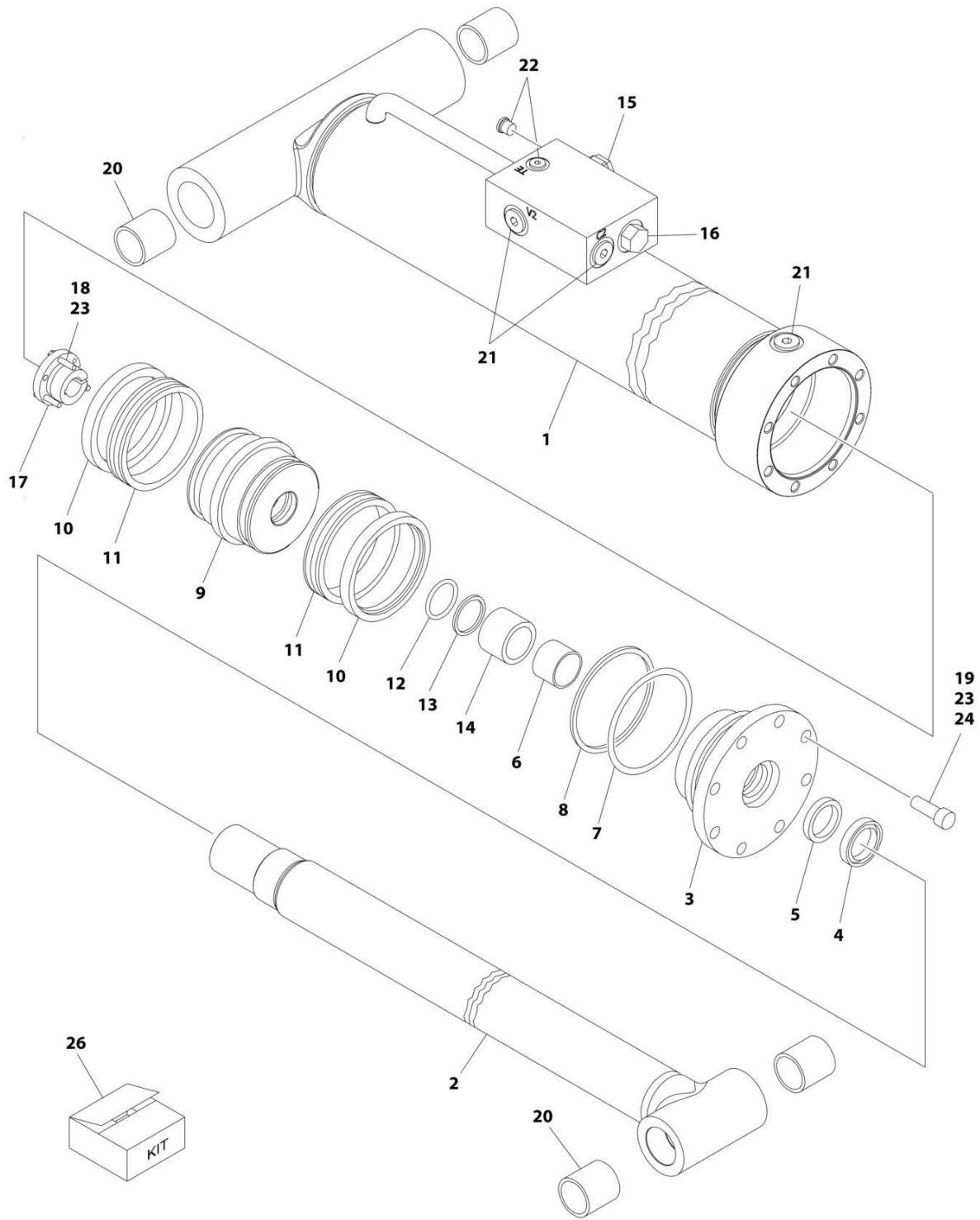
## SECTION 5 - CYLINDER

**FIGURE 5-13. LIFT CYLINDER ASSEMBLY - MAIN BOOM (SN 0300177361 through 0300237381)**

ITEM	PART NUMBER	QTY	DESCRIPTION	REV
	1683294	Ref	<b>LIFT CYLINDER ASSEMBLY - MAIN BOOM</b> Note: Original Cylinder may have been replaced with Service Replacement. Identify PN Stamped on Cylinder Before Ordering Parts.	J
		Ref		
1	1684001	1	Barrel	
1A	0961948	2	Bushing	
2	1684005	1	Rod	
2A	0961948	2	Bushing	
3	1683061	1	Head	
4	3480211	1	Piston	
5	4566408	1	Spacer	
6	0961897	1	Bushing, Tapered	
7	4640438	1	Cartridge, Valve	
7	2900770	1	Seal Kit - 4640438 Valve	
8	4640509	1	Cartridge, Valve	
8	2900792	1	Seal Kit - 4640509 Valve	
9	3931720	8	Capscrew, Socket Head 7/16in-14NC x 1-1/4in	
10	3760370	1	Ring, Washer	
11	2220883	1	Plug, O-Ring #6	
12	See Note	NSS	Wiper (Note: Use Item 26)	
13	See Note	NSS	Seal, Rod (Note: Use Item 26)	
14	See Note	NSS	O-Ring (Note: Use Item 26)	
15	See Note	NSS	Ring, Back-up (Note: Use Item 26)	
16	See Note	NSS	Ring, Wear (Note: Use Item 26)	
17	See Note	NSS	O-Ring (Note: Use Item 26)	
18	See Note	NSS	Ring, Back-up (Note: Use Item 26)	
19	See Note	NSS	Ring, Lock (Note: Use Item 26)	
20	See Note	NSS	Seal (Note: Use Item 26)	
21	0100011	AR	Compound, Locking	
22	0100038	AR	Primer, Locking	
24	0630535	3	Bolt 1/4in-20NC x 1-1/8in	
26	2901273	1	Seal Kit (Includes Items 12-20)	

# SECTION 5 - CYLINDER

FIGURE 5-14. LIFT CYLINDER ASSEMBLY - MAIN BOOM (SN 0300237382 through 0300272252)



ART\_1001228004

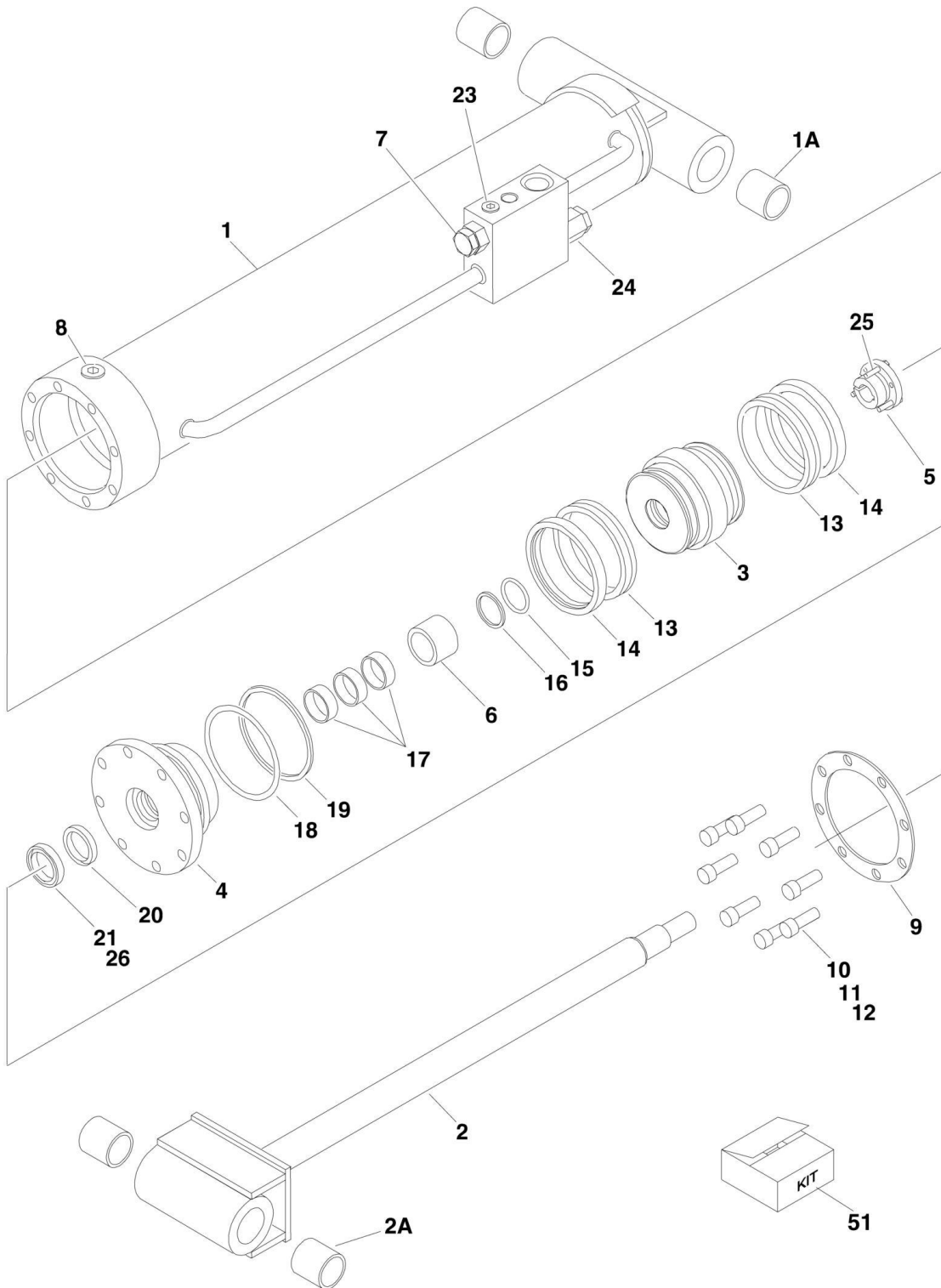
## SECTION 5 - CYLINDER

**FIGURE 5-14. LIFT CYLINDER ASSEMBLY - MAIN BOOM (SN 0300237382 through 0300272252)**

ITEM	PART NUMBER	QTY	DESCRIPTION	REV
	1001228004	Ref	LIFT CYLINDER ASSEMBLY - MAIN BOOM	A
		Ref	Note: Original Cylinder may have been replaced with Service Replacement. Identify PN Stamped on Cylinder Before Ordering Parts.	
1	See Note	NSS	Barrel (Note: Not Available for Purchase)	
2	70006481	1	Rod	
3	70006480	1	Head	
4	See Note	NSS	Wiper (Note: Use Item 26)	
5	See Note	NSS	Seal, Rod (Note: Use Item 26)	
6	See Note	NSS	Ring, Wear (Note: Use Item 26)	
7	See Note	NSS	O-Ring (Note: Use Item 26)	
8	See Note	NSS	Ring, Back-up (Note: Use Item 26)	
9	70006479	1	Piston	
10	See Note	NSS	Ring, Lock (Note: Use Item 26)	
11	See Note	NSS	Seal (Note: Use Item 26)	
12	See Note	NSS	O-Ring (Note: Use Item 26)	
13	See Note	NSS	Ring, Back-up (Note: Use Item 26)	
14	70006478	1	Spacer	
15	4640509	1	Cartridge, Valve	
15	2900792	1	Seal Kit - 4640509 Valve	
16	4640438	1	Cartridge, Valve	
16	2900770	1	Seal Kit - 4640438 Valve	
17	0961897	1	Bushing, Tapered	
18	0630535	3	Bolt 1/4 x 1-1/8	
19	3931720	8	Capscrew, Socket Head 7/16 x 1-1/4	
20	0961948	2	Bushing	
21	2220886	4	Plug, O-Ring	
22	2220883	3	Plug, O-Ring	
23	0100011	AR	Compound, Locking	
24	0100038	AR	Primer, Locking	
26	2901273	1	Seal Kit (Includes Items 4-8 & 10-13)	

# SECTION 5 - CYLINDER

FIGURE 5-15. LIFT CYLINDER ASSEMBLY - TOWER BOOM (SN 0300177361 through 0300239707)



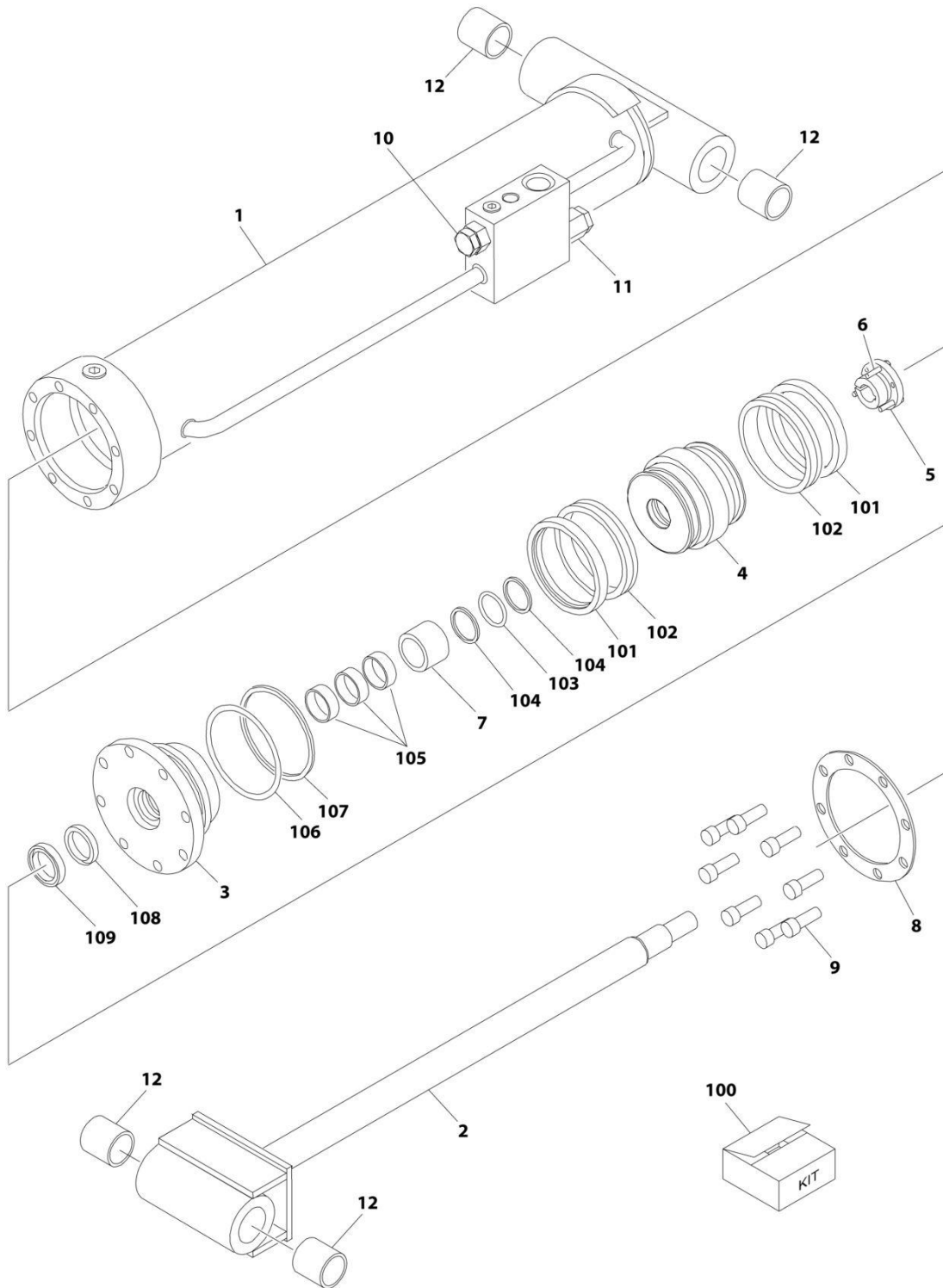
## SECTION 5 - CYLINDER

**FIGURE 5-15. LIFT CYLINDER ASSEMBLY - TOWER BOOM (SN 0300177361 through 0300239707)**

ITEM	PART NUMBER	QTY	DESCRIPTION	REV
	1683288	Ref	<b>LIFT CYLINDER ASSEMBLY - TOWER BOOM</b>	M
		Ref		
1	1684017	1	Barrel	
1A	0961949	2	Bushing	
2	1684019	1	Rod	
2A	0961949	2	Bushing	
3	3480216	1	Piston	
4	1683069	1	Head	
5	0961899	1	Bushing, Tapered	
6	4566667	1	Spacer	
7	4640605	1	Cartridge, Valve	
7	2900792	1	Seal Kit - 4640605 Valve	
8	2220888	1	Plug	
9	3760384	1	Ring, Washer	
10	3932240	8	Capscrew 3/4 x 2-1/2	
11	0100011	AR	Compound, Locking	
12	0100038	AR	Primer, Locking	
13	See Note	NSS	Seal (Note: Use Item 51)	
14	See Note	NSS	Ring, Lock (Note: Use Item 51)	
15	See Note	NSS	O-Ring (Note: Use Item 51)	
16	See Note	NSS	Ring, Back-Up (Note: Use Item 51)	
17	See Note	NSS	Ring, Wear (Note: Use Item 51)	
18	See Note	NSS	O-Ring (Note: Use Item 51)	
19	See Note	NSS	Ring, Back-Up (Note: Use Item 51)	
20	See Note	NSS	Seal, Rod (Note: Use Item 51)	
21	See Note	NSS	Wiper (Note: Use Item 51)	
23	2220883	2	Plug	
24	4640509	1	Cartridge, Valve	
24	2900792	1	Seal Kit - 4640509 Valve	
25	0630536	3	Bolt 3/8 x 1-1/2	
26	0100063	AR	Adhesive	
51	2901322	1	Seal Kit (Includes Items 13-21)	

# SECTION 5 - CYLINDER

FIGURE 5-16. LIFT CYLINDER ASSEMBLY - TOWER BOOM (SN 03000239708 through 0300272252)



ART\_1001228003



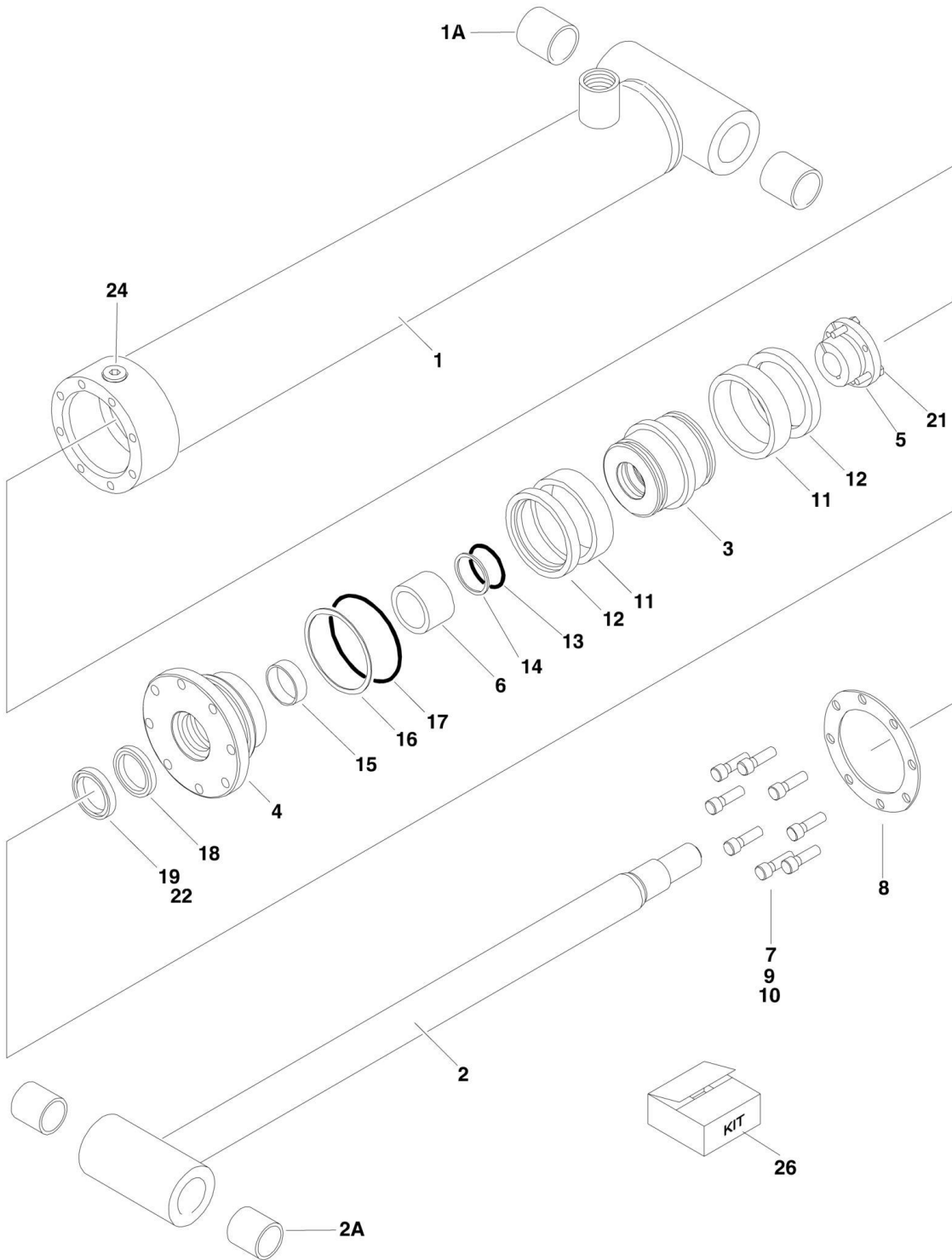
## SECTION 5 - CYLINDER

**FIGURE 5-16. LIFT CYLINDER ASSEMBLY - TOWER BOOM (SN 03000239708 through 0300272252)**

ITEM	PART NUMBER	QTY	DESCRIPTION	REV
	1001228003	Ref	LIFT CYLINDER ASSEMBLY	D
		Ref	Note: Original Cylinder may have been replaced with Service Replacement. Identify PN Stamped on Cylinder Before Ordering Parts.	
1	See Note	NSS	Barrel (Note: Not Available For Purchase)	
2	70006374	1	Rod	
3	70006373	1	Head	
4	70006372	1	Piston	
5	70006371	1	Bushing, Tapered	
6	0630536	3	Bolt 3/8 x 1-1/2	
7	70006370	1	Spacer	
8	70006369	1	Ring, Washer	
9	3932240	8	Capscrew 3/4 x 2-1/2	
10	4640605	1	Cartridge, Valve	
10	2900792	1	Seal Kit - 4640605 Valve	
11	4640509	1	Cartridge, Valve	
11	2900792	1	Seal Kit - 4640509 Valve	
12	0961949	4	Bushing	
100	2901322	1	Seal Kit (Includes Items 101-109)	
101	See Note	NSS	Ring, Lock (Note: Use Item 100)	
102	See Note	NSS	Seal (Note: Use Item 100)	
103	See Note	NSS	O-Ring (Note: Use Item 100)	
104	See Note	NSS	Ring, Back-up (Note: Use Item 100)	
105	See Note	NSS	Ring, Wear (Note: Use Item 100)	
106	See Note	NSS	O-Ring (Note: Use Item 100)	
107	See Note	NSS	Ring, Back-up (Note: Use Item 100)	
108	See Note	NSS	Seal, Rod (Note: Use Item 100)	
109	See Note	NSS	Wiper (Note: Use Item 100)	

# SECTION 5 - CYLINDER

FIGURE 5-17. MASTER CYLINDER ASSEMBLY (SN 0300177361 through 0300241337)



## SECTION 5 - CYLINDER

**FIGURE 5-17. MASTER CYLINDER ASSEMBLY (SN 0300177361 through 0300241337)**

ITEM	PART NUMBER	QTY	DESCRIPTION	REV
		Ref	<b>MASTER CYLINDER ASSEMBLY</b>	
		Ref	Note: Original Cylinder may have been replaced with Service Replacement. Identify PN Stamped on Cylinder Before Ordering Parts.	
	1683266	Ref	Master Cylinder Assembly (600A)	I
	1683263	Ref	Master Cylinder Assembly - without Arctic Package (600AJ)	L
	1001138799	Ref	Master Cylinder Assembly - with Arctic Package (600AJ)	B
1		Ref	Barrel Options:	
1	1683972	1	Barrel (Note: Includes Item 1A) (600A)	
1	1683949	1	Barrel (Note: Item 1A not included - Purchase Separately) (600AJ)	
1A		Ref	Bushing Options:	
1A	0961947	2	Bushing (600A)	
1A	0961951	2	Bushing (600AJ)	
2		Ref	Rod Options:	
2	1683973	1	Rod (Note: Includes Item 2A) (600A)	
2	1683962	1	Rod (Note: Item 2A not included - Purchase Separately) (600AJ)	
2A		Ref	Bushing Options:	
2A	0961947	2	Bushing (600A)	
2A	0961951	2	Bushing (600AJ)	
3		Ref	Piston Options:	
3	3480210	1	Piston (600A)	
3	3480188	1	Piston (600AJ)	
4		Ref	Head Options:	
4	1683053	1	Head (600A)	
4	1683055	1	Head (600AJ)	
5		Ref	Bushing, Tapered Options (Use Item 21 in place of supplied bolts)	
5	0961893	1	Bushing, Tapered (600A)	
5	0961894	1	Bushing, Tapered (600AJ)	
6	4566468	1	Spacer	
7		Ref	Capscrew, Socket Head Options:	
7	3931516	8	Capscrew, Socket Head 5/16in-18NC x 1in (600A)	
7	3931620	8	Capscrew, Socket Head 3/8in-16NC x 1-1/4in (600AJ)	
8		Ref	Ring, Washer Options:	
8	3760368	1	Ring, Washer (600A)	
8	3760369	1	Ring, Washer (600AJ)	
9	0100011	AR	Compound, Locking	
10	0100038	AR	Primer, Locking	
11	See Note	NSS	Seal (Note: Use Item 26)	
12	See Note	NSS	Ring, Lock (Note: Use Item 26)	
13	See Note	NSS	O-Ring (Note: Use Item 26)	
14	See Note	NSS	Ring, Back-up (Note: Use Item 26)	
15	See Note	NSS	Ring, Wear (Note: Use Item 26)	
16	See Note	NSS	O-Ring (Note: Use Item 26)	
17	See Note	NSS	Ring, Back-up (Note: Use Item 26)	
18	See Note	NSS	Seal, Rod (Note: Use Item 26)	
19	See Note	NSS	Wiper (Note: Use Item 26)	
21		Ref	Bolt Options:	
21	0630534	3	Bolt #10 - 24NC x 1in (600A)	

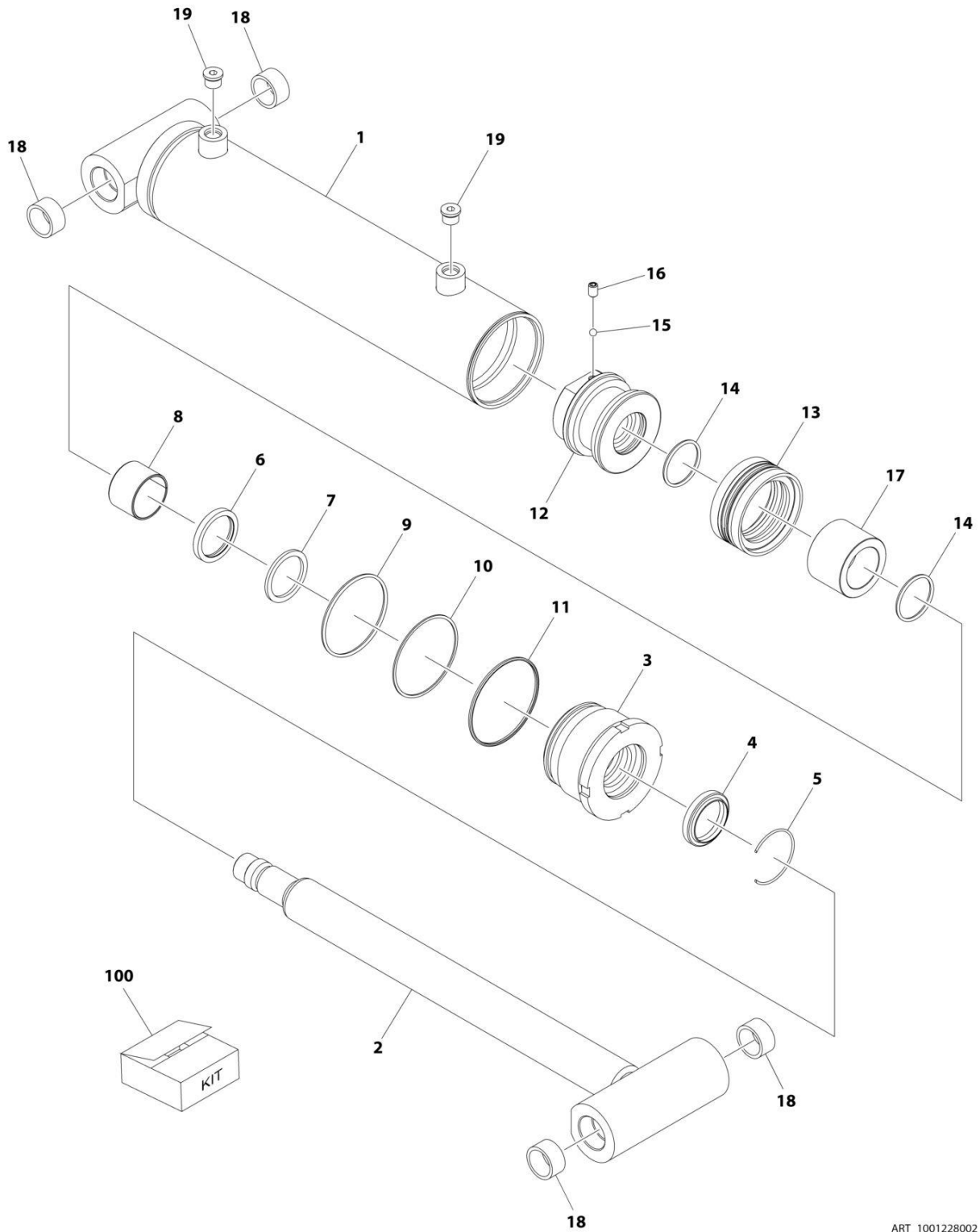
## SECTION 5 - CYLINDER

ITEM	PART NUMBER	QTY	DESCRIPTION	REV
21	0630535	3	Bolt 1/4in-20NC x 1-1/8in (600AJ)	
22	0100063	AR	Adhesive	
24	2220885	1	Plug, O-Ring #6 (600AJ Only)	
26		Ref	Seal Kit Options (Includes Items 11-19)	
26	2901303	1	Seal Kit (600A)	
26	2901301	1	Seal Kit - without Arctic Package (600AJ)	
26	1001138796	1	Seal Kit - with Arctic Package (600AJ)	



# SECTION 5 - CYLINDER

FIGURE 5-18. MASTER CYLINDER ASSEMBLY (600A) (SN 0300241338 through 0300272252)



ART\_1001228002

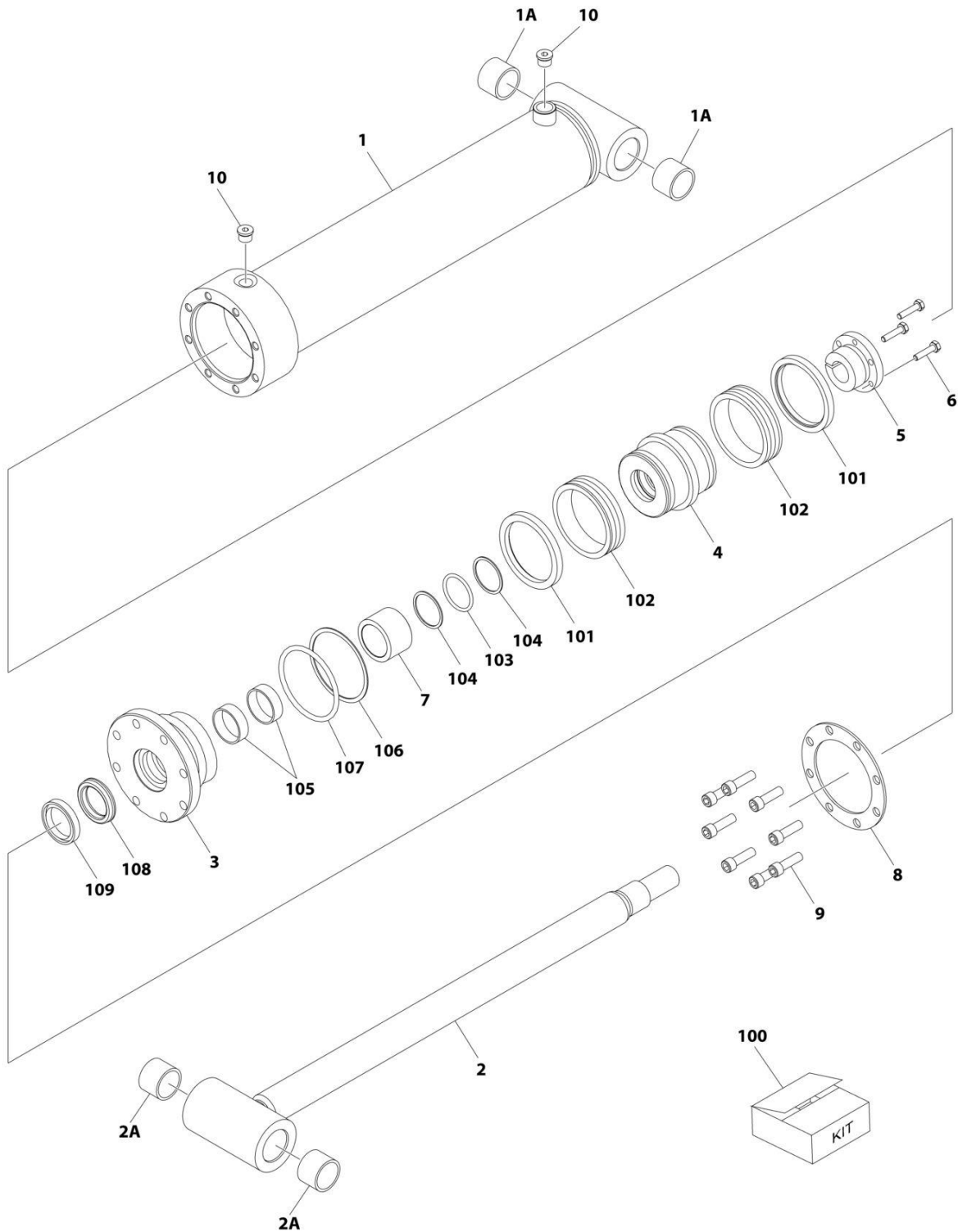
## SECTION 5 - CYLINDER

**FIGURE 5-18. MASTER CYLINDER ASSEMBLY (600A) (SN 0300241338 through 0300272252)**

ITEM	PART NUMBER	QTY	DESCRIPTION	REV
	1001228002	Ref	MASTER CYLINDER ASSEMBLY	B
		Ref	Note: Original Cylinder May Have Been Replaced with Service Replacement. Identify PN Stamped on Cylinder Before Ordering Parts.	
1	See Note	NSS	Barrel (Note: Not Available for Purchase)	
2	70006774	1	Rod	
3	70006599	1	Head	
4	See Note	NSS	Wiper Rod (Note: Use Item 100)	
5	70002373	1	Ring, Retaining	
6	See Note	NSS	Seal, Rod (Note: Use Item 100)	
7	See Note	NSS	Ring, Back-up (Note: Use Item 100)	
8	See Note	NSS	Ring, Wear (Note: Use Item 100)	
9	See Note	NSS	O-Ring (Note: Use Item 100)	
10	See Note	NSS	Ring, Back-up (Note: Use Item 100)	
11	See Note	NSS	O-Ring (Note: Use Item 100)	
12	70006597	1	Piston	
13	See Note	NSS	Seal Piston (Note: Use Item 100)	
14	See Note	NSS	O-Ring (Note: Use Item 100)	
15	70022564	1	Ball	
16	70006601	1	Setscrew	
17	70006775	1	Spacer	
18	0961947	4	Bushing	
19	70023371	2	Plug, O-Ring	
100	70006776	1	Seal Kit (Includes Items 4, 6-11, 13 & 14)	

# SECTION 5 - CYLINDER

FIGURE 5-19. MASTER CYLINDER ASSEMBLY (600AJ) (SN 0300241338 through 0300272252)



ART\_1001228052



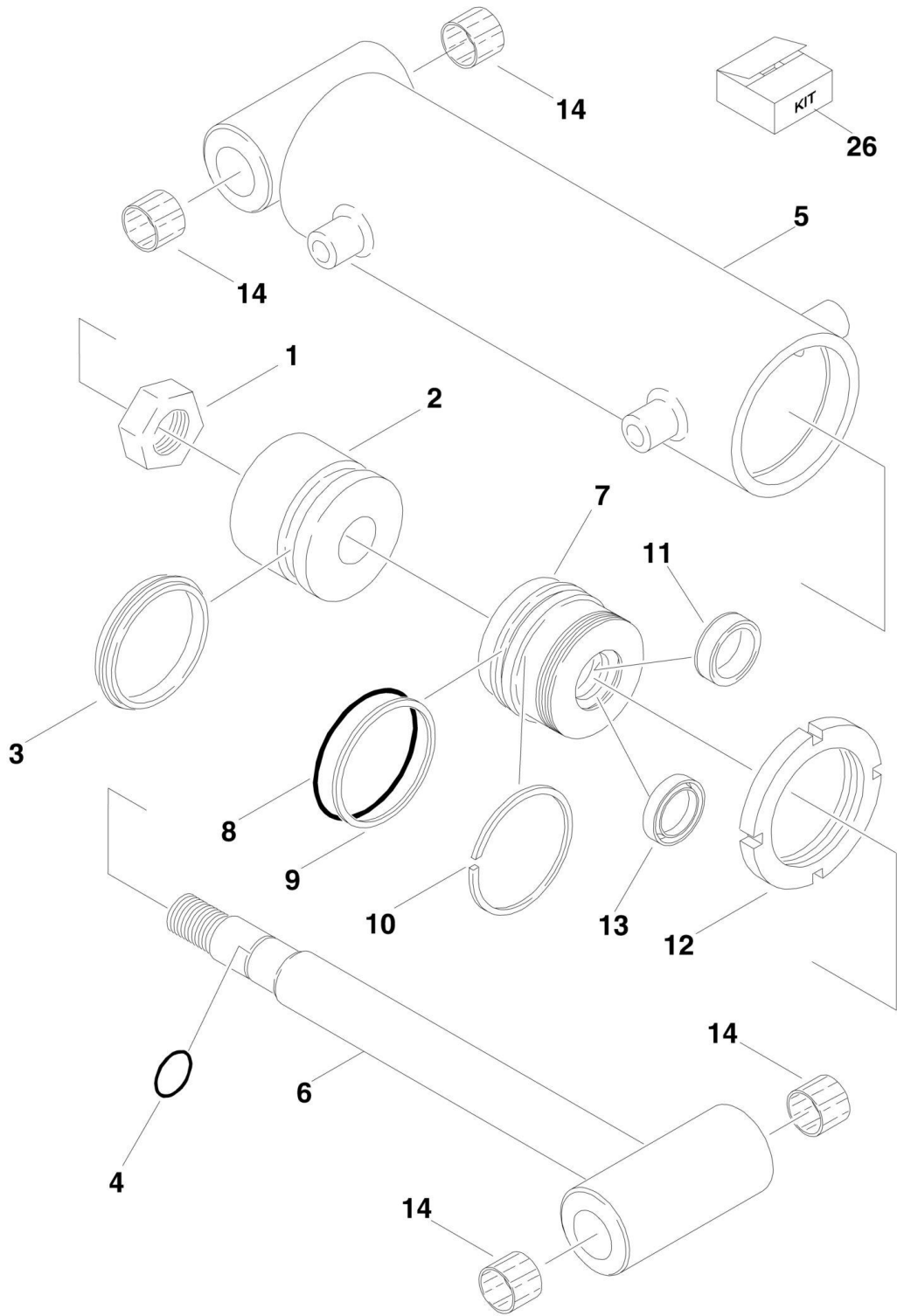
## SECTION 5 - CYLINDER

**FIGURE 5-19. MASTER CYLINDER ASSEMBLY (600AJ) (SN 0300241338 through 0300272252)**

ITEM	PART NUMBER	QTY	DESCRIPTION	REV
	1001228052	Ref	MASTER CYLINDER ASSEMBLY	B
		Ref	Note: Original Cylinder May Have Been Replaced with Service Replacement. Identify PN Stamped on Cylinder Before Ordering Parts.	
1	See Note	NSS	Barrel (Note: Not Available for Purchase)	
1A	0961951	2	Bushing	
2	70006447	1	Rod Weldment	
2A	0961951	2	Bushing	
3	70006446	1	Head	
4	70006445	1	Piston	
5	70006444	1	Bushing, Tapered	
6	0630535	3	Capscrew 1/4 x 1-1/8	
7	70006443	1	Spacer	
8	70006442	1	Ring, Washer	
9	3931620	8	Capscrew 3/8 x 1-1/4	
10	2220885	2	Plug, O-Ring	
100	1001138796	1	Seal Kit (Includes Items 101-109)	
101	See Note	NSS	Ring, Wear (Note: Use Item 100)	
102	See Note	NSS	Seal, Piston (Note: Use Item 100)	
103	See Note	NSS	O-Ring (Note: Use Item 100)	
104	See Note	NSS	Ring, Back-up (Note: Use Item 100)	
105	See Note	NSS	Ring, Wear (Note: Use Item 100)	
106	See Note	NSS	O-Ring (Note: Use Item 100)	
107	See Note	NSS	Ring, Back-up (Note: Use Item 100)	
108	See Note	NSS	Seal, Rod (Note: Use Item 100)	
109	See Note	NSS	Wiper, Rod (Note: Use Item 100)	

# SECTION 5 - CYLINDER

FIGURE 5-20. STEER CYLINDER ASSEMBLY (7FT/2.1M WIDE MACHINES)



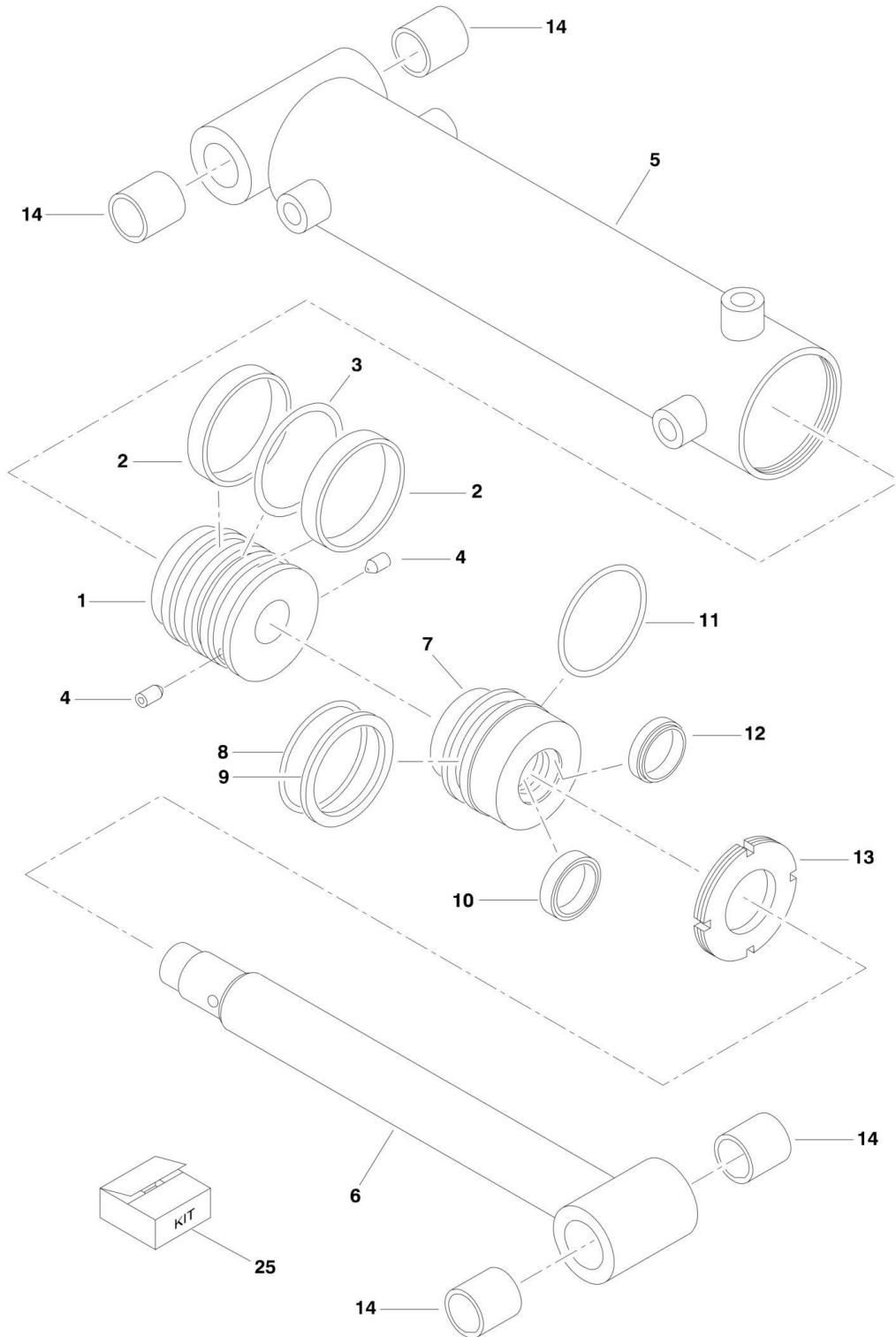
## SECTION 5 - CYLINDER

**FIGURE 5-20. STEER CYLINDER ASSEMBLY (7FT/2.1M WIDE MACHINES)**

ITEM	PART NUMBER	QTY	DESCRIPTION	REV
	1684418	Ref	<b>STEER CYLINDER ASSEMBLY (7FT/2.1M WIDE MACHINES)</b> Note: Original Cylinder may have been replaced with Service Replacement. Identify PN Stamped on Cylinder Before Ordering Parts.	A
		Ref		
1	7001626	1	Locknut	
2	7001627	1	Piston	
3	7001625	1	Seal	
4	7001625	1	O-Ring	
5	See Note	1	Barrel (Note: Not Available for Purchase)	
6	7023038	1	Rod	
7	7001629	1	Guide	
8	See Note	NSS	O-Ring (Note: Use Item 26)	
9	See Note	NSS	Ring, Back-Up (Note: Use Item 26)	
10	See Note	NSS	Ring, Retaining (Note: Use Item 26)	
11	See Note	NSS	Seal, Lip (Note: Use Item 26)	
12	7001630	1	Nut, Spanner	
13	See Note	NSS	Ring, Wiper (Note: Use Item 26)	
14	0961890	4	Bushing	
26	7001625	1	Seal Kit (Includes Items 3, 4, 8-11 & 13)	

# SECTION 5 - CYLINDER

## FIGURE 5-21. STEER CYLINDER ASSEMBLY (8FT/2.4M WIDE MACHINES)



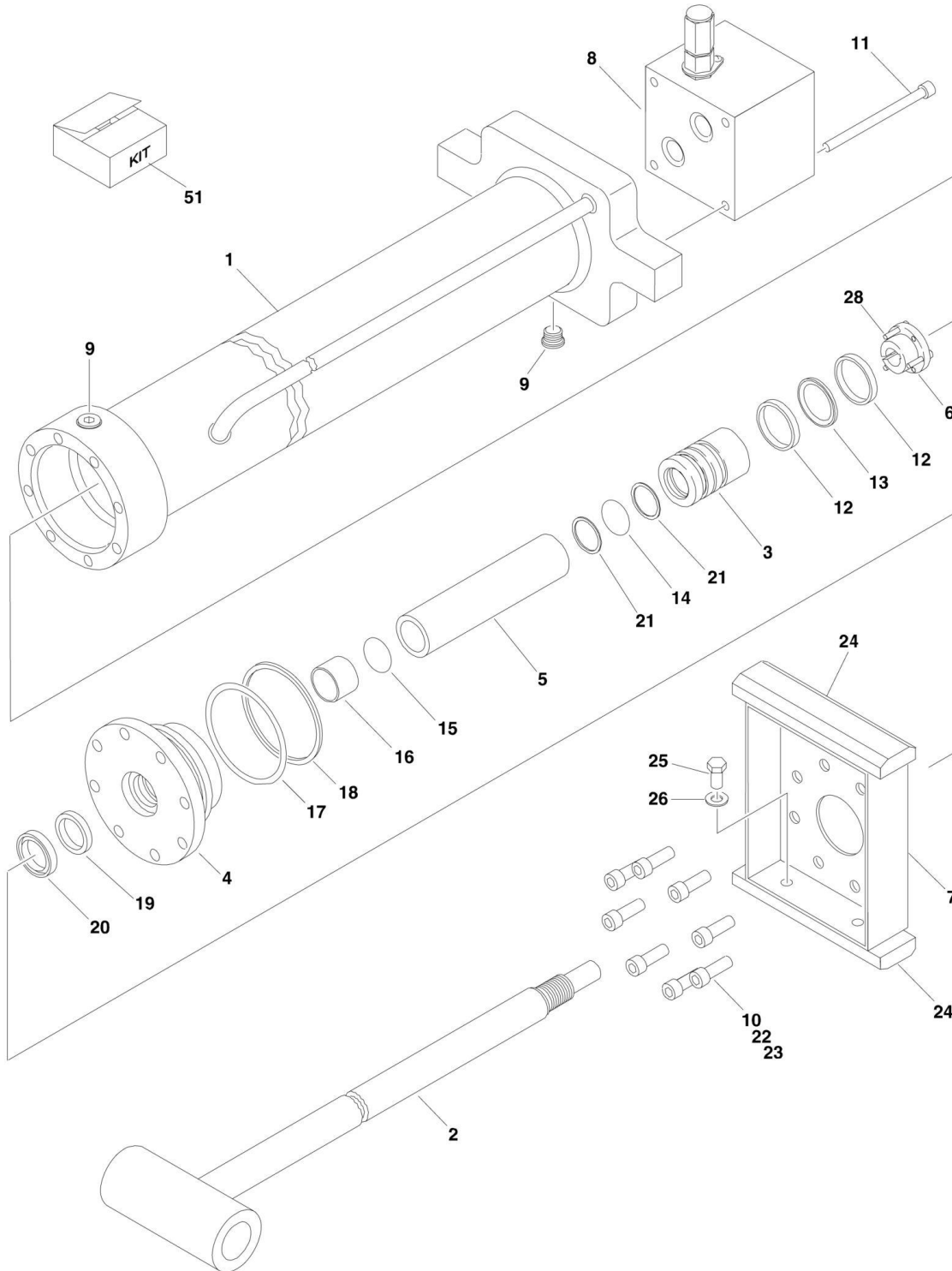
## SECTION 5 - CYLINDER

**FIGURE 5-21. STEER CYLINDER ASSEMBLY (8FT/2.4M WIDE MACHINES)**

ITEM	PART NUMBER	QTY	DESCRIPTION	REV
	1001097242	Ref	<b>STEER CYLINDER ASSEMBLY (8FT/2.4M WIDE MACHINES)</b> Note: Original Cylinder may have been replaced with Service Replacement. Identify PN Stamped on Cylinder Before Ordering Parts.	A
		Ref		
1	70002752	1	Piston	
1	0100011	AR	Compound, Locking	
1	0100038	AR	Primer, Locking	
2	See Note	NSS	Seal (Note: Use Item 25)	
3	See Note	NSS	O-Ring (Note: Use Item 25)	
4	70002745	2	Setscrew	
5	70002753	1	Barrel	
6	70002754	1	Rod	
7	70002755	1	Head	
8	See Note	NSS	O-Ring (Note: Use Item 25)	
9	See Note	NSS	Ring, Back-Up (Note: Use Item 25)	
10	See Note	NSS	Seal (Note: Use Item 25)	
11	See Note	NSS	O-Ring (Note: Use Item 25)	
12	See Note	NSS	Wiper (Note: Use Item 25)	
13	70002756	1	Nut, Spanner	
13	0100011	AR	Compound, Locking	
13	0100038	AR	Primer, Locking	
14	0962356	4	Bushing	
25	70002757	1	Seal Kit (Includes Items 2, 3 & 8-12)	

# SECTION 5 - CYLINDER

## FIGURE 5-22. TELESCOPE CYLINDER ASSEMBLY - MAIN BOOM



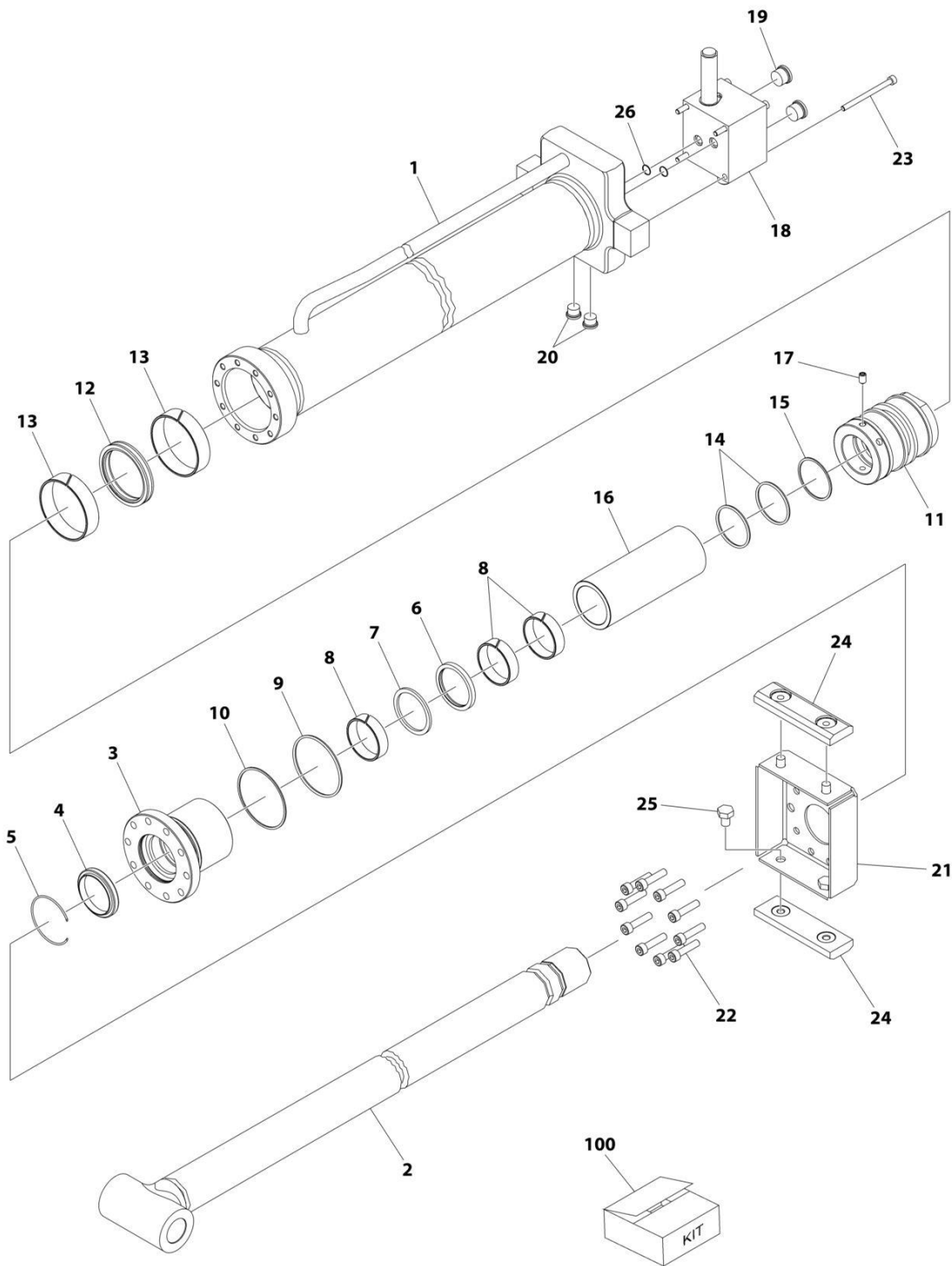
## SECTION 5 - CYLINDER

### FIGURE 5-22. TELESCOPE CYLINDER ASSEMBLY - MAIN BOOM

ITEM	PART NUMBER	QTY	DESCRIPTION	REV
		Ref	<b>TELESCOPE CYLINDER ASSEMBLY - MAIN BOOM</b>	
		Ref	Note: Original Cylinder may have been replaced with Service Replacement. Identify PN Stamped on Cylinder Before Ordering Parts.	
	1683307	Ref	Telescope Cylinder Assembly (600A) <b>(SN 0300177361 through 0300241337)</b>	H
	1683317	Ref	Telescope Cylinder Assembly (600AJ) <b>(SN 0300177361 through 0300242728)</b>	6-H
1		Ref	Barrel Options:	
1	1683308	1	Barrel (600A)	
1	1683318	1	Barrel (600AJ)	
2		Ref	Rod Options:	
2	1684308	1	Rod (600A)	
2	1684310	1	Rod (600AJ)	
3	3480212	1	Piston	
4	1683054	1	Head	
5	4566425	1	Spacer	
6	0961896	1	Bushing, Tapered	
7		Ref	Plate, Wear Pad Mounting Options:	
7	3538771	1	Plate, Wear Pad Mounting (600A)	
7	3538247	1	Plate, Wear Pad Mounting (600AJ)	
8	4640862	1	Valve Block Assembly (Note: No Service Parts Available - Replace Complete Assembly)	
9	2220885	2	Plug, O-Ring	
10	3931516	8	Capscrew, Socket Head 5/16in-18NC x 1in	
11	3931448	4	Capscrew, Socket Head 1/4in-20NC x 3in	
12	See Note	NSS	Ring, Wear (Note: Use Item 51)	
13	See Note	NSS	Seal (Note: Use Item 51)	
14	See Note	NSS	O-Ring (Note: Use Item 51)	
15	See Note	NSS	O-Ring (Note: Use Item 51)	
16	See Note	NSS	Ring, Wear (Note: Use Item 51)	
17	See Note	NSS	O-Ring (Note: Use Item 51)	
18	See Note	NSS	Ring, Back-Up (Note: Use Item 51)	
19	See Note	NSS	Seal, Rod (Note: Use Item 51)	
20	See Note	NSS	Wiper (Note: Use Item 51)	
21	See Note	NSS	Ring, Back-Up (Note: Use Item 51)	
22	0100038	AR	Primer, Locking	
23	0100011	AR	Compound, Locking	
24	3340608	2	Pad, Wear	
25	0641604	4	Bolt 3/8in-16NC x 1/2in	
26	4751600	4	Flatwasher 3/8in Regular	
28	0630535	3	Bolt 1/4in-20NC x 1-1/8in	
51	2901861	1	Seal Kit (Includes Items 12-21)	

# SECTION 5 - CYLINDER

FIGURE 5-23. TELESCOPE CYLINDER ASSEMBLY - MAIN BOOM (600A) (SN 0300241338 through 0300272252)



ART\_1001228005



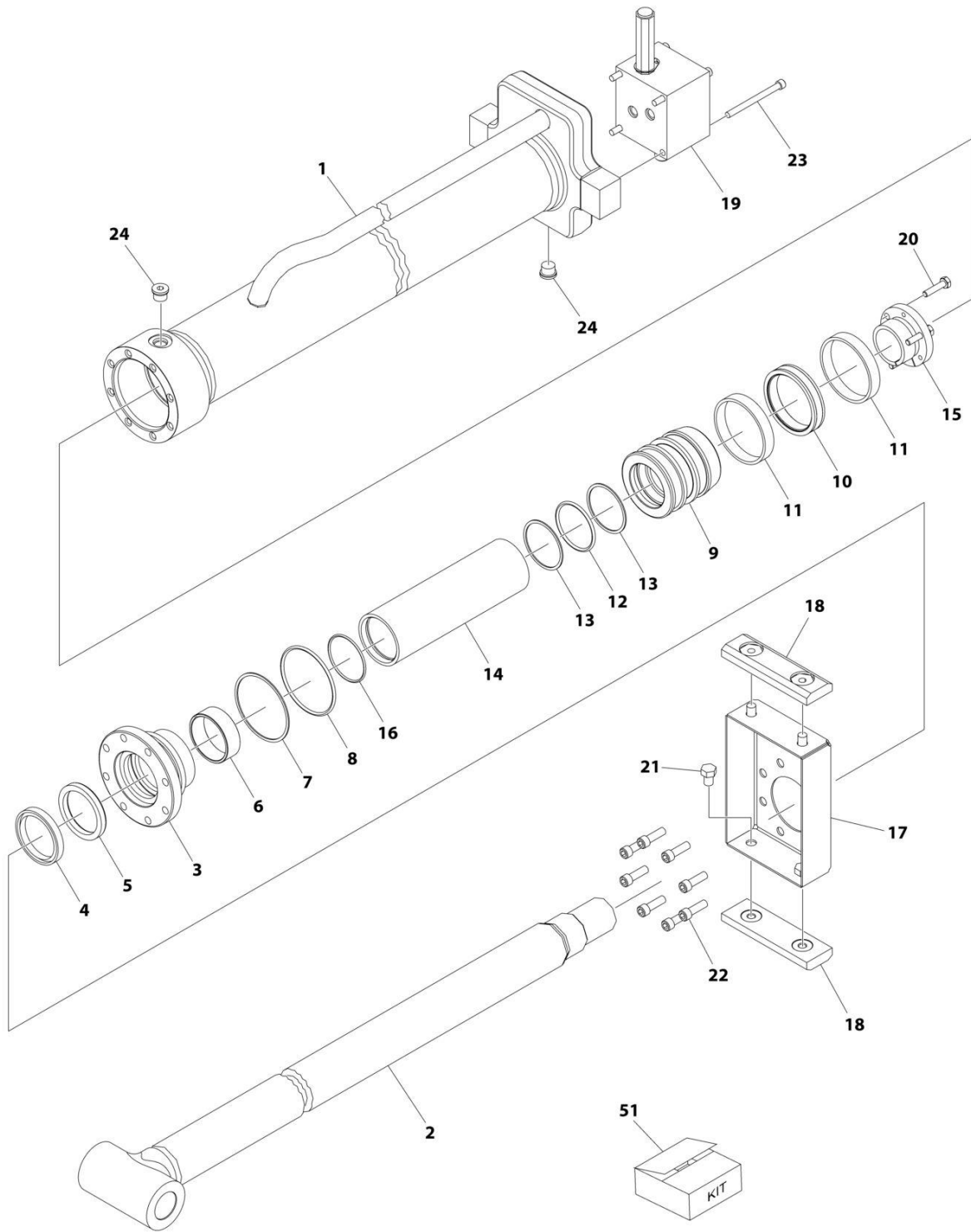
## SECTION 5 - CYLINDER

**FIGURE 5-23. TELESCOPE CYLINDER ASSEMBLY - MAIN BOOM (600A) (SN 0300241338 through 0300272252)**

ITEM	PART NUMBER	QTY	DESCRIPTION	REV
	1001228005	Ref	TELESCOPE CYLINDER ASSEMBLY - MAIN BOOM	C
		Ref	Note: Original Cylinder may have been replaced with Service Replacement. Identify PN Stamped on Cylinder Before Ordering Parts.	
1	See Note	NSS	Barrel (Note: Use p/n 1001228005)	
2	70006813	1	Rod	
3	70006814	1	Head	
4	See Note	NSS	Wiper (Note: Use Item 100)	
5	70002412	1	Ring, Retaining	
6	See Note	NSS	Seal, Rod (Note: Use Item 100)	
7	See Note	NSS	Ring, Back-up (Note: Use Item 100)	
8	See Note	NSS	Ring, Wear (Note: Use Item 100)	
9	See Note	NSS	O-Ring (Note: Use Item 100)	
10	See Note	NSS	Ring, Back-up (Note: Use Item 100)	
11	70006815	1	Piston	
12	See Note	NSS	Seal (Note: Use Item 100)	
13	See Note	NSS	Ring, Wear (Note: Use Item 100)	
14	See Note	NSS	O-Ring (Note: Use Item 100)	
15	See Note	NSS	Ring, Back-up (Note: Use Item 100)	
16	70006816	1	Spacer	
17	70006817	1	Setscrew	
18	4640862	1	Valve Block Assembly (Note: No Service Parts Available - Replace Complete Assembly)	
19	70023373	2	Plug	
20	70023371	2	Plug	
21	70006818	1	Plate, Wear Pad	
22	70006793	10	Capscrew	
23	70006819	4	Capscrew	
24	3340608	2	Pad, Wear	
25	70006820	3	Bolt	
26	3790110	2	O-Ring (Located Between Barrel & Valve)	
100	70006821	1	Seal Kit (Includes Items 4, 6-10 & 12-15)	

# SECTION 5 - CYLINDER

FIGURE 5-24. TELESCOPE CYLINDER ASSEMBLY - MAIN BOOM (600AJ) (SN 0300242729 through 0300272252)



ART\_1001228007

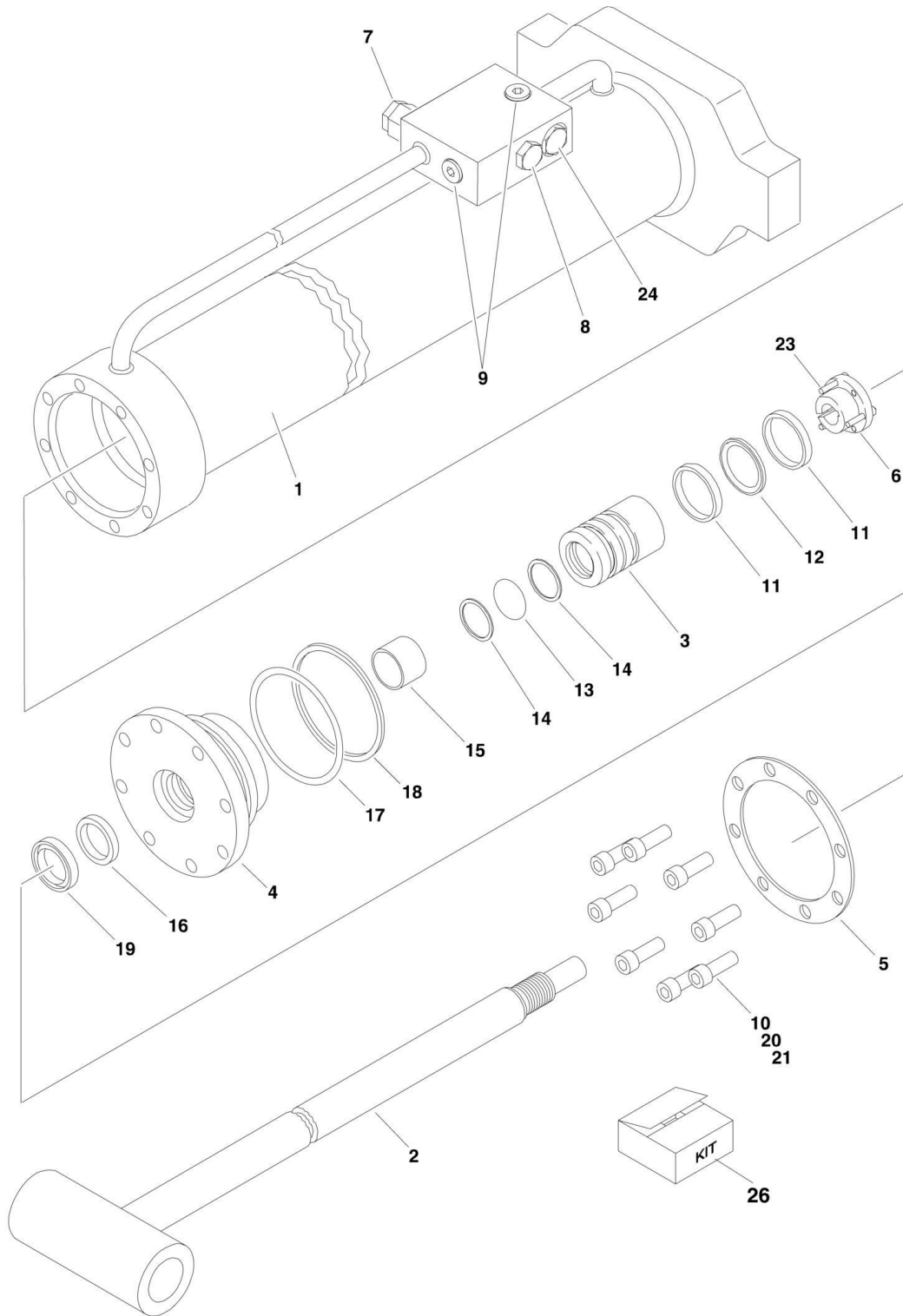
## SECTION 5 - CYLINDER

**FIGURE 5-24. TELESCOPE CYLINDER ASSEMBLY - MAIN BOOM (600AJ) (SN 0300242729 through 0300272252)**

ITEM	PART NUMBER	QTY	DESCRIPTION	REV
	1001228007	Ref	TELESCOPE CYLINDER ASSEMBLY	E
		Ref	Note: Original Cylinder may have been replaced with Service Replacement. Identify PN Stamped on Cylinder Before Ordering Parts.	
1	See Note	NSS	Barrel (Note: Use p/n 1001228007)	
2	70006654	1	Rod	
3	70006483	1	Head	
4	See Note	NSS	Wiper (Note: Use Item 51)	
5	See Note	NSS	Seal, Rod (Note: Use Item 51)	
6	See Note	NSS	Ring, Wear (Note: Use Item 51)	
7	See Note	NSS	O-Ring (Note: Use Item 51)	
8	See Note	NSS	Ring, Back-up (Note: Use Item 51)	
9	70006482	1	Piston	
10	See Note	NSS	Seal (Note: Use Item 51)	
11	See Note	NSS	Ring, Wear (Note: Use Item 51)	
12	See Note	NSS	O-Ring (Note: Use Item 51)	
13	See Note	NSS	Ring, Back-up (Note: Use Item 51)	
14	70006655	1	Spacer	
15	0961896	1	Bushing, Tapered	
16	See Note	NSS	O-Ring (Note: Use Item 51)	
17	3538247	1	Plate, Wear Pad Mounting	
18	3340608	2	Pad, Wear	
19	4640862	1	Valve Block Assembly (Note: No Service Part Available - Replace Complete Assembly)	
20	0630535	3	Bolt 1/4 x 1-1/8	
21	0641604	4	Bolt 3/8 x 1/2	
22	3931516	8	Capscrew 5/16 x 1	
22	0100038	AR	Primer, Locking	
22	0100011	AR	Compound, Locking	
23	3931448	4	Capscrew 1/4 x 3	
24	2220885	AR	Plug, O-Ring	
51	2901861	1	Seal Kit - 1001228007 Cylinder (Includes Item 4-8, 10-13 & 16)	

# SECTION 5 - CYLINDER

FIGURE 5-25. TELESCOPE CYLINDER ASSEMBLY - TOWER BOOM (SN 0300177361 through 0300237381)



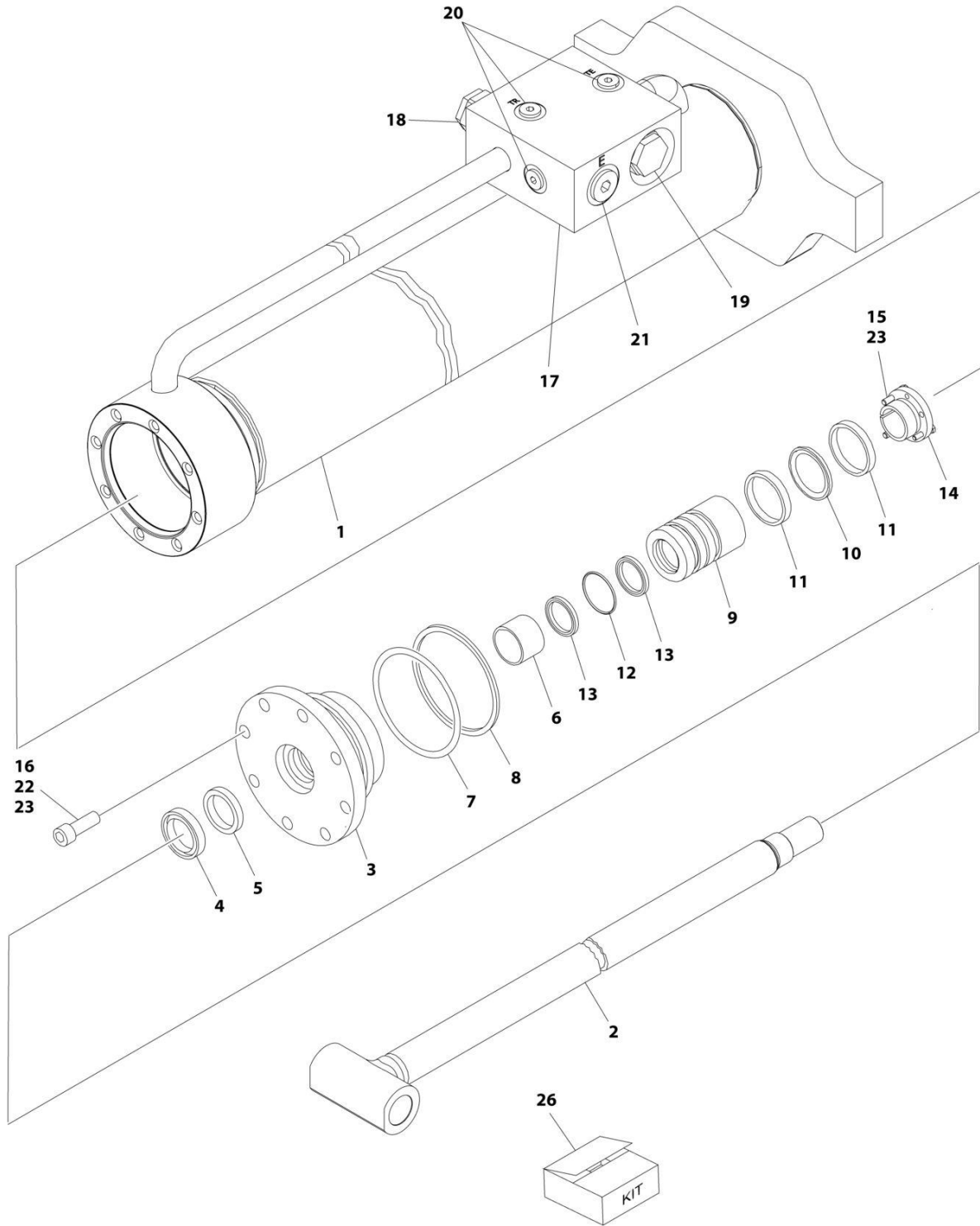
## SECTION 5 - CYLINDER

**FIGURE 5-25. TELESCOPE CYLINDER ASSEMBLY - TOWER BOOM (SN 0300177361 through 0300237381)**

ITEM	PART NUMBER	QTY	DESCRIPTION	REV
	1683312	Ref	<b>TELESCOPE CYLINDER ASSEMBLY - TOWER BOOM</b>	K
		Ref		
1	1683313	1	Barrel	
2	1683314	1	Rod	
3	3480212	1	Piston	
4	1683054	1	Head	
5	3760368	1	Ring, Washer	
5	1001228417	1	Ring, Washer	
6	0961896	1	Bushing, Tapered	
7	4640509	2	Cartridge, Valve	
7	2900792	2	Seal Kit - 4640509 Valve	
8	4640647	1	Cartridge, Valve	
8	2900770	1	Seal Kit - 4640647 Valve	
9	2220883	2	Plug, O-Ring	
10	3931516	8	Capscrew, Socket Head 5/16in-18NC x 1in	
11	See Note	NSS	Ring, Wear (Note: Use Item 26)	
12	See Note	NSS	T-Seal (Note: Use Item 26)	
13	See Note	NSS	O-Ring (Note: Use Item 26)	
14	See Note	NSS	Ring, Back-Up (Note: Use Item 26)	
15	See Note	NSS	Ring, Wear (Note: Use Item 26)	
16	See Note	NSS	Seal, Rod (Note: Use Item 26)	
17	See Note	NSS	O-Ring (Note: Use Item 26)	
18	See Note	NSS	Ring, Back-Up (Note: Use Item 26)	
19	See Note	NSS	Wiper (Note: Use Item 26)	
20	0100038	AR	Primer, Locking	
21	0100011	AR	Compound, Locking	
23	0630535	3	Bolt 1/4in-20NC x 1-1/8in	
24	4640999	1	Cartridge, Valve	
24	7011185	1	Seal Kit - 4640999 Valve	
26	2901861	1	Seal Kit (Includes Items 11-19)	

# SECTION 5 - CYLINDER

FIGURE 5-26. TELESCOPE CYLINDER ASSEMBLY - TOWER BOOM (SN 0300237382 through 0300272252)



ART\_1001228006

## SECTION 5 - CYLINDER

**FIGURE 5-26. TELESCOPE CYLINDER ASSEMBLY - TOWER BOOM (SN 0300237382 through 0300272252)**

ITEM	PART NUMBER	QTY	DESCRIPTION	REV
	1001228006	Ref	TELESCOPE CYLINDER ASSEMBLY - TOWER BOOM	C
		Ref	Note: Original Cylinder may have been replaced with Service Replacement. Identify PN Stamped on Cylinder Before Ordering Parts.	
1	See Note	NSS	Barrel (Note: Not Available for Purchase)	
2	70006484	1	Rod	
3	70006483	1	Head	
4	See Note	NSS	Wiper (Note: Use Item 26)	
5	See Note	NSS	Seal, Rod (Note: Use Item 26)	
6	See Note	NSS	Ring, Wear (Note: Use Item 26)	
7	See Note	NSS	O-Ring (Note: Use Item 26)	
8	See Note	NSS	Ring, Back-Up (Note: Use Item 26)	
9	70006482	1	Piston	
10	See Note	NSS	T-Seal (Note: Use Item 26)	
11	See Note	NSS	Ring, Wear (Note: Use Item 26)	
12	See Note	NSS	O-Ring (Note: Use Item 26)	
13	See Note	NSS	Ring, Back-Up (Note: Use Item 26)	
14	0961896	1	Bushing, Tapered	
15	0630535	3	Bolt 1/4 x 1-1/8	
16	3931516	8	Capscrew, Socket Head 5/16 x 1	
17	4640647	1	Cartridge, Valve	
17	2900770	1	Seal Kit - 4640647 Valve	
18	4640509	2	Cartridge, Valve	
18	2900792	2	Seal Kit - 4640509 Valve	
19	4640999	1	Cartridge, Valve	
19	2900792	1	Seal Kit - 4640999 Valve	
20	2220883	3	Plug, O-Ring	
21	2220886	2	Plug, O-Ring	
22	0100038	AR	Primer, Locking	
23	0100011	AR	Compound, Locking	
26	2901861	1	Seal Kit (Includes Items 4-8 & 10-13)	

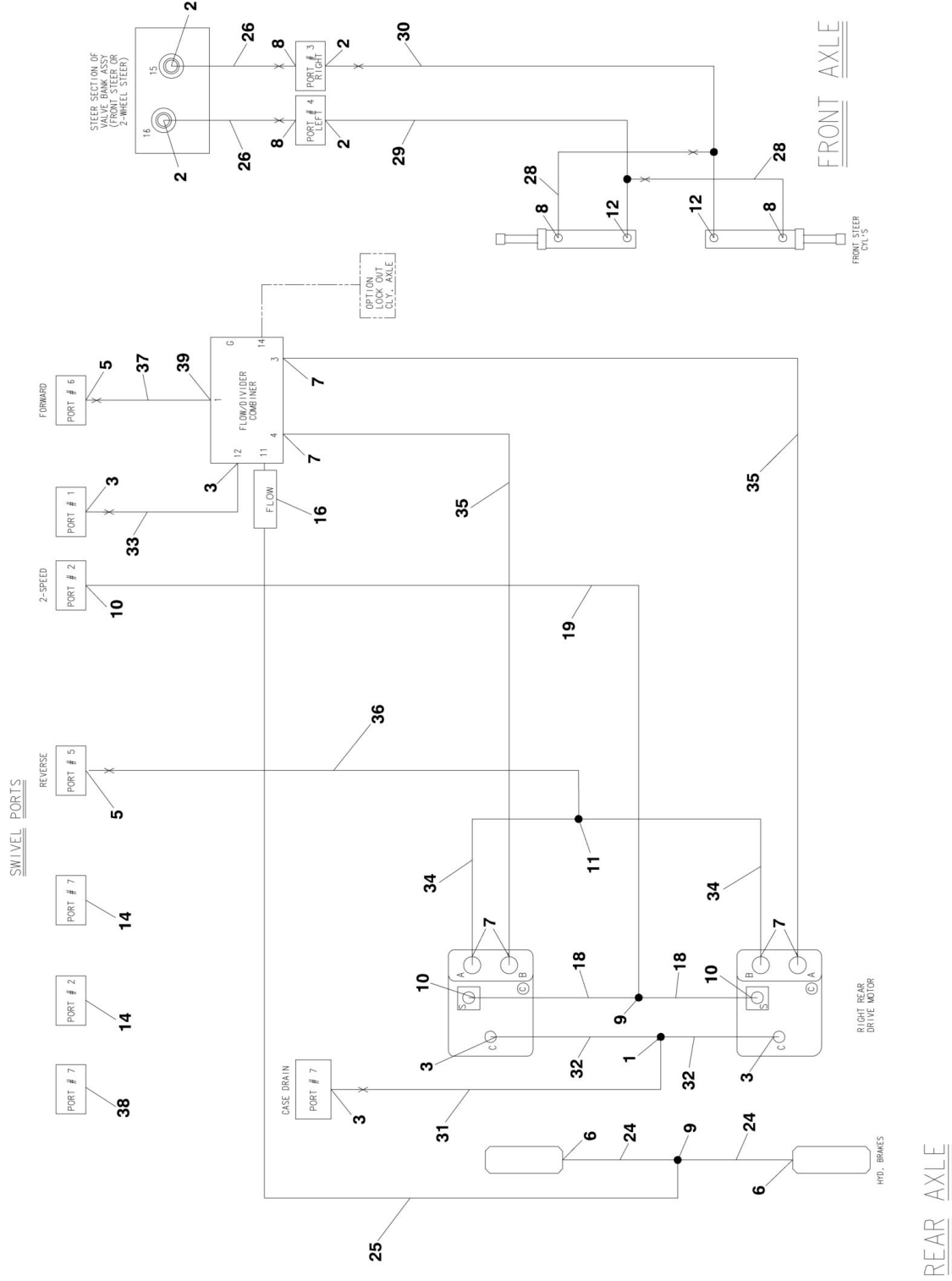




**SECTION 6 - HYDRAULIC**

# SECTION 6 - HYDRAULIC

## FIGURE 6-1. DRIVE HYDRAULIC DIAGRAM - 2WD/2WS



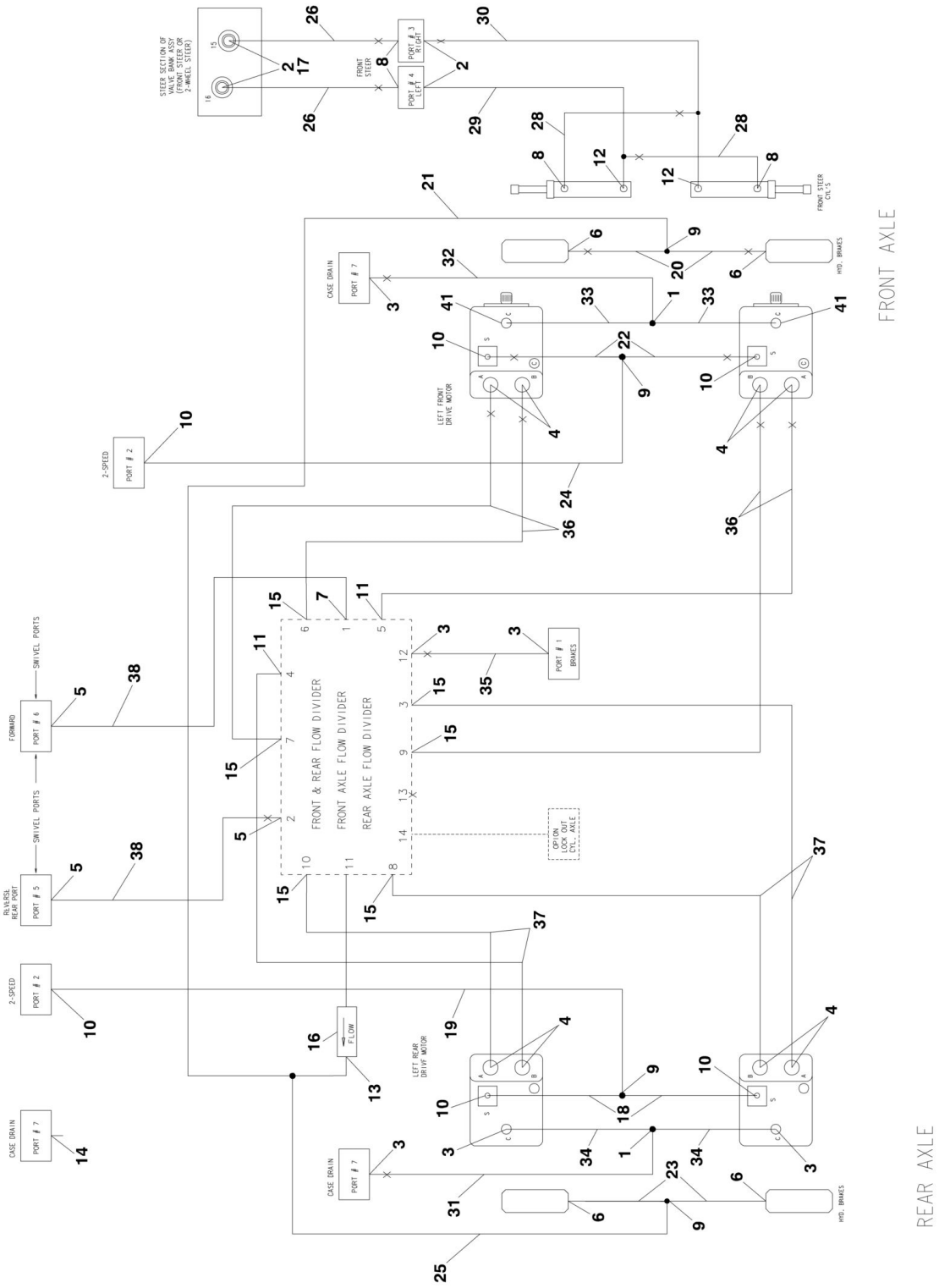
## SECTION 6 - HYDRAULIC

**FIGURE 6-1. DRIVE HYDRAULIC DIAGRAM - 2WD/2WS**

ITEM	PART NUMBER	QTY	DESCRIPTION	REV
	1001140416	Ref	<b>DRIVE HYDRAULIC DIAGRAM - 2WD/2WS</b>	D
1	2220362	1	Fitting, Tee	
2	2220371	4	Fitting, Straight	
3	2220373	5	Fitting, Straight	
5	2220377	2	Fitting, Straight	
6	2220415	2	Fitting, Straight	
7	2220451	6	Fitting, Straight	
8	2220473	4	Fitting, 90	
9	2220504	2	Fitting, Tee	
10	2220582	3	Fitting, Straight	
11	2221170	1	Fitting, Tee	
12	2220606	2	Fitting, Tee	
14	2220237	2	Fitting, Plug	
16	4641307	1	Valve, Check	
18	1001152527	2	Hose	
19	2753924	1	Hose	
24	1001152529	2	Hose (38 in Length)	
24	1001152527	2	Hose (34 in Length)	
25	1001155379	1	Hose	
26	2752620	2	Hose	
28	2753397	2	Hose	
29	2752475	1	Hose	
30	2752611	1	Hose	
31	2752928	1	Hose	
32	1001140449	2	Hose	
33	2752929	1	Hose	
34	1001151364	2	Hose	
35	1001151365	2	Hose	
36	2752341	1	Hose	
37	2754227	1	Hose	
38	2220238	1	Plug	
39	2220646	1	Fitting, 90	

# SECTION 6 - HYDRAULIC

## FIGURE 6-2. DRIVE HYDRAULIC DIAGRAM - 4WD/2WS



## SECTION 6 - HYDRAULIC

### FIGURE 6-2. DRIVE HYDRAULIC DIAGRAM - 4WD/2WS

ITEM	PART NUMBER	QTY	DESCRIPTION	REV
		Ref	<b>DRIVE HYDRAULIC DIAGRAM - 4WD/2WS</b>	
	1001140418	Ref	<b>Machines without Arctic Package</b>	D
	1001140420	Ref	<b>Machines with Arctic Package</b>	D
1	2220362	2	Fitting, Tee	
2	2220371	4	Fitting, Straight	
3	2220373	6	Fitting, Straight	
4	2220375	8	Fitting, Straight	
5	2220377	3	Fitting, Straight	
6	2220415	4	Fitting, Straight	
7	2220646	1	Fitting, 90	
8	2220473	4	Fitting, 90	
9	2220504	4	Fitting, Tee	
10	2220582	6	Fitting, Straight	
11	2220596	2	Fitting, 90	
12	2220606	2	Fitting, Tee	
13	2220861	1	Fitting, Tee	
14	2220237	1	Fitting, Plug	
15		Ref	Fitting Options:	
15	2220500	6	Fitting, 45	
15	2220373	6	Fitting, Straight	
16	4641284	1	Valve, Check	
17	2220507	2	Fitting, 90 (Machines with Arctic Package Only)	
18	1001152527	2	Hose	
19	2753924	1	Hose	
20		Ref	Hose Options:	
20	2753926	2	Machines without Arctic Package	
20	2754731	2	Machines with Arctic Package	
21	2753929	1	Hose	
22		Ref	Hose Options:	
22	1001140451	2	Machines without Arctic Package	
22	1001140456	2	Machines with Arctic Package	
23	1001152529	2	Hose (38 in Length)	
23	1001152529	2	Hose (34 in Length)	
24	2752592	1	Hose	
25	2752910	1	Hose	
26	2752620	2	Hose	
28	2754235	2	Hose	
29	2752475	1	Hose	
30	2752611	1	Hose	
31	2752928	1	Hose	
32	2754231	1	Hose	
33		Ref	Hose Options:	
33	1001140455	2	Machines without Arctic Package	
33	1001140458	2	With Arctic Package	
34	1001140449	2	Hose	
35	2753929	1	Hose	
36		Ref	Hose Options:	
36	1001152491	4	Machines without Arctic Package	
36	1001152499	4	Machines with Arctic Package	
37	1001151358	4	Hose	

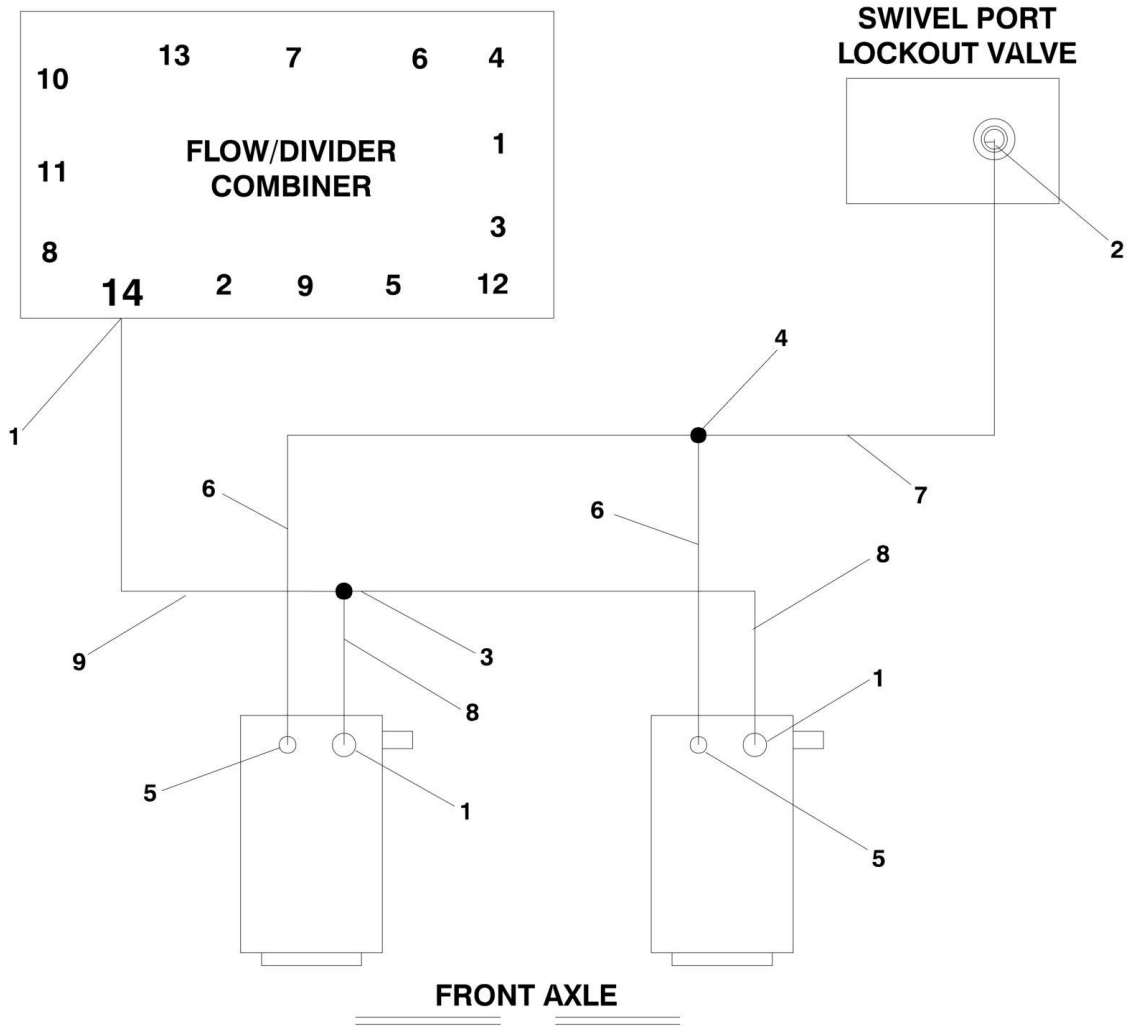
## SECTION 6 - HYDRAULIC

ITEM	PART NUMBER	QTY	DESCRIPTION	REV
38	2754227	2	Hose	
41	2220474	2	Fitting, 90	



# SECTION 6 - HYDRAULIC

FIGURE 6-3. HYDRAULIC DIAGRAM - OSCILLATING AXLE





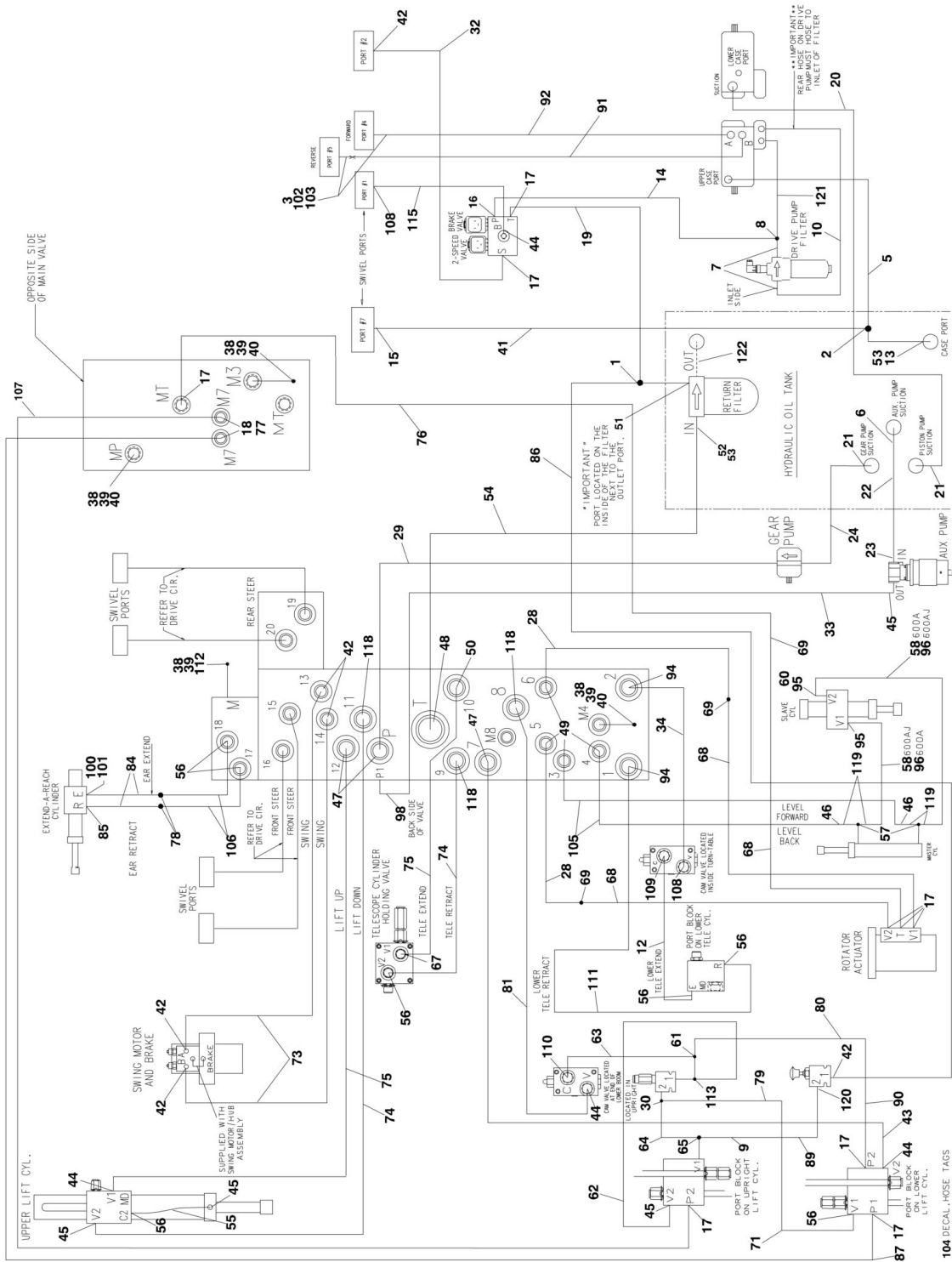
## SECTION 6 - HYDRAULIC

### FIGURE 6-3. HYDRAULIC DIAGRAM - OSCILLATING AXLE

ITEM	PART NUMBER	QTY	DESCRIPTION	REV
		Ref	<b>AXLE LOCKOUT DIAGRAM - OSCILLATING AXLE</b>	
	2792690	Ref	<b>7ft/2.1m Wide Machines</b>	1
	1283429	1	<b>7ft/2.1m Wide Machines</b>	U
	1001151349	Ref	<b>8ft/2.4m Wide Machines</b>	B
	1001151350	1	<b>8ft/2.4m Wide Machines</b>	D
1	2220371	AR	Fitting, Straight	
2	2220468	1	Fitting, Straight	
3	2220490	1	Fitting, Tee ( <b>SN 0300177361 through 0300206978</b> )	
3	See Note	NSS	Fitting (Part of Item 12 - Use Item 12) ( <b>SN 0300206979 through 0300272252</b> )	
4	2220504	1	Fitting, Tee	
4	See Note	NSS	Fitting (Part of Item 13 - Use Item 13)	
5	2220415	2	Fitting, Straight	
6		Ref	Hose Options:	
6	2751434	2	7ft/2.1m Wide Machines	
6	1001151366	2	8ft/2.4m Wide Machines ( <b>SN 100117361 through 0300206978</b> )	
6	See Note	NSS	8ft/2.4m Wide Machines (Use Item 7) ( <b>SN 0300206979 through 0300272252</b> )	
7		Ref	Hose Options:	
7	2751410	1	Hose ( <b>SN 0300177361 through 0300206978</b> )	
7	1001188891	1	Hose ( <b>SN 0300206979 through 0300272252</b> )	
8		Ref	Hose Options:	
8	2753933	2	7ft/2.1m Wide Machines	
8	1001151367	2	8ft/2.4m Wide Machines ( <b>SN 0300177361 through 0300206978</b> )	
8	See Note	NSS	8ft/2.4m Wide Machines (Use Item 9) ( <b>SN 0300206979 through 0300272252</b> )	
9		Ref	Hose Options:	
9	2752462	1	Hose ( <b>SN 0300177361 through 0300206978</b> )	
9	1001188890	1	Hose ( <b>SN 0300206979 through 0300272252</b> )	

# SECTION 6 - HYDRAULIC

## FIGURE 6-4. HYDRAULIC DIAGRAM - STANDARD (SN 0300177361 through 0300181174)



## SECTION 6 - HYDRAULIC

**FIGURE 6-4. HYDRAULIC DIAGRAM - STANDARD (SN 0300177361 through 0300181174)**

ITEM	PART NUMBER	QTY	DESCRIPTION	REV
		Ref	<b>Hydraulic Diagram - Standard (SN 0300177361 through 0300181174)</b>	
	1001152598	Ref	<b>Hydraulic Diagram - Standard - with Deutz D2011 Engine Machines (600A)</b>	G
	1001150727	Ref	<b>Hydraulic Diagram - Standard - with Deutz TD2.9L4 Engine Machines (600A)</b>	C
	1001150720	Ref	<b>Hydraulic Diagram - Standard - with Deutz TD2.9L4 Engine Machines (600A)</b>	C
	1001152598	Ref	<b>Hydraulic Diagram - Standard - with GM Engine Machines (600A)</b>	G
	1001152609	Ref	<b>Hydraulic Diagram - Standard - with Deutz D2011 Engine Machines (600AJ)</b>	F
	1001150728	Ref	<b>Hydraulic Diagram - Standard - with Deutz TD2.9L4 Engine Machines (600AJ)</b>	C
	1001150720	Ref	<b>Hydraulic Diagram - Standard - with Deutz TD2.9L4 Engine Machines (600AJ)</b>	C
	1001152609	Ref	<b>Hydraulic Diagram - Standard - with GM Engine Machines (600AJ)</b>	F
1	2220605	1	Fitting, Tee	
2	2220409	1	Fitting, 45 (Deutz D2011 and GM Engines)	
3	2220377	2	Fitting, Straight	
5		Ref	Hose Options:	
5	1001093549	1	Machines with Deutz D2011 Engines	
5	1001150714	1	Machines with Deutz TD2.9L4 Engines	
5	1001093549	1	Machines with GM Engines	
6	2220578	1	Fitting, 90 (Deutz D2011 and GM Engines)	
6	2220451	1	Fitting, 90 (Deutz TD2.9L4 Engines)	
7	2221042	2	Fitting, 90	
8	2220948	1	Fitting, Tee	
9	2220618	1	Fitting, Reducer	
10	2754329	1	Hose	
12	2753132	1	Hose	
13	2220738	1	Fitting, Tee (Deutz D2011 and GM Engines)	
14		Ref	Hose Options:	
14	2754328	1	Machines with Deutz D2011 Engines	
14	1001150717	1	Machines with Deutz TD2.9L4 Engines	
14	2754328	1	Machines with GM Engines	
15	2220375	AR	Fitting, Straight	
16		Ref	Fitting, 90 Options:	
16	2220474	1	Machines with Deutz D2011 Engines	
16	2220596	1	Machines with Deutz TD2.9L4 Engines	
16	2220474	1	Machines with GM Engines	
17	2220466	9	Fitting, 90	
18	2220415	2	Fitting, Straight	
19		Ref	Hose Options:	
19	2753325	1	Machines with Deutz D2011 Engines	
19	1001143496	1	Machines with Deutz TD2.9L4 Engines	
19	2753325	1	Machines with GM Engines	
20		Ref	Hose Options:	
20	2752723	1	Machines with Deutz D2011 Engines	
20	1001150716	1	Machines with Deutz TD2.9L4 Engines	
20	2752723	1	Machines with GM Engines	

## SECTION 6 - HYDRAULIC

ITEM	PART NUMBER	QTY	DESCRIPTION	REV
21	2220379	2	Fitting, Straight	
22	2752656	1	Hose	
23	2220567	1	Fitting, 90	
24		Ref	Hose Options:	
24	2752724	1	Machines with Deutz D2011 Engines	
24	1001150718	1	Machines with Deutz TD2.9L4 Engines	
24	2752724	1	Machines with GM Engines	
28	2752604	2	Hose (Note: Also Requires #69 & #68 for Complete Run Up Boom)	
29	2752929	1	Hose	
30	2220602	1	Fitting, Tee	
32	2751396	1	Hose	
33		Ref	Hose Options:	
33	2752635	1	Machines with Deutz D2011 Engines	
33	2752478	1	Machines with Deutz TD2.9L4 Engines	
33	2752635	1	Machines with GM Engines	
34	2753133	1	Hose	
38	2220428	AR	Fitting, Quick Coupling	
39	2220429	AR	Cap, Dust	
40	2220873	3	Fitting	
41	2753968	1	Hose	
42	2220582	6	Fitting, Straight	
43		Ref	Hose Options:	
43	2752506	1	Hose (600A)	
43	2752516	1	Hose (600AJ)	
44	2220596	4	Fitting, 90	
45	2220628	4	Fitting, 90	
46	2220609	2	Fitting, Reducer	
47	2220381	3	Fitting, Long Straight	
48	2220974	1	Fitting, Long Straight	
49	2220923	4	Fitting, Long Straight	
50	2220374	1	Fitting	
51	2220574	1	Fitting, Straight	
52	2220921	1	Fitting, Reducer	
53	2220498	AR	Fitting, 45	
54		Ref	Hose Options:	
54	2752783	1	Machines with Deutz D2011 Engines	
54	1001150712	1	Machines with Deutz TD2.9L4 Engines	
54	2752783	1	Machines with GM Engines	
55	2752469	1	Hose	
56	2220372	AR	Fitting, Straight (600A - Qty 5 / 600AJ - Qty 7)	
57	2220899	2	Fitting, Tee	
58		Ref	Hose Options:	
58	2752636	1	Hose (600A)	
58	2752468	1	Hose (600AJ)	
60	2220657	1	Fitting, 45 (600A)	
61	2221065	1	Fitting, Tee	
62	2752462	1	Hose	
63	2753134	1	Hose	
64	2752497	1	Hose	
65	2220999	1	Fitting, Tee	
67	2220500	1	Fitting, 45	

## SECTION 6 - HYDRAULIC

ITEM	PART NUMBER	QTY	DESCRIPTION	REV
68	2752601	3	Hose (Note: Also Requires #69 & #28 or #76 for Complete Run Up Boom)	
69	2220510	3	Fitting, Coupling	
71	2753052	1	Hose	
73	2752600	2	Hose	
74	2753055	2	Hose	
75	2752939	2	Hose	
76	2752579	1	Hose (Note: Also Requires #69 & #28 or #76 for Complete Run Up Boom)	
77	2220654	2	Fitting, 90	
78	2220511	1	Fitting, Coupling (600AJ)	
79	2753056	1	Hose	
80	2752991	1	Hose	
81	2753135	1	Hose	
84	2753047	2	Hose (Note: Also Requires #78 & #106 for Complete Run Up Boom) (600AJ)	
85	2220473	1	Fitting, 90 (600AJ)	
86	2752453	1	Hose	
87	2752593	1	Hose	
89	2752990	1	Hose	
90	2752985	1	Hose	
91		Ref	Hose Options:	
91	2752341	1	72in/1.83m Length	
91	10011507157	1	68in/1.73m Length	
91	2752343	1	66in/1.68m Length	
92		Ref	Hose Options:	
92	2752343	1	72in/1.83m Length	
92	2752341	1	66in/1.68m Length	
94	2220998	2	Fitting, Straight	
95	2220603	2	Fitting, Straight	
96		Ref	Hose Options:	
96	2753046	1	Hose (600A)	
96	2752650	1	Hose (600AJ)	
98	2220473	1	Fitting, 90	
100	2180724	1	Fitting, Modified 90 (600AJ)	
101	2180380	1	Plug, Orifice.06 (600AJ)	
102	0100011	AR	Compound, Locking	
103	0100038	AR	Primer, Locking	
104	1703534	2	Decal, Hose Tags (Not Shown)	
105	2752989	2	Hose	
106	2752618	2	Hose (Note: Also Requires #78 & #106 for Complete Run Up Boom) (600AJ)	
107	2752987	1	Hose	
108	2220373	2	Fitting, Straight	
109	2220947	1	Fitting, Straight	
110	2221036	1	Fitting, O-Ring	
111	2752484	1	Hose	
112	2220873	1	Fitting, Nipple (600AJ)	
113	2221053	1	Fitting, Tee	
115	2752519	1	Hose	
118	1001104423	3	Fitting, Adapter	
119	2220507	4	Fitting, 90 Adapter	

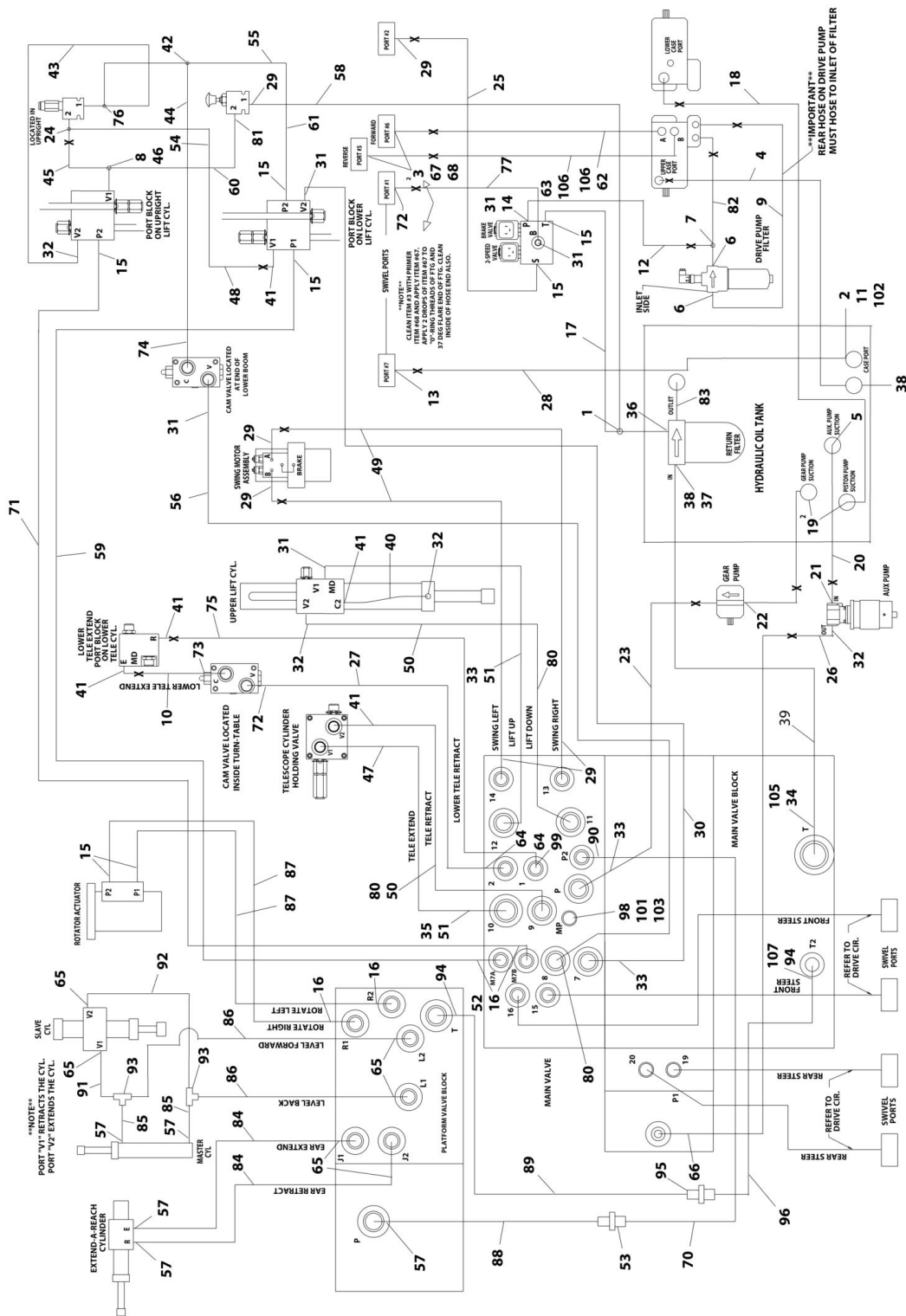
## SECTION 6 - HYDRAULIC

ITEM	PART NUMBER	QTY	DESCRIPTION	REV
120	2220472	1	Fitting, 90	
121	2754330	1	Hose	
122	2220893	1	Fitting, Straight	



# SECTION 6 - HYDRAULIC

## FIGURE 6-5. HYDRAULIC DIAGRAM - STANDARD (SN 0300181175 through 0300208081)



ART\_1001159704



## SECTION 6 - HYDRAULIC

**FIGURE 6-5. HYDRAULIC DIAGRAM - STANDARD (SN 0300181175 through 0300208081)**

ITEM	PART NUMBER	QTY	DESCRIPTION	REV
		Ref	<b>HYDRAULIC DIAGRAM- STANDARD (SN 0300181175 through 0300208081)</b>	
	1001159703	Ref	<b>Standard Hydraulic Diagram - with Deutz D2011 Engine (600A)</b>	L
	1001164329	Ref	<b>Standard Hydraulic Diagram - with Deutz TD2.9L4 Engine (600A)</b>	K
	1001159703	Ref	<b>Standard Hydraulic Diagram - with GM Engine (600A)</b>	L
	1001159704	Ref	<b>Standard Hydraulic Diagram - with Deutz D2011 Engine (600AJ)</b>	K
	1001164277	Ref	<b>Standard Hydraulic Diagram - with Deutz TD2.9L4 Engine (600AJ)</b>	J
	1001159704	Ref	<b>Standard Hydraulic Diagram - with GM Engine (600AJ)</b>	J
1	2220605	1	Fitting, Tee	
2	2220409	AR	Fitting, 45	
3	2220377	2	Fitting, Straight	
4	1001093549	1	Hose (Deutz D2011 and GM Engines)	
4	100150714	1	Hose (Deutz TD2.9L4 Engines)	
5	2220578	1	Fitting, 90 (Deutz D2011 and GM Engines)	
5	2220451	1	Fitting, 90 (Deutz TD2.9L4 Engines)	
6	2221042	2	Fitting, 90	
7	2220948	1	Fitting, Tee	
8	2220618	1	Fitting, Straight	
9	2754329	1	Hose	
10	2753132	1	Hose	
11	2220738	1	Fitting, Tee (Deutz D2011 and GM Engines Only)	
12	2754328	1	Hose (Deutz D2011 and GM Engines)	
12	1001150717	1	Hose (Deutz TD2.9L4 Engines)	
13	2220375	1	Fitting, Straight	
14	2220474	AR	Fitting, 90	
15	2220466	AR	Fitting, 90	
16	2220415	4	Fitting, Straight	
17	2753325	1	Hose (Deutz D2011 and GM Engines)	
17	1001143496	1	Hose (Deutz TD2.9L4 Engines)	
18	2752723	1	Hose (Deutz D2011 and GM Engines)	
18	1001150716	1	Hose (Deutz TD2.9L4 Engines) <b>(SN 0300181175 through 0300183397)</b>	
18	1001172535	1	Hose (Deutz TD2.9L4 Engines) <b>(SN 0300183398 through 0300208081)</b>	
19	2220379	2	Fitting, Straight	
20	2752656	1	Hose	
21	2220567	1	Fitting, 90	
22	2752724	1	Hose (Deutz D2011 and GM Engines)	
22	1001150718	1	Hose (Deutz TD2.9L4 Engines)	
23	2752929	1	Hose	
24	2220602	1	Fitting, Tee	
25	2751396	1	Hose	
26	2752635	1	Hose (Deutz D2011 and GM Engines)	
26	2752478	1	Hose (Deutz TD2.9L4 Engines)	
27	2753133	1	Hose (Deutz D2011 and GM Engines)	
27	1001161029	1	Hose (Deutz TD2.9L4 Engines) (600A)	
27	2753133	1	Hose (Deutz TD2.9L4 Engines) (600AJ)	
28	2753968	1	Hose	

## SECTION 6 - HYDRAULIC

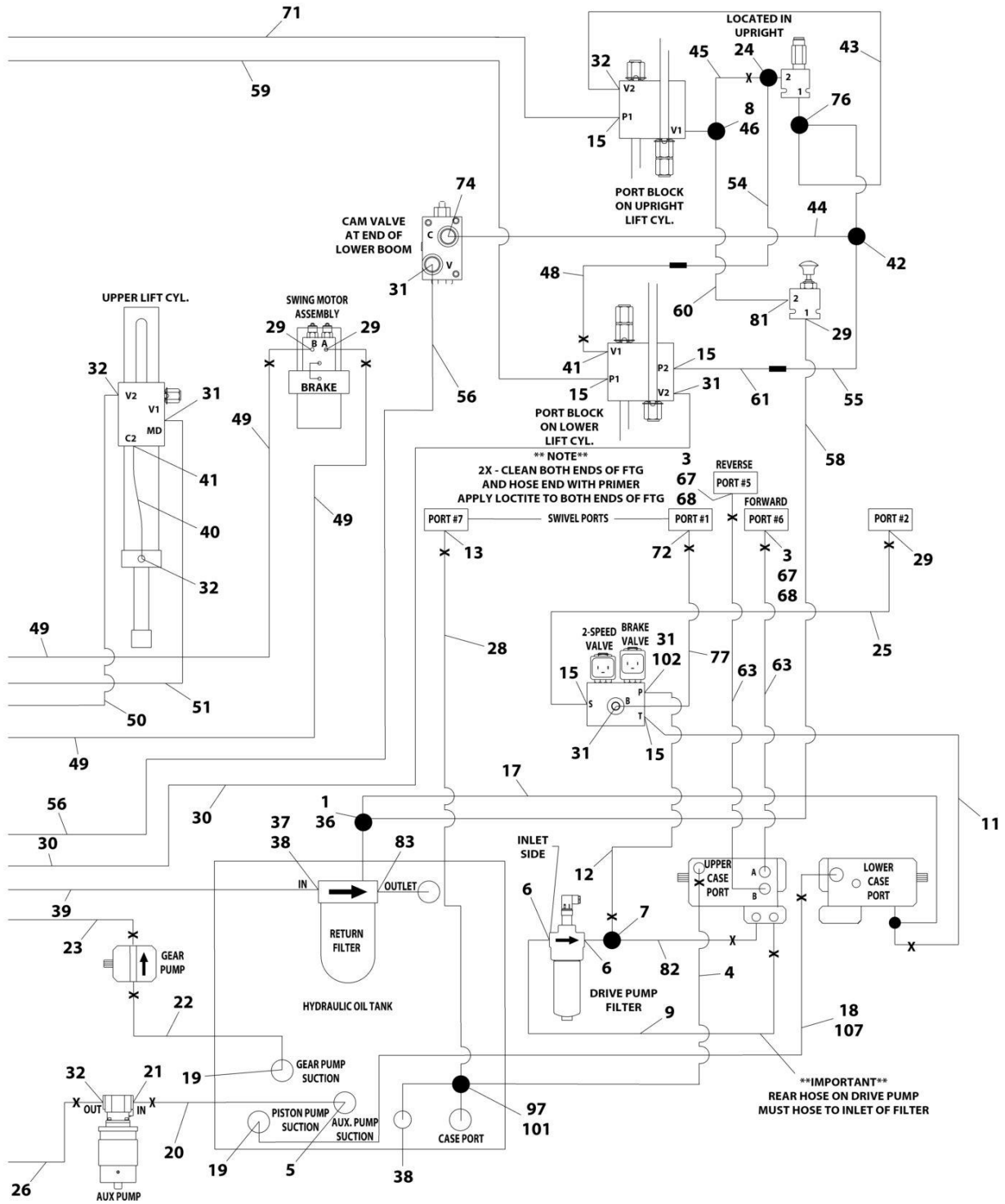
ITEM	PART NUMBER	QTY	DESCRIPTION	REV
29	2220582	6	Fitting, Straight	
30	2752506	1	Hose (600A)	
30	2752516	1	Hose (600AJ)	
31	2220596	AR	Fitting, 90	
32	2220628	4	Fitting, 90	
33	2220381	3	Fitting, Straight	
34	2220451	1	Fitting, Straight	
35	2220374	1	Fitting, Straight	
36	2220574	1	Fitting, Straight	
37	2220921	1	Fitting, Straight	
38	2220498	AR	Fitting, 45	
40	2752469	1	Hose	
41	2220372	5	Fitting, Straight	
42	2221065	1	Fitting, Tee	
43	2752462	1	Hose	
44	2753134	1	Hose	
45	2752497	1	Hose	
46	2220999	1	Fitting, Tee	
47	2220500	1	Fitting, 45	
48	2753052	1	Hose	
49	2752600	2	Hose	
50	2753055	2	Hose	
51	2752939	2	Hose	
52	2220654	2	Hose	
53	2220511	1	Fitting, Straight	
54	2753056	1	Hose	
55	2752991	1	Hose	
56	2753135	1	Hose	
57	2220473	AR	Fitting, 90	
58	2752453	1	Hose	
59	2752593	1	Hose	
60	2752900	1	Hose	
61	2752985	1	Hose	
62	2752343	1	Hose (SN 0300181175 through 0300191375)	
63	2752341	1	Hose (SN 0300181175 through 0300191375)	
64	2220998	2	Fitting, Straight	
65	2220603	AR	Fitting, Straight	
66	2220473	1	Fitting, 90	
67	0100011	AR	Compound, Locking	
68	0100038	AR	Primer, Locking	
69	1703534	2	Decal - Hose Tags (Not Shown)	
70	1001161030	1	Hose	
71	2752987	1	Hose	
72	2220373	1	Fitting, Straight	
73	2220947	1	Fitting, Straight	
74	2221036	1	Fitting, 90	
75	1001161031	1	Hose (with Deutz TD2.9L4) (600A) (SN 100181175 through 0300191374)	
75	2752484	1	Hose (with Deutz TD2.9L4) (600A) (SN 0300191376 through 0300208081)	
75	2752484	1	Hose (with Deutz TD2.9L4) (600AJ)	
75	2752484	1	Hose (with Deutz D2011 and GM Engine)	

## SECTION 6 - HYDRAULIC

ITEM	PART NUMBER	QTY	DESCRIPTION	REV
76	2221053	1	Fitting, Tee	
77	2752519	1	Hose	
80	1001104423	3	Fitting, Straight	
81	2220472	1	Fitting, 90	
82	2754330	1	Hose	
83	2220893	1	Fitting, Straight	
84	1001155672	2	Hose (600AJ)	
85	1001161032	2	Hose (600A)	
85	1001155675	2	Hose (600AJ)	
86	1001161033	2	Hose (600A)	
86	1001155673	2	Hose (600AJ)	
87	1001159707	2	Hose (600A)	
87	1001155669	2	Hose (600AJ)	
88	1001159707	1	Hose (600A)	
88	1001155678	1	Hose (600AJ)	
89	1001161160	1	Hose (600A)	
89	1001155677	1	Hose (600AJ)	
90	80233041	1	Fitting, Straight	
91	1001161035	1	Hose (600A)	
91	1001155670	1	Hose (600AJ)	
92	1001155663	1	Hose (600A)	
92	1001155671	1	Hose (600AJ)	
93	2220490	2	Fitting, Tee	
94	2220490	AR	Fitting, Straight	
95	2220512	1	Fitting, Straight	
96	1001161036	1	Hose	
98	2220415	1	Fitting, Straight (with Deutz D2011 and GM Engine) (600A)	
98	2221086	1	Fitting, Test (with Deutz TD2.9L4 Engine) (600A)	
98	2220415	1	Fitting, Straight (600AJ)	
99	2220657	1	Fitting, 45	
101	2752995	1	Hose	
102	2220578	1	Fitting, 90	
103	91143177	1	Fitting, Test Port	
104	2220726	AR	Fitting, 90 (SN 0300181175 through 0300194599)	
105	2220409	1	Fitting, 45	
106	1001150715	2	Hose (SN 0300191375 through 0300208081)	
107	2220386	1	Fitting, 90 (SN 0300194600 through 0300208081)	



# SECTION 6 - HYDRAULIC



ART\_1001189668\_2OF2

## SECTION 6 - HYDRAULIC

FIGURE 6-6. HYDRAULIC DIAGRAM - STANDARD (SN 0300208082 through 0300272252)

ITEM	PART NUMBER	QTY	DESCRIPTION	REV
		Ref	<b>HYDRAULIC DIAGRAM- STANDARD</b>	
	1001189669	Ref	<b>Standard Hydraulic Diagram - with Deutz D2011 Engine (600A)</b>	D
	1001189667	Ref	<b>Standard Hydraulic Diagram - with Deutz TD2.9L4 Engine (600A)</b>	C
	1001221614	Ref	<b>Standard Hydraulic Diagram - with Ford Engine (600A)</b>	C
	1001189669	Ref	<b>Standard Hydraulic Diagram - with GM Engine (600A)</b>	D
	1001189668	Ref	<b>Standard Hydraulic Diagram - with Deutz D2011 Engine (600AJ)</b>	A
	1001189666	Ref	<b>Standard Hydraulic Diagram - with Deutz TD2.9L4 Engine (600AJ)</b>	C
	1001221613	Ref	<b>Standard Hydraulic Diagram - with Ford Engine (600AJ)</b>	C
	1001189668	Ref	<b>Standard Hydraulic Diagram - with GM Engine (600AJ)</b>	A
1	2220605	1	Fitting, Tee	
2	2220512	1	Fitting, Straight	
3	2220377	2	Fitting, Straight	
4	1001093549	1	Hose (Deutz D2011 and GM Engines)	
4	100150714	1	Hose (Deutz TD2.9L4 Engines)	
4	2751362	1	Hose (Ford Engines)	
5	2220578	1	Fitting, 90 (Deutz D2011 and GM Engines)	
5	2220451	AR	Fitting, 90 (Deutz TD2.9L4 and Ford Engines)	
6	2221042	2	Fitting, 90	
7	2220948	1	Fitting, Tee	
8	2220618	1	Fitting, Straight	
9	2754329	1	Hose	
10	2753132	1	Hose	
11	2752573	1	Hose (Deutz D2011 and GM Engines)	
11	2753002	1	Hose (Deutz TD2.9L4 Engines)	
11	2753000	1	Hose (Ford Engines)	
12	2754328	1	Hose (Deutz D2011 and GM Engines)	
12	1001150717	1	Hose (Deutz TD2.9L4 and Ford Engines)	
13	2220375	1	Fitting, Straight	
14	1001161036	1	Hose	
15	2220466	7	Fitting, 90	
16	2220415	AR	Fitting, Straight	
17	2753390	1	Hose	
18	2752723	1	Hose (Deutz D2011 and GM Engines)	
18	1001172535	1	Hose (Deutz TD2.9L4 Engines)	
18	1001150715	1	Hose (Ford Engines) <b>(SN 0300177361 through 0300245525)</b>	
19	2220379	2	Fitting, Straight	
20	2752656	1	Hose	
21	2220567	1	Fitting, 90	
22	2752724	1	Hose (Deutz D2011, Ford and GM Engines)	
22	1001150718	1	Hose (Deutz TD2.9L4 Engines)	
23	2752929	1	Hose	
24	2220602	1	Fitting, Tee	
25	2751396	1	Hose	
26	2752635	1	Hose (Deutz D2011 and GM Engines)	
26	2752478	1	Hose (Deutz TD2.9L4 and Ford Engines)	
27	2753133	1	Hose (Deutz D2011, Ford and GM Engines)	
27	1001161029	1	Hose (Deutz TD2.9L4 Engines) (600A)	

## SECTION 6 - HYDRAULIC

ITEM	PART NUMBER	QTY	DESCRIPTION	REV
27	2753133	1	Hose (Deutz TD2.9L4 Engines) (600AJ)	
28	2753968	1	Hose	
29	2220582	AR	Fitting, Straight	
30	2752506	1	Hose	
31	2220596	AR	Fitting, 90	
32	2220628	4	Fitting, 90	
33	2220381	3	Fitting, Straight	
34	2220451	1	Fitting, Straight	
35	2220374	1	Fitting, Straight	
36	2220574	1	Fitting, Straight	
37	2220921	1	Fitting, Straight	
38	2220498	AR	Fitting, 45	
39	2752783	1	Hose	
40	2752469	1	Hose	
41	2220372	5	Fitting, Straight	
42	2221065	1	Fitting, Tee	
43	2752462	1	Hose	
44	2753134	1	Hose	
45	2752497	1	Hose	
46	2220999	1	Fitting, Tee	
47	2220500	1	Fitting, 45	
48	2753052	1	Hose	
49	2752600	2	Hose	
50	2753055	2	Hose	
51	2752939	2	Hose	
52	2220654	2	Hose (SN 0300208082 through 0300237381)	
53	2220511	1	Fitting, Straight	
54	2753056	1	Hose	
55	2752991	1	Hose	
56	2753135	1	Hose	
57	2220473	AR	Fitting, 90	
58	2752453	1	Hose	
59	2752593	1	Hose	
60	2752990	1	Hose	
61	2752985	1	Hose	
63	1001150715	AR	Hose	
64	2220998	2	Fitting, Straight	
65	2220603	AR	Fitting, Straight	
66	2220473	AR	Fitting, 90	
67	0100011	AR	Compound, Locking	
68	0100038	AR	Primer, Locking	
69	1703534	2	Decal - Hose Tags (Not Shown)	
70	1001161030	1	Hose	
71	2752987	1	Hose	
72	2220373	1	Fitting, Straight	
73	2220947	1	Fitting, Straight	
74	2221036	1	Fitting, 90	
75	2752484	1	Hose	
76	2221053	1	Fitting, Tee	
77	2752519	1	Hose	
80	1001104423	3	Fitting, Straight	

## SECTION 6 - HYDRAULIC

ITEM	PART NUMBER	QTY	DESCRIPTION	REV
81	2220582	AR	Fitting, Straight	
81	2220472	1	Fitting, 90	
82	2754330	1	Hose	
83	2220893	1	Fitting, Straight	
84	1001155672	2	Hose (600AJ)	
85	1001161032	2	Hose (600A)	
85	1001155675	2	Hose (600AJ)	
86	1001161033	2	Hose (600A)	
86	1001155673	2	Hose (600AJ)	
87	1001159707	2	Hose (600A)	
87	1001155669	2	Hose (600AJ)	
88	1001161034	1	Hose (600A)	
88	1001155678	1	Hose (600AJ)	
89	1001161160	1	Hose (600A)	
89	1001155677	1	Hose (600AJ)	
90	80233041	1	Fitting, Straight	
91	1001193683	1	Hose (600A)	
91	1001155670	1	Hose (600AJ)	
92	1001155663	1	Hose (600A)	
92	1001155671	1	Hose (600AJ)	
93	2220490	2	Fitting, Tee	
94	2220600	2	Fitting, Straight	
95	2220415	AR	Fitting, Straight	
96	1001161036	1	Hose	
96	2220657	1	Fitting, 45	
97	2220409	2	Fitting, 45	
98	2752995	1	Hose	
99	91143177	1	Fitting, Test	
100	2220386	1	Fitting, 90	
101	2220738	1	Fitting, Tee (Deutz D2011 and GM Engines)	
101	2220578	1	Fitting, 90 (Deutz TD2.9L4 and Ford Engines)	
102	2220474	1	Fitting, 90 (Deutz D2011 and GM Engines)	
107	2752723	1	Hose (Ford Engines) <b>(SN 0300245526 through 0300272252)</b>	





# SECTION 6 - HYDRAULIC

## FIGURE 6-7. HYDRAULIC DIAGRAM LIST

ITEM	PART NUMBER	QTY	DESCRIPTION	REV
		Ref	<b>Note: Diagrams not shown are available from JLG Service/Parts Departments.</b>	
		Ref	<b>DRIVE HYDRAULIC DIAGRAMS</b>	
	1001140416	Ref	Drive Hydraulic Diagrams 2WD/2WS	
	1001140417	Ref	2WD/4WS (SN 0300177361 through 0300181174)	
	1001161038	Ref	2WD/4WS (SN 0300181175 through 0300272252)	
	1001140418	Ref	4WD/2WS (Machines without Arctic Package)	
	1001140420	Ref	4WD/2WS (Machines with Arctic Package)	
	1001140419	Ref	4WD/4WS (Machines without Arctic Package) (SN 0300177361 through 0300181174)	
	1001161039	Ref	4WD/4WS (Machines without Arctic Package) (SN 0300181175 through 0300272252)	
	1001140421	Ref	4WD/4WS (Machines with Arctic Package) (SN 0300177361 through 0300181174)	
	1001161040	Ref	4WD/4WS (Machines with Arctic Package) (SN 0300181175 through 0300272252)	
		Ref	<b>FLUSHING LOOP HYDRAULIC DIAGRAMS</b>	
	1001152619	Ref	Flushing Loop Hydraulic Diagrams 2WD	
	1001152620	Ref	Flushing Loop Hydraulic Diagrams 4WD	
	4641329	1	Valve, Flushing Loop (Located inside Frame) (SN 0300177361 through 0300226518)	
	1001224927	1	Valve, Flushing Loop (Located inside Frame) (SN 0300226519 through 0300272252)	
	7024881	1	Piston, Pilot	
	7021639	2	Cartridge, Check Valve	
	2900756	2	Seal Kit - 7021639 Valve	
		Ref	<b>OIL COOLER HYDRAULIC DIAGRAMS</b>	
	1001152172	Ref	Deutz D2011 Engine Machines	
	1001142678	Ref	Deutz TD2.9L4 Engine Machines	
	0272062	Ref	GM Engine Machines	
	1283309	1	GM Engine Machines	
		Ref	<b>OSCILLATING AXLE HYDRAULIC DIAGRAMS</b>	
	2792690	Ref	7ft/2.1m Wide Machines	
	1283429	1	7ft/2.1m Wide Machines	
	1001151349	Ref	8ft/2.4m Wide Machines	
	1001151350	1	8ft/2.4m Wide Machines	
		Ref	<b>STANDARD HYDRAULIC DIAGRAM</b>	
	1001152598	Ref	Standard Hydraulic Diagram - with Deutz D2011 Engine (600A) (SN 0300177361 through 0300181174)	
	1001159703	Ref	Standard Hydraulic Diagram - with Deutz D2011 Engine (600A) (SN 0300181175 through 0300208081)	
	1001189669	Ref	Standard Hydraulic Diagram - with Deutz D2011 Engine (600A) (SN 0300208082 through 0300272252)	
	1001150727	Ref	Standard Hydraulic Diagram - with Deutz TD2.9L4 Engine (600A) (SN 0300177361 through 0300181174)	
	1001164329	Ref	Standard Hydraulic Diagram - with Deutz TD2.9L4 Engine (600A) (SN 0300181175 through 0300208081)	
	1001189667	Ref	Standard Hydraulic Diagram - with Deutz TD2.9L4 Engine (600A) (SN 0300208082 through 0300272252)	
	1001152598	Ref	Standard Hydraulic Diagram - with GM Engine (600A) (SN 0300177361 through 0300181174)	

## SECTION 6 - HYDRAULIC

ITEM	PART NUMBER	QTY	DESCRIPTION	REV
	1001159703	Ref	Standard Hydraulic Diagram - with GM Engine (600A) (SN 0300181175 through 0300208081)	
	1001189669	Ref	Standard Hydraulic Diagram - with GM Engine (600A) (SN 0300208082 through 0300272252)	
	1001152609	Ref	Standard Hydraulic Diagram - with Deutz D2011 Engine (600AJ) (SN 0300177361 through 0300181174)	
	1001159704	Ref	Standard Hydraulic Diagram - with Deutz D2011 Engine (600AJ) (SN 0300181175 through 0300208081)	
	1001189668	Ref	Standard Hydraulic Diagram - with Deutz D2011 Engine (600AJ) (SN 0300208082 through 0300272252)	
	1001150728	Ref	Standard Hydraulic Diagram - with Deutz TD2.9L4 Engine (600AJ) (SN 0300177361 through 0300181174)	
	1001164277	Ref	Standard Hydraulic Diagram - with Deutz TD2.9L4 Engine (600AJ) (SN 0300181175 through 0300208081)	
	1001189666	Ref	Standard Hydraulic Diagram - with Deutz TD2.9L4 Engine (600AJ) (SN 0300208082 through 0300272252)	
	1001152609	Ref	Standard Hydraulic Diagram - with GM Engine (600AJ) (SN 0300177361 through 0300181174)	
	1001159704	Ref	Standard Hydraulic Diagram - with GM Engine (600AJ) (SN 0300181175 through 0300208081)	
	1001189668	Ref	Standard Hydraulic Diagram - with GM Engine (600AJ) (SN 0300208082 through 0300272252)	
		Ref	<b>STANDARD HYDRAULIC SCHEMATIC</b>	
	2792691	Ref	Hydraulic Schematic Deutz D2011 Engine Machines (SN 0300177361 through 0300181174)	
	1001157605	Ref	Hydraulic Schematic Deutz D2011 Engine Machines (SN 0300181175 through 0300272252)	
	1001152254	Ref	Hydraulic Schematic Deutz TD2.9L4 Engine Machines (SN 0300177361 through 0300196751)	
	1001157605	Ref	Hydraulic Schematic Deutz TD2.9L4 Engine Machines (SN 0300196752 through 0300272252)	
	2792691	Ref	Hydraulic Schematic GM Engine Machines (SN 0300177361 through 0300181174)	
	1001157605	Ref	Hydraulic Schematic GM Engine Machines (SN 0300181175 through 0300272252)	
	2792630	Ref	<b>TOW HYDRAULIC DIAGRAM</b>	



**SECTION 7 - ELECTRICAL**

# SECTION 7 - ELECTRICAL

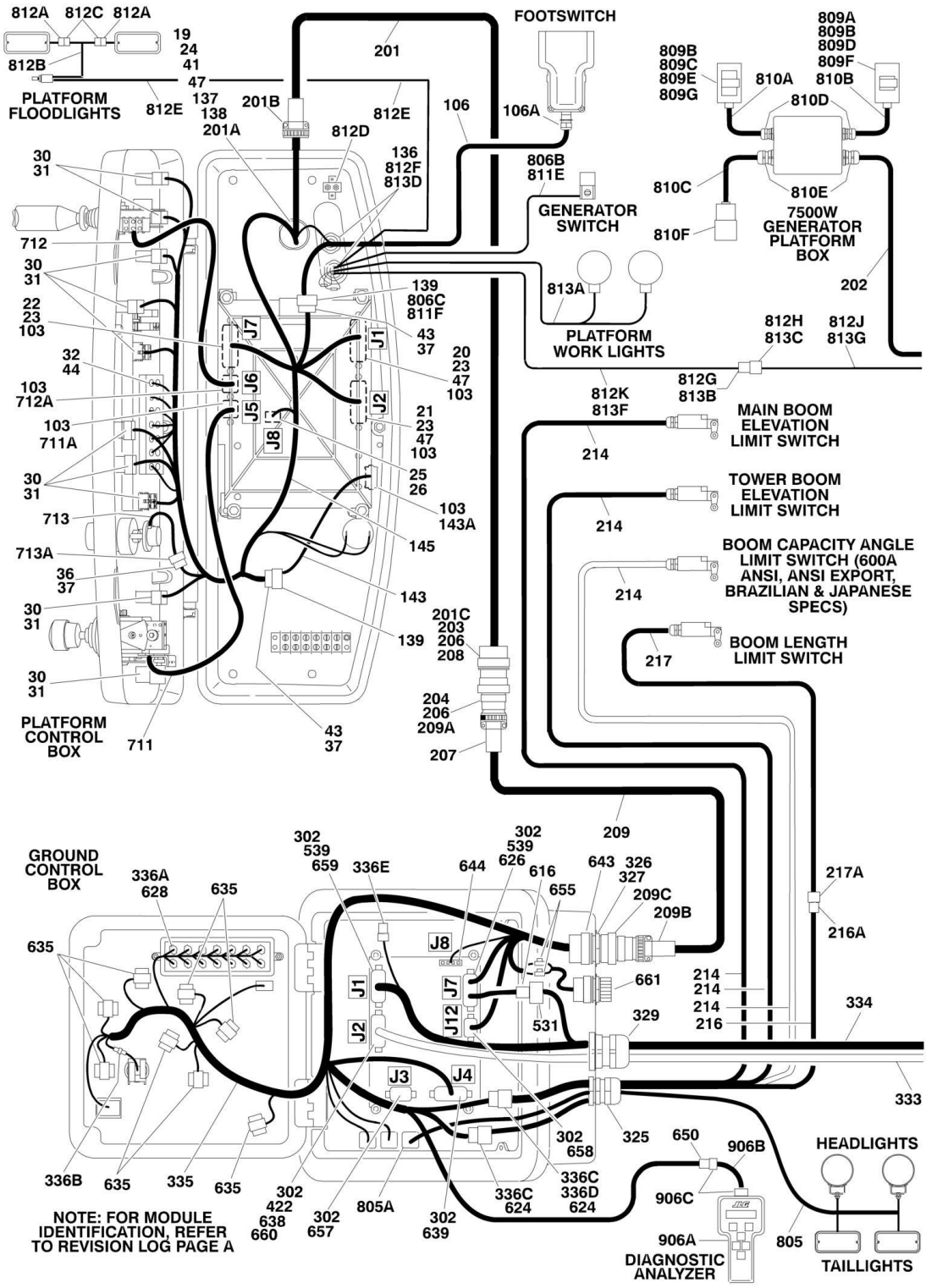
## FIGURE 7-1. ELECTRICAL DIAGRAM LIST

ITEM	PART NUMBER	QTY	DESCRIPTION	REV
		Ref	<b>Note: Diagrams are available from the JLG Service Department. Schematics are shown in Service and Maintenance Manual.</b>	
	4933312	Ref	<b>CHASSIS ILLUMINATION ELECTRICAL DIAGRAM</b>	
	1282571	Ref	<b>COLD WEATHER START ELECTRICAL DIAGRAM (GM)</b>	
		Ref	<b>DRIVE CUTOFF KIT ELECTRICAL DIAGRAMS</b>	
	4932990	Ref	<b>Drive Cutoff Kit (Above Elevation Beyond Transport)</b>	
	4932993	Ref	<b>Drive Cutoff Kit (Above Elevation Tilt) (ANSI, ANSI Export, Australian and Japanese Specs Only)</b>	
	4933308	Ref	<b>FLOOD LIGHTS ELECTRICAL DIAGRAM</b>	
		Ref	<b>GENERATOR ELECTRICAL DIAGRAMS</b>	
		Ref	<b>2500W Options:</b>	
	1001112588	Ref	<b>Deutz Engine with 110V/60Hz Generator</b>	
	1001112743	Ref	<b>Deutz Engine with 220V/50Hz Generator</b>	
	4933350	Ref	<b>Ford &amp; GM Engines</b>	
		Ref	<b>4000W Options:</b>	
	1001194437	Ref	<b>4000W/50Hz (ANSI Export and Japanese Spec)</b>	
	1001159648	Ref	<b>4000W/50Hz (Australian Spec)</b>	
	1001153025	Ref	<b>4000W/50Hz (220V) (CE Spec)</b>	
	1001160271	Ref	<b>4000W/50Hz (110V) (CE UK Spec)</b>	
	1001132055	Ref	<b>4000W/60Hz (Deutz D2011 &amp; GM Engines)</b>	
	1001132055	Ref	<b>4000W/60Hz (Deutz TD2.9L4 Engines) (SN 0300177361 through 0300213430)</b>	
	1001153257	Ref	<b>4000W/60Hz (Deutz TD2.9L4 Engines) (SN 0300213431 through 0300272252)</b>	
		Ref	<b>7500W Options:</b>	
	1001112586	Ref	<b>Deutz D2011 Engines (SN 0300177361 through 0300182752)</b>	
	1001157769	Ref	<b>Deutz D2011 Engines (SN 0300182753 through 0300272252)</b>	
	1001122528	Ref	<b>Deutz TD2.9L4 Engines</b>	
	1001221498	Ref	<b>Ford Engines</b>	
	4933349	Ref	<b>GM Engine (SN 0300177361 through 0300182752)</b>	
	1001157768	Ref	<b>GM Engine (SN 0300182753 through 0300272252)</b>	
		Ref	<b>GROUND CONTROL BOX ELECTRICAL DIAGRAMS</b>	
	1001110381	Ref	<b>Deutz D2011 Engines (SN 0300177361 through 0300181174)</b>	
	1001154396	Ref	<b>Deutz D2011 Engines (SN 0300181175 through 0300272252)</b>	
	1001157770	Ref	<b>Deutz TD2.9L4 Engines (SN 0300177361 through 0300181174)</b>	
	1001164564	Ref	<b>Deutz TD2.9L4 Engines (SN 0300181175 through 0300272252)</b>	
	1001110380	Ref	<b>GM Engines (SN 0300177361 through 0300181174)</b>	
	1001154395	Ref	<b>GM Engines (SN 0300181175 through 0300232332)</b>	
	1001224136	Ref	<b>GM Engines (SN 0300232333 through 0300272252)</b>	
	4933219	Ref	<b>HEADLIGHTS/TAILLIGHTS ELECTRICAL DIAGRAM</b>	
	4933218	Ref	<b>PLATFORM SOFT TOUCH SYSTEM ELECTRICAL DIAGRAM</b>	
	0273492	Ref	<b>PLATFORM WORKLIGHTS ELECTRICAL DIAGRAM</b>	
		Ref	<b>STANDARD ELECTRICAL SCHEMATIC</b>	
	1001110345	Ref	<b>Standard Schematic (SN 0300177361 through 0300181174)</b>	
	1001151752	Ref	<b>Standard Schematic (SN 0300181175 through 0300195160)</b>	
	1001178004	Ref	<b>Standard Schematic (SN 0300195161 through 0300272252)</b>	
	1001131992	Ref	<b>GM Engine Schematic (Engine Schematic Only. Used in addition to Standard Schematic)</b>	



# SECTION 7 - ELECTRICAL

FIGURE 7-2. HARNESS COMPONENTS INSTALLATION (SN 0300177361 through 0300181174)



NOTE: FOR MODULE IDENTIFICATION, REFER TO REVISION LOG PAGE A





## SECTION 7 - ELECTRICAL

FIGURE 7-2. HARNESS COMPONENTS INSTALLATION (SN 0300177361 through 0300181174)

ITEM	PART NUMBER	QTY	DESCRIPTION	REV
	1001107753	Ref	<b>PLATFORM BOX HARNESS ASSEMBLY</b>	D
19	4460866	1	Connector - 19 Position	
20	4460874	1	Connector - 35 Position (Natural)	
21	4460875	1	Connector - 35 Position (Gray)	
22	4460873	1	Connector - 35 Position (Black)	
23	4460871	70	Socket, Female	
24	4460464	7	Pin, Male (16 Gauge)	
25	4460879	1	Terminal, Housing 2 Position	
26	4460887	2	Terminal, (12 Gauge)	
30	4460418	9	Connector - 6 Position	
31	4460419	27	Terminal, Female	
32	4120035	13	Base, Light	
36	4460225	1	Plug, Male - 6 Position	
37	4460227	30	Pin, Male	
41	4460508	3	Pin, Male (12 Gauge)	
43	4460434	2	Connector - 15 Position	
44	2920129	13	Lamp, Indicator	
47	4460905	26	Seal, Plug	
	1001145834	Ref	<b>PLATFORM BOX ASSEMBLY COMPONENTS</b>	B
103	0100048	AR	Grease, Dielectric	
106	See Note	1	Footswitch Harness	
106	1060918	8 ft/2.4m	Cable, Electrical - 18/3	
106A	4460071	1	Connector, Strain Relief	
136	4460428	2	Connector, Strain Relief	
137	4460470	1	Nut, Terminal	
138	4460471	1	Lockwasher, Terminal	
139	4460708	2	Connector, Female - 15 Position	
143	4922666	1	Harness, Analyzer Cable	2-B
143	4460226	4	Socket, Female (Not Shown - Located at J2)	
143A	4460761	1	Connector, Female - 4 Position	
143A	4460227	4	Pin, Male	
145	1001107753	1	Harness, Platform Console Box (Includes Items 1-44)	
		Ref	<b>BOOM CABLES INSTALLATION</b>	
		Ref	<b>Boom Cables Installation (600A)</b>	
	0270818	Ref	<b>ANSI, ANSI Export, CSA and Japanese Specs without 7500W Generator (600A)</b>	6
	1001153321	Ref	<b>ANSI, ANSI Export, CSA and Japanese Specs with 4000W Generator (600A)</b>	A
	0272624	Ref	<b>ANSI, ANSI Export and CSA Specs with 7500W Generator (600A)</b>	2
	0275265	Ref	<b>ANSI, ANSI Export and CSA Specs with Arctic Package without 7500W Generator (600A)</b>	1
	1001093436	Ref	<b>ANSI, ANSI Export and CSA Specs with Arctic Package with 7500W Generator (600A)</b>	2-A
	0270819	Ref	<b>CE Specs without 7500W Generator (600A)</b>	6
	0272626	Ref	<b>CE and Japanese Specs with 7500W Generator (600A)</b>	2
		Ref	<b>Boom Cables Installation (600AJ)</b>	
	0270820	Ref	<b>ANSI, ANSI Export, CSA and Japanese Specs without 7500W Generator (600AJ)</b>	6-G
	0272625	Ref	<b>ANSI, ANSI Export and CSA Specs with 7500W Generator (600AJ)</b>	2-G

## SECTION 7 - ELECTRICAL

ITEM	PART NUMBER	QTY	DESCRIPTION	REV
	0275140	Ref	<b>ANSI, ANSI Export and CSA Specs with Arctic Package without 7500W Generator (600AJ)</b>	1
	1001093432	Ref	<b>ANSI, ANSI Export and CSA Specs with Arctic Package with 7500W Generator (600AJ)</b>	2-A
	1001115974	Ref	<b>ANSI and ANSI Export Specs with David Clark Communication System without 7500W Generator (Note: Not Shown - Contact your JLG Parts Department) (600AJ)</b>	B
	1001116515	Ref	<b>ANSI and ANSI Export Specs with David Clark Communication System with 7500W Generator (Note: Not Shown - Contact your JLG Parts Department) (600AJ)</b>	B
	0273428	Ref	<b>Australian Specs without 7500W Generator (600AJ)</b>	1-G
	0273430	Ref	<b>Australian Specs with 7500W Generator (600AJ)</b>	1-G
	0270821	Ref	<b>CE Spec without 7500W Generator (600AJ)</b>	B
	0272627	Ref	<b>CE and Japanese Specs with 7500W Generator (600AJ)</b>	B
201		Ref	Harness, Main Boom Options:	
201	4922493	1	Harness, Main Boom without Arctic Package	C
201	4923472	1	Harness, Main Boom with Arctic Package	1-A
201		Ref	Cable Options:	
201	1060896	45.5 ft/ 13.9m	Cable without Arctic Package	
201	4923462	45.5 ft/ 13.9m	Cable with Arctic Package	
201A	4460865	1	Connector (19 Pin)	
201A	4460465	11	Socket, Female - #16	
201A	4460509	4	Socket, Female - #12	
201A	4460466	4	Seal, Plug	
201B	4460473	1	Clamp, Cable	
201C	4460464	11	Pin, Male (16-18 Gauge)	
201C	4460508	4	Pin, Male (10-12 Gauge)	
201C	2820118	AR	Shrink, Heat	
202		Ref	Cable, Electrical (Main Boom) Options (Does not include plug ends)	
202		Ref	Without SkyPower:	
202	4922894	1	ANSI, ANSI Export, CSA and Japanese Specs (12/3)	
202	4923474	1	ANSI, ANSI Export and CSA Specs with Arctic Pkg (12/3)	
202	4922895	1	Australian and CE Specs (12/3)	
202	4922810	1	With SkyPower	
203	2820031	AR	Shrink, Heat	
204	4460865	1	Connector - 19 Position	
206	4460466	8	Seal, Plug	
207	4460473	1	Clamp, Cable	
208	4460866	1	Connector (19 Pin)	
209		Ref	Harness, Tower Boom Cable Options:	
209	4922494	1	Harness, Tower Boom Cable without Arctic Package	C
209	4923473	1	Harness, Tower Boom Cable with Arctic Package	1-A
209		Ref	Cable Options:	
209	1060896	35.5 ft/ 10.8m	Cable without Arctic Package	
209	4923462	35.5 ft/ 10.8m	Cable with Arctic Package	
209A	4460465	11	Socket, Female - #16	
209A	4460509	4	Socket, Female - #12	
209A	2820118	AR	Shrink, Heat	
209B	4460473	1	Clamp, Cable	

## SECTION 7 - ELECTRICAL

ITEM	PART NUMBER	QTY	DESCRIPTION	REV
209C	4460865	1	Connector - 19 Position	
209C	4460465	11	Socket, Female - #16	
209C	4460509	4	Socket, Female - #12	
209C	4460466	4	Seal, Plug	
210		Ref	Cable, Electrical (Tower Boom) Options (Does not include plug ends)	
210		Ref	Without SkyPower:	
210	4922892	1	ANSI, ANSI Export, CSA and Japanese Specs (12/3)	
210	4923475	1	ANSI, ANSI Export and CSA Specs with Arctic Package (12/3)	
210	4922893	1	Australian, CE and Latin American Specs (12/3)	
210	4922811	1	With SkyPower	
214	1061033	AR	Cable, Electrical - 18/2 Main Boom Limit Switch	
214		Ref	ANSI, ANSI Export, CSA and Japanese Specs (600A)	
214		Ref	ANSI, ANSI Export, CSA and Japanese Specs (600AJ)	
214		Ref	Australian and CE Specs	
214	4923476	3	ANSI, ANSI Export and CSA Spec with Arctic Package (600A)	
214	4923476	2	ANSI, ANSI Export and CSA Spec with Arctic Package (600AJ)	
216		Ref	Cable, Electrical - 18/2 Main Boom Length Options:	
216	4922891	1	All Specs except Australian Specs (600A)	1-A
216	Not Required	0	Australian Specs (600A)	
216	4923500	1	ANSI, ANSI Export and CSA Spec with Arctic Package (600A)	1-A
216	Not Required	0	All Specs except CE Spec (600AJ)	
216	4922891	1	CE Spec (600AJ)	1-A
216	Not Required	0	ANSI, ANSI Export and CSA Spec with Arctic Package (600AJ)	
216A	4460891	1	Plug, Male - 2 Position	
216A	4460465	2	Socket, Female	
217		Ref	Cable, Electrical - 18/2 Main Boom Length Options:	
217	4922890	1	Cable, Electrical (All Specs) (600A)	1-A
217	4923501	1	Cable, Electrical (ANSI, ANSI Export and CSA Spec with Arctic Package) (600A)	1-A
217	Not Required	0	Cable, Electrical (All Specs except CE Spec) (600AJ)	
217	4922896	1	Cable, Electrical (CE Spec) (600AJ)	1-A
217	Not Required	0	Cable, Electrical (ANSI, ANSI Export and CSA Spec with Arctic Package) (600AJ)	
217A	4460897	1	Receptacle, Female - 2 Position	
217A	4460464	2	Pin, Male	
		Ref	<b>GROUND CONTROL BOX COMPONENTS</b>	
		Ref	<b>Ground Control Box Components (600A)</b>	
	1001110368	Ref	<b>Deutz D2011 Engine (ANSI and ANSI Export Specs) (600A)</b>	A
	1001110371	Ref	<b>Deutz D2011 Engine (ANSI Export and CE Specs) (600A)</b>	A
	1001145036	Ref	<b>Deutz TD2.9L4 Engine (600A)</b>	A
	1001110367	Ref	<b>GM Engine (600A)</b>	B
		Ref	<b>Ground Control Box Components (600AJ)</b>	
	1001110370	Ref	<b>Deutz D2011 Engine (ANSI, ANSI Export and Australian Spec) (600AJ)</b>	A
	1001110372	Ref	<b>Deutz D2011 Engine (ANSI Export and CE Specs) (600AJ)</b>	A
	1001145037	Ref	<b>Deutz TD2.9L4 Engine (600AJ)</b>	A
	1001110369	Ref	<b>GM Engine (600AJ)</b>	B
302	0100048	AR	Grease, Dielectric	
325	4460426	1	Terminal, Strain Relief	
326	4460470	1	Nut, Terminal	

## SECTION 7 - ELECTRICAL

ITEM	PART NUMBER	QTY	DESCRIPTION	REV
327	4460471	1	Lockwasher, Terminal	
329	4460526	1	Connector, Strain Relief	
333	4923224	1	Valve Harness Assembly (See 401 to 426 for Breakdown)	
334		Ref	Engine Harness Assembly (See 501 to 554 for Breakdown)	
334	1001110361	1	Deutz D2011 Engine Machines	
334	1001145046	1	Deutz TD2.9L4 Engine Machines	
334	1001110359	1	GM Engine Machines	
335		Ref	Ground Control Box Harness Assembly (See Items 601-661 for Breakdown)	
335	1001110379	1	Deutz D2011 Engine Machines	
335	1001145992	1	Deutz TD2.9L4 Engine Machines	
335	1001110379	1	GM Engine Machines	
336		Ref	Ground Control Box Wiring Diagram (Not Shown)	
336	1001110381	1	Deutz D2011 Engine Machines	F
336	1001145994	1	Deutz TD2.9L4 Engine Machines	A
336	1001110380	1	GM Engine Machines	E
336A	2920129	AR	Bulb, Light	
336B	2400065	1	Fuse, 30Amp (Deutz TD2.9L4 Engines)	
336B	2400066	1	Fuse, Holder with Cover (Deutz TD2.9L4 Engines)	
336B	1001173590	1	Fuse Holder with Fuse - 30AMP	
336C	4460708	2	Connector, Female - 15 Position	
336C	4460226	AR	Socket, Female	
336C	4460906	AR	Plug, Terminal	
336D	4922637	1	Harness, Jumper	
336E	4460894	1	Plug, Male - 6 Position	
336E	4460892	1	Connector, Female - 6 Position	
	4923224	Ref	<b>VALVE HARNESS ASSEMBLY</b>	4-E
417	4460880	19	DIN Connector	
418	4460320	2	Plug, Male - 2 Position	
419	4460267	7	Pin, Male	
420	4460424	1	Receptacle, Female - 2 Position	
421	4460268	5	Socket, Female	
422	4460871	31	Socket, Female	
425	4460326	1	Plug, Male - 3 Position	
426	4460445	1	Receptacle, Female - 3 Position	
		Ref	<b>ENGINE HARNESS ASSEMBLIES</b>	
	1001110361	Ref	<b>Deutz D2011 Engine Machines</b>	A
	1001145046	Ref	<b>Deutz TD2.9L4 Engine Machines</b>	D
	1001110359	Ref	<b>GM Engine Machines</b>	B
517	4460424	1	Receptacle, Female - 2 Position	
517	4460268	2	Socket, Female	
518	4460424	1	Receptacle, Female - 2 Position	
518	4460226	2	Socket, Female	
519	4460880	2	DIN Connector without Diode	
523	4461070	1	Receptacle, Female with Resistor (3 Position) (Deutz D2011 Engines Only)	
523	4461095	1	Plug, Male - 3 Position (Deutz D2011 Engines Only)	
523	4460944	3	Socket, Female (Deutz D2011 Engines Only)	
524	4460931	1	Connector, Male - 8 Position (Deutz TD2.9L4 Engines Only)	
524	4460464	4	Pin, Male	
524	4460466	4	Seal, Plug	
528	4460460	1	Connector, Male - 4 Position	

## SECTION 7 - ELECTRICAL

ITEM	PART NUMBER	QTY	DESCRIPTION	REV
528	4460457	AR	Terminal, Female	
528	4460458	AR	Seal, Terminal	
531	4460539	1	Connector, Male - 3 Position	
531	4460944	3	Socket, Female	
533	4461052	1	Connector, Receptacle - 25 Position (Deutz D2011 Engines Only)	
533	4461005	5	Terminal (Gold) (Deutz D2011 Engines Only)	
533	4461006	5	Seal, Terminal (Deutz D2011 Engines Only)	
533	4461060	2	Terminal (Tin) (Deutz D2011 Engines Only)	
533	4461054	2	Seal, Terminal (Deutz D2011 Engines Only)	
533	4461053	1	Cover, Plug (Deutz D2011 Engines Only)	
533	4461008	AR	Plug, Hole (Deutz D2011 Engines Only)	
539	4460871	AR	Socket, Female	
544	4461157	1	Receptacle, Female - 2 Position (Deutz Engines Only)	
544	4460979	2	Pin, Male (Deutz Engines Only)	
544	4460458	2	Seal, Terminal (Deutz Engines Only)	
548	4461121	1	Plug, Male - 4 Position (GM Engines Only)	
548	4461122	NLA	Socket, Female (GM Engines Only) (use p/n 1001126484)	
548	4461123	NLA	Seal, Terminal (GM Engines Only) (use p/n 1001126485)	
550	4460899	1	Connector, Male - 6 Position (Deutz TD2.9L4 Engines Only)	
550	4460464	5	Pin, Male	
550	4460943	5	Pin, Male (Gold)	
550	4460466	1	Seal, Plug	
551	4461124	1	Receptacle, Female - 4 Position (GM Engines Only)	
551	4460693	4	Pin, Male (GM Engines Only)	
551	4460608	4	Seal, Terminal (GM Engines Only)	
551	4461161	1	Lock, Terminal (GM Engines Only)	
553	2902443	1	Kit, Receptacle (Deutz Engines Only)	
553	4461071	8	Terminal, Female (Gold) (Deutz D2011 Engines Only)	
553	4461072	1	Connector, Flange Mount (Deutz D2011 Engines Only)	
553	4461073	1	Connector, Dust Cap (Deutz D2011 Engines Only)	
553	4461074	1	Connector, Shell (Deutz D2011 Engines Only)	
554	4461109	1	Plug, Male - 16 Position (GM Engines Only)	
554	4461111	7	Pin, Male (GM Engines Only)	
554	4461113	7	Seal, Terminal (GM Engines Only)	
554	4461222	9	Plug, Cavity (GM Engines Only)	
		Ref	<b>GROUND CONTROL HARNESS ASSEMBLY</b>	
	1001110379	Ref	<b>Deutz D2011 Engine Machines</b>	B
	1001145992	Ref	<b>Deutz TD2.9L4 Engine Machines</b>	A
	1001110379	Ref	<b>GM Engine Machines</b>	B
616	4460536	1	Connector, Female 3 - Position	
616	4460943	3	Pin, Male	
621	3990010	2	Diode - 6 Amp (Not Shown)	
624	4460434	2	Connector, Male 15 - Position	
624	4460227	AR	Pin	
626	4460873	1	Connector, Male - 35 Position (Black)	
626	4460871	AR	Socket, Female	
626	4460905	AR	Plug, Seal	
628	4120035	6	Base, Light	
628	4460634	7	Terminal (16 Gauge)	
628	4460635	5	Terminal (12 Gauge)	
635	4460418	9	Connector, Female - 6 Position	

## SECTION 7 - ELECTRICAL

ITEM	PART NUMBER	QTY	DESCRIPTION	REV
635	4460419	24	Socket, Female	
638	4460871	AR	Socket, Female	
639	4460876	1	Connector, Male - 35 Position (Blue)	
639	4460871	28	Socket, Female	
639	4460905	AR	Plug, Seal	
643	4460866	1	Connector - 19 Position	
643	4460464	7	Pin, Male (16 Gauge)	
643	4460508	3	Pin, Male (12 Gauge)	
644	4460878	1	Housing, Terminal - 4 Position	
644	4460887	3	Terminal (12 Gauge)	
650	4460761	1	Connector, Female 4 - Position	
650	4460227	4	Pin, Male	
655	8229242	2	Fuse 5A	
655	2400060	2	Holder, Fuse	
657	1001106339	1	Connector, Male - 14 Position	
657	4460871	2	Socket, Female	
657	4460905	AR	Plug, Seal	
658	1001106340	1	Connector, Male - 14 Position	
658	4460871	5	Socket, Female	
659	4460874	1	Connector, Natural	
659	4460871	10	Socket, Female	
659	4460905	AR	Plug, Seal	
660	4460875	1	Connector, Gray	
660	4460871	2	Socket, Female	
661	1001112612	1	Connector - 9 Position	
661	4460943	4	Pin, Male	
		Ref	<b>STANDARD HARNESS COMPONENTS</b>	
701		Ref	Battery Cable Kit Options:	
701	2902296	1	Deutz D2011 Engines	D
701	1001145047	1	Deutz TD2.9L4 Engines	D
701	2902531	1	GM Engine Machines	B
701A		Ref	Cable, Battery (Black) (Battery - to Tray Pivot Grd) Options:	
701A	7027004	1	Deutz D2011 Engines	
701A	7027072	1	Deutz TD2.9L4 Engines	
701A	7016822	1	GM Engine Machines	
701B	8270147	1	Terminal, Battery (with Boot) (Deutz TD2.9L4 Engines Only)	
701B	See Note	1	Boot, Black (Note: Not Available for Purchase)	
701C		Ref	Cable, Battery (Black) (Battery - to Aux Pump and Relay Grds)	
701C	7027003	1	Deutz D2011 Engines	
701C	7027073	1	Deutz TD2.9L4 Engines	
701C	7027003	1	GM Engine Machines	
701C	See Note	1	Boot, Black (Note: Not Available for Purchase)	
701D		Ref	Cable, Battery (Black) (Engine to Tray Pivot Grd)	
701D	Not Required	0	Deutz D2011 Engines	
701D	7027074	1	Deutz TD2.9L4 Engines	
701D	See Note	1	GM Engine Machines (Note: Use Item 701A)	
701E		Ref	Cable (Red) (Aux Relay to Aux Pump)	
701E	7027002	1	Deutz D2011 Engines	
701E	7027075	1	Deutz TD2.9L4 Engines	
701E	7027016	1	GM Engine Machines	
701E	See Note	2	Boot, Red (Note: Not Available for Purchase)	

## SECTION 7 - ELECTRICAL

ITEM	PART NUMBER	QTY	DESCRIPTION	REV
701F		Ref	Cable (Red) (Battery + to Aux Relay/Power Module/Starter)	
701F	1001116240	1	Deutz D2011 Engines	
701F	7027076	1	Deutz TD2.9L4 Engines	
701F	7027015	1	GM Engine Machines	
701F	See Note	2	Boot, Red (Note: Not Available for Purchase)	
701G		Ref	Cable (Red) (Relay to Starter)	
701G	See Note	1	Deutz D2011 Engines (Note: Use Item 701F)	
701G	See Note	1	Deutz TD2.9L4 Engines (Note: Use Item 701F)	
701G	7027017	1	GM Engine Machines	
701G	See Note	2	Boot, Red (Note: Not Available for Purchase)	
702	4923379	1	Harness, Glow Plugs (Deutz D2011 Engine Machines Only)	
703	1001141304	1	Harness, Glow Plugs (Deutz TD2.9L4 Engine Machines Only)	
704	1001143907	1	Cable, Alternator Power (Deutz TD2.9L4 Engine Machines Only)	
705		Ref	Deutz Engine Harness Components (Deutz D2011 Engine Machines Only)	
705A	7027796	1	Deutz Engine Harness	
705B	See Note	1	Receptacle, Female - 25 Position (Note: Not Available - Purchase Complete Harness)	
705B	See Note	1	Cover, Receptacle (Note: Not Available - Purchase Complete Harness)	
705B	See Note	5	Terminal (Note: Not Available - Purchase Complete Harness)	
705B	See Note	5	Seal (Note: Not Available - Purchase Complete Harness)	
705B	See Note	2	Terminal (Note: Not Available - Purchase Complete Harness)	
705B	See Note	2	Seal (Note: Not Available - Purchase Complete Harness)	
705B	See Note	18	Plug, Hole (Note: Not Available - Purchase Complete Harness)	
705C	7027793	1	Plug-In, Connector	
705D	70001872	1	Deutz Engine Harness (For other replacement parts refer to Deutz engine dealer)	
706	1001143726	1	Deutz TD2.9L4 Engine Harness	G
706A	1001133956	1	Connector (Includes Cover, Locks and Retention Plate)	
706A	1001126352	6	Terminal	
706A	1001126353	6	Seal, Terminal	
706A	1001126384	19	Terminal	
706A	1001126351	3	Terminal	
706A	1001126356	63	Plug, Seal	
706A	1001126357	2	Plug, Seal	
706B	1001133957	1	Connector (Includes Cover, Locks and Retention Plate)	
706B	1001126384	17	Terminal	
706B	1001126351	13	Terminal	
706B	1001126356	19	Plug, Seal	
706B	1001126357	11	Plug, Seal	
706C	4461070	3	Receptacle, Female with Resistor (3 Position)	
706C	4461095	6	Plug, Male - 3 Position	
706C	4460944	6	Socket, Female	
706C	4460466	2	Seal, Plug	
706D	80484084	1	Receptacle, Female - 8 Position	
706D	8229242	1	Fuse - 5A	
706D	80983191	1	Fuse - 10A	
706D	1001147264	1	Cap	
706D	1001116727	8	Plug	
706D	4460458	4	Seal	
706E	1001116952	1	Plug, Male - 2 Position	



## SECTION 7 - ELECTRICAL

ITEM	PART NUMBER	QTY	DESCRIPTION	REV
706E	4460465	2	Socket, Female	
706F	1001138110	1	Plug, Male - 2 Position	
706F	1001138111	2	Socket, Female	
706F	1001138113	2	Seal	
706G	2902443	1	Kit, Receptacle	
706G	4461071	8	Terminal, Female (Gold)	
706G	4461072	1	Connector, Flange Mount	
706G	4461073	1	Connector, Dust Cap	
706G	4461074	1	Connector, Shell	
706H	4460894	1	Plug, Male - 6 Position	
706H	4460465	3	Socket, Female	
706H	4460944	2	Socket, Female	
706H	4460466	1	Seal, Plug	
706J	4460930	1	Plug, Male - 8 Position	
706J	4460465	1	Socket, Female	
706J	4460466	7	Seal, Plug	
706K	4460884	1	Plug, Male - 4 Position	
706K	4460465	2	Socket, Female	
706K	4460942	2	Socket, Female	
706L	1001142938	1	Plug, Male - 2 Position	
706L	1001142940	2	Terminal, Female	
706L	1001142941	2	Seal	
706M	1001133714	1	Plug, Male - 4 Position	
706M	1001133715	3	Terminal, Female	
706M	1001135650	3	Seal	
706M	1001135651	NLA	Plug, Cavity (Use p/n 4461008)	
706N	1001126362	1	Receptacle, Female - 62 Position	
706N	1001126363	33	Terminal	
706N	1001126364	33	Seal	
706N	1001126391	23	Plug	
706N	4461008	4	Plug, Cavity	
706N	1001126365	2	Terminal	
706N	4461054	2	Seal	
707	1001138491	NLA	Fuel Harness (Deutz TD2.9L4 Engines Only) (Use p/n 1001222665 - Includes Items 707-707C)	D
707A	4460897	1	Receptacle, Female - 2 Position	
707A	4460941	2	Pin, Male	
707A	4460891	1	Plug, Male - 2 Position	
707A	4460942	2	Socket, Female	
707B	1001116983	1	Receptacle, Female - 2 Position	
707B	1001116710	2	Terminal	
707B	4461054	2	Seal	
707C	4460932	1	Receptacle, Female - 4 Position	
707C	4460941	2	Pin, Male	
707C	4460464	2	Pin, Male	
708		Ref	GM Engine Harness (GM Engine Machines Only)	
	7027991	1	Tier 1 Engines	
	70000718	1	Tier 2 Engines	
	70002898	1	Tier 3 & 4 Interim Engines	
	7027989	1	Connector, Male - 10 Position (Not Shown)	
	See Note	1	Box, Fuse (Note: Parts of Harness - Not Available for Purchase)	
	70002627	1	Cover, Fuse Box	

## SECTION 7 - ELECTRICAL

ITEM	PART NUMBER	QTY	DESCRIPTION	REV
	70001950	2	Relay (Power and Fuel Pump)	
	70001951	1	Relay (Starter)	
	70001931	1	Fuse - 60 Amp (Alternator)	
	See Note	1	Fuse - 20 Amp (Note: Not Available - Purchase Locally)	
	See Note	3	Fuse - 15 Amp (Note: Not Available - Purchase Locally)	
	See Note	1	Fuse - 10 Amp (Note: Not Available - Purchase Locally)	
	See Note	1	Fuse - 5 Amp (Note: Not Available - Purchase Locally)	
709	4360517	1	Switch, Proximity	
709A	4460320	1	Connector - 2 Position	
709A	4460227	2	Pin, Male	
710	See Note	1	Pump Harness (Note: Not Available for Purchase)	
710A	7007497	1	Plug (Pump End)	
710B	7007498	1	Plug (Engine Harness End)	
711	See Note	1	Controller Harness Assembly (Lift and Swing) (Note: Not Available for Purchase)	
711A	7022819	1	Plug, Male - 8 Position (Natural)	
711A	4460871	8	Socket, Female	
712	See Note	1	Controller Harness/Circuit Board Assembly (Drive and Steer) (Note: Not Available for Purchase)	
712A	7022825	1	Plug, Male - 8 Position (Black)	
712A	4460871	7	Socket, Female	
713	See Note	1	Controller Harness (Speed Control) (Note: Not Available for Purchase)	
713A	4460224	1	Receptacle, Female - 6 Position	
713A	4460226	6	Socket, Female	
		Ref	<b>OPTIONAL HARNESS COMPONENTS</b>	
801	4921927	1	Jib Valve Harness (600AJ)	3-F
801A	4460326	1	Plug, Male - 3 Position (600AJ)	
801B	4460267	3	Pin, Male (600AJ)	
801C	4460499	2	Connector, DIN with Diode (600AJ)	
802	4921928	1	4WS Valve Harness	3-E
802A	4460268	3	Socket, Female	
802B	4460445	1	Connector, Female - 3 Position	
802C	4460499	2	Connector, DIN with Diode	
803	0257887	1	Alarm Harness (Includes Alarm)	
803	0140032	1	Alarm	
803	2820035	6 in/15cm	Loom	
803A	4460424	1	Plug, Male - 2 Position	
803B	4460268	2	Socket, Female	
804	2920161	1	Strobe Light Harness (Includes Strobe Light)	B
804A	4460891	1	Plug, Male - 2 Position	
804A	4460465	2	Socket, Female	
804B	1001149818	1	Strobe Light Extension Harness	B
804C	4460897	1	Receptacle, Female -2 Position	
804C	4460464	2	Pin, Male	
804D	4460320	2	Plug, Male - 2 Position	
804D	4460267	4	Pin, Male	
805	See Note	1	Headlight and Taillight/Chassis Illumination Harness (Note: Not Available for Purchase)	
805	1060341	AR	Cable, Electrical 16/2 Options:	
805	1060341	37 ft/ 11.3m	Headlights and Taillights	

## SECTION 7 - ELECTRICAL

ITEM	PART NUMBER	QTY	DESCRIPTION	REV
805	1060341	40 ft/ 12.2m	Chassis Illumination Lights	
805A	3740049	1	Relay	
805A	4460259	3	Terminal	
805A	4460260	4	Housing, Terminal	
805A	4460297	1	Terminal	
805A	4922643	1	Lights Harness for Ground Control Box	B
805A	4460226	2	Socket, Female	
806		Ref	2500W Generator Electrical Components Options:	
806	1001112588	Ref	Deutz Engines 110V/220V with Generator Control Box	A
806	1001112743	Ref	Deutz Engines 110V/220V without Generator Control Box	B
806	4933350	Ref	GM Engine	A
806A	4460321	1	Connector, Male - 4 Position (Deutz and GM Engines Specs with Generator Control Box)	
806A	4460906	4	Socket, Female	
806B	4922641	1	Harness - On/Off Switch	
806C	4460226	2	Socket, Female	
806D		Ref	Powermite Control Box to Relay Options:	
806D	1001112589	1	Deutz Engines	
806D	4923445	1	GM Engines	
806D	4460374	1	Plug, Sealed Relay	
806D	4460375	3	Terminal	
806D	4460742	1	Plug, Male - 2 Position	
806D	4460743	1	Socket, Female	
806D	4460458	1	Seal, Terminal	
806E	4460961	1	Connector, Female - 4 Position (Deutz and GM Engines Specs with Generator Control Box)	
806E	4460705	4	Pin, Male	
807		Ref	Generator to Rear of Boom Harness Options:	
		Ref	<b>Note: Harness used to connect AC at platform harness to generator receptacle to power platform receptacle.</b>	
807	4921829	1	110V (ANSI, ANSI Export and Japanese Specs)	2
807	4921954	1	220V (ANSI and ANSI Export Specs)	2
807	See Note	1	110V/220V (Australian, CE, Latin American and Brazilian Specs) (Note: Not Available for Purchase)	
807		Ref	Cable, Electrical - 12/3 Options:	
807	1060494	6 ft/1.8m	110V (ANSI, ANSI Export and Japanese Specs)	
807	1060494	26 ft/8m	220V (ANSI and ANSI Export Specs)	
807	1060461	6 ft/1.8m	110V/220V (Australian, CE, Latin American and Brazilian Specs)	
807A		Ref	Plug, Male Options:	
807A	4460205	1	110V (ANSI, ANSI Export and Japanese Specs)	
807A	4460233	1	220V (ANSI and ANSI Export Specs)	
807A	Not Required	0	110V/220V (Australian, CE, Latin American and Brazilian Specs) (Purchase Locally)	
807A	4460027	1	Receptacle, Twist Lock (110V Only)	
807B		Ref	Receptacle, Female Options:	
807B	4460134	1	110V (ANSI, ANSI Export and Japanese Specs)	
807B	4460701	1	220V (ANSI and ANSI Export Specs)	
807B	Not Required	0	110V/220V (Australian, CE, Latin American and Brazilian Specs) (Purchase Locally)	
808		Ref	AC to Platform Receptacle Components Options:	
808	0255382	Ref	110V GFI Receptacle (ANSI, ANSI Export and Japanese Specs)	B

## SECTION 7 - ELECTRICAL

ITEM	PART NUMBER	QTY	DESCRIPTION	REV
808	0257176	Ref	220V Receptacle (ANSI, ANSI Export and Japanese Specs)	B
808	0272433	Ref	SkyPower Machines (All Specs)	B
808	0274618	Ref	Dual AC (ANSI Export Spec Option)	2-B
808	0256202	Ref	110V/220V (Australian, Latin American and Brazilian Specs)	B
808		Ref	110V/220V (CE Spec Only)	
808		Ref	<b>Without Powermite Generator:</b>	
808	0256202	Ref	110V/220V (No Plug)	B
808	0275653	Ref	220V with CEE7 Post Ground Receptacle and Plug and Circuit Breaker (2x4 Box)	C
808	0275654	Ref	220V with CEE7 Side Ground Receptacle and Plug and Circuit Breaker (2x4 Box)	C
808	0275660	Ref	220V with AFSINT 107 Keyed Ground Receptacle and Plug and Circuit Breaker (2x4 Box)	C
808	0275656	Ref	110V with IEC Yellow Receptacle and Plug and Circuit Breaker	C
808	0275652	Ref	220V with IEC Blue Receptacle and Plug and Circuit Breaker	C
808	0275655	Ref	220V with CEE7 Post Ground Receptacle and Plug and Circuit Breaker (70mm x 70mm Box)	C
808	0275651	Ref	220V with CEE7 Side Ground Receptacle and Plug and Circuit Breaker (70mm x 70mm Box)	C
808		Ref	<b>With Powermite Generator:</b>	
808	1001100397	Ref	220V with CEE7 Post Ground Receptacle and Plug and Circuit Breaker (2x4 Box)	D
808	1001100398	Ref	220V with CEE7 Side Ground Receptacle and Plug and Circuit Breaker (2x4 Box)	D
808	1001100399	Ref	220V with AFSINT 107 Keyed Ground Receptacle and Plug and Circuit Breaker (2x4 Box)	C
808	1001100400	Ref	110V with IEC Yellow Receptacle and Plug and Circuit Breaker	C
808	1001100401	Ref	220V with IEC Blue Receptacle and Plug and Circuit Breaker	C
808	1001100402	Ref	220V with CEE7 Post Ground Receptacle and Plug and Circuit Breaker (70mm x 70mm Box)	C
808	1001100403	Ref	220V with CEE7 Side Ground Receptacle and Plug and Circuit Breaker (70mm x 70mm Box)	C
808A		Ref	Box, Switch Options:	
808A	0860038	1	0255382, 0257176 & 0274618 Installations	
808A	Not Required	0	0256202 Installations (Purchase Locally)	
808A	0861731	1	0275253, 0275254, 0275660, 1001100345, 1001100397, 1001100398 & 1001100399 Installations	
808A	0861781	1	0275656, 0275652, 1001100400 & 1001100401 Installations	
808A	See Note	1	0275655, 0275651, 1001100402 & 1001100403 Installations (Note: was p/n 0861782 which is no longer available. Use p/n 1001100344 CEE7 Side Ground Service Kit or p/n 1001100343 CEE7 Post Ground Service Kit. Kit include Box p/n 1001141967 & Items 808B, 808C, 808E & 808P)	
808A	1001141967	1	1001100343, 1001100344, 1001141970 & 1001141971 Kits	
808B		Ref	Receptacle Options:	
808B	4460346	1	0255382 & 0274618 Installations	
808B	4460125	1	0257176 Installation	
808B	Not Required	0	0256202 Installation (Purchase Locally)	
808B	4461244	1	0275253, 1001100345, 1001100397 & 1001194197 Installations	
808B	4461245	1	0275654 & 1001100398 Installations	
808B	4461246	1	0275660 & 1001100399 Installations	
808B	4461198	1	0275656 & 1001100400 Installations	

## SECTION 7 - ELECTRICAL

ITEM	PART NUMBER	QTY	DESCRIPTION	REV
808B	4461201	1	0275652 & 1001100401 Installations	
808B	4461204	NLA	0275655 & 1001100402 Installations (Use p/n 1001100343)	
808B	4461207	NLA	0275651 & 1001100403 Installations (Use p/n 1001100344)	
808B	1001141968	1	1001100343 & 1001141971 Kits	
808B	1001141969	1	1001100344 & 1001141970 Kits	
808C		Ref	Shield, Cover Options:	
808C	1001110873	1	0255382 & 0274618 Installations (Top Hinged)	
808C	4060092	1	0257176 Installation	
808C	Not Required	0	0256202 Installation (Purchase Locally)	
808C	4461244	1	0275253, 1001100345, 1001100397 & 1001194197 Installations	
808C	4461245	1	0275654 & 1001100398 Installations	
808C	4461246	1	0275660 & 1001100399 Installations	
808C	4461198	1	0275656 & 1001100400 Installations	
808C	4461201	1	0275652 & 1001100401 Installations	
808C	4461204	NLA	0275655 & 1001100402 Installations (Use p/n 1001100343)	
808C	4461207	NLA	0275651 & 1001100403 Installations (Use p/n 1001100344)	
808C	1001141968	1	1001100343 & 1001141971 Kits	
808C	1001141969	1	1001100344 & 1001141970 Kits	
808D		Ref	Connector, Strain Relief Options:	
808D	4460071	1	0255382, 0257176 & 0274618 Installations	
808D	Not Required	0	0256202 Installations (Purchase Locally)	
808D	4460968	1	0275653, 0275654, 0275660, 0275656, 0275652, 0275655, 0275651, 1001100397, 1001100398, 1001100399, 1001100400, 1001100401, 1001100402 & 1001100403 Installations	
808E		Ref	Plug, Male Options:	
808E	4460205	1	0255382 & 0274618 Installations	
808E	4460233	1	0257176 Installation	
808E	Not Required	0	0256202 Installation (Purchase Locally)	
808E	4461202	NLA	0275653, 0275655, 1001100397 & 1001100402 Installations & 1001100343 & 1001141971 Kits (Use p/n 4461205)	
808E	4461199	1	0275652 & 1001100401 Installations	
808E	4461249	1	0275660 & 1001100399 Installations	
808E	4461196	1	0275656 & 1001100400 Installations	
808E	4461205	1	0275654, 0275651, 1001100345, 1001100398 & 1001100403 Installations & 1001100344 & 1001141970 Kits	
808F		Ref	Plug, Male Options:	
808F	4460205	1	0255382 & 0274618 Installations (Qty 4 Req'd for Dual AC)	
808F	4460233	1	0257176 Installation	
808F	4460709	1	0256202, 0275653, 0275654, 0275660, 0275656, 0275652, 0275655, 0275651, 1001100397, 1001100398, 1001100399, 1001100400, 1001100401, 1001100402 & 1001100403 Installations	
808F	4460960	1	0272433 Installation	
808F		Ref	Cover (Optional)	
808F	1671093	1	0272433 Installation	
808F	1001156352	1	0256202 Installation	
808G		Ref	Connector, Female Options:	
808G	4460134	1	0255382 & 0274618 Installations (Qty 2 Required for Dual AC)	
808G	4460701	1	0257176 Installation	
808G	4460710	1	0256202, 0275653, 0275654, 0275660, 0275656, 0275652, 0275655, 0275651, 1001100397, 1001100398, 1001100399,	

## SECTION 7 - ELECTRICAL

ITEM	PART NUMBER	QTY	DESCRIPTION	REV
			1001100400, 1001100401, 1001100402 & 1001100403 Installations	
808G	4460959	1	0272433 Installation	
808G		Ref	Cover (Optional)	
808G	1671092	1	0272433 & 1001160272 Installations	
808G	1001156351	1	0256202 Installation	
808H		Ref	Hardware Options:	
808H	0641405	AR	Bolt 1/4in - 20NC x 5/8in	
808H	0641407	AR	Bolt 1/4in - 20NC x 7/8in	
808H	0641416	AR	Bolt 1/4in - 20NC x 2in	
808H	0700408	AR	Screw M4 x 16mm	
808H	3290405	AR	Locknut M4	
808H	3311405	AR	Locknut 1/4in - 20NC	
808H	4711400	AR	Flatwasher 1/4in Thin	
808H	4811400	AR	Flatwasher M4	
808J		Ref	Bracket, Receptacle Box Mounting Options:	
808J	Not Required	0	0255382, 0274618, 0257176 & 0256202 Installations	
808J	0903484	1	0275653, 0275654, 0275660, 0275656, 0275652, 0275655, 0275651, 1001100397, 1001100398, 1001100399, 1001100401, 1001100402 & 1001100403 Installations	
808K		Ref	Bracket, Circuit Breaker Mounting Options:	
808K	Not Required	0	0255382, 0274618, 0257176 & 0256202 Installations	
808K	0903612	1	0275653, 0275654, 0275660, 0275656, 0275652, 0275655, 0275651, 1001100397, 1001100398, 1001100399, 1001100400, 1001100401, 1001100402 & 1001100403 Installations	
808L		Ref	Breaker, Circuit Kit Options (Required on All CE Spec Installations except 0256202 Installation)	
808L	1001096070	AR	Kit (Without Powermite Generator Control Box)	D
808L	1001109554	AR	Kit (With Powermite Generator Control Box)	B
808L		Ref	Circuit Breaker Options:	
808L	1001109477	NLA	Breaker 10A (Use p/n 1001181046) <b>(SN 0300177361 through 0300204452)</b>	
808L	1001109475	1	Breaker 16A	
808L	1001109482	1	Breaker 30mA	
808L	0861880	1	Breaker Box	
808L	4460957	1	Terminal Block	
808L	4460956	1	Barrier, Terminal Block End	
808M	1001101191	2	Connector, Strain Relief Options (Required Only on CE Spec Installations except 0256202 Installation)	
808N	1060908	12 ft/3.7m	Cable, Extension (Required Only on CE Spec Installations except 0256202 Installation)	
808P		Ref	Connector, Female Options:	
808P	Not Required	0	0255382, 0274618, 0257176, 0275653, 0275654, 0275660, 0275656, 0275652, 0275655 & 0275651 Installations	
808P	Not Required	0	0256202 Installation (Purchase Locally)	
808P	4461203	1	1001100402 & 1001100397 Installations & 1001100343, 1001100345 & 1001141971 Kits	
808P	4461200	1	1001100401 Installation	
808P	4461250	1	1001100399 Installation	
808P	4461197	1	1001100400 Installation	
808P	4461206	1	1001100403 & 1001100398 Installations & 1001100344 & 1001141970 Kits	
		Ref	Kit, Plug and Socket Options:	

## SECTION 7 - ELECTRICAL

ITEM	PART NUMBER	QTY	DESCRIPTION	REV
		Ref	Without Generator:	
	0275452	1	Receptacle Box Kit (220V CEE7 Post Ground) (Includes Items 808A, 808B, 808C & 808E) (0275653 Installation)	C
	0275453	1	Receptacle Box Kit (220V CEE7 Side Ground) (Includes Items 808A, 808B, 808C & 808E) (0275654 Installation)	1
	0275454	1	Receptacle Box Kit (220V AFSINT 107 Keyed Ground) (Includes Items 808A, 808B, 808C & 808E) (0275660 Installation)	1
	0275216	1	Receptacle Box Kit (110V IEC Yellow) (Includes Items 808A, 808B, 808C & 808E) (0275656 Installation)	1
	0275217	1	Receptacle Box Kit (220V IEC Blue) (Includes Items 808A, 808B, 808C & 808E) (0275652 Installation)	1
	0275218	NLA	Receptacle Box Kit (220V CEE7 Post Ground) (Includes Items 808A, 808B, 808C & 808E) (0275655 Installation) (Use p/n 1001100343)	C
	0275219	NLA	Receptacle Box Kit (220V CEE7 Side Ground) (Includes Items 808A, 808B, 808C & 808E) (0275651 Installation) (Use p/n 1001100344)	B-B
		Ref	With Generator:	
	1001100345	1	Receptacle Box Kit (220V CEE7 Post Ground) (Includes Items 808A, 808B, 808C, 808E & 808P) (1001100397 Installation)	2
	1001100347	1	Receptacle Box Kit (220V CEE7 Side Ground) (Includes Items 808A, 808B, 808C, 808E & 808P) (1001100398 Installation)	3
	1001100346	1	Receptacle Box Kit (220V AFSINT 107 Keyed Ground) (Includes Items 808A, 808B, 808C, 808E & 808P)(1001100399 Installation)	2
	1001100341	1	Receptacle Box Kit (110V IEC Yellow) (Includes Items 808A, 808B, 808C, 808E & 808P) (1001100400 Installation)	2
	1001100342	1	Receptacle Box Kit (220V IEC Blue) (Includes Items 808A, 808B, 808C, 808E & 808P) (1001100401 Installation)	2
	1001100343	1	Receptacle Box Kit (220V CEE7 Post Ground) (Includes Items 808A, 808B, 808C, 808E & 808P) (1001100402 Installation)	B
	1001100344	1	Receptacle Box Kit (220V CEE7 Side Ground) (Includes Items 808A, 808B, 808C, 808E & 808P) (1001100403 Installation)	B
809		Ref	7500W SKYPOWER GENERATOR INSTALLATION	
809	1001115391	Ref	60Hz and Deutz D2011 Engine	C
809	1001145227	Ref	60Hz and Deutz TD2.9L4 Engine	C
809	1001115392	Ref	50Hz Spec and Deutz D2011 Engine	B
809	0275257	Ref	60Hz Spec and GM Engine	F
		Ref	<b>Note: SkyPower Generator is Standard on ANSI and CSA Specs. Optional on All Other Specs.</b>	
809A		Ref	Receptacle, Female Twist-Lock Options:	
809A	4460958	1	60Hz Spec	
809A	See Note	1	50Hz Spec (Note: Not Available - Purchase Locally)	
809B		Ref	Gasket Options:	
809B	3960422	2	60Hz Spec	
809B	See Note	2	50Hz Spec (Note: Not Available - Purchase Locally)	
809C		Ref	Cover, Receptacle Options:	
809C	1001110873	1	60Hz Spec	
809C	See Note	1	50Hz Spec (Note: Not Available - Purchase Locally)	
809D		Ref	Cover, Receptacle Options:	
809D	1001110872	1	60Hz Spec	

## SECTION 7 - ELECTRICAL

ITEM	PART NUMBER	QTY	DESCRIPTION	REV
809D	See Note	1	50Hz Spec (Note: Not Available - Purchase Locally)	
809E		Ref	Receptacle Options:	
809E	4460346	1	60Hz Spec	
809E	See Note	1	50Hz Spec (Note: Not Available - Purchase Locally)	
809F	4460051	1	Connector, Strain Relief	
809G	4460071	1	Connector, Strain Relief	
809H	4922925	1	Harness, Generator	C
809I	77363233	1	Plug, Male - 6 Position	
809I	4460465	6	Socket, Female	
809J	4460225	1	Plug, Male - 6 Position	
809J	4460268	6	Socket, Female	
810		Ref	7500W SkyPower Generator Junction Box Components	
810	0861542	Ref	60Hz Spec (Deutz D2011 and GM Engines)	C
810	1001157592	Ref	60Hz (Deutz TD2.9L4 Engines)	
810	0861567	Ref	50Hz Specs	B
810A		Ref	Cable, Electrical 12/3	
810A	1060494	2 ft /.6m	60Hz Spec	
810A	See Note	2 ft /.6m	50Hz Spec (Note: Not Available - Purchase Locally)	
810B		Ref	Cable, Electrical 10/3 (Deutz D2011 and GM Engines Only)	
810B	1060708	2.5 ft/ .76m	60Hz Spec	
810B	See Note	2.5 ft/ .76m	50Hz Spec (Note: Not Available - Purchase Locally)	
810C	1060343	1.5 ft/ .46m	Cable, Electrical 10/4 (60Hz Spec Only)	
810D	4460425	2	Connector, Strain Relief (Deutz D2011 and GM Engine Machines Only)	
810D	1001152525	1	Plug (Deutz TD2.9L4 Engine Machines)	
810E		Ref	Component Options:	
810E	4460426	2	Connector, Strain Relief (60Hz Spec Only)	
810E	4460426	1	Connector, Strain Relief (50Hz Spec Only)	
810E	3520189	1	Plug (50Hz Spec Only)	
810F	1671092	1	Cover (60Hz Spec Only)	
810F	4460963	1	Connector (60Hz Spec Only)	
811		Ref	7500W Generator Electrical Diagram Components	
811	1001112586	Ref	Deutz D2011 Engine Machines	A
811	1001122528	Ref	Deutz TD2.9L4 Engine Machines	B
811	4933349	Ref	GM Engine Machines	B
811A		Ref	Generator Harness Options:	
811A	1001112587	1	Deutz D2011 Engine Machines	A
811A	1001119968	1	Deutz TD2.9L4 Engine Machines	C
811A	4923420	1	GM Engine Machines	A
811B	4460374	2	Plug, Sealed Relay	
811B	4460375	7	Terminal	
811C	4460967	1	Plug, Male - 3 Position	
811C	4460465	3	Socket, Female	
811D	2400060	1	Fuseholder	
811D	2400064	1	Fuse - 5 Amp	
811D		Ref	Component Options:	
811D	2400060	1	Fuseholder (Deutz D2011 and GM Engines)	
811D	2400064	1	Fuse - 5 Amp (Deutz D2011 and GM Engines)	



## SECTION 7 - ELECTRICAL

ITEM	PART NUMBER	QTY	DESCRIPTION	REV
811D	1001117078	1	Fuseholder (Includes Fuse and Cap) (Deutz D2011 Engines)	
811D	See Note	1	Fuse - 5 Amp (Deutz D2011 Engines) (Note: Use 1001117078 Assembly or Purchase Fuse Locally)	
811D	1001096134	1	Cover, Fuseholder (Deutz D2011 Engines)	
811E	4922641	1	Switch Harness	
811F	4460226	2	Socket, Female	
811G	4460742	1	Plug, Male - 2 Position	
811G	4460743	2	Socket, Female	
811G	4460458	2	Seal, Terminal	
812	4933308	1	Floodlights Harness Components	1-A
812A	4460320	2	Plug, Male - 2 Position	
812A	4460227	4	Pin, Male	
812B	4922764	1	Floodlight Harness (Lights to Switch)	1-A
812C	4460424	2	Connector, Female - 2 Position	
812C	4460226	4	Socket, Female	
812D	4360232	1	Circuit Breaker - 15 Amp	
812E	1060977	1	Cord, 2 Wire Coiled (Console Box Circuit Breaker to Switch)	
812F	4460425	1	Connector, Strain Relief	
812G	4460459	1	Plug, Male - 3 Position	
812G	4460790	3	Socket, Female	
812G	4460789	3	Seal	
812H	4460476	1	Receptacle, Female	
812H	4460850	3	Pin, Male	
812H	4460790	3	Socket, Female	
812J	1060494	33 ft/ 10.1m	Electrical Cable 12/3 (Lower Boom to Aux Relay)	
812K	1060494	47 ft/ 14.3m	Electrical Cable 12/3 (Upper Boom to Console Box)	
813		Ref	Platform Worklights Components	
813A	2920140	NLA	Platform Worklights External Harness (Use p/n 1001232838) (Includes Light and Wire Only)	
813B	4460459	1	Plug, Male - 3 Position	
813B	4460790	3	Socket, Female	
813B	4460789	3	Seal	
813C	4460476	1	Receptacle, Female	
813C	4460850	3	Pin, Male	
813C	4460790	3	Socket, Female	
813D	4460426	1	Connector, Strain Relief	
813E	2400070	1	Fuse	
813E	2400066	1	Holder, Fuse	
813F	4922894	1	Worklights Harness (Upper Boom to Worklights)	
813F	1060494	47 ft/ 14.3m	Cable, Electrical - 12/3	
813G	4922892	1	Worklights Harness (Lower Boom to Aux. Power Solenoid)	
813G	1060494	33 ft/ 10.1m	Cable, Electrical - 12/3	
		Ref	<b>TOOLS</b>	
901	7002821	1	Crimper (For Wire to Pin/Socket Connections) (Not Shown)	
902	7002823	1	Extractor (For Removal of Pin/Socket from Connectors) (Not Shown)	
903	4460467	1	Extractor, Pin (Blue 16-18 Gauge) (For Removal of Pin/Socket from Connectors) (Not Shown)	

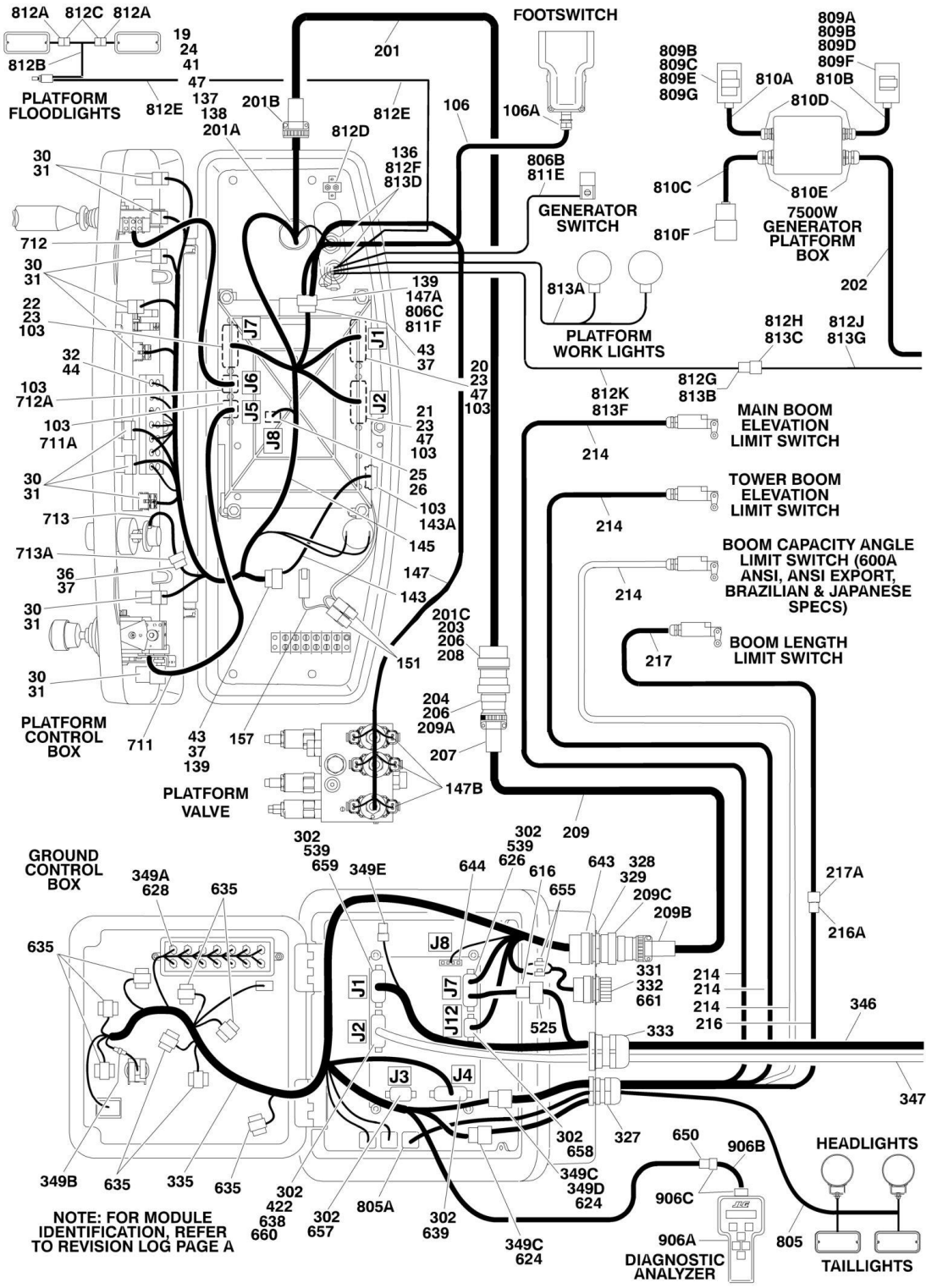
## SECTION 7 - ELECTRICAL

ITEM	PART NUMBER	QTY	DESCRIPTION	REV
904	4460510	1	Extractor, Pin (Yellow 12-14 Gauge) (For Removal of Pin/Socket from Connectors) (Not Shown)	1-A
905	7002828	1	Stripper, Wire (Not Shown)	
906	2901443	1	Analyzer Kit (Not Shown)	
906A	1600244	1	Analyzer	
906B	1060633	1	Cable, Analyzer	
906C	4460321	2	Plug, Male	
906C	4460226	8	Socket, Female	
907	1001137005	1	Software Cable Kit (Not Shown)	

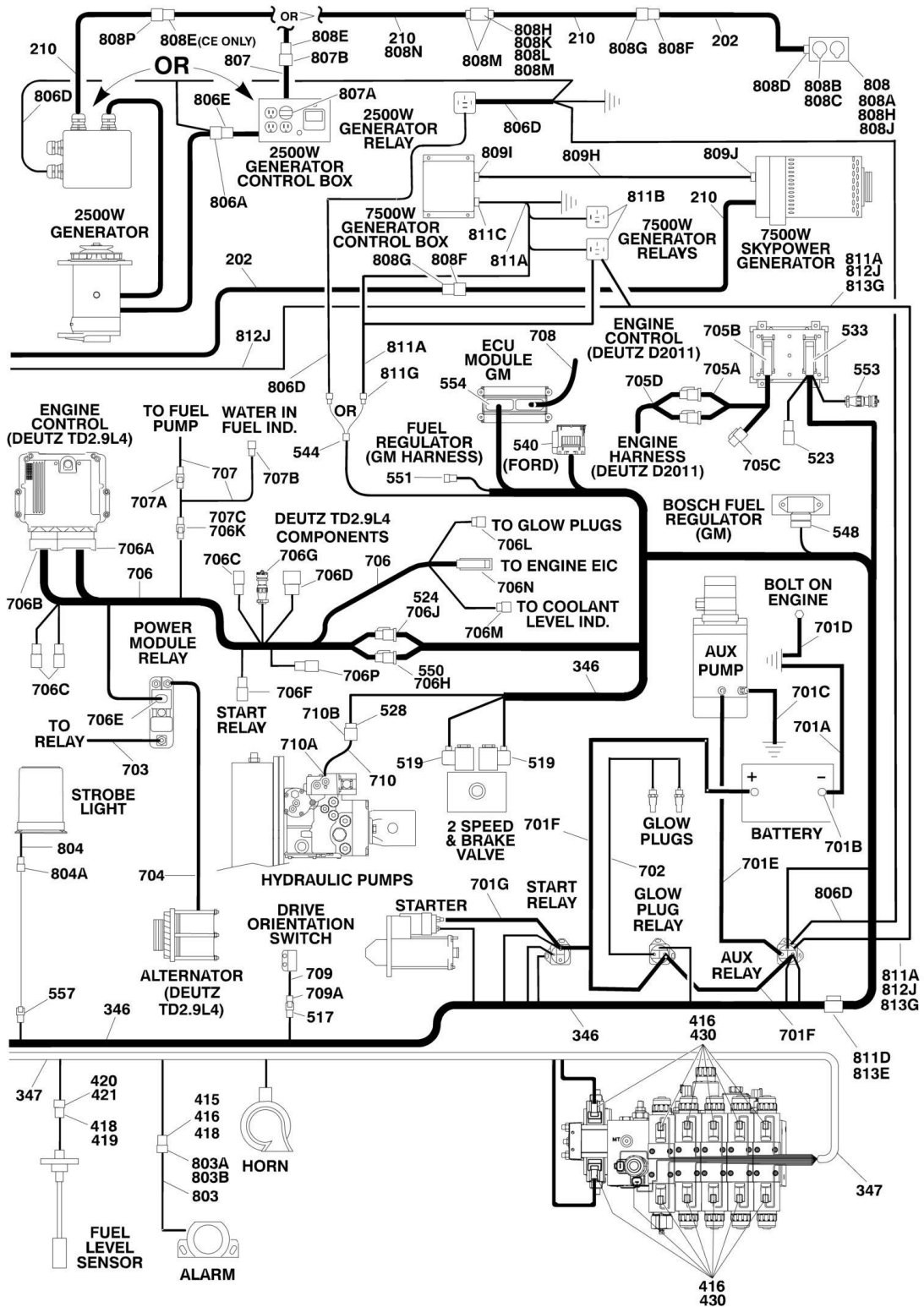


# SECTION 7 - ELECTRICAL

FIGURE 7-3. HARNESS COMPONENTS INSTALLATION (SN 0300181175 through 0300272252)



# SECTION 7 - ELECTRICAL



## SECTION 7 - ELECTRICAL

FIGURE 7-3. HARNESS COMPONENTS INSTALLATION (SN 0300181175 through 0300272252)

ITEM	PART NUMBER	QTY	DESCRIPTION	REV
	1001107753	Ref	<b>PLATFORM BOX HARNESS ASSEMBLY (MACHINES WITHOUT SKYGUARD)</b>	F
	1001185280	Ref	<b>PLATFORM BOX HARNESS ASSEMBLY (MACHINES WITH SKYGUARD/WITHOUT LSS OR WITH 4 CELL LSS)</b>	B
	1001220281	Ref	<b>PLATFORM BOX HARNESS ASSEMBLY (MACHINES WITH SKYGUARD/WITH 1 CELL LSS)</b>	F
19	4460866	1	Connector - 19 Position	
20	4460874	1	Connector - 35 Position (Natural)	
21	4460875	1	Connector - 35 Position (Gray)	
22	4460873	1	Connector - 35 Position (Black)	
23	4460871	70	Socket, Female	
24	4460464	7	Pin, Male (16 Gauge)	
25	4460879	1	Terminal, Housing 2 Position	
26	4460887	2	Terminal, (12 Gauge)	
30	4460418	9	Connector - 6 Position	
31	4460419	27	Terminal, Female	
32	4120035	13	Base, Light	
36	4460225	1	Plug, Male- 6 Position	
37	4460227	30	Pin, Male	
41	4460508	3	Pin, Male (12 Gauge)	
43	4460434	2	Connector - 15 Position	
44	2920129	13	Lamp, Indicator	
47	4460905	26	Seal, Plug	
50	4460884	1	Connector - 4 Position (Not Shown - To Platform Sensor) (With SkyGuard)	
50	4460944	4	Socket (Not Shown - To Platform Sensor) (With SkyGuard)	
50	4460932	1	Receptacle - 4 Position (Not Shown - To Platform Sensor) (With SkyGuard)	
54	4460536	1	Receptacle - 3 Position (Not Shown) (With SkyGuard)	
54	4460943	1	Pin, Male (Not Shown) (With SkyGuard)	
55	4460539	1	Plug - 3 Position (Not Shown) (With SkyGuard)	
55	4460944	1	Socket, Female (Not Shown) (With SkyGuard)	
57	4460708	1	Connector - 15 Position (Not Shown - Mates with Item 43) (With SkyGuard)	
57	4460226	3	Socket (Not Shown) (With SkyGuard)	
58	4460894	1	Plug, Male - 6 Position (Not Shown) (Machines with 1 Cell LSS)	
58	4460465	5	Socket, Female (Not Shown) (Machines with 1 Cell LSS)	
59	4460933	1	Plug, Male - 12 Position (Not Shown) (Machines with 1 Cell LSS)	
59	1001119020	1	Bussbar (Not Shown) (Machines with 1 Cell LSS)	
62	1001213447	1	Receptacle, Female - 5 Postion (Not Shown) (Machines with 1 Cell LSS)	
		Ref	<b>PLATFORM BOX ASSEMBLY COMPONENTS</b>	
103	0100048	AR	Grease, Dielectric	
106	See Note	1	Footswitch Harness	
106	1060918	8 ft/2.4m	Cable, Electrical - 18/3	
106A	4460071	1	Connector, Strain Relief	
136	4460428	2	Connector, Strain Relief	
137	4460470	1	Nut, Terminal	
138	4460471	1	Lockwasher, Terminal	
139	4460708	2	Connector, Female - 15 Position	
143	4922666	1	Harness, Analyzer Cable	C

## SECTION 7 - ELECTRICAL

ITEM	PART NUMBER	QTY	DESCRIPTION	REV
143	4460226	4	Socket, Female (Not Shown - Located at J2)	
143A	4460761	1	Connector, Female - 4 Position	
143A	4460227	1	Pin, Male	
145	1001107753	1	Harness, Platform Console Box (Without SkyGuard) (Includes Items 1-44)	
145	1001185280	1	Harness, Platform Console Box (With SkyGuard) (Includes Items 1-44)	
147	1001139135	1	Platform Valve Harness Assembly	
147A	4460226	7	Socket, Female	
147B	4460891	6	Plug, Male - 2 Position	
147B	1001116992	12	Socket, Female	
151	1001186431	2	Relay (Machines with 1 Cell LSS)	
157	1001225580	1	Harness, Interface (Machines with 1 Cell LSS)	
		Ref	<b>BOOM CABLES INSTALLATION</b>	
		Ref	<b>Boom Cables Installation</b>	
	0270818	Ref	<b>ANSI, ANSI Export, CSA and Japanese Specs without 7500W Generator (600A)</b>	6
	1001153321	Ref	<b>ANSI, ANSI Export, CSA and Japanese Specs with 4000W Generator (600A)</b>	A
	0272624	Ref	<b>ANSI, ANSI Export and CSA Specs with 7500W Generator (600A)</b>	2
	0275265	Ref	<b>ANSI, ANSI Export and CSA Specs with Arctic Package without 7500W Generator (600A)</b>	1
	1001093436	Ref	<b>ANSI, ANSI Export and CSA Specs with Arctic Package with 7500W Generator (600A)</b>	2-A
	0270819	Ref	<b>CE Specs without 4000W or 7500W Generator (600A)</b>	6
	0272626	Ref	<b>CE and Japanese Specs with 7500W Generator (600A)</b>	2
		Ref	<b>Boom Cables Installation (600AJ)</b>	
	1001165366	Ref	<b>ANSI, ANSI Export, CSA and Japanese Specs without 4000W or 7500W Generator (600AJ)</b>	A
	1001153322	Ref	<b>ANSI, ANSI Export, CSA and Japanese Specs with 4000W Generator (600AJ)</b>	A
	1001165552	Ref	<b>ANSI, ANSI Export and CSA Specs with 7500W Generator (600AJ)</b>	A
	1001165556	Ref	<b>ANSI, ANSI Export and CSA Specs with Arctic Package without 4000W or 7500W Generator (600A,600AJ)</b>	A
	1001165557	Ref	<b>ANSI, ANSI Export and CSA Specs with Arctic Package with 7500W Generator (600AJ)</b>	A
	1001165558	Ref	<b>ANSI and ANSI Export with David Clark Communication System without 7500W Generator (Note: Not Shown - Contact your JLG Parts Department) (600AJ)</b>	B
	1001165559	Ref	<b>ANSI and ANSI Export with David Clark Communication System with 7500W Generator (Note: Not Shown - Contact your JLG Parts Department) (600AJ)</b>	B
	1001165554	Ref	<b>Australian Specs without 7500W Generator (600AJ)</b>	A
	1001165555	Ref	<b>Australian Specs with 7500W Generator (600AJ)</b>	A
	1001165551	Ref	<b>CE Spec without 7500W Generator (600AJ)</b>	B
	1001165553	Ref	<b>CE and Japanese Specs with 7500W Generator (600AJ)</b>	B
201		Ref	Harness, Main Boom Options:	
201	4922493	1	Harness, Main Boom without Arctic Package	D
201	4923472	1	Harness, Main Boom with Arctic Package	B
201		Ref	Cable Options	
201	1060896	45.5 ft/ 13.9m	Cable without Arctic Package	

## SECTION 7 - ELECTRICAL

ITEM	PART NUMBER	QTY	DESCRIPTION	REV
201	4923462	45.5 ft/ 13.9m	Cable with Arctic Package	
201A	4460865	1	Connector - 19 Position	
201A	4460465	11	Socket, Female - #16	
201A	4460509	4	Socket, Female - #12	
201A	4460466	4	Seal, Plug	
201B	4460473	1	Clamp, Cable	
201C	4460464	11	Pin, Male (16-18 Gauge)	
201C	4460508	4	Pin, Male (10-12 Gauge)	
201C	2820118	AR	Shrink, Heat	
202		Ref	Cable, Electrical (Main Boom) Options (Does not include plug ends)	
202		Ref	Without SkyPower:	
202	4922894	1	ANSI, ANSI Export, CSA and Japanese Specs (12/3)	
202	4923474	1	ANSI, ANSI Export and CSA Specs with Arctic Pkg (12/3)	
202	4922895	1	Australian and CE Specs (12/3)	
202	4922810	1	With SkyPower 7500W Generator	
202	1001156489	1	With 4000W Generator (10/4)	
203	2820031	1	Shrink, Heat	
204	4460865	1	Connector - 19 Position	
206	4460466	8	Seal, Plug	
207	4460473	1	Clamp, Cable	
208	4460866	1	Connector (19 Pin)	
209		Ref	Harness, Tower Boom Cable Options:	
209	4922494	1	Harness, Tower Boom Cable without Arctic Package	C
209	4923473	1	Harness, Tower Boom Cable Arctic Package	B
209		Ref	Cable Options:	
209	1060896	35.5 ft/ 10.8m	Cable without Arctic Package	
209	4923462	35.5 ft/ 10.8m	Cable with Arctic Package	
209A	4460465	11	Socket, Female - #16	
209A	4460509	4	Socket, Female - #12	
209A	2820118	AR	Shrink, Heat	
209B	4460473	1	Clamp, Cable	
209C	4460865	1	Connector - 19 Position	
209C	4460465	11	Connector (19 Pin)	
209C	4460509	4	Socket, Female - #12	
209C	4460466	4	Seal, Plug	
210		Ref	Cable, Electrical (Tower Boom) Options (Does not include plug ends)	
210		Ref	Without SkyPower:	
210	4922892	1	ANSI, ANSI Export, CSA and Japanese Specs (12/3)	
210	4923475	1	ANSI, ANSI Export and CSA Specs with Arctic Package (12/3)	
210	4922893	1	Australian, CE and Latin American Specs (12/3)	
210	4922811	1	With SkyPower 7500W Generator	
210	1001156490	1	With 4000W Generator (10/4)	
214	1061033	1	Cable, Electrical - 18/2 Main Boom Limit Switch	
214		Ref	ANSI, ANSI Export, CSA and Japanese Specs (600A)	
214		Ref	ANSI, ANSI Export, CSA and Japanese Specs (600AJ)	
214		Ref	Australian and CE Specs	
214	4923476	3	ANSI, ANSI Export and CSA Spec with Arctic Package (600A)	



## SECTION 7 - ELECTRICAL

ITEM	PART NUMBER	QTY	DESCRIPTION	REV
214	4923476	2	ANSI, ANSI Export and CSA Spec with Arctic Package (600AJ)	
216		Ref	Cable, Electrical - 18/2 Main Boom Length Options:	
216	4922891	1	All Specs except Australian Specs (600A)	1-A
216	Not Required	0	Australian Specs (600A)	
216	4923500	1	ANSI, ANSI Export and CSA Spec with Arctic Package (600A)	1-A
216	Not Required	0	All Specs except CE Spec (600AJ)	
216	4922891	1	CE Spec (600AJ)	1-A
216	Not Required	0	ANSI, ANSI Export and CSA Spec with Arctic Package (600AJ)	
216A	4460891	1	Plug, Male - 2 Position (600AJ)	
216A	4460465	2	Socket, Female (600AJ)	
217		Ref	Cable, Electrical - 18/2 Main Boom Length Options	
217	4922890	1	All Specs (600A)	1-A
217	4923501	1	ANSI, ANSI Export and CSA Spec with Arctic Package (600A)	1-A
217	Not Required	0	All Specs except CE Spec (600AJ)	
217	4922896	1	CE Spec (600AJ)	1-A
217	Not Required	0	ANSI, ANSI Export and CSA Spec with Arctic Package (600AJ)	
217A	4460897	1	Receptacle, Female - 2 Position (600AJ)	
217A	4460464	2	Pin, Male (600AJ)	
		Ref	<b>GROUND CONTROL BOX COMPONENTS</b>	
		Ref	<b>Ground Control Box Components (600A)</b>	
	1001154671	Ref	<b>Deutz D2011 Engine ((ANSI Export Specs) (600A)</b>	D
	1001154674	Ref	<b>Deutz D2011 Engine (CE Specs) (600A) (SN 0300181175 through 0300200808)</b>	D
	1001188015	Ref	<b>Deutz D2011 Engine (CE Specs) (600A) (SN 0300200809 through 0300272252)</b>	C
	1001165547	Ref	<b>Deutz TD2.9L4 Engine (600A)</b>	D
	1001219224	Ref	<b>Ford Engine (600A)</b>	B
	1001154670	Ref	<b>GM Engine (600A)</b>	E
		Ref	<b>Ground Control Box Components (600AJ)</b>	
	1001154673	Ref	<b>Deutz D2011 Engine (ANSI Export and Australian Spec) (600AJ)</b>	D
	1001154675	Ref	<b>Deutz D2011 Engine (CE Specs) (600AJ) (SN 0300181175 through 0300200808)</b>	D
	1001188016	Ref	<b>Deutz D2011 Engine (CE Specs) (600AJ) (SN 0300200809 through 0300272252)</b>	C
	1001165548	Ref	<b>Deutz TD2.9L4 Engine (600AJ)</b>	D
	1001219225	Ref	<b>Ford Engine (600AJ)</b>	B
	1001154672	Ref	<b>GM Engine (600AJ)</b>	E
302	0100048	1	Grease, Dielectric	
327	4460426	1	Terminal, Strain Relief	
328	4460470	1	Nut, Terminal	
329	4460471	1	Lockwasher, Terminal	
331	4460496	1	Washer, Terminal	
332	4460497	1	Nut, Terminal	
333	4460526	1	Connector, Strain Relief	
343		Ref	Ground Control Box Harness Assembly (See Items 601-661 for Breakdown)	
343	1001110379	Ref	Harness, Ground Control Box (Deutz D2011 Engines - All Specs except CE Spec)	
343	1001110379	Ref	Harness, Ground Control Box (Deutz D2011 Engines - CE Spec) <b>(SN 0300181175 through 0300200808)</b>	
343	1001185897	Ref	Harness, Ground Control Box (Deutz D2011 Engines - CE Spec) <b>(SN 0300200809 through 0300272252)</b>	

## SECTION 7 - ELECTRICAL

ITEM	PART NUMBER	QTY	DESCRIPTION	REV
343	1001145992	Ref	Harness, Ground Control Box (Deutz TD2.9L4 Engines)	
343	1001110379	Ref	Harness, Ground Control Box (Ford and GM Engines)	
346		Ref	Engine Harness Assembly (See 517 to 557 for Breakdown)	
346	1001154390	1	Deutz D2011 Engine Machines ( <b>SN 0300181175 through 0300208081</b> )	
346	1001191868	1	Deutz D2011 Engine Machines ( <b>SN 0300208082 through 0300272252</b> )	
346	1001164563	1	Deutz TD2.9L4 Engine Machines ( <b>SN 0300181175 through 0300208081</b> )	
346	1001191866	1	Deutz TD2.9L4 Engine Machines ( <b>SN 0300208082 through 0300272252</b> )	
346	1001214507	1	Ford Engine Machines	
346	1001154388	1	GM Engine Machines ( <b>SN 0300181175 through 0300208081</b> )	
346	1001191867	1	GM Engine Machines ( <b>SN 0300208082 through 0300272252</b> )	
347	1001154392	1	Valve Harness Assembly (See 401 to 430 for Breakdown)	
349		Ref	Ground Control Box Wiring Diagram (Not Shown)	
349	1001154396	1	Deutz D2011 Engine Machines	B
349	1001164564	1	Deutz TD2.9L4 Engine Machines	C
349	1001154395	1	Ford and GM Engine Machines ( <b>SN 0300177361 through 0300232332</b> )	C
349	1001224136	1	Ford and GM Engine Machines ( <b>SN 0300232333 through 0300272252</b> )	A
349A	2920129	AR	Bulb, Light	
349B	1001173590	AR	Fuse Assembly	A
349B	2400065	1	Fuse, 30Amp	
349B	2400066	1	Fuse, Holder with Cover	
349C	4460708	2	Connector, Female - 15 Position	
349C	4460226	AR	Socket, Female	
349D	4922637	1	Harness, Jumper	
349E	4460894	1	Plug, Male - 6 Position	
349E	4460892	1	Connector, Female - 6 Position	
	1001154392	1	<b>VALVE HARNESS ASSEMBLY</b>	C
415	4460539	1	Plug, Male - 3 Position	
416	1001116692	34	Socket, Female	
418	4460466	1	Plug, Sealing	
419	4460267	5	Pin, Male	
420	4460424	1	Receptacle, Female - 2 Position	
421	4460268	5	Socket, Female	
422	4460871	26	Socket, Female	
430	4460891	16	Plug, Male - 2 Position	
		Ref	<b>ENGINE HARNESS ASSEMBLIES</b>	
	1001154390	Ref	<b>Deutz D2011 Engine Machines (SN 0300181175 through 0300208081)</b>	B
	1001191868	Ref	<b>Deutz D2011 Engine Machines (SN 0300208082 through 0300272252)</b>	A
	1001164563	Ref	<b>Deutz TD2.9L4 Engine Machines (SN 0300181175 through 0300208081)</b>	A
	1001191866	Ref	<b>Deutz TD2.9L4 Engine Machines (SN 0300208082 through 0300272252)</b>	B
	1001214507	Ref	<b>Ford Engine Machines</b>	E
	1001154388	Ref	<b>GM Engine Machines (SN 0300181175 through 0300208081)</b>	B
	1001191867	Ref	<b>GM Engine Machines (SN 0300208082 through 0300272252)</b>	B
517	4460424	1	Receptacle, Female - 2 Position	
517	4460226	2	Socket, Female	

## SECTION 7 - ELECTRICAL

ITEM	PART NUMBER	QTY	DESCRIPTION	REV
519	4460880	2	DIN Connector without Diode	
523	4461070	1	Receptacle, Female with Resistor (3 Position) (Deutz D2011 Engines Only)	
523	4461095	1	Plug, Male - 3 Position (Deutz D2011 Engines Only)	
523	4460944	3	Socket, Female (Deutz D2011 Engines Only)	
524	4460931	1	Connector, Male - 8 Position (Deutz TD2.9L4 Engines Only)	
524	4460464	4	Pin, Male	
524	4460466	4	Seal, Plug	
525	4460539	1	Connector, Male - 3 Position	
525	4460944	3	Socket, Female	
528	4460460	1	Connector, Male - 4 Position <b>(SN 0300181175 through 0300208081)</b>	
528	4460457	AR	Terminal, Female <b>(SN 0300181175 through 0300208081)</b>	
528	4460891	2	Plug, Male - 2 Position <b>(SN 0300208082 through 0300272252)</b>	
528	4460465	2	Socket, Female <b>(SN 0300208082 through 0300272252)</b>	
528	4460458	AR	Seal, Terminal	
533	4461052	1	Connector, Receptacle - 25 Position (Deutz D2011 Engines Only)	
533	4461005	5	Terminal (Gold) (Deutz D2011 Engines Only)	
533	4461006	5	Seal, Terminal (Deutz D2011 Engines Only)	
533	4461060	2	Terminal (Tin) (Deutz D2011 Engines Only)	
533	4461054	1	Seal, Terminal (Deutz D2011 Engines Only)	
533	4461053	AR	Cover, Plug (Deutz D2011 Engines Only)	
533	4461008	AR	Plug, Hole (Deutz D2011 Engines Only)	
539	4460871	AR	Socket, Female	
540	1001215016	1	Connector, Ford - 42 Position	
540	1001215091	5	Pin, Male	
540	1001215534	33	Plug, Terminal	
540	1001216212	1	Pin, Male	
544	4461157	1	Receptacle, Female - 2 Position	
544	4460979	2	Pin, Male	
544	4460458	2	Seal, Terminal	
548	4461121	1	Plug, Male - 4 Position (GM Engines Only)	
548	1001126484	4	Socket, Female (GM Engines Only)	
548	1001126485	4	Seal, Terminal (GM Engines Only)	
550	4460899	1	Connector, Male - 6 Position (Deutz TD2.9L4 Engines Only)	
550	4460464	5	Pin, Male	
550	4460943	5	Pin, Male (Gold)	
550	4460466	1	Seal, Plug	
551	4461124	1	Receptacle, Female - 4 Position (GM Engines Only)	
551	4460693	4	Pin, Male (GM Engines Only)	
551	4460608	4	Seal, Terminal (GM Engines Only)	
551	4461161	1	Lock, Terminal (GM Engines Only)	
553	2902443	1	Kit, Receptacle (Deutz Engines Only)	
553	4461071	8	Terminal, Female (Gold) (Deutz D2011 Engines Only)	
553	4461072	1	Connector, Flange Mount (Deutz D2011 Engines Only)	
553	4461073	1	Connector, Dust Cap (Deutz D2011 Engines Only)	
553	4461074	1	Connector, Shell (Deutz D2011 Engines Only)	
554	4461109	1	Plug, Male - 16 Position (GM Engines Only)	
554	4461111	7	Pin, Male (GM Engines Only)	
554	4461113	7	Seal, Terminal (GM Engines Only)	
554	4461222	9	Plug, Cavity (GM Engines Only)	

## SECTION 7 - ELECTRICAL

ITEM	PART NUMBER	QTY	DESCRIPTION	REV
557	4460897	1	Receptacle, Female - 2 Position	
557	4460464	2	Socket, Female	
		Ref	<b>GROUND CONTROL HARNESS ASSEMBLY</b>	
	1001110379	Ref	<b>Harness, Ground Control Box (Deutz D2011 Engines - All Specs except CE Spec)</b>	F
	1001110379	Ref	<b>Harness, Ground Control Box (Deutz D2011 Engines - CE Spec) (SN 0300181175 through 0300200808)</b>	F
	1001185897	Ref	<b>Harness, Ground Control Box (Deutz D2011 Engines - CE Spec) (SN 0300200809 through 0300272252)</b>	C
	1001145992	Ref	<b>Harness, Ground Control Box (Deutz TD2.9L4 Engines)</b>	B
	1001110379	Ref	<b>Harness, Ground Control Box (GM Engines)</b>	F
616	4460536	1	Connector, Female 3- Position	
616	4460943	3	Pin, Male	
621	3990010	2	Diode - 6 Amp (Not Shown)	
624	4460434	2	Connector, Male 15 - Position	
624	4460227	AR	Pin	
626	4460873	1	Connector, Male - 35 Position (Black)	
626	4460871	AR	Socket, Female	
626	4460905	AR	Plug, Seal	
628	4120035	AR	Base, Light	
628	4460634	AR	Terminal (16 Gauge)	
628	4460635	AR	Terminal (12 Gauge)	
635	4460618	9	Connector, Female - 6 Position	
635	4460419	24	Socket, Female	
638	4460871	AR	Socket, Female	
	4460876	1	Connector, Male - 35 Position (Blue)	
639	4460871	28	Socket, Female	
639	4460905	AR	Plug, Seal	
643	4460866	1	Connector - 19 Position	
643	4460464	7	Pin, Male (16 Gauge)	
643	4460508	3	Pin, Male (12 Gauge)	
644	4460878	1	Housing, Terminal - 4 Position	
644	4460887	3	Terminal (12 Gauge)	
650	4460761	1	Connector, Female 4 - Position	
650	4460227	4	Pin, Male	
655	8229242	2	Fuse 5A	
655	2400060	2	Holder, Fuse	
657	1001106339	1	Connector, Male - 14 Position	
657	4460871	2	Socket, Female	
657	4460905	AR	Plug, Seal	
658	1001106340	1	Connector, Male - 14 Position	
658	4460871	5	Socket, Female	
659	4460874	1	Connector, Natural	
659	4460871	10	Socket, Female	
659	4460905	AR	Plug, Seal	
660	4460875	1	Connector, Gray	
660	4460871	2	Socket, Female	
661	1001112612	1	Connector - 9 Position	
661	4460943	4	Pin, Male	
662	4460868	1	Connector - 4 Position (Not Shown - MD1 Connection)	
662	4460877	4	Terminal (Not Shown - MD1 Connection)	
666	4460884	1	Connector - 4 Position (Not Shown - Telematics Connection)	

## SECTION 7 - ELECTRICAL

ITEM	PART NUMBER	QTY	DESCRIPTION	REV
666	4460465	4	Socket, Female (Not Shown - Telematics Connection)	
666	1001192401	1	Cap, Dust (Not Shown - Telematics Connection)	
		Ref	<b>STANDARD HARNESS COMPONENTS</b>	
701		Ref	Battery Cable Kit Options:	
701	2902296	1	Deutz D2011 Engines	F
701	1001145047	1	Deutz TD2.9L4 Engines	F
701	2902531	1	GM Engine Machines	B
701A		Ref	Cable, Battery (Black) (Battery – to Tray Pivot Grd) Options:	
701A	7027004	1	Deutz D2011 Engines	
701A	7027072	1	Deutz TD2.9L4 Engines	
701A	7016822	1	GM Engine Machines	
701B	8270147	1	Terminal, Battery (with Boot) (Deutz TD2.9L4 Engines Only)	
701B	See Note	1	Boot, Black (Note: Not Available for Purchase)	
701C		Ref	Cable, Battery (Black) (Battery – to Aux Pump and Relay Grds)	
701C	7027003	1	Deutz D2011 Engines	
701C	7027073	1	Deutz TD2.9L4 Engines	
701C	7027003	1	GM Engine Machines	
701C	See Note	1	Boot, Black (Note: Not Available for Purchase)	
701D		Ref	Cable, Battery (Black) (Engine to Tray Pivot Grd)	
701D	Not Required	0	Deutz D2011 Engines	
701D	7027074	1	Deutz TD2.9L4 Engines	
701D	See Note	1	GM Engine Machines (Note: Use Item 701A)	
701E		Ref	Cable (Red) (Aux Relay to Aux Pump)	
701E	7027002	1	Deutz D2011 Engines	
701E	7027075	1	Deutz TD2.9L4 Engines	
701E	7027016	1	GM Engine Machines	
701E	See Note	2	Boot, Red (Note: Not Available for Purchase)	
701F		Ref	Cable (Red) (Battery + to Aux Relay/Power Module/Starter)	
701F	1001116240	1	Deutz D2011 Engines	
701F	7027076	1	Deutz TD2.9L4 Engines	
701F	7027015	1	GM Engine Machines	
701F	See Note	2	Boot, Red (Note: Not Available for Purchase)	
701G		Ref	Cable (Red) (Relay to Starter)	
701G	See Note	1	Deutz D2011 Engines (Note: Use Item 701F)	
701G	See Note	1	Deutz TD2.9L4 Engines (Note: Use Item 701F)	
701G	7027017	1	GM Engine Machines	
701G	See Note	2	Boot, Red (Note: Not Available for Purchase)	
702	4923379	1	Harness, Glow Plugs (Deutz D2011 Engine Machines Only)	
703	1001141304	1	Harness, Glow Plugs (Deutz TD2.9L4 Engine Machines Only)	
704	1001143907	1	Cable, Alternator Power (Deutz TD2.9L4 Engine Machines Only)	
704	70004103	1	Cable, Alternator (Deutz D2011 Engine Machines Only)	
705		Ref	Deutz Engine Harness Components (Deutz D2011 Engine Machines Only)	
705A	7027796	1	Deutz Engine Harness (Deutz D2011 Engines)	
705B	See Note	1	Receptacle, Female - 25 Position (Deutz D2011 Engines) (Note: Not Available - Purchase Complete Harness)	
705B	See Note	1	Cover, Receptacle (Deutz D2011 Engines) (Note: Not Available - Purchase Complete Harness)	
705B	See Note	5	Terminal (Deutz D2011 Engines) (Note: Not Available - Purchase Complete Harness)	
705B	See Note	5	Seal (Deutz D2011 Engines) (Note: Not Available - Purchase Complete Harness)	

## SECTION 7 - ELECTRICAL

ITEM	PART NUMBER	QTY	DESCRIPTION	REV
705B	See Note	2	Terminal (Deutz D2011 Engines) (Note: Not Available - Purchase Complete Harness)	
705B	See Note	2	Seal (Deutz D2011 Engines) (Note: Not Available - Purchase Complete Harness)	
705B	See Note	18	Plug, Hole (Deutz D2011 Engines) (Note: Not Available - Purchase Complete Harness)	
705C	7027793	1	Connector, Female (Deutz D2011 Engines)	
705C	70004060	1	Plug, Male	
705D	70001872	1	Deutz Engine Harness (Deutz D2011 Engines) (For other replacement parts refer to Deutz engine dealer)	
705E	70025231	1	Glow Plug Harness (Deutz TD2.9L4 Engines) (Not Shown - Connects To 706L)	
705F	70025077	1	Fuel Injector Harness (Deutz TD2.9L4 Engines) (Not Shown)	
705G	70004271	1	Starter Harness (Deutz D2011 Engines) (Not Shown)	
706	1001143726	1	Deutz TD2.9L4 Engine Harness	K
706A	1001133956	1	Connector (Includes Cover, Locks and Retention Plate)	
706A	1001126352	6	Terminal	
706A	1001156353	6	Seal, Terminal	
706A	1001126384	19	Terminal	
706A	1001126351	3	Terminal	
706A	1001126356	63	Plug, Seal	
706A	1001126357	2	Plug, Seal	
706B	1001133957	1	Connector (Includes Cover, Locks and Retention Plate)	
706B	1001126384	17	Terminal	
706B	1001126351	13	Terminal	
706B	1001126356	19	Plug, Seal	
706B	1001126357	11	Plug, Seal	
706C	4461070	3	Receptacle, Female with Resistor (3 Position)	
706C	4461095	6	Plug, Male - 3 Position	
706C	4460944	6	Socket, Female	
706C	4460466	2	Seal, Plug	
706D	80484084	1	Receptacle, Female - 8 Position	
706D	8229242	1	Fuse - 5A	
706D	80983191	1	Fuse - 10A	
706D	1001147264	1	Cap	
706D	1001116727	8	Plug	
706D	4460458	4	Seal	
706E	1001116952	1	Plug, Male - 2 Position	
706E	4460465	2	Socket, Female	
706F	1001138110	1	Plug, Male - 2 Position	
706F	1001138111	2	Socket, Female	
706F	1001138113	2	Seal	
706G	2902443	1	Kit, Receptacle	
706G	4461071	8	Terminal, Female (Gold)	
706G	4461072	1	Connector, Flange Mount	
706G	4461073	1	Connector, Dust Cap	
706G	4461074	1	Connector, Shell	
706H	4460894	1	Plug, Male - 6 Position	
706H	4460465	3	Socket, Female	
706H	4460944	2	Socket, Female	
706H	4460466	1	Seal, Plug	
706J	4460930	1	Plug, Male - 8 Position	

## SECTION 7 - ELECTRICAL

ITEM	PART NUMBER	QTY	DESCRIPTION	REV
706J	4460465	1	Socket, Female	
706J	4460466	7	Seal, Plug	
706K	4460884	1	Plug, Male - 4 Position <b>(SN 0300181175 through 0300224542)</b>	
706K	1001220379	1	Plug, Male - 4 Position <b>(SN 0300224543 through 0300272252)</b>	
706K	4460465	2	Socket, Female	
706K	4460942	2	Socket, Female	
706K	4460932	1	Receptacle, Female	
706K	4460466	4	Plug, Terminal	
706L	1001142938	1	Plug, Male - 2 Position	
706L	1001142940	2	Terminal, Female	
706L	1001142941	2	Seal	
706M	1001133714	1	Plug, Male - 4 Position	
706M	1001133715	3	Terminal, Female	
706M	1001135650	3	Seal	
706M	1001135651	NLA	Plug, Cavity (Use p/n 4461008)	
706N	1001126362	1	Receptacle, Female - 62 Position	
706N	1001126363	33	Terminal	
706N	1001126364	33	Seal	
706N	1001126391	23	Plug	
706N	4461008	4	Plug, Cavity	
706N	1001126365	2	Terminal	
706N	4461054	2	Seal	
706N	1001151856	1	Conduit, 90 Elbow	
706P	4460891	1	Plug, Male - 2 Position	
706P	4460465	2	Socket, Female	
706P	1001171403	1	Resistor Assembly 1.5ohm-1/4watt	
706P	4460897	1	Receptacle, Female - 2 Position	
706P	4460464	2	Pin, Male	
707	1001222665	1	Fuel Pump Harness (Deutz TD2.9L4 Engines Only) (Note: Pump requiring Ring Terminals) <b>(SN 0300177361 through 0300234681)</b>	A
707	1001138491	1	Fuel Pump Harness (Deutz TD2.9L4 Engines Only) (Note: Pump requiring Push-on Terminals) <b>(SN 0300234682 through 0300272252)</b>	D
707A	4460897	1	Receptacle, Female - 2 Position	
707A	4460941	2	Pin, Male	
707A	4460891	1	Plug, Male - 2 Position	
707A	4460942	2	Socket, Female	
707B	1001116983	1	Receptacle, Female - 2 Position	
707B	1001116710	2	Terminal	
707B	4461054	2	Seal	
707C	4460932	1	Receptacle, Female - 4 Position	
707C	4460941	2	Pin, Male	
707C	4460464	2	Pin, Male	
708		Ref	GM Engine Harness (GM Engine Machines Only)	
	7027991	1	Tier 1 Engines	
	70000718	1	Tier 2 Engines	
	70002898	1	Tier 3 & 4 Interim Engines	
	7027989	1	Connector, Male - 10 Position (Not Shown)	
	See Note	1	Box, Fuse (Note: Parts of Harness - Not Available for Purchase)	
	70002627	1	Cover, Fuse Box	
	70001950	2	Relay (Power and Fuel Pump)	
	70001951	1	Relay (Starter)	

## SECTION 7 - ELECTRICAL

ITEM	PART NUMBER	QTY	DESCRIPTION	REV
	70001931	1	Fuse - 60 Amp (Alternator)	
	See Note	1	Fuse - 20 Amp (Note: Not Available - Purchase Locally)	
	See Note	3	Fuse - 15 Amp (Note: Not Available - Purchase Locally)	
	See Note	1	Fuse - 10 Amp (Note: Not Available - Purchase Locally)	
	See Note	1	Fuse - 5 Amp (Note: Not Available - Purchase Locally)	
709	4360517	1	Switch, Proximity	
709A	4460320	1	Connector - 2 Position	
709A	4460227	2	Pin, Male	
710	See Note	1	Pump Harness (Note: Not Available for Purchase) <b>(SN 0300181175 through 0300208081)</b>	
710A	7007497	1	Plug (Pump End)	
710B	7007498	1	Plug (Engine Harness End)	
711	See Note	1	Controller Harness Assembly (Lift and Swing) (Note: Not Available for Purchase)	
711A	7022819	1	Plug, Male - 8 Position (Natural)	
711A	4460871	8	Socket, Female	
712	See Note	1	Controller Harness/Circuit Board Assembly (Drive and Steer) (Note: Not Available for Purchase)	
712A	7022825	1	Plug, Male - 8 Position (Black)	
712A	4460871	7	Socket, Female	
713	See Note	1	Controller Harness (Speed Control) (Note: Not Available for Purchase)	
713A	4460224	1	Receptacle, Female - 6 Position	
713A	4460226	6	Socket, Female	
		Ref	<b>OPTIONAL HARNESS COMPONENTS</b>	
803	0257887	1	Alarm Harness (Includes Alarm)	
803	0140044	1	Alarm	
803A	4460536	1	Receptacle, Female - 3 Position	
803B	1001116693	3	Pin, Male	
804	2920161	1	Strobe Light (Amber) Harness (Includes Strobe Light)	B
804A	4460891	1	Plug, Male - 2 Position	
804A	4460465	2	Socket, Female	
804B		Ref	Strobe Light (Blue & Red) Harness Components (Not Shown)	
804A	4460897	1	Receptacle, Female - 2 Position	
804A	4460464	2	Pin, Male	
804B	1001142736	1	Beacon Control Harness (Module To Light) (Not Shown)	F
804B	1001150944	1	Beacon Control Harness (Module To Ground Control Box) (Not Shown) <b>(SN 0300177361 through 0300210914)</b>	
805	See Note	1	Headlight and Taillight/Chassis Illumination Harness (Note: Not Available for Purchase)	
805	1060341	AR	Cable, Electrical 16/2 Options:	
805	1060341	37 ft/ 11.3m	Headlights and Taillights	
805	1060341	40 ft/ 12.2m	Chassis Illumination Lights	
805A	3740049	1	Relay	
805A	4460259	3	Terminal	
805A	4460260	4	Housing, Terminal	
805A	4460297	1	Terminal	
805A	4922643	1	Lights Harness for Ground Control Box	B
805A	4460226	2	Socket, Female	
806		Ref	2500W Generator Electrical Components Options:	
806	1001112588	AR	Deutz D2011 Engines 110V/220V with Generator Control Box	B



## SECTION 7 - ELECTRICAL

ITEM	PART NUMBER	QTY	DESCRIPTION	REV
806	1001112743	1	Deutz D2011 Engines 110V/220V without Generator Control Box	B
806	1001180050	1	Deutz TD2.9L4 Engines	A
806	4933350	1	Ford & GM Engines	C
806A	4460321	1	Connector, Male - 4 Position (Deutz and GM Engines Specs with Generator Control Box)	
806A	4460906	AR	Socket, Female	
806A	4460268	AR	Socket, Female	
806B	4922641	1	Harness - On/Off Switch	
806C	4460226	2	Socket, Female	
806D		Ref	Powermite Control Box to Relay Options	
806D	1001112589	1	Deutz D2011 Engines	
806D	1001180052	1	Deutz TD2.9L4 Engines	A
806D	4923445	1	Ford & GM Engines	
806D	4460374	AR	Plug, Sealed Relay	
806D	4460375	3	Terminal	
806D	4460742	1	Plug, Male - 2 Position	
806D	4460743	1	Socket, Female	
806D	4460458	1	Seal, Terminal	
806D	4460465	2	Socket, Female	
806E	4460961	1	Connector, Female - 4 Position (Deutz and GM Engines Specs with Generator Control Box)	
806E	4460705	4	Pin, Male	
807		Ref	Generator to Rear of Boom Harness Options:	
		Ref	<b>Note: Harness used to connect AC at platform harness to generator receptacle to power platform receptacle.</b>	
807	4921829	1	110V (ANSI, ANSI Export and Japanese Specs)	2
807	4921954	1	220V (ANSI and ANSI Export Specs)	2
807	See Note	1	110V/220V (Australian, CE, Latin American and Brazilian Specs) (Note: Not Available for Purchase)	
807		Ref	Cable, Electrical - 12/3 Options:	
807	1060494	6 ft/1.8m	110V (ANSI, ANSI Export and Japanese Specs)	
807	1060494	26 ft/8m	220V (ANSI and ANSI Export Specs)	
807	1060461	6 ft/1.8m	110V/220V (Australian, CE, Latin American and Brazilian Specs)	
807A		Ref	Plug, Male Options	
807A	4460205	1	110V (ANSI, ANSI Export and Japanese Specs)	
807A	4460233	1	220V (ANSI and ANSI Export Specs)	
807A	Not Required	0	110V/220V (Australian, CE, Latin American and Brazilian Specs) (Purchase Locally)	
807A	4460027	1	Receptacle, Twist Lock (110V Only)	
807B		Ref	Receptacle, Female Options:	
807B	4460134	1	110V (ANSI, ANSI Export and Japanese Specs)	
807B	4460701	1	220V (ANSI and ANSI Export Specs)	
807B	Not Required	0	110V/220V (Australian, CE, Latin American and Brazilian Specs) (Purchase Locally)	
808		Ref	AC to Platform Receptacle Components Options:	
808	0255382	Ref	110V GFI Receptacle (ANSI, ANSI Export and Japanese Specs)	C
808	0257176	Ref	220V Receptacle (ANSI, ANSI Export, China and Japanese Specs)	C
808	0272433	Ref	SkyPower Machines (All Specs)	D
808	0274618	Ref	Dual AC (ANSI Export Spec Option)	2-B
808	0256202	Ref	110V/220V (ANSI Export, Australian and CE Specs) <b>(SN 0300177361 through 0300236676)</b>	D

## SECTION 7 - ELECTRICAL

ITEM	PART NUMBER	QTY	DESCRIPTION	REV
808	1001213655	Ref	110V/220V (ANSI Export, Australian, China and CE Specs) <b>(SN 0300236677 through 0300272252)</b>	A
808	1001160272	Ref	110V AC Cable used with 4000W/60Hz Generator	A
808	1001194365	Ref	220V Receptacle used with 4000W Generator (ANSI Export, Australian and Japanese Spec)	A
808	1001171131	Ref	240V Receptacle with GFCI used with 4000W Generator (Not Shown)	
808	1001159121	Ref	240V Receptacle with GFCI used with 7500W Generator (Not Shown)	
808		Ref	110V/220V (CE Spec Only)	
808		Ref	<b>Without Powermite Generator (CE Specs)</b>	
808	0256202	Ref	110V/220V (ANSI Export, Australian, China and CE Specs) <b>(SN 0300177361 through 0300236676)</b>	D
808	1001213655	Ref	110V/220V (ANSI Export, Australian, China and CE Specs) <b>(SN 0300236677 through 0300272252)</b>	A
808	0275653	1	220V with CEE7 Post Ground Receptacle and Plug and Circuit Breaker (2x4 Box)	G
808	0275654	1	220V with CEE7 Side Ground Receptacle and Plug and Circuit Breaker (2x4 Box)	G
808	0275660	1	220V with AFSINT 107 Keyed Ground Receptacle and Plug and Circuit Breaker (2x4 Box)	G
808	0275656	1	110V with IEC Yellow Receptacle and Plug and Circuit Breaker	F
808	0275652	1	220V with IEC Blue Receptacle and Plug and Circuit Breaker	F
808	0275655	1	220V with CEE7 Post Ground Receptacle and Plug and Circuit Breaker (70mm x 70mm Box)	F
808	0275651	1	220V with CEE7 Side Ground Receptacle and Plug and Circuit Breaker (70mm x 70mm Box) <b>(SN 0300181175 through 0300181922)</b>	D
808	1001153638	1	220V with CEE7 Side Ground Receptacle and Plug and Circuit Breaker (70mm x 70mm Box) <b>(SN 0300181923 through 0300272252)</b>	D
808		Ref	<b>With Powermite Generator (CE Specs)</b>	
808	1001100397	Ref	220V with CEE7 Post Ground Receptacle and Plug and Circuit Breaker (2x4 Box)	H
808	1001100398	Ref	220V with CEE7 Side Ground Receptacle and Plug and Circuit Breaker (2x4 Box)	H
808	1001100399	Ref	220V with AFSINT 107 Keyed Ground Receptacle and Plug and Circuit Breaker (2x4 Box)	G
808	1001100400	Ref	110V with IEC Yellow Receptacle and Plug and Circuit Breaker	F
808	1001100401	Ref	220V with IEC Blue Receptacle and Plug and Circuit Breaker	F
808	1001100402	Ref	220V with CEE7 Post Ground Receptacle and Plug and Circuit Breaker (70mm x 70mm Box)	F
808	1001100403	Ref	220V with CEE7 Side Ground Receptacle and Plug and Circuit Breaker (70mm x 70mm Box)	F
808		Ref	<b>With 4000W Generator (CE Specs)</b>	
808	1001194203	Ref	110V IEC Yellow Receptacle and Plug	B
808	1001194204	Ref	220V IEC Blue Receptacle and Plug	B
808	1001194197	Ref	220V CEE7 Post Ground Receptacle and Plug (2x4 Box)	B
808	1001194198	Ref	220V CEE7 Side Ground Receptacle and Plug (2x4 Box)	B
808	1001194200	Ref	220V AFSINT 107 Keyed Ground Receptacle	B
808A		Ref	Box, Switch Options:	
808A	0860038	1	0255382, 0257176 & 0274618 Installations	
808A	Not Required	0	0255382, 0257176 & 0274618 Installations	

## SECTION 7 - ELECTRICAL

ITEM	PART NUMBER	QTY	DESCRIPTION	REV
808A	0861731	1	0275253, 0275254, 0275660, 1001100345, 1001100397, 1001100398, 1001100399, 1001194197, 1001194198, 1001194200 & 1001194365 Installations	
808A	0861781	1	0275656, 0275652, 1001100400, 1001100401, 1001194203 & 1001194204 Installations	
808A	See Note	1	0275655, 0275651, 1001100402 & 1001100403 Installations (Note: was p/n 0861782 which is no longer available. Use p/n 1001100344 CEE7 Side Ground Service Kit or p/n 1001100343 CEE7 Post Ground Service Kit. Kit include Box p/n 1001141967 & Items 808B, 808C, 808E & 808P)	
808A	1001141967	1	1001100343, 1001100344, 1001141970 & 1001141971 Kits	
808B		Ref	Receptacle Options	
808B	4460346	1	0255382 & 0274618 Installations	
808B	4460125	1	0257176 Installation	
808B	Not Required	0	0256202 Installation (Purchase Locally)	
808B	4461244	1	0275253, 1001100345, 1001100397 & 1001194197 Installations	
808B	4461245	1	0275654, 1001100398 & 1001194198 Installations	
808B	4461246	1	0275660, 1001100399 & 1001194200 Installations	
808B	4461198	1	0275656, 1001100400 & 1001194203 Installations	
808B	4461201	1	0275652, 1001100401 & 1001194204 Installations	
808B	4461204	NLA	0275655 & 1001100402 Installations (Use p/n 1001100343)	
808B	4461207	NLA	0275651 & 1001100403 Installations (Use p/n 1001100344)	
808B	1001141968	1	1001100343 & 1001141971 Kits	
808B	1001141969	1	1001100344 & 1001141970 Kits	
808C		Ref	Shield, Cover Options	
808C	1001110873	1	0255382 & 0274618 Installations (Top Hinged)	
808C	4060092	1	0257176 Installation	
808C	Not Required	0	0256202 Installation (Purchase Locally)	
808C	4461244	1	0275253, 1001100345, 1001100397 & 1001194197 Installations	
808C	4461245	1	0275654, 1001100398 & 1001194198 Installations	
808C	4461246	1	0275654, 1001100398 & 1001194200 Installations	
808C	4461198	1	0275656, 1001100400 & 1001194203 Installations	
808C	4461201	1	0275652, 1001100401 & 1001194204 Installations	
808C	4461204	NLA	0275655 & 1001100402 Installations (Use p/n 1001100343)	
808C	4461207	NLA	0275651 & 1001100403 Installations (Use p/n 1001100344)	
808C	1001141968	1	1001100343 & 1001141971 Kits	
808C	1001141969	1	1001100344 & 1001141970 Kits	
808D		Ref	Connector, Strain Relief Options	
808D	4460071	1	0255382, 0257176 & 0274618 Installations	
808D	Not Required	0	0256202 Installations (Purchase Locally)	
808D	4460968	1	0275656, 0275652, 0275655, 0275651, 1001100400, 1001100401, 1001100402, 1001100403, 1001194203 & 1001194204 Installations	
808D	4460968	1	0275653, 0275654, 0275660, 1001100397, 1001100398, 1001100399 Installations ( <b>SN 0300177361 through 0300223869</b> )	
808D	4460662	1	0275653, 0275654, 0275660, 1001100397, 1001100398, 1001100399 Installations ( <b>SN 0300223870 through 0300272252</b> )	
808D	4460662	1	1001194197, 1001194198, 1001194200 & 1001194365 Installations	
808E		Ref	Plug, Male Options:	
808E	4460205	1	0255382 & 0274618 Installations	

## SECTION 7 - ELECTRICAL

ITEM	PART NUMBER	QTY	DESCRIPTION	REV
808E	4460233	1	0257176 Installation	
808E	Not Required	0	0256202 Installation (Purchase Locally)	
808E	4461202	NLA	0275653, 0275655, 1001100397 & 1001100402 Installations & 1001100343 & 1001141971 Kits (Use p/n 4461205)	
808E	4461199	1	0275652 & 1001100401 Installations	
808E	4461249	1	0275660 & 1001100399 Installations	
808E	4461196	1	0275656 & 1001100400 Installations	
808E	4461205	1	0275654, 0275651, 1001100345, 1001100398 & 1001100403 Installations & 1001100344 & 1001141970 Kits	
808F		Ref	Plug, Male Options:	
808F	4460205	1	0274618 Installation (Qty 4 Required for Dual AC)	
808F	4460205	1	0255382 Installation (Qty 4 Required for Dual AC) <b>(SN 0300177361 through 0300236676)</b>	
808F	1001227309	1	0255382 Installation (Qty 4 Required for Dual AC) <b>(SN 0300236677 through 0300272252)</b>	
808F	4460233	1	0257176 Installation <b>(SN 0300177361 through 0300236676)</b>	
808F	1001227309	1	0257176 Installation <b>(SN 0300236677 through 0300272252)</b>	
808F	4460709	1	0256202 Installation <b>(SN 0300177361 through 0300236676)</b>	
808F	1001213584	1	0256202 Installation <b>(SN 0300236677 through 0300272252)</b>	
808F	1001217095	1	1001213655 Installation <b>(SN 0300236677 through 0300272252)</b>	
808F	4460709	1	0275653, 0275654, 0275660, 0275656, 0275652, 0275655, 0275651, 1001100397, 1001100398, 1001100399, 1001100400, 1001100401, 1001100402 & 1001100403 Installations	
808F	4460960	1	0272433 Installation <b>(SN 0300181175 through 03002288563)</b>	
808F	1001218622	1	0272433 Installation <b>(SN 0300228564 through 0300272252)</b>	
808F	4460962	1	1001160272 Installation	
808F		Ref	Cover (Optional)	
808F	1671093	1	0272433 Installation <b>(SN 0300181175 through 03002288563)</b>	
808F	1001156352	1	0256202 Installation	
808F	1671093	1	1001160272 Installation	
808G		Ref	Connector, Female Options	
808G	4460134	1	0274618 Installation (Qty 2 Required for Dual AC)	
808G	4460134	1	0255382 Installation (Qty 2 Required for Dual AC) <b>(SN 0300177361 through 0300236676)</b>	
808G	1001227310	1	0255382 Installation (Qty 2 Required for Dual AC) <b>(SN 0300236677 through 0300272252)</b>	
808G	4460701	1	0257176 Installation <b>(SN 0300177361 through 0300236676)</b>	
808G	1001227310	1	0257176 Installation <b>(SN 0300236677 through 0300272252)</b>	
808G	4460710	1	0256202 Installation <b>(SN 0300177361 through 0300236676)</b>	
808G	1001213585	1	0256202 Installation <b>(SN 0300236677 through 0300272252)</b>	
808G	1001217096	1	1001213655 Installation <b>(SN 0300236677 through 0300272252)</b>	
808G	4460710	1	0275653, 0275654, 0275660, 0275656, 0275652, 0275655, 0275651, 1001100397, 1001100398, 1001100399, 1001100400, 1001100401, 1001100402 & 1001100403 Installations	
808G	4460959	1	0272433 Installation <b>(SN 0300181175 through 03002288563)</b>	
808G	1001218623	1	0272433 Installation <b>(SN 0300228564 through 0300272252)</b>	
808G		Ref	Cover (Optional)	
808G	1671092	1	0272433 Installation <b>(SN 0300181175 through 03002288563)</b>	
808G	1001156351	1	0256202 Installation <b>(SN 0300177361 through 0300236676)</b>	
808G	1671092	1	1001160272 Installation	

## SECTION 7 - ELECTRICAL

ITEM	PART NUMBER	QTY	DESCRIPTION	REV
808H		Ref	Hardware Options:	
808H	0641405	AR	Bolt 1/4in - 20NC x 5/8in	
808H	0641407	AR	Bolt 1/4in - 20NC x 7/8in	
808H	0641416	AR	Bolt 1/4in - 20NC x 2in	
808H	0700408	AR	Screw M4 x 16mm	
808H	3290405	AR	Locknut M4	
808H	3311405	AR	Locknut 1/4in - 20NC	
808H	4711400	AR	Flatwasher 1/4in Thin	
808H	4811400	AR	Flatwasher M4	
808J		Ref	Bracket, Receptacle Box Mounting Options:	
808J	Not Required	0	0255382, 0274618, 0257176 & 0256202 Installations	
808J	0903484	1	0275653, 0275654, 0275660, 0275656, 0275652, 0275655, 0275651, 1001100397, 1001100398, 1001100399, 1001100401, 1001100402 & 1001100403 Installations ( <b>SN 0300177361 through 0300200808</b> )	
808J	1001193018	1	0275653, 0275654, 0275660, 0275656, 0275652, 0275655, 0275651, 1001100397, 1001100398, 1001100399, 1001100401, 1001100402 & 1001100403 Installations ( <b>SN 0300200809 through 0300272252</b> )	
808J	1001193018	1	1001194197, 1001194198, 1001194200, 1001194203, 1001194204 & 1001194365 Installations	
808K		Ref	Bracket, Circuit Breaker Mounting Options:	
808K	Not Required	0	0255382, 0274618, 0257176 & 0256202 Installations	
808K	0903612	1	0275653, 0275654, 0275660, 0275656, 0275652, 0275655, 0275651, 1001100397, 1001100398, 1001100399, 1001100400, 1001100401, 1001100402, 1001100103 & 1001153638 Installations ( <b>SN 0300177361 through 0300188307</b> )	
808K	1001170797	1	0275653, 0275654, 0275660, 0275656, 0275652, 0275655, 0275651, 1001100397, 1001100398, 1001100399, 1001100400, 1001100401, 1001100402, 1001100103 & 1001153638 Installations ( <b>SN 0300188308 through 0300194781</b> )	
808K	1001153636	1	0275653, 0275654, 0275660, 0275656, 0275652, 0275655, 0275651, 1001100397, 1001100398, 1001100399, 1001100400, 1001100401, 1001100402, 1001100103 & 1001153638 Installations ( <b>SN 0300194782 through 0300272252</b> )	
808L		Ref	Breaker, Circuit Kit Options (Required on All CE Spec Installations except 0256202 Installation)	
808L	1001096070	AR	Kit (Without Powermite Generator Control Box)	E
808L	1001109554	AR	Kit (With Powermite Generator Control Box)	C
808L		Ref	Circuit Breaker Options:	
808L	1001109477	NLA	Breaker 10A (Use p/n 1001181046) ( <b>SN 0300177361 through 0300204452</b> )	
808L	1001109475	NLA	Breaker 16A (Use p/n 1001181045) ( <b>SN 0300177361 through 0300204452</b> )	
808L	1001109482	NLA	Breaker 30mA (Use p/n 1001181045 for 30mA/16A Breaker Boxes or p/n 1001181046 for 30mA/10A Breaker Boxes) ( <b>SN 0300177361 through 0300204452</b> )	
808L	1001181045	1	Breaker 16A/30mA Combination ( <b>SN 0300204453 through 0300272252</b> )	
808L	1001181046	1	Breaker 10A/30mA Combination ( <b>SN 0300204453 through 0300272252</b> )	
808L	0861880	1	Breaker Box	
808L	4460957	1	Terminal Block	
808L	4460956	1	Barrier, Terminal Block End	

## SECTION 7 - ELECTRICAL

ITEM	PART NUMBER	QTY	DESCRIPTION	REV
800M	1001101191	2	Connector, Strain Relief Options (Required Only on CE Spec Installations except 0256202 Installation)	
808N	1060908	12 ft/3.7m	Cable, Extension (Required Only on CE Spec Installations except 0256202 Installation)	
808P		Ref	Connector, Female Options:	
808P	Not Required	0	0255382, 0274618, 0257176, 0275653, 0275654, 0275660, 0275656, 0275652, 0275655 & 0275651 Installations	
808P	Not Required	0	0256202 Installation (Purchase Locally)	
808P	4461203	1	1001100402 & 1001100397 Installations & 1001100343, 1001100345 & 1001141971 Kits	
808P	4461200	1	1001100401 Installation	
808P	4461250	1	1001100399 Installation	
808P	4461197	1	1001100400 Installation	
808P	4461206	1	1001100403 & 1001100398 Installations & 1001100344 & 1001141970 Kits	
		Ref	Kit, Plug and Socket Options:	
		Ref	Without Generator	
	0275452	1	Receptacle Box Kit (220V CEE7 Post Ground) (Includes Items 808A, 808B, 808C & 808E) (0275653 Installation)	C
	0275453	1	Receptacle Box Kit (220V CEE7 Side Ground) (Includes Items 808A, 808B, 808C & 808E) (0275654 Installation)	1
	0275454	1	Receptacle Box Kit (220V AFSINT 107 Keyed Ground) (Includes Items 808A, 808B, 808C & 808E) (0275660 Installation)	1
	0275216	1	Receptacle Box Kit (110V IEC Yellow) (Includes Items 808A, 808B, 808C & 808E) (0275656 Installation)	1
	0275217	1	Receptacle Box Kit (220V IEC Blue) (Includes Items 808A, 808B, 808C & 808E) (0275652 Installation)	1
	0275218	NLA	Receptacle Box Kit (220V CEE7 Post Ground) (Includes Items 808A, 808B, 808C & 808E) (0275655 Installation) (Use p/n 1001100343)	C
	0275219	NLA	Receptacle Box Kit (220V CEE7 Side Ground) (Includes Items 808A, 808B, 808C & 808E) (0275651, 1001153638 & 1001160272 Installation) (Use p/n 1001100344)	B
		Ref	With Generator	
	1001100345	1	Receptacle Box Kit (220V CEE7 Post Ground) (Includes Items 808A, 808B, 808C, 808E & 808P) (1001100397 Installation)	C
	1001100347	1	Receptacle Box Kit (220V CEE7 Side Ground) (Includes Items 808A, 808B, 808C, 808E & 808P) (1001100398 Installation)	3
	1001100346	1	Receptacle Box Kit (220V AFSINT 107 Keyed Ground) (Includes Items 808A, 808B, 808C, 808E & 808P) (1001100399 Installation)	2
	1001100341	1	Receptacle Box Kit (110V IEC Yellow) (Includes Items 808A, 808B, 808C, 808E & 808P) (1001100400 Installation)	2
	1001100342	1	Receptacle Box Kit (220V IEC Blue) (Includes Items 808A, 808B, 808C, 808E & 808P) (1001100401 Installation)	2
	1001100343	1	Receptacle Box Kit (220V CEE7 Post Ground) (Includes Items 808A, 808B, 808C, 808E & 808P) (1001100402 Installation)	C
	1001100344	1	Receptacle Box Kit (220V CEE7 Side Ground) (Includes Items 808A, 808B, 808C, 808E & 808P) (1001100403 Installation)	B
809		Ref	7500W SKYPOWER GENERATOR INSTALLATION	
809	1001115391	Ref	60Hz and Deutz D2011 Engine	F
809	1001145227	Ref	60Hz and Deutz TD2.9L4 Engine	F

## SECTION 7 - ELECTRICAL

ITEM	PART NUMBER	QTY	DESCRIPTION	REV
809	1001115392	Ref	50Hz Spec and Deutz D2011 Engine	E
809	1001145228	Ref	50Hz and Deutz TD2.9L4 Engine	D
809	1001217187	Ref	60Hz Spec and Ford Engine	F
809	0275257	Ref	60Hz Spec and GM Engine	F
		Ref	<b>Note: SkyPower Generator is Standard on ANSI and CSA Specs. Optional on All Other Specs.</b>	
809A		Ref	Receptacle, Female Twist-Lock Options	
809A	4460958	1	60Hz Spec	
809A	See Note	1	50Hz Spec (Note: Not Available - Purchase Locally)	
809B		Ref	Gasket Options:	
809B	3960422	2	60Hz Spec	
809B	See Note	2	50Hz Spec (Note: Not Available - Purchase Locally)	
809C		Ref	Cover, Receptacle Options:	
809C	1001110873	1	60Hz Spec	
809C	See Note	1	50Hz Spec (Note: Not Available - Purchase Locally)	
809D		Ref	Cover, Receptacle Options:	
809D	1001110872	1	60Hz Spec	
809D	See Note	1	50Hz Spec (Note: Not Available - Purchase Locally)	
809E		Ref	Receptacle Options:	
809E	4460346	1	60Hz Spec	
809E	See Note	1	50Hz Spec (Note: Not Available - Purchase Locally)	
809F	4460051	1	Connector, Strain Relief	
809G	4460071	1	Connector, Strain Relief	
809H	4922925	1	Harness, Generator	C
809I	77363233	1	Plug, Male - 6 Position	
809I	4460465	1	Socket, Female	
809J	4460225	1	Plug, Male - 6 Position	
809J	4460268	1	Socket, Female	
810		Ref	7500W SkyPower Generator Junction Box Components	
810	0861542	Ref	60Hz Spec (Deutz D2011 and GM Engines) ( <b>SN 0300181175 through 0300182752</b> )	E
810	1001157592	Ref	60Hz Spec (Deutz D2011 and GM Engines) ( <b>SN 0300182753 through 0300272252</b> )	C
810	1001157592	Ref	60Hz (Deutz TD2.9L4 and Ford Engines)	C
810	0861567	Ref	50Hz Specs (Deutz D2011 Engines) ( <b>SN 0300181175 through 0300182752</b> )	B
810	1001157525	Ref	50Hz Specs (Deutz D2011 Engines) ( <b>SN 0300182753 through 0300272252</b> )	B
810	0861567	Ref	50Hz Specs (Deutz TD2.9L4 Engines)	B
810A		Ref	Cable, Electrical 12/3	
810A	1060494	2 ft/.6m	60Hz Spec ( <b>SN 0300177361 through 0300205261</b> )	
810A	1001179154	2 ft/.6m	60Hz Spec ( <b>SN 0300205262 through 0300272252</b> )	
810A	See Note	2 ft/.6m	50Hz Spec (Note: Not Available - Purchase Locally)	
810B		Ref	Cable, Electrical 10/3 (Deutz D2011 and GM Engines Only)	
810B	1060708	2.5 ft/.76m	60Hz Spec	
810B	See Note	2 ft/.76m	50Hz Spec (Note: Not Available - Purchase Locally)	
810C	1060343	1.5 ft/.46m	Cable, Electrical 10/4 (60Hz Spec Only)	
810D	4460425	2	Connector, Strain Relief (Deutz D2011 and GM Engine Machines Only)	
810D	1001152525	1	Plug (Deutz TD2.9L4 Engine Machines)	
810D	3520192	1	Plug (50Hz Spec Only)	

## SECTION 7 - ELECTRICAL

ITEM	PART NUMBER	QTY	DESCRIPTION	REV
810E		Ref	Component Options:	
810E	4460426	2	Connector, Strain Relief (60Hz Spec Only)	
810E	4460426	1	Connector, Strain Relief (50Hz Spec Only)	
810E	3520189	1	Plug (50Hz Spec Only)	
810F	1671092	1	Cover (60Hz Spec Only)	
810F	4460963	1	Connector (60Hz Spec Only)	
811		Ref	7500W Generator Electrical Diagram Components	
811	1001112586	Ref	Deutz D2011 Engine Machines (SN 0300181175 through 0300182752)	B
811	1001157769	Ref	Deutz D2011 Engine Machines (SN 0300182753 through 0300272252)	B
811	1001122528	Ref	Deutz TD2.9L4 Engine Machines	B
811	1001221498	Ref	Ford Engine Machines	A
811	4933349	Ref	GM Engine Machines (SN 0300181175 through 0300182752)	B
811	1001157768	Ref	GM Engine Machines (SN 0300182753 through 0300272252)	A
811A		Ref	Generator Harness Options:	
811A	1001112587	1	Deutz D2011 Engine Machines (SN 0300177361 through 0300181890)	B
811A	1001152429	1	Deutz D2011 Engine Machines (SN 0300181891 through 0300272252)	B
811A	1001119968	1	Deutz TD2.9L4 Engine Machines	B
811A	1001221208	1	Ford Engine Machines	A
811A	4923420	1	GM Engine Machines	A
811A	4460742	1	Connector - 2 Position (1001152429 Harness) (Not Shown)	
811A	4460743	2	Terminal (1001152429 Harness) (Not Shown)	
811B	4460374	2	Plug, Sealed Relay (1001112587 & 4983420 Harness)	
811B	4460375	7	Terminal (1001112587 & 4983420 Harness)	
811C	4460967	1	Plug, Male - 3 Position	
811C	4460465	3	Socket, Female	
811D	2400060	1	Fuseholder	
811D	2400064	1	Fuse - 5 Amp	
811D		Ref	Component Options:	
811D	2400060	1	Fuseholder (Deutz D2011 and GM Engines)	
811D	2400064	1	Fuse - 5 Amp (Deutz D2011 and GM Engines)	
811D	1001117078	1	Fuseholder (Includes Fuse and Cap) (Deutz D2011 Engines)	
811D	See Note	1	Fuse - 5 Amp (Deutz D2011 Engines) (Note: Use 1001117078 Assembly or Purchase Fuse Locally)	
811D	1001096134	1	Cover, Fuseholder (Deutz D2011 Engines)	
811E	4922641	1	Switch Harness	
811F	4460226	2	Socket, Female	
811G	4460742	1	Plug, Male - 2 Position	
811G	4460743	2	Socket, Female	
811G	4460458	2	Seal, Terminal	
812	4933308	1	Floodlights Harness Components	1-A
812A	4460320	2	Plug, Male - 2 Position	
812A	4460227	4	Pin, Male	
812B	4922764	1	Floodlight Harness (Lights to Switch)	1-A
812C	4460424	1	Connector, Female - 2 Position	
812C	4460226	4	Socket, Female	
812D	4360232	1	Circuit Breaker - 15 Amp	
812E	1060977	1	Cord, 2 Wire Coiled (Console Box Circuit Breaker to Switch)	
812F	4460425	1	Connector, Strain Relief	

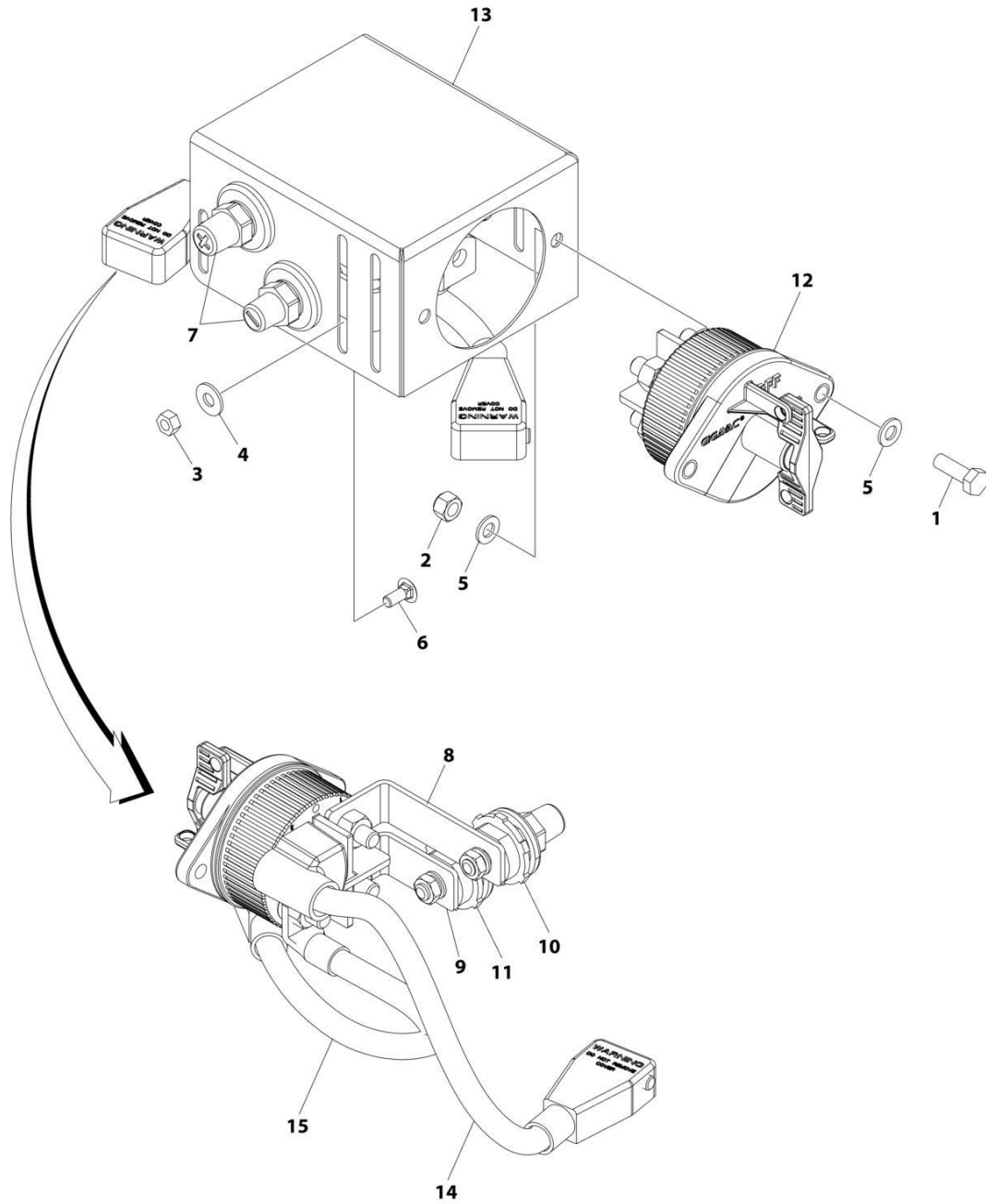


## SECTION 7 - ELECTRICAL

ITEM	PART NUMBER	QTY	DESCRIPTION	REV
812G	4460459	1	Plug, Male - 3 Position	
812G	4460790	3	Socket, Female	
812G	4460789	3	Seal	
812H	4460476	1	Receptacle, Female	
812H	4460850	3	Pin, Male	
812H	4460790	3	Socket, Female	
812J	1060494	33 ft/ 10.1m	Electrical Cable 12/3 (Lower Boom to Aux Relay)	
812K	1060494	47 ft/ 14.3m	Electrical Cable 12/3 (Upper Boom to Console Box)	
813		Ref	Platform Worklights Components	
813A	2920140	NLA	Platform Worklights External Harness (Use p/n 1001232838) (Includes Light and Wire Only) <b>(SN 0300177361 through 0300258807)</b>	
813A	1001232838	1	Platform Worklight w/Switch Kit <b>(SN 0300258808 through 0300272252)</b>	
813B	4460459	1	Plug, Male - 3 Position	
813B	4460790	3	Socket, Female	
813B	4460789	3	Seal	
813C	4460476	1	Receptacle, Female	
813C	4460850	3	Pin, Male	
813C	4460790	3	Socket, Female	
813D	4460426	1	Connector, Strain Relief	
813E	2400070	1	Fuse	
813E	2400066	1	Holder, Fuse	
813F	4922894	1	Worklights Harness (Upper Boom to Worklights)	
813F	1060494	47/ 14.3mm	Cable, Electrical - 12/3	
813G	4922892	1	Worklights Harness (Lower Boom to Aux. Power Solenoid)	
813G	1060494	33 ft/ 10.1mm	Cable, Electrical - 12/3	
		Ref	<b>TOOLS</b>	
901	7002821	1	Crimper (For Wire to Pin/Socket Connections) (Not Shown)	
902	7002823	1	Extractor (For Removal of Pin/Socket from Connectors) (Not Shown)	
903	4460467	1	Extractor, Pin (Blue 16-18 Gauge) (For Removal of Pin/Socket from Connectors) (Not Shown)	
904	4460510	1	Extractor, Pin (Yellow 12-14 Gauge) (For Removal of Pin/Socket from Connectors) (Not Shown)	
905	7002828	1	Stripper, Wire (Not Shown)	
906	2901443	1	Analyzer Kit (Not Shown)	
906A	1600244	1	Analyze	
906B	1060633	1	Cable, Analyzer	
906C	4460321	2	Plug, Male	
906C	4460226	8	Socket, Female	
907	1001137005	1	Software Cable Kit (Not Shown)	

# SECTION 7 - ELECTRICAL

## FIGURE 7-4. BATTERY DISCONNECT SWITCH INSTALLATION – DEUTZ 2.9L4, GM AND FORD ENGINES



ART\_1001236304

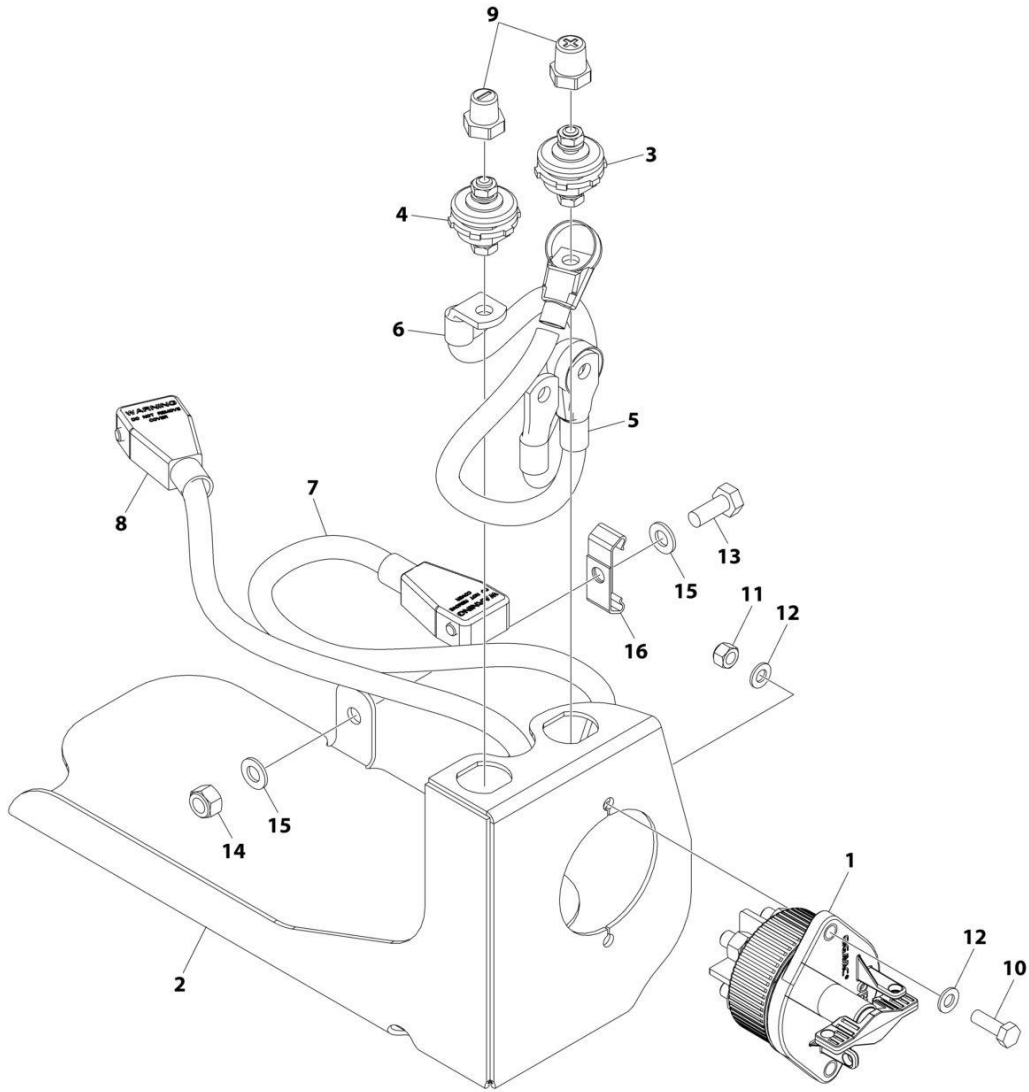
## SECTION 7 - ELECTRICAL

**FIGURE 7-4. BATTERY DISCONNECT SWITCH INSTALLATION – DEUTZ 2.9L4, GM AND FORD ENGINES**

ITEM	PART NUMBER	QTY	DESCRIPTION	REV
	1001236304	Ref	BATTERY DISCONNECT SWITCH INSTALLATION	A
1	0760812	2	Bolt M8 x 25	
2	3290805	2	Nut M8	
3	3311405	3	Nut 1/4	
4	4751400	3	Washer 1/4	
5	4811900	4	Washer M8	
6	88411013	3	Bolt 1/4 x 3/4	
7	1001206476	1	Connectors, Post	
8	1001209432	1	Bussbar	
9	1001209474	1	Bussbar	
10	1001214570	1	Connector (Red)	
11	1001214571	1	Connector (Black)	
12	1001225346	1	Switch, Battery	
13	1001226531	1	Mount	
14	1001236504	1	Cable, Battery (+)	
15	1001236505	1	Cable, Battery (-)	

# SECTION 7 - ELECTRICAL

## FIGURE 7-5. BATTERY DISCONNECT SWITCH INSTALLATION – DEUTZ D2011 AND D2011 (STAGE V) ENGINES



ART\_1001214396

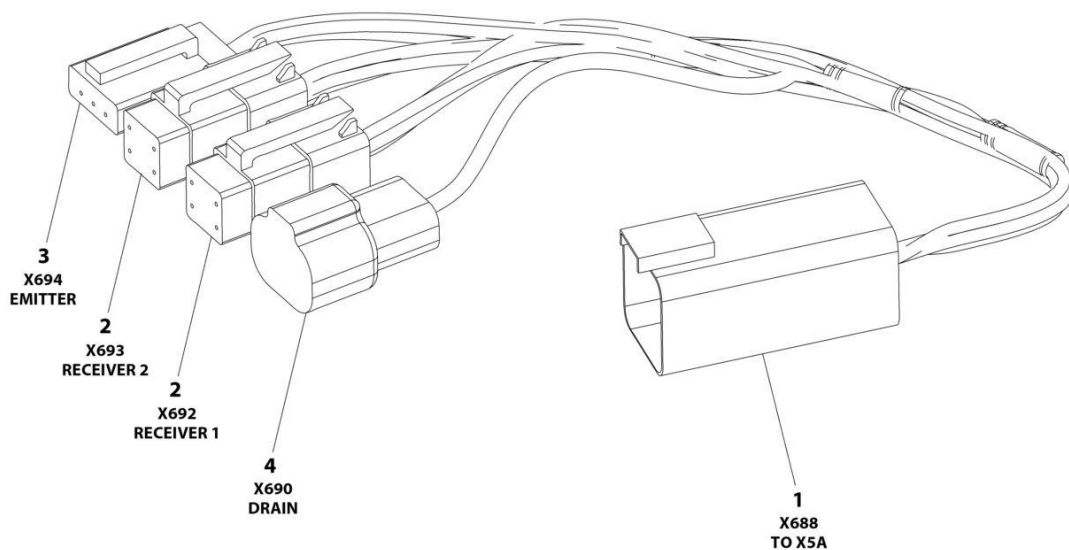
## SECTION 7 - ELECTRICAL

**FIGURE 7-5. BATTERY DISCONNECT SWITCH INSTALLATION – DEUTZ D2011 AND D2011 (STAGE V) ENGINES**

ITEM	PART NUMBER	QTY	DESCRIPTION	REV
	1001214396	Ref	BATTERY DISCONNECT SWITCH INSTALLATION	B
1	1001225346	1	Switch	
2	1001226529	1	Mount	
3	1001214570	1	Connector (Red)	
4	1001214571	1	Connector (Black)	
5	1001236375	1	Cable (Positive)	
6	1001236376	1	Cable (Negative)	
7	1001236377	1	Cable (Positive)	
8	1001236378	1	Cable (Negative)	
9	1001206476	1	Connector	
10	0760812	2	Bolt M8 x 25	
11	3290805	2	Nut M8	
12	4811900	4	Washer M8	
13	0761012	1	Bolt M10 x 25	
14	3291005	1	Nut M10	
15	4812000	2	Washer M10	
16	1320223	2	Clamp	

# SECTION 7 - ELECTRICAL

## FIGURE 7-6. SKYEYE INTERMEDIATE HARNESS



ART\_1001237865

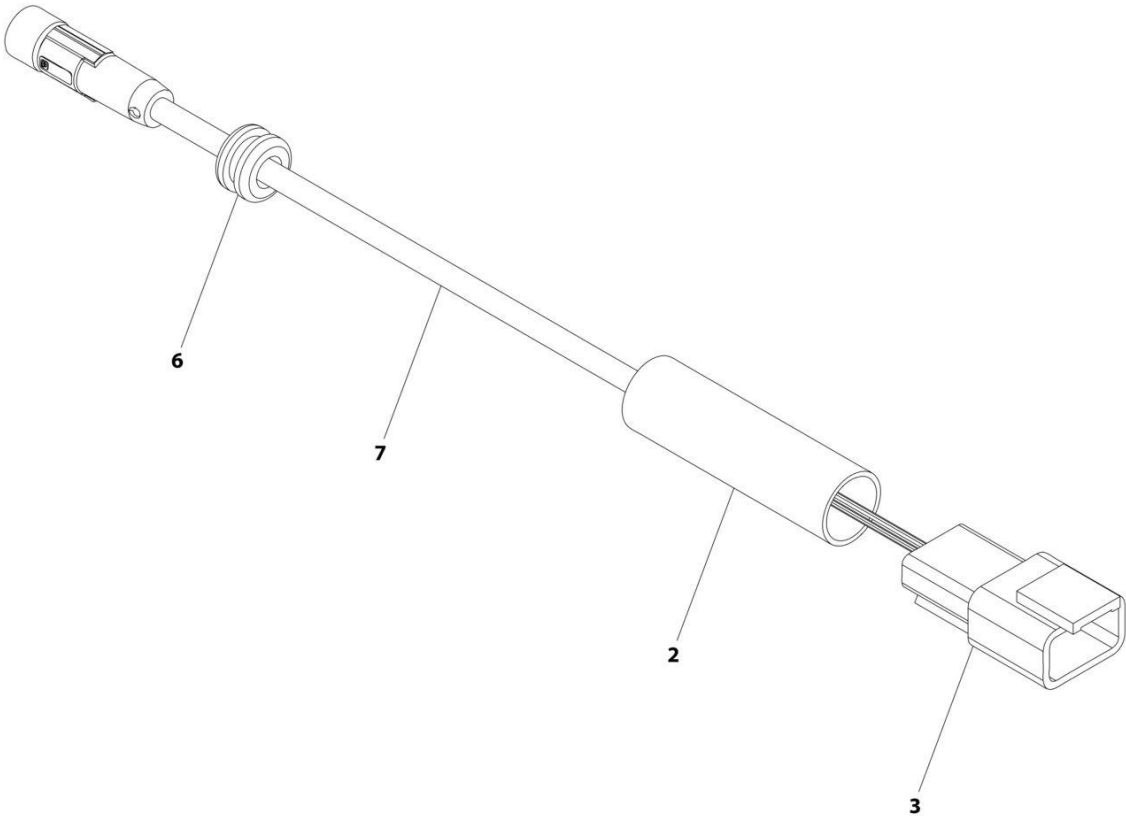
## SECTION 7 - ELECTRICAL

### FIGURE 7-6. SKYEYE INTERMEDIATE HARNESS

ITEM	PART NUMBER	QTY	DESCRIPTION	REV
	1001237865	Ref	SKYEYE INTERMEDIATE HARNESS	A
1	4460899	1	Connector - 6 Position	
1	4460943	4	Pin, Male	
1	4460466	2	Plug, Terminal	
2	4461077	2	Connector - 4 Position	
2	1001119619	8	Socket, Female	
3	4460911	1	Connector - 3 Position	
3	1001119619	3	Socket, Female	
4	1001187681	1	Connector - 2 Position	
4	4460941	1	Pin, Male	
4	4460466	1	Plug, Terminal	

**SECTION 7 - ELECTRICAL**

**FIGURE 7-7. SKYEYE EMITTER HARNESS**



ART\_1001237864



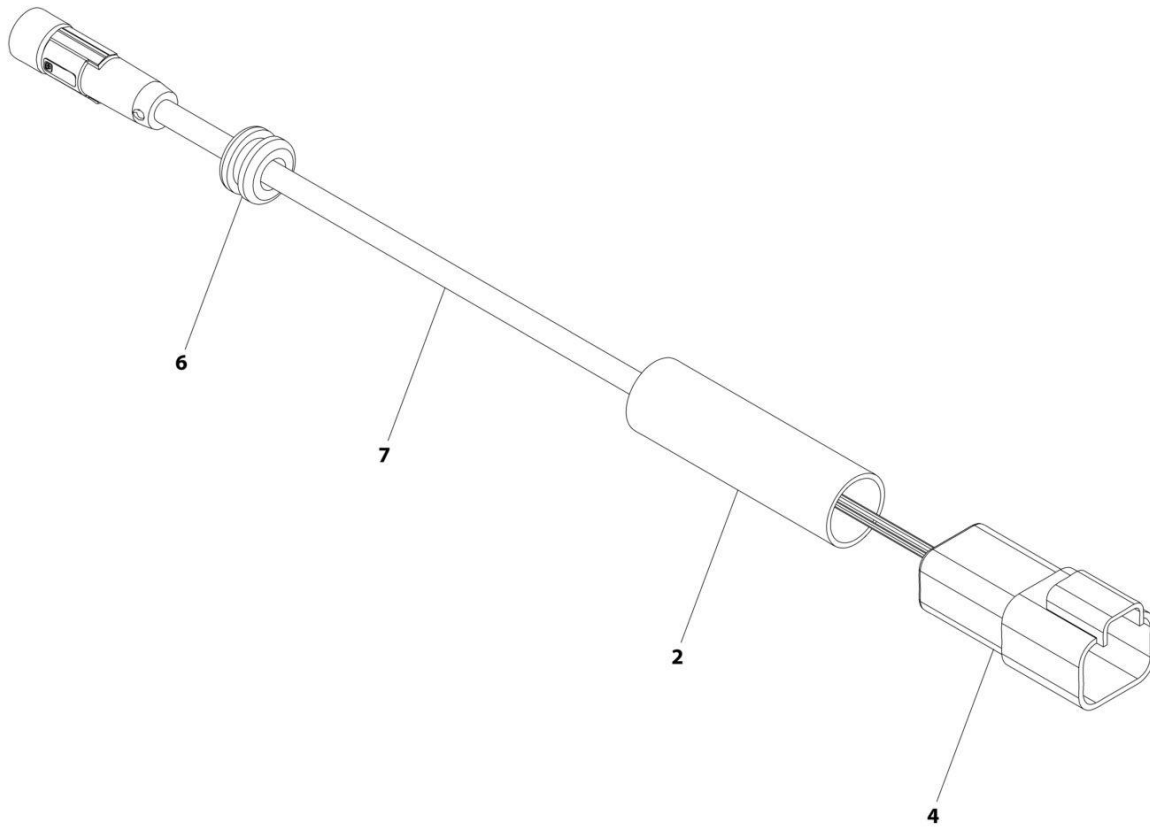
## SECTION 7 - ELECTRICAL

### FIGURE 7-7. SKYEYE EMITTER HARNESS

ITEM	PART NUMBER	QTY	DESCRIPTION	REV
	1001237864	Ref	SKYEYE EMITTER HARNESS	A
2	2820247	AR	Tubing, Heat Shrink	
3	4460910	1	Connector - 3 Position	
3	1001119620	3	Pin, Male	
6	1001227996	1	Grommet	
7	1001237862	1	Cable, M8 Female Cordset	

# SECTION 7 - ELECTRICAL

## FIGURE 7-8. SKYEYE RECEIVER HARNESS



ART\_1001237863

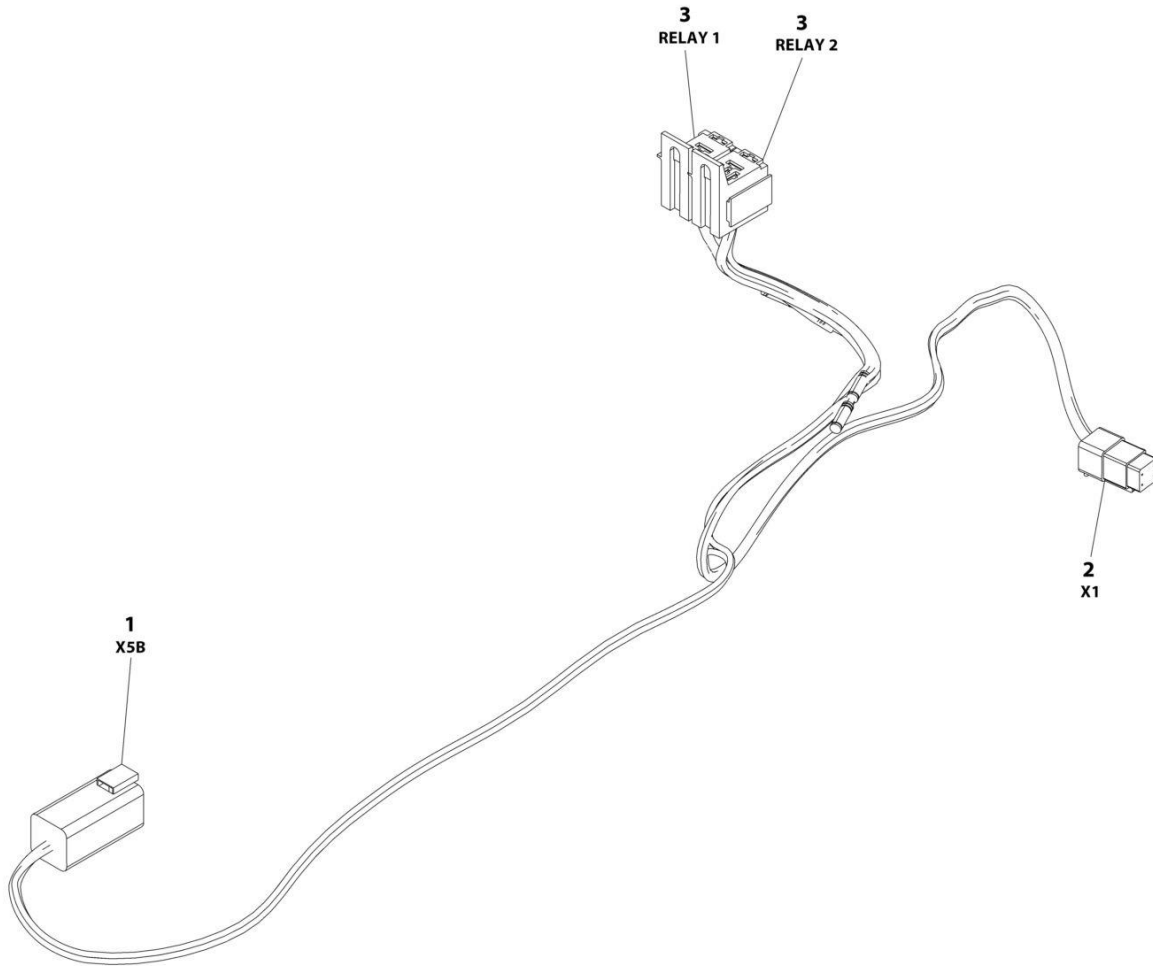
## SECTION 7 - ELECTRICAL

### FIGURE 7-8. SKYEYE RECEIVER HARNESS

ITEM	PART NUMBER	QTY	DESCRIPTION	REV
	1001237863	Ref	SKYEYE RECEIVER HARNESS	A
2	2820247	AR	Tubing, Heat Shrink	
4	1001097051	1	Connector - 4 Position	
4	1001119620	4	Pin, Male	
6	1001227996	1	Grommet	
7	1001237862	1	Cable, M8 Female Cordset	

# SECTION 7 - ELECTRICAL

## FIGURE 7-9. SKYLINE HARNESS



ART\_1001238418

## SECTION 7 - ELECTRICAL

### FIGURE 7-9. SKYLINE HARNESS

ITEM	PART NUMBER	QTY	DESCRIPTION	REV
	1001238418	Ref	SKYLINE HARNESS	B
1	4460899	1	Connector - 6 Position	
1	4460464	4	Pin, Male	
1	4460466	2	Plug, Terminal	
2	4461077	1	Connector - 4 Position	
2	1001126009	4	Socket, Female	
3	1001186432	2	Plug, Relay	
3	1001118388	5	Terminal	
3	1001118384	3	Terminal	
3	3740086	2	Relay	



**SECTION 8 - DECALS**





## SECTION 8 - DECALS

**FIGURE 8-1. DECAL INSTALLATION (ANSI SPEC)**

ITEM	PART NUMBER	QTY	DESCRIPTION	REV
	1283403	Ref	<b>Decals Installations</b>	AD
	0274094	Ref	<b>Decals Installation - JLG Logo</b>	C
	1001156889	Ref	<b>Decals Installation (600A)</b>	H
	1001156890	Ref	<b>Decal Installation (600AJ)</b>	H
5	1701509	1	Decal - Manual	
6	1701529	6	Decal - Arrow	
10	1703811	4	Decal - Tie Down/Lift	
11	1703814	6	Decal - Tie Down	
12	1704277	4	Decal - Attach Lanyard Here	
13	1704412	1	Decal - Hydraulic Oil Chart	
15	1705514	1	Decal - CSA <b>(SN 0300222711 through 0300272252)</b>	
17	3251243	1	Nameplate - 120V-60Hz	
22	1703953	7	Decal - Warning Crushing	
24	1702868	2	Decal - No Hands	
25	1703797	1	Decal - Warning/Danger	
26	1705336	1	Decal - Warning Inspection (MTB)	
27	1703804	6	Decal - Warning Crushing	
28	1703805	5	Decal - Danger Electrocution	
29	3252347	1	Nameplate - Footswitch	
30	3251813	1	Decal - USA	
33	1001156891	4	Decal - Max Tire Load	
34	See Note	NSS	Decal - Bar Code (Note: Not Available for Purchase)	
35		Ref	Decal Options:	
35	1702818	2	Decal - Model (600A)	
35	1702819	2	Decal - Model (600AJ)	
36		Ref	Decal Capacity Options:	
36	1001121813	1	Decal Capacity (600A)	
36	1001121814	1	Decal Capacity (600AJ)	
37		Ref	Decal Capacity Options:	
37	1001121800	2	Decal Capacity (600A)	
37	1001121801	2	Decal Capacity (600AJ)	
38	1001108923	1	Decal - EPA/Carb Fuel Spec	
39	1704885	1	Decal - Website	
40	See Note	NSS	Nameplate, Manufacturer Serial Number (Note: Not Available for Purchase)	
41	1702861	2	Decal - JLG Lift (8in Height)	
42	1702774	1	Decal - JLG Lift (3-1/2in Height)	
43	1702773	1	Decal - JLG (5in Height)	
44	1702860	1	Decal - JLG Lift (5in Height)	
45	3250872	1	Nameplate - Steer/Tow Selector	
46	1705090	1	Decal - Towing Instructions	
47		Ref	Decal - Fuel Options:	
47	1701505	1	Diesel	
47	1701542	1	Gas	
48	1701543	1	Decal - LP Gas (Gas Engine Machines Only)	
49	1700818	2	Decal - LP Gas (Liquid) (Gas Engine Machines Only)	
50	0100011	AR	Compound, Locking	
51	0641406	4	Bolt 1/4in-20NC x 3/4in	
53	0860520	1	Box, Manual Storage	
55	3311405	4	Locknut 1/4in-20NC	

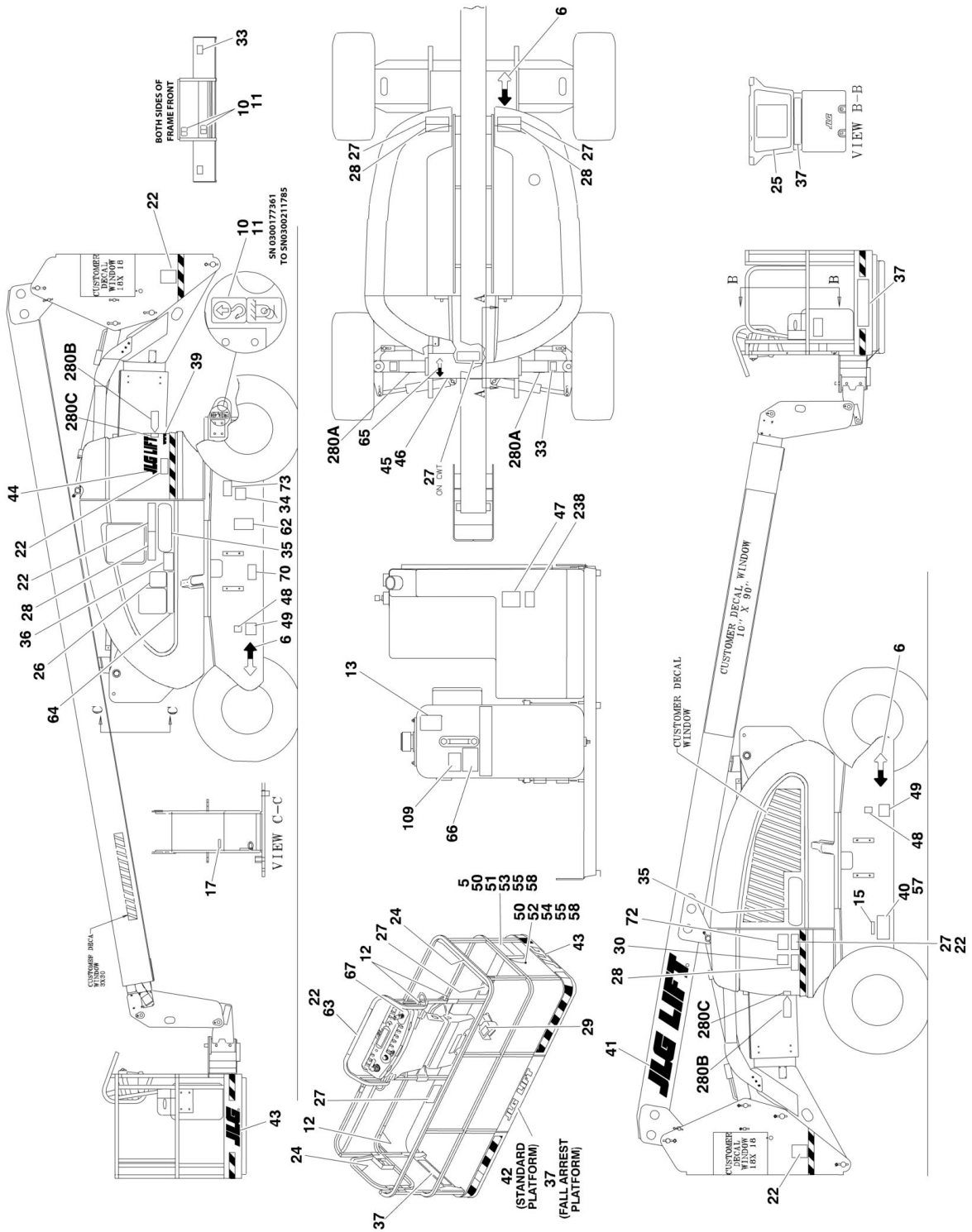
## SECTION 8 - DECALS

ITEM	PART NUMBER	QTY	DESCRIPTION	REV
57	3820001	4	Rivet	
58	4751400	8	Flatwasher 1/4in Regular	
62	1001131269	1	Decal - Patent	
63	1001108493	1	Decal - Legend	
64	1706941	1	Decal - Legend (MTB)	
65	1703687	1	Decal - Direction Arrow	
66	1702265	1	Decal - Upright Level Over-Ride	
67	1705351	1	Decal - Drive/Steer Instructions	
70	1001223055	1	Decal - Yearly Inspection (SN 0300233771 through 0300272252)	
72	1001229007	1	Decal - Lift Diagram (SN 0300235285 through 0300272252)	
73	1001223453	1	Decal - ICES (SN 0300240734 through 0300272252)	
74	0256487	1	Decal - Prop 65 (Diesel)	
74	0256488	1	Decal - Prop 65 (Gas)	
	1001160000	Ref	<b>OPTIONAL DECAL COMPONENTS</b>	
108		Ref	Decal Installation - Warning Prop 65 Options:	
108	0256487	Ref	Installation for Diesel Machines (SN 100177361 through 0300245525)	2-B
108	1702962	1	Decal - Warning Prop 65 (Diesel Machines) (SN 100177361 through 0300245525)	
108	1001231801	1	Decal - Warning Prop 65 (Diesel Machines) (SN 0300245526 through 0300272252)	
108	0256488	Ref	Installation for Gas Machines (SN 100177361 through 0300245525)	2-B
108	1702961	1	Decal - Warning Prop 65 (Gas Machines) (SN 100177361 through 0300245525)	
108	1001236338	NLA	Decal - Warning Prop 65 (Gas Machines) (Use p/n 1001231801) (SN 0300246526 through 0300256414)	
108	1001231801	1	Decal - Warning Prop 65 (SN 0300256415 through 0300272252)	
109		Ref	Decal - Biodegradable Hydraulic Fluid Options:	
109	1702788	1	Biodegradable Hydraulic Fluid	
109	1704174	1	Synthetic Biodegradable Hydraulic Fluid	
238	1001125387	1	Decal - Ultra Low Sulfur Fuel (Machines with Deutz TD2.9L4 Engines Only)	
280	1001220864	Ref	Transport Decal Kit (SN 0300224050 through 0300272252)	
280A	1001220512	2	Decal - Lower Boom (SN 0300224050 through 0300272252)	
208B	1001220510	2	Decal - Warning Arrow (SN 0300224050 through 0300272252)	
208C	1001220511	2	Decal - Warning Stripe (SN 0300224050 through 0300272252)	



# SECTION 8 - DECALS

## FIGURE 8-2. DECAL INSTALLATION (COUNTRY SPEC)



## SECTION 8 - DECALS

**FIGURE 8-2. DECAL INSTALLATION (COUNTRY SPEC)**

ITEM	PART NUMBER	QTY	DESCRIPTION	REV
	1283403	Ref	<b>DECALS INSTALLATIONS</b>	AD
	0274094	Ref	<b>Decals - JLG Logo</b>	C
	1001156974	Ref	<b>Decal Installations - Brazil Spec (Portuguese Languages) (600A)</b>	F
	1001156985	Ref	<b>Decal Installations - Canadian (CSA) Spec (English/French Languages) (600A)</b>	G
	1001156980	Ref	<b>Decal Installations - Chinese Spec (English/Simplified Chinese Languages) (600A)</b>	F
	1001156979	Ref	<b>Decal Installations - Chinese Spec (English/Traditional Chinese Languages) (600A)</b>	F
	1001156976	Ref	<b>Decal Installations - Japanese Spec (600A)</b>	F
	1001156983	Ref	<b>Decal Installations - Korean Spec (600A)</b>	F
	1001156972	Ref	<b>Decal Installations - Latin American Spec (English/Spanish Languages) (600A)</b>	F
	1001156975	Ref	<b>Decal Installations - Brazilian Spec (Portuguese Languages) (600AJ)</b>	F
	1001156986	Ref	<b>Decal Installations - Canadian (CSA) Spec (English/French Languages) (600AJ)</b>	G
	1001156982	Ref	<b>Decal Installations - Chinese Spec (English/Simplified Chinese Languages) (600AJ)</b>	F
	1001156981	Ref	<b>Decal Installations - Chinese Spec (English/Traditional Chinese Languages) (600AJ)</b>	F
	1001156977	Ref	<b>Decal Installations - Japanese Spec (600AJ)</b>	F
	1001156984	Ref	<b>Decal Installations - Korean Spec (600AJ)</b>	F
	1001156973	Ref	<b>Decal Installations - Latin American Spec (English/Spanish Languages) (600AJ)</b>	F
5	1701509	1	Decal - Manual	
6	1701529	6	Decal - Arrow	
10	1703811	4	Decal - Tie Down/Lift	
11	1703814	6	Decal - Tie Down	
12	1704277	4	Decal - Attach Lanyard Here	
13	1704412	1	Decal - Hydraulic Oil Chart	
15	1705514	1	Decal - CSA (CSA Specs Only)	
17	3251243	1	Nameplate - 120V-60HZ (All Specs except Brazil Spec)	
22		Ref	Decal - Warning Crushing Options:	
22	1705903	4	Brazil Specs	
22	1703942	4	Canadian (CSA) Spec	
22	1001116845	4	Chinese (Simplified) Spec	
22	1703943	4	Chinese (Traditional) Spec	
22	1703944	4	Japanese Spec	
22	1703945	4	Korean Spec	
22	1703941	4	Latin American Spec	
24		Ref	Decal - No Hands Options:	
24	1705967	2	Brazil Specs	
24	1704000	2	Canadian (CSA) Spec	
24	1706968	2	Chinese (Simplified) Spec	
24	1001116846	AR	Chinese (Traditional) Spec	
24	Not Required	0	Japanese Spec	
24	1705969	2	Korean Spec	
24	1704001	2	Latin American Spec	
25		Ref	Decal - Warning/Danger Options:	
25	1705895	1	Brazil Specs	

## SECTION 8 - DECALS

ITEM	PART NUMBER	QTY	DESCRIPTION	REV
25	1703924	1	Canadian (CSA) Spec	
25	1001116847	1	Chinese (Simplified) Spec	
25	1703925	1	Chinese (Traditional) Spec	
25	1703926	1	Japanese Spec	
25	1703927	1	Korean Spec	
25	1703923	1	Latin American Spec	
26		Ref	Decal - Warning Inspection (MTB) Options:	
26	1705896	1	Brazil Specs	
26	1705347	1	Canadian (CSA) Spec	
26	1001116848	1	Chinese (Simplified) Spec	
26	1001116849	1	Chinese (Traditional) Spec	
26	1705344	1	Japanese Spec	
26	1705345	1	Korean Spec	
26	1705917	1	Latin American Spec	
27		Ref	Decal - Warning Crushing Options:	
27	1705898	6	Brazil Specs	
27	1703948	6	Canadian (CSA) Spec	
27	1001116850	6	Chinese (Simplified) Spec	
27	1703949	6	Chinese (Traditional) Spec	
27	1703950	6	Japanese Spec	
27	1703951	6	Korean Spec	
27	1703947	6	Latin American Spec	
28		Ref	Decal - Danger Electrocution Options:	
28	1705897	5	Brazil Specs	
28	1703936	5	Canadian (CSA) Spec	
28	1703937	5	Chinese (Simplified) Spec	
28	1001116851	5	Chinese (Traditional) Spec	
28	1703938	5	Japanese Spec	
28	1703939	5	Korean Spec	
28	1703935	5	Latin American Spec	
29		Ref	Decal - Foot Switch Options:	
29	1705902	1	Brazil Specs	
29	1703984	1	Canadian (CSA) Spec	
29	1001116852	1	Chinese (Simplified) Spec	
29	1703982	1	Chinese (Traditional) Spec	
29	1703980	1	Japanese Spec	
29	1703981	2	Korean Spec	
29	1703983	1	Latin American Spec	
30	3251813	1	Decal - USA	
33	1001156891	4	Decal - Max Tire Load	
34	See Note	NSS	Decal - Bar Code (Note: Not Available for Purchase)	
35		Ref	Decal Options:	
35	1702818	2	Decal - Model (600A)	
35	1702819	2	Decal - Model (600AJ)	
36		Ref	Decal Capacity Options:	
36		Ref	<b>Decal Capacity (600A)</b>	
36	1001121819	1	Brazil Specs	
36	1001121815	1	Canadian (CSA) Spec	
36	1001121824	1	Chinese (Simplified) Spec	
36	1001121822	1	Chinese (Traditional) Spec	
36	1001121820	1	Japanese Spec	

## SECTION 8 - DECALS

ITEM	PART NUMBER	QTY	DESCRIPTION	REV
36	1001122201	1	Korean Spec	
36	1001121817	1	Latin American Spec	
36		Ref	<b>Decal Capacity (600AJ)</b>	
36	1001121655	1	Brazil Specs	
36	1001121816	1	Canadian (CSA) Spec	
36	1001121825	1	Chinese (Simplified) Spec	
36	1001121823	1	Chinese (Traditional) Spec	
36	1001121821	1	Japanese Spec	
36	1001121921	1	Korean Spec	
36	1001121815	1	Latin American Spec	
37		Ref	Decal Capacity Options:	
37		Ref	<b>Decal Capacity (600A)</b>	
37	1001121806	1	Brazil Specs	
37	1001121802	1	Canadian (CSA) Spec	
37	1001121811	1	Chinese (Simplified) Spec	
37	1001121809	1	Chinese (Traditional) Spec	
37	1001121807	1	Japanese Spec	
37	1001122200	1	Korean Spec	
37	1001121804	1	Latin American Spec	
37		Ref	<b>Decal Capacity (600AJ)</b>	
37	1001121656	1	Brazil Specs	
37	1001121803	1	Canadian (CSA) Spec	
37	1001121812	1	Chinese (Simplified) Spec	
37	1001121810	1	Chinese (Traditional) Spec	
37	1001121808	1	Japanese Spec	
37	1001121918	1	Korean Spec	
37	1001121805	1	Latin American Spec	
39	1704885	1	Decal - Website	
40	See Note	NSS	Nameplate, Manufacturers Serial Number (Note: Not Available for Purchase)	
41	1702861	2	Decal - JLG Lift (8in Height)	
42	1702774	1	Decal - JLG Lift (3-1/2in Height)	
43	1702773	1	Decal - JLG (5in Height)	
44	1702860	1	Decal - JLG Lift (5in Height)	
45	3250872	1	Nameplate - Steer/Tow Selector	
46	1705090	1	Decal - Towing Instructions	
47		Ref	Decal - Fuel	
47	1701505	1	Diesel	
47	1701542	1	Gas	
48	1701543	1	Decal - LP Gas (Gas Engine Machines Only)	
49		Ref	Decal - LP Gas (Liquid) Options (Gas Engine Machines Only)	
49	1700818	2	ANSI Export Specs	
49	Not Required	0	Brazil Specs	
49	1704271	2	Canadian (CSA) Spec	
49	Not Required	0	Chinese Specs	
49	Not Required	0	Japanese Specs	
49	Not Required	0	Korean Specs	
49	1702720	2	Latin American Spec	
50	0100011	AR	Compound, Locking	
51	0641406	4	Bolt 1/4in-20NC x 3/4in	
52	0641408	AR	Bolt 1/4in-20NC x 1in	
53	0860520	1	Box, Manual Storage	

## SECTION 8 - DECALS

ITEM	PART NUMBER	QTY	DESCRIPTION	REV
54	1060279	AR	Cable, Lanyard (Brazil, CSA, Chinese, Japanese and Latin America Specs Only) <b>(SN 0300177361 through 0300195474)</b>	
55	3311405	AR	Locknut 1/4in-20NC	
57	3820001	4	Rivet	
58	4751400	AR	Flatwasher 1/4in Regular	
62		Ref	Decal - Patent Options:	
62	1001131269	1	CSA, Specs	
62	Not Required	0	Brazil, Chinese, Japanese and Latin American Spec	
62	1001131269	AR	Korean Specs (600AJ)	
63	1001108493	1	Decal - Legend	
64	1706941	1	Decal - Legend (MTB)	
65	1703687	1	Decal - Direction Arrow (6-3/4in)	
66		Ref	Decal - Upright Level Over-Ride Options:	
66	1703544	1	Brazil Specs	
66	1703990	1	Canadian (CSA) Spec	
66	1001116861	1	Chinese (Simplified) Spec	
66	1001116862	1	Chinese (Traditional) Spec	
66	1702271	1	Japanese Specs	
66	17023987	1	Japanese Specs	
66	1702617	1	Latin American Spec	
67		Ref	Decal - Drive/Steer Instructions Options:	
67	1705905	1	Brazil Specs	
67	1705429	1	Canadian (CSA) Spec	
67	1705430	1	Chinese (Simplified) Spec	
67	1001116863	1	Chinese (Traditional) Spec	
67	1705426	1	Japanese Specs	
67	1705427	1	Korean Specs	
67	1705910	1	Latin American Spec	
70		Ref	Decal - Yearly Inspection: <b>(SN 0300233771 through 0300272252)</b>	
70	1001224052	1	Brazil Specs	
70	1001223971	1	CSA Specs	
70	1001224051	1	Chinese (Simplified) Specs	
70	1001224050	1	Chinese (Traditional) Specs	
70	1001224053	1	Japanese Specs	
70	1001224048	1	Korean Specs	
70	1001224049	1	Latin American Specs	
72	1001229007	1	Decal - Lift Diagram <b>(SN 0300235285 through 0300272252)</b>	
73	1001223453	1	Decal - ICES (CSA Spec Only) <b>(SN 0300240734 through 0300272252)</b>	
	1001160000	Ref	<b>OPTIONAL DECAL COMPONENTS</b>	
109		Ref	Decal - Biodegradable Hydraulic Fluid Options:	
109	1702788	1	Biodegradable Hydraulic Fluid (English Language)	
109	1704174	1	Synthetic Biodegradable Hydraulic Fluid (English Language)	
238	1001125387	1	Decal - Ultra Low Sulfur Fuel (CSA Machines with Deutz TD2.9L4 Engines Only)	
238	1001139654	1	Decal - Ultra Low Sulfur Fuel (Japanese Machines with Deutz TD2.9L4 Engines Only)	
253	1001143852	1	Decal - Emission Compliance (Optional on ANSI Export Diesel Machines) (Not Shown)	
280	1001220864	Ref	Transpor Decal Kit (CSA Spec Only) <b>(SN 0300224050 through 0300272252)</b>	



## SECTION 8 - DECALS

ITEM	PART NUMBER	QTY	DESCRIPTION	REV
208A	1001220512	2	Decal - Lower Boom (CSA Spec Only) (SN 0300224050 through 0300272252)	
208B	1001220510	2	Decal - Warning Arrow (CSA Spec Only) (SN 0300224050 through 0300272252)	
208C	1001220511	2	Decal- Warning Stripe (CSA Spec Only) (SN 0300224050 through 0300272252)	



## SECTION 8 - DECALS

**FIGURE 8-3. DECAL INSTALLATION (AUSTRALIAN AND CE SPECS)**

ITEM	PART NUMBER	QTY	DESCRIPTION	REV
	1283403	Ref	<b>DECAL INSTALLATION - AUSTRALIAN SPECS</b>	AD
	1283403	Ref	<b>DECAL INSTALLATION - CE SPECS (SN 0300177361 through 0300220797)</b>	AD
	1001217567	Ref	<b>DECAL INSTALLATION - CE SPECS (SN 0300220798 through 0300272252)</b>	D
	0274094	Ref	<b>Decals - JLG Logo</b>	C
	See Note	Ref	<b>Decal Installation - Australian Spec (Note: Not Available in Australia) (600A)</b>	
	1001156987	Ref	<b>Decal Installation - CE Spec (600A)</b>	H
	1001156978	Ref	<b>Decal Installation - Australian Spec (600AJ)</b>	F
	1001156988	Ref	<b>Decal Installation - CE Spec (600AJ)</b>	H
5	1701509	1	Decal - Manual	
6	1701529	3	Decal - Arrow	
10	1703811	4	Decal - Tie Down/Lift	
11	1703814	4	Decal - Tie Down	
12	1704277	AR	Decal - Attach Lanyard Here	
13	1704412	1	Decal - Hydraulic Oil Chart	
14	1705084	1	Decal - Sound Level	
25	1705921	1	Decal - Tipping/Electrical Platform	
26	1705822	1	Decal - Electrical/Safety Manual	
27	1701518	10	Decal - Warning Crushing	
28	1705961	AR	Decal - Danger Electrocution	
29	1705828	1	Decal - Footswitch	
33	1001156891	4	Decal - Max Tire Load	
34	See Note	NSS	Decal - Bar Code (Note: Not Available for Purchase) <b>(SN 0300195474 through 0300272252)</b>	
35		Ref	Decal Options:	
35	1702818	2	Decal - Model (600A)	
35	1702819	2	Decal - Model (600AJ)	
36	1705978	1	Decal - 230kg Capacity	
37	1705978	2	Decal - 230kg Capacity	
39	1704885	AR	Decal - Website (Australian Specs)	
39	1704885	1	Decal- Website (CE Specs) <b>(SN 0300177361 through 0300220797)</b>	
40	See Note	NSS	Nameplate, Manufacturer Serial Number (Note: Not Available for Purchase)	
41	1702861	2	Decal - JLG Lift (8in Height)	
41	1001159323	2	Decal - JLG (8in Height)	
42	1702774	1	Decal - JLG Lift (3-1/2in Height)	
43	1702773	AR	Decal - JLG (5in Height)	
44	1702860	1	Decal - JLG Lift (5in Height)	
44	1701435	1	Decal - JLG (3-1/2in Height)	
45	3250872	1	Nameplate - Steer/Tow Selector	
46	1705090	1	Decal - Towing Instructions	
47	1701505	1	Decal - Fuel (Diesel)	
50	0100011	AR	Compound, Locking	
51	0641406	4	Bolt 1/4in-20NC x 3/4in	
52	0641408	AR	Bolt 1/4in-20NC x 1in	
53	0860520	1	Box, Manual Storage	
54	1060279	1	Cable, Lanyard <b>(SN 0300177361 through 0300195474)</b>	
55	3311405	AR	Locknut 1/4in-20NC	

## SECTION 8 - DECALS

ITEM	PART NUMBER	QTY	DESCRIPTION	REV
57	3820001	4	Rivet	
58	4751400	AR	Flatwasher 1/4in Regular	
61	4420051	22 ft/6.7m	Decal - Warning Stripe	
65	1703687	1	Decal - Direction Arrow (6-3/4in)	
66	1705977	1	Decal - Upright Level Over-Ride	
68	1001112551	1	Decal - Emergency Controls (Australian Spec Only)	
72	1001229007	1	Decal - Lift Diagram <b>(SN 0300235285 through 0300272252)</b>	
	1001160000	Ref	<b>OPTIONAL DECAL COMPONENTS</b>	
109		Ref	Decal - Biodegradable Hydraulic Fluid Options:	
109	1702788	1	Biodegradable Hydraulic Fluid (English Language)	
109	1703479	1	Biodegradable Hydraulic Fluid (German Language)	
109	1704174	1	Synthetic Biodegradable Hydraulic Fluid (English Language)	
109	1704175	1	Synthetic Biodegradable Hydraulic Fluid (German Language)	
215	1001143852	1	Decal - Emission Compliance (Diesel Machines)	
263	1001197408	1	Decal - MSSO (CE Spec) <b>(SN 0300200809 through 0300272252)</b>	

## **SECTION 9 - RECOMMENDED SERVICE PARTS STOCK**

## **SECTION 9 - RECOMMENDED SERVICE PARTS STOCK**

# SECTION 9 - RECOMMENDED SERVICE PARTS STOCK

## FIGURE 9-1. STANDARD PARTS

ITEM	PART NUMBER	QTY	DESCRIPTION	REV
	Note	Ref	<b>Note: The following list will service one machine (built to current production per date on the front cover) with emergency repair parts which can be installed in the field. Parts from the list should be replaced when inventory is depleted to keep service parts stock supplied. For further information, contact your JLG dealer or the JLG Industries Parts Department.</b>	
		Ref	<b>STANDARD PARTS</b>	
	2120149	12	Element, Filter	
	2120210	12	Element Filter	
	3740067	1	Relay	
	7012944	1	Coil	
	7012943	1	Coil	
	70004595	1	Coil	
	80434249	1	Coil	
	70004660	1	Coil	
	70004463	1	Coil	
	70004673	1	Coil	
	4360517	1	Switch	
	3740049	1	Relay	
	4360328	1	Switch	
	2860030	1	Key, Replacement	
	4360475	1	Switch, Mushroom	
	4360476	1	Contact, Switch Block	
	70002386	1	Coil	
	2940074	1	Latch	
	4360331	1	Switch, Toggle	
	4360330	1	Switch, Toggle	
	4360387	1	Switch, Push Button	
	4360407	1	Controller	
	2400065	2	Fuse, 30Amp	
	8229242	2	Fuse, 5Amp	
	80983191	2	Fuse, 10Amp	
	3990010	2	Diode, 6Amp	



# SECTION 9 - RECOMMENDED SERVICE PARTS STOCK

## FIGURE 9-2. VARIABLE PARTS

ITEM	PART NUMBER	QTY	DESCRIPTION	REV
	Note	Ref	<b>Note: The following list will service one machine (built to current production per date on the front cover) with emergency repair parts which can be installed in the field. Parts from the list should be replaced when inventory is depleted to keep service parts stock supplied. For further information, contact your JLG dealer or the JLG Industries Parts Department.</b>	
		Ref	<b>VARIABLE PARTS</b>	
		Ref	Note: p/n Item not available at time of printing.	
	70004161	1	Coil (Machines with Deutz TD2.9L4 Engine)	
	70003783	12	Element, Air Cleaner (Machines with Deutz 2011 Engine)	
	7016328	1	Filter, Fuel (Machines with Deutz D2011 Engine)	
	7016331	4	Filter, Oil (Machines with Deutz D2011 Engine)	
	7027795	1	Engine EMR2 Control Module (Machines with Deutz D2011 Engine)	
	91403102	12	Element, Air Cleaner (Machines with Deutz TD2.9L4 Engine)	
	70025153	NLA	Filter, Fuel (Machines with Deutz TD2.9L4 Engine) (Use p/n 1001225430)	
	70025161	NLA	Filter, Fuel (Machines with Deutz TD2.9L4 Engine) (Use p/n 1001225431)	
	7016331	4	Filter, Oil (Machines with Deutz TD2.9L4 Engine)	
	70025210	1	Engine Control Module (Machines with Deutz TD209L4 Engine)	
	1001117308	1	Relay (Machines with Deutz TD2.9L4 Engine)	
	1001138228	1	Power Module/Relay (Machines with Deutz TD2.9L4 Engine)	
	70005008	12	Element, Air Cleaner (Machines with Ford Engine)	
	70006155	12	Filter, Fuel (Machines with Ford Engine)	
	70006213	12	Filter, Oil (Machines with Ford Engine)	
	70006176	1	Module - Engine Control Unit (Machines with Ford Engine)	
	7012664	12	Element, Air Cleaner (Machines with GM Engine)	
	7027972	12	Filter, Fuel (Machines with GM Engine)	
	7027965	12	Filter, Oil (Machines with GM Engine)	
	70002895	1	GM ECU Control Module (Machines with GM Engine)	
	7024444	1	Breather/Fill Cap (Helgensen Brand)	
	70004862	1	Breather/Fill Cap (Hydac Brand)	
	1001103667	1	Module, Ground Control	
	4360469	1	Switch, Key (All Specs except CE Spec)	
	4360470	1	Switch, Key (CE Specs Only)	
	4360522	1	Switch, Push Button (Machines with Lights Option)	
	4360336	1	Switch, Toggle (Machines with Ford or GM Engine or Cribbing Enable Switch or 2500W Generator)	
	3740080	1	Relay, Bosch (Machine with Generator)	
	4360336	1	Switch, Toggle (Machine with Generator)	
	4360542	1	Breaker, Circuit - 110Volt (Machines with 2500W Generator)	
	70000126	1	Breaker, Circuit - 220Volt (Machines with 2500W Generator)	
	4360070	1	Breaker, Circuit (Machines with SkyPower 7500W Generator)	
	2400064	1	Fuse - 5 Amp (Deutz D2011 and GM Machines with SkyPower 7500W Generator)	
		Ref	Fuse - 5 Amp (Deutz TD2.9L4 Machines with SkyPower 7500W Generator)	
	70002011	1	Power Track Repair Section (600A)	
	70001999	1	Power Track Repair Section (600AJ)	
	4360578	1	Switch, Limit	



## SECTION 9 - RECOMMENDED SERVICE PARTS STOCK

ITEM	PART NUMBER	QTY	DESCRIPTION	REV
	1001106938	1	Platform Control Module	
	4360057	1	Switch, Limit (Machines with Soft Touch System Engine)	
	4360232	1	Breaker, Circuit (Machines with Floodlights Option)	
	2400070	2	Fuse (Machine with Worklights Engine)	
	1001129555	1	Lift/Swing Controller Kit	
	1001212415	1	Drive/Steer Controller Kit	



**SECTION 10 - SPECIAL OPTIONS**

# SECTION 10 - SPECIAL OPTIONS

FIGURE 10-1. SPECIAL OPTIONS

ITEM	PART NUMBER	QTY	DESCRIPTION	REV
		Ref	<b>Note: This list is to accommodate machines ordered with special equipment. Options may not be applicable to all models. For more specific parts information contact JLG Parts Department.</b>	
		Ref	<b>MISCELLANEOUS SPECIAL OPTIONS</b>	
	1001204884	Ref	<b>Air Intake Shut-off Valve Installation (Deutz DT2.9L4 Engines) (ANSI &amp; CSA Specs)</b>	
		Ref	<b>Airline to Platform Installation Options:</b>	
	0256342	Ref	<b>1/2in (600A)</b>	
	0271475	Ref	<b>1/2in Airline and (1) Welding Cable (600A)</b>	
	0275295	Ref	<b>1/2in - with Arctic Package (600A)</b>	
	0258966	Ref	<b>1/2in (600AJ)</b>	
	1001093438	Ref	<b>1/2in - with Arctic Package (600AJ)</b>	
	1001205011	Ref	<b>Arctic Package Add-on Kit (without SkyPower) (600A)</b>	
	1001205010	Ref	<b>Arctic Package Add-on Kit (with SkyPower) (600A)</b>	
	1001205013	Ref	<b>Arctic Package Add-on Kit (without SkyPower) (600AJ)</b>	
	1001205012	Ref	<b>Arctic Package Add-on Kit (with SkyPower) (600AJ)</b>	
		Ref	<b>Boom Cable Installation with Communication System (600A)</b>	
	1001115974	Ref	<b>Intercom System</b>	
	1001116515	Ref	<b>Intercom System and 7500W Generator</b>	
	1001220153	Ref	<b>Boom Cable Add-on Kit (4000W/60Hz Generator)</b>	
	70006436	1	Bearing and Seal Kit	
		Ref	<b>Boom Wiper Installation</b>	
	0256276	Ref	<b>Boom Wiper Installation (600A)</b>	
	0256366	Ref	<b>Boom Wiper Installation (600AJ)</b>	
	1001116419	Ref	<b>Cable Carrier Tray Installation (30in Platform) (SN 0300177361 through 0300224542)</b>	
	1001116420	Ref	<b>Cable Carrier Tray Installation (36in Platform) (SN 0300177361 through 0300224542)</b>	
	1001172045	Ref	<b>Cable/Ladder Carrier Installation (SN 0300224543 through 0300272252)</b>	
		Ref	<b>ClearSky (Telematics) Installations (Dealer Installed)</b>	
	1001242409	Ref	<b>ClearSky (Telematics) Access Control Installation Kit (Dealer Installed) (ANSI, ANSI Export and CSA Specs)</b>	
	1001243183	Ref	<b>ClearSky (Telematics) Added-on Kit (Dealer Installed) (ANSI, ANSI Export and CSA Specs)</b>	
	1001243184	Ref	<b>ClearSky (Telematics) Added-on Kit (Dealer Installed) (CE Specs)</b>	
		Ref	<b>ClearSky Telematics Installation (Factory Installed) (SN 0300177361 through 0300232661)</b>	
		Ref	<b>Note: Refer to Manual Supplement p/n 3128499 for available replacement parts.</b>	
	1001152503	Ref	<b>ClearSky Telematics (ANSI Spec) (Factory Installed) (SN 0300177361 through 0300232661)</b>	
	1001152506	Ref	<b>ClearSky Telematics (Australian Spec) (Factory Installed) (SN 0300177361 through 0300232661)</b>	
	1001152505	Ref	<b>ClearSky Telematics (Brazil and New Zealand Specs) (Factory Installed) (SN 0300177361 through 0300232661)</b>	
	1001152504	Ref	<b>ClearSky Telematics (CSA Specs) (Factory Installed) (SN 0300177361 through 0300232661)</b>	
		Ref	<b>ClearSky Telematics Installation (Factory Installed) (SN 0300232662 through 0300272252)</b>	

## SECTION 10 - SPECIAL OPTIONS

ITEM	PART NUMBER	QTY	DESCRIPTION	REV
	1001227472	Ref	<b>ClearSky Telematics - Canbus (ANSI and CSA Specs) (Factory Installed) (SN 0300232662 through 0300272252)</b>	
	1001228946	Ref	<b>ClearSky Telematics - Canbus (ANSI Export and CE Specs) (Factory Installed) (SN 0300232662 through 0300272252)</b>	
	1001246522	Ref	<b>ClearSky Telematics - Canbus (Australian Specs) (Factory Installed)</b>	
	1001246523	Ref	<b>ClearSky Telematics - Canbus (China Specs) (Factory Installed)</b>	
	1001229107	Ref	<b>ClearSky Telematics 3-Wire Connection (ANSI and CSA Specs) (Factory Installed) (SN 0300232662 through 0300272252)</b>	
	1001233237	Ref	<b>ClearSky Telematics 3-Wire Connection (ANSI Export and CE Specs) (Factory Installed) (SN 0300232662 through 0300272252)</b>	
		Ref	<b>ClearSky Telematics Installation (Add-on Kits)</b>	
		Ref	<b>ADE Machines (Add-on Kit)</b>	
	1001104982	Ref	<b>ClearSky Telematics (ANSI Spec) (Add-on Kit)</b>	
	1001104983	Ref	<b>ClearSky Telematics (ANSI Export) (Add-on Kit)</b>	
	1001139130	Ref	<b>ClearSky Telematics (Australian Specs) (Add-on Kit)</b>	
	1001104984	Ref	<b>ClearSky Telematics (CSA Spec) (Add-on Kit)</b>	
		Ref	<b>ADE/UGM Machines (Add-on Kit)</b>	
	1001119942	Ref	<b>ClearSky Telematics (ANSI Spec) (Add-on Kit)</b>	
	1001121612	Ref	<b>ClearSky Telematics (ANSI Export) (Add-on Kit)</b>	
	1001139148	Ref	<b>ClearSky Telematics (Australian Spec) (Add-on Kit)</b>	
	Not Available	Ref	<b>ClearSky Telematics (Brazil and New Zealand Specs) (Add-on Kit)</b>	
	1001234099	Ref	<b>ClearSky Telematics (CE Specs) (Add-on Kit)</b>	
	1001119948	Ref	<b>ClearSky Telematics (CSA Spec) (Add-on Kit)</b>	
		Ref	<b>Cold Weather Package</b>	
	1001152340	Ref	<b>Cold Weather Package - Deutz D2011 Engines</b>	
	0274883	Ref	<b>Cold Weather Package with Transformer - Deutz D2011 Engines</b>	
	1001151900	Ref	<b>Cold Weather Package - Deutz TD2.9L4 Engines</b>	
	1001217832	Ref	<b>Cold Weather Package - Ford Engines</b>	
	0275262	Ref	<b>Cold Weather Package - GM Engines</b>	
	0273172	Ref	<b>Container Shipment Preparation (Wheel Installation)</b>	
	1001152960	Ref	<b>Counterweight Installation (Required for Turf/Sand Tires)</b>	
	1001152960	Ref	<b>Counterweight Installation (Required for Soft Touch Systems) (600A)</b>	
	1001157013	Ref	<b>Counterweight Installation (Required for Soft Touch Systems) (600AJ)</b>	
	1001115970	Ref	<b>Communication System (David Clark) Installation (600AJ)</b>	
		Ref	<b>Cylinder Bellows Installation (Boom)</b>	
	0255927	Ref	<b>Cylinder Bellows Installation (Boom) (600A)</b>	
	0255928	Ref	<b>Cylinder Bellows Installation (Boom) (600AJ)</b>	
		Ref	<b>Cylinder Bellows Installation (Frame)</b>	
	1001151379	Ref	<b>2WD/2WS &amp; 4WD/2WS 8ft/2.4m Width Machines</b>	
	1001151380	Ref	<b>2WD/4WS &amp; 4WD/4WS 8ft/2.4m Width Machines</b>	
	1001152771	Ref	<b>2WD/4WS 7ft/2.1m Width Machines</b>	
	1001236211	Ref	<b>Cylinder Valve Cover Kit - Level Cylinder</b>	
		Ref	<b>Decal Installations Options:</b>	
	1702788	Ref	<b>Decal - Biodegradable Hydraulic Fluid (English Language)</b>	
	1703479	Ref	<b>Decal - Biodegradable Hydraulic Fluid (German Language)</b>	

## SECTION 10 - SPECIAL OPTIONS

ITEM	PART NUMBER	QTY	DESCRIPTION	REV
	1704174	Ref	Decal - Biodegradable (Synthetic) Hydraulic Fluid (English Language)	
	1704175	Ref	Decal - Biodegradable (Synthetic) Hydraulic Fluid (German Language)	
	1001127095	Ref	Decal - ClearSky	
	1001214030	Ref	Decal - EAC (CIS & Russian Specs)	
	0257195	Ref	Decal - Government Warranty	
	1702868	Ref	Decal - No Hands - English Language (Platform with Mesh to Top Rail)	
	1705968	Ref	Decal - No Hands - English/Simplified Chinese Dual Language (Platform with Mesh to Top Rail)	
	1001116846	Ref	Decal - No Hands - English/Traditional Chinese Dual Language (Platform with Mesh to Top Rail)	
	1704000	Ref	Decal - No Hands - English/French Dual Language (Platform with Mesh to Top Rail)	
	1705969	Ref	Decal - No Hands - English/Korean Dual Language (Platform with Mesh to Top Rail)	
	1705967	Ref	Decal - No Hands - English/Portuguese Dual Language (Platform with Mesh to Top Rail)	
	1704001	Ref	Decal - No Hands - English/Spanish Dual Language (Platform with Mesh to Top Rail)	
	0256487	Ref	Decal - Prop 65 Warning (Diesel Machines) (California Spec)	
	0256488	Ref	Decal - Prop 65 Warning (Gasoline Machines) (California Spec)	
	1001200124	Ref	Decal - Quick Reference (Danish) (Lomax Rentals)	
	1001200121	Ref	Decal - Quick Reference (Dutch) (Lomax Rentals)	
	1001180861	Ref	Decal - Quick Reference (English) (Lomax Rentals)	
	1001200120	Ref	Decal - Quick Reference (French) (Lomax Rentals)	
	1001200122	Ref	Decal - Quick Reference (German) (Lomax Rentals)	
	1001200127	Ref	Decal - Quick Reference (Norwegian) (Lomax Rentals)	
	1001200126	Ref	Decal - Quick Reference (Spanish) (Lomax Rentals)	
	1001200125	Ref	Decal - Quick Reference (Swedish) (Lomax Rentals)	
	1001141300	Ref	Decal - SkyGuard Override	
	1001141302	Ref	Decal - SkyGuard Override (With SoftTouch)	
	0272312	Ref	Decal - Tire Sealant	
		Ref	<b>Decal Kits Options:</b>	
	2902307	Ref	Decal Kit - Country Spec (ANSI and ANSI Export)	
	2902329	Ref	Decal Kit - Country Spec (Australian and CE)	
	2902312	Ref	Decal Kit - Country Spec (Brazil)	
	2902322	Ref	Decal Kit - Country Spec (CSA)	
	1001116844	Ref	Decal Kit - Country Spec (Chinese - Simplified)	
	2902309	Ref	Decal Kit - Country Spec (Chinese - Traditional)	
	2902308	Ref	Decal Kit - Country Spec (Japanese)	
	2902310	Ref	Decal Kit - Country Spec (Korean)	
	2902311	Ref	Decal Kit - Country Spec (Latin America)	
	2902303	Ref	Decal Kit - Master	
	1001193632	Ref	Decal Kit - Machine (ANSI Spec Only)	
	1001108718	Ref	Decal Kit - Platform (600A)	
	1001238895	Ref	Decal Kit - Platform (600AJ)	
	1001119561	Ref	Decal Kit - Platform Console Box	
	1001156892	Ref	Decal Kit - Tire Load	
	4932990	Ref	<b>Drive Cutout Kit (Above Elevation Beyond Transport)</b>	
	4932993	Ref	<b>Drive Cutout Kit (Above Elevation Tilt) (ANSI, ANSI Export, Australian and Japanese Specs Only)</b>	
		Ref	<b>Electrical Connector Kits</b>	

## SECTION 10 - SPECIAL OPTIONS

ITEM	PART NUMBER	QTY	DESCRIPTION	REV
	1001148902	Ref	Amp/Tyco Electrical Connector Kit	
	1001148903	Ref	Deutsch DT Electrical Connector Kit	
	1001148904	Ref	Deutsch HD Electrical Connector Kit	
	1001148905	Ref	Packard Electrical Connector Kit	
	1001148906	Ref	Various Electrical Connectors Kit	
	1001218022	Ref	<b>Engine Block Heater Installations (Ford Engines Only)</b>	
	0275261	Ref	<b>Engine Block Heater Installations (GM Engines Only)</b>	
	1001246867	Ref	<b>Enhanced Detection System (EDS) Level 1 (2-Bar) Installation Kit</b>	
	1001246860	Ref	<b>Enhanced Detection System (EDS) Level 2 (3-Bar) Installation Kit</b>	
	1001237883	Ref	<b>Fall Arrest (Bolt-on) Add-on Kit (6ft/1.82m Platform (ANSI, ANSI Export, CHINA, CSA &amp; Japanese Specs Only) (Fits Platform p/ns 1001186384 &amp; 1001144024)</b>	
	1001237882	Ref	<b>Fall Arrest (Bolt-on) Add-on Kit (8ft/2.4m Platform (ANSI, ANSI Export, CHINA, CSA &amp; Japanese Specs Only) (Fits Platform p/ns 1001186383 &amp; 1001144023)</b>	
		Ref	<b>Fan Cover/Grille Options:</b>	
	1001185078	Ref	<b>Fan Cover Add-on Kit (Deutz D2011 Engines)</b>	
	1001182599	Ref	<b>Fan Cover Installation (Deutz D2011 and Deutz D2011 Stage V Engines)</b>	
	1001093389	Ref	<b>Fan Grille Installation (Deutz D2011 Engines)</b>	
	1001213223	Ref	<b>Fan &amp; Belt Grille Add-on Kit (Deutz D2011 Engines without Generator)</b>	
	1001202122	Ref	<b>Fan &amp; Belt Grille Installation (Deutz D2011 Engines without Generator)</b>	
	1001213222	Ref	<b>Fan &amp; Belt Grille Add-on Kit (Deutz D2011 Engines with Generator)</b>	
	1001202398	Ref	<b>Fan &amp; Belt Grille Installation (Deutz D2011 Engines with Generator)</b>	
	1001149126	Ref	<b>Fan Grille Installation (Deutz TD2.9L4 Engines) (RCP Radiator Only)</b>	
	1001177694	Ref	<b>Fan Grille Installation (Deutz TD2.9L4 Engines) (Modine Radiator Only)</b>	
	1001213219	Ref	<b>Fan &amp; Belt Grille Add-on Kit (Deutz TD2.9L4 Engines without Generator) (Modine Radiator)</b>	
	1001202397	Ref	<b>Fan &amp; Belt Grille Installation (Deutz TD2.9L4 Engines without Generator) (Modine Radiator)</b>	
	1001213220	Ref	<b>Fan &amp; Belt Grille Add-on Kit (Deutz TD2.9L4 Engines without Generator) (RCP Radiator)</b>	
	1001202082	Ref	<b>Fan &amp; Belt Grille Installation (Deutz TD2.9L4 Engines without Generator) (RCP Radiator)</b>	
	1001213227	Ref	<b>Fan &amp; Belt Grille Add-on Kit (Deutz TD2.9L4 Engines with Generator) (Modine Radiator)</b>	
	1001213181	Ref	<b>Fan &amp; Belt Grille Installation (Deutz TD2.9L4 Engines with Generator) (Modine Radiator)</b>	
	1001213221	Ref	<b>Fan &amp; Belt Grille Add-on Kit (Deutz TD2.9L4 Engines with Generator) (RCP Radiator)</b>	
	1001202331	Ref	<b>Fan &amp; Belt Grille Installation (Deutz TD2.9L4 Engines with Generator) (RCP Radiator)</b>	
	1001093389	Ref	<b>Fan Grille Installation (Ford and GM Engines)</b>	
		Ref	<b>Filter Kits:</b>	
		Ref	<b>Combined Filter Kit (Hydraulic/Air and Fuel/Engine Oil)</b>	
	1001166960	1	<b>Deutz D2011 Engine</b>	
	1001181148	1	<b>Deutz Engine (SN 0300181927 through 0300272252)</b>	
	1001114127	1	<b>GM Engine</b>	

## SECTION 10 - SPECIAL OPTIONS

ITEM	PART NUMBER	QTY	DESCRIPTION	REV
		Ref	<b>Hydraulic/Air Filter Kits</b>	
	1001109684	1	<b>Deutz D2011 Engine</b>	
	1001167020	1	<b>Deutz D2011 Engine</b>	
	1001204458	1	<b>Deutz TD2.9L4 Engines</b>	
		Ref	<b>Fuel/Engine Oil Filter Kits</b>	
	1001110133	1	<b>Deutz D2011 Engine</b>	
	1001204460	1	<b>Deutz TD2.9L4 Engine</b>	
	1001139099	Ref	<b>Fire Extinguisher Installation</b>	
		Ref	<b>Fluids</b>	
		Ref	Coolant	
	2300004	Ref	Machines without Arctic Package	
	2300041	Ref	Machines with Arctic Package	
	3020017	Ref	Lubricant (Steer Spindles)	
	3020008	Ref	Lubricant (Drive Hubs)	
	3020037	Ref	Lubricant (Pump Coupling)	
	2300040	Ref	Diesel Fuel Conditioner	
		Ref	Engine Oil	
	3020016	Ref	Motor Oil Mobil Delvac MX 15W-40 (Deutz D2011 Engine Machines without Arctic Package)	
	3020044	Ref	Motor Oil 0W-40 (Deutz D2011 Engine Machines with Arctic Package)	
	1001136079	Ref	Motor Oil Mobil Delvac MX 15W-40 (Deutz TD2.9L4 Engine Machines without Arctic Package)	
	1001136172	Ref	Motor Oil 0W-40 (Deutz TD2.9L4 Engine Machines with Arctic Package)	
	1001115930	Ref	Motor Oil 10W-30 (Ford & GM Engine Machines without Arctic Package)	
	1001115931	Ref	Motor Oil 5W-30 Synthetic (Ford Engine Machines with Arctic Package) <b>(SN 0300177361 through 0300240729)</b>	
	1001190775	Ref	Motor Oil 5W-30 Non-Synthetic (Ford Engine Machines with Arctic Package) <b>(SN 0300240730 through 0300272252)</b>	
	1001115931	Ref	Motor Oil 5W-30 Synthetic (GM Engine Machines with Arctic Package)	
		Ref	Hydraulic Fluids	
	2300014	Ref	Mobil 424	
	2300027	Ref	Mobil 224H Bio	
	2300029	Ref	Mobil EAL ISO 46 Bio	
	2300016	Ref	Mobil DTE 10 EXCEL 32 (was DTE 13 ISO 32)	
	2300019	Ref	Quaker State Quintolubric 888-46 Fire Resistant	
	2300039	Ref	Exxon Univis HV126 (Arctic Package Only)	
	1001117294	Ref	<b>Footswitch Shield (Arctic Package)</b>	
	1001202749	Ref	<b>Fuel Cap Cover Installation (Black) (All Machines) (Note: Lock p/n 1001102157 Must be purchased separately)</b>	
	1001191395	Ref	<b>Fuel Cap Cover Installation (Green) (Diesel Machines) (Note: Lock p/n 1001102157 Must be purchased separately)</b>	
	1001191394	Ref	<b>Fuel Cap Cover Installation (Red) (Gasoline Machines) (Note: Lock p/n 1001102157 Must be purchased separately) (SN 0300177361 through 0300261111)</b>	
	1001247338	Ref	<b>Fuel Cap Cover Installation (Red) (Gasoline Machines) (Note: Lock p/n 1001102157 Must be purchased separately) (SN 0300261112 through 0300272252)</b>	
		Ref	<b>Generator Options:</b>	
	See Note	Ref	<b>Generator (2500W) Add-on Kit (Note: Contact JLG Parts Dept)</b>	
	1001175816	Ref	<b>Generator (4000W/50Hz) Add-on Kit - Deutz D2011</b>	



## SECTION 10 - SPECIAL OPTIONS

ITEM	PART NUMBER	QTY	DESCRIPTION	REV
	1001213607	Ref	<b>Generator (4000W/60Hz) Add-on Kit - Deutz D2011</b>	
	1001211799	Ref	<b>Generator (4000W/50Hz) Add-on Kit - Deutz TD2.9L4</b>	
	1001213605	Ref	<b>Generator (4000W/60Hz) Add-on Kit - Deutz TD2.9L4</b>	
	See Note	Ref	<b>Generator (7500W) Add-on Kit (Note: Contact JLG Parts Dept)</b>	
		Ref	<b>Hose Kits (Contact JLG Customer Service for contents of kits):</b>	
	1001166791	Ref	Hose Kit - Boom Lower	
	1001209349	Ref	Hose Kit - Boom Lower <b>(SN 0300177361 through 0300181174)</b>	
	1001212515	Ref	Hose Kit - Boom Lower	
	1001209350	Ref	Hose Kit - Boom Lower (Deutz D2011 Engine) (600AJ) <b>(SN 0300181175 through 0300208081)</b>	
	1001193682	Ref	Hose Kit - Boom Upper (Deutz TD2.9L4/Ford/GM Engines) (600A) <b>(SN 0300208082 through 0300272252)</b>	
	1001209347	Ref	Hose Kit - Boom Upper (Deutz TD2.9L4/Ford/GM Engines) (600A) <b>(SN 0300208082 through 0300272252)</b>	
	1001166790	Ref	Hose Kit - Boom Upper (Deutz D2011 Engines) (600AJ) <b>(SN 0300181175 through 0300208081)</b>	
	1001166790	Ref	Hose Kit - Boom Upper (Deutz TD2.9L4 Engines) (600AJ) <b>(SN 0300208082 through 0300272252)</b>	
	1001209348	Ref	Hose Kit - Boom Upper (Deutz D2011 Engine) (600AJ) <b>(SN 0300181175 through 0300208081)</b>	
	1001209348	Ref	Hose Kit - Boom Upper (Deutz TD2.9L4 Engines) (600AJ) <b>(SN 0300208082 through 0300272252)</b>	
	1001209628	Ref	Hose Kit - Platform Valve (600A)	
	1001209629	Ref	Hose Kit - Platform Valve (600AJ) <b>(SN 0300181175 through 0300272252)</b>	
	2902471	Ref	Hose Kit - Power Track Lower (600A)	
	1001204904	Ref	Hose Kit - Power Track Lower (600AJ) <b>(SN 0300177361 through 0300181174)</b>	
	2902470	Ref	Hose Kit - Power Track Upper (600A)	
	2902472	Ref	Hose Kit - Power Track Upper (600AJ) <b>(SN 0300177361 through 0300181174)</b>	
	1001239617	Ref	Hose Kit - Power Track Upper (600AJ) <b>(SN 0300181175 through 0300272252)</b>	
	1001241405	Ref	<b>Hostile Environment Add-on Kit (7FT Chassis) (600A)</b>	
	1001204923	Ref	<b>Hostile Environment Add-on Kit (8FT Chassis) (600A)</b>	
	1001241406	Ref	<b>Hostile Environment Add-on Kit (7FT Chassis) (600AJ)</b>	
	1001204924	Ref	<b>Hostile Environment Add-on Kit (8FT Chassis) (600AJ)</b>	
	1001094475	Ref	<b>Hourmeter for Generator Installation</b>	
	1001148971	Ref	<b>Lanyard (Bolt-On) Kit Installation</b>	
	1001183407	Ref	<b>Low Temperature Cut-out Switch Installation (Russian Specs) (SN 0300177361 through 0300245287)</b>	
	1001236951	Ref	<b>Low Temperature Cut-out Switch Installation (Russian Specs) (SN 0300245288 through 0300272252)</b>	
		Ref	<b>Oil Cooler Options (Requires Flushing Loop Options):</b>	
	1001152172	Ref	<b>Oil Cooler Installation (Deutz D2011 Engine)</b>	
	1001142678	Ref	<b>Oil Cooler Installation (Deutz TD2.9L4 Engine) (RCP Cooler) (SN 0300177361 through 0300227100)</b>	
	1001176667	Ref	<b>Oil Cooler Installation (Deutz TD2.9L4 Engine) (Ymer Cooler) (SN 0300227101 through 0300272252)</b>	
	1001204296	Ref	<b>Oil Cooler Replacement Kit (Deutz TD2.9L4 Engine Only) (RCP to Ymer Cooler)</b>	
	1001218393	Ref	<b>Oil Cooler Installation (Ford Engine)</b>	
	0272062	Ref	<b>Oil Cooler Installation (GM Engine)</b>	

## SECTION 10 - SPECIAL OPTIONS

ITEM	PART NUMBER	QTY	DESCRIPTION	REV
	0258703	Ref	<b>Platform Console Cover Installation (Clear Polycarbonate) (SN 0300177361 through 0300200808)</b>	
	1001195304	Ref	<b>Platform Console Cover Installation (Clear Polycarbonate) (SN 0300200809 through 0300272252)</b>	
	1001110974	Ref	<b>Platform Console Cover Installation (Steel) (All Specs except Chinese and Korean)</b>	
	1001125230	Ref	<b>Platform Console Cover Installation (Steel) (Chinese Specs)</b>	
	1001125229	Ref	<b>Platform Console Cover Installation (Steel) (Korean Specs)</b>	
	1001205175	Ref	<b>Platform Console Cover Add-on Kit (Steel)</b>	
		Ref	<b>Platform Entry Kit</b>	
	1001142504	Ref	<b>Kit, Replace Swing Gate with Drop Bar</b>	
	1001142505	Ref	<b>Kit, Replace Drop Bar with Swing Gate</b>	
		Ref	<b>Platform Mesh to Top Rail Add-on Kits:</b>	
	1001214552	Ref	<b>30in x 4ft (76cm x 1.22m) with Gate</b>	
	1001214559	Ref	<b>30in x 5ft (76cm x 1.52m) with Gate</b>	
	1001214561	Ref	<b>36in x 6ft (91.5cm x 1.83m) with Gate</b>	
	1001214562	Ref	<b>36in x 8ft (91.5cm x 2.44m) with Gate</b>	
		Ref	<b>Platform Mesh to Top Rail Installations</b>	
	0273147	Ref	<b>30in x 4ft (76cm x 1.22m)</b>	
	0273146	Ref	<b>30in x 5ft (76cm x 1.52m)</b>	
	0273149	Ref	<b>36in x 6ft (91.5cm x 1.83m)</b>	
	0273145	Ref	<b>36in x 8ft (91.5cm x 2.44m)</b>	
		Ref	<b>Platform Mesh to Mid Rail Add-on Kits:</b>	
	1001214478	Ref	<b>30in x 4ft (76cm x 1.22m) with Gate</b>	
	1001214515	Ref	<b>30in x 5ft (76cm x 1.52m) with Gate</b>	
	1001214540	Ref	<b>36in x 6ft (91.5cm x 1.83m) with Gate</b>	
	1001214548	Ref	<b>36in x 8ft (91.5cm x 2.44m) with Gate</b>	
		Ref	<b>Platform Mesh to Mid Rail Installation</b>	
	1001140318	Ref	<b>30in x 4ft (76cm x 1.22m)</b>	
	1001140315	Ref	<b>30in x 5ft (76cm x 1.52m)</b>	
	1001138772	Ref	<b>36in x 6ft (91.5cm x 1.83m)</b>	
	1001138773	Ref	<b>36in x 8ft (91.5cm x 2.44m)</b>	
	1001149730	Ref	<b>Platform Mid Rail Repair Kit</b>	
		Ref	<b>Platform, Top Rail Extension</b>	
	0272733	Ref	<b>3ft x 6ft Platforms</b>	
	0272725	Ref	<b>3ft x 8ft Platforms</b>	
	1001209059	Ref	<b>Platform Work Surface Installation</b>	
	1001200234	Ref	<b>Radiator Replacement Kit (RCP to Modine) (Deutz TD2.9L4 Engine Only)</b>	
	1001171018	Ref	<b>RCD Box Installation (Brazil Spec)</b>	
	1001157965	Ref	<b>RCD Box Add-on Kit</b>	
	1001099572	Ref	<b>Security Lock (Programmable) Installation</b>	
	1001247073	Ref	<b>SkyEye Retrofit Kit</b>	
		Ref	<b>SkyGuard Component Options:</b>	
	1001206477	Ref	SkyGuard Complete Add-on Kit (Blue Beacon)	
	1001143669	NLA	SkyGuard Complete Add-on Kit (Blue Beacon) (Use p/n 1001206477)	
	1001210026	Ref	SkyGuard Complete Add-on Kit (Red Beacon)	
	1001197016	Ref	SkyGuard Platform Sensor Kit	
	1001137672	Ref	SkyGuard Platform Sensor Kit	
	1001137440	1	SkyGuard Platform Sensor Harness	
	1001186431	2	Relay	

## SECTION 10 - SPECIAL OPTIONS

ITEM	PART NUMBER	QTY	DESCRIPTION	REV
	1001206311	Ref	SkyGuard Blue Beacon Kit	
	1001143256	NLA	SkyGuard Blue Beacon Kit (Use p/n 1001206311)	
	1001210025	Ref	SkyGuard Red Beacon Kit	
	1001176372	Ref	SkyGuard Removal Plug Kit	
	1001232643	Ref	<b>SkyLine Kit</b>	
		Ref	<b>Strobe Light Installations (Amber)</b>	
	1001152965	Ref	<b>Platform Mounted</b>	
	1001154231	Ref	<b>Platform/Ground Mounted</b>	
	0272301	Ref	<b>Tire Sealant Installation</b>	
		Ref	<b>Tools for Service</b>	
	2901443	1	Analyzer Kit	
	7002840	1	Antirotation Pin Removal Tool	
	8896941	1	Wire Stripper	
	7002821	1	Wire Crimper (To install wire ends to wires)	
	7002823	1	Pin/Socket Extractor - Universal (To Remove Pins/Sockets from Connectors)	
	4460467	1	Extractor - 16-18 Gauge (For Removal of Pin/Sockets from Deutsch Connectors)	
	4460510	1	Extractor - 12-14 Gauge (For Removal of Pin/Sockets from Deutsch Connectors)	
	7002822	1	Screwdriver, Potentiometer (To Adjust Drive Controllers)	
	7016654	1	Screwdriver, Magnetic	
	7004275	1	Seal Installation Tool - 1in	
	7004276	1	Seal Installation Tool - 1 1/2in	
	7002826	1	Seal Installation Tool - 2in	
	7016655	1	Wire Rope Sheave Gauge	
	7016652	1	Huck Bolt Fastener (For Small Huck Bolts Only)	
	2900838	1	U.S. Standards Fastener (Hardware) Kit	
	7014676	1	U.S. Standards Tool Kit	
	1001137005	1	Software Cable Kit	
	1001238825	Ref	<b>Turntable Bearing Kit</b>	
	0256344	Ref	<b>Weld Leads Installation (600A)</b>	
	0272772	Ref	<b>Weld Leads Installation (1 Cable) (600A)</b>	
	1001239346	Ref	<b>White Noise, Motion Alarm</b>	
	1001241384	Ref	<b>White Noise, Motion Alarm Ambient</b>	



**PART NUMBER INDEX**

## SECTION 10 - SPECIAL OPTIONS

0060066.....208, 223	0256331 ..... 233	0274229 ..... 40	0630535.... 316, 323, 325,
0060068.....203, 223	0256336 ..... 233	0274256 ..... 13	327, 339, 341, 348,
0080201..... 110	0256342 ..... 476	0274257 ..... 24	353, 359, 363, 365, 367
0100009..... 141, 247, 251	0256344 ..... 483	0274533 ..... 27	0630536.... 329, 331, 343,
0100011.... 13, 15, 19, 24,	0256366 ..... 476	0274618 ..... 412, 433	345
25, 27, 39, 43, 48, 61,	0256487 ..... 458, 478	0274661 ..... 303	0630548..... 137, 141
72, 73, 74, 77, 83, 85,	0256488 ..... 458, 478	0274883 ..... 477	0630568.....249, 252
90, 91, 97, 98, 99, 102,	0256689 ..... 77	0275039 ..... 169	0641403.... 187, 215, 219,
103, 108, 109, 110,	0256690 ..... 77	0275140 ..... 210, 403	233, 234
129, 133, 137, 138,	0257176 ..... 412, 433	0275216 ..... 415, 438	0641404..24, 25, 83, 141,
141, 143, 147, 148,	0257195 ..... 478	0275217 ..... 415, 438	160, 173, 177, 187,
154, 157, 160, 163,	0257573 ..... 215, 216	0275218 ..... 415, 438	247, 251, 271
165, 169, 173, 177,	0257728 ..... 303	0275219 ..... 415, 438	0641405.... 154, 169, 181,
181, 185, 193, 197,	0257887 .... 147, 410, 432	0275257 .... 197, 415, 439	187, 197, 225, 271,
203, 204, 208, 211,	0258703 ..... 482	0275261 ..... 479	414, 437
215, 219, 220, 225,	0258966 ..... 476	0275262 ..... 477	0641406.... 48, 83, 85, 97,
229, 232, 233, 238,	0270528 ..... 43	0275265 ..... 402, 423	110, 138, 143, 147,
267, 269, 271, 277,	0270818 ..... 402, 423	0275295 ..... 476	173, 187, 238, 241,
286, 289, 291, 293,	0270819 ..... 402, 423	0275452 ..... 415, 438	243, 457, 463, 467
315, 319, 323, 325,	0270820 ..... 210, 402	0275453 ..... 415, 438	0641407..73, 74, 98, 109,
329, 331, 333, 339,	0270821 ..... 211, 403	0275454 ..... 415, 438	138, 141, 154, 177,
341, 343, 347, 357,	0270833 ..... 147	0275651 ..... 412, 434	225, 414, 437
359, 363, 365, 367,	0271475 ..... 476	0275652 ..... 412, 434	0641408..... 85, 147, 238,
381, 386, 391, 457,	0271552 .... 147, 249, 253	0275653 ..... 412, 434	241, 243, 463, 467
463, 467	0272062 ..... 394, 481	0275654 ..... 412, 434	0641409..... 72
010001961, 85, 163, 173,	0272070 ..... 204, 211	0275655 ..... 412, 434	0641410..... 74, 178
177, 181, 187, 193, 197	0272254 ..... 291	0275656 ..... 412, 434	0641412..... 83
0100020.... 72, 83, 85, 97,	0272301 ..... 483	0275660 ..... 412, 434	0641414..... 48, 239, 247,
99, 108, 112, 129, 130,	0272312 ..... 478	0275860 ..... 27	251, 267, 269, 273, 277
174, 182, 247, 252,	0272418 ..... 281	0280171 ..... 13	0641415..... 174
286, 299	0272427 .... 249, 253, 277	0280185 ..... 13	0641416 48, 97, 108, 211,
0100035.... 148, 233, 234,	0272433 ..... 412, 433	0340041 ..... 110	225, 414, 437
247, 251	0272435 .... 189, 194, 199	0362611 ..... 234	0641418..... 238
0100038..... 13, 315, 319,	0272448 ..... 286, 291	0362910 ..... 43	0641420..... 238
323, 325, 329, 331,	0272521 ..... 289	0363012 ..... 39	0641424..... 233
333, 339, 341, 343,	0272588 ..... 289	0370026 ..... 313	0641505..... 40, 108, 186,
347, 357, 359, 363,	0272589 ..... 189	0370035 ..... 329	197
365, 367, 381, 386, 391	0272599 ..... 286, 299	0400075 ... 49, 72, 83, 97,	0641506.... 108, 138, 141
0100048..... 97, 108, 137,	0272607 ..... 299	108	0641507..... 141, 233
141, 147, 165, 177,	0272624 ..... 402, 423	0440018 ..... 24	0641508..... 88, 160, 163,
225, 247, 251, 402,	0272625 ..... 210, 402	0440019 ..... 24	165
404, 422, 425	0272626 ..... 402, 423	0440161 ..... 24	0641510..... 74, 88, 169
0100062 74, 88, 102, 129,	0272627 ..... 211, 403	0440170 ..... 15, 19	0641512..... 75
187	0272703 ..... 225	0440171 ..... 15, 19	0641514..... 169, 303
0100063..... 24, 329, 343,	0272725 ..... 482	0440207 ..... 61	0641516.... 43, 173, 177,
348	0272733 ..... 482	0480100 ..... 303	181, 185, 193, 197,
0100071 ..... 273	0272772 ..... 483	0480121 ..... 159	215, 275
0100079..... 127, 129, 177	0272948 ..... 281	0480126 ..... 173, 187	0641518..... 239
0100081.... 215, 247, 251,	0272951 ..... 281	0480129 ..... 173, 187	0641522..... 220
281	0273145 ..... 482	0480142 .... 169, 181, 197	0641530..... 39
0140001 ..... 48	0273146 ..... 482	0561076 ..... 203, 208	0641532..... 204, 210
0140011 ..... 247, 251	0273147 ..... 482	0561185 ..... 215, 219	0641536..... 220
0140032..... 147, 410	0273149 ..... 482	0561237 ..... 211	0641552..... 39
0140044..... 147, 432	0273172 ..... 477	0561248 ..... 215	0641604.... 208, 359, 363
0181949..... 130	0273353 ..... 286	0630407 ..... 85	0641606.... 74, 110, 129,
0200048..... 277	0273428 ..... 211, 403	0630427 ..... 232	130, 155, 156, 157,
0200742..... 159	0273430 ..... 211, 403	0630462 ..... 277	208, 215, 220, 233,
0255281 ..... 220	0273492 ..... 239, 398	0630464 ..... 247, 251	286, 289, 291, 293
0255288..... 220	0273542 ..... 275	0630467 ..... 233	0641607.. 48, 83, 97, 127,
0255382..... 411, 433	0273706 .... 249, 253, 277	0630490 .... 16, 19, 24, 25	148, 163, 194, 203, 208
0255410..... 61	0273824 .... 249, 253, 277	0630507 ..... 154	0641608.... 15, 19, 24, 25,
0255699..... 233	0274047 ..... 13	0630518 ... 137, 141, 286,	40, 48, 78, 83, 85, 91,
0255880..... 151	0274054 ..... 13	289, 291, 293, 299	108, 110, 154, 208, 215
0255927 ..... 477	0274062 ..... 24	0630534 ... 316, 319, 321,	0641609.. 74, 77, 85, 110,
0255928..... 477	0274094 .... 457, 461, 467	333, 337, 347	151
0256202.... 412, 433, 434	0274180 ..... 239		
0256276..... 476	0274200 .... 147, 249, 253		

## SECTION 10 - SPECIAL OPTIONS

0641610 ... 72, 74, 83, 90, 97, 110, 127, 155, 159, 208, 215, 238, 241, 243	0700820 .... 169, 181, 197	0861731.....412, 435	1001093248 ..... 111
0641611 ..... 39, 208	0701014 ..... 102	0861781.....412, 435	1001093382 ... 49, 73, 83, 97, 109
0641612 ..... 88, 110, 133, 215	0701016 .... 169, 181, 197	0861880.....414, 437	1001093389 ..... 479
0641613 ..... 48	0701026 ..... 103	0902206.....147	1001093410 ..... 110, 117
0641614 ..... 129, 208	0701224 ..... 99	0902219.....154	1001093432 ..... 210, 403
0641616 ... 174, 177, 188, 219	0710827 ..... 102	0902335.....154	1001093436 ..... 402, 423
0641617 ..... 130	0711014 ..... 102	0902751.....247	1001093438 ..... 476
0641618 ..... 39, 177, 188, 208, 215, 219	0711020 ..... 99	0902888....173, 177, 181, 187, 193, 197	1001093549 .... 379, 385, 390
0641640 ..... 220	0711216 ..... 102	0902919.....225	1001094475 ..... 481
0641708 ..... 88	0711223 ..... 101	0902920.....225	1001096070 .... 174, 178, 414, 437
0641710 ..... 169	0720804 ..... 130	0903056.....133	1001096134 .... 190, 417, 440
0641772 .... 160, 163, 165	0721003 ..... 15, 19	0903119.....147	1001097051 ..... 451
0641808 ... 72, 83, 85, 98, 108, 110, 173, 177, 181, 187, 197, 204, 210	0721004 ..... 43	0903484.....414, 437	1001097242 .. 15, 19, 357
0641809 ..... 215	0721005 ..... 277	0903490.....110	1001097822 ..... 204, 210
0641810 ... 151, 203, 208	0721006 .... 90, 154, 160, 163, 247, 251	0903612.....414, 437	1001098012 .... 286, 299, 301
0641811 ..... 133	0731005 ..... 277	0940049.....154	1001098149 ..... 299
0641812 73, 85, 110, 163, 204, 211, 229	0741605 ..... 85, 208	0940070...74, 85, 99, 110	1001098503 ..... 39
0641813 ..... 275	0741606 ..... 48	0940071.....154	1001098828 ..... 101, 229
0641814 ..... 13	0741607 . 19, 25, 43, 173, 177, 188, 193, 203	0940088.....154	1001099196 ..... 15
0641816 ..... 13	0760605 ..... 88, 102	0940092.....275, 277	1001099366 ..... 281
0641818 ..... 77, 129	0760606 ..... 194	0940094.....275, 277	1001099367 ..... 281
0641820 ..... 74, 133	0760608 ..... 40, 99, 193	0940102.....281	1001099387 ..... 15, 19
0641822 ..... 225	0760610 .... 99, 102, 165, 193	0940103.....277	1001099391 ..... 49
0641824 ..... 133	0760612 ..... 97, 99	0940131.....275	1001099421 ..... 281
0641826 ..... 110	0760615 ..... 102	0940133.....277	1001099422 ..... 281
0641828 ..... 110	0760807 ..... 102	0940134.....277	1001099572 ..... 482
0642010 ... 43, 72, 83, 97, 108	0760810 .... 83, 85, 97, 99	0940177.....277	1001099835 ..... 215
0642012 ... 13, 15, 19, 24, 281	0760812 97, 99, 102, 443, 445	0961845.....238	1001099836 ..... 220
0642024 ..... 225	0760814 ..... 99	0961890.....355	1001099869 ..... 160
0642026 ..... 281	0760815 ..... 97, 99	0961893....315, 319, 321, 333, 337, 347	1001100120 ..... 39
0642212 ..... 281	0760817 ..... 102	0961894....315, 323, 325, 347	1001100233 ..... 160
0642612 ..... 147, 148	0761008 ..... 84, 98	0961896....359, 363, 365, 367	1001100234 ..... 160
0642684 ... 204, 211, 225, 229	0761012 ..... 445	0961897.....339, 341	1001100321 ..... 159
0651406 ..... 48	0761014 .... 99, 151, 229	0961898.....329, 331	1001100341 ..... 415, 438
0681608 24, 25, 204, 211, 225, 229	0761015 ..... 88, 99	0961899.....343	1001100342 ..... 415, 438
0681620 ..... 85, 305, 307, 309	0761016 ..... 99	0961947....208, 315, 319, 321, 347, 351	1001100343 ..... 415, 438
0681710 ..... 27	0761018 ..... 193	0961948....203, 208, 219, 339, 341	1001100344 ..... 415, 438
0681812 ..... 98	0761019 ..... 165	0961949....203, 208, 215, 329, 331, 343, 345	1001100345 ..... 415, 438
0681814 ..... 245	0761210 ..... 88	0961950.....13	1001100346 ..... 415, 438
0681820 ..... 91	0761216 ..... 165, 229	0961951....203, 208, 220, 315, 323, 325, 327, 347, 353	1001100397 ..... 412, 434
0681822 ..... 85, 91, 245	0771014 ..... 99	0961986...74, 85, 99, 110	1001100398 ..... 412, 434
0682018 ..... 61	0771212 ..... 83, 85	0962005.....24, 25	1001100400 ..... 412, 434
0682020 ..... 15	0771414 .... 74, 77, 88, 91	0962051.....151	1001100401 ..... 412, 434
0682218 ..... 61	0771415 ..... 91, 174, 188	0962131.....15, 19, 24	1001100402 ..... 412, 434
0682424 ... 305, 307, 309	0801019 .... 203, 208, 215	0962270.....245	1001100825 ..... 99, 103
0700408 ..... 414, 437	0801085 ..... 215	0962272.....24, 25	1001101060 ..... 61, 64
0700615 ..... 148	0801637 ..... 215	0962292.....19, 25	1001101421 ..... 281
0700617 ..... 148, 149	0811606 ..... 219	0962335.....210	1001101422 ..... 281
0700808 ..... 74	0811607 ..... 219	0962336....333, 335, 337	1001102599 ..... 137, 142
0700810 ..... 99, 110	0811608 ..... 219	0962348.....19, 25	1001102600 ..... 137, 142
0700812 ..... 99	0811610 ..... 219	0962356.....15, 19, 357	1001102647 ..... 281
0700814 ..... 91, 99	0840055 ..... 225	0962449.....160	1001103308 ..... 143
0700816 ..... 102	0860038 ... 173, 177, 181, 186, 193, 197, 412, 434	0962450.....225	1001103667 .... 137, 142, 472
0700818 ..... 102	0860520 .... 457, 463, 467	0962520....174, 177, 181, 188, 193, 197	1001104423 .... 381, 387, 391
	0861537 ..... 247, 248	1001091587.....109	1001104982 ..... 477
	0861538 .... 188, 193, 197	1001091793.....111	1001104983 ..... 477
	0861541 ..... 188, 198	1001091892.....111	
	0861542 ... 185, 188, 197, 198, 416, 439		
	0861567 ... 185, 186, 188, 416, 439		
	0861572 ..... 188		

## SECTION 10 - SPECIAL OPTIONS

1001104984.....477	1001112743 ..... 398, 411, 433	1001118417 ..... 247, 255	1001126391.....409, 431
1001105872.....111	1001113483..... 225	1001119020 ..... 422	1001126484.....427
1001106339.....407, 428	1001113984 ..... 27, 31	1001119561 ..... 478	1001126485.....427
1001106340.....407, 428	1001114127 ..... 479	1001119619 ..... 447	1001127095.....478
1001106355.....247	1001114600 ..... 111	1001119620 ..... 449, 451	1001128527.....293
1001106480.....233, 234	1001114601 ..... 110	1001119942 ..... 477	1001128556.....293
1001106736.....138, 143	1001114639 ..... 109	1001119948 ..... 477	1001128901.....100
1001106758.....220	1001114640 ..... 108	1001119968 ..... 190, 416, 440	1001129555.....473
1001106759.....220	1001114641 ..... 109	1001120328 ..... 267, 269, 271	1001129858.....173, 181
1001106938.....247, 252, 473	1001114642 ..... 108	1001121340 ..... 189, 190, 198, 199	1001130041.....75
1001106974.....133	1001115391 ..... 185, 415, 438	1001121592 ..... 277	1001131168.....248, 252
1001106975.....133	1001115392 ..... 185, 415, 439	1001121593 ..... 278	1001131269.....458, 464
1001107153.....220	1001115405 ..... 159	1001121612 ..... 477	1001131992.....398
1001107498.....133	1001115406 ..... 159	1001121655 ..... 463	1001132055.....398
1001107499.....133	1001115409 ..... 159	1001121656 ..... 463	1001133714.....409, 431
1001107753.....248, 402, 422, 423	1001115889 ..... 138, 144	1001121657 ..... 249, 253	1001133715.....409, 431
1001107926.....249, 253	1001115915 ..... 138, 144	1001121800 ..... 457	1001133956.....408, 430
1001108256.....249, 253, 277	1001115918 ..... 138, 143	1001121801 ..... 457	1001133957.....408, 430
1001108493.....458, 464	1001115930 ..... 110, 480	1001121802 ..... 463	1001134488.....86, 101
1001108718.....478	1001115931 99, 110, 480	1001121803 ..... 463	1001135138.....86
1001108763.....249, 253	1001115967 ..... 138, 144	1001121804 ..... 463	1001135600.....27, 35
1001108764.....249, 253	1001115970 ..... 477	1001121805 ..... 463	1001135650.....409, 431
1001108923.....457	1001115974 ..... 210, 403, 476	1001121806 ..... 463	1001135651.....409, 431
1001109475.....414, 437	1001116131 ..... 111	1001121807 ..... 463	1001135679.....86
1001109477.....414, 437	1001116183 ..... 112	1001121808 ..... 463	1001136079.....86, 480
1001109482.....414, 437	1001116200 ..... 112	1001121809 ..... 463	1001136104.....193
1001109503.....142	1001116240 72, 408, 429	1001121810 ..... 463	1001136172.....86, 480
1001109554.....414, 437	1001116419 ..... 476	1001121811 ..... 463	1001136590.....219
1001109684.....480	1001116420 ..... 476	1001121812 ..... 463	1001136667.....27, 39
1001110133.....480	1001116515 ..... 211, 403, 476	1001121813 ..... 457	1001136668.....27, 39
1001110345.....398	1001116692 ..... 426	1001121814 ..... 457	1001136669.....27, 39
1001110359.....138, 405	1001116693 ..... 432	1001121815 ..... 462, 463	1001136670.....27, 39
1001110361.....138, 405	1001116699 ..... 432	1001121816 ..... 463	1001136672.....27, 35
1001110367.....137, 404	1001116710 ..... 409, 431	1001121817 ..... 463	1001136834.....86
1001110368.....137, 404	1001116727 ..... 408, 430	1001121819 ..... 462	1001136988.....186
1001110369.....137, 404	1001116844 ..... 478	1001121820 ..... 462	1001137005.....418, 441, 483
1001110370.....137, 404	1001116845 ..... 461	1001121821 ..... 463	1001137276.....86
1001110371.....137, 404	1001116846 ..... 461, 478	1001121822 ..... 462	1001137440.....482
1001110372.....137, 404	1001116847 ..... 462	1001121823 ..... 463	1001137672.....482
1001110379.....138, 143, 405, 406, 425, 426, 428	1001116848 ..... 462	1001121824 ..... 462	1001137673.....267, 269
1001110380.....398, 405	1001116849 ..... 462	1001121825 ..... 463	1001137845.....154
1001110381.....398, 405	1001116850 ..... 462	1001121826 ..... 463	1001137860.....155
1001110425.....84, 178	1001116851 ..... 462	1001121918 ..... 463	1001137863.....129
1001110434.....247, 252	1001116852 ..... 462	1001121921 ..... 463	1001137865.....129
1001110500.....215	1001116861 ..... 464	1001122200 ..... 463	1001137866.....84, 194
1001110501.....215	1001116862 ..... 464	1001122201 ..... 463	1001137868.....83, 97
1001110872.....185, 198, 415, 439	1001116863 ..... 464	1001122528 ..... 398, 416, 440	1001137873.....85
1001110873.....173, 177, 182, 185, 194, 198, 413, 415, 435, 439	1001116952 ..... 408, 430	1001125229 ..... 482	1001137874.....85
1001110974.....482	1001116983 ..... 409, 431	1001125230 ..... 482	1001137876.....154
1001111021.....137	1001116992 ..... 423	1001125387 ..... 458, 464	1001137880.....83
1001111514.....129	1001117039 ..... 155	1001125492 ..... 61	1001137881.....83
1001112551.....468	1001117078 ..... 190, 417, 440	1001125784 ..... 142	1001137882.....83
1001112586.....190, 398, 416, 440	1001117172 ..... 238, 247, 252	1001125785 ..... 142	1001137885.....61
1001112587.....190, 416, 440	1001117174 ..... 238, 247, 252	1001126009 ..... 453	1001137891.....151
1001112588.....398, 411, 432	1001117294 ..... 480	1001126351 ..... 408, 430	1001137892.....151
1001112589.....411, 433	1001117308 ..... 86, 472	1001126352 ..... 408, 430	1001137895.....47
1001112612.....407, 428	1001118133 ..... 129	1001126353 ..... 408	1001137896.....61
	1001118384 ..... 453	1001126356 ..... 408, 430	1001138110.....409, 430
	1001118388 ..... 453	1001126357 ..... 408, 430	1001138111.....409, 430
	1001118416 ..... 247, 261	1001126362 ..... 409, 431	1001138113.....409, 430
		1001126363 ..... 409, 431	1001138170.....88
		1001126364 ..... 409, 431	1001138173.....86, 100
		1001126365 ..... 409, 431	1001138175.....86, 100
		1001126384 ..... 408, 430	1001138228.....86, 472
			1001138248.....86, 100
			1001138436.....219



## SECTION 10 - SPECIAL OPTIONS

1001138491 84, 409, 431	1001141967..... 412, 435	1001145405.....286, 299	10011507157 ..... 381
1001138494 ..... 238	1001141968..... 413, 435	1001145719.....47, 232	1001150716 ..... 379, 385
1001138514 ..... 238	1001141969..... 413, 435	1001145720.....47, 232	1001150717 ..... 379, 385,
1001138557 ..... 86	1001141995..... 87, 100	1001145721.....47, 232	390
1001138565 ..... 173	1001142501..... 83, 87, 91	1001145750.....90	1001150718 ..... 380, 385,
1001138566 ..... 173, 177,	1001142504.....482	1001145751.....90	390
181	1001142505.....482	1001145834.....238, 247,	1001150720 ..... 379
1001138717 ..... 88	1001142538..... 87	402	1001150727 ..... 379, 394
1001138772 ..... 482	1001142615..... 87	1001145835.....238	1001150728 ..... 379, 395
1001138773 ..... 482	1001142623..... 87	1001145992..... 138, 143,	1001150890 ..... 77
1001138792 ..... 209, 333	1001142634..... 87	405, 406, 426, 428	1001150915 ..... 75
1001138795 ..... 333, 337	1001142635..... 87	1001145994.....405	1001150918 ... 73, 84, 98,
1001138796 ..... 316, 325,	1001142636..... 87	1001146368.....75, 76	109
327, 348, 353	1001142643..... 178, 188	1001146827.....28	1001150944 ..... 148, 432
1001138798 ..... 209, 315	1001142646..... 178, 187	1001146828.....28	1001150998 ..... 75
1001138799 ..... 208, 347	1001142648..... 87	1001147019.....28	1001151010 ..... 130
1001138827 ..... 86	1001142668..... 87	1001147020.....28	1001151070 ..... 73
1001139099 ..... 480	1001142669..... 87	1001147067.....28	1001151078 ..... 75
1001139130 ..... 477	1001142670..... 87	1001147068.....28	1001151206 ..... 75
1001139135 ..... 248, 252,	1001142678..... 394, 481	1001147264..... 408, 430	1001151251 ..... 75
423	1001142683..... 148, 149	1001148138.....163	1001151252 ..... 77
1001139148 ..... 477	1001142689..... 87	1001148161.....15	1001151253 ..... 77
1001139240 ..... 86	1001142694..... 148	1001148162.....15	1001151268 ..... 129, 130
1001139357 ..... 174	1001142722..... 148	1001148163.....15	1001151349 ..... 377, 394
1001139409 ..... 86, 91	1001142733..... 87	1001148164.....19	1001151350 ..... 377, 394
1001139429 ..... 86	1001142736..... 148, 149,	1001148165.....19	1001151358 ..... 373
1001139654 ..... 464	432	1001148166.....19	1001151364 ..... 371
1001139813 ..... 86, 89	1001142938..... 409, 431	1001148168.....13	1001151365 ..... 371
1001139819 ..... 75	1001142940..... 409, 431	1001148169.....13	1001151366 ..... 377
1001139956 ..... 173	1001142941..... 409, 431	1001148170.....13	1001151367 ..... 377
1001139957 ..... 173	1001143256.....483	1001148171.....13	1001151379 ..... 477
1001139960 ..... 181	1001143390..... 75, 87	1001148172.....13	1001151380 ..... 477
1001140312 ..... 88	1001143431..... 148	1001148178..... 19, 20	1001151391 ..... 129
1001140315 ..... 482	1001143496..... 379, 385	1001148641.....88	1001151393 ..... 137
1001140318 ..... 482	1001143669.....482	1001148652.....219	1001151542 ..... 216
1001140346 ..... 177	1001143726. 87, 408, 430	1001148664.....49, 59	1001151584 ..... 40
1001140347 ..... 177	1001143797..... 87	1001148902.....479	1001151586 ..... 216
1001140416 ..... 371, 394	1001143852..... 464, 468	1001148903.....479	1001151630 ..... 75
1001140417 ..... 394	1001143907. 87, 408, 429	1001148904.....479	1001151631 ..... 74
1001140418 ..... 373, 394	1001144018.....237	1001148905.....479	1001151635 ..... 74
1001140419 ..... 394	1001144019.....237	1001148906.....479	1001151670 ..... 155, 156
1001140420 ..... 373, 394	1001144021.....237	1001148971.....481	1001151752 ..... 398
1001140421 ..... 394	1001144022.....237	1001149126.....479	1001151826 ..... 219
1001140429 ..... 238	1001144023.....237	1001149160..... 100, 102	1001151841 ..... 73
1001140449 ..... 371, 373	1001144024.....237	1001149639.....100	1001151842 ..... 73
1001140451 ..... 373	1001144026.....237	1001149703.....77	1001151843 ..... 72
1001140454 ..... 87	1001144027.....237	1001149704.....75	1001151844 ..... 72
1001140455 ..... 373	1001144041..... 49	1001149705.....75	1001151856 ..... 431
1001140456 ..... 373	1001144409..... 87	1001149706.....75	1001151897 ..... 40
1001140458 ..... 373	1001144410..... 87, 100	1001149730.....482	1001151900 ..... 477
1001140466 ..... 91	1001144411..... 87, 100	1001149793.....75	1001151966 ..... 13
1001140535 ..... 87	1001144412..... 87	1001149818..... 148, 410	1001152031 ..... 204
1001140564 ..... 87	1001144433..... 252, 269	1001149924.....281	1001152046 ..... 40
1001141300 ..... 478	1001144596.....245	1001149927.....61	1001152049 ..... 40
1001141302 ..... 478	1001144597.....245	1001149955.....148	1001152066 ..... 129
1001141304 87, 408, 429	1001144629.....237	1001149994..... 148, 149	1001152070 ..... 129
1001141585 ..... 88, 100	1001145036..... 137, 404	1001150158.....74	1001152127 ..... 219
1001141693 ..... 75	1001145037..... 137, 404	1001150179.....74	1001152130 ..... 219
1001141694 ..... 75	1001145046..... 138, 405	1001150391.....61	1001152131 ..... 219
1001141718 ..... 83	1001145047. 84, 407, 429	1001150406.....148	1001152138 ..... 204, 219
1001141870 ..... 91	1001145154..... 87	1001150569.....43	1001152172 ..... 394, 481
1001141926 ..... 85	1001145227..... 185, 415,	1001150570.....43	1001152173 ..... 143
1001141927 ..... 85	438	1001150571.....43	1001152175 ..... 143
1001141928 ..... 83	1001145228..... 185, 439	1001150712.....380	1001152181 ..... 61
1001141929 ..... 85	1001145292..... 61	1001150714.....379	1001152221 ..... 73
1001141930 ..... 85	1001145330..... 178, 188	1001150715.....387, 390,	1001152222 ..... 73
1001141931 ..... 83	1001145379.....47, 232	391	1001152223 ..... 72

## SECTION 10 - SPECIAL OPTIONS

1001152224.....72	1001154390 ..... 143, 426	1001156985 ..... 461	1001161027.....156
1001152234.....61	1001154392 ..... 143, 426	1001156986 ..... 461	1001161029.....385, 390
1001152246.....219	1001154395 ..... 398, 426	1001156987 ..... 467	1001161030.....386, 391
1001152249.....219	1001154396 ..... 398, 426	1001156988 ..... 467	1001161031.....386
1001152253.....210, 219	1001154405 .... 83, 88, 91	1001157013 ..... 477	1001161032.....387, 392
1001152254.....395	1001154514 ..... 154	1001157220 ..... 208, 223	1001161033.....387, 392
1001152265.....47, 232	1001154670 ..... 141, 425	1001157222 ..... 203, 223	1001161034.....392
1001152325 ..... 156	1001154671 ..... 141, 425	1001157520 ..... 189, 194, 199	1001161035.....387
1001152340.....477	1001154672 ..... 141, 425	1001157521 ..... 188, 194, 200	1001161036.....387, 390, 392
1001152355.....204, 210, 215	1001154673 ..... 141, 425	1001157525 ..... 186, 188, 439	1001161038.....394
1001152428.....129	1001154674 ..... 141, 425	1001157528 ..... 189, 194, 200	1001161039.....394
1001152429.....190, 440	1001154675 ..... 141, 425	1001157592 ..... 185, 188, 194, 197, 199, 416, 439	1001161040.....394
1001152433.....154	1001155043 ..... 143	1001157605 ..... 395	1001161059.....156
1001152435.....154	1001155044 ..... 143, 248, 252	1001157768 ..... 199, 398, 440	1001161160.....387, 392
1001152448.....13	1001155045 ..... 143, 248, 252	1001157769 ..... 190, 398, 440	1001161417.....220
1001152457 ..... 174, 178, 182	1001155093 ..... 204, 210	1001157965 ..... 482	1001161761.....40
1001152489.....87	1001155094 ..... 209	1001158007 ..... 189, 194, 200	1001162335.....84, 90
1001152491.....373	1001155096 ..... 203, 209	1001158008 ..... 189, 194, 200	1001162828.....219
1001152499.....373	1001155097 ..... 204, 210	1001158363 ..... 174, 178, 182	1001163131.....281
1001152503.....476	1001155098 ..... 203	1001158810 ..... 203, 209	1001163296.....281
1001152504.....476	1001155189 ..... 208	1001159096 ..... 238	1001163297.....281
1001152505.....476	1001155267 ..... 232	1001159099 ..... 238, 247	1001163599.....163, 177, 187
1001152506.....476	1001155379 ..... 371	1001159121 ..... 434	1001164091.....174, 178
1001152525.....194, 199, 416, 439	1001155385 ..... 87	1001159256 ..... 248, 252	1001164160.....47, 232
1001152527.....371, 373	1001155399 ..... 232	1001159323 ..... 467	1001164164.....47, 232
1001152529.....371, 373	1001155574 ..... 15, 19, 20	1001159648 ..... 398	1001164168.....47, 232
1001152530.....174, 178, 182	1001155663 ..... 387, 392	1001159692 ..... 203	1001164170.....47, 232
1001152532.....174, 178, 181	1001155669 ..... 387, 392	1001159693 ..... 208	1001164277.....385, 395
1001152534.....47, 232	1001155670 ..... 387, 392	1001159694 ..... 208	1001164281.....155, 156
1001152535.....47, 232	1001155671 ..... 387, 392	1001159703 ..... 385, 394, 395	1001164329.....385, 394
1001152537.....47, 232	1001155672 ..... 387, 392	1001159704 ..... 385, 395	1001164563.....143, 426
1001152539.....203	1001155673 ..... 387, 392	1001159707 ..... 387, 392	1001164564.....398, 426
1001152540.....208	1001155675 ..... 387, 392	1001160000 ..... 458, 464, 468	1001165035.....83, 99
1001152556.....155	1001155677 ..... 387, 392	1001160003 ..... 155, 156	1001165350.....211
1001152557.....155	1001155678 ..... 387, 392	1001160004 ..... 154, 155	1001165366.....210, 423
1001152561.....49, 55	1001155823 ..... 84	1001160034 ..... 155	1001165547.....141, 425
1001152564.....233, 234	1001156351 ..... 414, 436	1001160038 ..... 47, 232	1001165548.....141, 425
1001152565.....233, 234	1001156352 ..... 413, 436	1001160039 ..... 47, 232	1001165551.....211, 423
1001152568.....379, 394	1001156353 ..... 430	1001160047 ..... 155	1001165552.....210, 423
1001152598.....379, 395	1001156489 ..... 424	1001160068 ..... 47, 232	1001165553.....211, 423
1001152609.....379, 395	1001156490 ..... 424	1001160069 ..... 47, 232	1001165554.....211, 423
1001152619.....394	1001156501 ..... 210, 219	1001160074 ..... 147	1001165555.....211, 423
1001152620.....394	1001156502 ..... 219	1001160077 ..... 148	1001165556.....210, 423
1001152639.....210	10011566819 ..... 109	1001160189 ..... 155	1001165557.....210, 423
1001152771.....477	1001156821 ..... 108	1001160190 ..... 155, 156	1001165558.....211, 423
1001152887 ..... 49, 55	1001156823 ..... 108	1001160271 ..... 398	1001165559.....211, 423
1001152960.....477	1001156826 ..... 108	1001160272 ..... 434	1001165741.....156
1001152965.....483	1001156889 ..... 457	1001160598 ..... 155	1001165842.....87
1001153025.....398	1001156890 ..... 457	1001160961 ..... 155	1001166394.....156
1001153197 ..... 174, 178, 182	1001156891 ..... 457, 462, 467	1001160962 ..... 156	1001166538.....247, 252, 263
1001153257.....398	1001156892 ..... 478	1001160963 ..... 156	1001166539.....247, 252, 257
1001153259.....178	1001156972 ..... 461	1001160964 ..... 156	1001166672.....238, 247
1001153260.....174, 178, 182	1001156973 ..... 461	1001161025 ..... 155	1001166790.....481
1001153321.....402, 423	1001156974 ..... 461	1001161026 ..... 156	1001166791.....481
1001153322.....210, 423	1001156975 ..... 461		1001166960.....479
1001153636.....174, 178, 437	1001156977 ..... 461		1001167020.....480
1001153638.....434	1001156978 ..... 467		1001167041.....87
1001154151 ..... 154	1001156979 ..... 461		1001167565.....229
1001154231 ..... 483	1001156980 ..... 461		1001167567.....229
1001154388 ..... 143, 426	1001156981 ..... 461		1001167596.....229
	1001156982 ..... 461		1001168018.....100
	1001156983 ..... 461		1001168402.....229
	1001156984 ..... 461		1001169054.....88, 100

## SECTION 10 - SPECIAL OPTIONS

1001169138.....	88, 100	1001181243.....	163	1001189002.....	229	1001202281.....	127
1001169384.....	210	1001181895.....	89	1001189116.....	252	1001202331.....	479
1001169610.....	78, 156	1001181899.....	88	1001189666.....	390, 395	1001202368.....	91
1001170035.....	100	1001181960.....	210	1001189667.....	390, 394	1001202397.....	479
1001170797.....	437	1001182064.....	209	1001189668.....	390, 395	1001202398.....	479
1001171018.....	482	1001182138.....	273	1001189669.....	390, 394, 395	1001202573.....	238, 251
1001171126.....	177	1001182599.....	479	1001189979.....	100	1001202577.....	238, 247
1001171131.....	434	1001182906.....	77	1001190089.....	238, 251	1001202749.....	480
1001171268.....	177	1001182997.....	88, 129	1001190113.....	238	1001203655.....	245
1001171403.....	431	1001183407.....	481	1001190775.....	99, 480	1001203656.....	245
1001172045.....	476	1001184881.....	28	1001190985.....	229	1001204150.....	143
1001172535.....	385, 390	1001185078.....	479	1001191394.....	480	1001204296.....	481
1001172663.....	229	1001185280.....	252, 422, 423	1001191395.....	480	1001204325.....	88
1001172760.....	247, 252	1001185281.....	252	1001191610.....	100	1001204458.....	480
1001172793.....	84	1001185897.....	143, 425, 428	1001191708.....	273	1001204460.....	480
1001173535.....	102	1001186333.....	245	1001191708.....	273	1001204667.....	127
1001173590.....	405, 426	1001186334.....	245	1001191862.....	141	1001204725.....	229
1001173896.....	129	1001186334.....	245	1001191863.....	141	1001204884.....	476
1001174093.....	109	1001186375.....	237	1001191866.....	143, 426	1001204904.....	481
1001174486.....	97, 108	1001186377.....	237	1001191867.....	143, 426	1001204923.....	481
1001175816.....	480	1001186379.....	237	1001191868.....	143, 426	1001204924.....	481
1001176012.....	85	1001186379.....	237	1001191877.....	141	1001204924.....	481
1001176013.....	85	1001186382.....	237	1001191878.....	141	1001205010.....	476
1001176014.....	83	1001186383.....	237	1001191879.....	141	1001205011.....	476
1001176015.....	85	1001186384.....	237	1001191879.....	141	1001205012.....	476
1001176016.....	85	1001186386.....	237	1001191909.....	141	1001205013.....	476
1001176017.....	83	1001186387.....	237	1001191912.....	141	1001205043.....	142
1001176225.....	87	1001186426.....	101	1001191913.....	141	1001205044.....	142
1001176226.....	87	1001186431.....	252, 269, 423, 482	1001192401.....	429	1001205051.....	87
1001176296.....	147, 249, 253	1001186432.....	453	1001193018.....	437	1001205175.....	482
1001176329.....	100	1001186517.....	267, 269	1001193632.....	478	1001205499.....	148
1001176372.....	483	1001186542.....	120	1001193682.....	481	1001206311.....	483
1001176419.....	87	1001187508.....	267	1001193683.....	392	1001206476.....	443, 445
1001176469.....	143	1001187674.....	265	1001194197.....	434	1001206477.....	482
1001176511.....	87	1001187681.....	447	1001194198.....	434	1001207004.....	149
1001176667.....	481	1001187781.....	99	1001194200.....	434	1001207305.....	148
1001176723.....	87	1001188015.....	141, 425	1001194203.....	434	1001207345.....	28
1001177038.....	91	1001188016.....	141, 425	1001194204.....	434	1001207346.....	28
1001177043.....	91	1001188042.....	143	1001194365.....	434	1001207792.....	155
1001177157.....	109	1001188467.....	155, 156	1001194437.....	398	1001207969.....	233
1001177161.....	109	1001188467.....	155, 156	1001195304.....	482	1001209059.....	482
1001177359.....	88	1001188622.....	229	1001196382.....	193	1001209347.....	481
1001177399.....	91	1001188844.....	229	1001196634.....	93	1001209348.....	481
1001177694.....	479	1001188857.....	148	1001197016.....	482	1001209349.....	481
1001178004.....	398	1001188874.....	143	1001197017.....	277	1001209350.....	481
1001178223.....	88	1001188884.....	127	1001197067.....	148	1001209432.....	443
1001178256.....	208, 223	1001188887.....	127	1001197408.....	468	1001209474.....	443
1001178512.....	130	1001188889.....	267	1001199784.....	127	1001209628.....	481
1001178789.....	133	1001188889.....	267	1001200120.....	478	1001209629.....	481
1001178876.....	88	1001188890.....	377	1001200121.....	478	1001209664.....	267, 269
1001179154.....	188, 194, 198, 199, 439	1001188891.....	377	1001200122.....	478	1001209869.....	148
1001179837.....	163	1001188952.....	74, 85, 120	1001200124.....	478	1001210025.....	483
1001179893.....	163	1001188953.....	99, 110, 120	1001200125.....	478	1001210026.....	482
1001180001.....	163	1001188954.....	73	1001200126.....	478	1001210448.....	103
1001180050.....	433	1001188955.....	73	1001200127.....	478	1001211794.....	102, 103
1001180052.....	433	1001188956.....	83	1001200234.....	482	1001211799.....	481
1001180093.....	142	1001188957.....	85	1001200491.....	229	1001212223.....	186
1001180094.....	142	1001188958.....	85	1001200494.....	229	1001212415.....	473
1001180287.....	163	1001188959.....	109	1001200575.....	249, 252	1001212515.....	481
1001180620.....	88, 100	1001188960.....	109	1001200910.....	149	1001213045.....	102
1001180861.....	478	1001188963.....	72	1001201351.....	229	1001213181.....	479
1001181045.....	437	1001188964.....	72	1001201890.....	247, 248	1001213219.....	479
1001181046.....	437	1001188965.....	83	1001201891.....	252	1001213220.....	479
1001181056.....	203, 223	1001188966.....	108	1001201995.....	143	1001213221.....	479
1001181148.....	479	1001188967.....	108	1001201996.....	143	1001213222.....	479
		1001188972.....	73, 84, 98, 109	1001202082.....	479	1001213223.....	479
		1001189001.....	229	1001202122.....	479	1001213227.....	479
				1001202280.....	127	1001213357.....	100

## SECTION 10 - SPECIAL OPTIONS

1001213447.....	422	1001216847.....	109	1001219476.....	47, 233	1001227633.....	265
1001213584.....	436	1001216848.....	108	1001219477.....	47, 232	1001227634.....	265
1001213585.....	436	1001216849.....	108	1001219478.....	47, 233	1001227666.....	102
1001213605.....	481	1001216910.....	102	1001219630.....	166	1001227667.....	102
1001213607.....	481	1001216911.....	98	1001219632.....	166	1001227769.....	102
1001213655.....	434	1001216912.....	97	1001219973.....	241, 251	1001227772.....	103
1001213810.....	102	1001216919.....	101	1001220153.....	476	1001227985.....	265
1001213882.....	252	1001216951.....	101	1001220215.....	103	1001227987.....	265
1001214030.....	478	1001216995.....	101	1001220281.....	252, 422	1001227996.....	449, 451
1001214396.....	445	1001217005.....	149	1001220379.....	431	1001228002.....	203, 351
1001214478.....	482	1001217032.....	101	1001220404.....	103	1001228003.....	203, 209, 345
1001214507.....	143, 426	1001217046.....	101	1001220486.....	248, 252	1001228004.....	203, 209, 341
1001214515.....	482	1001217082.....	101	1001220510.....	458, 465	1001228005.....	219, 361
1001214540.....	482	1001217089.....	101	1001220511.....	458, 465	1001228006.....	215, 367
1001214548.....	482	1001217090.....	101	1001220512.....	458, 465	1001228007.....	219, 363
1001214552.....	482	1001217095.....	436	1001220864.....	458, 464	1001228008.....	203, 321
1001214559.....	482	1001217096.....	436	1001221208.....	195, 440	1001228012.....	209, 335
1001214561.....	482	1001217146.....	101	1001221397.....	103	1001228042.....	203, 209, 331
1001214562.....	482	1001217170.....	99	1001221464.....	99	1001228051.....	209, 327
1001214570.....	443, 445	1001217174.....	101	1001221488.....	97	1001228052.....	208, 353
1001214571.....	443, 445	1001217175.....	101	1001221498.....	195, 398, 440	1001228215.....	237
1001214747.....	29	1001217183.....	101	1001221545.....	103	1001228224.....	265
1001214748.....	28	1001217184.....	99	1001221613.....	390	1001228225.....	265
1001214827.....	103	1001217185.....	101	1001221614.....	390	1001228243.....	237
1001214862.....	111	1001217186.....	101	1001221615.....	101	1001228375.....	237
1001215016.....	427	1001217187.....	193, 439	1001221703.....	241	1001228376.....	237
1001215091.....	427	1001217188.....	165	1001222033.....	101	1001228377.....	237
1001215142.....	98	1001217188.....	165	1001222641.....	103	1001228417.....	365
1001215228.....	252	1001217294.....	103	1001222665.....	84, 431	1001228946.....	477
1001215384.....	103	1001217418.....	98	1001223042.....	100	1001228988.....	286, 287, 289, 291, 293, 297, 299
1001215413.....	99	1001217419.....	98	1001223055.....	458	1001229007.....	458, 464, 468
1001215534.....	427	1001217420.....	98	1001223331.....	209, 323	1001229107.....	477
1001215647.....	100	1001217421.....	98	1001223332.....	323, 325	1001229341.....	265
1001215674.....	100	1001217422.....	98	1001223335.....	209, 325	1001229810.....	61, 68
1001215681.....	101	1001217543.....	101	1001223453.....	458, 464	1001230635.....	87
1001215899.....	101	1001217562.....	103	1001223511.....	319	1001231180.....	297
1001215974.....	101	1001217567.....	467	1001223512.....	203, 319	1001231183.....	297
1001216015.....	163	1001217645.....	98	1001223584.....	102	1001231235.....	297
1001216065.....	102	1001217780.....	208, 223	1001223899.....	209	1001231676.....	28
1001216071.....	103	1001217832.....	477	1001223923.....	100	1001231677.....	28
1001216075.....	101	1001218022.....	479	1001223971.....	464	1001231678.....	27
1001216086.....	101	1001218022.....	479	1001224048.....	464	1001231801.....	458
1001216092.....	101	1001218362.....	101	1001224049.....	464	1001231949.....	309
1001216144.....	103	1001218393.....	481	1001224050.....	464	1001231950.....	305, 307
1001216160.....	103	1001218449.....	101	1001224051.....	464	1001232010.....	305, 307, 309
1001216204.....	101	1001218547.....	151	1001224052.....	464	1001232011.....	305, 307, 309
1001216205.....	101	1001218548.....	151	1001224053.....	464	1001232164.....	265
1001216212.....	427	1001218572.....	98	1001224136.....	398, 426	1001232165.....	265
1001216300.....	103	1001218599.....	101	1001224419.....	102	1001232586.....	239
1001216300.....	103	1001218600.....	101	1001224431.....	102	1001232642.....	271
1001216390.....	194	1001218622.....	436	1001224432.....	101	1001232643.....	483
1001216391.....	166	1001218623.....	436	1001224486.....	101	1001232650.....	271
1001216393.....	102	1001218638.....	98	1001224489.....	101	1001232667.....	271
1001216531.....	101, 102	1001218930.....	194	1001224892.....	220	1001232799.....	239
1001216532.....	99	1001219071.....	99	1001224927.....	394	1001232838.....	239, 441
1001216533.....	99	1001219072.....	98	1001225346.....	443, 445	1001232842.....	93
1001216533.....	99	1001219073.....	97	1001225510.....	102	1001232880.....	215
1001216534.....	99	1001219224.....	141, 425	1001225580.....	253, 269, 423	1001233237.....	477
1001216535.....	99	1001219225.....	141, 425	1001226529.....	445	1001233763.....	84, 93
1001216536.....	103	1001219325.....	103	1001226531.....	443	1001234099.....	477
1001216616.....	103	1001219445.....	101	1001226744.....	233		
1001216619.....	103	1001219448.....	101	1001226872.....	238		
1001216630.....	226, 229	1001219454.....	101	1001227309.....	436		
1001216768.....	102	1001219456.....	101	1001227310.....	436		
1001216769.....	102	1001219471.....	47, 232	1001227472.....	477		
1001216810.....	102	1001219472.....	47, 233				
1001216844.....	111	1001219473.....	47, 233				
1001216845.....	110	1001219474.....	47, 233				
1001216846.....	109	1001219475.....	47, 233				

## SECTION 10 - SPECIAL OPTIONS

1001235011 ..... 271	1001247146.....208	1320302....286, 289, 291,	1684498 .... 203, 209, 329
1001235013 ..... 271	1001247338.....480	293	1700818 ..... 457, 463
1001235457 .... 74, 75, 76	1001248012..... 209, 337	1320314.....220	1701435 ..... 467
1001235466 ..... 72	1001248140..... 305, 307,	1320323.....108	170150572, 83, 457, 463,
1001235467 ..... 73	309	1321283.....98, 99	467
1001235468 ..... 74	1001248141..... 305, 307,	1321700.....211	1701509 ... 281, 457, 461,
1001235948 ..... 155	309	1321716....49, 84, 88, 97	467
1001236211 ..... 477	1001252629..... 305, 307,	1340060.....110	1701518 ..... 467
1001236303 ..... 49	309	1380147.....151	1701529 ... 457, 461, 467
1001236304 ..... 443	100150714..... 385, 390	1580011.....99, 111	1701542 .... 97, 108, 457,
1001236338 ..... 458	1060279 ..... 464, 467	1580012.....239	463
1001236375 ..... 445	1060341 ... 277, 410, 411,	1580013.....239	1701543 .... 97, 108, 457,
1001236376 ..... 445	432	1600244.....418, 441	463
1001236377 ..... 445	1060343 ... 189, 194, 198,	1600387 .....225	1701643 ..... 28
1001236378 ..... 445	199, 416, 439	1670767 .....154	1702265 ..... 458
1001236504 ..... 443	1060379 ..... 297, 303	1670769 .....211	1702271 ..... 464
1001236505 ..... 443	1060461 ..... 411, 433	1670824.....233, 234	17023987 ..... 464
1001236552 ..... 271	1060494 ... 188, 198, 199,	1670829....137, 142, 247,	1702565 ..... 248, 251
1001236746 ..... 309	411, 416, 417, 433,	251	1702566 ..... 248, 251
1001236747 ..... 305	439, 441	1670964.....233	1702567 ..... 248, 251
1001236891 .... 305, 307,	1060584 ..... 43	1671034.....211	1702617 ..... 464
309	1060625 ..... 73, 84, 109	1671092....189, 194, 198,	1702676 .... 238, 241, 243
1001236895 .... 305, 307,	1060626 .. 73, 84, 98, 109	199, 414, 416, 436, 440	1702720 ..... 463
309	1060633 ..... 418, 441	1671093....286, 291, 413,	1702740 ..... 28
1001236951 ..... 481	1060637 .. 72, 85, 98, 110	436	1702773 ... 245, 457, 463,
1001237862 ..... 449, 451	1060708 ... 189, 198, 416,	1671216.....156	467
1001237863 ..... 265, 451	439	1683053....315, 319, 333,	1702774 .... 457, 463, 467
1001237864 ..... 265, 449	1060896 .... 403, 423, 424	347	1702788 ... 458, 464, 468,
1001237865 ..... 265, 447	1060903 .....277	1683054.....359, 365	477
1001237882 ..... 479	1060908 ..... 414, 438	1683055....315, 323, 325,	1702818 .... 457, 462, 467
1001237883 ..... 479	1060918 ... 238, 247, 252,	347	1702819 .... 457, 462, 467
1001238263 .... 305, 307,	402, 422	1683061.....339	1702860 .... 457, 463, 467
309	1060919 ..... 245	1683067.....329	1702861 .... 457, 463, 467
1001238319 ..... 265	1060977 ..... 417, 440	1683069.....343	1702868 ... 286, 291, 293,
1001238418 ..... 271, 453	1061033 ..... 404, 424	1683263.....208, 347	297, 299, 457, 478
1001238463 ..... 307	10702077 .. 189, 194, 199	1683266.....203, 347	1702938 .... 249, 253, 277
1001238472 ..... 271	10702082 .. 189, 194, 199	1683288....203, 209, 343	1702941 ...73, 84, 98, 109
1001238477 ..... 271	1120304 ..... 16, 19	1683294....203, 209, 339	1702942 ...73, 84, 98, 109
1001238495 ..... 269	1120460 ..... 24, 25	1683307.....219, 359	1702943 ...73, 84, 98, 109
1001238559 ..... 271	1120487 ..... 129	1683308.....359	1702944 ...73, 84, 98, 109
1001238824 ..... 271	1120552 ..... 28	1683312.....215, 365	1702961 ..... 458
1001238825 ..... 483	1120555 ..... 281	1683313.....365	1702962 ..... 458
1001238895 ..... 478	1260017 ..... 61	1683314.....365	1703162 ...74, 88, 99, 111
1001239291 ..... 48	1271538 ..... 225	1683317.....219, 359	1703479 ..... 468, 477
1001239346 ..... 483	1282571 ..... 398	1683318.....359	1703534 .... 381, 386, 391
1001239617 ..... 481	1283309 ..... 394	1683415.....203, 315	1703544 ..... 464
1001241384 ..... 483	1283403 .... 457, 461, 467	1683418.....209, 315	1703683 ..... 303
1001241405 ..... 481	1283429 ..... 377, 394	1683609.....209, 333	1703687 .... 458, 464, 468
1001241406 ..... 481	1300019 ..... 28	1683949.....347	1703797 ..... 457
1001241578 ..... 72	1320012 ..... 110	1683952.....315	1703804 ..... 457
1001241715 ..... 243, 251	1320016 ..... 74, 110	1683962.....347	1703805 ..... 457
1001241719 ..... 243	132002272, 84, 108, 110,	1683963....315, 323, 325	1703811 .... 457, 461, 467
1001241835 ..... 73	127	1683972.....347	1703814 .... 457, 461, 467
1001241965 ..... 271	1320061 ..... 84	1683973.....347	1703923 ..... 462
1001242251 ..... 149	1320110 ..... 99	1683976.....315, 319	1703924 ..... 462
1001242252 ..... 149	1320127 ..... 130	1684001.....339	1703925 ..... 462
1001242409 ..... 476	1320136 ..... 225	1684005.....339	1703926 ..... 462
1001243183 ..... 476	1320176 ..... 77	1684015.....329	1703927 ..... 462
1001243184 ..... 476	1320177 ..... 286, 299	1684017.....343	1703935 ..... 462
1001243895 ..... 93	1320218 ..... 130	1684019.....343	1703936 ..... 462
1001246522 ..... 477	1320219 ..... 110	1684089.....333	1703937 ..... 462
1001246523 ..... 477	1320220 ..... 130	1684090.....333	1703938 ..... 462
1001246860 ..... 479	1320223 .73, 74, 84, 109,	1684290.....313	1703939 ..... 462
1001246867 ..... 479	110, 445	1684308.....359	1703941 ..... 461
1001247073 ..... 482	1320224 ..... 225	1684310.....359	1703942 ..... 461
1001247097 ..... 208	1320243 ..... 204, 210	1684418.....24, 25, 355	1703943 ..... 461
1001247098 ..... 208		1684465.....13, 313	1703944 ..... 461

## SECTION 10 - SPECIAL OPTIONS

1703945.....461	1705898 ..... 462	2220377 ... 117, 120, 371, 373, 379, 385, 390	2220888.....343
1703947 .....462	1705902 ..... 462	2220379 .... 380, 385, 390	2220890.....313
1703948.....462	1705903 ..... 461	2220381 .... 380, 386, 391	2220893..... 48, 382, 387, 392
1703949.....462	1705905 ..... 464	2220386 ..... 387, 392	2220899.....380
1703950.....462	1705910 ..... 464	2220409 ... 379, 385, 387, 392	2220921..... 380, 386, 391
1703951.....462	1705917 ..... 462	2220415 ... 371, 373, 377, 379, 385, 387, 390, 392	2220923.....380
1703953.....457	1705921 ..... 467	2220418 ..... 130	2220947.... 117, 120, 381, 386, 391
1703980.....462	1705961 ..... 467	2220428 ..... 380	2220948.... 379, 385, 390
1703981.....462	1705967 ..... 461, 478	2220429 ..... 380	2220974.....380
1703982.....462	1705968 ..... 478	2220451 ..... 74, 120, 371, 379, 385, 386, 390, 391	2220998..... 381, 386, 391
1703983.....462	1705969 ..... 461, 478	2220466 .... 379, 385, 390	2220999..... 380, 386, 391
1703984.....462	1705977 ..... 468	2220468 ..... 377	2221024.....130
1703990.....464	1705978 ..... 467	2220472 .... 382, 387, 392	2221034.....120
1704000.....461, 478	1706059 ..... 73	2220473 ... 371, 373, 381, 386, 391	2221036..... 381, 386, 391
1704001.....461, 478	1706060 ..... 73	2220474 ... 374, 379, 385, 392	2221042.... 379, 385, 390
1704174.... 458, 464, 468, 478	1706061 ..... 73	2220490 .... 377, 387, 392	2221053.... 381, 387, 391
1704175.....468, 478	1706062 ..... 73	2220498 .... 380, 386, 391	2221065.... 380, 386, 391
1704260.....248, 251	1706063 ..... 73	2220500 ... 373, 380, 386, 391	2221086.....387
1704271.....463	1706064 ..... 73, 85	2220504 .... 371, 373, 377	2221170.....371
1704272.....43	1706098 ..... 73, 84	2220507 ..... 373, 381	2221176..... 72, 97, 108
1704277 .... 457, 461, 467	1706385 ..... 245	2220510 ..... 381	2221197.....130
1704412 .... 457, 461, 467	1706510 ..... 303	2220511 .... 381, 386, 391	2300004..... 86, 101, 108, 480
1704578.....43	1706593 ..... 43	2220512 ..... 387, 390	2300014.....480
1704885.... 457, 463, 467	1706712 ..... 137, 142	2220567 .... 380, 385, 390	2300016.....480
1704972.....73, 84	1706941 ..... 458, 464	2220574 .... 380, 386, 391	2300019.....480
1705014.....245	1706957 ..... 43	2220578 ... 117, 120, 379, 385, 387, 390, 392	2300027.....480
1705084.....467	1706960 ..... 43	2220582 ... 371, 373, 380, 386, 391, 392	2300029.....480
1705090.... 43, 457, 463, 467	1706968 ..... 461	2220596 ... 373, 379, 380, 386, 391	2300039.....480
1705132.....248	2030010 ... 286, 289, 291, 293, 299	2220600 ..... 392	2300040.....480
1705170.... 147, 148, 249, 253	2060025 ..... 74, 111	2220602 .... 380, 385, 390	2300041..... 86, 108, 480
1705305.... 286, 289, 291, 293, 297, 299	2080040 ..... 237, 239	2220603 .... 381, 386, 391	2400060..... 93, 190, 195, 199, 407, 416, 428, 440
1705336.....457	2080044 ..... 209	2220605 .... 379, 385, 390	2400064.... 190, 195, 199, 416, 440, 472
1705344.....462	2120149 ..... 48, 470	2220606 ..... 371, 373	2400065.... 405, 426, 470
1705345.....462	2120164 ..... 48	2220609 ..... 380	2400066.... 405, 417, 426, 441
1705347.....462	2120209 ..... 48	2220618 .... 379, 385, 390	2400070.... 417, 441, 473
1705351.....458	2120210 ..... 48, 470	2220628 .... 380, 386, 391	2410014.....245
1705355.... 286, 289, 291	2180125 ..... 130	2220646 ... 117, 120, 371, 373	2420172..... 137, 142
1705358.....282	2180348. 72, 97, 102, 127	2220654 .... 381, 386, 391	2420202.....225
1705364.....28	2180380 ..... 381	2220657 .... 380, 387, 392	2420203.... 159, 163, 165, 169
1705374.... 174, 177, 182, 189, 199	2180387 ..... 130	2220711 ..... 120	2460048..... 186, 197
1705375.... 189, 194, 199, 286, 291, 293	2180388 ..... 130	2220726 ..... 387	2460051..... 165, 169
1705376..... 189, 198	2180389 ..... 130	2220738 .... 379, 385, 392	2460055.....159
1705387.... 174, 178, 182, 189, 195, 199	2180418 ..... 97, 108, 130	2220810 ..... 125	2460056.....159
1705426.....464	2180467 ..... 99	2220816 ..... 127	2540038.....225
1705427.....464	2180504 ..... 101	2220861 ..... 373	2560024..... 98
1705429.....464	2180724 ..... 381	2220873 ..... 380, 381	2560136.....248, 251
1705430.....464	2180832 ..... 83, 286, 299	2220883 ... 316, 319, 321, 323, 325, 327, 329, 331, 333, 335, 337, 339, 341, 343, 365, 367	2560173.....239
1705460.... 189, 194, 199	2180877 ..... 111	2220885 ... 315, 319, 321, 323, 325, 327, 333, 335, 337, 348, 353, 359, 363	2580024..... 73, 84, 109
1705461.....189	2200222 ..... 129	2220886 .... 55, 329, 331, 341, 367	2580050..... 73, 84, 109
1705466.... 286, 289, 291, 293, 299	2200233 ..... 129		2580062..... 75
1705489.... 174, 178, 189	2220005 ..... 97, 108		2580063.....109
1705490.....287, 299	2220064 .... 97, 101, 108		2600281.....237
1705514.....457, 461	2220237 .... 24, 371, 373		2680433.....154
1705820.....43	2220238 ..... 371		2680434.....154
1705822.....467	2220261 ..... 101, 130		2720015..... 88
1705828.....467	2220313 ..... 72, 83		2720058. 72, 99, 111, 127
1705895.....461	2220315 ..... 85		2720144.....130
1705896.....462	2220362 ..... 371, 373		2720160.....286, 299
1705897.....462	2220371 ... 371, 373, 377		2720271..... 99, 111
	2220372 ... 380, 386, 391		2720340..... 83, 87
	2220373 ... 371, 373, 381, 386, 391		
	2220374 .... 380, 386, 391		
	2220375 ... 373, 379, 385, 390		
	2220376 ..... 125		

## SECTION 10 - SPECIAL OPTIONS

2720392 ..... 108	2753134 .... 380, 386, 391	2902303.....478	3290805 ... 100, 102, 443, 445
2720398 ..... 74	2753135 .... 381, 386, 391	2902307.....478	3291001 ..... 100, 229
2720496 ..... 108	2753325 ..... 379, 385	2902308.....478	3291005 .... 88, 100, 229, 445
2720563 ..... 111	2753390 ..... 390	2902309.....478	3291007 ..... 151
2720564 ..... 111	2753397 ..... 371	2902310.....478	3291201 .... 100, 194, 229
2720566 ..... 108	2753924 ..... 371, 373	2902311.....478	3291205 ..... 229
2720598 ..... 108	2753926 ..... 373	2902312.....478	3300106 ..... 24, 25, 27
2720615 ..... 83	2753929 ..... 373	2902322.....478	3300151 ... 238, 286, 289, 291, 293
2750532 ..... 72, 84	2753933 ..... 377	2902329.....478	3300205 ..... 137, 142
2751362 ..... 390	2753968 .... 380, 385, 391	2902443....406, 409, 427, 430	3300243 ..... 229
2751396 .... 380, 385, 390	2754227 ..... 371, 374	2902470.....481	3300353 .... 142, 248, 251
2751410 ..... 377	2754231 ..... 373	2902471.....481	3300396... 174, 178, 182, 189, 194, 198, 199
2751434 ..... 377	2754235 ..... 373	2902472.....481	3300408 ..... 137, 142
2752341 .... 371, 381, 386	2754328 .... 379, 385, 390	2902531 .... 110, 407, 429	3300430 .... 267, 269, 273
2752343 ..... 381, 386	2754329 .... 379, 385, 390	2920028....249, 251, 253	3300454 .... 174, 177, 188
2752453 .... 381, 386, 391	2754330 .... 382, 387, 392	2920029....249, 251, 253	3310401 ..... 88
2752462 ... 377, 380, 386, 391	2754731 ..... 373	2920110.....147	3310601 .... 151, 189, 198
2752468 ..... 380	2760105 ... 137, 142, 248, 251	2920113.....147	3310801 ..... 232
2752469 .... 380, 386, 391	2780271 ..... 16, 19	2920129....225, 402, 405, 422, 426	3310805 ..... 130, 233
2752475 ..... 371, 373	2780276 ..... 24, 25	2920140....239, 417, 441	3311001 .... 91, 189, 194, 199
2752478 .... 380, 385, 390	2792630 ..... 395	2920157 ..... 147, 239	3311005... 147, 148, 154, 155, 156, 160, 163, 165, 169, 174, 178, 182, 185, 193, 198, 248, 251, 286, 289, 291, 293, 299
2752484 .... 381, 386, 391	2792690 ..... 377, 394	2920161 .... 148, 410, 432	3311401 .... 138, 143, 277
2752497 .... 380, 386, 391	2792691 ..... 395	2940074.....237, 470	3311405... 48, 72, 73, 75, 83, 85, 86, 97, 98, 110, 111, 142, 154, 169, 173, 177, 181, 187, 198, 225, 233, 239, 241, 243, 271, 414, 437, 443, 457, 464, 467
2752506 .... 380, 386, 391	2820031 ... 160, 163, 165, 169, 174, 177, 181, 187, 193, 198, 403, 424	2940088.....155, 156	3311501 ..... 154, 277
2752516 ..... 380, 386	2820035 .... 93, 147, 239, 410	2940188.....154	3311505. 39, 75, 88, 108, 154, 169, 185, 193, 198, 204, 210, 220, 233, 275, 303
2752519 .... 381, 387, 391	2820078 ..... 157	2980125.....25	3311508 .... 173, 177, 181
2752573 ..... 390	2820082 ..... 157	3020008.....27, 480	3311601 ... 129, 154, 248, 252, 271
2752579 ..... 381	2820083 ..... 157	3020016.....74, 480	3311605... 72, 75, 77, 86, 91, 109, 111, 130, 147, 151, 154, 155, 160, 209, 215, 220, 239, 241, 243, 245, 286, 289, 291, 293
2752592 ..... 373	2820118 ..... 403, 424	3020017 ..... 16, 480	3311608 ..... 111
2752593 .... 381, 386, 391	2820243 ..... 111	3020029.....61	3311705 .... 160, 163, 165
2752600 .... 381, 386, 391	2820244 ..... 111	3020037 ..... 85, 480	3311801 ..... 85, 163, 174, 177, 187, 232
2752601 ..... 381	2820247 ..... 449, 451	3020044 ..... 74, 480	3311805... 72, 75, 77, 98, 110, 111, 154, 204, 211, 225, 229, 275
2752604 ..... 380	2840016 ..... 151	3200362.....111	3312002 .... 61, 305, 307, 309
2752611 ..... 371, 373	2840018 ..... 151	3200401 .... 74, 77, 86, 91	3312005 ..... 225, 281
2752618 ..... 381	2841677 ..... 24	3200406.....74, 75	3312205 ..... 281
2752620 ..... 371, 373	2860012 ..... 160	3220103.....77	3312602 ..... 148, 149
2752635 .... 380, 385, 390	2860030 .... 137, 142, 470	3220104.....77	3313403 ..... 24, 25
2752636 ..... 380	2900708 ..... 48	3250585.....239	3321501 ..... 154
2752650 ..... 381	2900756 ..... 394	3250872.....43, 457, 463, 467	
2752656 .... 380, 385, 390	2900770 ... 339, 341, 365, 367	3251102.... 160, 163, 165, 169, 173, 177, 181, 239	
2752723 ... 379, 385, 390, 392	2900792 ... 315, 319, 321, 323, 325, 327, 329, 331, 333, 335, 337, 339, 341, 343, 345, 365, 367	3251243.... 159, 165, 169, 174, 178, 182, 189, 194, 199, 457, 461	
2752724 .... 380, 385, 390	2900838 ..... 483	3251813.....457, 462	
2752783 ..... 380, 391	2901273 ..... 339, 341	3252347.....457	
2752900 ..... 386	2901285 ..... 329, 331	3252507 ..... 160	
2752910 ..... 373	2901301 .... 316, 323, 348	3252764.... 185, 193, 198	
2752928 ..... 371, 373	2901303 ... 316, 319, 321, 333, 348	3271601.....39, 86	
2752929 ... 371, 380, 385, 390	2901322 ..... 343, 345	3271605....305, 307, 309	
2752939 .... 381, 386, 391	2901443 .... 418, 441, 483	3271801 ..... 86, 91	
2752985 .... 381, 386, 391	2901763 ..... 52	3271805.....133, 245	
2752987 .... 381, 386, 391	2901861 ... 359, 363, 365, 367	3272001 ..... 15, 305, 307, 309	
2752989 ..... 381	2902065 .... 74, 75, 86, 89	3272605....204, 211, 225	
2752990 ..... 381, 391	2902085 ..... 160	3290405.....97, 108, 414, 437	
2752991 .... 381, 386, 391	2902212 ..... 281	3290505.....97, 108, 160	
2752995 ..... 387, 392	2902217 .... 286, 289, 291	3290601.....99, 103, 165, 193	
2753000 ..... 390	2902266 ..... 313	3290605.97, 99, 286, 299	
2753002 ..... 390	2902296 ..... 72, 407, 429	3290606.....238	
2753046 ..... 381		3290607 .... 100, 148, 149	
2753047 ..... 381		3290801.....97, 100	
2753052 .... 381, 386, 391			
2753055 .... 381, 386, 391			
2753056 .... 381, 386, 391			
2753132 .... 379, 385, 390			
2753133 ... 380, 385, 390, 391			

## SECTION 10 - SPECIAL OPTIONS

3322201.....133	3480216.....343	3620040.....111	3931516....315, 319, 321,
3323403.....16, 20, 24, 25	3480288.....313	3641533.....190, 199	333, 347, 359, 363,
3340608.....359, 361, 363	3510868.....245	3641569.....277	365, 367
3340764.....220	3510884.....245	3740049 ... 137, 142, 411,	3931620..74, 85, 98, 110,
3340765.....220	3520028 ... 159, 163, 165,	432, 470	315, 323, 325, 327,
3340787.....220	169	3740067 . 49, 75, 97, 111,	347, 353
3340871.....215, 219	3520031.....143	470	3931628.....86
3340881.....215	3520033.....248, 252	3740080 ... 160, 163, 165,	3931632.....100
3340911.....39	3520034.....209	169, 187, 193, 198, 472	3931720.....339, 341
3340956.....281	3520035.....142, 248	3740086.....453	3931840.....13
3340966.....19, 20, 25	3520054.....75, 248, 251	3760133.....219	3932030.....27
3380434.....239, 241, 243	3520071.....281	3760170.....43, 61, 297	3932032.....27, 329, 331
3380558.....40	3520072 ... 237, 238, 245	3760368 ... 315, 319, 333,	3932240.....343, 345
3380560.....40	3520182.....273	347, 365	3940604.....43
3420372.....43	3520189 ... 189, 416, 440	3760369 ... 315, 323, 325,	3952020.....61
3420447.....43	3520192.....189, 439	347	3960098.....24, 25
3421453.....286, 299	3520198.....237, 238	3760370.....339	3960343.....16, 20
3421565.....43, 61	3536089.....239	3760372.....329	396038974, 98, 110, 154,
3422326.....15, 19, 20	3537445.....151	3760384.....343	155, 156
3422327.....25	3538247.....359, 363	3790012 . 24, 25, 97, 108,	3960407.....75
3422426.....24, 25	3538758.....220	110, 239, 241, 243,	3960418.....154
3422429.....24, 25	3538771.....359	248, 249, 251, 253	3960422....173, 177, 181,
3422430.....24, 25	3539219.....137	3790110.....361	185, 193, 198, 415, 439
3422448...72, 83, 97, 108	3539228.....215	3790152.....74, 85, 98	3960438.....156
3422457.....219	3539877.....13	3790158.....27	3960461.....147
3422533...73, 85, 98, 110	3539923.....154	3820001 ... 147, 458, 464,	3960462.....155, 156
3422561.....209	3539988.....157	468	3960467.....154
3422567.....19, 20	3570270.....216	3820020.....237	3960468.....75, 111
3422571.....203, 209	3570277.....216	3841143 ... 15, 19, 20, 24,	3960469.....75, 111
3422573.....203, 209	3570374.....204, 210	25, 72, 83, 97, 108,	3980007...73, 84, 98, 109
3422575.....203, 209, 215	3570375.....215	204, 210, 229	3990010....406, 428, 470
3422577.....203	3571295.....215	3841203 ... 204, 210, 215	4010608.....286, 299
3422578.....203	3572009.....43	3841258 ... 13, 15, 19, 20,	4010618.....238
3422579.....209	3572010.....43	24	4031505.....265
3422580.....204	3572011.....43	3841263.....24, 25	4031516.....271
3422582.....204	3572012.....43	3841340.....210, 219	4031608.....160
3422583.....209	3572280.....111	3841347.....216	4031711.....100
3422592.....13	3573400 ... 286, 289, 291,	3890040.....245	4031914.....86
3422661.....303	293	3900054.....245	4032011.....101
3422813.....19, 20, 25	3573642 ... 286, 289, 291,	3900085.....148, 149	4032014.....86
3422841.....43	293	3900232.....155	4032015.....174, 187
3422847.....43	3574091.....277	3900239.....204, 210	4060092.....413, 435
3422848.....19, 20, 25	3574185.....220	3900268.....137, 142	4060802....160, 163, 165,
3422860.....209	3575359.....277	3900283.....225	169, 173, 177, 181,
3422861.....209	3575716.....25	3900293.....61	185, 193, 198, 239
3422867.....209	3575863.....174, 188	3900349.....253	4060803.....220
3422900.....15, 19, 20, 24	3576799.....286, 299	3910408.....88	4060804.....40, 48
3422902.....15, 19, 20	3577121 ... 286, 289, 291,	3910606 ... 173, 177, 181,	406080575, 88, 102, 111,
3422903.....15, 19, 20	293	185, 193, 198	156, 219
3423175.....24, 25	3580134.....159	3910608.....151	4060807.....48
3423184.....13	3580158.....159	3910610.....189, 198	4060808.....215
3430616.....249, 252	3580276.....159	3910804.....137, 142	4060906....137, 138, 142,
3430816.....151	3580312 ... 169, 181, 198	3911012.....148	143
3450306.....216	3580314 ... 181, 193, 198	3911016.....155, 156	4060918.....48
3450404.....151	3580317 ... 174, 177, 188,	3911040.....147	4061010.....156
3450606.....215	194	3930816.....233, 234	4061054.....225
3450810.....24	3580318 ... 174, 177, 188	3930824.....233	4070863.....215, 219
3451010.....16, 20, 24, 25	3580319 ... 174, 177, 188	3930828.....232	4070864.....215, 219
3460334.....281	3580320.....86, 174, 188	3931016 ... 174, 177, 181,	4070897.....215, 219
3470003.....248, 252	3580324.....165, 169	186, 193, 197	4070898.....215, 219
3480188....315, 323, 325,	3580348 ... 169, 181, 198	3931408 ... 232, 267, 269	4070929.....215, 219
347	3600242.....125	3931424.....267	4070932.....220
3480206.....329	3600365.....48	3931430.....232	4070944.....13
3480210....315, 319, 333,	3600381.....116	3931432.....86	4070945.....13
347	3600395 . 74, 85, 98, 110,	3931448.....359, 363	4070987.....137
3480211.....339	125	3931512.....86	4070991.....142
3480212.....359, 365	3600396.....74, 85, 117		4071007.....219



## SECTION 10 - SPECIAL OPTIONS

4071009..... 61	4420014 .....281	4460424.... 147, 405, 410,	4460709..... 413, 436
4071059..... 19, 20, 25	4420037 ... 239, 286, 289,	417, 426, 440	4460710..... 413, 436
4071062..... 220	291, 293	4460425.... 174, 178, 182,	4460722..... 93
4071101..... 13	4420038 ..... 129	189, 194, 198, 199,	4460742... 190, 195, 199,
4100100..... 333	4420051 ..... 43, 468	277, 416, 417, 439, 440	411, 417, 433, 440
4120035 ... 402, 406, 422,	4420060 .... 160, 233, 234	4460426.... 137, 142, 174,	4460743... 190, 195, 199,
428	4420062 ..... 303	178, 182, 189, 194,	411, 417, 433, 440
4130396 ..... 20	4420066 ..... 281	198, 199, 239, 404,	4460761... 225, 402, 407,
4130399 ..... 19	4420068 ..... 275, 277	416, 417, 425, 440, 441	423, 428
4130400 ..... 20	4460007 ..... 248, 251	4460428.... 248, 251, 402,	4460789..... 417, 441
4130401 ..... 24	4460027 ... 159, 163, 165,	422	4460790..... 417, 441
4130402 ..... 24	169, 411, 433	4460434.... 402, 406, 422,	4460807..... 178
4130409 ..... 15, 16	4460042 ..... 247, 252	428	4460808..... 178
4130410 ..... 15	4460043 ..... 93	4460445..... 405, 410	4460836..... 225
4130413 ..... 24, 25	4460049 ..... 277	4460457..... 406, 427	4460850..... 417, 441
4130414 ..... 24, 25	4460051 ... 187, 198, 416,	4460458.... 199, 406, 408,	4460865.... 403, 404, 424
4160143 ..... 154	439	411, 417, 427, 430,	4460866... 402, 403, 407,
4220162 ..... 147	4460071 ... 173, 177, 181,	433, 440	422, 424, 428
4240018 ... 160, 163, 169,	187, 193, 198, 238,	4460459..... 417, 441	4460868..... 428
173, 177, 187	247, 252, 402, 413,	4460460..... 405, 427	4460871 ... 255, 261, 402,
4240032 ... 147, 148, 149,	416, 422, 435, 439	4460464.... 247, 252, 402,	405, 406, 407, 410,
252	4460125 ..... 412, 435	403, 404, 405, 406,	422, 426, 427, 428, 432
4240033 ... 225, 265, 267,	4460134 ... 411, 413, 433,	407, 409, 410, 422,	4460873... 402, 406, 422,
269, 271	436	424, 425, 427, 428,	428
4240084 ..... 39	4460190 ... 159, 163, 165,	431, 432, 453	4460874... 402, 407, 422,
424009988, 93, 100, 165,	169	4460465.... 190, 195, 199,	428
239, 277, 286, 289, 291	4460205 ... 411, 413, 433,	225, 403, 404, 409,	4460875... 402, 407, 422,
4240102 ..... 129	435, 436	410, 416, 422, 424,	428
4240149 ..... 281	4460224 .... 178, 410, 432	425, 427, 429, 430,	4460876..... 407, 428
4280295 ..... 129	4460225 ... 402, 416, 422,	431, 432, 433, 439, 440	4460877 ..... 428
4300157 ..... 174, 187	439	4460466.... 225, 265, 403,	4460878 ..... 407, 428
4341239 ..... 111	4460226 ... 138, 144, 225,	404, 405, 406, 408,	4460879 ..... 402, 422
4341241 ..... 111	247, 252, 258, 263,	409, 424, 426, 427,	4460880 ..... 405, 427
4360057 ..... 277, 473	402, 405, 410, 411,	430, 431, 447, 453	4460884 ... 409, 422, 428,
4360070 ... 174, 178, 182,	417, 418, 422, 423,	4460467.... 417, 441, 483	431
189, 194, 198, 199, 472	426, 432, 433, 440, 441	4460470.... 137, 142, 248,	4460887... 402, 407, 422,
4360232 .... 417, 440, 473	4460227 ... 402, 406, 407,	251, 402, 404, 422, 425	428
4360328 ... 137, 248, 249,	410, 417, 422, 423,	4460471.... 137, 142, 248,	4460891 ... 404, 409, 410,
253, 470	428, 432, 440	251, 402, 405, 422, 425	423, 425, 426, 427,
4360330 ..... 248, 470	4460233 ... 411, 413, 433,	4460473..... 403, 424	431, 432
4360331 24, 25, 239, 241,	436	4460476..... 417, 441	4460892 ..... 405, 426
243, 249, 253, 470	4460234 ... 147, 148, 248,	4460488.... 138, 142, 149,	4460894 ... 405, 409, 422,
4360336 .... 97, 108, 138,	251, 277	252	426, 430
144, 160, 163, 165,	4460259 ..... 411, 432	4460496.... 138, 142, 425	4460897 ... 404, 409, 410,
169, 173, 177, 181,	4460260 ..... 411, 432	4460497.... 138, 142, 425	425, 428, 431, 432
185, 193, 198, 239,	4460265 ..... 258, 263	4460499..... 52, 59, 410	4460899 ... 406, 427, 447,
249, 253, 472	4460267 .... 405, 410, 426	4460508.... 265, 402, 403,	453
4360387 ... 143, 248, 249,	4460268 ... 147, 405, 410,	407, 422, 424, 428	4460905... 402, 406, 407,
251, 253, 277, 470	416, 426, 433, 439	4460509.... 403, 404, 424	422, 428
4360407 .... 248, 251, 470	4460294 ..... 178	4460510.... 418, 441, 483	4460906 ... 165, 169, 405,
4360436 ..... 129	4460297 ..... 411, 432	4460526.... 138, 142, 405,	411, 433
4360469 ... 137, 142, 472	4460320 ... 405, 410, 417,	425	4460910 ..... 449
4360470 .... 137, 142, 472	432, 440	4460536.... 406, 422, 428,	4460911 ..... 447
4360475 ... 137, 142, 248,	4460321 ... 165, 411, 418,	432	4460930 ..... 409, 430
251, 470	433, 441	4460539.... 406, 422, 426,	4460931 ..... 405, 427
4360476 ... 137, 142, 248,	4460326 ..... 405, 410	427	4460932 .... 409, 422, 431
251, 470	4460346 ... 173, 177, 181,	4460608..... 406, 427	4460933 ..... 225, 422
4360517 ... 134, 410, 432,	185, 193, 198, 412,	4460618..... 428	4460941 .... 409, 431, 447
470	416, 435, 439	4460634..... 406, 428	4460942 .... 265, 409, 431
4360522 ... 147, 148, 249,	4460374 ... 190, 195, 199,	4460635..... 406, 428	4460943 ... 406, 407, 422,
253, 472	411, 416, 433, 440	4460662..... 435	427, 428, 447
4360542 ... 159, 163, 165,	4460375 ... 190, 195, 199,	4460693..... 406, 427	4460944 ... 405, 406, 408,
169, 472	411, 416, 433, 440	4460701.... 411, 413, 433,	409, 422, 427, 430
4360578 .... 232, 233, 472	4460418 .... 402, 406, 422	436	4460956 ..... 414, 437
4400275 ..... 130	4460419 ... 402, 407, 422,	4460705..... 411, 433	4460957 ..... 414, 437
4400399 ..... 129	428	4460708.... 248, 251, 402,	4460958 ... 185, 198, 415,
4400420 ..... 130		405, 422, 426	439

## SECTION 10 - SPECIAL OPTIONS

4460959.....414, 436	4520290 ..... 27	4711500 . 39, 83, 86, 109,	160, 194, 215, 239,
4460960.....413, 436	4520328 ..... 27	185, 193, 198, 220,	241, 243, 249, 252,
4460961.....411, 433	4520341 ..... 28	233, 249, 252	286, 289, 291, 293, 359
4460962.....286, 291, 436	4520344 ..... 27	4711600 ... 49, 75, 83, 88,	4751800..72, 85, 98, 110,
4460963....189, 194, 198,	4520345 ..... 27	91, 97, 109, 111, 127,	111, 129, 133, 216,
199, 416, 440	4520346 ..... 27	163, 174, 177, 188,	239, 245, 277
4460967....190, 195, 199,	4520427 ..... 27	215, 220, 225, 233,	4752000...72, 83, 97, 109
416, 440	4520428 ..... 27	305, 307, 309	4760600.....189, 198
4460968....160, 232, 233,	4520601 ..... 28	4711700 ..... 88, 127, 149,	4761000.....16, 20
234, 413, 435	4520602 ..... 28	163, 165, 170	4761400.....138, 142, 143
4460971.....286, 299	4520604 ..... 28	471180084, 98, 151, 173,	4761500.....186, 198
4460979.....406, 427	4520672 ..... 28	181, 187, 198, 245	4761600.....49
4461005.....406, 427	4520674 ..... 27	4712000 ... 281, 305, 307,	4770600.....151
4461006.....406, 427	4530028 ... 286, 289, 291,	309	479140049, 75, 111, 173,
4461008....406, 409, 427,	295	4712200 ..... 281	177, 187
431	4566408 ..... 339	4712600 ..... 148	4791600.....39
4461052.....406, 427	4566425 ..... 359	4740016 ..... 24, 25	4811400.....414, 437
4461053.....406, 427	4566468 ... 315, 319, 323,	4740036 ..... 43	4811600.....160
4461054....406, 409, 427,	325, 347	4740057 ..... 61	4811700....100, 103, 148,
431	4566501 ..... 329	4740076 ..... 154	165, 193, 238, 286, 299
4461060.....406, 427	4566667 ..... 343	4740111 .... 15, 19, 20, 25	4811702..40, 88, 97, 101,
4461070....405, 408, 427,	4567241 ..... 215, 216	4740155 ..... 19, 20, 25	102
430	4568119 ..... 130	4740158 ..... 13	481190086, 97, 100, 102,
4461071....406, 409, 427,	4568133 ..... 43	4740171 ..... 154	103, 170, 181, 198,
430	4568735 .... 169, 181, 198	4740184 ..... 25	443, 445
4461072....406, 409, 427,	4569385 ..... 109	4740229 ..... 13	4811902.....88, 100, 103
430	4640113 ..... 28	4740256 .... 15, 19, 20, 24	481200088, 98, 100, 103,
4461073....406, 409, 427,	4640261 ..... 43	4740274 ..... 75, 77, 111	151, 165, 229, 445
430	4640438 ..... 339, 341	4740283 ..... 16, 20	4812002.....101, 103
4461074....406, 409, 427,	4640509 ... 315, 319, 321,	4740362 ... 147, 239, 241,	4812100.83, 86, 103, 229
430	323, 325, 327, 329,	243	4812200....75, 77, 88, 91
4461077.....447, 453	331, 333, 335, 337,	4740393 ..... 27	4831900.....111
4461095....405, 408, 427,	339, 341, 343, 345,	4740397 ... 142, 160, 170,	4844815.....210
430	365, 367	239, 248, 251	4844816.....210
4461109.....406, 427	4640605 ... 329, 331, 343,	4740439 ..... 210	4844817.....210
4461111.....406, 427	345	4740444 ..... 138, 142	4844958.....61
4461113.....406, 427	4640647 ..... 365, 367	4740463 .... 15, 19, 20, 24	4844969.....220
4461121.....406, 427	4640744 ..... 125	4740500 ..... 155	4844972.....220
4461122.....406	4640751 ..... 86	4740518 ..... 142	4844978.....220
4461123.....406	4640858 ..... 313	4740542 ..... 13	4844979.....220
4461124.....406, 427	4640862 ... 359, 361, 363	4750400 ..... 88	4845163.....151
4461157 ..... 406, 427	4640866 ..... 48	4750600 ..... 189, 198	4845582.....303
4461161 ..... 406, 427	4640921 ..... 48, 59	4750800 ..... 130	4846218.....233
4461196.....413, 436	4640922 ..... 48, 59	4751000 .... 43, 147, 148,	4846295.....43
4461197 ..... 414, 438	4640929 ..... 233	149, 154, 156, 160,	4846296.....43
4461198....412, 413, 435	4640932 ... 316, 319, 321,	165, 170, 174, 177,	4846561.....239
4461199.....413, 436	323, 325, 327	182, 185, 193, 198,	4846573....204, 211, 225
4461200.....414, 438	4640999 ..... 365, 367	237, 248, 251, 286,	4846627....286, 289, 291,
4461201.....413, 435	4641022 ..... 129	289, 291, 293, 299	293
4461202.....413, 436	4641122 ..... 28	4751200 ..... 219	4846673.....277
4461203.....414, 438	4641284 ..... 373	4751400 . 49, 74, 98, 110,	4846935.....19, 20
4461204.....413, 435	4641307 ..... 371	111, 138, 142, 143,	4871700.....194
4461205.....413, 436	4641329 ..... 394	147, 148, 154, 225,	4891500.....88, 143, 165
4461206.....414, 438	4641390 ..... 313	232, 233, 234, 239,	4891600....74, 85, 86, 98,
4461207.....413, 435	4641436 ..... 232	241, 243, 248, 251,	110, 130, 151, 155,
4461222.....406, 427	4641452 ..... 49, 51	273, 277, 286, 289,	156, 170, 181, 198,
4461244....412, 413, 435	4711000 .... 91, 148, 155,	291, 293, 443, 458,	204, 211, 225, 229
4461245....412, 413, 435	163, 189, 194, 199	464, 468	4891800..13, 86, 91, 151,
4461246....412, 413, 435	4711400 ... 49, 72, 75, 83,	4751500 ... 39, 40, 49, 72,	163, 177, 187, 204,
4461249.....413, 436	85, 86, 97, 109, 111,	84, 88, 97, 109, 154,	212, 225, 229, 275
4461250.....414, 438	143, 147, 169, 173,	160, 163, 170, 173,	4892000.....15, 61, 225
4520256.....28	177, 181, 187, 198,	177, 181, 204, 210,	4892600....147, 204, 212,
4520283.....28	215, 225, 233, 238,	275, 277, 303	225, 229
4520284.....28	239, 267, 269, 271,	4751600 ... 39, 40, 72, 75,	4920385.....111
4520287.....28	273, 414, 437	77, 84, 86, 91, 111,	4921829....165, 411, 433
4520288.....28		129, 130, 133, 148,	4921927.....48, 410
4520289.....27		154, 155, 156, 157,	4921928.....49, 410

## SECTION 10 - SPECIAL OPTIONS

4921954 .....	411, 433	7000582 .....	51	70002026.....	31	70002732.....	255
4922493 .....	403, 423	7000583 .....	51	70002027.....	31	70002733.....	255
4922494 .....	403, 424	70000619 ..	188, 193, 197	70002054.....	31	70002734.....	255
4922637 .....	405, 426	70000718 .....	409, 431	70002057.....	31	70002735.....	255
4922641 ...	174, 178, 182, 190, 195, 199, 411, 417, 433, 440	70000781 .....	39	70002059.....	31	70002745.....	357
4922643 .....	411, 432	70000782 .....	64	70002063.....	40	70002752.....	357
4922666 ...	248, 252, 402, 422	70000793 .....	75, 89	70002064.....	40, 234	70002753.....	357
4922705 .....	225	70000851 .....	76	70002065.....	64	70002754.....	357
4922764 .....	417, 440	70000852 .....	35	70002066.....	64, 68	70002755.....	357
4922810 .....	403, 424	70000853 .....	35	70002067.....	64	70002756.....	357
4922811 .....	404, 424	70000854 .....	35	70002068.....	64	70002757.....	357
4922869 .....	225	70000857 .....	35	70002069.....	64	70002758.....	56
4922890 .....	404, 425	70000858 .....	35	70002070.....	64	70002759.....	56
4922891 .....	404, 425	70000861 .....	35	70002071.....	64	7000281 .....	64
4922892 ...	239, 404, 417, 424, 441	70000862 .....	35, 36	70002072.....	64	70002818.....	190, 199
4922893 .....	404, 424	70000863 ..	186, 194, 197	70002073.....	64	70002819.....	190, 199
4922894 ...	239, 403, 417, 424, 441	70000912 .....	76	70002074.....	64	70002820.....	190, 199
4922895 .....	403, 424	70000913 .....	76	70002075.....	64	70002821.....	190, 199
4922896 .....	404, 425	70000914 .....	76	70002085.....	65, 68	70002822.....	190, 199
4922925 ...	188, 194, 198, 416, 439	70000915 .....	76	70002086.....	65	70002823.....	190, 199
4923224 .....	138, 405	70000916 .....	76	70002088... ..	186, 193, 197	70002824.....	190, 199
4923379 .....	75, 408, 429	70000917 .....	76	7000213 .....	64, 68	70002825.....	190, 199
4923420 ...	199, 416, 440	70000918 .....	76	70002133.....	35	70002826.....	190, 199
4923445 .....	411, 433	70000919 .....	76	70002134.....	121	70002895.....	111, 472
4923462 .....	403, 424	70000934 .....	48	70002146.....	122	70002898.....	409, 431
4923472 .....	403, 423	70001002 .....	76	70002147.....	121	70002902..	238, 247, 252
4923473 .....	403, 424	70001017 .....	77	70002148.....	121	70002903..	238, 247, 252
4923474 .....	403, 424	70001100 ..	186, 194, 197	70002149.....	121	70002904..	238, 247, 252
4923475 .....	404, 424	70001126 .....	77	70002150.....	121	70002905..	238, 247, 252
4923476 ...	404, 424, 425	70001248 .....	133, 134	70002151.....	121	70002906.....	255
4923500 .....	404, 425	70001384 ..	186, 194, 197	70002153.....	121	70003003.....	77
4923501 .....	404, 425	70001423 .....	76	70002154.....	121	70003019.....	55
4932990 .....	398, 478	70001424 .....	301	70002156.....	121	70003136.....	76
4932993 .....	398, 478	70001425 .....	301	70002157.....	121	70003408.....	39
4933218 .....	398	70001427 .....	301	7000217 .....	64, 68	70003454.....	134
4933219 .....	398	70001428 .....	301	70002176.....	35, 120	70003456.....	77
4933308 ...	398, 417, 440	70001429 .....	301	70002201.....	31	70003457.....	77
4933312 .....	398	70001430 .....	301	70002209.....	49	70003470.....	77
4933349 ...	199, 398, 416, 440	70001431 .....	301	70002212.....	133, 134	70003472.....	76
4933350 ...	398, 411, 433	70001432 .....	301	70002234.....	76	70003473.....	76
5240800 .....	91	70001435 .....	76	7000228.....	64, 68	70003475.....	77
5241000 .....	27, 100	70001498 .....	76	7000229.....	64, 68	70003478.....	76
5241200 ...	100, 165, 194, 229	70001696 ..	187, 193, 197	70002291.....	186	70003525.....	55
5250605 .....	102, 103	70001697 .....	223	70002297... ..	186, 194, 197	70003623.....	77
5250810 .....	88	70001847 .....	77	7000230 .....	64, 68	70003628.....	35
5251008 .....	229	70001850 .....	76	70002373.....	351	70003631..	186, 193, 197
5251016 .....	229	70001866 .....	76	70002386.....	234, 470	70003708..	173, 178, 181, 186, 187, 194, 197
5260600 .....	102, 103	70001868 .....	76	70002412.....	361	70003709..	173, 177, 181, 186, 187, 194, 197
5272010 .....	101	70001870 .....	77, 89	7000246.....	64, 68	70003783.....	75, 472
70000123 .....	159, 169	70001871 .....	76	70002460... ..	186, 193, 197	70003784.....	248, 251
70000124 .....	159	70001872 ....	76, 408, 430	7000247.....	68	70003790.....	234
70000125 .....	159	70001931 .....	410, 432	7000248.....	64, 68	70003932.....	76
70000126 .....	159, 472	70001950 .....	410, 431	7000253.....	64, 68	70003952.....	84
70000127 .....	159	70001951 .....	410, 431	7000255.....	64, 68	70004037.....	68
70000164 .....	111	70001953 ..	186, 194, 198	7000257.....	64, 68	70004040.....	68
70000342 .....	223	70001953 ..	186, 194, 198	70002627.....	409, 431	70004041.....	68
70000345 .....	77, 89	70001966 ..	173, 178, 181, 186, 193, 194, 197	70002715.....	129	70004042.....	68
70000579 .....	51	70001973 ..	187, 194, 197	70002716.....	129	70004043.....	68
70000580 .....	51	70001974 ..	187, 194, 197	70002718.....	77, 89	70004044.....	68
		70001976 .....	51, 52, 59	70002724.....	261	70004045.....	68
		70001999 .....	220, 472	70002725.....	261	70004047.....	68
		70002000 .....	220	70002726.....	261	70004052.....	55, 56, 59
		70002001 .....	215	70002727.....	261	70004056.....	76
		70002002 .....	215	70002728.....	261	70004058.....	76
		70002011 .....	220, 472	70002729.....	261	70004059.....	76
		70002012 .....	220	70002730.....	255		
		70002020 .....	31	70002731.....	255		

## SECTION 10 - SPECIAL OPTIONS

70004060.....	76, 430	70004659.....	55	70005201.....	55	70006169.....	104
70004092..	173, 178, 181, 186	70004660.....	55, 470	70005202.....	56	70006170.....	104
70004093.....	186	70004661.....	55	70005203.....	68	70006171.....	104
70004094.....	186	70004662.....	55	70005230.....	263	70006172.....	104
70004095.....	187	70004663.....	55	70005232.....	56	70006173.....	104
70004096.....	186	70004664.....	55	70005298.....	31	70006174.....	104
70004097.....	186	70004665.....	55	70005299.....	31	70006175.....	104
70004098..	173, 178, 181, 187	70004666.....	55	70005300.....	31	70006176.....	104, 472
70004099.....	178, 186	70004667.....	55	70005301.....	31	70006177.....	104
70004103.....	76, 429	70004668.....	55	70005302.....	31	70006178.....	104
70004149.....	129	70004670.....	55	70005303.....	31	70006179.....	104
70004161.....	59, 472	70004671.....	56	70005304.....	31	70006180.....	104
70004162.....	59	70004672.....	56	70005305.....	31	70006181.....	104
70004163.....	59	70004673.....	56, 470	70005306.....	31	70006182.....	104
70004164.....	59	70004674.....	56	70005307.....	31	70006183.....	104
70004165.....	59	70004676 ..	173, 178, 181	70005308.....	31	70006184.....	104
70004166.....	59	70004677.....	173	70005309.....	31	70006185.....	104
70004169..	186, 187, 193, 194, 197, 198	70004678 ..	173, 178, 181	70005311.....	31	70006186.....	104
70004171..	173, 181, 186, 194, 197	70004679 ..	173, 178, 181	70005312.....	31	70006187.....	104
70004201.....	35	70004680 ..	173, 178, 181	70005313.....	31	70006188.....	104
70004202.....	35	70004681.....	173, 178	70005314.....	31	70006189.....	103
70004203.....	35	70004682 ..	173, 178, 181	70005315.....	31	70006191.....	104
70004204.....	35	70004683.....	173, 178	70005316.....	31	70006194.....	104
70004205.....	35	70004684.....	173, 181	70005317.....	31	70006195.....	104
70004207.....	35	70004685 ..	173, 178, 181	70005318.....	31	70006196.....	104
70004268.....	77	70004686.....	178	70005319.....	31	70006197.....	104
70004269.....	77	70004687.....	178	70005320.....	32	70006198.....	104
70004270.....	76	70004738.....	263	70005321.....	32	70006199.....	104
70004271.....	76, 430	70004739.....	263	70005466.....	120	70006200.....	104
70004272.....	76	70004740.....	263	70005467.....	120	70006202.....	105
70004273.....	77	70004741.....	263	70005468.....	120	70006203.....	104
70004274.....	89	70004742.....	263	70005469.....	121	70006205.....	104
70004275.....	89	70004743.....	263	70005470.....	121	70006206.....	104
70004276.....	90	70004744.....	263	70005471.....	121	70006207.....	104
70004277.....	90	70004745.....	263	70005472.....	121	70006208.....	104
70004278.....	90	70004746.....	263	70005473.....	121	70006213.....	105, 472
70004279.....	89	70004747.....	263	70005474.....	121	70006215.....	105
70004353.....	31	70004748.....	263	70005475.....	122	70006217.....	105
70004355.....	31	70004749.....	263	70005476.....	122	70006219.....	104
70004356.....	31	70004750.....	263	70006093.....	186	70006221.....	105
70004361.....	31	70004751.....	263	70006094.....	186	70006225.....	104
70004363.....	31	70004752.....	257	70006095.....	186	70006232.....	105
70004365.....	31	70004753.....	257	70006096.....	187	70006233.....	104
70004367.....	31	70004754.....	257	70006097.....	187	70006235.....	105
70004369.....	31	70004755.....	257	70006134.....	102	70006236.....	105
70004370.....	31	70004756.....	257	70006135.....	102	70006257.....	220
70004371.....	31	70004757.....	257	70006136.....	102	70006273.....	220
70004447.....	31	70004758.....	257	70006145.....	103	70006304.....	68
70004459.....	55	70004759.....	257	70006147.....	103	70006369.....	345
70004460.....	55	70004760.....	257	70006150.....	103	70006370.....	345
70004461.....	55	70004761.....	257	70006151.....	103	70006371.....	345
70004463.....	55, 470	70004762.....	257	70006152.....	103	70006372.....	345
70004594.....	55	70004763.....	257	70006153.....	103	70006373.....	345
70004595.....	55, 470	70004764.....	257	70006154.....	103	70006374.....	345
70004596.....	55	70004765.....	257	70006155.....	103, 472	70006436.....	476
70004597.....	55	70004766.....	257	70006157.....	103	70006442.....	353
70004617.....	56	70004767.....	257	70006158.....	103	70006443.....	327, 353
70004652.....	55	70004768.....	257	70006159.....	104	70006444.....	327, 353
70004653.....	55	70004769.....	257	70006160.....	104	70006445.....	327, 353
70004654.....	55	70004770.....	257	70006161.....	104	70006446.....	327, 353
70004655.....	55	70004771.....	257	70006162.....	104	70006447.....	353
70004656.....	55	70004772.....	257	70006163.....	104	70006478.....	341
70004657.....	55	70004773.....	257	70006164.....	104	70006479.....	341
		70004774.....	258	70006165.....	104	70006480.....	341
		70004775.....	258	70006166.....	104	70006481.....	341
		70004862.....	130, 472	70006167.....	104	70006482.....	363, 367
		70005008.....	100, 472	70006168.....	103	70006483.....	363, 367

## SECTION 10 - SPECIAL OPTIONS

70006484 .....	367	70024513 .....	89	7003941 .....	261	7007496 .....	117
70006486 .....	331	70024515 .....	90	7003972 .....	261	7007497 ....	117, 410, 432
70006487 .....	331	70024905 .....	89	7003973 .....	261	7007498 ....	117, 410, 432
70006488 .....	331	70024906 .....	89	7003980 .....	261	7007633 .....	64, 68
70006489 .....	331	70024907 .....	89	7003982 .....	261	7010103 .....	125
70006552 ..	173, 177, 181	70024910 .....	90	7003983 .....	261	7010104 .....	125
70006553 ..	173, 177, 182	70024912 .....	89	7003989 .....	261	7010105 .....	125
70006568 .....	335	70024914 .....	90	7004035 .....	64	7010116 .....	117, 120
70006569 .....	335	70024915 .....	90	7004036 .....	64	7010117 .....	121
70006570 .....	335	70024917 .....	90	7004043 .....	65	7010119 .....	121
70006571 .....	335	70024918 .....	90	7004044 .....	65	7010121 .....	117, 120
70006572 .....	335	70024920 .....	90	7004045 .....	65	70104570 .....	90
70006597 .....	351	70024922 .....	90	7004047 .....	65	7010492 .....	64, 68
70006599 .....	351	70024924 .....	89	7004049 .....	65	7010542 .....	51
70006601 .....	351	70024925 .....	89	7004248 .....	48	7010543 .....	49, 51
70006648 .....	321	70025076 .....	89	7004275 .....	483	7011043 .....	48
70006649 .....	321, 337	70025077 .....	90, 430	7004276 .....	483	7011044 .....	48
70006650 .....	321, 337	7002508 .....	89	7004290 .....	48	7011048 .....	48
70006651 .....	321	70025082 .....	89	7007207 .....	116, 120	7011062 .....	48
70006654 .....	363	70025084 .....	90	7007208 .....	116, 120	7011063 .....	48
70006655 .....	363	70025088 .....	89	7007412 .....	117, 121	7011064 .....	48
70006734 .....	337	70025091 .....	89	7007413 .....	116, 120	7011065 .....	48
70006735 .....	337	70025111 .....	89	7007414 .....	116	7011066 .....	48
70006736 .....	337	70025120 .....	90	7007415 .....	120	7011112 ...	316, 319, 321, 323, 325, 327
70006774 .....	351	70025135 .....	89	7007417 .....	116, 120	7011185 .....	365
70006775 .....	351	70025136 .....	89	7007418 .....	116, 120	70124530 .....	90
70006776 .....	351	70025140 .....	89	7007419 .....	35, 116, 120	70124538 .....	90
70006793 .....	361	70025142 .....	90	7007420 .....	35, 116, 120, 121	7012513 ...	159, 163, 165, 169
70006813 .....	361	70025143 .....	90	7007422 .....	121	7012514 ...	159, 163, 165, 169
70006814 .....	361	70025144 .....	90	7007423 .....	116, 120	7012518 .....	49, 51
70006815 .....	361	70025146 .....	89	7007425 .....	116, 120	7012558 ...	159, 163, 165, 169
70006816 .....	361	70025149 .....	90	7007430 .....	121	7012664 .....	111, 472
70006817 .....	361	70025151 .....	90	7007431 .....	121	7012769 .....	52
70006818 .....	361	70025152 .....	89	7007434 .....	121	7012772 .....	51, 52, 59
70006819 .....	361	70025153 .....	89, 472	7007435 .....	116, 120	7012773 ....	51, 52, 55, 59
70006820 .....	361	70025154 .....	89	7007437 .....	116	7012774 .....	52, 59
70006821 .....	361	70025156 .....	90	7007438 .....	116, 120	7012775 .....	51, 52
70006822 .....	327	70025160 .....	90	7007439 .....	35, 116, 120	7012776 .....	59
70006823 .....	327	70025161 .....	90, 472	7007441 .....	116, 121	7012799 .....	52
7000695 .....	77	70025164 .....	89	7007442 .....	116, 120	7012912 .....	51, 52
70007438 .....	35	70025176 .....	89	7007443 .....	120	7012914 .....	51, 52, 234
70009018 .....	98	70025178 .....	90	7007444 .....	116, 121	7012918 .....	51, 52, 234
70009019 .....	98	70025179 .....	90	7007446 .....	35, 116, 120	7012941 .....	49
7001433 .....	117	70025180 .....	90	7007448 .....	116, 120	7012943 .....	49, 470
7001498 .....	117	70025181 .....	89	7007450 .....	121	7012944 .....	49, 51, 470
7001625 .....	355	70025200 .....	90	7007452 .....	116	7012953 .....	51, 59, 233, 234
7001626 .....	355	70025202 .....	89	7007453 .....	116, 121	7012959 .....	48
7001627 .....	355	70025203 .....	90	7007454 .....	116	7012965 .....	59, 234
7001629 .....	355	70025206 .....	89	7007455 .....	116, 120	7012967 .....	51, 52, 234
7001630 .....	355	70025207 .....	89	7007457 .....	116, 120	7012969 .....	52
70021202 .....	55	70025210 .....	90, 472	7007459 .....	117, 120	7012970 .....	233
70022564 .....	351	70025212 .....	90	7007463 .....	117, 121	7012987 .....	125
70023371 .....	351, 361	70025231 .....	89, 430	7007464 .....	117, 121	7012988 .....	125
70023373 .....	361	70025235 .....	90	7007465 .....	117, 121	7012989 .....	51, 234
70023592 .....	86	70025239 .....	89	7007466 .....	117	7012995 .....	49
70023593 .....	86	70025416 .....	89	7007472 .....	117	7012998 .....	51, 52, 59
70023859 .....	55	70025477 .....	90	7007474 .....	117	7013189 .....	133
70023862 .....	55	70025660 .....	90	7007475 .....	117	7014676 .....	483
70023867 .....	55	70025799 .....	90	7007476 .....	117, 121	7016206 .....	28
70023915 .....	335	70025801 .....	90	7007477 .....	117, 121	7016314 .....	129
70024457 .....	55	7002821 ....	417, 441, 483	7007478 .....	117	7016319 .....	148
70024473 .....	90	7002822 .....	483	7007484 .....	117, 121	7016322 .....	151
70024486 .....	89	7002823 ....	417, 441, 483	7007485 .....	117, 121	7016328 .....	76, 472
70024488 .....	89	7002826 .....	483	7007487 .....	117, 121		
70024503 .....	90	7002828 .....	418, 441	7007488 .....	117, 121		
70024504 .....	90	7002840 .....	483	7007489 .....	125		
70024507 .....	90	7003928 .....	255	7007494 .....	117		

## SECTION 10 - SPECIAL OPTIONS

7016331.....	76, 89, 472	7020192.....	159	7024404.....	133, 134	7027003.....	72, 110, 407, 429
7016372.....	148	7020403.....	76	7024439.....	130	7027004.....	72, 407, 429
7016374.....	151	7020404.....	89	7024440.....	130	7027015.....	110, 408, 429
7016399.....	239	7020408.....	76	7024441.....	130	7027016.....	110, 407, 429
7016652.....	483	7020431.....	77	7024443.....	130	7027017.....	110, 408, 429
7016654.....	483	7020460.....	77	7024444.....	130, 472	7027072.....	84, 98, 407, 429
7016655.....	483	7020465.....	76, 89	7024445.....	130	7027073.....	84, 98, 407, 429
7016822.....	110, 407, 429	7020468.....	76	7024446.....	130	7027074.....	84, 407, 429
7017023.....	64, 68	7020471.....	76	7024453.....	65	7027075.....	84, 98, 407, 429
7017028.....	64, 68	7020479.....	76	7024454.....	64	7027076.....	84, 408, 429
7017070.....	64, 68	7020487.....	76	7024455.....	65	7027236.....	76
7017072.....	64, 68	7020492.....	90	7024456.....	65	7027276.....	76
7017080.....	64, 68	7021200.....	116, 120	7024457.....	65	7027404.....	104
7017085.....	64, 68	7021201.....	117, 121	7024458.....	65	7027740.....	35
7017142.....	223	7021202.....	116, 120	7024462.....	295	7027773.....	295
7017158.....	223	7021203.....	116, 121	7024463.....	295	7027774.....	295
7017159.....	223	7021206.....	117, 121	7024467.....	295	7027775.....	295
7017162.....	223	7021207.....	116, 120	7024469.....	295	7027776.....	295
7017163.....	223	7021210.....	120	7024470.....	295	7027777.....	295
7017164.....	223	7021212.....	117, 120	7024471.....	295, 301	7027778.....	295
7017172.....	223	7021214.....	117, 120	7024472.....	295	7027779.....	295
7017183.....	223	7021217.....	117	7024473.....	295	7027780.....	295
7017192.....	223	7021218.....	117	7024474.....	295	7027790.....	76
7017193.....	223	7021219.....	117, 121	7024475.....	295	7027791.....	76
7017195.....	223	7021220.....	117, 121	7024478.....	295	7027792.....	76
7017402.....	234	7021221.....	117, 121	7024485.....	186, 193, 197	7027793.....	408, 430
7017406.....	234	7021222.....	117, 121	7024488.....	188, 193, 197	7027795.....	77, 472
7017410.....	51	7021223.....	116, 121	7024489.....	188, 193, 197	7027796.....	76, 408, 429
7017418.....	51	7021232.....	117, 122	7024530.....	301	7027799.....	186, 193, 197
7017420.....	59	7021233.....	116, 120	7024531.....	301	7027887.....	159, 163, 165, 169
7017421.....	59	7021249.....	35	7024532.....	301	7027965.....	111, 472
7017422.....	59	7021256.....	116, 120, 121	7024533.....	301	7027972.....	111, 472
7017427.....	51	7021275.....	35	7024534.....	301	7027989.....	409, 431
7017428.....	51, 52	7021310.....	52	7024535.....	301	7027991.....	409, 431
7017452.....	234	7021375.....	51, 52, 55	7024536.....	301	77143013.....	137, 142
7017464.....	51	7021625.....	39, 40	7024537.....	301	77363233.....	416, 439
7017496.....	313	7021639.....	394	7024560.....	78	80233041.....	387, 392
7018912.....	51, 52, 59	7021653.....	234	7024579.....	77, 89	80424002.....	64
7018941.....	51	7022162.....	103	7024598.....	151	80424043.....	65
7018942.....	56, 59	7022311.....	35	7024704.....	64, 68	80434249.....	55, 470
7018945.....	59	7022314.....	35	7024762.....	64, 68	80484084.....	408, 430
7018946.....	59	7022321.....	35	7024763.....	64, 68	80934561.....	133
7018948.....	59	7022368.....	35	7024784.....	64, 68	80983191.....	408, 430, 470
7018952.....	52	7022371.....	36	7024800.....	117	8180311.....	111
7019162.....	261	7022397.....	39	7024851.....	117, 121	82033995.....	101, 102
7019164.....	261	7022399.....	39	7024867.....	35	8229242.....	407, 408, 428, 430, 470
7019165.....	261	7022808.....	255	7024868.....	35	8270147.....	84, 98, 407, 429
7019167.....	261	7022815.....	255	7024874.....	120	8305401.....	100
7019194.....	261	7022819.....	255, 410, 432	7024875.....	120	8307109.....	100
7019658.....	129	7022825.....	261, 410, 432	7024877.....	121	8310129.....	281
7019680.....	159, 163, 165, 169	7022825.....	261, 410, 432	7024881.....	394	8310230.....	281
7020020.....	48	7023038.....	355	7024882.....	39	8310548.....	100
7020021.....	48	7023318.....	64	7026188.....	187, 193, 197	8405006.....	83, 88, 91, 100
7020108.....	159, 163, 165, 169	7023911.....	234	7026197.....	133	8405007.....	86
7020109.....	159, 163, 165, 169	7023912.....	234	7026199.....	159, 163, 165, 169	8405009.....	86, 100
7020110.....	159, 163, 165, 169	7023917.....	39	7026503.....	133	8405102.....	100
7020111.....	159, 163, 165, 169	7023933.....	39	7026504.....	133	8405104.....	86, 100
7020135.....	28	7023935.....	39	7026505.....	133	8405203.....	100
7020175.....	142, 248, 251	7023936.....	39	7026506.....	133	8405204.....	86
7020176.....	142, 248, 251	7023977.....	116	7026507.....	134	8406101.....	97
7020190.....	159, 163, 165, 169	7023979.....	117, 121	7026509.....	134	8406102.....	88
		7024100.....	65, 68	7026511.....	133	8406109.....	100
		7024379.....	65	7026597.....	187, 193, 197	8406110.....	86, 100
		7024380.....	65	7026626.....	186, 193, 197	8406112.....	83
		7024381.....	65	7026631.....	76		
		7024390.....	65	7027002.....	72, 407, 429		
		7024396.....	65				
		7024398.....	77				

**SECTION 10 - SPECIAL OPTIONS**

8406201 ... 49, 84, 88, 97, 102	8420231 ..... 102	88521205..49, 72, 83, 97, 109	91401281 . 49, 73, 83, 97, 109
8410001 ..... 100	85941017 ..... 72	88521214...305, 307, 309	91403102 ..... 87, 472
8410009 ..... 102	85941018 ..... 97	8896941.....483	91403244 ..... 86
8410011 ..... 86, 100	8770157 ..... 117, 120	91143177 ..... 387, 392	91474405 ..... 56
8410013 ..... 88	88261024 ..... 233	91203039.....229	
	88411013 ..... 49, 443		



3121617



An Oshkosh Corporation Company

**Corporate Office**  
**JLG Industries, Inc.**  
**1 JLG Drive**  
**McConnellsburg, PA 17233-9533 USA**  
**☎ (717) 485-5161 (Corporate)**  
**☎ (877) 554-5438 (Customer Support)**  
**☎ (717) 485-6417**

**Visit our website for JLG Worldwide Locations.**  
**[www.jlg.com](http://www.jlg.com)**