



Illustrated Parts Manual

Model **600AJ HC3**

PVC
2107

P/N
31219050

November 15, 2022 - Rev C

ANSI

CE



**UK
CA**

AS/NZS



An Oshkosh Corporation Company

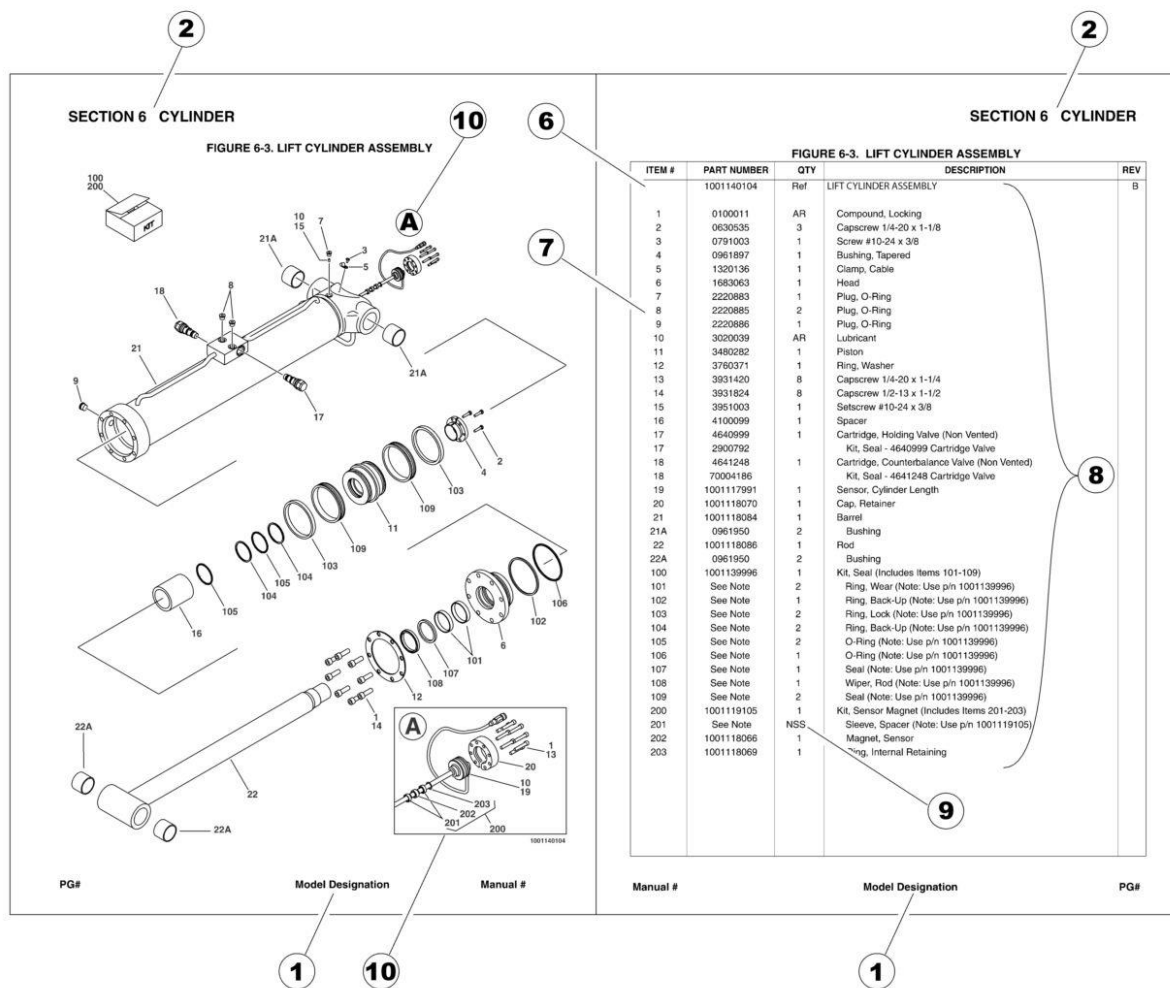
REVISION LOG

July 1, 2021 - A - Original Issue of Manual (Edited to B/M 1001245251 Revision L)

November 15, 2021 - B - Revised Manual (Edited to B/M 1001245251 Revision L)

November 15, 2022 - C - Revised Manual (Edited to B/M 1001245251 Revision L)

GENERAL INFORMATION



1) MACHINE IDENTIFICATION

Machines are identified by model and in some cases a combination of models, serial number (SN) or regional standard (i.e ANSI, CE, CSA). Components may also be identified by SN or manufacturer. Common components that may be identified by these characteristics are engines and hydraulic components.

2) PARTS MANUAL ORGANIZATION

Product information in this manual is organized under section titles. Frame, Cylinder, Hydraulic and Electrical are a few examples. Each section is organized by figure and page number. The information within the Figure is then organized by item number, part number, description and corresponding illustration (s).

3) TABLE OF CONTENTS (NOT SHOWN)

A table of contents is found toward the beginning of the manual. Figure number, description and page number are provided for quick reference to the page containing the related information.

4) RECOMMENDED SPARE PARTS (NOT SHOWN)

The Recommended Spare Parts List, located near the end of the manual, reference most frequently used maintenance parts.

5) PART NUMBER INDEX (NOT SHOWN)

A numerical index listing all part numbers and the corresponding page number(s) appears at the back of the manual.

GENERAL INFORMATION

6) NON-SERVICED PARTS

In some instances, it is necessary to display non-serviced parts, assemblies or installations. In the case of assemblies and installations there will be a Ref in the Qty. column. In case of parts that are not available for service within assemblies or components, there will be a NSS (Not Sold Separately) or NLA (No Longer Available) listed in the Qty. column of the manual.

7) PARTS LIST ITEM NUMBERS

Numbers shown in the item# column correspond to numbers used in the associated illustration (s). Item numbers which are missing from the sequence in the parts list are not used on that page.

8) INDENTED PARTS DESCRIPTION

An indented part description is included in the item under which it is indented.

9) ABBREVIATION AND SYMBOLS

AC.....	Alternating Current	L.....	Liter
ADE.....	Advanced Design Electronics	LB(LBS).....	Pounds
AG.....	Agricultural	LCD.....	Liquid Crystal Display
ANSI.....	American National Standards Institute	LED.....	Light Emitting Diodes
AR.....	As Required	LH.....	Left Hand
ASSY.....	Assembly	LRC.....	Low Rated Countries
AUS.....	Australia	LSS.....	Load Sensing System
AUX.....	Auxiliary	M(m).....	Metric/Meter
AWG.....	American Wire Gauge	MM(mm).....	Milimeter
B/M.....	Bill of Material	mA.....	Miliamps
CAC.....	Charge Air Cooler	NLA.....	No Longer Available
CE.....	European Conformity	NPT.....	National Pipe Threads
CCW.....	Counter Clockwise	NSS.....	Not Sold Separately
CM.....	Centimeter	OD.....	Outside Diameter
CW.....	Clockwise	ORB.....	O-Ring Boss
CSA.....	Canadian Standards Association	ORFS.....	O-Ring Face Seal
CYL.....	Cylinder	OZ (oz).....	Ounces
DIA.....	Diameter	PG.....	Page
DC.....	Direct Current	PN.....	Part Number
DEF.....	Diesel Exhaust Fluid	QT(qt.).....	Quarts
EMS.....	Emergency Stop	QTY.....	Quantity
ENG.....	Engine	REF.....	Reference
FT(ft).....	Feet	REV.....	Revision Level
GA(Ga).....	Gauge	RH.....	Right Hand
HRC.....	High Rated Countries	SAE.....	Society of Automotive Engineers
HVAC.....	Heating, Ventilating, and Air Conditioning	SN.....	Serial Number
HYD.....	Hydraulic	SPEC(S).....	Specifications
Hz.....	Hertz	T/T.....	Turntable
ID.....	Inside Diameter	UGM.....	Universal Ground Module
IN.....	inches	V.....	Volts
ISO.....	International Organization for Standards	W.....	Watts
JIC.....	Joint Industry Council	#.....	Number
KG.....	Kilogram		

10) ILLUSTRATION REFERENCE LETTERS

When necessary, illustrations may contain reference letters that are intended to track information (i. e. hoses, harnesses) from one point to another or to track visual enlargement of components to show details that may be located in another area on the illustration.

Note: Due to continuous product improvements, JLG Industries, Inc. reserves the right to make specification changes without prior notification. Contact JLG Industries, Inc. for updated information.

TABLE OF CONTENTS

SECTION 1 - FRAME.....	15
FIGURE 1-1. AXLE INSTALLATION (WITHOUT TOW PACKAGE).....	16
FIGURE 1-2. AXLE INSTALLATION (WITH TOW PACKAGE)	18
FIGURE 1-3. STEERING INSTALLATION (WITHOUT TOW PACKAGE).....	20
FIGURE 1-4. STEERING INSTALLATION (WITH TOW PACKAGE)	22
FIGURE 1-5. WHEEL DRIVE INSTALLATION.....	24
FIGURE 1-6. DRIVE MOTOR ASSEMBLY	26
FIGURE 1-7. DRIVE HUB ASSEMBLY	28
FIGURE 1-8. FLOW DIVIDER ASSEMBLY.....	32
FIGURE 1-9. TIRE AND WHEEL INSTALLATION - FOAM FILLED.....	34
FIGURE 1-10. TIRE AND WHEEL INSTALLATION - FOAM FILLED NON-MARKING.....	36
FIGURE 1-11. TIRE AND WHEEL INSTALLATION - FOAM FILLED (TURF).....	38
FIGURE 1-12. FRAME SHIELDS INSTALLATION – 2WS (8FT/2.4M WIDE MACHINES)	40
FIGURE 1-13. TOW PACKAGE INSTALLATION (ANSI SPECS) (OPTIONAL).....	42
FIGURE 1-14. TOW PACKAGE INSTALLATION (CSA SPECS) (OPTIONAL).....	44
FIGURE 1-15. TOW PACKAGE INSTALLATION (CE & UK CA SPECS) (OPTIONAL).....	46
FIGURE 1-16. TOW BAR ASSEMBLY.....	48
FIGURE 1-17. LP TANKS INSTALLATION	50
SECTION 2 - TURNTABLE.....	53
FIGURE 2-1. CONTROL VALVES INSTALLATION - DEUTZ D2011 ENGINES	54
FIGURE 2-2. CONTROL VALVES INSTALLATION - DEUTZ TD2.9L4, DEUTZ TD2.2L3 STAGE V & FORD ENGINES.....	56
FIGURE 2-3. MAIN VALVE BLOCK ASSEMBLY – 2WS	58
FIGURE 2-4. AUXILIARY PUMP INSTALLATION.....	62
FIGURE 2-5. AUXILIARY PUMP INSTALLATION WITH BATTERY DISCONNECT	64
FIGURE 2-6. AUXILIARY PUMP ASSEMBLY.....	66
FIGURE 2-7. SWING DRIVE INSTALLATION	68
FIGURE 2-8. SWING MOTOR/HUB ASSEMBLY.....	70
FIGURE 2-9. TURNTABLE BEARING INSTALLATION	74
FIGURE 2-10. TURNTABLE LOCK INSTALLATION (DEUTZ D2011 & FORD ENGINE MACHINES).....	76
FIGURE 2-11. TURNTABLE LOCK INSTALLATION (DEUTZ TD2.9L4 & DEUTZ TD2.2L3 STAGE V ENGINE MACHINES).....	78
FIGURE 2-12. ROTARY COUPLING INSTALLATION.....	80
FIGURE 2-13. TANK INSTALLATION – DEUTZ D2011 ENGINE	82
FIGURE 2-14. TANK INSTALLATION – DEUTZ TD2.9L4 & TD2.2L3 STAGE V ENGINES.....	84
FIGURE 2-15. TANK INSTALLATION – FORD ENGINE	86
FIGURE 2-16. HYDRAULIC OIL TANK ASSEMBLY.....	88
FIGURE 2-17. HYDRAULIC OIL COOLER INSTALLATION - DEUTZ D2011 ENGINES (OPTIONAL).....	90
FIGURE 2-18. HYDRAULIC OIL COOLER INSTALLATION - DEUTZ TD2.2L3 STAGE V ENGINES (OPTIONAL)	92
FIGURE 2-19. HYDRAULIC OIL COOLER INSTALLATION - DEUTZ TD2.9L4 ENGINES (OPTIONAL).....	94
FIGURE 2-20. HYDRAULIC OIL COOLER INSTALLATION – FORD ENGINES (OPTIONAL)	96
FIGURE 2-21. GROUND CONTROL BOX ASSEMBLY (DEUTZ D2011 ENGINE) (ALL SPECS EXCEPT CE & UK CA SPECS).....	98
FIGURE 2-22. GROUND CONTROL BOX ASSEMBLY (DEUTZ D2011 ENGINE) (CE & UK CA SPECS).....	102
FIGURE 2-23. GROUND CONTROL BOX ASSEMBLY (DEUTZ TD2.9L4 ENGINE)	106
FIGURE 2-24. GROUND CONTROL BOX ASSEMBLY (FORD ENGINE).....	110
FIGURE 2-25. GROUND CONTROL BOX ASSEMBLY (DEUTZ TD2.2L3 ENGINE)	114

TABLE OF CONTENTS

FIGURE 2-26. GROUND CONTROL BOX ASSEMBLY (DEUTZ D2011 ENGINE) (ALL SPECS EXCEPT CE & UK CA SPECS) (TOWER STOW).....	118
FIGURE 2-27. GROUND CONTROL BOX ASSEMBLY (DEUTZ D2011 ENGINE) (CE & UK CA SPECS) (TOWER STOW).....	122
FIGURE 2-28. GROUND CONTROL BOX ASSEMBLY (DEUTZ TD2.9L4 ENGINE) (TOWER STOW)	126
FIGURE 2-29. GROUND CONTROL BOX ASSEMBLY (FORD ENGINE) (TOWER STOW).....	130
FIGURE 2-30. GROUND CONTROL BOX ASSEMBLY (DEUTZ TD2.2L3 ENGINE) (TOWER STOW)	134
FIGURE 2-31. LIGHT PANEL INSTALLATION – GROUND CONTROL.....	138
FIGURE 2-32. CRIBBING ENABLE SWITCH INSTALLATION.....	140
FIGURE 2-33. ALARM INSTALLATION.....	142
FIGURE 2-34. ALARM (WHITE NOISE AMBIENT) INSTALLATION.....	144
FIGURE 2-35. ALARM (WHITE NOISE) INSTALLATION.....	146
FIGURE 2-36. STROBE LIGHT INSTALLATION (AMBER).....	148
FIGURE 2-37. STROBE LIGHT INSTALLATION (BLUE)	150
FIGURE 2-38. STROBE LIGHT INSTALLATION (RED).....	152
FIGURE 2-39. HOODS INSTALLATION – DEUTZ D2011 ENGINES WITHOUT NOISE REDUCTION (ABS)	154
FIGURE 2-40. HOODS INSTALLATION – DEUTZ D2011 ENGINES WITH NOISE REDUCTION (ABS).....	158
FIGURE 2-41. HOODS INSTALLATION – DEUTZ TD2.2L3 STAGE V ENGINES (ABS)	162
FIGURE 2-42. HOODS INSTALLATION – DEUTZ TD2.9L4 AND FORD DF 2.5L ENGINES (ABS)	166
FIGURE 2-43. NOISE REDUCTION INSTALLATION - DEUTZ D2011 & DEUTZ TD2.9L4 ENGINES	170
FIGURE 2-44. NOISE REDUCTION INSTALLATION - DEUTZ TD2.2L3 ENGINES	172
SECTION 3 - ENGINE	175
FIGURE 3-1. DEUTZ D2011 ENGINE INSTALLATION – WITHOUT ARCTIC PACKAGE	176
FIGURE 3-2. DEUTZ D2011 ENGINE INSTALLATION – WITH ARCTIC PACKAGE	178
FIGURE 3-3. DEUTZ D2011 ENGINE/PUMP SUB-ASSEMBLY – WITHOUT ARCTIC PACKAGE	180
FIGURE 3-4. DEUTZ D2011 ENGINE/PUMP SUB-ASSEMBLY – WITH ARCTIC PACKAGE.....	182
FIGURE 3-5. DEUTZ D2011 ENGINE ASSEMBLY – WITHOUT ARCTIC PACKAGE	184
FIGURE 3-6. DEUTZ D2011 ENGINE ASSEMBLY – WITH ARCTIC PACKAGE	188
FIGURE 3-7. DEUTZ D2011 ENGINE COMPONENTS.....	192
FIGURE 3-8. DEUTZ TD2.2L3 (STAGE V) ENGINE INSTALLATION.....	196
FIGURE 3-9. DEUTZ TD2.2L3 (STAGE V) ENGINE/PUMP SUB-ASSEMBLY	200
FIGURE 3-10. DEUTZ TD2.2L3 (STAGE V) ENGINE ASSEMBLY	202
FIGURE 3-11. DEUTZ TD2.2L3 (STAGE V) ENGINE COMPONENTS.....	208
FIGURE 3-12. DEUTZ TD2.9L4 - 49HP ENGINE INSTALLATION - WITHOUT ARCTIC PACKAGE	212
FIGURE 3-13. DEUTZ TD2.9L4 - 49HP ENGINE INSTALLATION - WITHOUT ARCTIC PACKAGE	216
FIGURE 3-14. DEUTZ TD2.9L4 - 49HP ENGINE/PUMP SUB-ASSEMBLY – WITHOUT ARCTIC PACKAGE	220
FIGURE 3-15. DEUTZ TD2.9L4 - 49HP ENGINE/PUMP SUB-ASSEMBLY – WITH ARCTIC PACKAGE	222
FIGURE 3-16. DEUTZ TD2.9L4 - 49HP ENGINE ASSEMBLY – WITHOUT ARCTIC PACKAGE.....	224
FIGURE 3-17. DEUTZ TD2.9L4 - 49HP ENGINE ASSEMBLY – WITH ARCTIC PACKAGE	230
FIGURE 3-18. DEUTZ TD2.9L4 - 49HP ENGINE COMPONENTS	236
FIGURE 3-19. DEUTZ TD2.9L4 - 63HP ENGINE INSTALLATION - WITHOUT ARCTIC PACKAGE	240
FIGURE 3-20. DEUTZ TD2.9L4 - 63HP ENGINE INSTALLATION - WITH ARCTIC PACKAGE.....	244
FIGURE 3-21. DEUTZ TD2.9L4 - 63HP ENGINE/PUMP SUB-ASSEMBLY – WITHOUT ARCTIC PACKAGE	248
FIGURE 3-22. DEUTZ TD2.9L4 - 63HP ENGINE/PUMP SUB-ASSEMBLY – WITH ARCTIC PACKAGE	250
FIGURE 3-23. DEUTZ TD2.9L4 - 63HP ENGINE ASSEMBLY – WITHOUT ARCTIC PACKAGE.....	252
FIGURE 3-24. DEUTZ TD2.9L4 - 63HP ENGINE ASSEMBLY – WITH ARCTIC PACKAGE	258

TABLE OF CONTENTS

FIGURE 3-25. DEUTZ TD2.9L4 - 63HP ENGINE COMPONENTS	264
FIGURE 3-26. BRACKET ASSEMBLY - FUEL PUMP AND FILTER (DEUTZ D2.9L4 ENGINE)	268
FIGURE 3-27. BREATHER HEATER INSTALLATION - DEUTZ D2.9L4 ENGINES WITH ARCTIC PACKAGE	270
FIGURE 3-28. FORD ENGINE INSTALLATION - WITHOUT ARCTIC PACKAGE	272
FIGURE 3-29. FORD ENGINE INSTALLATION - WITH ARCTIC PACKAGE	276
FIGURE 3-30. FORD ENGINE/PUMP SUB-ASSEMBLY - WITHOUT ARCTIC PACKAGE	280
FIGURE 3-31. FORD ENGINE/PUMP SUB-ASSEMBLY - WITH ARCTIC PACKAGE	282
FIGURE 3-32. FORD ENGINE ASSEMBLY - WITHOUT ARCTIC PACKAGE	284
FIGURE 3-33. FORD ENGINE ASSEMBLY - WITH ARCTIC PACKAGE	290
FIGURE 3-34. PUMP COUPLING AND FUEL SYSTEM ASSEMBLY (FORD ENGINES)	296
FIGURE 3-35. FORD ENGINE COMPONENTS	298
FIGURE 3-36. DRIVE BELT INSTALLATION - FORD ENGINES MACHINES WITHOUT GENERATORS	302
FIGURE 3-37. PUMP COUPLING KIT - DEUTZ ENGINES	304
FIGURE 3-38. PISTON PUMP ASSEMBLY - DEUTZ ENGINES	306
FIGURE 3-39. PISTON PUMP ASSEMBLY - FORD ENGINES	310
FIGURE 3-40. GEAR PUMP ASSEMBLY	314
FIGURE 3-41. SPARK ARRESTOR MUFFLER INSTALLATION - DEUTZ D2011 ENGINES	316
FIGURE 3-42. EXHAUST PIPE INSTALLATION - FORD ENGINES	318
FIGURE 3-43. FUEL-WATER SEPARATOR INSTALLATION - DEUTZ D2011 ENGINES (OPTIONAL)	320
FIGURE 3-44. RIGHT ENGINE SUPPORT INSTALLATION (DEUTZ D2011 ENGINES MACHINES WITHOUT GENERATORS)	322
FIGURE 3-45. RIGHT ENGINE SUPPORT INSTALLATION (DEUTZ D2011 ENGINES MACHINES WITH GENERATORS)....	324
FIGURE 3-46. RIGHT ENGINE SUPPORT INSTALLATION (DEUTZ TD2.2L3 ENGINES MACHINES WITHOUT GENERATORS)	326
FIGURE 3-47. RIGHT ENGINE SUPPORT INSTALLATION (DEUTZ TD2.2L3 ENGINES MACHINES WITH GENERATORS)	328
FIGURE 3-48. RIGHT ENGINE SUPPORT INSTALLATION (DEUTZ TD2.9L4 ENGINES MACHINES WITHOUT GENERATORS)	330
FIGURE 3-49. RIGHT ENGINE SUPPORT INSTALLATION (DEUTZ TD2.9L4 ENGINES MACHINES WITH GENERATORS)	332
FIGURE 3-50. ENGINE TRAY JACK INSTALLATION - DEUTZ D2011 ENGINES.....	334
FIGURE 3-51. ENGINE TRAY JACK INSTALLATION - DEUTZ TD2.9L4 & TD2.2L3 STAGE V ENGINES	336
FIGURE 3-52. ENGINE TRAY JACK INSTALLATION - FORD ENGINES	338
FIGURE 3-53. 2500W/110V/60HZ GENERATOR INSTALLATION - DEUTZ D2011 ENGINES	340
FIGURE 3-54. 2500W/110V/60HZ GENERATOR INSTALLATION - DEUTZ TD2.9L4 ENGINES.....	342
FIGURE 3-55. 2500W/220V/50HZ GENERATOR INSTALLATION - DEUTZ D2011 ENGINES (ANSI EXPORT AND CHINA SPECS)	346
FIGURE 3-56. 2500W GENERATOR INSTALLATION - FORD ENGINES	348
FIGURE 3-57. 4000W/60HZ GENERATOR INSTALLATION - DEUTZ D2011 ENGINES	352
FIGURE 3-58. 4000W/50HZ GENERATOR INSTALLATION - DEUTZ D2011 ENGINES	356
FIGURE 3-59. 4000W/50HZ GENERATOR INSTALLATION - DEUTZ TD2.2L3 ENGINES	360
FIGURE 3-60. 4000W/60HZ GENERATOR INSTALLATION - DEUTZ TD2.9L4 ENGINES	364
FIGURE 3-61. 4000W/50HZ GENERATOR INSTALLATION - DEUTZ TD2.9L4 ENGINES	368
FIGURE 3-62. 7500W/60HZ SKYPOWER GENERATOR INSTALLATION - DEUTZ D2011 ENGINES.....	372
FIGURE 3-63. 7500W/50HZ SKYPOWER GENERATOR INSTALLATION - DEUTZ D2011 ENGINES.....	376
FIGURE 3-64. 7500W/50HZ SKYPOWER GENERATOR INSTALLATION - DEUTZ TD2.2L3 STAGE V ENGINES	380
FIGURE 3-65. 7500W/60HZ SKYPOWER GENERATOR INSTALLATION - DEUTZ TD2.9L4 ENGINES	384
FIGURE 3-66. 7500W/60HZ SKYPOWER GENERATOR INSTALLATION - FORD ENGINES	388

TABLE OF CONTENTS

SECTION 4 - BOOM.....	393
FIGURE 4-1. BOOMS AND CYLINDERS INSTALLATION.....	394
FIGURE 4-2. TOWER BOOM ASSEMBLY.....	396
FIGURE 4-3. MAIN BOOM ASSEMBLY.....	398
FIGURE 4-4. JIB BOOM ASSEMBLY.....	400
FIGURE 4-5. ROTATOR ASSEMBLY.....	402
FIGURE 4-6. PLATFORM SUPPORT INSTALLATION.....	404
FIGURE 4-7. POWER TRACK INSTALLATION - MAIN BOOM.....	406
FIGURE 4-8. POWER TRACK INSTALLATION - TOWER BOOM.....	408
FIGURE 4-9. CONTROL VALVES INSTALLATION - DEUTZ D2011 AND STAGE V ENGINES.....	410
FIGURE 4-10. CONTROL VALVES INSTALLATION - DEUTZ TD2.9L4 & FORD ENGINES.....	412
FIGURE 4-11. BOOM VALVE ASSEMBLY.....	414
FIGURE 4-12. BOOM VALVES AND LIMIT SWITCHES INSTALLATION.....	416
FIGURE 4-13. BOOM SENSOR INSTALLATION (TOWER STOW).....	418
SECTION 5 - PLATFORM.....	421
FIGURE 5-1. PLATFORM ASSEMBLY - 30IN X 4FT (76.2CM X 1.22M) WITH SWING GATE.....	422
FIGURE 5-2. PLATFORM ASSEMBLY - 30IN X 5FT (76CM X 1.52M) - GATE ENTRY.....	424
FIGURE 5-3. PLATFORM ASSEMBLY - 36IN X 6FT (91.5CM X 1.83M) WITH SWING GATE.....	426
FIGURE 5-4. PLATFORM ASSEMBLY - 36IN X 8FT (91.5CM X 2.44M) WITH SWING GATE.....	428
FIGURE 5-5. PLATFORM ASSEMBLY - 30IN X 3FT (76CM X .91M) - DROP BAR ENTRY.....	430
FIGURE 5-6. PLATFORM ASSEMBLY - 30IN X 4FT (76.2CM X 1.22M) WITH DROP BAR.....	432
FIGURE 5-7. PLATFORM ASSEMBLY - 30IN X 5FT (76CM X 1.52M) - DROP BAR ENTRY.....	434
FIGURE 5-8. PLATFORM ASSEMBLY - 36IN X 6FT (91.5CM X 1.83M) WITH DROP BAR.....	436
FIGURE 5-9. PLATFORM ASSEMBLY - 36IN X 8FT (91.5CM X 2.44M) WITH DROP BAR.....	438
FIGURE 5-10. PLATFORM ASSEMBLY - 36IN X 6FT (91.5CM X 1.83M) WITH FALL ARREST.....	440
FIGURE 5-11. PLATFORM ASSEMBLY - 36IN X 8FT (91.5CM X 2.44M) WITH FALL ARREST.....	442
FIGURE 5-12. PLATFORM ASSEMBLY - 36IN X 6FT (91.5CM X 1.83M) TRI-ENTRY WITH SWING GATE.....	444
FIGURE 5-13. PLATFORM ASSEMBLY - 36IN X 8FT (91.5CM X 2.44M) TRI-ENTRY WITH SWING GATE.....	446
FIGURE 5-14. PLATFORM ASSEMBLY - 36IN X 6FT (91.5CM X 1.83M) TRI-ENTRY WITH DROPBAR.....	448
FIGURE 5-15. PLATFORM ASSEMBLY - 36IN X 8FT (91.5CM X 2.44M) TRI-ENTRY WITH DROPBAR.....	450
FIGURE 5-16. TRAY ASSEMBLY.....	452
FIGURE 5-17. CONSOLE AND FOOTSWITCH INSTALLATION.....	454
FIGURE 5-18. CONSOLE AND FOOTSWITCH INSTALLATION (TOWER STOW).....	456
FIGURE 5-19. CONSOLE BOX ASSEMBLY WITH FOOTSWITCH.....	458
FIGURE 5-20. CONSOLE BOX ASSEMBLY WITH FOOTSWITCH (TOWER STOW).....	462
FIGURE 5-21. FOOTSWITCH ASSEMBLY.....	466
FIGURE 5-22. CONTROLLER ASSEMBLY- DRIVE/STEER.....	468
FIGURE 5-23. CONTROLLER ASSEMBLY - LIFT/SWING.....	470
FIGURE 5-24. CRAB STEER SWITCH INSTALLATION - 4WS (WITHOUT TOW PACKAGE).....	474
FIGURE 5-25. CRAB STEER SWITCH INSTALLATION - 4WS (WITH TOW PACKAGE).....	476
FIGURE 5-26. STEER SWITCH INSTALLATION – 4WS.....	478
FIGURE 5-27. LIGHT PANEL INSTALLATION.....	480
FIGURE 5-28. SKYEYE INSTALLATION.....	482
FIGURE 5-29. SKYGUARD BAR INSTALLATION.....	484

TABLE OF CONTENTS

FIGURE 5-30. SKYLINE INSTALLATION (Prior to SN 0300279212).....	486
FIGURE 5-31. SKYLINE INSTALLATION (SN 0300279212 to Present).....	488
FIGURE 5-32. SKYGLAZIER INSTALLATION (ALL SPECS EXCEPT CHINA, JAPANESE, CE & UK CA SPECS) (OPTIONAL)	490
FIGURE 5-33. SKYCUTTER INSTALLATION (OPTIONAL)	492
FIGURE 5-34. PLASMA CUTTER ASSEMBLY.....	494
FIGURE 5-35. SKYWELDER/SKYCUTTER COMBO INSTALLATION (60HZ) (OPTIONAL)	496
FIGURE 5-36. SKYWELDER INSTALLATION (50HZ) (OPTIONAL).....	500
FIGURE 5-37. SKYWELDER INSTALLATION (60HZ) (OPTIONAL).....	502
FIGURE 5-38. WELDER ASSEMBLY	504
FIGURE 5-39. SKYWELDER PREP PACKAGE (60HZ) (OPTIONAL)	506
FIGURE 5-40. SKYWELDER LOCKING BRACKET INSTALLATION (OPTIONAL).....	508
FIGURE 5-41. PIPE RACKS INSTALLATION (ANSI AND CSA SPECS) (OPTIONAL).....	510
FIGURE 5-42. PIPE RACKS INSTALLATION (AUSTRALIAN SPECS) (OPTIONAL).....	512
FIGURE 5-43. SOFT TOUCH SYSTEM INSTALLATION - 6FT/1.8M PLATFORMS (OPTIONAL).....	514
FIGURE 5-44. SOFT TOUCH SYSTEM INSTALLATION - 6FT/1.8M FALL ARREST PLATFORMS (OPTIONAL).....	516
FIGURE 5-45. SOFT TOUCH SYSTEM INSTALLATION - 8FT/2.44M PLATFORM (OPTIONAL)	518
FIGURE 5-46. SOFT TOUCH SYSTEM INSTALLATION - 8FT/2.44M FALL ARREST PLATFORM (OPTIONAL)	520
FIGURE 5-47. PLATFORM PADDING INSTALLATION (30IN/76CM DEPTH PLATFORMS) (ANSI, ANSI EXPORT, CSA AND CHINA SPECS) (OPTIONAL).....	522
FIGURE 5-48. FALL ARREST (BOLT-ON) INSTALLATION - 30IN X 4FT PLATFORM (ALL SPECS EXCEPT CE & UK CA SPECS) (OPTIONAL).....	524
FIGURE 5-49. FALL ARREST (BOLT-ON) INSTALLATION - 30IN X 5FT PLATFORM (ALL SPECS EXCEPT CE & UK CA SPECS) (OPTIONAL).....	526
FIGURE 5-50. FALL ARREST (BOLT-ON) INSTALLATION - 36IN X 6FT PLATFORM (ALL SPECS EXCEPT CE & UK CA SPECS) (OPTIONAL).....	528
FIGURE 5-51. FALL ARREST (BOLT-ON) INSTALLATION - 36IN X 6FT TRI-ENTRY PLATFORM (ALL SPECS EXCEPT CE & UK CA SPECS) (OPTIONAL).....	530
FIGURE 5-52. FALL ARREST (BOLT-ON) INSTALLATION - 36IN X 8FT PLATFORM (ALL SPECS EXCEPT CE & UK CA SPECS) (OPTIONAL).....	532
FIGURE 5-53. USB CHARGER INSTALLATION	534
SECTION 6 - CYLINDER.....	537
FIGURE 6-1. AXLE LOCKOUT CYLINDER ASSEMBLY	538
FIGURE 6-2. LEVEL (PLATFORM SLAVE) CYLINDER ASSEMBLY	540
FIGURE 6-3. LEVEL (UPRIGHT) CYLINDER ASSEMBLY	542
FIGURE 6-4. LIFT CYLINDER ASSEMBLY - JIB.....	544
FIGURE 6-5. LIFT CYLINDER ASSEMBLY - JIB.....	546
FIGURE 6-6. LIFT CYLINDER ASSEMBLY - JIB.....	548
FIGURE 6-7. LIFT CYLINDER ASSEMBLY - MAIN BOOM	550
FIGURE 6-8. LIFT CYLINDER ASSEMBLY - MAIN BOOM	552
FIGURE 6-9. MASTER CYLINDER ASSEMBLY.....	554
FIGURE 6-10. STEER CYLINDER ASSEMBLY.....	556
FIGURE 6-11. TELESCOPE CYLINDER ASSEMBLY - MAIN BOOM	558
FIGURE 6-12. TELESCOPE CYLINDER ASSEMBLY - TOWER BOOM.....	560
SECTION 7 - HYDRAULIC	563
FIGURE 7-1. DRIVE HYDRAULIC DIAGRAM - 4WD/2WS WITHOUT ARCTIC PACKAGE.....	564

TABLE OF CONTENTS

FIGURE 7-2. DRIVE HYDRAULIC DIAGRAM - 4WD/2WS WITH ARCTIC PACKAGE	568
FIGURE 7-3. FLUSHING LOOP HYDRAULIC INSTALLATION - 4WD	572
FIGURE 7-4. HYDRAULIC DIAGRAM - STANDARD (DEUTZ D2011 ENGINE)	574
FIGURE 7-5. HYDRAULIC DIAGRAM - STANDARD (DEUTZ TD2.9L4 & DEUTZ TD2.2L3 STAGE V ENGINES)	580
FIGURE 7-6. HYDRAULIC DIAGRAM - STANDARD (FORD ENGINES)	586
FIGURE 7-7. HYDRAULIC DIAGRAM - OSCILLATING AXLE	592
FIGURE 7-8. HYDRAULIC DIAGRAM - TOW BAR	594
SECTION 8 - ELECTRICAL	597
FIGURE 8-1. AC CABLE CONNECTOR INSTALLATION - 110V/220V (MACHINES NO GENERATOR) (ANSI EXPORT, AUSTRALIAN, CHINA, CE & UK CA SPECS)	598
FIGURE 8-2. AC CABLE CONNECTOR INSTALLATION – SKYPOWER (MACHINES NO GENERATOR) (ALL SPECS)	600
FIGURE 8-3. AC CABLE CONNECTOR INSTALLATION – 4000W GENERATOR (MACHINES NO GENERATOR) (ALL SPECS EXCEPT AUSTRALIAN, CE & UK CA SPECS)	602
FIGURE 8-4. AC BOX AT PLATFORM INSTALLATION - 110V GFI RECEPTACLE (MACHINES WITH 2500W GENERATOR/NO GENERATOR OPTIONS) (ALL SPECS EXCEPT AUSTRALIAN, CE& UK CA SPECS)	604
FIGURE 8-5. AC BOX AT PLATFORM INSTALLATION - 220V RECEPTACLE (MACHINES WITH 2500W GENERATOR/NO GENERATOR OPTIONS) (ANSI, CSA AND JAPANESE SPECS)	606
FIGURE 8-6. AC BOX AT PLATFORM INSTALLATION - BOX WITH COVER (2X4 BOX) (ANSI EXPORT SPECS) (4000W GENERATOR)	608
FIGURE 8-7. AC BOX AT PLATFORM INSTALLATION – DUAL AC 110V GFI (MACHINES WITH 2500W GENERATOR) (ANSI EXPORT AND CHINA SPECS)	610
FIGURE 8-8. AC BOX AT PLATFORM INSTALLATION - 110V IEC YELLOW (CE & UK CA SPECS)	612
FIGURE 8-9. AC BOX AT PLATFORM INSTALLATION - 110V IEC 60309 YELLOW (CE & UK CA SPECS) (4000W GENERATOR)	614
FIGURE 8-10. AC BOX AT PLATFORM INSTALLATION - 220V IEC BLUE (CE& UK CA SPECS)	616
FIGURE 8-11. AC BOX AT PLATFORM INSTALLATION - 220V IEC BLUE (CE & UK CA SPECS) (2500W GENERATOR)	618
FIGURE 8-12. AC BOX AT PLATFORM INSTALLATION - 220V IEC 60309 BLUE (CE & UK CA SPECS) (4000W GENERATOR)	620
FIGURE 8-13. AC BOX AT PLATFORM INSTALLATION - 220V CEE7 POST GROUND (CE & UK CA SPECS)	622
FIGURE 8-14. AC BOX AT PLATFORM INSTALLATION - 220V CEE7 POST GROUND (CE & UK CA SPECS) (2500W GENERATOR)	624
FIGURE 8-15. AC BOX AT PLATFORM INSTALLATION - 220V CEE7 POST GROUND (2X4 BOX) (CE & UK CA SPECS) (4000W GENERATOR)	626
FIGURE 8-16. AC BOX AT PLATFORM INSTALLATION - 220V CEE7 SIDE GROUND (CE & UK CA SPECS)	628
FIGURE 8-17. AC BOX AT PLATFORM INSTALLATION - 220V CEE7 SIDE GROUND (CE & UK CA SPECS) (2500W GENERATOR)	630
FIGURE 8-18. AC BOX AT PLATFORM INSTALLATION - 220V CEE7 SIDE GROUND (2X4 BOX) (CE & UK CA SPECS) (4000W GENERATOR)	632
FIGURE 8-19. AC BOX AT PLATFORM INSTALLATION - 220V AFSINT 107 (CE & UK CA SPECS)	634
FIGURE 8-20. AC BOX AT PLATFORM INSTALLATION - 220V AFSINT 107 (CE & UK CA SPECS) (2500W GENERATOR)	636
FIGURE 8-21. AC BOX AT PLATFORM INSTALLATION - 220V AFSINT 107 KEYED GROUND (2X4 BOX) (CE & UK CA SPECS) (4000W GENERATOR)	638
FIGURE 8-22. AC BOX AT PLATFORM INSTALLATION - 240V GFCI RECEPTACLE (ANSI, ANSI EXPORT, CHINA, CSA AND JAPANESE SPECS WITH 4000W SKYPOWER GENERATOR)	640
FIGURE 8-23. AC BOX AT PLATFORM INSTALLATION - 240V GFCI RECEPTACLE (ANSI AND CSA SPECS WITH 7500W SKYPOWER GENERATOR)	642
FIGURE 8-24. BATTERY DISCONNECT SWITCH INSTALLATION – DEUTZ D2011 ENGINES	644
FIGURE 8-25. BATTERY DISCONNECT SWITCH INSTALLATION (DEUTZ TD2.9L4, DEUTZ D2.9L4, DEUTZ TD2.2L3 STAGE V AND FORD DF2.5L ENGINES)	646
FIGURE 8-26. BEACON LIGHT HARNESS (BLUE AND RED BEACON LIGHT)	648

TABLE OF CONTENTS

FIGURE 8-27. BOOM CABLES INSTALLATION - WITH 2500W GENERATOR OR NO GENERATOR.....	650
FIGURE 8-28. BOOM CABLE INSTALLATION - WITH 4000W/50HZ GENERATOR.....	652
FIGURE 8-29. BOOM CABLES INSTALLATION - WITH 4000W/60HZ GENERATOR.....	654
FIGURE 8-30. BOOM CABLE INSTALLATION - WITH 7500W GENERATOR.....	656
FIGURE 8-31. BOOM CABLE - MAIN BOOM.....	658
FIGURE 8-32. BOOM CABLE - TOWER BOOM (WITHOUT ARCTIC PACKAGE).....	660
FIGURE 8-33. BREAKER BOX KIT - SINGLE DOUBLE POLE BREAKER (WITH 4000W/50HZ GENERATOR).....	662
FIGURE 8-34. BREAKER BOX KIT - 30MA/16 AMP (WITH GENERATOR).....	664
FIGURE 8-35. ENGINE HARNESS ASSEMBLY (DEUTZ D2011 ENGINES).....	666
FIGURE 8-36. ENGINE HARNESS ASSEMBLY (DEUTZ TD2.9L4 & DEUTZ DT2.2L3 STAGE V ENGINES).....	668
FIGURE 8-37. ENGINE HARNESS - DEUTZ TD2.2L3 ENGINES.....	670
FIGURE 8-38. ENGINE HARNESS - DEUTZ TD2.9L4 ENGINES.....	674
FIGURE 8-39. ENGINE HARNESS ASSEMBLY (FORD DF2.5L ENGINES).....	678
FIGURE 8-40. FUEL HARNESS - DEUTZ TD2.2L3 (STAGE V) ENGINE.....	680
FIGURE 8-41. FUEL HARNESS - DEUTZ TD2.9L4 ENGINES.....	682
FIGURE 8-42. FULL EXTENSION PROXIMITY HARNESS.....	684
FIGURE 8-43. GENERATOR TO CONTROL BOX HARNESS - 4000W.....	686
FIGURE 8-44. GENERATOR TO CONTROL BOX HARNESS (7500W GENERATOR).....	688
FIGURE 8-45. GENERATOR HARNESS - 7500W GENERATOR.....	690
FIGURE 8-46. GENERATOR TO ENGINE HARNESS - 2500W.....	692
FIGURE 8-47. GENERATOR TO ENGINE HARNESS - 4000W.....	694
FIGURE 8-48. GENERATOR TO ENGINE HARNESS - 7500W SKYPOWER GENERATOR (DEUTZ D2011 ONLY).....	696
FIGURE 8-49. GENERATOR TO REAR OF BOOM HARNESS - 110V.....	698
FIGURE 8-50. GENERATOR TO REAR OF BOOM HARNESS - 220V.....	700
FIGURE 8-51. GROUND CONTROL BOX HARNESS.....	702
FIGURE 8-52. MID PROXIMITY HARNESS.....	706
FIGURE 8-53. PLATFORM CONSOLE BOX HARNESS.....	708
FIGURE 8-54. RECEPTACLE BOX KIT - 110V IEC YELLOW (CE & UK CA SPEC).....	710
FIGURE 8-55. RECEPTACLE BOX KIT - 220V IEC BLUE (CE & UK CA SPEC).....	712
FIGURE 8-56. RECEPTACLE BOX KIT - 220V IEC BLUE (CE & UK CA SPECS) (2500W GENERATOR).....	714
FIGURE 8-57. RECEPTACLE BOX KIT - 220V CEE7 POST GROUND WITHOUT 2500W GENERATOR (2X4 BOX) (CE & UK CA SPECS).....	716
FIGURE 8-58. RECEPTACLE BOX KIT - 220V CEE7 POST GROUND (2X4 BOX) (CE & UK CA SPECS) (2500W GENERATOR).....	718
FIGURE 8-59. RECEPTACLE BOX KIT - 220V CEE7 SIDE GROUND (CE & UK CA SPEC).....	720
FIGURE 8-60. RECEPTACLE BOX KIT - 220V CEE7 SIDE GROUND (2X4 BOX) (CE & UK CA SPECS) (2500W GENERATOR).....	722
FIGURE 8-61. RECEPTACLE BOX KIT - 220V AFSINT 107 (CE & UK CA SPEC).....	724
FIGURE 8-62. RECEPTACLE BOX KIT - 220V AFSINT 107 KEYED GROUND (2X4 BOX) (CE & UK CA SPECS) (2500W GENERATOR).....	726
FIGURE 8-63. SKYEYE INTERMEDIATE HARNESS.....	728
FIGURE 8-64. SKYEYE EMITTER HARNESS.....	730
FIGURE 8-65. SKYEYE RECEIVER HARNESS.....	732
FIGURE 8-66. SKYLINE HARNESS.....	734
FIGURE 8-67. SKYGUARD INTERFACE HARNESS.....	736
FIGURE 8-68. VALVE HARNESS - BOOM VALVE.....	738
FIGURE 8-69. VALVE HARNESS - MAIN CONTROL VALVE.....	740

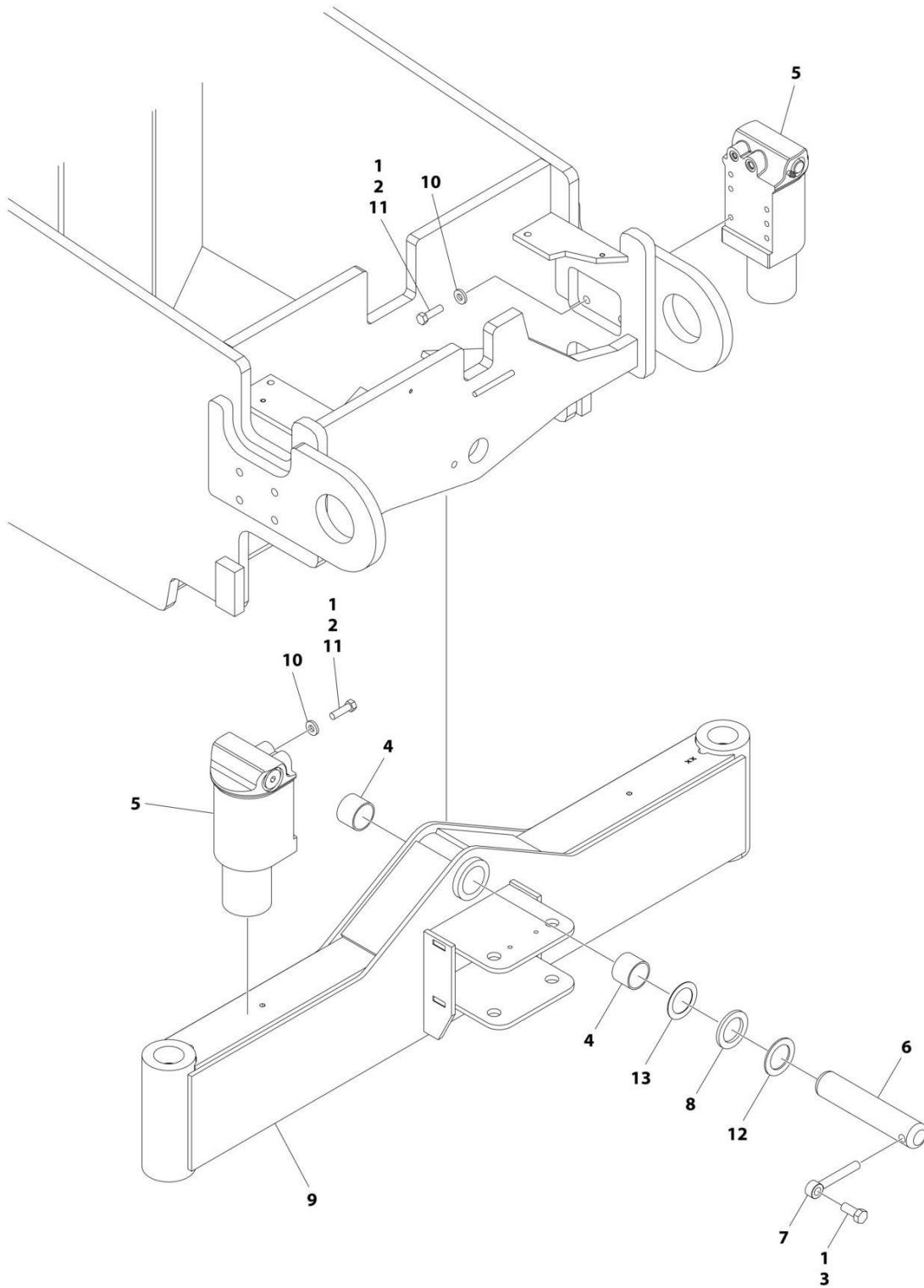
TABLE OF CONTENTS

FIGURE 8-70. WHITE NOISE ALARM HARNESS	742
SECTION 9 - DECALS	745
FIGURE 9-1. DECAL INSTALLATION - ANSI SPECS.....	746
FIGURE 9-2. DECAL INSTALLATION - AUSTRALIAN SPECS	748
FIGURE 9-3. DECAL INSTALLATION - BRAZIL SPECS	750
FIGURE 9-4. DECAL INSTALLATION - CE & UK CA SPECS.....	752
FIGURE 9-5. DECAL INSTALLATION - CHINESE SPECS (SIMPLIFIED).....	754
FIGURE 9-6. DECAL INSTALLATION - CHINESE SPECS (TRADITIONAL).....	756
FIGURE 9-7. DECAL INSTALLATION - CSA SPECS.....	758
FIGURE 9-8. DECAL INSTALLATION - JAPANESE SPECS	760
FIGURE 9-9. DECAL INSTALLATION - KOREAN SPECS.....	762
FIGURE 9-10. DECAL INSTALLATION - LATIN AMERICAN SPECS.....	764
FIGURE 9-11. DECAL INSTALLATION - OPTIONS.....	766
FIGURE 9-12. SKYCUTTER DECAL INSTALLATION (ALL SPECS EXCEPT AUSTRALIAN, CE & JAPANESE SPECS).....	770
FIGURE 9-13. SKYCUTTER DECAL INSTALLATION (JAPANESE SPECS)	772
FIGURE 9-14. SKYWELDER DECAL INSTALLATION - 50HZ.....	774
FIGURE 9-15. SKYWELDER DECAL INSTALLATION - 60HZ.....	776
SECTION 10 - RECOMMENDED SERVICE PARTS STOCK.....	779
FIGURE 10-1. RECOMMENDED SERVICE PART STOCK	780
SECTION 11 - SPECIAL OPTIONS/ACCESSORIES/KITS.....	783
FIGURE 11-1. SPECIAL OPTIONS/ACCESSORIES/KITS.....	784
PART NUMBER INDEX.....	789

SECTION 1 - FRAME

SECTION 1 - FRAME

FIGURE 1-1. AXLE INSTALLATION (WITHOUT TOW PACKAGE)



ART_1001148168

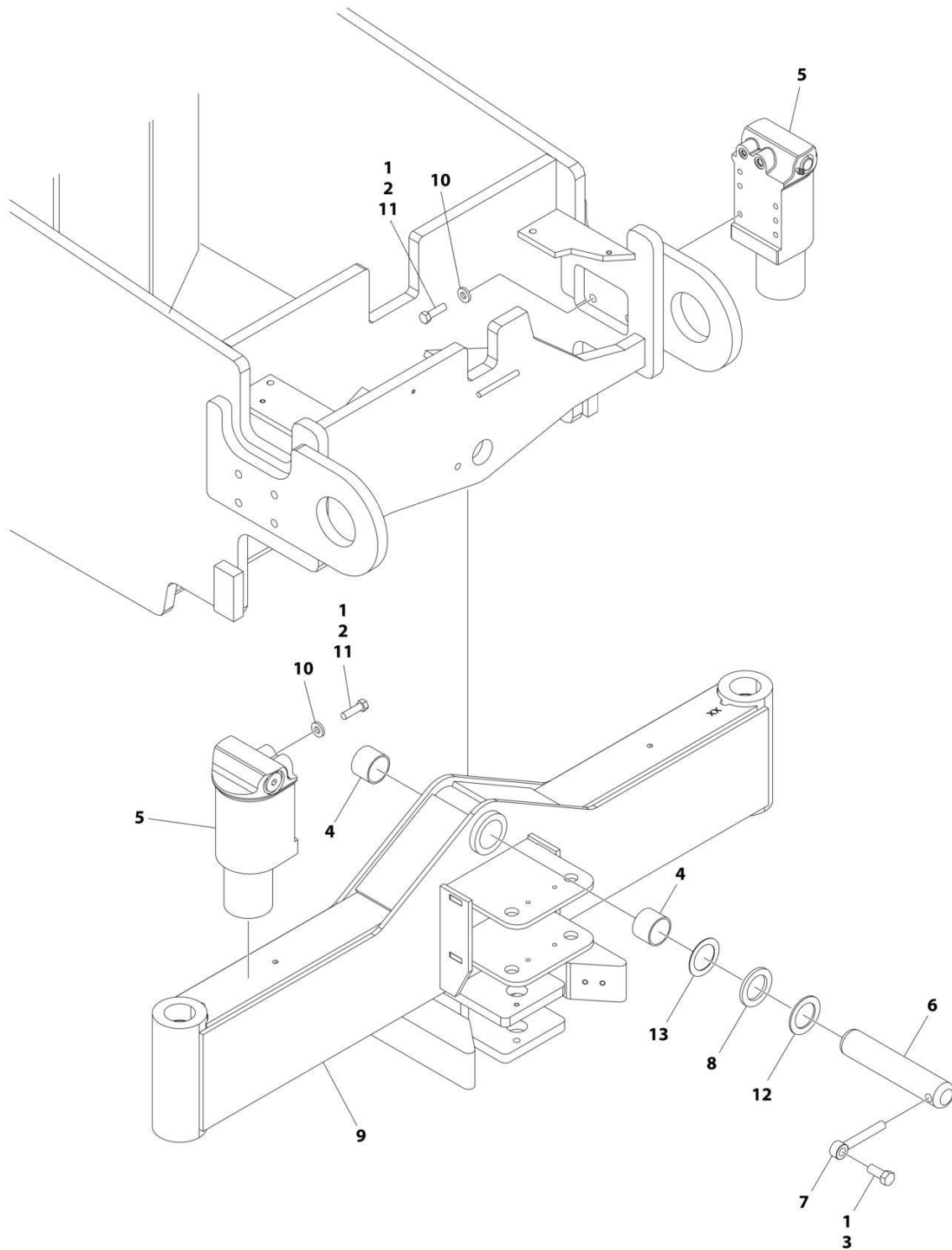
SECTION 1 - FRAME

FIGURE 1-1. AXLE INSTALLATION (WITHOUT TOW PACKAGE)

ITEM	PART NUMBER	QTY	DESCRIPTION	REV
	1001148168	Ref	AXLE INSTALLATION - OSCILLATING	C
1	0100011	AR	Compound, Locking	
2	0641814	8	Bolt 1/2 x 1-3/4	
3	0642012	1	Bolt 5/8 x 1-1/2	
4	0961950	2	Bearing	
5	1684465	2	Lockout Cylinder Assembly (See Separate Breakdown in CYLINDER SECTION)	
6	3423184	1	Pin	
7	3841258	1	Keeper, Pin	
8	4740158	AR	Thrustwasher	
9	1001148171	1	Axle Weldment	
10	4891800	8	Washer 1/2 Hardened	
11	0100038	AR	Primer, Locking	
12	4740229	AR	Thrustwasher	
13	4071101	AR	Shim (18Ga)	

SECTION 1 - FRAME

FIGURE 1-2. AXLE INSTALLATION (WITH TOW PACKAGE)



ART_1001148170

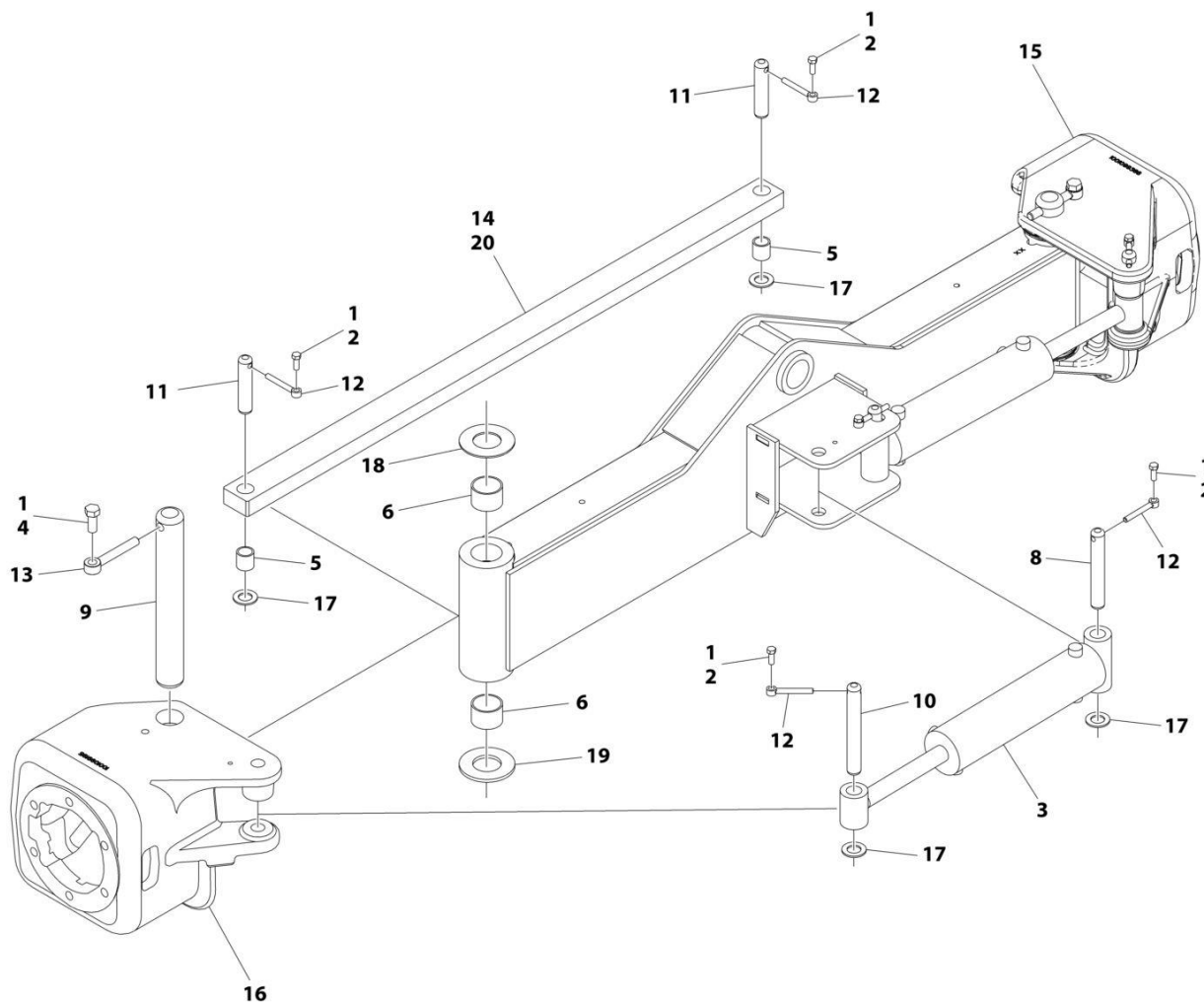
SECTION 1 - FRAME

FIGURE 1-2. AXLE INSTALLATION (WITH TOW PACKAGE)

ITEM	PART NUMBER	QTY	DESCRIPTION	REV
	1001148170	Ref	AXLE INSTALLATION - OSCILLATING	C
1	0100011	AR	Compound, Locking	
2	0641814	8	Bolt 1/2 x 1-3/4	
3	0642012	1	Bolt 5/8 x 1-1/2	
4	0961950	2	Bearing	
5	1684465	2	Axle Lockout Cylinder Assembly (See Separate Breakdown in CYLINDER SECTION)	
6	3423184	1	Pin	
7	3841258	1	Keeper, Pin	
8	4740158	1	Thrustwasher	
9	1001148172	1	Axle Weldment	
10	4891800	8	Washer 1/2 Hardened	
11	0100038	AR	Primer, Locking	
12	4071101	AR	Shim (18Ga)	
13	4740229	AR	Thrustwasher	

SECTION 1 - FRAME

FIGURE 1-3. STEERING INSTALLATION (WITHOUT TOW PACKAGE)



ART_1001148162

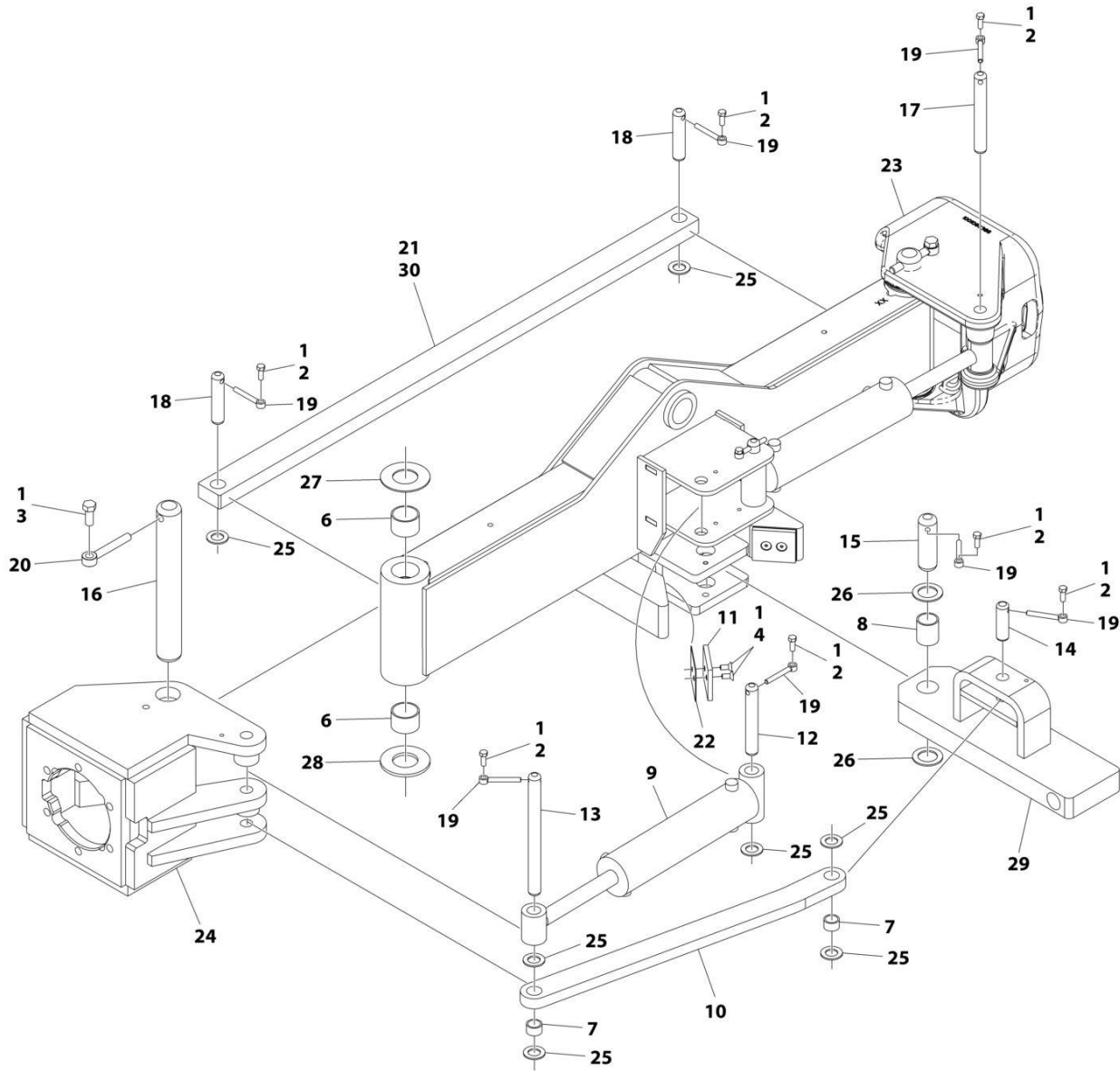
SECTION 1 - FRAME

FIGURE 1-3. STEERING INSTALLATION (WITHOUT TOW PACKAGE)

ITEM	PART NUMBER	QTY	DESCRIPTION	REV
	1001148162	Ref	STEERING INSTALLATION – 4WD/2WS	D
1	0100011	AR	Compound, Locking	
2	0641608	6	Bolt 3/8 x 1	
3	1001097242	2	Steer Cylinder Assembly (See Separate Breakdown in CYLINDER SECTION)	
4	0642012	2	Bolt 5/8 x 1-1/2	
5	0962356	2	Bushing (Part of item 20)	
6	0962131	4	Bushing	
8	3422326	2	Pin	
9	3422900	2	Pin	
10	3422902	1	Pin	
11	3422903	2	Pin	
12	3841143	6	Keeper, Pin	
13	3841258	2	Keeper, Pin	
14	1001155574	NLA	Tie-Rod (Part of Item 20) (Use Item 20 as replacement)	
15	1001099387	1	Spindle (LH)	
16	1001099196	1	Spindle (RH)	
17	4740111	6	Thrustwasher	
18	4740256	2	Thrustwasher	
19	4740463	2	Thrustwasher	
20	1001276664	1	Tie-Rod Assembly (Includes Items 5 & 14)	

SECTION 1 - FRAME

FIGURE 1-4. STEERING INSTALLATION (WITH TOW PACKAGE)



ART_1001148164_D

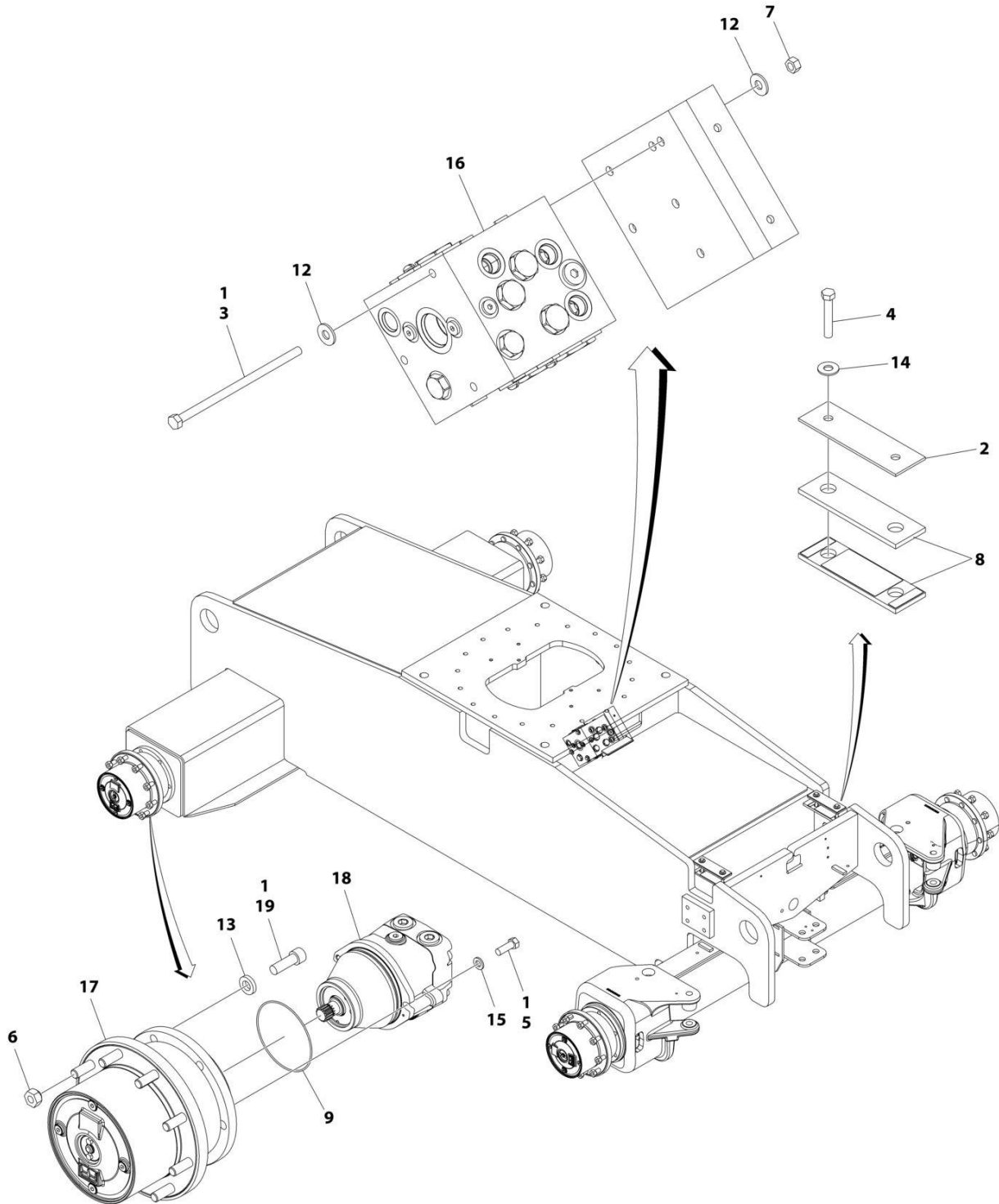
SECTION 1 - FRAME

FIGURE 1-4. STEERING INSTALLATION (WITH TOW PACKAGE)

ITEM	PART NUMBER	QTY	DESCRIPTION	REV
	1001148164	Ref	STEERING INSTALLATION - 4WD/2WS	D
1	0100011	AR	Compound, Locking	
2	0641608	8	Bolt 3/8 x 1	
3	0642012	2	Bolt 5/8 x 1-1/2	
4	0741607	4	Screw 3/8 x 7/8	
5	0962356	2	Bearing (Part of item 30)	
6	0962131	4	Bushing	
7	0962292	2	Bushing	
8	0962348	1	Bushing	
9	1001097242	2	Steer Cylinder Assembly (See Separate Breakdown in CYLINDER Section)	
10	1001148178	1	Link	
11	3340966	2	Pad	
12	3422326	2	Pin	
13	3422567	1	Pin	
14	3422813	1	Pin	
15	3422848	1	Pin	
16	3422900	2	Pin	
17	3422902	1	Pin	
18	3422903	2	Pin	
19	3841143	8	Keeper, Pin	
20	3841258	2	Keeper, Pin	
21	1001155574	NLA	Tie-Rod (Part of Item 30) (Use Item 30 as replacement)	
22	4071059	2	Shim	
23	1001099387	1	Spindle (LH)	
24	4130399	1	Spindle (RH)	
25	4740111	9	Thrustwasher	
26	4740155	2	Thrustwasher	
27	4740256	2	Thrustwasher	
28	4740463	2	Thrustwasher	
29	4846935	1	Pivot	
30	1001276664	1	Tie-Rod Assembly (Includes Items 5 & 21)	

SECTION 1 - FRAME

FIGURE 1-5. WHEEL DRIVE INSTALLATION



ART_1001136668

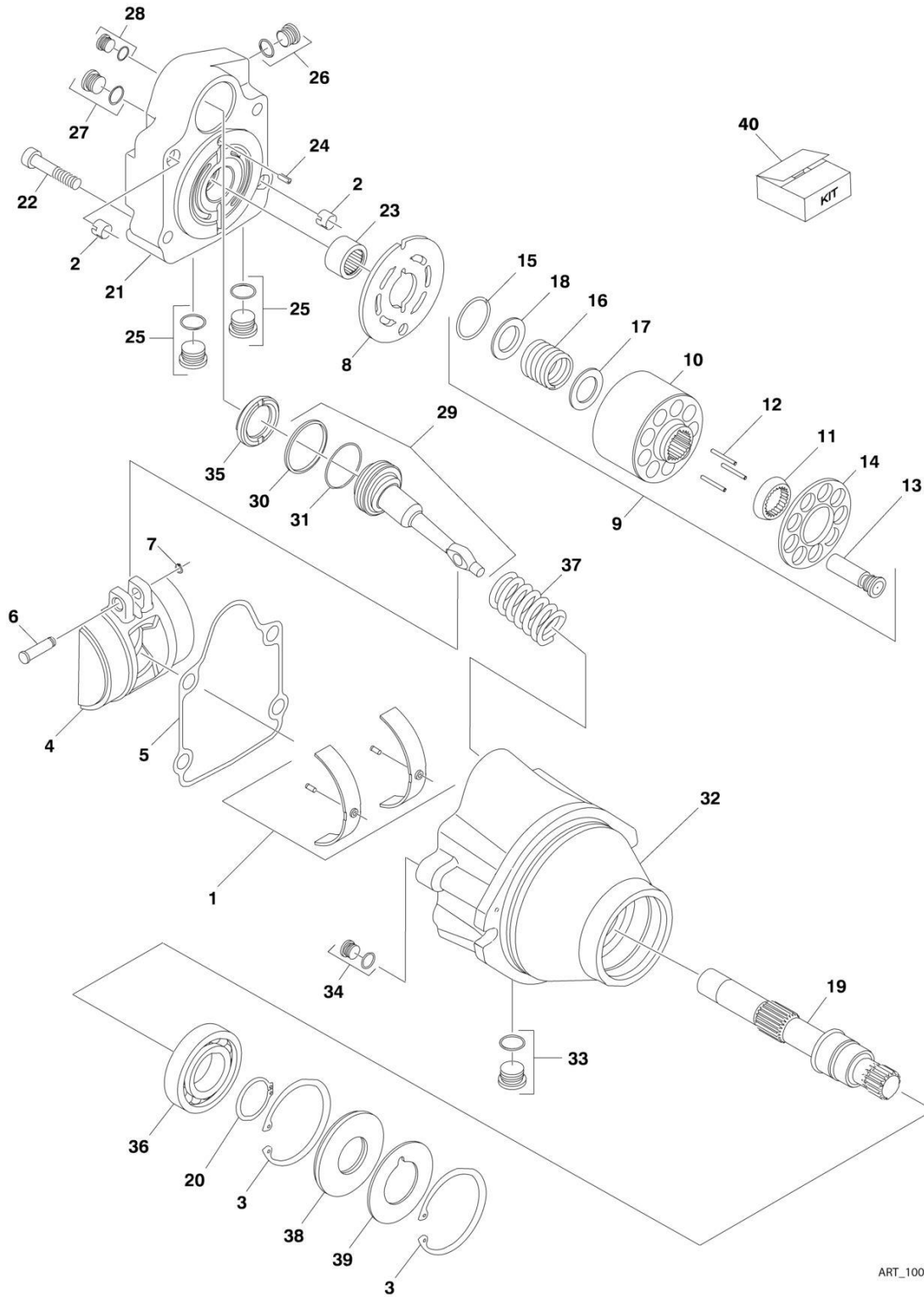
SECTION 1 - FRAME

FIGURE 1-5. WHEEL DRIVE INSTALLATION

ITEM	PART NUMBER	QTY	DESCRIPTION	REV
	1001136668	Ref	WHEEL DRIVE INSTALLATION - 4WD/2WS	H
1	0100011	AR	Compound, Locking	
2	0363012	2	Clamp	
3	0641552	3	Bolt 5/16 x 6-1/2	
4	0641618	4	Bolt 3/8 x 2-1/4	
5	0681710	4	Bolt 7/16 x 1-1/4 Grade 8	
6	3300106	36	Nut, Wheel	
7	3311505	3	Nut 5/16	
8	3340911	4	Rubber, Clamp	
9	3790158	4	O-Ring	
12	4751500	4	Washer 5/16	
13	4740393	24	Washer 5/8 Hardened	
14	4751600	4	Washer 3/8	
15	5241000	8	Washer M10 Hardened	
16	1001098503	1	Flow Divider Valve Assembly (See Separate Breakdown in this Section)	
17	1001113984	4	Drive Hub Assembly (See Separate Breakdown in this Section)	
18	1001135600	4	Drive Motor Assembly Options (See Separate Breakdown in this Section)	
19	3932030	24	Capscrew 5/8 x 1-7/8	
22	4060807	AR	Flex Trim (Not Shown)	

SECTION 1 - FRAME

FIGURE 1-6. DRIVE MOTOR ASSEMBLY



ART_1001135600

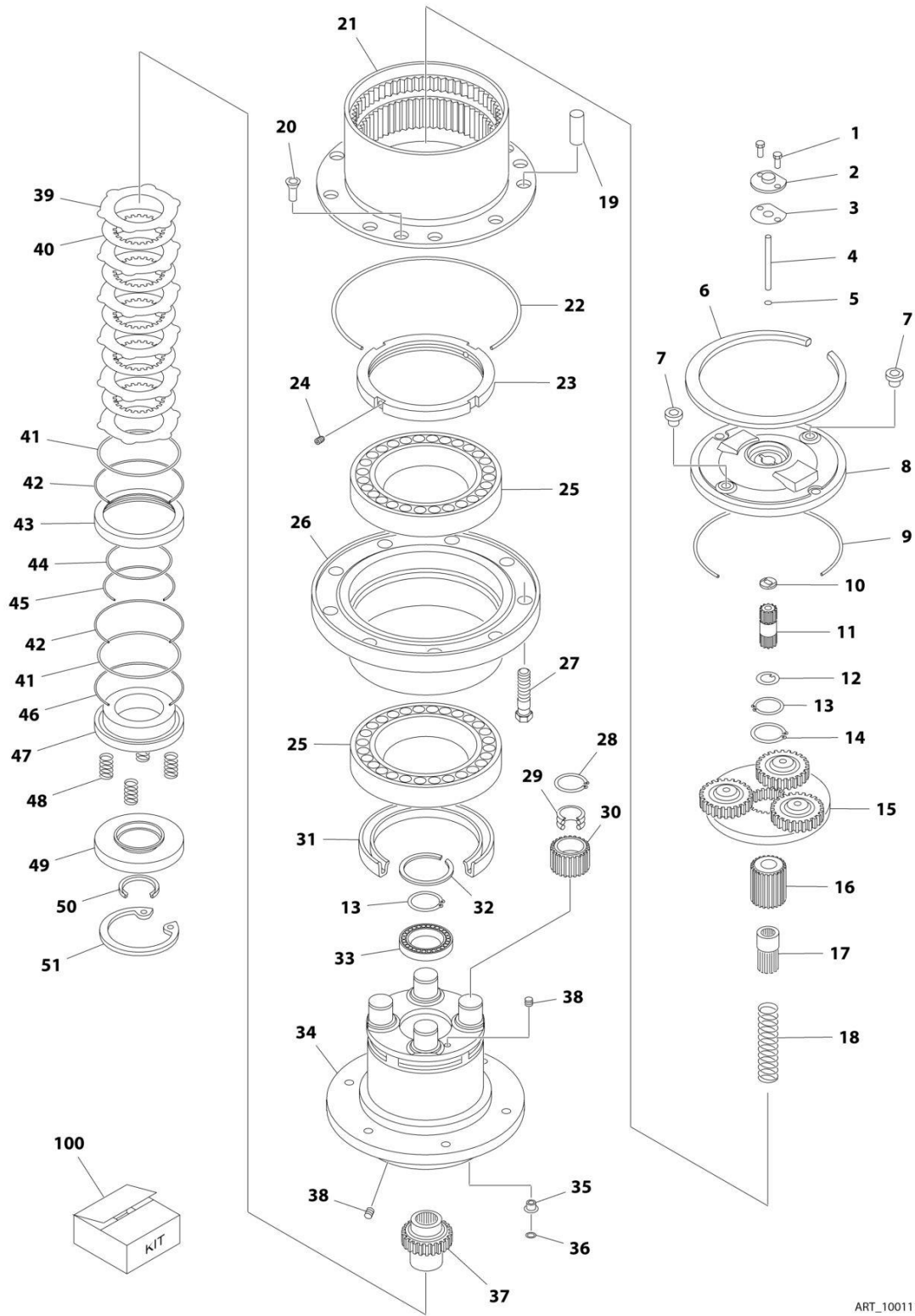
SECTION 1 - FRAME

FIGURE 1-6. DRIVE MOTOR ASSEMBLY

ITEM	PART NUMBER	QTY	DESCRIPTION	REV
	1001135600	Ref	DRIVE MOTOR ASSEMBLY	C
1	70000852	1	Swash Plate Bearing Kit	
2	70003628	2	Pin	
3	70007438	2	Ring, Retaining	
4	70000853	1	Swash Plate	
5	See Note	NSS	Gasket (Note: Use Item 40)	
6	70004201	1	Pin	
7	70004202	1	Ring, Retaining	
8	70000854	1	Plate, Valve	
9	7027740	1	Cylinder Block Kit (Includes Items 10-18)	
10	7027740	1	Block, Cylinder	
11	70000854	1	Guide, Slipper Retainer	
12	7021275	3	Pin, Slipper Hold Down	
13	70004203	9	Piston Assembly	
14	70000857	1	Retainer, Slipper	
15	7022311	1	Ring, Retaining	
16	7024867	1	Spring	
17	7024868	1	Washer	
18	7022314	1	Retainer, Spring	
19	70000858	1	Shaft	
20	7007439	1	Ring, Retaining	
21	70004204	1	Cap, End - Axial	
22	7022368	4	Capscrew	
23	7021249	1	Bearing, Needle	
24	7007446	1	Pin	
25	7007419	2	Plug with O-Ring	
25	See Note	NSS	O-Ring (Note: Not Sold Separately - Purchase Item 25 or 40)	
26	7007420	1	Plug with O-Ring	
26	70000862	1	O-Ring (Note: Not Sold Separately - Purchase Item 26 or 40)	
27	7022321	1	Plug with O-Ring	
27	70000862	1	O-Ring (Note: Not Sold Separately - Purchase Item 27 or 40)	
28	7007420	1	Plug with O-Ring	
28	70000862	1	O-Ring (Note: Not Sold Separately - Purchase Item 28 or 40)	
29	70004205	1	Servo - 4WD	
30	See Note	NSS	Ring, Piston (Note: Not Sold Separately - Purchase Item 29 or 40)	
31	See Note	NSS	O-Ring (Note: Not Sold Separately - Purchase Item 29 or 40)	
32	See Note	NSS	Housing (Note: Not Available - Purchase Complete Motor)	
33	7022321	1	Plug with O-Ring	
33	70000862	1	O-Ring (Note: Not Sold Separately - Purchase Item 33 or 40)	
34	70002133	1	Plug with O-Ring	
34	70000862	1	O-Ring (Note: Not Sold Separately - Purchase Item 34 or 40)	
35	70004205	1	Stop (4WD Motor Only)	
36	70002176	1	Bearing	
37	70000861	1	Spring	
38	See Note	NSS	Seal, Lip (Note: Use Item 40)	
39	7022371	1	Washer, Support	
40	70000862	1	Seal Kit (Includes Items 5, 30, 31, 38 and Plug O-Rings)	

SECTION 1 - FRAME

FIGURE 1-7. DRIVE HUB ASSEMBLY



ART_1001113984

SECTION 1 - FRAME

FIGURE 1-7. DRIVE HUB ASSEMBLY

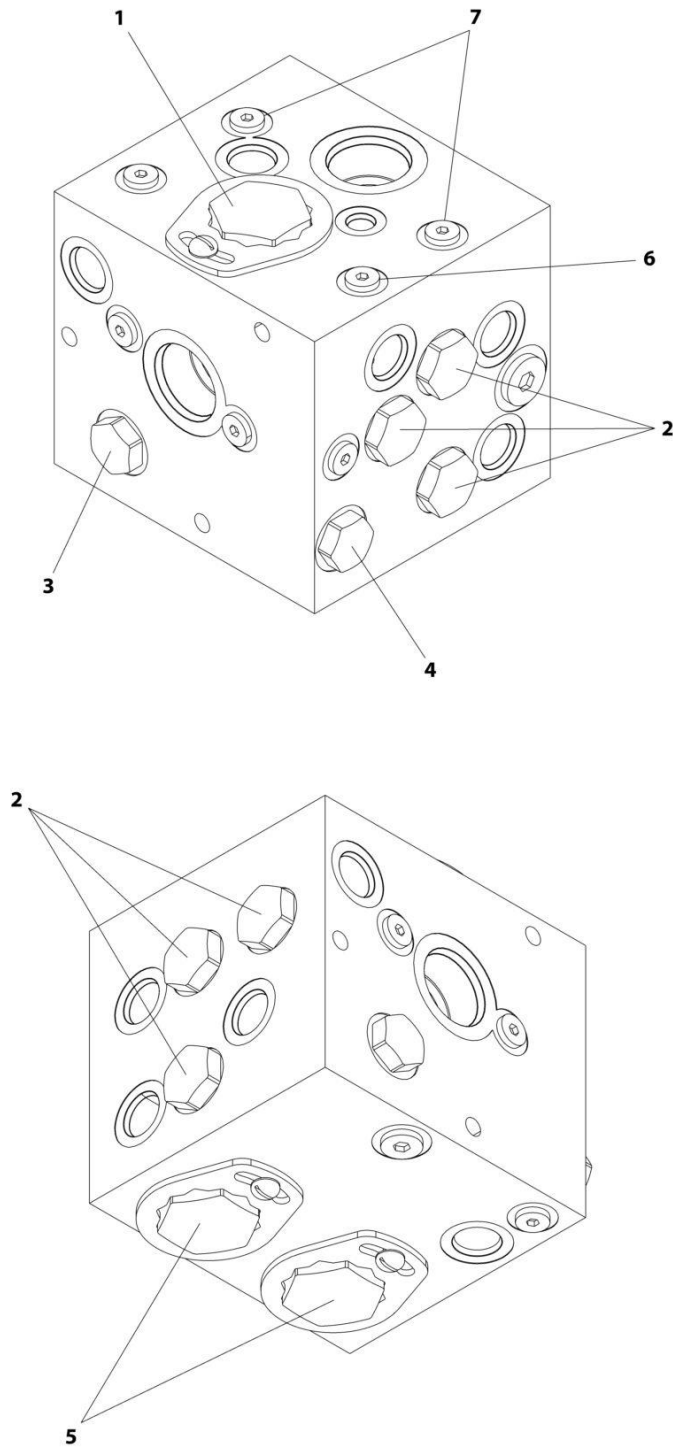
ITEM	PART NUMBER	QTY	DESCRIPTION	REV
	1001113984	Ref	DRIVE HUB ASSEMBLY	E
1	70004353	2	Screw	
2	70005298	1	Cover, Disengagement	
3	70002201	1	Gasket	
4	70002059	1	Pin, Disengagement	
5	See Note	NSS	O-Ring (Note: Use Item 100)	
6	70005299	1	Ring	
7	70002057	4	Plug	
8	70005300	1	Cover	
9	See Note	NSS	O-Ring (Note: Use Item 100)	
10	70002054	1	Shim	
11	70005301	1	Pinion	
12	70005302	1	Shim	
13	70004355	2	Ring, Outer Retention	
14	70004356	1	Ring, Inner Retention	
15	70005303	1	Reduction Gear Assembly	
16	70005304	1	Pinion	
17	70005305	1	Coupling, Disengagement Half	
18	70005306	1	Spring, Disengagement	
19	70005307	9	Plug	
20	70004361	3	Screw	
21	70005308	1	Ring, Planetary	
22	See Note	NSS	O-Ring (Note: Use Item 100)	
23	70005309	1	Nut, Ring	
24	70004363	2	Screw	
25	70005311	2	Bearing	
26	70004365	1	Support, Hub	
27	70005312	9	Column	
28	70004367	4	Ring, Outer Retention	
29	70005313	4	Bearing	
30	70004369	4	Wheel, Planet	
31	See Note	NSS	Seal, Oil (Note: Use Item 100)	
32	70004370	1	Ring	
33	70004371	1	Bearing	
34	70005314	1	Axle, Stub	
35	70005315	1	Plug	
36	See Note	NSS	O-Ring (Note: Use Item 100)	
37	70005316	1	Shaft, Input	
38	70004447	2	Plug	
39	70002027	6	Disc, Steel	
40	70002026	5	Disc, Sintered	
41	See Note	NSS	Seal (Note: Use Item 100)	
42	See Note	NSS	O-Ring (Note: Use Item 100)	
43	70005317	1	Spacer	
44	See Note	NSS	Seal (Note: Use Item 100)	
45	See Note	NSS	O-Ring (Note: Use Item 100)	
46	See Note	NSS	O-Ring (Note: Use Item 100)	
47	70005318	1	Piston	
48	70002020	6	Spring, Brake	
49	70005319	1	Spacer	

SECTION 1 - FRAME

ITEM	PART NUMBER	QTY	DESCRIPTION	REV
50	See Note	NSS	Seal, Oil (Note: Use Item 100)	
51	70005320	1	Ring, Inner Retention	
100	70005321	1	Seal Kit (Includes Items 5, 9, 22, 31, 36, 41, 42, 44, 45, 46 & 50)	

SECTION 1 - FRAME

FIGURE 1-8. FLOW DIVIDER ASSEMBLY



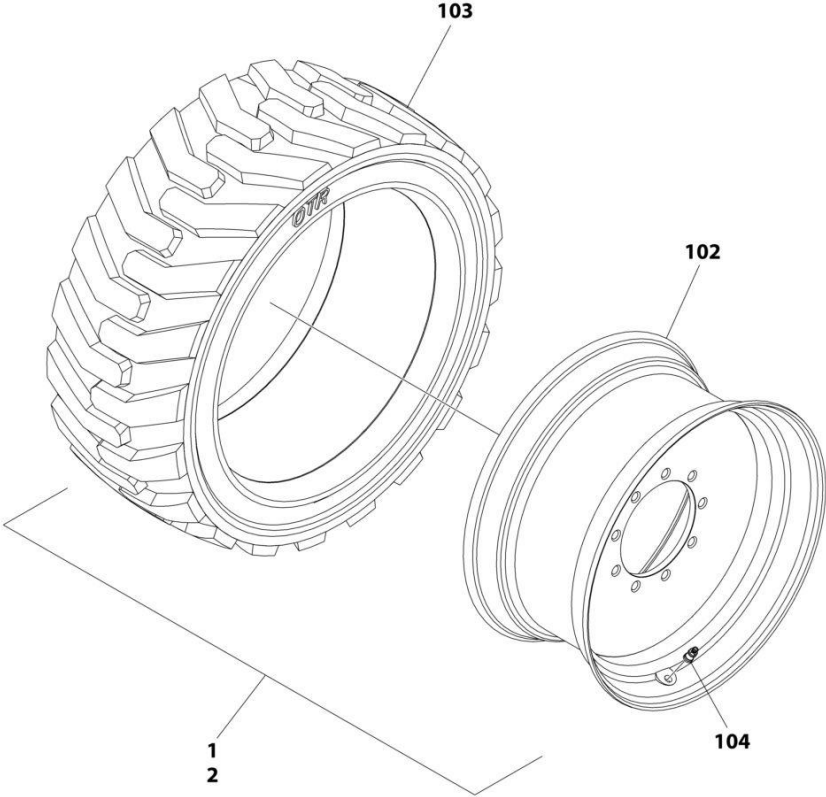
ART_1001098503

FIGURE 1-8. FLOW DIVIDER ASSEMBLY

ITEM	PART NUMBER	QTY	DESCRIPTION	REV
	1001098503	Ref	FLOW DIVIDER ASSEMBLY - 4WD	C
1	7023933	1	Valve, Cartridge (Flow Divider)	
1	7021625	1	Seal Kit - Flow Divider Cartridge	
2		Ref	Valve, Cartridge (Check) Options:	
2	7022397	6	Valve p/n 4641410	
2	7022399	6	Seal Kit - Check Cartridge	
2	70003408	6	Valve p/n 1001098503	
2	7022399	6	Seal Kit - Check Cartridge	
3	7023935	1	Valve, Cartridge (Check)	
3	7023936	1	Seal Kit - Check Cartridge	
4	7024892	1	Valve, Cartridge (Check)	
4	7023936	1	Seal Kit - Check Cartridge	
5	7023917	2	Valve, Cartridge (Flow Divider)	
5	7021625	2	Seal Kit - Flow Divider Cartridge	
6	70002063	1	Plug, Orifice	
7	70002064	2	Plug, Orifice	

SECTION 1 - FRAME

FIGURE 1-9. TIRE AND WHEEL INSTALLATION - FOAM FILLED



ART_4520346

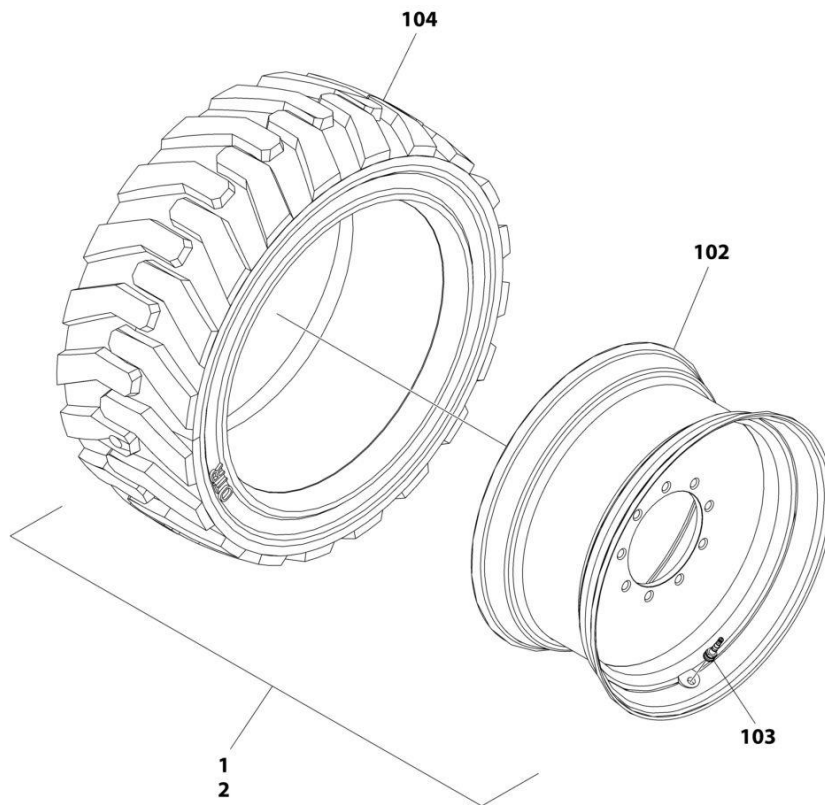
SECTION 1 - FRAME

FIGURE 1-9. TIRE AND WHEEL INSTALLATION - FOAM FILLED

ITEM	PART NUMBER	QTY	DESCRIPTION	REV
	4520346	Ref	TIRE AND WHEEL INSTALLATION - FOAM FILLED	C
		Ref	Note: Assemblies may require ballast/foam filling to manufacturer's specifications prior to installing on a machine. Refer to Operation and Safety or Service and Maintenance Manuals.	
		Ref	Note: Purchase individual tire and/or rim only if able to foam fill tire and wheel assembly, otherwise, purchase complete assembly.	
1	4520344	2	Tire and Wheel Assembly - Foam-Filled (Left Side)	H
2	4520345	2	Tire and Wheel Assembly - Foam-Filled (Right Side)	H
102	4520287	AR	Rim, Wheel (1 Per Assembly)	
103	4520288	AR	Tire - IN355/55D625 (1 Per Assembly)	
104	4640113	AR	Valve, Air (1 Per Assembly)	

SECTION 1 - FRAME

FIGURE 1-10. TIRE AND WHEEL INSTALLATION - FOAM FILLED NON-MARKING



ART_1001231678

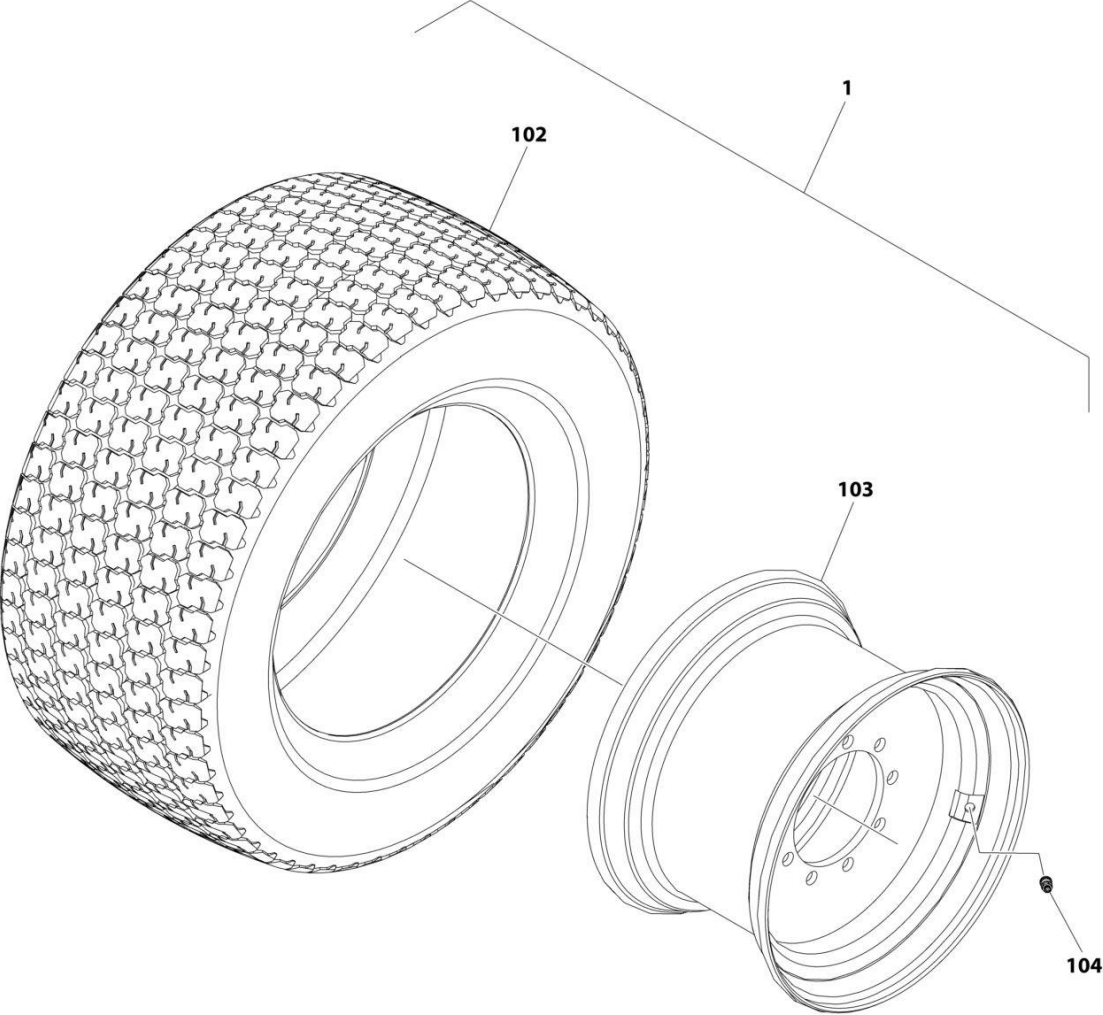
SECTION 1 - FRAME

FIGURE 1-10. TIRE AND WHEEL INSTALLATION - FOAM FILLED NON-MARKING

ITEM	PART NUMBER	QTY	DESCRIPTION	REV
	1001231678	Ref	TIRE AND WHEEL INSTALLATION - FOAM FILLED NON - MARKING	A
		Ref	Note: Assemblies may require ballast/foam filling to manufacturer's specifications prior to installing on a machine. Refer to Operation and Safety or Service and Maintenance Manuals.	
		Ref	Note: Purchase individual tire and/or rim only if able to foam fill tire and wheel assembly, otherwise, purchase complete assembly.	
1	1001231676	2	Tire and Wheel Assembly - Foam-Filled (Left Side)	C
2	1001231677	2	Tire and Wheel Assembly - Foam-Filled (Right Side)	B
102	4520287	AR	Rim, Wheel (1 Per Assembly)	
103	4641122	AR	Valve, Air (1 Per Assembly)	
104	1001184881	AR	Tire - IN355/55D625 (1 Per Assembly)	

SECTION 1 - FRAME

FIGURE 1-11. TIRE AND WHEEL INSTALLATION - FOAM FILLED (TURF)



ART_1001272547

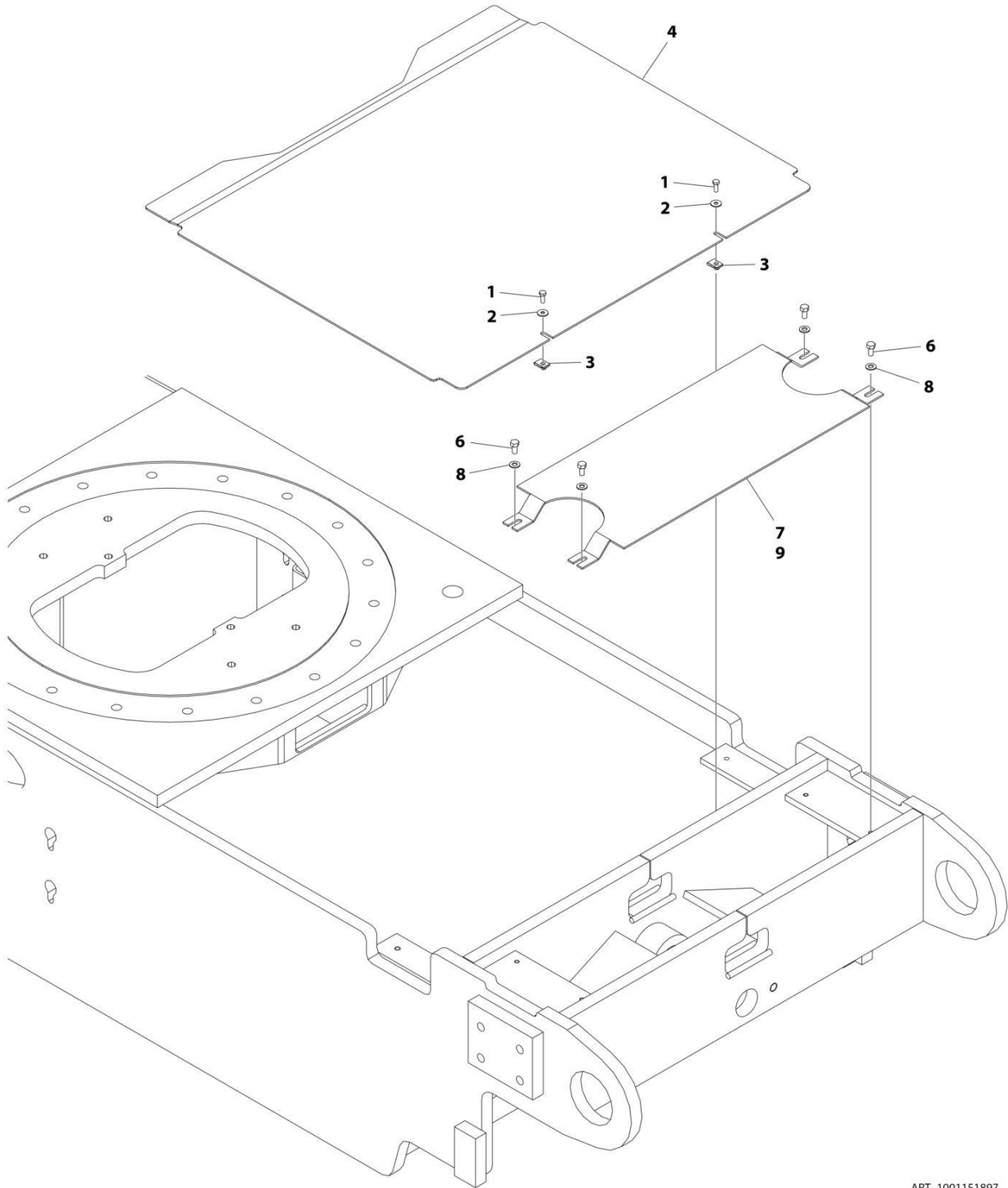
SECTION 1 - FRAME

FIGURE 1-11. TIRE AND WHEEL INSTALLATION - FOAM FILLED (TURF)

ITEM	PART NUMBER	QTY	DESCRIPTION	REV
	1001272547	Ref	TIRE AND WHEEL INSTALLATION - TURF	A
1	1001272546	4	Tire and Wheel Assembly	
102	4520256	1	Tire, 41/18LL x 22.5	
103	4520672	1	Wheel, Sand Tire 22.5 x 14	
104	4640113	1	Valve, Tire	

SECTION 1 - FRAME

FIGURE 1-12. FRAME SHIELDS INSTALLATION – 2WS (8FT/2.4M WIDE MACHINES)



ART_1001151897

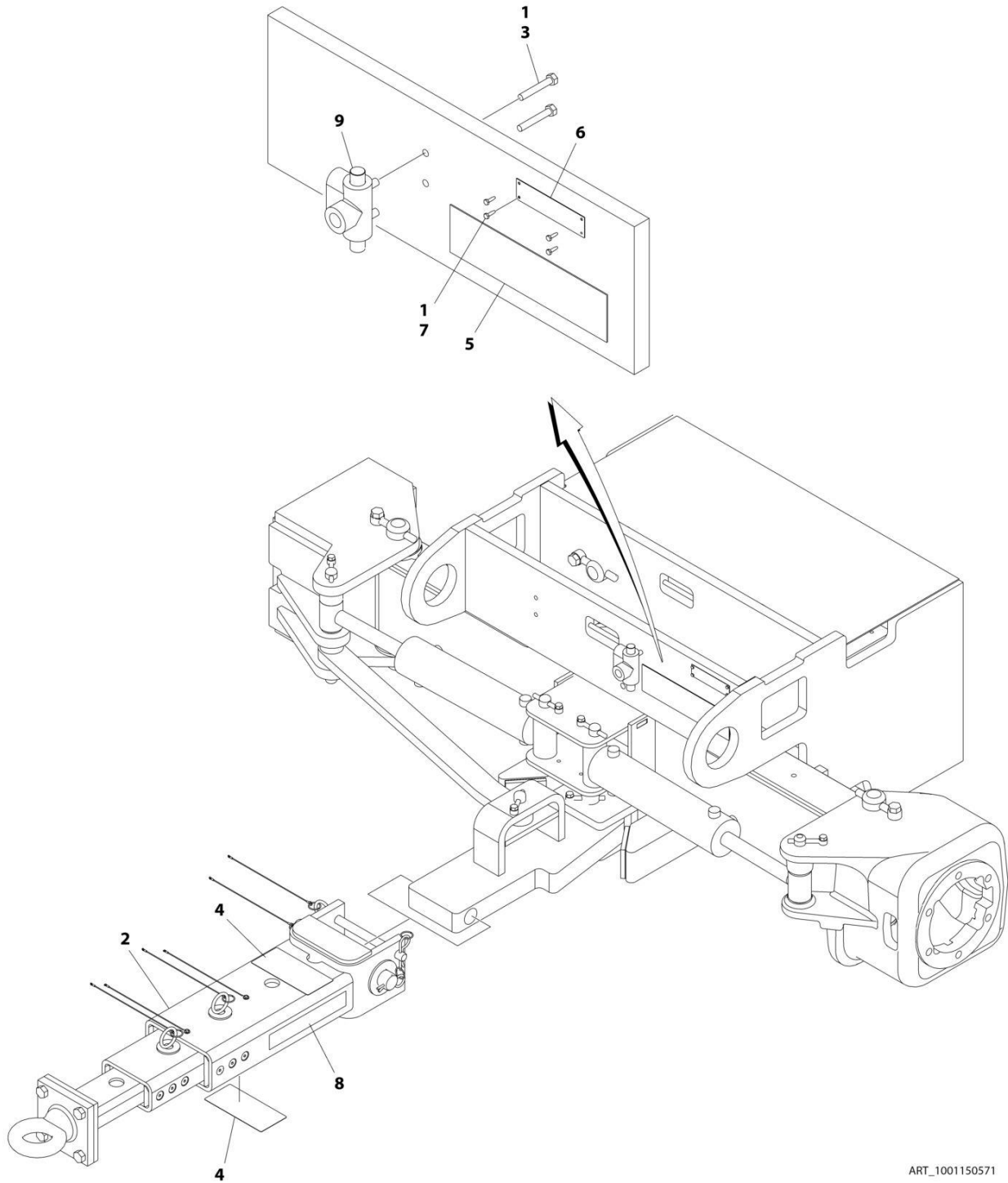
SECTION 1 - FRAME

FIGURE 1-12. FRAME SHIELDS INSTALLATION – 2WS (8FT/2.4M WIDE MACHINES)

ITEM	PART NUMBER	QTY	DESCRIPTION	REV
	1001151897	Ref	FRAME SHIELDS INSTALLATION	C
1	0760608	2	Bolt M6 x 16	
2	4811702	2	Washer M6	
3	1001130220	2	Nut, Tinnerman M6	
4	1001151584	1	Shield, Frame - Front	
6	0641505	4	Bolt 5/16 x 5/8	
7	4060804	1	Flex-Trim	
8	4711500	4	Washer 5/16	
9	1001161761	1	Shield, Frame - Rear	

SECTION 1 - FRAME

FIGURE 1-13. TOW PACKAGE INSTALLATION (ANSI SPECS) (OPTIONAL)



ART_1001150571

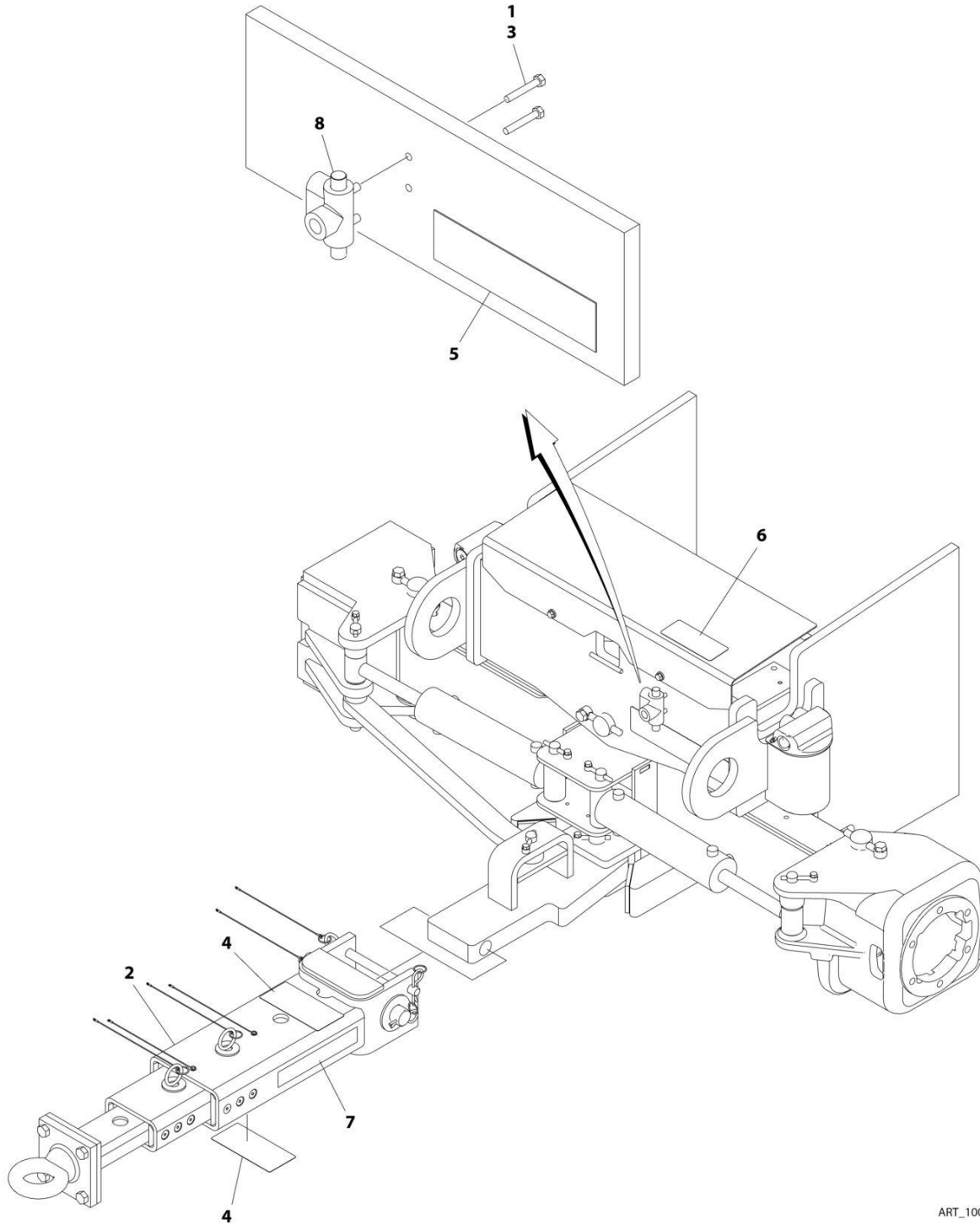
SECTION 1 - FRAME

FIGURE 1-13. TOW PACKAGE INSTALLATION (ANSI SPECS) (OPTIONAL)

ITEM	PART NUMBER	QTY	DESCRIPTION	REV
	1001150571	Ref	TOW BAR INSTALLATION	D
1	0100011	AR	Compound, Locking	
2	0270528	1	Tow Bar Assembly (See Separate Breakdown in this Section)	
3	0641516	2	Bolt 5/16 x 2	
4	1704578	2	Decal - Crushing	
5	1705090	1	Decal - Towing Instruction	
6	3250872	1	Nameplate - Steer/Tow Select	
7	3940604	4	Screw #6 x 1/2	
8	4420051	AR	Tape, Safety	
9	4640261	1	Valve, Float Position	

SECTION 1 - FRAME

FIGURE 1-14. TOW PACKAGE INSTALLATION (CSA SPECS) (OPTIONAL)



ART_1001150570

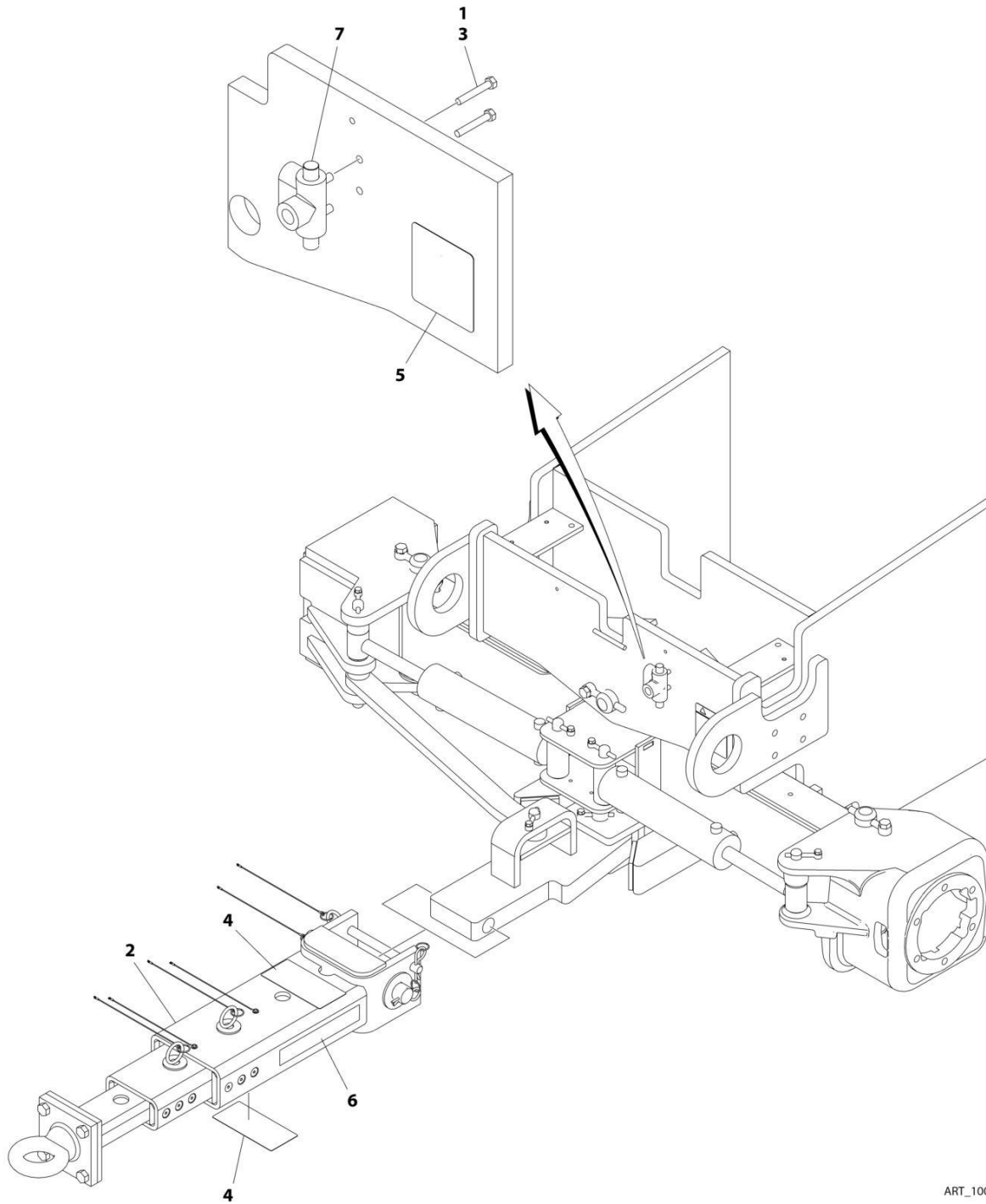
SECTION 1 - FRAME

FIGURE 1-14. TOW PACKAGE INSTALLATION (CSA SPECS) (OPTIONAL)

ITEM	PART NUMBER	QTY	DESCRIPTION	REV
	1001150570	Ref	TOW BAR INSTALLATION	D
1	0100011	AR	Compound, Locking	
2	0270528	1	Tow Bar Assembly (See Separate Breakdown in this Section)	
3	0641516	2	Bolt 5/16 x 2	
4	1706593	2	Decal - Crushing	
5	1705820	1	Decal - Towing Instruction	
6	1704272	1	Nameplate - Steer/Tow Select	
7	4420051	AR	Tape, Safety	
8	4640261	1	Valve, Float Position	

SECTION 1 - FRAME

FIGURE 1-15. TOW PACKAGE INSTALLATION (CE & UK CA SPECS) (OPTIONAL)



ART_1001150569

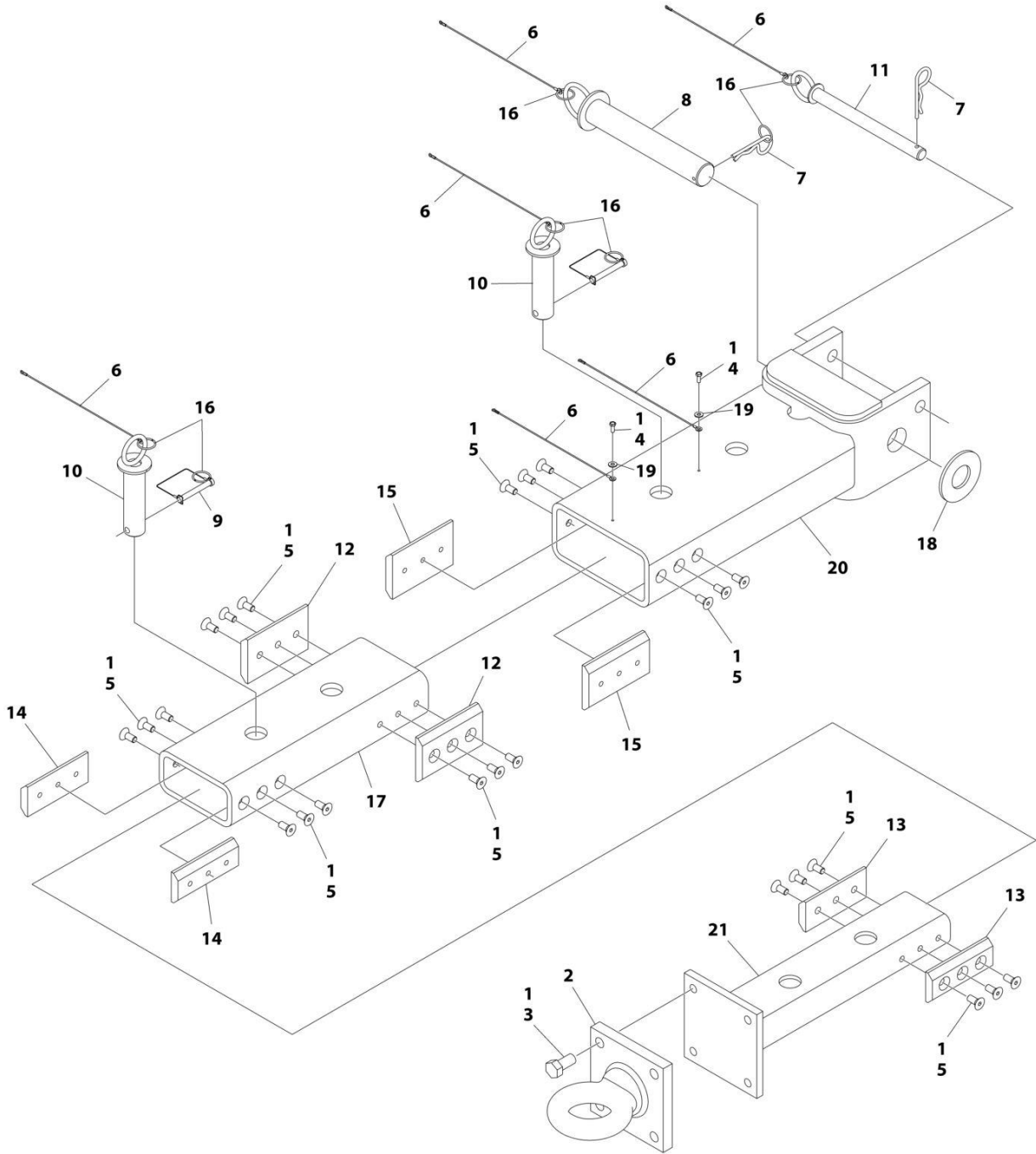
SECTION 1 - FRAME

FIGURE 1-15. TOW PACKAGE INSTALLATION (CE & UK CA SPECS) (OPTIONAL)

ITEM	PART NUMBER	QTY	DESCRIPTION	REV
	1001150569	Ref	TOW BAR INSTALLATION	A
1	0100011	AR	Compound, Locking	
2	0270528	1	Tow Bar Assembly (See Separate Breakdown in this Section)	
3	0641516	2	Bolt 5/16 x 2	
4	1706960	2	Decal - Crushing	
5	1706957	1	Decal - Towing Instruction	
6	4420051	AR	Tape, Safety	
7	4640261	1	Valve, Float Position	

SECTION 1 - FRAME

FIGURE 1-16. TOW BAR ASSEMBLY



ART_0270528

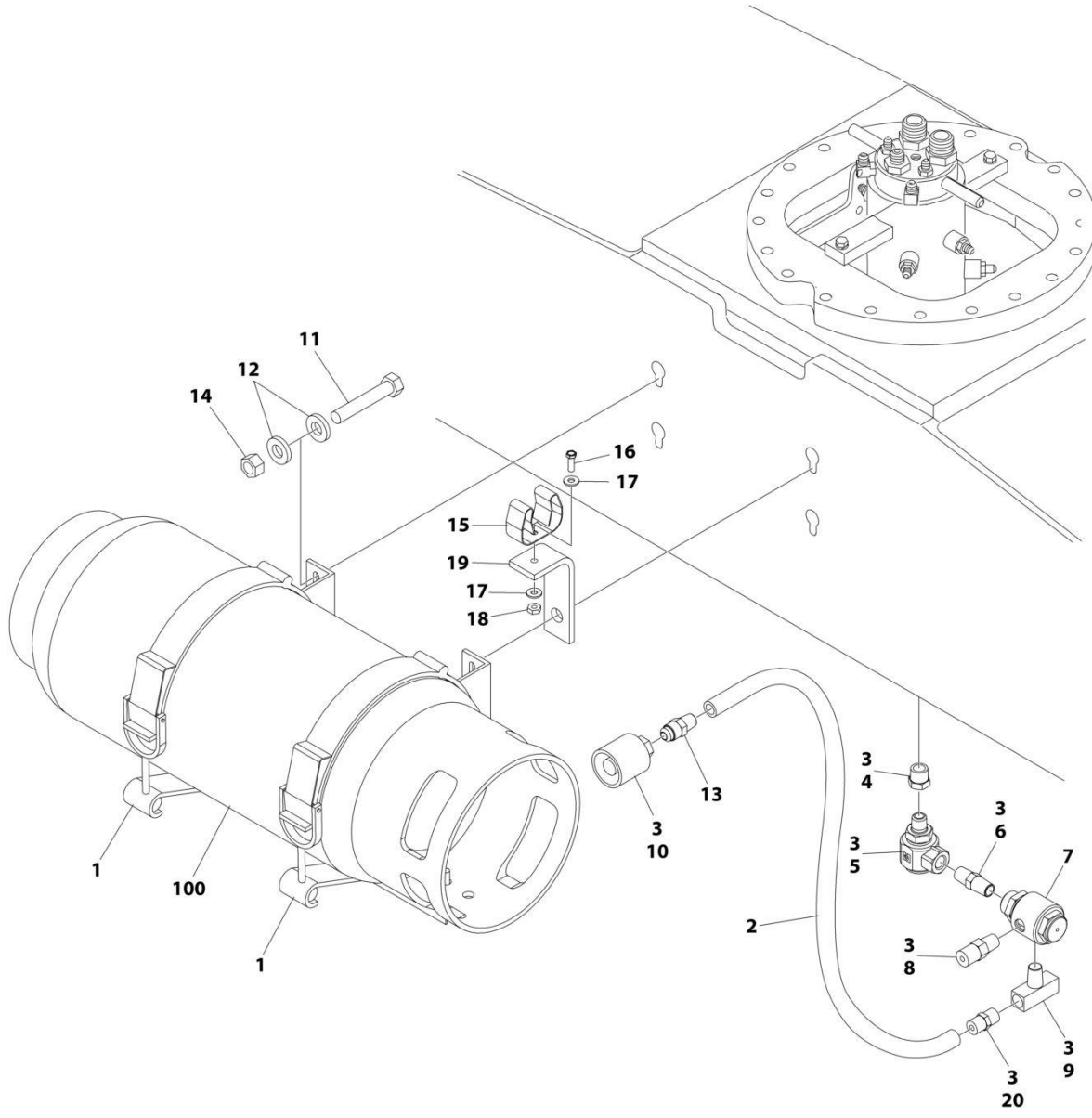
SECTION 1 - FRAME

FIGURE 1-16. TOW BAR ASSEMBLY

ITEM	PART NUMBER	QTY	DESCRIPTION	REV
	0270528	Ref	TOW BAR ASSEMBLY	B
1	0100011	AR	Compound, Locking	
2	0362910	1	Pintle, Draw Eye	
3	0642010	4	Bolt 5/8 x 1-1/4	
4	0721004	2	Screw, Hex Machine	
5	0741607	24	Screw, Countersunk 3/8 x 7/8	
6	1060584	6	Cable, Lanyard	
7	3420372	2	Pin, Cotter	
8	3420447	1	Pin, Towing	
9	3421565	2	Pin, Snap	
10	3422841	2	Pin	
11	3422847	1	Pin	
12	3572009	2	Plate, Slide Stop	
13	3572010	2	Plate, Slide Stop	
14	3572011	2	Plate, Slide Stop	
15	3572012	2	Plate, Slide Stop	
16	3760170	8	Ring, Split	
17	4568133	1	Tube, Tow Bar	
18	4740036	1	Washer	
19	4751000	2	Washer #10	
20	4846295	1	Tow Bar Attach Weldment	
21	4846296	1	Pintle Attach Weldment	

SECTION 1 - FRAME

FIGURE 1-17. LP TANKS INSTALLATION



ART_1001151010_E

SECTION 1 - FRAME

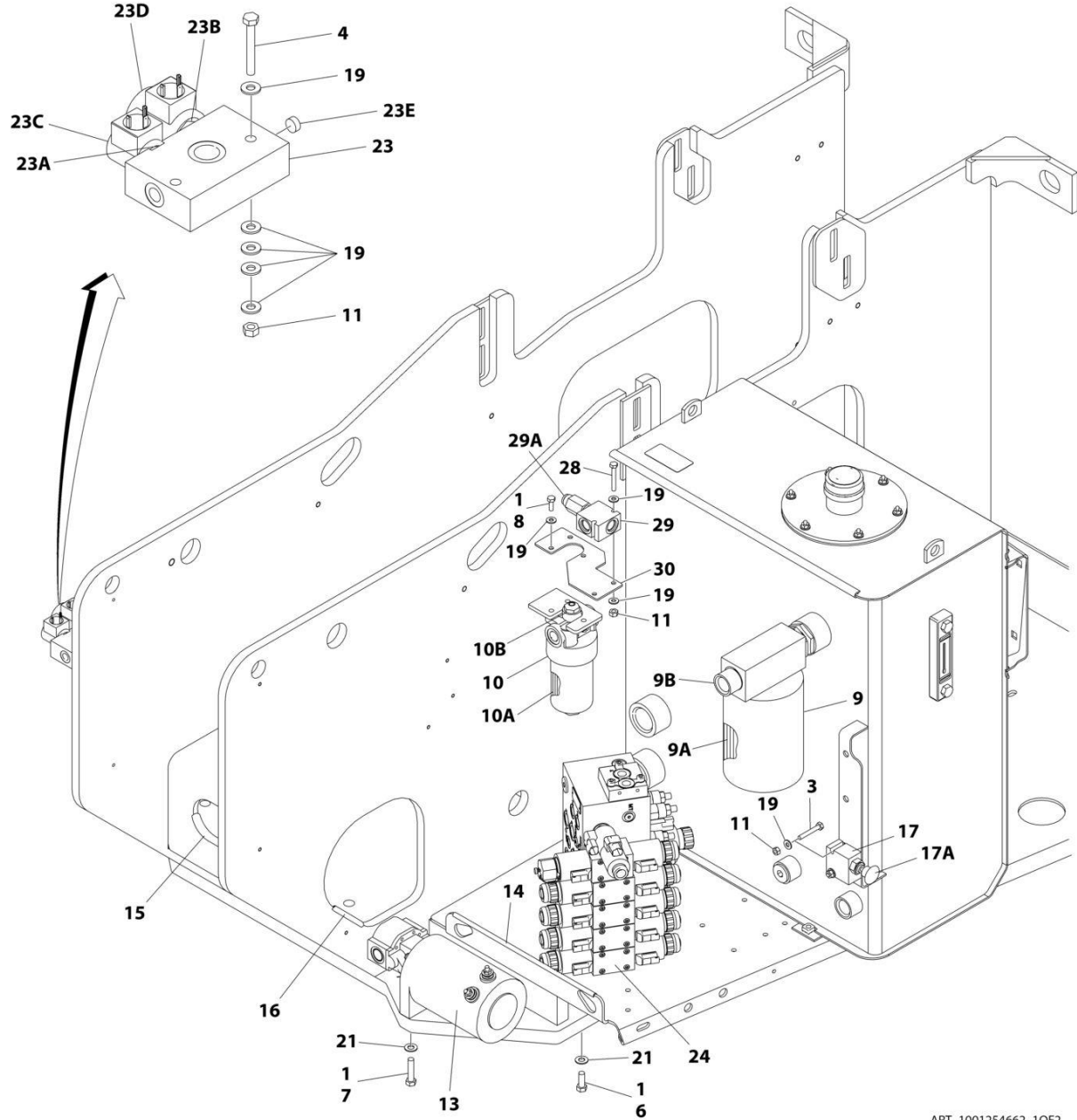
FIGURE 1-17. LP TANKS INSTALLATION

ITEM	PART NUMBER	QTY	DESCRIPTION	REV
	1001151010	Ref	LP TANK BRACKETS INSTALLATION	E
1	1320220	2	Clamp	
1	1320127	2	Clamp, Toggle (1 Per Clamp)	
2	2720144	2	Hose	
3	0100020	AR	Sealant, Pipe	
4	2221197	1	Fitting, Reducer	
5	1001247358	1	Fitting, 90 Swivel	
6	2220261	1	Fitting, Nipple	
7	2180388	1	Fitting, Bulkhead	
8	2180389	1	Valve, Relief	
9	2220418	1	Fitting, Tee	
10	2180387	2	Fitting, Straight	
11	0641617	8	Bolt 3/8 x 2-1/8	
12	4751600	16	Washer 3/8	
13	2180418	2	Fitting, Connector	
14	3311605	8	Nut 3/8	
15	1320218	2	Clamp, Spring	
16	0720804	2	Screw #8 x 1/2	
17	4750800	4	Washer #8	
18	3310805	2	Nut #8	
19	0181949	2	Angle, Support	
20	2221024	2	Fitting, Union Ball Check	
100	4400275	1	Tank, LP - 43.5 Lbs. (Aluminum)	
100	4400420	1	Tank, LP - 43.5 Lbs. (Steel)	

SECTION 2 - TURNTABLE

SECTION 2 - TURNTABLE

FIGURE 2-1. CONTROL VALVES INSTALLATION - DEUTZ D2011 ENGINES



ART_1001254662_10F2

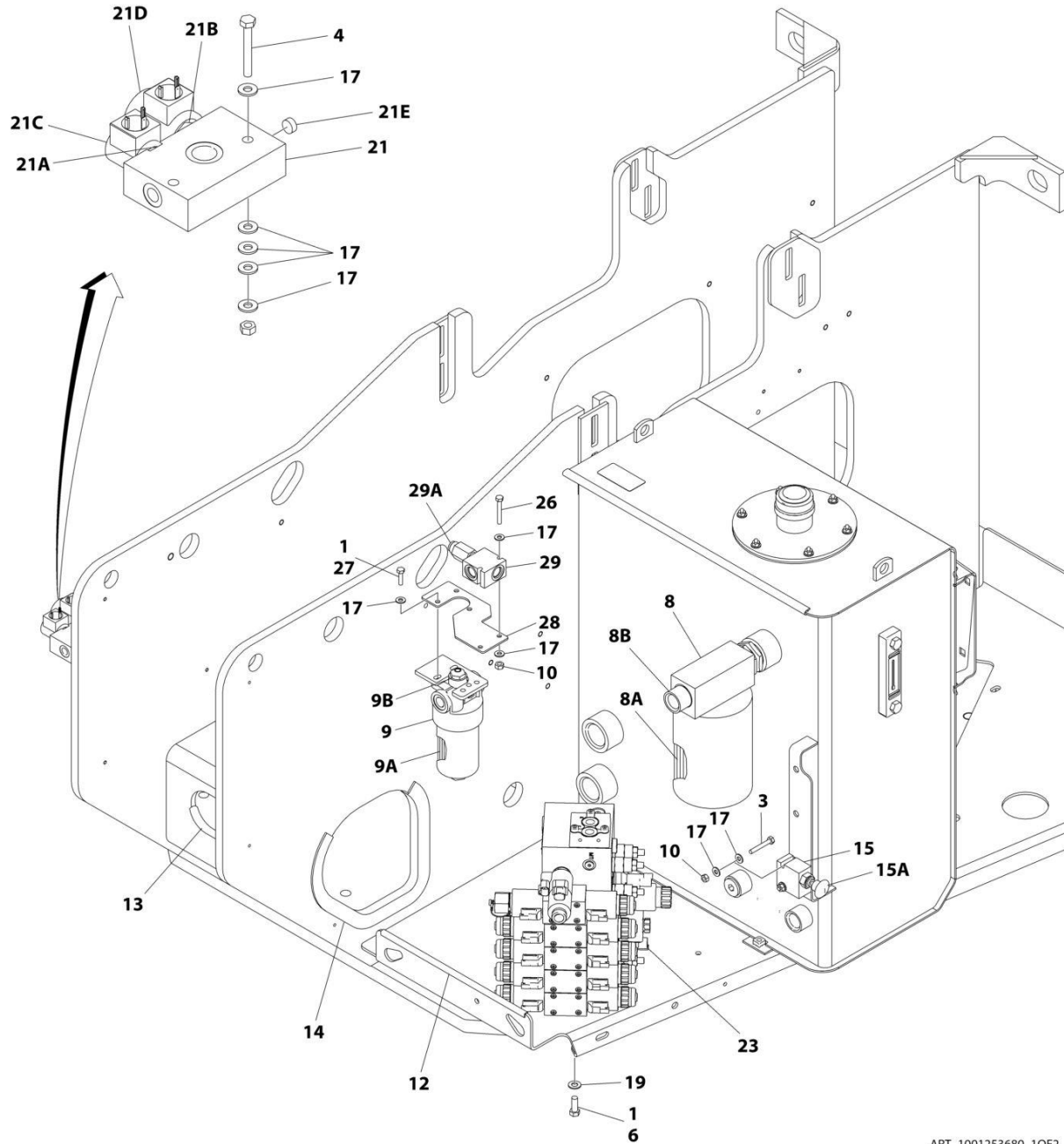
SECTION 2 - TURNTABLE

FIGURE 2-1. CONTROL VALVES INSTALLATION - DEUTZ D2011 ENGINES

ITEM	PART NUMBER	QTY	DESCRIPTION	REV
	1001254662	Ref	CONTROL VALVES INSTALLATION	B
1	0100011	AR	Compound, Locking	
3	0641414	2	Bolt 1/4 x 1-3/4	
4	0641416	2	Bolt 1/4 x 2	
6	0641608	3	Bolt 3/8 x 1	
7	0641613	2	Bolt 3/8 x 1-5/8	
8	0651406	3	Bolt 1/4 x 3/4	
9	2120164	1	Return Filter Assembly	B
9A	2120149	1	Element, Filter	
9B	7020021	1	Manual Indicator	
10	2120209	1	Hydraulic Pressure Filter Assembly	
10A	2120210	1	Element, Filter	
10B	7020020	1	Manual Indicator	
10C	70000934	1	O-Ring, Filter Bowl (Not Shown)	
11	3311405	8	Nut 1/4	
13	3600365	1	Auxiliary Pump Assembly (See Separate Breakdown in this Section)	
14	4060804	AR	Trim-Loc 3/16	
15	4060807	AR	Trim-Loc 3/8	
16	4060918	AR	Trim-Loc 5/8	
17	4640866	1	Manual Pull Valve Assembly	
17	2900708	1	Seal Kit - 4640866 Valve	
17A	7012959	1	Knob	
19	4711400	25	Washer 1/4	
21	4711600	5	Washer 3/8	
23	1001099391	1	Brake/Selector Valve Assembly	
23A	7012941	1	Cartridge without Coil	
23A	7010543	1	Seal Kit - 7012941 Cartridge	
23B	7012995	1	Cartridge without Coil	
23B	7012518	1	Seal Kit - 7012995 Cartridge	
23C	7012944	1	Coil	
23D	7012943	1	Coil	
23E	70002209	1	Orifice	
25	1001152887	1	Main Valve Block Assembly - 2WS (See Separate Breakdown in this Section)	
28	0641415	2	Capscrew 1/4 x 1-7/8	
29	1001271534	1	Valve, Direct Acting Relief.	
29A	70007677	1	Cartridge	
29A	7017496	1	Seal Kit	
30	1001271582	1	Mount	

SECTION 2 - TURNTABLE

FIGURE 2-2. CONTROL VALVES INSTALLATION - DEUTZ DT2.9L4, DEUTZ TD2.2L3 STAGE V & FORD ENGINES



ART_1001253680_10F2

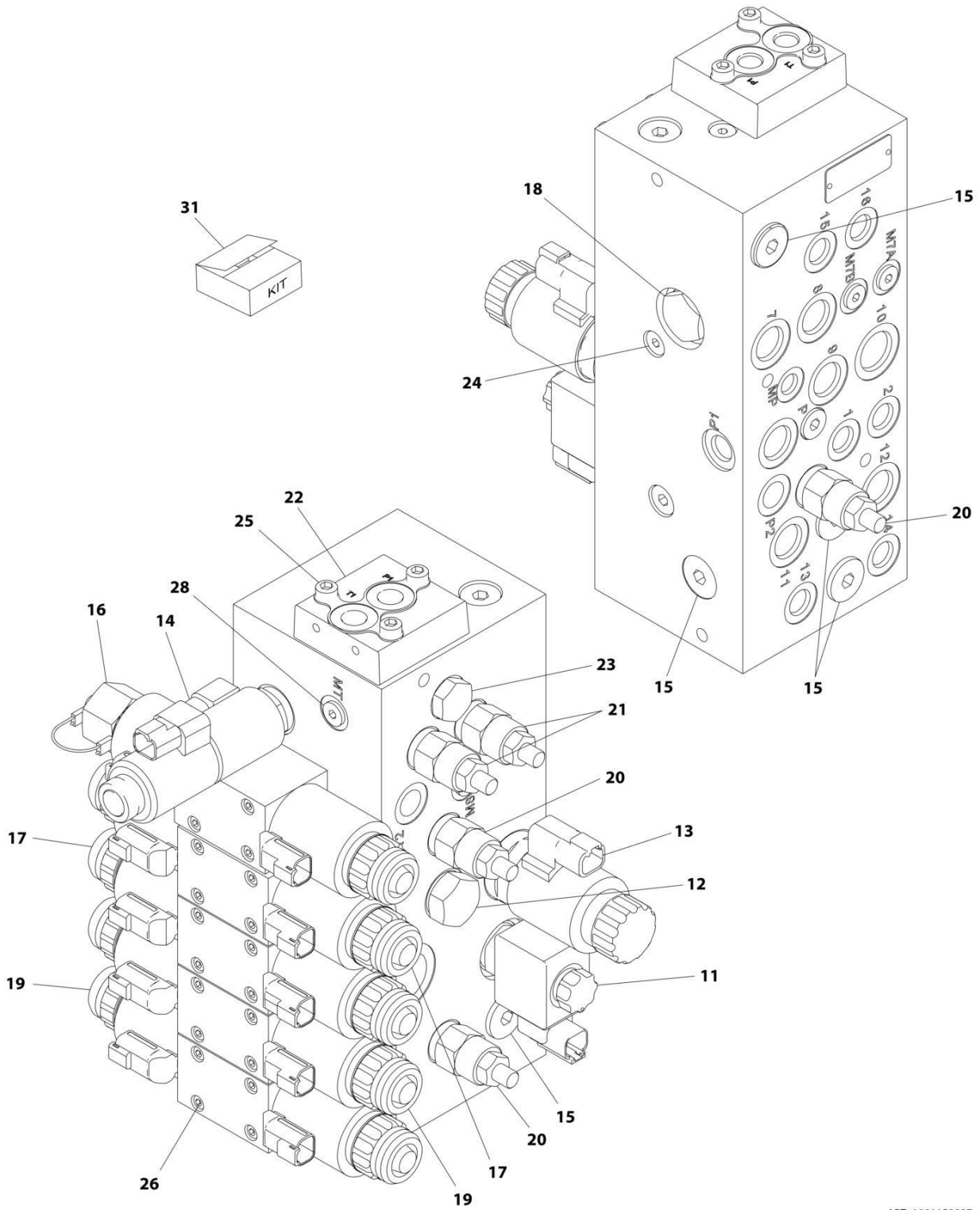
SECTION 2 - TURNTABLE

FIGURE 2-2. CONTROL VALVES INSTALLATION - DEUTZ DT2.9L4, DEUTZ TD2.2L3 STAGE V & FORD ENGINES

ITEM	PART NUMBER	QTY	DESCRIPTION	REV
	1001253680	Ref	CONTROL VALVES INSTALLATION	B
1	0100011	AR	Compound, Locking	
3	0641414	2	Bolt 1/4 x 1-3/4	
4	0641416	2	Bolt 1/4 x 2	
6	0641608	3	Bolt 3/8 x 1	
8	2120164	1	Return Filter Assembly	B
8A	2120149	1	Element, Filter	
8B	7020021	1	Manual Indicator	
9	2120209	1	Hydraulic Pressure Filter Assembly	
9A	2120210	1	Element, Filter	
9B	7020020	1	Manual Indicator	
9C	70000934	1	O-Ring, Filter Bowl (Not Shown)	
10	3311405	6	Nut 1/4	
12	4060804	AR	Trim-Loc 3/16	
13	4060807	AR	Trim-Loc 3/8	
14	4060918	AR	Trim-Loc 5/8	
15	4640866	1	Manual Pull Valve Assembly	
15	2900708	1	Seal Kit - 4640866 Valve	
15A	7012959	1	Knob	
17	4711400	25	Washer 1/4	
19	4711600	3	Washer 3/8	
21	1001099391	1	Brake/Selector Valve Assembly	
21A	7012941	1	Cartridge without Coil	
21A	7010543	1	Seal Kit - 7012941 Cartridge	
21B	7012995	1	Cartridge without Coil	
21B	7012518	1	Seal Kit - 7012995 Cartridge	
21C	7012944	1	Coil	
21D	7012943	1	Coil	
21E	70002209	1	Orifice	
23	1001152887	1	Main Valve Block Assembly - 2WS (See Separate Breakdown in this Section)	
26	0641415	2	Capscrew 1/4 x 1-7/8	
27	0651408	3	Capscrew 1/4 x 1	
28	1001271582	1	Mount	
29	1001271534	1	Valve, Direct Acting Relief	
29A	70007677	1	Cartridge	
29A	7017496	1	Seal Kit	

SECTION 2 - TURNTABLE

FIGURE 2-3. MAIN VALVE BLOCK ASSEMBLY – 2WS



ART_1001152887

SECTION 2 - TURNTABLE

FIGURE 2-3. MAIN VALVE BLOCK ASSEMBLY – 2WS

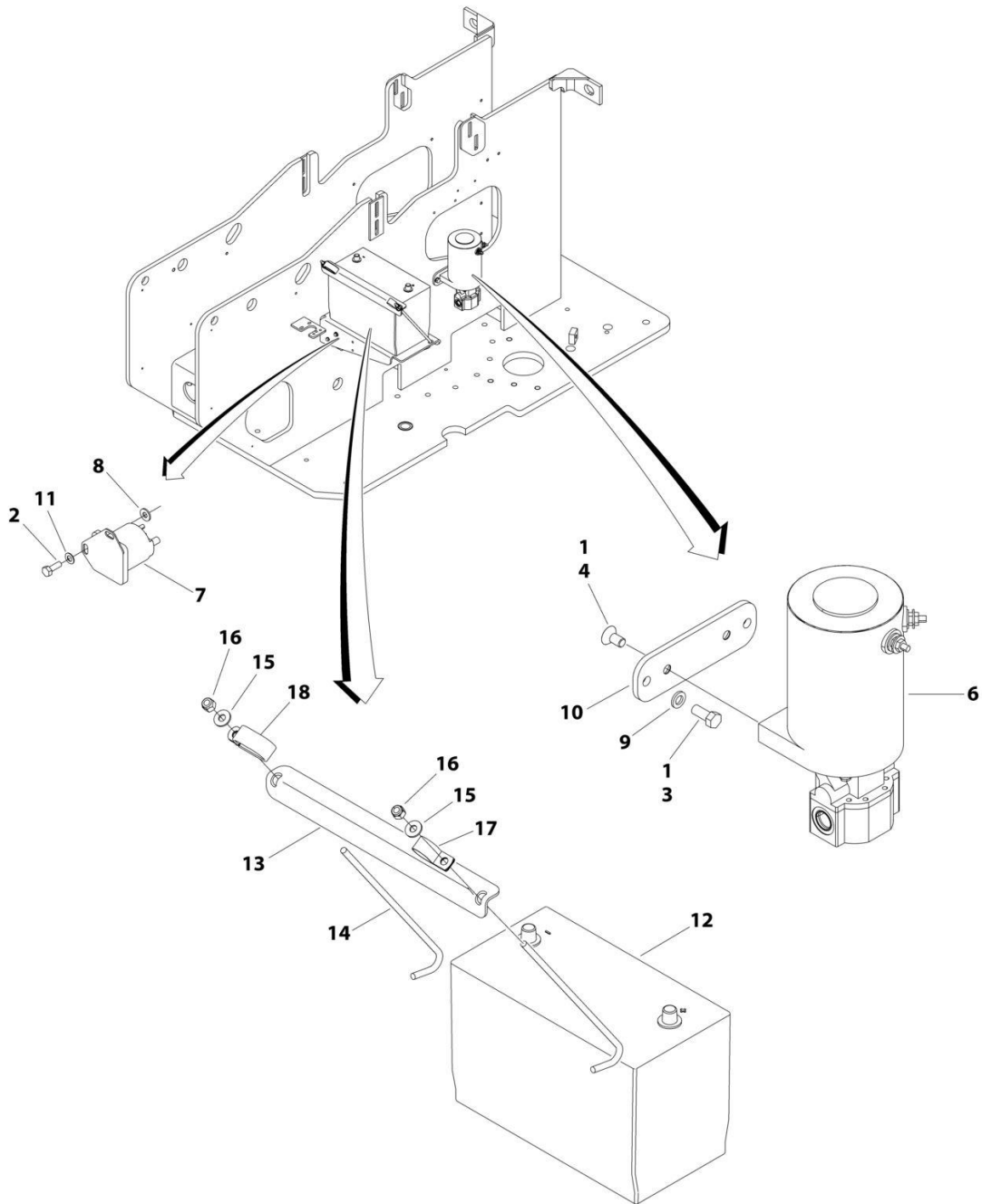
ITEM	PART NUMBER	QTY	DESCRIPTION	REV
	1001152887	Ref	MAIN VALVE BLOCK ASSEMBLY - 2WS	F
11	70004652	1	Valve, Cartridge Less Coil (Dump)	
11	70023867	1	Seal kit - 70004652 Valve	
11	70004653	1	Coil	
11	70004654	1	Nut, Coil	
12	70004655	1	Valve, Cartridge	
12	70004656	1	Seal Kit - 70004655 Valve	
13	70004657	1	Valve, Cartridge Less Coil	
13	70004594	1	Seal Kit - 70004657 Valve	
13	70004595	1	Coil	
13	70004597	1	Nut, Coil	
13	70004596	1	O-Ring, Pole Tube	
14	70004659	1	Valve, Cartridge Less Coil (Steer)	
14	70004660	1	Seal - Kit - 70004659 Valve	
14	80434249	2	Coil	
14	70004661	1	Nut, Coil	
14	70024457	1	O-Ring, Pole Tube (Upper)	
14	70004662	1	O-Ring, Pole Tube (Lower)	
15	70023859	5	Valve, Cartridge	
16	70004663	1	Valve Assembly (Lower Lift)	
16	7012773	1	Seal Kit - 70004663 Valve	
16	70004660	2	Coil	
16	7021375	1	Nut, Coil (Plastic)	
16	70004661	2	O-Ring, Pole Tube	
16	70003525	1	Not, Coil (Aluminum)	
16	70004664	1	Lanyard	
17	70004459	2	Valve Assembly (Upper Tele and Lower Tele)	
17	7012773	1	Seal Kit - 70004459 Valve	
17	70004460	2	Coil	
17	7021375	2	Nut, Coil	
17	70004661	2	O-Ring, Pole Tube	
18	70004665	1	Valve, Cartridge	
18	70023862	1	Seal Kit - 70004665 Valve	
19	70004666	2	Valve Assembly (Swing and Upper Lift)	
19	7012773	1	Seal Kit - 70004666 Valve	
19	70004463	2	Coil	
19	7021375	2	Nut, Coil	
19	70004461	2	O-Ring, Pole Tube	
20	70003019	3	Valve, Cartridge	
20	70004052	3	Seal Kit - 70003019	
21	70003019	2	Valve, Cartridge	
21	70004052	2	Seal Kit - 70003019 Valve	
22	70004667	1	Cover	
23	2220886	1	Plug	
24	70004668	1	Plug	
25	70005201	3	Capscrew	
26	7018942	20	Capscrew	
27	70005202	2	O-Ring (Not Shown - Located under Item 22)	
28	70002758	6	Plug 7/16	
29	70004617	4	Plug 9/16 (Not Shown)	

SECTION 2 - TURNTABLE

ITEM	PART NUMBER	QTY	DESCRIPTION	REV
30	70002759	1	Plug 3/4 (Not Shown - Located under Item 73)	
31	70005232	1	Bolt Kit	

SECTION 2 - TURNTABLE

FIGURE 2-4. AUXILIARY PUMP INSTALLATION



ART_1001137895

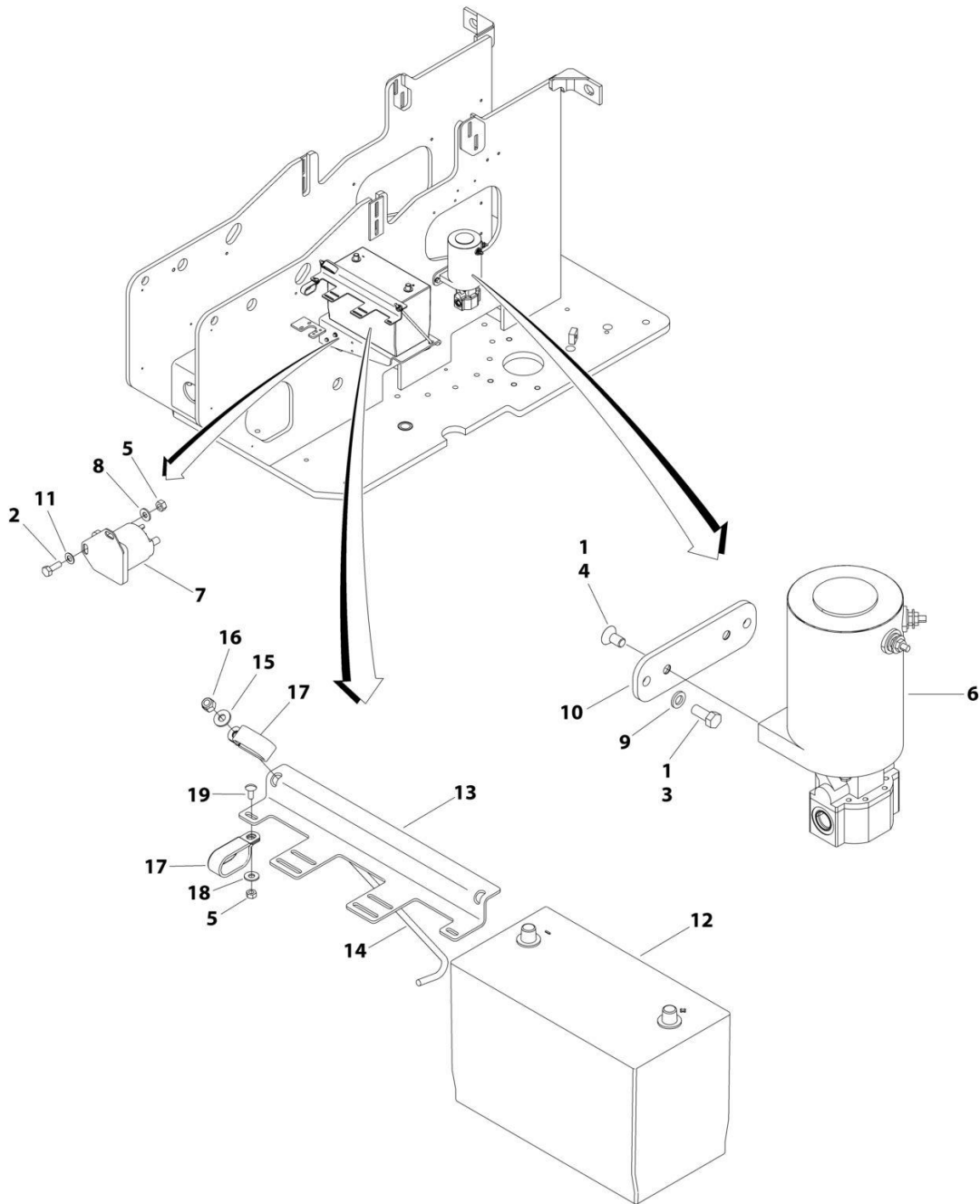
SECTION 2 - TURNTABLE

FIGURE 2-4. AUXILIARY PUMP INSTALLATION

ITEM	PART NUMBER	QTY	DESCRIPTION	REV
	1001137895	Ref	AUXILIARY PUMP INSTALLATION	D
1	0100011	AR	Compound, Locking	
2	0641406	2	Bolt 1/4 x 3/4	
3	0641607	2	Bolt 3/8 x 7/8	
4	0741606	2	Screw, Countersunk 1/4 x 3/4	
5	3311405	2	Nut 1/4	
6	3600365	1	Auxiliary Pump Assembly (See Separate Breakdown in this Section)	
7	3740067	1	Relay	
8	4711400	3	Washer 1/4	
9	4761600	2	Washer 3/8	
10	1001144041	1	Plate	
11	4791400	1	Washer 1/4	
12	0400075	1	Battery	
13	91401281	1	Bracket	
14	1001093382	2	Bolt, J Bolt	
15	4751500	2	Washer 5/16	
16	88521205	2	Nut 5/16	
17	8406201	1	Clip	
18	1321716	1	Clamp	

SECTION 2 - TURNTABLE

FIGURE 2-5. AUXILIARY PUMP INSTALLATION WITH BATTERY DISCONNECT



ART_1001239291

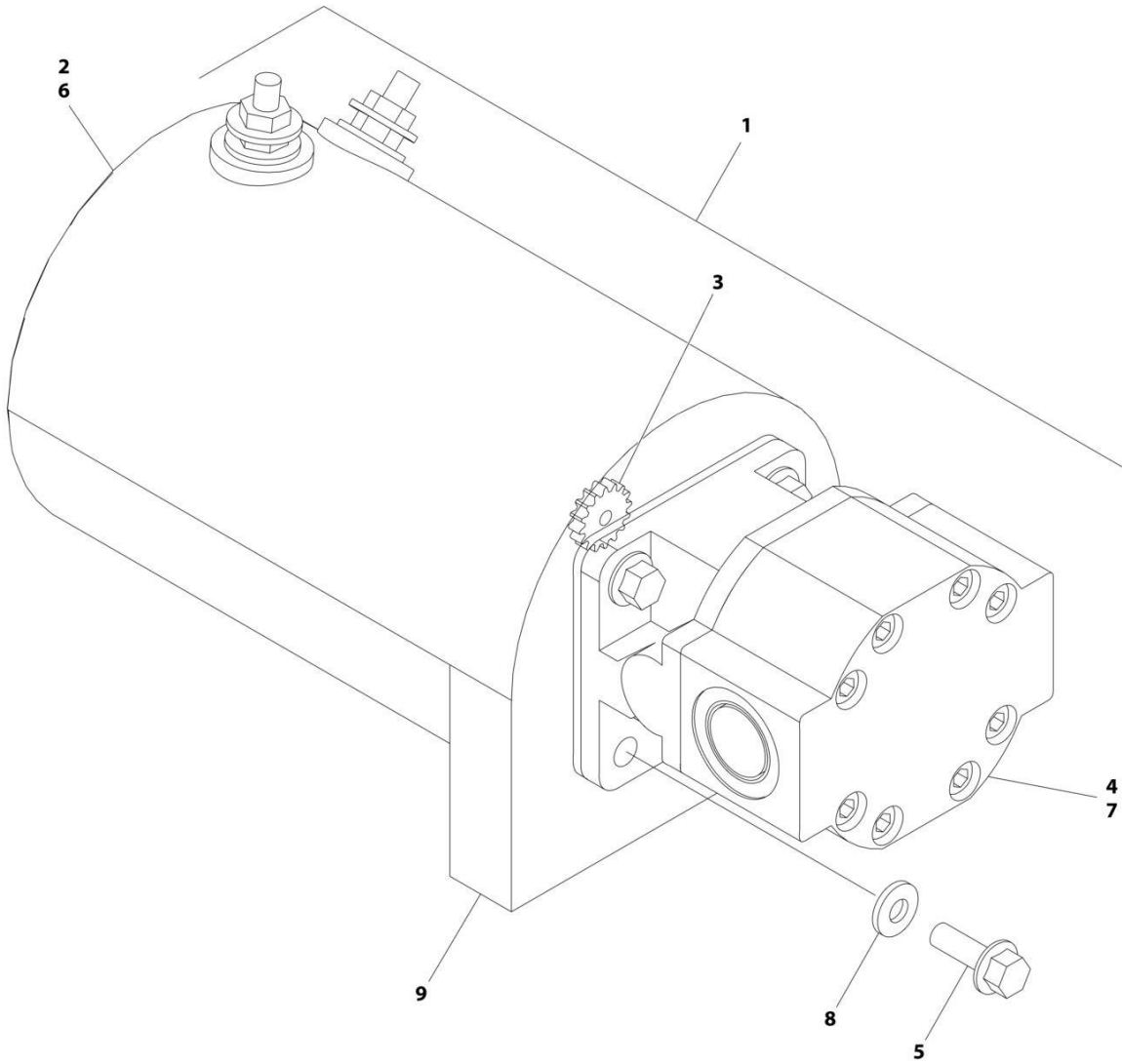
SECTION 2 - TURNTABLE

FIGURE 2-5. AUXILIARY PUMP INSTALLATION WITH BATTERY DISCONNECT

ITEM	PART NUMBER	QTY	DESCRIPTION	REV
	1001239291	Ref	AUXILIARY PUMP WITH BATTERY DISCONNECT INSTALLATION	A
1	0100011	AR	Compound, Locking	
2	0641406	2	Bolt 1/4 x 3/4	
3	0641607	2	Bolt 3/8 x 7/8	
4	0741606	2	Screw, Countersunk 1/4 x 3/4	
5	3311405	3	Nut 1/4	
6	3600365	1	Auxiliary Pump Assembly (See Separate Breakdown in this Section)	
7	3740067	1	Relay	
8	4711400	3	Washer 1/4	
9	4761600	2	Washer 3/8	
10	1001144041	1	Plate	
11	4791400	1	Washer 1/4	
12	0400075	1	Battery	
13	1001236303	1	Plate	
14	1001093382	2	Bolt, J Bolt	
15	4751500	2	Washer 5/16	
16	88521205	2	Nut 5/16	
17	1321716	1	Clamp	
18	4751400	1	Washer 1/4	
19	88411013	1	Bolt 1/4 x 3/4	

SECTION 2 - TURNTABLE

FIGURE 2-6. AUXILIARY PUMP ASSEMBLY



ART_3600365

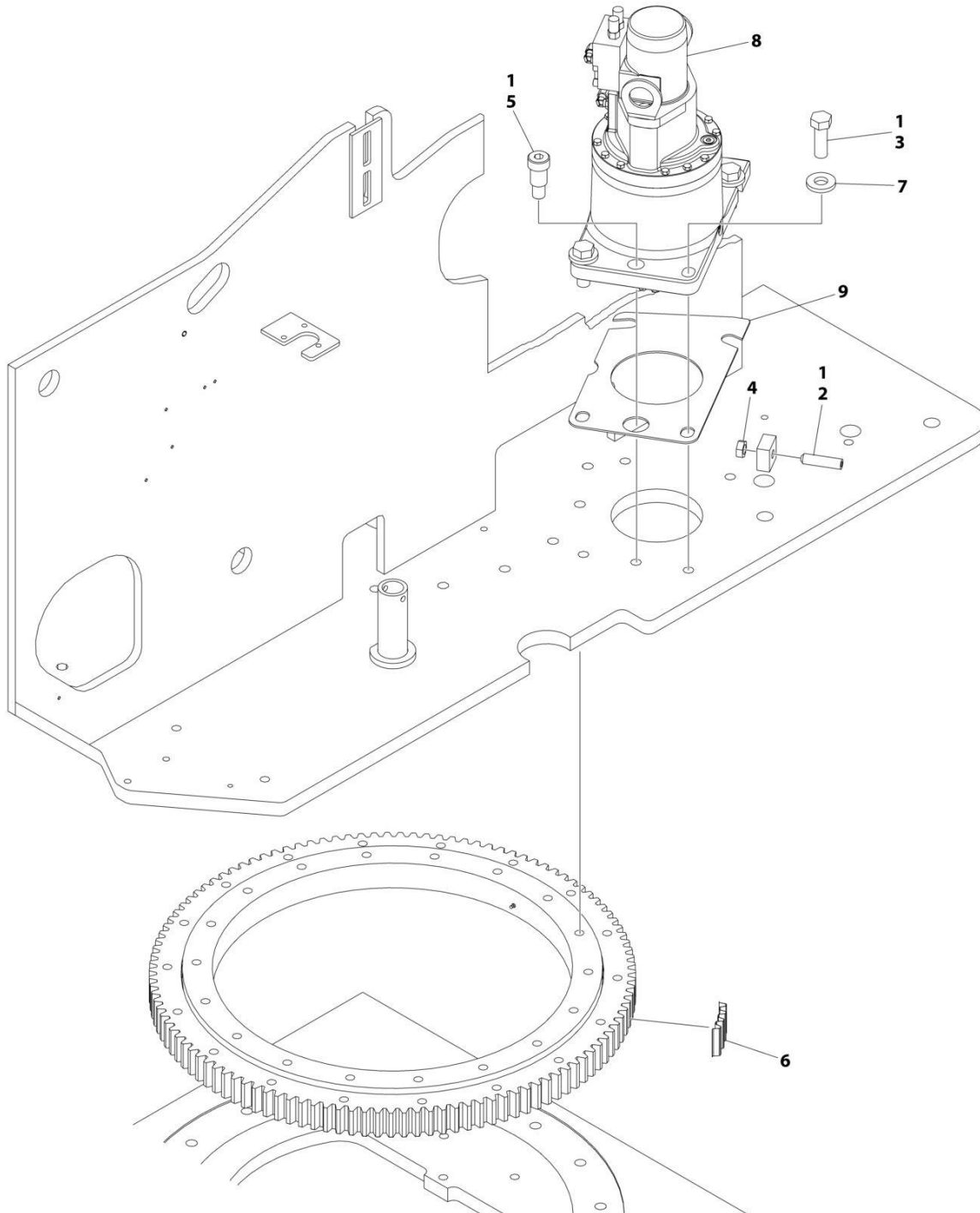
SECTION 2 - TURNTABLE

FIGURE 2-6. AUXILIARY PUMP ASSEMBLY

ITEM	PART NUMBER	QTY	DESCRIPTION	REV
1	3600365	Ref	AUXILIARY PUMP ASSEMBLY	B
2	7004290	1	Replacement Motor with Endhead Item 15H (was p/n 7011067)	
2	7004248	1	Replacement Motor without Endhead Item 15H	
2	7011065	1	Brush Kit - 7011067 Motor	
3	7011063	1	Coupling	
4	7011064	1	Replacement Pump	
4	7011066	1	Seal Kit - 7011064 Pump	
4	7004290	1	Relief Valve (Note: Not Available - Replace Complete Pump)	
5	7011043	4	Bolt (Mounts Pump to Mounting Bracket)	
6	See Note	2	Bolt (Motor to Bracket) (Note: Not Available for Purchase)	
7	7011044	1	Gasket	
8	7011048	4	Washer	
9	7011062	4	Endhead, Motor	

SECTION 2 - TURNTABLE

FIGURE 2-7. SWING DRIVE INSTALLATION



ART_1001152181

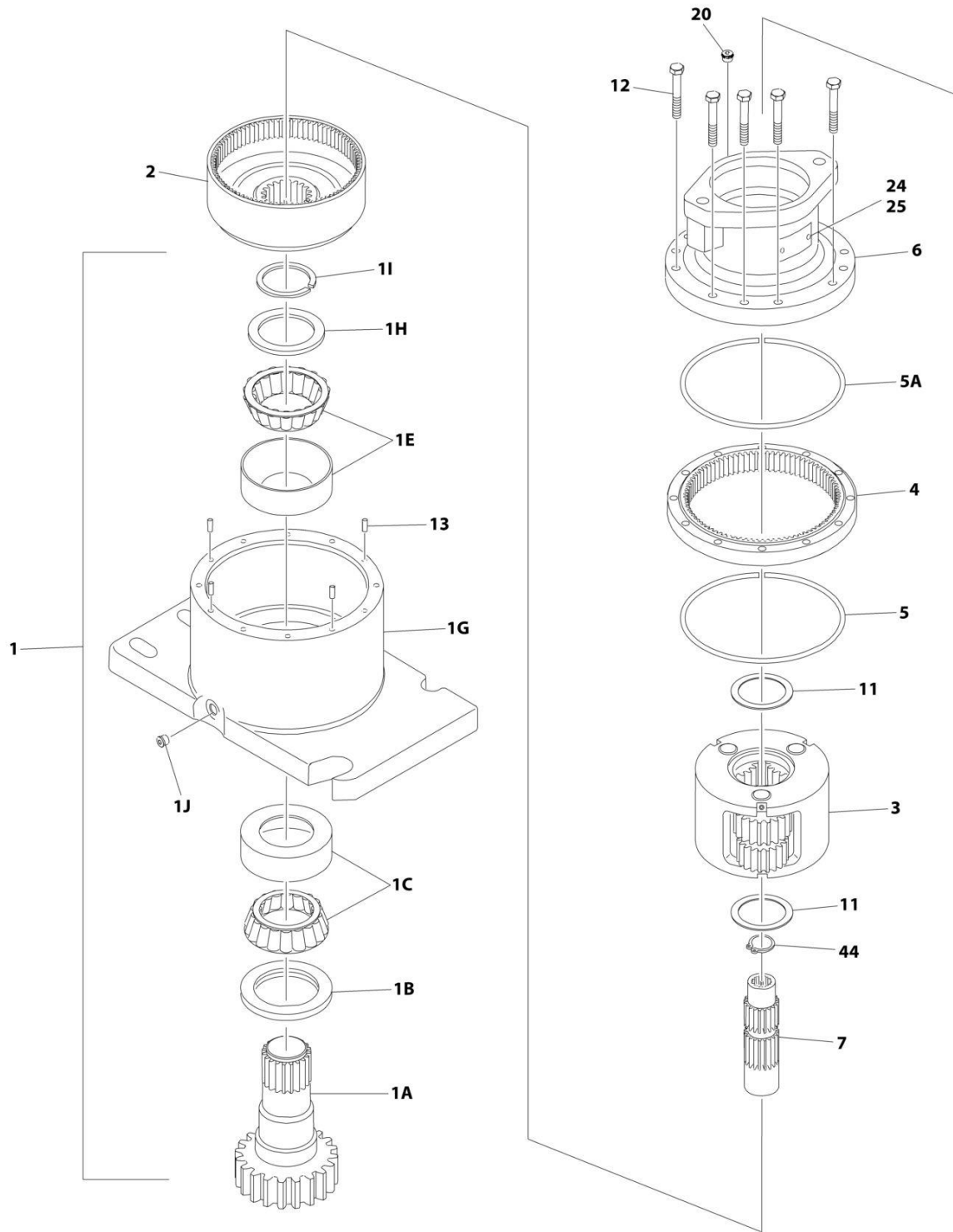
SECTION 2 - TURNTABLE

FIGURE 2-7. SWING DRIVE INSTALLATION

ITEM	PART NUMBER	QTY	DESCRIPTION	REV
	1001152181	Ref	SWING DRIVE INSTALLATION	E
1	0100019	AR	Compound, Locking	
2	3952020	1	Setscrew 5/8 x 2-1/2	
3	0682218	4	Bolt 3/4 x 2-1/4 Grade 8	
4	3312002	1	Nut, Jam 5/8	
5	3900293	1	Capscrew 1 x 1-1/4	
6	1001125492	1	Shim	
7	4740057	4	Flatwasher, Hardened	
8	1001229810	1	Swing Hub Assembly (See Separate Breakdown in this section)	
9	1001152234	1	Plate, Spacer	

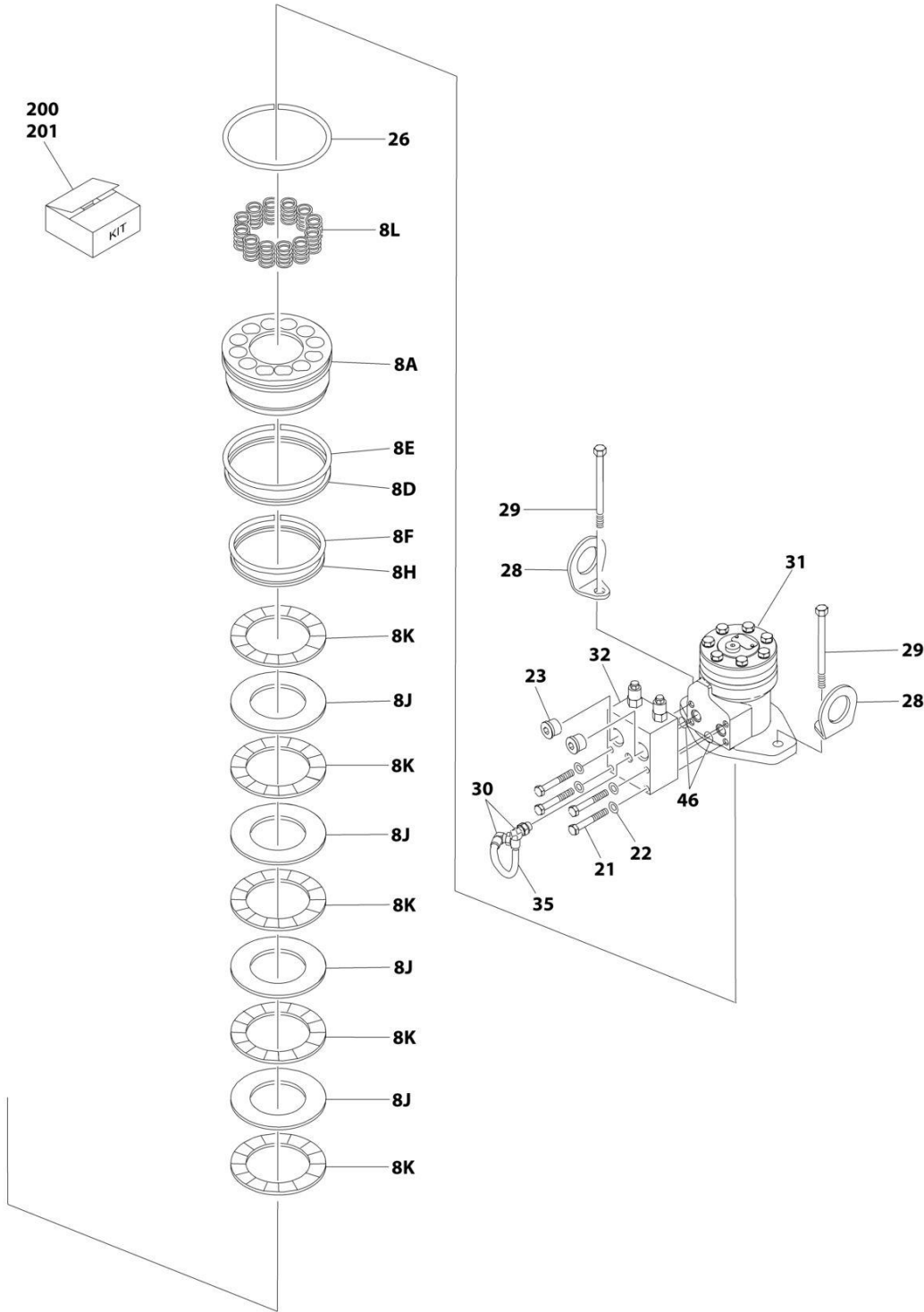
SECTION 2 - TURNTABLE

FIGURE 2-8. SWING MOTOR/HUB ASSEMBLY



ART_1001229810_10F2

SECTION 2 - TURNTABLE



ART_1001229810_20F2

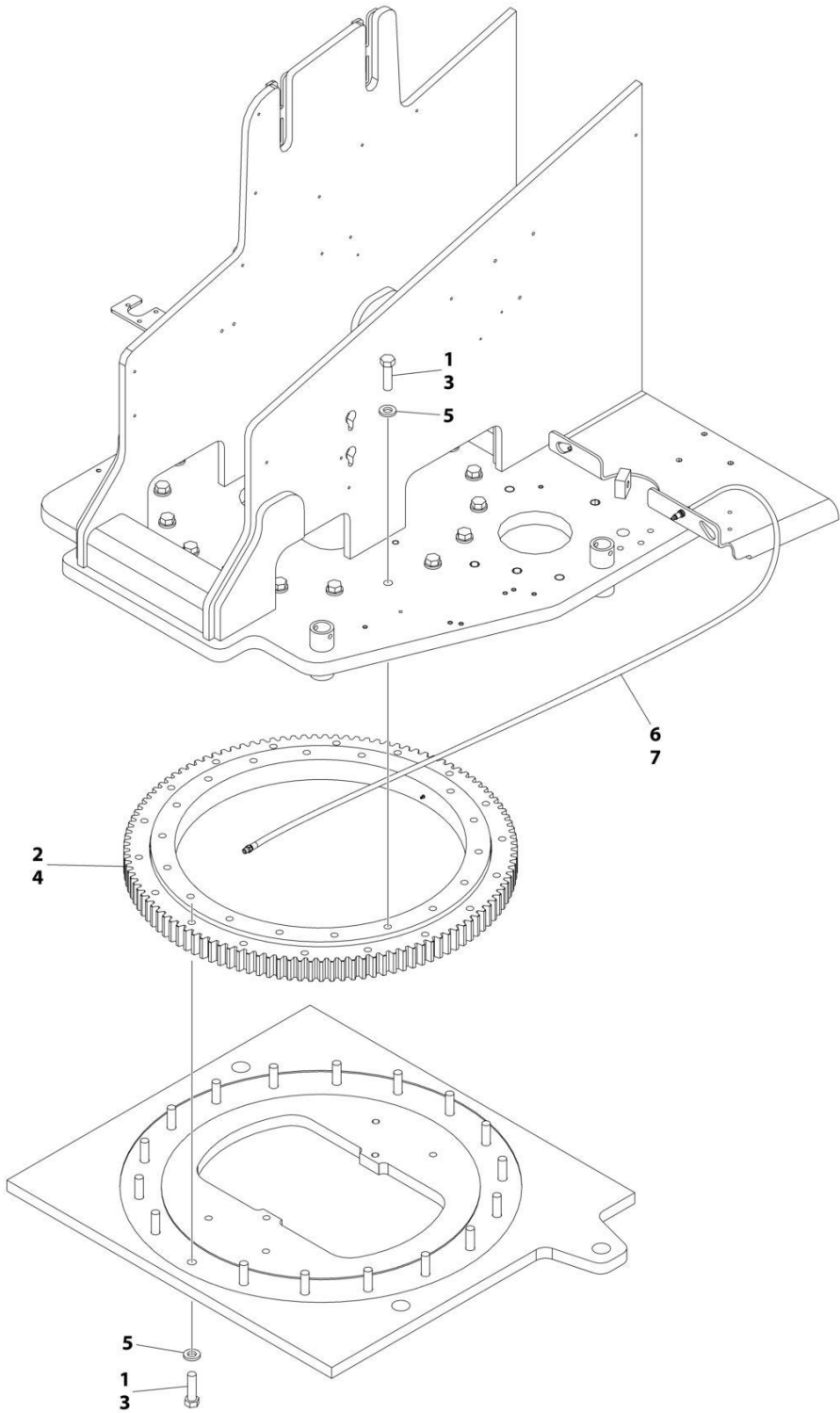
SECTION 2 - TURNTABLE

FIGURE 2-8. SWING MOTOR/HUB ASSEMBLY

ITEM	PART NUMBER	QTY	DESCRIPTION	REV
	1001229810	Ref	SWING MOTOR/HUB ASSEMBLY	C
1	See Note	1	Housing/Shaft Assembly (Note: Not Available - Purchase Individual Components)	
1A	7010492	1	Shaft, Output	
1B	7000228	1	Seal, Lip	
1C	7000255	1	Bearing Kit (Includes Cup and Cone)	
1E	7000257	1	Bearing Kit (Includes Cup and Cone)	
1G	7024762	1	Housing	
1H	7007633	1	Washer, Thrust	
1I	7000229	1	Ring, Retaining	
1J	7017072	1	Plug, Pipe	
2	7000246	1	Gear, Internal	
3	7000247	1	Carrier Assembly	
4	7000248	1	Gear, Ring	
5	7000230	1	O-Ring	
5A	7017070	1	O-Ring	
6	1001229810	NSS	Housing, Brake (Note: Not Available - Purchase Complete Assembly)	
7	70005203	1	Gear, Sun	
8A	70004037	1	Piston	
8D	70004041	1	O-Ring	
8E	70004044	1	Ring, Back-up	
8F	70004042	1	O-Ring	
8H	70004043	1	Ring, Back-up	
8J	70002085	4	Disc, Rotor	
8K	70002085	5	Disc, Stator	
8L	70002066	14	Spring	
11	7000253	2	Washer, Thrust	
12	7000217	12	Bolt 3/8 x 2-1/4 Grade 8	
13	7017080	4	Pin, Dowel	
20	7017072	1	Plug, Pipe	
21	7024704	4	Bolt 5/16 x 2 Grade 8	
22	70004045	4	Washer	
23	7017023	2	Plug, Pipe	
24	See Note	NSS	Plate, ID (Note: Not Available for Purchase)	
25	See Note	NSS	Rivet (Note: Not Available for Purchase)	
26	7024763	1	O-Ring	
28	See Note	NSS	Lug, Lifting (Note: Not Available for Purchase)	
29	70004040	2	Bolt 1/2 x 1 (Grade 8)	
30	7017085	2	Elbow	
31	70006304	1	Motor Assembly	
32	7024784	1	Valve Assembly - Complete (No Serviceable Parts)	
35	70004047	1	Tube	
44	7017028	1	Ring, Internal Retaining	
45	7000213	2	O-Ring	
		Ref	KIT OPTIONS:	
200	7024100	1	Seal Kit - Swing Hub (Includes Items 1B, 1I, 5, 5A & 11)	
201	70002085	1	Disc Kit - Swing Brake (Includes Items 8J & 8K)	

SECTION 2 - TURNTABLE

FIGURE 2-9. TURNTABLE BEARING INSTALLATION



ART_1001150391

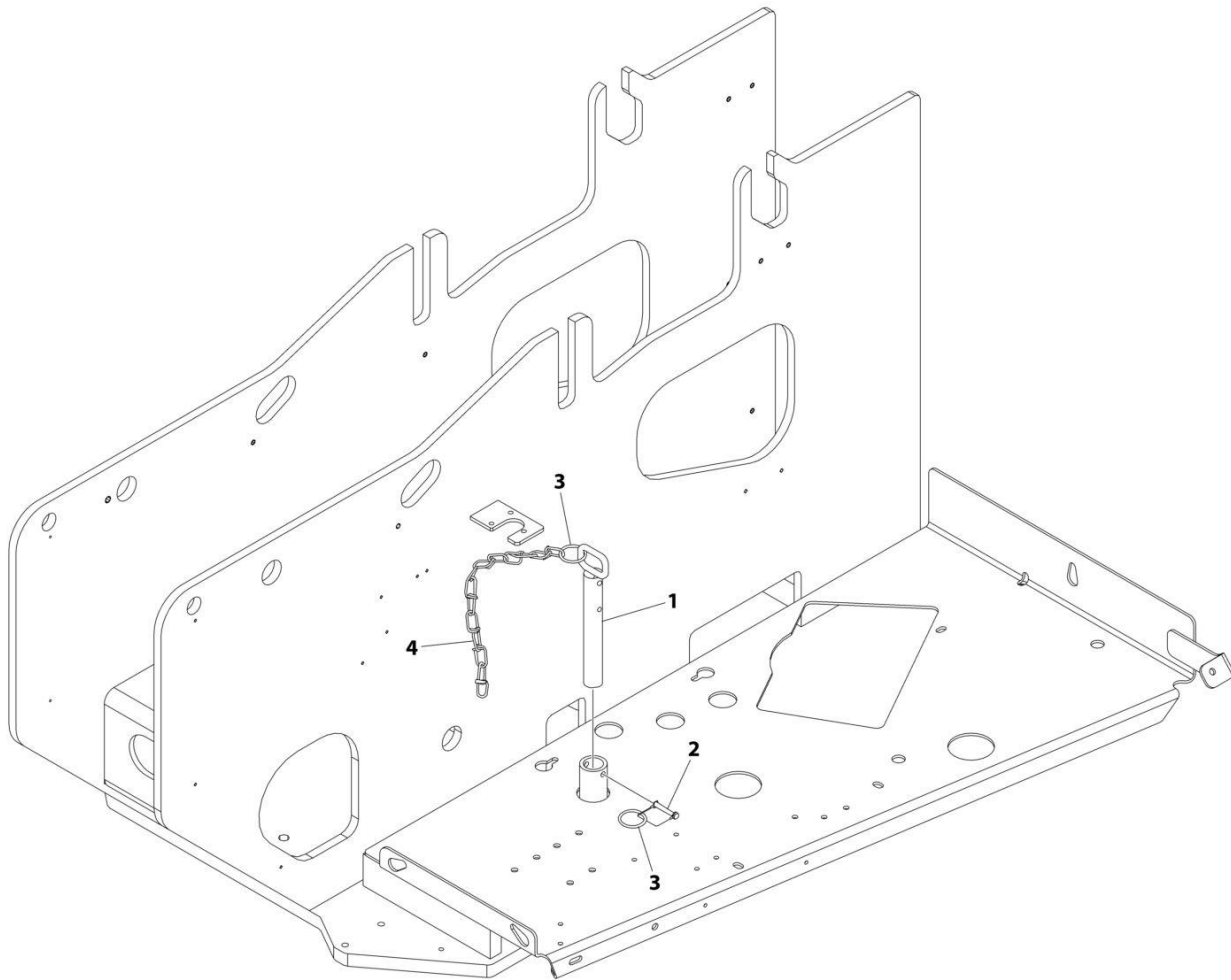
SECTION 2 - TURNTABLE

FIGURE 2-9. TURNTABLE BEARING INSTALLATION

ITEM	PART NUMBER	QTY	DESCRIPTION	REV
	1001150391	Ref	TURNTABLE BEARING AND REMOTE LUBE INSTALLATION	C
1	0100019	AR	Compound, Locking	
2	0440207	1	Bearing, Turntable	
3	0682018	36	Bolt 5/8 x 2-1/4 Grade 8	
4	3020029	AR	Lubricant	
5	4892000	36	Washer 5/8 Hardened	
6	0100011	AR	Compound, Locking	
7	1001149927	1	Hose (Includes Grease Fitting and Adapter Fittings)	

SECTION 2 - TURNTABLE

FIGURE 2-10. TURNTABLE LOCK INSTALLATION (DEUTZ D2011 & FORD ENGINE MACHINES)



ART_0255410

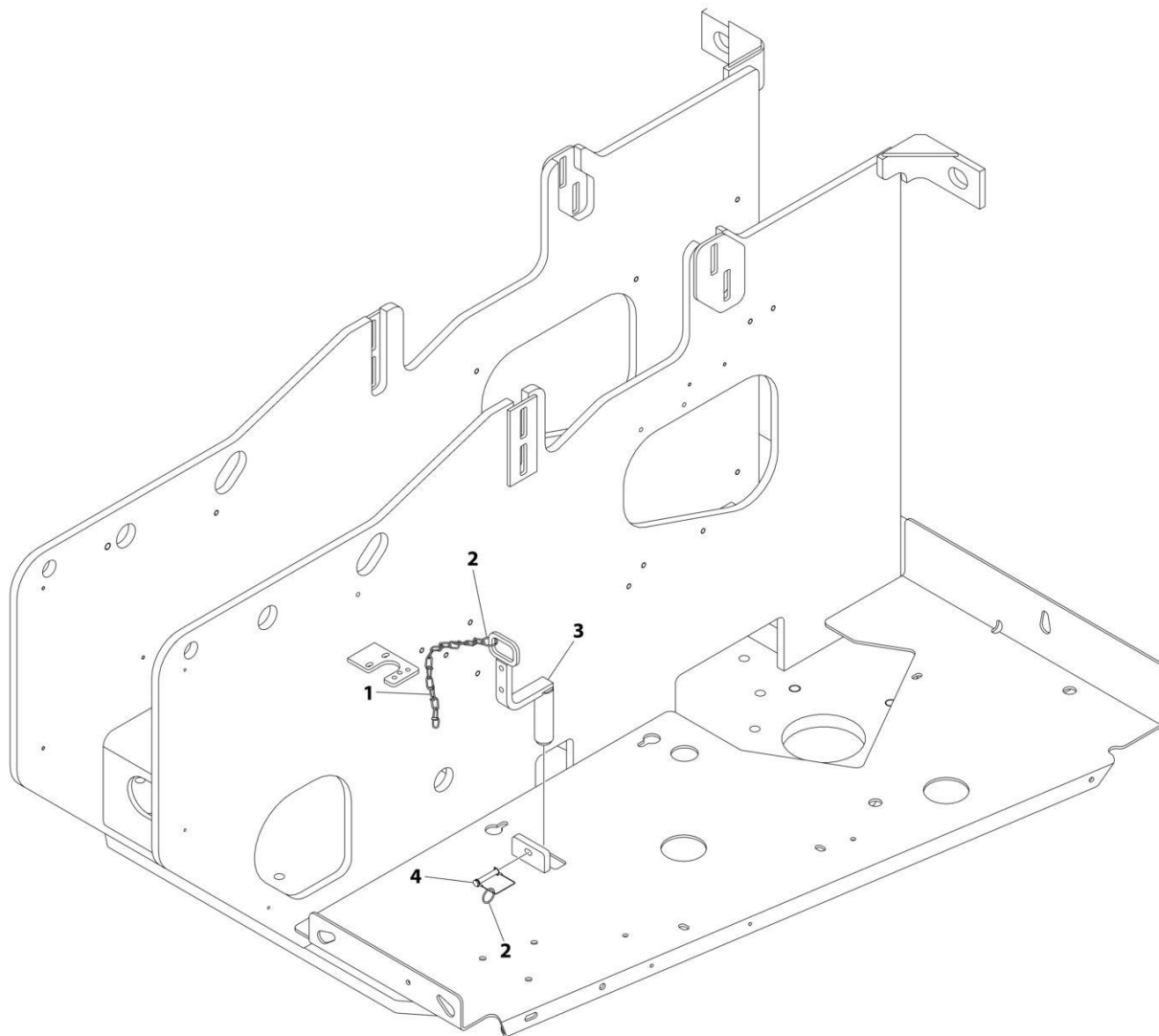
SECTION 2 - TURNTABLE

FIGURE 2-10. TURNTABLE LOCK INSTALLATION (DEUTZ D2011 & FORD ENGINE MACHINES)

ITEM	PART NUMBER	QTY	DESCRIPTION	REV
	0255410	Ref	TURNTABLE LOCK INSTALLATION	B
1	4844958	1	Pin	
2	3421565	1	Pin, Snap	
3	3760170	2	Ring, Quick Release	
4	1260017	9 in /23cm	Chain	

SECTION 2 - TURNTABLE

FIGURE 2-11. TURNTABLE LOCK INSTALLATION (DEUTZ TD2.9L4 & DEUTZ TD2.2L3 STAGE V ENGINE MACHINES)



ART_1001137885

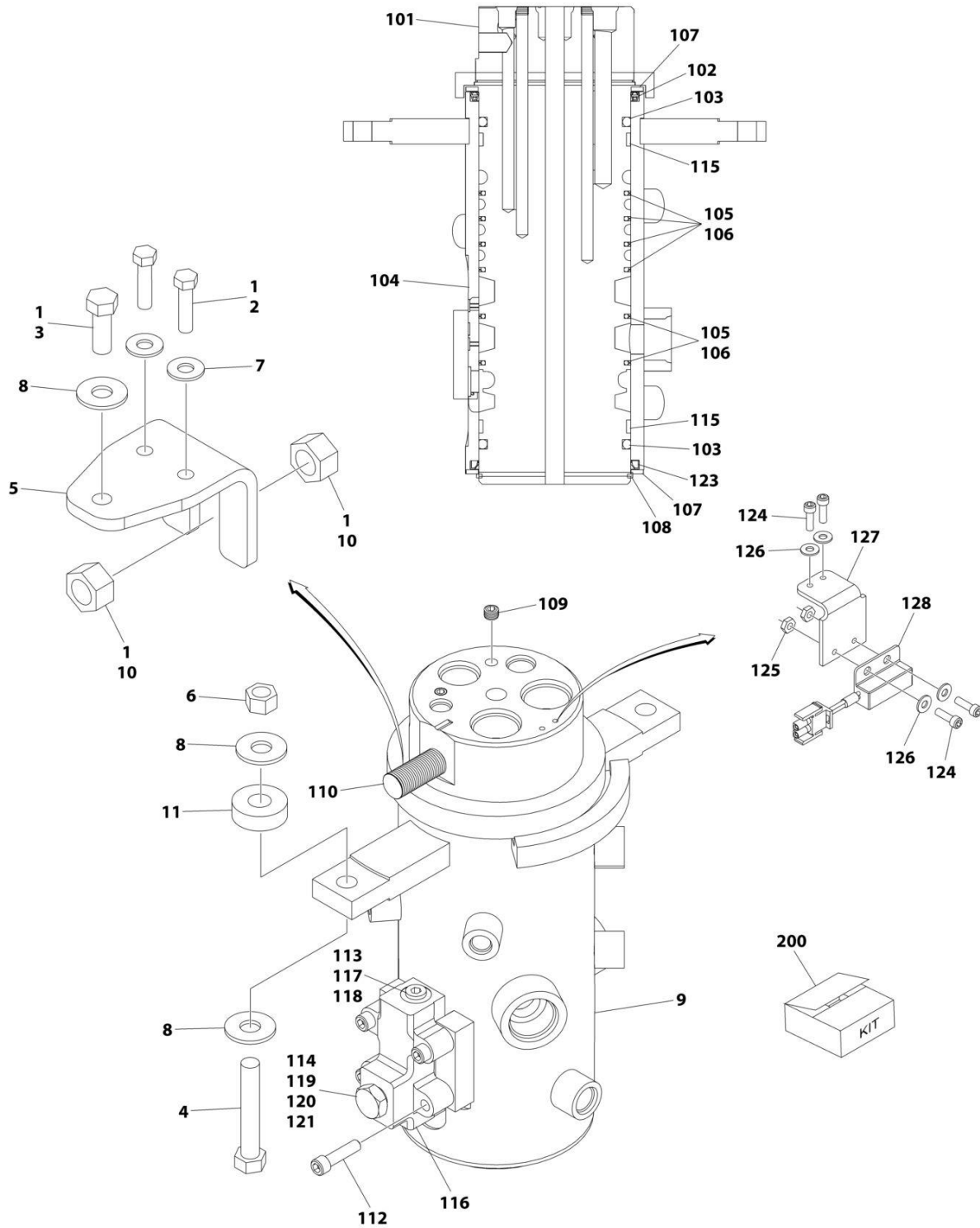
SECTION 2 - TURNTABLE

FIGURE 2-11. TURNTABLE LOCK INSTALLATION (DEUTZ TD2.9L4 & DEUTZ TD2.2L3 STAGE V ENGINE MACHINES)

ITEM	PART NUMBER	QTY	DESCRIPTION	REV
	1001137885	Ref	TURNTABLE LOCK INSTALLATION	A
1	1260017	9 in /23cm	Chain	
2	3760170	2	Ring, Quick Release	
3	1001137896	1	Pin	
4	1001145292	1	Pin, Snap	

SECTION 2 - TURNTABLE

FIGURE 2-12. ROTARY COUPLING INSTALLATION



ART_1001107498

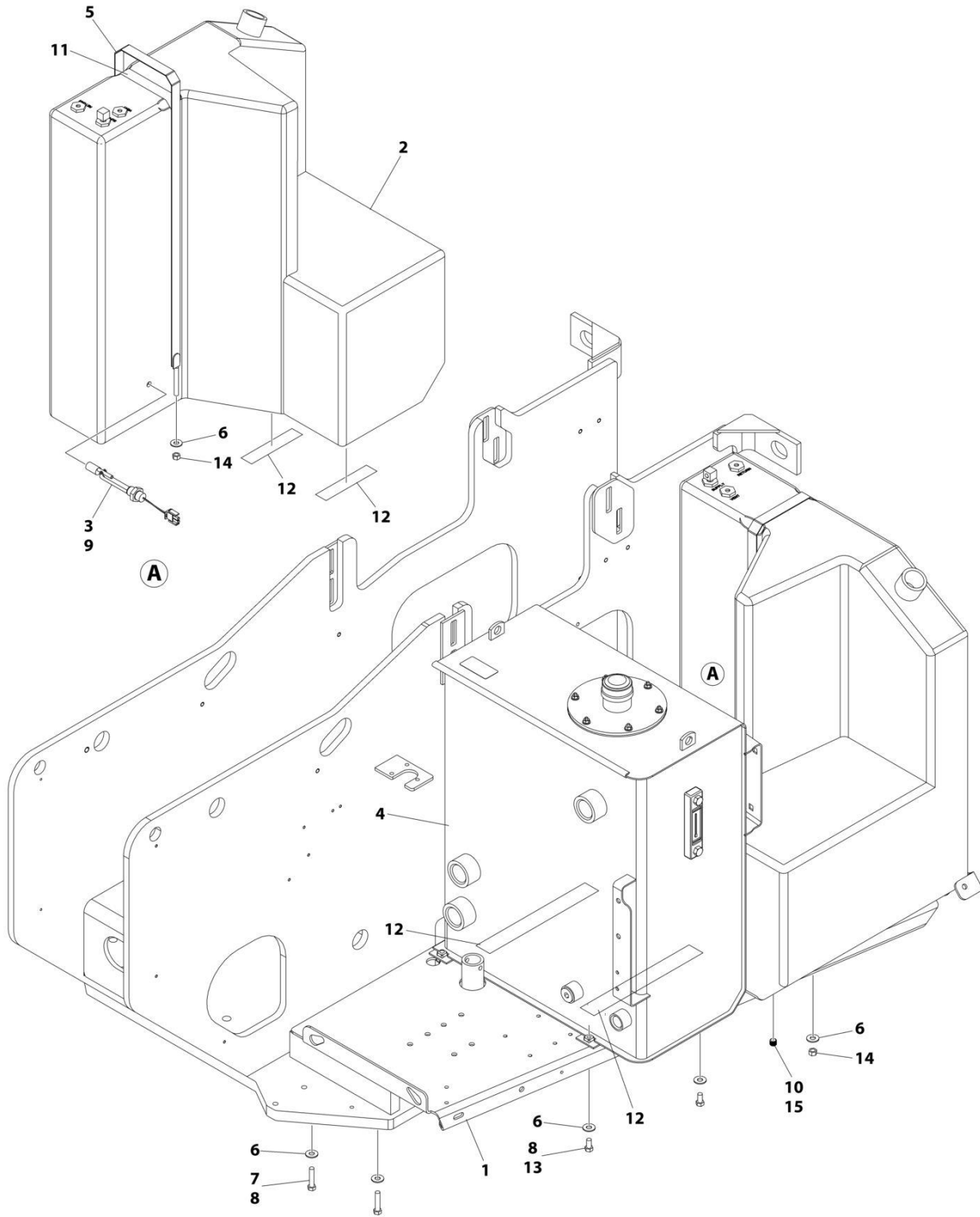
SECTION 2 - TURNTABLE

FIGURE 2-12. ROTARY COUPLING INSTALLATION

ITEM	PART NUMBER	QTY	DESCRIPTION	REV
	1001107498	Ref	ROTARY COUPLING INSTALLATION	B
1	0100011	AR	Compound, Locking	
2	0641612	2	Bolt 3/8 x 1-1/2	
3	0641811	1	Bolt 1/2 x 1-3/8	
4	0641824	2	Bolt 1/2 x 3	
5	0903056	1	Bracket	
6	3271805	2	Nut 1/2	
7	4751600	2	Washer 3/8	
8	4751800	5	Washer 1/2	
9	1001106974	1	Coupling, Rotary (See Items 101-121 for Breakdown)	
10	3322201	2	Nut 3/4	
11	1001178789	2	Shim	
	1001106974	Ref	ROTARY COUPLING ASSEMBLY	B
101	See Note	NSS	Body (Note: Not Available - Purchase Complete Assembly)	
102	70001248	1	Seal	
103	See Note	NSS	O-Ring (Note: Use Item 200A or 200B) (Note: Use Item 200A or 200B)	
104	See Note	NSS	Housing (Note: Not Available - Purchase Complete Assembly)	
105	70001248	6	Seal, Cap	
106	70001248	6	O-Ring	
107	7026503	2	Ring	
108	7026504	1	Ring, Retaining	
109	80934561	2	Plug	
110	See Note	1	Lug, Torque (Note: Not Available for Purchase)	
112	7026197	4	Bolt 5/16 x 1-1/4	
113	See Note	NSS	O-Ring (Note: Use Item 200A or 200B)	
114	See Note	NSS	O-Ring (Note: Use Item 200A or 200B)	
115	See Note	NSS	Bearing (Note: Use Item 200A or 200B)	
116	7024404	1	Block Valve Assembly	
117	7026505	1	Plug	
118	7026506	1	Valve, Check	
119	7026507	1	Plug	
120	7024404	1	Plunger, Valve (Note: Not Available for Purchase)	
121	7026509	1	Spring, Compression	
122	See Note	NSS	Protective Netting (Not Shown) (Note: Not Available for Purchase)	
123	70001248	1	Seal	
124	See Note	NSS	Screw, Socket Head #10 x 1/2 (Note: Not Available for Purchase)	
125	See Note	NSS	Nut #10 (Note: Not Available for Purchase)	
126	See Note	NSS	Washer #10 (Note: Not Available for Purchase)	
127	70003454	1	Bracket, Switch Mounting	
128	4360517	1	Switch, Proximity	
200	70001248	1	Seal Kit (Includes Items 102, 103, 105, 106, 113, 114, 115 & 123)	

SECTION 2 - TURNTABLE

FIGURE 2-13. TANK INSTALLATION – DEUTZ D2011 ENGINE



ART_1001152066

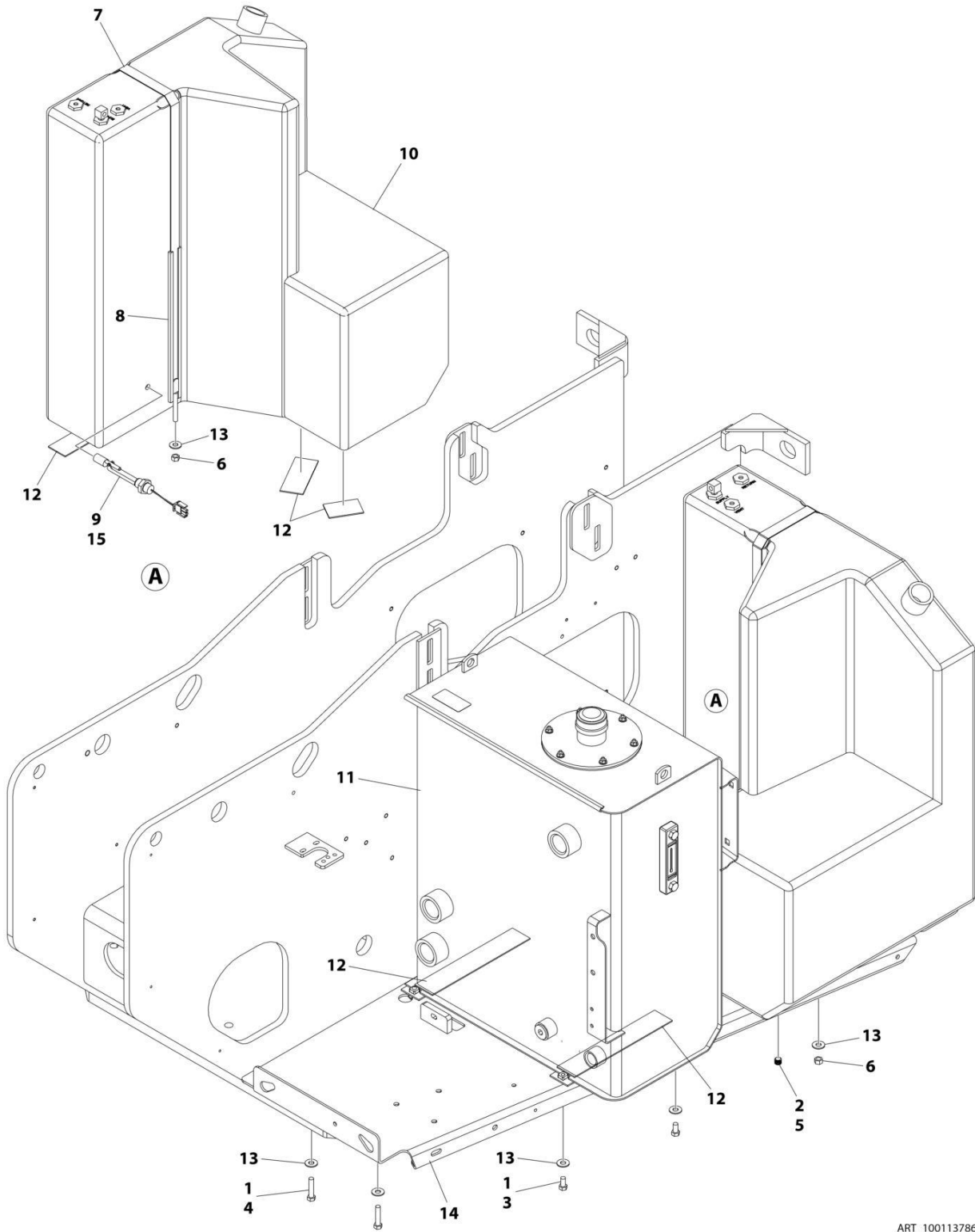
SECTION 2 - TURNTABLE

FIGURE 2-13. TANK INSTALLATION – DEUTZ D2011 ENGINE

ITEM	PART NUMBER	QTY	DESCRIPTION	REV
	1001152066	Ref	TANK INSTALLATION	C
1	1001152428	1	Tray	
2	1001173896	1	Tank, Fuel	
2	7016314	1	Cap, Fuel (Non-Locking)	
2	7019658	1	Fitting, 90 with Pick up Tube	
3	4360436	1	Switch, Fuel Level	
4	1001151268	1	Hydraulic Oil Tank Assembly (See Separate Breakdown in this Section)	
5	4240102	1	Strap, Tank	
6	4751600	10	Washer 3/8	
7	0641614	4	Bolt 3/8 x 1-3/4	
8	0100011	AR	Compound, Locking	
9	1001182997	AR	Sealant, Pipe	
10	2200222	1	Plug	
11	4280295	18 in /46cm	Strip, Protective	
12	4420038	AR	Tape, Rubber	
13	0641606	4	Bolt 3/8 x 3/4	
14	3311601	2	Nut 3/8	
15	0100020	AR	Sealant	

SECTION 2 - TURNTABLE

FIGURE 2-14. TANK INSTALLATION – DEUTZ TD2.9L4 & TD2.2L3 STAGE V ENGINES



ART_1001137865

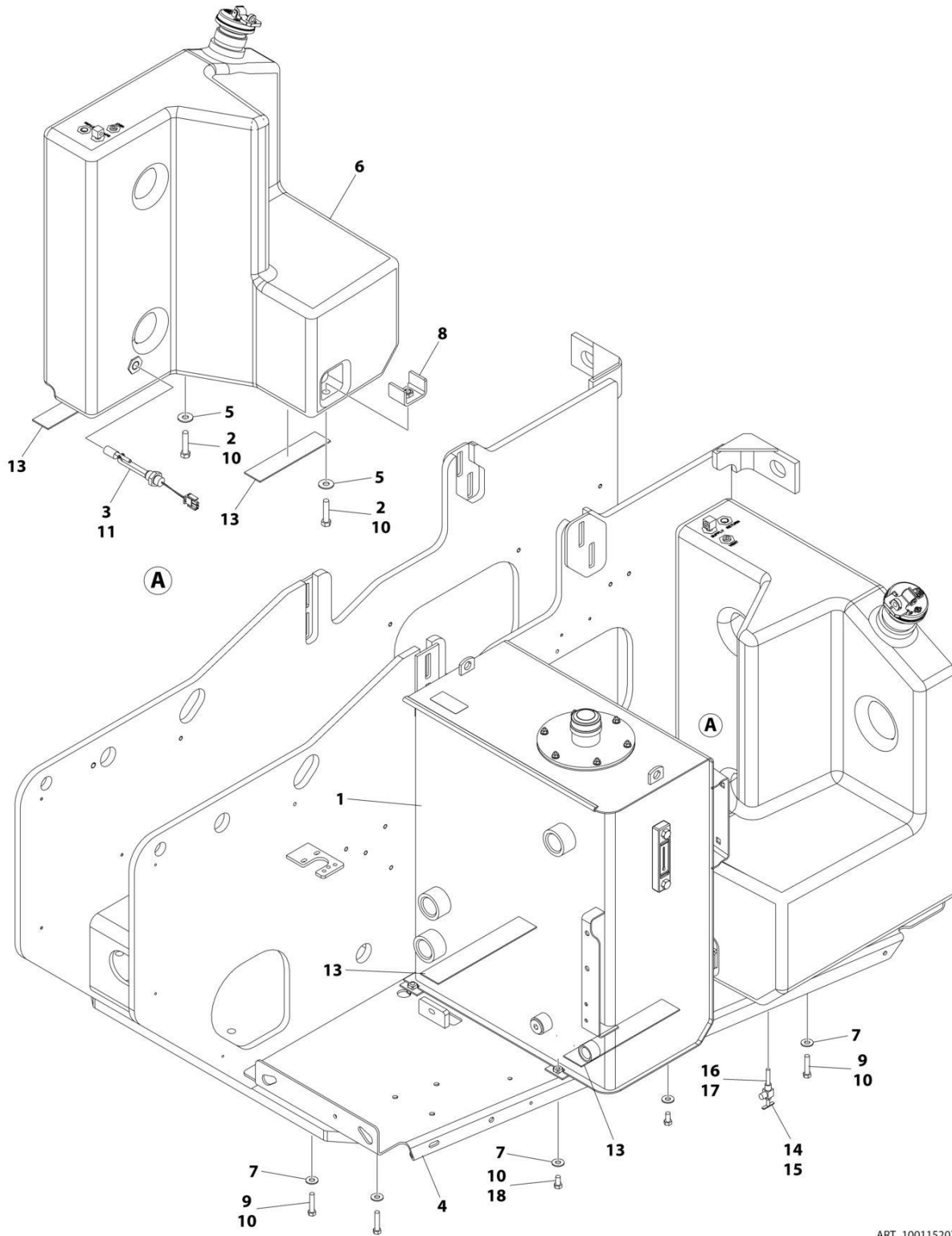
SECTION 2 - TURNTABLE

FIGURE 2-14. TANK INSTALLATION – DEUTZ TD2.9L4 & TD2.2L3 STAGE V ENGINES

ITEM	PART NUMBER	QTY	DESCRIPTION	REV
	1001137865	Ref	TANK INSTALLATION	F
1	0100011	AR	Compound, Locking	
2	0100020	AR	Sealant	
3	0641606	4	Bolt 3/8 x 3/4	
4	0641614	4	Bolt 3/8 x 1-3/4	
5	2200222	1	Plug	
6	3311601	2	Nut 3/8	
7	4240102	1	Strap, Tank	
8	4280295	18 in /46cm	Strip, Protective	
9	4360436	1	Switch, Fuel Level	
10	1001173896	1	Tank, Fuel	
10	7016314	1	Cap (Non-Locking)	
10	7019658	1	Fitting, 90 with Pick up Tube	
11	1001151268	1	Hydraulic Oil Tank Assembly (See Separate Breakdown in this Section)	
12	4420038	AR	Tape, Rubber	
13	4751600	10	Washer 3/8	
14	1001137863	1	Tray	
15	1001182997	AR	Sealant, Pipe	

SECTION 2 - TURNTABLE

FIGURE 2-15. TANK INSTALLATION – FORD ENGINE



ART_1001152070

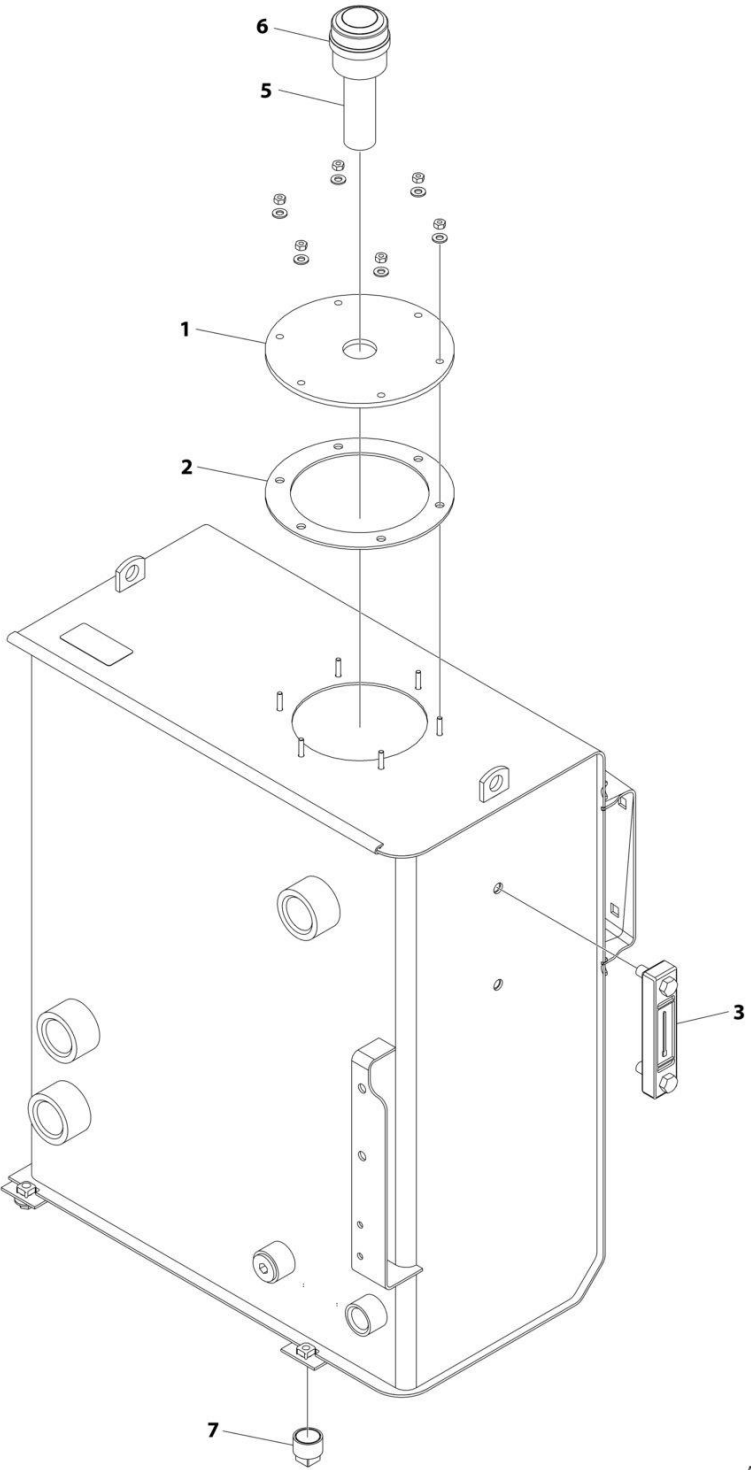
SECTION 2 - TURNTABLE

FIGURE 2-15. TANK INSTALLATION – FORD ENGINE

ITEM	PART NUMBER	QTY	DESCRIPTION	REV
	1001152070	Ref	TANK INSTALLATION	D
1	1001151268	1	Hydraulic Oil Tank Assembly (See Separate Breakdown in this Section)	
2	0641818	2	Bolt 1/2 x 2-1/4	
3	4360436	1	Switch, Fuel Level	
4	1001137863	1	Tray	
5	4751800	2	Washer 1/2	
6	1001111514	1	Tank, Fuel	
6	70002715	1	Cap (Non-Locking)	
6	70002716	1	Adpater, Cap	
6	70004149	1	Fitting with Pick up Tube	
7	4751600	8	Washer 3/8	
8	1001118133	2	Bracket	
9	0641614	4	Bolt 3/8 x 1-3/4	
10	0100011	AR	Compound, Locking	
11	1001182997	AR	Sealant, Pipe	
13	4420038	AR	Tape, Rubber	
14	4641022	1	Valve, Needle	
15	0100020	AR	Sealant	
16	0100062	AR	Retaining Compound #680	
17	4568119	1	Tube, Fuel	
18	0641606	4	Bolt 3/8 x 3/4	

SECTION 2 - TURNTABLE

FIGURE 2-16. HYDRAULIC OIL TANK ASSEMBLY



ART_1001151268

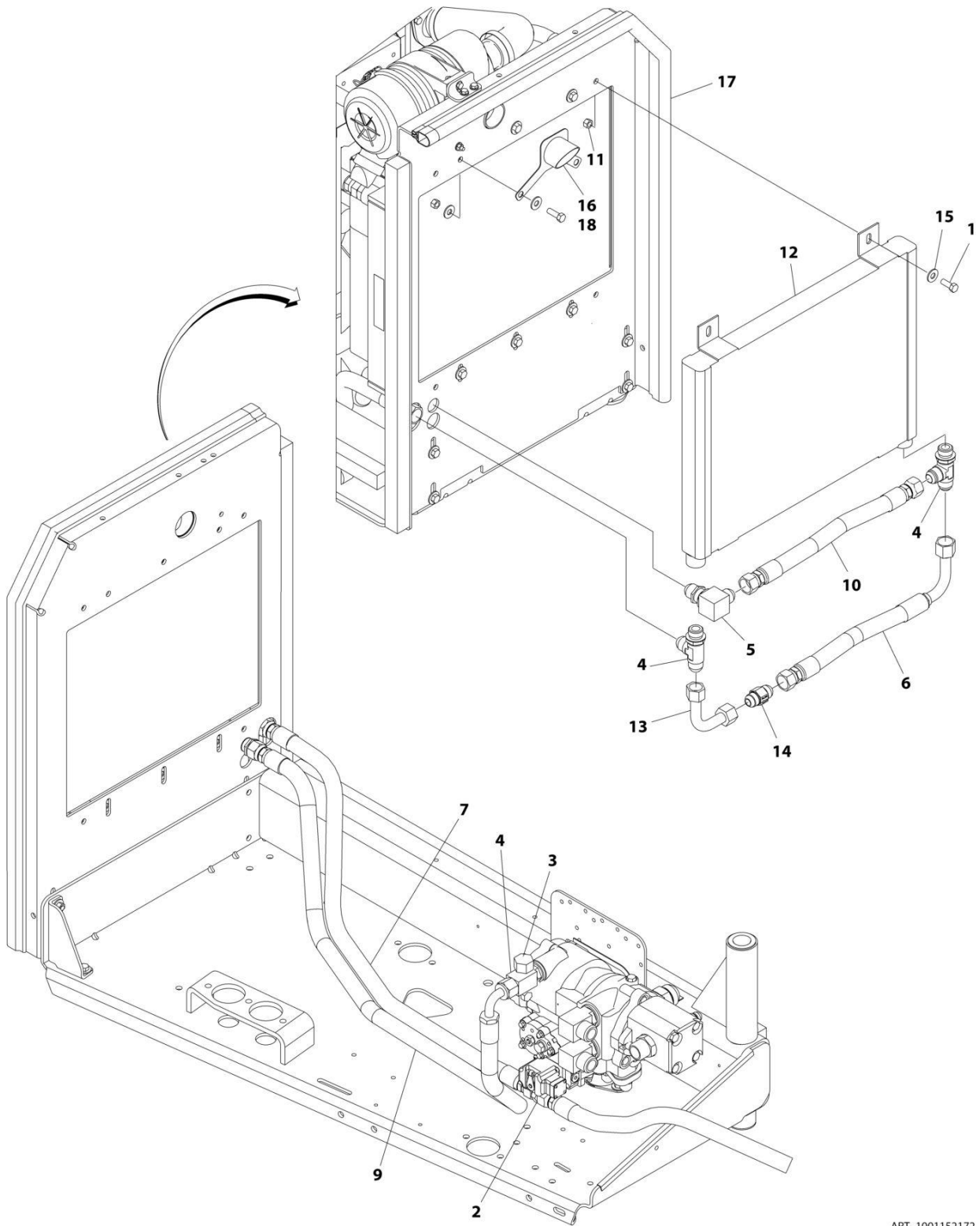
SECTION 2 - TURNTABLE

FIGURE 2-16. HYDRAULIC OIL TANK ASSEMBLY

ITEM	PART NUMBER	QTY	DESCRIPTION	REV
	1001151268	Ref	HYDRAULIC OIL TANK ASSEMBLY	H
1	7024439	1	Cover	
2	7024440	1	Gasket	
3	7024441	1	Gauge, Sight	
5	7024443	1	Neck, Fill (Helgensen Brand)	
5	See Note	NSS	Neck, Fill (Hydac Brand) (Note: Use Item 70004862)	
5	7024445	1	Screen (Helgensen Brand)	
5	See Note	NSS	Screen (Hydac Brand) (Note: Use Item 70004862)	
6	7024444	1	Breather/Fill Cap (Helgensen Brand)	
6	70004862	1	Breather/Fill Cap/Strainer Kit (Hydac Brand)	
7	7024446	1	Plug, Magnetic	

SECTION 2 - TURNTABLE

FIGURE 2-17. HYDRAULIC OIL COOLER INSTALLATION - DEUTZ D2011 ENGINES (OPTIONAL)



ART_1001152172

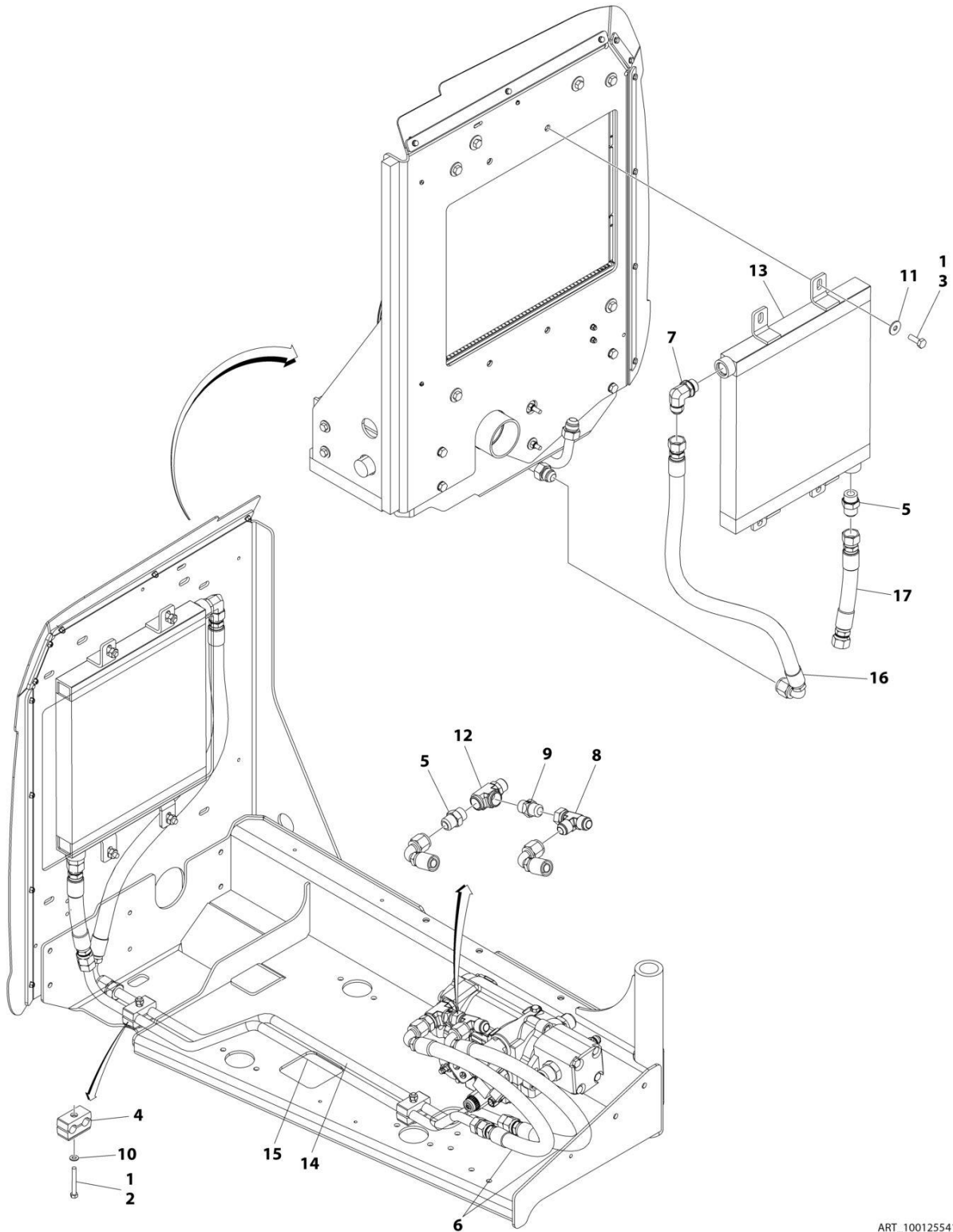
SECTION 2 - TURNTABLE

FIGURE 2-17. HYDRAULIC OIL COOLER INSTALLATION - DEUTZ D2011 ENGINES (OPTIONAL)

ITEM	PART NUMBER	QTY	DESCRIPTION	REV
	1001152172	Ref	HYDRAULIC OIL COOLER INSTALLATION	C
1	0641608	4	Bolt 3/8 x 1	
2	2220513	1	Fitting, Straight JIC/JIC	
3	2220518	1	Fitting, Cap	
4	2220738	3	Fitting, Tee JIC/ORB/JIC	
5	2230046	1	Fitting, 90 JIC/JIC	
6	2752659	1	Hose	
7	2752661	1	Hose	
9	2753354	1	Hose	
10	2750949	1	Hose	
11	3311605	4	Nut 3/8	
12	3620034	1	Cooler, Hydraulic Oil	
13	4567123	1	Tube 90	
14	4640990	1	Valve, Check	
15	4751600	4	Washer 3/8	
16	0100087	AR	Adhesive	
17	1001157604	5 ft /1.52m	Seal	
18	1001158720	1	Shroud	

SECTION 2 - TURNTABLE

FIGURE 2-18. HYDRAULIC OIL COOLER INSTALLATION - DEUTZ TD2.2L3 STAGE V ENGINES (OPTIONAL)



ART_1001255413

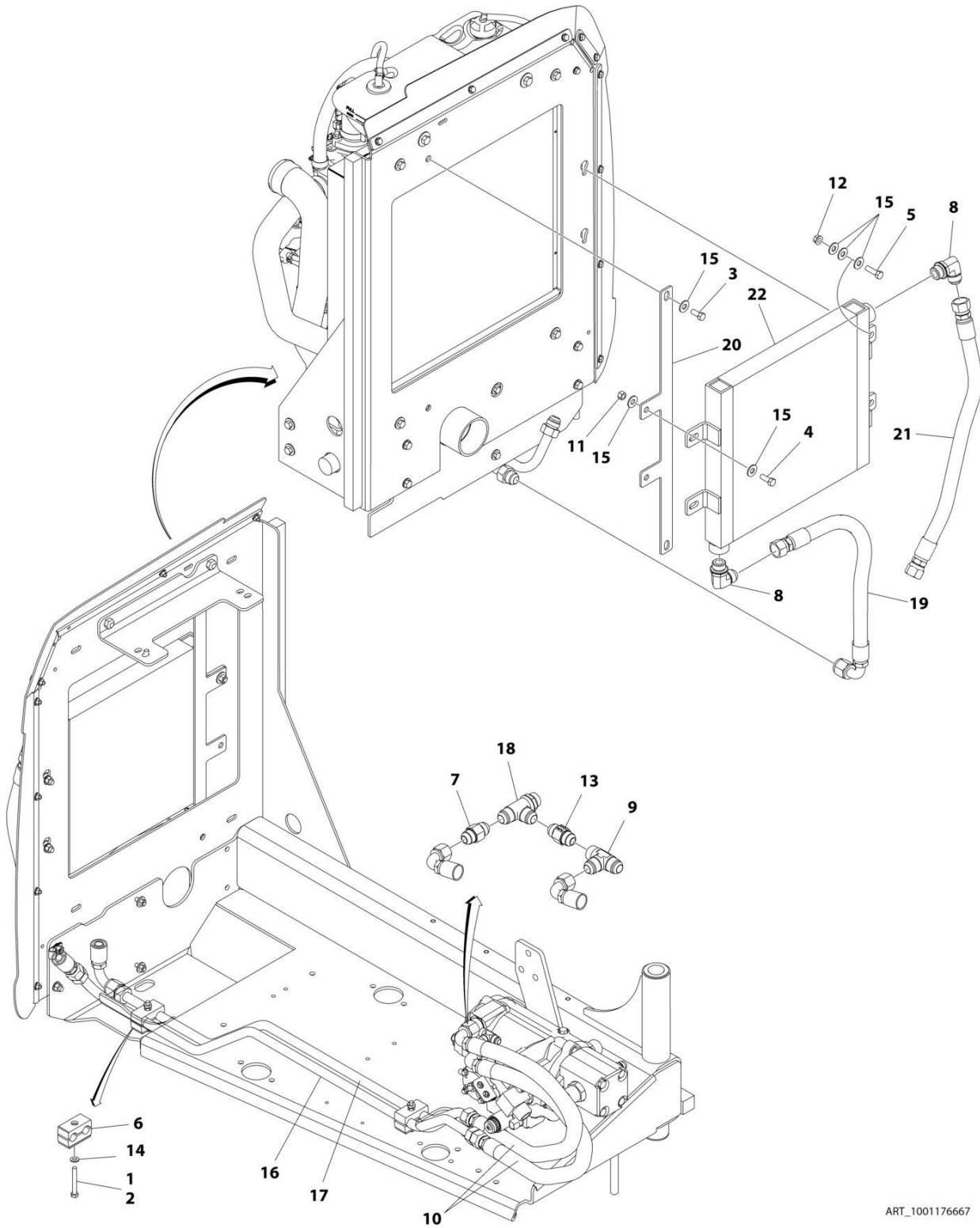
SECTION 2 - TURNTABLE

FIGURE 2-18. HYDRAULIC OIL COOLER INSTALLATION - DEUTZ TD2.2L3 STAGE V ENGINES (OPTIONAL)

ITEM	PART NUMBER	QTY	DESCRIPTION	REV
	1001255413	Ref	HYDRAULIC OIL COOLER INSTALLATION	A
1	0100011	AR	Compound, Locking	
2	0641520	2	Bolt 5/16 x 2-1/2	
3	0701014	4	Bolt M10 x 30	
4	1320162	2	Clamp	
5	2220451	2	Fitting, Straight JIC/ORB	
6	2752530	2	Hose	
7	2220578	1	Fitting, 90 JIC/ORB	
8	2220700	1	Fitting, Tee JIC/FSJIC/JIC	
9	4641264	1	Valve, Check	
10	4711500	2	Washer 5/16	
11	4812002	4	Washer M10	
12	1001143812	1	Fitting, Tee ORB/ORB/ORB	
13	1001183924	1	Cooler, Hydraulic Oil	
14	1001249448	1	Tube	
15	1001249449	1	Tube	
16	1001253805	1	Hose	
17	1001253806	1	Hose	

SECTION 2 - TURNTABLE

FIGURE 2-19. HYDRAULIC OIL COOLER INSTALLATION - DEUTZ TD2.9L4 ENGINES (OPTIONAL)



ART_1001176667

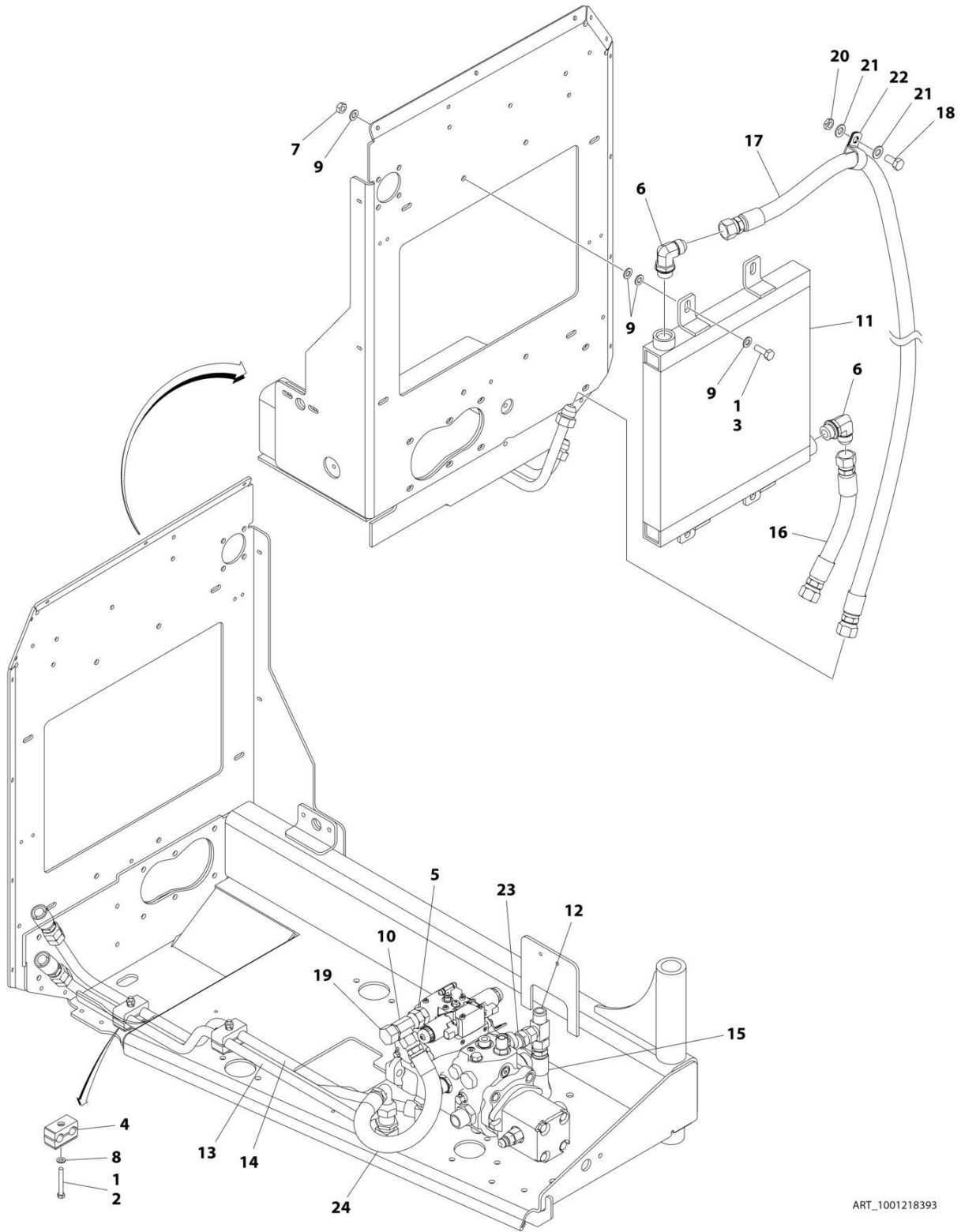
SECTION 2 - TURNTABLE

FIGURE 2-19. HYDRAULIC OIL COOLER INSTALLATION - DEUTZ TD2.9L4 ENGINES (OPTIONAL)

ITEM	PART NUMBER	QTY	DESCRIPTION	REV
	1001176667	Ref	HYDRAULIC OIL COOLER INSTALLATION	C
1	0100011	AR	Compound, Locking	
2	0641520	2	Bolt 5/16 x 2-1/2	
3	0641607	2	Bolt 3/8 x 7/8	
4	0641608	2	Bolt 3/8 x 1	
5	0641610	2	Bolt 3/8 x 1-1/4	
6	1320162	2	Clamp	
7	2220451	1	Fitting, Straight JIC/ORB	
8	2220578	2	Fitting, 90 JIC/ORB	
9	2220700	1	Fitting, Tee JIC/FSJIC/JIC	
10	2752530	2	Hose	
11	3271601	2	Nut 3/8	
12	3311608	2	Nut 3/8	
13	4641264	1	Valve, Check	
14	4711500	2	Washer 5/16	
15	4751600	12	Washer 3/8	
16	1001143765	1	Tube	
17	1001143766	1	Tube	
18	1001143812	1	Fitting, Tee ORB/ORB/ORB	
19	1001145706	1	Hose	
20	1001176666	1	Plate	
21	1001177090	1	Hose	
22	1001183924	1	Cooler, Hydraulic Oil	

SECTION 2 - TURNTABLE

FIGURE 2-20. HYDRAULIC OIL COOLER INSTALLATION – FORD ENGINES (OPTIONAL)



ART_1001218393

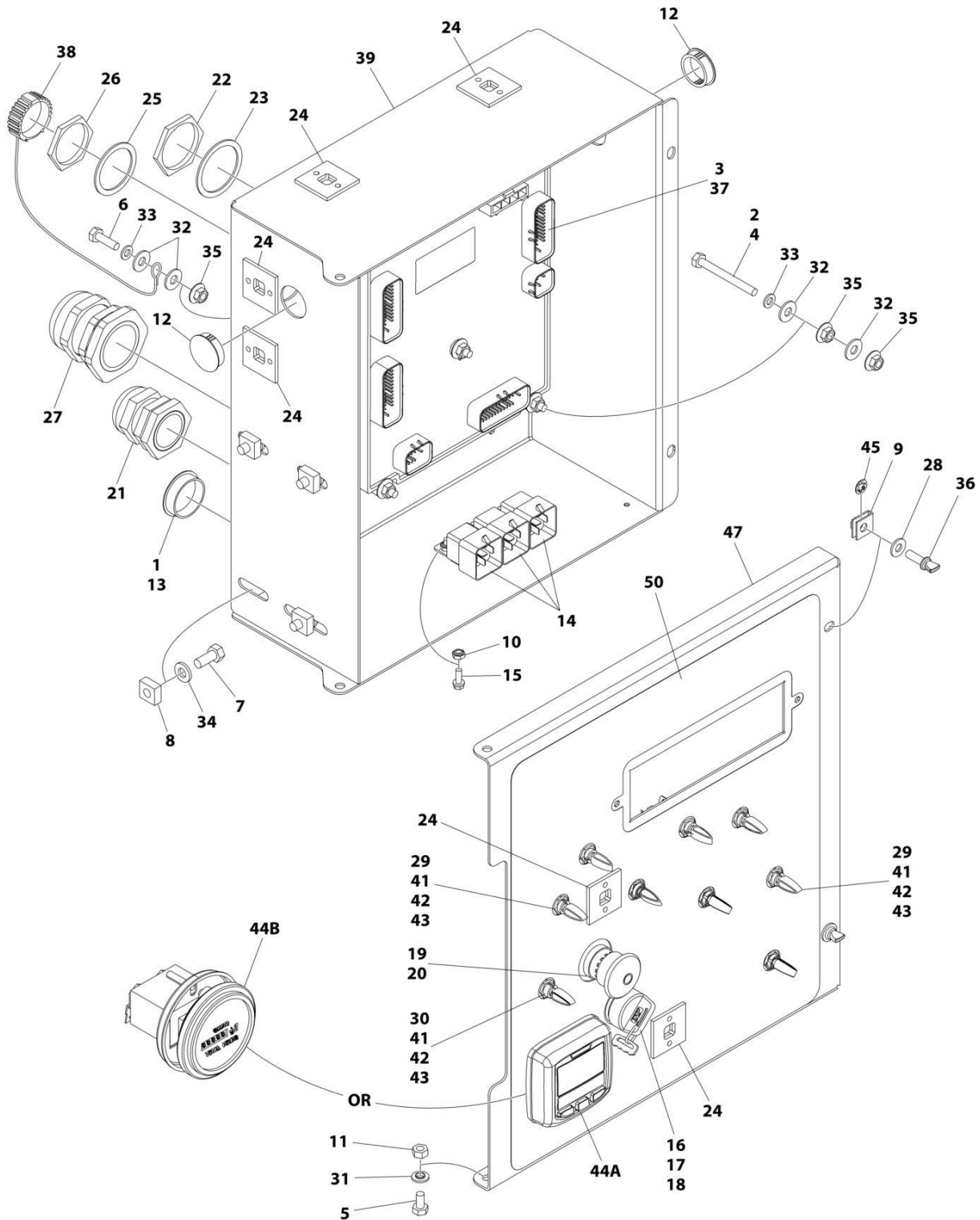
SECTION 2 - TURNTABLE

FIGURE 2-20. HYDRAULIC OIL COOLER INSTALLATION – FORD ENGINES (OPTIONAL)

ITEM	PART NUMBER	QTY	DESCRIPTION	REV
	1001218393	Ref	HYDRAULIC OIL COOLER INSTALLATION	C
1	0100011	AR	Compound, Locking	
2	0641520	2	Bolt 5/16 x 2-1/2	
3	0771014	4	Bolt M10 x 30	
4	1320162	2	Clamp	
5	2220451	1	Fitting, Straight JIC/ORB	
6	2220578	2	Fitting, 90 JIC/ORB	
7	3291001	4	Nut M10	
8	4711500	2	Washer 5/16	
9	4812000	16	Washer M10	
10	2220700	1	Fitting, Tee JIC/FSJIC/JIC	
11	1001183924	1	Cooler, Hydraulic Oil	
12	2220682	1	Fitting, Tee JIC/JIC/JIC	
13	1001218394	1	Tube	
14	1001218395	1	Tube	
15	1001219457	1	Hose	
16	1001219458	1	Hose	
17	1001096398	1	Hose	
18	0771212	1	Bolt M12 x 25	
19	2220518	1	Fitting, Cap	
20	3291202	1	Nut M12	
21	4812100	2	Washer M12	
22	8406302	1	Clamp	
23	1001179156	1	Valve, Check	
24	1001221621	1	Hose	

SECTION 2 - TURNTABLE

FIGURE 2-21. GROUND CONTROL BOX ASSEMBLY (DEUTZ D2011 ENGINE) (ALL SPECS EXCEPT CE & UK CA SPECS)



ART_1001266873

SECTION 2 - TURNTABLE

FIGURE 2-21. GROUND CONTROL BOX ASSEMBLY (DEUTZ D2011 ENGINE) (ALL SPECS EXCEPT CE & UK CA SPECS)

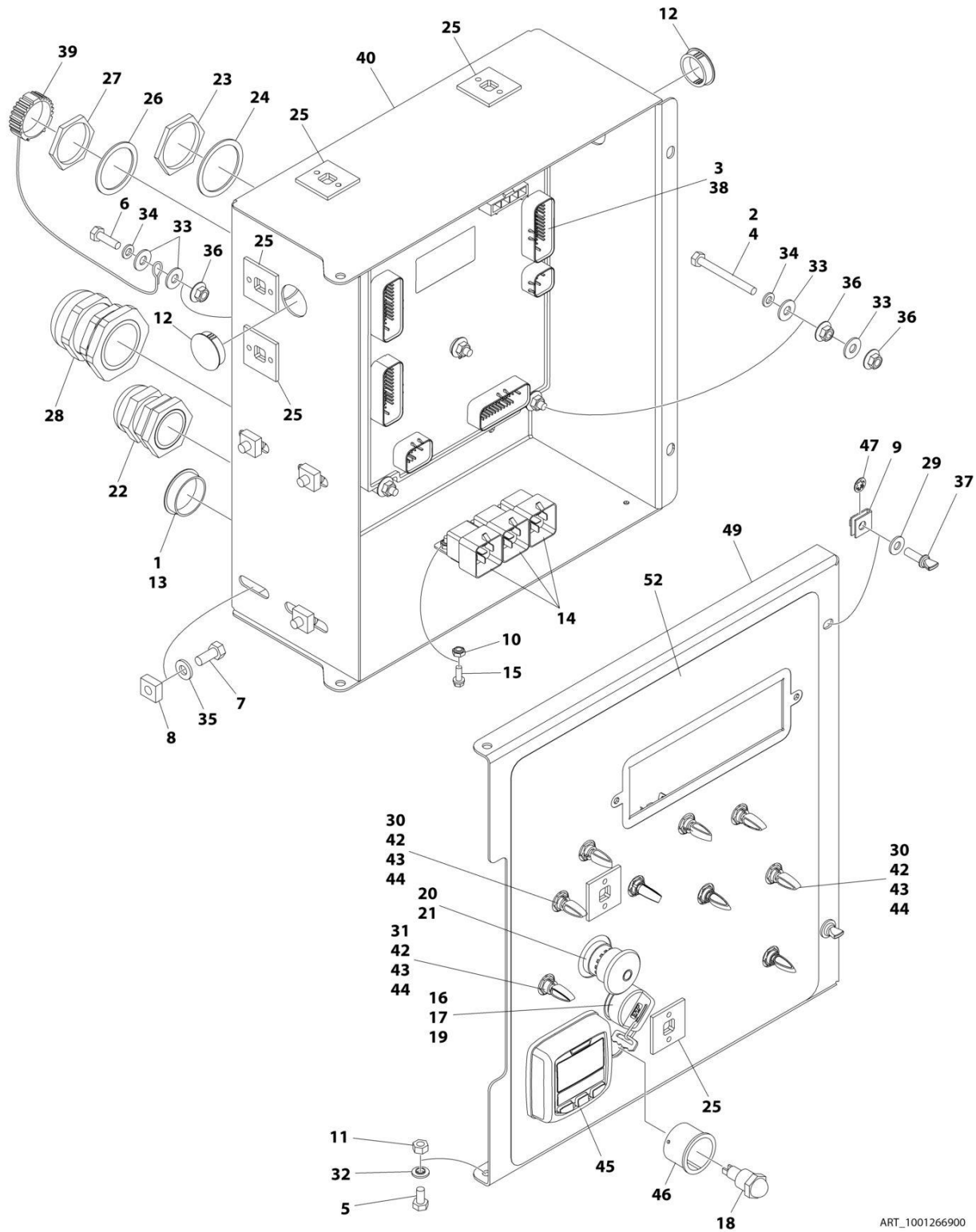
ITEM	PART NUMBER	QTY	DESCRIPTION	REV
	1001266873	Ref	GROUND CONTROL BOX ASSEMBLY	A
1	0100009	AR	Sealant	
2	0100011	AR	Compound, Locking	
3	0100048	AR	Grease, Dielectric	
4	0630548	5	Bolt, 2-1/2 Tap	
5	0641404	2	Bolt 1/4 x 1/2	
6	0641407	1	Bolt 1/4 x 7/8	
7	0641506	4	Bolt 5/16 x 3/4	
8	3300205	4	Nut, Retainer	
9	3300353	2	Nut, Tinnerman	
10	3300408	3	Nut, Plastic Insert	
11	3311405	2	Nut 1/4	
12	3520031	2	Plug	
13	3520035	1	Plug, Cap	
14	3740049	3	Relay	
15	3900268	3	Screw #10 x 1/2	
16	3910804	6	Screw #8 x 1/4	
17	4070991	1	Shim	
18	4360469	1	Switch, Key	
18	2860030	1	Key Replacement	
19	4360475	1	Switch, Emergency Stop	
19	7020175	1	Cap, Mushroom	
19	7020176	1	Block, Contact	
20	4360476	1	Switch, Contact Block	
21	4460426	1	Connector, Strain Relief	
22	4460470	1	Nut, Terminal	
23	4460471	1	Washer, Terminal	
24	4460488	6	Mounting Base, Terminal	
25	4460496	1	Washer, Terminal	
26	4460497	1	Nut, Terminal	
27	4460526	1	Connector, Strain Relief	
28	4711400	2	Washer 1/4	
29	4740397	8	Spacer	
30	4740444	1	Washer	
31	4740518	2	Washer	
32	4751400	12	Washer 1/4	
33	4761400	6	Washer 1/4	
34	4891500	4	Washer 5/16	
35	77143013	11	Nut 1/4-20	
36	1001103308	2	Screw 1/4	
37	1001103667	1	Module, Ground Control	
		Ref	Note: Re-calibration Required when Replaced.	
38	1001106736	1	Cap, Dust	
39	1001152175	1	Plate	
40	1001154392	1	Harness, Valve (Not Shown - See Separate Breakdown in ELECTRICAL Section)	
41	1001155043	9	Washer	
42	1001155044	9	Nut 15/32-32	
43	1001155045	9	Switch, Toggle	

SECTION 2 - TURNTABLE

ITEM	PART NUMBER	QTY	DESCRIPTION	REV
44A	1001171482	1	Gauge, Digital Display	
44B	10836804	1	Hour Meter	
45	1001188874	2	Nut	
46	1001191868	1	Harness, Deutz D2011 Engine (Not Shown - See Separate Breakdown in ELECTRICAL Section)	
47	1001263352	1	Plate (Note: For Use With Item 44A)	
47	1001280403	1	Plate (Note: For Use With Item 44B)	
48	1001266628	1	Harness, Ground Control Box (Not Shown - See Separate Breakdown in ELECTRICAL Section)	
49	1001266665	NLA	Wire Diagram (Not Shown)	
50	1001266876	1	Decal, Faceplate	

SECTION 2 - TURNTABLE

FIGURE 2-22. GROUND CONTROL BOX ASSEMBLY (DEUTZ D2011 ENGINE) (CE & UK CA SPECS)



ART_1001266900

SECTION 2 - TURNTABLE

FIGURE 2-22. GROUND CONTROL BOX ASSEMBLY (DEUTZ D2011 ENGINE) (CE & UK CA SPECS)

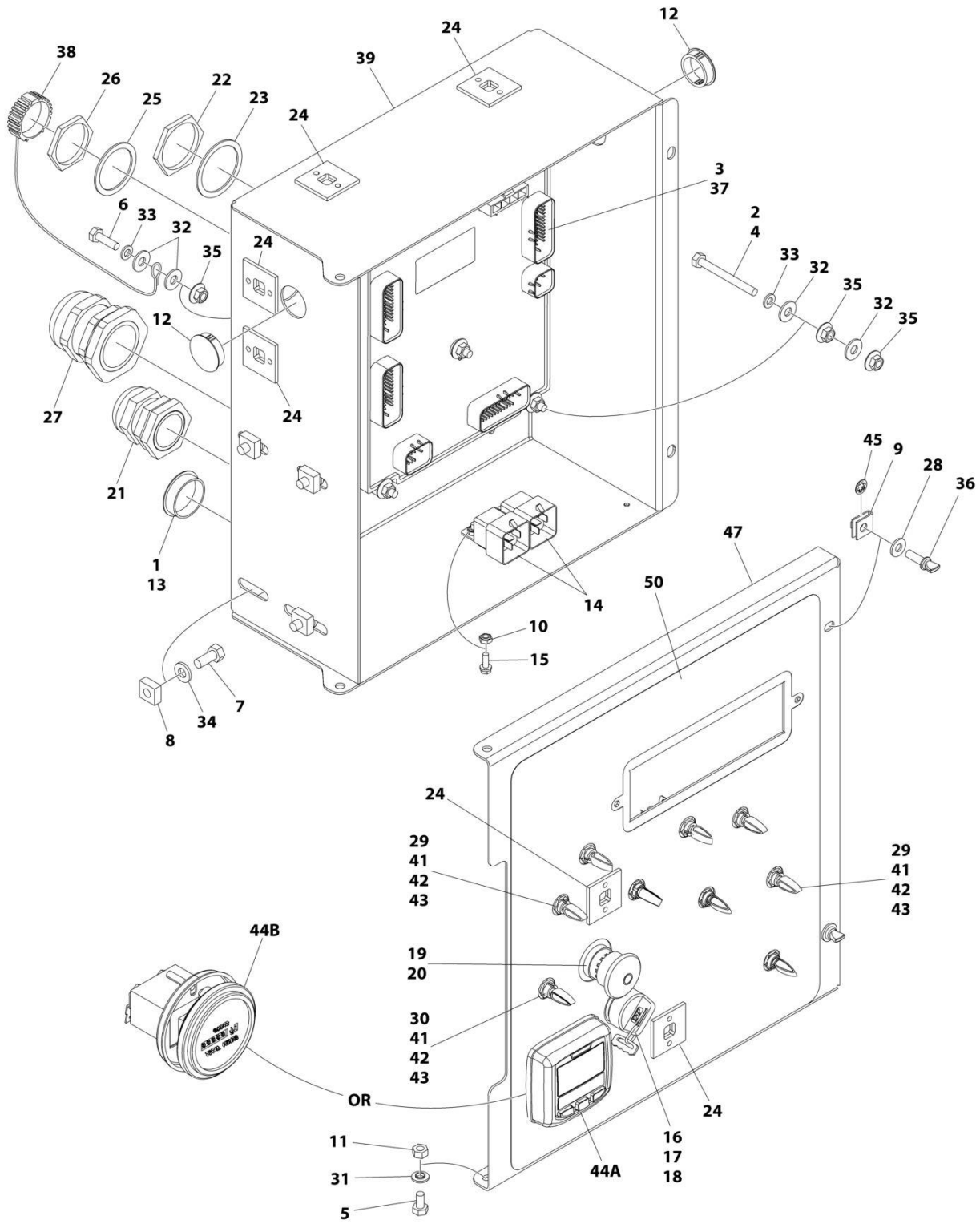
ITEM	PART NUMBER	QTY	DESCRIPTION	REV
	1001266900	Ref	GROUND CONTROL BOX ASSEMBLY	A
1	0100009	AR	Sealant	
2	0100011	AR	Compound, Locking	
3	0100048	AR	Grease, Dielectric	
4	0630548	5	Bolt, 2-1/2 Tap	
5	0641404	2	Bolt 1/4 x 1/2	
6	0641407	1	Bolt 1/4 x 7/8	
7	0641506	4	Bolt 5/16 x 3/4	
8	3300205	4	Nut, Retainer	
9	3300353	2	Nut, Tinnerman	
10	3300408	3	Nut, Plastic Insert	
11	3311405	2	Nut 1/4	
12	3520031	2	Plug	
13	3520035	1	Plug, Cap	
14	3740049	3	Relay	
15	3900268	3	Screw #10 x 1/2	
16	3910804	6	Screw #8 x 1/4	
17	4070991	1	Shim	
18	4360387	1	Switch, Push Button	
19	4360469	1	Switch, Key	
19	2860030	1	Key Replacement	
20	4360475	1	Switch, Emergency Stop	
20	7020175	1	Cap, Mushroom	
20	7020176	1	Block, Contact	
21	4360476	1	Switch, Contact Block	
22	4460426	1	Connector, Strain Relief	
23	4460470	1	Nut, Terminal	
24	4460471	1	Washer, Terminal	
25	4460488	6	Mounting Base, Terminal	
26	4460496	1	Washer, Terminal	
27	4460497	1	Nut, Terminal	
28	4460526	1	Connector, Strain Relief	
29	4711400	2	Washer 1/4	
30	4740397	8	Spacer	
31	4740444	1	Washer	
32	4740518	2	Washer	
33	4751400	12	Washer 1/4	
34	4761400	6	Washer 1/4	
35	4891500	4	Washer 5/16	
36	77143013	11	Nut 1/4-20	
37	1001103308	2	Screw 1/4	
38	1001103667	1	Module, Ground Control	
		Ref	Note: Re-calibration Required when Replaced.	
39	1001106736	1	Cap, Dust	
40	1001152175	1	Box	
41	1001154392	1	Harness, Valve (Not Shown - See Separate Breakdown in ELECTRICAL Section)	
42	1001155043	9	Washer	
43	1001155044	9	Nut 15/32-32	
44	1001155045	9	Switch, Toggle	

SECTION 2 - TURNTABLE

ITEM	PART NUMBER	QTY	DESCRIPTION	REV
45	1001171482	1	Gauge, Display	
46	1001176469	1	Shroud	
47	1001188874	2	Nut	
48	1001191868	1	Harness, Deutz D2011 Engine (Not Shown - See Separate Breakdown in ELECTRICAL SECTION)	
49	1001263353	1	Lid	
50	1001266628	1	Harness, Ground Control Box (Not Shown - See Separate Breakdown in ELECTRICAL Section)	
51	1001266665	NLA	Wire Digram (Not Shown)	
52	1001266874	1	Decal, Faceplate	

SECTION 2 - TURNTABLE

FIGURE 2-23. GROUND CONTROL BOX ASSEMBLY (DEUTZ TD2.9L4 ENGINE)



ART_1001266897

SECTION 2 - TURNTABLE

FIGURE 2-23. GROUND CONTROL BOX ASSEMBLY (DEUTZ TD2.9L4 ENGINE)

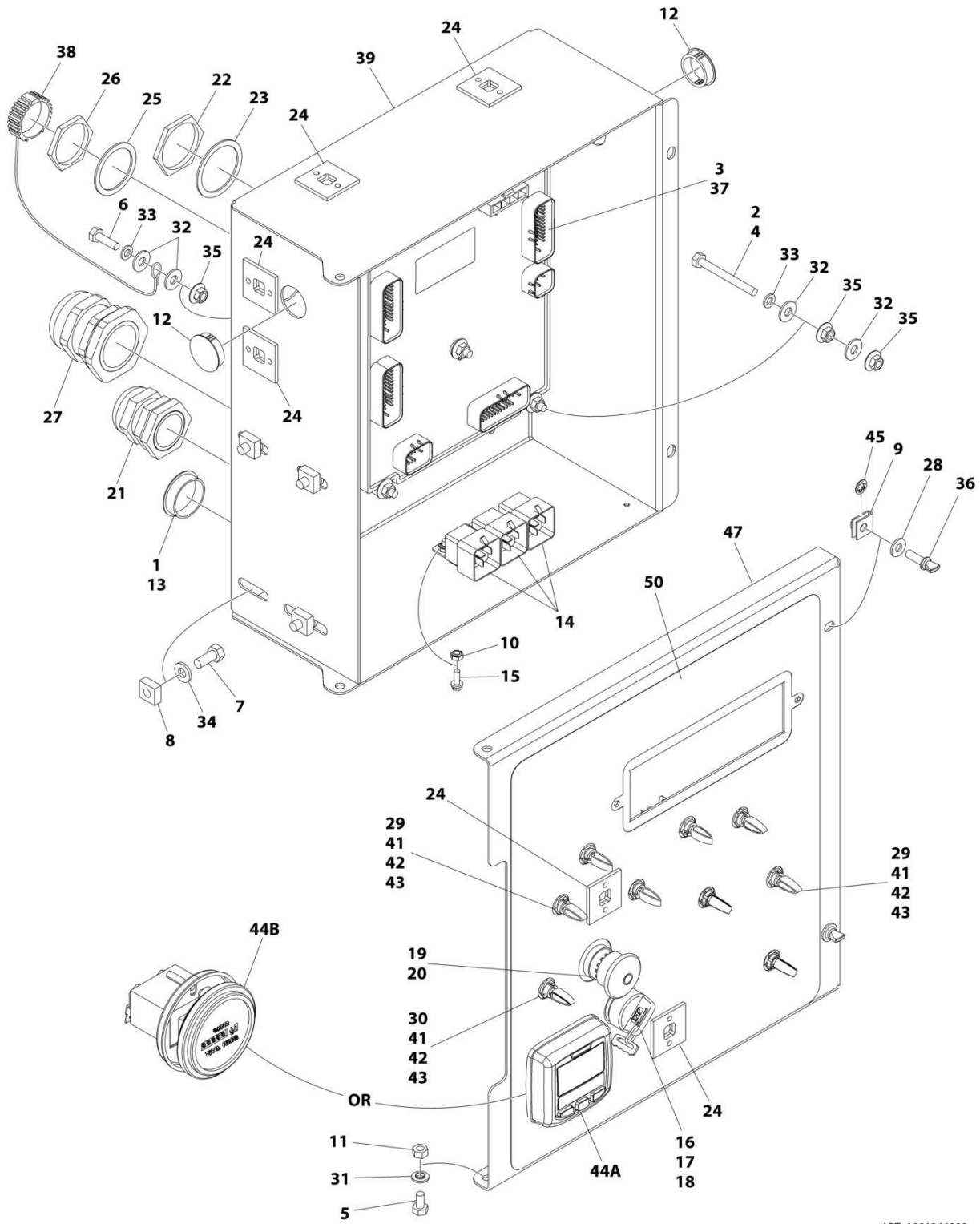
ITEM	PART NUMBER	QTY	DESCRIPTION	REV
	1001266897	Ref	GROUND CONTROL BOX ASSEMBLY	A
1	0100009	AR	Sealant	
2	0100011	AR	Compound, Locking	
3	0100048	AR	Grease, Dielectric	
4	0630548	5	Bolt, 2-1/2 Tap	
5	0641404	2	Bolt 1/4 x 1/2	
6	0641407	1	Bolt 1/4 x 7/8	
7	0641506	4	Bolt 5/16 x 3/4	
8	3300205	4	Nut, Retainer	
9	3300353	2	Nut, Tinnerman	
10	3300408	2	Nut, Plastic Insert	
11	3311405	2	Nut 1/4	
12	3520031	2	Plug	
13	3520035	1	Plug, Cap	
14	3740049	2	Relay	
15	3900268	2	Screw #10 x 1/2	
16	3910804	6	Screw #8 x 1/4	
17	4070991	1	Shim	
18	4360469	1	Switch, Key	
18	2860030	1	Key Replacement	
19	4360475	1	Switch, Emergency Stop	
19	7020175	1	Cap, Mushroom	
19	7020176	1	Block, Contact	
20	4360476	1	Switch, Contact Block	
21	4460426	1	Connector, Strain Relief	
22	4460470	1	Nut, Terminal	
23	4460471	1	Washer, Terminal	
24	4460488	6	Mounting Base, Terminal	
25	4460496	1	Washer, Terminal	
26	4460497	1	Nut, Terminal	
27	4460526	1	Connector, Strain Relief	
28	4711400	2	Washer 1/4	
29	4740397	8	Spacer	
30	4740444	1	Washer	
31	4740518	2	Washer	
32	4751400	12	Washer 1/4	
33	4761400	6	Washer 1/4	
34	4891500	4	Washer 5/16	
35	77143013	11	Nut 1/4-20	
36	1001103308	2	Screw 1/4	
37	1001103667	1	Module, Ground Control	
		Ref	Note: Re-calibration Required when Replaced.	
38	1001106736	1	Cap, Dust	
39	1001152175	1	Box	
40	1001154392	1	Harness, Valve (Not Shown - See Separate Breakdown in ELECTRICAL Section)	
41	1001155043	9	Washer	
42	1001155044	9	Nut 15/32-32	
43	1001155045	9	Switch, Toggle	
44A	1001171482	1	Gauge, Digital Display	

SECTION 2 - TURNTABLE

ITEM	PART NUMBER	QTY	DESCRIPTION	REV
44B	10836804	1	Hour Meter	
45	1001188874	2	Nut	
46	1001191866	1	Harness, Deutz TD2.9L4 Engine (Not Shown - See Separate Breakdown in ELECTRICAL Section)	
47	1001263352	1	Lid (Note: For Use With Item 44A)	
47	1001280403	1	Lid (Note: For Use With Item 44B)	
48	1001266628	1	Harness, Ground Control Box (Not Shown - See Separate Breakdown in ELECTRICAL Section)	
49	1001266665	NLA	Wire Diagram (Not Shown)	
50	1001266876	1	Decal, Faceplate	

SECTION 2 - TURNTABLE

FIGURE 2-24. GROUND CONTROL BOX ASSEMBLY (FORD ENGINE)



ART_1001266898

SECTION 2 - TURNTABLE

FIGURE 2-24. GROUND CONTROL BOX ASSEMBLY (FORD ENGINE)

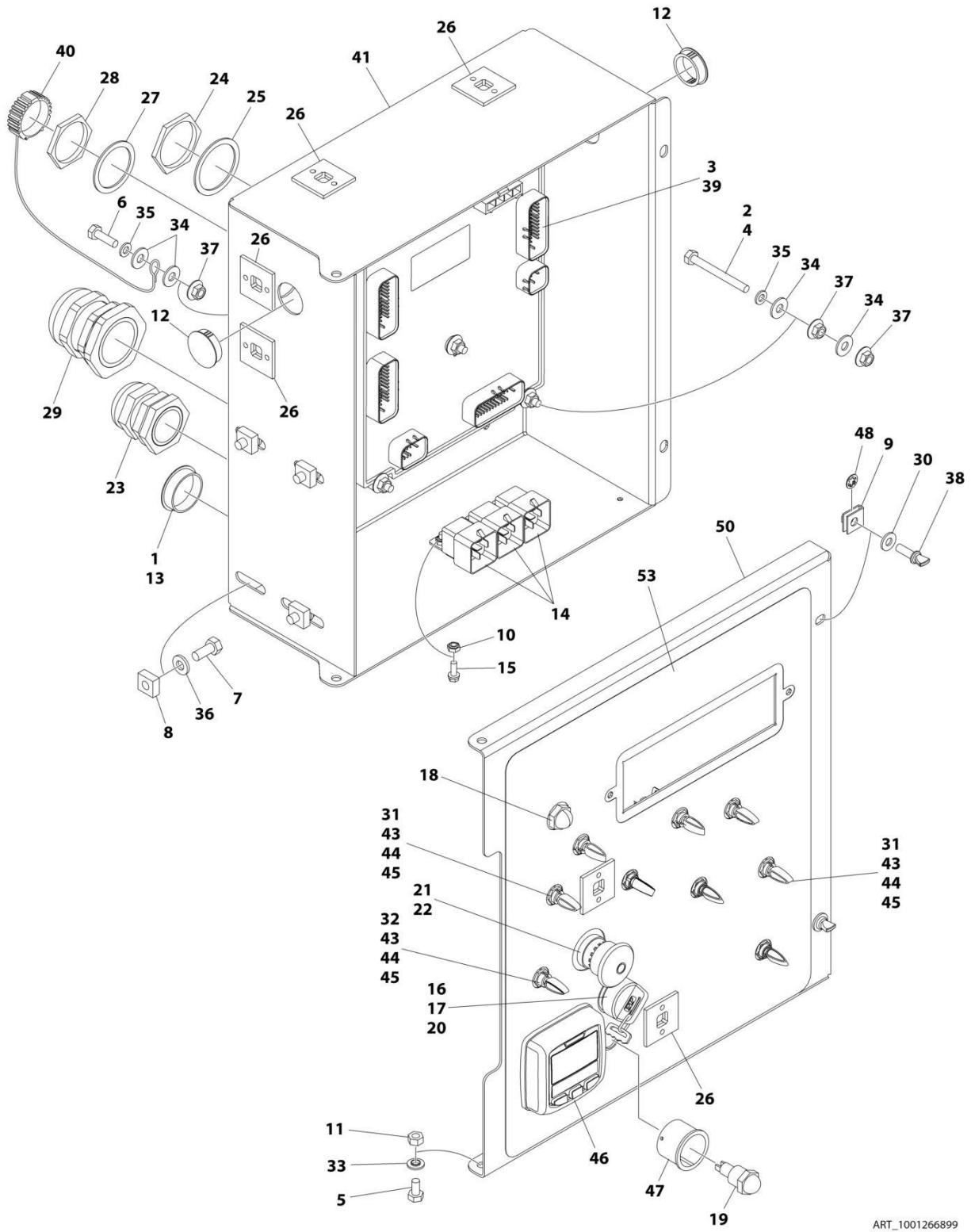
ITEM	PART NUMBER	QTY	DESCRIPTION	REV
	1001266898	Ref	GROUND CONTROL BOX ASSEMBLY	A
1	0100009	AR	Sealant	
2	0100011	AR	Compound, Locking	
3	0100048	AR	Grease, Dielectric	
4	0630548	5	Bolt, 2-1/2 Tap	
5	0641404	2	Bolt 1/4 x 1/2	
6	0641407	1	Bolt 1/4 x 7/8	
7	0641506	4	Bolt 5/16 x 3/4	
8	3300205	4	Nut, Retainer	
9	3300353	2	Nut, Tinnerman	
10	3300408	3	Nut, Plastic Insert	
11	3311405	2	Nut 1/4	
12	3520031	2	Plug	
13	3520035	1	Plug, Cap	
14	3740049	3	Relay	
15	3900268	3	Screw #10 x 1/2	
16	3910804	6	Screw #8 x 1/4	
17	4070991	1	Shim	
18	4360469	1	Switch, Key	
18	2860030	1	Key Replacement	
19	4360475	1	Switch, Emergency Stop	
19	7020175	1	Cap, Mushroom	
19	7020176	1	Block, Contact	
20	4360476	1	Switch, Contact Block	
21	4460426	1	Connector, Strain Relief	
22	4460470	1	Nut, Terminal	
23	4460471	1	Washer, Terminal	
24	4460488	6	Mounting Base, Terminal	
25	4460496	1	Washer, Terminal	
26	4460497	1	Nut, Terminal	
27	4460526	1	Connector, Strain Relief	
28	4711400	2	Washer 1/4	
29	4740397	8	Spacer	
30	4740444	1	Washer	
31	4740518	2	Washer	
32	4751400	12	Washer 1/4	
33	4761400	6	Washer 1/4	
34	4891500	4	Washer 5/16	
35	77143013	11	Nut 1/4-20	
36	1001103308	2	Screw 1/4	
37	1001103667	1	Module, Ground Control	
		Ref	Note: Re-calibration Required when Replaced.	
38	1001106736	1	Cap, Dust	
39	1001152175	1	Box	
40	1001154392	1	Harness, Valve (Not Shown - See Separate Breakdown in ELECTRICAL Section)	
41	1001155043	9	Washer	
42	1001155044	9	Nut 15/32-32	
43	1001155045	9	Switch, Toggle	
44A	1001171482	1	Gauge, Digital Display	

SECTION 2 - TURNTABLE

ITEM	PART NUMBER	QTY	DESCRIPTION	REV
44B	10836804	1	Hour Meter	
45	1001188874	2	Nut	
46	1001214507	1	Harness, Ford DF 2.5L Engine (Not Shown - See Separate Breakdown in ELECTRICAL Section)	
47	1001263352	1	Lid (Note: For Use With Item 44A)	
47	1001280403	1	Lid (Note: For Use With Item 44B)	
48	1001266628	1	Harness, Ground Control Box (Not Shown - See Separate Breakdown in ELECTRICAL Section)	
49	1001266665	NLA	Wire Diagram (Not Shown)	
50	1001266876	1	Decal, Faceplate	

SECTION 2 - TURNTABLE

FIGURE 2-25. GROUND CONTROL BOX ASSEMBLY (DEUTZ TD2.2L3 ENGINE)



ART_1001266899

SECTION 2 - TURNTABLE

FIGURE 2-25. GROUND CONTROL BOX ASSEMBLY (DEUTZ TD2.2L3 ENGINE)

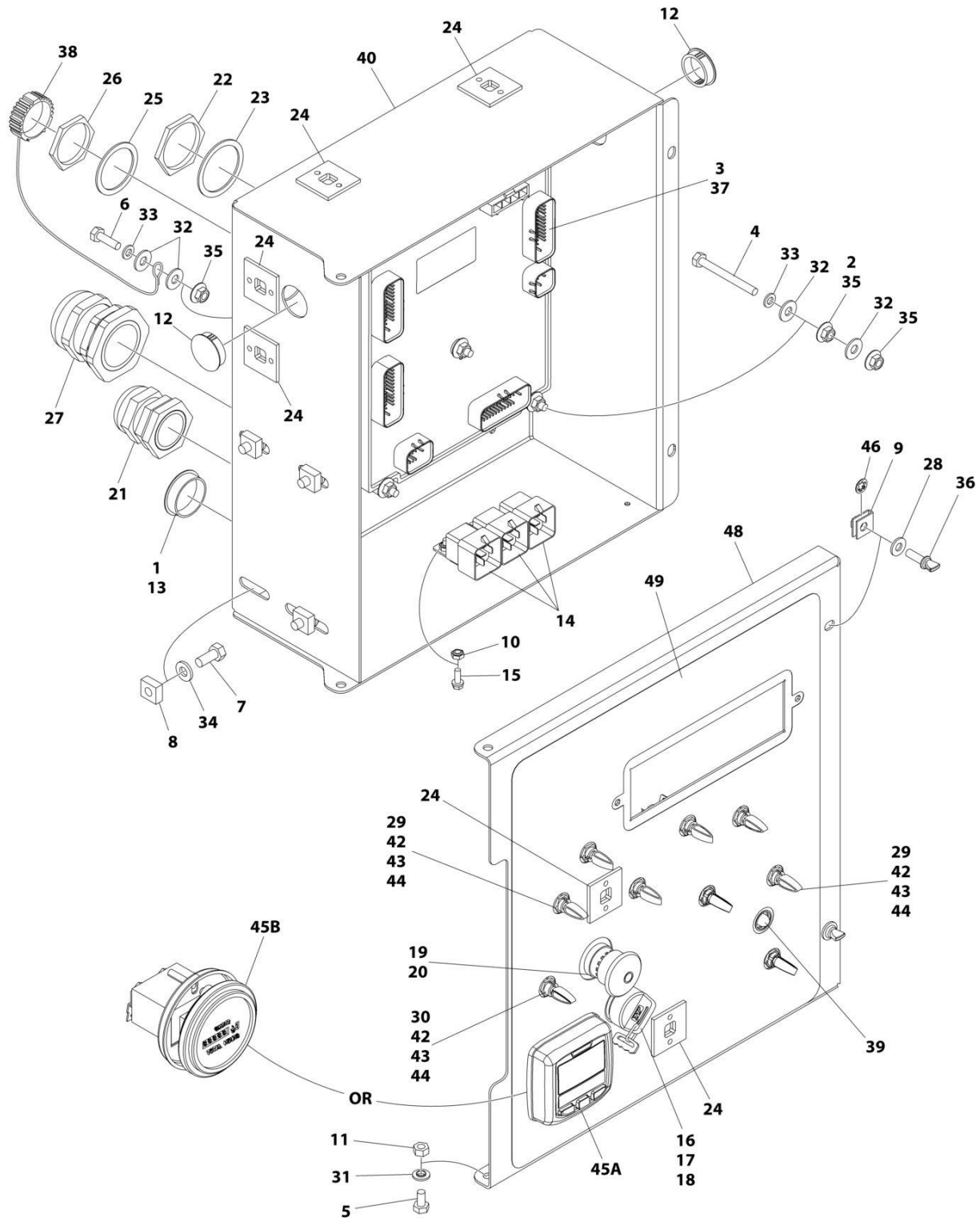
ITEM	PART NUMBER	QTY	DESCRIPTION	REV
	1001266899	Ref	GROUND CONTROL BOX ASSEMBLY	A
1	0100009	AR	Sealant	
2	0100011	AR	Compound, Locking	
3	0100048	AR	Grease, Dielectric	
4	0630548	5	Bolt, 2-1/2 Tap	
5	0641404	2	Bolt 1/4 x 1/2	
6	0641407	1	Bolt 1/4 x 7/8	
7	0641506	4	Bolt 5/16 x 3/4	
8	3300205	4	Nut, Retainer	
9	3300353	2	Nut, Tinnerman	
10	3300408	3	Nut, Plastic Insert	
11	3311405	2	Nut 1/4	
12	3520031	2	Plug	
13	3520035	1	Plug, Cap	
14	3740049	3	Relay	
15	3900268	3	Screw #10 x 1/2	
16	3910804	6	Screw #8 x 1/4	
17	4070991	1	Shim	
18	4360274	1	Switch, Push Button	
19	4360387	1	Switch, Push Button	
20	4360469	1	Switch, Key	
20	2860030	1	Key Replacement	
21	4360475	1	Switch, Emergency Stop	
21	7020175	1	Cap, Mushroom	
21	7020176	1	Block, Contact	
22	4360476	1	Switch, Contact Block	
23	4460426	1	Connector, Strain Relief	
24	4460470	1	Nut, Terminal	
25	4460471	1	Washer, Terminal	
26	4460488	6	Mounting Base, Terminal	
27	4460496	1	Washer, Terminal	
28	4460497	1	Nut, Terminal	
29	4460526	1	Connector, Strain Relief	
30	4711400	2	Washer 1/4	
31	4740397	8	Spacer	
32	4740444	1	Washer	
33	4740518	2	Washer	
34	4751400	12	Washer 1/4	
35	4761400	6	Washer 1/4	
36	4891500	4	Washer 5/16	
37	77143013	11	Nut 1/4-20	
38	1001103308	2	Screw 1/4	
39	1001103667	1	Module, Ground Control	
		Ref	Note: Re-calibration Required when Replaced.	
40	1001106736	1	Cap, Dust	
41	1001152175	1	Box	
42	1001154392	1	Harness, Valve (Not Shown - See Separate Breakdown in ELECTRICAL Section)	
43	1001155043	9	Washer	
44	1001155044	9	Nut 15/32-32	

SECTION 2 - TURNTABLE

ITEM	PART NUMBER	QTY	DESCRIPTION	REV
45	1001155045	9	Switch, Toggle	
46	1001171482	1	Gauge	
47	1001176469	1	Shroud	
48	1001188874	2	Nut	
49	1001191866	1	Harness, Deutz D2011 Engine (Not Shown - See Separate Breakdown in ELECTRICAL Section)	
50	1001263353	1	Lid	
51	1001266628	1	Harness, Ground Control Box (Not Shown - See Separate Breakdown in ELECTRICAL Section)	
52	1001266665	NLA	Wire Diagram (Not Shown)	
53	1001266878	1	Decal, Faceplate	

SECTION 2 - TURNTABLE

FIGURE 2-26. GROUND CONTROL BOX ASSEMBLY (DEUTZ D2011 ENGINE) (ALL SPECS EXCEPT CE & UK CA SPECS) (TOWER STOW)



ART_1001263365

SECTION 2 - TURNTABLE

FIGURE 2-26. GROUND CONTROL BOX ASSEMBLY (DEUTZ D2011 ENGINE) (ALL SPECS EXCEPT CE & UK CA SPECS) (TOWER STOW)

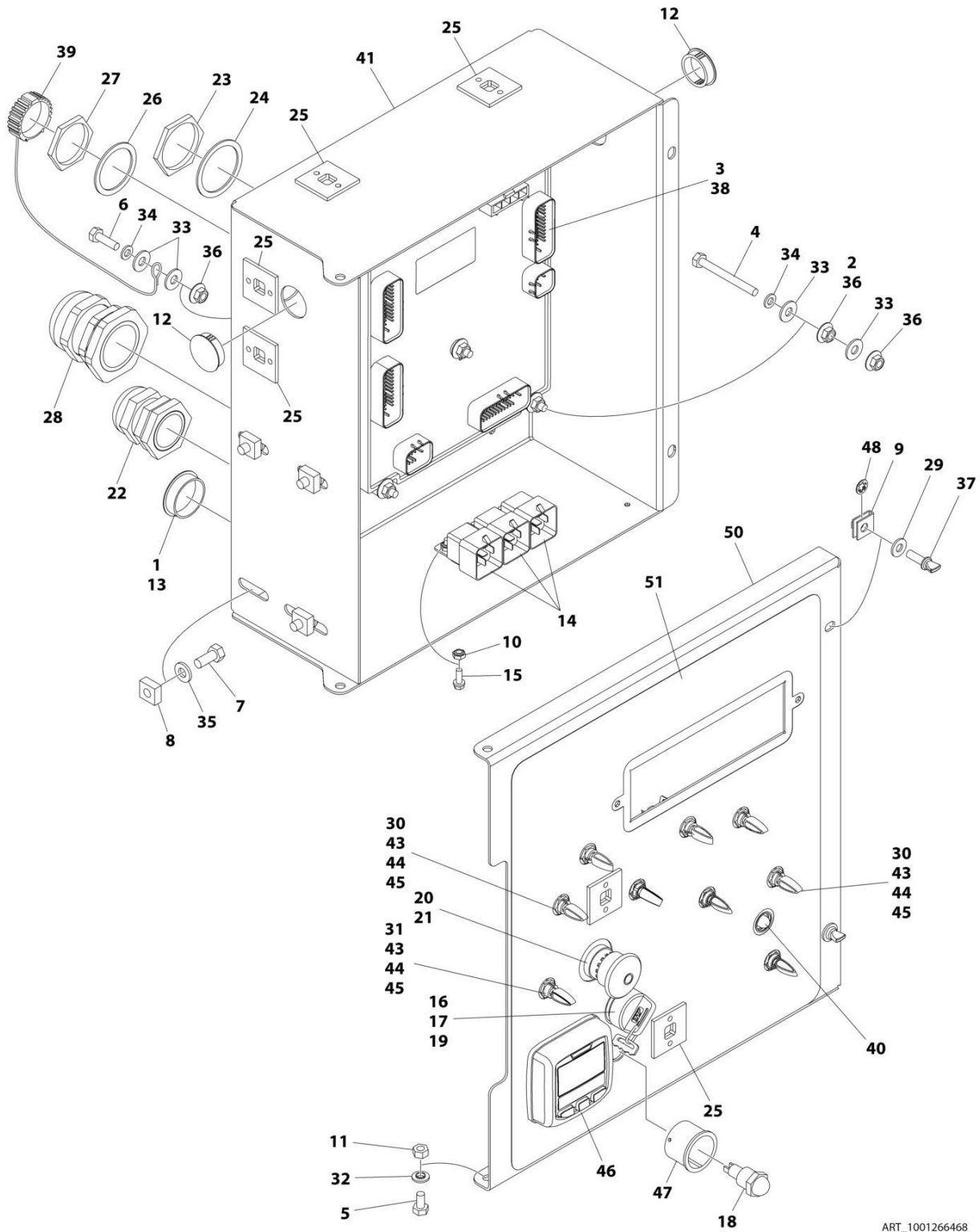
ITEM	PART NUMBER	QTY	DESCRIPTION	REV
	1001263365	Ref	CONSOLE BOX ASSEMBLY	A
1	0100009	AR	Sealant	
2	0100011	AR	Compound, Locking	
3	0100048	AR	Grease, Dielectric	
4	0630548	5	Bolt, 2-1/2 Tap	
5	0641404	2	Bolt 1/4 x 1/2	
6	0641407	1	Bolt 1/4 x 7/8	
7	0641506	4	Bolt 5/16 x 3/4	
8	3300205	4	Nut, Retainer	
9	3300353	2	Nut, Tinnerman	
10	3300408	3	Nut, Plastic Insert	
11	3311405	2	Nut 1/4	
12	3520031	2	Plug	
13	3520035	1	Plug, Cap	
14	3740049	3	Relay	
15	3900268	3	Screw #10 x 1/2	
16	3910804	6	Screw #8 x 1/4	
17	4070991	1	Shim	
18	4360469	1	Switch, Key	
18	2860030	1	Key Replacement	
19	4360475	1	Switch, Emergency Stop	
19	7020175	1	Cap, Mushroom	
19	7020176	1	Block, Contact	
20	4360476	1	Switch, Contact Block	
21	4460426	1	Connector, Strain Relief	
22	4460470	1	Nut, Terminal	
23	4460471	1	Washer, Terminal	
24	4460488	6	Mounting Base, Terminal	
25	4460496	1	Washer, Terminal	
26	4460497	1	Nut, Terminal	
27	4460526	1	Connector, Strain Relief	
28	4711400	2	Washer 1/4	
29	4740397	8	Spacer	
30	4740444	1	Washer	
31	4740518	2	Washer	
32	4751400	12	Washer 1/4	
33	4761400	6	Washer 1/4	
34	4891500	4	Washer 5/16	
35	77143013	11	Nut 1/4-20	
36	1001103308	2	Screw 1/4	
37	1001103667	1	Module, Ground Control	
		Ref	Note: Re-calibration Required when Replaced.	
38	1001106736	1	Cap, Dust	
39	1001137364	1	Lamp	
40	1001152175	1	Box	
41	1001154392	1	Harness, Valve (Not Shown - See Separate Breakdown in ELECTRICAL Section)	
42	1001155043	9	Washer	
43	1001155044	9	Nut 15/32-32	

SECTION 2 - TURNTABLE

ITEM	PART NUMBER	QTY	DESCRIPTION	REV
44	1001155045	9	Switch, Toggle	
45A	1001171482	1	Gauge, Digital Display	
45B	10836804	1	Hour Meter	
46	1001188874	2	Nut	
47	1001191868	1	Harness, Deutz D2011 Engine (Not Shown - See Separate Breakdown in ELECTRICAL Section)	
48	1001263352	1	Lid (Note: For Use With Item 45A)	
48	1001280403	1	Lid (Note: For Use With Item 45B)	
49	1001263356	1	Decal, Faceplate	
50	1001266628	1	Harness, Ground Control Box (Not Shown - See Separate Breakdown in ELECTRICAL Section)	
51	1001266665	NLA	Wire Diagram (Not Shown)	

SECTION 2 - TURNTABLE

FIGURE 2-27. GROUND CONTROL BOX ASSEMBLY (DEUTZ D2011 ENGINE) (CE & UK CA SPECS)
(TOWER STOW)



ART_1001266468

SECTION 2 - TURNTABLE

**FIGURE 2-27. GROUND CONTROL BOX ASSEMBLY (DEUTZ D2011 ENGINE) (CE & UK CA SPECS)
(TOWER STOW)**

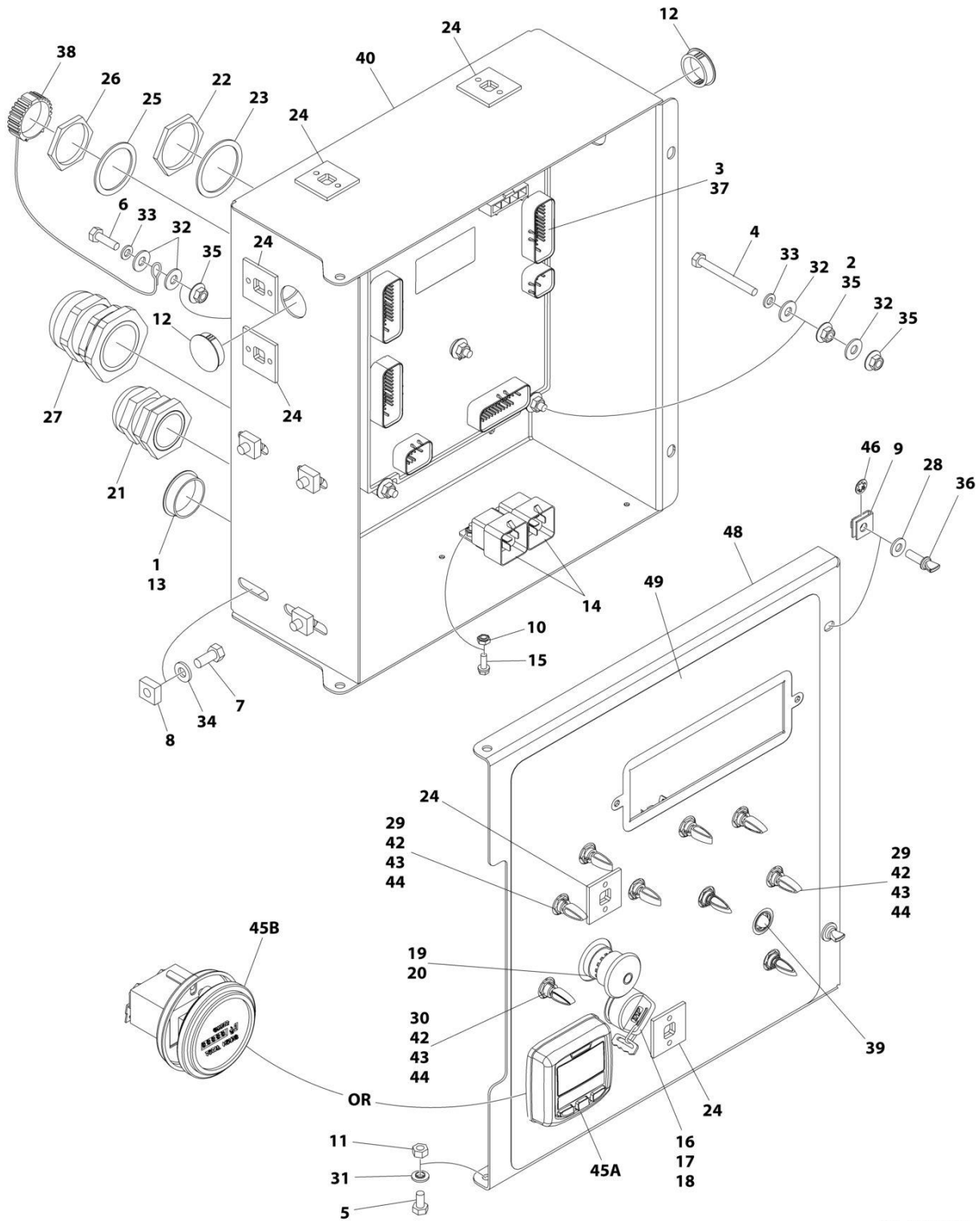
ITEM	PART NUMBER	QTY	DESCRIPTION	REV
	1001266468	Ref	CONSOLE BOX ASSEMBLY (TOWER STOW) (CE & UK CA SPEC)	A
1	0100009	AR	Sealant	
2	0100011	AR	Compound, Locking	
3	0100048	AR	Grease, Dielectric	
4	0630548	5	Bolt, 2-1/2 Tap	
5	0641404	2	Bolt 1/4 x 1/2	
6	0641407	1	Bolt 1/4 x 7/8	
7	0641506	4	Bolt 5/16 x 3/4	
8	3300205	4	Nut, Retainer	
9	3300353	2	Nut, Tinnerman	
10	3300408	3	Nut, Plastic Insert	
11	3311405	2	Nut 1/4	
12	3520031	2	Plug	
13	3520035	1	Plug, Cap	
14	3740049	3	Relay	
15	3900268	3	Screw #10 x 1/2	
16	3910804	6	Screw #8 x 1/4	
17	4070991	1	Shim	
18	4360387	1	Switch, Push Button	
19	4360469	1	Switch, Key	
19	2860030	1	Key Replacement	
20	4360475	1	Switch, Emergency Stop	
20	7020175	1	Cap, Mushroom	
20	7020176	1	Block, Contact	
21	4360476	1	Switch, Contact Block	
22	4460426	1	Connector, Strain Relief	
23	4460470	1	Nut, Terminal	
24	4460471	1	Washer, Terminal	
25	4460488	6	Mounting Base, Terminal	
26	4460496	1	Washer, Terminal	
27	4460497	1	Nut, Terminal	
28	4460526	1	Connector, Strain Relief	
29	4711400	2	Washer 1/4	
30	4740397	8	Spacer	
31	4740444	1	Washer	
32	4740518	2	Washer	
33	4751400	12	Washer 1/4	
34	4761400	6	Washer 1/4	
35	4891500	4	Washer 5/16	
36	77143013	11	Nut 1/4-20	
37	1001103308	2	Screw 1/4	
38	1001103667	1	Module, Ground Control	
		Ref	Note: Re-calibration Required when Replaced.	
39	1001106736	1	Cap, Dust	
40	1001137364	1	Lamp	
41	1001152175	1	Box	
42	1001154392	1	Harness, Valve (Not Shown - See Separate Breakdown in ELECTRICAL Section)	

SECTION 2 - TURNTABLE

ITEM	PART NUMBER	QTY	DESCRIPTION	REV
43	1001155043	9	Washer	
44	1001155044	9	Nut 15/32-32	
45	1001155045	9	Switch, Toggle	
46	1001171482	1	Gauge	
47	1001176469	1	Shroud	
48	1001188874	2	Nut	
49	1001191868	1	Harness, Deutz D2011 Engine (Not Shown - See Separate Breakdown in ELECTRICAL Section)	
50	1001263353	1	Lid	
51	1001263355	1	Decal, Faceplate	
52	1001266628	1	Harness, Ground Control Box (Not Shown - See Separate Breakdown in ELECTRICAL Section)	
53	1001266665	NLA	Wire Diagram (Not Shown)	

SECTION 2 - TURNTABLE

FIGURE 2-28. GROUND CONTROL BOX ASSEMBLY (DEUTZ TD2.9L4 ENGINE) (TOWER STOW)



ART_1001263366

SECTION 2 - TURNTABLE

FIGURE 2-28. GROUND CONTROL BOX ASSEMBLY (DEUTZ TD2.9L4 ENGINE) (TOWER STOW)

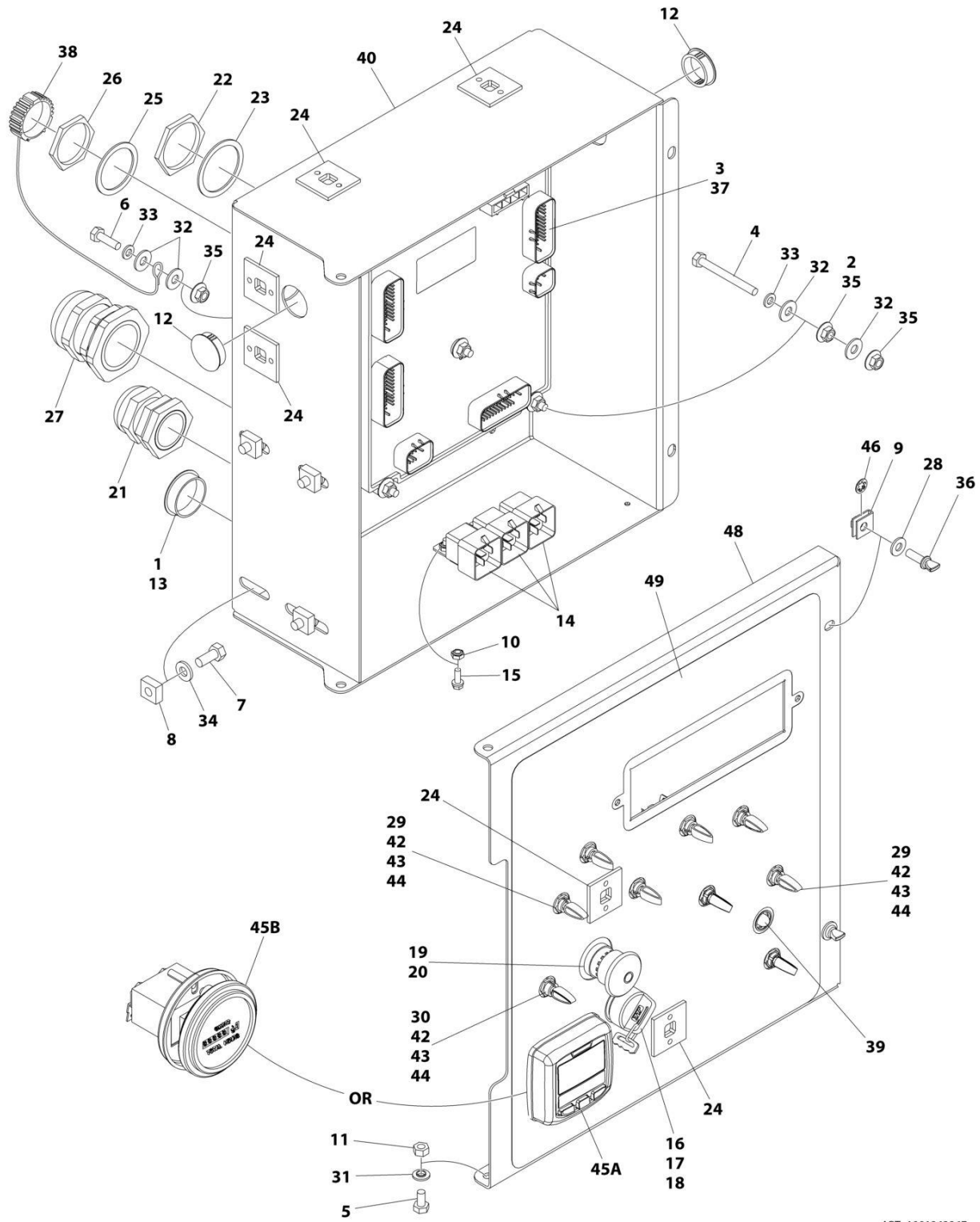
ITEM	PART NUMBER	QTY	DESCRIPTION	REV
	1001263366	Ref	CONSOLE BOX ASSEMBLY (TOWER STOW)	A
1	0100009	AR	Sealant	
2	0100011	AR	Compound, Locking	
3	0100048	AR	Grease, Dielectric	
4	0630548	5	Bolt, 2-1/2 Tap	
5	0641404	2	Bolt 1/4 x 1/2	
6	0641407	1	Bolt 1/4 x 7/8	
7	0641506	4	Bolt 5/16 x 3/4	
8	3300205	4	Nut, Retainer	
9	3300353	2	Nut, Tinnerman	
10	3300408	2	Nut, Plastic Insert	
11	3311405	2	Nut 1/4	
12	3520031	2	Plug	
13	3520035	1	Plug, Cap	
14	3740049	2	Relay	
15	3900268	2	Screw #10 x 1/2	
16	3910804	6	Screw #8 x 1/4	
17	4070991	1	Shim	
18	4360469	1	Switch, Key	
18	2860030	1	Key Replacement	
19	4360475	1	Switch, Emergency Stop	
19	7020175	1	Cap, Mushroom	
19	7020176	1	Block, Contact	
20	4360476	1	Switch, Contact Block	
21	4460426	1	Connector, Strain Relief	
22	4460470	1	Nut, Terminal	
23	4460471	1	Washer, Terminal	
24	4460488	6	Mounting Base, Terminal	
25	4460496	1	Washer, Terminal	
26	4460497	1	Nut, Terminal	
27	4460526	1	Connector, Strain Relief	
28	4711400	2	Washer 1/4	
29	4740397	8	Spacer	
30	4740444	1	Washer	
31	4740518	2	Washer	
32	4751400	12	Washer 1/4	
33	4761400	6	Washer 1/4	
34	4891500	4	Washer 5/16	
35	77143013	11	Nut 1/4-20	
36	1001103308	2	Screw 1/4	
37	1001103667	1	Module, Ground Control	
		Ref	Note: Re-calibration Required when Replaced.	
38	1001106736	1	Cap, Dust	
39	1001137364	1	Lamp	
40	1001152175	1	Box	
41	1001154392	1	Harness, Valve (Not Shown - See Separate Breakdown in ELECTRICAL Section)	
42	1001155043	9	Washer	
43	1001155044	9	Nut 15/32-32	
44	1001155045	9	Switch, Toggle	

SECTION 2 - TURNTABLE

ITEM	PART NUMBER	QTY	DESCRIPTION	REV
45A	1001171482	1	Gauge, Digital Display	
45B	10836804	1	Hour Meter	
46	1001188874	2	Nut	
47	1001191866	1	Harness, Deutz D2011 Engine (Not Shown - See Separate Breakdown in ELECTRICAL Section)	
48	1001263352	1	Lid (Note: For Use With Item 45A)	
48	1001280403	1	Lid (Note: For Use With Item 45B)	
49	1001263356	1	Decal, Faceplate	
50	1001266628	1	Harness, Ground Control Box (Not Shown - See Separate Breakdown in ELECTRICAL Section)	
51	1001266665	NLA	Wire Diagram (Not Shown)	

SECTION 2 - TURNTABLE

FIGURE 2-29. GROUND CONTROL BOX ASSEMBLY (FORD ENGINE) (TOWER STOW)



ART_1001263367

SECTION 2 - TURNTABLE

FIGURE 2-29. GROUND CONTROL BOX ASSEMBLY (FORD ENGINE) (TOWER STOW)

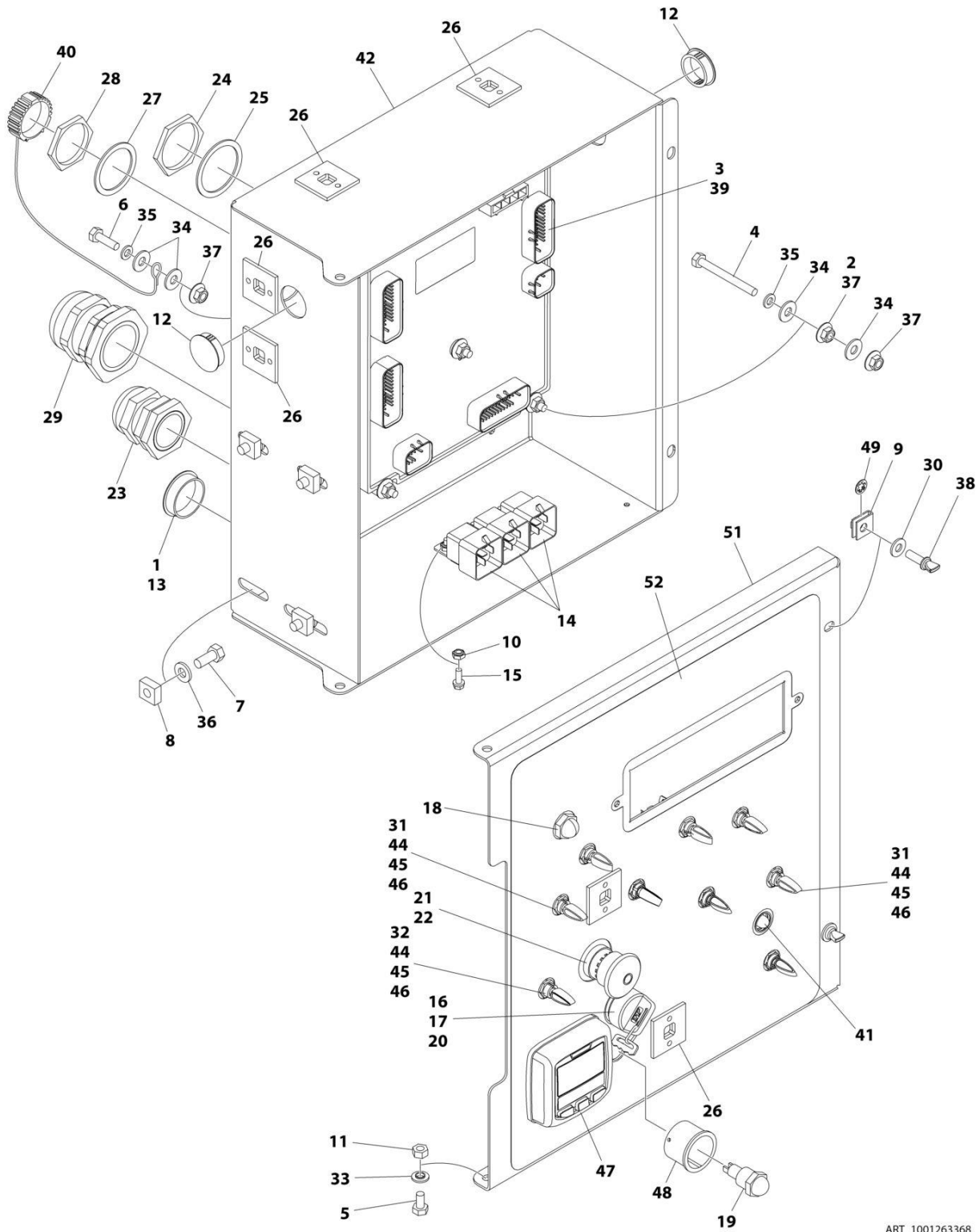
ITEM	PART NUMBER	QTY	DESCRIPTION	REV
	1001263367	Ref	CONSOLE BOX ASSEMBLY (TOWER STOW)	A
1	0100009	AR	Sealant	
2	0100011	AR	Compound, Locking	
3	0100048	AR	Grease, Dielectric	
4	0630548	5	Bolt, 2-1/2 Tap	
5	0641404	2	Bolt 1/4 x 1/2	
6	0641407	1	Bolt 1/4 x 7/8	
7	0641506	4	Bolt 5/16 x 3/4	
8	3300205	4	Nut, Retainer	
9	3300353	2	Nut, Tinnerman	
10	3300408	3	Nut, Plastic Insert	
11	3311405	2	Nut 1/4	
12	3520031	2	Plug	
13	3520035	1	Plug, Cap	
14	3740049	3	Relay	
15	3900268	3	Screw #10 x 1/2	
16	3910804	6	Screw #8 x 1/4	
17	4070991	1	Shim	
18	4360469	1	Switch, Key	
18	2860030	1	Key Replacement	
19	4360475	1	Switch, Emergency Stop	
19	7020175	1	Cap, Mushroom	
19	7020176	1	Block, Contact	
20	4360476	1	Switch, Contact Block	
21	4460426	1	Connector, Strain Relief	
22	4460470	1	Nut, Terminal	
23	4460471	1	Washer, Terminal	
24	4460488	6	Mounting Base, Terminal	
25	4460496	1	Washer, Terminal	
26	4460497	1	Nut, Terminal	
27	4460526	1	Connector, Strain Relief	
28	4711400	2	Washer 1/4	
29	4740397	8	Spacer	
30	4740444	1	Washer	
31	4740518	2	Washer	
32	4751400	12	Washer 1/4	
33	4761400	6	Washer 1/4	
34	4891500	4	Washer 5/16	
35	77143013	11	Nut 1/4-20	
36	1001103308	2	Screw 1/4	
37	1001103667	1	Module, Ground Control	
		Ref	Note: Re-calibration Required when Replaced.	
38	1001106736	1	Cap, Dust	
39	1001137364	1	Lamp	
40	1001152175	1	Box	
41	1001154392	1	Harness, Valve (Not Shown - See Separate Breakdown in ELECTRICAL Section)	
42	1001155043	9	Washer	
43	1001155044	9	Nut 15/32-32	
44	1001155045	9	Switch, Toggle	

SECTION 2 - TURNTABLE

ITEM	PART NUMBER	QTY	DESCRIPTION	REV
45A	1001171482	1	Gauge, Digital Display	
45B	10836804	1	Hour Meter	
46	1001188874	2	Nut	
47	1001214507	1	Harness, Deutz D2011 Engine (Not Shown - See Separate Breakdown in ELECTRICAL Section)	
48	1001263352	1	Lid (Note: For Use With Item 45A)	
48	1001280403	1	Lid (Note: For Use With Item 45B)	
49	1001263356	1	Decal, Faceplate	
50	1001266628	1	Harness, Ground Control Box (Not Shown - See Separate Breakdown in ELECTRICAL Section)	
51	1001266665	NLA	Wire Diagram (Not Shown)	

SECTION 2 - TURNTABLE

FIGURE 2-30. GROUND CONTROL BOX ASSEMBLY (DEUTZ TD2.2L3 ENGINE) (TOWER STOW)



ART_1001263368

SECTION 2 - TURNTABLE

FIGURE 2-30. GROUND CONTROL BOX ASSEMBLY (DEUTZ TD2.2L3 ENGINE) (TOWER STOW)

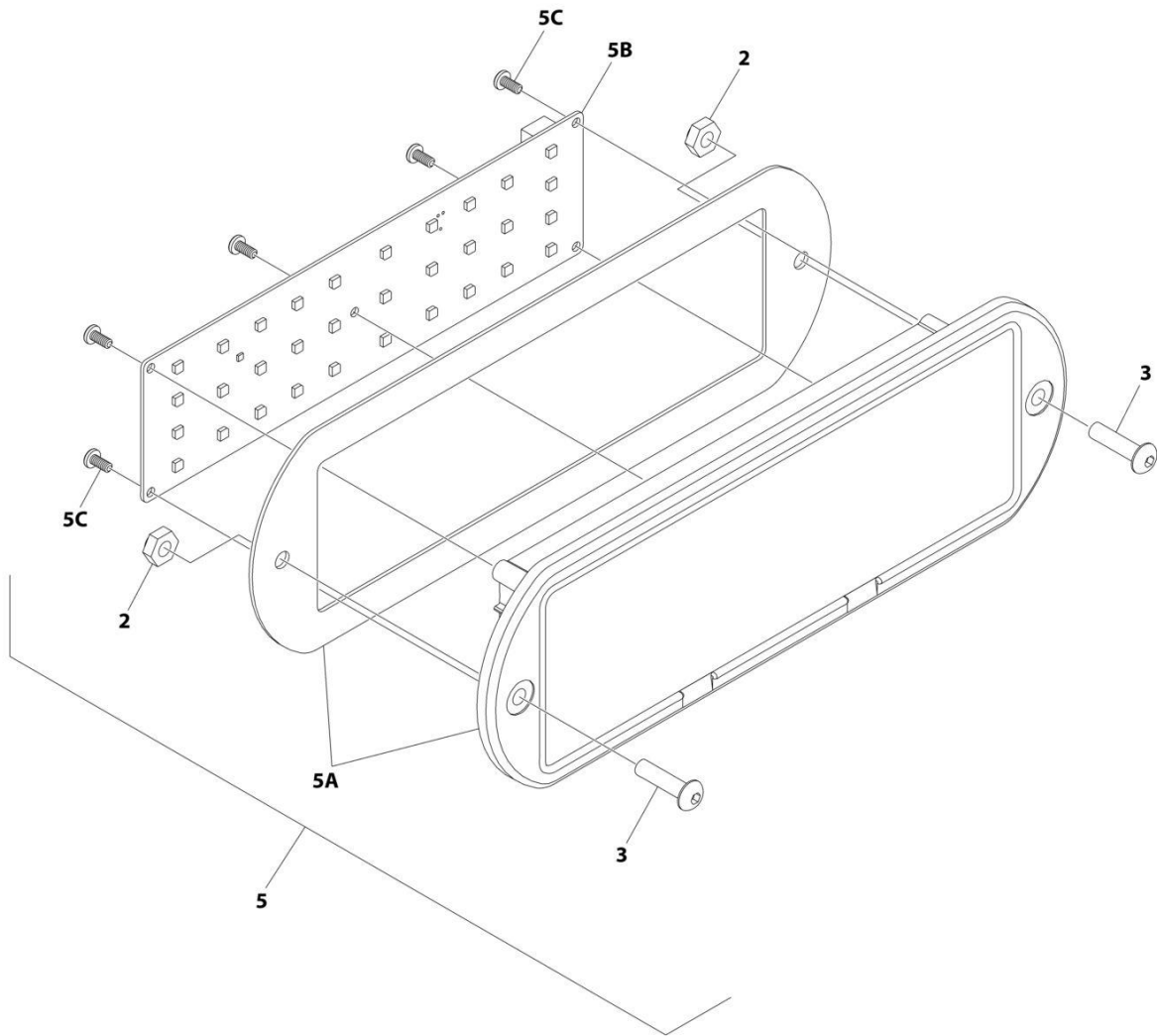
ITEM	PART NUMBER	QTY	DESCRIPTION	REV
	1001263368	Ref	CONSOLE BOX ASSEMBLY (TOWER STOW)	A
1	0100009	AR	Sealant	
2	0100011	AR	Compound, Locking	
3	0100048	AR	Grease, Dielectric	
4	0630548	5	Bolt, 2-1/2 Tap	
5	0641404	2	Bolt 1/4 x 1/2	
6	0641407	1	Bolt 1/4 x 7/8	
7	0641506	4	Bolt 5/16 x 3/4	
8	3300205	4	Nut, Retainer	
9	3300353	2	Nut, Tinnerman	
10	3300408	3	Nut, Plastic Insert	
11	3311405	2	Nut 1/4	
12	3520031	2	Plug	
13	3520035	1	Plug, Cap	
14	3740049	3	Relay	
15	3900268	3	Screw #10 x 1/2	
16	3910804	6	Screw #8 x 1/4	
17	4070991	1	Shim	
18	4360274	1	Switch, Push Button	
19	4360387	1	Switch, Push Button	
20	4360469	1	Switch, Key	
20	2860030	1	Key Replacement	
21	4360475	1	Switch, Emergency Stop	
21	7020175	1	Cap, Mushroom	
21	7020176	1	Block, Contact	
22	4360476	1	Switch, Contact Block	
23	4460426	1	Connector, Strain Relief	
24	4460470	1	Nut, Terminal	
25	4460471	1	Washer, Terminal	
26	4460488	6	Mounting Base, Terminal	
27	4460496	1	Washer, Terminal	
28	4460497	1	Nut, Terminal	
29	4460526	1	Connector, Strain Relief	
30	4711400	2	Washer 1/4	
31	4740397	8	Spacer	
32	4740444	1	Washer	
33	4740518	2	Washer	
34	4751400	12	Washer 1/4	
35	4761400	6	Washer 1/4	
36	4891500	4	Washer 5/16	
37	77143013	11	Nut 1/4-20	
38	1001103308	2	Screw 1/4	
39	1001103667	1	Module, Ground Control	
		Ref	Note: Re-calibration Required when Replaced.	
40	1001106736	1	Cap, Dust	
41	1001137364	1	Lamp	
42	1001152175	1	Box	
43	1001154392	1	Harness, Valve (Not Shown - See Separate Breakdown in ELECTRICAL Section)	
44	1001155043	9	Washer	

SECTION 2 - TURNTABLE

ITEM	PART NUMBER	QTY	DESCRIPTION	REV
45	1001155044	9	Nut 15/32-32	
46	1001155045	9	Switch, Toggle	
47	1001171482	1	Gauge	
48	1001176469	1	Shroud	
49	1001188874	2	Nut	
50	1001191868	1	Harness, Deutz D2011 Engine (Not Shown - See Separate Breakdown in ELECTRICAL Section)	
51	1001263353	1	Lid	
52	1001263357	1	Decal, Faceplate	
53	1001266628	1	Harness, Ground Control Box (Not Shown - See Separate Breakdown in ELECTRICAL Section)	
54	1001266665	NLA	Wire Diagram (Not Shown)	

SECTION 2 - TURNTABLE

FIGURE 2-31. LIGHT PANEL INSTALLATION – GROUND CONTROL



ART_1001241403_10F2

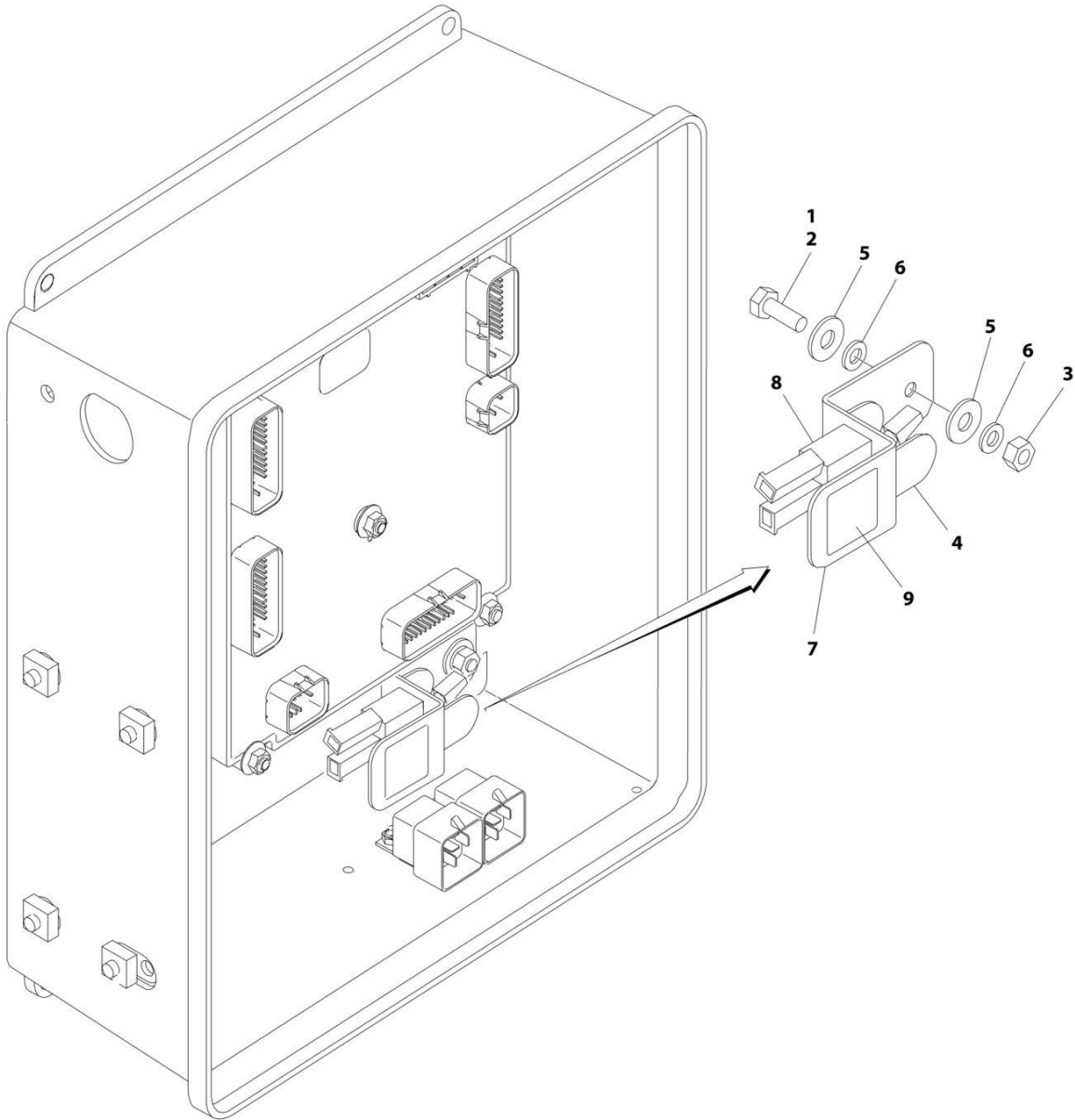
SECTION 2 - TURNTABLE

FIGURE 2-31. LIGHT PANEL INSTALLATION – GROUND CONTROL

ITEM	PART NUMBER	QTY	DESCRIPTION	REV
	1001241403	Ref	LIGHT PANEL INSTALLATION - GROUND CONTROL	C
2	3300408	2	Nut, Nylon Insert	
3	0630518	2	Screw #10 x 3/4	
5	1001238674	1	Light Panel Assembly	H
5A	1001236092	1	Lens Assembly (Includes Housing Shell, Decal/Lens with Icons & Gasket)	
5B	1001238732	1	Panel, LED Light	
5C		Ref	Screw	

SECTION 2 - TURNTABLE

FIGURE 2-32. CRIBBING ENABLE SWITCH INSTALLATION



ART_1001115918

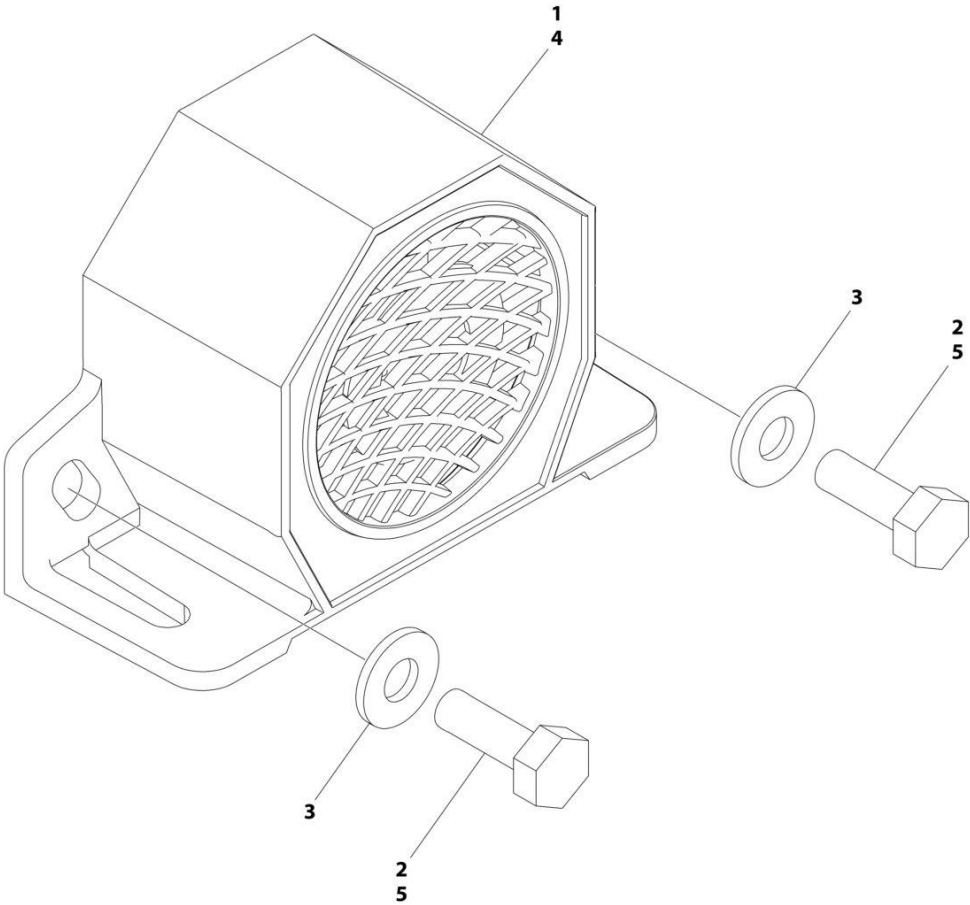
SECTION 2 - TURNTABLE

FIGURE 2-32. CRIBBING ENABLE SWITCH INSTALLATION

ITEM	PART NUMBER	QTY	DESCRIPTION	REV
	1001115918	Ref	CRIBBING ENABLE SWITCH INSTALLATION	A
1	0100011	AR	Compound, Locking	
2	0641406	1	Bolt 1/4 x 3/4	
3	3311401	1	Nut 1/4	
4	4060906	1	Guard, Switch	
5	4751400	2	Washer 1/4	
6	4761400	2	Washer 1/4	
7	1001115889	1	Bracket	
8	1001115915	1	Cribbing Enable Harness	
8	4360336	1	Switch, Toggle	
8	4460226	2	Socket, Female	
9	1001115967	1	Decal - Cribbing	

SECTION 2 - TURNTABLE

FIGURE 2-33. ALARM INSTALLATION



ART_1001160074

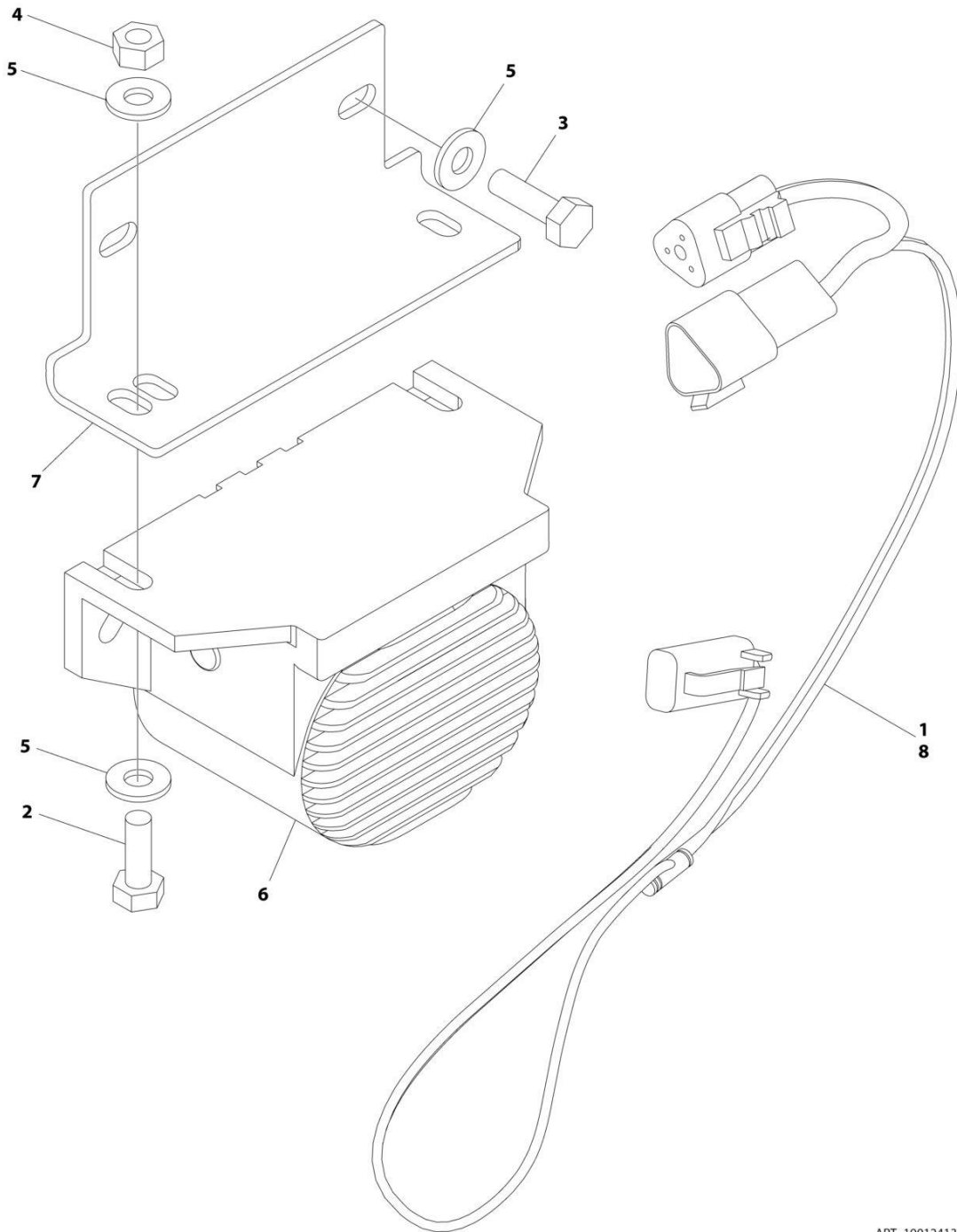
SECTION 2 - TURNTABLE

FIGURE 2-33. ALARM INSTALLATION

ITEM	PART NUMBER	QTY	DESCRIPTION	REV
	1001160074	Ref	ALARMS INSTALLATION	A
1	0140044	1	Alarm	
2	0641406	2	Bolt 1/4 x 3/4	
3	4711400	2	Washer 1/4	
4	0100048	AR	Compound, Dielectric	
5	0100011	AR	Compound, Locking	

SECTION 2 - TURNTABLE

FIGURE 2-34. ALARM (WHITE NOISE AMBIENT) INSTALLATION



ART_1001241384

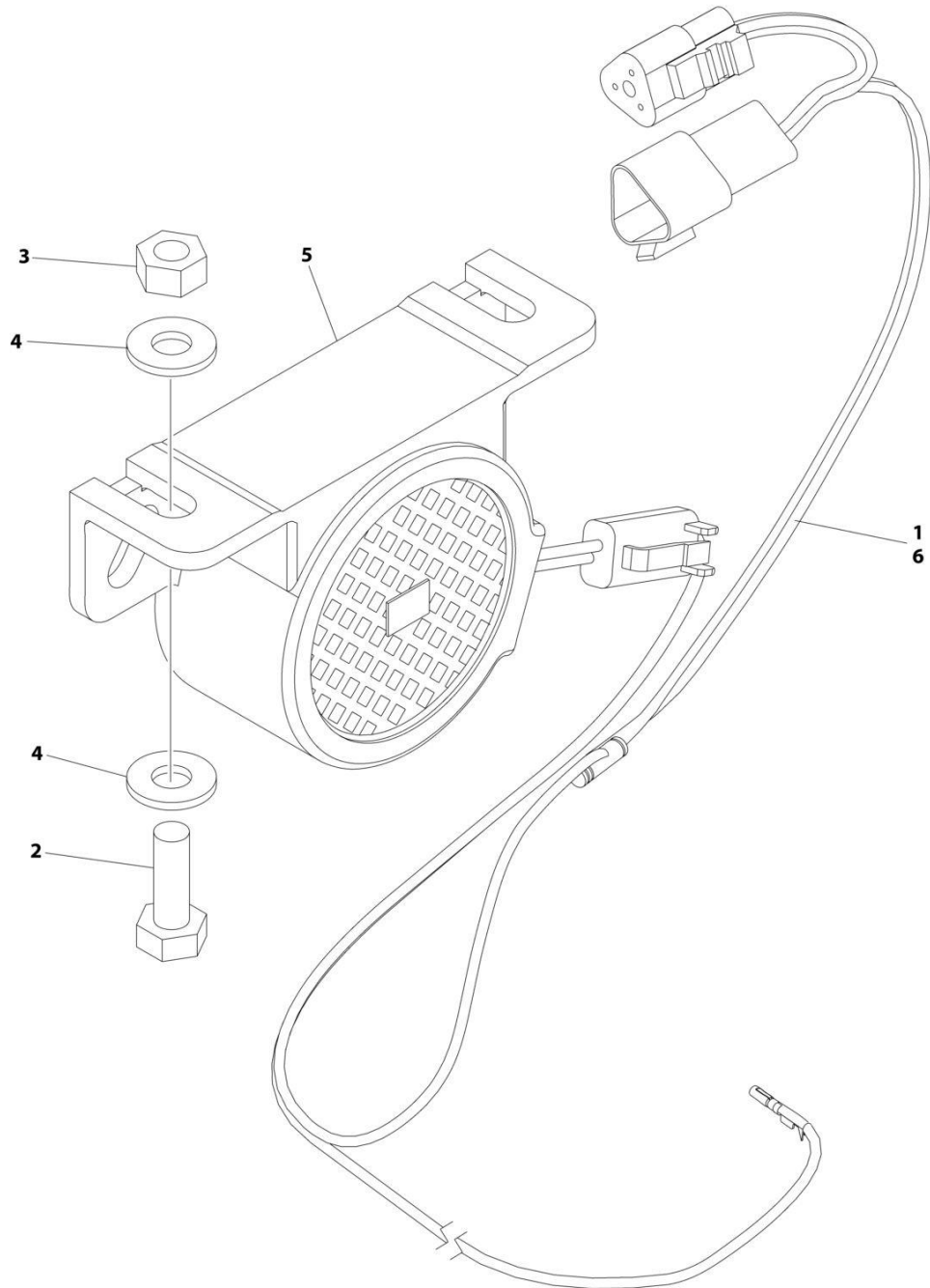
SECTION 2 - TURNTABLE

FIGURE 2-34. ALARM (WHITE NOISE AMBIENT) INSTALLATION

ITEM	PART NUMBER	QTY	DESCRIPTION	REV
	1001241384	Ref	BACKUP ALARM AMBIENT (WHITE NOISE) INSTALLATION	B
1	0100048	AR	Grease, Dielectric	
2	0641406	2	Bolt 1/4 x 3/4	
3	0641407	2	Bolt 1/4 x 7/8	
4	3311405	2	Nut 1/4	
5	4711400	6	Washer 1/4	
6	1001182806	1	Alarm	
6	4460897	1	Connector - 2 Position	
6	4460464	2	Pin, Male	
7	1001231886	1	Plate	
8	1001231007	1	Harness, White Noise Motion Alarm (See Separate Breakdown in ELECTRICAL SECTION)	

SECTION 2 - TURNTABLE

FIGURE 2-35. ALARM (WHITE NOISE) INSTALLATION



ART_1001239346

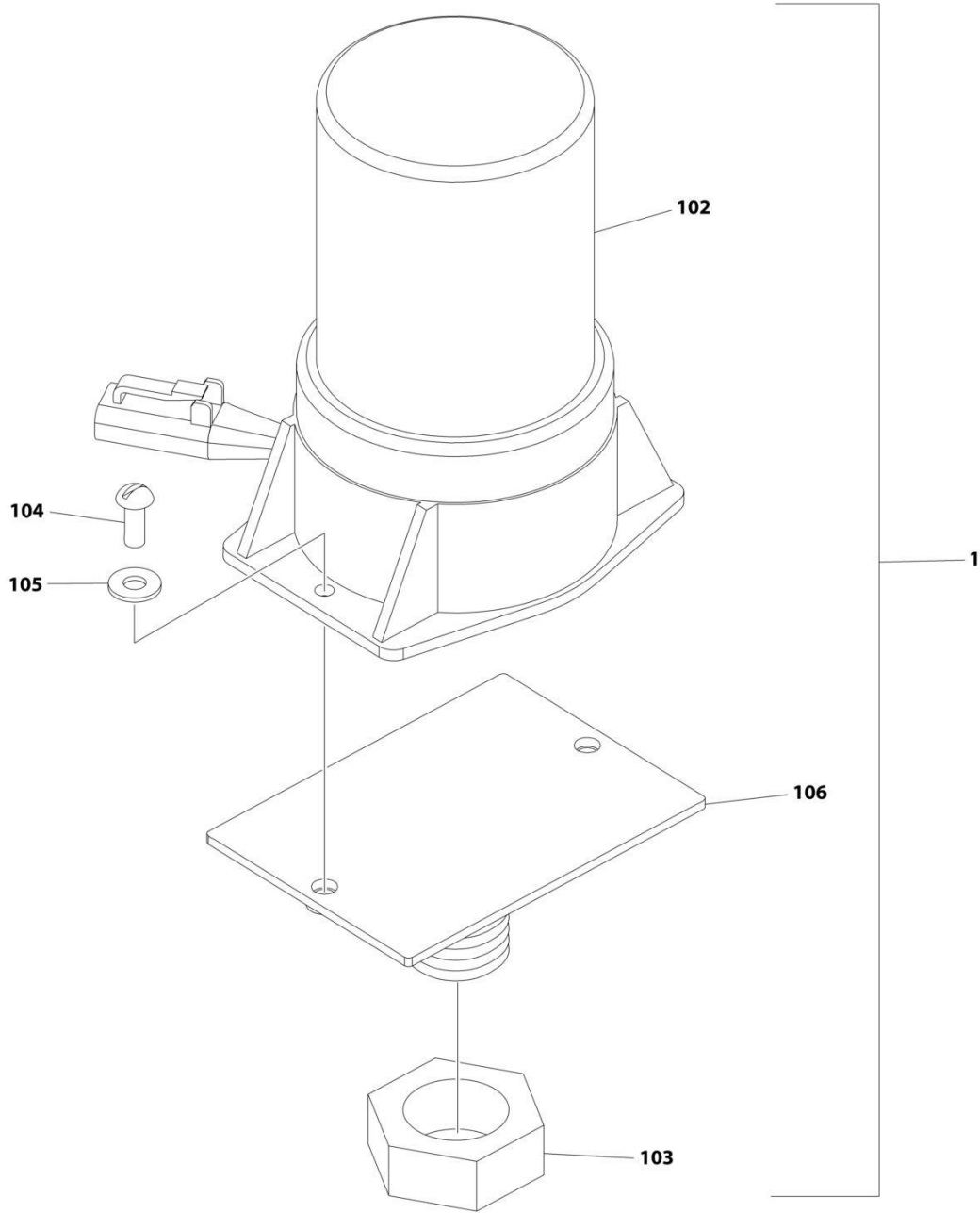
SECTION 2 - TURNTABLE

FIGURE 2-35. ALARM (WHITE NOISE) INSTALLATION

ITEM	PART NUMBER	QTY	DESCRIPTION	REV
	1001239346	Ref	BACKUP ALARM (WHITE NOISE) INSTALLATION	B
1	0100048	AR	Grease, Dielectric	
2	0641406	2	Bolt 1/4 x 3/4	
3	3311405	2	Valve, Check	
4	4711400	4	Washer 1/4	
6	1001184682	1	Alarm	
6	4460897	1	Connector - 2 Position	
6	4460464	2	Pin, Male	
6	1001231007	1	Harness, White Noise Motion Alarm (See Separate Breakdown in ELECTRICAL SECTION)	

SECTION 2 - TURNTABLE

FIGURE 2-36. STROBE LIGHT INSTALLATION (AMBER)



ART_1001160077

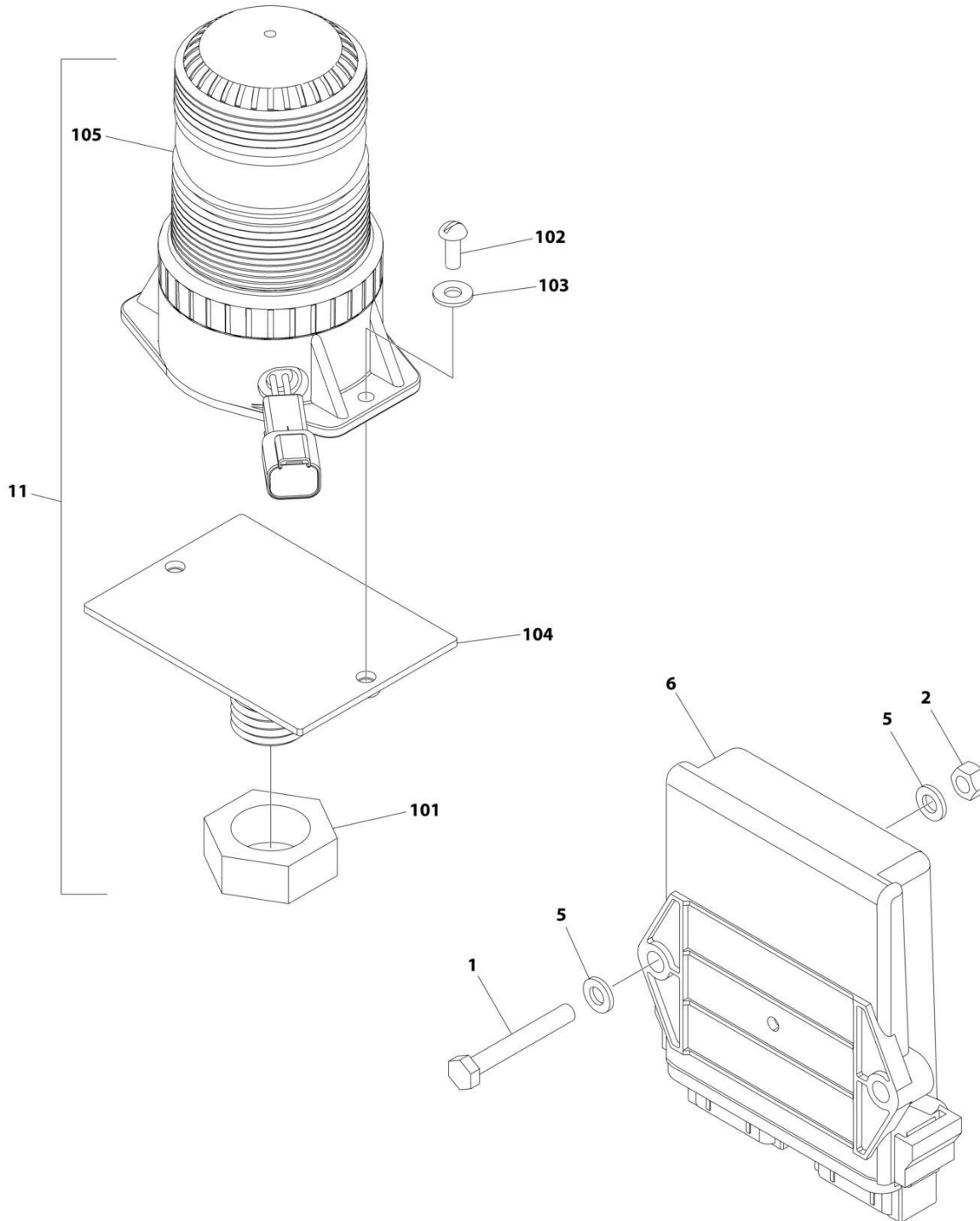
SECTION 2 - TURNTABLE

FIGURE 2-36. STROBE LIGHT INSTALLATION (AMBER)

ITEM	PART NUMBER	QTY	DESCRIPTION	REV
	1001160077	Ref	STROBE LIGHT INSTALLATION (AMBER)	B
1	1001150406	1	Strobe Light Assembly (Includes Items 102-106)	D
102	2920161	1	Strobe Light/Harness Assembly	
102	7016319	1	Bulb	
102	7016372	1	Lens	
103	3312602	1	Nut 1	
104	3900085	2	Screw #10 x 1/2	
105	4751000	2	Washer 1/4	
106	1001149994	1	Mount, Strobe	

SECTION 2 - TURNTABLE

FIGURE 2-37. STROBE LIGHT INSTALLATION (BLUE)



ART_1001242251

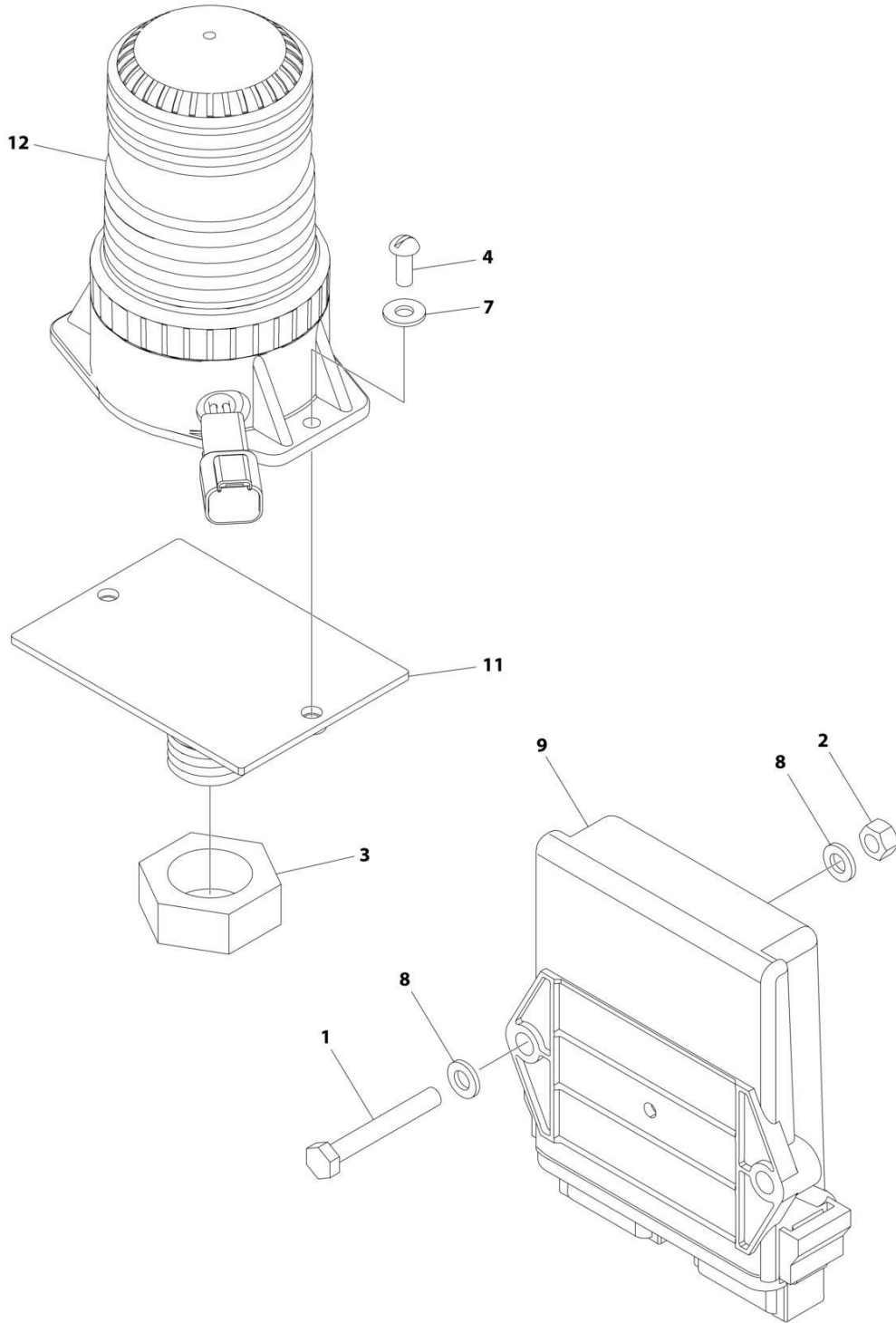
SECTION 2 - TURNTABLE

FIGURE 2-37. STROBE LIGHT INSTALLATION (BLUE)

ITEM	PART NUMBER	QTY	DESCRIPTION	REV
	1001242251	Ref	STROBE LIGHT INSTALLATION (BLUE)	A
1	0700617	2	Bolt M6 x 45	
2	3290607	2	Nut M6 x 1	
3	4240032	AR	Tie-Strap (Not Shown)	
4	4460488	AR	Mounting Base (Not Shown)	
5	4811700	4	Washer M6	
6	1001142683	1	Module, Control Beacon	
7	1001142736	1	Harness, Beacon Control (Not Shown - See Separate Breakdown in ELECTRICAL SECTION)	
11	1001217005	1	Blue Beacon Light Kit (See Items 101-105 for Breakdown)	
101	3312602	1	Nut 1	
102	3900085	2	Screw 10 x 1/2	
103	4751000	2	Washer #10	
104	1001149994	1	Mount, Beacon	
105	1001200910	1	Light, Strobe	
105	7028909	1	Connector - 2 Position	
105	4460943	2	Pin, Male	

SECTION 2 - TURNTABLE

FIGURE 2-38. STROBE LIGHT INSTALLATION (RED)



ART_1001242252

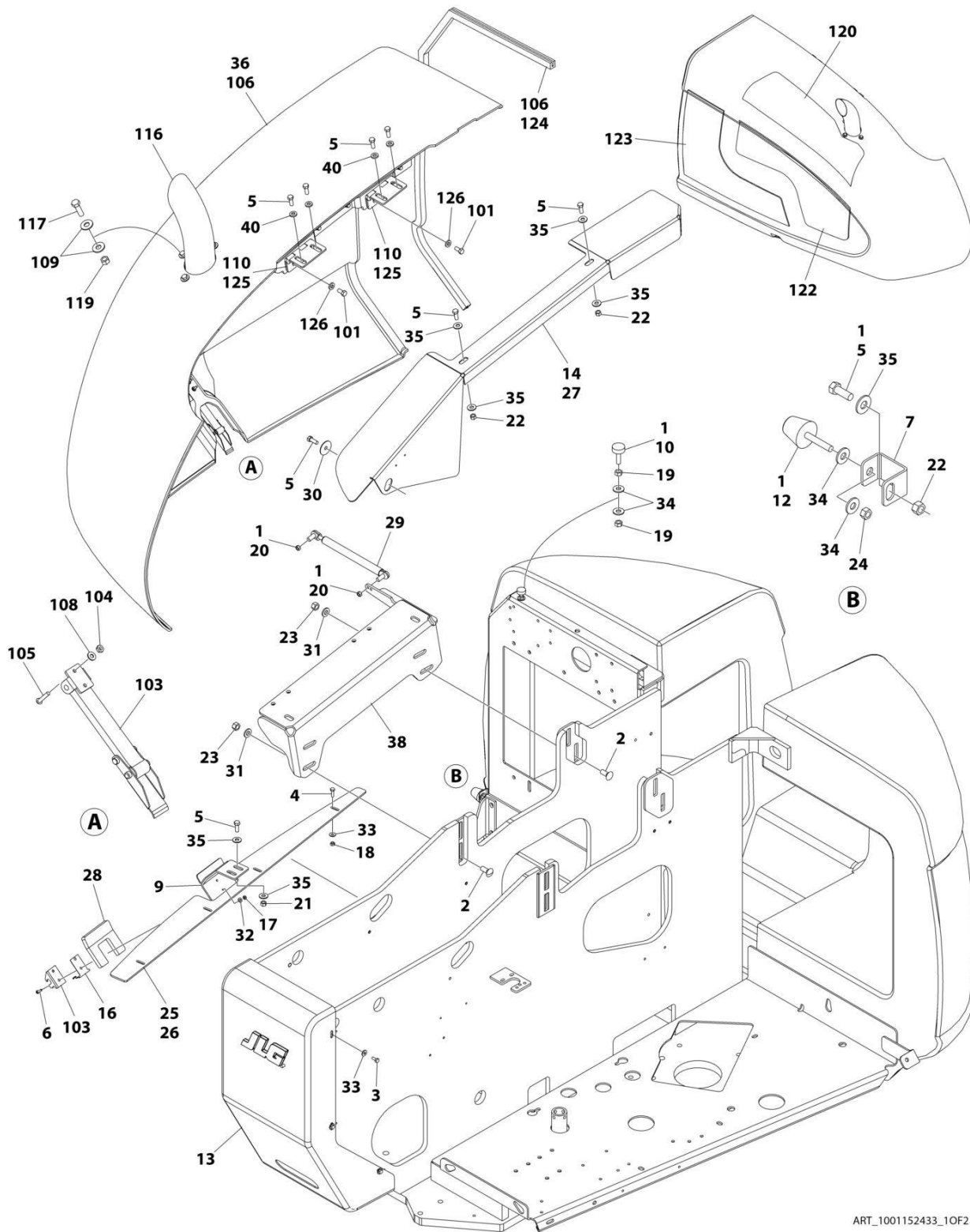
SECTION 2 - TURNTABLE

FIGURE 2-38. STROBE LIGHT INSTALLATION (RED)

ITEM	PART NUMBER	QTY	DESCRIPTION	REV
	1001242252	Ref	STROBE LIGHT INSTALLATION (RED)	A
1	0700617	2	Bolt M6 x 45	
2	3290607	2	Nut M6 x 1	
3	3312602	1	Nut 1	
4	3900085	2	Screw 10 x 1/2	
5	4240032	AR	Tie-Strap (Not Shown)	
6	4460488	AR	Mounting Base (Not Shown)	
7	4751000	2	Washer #10	
8	4811700	4	Washer M6	
9	1001142683	1	Module, Control Beacon	
10	1001142736	1	Harness, Beacon Control (Not Shown - See Separate Breakdown in ELECTRICAL SECTION)	
11	1001149994	1	Mount, Beacon	
12	1001207004	1	Light, Strobe	
12	7028909	1	Connector - 2 Position	
12	4460943	2	Pin, Male	

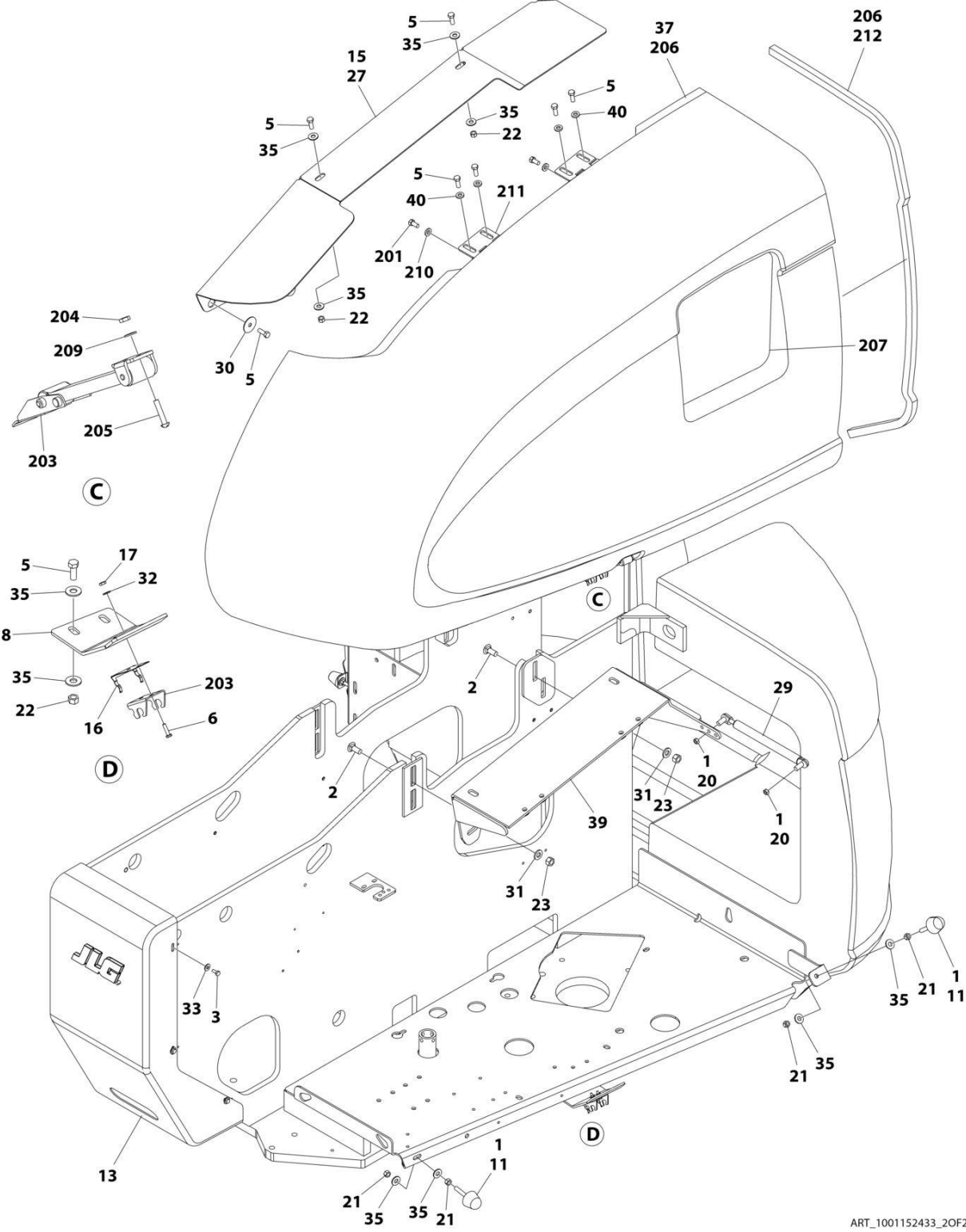
SECTION 2 - TURNTABLE

FIGURE 2-39. HOODS INSTALLATION – DEUTZ D2011 ENGINES WITHOUT NOISE REDUCTION (ABS)



ART_1001152433_10F2

SECTION 2 - TURNTABLE



ART_1001152433_20F2

SECTION 2 - TURNTABLE

FIGURE 2-39. HOODS INSTALLATION – DEUTZ D2011 ENGINES WITHOUT NOISE REDUCTION (ABS)

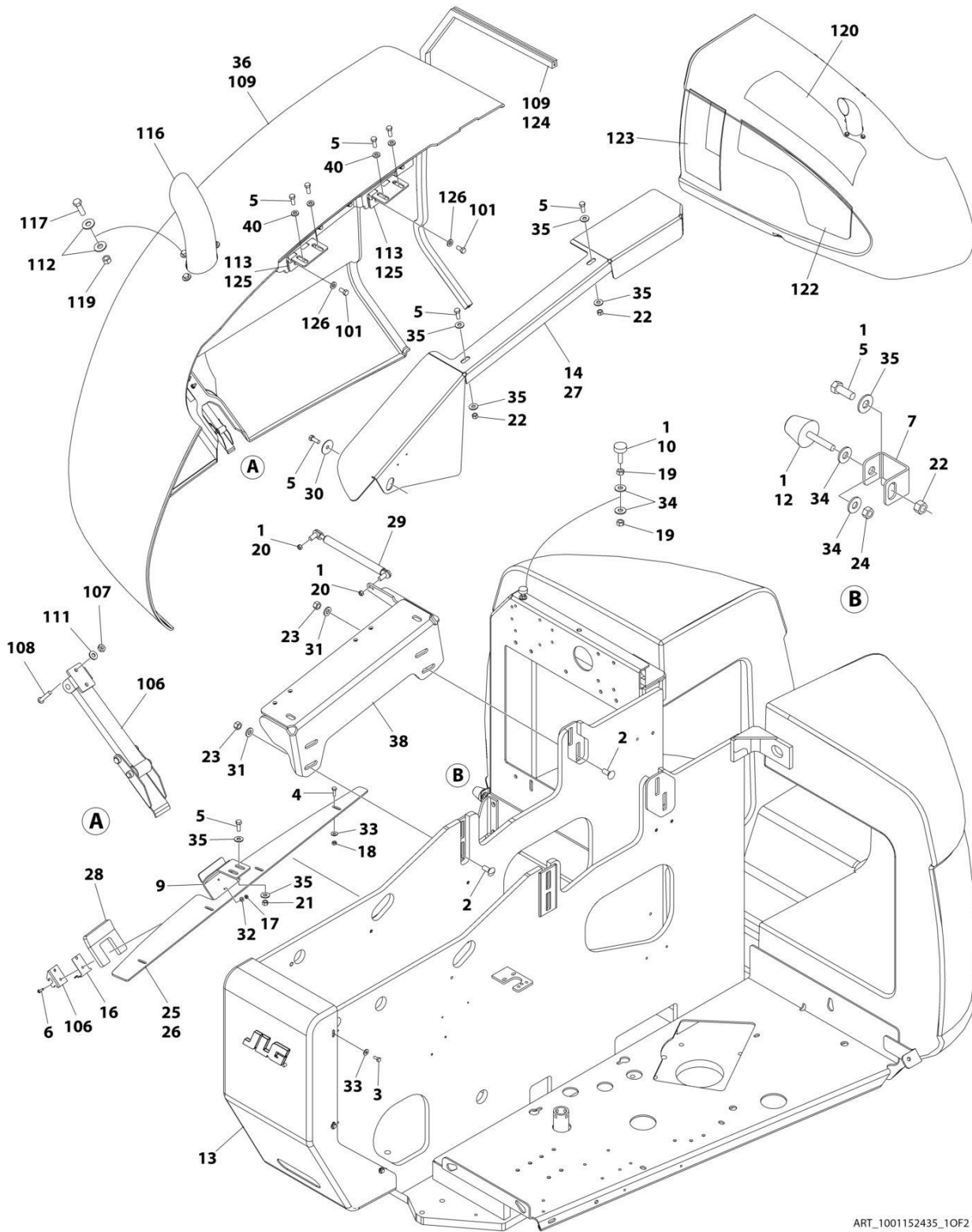
ITEM	PART NUMBER	QTY	DESCRIPTION	REV
		Ref	Note: replacement decals must be ordered separately.	
	1001152433	Ref	HOODS INSTALLATION	I
1	0100011	AR	Compound, Locking	
2	0630507	8	Bolt, Carriage 1/2 x 1-1/4	
3	0641405	6	Bolt 1/4 x 3/4	
4	0641407	4	Bolt 1/4 x 7/8	
5	0641608	19	Bolt 3/8 x 1	
6	0721006	4	Bolt #10 x 3/4	
7	0902219	1	Bracket, Bumper	
8	1001137876	1	Bracket, Latch - Tank Side	
9	0902335	1	Bracket, Latch - Engine Side	
10	0940049	1	Bumper	
11	0940071	2	Bumper	
12	0940088	1	Bumper	
13	1670767	1	Cover, Turntable	
14	2680433	1	Spacer, Hood (Engine Side)	
15	2680434	1	Spacer, Hood (Tank Side)	
16	2940188	2	Latch, Spring Clip	
17	3311005	4	Nut #10	
18	3311405	4	Nut 1/4	
19	3311501	2	Nut 5/16	
20	3311505	4	Nut 5/16	
21	3311601	6	Nut 3/8	
22	3311605	7	Nut 3/8	
23	3311805	8	Nut 1/2	
24	3321501	2	Nut 5/16	
25	3539923	1	Plate, Seal	
26	3960389	3.5 ft/1m	Seal, Bulb	
27	3960418	7 ft/2.1m	Seal	
28	3960467	1	Seal, Foam	
29	4160143	2	Spring, Gas	
30	4740076	2	Washer, Fender	
31	4740171	8	Washer 1/2 Hardened	
32	4751000	4	Washer #10	
33	4751400	10	Washer 1/4	
34	4751500	4	Washer 5/16	
35	4751600	21	Washer 3/8	
38	1001235948	1	Mount - Engine Side	
39	1001152557	1	Mount - Tank Side	
40	4891600	8	Washer 3/8 Hardened	
	1001294637	Ref	HOOD KIT (Includes Items 101 & 201)	A
101	1001160004	Ref	HOOD - ENGINE SIDE	I
102	0641606	4	Bolt 3/8 x 3/4	
103	2940088	1	Latch	
104	3311005	2	Nut #10	
105	3911016	2	Screw #10 x 1	
106	1001164281	2.5 ft /0.78m	Seal	
108	4711000	2	Washer #10	

SECTION 2 - TURNTABLE

ITEM	PART NUMBER	QTY	DESCRIPTION	REV
109	4751600	6	Washer 3/8	
110	1001188467	2	Hinge	
116	1001160598	1	Outlet, Exhaust	
117	0641610	3	Bolt 3/8 x 1-1/4	
119	3311605	3	Nut 3/8	
120	1001160961	1	Insulation	
122	1001160963	1	Insulation	
123	1001160964	1	Insulation	
124	4060805	64 in /1.6m	Flex-Trim	
125	1001169610	2	Spacer, Hinge	
126	4891600	4	Washer 3/8 Hardened	
201	1001160003	Ref	HOOD TANK SIDE	H
202	0641606	4	Bolt 3/8 x 3/4	
203	2940088	1	Latch	
204	3311005	2	Nut #10	
205	3911016	2	Screw #10 x 1	
206	1001164281	3 ft /0.91m	Seal	
207	1001166394	4.5 ft /1.4m	Seal	
209	4751000	2	Washer #10	
210	4891600	4	Washer 3/8 Hardened	
211	1001188467	2	Hinge	
212	4060805	62 in /1.6m	Flex-Trim	

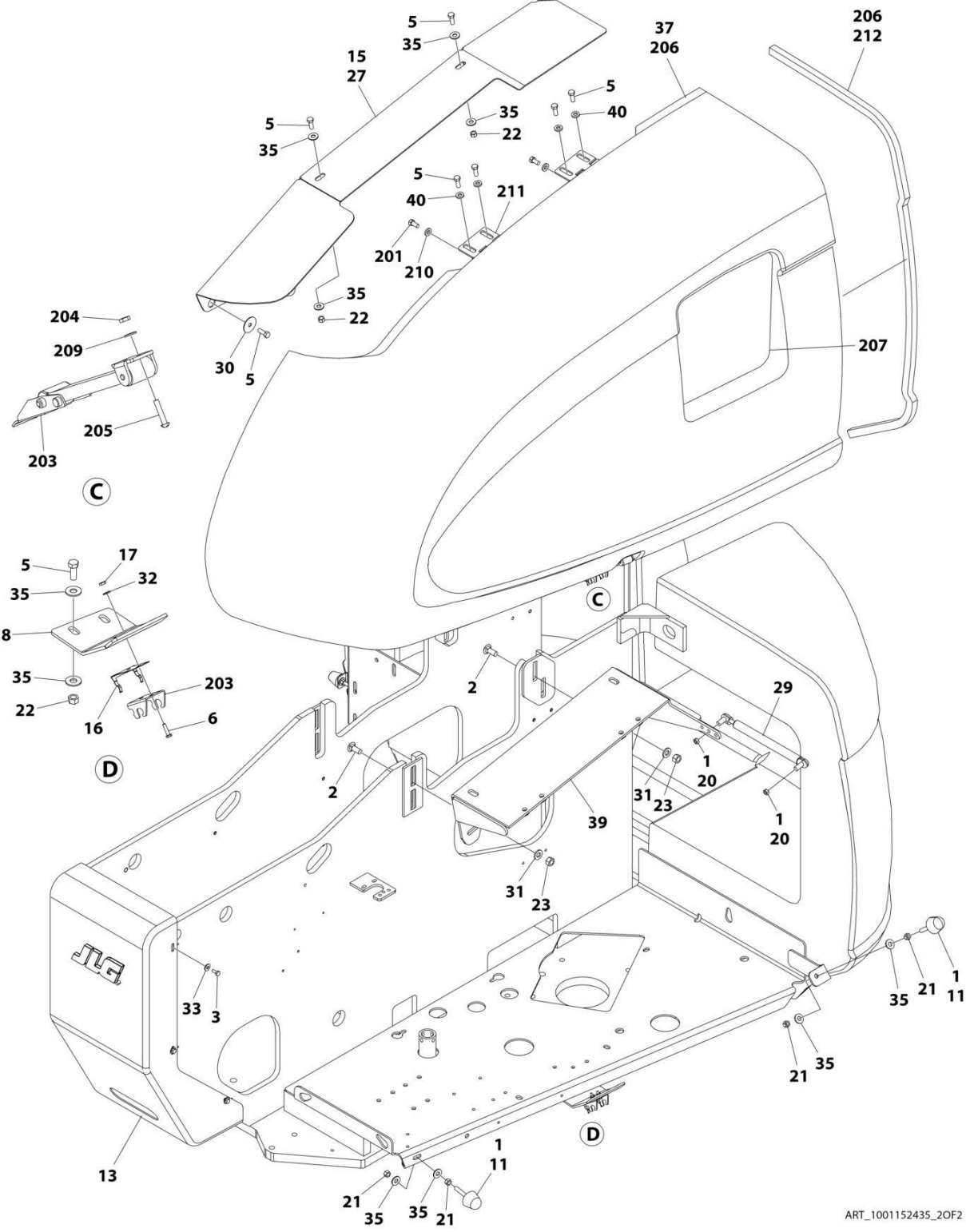
SECTION 2 - TURNTABLE

FIGURE 2-40. HOODS INSTALLATION – DEUTZ D2011 ENGINES WITH NOISE REDUCTION (ABS)



ART_1001152435_10F2

SECTION 2 - TURNTABLE



ART_1001152435_20F2

SECTION 2 - TURNTABLE

FIGURE 2-40. HOODS INSTALLATION – DEUTZ D2011 ENGINES WITH NOISE REDUCTION (ABS)

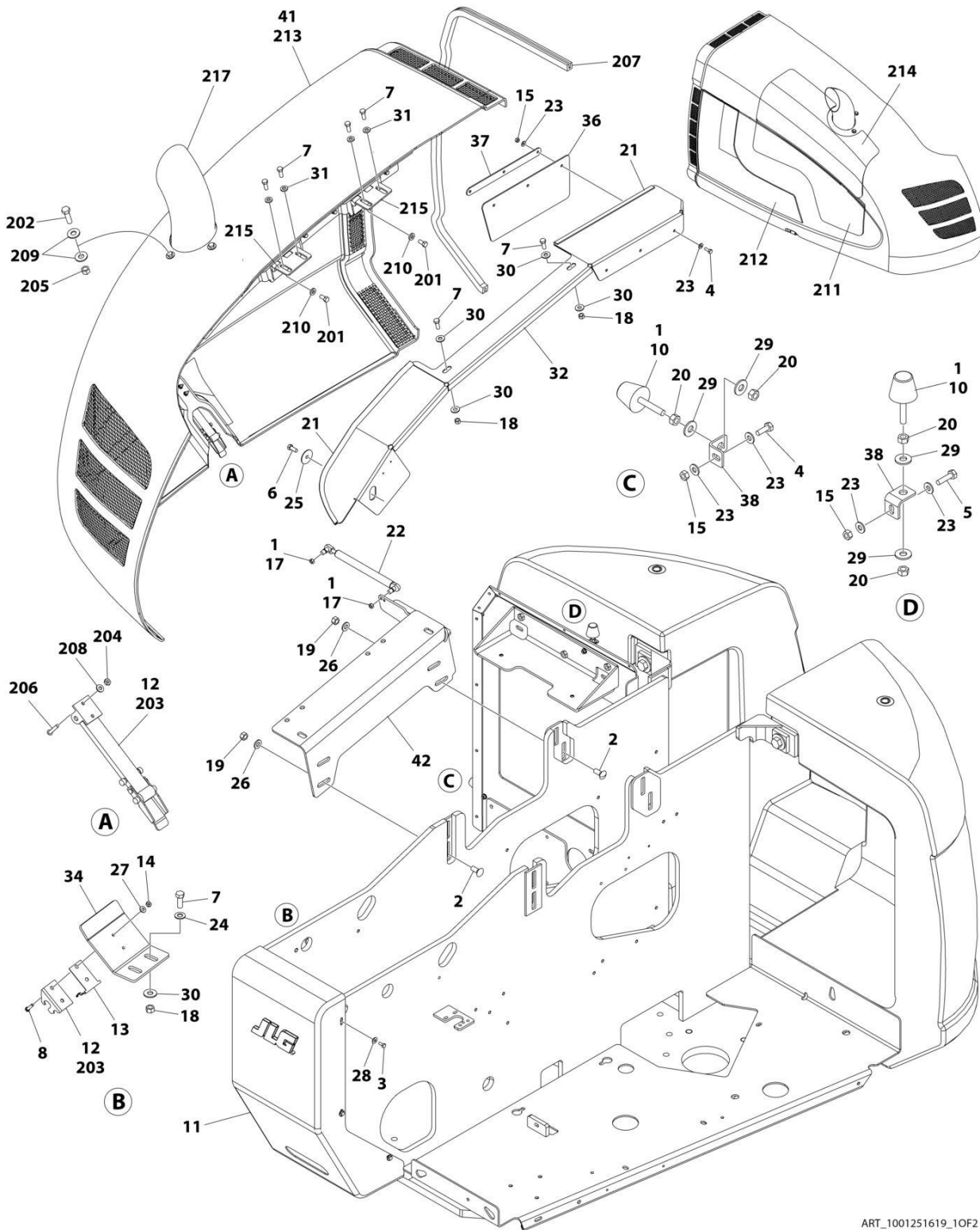
ITEM	PART NUMBER	QTY	DESCRIPTION	REV
	See Note	Ref	Note: replacement decals must be ordered separately.	
	1001152435	Ref	HOODS INSTALLATION	K
1	0100011	AR	Compound, Locking	
2	0630507	8	Bolt, Carriage 1/2 x 1-1/4	
3	0641405	6	Bolt 1/4 x 3/4	
4	0641407	4	Bolt 1/4 x 7/8	
5	0641608	19	Bolt 3/8 x 1	
6	0721006	4	Bolt #10 x 3/4	
7	0902219	1	Bracket, Bumper	
8	1001137876	1	Bracket, Latch - Tank Side	
9	0902335	1	Bracket, Latch - Engine Side	
10	0940049	1	Bumper	
11	0940071	2	Bumper	
12	0940088	1	Bumper	
13	1670767	1	Cover, Turntable	
14	2680433	1	Spacer, Hood (Engine Side)	
15	2680434	1	Spacer, Hood (Tank Side)	
16	2940188	2	Latch, Spring Clip	
17	3311005	4	Nut #10	
18	3311405	4	Nut 1/4	
19	3311501	2	Nut 5/16	
20	3311505	4	Nut 5/16	
21	3311601	6	Nut 3/8	
22	3311605	7	Nut 3/8	
23	3311805	8	Nut 1/2	
24	3321501	2	Nut 5/16	
25	3539923	1	Plate, Seal	
26	3960389	3.5 ft/1m	Seal, Bulb	
27	3960418	7 ft/2.1m	Seal	
28	3960467	1	Seal, Foam	
29	4160143	2	Spring, Gas	
30	4740076	2	Washer, Fender	
31	4740171	8	Washer 1/2 Hardened	
32	4751000	4	Washer #10	
33	4751400	10	Washer 1/4	
34	4751500	4	Washer 5/16	
35	4751600	21	Washer 3/8	
36	1001160034	1	Hood - Engine Side (See Items 101-126 for Breakdown)	
37	1001160003	1	Hood - Tank Side (See Items 201-212 for Breakdown)	
38	1001235948	1	Mount - Engine Side	
39	1001152557	1	Mount - Tank Side	
40	4891600	8	Washer 3/8 Hardened	
100	1001294604	Ref	HOOD KIT (Includes Items 101 & 201)	A
101	1001160034	Ref	HOOD - ENGINE SIDE (Includes Items 102-126)	K
102	0641606	4	Bolt 3/8 x 3/4	
106	2940088	1	Latch	
107	3311005	2	Nut #10	
108	3911016	2	Screw #10 x 1	
109	1001164281	2.5 ft /0.76m	Seal	

SECTION 2 - TURNTABLE

ITEM	PART NUMBER	QTY	DESCRIPTION	REV
111	4711000	2	Washer #10	
112	4751600	6	Washer 3/8	
113	1001188467	2	Hinge	
116	1001160598	1	Outlet, Exhaust	
117	0641610	3	Bolt 3/8 x 1-1/4	
119	3311605	3	Nut 3/8	
120	1001160961	1	Insulation	
122	1001160963	1	Insulation	
123	1001161027	1	Insulation	
124	4060805	64 in /1.6m	Flex-Trim	
125	1001169610	2	Spacer, Hinge	
126	4891600	4	Washer 3/8 Hardened	
201	1001160003	Ref	HOOD TANK SIDE (Includes Items 202-212)	H
202	0641606	4	Bolt 3/8 x 3/4	
203	2940088	1	Latch	
204	3311005	2	Nut #10	
205	3911016	2	Screw #10 x 1	
206	1001164281	3 ft /0.91m	Seal	
207	1001166394	4.5 ft /1.4m	Seal	
209	4751000	2	Washer #10	
210	4891600	4	Washer 3/8 Hardened	
211	1001188467	2	Hinge	
212	4060805	62 in /1.6m	Flex-Trim	

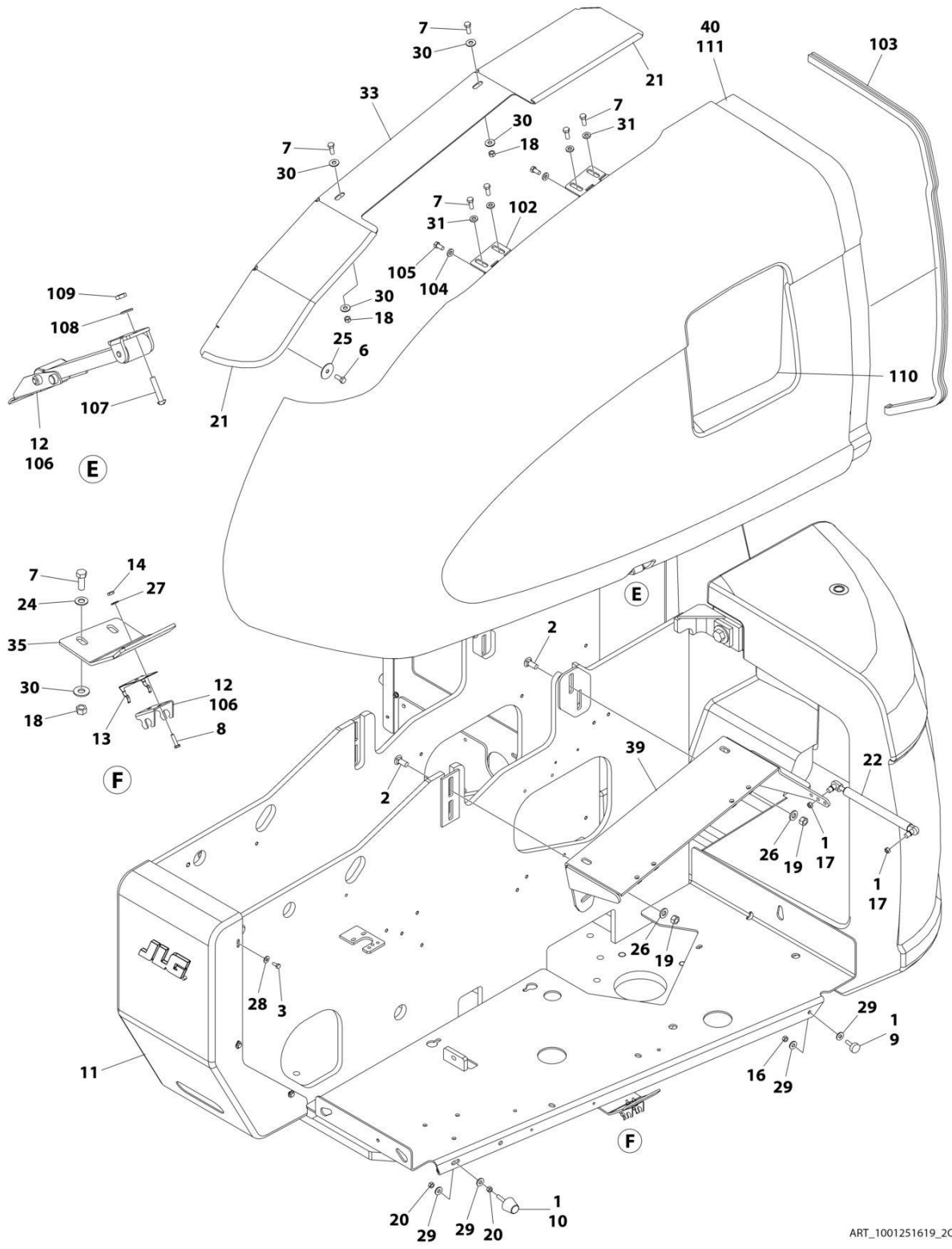
SECTION 2 - TURNTABLE

FIGURE 2-41. HOODS INSTALLATION – DEUTZ TD2.2L3 STAGE V ENGINES (ABS)



ART_1001251619_10F2

SECTION 2 - TURNTABLE



ART_1001251619_20F2

SECTION 2 - TURNTABLE

FIGURE 2-41. HOODS INSTALLATION – DEUTZ TD2.2L3 STAGE V ENGINES (ABS)

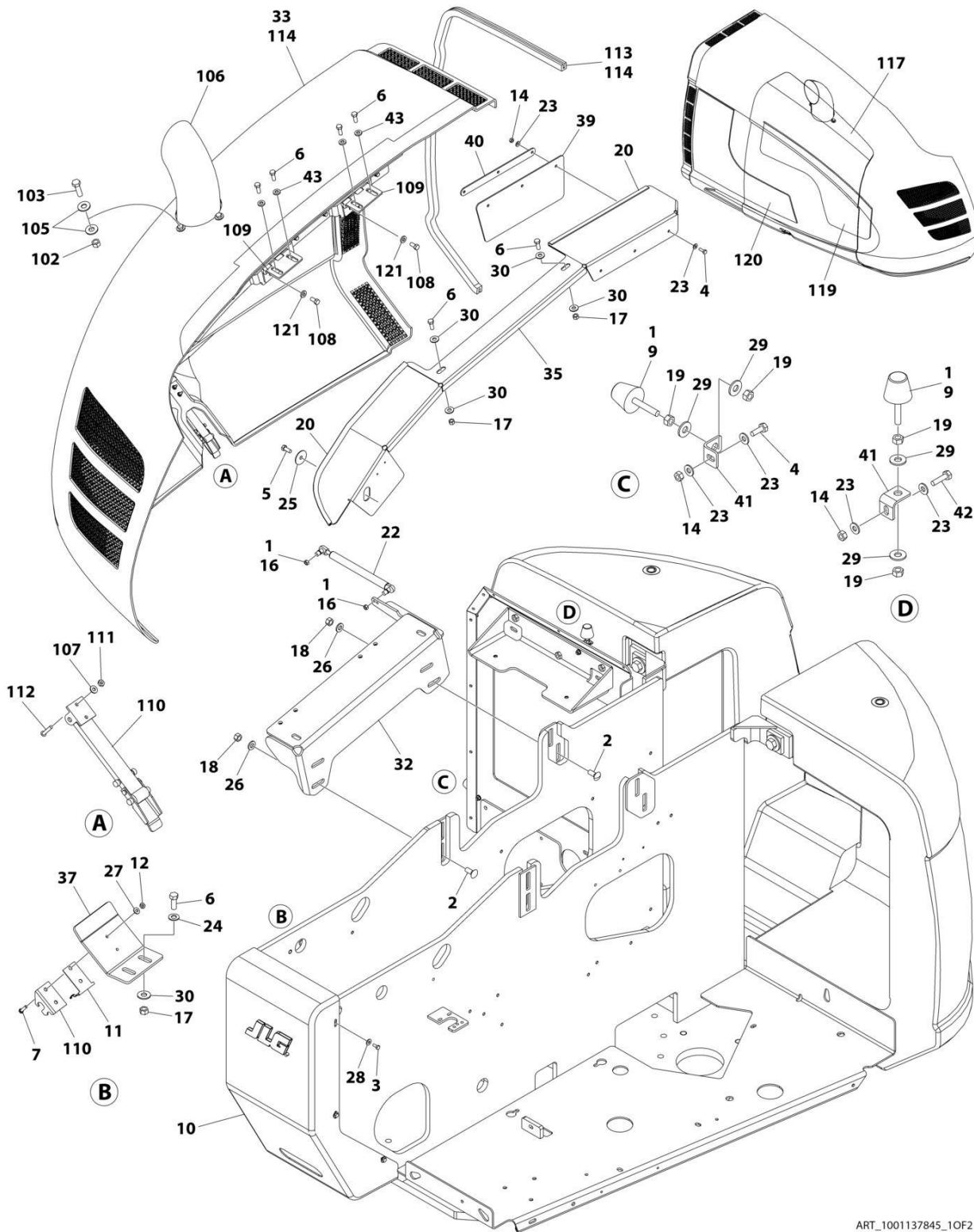
ITEM	PART NUMBER	QTY	DESCRIPTION	REV
	See Note	Ref	Note: replacement decals must be ordered separately.	
	1001251619	Ref	HOODS INSTALLATION	E
1	0100011	AR	Compound, Locking	
2	0630507	8	Bolt, Carriage 1/2 x 1-1/4	
3	0641405	6	Bolt 1/4 x 3/4	
4	0641406	4	Bolt 1/4 x 3/4	
5	0641408	1	Bolt 1/4 x 1	
6	0641607	2	Bolt 3/8 x 7/8	
7	0641608	16	Bolt 3/8 x 1	
8	0721006	4	Bolt #10 x 3/4	
9	0940049	1	Bumper	
10	0940088	3	Bumper	
11	1670767	1	Cover, Turntable	
12	2940088	2	Latch	
13	2940188	2	Latch, Spring Clip	
14	3311005	4	Nut #10	
15	3311405	5	Nut 1/4	
16	3311501	1	Nut 5/16	
17	3311505	4	Nut 5/16	
18	3311605	8	Nut 3/8	
19	3311805	8	Nut 1/2	
20	3321501	6	Nut 5/16	
21	3960418	7 ft/2.1m	Seal	
22	4160143	2	Spring, Gas	
23	4711400	10	Washer 1/4	
24	4711600	4	Washer 3/8	
25	4740076	2	Washer, Fender	
26	4740171	8	Washer 1/2 Hardened	
27	4751000	4	Washer #10	
28	4751400	6	Washer 1/4	
29	4751500	8	Washer 5/16	
30	4751600	12	Washer 3/8	
31	4891600	8	Washer 3/8 Hardened	
32	1001137853	1	Spacer, Hood (Engine Side)	
33	1001137854	1	Spacer, Hood (Tank Side)	
34	1001137875	1	Bracket, Latch - Engine Side	
35	1001137876	1	Bracket, Latch - Tank Side	
36	1001137878	1	Rubber, Baffle	
37	1001137879	1	Bracket, Baffle	
38	1001137886	2	Bracket, Bumper	
39	1001152557	1	Mount - Tank Side	
40	1001160190	1	Hood - Tank Side (See Items 202-211 for Breakdown)	
41	1001251618	1	Hood - Engine Side (See Items 201-217 for Breakdown)	
42	1001253100	1	Mount - Engine Side	
43	3960467	1	Seal	
100	1001294603	Ref	HOOD KIT (Includes Items 101 & 201)	A
	1001160190	Ref	HOOD TANK SIDE (Includes Items 102-111)	G
102	1001188467	2	Hinge	
103	3960462	5 ft /1.52m	Seal	

SECTION 2 - TURNTABLE

ITEM	PART NUMBER	QTY	DESCRIPTION	REV
104	4891600	4	Washer 3/8 Hardened	D
105	0641606	4	Bolt 3/8 x 3/4	
106	2940088	1	Latch	
107	3911016	2	Screw #10 x 1	
108	4751000	2	Washer #10	
109	3311005	2	Nut #10	
110	1001166394	4.5 ft /1.4m	Seal	
111	1001164281	2.5 ft /0.8m	Seal	
201	1001251618	Ref	HOOD - ENGINE SIDE	
201	0641606	4	Bolt 3/8 x 3/4	
202	0641610	3	Bolt 3/8 x 1-1/4	
203	2940088	1	Latch	
204	3311005	2	Nut #10	
205	3311605	3	Nut 3/8	
206	3911016	2	Screw #10 x 1	
207	3960462	5 ft /1.52m	Seal	
208	4751000	2	Washer #10	
209	4751600	6	Washer 3/8	
210	4891600	4	Washer 3/8 Hardened	
211	1001160963	1	Insulation	
212	1001160964	1	Insulation	
213	1001164281	2.5 ft /0.76m	Seal	
214	1001258377	1	Insulation	
215	1001188467	2	Hinge	
217	1001252082	1	Outlet, Exhaust	

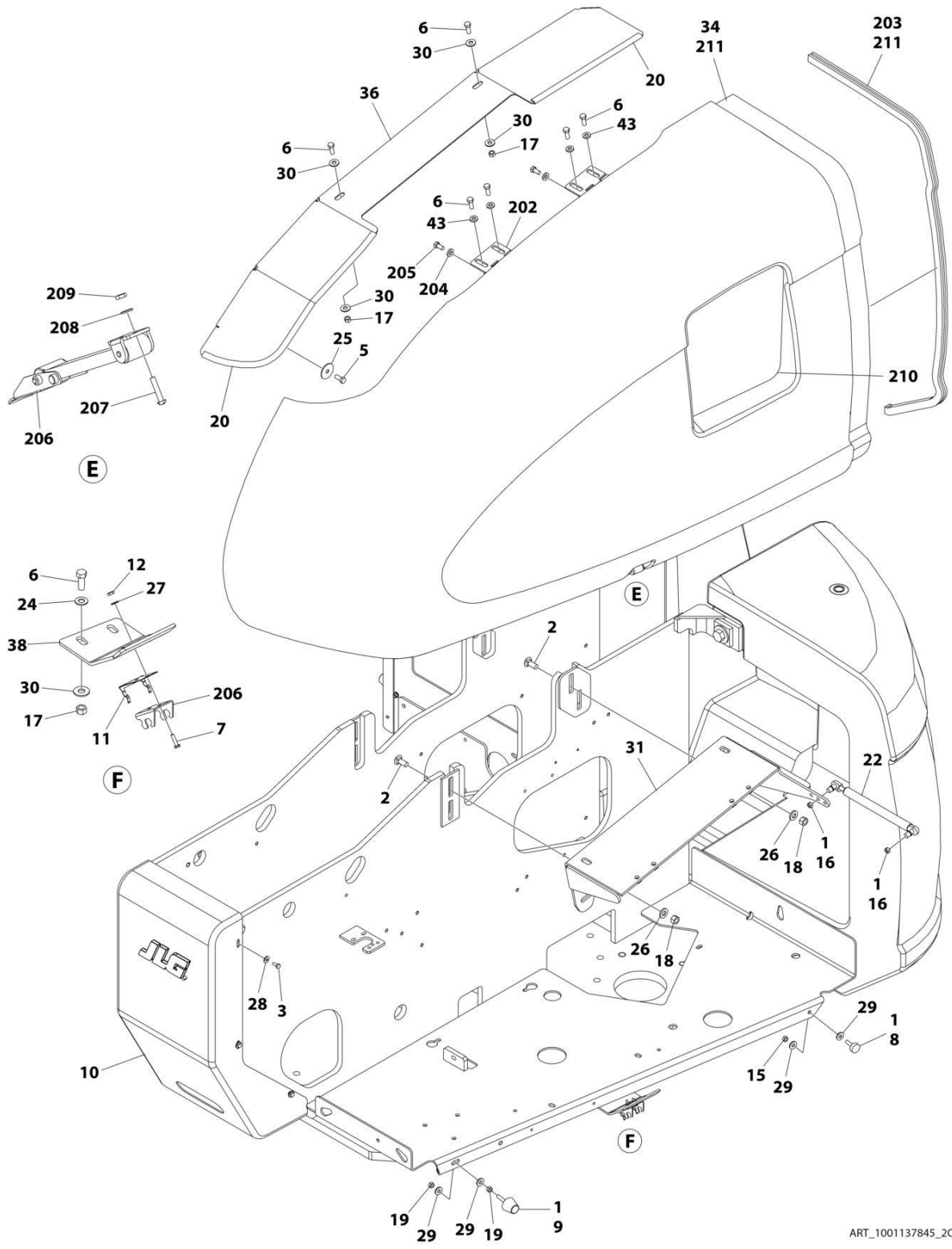
SECTION 2 - TURNTABLE

FIGURE 2-42. HOODS INSTALLATION – DEUTZ TD2.9L4 AND FORD DF 2.5L ENGINES (ABS)



ART_1001137845_10F2

SECTION 2 - TURNTABLE



ART_1001137845_20F2

SECTION 2 - TURNTABLE

FIGURE 2-42. HOODS INSTALLATION – DEUTZ TD2.9L4 AND FORD DF 2.5L ENGINES (ABS)

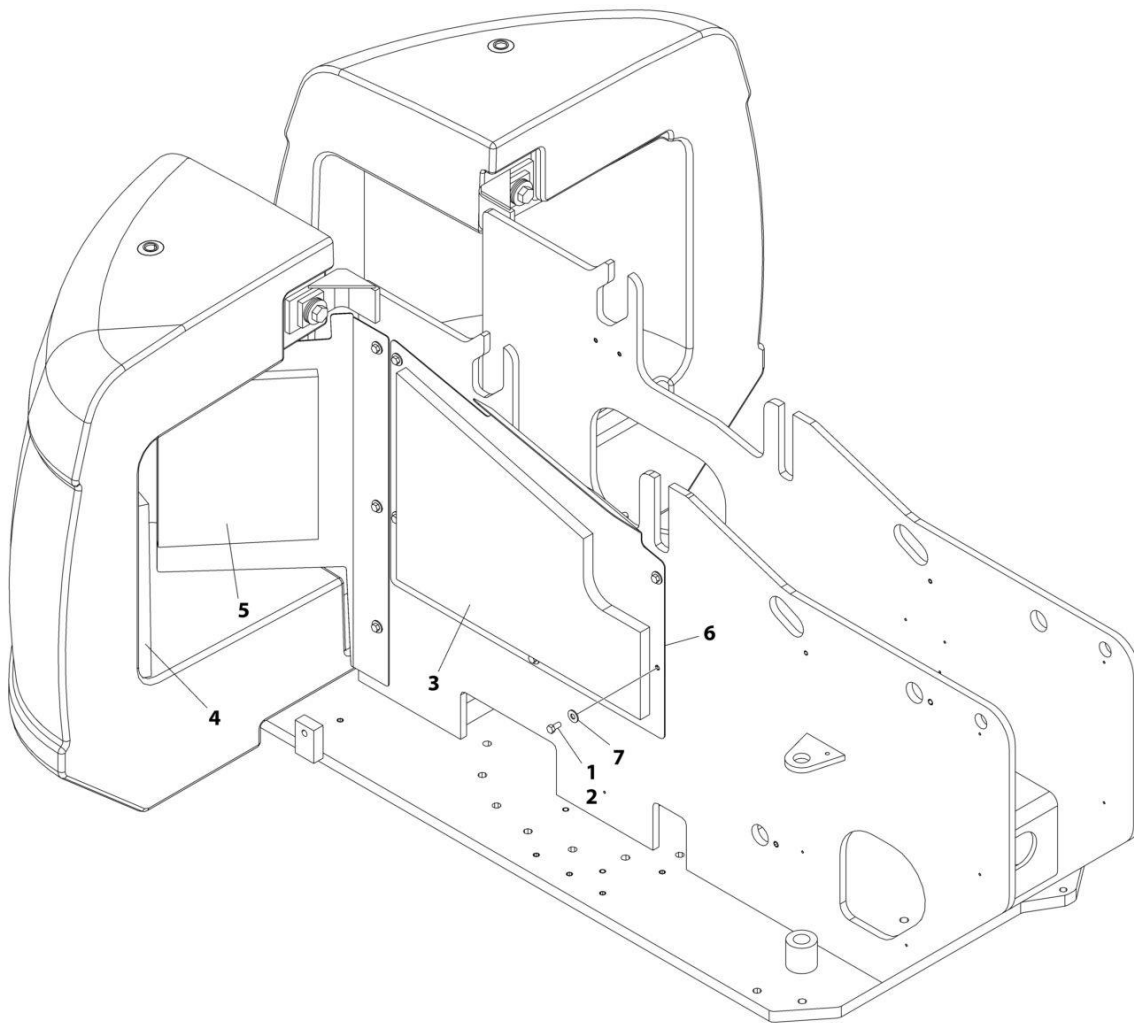
ITEM	PART NUMBER	QTY	DESCRIPTION	REV
	See Note	Ref	Note: replacement decals must be ordered separately.	
	1001137845	Ref	HOODS INSTALLATION	I
1	0100011	AR	Compound, Locking	
2	0630507	8	Bolt, Carriage 1/2 x 1-1/4	
3	0641405	6	Bolt 1/4 x 3/4	
4	0641406	4	Bolt 1/4 x 3/4	
5	0641607	2	Bolt 3/8 x 7/8	
6	0641608	16	Bolt 3/8 x 1	
7	0721006	4	Bolt #10 x 3/4	
8	0940049	1	Bumper	
9	0940088	3	Bumper	
10	1670767	1	Cover, Turntable	
11	2940188	2	Latch, Spring Clip	
12	3311005	4	Nut #10	
14	3311405	5	Nut 1/4	
15	3311501	1	Nut 5/16	
16	3311505	4	Nut 5/16	
17	3311605	8	Nut 3/8	
18	3311805	8	Nut 1/2	
19	3321501	6	Nut 5/16	
20	3960418	7 ft/2.1m	Seal	
22	4160143	2	Spring, Gas	
23	4711400	10	Washer 1/4	
24	4711600	4	Washer 3/8	
25	4740076	2	Washer, Fender	
26	4740171	8	Washer 1/2 Hardened	
27	4751000	4	Washer #10	
28	4751400	6	Washer 1/4	
29	4751500	8	Washer 5/16	
30	4751600	12	Washer 3/8	
31	1001152557	1	Mount - Tank Side	
32	1001235948	1	Mount - Engine Side	
35	1001137853	1	Spacer, Hood (Engine Side)	
36	1001137854	1	Spacer, Hood (Tank Side)	
37	1001137875	1	Bracket, Latch - Engine Side	
38	1001137876	1	Bracket, Latch - Tank Side	
39	1001137878	1	Rubber, Baffle	
40	1001137879	1	Bracket, Baffle	
41	1001137886	2	Bracket, Bumper	
42	0641408	1	Bolt 1/4 x 1	
43	4891600	8	Washer 3/8 Hardened	
100	1001294703	Ref	HOOD KIT (Includes Items 101 & 201)	A
101	1001160189	Ref	HOOD - ENGINE SIDE (Includes items 102-121)	G
102	3311605	3	Nut 3/8	
103	0641610	3	Bolt 3/8 x 1-1/4	
105	4751600	6	Washer 3/8	
106	1001137860	1	Outlet, Exhaust	
107	4751000	2	Washer #10	
108	0641606	4	Bolt 3/8 x 3/4	
109	1001188467	2	Hinge	

SECTION 2 - TURNTABLE

ITEM	PART NUMBER	QTY	DESCRIPTION	REV
110	2940088	1	Latch	
111	3311005	2	Nut #10	
112	3911016	2	Screw #10 x 1	
113	3960462	5 ft /1.52m	Seal	
114	1001164281	2.5 ft /0.76m	Seal	
117	1001165741	1	Insulation	
119	1001160963	1	Insulation	
120	1001160964	1	Insulation	
121	4891600	4	Washer 3/8 Hardened	
201	1001160190	Ref	HOOD TANK SIDE (Includes items 202-211)	G
202	1001188467	2	Hinge	
203	3960462	5 ft /1.52m	Seal	
204	4891600	4	Washer 3/8 Hardened	
205	0641606	4	Bolt 3/8 x 3/4	
206	2940088	1	Latch	
207	3911016	2	Screw #10 x 1	
208	4751000	2	Washer #10	
209	3311005	2	Nut #10	
210	1001166394	4.5 ft /1.4m	Seal	
211	1001164281	2.6 ft /0.8m	Seal	

SECTION 2 - TURNTABLE

FIGURE 2-43. NOISE REDUCTION INSTALLATION - DEUTZ D2011 & DEUTZ TD2.9L4 ENGINES



ART_1001152325

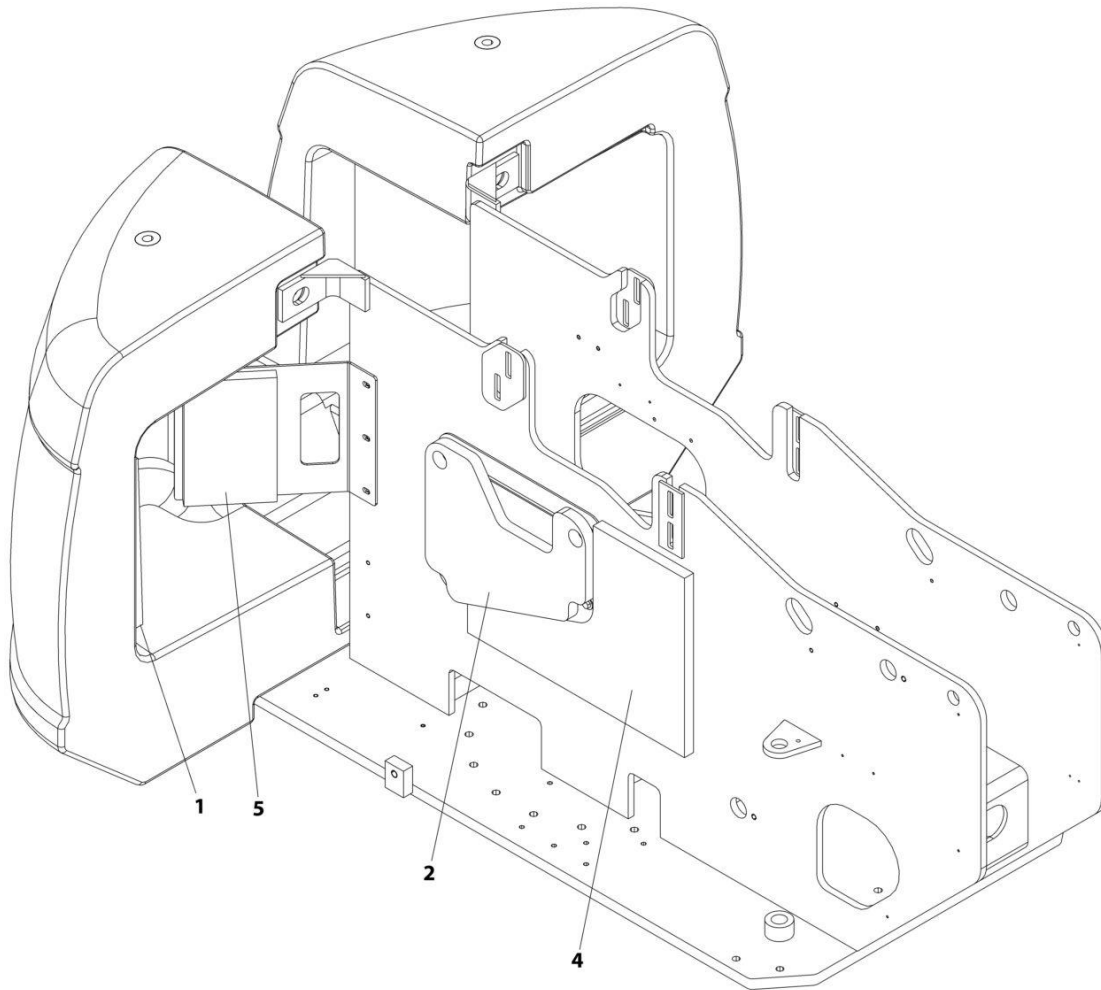
SECTION 2 - TURNTABLE

FIGURE 2-43. NOISE REDUCTION INSTALLATION - DEUTZ D2011 & DEUTZ TD2.9L4 ENGINES

ITEM	PART NUMBER	QTY	DESCRIPTION	REV
	1001152325	Ref	NOISE REDUCTION INSTALLATION	A
1	0100011	AR	Compound, Locking	
2	0641606	5	Bolt 3/8 x 3/4	
3	2820078	1	Foam, Acoustical	
4	2820082	1	Foam, Acoustical	
5	2820083	1	Foam, Acoustical	
6	3539988	1	Plate, Baffle	
7	4751600	5	Washer 3/8	

SECTION 2 - TURNTABLE

FIGURE 2-44. NOISE REDUCTION INSTALLATION - DEUTZ TD2.2L3 ENGINES



ART_1001255777

SECTION 2 - TURNTABLE

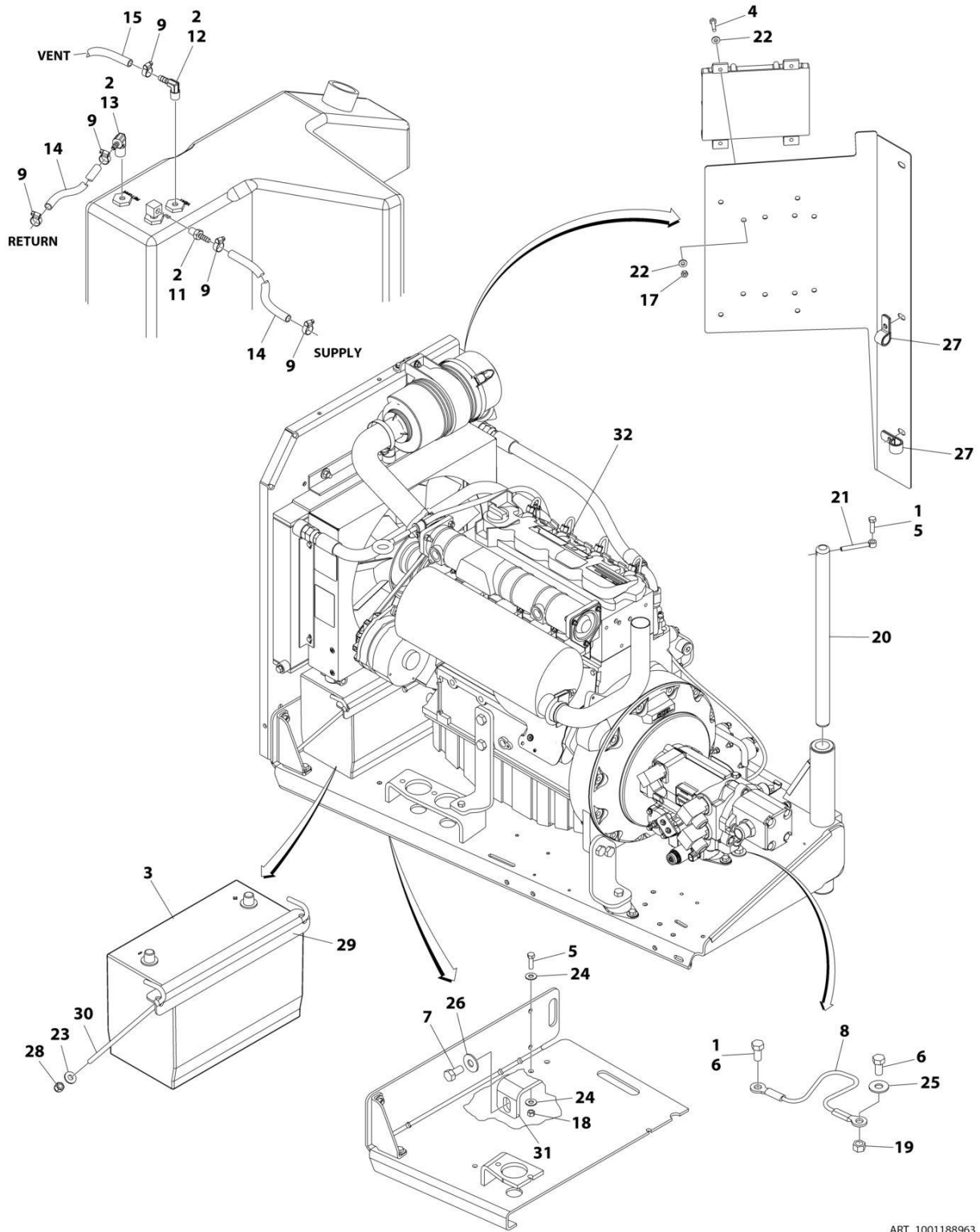
FIGURE 2-44. NOISE REDUCTION INSTALLATION - DEUTZ TD2.2L3 ENGINES

ITEM	PART NUMBER	QTY	DESCRIPTION	REV
	1001255777	Ref	NOISE REDUCTION INSTALLATION	C
1	2820082	1	Foam, Acoustical	
2	1001254499	1	Insulate, Foam	
4	1001254738	1	Insulate, Foam	
5	1001254769	1	Insulate, Foam	

SECTION 3 - ENGINE

SECTION 3 - ENGINE

FIGURE 3-1. DEUTZ D2011 ENGINE INSTALLATION – WITHOUT ARCTIC PACKAGE



ART_1001188963

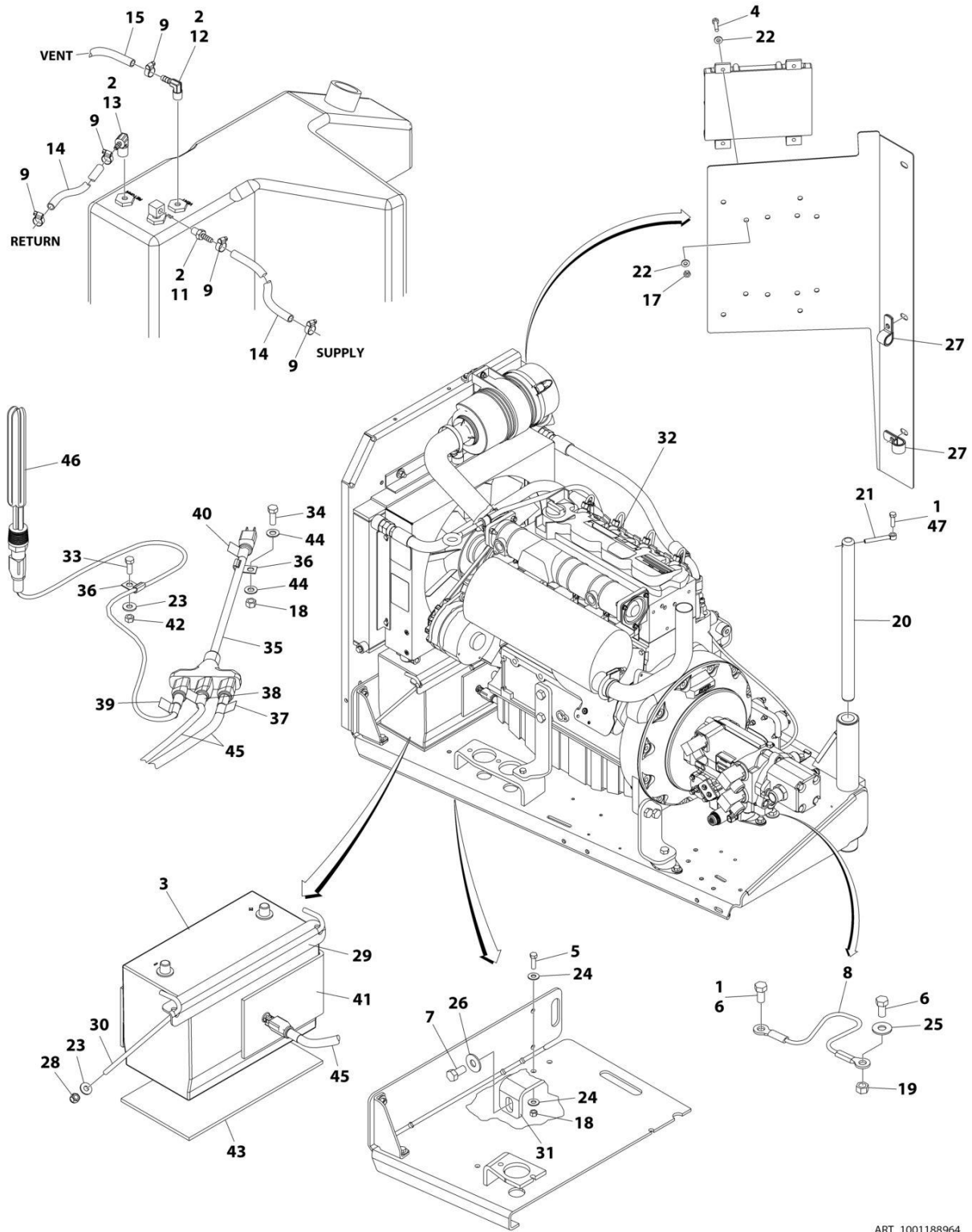
SECTION 3 - ENGINE

FIGURE 3-1. DEUTZ D2011 ENGINE INSTALLATION – WITHOUT ARCTIC PACKAGE

ITEM	PART NUMBER	QTY	DESCRIPTION	REV
	1001188963	Ref	DEUTZ D2011 ENGINE INSTALLATION	B
1	0100011	AR	Compound, Locking	
2	0100020	AR	Sealant, Pipe	
3	0400075	1	Battery	
4	0641409	4	Bolt 1/4 x 1-1/8	
5	0641610	3	Bolt 3/8 x 1-1/4	
6	0641808	2	Bolt 1/2 x 1	
7	0642010	1	Bolt 5/8 x 1-1/4	
8	1060637	1	Cable, Lanyard	
9	1320022	5	Clamp, Hose	
10	1701505	1	Decal - Diesel (Not Shown - Located on Hood)	
11	2180348	1	Fitting, Straight Barbed	
12	2220313	1	Fitting, 90	
13	2221176	1	Fitting, Straight Barbed	
14	2720058	24 ft /7.3m	Hose	
15	2750532	6 ft /1.8m	Hose	
16	1001241578	1	Battery Cable Kit (No Info at Time of Printing)	A
17	3311405	4	Nut 1/4	
18	3311605	2	Nut 3/8	
19	3311805	1	Nut 1/2	
20	3422448	1	Pin, Pivot	
21	3841143	1	Pin, Keeper	
22	4711400	8	Washer 1/4	
23	4751500	2	Washer 5/16	
24	4751600	4	Washer 3/8	
25	4751800	1	Washer 1/2	
26	4752000	1	Washer 5/8	
27	85941017	2	Clamp	
28	88521205	2	Nut 5/16	
29	91401281	1	Hold-down, Battery	
30	1001093382	2	J-Bolt	
31	1001151070	1	Angle	
32	1001188954	1	Engine Assembly with Pumps (See Separate Breakdown in this Section)	

SECTION 3 - ENGINE

FIGURE 3-2. DEUTZ D2011 ENGINE INSTALLATION – WITH ARCTIC PACKAGE



ART_1001188964

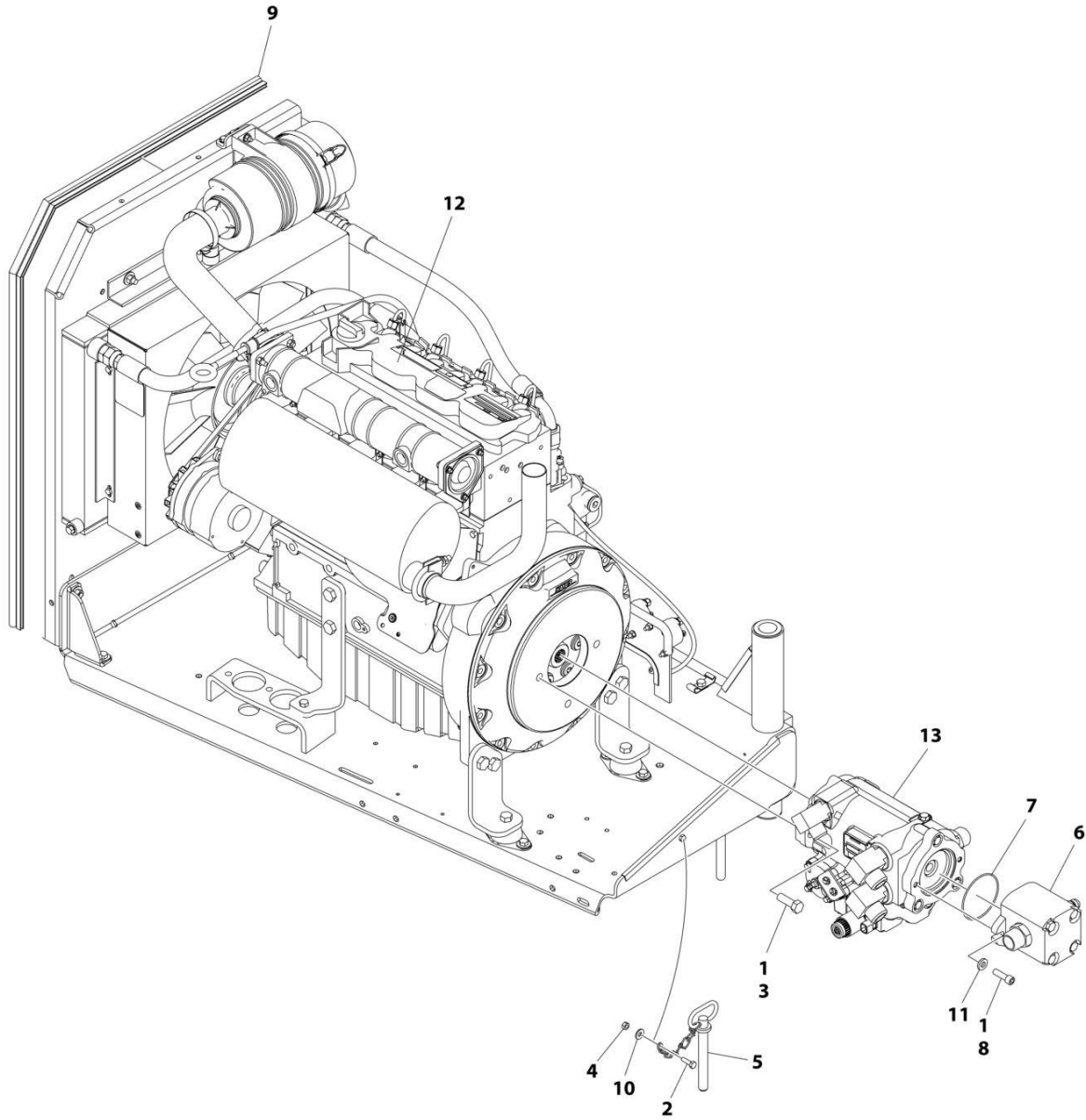
SECTION 3 - ENGINE

FIGURE 3-2. DEUTZ D2011 ENGINE INSTALLATION – WITH ARCTIC PACKAGE

ITEM	PART NUMBER	QTY	DESCRIPTION	REV
	1001188964	Ref	DEUTZ D2011 ENGINE INSTALLATION	D
1	0100011	AR	Compound, Locking	
2	0100020	AR	Sealant, Pipe	
3	0400075	1	Battery	
4	0641409	4	Bolt 1/4 x 1-1/8	
5	0641610	2	Bolt 3/8 x 1-1/4	
6	0641808	2	Bolt 1/2 x 1	
7	0642010	1	Bolt 5/8 x 1-1/4	
8	1060637	1	Cable, Lanyard	
9	1320022	5	Clamp, Hose	
10	1701505	1	Decal - Diesel (Not Shown - Located on Hood)	
11	2180348	1	Fitting, Straight Barbed	
12	2220313	1	Fitting, 90	
13	2221176	1	Fitting, Straight Barbed	
14	2720058	24 ft /7.3m	Hose	
15	2750532	6 ft /1.8m	Hose	
16	1001241578	1	Battery Cable Kit (No Info at Time of Printing)	
17	3311405	4	Nut 1/4	
18	3311605	3	Nut 3/8	
19	3311805	1	Nut 1/2	
20	3422448	1	Pin, Pivot	
21	3841143	1	Pin, Keeper	
22	4711400	8	Washer 1/4	
23	4751500	3	Washer 5/16	
24	4751600	4	Washer 3/8	
25	4751800	1	Washer 1/2	
26	4752000	1	Washer 5/8	
27	85941017	2	Clamp	
28	88521205	2	Nut 5/16	
29	91401281	1	Hold-down, Battery	
30	1001093382	2	J-Bolt	
31	1001151070	1	Angle	
32	1001188955	1	Engine Assembly with Pumps (See Separate Breakdown in this Section)	
33	0641507	1	Bolt 5/16 x 7/8	
34	0641608	1	Bolt 3/8 x 1	
35	1060626	1	Cord, 3-Way Extension	
36	1320223	2	Clamp	
37	1702941	1	Decal - Battery Heater	
38	1702942	1	Decal - Engine Block Heater	
39	1702943	1	Decal - Hydraulic Tank Heater	
40	1702944	1	Decal - Heater Cord	
41	2580024	1	Heater, Battery	
42	3311505	1	Nut 5/16	
43	3980007	1	Seat, Battery	
44	4711600	2	Washer 3/8	
45	1001150918	2	Cable, Immersion Heater	
46	1001188972	1	Heater, Hydraulic Tank	

SECTION 3 - ENGINE

FIGURE 3-3. DEUTZ D2011 ENGINE/PUMP SUB-ASSEMBLY – WITHOUT ARCTIC PACKAGE



ART_1001188954

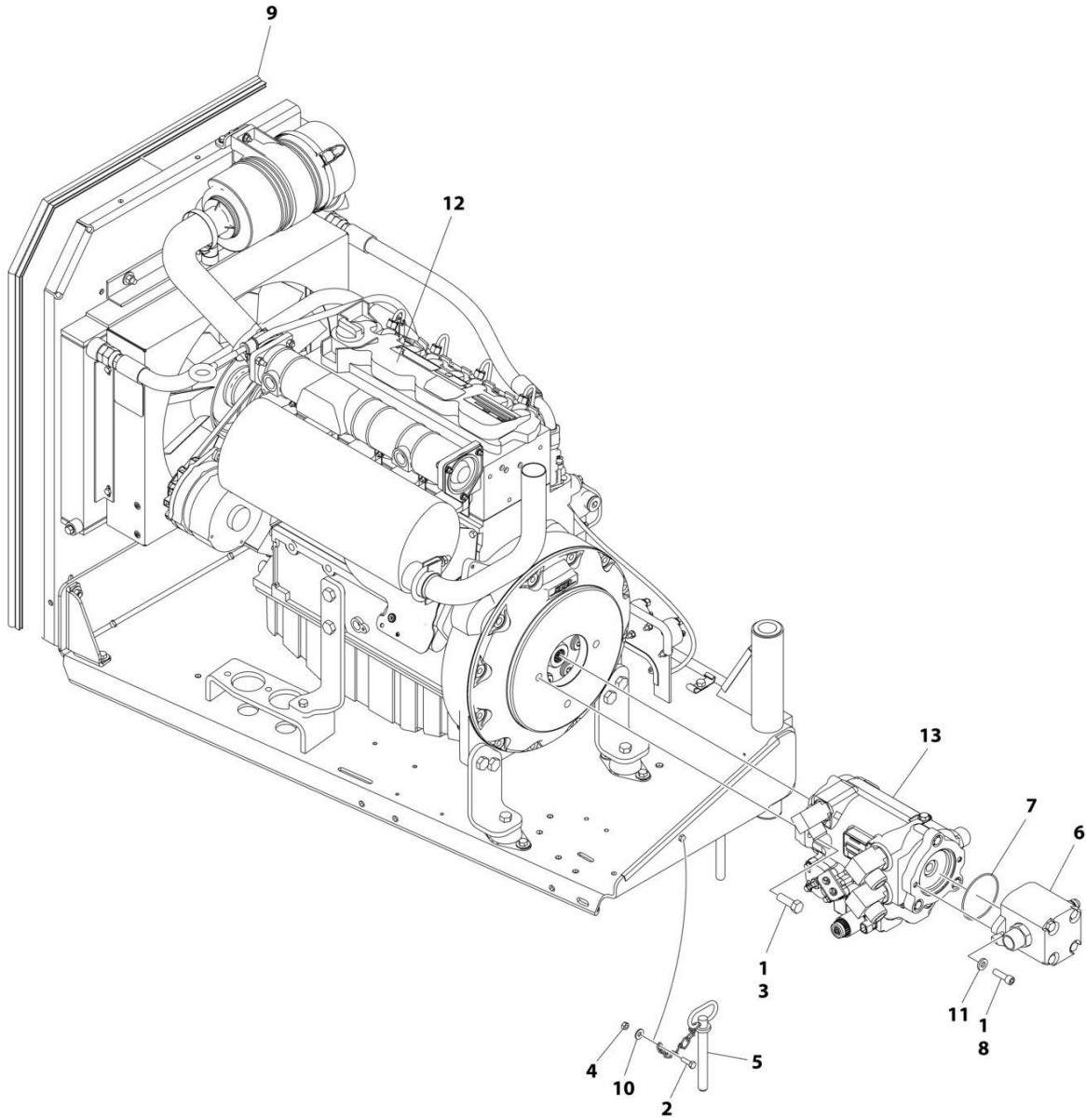
SECTION 3 - ENGINE

FIGURE 3-3. DEUTZ D2011 ENGINE/PUMP SUB-ASSEMBLY – WITHOUT ARCTIC PACKAGE

ITEM	PART NUMBER	QTY	DESCRIPTION	REV
	1001188954	Ref	DEUTZ D2011 ENGINE/PUMP SUB-ASSEMBLY	B
1	0100011	AR	Compound, Locking	
2	0641407	1	Bolt 1/4 x 7/8	
3	0641812	2	Bolt 1/2 x 1-1/2	
4	3311405	1	Nut 1/4	
5	3422533	1	Pin, Hitch	
6	3600395	1	Gear Pump Assembly with Fittings (See Separate Breakdown in this section)	
7	3790152	1	O-Ring	
8	3931620	2	Capscrew 3/8 x 1-1/4	
9	3960389	5 ft /1.5m	Seal	
10	4751400	1	Washer 1/4	
11	4891600	2	Washer 3/8 Hardened	
12	1001150158	1	Engine Assembly (See Separate Breakdown in this Section)	
13	1001188952	1	Piston Pump Assembly with Fittings (See Separate Breakdown in this section)	

SECTION 3 - ENGINE

FIGURE 3-4. DEUTZ D2011 ENGINE/PUMP SUB-ASSEMBLY – WITH ARCTIC PACKAGE



ART_1001188955

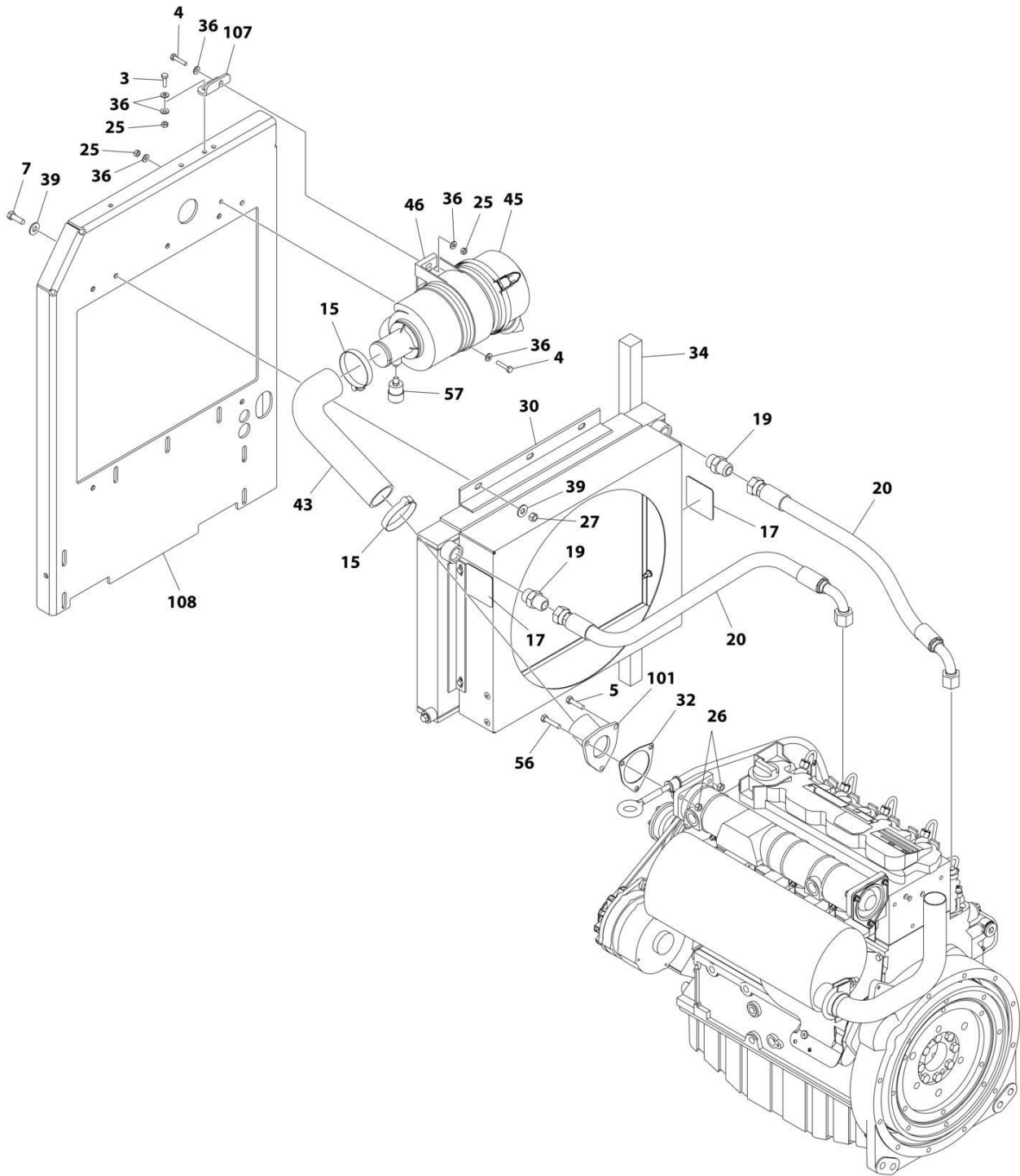
SECTION 3 - ENGINE

FIGURE 3-4. DEUTZ D2011 ENGINE/PUMP SUB-ASSEMBLY – WITH ARCTIC PACKAGE

ITEM	PART NUMBER	QTY	DESCRIPTION	REV
	1001188955	Ref	DEUTZ D2011 ENGINE/PUMP SUB-ASSEMBLY	A
1	0100011	AR	Compound, Locking	
2	0641407	1	Bolt 1/4 x 7/8	
3	0641812	2	Bolt 1/2 x 1-1/2	
4	3311405	1	Nut 1/4	
5	3422533	1	Pin, Hitch	
6	3600395	1	Gear Pump Assembly with Fittings (See Separate Breakdown in this section)	
7	3790152	1	O-Ring	
8	3931620	2	Capscrew 3/8 x 1-1/4	
9	3960389	5 ft /1.5m	Seal	
10	4751400	1	Washer 1/4	
11	4891600	2	Washer 3/8 Hardened	
12	1001150179	1	Engine Assembly (See Separate Breakdown in this Section)	
13	1001188952	1	Piston Pump Assembly with Fittings (See Separate Breakdown in this section)	

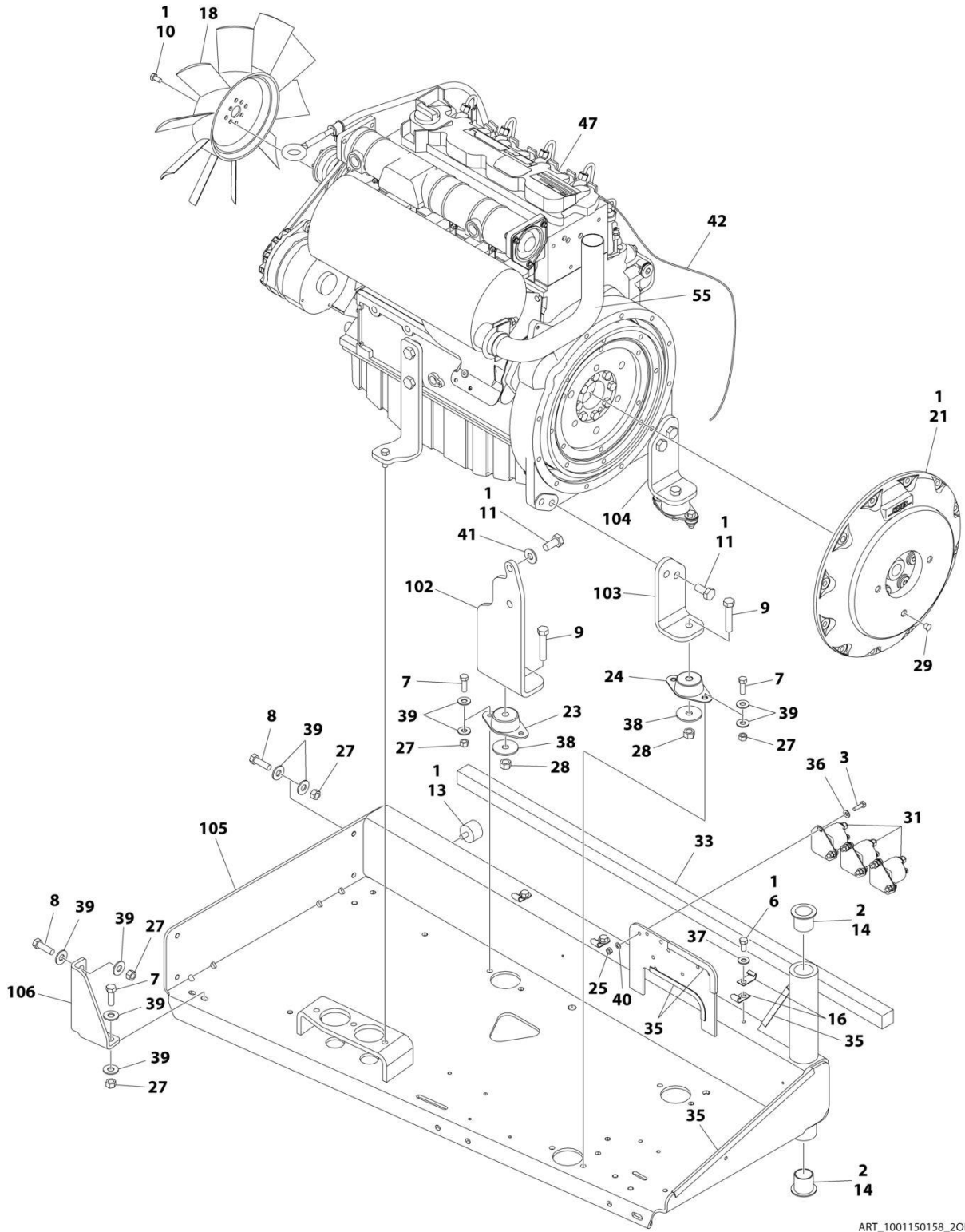
SECTION 3 - ENGINE

FIGURE 3-5. DEUTZ D2011 ENGINE ASSEMBLY – WITHOUT ARCTIC PACKAGE



ART_1001150158_10F2

SECTION 3 - ENGINE



ART_1001150158_20F2

SECTION 3 - ENGINE

FIGURE 3-5. DEUTZ D2011 ENGINE ASSEMBLY – WITHOUT ARCTIC PACKAGE

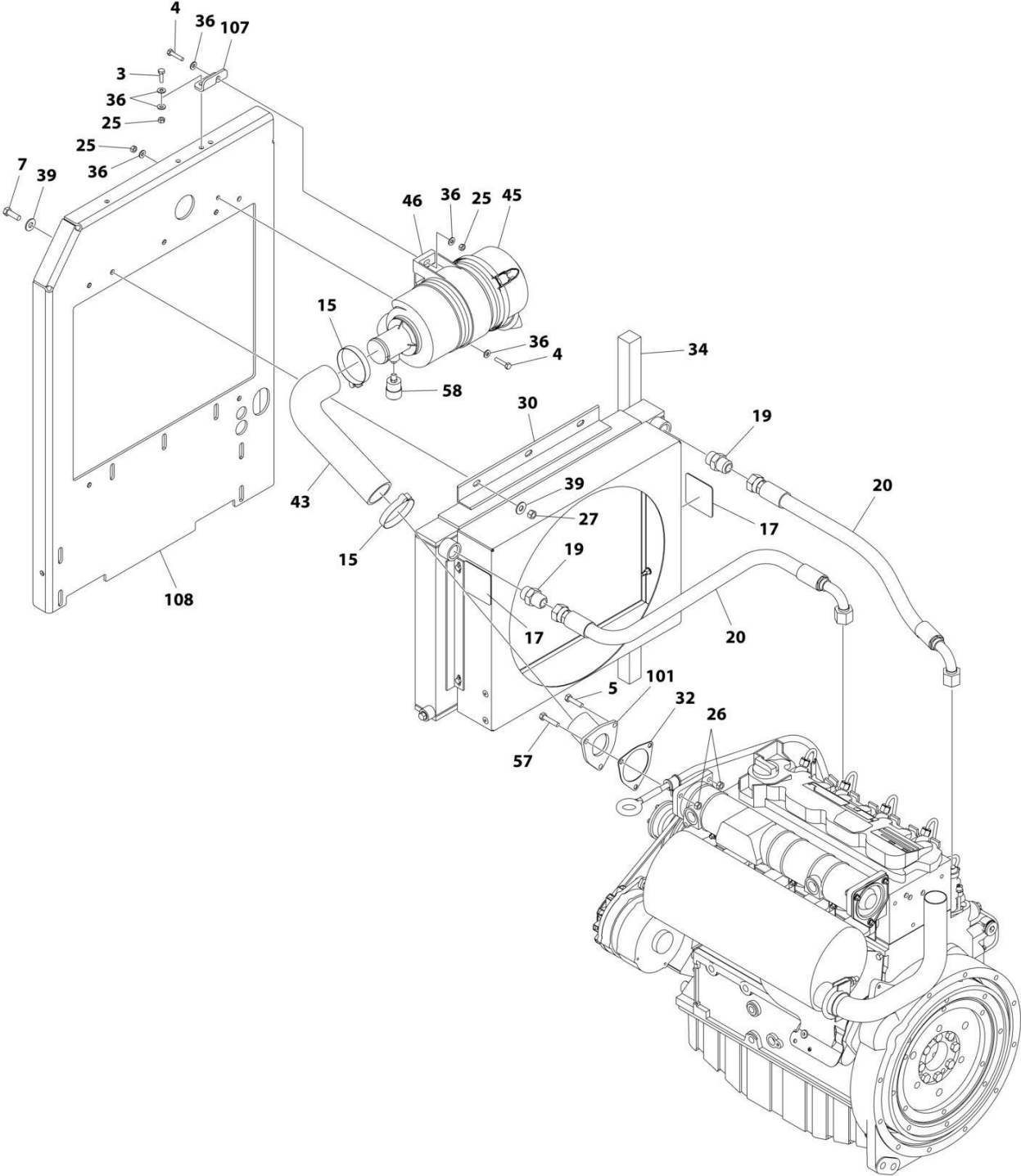
ITEM	PART NUMBER	QTY	DESCRIPTION	REV
	1001150158	Ref	DEUTZ D2011 ENGINE ASSEMBLY	M
1	0100011	AR	Compound, Locking	
2	0100062	AR	Compound, Locking	
3	0641407	8	Bolt 1/4 x 7/8	
4	0641410	2	Bolt 1/4 x 1-1/4	
5	0641510	2	Bolt 5/16 x 1- 1/4	
6	0641606	3	Bolt 3/8 x 3/4	
7	0641609	14	Bolt 3/8 x 1-1/8	
8	0641610	4	Bolt 3/8 x 1-1/4	
9	0641820	3	Bolt 1/2 x 2-1/2	
10	0700808	4	Bolt M8 x 16mm	
11	0771414	6	Bolt M14 x 30	
13	0940070	1	Bumper	
14	0961986	2	Bushing, Flanged	
15	1320016	2	Clamp	
16	1320223	4	J-Clip	
17	1703162	2	Decal - Caution Fan Blade	
18	2060025	1	Fan	
19	2220451	2	Fitting, Straight	
20	2720398	2	Hose, Oil Cooler	
21	2902065	1	Kit, Pump Coupling (See Separate Breakdown in this Section)	
23	3200401	1	Mount, Motor (Front)	
24	3200406	2	Mount, Motor (Rear)	
25	3311405	10	Nut 1/4	
26	3311505	3	Nut 5/16	
27	3311605	18	Nut 3/8	
28	3311805	3	Nut 1/2	
29	3520054	2	Plug, Hole	
30	1001150998	1	Radiator	
31	3740067	3	Relay	
32	3960407	1	Gasket, Air Intake	
33	3960468	1	Seal	
34	3960469	1	Seal	
35	4060805	37 in /1m	Flex-Trim	
36	4711400	14	Washer 1/4	
37	4711600	3	Washer 3/8	
38	4740274	3	Washer, Snubbing	
39	4751600	36	Washer 3/8	
40	4791400	6	Starwasher 1/4	
41	4812200	2	Washer M14	
42	4923379	1	Harness, Glow Plug	
43	1001130041	1	Elbow	
45	1001141693	1	Air Cleaner Assembly	
45	70003783	1	Element, Filter	
46	1001141694	1	Clamp, Air Filter	
47	1001146368	Ref	Deutz D2011 Engine Components (See Separate Breakdown in this Section)	
55	1001151251	1	Pipe, Exhaust	
56	0641512	1	Bolt 5/16 x 1-1/2	
57	1001143390	1	Indicator, Air Filter Service	

SECTION 3 - ENGINE

ITEM	PART NUMBER	QTY	DESCRIPTION	REV
100	1001265493	1	Kit – Engine Parts	A
101	1001139819	1	Adapter, Air Intake	
102	1001149704	1	Support, Engine (Front)	
103	1001149705	1	Support, Engine (Rear)	
104	1001149706	1	Support, Engine (Rear)	
105	1001149793	1	Tray	
106	1001150915	1	Support	
107	1001151078	1	Angle	
108	1001151206	1	Plate, Radiator Mounting	

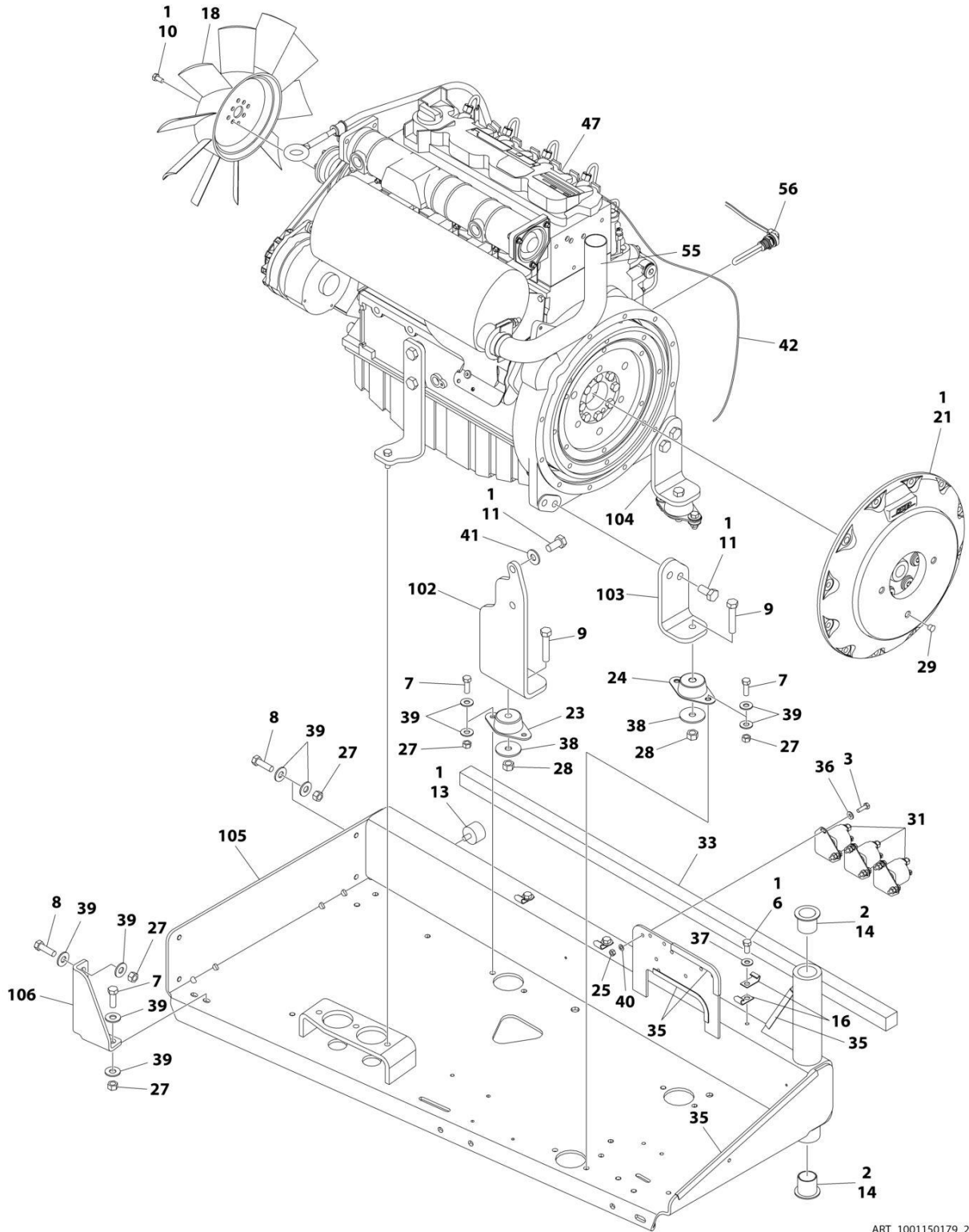
SECTION 3 - ENGINE

FIGURE 3-6. DEUTZ D2011 ENGINE ASSEMBLY – WITH ARCTIC PACKAGE



ART_1001150179_10F2

SECTION 3 - ENGINE



ART_1001150179_2OF2

SECTION 3 - ENGINE

FIGURE 3-6. DEUTZ D2011 ENGINE ASSEMBLY – WITH ARCTIC PACKAGE

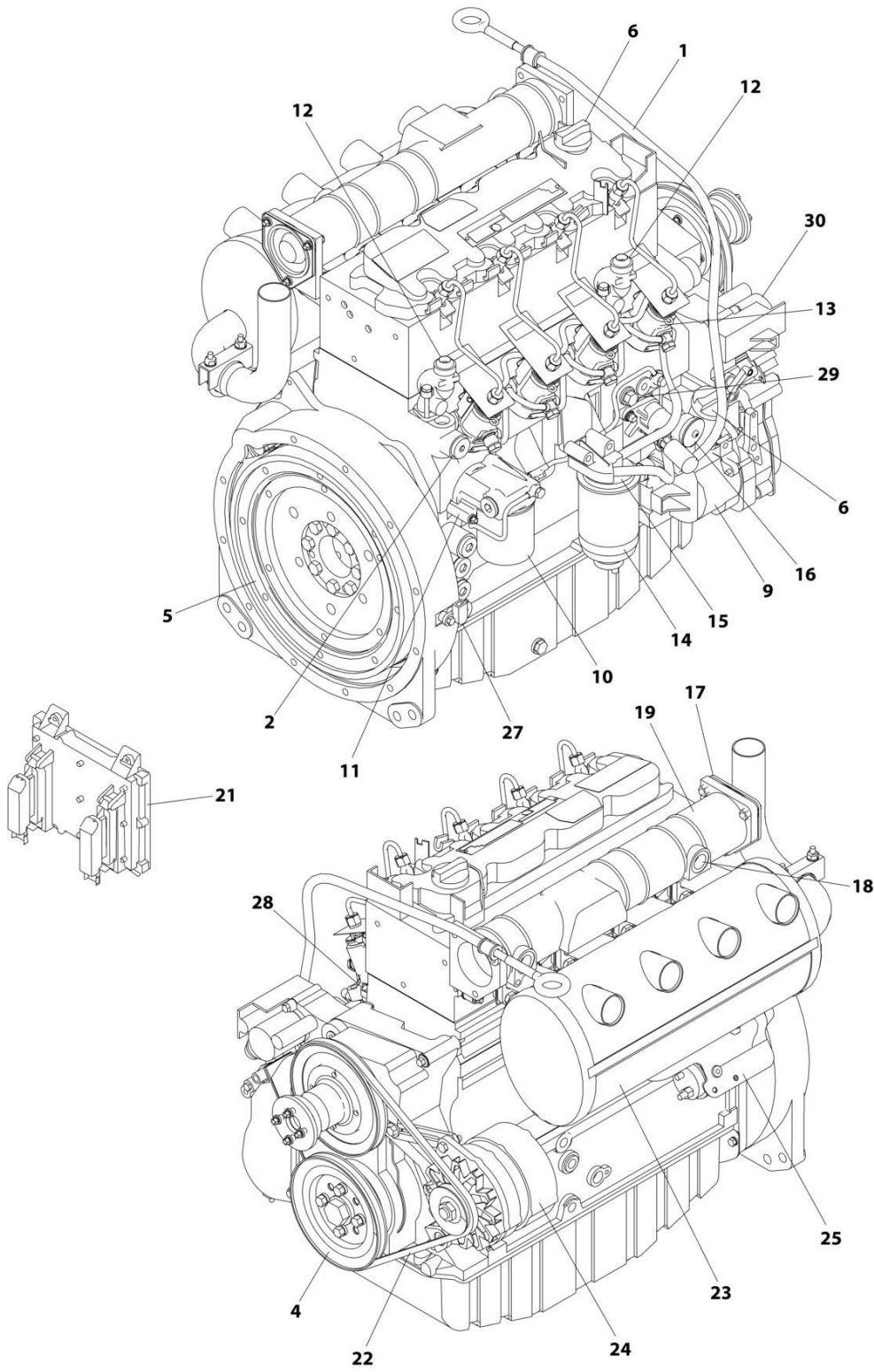
ITEM	PART NUMBER	QTY	DESCRIPTION	REV
	1001150179	Ref	DEUTZ D2011 ENGINE ASSEMBLY	K
1	0100011	AR	Compound, Locking	
2	0100062	AR	Compound, Locking	
3	0641407	8	Bolt 1/4 x 7/8	
4	0641410	2	Bolt 1/4 x 1-1/4	
5	0641510	2	Bolt 5/16 x 1-1/4	
6	0641606	3	Bolt 3/8 x 3/4	
7	0641609	14	Bolt 3/8 x 1-1/8	
8	0641610	4	Bolt 3/8 x 1-1/4	
9	0641820	3	Bolt 1/2 x 2-1/2	
10	0700808	4	Bolt M8 x 16mm	
11	0771414	6	Bolt M14 x 30	
13	0940070	1	Bumper	
14	0961986	2	Bushing, Flanged	
15	1320016	2	Clamp	
16	1320223	4	J-Clip	
17	1703162	2	Decal - Caution Fan Blade	
18	2060025	1	Fan	
19	2220451	2	Fitting, Straight	
20	2720398	2	Hose, Oil Cooler	
21	2902065	1	Kit, Pump Coupling (See Separate Breakdown in this Section)	
23	3200401	1	Mount, Motor (Front)	
24	3200406	2	Mount, Motor (Rear)	
25	3311405	10	Nut 1/4	
26	3311505	3	Nut 5/16	
27	3311605	18	Nut 3/8	
28	3311805	3	Nut 1/2	
29	3520054	2	Plug, Hole	
30	1001150998	1	Radiator	
31	3740067	3	Relay	
32	3960407	1	Gasket, Air Intake	
33	3960468	1	Seal	
34	3960469	1	Seal	
35	4060805	37 in /1m	Flex-Trim	
36	4711400	14	Washer 1/4	
37	4711600	3	Washer 3/8	
38	4740274	3	Washer, Snubbing	
39	4751600	36	Washer 3/8	
40	4791400	6	Starwasher 1/4	
41	4812200	2	Washer M14	
42	4923379	1	Harness, Glow Plug	
43	1001130041	1	Elbow	
45	1001141693	1	Air Cleaner Assembly	
45	70003783	1	Element, Filter	
46	1001141694	1	Clamp, Air Filter	
47	1001146368	Ref	Deutz D2011 Engine Components (See Separate Breakdown in this Section)	
55	1001151251	1	Pipe, Exhaust	
56	2580062	1	Heater, Engine Block	
57	0641512	1	Bolt 5/16 x 1-1/2	

SECTION 3 - ENGINE

ITEM	PART NUMBER	QTY	DESCRIPTION	REV
58	1001143390	1	Indicator, Air Filter Service	
100	1001265493	1	Mounting Kit (Not Shown)	
101	1001139819	1	Adapter, Air Intake	
102	1001149704	1	Support, Engine (Front)	
103	1001149705	1	Support, Engine (Rear)	
104	1001149706	1	Support, Engine (Rear)	
105	1001149793	1	Tray	
106	1001150915	1	Support	
107	1001151078	1	Angle	
108	1001151206	1	Plate, Radiator Mounting	

SECTION 3 - ENGINE

FIGURE 3-7. DEUTZ D2011 ENGINE COMPONENTS



ART_1001146368

SECTION 3 - ENGINE

FIGURE 3-7. DEUTZ D2011 ENGINE COMPONENTS

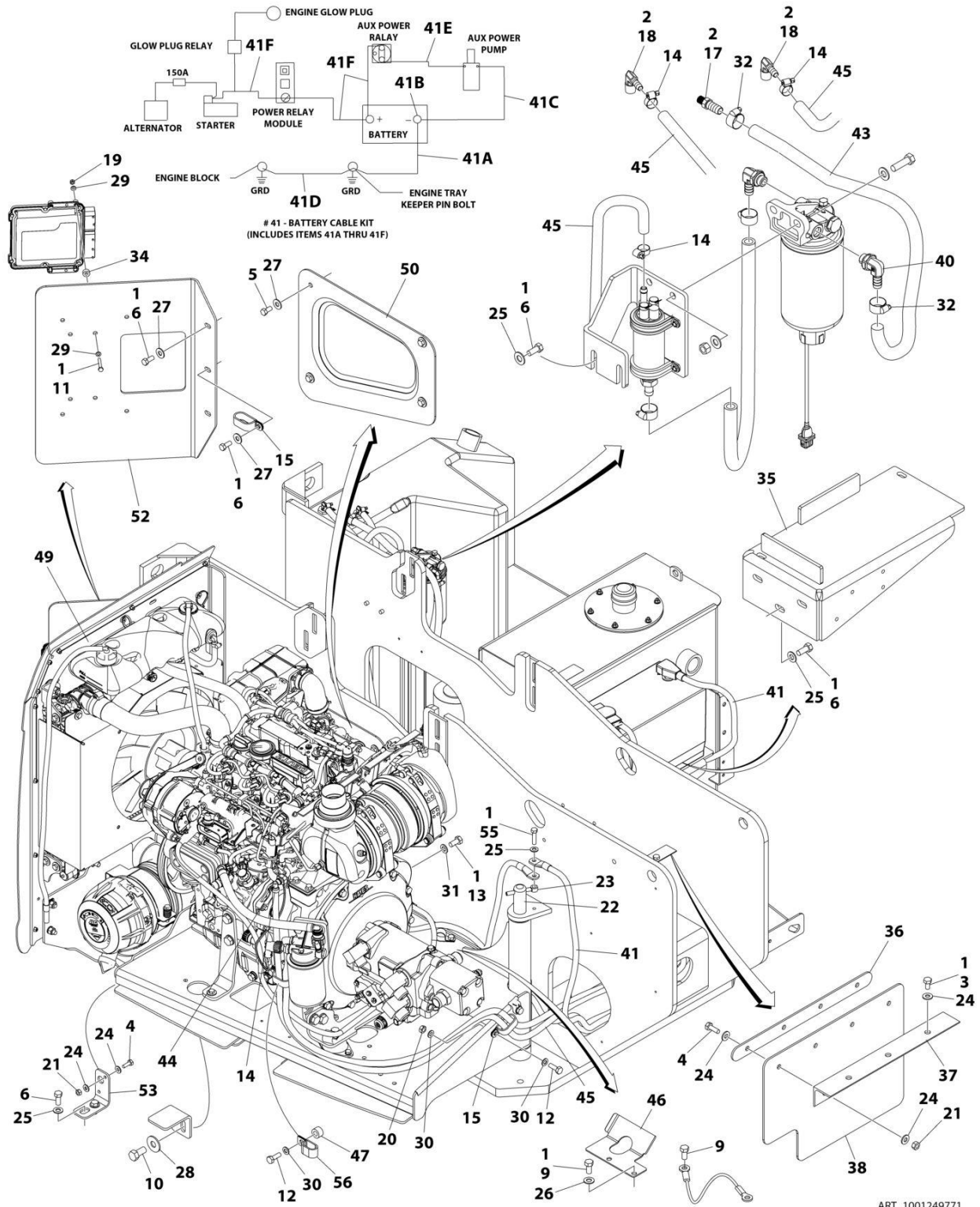
ITEM	PART NUMBER	QTY	DESCRIPTION	REV
	1001146368	Ref	DEUTZ D2011 ENGINE COMPONENTS	E
1	7026631	1	Dipstick	
1	7020487	1	O-Ring, Dipstick	
1	70001002	1	Tube, Dipstick	
1	7020403	1	Seal, Dipstick Tube	
2	70003475	1	Thermostat	
2	7020460	1	Spring, Compression	
3	70002718	1	Seal, Rear Main (Not Shown)	
4	70005479	1	Pulley	
5	70001870	1	Flywheel	
5	7024579	1	Ring Gear	
6	7020465	2	Cap, Filler	
7	70003456	1	Gasket, Head (Not Shown)	
7	70003457	1	Gasket, Head (Not Shown)	
7	70003003	1	Gasket, Head (Not Shown)	
8	7020431	1	Gasket, Valve Cover (Not Shown)	
9	70001850	1	Pump, Oil Lube	
9	7020468	1	Seal Between Oil Pump and Engine Block (Not Shown)	
10	7016331	1	Filter, Oil	
11	70003472	1	Bracket, Oil Filter (Includes Spring, Control Valve, Temperature Sensor, Seal and Plug)	
11	7027236	1	Sensor, Temperature	
11	70003473	1	Gasket, Oil Filter Bracket to Engine Block	
12	70004268	2	Fitting, Radiator Connector (Located Between Item 220 and Engine Block)	
12	70004269	2	Seal for Radiator Connector Fitting	
13	70003478	4	Injector, Fuel	
13	70003136	4	Seal	
13		Ref	Pump, Injector Options:	
13	70000912	1	Series A Injector	
13	70000913	4	Series B Injector	
13	70000914	1	Series C Injector	
13	70000915	1	Series D Injector	
14	7016328	1	Filter, Fuel	
15	70001423	1	Bracket, Fuel Filter	
16	70000916	1	Pump Fuel Supply	
16	70001435	1	Repair Kit for Pump	
16	70000919	1	Hand Pump	
16	70000918	1	Seal, Hand Pump	
16	70000917	1	O-Seal Between Fuel Pump and Engine Block (Not Shown)	
17	70003469	1	Flange	
17	70003468	1	O-Seal	
18	70025084	1	Plug	
19	70003470	1	Manifold, Intake	
19	70001871	4	Gasket, Intake Manifold to Engine Block (Not Shown)	
20	70001847	1	Breather Valve (Not Shown - Located on Front Cover)	
20	70001126	1	Seal, Breather Valve	
21	7027795	1	Module, Control	
22	7020408	1	V-Belt	
23	7000695	1	Muffler (Includes Saddle Clamp)	

SECTION 3 - ENGINE

ITEM	PART NUMBER	QTY	DESCRIPTION	REV
23	7020471	4	Gasket, Exhaust Manifold (Not Shown)	
23	70004270	8	Stud, Exhaust Manifold (Not Shown)	
24	70004056	1	Alternator	
24	70001868	1	Regulator, Voltage Options (Not Shown)	
24	70001866	1	Gasket for Voltage Regulator (Not Shown)	
24	70002234	1	Bracket, Adjusting (Not Shown)	
24	70000851	1	Bracket, Mounting (Not Shown)	
25	7020479	1	Starter	
25	70004058	1	Relay	
25	70001498	1	Shield, Starter Heat	
26	70004059	1	Plug- In Connector for Analyzer (Not Shown)	
26	7027796	1	Harness, Module to Engine Harness (Not Shown)	
26	70004060	1	Plug- In Connector on p/n 7027796 Harness (Not Shown)	
26	70001872	1	Harness, Engine (Not Shown)	
26	70004103	1	Harness, Alternator (Not Shown)	
26	70004271	1	Harness, Starter (Not Shown)	
27	70004272	1	Sensor, Speed	
27	70003932	1	Spacer	
28	7027791	1	Transmitter, Temperature	
29	7027790	1	Sensor, Oil Pressure	
30	7027792	1	Actuator, Throttle	
30	7027276	1	Spring, Actuator	
31	70000345	4	Plug, Glow (Not Shown)	
32	70004273	1	Set, Engine Gasket (Not Shown)	

SECTION 3 - ENGINE

FIGURE 3-8. DEUTZ TD2.2L3 (STAGE V) ENGINE INSTALLATION



ART_1001249771

SECTION 3 - ENGINE

FIGURE 3-8. DEUTZ TD2.2L3 (STAGE V) ENGINE INSTALLATION

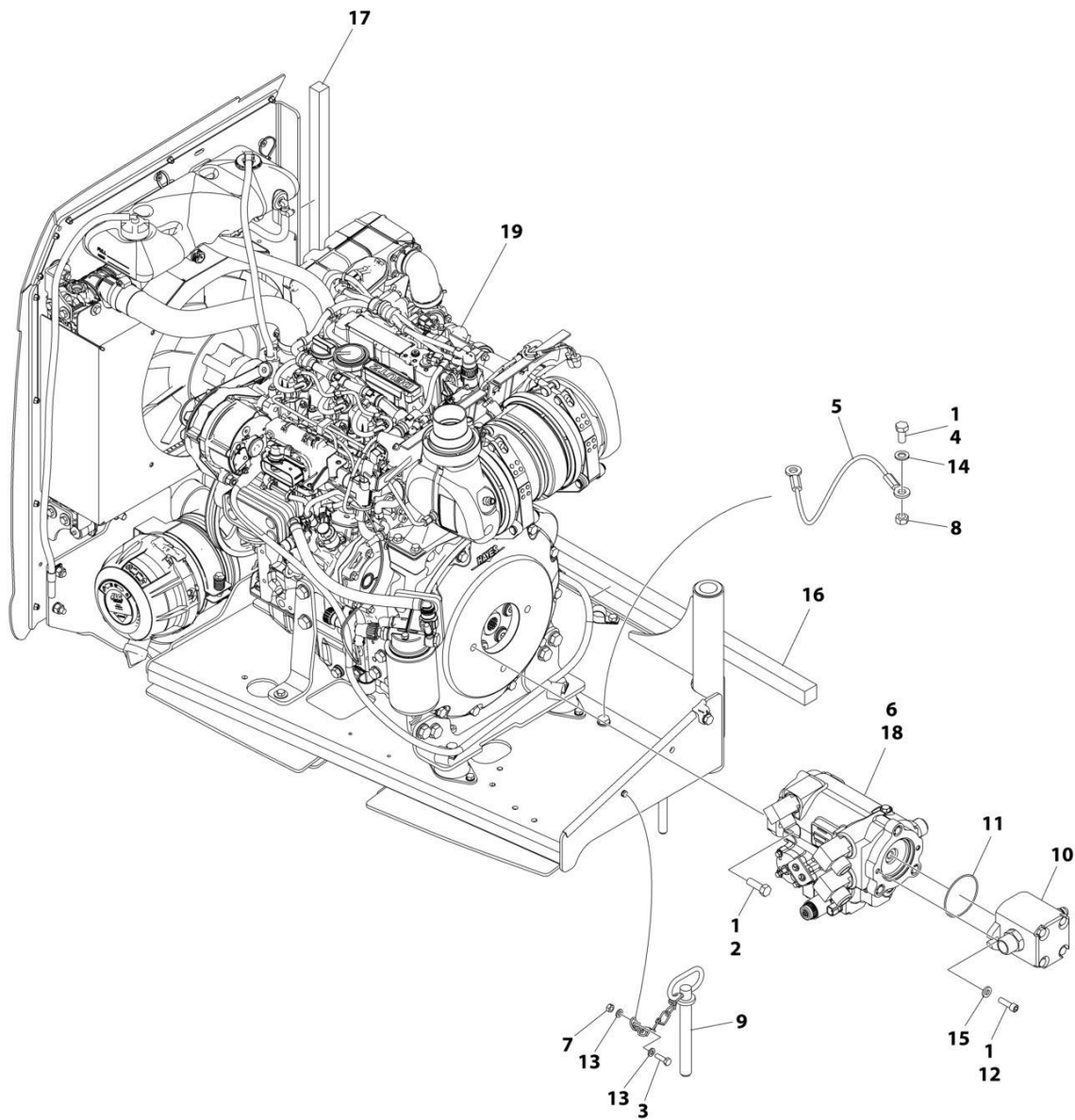
ITEM	PART NUMBER	QTY	DESCRIPTION	REV
	1001249771	Ref	DEUTZ TD2.2L3 (STAGE V) ENGINES INSTALLATION	H
1	0100011	AR	Compound, Locking	
2	0100020	AR	Sealant, Pipe	
3	0641404	3	Bolt 1/4 x 1/2	
4	0641406	5	Bolt 1/4 x 3/4	
5	0641606	4	Bolt 3/8 x 3/4	
6	0641607	12	Bolt 3/8 x 7/8	
7	0641608	1	Bolt 3/8 x 1	
9	0641808	4	Bolt 1/2 x 1	
10	0642010	1	Bolt 5/8 x 1-1/4	
11	0700616	4	Bolt M6 x 40	
12	0761014	2	Bolt M10 x 30	
13	0771212	1	Bolt M12 x 25 Grade 10.9	
14	1320022	5	Clamp	
15	1321716	2	P-Clamp	
16	1701505	1	Decal - Diesel (Not Shown - Located on Hood)	
17	2180832	1	Fitting, Straight Barbed	
18	2220313	2	Fitting, 90 Barbed	
19	3290601	4	Nut M6	
20	3291001	1	Nut M10	
21	3311405	5	Nut 1/4	
22	3422448	1	Pin, Pivot	
23	3841143	1	Pin, Keeper	
24	4711400	13	Washer 1/4	
25	4711600	10	Washer 3/8	
26	4711800	2	Washer 1/2	
27	4751600	7	Washer 3/8	
28	4752000	1	Washer 5/8	
29	4811700	8	Washer M6	
30	4812000	3	Washer M10	
31	4812100	1	Washer M12	
32	8405006	2	Clamp	
33	8406201	6	Clip (Not Shown)	
34	1001110425	4	Spacer	
35	1001137868	1	Bracket, Battery	
36	1001137880	1	Bracket, Baffle	
37	1001137881	1	Angle	
38	1001137882	1	Support, Rubber	
39	1001138491	1	Harness, Fuel Pump (Pump requiring Push-on Terminals) (Not Shown - See Separate Breakdown in ELECTRICAL Section)	
40	1001142501	1	Fitting, 90 Barbed	
41	1001145047	1	Battery Cable Kit	
41A	7027072	1	Cable, Battery (Black) (Battery - to Tray Pivot Grd)	
41B	8270147	1	Terminal, Battery (With Boot)	
41B	See Note	1	Boot, Black (Note: Not Available for Purchase)	
41C	7027073	1	Cable, Battery (Black) (Battery - to Aux Pump and Relay Grd)	
41C	See Note	1	Boot, Black (Note: Not Available for Purchase)	
41D	7027074	1	Cable, Battery (Black) (Engine to Tray Pivot Grd)	
41E	7027075	1	Cable (Red) (Aux Relay to Aux Pump)	
41E	70003952	2	Boot, Red	

SECTION 3 - ENGINE

ITEM	PART NUMBER	QTY	DESCRIPTION	REV
41F	7027076	1	Cable (Red) (Battery + to Aux Relay/Power Module/Starter)	
41F	See Note	1	Boot, Red (Battery) (Note: Not Available for Purchase)	
42	1001146588	1	Tie-Strap (Not Shown)	
43	1001154405	3 ft/ 0.9m	Hose	
44	1001155823	1	Fitting, 90 Quick Disconnect	
45	1001165035	23.5 ft/ 7.2m	Hose	
46	1001172793	1	Guide, Hose	
47	1001220266	1	Spacer	
49	1001249682	1	Engine Assembly with Pumps (See Separate Breakdown in this Section)	
50	1001260654	1	Cover	
52	1001137866	1	Plate, Baffle	
53	1001256879	1	Bracket	
54	4240099	AR	Tie-Strap (Not Shown)	
55	0641612	1	Bolt 3/8 x 1-1/2	
56	1001026127	1	Clamp	

SECTION 3 - ENGINE

FIGURE 3-9. DEUTZ TD2.2L3 (STAGE V) ENGINE/PUMP SUB-ASSEMBLY



ART_1001249682

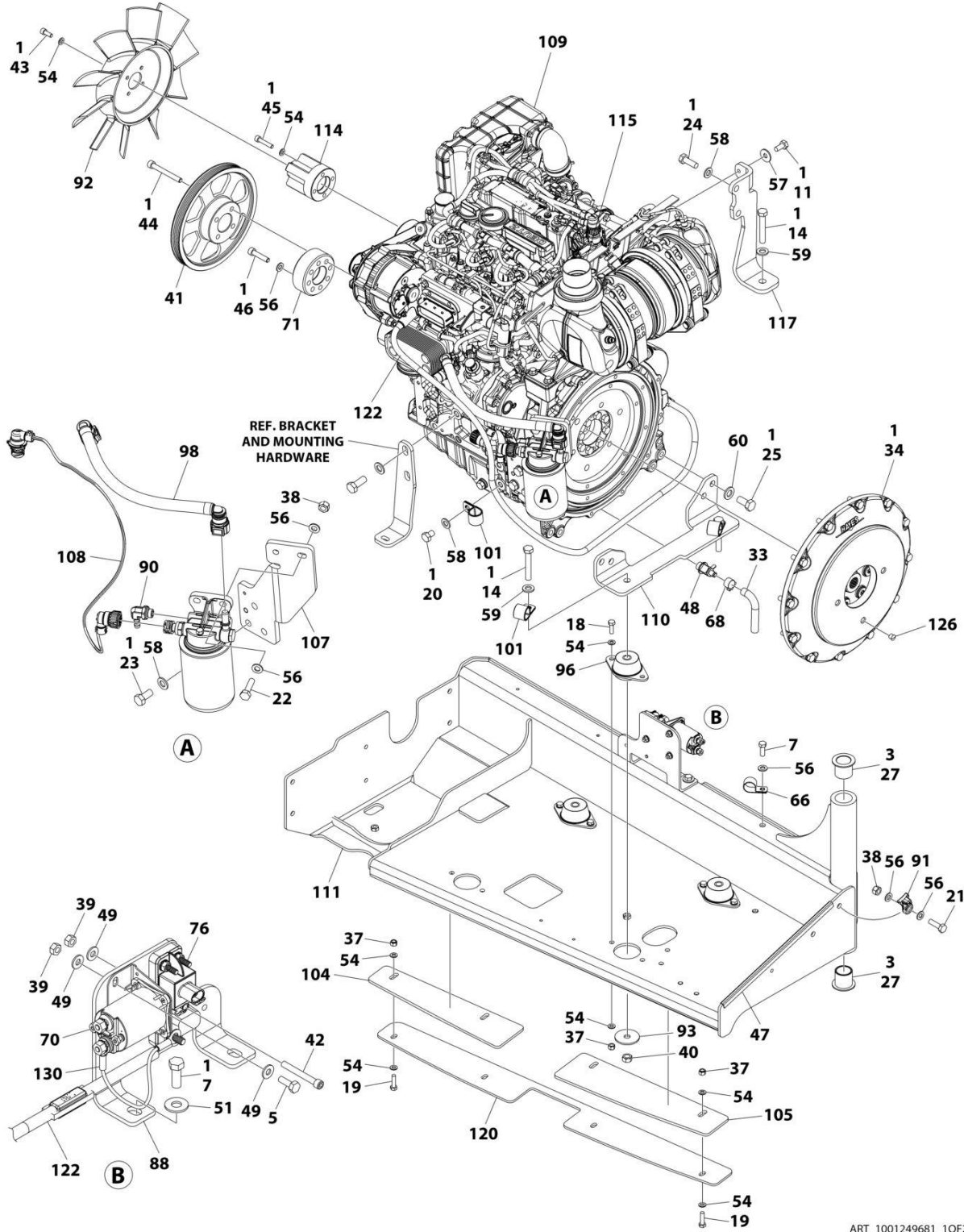
SECTION 3 - ENGINE

FIGURE 3-9. DEUTZ TD2.2L3 (STAGE V) ENGINE/PUMP SUB-ASSEMBLY

ITEM	PART NUMBER	QTY	DESCRIPTION	REV
	1001249682	Ref	DEUTZ TD2.9L4 ENGINE/PUMP SUB-ASSEMBLY	B
1	0100011	AR	Compound, Locking	
2	0641812	2	Bolt 1/2 x 1-1/2	
3	0700610	1	Bolt M6 x 20	
4	0761212	1	Bolt M12 x 25	
5	1060637	1	Lanyard	
6	3020037	AR	Grease, Pump Coupling	
7	3290601	1	Nut M6	
8	3291201	1	Nut M12	
9	3422533	1	Pin, Hitch	
10	3600395	1	Gear Pump Assembly with Fittings (See Separate Breakdown in this Section)	
11	3790152	1	O-Ring	
12	3931620	2	Bolt 3/8 x 1-1/4	
13	4811700	2	Washer M6	
14	4812100	1	Washer M12	
15	4891600	2	Washer 3/8 Hardened	
16	1001137873	1	Seal	
17	1001137874	1	Seal	
18	1001188952	1	Pump Assembly with Fittings (See Separate Breakdown in this Section)	
19	1001249681	1	Engine Assembly (See Separate Breakdown in this Section)	

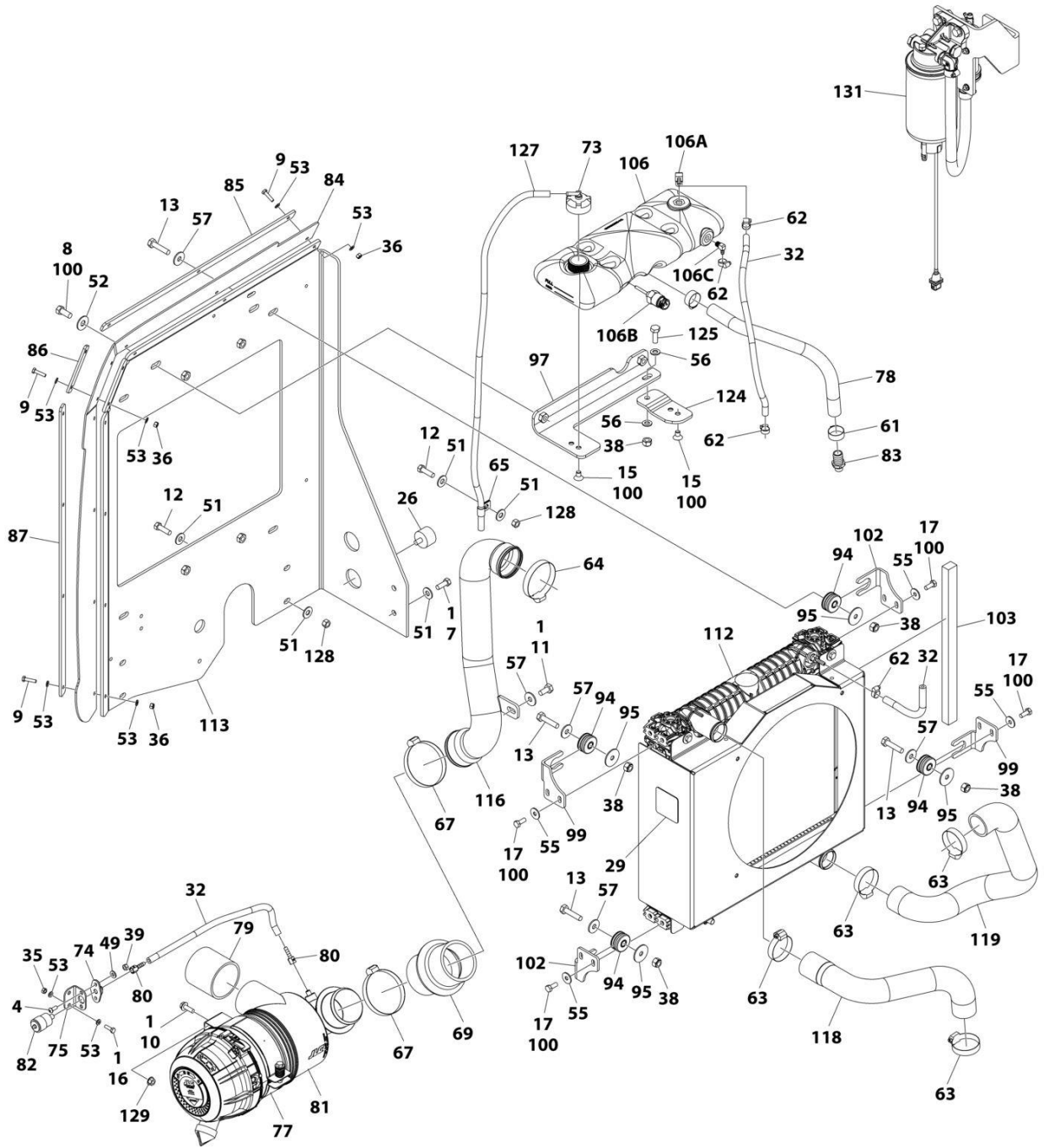
SECTION 3 - ENGINE

FIGURE 3-10. DEUTZ TD2.2L3 (STAGE V) ENGINE ASSEMBLY



ART_1001249681_10F2

SECTION 3 - ENGINE



ART_1001249681_2OF2

SECTION 3 - ENGINE

FIGURE 3-10. DEUTZ TD2.2L3 (STAGE V) ENGINE ASSEMBLY

ITEM	PART NUMBER	QTY	DESCRIPTION	REV
	1001249681	Ref	DEUTZ TD2.9L4 ENGINE ASSEMBLY	K
1	0100011	AR	Compound, Locking	
3	0100062	AR	Adhesive	
4	0630407	2	Screw 1/4 x 5/8	
5	0641406	5	Bolt 1/4 x 3/4	
7	0641608	5	Bolt 3/8 x 1	
8	0641708	2	Bolt 7/16 x 1	
9	0700612	9	Bolt M6 x 25	
10	5250812	2	Bolt M8 x 25	
11	0701012	1	Bolt M10 x 25	
12	0641610	4	Screw 3/8 x 1-1/4	
13	0701017	4	Bolt M10 x 45	
14	0711223	3	Bolt M12 x 75	
15	0741605	2	Screw, Flathead 3/8 x 5/8	
16	0760610	2	Bolt M6 x 20	
17	0760810	8	Bolt M8 x 20	
18	0760812	6	Bolt M8 x 25	
19	0760814	4	Bolt M8 x 30	
20	0761212	1	Bolt M12 x 25	
21	0761015	1	Bolt M10 x 35	
22	0761016	2	Bolt M10 x 40	
23	0761214	3	Bolt M12 x 30	
24	0711215	2	Bolt M12 x 35	
25	0771414	4	Bolt M14 x 30	
26	0940070	1	Bumper	
27	0961986	2	Bushing, Flanged	
28	1062255	1	Tie-Strap (Not Shown)	
29	1703162	1	Decal - Fan Blade	
32	2720015	42 in / 1.06m	Hose	
33	2720340	6 in / 15cm	Hose	
34	2902065	1	Kit, Pump Coupling (See Separate Breakdown in this Section)	
35	3290601	2	Nut M6	
36	3290605	9	Nut M6	
37	3290805	10	Nut M8	
38	3291005	8	Nut M10	
39	3311405	5	Nut 1/4	
40	3331211	3	Nut M12	
41	1001260432	1	Pulley	
42	3931432	1	Capscrew 1/4 x 2	
43	4031908	4	Capscrew M8 x 20	
44	1001261085	4	Capscrew M10 x 85 Grade 10.9	
45	4031912	4	Capscrew M8 x 40	
46	1001261045	4	Capscrew M10 x 45 Grade 10.9	
47	4060805	14 in / 36cm	Flex-Trim	
48	4640751	1	Valve, Oil Drain	
49	4711400	7	Washer 1/4	
51	4751600	12	Washer 3/8	

SECTION 3 - ENGINE

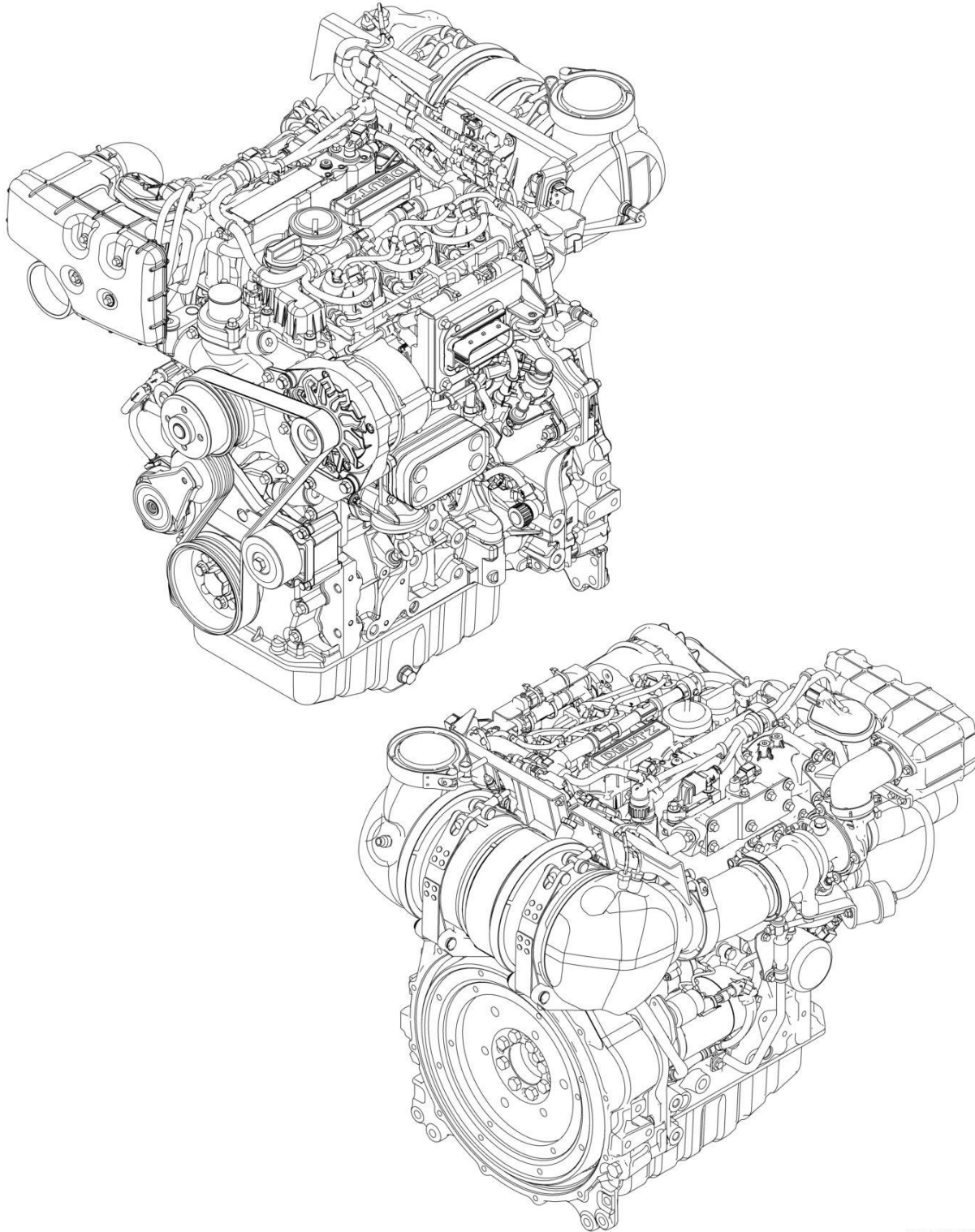
ITEM	PART NUMBER	QTY	DESCRIPTION	REV
52	4751700	2	Washer 7/16	
53	4811700	22	Washer M6	
54	4811900	28	Washer M8	
55	4811902	8	Washer M8	
56	4812000	13	Washer M10	
57	4812002	5	Washer M10	
58	4812100	6	Washer M12	
59	5241200	3	Washer M12	
60	4812200	4	Washer M14	
61	8405007	2	Clamp	
62	8405009	4	Clamp	
63	8405104	4	Clamp	
64	8405204	1	Clamp	
65	8406110	1	Clip	
66	8406201	1	Clip	
67	8410011	2	Clamp	
68	8410013	1	Clamp	
69	91403244	1	Hose	
70	1001117308	1	Relay	
71	1001258800	1	Adapter	
73	1001136834	1	Cap, Tank	
74	1001138173	1	Support	
75	1001138175	1	Bracket	
76	1001138228	1	Relay, Power Module	
76	70023593	1	Fuse 30Amp (Battery Output)	
76	70023592	1	Fuse 20Amp (Switched Output)	
77	1001186426	1	Clamp	
78	1001141370	1	Hose	
79	1001141585	1	Hose, Air Inlet	
80	1001141995	2	Fitting, Straight Barbed	
81	1001189979	1	Air Cleaner Assembly Filter Element	
81	70005008	1	Element, Filter (Not Shown)	
82	1001143390	1	Indicator, Service	
83	1001143797	1	Fitting, Straight Barbed	
84	1001144409	1	Panel, Rubber	
85	1001144410	1	Bracket, Panel Clamp	
86	1001144411	1	Bracket, Panel Clamp	
87	1001144412	1	Bracket, Panel Clamp	
88	1001258252	1	Plate, Relay Mounting	
89	1001146588	6	Tie-Strap (Not Shown)	
90	1001152489	1	Fitting, 90 Barbed	
91	1001156107	1	Holder, Cable	
92	1001165849	1	Fan	
93	1001168018	3	Washer	
94	1001169054	4	Isolator	
95	1001169138	4	Washer	
96	1001166718	3	Mount, Motor	
97	1001260413	1	Bracket, Tank	
98	1001177359	1	Hose	
99	1001178223	2	Bracket	
100	1001180620	AR	Adhesive	

SECTION 3 - ENGINE

ITEM	PART NUMBER	QTY	DESCRIPTION	REV
101	1001191620	3	Clamp	
102	1001204325	2	Bracket	
103	1001269861	1	Seal	
104	1001219454	1	Seal	
105	1001219456	1	Seal	
106	1001230635	1	Tank	
106A	1001134488	1	Fitting, 90 Barbed	
106B	1001138827	1	Sensor, Coolant Level	
106C	1001140564	1	Fitting, 90 Barbed	
107	1001237947	1	Mount	
108	1001245913	1	Harness, Deutz Fuel Filter (See Separate Breakdown in ELECTRICAL Section)	
109	1001246012	1	Deutz TD2.2L3 (Stage V) Engines (See Separate Breakdown in this Section)	
110	1001246813	1	Mount, Rear Engine	
111	1001247029	1	Support, Engine Tray	
112	1001247716	1	Radiator and Shroud Assembly	
112	1001250607	1	Radiator	
112	1001247714	1	Shroud	
113	1001248434	1	Mount	
114	1001248608	1	Adapter	
115	1001249045	1	Pipe, Exhaust	
116	1001249232	1	Pipe	
117	1001249234	1	Mount, Engine	
118	1001249261	1	Hose, Radiator - Upper	
119	1001249705	1	Hose, Radiator - Lower	
120	1001251131	1	Plate	
121	1001253798	1	Harness, Engine (Not Shown - See Separate Breakdown in ELECTRICAL Section)	
122	1001143907	1	Cable, Alternator Power	
123	4240099	AR	Tie-Strap (Not Shown)	
124	1001260412	1	Bracket, Surge Tank	
125	0761014	1	Bolt M10 x 30	
126	3520054	1	Plug	
127	1001138248	38 in/ 1m	Tube	
128	3271605	4	Nut Grade 8	
129	5260800	2	Nut M8	
130	1001141304	1	Wire	
131	1001235949	1	Bracket, Fuel Pump/Filter Assembly (See Separate Breakdown in this Section)	

SECTION 3 - ENGINE

FIGURE 3-11. DEUTZ TD2.2L3 (STAGE V) ENGINE COMPONENTS



ART_1001246012

SECTION 3 - ENGINE

FIGURE 3-11. DEUTZ TD2.2L3 (STAGE V) ENGINE COMPONENTS

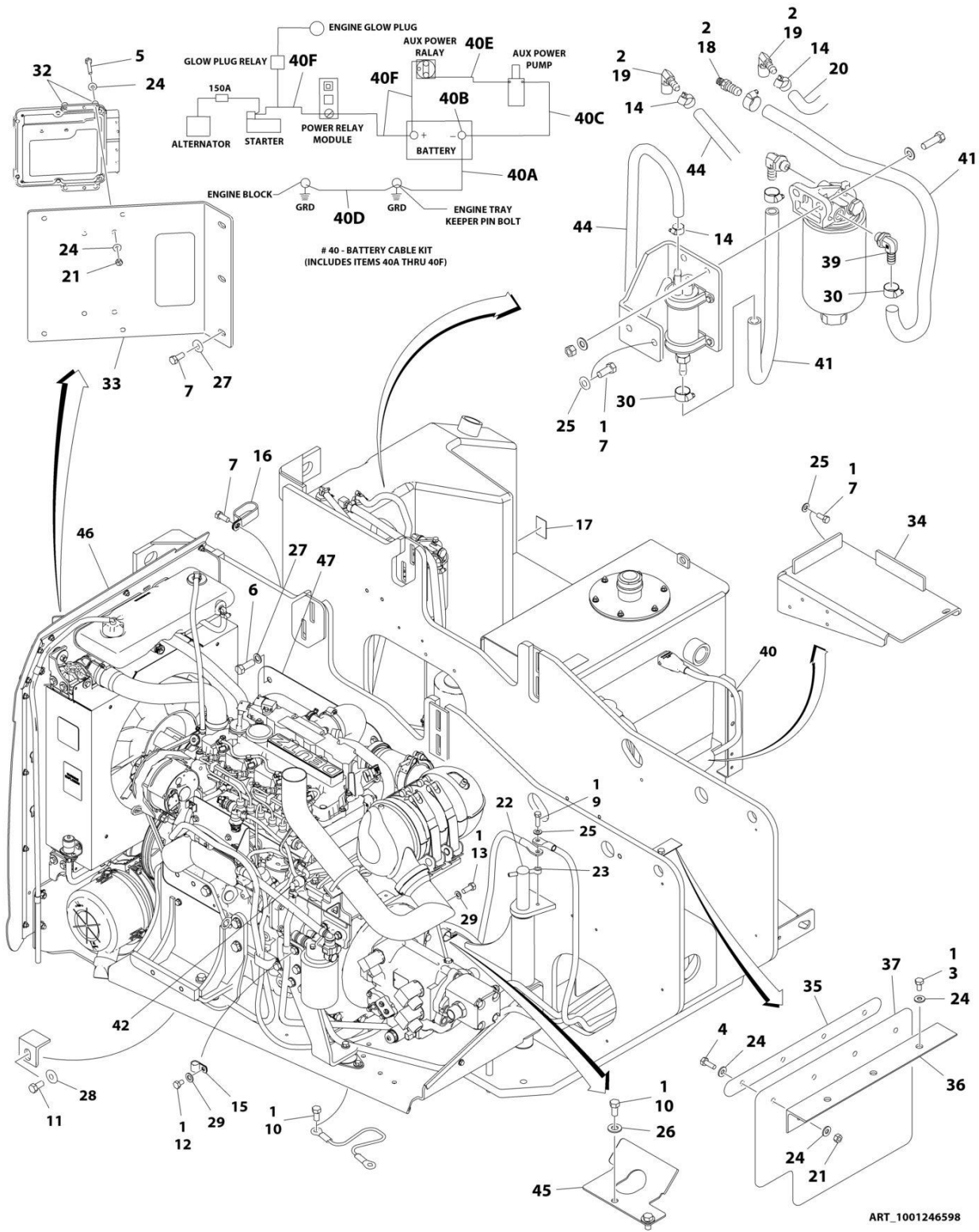
ITEM	PART NUMBER	QTY	DESCRIPTION	REV
	1001246012	Ref	DEUTZ ENGINE COMPONENTS	C
		Ref	Note: For complete list of parts, contact JLG Parts Department	
		Ref	Air Intake System Components	
		Ref	Turbocharger	
		Ref	Cooling System Components	
		Ref	Pump, Coolant (Includes Gasket & Seals)	
	70007603	1	Thermostat	
	70005184	1	O-Ring	
	70005931	1	Gasket	
	70025142	1	Cover	
		Ref	Electrical System Components	
	70029512	1	Module, ECU/ECM	
	70006652	1	Generator (Includes Controller, Fan & Hardware)	
	70124507	1	Starter (Includes Solenoid & Relay)	
	70005648	1	Relay, Starter	
	70026210	1	Sender, Tacho-Generator (Speed) (On Rear of Block & Cover) (Includes Seal)	
	70024922	1	Sender, Temperature (Includes Seal) (On Air Intake Manifold)	
	70024507	1	Sensor, Pressure (Includes Seal) (On Air Intake Manifold)	
	70024504	1	Sensor, Pressure (Includes Seal) (On Fuel Filter & Side of Block)	
		Ref	Sensor, Pressure (Includes Seal) (On Exhaust Manifold)	
		Ref	Sensor, Temperature (Includes Seal) (On Exhaust Manifold)	
		Ref	Plug, Glow	
		Ref	Exhaust System Components	
		Ref	Valve, EGR	
	70025130	8	Bolt, Exhaust Manifold	
		Ref	Gasket, Exhaust Manifold	
		Ref	Outlet, Muffler	
		Ref	Muffler	
		Ref	Bracket, Muffler Mounting	
		Ref	Compensator, Exhaust	
		Ref	Fuel System Components	
	70024924	1	Pump, High Pressure	
	70025181	4	Injector (Includes Sealing washer, Clamp & O-Ring)	
	70006144	1	Pump, Fuel Supply (Includes Clamps)	
	70024961	1	Filter, Fuel (Pre-Filter Assembly) (Includes Head, Spin on filter, Sensor Cable & Seal)	
	70025153	1	Filter, Fuel Spin On	
	70024513	1	Sensor Cable (Includes Seal)	
	70025160	1	Filter, Fuel (Assembly) (Includes Head & Spin on Filter)	
	70025161	1	Filter, Fuel Spin On	
	70004508	1	Vol. Control Valve (Includes O-Ring & Gasket)	
		Ref	Lubricating System Components	
	7020465	2	Cap, Oil Fill	
	70005941	2	Plug, Oil Drain	
	70005942	2	Seal, Oil Drain Plug	
		Ref	Pump, Oil (Includes Seal & Gasket)	
	7016331	1	Filter, Oil	
	70123584	1	Cooler, Oil	
		Ref	Dipstick (Includes Seal)	

SECTION 3 - ENGINE

ITEM	PART NUMBER	QTY	DESCRIPTION	REV
		Ref	Mechanical Components	
		Ref	Flywheel (includes Gear)	
	70004277	1	V-Belt	
	70025477	1	Belt Tensioner	

SECTION 3 - ENGINE

FIGURE 3-12. DEUTZ TD2.9L4 - 49HP ENGINE INSTALLATION - WITHOUT ARCTIC PACKAGE



SECTION 3 - ENGINE

FIGURE 3-12. DEUTZ TD2.9L4 - 49HP ENGINE INSTALLATION - WITHOUT ARCTIC PACKAGE

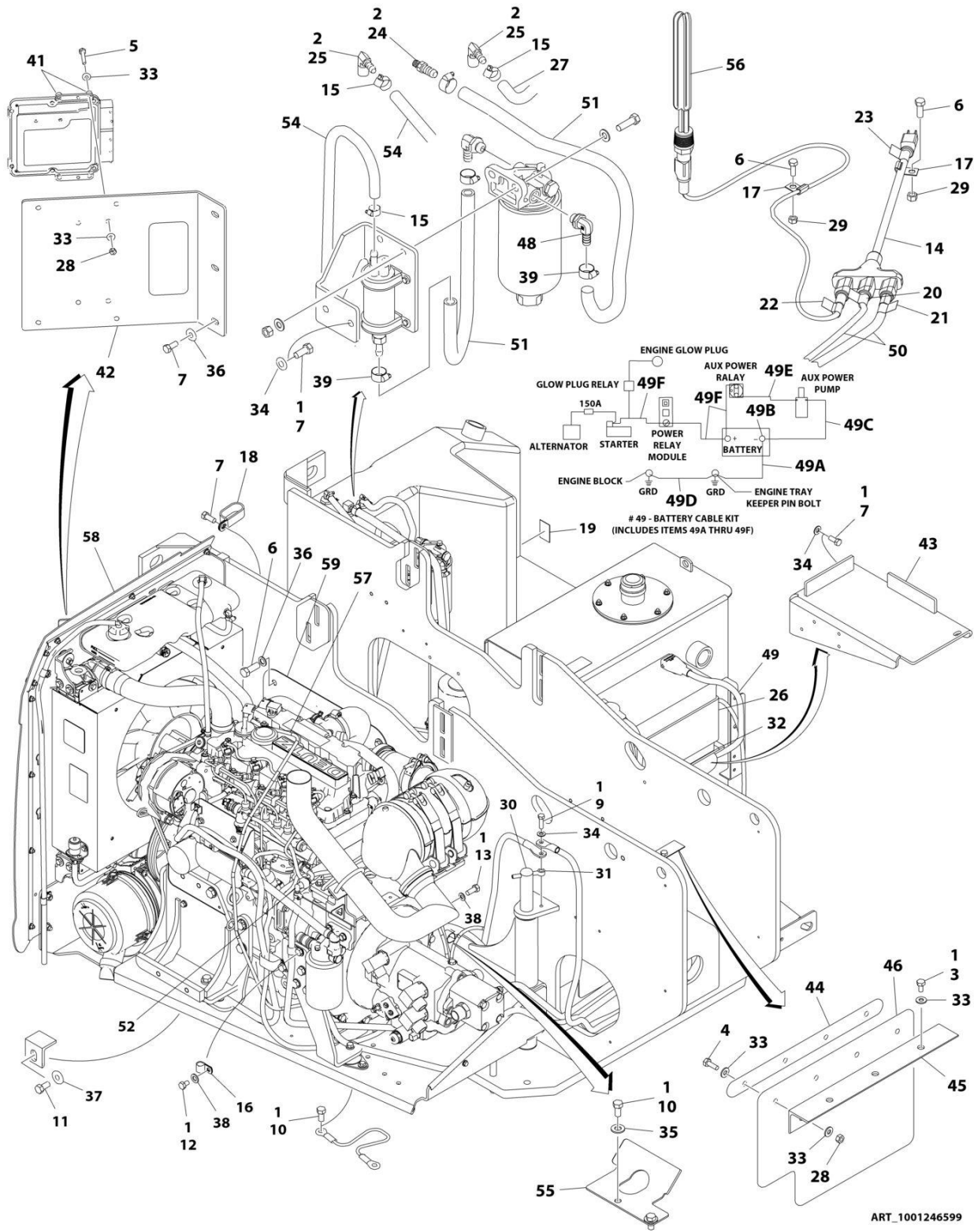
ITEM	PART NUMBER	QTY	DESCRIPTION	REV
	1001246598	Ref	DEUTZ D2.9L4 ENGINE INSTALLATION	C
1	0100011	AR	Compound, Locking	
2	0100020	AR	Sealant, Pipe	
3	0641404	3	Bolt 1/4 x 1/2	
4	0641406	4	Bolt 1/4 x 3/4	
5	0641412	4	Bolt 1/4 x 1-1/2	
6	0641606	4	Bolt 3/8 x 3/4	
7	0641607	9	Bolt 3/8 x 7/8	
8	0641608	2	Bolt 3/8 x 1 (Not Shown)	
9	0641612	1	Bolt 3/8 x 1-1/2	
10	0641808	3	Bolt 3/8 x 1	
11	0642010	1	Bolt 5/8 x 1-1/4	
12	0761008	1	Bolt M10 x 16	
13	0771212	1	Bolt M12 x 25 Grade 10.9	
14	1320022	5	Clamp	
15	1320061	1	Clamp	
16	1321716	1	P-Clamp	
17	1701505	1	Decal - Diesel (Not Shown - Located on Hood)	
18	2180832	1	Fitting, Straight Barbed	
19	2220313	2	Fitting, 90 Barbed	
20	2750532	5 ft /1.6m	Hose	
21	3311405	8	Nut 1/4	
22	3422448	1	Pin, Pivot	
23	3841143	1	Pin, Keeper	
24	4711400	19	Washer 1/4	
25	4711600	6	Washer 3/8	
26	4711800	2	Washer 1/2	
27	4751600	7	Washer 3/8	
28	4752000	1	Washer 5/8	
29	4812100	2	Washer M12	
30	8405006	2	Clamp	
31	8406201	4	Clip (Not Shown)	
32	1001110425	4	Spacer	
33	1001137866	1	Plate, Baffle	
34	1001137868	1	Bracket, Battery	
35	1001137880	1	Bracket, Baffle	
36	1001137881	1	Angle	
37	1001137882	1	Support, Rubber	
38	1001138491	1	Harness, Fuel Pump (Pump requiring Push-on Terminals) (Not Shown - See Separate Breakdown in ELECTRICAL SECTION)	
39	1001142501	1	Fitting, 90 Barbed	
40	1001145047	1	Battery Cable Kit	
40A	7027072	1	Cable, Battery (Black) (Battery - to Tray Pivot Grd)	
40B	8270147	1	Terminal, Battery (With Boot)	
40B	See Note	1	Boot, Black (Note: Not Available for Purchase)	
40C	7027073	1	Cable, Battery (Black) (Battery - to Aux Pump and Relay Grds)	
40C	See Note	1	Boot, Black (Note: Not Available for Purchase)	
40D	7027074	1	Cable, Battery (Black) (Engine to Tray Pivot Grd)	
40E	7027075	1	Cable (Red) (Aux Relay to Aux Pump)	
40E	70003952	2	Boot, Red	

SECTION 3 - ENGINE

ITEM	PART NUMBER	QTY	DESCRIPTION	REV
40F	7027076	1	Cable (Red) (Battery + to Aux Relay/Power Module/Starter)	
40F	See Note	1	Boot, Red (Battery) (Note: Not Available for Purchase)	
41	1001154405	3 ft /.9m	Hose	
42	1001155823	1	Fitting, 90 Quick Disconnect	
44	1001165035	23.5 ft /7.2m	Hose	
45	1001172793	1	Guide, Hose	
46	1001246594	1	Engine Assembly with Pumps (See Separate Breakdown in this Section)	
47	1001252521	1	Cover	

SECTION 3 - ENGINE

FIGURE 3-13. DEUTZ TD2.9L4 - 49HP ENGINE INSTALLATION - WITHOUT ARCTIC PACKAGE



ART_1001246599

SECTION 3 - ENGINE

FIGURE 3-13. DEUTZ TD2.9L4 - 49HP ENGINE INSTALLATION - WITHOUT ARCTIC PACKAGE

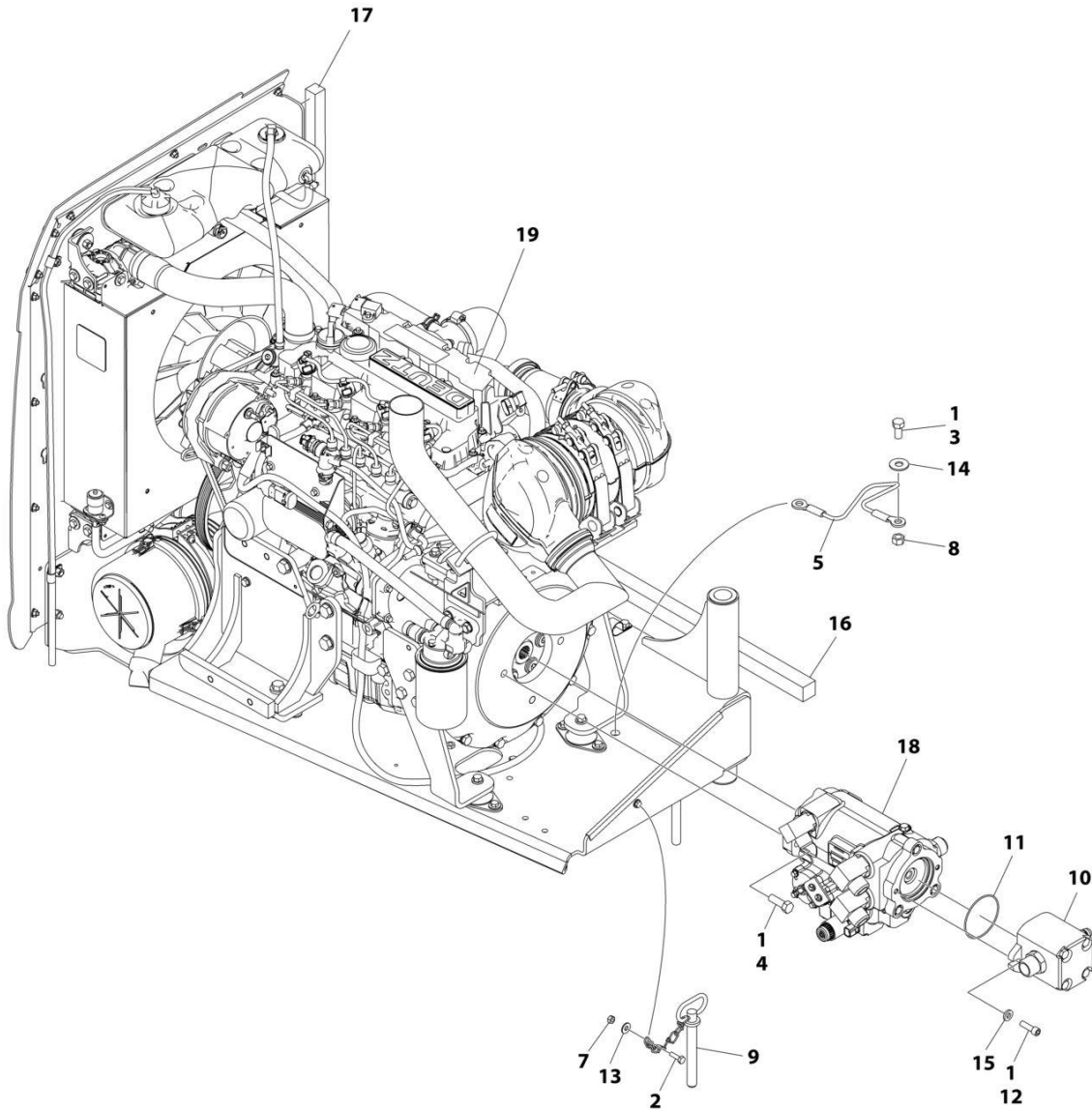
ITEM	PART NUMBER	QTY	DESCRIPTION	REV
	1001246599	Ref	DEUTZ D2.9L4 ENGINE INSTALLATION	C
1	0100011	AR	Compound, Locking	
2	0100020	AR	Sealant, Pipe	
3	0641404	3	Bolt 1/4 x 1/2	
4	0641406	4	Bolt 1/4 x 3/4	
5	0641412	4	Bolt 1/4 x 1-1/2	
6	0641606	6	Bolt 3/8 x 3/4	
7	0641607	9	Bolt 3/8 x 7/8	
8	0641608	2	Bolt 3/8 x 1 (Not Shown)	
9	0641612	1	Bolt 3/8 x 1-1/2	
10	0641808	3	Bolt 1/2 x 1	
11	0642010	1	Bolt 5/8 x 1-1/4	
12	0761008	1	Bolt M10 x 16	
13	0771212	1	Bolt M12 x 25 Grade 10.9	
14	1060626	1	Cord, 3 Way Extension	
15	1320022	5	Clamp	
16	1320061	1	Clamp	
17	1320223	2	Clamp	
18	1321716	1	P-Clamp	
19	1701505	1	Decal - Diesel (Not Shown - Located on Hood)	
20	1702941	1	Decal - Battery Heater	
21	1702942	1	Decal - Engine Block Heater	
22	1702943	1	Decal - Hydraulic Tank Heater	
23	1702944	1	Decal - Heater Cord	
24	2180832	1	Fitting, Straight Barbed	
25	2220313	2	Fitting, 90 Barbed	
26	2580024	1	Heater, Battery	
27	2750532	5 ft /1.6m	Hose	
28	3311405	8	Nut 1/4	
29	3311605	2	Nut 3/8	
30	3422448	1	Pin, Pivot	
31	3841143	1	Pin, Keeper	
32	3980007	1	Seat, Battery	
33	4711400	19	Washer 1/4	
34	4711600	8	Washer 3/8	
35	4711800	2	Washer 1/2	
36	4751600	7	Washer 3/8	
37	4752000	1	Washer 5/8	
38	4812100	2	Washer M12	
39	8405006	2	Clamp	
40	8406201	4	Clip (Not Shown)	
41	1001110425	4	Spacer	
42	1001137866	1	Plate, Baffle	
43	1001137868	1	Bracket, Battery	
44	1001137880	1	Bracket, Baffle	
45	1001137881	1	Angle	
46	1001137882	1	Support, Rubber	
47	1001138491	1	Harness, Fuel Pump (Pump requiring Push-on Terminals) (Not Shown - See Separate Breakdown in ELECTRICAL SECTION)	
48	1001142501	1	Fitting, 90 Barbed	

SECTION 3 - ENGINE

ITEM	PART NUMBER	QTY	DESCRIPTION	REV
49	1001145047	1	Battery Cable Kit	
49A	7027072	1	Cable, Battery (Black) (Battery - to Tray Pivot Grd)	
49B	8270147	1	Terminal, Battery (With Boot)	
49B	See Note	1	Boot, Black (Note: Not Available for Purchase)	
49C	7027073	1	Cable, Battery (Black) (Battery - to Aux Pump and Relay Grds)	
49C	See Note	1	Boot, Black (Note: Not Available for Purchase)	
49D	7027074	1	Cable, Battery (Black) (Engine to Tray Pivot Grd)	
49E	7027075	1	Cable (Red) (Aux Relay to Aux Pump)	
49E	70003952	2	Boot, Red	
49F	7027076	1	Cable (Red) (Battery + to Aux Relay/Power Module/Starter)	
49F	See Note	1	Boot, Red (Battery) (Note: Not Available for Purchase)	
50	1001150918	1	Cable, Immersion Heater	
51	1001154405	3 ft /.9m	Hose	
52	1001155823	1	Fitting, 90 Quick Disconnect	
54	1001165035	23.5 ft /7.2m	Hose	
55	1001172793	1	Guide, Hose	
56	1001188972	1	Heater, Hydraulic Tank	
57	1001233763	1	Breather Heater Installation (Not Shown - See Separate Breakdown in this Section)	
58	1001246592	1	Engine Assembly with Pumps (See Separate Breakdown in this Section)	
59	1001252521	1	Cover	

SECTION 3 - ENGINE

FIGURE 3-14. DEUTZ TD2.9L4 - 49HP ENGINE/PUMP SUB-ASSEMBLY – WITHOUT ARCTIC PACKAGE



ART_1001246592

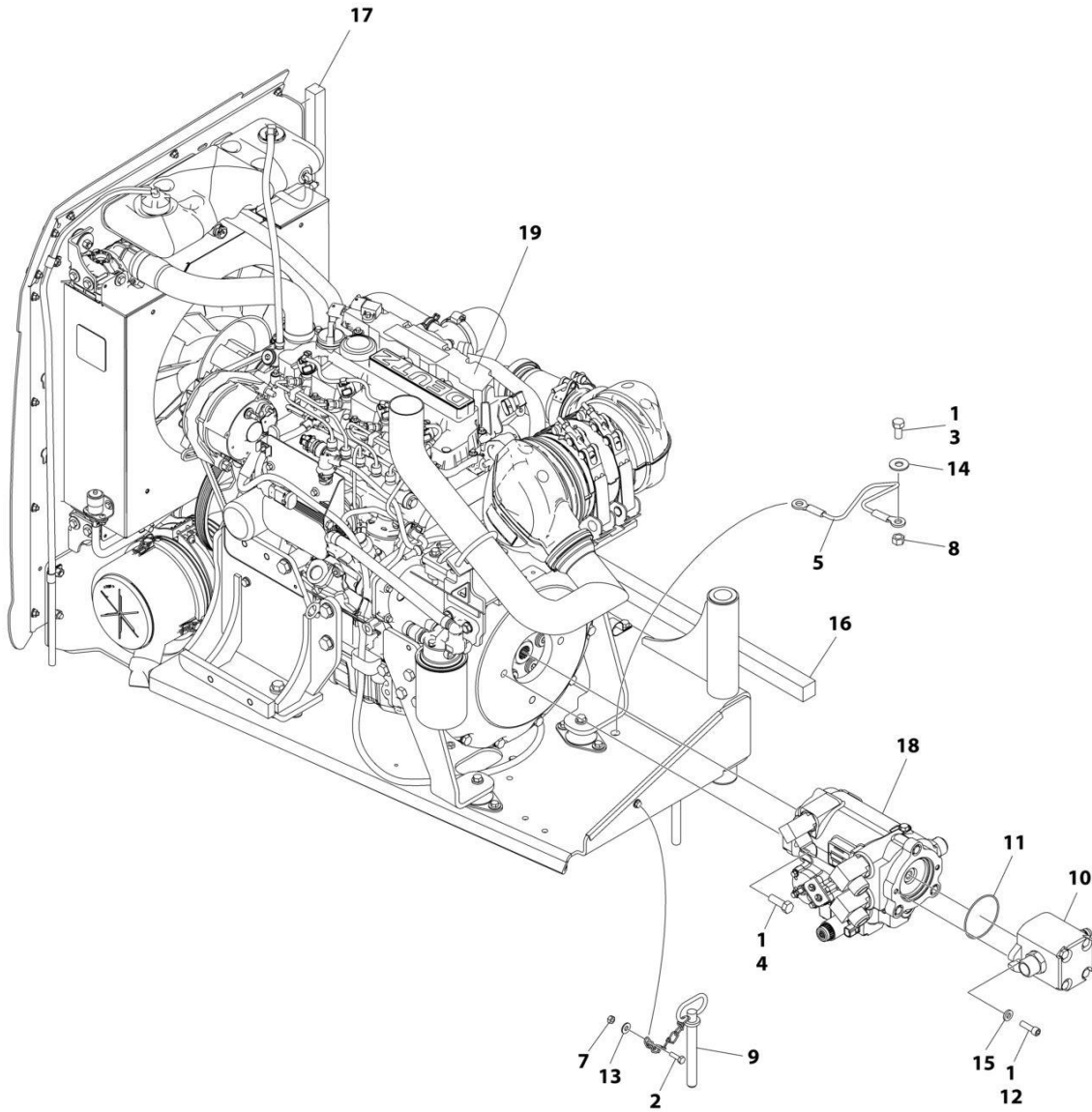
SECTION 3 - ENGINE

FIGURE 3-14. DEUTZ TD2.9L4 - 49HP ENGINE/PUMP SUB-ASSEMBLY – WITHOUT ARCTIC PACKAGE

ITEM	PART NUMBER	QTY	DESCRIPTION	REV
	1001246592	Ref	DEUTZ D2.9L4 ENGINE/PUMP SUB-ASSEMBLY	C
1	0100011	AR	Compound, Locking	
2	0641406	1	Bolt 1/4 x 3/4	
3	0641808	1	Bolt 1/2 x 1	
4	0641812	2	Bolt 1/2 x 1-1/2	
5	1060637	1	Lanyard	
7	3311405	1	Nut 1/4	
8	3311801	1	Nut 1/2	
9	3422533	1	Pin, Hitch	
10	3600395	1	Gear Pump Assembly with Fittings (See Separate Breakdown in this Section)	
11	3790152	1	O-Ring	
12	3931620	2	Bolt 3/8 x 1-1/4	
13	4711400	2	Washer 1/4	
14	4751800	1	Washer 1/2	
15	4891600	2	Washer 3/8 Hardened	
16	1001137873	1	Seal	
17	1001137874	1	Seal	
18	1001188952	1	Pump Assembly with Fittings (See Separate Breakdown in this Section)	
19	1001246590	1	Engine Assembly (See Separate Breakdown in this Section)	

SECTION 3 - ENGINE

FIGURE 3-15. DEUTZ TD2.9L4 - 49HP ENGINE/PUMP SUB-ASSEMBLY – WITH ARCTIC PACKAGE



ART_1001246594

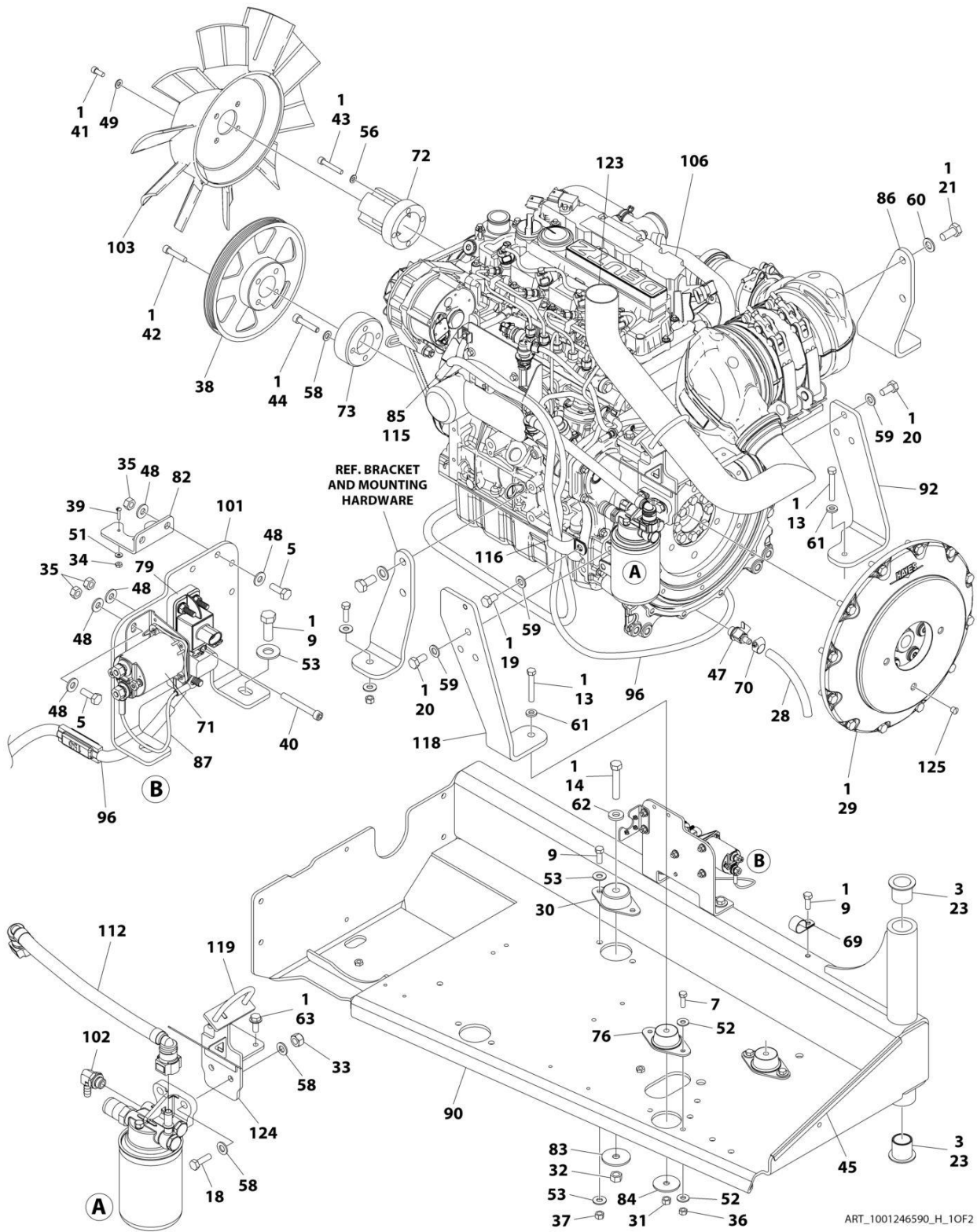
SECTION 3 - ENGINE

FIGURE 3-15. DEUTZ TD2.9L4 - 49HP ENGINE/PUMP SUB-ASSEMBLY – WITH ARCTIC PACKAGE

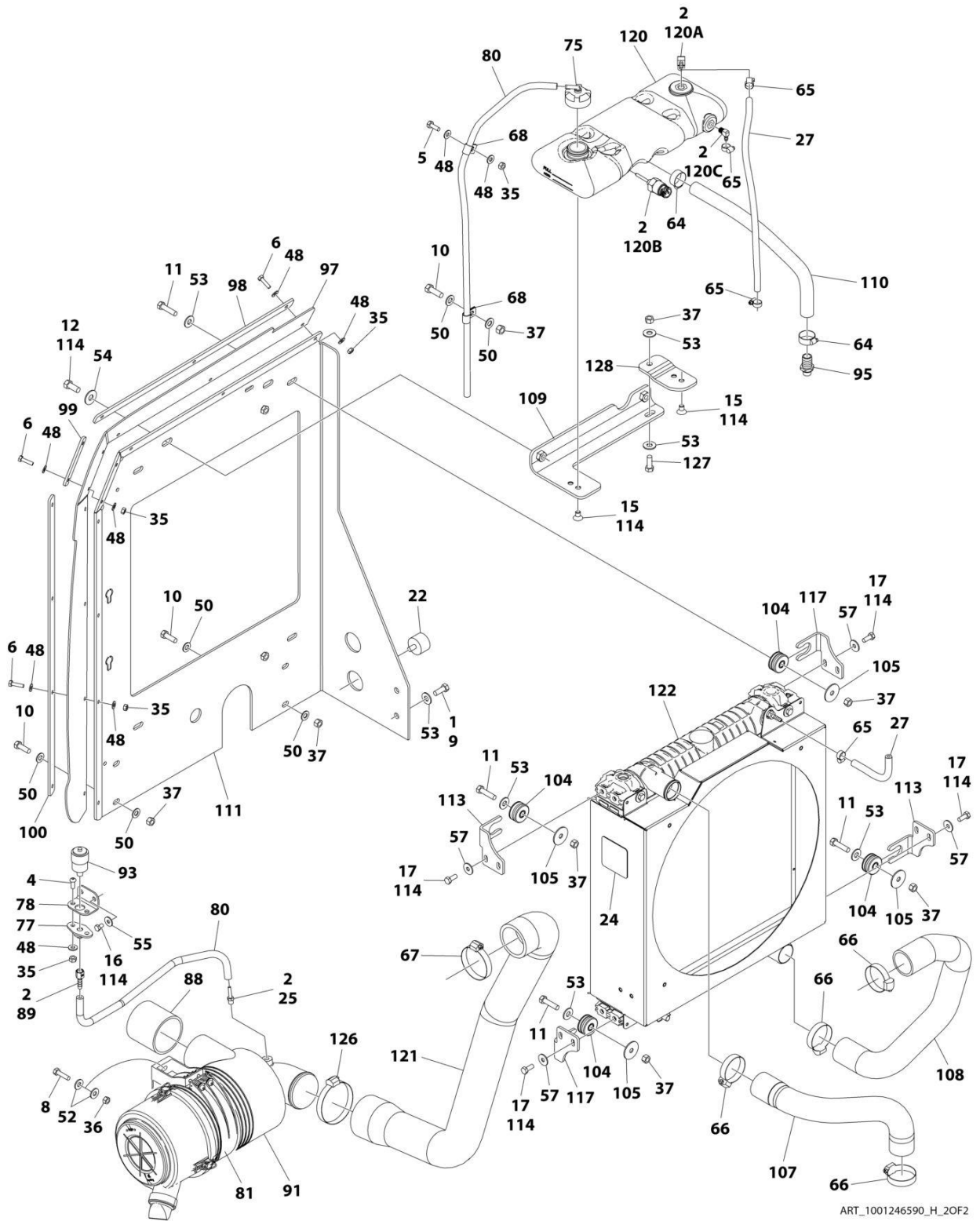
ITEM	PART NUMBER	QTY	DESCRIPTION	REV
	1001246594	Ref	DEUTZ D2.9L4 ENGINE/PUMP SUB-ASSEMBLY	C
1	0100011	AR	Compound, Locking	
2	0641406	1	Bolt 1/4 x 3/4	
3	0641808	1	Bolt 1/2 x 1	
4	0641812	2	Bolt 1/2 x 1-1/2	
5	1060637	1	Lanyard	
7	3311405	1	Nut 1/4	
8	3311801	1	Nut 1/2	
9	3422533	1	Pin, Hitch	
10	3600395	1	Gear Pump Assembly with Fittings (See Separate Breakdown in this Section)	
11	3790152	1	O-Ring	
12	3931620	2	Bolt 3/8 x 1-1/4	
13	4711400	2	Washer 1/4	
14	4751800	1	Washer 1/2	
15	4891600	2	Washer 3/8 Hardened	
16	1001137873	1	Seal	
17	1001137874	1	Seal	
18	1001188952	1	Pump Assembly with Fittings (See Separate Breakdown in this Section)	
19	1001246593	1	Engine Assembly (See Separate Breakdown in this Section)	

SECTION 3 - ENGINE

FIGURE 3-16. DEUTZ TD2.9L4 - 49HP ENGINE ASSEMBLY – WITHOUT ARCTIC PACKAGE



SECTION 3 - ENGINE



ART_1001246590_H_2OF2

SECTION 3 - ENGINE

FIGURE 3-16. DEUTZ TD2.9L4 - 49HP ENGINE ASSEMBLY – WITHOUT ARCTIC PACKAGE

ITEM	PART NUMBER	QTY	DESCRIPTION	REV
	1001246590	Ref	DEUTZ D2.9L4 ENGINE ASSEMBLY	H
1	0100011	AR	Compound, Locking	
2	0100020	AR	Sealant	
3	0100062	AR	Adhesive	
4	0630407	2	Screw 1/4 x 5/8	
5	0641406	5	Bolt 1/4 x 3/4	
6	0641408	9	Bolt 1/4 x 1	
7	0641508	4	Bolt 5/16 x 1	
8	0641510	2	Bolt 5/16 x 1-1/4	
9	0641608	7	Bolt 3/8 x 1	
10	0641609	4	Bolt 3/8 x 1-1/8	
11	0641612	4	Bolt 3/8 x 1-1/2	
12	0641708	2	Bolt 7/16 x 1	
13	0681620	2	Bolt 3/8 x 2-1/2 Grade 8	
14	0681822	1	Bolt 1/2 x 2-3/4 Grade 8	
15	0741605	2	Screw, Flathead 3/8 x 5/8	
16	0760605	2	Bolt M6 x 10	
17	0760810	8	Bolt M8 x 20	
18	0761015	2	Bolt M10 x 35	
19	0761210	1	Bolt M12 x 20	
20	0771212	6	Bolt M12 x 25 Grade 10.9	
21	0771414	2	Bolt M14 x 30	
22	0940070	1	Bumper	
23	0961986	2	Bushing, Flanged	
24	1703162	1	Decal - Fan Blade	
25	2220315	1	Fitting, Straight Barbed	
27	2720015	26 in /.9m	Hose	
28	2720340	16 in /40.6cm	Hose	
29	2902065	1	Kit, Pump Coupling (See Separate Breakdown in this section)	
30	3200401	1	Mount, Motor	
31	3271601	2	Nut 3/8 Grade 8	
32	3271801	1	Nut 1/2 Grade 8	
33	3291005	2	Nut M10	
34	3310401	3	Nut #4	
35	3311405	17	Nut 1/4	
36	3311505	6	Nut 5/16	
37	3311605	11	Nut 3/8	
38	3580320	1	Pulley	
39	3910408	3	Screw #4 x 1/2	
40	3931432	1	Capscrew 1/4 x 2	
41	3931512	4	Capscrew 5/16 x 3/4	
42	3931628	4	Capscrew 3/8 x 1-3/4	
43	4031914	4	Capscrew M8 x 50	
44	4032014	4	Capscrew M10 x 50	
45	4060805	14 in /36cm	Flex-Trim	
46	4240099	AR	Tie-Strap (Not Shown)	
47	4640751	1	Valve, Oil Drain	
48	4711400	31	Washer 1/4	

SECTION 3 - ENGINE

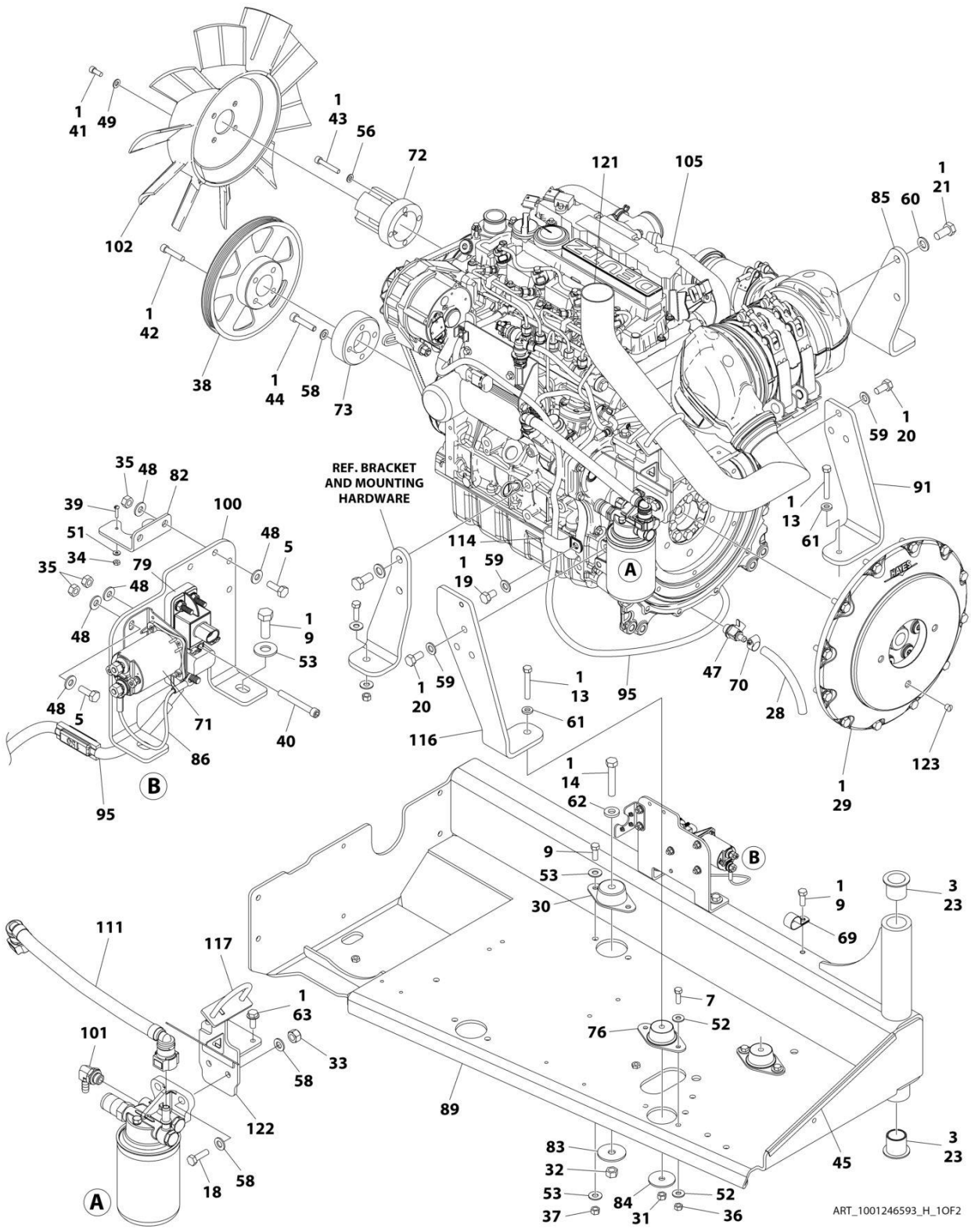
ITEM	PART NUMBER	QTY	DESCRIPTION	REV
49	4711500	4	Washer 5/16	
50	4711600	8	Washer 3/8	
51	4750400	3	Washer #4	
52	4751500	12	Washer 5/16	
53	4751600	14	Washer 3/8	
54	4751700	2	Washer 7/16	
55	4811702	2	Washer M6	
56	4811900	4	Washer M8	
57	4811902	8	Washer M8	
58	4812000	8	Washer M10	
59	4812100	7	Washer M12	
60	4812200	2	Washer M14	
61	4891600	2	Washer 3/8 Hardened	
62	4891800	1	Washer 1/2 Hardened	
63	5250810	2	Bolt M8 x 20	
64	8405007	2	Clamp	
65	8405009	4	Clamp	
66	8405104	4	Clamp	
67	8405204	1	Clamp	
68	8406110	2	Clip	
69	8406201	1	Clip	
70	8410013	1	Clamp	
71	1001117308	1	Relay	
72	1001135138	1	Adapter	
73	1001135679	1	Adapter	
75	1001136834	1	Cap, Tank	
76	1001138170	2	Mount, Motor	
77	1001138173	1	Support	
78	1001138175	1	Bracket	
79	1001138228	1	Relay, Power Module	
79	70023593	1	Fuse 30Amp (Battery Output)	
79	70023592	1	Fuse 20Amp (Switched Output)	
80	1001138248	67 in /1.7m	Tube	
81	1001138557	1	Clamp	
82	1001139240	1	Bracket	
83	1001139409	1	Washer, Special	
84	1001139429	2	Washer, Special	
85	1001140312	1	Heater, Engine Block	
86	1001140454	1	Mount, Front Engine	
87	1001141304	1	Harness, Glow Plug	
88	1001141585	1	Hose, Air Inlet	
89	1001141995	1	Fitting, Straight Barbed	
90	1001142538	1	Support	
91	1001142615	1	Air Cleaner Assembly Filter Element	
91	91403102	1	Element, Filter (Not Shown)	
92	1001142635	1	Mount, Rear Engine	
93	1001143390	1	Indicator, Service	
94	1001143726	1	Harness, Engine (Not Shown - See Separate Breakdown in ELECTRICAL SECTION)	
95	1001143797	1	Fitting, Straight Barbed	
96	1001143907	1	Cable, Alternator Power	

SECTION 3 - ENGINE

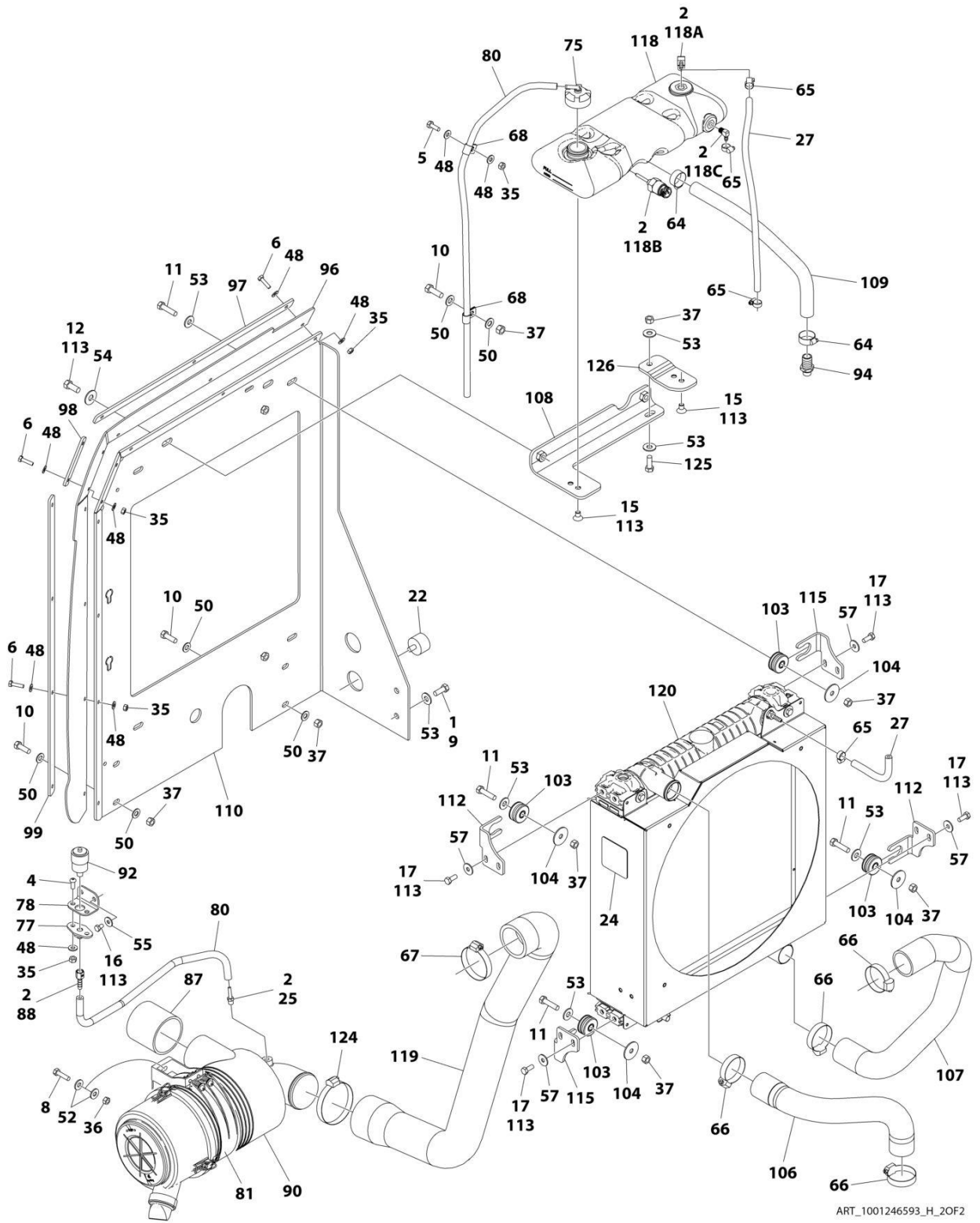
ITEM	PART NUMBER	QTY	DESCRIPTION	REV
97	1001144409	1	Panel, Rubber	
98	1001144410	1	Bracket, Panel Clamp	
99	1001144411	1	Bracket, Panel Clamp	
100	1001144412	1	Bracket, Panel Clamp	
101	1001145154	1	Plate, Relay Mounting	
102	1001152489	1	Fitting, 90 Barbed	
103	1001165849	1	Fan	
104	1001169054	4	Isolator	
105	1001169138	4	Washer	
106	1001170617	1	Deutz D2.9L4 Engine Components (See Separate Breakdown in this Section)	
107	1001176225	1	Hose, Radiator - Upper	
108	1001176226	1	Hose, Radiator - Lower	
109	1001260413	1	Bracket, Tank	
110	1001176511	1	Hose	
111	1001176723	1	Plate Radiator Mounting	
112	1001177359	1	Hose	
113	1001178223	2	Bracket	
114	1001180620	AR	Adhesive	
115	1001181895	AR	Adhesive	
116	1001181899	1	Clamp	
117	1001204325	2	Bracket	
118	1001205051	1	Mount, Rear Engine	
119	1001228506	1	Bolt, U-Bolt	
120	1001230635	1	Tank	
120A	1001134488	1	Fitting, 90 Barbed	
120B	1001138827	1	Sensor, Coolant Level	
120C	1001140564	1	Fitting, 90 Barbed	
121	1001247105	1	Hose, Inlet	
122	1001247676	1	Radiator and Shroud Assembly	
122	1001203495	1	Radiator	
122	1001247564	1	Shroud	
123	1001248477	1	Pipe, Exhaust	
124	1001248480	1	Bracket	
125	3520054	1	Plug	
126	8410011	1	Clamp	
127	0681608	1	Bolt 3/8 x 1	
128	1001260412	1	Bracket	
129	1001162335	1	Bracket, Fuel Pump/Filter Assembly (Not Shown) (See Separate Breakdown in this Section)	

SECTION 3 - ENGINE

FIGURE 3-17. DEUTZ TD2.9L4 - 49HP ENGINE ASSEMBLY – WITH ARCTIC PACKAGE



SECTION 3 - ENGINE



ART_1001246593_H_20F2

SECTION 3 - ENGINE

FIGURE 3-17. DEUTZ TD2.9L4 - 49HP ENGINE ASSEMBLY – WITH ARCTIC PACKAGE

ITEM	PART NUMBER	QTY	DESCRIPTION	REV
	1001246593	Ref	DEUTZ D2.9L4 ENGINE ASSEMBLY	H
1	0100011	AR	Compound, Locking	
2	0100020	AR	Sealant	
3	0100062	AR	Adhesive	
4	0630407	2	Screw 1/4 x 5/8	
5	0641406	5	Bolt 1/4 x 3/4	
6	0641408	9	Bolt 1/4 x 1	
7	0641508	4	Bolt 5/16 x 1	
8	0641510	2	Bolt 5/16 x 1-1/4	
9	0641608	7	Bolt 3/8 x 1	
10	0641609	4	Bolt 3/8 x 1-1/8	
11	0641612	4	Bolt 3/8 x 1-1/2	
12	0641708	2	Bolt 7/16 x 1	
13	0681620	2	Bolt 3/8 x 2-1/2 Grade 8	
14	0681822	1	Bolt 1/2 x 2-3/4 Grade 8	
15	0741605	2	Screw, Flathead 3/8 x 5/8	
16	0760605	2	Bolt M6 x 10	
17	0760810	8	Bolt M8 x 20	
18	0761015	2	Bolt M10 x 35	
19	0761210	1	Bolt M12 x 20	
20	0771212	6	Bolt M12 x 25 Grade 10.9	
21	0771414	2	Bolt M14 x 30	
22	0940070	1	Bumper	
23	0961986	2	Bushing, Flanged	
24	1703162	1	Decal - Fan Blade	
25	2220315	1	Fitting, Straight Barbed	
27	2720015	26 in /.9m	Hose	
28	2720340	16 in /40.6cm	Hose	
29	2902065	1	Kit, Pump Coupling (See Separate Breakdown in this Section)	
30	3200401	1	Mount, Motor	
31	3271601	2	Nut 3/8 Grade 8	
32	3271801	1	Nut 1/2 Grade 8	
33	3291005	2	Nut M10	
34	3310401	3	Nut #4	
35	3311405	17	Nut 1/4	
36	3311505	6	Nut 5/16	
37	3311605	11	Nut 3/8	
38	3580320	1	Pulley	
39	3910408	3	Screw #4 x 1/2	
40	3931432	1	Capscrew 1/4 x 2	
41	3931512	4	Capscrew 5/16 x 3/4	
42	3931628	4	Capscrew 3/8 x 1-3/4	
43	4031914	4	Capscrew M8 x 50	
44	4032014	4	Capscrew M10 x 50	
45	4060805	14 in /36cm	Flex-Trim	
46	4240099	AR	Tie-Strap (Not Shown)	
47	4640751	1	Valve, Oil Drain	
48	4711400	31	Washer 1/4	

SECTION 3 - ENGINE

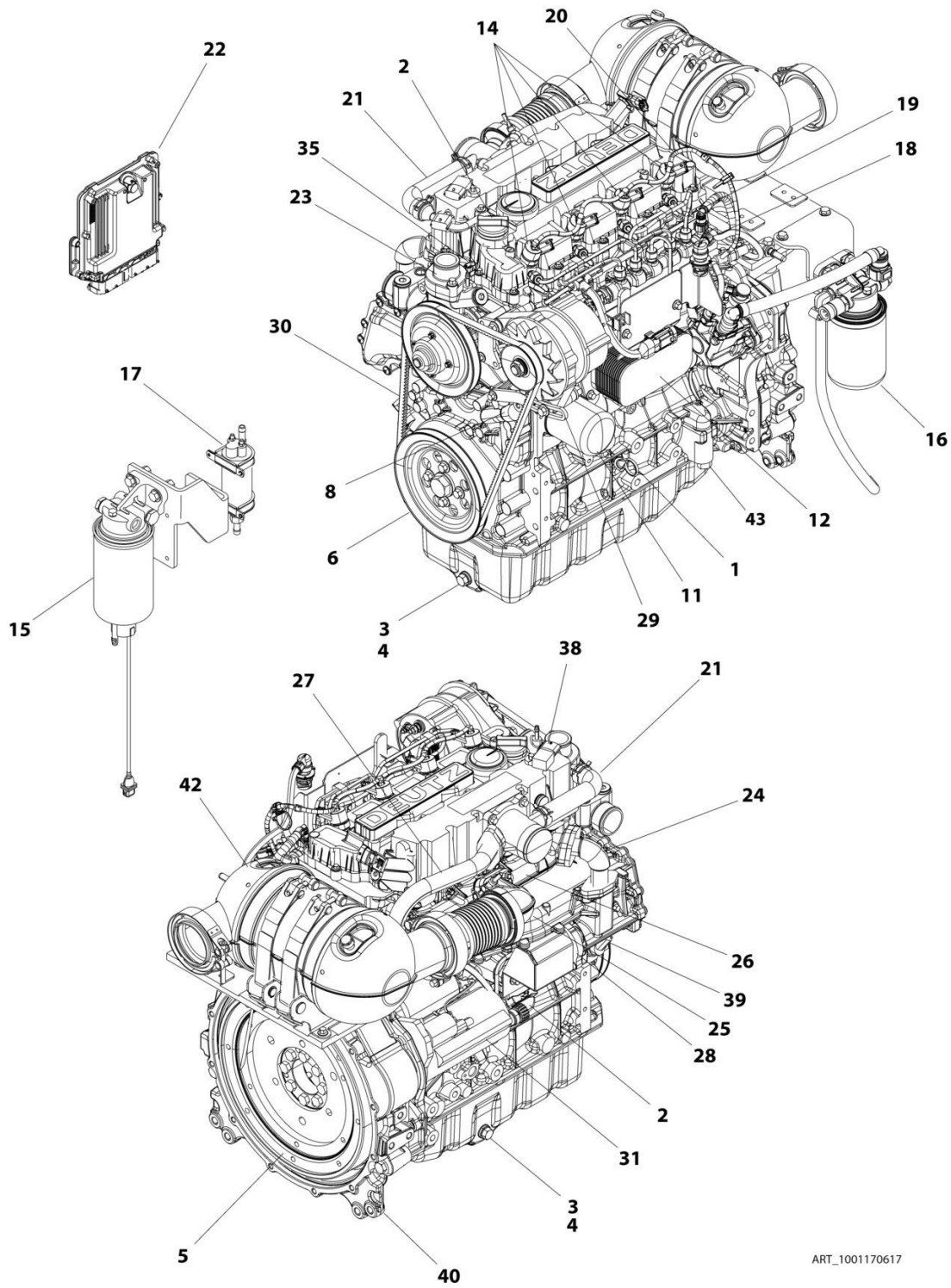
ITEM	PART NUMBER	QTY	DESCRIPTION	REV
49	4711500	4	Washer 5/16	
50	4711600	8	Washer 3/8	
51	4750400	3	Washer #4	
52	4751500	12	Washer 5/16	
53	4751600	14	Washer 3/8	
54	4751700	2	Washer 7/16	
55	4811702	2	Washer M6	
56	4811900	4	Washer M8	
57	4811902	8	Washer M8	
58	4812000	8	Washer M10	
59	4812100	7	Washer M12	
60	4812200	2	Washer M14	
61	4891600	2	Washer 3/8 Hardened	
62	4891800	1	Washer 1/2 Hardened	
63	5250810	2	Bolt M8 x 20	
64	8405007	2	Clamp	
65	8405009	4	Clamp	
66	8405104	4	Clamp	
67	8405204	1	Clamp	
68	8406110	2	Clip	
69	8406201	1	Clip	
70	8410013	1	Clamp	
71	1001117308	1	Relay	
72	1001135138	1	Adapter	
73	1001135679	1	Adapter	
75	1001136834	1	Cap, Tank	
76	1001138170	2	Mount, Motor	
77	1001138173	1	Support	
78	1001138175	1	Bracket	
79	1001138228	1	Relay, Power Module	
79	70023593	1	Fuse 30Amp (Battery Output)	
79	70023592	1	Fuse 20Amp (Switched Output)	
80	1001138248	67 in /1.7m	Tube	
81	1001138557	1	Clamp	
82	1001139240	1	Bracket	
83	1001139409	1	Washer, Special	
84	1001139429	2	Washer, Special	
85	1001140454	1	Mount, Front Engine	
86	1001141304	1	Harness, Glow Plug	
87	1001141585	1	Hose, Air Inlet	
88	1001141995	1	Fitting, Straight Barbed	
89	1001142538	1	Support	
90	1001142615	1	Air Cleaner Assembly Filter Element	
90	91403102	1	Element, Filter (Not Shown)	
91	1001142635	1	Mount, Rear Engine	
92	1001143390	1	Indicator, Service	
93	1001143726	1	Harness, Engine (Not Shown - See Separate Breakdown in ELECTRICAL SECTION)	
94	1001143797	1	Fitting, Straight Barbed	
95	1001143907	1	Cable, Alternator Power	
96	1001144409	1	Panel, Rubber	

SECTION 3 - ENGINE

ITEM	PART NUMBER	QTY	DESCRIPTION	REV
97	1001144410	1	Bracket, Panel Clamp	
98	1001144411	1	Bracket, Panel Clamp	
99	1001144412	1	Bracket, Panel Clamp	
100	1001145154	1	Plate, Relay Mounting	
101	1001152489	1	Fitting, 90 Barbed	
102	1001165849	1	Fan	
103	1001169054	4	Isolator	
104	1001169138	4	Washer	
105	1001170617	1	Deutz D2.9L4 Engine Components (See Separate Breakdown in this Section)	
106	1001176225	1	Hose, Radiator - Upper	
107	1001176226	1	Hose, Radiator - Lower	
108	1001260413	1	Bracket, Tank	
109	1001176511	1	Hose	
110	1001176723	1	Plate Radiator Mounting	
111	1001177359	1	Hose	
112	1001178223	2	Bracket	
113	1001180620	AR	Adhesive	
114	1001181899	1	Clamp	
115	1001204325	2	Bracket	
116	1001205051	1	Mount, Rear Engine	
117	1001228506	1	Bolt, U-Bolt	
118	1001230635	1	Tank	
118A	1001134488	1	Fitting, 90 Barbed	
118B	1001138827	1	Sensor, Coolant Level	
118C	1001140564	1	Fitting, 90 Barbed	
119	1001247105	1	Hose, Inlet	
120	1001247676	1	Radiator and Shroud Assembly	
120	1001203495	1	Radiator	
120	1001247564	1	Shroud	
121	1001248477	1	Pipe, Exhaust	
122	1001248480	1	Bracket	
123	3520054	1	Plug	
124	8410011	1	Clamp	
125	0681608	1	Bolt 3/8 x 1	
126	1001260412	1	Bracket	
127	1001162335	1	Bracket, Fuel Pump/Filter Assembly (Not Shown) (See Separate Breakdown in this Section)	

SECTION 3 - ENGINE

FIGURE 3-18. DEUTZ TD2.9L4 - 49HP ENGINE COMPONENTS



ART_1001170617

SECTION 3 - ENGINE

FIGURE 3-18. DEUTZ TD2.9L4 - 49HP ENGINE COMPONENTS

ITEM	PART NUMBER	QTY	DESCRIPTION	REV
	1001170617	Ref	ENGINE COMPONENTS - DEUTZ D2.9L4 ENGINE	E
1	70024904	1	Dipstick	
1	70024905	1	O-Ring	
2	7020465	2	Cap, Filler	
3	70025088	2	Plug, Oil	
4	7020404	2	Ring, Sealing	
5	70001870	1	Flywheel	
5	7024579	1	Ring, Gear	
6	70025198	1	Pulley, Crank	
7	70024906	1	Gasket, Head (Not Shown)	
7	70025195	1	Gasket, Valve Cover (Not Shown)	
7	70005171	1	Gasket, Valve Cover (Not Shown)	
8	70025076	1	Valve	
8	70025091	1	Plug	
8	70025176	1	Spring	
8	70025082	1	Seal	
9	70004280	1	Seal, Crankshaft (Front) (Not Shown)	
9	70002718	1	Seal, Crankshaft (Rear) (Not Shown)	
10	70005172	1	Pump, Oil Lube (Not Shown)	
10	70025135	1	O-Ring (Not Shown)	
10	70005173	1	Gasket (Not Shown)	
11	7016331	1	Filter, Oil	
12	70004275	1	Cooler, Oil	
12	70024925	1	Gasket	
13	70025171	1	Pipe, Oil Suction (Not Shown)	
14	70004281	4	Injector, Fuel	
14	70025140	4	Washer, Sealing	
14	70025146	4	Clamp (Top of Injector)	
14	70025145	4	O-Ring	
14	70025154	4	Shoe, Clamping	
15	70024961	1	Bracket, Fuel Filter	
15	1001225430	1	Filter, Fuel	
15	70024513	1	Cable, Sensor	
15	70025239	1	Seal	
16	70025160	1	Bracket, Fuel Filter	
16	1001225431	1	Filter, Fuel	
16	70024504	1	Sensor, Pressure	
16	70024920	1	O-Ring	
16	70004513	2	Ring, Sealing	
17	70005174	NLA	Pump, Fuel (Use p/n 1001226098)	
17	70025144	2	Clamp	
18	70025151	1	Rail, Fuel	
18	70025235	1	Repair Kit	
18	70025240	1	O-Ring	
19	70025182	1	Line, Fuel (Cylinder 1 + 2)	
19	70025183	1	Line, Fuel (Cylinder 3 + 4)	
19	70025184	1	Line, Fuel (Fuel Rail to Pump)	
20	70024502	1	Fuel Return Pipe	
20	70025185	1	Hose, Fuel	
20	70025101	2	Clamp	

SECTION 3 - ENGINE

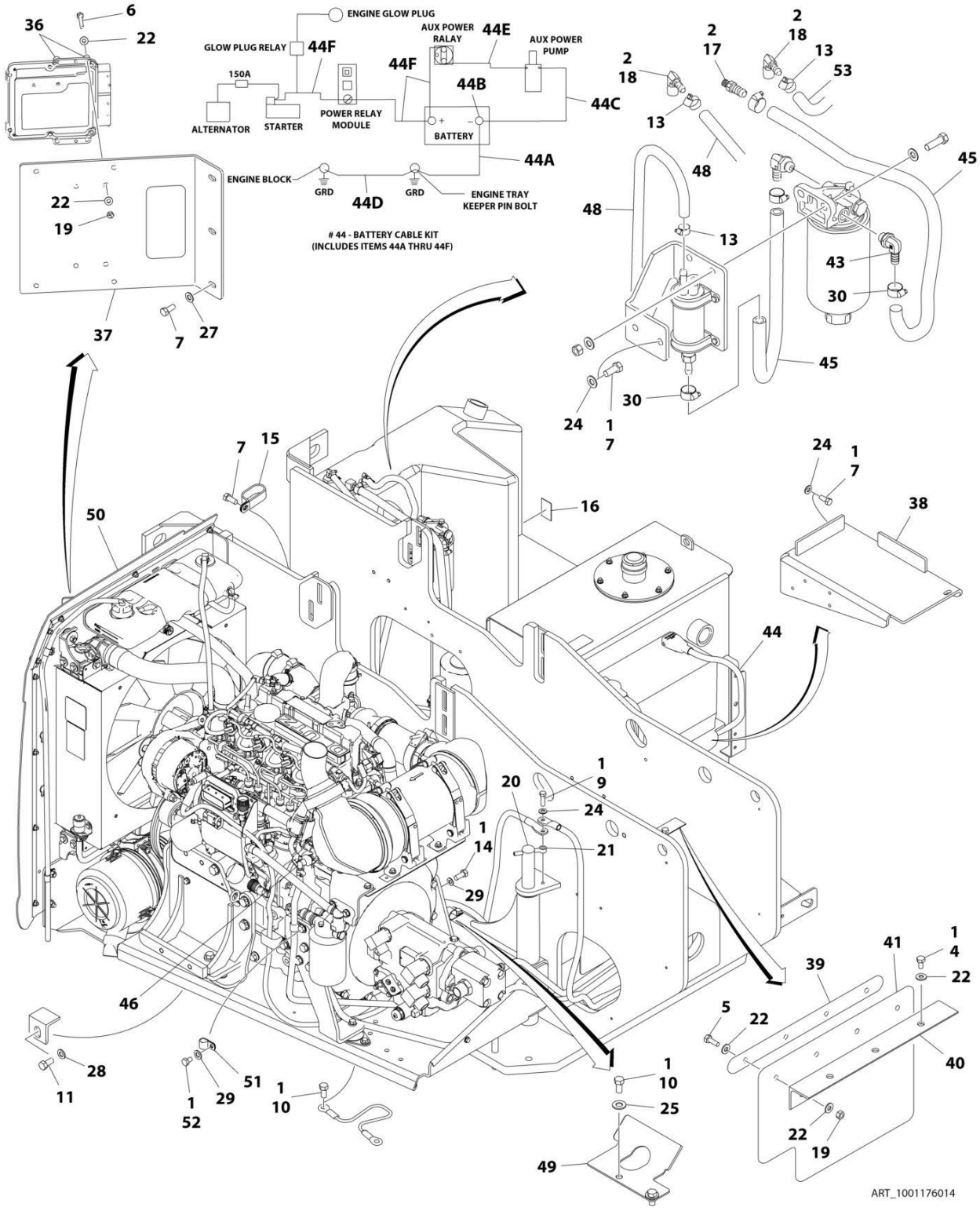
ITEM	PART NUMBER	QTY	DESCRIPTION	REV
20	70025109	2	Clamp	
20	70025115	1	Clamp, Pipe	
20	70025133	1	Hose	
20	70025148	1	Connector, Plug-in	
21	70005182	1	Elbow, Air Charger	
21	70005176	1	O-Ring	
21	70005177	1	Gasket	
21	70005180	1	Line, Breather	
21	70005181	1	O-Ring	
21	70005183	1	Line, Breather	
21	70025111	2	Clamp	
22	70025210	1	Module, ECU	
23	70024910	1	Pump, Water	
23	70025084	1	Plug	
23	7020492	1	O-Ring	
23	70025200	1	Seal	
23	70024473	1	Thermostat	
23	70005184	1	O-Ring (Thermostat)	
23	70025142	1	Cover, Thermostat	
23	70025159	1	Pulley, Water Pump	
24	70025177	1	Pipe	
24	70025179	1	Gasket	
25	70005185	1	Manifold	
25	70024912	1	Gasket	
26	70004282	1	Manifold, Exhaust	
26	70025164	1	Gasket, Exhaust Manifold	
27	70005186	1	Pipe	
27	70025179	1	Gasket (Two Hole)	
27	70025180	1	Gasket (Three Hole)	
28	70004283	1	Module, ERG	
28	70005188	1	Valve, Control	
28	70005189	1	O-Ring	
29	70024914	1	Alternator	
29	70025149	1	Regulator	
29	70025131	1	Fan	
29	70025150	1	Pulley	
29	70025191	1	Plate, Retaining	
29	70025201	1	Bracket, Alternator	
30	70024913	1	V-Belt	
31	70024915	1	Starter	
32	70025231	1	Harness, Glow Plug (Not Shown)	
32	70025233	1	Connector (Not Shown)	
33	70025221	1	Connector, Plug-In (Not Shown)	
33	70025781	1	Connector, Plug-In (Not Shown)	
33	70025779	1	Ring, Fastening (Not Shown)	
34	70004284	1	Harness, Engine (Not Shown)	
34	70025165	1	Plate, Retaining (Not Shown)	
34	70025216	1	Adapter (Not Shown)	
34	70025215	1	Bracket, Fixing (Not Shown)	
34	70025228	2	Bracket (Not Shown)	
34	70025226	1	Connector, Plug-In (Not Shown)	

SECTION 3 - ENGINE

ITEM	PART NUMBER	QTY	DESCRIPTION	REV
34	70025220	5	Connector, Plug-In (Not Shown)	
34	70025222	3	Connector, Plug-In (Not Shown)	
34	70025223	1	Connector, Plug-In (Not Shown)	
34	70025219	1	Connector, Plug-In (Not Shown)	
34	70025238	1	Connector, Plug-In (Not Shown)	
34	70025221	2	Connector, Plug-In (Not Shown)	
34	70025217	8	Clamp (Not Shown)	
34	70025213	2	Clip (Not Shown)	
34	70025209	1	Bracket (Not Shown)	
34	70025225	1	Support (Not Shown)	
34	70025218	3	Clamp (Not Shown)	
34	70025237	1	Connector, Plug-In (Not Shown)	
34	70025214	1	Cap (Not Shown)	
34	70025224	2	Clamp (Not Shown)	
34	70025166	1	Support, Harness (Not Shown)	
34	70025211	1	Plate, Retaining (Not Shown)	
34	70025189	1	Plate, Retaining (Not Shown)	
34	70025236	1	Support, Harness (Not Shown)	
35	70024918	1	Sender, Temperature	
36	70024504	1	Sensor, Pressure (Not Shown - Located Left Side Front)	
36	70024920	1	O-Ring (Not Shown)	
37	70024503	1	Sensor, Speed (Not Shown)	
37	70005191	1	O-Ring	
38	70024507	1	Sensor, Pressure	
38	70025120	1	Seal	
39	70024503	1	Sensor, Speed	
39	70024917	1	Seal	
40	70025192	1	Housing	
40	70025113	2	Pin	
41	70000345	4	Plug, Glow (Not Shown)	
42	70005446	1	Outlet, Muffler	
42	70025241	1	Clip	
42	70025242	2	Gasket	
42	70004504	1	Compensator	
42	70024512	1	Clamp	
42	70025877	1	Clamp	
43	70124530	1	Valve, Relief	
43	70025660	1	Plug	
43	70124538	1	Spring	
43	70104570	1	Seal	

SECTION 3 - ENGINE

FIGURE 3-19. DEUTZ TD2.9L4 - 63HP ENGINE INSTALLATION - WITHOUT ARCTIC PACKAGE



ART_1001176014

SECTION 3 - ENGINE

FIGURE 3-19. DEUTZ TD2.9L4 - 63HP ENGINE INSTALLATION - WITHOUT ARCTIC PACKAGE

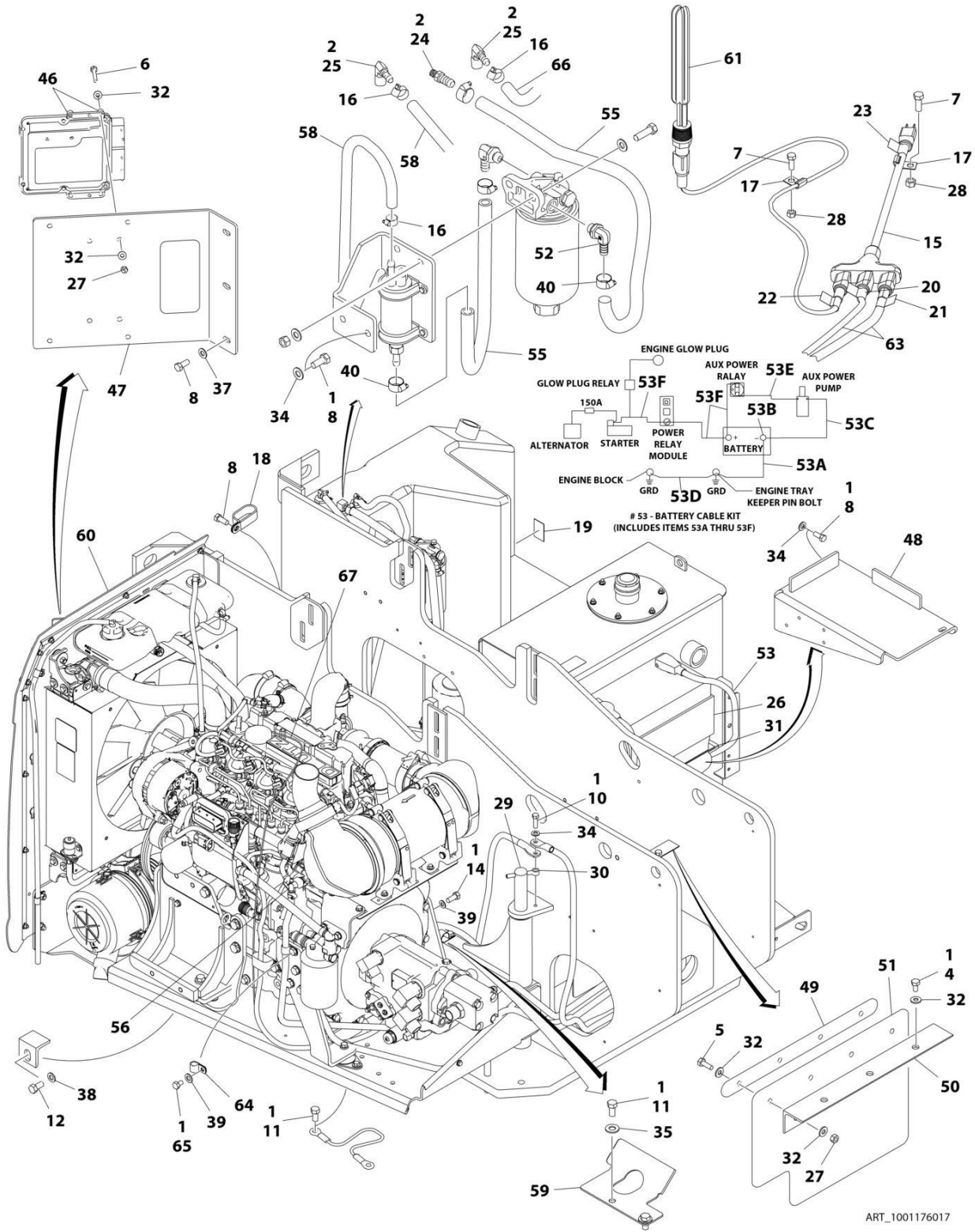
ITEM	PART NUMBER	QTY	DESCRIPTION	REV
	1001176014	Ref	DEUTZ TD2.9L4 ENGINE INSTALLATION	F
1	0100011	AR	Compound, Locking	
2	0100020	AR	Sealant, Pipe	
4	0641404	3	Bolt 1/4 x 1/2	
5	0641406	4	Bolt 1/4 x 3/4	
6	0641412	4	Bolt 1/4 x 1-1/2	
7	0641607	9	Bolt 3/8 x 7/8	
8	0641608	2	Bolt 3/8 x 1 (Not Shown)	
9	0641612	1	Bolt 3/8 x 1-1/2	
10	0641808	3	Bolt 1/2 x 1	
11	0642010	1	Bolt 5/8 x 1-1/4	
13	1320022	5	Clamp	
14	0771212	1	Bolt M12 x 25	
15	1321716	1	P-Clamp	
16	1701505	1	Decal - Diesel	
17	2180832	1	Fitting, Straight Barbed	
18	2220313	2	Fitting, 90 Barbed	
19	3311405	8	Nut 1/4	
20	3422448	1	Pin, Pivot	
21	3841143	1	Pin, Keeper	
22	4711400	19	Washer 1/4	
24	4711600	6	Washer 3/8	
25	4711800	2	Washer 1/2	
27	4751600	3	Washer 3/8	
28	4752000	1	Washer 5/8	
29	4812100	2	Washer M12	
30	8405006	2	Clamp	
32	8406201	4	Clip (Not Shown)	
36	1001110425	4	Spacer	
37	1001137866	1	Plate, Baffle	
38	1001137868	1	Bracket, Battery	
39	1001137880	1	Bracket, Baffle	
40	1001137881	1	Angle	
41	1001137882	1	Support, Rubber	
42	1001138491	1	Harness, Fuel Pump (Pump requiring Push-on Terminals) (Not Shown - See Separate Breakdown in ELECTRICAL Section)	
43	1001142501	1	Fitting, 90 Barbed	
44	1001145047	1	Battery Cable Kit	
44A	7027072	1	Cable, Battery (Black) (Battery - to Tray Pivot Grd)	
44B	8270147	1	Terminal, Battery (With Boot)	
44B	See Note	1	Boot, Black (Note: Not Available for Purchase)	
44C	7027073	1	Cable, Battery (Black) (Battery - to Aux Pump and Relay Grds)	
44C	See Note	1	Boot, Black (Note: Not Available for Purchase)	
44D	7027074	1	Cable, Battery (Black) (Engine to Tray Pivot Grd)	
44E	7027075	1	Cable (Red) (Aux Relay to Aux Pump)	
44E	70003952	2	Boot, Red	
44F	7027076	1	Cable (Red) (Battery + to Aux Relay/Power Module/Starter)	
44F	See Note	1	Boot, Red (Battery) (Note: Not Available for Purchase)	
45	1001154405	3 ft /0.9m	Hose	
46	1001155823	1	Fitting, 90 Quick Disconnect	

SECTION 3 - ENGINE

ITEM	PART NUMBER	QTY	DESCRIPTION	REV
48	1001165035	23.5 ft /7.2m	Hose	
49	1001172793	1	Guide, Hose	
50	1001176013	1	Engine Assembly with Pumps (See Separate Breakdown in this Section)	
51	1320061	1	Clamp	
52	0761008	1	Bolt M10 x 16	
53	2750532	5 ft /1.6m	Hose	

SECTION 3 - ENGINE

FIGURE 3-20. DEUTZ TD2.9L4 - 63HP ENGINE INSTALLATION - WITH ARCTIC PACKAGE



ART_1001176017

SECTION 3 - ENGINE

FIGURE 3-20. DEUTZ TD2.9L4 - 63HP ENGINE INSTALLATION - WITH ARCTIC PACKAGE

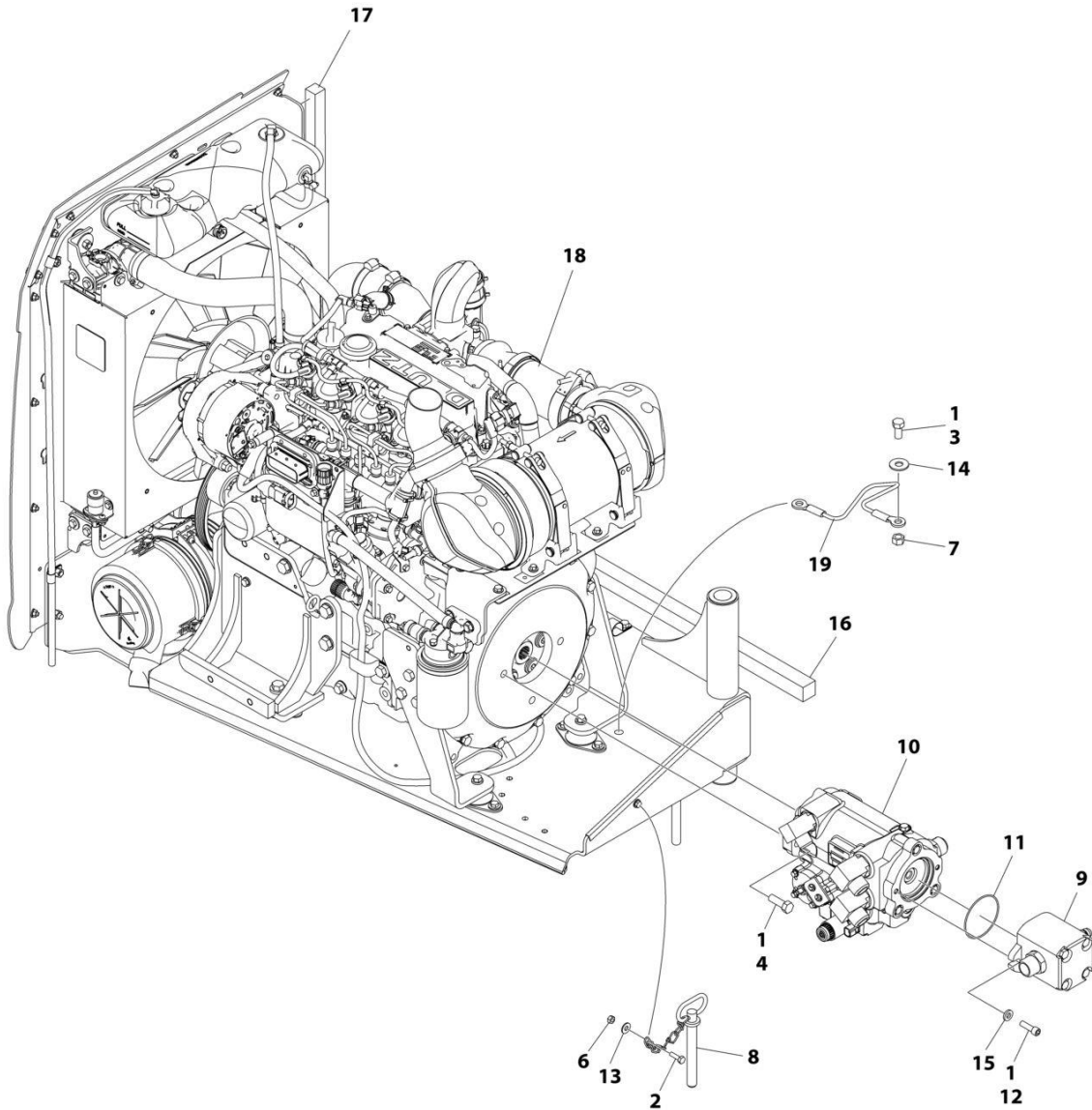
ITEM	PART NUMBER	QTY	DESCRIPTION	REV
	1001176017	Ref	DEUTZ TD2.9L4 ENGINE INSTALLATION	H
1	0100011	AR	Compound, Locking	
2	0100020	AR	Sealant, Pipe	
4	0641404	3	Bolt 1/4 x 1/2	
5	0641406	4	Bolt 1/4 x 3/4	
6	0641412	4	Bolt 1/4 x 1-1/2	
7	0641606	2	Bolt 3/8 x 3/4	
8	0641607	9	Bolt 3/8 x 7/8	
9	0641608	2	Bolt 3/8 x 1 (Not Shown)	
10	0641612	1	Bolt 3/8 x 1-1/2	
11	0641808	3	Bolt 1/2 x 1	
12	0642010	1	Bolt 5/8 x 1-1/4	
14	0771212	1	Bolt M12 x 25	
15	1060626	1	Cord, 3 Way Extension	
16	1320022	5	Clamp	
17	1320223	2	Clamp	
18	1321716	1	P-Clamp	
19	1701505	1	Decal - Diesel	
20	1702941	1	Decal - Battery Heater	
21	1702942	1	Decal - Engine Block Heater	
22	1702943	1	Decal - Hydraulic Tank Heater	
23	1702944	1	Decal - Heater Cord	
24	2180832	1	Fitting, Straight Barbed	
25	2220313	2	Fitting, 90 Barbed	
26	2580024	1	Heater, Battery	
27	3311405	8	Nut 1/4	
28	3311605	2	Nut 3/8	
29	3422448	1	Pin, Pivot	
30	3841143	1	Pin, Keeper	
31	3980007	1	Seat, Battery	
32	4711400	19	Washer 1/4	
34	4711600	8	Washer 3/8	
35	4711800	2	Washer 1/2	
37	4751600	3	Washer 3/8	
38	4752000	1	Washer 5/8	
39	4812100	2	Washer M12	
40	8405006	2	Clamp	
42	8406201	4	Clip (Not Shown)	
46	1001110425	4	Spacer	
47	1001137866	1	Plate, Baffle	
48	1001137868	1	Bracket, Battery	
49	1001137880	1	Bracket, Baffle	
50	1001137881	1	Angle	
51	1001137882	1	Support, Rubber	
52	1001142501	1	Fitting, 90 Barbed	
53	1001145047	1	Battery Cable Kit	
53A	7027072	1	Cable, Battery (Black) (Battery - to Tray Pivot Grd)	
53B	8270147	1	Terminal, Battery (With Boot)	
53B	See Note	1	Boot, Black (Note: Not Available for Purchase)	
53C	7027073	1	Cable, Battery (Black) (Battery - to Aux Pump and Relay Grds)	

SECTION 3 - ENGINE

ITEM	PART NUMBER	QTY	DESCRIPTION	REV
53C	See Note	1	Boot, Black (Note: Not Available for Purchase)	
53D	7027074	1	Cable, Battery (Black) (Engine to Tray Pivot Grd)	
53E	7027075	2	Cable (Red) (Aux Relay to Aux Pump)	
53E	70003952	2	Boot, Red	
53F	7027076	1	Cable (Red) (Battery + to Aux Relay/Power Module/Starter)	
53F	See Note	1	Boot, Red (Battery) (Note: Not Available for Purchase)	
55	1001154405	3 ft /0.9m	Hose	
56	1001155823	1	Fitting, 90 Quick Disconnect	
58	1001165035	23.5 ft /7.2m	Hose	
59	1001172793	1	Guide, Hose	
60	1001176016	1	Engine Assembly with Pumps (See Separate Breakdown in this Section)	
61	1001188972	1	Heater, Hydraulic Tank	
62	1001138491	1	Harness, Fuel Pump (Pump requiring Push-on Terminals) (Not Shown - See Separate Breakdown in ELECTRICAL Section)	
63	1001150918	1	Cable, Immersion Heater	
64	1320061	1	Clamp	
65	0761008	1	Bolt M10 x 16	
66	2750532	5 ft /1.6m	Hose	
67	1001233763	1	Breather Heater Installation (See Separate Breakdown in this Section)	

SECTION 3 - ENGINE

FIGURE 3-21. DEUTZ TD2.9L4 - 63HP ENGINE/PUMP SUB-ASSEMBLY – WITHOUT ARCTIC PACKAGE



ART_1001176013

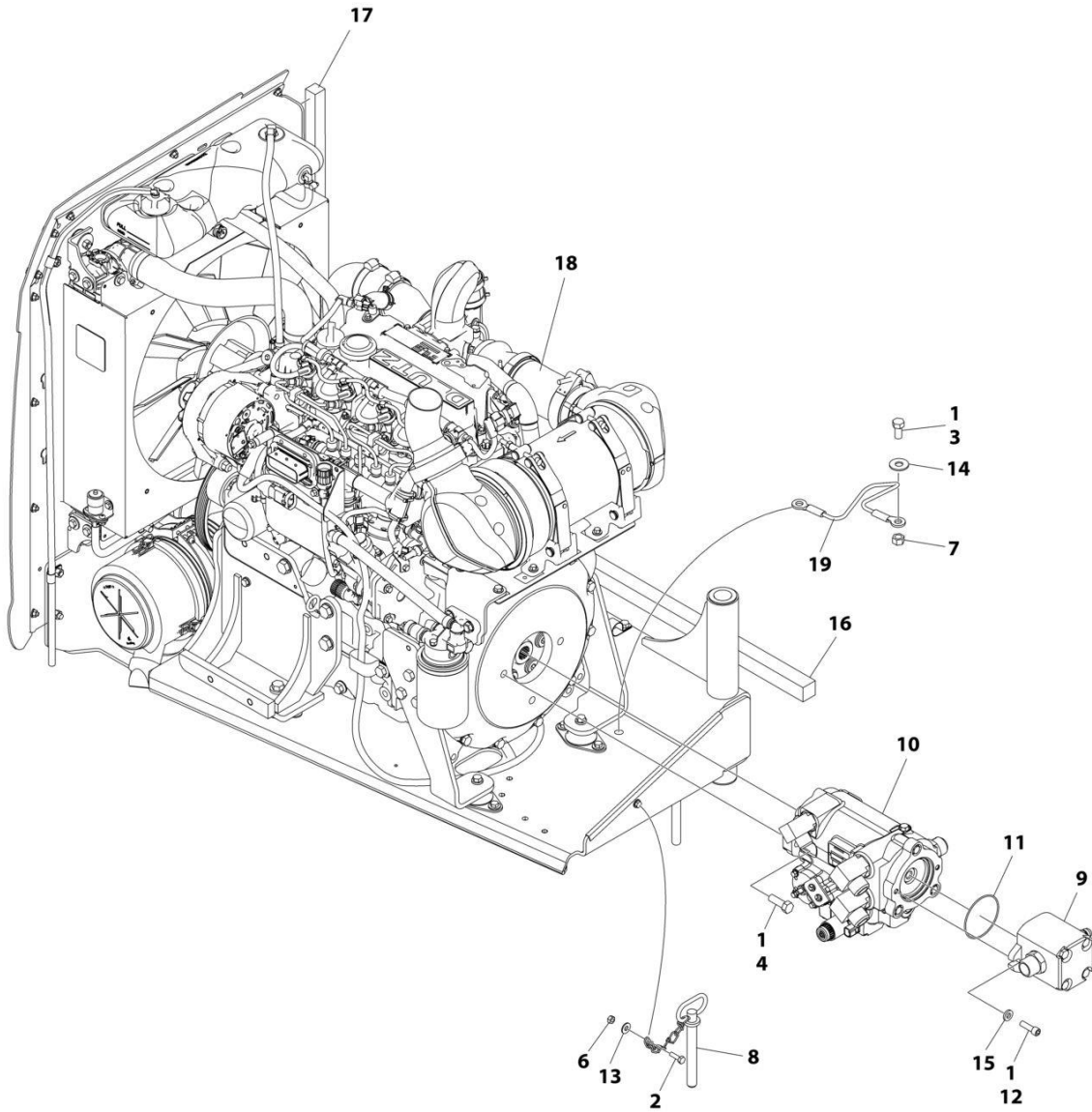
SECTION 3 - ENGINE

FIGURE 3-21. DEUTZ TD2.9L4 - 63HP ENGINE/PUMP SUB-ASSEMBLY – WITHOUT ARCTIC PACKAGE

ITEM	PART NUMBER	QTY	DESCRIPTION	REV
	1001176013	Ref	DEUTZ TD2.9L4 ENGINE/PUMP SUB-ASSEMBLY	F
1	0100011	AR	Compound, Locking	
2	0641406	1	Bolt 1/4 x 3/4	
3	0641808	1	Bolt 1/2 x 1	
4	0641812	2	Bolt 1/2 x 1-1/2	
6	3311405	1	Nut 1/4	
7	3311801	1	Nut 1/2	
8	3422533	1	Pin, Hitch	
9	3600395	1	Gear Pump Assembly with Fittings (See Separate Breakdown in this Section)	
10	1001188952	1	Pump Assembly with Fittings (See Separate Breakdown in this Section)	
11	3790152	1	O-Ring	
12	3931620	2	Bolt 3/8 x 1-1/4	
13	4711400	2	Washer 1/4	
14	4751800	1	Washer 1/2	
15	4891600	2	Washer 3/8 Hardened	
16	1001137873	1	Seal	
17	1001137874	1	Seal	
18	1001176012	1	Engine Assembly (See Separate Breakdown in this Section)	
19	1060637	1	Lanyard	

SECTION 3 - ENGINE

FIGURE 3-22. DEUTZ TD2.9L4 - 63HP ENGINE/PUMP SUB-ASSEMBLY – WITH ARCTIC PACKAGE



ART_1001176016

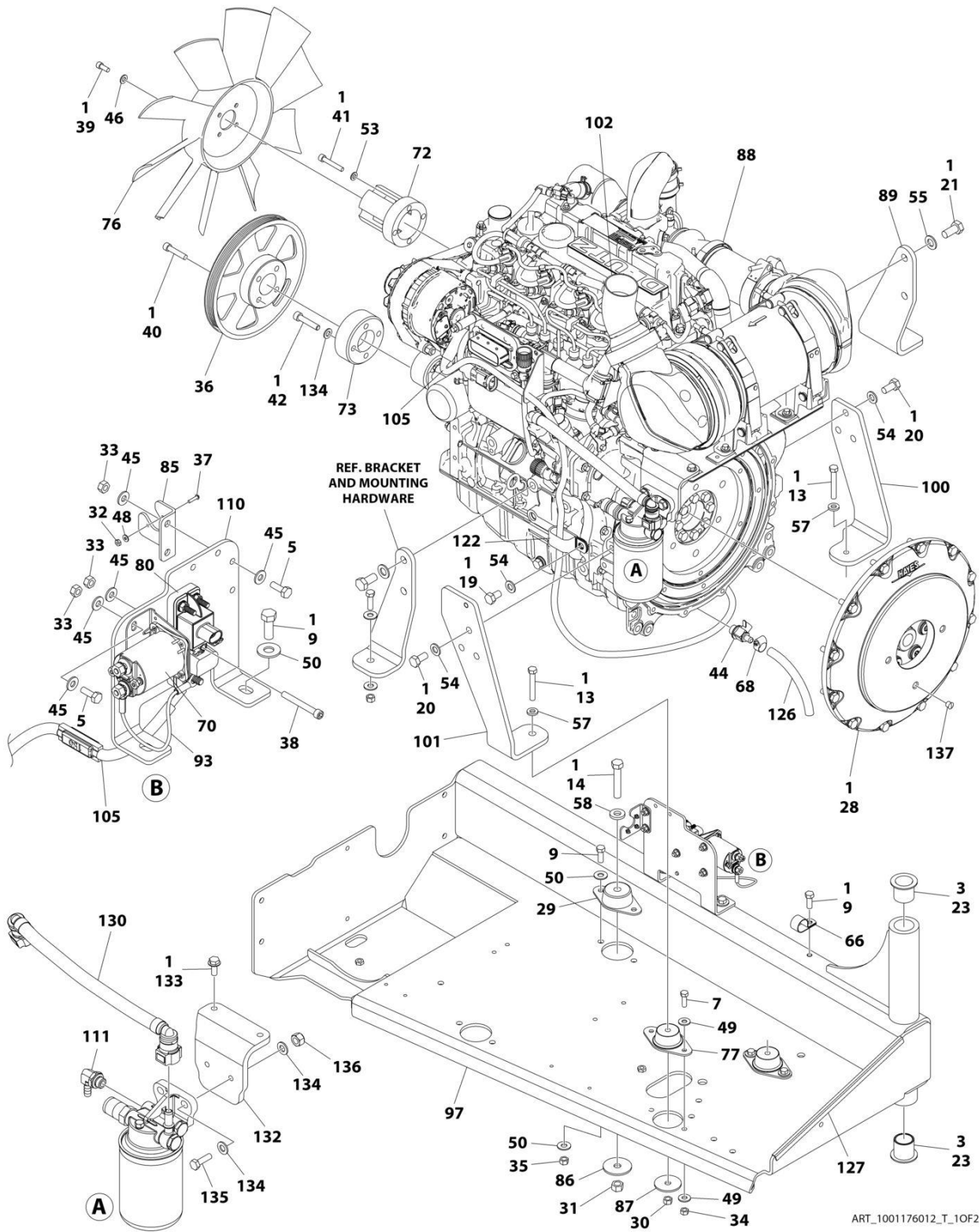
SECTION 3 - ENGINE

FIGURE 3-22. DEUTZ TD2.9L4 - 63HP ENGINE/PUMP SUB-ASSEMBLY – WITH ARCTIC PACKAGE

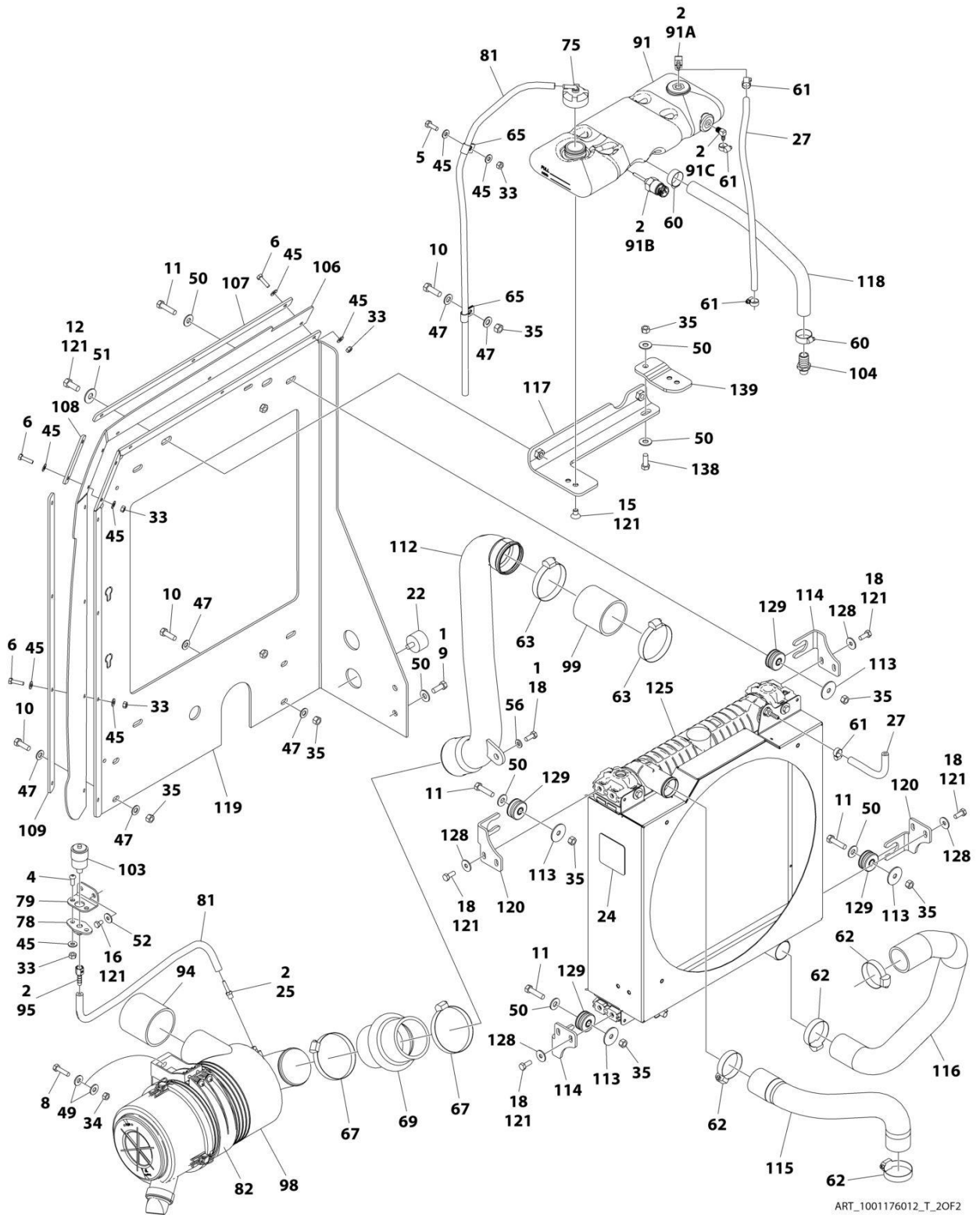
ITEM	PART NUMBER	QTY	DESCRIPTION	REV
	1001176016	Ref	DEUTZ TD2.9L4 ENGINE/PUMP SUB-ASSEMBLY	E
1	0100011	AR	Compound, Locking	
2	0641406	1	Bolt 1/4 x 3/4	
3	0641808	1	Bolt 1/2 x 1	
4	0641812	2	Bolt 1/2 x 1-1/2	
6	3311405	1	Nut 1/4	
7	3311801	1	Nut 1/2	
8	3422533	1	Pin, Hitch	
9	3600395	1	Gear Pump Assembly with Fittings (See Separate Breakdown in this Section)	
10	1001188952	1	Pump Assembly with Fittings (See Separate Breakdown in this Section)	
11	3790152	1	O-Ring	
12	3931620	2	Bolt 3/8 x 1-1/4	
13	4711400	2	Washer 1/4	
14	4751800	1	Washer 1/2	
15	4891600	2	Washer 3/8 Hardened	
16	1001137873	1	Seal	
17	1001137874	1	Seal	
18	1001176015	1	Engine Assembly (See Separate Breakdown in this Section)	
19	1060637	1	Lanyard	

SECTION 3 - ENGINE

FIGURE 3-23. DEUTZ TD2.9L4 - 63HP ENGINE ASSEMBLY – WITHOUT ARCTIC PACKAGE



SECTION 3 - ENGINE



ART_1001176012_T_2OF2

SECTION 3 - ENGINE

FIGURE 3-23. DEUTZ TD2.9L4 - 63HP ENGINE ASSEMBLY – WITHOUT ARCTIC PACKAGE

ITEM	PART NUMBER	QTY	DESCRIPTION	REV
	1001176012	Ref	DEUTZ TD2.9L4 ENGINE ASSEMBLY	T
1	0100011	AR	Compound, Locking	
2	0100020	AR	Sealant	
3	0100062	AR	Adhesive	
4	0630407	2	Screw 1/4 x 5/8	
5	0641406	5	Bolt 1/4 x 3/4	
6	0641408	9	Bolt 1/4 x 1	
7	0641508	4	Bolt 5/16 x 1	
8	0641510	2	Bolt 5/16 x 1-1/4	
9	0641608	7	Bolt 3/8 x 1	
10	0641609	4	Bolt 3/8 x 1-1/8	
11	0641612	4	Bolt 3/8 x 1-1/2	
12	0641708	2	Bolt 7/16 x 1	
13	0681620	2	Bolt 3/8 x 2-1/2 Grade 8	
14	0681822	1	Bolt 1/2 x 2-3/4 Grade 8	
15	0741605	2	Screw, Flathead 3/8 x 5/8	
16	0760605	2	Bolt M6 x 10	
18	0760810	9	Bolt M8 x 20	
19	0761210	1	Bolt M12 x 20	
20	0771212	6	Bolt M12 x 25	
21	0771414	2	Bolt M14 x 30	
22	0940070	1	Bumper	
23	0961986	2	Bushing, Flanged	
24	1703162	1	Decal - Fan Blade	
25	2220315	1	Fitting, Straight Barbed	
27	2720015	26 in /.9m	Hose	
28	2902065	1	Kit, Pump Coupling (See Separate Breakdown in this Section)	
29	3200401	1	Mount, Motor	
30	3271601	2	Nut 3/8 Grade 8	
31	3271801	1	Nut 1/2 Grade 8	
32	3310401	3	Nut #4	
33	3311405	17	Nut 1/4	
34	3311505	6	Nut 5/16	
35	3311605	11	Nut 3/8	
36	3580320	1	Pulley	
37	3910408	3	Screw #4 x 1/2	
38	3931432	1	Capscrew 1/4 x 2	
39	3931512	4	Capscrew 5/16 x 3/4	
40	3931628	4	Capscrew 3/8 x 1-3/4	
41	4031914	4	Capscrew M8 x 50	
42	4032014	4	Capscrew M10 x 50	
43	4240099	AR	Tie-Strap (Not Shown)	
44	4640751	1	Valve, Oil Drain	
45	4711400	31	Washer 1/4	
46	4711500	4	Washer 5/16	
47	4711600	8	Washer 3/8	
48	4750400	3	Washer #4	
49	4751500	12	Washer 5/16	
50	4751600	14	Washer 3/8	
51	4751700	2	Washer 7/16	

SECTION 3 - ENGINE

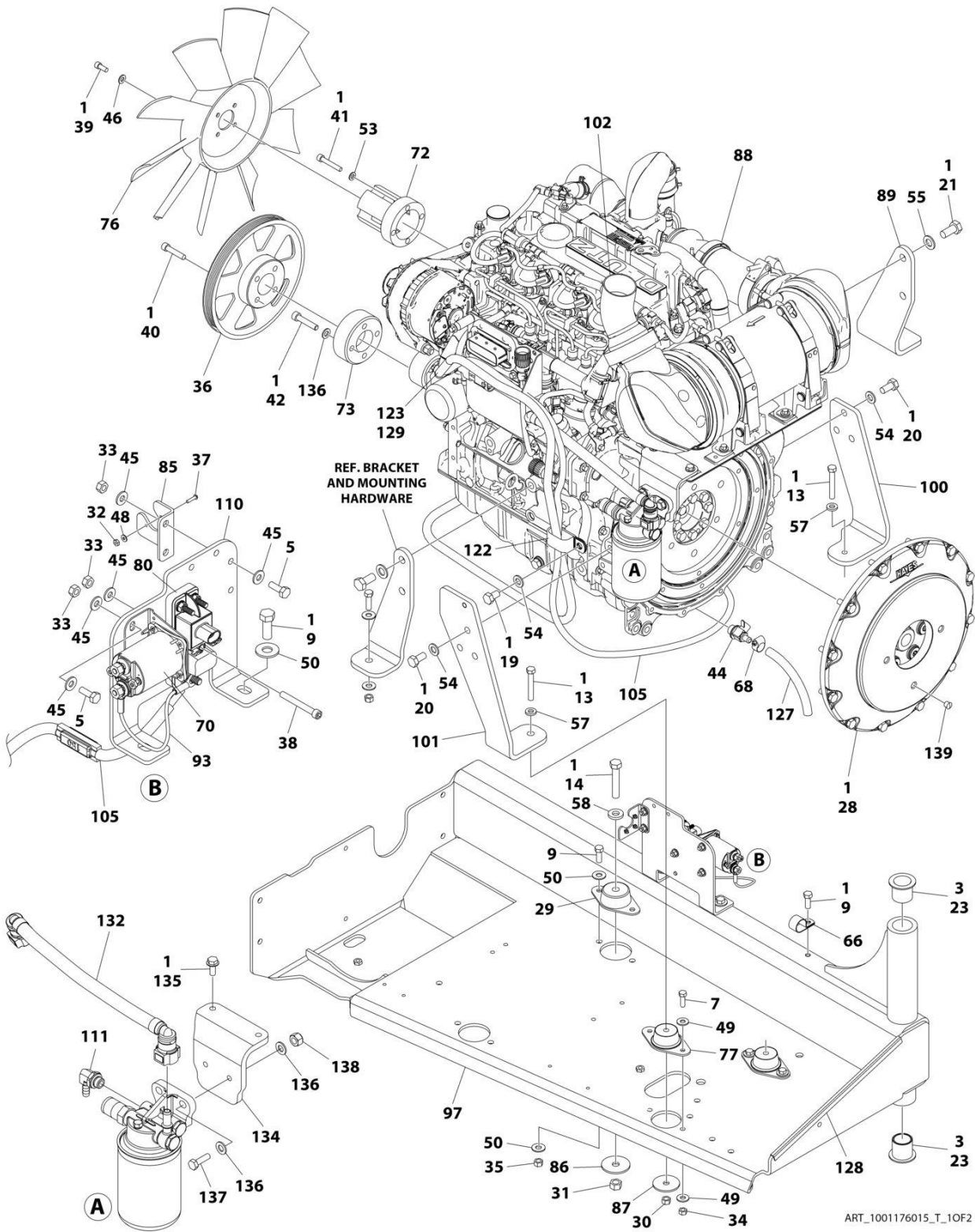
ITEM	PART NUMBER	QTY	DESCRIPTION	REV
52	4811702	2	Washer M6	
53	4811900	4	Washer M8	
54	4812100	7	Washer M12	
55	4812200	2	Washer M14	
56	4891500	1	Washer 5/16 Hardened	
57	4891600	2	Washer 3/8 Hardened	
58	4891800	1	Washer 1/2 Hardened	
60	8405007	2	Clamp	
61	8405009	4	Clamp	
62	8405104	4	Clamp	
63	8405204	2	Clamp	
65	8406110	2	Clip	
66	8406201	1	Clip	
67	8410011	2	Clamp	
68	8410013	1	Clamp	
69	91403244	1	Hose	
70	1001117308	1	Relay	
72	1001135138	1	Adapter	
73	1001135679	1	Adapter	
75	1001136834	1	Cap, Tank	
76	1001137276	1	Fan	
77	1001138170	2	Mount, Motor	
78	1001138173	1	Support	
79	1001138175	1	Bracket	
80	1001138228	1	Relay, Power Module	
80	70023593	1	Fuse 30Amp (Battery Output)	
80	70023592	1	Fuse 20Amp (Switched Output)	
81	1001138248	67 in /1.7m	Tube	
82	1001138557	1	Clamp	
85	1001139240	1	Bracket	
86	1001139409	1	Washer, Special	
87	1001139429	2	Washer, Special	
88	1001249942	1	Deutz TD2.9L4 Engine Components (See Separate Breakdown in this Section)	
89	1001140454	1	Mount, Front Engine	
91	1001230635	1	Tank	
91A	1001134488	1	Fitting, 90 Barbed	
91B	1001138827	1	Sensor, Coolant Level	
91C	1001140564	1	Fitting, 90 Barbed	
93	1001141304	1	Harness, Glow Plug	
94	1001141585	1	Hose, Air Inlet	
95	1001141995	1	Fitting, Straight Barbed	
97	1001142538	1	Support	
98	1001142615	1	Air Cleaner Assembly Filter Element	
98	91403102	1	Element, Filter (Not Shown)	
99	1001142623	1	Hose, Inlet	
100	1001142635	1	Mount, Rear Engine	
101	1001205051	1	Mount, Rear Engine	
102	1001142689	1	Pipe, Exhaust	
103	1001143390	1	Indicator, Service	
104	1001143797	1	Fitting, Straight Barbed	

SECTION 3 - ENGINE

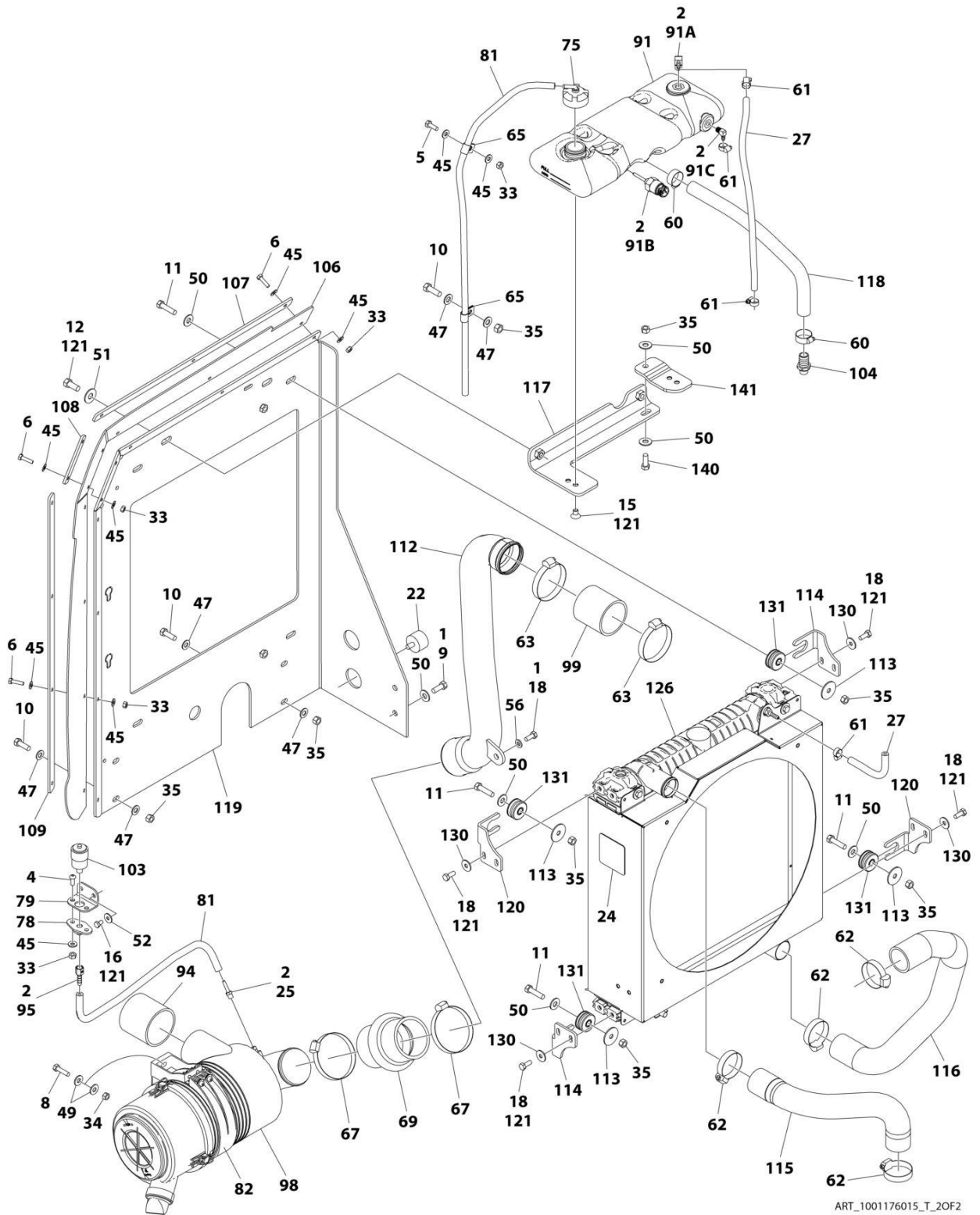
ITEM	PART NUMBER	QTY	DESCRIPTION	REV
105	1001143907	1	Cable, Alternator Power	
106	1001144409	1	Panel, Rubber	
107	1001144410	1	Bracket, Panel Clamp	
108	1001144411	1	Bracket, Panel Clamp	
109	1001144412	1	Bracket, Panel Clamp	
110	1001145154	1	Plate, Relay Mounting	
111	1001152489	1	Fitting, 90 Barbed	
112	1001165842	1	Pipe	
113	1001169138	4	Washer	
114	1001204325	2	Bracket	
115	1001176225	1	Hose, Radiator - Upper	
116	1001176226	1	Hose, Radiator - Lower	
117	1001260413	1	Bracket, Tank	
118	1001176511	1	Hose	
119	1001176723	1	Plate Radiator Mounting	
120	1001178223	2	Bracket	
121	1001180620	AR	Adhesive	
122	1001181899	1	Clamp	
123	1001143726	1	Harness, Engine (Not Shown - See Separate Breakdown in ELECTRICAL Section)	
125	1001167041	1	Radiator and Shroud Assembly	
125	1001203495	1	Radiator	
125	1001204491	1	Shroud	
126	2720340	6 in /15cm	Hose	
127	4060805	14 in / 36cm	Flex-Trim	
128	4811902	8	Washer M8	
129	1001169054	4	Isolator	
130	1001177359	1	Hose	
132	1001178876	1	Mount	
133	5250810	2	Bolt M8 x 20	
134	4812000	8	Washer M10	
135	0761015	2	Bolt M10 x 35	
136	3291005	2	Nut M10	
137	3520054	1	Plug	
138	0681608	1	Bolt 3/8 x 1 Grade 8	
139	1001260412	1	Bracket	
140	1001162335	1	Bracket, Fuel Pump/Filter Assembly (Not Shown - See Separate Breakdown in this Section)	

SECTION 3 - ENGINE

FIGURE 3-24. DEUTZ TD2.9L4 - 63HP ENGINE ASSEMBLY – WITH ARCTIC PACKAGE



SECTION 3 - ENGINE



ART_1001176015_T_2OF2

SECTION 3 - ENGINE

FIGURE 3-24. DEUTZ TD2.9L4 - 63HP ENGINE ASSEMBLY – WITH ARCTIC PACKAGE

ITEM	PART NUMBER	QTY	DESCRIPTION	REV
	1001176015	Ref	DEUTZ TD2.9L4 ENGINE ASSEMBLY	T
1	0100011	AR	Compound, Locking	
2	0100020	AR	Sealant	
3	0100062	AR	Adhesive	
4	0630407	2	Screw 1/4 x 5/8	
5	0641406	5	Bolt 1/4 x 3/4	
6	0641408	9	Bolt 1/4 x 1	
7	0641508	4	Bolt 5/16 x 1	
8	0641510	2	Bolt 5/16 x 1-1/4	
9	0641608	7	Bolt 3/8 x 1	
10	0641609	4	Bolt 3/8 x 1-1/8	
11	0641612	4	Bolt 3/8 x 1-1/2	
12	0641708	2	Bolt 7/16 x 1	
13	0681620	2	Bolt 3/8 x 2-1/2 Grade 8	
14	0681822	1	Bolt 1/2 x 2-3/4 Grade 8	
15	0741605	2	Screw, Flathead 3/8 x 5/8	
16	0760605	2	Bolt M6 x 10	
18	0760810	9	Bolt M8 x 20	
19	0761210	1	Bolt M12 x 20	
20	0771212	6	Bolt M12 x 25	
21	0771414	2	Bolt M14 x 30	
22	0940070	1	Bumper	
23	0961986	2	Bushing, Flanged	
24	1703162	1	Decal - Fan Blade	
25	2220315	1	Fitting, Straight Barbed	
27	2720015	26 in /.9m	Hose	
28	2902065	1	Kit, Pump Coupling (See Separate Breakdown in this Section)	
29	3200401	1	Mount, Motor	
30	3271601	2	Nut 3/8 Grade 8	
31	3271801	1	Nut 1/2 Grade 8	
32	3310401	3	Nut #4	
33	3311405	17	Nut 1/4	
34	3311505	6	Nut 5/16	
35	3311605	11	Nut 3/8	
36	3580320	1	Pulley	
37	3910408	3	Screw #4 x 1/2	
38	3931432	1	Capscrew 1/4 x 2	
39	3931512	4	Capscrew 5/16 x 3/4	
40	3931628	4	Capscrew 3/8 x 1-3/4	
41	4031914	4	Capscrew M8 x 50	
42	4032014	4	Capscrew M10 x 50	
43	4240099	AR	Tie-Strap (Not Shown)	
44	4640751	1	Valve, Oil Drain	
45	4711400	31	Washer 1/4	
46	4711500	4	Washer 5/16	
47	4711600	8	Washer 3/8	
48	4750400	3	Washer #4	
49	4751500	12	Washer 5/16	
50	4751600	14	Washer 3/8	
51	4751700	2	Washer 7/16	

SECTION 3 - ENGINE

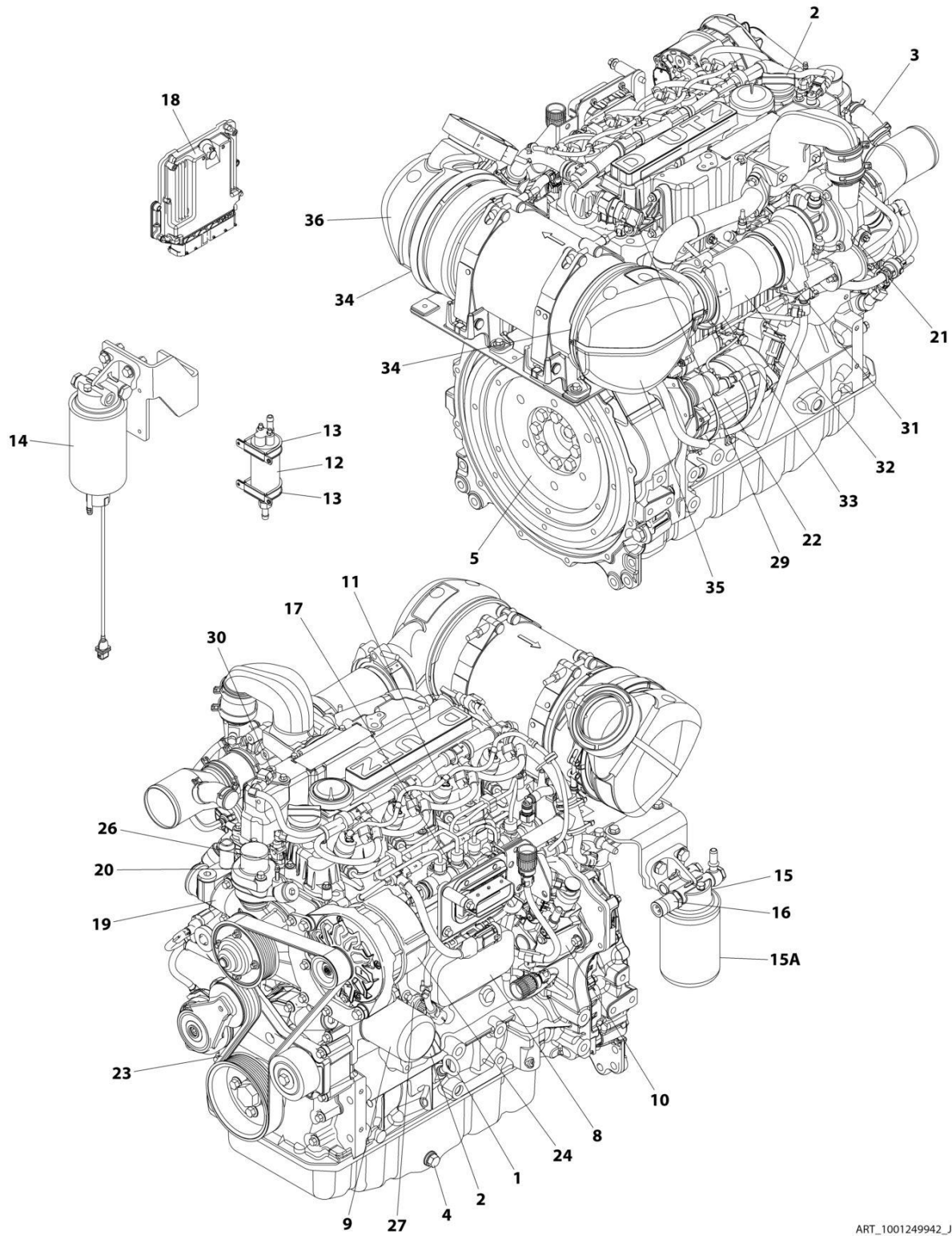
ITEM	PART NUMBER	QTY	DESCRIPTION	REV
52	4811702	2	Washer M6	
53	4811900	4	Washer M8	
54	4812100	7	Washer M12	
55	4812200	2	Washer M14	
56	4891500	1	Washer 5/16 Hardened	
57	4891600	2	Washer 3/8 Hardened	
58	4891800	1	Washer 1/2 Hardened	
60	8405007	2	Clamp	
61	8405009	4	Clamp	
62	8405104	4	Clamp	
63	8405204	2	Clamp	
65	8406110	2	Clip	
66	8406201	1	Clip	
67	8410011	2	Clamp	
68	8410013	1	Clamp	
69	91403244	1	Hose	
70	1001117308	1	Relay	
72	1001135138	1	Adapter	
73	1001135679	1	Adapter	
75	1001136834	1	Cap, Tank	
76	1001137276	1	Fan	
77	1001138170	2	Mount, Motor	
78	1001138173	1	Support	
79	1001138175	1	Bracket	
80	1001138228	1	Relay, Power Module	
80	70023593	1	Fuse 30Amp (Battery Output)	
80	70023592	1	Fuse 20Amp (Switched Output)	
81	1001138248	67 in/1.7m	Tube	
82	1001138557	1	Clamp	
85	1001139240	1	Bracket	
86	1001139409	1	Washer, Special	
87	1001139429	2	Washer, Special	
88	1001249942	1	Deutz TD2.9L4 Engine Components (See Separate Breakdown in this Section)	
89	1001140454	1	Mount, Front Engine	
91	1001230635	1	Tank	
91A	1001134488	1	Fitting, 90 Barbed	
91B	1001138827	1	Sensor, Coolant Level	
91C	1001140564	1	Fitting, 90 Barbed	
93	1001141304	1	Harness, Glow Plug	
94	1001141585	1	Hose, Air Inlet	
95	1001141995	1	Fitting, Straight Barbed	
97	1001142538	1	Support	
98	1001142615	1	Air Cleaner Assembly Filter Element	
98	91403102	1	Element, Filter (Not Shown)	
99	1001142623	1	Hose, Inlet	
100	1001142635	1	Mount, Rear Engine	
101	1001205051	1	Mount, Rear Engine	
102	1001142689	1	Pipe, Exhaust	
103	1001143390	1	Indicator, Service	
104	1001143797	1	Fitting, Straight Barbed	
105	1001143907	1	Cable, Alternator Power	

SECTION 3 - ENGINE

ITEM	PART NUMBER	QTY	DESCRIPTION	REV
106	1001144409	1	Panel, Rubber	
107	1001144410	1	Bracket, Panel Clamp	
108	1001144411	1	Bracket, Panel Clamp	
109	1001144412	1	Bracket, Panel Clamp	
110	1001145154	1	Plate, Relay Mounting	
111	1001152489	1	Fitting, 90 Barbed	
112	1001165842	1	Pipe	
113	1001169138	4	Washer	
114	1001204325	2	Bracket	
115	1001176225	1	Hose, Radiator - Upper	
116	1001176226	1	Hose, Radiator - Lower	
117	1001260413	1	Bracket, Tank	
118	1001176511	1	Hose	
119	1001176723	1	Plate Radiator Mounting	
120	1001178223	2	Bracket	
121	1001180620	AR	Adhesive	
122	1001181899	1	Clamp	
123	1001140312	1	Heater, Engine Block	
124	1001143726	1	Harness, Engine (Not Shown - See Separate Breakdown in ELECTRICAL Section)	
126	1001167041	1	Radiator & Shroud Assembly	
126	1001203495	1	Radiator	
126	1001204491	1	Shroud	
127	2720340	6 in /15cm	Hose	
128	4060805	14 in / 36cm	Flex-Trim	
129	1001181895	AR	Adhesive	
130	4811902	8	Washer M8	
131	1001169054	4	Isolator	
132	1001177359	1	Hose	
134	1001178876	1	Mount	
135	5250810	2	Bolt M8 x 20	
136	4812000	8	Washer M10	
137	0761015	2	Bolt M10 x 35	
138	3291005	2	Nut M10	
139	3520054	1	Plug	
140	0681608	1	Bolt 3/8 x 1 Grade 8	
141	1001260412	1	Bracket	
142	1001162335	1	Bracket, Fuel Pump/Filter Assembly (Not Shown - See Separate Breakdown in this Section)	

SECTION 3 - ENGINE

FIGURE 3-25. DEUTZ TD2.9L4 - 63HP ENGINE COMPONENTS



ART_1001249942_JLG

SECTION 3 - ENGINE

FIGURE 3-25. DEUTZ TD2.9L4 - 63HP ENGINE COMPONENTS

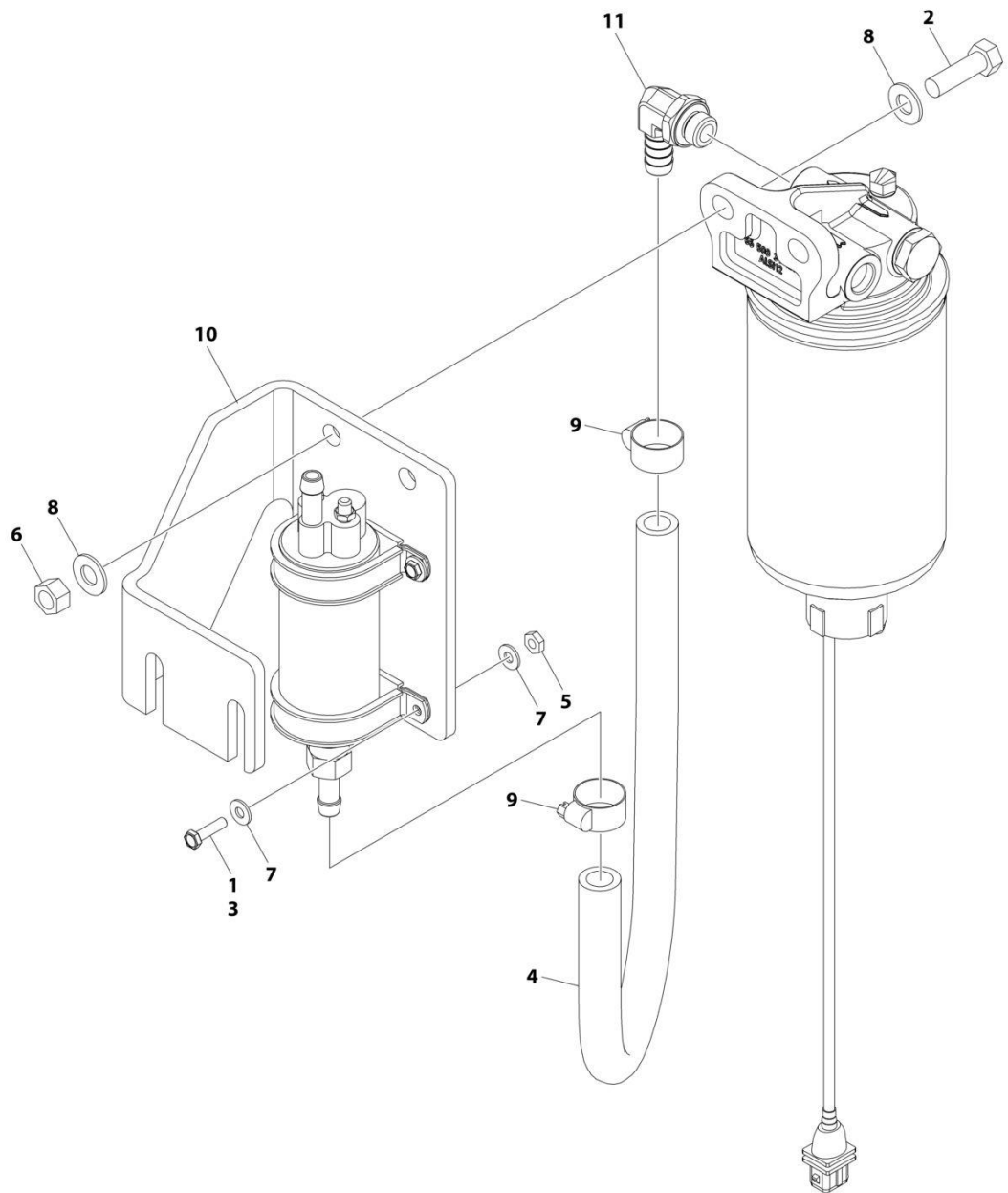
ITEM	PART NUMBER	QTY	DESCRIPTION	REV
	1001249942	Ref	ENGINE COMPONENTS - DEUTZ TD2.9L4	A
1	70024904	1	Dipstick	
1	70024905	1	Seal	
2	7020465	2	Cap, Oil Fill	
3	70025111	2	Clamp	
3	70005920	1	Hose, Breather	
4	70005941	2	Plug	
4	70005942	2	Seal	
5	70001870	1	Flywheel with Ring Gear	
5	7024579	1	Gear, Ring	
6		Ref	Gasket and Seal Options (Not Shown)	
6	70004279	1	Gasket Kit	
6	70024906	1	Gasket, Head	
6	70025205	1	Gasket, Small Valve Cover	
6	70005171	1	Gasket, Large Valve Cover	
6	70005176	1	O-Seal, Valve Cover to Air Charge Elbow	
6	70005177	1	Gasket, Air Charge Pipe to Head	
6	70031095	3	Gasket, Air Charge Pipe & EGR Pipe	
6	70025164	1	Gasket, Exhaust Manifold to Head	
6	70007354	1	Gasket, EGR Pipe to EGR Valve	
6	70007326	1	Gasket, EGR Valve to Housing	
7	70005172	1	Pump, Oil Lube (Not Shown - Located Front Left Side)	
7	70025135	1	O-Ring	
7	70005173	1	Gasket	
8	70024494	1	Cooler, Oil	
8	70024925	1	Gasket	
9	7016331	1	Filter, Oil	
10	70024924	1	Pump, High Pressure (Not Shown - Located Front Left Side)	
10	70025152	1	O-Ring (Between Pump and Spacer)	
10	70024517	1	O-Ring (Between Spacer and Engine Block)	
10	70004505	1	Valve, Overflow	
10	70004506	1	O-Ring	
10	70004507	1	O-Ring	
10	70004508	1	Valve, Volume Control	
10	70004509	1	O-Ring	
10	70004510	1	O-Ring	
11	70025181	4	Injector Fuel	
11	70025140	4	Washer, Sealing	
11	70025146	4	Clamp (Top of Injector)	
11	70025145	4	O-Seal	
11	70025154	4	Shoe, Clamping	
11	70000345	4	Plug, Glow	
11	70025231	1	Harness, Glow Plug (Not Shown)	
12	70006144	1	Pump, Fuel	
13	70025144	2	Clamp	
14	70024961	1	Filter, Fuel	
14	70025153	1	Element, Filter	
14	70024513	1	Cable, Sensor	
14	70025239	1	Seal	
15	70029451	1	Filter With Head	

SECTION 3 - ENGINE

ITEM	PART NUMBER	QTY	DESCRIPTION	REV
15A	70025161	1	Filter, Fuel	
16	70028538	1	Sensor, Pressure	
16	70024920	1	Seal	
17	70025151	1	Rail, Fuel	
17	70025235	1	Repair Kit	
17	70025182	1	Line, Fuel (Cylinders 1 & 2)	
17	70025183	1	Line, Fuel (Cylinders 3 & 4)	
17	70025184	1	Line, Fuel (To Rail)	
18	70025210	1	ECU (Engine Control Unit)	
19	70029797	1	Pump, Water	
19	70025200	1	Seal	
19	70007325	1	Gasket	
20	70005929	1	Thermostat	
20	70005184	1	O-Seal	
20	70025142	1	Cover, Thermostat	
20	70005931	1	Gasket	
21	70004276	1	Turbocharger	
21	70024912	1	Gasket, Square	
21	70024509	1	Gasket, Return Line	
21	70006294	1	O-Seal	
22	70024915	1	Starter	
22	70005648	1	Relay	
22	70005647	1	Solenoid	
23	70004277	1	Belt Drive	
24	70006652	1	Alternator	
24	70006653	1	Regulator, Voltage	
25	70007489	1	Harness, Engine (Not Shown)	
26	70028540	1	Sender, Temperature	
27	70028538	1	Sensor, Pressure	
27	70024920	1	Seal	
28	70026210	2	Sensor, Speed (Not Shown - Located Left Side Front and Flywheel Housing)	
28	70024917	1	Seal (Cam Shaft Speed Sensor)	
28	70005191	1	Seal (Flywheel Shaft Speed Sensor)	
29	70024507	1	Sensor, Pressure	
29	70025120	1	Seal	
30	70024922	1	Sender, Temperature	
30	70025212	1	O-Seal	
31	70005527	1	Clamp	
31	70025788	1	Nut	
32	70004504	1	Compensator	
33	70025242	1	Gasket	
33	70029433	1	Clamp	
34	70029517	2	Clamp	
34	70029520	2	Gasket	
35	70007355	1	Inlet	
36	70007331	1	Outlet	

SECTION 3 - ENGINE

FIGURE 3-26. BRACKET ASSEMBLY - FUEL PUMP AND FILTER (DEUTZ D2.9L4 ENGINE)



ART_1001162335

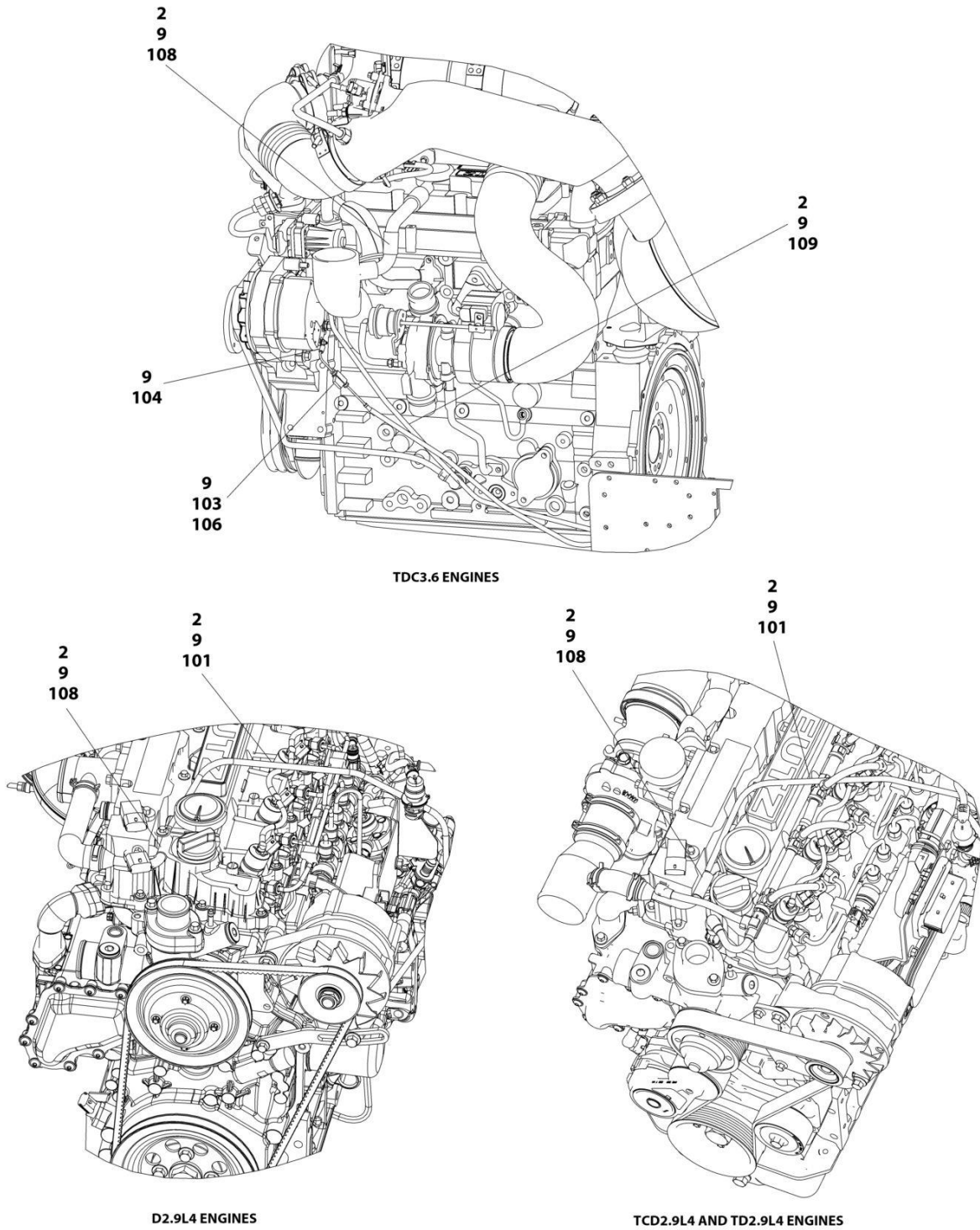
SECTION 3 - ENGINE

FIGURE 3-26. BRACKET ASSEMBLY - FUEL PUMP AND FILTER (DEUTZ D2.9L4 ENGINE)

ITEM	PART NUMBER	QTY	DESCRIPTION	REV
	1001162335	Ref	BRACKET ASSEMBLY - FUEL PUMP AND FILTER (DEUTZ D2.9L4 ENGINE)	E
1	0100011	AR	Compound, Locking	
2	0641610	2	Bolt 3/8 x 1-1/4	
3	0721006	4	Bolt #10 x 3/4	
4	1001154405	AR	Hose	
5	3311001	4	Nut #10	
6	3311605	2	Nut 3/8	
7	4711000	8	Washer #10	
8	4711600	4	Washer 3/8	
9	8405006	2	Clamp	
10	1001141870	1	Plate, Fuel Pump Mount	
11	1001142501	1	Fitting, Elbow Barbed	

SECTION 3 - ENGINE

FIGURE 3-27. BREATHER HEATER INSTALLATION - DEUTZ D2.9L4 ENGINES WITH ARCTIC PACKAGE



ART_1001233763

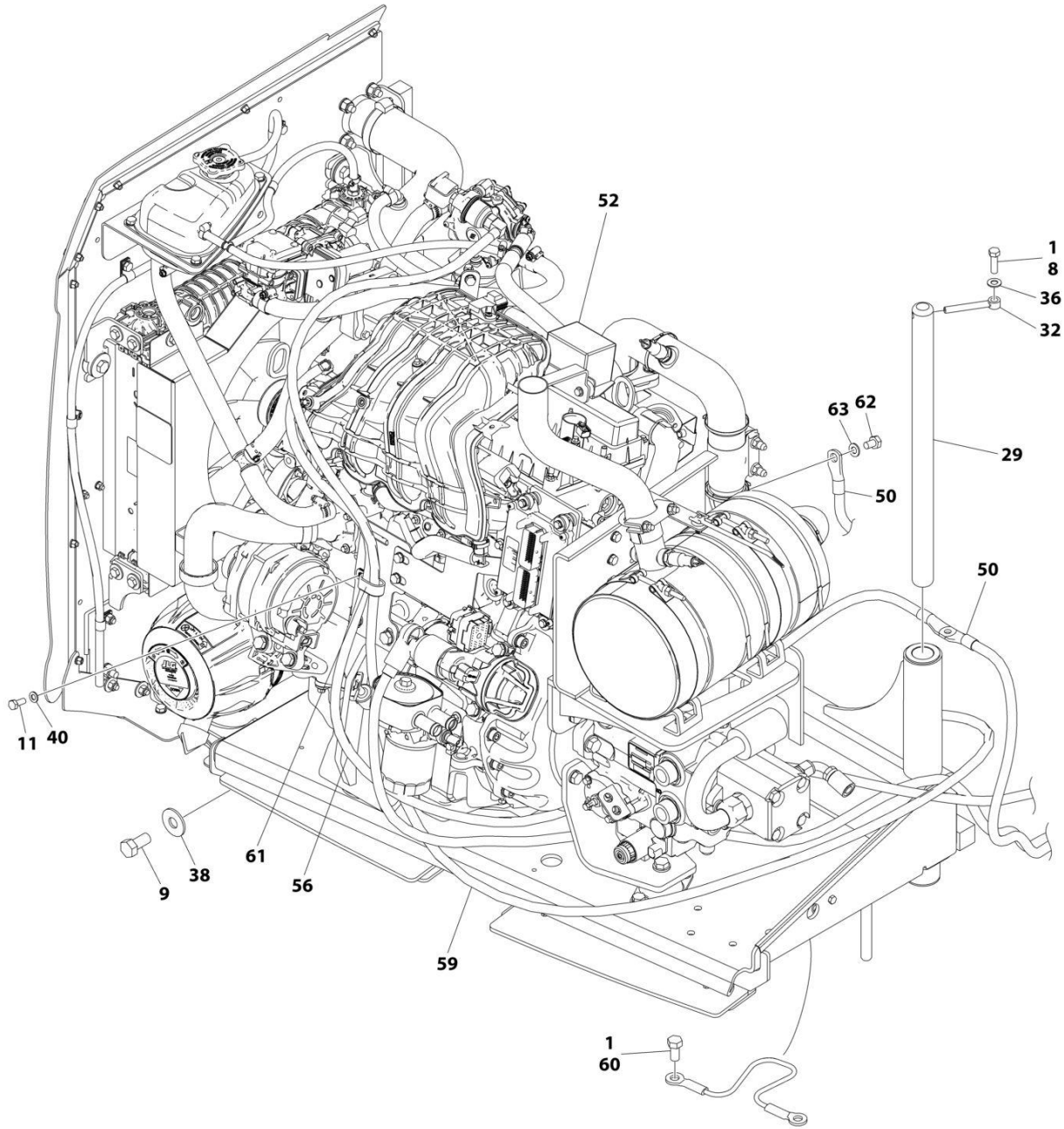
SECTION 3 - ENGINE

FIGURE 3-27. BREATHER HEATER INSTALLATION - DEUTZ D2.9L4 ENGINES WITH ARCTIC PACKAGE

ITEM	PART NUMBER	QTY	DESCRIPTION	REV
	1001233763	Ref	BREATHER HEATER INSTALLATION - DEUTZ ENGINES	D
2	4240099	AR	Tie-Strap	
9	1001243895	1	Breather Heater Harness	C
101	2820035	AR	Insulation	
103	2400060	1	Fuseholder with Cover	
104	4460043	1	Terminal, Ring	
105	4460722	1	Terminal, Ring (Not Shown)	
106	1001196634	1	Fuse - 2 Amp	
108	1001232842	1	Breather Heater Kit	

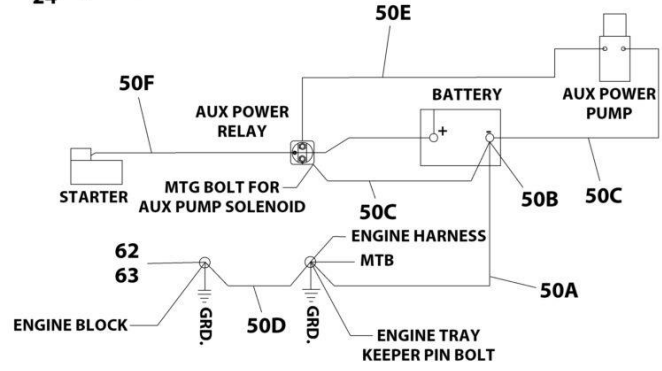
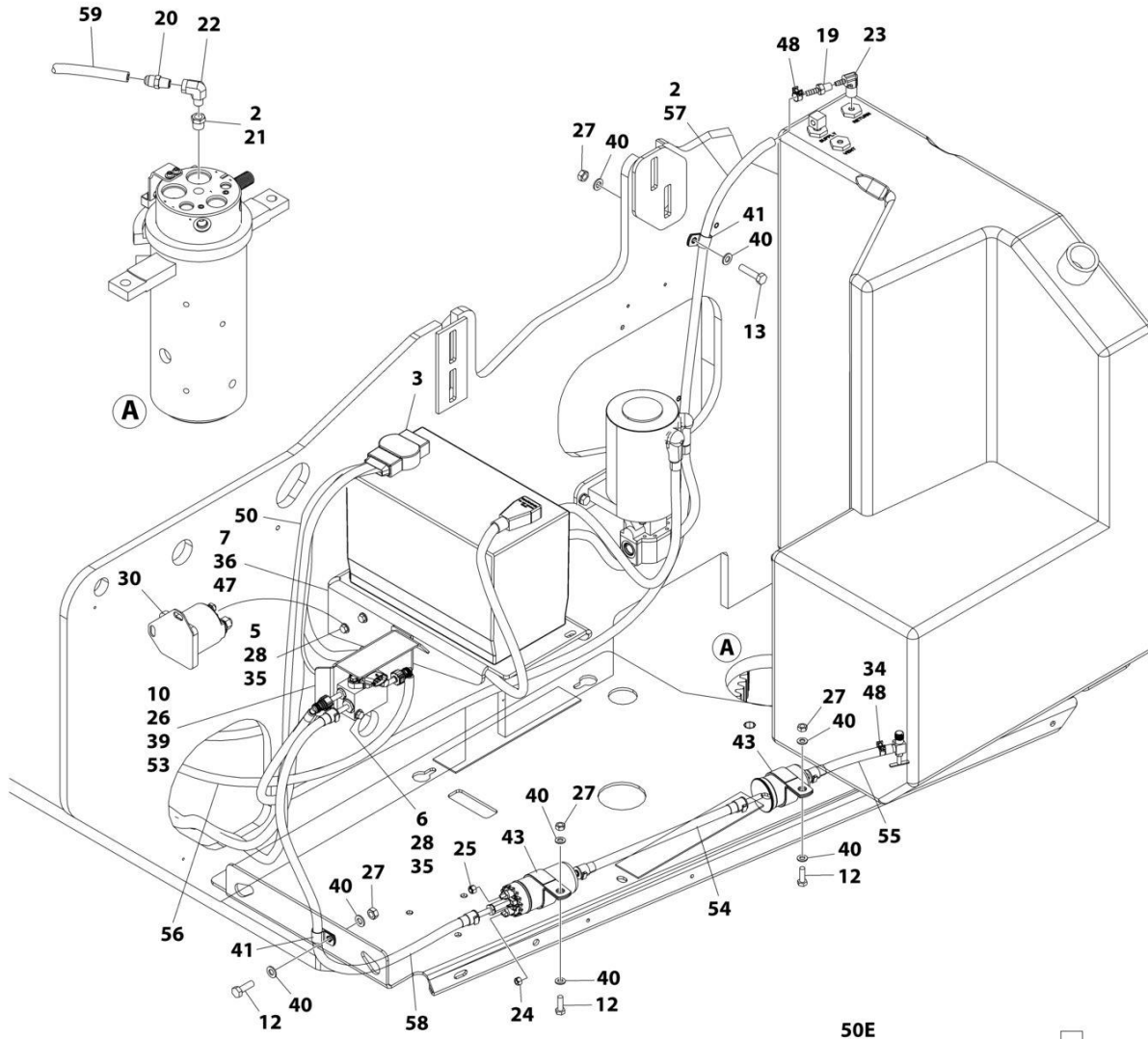
SECTION 3 - ENGINE

FIGURE 3-28. FORD ENGINE INSTALLATION - WITHOUT ARCTIC PACKAGE



ART_1001216912_H_10F2

SECTION 3 - ENGINE



BATTERY CABLE KIT - ITEM 50

ART_1001216912_H_20F2

SECTION 3 - ENGINE

FIGURE 3-28. FORD ENGINE INSTALLATION - WITHOUT ARCTIC PACKAGE

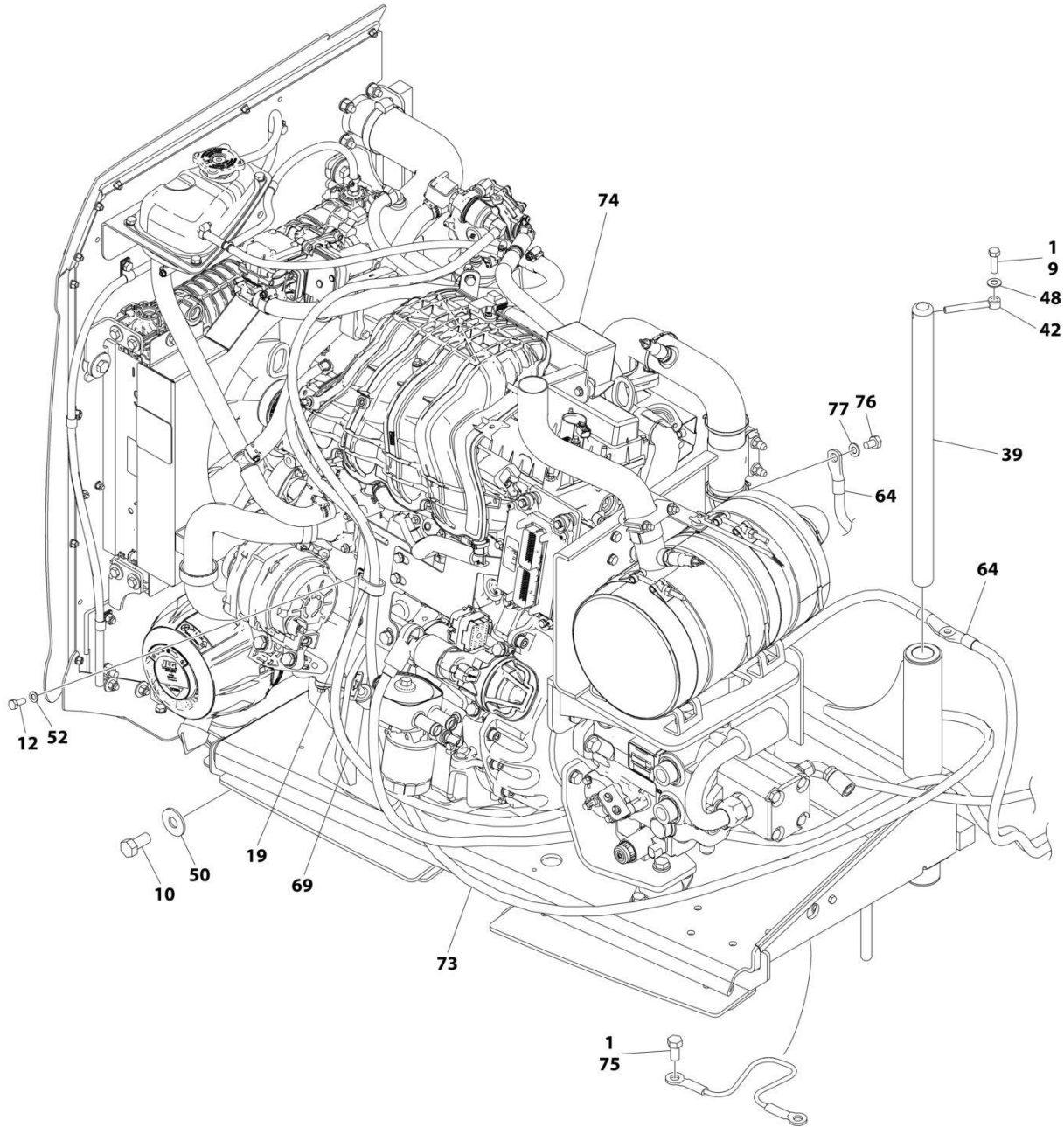
ITEM	PART NUMBER	QTY	DESCRIPTION	REV
	1001216912	Ref	FORD ENGINE INSTALLATION	H
1	0100011	AR	Compound, Locking	
2	0100020	AR	Sealant	
3	0100048	AR	Grease, Terminal	
5	0641406	2	Bolt 1/4 x 3/4	
6	0641416	2	Bolt 1/4 x 2	
7	0641607	3	Bolt 3/8 x 7/8	
8	0641612	1	Bolt 3/8 x 1-1/2	
9	0642010	1	Bolt 5/8 x 1-1/4	
10	0760612	2	Bolt M6 x 25	
11	0760810	1	Bolt M8 x 20	
12	0760812	3	Bolt M8 x 25	
13	0760815	1	Bolt M8 x 35	
17	1701542	1	Decal - Gas (Not Shown)	
18	1701543	2	Decal - LPG (Not Shown)	
19	2180348	1	Fitting, Straight NPT/Barbed	
20	2180418	1	Fitting, Straight	
21	2221197	1	Fitting, Straight NPT	
22	1001247359	1	Fitting, Straight	
23	2221176	1	Fitting, 90	
24	3290405	1	Nut M4	
25	3290505	1	Nut M5	
26	3290605	2	Nut M6	
27	3290801	4	Nut M8	
28	3311405	4	Nut 1/4	
29	3422448	1	Pin	
30	3740067	1	Relay	
31	3790012	1	O-Ring (Not Shown - Located on Platform Console Box)	
32	3841143	1	Keeper, Pin	
33	4360336	1	Switch, Toggle (Not Shown - Located on Platform Console Box)	
34	1001221488	1	Tube, Fuel Line	
35	4711400	6	Washer 1/4	
36	4711600	4	Washer 3/8	
38	4752000	1	Washer 5/8	
39	4811702	4	Washer M6	
40	4811900	9	Washer M8	
41	8406101	2	Clip	
43	85941018	2	Clamp	
47	1001137868	1	Bracket, Battery	
48	1001174486	2	Clamp	
50	1001215142	1	Battery Cable Kit	C
50A	7027073	1	Cable, Battery - Ground to Battery -	
50B	8270147	1	Terminal, Battery with Boot	
50C	7027072	1	Cable, Battery - Auxiliary Pump/Relay to Battery -	
50D	70009018	1	Cable, Battery - Engine to Ground	
50E	7027075	1	Cable, Battery - Auxiliary Relay to Auxiliary Pump	
50F	70009019	1	Cable, Battery - Starter/Auxiliary Relay to Battery +	
52	1001216911	1	Engine Assembly with Pumps (See Separate Breakdown in this Section)	
53	1001217645	1	Bracket	

SECTION 3 - ENGINE

ITEM	PART NUMBER	QTY	DESCRIPTION	REV
54	1001217418	1	Hose	
55	1001217419	1	Hose	
56	1001217420	1	Hose	
57	1001217421	1	Hose	
58	1001217422	1	Hose	
59	1001218638	1	Hose	
60	0641808	1	Bolt 1/2 x 1	
61	1321283	1	Clamp	
62	0761008	1	Bolt M10 x 16	
63	4812000	1	Washer M10	

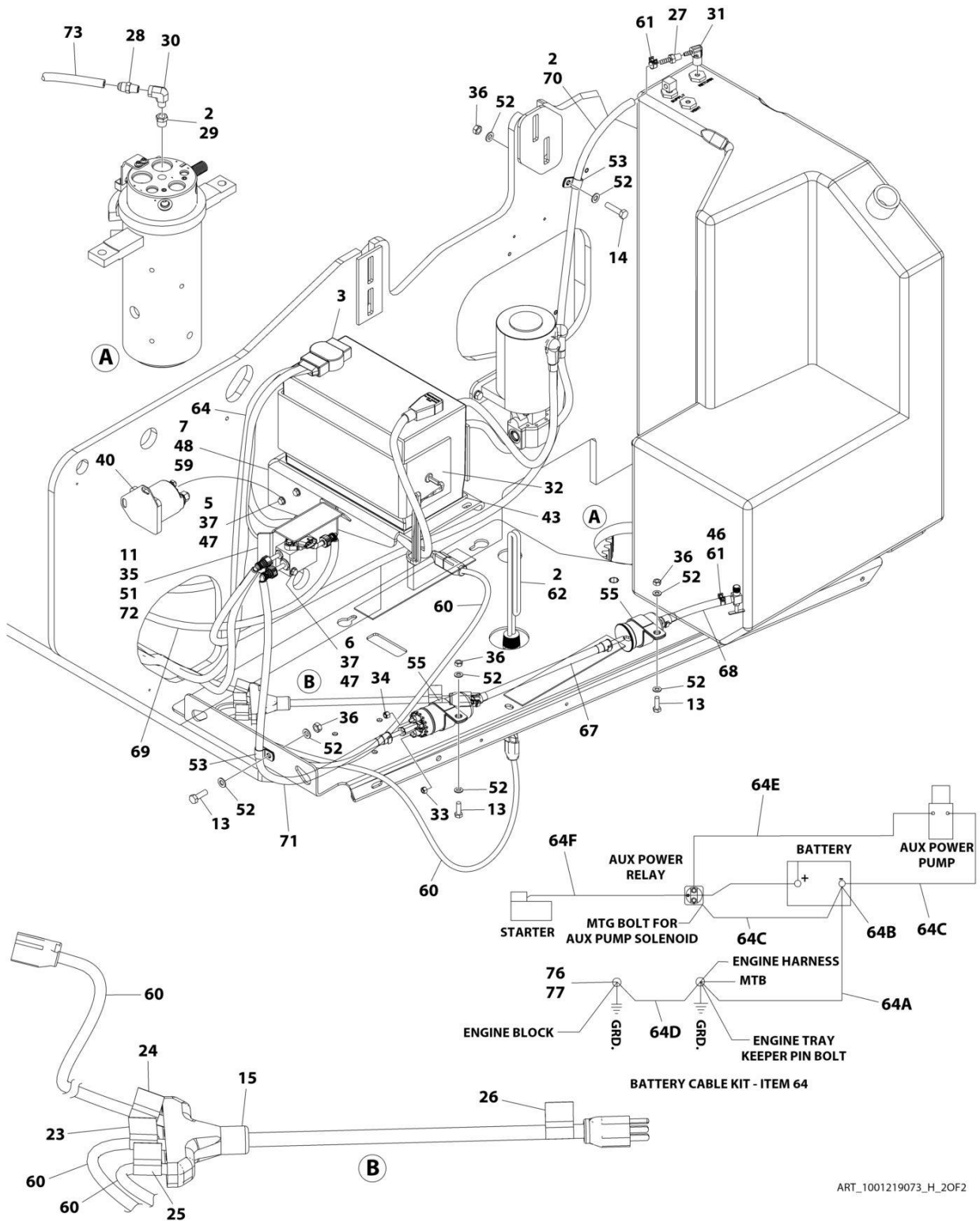
SECTION 3 - ENGINE

FIGURE 3-29. FORD ENGINE INSTALLATION - WITH ARCTIC PACKAGE



ART_1001219073_H_10F2

SECTION 3 - ENGINE



ART_1001219073_H_2OF2

SECTION 3 - ENGINE

FIGURE 3-29. FORD ENGINE INSTALLATION - WITH ARCTIC PACKAGE

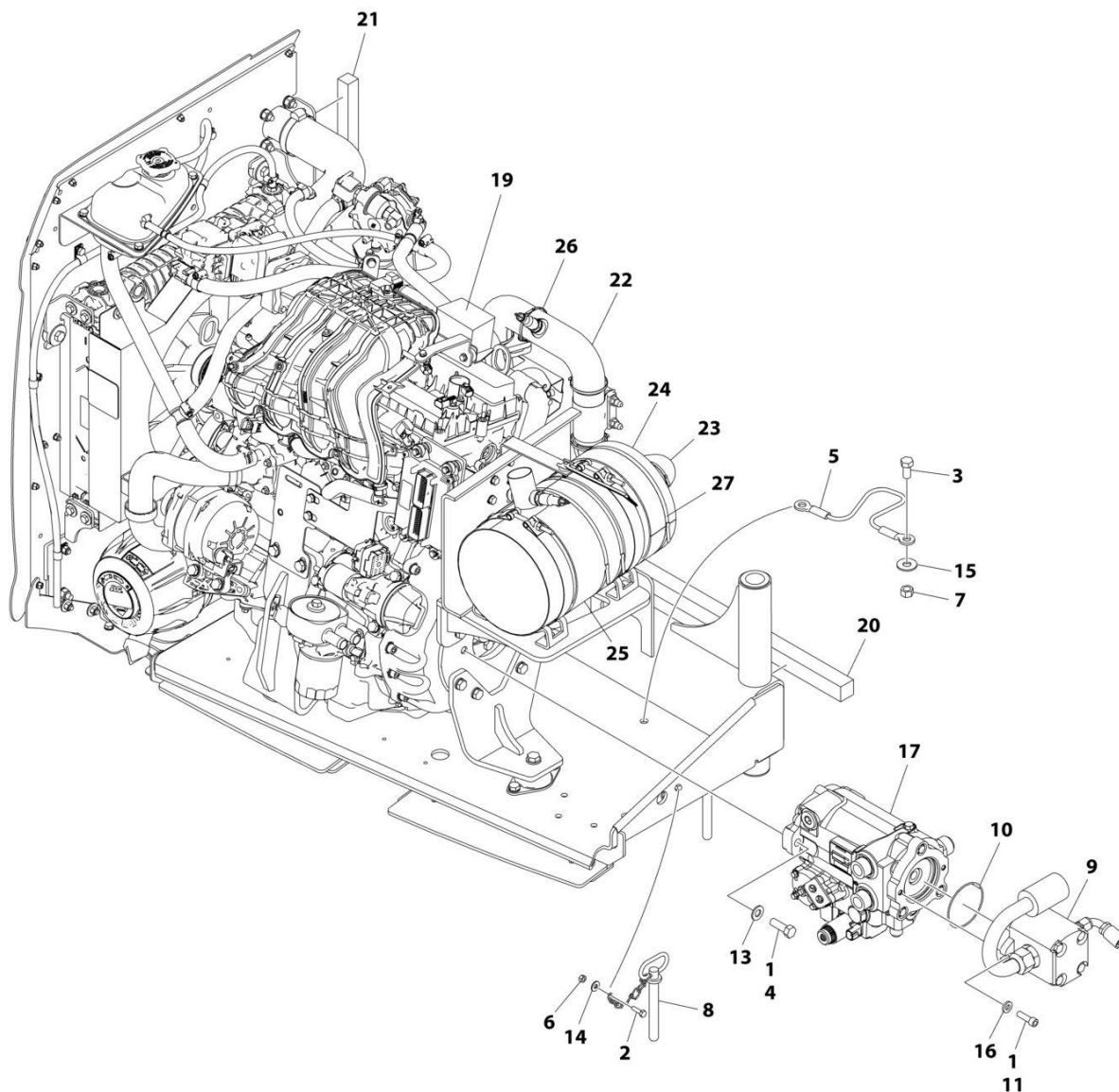
ITEM	PART NUMBER	QTY	DESCRIPTION	REV
	1001219073	Ref	FORD ENGINE INSTALLATION	H
1	0100011	AR	Compound, Locking	
2	0100020	AR	Sealant	
3	0100048	AR	Grease, Terminal	
5	0641406	2	Bolt 1/4 x 3/4	
6	0641416	2	Bolt 1/4 x 2	
7	0641607	3	Bolt 3/8 x 7/8	
9	0641612	1	Bolt 3/8 x 1-1/2	
10	0642010	1	Bolt 5/8 x 1-1/4	
11	0760612	2	Bolt M6 x 25	
12	0760810	1	Bolt M8 x 20	
13	0760812	3	Bolt M8 x 25	
14	0760815	1	Bolt M8 x 35	
15	1060626	1	Plug, 3 Way	
19	1321283	1	Clamp	
21	1701542	1	Decal - Gas (Not Shown)	
22	1701543	2	Decal - LPG (Not Shown)	
23	1702941	1	Decal - Battery Heater	
24	1702942	1	Decal - Engine Block Heater	
25	1702943	1	Decal - Hydraulic Tank Heater	
26	1702944	1	Decal - Heater Cord	
27	2180348	1	Fitting, Straight NPT/Barbed	
28	2180418	1	Fitting, Straight	
29	2221197	1	Fitting, Straight NPT	
30	1001247359	1	Fitting, Straight	
31	2221176	1	Fitting, 90	
32	2580024	1	Heater, Battery	
33	3290405	1	Nut M4	
34	3290505	1	Nut M5	
35	3290605	2	Nut M6	
36	3290801	4	Nut M8	
37	3311405	4	Nut 1/4	
39	3422448	1	Pin	
40	3740067	1	Relay	
41	3790012	1	O-Ring (Not Shown - Located on Platform Console Box)	
42	3841143	1	Keeper, Pin	
43	3980007	1	Seal, Battery	
44	4240099	AR	Tie-Strap (Not Shown)	
45	4360336	1	Switch, Toggle (Not Shown - Located on Platform Console Box)	
46	1001221488	1	Tube, Fuel Line	
47	4711400	6	Washer 1/4	
48	4711600	4	Washer 3/8	
50	4752000	1	Washer 5/8	
51	4811702	4	Washer M6	
52	4811900	9	Washer M8	
53	8406101	2	Clip	
55	85941018	2	Clamp	
59	1001137868	1	Bracket, Battery	
60	1001150918	1	Cable, Immersion Heater	
61	1001174486	2	Clamp	

SECTION 3 - ENGINE

ITEM	PART NUMBER	QTY	DESCRIPTION	REV
62	1001188972	1	Heater, Hydraulic Tank	C
64	1001215142	1	Battery Cable Kit	
64A	7027073	1	Cable, Battery - Ground to Battery -	
64B	8270147	1	Terminal, Battery with Boot	
64C	7027072	1	Cable, Battery - Auxiliary Pump/Relay to Battery -	
64D	70009018	1	Cable, Battery - Engine to Ground	
64E	7027075	1	Cable, Battery - Auxiliary Relay to Auxiliary Pump	
64F	70009019	1	Cable, Battery - Starter/Auxiliary Relay to Battery +	
67	1001217418	1	Hose	
68	1001217419	1	Hose	
69	1001217420	1	Hose	
70	1001217421	1	Hose	
71	1001217422	1	Hose	
72	1001217645	1	Bracket	
73	1001218638	1	Hose	
74	1001219072	1	Engine Assembly with Pumps (See Separate Breakdown in this Section)	
75	0641808	1	Bolt 1/2 x 1	
76	0761008	1	Bolt M10 x 16	
77	4812000	1	Washer M10	

SECTION 3 - ENGINE

FIGURE 3-30. FORD ENGINE/PUMP SUB-ASSEMBLY - WITHOUT ARCTIC PACKAGE



ART_1001216911

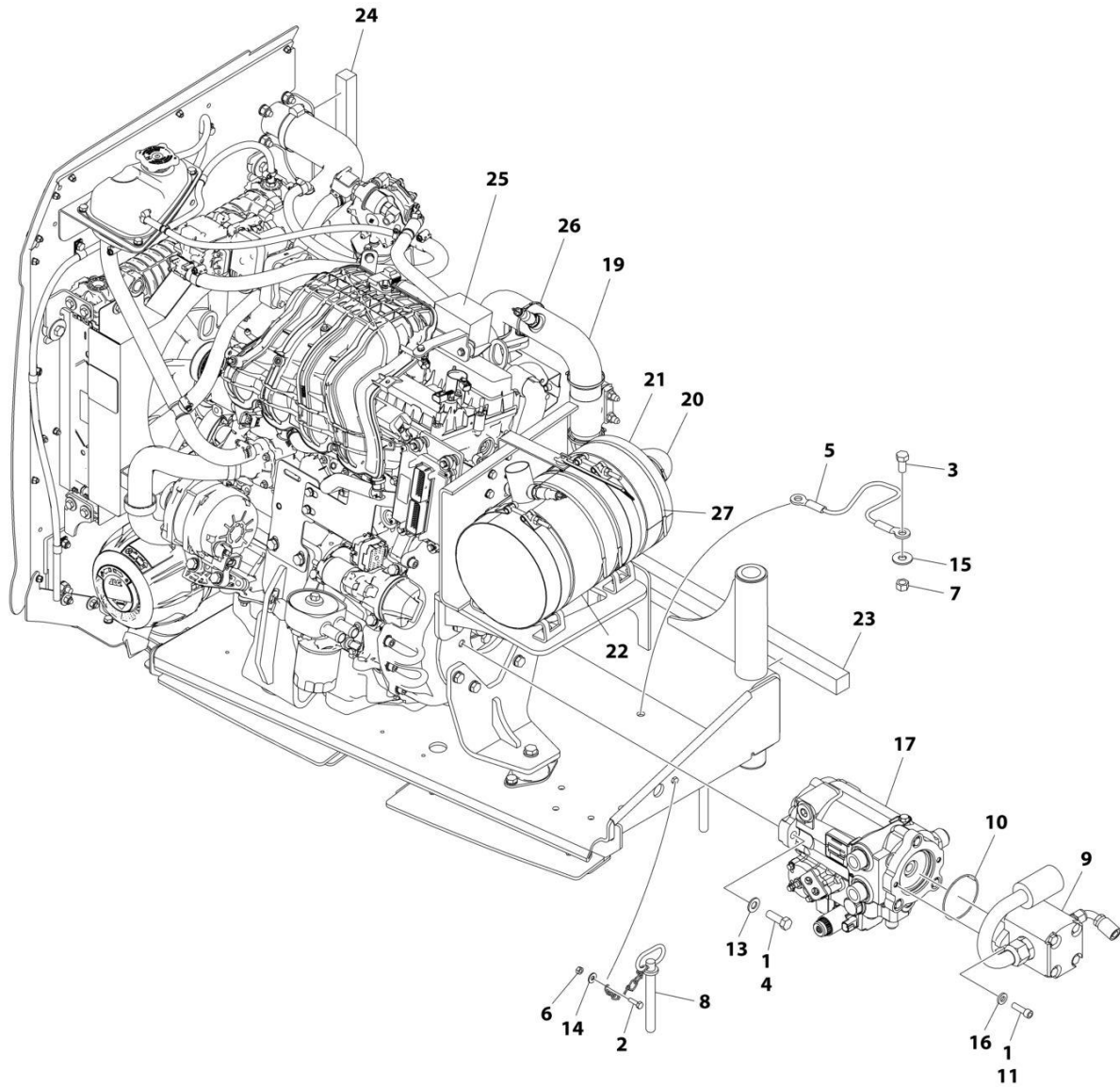
SECTION 3 - ENGINE

FIGURE 3-30. FORD ENGINE/PUMP SUB-ASSEMBLY - WITHOUT ARCTIC PACKAGE

ITEM	PART NUMBER	QTY	DESCRIPTION	REV
	1001216911	Ref	FORD ENGINE AND PUMP SUB-ASSEMBLY	F
1	0100011	AR	Compound, Locking	
2	0641407	1	Bolt 1/4 x 7/8	
3	0641808	1	Bolt 1/2 x 1	
4	0681812	2	Bolt 1/2 x 1-1/2	
5	1060637	1	Cable, Lanyard	
6	3311405	1	Nut 1/4	
7	3311805	1	Nut 1/2	
8	3422533	1	Pin	
9	3600395	1	Gear Pump and Fittings Assembly (See Separate Breakdown in this Section)	
10	3790152	1	O-Ring	
11	3931620	2	Capscrew 3/8 x 1-1/4	
13	4711800	2	Washer 1/2	
14	4751400	1	Washer 1/4	
15	4751800	1	Washer 1/2	
16	4891600	2	Washer 3/8	
17	1001188953	1	Piston Pump and Fitting Assembly (See Separate Breakdown in this Section)	
19	1001215413	1	Engine Assembly (See Separate Breakdown in this Section)	
20	1001217170	1	Seal	
21	1001217184	1	Seal	
22	1001216532	1	Insulate, Exhaust Pipe	
23	1001216533	1	Insulate, Exhaust Pipe	
24	1001216534	1	Insulate, Muffler	
25	1001216535	1	Insulate, Muffler	
26	1001100825	6	Strap	
27	1001221464	3	Strap	

SECTION 3 - ENGINE

FIGURE 3-31. FORD ENGINE/PUMP SUB-ASSEMBLY - WITH ARCTIC PACKAGE



ART_1001219072

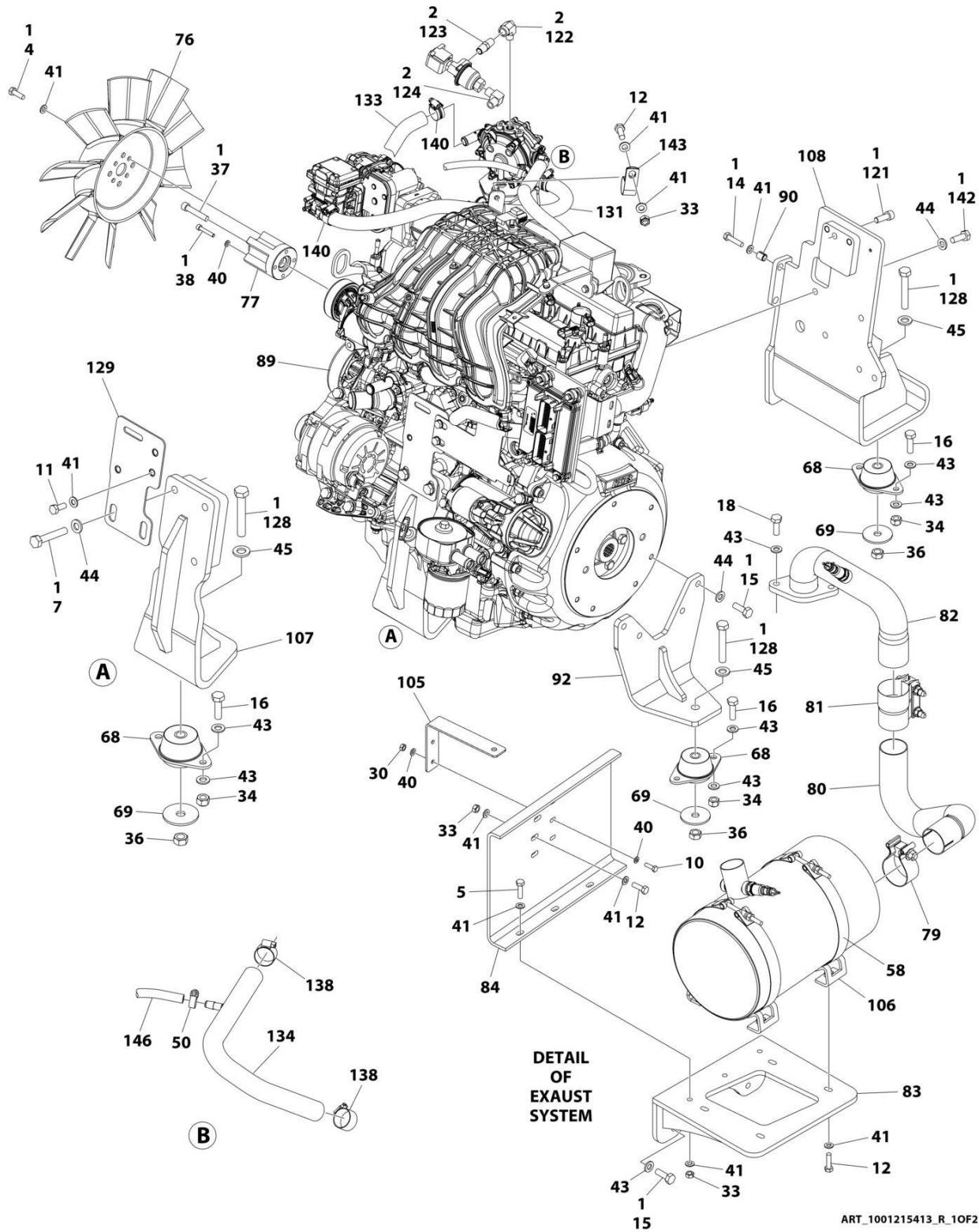
SECTION 3 - ENGINE

FIGURE 3-31. FORD ENGINE/PUMP SUB-ASSEMBLY - WITH ARCTIC PACKAGE

ITEM	PART NUMBER	QTY	DESCRIPTION	REV
	1001219072	Ref	FORD ENGINE AND PUMP SUB-ASSEMBLY	E
1	0100011	AR	Compound, Locking	
2	0641407	1	Bolt 1/4 x 7/8	
3	0641808	1	Bolt 1/2 x 1	
4	0681812	2	Bolt 1/2 x 1-1/2	
5	1060637	1	Cable, Lanyard	
6	3311405	1	Nut 1/4	
7	3311805	1	Nut 1/2	
8	3422533	1	Pin	
9	3600395	1	Gear Pump and Fittings Assembly (See Separate Breakdown in this Section)	
10	3790152	1	O-Ring	
11	3931620	2	Capscrew 3/8 x 1-1/4	
13	4711800	2	Washer 1/2	
14	4751400	1	Washer 1/4	
15	4751800	1	Washer 1/2	
16	4891600	2	Washer 3/8	
17	1001188953	1	Piston Pump and Fitting Assembly (See Separate Breakdown in this Section)	
19	1001216532	1	Insulate, Exhaust Pipe	
20	1001216533	1	Insulate, Exhaust Pipe	
21	1001216534	1	Insulate, Muffler	
22	1001216535	1	Insulate, Muffler	
23	1001217170	1	Seal	
24	1001217184	1	Seal	
25	1001219071	1	Engine Assembly (See Separate Breakdown in this Section)	
26	1001100825	6	Strap	
27	1001221464	3	Strap	

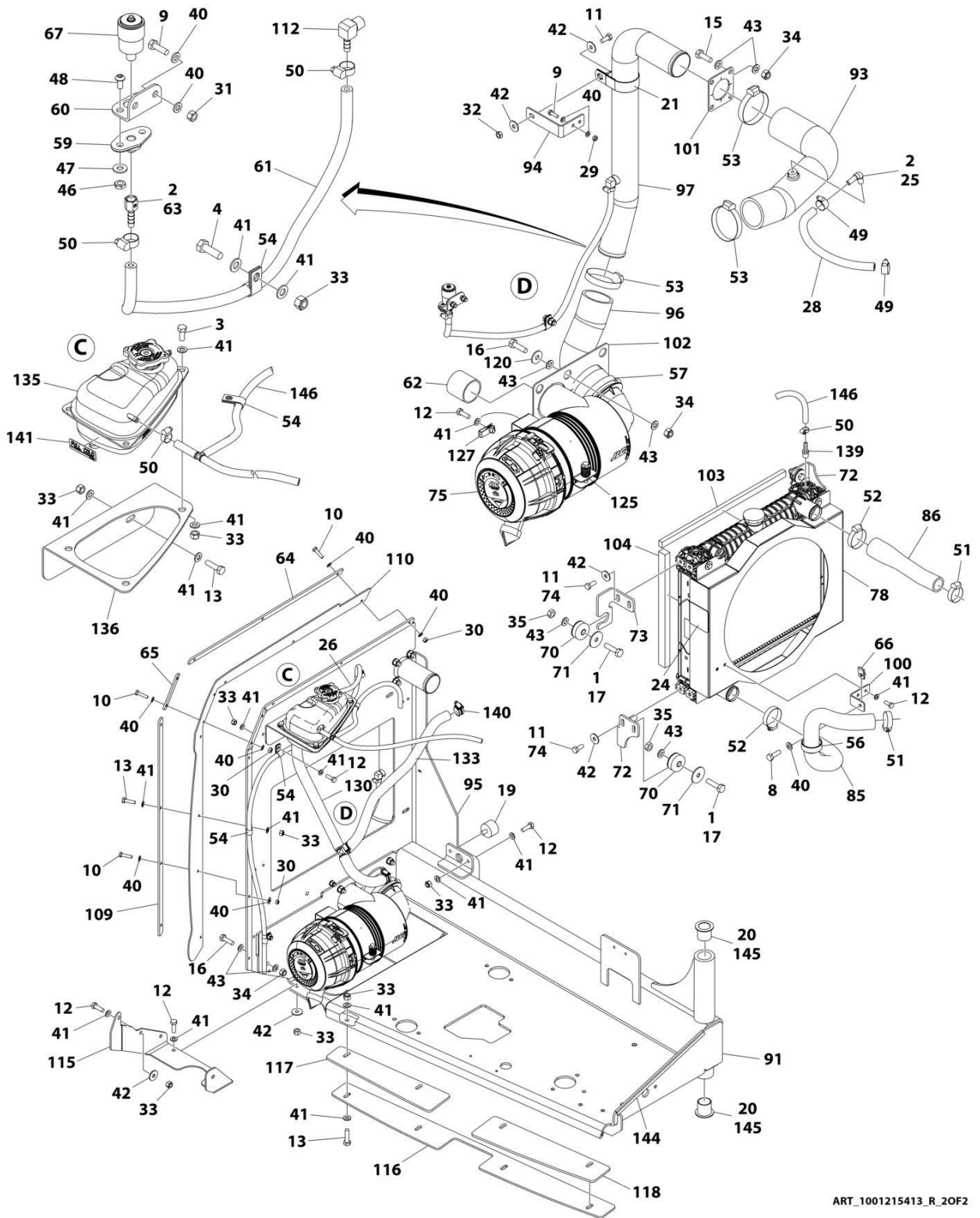
SECTION 3 - ENGINE

FIGURE 3-32. FORD ENGINE ASSEMBLY - WITHOUT ARCTIC PACKAGE



ART_1001215413_R_10F2

SECTION 3 - ENGINE



ART_1001215413_R_20F2

SECTION 3 - ENGINE

FIGURE 3-32. FORD ENGINE ASSEMBLY - WITHOUT ARCTIC PACKAGE

ITEM	PART NUMBER	QTY	DESCRIPTION	REV
	1001215413	Ref	FORD ENGINE ASSEMBLY	R
1	0100011	AR	Compound, Locking	
2	0100020	AR	Sealant	
3	0700810	3	Bolt M8 x 20	
4	0700812	5	Bolt M8 x 25	
5	0700814	3	Bolt M8 x 30	
7	0711020	3	Bolt M10 x 60	
8	0760608	2	Bolt M6 x 16	
9	0760610	4	Bolt M6 x 20	
10	0760612	10	Bolt M6 x 25	
11	0760810	11	Bolt M8 x 20	
12	0760812	19	Bolt M8 x 25	
13	0760814	8	Bolt M8 x 30	
14	0760815	2	Bolt M8 x 35	
15	0761014	11	Bolt M10 x 30	
16	0761015	13	Bolt M10 x 35	
17	0761016	4	Bolt M10 x 40	
18	0771014	2	Bolt M10 x 30	
19	0940070	1	Bumper	
20	0961986	2	Bearing	
21	1320110	1	Clamp	
22	1001187781	1	Tie-Strap (Not Shown)	
24	1703162	2	Decal - Fan Blade	
25	2180467	1	Fitting, Straight NPT/Barbed	
26	2720058	AR	Hose	
28	1001165035	11 in /26cm	Hose	
29	3290601	2	Nut M6	
30	3290605	10	Nut M6	
31	3290607	2	Nut M6	
32	3290801	1	Nut M8	
33	3290805	27	Nut M8	
34	3291005	17	Nut M10	
35	3291001	4	Nut M10	
36	3291201	3	Nut M12	
37	3931632	1	Capscrew 3/8 x 2	
38	4031711	4	Capscrew M6 x 35	
39	4240099	AR	Tie-Strap (Not Shown)	
40	4811700	34	Washer M6	
41	4811900	64	Washer M8	
42	4811902	15	Washer M8	
43	4812000	43	Washer M10	
44	5241000	12	Washer M10	
45	5241200	3	Washer M10	
46	8305401	2	Nut 1/4	
47	8307109	2	Washer 1/4	
48	8310548	2	Screw 1/4 x 1/2	
49	8405006	2	Clamp	
50	8405009	5	Clamp	
51	8405102	2	Clamp	

SECTION 3 - ENGINE

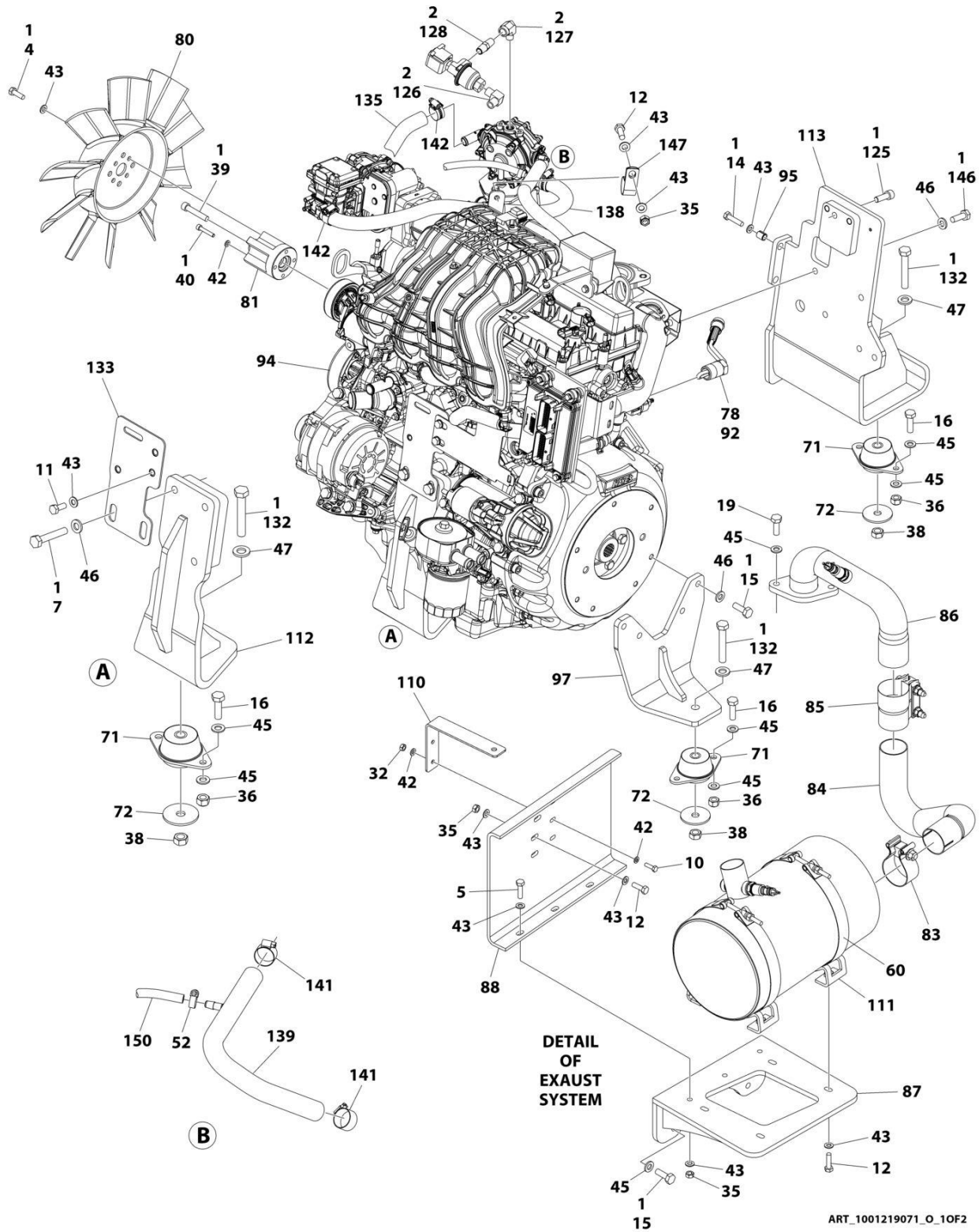
ITEM	PART NUMBER	QTY	DESCRIPTION	REV
52	8405104	2	Clamp	
53	8405203	3	Clamp	
54	8406109	6	Clip	
56	8410001	1	Clamp	
57	8410011	1	Clamp	
58	1001128901	2	Strap, Clamp	
59	1001138173	1	Support	
60	1001138175	1	Bracket	
61	1001138248	31 in/ 77cm	Tube, Nylon	
62	1001141585	1	Hose, Air Cleaner Inlet	
63	1001141995	1	Fitting, Straight NPT/Barbed	
64	1001144410	1	Panel, Clamp	
65	1001144411	1	Panel, Clamp	
66	1001149160	1	Nut, Tinnerman M8	
67	1001149639	1	Indicator, Restriction	
68	1001191610	3	Mount, Motor	
69	1001168018	3	Washer	
70	1001169054	4	Isolator	
71	1001169138	4	Pad	
72	1001170035	2	Bracket	
73	1001176329	2	Bracket	
74	1001180620	AR	Adhesive	
75	1001189979	1	Air Filter Assembly	
75	70005008	1	Element, Filter	
76	1001223042	1	Fan	
77	1001215647	1	Spacer, Fan	
78	1001223923	1	Radiator and Shroud Assembly	
78	1001224010	1	Radiator	
78	1001223922	1	Shroud	
79	1001215681	1	Clamp	
80	1001215899	1	Pipe, Exhaust Inlet	
81	1001215974	1	Clamp	
82	1001216075	1	Pipe, Exhaust Inlet	
83	1001216086	1	Bracket	
84	1001216092	1	Shield, Heat	
85	1001216204	1	Hose, Radiator (Lower)	
86	1001216205	1	Hose, Radiator (Upper)	
89	1001216910	1	Ford Engine Prep Assembly (See Separate Breakdown in this Section)	
90	1001216919	2	Sleeve	
91	1001216951	1	Tray	
92	1001290252	1	Mount, Engine (Rear)	
93	1001217032	1	Tube, Air Intake	
94	1001217046	1	Bracket	
95	1001217082	1	Plate, Radiator	
96	1001217089	1	Tube, Intake (Lower)	
97	1001217090	1	Tube, Intake (Intermediate)	
100	1001217146	1	Support	
101	1001217174	1	Seal	
102	1001217175	1	Seal	
103	1001217183	2	Seal	

SECTION 3 - ENGINE

ITEM	PART NUMBER	QTY	DESCRIPTION	REV
104	1001217185	2	Seal	
105	1001217186	1	Support	
106	1001217543	2	Mount	
107	1001218362	1	Mount, Engine (Front Left)	
108	1001218449	1	Mount, Engine (Front Right)	
109	1001218599	1	Panel, Clamp	
110	1001218600	1	Panel, Rubber	
112	1001134488	1	Fitting, 90 Barbed	
115	1001219445	1	Seal	
116	1001219448	1	Plate	
117	1001219454	1	Seal	
118	1001219456	1	Seal	
120	4812002	6	Washer M10	
121	5272010	1	Capscrew M10 x 30	
122	1001247359	1	Fitting, 90	
123	2220261	1	Fitting, Straight	
124	2180504	1	Fitting, Straight	
125	1001186426	1	Clamp, Air Cleaner	
127	1001221615	2	Nut, Tinnerman M8	
128	0711223	3	Bolt M12 x 75	
129	1001222033	1	Plate	
130	1001224489	1	Hose	
131	1001216531	1	Hose	
133	1001224486	1	Hose	
134	1001227666	1	Hose	
135	1001223584	1	Tank	
136	1001224419	1	Bracket	
138	8410009	2	Clamp	
139	2180348	1	Fitting, Straight Barbed	
140	1001173535	6	Clamp	
141	1001225510	1	Decal - Full Cold	
142	0711014	5	Bolt M10 x 30	
143	8406201	1	Clip	
144	4060805	16 in/.4m	Flex-Trim	
145	0100062	AR	Adhesive	
146	1001227667	1	Hose (Includes Tee)	
147	1001303818	1	Washer M10 (Not Shown)	

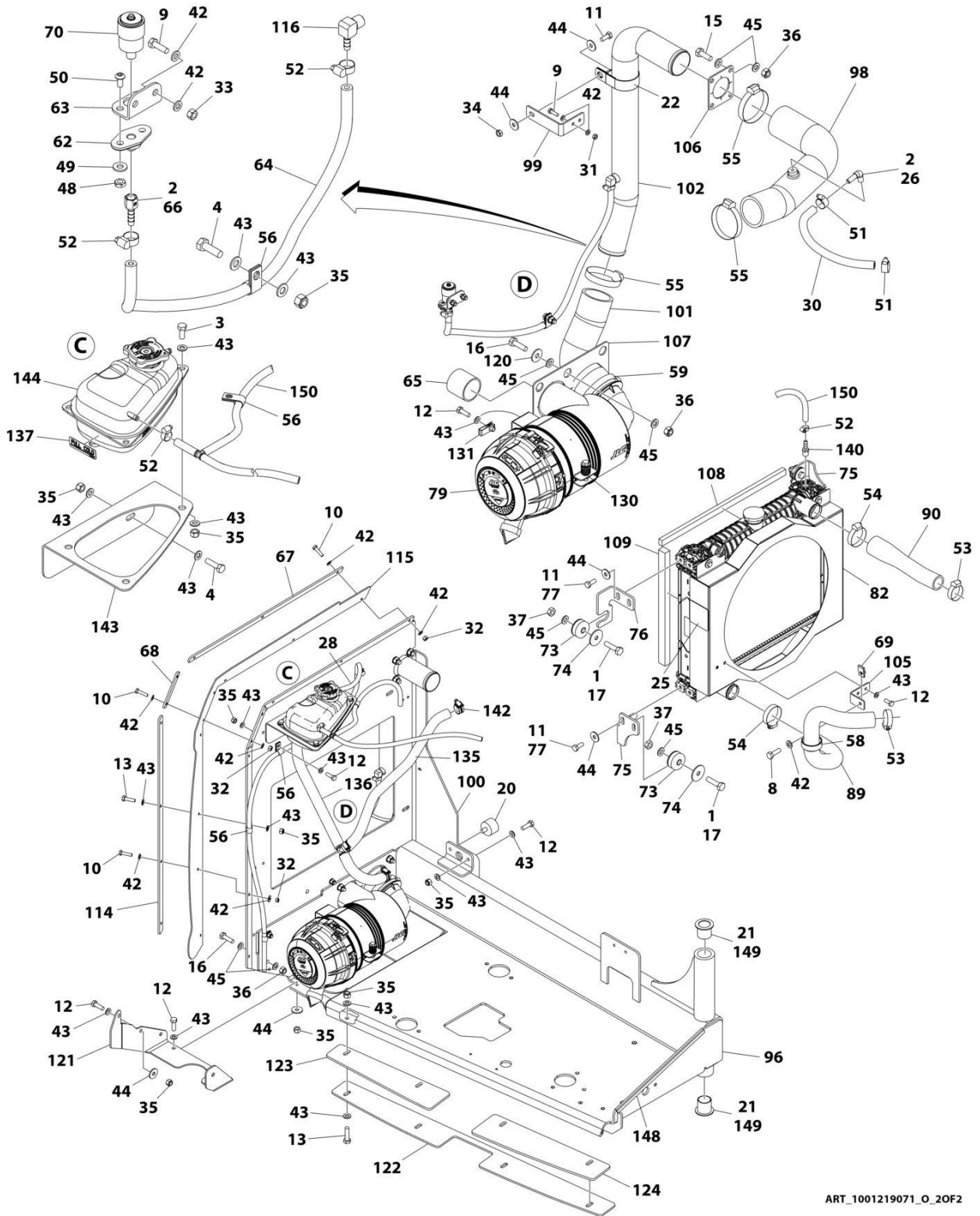
SECTION 3 - ENGINE

FIGURE 3-33. FORD ENGINE ASSEMBLY - WITH ARCTIC PACKAGE



ART_1001219071_o_10F2

SECTION 3 - ENGINE



ART_1001219071_O_20F2

SECTION 3 - ENGINE

FIGURE 3-33. FORD ENGINE ASSEMBLY - WITH ARCTIC PACKAGE

ITEM	PART NUMBER	QTY	DESCRIPTION	REV
	1001219071	Ref	FORD ENGINE ASSEMBLY	O
1	0100011	AR	Compound, Locking	
2	0100020	AR	Sealant	
3	0700810	3	Bolt M8 x 20	
4	0700812	5	Bolt M8 x 25	
5	0700814	3	Bolt M8 x 30	
7	0711020	3	Bolt M10 x 60	
8	0760608	2	Bolt M6 x 16	
9	0760610	4	Bolt M6 x 20	
10	0760612	10	Bolt M6 x 25	
11	0760810	11	Bolt M8 x 20	
12	0760812	19	Bolt M8 x 25	
13	0760814	8	Bolt M8 x 30	
14	0760815	2	Bolt M8 x 35	
15	0761014	11	Bolt M10 x 30	
16	0761015	13	Bolt M10 x 35	
17	0761016	4	Bolt M10 x 40	
19	0771014	2	Bolt M10 x 30	
20	0940070	1	Bumper	
21	0961986	2	Bearing	
22	1320110	1	Clamp	
23	1001187781	1	Tie-Strap (Not Shown)	
25	1703162	2	Decal - Fan Blade	
26	2180467	1	Fitting, Straight NPT/Barbed	
28	2720058	AR	Hose	
30	1001165035	11 in /26cm	Hose	
31	3290601	2	Nut M6	
32	3290605	10	Nut M6	
33	3290607	2	Nut M6	
34	3290801	1	Nut M8	
35	3290805	27	Nut M8	
36	3291005	17	Nut M10	
37	3291001	4	Nut M10	
38	3291201	3	Nut M12	
39	3931632	1	Capscrew 3/8 x 2	
40	4031711	4	Capscrew M6 x 35	
41	4240099	AR	Tie-Strap (Not Shown)	
42	4811700	34	Washer M6	
43	4811900	64	Washer M8	
44	4811902	15	Washer M8	
45	4812000	43	Washer M10	
46	5241000	12	Washer M10	
47	5241200	3	Washer M10	
48	8305401	2	Nut 1/4	
49	8307109	2	Washer 1/4	
50	8310548	2	Screw 1/4 x 1/2	
51	8405006	2	Clamp	
52	8405009	5	Clamp	
53	8405102	2	Clamp	

SECTION 3 - ENGINE

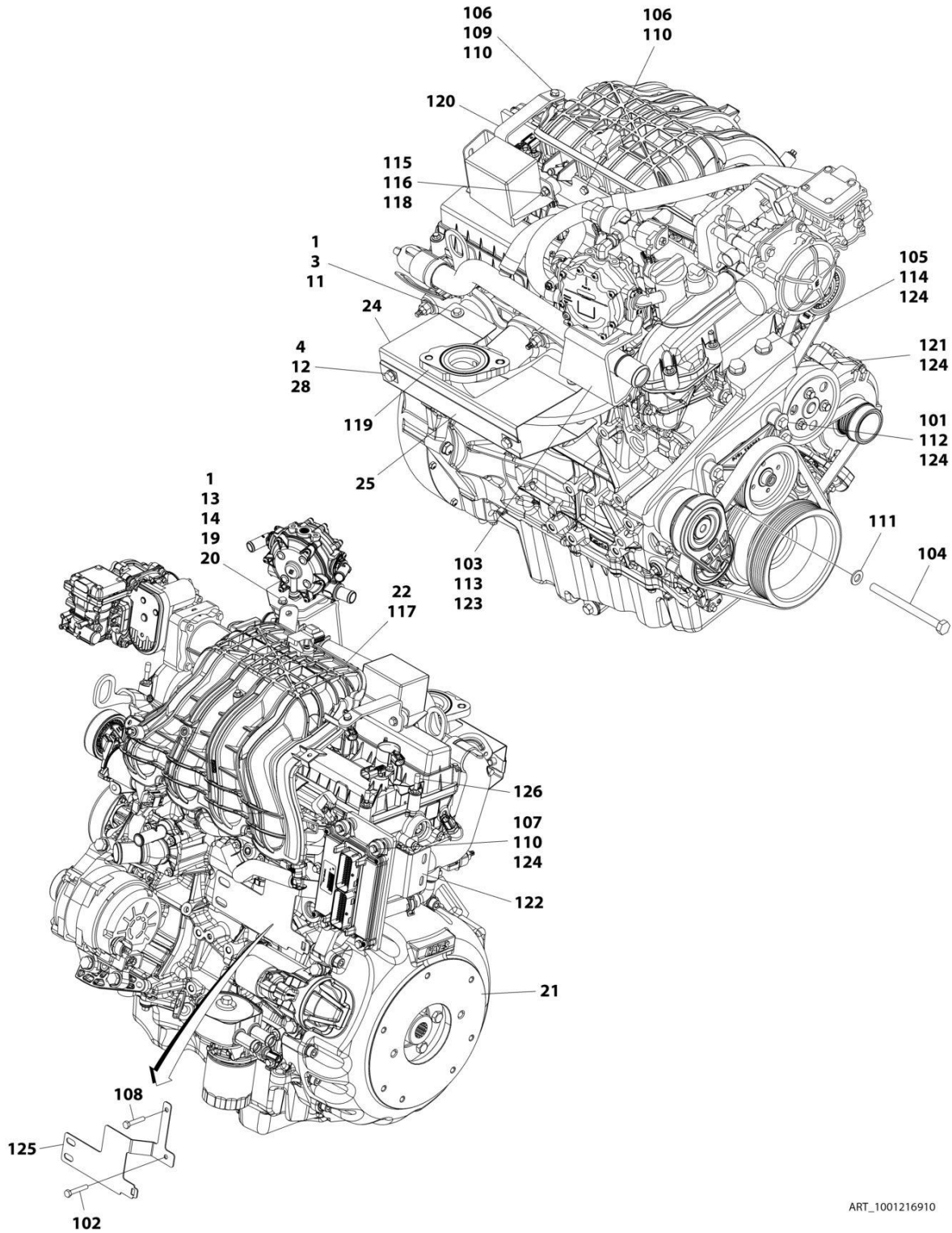
ITEM	PART NUMBER	QTY	DESCRIPTION	REV
54	8405104	2	Clamp	
55	8405203	3	Clamp	
56	8406109	6	Clip	
58	8410001	1	Clamp	
59	8410011	1	Clamp	
60	1001128901	2	Strap, Clamp	
62	1001138173	1	Support	
63	1001138175	1	Bracket	
64	1001138248	31 in/ 77cm	Tube, Nylon	
65	1001141585	1	Hose, Air Cleaner Inlet	
66	1001141995	1	Fitting, Straight NPT/Barbed	
67	1001144410	1	Panel, Clamp	
68	1001144411	1	Panel, Clamp	
69	1001149160	1	Nut, Tinnerman M8	
70	1001149639	1	Indicator, Restriction	
71	1001191610	3	Mount, Motor	
72	1001168018	3	Washer	
73	1001169054	4	Isolator	
74	1001169138	4	Pad	
75	1001170035	2	Bracket	
76	1001176329	2	Bracket	
77	1001180620	AR	Adhesive	
78	1001181895	AR	Adhesive	
79	1001189979	1	Air Filter Assembly	
79	70005008	1	Element, Filter	
80	1001223042	1	Fan	
81	1001215647	1	Spacer, Fan	
82	1001223923	1	Radiator and Shroud Assembly	
82	1001224010	1	Radiator	
82	1001223922	1	Shroud	
83	1001215681	1	Clamp	
84	1001215899	1	Pipe, Exhaust Inlet	
85	1001215974	1	Clamp	
86	1001216075	1	Pipe, Exhaust Inlet	
87	1001216086	1	Bracket	
88	1001216092	1	Shield, Heat	
89	1001216204	1	Hose, Radiator (Lower)	
90	1001216205	1	Hose, Radiator (Upper)	
92	1001216393	1	Heater, Engine Block	
94	1001216910	1	Ford Engine Prep Assembly (See Separate Breakdown in this Section)	
95	1001216919	2	Sleeve	
96	1001216951	1	Tray	
97	1001290252	1	Mount, Engine (Rear)	
98	1001217032	1	Tube, Air Intake	
99	1001217046	1	Bracket	
100	1001217082	1	Plate, Radiator	
101	1001217089	1	Tube, Intake (Lower)	
102	1001217090	1	Tube, Intake (Intermediate)	
105	1001217146	1	Support	
106	1001217174	1	Seal	

SECTION 3 - ENGINE

ITEM	PART NUMBER	QTY	DESCRIPTION	REV
107	1001217175	1	Seal	
108	1001217183	2	Seal	
109	1001217185	2	Seal	
110	1001217186	1	Support	
111	1001217543	2	Mount	
112	1001218362	1	Mount, Engine (Front Left)	
113	1001218449	1	Mount, Engine (Front Right)	
114	1001218599	1	Panel, Clamp	
115	1001218600	1	Panel, Rubber	
116	1001134488	1	Fitting, 90 Barbed	
120	4812002	6	Washer M10	
121	1001219445	1	Seal	
122	1001219448	1	Plate	
123	1001219454	1	Seal	
124	1001219456	1	Seal	
125	5272010	1	Capscrew M10 x 30	
126	2180504	1	Fitting, Straight	
127	1001247359	1	Fitting, 90	
128	2220261	1	Fitting, Straight	
130	1001186426	1	Clamp, Air Cleaner	
131	1001221615	2	Nut, Tinnerman M8	
132	0711223	3	Bolt M12 x 75	
133	1001222033	1	Plate	
135	1001224486	1	Hose	
136	1001224489	1	Hose	
137	1001225510	1	Decal - Full Cold	
138	1001216531	1	Hose	
139	1001227666	1	Hose	
140	2180348	1	Fitting, Straight Barbed	
141	8410009	2	Clamp	
142	1001173535	6	Clamp	
143	1001224419	1	Bracket	
144	1001223584	1	Tank	
146	0711014	5	Bolt M10 x 30	
147	8406201	1	Clip	
148	4060805	16 in/.4m	Flex-Trim	
149	0100062	AR	Adhesive	
150	1001227667	1	Hose (Includes Tee)	
151	1001303818	1	Washer M10 (Not Shown)	

SECTION 3 - ENGINE

FIGURE 3-34. PUMP COUPLING AND FUEL SYSTEM ASSEMBLY (FORD ENGINES)



ART_1001216910

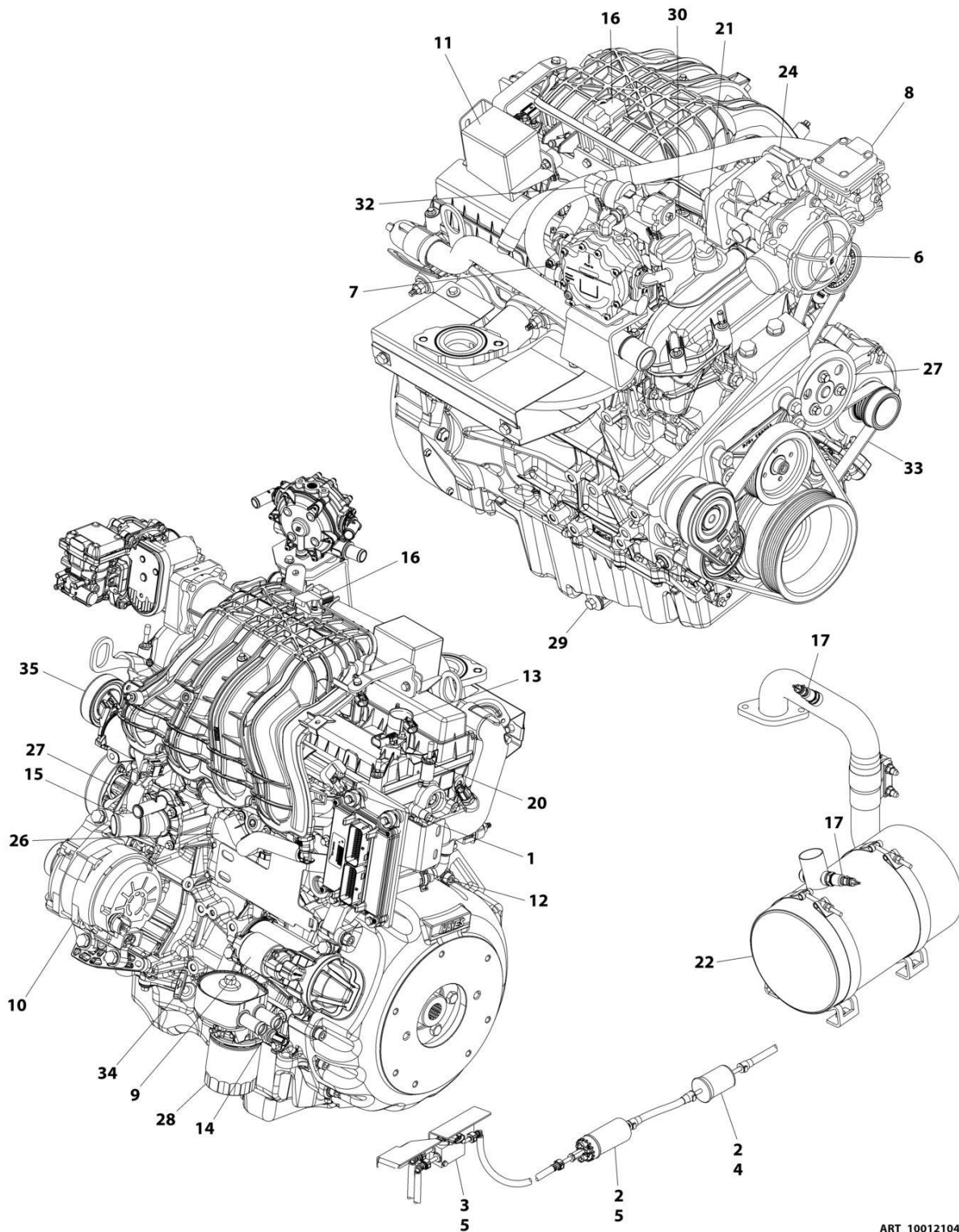
SECTION 3 - ENGINE

FIGURE 3-34. PUMP COUPLING AND FUEL SYSTEM ASSEMBLY (FORD ENGINES)

ITEM	PART NUMBER	QTY	DESCRIPTION	REV
	1001216910	Ref	FORD ENGINE PREP ASSEMBLY	F
1	0100011	AR	Compound, Locking	
3	0760605	4	Bolt M6 x 10	
4	0760807	2	Bolt M8 x 14	
11	4811702	4	Washer M6	
12	4811900	2	Washer M8	
13	5250605	3	Bolt M6 x 10	
14	5260600	1	Nut M6 Class 10	
19	1001211794	3	Mount, Isolator	
20	1001227769	1	Plate	
21	1001213810	1	Pump Coupling Kit	
21	70006134	1	Coupling	
21	70006135	1	Housing	
21	70006136	1	Hardware Kit	
22	1001216065	1	Ford Engine Assembly (See Items 101-126 for Breakdown)	
24	1001216768	1	Bracket	
25	1001216769	1	Bracket	
28	1001149160	2	Nut, Tinnerman M8	
	1001216065	Ref	FORD ENGINE PREP ASSEMBLY - BRACKETS/EXHAUST MANIFOLD	M
101	0700816	4	Bolt M8 x 40	
102	0700818	1	Bolt M8 x 50	
103	0701014	2	Bolt M10 x 30	
104	0710827	1	Bolt M8 x 100 Grade 10.9	
105	0711216	2	Bolt M12 x 40	
106	0760610	3	Bolt M6 x 20	
107	0760615	4	Bolt M6 x 35	
108	0760817	1	Bolt M8 x 45	
109	3290601	1	Nut M6	
110	4811700	8	Washer M6	
111	4811900	1	Washer M8	
112	4811902	4	Washer M8	
113	4812000	1	Washer M10	
114	4812100	2	Washer M12	
115	5250605	2	Bolt M6 x 10	
116	5260600	2	Nut M6 Class 10	
117	1001210448	1	Engine, Ford 2.5L (See Separate Breakdown in this Section)	
118	1001211794	2	Mount	
119	1001214827	1	Manifold, Exhaust	
120	1001215384	1	Bracket	
121	1001216071	1	Bracket	
122	1001216144	1	Support, Muffler	
123	1001227772	1	Mount, Vaporizer	
124	0100011	AR	Compound, Locking	
125	1001221545	1	Plate	
126	1001222641	6	Cap	

SECTION 3 - ENGINE

FIGURE 3-35. FORD ENGINE COMPONENTS



ART_1001210448

SECTION 3 - ENGINE

FIGURE 3-35. FORD ENGINE COMPONENTS

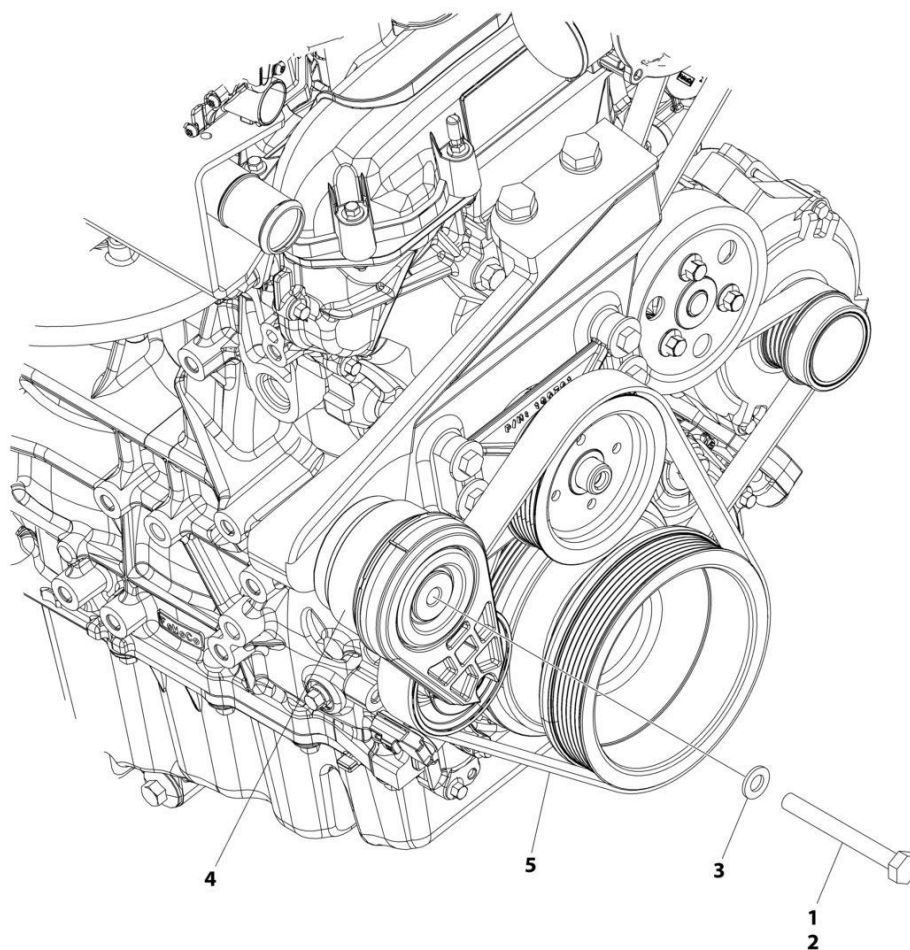
ITEM	PART NUMBER	QTY	DESCRIPTION	REV
	1001210448	Ref	FORD ENGINE COMPONENTS	H
1	70006145	4	Injector, Fuel	
1	70006147	1	Rail, Fuel	
2	70006150	1	Pump, Fuel	
2	70006154	1	Fitting M10	
3	70006151	1	Block, Fuel	
3	70006152	2	Fitting SAE6	
3	70006153	1	Fitting SAE3	
3	70006189	1	Harness, Fuel Block	
4	70006155	1	Filter, Fuel	
5	7022162	8	Clamp	
5	70006157	8	Clip, Fuel Quick Disconnect	
6	70006158	1	Mixer, LP	
6	70006168	1	Mixer Diaphragm Replacement Kit	
6	70006159	1	Adapter, Mixer to Governor	
6	70006160	1	O-Ring, Mixer to Adapter	
6	70006161	1	Seal, Mixer to Adapter	
7	70006162	1	Regulator, LP Vapor	
7	70006166	2	Fitting	
7	70006167	1	Fitting, Straight	
7	70006165	2	Isolator, Rubber	
8	70006163	1	Regulator, Direct Electronic Pressure	
8	70006164	1	Adapter, Fitting 90	
9	70006169	1	Starter	
9	70006233	1	Harness, Alternator/Starter	
10	70006170	1	Alternator	
11	70006173	1	Cover, Relay Box	
11	70006171	2	Relay (Fuel Pump & Power)	
11	70006172	1	Relay (Starter)	
11	70006175	1	Fuse - 20Amp (Starter)	
11	70006174	1	Decal - Relay Box Cover	
11	70006188	1	Harness, Engine	
11	70006165	2	Isolator, Rubber	
12	70006176	1	Module - Engine Control Unit (ECU/GCP)	
12	70006191	1	Software & Diagnostic Cable	
13	70006177	4	Coil and Boot Assembly	
13	70006178	4	Plug, Spark	
14	70006179	1	Switch, Oil Pressure	
15	70006180	1	Sensor, Knock	
16	70006181	1	Sensor, TMAP	
17	70006182	2	Sensor, O2	
18	70006183	1	Sensor, Coolant Temperature (Not Shown - Located Rear of Engine Block)	
19	70006184	1	Sensor, Crank Position (Not Shown - Located at Front RH Side of Block)	
20	70006185	1	Sensor, Cam Position	
21	70006186	1	Solenoid, Timing	
21	70006187	1	Grommet, Rubber	
22	70006194	1	Muffler	
22	70006195	1	Plug (Located at Muffler Outlet)	

SECTION 3 - ENGINE

ITEM	PART NUMBER	QTY	DESCRIPTION	REV
23		Ref	Gasket Options (Not Shown)	
23	70006196	1	Gasket, Exhaust Manifold to Head	
23	70006197	1	Gasket, Exhaust Manifold Outlet	
23	70006200	1	Gasket, Intake Manifold to Head	
23	70006219	1	Gasket Set - Camshaft Cover	
23	70006225	1	Gasket, Cylinder Head	
24	70006198	1	Governor	
24	7027404	1	Gasket, Governor Actuator	
24	70006199	1	Gasket, Governor to Intake Manifold Adapter	
25	70006203	1	Flywheel (Not Shown)	
26	70006205	1	Thermostat (Includes Housing)	
26	70006206	1	Gasket, Water Inlet	
27	70006207	1	Pump, Water	
27	70006208	1	O-Ring, Water Pump	
27	See Note	NSS	Pulley, Water Pump (Note: Not Available for Purchase at This Time)	
28	70006213	1	Filter, Oil	
29	70006215	1	Plug, Oil Drain	
29	70006217	1	Gasket, Oil Drain Plug	
30	70006221	1	Cap, Oil Fill	
31	70006232	1	Sensor, Crank (Not Shown)	
32	70006235	1	Valve, Lock-Off (Includes Filter)	
33	70006202	1	Belt	
34	70006236	1	Dipstick	
35	70007108	1	Belt Tensioner	

SECTION 3 - ENGINE

FIGURE 3-36. DRIVE BELT INSTALLATION - FORD ENGINES MACHINES WITHOUT GENERATORS



ART_1001220404

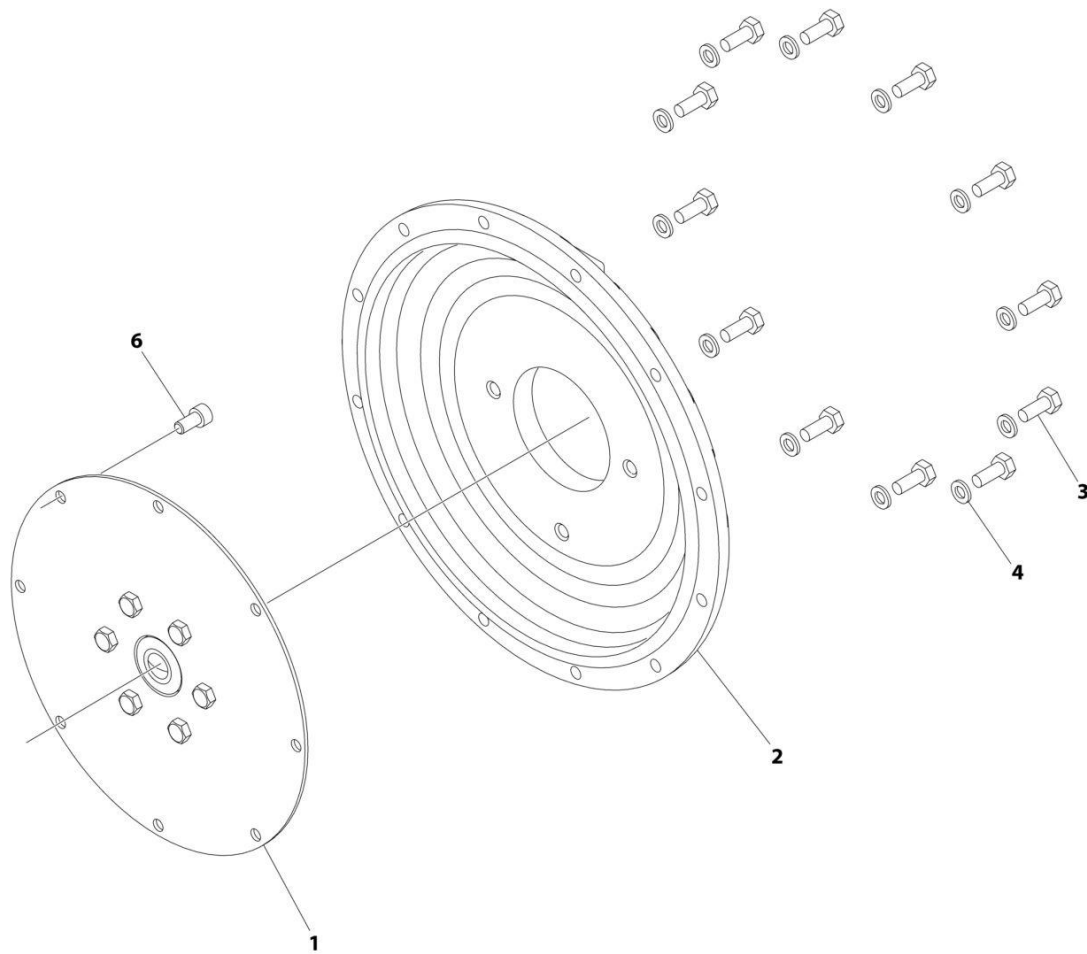
SECTION 3 - ENGINE

FIGURE 3-36. DRIVE BELT INSTALLATION - FORD ENGINES MACHINES WITHOUT GENERATORS

ITEM	PART NUMBER	QTY	DESCRIPTION	REV
	1001220404	Ref	DRIVE BELT INSTALLATION	C
1	0100011	AR	Compound, Locking	
2	0701026	1	Bolt M10 x 90	
3	4812002	1	Washer M10	
4	1001216300	1	Pulley	
5	1001216619	1	V-Belt	

SECTION 3 - ENGINE

FIGURE 3-37. PUMP COUPLING KIT - DEUTZ ENGINES



ART_2902065

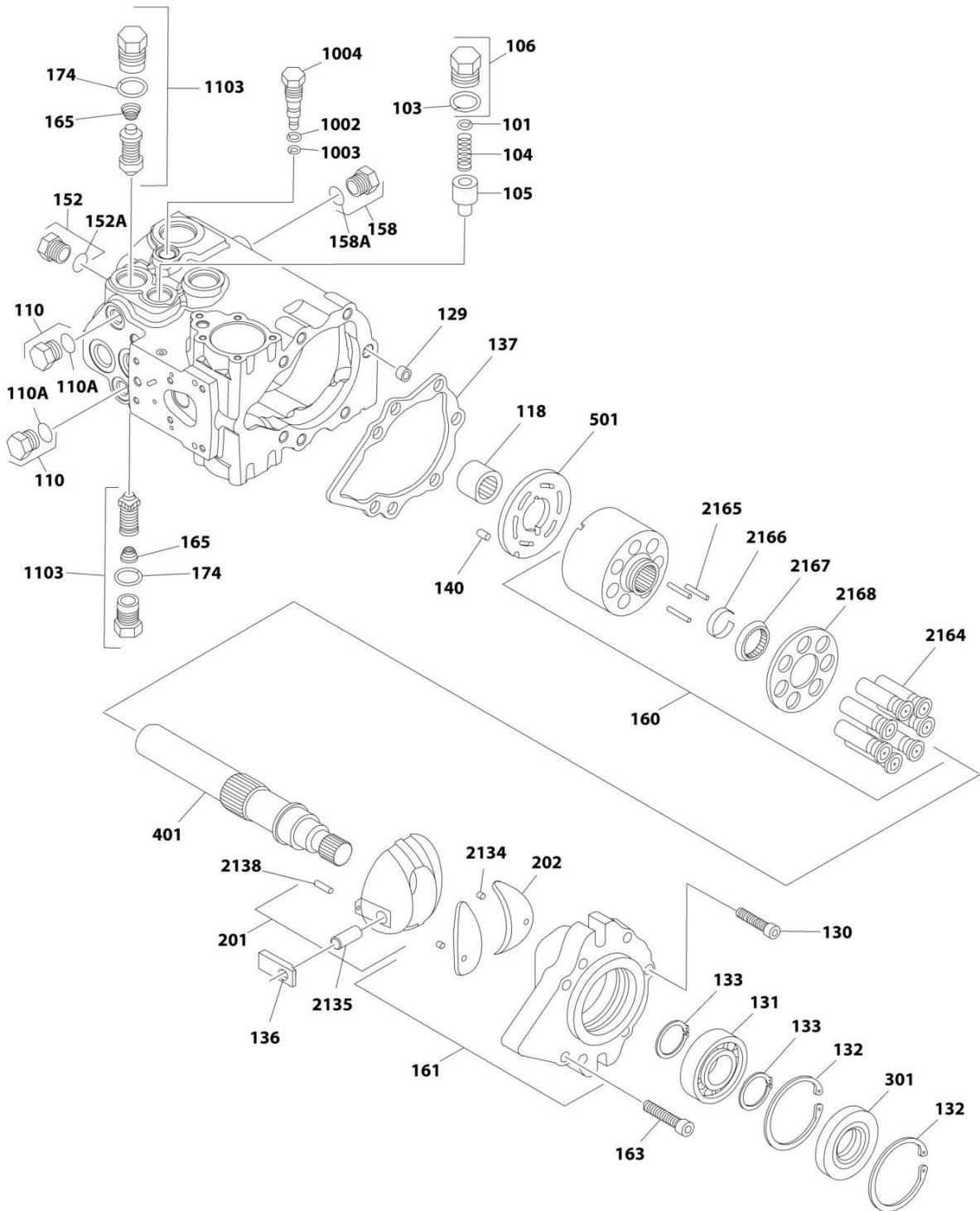
SECTION 3 - ENGINE

FIGURE 3-37. PUMP COUPLING KIT - DEUTZ ENGINES

ITEM	PART NUMBER	QTY	DESCRIPTION	REV
	2902065	Ref	PUMP COUPLING KIT	L
1	70000793	1	Coupling, Hayes	
2	See Note	NSS	Plate, Pump Adapter (Note: Use p/n 2902065)	
3	See Note	NSS	Bolt M10 x 30 Grade 10.9 (Note: Use p/n 2902065)	
4	See Note	NSS	Washer M10 (Note: Use p/n 2902065)	
6	See Note	NSS	Bolt M10 x 20 Grade 10.9 (Note: Use p/n 2902065)	

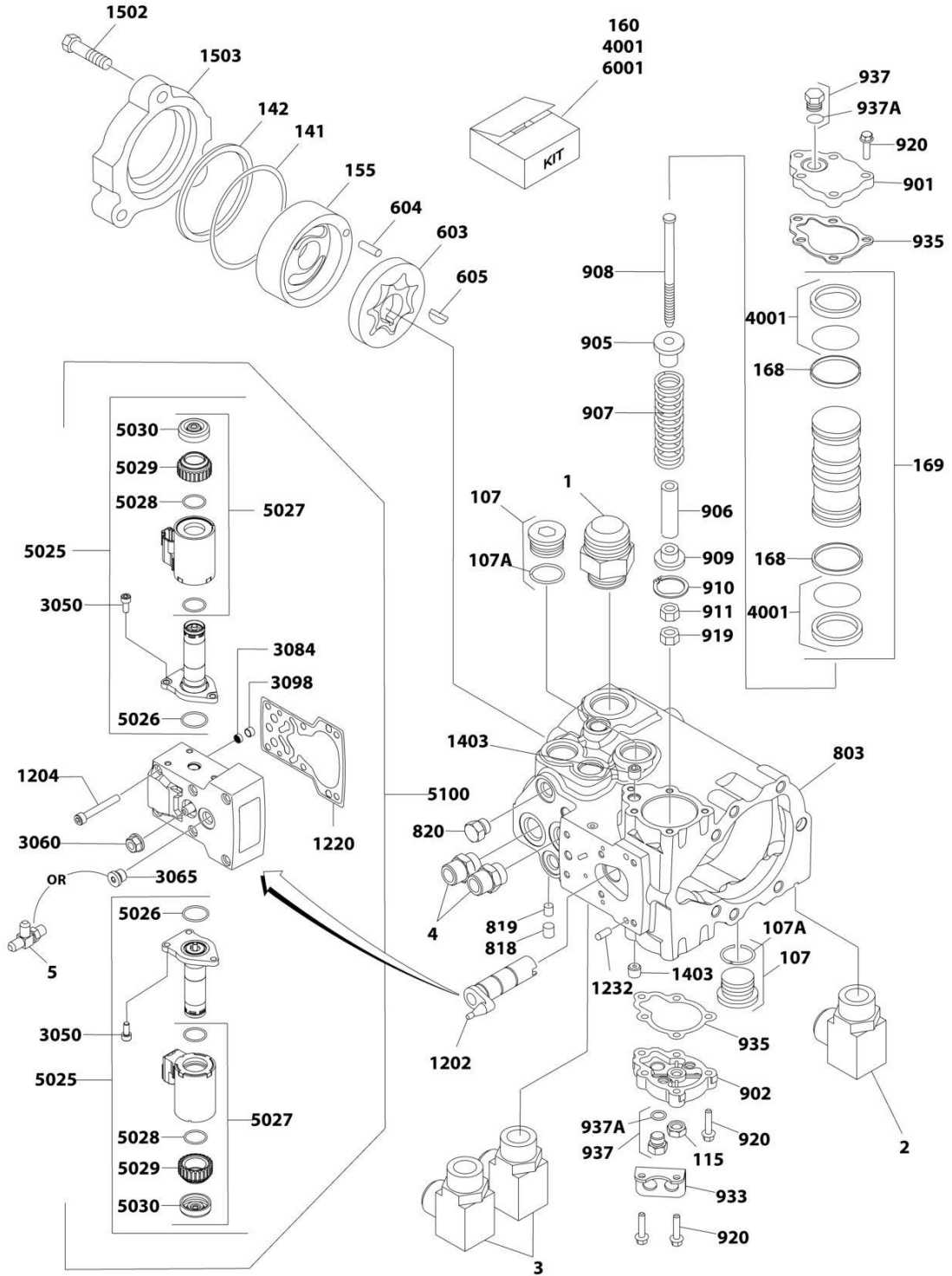
SECTION 3 - ENGINE

FIGURE 3-38. PISTON PUMP ASSEMBLY - DEUTZ ENGINES



ART_1001188952_10F2

SECTION 3 - ENGINE



ART_1001188952_20F2

SECTION 3 - ENGINE

FIGURE 3-38. PISTON PUMP ASSEMBLY - DEUTZ ENGINES

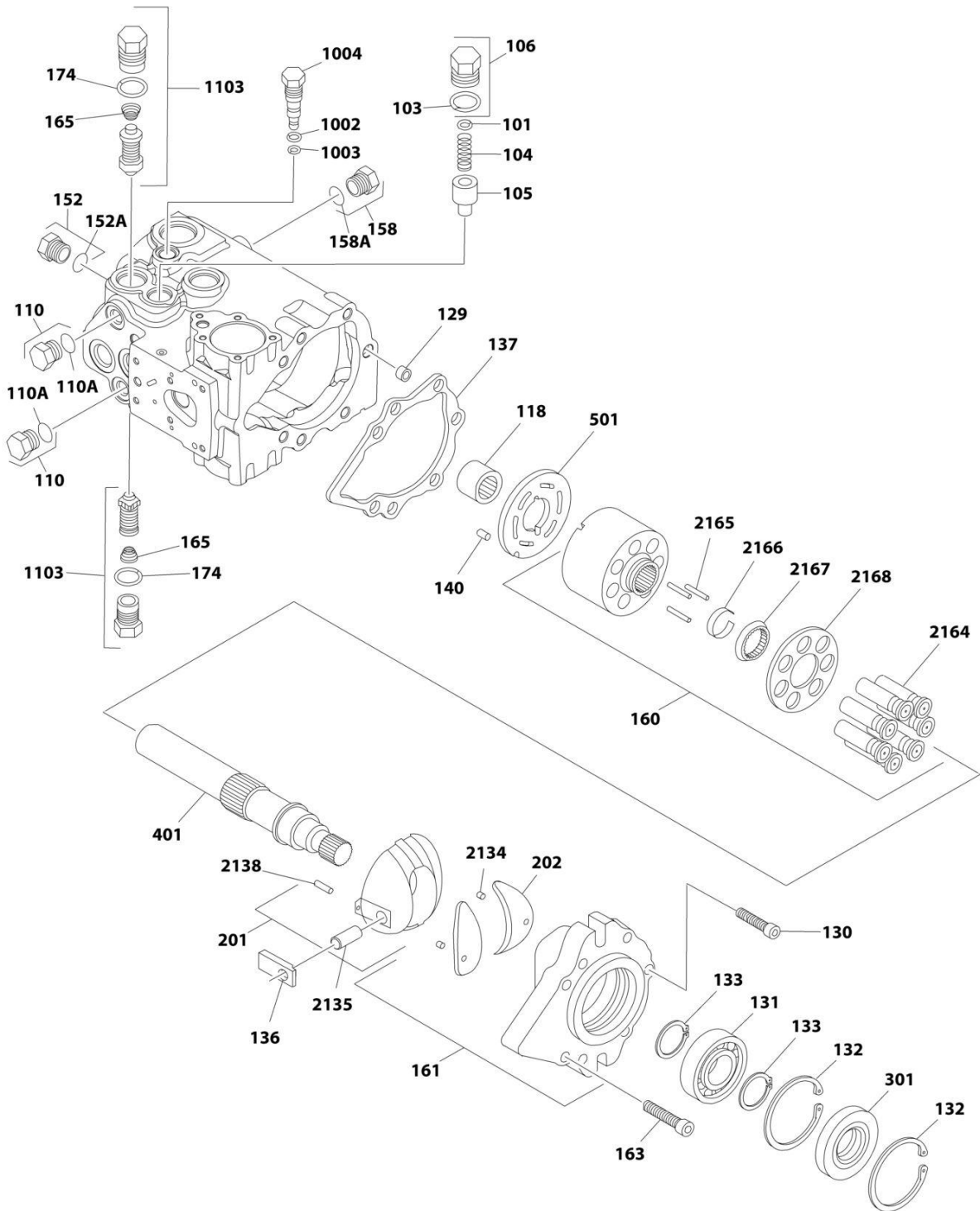
ITEM	PART NUMBER	QTY	DESCRIPTION	REV
	1001188952	Ref	PUMP AND FITTING ASSEMBLY	A
1	2220377	1	Fitting, Straight JIC/ORB	
2	2220578	1	Fitting, 90 JIC/ORB	
3	2220646	2	Fitting, 90 JIC/ORB	
4	2220947	2	Fitting, Straight JIC/ORB	
5	2221034	1	Fitting, Tee JIC/ORB	
	1001186542	1	PISTON PUMP ASSEMBLY	B
101	7007413	1	Shim Kit	
103	7007415	1	O-Ring (Part of Item 106)	
104	7021200	1	Spring, Relief Valve	
105	7007417	1	Valve, Relief	
106	7024874	2	Plug (Includes Items 103)	
107	7007419	2	Plug	
107A	7007418	2	O-Ring	
110	7007420	2	Plug	
110A	7021256	2	O-Ring	
115	7007423	1	Nut, Special	
118	7007425	1	Bearing, Needle	
129	7007435	1	Pin, Spring	
130	7021202	1	Screw	
131	70002176	1	Bearing, Ball	
132	7007438	2	Ring, Retainer	
133	7007439	2	Ring	
136	7007442	1	Sleeve, Bearing	
137	7007443	1	Gasket, Front Cover	
140	7007446	1	Pin	
141	7021233	1	O-Ring	
142	7007448	1	Ring, Load Temper	
152	7007420	1	Plug Assembly	
152A	7021256	1	O-Ring	
155	70005466	1	Cover, Gerotor	
158	7007208	1	Plug	
158A	7007207	1	O-Ring	
160	7010116	1	Cylinder Block Kit (Includes Items 2164-2168)	
161	7024875	1	Cover Assembly - Front (Includes Items 202 & 2134)	
163	7021207	6	Screw	
165	70005467	2	Spring	
168	7021210	2	Bearing	
169	70005468	1	Servo Piston Assembly (Includes Items 168 & 4001)	
174	7007418	2	O-Ring	
201	7007457	1	Swash Plate Assembly (Includes Items 2135 & 2138)	
202	7021212	1	Journal, Bearing	
301	7007459	1	Seal, Lip	
401	7010121	1	Shaft, Main Pump	
501	7021214	1	Plate, Valve	
603	7007463	1	Gerotor Assembly	
604	7007464	1	Pin	
605	7007465	1	Key, Woodruff	
803	See Note	NSS	Housing, Pump (Note: Use p/n 1001186542)	
818	70005469	1	Plug	

SECTION 3 - ENGINE

ITEM	PART NUMBER	QTY	DESCRIPTION	REV
819	70005470	1	Plug	
820	70005469	1	Plug	
901	7021219	1	Cover, Servo (With Adjuster)	
902	7021220	1	Cover, Servo (Without Adjuster)	
905	7023979	1	Guide, Spring	
906	7007484	1	Stop, Servo	
907	7007485	1	Spring	
908	7021221	1	Screw	
909	7007487	1	Guide, Spring	
910	7007488	1	Ring, Retaining	
911	7021222	1	Locknut	
919	7021206	1	Nut	
920	7021223	10	Screw	
933	7021201	1	Bracket, Lifting	
935	7007422	2	Gasket, Servo Cover	
937	7007420	2	Plug	
937A	7021256	2	O-Ring	
1002	7007450	1	Ring, Back-up	
1003	70005471	1	O-Ring	
1004	7024877	1	Valve, Bypass	
1103	7024851	2	Valve, Pressure Relief (Includes Items 165 & 174)	
1202	70005472	1	Sleeve	
1204	70002156	6	Screw	
1220	70002154	1	Gasket	
1232	70002157	2	Pin	
1403	7007477	2	Plug, Orifice (.37)	
1502	7007453	3	Bolt, Hex	
1503	7007476	1	Adapter, Auxiliary Pump	
2134	7021203	2	Pin, Spring	
2135	7007441	1	Handle, Pin	
2138	7007444	1	Pin	
2164	7010117	7	Piston Assembly	
2165	7007431	3	Pin, Slipper Holddown	
2166	7007430	1	Retainer	
2167	7007434	1	Guide, Retainer	
2168	7010119	1	Retainer, Slipper	
3050	70002150	6	Screw	
3060	70005473	1	Nut, Seal	
3065	70002151	1	Plug	
3084	70002134	1	Screen	
3098	70002153	1	Ring	
4001	7007412	1	Seal Kit - Servo Piston	
5025	70002147	2	Solenoid Assembly (Includes Items 5026-5030)	
5026	70002148	2	O-Ring	
5027	70002149	2	Coil Assembly (Includes Items 5028-5030)	
5028	70005474	2	O-Ring	
5029	70005475	2	Screw	
5030	70005476	2	Cap	
5100	70002146	1	EDC Assembly (Includes Items 1204, 1220, 3050-3098 & 5025-5030)	
6001	7021232	1	Seal Kit - Complete (Includes Items 103, 137, 141, 142, 168, 174, 301, 935, 1002, 1003, 4001 and Plug O-Ring)	

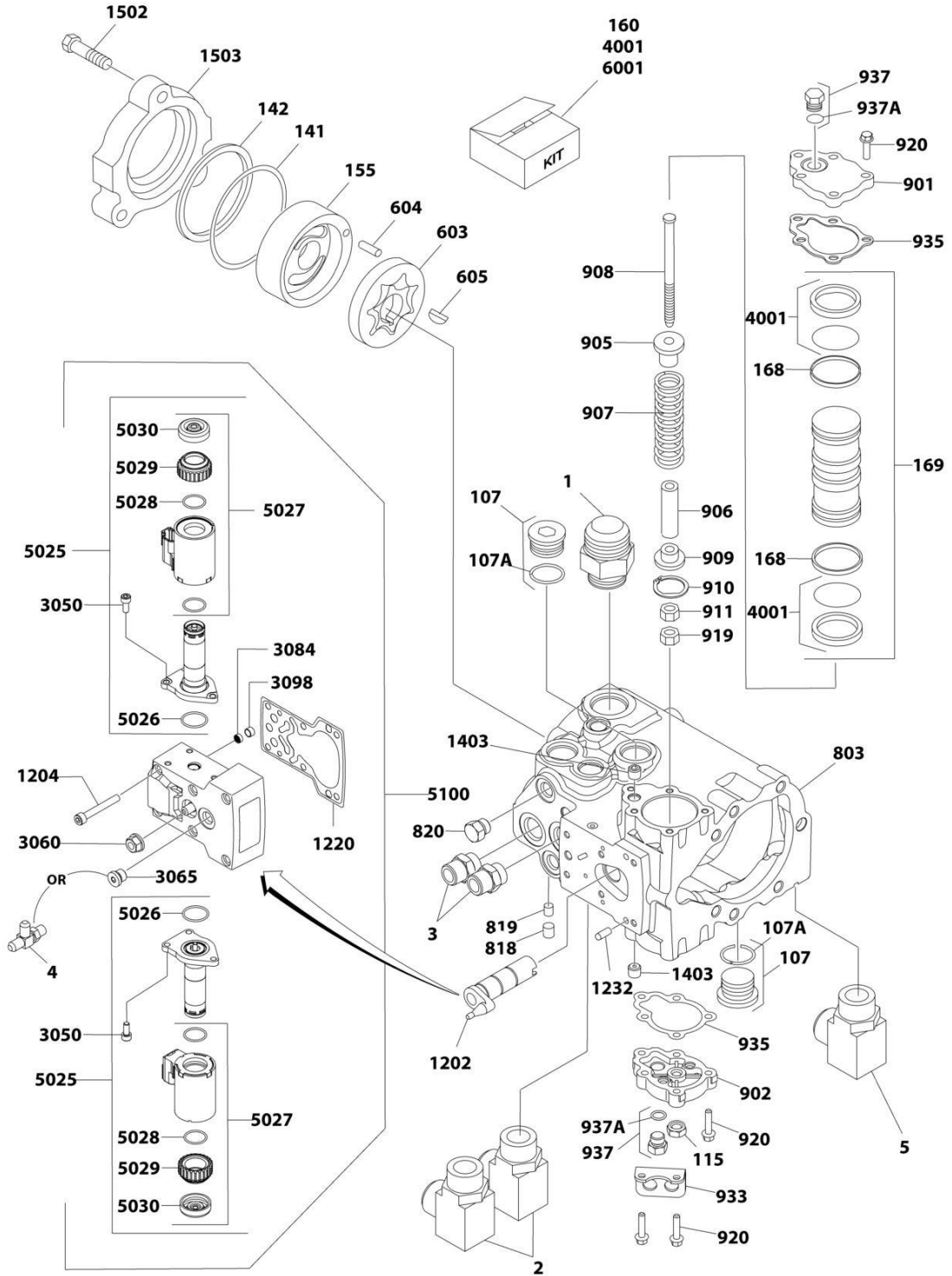
SECTION 3 - ENGINE

FIGURE 3-39. PISTON PUMP ASSEMBLY - FORD ENGINES



ART_1001188953_10F2

SECTION 3 - ENGINE



ART_1001188953_20F2

SECTION 3 - ENGINE

FIGURE 3-39. PISTON PUMP ASSEMBLY - FORD ENGINES

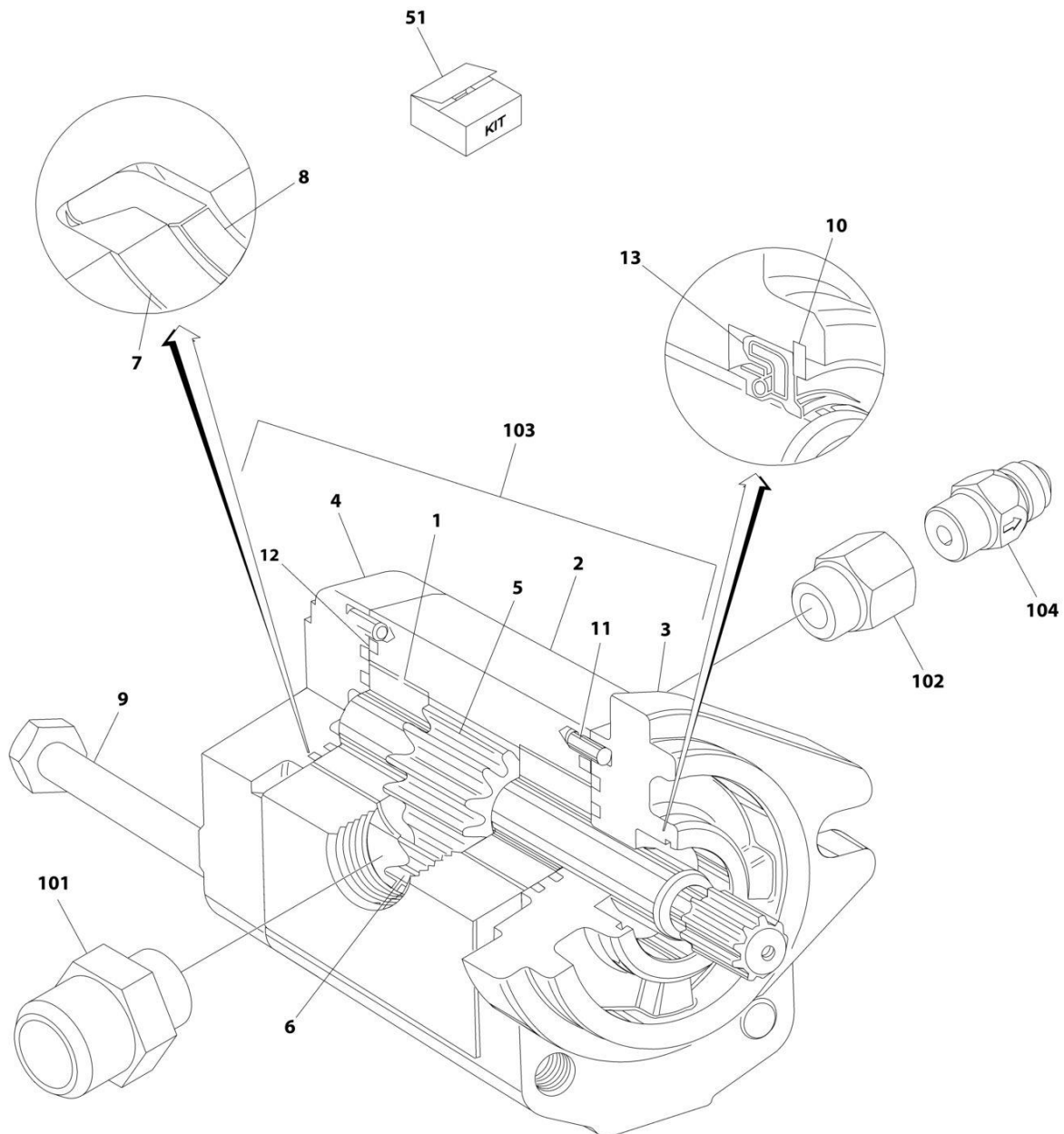
ITEM	PART NUMBER	QTY	DESCRIPTION	REV
	1001188953	Ref	PUMP AND FITTING ASSEMBLY	A
1	2220377	1	Fitting, Straight JIC/ORB	
2	2220451	1	Fitting, Straight JIC/ORB	
3	2220646	2	Fitting, 90 JIC/ORB	
4	2220947	2	Fitting, Straight JIC/ORB	
5	2220711	1	Fitting, Tee JIC/ORB	
	1001186542	Ref	PISTON PUMP ASSEMBLY	B
101	7007413	1	Shim Kit	
103	7007415	1	O-Ring (Part of Item 106)	
104	7021200	1	Spring, Relief Valve	
105	7007417	1	Valve, Relief	
106	7024874	2	Plug (Includes Items 103)	
107	7007419	2	Plug	
107A	7007418	2	O-Ring	
110	7007420	2	Plug	
110A	7021256	2	O-Ring	
115	7007423	1	Nut, Special	
118	7007425	1	Bearing, Needle	
129	7007435	1	Pin, Spring	
130	7021202	1	Screw	
131	70002176	1	Bearing, Ball	
132	7007438	2	Ring, Retainer	
133	7007439	2	Ring	
136	7007442	1	Sleeve, Bearing	
137	7007443	1	Gasket, Front Cover	
140	7007446	1	Pin	
141	7021233	1	O-Ring	
142	7007448	1	Ring, Load Temper	
152	7007420	1	Plug Assembly	
152A	7021256	1	O-Ring	
155	70005466	1	Cover, Gerotor	
158	7007208	1	Plug	
158A	7007207	1	O-Ring	
160	7010116	1	Cylinder Block Kit (Includes Items 2164-2168)	
161	7024875	1	Cover Assembly - Front (Includes Items 202 & 2134)	
163	7021207	6	Screw	
165	70005467	2	Spring	
168	7021210	2	Bearing	
169	70005468	1	Servo Piston Assembly (Includes Items 168 & 4001)	
174	7007418	2	O-Ring	
201	7007457	1	Swash Plate Assembly (Includes Items 2135 & 2138)	
202	7021212	1	Journal, Bearing	
301	7007459	1	Seal, Lip	
401	7010121	1	Shaft, Main Pump	
501	7021214	1	Plate, Valve	
603	7007463	1	Gerotor Assembly	
604	7007464	1	Pin	
605	7007465	1	Key, Woodruff	
803	See Note	NSS	Housing, Pump (Note: Use p/n 1001186542)	
818	70005469	1	Plug	

SECTION 3 - ENGINE

ITEM	PART NUMBER	QTY	DESCRIPTION	REV
819	70005470	1	Plug	
820	70005469	1	Plug	
901	7021219	1	Cover, Servo (With Adjuster)	
902	7021220	1	Cover, Servo (Without Adjuster)	
905	7023979	1	Guide, Spring	
906	7007484	1	Stop, Servo	
907	7007485	1	Spring	
908	7021221	1	Screw	
909	7007487	1	Guide, Spring	
910	7007488	1	Ring, Retaining	
911	7021222	1	Locknut	
919	7021206	1	Nut	
920	7021223	10	Screw	
933	7021201	1	Bracket, Lifting	
935	7007422	2	Gasket, Servo Cover	
937	7007420	2	Plug	
937A	7021256	2	O-Ring	
1002	7007450	1	Ring, Back-up	
1003	70005471	1	O-Ring	
1004	7024877	1	Valve, Bypass	
1103	7024851	2	Valve, Pressure Relief (Includes Items 165 & 174)	
1202	70005472	1	Sleeve	
1204	70002156	6	Screw	
1220	70002154	1	Gasket	
1232	70002157	2	Pin	
1403	7007477	2	Plug, Orifice (.37)	
1502	7007453	3	Bolt, Hex	
1503	7007476	1	Adapter, Auxiliary Pump	
2134	7021203	2	Pin, Spring	
2135	7007441	1	Handle, Pin	
2138	7007444	1	Pin	
2164	7010117	7	Piston Assembly	
2165	7007431	3	Pin, Slipper Holddown	
2166	7007430	1	Retainer	
2167	7007434	1	Guide, Retainer	
2168	7010119	1	Retainer, Slipper	
3050	70002150	6	Screw	
3060	70005473	1	Nut, Seal	
3065	70002151	1	Plug	
3084	70002134	1	Screen	
3098	70002153	1	Ring	
4001	7007412	1	Seal Kit - Servo Piston	
5025	70002147	2	Solenoid Assembly (Includes Items 5026-5030)	
5026	70002148	2	O-Ring	
5027	70002149	2	Coil Assembly (Includes Items 5028-5030)	
5028	70005474	2	O-Ring	
5029	70005475	2	Screw	
5030	70005476	2	Cap	
5100	70002146	1	EDC Assembly (Includes Items 1204, 1220, 3050-3098 & 5025-5030)	
6001	7021232	1	Seal Kit - Complete (Includes Items 103, 137, 141, 142, 168, 174, 301, 935, 1002, 1003, 4001 and Plug O-Ring)	

SECTION 3 - ENGINE

FIGURE 3-40. GEAR PUMP ASSEMBLY



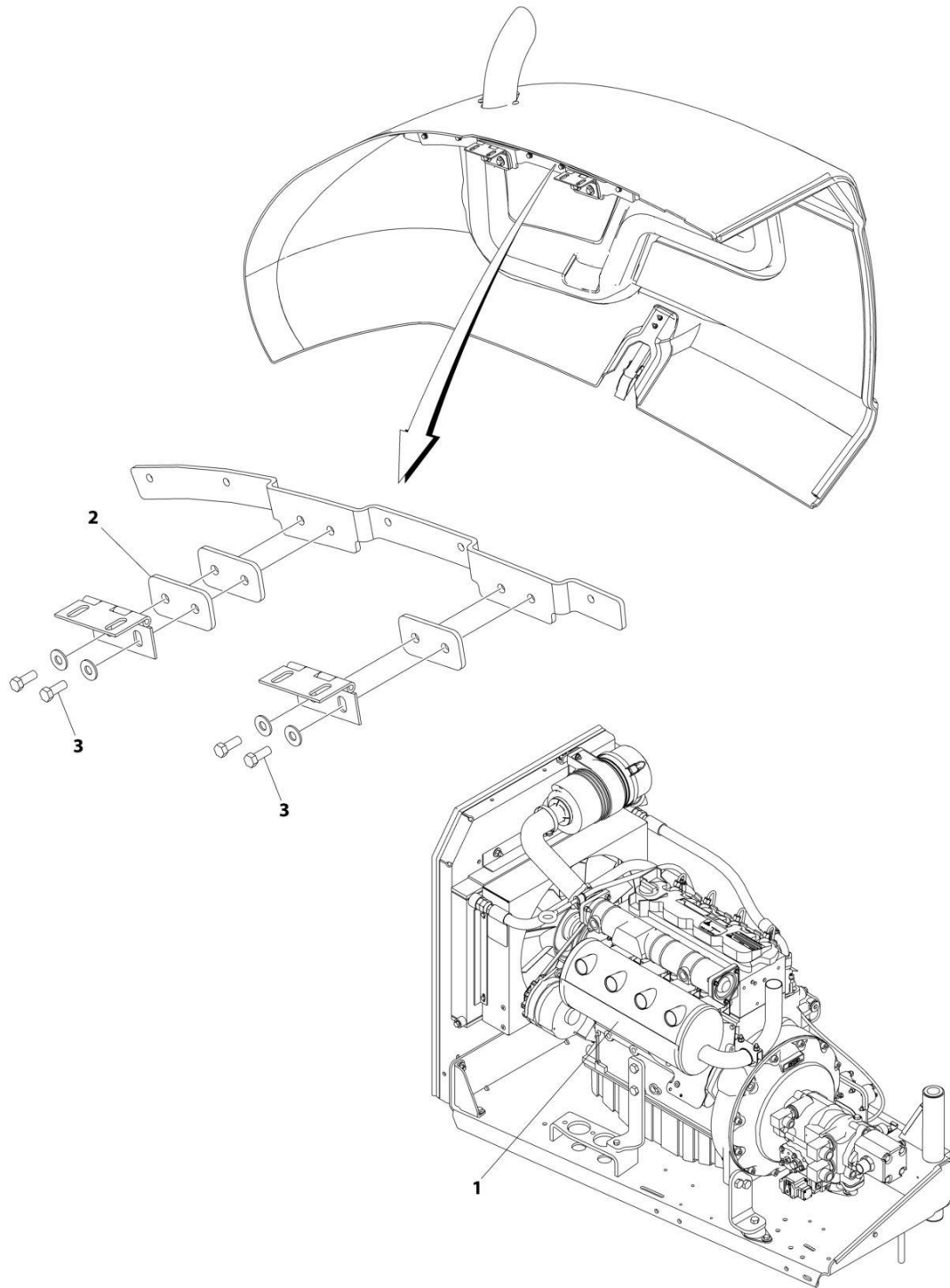
ART_3600242

FIGURE 3-40. GEAR PUMP ASSEMBLY

ITEM	PART NUMBER	QTY	DESCRIPTION	REV
	3600242	Ref	GEAR PUMP ASSEMBLY	
1	7010105	2	Bearing/Bushing	
2	See Note	NSS	Housing (Note: Use Item 3600242)	
3	See Note	NSS	Flange (Note: Use Item 3600242)	
4	7010103	1	Cover	
5	7012987	1	Gear, Drive	
6	7012988	1	Gear, Idler	
7	See Note	NSS	Ring, Anti-Extrusion (Note: Use Item 51)	
8	See Note	NSS	Seal (Note: Use Item 51)	
9	See Note	4	Bolt (Note: Not Available for Purchase)	
10	7010104	1	Ring, Retaining	
11	See Note	NSS	Pin, Dowel (Note: Not Available for Purchase)	
12	See Note	NSS	Seal, O-Ring (Note: Use Item 51)	
13	See Note	NSS	Seal, Shaft (Note: Use Item 51)	
51	7007489	1	Seal Kit (Includes Items 7, 8, 12 & 13)	
	3600395	Ref	GEAR PUMP AND FITTING ASSEMBLY	B
101	2220376	1	Fitting, Straight	
102	2220810	1	Fitting, Reducer	
103	3600242	1	Pump (Includes Items 1 - 13)	
104	4640744	1	Fitting, Check Valve	

SECTION 3 - ENGINE

FIGURE 3-41. SPARK ARRESTOR MUFFLER INSTALLATION - DEUTZ D2011 ENGINES



ART_1001182906

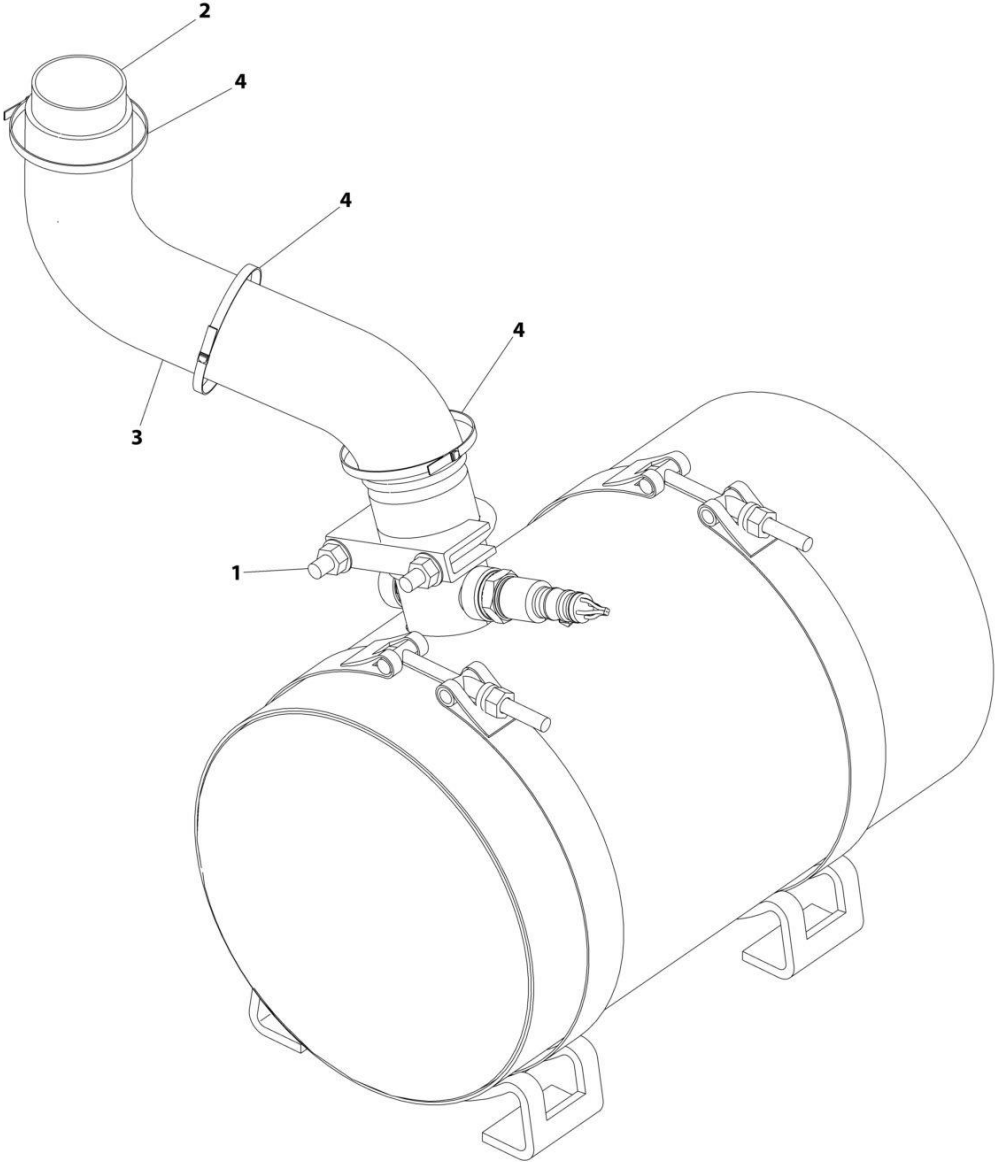
SECTION 3 - ENGINE

FIGURE 3-41. SPARK ARRESTOR MUFFLER INSTALLATION - DEUTZ D2011 ENGINES

ITEM	PART NUMBER	QTY	DESCRIPTION	REV
	1001182906	Ref	MUFFLER INSTALLATION SPARK ARRESTOR	B
1	3220103	1	Muffler	
2	1001169610	1	Spacer	
3	0641608	4	Bolt 3/8 x 1	

SECTION 3 - ENGINE

FIGURE 3-42. EXHAUST PIPE INSTALLATION - FORD ENGINES



ART_1001220215

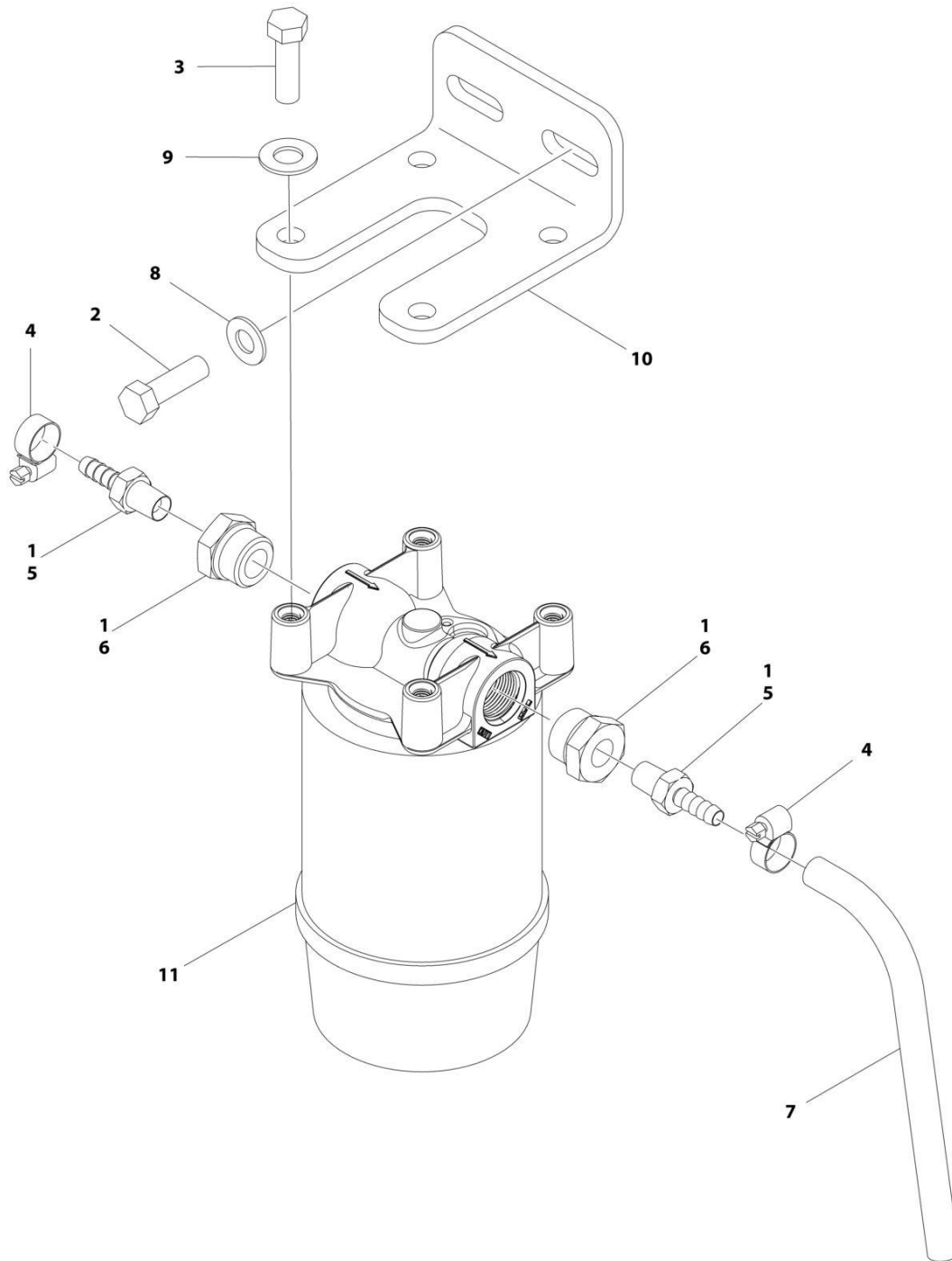
SECTION 3 - ENGINE

FIGURE 3-42. EXHAUST PIPE INSTALLATION - FORD ENGINES

ITEM	PART NUMBER	QTY	DESCRIPTION	REV
	1001220215	Ref	EXHAUST PIPE INSTALLATION	B
1	1001221397	1	Clamp	
2	1001216160	1	Pipe, Tail	
3	1001216536	1	Insulate	
4	1001100825	3	Strap	

SECTION 3 - ENGINE

FIGURE 3-43. FUEL-WATER SEPARATOR INSTALLATION - DEUTZ D2011 ENGINES (OPTIONAL)



ART_1001199784

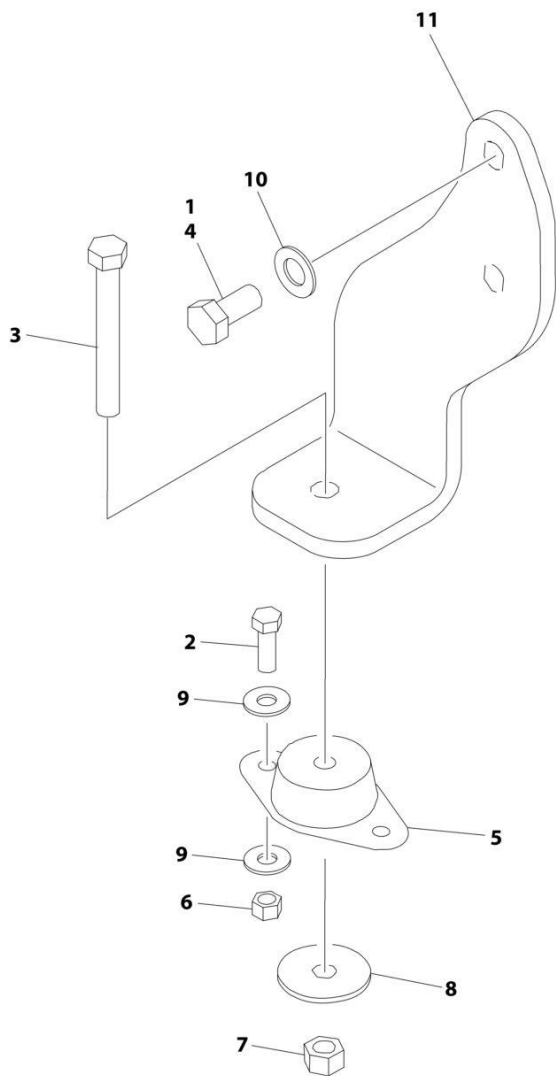
SECTION 3 - ENGINE

FIGURE 3-43. FUEL-WATER SEPARATOR INSTALLATION - DEUTZ D2011 ENGINES (OPTIONAL)

ITEM	PART NUMBER	QTY	DESCRIPTION	REV
	1001199784	Ref	FUEL-WATER SEPARATOR INSTALLATION	A
1	0100079	AR	Sealant	
2	0641607	2	Bolt 3/8 x 7/8	
3	0641610	4	Bolt 3/8 x 1-1/4	
4	1320022	2	Clamp	
5	2180348	2	Fitting, Straight	
6	2220816	2	Fitting, Straight	
7	2720058	12 in /31cm	Hose	
8	4711600	2	Washer 3/8	
9	4711700	4	Washer 7/16	
10	1001188884	1	Bracket	
11	1001188887	1	Fuel/Water Separator Assembly	
11	1001202280	1	Head	
11	1001202281	1	Element	

SECTION 3 - ENGINE

FIGURE 3-44. RIGHT ENGINE SUPPORT INSTALLATION (DEUTZ D2011 ENGINES MACHINES WITHOUT GENERATORS)



ART_1001151253

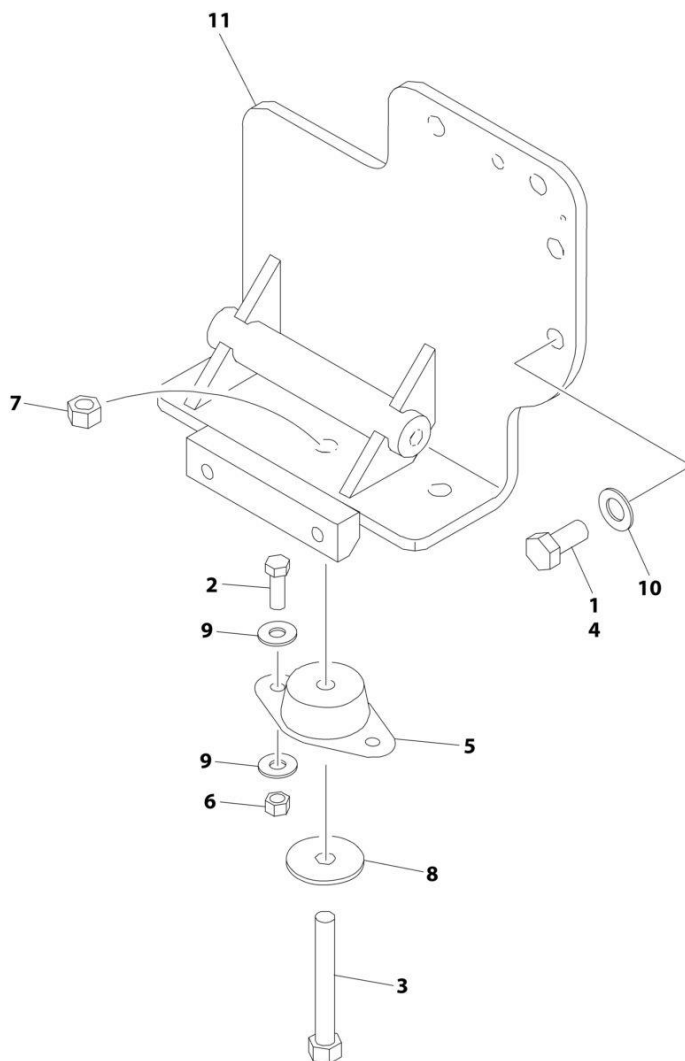
SECTION 3 - ENGINE

FIGURE 3-44. RIGHT ENGINE SUPPORT INSTALLATION (DEUTZ D2011 ENGINES MACHINES WITHOUT GENERATORS)

ITEM	PART NUMBER	QTY	DESCRIPTION	REV
	1001151253	Ref	RIGHT ENGINE SUPPORT INSTALLATION	A
1	0100011	AR	Compound, Locking	
2	0641609	2	Bolt 3/8 x 1-1/8	
3	0641820	1	Bolt 1/2 x 2-1/2	
4	0711414	2	Bolt M14 x 30 Grade 10.9	
5	3200401	1	Mount, Motor	
6	3311605	2	Nut 3/8	
7	3311805	1	Nut 1/2	
8	4740274	1	Washer	
9	4751600	4	Washer 3/8	
10	4812200	2	Washer M14	
11	1001149703	1	Support, Engine (Right Front)	

SECTION 3 - ENGINE

FIGURE 3-45. RIGHT ENGINE SUPPORT INSTALLATION (DEUTZ D2011 ENGINES MACHINES WITH GENERATORS)



ART_1001151252

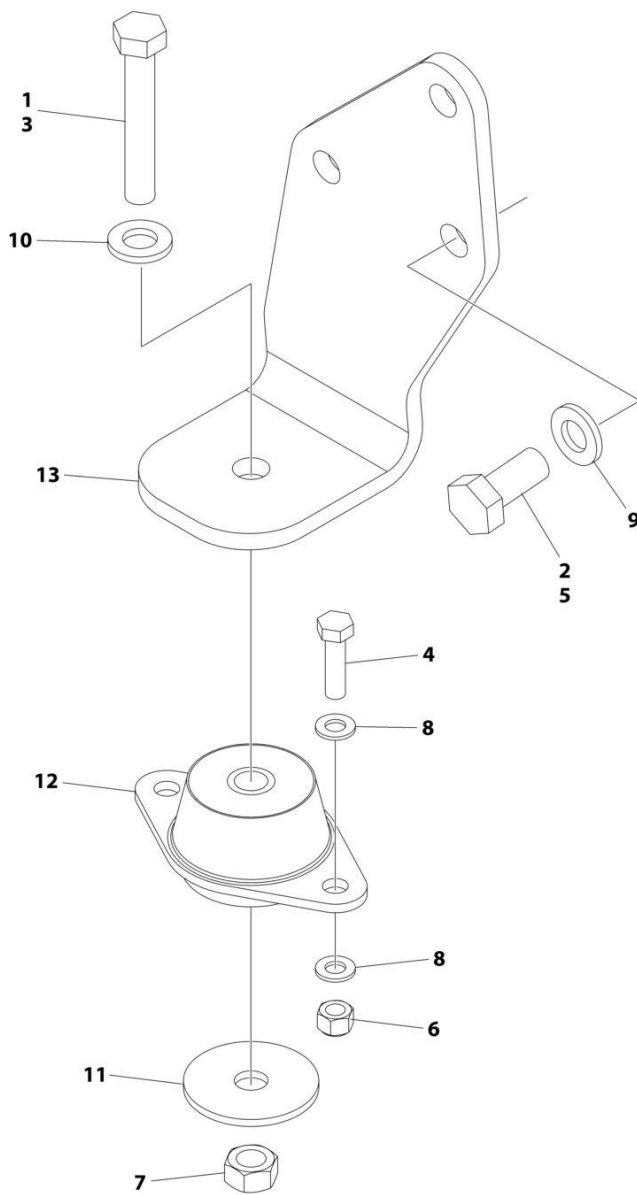
SECTION 3 - ENGINE

FIGURE 3-45. RIGHT ENGINE SUPPORT INSTALLATION (DEUTZ D2011 ENGINES MACHINES WITH GENERATORS)

ITEM	PART NUMBER	QTY	DESCRIPTION	REV
	1001151252	Ref	RIGHT ENGINE SUPPORT INSTALLATION	B
1	0100011	AR	Compound, Locking	
2	0641609	2	Bolt 3/8 x 1-1/8	
3	0641818	1	Bolt 1/2 x 2-1/2	
4	0711414	3	Bolt M14 x 30 Grade 10.9	
5	3200401	1	Mount, Motor	
6	3311605	2	Nut 3/8	
7	3311805	1	Nut 1/2	
8	4740274	1	Washer	
9	4751600	4	Washer 3/8	
10	4812200	3	Washer M14	
11	1001150890	1	Support, Engine (Right Front)	

SECTION 3 - ENGINE

FIGURE 3-46. RIGHT ENGINE SUPPORT INSTALLATION (DEUTZ TD2.2L3 ENGINES MACHINES WITHOUT GENERATORS)



ART_1001255419

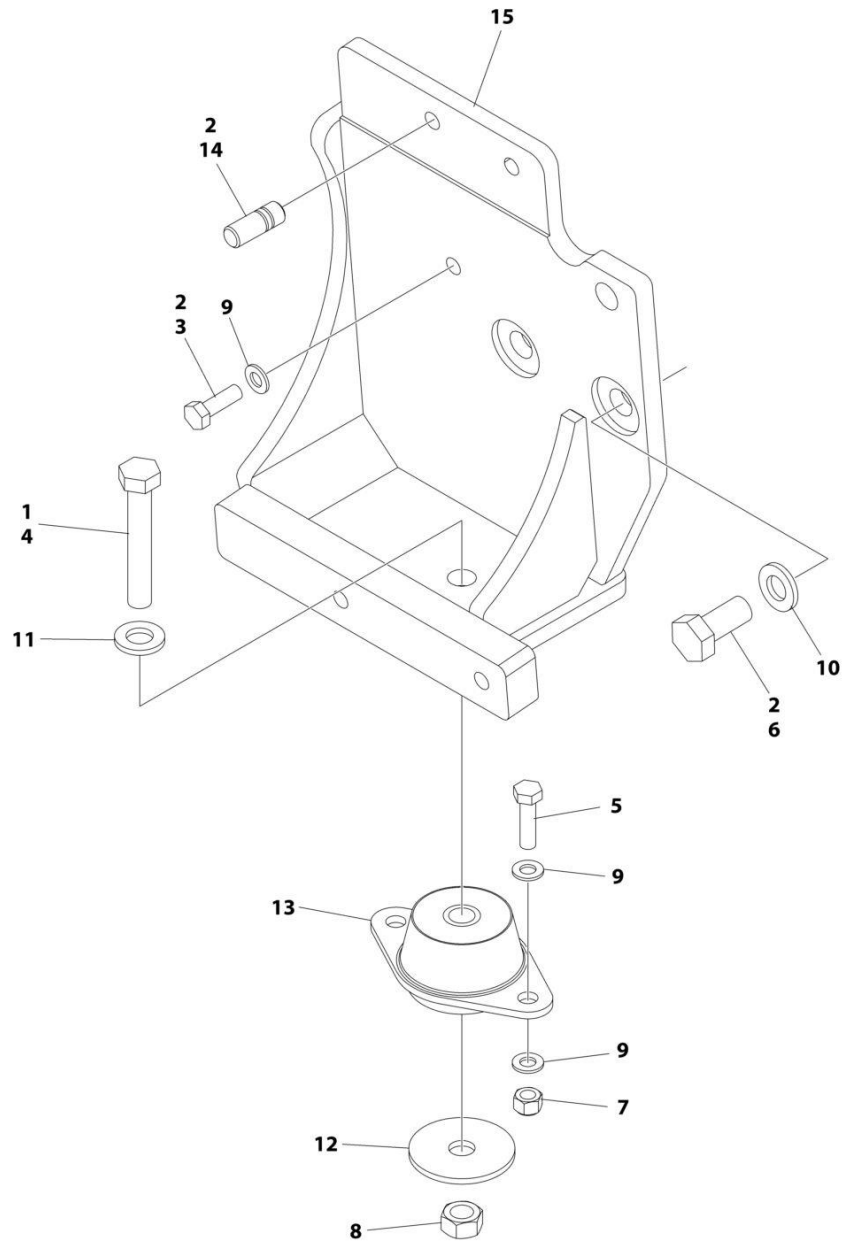
SECTION 3 - ENGINE

FIGURE 3-46. RIGHT ENGINE SUPPORT INSTALLATION (DEUTZ TD2.2L3 ENGINES MACHINES WITHOUT GENERATORS)

ITEM	PART NUMBER	QTY	DESCRIPTION	REV
	1001255419	Ref	RIGHT ENGINE SUPPORT INSTALLATION	B
1	0100011	AR	Compound, Locking	
2	0100019	AR	Compound, Locking	
3	0711223	1	Bolt M12 x 75	
4	0700814	2	Bolt M8 x 30	
5	0771414	3	Bolt M14 x 30	
6	3290805	2	Nut M8	
7	3331211	1	Nut M12	
8	4811900	4	Washer M8	
9	4812200	3	Washer M14	
10	5241200	1	Washer M12 Hardened	
11	1001168018	1	Washer, Snubbing	
12	1001166718	1	Mount, Motor	
13	1001249986	1	Support, Engine (Right Front)	

SECTION 3 - ENGINE

FIGURE 3-47. RIGHT ENGINE SUPPORT INSTALLATION (DEUTZ TD2.2L3 ENGINES MACHINES WITH GENERATORS)



ART_1001255418

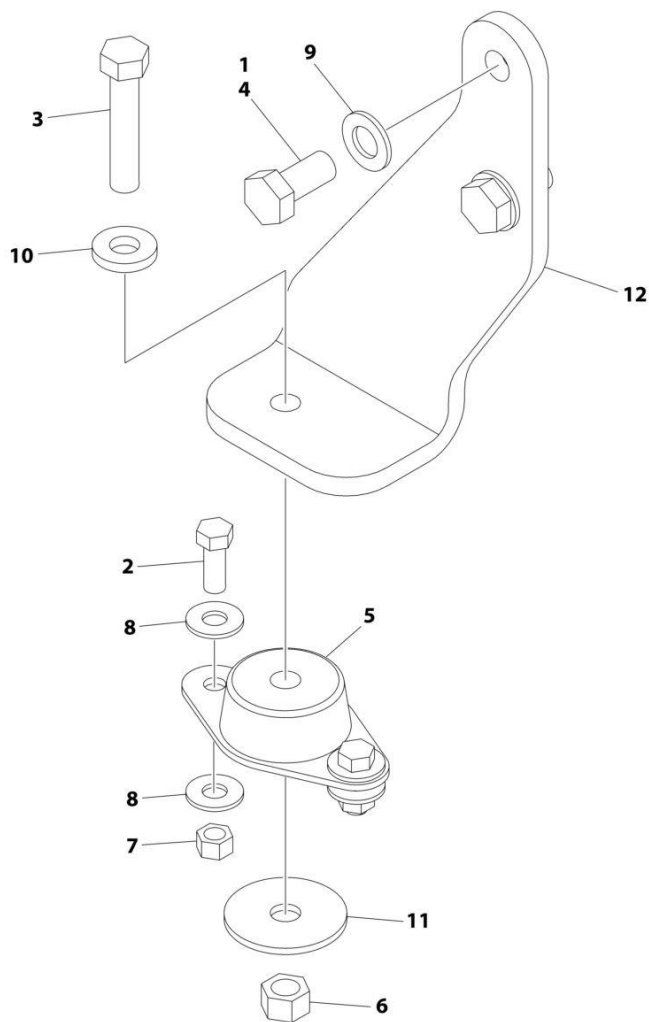
SECTION 3 - ENGINE

FIGURE 3-47. RIGHT ENGINE SUPPORT INSTALLATION (DEUTZ TD2.2L3 ENGINES MACHINES WITH GENERATORS)

ITEM	PART NUMBER	QTY	DESCRIPTION	REV
	1001255418	Ref	RIGHT ENGINE SUPPORT INSTALLATION	B
1	0100011	AR	Compound, Locking	
2	0100019	AR	Compound, Locking	
3	0700812	1	Bolt M8 x 25	
4	0711223	1	Bolt M12 x 75	
5	0700814	2	Bolt M8 x 30	
6	0771414	3	Bolt M14 x 30	
7	3290805	2	Nut M8	
8	3331211	1	Nut M12	
9	4811900	5	Washer M8	
10	4812200	3	Washer M14	
11	5241200	1	Washer M12 Hardened	
12	1001168018	1	Washer, Snubbing	
13	1001166718	1	Mount, Motor	
14	1001196382	1	Stud	
15	1001247178	1	Support, Engine (Right Front)	

SECTION 3 - ENGINE

FIGURE 3-48. RIGHT ENGINE SUPPORT INSTALLATION (DEUTZ TD2.9L4 ENGINES MACHINES WITHOUT GENERATORS)



ART_1001177043

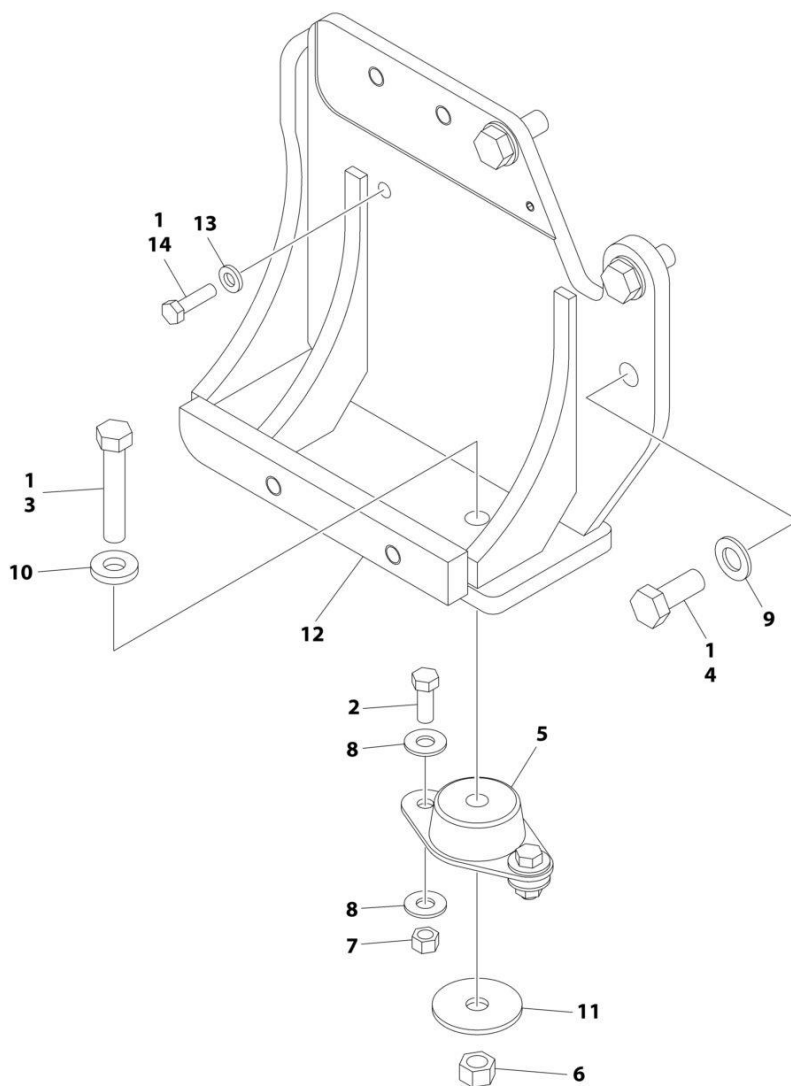
SECTION 3 - ENGINE

FIGURE 3-48. RIGHT ENGINE SUPPORT INSTALLATION (DEUTZ TD2.9L4 ENGINES MACHINES WITHOUT GENERATORS)

ITEM	PART NUMBER	QTY	DESCRIPTION	REV
	1001177043	Ref	RIGHT ENGINE SUPPORT INSTALLATION	A
1	0100011	AR	Compound, Locking	
2	0641608	2	Bolt 3/8 x 1	
3	0681820	1	Bolt 1/2 x 2-1/2	
4	0771414	2	Bolt M14 x 30 Grade 10.9	
5	3200401	1	Mount, Motor	
6	3271801	1	Nut 1/2	
7	3311605	2	Nut 3/8	
8	4751600	4	Washer 3/8	
9	4812200	2	Washer M14	
10	4891800	1	Washer 1/2 Hardened	
11	1001139409	1	Washer, Snubbing	
12	1001177038	1	Support, Engine (Right Front)	

SECTION 3 - ENGINE

FIGURE 3-49. RIGHT ENGINE SUPPORT INSTALLATION (DEUTZ TD2.9L4 ENGINES MACHINES WITH GENERATORS)



ART_1001177399

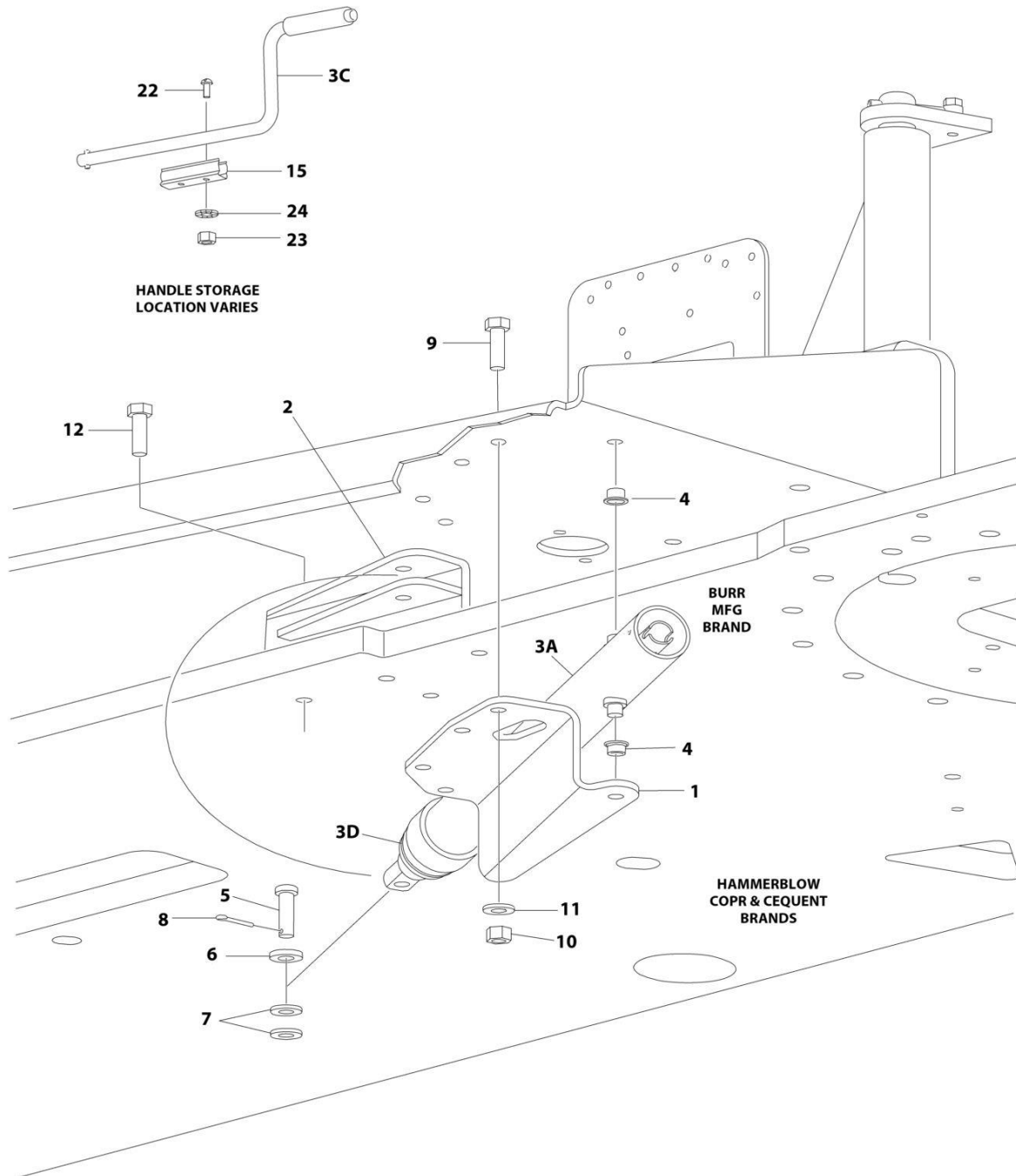
SECTION 3 - ENGINE

FIGURE 3-49. RIGHT ENGINE SUPPORT INSTALLATION (DEUTZ TD2.9L4 ENGINES MACHINES WITH GENERATORS)

ITEM	PART NUMBER	QTY	DESCRIPTION	REV
	1001177399	Ref	RIGHT ENGINE SUPPORT INSTALLATION	B
1	0100011	AR	Compound, Locking	
2	0641608	2	Bolt 3/8 x 1	
3	0681822	1	Bolt 1/2 x 2-3/4 Grade 8	
4	0771415	3	Bolt M14 x 35	
5	3200401	1	Mount, Motor	
6	3271801	1	Nut 1/2 Grade 8	
7	3311605	2	Nut 3/8	
8	4751600	4	Washer 3/8	
9	4812200	2	Washer M14	
10	4891800	1	Washer 1/2 Hardened	
11	1001139409	1	Washer, Snubbing	
12	1001202368	1	Support, Engine (Right Front)	
13	5240800	1	Washer M8 Hardened	
14	0700814	1	Bolt M8 x 30	

SECTION 3 - ENGINE

FIGURE 3-50. ENGINE TRAY JACK INSTALLATION - DEUTZ D2011 ENIGNES



ART_0255880

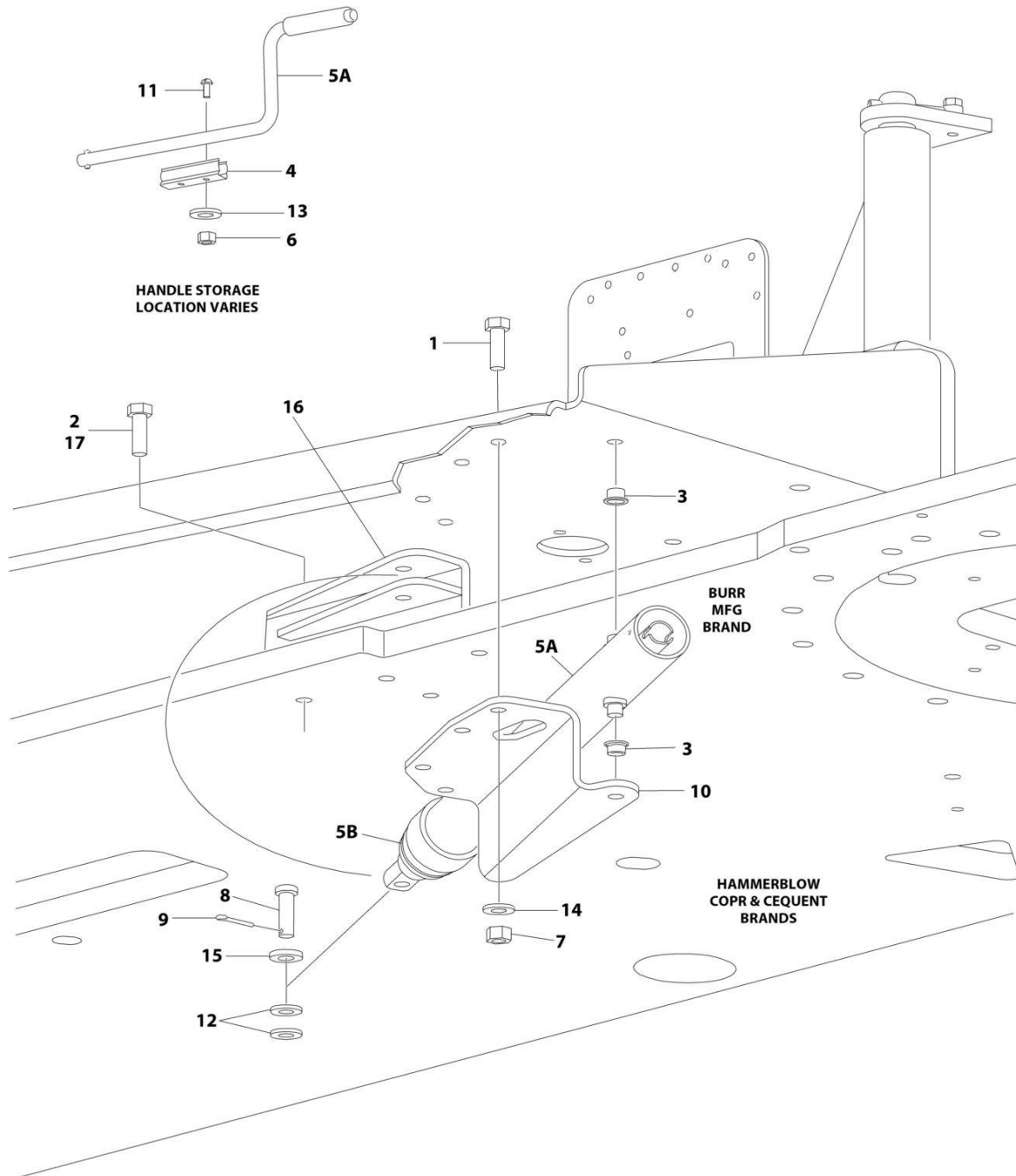
SECTION 3 - ENGINE

FIGURE 3-50. ENGINE TRAY JACK INSTALLATION - DEUTZ D2011 ENIGNES

ITEM	PART NUMBER	QTY	DESCRIPTION	REV
	0255880	Ref	ENGINE TRAY JACK INSTALLATION	6-H
1	3537445	1	Bracket	
2	4845163	1	Bracket	
3	2840018	1	Hydraulic Jack Assembly (Not Shown)	
3A		Ref	Burr Manufacturing Brand	
3B		Ref	Hammer blow Corp and Cequent Brands	
3C		Ref	Handle Options:	
3C	7016374	1	Burr Manufacturing Brand	
3C	7024598	1	Hammer blow Corp and Cequent Brands	
3D	7016322	1	Wiper (Burr Manufacturing Brand Only)	
4	0962051	2	Bushing, Flanged	
5	3430816	1	Pin, Clevis	
6	4891800	1	Washer 1/2 Hardened	
7	4711800	2	Washer 1/2	
8	3450404	1	Pin, Cotter 1/8 x 1	
9	0641609	4	Bolt 3/8 x 1-1/8	
10	3311605	4	Nut 3/8	
11	4891600	4	Washer 3/8	
12	0641810	4	Bolt 1/2 x 1-1/4	
15	1380147	1	Clip, Spring	
22	3910608	2	Screw #6 x 1	
23	3310601	2	Nut #6	
24	4770600	2	Washer #6	

SECTION 3 - ENGINE

FIGURE 3-51. ENGINE TRAY JACK INSTALLATION - DEUTZ TD2.9L4 & TD2.2L3 STAGE V ENGINES



ART_1001137891

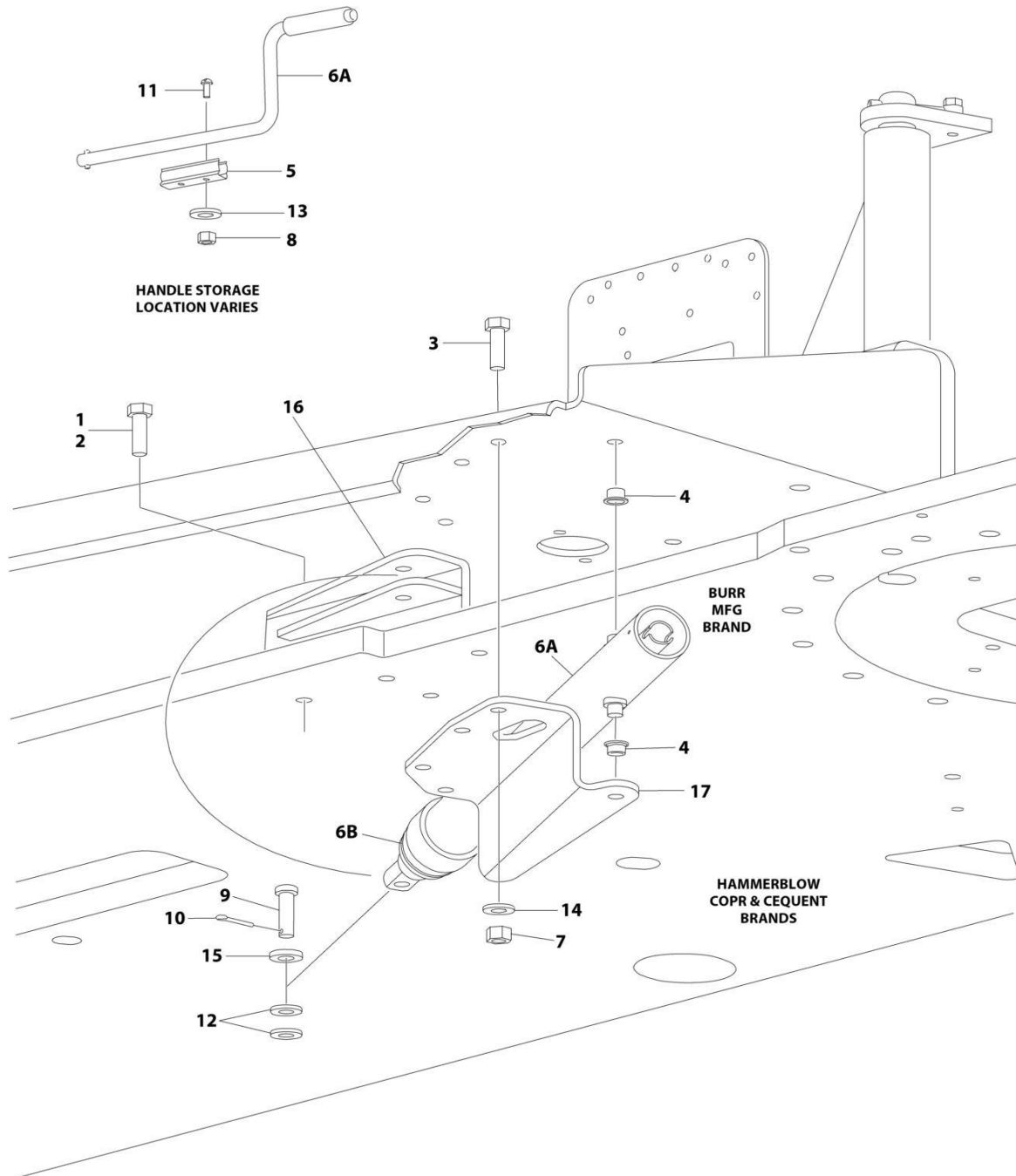
SECTION 3 - ENGINE

FIGURE 3-51. ENGINE TRAY JACK INSTALLATION - DEUTZ TD2.9L4 & TD2.2L3 STAGE V ENGINES

ITEM	PART NUMBER	QTY	DESCRIPTION	REV
	1001137891	Ref	ENGINE TRAY JACK INSTALLATION	B
1	0641609	4	Bolt 3/8 x 1-1/8	
2	0641810	4	Bolt 1/2 x 1-1/4	
3	0962051	2	Bushing, Flanged	
4	1380147	1	Clip, Spring	
5	2840016	1	Jack and Handle Assembly (Not Shown)	
5A		Ref	Handle Options:	
5A	7016374	1	Burr Manufacturing Brand	
5A	7024598	1	Hammer blow Corp Brand	
5B	7016322	1	Wiper (Burr Manufacturing Brand Only)	
6	3310601	2	Nut #6	
7	3311605	4	Nut 3/8	
8	3430816	1	Pin, Clevis	
9	3450404	1	Pin, Cotter 1/8 x 1	
10	3537445	1	Bracket	
11	3910608	2	Screw #6 x 1	
12	4711800	6	Washer 1/2	
13	4770600	2	Washer #6	
14	4891600	4	Washer 3/8	
15	4891800	1	Washer 1/2 Hardened	
16	1001137892	1	Bracket	
17	0100011	AR	Compound, Locking	

SECTION 3 - ENGINE

FIGURE 3-52. ENGINE TRAY JACK INSTALLATION - FORD ENIGNES



ART_1001218548

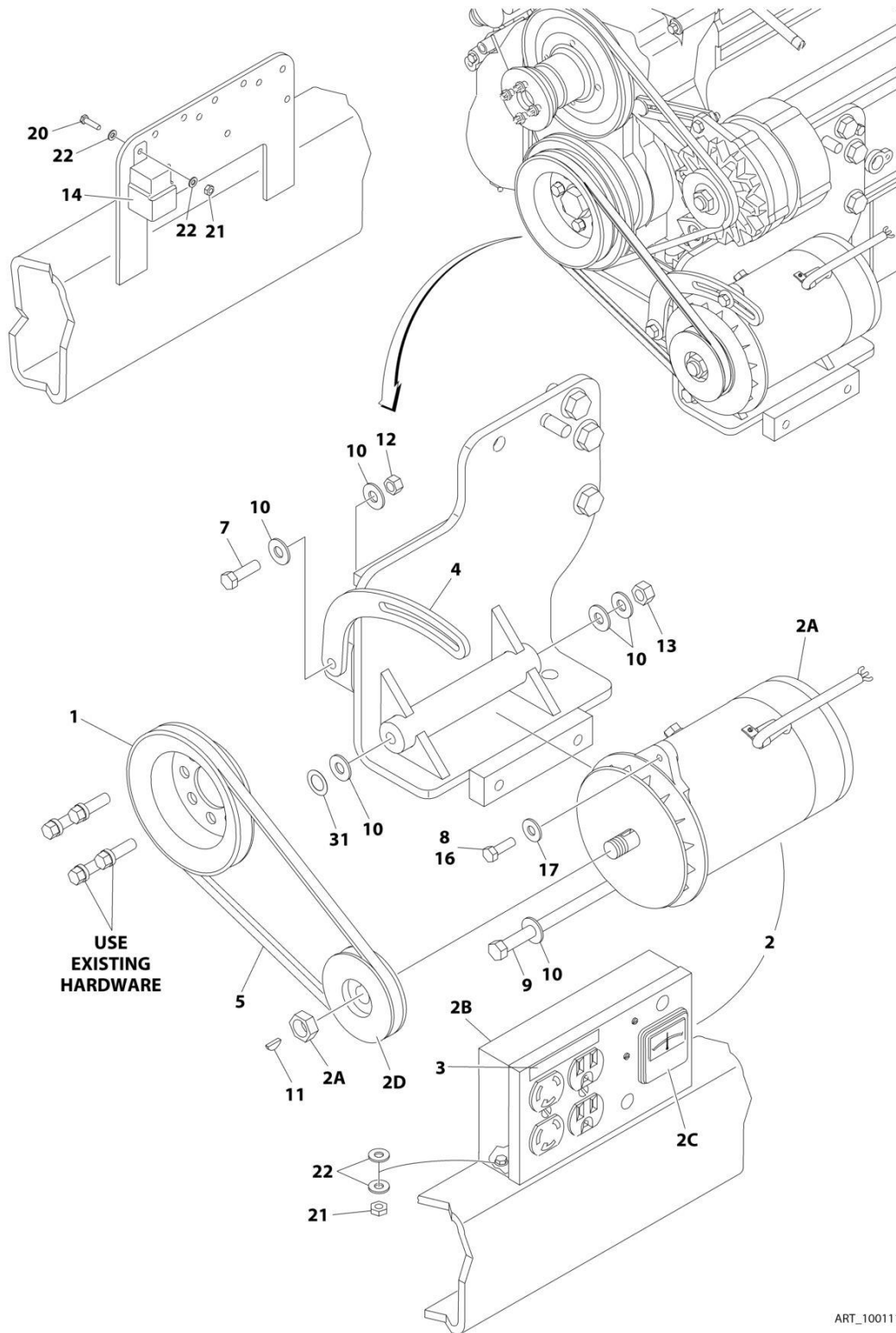
SECTION 3 - ENGINE

FIGURE 3-52. ENGINE TRAY JACK INSTALLATION - FORD ENIGNES

ITEM	PART NUMBER	QTY	DESCRIPTION	REV
	1001218548	Ref	ENGINE TRAY JACK INSTALLATION	A
1	0100011	AR	Compound, Locking	
2	0641810	4	Bolt 1/2 x 1-1/4	
3	0761014	3	Bolt M10 x 30	
4	0962051	2	Bushing, Flanged	
5	1380147	1	Clip, Spring	
6	2840016	1	Jack and Handle Assembly (Not Shown)	
6A		Ref	Handle Options:	
6A	7016374	1	Burr Manufacturing Brand	
6A	7024598	1	Hammer blow Corp Brand	
6B	7016322	1	Wiper (Burr Manufacturing Brand Only)	
7	3291007	3	Nut M10	
8	3310601	2	Nut #6	
9	3430816	1	Pin, Clevis	
10	3450404	1	Pin, Cotter 1/8 x 1	
11	3910608	2	Screw #6 x 1	
12	4711800	6	Washer 1/2	
13	4770600	2	Washer #6	
14	4812000	6	Washer M10	
15	4891800	1	Washer 1/2 Hardened	
16	1001137892	1	Bracket	
17	1001218547	1	Bracket	

SECTION 3 - ENGINE

FIGURE 3-53. 2500W/110V/60HZ GENERATOR INSTALLATION - DEUTZ D2011 ENGINES



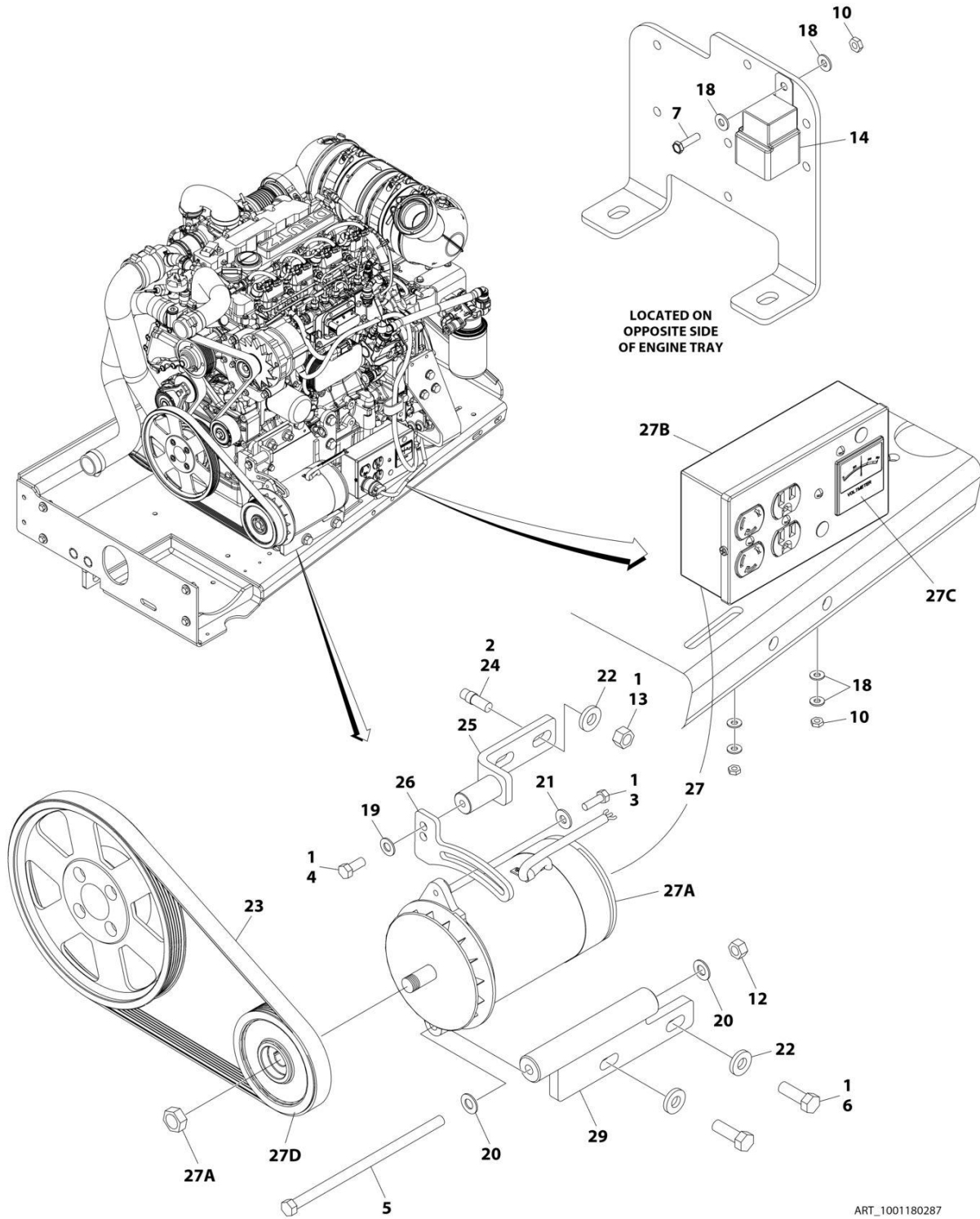
SECTION 3 - ENGINE

FIGURE 3-53. 2500W/110V/60HZ GENERATOR INSTALLATION - DEUTZ D2011 ENGINES

ITEM	PART NUMBER	QTY	DESCRIPTION	REV
	1001115405	Ref	2500W GENERATOR INSTALLATION - 110V/60Hz	B
1	3580158	1	Pulley	
2	2460055	1	Generator and Control Box Assembly:	
2A	7012558	1	Generator Only - 110V/60Hz	
2A		Ref	Note: Replacement Generators come standard with p/n 3580134 pulley. This pulley may not be correct for all applications. Refer to pulley options below.	
2A	7026199	1	Armature with Slip Rings	
2A	7012513	4	Cap, Brush Holder	
2A	7020108	4	Brush	
2A	7020109	4	Holder, Brush	
2A	7012514	1	Fan	
2A	7020110	1	Bell, Front	
2A	7020111	1	Bell, Rear	
2A	7020190	1	Bearing	
2B	7019680	1	Box, Control	
2B		Ref	Receptacle Options:	
2B	4460190	1	Receptacle, Standard	
2B	4460027	1	Receptacle, Twistlock	
2B	4360542	1	Breaker, Circuit	
2B	3520028	1	Plug, Hole	
2C	2420203	1	Voltmeter	
2D	3580276	1	Pulley	
2D	7027887	1	Key, Woodruff	
3	3251243	1	Decal - 110V/60Hz	
4	0200742	1	Arm, Adjusting	
5	0480121	1	V-Belt	
7	0641610	1	Bolt 3/8 x 1-1/4	
8	0100011	AR	Compound, Locking	
9	0641772	1	Bolt 7/16 x 9	
10	4751600	6	Washer 3/8	
11	2860012	1	Key, Woodruff	
12	3311605	1	Nut 3/8	
13	3311705	1	Nut 7/16	
14	3740080	1	Relay	
16	0641508	1	Bolt 5/16 x 1	
17	4751500	AR	Washer 5/16	
18	1001112588	1	Wiring Diagram Components (Not Shown)	
18	1001112589	1	Generator Harness (Not Shown)	
18	4922641	1	Generator ON/OFF Switch Harness (Not Shown - Located at Platform)	
20	0721006	AR	Bolt #10 x 3/4	
21	3311005	3	Nut #10	
22	4751000	AR	Washer #10	
25	4360336	1	Switch, Toggle (Not Shown - Located at Platform)	
26	4740397	1	Bushing (Not Shown - Located at Platform)	
27	4060802	1	Guard, Switch (Not Shown - Located at Platform)	
29	2820031	4 in/ 10cm	Heat Shrink (Not Shown - Located at Platform)	
30	3251102	1	Decal (Not Shown - Located at Platform)	
31	4070585	AR	Shim	

SECTION 3 - ENGINE

FIGURE 3-54. 2500W/110V/60HZ GENERATOR INSTALLATION - DEUTZ TD2.9L4 ENGINES



ART_1001180287

SECTION 3 - ENGINE

FIGURE 3-54. 2500W/110V/60HZ GENERATOR INSTALLATION - DEUTZ TD2.9L4 ENGINES

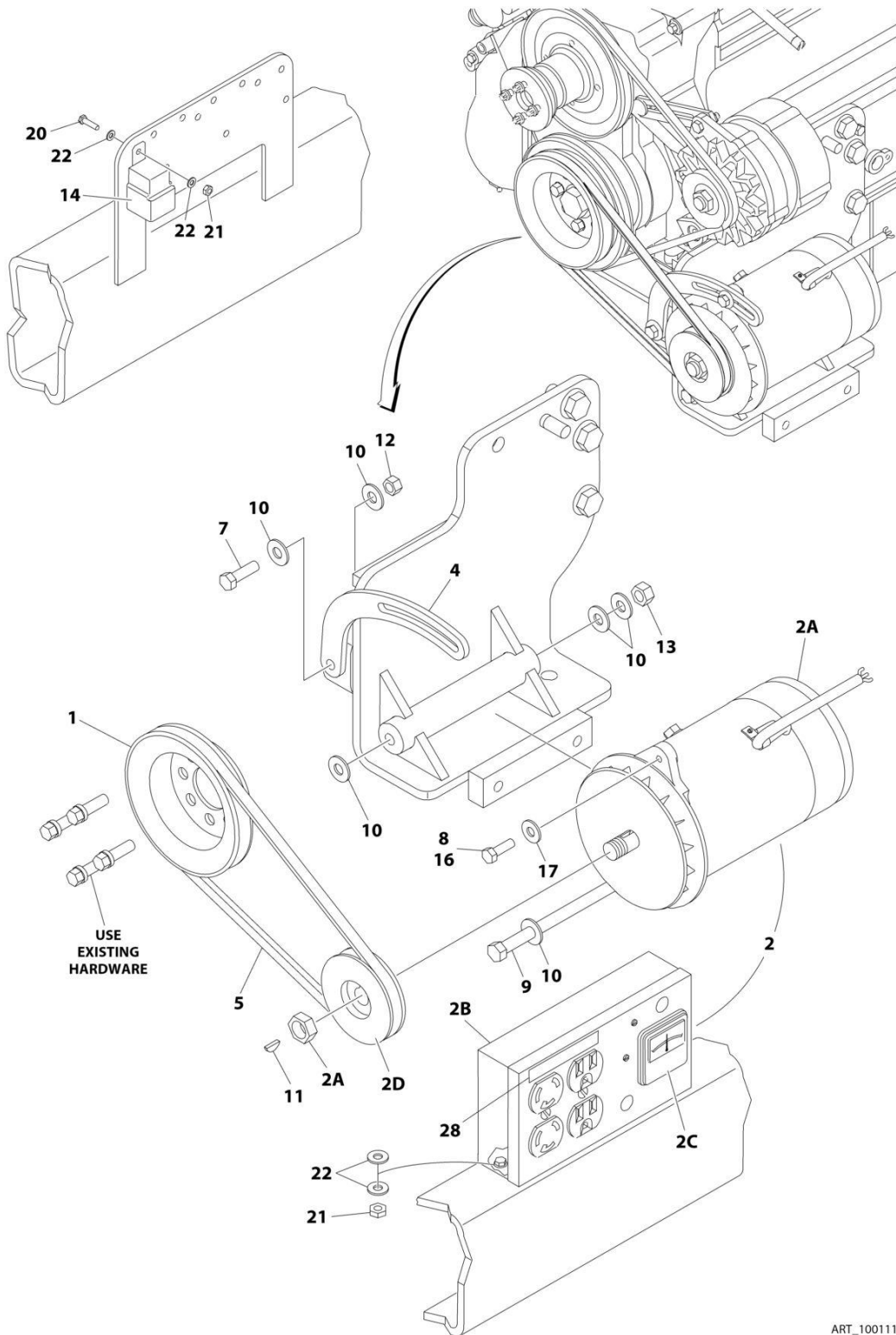
ITEM	PART NUMBER	QTY	DESCRIPTION	REV
	1001180287	Ref	2500W GENERATOR INSTALLATION - DEUTZ TD2.9L4 (OPTIONAL)	C
1	0100011	AR	Compound, Locking	
2	0100019	AR	Compound, Locking	
3	0641508	1	Bolt 5/16 x 1	
4	0641607	1	Bolt 3/8 x 7/8	
5	0641772	1	Bolt 7/16 x 9	
6	0641812	2	Bolt 1/2 x 1-1/2	
7	0721006	1	Screw #10 x 3/4	
8	2820031	AR	Heat Shrink (Not Shown - Located at Platform)	
9	3251102	1	Name Plate - Generator On (Not Shown - Located at Platform)	
10	3311005	3	Nut #10	
12	3311705	1	Nut 7/16	
13	3311801	2	Nut 1/2	
14	3740080	1	Relay	
15	4060802	1	Guard, Switch (Not Shown - Located at Platform)	
16	4240018	AR	Strap, Cable Tie (Not Shown)	
17	4360336	1	Switch, Toggle (Not Shown - Located at Platform)	
18	4711000	6	Washer #10	
19	4711600	1	Washer 3/8	
20	4711700	2	Washer 7/16	
21	4751500	1	Washer 5/16	
22	4891800	4	Washer 1/2	
23	1001148138	1	V-Belt	
24	1001163599	2	Stud	
25	1001216015	1	Bracket	
26	1001179837	1	Arm, Adjustment	
27	1001180001	1	Generator and Control Box Assembly	
27A	7012558	1	Generator Only - 110V/60Hz	
27A		Ref	Note: Replacement Generators come standard with p/n 3580134 pulley. This pulley may not be correct for all applications. Refer to pulley options below.	
27A	7026199	1	Armature with Slip Rings	
27A	7012513	4	Cap, Brush Holder	
27A	7020108	4	Brush	
27A	7020109	4	Holder, Brush	
27A	7012514	1	Fan	
27A	7020110	1	Bell, Front	
27A	7020111	1	Bell, Rear	
27A	7020190	2	Bearing	
27B	7019680	1	Box, Control - 110V/60Hz	
27B		Ref	Receptacle Options:	
27B	4460190	1	Receptacle, Standard (110V Only)	
27B	4460027	1	Receptacle, Twistlock (110V Only)	
27B	4360542	1	Breaker, Circuit	
27B	3520028	1	Plug, Hole	
27C	2420203	1	Voltmeter	
27D	3580276	1	Pulley	
27D	7027887	1	Key, Woodruff	
28		Ref	Wiring Diagram Components (Not Shown)	

SECTION 3 - ENGINE

ITEM	PART NUMBER	QTY	DESCRIPTION	REV
28	4922641	1	Generator On/Off Switch Harness (Not Shown - Located at Platform)	
28	1001180052	1	Generator Harness (Not Shown)	
29	1001181243	1	Mount, Generator	

SECTION 3 - ENGINE

FIGURE 3-55. 2500W/220V/50HZ GENERATOR INSTALLATION - DEUTZ D2011 ENGINES (ANSI EXPORT AND CHINA SPECS)



ART_100115406

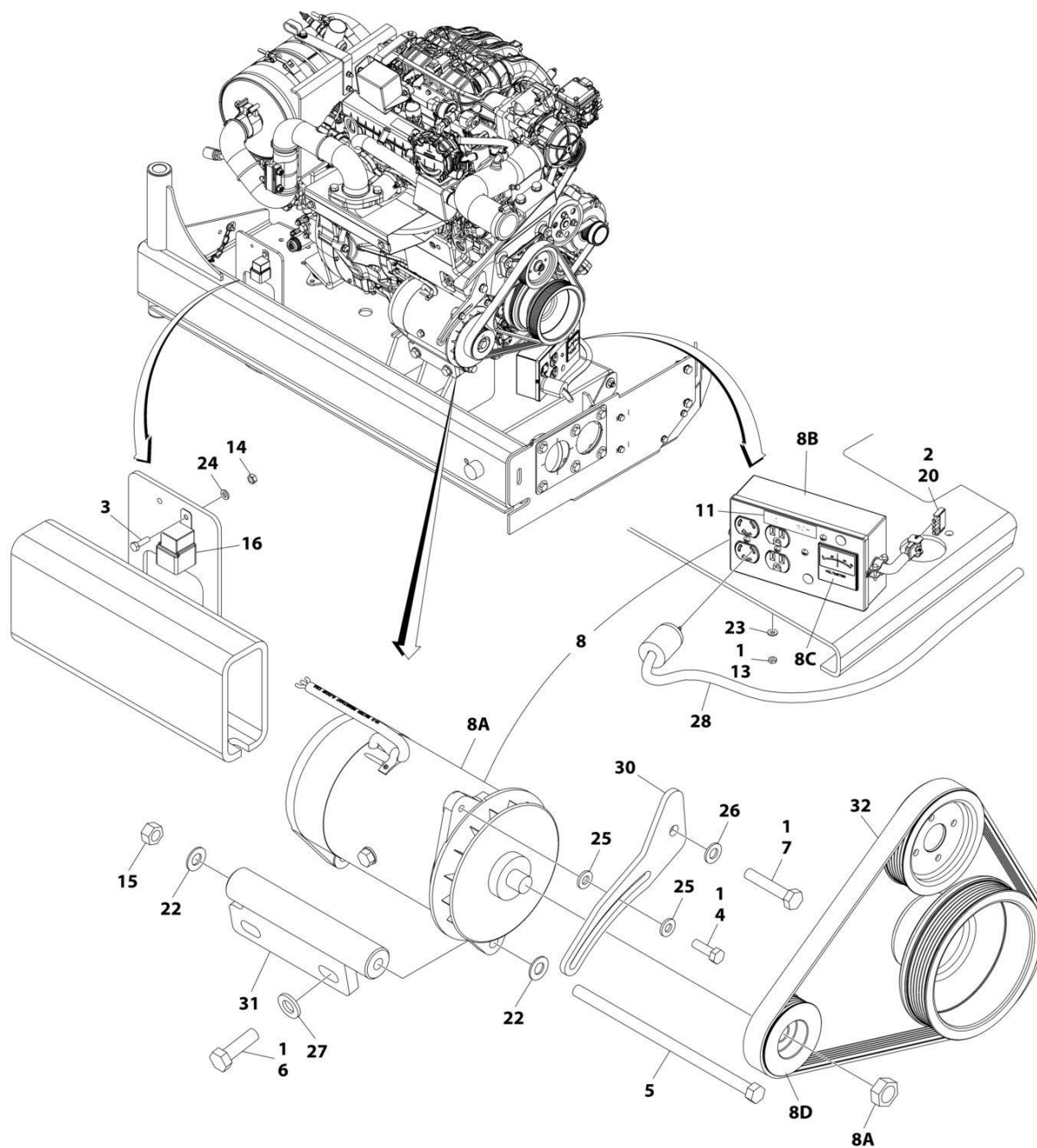
SECTION 3 - ENGINE

FIGURE 3-55. 2500W/220V/50HZ GENERATOR INSTALLATION - DEUTZ D2011 ENGINES (ANSI EXPORT AND CHINA SPECS)

ITEM	PART NUMBER	QTY	DESCRIPTION	REV
	1001115406	Ref	2500W GENERATOR INSTALLATION - 220V/50Hz	B
1	3580158	1	Pulley	
2	2460056	1	Generator and Control Box Assembly:	
2A	1001100321	1	Generator Only	
2A		Ref	Note: Replacement Generators come standard with p/n 3580134 pulley. This pulley may not be correct for all applications. Refer to pulley options below.	
2A	70000123	1	Armature with Slip Rings	
2A	7012513	4	Cap, Brush Holder	
2A	7020108	4	Brush	
2A	7020109	4	Holder, Brush	
2A	7012514	1	Fan	
2A	7020110	1	Bell, Front	
2A	7020111	1	Bell, Rear	
2A	7020190	1	Bearing	
2B	70000127	1	Box, Control	
2B		Ref	Receptacle Options:	
2B	70000124	1	Receptacle, Double	
2B	70000125	1	Receptacle, Single	
2B	70000126	1	Breaker, Circuit:	
2B	3520028	1	Plug, Hole	
2C	7020192	1	Voltmeter	
2D	3580134	1	Pulley	
2D	7027887	1	Key, Woodruff	
4	0200742	1	Arm, Adjusting	
5	0480121	1	V-Belt	
7	0641610	1	Bolt 3/8 x 1-1/4	
8	0100011	AR	Compound, Locking	
9	0641772	1	Bolt 7/16 x 9	
10	4751600	6	Washer 3/8	
11	2860012	1	Key, Woodruff	
12	3311605	1	Nut 3/8	
13	3311705	1	Nut 7/16	
14	3740080	1	Relay	
16	0641508	1	Bolt 5/16 x 1	
17	4751500	AR	Washer 5/16	
18	1001112588	1	Wiring Diagram Components (Not Shown)	
18	4922641	1	Generator ON/OFF Switch Harness (Not Shown - Located at Platform)	
18	1001112589	1	Generator Harness (Not Shown)	
20	0721006	1	Bolt #10 x 3/4	
21	3311005	1	Nut #10	
22	4751000	1	Washer #10	
25	4360336	1	Switch, Toggle (Not Shown - Located at Platform)	
26	4740397	1	Bushing (Not Shown - Located at Platform)	
27	4060802	1	Guard, Switch (Not Shown - Located at Platform)	
28	3252507	2	Decal - 220V - 50Hz	
29	2820031	4 in/10cm	Heat Shrink (Not Shown - Located at Platform)	
30	3251102	1	Decal (Not Shown - Located at Platform)	

SECTION 3 - ENGINE

FIGURE 3-56. 2500W GENERATOR INSTALLATION - FORD ENGINES



ART_1001217188

SECTION 3 - ENGINE

FIGURE 3-56. 2500W GENERATOR INSTALLATION - FORD ENGINES

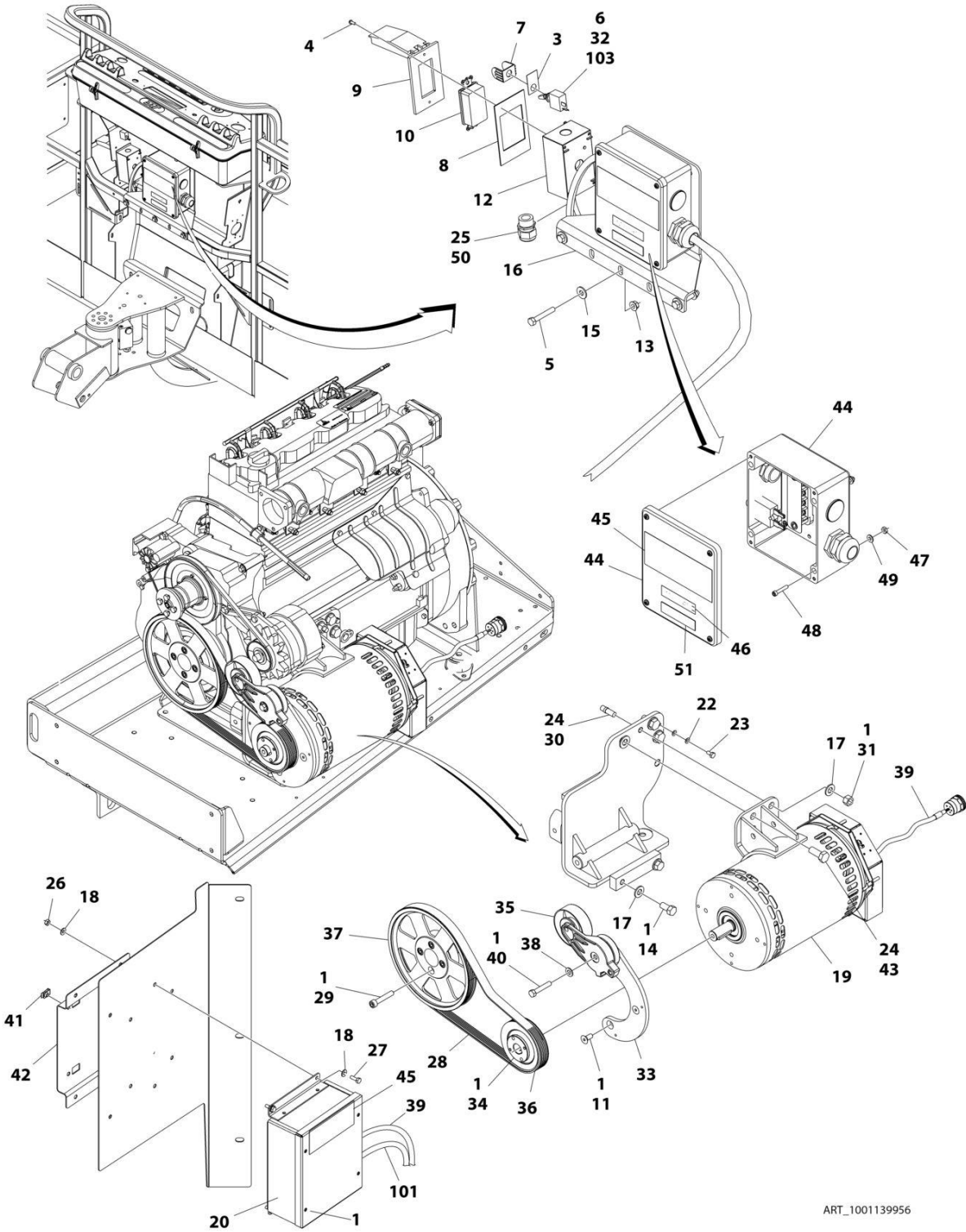
ITEM	PART NUMBER	QTY	DESCRIPTION	REV
	1001217188	Ref	2500W GENERATOR INSTALLATION	G
1	0100011	AR	Compound, Locking	
2	0100048	AR	Grease, Dielectric	
3	0760610	1	Bolt M6 x 20	
4	0641508	1	Bolt 5/16 x 1	
5	0641772	1	Bolt 7/16 x 9	
6	0761216	2	Bolt M12 x 40	
7	0761019	1	Bolt M10 x 55	
8	2460051	1	Generator and Control Box Assembly	
8A	7012558	1	Generator Only - 110V/60Hz	
		Ref	Note: Replacement Generators come standard with pin 3580134 pulley. This pulley may not be correct for all applications. Refer to pulley options below.	
8A	7026199	1	Armature with Slip Rings	
8A	7012513	4	Cap, Brush Holder	
8A	7020108	4	Brush	
8A	7020109	4	Holder, Brush	
8A	7012514	1	Fan	
8A	7020110	1	Bell, Front	
8A	7020111	1	Bell, Rear	
8A	7020190	2	Bearing	
8B	7019680	1	Box, Control - 110V/60Hz	
8B		Ref	Receptacle Options:	
8B	4460190	Ref	Receptacle, Standard (110V Only)	
8B	4460027	1	Receptacle, Twistlock (110V Only)	
8B	4360542	1	Breaker, Circuit	
8B	3520028	1	Plug, Hole	
8C	2420203	1	Voltmeter	
8D	3580324	1	Pulley	
8D	7027887	1	Key, Woodruff	
9	2820031	1	Heat Shrink (Not Shown - Located at Platform)	
10	3251102	1	Nameplate Generator (Not Shown - Located at Platform)	
11	3251243	1	Decal - 120V-60Hz	
13	3311005	2	Nut #10	
14	3290601	1	Nut M6	
15	3311705	1	Nut 7/16	
16	3740080	1	Relay	
17	4060802	1	Guard Switch (Not Shown - Located at Platform)	
18	4240099	AR	Tie-Strap (Not Shown)	
19	4360336	1	Switch, Toggle (Not Shown - Located at Platform)	
20	4460321	1	Plug, Male - 4 Position	
21	4460906	1	Socket, Female (Not Shown)	
22	4711700	2	Washer 7/16	
23	4751000	2	Washer #10	
24	4811700	1	Washer M6	
25	4891500	2	Washer 5/16	
26	4812000	1	Washer M10	
27	5241200	2	Washer M12	
28	4921829	1	Harness, Inverter	
30	1001219632	1	Arm, Adjustment	

SECTION 3 - ENGINE

ITEM	PART NUMBER	QTY	DESCRIPTION	REV
31	1001219630	1	Mount, Generator	
32	1001216391	1	V-Belt	

SECTION 3 - ENGINE

FIGURE 3-57. 4000W/60HZ GENERATOR INSTALLATION - DEUTZ D2011 ENGINES



ART_1001139956

SECTION 3 - ENGINE

FIGURE 3-57. 4000W/60HZ GENERATOR INSTALLATION - DEUTZ D2011 ENGINES

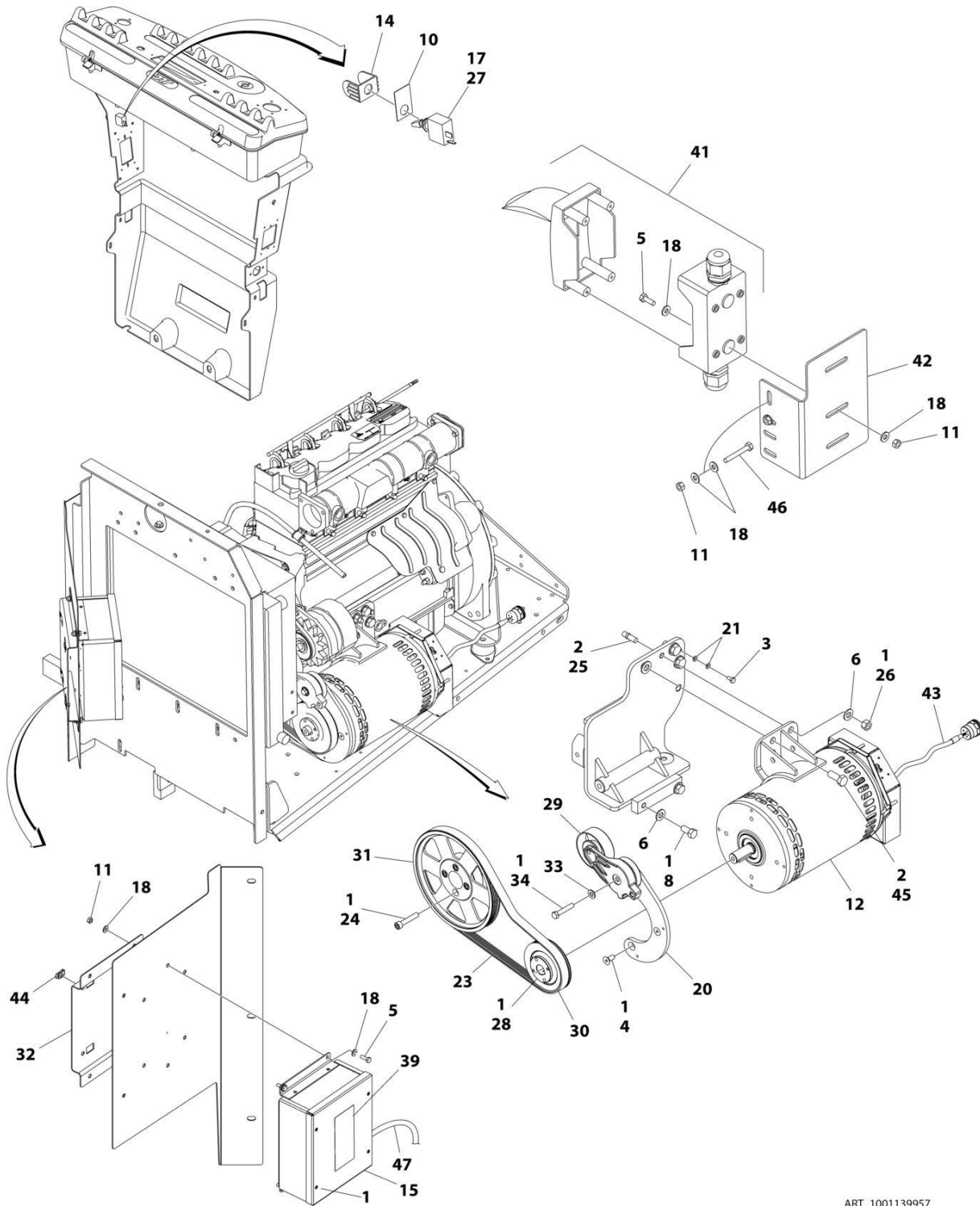
ITEM	PART NUMBER	QTY	DESCRIPTION	REV
	1001139956	Ref	4000W/60Hz Generator Installation - Deutz D2011 Engines	B
1	0100011	1	Compound, Locking	
3	3251102	1	Nameplate, Generator	
4	3910606	4	Screw #6 x 3/8	
5	0641516	3	Bolt 5/16 x 2	
6	4360336	1	Switch, Toggle	
7	4060802	1	Guard, Switch	
8	3960422	1	Gasket, AC Receptacle	
9	1001110873	1	Cover, Gang Vertical Receptacle GFCI	
10	4460346	1	Receptacle	
11	0741607	3	Screw 3/8 x 7/8	
12	0860038	1	Box, Switch-Weatherhead	
13	3311508	3	Nut 5/16	
14	0641808	2	Bolt 1/2 x 1	
15	4751500	3	Washer 5/16	
16	0902888	1	Bracket, Junction Box	
17	4711800	3	Washer 1/2	
18	4711400	8	Washer 1/4	
19	1001129858	1	Generator Assembly	
19	70003709	1	Ring, Retaining (External)	
19	70003708	1	Ring, Retaining (Internal)	
19	70001966	1	Bearing	
19	70004092	1	Endbell (Shaft End)	
19	70004171	1	Key	
19	70004676	1	Rotor	
19	70004684	1	Stator	
19	70004678	1	Endbell (Rear)	
19	70004679	1	Cover, Endbell (Rear)	
19	70004680	1	Enclosure, Wiring	
19	70004685	1	Cover, Enclosure	
19	70004682	1	Switch, Reset (Located on Enclosure Cover)	
19	70004098	1	Connector, Strain Relief (Located on Enclosure Cover)	
20	1001138566	1	Box, Control	
20	70006552	1	Capacitor	
20	70006553	1	Relay	
21	4240018	AR	Tie-Strap (Not Shown)	
22	4791400	2	Washer 1/4	
23	0641404	1	Bolt 1/4 x 1/2	
24	0100019	AR	Compound, Locking	
25	4460071	1	Connector, Strain Relief	
26	3311405	4	Nut 1/4	
27	0641406	4	Bolt 1/4 x 3/4	
28	0480129	1	Belt, Generator	
29	4032015	4	Capscrew M10 x 55	
30	4300157	1	Stud	
31	3311801	1	Nut 1/2	
32	2820031	AR	Heat Shrink	
33	1001139357	1	Mount, Tensioner	
34	0962520	1	Bushing, Split	
35	3580317	1	Tensioner, Belt with Pulley	

SECTION 3 - ENGINE

ITEM	PART NUMBER	QTY	DESCRIPTION	REV
36	3580318	1	Pulley, Generator	
37	3580320	1	Pulley, Engine Deutz	
38	4711600	1	Washer 3/8	
39	1001152532	1	Harness, Generator (See Separate Breakdown in ELECTRICAL Section)	
40	0641616	1	Bolt 3/8 x 2	
41	3300454	4	Nut, U-Style 1/4	
42	3575863	1	Plate	
43	0771415	1	Bolt M14 x 35 Grade 10.9	
44	1001152457	1	Junction Box Assembly	
44	3300396	1	Cover, Breaker	
44	4360070	1	Breaker, Circuit - 15Amp	
44	4460425	1	Connector, Strain Relief (LH Side)	
44	4460426	1	Connector, Strain Relief (RH Side)	
44	1001152530	1	Block, Terminal	
44	1001158363	1	Cover, Terminal Block	
44	1001153260	1	Decal - Wiring Diagram	
45	1705387	3	Decal - Hazardous Voltage	
46	3251243	1	Decal, 120V-60Hz	
47	3311005	4	Nut #10	
48	3931016	4	Capscrew #10 x 1	
49	4751000	4	Washer #10	
50	0100020	AR	Sealant	
51	1705374	1	Decal, 240V-60Hz	
		Ref	ELECTRICAL DIAGRAM COMPONENTS	
101	1001153197	1	Harness, Generator (See Separate Breakdown in ELECTRICAL Section)	
103	4922641	1	Harness, Switch	

SECTION 3 - ENGINE

FIGURE 3-58. 4000W/50HZ GENERATOR INSTALLATION - DEUTZ D2011 ENGINES



ART_1001139957

SECTION 3 - ENGINE

FIGURE 3-58. 4000W/50HZ GENERATOR INSTALLATION - DEUTZ D2011 ENGINES

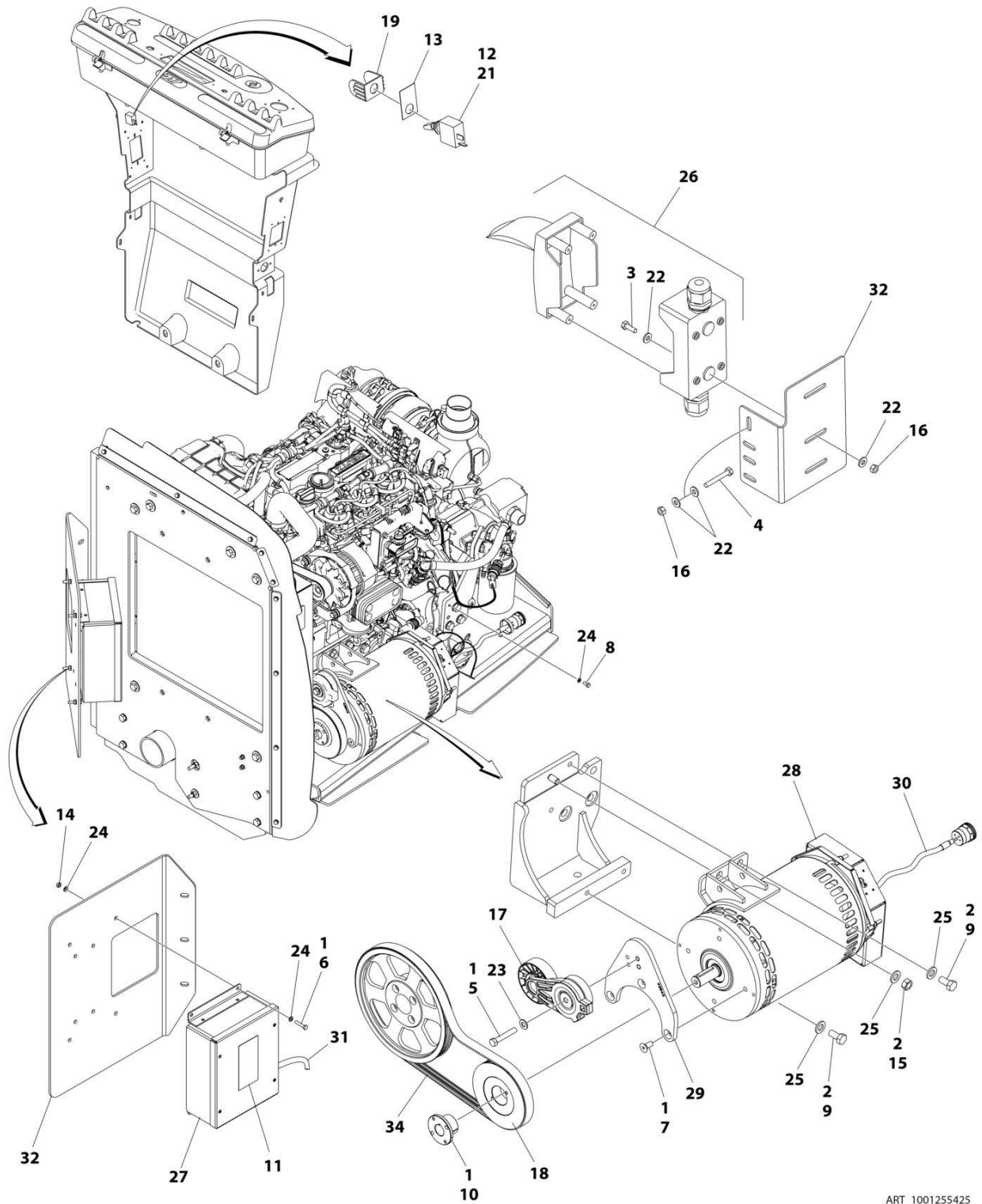
ITEM	PART NUMBER	QTY	DESCRIPTION	REV
	1001139957	Ref	4000W/50HZ Generator Installation - Deutz D2011 Engines	D
1	0100011	AR	Compound, Locking	
2	0100019	AR	Compound, Locking	
3	0641404	1	Bolt 1/4 x 1/2	
4	0741607	3	Screw 3/8 x 7/8	
5	0641406	6	Bolt 1/4 x 3/4	
6	4711800	3	Washer 1/2	
8	0641808	2	Bolt 1/2 x 1	
10	3251102	1	Nameplate, Generator	
11	3311405	8	Nut 1/4	
12	1001138565	1	Generator Assembly	
12	70003709	1	Ring, Retaining (External)	
12	70003708	1	Ring, Retaining (Internal)	
12	70001966	1	Bearing	
12	70004092	1	Endbell (Shaft End)	
12	70004171	1	Key	
12	70004676	1	Rotor	
12	70004677	1	Stator	
12	70004678	1	Endbell (Rear)	
12	70004679	1	Cover, Endbell (Rear)	
12	70004680	1	Enclosure, Wiring	
12	70004681	1	Cover, Enclosure	
12	70004682	1	Switch, Reset (Located on Enclosure Cover)	
12	70004683	1	Connector, Strain Relief (Located on Enclosure Cover)	
14	4060802	1	Guard, Switch	
15	1001138566	1	Box, Control	
15	70006552	1	Capacitor	
15	70006553	1	Relay	
16	4240018	AR	Tie-Strap (Not Shown)	
17	4360336	1	Switch, Toggle	
17	4922641	1	Harness, On/Off Switch	
18	4711400	16	Washer 1/4	
20	1001139357	1	Mount, Tensioner	
21	4791400	2	Washer 1/4	
23	0480126	1	Belt, Generator	
24	4032015	4	Capscrew M10 x 55	
25	4300157	1	Stud	
26	3311801	1	Nut 1/2	
27	2820031	AR	Heat Shrink	
28	0962520	1	Bushing, Split	
29	3580317	1	Tensioner, Belt with Pulley	
30	3580319	1	Pulley, Generator	
31	3580320	1	Pulley, Engine Deutz	
32	3575863	1	Plate	
33	4711600	1	Washer 3/8	
34	0641616	1	Bolt 3/8 x 2	
39	1705489	2	Decal - Hazardous Voltage	
41	1001096070	1	Breaker Box Kit (Not Shown) (See Separate Breakdown in ELECTRICAL SECTION)	
42	1001153636	1	Bracket	

SECTION 3 - ENGINE

ITEM	PART NUMBER	QTY	DESCRIPTION	REV
43	1001152532	1	Harness, Generator (See Separate Breakdown in ELECTRICAL SECTION)	
44	3300454	4	Nut, U-Style 1/4	
45	0771415	1	Bolt M14 x 35 Grade 10.9	
46	0641415	2	Capscrew 1/4 x 1-7/8	
47	1001153197	1	Harness, Generator (See Separate Breakdown in ELECTRICAL SECTION)	

SECTION 3 - ENGINE

FIGURE 3-59. 4000W/50HZ GENERATOR INSTALLATION - DEUTZ TD2.2L3 ENGINES



ART_1001255425

SECTION 3 - ENGINE

FIGURE 3-59. 4000W/50HZ GENERATOR INSTALLATION - DEUTZ TD2.2L3 ENGINES

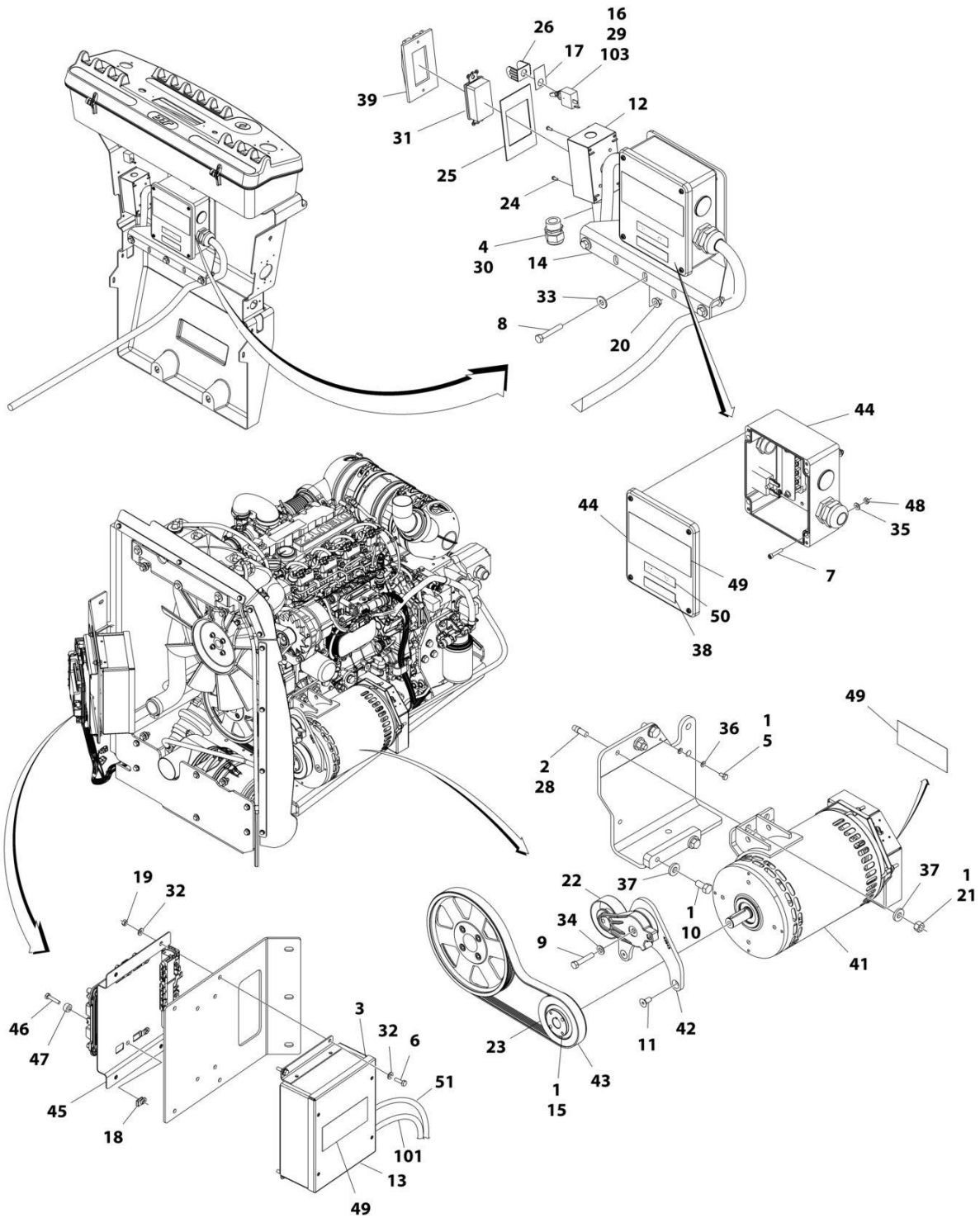
ITEM	PART NUMBER	QTY	DESCRIPTION	REV
	1001255425	Ref	4000W/50HZ Generator Installation - Deutz TD2.2L3 (Stage V) Engines	B
1	0100011	AR	Compound, Locking	
2	0100019	AR	Compound, Locking	
3	0641406	2	Bolt 1/4 x 3/4	
4	0641415	2	Bolt 1/4 x 1-7/8	
5	0641618	1	Bolt 3/8 x 2-1/4	
6	0700614	4	Bolt M6 x 30	
7	0741607	3	Screw 3/8 x 7/8	
8	0760607	1	Bolt M6 x 14	
9	0761212	3	Bolt M12 x 25	
10	0962520	1	Bushing, Split	
11	1705489	2	Decal - Hazardous Voltage	
12	2820031	AR	Heat Shrink	
13	3252764	1	Nameplate	
14	3290601	4	Nut M6	
15	3291201	1	Nut M12	
16	3311405	4	Nut 1/4	
17	3580317	1	Tensioner, Belt with Pulley	
18	3580319	1	Pulley, Generator	
19	4060802	1	Guard, Switch	
20	4240018	AR	Tie-Strap (Not Shown)	
21	4360336	1	Switch, Toggle	
21	4922641	1	Harness, On/Off Switch	
22	4711400	8	Washer 1/4	
23	4711600	1	Washer 3/8	
24	4811700	9	Washer M6	
25	5241200	4	Washer M12	
26	1001096070	1	Breaker Box Kit (See Separate Breakdown in ELECTRICAL SECTION)	
27	1001138566	1	Box, Control	
27	70006552	1	Capacitor	
27	70006553	1	Relay	
28	1001140347	1	Generator Assembly	
28	70003709	1	Ring, Retaining (External)	
28	70003708	1	Ring, Retaining (Internal)	
28	70001966	1	Bearing	
28	70004092	1	Endbell (Shaft End)	
28	70004099	1	Key	
28	70004676	1	Rotor	
28	70004686	1	Stator	
28	70004678	1	Endbell (Rear)	
28	70004679	1	Cover, Endbell (Rear)	
28	70004680	1	Enclosure, Wiring	
28	70004681	1	Cover, Enclosure	
28	70004682	1	Switch, Reset (Located on Enclosure Cover)	
28	70004683	1	Connector, Strain Relief (Located on Enclosure Cover)	
28	4460224	1	Receptacle, Female - 6 Position (Connects to Generator Harness)	
28	4460294	6	Pin, Male (Use with p/n 4460224)	

SECTION 3 - ENGINE

ITEM	PART NUMBER	QTY	DESCRIPTION	REV
28	4460807	6	Seal, Terminal (Use with p/n 4460224)	
28	4460808	1	Seal, Interface (Use with p/n 4460224)	
29	1001142643	1	Support, Gen Tensioner	
30	1001152532	1	Harness, Generator (See Separate Breakdown in ELECTRICAL SECTION)	
31	1001153197	1	Harness, Generator (See Separate Breakdown in ELECTRICAL SECTION)	
32	1001153636	1	Bracket	
33	1001175632	1	Wire	
34	1001214683	1	Belt, Generator	

SECTION 3 - ENGINE

FIGURE 3-60. 4000W/60HZ GENERATOR INSTALLATION - DEUTZ TD2.9L4 ENGINES



ART_1001171126

SECTION 3 - ENGINE

FIGURE 3-60. 4000W/60HZ GENERATOR INSTALLATION - DEUTZ TD2.9L4 ENGINES

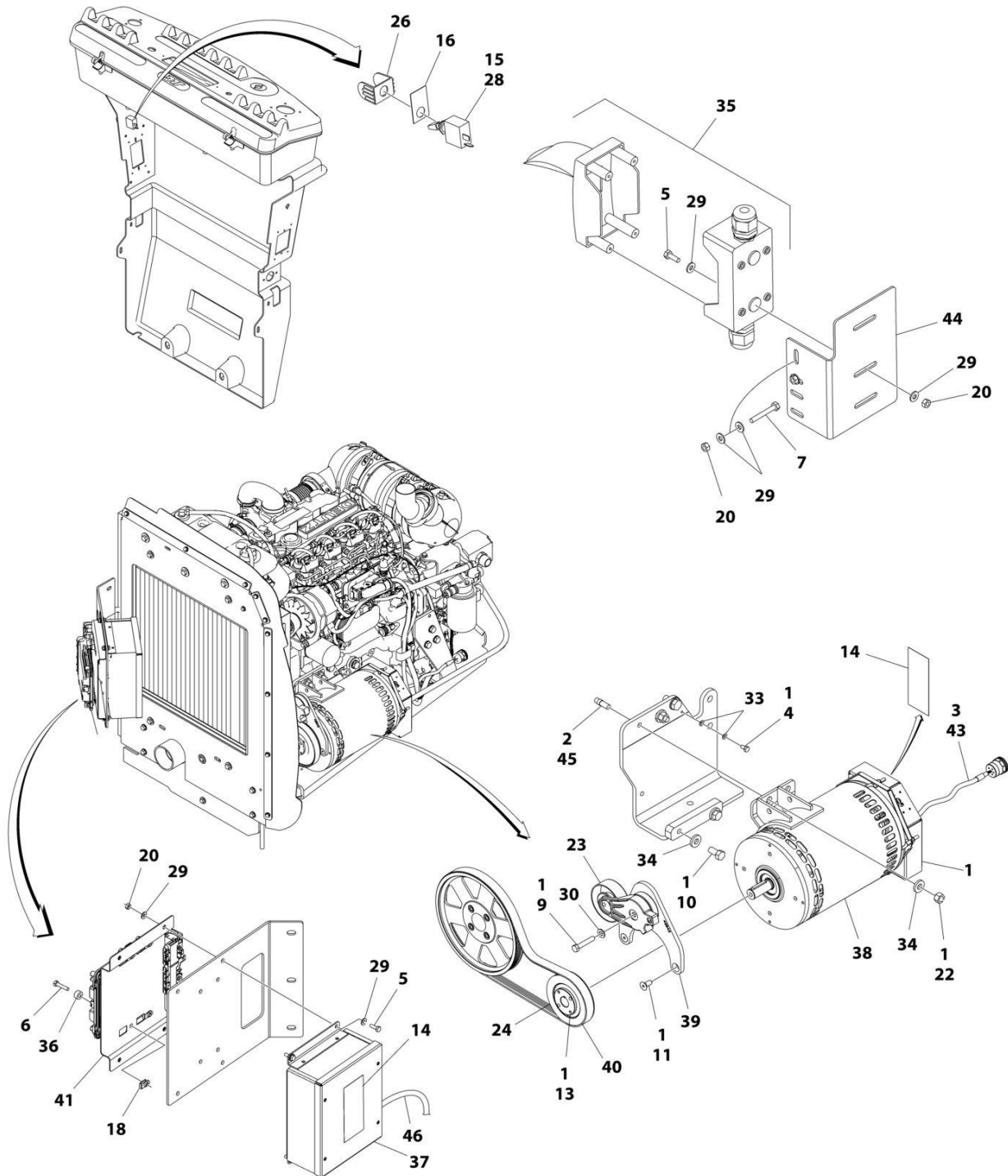
ITEM	PART NUMBER	QTY	DESCRIPTION	REV
	1001171126	Ref	4000W/60HZ Generator Installation	B
1	0100011	AR	Compound, Locking	
2	0100019	AR	Compound, Locking	
3	0100048	AR	Grease, Dielectric	
4	0100079	AR	Sealant	
5	0641404	1	Bolt 1/4 x 1/2	
6	0641407	4	Bolt 1/4 x 7/8	
7	3931016	4	Capscrew #10 x 1	
8	0641516	3	Bolt 5/16 x 2	
9	0641616	1	Bolt 3/8 x 2	
10	0641808	2	Bolt 1/2 x 1	
11	0741607	3	Screw, Flathead 3/8 x 7/8	
12	0860038	1	Box, Switch	
13	1001138566	1	Box, Control	
13	70006552	1	Capacitor	
13	70006553	1	Relay	
14	0902888	1	Bracket, Junction Box	
15	0962520	1	Bushing, Split	
16	2820031	0.33 ft /.10m	Heat Shrink	
17	3251102	1	Nameplate, Generator	
18	3300454	4	Nut, U-Style 1/4	
19	3311405	4	Nut 1/4	
20	3311508	3	Nut 5/16	
21	3311801	2	Nut 1/2	
22	3580317	1	Tensioner, Belt with Pulley	
23	3580318	1	Pulley, Generator	
24	3910606	4	Screw #6 x 3/8	
25	3960422	1	Gasket, AC Receptacle	
26	4060802	1	Guard, Switch	
27	4240018	AR	Tie-Strap (Not Shown)	
28	1001163599	2	Stud	
29	4360336	1	Switch, Toggle	
30	4460071	1	Connector, Strain Relief	
31	4460346	1	Receptacle	
32	4711400	8	Washer 1/4	
33	4751500	3	Washer 5/16	
34	4711600	1	Washer 3/8	
35	4751000	4	Washer #10	
36	4791400	2	Washer 1/4	
37	4891800	4	Washer 1/2	
38	1705374	1	Decal, 240V	
39	1001110873	1	Cover, Receptacle	
41	1001140346	1	Generator Assembly	
41	70003709	1	Ring, Retaining (External)	
41	70003708	1	Ring, Retaining (Internal)	
41	70001966	1	Bearing	
41	70004092	1	Endbell (Shaft End)	
41	70004099	1	Key	
41	70004676	1	Rotor	

SECTION 3 - ENGINE

ITEM	PART NUMBER	QTY	DESCRIPTION	REV
41	70004687	1	Stator	
41	70004678	1	Endbell (Rear)	
41	70004679	1	Cover, Endbell (Rear)	
41	70004680	1	Enclosure, Wiring	
41	70004685	1	Cover, Enclosure	
41	70004682	1	Switch, Reset (Located on Enclosure Cover)	
41	70004098	1	Connector, Strain Relief (Located on Enclosure Cover)	
41	4460224	1	Receptacle, Female - 6 Position (Connects to Generator Harness)	
41	4460294	6	Pin, Male (Use with p/n 4460224)	
41	4460807	6	Seal, Terminal (Use with p/n 4460224)	
41	4460808	1	Seal, Interface (Use with p/n 4460224)	
42	1001142643	1	Support, Gen Tensioner	
43	1001142646	1	Belt, Generator	
44	1001152457	1	Junction Box Assembly	
44	3300396	1	Cover, Breaker	
44	4360070	1	Breaker, Circuit - 15Amp	
44	4460425	1	Connector, Strain Relief (LH Side)	
44	4460426	1	Connector, Strain Relief (RH Side)	
44	1001152530	1	Block, Terminal	
44	1001158363	1	Cover, Terminal Block	
44	1001153260	1	Decal - Wiring Diagram	
45	1001145330	1	Bracket	
46	0641410	4	Bolt 1/4 x 1-1/4	
47	1001110425	4	Spacer	
48	3311005	4	Nut #10	
49	1705387	3	Decal - Hazardous Voltage	
50	3251243	1	Decal, 120V-60Hz	
51	1001152532	1	Harness, Generator (See Separate Breakdown in ELECTRICAL SECTION)	
		Ref	ELECTRICAL DIAGRAM COMPONENTS	
101	1001153259	1	Harness, Generator	
103	4922641	1	Harness, Switch	

SECTION 3 - ENGINE

FIGURE 3-61. 4000W/50HZ GENERATOR INSTALLATION - DEUTZ TD2.9L4 ENGINES



ART_1001171268

SECTION 3 - ENGINE

FIGURE 3-61. 4000W/50HZ GENERATOR INSTALLATION - DEUTZ TD2.9L4 ENGINES

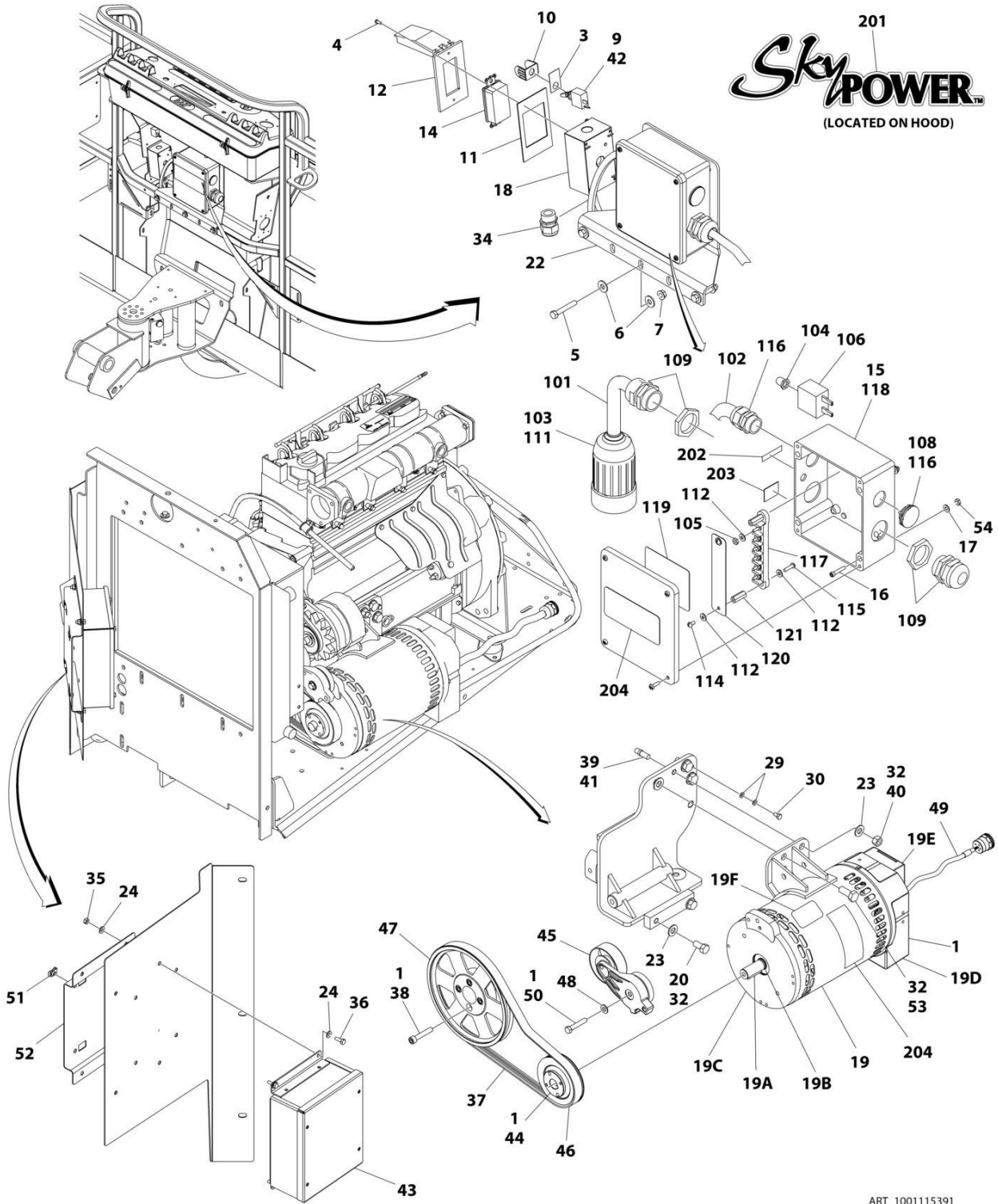
ITEM	PART NUMBER	QTY	DESCRIPTION	REV
	1001171268	Ref	4000W/50HZ Generator Installation	C
1	0100011	AR	Compound, Locking	
2	0100019	AR	Compound, Locking	
3	0100048	AR	Grease, Dielectric	
4	0641404	1	Bolt 1/4 x 1/2	
5	0641406	6	Bolt 1/4 x 3/4	
6	0641410	4	Bolt 1/4 x 1-1/4	
7	0641415	2	Bolt 1/4 x 1-7/8	
9	0641618	1	Bolt 3/8 x 2-1/4	
10	0641808	2	Bolt 1/2 x 1	
11	0741607	3	Screw, Flathead 3/8 x 7/8	
13	0962520	1	Bushing, Split	
14	1705489	2	Decal - Hazardous Voltage	
15	2820031	0.33 ft /.10m	Heat Shrink	
16	3251102	1	Nameplate, Generator	
18	3300454	4	Nut, U-Style 1/4	
20	3311405	4	Nut 1/4	
22	3311801	2	Nut 1/2	
23	3580317	1	Tensioner, Belt with Pulley	
24	3580319	1	Pulley, Generator	
26	4060802	1	Guard, Switch	
27	4240018	AR	Tie-Strap (Not Shown)	
28	4360336	1	Switch, Toggle	
29	4711400	16	Washer 1/4	
30	4711600	1	Washer 3/8	
33	4791400	2	Washer 1/4	
34	4891800	4	Washer 1/2	
35	1001096070	1	Breaker Box Kit (Not Shown) (See Separate Breakdown in ELECTRICAL SECTION)	
36	1001110425	4	Spacer	
37	1001138566	1	Box, Control	
37	70006552	1	Capacitor	
37	70006553	1	Relay	
38	1001140347	1	Generator Assembly	
38	70003709	1	Ring, Retaining (External)	
38	70003708	1	Ring, Retaining (Internal)	
38	70001966	1	Bearing	
38	70004092	1	Endbell (Shaft End)	
38	70004099	1	Key	
38	70004676	1	Rotor	
38	70004686	1	Stator	
38	70004678	1	Endbell (Rear)	
38	70004679	1	Cover, Endbell (Rear)	
38	70004680	1	Enclosure, Wiring	
38	70004681	1	Cover, Enclosure	
38	70004682	1	Switch, Reset (Located on Enclosure Cover)	
38	70004683	1	Connector, Strain Relief (Located on Enclosure Cover)	
38	4460224	1	Receptacle, Female - 6 Position (Connects to Generator Harness)	

SECTION 3 - ENGINE

ITEM	PART NUMBER	QTY	DESCRIPTION	REV
38	4460294	6	Pin, Male (Use with p/n 4460224)	
38	4460807	6	Seal, Terminal (Use with p/n 4460224)	
38	4460808	1	Seal, INterface (Use with p/n 4460224)	
39	1001142643	1	Support, Gen Tensioner	
40	1001142645	1	Belt	
41	1001145330	1	Bracket	
43	1001152532	1	Harness, Generator (See Separate Breakdown in ELECTRICAL SECTION)	
44	1001153636	1	Bracket	
45	1001163599	2	Stud	
46	1001153259	1	Harness, Generator	

SECTION 3 - ENGINE

FIGURE 3-62. 7500W/60HZ SKYPOWER GENERATOR INSTALLATION - DEUTZ D2011 ENGINES



ART_1001115391

SECTION 3 - ENGINE

FIGURE 3-62. 7500W/60HZ SKYPOWER GENERATOR INSTALLATION - DEUTZ D2011 ENGINES

ITEM	PART NUMBER	QTY	DESCRIPTION	REV
	1001115391	Ref	7500W/60HZ SKYPOWER GENERATOR INSTALLATION	F
1	0100011	AR	Compound, Locking	
3	3252764	1	Nameplate	
4	3910606	4	Screw #6 x 3/8	
5	0641516	3	Bolt 5/16 x 2	
6	4711500	6	Washer	
7	3311505	3	Nut 5/16	
9	4360336	1	Switch, Toggle	
10	4060802	1	Guard, Switch	
11	3960422	1	Gasket	
12	1001110873	1	Cover, Receptacle	
14	4460346	1	Receptacle	
15	1001157592	Ref	Junction Box Assembly Options (See Items 101-121 for Breakdown)	
16	3931016	4	Capscrew #10 x 1	
17	4751000	4	Washer #10	
18	0860038	1	Box, Switch	
19	2460048	1	Generator Assembly	D
19	70001100	1	Rotor (Includes p/n 70001384 & 70000863) (Not Shown)	
19	70001384	1	Bearing, Ball Radial (Not Shown)	
19	70000863	1	Fan (Not Shown)	
19	70002088	1	Stator (Not Shown)	
19	70002297	1	Stud	
19	70003631	1	Brushholder Assembly (Not Shown)	
19A	70004171	1	Key	
19B	70001966	1	Bearing, Ball Radial (Located in Belt Tensioner Endbell)	
19B	70003708	1	Ring, Internal Retaining (Located in Belt Tensioner Endbell)	
19B	70003709	1	Ring, External Retaining (Located in Belt Tensioner Endbell)	
19C	70001953	1	Endbell, Belt Tensioner	
19D	70004169	1	Endbell, Brush Block	
19E	70002290	1	Shroud	
19E	7027799	1	Block, Connector 6 Position (Not Shown)	
19E	7026626	1	Connector - 6 Position with Seal (Not Shown)	
19E	70002460	1	Nut, Brass (Attaches p/n 7027799 to Cover) (Not Shown)	
19E	7024485	1	Breaker, Circuit 30Amp (Not Shown)	
19E	70001696	1	Boot, Breaker (Not Shown)	
19E	7026597	1	Connector, W/Leads (Not Shown)	
19E	7026188	1	Clamp, Cable (Not Shown)	
19E	70003708	1	Ring, Retaining (Internal) (Not Shown)	
19E	70003709	1	Ring, Retaining (External) (Not Shown)	
19E	70004169	1	Plate, End Panel	
19E	70001974	1	Decal - Terminal Connections	
19F	70001973	1	Decal - Warning Moving Parts	
20	0641808	2	Bolt 1/2 x 1	
22	0902888	1	Bracket, Box Mounting	
23	4711800	3	Washer 1/2	
24	4711400	8	Washer 1/4	
28	4240018	AR	Tie-Strap (Not Shown)	
29	4791400	2	Starwasher 1/4	
30	0641403	1	Bolt 1/4 x 3/8	

SECTION 3 - ENGINE

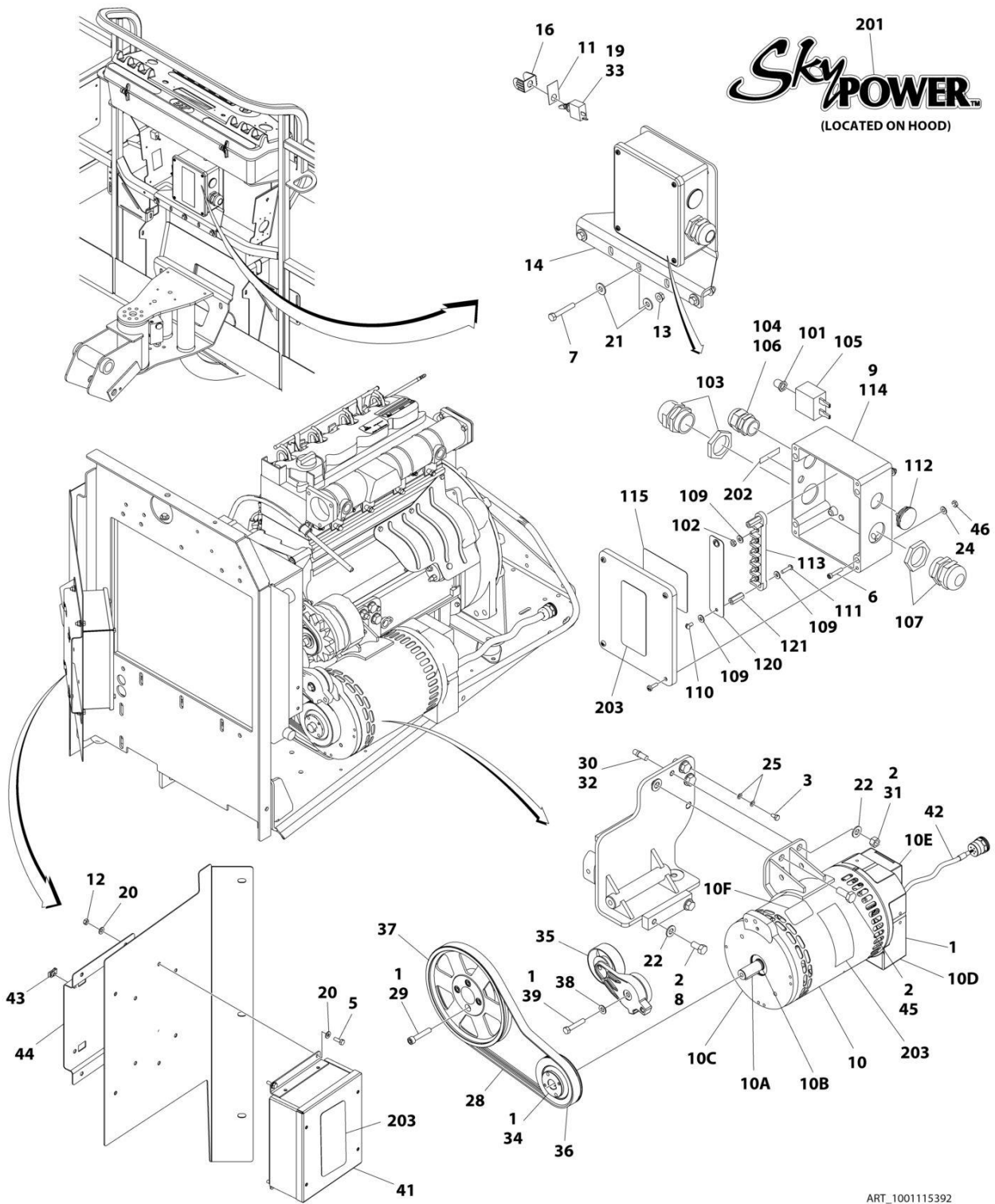
ITEM	PART NUMBER	QTY	DESCRIPTION	REV
32	0100019	AR	Compound, Locking	
34	4460071	1	Connector, Strain Relief	
35	3311405	4	Nut 1/4	
36	0641406	4	Bolt 1/4 x 3/4	
37	0480129	1	Belt, Drive	
38	4032015	4	Capscrew M10 x 55	
39	4300157	1	Stud	
40	3311801	1	Nut 1/2	
41	0100062	AR	Adhesive	
42	2820031	1	Insulator	
43	0861538	1	Control Box Assembly	
43	7024488	1	Card, Circuit - Generator Power	
43	See Note	1	Fuse (Note: Not Available - Purchase Locally)	
43	7024489	1	Card, Circuit - Control	
		Ref	Note: Same Circuit Card (p/n 7024489) is used for both 60Hz and 50Hz. When replacing card, rocker switch on card must be set for required application	
43	70000619	1	Harness, Circuit Card	
44	0962520	1	Bushing, Split Taper	
45	3580317	1	Tensioner, Belt	
46	3580318	1	Pulley	
47	3580320	1	Pulley	
48	4711600	1	Washer 3/8	
49	4922925	1	Harness, Generator (See Separate Breakdown in ELECTRICAL SECTION)	
50	0641618	1	Bolt 3/8 x 2-1/4	
51	3300454	4	Nut Special 1/4	
52	3575863	1	Plate, EMR2 Mount	
53	0771415	1	Bolt M14 x 35	
54	3311005	4	Nut #10	
	1001157592	Ref	JUNCTION BOX ASSEMBLY	D
101	1060343	AR	Cable, Electrical 10/4	
102	1001179154	2 ft/.6m	Cable, Electrical 12/3	
103	1671092	1	Cover	
104	3300396	1	Cover, Fuse	
105	3311001	6	Nut #10	
106	4360070	1	Circuit Breaker - 15 Amp	
108	4460425	1	Strain Relief, Terminal	
109	4460426	2	Connector, Strain Relief	
111	4460963	1	Connector	
112	4711000	10	Washer #10	
114	10702077	2	Screw #10 x 3/8	
115	10702082	2	Screw #10 x 3/4	
116	1001152525	1	Plug, Hole	
117	1001157520	1	Block, Terminal - 6 Pole	
118	1001157521	1	Box, Junction	
119	1001157528	1	Decal - Wiring Schematic	
120	1001158007	1	Cover, PVC	
121	1001158008	2	Stand-Off	
	0272435	Ref	DECAL INSTALLATION	D
201	1705460	2	Decal - SkyPower	
202	3251243	1	Decal - 120V - 60Hz (Located on Opposite Side)	

SECTION 3 - ENGINE

ITEM	PART NUMBER	QTY	DESCRIPTION	REV
203	1705375	1	Decal - 240V - 3 Phase	B
204	1705387	3	Decal, Hazardous Voltage	
	1001157769	Ref	ELECTRICAL DIAGRAM COMPONENTS	
301	1001152429	1	Generator Harness (Not Shown - See Separate Breakdown in ELECTRICAL SECTION)	
304	4922641	1	Switch Harness (Not Shown)	

SECTION 3 - ENGINE

FIGURE 3-63. 7500W/50HZ SKYPOWER GENERATOR INSTALLATION - DEUTZ D2011 ENGINES



ART_1001115392

SECTION 3 - ENGINE

FIGURE 3-63. 7500W/50HZ SKYPOWER GENERATOR INSTALLATION - DEUTZ D2011 ENGINES

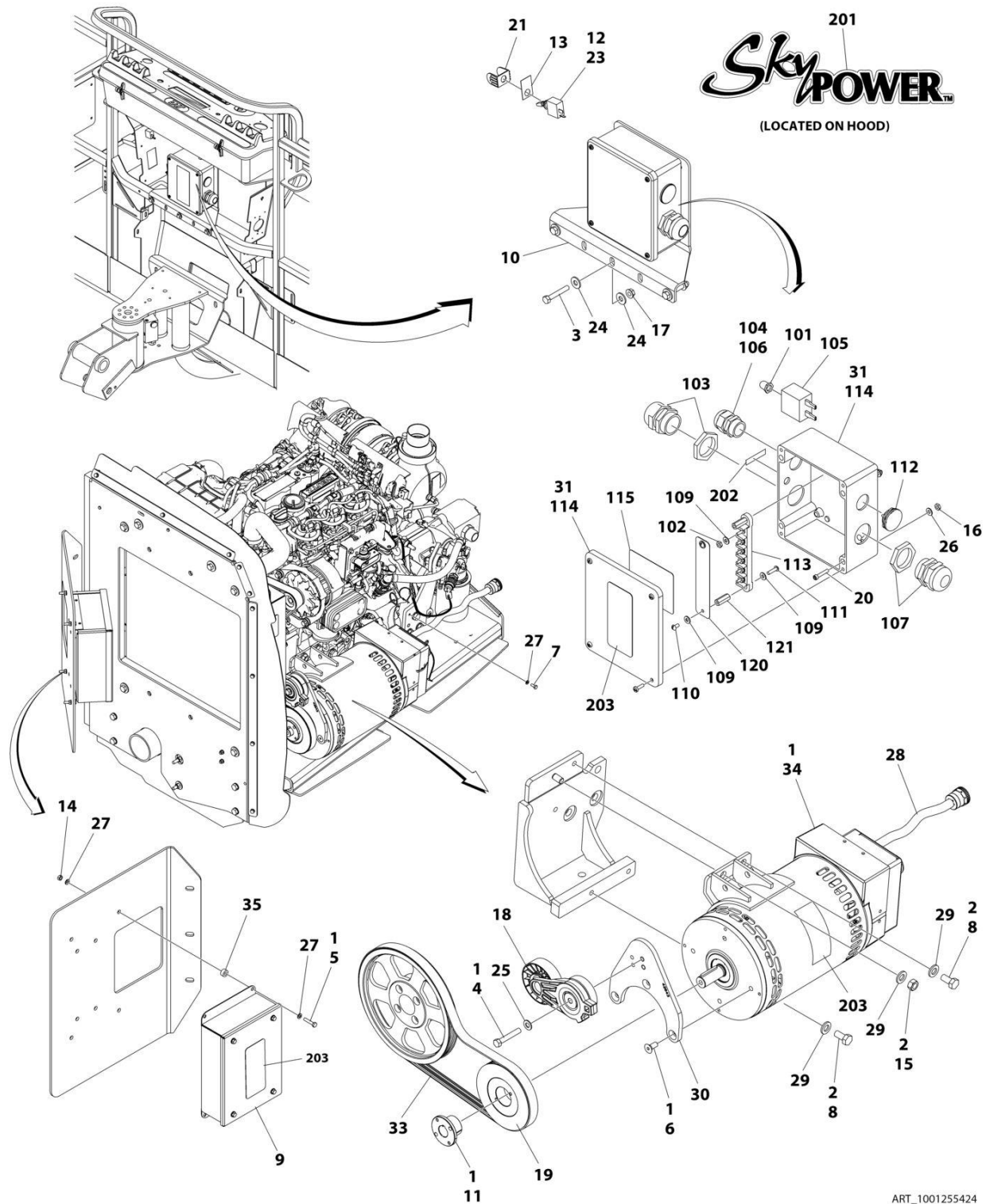
ITEM	PART NUMBER	QTY	DESCRIPTION	REV
	1001115392	Ref	7500W/50HZ SKYPOWER GENERATOR INSTALLATION	E
1	0100011	AR	Compound, Locking	
2	0100019	AR	Compound, Locking	
3	0641403	1	Bolt 1/4 x 3/8	
5	0641406	4	Bolt 1/4 x 3/4	
6	3931016	4	Capscrew #10 x 1	
7	0641516	3	Bolt 5/16 x 2	
8	0641808	2	Bolt 1/2 x 1	
9	1001157525	Ref	Junction Box Assembly Options (See Items 101-121 for Breakdown)	
10	2460048	1	Generator Assembly	D
10	70001100	1	Rotor (Includes p/n 70001384 & 70000863) (Not Shown)	
10	70001384	1	Bearing, Ball Radial (Not Shown)	
10	70000863	1	Fan (Not Shown)	
10	70002088	1	Stator (Not Shown)	
10	70002297	1	Stud	
10	70003631	1	Brushholder Assembly (Not Shown)	
10A	70004171	1	Key	
10B	70001966	1	Bearing, Ball Radial (Located in Belt Tensioner Endbell)	
10B	70003708	1	Ring, Internal Retaining (Located in Belt Tensioner Endbell)	
10B	70003709	1	Ring, External Retaining (Located in Belt Tensioner Endbell)	
10C	70001953	1	Endbell, Belt Tensioner	
10D	70004169	1	Endbell, Brush Block	
10E	70002290	1	Shroud	
10E	7027799	1	Block, Connector 6 Position (Not Shown)	
10E	7026626	1	Connector - 6 Position with Seal (Not Shown)	
10E	70002460	1	Nut, Brass (Attaches p/n 7027799 to Cover) (Not Shown)	
10E	7024485	1	Breaker, Circuit 30Amp (Not Shown)	
10E	70001696	1	Boot, Breaker (Not Shown)	
10E	7026597	1	Connector, W/Leads (Not Shown)	
10E	7026188	1	Clamp, Cable (Not Shown)	
10E	70003708	1	Ring, Retaining (Internal) (Not Shown)	
10E	70003709	1	Ring, Retaining (External) (Not Shown)	
10E	70004169	1	Plate, End Panel	
10E	70001974	1	Decal - Terminal Connections	
10F	70001973	1	Decal - Warning Moving Parts	
11	3252764	1	Nameplate	
12	3311405	4	Nut 1/4	
13	3311505	3	Nut 5/16	
14	0902888	1	Bracket, Box Mounting	
16	4060802	1	Guard, Switch	
18	4240018	AR	Tie-Strap (Not Shown)	
19	4360336	1	Switch, Toggle	
20	4711400	8	Washer 1/4	
21	4711500	6	Washer	
22	4711800	3	Washer 1/2	
24	4751000	4	Washer #10	
25	4791400	2	Starwasher 1/4	
28	0480126	1	Belt, Drive	
29	4032015	4	Capscrew M10 x 55	

SECTION 3 - ENGINE

ITEM	PART NUMBER	QTY	DESCRIPTION	REV
30	4300157	1	Stud	
31	3311801	1	Nut 1/2	
32	0100062	AR	Adhesive	
33	2820031	1	Insulator	
34	0962520	1	Bushing, Split Taper	
35	3580317	1	Tensioner, Belt	
36	3580319	1	Pulley	
37	3580320	1	Pulley	
38	4711600	1	Washer 3/8	
39	0641618	1	Bolt 3/8 x 2-1/4	
41	0861572	1	Control Box Assembly	
41	7024488	1	Card, Circuit - Generator Power	
41	See Note	1	Fuse (Note: Not Available - Purchase Locally)	
41	7024489	1	Card, Circuit - Control	
		Ref	"Note: Same Circuit Card (p/n 7024489) is used for both 60Hz and 50Hz. When replacing card, rocker switch on card must be set for required application."	
41	70000619	1	Harness, Circuit Card	
42	4922925	1	Harness, Generator (See Separate Breakdown in ELECTRICAL SECTION)	
43	3300454	4	Nut Special 1/4	
44	3575863	1	Plate, EMR2 Mount	
45	0771415	1	Bolt M14 x 35	
46	3311005	4	Nut #10	
	1001157525	Ref	JUNCTION BOX ASSEMBLY	B
101	3300396	1	Cover, Fuse	
102	3311001	6	Nut #10	
103	3520189	1	Plug	
104	3520192	1	Plug	
105	4360070	1	Circuit Breaker - 15 Amp	
106	4460425	1	Strain Relief, Terminal	
107	4460426	2	Connector, Strain Relief	
109	4711000	10	Washer #10	
110	10702077	2	Screw #10 x 3/8	
111	10702082	2	Screw #10 x 3/4	
112	1001152525	1	Plug, Hole	
113	1001157520	1	Block, Terminal - 6 Pole	
114	1001157521	1	Box, Junction	
115	1001157528	1	Decal - Wiring Schematic	
120	1001158007	1	Cover, PVC	
121	1001158008	2	Stand-Off	
	0272589	Ref	DECAL INSTALLATION	A
201	1705460	2	Decal - SkyPower	
202	1705461	1	Decal - 240V - 3 Phase	
203	1705489	Ref	Decal, Hazardous Voltage	
	1001157769	Ref	ELECTRICAL DIAGRAM COMPONENTS	B
301	1001152429	1	Generator Harness (Not Shown - See Separate Breakdown in ELECTRICAL SECTION)	
304	4922641	1	Switch Harness (Not Shown)	

SECTION 3 - ENGINE

FIGURE 3-64. 7500W/50HZ SKYPOWER GENERATOR INSTALLATION - DEUTZ TD2.2L3 STAGE V ENGINES



SECTION 3 - ENGINE

FIGURE 3-64. 7500W/50HZ SKYPOWER GENERATOR INSTALLATION - DEUTZ TD2.2L3 STAGE V ENGINES

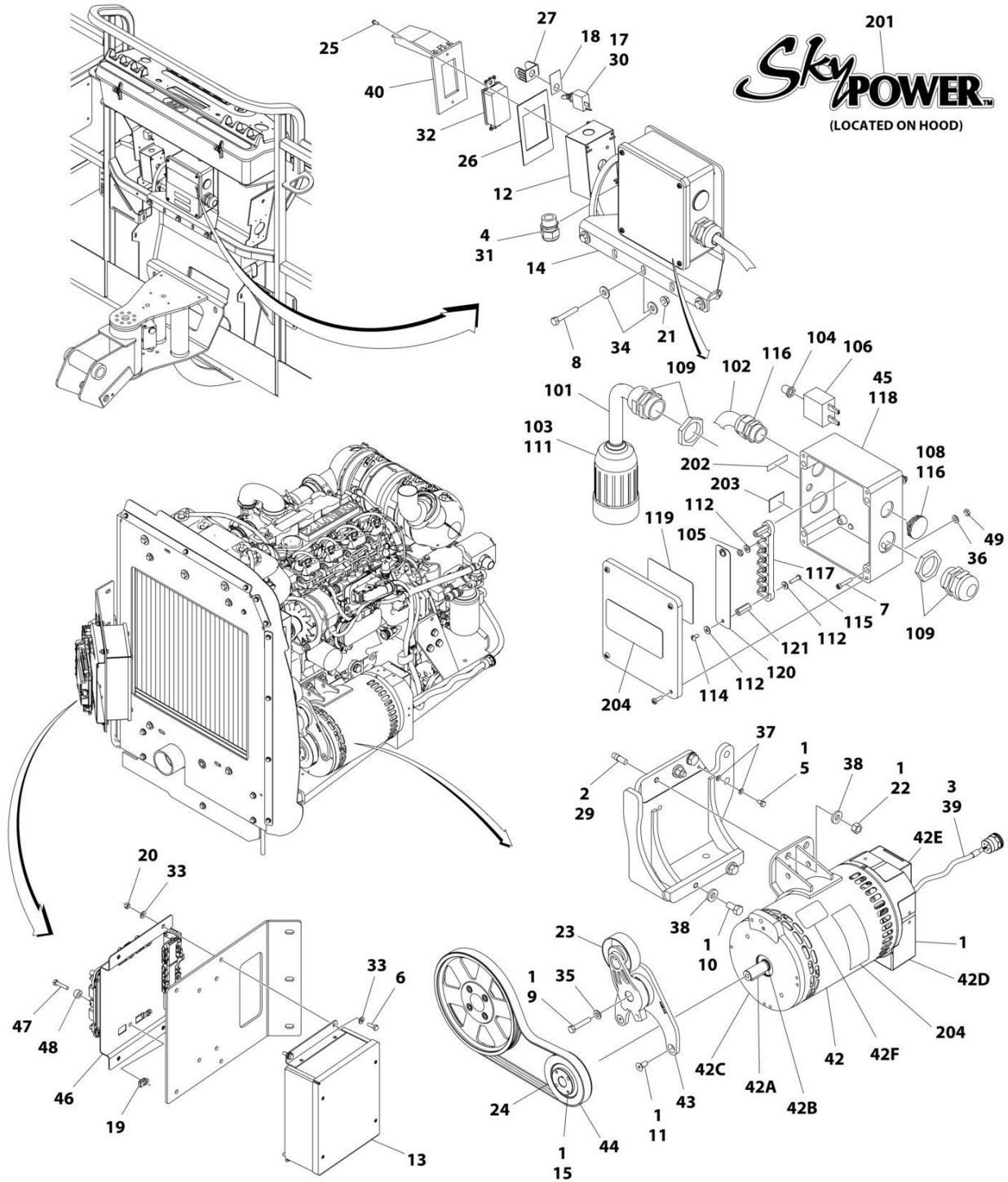
ITEM	PART NUMBER	QTY	DESCRIPTION	REV
	1001255424	Ref	7500W/50HZ SKYPOWER GENERATOR INSTALLATION	B
1	0100011	AR	Compound, Locking	
2	0100019	AR	Compound, Locking	
3	0641516	3	Bolt 5/16 x 2	
4	0641618	1	Bolt 3/8 x 2-1/4	
5	0700614	4	Bolt M6 x 30	
6	0741607	3	Screw, Flathead 3/8 x 7/8	
7	0760607	1	Bolt M6 x 14	
8	0761212	3	Bolt M12 x 25	
9	0861572	1	Control Box Assembly	
9	7024488	1	Card, Circuit - Generator Power	
9	See Note	1	Fuse (Note: Not Available - Purchase Locally)	
9	7024489	1	Card, Circuit - Control	
		Ref	"Note: Same Circuit Card (p/n 7024489) is used for both 60Hz and 50Hz. When replacing card, rocker switch on card must be set for required application."	
9	70000619	1	Harness, Circuit Card	
10	0902888	1	Bracket, Box Mounting	
11	0962520	1	Bushing, Split Taper	
12	2820031	AR	Insulator	
13	3252764	1	Nameplate	
14	3290601	4	Nut M6	
15	3291201	1	Nut M12	
16	3311005	4	Nut #10	
17	3311505	3	Nut 5/16	
18	3580317	1	Tensioner, Belt	
19	3580319	1	Pulley	
20	3931016	4	Capscrew #10 x 1	
21	4060802	1	Guard, Switch	
22	4240018	AR	Tie-Strap (Not Shown)	
23	4360336	1	Switch, Toggle	
24	4711500	6	Washer	
25	4711800	1	Washer 1/2	
26	4751000	4	Washer #10	
27	4811700	9	Washer M6	
28	4922925	1	Harness, Generator (See Separate Breakdown in ELECTRICAL SECTION)	
29	5241200	4	Washer M12	
30	1001142643	1	Support, Gen Tensioner	
31	1001157525	Ref	Junction Box Assembly Options (See Items 101-121 for Breakdown)	
33	1001214683	1	Belt, Generator	
34	1001248105	1	Generator Assembly - 50Hz (Note: No service parts available at time of printing)	
35	1001110425	1	Spacer	
	1001157525	Ref	JUNCTION BOX ASSEMBLY	B
101	3300396	1	Cover, Fuse	
102	3311001	6	Nut #10	
103	3520189	1	Plug	
104	3520192	1	Plug	

SECTION 3 - ENGINE

ITEM	PART NUMBER	QTY	DESCRIPTION	REV
105	4360070	1	Circuit Breaker - 15 Amp	
106	4460425	1	Strain Relief, Terminal	
107	4460426	2	Connector, Strain Relief	
109	4711000	10	Washer #10	
110	10702077	2	Screw #10 x 3/8	
111	10702082	2	Screw #10 x 3/4	
112	1001152525	1	Plug, Hole	
113	1001157520	1	Block, Terminal - 6 Pole	
114	1001157521	1	Box, Junction	
115	1001157528	1	Decal - Wiring Schematic	
120	1001158007	1	Cover, PVC	
121	1001158008	2	Stand-Off	
	0272589	Ref	DECAL INSTALLATION	A
201	1705460	2	Decal - SkyPower	
202	1705461	1	Decal - 240V - 3 Phase	
203	1705489	Ref	Decal, Hazardous Voltage	
	1001157769	Ref	ELECTRICAL DIAGRAM COMPONENTS	B
301	1001152429	1	Generator Harness (Not Shown - See Separate Breakdown in ELECTRICAL SECTION)	
304	4922641	1	Switch Harness (Not Shown)	

SECTION 3 - ENGINE

FIGURE 3-65. 7500W/60HZ SKYPOWER GENERATOR INSTALLATION - DEUTZ TD2.9L4 ENGINES



ART_1001145227

SECTION 3 - ENGINE

FIGURE 3-65. 7500W/60HZ SKYPOWER GENERATOR INSTALLATION - DEUTZ TD2.9L4 ENGINES

ITEM	PART NUMBER	QTY	DESCRIPTION	REV
	1001145227	Ref	7500W/60HZ SKYPOWER GENERATOR INSTALLATION	G
1	0100011	AR	Compound, Locking	
2	0100019	AR	Compound, Locking	
3	0100048	AR	Grease, Dielectric	
4	0100079	AR	Sealant	
5	0641404	1	Bolt 1/4 x 1/2	
6	0641407	4	Bolt 1/4 x 7/8	
7	3931016	4	Capscrew #10 x 1	
8	0641516	3	Bolt 5/16 x 2	
9	0641616	1	Bolt 3/8 x 2	
10	0641808	2	Bolt 1/2 x 1	
11	0741607	3	Screw, Flathead 3/8 x 7/8	
12	0860038	1	Box, Switch	
13	0861538	1	Control Box Assembly	
13	7024488	1	Card, Circuit - Generator Power	
13	See Note	1	Fuse (Note: Not Available - Purchase Locally)	
13	7024489	1	Card, Circuit - Control	
		Ref	Note: Same Circuit Card (p/n 7024489) is used for both 60Hz and 50Hz. When replacing card, rocker switch on card must be set for required application.	
13	70000619	1	Harness, Circuit Card	
14	0902888	1	Bracket, Box Mounting	
15	0962520	1	Bushing, Split Taper	
17	2820031	1	Insulator	
18	3252764	1	Nameplate	
19	3300454	4	Nut Special 1/4	
20	3311405	4	Nut 1/4	
21	3311505	3	Nut 5/16	
22	3311801	2	Nut 1/2	
23	3580317	1	Tensioner, Belt	
24	3580318	1	Pulley	
25	3910606	4	Screw #6 x 3/8	
26	3960422	1	Gasket	
27	4060802	1	Guard, Switch	
28	4240018	AR	Tie-Strap (Not Shown)	
29	1001163599	2	Stud	
30	4360336	1	Switch, Toggle	
31	4460071	1	Connector, Strain Relief	
32	4460346	1	Receptacle	
33	4711400	8	Washer 1/4	
34	4711500	6	Washer	
35	4711600	1	Washer 3/8	
36	4751000	4	Washer #10	
37	4791400	2	Starwasher 1/4	
38	4891800	4	Washer 1/2	
39	4922925	1	Harness, Generator (See Separate Breakdown in ELECTRICAL SECTION)	
40	1001110873	1	Cover, Receptacle	
42	1001212223	1	Generator Assembly	
42	70001100	1	Rotor (Includes p/n 70001384 & 70000863) (Not Shown)	

SECTION 3 - ENGINE

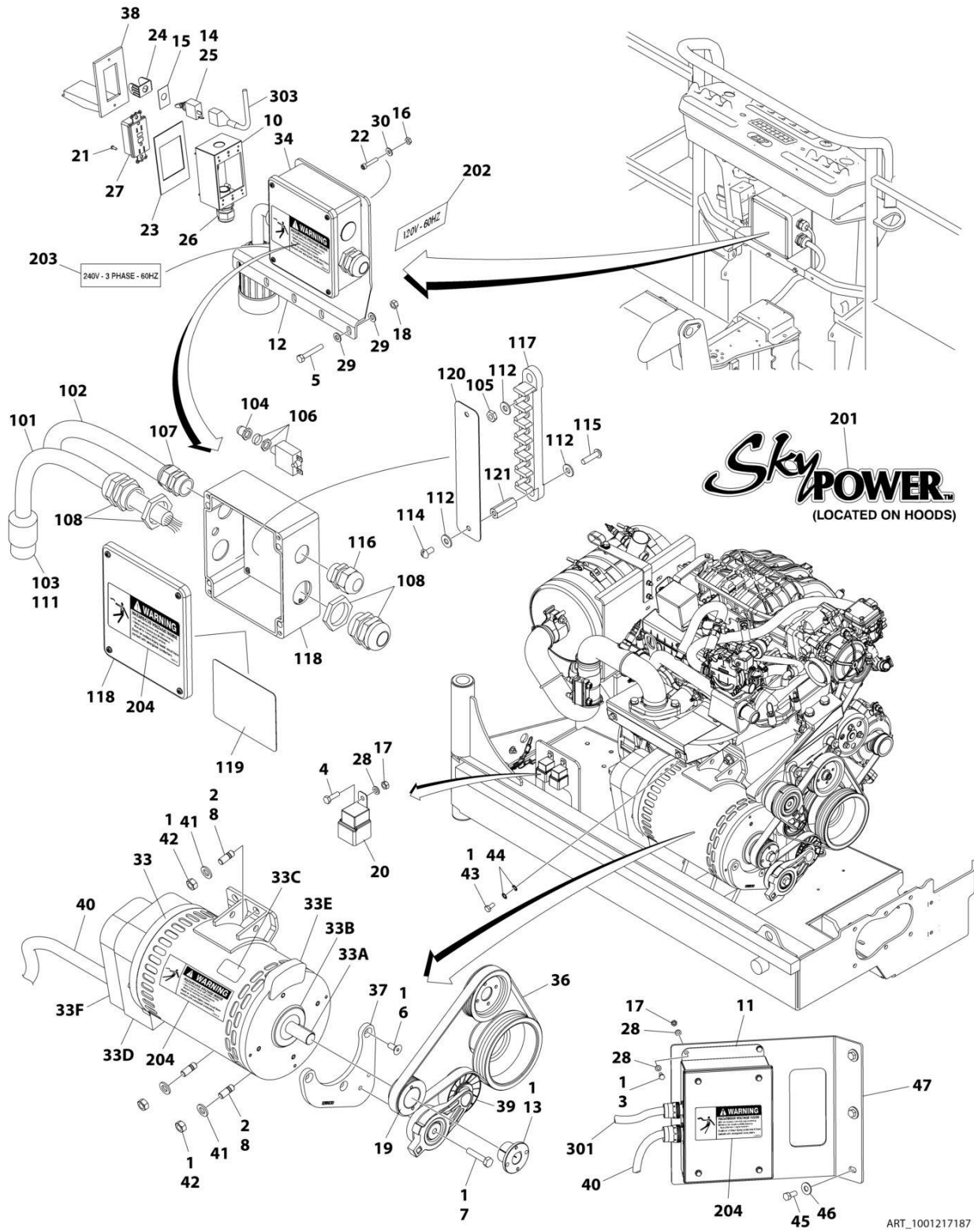
ITEM	PART NUMBER	QTY	DESCRIPTION	REV
42	70001384	1	Bearing, Ball Radial (Not Shown)	
42	70000863	1	Fan (Not Shown)	
42	70006093	1	Stator (Not Shown)	
42	70002297	1	Stud	
42	70003631	1	Brushholder Assembly (Not Shown)	
42A	70004099	1	Key	
42B	70001966	1	Bearing, Ball Radial (Located in Belt Tensioner Endbell)	
42B	70003708	1	Ring, Internal Retaining (Located in Belt Tensioner Endbell)	
42B	70003709	1	Ring, External Retaining (Located in Belt Tensioner Endbell)	
42C	70004092	1	Endbell, Belt Tensioner	
42D	70004094	1	Endbell, Brush Block	
42E	70006094	1	Shroud	
42E	70002291	1	Insulator, Endbell	
42E	7027799	1	Block, Connector - 6 Position (Not Shown)	
42E	70002460	1	Nut, Brass (Attaches p/n 7027799 to Cover) (Not Shown)	
42E	70006095	1	Breaker, Circuit 30Amp (Not Shown)	
42E	70006096	1	Boot, Breaker (Not Shown)	
42E	7026626	1	Connector, 6 Position (Includes Seal) (Not Shown - Plugs into Item 45)	
42E	7026597	1	Connector with Leads (Not Shown)	
42E	70004098	1	Clamp, Cable (Not Shown)	
42E	70006097	1	Plate, End Panel	
42E	70001974	1	Decal - Terminal Connections	
42F	70001973	1	Decal - Warning Moving Parts	
43	1001142643	1	Support, Gen Tensioner	
44	1001142646	1	Belt, Generator	
45	1001157592	Ref	Junction Box Assembly Options (See Items 101-121 for Breakdown)	
46	1001145330	1	Bracket	
47	0641410	4	Bolt 1/4 x 1-1/4	
48	1001110425	4	Spacer	
49	3311005	4	Nut #10	
	1001157592	Ref	JUNCTION BOX ASSEMBLY	D
101	1060343	AR	Cable, Electrical 10/4	
102	1001179154	2 ft /0.6m	Cable, Electrical 12/3	
103	1671092	1	Cover	
104	3300396	1	Cover, Fuse	
105	3311001	6	Nut #10	
106	4360070	1	Circuit Breaker - 15 Amp	
108	4460425	1	Strain Relief, Terminal	
109	4460426	2	Connector, Strain Relief	
111	4460963	1	Connector	
112	4711000	10	Washer #10	
114	10702077	2	Screw #10 x 3/8	
115	10702082	2	Screw #10 x 3/4	
116	1001152525	1	Plug, Hole	
117	1001157520	1	Block, Terminal - 6 Pole	
118	1001157521	1	Box, Junction	
119	1001157528	1	Decal - Wiring Schematic	
120	1001158007	1	Cover, PVC	
121	1001158008	2	Stand-Off	
	0272435	Ref	DECAL INSTALLATION	D

SECTION 3 - ENGINE

ITEM	PART NUMBER	QTY	DESCRIPTION	REV
201	1705460	2	Decal - SkyPower	A
202	3251243	1	Decal - 120V - 60Hz (Located on Opposite Side)	
203	1705375	1	Decal - 240V - 3 Phase	
204	1705387	3	Decal, Hazardous Voltage	
	1001157770	Ref	ELECTRICAL DIAGRAM COMPONENTS	
301	1001119968	1	Generator Harness (Not Shown - See Separate Breakdown in ELECTRICAL SECTION)	
303	4922641	1	Switch Harness (Not Shown)	

SECTION 3 - ENGINE

FIGURE 3-66. 7500W/60HZ SKYPOWER GENERATOR INSTALLATION - FORD ENGINES



ART_1001217187

SECTION 3 - ENGINE

FIGURE 3-66. 7500W/60HZ SKYPOWER GENERATOR INSTALLATION - FORD ENGINES

ITEM	PART NUMBER	QTY	DESCRIPTION	REV
	1001217187	Ref	7500W/60HZ SKYPOWER GENERATOR INSTALLATION	F
1	0100011	AR	Compound, Locking	
2	0100019	AR	Compound, Locking	
3	0760608	4	Bolt M6 x 16	
4	0760610	2	Bolt M6 x 20	
5	0641516	3	Bolt 5/16 x 2	
6	0741607	3	Screw 3/8 x 7/8	
7	0761018	1	Bolt M10 x 50	
8	1001196382	4	Stud	
10	0860038	1	Box, Switch	
11	0861538	1	Control Box Assembly	
11	7024488	1	Card, Circuit - Generator Power	
11	See Note	1	Fuse (Note: Not Available - Purchase Locally)	
11	7024489	1	Card, Circuit - Control	
11	70000619	1	Harness, Circuit Card	
12	0902888	1	Bracket, Box Mounting	
13	0962520	1	Bushing, Spilt Taper	
14	2820031	1	Heat Shrink	
15	3252764	1	Nameplate - AC & Weld	
16	3311005	4	Nut #10	
17	3290601	6	Nut M6	
18	3311505	3	Nut 5/16	
19	3580314	1	Pulley	
20	3740080	2	Relay	
21	3910606	2	Screw #6 x 3/8	
22	3931016	4	Capscrew #10 x 1	
23	3960422	1	Gasket	
24	4060802	1	Guard, Switch	
25	4360336	1	Switch, Toggle	
26	4460071	1	Connector, Strain Relief	
27	4460346	1	Receptacle	
28	4811700	10	Washer #10	
29	4711500	6	Washer 5/16	
30	4751000	4	Washer #10	
33	1001136104	1	Generator Assembly	
33	70003631	1	Brushholder Assembly (Not Shown)	
33	7024485	1	Breaker, Circuit 30Amp (Not Shown)	
33	70001696	1	Boot, Breaker (Not Shown)	
33	70001966	1	Bearing, Ball Radial (Located in Belt Tensioner Endbell - Not Shown)	
33	7027799	1	Block, Connector 6 Position (Not Shown)	
33	70002460	6	Nut, Brass (Attaches p/n 7027799 to Cover) (Not Shown)	
33	7026188	1	Clamp, Cable (Not Shown)	
33	7026597	1	Connector, W/Leads (Not Shown)	
33	7026626	1	Connector - 6 Position with Seal (Not Shown)	
33	70002088	1	Stator (Not Shown)	
33	70004169	1	Panel, End (Not Shown)	
33	70001974	1	Decal - Terminal Connections (Not Shown)	
33	70000863	1	Fan (Not Shown)	
33	70002297	4	Stud (Not Shown)	

SECTION 3 - ENGINE

ITEM	PART NUMBER	QTY	DESCRIPTION	REV
33A	70004171	1	Key	
33A	70001100	1	Armature, Generator (Includes Radial Ball Bearing on End with Brushes and Fan)	
33A	70001384	1	Bearing, Ball Radial	
33B	70001966	1	Bearing, Radial Ball	
33B	70003708	1	Ring, Internal Retaining (Located in Belt Tensioner Endbell)	
33B	70003709	1	Ring, External Retaining (Located in Belt Tensioner Endbell)	
33C	70001973	1	Decal - Warning Moving Parts	
33D	70004169	1	Endbell, Brush Block	
33E	70001953	1	Endbell, Belt Tensioner	
33F	70004169	1	Endbell, Shroud Assembly	
34	1001157592	1	Junction Box Assembly (See Items 101-121 for Breakdown)	
36	1001216390	1	V-Belt	
37	1001218930	1	Mount, Tensioner	
38	1001110873	1	Cover, Receptacle	
39	3580317	1	Tensioner, Belt	
40	4922925	1	Harness, Generator (See Separate Breakdown in ELECTRICAL SECTION)	
41	5241200	4	Washer M12	
42	3291201	4	Nut M12	
43	0760606	1	Bolt M6 x 12	
44	4871700	2	Washer M6	
45	0641607	3	Bolt 3/8 x 7/8	
46	4751600	3	Washer 3/8	
47	1001137866	1	Bracket	
	1001157592	Ref	JUNCTION BOX ASSEMBLY	C
101	1060343	1.5 ft /0.5m	Cable, Electrical - 10/4	
102	1001179154	2.5 ft /0.8m	Cable Electrical - 12/3	
103	1671092	1	Cover, Connector	
104	3300396	1	Cover, Fuse	
105	3311001	6	Nut #10	
106	4360070	1	Breaker, Circuit 15Amp	
107	4460425	1	Connector, Strain Relief	
108	4460426	2	Connector, Strain Relief	
111	4460963	1	Receptacle	
112	4711000	10	Washer #10	
114	10702077	2	Screw #10 x 3/8	
115	10702082	2	Screw #10 x 3/4	
116	1001152525	1	Plug, Hole	
117	1001157520	1	Block, Terminal Pole	
118	1001157521	1	Box, Junction	
119	1001157528	1	Decal - Box Junction	
120	1001158007	1	Cover	
121	1001158008	2	Standoff	
	0272435	Ref	DECAL INSTALLATION	D
201	1705460	2	Decal - SkyPower	
202	3251243	1	Decal - 120V - 60Hz (Located on Opposite Side)	
203	1705375	1	Decal - 240V - 3 Phase	
204	1705387	3	Decal, Hazardous Voltage	
	1001221498	Ref	ELECTRICAL DIAGRAM COMPONENTS	B

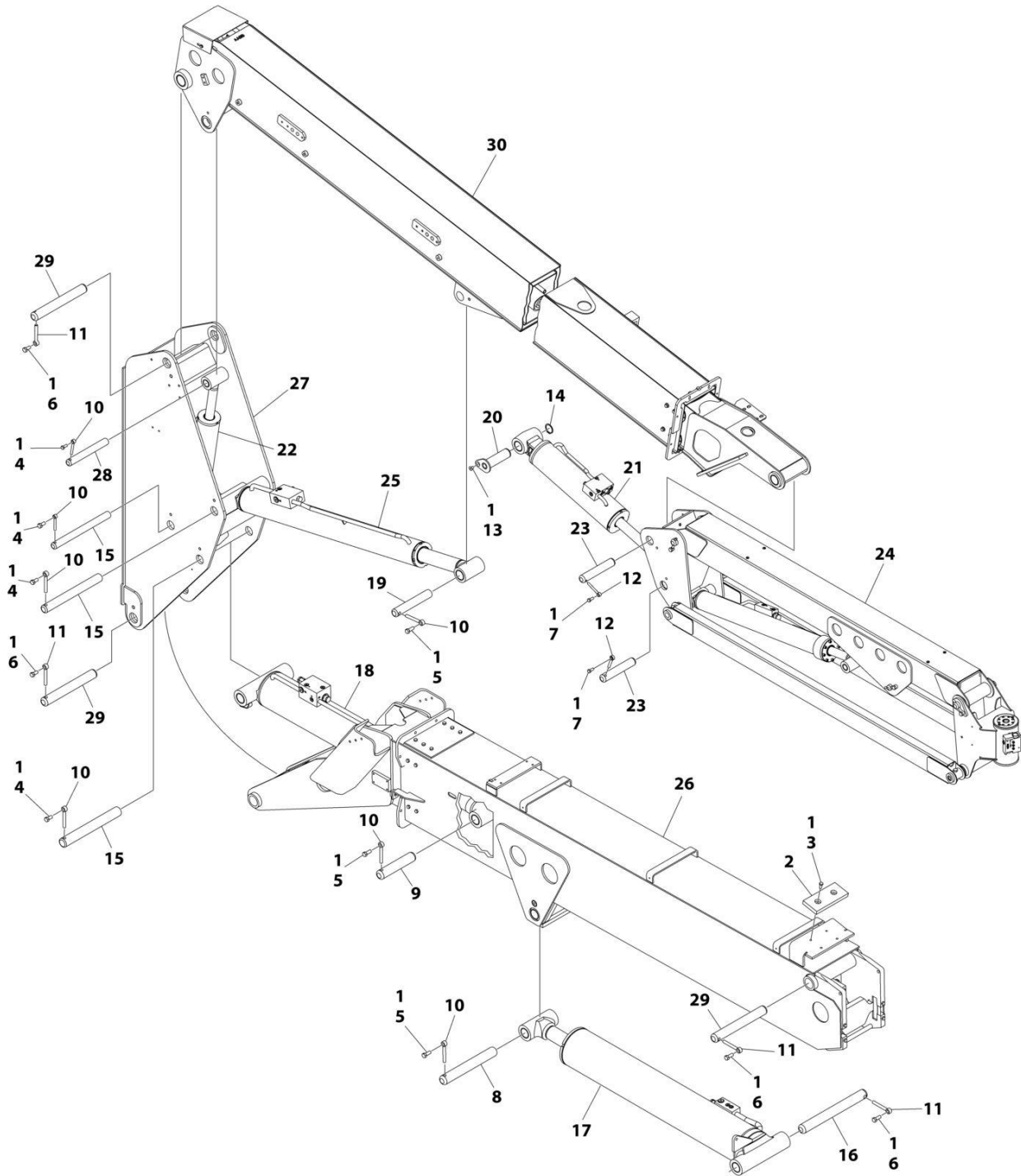
SECTION 3 - ENGINE

ITEM	PART NUMBER	QTY	DESCRIPTION	REV
301	1001257972	1	Generator Harness (See Separate Breakdown in ELECTRICAL SECTION)	A
303	4922641	1	Switch Harness	

SECTION 4 - BOOM

SECTION 4 - BOOM

FIGURE 4-1. BOOMS AND CYLINDERS INSTALLATION



ART_1001246978

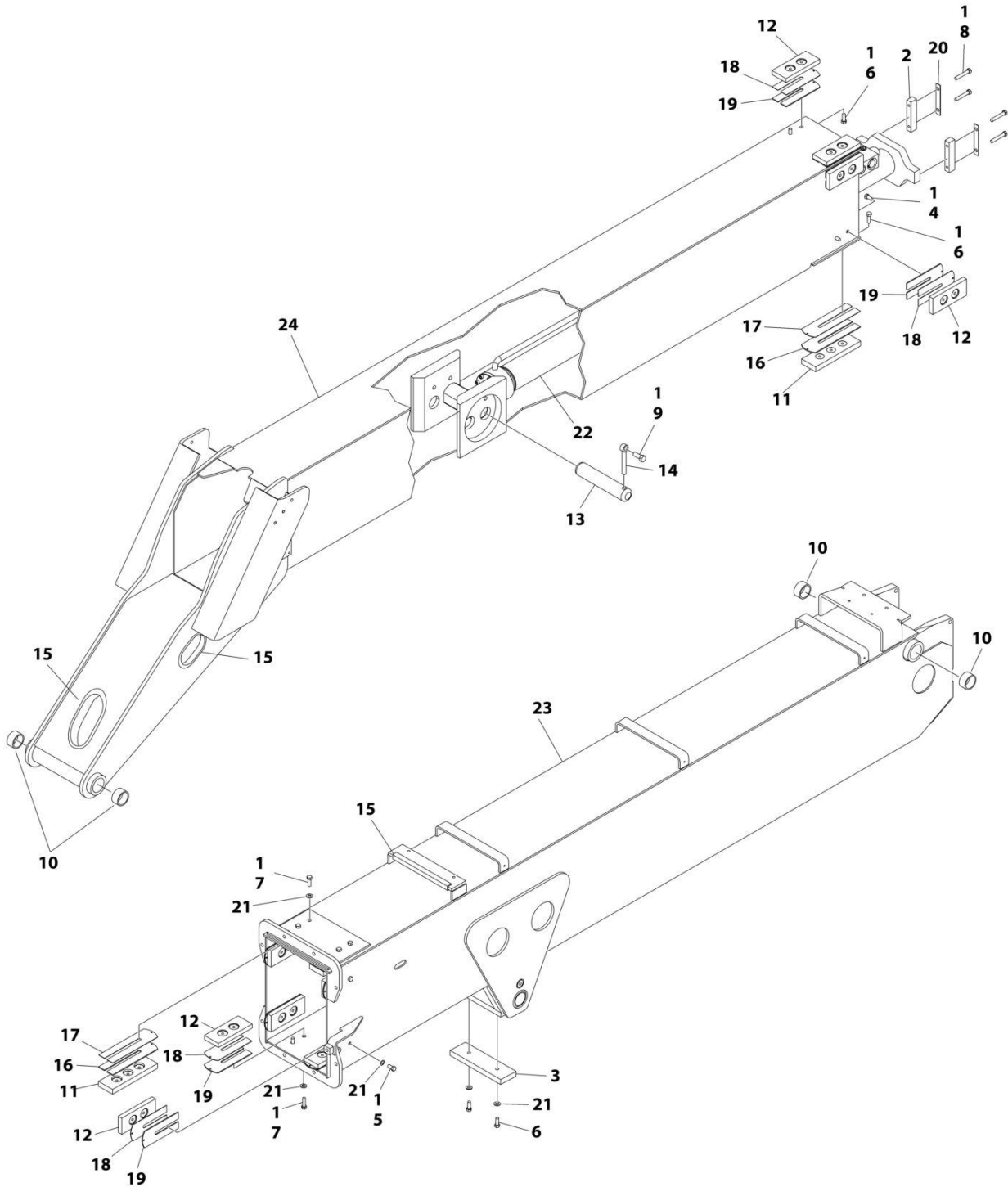
SECTION 4 - BOOM

FIGURE 4-1. BOOMS AND CYLINDERS INSTALLATION

ITEM	PART NUMBER	QTY	DESCRIPTION	REV
	1001246978	Ref	BOOMS AND CYLINDERS INSTALLATION	E
1	0100011	AR	Compound, Locking	
2	0561076	1	Block, Boom Rest	
3	0641607	2	Bolt 3/8 x 7/8	
4	0641809	4	Bolt 1/2 x 1-1/8	
5	0641810	3	Bolt 1/2 x 1-1/4	
6	0642012	4	Bolt 5/8 x 1-1/2	
7	0761212	2	Bolt M12 x 25	
8	1001267717	1	Pin	
9	3422575	1	Pin	
10	3841203	7	Keeper, Pin - 1/2	
11	3841258	4	Keeper, Pin	
12	3841709	2	Keeper, Pin - 1/2	
13	1001137032	1	Screw M10 x 16	
14	1001138671	1	Ring, Retaining	
15	1001155093	3	Pin	
16	1001267716	1	Pin	
17	1001261003	1	Tower Lift Cylinder Assembly (See Separate Breakdown in CYLINDER SECTION)	
18	1001228042	1	Upright Level Cylinder Assembly (See Separate Breakdown in CYLINDER SECTION)	
19	1001237138	1	Pin	
20	1001237142	1	Pin	
21	1001237697	1	Platform (Slave) Level Cylinder Assembly (See Separate Breakdown in CYLINDER SECTION)	
22	1001237698	1	Master Cylinder Assembly (See Separate Breakdown in CYLINDER SECTION)	
23	1001237949	1	Pin	
24	1001238328	1	Jib Boom Assembly (See Separate Breakdown in this Section)	
25	1001245761	1	Main Lift Cylinder Assembly (See Separate Breakdown in CYLINDER SECTION)	
26	1001246934	1	Tower Boom Assembly (See Separate Breakdown in this Section)	
27	1001246951	1	Upright	
28	1001246952	1	Pin	
29	1001246974	3	Pin	
30	1001248265	1	Main Boom Assembly (See Separate Breakdown in this Section)	

SECTION 4 - BOOM

FIGURE 4-2. TOWER BOOM ASSEMBLY



ART_1001246934

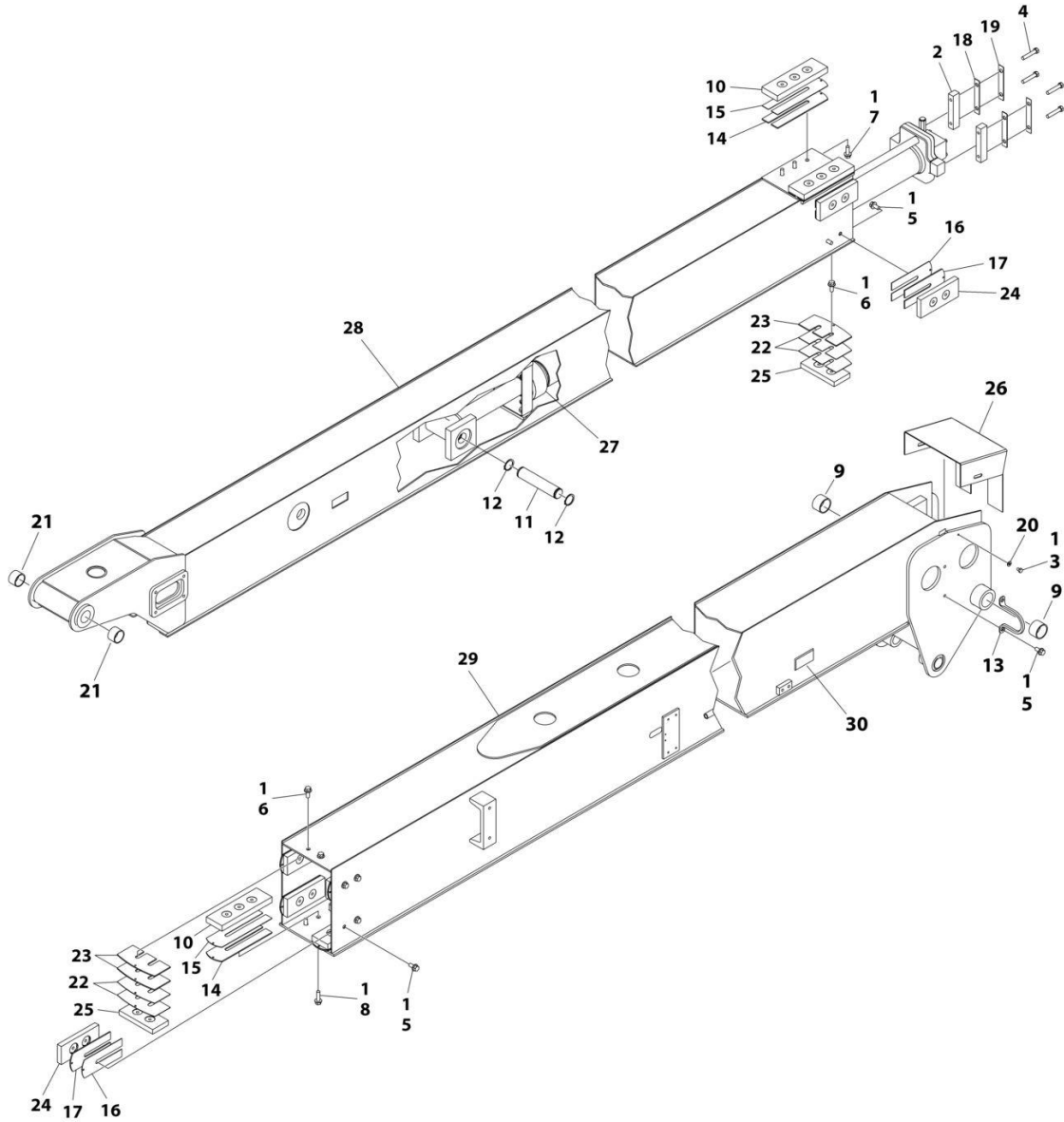
SECTION 4 - BOOM

FIGURE 4-2. TOWER BOOM ASSEMBLY

ITEM	PART NUMBER	QTY	DESCRIPTION	REV
	1001246934	Ref	TOWER BOOM ASSEMBLY	B
1	0100011	AR	Compound, Locking	
2	0561185	2	Block, Attach	
3	0561248	1	Block, Boom Rest	
4	0641606	8	Bolt 3/8 x 3/4	
5	0641607	8	Bolt 3/8 x 7/8	
6	0641608	12	Bolt 3/8 x 1	
7	0641610	10	Bolt 3/8 x 1-1/4	
8	0641616	4	Bolt 3/8 x 2	
9	0641810	1	Bolt 1/2 x 1-1/4	
10	0962036	4	Bushing	
11	3340871	4	Pad, Wear	
12	3340881	12	Pad, Wear	
13	3422575	1	Pin	
14	3841203	1	Keeper, Pin	
15	4060808	AR	Flex-Trim	
16	4070863	4	Shim .12	
17	4070864	4	Shim .05	
18	4070897	10	Shim .05	
19	4070898	12	Shim .12	
20	4070929	AR	Shim	
21	4711600	20	Washer 3/8	
22	1001228006	1	Cylinder Assembly - Tower Telescope (See Separate Breakdown in CYLINDER SECTION)	
23	1001246935	1	Base, Boom	
24	1001246936	1	Fly, Boom	

SECTION 4 - BOOM

FIGURE 4-3. MAIN BOOM ASSEMBLY



ART_1001248265

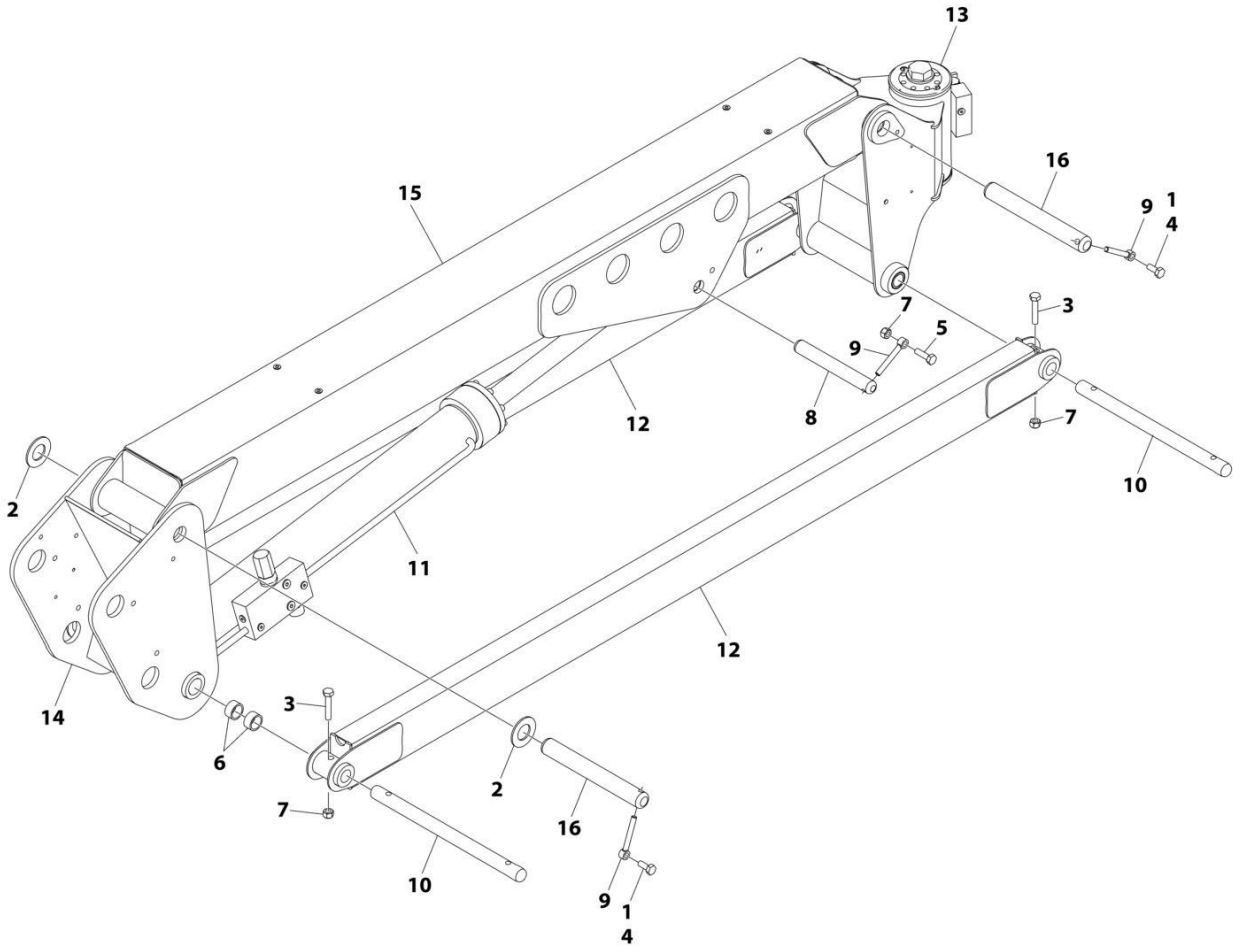
SECTION 4 - BOOM

FIGURE 4-3. MAIN BOOM ASSEMBLY

ITEM	PART NUMBER	QTY	DESCRIPTION	REV
	1001248265	Ref	BOOM ASSEMBLY	B
1	0100011	AR	Compound, Locking	
2	0561185	2	Block	
3	0641403	2	Bolt 1/4 x 3/8	
4	0641616	4	Bolt 3/8 x 2	
5	0811606	18	Bolt 3/8 x 3/4	
6	0811607	4	Bolt 3/8 x 7/8	
7	0811608	6	Bolt 3/8 x 1	
8	0811610	6	Bolt 3/8 x 1-1/4	
9	0962036	2	Bushing	
10	3340871	4	Pad, Wear	
11	3422457	1	Pin	
12	3760133	2	Ring, Retaining	
13	3841340	1	Loop, Hose	
14	4070863	4	Shim .12	
15	4070864	4	Shim .05	
16	4070897	8	Shim .05	
17	4070898	8	Shim .12	
18	4070929	AR	Shim	
19	4071007	AR	Shim	
20	4751200	2	Washer #12	
21	1001118666	2	Bushing	
22	1001136590	2	Shim 18Ga	
23	1001138436	4	Shim 11Ga	
24	1001148652	8	Pad, Wear	
25	1001152127	2	Pad, Wear	
26	1001162828	1	Cover, Boom	
27	1001228007	1	Telescope Cylinder Assembly (See Separate Breakdown in CYLINDER SECTION)	
28	1001248248	1	Fly, Boom	
29	1001248261	1	Base, Boom	
30	1001250737	3	Cover	

SECTION 4 - BOOM

FIGURE 4-4. JIB BOOM ASSEMBLY



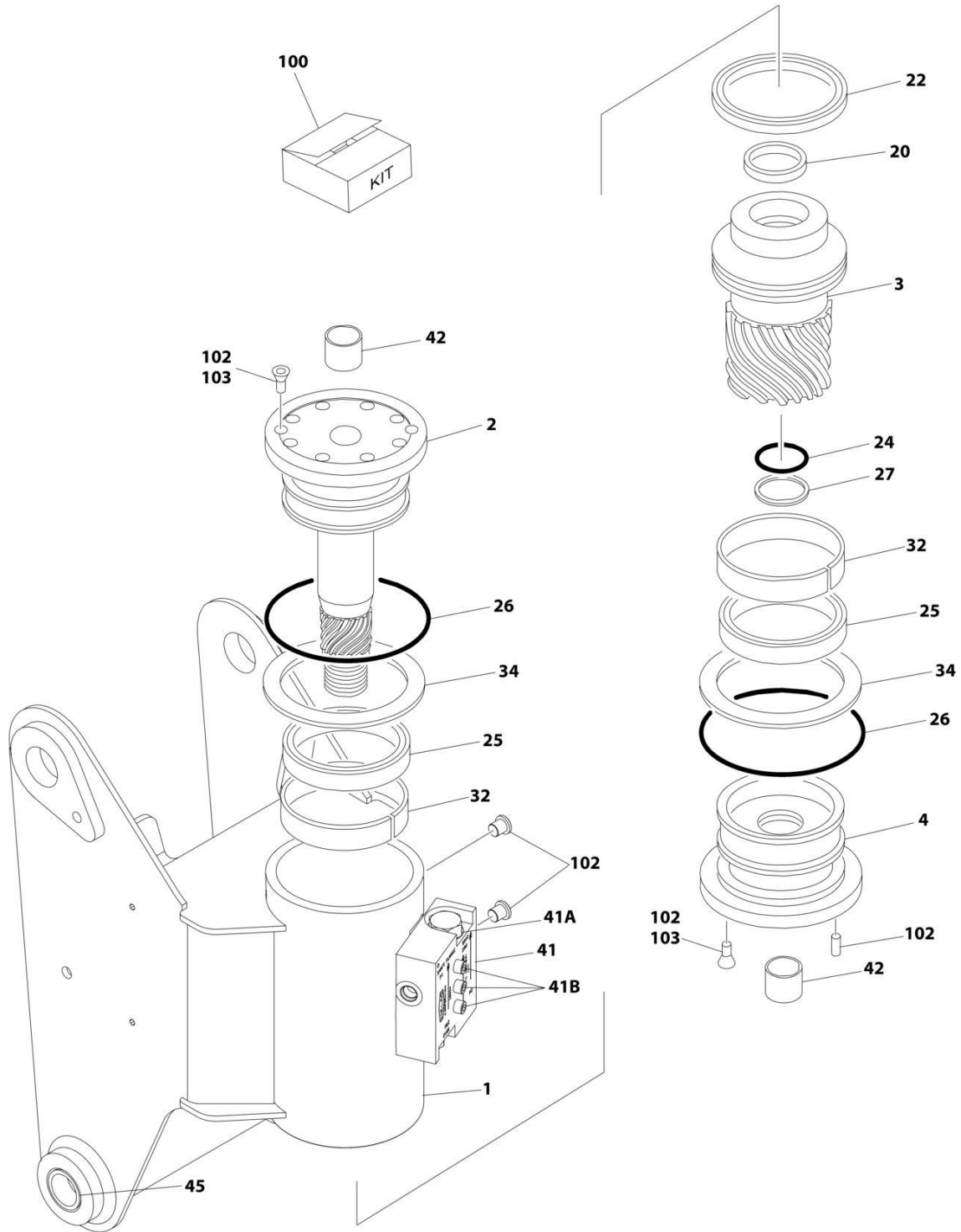
ART_1001238328_F

FIGURE 4-4. JIB BOOM ASSEMBLY

ITEM	PART NUMBER	QTY	DESCRIPTION	REV
	1001238328	Ref	JIB BOOM ASSEMBLY	F
1	0100011	AR	Compound, Locking	
2	0440162	2	Thrustwasher 0.188IN Thick	
2	0440237	1	Thrustwasher 0.125IN Thick	
3	0701020	1	Bolt M10 x 60	
4	0761012	2	Bolt M10 x 25	
5	0761015	1	Bolt M10 x 35	
6	0961947	4	Bearing 1IN ID x 1.25IN OD x 5/8IN L	
6	1001134289	4	Bearing 1IN ID x 1.5IN OD x 1IN L	
7	3291005	5	Nut M10	
8	3422867	1	Pin	
9	3841143	3	Keeper, Pin	
10	3422861	1	Pin	
11	1001264991	1	Lift Cylinder Assembly - Jib (See Separate Breakdown in CYLINDER SECTION)	
12	4844817	1	Link	
13	1001234811	1	Rotator Assembly (See Separate Breakdown in this Section)	
14	1001238168	1	Pivot	
15	1001238333	1	Tube (Upper)	
15	0962155	1	Bushing	
16	1001238398	2	Pin	

SECTION 4 - BOOM

FIGURE 4-5. ROTATOR ASSEMBLY



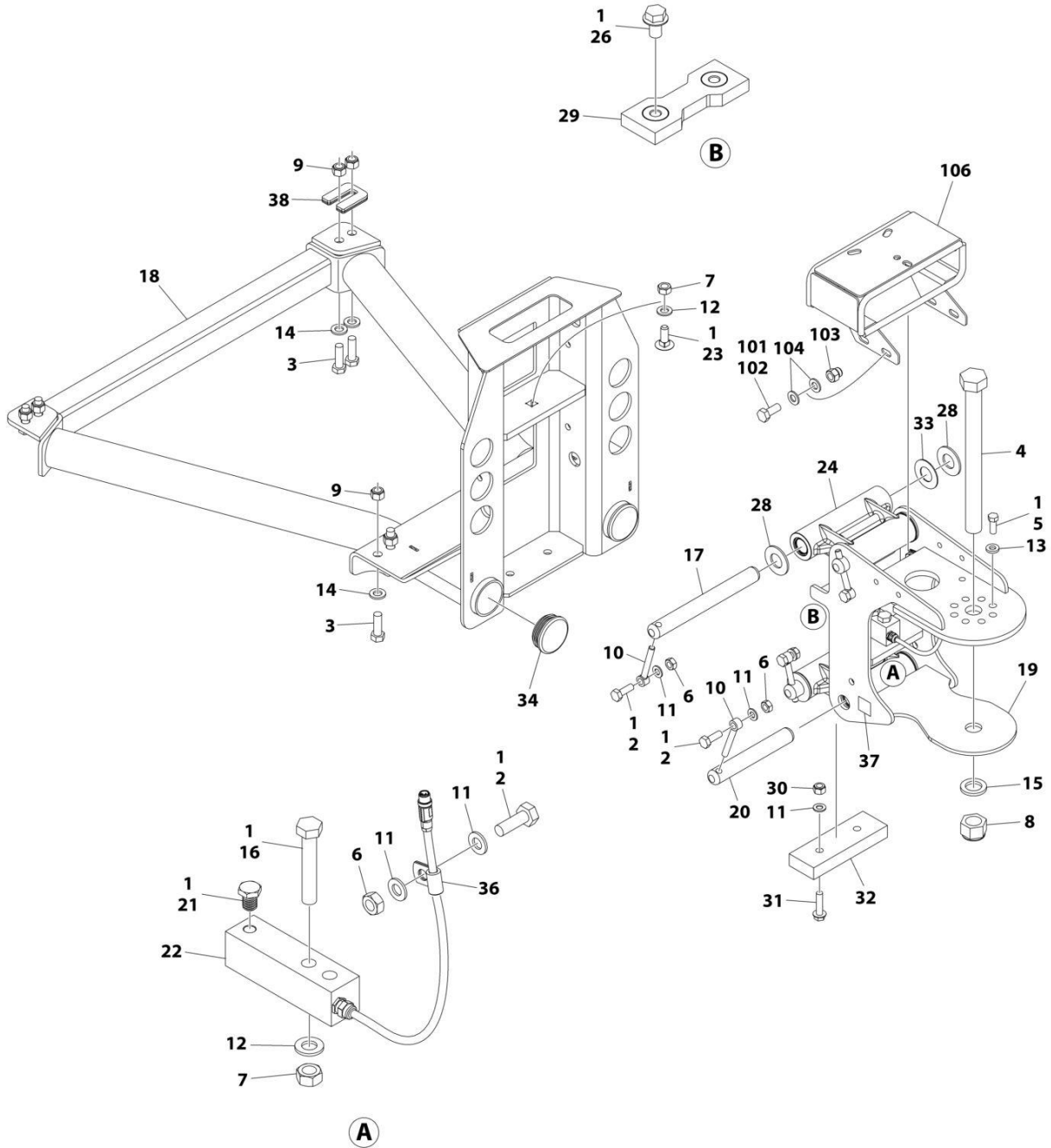
ART_1001234811

FIGURE 4-5. ROTATOR ASSEMBLY

ITEM	PART NUMBER	QTY	DESCRIPTION	REV
	1001234811	Ref	ROTATOR ASSEMBLY	B
1	See Note	NSS	Housing/Ring Gear Assembly (Note: Not Available - Purchase Complete Rotator Assembly)	
2	7017162	1	Shaft Weldment	
3	7017163	1	Piston/Sleeve Assembly	
4	7017164	1	Cap, End	
20	See Note	NSS	T-Seal (Note: Use Item 100)	
22	See Note	NSS	T-Seal (Note: Use Item 100)	
24	See Note	NSS	O-Ring (Note: Use Item 100)	
25	See Note	NSS	Seal (Note: Use Item 100)	
26	See Note	NSS	O-Ring (Note: Use Item 100)	
27	See Note	NSS	Ring, Back-up (Note: Use Item 100)	
32	See Note	NSS	Ring, Wear (Note: Use Item 101)	
34	See Note	NSS	Washer, Thrust (Note: Use Item 101)	
41	7017172	AR	Valve Assembly	
41A	7017192	2	Cartridge, Valve	
41A	See Note	NSS	Seal Kit - 7017192 Valve (Note: Not Available for Purchase)	
41B	See Note	3	Bolt 1/4-20NC x 1-1/2 Grade 8 (Note: Not Available - Purchase Locally)	
42	7017195	2	Bushing	
45	0961947	2	Bushing 1IN ID x 1.25IN OD x 5/8IN L	
45	1001134289	2	Bushing 1IN ID x 1.5IN OD x 1IN L	
100	70000342	1	Seal Kit (Includes Items 20, 22, 24, 25, 27 & 33)	
101	7017159	1	Bearing Kit (Includes Items 32 & 34)	
102	7017142	1	Hardware Kit	
103	70001697	4	Screw, Countersunk 1/4 x 3/8 Grade 8	

SECTION 4 - BOOM

FIGURE 4-6. PLATFORM SUPPORT INSTALLATION



ART_1001167596_N

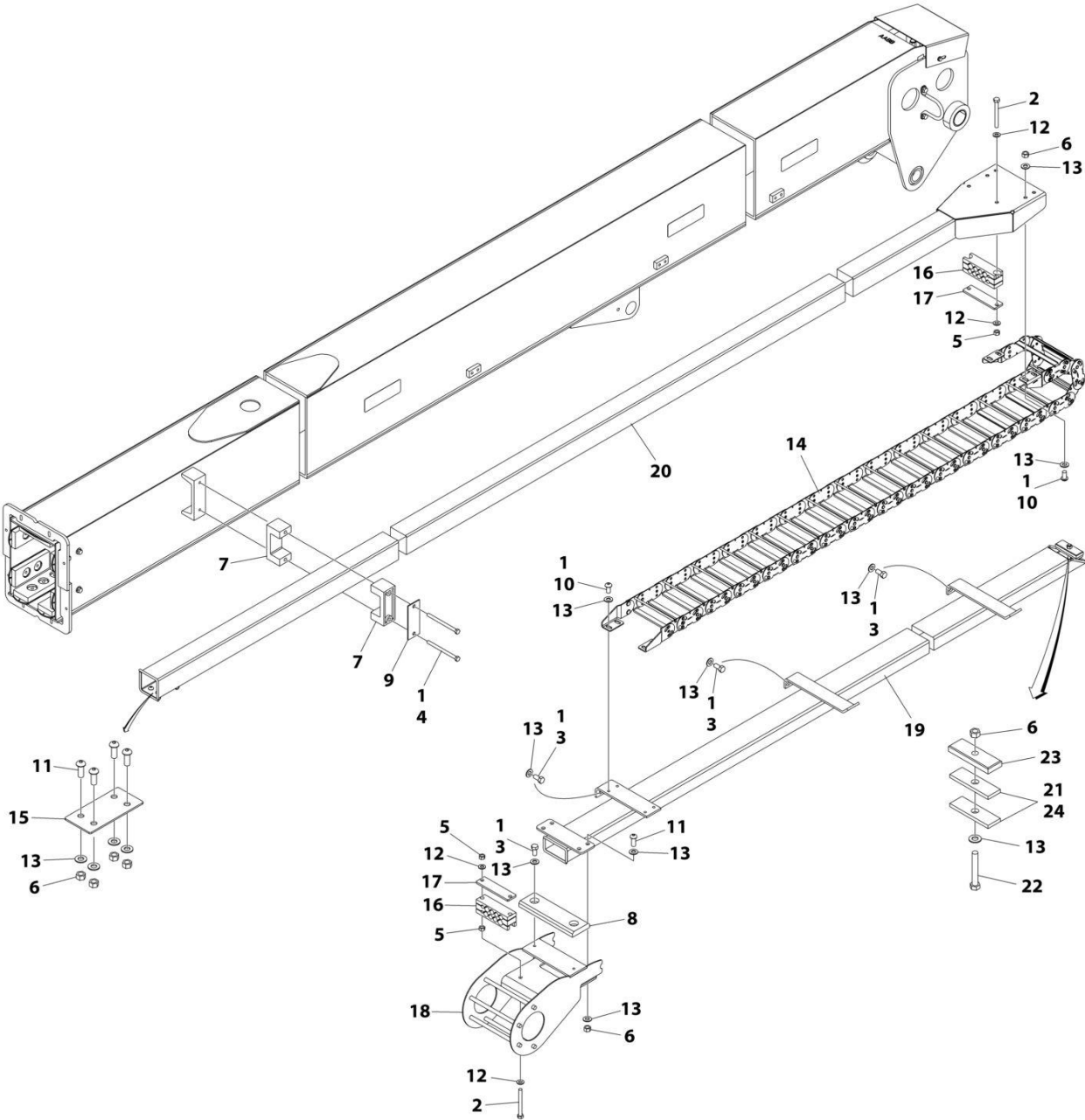
SECTION 4 - BOOM

FIGURE 4-6. PLATFORM SUPPORT INSTALLATION

ITEM	PART NUMBER	QTY	DESCRIPTION	REV
	1001167596	Ref	PLATFORM SUPPORT INSTALLATION	N
1	0100011	AR	Compound, Locking	
2	0761014	5	Bolt M10 x 30	
3	0761216	8	Bolt M12 x 40	
4	1001255133	1	Bolt 1 x 11 GRD8	
5	0681608	8	Bolt 3/8 x 1 GRD8	
6	3291001	5	Nut M10	
7	3291201	3	Nut M12	
8	1001174040	1	Nut 1	
9	3291205	8	Nut M12	
10	3841143	4	Keeper, Pin	
11	4812000	8	Washer M10	
12	4812100	3	Washer M12	
13	4891600	8	Washer 3/8	
14	5241200	8	Washer M12	
15	4892600001	1	Washer 1	
16	1001098828	2	Bolt M12 x 70 CL10.9	
17	1001167565	2	Pin	
18	1001200494	1	Support, Platform	
19	1001167567	1	Support, Rotator	
20	1001168402	2	Pin	
21	1001188622	1	Screw	
22	1001247468	1	Loadcell	
23	1001188844	1	Bolt M12 x 35	
24	1001201351	2	Link	
24	1001187382	4	Bearing	
24	1001187383	4	Seal	
26	5251008	2	Bolt M10 x 16 CL10.9	
28	1001189002	8	Bearing	
29	1001190985	1	Pad, Wear	
30	3291005	2	Nut M10	
31	5251016	2	Bolt M10 x 40 CL10.9	
32	1001200491	1	Pad, Wear	
33	1001189001	4	Bearing	
34	1001204725	2	Plug	
36	91203039	1	Clamp	
37	1001216630	2	Decal - Tie Down/No Lift	
38	1001238421	Ref	Kit, Platform Leveling (Not Shown)	
	1001202687	Ref	VALVE MOUNT INSTALLATION	B
101	0100011	AR	Compound, Locking	
102	0760810	4	Bolt M8 x 20	
103	3290806	4	Nut M8	
104	4811900	8	Washer M8	
106	1001208994	1	Mount, Valve	

SECTION 4 - BOOM

FIGURE 4-7. POWER TRACK INSTALLATION - MAIN BOOM



ART_1001250387

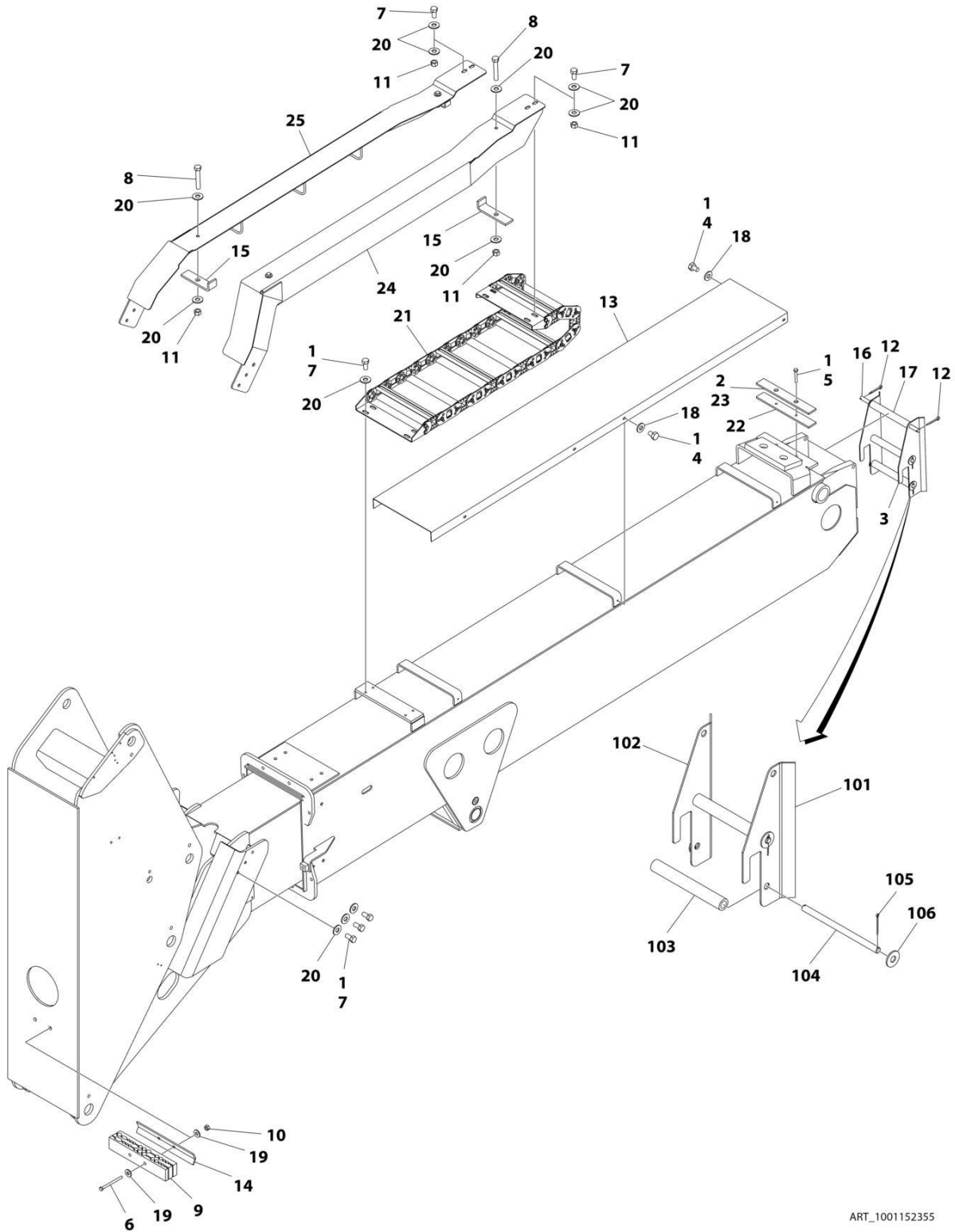
SECTION 4 - BOOM

FIGURE 4-7. POWER TRACK INSTALLATION - MAIN BOOM

ITEM	PART NUMBER	QTY	DESCRIPTION	REV
	1001250387	Ref	POWER TRACK INSTALLATION - MAIN BOOM	E
1	0100011	AR	Compound, Locking	
2	0641524	4	Bolt 5/16 x 3	
3	0641606	8	Bolt 3/8 x 3/4	
4	0641640	2	Bolt 3/8 x 5	
5	3271505	6	Nut 5/16	
6	3271605	13	Nut 3/8	
7	3340764	2	Pad	
8	3340840	1	Pad	
9	3538758	1	Plate	
10	3900283	8	Screw 3/8 x 3/4	
11	3900316	8	Screw 3/8 x 1	
12	4711500	8	Washer 5/16	
13	4711600	33	Washer 3/8	
14	1001255961	1	Power Track Assembly	
14	70007467	1	Repair Section	
14	70007466	1	Mounting Feet Kit	
15	1001176899	1	Plate	
16	1001253817	2	Clamp	
17	1001249824	2	Plate	
18	1001250384	1	Mount	
19	1001250722	1	Mount	
20	1001250900	1	Tube, Push	
21	0100081	AR	Adhesive	
22	0641620	1	Bolt 3/8 x 2-1/2	
23	1320289	1	Clamp	
24	3340943	2	Pad	

SECTION 4 - BOOM

FIGURE 4-8. POWER TRACK INSTALLATION - TOWER BOOM



ART_1001152355

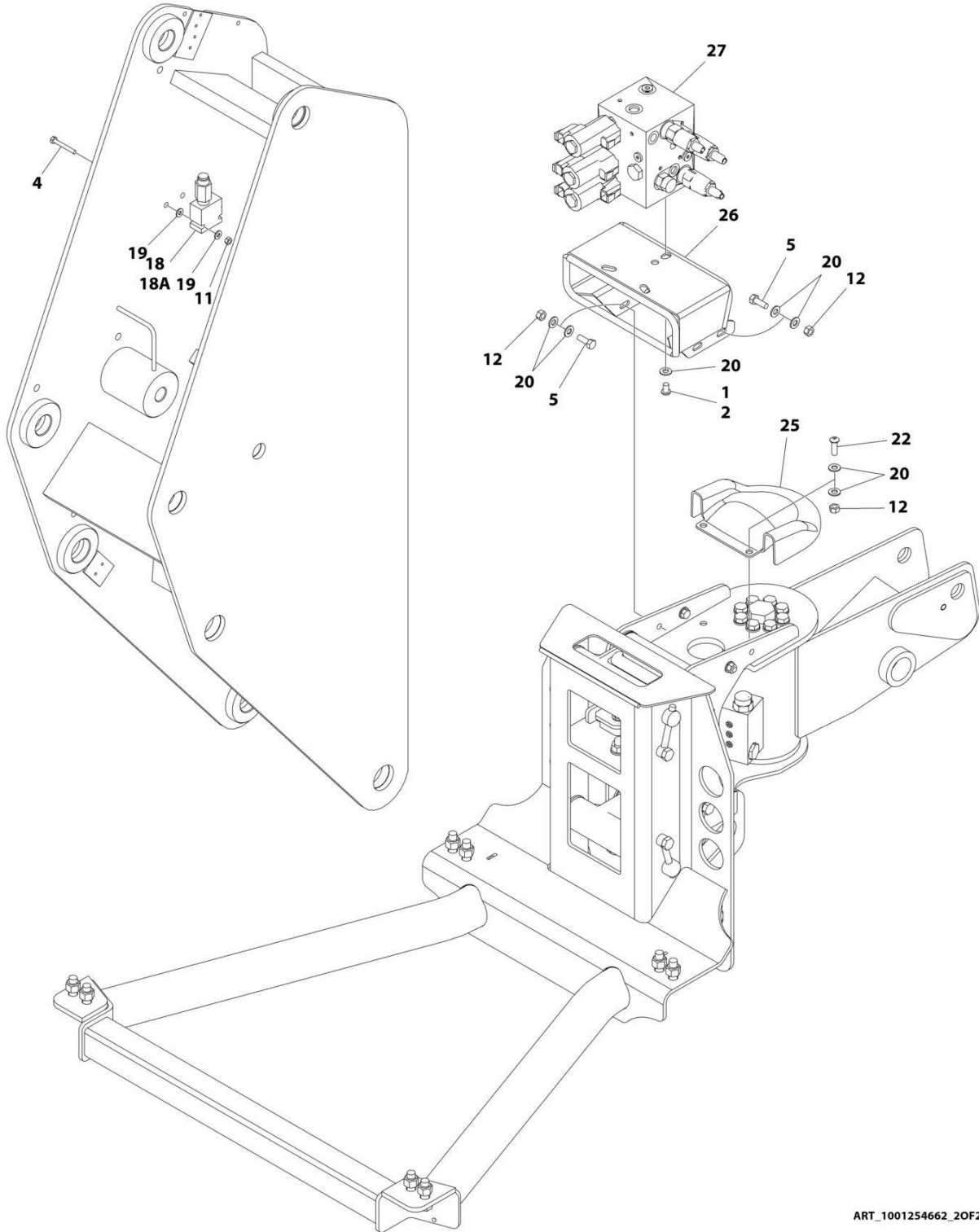
SECTION 4 - BOOM

FIGURE 4-8. POWER TRACK INSTALLATION - TOWER BOOM

ITEM	PART NUMBER	QTY	DESCRIPTION	REV
	1001152355	Ref	POWER TRACK INSTALLATION	D
1	0100011	AR	Compound, Locking	
2	0100081	AR	Adhesive	
3	0257573	1	Roller Hanger Assembly (Includes Items 101-106)	
4	0641403	6	Bolt 1/4 x 3/8	
5	0641516	2	Bolt 5/16 x 2	
6	0641532	2	Bolt 5/16 x 4	
7	0641606	14	Bolt 3/8 x 3/4	
8	0641618	4	Bolt 3/8 x 2-1/4	
9	1320243	1	Clamp, Block	
10	3311505	2	Nut 5/16	
11	3311605	8	Nut 3/8	
12	3450606	2	Pin, Cotter	
13	3539228	1	Plate, Cover	
14	3570374	1	Plate	
15	1001232880	4	Plate	
16	3841295	1	Rod	
17	4567241	1	Tube	
18	4711400	6	Washer 1/4	
19	4751500	4	Washer 5/16	
20	4751600	26	Washer 3/8	
21	1001099835	1	Power Track Assembly	
21	70002001	AR	Repair Section	
21	70002002	1	Mounting Bracket Kit	
22	1001110500	1	Plate	
23	1001110501	1	Pad	
24	1001151542	1	Bracket	
25	1001151586	1	Bracket	
	0257573	Ref	ROLLER HANGER ASSEMBLY	B
101	3570277	1	Plate (Left Side)	
102	3570270	1	Plate (Right Side)	
103	4567241	2	Roller, Tube	
104	3841347	2	Rod	
105	3450306	4	Pin, Cotter	
106	4751800	4	Washer 1/2	

SECTION 4 - BOOM

FIGURE 4-9. CONTROL VALVES INSTALLATION - DEUTZ D2011 AND STAGE V ENGINES



ART_1001254662_20F2

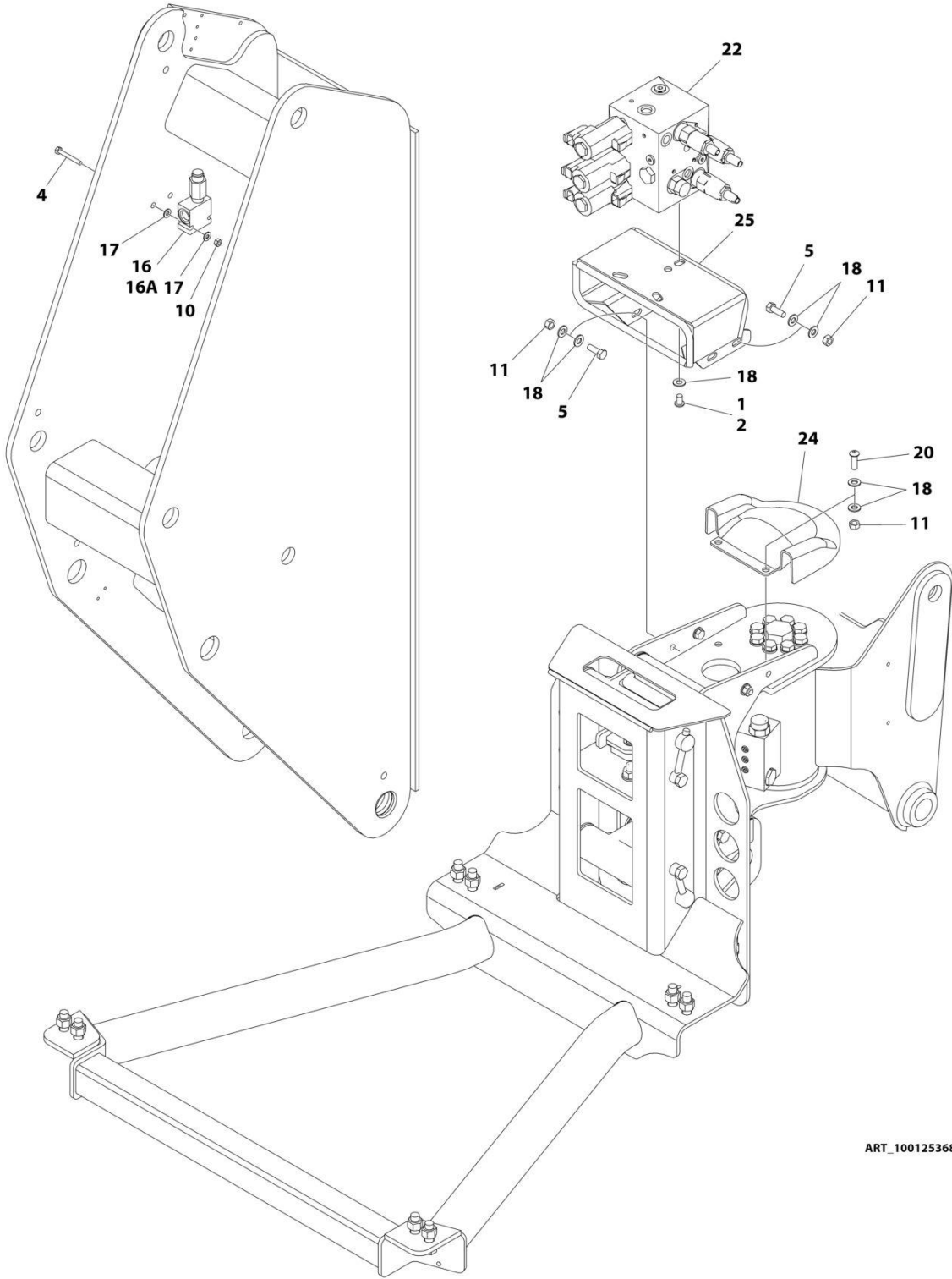
SECTION 4 - BOOM

FIGURE 4-9. CONTROL VALVES INSTALLATION - DEUTZ D2011 AND STAGE V ENGINES

ITEM	PART NUMBER	QTY	DESCRIPTION	REV
	1001254662	Ref	CONTROL VALVES INSTALLATION	B
1	0100011	AR	Compound, Locking	
2	0630467	3	Screw 5/6-18 x 1/2	
4	0641416	2	Bolt 1/4 x 2	
5	0641507	4	Bolt 5/16 x 7/8	
11	3311405	2	Nut 1/4-20	
12	3311505	6	Nut 5/16	
18	4640929	1	Valve Assembly - Relief	
18A	7012970	1	Cartridge Valve	
18A	7012953	1	Seal Kit - 7012970 Valve	
19	4711400	4	Washer 1/4	
20	4711500	15	Washer 5/16	
22	88261024	2	Screw 5/16 x 1	
25	1001207969	1	Cover	
26	1001208994	1	Mount	
27	1001253677	1	Control Valve Assembly (See Separate Breakdown in this Section)	

SECTION 4 - BOOM

FIGURE 4-10. CONTROL VALVES INSTALLATION - DEUTZ TD2.9L4 & FORD ENGINES



ART_1001253680_20F2

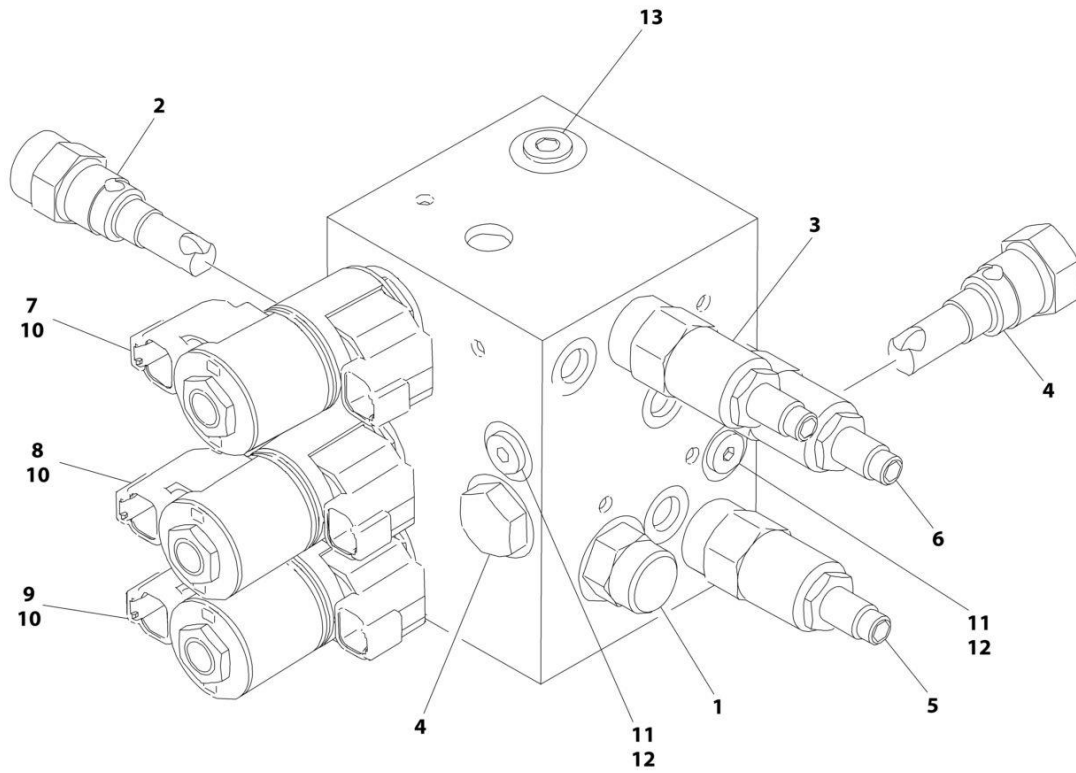
SECTION 4 - BOOM

FIGURE 4-10. CONTROL VALVES INSTALLATION - DEUTZ TD2.9L4 & FORD ENGINES

ITEM	PART NUMBER	QTY	DESCRIPTION	REV
	1001253680	Ref	CONTROL VALVES INSTALLATION	B
1	0100011	AR	Compound, Locking	
2	0630467	3	Screw 5/6-18 x 1/2	
4	0641416	2	Bolt 1/4 x 2	
5	0641507	4	Bolt 5/16 x 7/8	
10	3311405	2	Nut 1/4-20	
11	3311505	6	Nut 5/16	
16	4640929	1	Valve Assembly - Relief	
16A	7012970	1	Cartridge Valve	
16A	7012953	1	Seal Kit - 7012970 Valve	
17	4711400	4	Washer 1/4	
18	4711500	15	Washer 5/16	
20	88261024	2	Screw 5/16 x 1	
22	1001253677	1	Control Valve Assembly (See Separate Breakdown in this Section)	
24	1001207969	1	Cover	
25	1001208994	1	Mount	

SECTION 4 - BOOM

FIGURE 4-11. BOOM VALVE ASSEMBLY



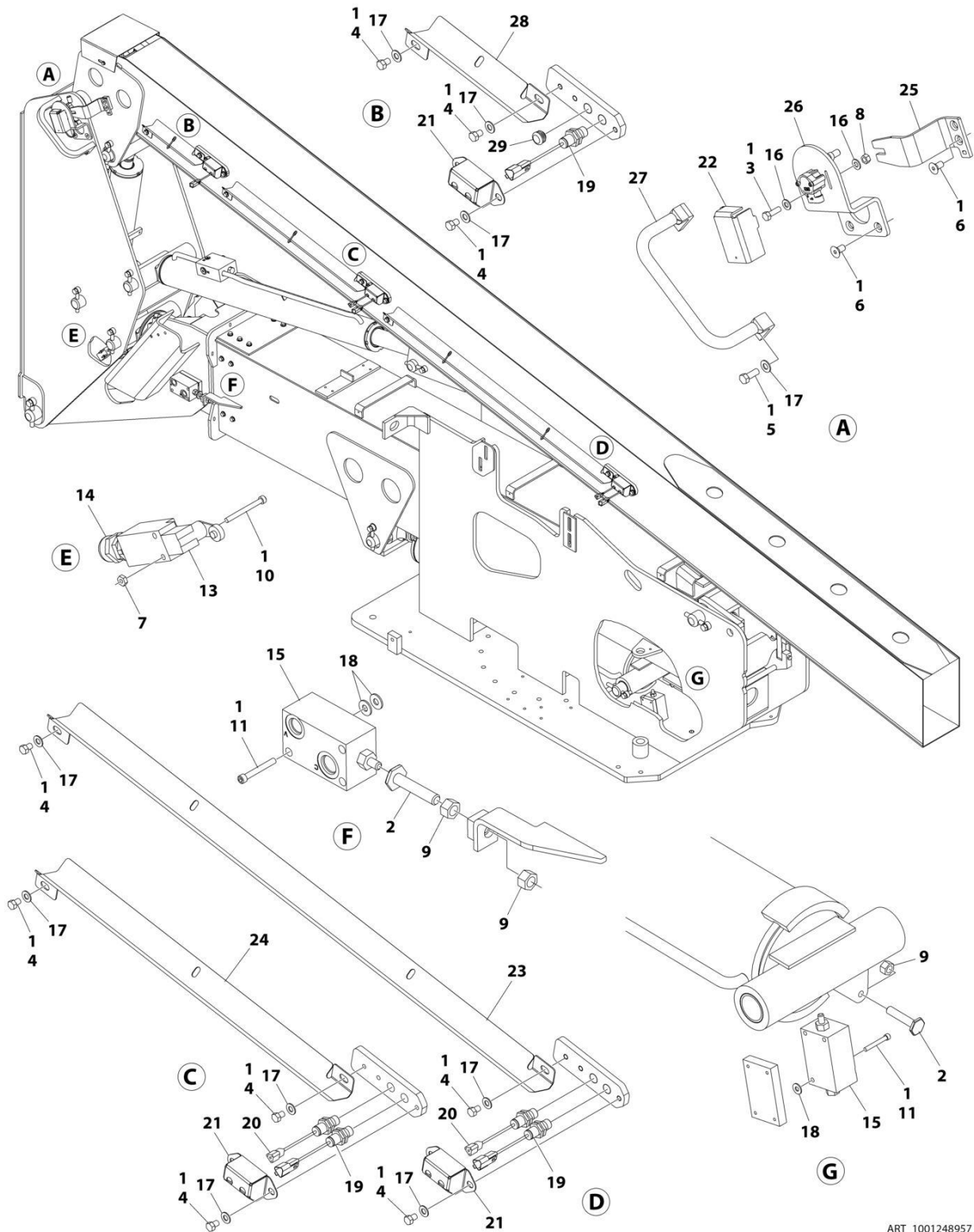
ART_1001253677

FIGURE 4-11. BOOM VALVE ASSEMBLY

ITEM	PART NUMBER	QTY	DESCRIPTION	REV
	1001253677	Ref	BOOM VALVE ASSEMBLY	B
1	7012989	1	Valve, Flow	
1	7012953	1	Seal Kit - 7012989 Valve	
2	7012965	1	Valve, Flow	
2	7012953	1	Seal Kit - 7012965 Valve	
3	70004151	1	Valve, Relief	
3	7021653	1	Seal Kit - 70003962 Valve	
4	7012914	2	Valve, Cartridge	
4	7012918	2	Seal Kit - 7012914 Valve	
5	7023911	1	Valve, Relief	
5	7012967	1	Seal Kit - 7023911 Valve	
6	70007446	1	Valve, Relief	
6	7012998	1	Seal Kit - 70007446 Valve	
7	7017452	1	Valve, Solenoid (Jib)	
7	7017402	2	Seal Kit - 7017452 Valve	
8	7017452	1	Valve, Solenoid (Platform Level)	
8	7017402	1	Seal Kit - 7017452 Valve	
9	7017452	1	Valve, Solenoid (Rotator)	
9	7017402	2	Seal Kit - 7017452 Valve	
10	70002386	6	Coil	
11	70002064	2	Plug, Orifice	
12	2220883	2	Plug	
13	91164079	1	Plug	

SECTION 4 - BOOM

FIGURE 4-12. BOOM VALVES AND LIMIT SWITCHES INSTALLATION



ART_1001248957

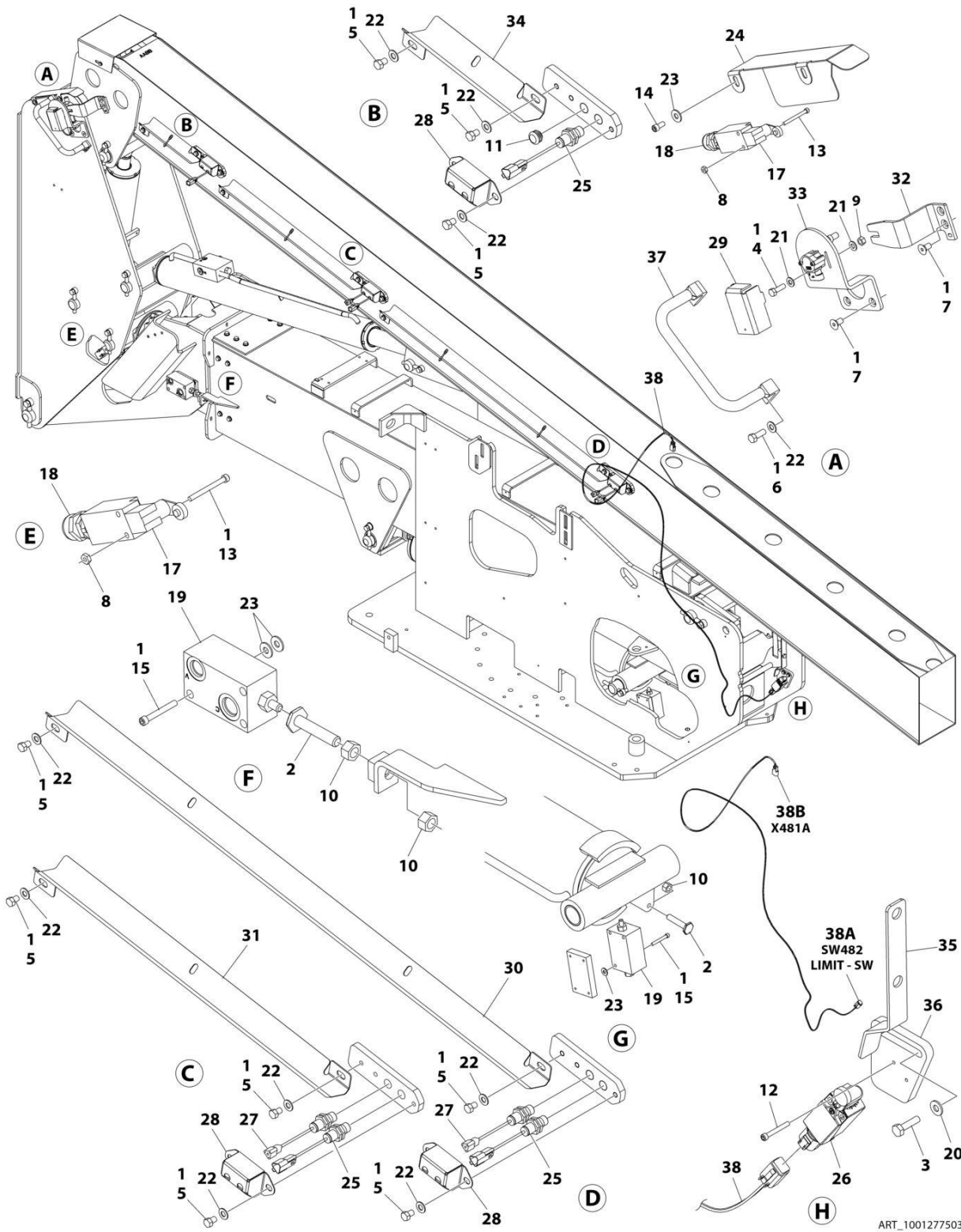
SECTION 4 - BOOM

FIGURE 4-12. BOOM VALVES AND LIMIT SWITCHES INSTALLATION

ITEM	PART NUMBER	QTY	DESCRIPTION	REV
	1001248957	Ref	BOOM VALVES AND LIMIT SWITCHES INSTALLATION	D
1	0100011	AR	Compound, Locking	
2	0630427	2	Bolt	
3	0641508	1	Bolt 5/16 x 1	
4	0641604	12	Bolt 3/8 x 1/2	
5	0641608	2	Bolt 3/8 x 1	
6	0741606	4	Screw 3/8 x 3/4	
7	3310801	2	Nut #8	
8	3311501	1	Nut 5/6	
9	3311801	3	Nut 1/2	
10	3930828	2	Capscrew #8 x 1-3/4	
11	3931430	6	Capscrew 1/4 x 1-7/8	
12	4240033	5	Tie-Strap (Not Shown)	
13	4360578	1	Switch, Limit	
14	4460968	1	Connector, Strain Relief	
15	4641436	2	Valve, 2-Way	
16	4711500	2	Washer 5/16	
17	4711600	14	Washer 3/8	
18	4751400	9	Washer 1/4	
19	1001170847	3	Sensor, Proximity	
20	1001182570	2	Sensor, Proximity	
21	1001204715	3	Bracket	
22	1001211588	1	Shield	
23	1001238138	1	Angle	
24	1001238327	1	Angle	
25	1001248958	1	Plate	
26	1001248962	1	Sensor, Angle	
27	1001263612	1	Bar, Guard	
28	1001250531	1	Plate	
29	3520193	1	Plug	

SECTION 4 - BOOM

FIGURE 4-13. BOOM SENSOR INSTALLATION (TOWER STOW)



ART_1001277503

SECTION 4 - BOOM

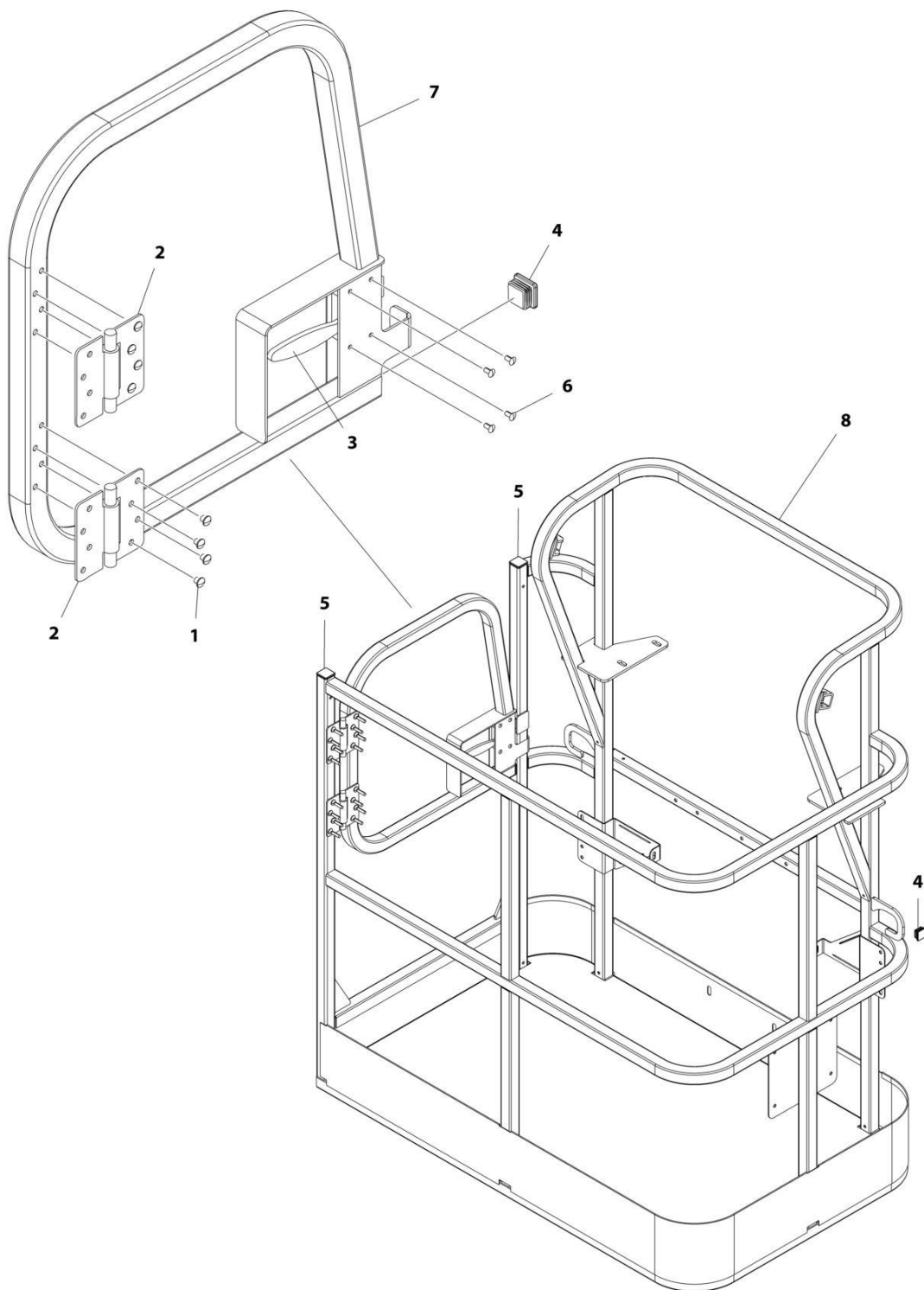
FIGURE 4-13. BOOM SENSOR INSTALLATION (TOWER STOW)

ITEM	PART NUMBER	QTY	DESCRIPTION	REV
	1001277503	Ref	BOOM SENSOR INSTALLATION	A
1	0100011	AR	Compound, Locking	
2	0630427	2	Bolt	
3	0641408	2	Bolt 1/4 x 1	
4	0641508	1	Bolt 5/16 x 1	
5	0641604	12	Bolt 3/8 x 1/2	
6	0641608	2	Bolt 3/8 x 1	
7	0741606	4	Screw 3/8 x 3/4	
8	3310801	4	Nut #8	
9	3311501	1	Nut 5/6	
10	3311801	3	Nut 1/2	
11	3520193	1	Plug	
12	3930820	2	Capscrew #8 x 1-1/4	
13	3930828	4	Capscrew #8 x 1-3/4	
14	3931408	2	Capscrew 1/4 x 1/2	
15	3931430	6	Capscrew 1/4 x 1-7/8	
16	4240033	5	Tie-Strap (Not Shown)	
17	4360578	2	Switch, Limit	
18	4460968	2	Connector, Strain Relief	
19	4641436	2	Valve, 2-Way	
20	4711400	2	Washer 1/4	
21	4711500	2	Washer 5/16	
22	4711600	14	Washer 3/8	
23	4751400	11	Washer 1/4	
24	1001155399	1	Cover, Limit Switch	
25	1001170847	3	Sensor, Proximity	
26	1001172271	1	Switch, Roller Limit	
27	1001182570	2	Sensor, Proximity	
28	1001204715	3	Bracket	
29	1001211588	1	Shield	
30	1001238138	1	Angle	
31	1001238327	1	Angle	
32	1001248958	1	Plate	
33	1001248962	1	Sensor, Angle	
34	1001250531	1	Plate	
35	1001259642	1	Plate	
36	1001260070	1	Bracket, Limit Switch	
37	1001263612	1	Bar, Guard	
38	1001266829	1	Harness, Tower Stow Indicator	
38A	4460884	1	Connector - 4 Position	
38A	4460465	2	Socket, Female	
38A	4460466	2	Plug, Terminal	
38B	4460910	1	Connector - 3 Position	
38B	1001116695	2	Terminal, Pin	
38B	4460518	1	Plug, Terminal	

SECTION 5 - PLATFORM

SECTION 5 - PLATFORM

FIGURE 5-1. PLATFORM ASSEMBLY - 30IN X 4FT (76.2CM X 1.22M) WITH SWING GATE



ART_1001186387

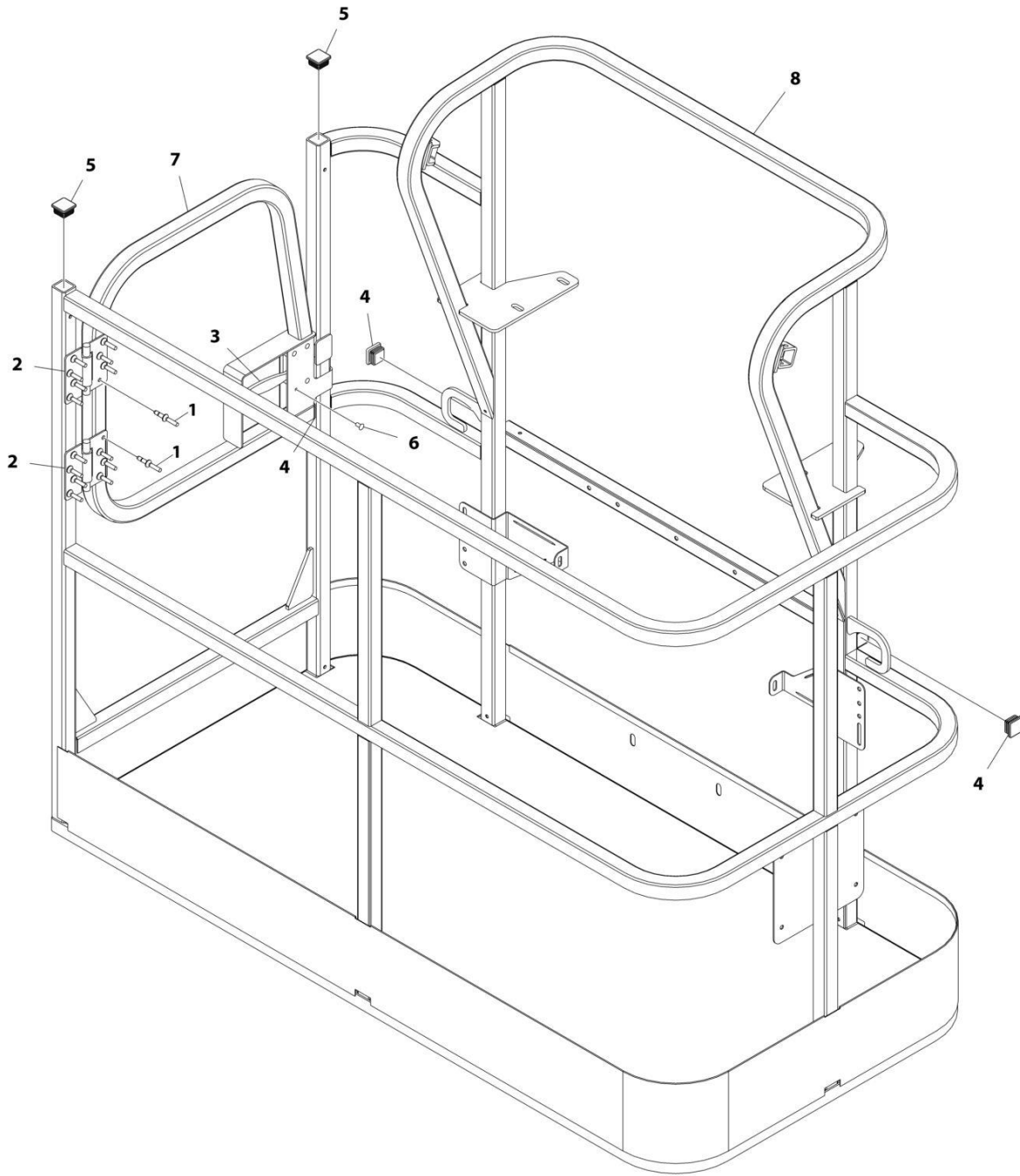
SECTION 5 - PLATFORM

FIGURE 5-1. PLATFORM ASSEMBLY - 30IN X 4FT (76.2CM X 1.22M) WITH SWING GATE

ITEM	PART NUMBER	QTY	DESCRIPTION	REV
	1001186387	Ref	PLATFORM ASSEMBLY	C
		Ref	Note: Platform and Mesh must be ordered separately for Platforms with Mesh. See SPECIAL OPTIONS SECTION for Mesh Installations.	
		Ref	Note: Replacement Decals Must be Ordered Separately - See DECALS SECTION.	
1	2080040	16	Fastener, Huck	
2	2600281	2	Hinge, Self-Closing	
3	2940074	1	Latch	
4	3520072	3	Plug	
5	3520198	2	Plug	
6	3820020	4	Rivet	
7	1001144629	1	Gate	
8	See Note	1	Platform (Note: Not Available - Purchase Platform Assembly)	

SECTION 5 - PLATFORM

FIGURE 5-2. PLATFORM ASSEMBLY - 30IN X 5FT (76CM X 1.52M) - GATE ENTRY



ART_1001186386

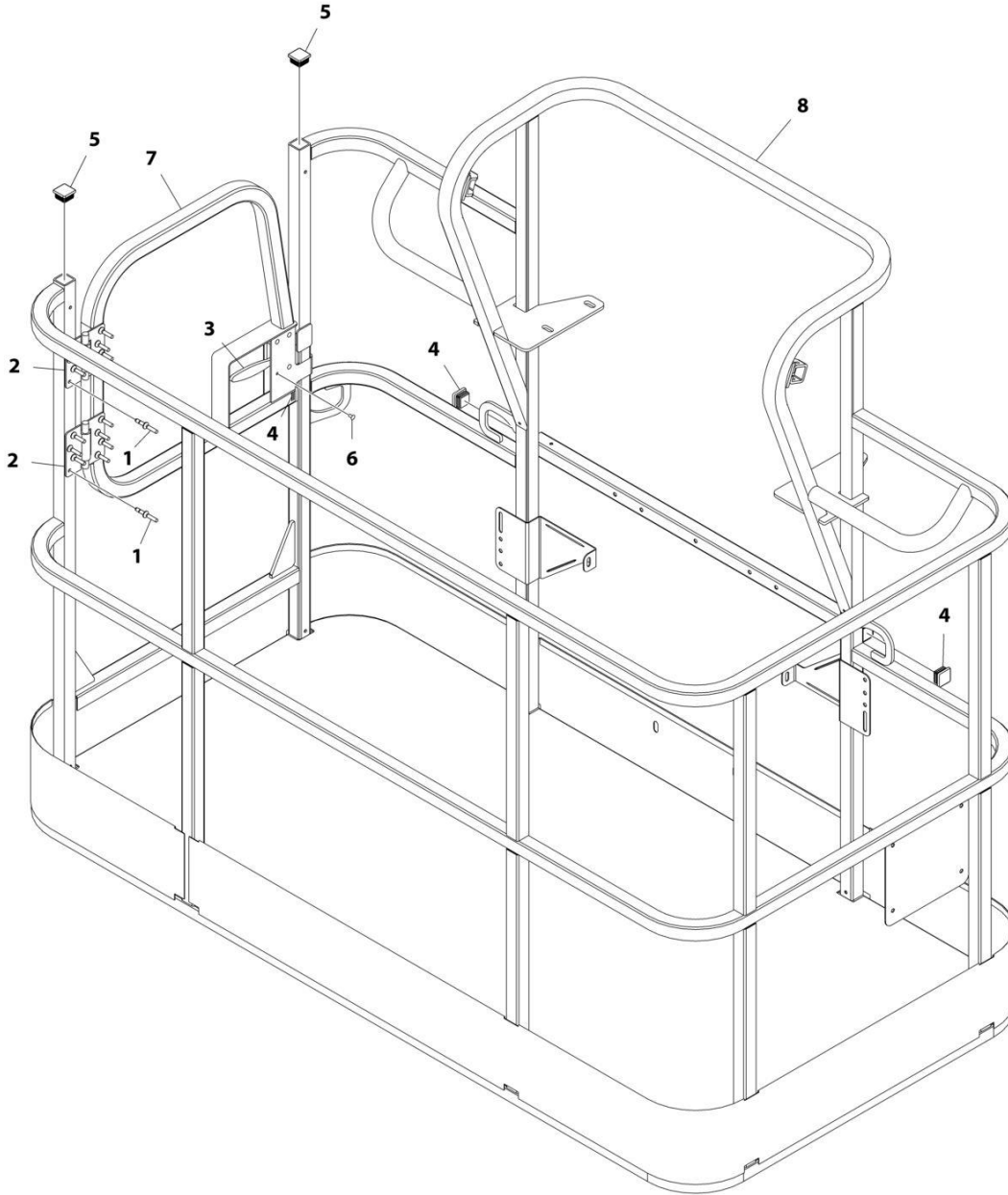
SECTION 5 - PLATFORM

FIGURE 5-2. PLATFORM ASSEMBLY - 30IN X 5FT (76CM X 1.52M) - GATE ENTRY

ITEM	PART NUMBER	QTY	DESCRIPTION	REV
	1001186386	Ref	PLATFORM ASSEMBLY	C
		Ref	Note: Platform and Mesh must be ordered separately for Platforms with Mesh. See SPECIAL OPTIONS SECTION for Mesh Installations.	
		Ref	Note: Replacement Decals Must be Ordered Separately - See DECALS SECTION.	
1	2080040	16	Fastener, Huck	
2	2600281	2	Hinge, Self-Closing	
3	2940074	1	Latch	
4	3520072	3	Plug	
5	3520198	2	Plug	
6	3820020	4	Rivet	
7	1001144629	1	Gate	
8	See Note	NSS	Platform (Note: Not Available - Purchase Platform Assembly)	

SECTION 5 - PLATFORM

FIGURE 5-3. PLATFORM ASSEMBLY - 36IN X 6FT (91.5CM X 1.83M) WITH SWING GATE



ART_1001186384

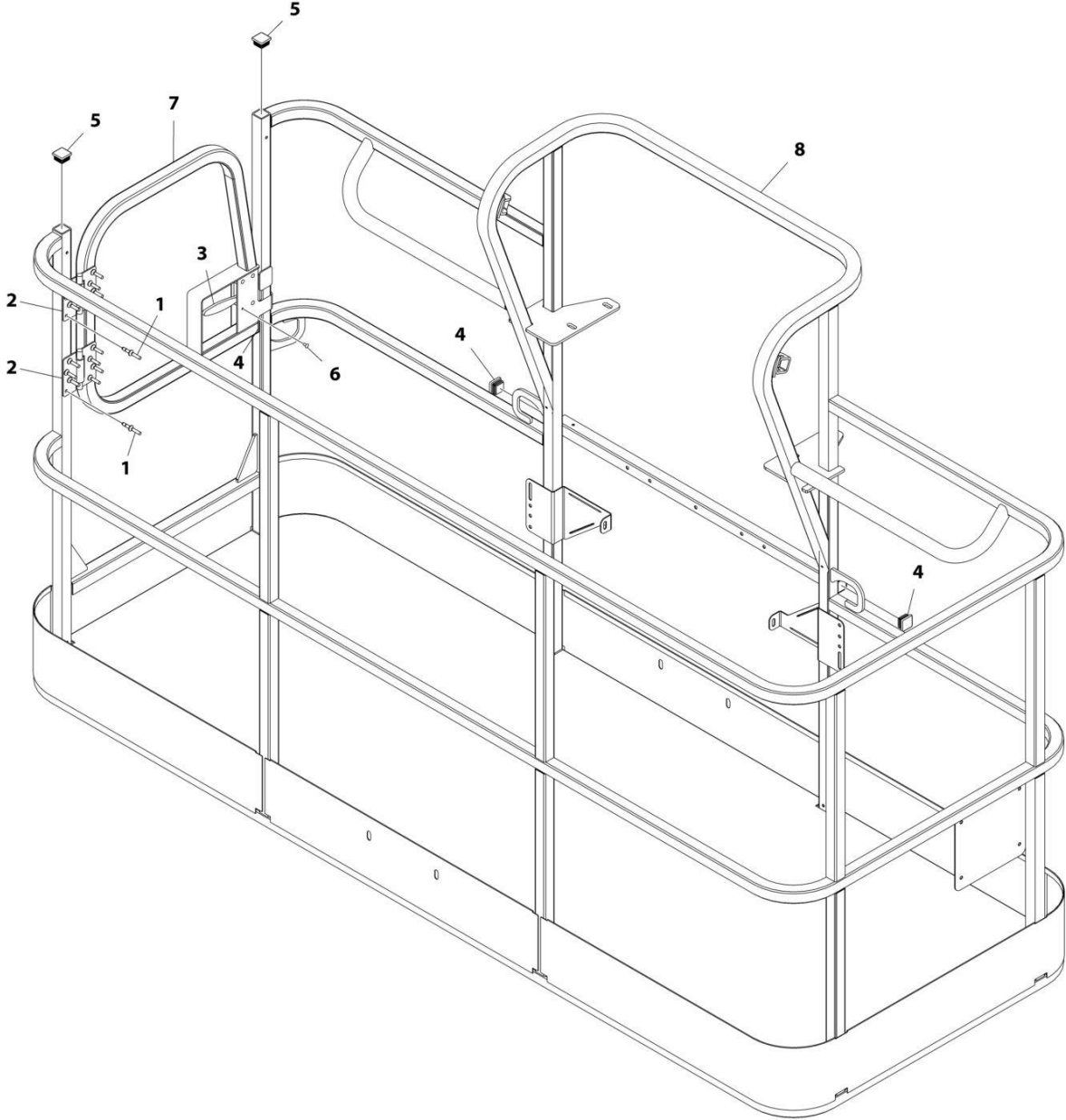
SECTION 5 - PLATFORM

FIGURE 5-3. PLATFORM ASSEMBLY - 36IN X 6FT (91.5CM X 1.83M) WITH SWING GATE

ITEM	PART NUMBER	QTY	DESCRIPTION	REV
	1001186384	Ref	PLATFORM ASSEMBLY - 36IN X 6FT (91.5CM X 1.83M) WITH SWING GATE	C
	See Note	Ref	Note: Platform and Mesh must be ordered separately for Platforms with Mesh. See SPECIAL OPTIONS SECTION for Mesh Installations.	
	See Note	Ref	Note: Replacement Decals Must be Ordered Separately - See DECALS SECTION.	
1	2080040	16	Fastener, Huck	
2	2600281	2	Hinge	
3	2940074	1	Latch	
4	3520072	3	Plug	
5	3520198	2	Plug	
6	3820020	4	Rivet	
7	1001144629	1	Gate	
8	See Note	NSS	Platform (Note: Not Available - Purchase Platform Assembly)	

SECTION 5 - PLATFORM

FIGURE 5-4. PLATFORM ASSEMBLY - 36IN X 8FT (91.5CM X 2.44M) WITH SWING GATE



ART_1001186383

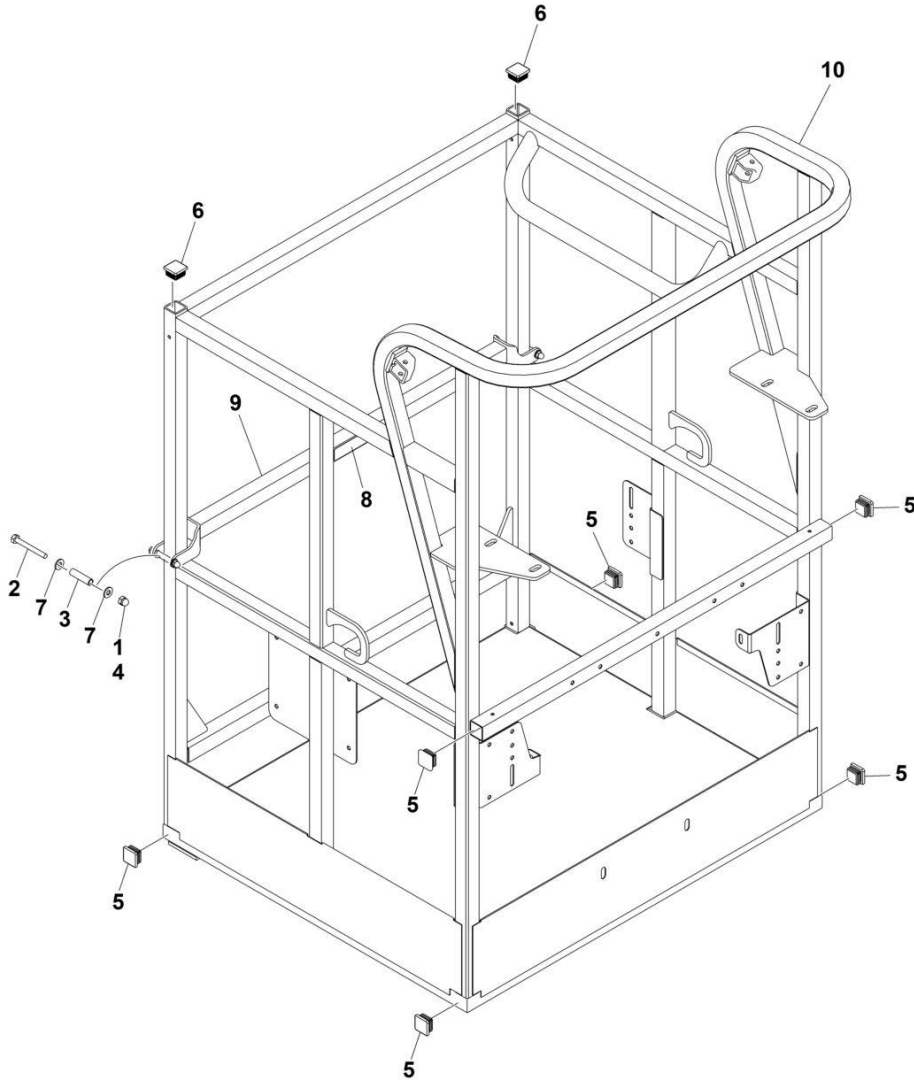
SECTION 5 - PLATFORM

FIGURE 5-4. PLATFORM ASSEMBLY - 36IN X 8FT (91.5CM X 2.44M) WITH SWING GATE

ITEM	PART NUMBER	QTY	DESCRIPTION	REV
	1001186383	Ref	PLATFORM ASSEMBLY - 36IN X 8FT (91.5CM X 2.44M) WITH SWING GATE	D
		Ref	Note: Platform and Mesh must be ordered separately for Platforms with Mesh. See SPECIAL OPTIONS SECTION for Mesh Installations.	
		Ref	Note: Replacement Decals Must be Ordered Separately - See DECALS SECTION.	
1	2080040	16	Fastener, Huck	
2	2600281	2	Hinge	
3	2940074	1	Latch	
4	3520072	3	Plug	
5	3520198	2	Plug	
6	3820020	4	Rivet	
7	1001144629	1	Gate	
8	See Note	NSS	Platform (Note: Not Available - Purchase Platform Assembly)	

SECTION 5 - PLATFORM

FIGURE 5-5. PLATFORM ASSEMBLY - 30IN X 3FT (76CM X .91M) - DROP BAR ENTRY



ART_1001228215

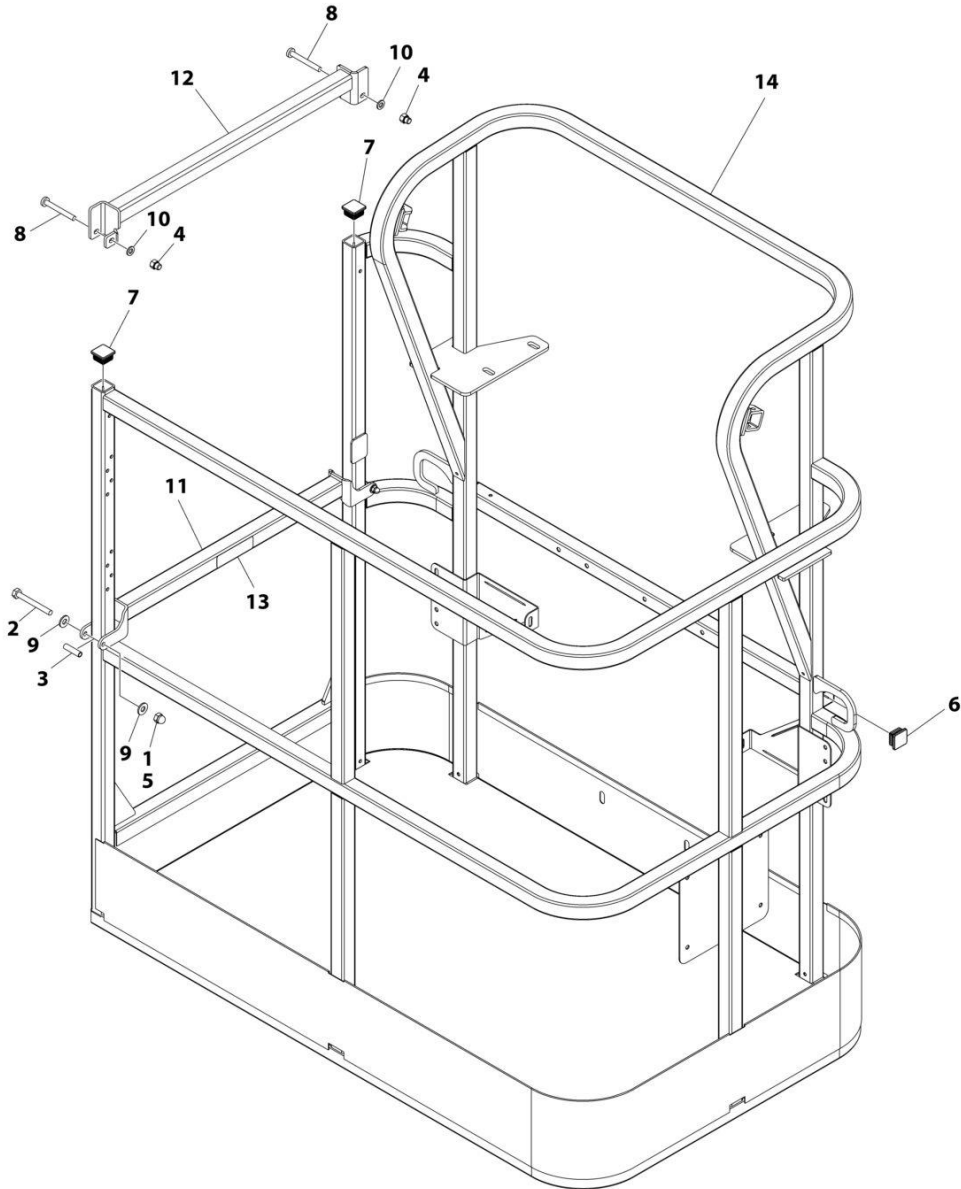
SECTION 5 - PLATFORM

FIGURE 5-5. PLATFORM ASSEMBLY - 30IN X 3FT (76CM X .91M) - DROP BAR ENTRY

ITEM	PART NUMBER	QTY	DESCRIPTION	REV
	1001228215	Ref	PLATFORM ASSEMBLY	A
	See Note	Ref	Note: Platform and Mesh must be ordered separately for Platforms with Mesh. See SPECIAL OPTIONS SECTION for Mesh Installations.	
	See Note	Ref	Note: Replacement Decals Must be Ordered Separately - See DECAL SECTION.	
1	0100011	AR	Compound, Locking	
2	0641418	2	Bolt 1/4 x 2-1/4	
3	0961845	2	Bushing	
4	3300151	2	Nut 1/4	
5	3520072	6	Cap, Plug	
6	3520198	2	Cap, Plug	
7	4711400	4	Washer 1/4	
8	1001140429	1	Decal - Drop Bar	
9	1001226872	1	Bar, Drop	
10	See Note	NSS	Platform (Note: Not Available - Purchase Platform Assembly)	

SECTION 5 - PLATFORM

FIGURE 5-6. PLATFORM ASSEMBLY - 30IN X 4FT (76.2CM X 1.22M) WITH DROP BAR



ART_1001186375

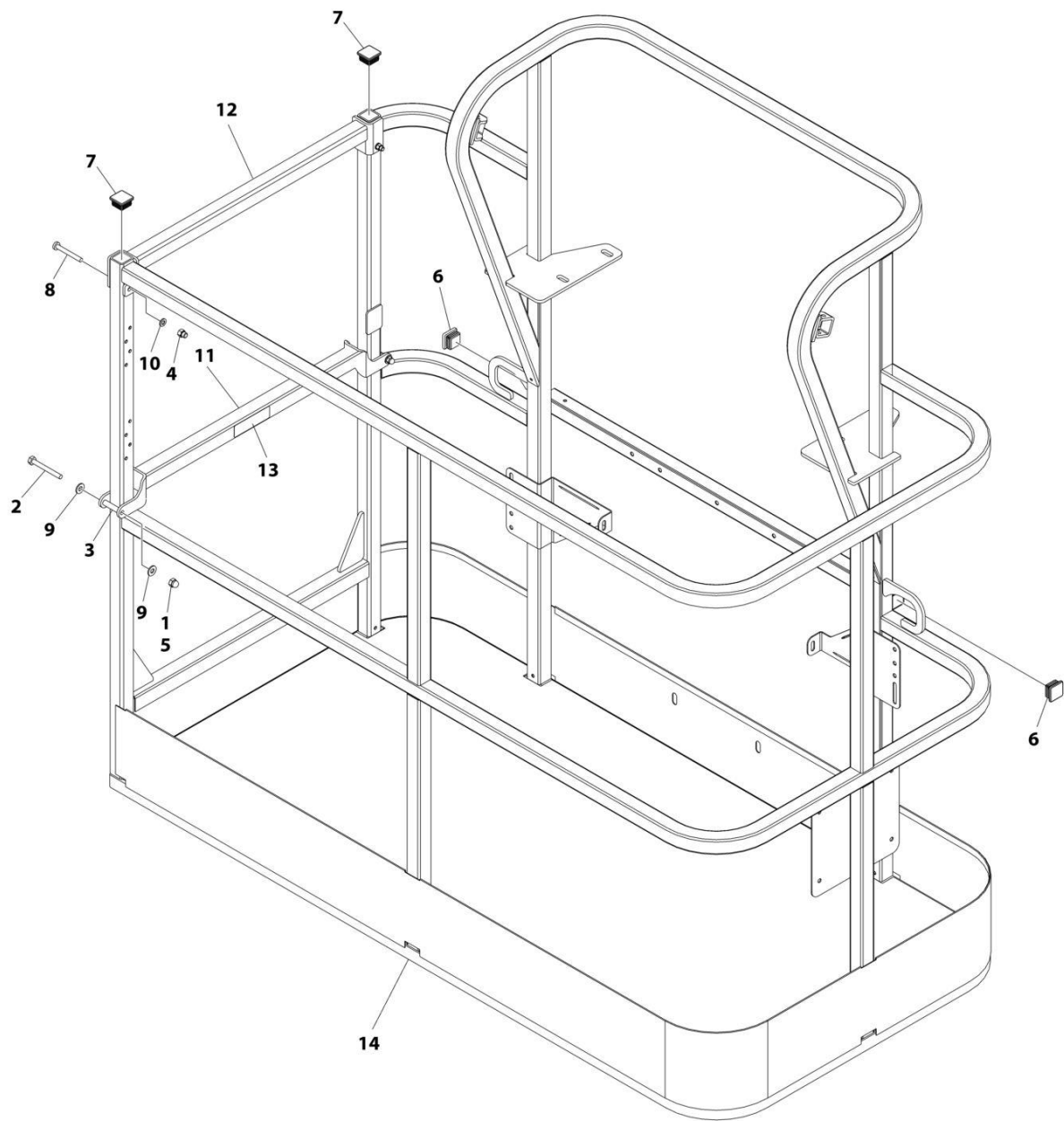
SECTION 5 - PLATFORM

FIGURE 5-6. PLATFORM ASSEMBLY - 30IN X 4FT (76.2CM X 1.22M) WITH DROP BAR

ITEM	PART NUMBER	QTY	DESCRIPTION	REV
	1001186375	Ref	PLATFORM ASSEMBLY	B
		Ref	Note: Platform and Mesh must be ordered separately for Platforms with Mesh. See SPECIAL OPTIONS SECTION for Mesh Installations.	
		Ref	Note: Replacement Decals Must be Ordered Separately - See DECALS SECTION.	
1	0100011	AR	Compound, Locking	
2	0641418	2	Bolt 1/4 x 2-1/4	
3	0961845	2	Bushing	
4	3290606	2	Nut M6	
5	3300151	2	Nut 1/4	
6	3520072	2	Plug	
7	3520198	2	Plug	
8	4010618	2	Screw M6 x 50	
9	4711400	4	Washer 1/4	
10	4811700	2	Washer M6	
11	1001138494	1	Bar, Drop	
12	1001138514	1	Rail - Top	
13	1001140429	1	Decal - Drop Bar	
14	See Note	1	Platform (Note: Not Available - Purchase Platform Assembly)	

SECTION 5 - PLATFORM

FIGURE 5-7. PLATFORM ASSEMBLY - 30IN X 5FT (76CM X 1.52M) - DROP BAR ENTRY



ART_1001186377

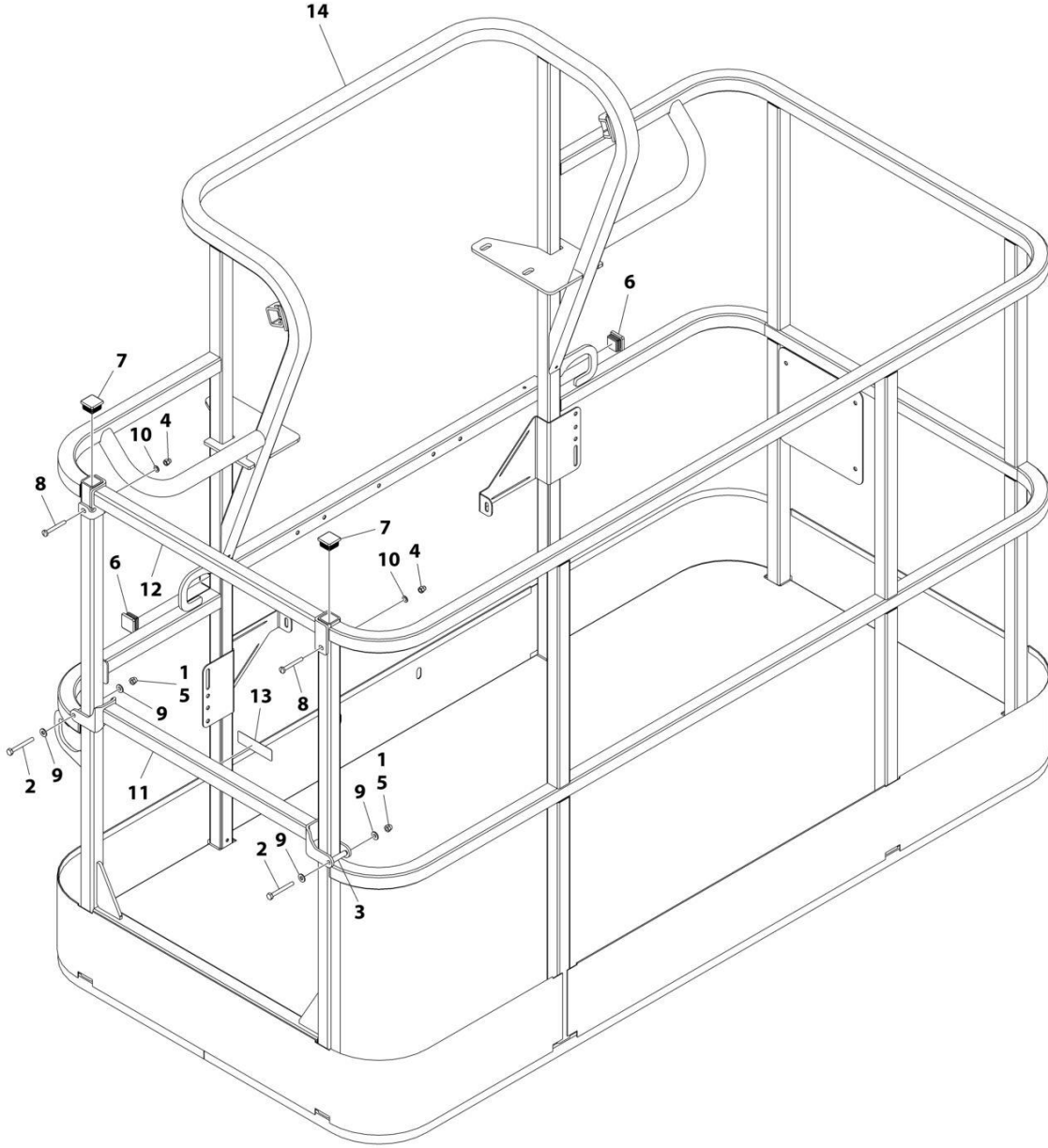
SECTION 5 - PLATFORM

FIGURE 5-7. PLATFORM ASSEMBLY - 30IN X 5FT (76CM X 1.52M) - DROP BAR ENTRY

ITEM	PART NUMBER	QTY	DESCRIPTION	REV
	1001186377	Ref	PLATFORM ASSEMBLY	C
		Ref	Note: Platform and Mesh must be ordered separately for Platforms with Mesh. See SPECIAL OPTIONS SECTION for Mesh Installations.	
		Ref	Note: Replacement Decals Must be Ordered Separately - See DECALS SECTION.	
1	0100011	AR	Compound, Locking	
2	0641420	2	Bolt 1/4 x 2-1/2	
3	0961845	2	Bushing	
4	3290606	2	Nut M6	
5	3300151	2	Nut 1/4	
6	3520072	2	Plug	
7	3520198	2	Plug	
8	4010618	2	Screw M6 x 50	
9	4711400	4	Washer 1/4	
10	4811700	2	Washer M6	
11	1001138494	1	Bar, Drop	
12	1001138514	1	Rail (Top)	
13	1001140429	1	Decal - Drop Bar	
14	See Note	NSS	Platform (Note: Not Available - Purchase Platform Assembly)	

SECTION 5 - PLATFORM

FIGURE 5-8. PLATFORM ASSEMBLY - 36IN X 6FT (91.5CM X 1.83M) WITH DROP BAR



ART_1001186379

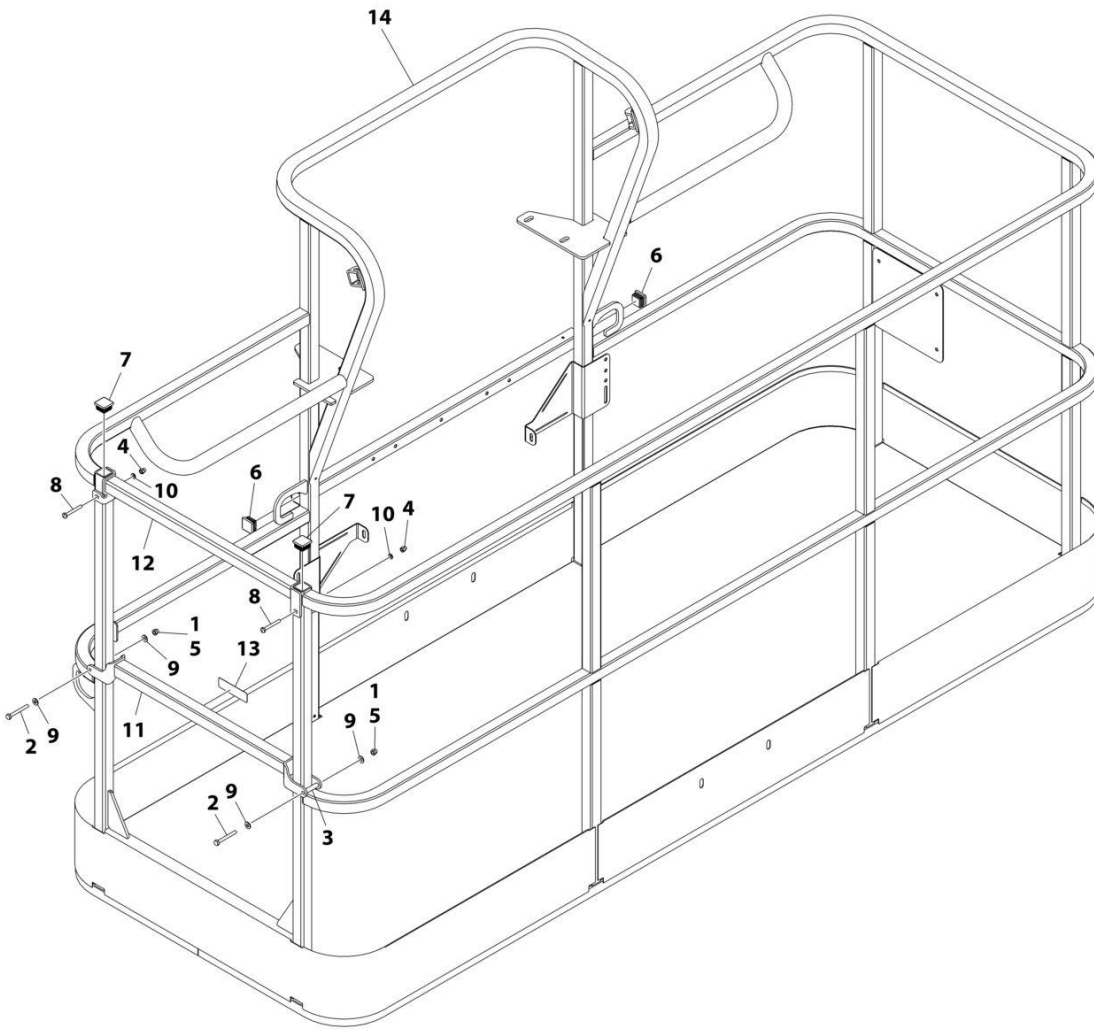
SECTION 5 - PLATFORM

FIGURE 5-8. PLATFORM ASSEMBLY - 36IN X 6FT (91.5CM X 1.83M) WITH DROP BAR

ITEM	PART NUMBER	QTY	DESCRIPTION	REV
	1001186379	Ref	PLATFORM ASSEMBLY - 36IN X 6FT (91.5CM X 1.83M) WITH DROP BAR	B
		Ref	Note: Platform and Mesh must be ordered separately for Platforms with Mesh. See SPECIAL OPTIONS SECTION for Mesh Installations.	
		Ref	Note: Replacement Decals Must be Ordered Separately - See DECALS SECTION.	
1	0100011	AR	Compound, Locking	
2	0641418	2	Bolt 1/4 x 2-1/4	
3	0961845	2	Bushing	
4	3290606	2	Nut M6	
5	3300151	2	Nut 1/4	
6	3520072	2	Plug	
7	3520198	2	Plug	
8	4010618	2	Screw M6 x 50	
9	4711400	4	Washer 1/4	
10	4811700	2	Washer M6	
11	1001138494	1	Bar, Drop	
12	1001138514	1	Rail (Top)	
13	1001140429	1	Decal - Drop Bar	
14	See Note	NSS	Platform (Note: Not Available - Purchase Platform Assembly)	

SECTION 5 - PLATFORM

FIGURE 5-9. PLATFORM ASSEMBLY - 36IN X 8FT (91.5CM X 2.44M) WITH DROP BAR



ART_1001186382

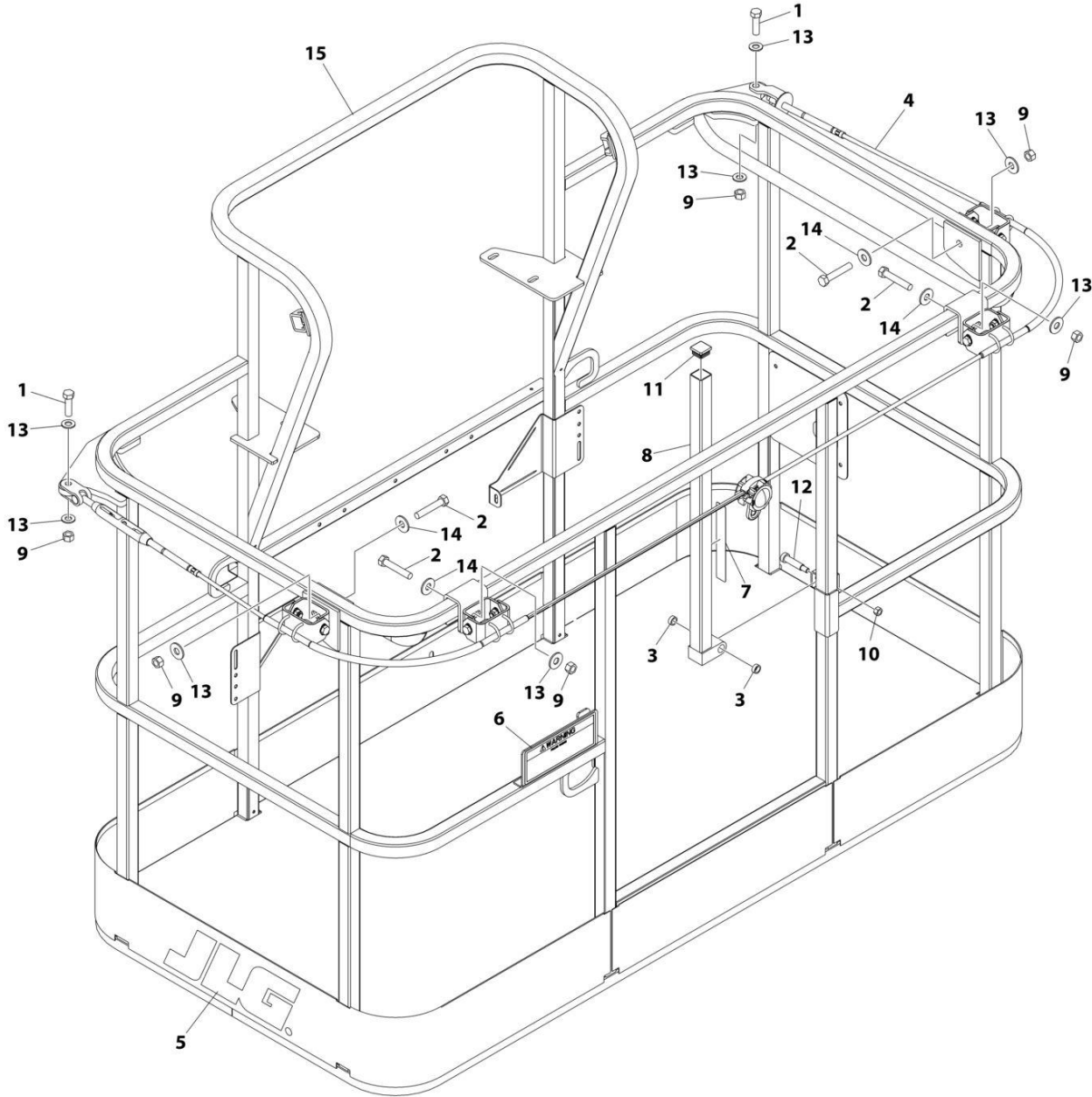
SECTION 5 - PLATFORM

FIGURE 5-9. PLATFORM ASSEMBLY - 36IN X 8FT (91.5CM X 2.44M) WITH DROP BAR

ITEM	PART NUMBER	QTY	DESCRIPTION	REV
	1001186382	Ref	PLATFORM ASSEMBLY - 36IN X 8FT (91.5CM X 2.44M) WITH DROP BAR	C
		Ref	Note: Platform and Mesh must be ordered separately for Platforms with Mesh. See SPECIAL OPTIONS SECTION for Mesh Installations.	
		Ref	Note: Replacement Decals Must be Ordered Separately - See DECALS SECTION.	
1	0100011	AR	Compound, Locking	
2	0641418	2	Bolt 1/4 x 2-1/4	
3	0961845	2	Bushing	
4	3290606	2	Nut M6	
5	3300151	2	Nut 1/4	
6	3520072	2	Plug	
7	3520198	2	Plug	
8	4010618	2	Screw M6 x 50	
9	4711400	4	Washer 1/4	
10	4811700	2	Washer M6	
11	1001138494	1	Bar, Drop	
12	1001138514	1	Rail (Top)	
13	1001140429	1	Decal - Drop Bar	
14	See Note	NSS	Platform (Note: Not Available - Purchase Platform Assembly)	

SECTION 5 - PLATFORM

FIGURE 5-10. PLATFORM ASSEMBLY - 36IN X 6FT (91.5CM X 1.83M) WITH FALL ARREST



ART_1001186333

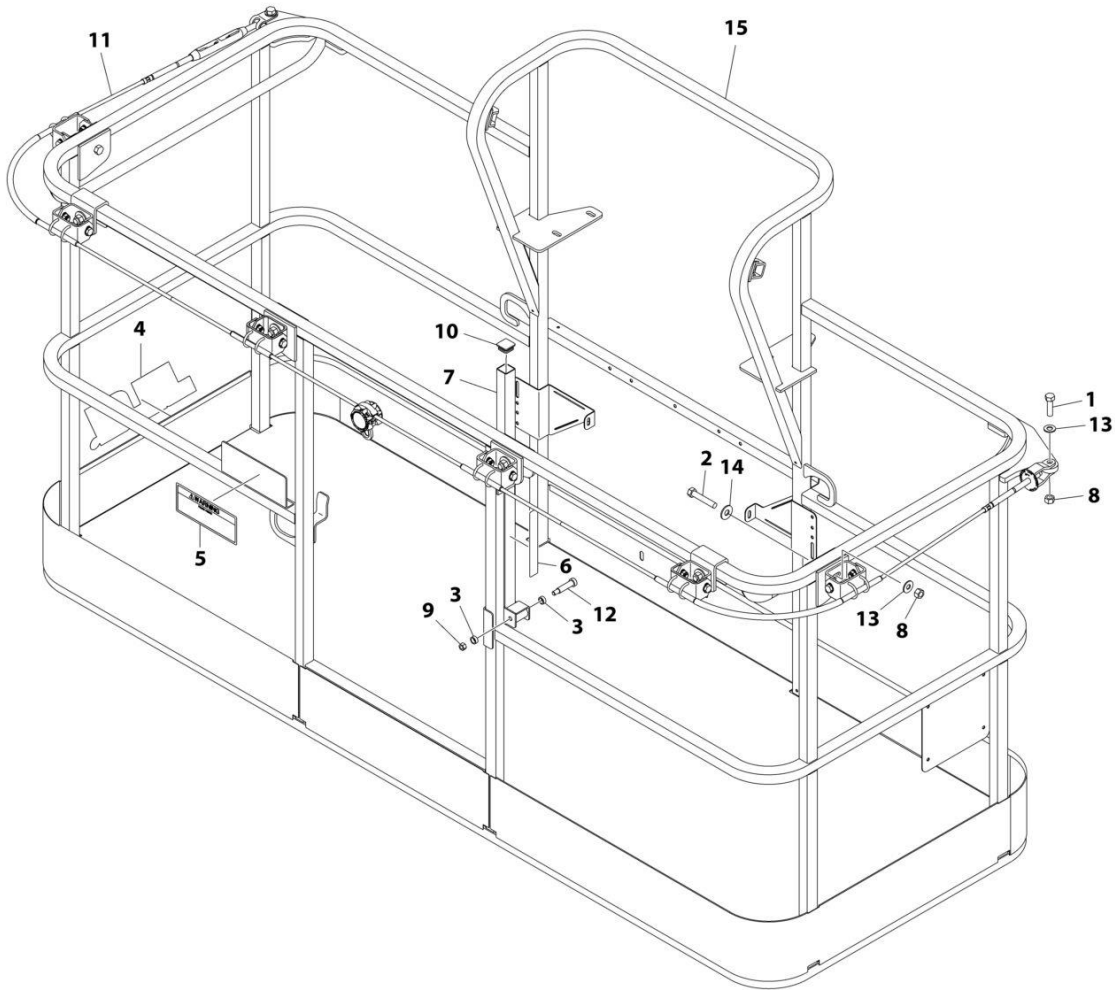
SECTION 5 - PLATFORM

FIGURE 5-10. PLATFORM ASSEMBLY - 36IN X 6FT (91.5CM X 1.83M) WITH FALL ARREST

ITEM	PART NUMBER	QTY	DESCRIPTION	REV
	1001186333	Ref	PLATFORM ASSEMBLY	C
		Ref	Note: Replacement Decals Must be Ordered Separately - See DECALS SECTION.	
1	0681814	2	Bolt 1/2 x 1-3/4 Grade 8	
2	0681822	4	Bolt 1/2 x 2-3/4 Grade 8	
3	0962270	2	Bearing	
4	1001203655	1	Cable	
5	1702773	1	Decal - JLG	
6	1705014	1	Decal - Safety	
7	1706385	1	Decal - Drop Bar	
8	2410014	1	Bar, Drop	
9	3271805	6	Nut 1/2 Grade 8	
10	3311605	1	Nut 3/8	
11	3520072	1	Plug	
12	3900054	1	Bolt 1/2 x 1-3/4	
13	4711800	8	Washer 1/2	
14	4751800	4	Washer 1/2	
15	See Note	NSS	Platform (Note: Not Available - Purchase Platform Assembly)	

SECTION 5 - PLATFORM

FIGURE 5-11. PLATFORM ASSEMBLY - 36IN X 8FT (91.5CM X 2.44M) WITH FALL ARREST



ART_1001186334

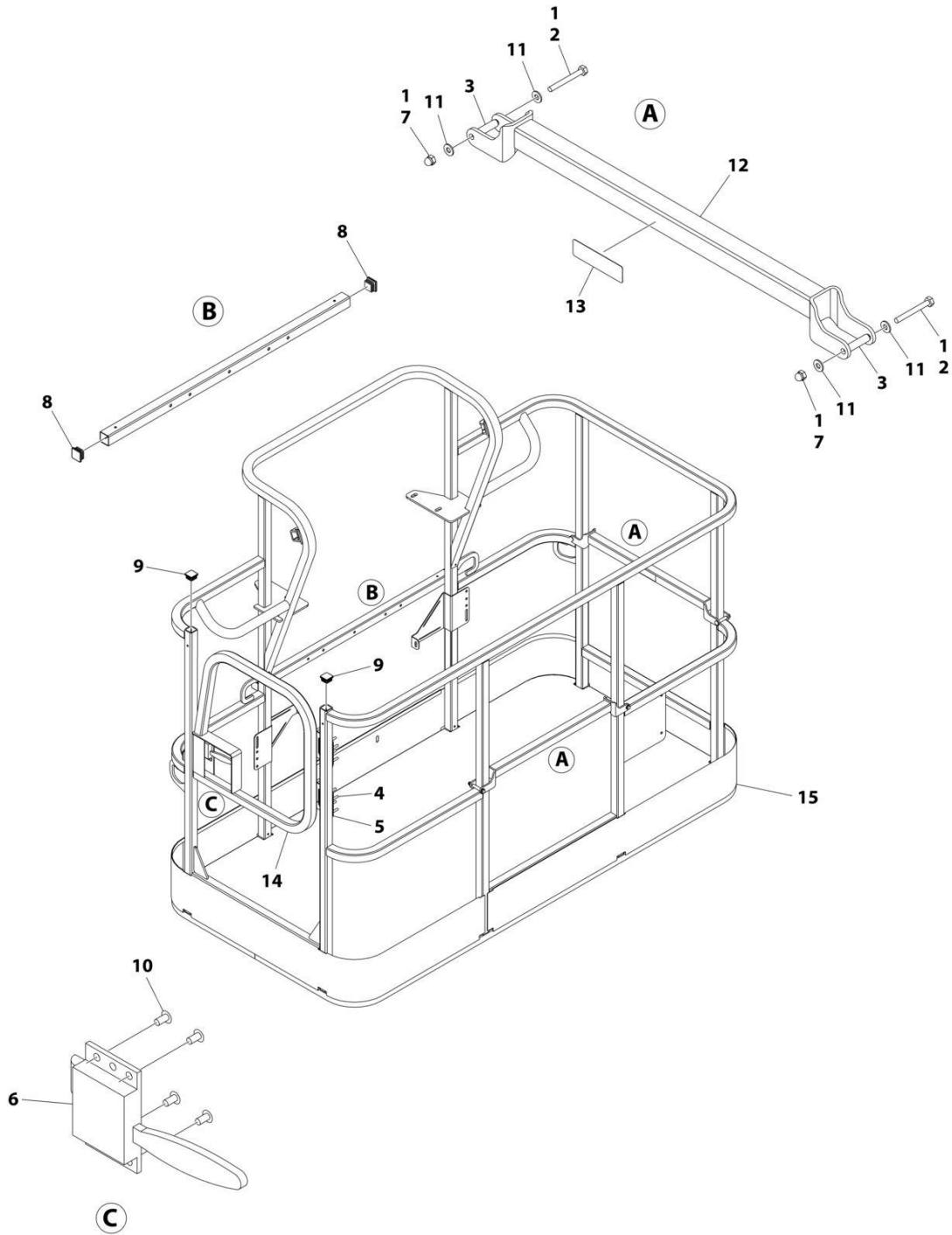
SECTION 5 - PLATFORM

FIGURE 5-11. PLATFORM ASSEMBLY - 36IN X 8FT (91.5CM X 2.44M) WITH FALL ARREST

ITEM	PART NUMBER	QTY	DESCRIPTION	REV
	1001186334	Ref	PLATFORM ASSEMBLY	D
		Ref	Note: Replacement Decals Must be Ordered Separately - See DECALS SECTION.	
1	0681814	2	Bolt 1/2 x 1-3/4 Grade 8	
2	0681822	6	Bolt 1/2 x 2-3/4 Grade 8	
3	0962270	2	Bearing	
4	1702773	1	Decal - JLG	
5	1705014	1	Decal - Safety	
6	1706385	1	Decal - Drop Bar	
7	2410014	1	Bar, Drop	
8	3271805	8	Nut 1/2 Grade 8	
9	3311605	1	Nut 3/8	
10	3520072	1	Plug	
11	1001203656	1	Cable	
12	3900054	1	Bolt 1/2 x 1-3/4	
13	4711800	2	Washer 1/2	
14	4751800	6	Washer 1/2	
15	See Note	NSS	Platform (Note: Purchase Platform Assembly)	

SECTION 5 - PLATFORM

FIGURE 5-12. PLATFORM ASSEMBLY - 36IN X 6FT (91.5CM X 1.83M) TRI-ENTRY WITH SWING GATE



ART_1001228376

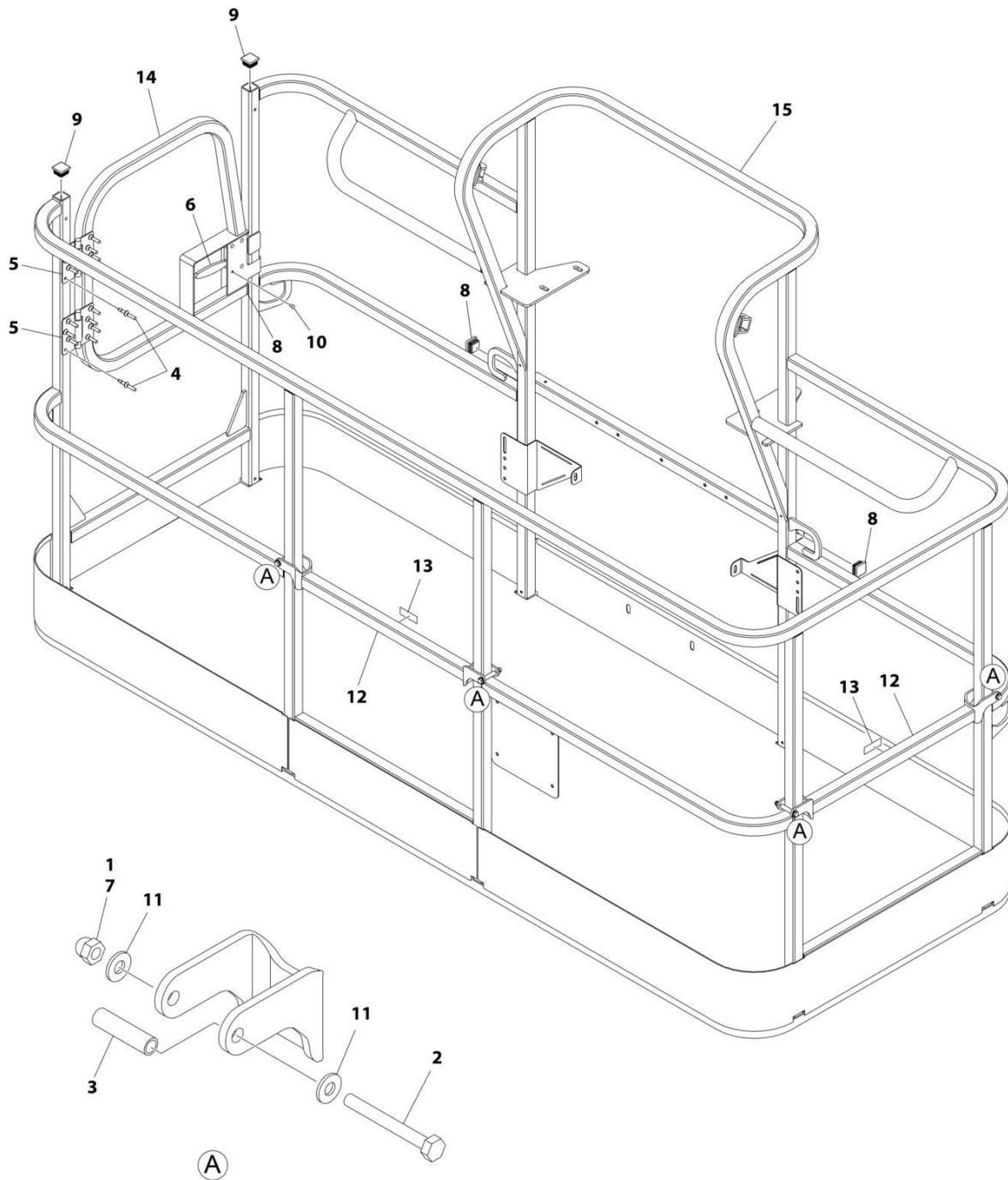
SECTION 5 - PLATFORM

FIGURE 5-12. PLATFORM ASSEMBLY - 36IN X 6FT (91.5CM X 1.83M) TRI-ENTRY WITH SWING GATE

ITEM	PART NUMBER	QTY	DESCRIPTION	REV
	1001228376	Ref	PLATFORM ASSEMBLY - 36IN x 6FT (91.5CM x 1.83M)	B
		Ref	Note: Platform and Mesh must be ordered separately for Platforms with Mesh. See SPECIAL OPTIONS SECTION for Mesh Installations.	
		Ref	Note: Replacement Decals Must be Ordered Separately - See DECAL SECTION.	
1	0100011	AR	Compound, Locking	
2	0641418	4	Bolt 1/4 x 2-1/4	
3	0961845	4	Bushing	
4	2080040	16	Fastener	
5	2600281	2	Hinge	
6	2940074	1	Latch	
7	3300151	4	Nut 1/4	
8	3520072	3	Plug	
9	3520198	2	Plug	
10	3820020	4	Rivet	
11	4711400	8	Washer 1/4	
12	1001138494	2	Bar, Drop	
13	1001140429	2	Decal - Drop Bar	
14	1001144629	1	Gate	
15	See Note	NSS	Platform (Note: Not Available - Purchase Platform Assembly)	

SECTION 5 - PLATFORM

FIGURE 5-13. PLATFORM ASSEMBLY - 36IN X 8FT (91.5CM X 2.44M) TRI-ENTRY WITH SWING GATE



ART_1001228243

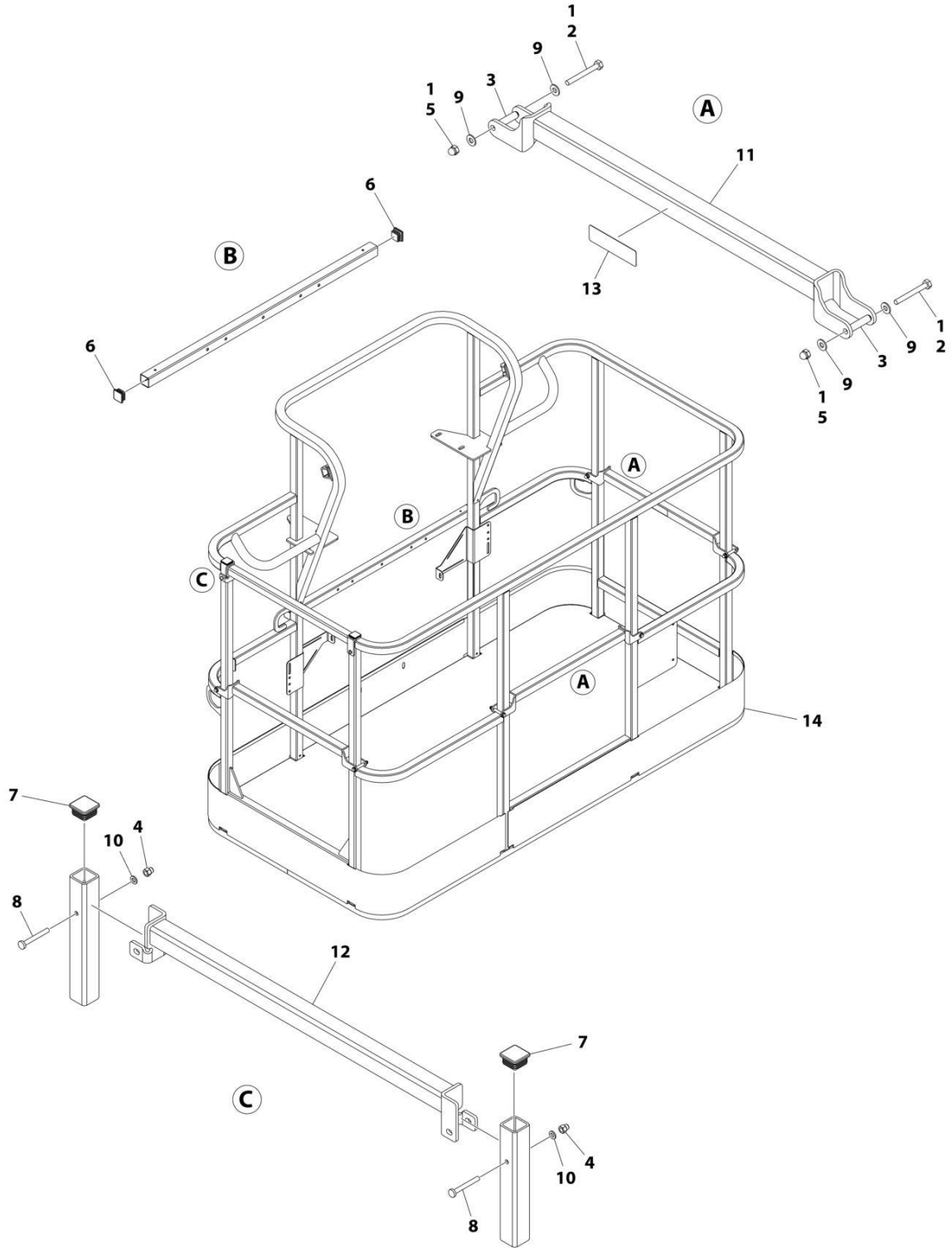
SECTION 5 - PLATFORM

FIGURE 5-13. PLATFORM ASSEMBLY - 36IN X 8FT (91.5CM X 2.44M) TRI-ENTRY WITH SWING GATE

ITEM	PART NUMBER	QTY	DESCRIPTION	REV
	1001228243	Ref	PLATFORM ASSEMBLY - 36IN X 8FT (91.5CM X 2.44M) WITH TRI-ENTRY	A
		Ref	Note: Platform and Mesh must be ordered separately for Platforms with Mesh. See SPECIAL OPTIONS SECTION for Mesh Installations.	
1	0100011	AR	Compound, Locking	
2	0641418	4	Bolt 1/4 x 2-1/4	
3	0961845	4	Bushing	
4	2080040	16	Fastener, Huck	
5	2600281	2	Hinge, Self-Closing	
6	2940074	1	Latch	
7	3300151	4	Nut 1/4	
8	3520072	3	Cap, Plug	
9	3520198	2	Cap, Plug	
10	3820020	4	Rivet	
11	4711400	8	Washer 1/4	
12	1001138494	2	Bar, Drop	
13	1001140429	2	Decal - Drop Bar	
14	1001144629	1	Gate, Weldment	
15	See Note	1	Platform (Note: Not Available - Purchase Platform Assembly)	

SECTION 5 - PLATFORM

FIGURE 5-14. PLATFORM ASSEMBLY - 36IN X 6FT (91.5CM X 1.83M) TRI-ENTRY WITH DROPBAR



ART_1001228377

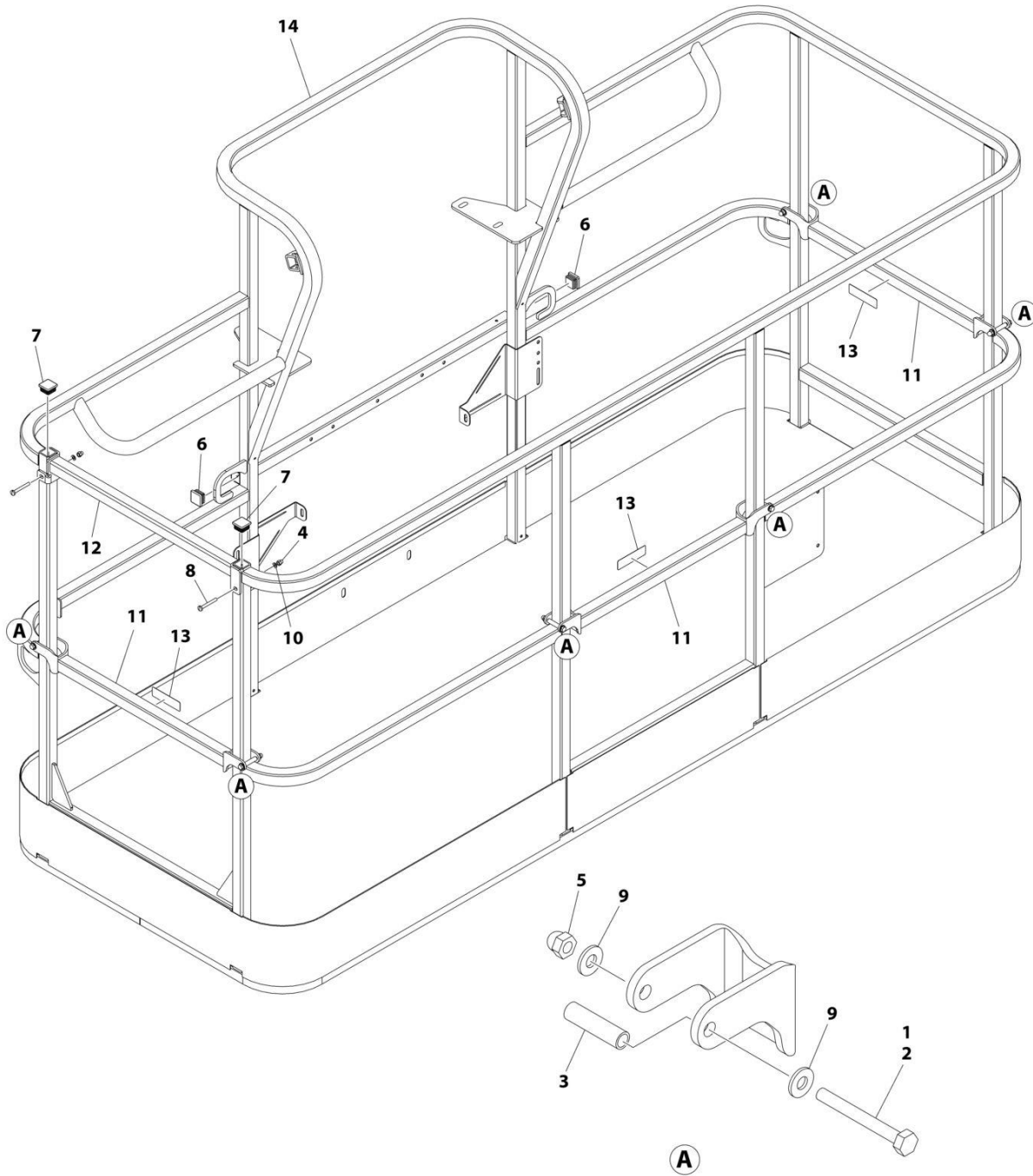
SECTION 5 - PLATFORM

FIGURE 5-14. PLATFORM ASSEMBLY - 36IN X 6FT (91.5CM X 1.83M) TRI-ENTRY WITH DROPBAR

ITEM	PART NUMBER	QTY	DESCRIPTION	REV
	1001228377	Ref	PLATFORM ASSEMBLY - 36IN x 6FT (91.5CM x 1.83M)	B
		Ref	Note: Platform and Mesh must be ordered separately for Platforms with Mesh. See SPECIAL OPTIONS SECTION for Mesh Installations.	
		Ref	Note: Replacement Decals Must be Ordered Separately - See DECAL SECTION.	
1	0100011	1	Compound, Locking	
2	0641418	6	Bolt 1/4 x 2-1/4	
3	0961845	6	Bushing	
4	3290606	2	Nut M6	
5	3300151	6	Nut 1/4	
6	3520072	2	Plug	
7	3520198	2	Plug	
8	4010618	2	Screw M6 x 50	
9	4711400	12	Washer 1/4	
10	4811700	2	Washer M6	
11	1001138494	3	Bar, Drop	
12	1001138514	1	Rail (Top)	
13	1001140429	3	Decal - Drop Bar	
14	See Note	NSS	Platform, Weldment (Note: Not Available - Purchase Platform Assembly)	

SECTION 5 - PLATFORM

FIGURE 5-15. PLATFORM ASSEMBLY - 36IN X 8FT (91.5CM X 2.44M) TRI-ENTRY WITH DROPBAR



ART_1001228375

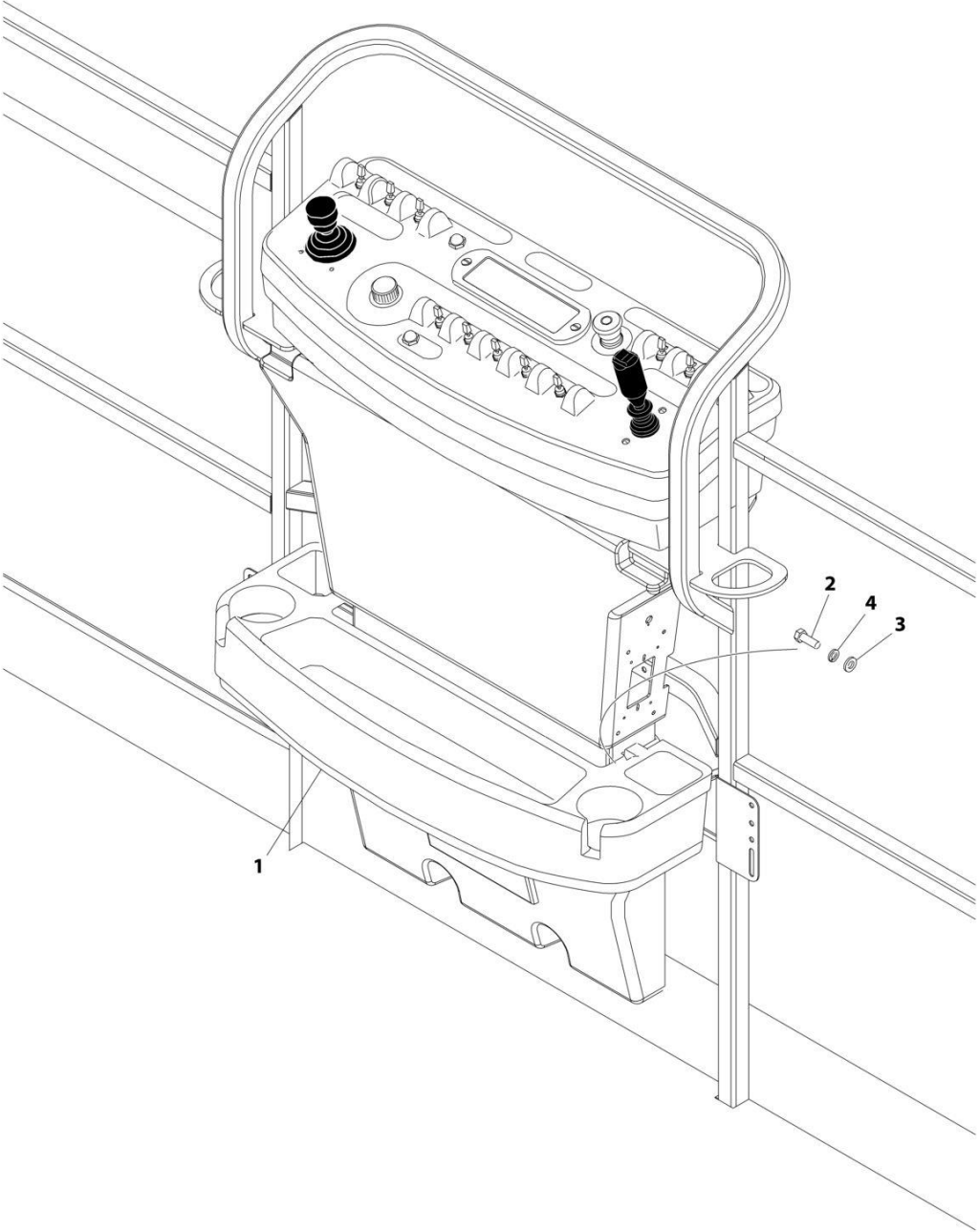
SECTION 5 - PLATFORM

FIGURE 5-15. PLATFORM ASSEMBLY - 36IN X 8FT (91.5CM X 2.44M) TRI-ENTRY WITH DROPBAR

ITEM	PART NUMBER	QTY	DESCRIPTION	REV
	1001228375	Ref	PLATFORM ASSEMBLY - 36IN X 8FT (91.5CM X 2.44M) WITH TRI-ENTRY	A
		Ref	Note: Platform and Mesh must be ordered separately for Platforms with Mesh. See SPECIAL OPTIONS SECTION for Mesh Installations.	
		Ref	Note: Replacement Decals Must be Ordered Separately - See DECAL SECTION.	
1	0100011	AR	Compound, Locking	
2	0641418	6	Bolt 1/4 x 2-1/4	
3	0961845	6	Bushing	
4	3290606	2	Nut M6 x 1	
5	3300151	6	Nut 1/4	
6	3520072	2	Cap, Plug	
7	3520198	2	Cap, Plug	
8	4010618	2	Screw M6 x 50	
9	4711400	12	Washer 1/4	
10	4811700	2	Washer M6	
11	1001138494	3	Bar, Drop	
12	1001138514	1	Rail (Top)	
13	1001140429	3	Decal - Drop Bar	
14	See Note	1	Platform (Note: Not Available - Purchase Platform Assembly)	

SECTION 5 - PLATFORM

FIGURE 5-16. TRAY ASSEMBLY



ART_1580012

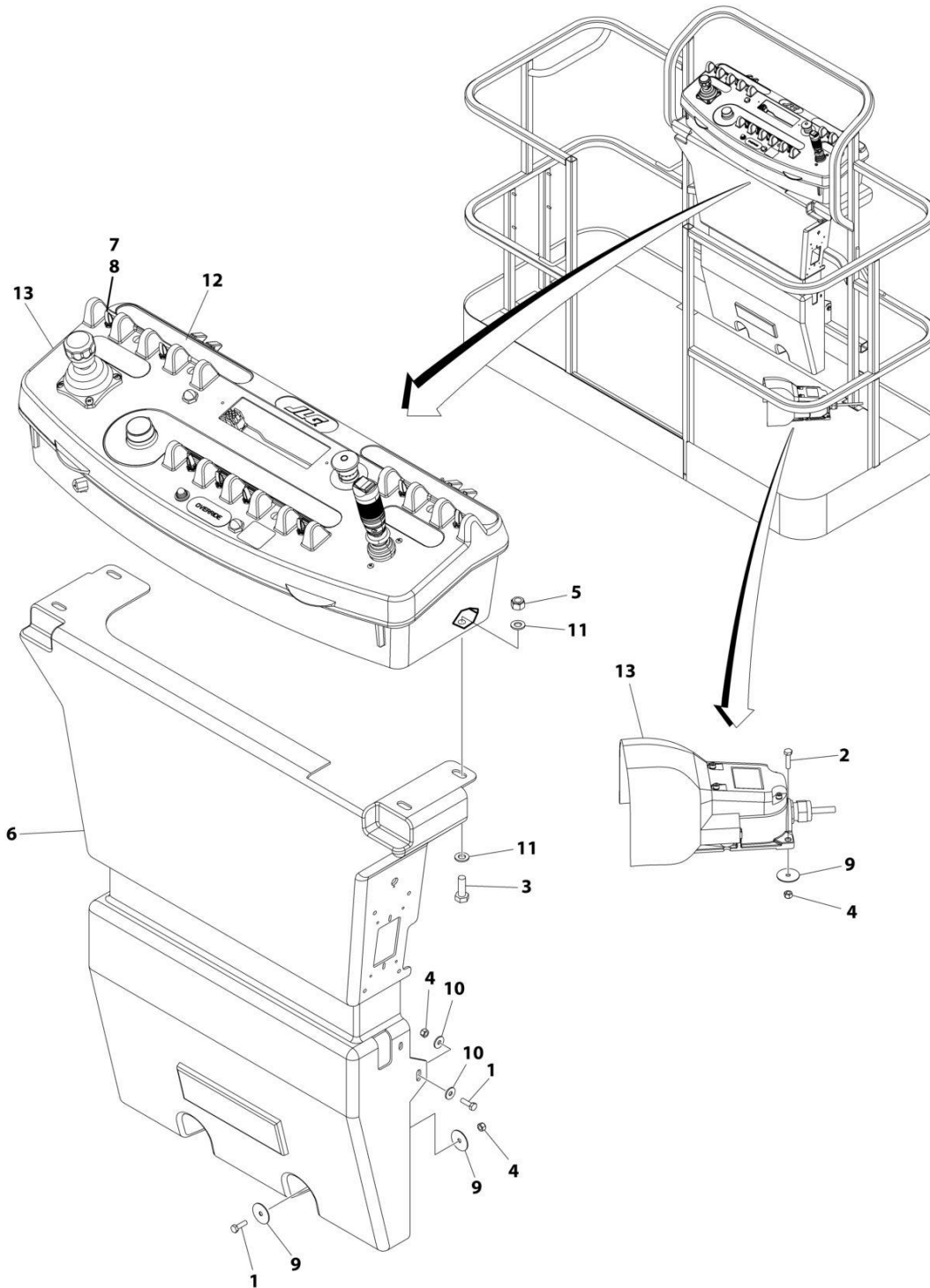
SECTION 5 - PLATFORM

FIGURE 5-16. TRAY ASSEMBLY

ITEM	PART NUMBER	QTY	DESCRIPTION	REV
	1580012	Ref	TRAY ASSEMBLY	C
1	See Note	NSS	Tray, Storage (Center) (Note: Purchase p/n 1580012)	
2	0641406	2	Bolt 1/4 x 3/4	
3	4751400	2	Washer 1/4	
4	4761400	2	Washer 1/4	

SECTION 5 - PLATFORM

FIGURE 5-17. CONSOLE AND FOOTSWITCH INSTALLATION



ART_1001266073

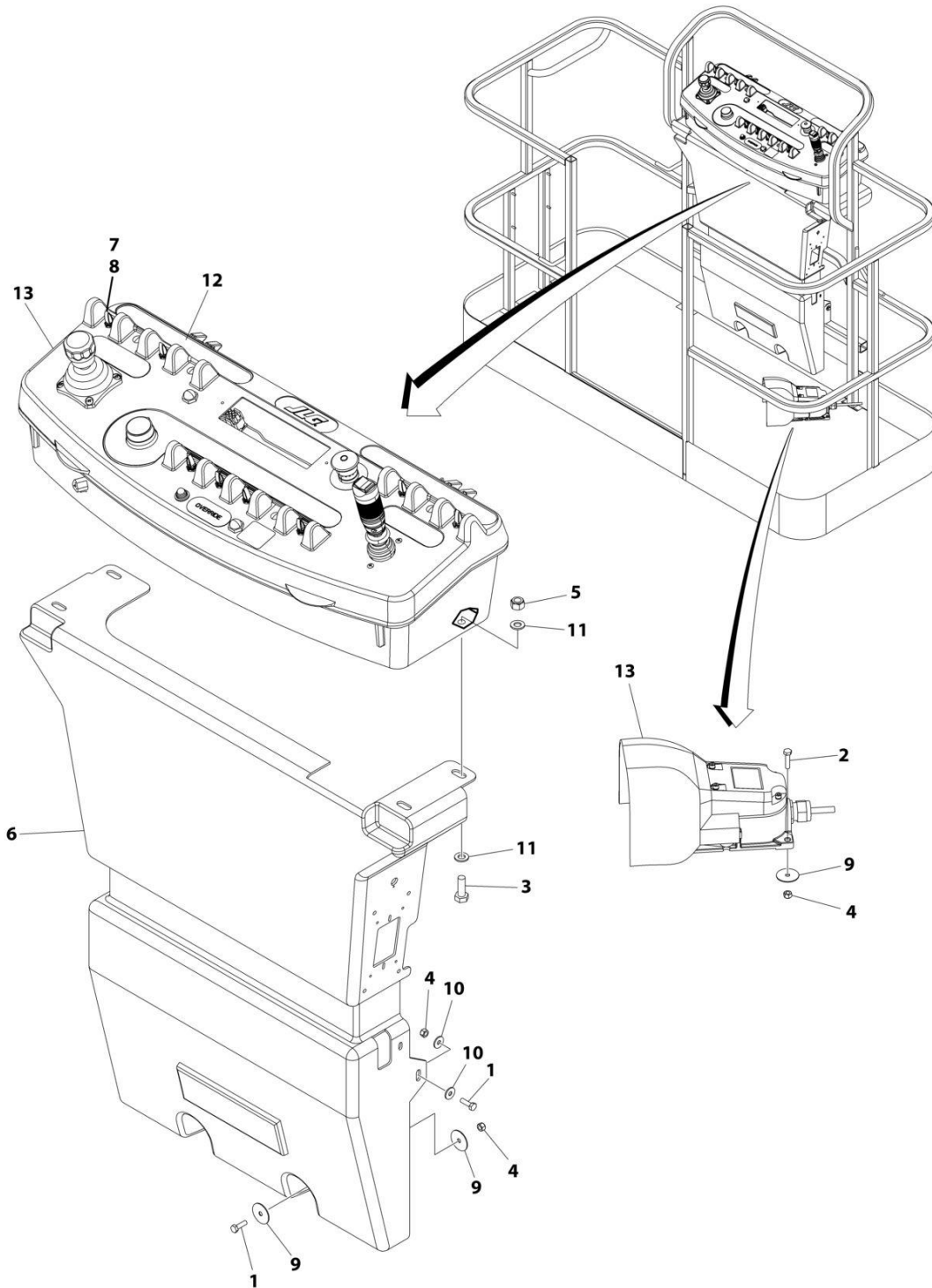
SECTION 5 - PLATFORM

FIGURE 5-17. CONSOLE AND FOOTSWITCH INSTALLATION

ITEM	PART NUMBER	QTY	DESCRIPTION	REV
	1001266073	Ref	PLATFORM CONSOLE AND FOOTSWITCH INSTALLATION	A
1	0641406	4	Bolt 1/4 x 3/4	
2	0641408	3	Bolt 1/4 x 1	
3	0641610	4	Bolt 3/8 x 1-1/4	
4	3311405	7	Nut 1/4	
5	3311605	4	Nut 3/8	
6	3380434	1	Panel	
7	3790012	1	O-Ring	
8	4360331	1	Switch, Toggle	
9	4740362	7	Washer	
10	4751400	4	Washer 1/4	
11	4761600	8	Washer 3/8	
12	1001184626	1	Decal - Horn	
13	1001266069	1	Platform Console Assembly (See Separate Breakdown in this Section)	

SECTION 5 - PLATFORM

FIGURE 5-18. CONSOLE AND FOOTSWITCH INSTALLATION (TOWER STOW)



ART_1001264239

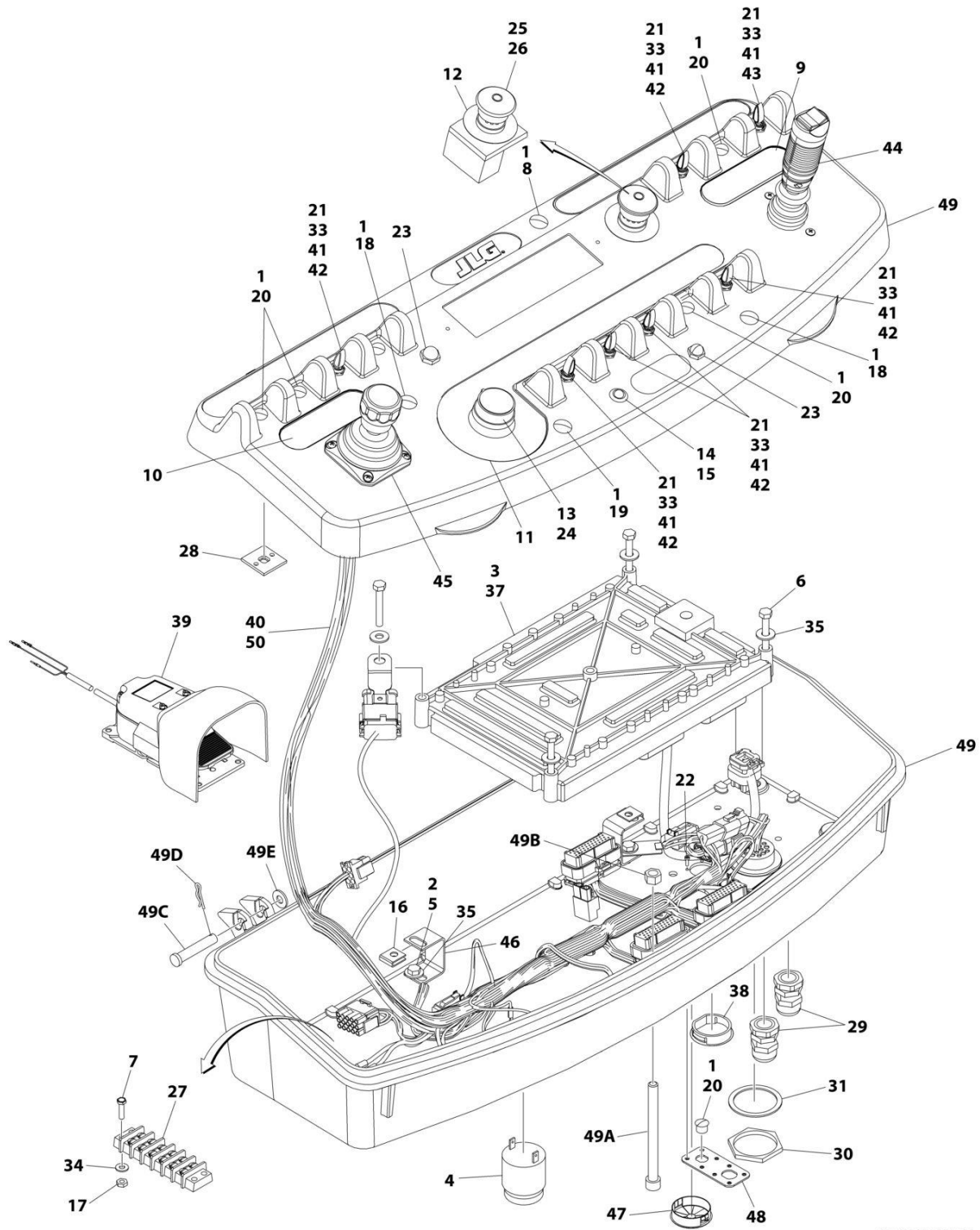
SECTION 5 - PLATFORM

FIGURE 5-18. CONSOLE AND FOOTSWITCH INSTALLATION (TOWER STOW)

ITEM	PART NUMBER	QTY	DESCRIPTION	REV
	1001264239	Ref	PLATFORM CONSOLE AND FOOTSWITCH INSTALLATION (TOWER STOW)	A
1	0641406	4	Bolt 1/4 x 3/4	
2	0641408	3	Bolt 1/4 x 1	
3	0641610	4	Bolt 3/8 x 1-1/4	
4	3311405	7	Nut 1/4	
5	3311605	4	Nut 3/8	
6	3380434	1	Panel	
7	3790012	AR	O-Ring	
8	4360331	AR	Switch, Toggle	
9	4740362	7	Washer	
10	4751400	4	Washer 1/4	
11	4761600	8	Washer 3/8	
12	1001184626	AR	Decal - Horn	
13	1001263588	1	Platform Console Assembly (See Separate Breakdown in this Section)	

SECTION 5 - PLATFORM

FIGURE 5-19. CONSOLE BOX ASSEMBLY WITH FOOTSWITCH



ART_1001266069

SECTION 5 - PLATFORM

FIGURE 5-19. CONSOLE BOX ASSEMBLY WITH FOOTSWITCH

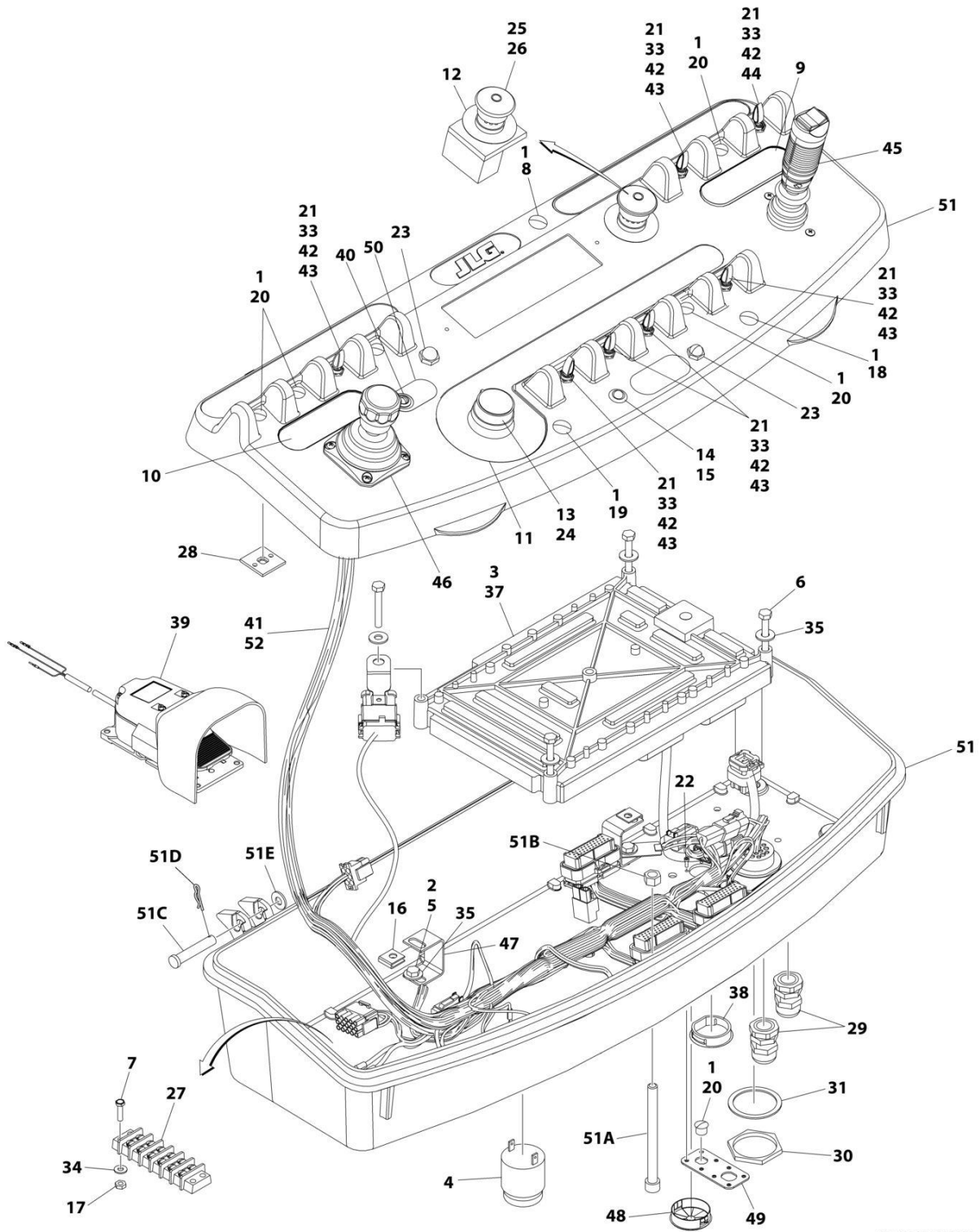
ITEM	PART NUMBER	QTY	DESCRIPTION	REV
	1001266069	Ref	CONSOLE BOX ASSEMBLY	A
1	0100009	AR	Sealant	
2	0100035	AR	Compound, Locking	
3	0100048	AR	Grease, Dielectric	
4	0140011	1	Alarm	
5	0641404	4	Bolt 1/4 x 1/2	
6	0641414	4	Bolt 1/4 x 1-3/4	
7	0721006	1	Bolt #10 x 3/4	
8	1671314	1	Cover	
9	1702565	1	Decal - Drive and Steer	
10	1702566	1	Decal - Lift and Swing	
11	1702567	1	Decal - Function Speed	
12	1704260	1	Decal - Emergency Stop	
13	2560136	1	Handle, Knob	
14	2920028	1	Light, Indicator	
15	2920029	1	Bulb, Light	
16	3300353	4	Nut, Tinnerman	
17	3311005	2	Nut #10	
18	3520026	2	Plug	
19	3520027	1	Plug	
20	3520054	5	Plug	
21	3790012	7	O-Ring	
22	3900349	8	Capscrew M2.5 x 8	
23	4360387	2	Switch, Push Button	
24	4360407	1	Controller, Speed	
24	4460224	1	Receptacle, Female - 6 Position	
24	4460226	6	Socket, Female	
24	See Note	1	Gasket "Top Hat" (Included with Switch) (Note: Not Available - Purchase Complete Controller)	
24	70003784	1	Seal	
25	4360475	1	Switch, Emergency Stop	
25	7020175	1	Cap, Red	
25	7020176	1	Block, Contact	
26	4360476	1	Contact, Switch	
27	4460007	1	Bussbar	
28	4460234	3	Mount, Tie-Strap	
29	4460428	2	Connector, Strain Relief	
30	4460470	1	Nut, Terminal	
31	4460471	1	Washer, Terminal	
32	4460708	2	Connector - 15 Position (Not Shown)	
33	4740397	7	Washer	
34	4751000	2	Washer #10	
35	4751400	8	Washer 1/4	
36	4922666	1	Analyzer Harness (Not Shown)	
36	4460761	1	Receptacle, Female - 4 Position	
36	4460227	4	Pin, Male	
37	1001106938	1	Module, Platform (Note: Re-calibration Required when Replaced)	
38	1001110434	1	Plug	
39	1001117174	1	Footswitch Assembly (See Separate Breakdown in this Section)	

SECTION 5 - PLATFORM

ITEM	PART NUMBER	QTY	DESCRIPTION	REV
40	1001139135	1	Boom Valve Harness (Not Shown - See Separate Breakdown in ELECTRICAL SECTION)	
41	1001155044	7	Nut 15/32	
42	1001155045	6	Switch, Toggle	
43	1001159256	1	Switch, Toggle	
44	1001166538	NLA	Controller Assembly (Drive and Steer) (Use p/n 1001212415) (See Separate Breakdown in this Section)	
45	1001166539	NLA	Controller Assembly (Lift and Swing) (Use p/n 1001129555) (See Separate Breakdown in this Section)	
46	1001172760	4	Bracket	
47	1001185281	1	Plug	
48	1001213882	1	Mount	
49	1001263587	1	Console Box Assembly	
49A	0630568	1	Capscrew 3/8 x 4-1/2	
49B	3311601	1	Nut 3/8	
49C	3430616	2	Pin	
49D	3470003	2	Hairpin	
49E	4711600	2	Washer 3/8	
50	1001266648	1	Platform Console Harness (See Separate Breakdown in ELECTRICAL SECTION)	

SECTION 5 - PLATFORM

FIGURE 5-20. CONSOLE BOX ASSEMBLY WITH FOOTSWITCH (TOWER STOW)



ART_1001263588

SECTION 5 - PLATFORM

FIGURE 5-20. CONSOLE BOX ASSEMBLY WITH FOOTSWITCH (TOWER STOW)

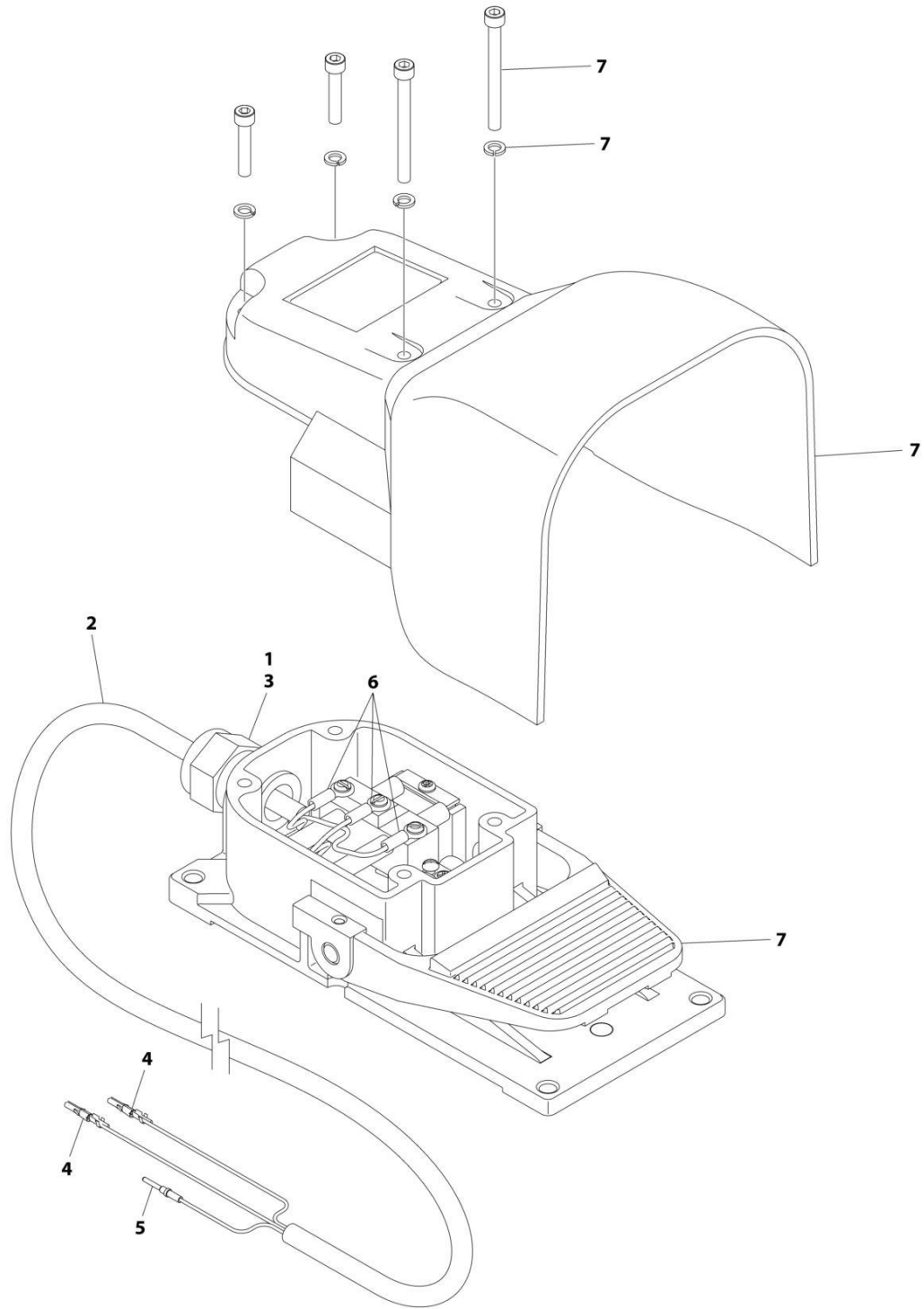
ITEM	PART NUMBER	QTY	DESCRIPTION	REV
	1001263588	Ref	CONSOLE BOX ASSEMBLY	A
1	0100009	AR	Sealant	
2	0100035	AR	Compound, Locking	
3	0100048	AR	Grease, Dielectric	
4	0140011	1	Alarm	
5	0641404	4	Bolt 1/4 x 1/2	
6	0641414	4	Bolt 1/4 x 1-3/4	
7	0721006	1	Bolt #10 x 3/4	
8	1671314	1	Cover	
9	1702565	1	Decal - Drive and Steer	
10	1702566	1	Decal - Lift and Swing	
11	1702567	1	Decal - Function Speed	
12	1704260	1	Decal - Emergency Stop	
13	2560136	1	Handle, Knob	
14	2920028	1	Light, Indicator	
15	2920029	1	Bulb, Light	
16	3300353	4	Nut, Tinnerman	
17	3311005	2	Nut #10	
18	3520026	2	Plug	
19	3520027	1	Plug	
20	3520054	5	Plug	
21	3790012	7	O-Ring	
22	3900349	8	Capscrew M2.5 x 8	
23	4360387	2	Switch, Push Button	
24	4360407	1	Controller, Speed	
24	4460224	1	Receptacle, Female - 6 Position	
24	4460226	6	Socket, Female	
24	See Note	1	Gasket "Top Hat" (Included with Switch) (Note: Not Available - Purchase Complete Controller)	
24	70003784	1	Seal	
25	4360475	1	Switch, Emergency Stop	
25	7020175	1	Cap, Red	
25	7020176	1	Block, Contact	
26	4360476	1	Contact, Switch	
27	4460007	1	Bussbar	
28	4460234	3	Mount, Tie-Strap	
29	4460428	2	Connector, Strain Relief	
30	4460470	1	Nut, Terminal	
31	4460471	1	Washer, Terminal	
32	4460708	2	Connector - 15 Position (Not Shown)	
33	4740397	7	Washer	
34	4751000	2	Washer #10	
35	4751400	8	Washer 1/4	
36	4922666	1	Analyzer Harness (Not Shown)	
36	4460761	1	Receptacle, Female - 4 Position	
36	4460227	4	Pin, Male	
37	1001106938	1	Module, Platform (Note: Re-calibration Required when Replaced)	
38	1001110434	1	Plug	
39	1001117174	1	Footswitch Assembly (See Separate Breakdown in this Section)	
40	1001137364	1	Light, Indicator	

SECTION 5 - PLATFORM

ITEM	PART NUMBER	QTY	DESCRIPTION	REV
41	1001139135	1	Boom Valve Harness (Not Shown - See Separate Breakdown in ELECTRICAL SECTION)	
42	1001155044	7	Nut 15/32	
43	1001155045	6	Switch, Toggle	
44	1001159256	1	Switch, Toggle	
45	1001166538	NLA	Controller Assembly (Drive and Steer) (Use p/n 1001212415) (See Separate Breakdown in this Section)	
46	1001166539	NLA	Controller Assembly (Lift and Swing) (Use p/n 1001129555) (See Separate Breakdown in this Section)	
47	1001172760	4	Bracket	
48	1001185281	1	Plug	
49	1001213882	1	Mount	
50	1001260937	1	Decal – Tower Stow	
51	1001263587	1	Console Box Assembly	
51A	0630568	1	Capscrew 3/8 x 4-1/2	
51B	3311601	1	Nut 3/8	
51C	3430616	2	Pin	
51D	3470003	2	Hairpin	
51E	4711600	2	Washer 3/8	
52	1001266648	1	Platform Console Harness (See Separate Breakdown in ELECTRICAL SECTION)	

SECTION 5 - PLATFORM

FIGURE 5-21. FOOTSWITCH ASSEMBLY



ART_1001117174

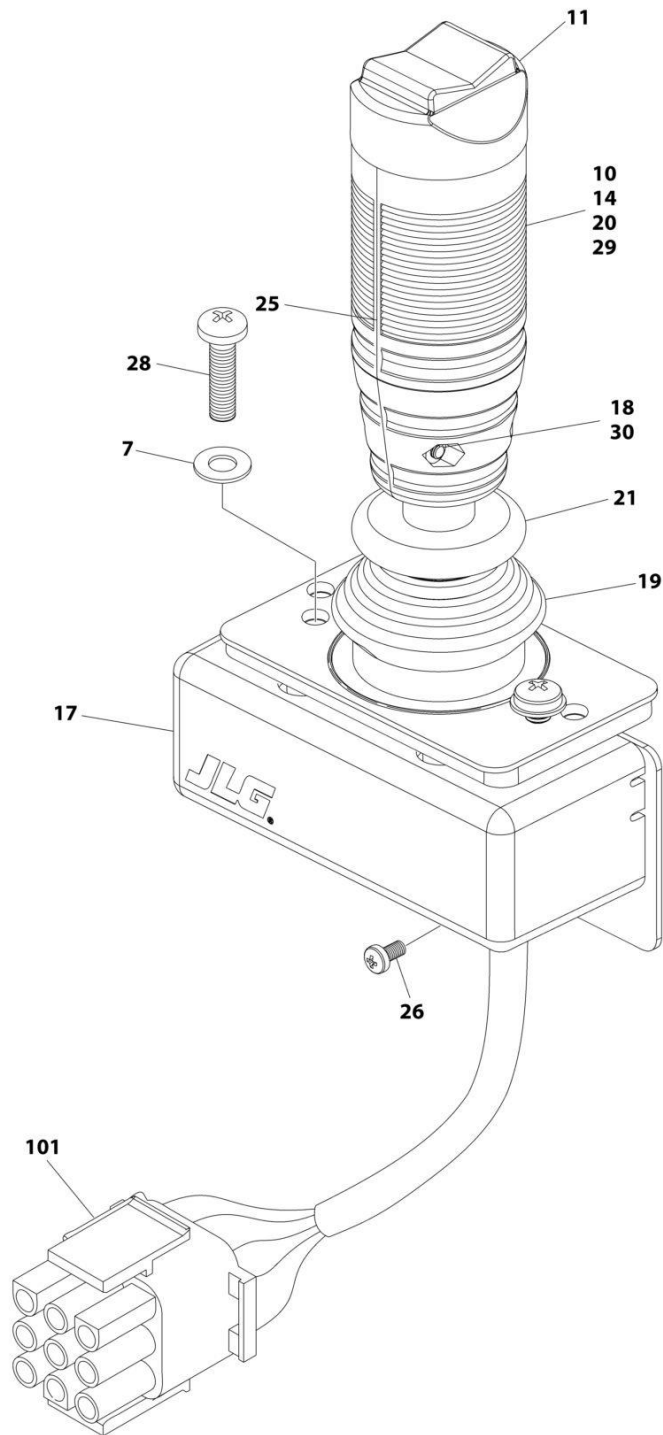
SECTION 5 - PLATFORM

FIGURE 5-21. FOOTSWITCH ASSEMBLY

ITEM	PART NUMBER	QTY	DESCRIPTION	REV
	1001117174	Ref	FOOTSWITCH ASSEMBLY	C
1	0100020	AR	Sealant	
2	1060918	7.5 ft/ 2.3m	Cable, Electrical - 18/3	
3	4460071	1	Connector, Strain Relief	
4	4460226	2	Socket, Female	
5	4460464	1	Pin, Male	
6	1001098122	3	Terminal	
7	1001117172	1	Footswitch	
7	70002902	1	Switch, 20Amp	
7	70002903	1	Gasket	
7	70002905	1	Cover	
7	70002904	1	Kit, Replacement Bolt	

SECTION 5 - PLATFORM

FIGURE 5-22. CONTROLLER ASSEMBLY- DRIVE/STEER



ART_1001166538

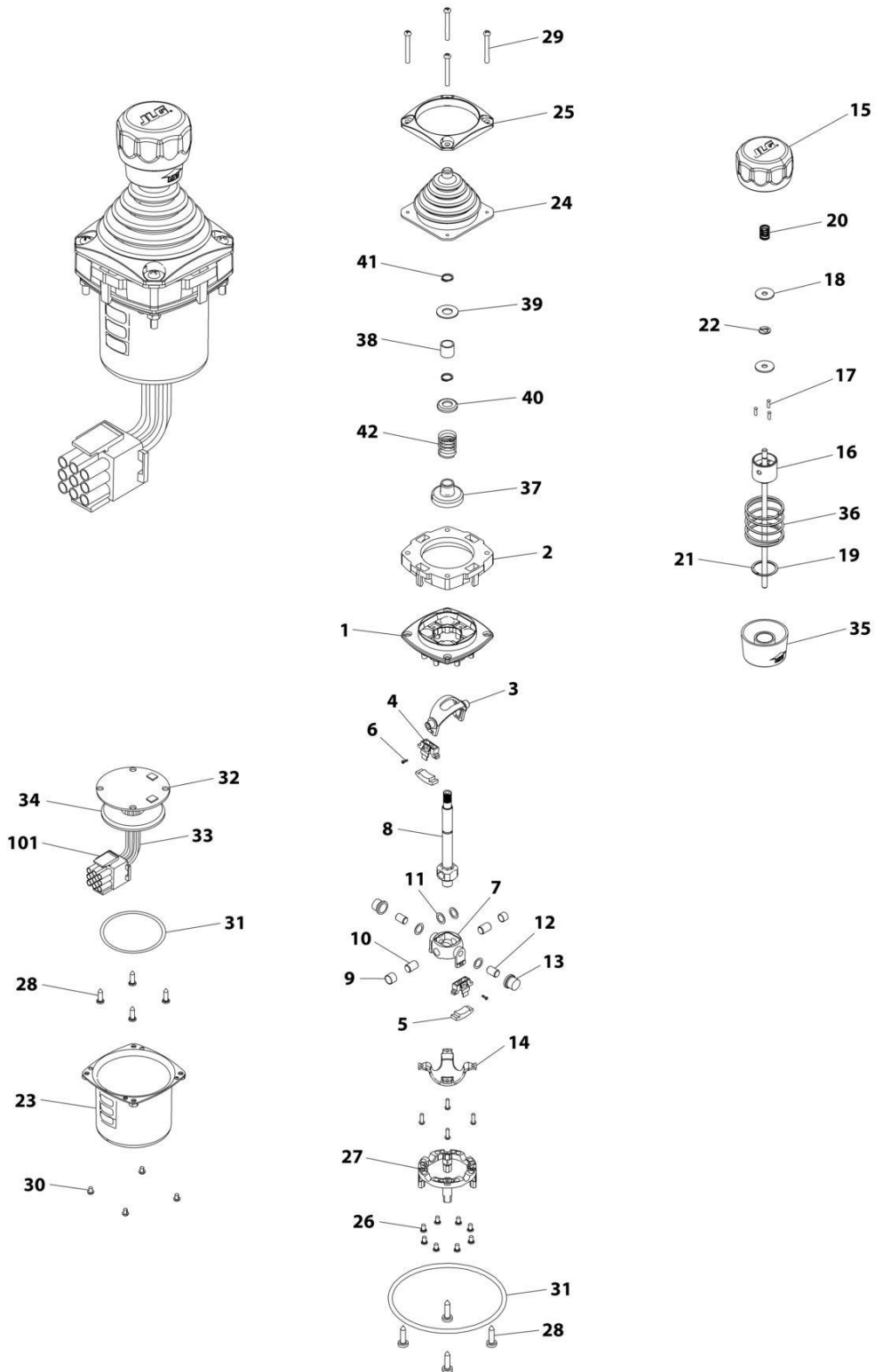
SECTION 5 - PLATFORM

FIGURE 5-22. CONTROLLER ASSEMBLY- DRIVE/STEER

ITEM	PART NUMBER	QTY	DESCRIPTION	REV
	1001166538	Ref	CONTROLLER ASSEMBLY - DRIVE AND STEER	G
		Ref	Note: For Replacement, Use p/n 1001212415.	
7	70004738	2	Washer	
10	70004739	1	Roller	
11	70004740	1	Boot, Switch	
14	70004741	2	Half, Handle	
17	70004742	1	Enclosure	
18	70004743	4	Nut	
19	70004744	NLA	Boot, Controller (Use p/n 70005230 Boot/Base Assembly)	
20	70004745	NLA	Tube, Locking (Use p/n 70005230 Boot/Base Assembly)	
21	70004746	NLA	Disc, Locking (Use p/n 70005230 Boot/Base Assembly)	
25	70004747	2	Seal, Rope	
26	70004748	1	Screw M3 x 6	
28	70004749	2	Screw M5 x 20	
29	70004750	1	Pin, Dowel	
30	70004751	4	Screw M3 x 16	
101	4460265	1	Connector - 9 Position	
101	4460226	7	Socket, Female	

SECTION 5 - PLATFORM

FIGURE 5-23. CONTROLLER ASSEMBLY - LIFT/SWING



ART_1001166539

SECTION 5 - PLATFORM

FIGURE 5-23. CONTROLLER ASSEMBLY - LIFT/SWING

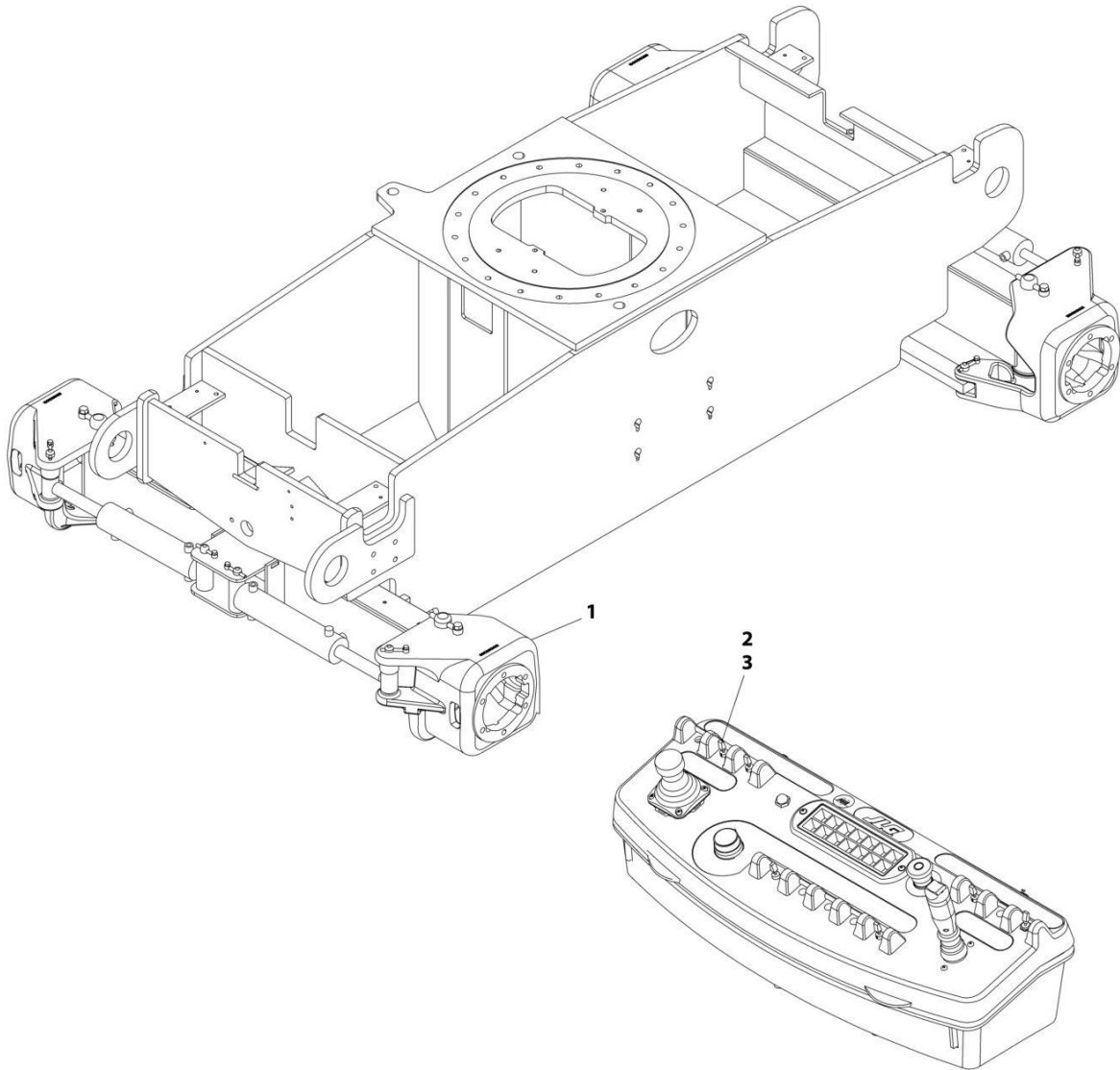
ITEM	PART NUMBER	QTY	DESCRIPTION	REV
	1001166539	Ref	CONTROLLER ASSEMBLY	E
		Ref	Note: Original Equipment Controller May Have Been Replaced with Service Replacement Controller. Visually Identify Controller Before Ordering Parts.	
		Ref	Note: For Replacement, Use p/n 1001129555	
1	See Note	NSS	Main Cast Body (Note: Not Available - Purchase Complete Assembly)	
2	70004752	1	Adapter	
3	See Note	NSS	Pivot Arm, Plastic (Note: Not Available - Purchase Complete Assembly)	
4	See Note	NSS	Holder, Magnet (Note: Not Available - Purchase Complete Assembly)	
5	See Note	NSS	Arc, Magnet (Note: Not Available - Purchase Complete Assembly)	
6	See Note	NSS	Screw (Note: Not Available for Purchase)	
7	See Note	NSS	Pivot Arm, Cast (Note: Not Available - Purchase Complete Assembly)	
8	See Note	NSS	Shaft, Main (Note: Not Available - Purchase Complete Assembly)	
9	See Note	NSS	Bearing (Note: Not Available - Purchase Complete Assembly)	
10	See Note	NSS	Pin (Note: Not Available - Purchase Complete Assembly)	
11	See Note	NSS	Shim (Note: Not Available - Purchase Complete Assembly)	
12	See Note	NSS	Pin (Note: Not Available - Purchase Complete Assembly)	
13	See Note	NSS	Bearing (Note: Not Available - Purchase Complete Assembly)	
14	See Note	NSS	Dome, Centering (Note: Not Available - Purchase Complete Assembly)	
15	70004753	1	Cap	
16	70004754	1	Insert, Cap	
17	70004755	3	Pin	
18	70004756	2	Washer	
19	70004757	1	Pin, Centering	
20	70004758	1	Spring	
21	70004759	1	Ring, Retaining	
22	70004760	1	E-Ring	
23	70004761	1	Can, Enclosure	
24	70004762	1	Boot	
25	70004763	1	Bezel	
26	See Note	NSS	Screw (Note: Not Available for Purchase)	
27	See Note	NSS	Base Mounting (Note: Not Available - Purchase Complete Assembly)	
28	See Note	NSS	Screw (Note: Not Available for Purchase)	
29	70004764	4	Screw	
30	70004765	4	Screw	
31	70004766	1	O-Ring	
32	See Note	NSS	Plate (Note: Not Available - Purchase Complete Assembly)	
33	See Note	NSS	Harness (Note: Not Available - Purchase Complete Assembly)	
34	70004767	1	Grommet, Rubber	
35	70004768	1	Housing	
36	70004769	1	Spring	
37	70004770	1	Stopper	
38	70004771	1	Spacer	
39	70004772	1	Washer	
40	70004773	1	Disc	

SECTION 5 - PLATFORM

ITEM	PART NUMBER	QTY	DESCRIPTION	REV
41	70004774	2	Ring, Retaining	
42	70004775	1	Spring	
101	4460265	1	Connector - 9 Position	
101	4460226	6	Socket, Female	

SECTION 5 - PLATFORM

FIGURE 5-24. CRAB STEER SWITCH INSTALLATION - 4WS (WITHOUT TOW PACKAGE)



ART_1001148163

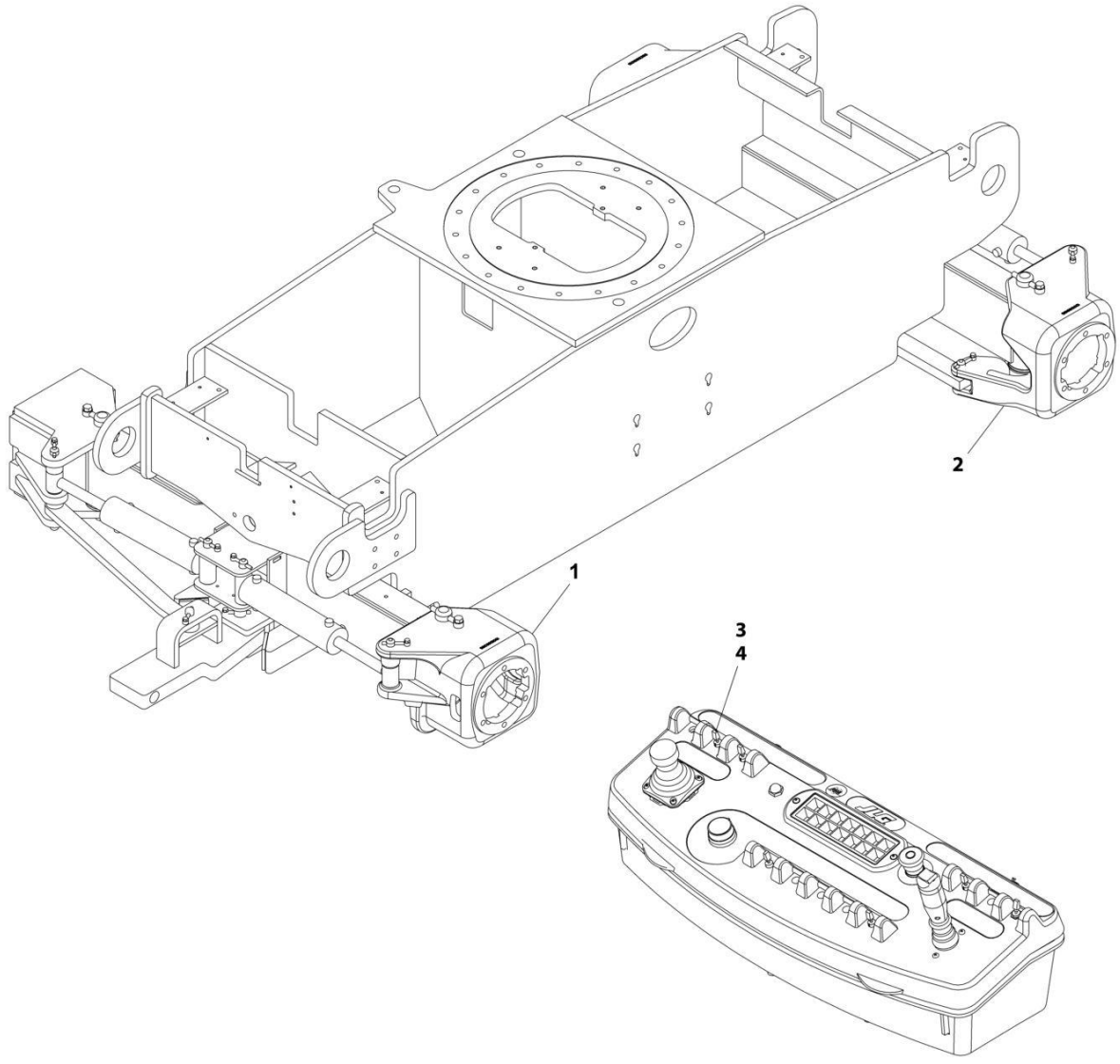
SECTION 5 - PLATFORM

FIGURE 5-24. CRAB STEER SWITCH INSTALLATION - 4WS (WITHOUT TOW PACKAGE)

ITEM	PART NUMBER	QTY	DESCRIPTION	REV
1	1001148163	Ref	CRAB STEER SWITCH INSTALLATION - 4WS Steering Installation (Crab Steer) (See Separate Breakdown in FRAME SECTION)	B
	1001148162	Ref		
2	4360331	1	Switch, Toggle	
3	3790012	1	O-Ring	

SECTION 5 - PLATFORM

FIGURE 5-25. CRAB STEER SWITCH INSTALLATION - 4WS (WITH TOW PACKAGE)



ART_1001148166

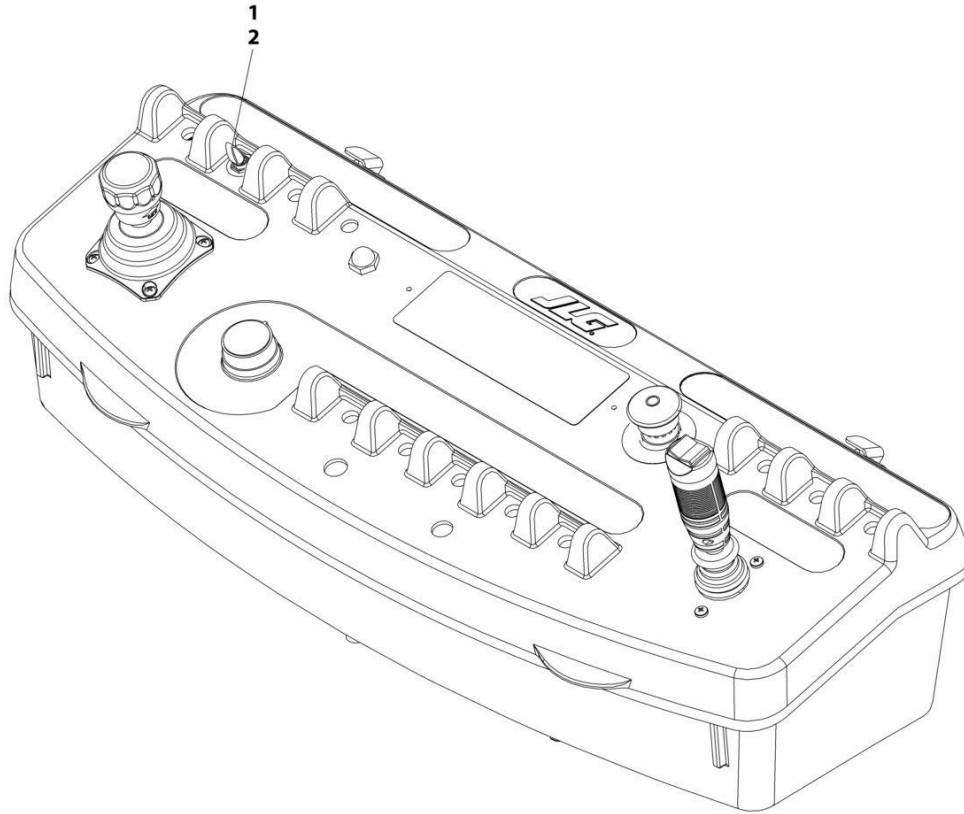
SECTION 5 - PLATFORM

FIGURE 5-25. CRAB STEER SWITCH INSTALLATION - 4WS (WITH TOW PACKAGE)

ITEM	PART NUMBER	QTY	DESCRIPTION	REV
1	1001148166	Ref	CRAB STEER SWITCH INSTALLATION - 4WS	B
	1001148164	Ref	Steering Installation (Not Shown - See Separate Breakdown in FRAME SECTION)	
2	1001148162	Ref	Steering Installation (Crab Steer) (Not Shown - See Separate Breakdown in FRAME SECTION)	
3	4360331	1	Switch, Toggle	
4	3790012	1	O-Ring	

SECTION 5 - PLATFORM

FIGURE 5-26. STEER SWITCH INSTALLATION – 4WS



ART_0258945

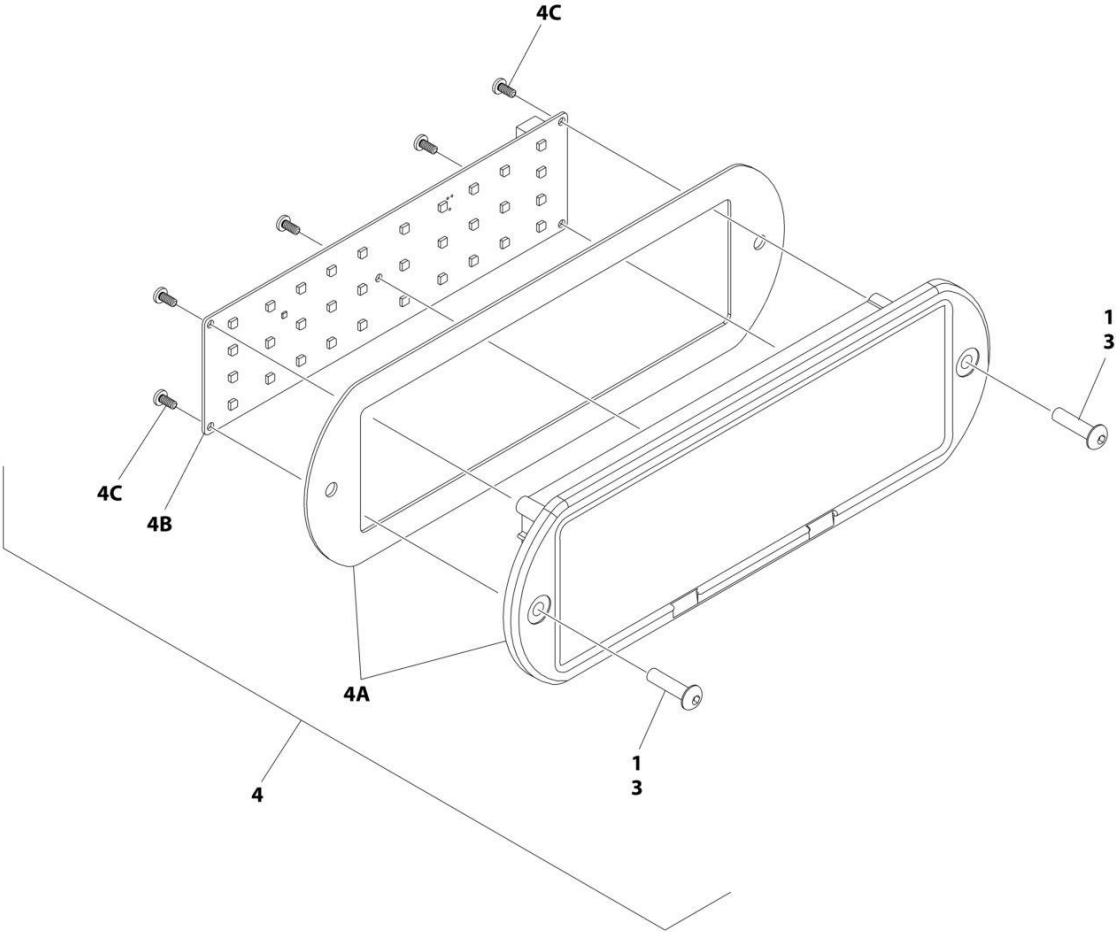
SECTION 5 - PLATFORM

FIGURE 5-26. STEER SWITCH INSTALLATION – 4WS

ITEM	PART NUMBER	QTY	DESCRIPTION	REV
	0258945	Ref	STEER SWITCH INSTALLATION - 4WS	A
1	4360331	1	Switch, Toggle	
2	3790012	1	O-Ring	

SECTION 5 - PLATFORM

FIGURE 5-27. LIGHT PANEL INSTALLATION



ART_1001241403_2OF2

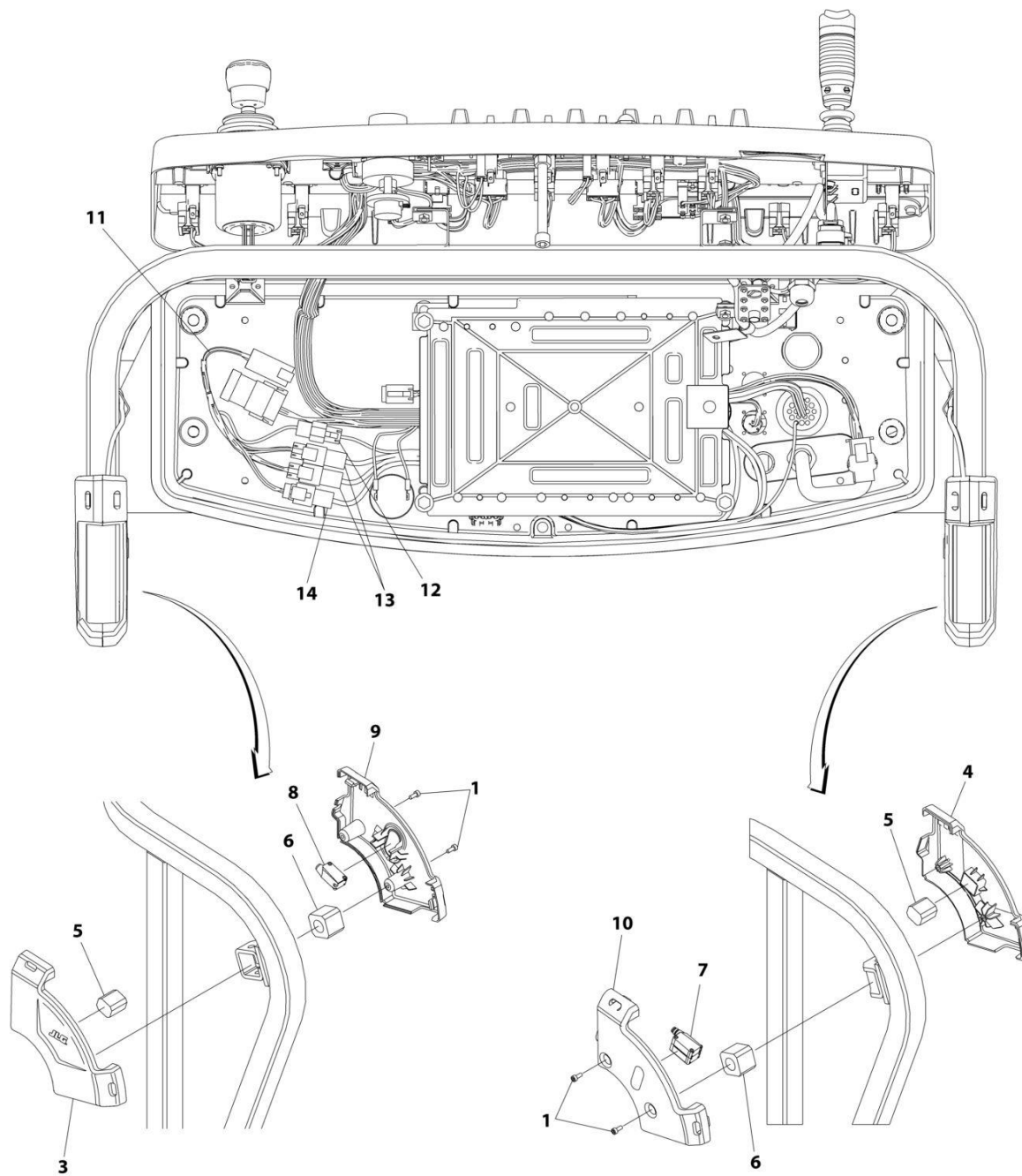
SECTION 5 - PLATFORM

FIGURE 5-27. LIGHT PANEL INSTALLATION

ITEM	PART NUMBER	QTY	DESCRIPTION	REV
	1001241403	Ref	LIGHT PANEL INSTALLATION - PLATFORM CONSOLE	C
1	3300408	1	Nut, Nylon Insert	
3	0630518	2	Screw #10 x 3/4	
4	1001238672	1	Light Panel Electrical Assembly	H
4A	1001236089	1	Lens Assembly (Includes Housing Shell, Decal/Lens with Icons & Gasket)	
4B	1001238732	1	Panel, LED Light	
4C		Ref	Screw	

SECTION 5 - PLATFORM

FIGURE 5-28. SKYEYE INSTALLATION



ART_1001229341

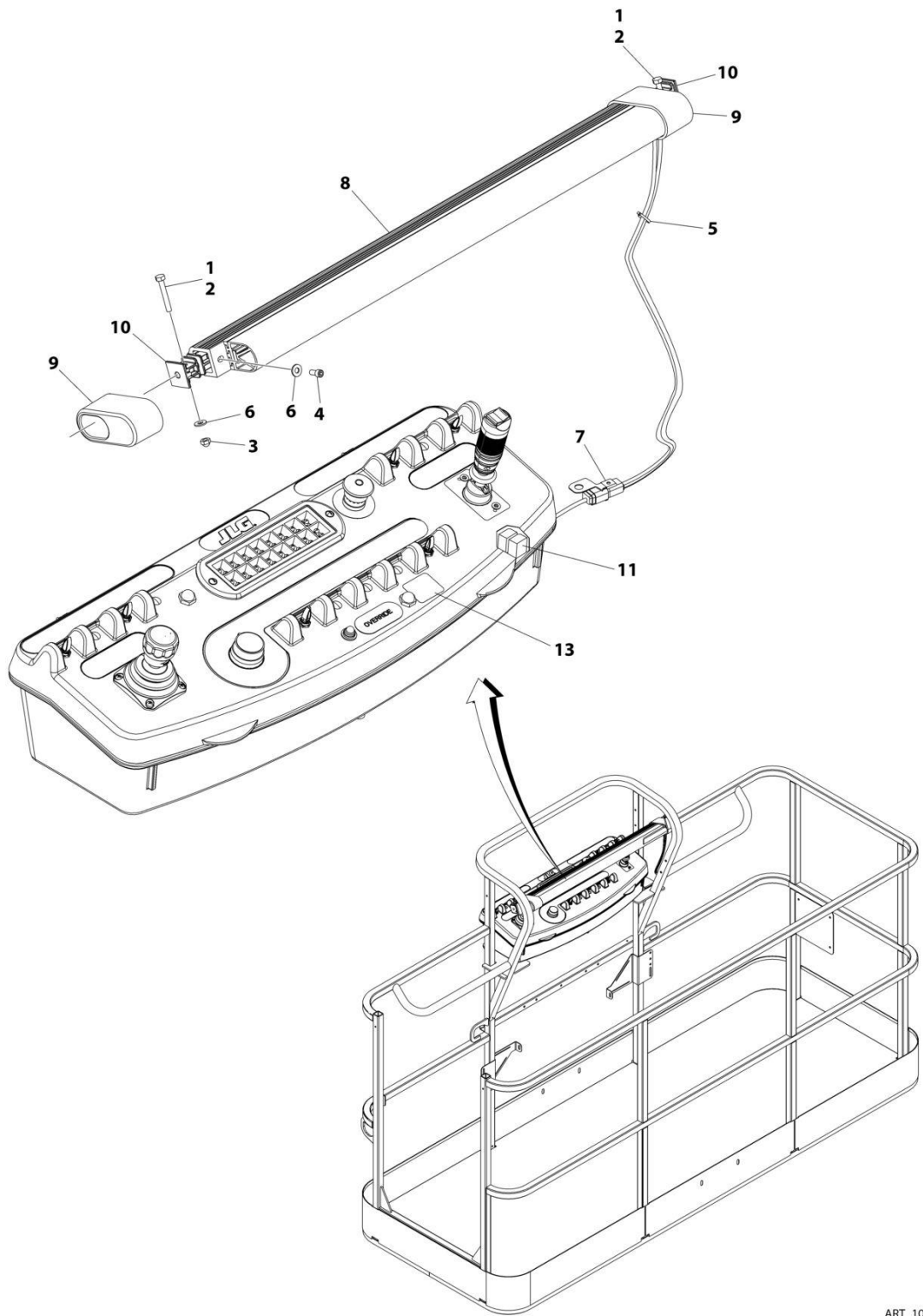
SECTION 5 - PLATFORM

FIGURE 5-28. SKYEYE INSTALLATION

ITEM	PART NUMBER	QTY	DESCRIPTION	REV
	1001229341	Ref	SKYEYE INSTALLATION	B
1	4031505	4	Bolt M4 x 10	
2	4240033	AR	Tie-Strap (Not Shown)	
3	1001227633	1	Housing, LH Outer	
4	1001227634	1	Housing, RH Outer	
5	1001227985	2	Shim	
6	1001227987	2	Shim	
7	1001228224	2	Sensor, Receiver	
8	1001228225	1	Sensor, Emitter	
9	1001232164	1	Housing, LH Inner	
10	1001232165	1	Housing, RH Inner	
11	1001237865	1	Harness, Skyeeye Intermediate (See Separate Breakdown in ELECTRICAL Section)	
12	1001238319	NLA	Harness, Skyeeye Drain Jumper	
12	1001187674	1	Plug, Male - 2 Position	
12	4460942	1	Terminal	
12	4460466	1	Plug, Terminal	
12	4460508	1	Pin, Male	
13	1001237863	2	Harness, Skyeeye Receiver (See Separate Breakdown in ELECTRICAL Section)	
14	1001237864	1	Harness, Skyeeye Emitter (See Separate Breakdown in ELECTRICAL Section)	

SECTION 5 - PLATFORM

FIGURE 5-29. SKYGUARD BAR INSTALLATION



ART_1001238495

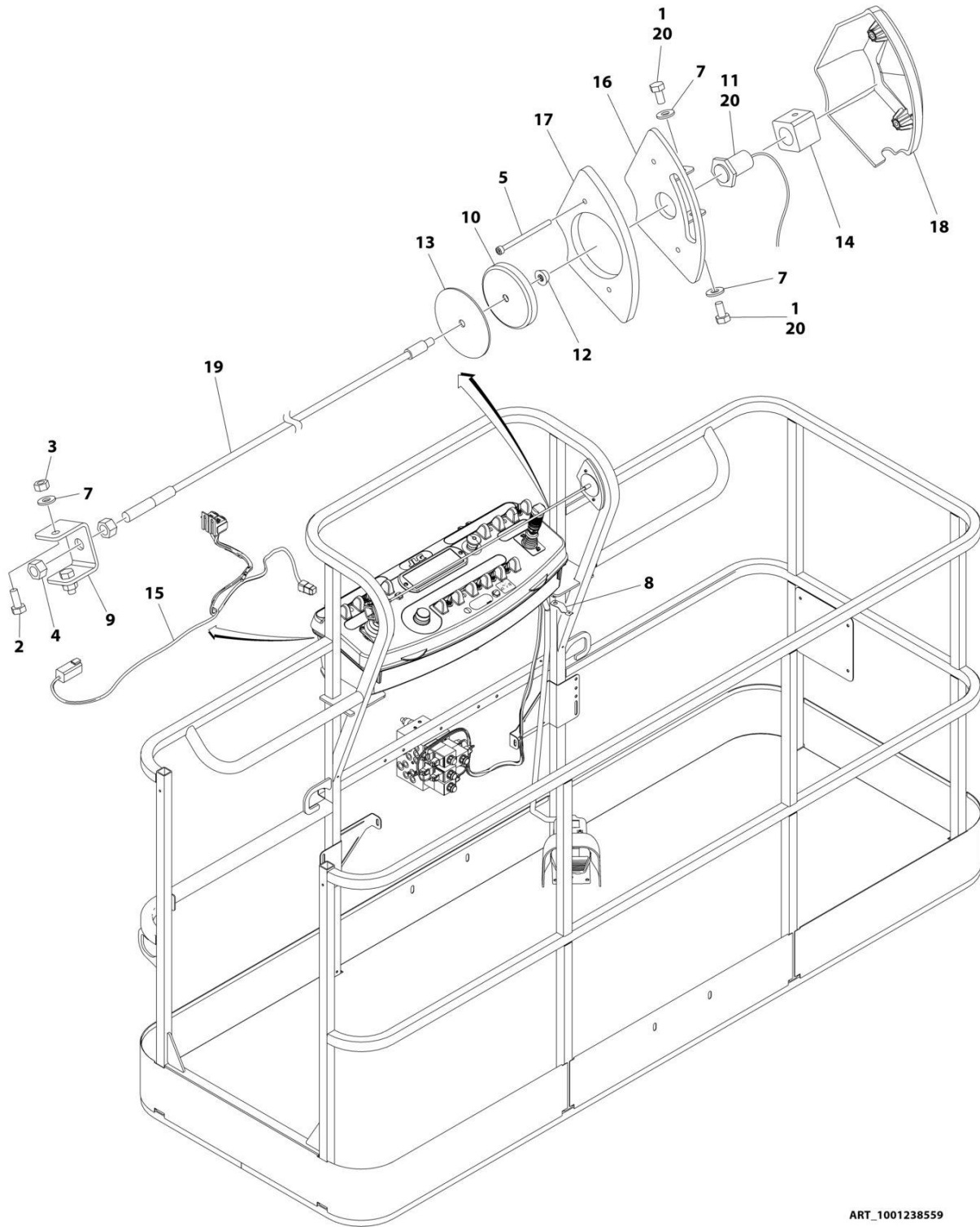
SECTION 5 - PLATFORM

FIGURE 5-29. SKYGUARD BAR INSTALLATION

ITEM	PART NUMBER	QTY	DESCRIPTION	REV
	1001238495	Ref	SKYGUARD BAR INSTALLATION	A
1	0100011	AR	Compound, Locking	
2	0641414	2	Bolt 1/4 x 1-3/4	
3	3300430	2	Nut 1/4	
4	3931408	2	Capscrew 1/4 x 1/2	
5	4240033	8	Tie-Strap	
6	4711400	6	Washer 1/4	
7	1001120328	1	Mount	
8	1001137673	1	SkyGuard Switch Assembly	
9	1001186517	2	Cover, Platform Sensor	
10	1001209664	2	Support, Block	
11	1001186431	2	Relay	
12	1001225580	1	Interface Harness Assembly (Not Shown - Located Inside Console Box) (See Separate Breakdown in ELECTRICAL Section)	
13	1001144433	1	Decal - No Weight SkyGuard	

SECTION 5 - PLATFORM

FIGURE 5-30. SKYLINE INSTALLATION (Prior to SN 0300279212)



ART_1001238559

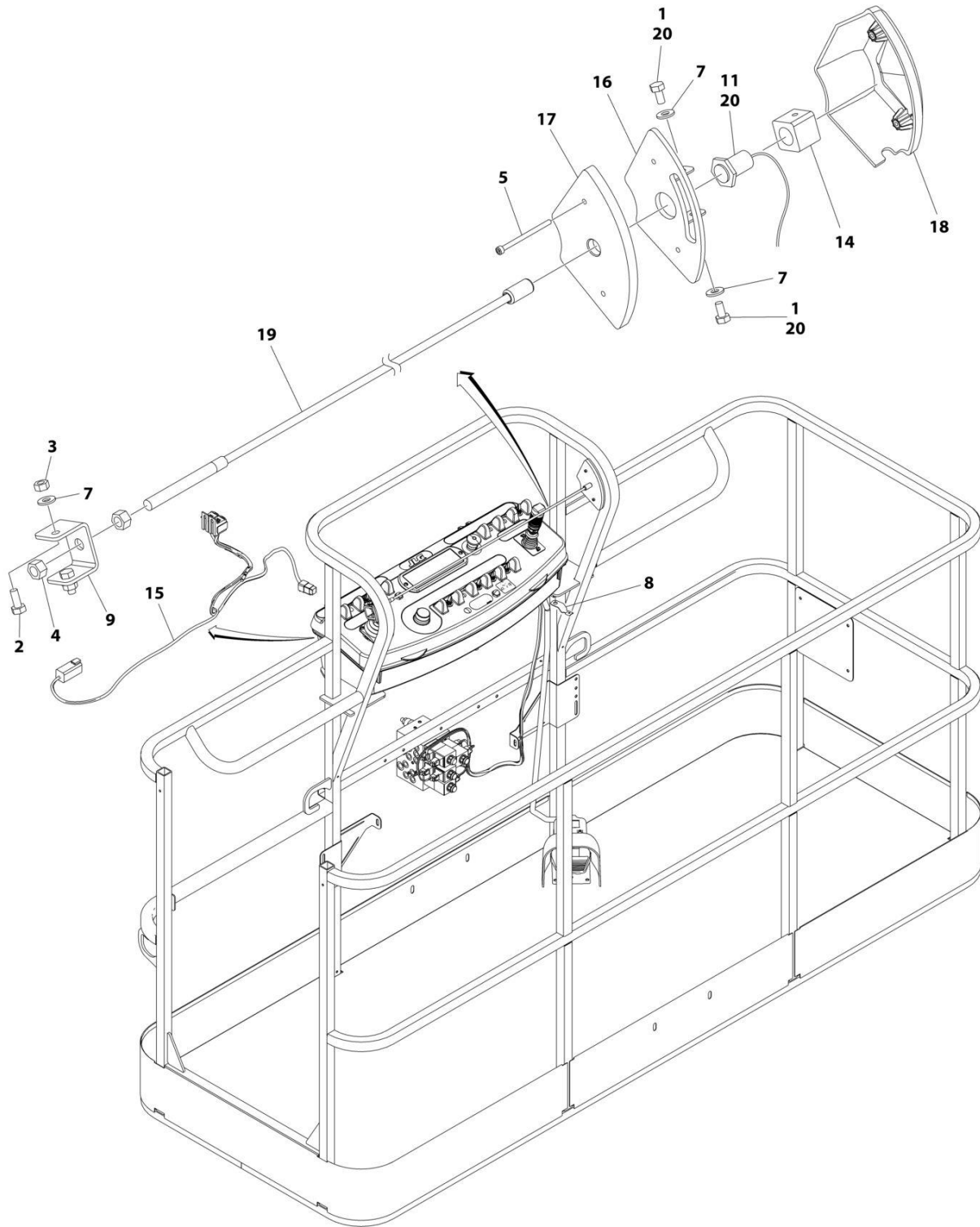
SECTION 5 - PLATFORM

FIGURE 5-30. SKYLINE INSTALLATION (Prior to SN 0300279212)

ITEM	PART NUMBER	QTY	DESCRIPTION	REV
	1001238559	Ref	SKYLINE INSTALLATION	B
1	0641404	2	Bolt 1/4 x 1/2	
2	0641405	2	Bolt 1/4 x 5/8	
3	3311405	2	Nut 1/4	
4	3311601	2	Nut 3/8	
5	4031516	2	Capscrew M4 x 60	
6	4240033	AR	Tie-Strap (Not Shown)	
7	4711400	4	Washer 1/4	
8	1001120328	1	Mount	
9	1001232642	1	Bracket	
10	1001232650	1	Magnet	
11	1001232667	1	Sensor, Proximity	
12	1001235011	1	Nut	
13	1001235013	1	Washer	
14	1001236552	1	Block	
15	1001238418	1	Harness, Skyline (See Separate Breakdown in ELECTRICAL Section)	
16	1001238472	1	Mount	
17	1001238477	1	Housing, LH	
18	1001241965	1	Housing, RH	
19	1001238824	1	Rope	
20	0100011	AR	Compound, Locking	

SECTION 5 - PLATFORM

FIGURE 5-31. SKYLINE INSTALLATION (SN 0300279212 to Present)



ART_1001238559_D

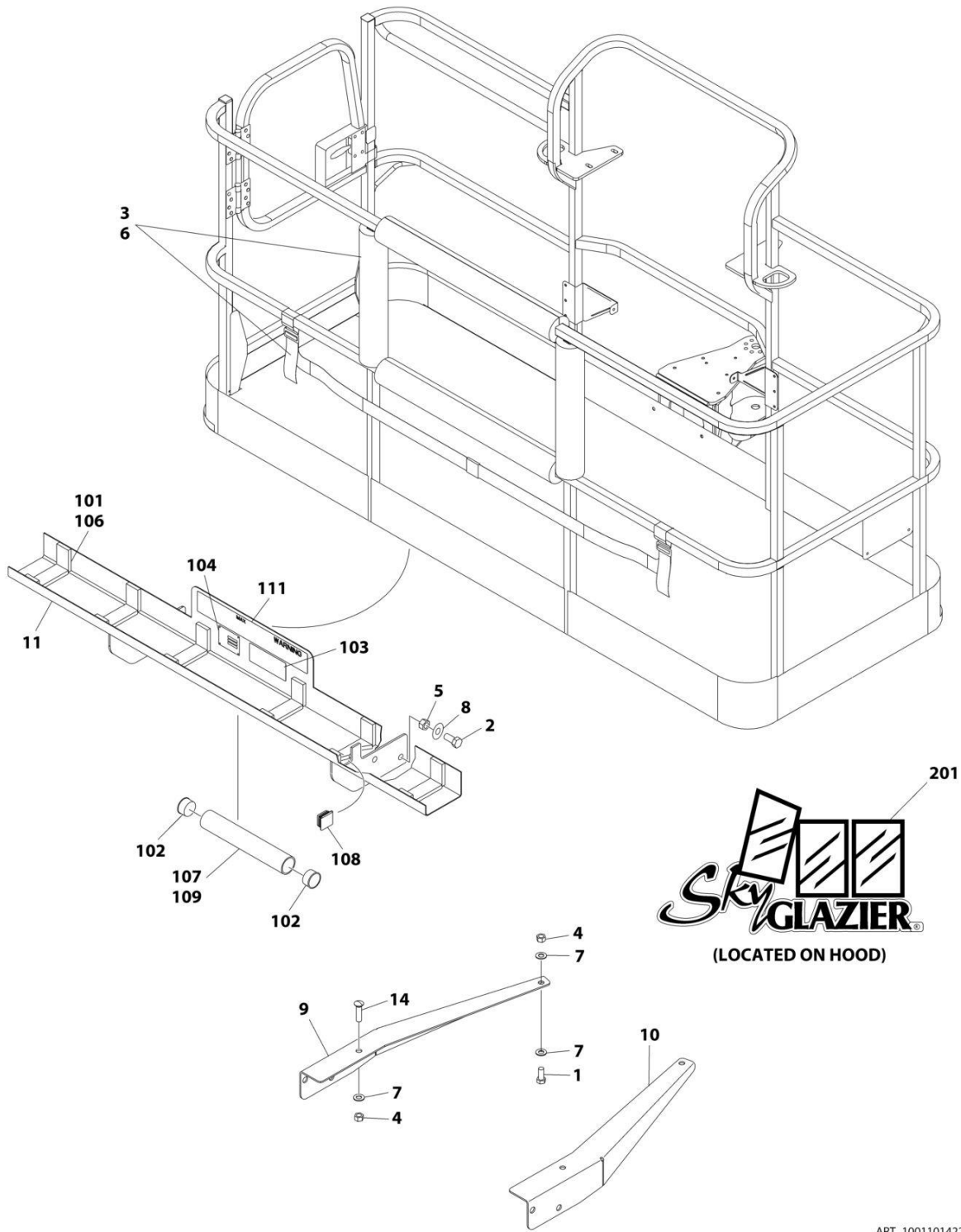
SECTION 5 - PLATFORM

FIGURE 5-31. SKYLINE INSTALLATION (SN 0300279212 to Present)

ITEM	PART NUMBER	QTY	DESCRIPTION	REV
	1001238559	Ref	SKYLINE INSTALLATION	D
1	0641404	2	Bolt 1/4 x 1/2	
2	0641405	2	Bolt 1/4 x 5/8	
3	3311405	2	Nut 1/4	
4	3311601	2	Nut 3/8	
5	4031516	2	Capscrew M4 x 60	
6	4240033	AR	Tie-Strap (Not Shown)	
7	4711400	4	Washer 1/4	
8	1001120328	1	Mount	
9	1001232642	1	Bracket	
11	1001232667	1	Sensor, Proximity	
11	1001311034	1	Sensor, Proximity	
14	1001236552	1	Block	
15	1001238418	1	Harness, Skyline (See Separate Breakdown in ELECTRICAL Section)	
16	1001238472	1	Mount	
17	1001254473	1	Housing, LH	
18	1001241965	1	Housing, RH	
19	1001254472	1	Rod	
20	0100011	AR	Compound, Locking	

SECTION 5 - PLATFORM

FIGURE 5-32. SKYGLAZIER INSTALLATION (ALL SPECS EXCEPT CHINA, JAPANESE, CE & UK CA SPECS) (OPTIONAL)



ART_1001101422

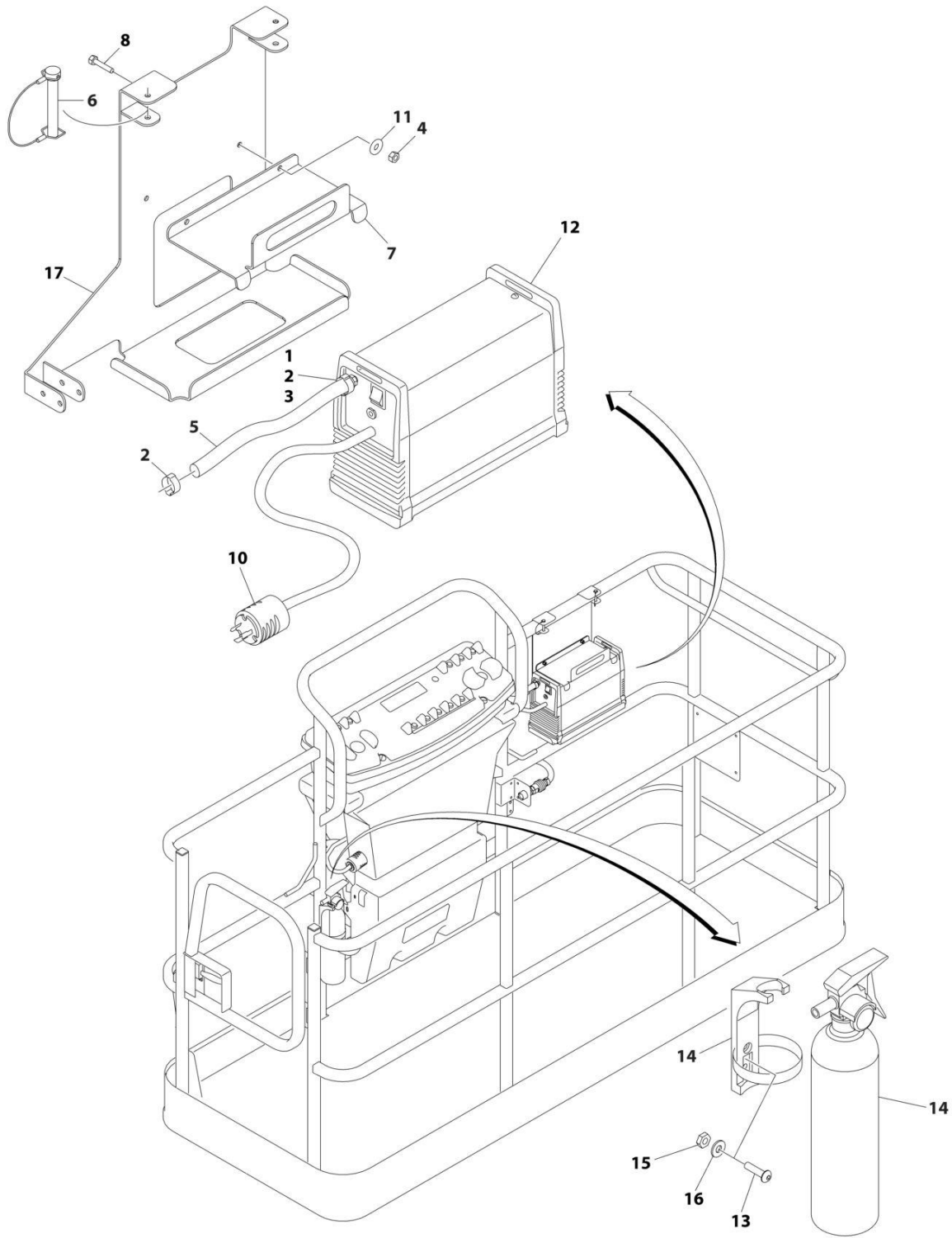
SECTION 5 - PLATFORM

FIGURE 5-32. SKYGLAZIER INSTALLATION (ALL SPECS EXCEPT CHINA, JAPANESE, CE & UK CA SPECS) (OPTIONAL)

ITEM	PART NUMBER	QTY	DESCRIPTION	REV
	1001101422	Ref	SKYGLAZIER INSTALLATION	C
1	0642012	2	Bolt 5/8 x 1-1/2	
2	0642212	4	Bolt 3/4 x 1-1/2	
3	2902212	1	Bumpers and Strap Kit	
3	0940102	1	Bumper Only	
3	4240149	1	Strap Only	
4	3312005	4	Nut 5/8	
5	3312205	4	Nut 3/4	
6	4420014	AR	Tape	
7	4712000	6	Washer 5/8	
8	4712200	8	Washer 3/4	
9	1001099366	1	Support	
10	1001099367	1	Support	
11	1001101421	1	Tray Assembly (See Items 101-111 for Breakdown)	
14	8310129	2	Bolt 3/4 x 2-1/2	
	1001101421	Ref	TRAY ASSEMBLY	F
101	0100081	AR	Adhesive	
102	1120555	2	Cap, Tube	
103	1701509	1	Decal - Manual	
104	See Note	NSS	Nameplate - Serial Number (Note: Not Available for Purchase)	
106	3340956	1	Pad Kit	
107	3460334	1	Tube	
108	3520071	2	Plug	
109	4420066	AR	Tape, Double Sided	
111	1001163131	2	Decal - Glazier Capacity	
	0272418	Ref	SKYGLAZIER DECAL INSTALLATION	4
201	1705358	2	Decal - SkyGlazier	

SECTION 5 - PLATFORM

FIGURE 5-33. SKYCUTTER INSTALLATION (OPTIONAL)



ART_1001098149_D

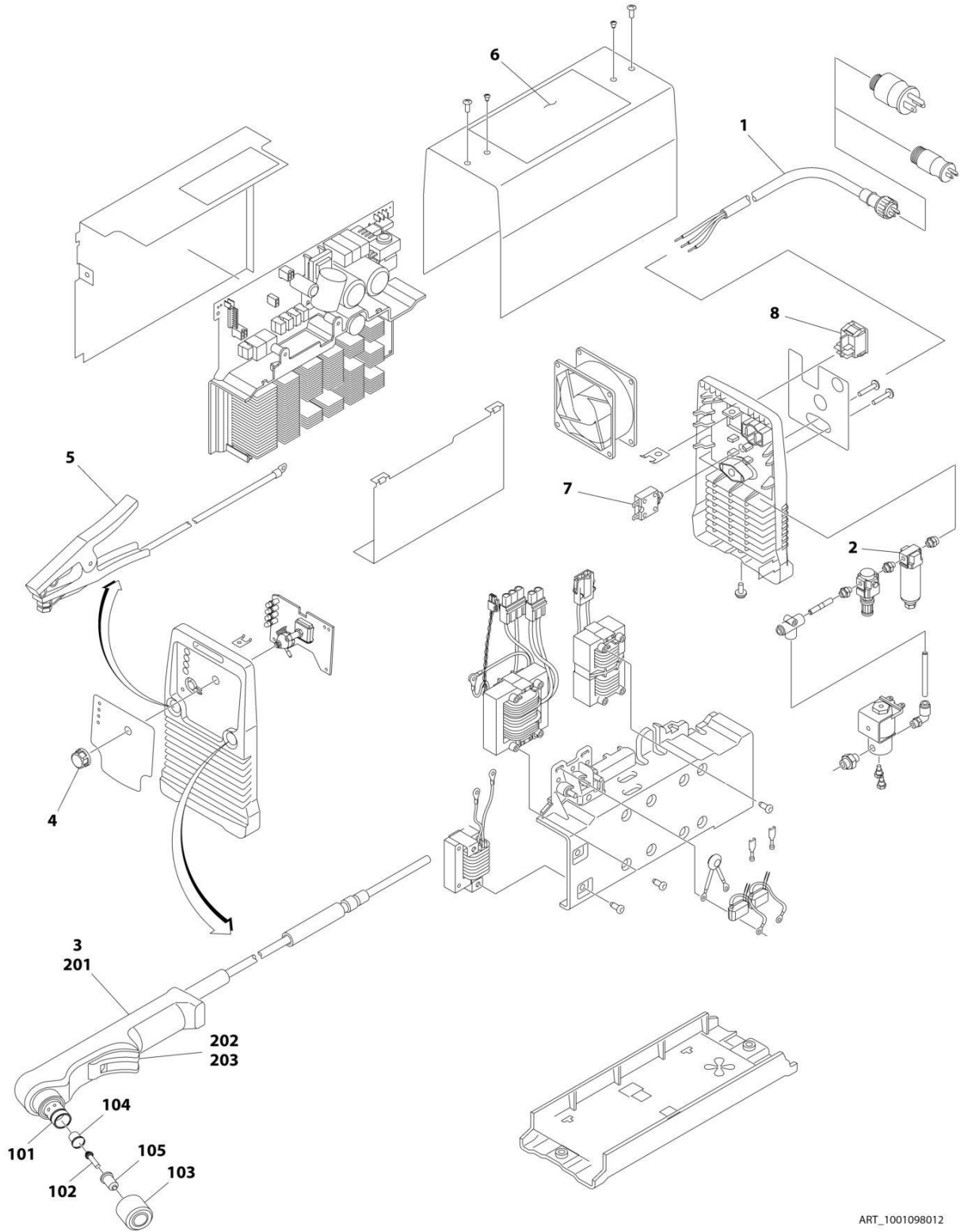
SECTION 5 - PLATFORM

FIGURE 5-33. SKYCUTTER INSTALLATION (OPTIONAL)

ITEM	PART NUMBER	QTY	DESCRIPTION	REV
	1001098149	Ref	SKYCUTTER INSTALLATION	D
		Ref	Note: When replacing platform on machines with SkyCutter option, new bracket p/n 1001145405 must be purchased to accommodate SkyCutter components.	
1	0100020	AR	Sealant	
2	1320177	2	Clamp, Hose	
3	2180832	1	Fitting, NPT/Barbed	
4	3290605	2	Nut M6	
5	2720160	3 ft /.9m	Hose	
6	3421453	3	Pin	
7	3576799	1	Plate, Hold-Down	
8	4010608	2	Screw M6 x 16	
10	4460971	1	Plug, Twistlock	
11	4811700	2	Washer M6	
12	1001098012	1	Plasma Cutter Assembly (See Separate Breakdown in this Section)	
13	0630518	2	Screw #10 x 3/4	
14	2030010	1	Extinguisher, Fire	
15	3311005	2	Nut #10	
16	4751000	2	Washer #10	
17	1001145405	1	Support	

SECTION 5 - PLATFORM

FIGURE 5-34. PLASMA CUTTER ASSEMBLY



ART_1001098012

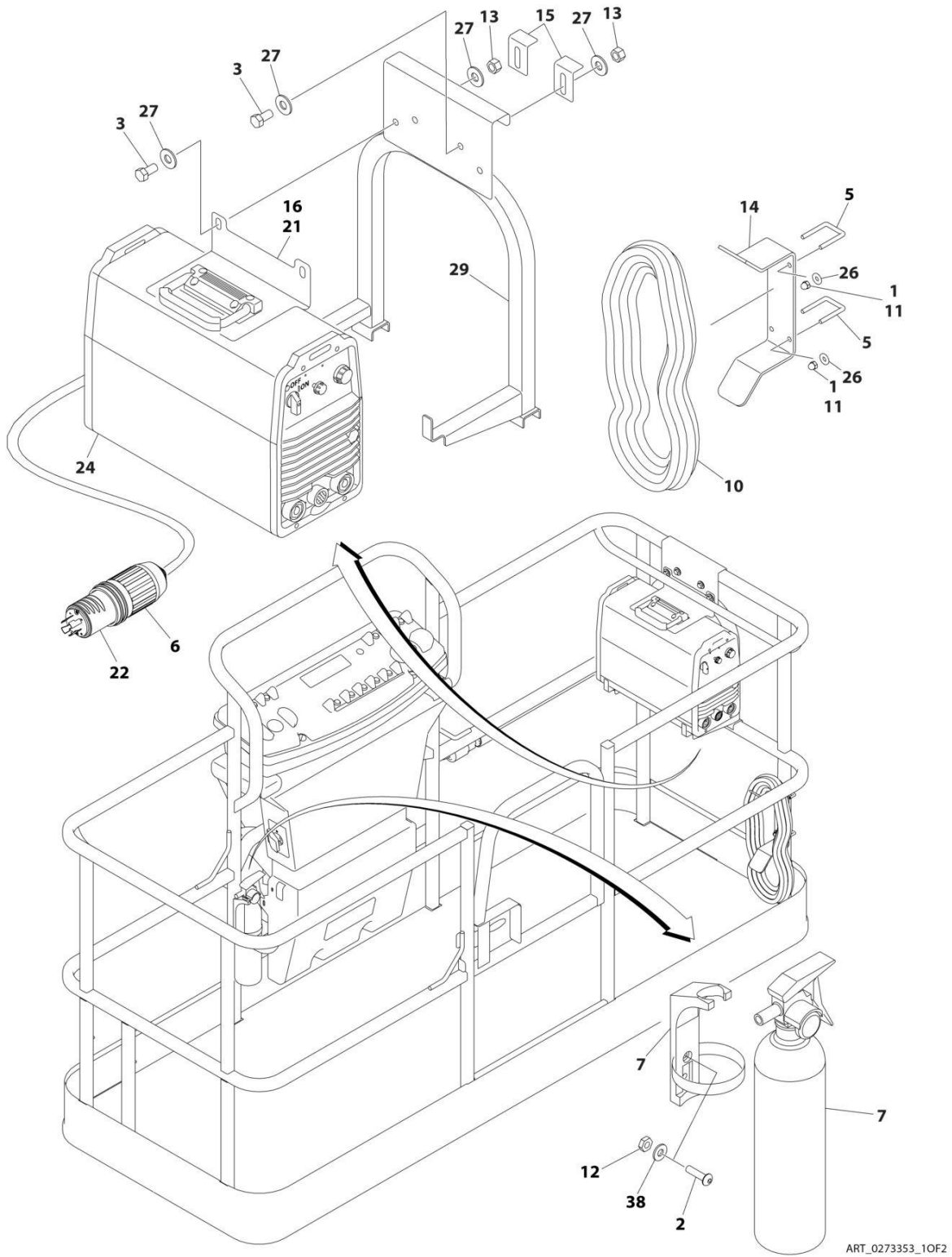
SECTION 5 - PLATFORM

FIGURE 5-34. PLASMA CUTTER ASSEMBLY

ITEM	PART NUMBER	QTY	DESCRIPTION	REV
	1001098012	Ref	PLASMA CUTTER ASSEMBLY	A
		Ref	Note: For Other Components, contact your Miller Welder Dealer.	
1	70001424	1	Cable, Power	
1	70001425	1	Decal - Voltage Warning	
2	70001427	1	Filter, Regulator	
3	70001428	1	Torch Assembly (See Items 101-203 for Breakdown)	
4	7024471	1	Knob	
5	70001429	1	Clamp with Cable	
6	70001430	1	Decal - Caution	
7	70001431	1	Breaker, Circuit	
8	70001432	1	Switch, Rocker	
	70001428	Ref	TORCH ASSEMBLY	
101	7024530	1	O-Ring	
102	7024531	1	Electrode	
103	7024532	1	Cup, Retaining	
104	7024533	1	Swirl Ring	
105	7024534	1	Tip	
201	7024535	1	Handle, Torch	
202	7024536	1	Switch	
203	7024537	1	Trigger	

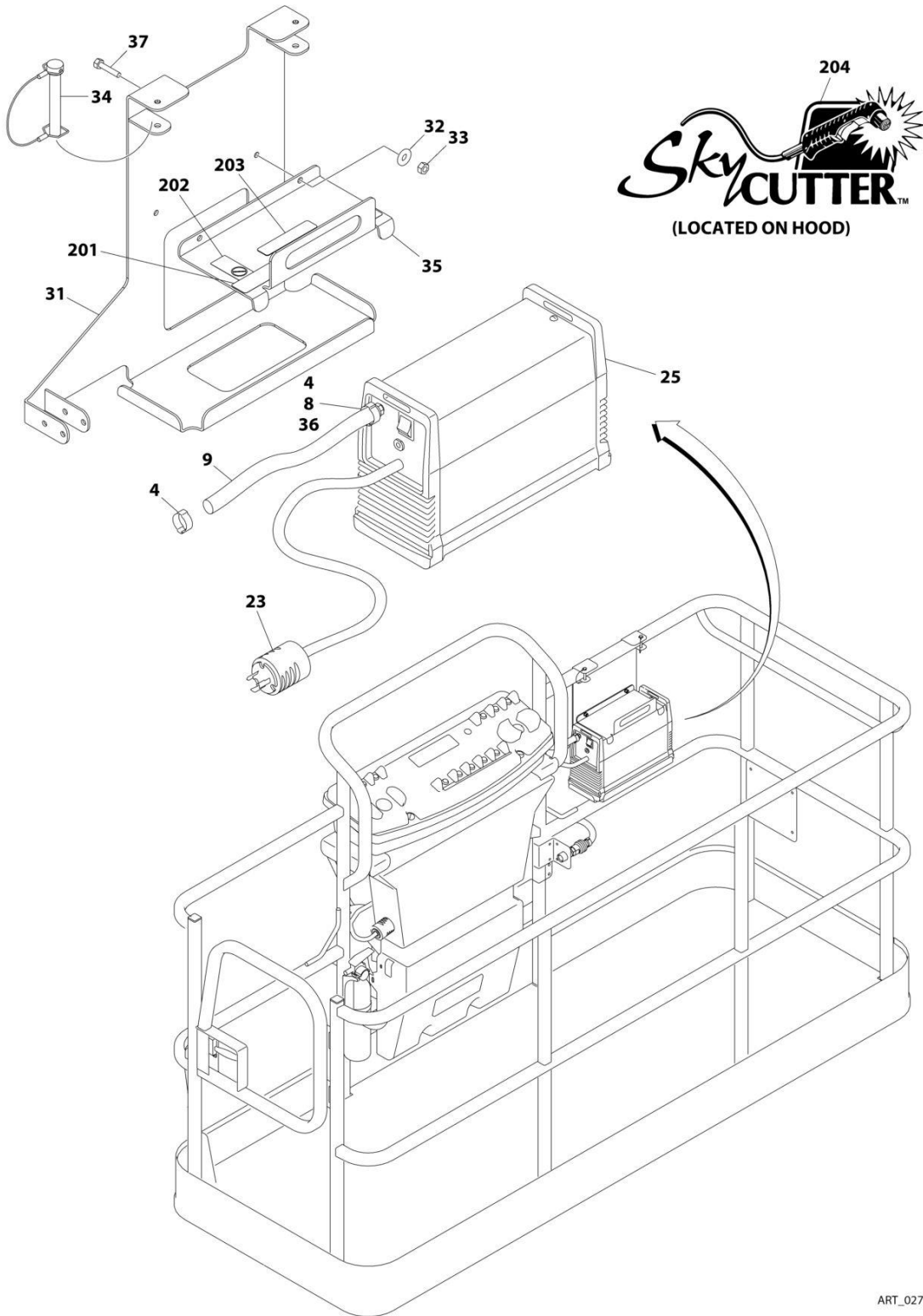
SECTION 5 - PLATFORM

FIGURE 5-35. SKYWELDER/SKYCUTTER COMBO INSTALLATION (60HZ) (OPTIONAL)



ART_0273353_10F2

SECTION 5 - PLATFORM



ART_0273353_20F2

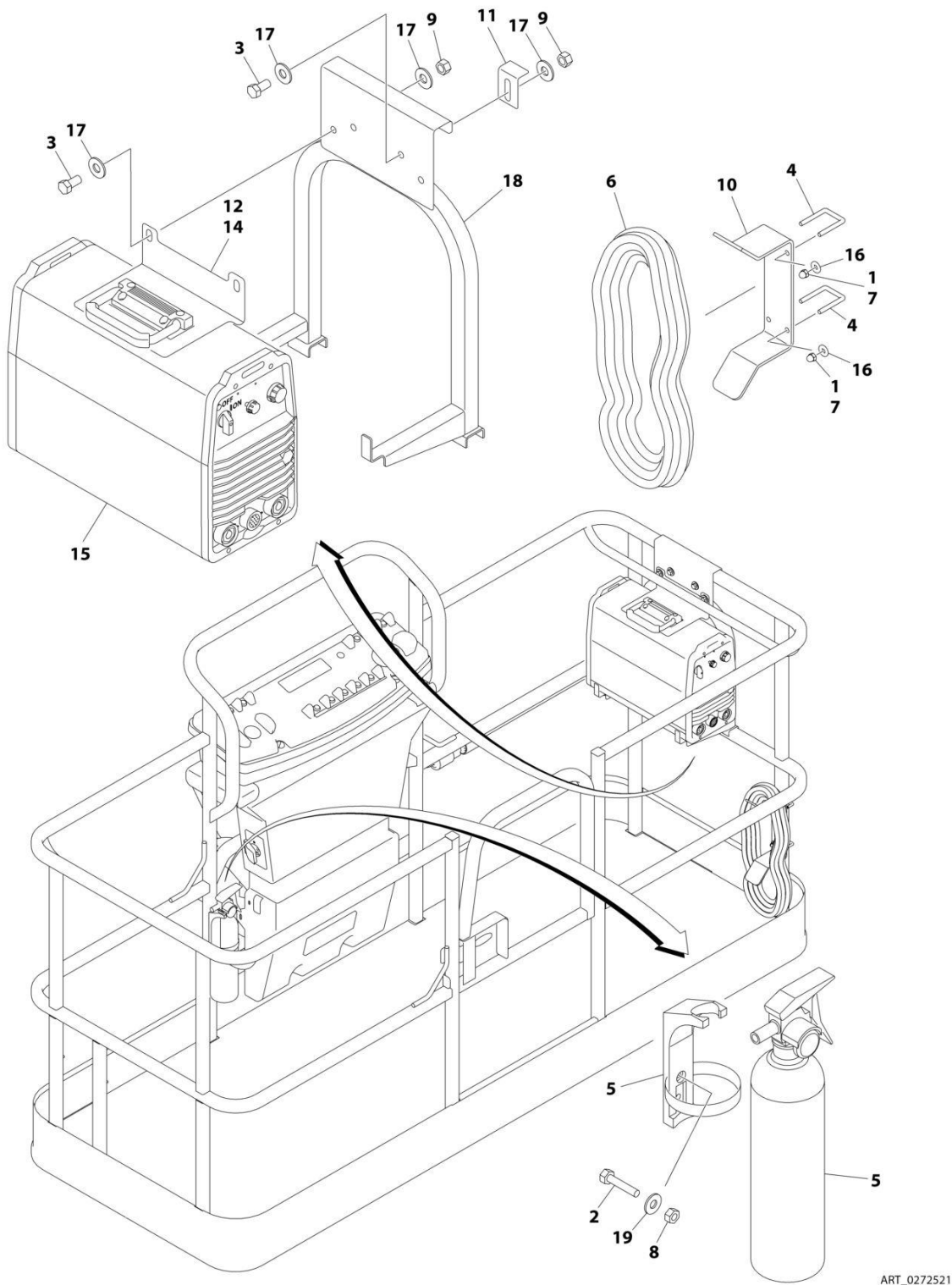
SECTION 5 - PLATFORM

FIGURE 5-35. SKYWELDER/SKYCUTTER COMBO INSTALLATION (60HZ) (OPTIONAL)

ITEM	PART NUMBER	QTY	DESCRIPTION	REV
	0273353	Ref	SKYWELDER/SKYCUTTER COMBO INSTALLATION (60HZ)	G
1	0100011	AR	Compound, Locking	
2	0630518	2	Screw #10 x 3/4	
3	0641606	4	Bolt 3/8 x 3/4	
4	1320177	2	Clamp	
5	1320302	2	Clamp	
6	1671093	1	Cover, Plug	
7	2030010	1	Extinguisher, Fire	
8	2180832	1	Fitting, Barbed/NPT	
9	2720160	4.5 ft/ 1.4m	Hose	
10	2902217	1	Weld Leads Kit	
11	3300151	4	Nut 1/4	
12	3311005	2	Nut #10	
13	3311605	4	Nut 3/8	
14	3573400	1	Bracket	
15	3577121	2	Angle	
16	3573642	1	Plate	
20	4240099	AR	Tie-Strap (Not Shown)	
21	4420037	2.4 ft/ 0.7m	Tape	
22	4460962	1	Plug, Twist Lock	
23	4460971	1	Plug, Twist Lock	
24	4530028	1	Welder Assembly (See Separate Breakdown in this Section)	
25	1001098012	1	Plasma Cutter Assembly (See Separate Breakdown in this Section)	
26	4751400	4	Washer 1/4	
27	4751600	8	Washer 3/8	
29	4846627	1	Support	
31	1001145405	1	Bracket	
32	4811700	2	Washer M6	
33	3290605	2	Nut M6	
34	3421453	3	Pin	
35	3576799	1	Plate, Hold-Down	
36	0100020	1	Sealant	
37	4010608	2	Screw M6 x 16	
38	4751000	2	Washer #10	
	0272448	Ref	SKYWELDER DECAL INSTALLATION	B
101	1705355	2	Decal - SkyWelder	
102	1702868	1	Decal - No Hands	
103	1705305	1	Decal - Weld Leads	
104	1705375	1	Decal - 240V - 3 Phase - 60Hz	
105	1001228988	1	Decal - Weight	
	0272599	Ref	SKYCUTTER DECAL INSTALLATION	B
201	1702868	1	Decal - No Hands	
202	1705305	1	Decal - Weld Leads	
203	1001228988	1	Decal - Weight	
204	1705490	2	Decal - SkyCutter	

SECTION 5 - PLATFORM

FIGURE 5-36. SKYWELDER INSTALLATION (50HZ) (OPTIONAL)



ART_0272521

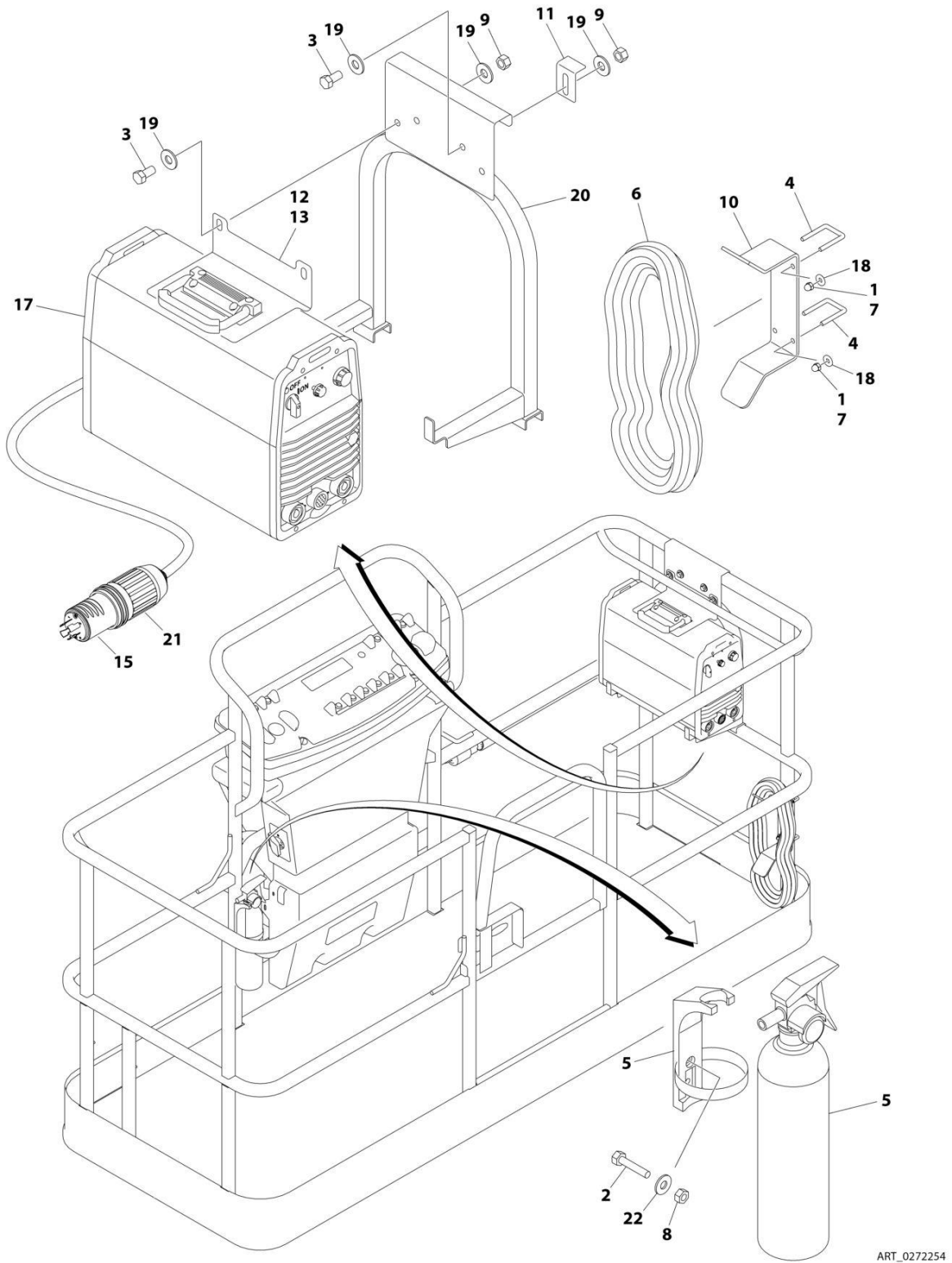
SECTION 5 - PLATFORM

FIGURE 5-36. SKYWELDER INSTALLATION (50HZ) (OPTIONAL)

ITEM	PART NUMBER	QTY	DESCRIPTION	REV
	0272521	Ref	SKYWELDER INSTALLATION	F
1	0100011	AR	Compound, Locking	
2	0630518	2	Screw #10 x 3/4	
3	0641606	4	Bolt 3/8 x 3/4	
4	1320302	2	U-Clamp	
5	2030010	1	Extinguisher, Fire	
6	2902217	1	Weld Leads Kit	
7	3300151	4	Nut 1/4	
8	3311005	2	Nut #10	
9	3311605	4	Nut 3/8	
10	3573400	1	Bracket	
11	3577121	2	Angle	
12	3573642	1	Plate	
13	4240099	AR	Tie-Strap (Not Shown)	
14	4420037	AR	Tape	
15	4530028	1	Welder Assembly (See Separate Breakdown in this Section)	
16	4751400	4	Washer 1/4	
17	4751600	8	Washer 3/8	
18	4846627	1	Support	
19	4751000	2	Washer #10	

SECTION 5 - PLATFORM

FIGURE 5-37. SKYWELDER INSTALLATION (60HZ) (OPTIONAL)



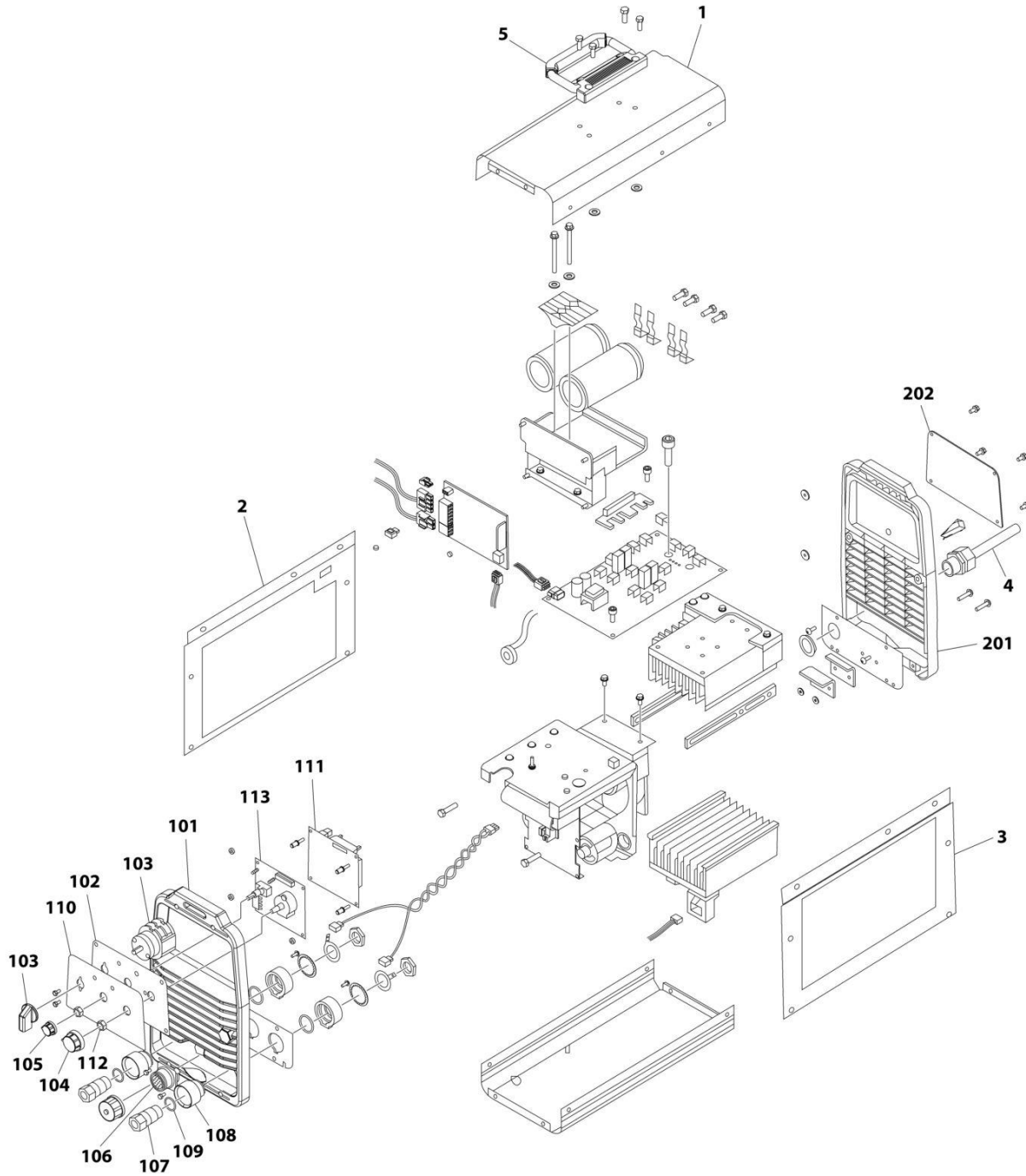
SECTION 5 - PLATFORM

FIGURE 5-37. SKYWELDER INSTALLATION (60HZ) (OPTIONAL)

ITEM	PART NUMBER	QTY	DESCRIPTION	REV
	0272254	Ref	SKYWELDER INSTALLATION	1
1	0100011	AR	Compound, Locking	
2	0630518	2	Screw #10 x 3/4	
3	0641606	4	Bolt 3/8 x 3/4	
4	1320302	2	U-Clamp	
5	2030010	1	Extinguisher, Fire	
6	2902217	1	Weld Leads Kit	
7	3300151	4	Nut 1/4	
8	3311005	2	Nut #10	
9	3311605	4	Nut 3/8	
10	3573400	1	Bracket	
11	3577121	2	Angle	
12	3573642	1	Plate	
13	4420037	AR	Tape	
14	4240099	AR	Tie-Strap (Not Shown)	
15	4460962	1	Plug, Male Twistlock	
17	4530028	1	Welder Assembly (See Separate Breakdown in this Section)	
18	4751400	4	Washer 1/4	
19	4751600	8	Washer 3/8	
20	4846627	1	Support	
21	1671093	1	Cover, Plug	
22	4751000	2	Washer #10	

SECTION 5 - PLATFORM

FIGURE 5-38. WELDER ASSEMBLY



ART_4530028

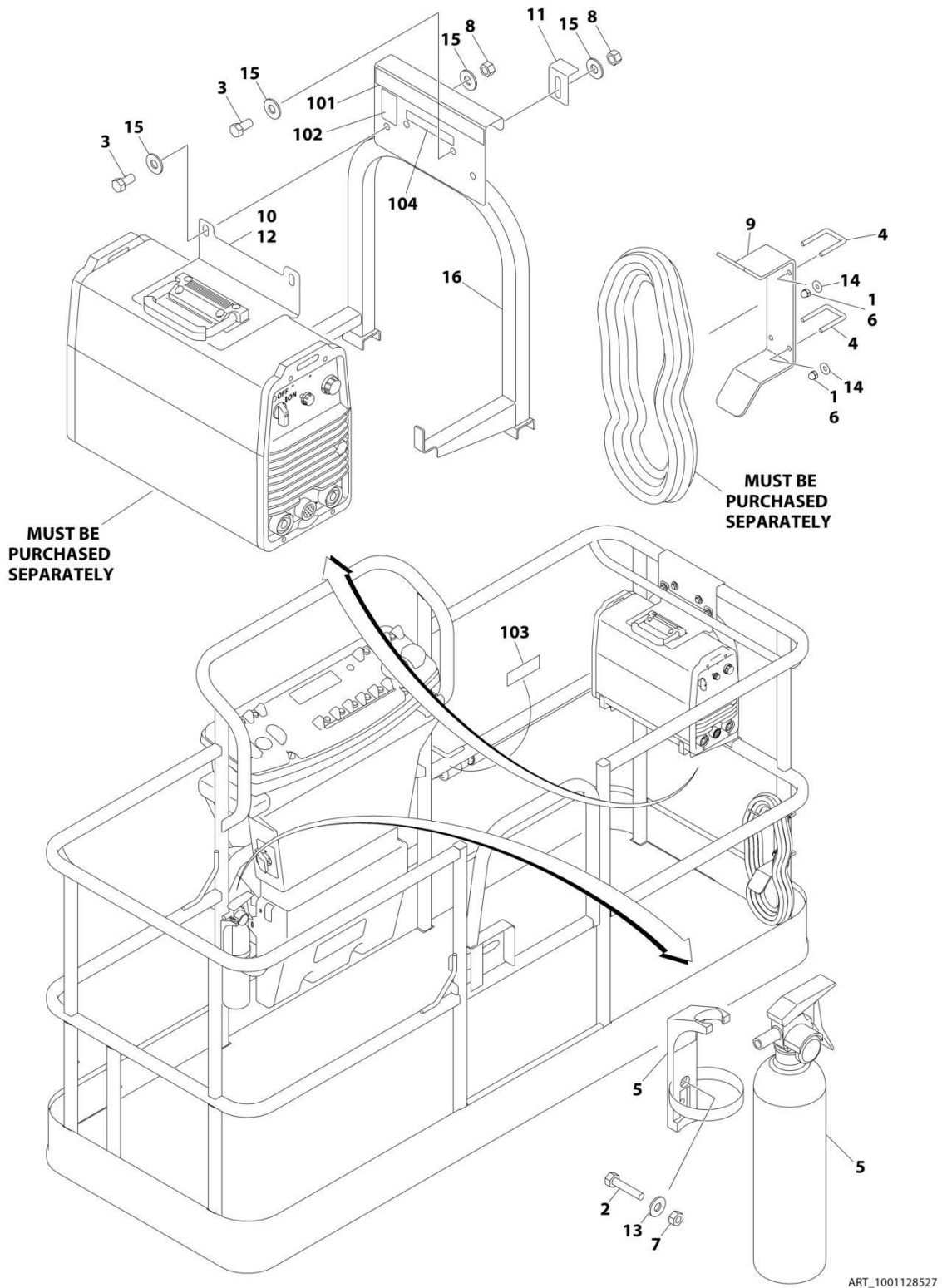
SECTION 5 - PLATFORM

FIGURE 5-38. WELDER ASSEMBLY

ITEM	PART NUMBER	QTY	DESCRIPTION	REV
	4530028	Ref	WELDER ASSEMBLY	B
		Ref	Note: For Other Components, contact your Miller Welder Dealer.	
1	7027773	1	Cover, Top	
1	7027774	1	Decal - Static Precautionary Warning	
2	See Note	NSS	Panel, LH Side (Note: Part of Item 1. Purchase Item 1)	
3	See Note	NSS	Panel, RH Side (Note: Part of Item 1. Purchase Item 1)	
4	7024467	1	Cable, Power	
4	7027775	1	Decal - Electrical Shock Warning (Not Shown)	
5	7027776	1	Handle, Carrying	
101	7024462	1	Panel, Front	
102	7024463	1	Panel, Console	
103	7024469	1	Switch with Lead	
104	7024470	1	Knob	
105	7024471	1	Knob	
106	7024472	1	Receptacle with Leads and Plugs	
107	7024473	2	Receptacle, Twistlock Female	
108	7024474	2	Insulator	
109	7024475	2	O-Ring	
110	7027777	1	Nameplate	
111	7027779	1	Circuit Card Assembly (Process Control)	
112	7024478	2	Nut	
113	7027778	1	Circuit Card Assembly (Operator Interface)	
201	7024462	1	Panel, Rear	
202	7027780	1	Panel, Cover	

SECTION 5 - PLATFORM

FIGURE 5-39. SKYWELDER PREP PACKAGE (60HZ) (OPTIONAL)



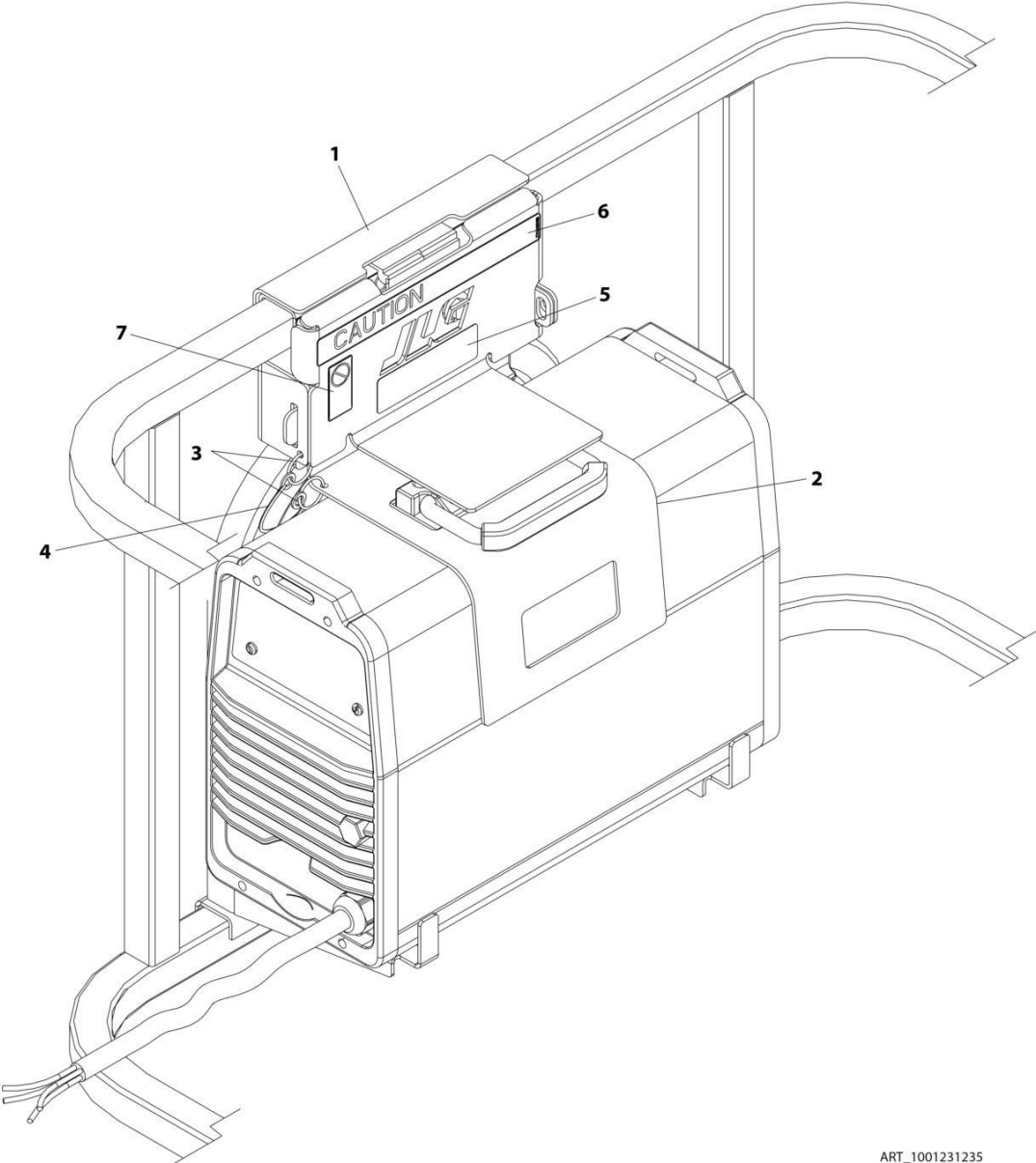
SECTION 5 - PLATFORM

FIGURE 5-39. SKYWELDER PREP PACKAGE (60HZ) (OPTIONAL)

ITEM	PART NUMBER	QTY	DESCRIPTION	REV
	1001128527	Ref	SKYWELDER PREP PACKAGE (60HZ)	B
1	0100011	AR	Compound, Locking	
2	0630518	2	Screw #10 x 3/4	
3	0641606	4	Bolt 3/8 x 3/4	
4	1320302	2	U-Clamp	
5	2030010	1	Extinguisher, Fire	
6	3300151	4	Nut 1/4	
7	3311005	2	Nut #10	
8	3311605	4	Nut 3/8	
9	3573400	1	Bracket	
10	3573642	1	Plate	
11	3577121	2	Angle	
12	4420037	AR	Tape	
13	4751000	2	Washer #10	
14	4751400	4	Washer 1/4	
15	4751600	8	Washer 3/8	
16	4846627	1	Support	
	1001128556	Ref	SKYWELDER DECAL INSTALLATION	C
101	1702868	1	Decal - No Hands	
102	1705305	1	Decal - Weld Lead	
103	1705375	1	Decal - 240V - 3 Phase - 60Hz	
104	1001228988	1	Decal - Weight	

SECTION 5 - PLATFORM

FIGURE 5-40. SKYWELDER LOCKING BRACKET INSTALLATION (OPTIONAL)



ART_1001231235

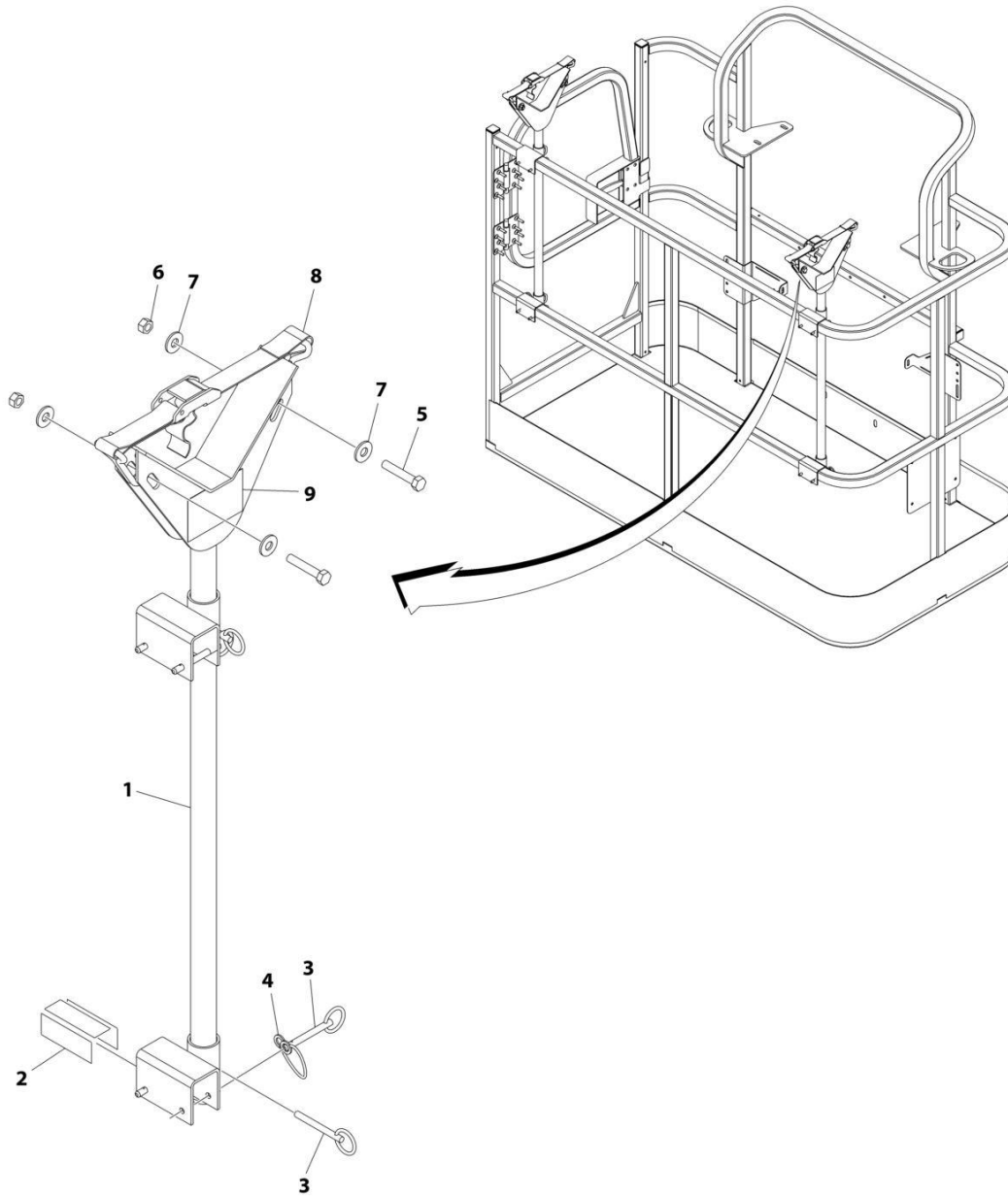
SECTION 5 - PLATFORM

FIGURE 5-40. SKYWELDER LOCKING BRACKET INSTALLATION (OPTIONAL)

ITEM	PART NUMBER	QTY	DESCRIPTION	REV
	1001231235	Ref	SKYWELDER LOCKING BRACKET INSTALLATION	A
1	1001231180	1	Bracket	
2	1001231183	1	Plate	
3	3760170	2	Ring	
4	1060379	1	Lanyard	
5	1001228988	1	Decal - Weight	
6	1702868	1	Decal - No Hands	
7	1705305	1	Decal - Weld Lead	

SECTION 5 - PLATFORM

FIGURE 5-41. PIPE RACKS INSTALLATION (ANSI AND CSA SPECS) (OPTIONAL)



ART_0257728

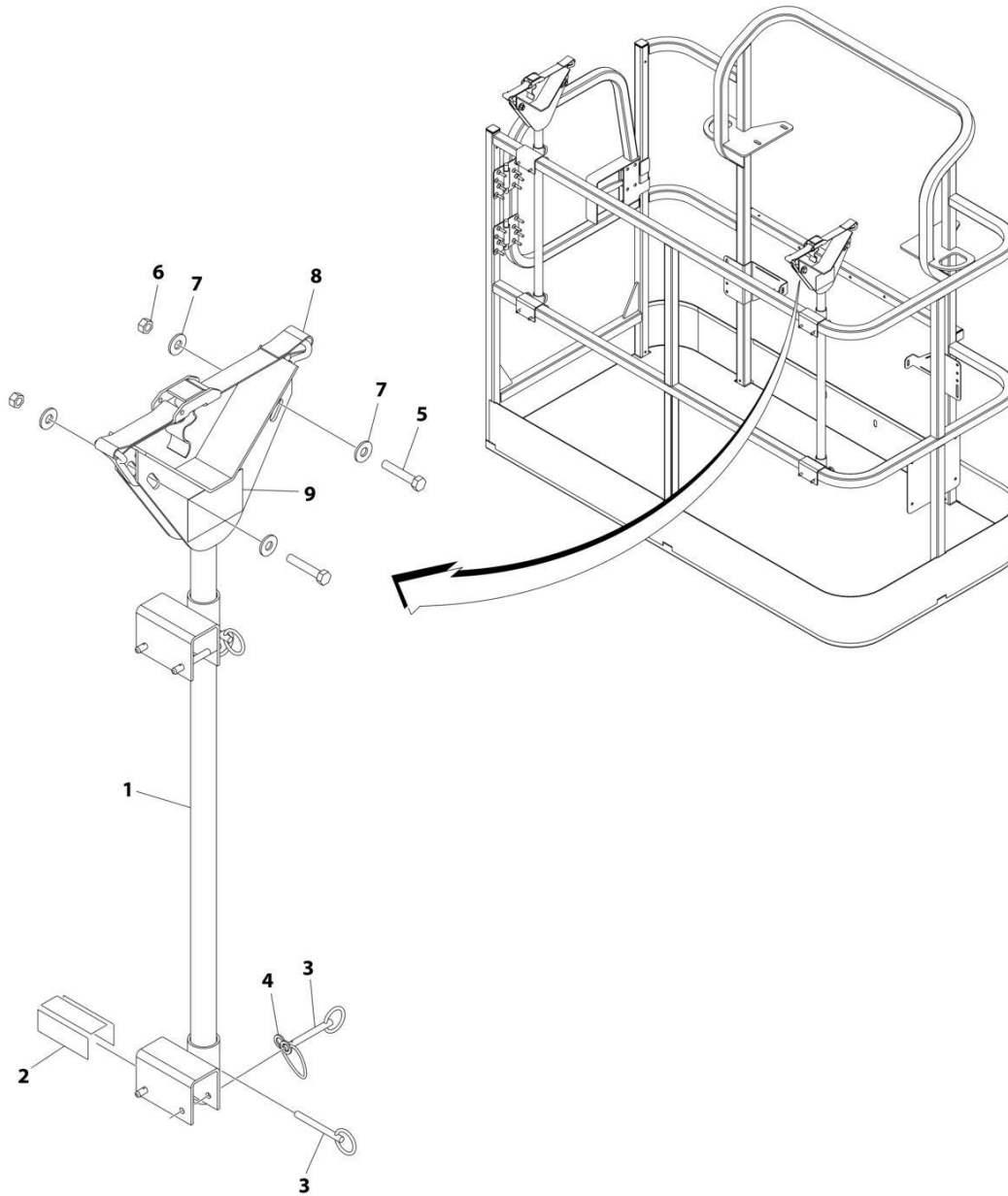
SECTION 5 - PLATFORM

FIGURE 5-41. PIPE RACKS INSTALLATION (ANSI AND CSA SPECS) (OPTIONAL)

ITEM	PART NUMBER	QTY	DESCRIPTION	REV
	0257728	Ref	PIPE RACK INSTALLATION	3/E
1	4845582	2	Rack, Pipe	
2	4420062	AR	Tape	
3	3422661	10	Pin	
4	1060379	4	Lanyard	
5	0641514	4	Bolt 5/16 x 1-3/4	
6	3311505	4	Nut 5/16	
7	4751500	8	Washer 5/16	
8	0480100	2	Tie-Down	
11	1001252946	2	Decal - Tube Rack Cap (1)	
12	1001252947	2	Decal - Tube Rack Cap (2)	

SECTION 5 - PLATFORM

FIGURE 5-42. PIPE RACKS INSTALLATION (AUSTRALIAN SPECS) (OPTIONAL)



ART_0274661

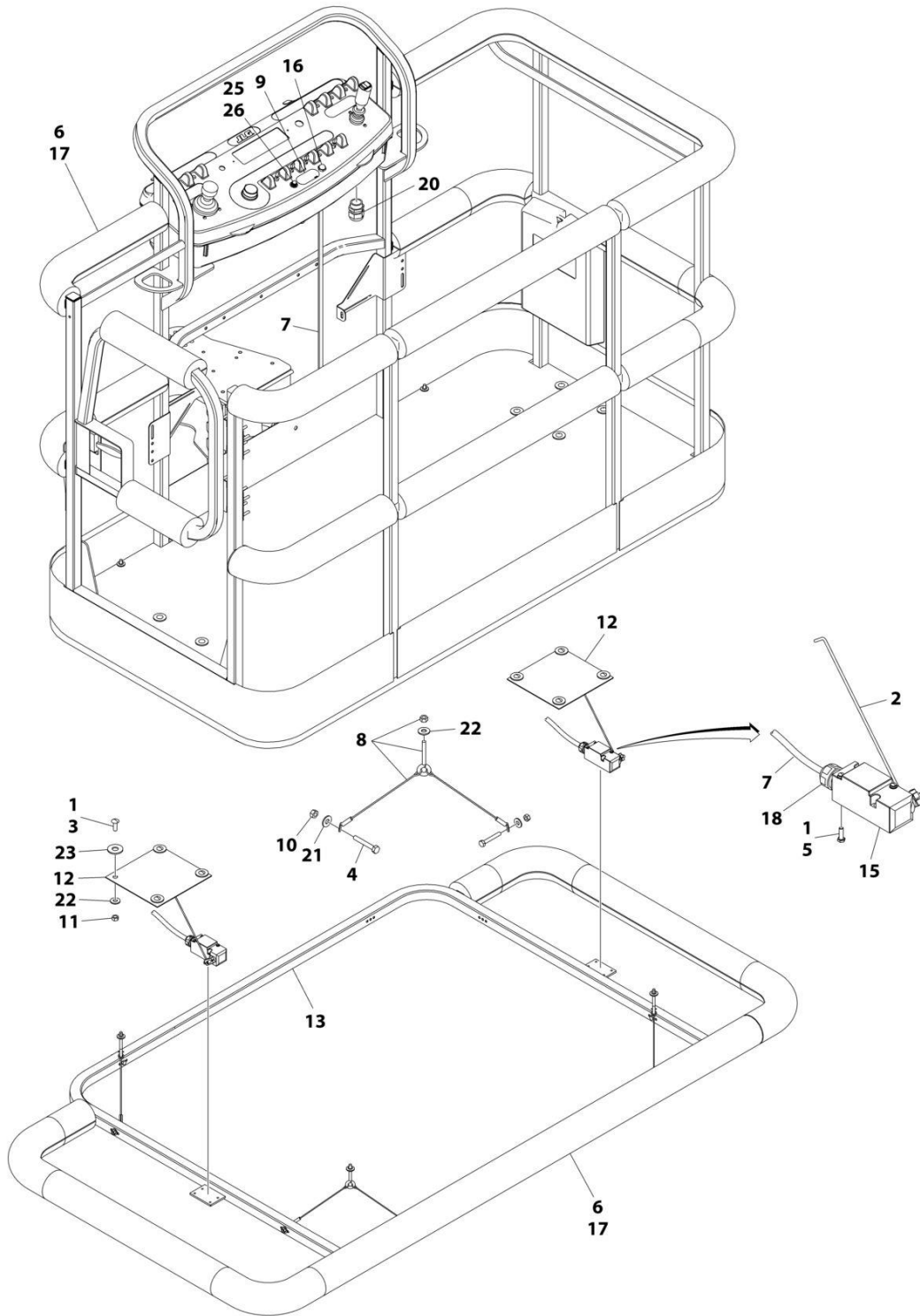
SECTION 5 - PLATFORM

FIGURE 5-42. PIPE RACKS INSTALLATION (AUSTRALIAN SPECS) (OPTIONAL)

ITEM	PART NUMBER	QTY	DESCRIPTION	REV
	0274661	Ref	PIPE RACK INSTALLATION	3/C
1	4845582	2	Rack, Pipe	
2	4420062	AR	Tape	
3	3422661	10	Pin	
4	1060379	4	Lanyard	
5	0641514	4	Bolt 5/16 x 1-3/4	
6	3311505	4	Nut 5/16	
7	4751500	8	Washer 5/16	
8	0480100	2	Tie-Down	
9	1706510	2	Decal - Capacity	

SECTION 5 - PLATFORM

FIGURE 5-43. SOFT TOUCH SYSTEM INSTALLATION - 6FT/1.8M PLATFORMS (OPTIONAL)



ART_0273824

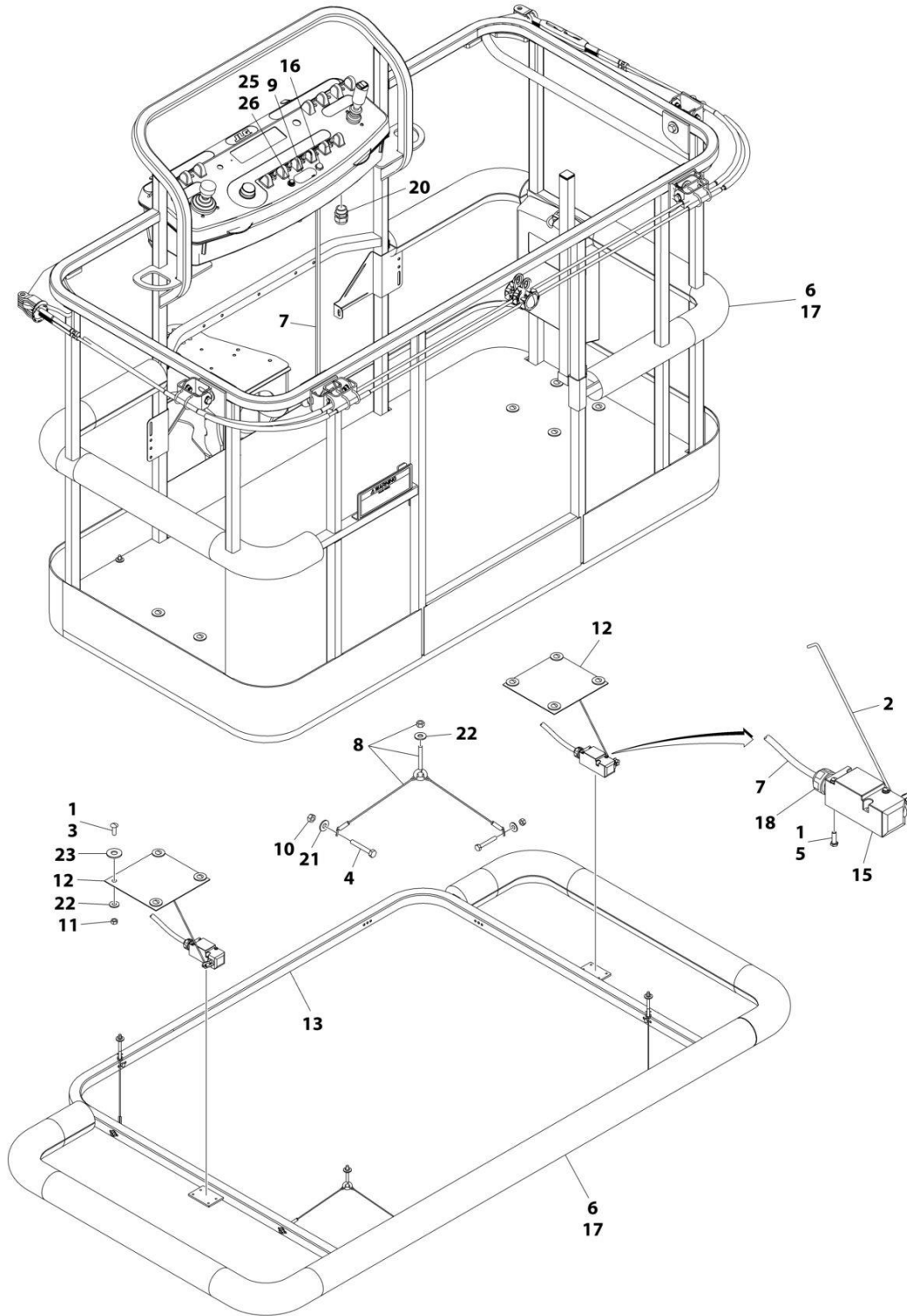
SECTION 5 - PLATFORM

FIGURE 5-43. SOFT TOUCH SYSTEM INSTALLATION - 6FT/1.8M PLATFORMS (OPTIONAL)

ITEM	PART NUMBER	QTY	DESCRIPTION	REV
	0273824	Ref	SOFT TOUCH SYSTEM INSTALLATION	D
1	0100011	AR	Compound, Locking	
2	0200048	2	Arm, Switch	
3	0630462	8	Bolt	
4	0641414	8	Bolt 1/4 x 1-3/4	
5	0731005	4	Bolt #10 x 5/8	
6	0940134	1	Bumper Kit (Includes Corners and Enough Straight Material for One Platform)	
6	0940092	AR	Bumper (Corner)	
6	0940094	AR	Bumper (12ft Length)	
7	1060341	23 ft/7m	Cable, Soft Touch - 16/2	
8	1060903	4	Wire Rope and Eyebolt Assembly	
9	1702938	1	Decal - Soft Touch Override	
10	3311401	8	Nut 1/4	
11	3311501	8	Nut 5/16	
12	3575359	2	Plate, Switch Strike	
13	3641569	1	Rail, Soft Touch	
14	4240099	7	Tie-Strap (Not Shown)	
15	4360057	2	Switch, Limit	
16	4360387	1	Switch, Push Button	
17	4420068	AR	Tape, Adhesive	
17	1001197017	AR	Tie-Strap	
18	4460049	2	Connector, Strain Relief	
19	4460234	7	Tie-Strap (Not Shown)	
20	4460425	1	Connector, Strain Relief	
21	4751400	8	Washer 1/4	
22	4751500	12	Washer 5/16	
23	4751800	8	Washer 1/2	
24	4933218	1	Wiring Diagram (Not Shown - Reference Only)	
25	2920028	1	Light, Indicator	
26	2920029	1	Bulb, Light	

SECTION 5 - PLATFORM

FIGURE 5-44. SOFT TOUCH SYSTEM INSTALLATION - 6FT/1.8M FALL ARREST PLATFORMS (OPTIONAL)



ART_1001108256

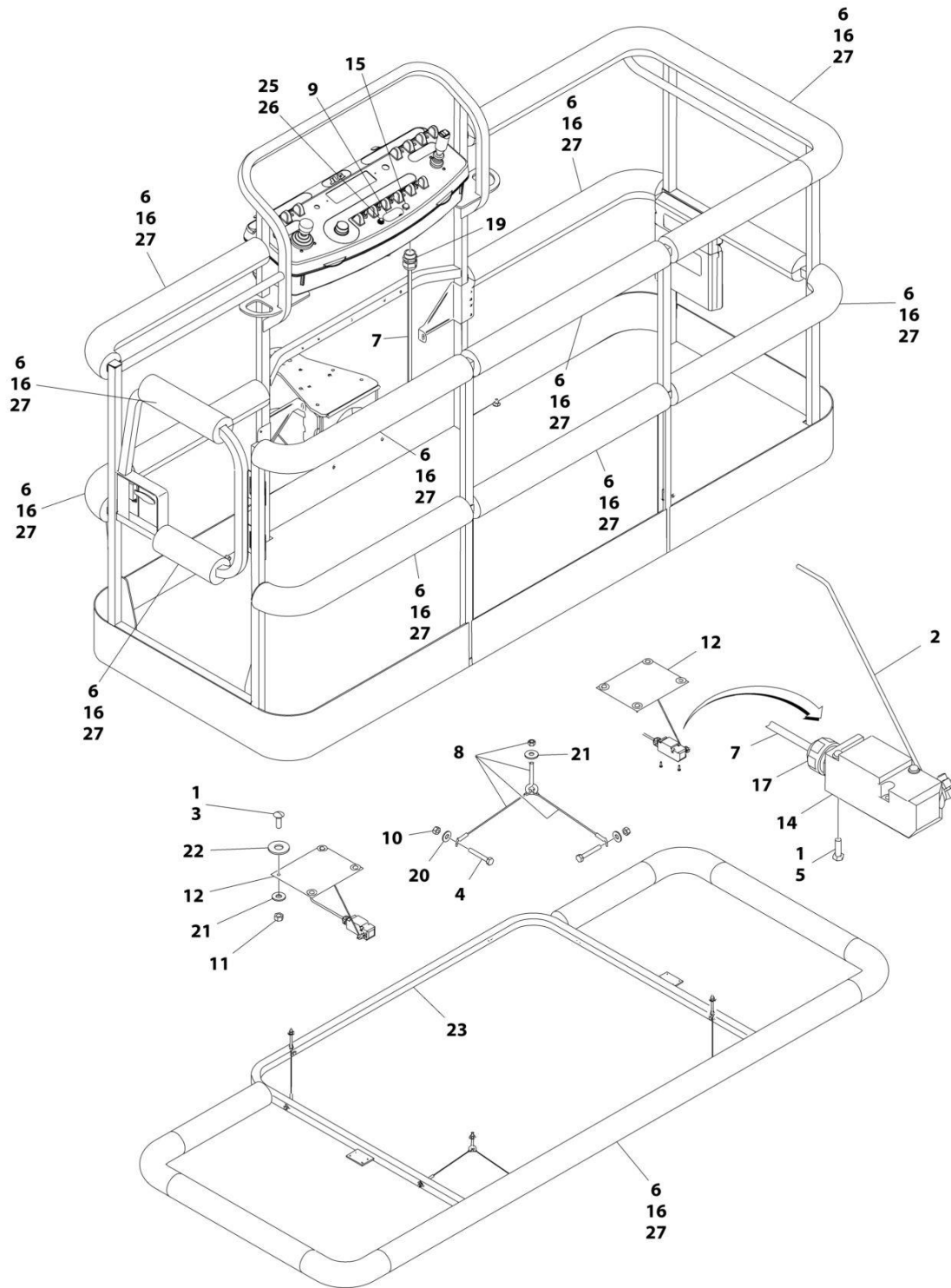
SECTION 5 - PLATFORM

FIGURE 5-44. SOFT TOUCH SYSTEM INSTALLATION - 6FT/1.8M FALL ARREST PLATFORMS (OPTIONAL)

ITEM	PART NUMBER	QTY	DESCRIPTION	REV
	1001108256	Ref	SOFT TOUCH INSTALLATION	C
1	0100011	AR	Compound, Locking	
2	0200048	2	Arm, Switch	
3	0630462	8	Bolt	
4	0641414	8	Bolt 1/4 x 1-3/4	
5	0731005	4	Bolt #10 x 5/8	
6	0940177	1	Bumper Kit (Includes Corners and Enough Straight Material for One Platform)	
6	0940092	8	Bumper (Corner)	
6	0940094	AR	Bumper (12ft Length)	
7	1060341	23 ft/7m	Cable, Soft Touch - 16/2	
8	1060903	4	Wire Rope and Eyebolt Assembly	
9	1702938	1	Decal - Soft Touch Override	
10	3311401	8	Nut 1/4	
11	3311501	8	Nut 5/16	
12	3575359	2	Plate, Switch Strike	
13	3641569	1	Rail, Soft Touch	
14	4240099	7	Tie-Strap (Not Shown)	
15	4360057	2	Switch, Limit	
16	4360387	1	Switch, Push Button	
17	4420068	AR	Tape, Adhesive	
17	1001197017	AR	Tie-Strap	
18	4460049	2	Connector, Strain Relief	
19	4460234	7	Tie-Strap (Not Shown)	
20	4460425	1	Connector, Strain Relief	
21	4751400	8	Washer 1/4	
22	4751500	9	Washer 5/16	
23	4751800	8	Washer 1/2	
25	2920028	1	Light, Indicator	
26	2920029	1	Bulb, Light	

SECTION 5 - PLATFORM

FIGURE 5-45. SOFT TOUCH SYSTEM INSTALLATION - 8FT/2.44M PLATFORM (OPTIONAL)



ART_0272427

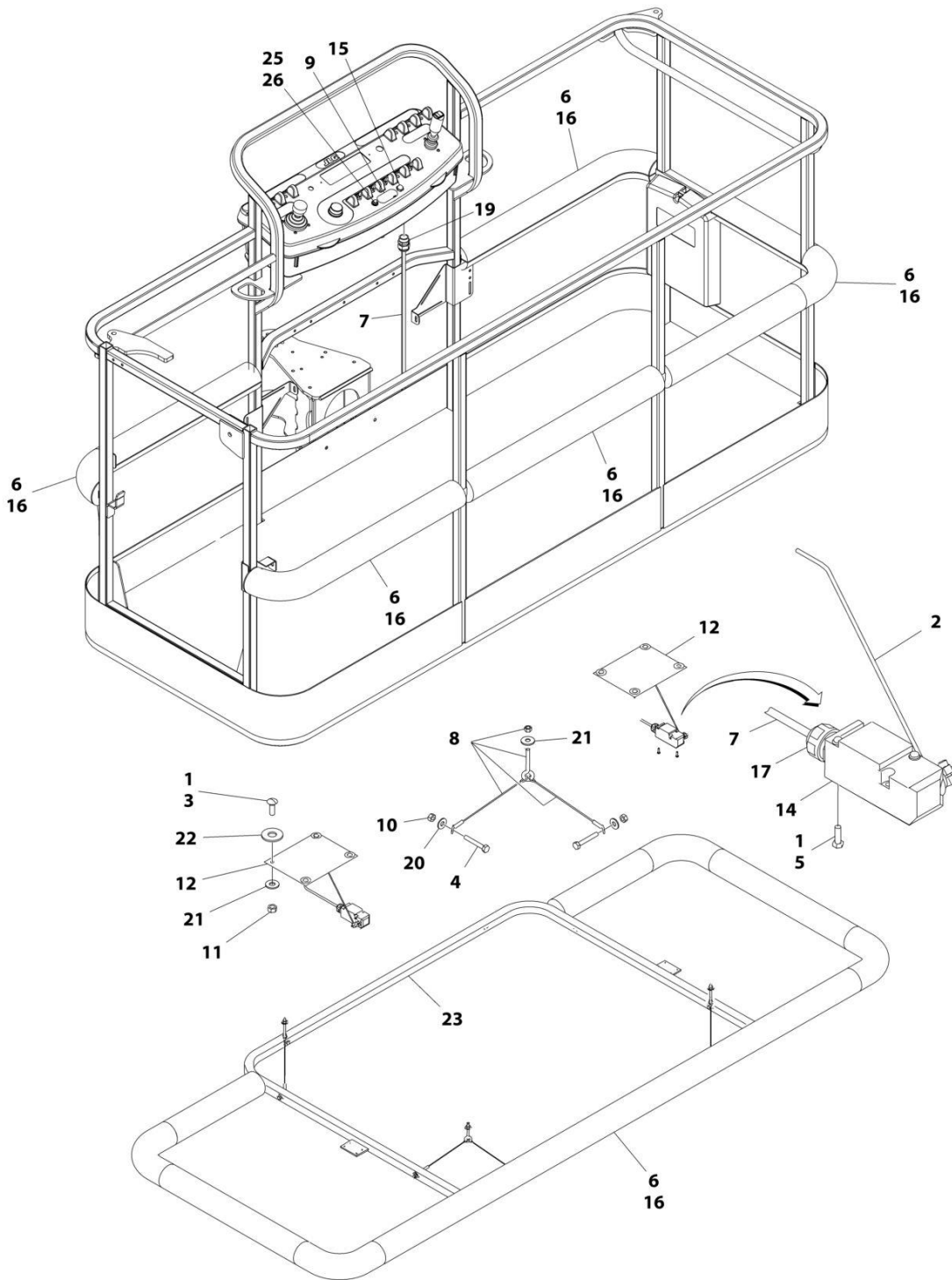
SECTION 5 - PLATFORM

FIGURE 5-45. SOFT TOUCH SYSTEM INSTALLATION - 8FT/2.44M PLATFORM (OPTIONAL)

ITEM	PART NUMBER	QTY	DESCRIPTION	REV
	0272427	Ref	SOFT TOUCH SYSTEM INSTALLATION	G
1	0100011	AR	Compound, Locking	
2	0200048	2	Arm, Switch	
3	0630462	8	Bolt	
4	0641414	8	Bolt 1/4 x 1-3/4	
5	0721005	4	Bolt #10 x 5/8	
6	0940103	1	Bumper Kit (Includes Corners and Enough Straight Material for One Platform)	
6	0940092	12	Bumper (Corner)	
6	0940094	AR	Bumper (12ft Length)	
7	1060341	23 ft/7m	Cable, Electrical - 16/2	
8	1060903	4	Wire Rope and Eyebolt Assembly	
9	1702938	1	Decal - Soft Touch Override	
10	3311401	8	Nut 1/4	
11	3311501	8	Nut 5/16	
12	3574091	2	Plate, Switch Strike	
13	4240099	7	Tie-Strap (Not Shown)	
14	4360057	2	Switch, Limit	
15	4360387	1	Switch, Push Button	
16	4420068	AR	Tape, Adhesive	
16	1001197017	AR	Tie-Strap	
17	4460049	2	Connector, Strain Relief	
18	4460234	7	Tie-Strap (Not Shown)	
19	4460425	1	Connector, Strain Relief	
20	4751400	8	Washer 1/4	
21	4751500	12	Washer 5/16	
22	4751800	8	Washer 1/2	
23	4846673	1	Rail, Soft Touch	
24	4933218	1	Soft Touch Wiring Diagram (Not Shown - Reference Only)	
25	2920028	1	Light, Indicator	
26	2920029	1	Bulb, Light	

SECTION 5 - PLATFORM

FIGURE 5-46. SOFT TOUCH SYSTEM INSTALLATION - 8FT/2.44M FALL ARREST PLATFORM (OPTIONAL)



ART_0273706

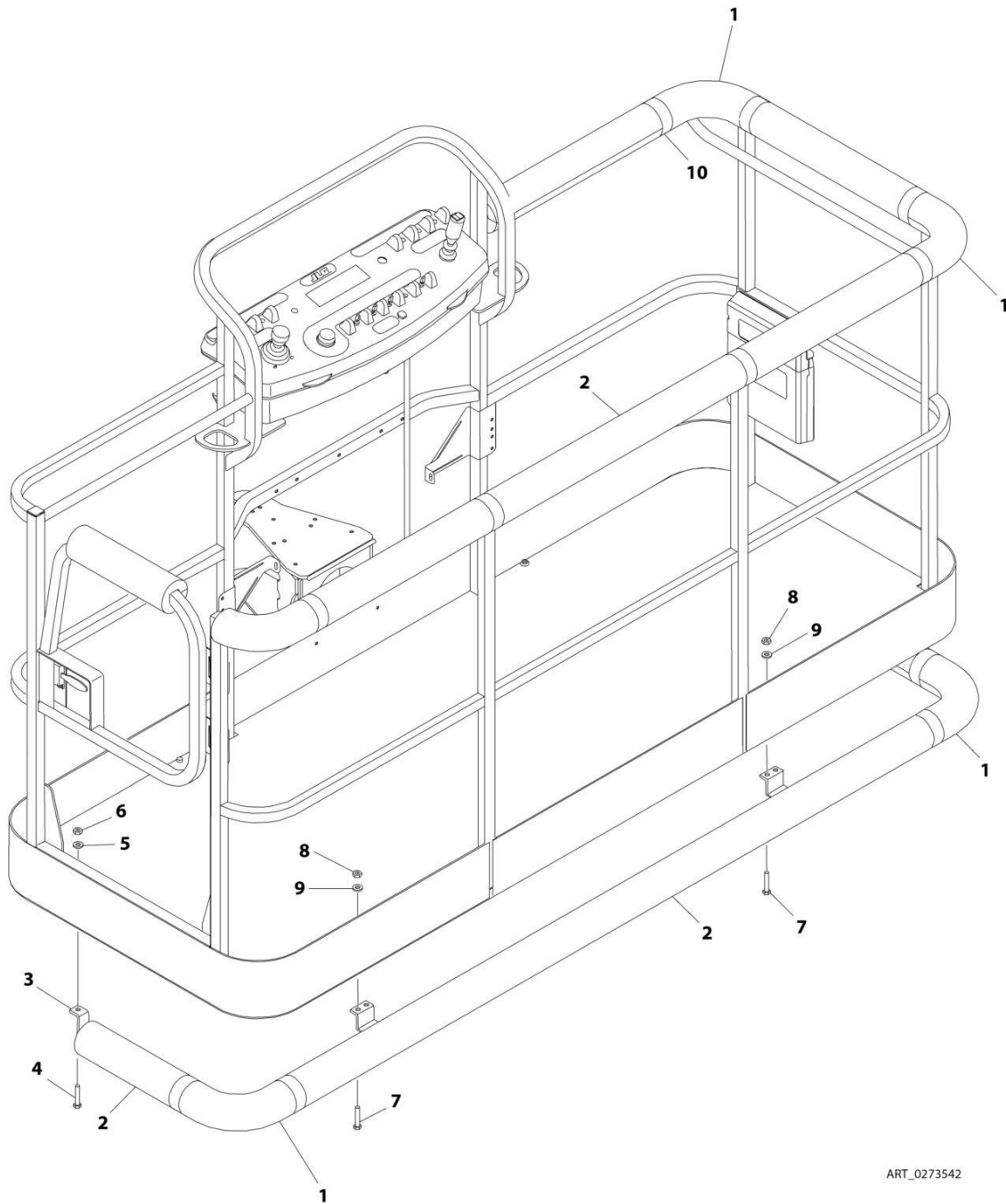
SECTION 5 - PLATFORM

FIGURE 5-46. SOFT TOUCH SYSTEM INSTALLATION - 8FT/2.44M FALL ARREST PLATFORM (OPTIONAL)

ITEM	PART NUMBER	QTY	DESCRIPTION	REV
	0273706	Ref	SOFT TOUCH INSTALLATION	D
1	0100011	AR	Compound, Locking	
2	0200048	2	Arm, Switch	
3	0630462	8	Bolt	
4	0641414	8	Bolt 1/4 x 1-3/4	
5	0721005	4	Bolt #10 x 5/8	
6	0940133	1	Bumper Kit (Includes Corners and Enough Straight Material for One Platform)	
6	0940092	8	Bumper (Corner)	
6	0940094	AR	Bumper (12ft Length)	
7	1060341	23 ft/7m	Cable, Soft Touch - 16/2	
8	1060903	4	Wire Rope and Eyebolt Assembly	
9	1702938	1	Decal - Soft Touch Override	
10	3311401	8	Nut 1/4	
11	3311501	8	Nut 5/16	
12	3574091	2	Plate, Switch Strike	
13	4240099	7	Tie-Strap (Not Shown)	
14	4360057	2	Switch, Limit	
15	4360387	1	Switch, Push Button	
16	4420068	AR	Tape, Adhesive	
16	1001197017	AR	Tie-Strap	
17	4460049	2	Connector, Strain Relief	
18	4460234	7	Tie-Strap (Not Shown)	
19	4460425	1	Connector, Strain Relief	
20	4751400	8	Washer 1/4	
21	4751500	12	Washer 5/16	
22	4751800	8	Washer 1/2	
23	4846673	1	Rail, Soft Touch	
25	2920028	1	Light, Indicator	
26	2920029	1	Bulb, Light	

SECTION 5 - PLATFORM

FIGURE 5-47. PLATFORM PADDING INSTALLATION (30IN/76CM DEPTH PLATFORMS) (ANSI, ANSI EXPORT, CSA AND CHINA SPECS) (OPTIONAL)



ART_0273542

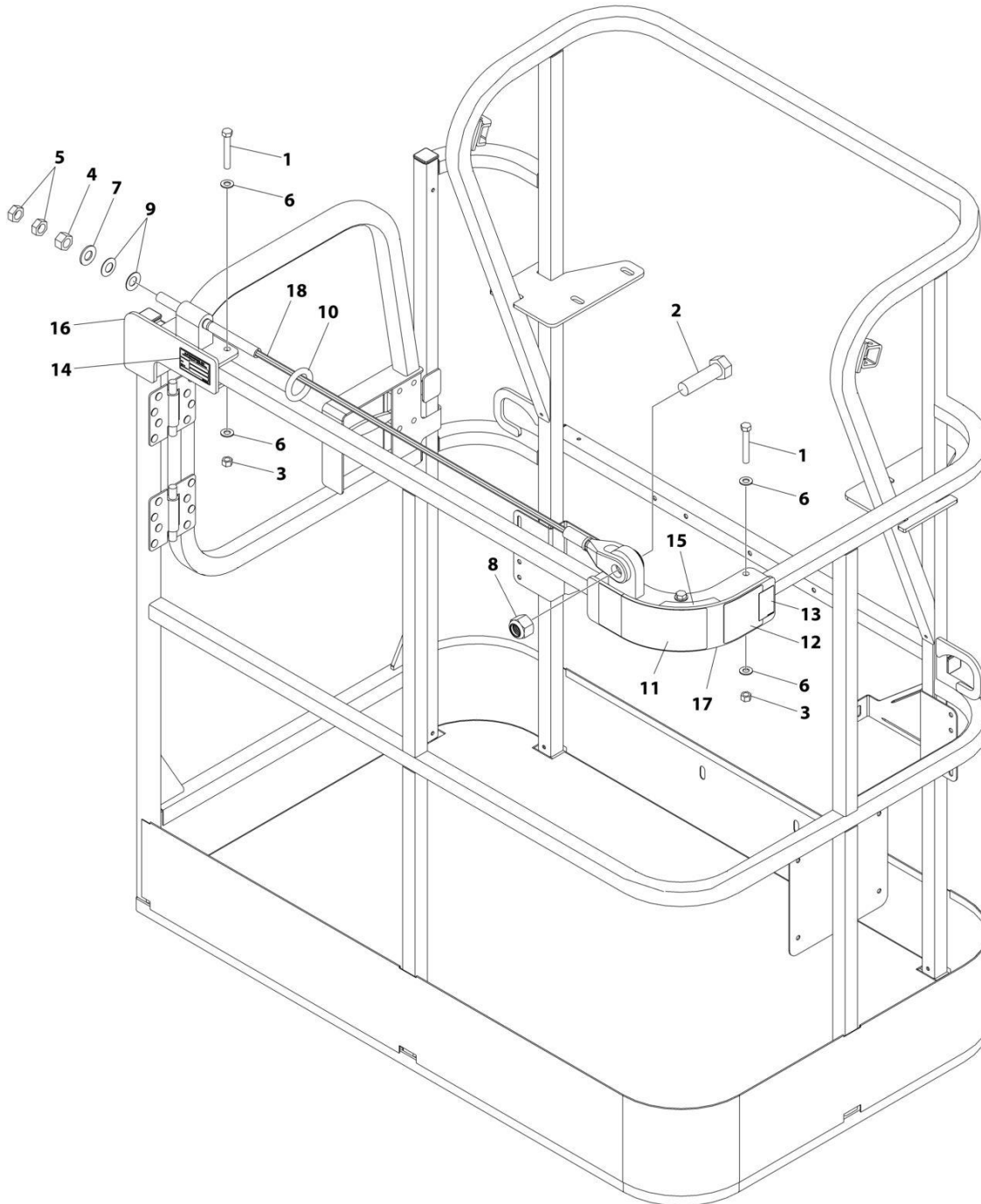
SECTION 5 - PLATFORM

FIGURE 5-47. PLATFORM PADDING INSTALLATION (30IN/76CM DEPTH PLATFORMS) (ANSI, ANSI EXPORT, CSA AND CHINA SPECS) (OPTIONAL)

ITEM	PART NUMBER	QTY	DESCRIPTION	REV
	0273542	Ref	PADDING INSTALLATION (30 X 48 SIDE ENTRY PLATFORM)	A
1	0940092	4	Bumper, Pad (Corner)	
2	0940094	9 ft /2.7m	Bumper, Pad (Square Tubing)	
3	0940131	1	Bumper, Rail	
4	0641516	2	Bolt 5/16 x 2	
5	4751500	2	Washer 5/16	
6	3311505	2	Nut 5/16	
7	0641813	4	Bolt 1/2 x 1-5/8	
8	3311805	4	Nut 1/2	
9	4891800	4	Washer 1/2 Hardened	
10	4420068	30 ft /9.1m	Tape	

SECTION 5 - PLATFORM

FIGURE 5-48. FALL ARREST (BOLT-ON) INSTALLATION - 30IN X 4FT PLATFORM (ALL SPECS EXCEPT CE & UK CA SPECS) (OPTIONAL)



ART_1001261338

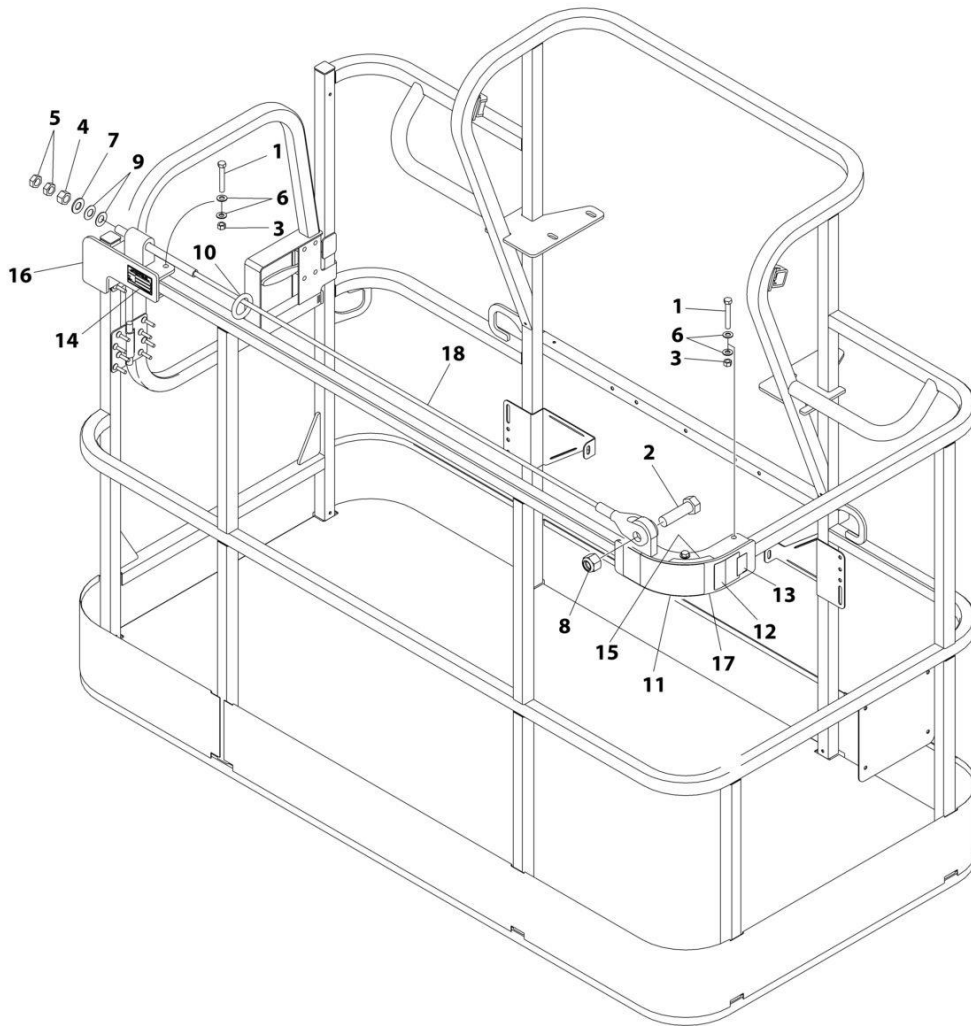
SECTION 5 - PLATFORM

FIGURE 5-48. FALL ARREST (BOLT-ON) INSTALLATION - 30IN X 4FT PLATFORM (ALL SPECS EXCEPT CE & UK CA SPECS) (OPTIONAL)

ITEM	PART NUMBER	QTY	DESCRIPTION	REV
	1001261338	Ref	FALL ARREST INSTALLATION	A
1	0681620	6	Bolt 3/8 x 2-1/2	
2	0682424	1	Bolt 7/8 x 3	
3	3271605	6	Nut 3/8	
4	3272001	1	Nut 5/8	
5	3312002	2	Nut 5/8	
6	4711600	12	Washer 3/8	
7	4712000	1	Washer 5/8	
8	88521214	1	Nut 7/8	
9	1001236891	2	Washer	
10	1001236895	1	Ring	
11	1001238263	1	Decal - Warning Falling Hazard	
12	1001248140	1	Decal - Bolt Fall Arrest Re-Cert	
13	1001248141	1	Decal - Incription	
14	See Note	NSS	Nameplate - Manufacturers Serial Number (Note: Not Available for Purchase)	
15	1001252629	1	Decal - Weight	
16	1001257271	1	Bracket (RH)	
17	1001257274	1	Bracket (LH)	
18	1001261335	1	Rope	

SECTION 5 - PLATFORM

FIGURE 5-49. FALL ARREST (BOLT-ON) INSTALLATION - 30IN X 5FT PLATFORM (ALL SPECS EXCEPT CE & UK CA SPECS) (OPTIONAL)



ART_1001257275

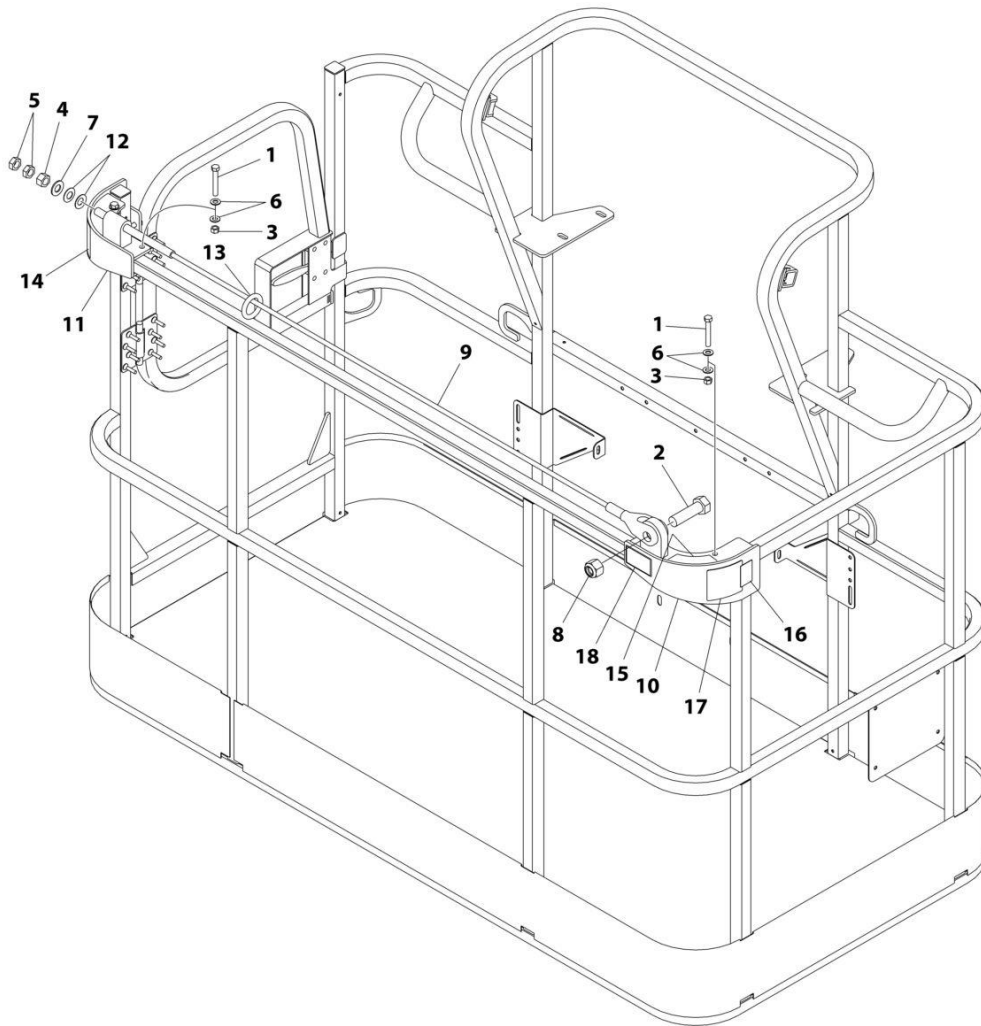
SECTION 5 - PLATFORM

FIGURE 5-49. FALL ARREST (BOLT-ON) INSTALLATION - 30IN X 5FT PLATFORM (ALL SPECS EXCEPT CE & UK CA SPECS) (OPTIONAL)

ITEM	PART NUMBER	QTY	DESCRIPTION	REV
	1001257275	Ref	FALL ARREST INSTALLATION (BOLT - ON) 6FT/1.82M PLATFORM	A
1	0681620	6	Bolt 3/8 x 2-1/2	
2	0682424	1	Bolt 7/8 x 3	
3	3271605	6	Nut 3/8	
4	3272001	1	Nut 5/8	
5	3312002	2	Nut 5/8	
6	4711600	12	Washer 3/8	
7	4712000	1	Washer 5/8	
8	88521214	1	Nut 7/8	
9	1001236891	2	Washer	
10	1001236895	1	Ring	
11	1001238263	1	Decal - Warning Falling Hazard	
12	1001248140	1	Decal - Bolt Fall Arrest Re-Cert	
13	1001248141	1	Decal - Incrption	
14	See Note	NSS	Nameplate - Manufacturers Serial Number (Note: Not Available for Purchase)	
15	1001252629	1	Decal - Weight	
16	1001257271	1	Bracket (RH)	
17	1001257274	1	Bracket (LH)	
18	1001258005	1	Rope	

SECTION 5 - PLATFORM

FIGURE 5-50. FALL ARREST (BOLT-ON) INSTALLATION - 36IN X 6FT PLATFORM (ALL SPECS EXCEPT CE & UK CA SPECS) (OPTIONAL)



ART_1001236747

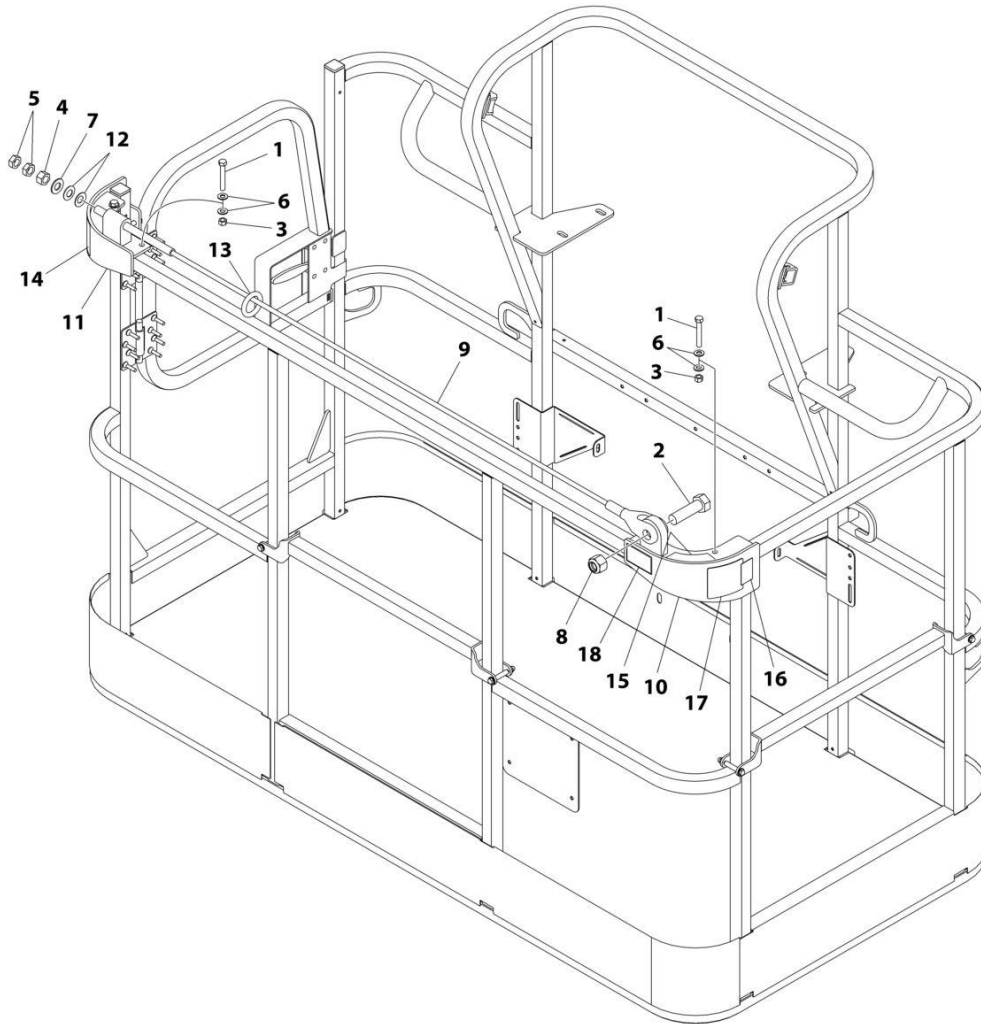
SECTION 5 - PLATFORM

FIGURE 5-50. FALL ARREST (BOLT-ON) INSTALLATION - 36IN X 6FT PLATFORM (ALL SPECS EXCEPT CE & UK CA SPECS) (OPTIONAL)

ITEM	PART NUMBER	QTY	DESCRIPTION	REV
	1001236747	Ref	FALL ARREST INSTALLATION (BOLT - ON) 6FT/1.82M PLATFORM	C
1	0681620	6	Bolt 3/8 x 2-1/2	
2	0682424	1	Bolt 7/8 x 3	
3	3271605	6	Nut 3/8	
4	3272001	1	Nut 5/8	
5	3312002	2	Nut 5/8	
6	4711600	12	Washer 3/8	
7	4712000	1	Washer 5/8	
8	88521214	1	Nut 7/8	
9	1001231950	1	Rope	
10	1001232010	1	Bracket (RH)	
11	1001232011	1	Bracket (LH)	
12	1001236891	2	Washer	
13	1001236895	1	Ring	
14	1001238263	1	Decal - Warning Falling Hazard	
15	1001252629	1	Decal - Weight	
16	1001248140	1	Decal - Bolt Fall Arrest Re-Cert	
17	1001248141	1	Decal - Inscription	

SECTION 5 - PLATFORM

FIGURE 5-51. FALL ARREST (BOLT-ON) INSTALLATION - 36IN X 6FT TRI-ENTRY PLATFORM (ALL SPECS EXCEPT CE & UK CA SPECS) (OPTIONAL)



ART_1001238463

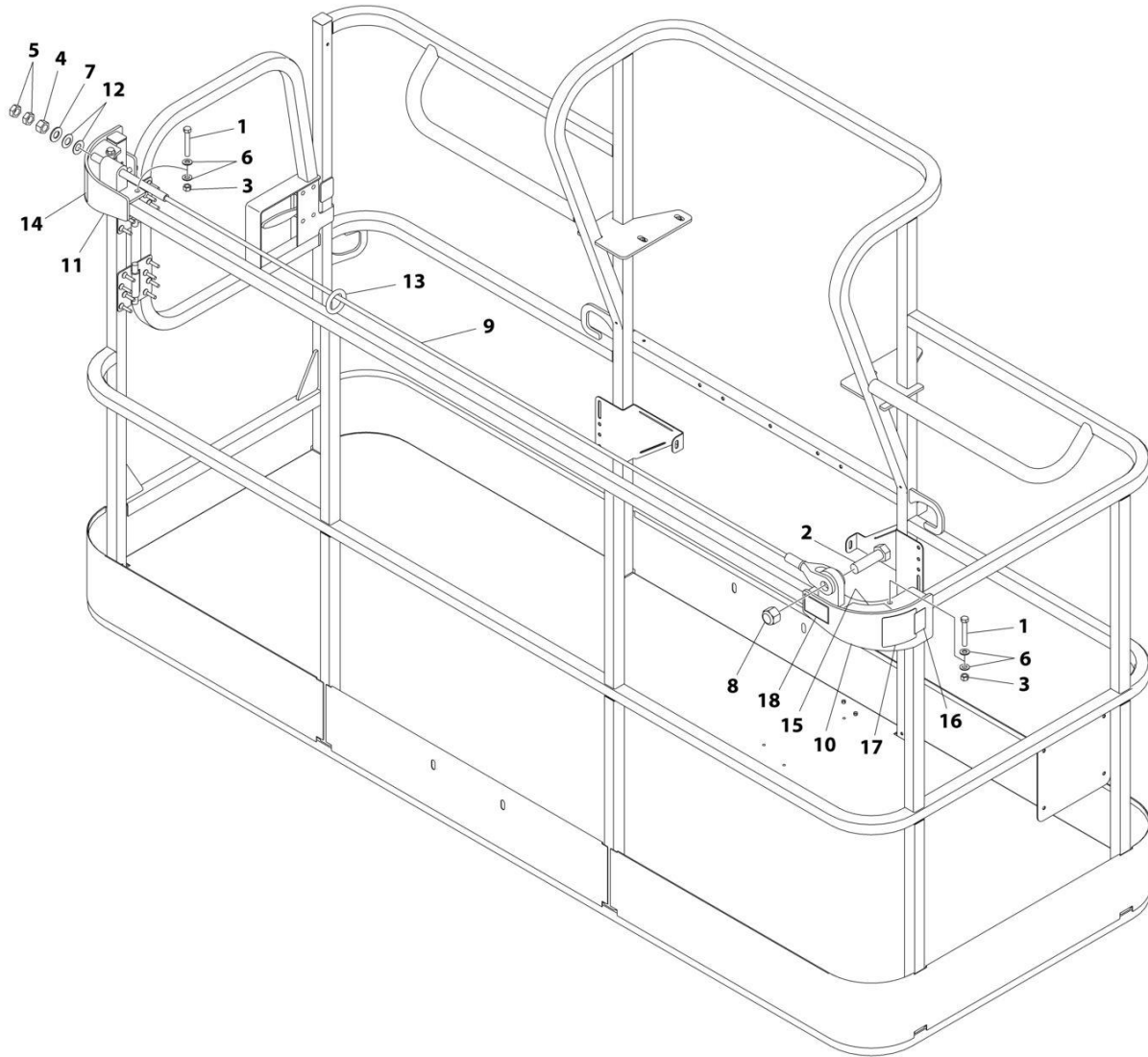
SECTION 5 - PLATFORM

FIGURE 5-51. FALL ARREST (BOLT-ON) INSTALLATION - 36IN X 6FT TRI-ENTRY PLATFORM (ALL SPECS EXCEPT CE & UK CA SPECS) (OPTIONAL)

ITEM	PART NUMBER	QTY	DESCRIPTION	REV
	1001238463	Ref	FALL ARREST INSTALLATION (BOLT - ON) 6FT/1.82M PLATFORM	C
1	0681620	6	Bolt 3/8 x 2-1/2	
2	0682424	1	Bolt 7/8 x 3	
3	3271605	6	Nut 3/8	
4	3272001	1	Nut 5/8	
5	3312002	2	Nut 5/8	
6	4711600	12	Washer 3/8	
7	4712000	1	Washer 5/8	
8	88521214	1	Nut 7/8	
9	1001231950	1	Rope	
10	1001232010	1	Bracket (RH)	
11	1001232011	1	Bracket (LH)	
12	1001236891	2	Washer	
13	1001236895	1	Ring	
14	1001238263	1	Decal - Warning Falling Hazard	
15	1001252629	1	Decal - Weight	
16	1001248140	1	Decal - Bolt Fall Arrest Re-Cert	
17	1001248141	1	Decal - Inscription	

SECTION 5 - PLATFORM

FIGURE 5-52. FALL ARREST (BOLT-ON) INSTALLATION - 36IN X 8FT PLATFORM (ALL SPECS EXCEPT CE & UK CA SPECS) (OPTIONAL)



ART_1001236746

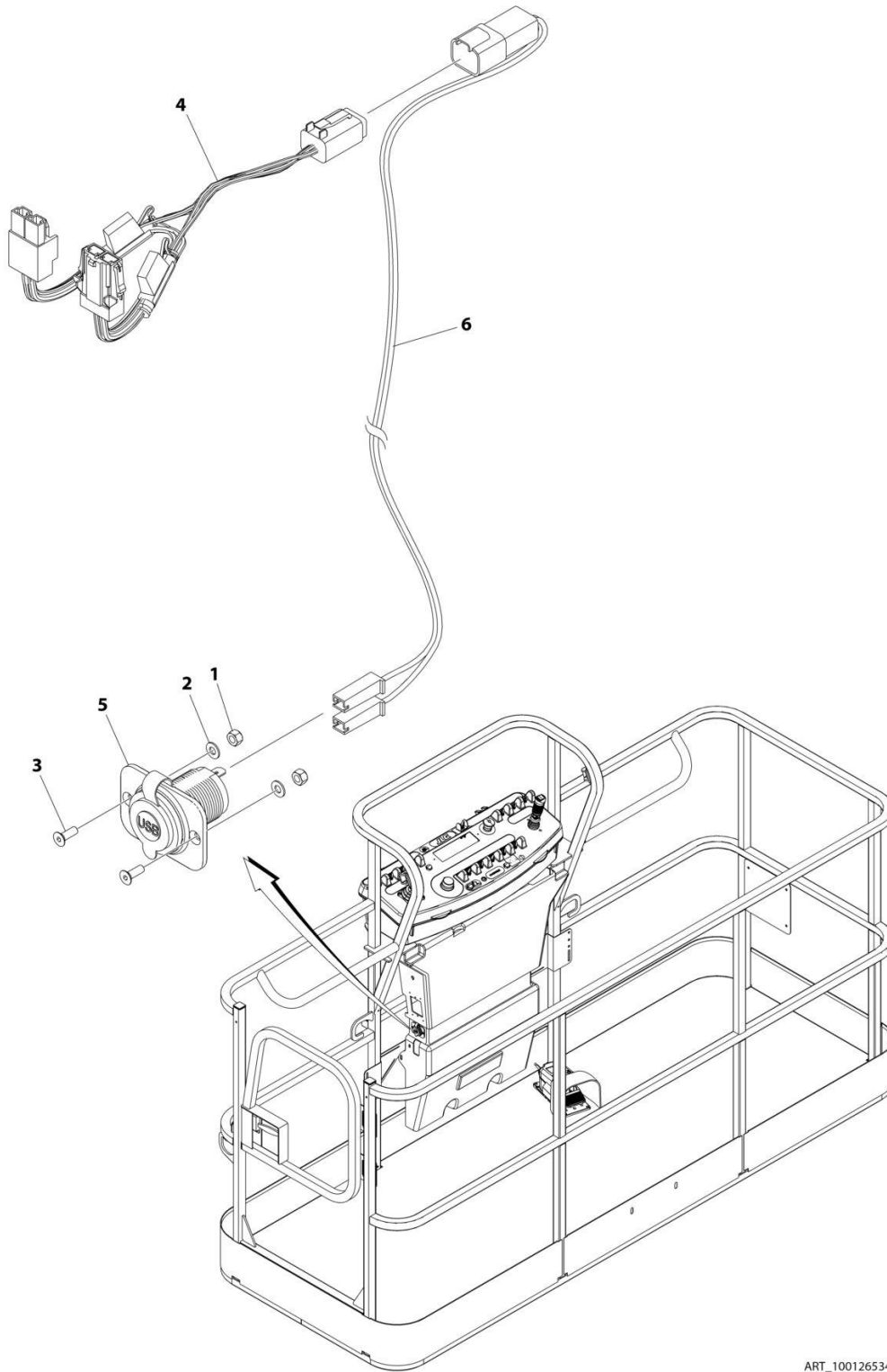
SECTION 5 - PLATFORM

FIGURE 5-52. FALL ARREST (BOLT-ON) INSTALLATION - 36IN X 8FT PLATFORM (ALL SPECS EXCEPT CE & UK CA SPECS) (OPTIONAL)

ITEM	PART NUMBER	QTY	DESCRIPTION	REV
	1001236746	Ref	FALL ARREST INSTALLATION (BOLT - ON) 8FT/2.4M PLATFORM	C
1	0681620	6	Bolt 3/8 x 2-1/2	
2	0682424	1	Bolt 7/8 x 3	
3	3271605	6	Nut 3/8	
4	3272001	1	Nut 5/8	
5	3312002	2	Nut 5/8	
6	4711600	12	Washer 3/8	
7	4712000	1	Washer 5/8	
8	88521214	1	Nut 7/8	
9	1001231949	1	Rope	
10	1001232010	1	Bracket (RH)	
11	1001232011	1	Bracket (LH)	
12	1001236891	2	Washer	
13	1001236895	1	Ring	
14	1001238263	1	Decal - Warning Falling Hazard	
15	1001252629	1	Decal - Weight 23LBS/10.4KG	
16	1001248140	1	Decal - Bolt Fall Arrest Re-Cert	
17	1001248141	1	Decal - Inscription	

SECTION 5 - PLATFORM

FIGURE 5-53. USB CHARGER INSTALLATION



ART_1001265342

SECTION 5 - PLATFORM

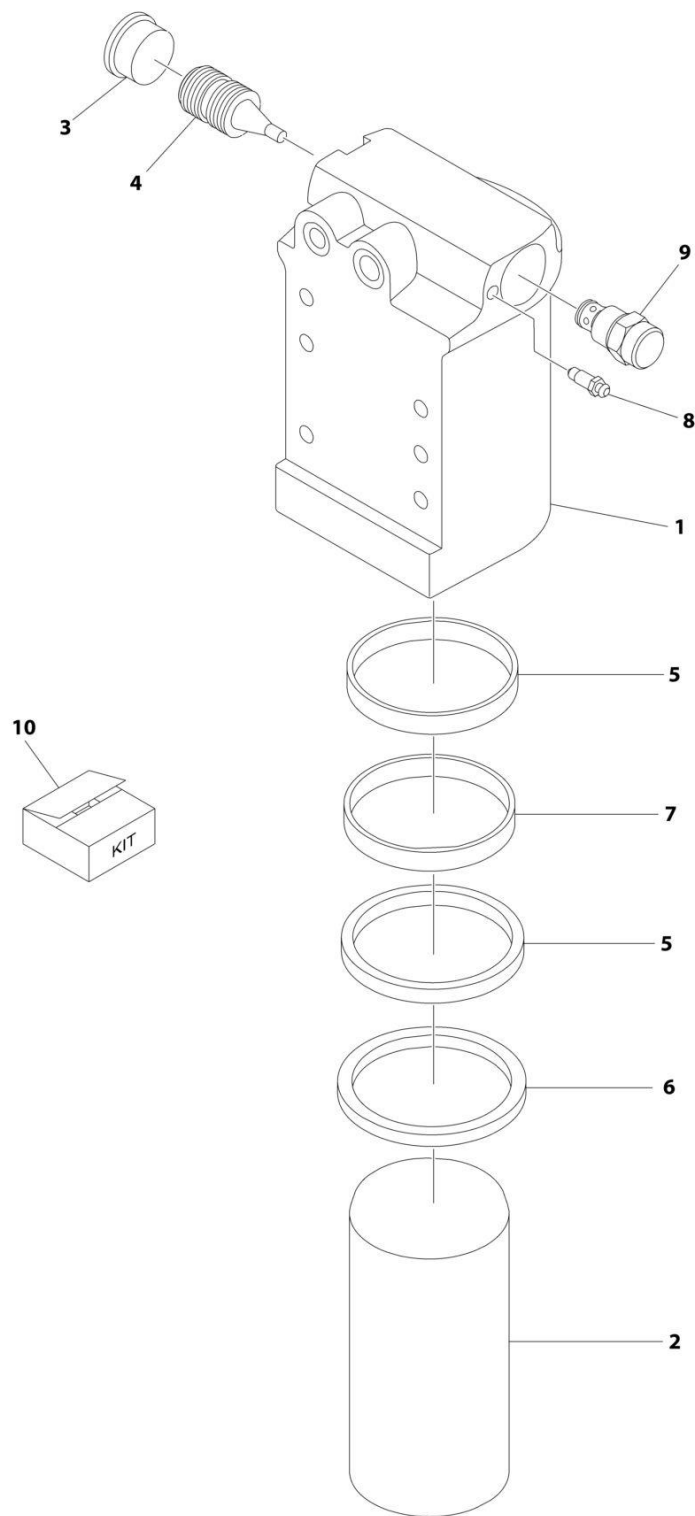
FIGURE 5-53. USB CHARGER INSTALLATION

ITEM	PART NUMBER	QTY	DESCRIPTION	REV
	1001265342	Ref	USB CHARGER INSTALLATION	A
1	3290405	2	Nut M4	
2	4811400	2	Washer M4	
3	1001097244	2	Screw M4 x 12	
4	1001120484	1	Harness, Work Lights	
4	4460879	1	Plug, Male - 2 Position	
4	4460887	2	Terminal	
4	2400060	2	Fuseholder Includes Cover	
4	8229249	2	Fuse, 3 Amp	
4	4460884	1	Connector - 4 Position	
4	4460465	4	Socket, Female	
4	1001120471	1	Connector - 2 Position	
4	1001120477	2	Terminal	
5	1001210636	1	Receptacle, USB	
6	1001265163	1	Harness, USB	A
6	4460260	2	Cover, Terminal	
6	4460259	2	Terminal	
6	4460932	1	Receptacle, Bussbar - 4 Position	
6	4460464	2	Pin, Male	
6	4460466	2	Plug, Terminal	

SECTION 6 - CYLINDER

SECTION 6 - CYLINDER

FIGURE 6-1. AXLE LOCKOUT CYLINDER ASSEMBLY



ART_1684465

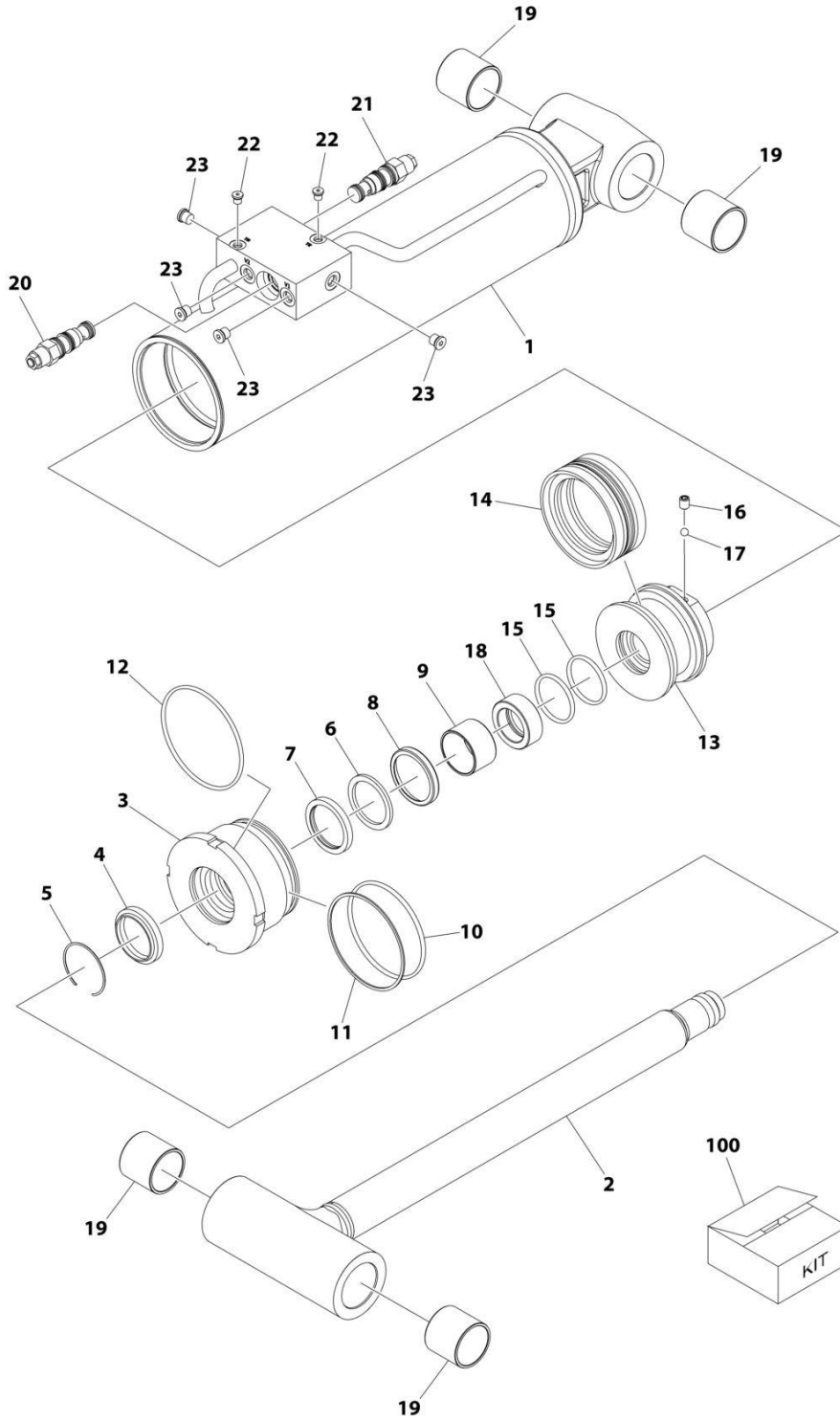
SECTION 6 - CYLINDER

FIGURE 6-1. AXLE LOCKOUT CYLINDER ASSEMBLY

ITEM	PART NUMBER	QTY	DESCRIPTION	REV
	1684465	Ref	AXLE LOCKOUT CYLINDER ASSEMBLY	J
		Ref	Note: Original Cylinder may have been replaced with Service Replacement. Identify PN Stamped on Cylinder Before Ordering Parts.	
1	0370026	1	Barrel	
2	1684290	1	Rod	
3	2220890	1	Plug	
4	3480288	1	Piston, Pilot	
5	See Note	NSS	Ring, Wear (Note: Use Item 110)	
6	See Note	NSS	Wiper (Note: Use Item 110)	
7	See Note	NSS	Seal, Rod (Note: Use Item 110)	
8	4640858	1	Bleeder	
9	4641390	1	Cartridge, Valve	
9	7017496	1	Seal Kit	
10	2902266	1	Seal Kit (Includes Items 105-107)	

SECTION 6 - CYLINDER

FIGURE 6-2. LEVEL (PLATFORM SLAVE) CYLINDER ASSEMBLY



ART_1001237697

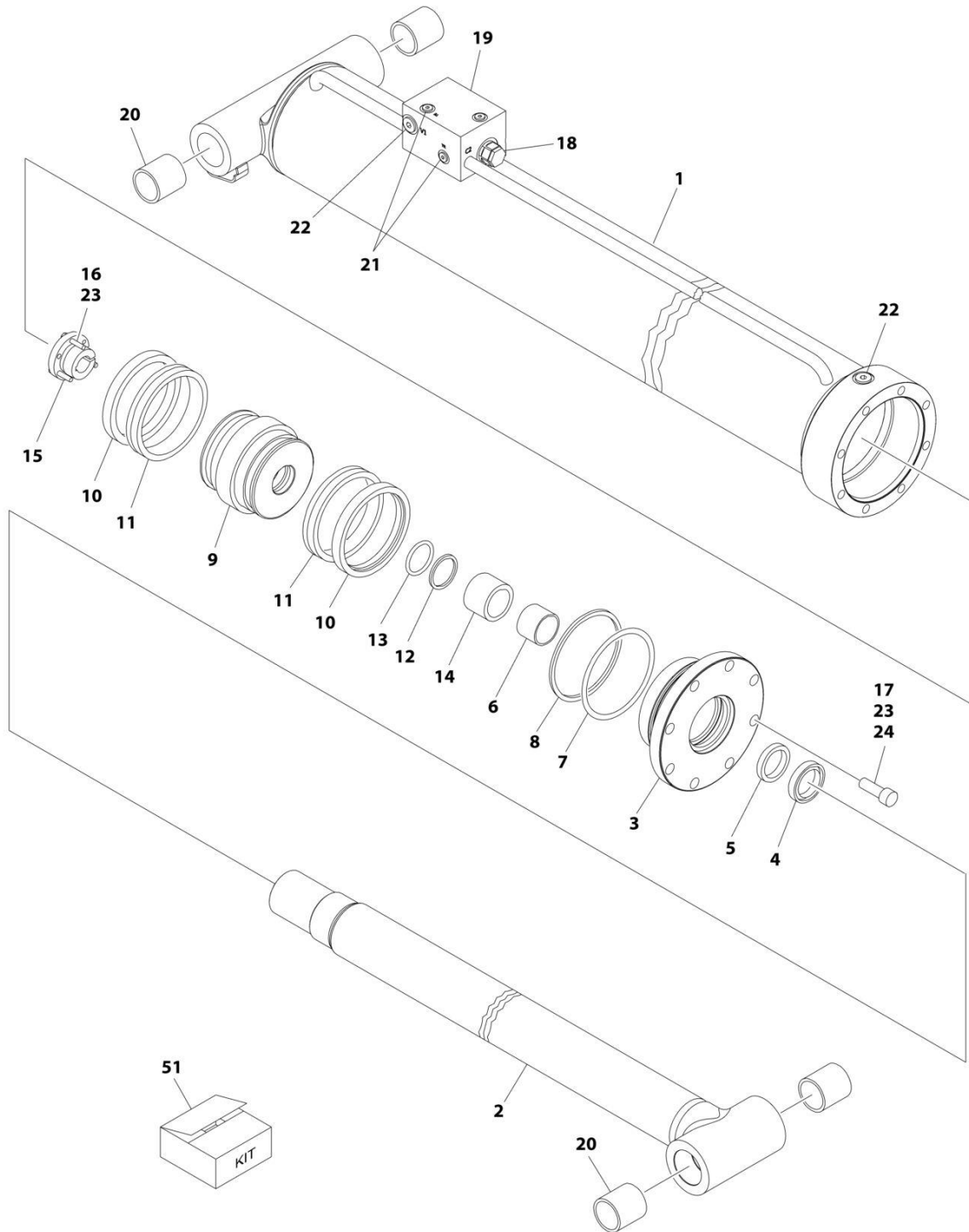
SECTION 6 - CYLINDER

FIGURE 6-2. LEVEL (PLATFORM SLAVE) CYLINDER ASSEMBLY

ITEM	PART NUMBER	QTY	DESCRIPTION	REV
	1001237697	Ref	LEVEL (PLATFORM SLAVE) CYLINDER ASSEMBLY	B
		Ref	Note: Original Cylinder May Have Been Replaced with Service Replacement. Identify PN Stamped on Cylinder Before Ordering Parts.	
1	See Note	NSS	Barrel (Note: Use PN 1001237697)	
2	70007168	1	Rod	
3	70007157	1	Head	
4	See Note	NSS	Wiper (Note: Use Item 100)	
5	70002410	1	Ring, Retaining	
6	See Note	NSS	Seal, Rod (Note: Use Item 100)	
7	See Note	NSS	Ring, Back-up (Note: Use Item 100)	
8	See Note	NSS	Ring (Note: Use Item 100)	
9	70004237	1	Bearing, Dry	
10	See Note	NSS	O-Ring (Note: Use Item 100)	
11	See Note	NSS	Ring, Back-up (Note: Use Item 100)	
12	See Note	NSS	O-Ring (Note: Use Item 100)	
13	70007161	1	Piston	
14	See Note	NSS	Seal, Piston (Note: Use Item 100)	
15	See Note	NSS	O-Ring (Note: Use Item 100)	
16	70023369	1	Setscrew	
17	70022564	1	Ball	
18	70007169	1	Spacer	
19	70007159	4	Bearing	
20	1001168209	1	Cartridge, Valve	
20	2900770	1	Seal Kit - 1001168209 Valve	
21	1001168210	1	Cartridge, Valve	
21	2900770	1	Seal Kit - 1001168210 Valve	
22	2220881	2	Plug, O-Ring 5/16	
23	2220883	4	Plug 7/16	
100	70007160	1	Seal Kit - 1001237697 Cylinder (Includes Items 4, 6, 7, 8, 10, 11, 12, 14 & 15)	

SECTION 6 - CYLINDER

FIGURE 6-3. LEVEL (UPRIGHT) CYLINDER ASSEMBLY



ART_1001228042

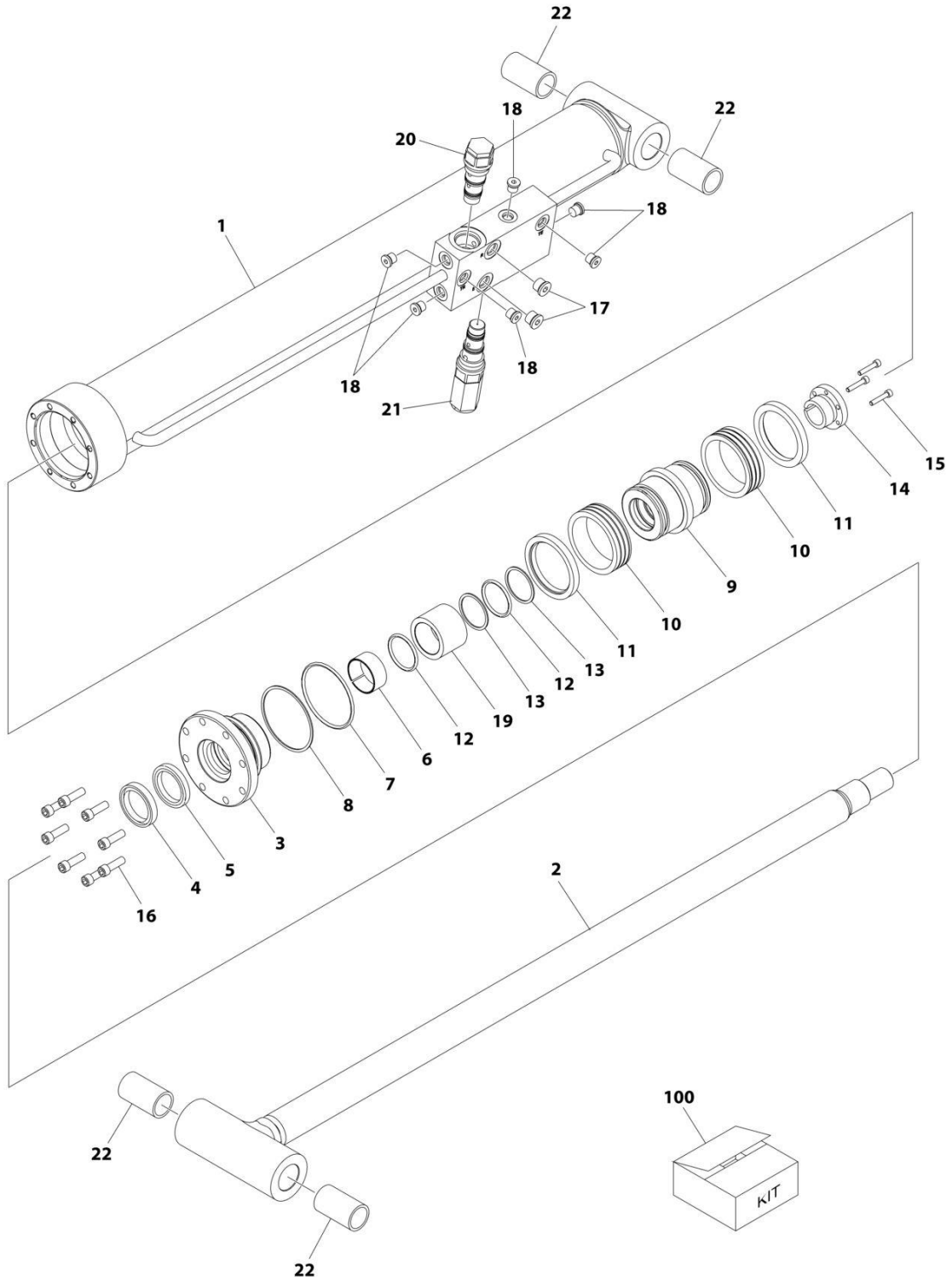
SECTION 6 - CYLINDER

FIGURE 6-3. LEVEL (UPRIGHT) CYLINDER ASSEMBLY

ITEM	PART NUMBER	QTY	DESCRIPTION	REV
	1001228042	Ref	UPRIGHT LEVEL CYLINDER ASSEMBLY	E
		Ref	Note: Original Equipment components may have been replaced with Service Replacement components part. Identify p/n stamped on cylinder before ordering parts.	
1	See Note	NSS	Barrel (Note: Not Available for Purchase)	
2	70006489	1	Rod	
3	70006488	1	Head	
4	See Note	NSS	Wiper (Note: Use Item 51)	
5	See Note	NSS	Seal, Rod (Note: Use Item 51)	
6	See Note	NSS	Ring, Wear (Note: Use Item 51)	
7	See Note	NSS	O-Ring (Note: Use Item 51)	
8	See Note	NSS	Ring, Back-up (Note: Use Item 51)	
9	70006487	1	Piston	
10	See Note	NSS	Ring, Lock (Note: Use Item 51)	
11	See Note	NSS	Seal, Hydrolock (Note: Use Item 51)	
12	See Note	NSS	O-Ring (Note: Use Item 51)	
13	See Note	NSS	Ring, Back-up (Note: Use Item 51)	
14	70006486	1	Spacer, Tube	
15	0961898	1	Bushing, Tapered (Use Item #16 in place of supplied bolts)	
16	0630536	3	Bolt 3/8 x 1-1/2	
17	3932032	8	Bolt, Socket Head 5/16 x 2	
18	4640509	1	Cartridge, Valve	
18	2900792	1	Seal Kit - 4640509 Valve	
19	4640605	1	Cartridge, Valve	
19	2900792	1	Seal Kit - 4640605 Valve	
20	0961949	4	Bushing	
21	2220883	5	Plug, O-Ring	
22	2220886	AR	Plug, O-Ring	
23	0100011	AR	Compound, Locking	
24	0100038	AR	Primer, Locking	
51	2901285	1	Seal Kit (Includes Items 4-8 & 10-13)	

SECTION 6 - CYLINDER

FIGURE 6-4. LIFT CYLINDER ASSEMBLY - JIB



ART_1001259137

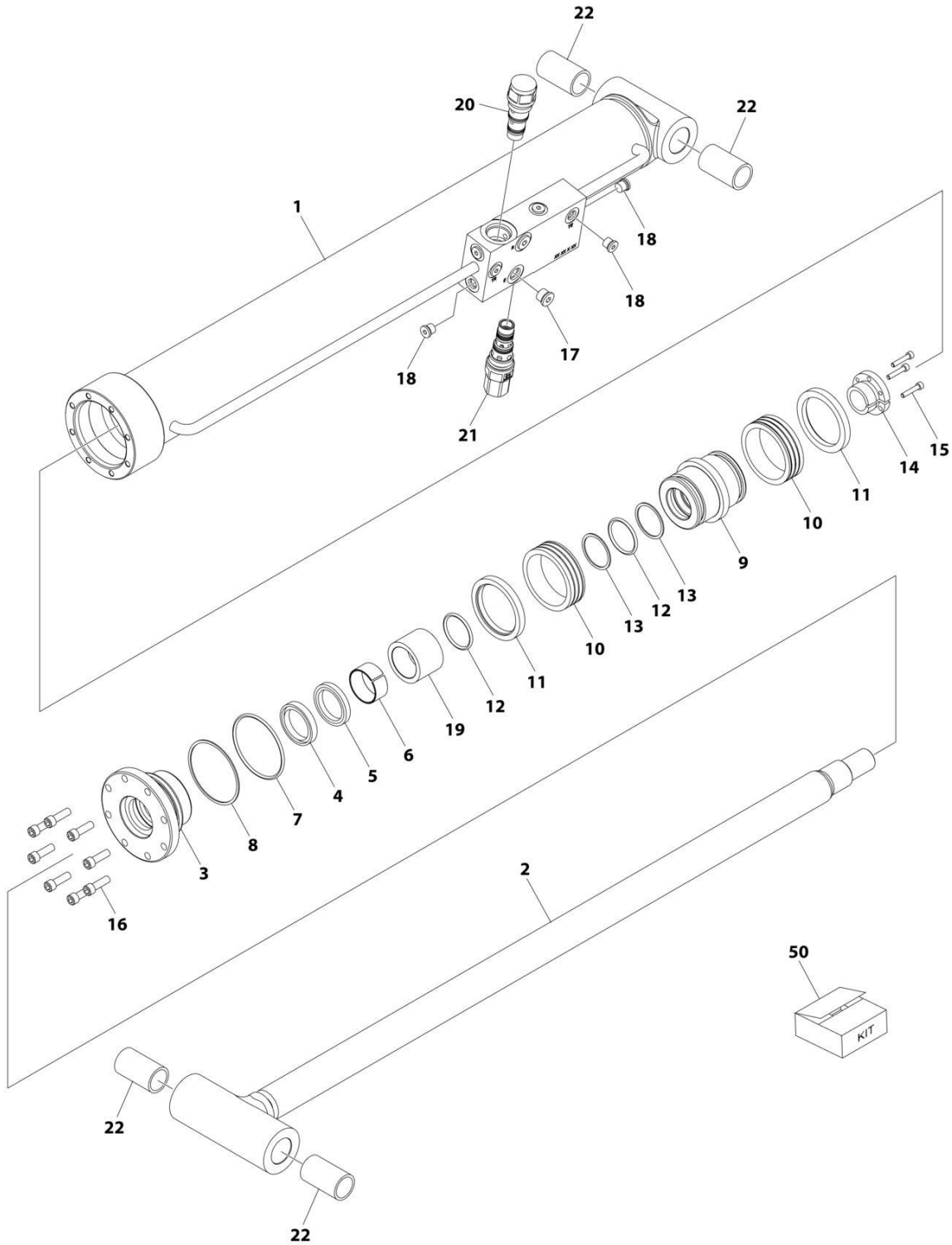
SECTION 6 - CYLINDER

FIGURE 6-4. LIFT CYLINDER ASSEMBLY - JIB

ITEM	PART NUMBER	QTY	DESCRIPTION	REV
	1001259137	Ref	LIFT CYLINDER ASSEMBLY - JIB	B
		Ref	Note: Original Cylinder May Have Been Replaced with Service Replacement. Identify PN Stamped on Cylinder Before Ordering Parts.	
1	See Note	NSS	Barrel (Note: Not Available for Purchase)	
2	70006734	1	Rod	
3	70006649	1	Head	
4	See Note	NSS	Wiper (Note: Use Item 100)	
5	See Note	NSS	Seal, Rod (Note: Use Item 100)	
6	See Note	NSS	Ring, Wear (Note: Use Item 100)	
7	See Note	NSS	O-Ring (Note: Use Item 100)	
8	See Note	NSS	Ring, Back-up (Note: Use Item 100)	
9	70006650	1	Piston	
10	See Note	NSS	Seal (Note: Use Item 100)	
11	See Note	NSS	Ring, Lock (Note: Use Item 100)	
12	See Note	NSS	O-Ring (Note: Use Item 100)	
13	See Note	NSS	Ring, Back-up (Note: Use Item 100)	
14	0961893	1	Bushing, Tapered	
15	0630534	3	Capscrew, Socket Head #10 x 1	
16	70006735	8	Capscrew 5/16	
17	2220885	2	Plug, O-Ring	
18	2220883	6	Plug, O-Ring	
19	70006736	1	Spacer	
20	4640509	1	Cartridge, Valve	
20	2900792	1	Seal Kit - 4640509 Valve	
21	1001259138	1	Cartridge, Valve	
21	70004186	1	Seal Kit - 1001259138 Valve	
22	0962336	4	Bushing	
100	1001138795	1	Seal Kit (Includes Items 4-8 & 10-13)	

SECTION 6 - CYLINDER

FIGURE 6-5. LIFT CYLINDER ASSEMBLY - JIB



ART_1001264302

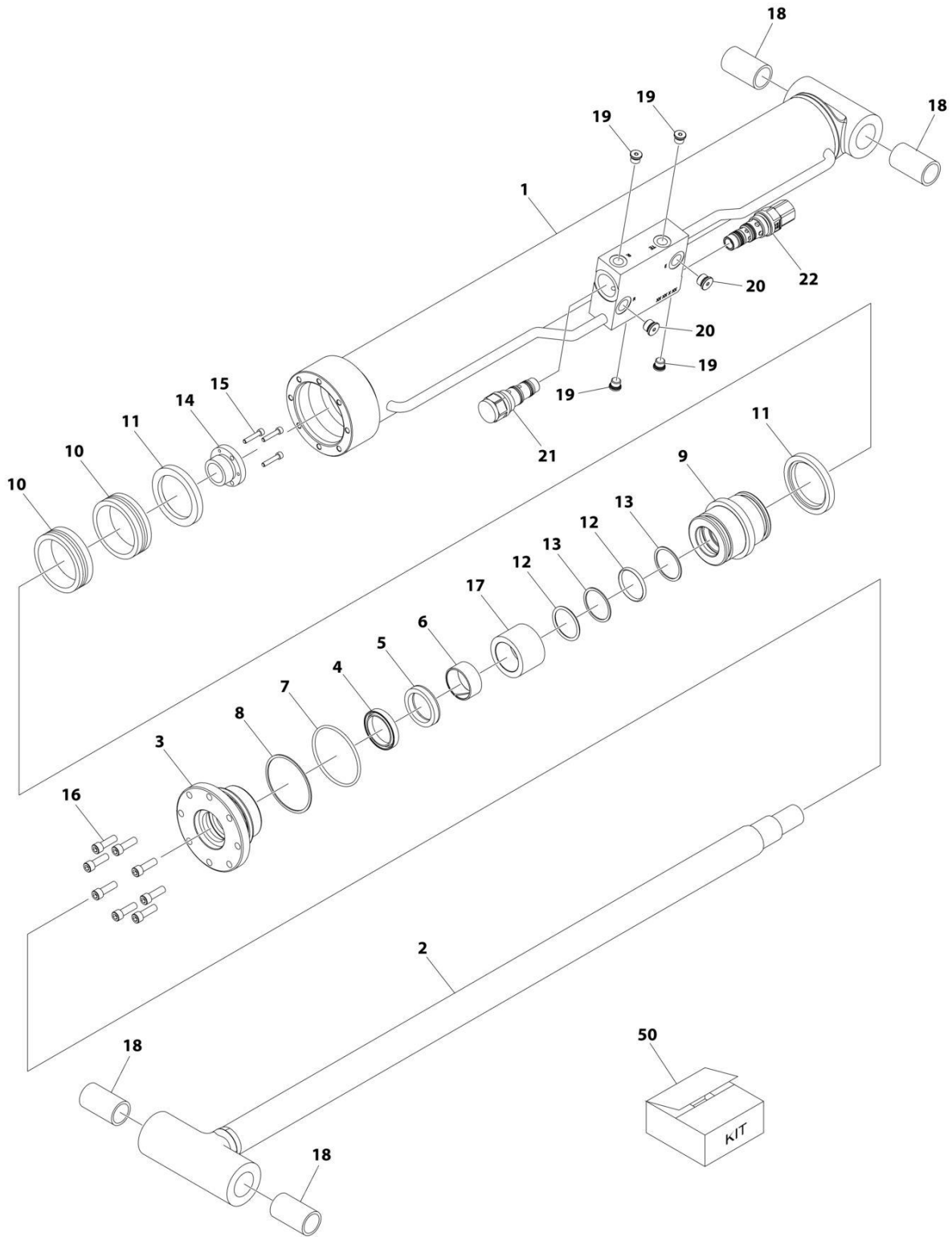
SECTION 6 - CYLINDER

FIGURE 6-5. LIFT CYLINDER ASSEMBLY - JIB

ITEM	PART NUMBER	QTY	DESCRIPTION	REV
	1001264302	Ref	LIFT CYLINDER ASSEMBLY - JIB	B
		Ref	Note: Original Cylinder May Have Been Replaced with Service Replacement. Identify PN Stamped on Cylinder Before Ordering Parts.	
1	See Note	NSS	Barrel	
2	70006734	1	Rod	
3	70006649	1	Head	
4	See Note	NSS	Wiper (Note: Use Item 50)	
5	See Note	NSS	Seal, Rod (Note: Use Item 50)	
6	See Note	NSS	Ring, Wear (Note: Use Item 50)	
7	See Note	NSS	O-Ring (Note: Use Item 50)	
8	See Note	NSS	Ring, Back-up (Note: Use Item 50)	
9	70006650	1	Piston	
10	See Note	NSS	Seal (Note: Use Item 50)	
11	See Note	NSS	Ring, Lock (Note: Use Item 50)	
12	See Note	NSS	O-Ring (Note: Use Item 50)	
13	See Note	NSS	Ring, Back-up (Note: Use Item 50)	
14	0961893	1	Bushing, Tapered	
15	0630534	3	Capscrew	
16	70006735	8	Capscrew	
17	2220885	2	Plug	
18	2220883	6	Plug	
19	70006736	1	Spacer	
20	4640509	1	Cartridge, Counterbalance Valve	
20	2900792	1	Seal Kit - 4640509 Valve	
21	1001263800	1	Cartridge, Counterbalance Valve	
21	70004186	1	Seal Kit - 1001263800 Valve	
22	0962336	4	Bushing	
50	1001138795	1	Seal Kit (Includes Items 4-8 & 10-13)	

SECTION 6 - CYLINDER

FIGURE 6-6. LIFT CYLINDER ASSEMBLY - JIB



ART_1001264991

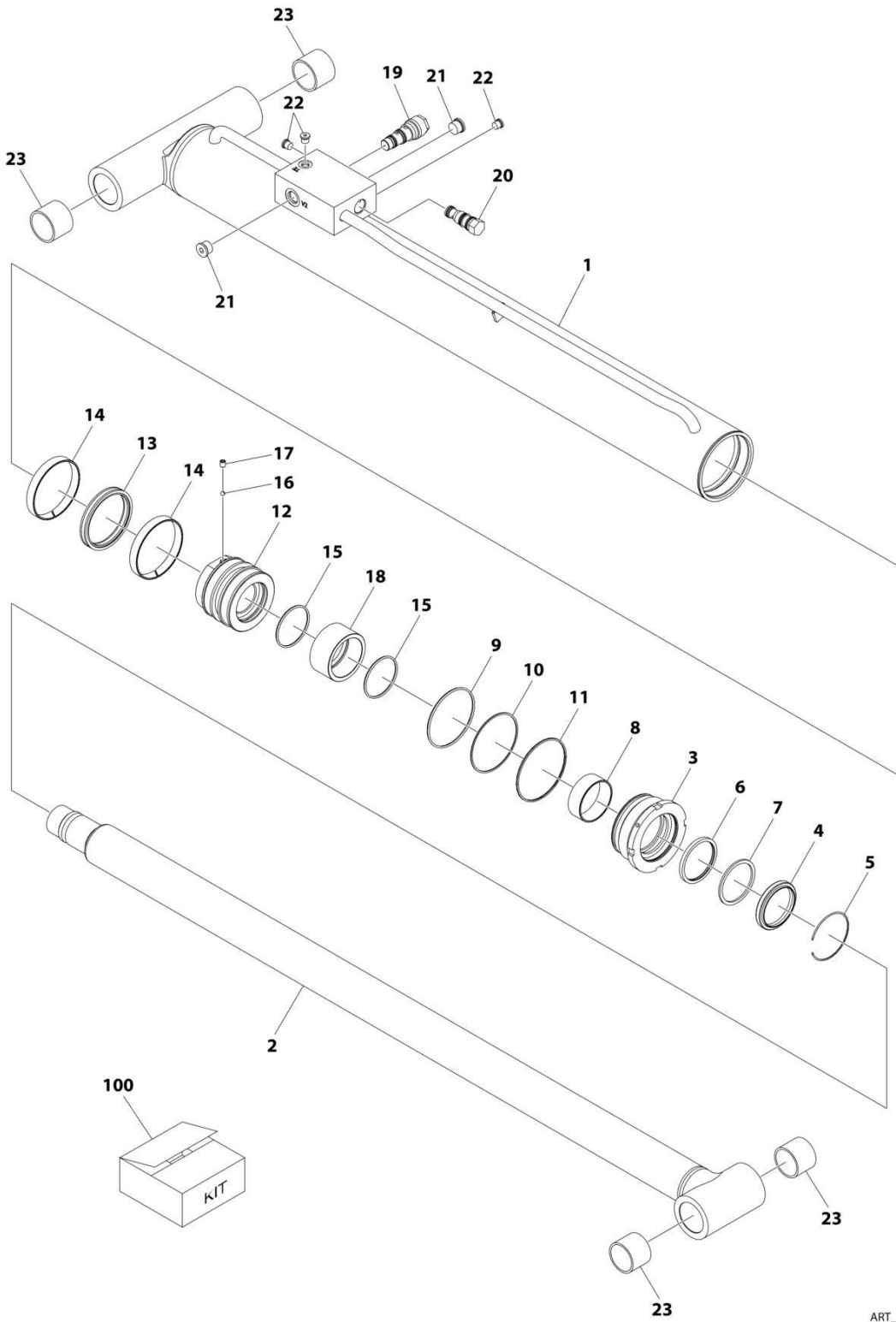
SECTION 6 - CYLINDER

FIGURE 6-6. LIFT CYLINDER ASSEMBLY - JIB

ITEM	PART NUMBER	QTY	DESCRIPTION	REV
	1001264991	Ref	LIFT CYLINDER ASSEMBLY - JIB	B
		Ref	Note: Original Cylinder May Have Been Replaced with Service Replacement. Identify PN Stamped on Cylinder Before Ordering Parts.	
1	See Note	NSS	Barrel (Note: Use PN 1001264991)	
2	70006734	1	Rod	
3	70006649	1	Head	
4	See Note	NSS	Wiper (Note: Use Item 50)	
5	See Note	NSS	Seal, Rod (Note: Use Item 50)	
6	See Note	NSS	Ring, Wear (Note: Use Item 50)	
7	See Note	NSS	O-Ring (Note: Use Item 50)	
8	See Note	NSS	Ring, Back-up (Note: Use Item 50)	
9	70006650	1	Piston	
10	See Note	NSS	Ring, Hydro Lock (Note: Use Item 50)	
11	See Note	NSS	Ring, Guide Lock (Note: Use Item 50)	
12	See Note	NSS	O-Ring (Note: Use Item 50)	
13	See Note	NSS	Ring, Back-up (Note: Use Item 50)	
14	0961893	1	Bushing, Tapered	
15	0630534	3	Capscrew	
16	70006735	8	Capscrew	
17	70006736	1	Spacer	
18	0962336	4	Bearing	
19	70023370	4	Plug	
20	70023371	2	Plug	
21	4640509	1	Cartridge, Counterbalance Valve	
21	2900792	1	Seal Kit - 4640509 Valve	
22	1001263800	1	Cartridge, Counterbalance Valve	
22	70004186	1	Seal Kit - 1001263800 Valve	
50	1001138795	1	Seal Kit - 1001264991 Cylinder (Includes Items 4-8 & 10-13)	

SECTION 6 - CYLINDER

FIGURE 6-7. LIFT CYLINDER ASSEMBLY - MAIN BOOM



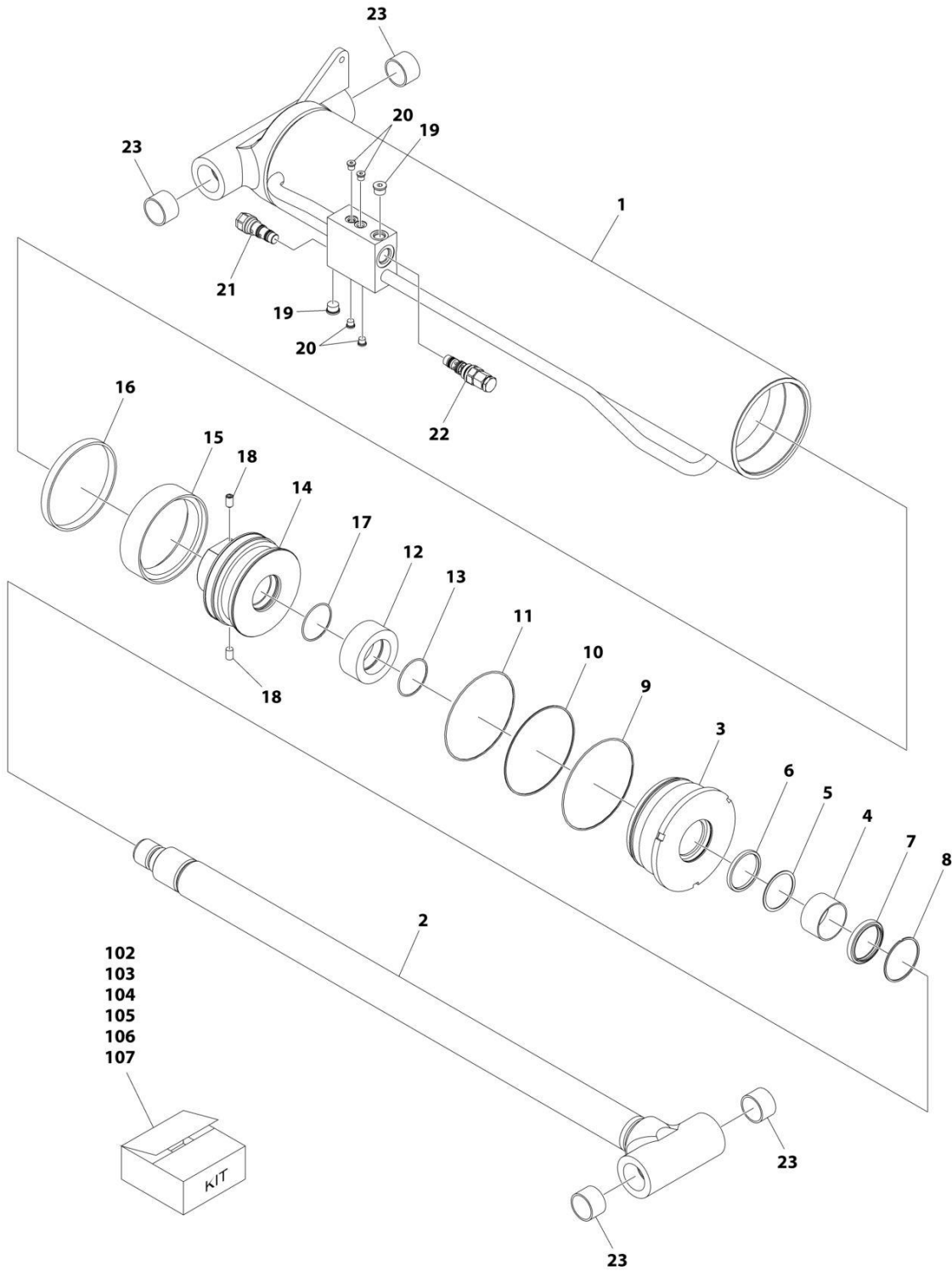
SECTION 6 - CYLINDER

FIGURE 6-7. LIFT CYLINDER ASSEMBLY - MAIN BOOM

ITEM	PART NUMBER	QTY	DESCRIPTION	REV
	1001245761	Ref	LIFT CYLINDER ASSEMBLY - MAIN BOOM	B
		Ref	Note: Original Cylinder May Have Been Replaced with Service Replacement. Identify PN Stamped on Cylinder Before Ordering Parts.	
1	See Note	NSS	Barrel (Use p/n 1001228092)	
2	70007451	1	Rod	
3	70007051	1	Head	
4	See Note	NSS	Wiper (Note: Use Item 100)	
5	70050795	1	Ring, Retainer	
6	See Note	NSS	Seal, Rod (Note: Use Item 100)	
7	See Note	NSS	Ring, Back-up (Note: Use Item 100)	
8	70007052	1	Ring, Wear	
9	See Note	NSS	O-Ring (Note: Use Item 100)	
10	See Note	NSS	Ring, Back-up (Note: Use Item 100)	
11	See Note	NSS	O-Ring (Note: Use Item 100)	
12	70007452	1	Piston	
13	See Note	NSS	Seal (Note: Use Item 100)	
14	See Note	NSS	Ring, Wear (Note: Use Item 100)	
15	See Note	NSS	O-Ring (Note: Use Item 100)	
16	70022564	1	Ball	
17	70023369	1	Setscrew M8 x 10	
18	70007453	1	Spacer	
19	4640509	1	Cartridge, Counterbalance Valve	
19	2900792	1	Seal Kit - 4640509 Cartridges	
20	4640438	1	Cartridge, Check Valve	
20	2900770	1	Seal Kit - 4640438 Valve	
21	2220886	2	Plug 3/4	
22	2220883	3	Plug #4	
23	70007454	4	Bearing	
100	70007455	1	Seal Kit - 1001228092 Cylinder (Includes item 4, 6, 7, 8-10 & 13-15)	

SECTION 6 - CYLINDER

FIGURE 6-8. LIFT CYLINDER ASSEMBLY - MAIN BOOM



ART_1001261003

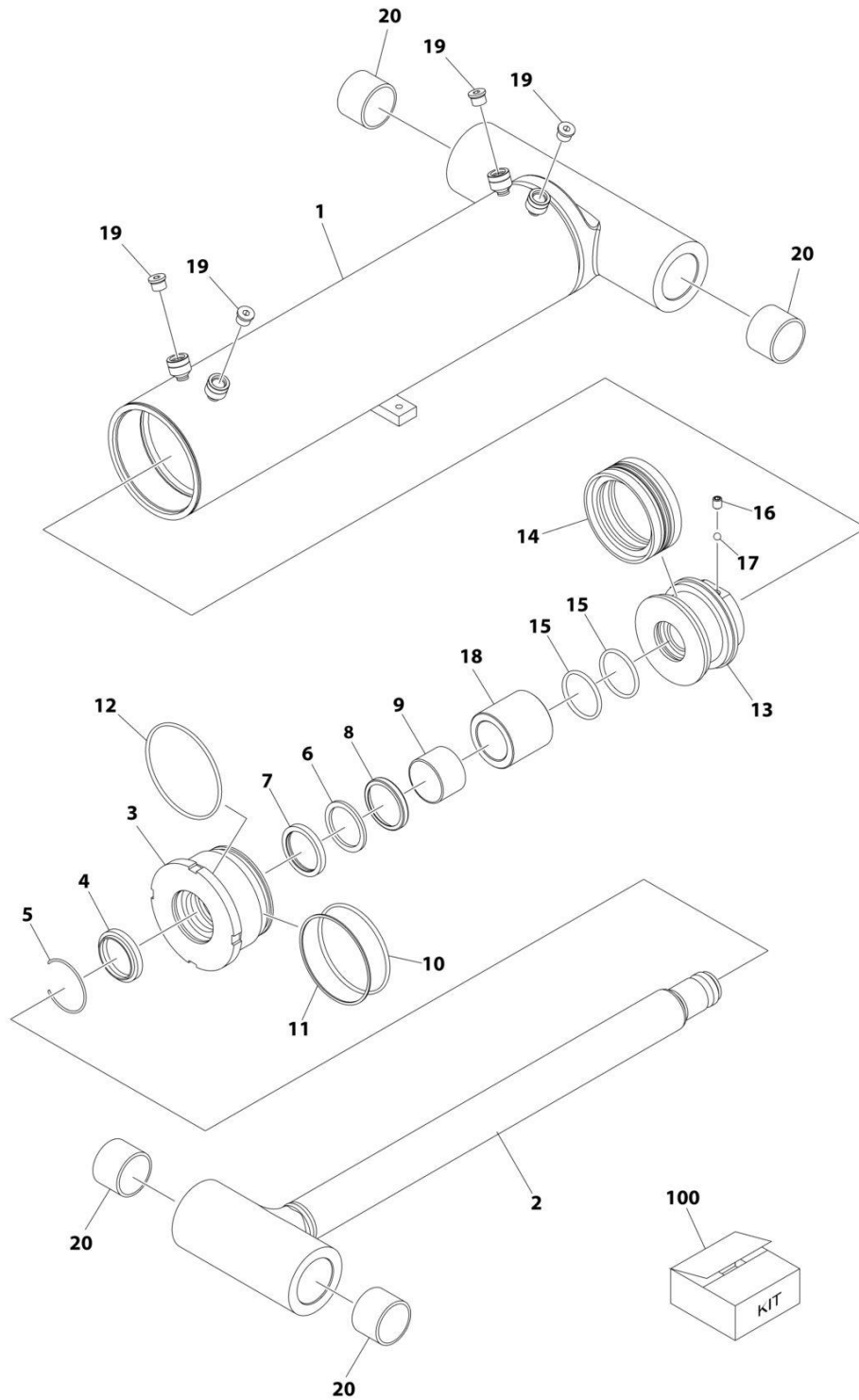
SECTION 6 - CYLINDER

FIGURE 6-8. LIFT CYLINDER ASSEMBLY - MAIN BOOM

ITEM	PART NUMBER	QTY	DESCRIPTION	REV
	1001261003	Ref	LIFT CYLINDER ASSEMBLY - MAIN BOOM	A
		Ref	Note: Original Cylinder May Have Been Replaced with Service Replacement. Identify PN Stamped on Cylinder Before Ordering Parts.	
1	See Note	NSS	Barrel (Use p/n 1001261003)	
2	See Note	NSS	Rod (Use Item 102)	
3	See Note	NSS	Head (Use Item 103)	
4	See Note	NSS	Ring, Wear (Use Item 103)	
5	See Note	NSS	O-Ring (Note: Use Item 104)	
6	See Note	NSS	Ring, Back-up (Note: Use Item 104)	
7	See Note	NSS	Wiper (Note: Use Item 104)	
8	See Note	NSS	Ring, Retainer (Note: Use Item 104)	
9	See Note	NSS	O-Ring (Note: Use Item 104)	
10	See Note	NSS	Ring, Back-Up (Note: Use Item 104)	
11	See Note	NSS	O-Ring (Note: Use Item 104)	
12	See Note	NSS	Spacer (Note: Use Item 105)	
13	See Note	NSS	O-Ring (Note: Use Item 105)	
14	See Note	NSS	Piston (Note: Use Item 106)	
15	See Note	NSS	Seal (Note: Use Item 104)	
16	See Note	NSS	Ring, Wear (Note: Use Item 104)	
17	See Note	NSS	O-Ring (Note: Use Item 104)	
18	See Note	NSS	Setscrew (Note: Use Item 106)	
19	See Note	NSS	Plug 3/4	
20	See Note	NSS	Plug 7/16	
21	4640509	1	Cartridge, Counterbalance Valve	
21	2900792	1	Seal Kit - 4640509 Valve	
22	4640605	1	Cartridge, Counterbalance Valve	
22	2900792	1	Seal Kit - 4640605 Valve	
23	0961949	4	Bearing	
102	70007460	1	Rod Kit (Includes Item 2 & 23)	
103	70007461	1	Rod Cover Kit (Includes Item 3 & 4)	
104	70007462	1	Seal Kit (Includes Item 5-11 & 15-17)	
105	70007463	1	Spacer Kit (Includes Item 12 & 13)	
106	70007464	1	Piston Kit (Includes Item 14 & 18)	
107	70007465	1	Plug Kit (Includes Item 20)	

SECTION 6 - CYLINDER

FIGURE 6-9. MASTER CYLINDER ASSEMBLY



ART_1001237698

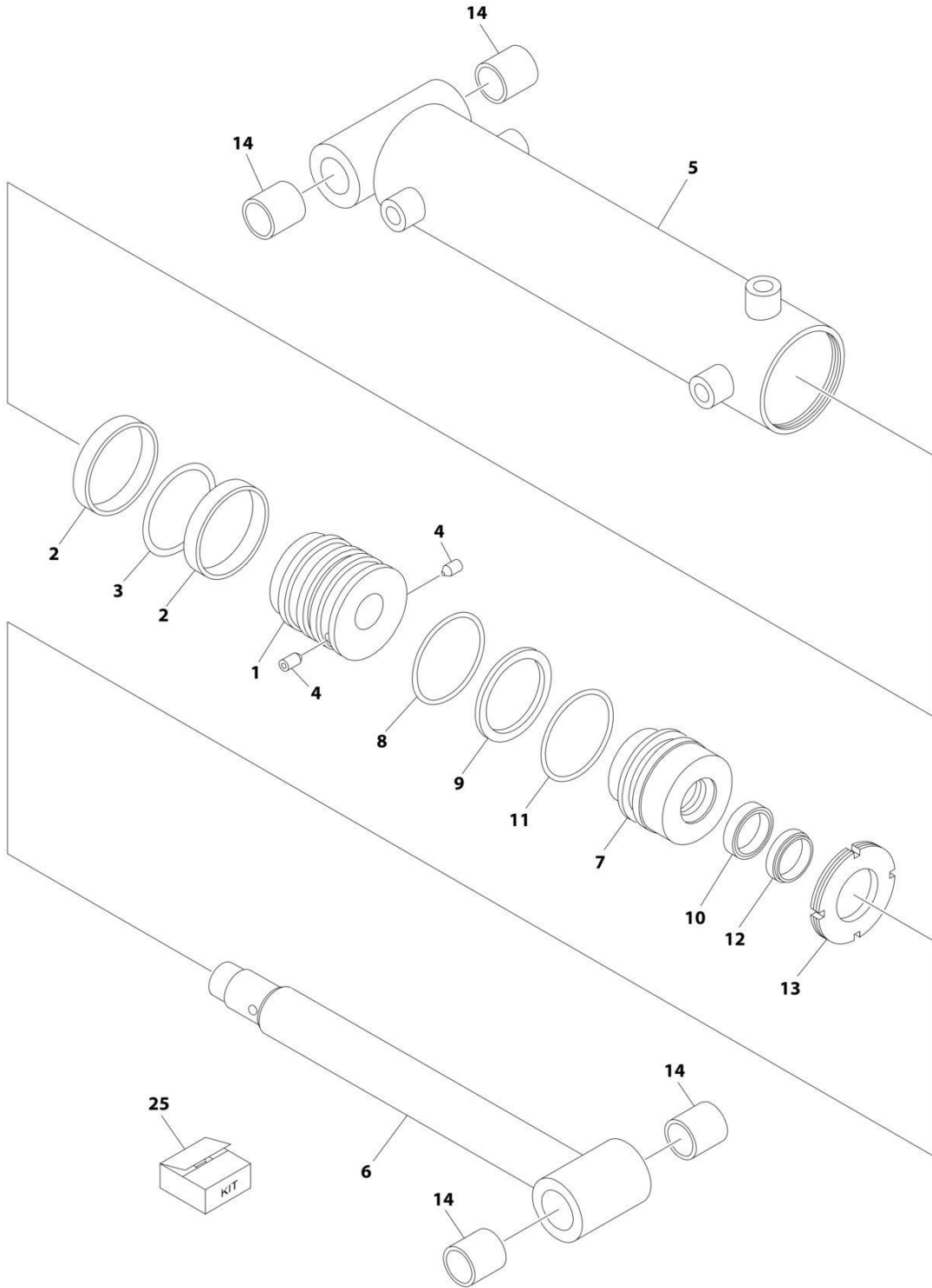
SECTION 6 - CYLINDER

FIGURE 6-9. MASTER CYLINDER ASSEMBLY

ITEM	PART NUMBER	QTY	DESCRIPTION	REV
	1001237698	Ref	MASTER CYLINDER ASSEMBLY	B
		Ref	Note: Original Cylinder May Have Been Replaced with Service Replacement. Identify PN Stamped on Cylinder Before Ordering Parts.	
1	See Note	NSS	Barrel	
2	70007156	1	Rod	
3	70007157	1	Head, Cylinder	
4	See Note	NSS	Wiper (Note: Use Item 100)	
5	70002410	1	Ring, Retaining	
6	See Note	NSS	Seal, Rod (Note: Use Item 100)	
7	See Note	NSS	Ring, Back-up (Note: Use Item 100)	
8	See Note	1	Ring (Note: Use Item 100)	
9	70004237	1	Bearing, Dry	
10	See Note	NSS	O-Ring (Note: Use Item 100)	
11	See Note	NSS	Ring, Back-up (Note: Use Item 100)	
12	See Note	NSS	O-Ring (Note: Use Item 100)	
13	70007161	1	Piston	
14	See Note	NSS	Seal, Piston	
15	See Note	NSS	O-Ring (Note: Use Item 100)	
16	70023369	1	Setscrew M8 x 31.75	
17	70022564	1	Ball	
18	70007158	1	Spacer	
19	2220885	1	Plug 9/16	
20	70005145	4	Bearing	
100	70005146	1	Seal Kit - 1001237698 Cylinder (Includes Items 4, 6, 7, 8, 10, 11, 12, 14 & 15)	

SECTION 6 - CYLINDER

FIGURE 6-10. STEER CYLINDER ASSEMBLY



ART_1001097242

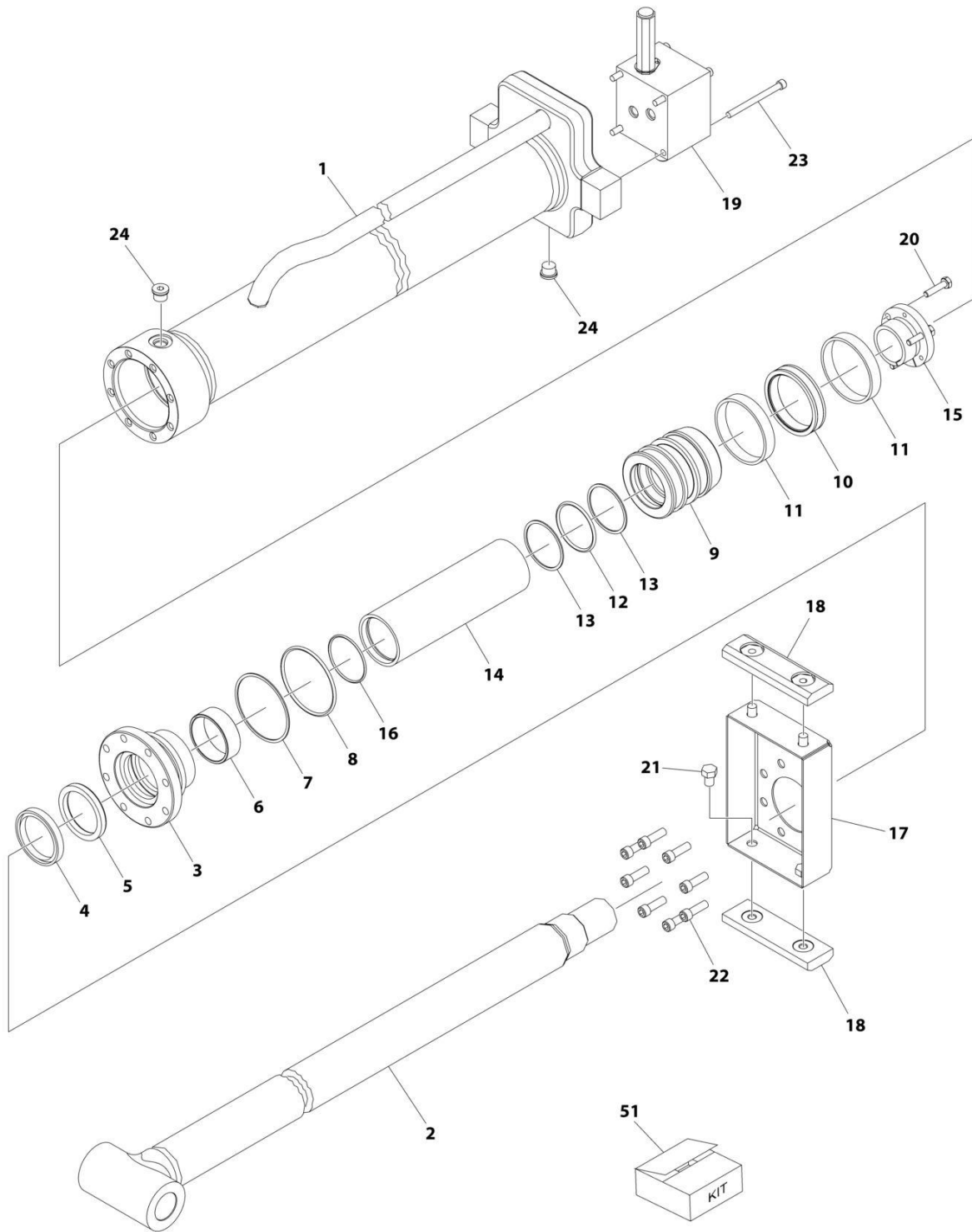
SECTION 6 - CYLINDER

FIGURE 6-10. STEER CYLINDER ASSEMBLY

ITEM	PART NUMBER	QTY	DESCRIPTION	REV
	1001097242	Ref	STEER CYLINDER ASSEMBLY	A
		Ref	Note: Original Cylinder may have been replaced with Service Replacement. Identify PN Stamped on Cylinder Before Ordering Parts.	
1	70002752	1	Piston	
1	0100011	AR	Compound, Locking	
1	0100038	AR	Primer, Locking	
2	See Note	NSS	Seal (Note: Use Item 25)	
3	See Note	NSS	O-Ring (Note: Use Item 25)	
4	70002745	2	Setscrew	
5	70002753	1	Barrel	
6	70002754	1	Rod	
7	70002755	1	Head	
8	See Note	NSS	O-Ring (Note: Use Item 25)	
9	See Note	NSS	Ring, Back-Up (Note: Use Item 25)	
10	See Note	NSS	Seal (Note: Use Item 25)	
11	See Note	NSS	O-Ring (Note: Use Item 25)	
12	See Note	NSS	Wiper (Note: Use Item 25)	
13	70002756	1	Nut, Spanner	
13	0100011	AR	Compound, Locking	
13	0100038	AR	Primer, Locking	
14	0962356	4	Bushing	
25	70002757	1	Seal Kit (Includes Items 2, 3 & 8-12)	

SECTION 6 - CYLINDER

FIGURE 6-11. TELESCOPE CYLINDER ASSEMBLY - MAIN BOOM



ART_1001228007

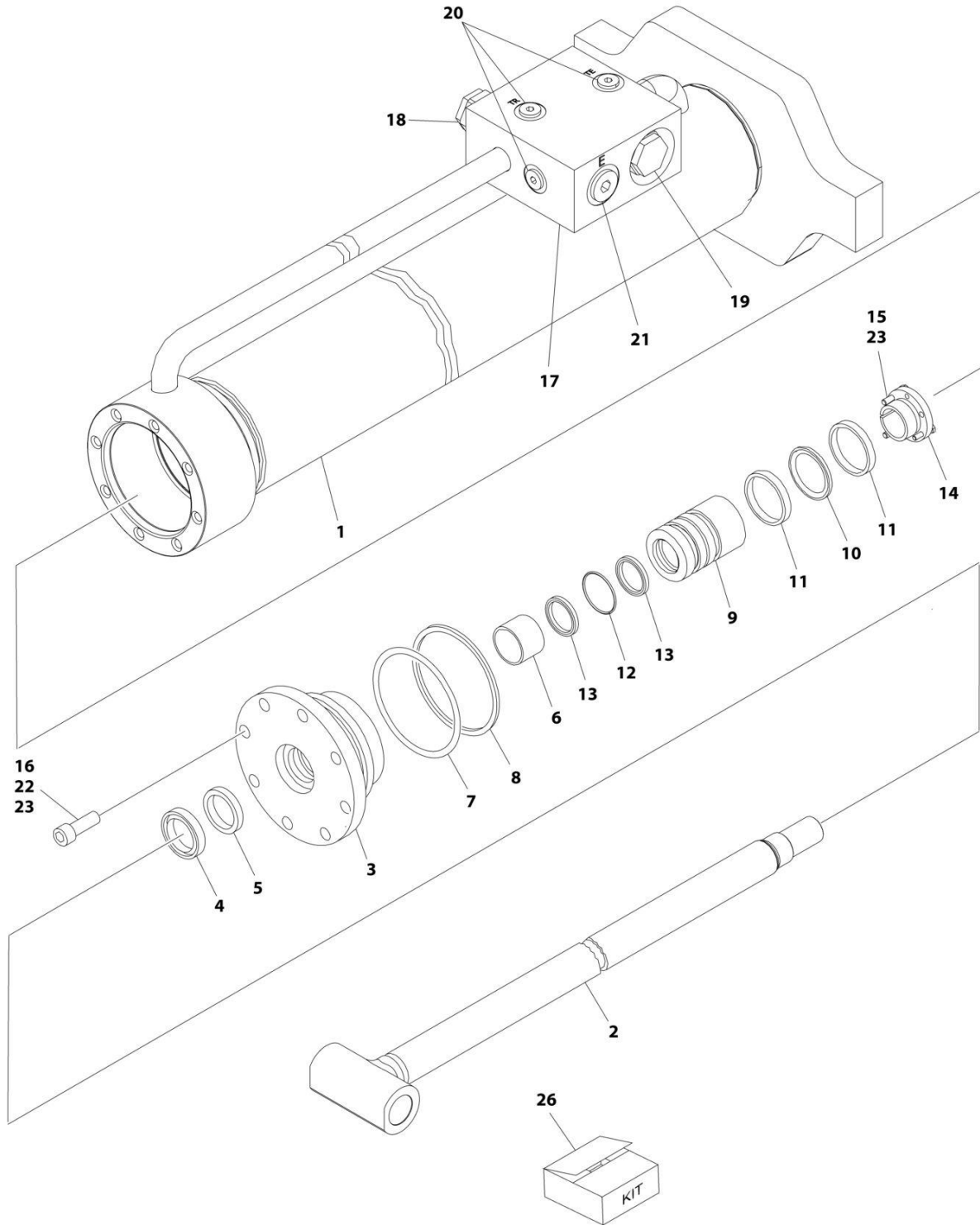
SECTION 6 - CYLINDER

FIGURE 6-11. TELESCOPE CYLINDER ASSEMBLY - MAIN BOOM

ITEM	PART NUMBER	QTY	DESCRIPTION	REV
	1001228007	Ref	TELESCOPE CYLINDER ASSEMBLY	E
		Ref	Note: Original Cylinder may have been replaced with Service Replacement. Identify PN Stamped on Cylinder Before Ordering Parts.	
1	See Note	NSS	Barrel (Note: Use p/n 1001228007)	
2	70006654	1	Rod	
3	70006483	1	Head	
4	See Note	NSS	Wiper (Note: Use Item 51)	
5	See Note	NSS	Seal, Rod (Note: Use Item 51)	
6	See Note	NSS	Ring, Wear (Note: Use Item 51)	
7	See Note	NSS	O-Ring (Note: Use Item 51)	
8	See Note	NSS	Ring, Back-up (Note: Use Item 51)	
9	70006482	1	Piston	
10	See Note	NSS	Seal (Note: Use Item 51)	
11	See Note	NSS	Ring, Wear (Note: Use Item 51)	
12	See Note	NSS	O-Ring (Note: Use Item 51)	
13	See Note	NSS	Ring, Back-up (Note: Use Item 51)	
14	70006655	1	Spacer	
15	0961896	1	Bushing, Tapered	
16	See Note	NSS	O-Ring (Note: Use Item 51)	
17	3538247	1	Plate, Wear Pad Mounting	
18	3340608	2	Pad, Wear	
19	4640862	1	Valve Block Assembly (Note: No Service Part Available - Replace Complete Assembly)	
20	0630535	3	Bolt 1/4 x 1-1/8	
21	0641604	4	Bolt 3/8 x 1/2	
22	3931516	8	Capscrew 5/16 x 1	
22	0100038	AR	Primer, Locking	
22	0100011	AR	Compound, Locking	
23	3931448	4	Capscrew 1/4 x 3	
24	2220885	AR	Plug, O-Ring	
51	2901861	1	Seal Kit - 1001228007 Cylinder (Includes Item 4-8, 10-13 & 16)	

SECTION 6 - CYLINDER

FIGURE 6-12. TELESCOPE CYLINDER ASSEMBLY - TOWER BOOM



ART_1001228006

SECTION 6 - CYLINDER

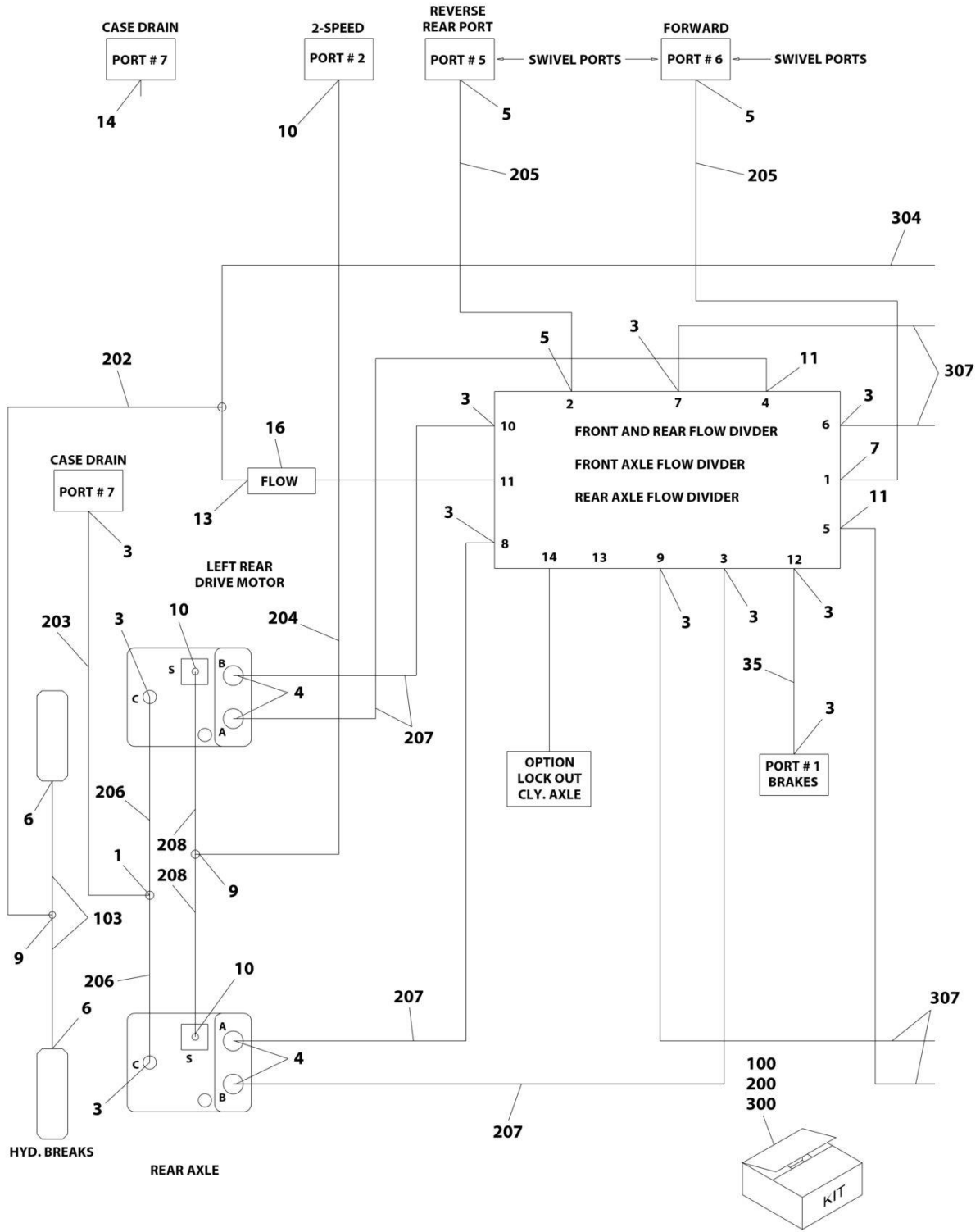
FIGURE 6-12. TELESCOPE CYLINDER ASSEMBLY - TOWER BOOM

ITEM	PART NUMBER	QTY	DESCRIPTION	REV
	1001228006	Ref	TELESCOPE CYLINDER ASSEMBLY - TOWER BOOM	D
		Ref	Note: Original Equipment components may have been replaced with Service Replacement components part. Identify p/n stamped on cylinder before ordering parts.	
1	See Note	NSS	Barrel (Note: Not Available for Purchase)	
2	70006484	1	Rod	
3	70006483	1	Head	
4	See Note	NSS	Wiper (Note: Use Item 26)	
5	See Note	NSS	Seal, Rod (Note: Use Item 26)	
6	See Note	NSS	Ring, Wear (Note: Use Item 26)	
7	See Note	NSS	O-Ring (Note: Use Item 26)	
8	See Note	NSS	Ring, Back-Up (Note: Use Item 26)	
9	70006482	1	Piston	
10	See Note	NSS	T-Seal (Note: Use Item 26)	
11	See Note	NSS	Ring, Wear (Note: Use Item 26)	
12	See Note	NSS	O-Ring (Note: Use Item 26)	
13	See Note	NSS	Ring, Back-Up (Note: Use Item 26)	
14	0961896	1	Bushing, Tapered	
15	0630535	3	Bolt 1/4 x 1-1/8	
16	3931516	8	Capscrew 5/16 x 1	
17	4640647	1	Cartridge, Valve	
17	2900770	1	Seal Kit - 4640647 Valve	
18	4640509	2	Cartridge, Valve	
18	2900792	2	Seal Kit - 4640509 Valve	
19	4640999	1	Cartridge, Valve	
19	2900792	1	Seal Kit - 4640999 Valve	
20	2220883	3	Plug, O-Ring	
21	2220886	2	Plug, O-Ring	
22	0100038	AR	Primer, Locking	
23	0100011	AR	Compound, Locking	
26	2901861	1	Seal Kit - 1001228006 Cylinder (Includes Items 4-8 & 10-13)	

SECTION 7 - HYDRAULIC

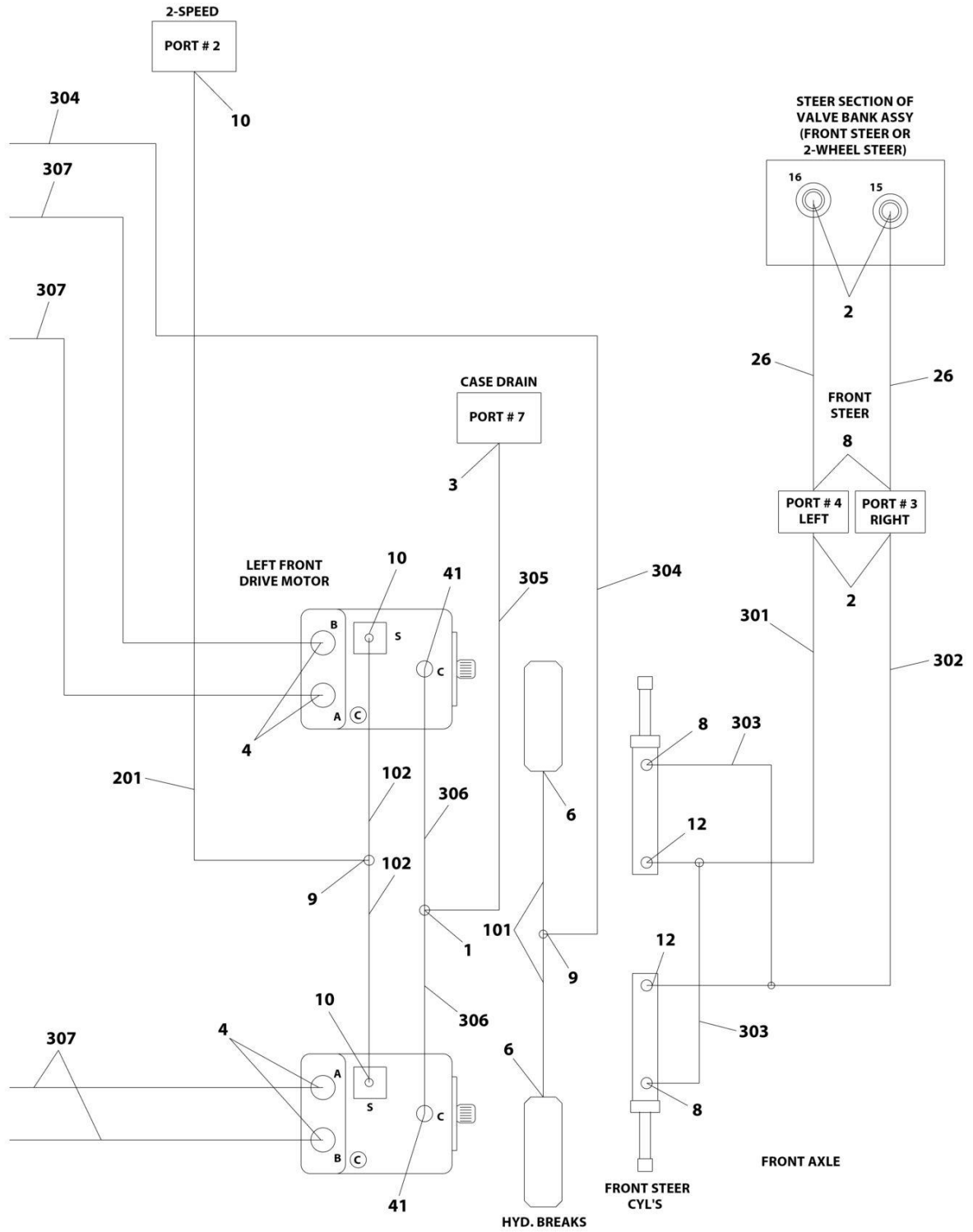
SECTION 7 - HYDRAULIC

FIGURE 7-1. DRIVE HYDRAULIC DIAGRAM - 4WD/2WS WITHOUT ARCTIC PACKAGE



ART_1001140418_1OF2

SECTION 7 - HYDRAULIC



ART_1001140418_2OF2

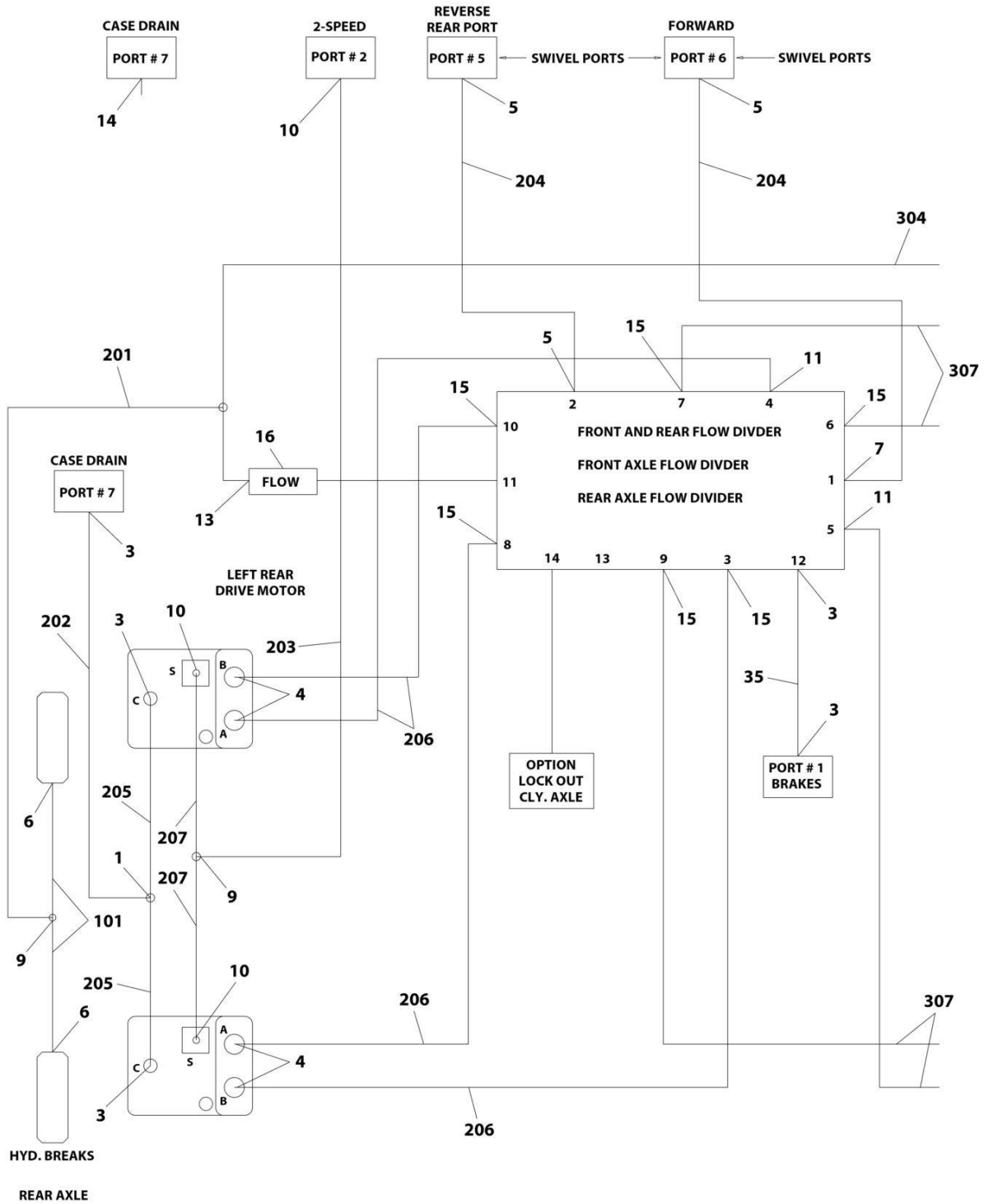
SECTION 7 - HYDRAULIC

FIGURE 7-1. DRIVE HYDRAULIC DIAGRAM - 4WD/2WS WITHOUT ARCTIC PACKAGE

ITEM	PART NUMBER	QTY	DESCRIPTION	REV
	1001140418	Ref	DRIVE HYDRAULIC DIAGRAM - 4WD/2WS	E
1	2220362	2	Fitting, Tee JIC/JIC/JIC	
2	2220371	4	Fitting, Straight JIC/ORB	
3	2220373	12	Fitting, Straight JIC/ORB	
4	2220375	8	Fitting, Straight JIC/ORB	
5	2220377	3	Fitting, Straight JIC/ORB	
6	2220415	4	Fitting, Straight JIC/ORB	
7	2220646	1	Fitting, 90 JIC/ORB	
8	2220473	4	Fitting, 90 JIC/ORB	
9	2220504	4	Fitting, Tee JIC/JIC/JIC	
10	2220582	6	Fitting, Straight JIC/ORB	
11	2220596	2	Fitting, 90 JIC/ORB	
12	2220606	2	Fitting, Tee JIC/ORB/JIC	
13	2220861	1	Fitting, Tee JIC/FSJIC/JIC	
14	2220237	1	Fitting, Plug ORB	
16	4641284	1	Valve, Check	
26	2752620	2	Hose	
35	2753929	1	Hose	
41	2220474	2	Fitting, 90 JIC/ORB	
100	1001269814	1	Hose Assembly - Axle Kit	
101	2753926	2	Hose	
102	1001140451	2	Hose	
103	1001152527	2	Hose	
200	1001269815	1	Hose Assembly - Rear Kit	
201	2752592	1	Hose	
202	2752910	1	Hose	
203	2752928	1	Hose	
204	2753924	1	Hose	
205	2754227	2	Hose	
206	1001140449	2	Hose	
207	1001151358	4	Hose	
208	1001152527	2	Hose	
300	1001269816	1	Hose Assembly - Front Kit	
301	2752475	1	Hose	
302	2752611	1	Hose	
303	2753397	2	Hose	
304	2754229	1	Hose	
305	2754231	1	Hose	
306	1001140455	2	Hose	
307	1001152491	4	Hose	

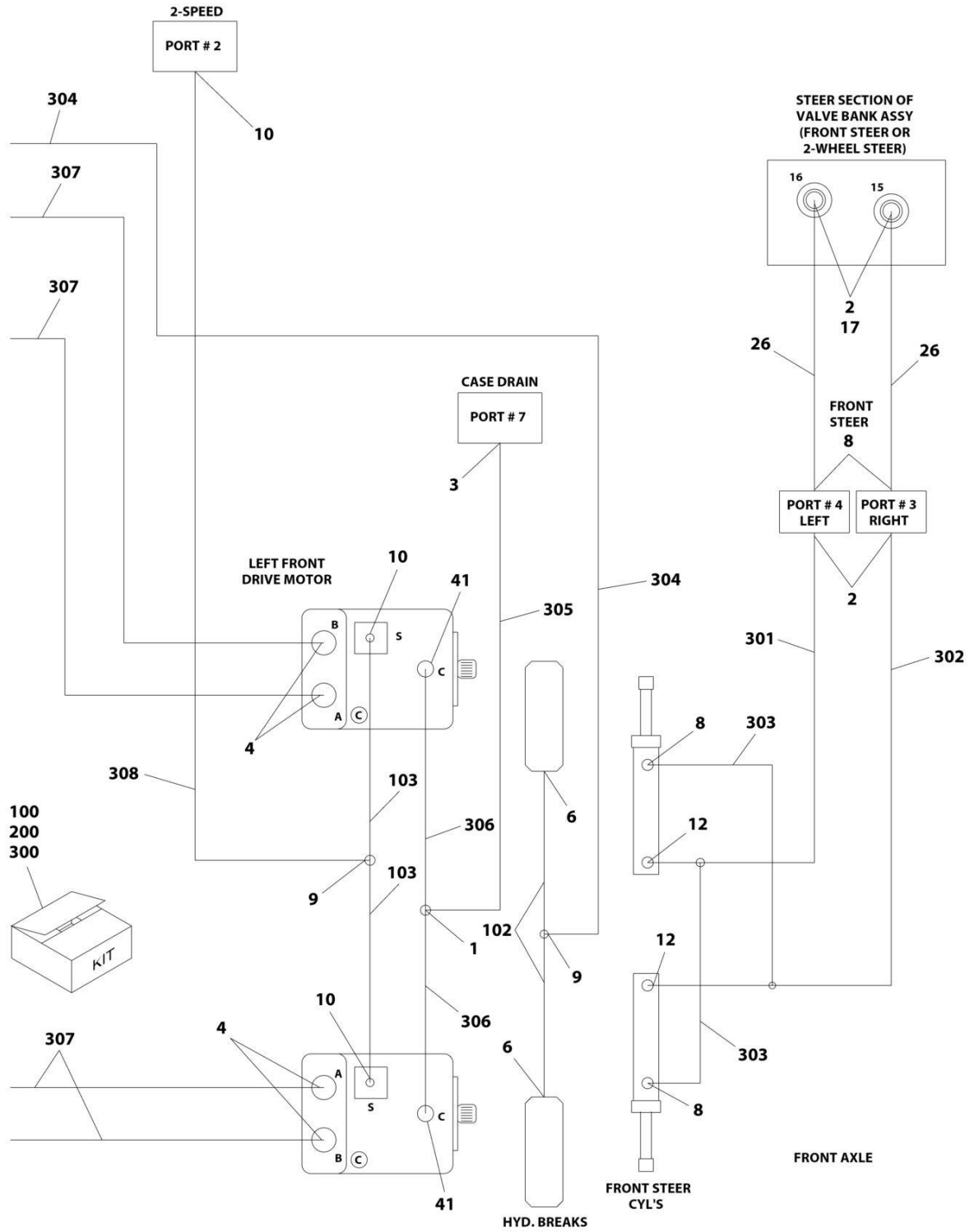
SECTION 7 - HYDRAULIC

FIGURE 7-2. DRIVE HYDRAULIC DIAGRAM - 4WD/2WS WITH ARCTIC PACKAGE



ART_1001140420_1OF2

SECTION 7 - HYDRAULIC



ART_1001140420_20F2

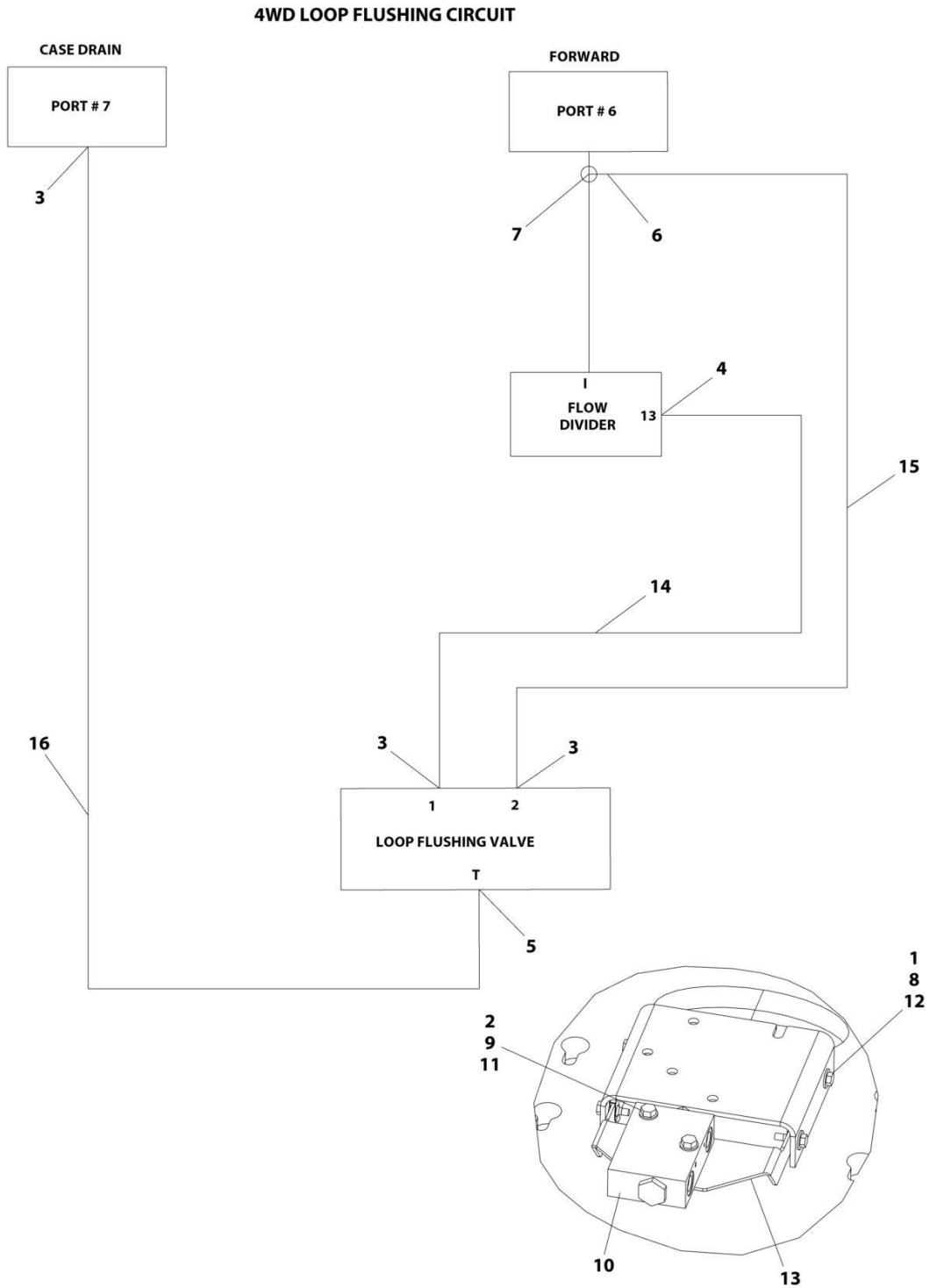
SECTION 7 - HYDRAULIC

FIGURE 7-2. DRIVE HYDRAULIC DIAGRAM - 4WD/2WS WITH ARCTIC PACKAGE

ITEM	PART NUMBER	QTY	DESCRIPTION	REV
	1001140420	Ref	DRIVE HYDRAULIC DIAGRAM - 4WD/2WS	E
1	2220362	2	Fitting, Tee JIC/JIC/JIC	
2	2220371	4	Fitting, Straight JIC/ORB	
3	2220373	6	Fitting, Straight JIC/ORB	
4	2220375	8	Fitting, Straight JIC/ORB	
5	2220377	3	Fitting, Straight JIC/ORB	
6	2220415	4	Fitting, Straight JIC/ORB	
7	2220646	1	Fitting, 90 JIC/ORB	
8	2220473	4	Fitting, 90 JIC/ORB	
9	2220504	4	Fitting, Tee JIC/JIC/JIC	
10	2220582	6	Fitting, Straight JIC/ORB	
11	2220596	2	Fitting, 90 JIC/ORB	
12	2220606	2	Fitting, Tee JIC/ORB/JIC	
13	2220861	1	Fitting, Tee JIC/FSJIC/JIC	
14	2220237	1	Fitting, Plug ORB	
15	2220500	6	Fitting, 45 JIC/ORB	
16	4641284	1	Valve, Check	
17	2220507	2	Fitting, 90	
26	2752620	2	Hose	
35	2752929	1	Hose	
41	2220474	2	Fitting, 90 JIC/ORB	
100	1001269817	1	Hose Assembly - Axle Kit	
101	2752592	2	Hose	
102	2754731	2	Hose	
103	1001140456	2	Hose	
200	1001269818	1	Hose Assembly - Rear Kit	
201	2752910	1	Hose	
202	2752928	1	Hose	
203	2753924	1	Hose	
204	2754227	2	Hose	
205	1001140449	2	Hose	
206	1001151358	4	Hose	
207	1001152527	2	Hose	
300	1001269819	1	Hose Assembly - Front Kit	
301	2752475	1	Hose	
302	2752611	1	Hose	
303	2753397	2	Hose	
304	2754229	1	Hose	
305	2754231	1	Hose	
306	1001140458	2	Hose	
307	1001152499	4	Hose	
308	1001152527	1	Hose	

SECTION 7 - HYDRAULIC

FIGURE 7-3. FLUSHING LOOP HYDRAULIC INSTALLATION - 4WD



ART_1001152619

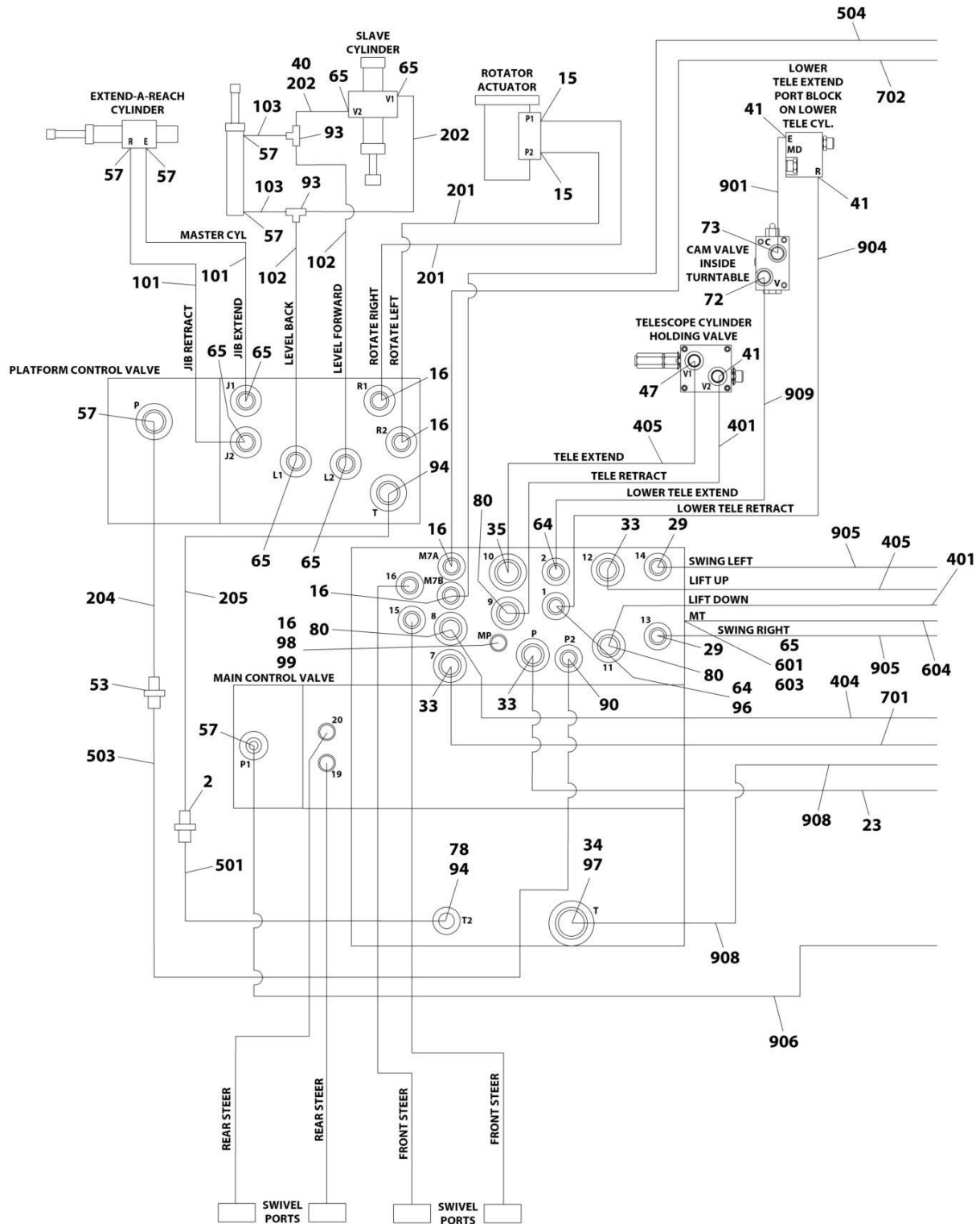
SECTION 7 - HYDRAULIC

FIGURE 7-3. FLUSHING LOOP HYDRAULIC INSTALLATION - 4WD

ITEM	PART NUMBER	QTY	DESCRIPTION	REV
	1001152619	Ref	FLUSHING LOOP HYDRAULIC INSTALLATION - 4WD	C
1	0641408	4	Bolt 1/4 x 1	
2	0641516	2	Bolt 5/16 x 2	
3	2220371	3	Fitting, Straight JIC/ORB	
4	2220372	1	Fitting, Straight JIC/ORB	
5	2220473	1	Fitting, 90 JIC/ORB	
6	2220623	1	Fitting, Straight JIC/FSJIC	
7	2221026	1	Fitting, Tee JIC/ORB/JIC	
8	3300454	4	Nut 1/4	
9	3311505	2	Nut 5/16	
10	1001224927	1	Valve, Flushing Loop	
10	7024881	1	Piston, Pilot	
10	7021639	2	Cartridge, Check Valve	
10	2900756	2	Seal Kit - 7021639 Valve	
11	4711500	4	Washer 5/16	
12	4751400	4	Washer 1/4	
13	1001150612	1	Bracket14	
14	1001152635	1	Hose	
15	1001152636	1	Hose	
16	1001152637	1	Hose	

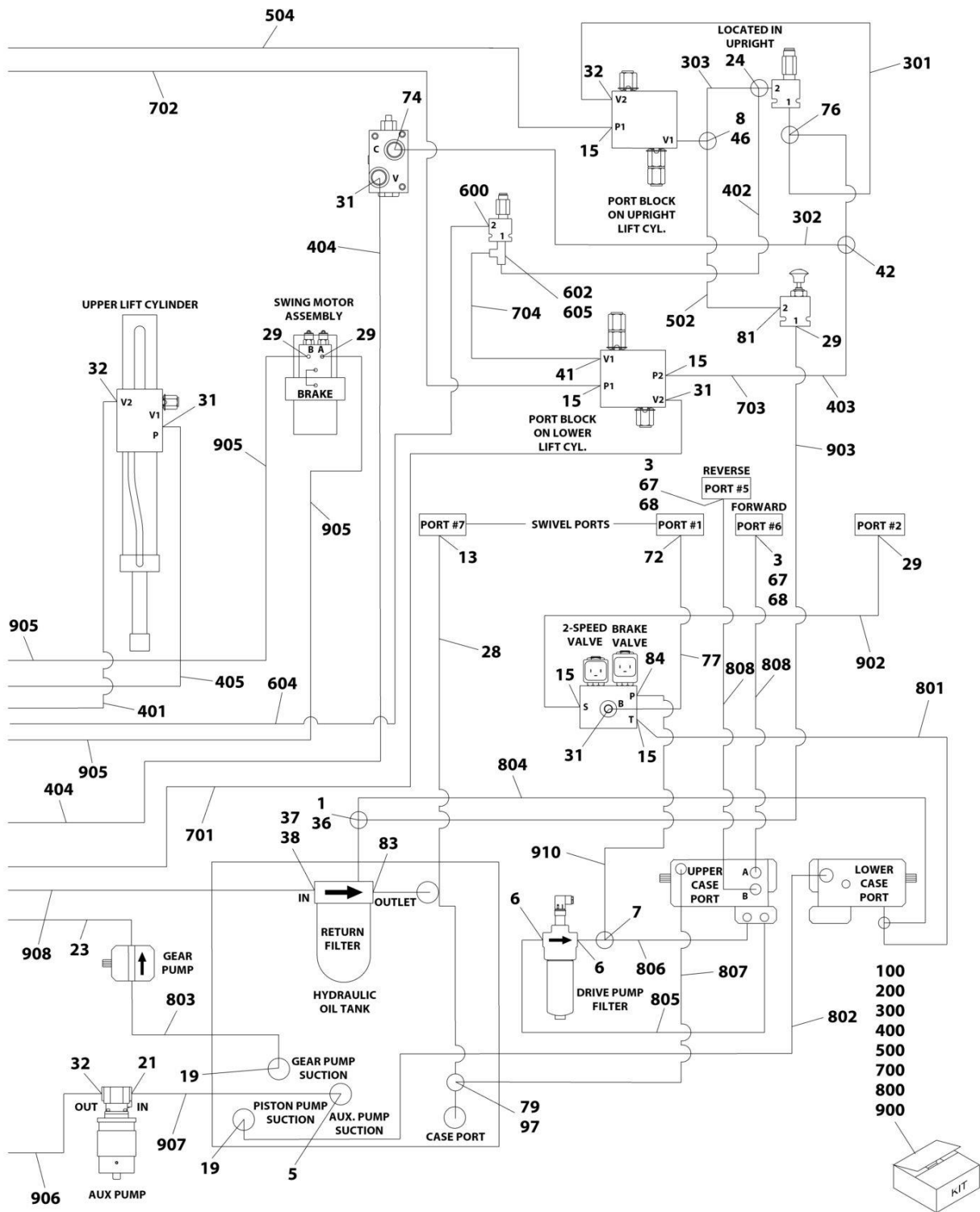
SECTION 7 - HYDRAULIC

FIGURE 7-4. HYDRAULIC DIAGRAM - STANDARD (DEUTZ D2011 ENGINE)



ART_1001254622_1OF2

SECTION 7 - HYDRAULIC



ART_1001254622_2OF2

SECTION 7 - HYDRAULIC

FIGURE 7-4. HYDRAULIC DIAGRAM - STANDARD (DEUTZ D2011 ENGINE)

ITEM	PART NUMBER	QTY	DESCRIPTION	REV
	1001254622	Ref	HYDRAULIC DIAGRAM - STANDARD	E
1	2220605	1	Fitting, Tee JIC/FSJIC/JIC	
2	2220512	1	Fitting, Straight JIC/JIC	
3	2220377	2	Fitting, Straight JIC/ORB	
5	2220578	1	Fitting, 90 JIC/ORB	
6	2221042	2	Fitting, 90 JIC/ORB	
7	2220948	1	Fitting, Tee JIC/FSJIC/JIC	
8	2220618	1	Fitting, Straight JIC/FSJIC	
13	2220375	1	Fitting, Straight JIC/ORB	
15	2220466	7	Fitting, 90 JIC/ORB	
16	2220415	5	Fitting, Straight JIC/ORB	
19	2220379	2	Fitting, Straight JIC/ORB	
21	2220567	1	Fitting, 90 JIC/ORB	
23	2752929	1	Hose	
24	2220602	1	Fitting, Tee JIC/ORB/JIC	
28	2753968	1	Hose	
29	2220582	6	Fitting, Straight JIC/ORB	
31	2220596	4	Fitting, 90 JIC/ORB	
32	2220628	3	Fitting, 90 JIC/ORB	
33	2220381	3	Fitting, Straight JIC/ORB	
34	2220451	1	Fitting, Straight JIC/ORB	
35	2220374	1	Fitting, Straight JIC/ORB	
36	2220574	1	Fitting, Straight JIC/NPTF	
37	2220921	1	Fitting, Straight FORB/ORB	
38	2220498	1	Fitting, 45 JIC/ORB	
40	1001257430	1	Cover, Hose Wrap	
41	2220372	4	Fitting, Straight JIC/ORB	
42	2221065	1	Fitting, Tee JIC/FSJIC/JIC	
46	2220999	1	Fitting, Tee JIC/ORB/JIC	
47	2220500	1	Fitting, 45 JIC/ORB	
53	2220511	1	Fitting, Straight JIC/JIC	
57	2220473	6	Fitting, 90 JIC/ORB	
64	2220998	2	Fitting, Straight JIC/ORB	
65	2220603	7	Fitting, Straight JIC/ORB	
67	0100011	AR	Compound, Locking	
68	0100038	AR	Primer, Locking	
69	1703534	2	Decal - Hose Tags (Not Shown)	
72	2220373	2	Fitting, Straight JIC/ORB	
73	2220947	1	Fitting, Straight JIC/ORB	
74	2221036	1	Fitting, 90 JIC/ORB	
76	2221053	1	Fitting, Tee JIC/ORB/JIC	
77	2752519	1	Hose	
78	2220386	1	Fitting, 90 JIC/FSJIC	
79	2220738	1	Fitting, Tee JIC/ORB/JIC	
80	1001104423	3	Fitting, Straight JIC/ORB	
81	2220472	1	Fitting, 90 JIC/ORB	
83	2220893	1	Fitting, Straight ORB/ORB	
84	2220474	1	Fitting, 90 JIC/ORB	
90	80233041	1	Valve, Check	
93	2220490	2	Fitting, Tee JIC/JIC/JIC	

SECTION 7 - HYDRAULIC

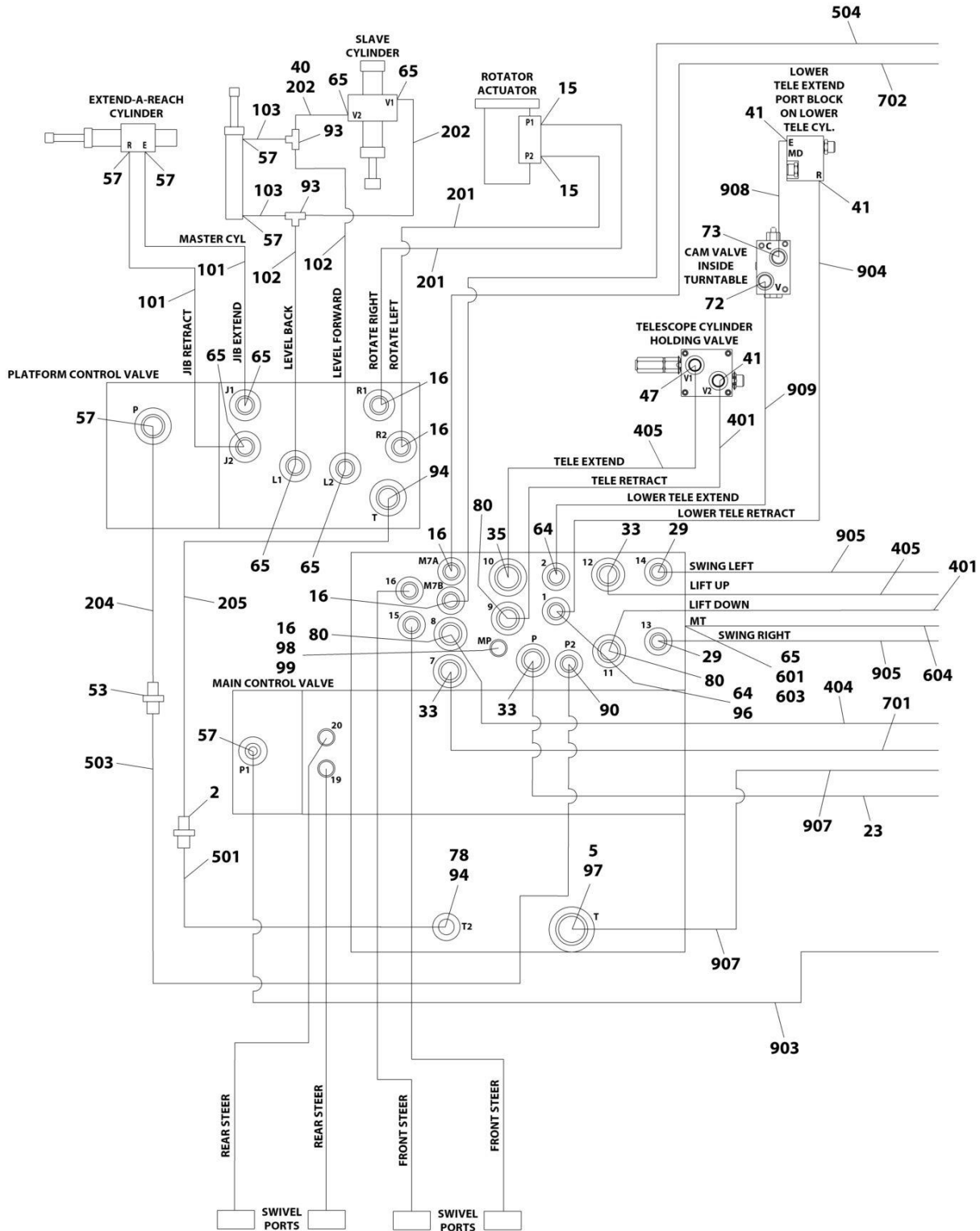
ITEM	PART NUMBER	QTY	DESCRIPTION	REV
94	2220600	2	Fitting, Straight JIC/ORB	
96	2220657	1	Fitting, 45 JIC/FSJIC	
97	2220409	2	Fitting, 45 JIC/FSJIC	
98	2752995	1	Hose	
99	91143177	1	Fitting, Test	
100	1001254955	1	Hose, Kit (Upper)	
101	1001155672	2	Hose	
102	1001155673	2	Hose	
103	1001254948	2	Hose	
200	1001254954	1	Hose, Kit (Upper)	
201	1001155669	2	Hose	
202	1001119602	2	Hose	
204	1001254949	1	Hose	
205	1001254950	1	Hose	
300	1001255599	1	Hose, Kit (Lower)	
301	2752462	1	Hose	
302	2753134	1	Hose	
303	2752497	2	Hose	
400	1001272631	1	Hose, Kit (Lower)	
401	2753055	2	Hose	
402	1001271833	1	Hose	
403	2752991	1	Hose	
404	2753135	1	Hose	
405	2752939	2	Hose	
500	1001212515	1	Hose, Kit (Lower)	
501	1001161036	1	Hose	
502	2752990	1	Hose	
503	1001161030	1	Hose	
504	2752987	1	Hose	
600	2220371	1	Fitting, Straight JIC/ORB	
601	2220516	1	Fitting, Cap FJIC	
602	2220606	1	Fitting, Tee JIC/ORB/JIC	
603	2220635	1	Fitting, Tee JIC/FSJIC/JIC	
604	1001271835	1	Hose	
605	8760268	1	Fitting, 90 JIC/FSJIC	
700	1001274367	1	Hose, Kit (Turntable)	
701	2752506	1	Hose	
702	2752593	1	Hose	
703	2752985	1	Hose	
704	1001271832	1	Hose	
800	1001269809	1	Hose, Kit (Turntable E/S)	
801	2752573	1	Hose	
802	2752723	1	Hose	
803	2752724	1	Hose	
804	2753390	1	Hose	
805	2754329	1	Hose	
806	2754330	1	Hose	
807	1001093549	1	Hose	
808	1001150715	2	Hose	
900	1001269810	1	Hose, Kit (Turntable T/S)	
901	2753132	1	Hose	

SECTION 7 - HYDRAULIC

ITEM	PART NUMBER	QTY	DESCRIPTION	REV
902	2751396	1	Hose	
903	2752453	1	Hose	
904	2752484	1	Hose	
905	2752600	2	Hose	
906	2752635	1	Hose	
907	2752656	1	Hose	
908	2752783	1	Hose	
909	2753133	1	Hose	
910	2754328	1	Hose	

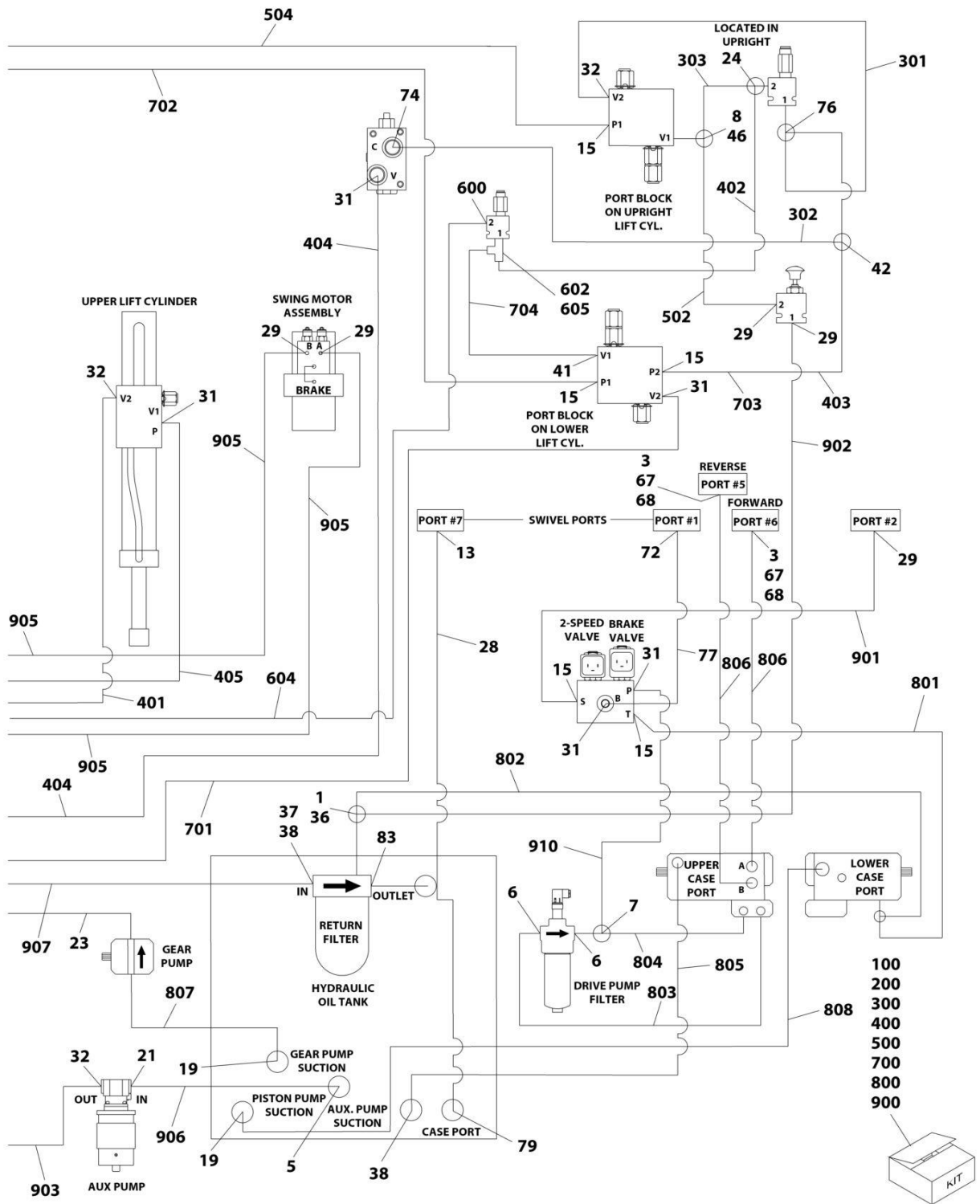
SECTION 7 - HYDRAULIC

FIGURE 7-5. HYDRAULIC DIAGRAM - STANDARD (DEUTZ TD2.9L4 & DEUTZ TD2.2L3 STAGE V ENGINES)



ART_1001253684_10F2

SECTION 7 - HYDRAULIC



ART_1001253684_2OF2

SECTION 7 - HYDRAULIC

FIGURE 7-5. HYDRAULIC DIAGRAM - STANDARD (DEUTZ TD2.9L4 & DEUTZ TD2.2L3 STAGE V ENGINES)

ITEM	PART NUMBER	QTY	DESCRIPTION	REV
	1001253684	Ref	HYDRAULIC DIAGRAM - STANDARD	F
1	2220605	1	Fitting, Tee JIC/FSJIC/JIC	
2	2220512	1	Fitting, Straight JIC/JIC	
3	2220377	2	Fitting, Straight JIC/ORB	
5	2220451	1	Fitting, Straight JIC/ORB	
6	2221042	2	Fitting, 90 JIC/ORB	
7	2220948	1	Fitting, Tee JIC/FSJIC/JIC	
8	2220618	1	Fitting, Straight JIC/FSJIC	
13	2220375	1	Fitting, Straight JIC/ORB	
15	2220466	7	Fitting, 90 JIC/ORB	
16	2220415	4	Fitting, Straight JIC/ORB	
19	2220379	2	Fitting, Straight JIC/ORB	
21	2220567	1	Fitting, 90 JIC/ORB	
23	2752929	1	Hose	
24	2220602	1	Fitting, Tee JIC/ORB/JIC	
28	2753968	1	Hose	
29	2220582	7	Fitting, Straight JIC/ORB	
31	2220596	5	Fitting, 90 JIC/ORB	
32	2220628	3	Fitting, 90 JIC/ORB	
33	2220381	3	Fitting, Straight JIC/ORB	
35	2220374	1	Fitting, Straight JIC/ORB	
36	2220574	1	Fitting, Straight JIC/NPTF	
37	2220921	1	Fitting, Straight FORB/ORB	
38	2220498	2	Fitting, 45 JIC/ORB	
40	1001257430	1	Cover, Hose Wrap	
41	2220372	4	Fitting, Straight JIC/ORB	
42	2221065	1	Fitting, Tee JIC/FSJIC/JIC	
46	2220999	1	Fitting, Tee JIC/ORB/JIC	
47	2220500	1	Fitting, 45 JIC/ORB	
53	2220511	1	Fitting, Straight JIC/JIC	
57	2220473	6	Fitting, 90 JIC/ORB	
64	2220998	2	Fitting, Straight JIC/ORB	
65	2220603	7	Fitting, Straight JIC/ORB	
67	0100011	AR	Compound, Locking	
68	0100038	AR	Primer, Locking	
69	1703534	2	Decal - Hose Tags (Not Shown)	
72	2220373	1	Fitting, Straight JIC/ORB	
73	2220947	1	Fitting, Straight JIC/ORB	
74	2221036	1	Fitting, 90 JIC/ORB	
76	2221053	1	Fitting, Tee JIC/ORB/JIC	
77	2752519	1	Hose	
78	2220386	1	Fitting, 90 JIC/FSJIC	
79	2220578	1	Fitting, 90 JIC/ORB	
80	1001104423	3	Fitting, Straight JIC/ORB	
83	2220893	1	Fitting, Straight ORB/ORB	
90	80233041	1	Valve, Check	
93	2220490	2	Fitting, Tee JIC/JIC/JIC	
94	2220600	2	Fitting, Straight JIC/ORB	
96	2220657	1	Fitting, 45 JIC/FSJIC	

SECTION 7 - HYDRAULIC

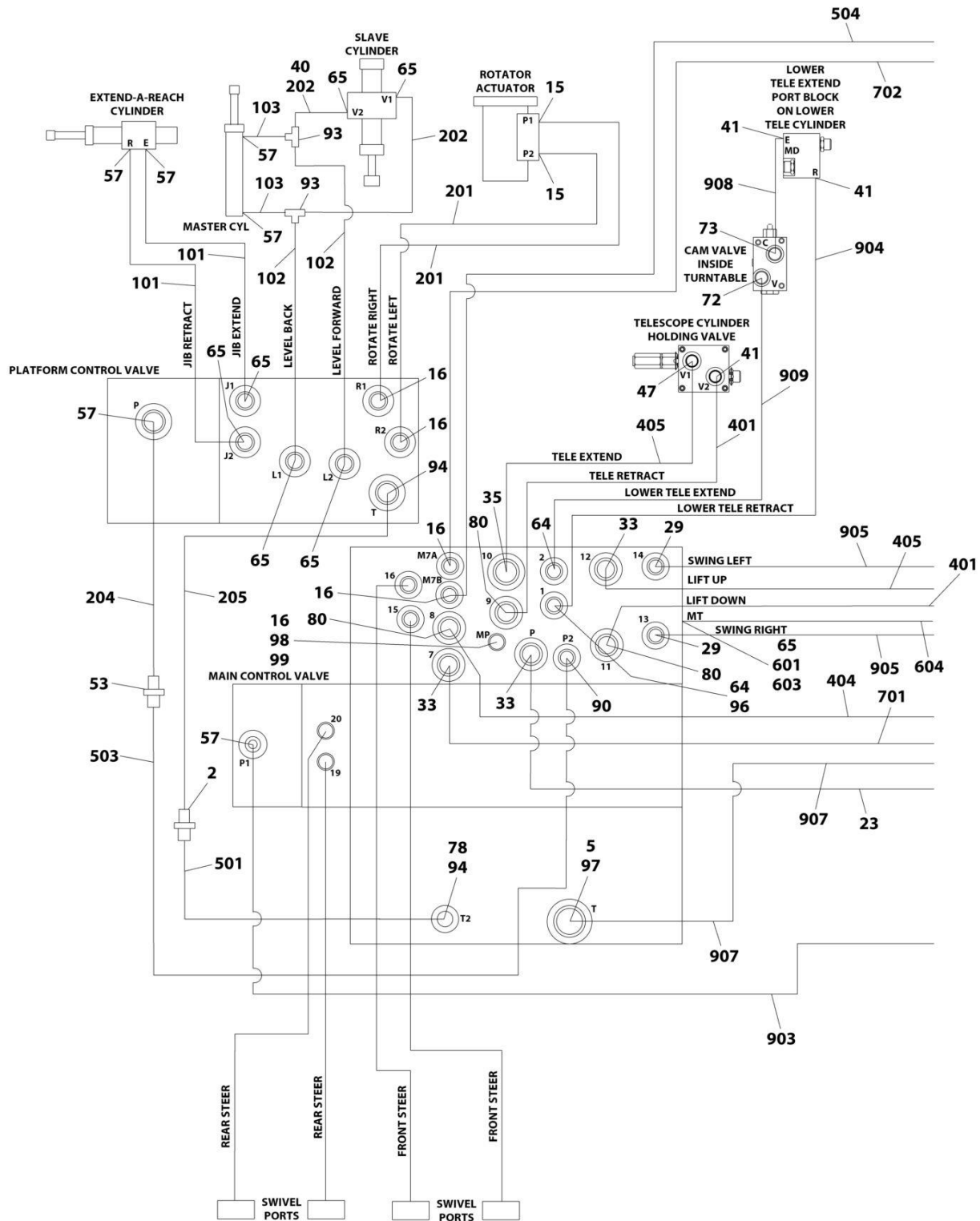
ITEM	PART NUMBER	QTY	DESCRIPTION	REV
97	2220409	1	Fitting, 45 JIC/FSJIC	
98	2752995	1	Hose	
99	91143177	1	Fitting, Test	
100	1001254955	1	Hose, Kit (Upper)	
101	1001155672	2	Hose	
102	1001155673	2	Hose	
103	1001254948	2	Hose	
200	1001254954	1	Hose, Kit (Upper)	
201	1001155669	2	Hose	
202	1001119602	2	Hose	
204	1001254949	1	Hose	
205	1001254950	1	Hose	
300	1001255599	1	Hose, Kit (Lower)	
301	2752462	1	Hose	
302	2753134	1	Hose	
303	2752497	1	Hose	
400	1001272631	1	Hose, Kit (Lower)	
401	2753055	2	Hose	
402	1001271833	1	Hose	
403	2752991	1	Hose	
404	2753135	1	Hose	
405	2752939	2	Hose	
500	1001212515	1	Hose, Kit (Lower)	
501	1001161036	1	Hose	
502	2752990	1	Hose	
503	1001161030	1	Hose	
504	2752987	1	Hose	
600	2220371	1	Fitting, Straight JIC/ORB	
601	2220516	1	Fitting, Cap FJIC	
602	2220606	1	Fitting, Tee JIC/ORB/JIC	
603	2220635	1	Fitting, Tee JIC/FSJIC/JIC	
604	1001271835	1	Hose	
605	8760268	1	Fitting, 90 JIC/FSJIC	
700	1001274367	1	Hose, Kit (Turntable)	
701	2752506	1	Hose	
702	2752593	1	Hose	
703	2752985	1	Hose	
704	1001271832	1	Hose	
800	1001269812	1	Hose, Kit (Turntable E/S)	
801	2753002	1	Hose	
802	2753390	1	Hose	
803	2754329	1	Hose	
804	2754330	1	Hose	
805	1001150714	1	Hose	
806	1001150715	2	Hose	
807	1001150718	1	Hose	
808	1001172535	1	Hose	
900	1001269807	1	Hose, Kit (Turntable T/S)	
901	2751396	1	Hose	
902	2752453	1	Hose	
903	2752478	1	Hose	

SECTION 7 - HYDRAULIC

ITEM	PART NUMBER	QTY	DESCRIPTION	REV
904	2752484	1	Hose	
905	2752600	2	Hose	
906	2752656	1	Hose	
907	2752783	1	Hose	
908	2753132	1	Hose	
909	2753133	1	Hose	
910	1001150717	1	Hose	

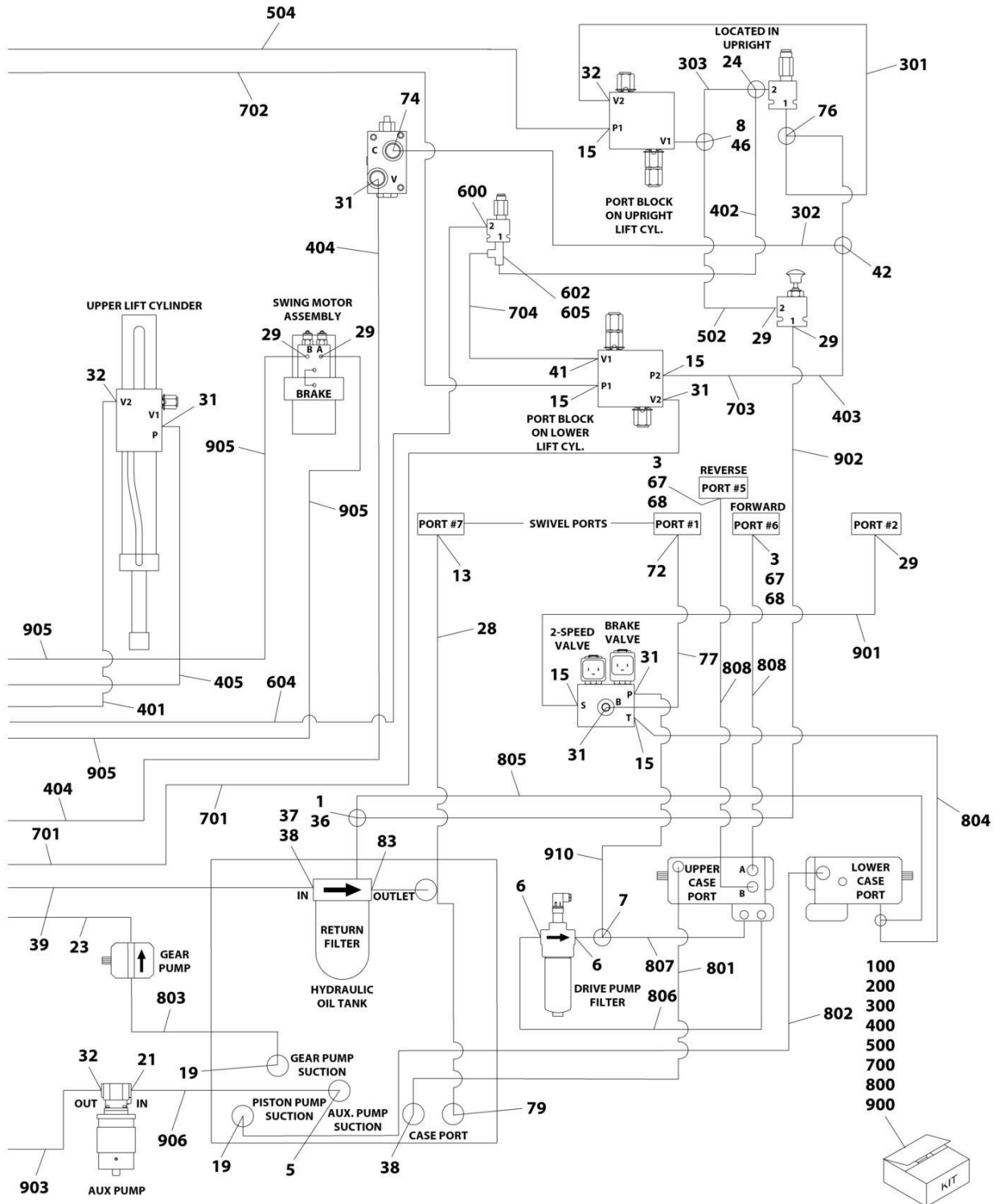
SECTION 7 - HYDRAULIC

FIGURE 7-6. HYDRAULIC DIAGRAM - STANDARD (FORD ENGINES)



ART_1001254623_1OF2

SECTION 7 - HYDRAULIC



ART_1001254623_20F2

SECTION 7 - HYDRAULIC

FIGURE 7-6. HYDRAULIC DIAGRAM - STANDARD (FORD ENGINES)

ITEM	PART NUMBER	QTY	DESCRIPTION	REV
	1001254623	Ref	HYDRAULIC DIAGRAM - STANDARD	E
1	2220605	1	Fitting, Tee JIC/FSJIC/JIC	
2	2220512	1	Fitting, Straight JIC/JIC	
3	2220377	2	Fitting, Straight JIC/ORB	
5	2220451	2	Fitting, Straight JIC/ORB	
6	2221042	2	Fitting, 90 JIC/ORB	
7	2220948	1	Fitting, Tee JIC/FSJIC/JIC	
8	2220618	1	Fitting, Straight JIC/FSJIC	
13	2220375	1	Fitting, Straight JIC/ORB	
15	2220466	7	Fitting, 90 JIC/ORB	
16	2220415	5	Fitting, Straight JIC/ORB	
19	2220379	2	Fitting, Straight JIC/ORB	
21	2220567	1	Fitting, 90 JIC/ORB	
23	2752929	1	Hose	
24	2220602	1	Fitting, Tee JIC/ORB/JIC	
28	2753968	1	Hose	
29	2220582	7	Fitting, Straight JIC/ORB	
31	2220596	5	Fitting, 90 JIC/ORB	
32	2220628	3	Fitting, 90 JIC/ORB	
33	2220381	3	Fitting, Straight JIC/ORB	
35	2220374	1	Fitting, Straight JIC/ORB	
36	2220574	1	Fitting, Straight JIC/NPTF	
37	2220921	1	Fitting, Straight FORB/ORB	
38	2220498	2	Fitting, 45 JIC/ORB	
40	1001257430	1	Cover, Hose Wrap	
41	2220372	4	Fitting, Straight JIC/ORB	
42	2221065	1	Fitting, Tee JIC/FSJIC/JIC	
46	2220999	1	Fitting, Tee JIC/ORB/JIC	
47	2220500	1	Fitting, 45 JIC/ORB	
53	2220511	1	Fitting, Straight JIC/JIC	
57	2220473	6	Fitting, 90 JIC/ORB	
64	2220998	2	Fitting, Straight JIC/ORB	
65	2220603	7	Fitting, Straight JIC/ORB	
67	0100011	AR	Compound, Locking	
68	0100038	AR	Primer, Locking	
69	1703534	2	Decal - Hose Tags (Not Shown)	
72	2220373	2	Fitting, Straight JIC/ORB	
73	2220947	1	Fitting, Straight JIC/ORB	
74	2221036	1	Fitting, 90 JIC/ORB	
76	2221053	1	Fitting, Tee JIC/ORB/JIC	
77	2752519	1	Hose	
78	2220386	1	Fitting, 90 JIC/FSJIC	
79	2220578	1	Fitting, 90 JIC/ORB	
80	1001104423	3	Fitting, Straight JIC/ORB	
83	2220893	1	Fitting, Straight ORB/ORB	
90	80233041	1	Valve, Check	
93	2220490	2	Fitting, Tee JIC/JIC/JIC	
94	2220600	2	Fitting, Straight JIC/ORB	
96	2220657	1	Fitting, 45 JIC/FSJIC	
97	2220409	2	Fitting, 45 JIC/FSJIC	

SECTION 7 - HYDRAULIC

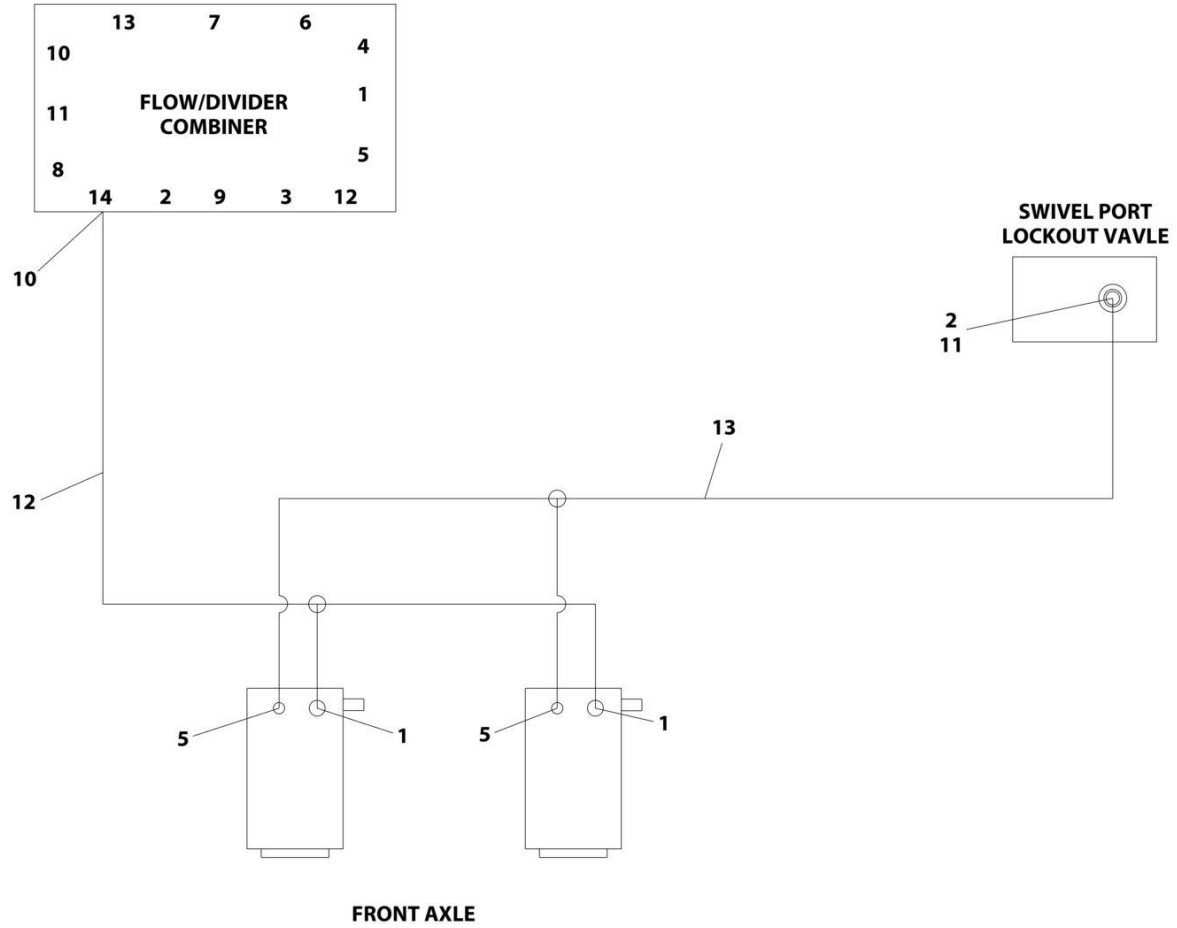
ITEM	PART NUMBER	QTY	DESCRIPTION	REV
98	2752995	1	Hose	
99	91143177	1	Fitting, Test	
100	1001254955	1	Hose, Kit (Upper)	
101	1001155672	2	Hose	
102	1001155673	2	Hose	
103	1001254948	2	Hose	
200	1001254954	1	Hose, Kit (Upper)	
201	1001155669	2	Hose	
202	1001119602	2	Hose	
204	1001254949	1	Hose	
205	1001254950	1	Hose	
300	1001255599	1	Hose, Kit (Lower)	
301	2752462	1	Hose	
302	2753134	1	Hose	
303	2752497	2	Hose	
400	1001272631	1	Hose, Kit (Lower)	
401	2753055	2	Hose	
402	1001271833	1	Hose	
403	2752991	1	Hose	
404	2753135	1	Hose	
405	2752939	2	Hose	
500	1001212515	1	Hose, Kit (Lower)	
501	1001161036	1	Hose	
502	2752990	1	Hose	
503	1001161030	1	Hose	
504	2752987	1	Hose	
600	2220371	1	Fitting, Straight JIC/ORB	
601	2220516	1	Fitting, Cap FJIC	
602	2220606	1	Fitting, Tee JIC/ORB/JIC	
603	2220635	1	Fitting, Tee JIC/FSJIC/JIC	
604	1001271835	1	Hose	
605	8760268	1	Fitting, 90 JIC/ORB	
700	1001274367	1	Hose, Kit (Turntable)	
701	2752506	1	Hose	
702	2752593	1	Hose	
703	2752985	1	Hose	
704	1001271832	1	Hose	
800	1001269806	1	Hose, Kit (Turntable E/S)	
801	2751362	1	Hose	
802	2752723	1	Hose	
803	2752724	1	Hose	
804	2753000	1	Hose	
805	2753390	1	Hose	
806	2754329	1	Hose	
807	2754330	1	Hose	
808	1001150715	2	Hose	
900	1001269807	1	Hose, Kit (Turntable T/S)	
901	2751396	1	Hose	
902	2752453	1	Hose	
903	2752478	1	Hose	
904	2752484	1	Hose	

SECTION 7 - HYDRAULIC

ITEM	PART NUMBER	QTY	DESCRIPTION	REV
905	2752600	2	Hose	
906	2752656	1	Hose	
907	2752783	1	Hose	
908	2753132	1	Hose	
909	2753133	1	Hose	
910	1001150717	1	Hose	

SECTION 7 - HYDRAULIC

FIGURE 7-7. HYDRAULIC DIAGRAM - OSCILLATING AXLE



ART_1001151349

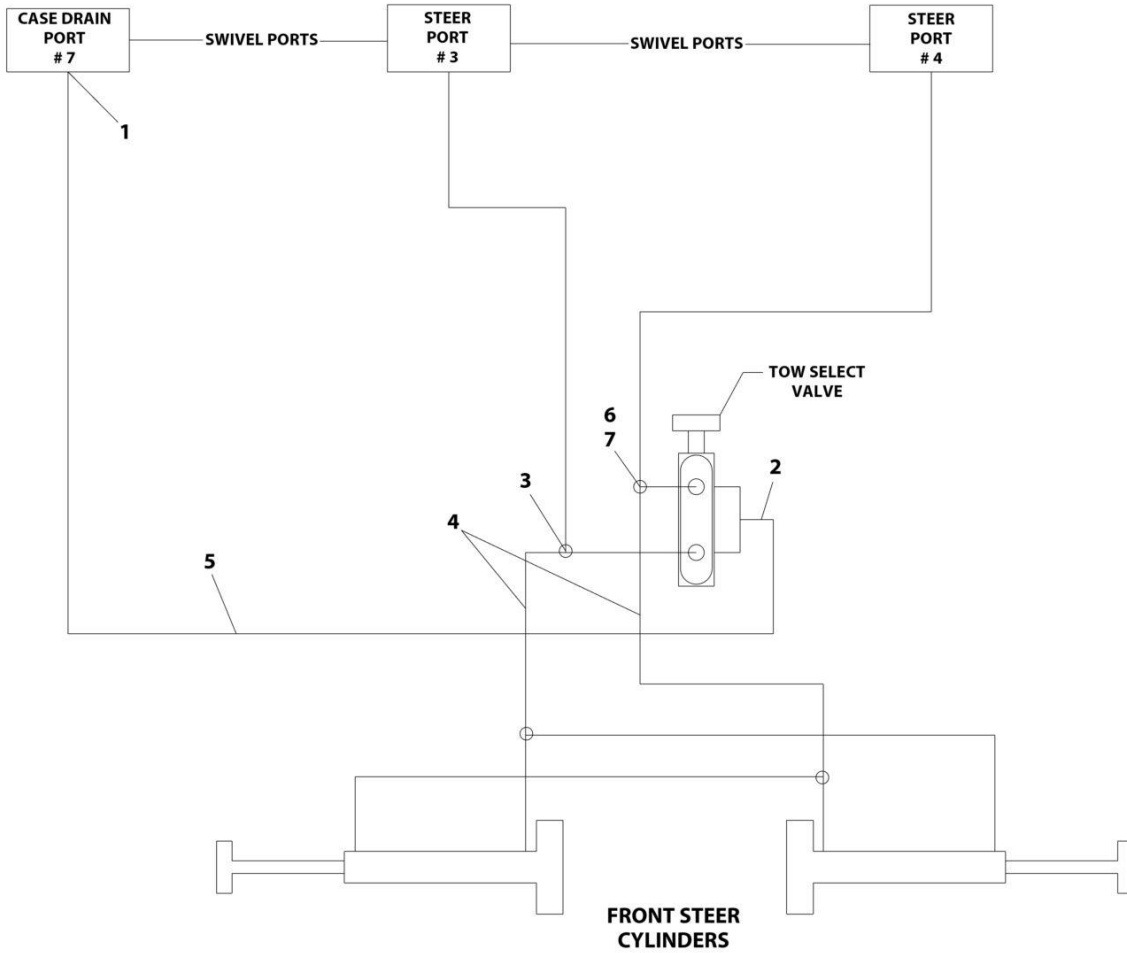
SECTION 7 - HYDRAULIC

FIGURE 7-7. HYDRAULIC DIAGRAM - OSCILLATING AXLE

ITEM	PART NUMBER	QTY	DESCRIPTION	REV
	1001151349	Ref	AXLE LOCKOUT DIAGRAM - OSCILLATING AXLE	C
1	2220371	2	Fitting, Straight JIC/ORB	
2	2220468	1	Fitting, Straight JIC/ORB	
5	2220415	2	Fitting, Straight JIC/ORB	
10	2220473	1	Fitting, 90 JIC/ORB	
11	2220654	1	Fitting, 90 JIC/FSJIC	
12	1001188890	1	Hose	
13	1001188891	1	Hose	

SECTION 7 - HYDRAULIC

FIGURE 7-8. HYDRAULIC DIAGRAM - TOW BAR



ART_2792630

SECTION 7 - HYDRAULIC

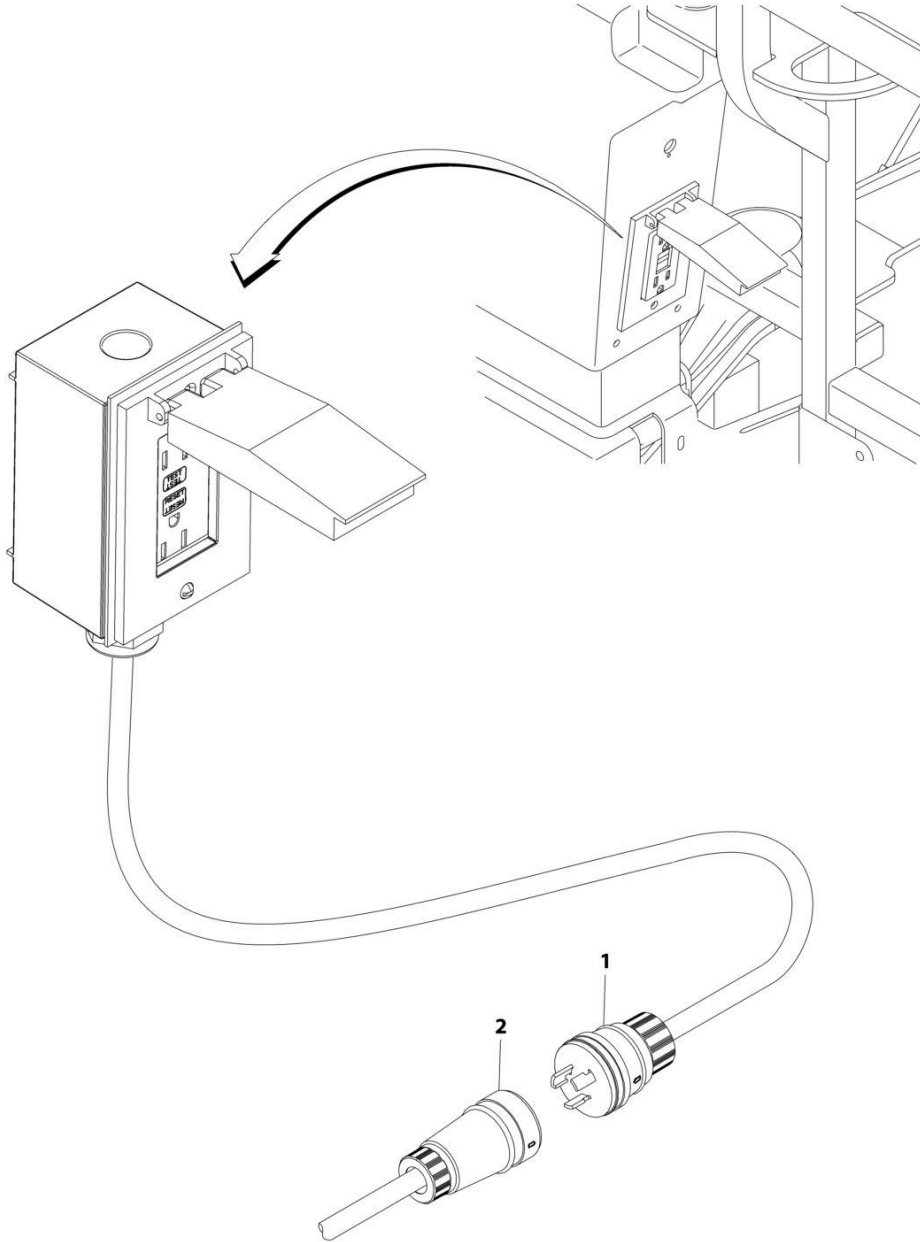
FIGURE 7-8. HYDRAULIC DIAGRAM - TOW BAR

ITEM	PART NUMBER	QTY	DESCRIPTION	REV
	2792630	Ref	TOW BAR DIAGRAM	C
1	2220473	1	Fitting, 90 JIC/ORB	
2	2220628	1	Fitting, 90 JIC/ORB	
3	2221053	1	Fitting, Tee JIC/ORB/JIC	
4	1001113790	2	Hose	
5	1001113818	1	Hose	
6	2220372	1	Fitting, Straight JIC/ORB	
7	2220635	1	Fitting, Tee JIC/FSJIC/JIC	

SECTION 8 - ELECTRICAL

SECTION 8 - ELECTRICAL

**FIGURE 8-1. AC CABLE CONNECTOR INSTALLATION - 110V/220V (MACHINES NO GENERATOR)
(ANSI EXPORT, AUSTRALIAN, CHINA, CE & UK CA SPECS)**



ART_1001213655

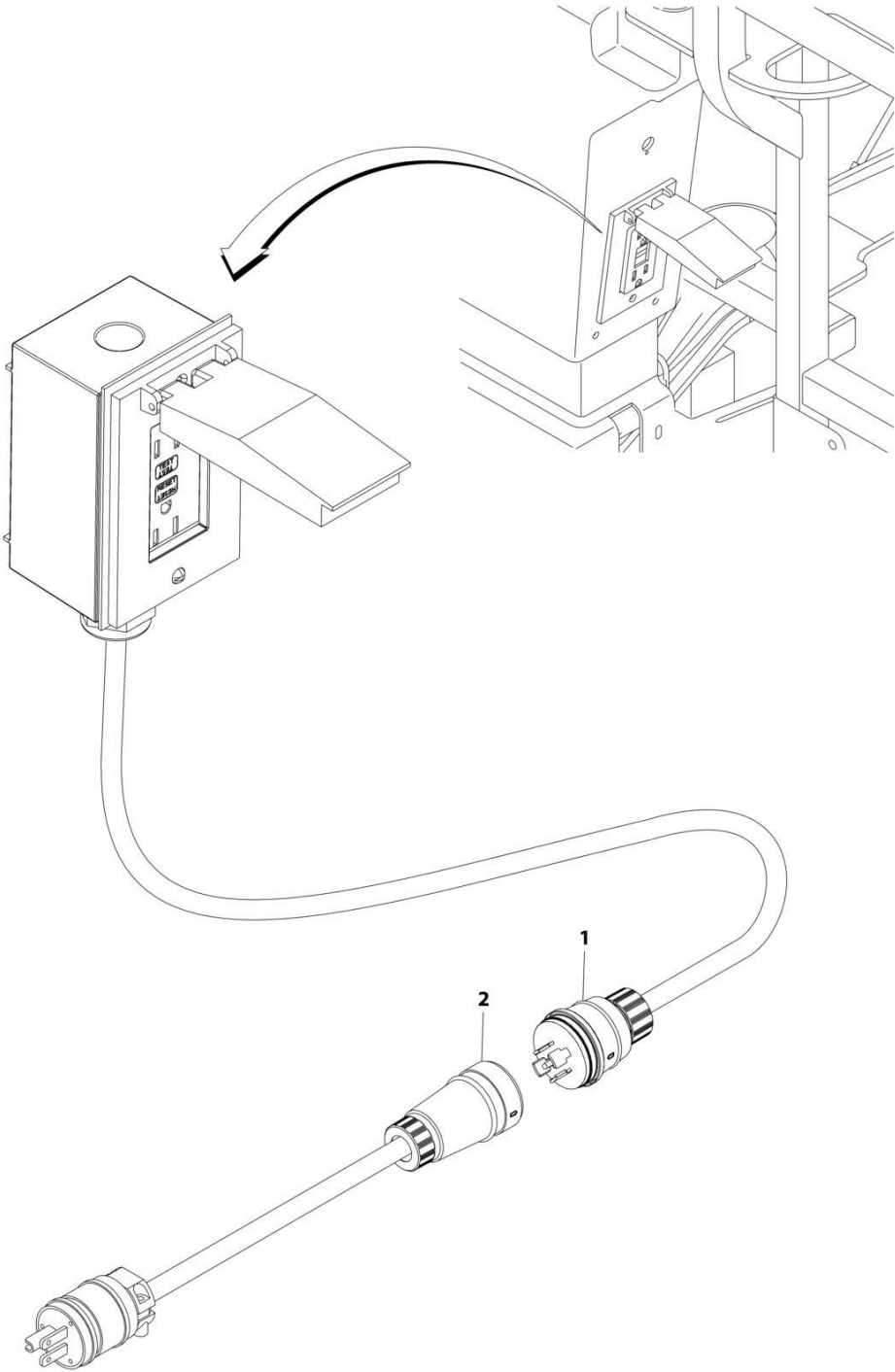
SECTION 8 - ELECTRICAL

**FIGURE 8-1. AC CABLE CONNECTOR INSTALLATION - 110V/220V (MACHINES NO GENERATOR)
(ANSI EXPORT, AUSTRALIAN, CHINA, CE & UK CA SPECS)**

ITEM	PART NUMBER	QTY	DESCRIPTION	REV
	1001213655	Ref	AC CABLE INSTALLATION - 110V/220V	A
1	1001214095	1	Plug, Male	
2	1001214096	1	Plug, Female	

SECTION 8 - ELECTRICAL

**FIGURE 8-2. AC CABLE CONNECTOR INSTALLATION – SKYPOWER (MACHINES NO GENERATOR)
(ALL SPECS)**



ART_0272433

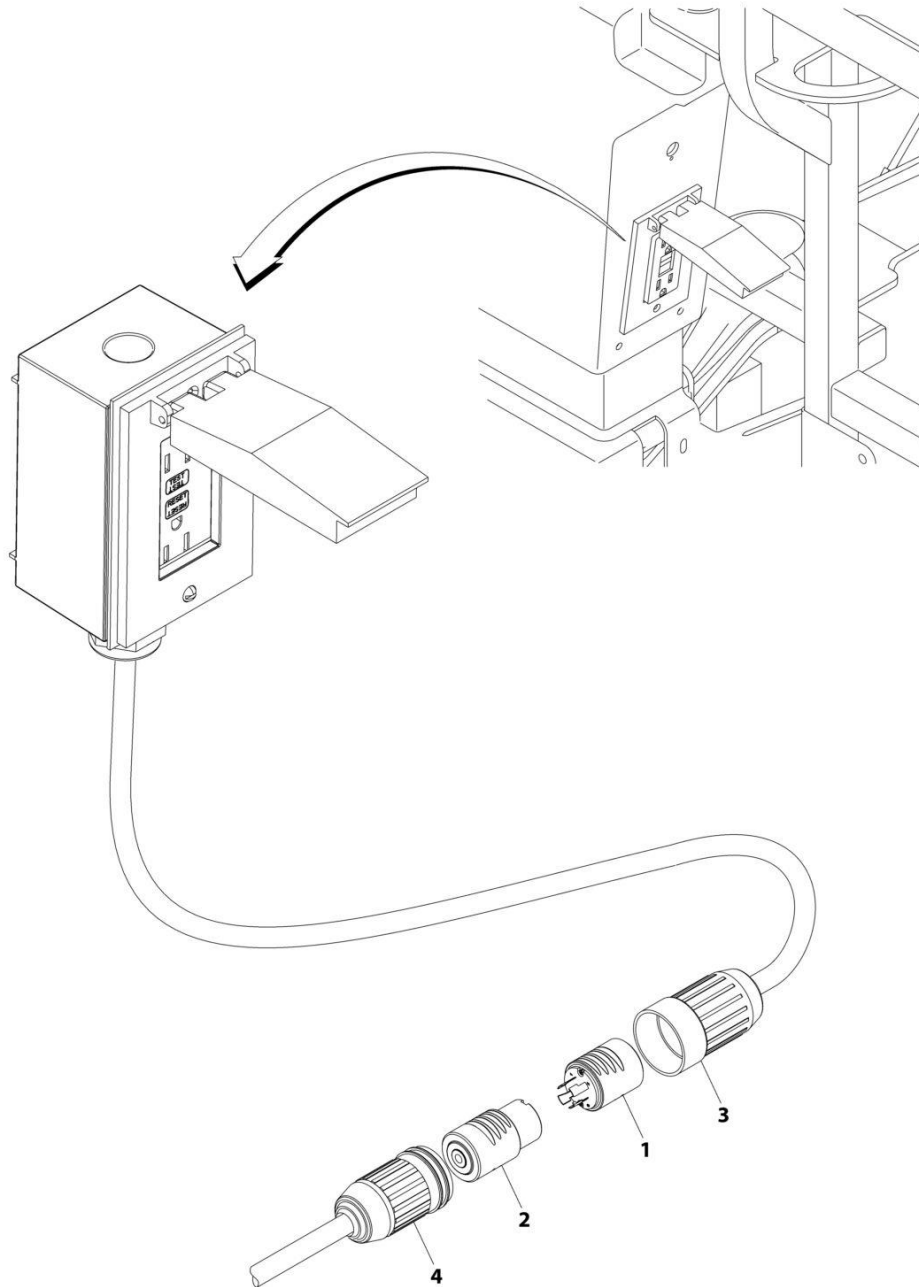
SECTION 8 - ELECTRICAL

**FIGURE 8-2. AC CABLE CONNECTOR INSTALLATION – SKYPOWER (MACHINES NO GENERATOR)
(ALL SPECS)**

ITEM	PART NUMBER	QTY	DESCRIPTION	REV
	0272433	Ref	AC CABLE INSTALLATION - 110V/220V	D
1	1001218622	1	Plug, Male	
2	1001218623	1	Plug, Female	

SECTION 8 - ELECTRICAL

FIGURE 8-3. AC CABLE CONNECTOR INSTALLATION – 4000W GENERATOR (MACHINES NO GENERATOR) (ALL SPECS EXCEPT AUSTRALIAN, CE & UK CA SPECS)



ART_1001160272

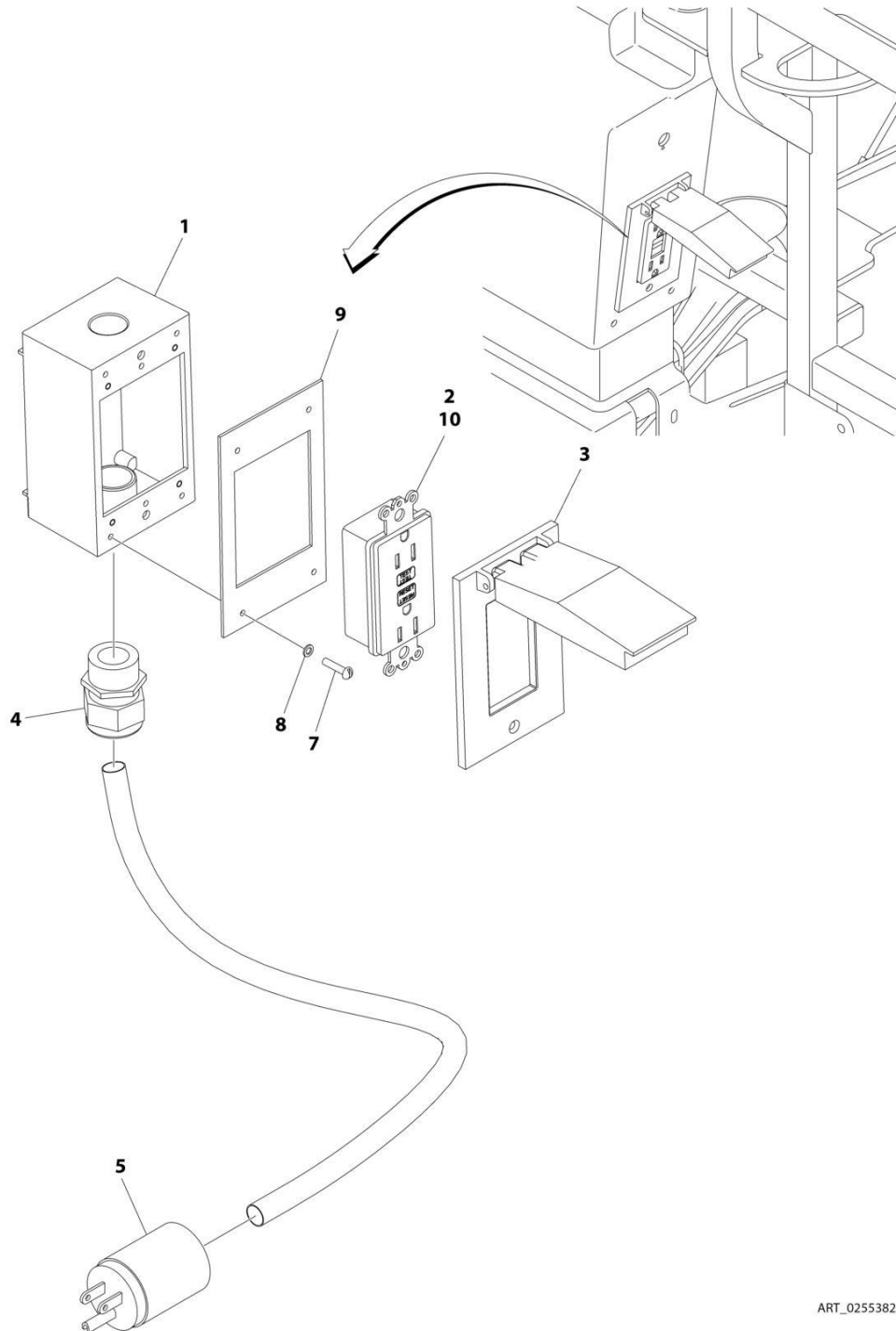
SECTION 8 - ELECTRICAL

FIGURE 8-3. AC CABLE CONNECTOR INSTALLATION – 4000W GENERATOR (MACHINES NO GENERATOR) (ALL SPECS EXCEPT AUSTRALIAN, CE & UK CA SPECS)

ITEM	PART NUMBER	QTY	DESCRIPTION	REV
	1001160272	Ref	AC CABLE CONNECTOR INSTALLATION – 4000W GENERATOR	A
1	4460962	1	Plug, Male	
2	4460963	1	Connector	
3	1671092	1	Cover	
4	1671093	1	Plug	

SECTION 8 - ELECTRICAL

FIGURE 8-4. AC BOX AT PLATFORM INSTALLATION - 110V GFI RECEPTACLE (MACHINES WITH 2500W GENERATOR/NO GENERATOR OPTIONS) (ALL SPECS EXCEPT AUSTRALIAN, CE& UK CA SPECS)



ART_0255382

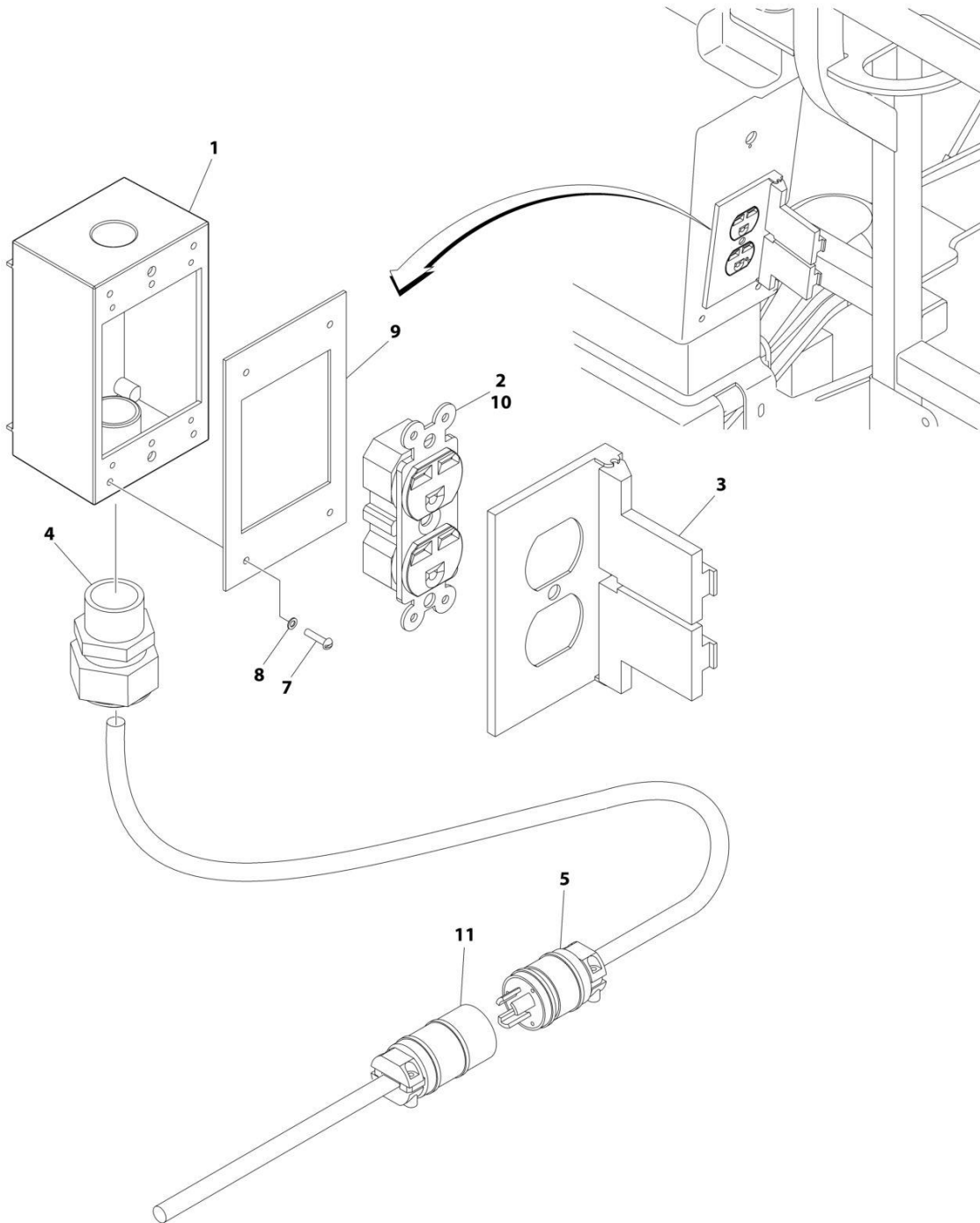
SECTION 8 - ELECTRICAL

FIGURE 8-4. AC BOX AT PLATFORM INSTALLATION - 110V GFI RECEPTACLE (MACHINES WITH 2500W GENERATOR/NO GENERATOR OPTIONS) (ALL SPECS EXCEPT AUSTRALIAN, CE& UK CA SPECS)

ITEM	PART NUMBER	QTY	DESCRIPTION	REV
	0255382	Ref	AC BOX AT PLATFORM INSTALLATION - 110V	C
1	0860038	1	Box, Switch	
2	4460346	1	Receptacle	
3	1001110873	1	Shield, Cover	
4	4460071	1	Connector, Strain Relief	
5	1001227309	1	Plug, Male	
7	3910610	4	Screw #6 x 5/8	
8	4760600	4	Washer #6	
9	3960422	1	Gasket	
10	4460315	1	Terminal, Spade	
18	4460205	1	Plug, Male (Not Shown - Located at turntable base)	

SECTION 8 - ELECTRICAL

FIGURE 8-5. AC BOX AT PLATFORM INSTALLATION - 220V RECEPTACLE (MACHINES WITH 2500W GENERATOR/NO GENERATOR OPTIONS) (ANSI, CSA AND JAPANESE SPECS)



ART_0257176

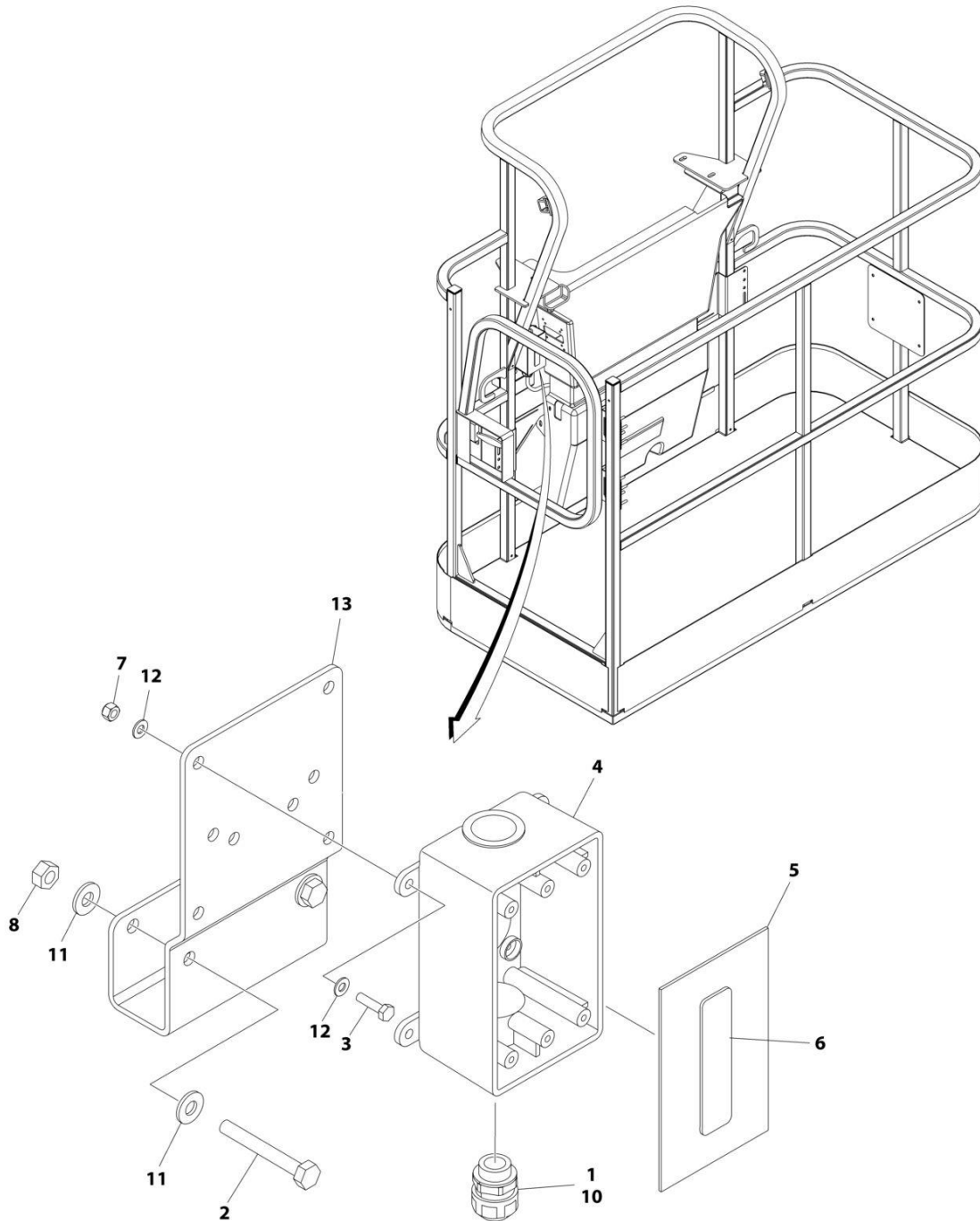
SECTION 8 - ELECTRICAL

FIGURE 8-5. AC BOX AT PLATFORM INSTALLATION - 220V RECEPTACLE (MACHINES WITH 2500W GENERATOR/NO GENERATOR OPTIONS) (ANSI, CSA AND JAPANESE SPECS)

ITEM	PART NUMBER	QTY	DESCRIPTION	REV
	0257176	Ref	AC BOX AT PLATFORM INSTALLATION - 220V	C
1	0860038	1	Box, Switch	
2	4460125	1	Receptacle	
3	4060092	1	Shield, Cover	
4	4460071	1	Connector, Strain Relief	
5	1001227309	1	Plug, Male	
7	3910610	4	Screw #6 x 5/8	
8	4760600	4	Washer #6	
9	3960422	1	Gasket	
10	4460315	1	Terminal, Spade	
11	1001227310	1	Connector, Female	
18	4460233	1	Plug (Not Shown - Located at turntable base)	

SECTION 8 - ELECTRICAL

FIGURE 8-6. AC BOX AT PLATFORM INSTALLATION - BOX WITH COVER (2X4 BOX) (ANSI EXPORT SPECS) (4000W GENERATOR)



ART_1001194365

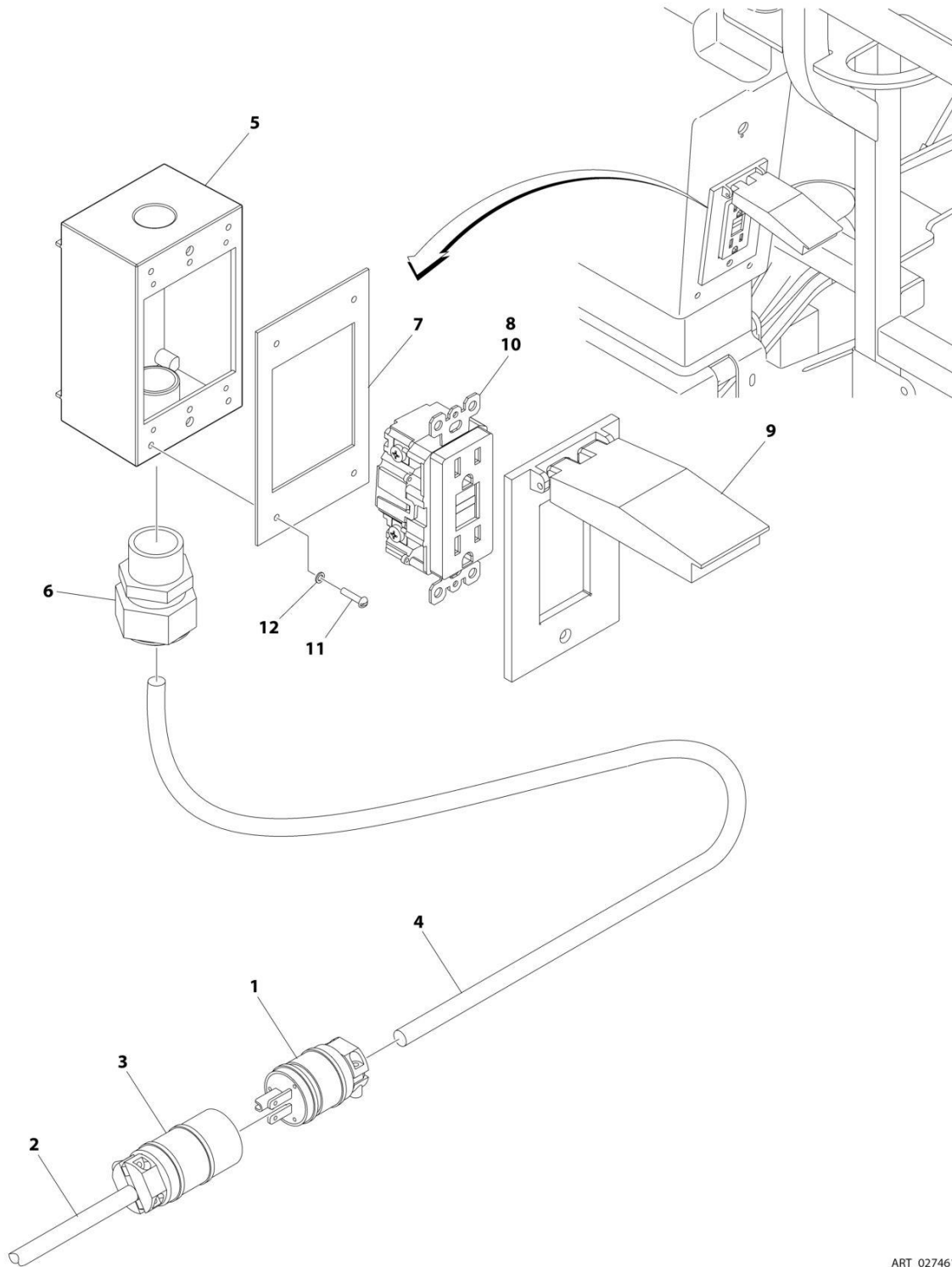
SECTION 8 - ELECTRICAL

FIGURE 8-6. AC BOX AT PLATFORM INSTALLATION - BOX WITH COVER (2X4 BOX) (ANSI EXPORT SPECS) (4000W GENERATOR)

ITEM	PART NUMBER	QTY	DESCRIPTION	REV
	1001194365	Ref	AC BOX AT PLATFORM INSTALLATION - BOX WITH COVER (2X4 BOX)	A
1	0100020	AR	Sealant	
2	0641416	2	Bolt 1/4 x 2	
3	0700408	4	Bolt M4 x 16	
4	0861731	1	Box, Switch	
5	1670603	1	Cover	
6	3251242	1	Decal - 240V/50Hz	
7	3290405	4	Nut M4	
8	3311405	2	Nut 1/4	
9	4460384	3	Terminal (Not Shown)	
10	4460662	1	Connector, Strain Relief	
11	4711400	4	Washer 1/4	
12	4811400	8	Washer M4	
13	1001193018	1	Bracket, AC Receptacle	

SECTION 8 - ELECTRICAL

FIGURE 8-7. AC BOX AT PLATFORM INSTALLATION – DUAL AC 110V GFI (MACHINES WITH 2500W GENERATOR) (ANSI EXPORT AND CHINA SPECS)



ART_0274618

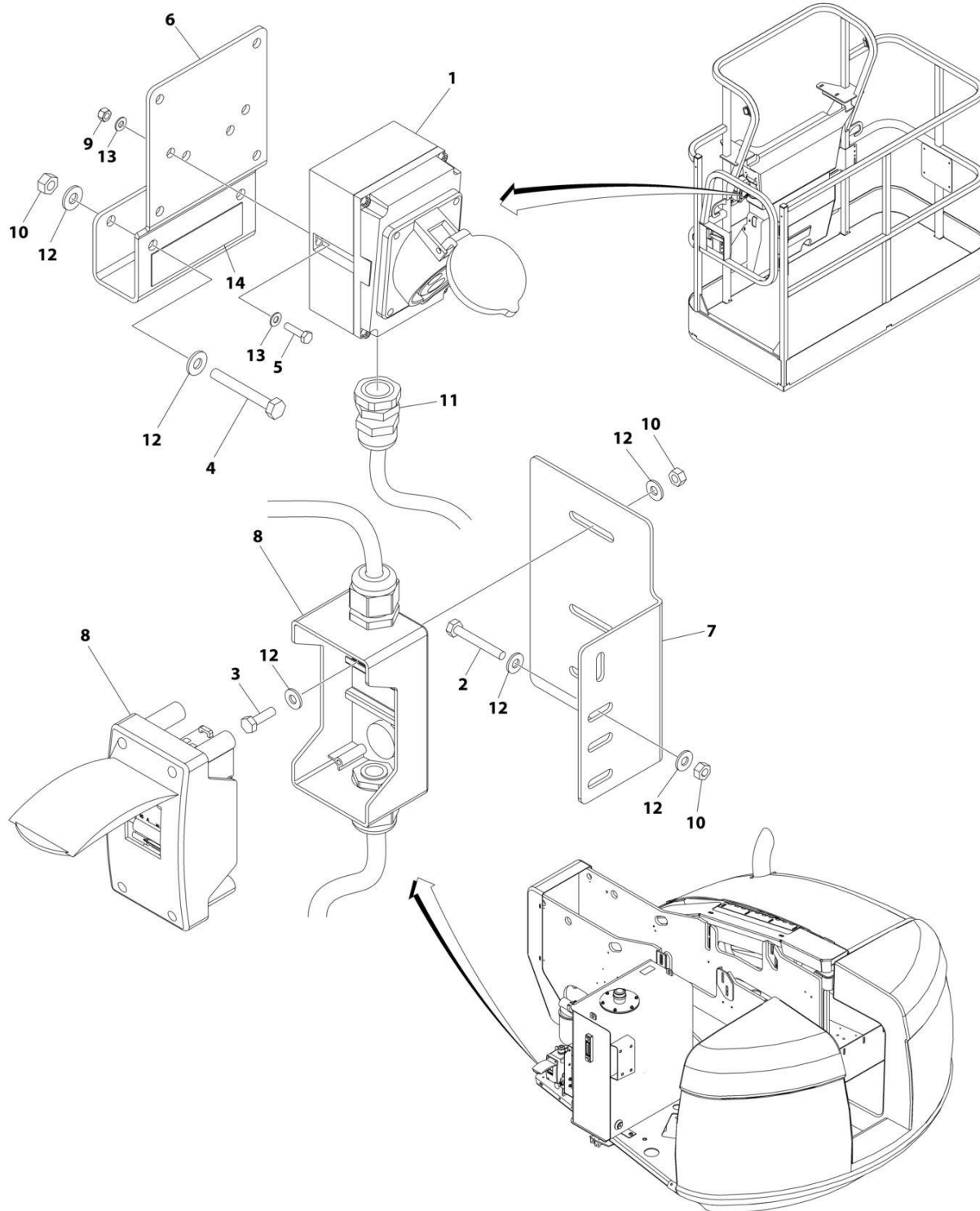
SECTION 8 - ELECTRICAL

FIGURE 8-7. AC BOX AT PLATFORM INSTALLATION – DUAL AC 110V GFI (MACHINES WITH 2500W GENERATOR) (ANSI EXPORT AND CHINA SPECS)

ITEM	PART NUMBER	QTY	DESCRIPTION	REV
	0274618	Ref	AC BOX AT PLATFORM INSTALLATION – DUAL AC 110V GFI	2
1	4460205	4	Plug, Male	
2	4922892	1	Cable, Electrical 12/3 (Tower Boom)	
3	4460134	2	Plug, Female	
4	4922894	1	Cable, Electrical 12/3 (Main Boom)	
5	0860038	1	Box, Switch	
6	4460071	1	Connector, Strain Relief	
7	3960422	1	Gasket	
8	4460346	1	Receptacle	
9	1001110873	1	Shield, Cover	
10	4460315	1	Terminal, Spade	
11	3910606	4	Screw #6 x 3/8	
12	4760600	4	Washer #6	

SECTION 8 - ELECTRICAL

FIGURE 8-8. AC BOX AT PLATFORM INSTALLATION - 110V IEC YELLOW (CE & UK CA SPECS)



ART_0275656

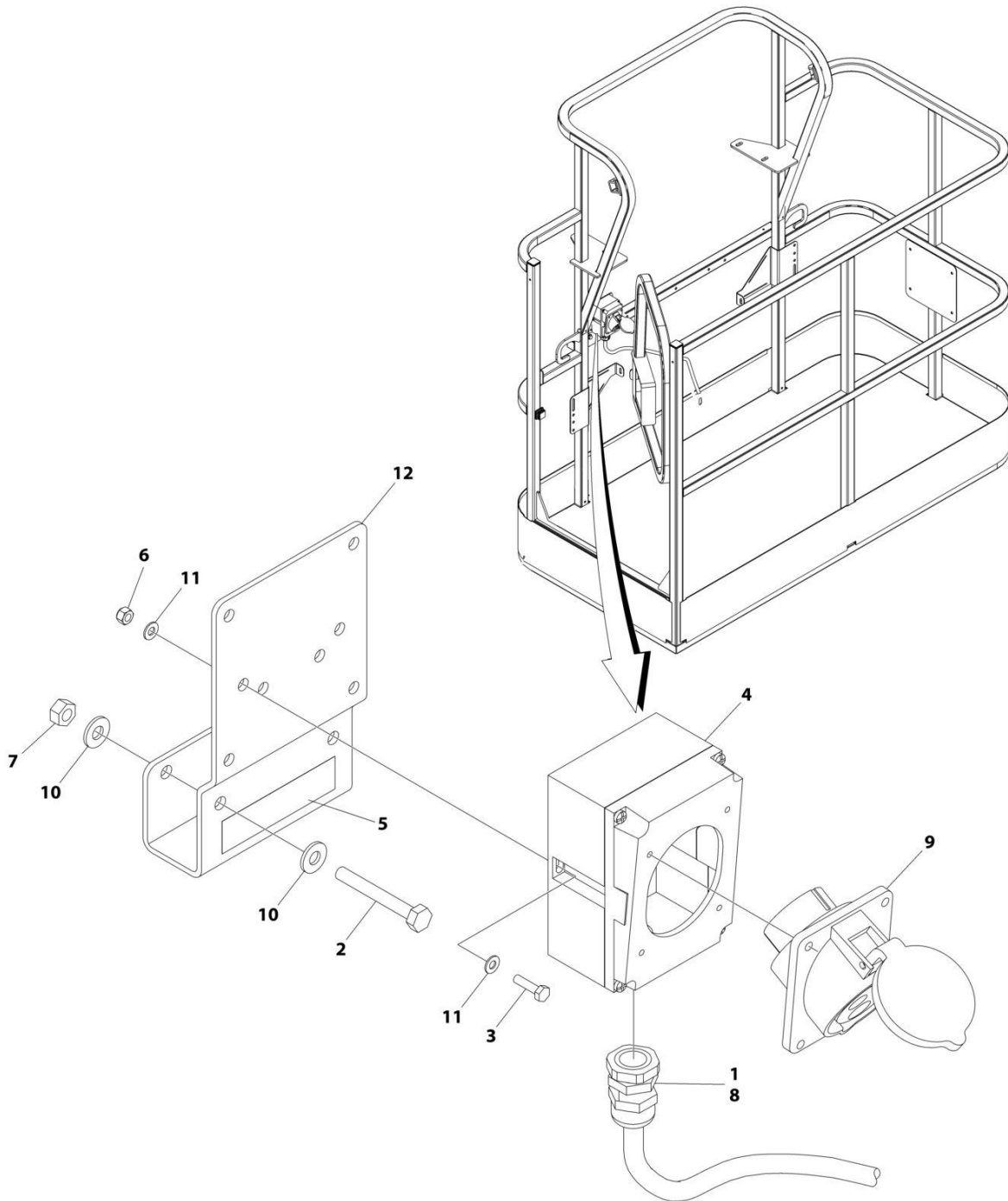
SECTION 8 - ELECTRICAL

FIGURE 8-8. AC BOX AT PLATFORM INSTALLATION - 110V IEC YELLOW (CE & UK CA SPECS)

ITEM	PART NUMBER	QTY	DESCRIPTION	REV
	0275656	Ref	AC BOX AT PLATFORM INSTALLATION - 110V IEC YELLOW	F
1	0275216	1	Receptacle Box Kit (See Separate Breakdown in this Section)	
2	0641415	2	Bolt 1/4 x 1-7/8	
3	0641407	2	Bolt 1/4 x 7/8	
4	0641416	2	Bolt 1/4 x 2	
5	0700408	2	Bolt M4 x 16	
6	1001193018	1	Bracket	
7	1001153636	1	Bracket	
8	1001096070	1	Breaker Box Kit (See Separate Breakdown in this Section)	
9	3290405	2	Nut M4	
10	3311405	6	Nut 1/4	
11	4460968	1	Connector, Strain Relief	
12	4711400	12	Washer 1/4	
13	4811400	4	Washer M4	
14	1705325	2	Decal - 110V	

SECTION 8 - ELECTRICAL

FIGURE 8-9. AC BOX AT PLATFORM INSTALLATION - 110V IEC 60309 YELLOW (CE & UK CA SPECS) (4000W GENERATOR)



ART_1001194203

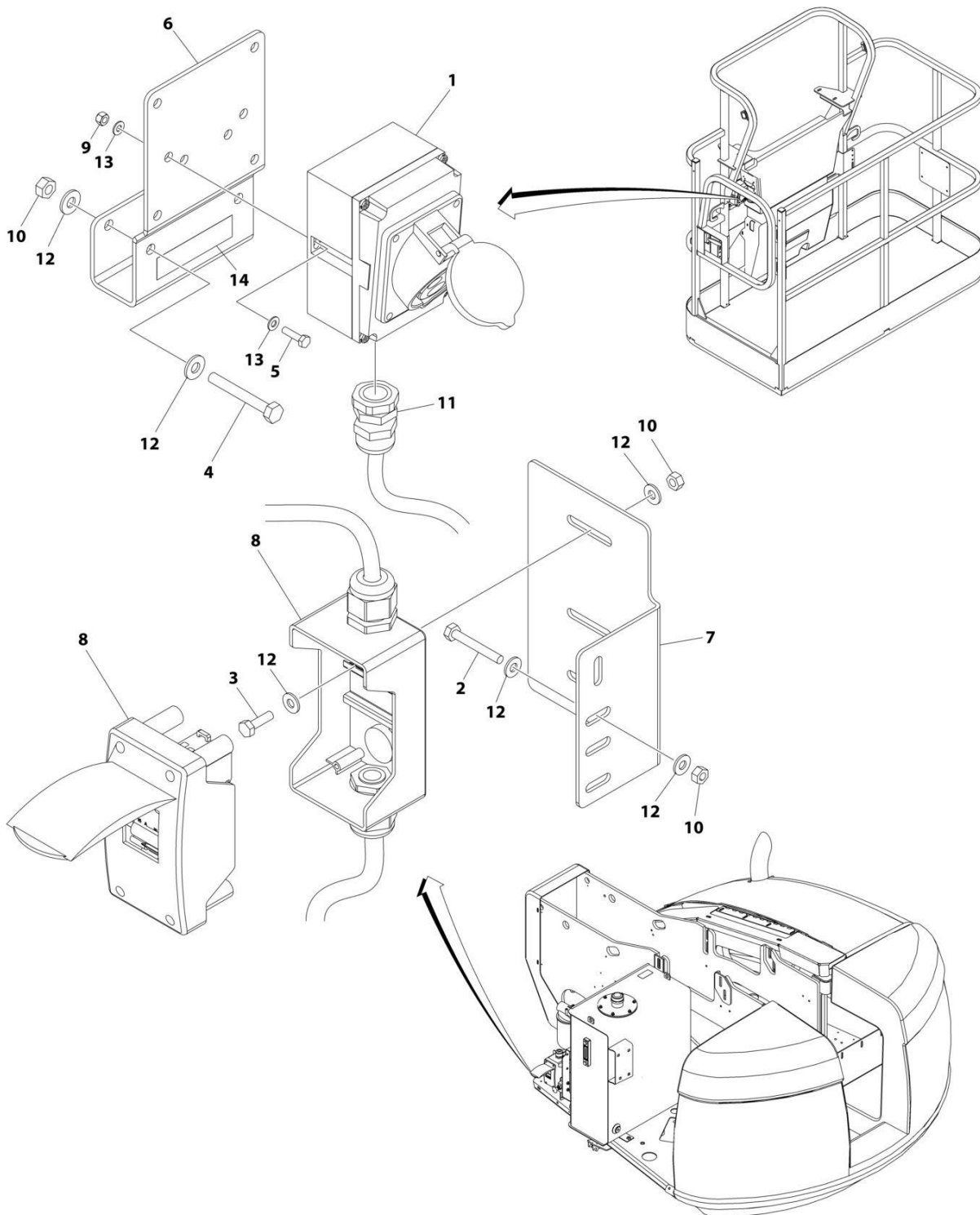
SECTION 8 - ELECTRICAL

FIGURE 8-9. AC BOX AT PLATFORM INSTALLATION - 110V IEC 60309 YELLOW (CE & UK CA SPECS) (4000W GENERATOR)

ITEM	PART NUMBER	QTY	DESCRIPTION	REV
	1001194203	Ref	AC BOX AT PLATFORM INSTALLATION	B
1	0100020	AR	Sealant, Pipe	
2	0641416	2	Bolt 1/4 x 2	
3	0700408	2	Bolt M4 x 16	
4	0861781	1	Box, Switch	
5	1705325	1	Decal - 110V	
6	3290405	2	Nut M4	
7	3311405	2	Nut 1/4	
8	4460968	1	Connector, Strain Relief	
9	4461198	1	Receptacle	
10	4711400	4	Washer 1/4	
11	4811400	4	Washer M4	
12	1001193018	1	Bracket, AC Receptacle	

SECTION 8 - ELECTRICAL

FIGURE 8-10. AC BOX AT PLATFORM INSTALLATION - 220V IEC BLUE (CE& UK CA SPECS)



ART_0275652

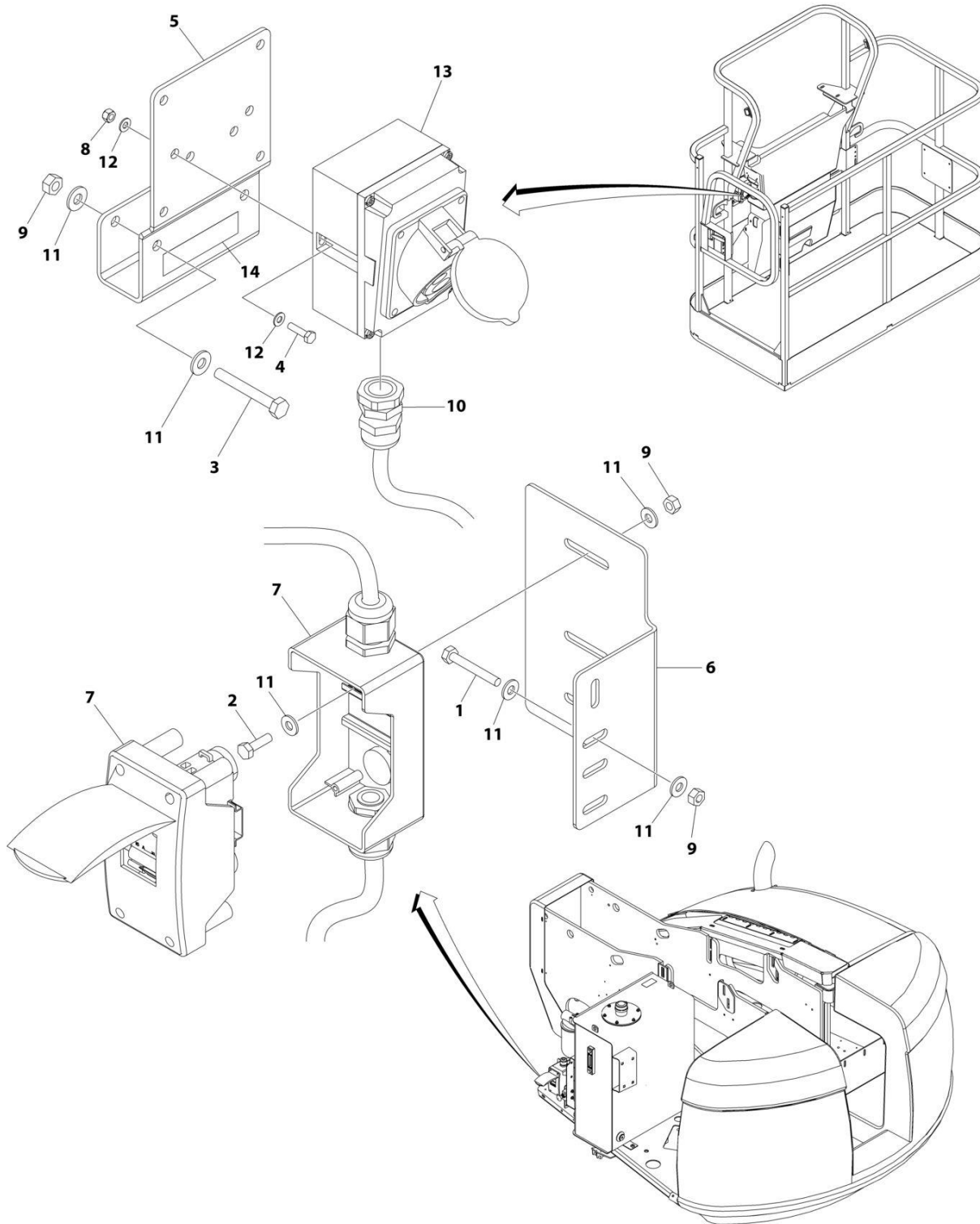
SECTION 8 - ELECTRICAL

FIGURE 8-10. AC BOX AT PLATFORM INSTALLATION - 220V IEC BLUE (CE& UK CA SPECS)

ITEM	PART NUMBER	QTY	DESCRIPTION	REV
	0275652	Ref	AC BOX AT PLATFORM INSTALLATION - 220V IEC BLUE	F
1	0275217	1	Receptacle Box Kit (See Separate Breakdown in this Section)	
2	0641415	2	Bolt 1/4 x 1-7/8	
3	0641407	2	Bolt 1/4 x 7/8	
4	0641416	2	Bolt 1/4 x 2	
5	0700408	2	Bolt M4 x 16	
6	1001193018	1	Bracket	
7	1001153636	1	Bracket	
8	1001096070	1	Breaker Box Kit (See Separate Breakdown in this Section)	
9	3290405	2	Nut M4	
10	3311405	6	Nut 1/4	
11	4460968	1	Connector, Strain Relief	
12	4711400	12	Washer 1/4	
13	4811400	4	Washer M4	
14	3252507	1	Decal - 240V-50/60Hz	

SECTION 8 - ELECTRICAL

FIGURE 8-11. AC BOX AT PLATFORM INSTALLATION - 220V IEC BLUE (CE & UK CA SPECS)
(2500W GENERATOR)



ART_1001100401

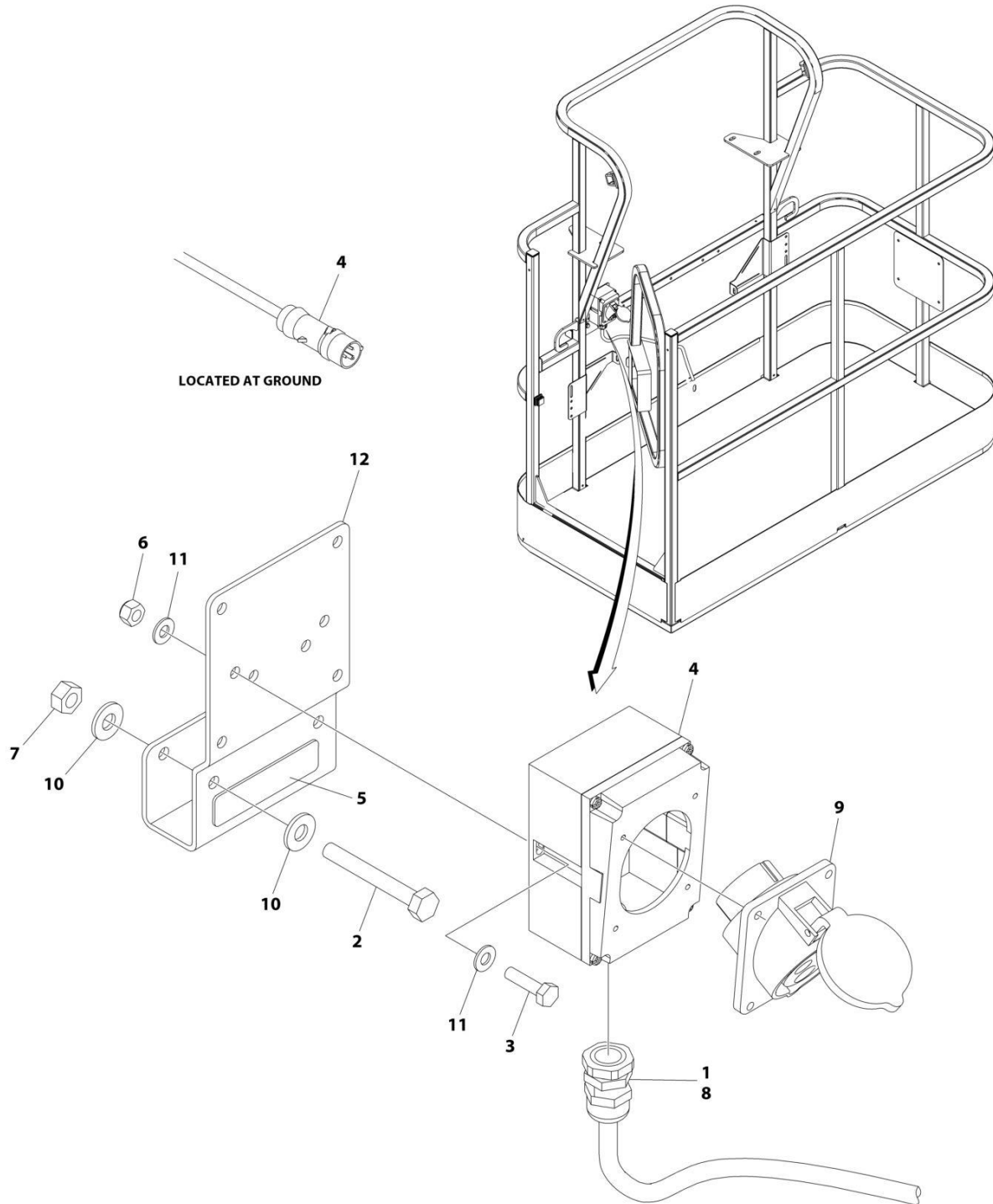
SECTION 8 - ELECTRICAL

**FIGURE 8-11. AC BOX AT PLATFORM INSTALLATION - 220V IEC BLUE (CE & UK CA SPECS)
(2500W GENERATOR)**

ITEM	PART NUMBER	QTY	DESCRIPTION	REV
	1001100401	Ref	AC BOX AT PLATFORM INSTALLATION	F
1	0641415	2	Bolt 1/4 x 1-7/8	
2	0641407	2	Bolt 1/4 x 7/8	
3	0641416	2	Bolt 1/4 x 2	
4	0700408	2	Bolt M4 x 16	
5	1001193018	1	Bracket	
6	1001153636	1	Bracket	
7	1001109554	1	Breaker Box Kit (See Separate Breakdown in this Section)	
8	3290405	2	Nut M4	
9	3311405	6	Nut 1/4	
10	4460662	1	Connector, Strain Relief	
11	4711400	12	Washer 1/4	
12	4811400	8	Washer M4	
13	1001100342	1	Receptacle Box Kit (See Separate Breakdown in this Section)	
14	3252507	1	Decal - 240V-50/60Hz	

SECTION 8 - ELECTRICAL

FIGURE 8-12. AC BOX AT PLATFORM INSTALLATION - 220V IEC 60309 BLUE (CE & UK CA SPECS)
(4000W GENERATOR)



ART_1001194204

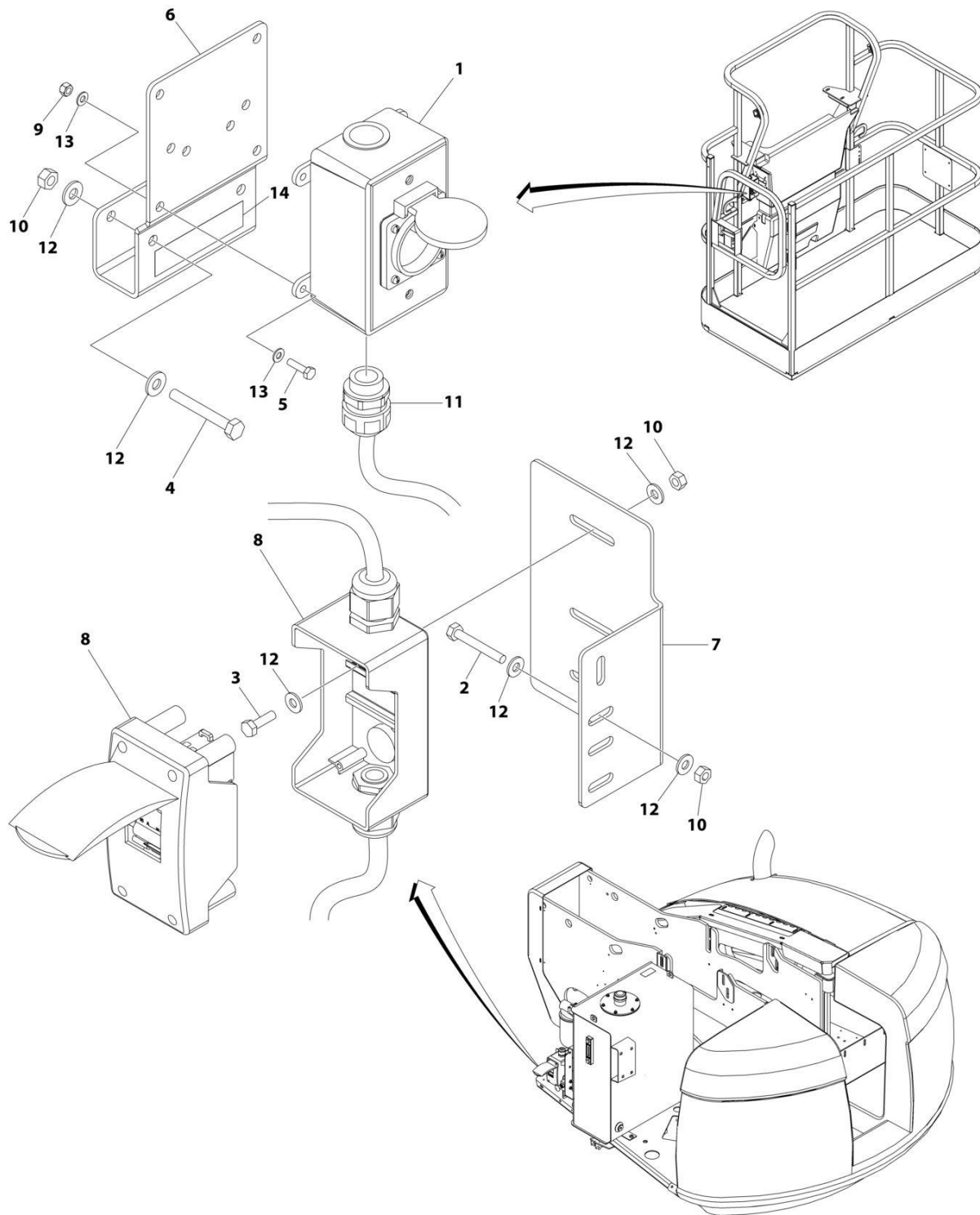
SECTION 8 - ELECTRICAL

**FIGURE 8-12. AC BOX AT PLATFORM INSTALLATION - 220V IEC 60309 BLUE (CE & UK CA SPECS)
(4000W GENERATOR)**

ITEM	PART NUMBER	QTY	DESCRIPTION	REV
	1001194204	Ref	AC BOX AT PLATFORM INSTALLATION	B
1	0100020	AR	Sealant, Pipe	
2	0641416	2	Bolt 1/4 x 2	
3	0700408	2	Bolt M4 x 16	
4	0861781	1	Box, Switch	
5	3251242	1	Decal - 240V/50Hz	
6	3290405	2	Nut M4	
7	3311405	2	Nut 1/4	
8	4460968	1	Connector, Strain Relief	
9	4461201	1	Receptacle	
10	4711400	4	Washer 1/4	
11	4811400	4	Washer M4	
12	1001193018	1	Bracket, AC Receptacle	

SECTION 8 - ELECTRICAL

FIGURE 8-13. AC BOX AT PLATFORM INSTALLATION - 220V CEE7 POST GROUND (CE & UK CA SPECS)



ART_0275653

SECTION 8 - ELECTRICAL

FIGURE 8-13. AC BOX AT PLATFORM INSTALLATION - 220V CEE7 POST GROUND (CE & UK CA SPECS)

ITEM	PART NUMBER	QTY	DESCRIPTION	REV
	0275653	Ref	AC BOX AT PLATFORM INSTALLATION	G
1	0275452	1	Receptacle Box Kit - 220V CEE7 Post Ground 21in x 4in (See Separate Breakdown in this Section)	
2	0641415	2	Bolt 1/4 x 1-7/8	
3	0641407	2	Bolt 1/4 x 7/8	
4	0641416	2	Bolt 1/4 x 2	
5	0700408	4	Bolt M4 x 16	
6	1001193018	1	Bracket	
7	1001153636	1	Bracket	
8	1001096070	1	Breaker Box Kit (See Separate Breakdown in this Section)	
9	3290405	4	Nut M4	
10	3311405	6	Nut 1/4	
11	4460662	1	Connector, Strain Relief	
12	4711400	12	Washer 1/4	
13	4811400	8	Washer M4	
14	3252507	1	Decal - 240V-50/60Hz	

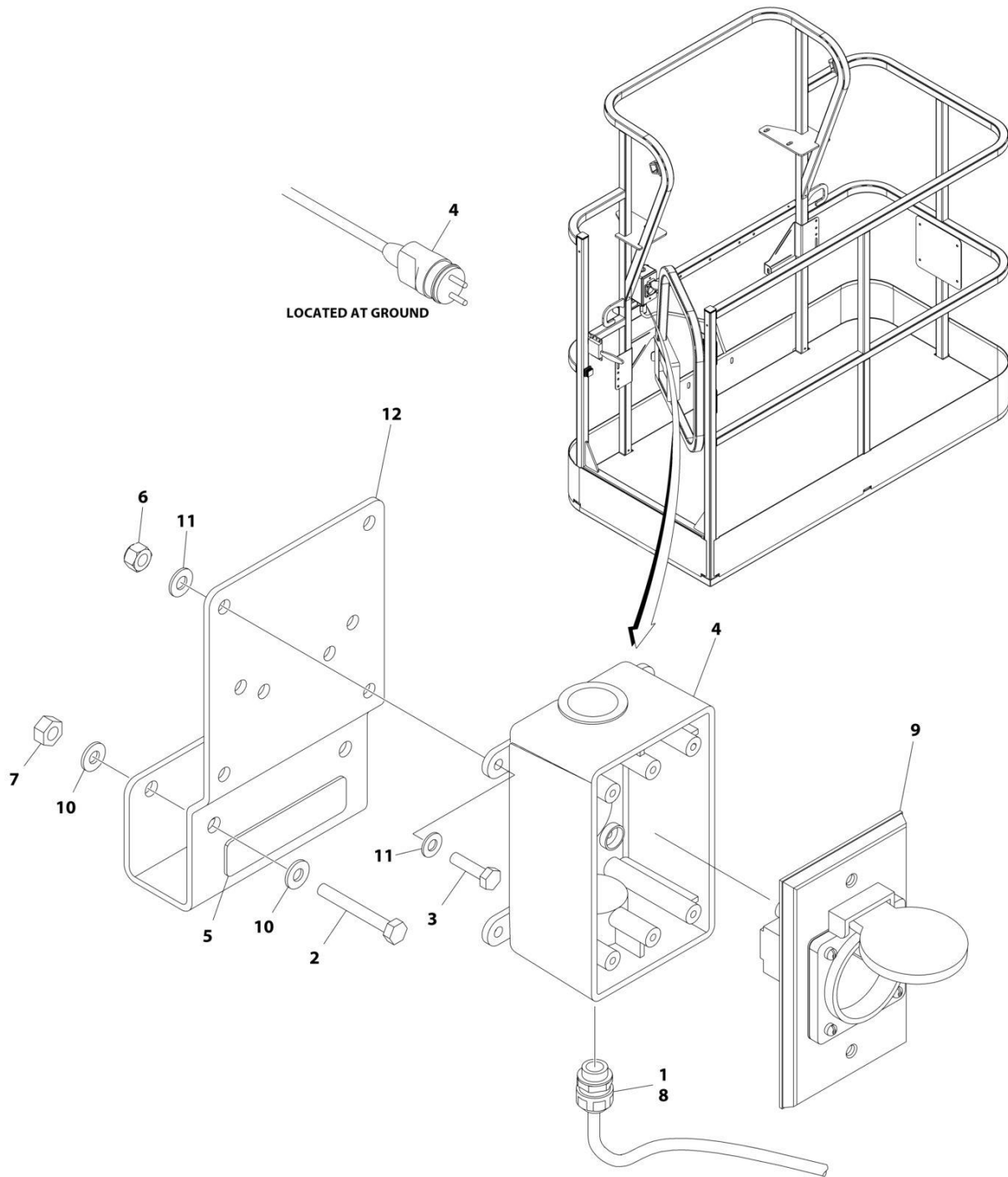
SECTION 8 - ELECTRICAL

FIGURE 8-14. AC BOX AT PLATFORM INSTALLATION - 220V CEE7 POST GROUND (CE & UK CA SPECS) (2500W GENERATOR)

ITEM	PART NUMBER	QTY	DESCRIPTION	REV
	1001100397	Ref	AC BOX AT PLATFORM INSTALLATION	H
1	0641415	2	Bolt 1/4 x 1-7/8	
2	0641407	2	Bolt 1/4 x 7/8	
3	0641416	2	Bolt 1/4 x 2	
4	0700408	4	Bolt M4 x 16	
5	1001193018	1	Bracket	
6	1001153636	1	Bracket	
7	1001109554	1	Breaker Box Kit (See Separate Breakdown in this Section)	
8	3290405	4	Nut M4	
9	3311405	6	Nut 1/4	
10	4460662	1	Connector, Strain Relief	
11	4711400	12	Washer 1/4	
12	4811400	8	Washer M4	
13	1001100345	1	Receptacle Box Kit (See Separate Breakdown in this Section)	
14	3252507	1	Decal - 240V-50/60Hz	

SECTION 8 - ELECTRICAL

FIGURE 8-15. AC BOX AT PLATFORM INSTALLATION - 220V CEE7 POST GROUND (2X4 BOX) (CE & UK CA SPECS) (4000W GENERATOR)



ART_1001194197

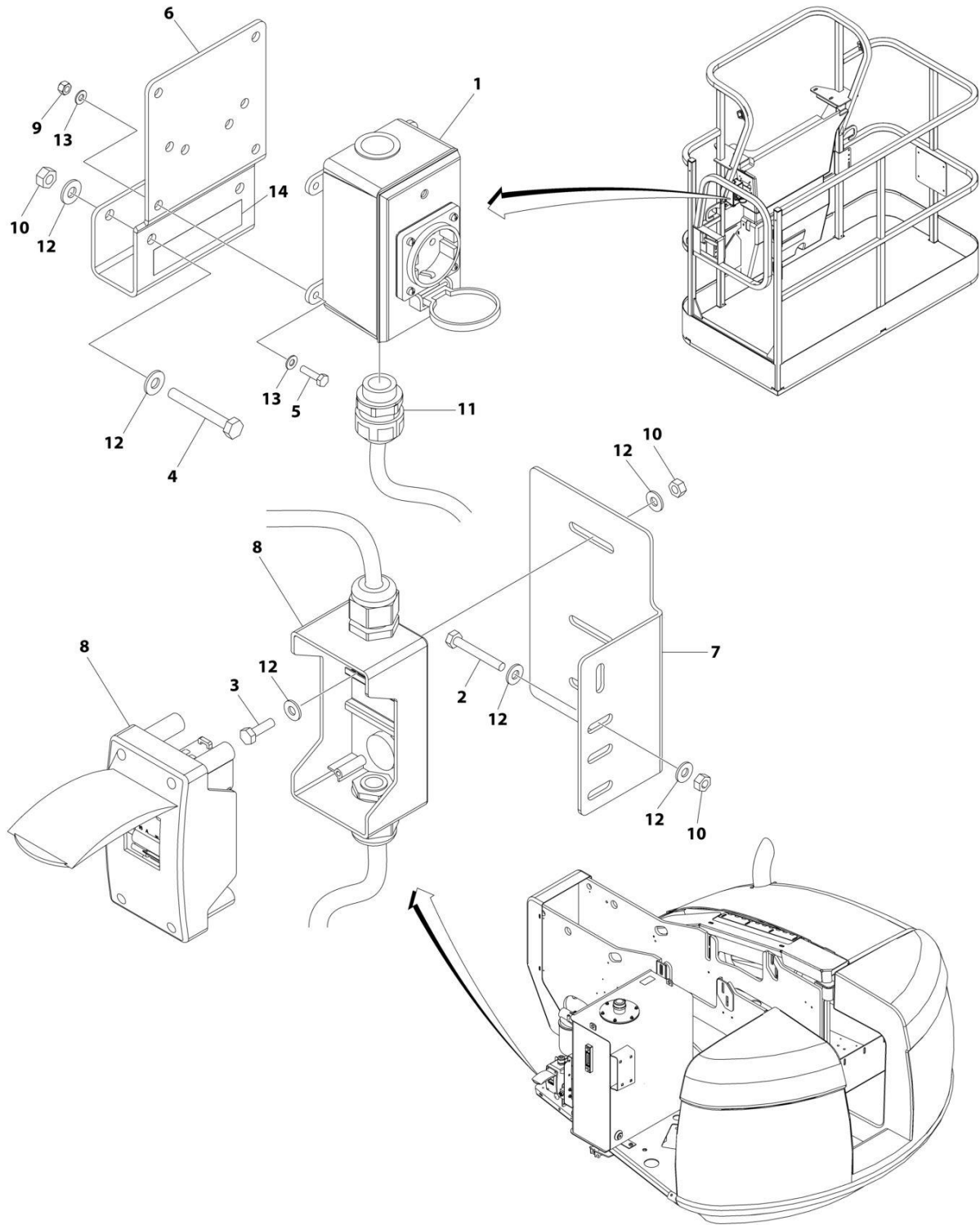
SECTION 8 - ELECTRICAL

FIGURE 8-15. AC BOX AT PLATFORM INSTALLATION - 220V CEE7 POST GROUND (2X4 BOX) (CE & UK CA SPECS) (4000W GENERATOR)

ITEM	PART NUMBER	QTY	DESCRIPTION	REV
	1001194197	Ref	AC BOX AT PLATFORM INSTALLATION	B
1	0100020	AR	Sealant, Pipe	
2	0641416	2	Bolt 1/4 x 2	
3	0700408	4	Bolt M4 x 16	
4	0861731	1	Box, Switch	
5	3251242	1	Decal - 240V/50Hz	
6	3290405	4	Nut M4	
7	3311405	2	Nut 1/4	
8	4460662	1	Connector, Strain Relief	
9	4461244	1	Receptacle	
10	4711400	4	Washer 1/4	
11	4811400	8	Washer M4	
12	1001193018	1	Bracket, AC Receptacle	
13	4460806	2	Terminal, Fork (Not Shown)	
14	1001205958	1	Terminal (Not Shown)	

SECTION 8 - ELECTRICAL

FIGURE 8-16. AC BOX AT PLATFORM INSTALLATION - 220V CEE7 SIDE GROUND (CE & UK CA SPECS)



ART_0275654

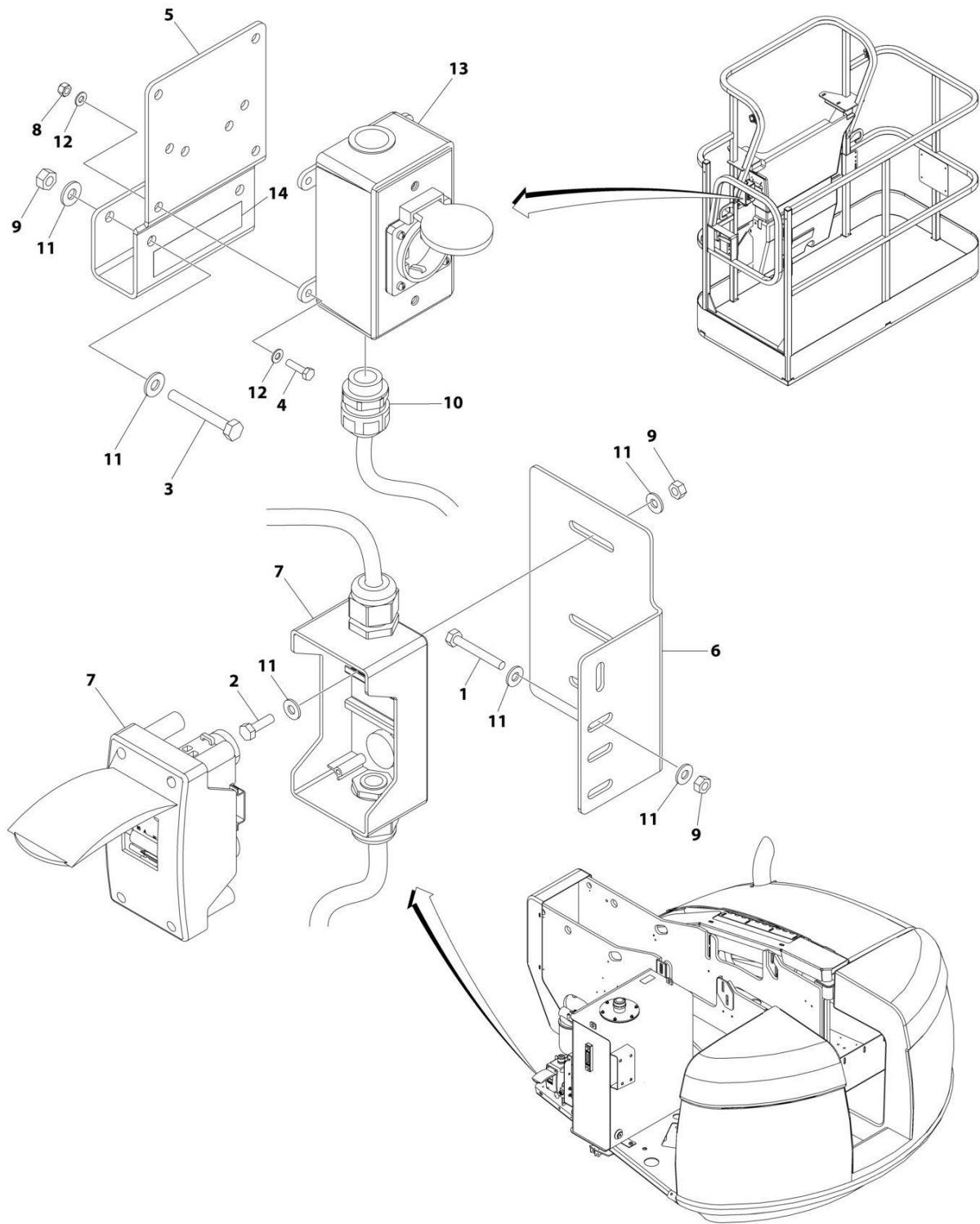
SECTION 8 - ELECTRICAL

FIGURE 8-16. AC BOX AT PLATFORM INSTALLATION - 220V CEE7 SIDE GROUND (CE & UK CA SPECS)

ITEM	PART NUMBER	QTY	DESCRIPTION	REV
	0275654	Ref	AC BOX AT PLATFORM INSTALLATION - 220V CEE7 2X4 BOX SIDE GROUND	G
1	0275453	1	Receptacle Box Kit (See Separate Breakdown in this Section)	
2	0641415	2	Bolt 1/4 x 1-7/8	
3	0641407	2	Bolt 1/4 x 7/8	
4	0641416	2	Bolt 1/4 x 2	
5	0700408	4	Bolt M4 x 16	
6	1001193018	1	Bracket	
7	1001153636	1	Bracket	
8	1001096070	1	Breaker Box Kit (See Separate Breakdown in this Section)	
9	3290405	4	Nut M4	
10	3311405	6	Nut 1/4	
11	4460662	1	Connector, Strain Relief	
12	4711400	12	Washer 1/4	
13	4811400	8	Washer M4	
14	3252507	1	Decal - 240V-50/60Hz	

SECTION 8 - ELECTRICAL

FIGURE 8-17. AC BOX AT PLATFORM INSTALLATION - 220V CEE7 SIDE GROUND (CE & UK CA SPECS) (2500W GENERATOR)



ART_1001100398

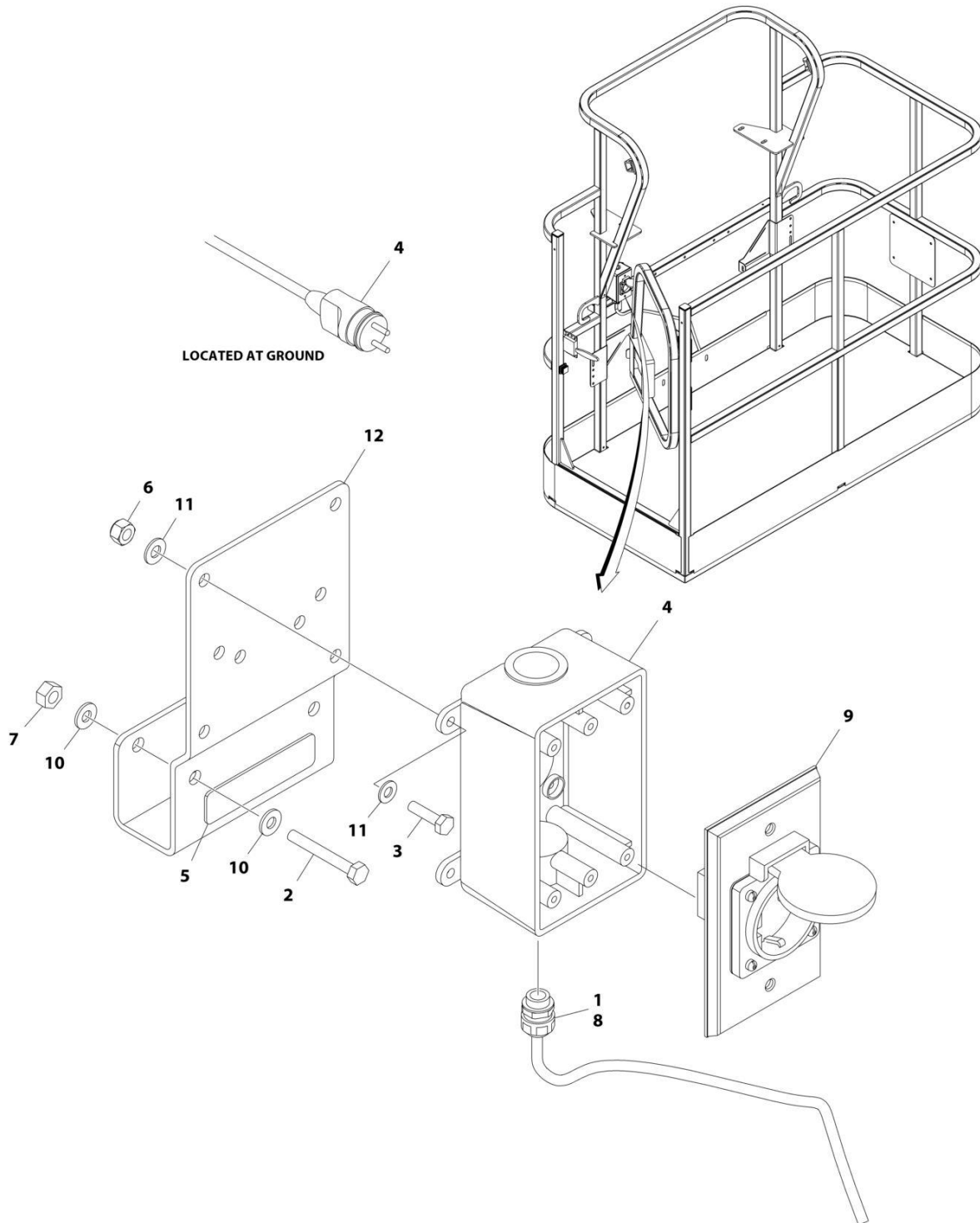
SECTION 8 - ELECTRICAL

FIGURE 8-17. AC BOX AT PLATFORM INSTALLATION - 220V CEE7 SIDE GROUND (CE & UK CA SPECS) (2500W GENERATOR)

ITEM	PART NUMBER	QTY	DESCRIPTION	REV
	1001100398	Ref	AC BOX AT PLATFORM INSTALLATION	H
1	0641415	2	Bolt 1/4 x 1-7/8	
2	0641407	2	Bolt 1/4 x 7/8	
3	0641416	2	Bolt 1/4 x 2	
4	0700408	4	Bolt M4 x 16	
5	1001193018	1	Bracket	
6	1001153636	1	Bracket	
7	1001109554	1	Breaker Box Kit (See Separate Breakdown in this Section)	
8	3290405	4	Nut M4	
9	3311405	6	Nut 1/4	
10	4460662	1	Connector, Strain Relief	
11	4711400	12	Washer 1/4	
12	4811400	8	Washer M4	
13	1001100347	1	Receptacle Box Kit (See Separate Breakdown in this Section)	
14	3252507	1	Decal - 240V-50/60Hz	

SECTION 8 - ELECTRICAL

FIGURE 8-18. AC BOX AT PLATFORM INSTALLATION - 220V CEE7 SIDE GROUND (2X4 BOX) (CE & UK CA SPECS) (4000W GENERATOR)



ART_1001194198

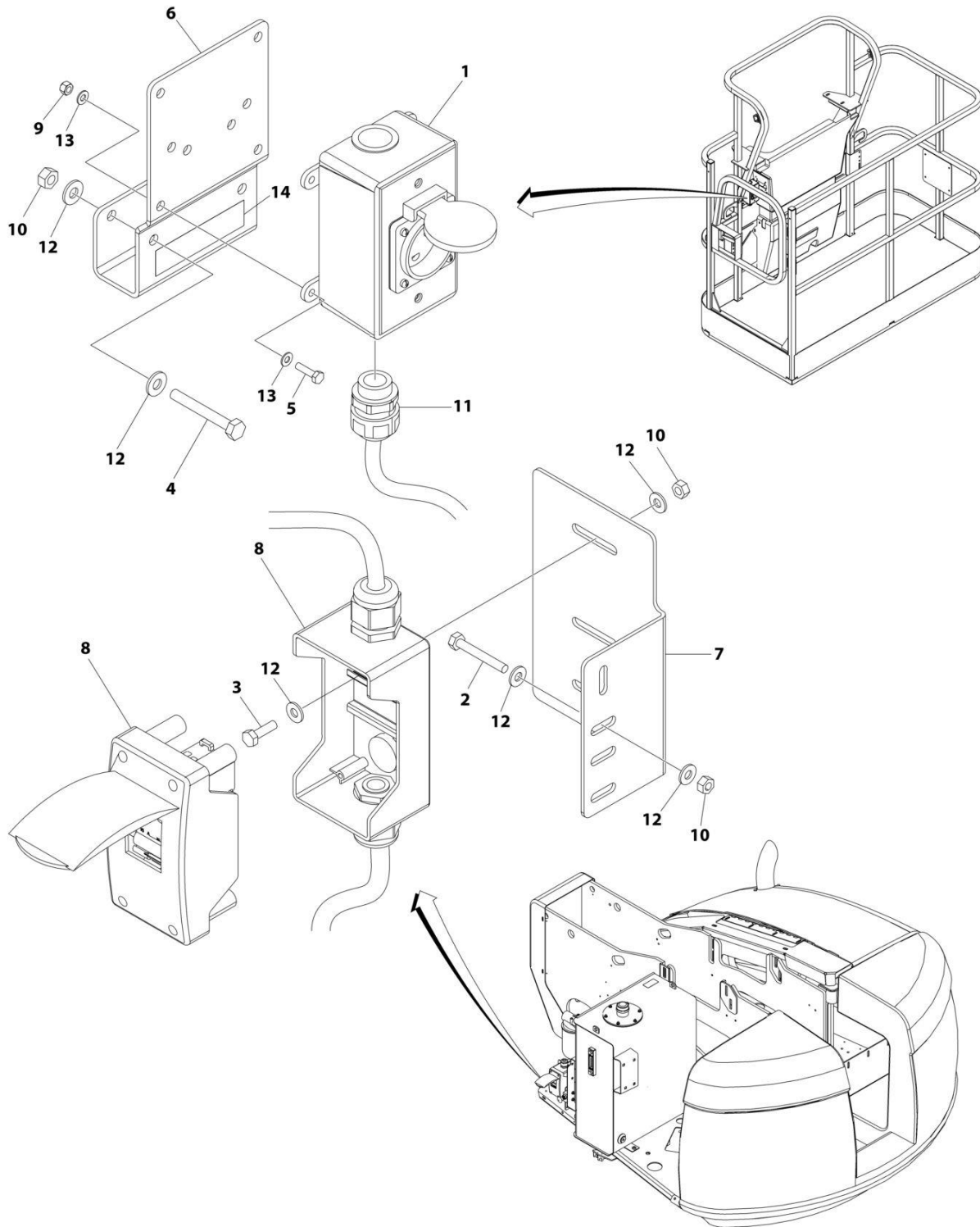
SECTION 8 - ELECTRICAL

FIGURE 8-18. AC BOX AT PLATFORM INSTALLATION - 220V CEE7 SIDE GROUND (2X4 BOX) (CE & UK CA SPECS) (4000W GENERATOR)

ITEM	PART NUMBER	QTY	DESCRIPTION	REV
	1001194198	Ref	AC BOX AT PLATFORM INSTALLATION	B
1	0100020	AR	Sealant, Pipe	
2	0641416	2	Bolt 1/4 x 2	
3	0700408	4	Bolt M4 x 16	
4	0861731	1	Box, Switch	
5	3251242	1	Decal - 240V/50Hz	
6	3290405	4	Nut M4	
7	3311405	2	Nut 1/4	
8	4460662	1	Connector, Strain Relief	
9	4461245	1	Receptacle	
10	4711400	4	Washer 1/4	
11	4811400	8	Washer M4	
12	1001193018	1	Bracket, AC Receptacle	
13	4460806	2	Terminal, Fork (Not Shown)	
14	1001205958	1	Terminal (Not Shown)	

SECTION 8 - ELECTRICAL

FIGURE 8-19. AC BOX AT PLATFORM INSTALLATION - 220V AFSINT 107 (CE & UK CA SPECS)



ART_0275660

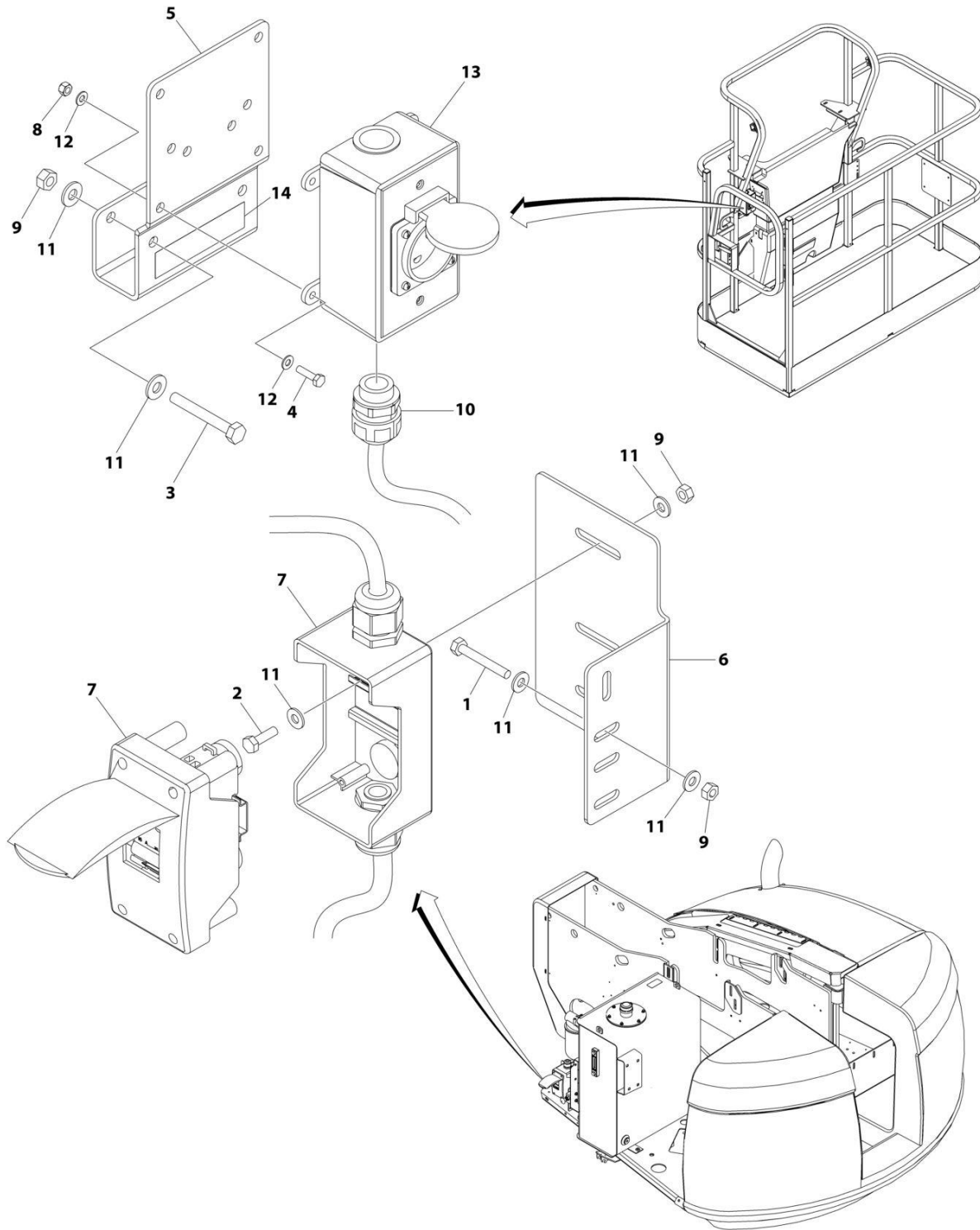
SECTION 8 - ELECTRICAL

FIGURE 8-19. AC BOX AT PLATFORM INSTALLATION - 220V AFSINT 107 (CE & UK CA SPECS)

ITEM	PART NUMBER	QTY	DESCRIPTION	REV
	0275660	Ref	AC BOX AT PLATFORM INSTALLATION - 220V AFSINT 107	G
1	0275454	1	Receptacle Box Kit (See Separate Breakdown in this Section)	
2	0641415	2	Bolt 1/4 x 1-7/8	
3	0641407	2	Bolt 1/4 x 7/8	
4	0641416	2	Bolt 1/4 x 2	
5	0700408	4	Bolt M4 x 16	
6	1001193018	1	Bracket	
7	1001153636	1	Bracket	
8	1001096070	1	Breaker Box Kit (See Separate Breakdown in this Section)	
9	3290405	4	Nut M4	
10	3311405	6	Nut 1/4	
11	4460662	1	Connector, Strain Relief	
12	4711400	12	Washer 1/4	
13	4811400	8	Washer M4	
14	3252507	1	Decal - 240V-50/60Hz	

SECTION 8 - ELECTRICAL

FIGURE 8-20. AC BOX AT PLATFORM INSTALLATION - 220V AFSINT 107 (CE & UK CA SPECS)
(2500W GENERATOR)



ART_1001100399

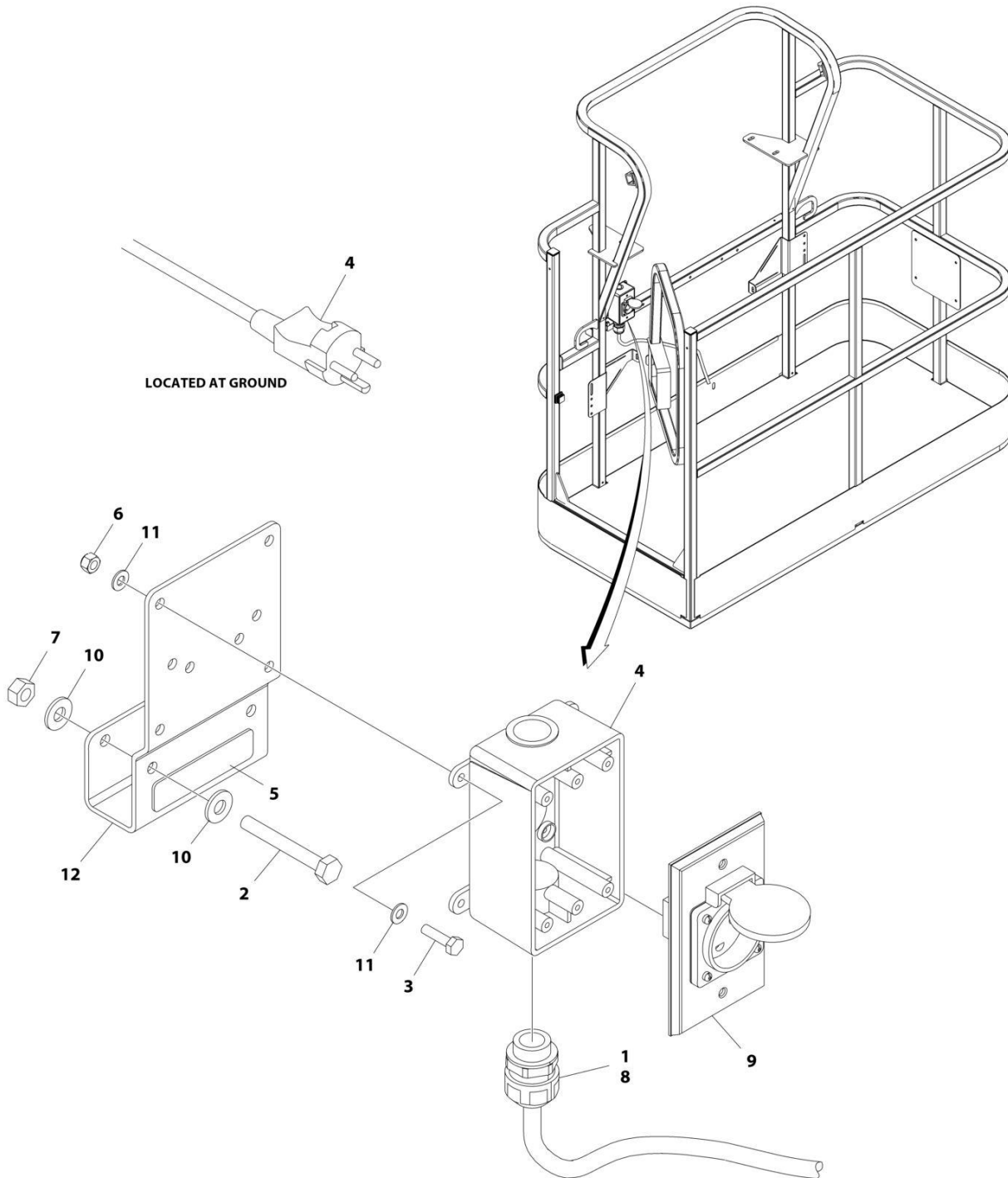
SECTION 8 - ELECTRICAL

**FIGURE 8-20. AC BOX AT PLATFORM INSTALLATION - 220V AFSINT 107 (CE & UK CA SPECS)
(2500W GENERATOR)**

ITEM	PART NUMBER	QTY	DESCRIPTION	REV
	1001100399	Ref	AC BOX AT PLATFORM INSTALLATION	G
1	0641415	2	Bolt 1/4 x 1-7/8	
2	0641407	2	Bolt 1/4 x 7/8	
3	0641416	2	Bolt 1/4 x 2	
4	0700408	4	Bolt M4 x 16	
5	1001193018	1	Bracket	
6	1001153636	1	Bracket	
7	1001109554	1	Breaker Box Kit (See Separate Breakdown in this Section)	
8	3290405	4	Nut M4	
9	3311405	6	Nut 1/4	
10	4460662	1	Connector, Strain Relief	
11	4711400	12	Washer 1/4	
12	4811400	8	Washer M4	
13	1001100346	1	Receptacle Box Kit (See Separate Breakdown in this Section)	
14	3252507	1	Decal - 240V-50/60Hz	

SECTION 8 - ELECTRICAL

FIGURE 8-21. AC BOX AT PLATFORM INSTALLATION - 220V AFSINT 107 KEYED GROUND (2X4 BOX) (CE & UK CA SPECS) (4000W GENERATOR)



ART_1001194200

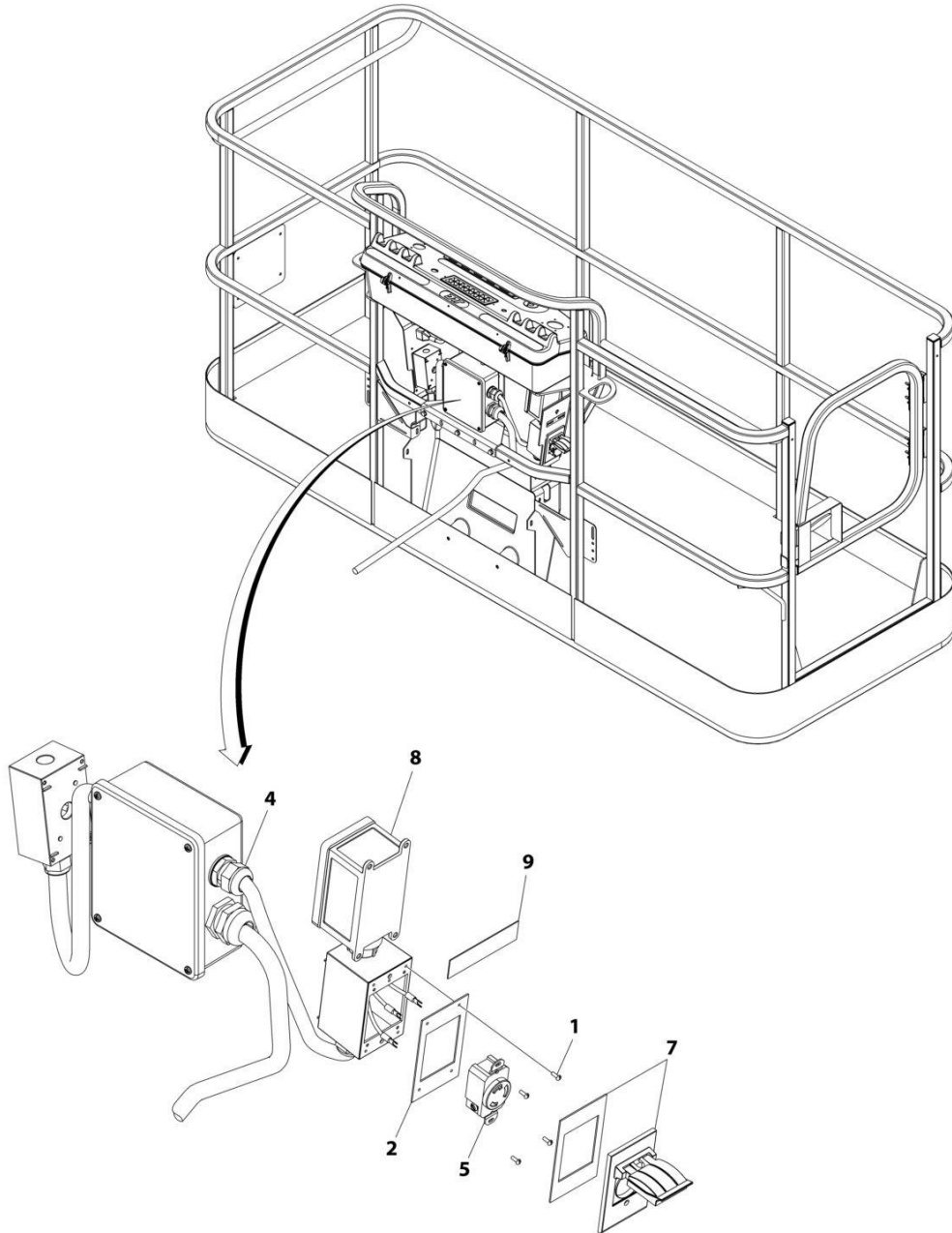
SECTION 8 - ELECTRICAL

FIGURE 8-21. AC BOX AT PLATFORM INSTALLATION - 220V AFSINT 107 KEYED GROUND (2X4 BOX) (CE & UK CA SPECS) (4000W GENERATOR)

ITEM	PART NUMBER	QTY	DESCRIPTION	REV
	1001194200	Ref	AC BOX AT PLATFORM INSTALLATION	B
1	0100020	AR	Sealant, Pipe	
2	0641416	2	Bolt 1/4 x 2	
3	0700408	4	Bolt M4 x 16	
4	0861731	1	Box, Switch	
5	3251242	1	Decal - 240V/50Hz	
6	3290405	4	Nut M4	
7	3311405	2	Nut 1/4	
8	4460662	1	Connector, Strain Relief	
9	4461246	1	Receptacle	
10	4711400	4	Washer 1/4	
11	4811400	8	Washer M4	
12	1001193018	1	Bracket, AC Receptacle	
13	1001205958	1	Terminal (Not Shown)	

SECTION 8 - ELECTRICAL

FIGURE 8-22. AC BOX AT PLATFORM INSTALLATION - 240V GFCI RECEPTACLE (ANSI, ANSI EXPORT, CHINA, CSA AND JAPANESE SPECS WITH 4000W SKYPOWER GENERATOR)



ART_1001171131

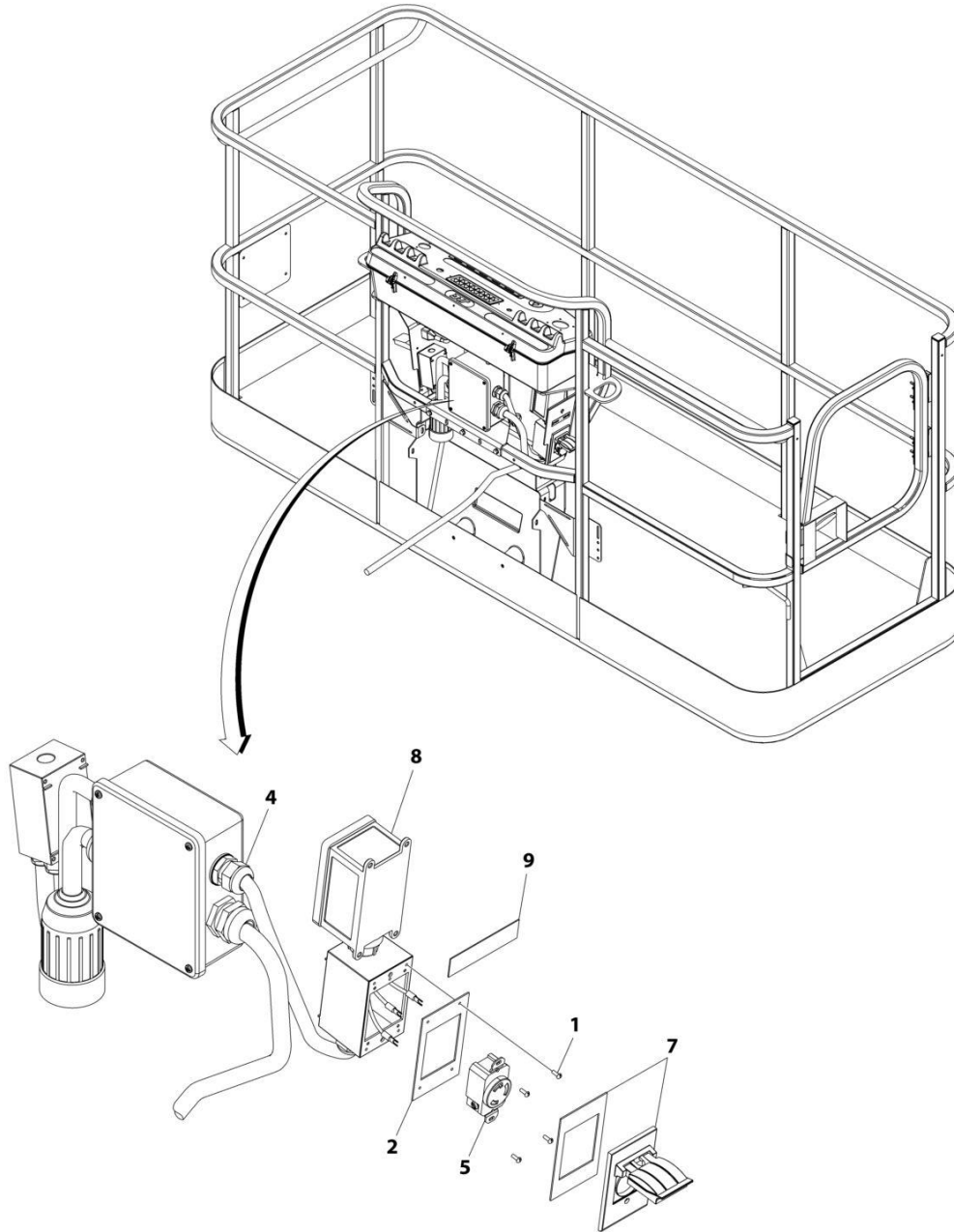
SECTION 8 - ELECTRICAL

FIGURE 8-22. AC BOX AT PLATFORM INSTALLATION - 240V GFCI RECEPTACLE (ANSI, ANSI EXPORT, CHINA, CSA AND JAPANESE SPECS WITH 4000W SKYPOWER GENERATOR)

ITEM	PART NUMBER	QTY	DESCRIPTION	REV
	1001171131	Ref	AC BOX AT PLATFORM INSTALLATION - 240V RECEPTACLE	B
1	3910606	4	Screw 6 x 3/8	
2	3960422	1	Gasket	
3	4240018	AR	Tie-Strap (Not Shown)	
4	4460425	1	Connector, Strain Relief	
5	1001176862	1	Receptacle	
7	1001110872	1	Cover, Receptacle	
8	1001159120	1	Receptacle/Breaker Box Assembly	
8	1001148675	1	Box, Receptacle	
8	1001159118	1	Breaker GFCI 30Amp 240VAC	
8	4460612	1	Connector, Strain Relief	
8	1001159119	1	Connector (Between Boxes)	
9	1705374	1	Decal - 240V/60Hz	

SECTION 8 - ELECTRICAL

FIGURE 8-23. AC BOX AT PLATFORM INSTALLATION - 240V GFCI RECEPTACLE (ANSI AND CSA SPECS WITH 7500W SKYPOWER GENERATOR)



ART_1001159121

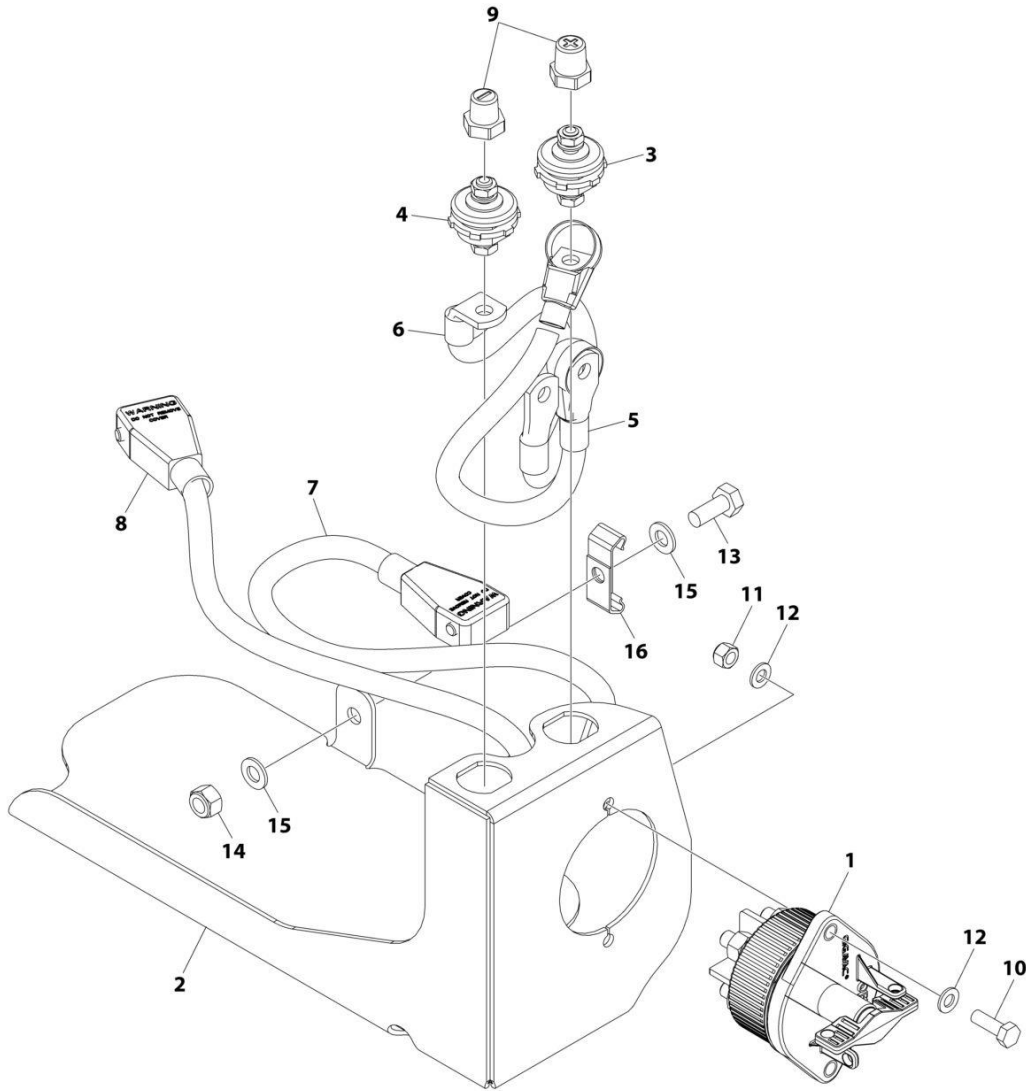
SECTION 8 - ELECTRICAL

FIGURE 8-23. AC BOX AT PLATFORM INSTALLATION - 240V GFCI RECEPTACLE (ANSI AND CSA SPECS WITH 7500W SKYPOWER GENERATOR)

ITEM	PART NUMBER	QTY	DESCRIPTION	REV
	1001159121	Ref	AC BOX AT PLATFORM INSTALLATION - 240V RECEPTACLE	B
1	3910606	4	Screw 6 x 3/8	
2	3960422	1	Gasket	
3	4240018	AR	Tie-Strap (Not Shown)	
4	4460425	1	Connector, Strain Relief	
5	4460958	1	Receptacle	
7	1001110872	1	Cover, Receptacle	
8	1001159120	1	Receptacle/Breaker Box Assembly	
8	1001148675	1	Box, Receptacle	
8	1001159118	1	Breaker Box Assembly	
8	4460612	1	Connector, Strain Relief	
8	1001159119	1	Connector (Between Boxes)	
9	1705374	1	Decal - 240V/60Hz	

SECTION 8 - ELECTRICAL

FIGURE 8-24. BATTERY DISCONNECT SWITCH INSTALLATION – DEUTZ D2011 ENGINES



ART_1001214396

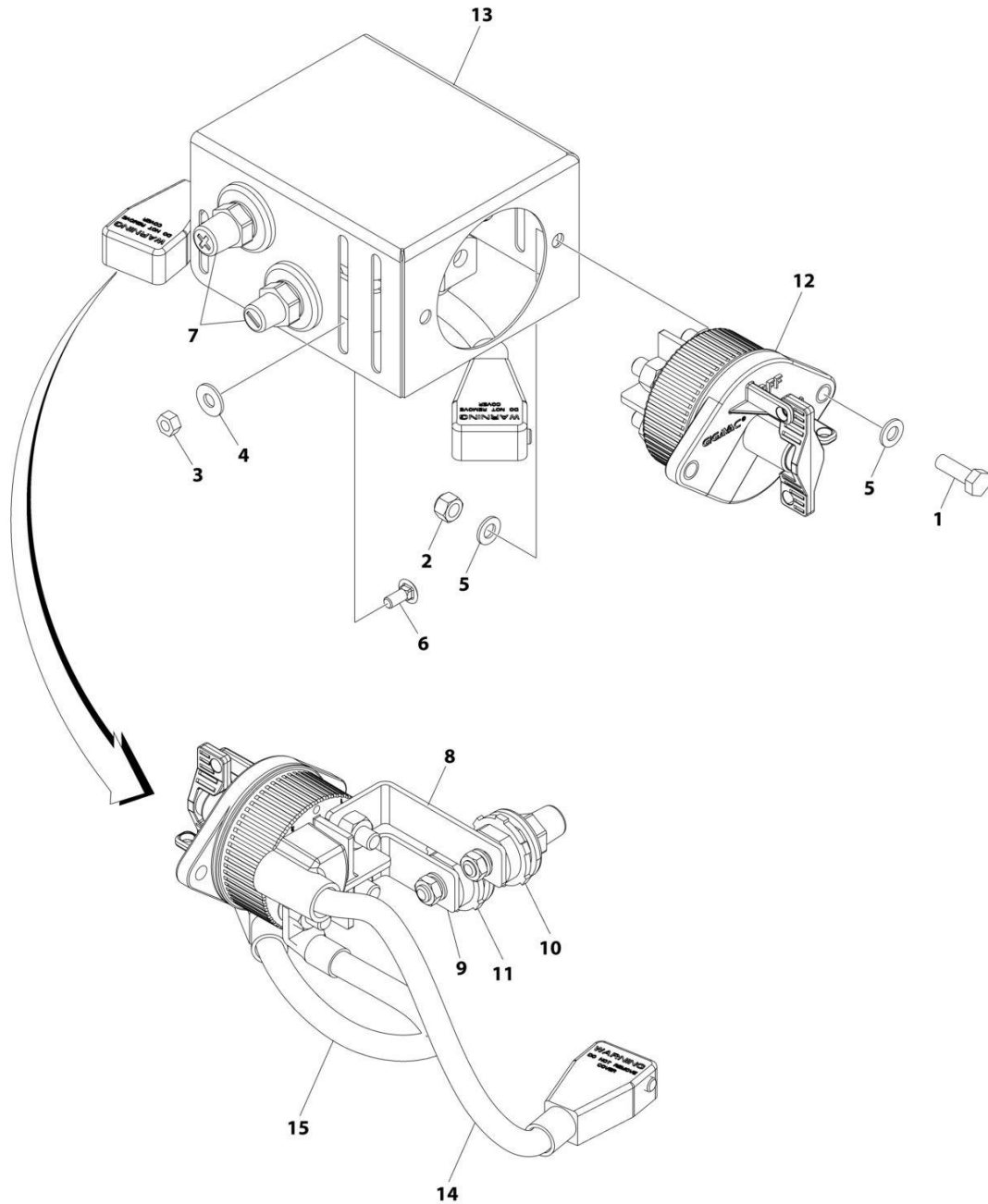
SECTION 8 - ELECTRICAL

FIGURE 8-24. BATTERY DISCONNECT SWITCH INSTALLATION – DEUTZ D2011 ENGINES

ITEM	PART NUMBER	QTY	DESCRIPTION	REV
	1001214396	Ref	BATTERY DISCONNECT SWITCH INSTALLATION	B
1	1001225346	1	Switch	
2	1001226529	1	Mount	
3	1001214570	1	Connector (Red)	
4	1001214571	1	Connector (Black)	
5	1001236375	1	Cable (Positive)	
6	1001236376	1	Cable (Negative)	
7	1001236377	1	Cable (Positive)	
8	1001236378	1	Cable (Negative)	
9	1001206476	1	Connector	
10	0760812	2	Bolt M8 x 25	
11	3290805	2	Nut M8	
12	4811900	4	Washer M8	
13	0761012	1	Bolt M10 x 25	
14	3291005	1	Nut M10	
15	4812000	2	Washer M10	
16	1320223	2	Clamp	

SECTION 8 - ELECTRICAL

FIGURE 8-25. BATTERY DISCONNECT SWITCH INSTALLATION (DEUTZ TD2.9L4, DEUTZ D2.9L4, DEUTZ TD2.2L3 STAGE V AND FORD DF2.5L ENGINES)



ART_1001236304

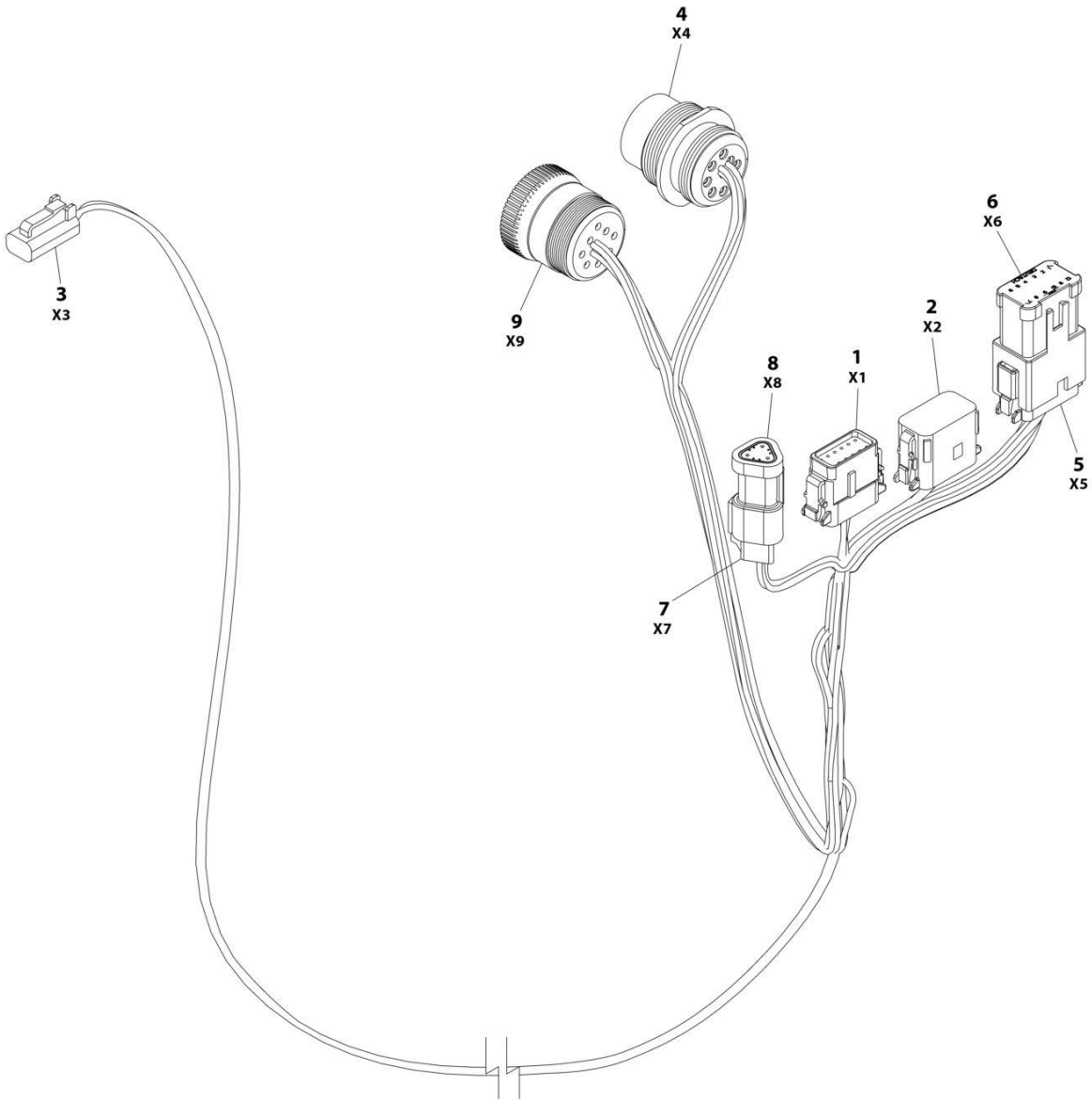
SECTION 8 - ELECTRICAL

FIGURE 8-25. BATTERY DISCONNECT SWITCH INSTALLATION (DEUTZ TD2.9L4, DEUTZ D2.9L4, DEUTZ TD2.2L3 STAGE V AND FORD DF2.5L ENGINES)

ITEM	PART NUMBER	QTY	DESCRIPTION	REV
	1001236304	Ref	BATTERY DISCONNECT SWITCH INSTALLATION	A
1	0760812	2	Bolt M8 x 25	
2	3290805	2	Nut M8	
3	3311405	3	Nut 1/4	
4	4751400	3	Washer 1/4	
5	4811900	4	Washer M8	
6	88411013	3	Bolt 1/4 x 3/4	
7	1001206476	1	Connectors, Post	
8	1001209432	1	Bussbar	
9	1001209474	1	Bussbar	
10	1001214570	1	Connector (Red)	
11	1001214571	1	Connector (Black)	
12	1001225346	1	Switch, Battery	
13	1001226531	1	Mount	
14	1001236504	1	Cable, Battery (+)	
15	1001236505	1	Cable, Battery (-)	

SECTION 8 - ELECTRICAL

FIGURE 8-26. BEACON LIGHT HARNESS (BLUE AND RED BEACON LIGHT)



ART_1001142736

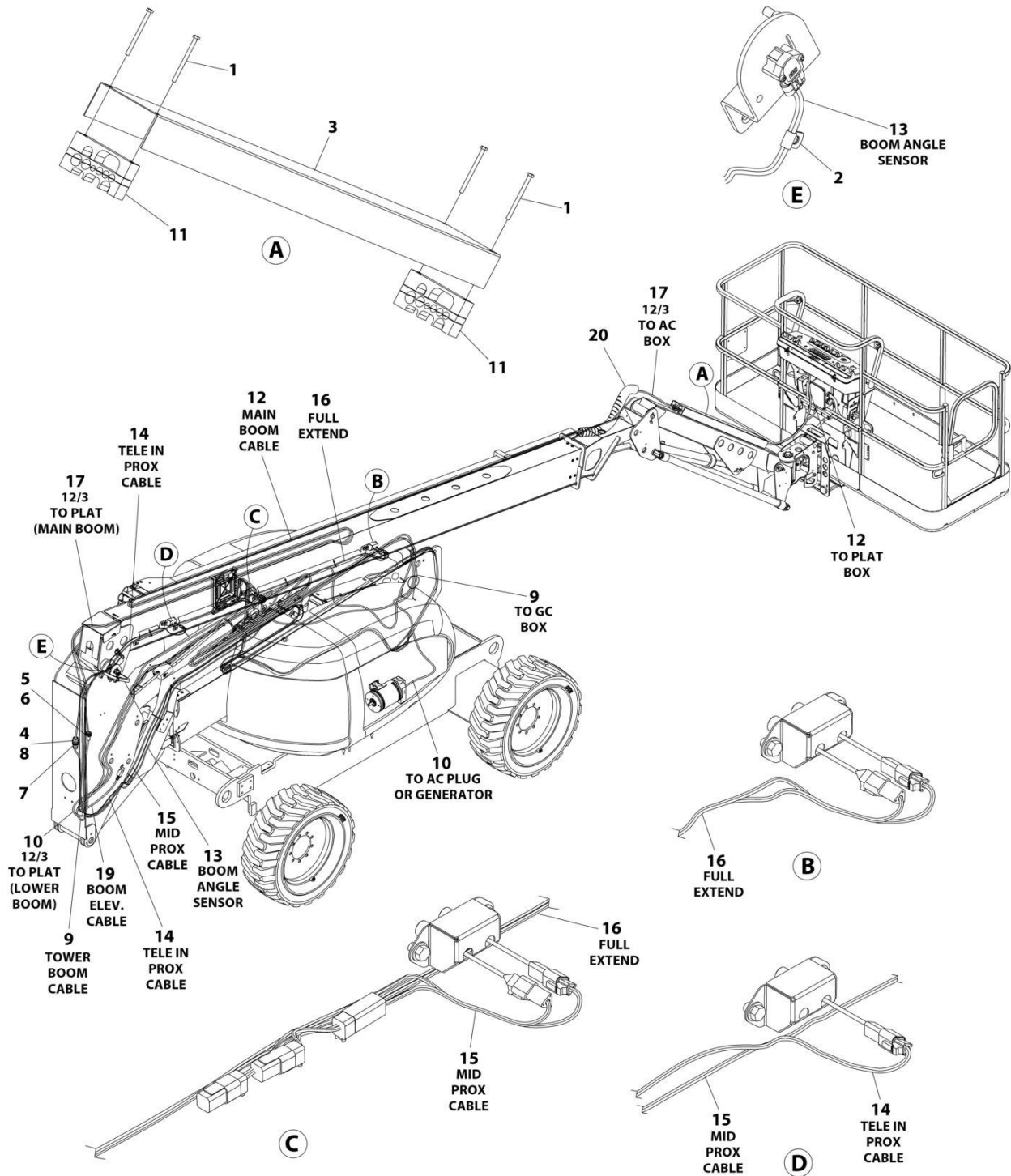
SECTION 8 - ELECTRICAL

FIGURE 8-26. BEACON LIGHT HARNESS (BLUE AND RED BEACON LIGHT)

ITEM	PART NUMBER	QTY	DESCRIPTION	REV
	1001142736	Ref	STROBE LIGHT HARNESS	F
1	1001116808	1	Plug, Male - 12 Position	
1	4460928	3	Socket, Female	
1	4460518	9	Plug, Terminal	
2	1001116774	1	Plug, Male - 12 Position	
2	4460928	3	Socket, Female	
2	4460518	9	Plug, Terminal	
3	4460891	1	Plug, Male - 2 Position	
3	4460465	2	Socket, Female	
4	1001112612	1	Connector - 9 Position	
4	4460464	6	Pin, Male	
4	4460466	3	Plug, Terminal	
5	4460933	1	Plug, Male - 12 Position	
5	4460465	12	Socket, Female	
6	1001119020	1	Bussbar - 12 Position	
7	4461095	1	Plug, Male - 3 Position	
7	4460465	3	Socket, Female	
8	4461070	1	Bussbar - 3 Position	
9	1001112796	1	Connector - 9 Position	
9	4460465	6	Socket, Female	
9	4460466	3	Plug, Terminal	

SECTION 8 - ELECTRICAL

FIGURE 8-27. BOOM CABLES INSTALLATION - WITH 2500W GENERATOR OR NO GENERATOR



ART_1001256026

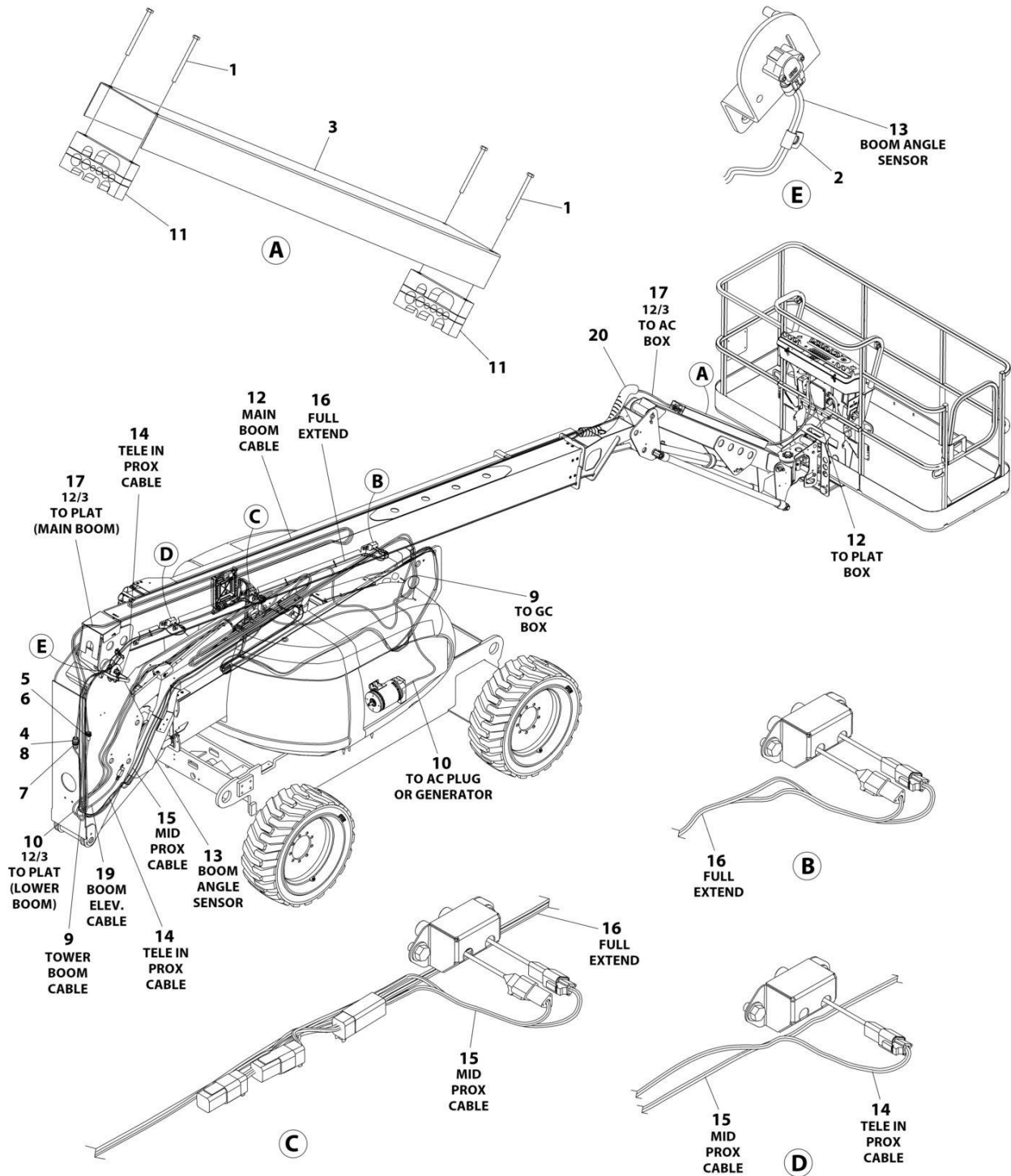
SECTION 8 - ELECTRICAL

FIGURE 8-27. BOOM CABLES INSTALLATION - WITH 2500W GENERATOR OR NO GENERATOR

ITEM	PART NUMBER	QTY	DESCRIPTION	REV
	1001256026	Ref	BOOM CABLES INSTALLATION	D
1	0700624	4	Bolt M6 x 80	
2	1320263	1	Clamp	
3	1671034	1	Cover	
4	2820031	AR	Heat Shrink	
5	4460466	8	Plug, Terminal	
6	4460473	1	Clamp, Cable	
7	4460865	1	Connector - 19 Pin Plug	
8	4460866	1	Connector - 19 Pin Receptacle	
9	4922494	1	Boom Cable - Tower Boom (See Separate Breakdown in this Section)	
10	4922893	1	Cable, Electrical - 12/3 (Tower Boom)	
11	1001165350	2	Block, Clamp	
12	1001254463	1	Boom Cable - Main Boom (See Separate Breakdown in this Section)	
13	1001254465	1	Sensor, Harness - Boom Angle	
13	1001230931	1	Connector - 6 Position	
13	1001116748	6	Terminal	
14	1001254466	1	Sensor, Harness - Tele in Prox	
14	4460539	1	Plug, Male - 3 Position	
14	4460465	3	Socket, Female	
15	1001254467	1	Sensor, Harness - Mid Prox (See Separate Breakdown in this Section)	
16	1001254468	1	Sensor, Harness - Full Extension (See Separate Breakdown in this Section)	
17	1001257325	1	Cable, Electrical - 12/3 (Main Boom)	
18	4240033	1	Tie - Strap (Not Shown)	
19	1061033	1	Cable, Electrical - 18/2	
20	1001181923	1	Hose Shield	

SECTION 8 - ELECTRICAL

FIGURE 8-28. BOOM CABLE INSTALLATION - WITH 4000W/50HZ GENERATOR



ART_1001256026

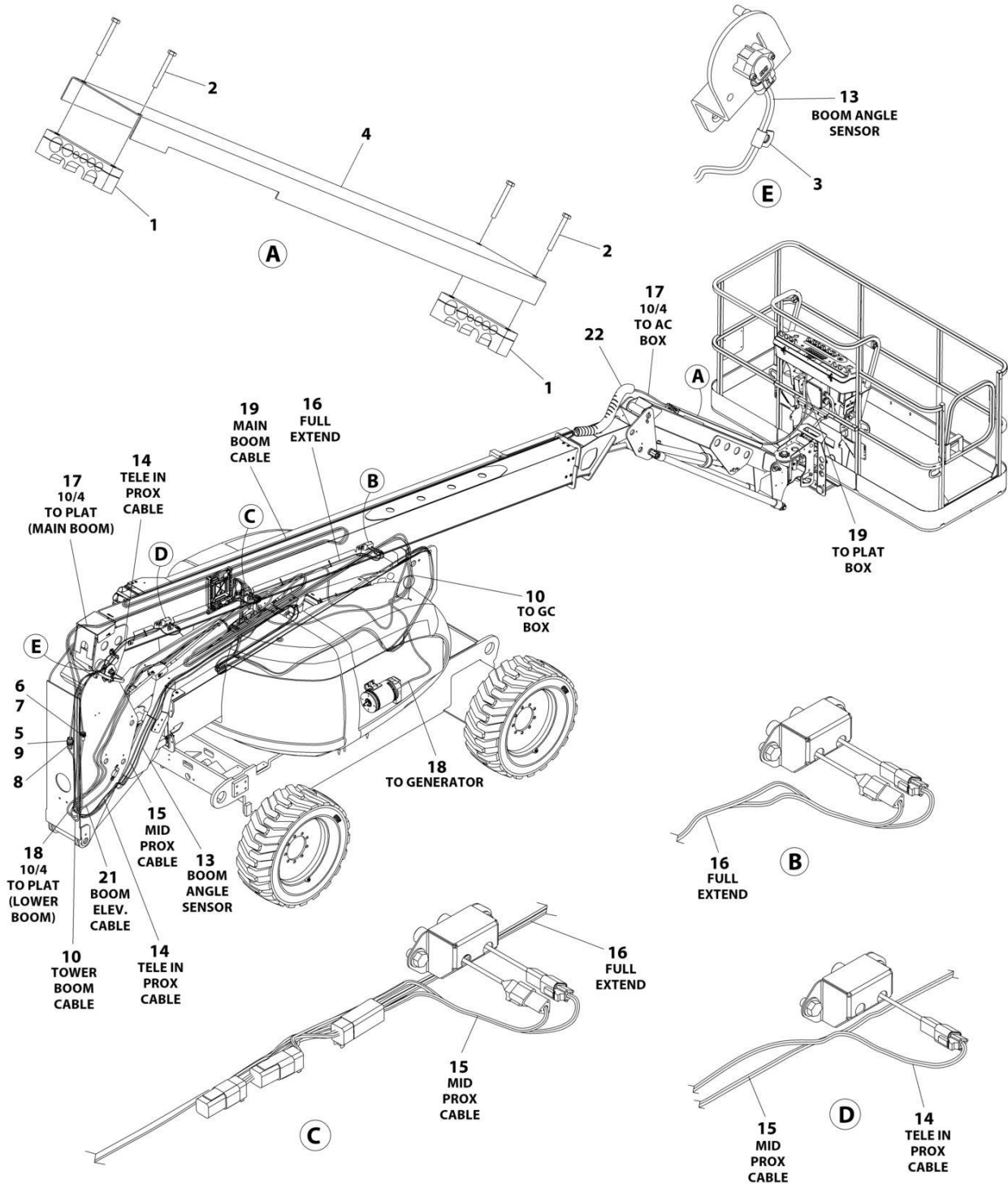
SECTION 8 - ELECTRICAL

FIGURE 8-28. BOOM CABLE INSTALLATION - WITH 4000W/50HZ GENERATOR

ITEM	PART NUMBER	QTY	DESCRIPTION	REV
	1001256026	Ref	BOOM CABLES INSTALLATION	D
1	0700624	4	Bolt M6 x 80	
2	1320263	1	Clamp	
3	1671034	1	Cover	
4	2820031	AR	Heat Shrink	
5	4460466	8	Plug, Terminal	
6	4460473	1	Clamp, Cable	
7	4460865	1	Connector - 19 Pin Plug	
8	4460866	1	Connector - 19 Pin Receptacle	
9	4922494	1	Boom Cable - Tower Boom (See Separate Breakdown in this Section)	
10	4922893	1	Cable, Electrical - 12/3 (Tower Boom)	
11	1001165350	2	Block, Clamp	
12	1001254463	1	Boom Cable - Main Boom (See Separate Breakdown in this Section)	
13	1001254465	1	Sensor, Harness - Boom Angle	
13	1001230931	1	Connector - 6 Position	
13	1001116748	6	Terminal	
14	1001254466	1	Sensor, Harness - Tele in Prox	
14	4460539	1	Plug, Male - 3 Position	
14	4460465	3	Socket, Female	
15	1001254467	1	Sensor, Harness - Mid Prox (See Separate Breakdown in this Section)	
16	1001254468	1	Sensor, Harness - Full Extension (See Separate Breakdown in this Section)	
17	1001257325	1	Cable, Electrical - 12/3 (Main Boom)	
18	4240033	1	Tie - Strap (Not Shown)	
19	1061033	1	Cable, Electrical - 18/2	
20	1001181923	1	Hose Shield	

SECTION 8 - ELECTRICAL

FIGURE 8-29. BOOM CABLES INSTALLATION - WITH 4000W/60HZ GENERATOR



ART_1001256028

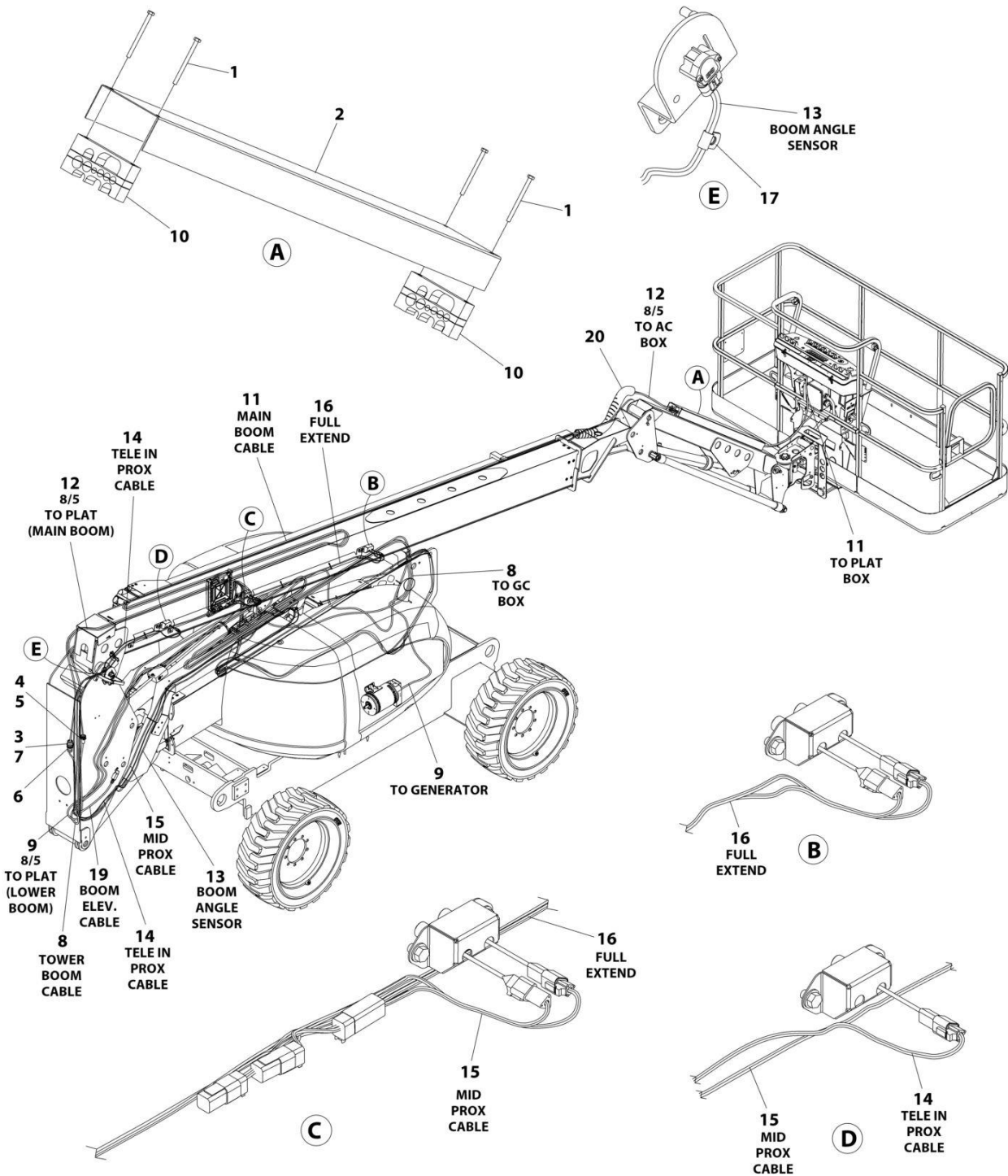
SECTION 8 - ELECTRICAL

FIGURE 8-29. BOOM CABLES INSTALLATION - WITH 4000W/60HZ GENERATOR

ITEM	PART NUMBER	QTY	DESCRIPTION	REV
	1001256028	Ref	BOOM CABLES INSTALLATION	D
1	0561237	2	Block, Clamp	
2	0700618	4	Bolt M6 x 50	
3	1320263	1	Clamp	
4	1670769	1	Cover	
5	2820031	AR	Heat Shrink	
6	4460466	8	Plug, Terminal	
7	4460473	1	Clamp, Cable	
8	4460865	1	Connector - 19 Pin Plug	
9	4460866	1	Connector - 19 Pin Receptacle	
10	4922494	1	Boom Cable - Tower Boom (See Separate Breakdown in this Section)	
13	1001254465	1	Sensor, Harness - Boom Angle	
13	1001230931	1	Connector - 6 Position	
13	1001116748	6	Terminal	
14	1001254466	1	Sensor, Harness - Tele in Prox	
14	4460539	1	Plug, Male - 3 Position	
14	4460465	3	Socket, Female	
15	1001254467	1	Sensor, Harness - Mid Prox (See Separate Breakdown in this Section)	
16	1001254468	1	Sensor, Harness - Full Extension (See Separate Breakdown in this Section)	
17	1001257326	1	Cable, Electrical - 10/4 (Main Boom)	
18	1001156490	1	Cable, Electrical - 10/4 (Tower Boom)	
19	1001254463	1	Boom Cable - Main Boom (See Separate Breakdown in this Section)	
20	4240033	1	Tie - Strap (Not Shown)	
21	1061033	1	Cable, Electrical 18/2	
22	1001181923	1	Hose Shield	

SECTION 8 - ELECTRICAL

FIGURE 8-30. BOOM CABLE INSTALLATION - WITH 7500W GENERATOR



ART_1001250983

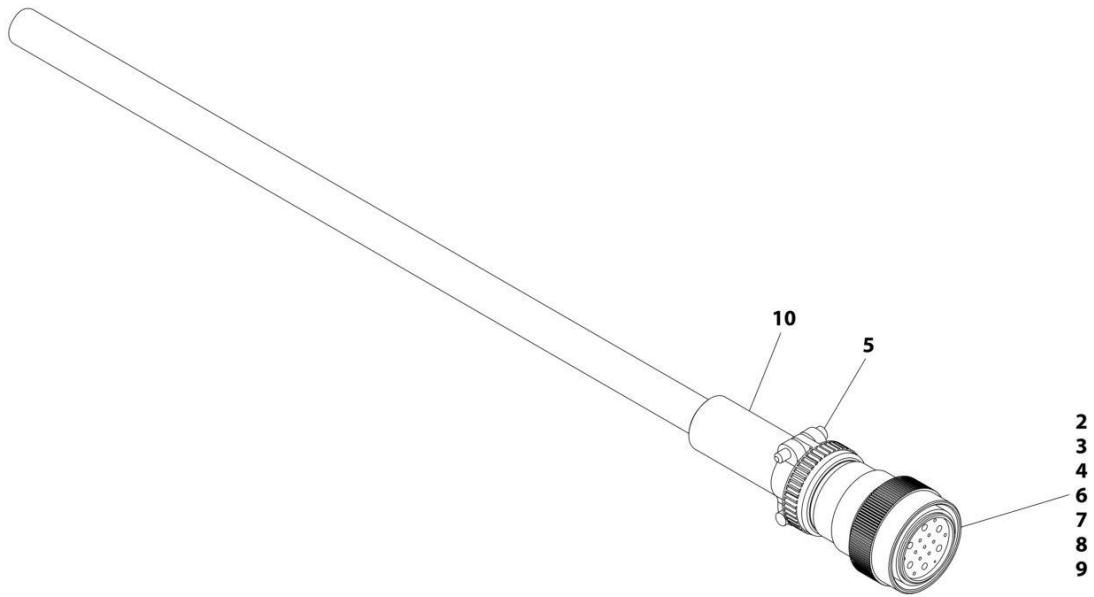
SECTION 8 - ELECTRICAL

FIGURE 8-30. BOOM CABLE INSTALLATION - WITH 7500W GENERATOR

ITEM	PART NUMBER	QTY	DESCRIPTION	REV
	1001250983	Ref	BOOM CABLES INSTALLATION	D
1	0700624	4	Bolt M6 x 80	
2	1671034	1	Cover	
3	2820031	AR	Heat Shrink	
4	4460466	8	Plug, Terminal	
5	4460473	1	Clamp, Cable	
6	4460865	1	Connector - 19 Pin Plug	
7	4460866	1	Connector - 19 Pin Receptacle	
8	4922494	1	Boom Cable - Tower Boom (See Separate Breakdown in this Section)	
9	4922811	1	Cable, Electrical - 8/5 (Tower Boom)	
10	1001165350	2	Block, Clamp	
11	1001254463	1	Boom Cable - Main Boom (See Separate Breakdown in this Section)	
12	1001254464	1	Cable, Electrical - 8/5 (Main Boom)	
13	1001254465	1	Sensor, Harness - Boom Angle	
13	1001230931	1	Connector - 6 Position	
13	1001116748	6	Terminal	
14	1001254466	1	Sensor, Harness - Tele in Prox	
14	4460539	1	Plug, Male - 3 Position	
14	4460465	3	Socket, Female	
15	1001254467	1	Sensor, Harness - Mid Prox (See Separate Breakdown in this Section)	
16	1001254468	1	Sensor, Harness - Full Extension (See Separate Breakdown in this Section)	
17	1320263	1	Clamp	
18	4240033	1	Tie - Strap (Not Shown)	
19	1061033	1	Cable, Electrical 18/2	
20	1001181923	1	Hose Shield	

SECTION 8 - ELECTRICAL

FIGURE 8-31. BOOM CABLE - MAIN BOOM



ART_1001254463

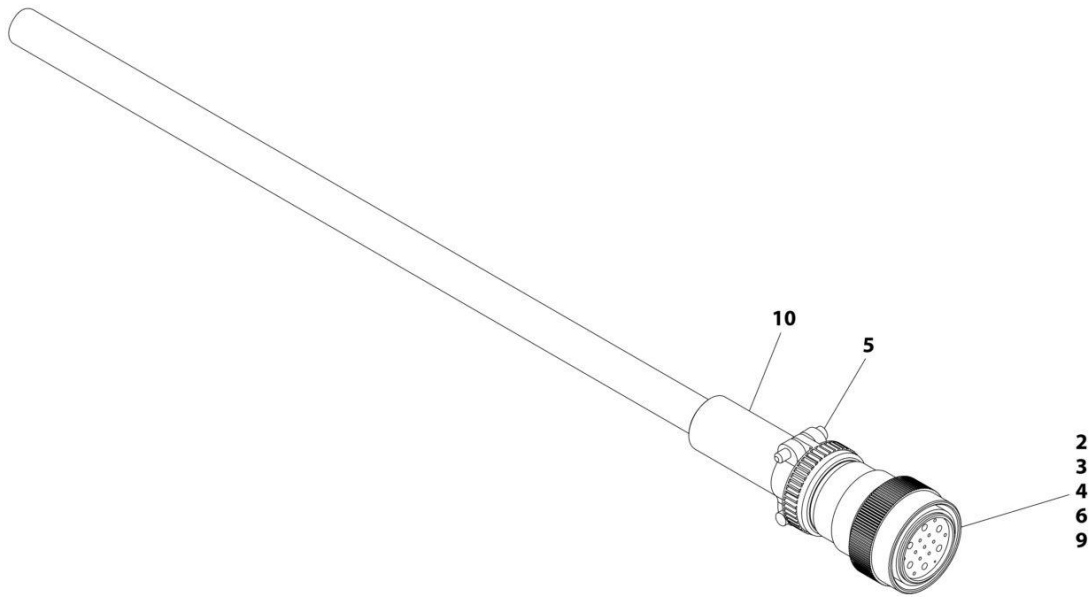
SECTION 8 - ELECTRICAL

FIGURE 8-31. BOOM CABLE - MAIN BOOM

ITEM	PART NUMBER	QTY	DESCRIPTION	REV
	1001254463	Ref	BOOM CABLE - MAIN BOOM	A
2	4460465	11	Socket, Female	
3	4460865	1	Connector - 19 Position	
4	4460509	4	Socket, Female	
5	4460473	1	Clamp	
6	4460466	4	Plug, Terminal	
7	4460464	11	Pin, Male	
8	4460508	4	Pin, Male	
9	2820118	AR	Heatshrink, Clear	
10	1001226400	1	Insulate, Heatshrink	

SECTION 8 - ELECTRICAL

FIGURE 8-32. BOOM CABLE - TOWER BOOM (WITHOUT ARCTIC PACKAGE)



ART_4922494

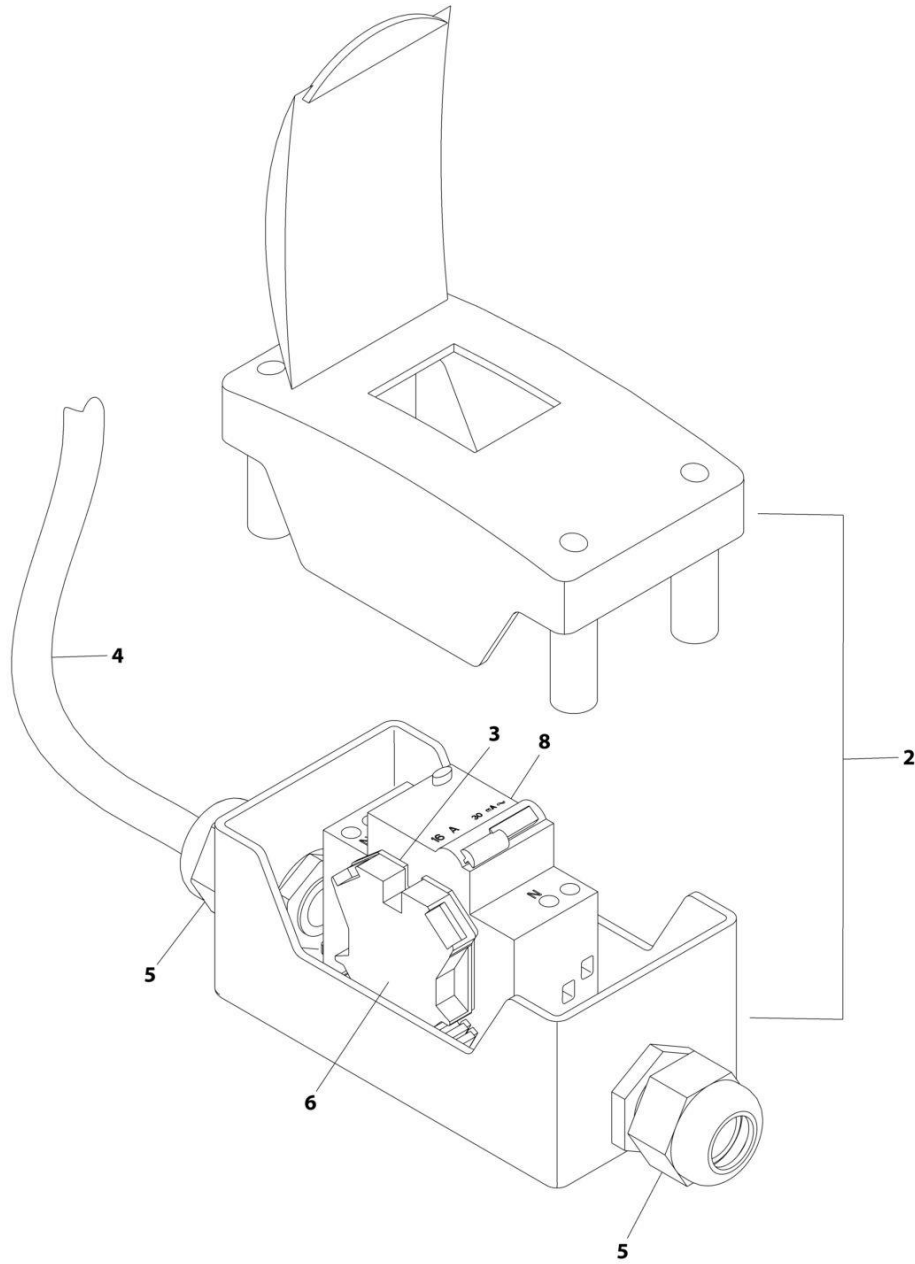
SECTION 8 - ELECTRICAL

FIGURE 8-32. BOOM CABLE - TOWER BOOM (WITHOUT ARCTIC PACKAGE)

ITEM	PART NUMBER	QTY	DESCRIPTION	REV
	4922494	Ref	BOOM CABLE - TOWER BOOM	C
2	4460465	22	Socket, Female	
3	4460865	1	Connector - 19 Position	
4	4460509	8	Socket, Female	
5	4460473	1	Clamp	
6	4460466	4	Plug, Terminal	
9	2820118	AR	Heatshrink, Clear	
10	1001226400	1	Insulate, Heatshrink	

SECTION 8 - ELECTRICAL

FIGURE 8-33. BREAKER BOX KIT - SINGLE DOUBLE POLE BREAKER (WITH 4000W/50HZ GENERATOR)



ART_1001096070

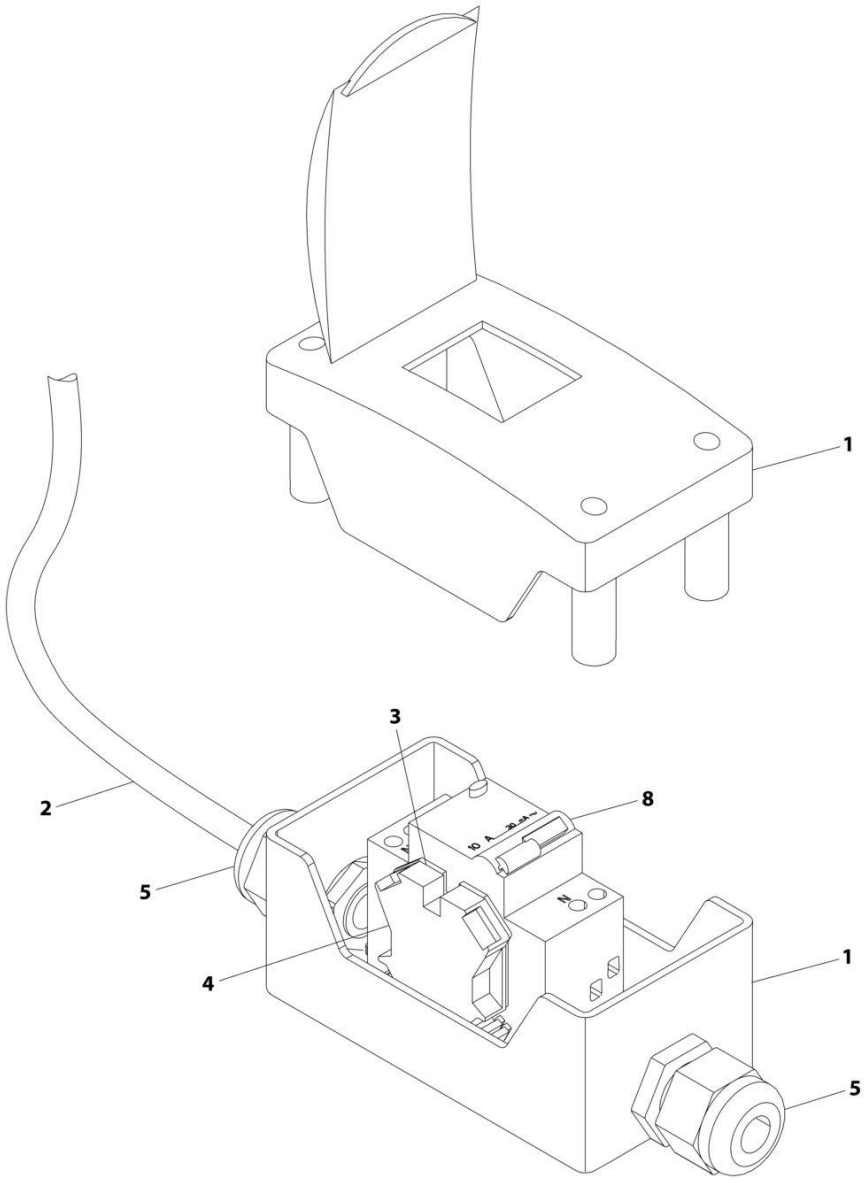
SECTION 8 - ELECTRICAL

FIGURE 8-33. BREAKER BOX KIT - SINGLE DOUBLE POLE BREAKER (WITH 4000W/50HZ GENERATOR)

ITEM	PART NUMBER	QTY	DESCRIPTION	REV
	1001096070	Ref	BREAKER BOX KIT	E
2	0861880	1	Box	
3	4460956	1	Barrier, Terminal Block End	
4	1060908	12 ft/ 3.6m	Cable, 12/3	
5	1001097150	2	Connector, Strain Relief	
6	4460957	1	Block, Terminal	
8	1001181045	1	Breaker, 16Amp	

SECTION 8 - ELECTRICAL

FIGURE 8-34. BREAKER BOX KIT - 30MA/16 AMP (WITH GENERATOR)



ART_1001109554

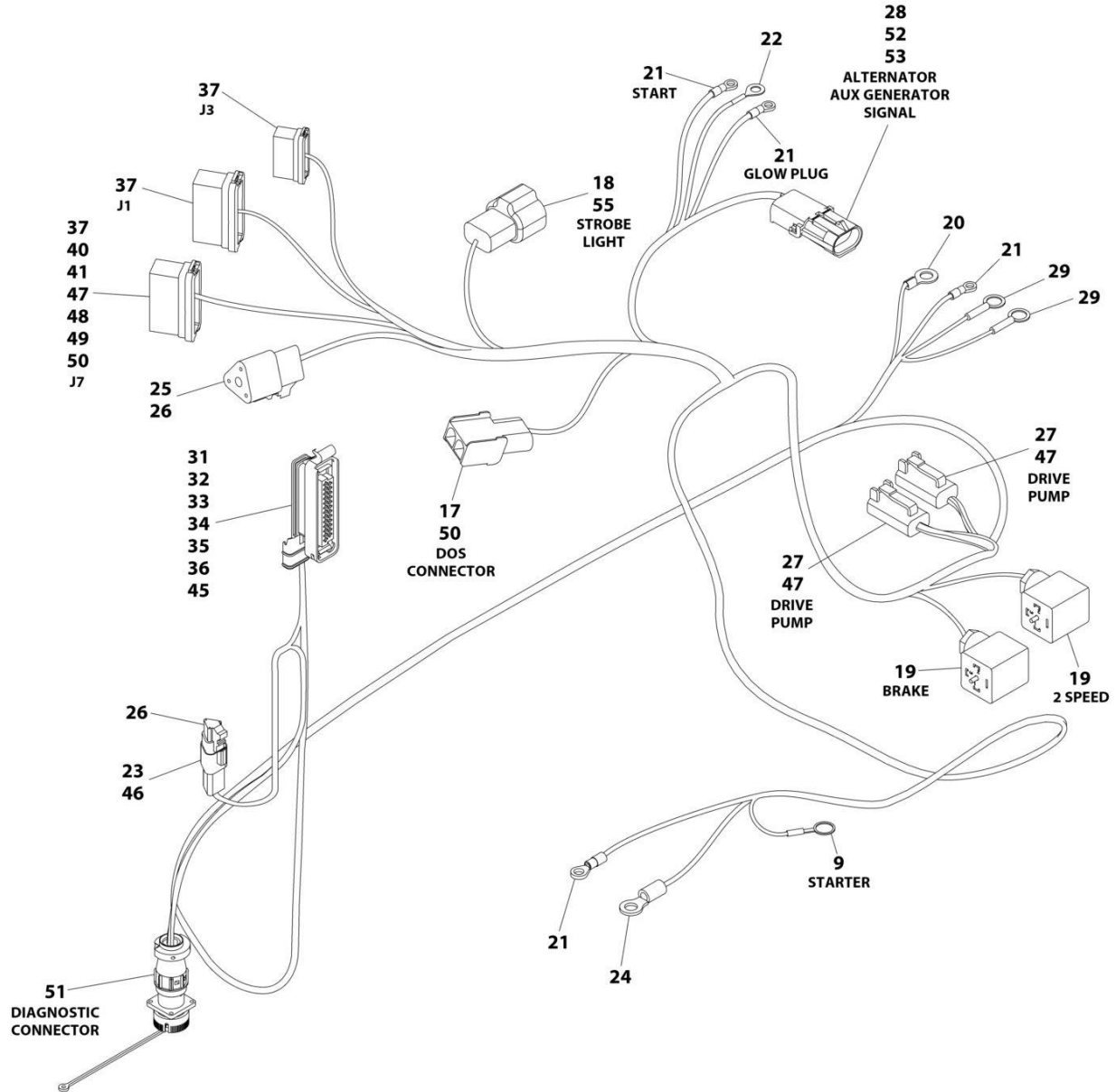
SECTION 8 - ELECTRICAL

FIGURE 8-34. BREAKER BOX KIT - 30MA/16 AMP (WITH GENERATOR)

ITEM	PART NUMBER	QTY	DESCRIPTION	REV
	1001109554	Ref	BREAKER BOX KIT - 30mA/16 AMP	C
1	0861880	1	Box, Breaker	
2	1060908	12 ft /3.6m	Cable, Electrical 12/3	
3	4460956	1	Barrier, Terminal Block End	
4	4460957	1	Block, Terminal	
5	1001097150	2	Connector, Strain Relief	
8	1001181046	1	Breaker, Double 30mA/16Amp	

SECTION 8 - ELECTRICAL

FIGURE 8-35. ENGINE HARNESS ASSEMBLY (DEUTZ D2011 ENGINES)



ART_1001191868

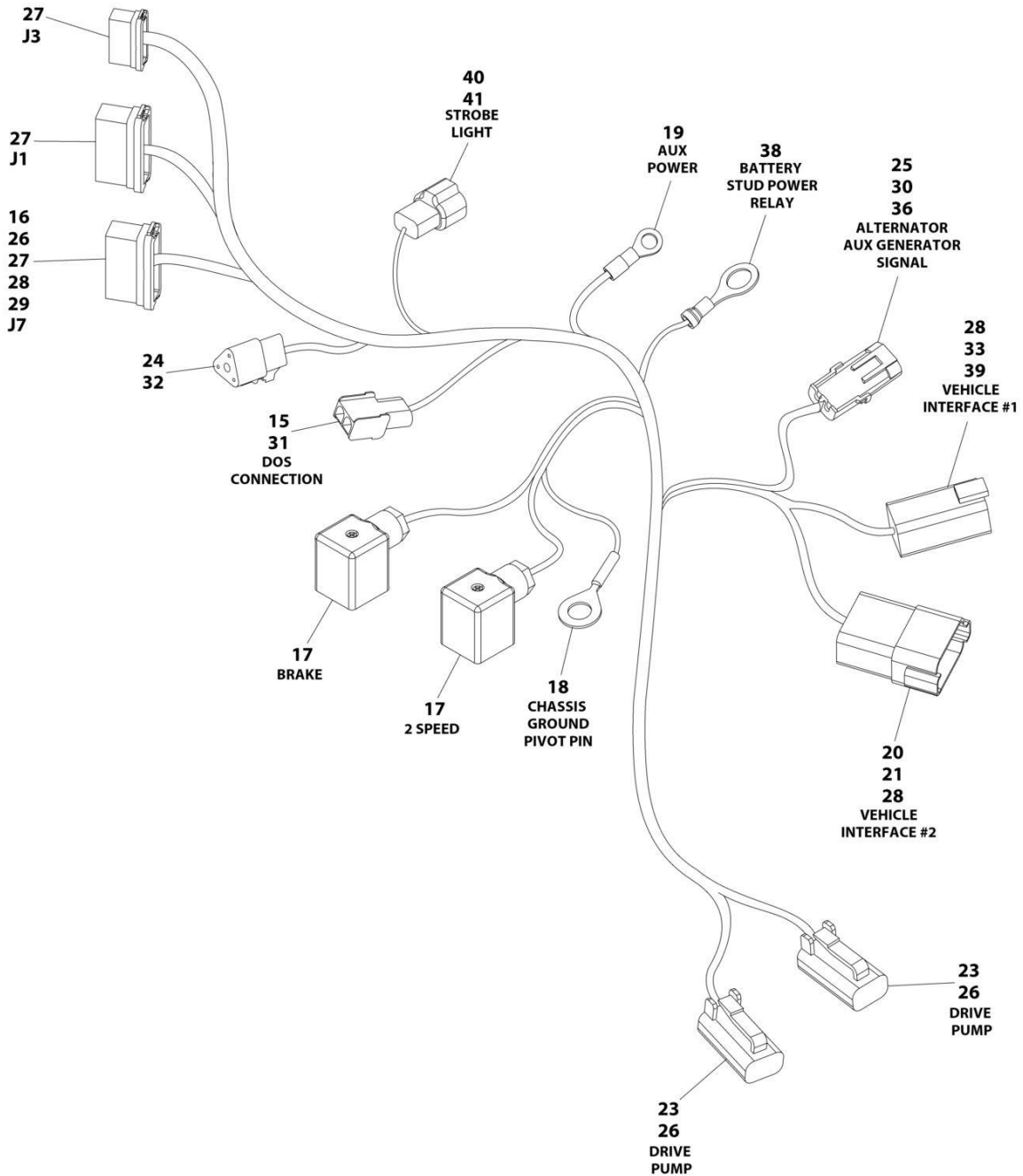
SECTION 8 - ELECTRICAL

FIGURE 8-35. ENGINE HARNESS ASSEMBLY (DEUTZ D2011 ENGINES)

ITEM	PART NUMBER	QTY	DESCRIPTION	REV
	1001191868	Ref	ENGINE HARNESS - DEUTZ D2011 ENGINES	C
9	4460142	1	Terminal, Ring	
17	4460424	1	Connector - 2 Position	
18	4460464	2	Pin, Male	
19	1001263923	2	DIN Connector without Diode	
20	4460312	1	Terminal, Ring	
21	4460313	4	Terminal, Ring	
22	4460019	1	Terminal, Ring	
23	4461070	1	Connector with Resistor - 3 Position	
24	4460043	1	Terminal, Ring	
25	4460539	1	Connector - 3 Position	
26	4460944	6	Socket, Female	
27	4460891	2	Connector - 2 Position	
28	4460458	6	Seal, Terminal	
29	4460256	2	Terminal, Ring	
31	4461052	1	Connector - 25 Position	
32	4461005	5	Terminal	
33	4461060	2	Terminal	
34	4461006	5	Seal, Terminal	
35	4461054	2	Seal, Terminal	
36	4461008	18	Plug, Terminal	
37	4460871	10	Socket, Female	
40	4460464	1	Pin, Male	
41	4460887	1	Pin, Male	
45	4461053	1	Cover, Plug	
46	4461095	1	Connector - 3 Position	
47	4460465	6	Socket, Female	
48	4460259	1	Terminal	
49	4460260	1	Housing, Terminal	
50	4460226	2	Socket, Female	
51	2902443	1	Receptacle Kit	
51	4461071	8	Socket, Female	
51	4461072	1	Receptacle with Flange - 8 Position	
51	4461073	1	Cap, Dust	
51	4461074	1	Shell, Black	
52	4461157	1	Connector - 2 Position	
53	4460979	2	Pin, Male	
55	4460897	1	Connector - 2 Position	

SECTION 8 - ELECTRICAL

FIGURE 8-36. ENGINE HARNESS ASSEMBLY (DEUTZ TD2.9L4 & DEUTZ DT2.2L3 STAGE V ENGINES)



ART_1001191866

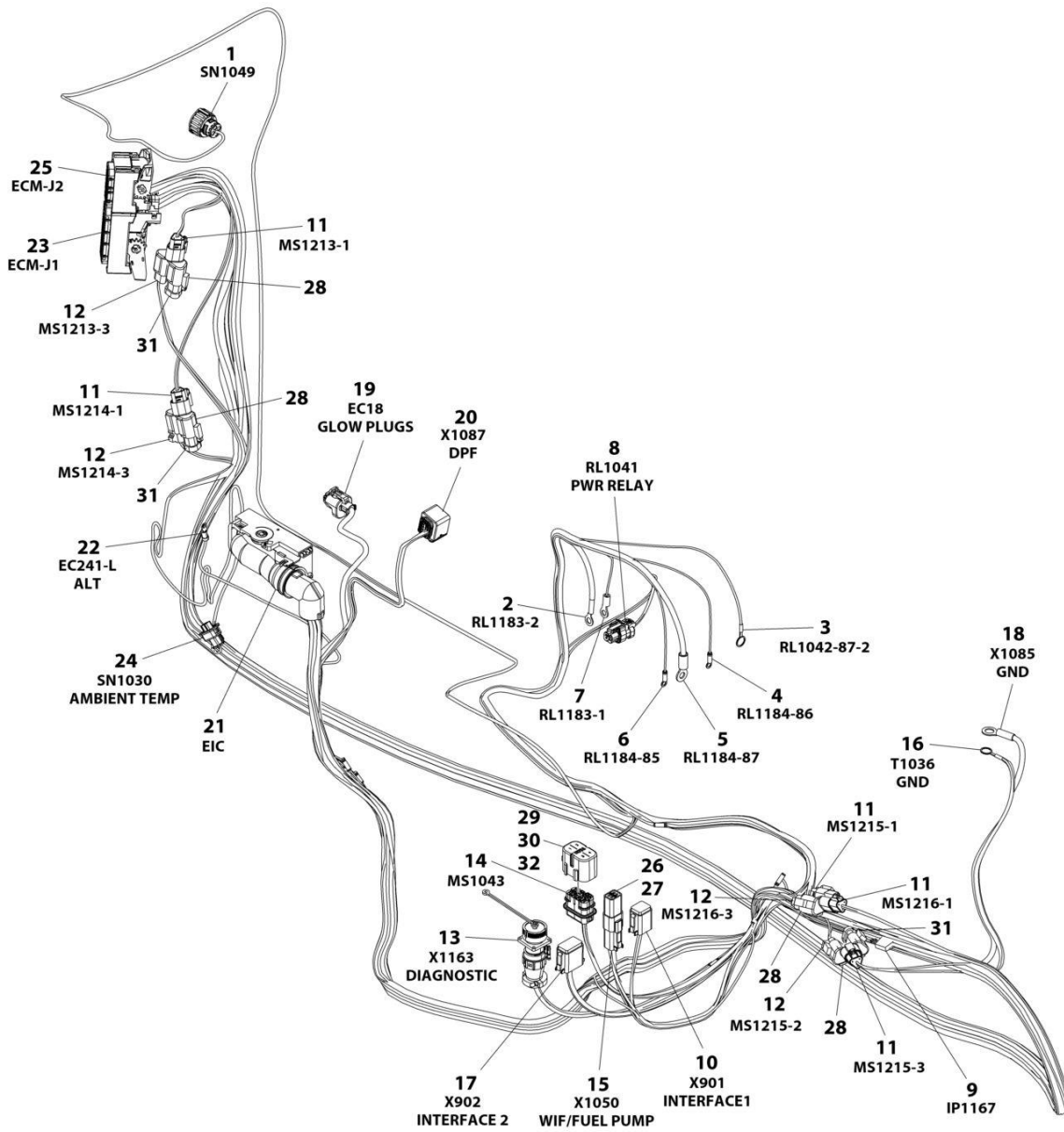
SECTION 8 - ELECTRICAL

FIGURE 8-36. ENGINE HARNESS ASSEMBLY (DEUTZ TD2.9L4 & DEUTZ DT2.2L3 STAGE V ENGINES)

ITEM	PART NUMBER	QTY	DESCRIPTION	REV
	1001191866	Ref	ENGINE HARNESS	D
15	4460424	1	Connector - 2 Position	
16	4460268	1	Socket, Female	
17	1001263923	2	DIN Connector without Diode	
18	4460019	1	Terminal, Ring	
19	4460313	1	Terminal, Ring	
20	4460931	1	Connector - 8 Position	
21	4460466	4	Plug, Terminal	
23	4460891	2	Connector - 2 Position	
24	4460539	1	Connector - 3 Position	
25	4460458	2	Seal, Terminal	
26	4460465	7	Socket, Female	
27	4460871	11	Socket, Female	
28	4460464	8	Pin, Male	
29	4460887	1	Pin, Male	
30	4461157	1	Connector - 2 Position	
31	4460226	2	Socket, Female	
32	4460944	3	Socket, Female	
33	4460899	1	Connector - 6 Position	
36	4460979	2	Pin, Male	
38	4460738	1	Terminal, Ring	
39	4460943	3	Pin, Male	
40	4460897	1	Connector - 2 Position	
41	1001116693	2	Pin, Male	

SECTION 8 - ELECTRICAL

FIGURE 8-37. ENGINE HARNESS - DEUTZ TD2.2L3 ENGINES



ART_1001253798

SECTION 8 - ELECTRICAL

FIGURE 8-37. ENGINE HARNESS - DEUTZ TD2.2L3 ENGINES

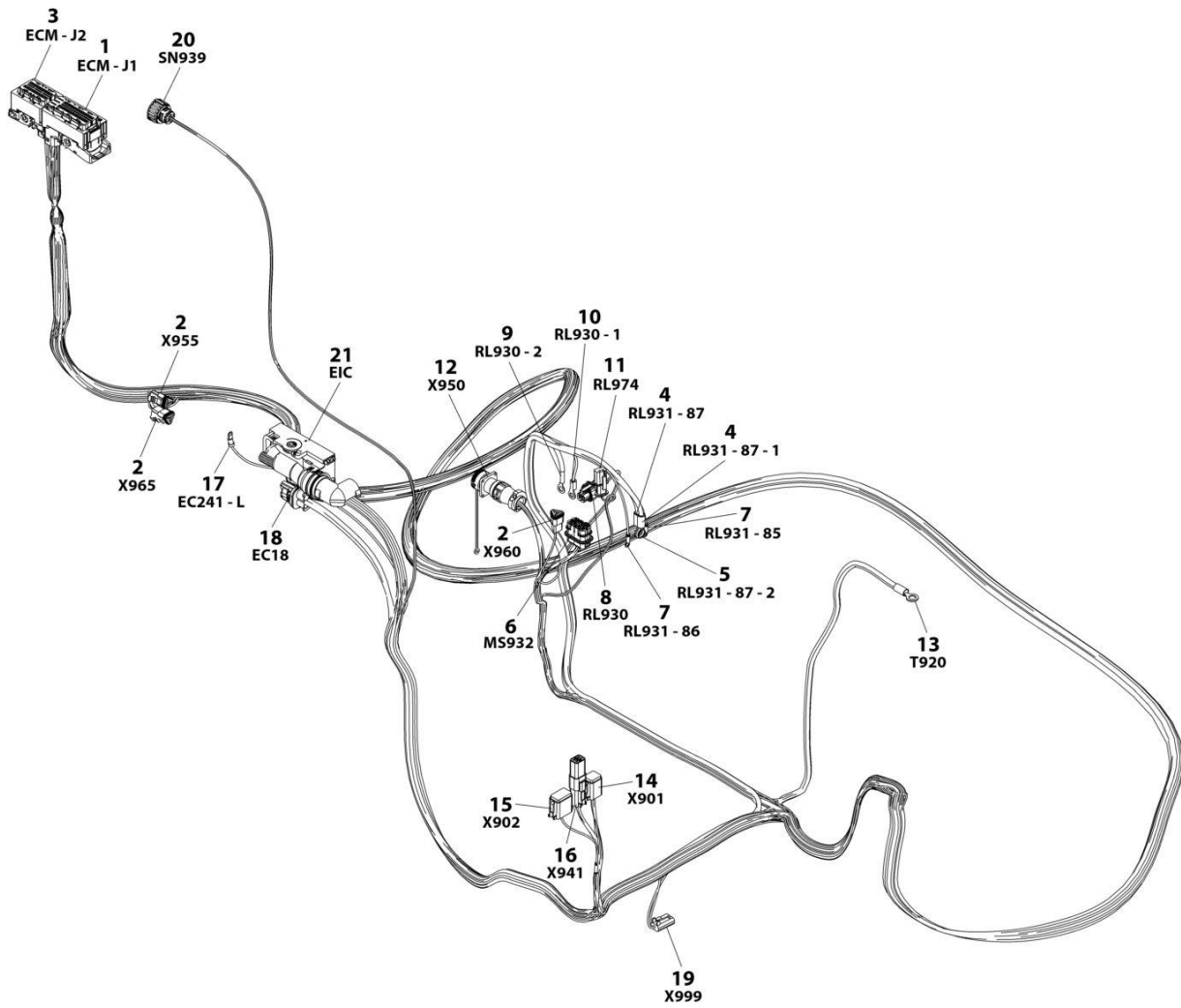
ITEM	PART NUMBER	QTY	DESCRIPTION	REV
	1001253798	Ref	ENGINE HARNESS	D
1	1001133714	1	Connector - 4 Position	
1	1001133715	3	Terminal	
1	1001135651	1	Plug, Terminal	
1	1001135650	3	Seal	
2	1001117106	1	Terminal, Ring	
3	4460703	1	Terminal, Ring	
4	4460247	1	Terminal, Ring	
5	1001117107	1	Terminal, Ring	
6	4460247	1	Terminal, Ring	
7	4460043	1	Terminal, Ring	
8	1001116952	1	Plug, Male - 2 Position	
8	4460465	2	Socket, Female	
9	1001170764	1	Holder, Fuse	
9	1001197719	1	Resistor 0.5 Watt	
10	4460894	1	Plug, Male - 6 Position	
10	4460465	2	Socket, Female	
10	4460944	2	Socket, Female	
10	4460466	2	Plug, Terminal	
11	1001116812	5	Connector, 3 Position	
11	4460944	10	Socket, Female	
11	4460466	5	Plug, Terminal	
12	4460539	4	Plug, Male - 3 Position	
12	4460944	8	Socket, Female	
12	4460466	4	Plug, Terminal	
13	2902443	1	Receptacle Kit	
13	4461071	6	Terminal	
14	80484084	1	Plug, Male - 8 Position	
14	1001116728	4	Terminal	
14	1001116727	4	Plug, Terminal	
14	4460458	4	Plug, Terminal	
15	4460884	1	Plug, Male - 4 Position	
15	4460465	3	Socket, Female	
15	4460942	1	Socket, Female	
16	4460019	1	Terminal, Ring	
17	4460930	1	Plug, Male - 8 Position	
17	4460465	1	Socket, Female	
17	4460466	7	Plug, Terminal	
18	8220164	1	Terminal, Ring	
19	1001253873	1	Connector, 1 Position	
19	1001142940	1	Terminal	
19	1001142941	1	Seal	
20	1001239202	1	Connector - 8 Position	
20	1001126363	7	Terminal	
20	1001126391	1	Seal, Terminal	
20	1001126364	7	Seal, Terminal	
21	1001126362	1	Connector - 62 Position	
21	1001126363	37	Terminal	
21	1001126365	2	Terminal	
21	1001126391	9	Plug, Terminal	

SECTION 8 - ELECTRICAL

ITEM	PART NUMBER	QTY	DESCRIPTION	REV
21	4461008	4	Plug, Terminal	
21	1001126392	10	Terminal	
21	1001126364	37	Seal, Terminal	
21	1001223459	10	Seal, Terminal	
21	4461054	2	Seal	
22	4460042	1	Terminal, Ring	
23	1001133956	1	Connector - 94 Position	
23	1001126351	3	Terminal	
23	1001182361	6	Terminal	
23	1001252527	4	Terminal	
23	1001230934	25	Terminal	
23	1001230935	55	Plug, Terminal	
23	1001230936	1	Plug, Terminal	
23	1001182365	6	Seal, Terminal	
24	1001126487	1	Connector - 2 Position	
24	1001167635	2	Terminal	
24	1001126485	2	Seal	
25	1001133957	1	Connector - 60 Position	
25	1001126351	11	Terminal	
25	1001230934	26	Terminal	
25	1001230935	10	Plug, Terminal	
25	1001230936	13	Plug, Terminal	
26	4460466	4	Plug, Terminal	
27	4460932	1	Receptacle, Bussbar - 4 Position	
28	4460945	4	Connector, 3-Way Tee	
29	8229242	1	Fuse 5Amp	
30	80983191	1	Fuse, 10Amp	
31	1001116815	3	Plug, Male - 3 Position	
32	1001147264	1	Cap	

SECTION 8 - ELECTRICAL

FIGURE 8-38. ENGINE HARNESS - DEUTZ TD2.9L4 ENGINES



ART_1001143726

SECTION 8 - ELECTRICAL

FIGURE 8-38. ENGINE HARNESS - DEUTZ TD2.9L4 ENGINES

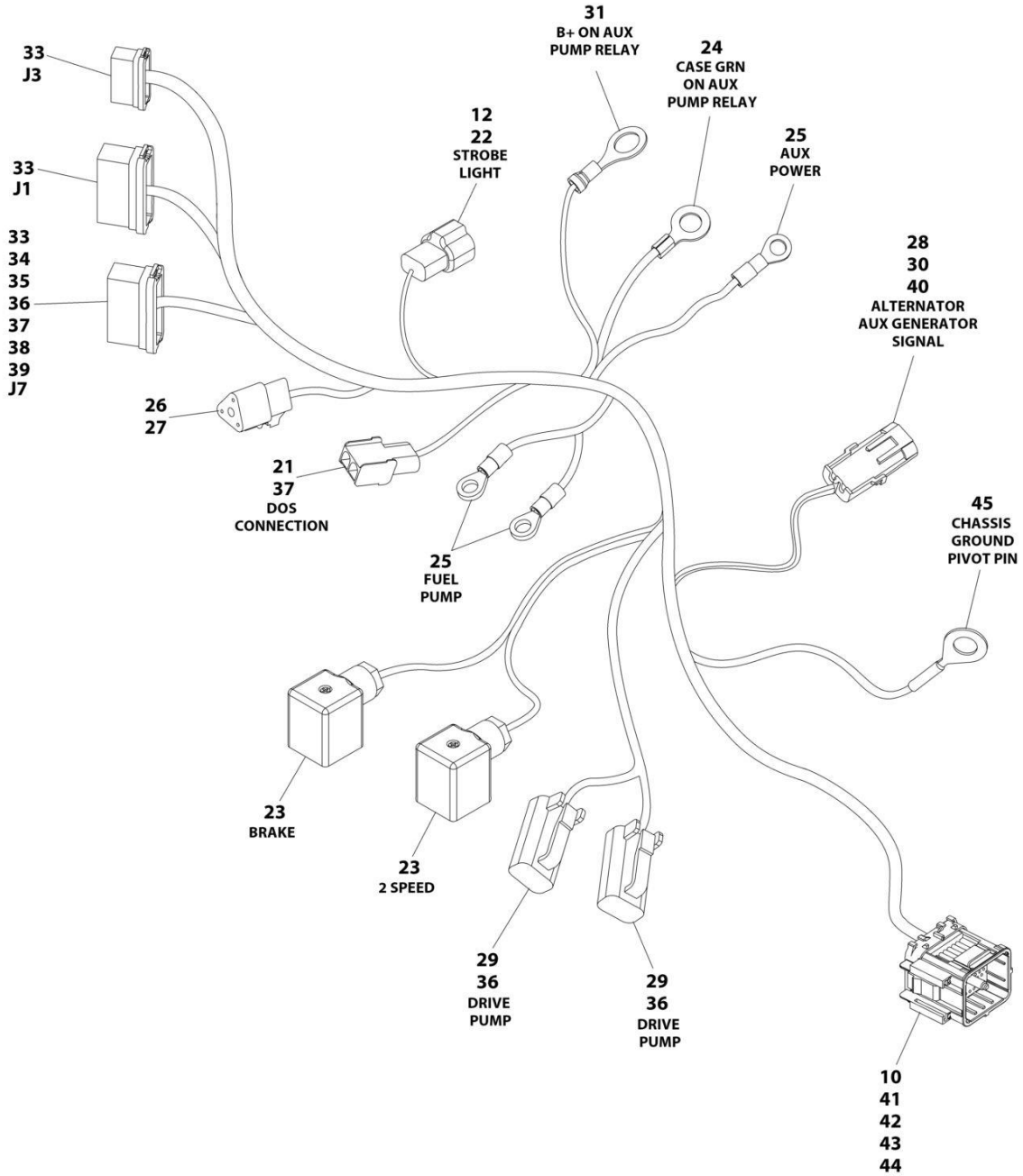
ITEM	PART NUMBER	QTY	DESCRIPTION	REV
	1001143726	Ref	ENGINE HARNESS	L
1	1001133956	1	Connector - 94 Position	
1	1001126351	2	Terminal	
1	1001126352	6	Terminal	
1	1001126384	21	Terminal	
1	1001126357	2	Plug, Terminal	
1	1001126356	63	Plug, Terminal	
2	4461095	3	Plug, Male - 3 Position	
2	4460944	6	Socket, Female	
2	4460466	3	Plug, Terminal	
3	1001133957	1	Connector - 60 Position	
3	1001126351	13	Terminal	
3	1001126384	17	Terminal	
3	1001126357	11	Plug, Terminal	
3	1001126356	19	Plug, Terminal	
4	1001117107	2	Terminal, Ring	
5	4460703	1	Terminal, Ring	
6	80484084	1	Plug, Male - 8 Position	
6	8229242	1	Fuse - 5Amp	
6	80983191	1	Fuse - 10Amp	
6	1001116728	4	Socket, Female	
6	1001116727	4	Plug, Terminal	
6	4460458	4	Seal, Terminal	
6	1001147264	1	Cap	
7	4460247	2	Terminal, Ring	
8	1001116952	1	Plug, Male - 2 Position	
8	4460465	2	Socket, Female	
9	1001117106	1	Terminal, Ring	
10	4460043	1	Terminal, Ring	
11	1001138110	1	Connector - 2 Position	
11	1001138111	2	Terminal	
11	1001138113	2	Seal	
12	2902443	1	Receptacle Kit	
12	4461073	1	Cap, Dust	
12	4461071	6	Terminal	
13	8220115	1	Terminal, Ring	
14	4460894	1	Plug, Male - 6 Position	
14	4460465	3	Socket, Female	
14	4460944	2	Socket, Female	
14	4460466	1	Plug, Terminal	
15	4460930	1	Plug, Male - 8 Position	
15	4460465	1	Socket, Female	
15	4460466	7	Plug, Terminal	
16	1001220379	1	Plug, Male - 4 Position	
16	4460465	2	Socket, Female	
16	4460942	2	Socket, Female	
16	4460932	1	Receptacle, Bussbar - 4 Position	
17	4460042	1	Terminal, Ring	
18	1001142938	1	Plug, Male - 2 Position	
18	1001142940	2	Terminal	

SECTION 8 - ELECTRICAL

ITEM	PART NUMBER	QTY	DESCRIPTION	REV
18	1001142941	2	Seal	
19	4460891	1	Plug, Male - 4 Position	
19	4460465	2	Socket, Female	
19	1001171403	1	Resistor Assembly	
19	4460897	1	Receptacle, Female - 4 Position	
20	1001133714	1	Connector - 4 Position	
20	1001133715	3	Terminal	
20	1001135650	3	Seal, Terminal	
20	1001135651	1	Plug, Terminal	
21	1001126362	1	Connector - 62 Position	
21	1001126363	23	Terminal	
21	1001126392	10	Terminal	
21	1001126365	2	Terminal	
21	1001126391	23	Plug, Terminal	
21	4461008	4	Plug, Terminal	
21	1001256506	2	Seal, Terminal	
21	1001126364	21	Seal, Terminal	
21	1001223459	10	Seal, Terminal	
21	4461008	4	Plug, Terminal	
21	1001151856	1	Elbow	

SECTION 8 - ELECTRICAL

FIGURE 8-39. ENGINE HARNESS ASSEMBLY (FORD DF2.5L ENGINES)



ART_1001214507

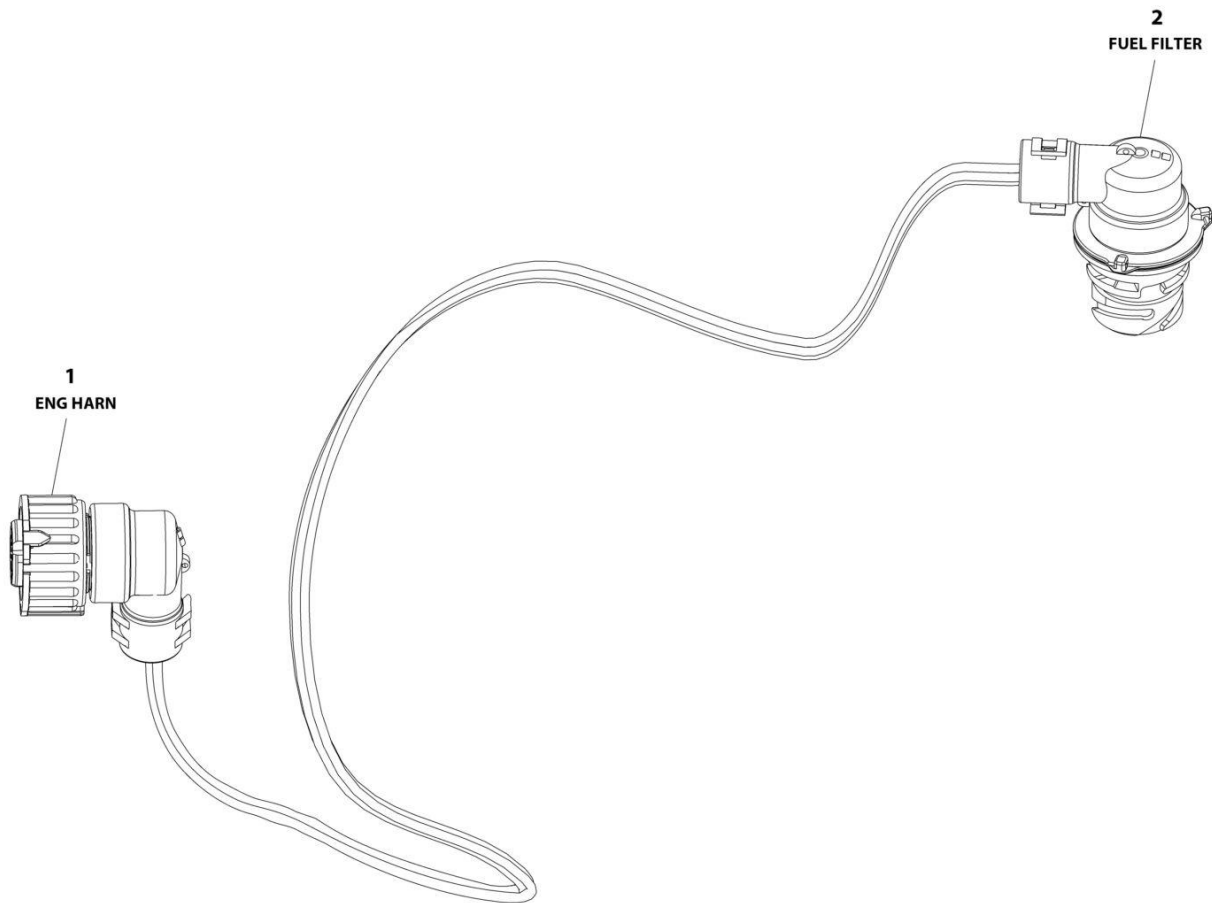
SECTION 8 - ELECTRICAL

FIGURE 8-39. ENGINE HARNESS ASSEMBLY (FORD DF2.5L ENGINES)

ITEM	PART NUMBER	QTY	DESCRIPTION	REV
	1001214507	Ref	ENGINE HARNESS – FORD DF2.5L ENGINES	F
10	1001216213	3	Plug, Terminal	
12	4460897	1	Connector - 2 Position	
21	4460424	1	Connector - 2 Position	
22	1001116693	2	Pin, Male	
23	1001263923	2	DIN Connector without Diode	
24	4460312	1	Terminal, Ring	
25	4460313	3	Terminal, Ring	
26	4460539	1	Connector - 3 Position	
27	4460944	3	Socket, Female	
28	4461157	1	Connector - 2 Position	
29	4460891	2	Connector - 2 Position	
30	4460458	2	Seal, Terminal	
31	4460738	1	Terminal, Ring	
33	4460871	9	Socket, Female	
34	4460464	1	Pin, Male	
35	4460887	1	Pin, Male	
36	4460465	6	Socket, Female	
37	4460226	3	Socket, Female	
38	4460259	1	Terminal	
39	4460260	1	Housing, Terminal	
40	4460979	2	Pin, Male	
41	1001215016	1	Connector - 42 Position	
42	1001215091	5	Terminal	
43	1001215534	33	Plug, Terminal	
44	1001216212	1	Terminal	
45	4460019	1	Terminal, Ring	

SECTION 8 - ELECTRICAL

FIGURE 8-40. FUEL HARNESS - DEUTZ TD2.2L3 (STAGE V) ENGINE



ART_1001245913

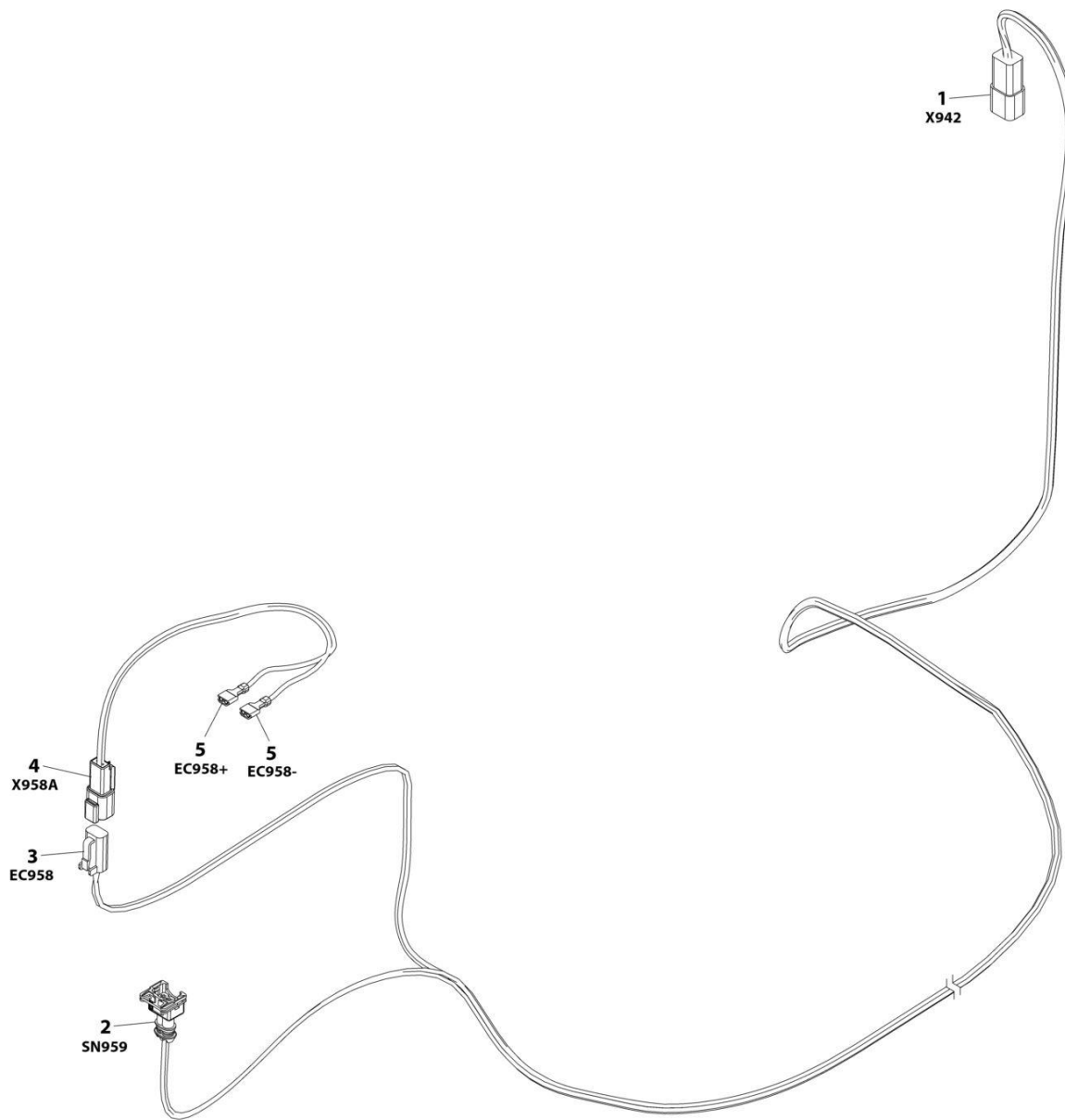
SECTION 8 - ELECTRICAL

FIGURE 8-40. FUEL HARNESS - DEUTZ TD2.2L3 (STAGE V) ENGINE

ITEM	PART NUMBER	QTY	DESCRIPTION	REV
	1001245913	Ref	FUEL HARNESS - DEUTZ (STAGE V) ENGINE	D
1	1001148842	1	Connector - 4 Position	
1	1001148841	4	Pin, Male	
1	1001135650	4	Seal	
2	1001133714	1	Plug, Male - 4 Position	
2	1001133715	4	Socket, Female	
2	1001135650	4	Seal	

SECTION 8 - ELECTRICAL

FIGURE 8-41. FUEL HARNESS - DEUTZ TD2.9L4 ENGINES



ART_1001138491

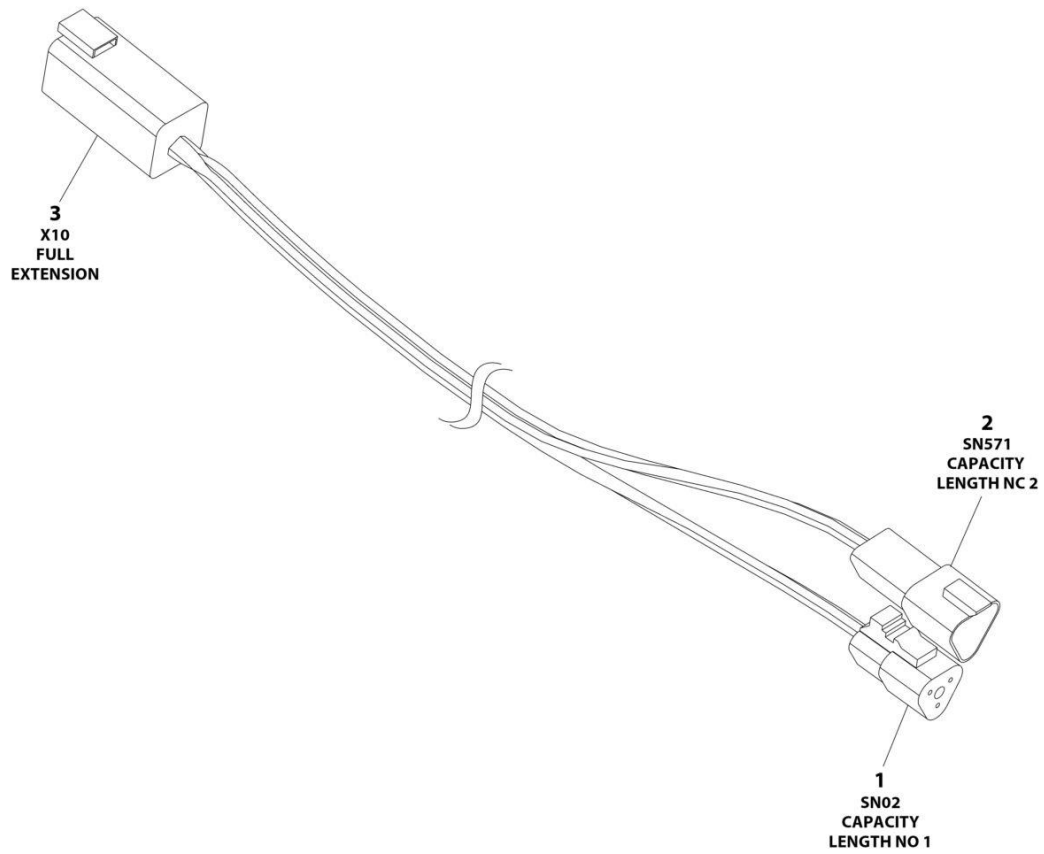
SECTION 8 - ELECTRICAL

FIGURE 8-41. FUEL HARNESS - DEUTZ TD2.9L4 ENGINES

ITEM	PART NUMBER	QTY	DESCRIPTION	REV
	1001138491	Ref	FUEL PUMP HARNESS	D
1	4460932	1	Receptacle, Female - 4 Position	
1	4460941	2	Pin, Male	
1	4460464	2	Pin, Male	
2	1001116983	1	Plug, Male - 2 Position	
2	1001116710	2	Socket, Female	
2	4461054	2	Seal	
3	4460891	1	Plug, Male - 2 Position	
3	4460942	2	Socket, Female	
4	4460897	1	Connector - 2 Position	
4	4460941	2	Pin, Male	
5	8220051	2	Terminal, Ring	

SECTION 8 - ELECTRICAL

FIGURE 8-42. FULL EXTENSION PROXIMITY HARNESS



ART_1001254468

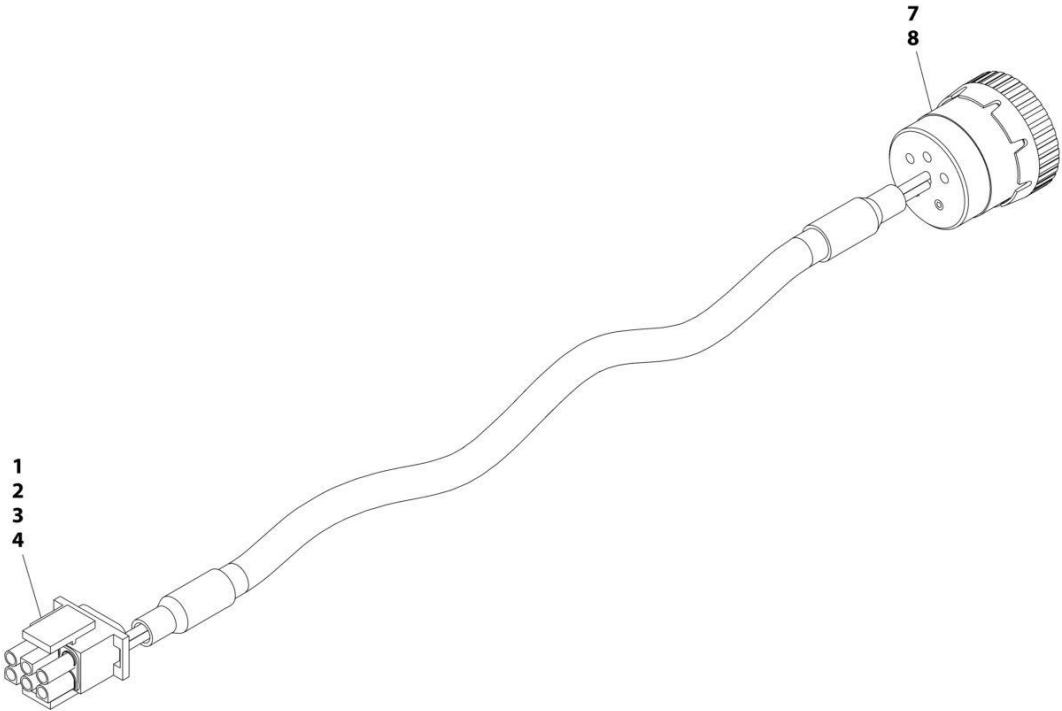
SECTION 8 - ELECTRICAL

FIGURE 8-42. FULL EXTENSION PROXIMITY HARNESS

ITEM	PART NUMBER	QTY	DESCRIPTION	REV
	1001254468	Ref	FULL EXTENTION PROXIMITY HARNESS	A
1	4460539	1	Plug, Male - 3 Position	
1	4460465	3	Socket, Female	
2	4460536	1	Receptacle, Female - 3 Position	
2	4640464	3	Pin, Male	
3	4460899	1	Receptacle, Female - 6 Position	
3	4460464	6	Pin, Male	

SECTION 8 - ELECTRICAL

FIGURE 8-43. GENERATOR TO CONTROL BOX HARNESS - 4000W



ART_1001152532

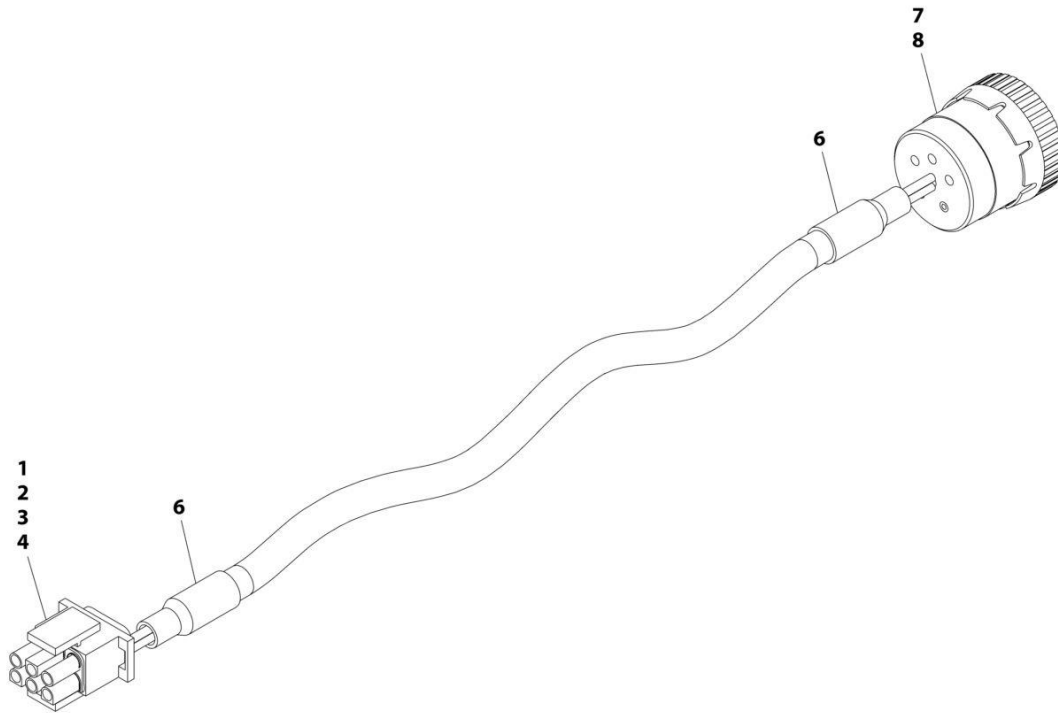
SECTION 8 - ELECTRICAL

FIGURE 8-43. GENERATOR TO CONTROL BOX HARNESS - 4000W

ITEM	PART NUMBER	QTY	DESCRIPTION	REV
	1001152532	Ref	GENERATOR HARNESS	A
1	4460225	1	Connector - 6 Position	
2	4460268	2	Socket, Female	
3	4460807	1	Seal	
4	4460808	1	Seal	
7	4460465	2	Socket, Female	
8	77363233	1	Connector - 6 Position	

SECTION 8 - ELECTRICAL

FIGURE 8-44. GENERATOR TO CONTROL BOX HARNESS (7500W GENERATOR)



ART_4922925

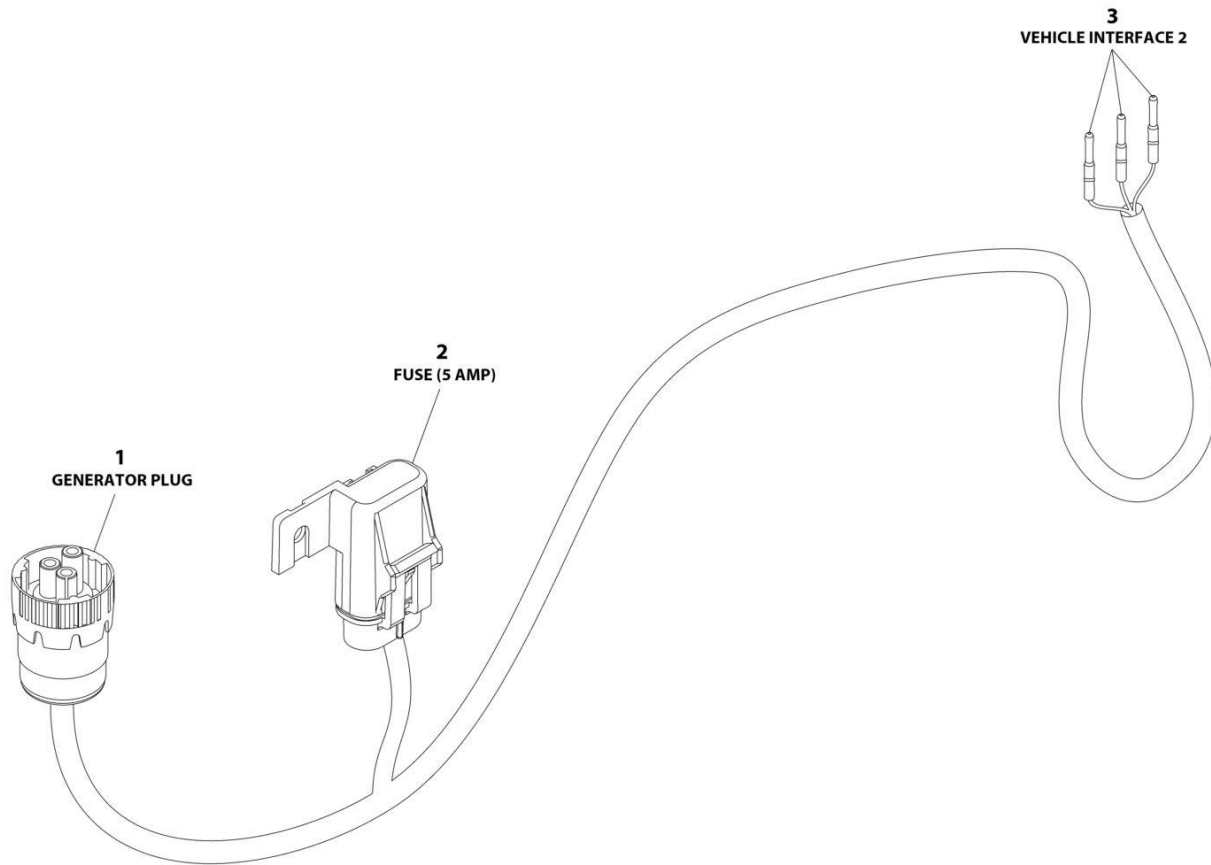
SECTION 8 - ELECTRICAL

FIGURE 8-44. GENERATOR TO CONTROL BOX HARNESS (7500W GENERATOR)

ITEM	PART NUMBER	QTY	DESCRIPTION	REV
	4922925	Ref	GENERATOR TO CONTROL BOX HARNESS (7500W GENERATOR)	C
1	4460225	1	Plug, Male - 2 Position	
2	4460268	6	Socket, Female	
3	4460807	1	Seal	
4	4460808	1	Seal	
6	2820019	AR	Heat Shrink	
7	4460465	6	Socket, Female	
8	77363233	1	Connector - 6 Position	

SECTION 8 - ELECTRICAL

FIGURE 8-45. GENERATOR HARNESS - 7500W GENERATOR



ART_1001119968

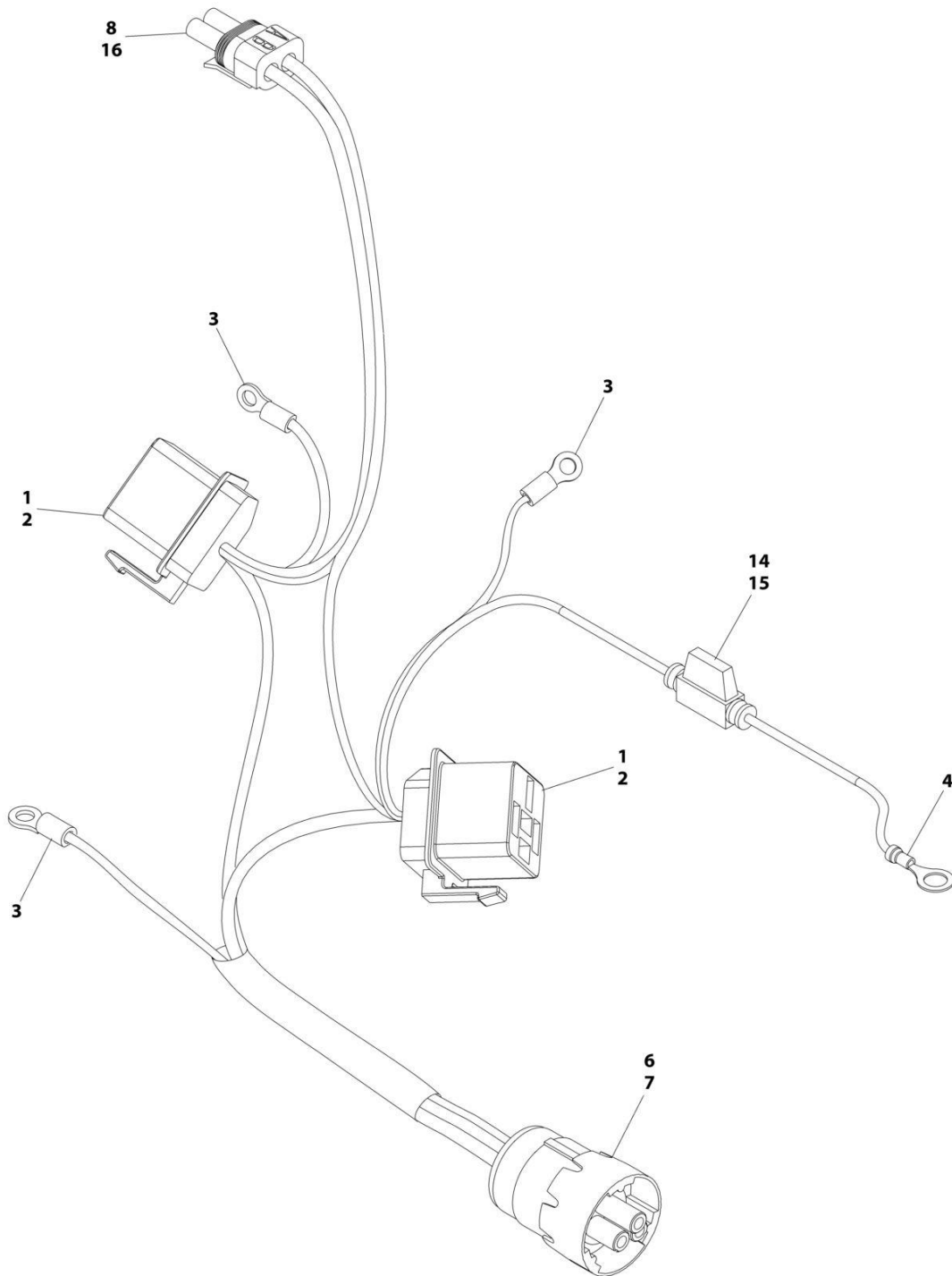
SECTION 8 - ELECTRICAL

FIGURE 8-45. GENERATOR HARNESS - 7500W GENERATOR

ITEM	PART NUMBER	QTY	DESCRIPTION	REV
	1001119968	Ref	GENERATOR HARNESS - 7500W GENERATOR	C
1	4460967	1	Connector - 3 Position	
1	4460465	3	Socket, Female	
2	1001117078	1	Connector, Metri-Pack with 5Amp Fuse	
3	4460465	3	Socket, Female	

SECTION 8 - ELECTRICAL

FIGURE 8-46. GENERATOR TO ENGINE HARNESS - 2500W



ART_1001221208

SECTION 8 - ELECTRICAL

FIGURE 8-46. GENERATOR TO ENGINE HARNESS - 2500W

ITEM	PART NUMBER	QTY	DESCRIPTION	REV
	1001221208	Ref	GENERATOR TO ENGINE HARNESS	A
1	4460374	2	Plug, Sealed Relay	
2	4460375	8	Terminal	
3	4460043	3	Terminal, Ring	
4	4460670	1	Terminal, Ring	
6	4460967	1	Plug, Male - 3 Position	
7	4460465	3	Socket, Female	
8	4460742	1	Plug, Male - 2 Position	
14	2400060	1	Fuseholder (Includes Cover)	
15	2400064	1	Fuse - 5Amp	
16	4460743	2	Socket, Female	

SECTION 8 - ELECTRICAL

FIGURE 8-47. GENERATOR TO ENGINE HARNESS - 4000W



ART_1001153197

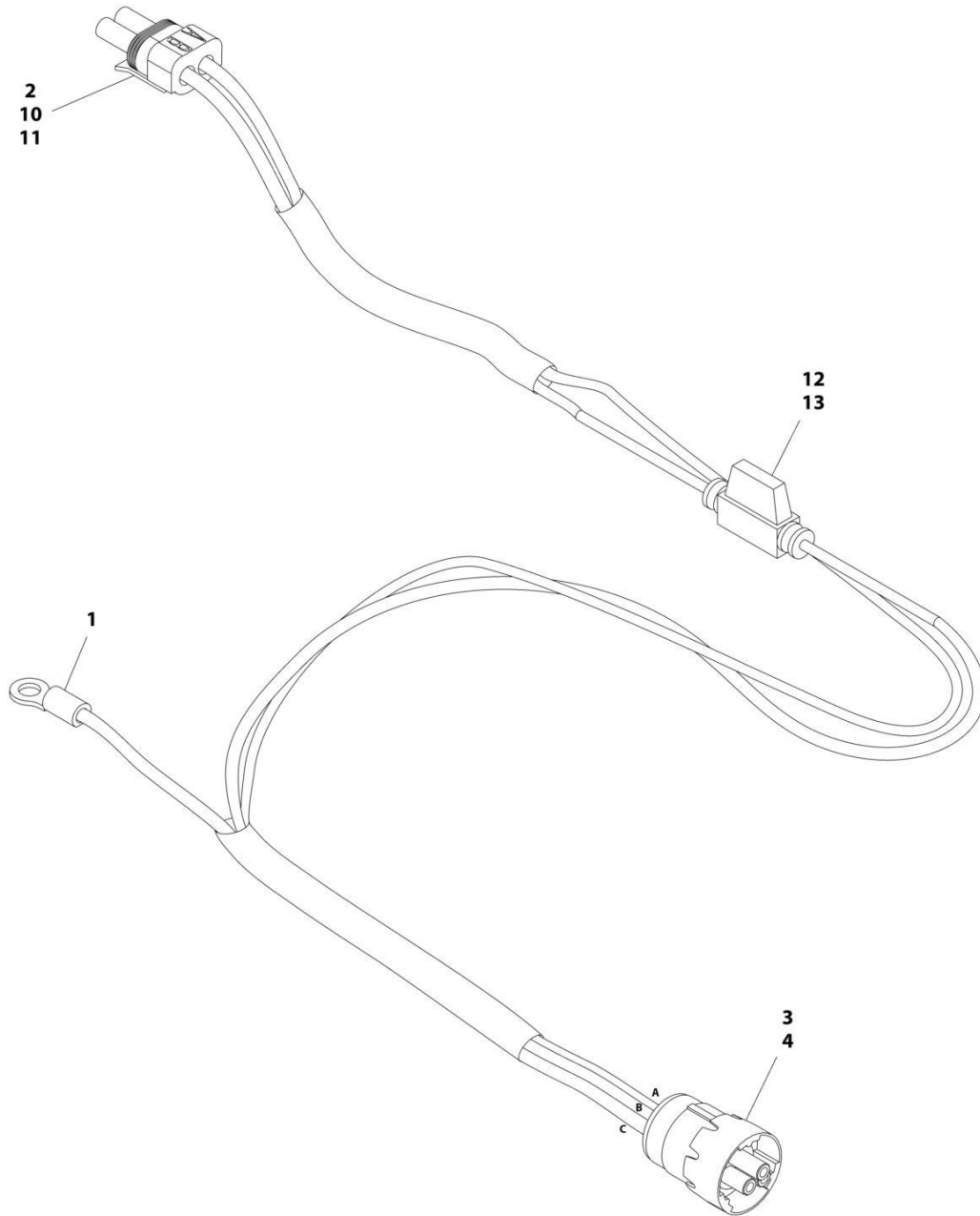
SECTION 8 - ELECTRICAL

FIGURE 8-47. GENERATOR TO ENGINE HARNESS - 4000W

ITEM	PART NUMBER	QTY	DESCRIPTION	REV
	1001153197	Ref	GENERATOR TO ENGINE HARNESS	B
1	4460967	1	Plug, Male - 3 Position	
1	4460465	2	Socket, Female	
2	4460043	1	Terminal, Ring	
3	4460742	1	Plug, Male - 2 Position	
3	4460743	1	Socket, Female	
3	4460458	1	Seal, Terminal	
3	1001116727	1	Plug, Terminal	

SECTION 8 - ELECTRICAL

FIGURE 8-48. GENERATOR TO ENGINE HARNESS - 7500W SKYPOWER GENERATOR (DEUTZ D2011 ONLY)



ART_1001152429

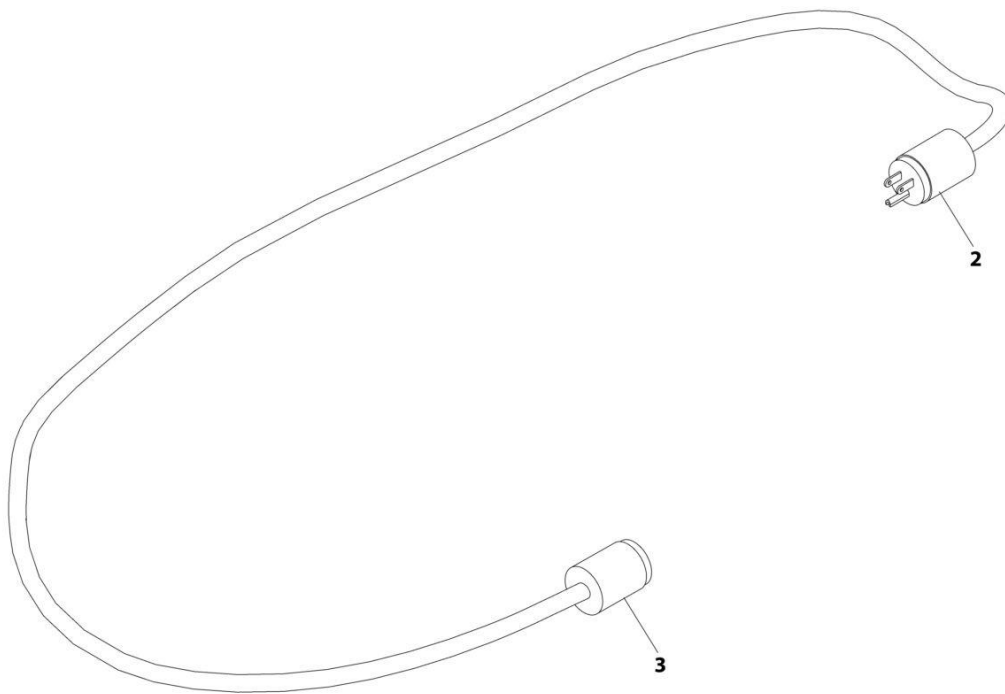
SECTION 8 - ELECTRICAL

FIGURE 8-48. GENERATOR TO ENGINE HARNESS - 7500W SKYPOWER GENERATOR (DEUTZ D2011 ONLY)

ITEM	PART NUMBER	QTY	DESCRIPTION	REV
	1001152429	Ref	GENERATOR TO ENGINE HARNESS	C
1	4460043	1	Terminal, Ring	
2	4460742	1	Plug, Male - 2 Position	
3	4460967	1	Connector - 3 Position	
4	4460465	3	Socket, Female	
10	4460743	2	Terminal, Female	
11	4460458	2	Seal	
12	2400060	1	Fuseholder (Includes Cover)	
13	2400064	1	Fuse - 5Amp	

SECTION 8 - ELECTRICAL

FIGURE 8-49. GENERATOR TO REAR OF BOOM HARNESS - 110V



ART_4921829

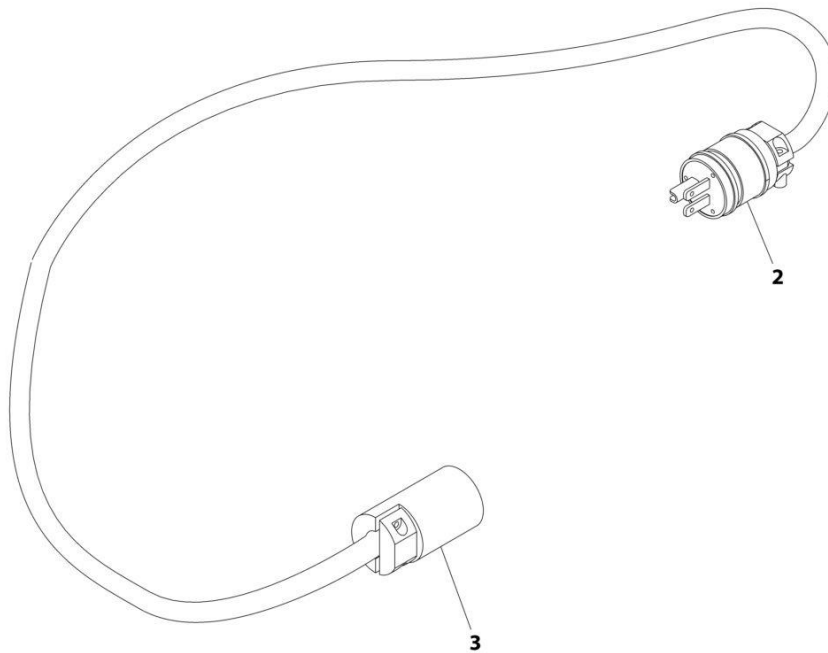
SECTION 8 - ELECTRICAL

FIGURE 8-49. GENERATOR TO REAR OF BOOM HARNESS - 110V

ITEM	PART NUMBER	QTY	DESCRIPTION	REV
	4921829	Ref	GENERATOR TO REAR OF BOOM HARNESS - 110V	Z-A
2	4460205	1	Plug, Male	
3	4460134	1	Connector, Female	

SECTION 8 - ELECTRICAL

FIGURE 8-50. GENERATOR TO REAR OF BOOM HARNESS - 220V



ART_4921954

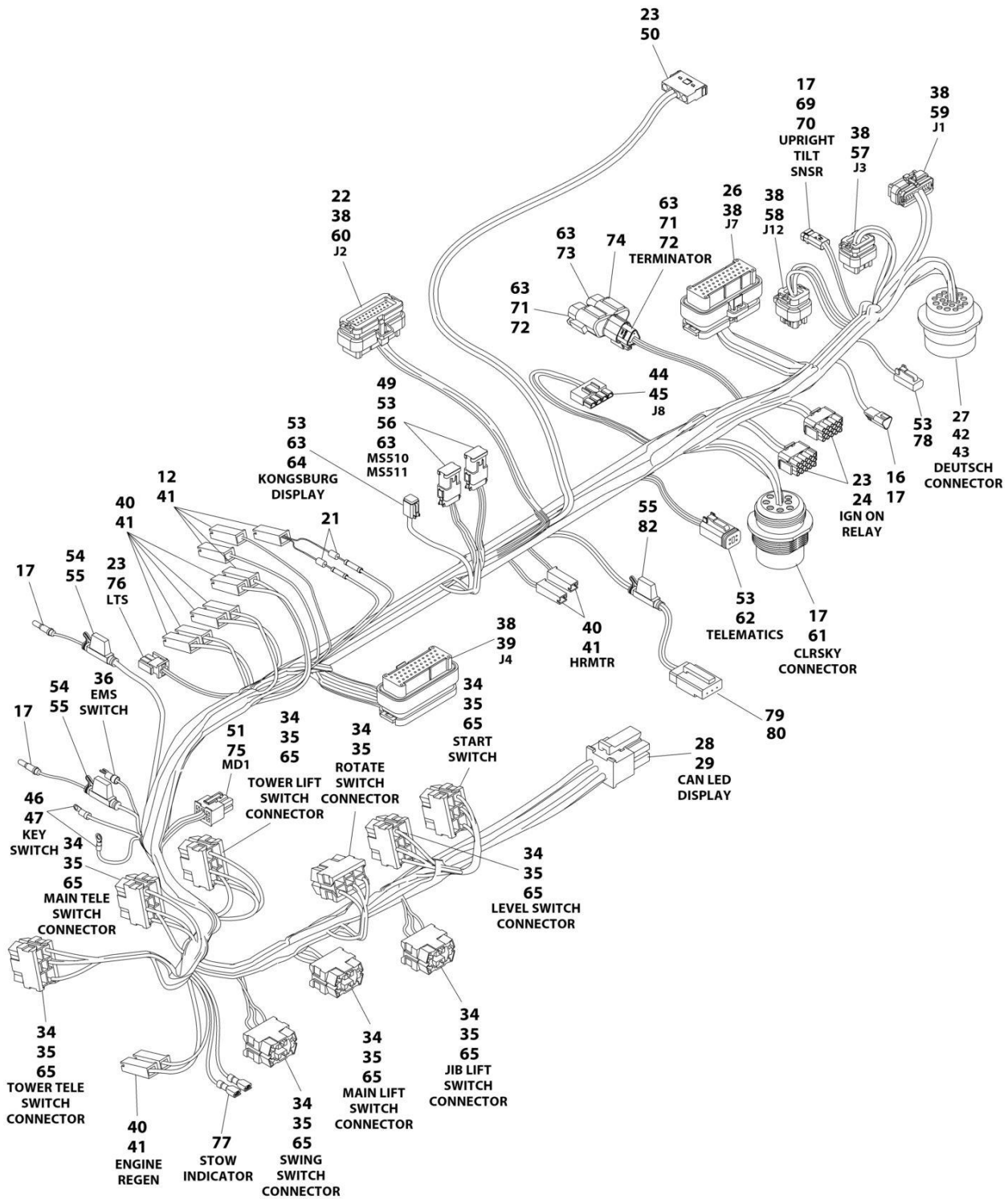
SECTION 8 - ELECTRICAL

FIGURE 8-50. GENERATOR TO REAR OF BOOM HARNESS - 220V

ITEM	PART NUMBER	QTY	DESCRIPTION	REV
	4921954	Ref	GENERATOR TO REAR OF BOOM HARNESS - 220V	2
2	4460233	1	Terminal, Plug	
3	4460701	1	Terminal, Connector	

SECTION 8 - ELECTRICAL

FIGURE 8-51. GROUND CONTROL BOX HARNESS



ART_1001266628

SECTION 8 - ELECTRICAL

FIGURE 8-51. GROUND CONTROL BOX HARNESS

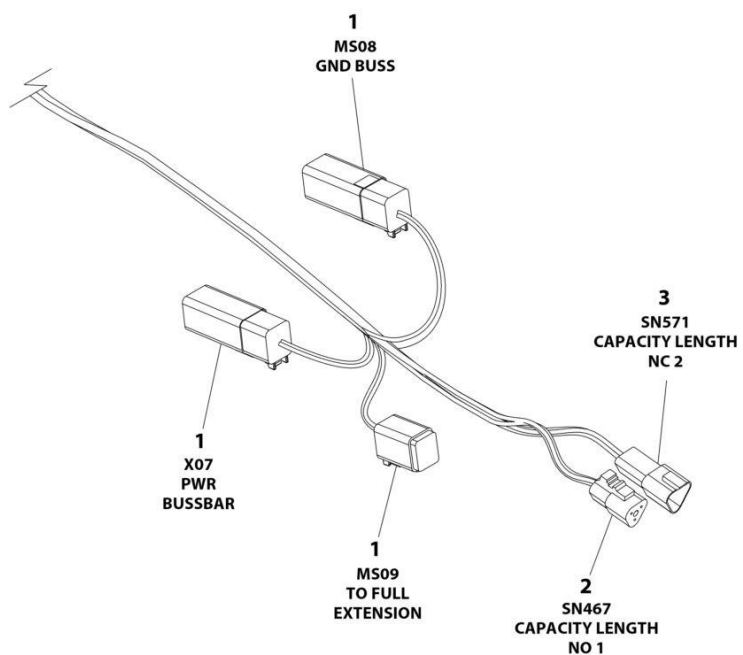
ITEM	PART NUMBER	QTY	DESCRIPTION	REV
	1001266628	Ref	GROUND CONTROL BOX HARNESS	C
12	4460297	4	Terminal	
16	4460536	1	Receptacle, Female - 3 Position	
17	4460943	12	Pin, Male	
21	3990010	2	Diode, 6 Amp	
22	4460905	2	Seal, Terminal	
23	4460227	36	Pin, Male	
24	4460434	2	Plug Male - 15 Position	
26	4460873	1	Connector - 35 Position	
27	4460508	4	Terminal	
28	1001237667	1	Plug Male - 6 Position	
29	1001237668	5	Terminal	
34	1001159186	18	Terminal	
35	4460418	9	Connector, Switch	
36	4460806	5	Terminal, Fork	
38	4460871	84	Socket, Female	
39	4460876	1	Connector - 35 Position	
40	4460259	15	Terminal	
41	4460260	19	Housing, Terminal	
42	4460464	13	Pin, Male	
43	4460866	1	Connector - 19 Position	
44	4460878	1	Plug Male - 4 Position	
45	4460887	3	Terminal	
46	4460142	4	Terminal, Ring	
47	4460313	3	Terminal	
49	1001119020	2	Connector, Buss Bar - 12 Position	
50	4460761	1	Receptacle, Female - 4 Position	
51	4460868	AR	Terminal	
53	4460465	35	Socket, Female	
54	2400060	2	Fuse Holder with Cover	
55	8229242	3	Fuse 5Amp	
56	4460933	2	Plug, Male - 12 Position	
57	4460872	1	Connector - 14 Position	
58	1001113961	1	Connector - 8 Position	
59	4460874	1	Connector - 35 Position	
60	4460875	1	Connector - 35 Position	
61	1001112612	1	Connector - 9 Position	
62	4460884	1	Plug, Male - 4 Position	
63	4460466	7	Plug, Terminal	
64	4460894	1	Plug, Male - 6 Position	
65	4460419	8	Terminal	
69	1001229530	1	Receptacle, Female - 3 Position	
70	1001200497	1	Plug, Male - 3 Position	
71	1001116812	2	Plug, Male - 3 Position	
72	4460944	4	Socket, Female	
73	1001116815	1	Plug, Male - 3 Position	
74	4460945	1	Connector, 3-Way Tee	
75	4460877	4	Terminal	
76	4460320	1	Connector - 2 Position	
77	1001201885	2	Terminal	

SECTION 8 - ELECTRICAL

ITEM	PART NUMBER	QTY	DESCRIPTION	REV
78	4460891	1	Plug, Male - 2 Position	
79	4460911	1	Connector - 3 Position	
80	1001116694	3	Terminal	
82	2400060	AR	Fuse Holder with Cover (Prior to PVC 2201)	
82	1001255901	AR	Fuse Holder with Cover (PVC 2201 to Present)	

SECTION 8 - ELECTRICAL

FIGURE 8-52. MID PROXIMITY HARNESS



ART_1001254467

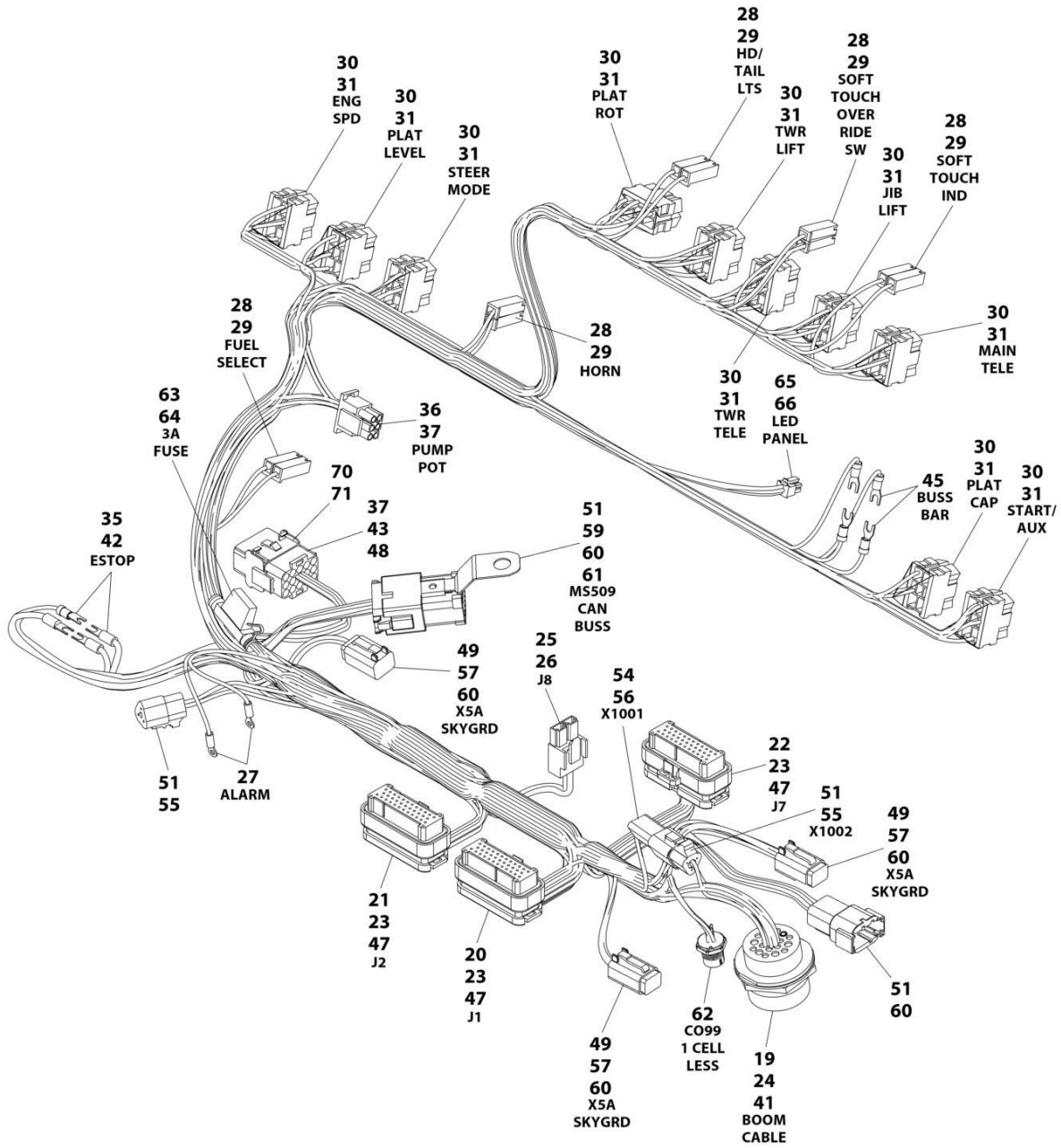
SECTION 8 - ELECTRICAL

FIGURE 8-52. MID PROXIMITY HARNESS

ITEM	PART NUMBER	QTY	DESCRIPTION	REV
	1001254467	Ref	MID PROXIMITY HARNESS	B
1	4460894	3	Plug, Male - 6 Position	
1	4460465	16	Socket, Female	
1	4460466	2	Plug, Terminal	
1	4460892	2	Busbar - 6 Position	
2	4460539	1	Plug, Male - 3 Position	
2	4460465	3	Socket, Female	
3	4460536	1	Receptacle, Female - 3 Position	
3	4640464	3	Pin, Male	

SECTION 8 - ELECTRICAL

FIGURE 8-53. PLATFORM CONSOLE BOX HARNESS



ART_1001243984

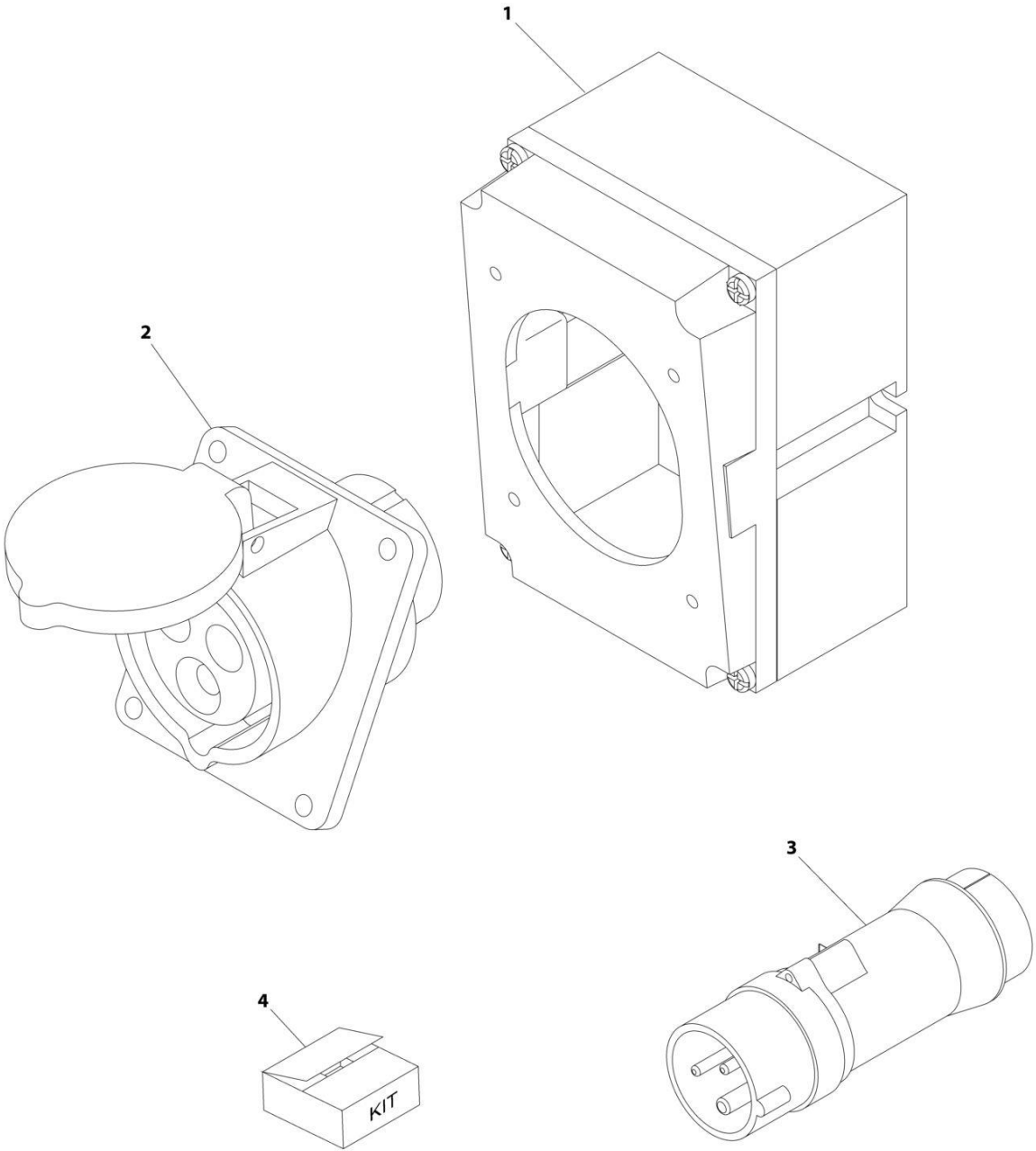
SECTION 8 - ELECTRICAL

FIGURE 8-53. PLATFORM CONSOLE BOX HARNESS

ITEM	PART NUMBER	QTY	DESCRIPTION	REV
	1001243984	Ref	PLATFORM CONSOLE BOX HARNESS	F
19	4460866	1	Connector - 19 Position	
20	4460874	1	Connector - 35 Position	
21	4460875	1	Connector - 35 Position	
22	4460873	1	Connector - 35 Position	
23	4460871	81	Socket, Female	
24	4460464	7	Pin, Male	
25	4460879	1	Plug, Male - 2 Position	
26	4460887	2	Terminal	
27	1001098122	2	Terminal, Ring	
28	4460260	10	Housing, Terminal	
29	4460259	10	Terminal	
30	4460418	9	Connector, Switch	
31	4460419	27	Terminal	
32	4120035	14	Socket, Light (Not Shown)	
33	4460634	14	Socket, Lamp (Single Wire) (Not Shown)	
34	4460635	14	Socket, Lamp (Double Wire) (Not Shown)	
35	4460888	3	Terminal, Fork	
36	4460225	1	Plug, Male - 6 Position	
37	4460227	31	Pin, Male	
41	4460508	3	Pin, Male	
42	4460806	1	Terminal, Fork	
43	4460434	2	Connector - 15 Position	
44	2920129	14	Bulb (Not Shown)	
45	4460183	4	Terminal, Fork	
46	4460016	2	Terminal (Not Shown)	
47	4460905	24	Plug, Terminal	
48	4460267	1	Pin, Male	
49	4460465	5	Socket, Female	
51	4460944	11	Socket, Female	
54	4460536	1	Receptacle, Female - 3 Position	
55	4460539	1	Plug, Male - 3 Position	
56	4460943	3	Pin, Male	
57	4460894	2	Plug, Male - 6 Position	
59	4460933	1	Plug, Male - 12 Position	
60	4460466	5	Plug, Terminal	
61	1001119020	1	Connector, Buss Bar - 12 Position	
62	1001213447	1	Connector - 5 Position	
63	2400060	1	Fuseholder Includes Cover	
64	8229249	1	Fuse, 3 Amp	
65	1001237667	1	Plug, Male - 6 Position	
66	1001237668	4	Socket, Female	
70	4460708	1	Connector - 15 Position	
71	4460226	2	Socket, Female	

SECTION 8 - ELECTRICAL

FIGURE 8-54. RECEPTACLE BOX KIT - 110V IEC YELLOW (CE & UK CA SPEC)



ART_0275216

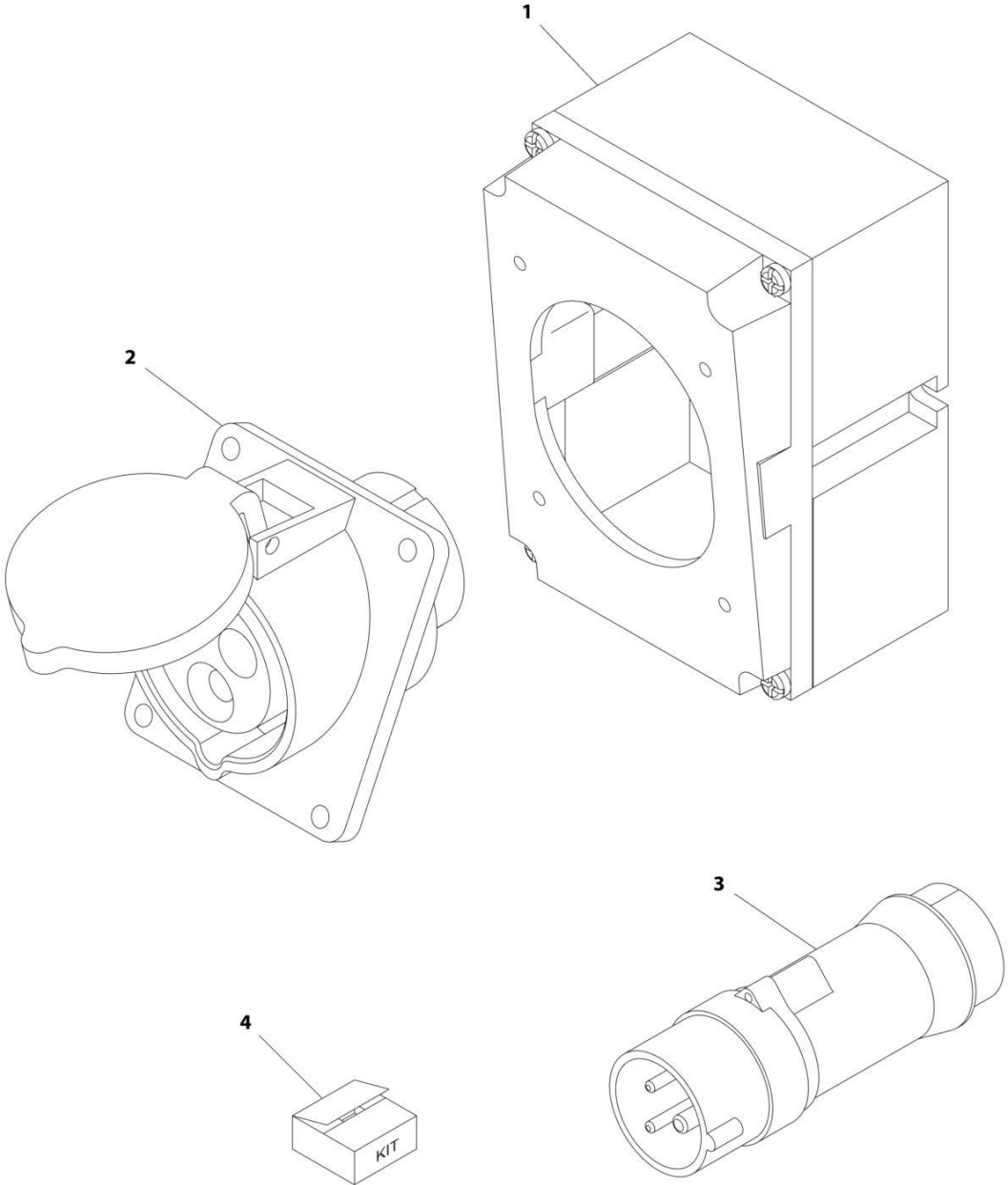
SECTION 8 - ELECTRICAL

FIGURE 8-54. RECEPTACLE BOX KIT - 110V IEC YELLOW (CE & UK CA SPEC)

ITEM	PART NUMBER	QTY	DESCRIPTION	REV
	0275216	Ref	RECEPTACLE BOX KIT - 110V IEC YELLOW	B
1	0861781	1	Box, Switch	
2	4461198	1	Receptacle	
3	4461196	1	Plug, Male	
4	1001100341	1	Plug and Socket Kit (Includes Items 1-3 and Female Plug p/n 4461197)	

SECTION 8 - ELECTRICAL

FIGURE 8-55. RECEPTACLE BOX KIT - 220V IEC BLUE (CE & UK CA SPEC)



ART_0275217

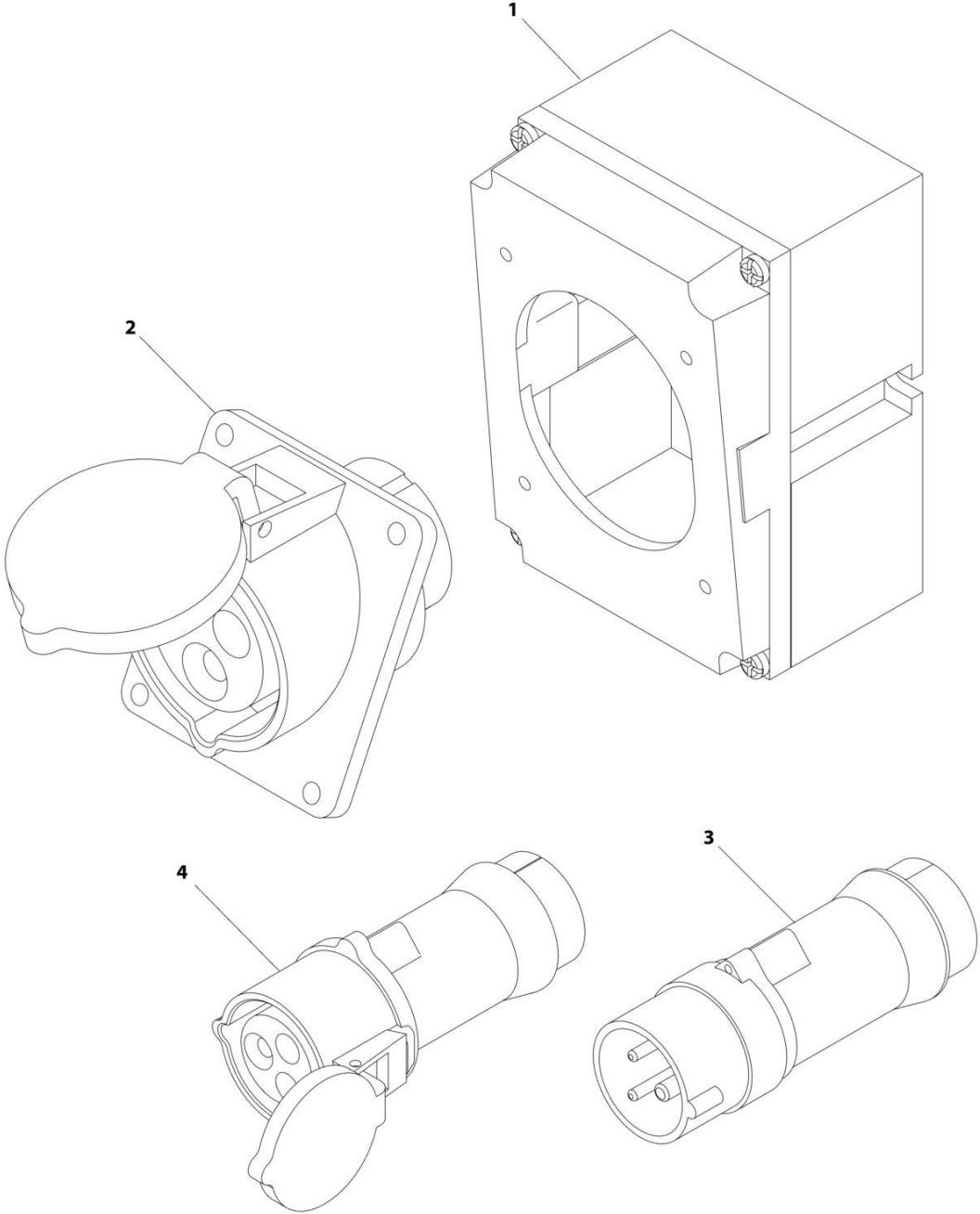
SECTION 8 - ELECTRICAL

FIGURE 8-55. RECEPTACLE BOX KIT - 220V IEC BLUE (CE & UK CA SPEC)

ITEM	PART NUMBER	QTY	DESCRIPTION	REV
	0275217	Ref	RECEPTACLE BOX KIT - 220V IEC BLUE	B
1	0861781	1	Box, Switch	
2	4461201	1	Receptacle	
3	4461199	1	Plug, Male	
4	1001100342	1	Plug and Socket Kit (Includes Items 1-3 and Female Plug p/n 4461200)	

SECTION 8 - ELECTRICAL

FIGURE 8-56. RECEPTACLE BOX KIT - 220V IEC BLUE (CE & UK CA SPECS) (2500W GENERATOR)



ART_1001100342

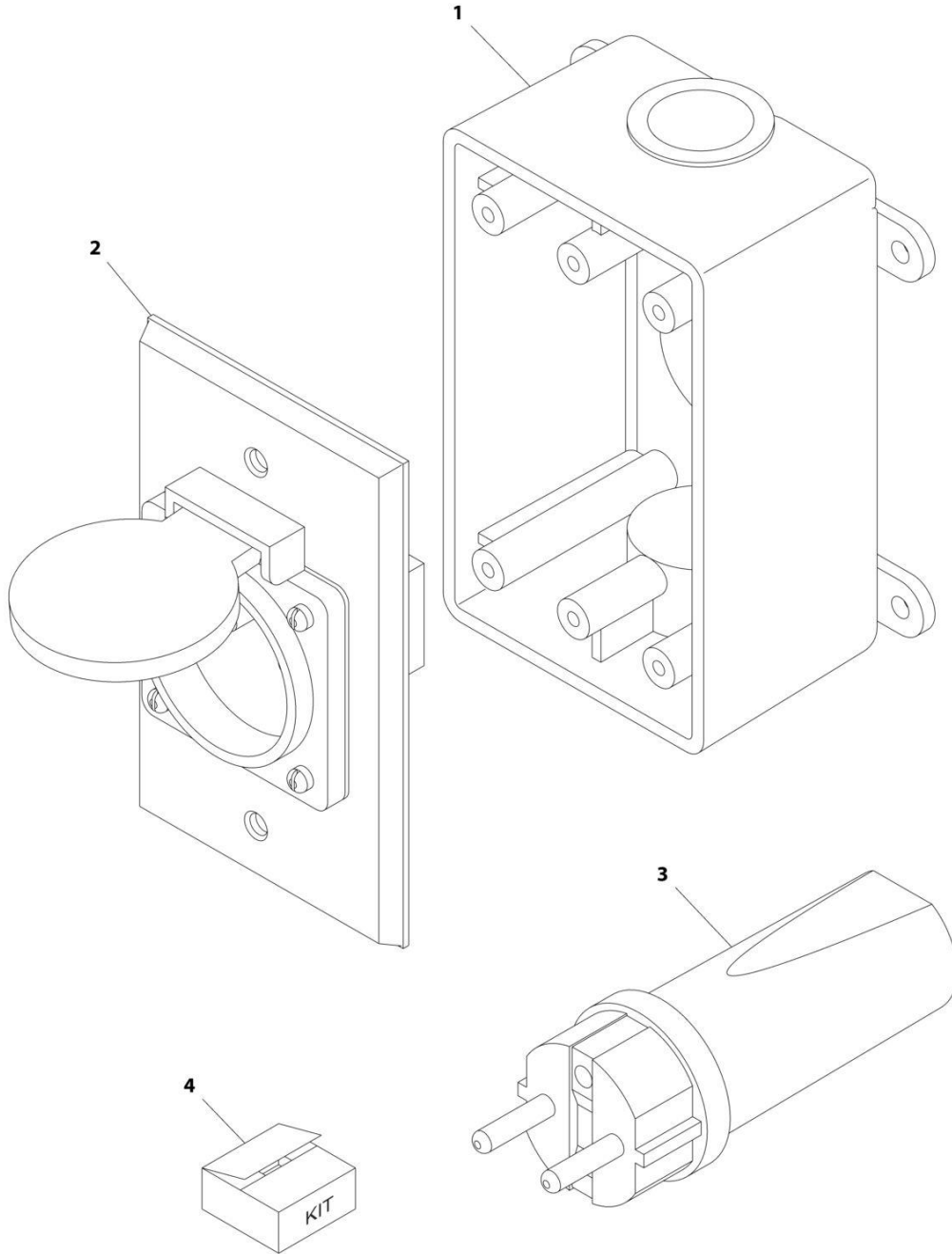
SECTION 8 - ELECTRICAL

FIGURE 8-56. RECEPTACLE BOX KIT - 220V IEC BLUE (CE & UK CA SPECS) (2500W GENERATOR)

ITEM	PART NUMBER	QTY	DESCRIPTION	REV
	1001100342	Ref	RECEPTACLE BOX KIT - 220V IEC BLUE WITH 2500W GENERATOR (CE & UK CA SPECS)	2
1	0861781	1	Box, Switch	
2	4461201	1	Receptacle	
3	4461199	1	Plug, Male	
4	4461200	1	Plug, Female	

SECTION 8 - ELECTRICAL

FIGURE 8-57. RECEPTACLE BOX KIT - 220V CEE7 POST GROUND WITHOUT 2500W GENERATOR (2X4 BOX) (CE & UK CA SPECS)



ART_0275452

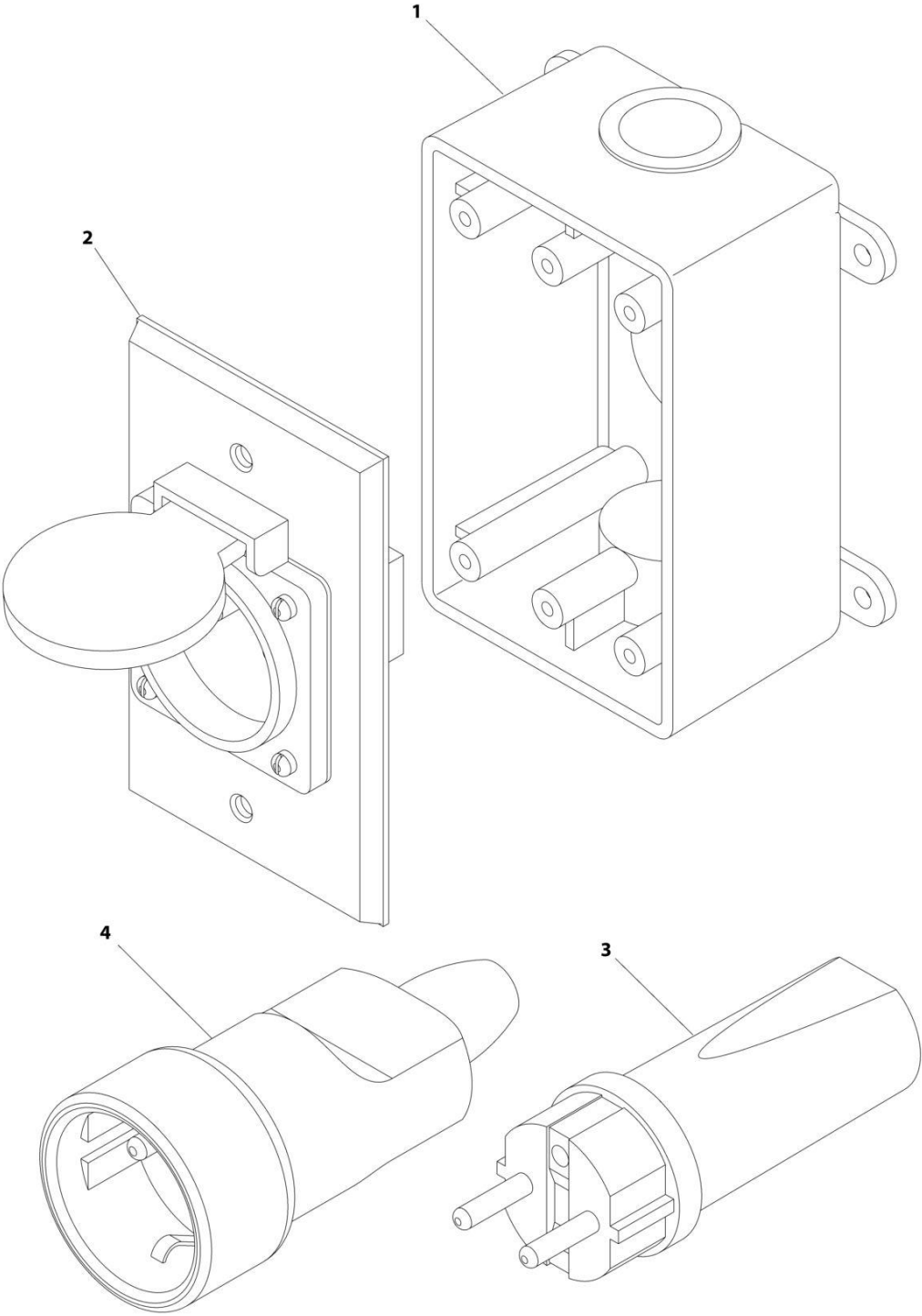
SECTION 8 - ELECTRICAL

FIGURE 8-57. RECEPTACLE BOX KIT - 220V CEE7 POST GROUND WITHOUT 2500W GENERATOR (2X4 BOX) (CE & UK CA SPECS)

ITEM	PART NUMBER	QTY	DESCRIPTION	REV
	0275452	Ref	RECEPTACLE BOX KIT - 220V CEE7 POST GROUND	C
1	0861731	1	Box, Switch	
2	4461244	1	Receptacle	
3	4461205	1	Plug, Male	
4	1001100345	1	Plug and Socket Kit (Includes Items 1-3 and Female Plug p/n 4461206)	

SECTION 8 - ELECTRICAL

**FIGURE 8-58. RECEPTACLE BOX KIT - 220V CEE7 POST GROUND (2X4 BOX) (CE & UK CA SPECS)
(2500W GENERATOR)**



ART_1001100345

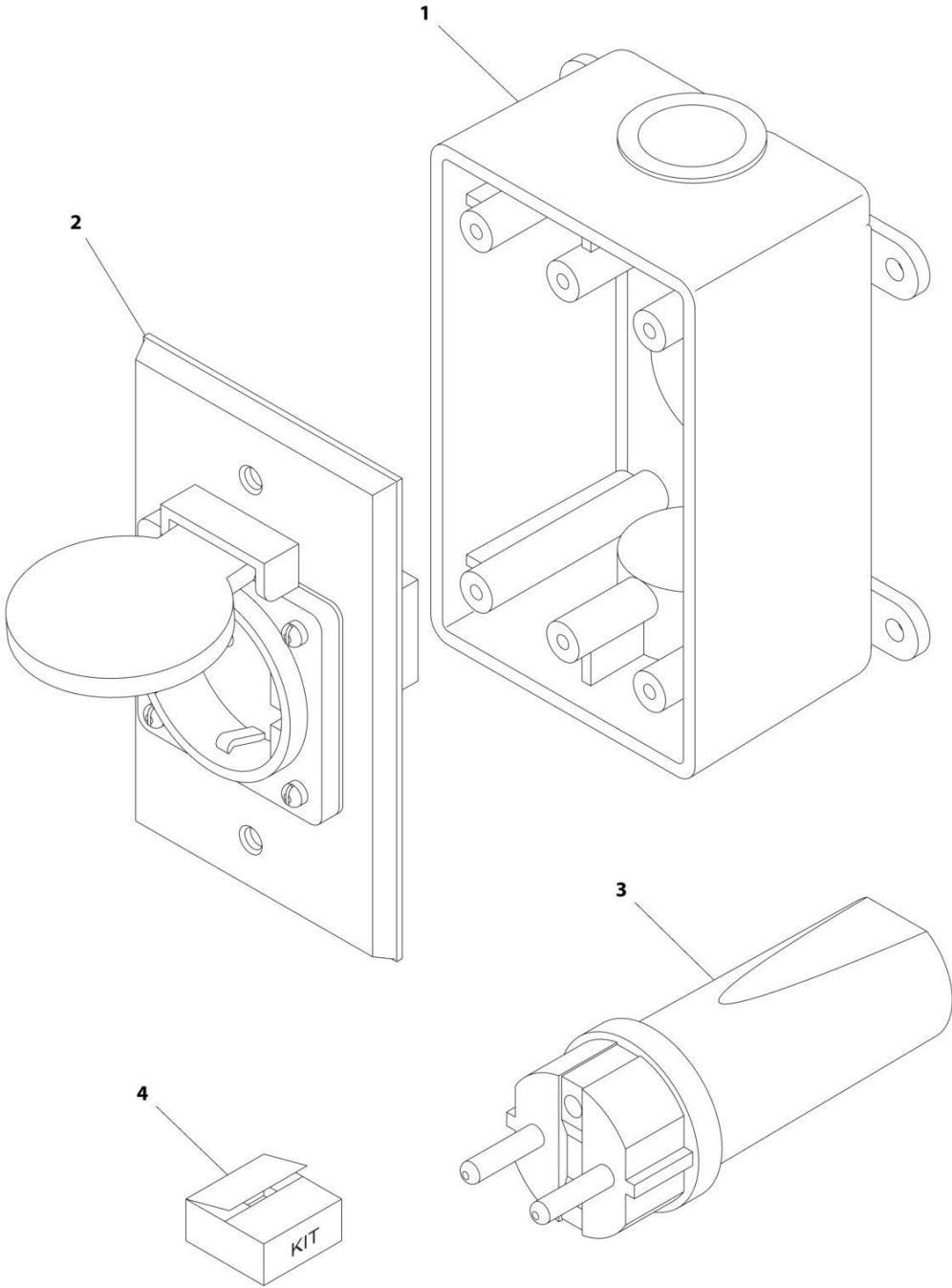
SECTION 8 - ELECTRICAL

**FIGURE 8-58. RECEPTACLE BOX KIT - 220V CEE7 POST GROUND (2X4 BOX) (CE & UK CA SPECS)
(2500W GENERATOR)**

ITEM	PART NUMBER	QTY	DESCRIPTION	REV
	1001100345	Ref	RECEPTACLE BOX KIT - 220V CEE7 POST GROUND	C
1	0861731	1	Box, Switch	
2	4461244	1	Receptacle	
3	4461205	1	Plug, Male	
4	4461203	1	Plug, Female	

SECTION 8 - ELECTRICAL

FIGURE 8-59. RECEPTACLE BOX KIT - 220V CEE7 SIDE GROUND (CE & UK CA SPEC)



ART_0275453

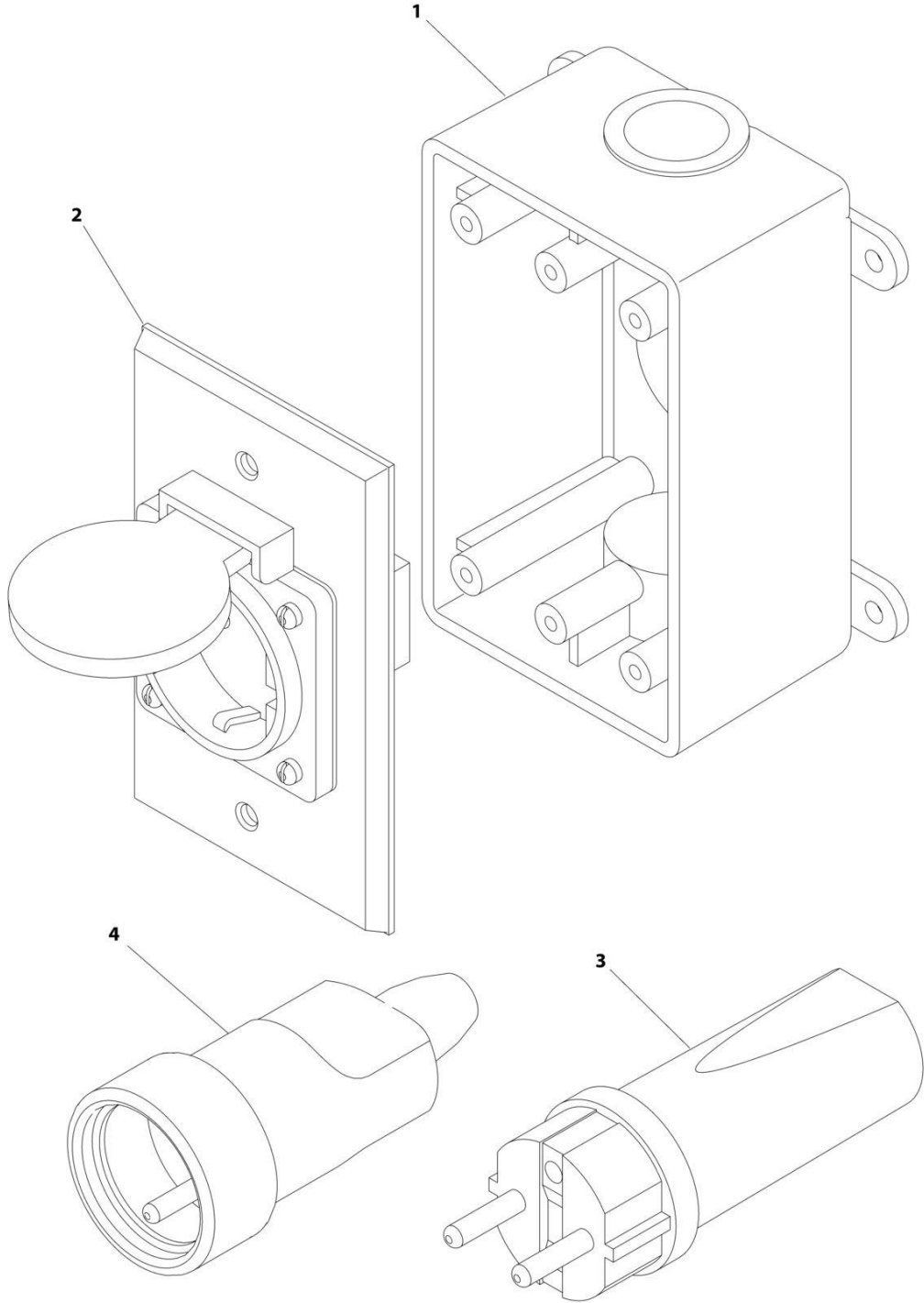
SECTION 8 - ELECTRICAL

FIGURE 8-59. RECEPTACLE BOX KIT - 220V CEE7 SIDE GROUND (CE & UK CA SPEC)

ITEM	PART NUMBER	QTY	DESCRIPTION	REV
	0275453	Ref	RECEPTACLE BOX KIT - 220V CEE7 SIDE GROUND	B
1	0861731	1	Box, Switch	
2	4461245	1	Receptacle	
3	4461205	1	Plug, Male	
4	1001100347	1	Plug and Socket Kit (Includes Items 1-3 and Female Plug p/n 4461206)	

SECTION 8 - ELECTRICAL

**FIGURE 8-60. RECEPTACLE BOX KIT - 220V CEE7 SIDE GROUND (2X4 BOX) (CE & UK CA SPECS)
(2500W GENERATOR)**



ART_1001100347

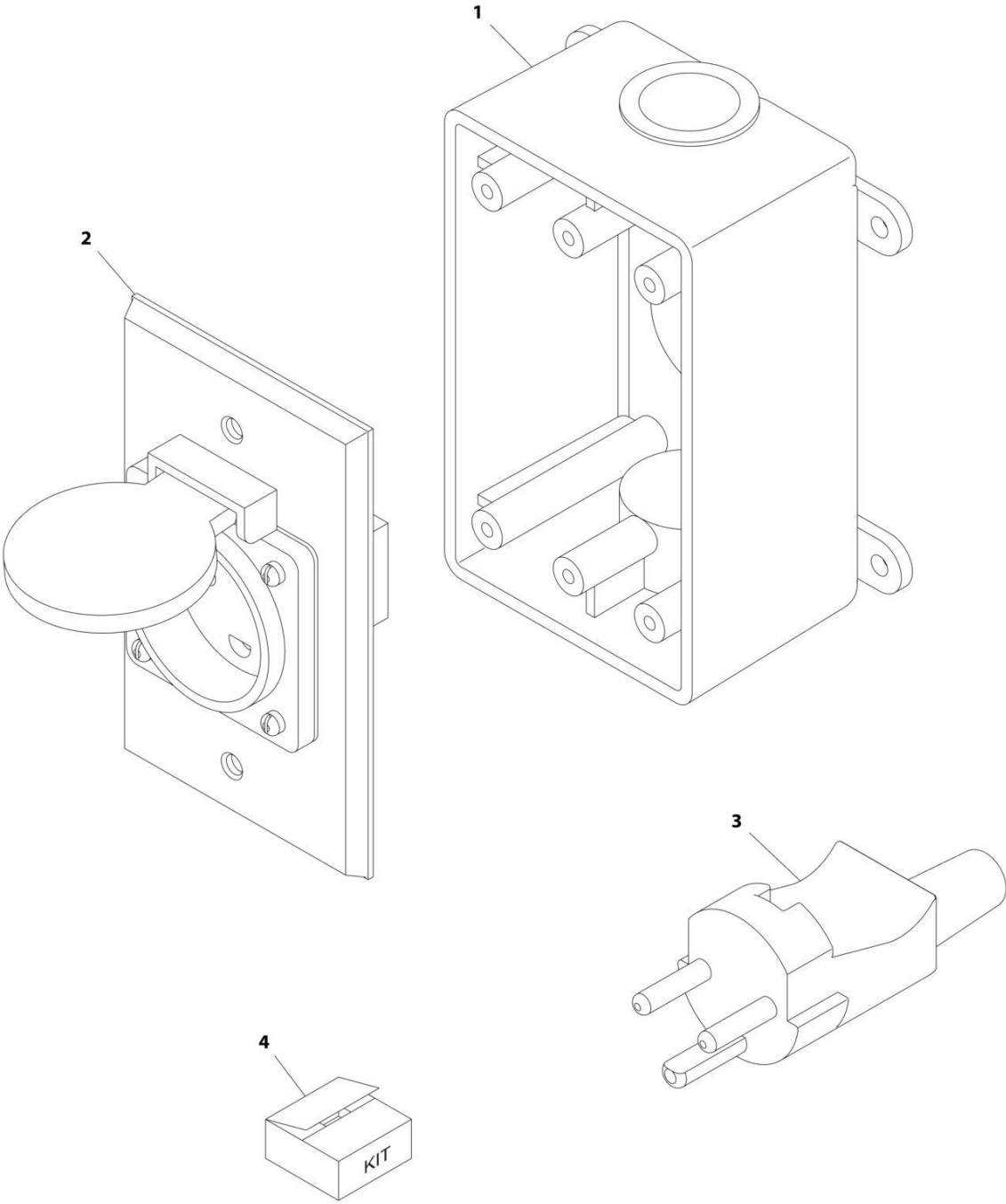
SECTION 8 - ELECTRICAL

**FIGURE 8-60. RECEPTACLE BOX KIT - 220V CEE7 SIDE GROUND (2X4 BOX) (CE & UK CA SPECS)
(2500W GENERATOR)**

ITEM	PART NUMBER	QTY	DESCRIPTION	REV
	1001100347	Ref	RECEPTACLE BOX KIT - 220V CEE7 SIDE GROUND	3
1	0861731	1	Box, Switch	
2	4461245	1	Receptacle	
3	4461205	1	Plug, Male	
4	4461206	1	Plug, Female	

SECTION 8 - ELECTRICAL

FIGURE 8-61. RECEPTACLE BOX KIT - 220V AFSINT 107 (CE & UK CA SPEC)



ART_0275454

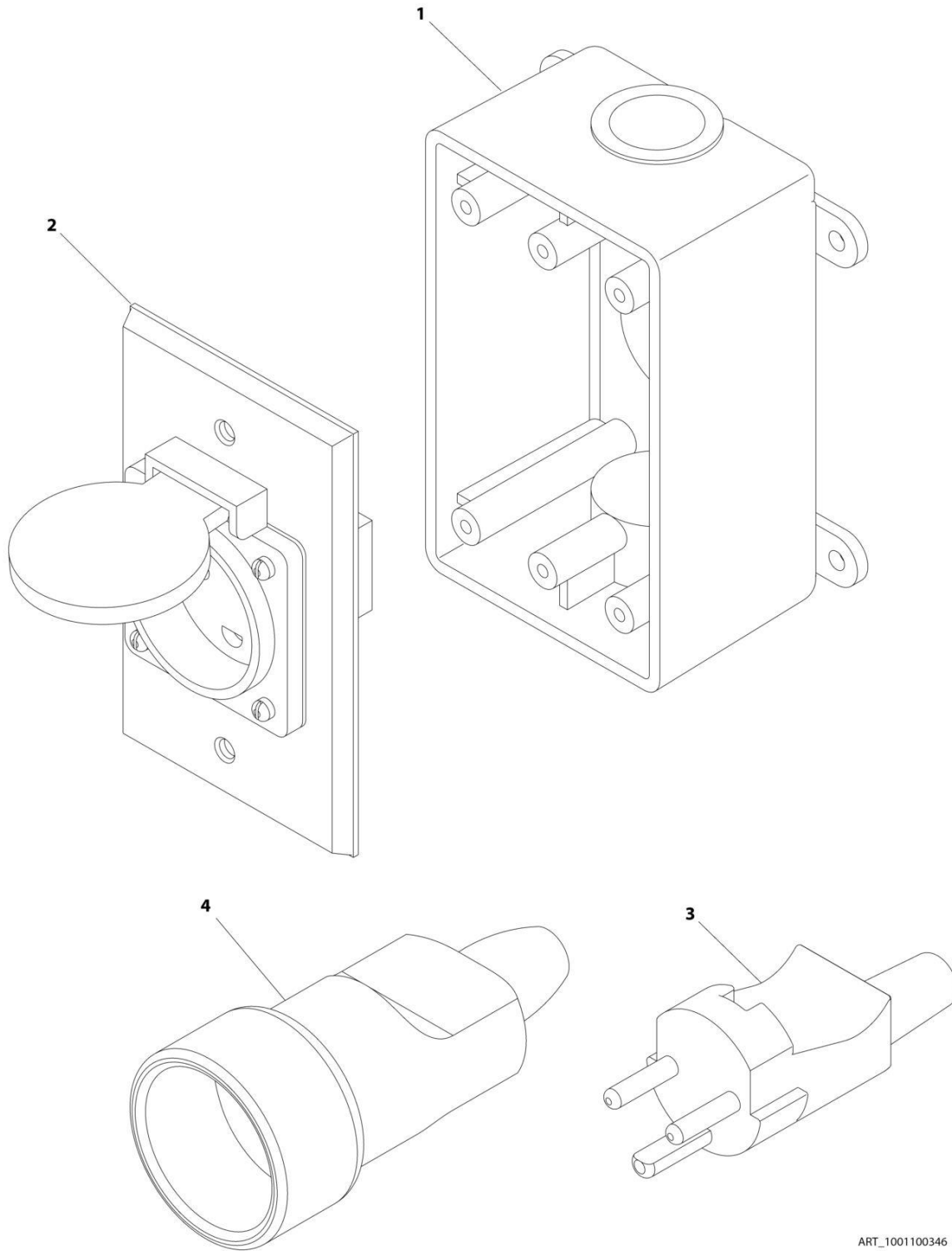
SECTION 8 - ELECTRICAL

FIGURE 8-61. RECEPTACLE BOX KIT - 220V AFSINT 107 (CE & UK CA SPEC)

ITEM	PART NUMBER	QTY	DESCRIPTION	REV
	0275454	Ref	RECEPTACLE BOX KIT - 220V AFSINT 107	B
1	0861731	1	Box, Switch	
2	4461246	1	Receptacle	
3	4461249	1	Plug, Male	
4	1001100346	1	Plug and Socket Kit (Includes Items 1-3 and Female Plug p/n 4461250)	

SECTION 8 - ELECTRICAL

FIGURE 8-62. RECEPTACLE BOX KIT - 220V AFSINT 107 KEYED GROUND (2X4 BOX) (CE & UK CA SPECS) (2500W GENERATOR)



ART_1001100346

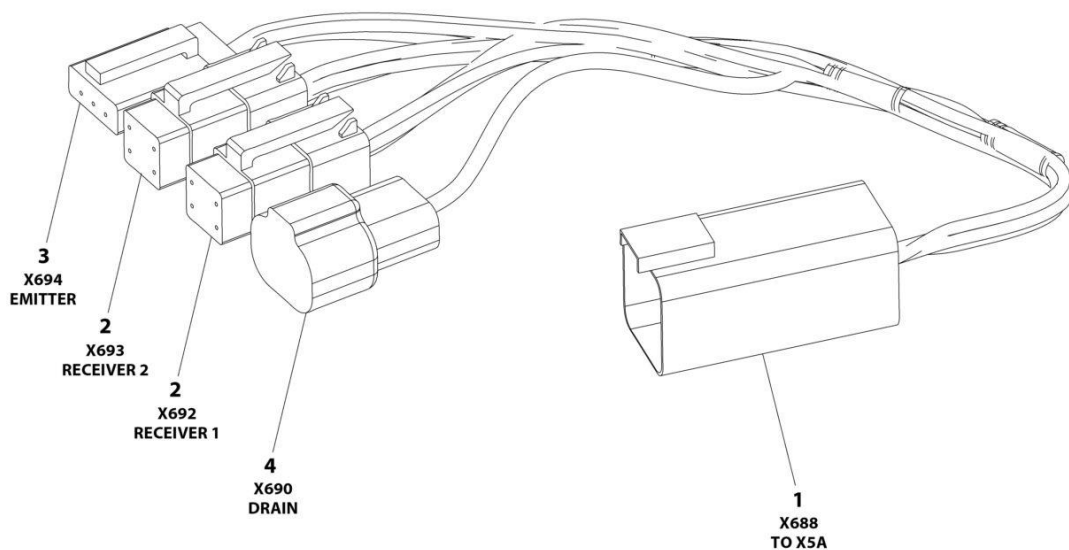
SECTION 8 - ELECTRICAL

FIGURE 8-62. RECEPTACLE BOX KIT - 220V AFSINT 107 KEYED GROUND (2X4 BOX) (CE & UK CA SPECS) (2500W GENERATOR)

ITEM	PART NUMBER	QTY	DESCRIPTION	REV
	1001100346	Ref	RECEPTACLE BOX KIT - 220V AFSINT 107 KEYED GROUND WITH 2500W GENERATOR (2X4 BOX) (CE & UK CA SPECS)	2
1	0861731	1	Box, Switch	
2	4461246	1	Receptacle	
3	4461249	1	Plug, Male	
4	4461250	1	Plug, Female	

SECTION 8 - ELECTRICAL

FIGURE 8-63. SKYEYE INTERMEDIATE HARNESS



ART_1001237865

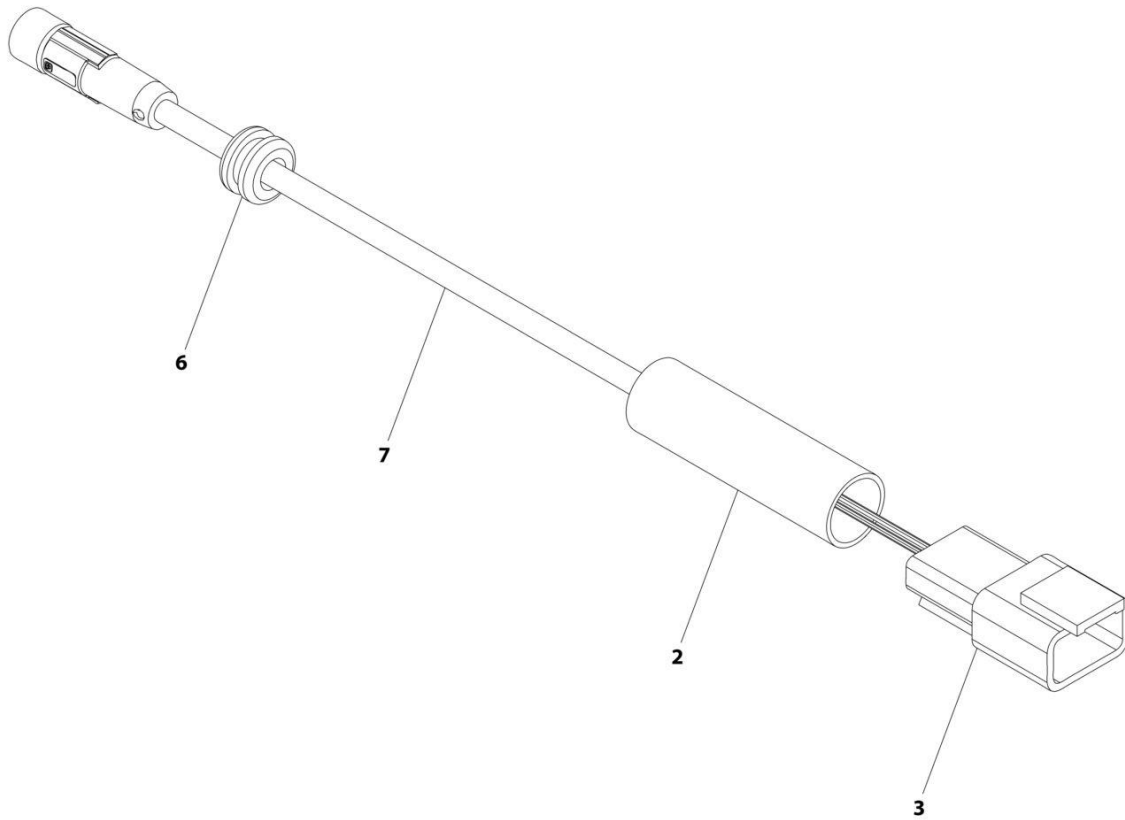
SECTION 8 - ELECTRICAL

FIGURE 8-63. SKYEYE INTERMEDIATE HARNESS

ITEM	PART NUMBER	QTY	DESCRIPTION	REV
	1001237865	Ref	SKYEYE INTERMEDIATE HARNESS	A
1	4460899	1	Connector - 6 Position	
1	4460943	4	Pin, Male	
1	4460466	2	Plug, Terminal	
2	4461077	2	Connector - 4 Position	
2	1001119619	8	Socket, Female	
3	4460911	1	Connector - 3 Position	
3	1001119619	3	Socket, Female	
4	1001187681	1	Connector - 2 Position	
4	4460941	1	Pin, Male	
4	4460466	1	Plug, Terminal	

SECTION 8 - ELECTRICAL

FIGURE 8-64. SKYEYE EMITTER HARNESS



ART_1001237864

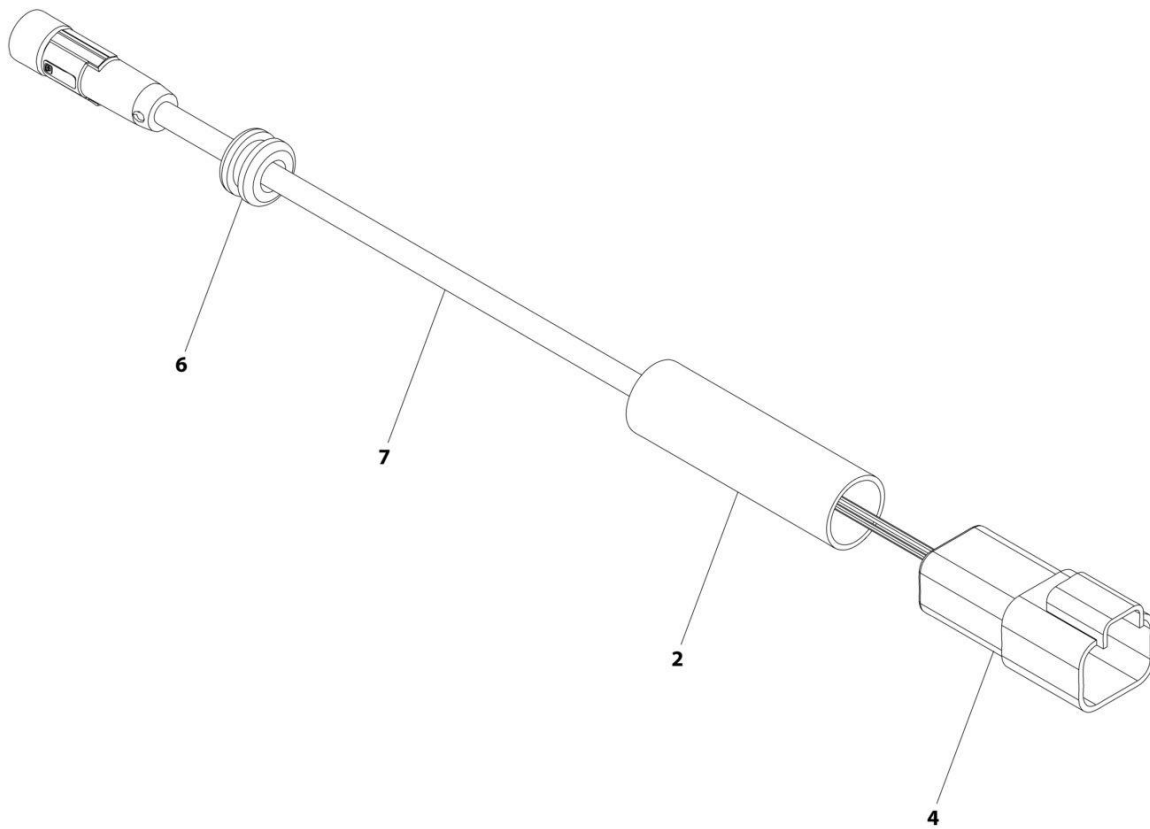
SECTION 8 - ELECTRICAL

FIGURE 8-64. SKYEYE EMITTER HARNESS

ITEM	PART NUMBER	QTY	DESCRIPTION	REV
	1001237864	Ref	SKYEYE EMITTER HARNESS	A
2	2820247	AR	Tubing, Heat Shrink	
3	4460910	1	Connector - 3 Position	
3	1001119620	3	Pin, Male	
6	1001227996	1	Grommet	
7	1001237862	1	Cable, M8 Female Cordset	

SECTION 8 - ELECTRICAL

FIGURE 8-65. SKYEYE RECEIVER HARNESS



ART_1001237863

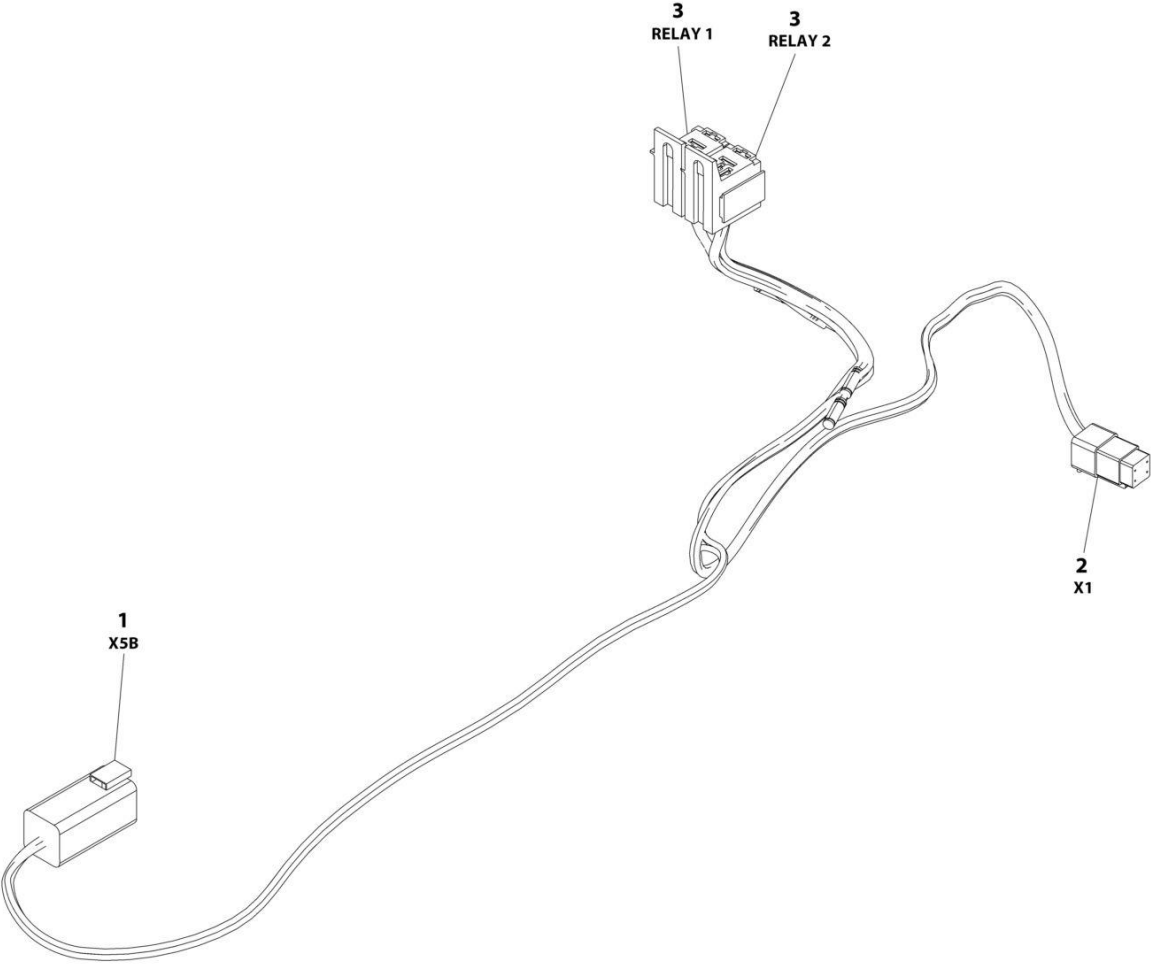
SECTION 8 - ELECTRICAL

FIGURE 8-65. SKYEYE RECEIVER HARNESS

ITEM	PART NUMBER	QTY	DESCRIPTION	REV
	1001237863	Ref	SKYEYE RECEIVER HARNESS	A
2	2820247	AR	Tubing, Heat Shrink	
4	1001097051	1	Connector - 4 Position	
4	1001119620	4	Pin, Male	
6	1001227996	1	Grommet	
7	1001237862	1	Cable, M8 Female Cordset	

SECTION 8 - ELECTRICAL

FIGURE 8-66. SKYLINE HARNESS



ART_1001238418

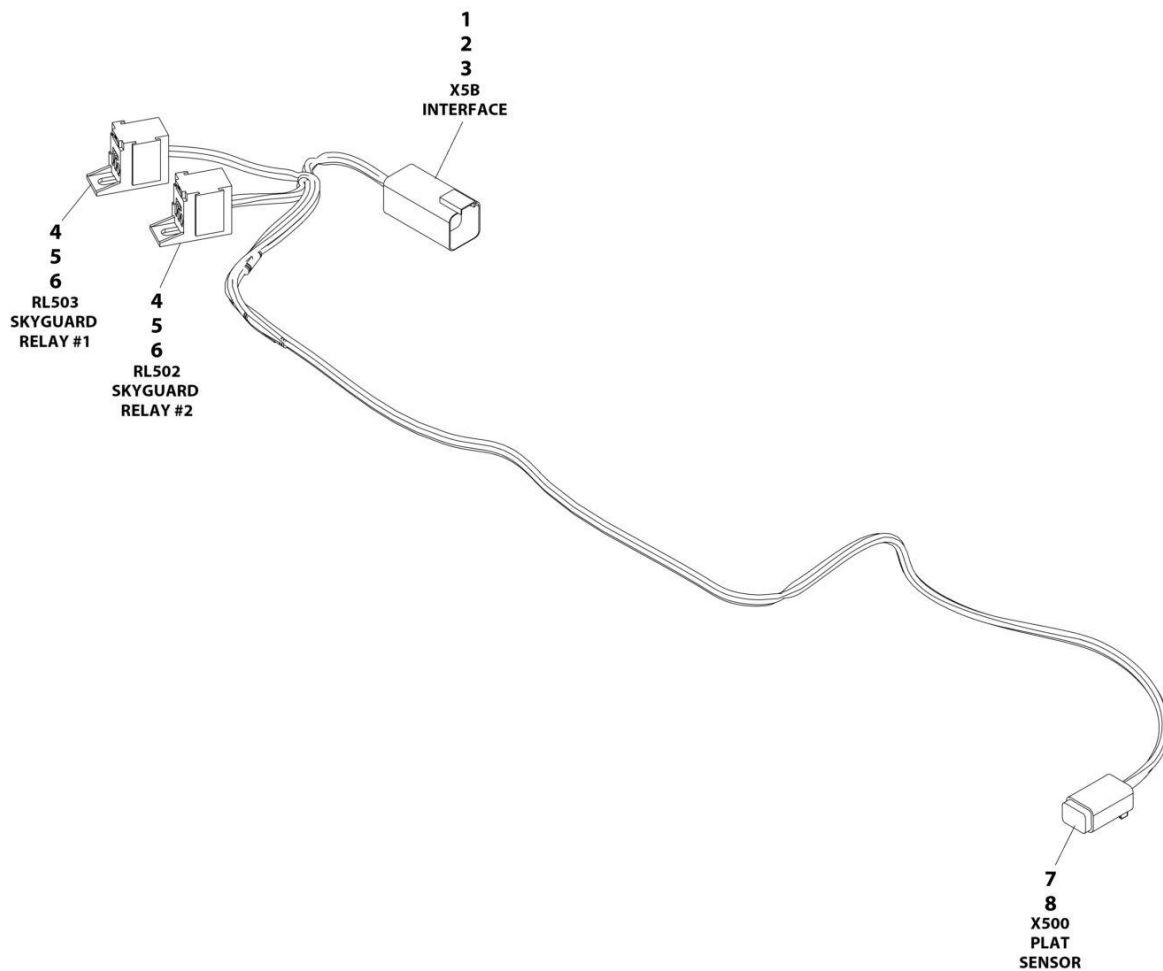
SECTION 8 - ELECTRICAL

FIGURE 8-66. SKYLINE HARNESS

ITEM	PART NUMBER	QTY	DESCRIPTION	REV
	1001238418	Ref	SKYLINE HARNESS	B
1	4460899	1	Connector - 6 Position	
1	4460464	4	Pin, Male	
1	4460466	2	Plug, Terminal	
2	4461077	1	Connector - 4 Position	
2	1001126009	4	Socket, Female	
3	1001186432	2	Plug, Relay	
3	1001118388	5	Terminal	
3	1001118384	3	Terminal	
3	3740086	2	Relay	

SECTION 8 - ELECTRICAL

FIGURE 8-67. SKYGUARD INTERFACE HARNESS



ART_1001225580

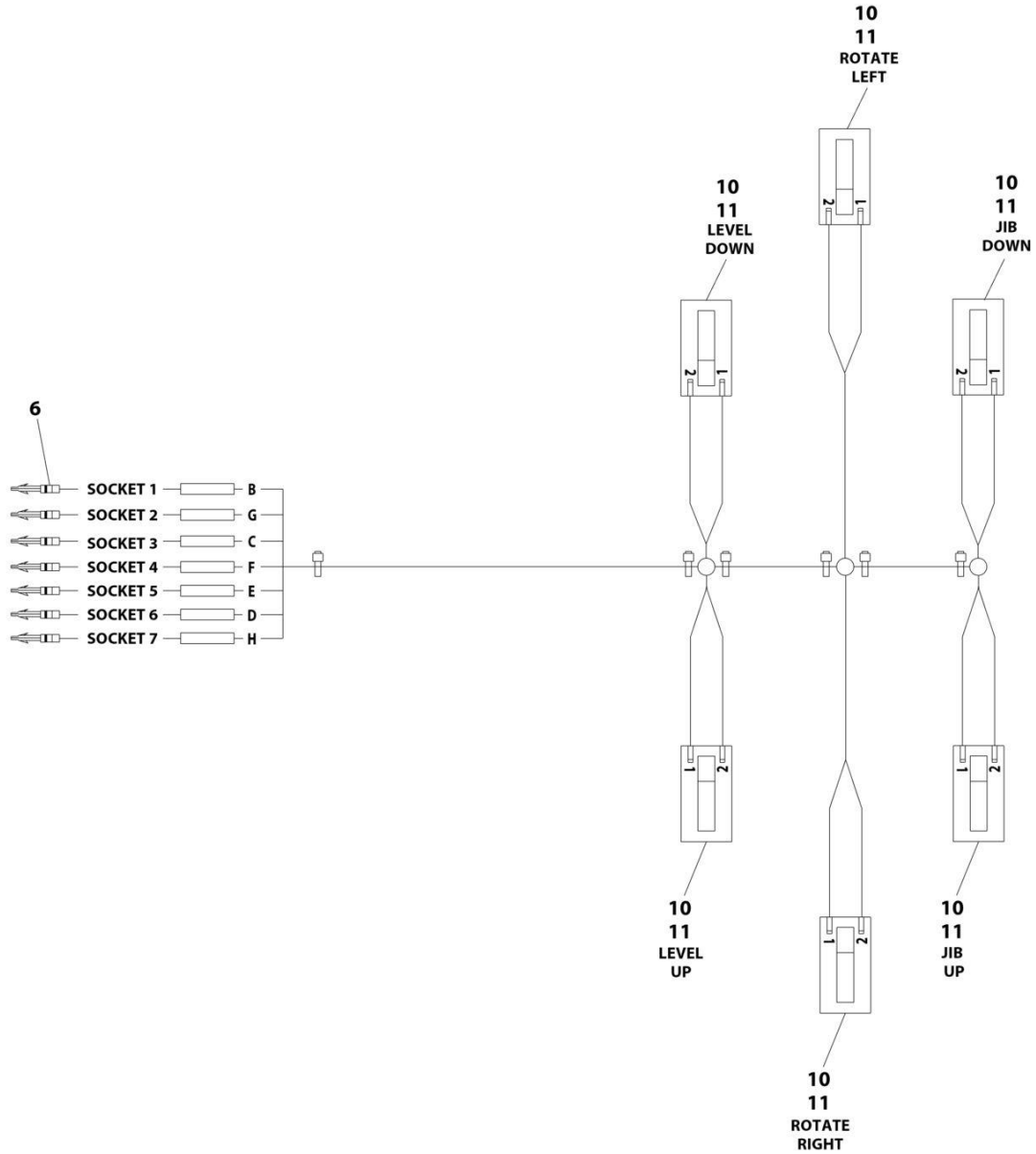
SECTION 8 - ELECTRICAL

FIGURE 8-67. SKYGUARD INTERFACE HARNESS

ITEM	PART NUMBER	QTY	DESCRIPTION	REV
	1001225580	Ref	INTERFACE HARNESS - WITH 1 CELL LSS	D
1	4460899	1	Connector	
2	4460464	4	Terminal	
3	4460466	2	Plug	
4	1001186432	2	Connector	
5	1001116720	4	Terminal	
6	1001118388	4	Terminal	
7	4460884	1	Connector	
8	4460465	4	Terminal	

SECTION 8 - ELECTRICAL

FIGURE 8-68. VALVE HARNESS - BOOM VALVE



ART_1001139135

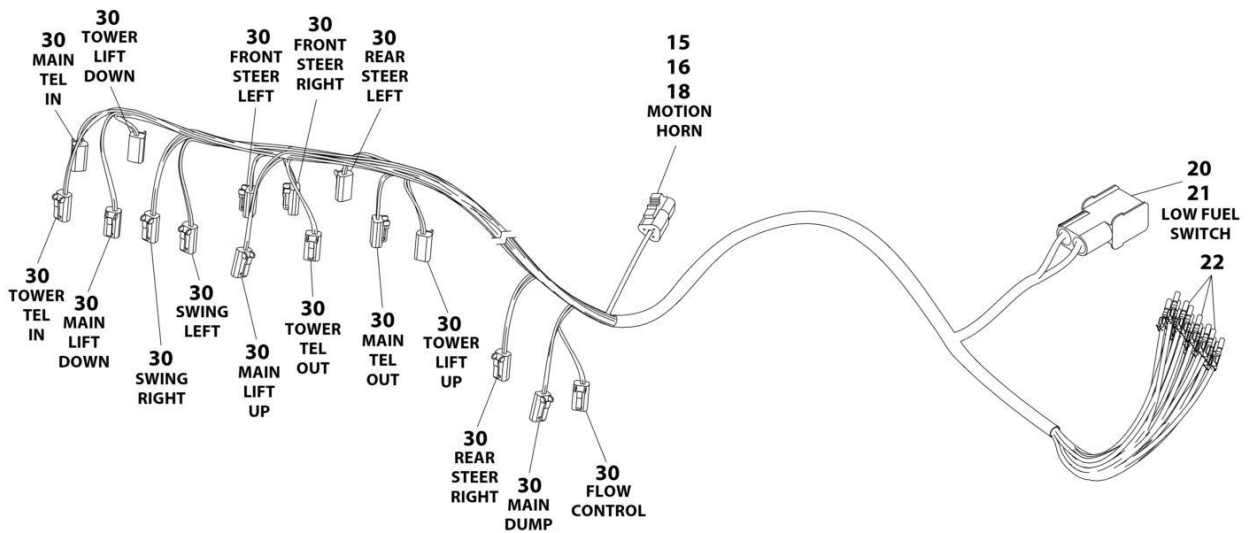
SECTION 8 - ELECTRICAL

FIGURE 8-68. VALVE HARNESS - BOOM VALVE

ITEM	PART NUMBER	QTY	DESCRIPTION	REV
	1001139135	Ref	BOOM VALVE HARNESS	3
6	4460226	7	Terminal, Socket	
10	4460891	6	Deutsch connector	
11	1001116692	12	Socket	

SECTION 8 - ELECTRICAL

FIGURE 8-69. VALVE HARNESS - MAIN CONTROL VALVE



ART_1001154392

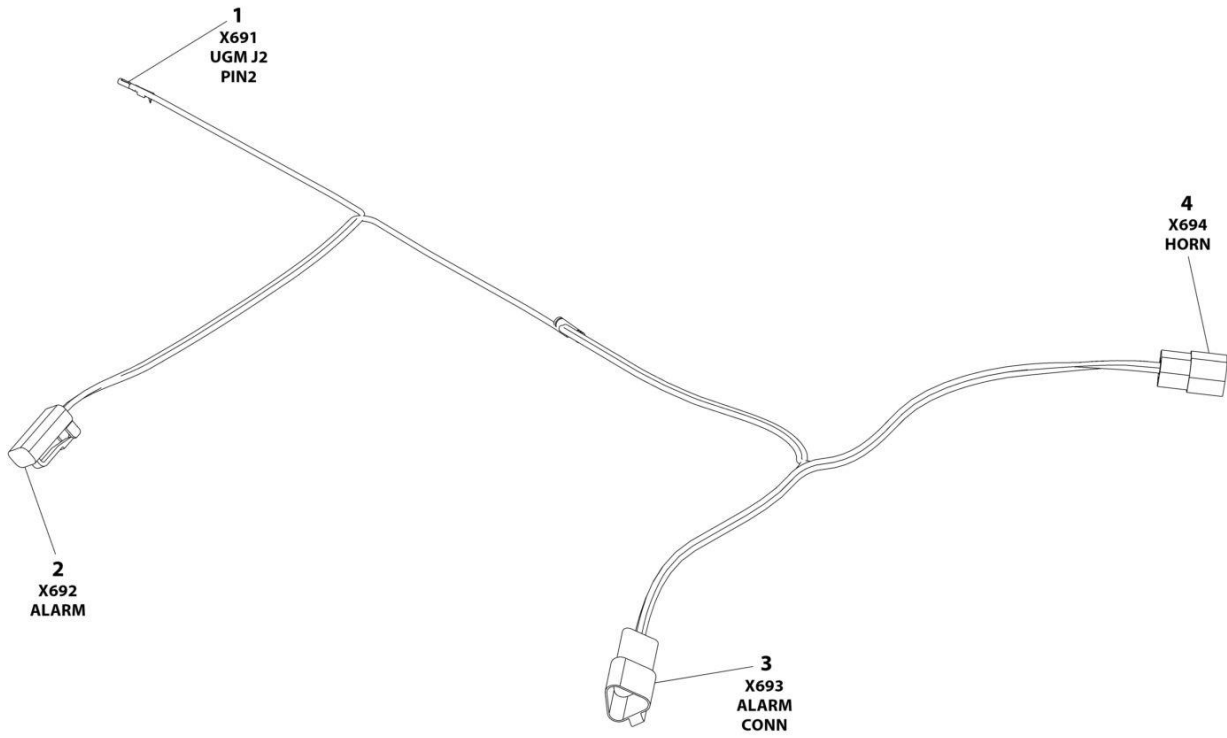
SECTION 8 - ELECTRICAL

FIGURE 8-69. VALVE HARNESS - MAIN CONTROL VALVE

ITEM	PART NUMBER	QTY	DESCRIPTION	REV
	1001154392	Ref	VALVE HARNESS - MAIN VALVE	C
15	4460539	1	Connector - 3 Position	
16	1001116692	34	Socket, Female	
18	4460466	1	Plug, Terminal	
19	4460267	5	Pin, Male (Not Shown)	
20	4460424	1	Plug, Male - 2 Position	
21	4460268	2	Socket, Female	
22	4460871	26	Socket, Female	
28	4240032	AR	Tie-Strap (Not Shown)	
30	4460891	16	Connector - 2 Position	

SECTION 8 - ELECTRICAL

FIGURE 8-70. WHITE NOISE ALARM HARNESS



ART_1001231007

SECTION 8 - ELECTRICAL

FIGURE 8-70. WHITE NOISE ALARM HARNESS

ITEM	PART NUMBER	QTY	DESCRIPTION	REV
	1001231007	Ref	WHITE NOISE ALARM INSTALLATION	B
1	4460871	1	Terminal	
2	4460891	1	Plug, Male - 2 Position	
2	4460465	2	Socket, Female	
3	4460536	1	Receptacle, Female - 3 Position	
3	4460464	3	Pin, Male	
4	4460539	1	Plug, Male - 3 Position	
4	4460465	3	Socket, Female	

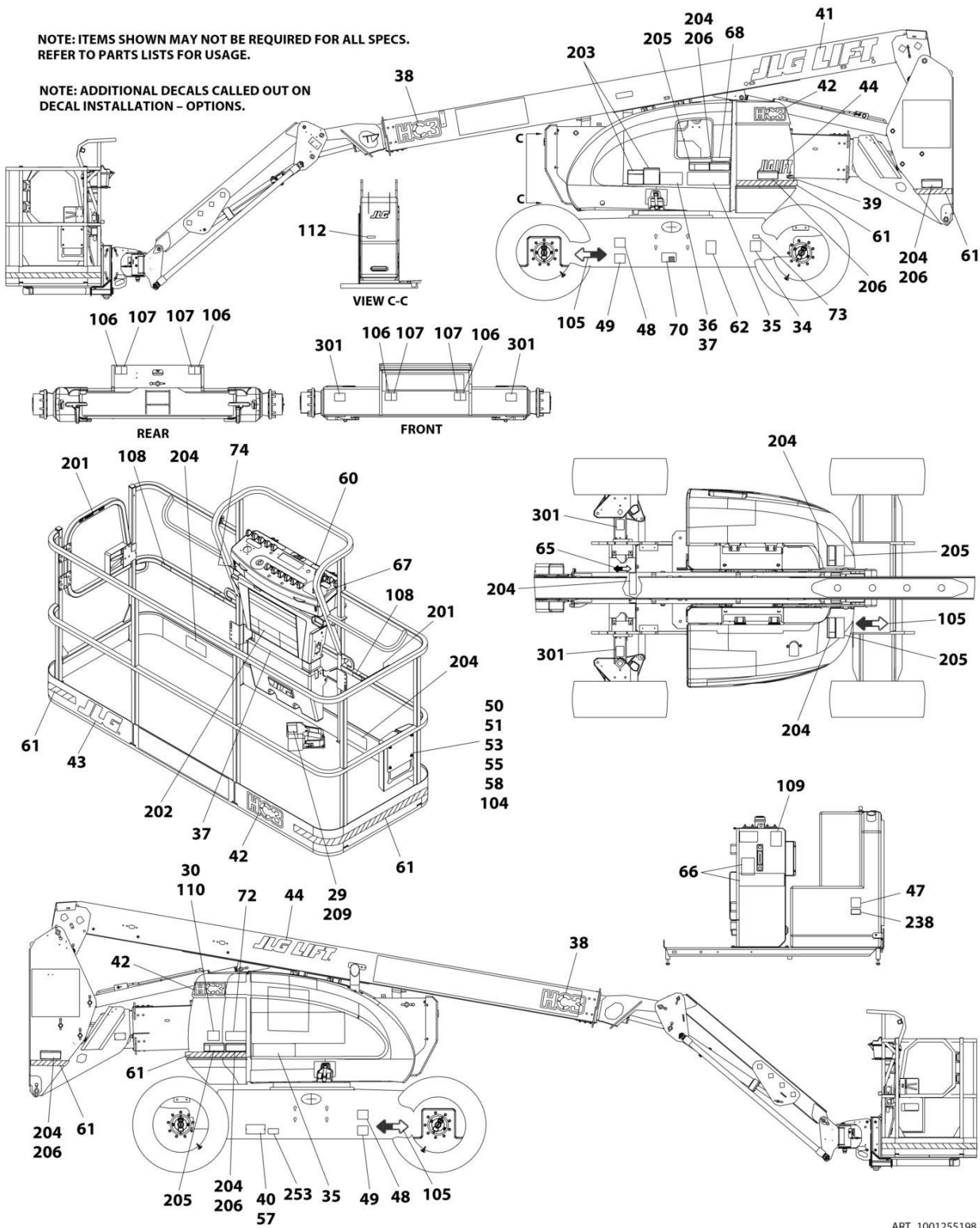
SECTION 9 - DECALS

SECTION 9 - DECALS

FIGURE 9-1. DECAL INSTALLATION - ANSI SPECS

NOTE: ITEMS SHOWN MAY NOT BE REQUIRED FOR ALL SPECS.
REFER TO PARTS LISTS FOR USAGE.

NOTE: ADDITIONAL DECALS CALLED OUT ON
DECAL INSTALLATION - OPTIONS.



ART_1001255198

SECTION 9 - DECALS

FIGURE 9-1. DECAL INSTALLATION - ANSI SPECS

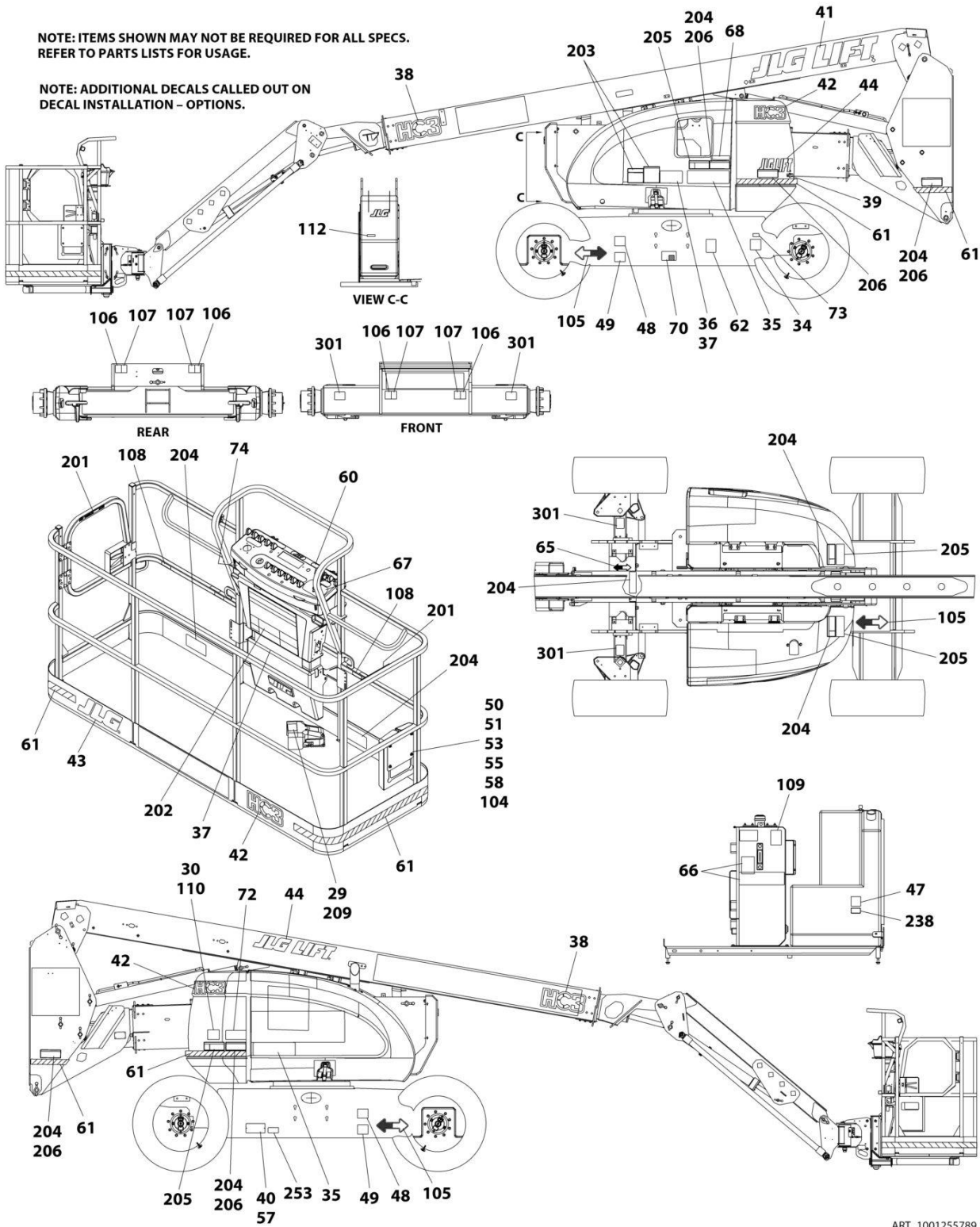
ITEM	PART NUMBER	QTY	DESCRIPTION	REV
	1001255198	Ref	DECAL INSTALLATION	E
	1001255196	Ref	DECAL REFERENCE CHART	C
29	3252347	1	Nameplate - Footswitch	
34	See Note	NSS	Decal - Bar Code (Note: Not Available for Purchase)	
35	1001267311	2	Decal - 600AJ	
36	1001234426	1	Decal - Warning	
37	1001234425	1	Decal - Warning	
39	1704885	1	Decal - Website	
50	0100011	AR	Compound, Locking	
51	0641406	4	Bolt 1/4 x 3/4	
53	0860520	1	Box, Manual Storage	
55	3311405	4	Nut 1/4	
57	3820001	2	Rivet	
58	4751400	8	Washer 1/4	
60	1001184618	1	Decal - Stop	
61	4420051	22 ft/6.7m	Tape, Safety	
62	1001131269	1	Decal - Patent	
65	1703687	1	Decal - Direction Arrow	
66	1702265	1	Decal - Upright Level Over-Ride	
67	1705351	1	Decal - Drive/Steer Instructions	
70	1001223055	1	Decal - Yearly Inspection	
72	1001284696	1	Decal - Lift Diagram	
73	1001223453	1	Decal - ICES	
100	2902303	1	Decal Kit - Master (Includes Items 104-112)	
104	1701509	1	Decal - Manual	
105	1701529	6	Decal - Arrow	
106	1703811	4	Decal - Tie Down/Lift	
107	1703814	6	Decal - Tie Down	
108	1704277	4	Decal - Attach Lanyard Here	
109	1704412	1	Decal - Hydraulic Oil Chart	
112	3251243	1	Nameplate - 120V-60Hz	
200	2902307	1	Decal Kit - Country Spec (Includes Items 201-206)	
201	1702868	2	Decal - No Hands	
202	1703797	1	Decal - Warning/Danger	
203	1705336	1	Decal - Warning Inspection (MTB)	
204	1703804	5	Decal - Warning Crushing	
205	1703805	4	Decal - Danger Electrocution	
206	1703953	4	Decal - Warning Crushing	
300	1001255795	1	Decal Max Tire Load Kit (Includes Item 301)	
301	1001255794	4	Decal - Max Tire Load	

SECTION 9 - DECALS

FIGURE 9-2. DECAL INSTALLATION - AUSTRALIAN SPECS

NOTE: ITEMS SHOWN MAY NOT BE REQUIRED FOR ALL SPECS.
REFER TO PARTS LISTS FOR USAGE.

NOTE: ADDITIONAL DECALS CALLED OUT ON
DECAL INSTALLATION - OPTIONS.



ART_1001255789

SECTION 9 - DECALS

FIGURE 9-2. DECAL INSTALLATION - AUSTRALIAN SPECS

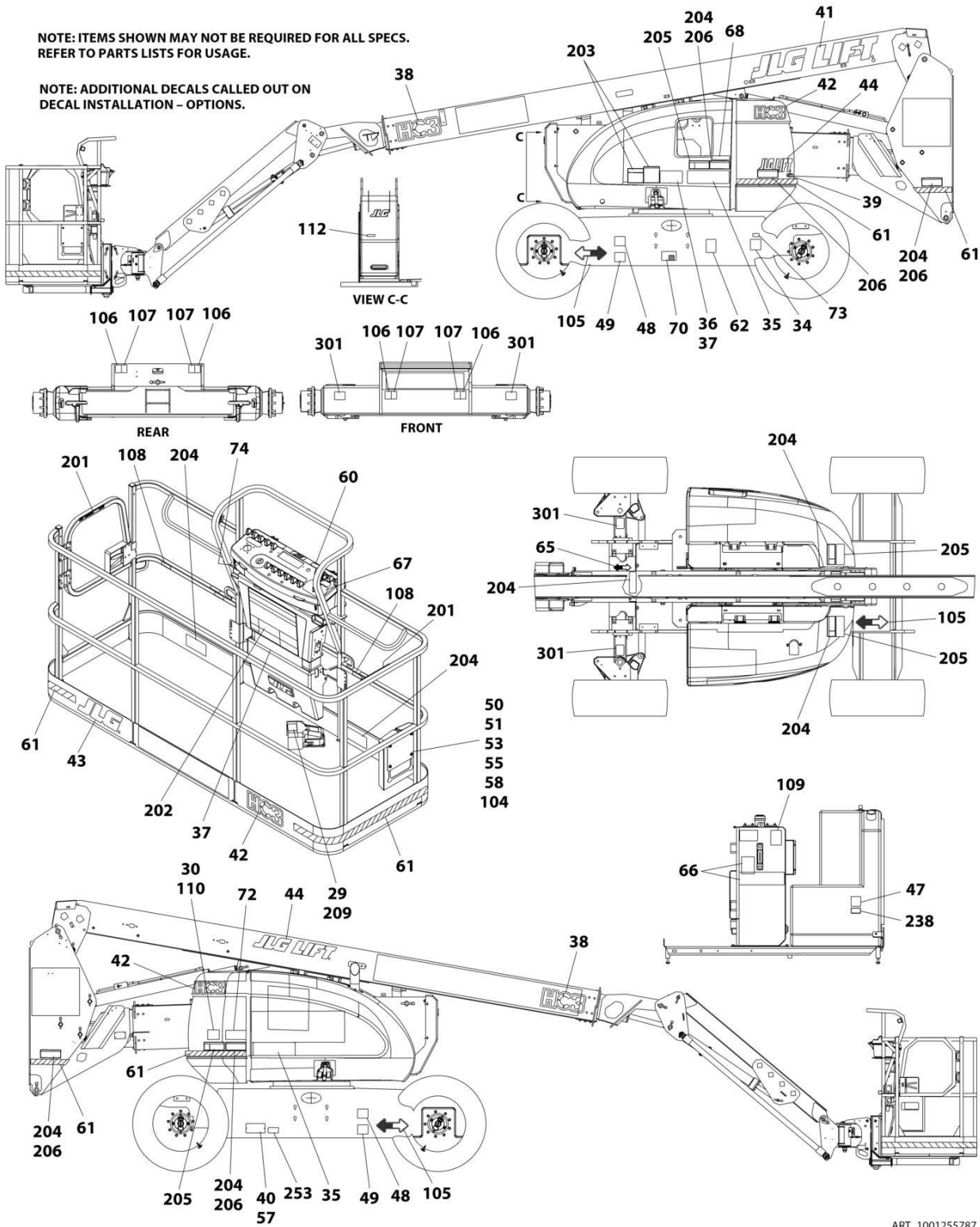
ITEM	PART NUMBER	QTY	DESCRIPTION	REV
	1001255789	Ref	DECAL INSTALLATION	D
	1001255196	Ref	DECAL REFERENCE CHART	C
34	See Note	NSS	Decal - Bar Code (Note: Not Available for Purchase)	
35	1702819	2	Decal - 600AJ	
35	1001267311	1	Decal - 600AJ	
37	1001234439	2	Decal - Warning	
39	1704885	1	Decal - Website	
50	0100011	AR	Compound, Locking	
51	0641406	4	Bolt 1/4 x 3/4	
53	0860520	1	Box, Manual Storage	
55	3311405	4	Nut 1/4	
57	3820001	2	Rivet	
58	4751400	8	Washer 1/4	
60	1001184618	1	Decal - Stop	
61	4420051	22 ft/6.7m	Tape, Safety	
65	1703687	1	Decal - Direction Arrow	
66	1705977	1	Decal - Upright Level Over-Ride	
67	1001112551	1	Decal - Drive/Steer Instructions	
72	1001255926	1	Decal - Lift Diagram	
72	1001284696	1	Decal - Lift Diagram	
100	2902303	1	Decal Kit - Master (Includes Items 104-110)	
104	1701509	1	Decal - Manual	
105	1701529	6	Decal - Arrow	
106	1703811	4	Decal - Tie Down/Lift	
107	1703814	6	Decal - Tie Down	
108	1704277	4	Decal - Attach Lanyard Here	
109	1704412	1	Decal - Hydraulic Oil Chart	
110	1705084	1	Decal - Sound Power	
200	2902329	1	Decal Kit - Country Spec (Includes Items 202-209)	
202	1705921	1	Decal -Warning/Danger	
203	1705822	1	Decal - Warning Inspection (MTB)	
204	1701518	10	Decal -Warning Crushing	
205	1705961	5	Decal - Danger Electrocution	
209	1705828	1	Decal - Footswitch	
300	1001255795	1	Decal Max Tire Load Kit (Includes Item 301)	
301	1001255794	4	Decal - Max Tire Load	

SECTION 9 - DECALS

FIGURE 9-3. DECAL INSTALLATION - BRAZIL SPECS

NOTE: ITEMS SHOWN MAY NOT BE REQUIRED FOR ALL SPECS.
REFER TO PARTS LISTS FOR USAGE.

NOTE: ADDITIONAL DECALS CALLED OUT ON
DECAL INSTALLATION - OPTIONS.



ART_1001255787

SECTION 9 - DECALS

FIGURE 9-3. DECAL INSTALLATION - BRAZIL SPECS

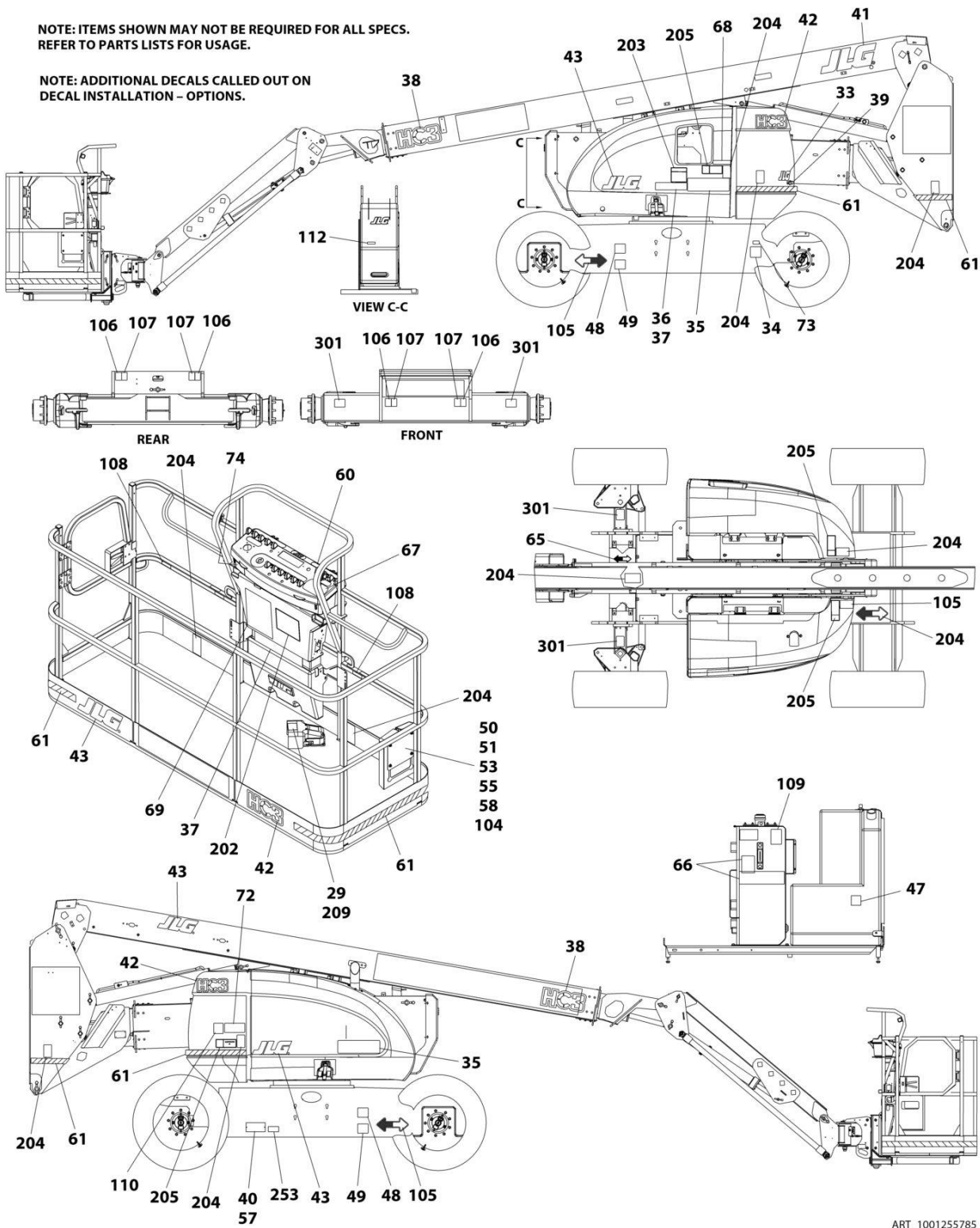
ITEM	PART NUMBER	QTY	DESCRIPTION	REV
	1001255787	Ref	DECAL INSTALLATION	D
	1001255196	Ref	DECAL REFERENCE CHART	C
34	See Note	NSS	Decal - Bar Code (Note: Not Available for Purchase)	
35	1001267311	2	Decal - 600AJ	
36	1001255915	1	Decal - Warning	
37	1001255914	1	Decal - Warning	
39	1704885	1	Decal - Website	
50	0100011	AR	Compound, Locking	
51	0641406	4	Bolt 1/4 x 3/4	
53	0860520	1	Box, Manual Storage	
55	3311405	4	Nut 1/4	
57	3820001	2	Rivet	
58	4751400	8	Washer 1/4	
60	1001184618	1	Decal - Stop	
61	4420051	22 ft/6.7m	Tape, Safety	
65	1703687	1	Decal - Direction Arrow	
66	1703544	1	Decal - Upright Level Over-Ride	
67	1705905	1	Decal - Drive/Steer Instructions	
70	1001224052	1	Decal - Yearly Inspection	
70	1001267885	1	Decal - Yearly Inspection	
72	1001284696	1	Decal - Lift Diagram	
100	2902303	1	Decal Kit - Master (Includes Items 104-109)	
104	1701509	1	Decal - Manual	
105	1701529	6	Decal - Arrow	
106	1703811	4	Decal - Tie Down/Lift	
107	1703814	6	Decal - Tie Down	
108	1704277	4	Decal - Attach Lanyard Here	
109	1704412	1	Decal - Hydraulic Oil Chart	
200	2902312	1	Decal Kit - Country Spec (Includes Items 201-209)	
201	1705967	2	Decal - No Hands	
202	1705895	1	Decal - Warning/Danger	
203	1705896	1	Decal - Warning Inspection (MTB)	
204	1705898	5	Decal - Warning Crushing	
205	1705897	5	Decal - Danger Electrocution	
206	1705903	7	Decal - Warning Crushing	
209	1705902	1	Decal - Footswitch	
300	1001255795	1	Decal Max Tire Load Kit (Includes Item 301)	
301	1001255794	4	Decal- Max Tire Load	

SECTION 9 - DECALS

FIGURE 9-4. DECAL INSTALLATION - CE & UK CA SPECS

NOTE: ITEMS SHOWN MAY NOT BE REQUIRED FOR ALL SPECS.
REFER TO PARTS LISTS FOR USAGE.

NOTE: ADDITIONAL DECALS CALLED OUT ON
DECAL INSTALLATION - OPTIONS.



ART_1001255785

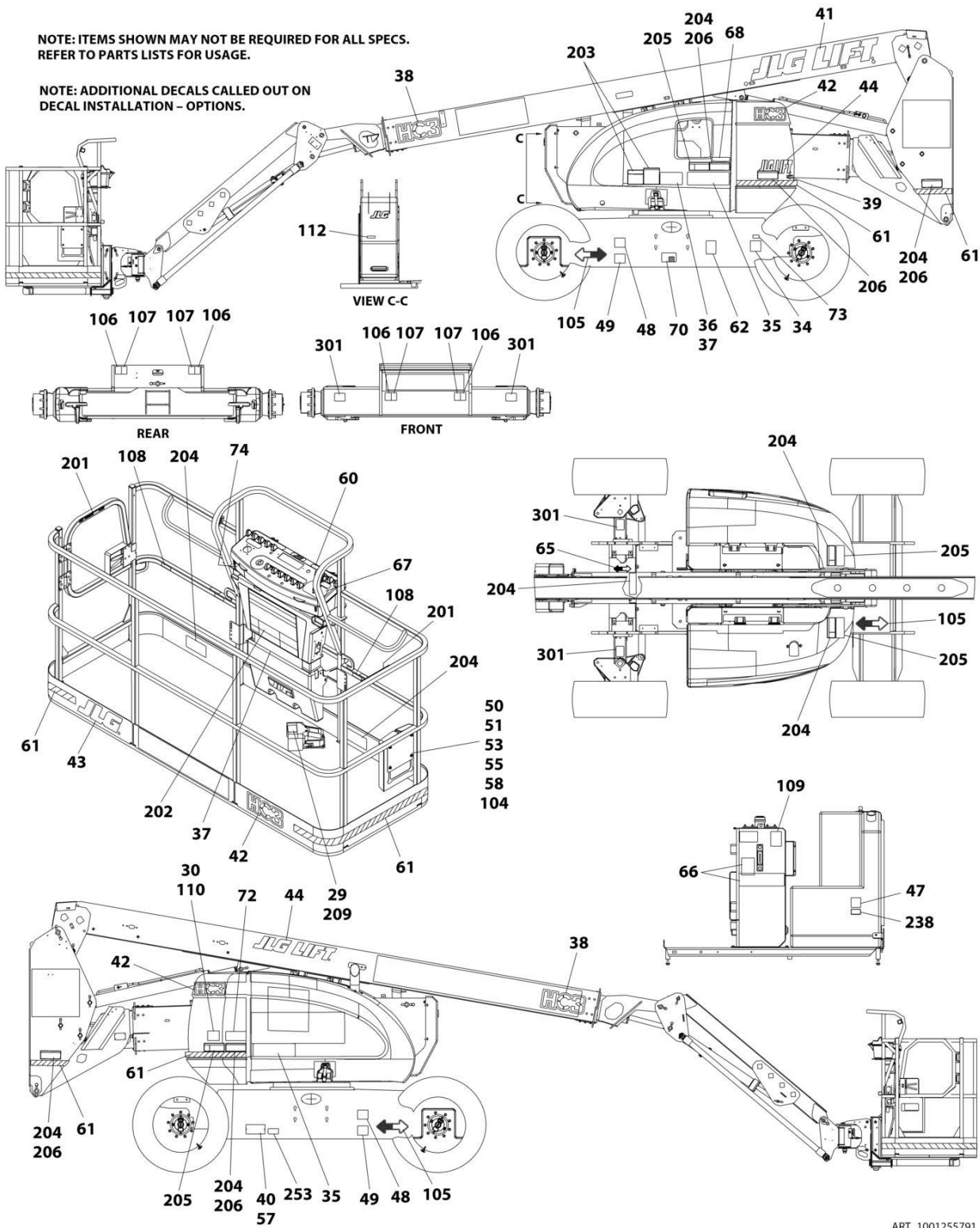
SECTION 9 - DECALS

FIGURE 9-4. DECAL INSTALLATION - CE & UK CA SPECS

ITEM	PART NUMBER	QTY	DESCRIPTION	REV
	1001255785	Ref	DECAL INSTALLATION	E
	1001257285	Ref	DECAL REFERENCE CHART	B
34	See Note	NSS	Decal - Bar Code (Note: Not Available for Purchase)	
35	1001267311	2	Decal - 600AJ	
36	1001234439	1	Decal - Capacity	
37	1001234439	1	Decal - Capacity	
50	0100011	AR	Compound, Locking	
51	0641406	4	Bolt 1/4 x 3/4	
53	0860520	1	Box, Manual Storage	
55	3311405	4	Nut 1/4	
57	3820001	2	Rivet	
58	4751400	8	Washer 1/4	
60	1001184618	1	Decal - Stop	
61	4420051	22 ft/6.7m	Decal - Warning Stripe	
65	1703687	1	Decal - Direction Arrow	
66	1705977	1	Decal - Upright Level Over-Ride	
72	1001284696	1	Decal - Lift Diagram	
100	2902303	1	Decal Kit - Master (Includes Items 104-110)	
104	1701509	1	Decal - Manual	
105	1701529	3	Decal - Arrow	
106	1703811	4	Decal - Tie Down/Lift	
107	1703814	4	Decal - Tie Down	
108	1704277	3	Decal - Attach Lanyard Here	
109	1704412	1	Decal - Hydraulic Oil Chart	
200	2902329	1	Decal Kit - Country Spec (Includes Items 202-209)	
202	1705921	1	Decal - Tipping/Electrical Platform	
203	1705822	1	Decal - Electrical/Safety Manual	
204	1701518	10	Decal - Warning Crushing	
205	1705961	4	Decal - Danger Electrocution	
209	1705828	4	Decal - Footswitch	
300	1001255795	1	Decal Max Tire Load Kit (Includes Item 301)	
301	1001255794	4	Decal - Max Tire Load	

SECTION 9 - DECALS

FIGURE 9-5. DECAL INSTALLATION - CHINESE SPECS (SIMPLIFIED)



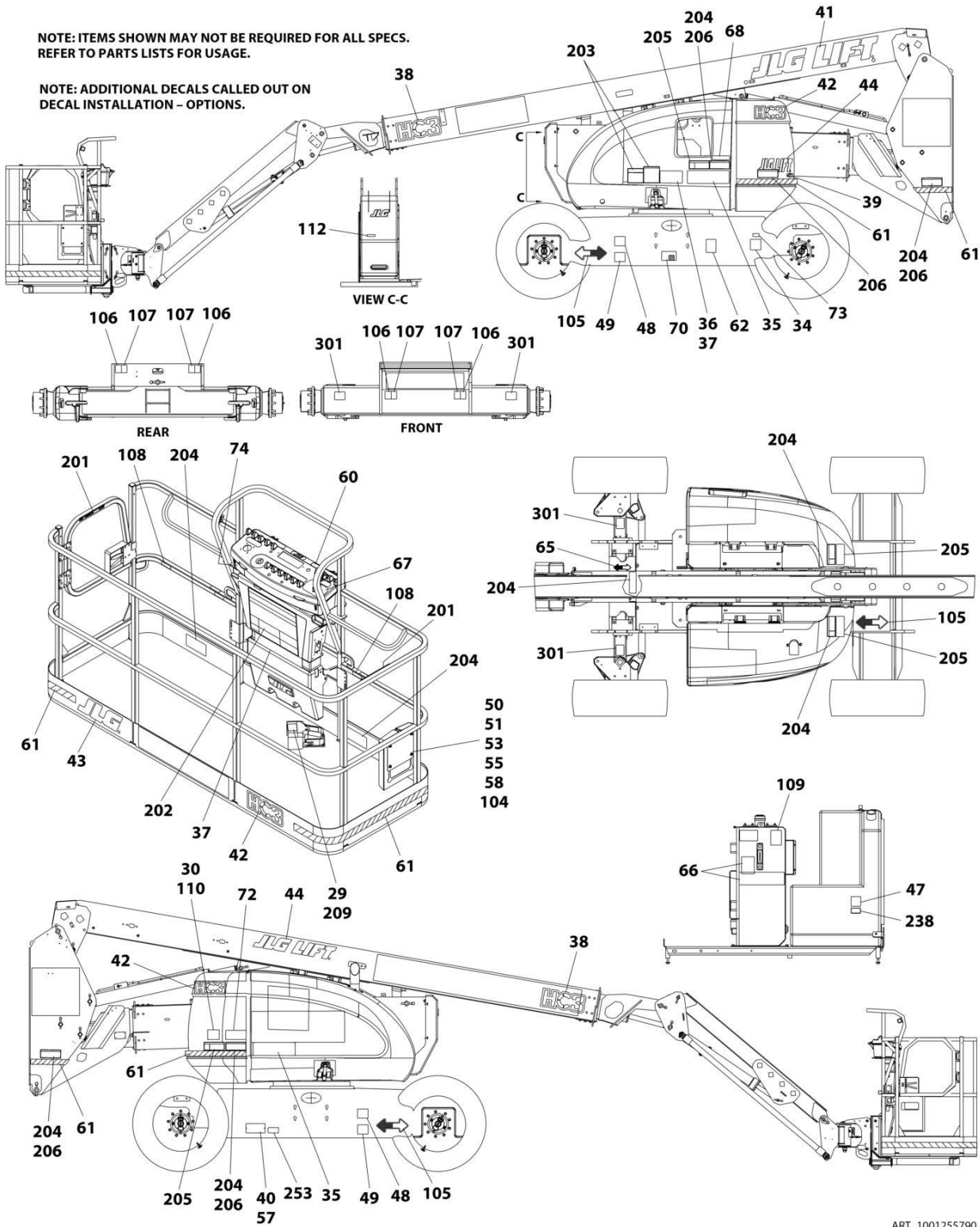
SECTION 9 - DECALS

FIGURE 9-5. DECAL INSTALLATION - CHINESE SPECS (SIMPLIFIED)

ITEM	PART NUMBER	QTY	DESCRIPTION	REV
	1001255791	Ref	DECAL INSTALLATION	D
	1001255196	Ref	DECAL REFERENCE CHART	C
34	See Note	NSS	Decal - Bar Code (Note: Not Available for Purchase)	
35	1001267311	1	Decal - 600AJ	
36	1001235402	1	Decal - Warning	
37	1001235401	1	Decal - Warning	
39	1704885	1	Decal - Website	
50	0100011	AR	Compound, Locking	
51	0641406	4	Bolt 1/4 x 3/4	
53	0860520	1	Box, Manual Storage	
55	3311405	4	Nut 1/4	
57	3820001	2	Rivet	
58	4751400	8	Washer 1/4	
60	1001184618	1	Decal - Stop	
61	4420051	22 ft/6.7m	Tape, Safety	
65	1703687	1	Decal - Direction Arrow	
66	1001116861	1	Decal - Upright Level Over-Ride	
67	1705430	1	Decal - Drive/Steer Instructions	
70	1001224051	1	Decal - Yearly Inspection	
72	1001284696	1	Decal - Lift Diagram	
100	2902303	1	Decal Kit - Master (Includes Items 104-112)	
104	1701509	1	Decal - Manual	
105	1701529	6	Decal - Arrow	
106	1703811	4	Decal - Tie Down/Lift	
107	1703814	6	Decal - Tie Down	
108	1704277	4	Decal - Attach Lanyard Here	
109	1704412	1	Decal - Hydraulic Oil Chart	
112	3251243	1	Nameplate - 120V-60Hz	
200	1001116844	1	Decal Kit - Country Spec (Includes Items 201-209)	
201	1705968	2	Decal - No Hands	
202	1001116847	1	Decal - Warning/Danger	
203	1001116848	2	Decal - Warning Inspection (MTB)	
204	1001116850	6	Decal - Warning Crushing	
205	1703937	5	Decal - Danger Electrocution	
206	1001116845	7	Decal - Warning Crushing	
209	1001116852	1	Decal - Foot Switch	
300	1001255795	1	Decal Max Tire Load Kit (Includes Item 301)	
301	1001255794	4	Decal - Max Tire Load	

SECTION 9 - DECALS

FIGURE 9-6. DECAL INSTALLATION - CHINESE SPECS (TRADITIONAL)



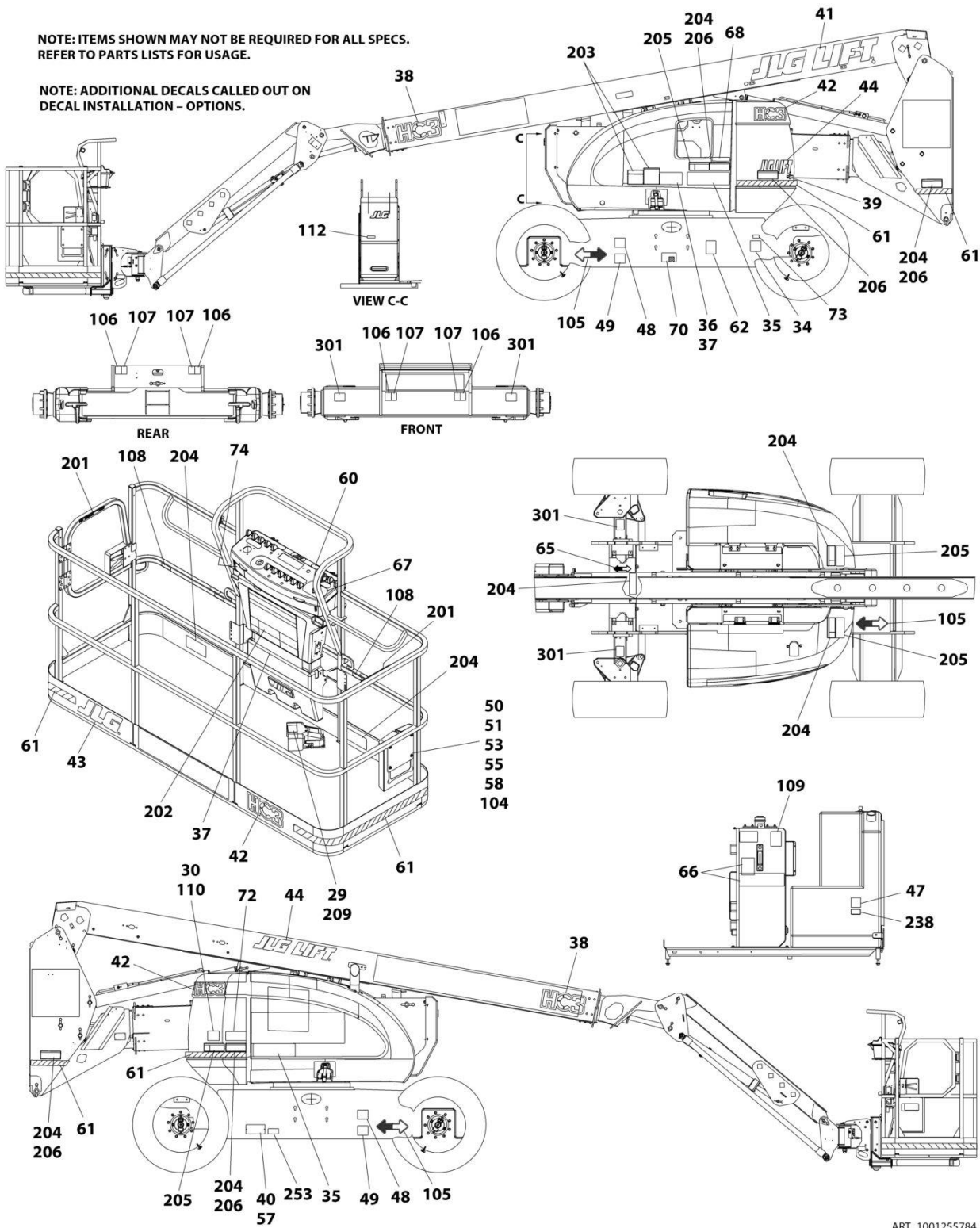
SECTION 9 - DECALS

FIGURE 9-6. DECAL INSTALLATION - CHINESE SPECS (TRADITIONAL)

ITEM	PART NUMBER	QTY	DESCRIPTION	REV
	1001255790	Ref	DECAL INSTALLATION	D
	1001255196	Ref	DECAL REFERENCE CHART	C
34	See Note	NSS	Decal - Bar Code (Note: Not Available for Purchase)	
35	1001267311	1	Decal - 600AJ	
36	1001234436	1	Decal - Warning	
37	1001234435	1	Decal - Warning	
39	1704885	1	Decal - Website	
50	0100011	AR	Compound, Locking	
51	0641406	4	Bolt 1/4 x 3/4	
53	0860520	1	Box, Manual Storage	
55	3311405	4	Nut 1/4	
57	3820001	2	Rivet	
58	4751400	8	Washer 1/4	
60	1001184618	1	Decal - Stop	
61	4420051	22 ft/6.7m	Tape, Safety	
65	1703687	1	Decal - Direction Arrow	
66	1001116862	1	Decal - Upright Level Over-Ride	
67	1001116863	1	Decal - Drive/Steer Instructions	
70	1001224050	1	Decal - Yearly Inspection	
72	1001284696	1	Decal - Lift Diagram	
100	2902303	1	Decal Kit - Master (Includes Items 104-112)	
104	1701509	1	Decal - Manual	
105	1701529	6	Decal - Arrow	
106	1703811	4	Decal - Tie Down/Lift	
107	1703814	6	Decal - Tie Down	
108	1704277	4	Decal - Attach Lanyard Here	
109	1704412	1	Decal - Hydraulic Oil Chart	
112	3251243	1	Nameplate - 120V-60Hz	
200	2902309	1	Decal Kit - Country Spec (Includes Items 201-209)	
201	1001116846	2	Decal - No Hands	
202	1703925	1	Decal - Warning/Danger	
203	1001116849	2	Decal - Warning Inspection (MTB)	
204	1703949	5	Decal - Warning Crushing	
205	1001116851	5	Decal - Danger Electrocution	
206	1703943	7	Decal - Warning Crushing	
209	1703982	1	Decal - Foot Switch	
300	1001255795	1	Decal Max Tire Load Kit (Includes Item 301)	
301	1001255794	4	Decal - Max Tire Load	

SECTION 9 - DECALS

FIGURE 9-7. DECAL INSTALLATION - CSA SPECS



SECTION 9 - DECALS

FIGURE 9-7. DECAL INSTALLATION - CSA SPECS

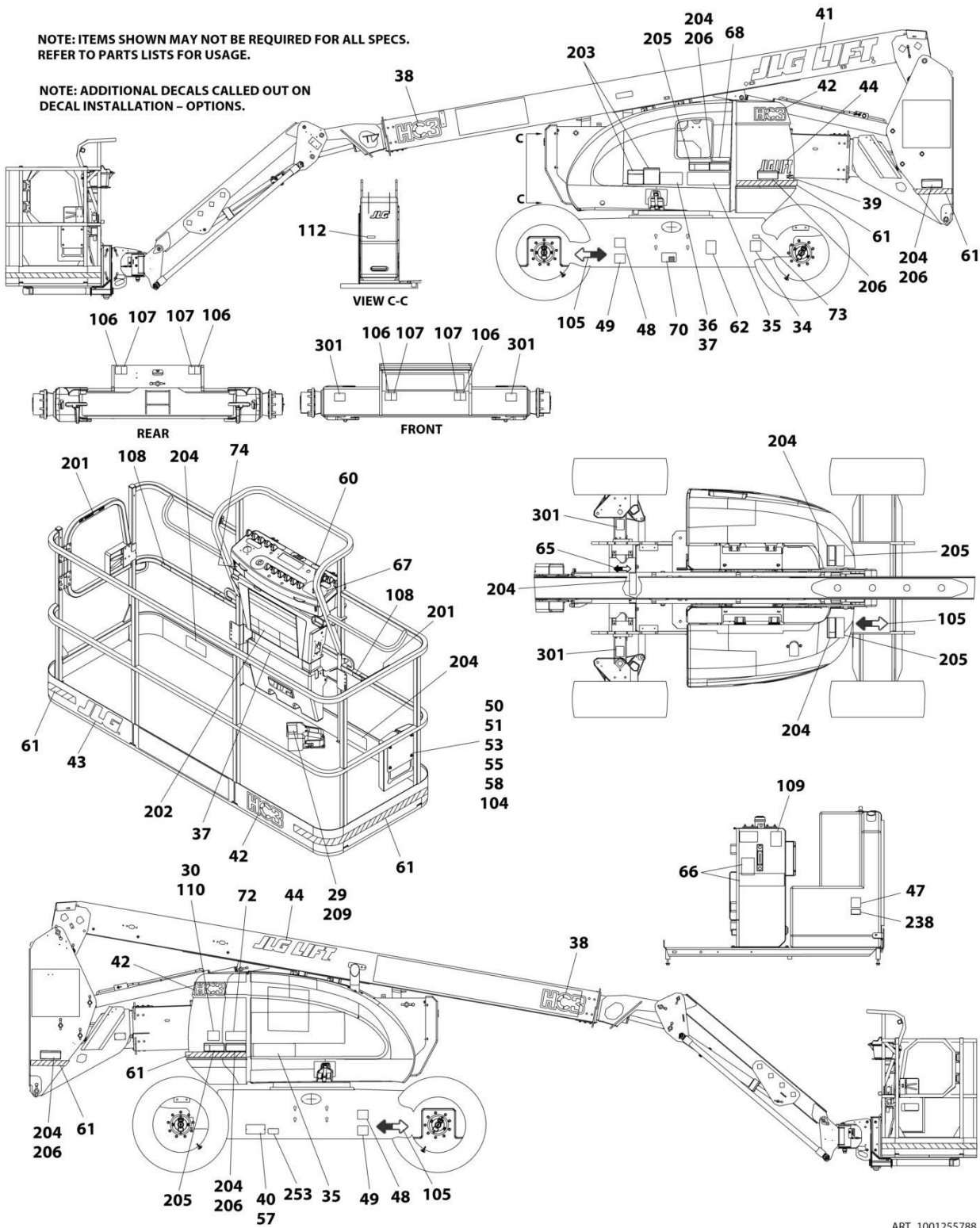
ITEM	PART NUMBER	QTY	DESCRIPTION	REV
	1001255784	Ref	DECAL INSTALLATION	D
	1001255196	Ref	DECAL REFERENCE CHART	C
34	See Note	NSS	Decal - Bar Code (Note: Not Available for Purchase)	
35	1001267311	2	Decal - 600AJ	
36	1001234434	1	Decal - Warning	
37	1001234433	1	Decal - Warning	
39	1704885	1	Decal - Website	
50	0100011	AR	Compound, Locking	
51	0641406	4	Bolt 1/4 x 3/4	
53	0860520	1	Box, Manual Storage	
55	3311405	4	Nut 1/4	
57	3820001	2	Rivet	
58	4751400	8	Washer 1/4	
60	1001184618	1	Decal - Stop.	
61	4420051	22 ft/6.7m	Tape, Safety	
62	1001131269	1	Decal - Patent	
65	1703687	1	Decal - Direction Arrow	
66	1703990	1	Decal - Upright Level Over-Ride	
67	1705429	1	Decal - Drive/Steer Instructions	
70	1001223971	1	Decal - Yearly Inspection	
72	1001284696	1	Decal - Lift Diagram	
73	1001223453	1	Decal - ICES	
100	2902303	1	Decal Kit - Master (Includes Items 104-112)	
104	1701509	1	Decal - Manual	
105	1701529	6	Decal - Arrow	
106	1703811	4	Decal - Tie Down/Lift	
107	1703814	6	Decal - Tie Down	
108	1704277	4	Decal - Attach Lanyard Here	
109	1704412	1	Decal - Hydraulic Oil Chart	
112	3251243	1	Nameplate - 120V-60Hz	
200	2902322	1	Decal Kit - Country Spec (Includes Items 201-209)	
201	1704000	2	Decal - No Hands	
202	1703624	1	Decal - Warning/Danger	
203	1705347	1	Decal - Warning Inspection (MTB)	
204	1703948	5	Decal - Warning Crushing	
205	1703936	5	Decal - Danger Electrocution	
206	1703942	7	Decal - Warning Crushing	
209	1703984	1	Decal - Footswitch	
300	1001255795	1	Decal Max Tire Load Kit (Includes Item 301)	
301	1001255794	4	Decal - Max Tire Load	

SECTION 9 - DECALS

FIGURE 9-8. DECAL INSTALLATION - JAPANESE SPECS

NOTE: ITEMS SHOWN MAY NOT BE REQUIRED FOR ALL SPECS.
REFER TO PARTS LISTS FOR USAGE.

NOTE: ADDITIONAL DECALS CALLED OUT ON
DECAL INSTALLATION - OPTIONS.



ART_1001255788

SECTION 9 - DECALS

FIGURE 9-8. DECAL INSTALLATION - JAPANESE SPECS

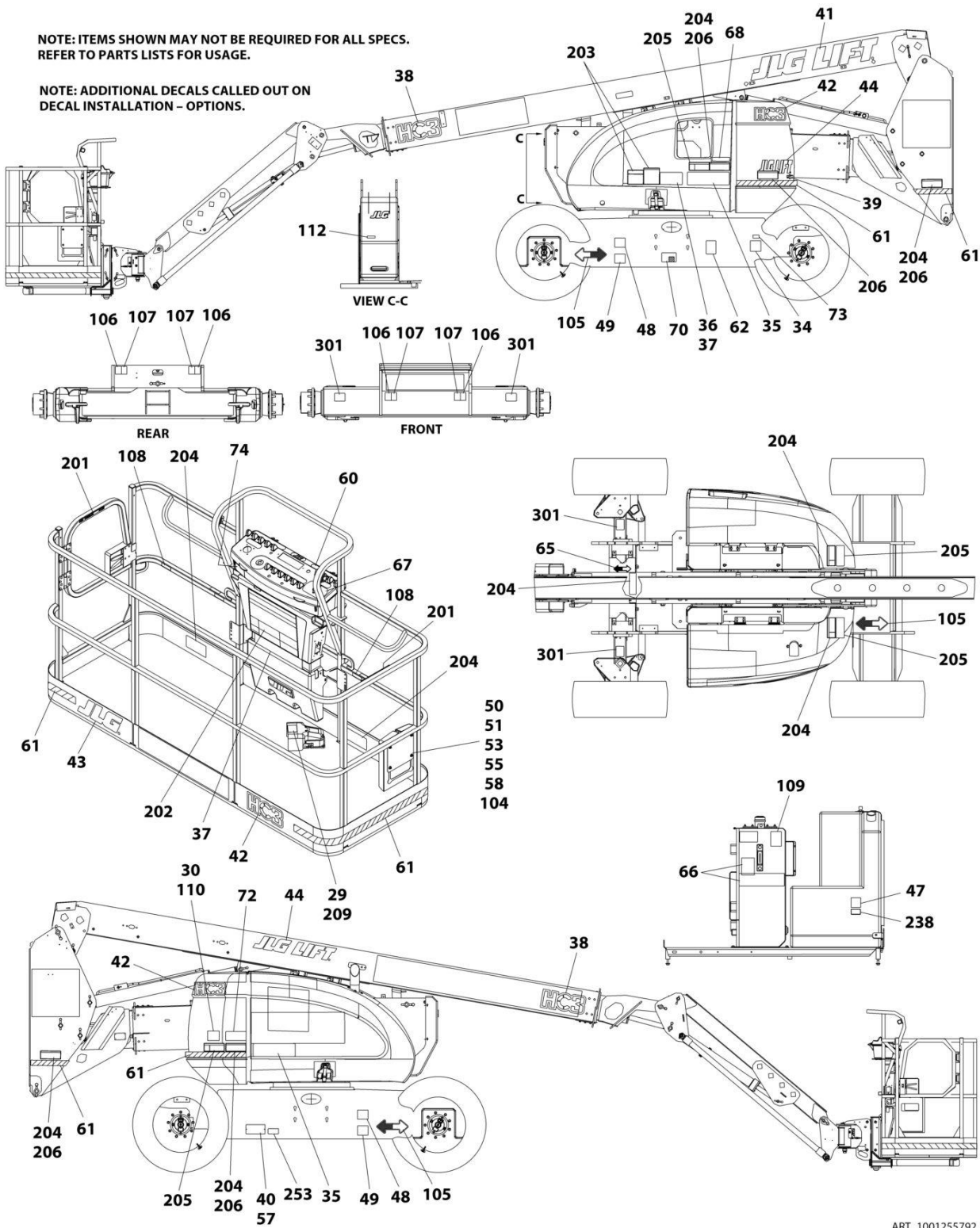
ITEM	PART NUMBER	QTY	DESCRIPTION	REV
	1001255788	Ref	DECAL INSTALLATION	D
	1001255196	Ref	DECAL REFERENCE CHART	C
34	See Note	NSS	Decal - Bar Code (Note: Not Available for Purchase)	
35	1001267311	2	Decal - 600AJ	
35	1001234429	1	Decal - Warning	
36	1001234428	1	Decal - Warning	
39	1704885	1	Decal - Website	
50	0100011	AR	Compound, Locking	
51	0641406	4	Bolt 1/4 x 3/4	
53	0860520	1	Box, Manual Storage	
55	3311405	4	Nut 1/4	
57	3820001	2	Rivet	
58	4751400	8	Washer 1/4	
60	1001184618	1	Decal - Stop	
61	4420051	22 ft/6.7m	Tape, Safety	
65	1703687	1	Decal - Direction Arrow	
66	1702271	1	Decal - Upright Level Over-Ride	
67	1705426	1	Decal - Drive/Steer Instructions	
70	1001224053	1	Decal - Yearly Inspection	
72	1001284696	1	Decal - Lift Diagram	
100	2902303	1	Decal Kit - Master (Includes Items 104-112)	
104	1701509	1	Decal - Manual	
105	1701529	6	Decal - Arrow	
106	1703811	4	Decal - Tie Down/Lift	
107	1703814	6	Decal - Tie Down	
108	1704277	4	Decal - Attach Lanyard Here	
109	1704412	1	Decal - Hydraulic Oil Chart	
112	3251243	1	Nameplate - 120V-60Hz	
200	2902308	1	Decal Kit - Country Spec (Includes Items 202-209)	
202	1703926	1	Decal - Warning/Danger	
203	1705344	1	Decal - Warning Inspection (MTB)	
204	1703950	5	Decal - Warning Crushing	
205	1703938	5	Decal - Danger Electrocution	
206	1703944	7	Decal - Warning Crushing	
209	1703980	1	Decal - Footswitch	
300	1001255795	1	Decal Max Tire Load Kit (Includes Item 301)	
301	1001255794	4	Decal - Max Tire Load	

SECTION 9 - DECALS

FIGURE 9-9. DECAL INSTALLATION - KOREAN SPECS

NOTE: ITEMS SHOWN MAY NOT BE REQUIRED FOR ALL SPECS.
REFER TO PARTS LISTS FOR USAGE.

NOTE: ADDITIONAL DECALS CALLED OUT ON
DECAL INSTALLATION - OPTIONS.



ART_1001255792

SECTION 9 - DECALS

FIGURE 9-9. DECAL INSTALLATION - KOREAN SPECS

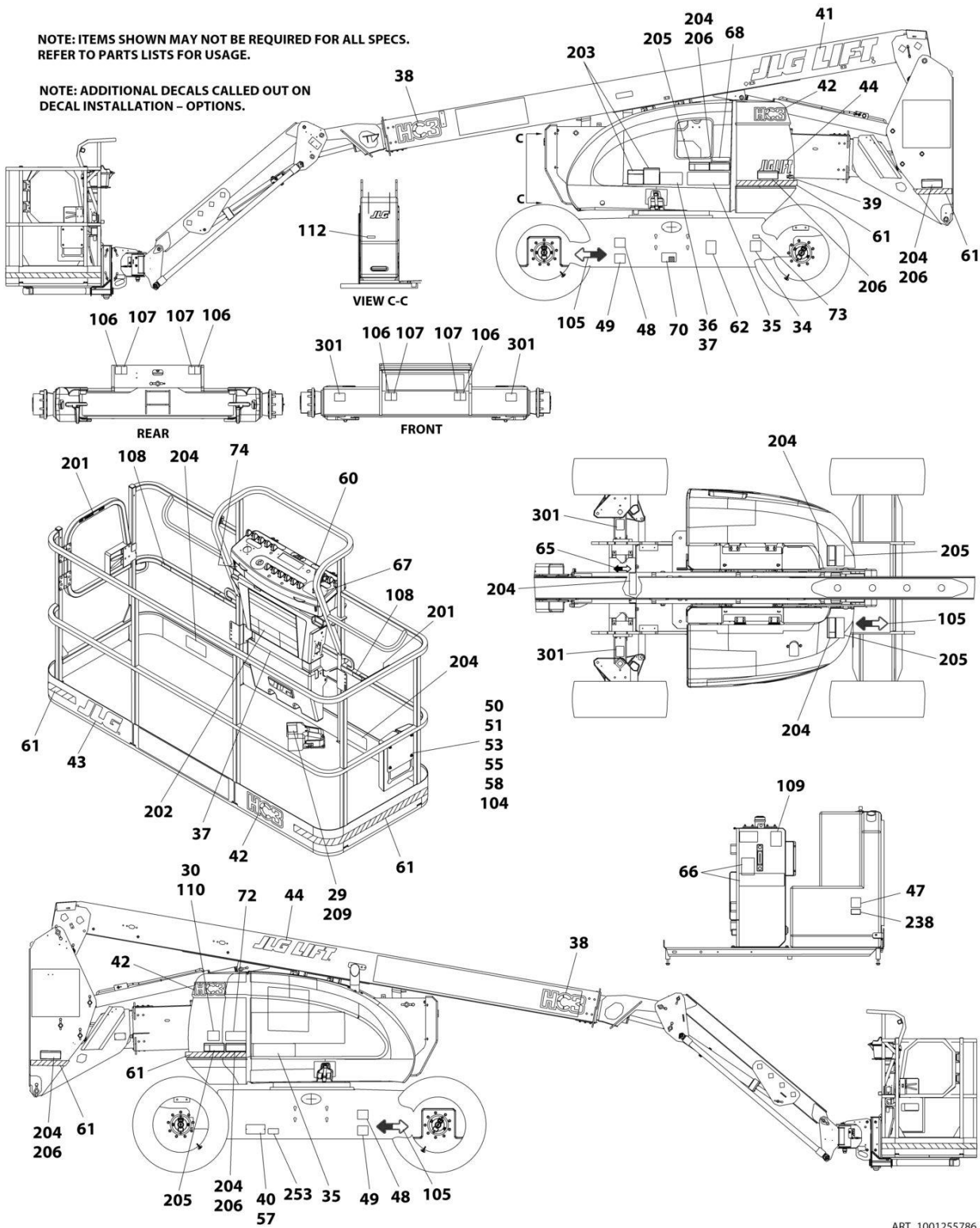
ITEM	PART NUMBER	QTY	DESCRIPTION	REV
	1001255792	Ref	DECAL INSTALLATION	D
	1001255196	Ref	DECAL REFERENCE CHART	C
34	See Note	NSS	Decal - Bar Code (Note: Not Available for Purchase)	
35	1001267311	1	Decal - 600AJ	
36	1001235585	1	Decal - Warning	
37	1001234430	1	Decal - Warning	
39	1704885	1	Decal - Website	
50	0100011	AR	Compound, Locking	
51	0641406	4	Bolt 1/4 x 3/4	
53	0860520	1	Box, Manual Storage	
55	3311405	4	Nut 1/4	
57	3820001	2	Rivet	
58	4751400	8	Washer 1/4	
60	1001184618	1	Decal - Stop	
61	4420051	22 ft/6.7m	Tape, Safety	
65	1703687	1	Decal - Direction Arrow	
66	1703987	1	Decal - Upright Level Over-Ride	
67	1705427	1	Decal - Drive/Steer Instructions	
70	1001224048	1	Decal - Yearly Inspection	
72	1001284696	1	Decal - Lift Diagram	
100	2902303	1	Decal Kit - Master (Includes Items 104-112)	
104	1701509	1	Decal - Manual	
105	1701529	6	Decal - Arrow	
106	1703811	4	Decal - Tie Down/Lift	
107	1703814	6	Decal - Tie Down	
108	1704277	4	Decal - Attach Lanyard Here	
109	1704412	1	Decal - Hydraulic Oil Chart	
112	3251243	1	Nameplate - 120V-60Hz	
200	2902310	1	Decal Kit - Country Spec (Includes Items 201-209)	
201	1705969	2	Decal - No Hands	
202	1703927	1	Decal - Warning/Danger	
203	1705345	1	Decal - Warning Inspection (MTB)	
204	1703951	5	Decal - Warning Crushing	
205	1703939	5	Decal - Danger Electrocution	
206	1703945	7	Decal - Warning Crushing	
209	1703981	1	Decal - Footswitch	
300	1001255795	1	Decal Max Tire Load Kit (Includes Item 301)	
301	1001255794	4	Decal - Max Tire Load	

SECTION 9 - DECALS

FIGURE 9-10. DECAL INSTALLATION - LATIN AMERICAN SPECS

NOTE: ITEMS SHOWN MAY NOT BE REQUIRED FOR ALL SPECS.
REFER TO PARTS LISTS FOR USAGE.

NOTE: ADDITIONAL DECALS CALLED OUT ON
DECAL INSTALLATION - OPTIONS.



ART_1001255786

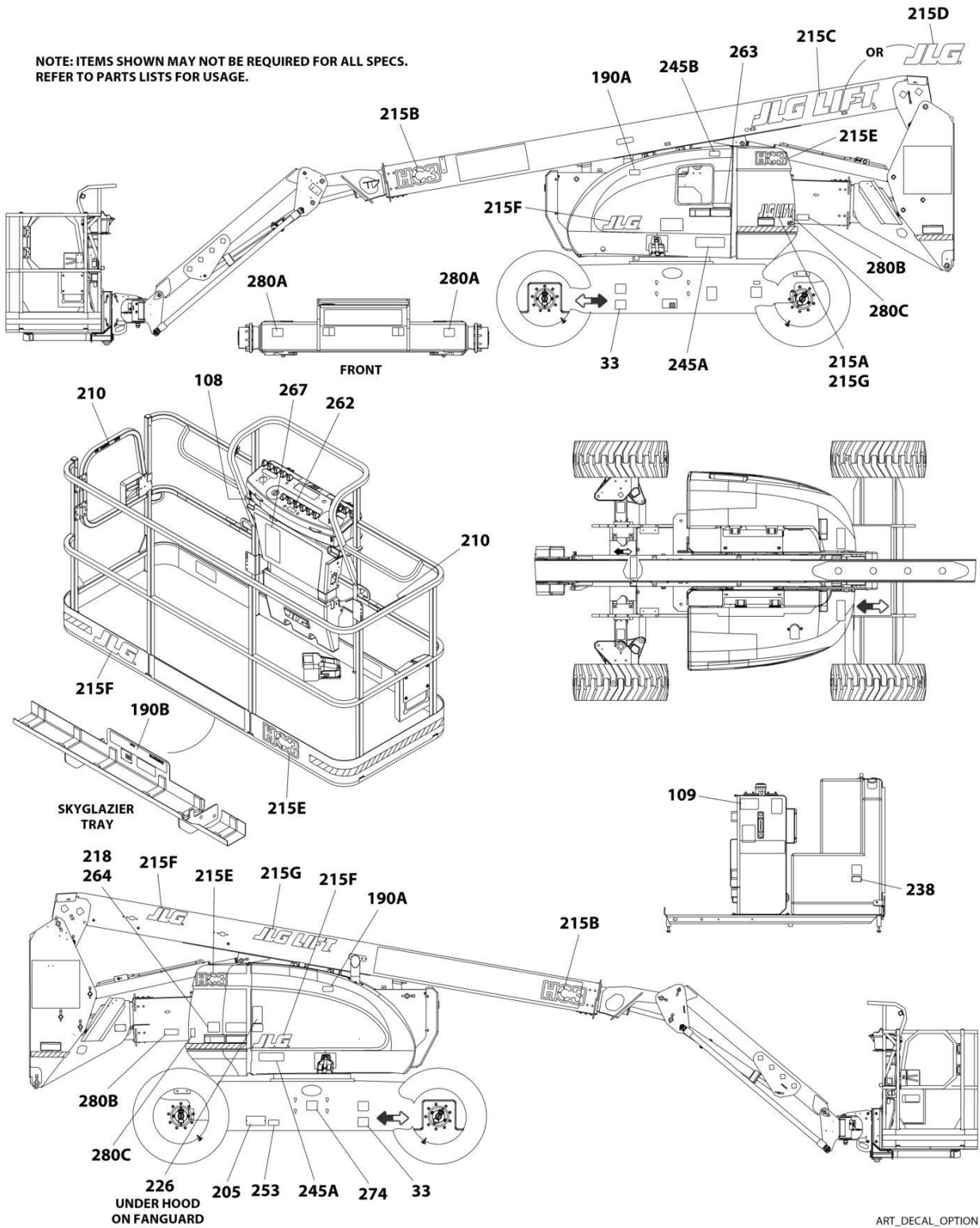
SECTION 9 - DECALS

FIGURE 9-10. DECAL INSTALLATION - LATIN AMERICAN SPECS

ITEM	PART NUMBER	QTY	DESCRIPTION	REV
	1001255786	Ref	DECAL INSTALLATION	D
	1001255196	Ref	DECAL REFERENCE CHART	C
34	See Note	NSS	Decal - Bar Code (Note: Not Available for Purchase)	
35	1001267311	2	Decal - 600AJ	
36	1001234432	1	Decal - Warning	
37	1001234431	1	Decal - Warning	
39	1704885	1	Decal - Website	
50	0100011	AR	Compound, Locking	
51	0641406	4	Bolt 1/4 x 3/4	
53	0860520	1	Box, Manual Storage	
55	3311405	4	Nut 1/4	
57	3820001	2	Rivet	
58	4751400	8	Washer 1/4	
60	1001184618	1	Decal - Stop	
61	4420051	22 ft/6.7m	Tape, Safety	
65	1703687	1	Decal - Direction Arrow	
66	1702617	1	Decal - Upright Level Over-Ride	
67	1705910	1	Decal - Drive/Steer Instructions	
70	1001224049	1	Decal - Yearly Inspection	
72	1001284696	1	Decal - Lift Diagram	
100	2902303	1	Decal Kit - Master (Includes Items 104-112)	
104	1701509	1	Decal - Manual	
105	1701529	6	Decal - Arrow	
106	1703811	4	Decal - Tie Down/Lift	
107	1703814	6	Decal - Tie Down	
108	1704277	4	Decal - Attach Lanyard Here	
109	1704412	1	Decal - Hydraulic Oil Chart	
112	3251243	1	Nameplate - 120V-60Hz	
200	2902311	1	Decal Kit - Country Spec (Includes Items 201-209)	
201	1704001	2	Decal - No Hands	
202	1703923	1	Decal - Warning/Danger	
203	1705917	1	Decal - Warning Inspection (MTB)	
204	1703947	5	Decal - Warning Crushing	
205	1703935	5	Decal - Danger Electrocution	
206	1703941	7	Decal - Warning Crushing	
209	1703983	1	Decal - Footswitch	
300	1001255795	1	Decal Max Tire Load Kit (Includes Item 301)	
301	1001255794	4	Decal - Max Tire Load	

SECTION 9 - DECALS

FIGURE 9-11. DECAL INSTALLATION - OPTIONS



SECTION 9 - DECALS

FIGURE 9-11. DECAL INSTALLATION - OPTIONS

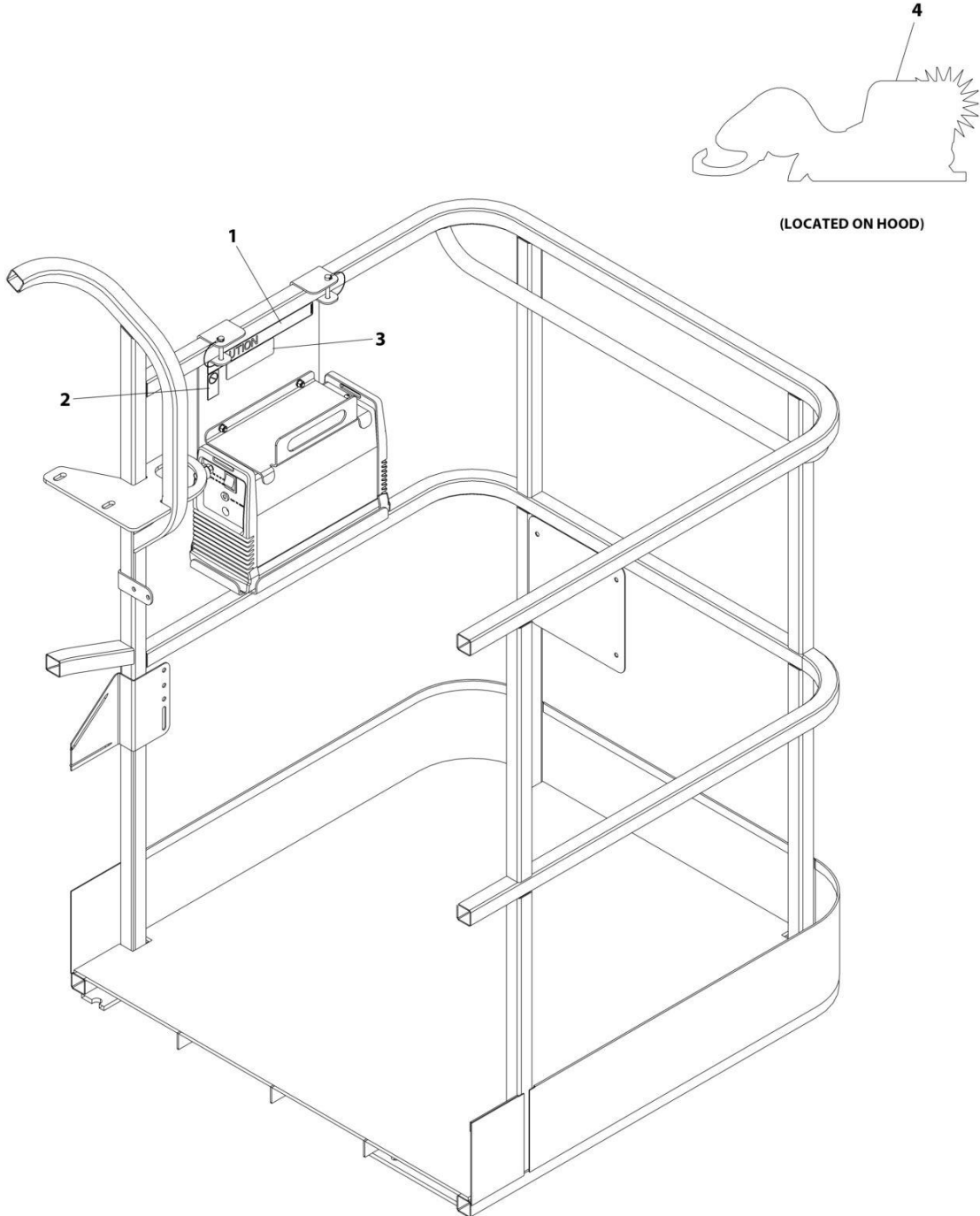
ITEM	PART NUMBER	QTY	DESCRIPTION	REV
	1001255196	Ref	DECAL INSTALLATION - REFERENCE CHART (ALL SPECS EXCEPT CE & UK CA SPECS)	C
	1001257285	Ref	DECAL INSTALLATION - REFERENCE CHART (CE & UK CA SPECS)	B
	1001245251	Ref	DECAL INSTALLATION - OPTIONS	C
33	1700818	1	Decal - Fuel (LP Gas Machines) (English Language) (ANSI and Australian Specs)	
33	1704271	1	Decal - Fuel (LP Gas Machines) (English/French Languages) (CSA Specs)	
33	1702720	1	Decal - Fuel (LP Gas Machines) (English/Spanish Languages) (ANSI Export and China Specs)	
108	1001231801	1	Decal - Warning Proposition 65 (ANSI Specs)	
109	1702788	1	Decal - Biodegradable Hydraulic Fluid (English Language) (ANSI, Australian, CSA, CE & UK CA Specs)	
109	1703479	1	Decal - Biodegradable Hydraulic Fluid (German Language) (CE & UK CA Specs)	
109	1704174	Ref	Decal - Biodegradable (Synthetic) Hydraulic Fluid (English Language)	
109	1704175	Ref	Decal - Biodegradable (Synthetic) Hydraulic Fluid (German Language)	
190		Ref	Decal Installation - SkyGlazier Options:	
190	1001262102	Ref	Decal Installation - SkyGlazier (ANSI/ANSI EXPORT/CSA Specs)	A
190	1001262105	Ref	Decal Installation - SkyGlazier (Australian Specs)	A
190	1001262104	Ref	Decal Installation - SkyGlazier (Brazil Specs) (Portuguese Language)	A
190	1001262103	Ref	Decal Installation - SkyGlazier (Brazil/Latin American Specs) (Spanish Language)	A
190A	1705358	2	Decal - SkyGlazier	
190B		Ref	Decal - SkyGlazier Capacity Options:	
190B	1001259018	2	Decal - SkyGlazier Capacity (ANSI/ANSI Export/CSA Specs)	
190B	1001262117	2	Decal - SkyGlazier Capacity (Australian Specs)	
190B	1001262116	2	Decal - SkyGlazier Capacity (Brazil Specs) (Portuguese Language)	
190B	1001262115	2	Decal - SkyGlazier Capacity (Brazil/Latin American Specs) (Spanish Language)	
190B	1001262239	2	Decal - SkyGlazier Capacity (Danish Language)	
190B	1001262232	2	Decal - SkyGlazier Capacity (French Language)	
190B	1001262233	2	Decal - SkyGlazier Capacity (German Language)	
190B	1001262234	2	Decal - SkyGlazier Capacity (Italian Language)	
190B	1001262237	2	Decal - SkyGlazier Capacity (Portuguese Language)	
190B	1001262238	2	Decal - SkyGlazier Capacity (Swedish Language)	
190B	1001262235	2	Decal - SkyGlazier Capacity (UK English Language)	
205	See Note	1	Nameplate - Manufacturers Serial Number (Note: Not Available for Purchase)	
210	1702868	2	Decal - No Hands (English Language)	
210	1705968	2	Decal - No Hands (English/Chinese Language) (Simplified)	
210	1001116846	2	Decal - No Hands (English/Chinese Language) (Traditional)	
210	1704000	2	Decal - No Hands (English/French Language)	
210	1705969	2	Decal - No Hands (English/Korean Language)	
210	1705967	2	Decal - No Hands (English/Portuguese Language)	
210	1704001	2	Decal - No Hands (English/Spanish Language)	
215	1001255780	Ref	Decal - Logo Installation (All Specs Except CE & UK CA Specs)	B

SECTION 9 - DECALS

ITEM	PART NUMBER	QTY	DESCRIPTION	REV
215	1001257137	Ref	Decal - Logo Installation (CE & UK CA Specs)	A
215A	1701435	1	Decal - JLG Lift (CE & UK CA Specs)	
215B	1001256906	2	Decal - HC3	
215C	1702861	1	Decal - JLG Lift (All Specs Except CE & UK CA Specs)	
215D	1001159323	1	Decal - JLG (CE & UK CA Specs)	
215E	1001244212	3	Decal - HC3	
215F	1702773	AR	Decal - JLG	
215G	1702860	2	Decal - JLG Lift (All Specs Except CE & UK CA Specs)	
218	3251813	1	Decal - USA (All Specs Except Australian, Japanese, CE & UK CA Specs)	
226	1704972	1	Decal - Warning Explosion/ Fire (English Language) (Diesel Machines) (ANSI Specs)	
226	1706098	1	Decal - Warning Explosion/Fire (English Language) (Diesel Machines) (Australian, CE & UK CA Specs)	
226	1706059	1	Decal - Warning Explosion/Fire (English/Portuguese Language) (Diesel Machines) (Brazil Specs)	
226	1706060	1	Decal - Warning Explosion/Fire (English/Chinese Language) (Diesel Machines) (Chinese Specs)	
226	1706064	1	Decal - Warning Explosion/Fire (English Language) (Diesel Machines) (CSA Specs)	
226	1706062	1	Decal - Warning Explosion/Fire (English/Japanese Language) (Diesel Machines) (Japanese Specs)	
226	1706061	1	Decal - Warning Explosion/Fire (English/Korean Language) (Diesel Machines) (Korean Specs)	
226	1706063	1	Decal - Warning Explosion/Fire - (English/Spanish Language) (Diesel Machines) (Latin American Specs)	
238	1001125387	1	Decal - Ultra Low Sulfur Fuel (Diesel Machines) (ANSI, ANSI Export (HRC), China & CSA Specs)	
238	1001139654	1	Decal - Ultra Low Sulfur Fuel (Diesel Machines) (China, Japanese, CE & UK CA Specs)	
245	1001127095	Ref	Decal Installation - ClearSky (Machines with ClearSky Option)	
245A	1001116208	2	Decal - ClearSky	
245B	1001120989	1	Decal - Radio Frequency	
253	1001143852	1	Decal - Emission Compliance (Diesel Machines) (ANSI Export (LRC), Australian, Chinese, CE & UK CA Specs)	
262	1001141300	1	Decal - SkyGuard Override (Machines without Soft Touch Option)	
262	1001141302	1	Decal - SkyGuard Override (Machines with Soft Touch Option)	
263	1001197408	1	Decal - MSSO (CE & UK CA Specs)	
264	1001273784	1	Decal - Sound Power (100dB) (CE & UK CA Specs)	
267	1001200124	1	Decal - Quick Start Guide (Danish Language)	
267	1001200121	1	Decal - Quick Start Guide (Dutch Language)	
267	1001180861	1	Decal - Quick Start Guide (English Language)	
267	1001200120	1	Decal - Quick Start Guide (French Language)	
267	1001200122	1	Decal - Quick Start Guide (German Language)	
267	1001200127	1	Decal - Quick Start Guide (Norwegian Language)	
267	1001200125	1	Decal - Quick Start Guide (Swedish Language)	
267	1001200126	1	Decal - Quick Start Guide (Spanish Language)	
274	1001214030	Ref	Decal - EAC Installation (C.I.S and Russia Specs)	
274	1001173703	1	Decal - EAC	
280	1001220864	Ref	Decal Kit - Boom Transport Position	
280A	1001220512	2	Decal - Lower Boom	
280B	1001220510	2	Decal - Warning Arrow	
280C	1001220511	2	Decal - Warning Stripe	

SECTION 9 - DECALS

FIGURE 9-12. SKYCUTTER DECAL INSTALLATION (ALL SPECS EXCEPT AUSTRALIAN, CE & JAPANESE SPECS)



ART_0272599

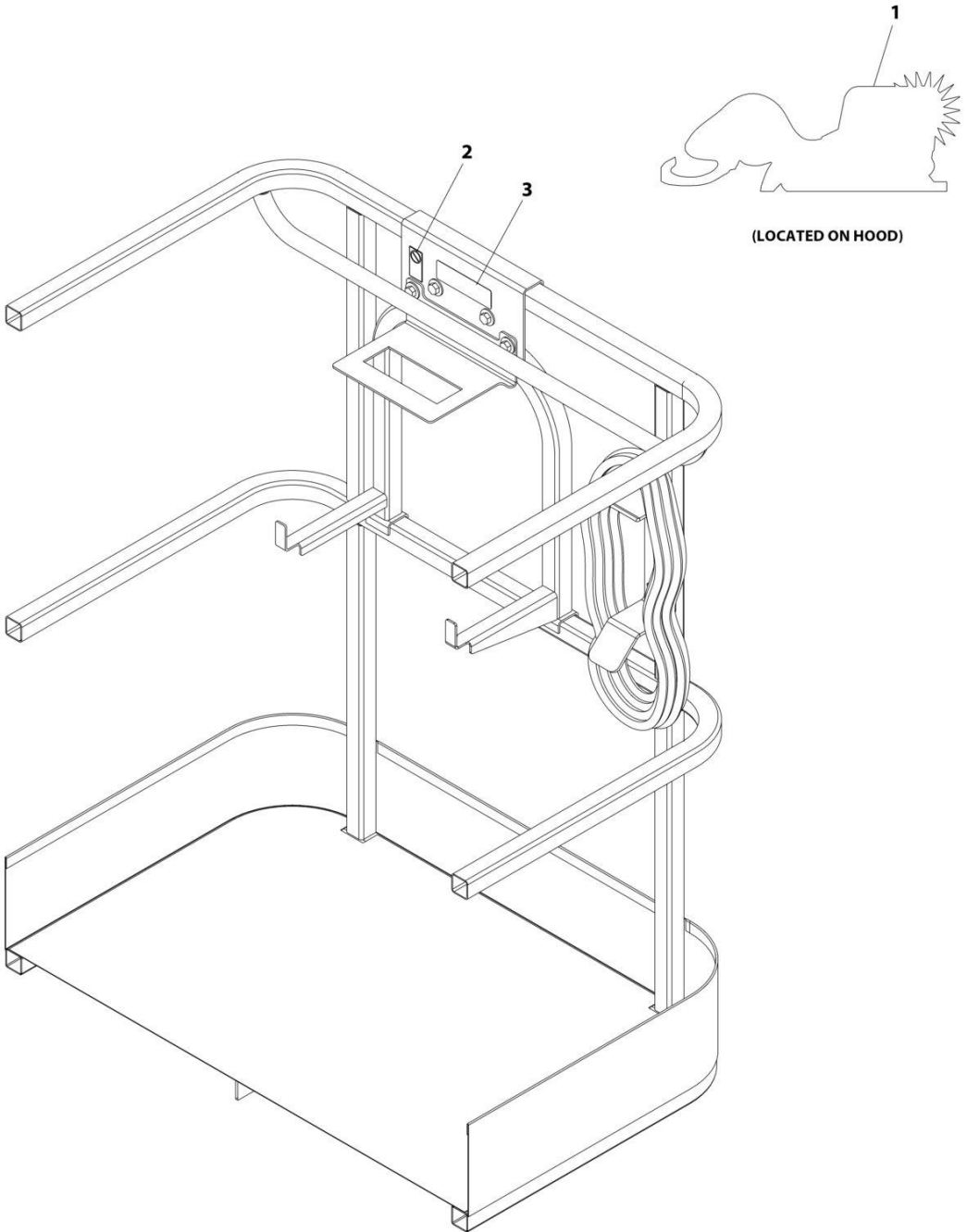
SECTION 9 - DECALS

FIGURE 9-12. SKYCUTTER DECAL INSTALLATION (ALL SPECS EXCEPT AUSTRALIAN, CE & JAPANESE SPECS)

ITEM	PART NUMBER	QTY	DESCRIPTION	REV
	0272599	Ref	SKYCUTTER DECAL INSTALLATION	C
1	1702868	1	Decal - No Hands	
2	1705305	1	Decal - Weld Leads	
3	1001252627	1	Decal - Weight	
4	1705490	2	Decal - SkyCutter	

SECTION 9 - DECALS

FIGURE 9-13. SKYCUTTER DECAL INSTALLATION (JAPANESE SPECS)



ART_0272607_C

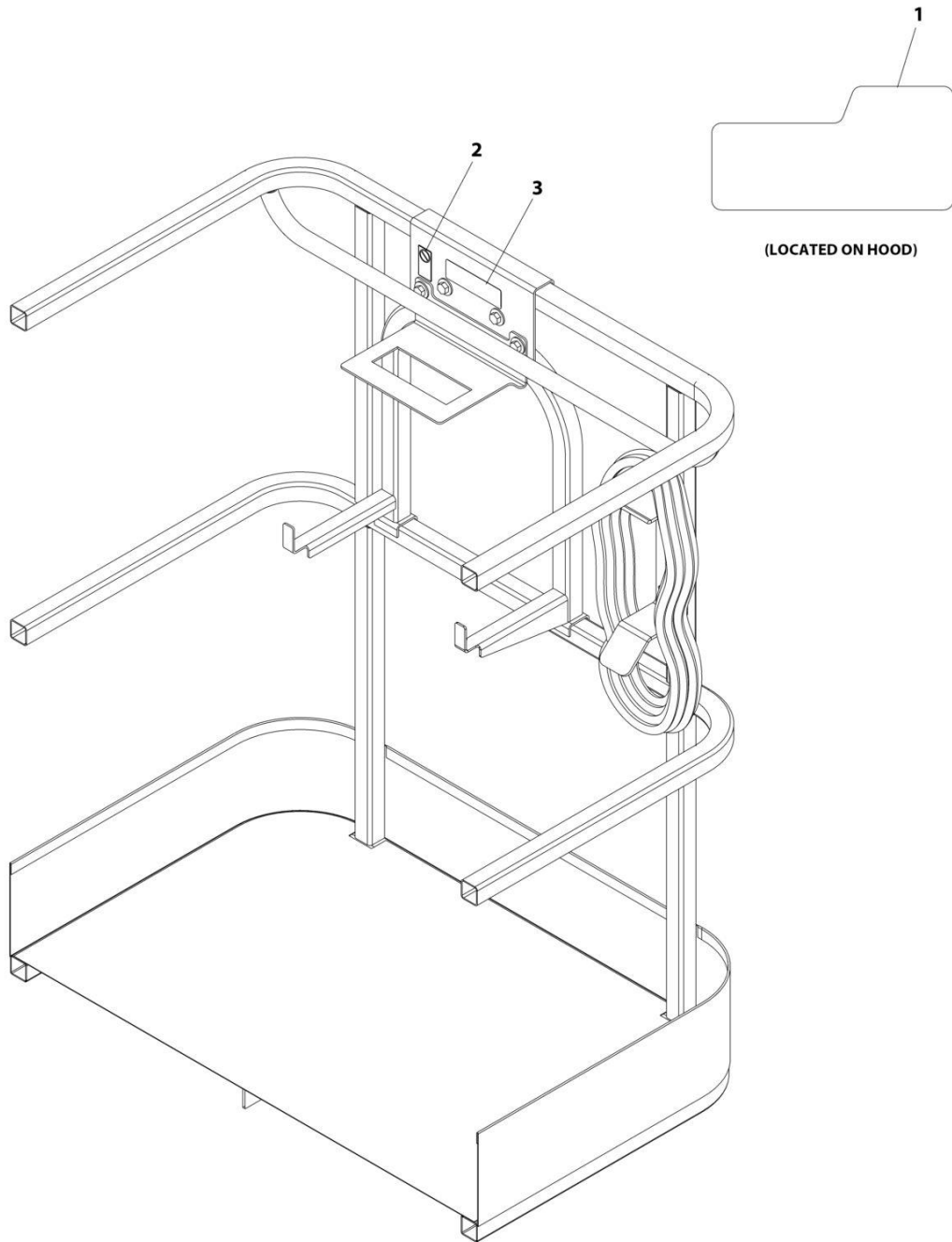
SECTION 9 - DECALS

FIGURE 9-13. SKYCUTTER DECAL INSTALLATION (JAPANESE SPECS)

ITEM	PART NUMBER	QTY	DESCRIPTION	REV
	0272607	1	SKYCUTTER DECAL INSTALLATION	C
1	1705490	2	Decal - SkyCutter	
2	1705305	1	Decal - Weld Lead	
3	1001252627	1	Decal - Weight	

SECTION 9 - DECALS

FIGURE 9-14. SKYWELDER DECAL INSTALLATION - 50HZ



ART_0272588

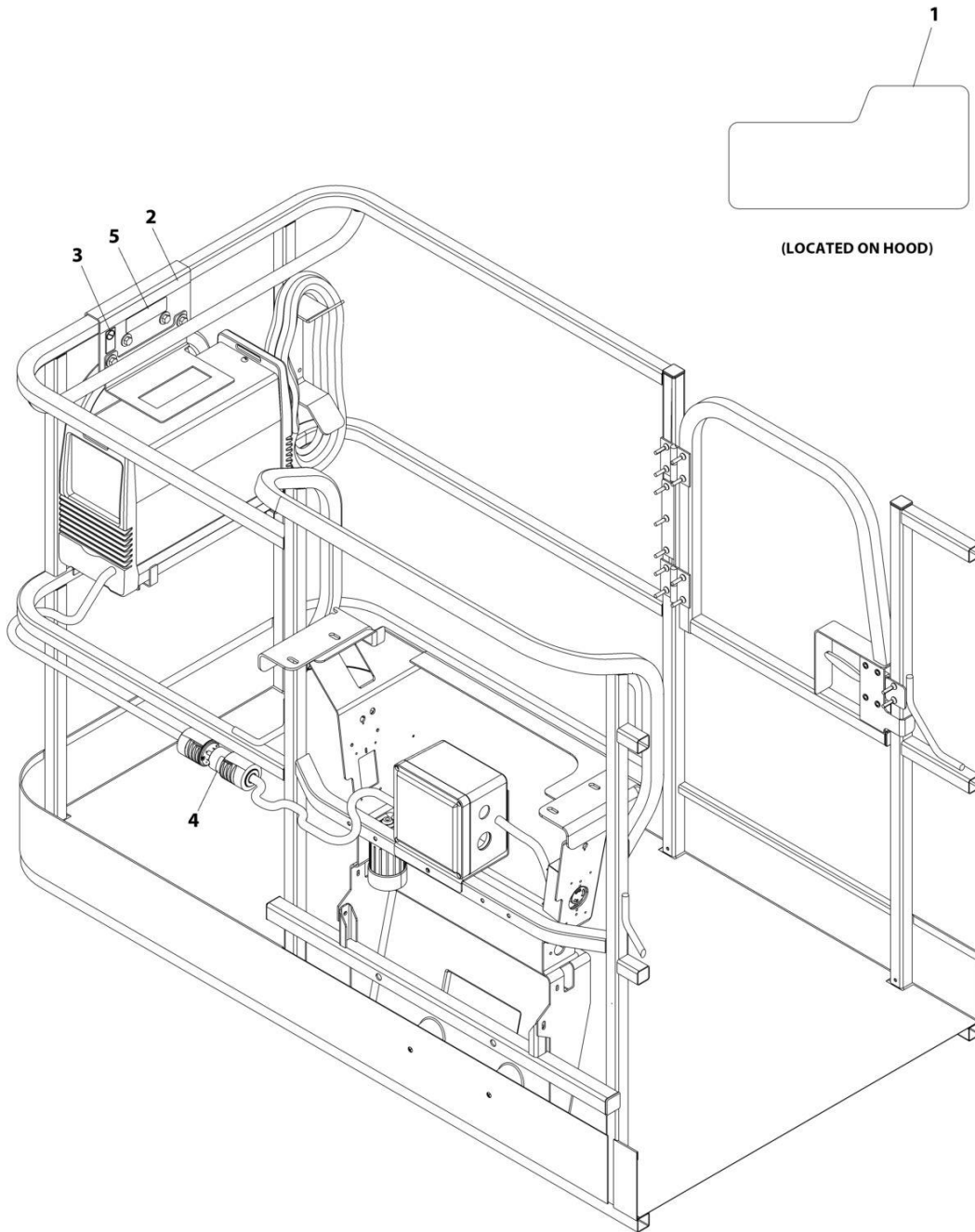
SECTION 9 - DECALS

FIGURE 9-14. SKYWELDER DECAL INSTALLATION - 50HZ

ITEM	PART NUMBER	QTY	DESCRIPTION	REV
	0272588	Ref	SKYWELDER DECAL INSTALLATION - 50Hz	B
1	1705355	2	Decal - SkyWelder	
2	1705305	1	Decal - Weld Lead	
3	1001228988	1	Decal - Weight	

SECTION 9 - DECALS

FIGURE 9-15. SKYWELDER DECAL INSTALLATION - 60HZ



ART_0272448

SECTION 9 - DECALS

FIGURE 9-15. SKYWELDER DECAL INSTALLATION - 60HZ

ITEM	PART NUMBER	QTY	DESCRIPTION	REV
	0272448	Ref	SKYWELDER DECAL INSTALLATION - 60Hz	B
1	1705355	2	Decal - SkyWelder	
2	1702868	1	Decal - No Hands	
3	1705305	1	Decal - Weld Lead	
4	1705375	1	Decal - 240V - 3 Phase - 60Hz	
5	1001228988	1	Decal - Weight	

SECTION 10 - RECOMMENDED SERVICE PARTS STOCK

SECTION 10 - RECOMMENDED SERVICE PARTS STOCK

SECTION 10 - RECOMMENDED SERVICE PARTS STOCK

FIGURE 10-1. RECOMMENDED SERVICE PART STOCK

ITEM	PART NUMBER	QTY	DESCRIPTION	REV
	See Note	Ref	Note: The following list will service one machine (built to current production per date on the front cover) with emergency repair parts which can be installed in the field. Parts from the list should be replaced when inventory is depleted to keep service parts stock supplied. For further information, contact your JLG dealer or the JLG Industries Parts Department.	
	4360542	1	Breaker, Circuit (2500W/110V Generator)	
	70000126	1	Breaker, Circuit (2500W/220V Generator)	
	70001431	1	Breaker, Circuit (Plasma Cutter)	
	4360070	1	Breaker, Circuit 15Amp (4000W & 7500W Generators)	
	1001181045	1	Breaker 16Amp (Breaker Box Single)	
	7024485	1	Breaker, Circuit 30Amp (7500W Generator)	
	1001159118	1	Breaker, GFCI 30Amp 240VAC (AC Box 240GFCI)	
	1001181046	1	Breaker 30mA/16Amp (Breaker Box with Generator)	
	7024444	1	Cap, Breather (Helgensen Brand)	
	70004862	1	Cap, Breather (Hydac Brand)	
	7012944	1	Coil (Control Valves)	
	7012943	1	Coil (Control Valves)	
	70004653	1	Coil (Main Valve)	
	70004595	1	Coil (Main Valve)	
	80434249	1	Coil (Main Valve)	
	70004660	1	Coil (Main Valve)	
	70004460	1	Coil (Main Valve)	
	70004463	1	Coil (Main Valve)	
	70002386	1	Coil (Boom Valve)	
	1001166538	1	Controller, Drive/Steer	
	1001166539	1	Controller, Lift/Swing	
	4360407	1	Controller, Potentiometer (Console Box)	
	3990010	2	Diode, 6Amp (Ground Control Harness)	
	2120210	12	Element, Filter Pressure (Control Valves)	
	2120149	12	Element, Filter Return (Control Valves)	
		Ref	Engine - D2011	
	70003783	12	Element, Air Cleaner	
	1001202281	12	Element, Fuel/Water Separator	
	7016328	12	Element, Fuel Filter	
	7016331	12	Element, Oil Filter	
	7027795	1	Module, Engine Control (Note: Please Contact JLG Parts Center to Order)	
	3740067	1	Relay	
		Ref	Engine - TD2.2L3 Stage V	
	70005008	12	Element, Air Cleaner	
	8229242	2	Fuse, 5A	
	80983191	2	Fuse, 10A	
	70023592	2	Fuse, 20A (Switched Output)	
	70023593	2	Fuse, 30A (Battery Output)	
	1001117308	1	Relay	
	1001138228	1	Relay, Power Module	
		Ref	Engine - TD2.9L4 49HP	
	91403102	12	Element, Air Cleaner	
	1001225430	12	Filter, Fuel Primary	

SECTION 10 - RECOMMENDED SERVICE PARTS STOCK

ITEM	PART NUMBER	QTY	DESCRIPTION	REV
	1001225431	12	Filter, Fuel Secondary	
	7016331	12	Filter, Oil	
	8229242	2	Fuse, 5A	
	8093191	2	Fuse, 10A	
	70023592	2	Fuse, 20A (Switched Output)	
	70023593	2	Fuse, 30A (Battery Output)	
	70025210	1	Module, Engine Control (Note: Please Contact JLG Parts Center to Order)	
	1001117308	1	Relay	
	1001138228	1	Relay, Power Module	
		Ref	Engine - TD2.9L4 63HP	
	91403102	12	Element, Air Cleaner	
	70025153	12	Filter, Fuel Primary	
	70025161	12	Filter, Fuel Secondary	
	7016331	12	Filter, Oil	
	8229242	2	Fuse, 5A	
	80983191	2	Fuse, 10A	
	70023592	2	Fuse, 20A (Switched Output)	
	70023593	2	Fuse, 30A (Battery Output)	
	1001117308	1	Relay	
	70005648	1	Relay	
	1001138228	1	Relay, Power Module	
		Ref	Engine - Ford	
	70005008	12	Element, Air Cleaner	
	70006155	12	Filter, Fuel	
	70006213	12	Filter, Oil	
	70006175	2	Fuse, 20A (Starter)	
	70006176	1	Module, ECU (ECU/GCP)	
	3740067	1	Relay	
	70006171	1	Relay (Fuel Pump & Power)	
	70006172	1	Relay (Starter)	
	1001196634	2	Fuse, 2A (Breather Heater)	
	8229249	2	Fuse, 3A (USB Charger & Console Box Harness)	
	2400064	2	Fuse, 5A (2500W & 7500W Generator to Engine Harness)	
	8229242	2	Fuse, 5A (Ground Control Harness)	
	2860030	1	Key, Replacement	
	2940074	1	Latch (Platforms with Gate)	
	1001247468	1	Loadcell (Platform Support)	
	1001142683	1	Module, Control Beacon (Strobe Lights)	
	1001103667	1	Module, Ground Control	
	1001106938	1	Module, Platform	
	3740067	1	Relay (Aux Pump Installation)	
	3740049	1	Relay (Ground Control)	
	3740080	1	Relay (2500W & 7500W Generators)	
	70006553	1	Relay (4000W Generator)	
	1001186431	1	Relay (SkyGuard Bar)	
	1001248962	1	Sensor, Angle (Boom Valves & Limit Switches)	
	1001228225	1	Sensor, Emitter (SkyEye)	
	1001117174	1	Sensor, Footswitch	
	4360436	1	Sensor, Fuel Level	
	4360578	1	Sensor, Limit (Boom Valves & Limit Switches)	
	4360057	1	Sensor Limit (Soft Touch)	

SECTION 10 - RECOMMENDED SERVICE PARTS STOCK

ITEM	PART NUMBER	QTY	DESCRIPTION	REV
	1001172271	1	Sensor, Limit Roller (Boom Valves & Limit Switches with Tower Stow)	
	1001170847	1	Sensor, Proximity (Boom Valves & Limit Switches)	
	1001182570	1	Sensor, Proximity (Boom Valves & Limit Switches)	
	1001232667	1	Sensor, Proximity (SkyLine)	
	4360517	1	Sensor, Proximity (Rotary Coupling)	
	1001228224	1	Sensor, Receiver (SkyEye)	
	1001137673	1	Sensor, SkyGuard Bar	
	1001225346	1	Switch, Battery Disconnect)	
	4360475	1	Switch, Emergency Stop	
	4360469	1	Switch, Key	
	4360274	1	Switch, Pushbutton Gray (Ground Control)	
	4360387	1	Switch, Pushbutton Yellow (Ground Control, Console Box & Soft Touch)	
	70001432	1	Switch, Rocker (Plasma Cutter)	
	1001155045	1	Switch, Toggle (Ground Control & Console Box)	
	4360336	1	Switch, Toggle (Cribbing & Generators)	
	4360331	1	Switch, Toggle (Console & Footswitch, Steer Switch Installation)	
	1001159256	1	Switch, Toggle (Console Box Assembly)	

SECTION 11 - SPECIAL OPTIONS/ACCESSORIES/KITS

SECTION 11 - SPECIAL OPTIONS/ACCESSORIES/KITS

SECTION 11 - SPECIAL OPTIONS/ACCESSORIES/KITS

FIGURE 11-1. SPECIAL OPTIONS/ACCESSORIES/KITS

ITEM	PART NUMBER	QTY	DESCRIPTION	REV
		Ref	Note: This list is to accommodate machines ordered with special equipment. Options may not be applicable to all models. For more specific parts information contact JLG Parts Department.	
	1001204884	Ref	Air Intake Shut-off Valve Installation (Deutz DT2.9L4 - 63HP Engines) (ANSI & CSA Specs)	
	1001247570	Ref	Air Intake Shut-off Valve Installation (Deutz DT2.9L4 - 49HP Engines) (ANSI & CSA Specs)	
	1001253151	Ref	Airline to Platform Installation	
	1001254024	Ref	Bellows Installation - Boom	
	1001251379	Ref	Bellows Installation - Chassis	
	1001253466	Ref	Boom Wiper Installation	
	1001172045	Ref	Cable/Ladder Carrier Installation	
		Ref	ClearSky (Telematics) Add-on Kits (Dealer Installed)	
	1001242409	Ref	ClearSky (Telematics) Access Control Add-on Kit (Dealer Installed) (ANSI, ANSI Export and CSA Specs)	
	1001265378	Ref	ClearSky (Telematics) Add-on Kit (Dealer Installed) (ANSI, ANSI Export and CSA Specs)	
	1001246142	Ref	ClearSky (Telematics) Added-on Kit (Dealer Installed) (Australian Specs)	
	1001243184	Ref	ClearSky (Telematics) Added-on Kit (Dealer Installed) (CE & UK CA Specs)	
		Ref	ClearSky Telematics Installation (Factory Installed)	
	1001227472	Ref	ClearSky Telematics - Canbus (ANSI and CSA Specs)	
	1001228946	Ref	ClearSky Telematics - Canbus (ANSI Export, CE & UK CA Specs)	
	1001246522	Ref	ClearSky Telematics - Canbus (Australian Specs)	
	1001246523	Ref	ClearSky Telematics - Canbus (China Specs)	
	1001229107	Ref	ClearSky Telematics 3-Wire Connection (ANSI and CSA Specs)	
	1001233237	Ref	ClearSky Telematics 3-Wire Connection (ANSI Export, CE & UK CA Specs)	
		Ref	Cold Weather Packages:	
	1001152340	Ref	Cold Weather Package - Deutz D2011 Engines	
	0274883	Ref	Cold Weather Package with Transformer- Deutz D2011 Engines	
	1001151900	Ref	Cold Weather Package - Deutz TD2.9L4 Engines	
	1001256385	Ref	Cold Weather Package - Deutz TD2.2L3 Engines (Stage V)	
	1001217832	Ref	Cold Weather Package - Ford Engines	
	1001157013	Ref	Counterweight Installation (Required for Soft Touch Systems)	
	0257195	Ref	Decal - Government Warranty	
		Ref	Decal Kit Options:	
	2902307	Ref	Decal Kit - Country Spec (ANSI and ANSI Export)	
	2902329	Ref	Decal Kit - Country Spec (Australian, CE & UK CA)	
	2902312	Ref	Decal Kit - Country Spec (Brazil)	
	2902322	Ref	Decal Kit - Country Spec (CSA)	
	1001116844	Ref	Decal Kit - Country Spec (Chinese - Simplified)	
	2902309	Ref	Decal Kit - Country Spec (Chinese - Traditional)	
	2902308	Ref	Decal Kit - Country Spec (Japanese)	
	2902310	Ref	Decal Kit - Country Spec (Korean)	
	2902311	Ref	Decal Kit - Country Spec (Latin America)	
	2902303	Ref	Decal Kit - Master	
	1001271643	Ref	Decal Kit - Machine	
	1001271644	Ref	Decal Kit - Platform	

SECTION 11 - SPECIAL OPTIONS/ACCESSORIES/KITS

ITEM	PART NUMBER	QTY	DESCRIPTION	REV
	1001271645	Ref	Decal Kit – Platform Console Box	
	1001270516	Ref	Decal Kit – Machine (ANSI 9220)	
	1001272198	Ref	Decal Kit – Platform (ANSI 9220)	
	1001272085	Ref	Decal Kit – Platform Console Box (ANSI 9220)	
	1001233047	Ref	Deutz Breather Heater Kit	
	4932990	Ref	Drive Cutout Kit (Above Elevation Beyond Transport)	
	4932993	Ref	Drive Cutout Kit (Above Elevation Tilt) (All Specs except CSA, CE & UK CA)	
		Ref	Electrical Connector Kits	
	1001148902	Ref	Amp/Tyco Electrical Connector Kit	
	1001148903	Ref	Deutsch DT Electrical Connector Kit	
	1001148904	Ref	Deutsch HD Electrical Connector Kit	
	1001148905	Ref	Packard Electrical Connector Kit	
	1001148906	Ref	Various Electrical Connectors Kit	
	1001218022	Ref	Engine Block Heater Installations (Ford Engines Only)	
	1001237883	Ref	Fall Arrest (Bolt-on) Add-on Kit (6ft/1.82m Platform (ANSI, ANSI Export, CHINA, CSA & Japanese Specs Only) (Fits Platform p/ns 1001186384 & 1001144024)	
	1001237882	Ref	Fall Arrest (Bolt-on) Add-on Kit (8ft/2.4m Platform (ANSI, ANSI Export, CHINA, CSA & Japanese Specs Only) (Fits Platform p/ns 1001186383 & 1001144023)	
	1001269629	Ref	Fall Arrest (Bolt-On) 30x60" Platform	
	1001269630	Ref	Fall Arrest (Bolt-On) 30x48" Platform	
	1001269631	Ref	Fall Arrest (Bolt-On) 30x72" Platform	
		Ref	Fan Cover/Guard Options:	
	1001182599	Ref	Fan Guard Installation (Deutz D2011 Engines)	
	1001258140	Ref	Fan Guard Installation (Deutz TD2.3L3 Stage V Engines)	
	1001177694	Ref	Fan Guard Installation (Deutz TD2.9L4 Engines)	
	1001093389	Ref	Fan Cover Installation (Ford DF 2.5L Engines)	
		Ref	Filter Kits:	
	1001166960	Ref	Deutz D2011 Engine	
	1001181148	Ref	Deutz TD2.9L4 Engine	
	1001114042	Ref	Ford DF2.5L Engine	
	1001139099	Ref	Fire Extinguisher Installation	
	1001117294	Ref	Footswitch Shield (Arctic Package)	
	1001265676	Ref	Ford 42 Way Connector Kit	
	1001202749	Ref	Fuel Cap Cover Installation (Black) (All Machines) (Note: Lock p/n 1001102157 Must be purchased separately)	
	1001191395	Ref	Fuel Cap Cover Installation (Green) (Diesel Machines) (Note: Lock p/n 1001102157 Must be purchased separately)	
	1001247338	Ref	Fuel Cap Cover Installation (Red) (Gasoline Machines) (Note: Lock p/n 1001102157 Must be purchased separately)	
		Ref	Hose Kits:	
	1001209629	Ref	Hose Kit - Platform Valve	
	1001239617	Ref	Hose Kit - Power Track Upper	
	2910100	Ref	Hose/Cable Chafe Protection Kit	
	1001094475	Ref	Hourmeter for Generator Installation	
	1001229940	Ref	Hydraulic Tank Locker Installation	
	1001268736	Ref	Jib Link Kit	
		Ref	Light Installations:	
	0274200	Ref	Lights Installation - Chassis Lights	
	1001176296	Ref	Lights Installation - Headlights/Tailights	
	0273492	Ref	Lights Installation - Platform Worklights	

SECTION 11 - SPECIAL OPTIONS/ACCESSORIES/KITS

ITEM	PART NUMBER	QTY	DESCRIPTION	REV
	0274180	Ref	Lights Installation - Platform Flood Lights	
	1001243597	Ref	Lights Installation - Portable Work Lights	
	1001236951	Ref	Low Temperature Cut-out Switch Installation (Russian Specs)	
	1001204296	Ref	Oil Cooler Replacement Kit (Deutz TD2.9L4 Engine Only) (RCP to Ymer Cooler)	
	1580013	Ref	Platform Corner Storage Tray	
	1001195304	Ref	Platform Console Cover Installation (Clear Polycarbonate)	
	1001110974	Ref	Platform Console Cover Installation (Steel) (All Specs except Australian Specs)	
	1001125230	Ref	Platform Console Cover Installation (Steel) (Chinese Specs)	
	1001125229	Ref	Platform Console Cover Installation (Steel) (Korean Specs)	
	1001270482	Ref	Platform Console Cover Kit (Dealer Installed)	
		Ref	Platform Entry Kit:	
	1001142504	Ref	Kit, Replace Swing Gate with Drop Bar	
	1001142505	Ref	Kit, Replace Drop Bar with Swing Gate	
		Ref	Platform Mesh to Top Rail Add-on Kits:	
	1001214552	Ref	30in x 4ft (76cm x 1.22m) with Gate	
	1001214559	Ref	30in x 5ft (76cm x 1.52m) with Gate	
	1001214561	Ref	36in x 6ft (91.5cm x 1.83m) with Gate	
	1001214562	Ref	36in x 8ft (91.5cm x 2.44m) with Gate	
		Ref	Platform Mesh to Top Rail Installations	
	1001272182	Ref	30in x 4ft (76cm x 1.22m)	
	1001271888	Ref	30in x 5ft (76cm x 1.52m)	
	1001271642	Ref	36in x 6ft (91.5cm x 1.83m)	
	1001269187	Ref	36in x 8ft (91.5cm x 2.44m)	
		Ref	Platform Mesh to Mid Rail Add-on Kits:	
	1001214478	Ref	30in x 4ft (76cm x 1.22m) with Gate	
	1001214515	Ref	30in x 5ft (76cm x 1.52m) with Gate	
	1001214540	Ref	36in x 6ft (91.5cm x 1.83m) with Gate	
	1001214548	Ref	36in x 8ft (91.5cm x 2.44m) with Gate	
		Ref	Platform Mesh to Mid Rail Installation	
	1001272274	Ref	30in x 4ft (76cm x 1.22m)	
	1001272178	Ref	30in x 5ft (76cm x 1.52m)	
	1001271760	Ref	36in x 6ft (91.5cm x 1.83m)	
	1001269389	Ref	36in x 8ft (91.5cm x 2.44m)	
		Ref	Platform Mesh to Top Rail (Plastic)	
	1001266807	Ref	30in x 4ft (76cm x 1.22m)	
	1001266801	Ref	30in x 5ft (76cm x 1.52m)	
	1001266489	Ref	36in x 6ft (91.5cm x 1.83m)	
	1001266056	Ref	36in x 8ft (91.5cm x 2.44m)	
		Ref	Platform Mesh to Mid Rail (Plastic)	
	1001266969	Ref	30in x 4ft (76cm x 1.22m)	
	1001266799	Ref	30in x 5ft (76cm x 1.52m)	
	1001266284	Ref	36in x 6ft (91.5cm x 1.83m)	
	1001266098	Ref	36in x 8ft (91.5cm x 2.44m)	
		Ref	Platform, Top Rail Extension	
	0272733	Ref	3ft x 6ft Platforms	
	0272725	Ref	3ft x 8ft Platforms	
	1001209059	Ref	Platform Work Surface Installation	
	1001171018	Ref	RCD Box Installation (Brazil Spec)	
	1001099572	Ref	Security Lock (Programmable) Installation	
	1001190884	Ref	Service Kits and Tools	R

SECTION 11 - SPECIAL OPTIONS/ACCESSORIES/KITS

ITEM	PART NUMBER	QTY	DESCRIPTION	REV
	1001247073	Ref	SkyEye Retrofit Kit	
	1001241547	Ref	SkyEye Housing Kit (LH)	
	1001241548	Ref	SkyEye Housing Kit (RH)	
		Ref	SkyGuard Component Options:	
	1001206477	Ref	SkyGuard Complete Add-on Kit (Blue Beacon)	
	1001210026	Ref	SkyGuard Complete Add-on Kit (Red Beacon)	
	1001249052	Ref	SkyGuard Retrofit Kit	
	1001137672	Ref	SkyGuard Platform Sensor Kit	
	1001250595	Ref	6 Pin SkyGuard Retrofit Kit	
	1001262016	Ref	SkyLine Kit	
	1001250465	Ref	SkySense/Enhanced Detection System (EDS) Level 1 (2 Bar) Installation (Factory Installed)	
	1001250466	Ref	SkySense/Enhanced Detection System (EDS) Level 2 (3 Bar) Installation (Factory Installed)	
	1001252033	Ref	SkySense/Enhanced Detection System (EDS) Level 1 (2-Bar) Add-on Kit (Dealer Installed)	
	1001252034	Ref	SkySense/Enhanced Detection System (EDS) Level 2 (3-Bar) Add-on Kit (Dealer Installed)	
	1001253618	Ref	SkySense Module Box Assembly Kit (Service Kit for P/N 1001246867)	
	1001253619	Ref	SkySense Module Box Assembly Kit (Service Kit for P/N 1001246860)	
	1001263395	Ref	SkyWelder Kit (Dealer Installed)	
	1001121592	Ref	Soft-Touch Add-on Kit (36x72 Platform) (Dealer Installed)	
	1001121593	Ref	Soft-Touch Add-on Kit (36x96 Platform) (Dealer Installed)	
		Ref	Strobe Light Installations (Amber)	
	1001152965	Ref	Platform Mounted	
	1001154231	Ref	Platform/Ground Mounted	
		Ref	Tools for Service	
	1001249695	Ref	Analyzer and Cable Kit	
	1001249941	Ref	Analyzer and Cable Kit (Battery Powered)	
	1001137005	Ref	Software Cable Kit	
	7002840	Ref	Antirotation Pin Removal Tool	
	8896941	Ref	Wire Stripper	
	7002821	Ref	Wire Crimper (To install wire ends to wires)	
	7002823	Ref	Pin/Socket Extractor - Universal (To Remove Pins/Sockets from Connectors)	
	4460467	Ref	Extractor - 16-18 Gauge (For Removal of Pin/Sockets from Deutsch Connectors)	
	4460510	Ref	Extractor - 12-14 Gauge (For Removal of Pin/Sockets from Deutsch Connectors)	
	7002822	Ref	Screwdriver, Potentiometer (To Adjust Drive Controllers)	
	7016654	Ref	Screwdriver, Magnetic	
	7004275	Ref	Seal Installation Tool - 1in	
	7004276	Ref	Seal Installation Tool - 1 1/2in	
	7002826	Ref	Seal Installation Tool - 2in	
	7016655	Ref	Wire Rope Sheave Gauge	
	7016652	Ref	Huck Bolt Fastener (For Small Huck Bolts Only)	
	2900838	Ref	U.S. Standards Fastener (Hardware) Kit	
	7014676	Ref	U.S. Standards Tool Kit	
	1001258951	Ref	Tower Stow Indicator Add-on Kit (Dealer Installed)	
	1001238825	Ref	Turntable Bearing Kit	
	1001262959	Ref	Voltage Regulator Re-Location Kit (Used with ClearSky)	

SECTION 11 - SPECIAL OPTIONS/ACCESSORIES/KITS

ITEM	PART NUMBER	QTY	DESCRIPTION	REV
	2910167	Ref	Wear Pad Kit	

SECTION 11 - SPECIAL OPTIONS/ACCESSORIES/KITS

PART NUMBER INDEX

SECTION 11 - SPECIAL OPTIONS/ACCESSORIES/KITS

0100009.....99, 103, 107, 111, 115, 119, 123, 127, 131, 135, 459, 463	0200742 341, 347 0255382 605 0255410 77 0255880 335 0257176 607 0257195 784 0257573 409 0257728 511 0258945 479 0270528 43, 45, 47, 49 0272254 503 0272418 491 0272427 519 0272433 601 0272435 ... 374, 386, 390 0272448 498, 777 0272521 501 0272588 775 0272589 378, 382 0272599 498, 771 0272607 773 0272725 786 0272733 786 0273353 498 0273492 785 0273542 523 0273706 521 0273824 515 0274180 786 0274200 785 0274618 611 0274661 513 0274883 784 0275216 613, 711 0275217 617, 713 0275452 623, 717 0275453 629, 721 0275454 635, 725 0275652 617 0275653 623 0275654 629 0275656 613 0275660 635 0362910 49 0363012 25 0370026 539 0400075 .63, 65, 177, 179 0440162 401 0440207 75 0440237 401 0480100 511, 513 0480121 341, 347 0480126 357, 377 0480129 353, 374 0561076 395 0561185 397, 399 0561237 655 0561248 397 0630407 ... 204, 226, 232, 254, 260 0630427 417, 419 0630462 ... 515, 517, 519, 521 0630467 411, 413 0630507 ... 156, 160, 164, 168	0630518 ... 139, 481, 493, 498, 501, 503, 507 0630534 545, 547, 549 0630535 559, 561 0630536 543 0630548 99, 103, 107, 111, 115, 119, 123, 127, 131, 135 0630568 460, 464 0641403 ... 373, 377, 399, 409 0641404 99, 103, 107, 111, 115, 119, 123, 127, 131, 135, 197, 213, 217, 241, 245, 353, 357, 365, 369, 385, 459, 463, 487, 489 0641405 ... 156, 160, 164, 168, 487, 489 0641406 63, 65, 141, 143, 145, 147, 164, 168, 197, 204, 213, 217, 221, 223, 226, 232, 241, 245, 249, 251, 254, 260, 274, 278, 353, 357, 361, 369, 374, 377, 453, 455, 457, 747, 749, 751, 753, 755, 757, 759, 761, 763, 765 0641407 99, 103, 107, 111, 115, 119, 123, 127, 131, 135, 145, 156, 160, 181, 183, 186, 190, 281, 283, 365, 385, 613, 617, 619, 623, 625, 629, 631, 635, 637 0641408 ... 164, 168, 226, 232, 254, 260, 419, 455, 457, 573 0641409 177, 179 0641410 ... 186, 190, 366, 369, 386 0641412 ... 213, 217, 241, 245 0641414 55, 57, 459, 463, 485, 515, 517, 519, 521 0641415 55, 57, 358, 361, 369, 613, 617, 619, 623, 625, 629, 631, 635, 637 0641416 55, 57, 274, 278, 411, 413, 609, 613, 615, 617, 619, 621, 623, 625, 627, 629, 631, 633, 635, 637, 639 0641418 ... 431, 433, 437, 439, 445, 447, 449, 451 0641420 435 0641505 41 0641506 99, 103, 107, 111, 115, 119, 123, 127, 131, 135 0641507 179, 411, 413	0641508....226, 232, 254, 260, 341, 343, 347, 349, 417, 419 0641510.... 186, 190, 226, 232, 254, 260 0641512..... 186, 190 0641514.....511, 513 0641516..43, 45, 47, 353, 365, 373, 377, 381, 385, 389, 409, 523, 573 0641520..... 93, 95, 97 0641524.....407 0641532.....409 0641552.....25 0641604.... 417, 419, 559 0641606..83, 85, 87, 156, 157, 160, 161, 165, 168, 169, 171, 186, 190, 197, 213, 217, 245, 397, 407, 409, 498, 501, 503, 507 0641607..63, 65, 95, 164, 168, 197, 213, 217, 241, 245, 274, 278, 321, 343, 390, 395, 397 0641608.... 21, 23, 55, 57, 91, 95, 156, 160, 164, 168, 179, 197, 204, 213, 217, 226, 232, 241, 245, 254, 260, 317, 331, 333, 397, 417, 419 0641609.... 186, 190, 226, 232, 254, 260, 323, 325, 335, 337 0641610..... 95, 157, 161, 165, 168, 177, 179, 186, 190, 204, 269, 321, 341, 347, 397, 455, 457 0641612..... 81, 198, 213, 217, 226, 232, 241, 245, 254, 260, 274, 278 0641613.....55 0641614..... 83, 85, 87 0641616....354, 357, 365, 385, 397, 399 0641617.....51 0641618.....25, 361, 369, 374, 378, 381, 409 0641620.....407 0641640.....407 0641708.... 204, 226, 232, 254, 260 0641772.... 341, 343, 347, 349 0641808.... 177, 179, 197, 213, 217, 221, 223, 241, 245, 249, 251, 275, 279, 281, 283, 353, 357, 365, 369, 373, 377, 385 0641809.....395 0641810.... 335, 337, 339, 395, 397 0641811.....81
---	--	---	--

SECTION 11 - SPECIAL OPTIONS/ACCESSORIES/KITS

0641812 ... 181, 183, 201, 221, 223, 249, 251, 343	0731005 515, 517	0861781..... 615, 621, 711, 713, 715	1001098149 493
0641813 523	0741605 ... 204, 226, 232, 254, 260	0861880..... 663, 665	1001098503 25, 33
0641814 17, 19	0741606 63, 65, 417, 419	0902219..... 156, 160	1001098828 405
0641818 87, 325	0741607 23, 49, 353, 357, 361, 365, 369, 381, 385, 389	0902335..... 156, 160	1001099196 21
0641820 186, 190, 323	0760605 ... 226, 232, 254, 260, 297	0902888.... 353, 365, 373, 377, 381, 385, 389	1001099366 491
0641824 81	0760606 390	0903056..... 81	1001099387 21, 23
0642010 49, 177, 179, 197, 213, 217, 241, 245, 274, 278	0760607 361, 381	0940049.... 156, 160, 164, 168	1001099391 55, 57
0642012 ... 17, 19, 21, 23, 395, 491	0760608 41, 286, 292, 389	0940070.... 186, 190, 204, 226, 232, 254, 260, 286, 292	1001099572 786
0642212 491	0760610 ... 204, 286, 292, 297, 349, 389	0940071 156, 160	1001099835 409
0651406 55	0760612 ... 274, 278, 286, 292	0940088.... 156, 160, 164, 168	1001100321 347
0651408 57	0760615 297	0940092.... 515, 517, 519, 521, 523	1001100341 711
0681608 ... 228, 234, 256, 262, 405	0760807 297	0940094.... 515, 517, 519, 521, 523	1001100342 619, 713, 715
0681620 ... 226, 232, 254, 260, 525, 527, 529, 531, 533	0760810 ... 204, 226, 232, 254, 260, 274, 278, 286, 292, 405	0940102..... 491	1001100345 625, 717, 719
0681710 25	0760812 ... 204, 274, 278, 286, 292, 645, 647	0940103..... 519	1001100346 637, 725, 727
0681812 281, 283	0760814 204, 286, 292	0940131..... 523	1001100347 631, 721, 723
0681814 441, 443	0760815 ... 274, 278, 286, 292	0940133..... 521	1001100397 625
0681820 331	0760817 297	0940134..... 515	1001100399 631
0681822 ... 226, 232, 254, 260, 333, 441, 443	0761008 ... 213, 217, 242, 246, 275, 279	0940177 517	1001100399 637
0682018 75	0761012 401, 645	0961845.... 431, 433, 435, 437, 439, 445, 447, 449, 451	1001100401 619
0682218 69	0761014 ... 197, 206, 286, 292, 339, 405	0961893.... 545, 547, 549	1001101421 491
0682424 ... 525, 527, 529, 531, 533	0761015 ... 204, 226, 232, 256, 262, 286, 292, 401	0961896..... 559, 561	1001101422 491
0700408 ... 609, 613, 615, 617, 619, 621, 623, 625, 627, 629, 631, 633, 635, 637, 639	0761016 204, 286, 292	0961898..... 543	1001103308 99, 103, 107, 111, 115, 119, 123, 127, 131, 135
0700610 201	0761018 389	0961947..... 401, 403	1001103667 99, 103, 107, 111, 115, 119, 123, 127, 131, 135, 781
0700612 204	0761019 349	0961949..... 543, 553	1001104423 576, 582, 588
0700614 361, 381	0761210 ... 226, 232, 254, 260	0961950..... 17, 19	1001106736 99, 103, 107, 111, 115, 119, 123, 127, 131, 135
0700616 197	0761212 ... 201, 204, 361, 381, 395	0961986.... 186, 190, 204, 226, 232, 254, 260, 286, 292	1001106938 459, 463, 781
0700617 151, 153	0761214 204	0962036..... 397, 399	1001106974 81
0700618 655	0761216 349, 405	0962051..... 335, 337, 339	1001107498 81
0700624 651, 653, 657	0771014 97, 286, 292	0962131..... 21, 23	1001108256 517
0700808 186, 190	0771212 97, 197, 213, 217, 226, 232, 241, 245, 254, 260	0962155..... 401	1001109554 619, 625, 631, 637, 665
0700810 286, 292	0771414 ... 186, 190, 204, 226, 232, 254, 260, 327, 329, 331	0962270..... 441, 443	1001110425 197, 213, 217, 241, 245, 366, 369, 381, 386
0700812 286, 292, 329	0771415 ... 333, 354, 358, 374, 378	0962292..... 23	1001110434 459, 463
0700814 ... 286, 292, 327, 329, 333	0811606 399	0962336.... 545, 547, 549	1001110500 409
0700816 297	0811607 399	0962348..... 23	1001110501 409
0700818 297	0811608 399	0962356..... 21, 23, 557	1001110872 641, 643
0701012 204	0811610 399	0962520.... 353, 357, 361, 365, 369, 374, 378, 381, 385, 389	1001110873 353, 365, 373, 385, 390, 605, 611
0701014 93, 297	0860038 ... 353, 365, 373, 385, 389, 605, 607, 611	1001026127 198	1001110974 786
0701017 204	0860520 ... 747, 749, 751, 753, 755, 757, 759, 761, 763, 765	1001093382 .. 63, 65, 177, 179	1001111514 87
0701020 401	0861538 374, 385, 389	1001093389..... 785	1001112551 749
0701026 303	0861572 378, 381	1001093549..... 577	1001112588 341, 347
0710827 297	0861731 ... 609, 627, 633, 639, 717, 719, 721, 723, 725, 727	1001094475..... 785	1001112589 341, 347
0711014 288, 294		1001096070..... 357, 361, 369, 613, 617, 623, 629, 635, 663	1001112612 649, 703
0711020 286, 292		1001096398..... 97	1001112796 649
0711215 204		1001097051 733	1001113790 595
0711216 297		1001097150..... 663, 665	1001113818 595
0711223 ... 204, 288, 294, 327, 329		1001097242... 21, 23, 557	1001113961 703
0711414 323, 325		1001097244..... 535	1001113984 25, 29
0720804 51		1001098012..... 493, 495, 498	1001114042 785
0721004 49		1001098122..... 467, 709	
0721005 519, 521			
0721006 ... 156, 160, 164, 168, 269, 341, 343, 347, 459, 463			

SECTION 11 - SPECIAL OPTIONS/ACCESSORIES/KITS

1001115391.....373	1001125230..... 786	1001137874 201, 221, 223, 249, 251	1001140418.....566
1001115392.....377	1001125387 768	1001137875 164, 168	1001140420.....570
1001115405.....341	1001125492 69	1001137876 156, 160, 164, 168	1001140429..... 431, 433, 435, 437, 439, 445, 447, 449, 451
1001115406.....347	1001126009 735	1001137878 164, 168	1001140449.....566, 570
1001115889..... 141	1001126351 672, 675	1001137879 164, 168	1001140451.....566
1001115915..... 141	1001126352 675	1001137880 197, 213, 217, 241, 245	1001140454.....227, 233, 255, 261
1001115918..... 141	1001126356 675	1001137881 197, 213, 217, 241, 245	1001140455.....566
1001115967..... 141	1001126357 675	1001137882 197, 213, 217, 241, 245	1001140456.....570
1001116208..... 768	1001126362 671, 676	1001137885 79	1001140458.....570
1001116692..... 739, 741	1001126363 671, 676	1001137886 164, 168	1001140564.....206, 228, 234, 255, 261
1001116693..... 669, 679	1001126364 671, 672, 676	1001137887 337	1001141300.....768
1001116694..... 704	1001126365 671, 676	1001137888 337, 339	1001141304.....206, 227, 233, 255, 261
1001116695..... 419	1001126384 675	1001137889 63	1001141370.....205
1001116710..... 683	1001126391 671, 676	1001137890 79	1001141585.....205, 227, 233, 255, 261, 287, 293
1001116720..... 737	1001126392 672, 676	1001138110 675	1001141693..... 186, 190
1001116727..... 671, 675, 695	1001126485 672	1001138111 675	1001141694..... 186, 190
1001116728..... 671, 675	1001126487 672	1001138113 675	1001141870.....269
1001116748..... 651, 653, 655, 657	1001127095 768	1001138170 227, 233, 255, 261	1001141995.....205, 227, 233, 255, 261, 287, 293
1001116774..... 649	1001128527 507	1001138175 205, 227, 233, 255, 261, 287, 293	1001142501..... 197, 213, 217, 241, 245, 269
1001116800..... 649	1001128556 507	1001138228 205, 227, 233, 255, 261, 780, 781	1001142504.....786
1001116812..... 671, 703	1001128901 287, 293	1001138248 206, 227, 233, 255, 261, 287, 293	1001142505.....786
1001116815..... 672, 703	1001129858 353	1001138436 399	1001142538.....227, 233, 255, 261
1001116844..... 755, 784	1001130041 186, 190	1001138491 197, 213, 217, 241, 246, 683	1001142615.....227, 233, 255, 261
1001116845..... 755	1001130220 41	1001138494 433, 435, 437, 439, 445, 447, 449, 451	1001142623.....255, 261
1001116846..... 757, 767	1001131269 747, 759	1001138514 433, 435, 437, 439, 449, 451	1001142635.....227, 233, 255, 261
1001116847..... 755	1001133714 671, 676, 681	1001138557 227, 233, 255, 261	1001142643.....362, 366, 370, 381, 386
1001116848..... 755	1001133715 671, 676, 681	1001138565 357	1001142645.....370
1001116849..... 757	1001133956 672, 675	1001138566 353, 357, 361, 365, 369	1001142646.....366, 386
1001116850..... 755	1001133957 672, 675	1001138671 395	1001142683..... 151, 153, 781
1001116851..... 757	1001134289 401, 403	1001138795 545, 547, 549	1001142689.....255, 261
1001116852..... 755	1001134488 206, 228, 234, 255, 261, 288, 294	1001138827 206, 228, 234, 255, 261	1001142736..... 151, 153, 649
1001116861..... 755	1001135138 227, 233, 255, 261	1001139099 785	1001142938.....675
1001116862..... 757	1001135600 25, 27	1001139135 460, 464, 739	1001142940..... 671, 675
1001116863..... 757	1001135650 671, 676, 681	1001139240 227, 233, 255, 261	1001142941..... 671, 676
1001116952..... 671, 675	1001135651 671, 676	1001139357 353, 357	1001143390..... 186, 191, 205, 227, 233, 255, 261
1001116983..... 683	1001135679 227, 233, 255, 261	1001139409 227, 233, 255, 261, 331, 333	1001143726.....227, 233, 256, 262, 675
1001117078..... 691	1001136104 389	1001139429 227, 233, 255, 261	1001143765.....95
1001117106..... 671, 675	1001136590 399	1001139654 768	1001143766.....95
1001117107..... 671, 675	1001136668 25	1001139819 187, 191	1001143797.....205, 227, 233, 255, 261
1001117172..... 467	1001136834 205, 227, 233, 255, 261	1001139956 353	1001143812.....93, 95
1001117174..... 459, 463, 467, 781	1001137005 787	1001139957 357	1001143852.....768
1001117294..... 785	1001137032 395	1001140312 227, 262	1001143907.....206, 227, 233, 256, 261
1001117308..... 205, 227, 233, 255, 261, 780, 781	1001137276 255, 261	1001140346 365	1001144041.....63, 65
1001118133.....87	1001137364 119, 123, 127, 131, 135, 463	1001140347 361, 369	1001144409.....205, 228, 233, 256, 262
1001118384..... 735	1001137672 787		1001144410.....205, 228, 234, 256, 262, 287, 293
1001118388..... 735, 737	1001137673 485, 782		
1001118666.....399	1001137845 168		
1001119020..... 649, 703, 709	1001137853 164, 168		
1001119602.....577, 583, 589	1001137854 164, 168		
1001119619..... 729	1001137860 168		
1001119620..... 731, 733	1001137863 85, 87		
1001119968..... 387, 691	1001137865 85		
1001120328..... 485, 487, 489	1001137866 198, 213, 217, 241, 245, 390		
1001120471..... 535	1001137868 197, 213, 217, 241, 245, 274, 278		
1001120477..... 535	1001137873 201, 221, 223, 249, 251		
1001120484..... 535			
1001120989..... 768			
1001121592..... 787			
1001121593..... 787			
1001125229..... 786			

SECTION 11 - SPECIAL OPTIONS/ACCESSORIES/KITS

1001144411 205, 228, 234, 256, 262, 287, 293	1001150918..... 179, 218, 246, 278	100115439299, 103, 107, 111, 115, 119, 123, 127, 131, 135, 741	1001160598 157, 161
1001144412 205, 228, 234, 256, 262	1001150998..... 186, 190	1001154405..... 198, 214, 218, 241, 246, 269	1001160961 157, 161
1001144433 485	1001151010..... 51	100115504399, 103, 107, 111, 115, 119, 124, 127, 131, 135	1001160963 157, 161, 165, 169
1001144629 423, 425, 427, 429, 445, 447	1001151070..... 177, 179	100115504499, 103, 107, 111, 115, 119, 124, 127, 131, 136, 460, 464	1001160964 157, 165, 169
1001145047 197, 213, 218, 241, 245	1001151078..... 187, 191	100115504599, 103, 107, 111, 116, 120, 124, 127, 131, 136, 460,	1001161027 161
1001145154 228, 234, 256, 262	1001151206..... 187, 191	464, 782	1001161030 577, 583, 589
1001145227 385	1001151251..... 186, 190	1001155093..... 395	1001161036 577, 583, 589
1001145292 79	1001151252..... 325	1001155399..... 419	1001161761 41
1001145330 366, 370, 386	1001151253..... 323	1001155574..... 21, 23	1001162335 228, 234, 256, 262, 269
1001145405 493, 498	1001151268.... 83, 85, 87, 89	1001155669..... 577, 583, 589	1001162828 399
1001145706 95	1001151349..... 593	1001155672..... 577, 583, 589	1001163131 491
1001146368 186, 190, 193	1001151358..... 566, 570	1001155673..... 577, 583, 589	1001163599 343, 365, 370, 385
1001146588 198, 205	1001151542..... 409	1001155823..... 198, 214, 218, 241, 246	1001164281 156, 157, 160, 161, 165, 169
1001147264 672, 675	1001151584..... 41	1001156107 205	1001165035 198, 214, 218, 242, 246, 286, 292
1001148138 343	1001151586..... 409	1001156490..... 655	1001165350 651, 653, 657
1001148162 21, 475, 477	1001151856..... 676	1001157013..... 784	1001165741 169
1001148163 475	1001151897..... 41	1001157520..... 374, 378, 382, 386, 390	1001165842 256, 262
1001148164 23, 477	1001151900..... 784	1001157521 374, 378, 382, 386, 390	1001165849 205, 228, 234
1001148166 477	1001152066..... 83	1001157525..... 377, 378, 381	1001166394 157, 161, 165, 169
1001148168 17	1001152070..... 87	1001157528..... 374, 378, 382, 386, 390	1001166538 460, 464, 469, 780
1001148170 19	1001152127..... 399	1001157770..... 387	1001166539 460, 464, 471, 780
1001148171 17	1001152172..... 91	1001158007..... 374, 378, 382, 386, 390	1001166718 205, 327, 329
1001148172 19	100115217599, 103, 107, 111, 115, 119, 123, 127, 131, 135	1001158008..... 374, 378, 382, 386, 390	1001166960 785
1001148178 23	1001152181..... 69	100115792 373, 374, 386, 390	1001167041 256, 262
1001148652 399	1001152234..... 69	1001157604..... 91	1001167565 405
1001148675 641, 643	1001152325..... 171	1001157769..... 375, 378, 382	1001167567 405
1001148841 681	1001152340..... 784	1001157770..... 387	1001167596 405
1001148842 681	1001152355..... 409	1001158007..... 374, 378, 382, 386, 390	1001167635 672
1001148902 785	1001152428..... 83	1001158008..... 374, 378, 382, 386, 390	1001168018 205, 287, 293, 327, 329
1001148903 785	1001152429..... 375, 378, 382, 697	1001158363..... 354, 366	1001168209 541
1001148904 785	1001152433..... 156	1001158720..... 91	1001168210 541
1001148905 785	1001152435..... 160	1001159118..... 641, 643, 780	1001168402 405
1001148906 785	1001152457..... 354, 366	1001159121 643	1001169054 205, 228, 234, 256, 262, 287, 293
1001149160 287, 293, 297	1001152489..... 205, 228, 234, 256, 262	1001159186..... 703	1001169138 205, 228, 234, 256, 262, 287, 293
1001149639 287, 293	1001152491..... 566	1001159256..... 460, 464, 782	1001169610 157, 161, 317
1001149703 323	1001152499..... 570	1001159323..... 768	1001170035 287, 293
1001149704 187, 191	1001152525..... 374, 378, 382, 386, 390	1001160003..... 157, 160, 161	1001170617 228, 234, 237
1001149705 187, 191	1001152527..... 566, 570	1001160004..... 156	1001170764 671
1001149706 187, 191	1001152530..... 354, 366	1001160034..... 160	1001170847 417, 419, 782
1001149793 187, 191	1001152532..... 354, 358, 362, 366, 370, 687	1001160074..... 143	1001171018 786
1001149927 75	1001152557..... 156, 160, 164, 168	1001160077 149	1001171126 365
1001149994 149, 151, 153	1001152619..... 573	1001160189..... 168	1001171131 641
1001150158 181, 186	1001152635..... 573	1001160190..... 164, 169	1001171268 369
1001150179 183, 190	1001152636..... 573	1001160272..... 603	1001171403 676
1001150391 75	1001152637..... 573		1001171482 100, 104, 107, 111, 116, 120, 124, 128, 132, 136
1001150406 149	1001152887..... 55, 57, 59		
1001150569 47	1001152965..... 787		
1001150570 45	1001153197..... 354, 358, 362, 695		
1001150571 43	1001153259..... 366, 370		
1001150612 573	1001153260..... 354, 366		
1001150714 583	1001153636..... 357, 362, 370, 613, 617, 619, 623, 625, 629, 631, 635, 637		
1001150715 577, 583, 589	1001153636..... 357, 362, 370, 613, 617, 619, 623, 625, 629, 631, 635, 637		
1001150717 584, 590	1001154231..... 787		
1001150718 583			
1001150890 325			
1001150915 187, 191			

SECTION 11 - SPECIAL OPTIONS/ACCESSORIES/KITS

1001172045.....784	1001182570 417, 419, 782	1001191866 108, 116, 128, 669	1001210448.....297, 299
1001172271.....419, 782	1001182599..... 785	1001191868 100, 104, 120, 124, 136, 667	1001210636.....535
1001172535.....583	1001182806..... 145	1001193018 609, 613, 615, 617, 619, 621, 623, 625, 627, 629, 631, 633, 635, 637, 639	1001211588.....417, 419
1001172760.....460, 464	1001182906..... 317	1001194197 627	1001211794.....297
1001172793.....198, 214, 218, 242, 246	1001182997 83, 85, 87	1001194198 633	1001212223.....385
1001173535.....288, 294	1001183924 93, 95, 97	1001194200 639	1001212515.....577, 583, 589
1001173703.....768	1001184618 747, 749, 751, 753, 755, 757, 759, 761, 763, 765	1001194203 615	1001213447.....709
1001173896.....83, 85	1001184626 455, 457	1001194204 621	1001213655.....599
1001174040.....405	1001184682 147	1001194365 609	1001213810.....297
1001174486.....274, 278	1001184881 37	1001195304 786	1001213882.....460, 464
1001175632.....362	1001185281 460, 464	1001196382 329, 389	1001214030.....768
1001176012.....249, 254	1001186333 441	1001196634 271, 781	1001214095.....599
1001176013.....242, 249	1001186334 443	1001197017 515, 517, 519, 521	1001214096.....599
1001176014.....241	1001186375 433	1001197408 768	1001214396.....645
1001176015.....251, 260	1001186377 435	1001197719 671	1001214478.....786
1001176016.....246, 251	1001186379 437	1001199784 321	1001214507.....112, 132, 679
1001176017245	1001186382 439	1001200120 768	1001214515.....786
1001176225.....228, 234, 256, 262	1001186383 429	1001200121 768	1001214540.....786
1001176226.....228, 234, 256, 262	1001186384 427	1001200122 768	1001214548.....786
1001176296.....785	1001186386 425	1001200124 768	1001214552.....786
1001176329.....287, 293	1001186387 423	1001200125 768	1001214559.....786
1001176469.....104, 116, 124, 136	1001186426 205, 288, 294	1001200126 768	1001214561.....786
1001176511.....228, 234, 256, 262	1001186431 485, 781	1001200127 768	1001214562.....786
1001176666.....95	1001186432 735, 737	1001200491 405	1001214570.....645, 647
1001176667.....95	1001186517 485	1001200494 405	1001214571.....645, 647
1001176723.....228, 234, 256, 262	1001186542 308, 312	1001200497 703	1001214683.....362, 381
1001176862.....641	1001187382 405	1001200910 151	1001214827.....297
1001176899.....407	1001187383 405	1001201351 405	1001215016.....679
1001177038.....331	1001187674 483	1001201885 703	1001215091.....679
1001177043.....331	1001187681 729	1001202280 321	1001215142.....274, 279
1001177090.....95	1001187781 286, 292	1001202281 321, 780	1001215384.....297
1001177359.....205, 228, 234, 256, 262	1001188467 157, 161, 164, 165, 168, 169	1001202368 333	1001215413.....281, 286
1001177399.....333	1001188622 405	1001202687 405	1001215534.....679
1001177694.....785	1001188844 405	1001202749 785	1001215647.....287, 293
1001178223.....205, 228, 234, 256, 262	1001188874 100, 104, 108, 112, 116, 120, 124, 128, 132, 136	1001203495 228, 234, 256, 262	1001215681.....287, 293
1001178789.....81	1001188884 321	1001203655 441	1001215899.....287, 293
1001178876.....256, 262	1001188887 321	1001203656 443	1001215974.....287, 293
1001179154.....374, 386, 390	1001188890 593	1001204296 786	1001216015.....343
1001179156.....97	1001188891 593	1001204325 206, 228, 234, 256, 262	1001216065.....297
1001179837.....343	1001188952 181, 183, 201, 221, 223, 249, 251, 308	1001204491 256, 262	1001216071.....297
1001180001.....343	1001188953 281, 283, 312	1001204715 417, 419	1001216075.....287, 293
1001180052.....344	1001188954 177, 181	1001204725 405	1001216086.....287, 293
1001180287.....343	1001188955 179, 183	1001204884 784	1001216092.....287, 293
1001180620.....205, 228, 234, 256, 262, 287, 293	1001188963 177	1001205051 228, 234, 255, 261	1001216144.....297
1001180861.....768	1001188964 179	1001205958 627, 633, 639	1001216160.....319
1001181045.....663, 780	1001188972 179, 218, 246, 279	1001206476 645, 647	1001216204.....287, 293
1001181046.....665, 780	1001189001 405	1001206477 787	1001216205.....287, 293
1001181148.....785	1001189002 405	1001207004 153	1001216212.....679
1001181243.....344	1001189979 205, 287, 293	1001207969 411, 413	1001216213.....679
1001181895.....228, 262, 293	1001190884 786	1001208994 405, 411, 413	1001216300.....303
1001181899.....228, 234, 256, 262	1001190985 405	1001209059 786	1001216390.....390
1001181923.....651, 653, 655, 657	1001191395 785	1001209432 647	1001216391.....350
1001182361.....672	1001191610 287, 293	1001209474 647	1001216393.....293
1001182365.....672	1001191620 206	1001209629 785	1001216531.....288, 294
		1001209664 485	1001216532.....281, 283
		1001210026 787	1001216533.....281, 283
			1001216534.....281, 283
			1001216535.....281, 283
			1001216536.....319
			1001216619.....303
			1001216630.....405
			1001216768.....297
			1001216769.....297
			1001216910.....287, 293, 297

SECTION 11 - SPECIAL OPTIONS/ACCESSORIES/KITS

1001216911 274, 281	1001221498.....390	1001230635.....206, 228, 234, 255, 261	1001236746 533
1001216912 274	1001221545.....297	1001230931.....651, 653, 655, 657	1001236747 529
1001216919 287, 293	1001221615..... 288, 294	1001230934.....672	1001236891 525, 527, 529, 531, 533
1001216951 287, 293	1001221621..... 97	1001230935.....672	1001236895 525, 527, 529, 531, 533
1001217005 151	1001222033..... 288, 294	1001230936.....672	1001236951 786
1001217032 287, 293	1001222641.....297	1001231007..... 145, 147, 743	1001237138 395
1001217046 287, 293	1001223042..... 287, 293	1001231180.....509	1001237142 395
1001217082 287, 293	1001223055.....747	1001231183.....509	1001237667 703, 709
1001217089 287, 293	1001223453..... 747, 759	1001231235.....509	1001237668 703, 709
1001217090 287, 293	1001223459..... 672, 676	1001231676.....37	1001237697 395, 541
1001217146 287, 293	1001223584..... 288, 294	1001231677.....37	1001237698 395, 555
1001217170 281, 283	1001223922..... 287, 293	1001231678.....37	1001237862 731, 733
1001217174 287, 293	1001223923..... 287, 293	1001231801.....767	1001237863 483, 733
1001217175 287, 294	1001223971.....759	1001231886.....145	1001237864 483, 731
1001217183 287, 294	1001224010..... 287, 293	1001231949.....533	1001237865 483, 729
1001217184 281, 283	1001224048.....763	1001231950.....529, 531	1001237882 785
1001217185 288, 294	1001224049.....765	1001232010.....529, 531, 533	1001237883 785
1001217186 288, 294	1001224050.....757	1001232011.....529, 531, 533	1001237947 206
1001217187 389	1001224051.....755	1001232164.....483	1001237949 395
1001217188 349	1001224052.....751	1001232165.....483	1001238138 417, 419
1001217418 275, 279	1001224053.....761	1001232642..... 487, 489	1001238168 401
1001217419 275, 279	1001224419..... 288, 294	1001232650.....487	1001238263 525, 527, 529, 531, 533
1001217420 275, 279	1001224486..... 288, 294	1001232667..... 487, 489, 782	1001238319 483
1001217421 275, 279	1001224489..... 288, 294	1001232842.....271	1001238327 417, 419
1001217422 275, 279	1001224927.....573	1001232880.....409	1001238328 395, 401
1001217543 288, 294	1001225346..... 645, 647, 782	1001233047.....785	1001238333 401
1001217645 274, 279	1001225430..... 237, 780	1001233237.....784	1001238398 401
1001217832 784	1001225431..... 237, 781	1001233763.....218, 246, 271	1001238418 487, 489, 735
1001218022 785	1001225510..... 288, 294	1001234425.....747	1001238421 405
1001218362 288, 294	1001225580..... 485, 737	1001234426.....747	1001238463 531
1001218393 97	1001226400..... 659, 661	1001234428.....761	1001238472 487, 489
1001218394 97	1001226529.....645	1001234429.....761	1001238477 487
1001218395 97	1001226531.....647	1001234430.....763	1001238495 485
1001218449 288, 294	1001226872.....431	1001234431.....765	1001238559 487, 489
1001218547 339	1001227309..... 605, 607	1001234432.....765	1001238672 481
1001218548 339	1001227310.....607	1001234433.....759	1001238674 139
1001218599 288, 294	1001227472.....784	1001234434.....759	1001238732 139, 481
1001218600 288, 294	1001227633.....483	1001234435.....757	1001238824 487
1001218622 601	1001227634.....483	1001234436.....757	1001238825 787
1001218623 601	1001227666..... 288, 294	1001234439.....749, 753	1001239202 671
1001218638 275, 279	1001227667..... 288, 294	1001234811 401, 403	1001239291 65
1001218930 390	1001227769.....297	1001235011.....487	1001239346 147
1001219071 283, 292	1001227772.....297	1001235013.....487	1001239617 785
1001219072 279, 283	1001227772.....297	1001235401.....755	1001241384 145
1001219073 278	1001227985.....483	1001235402.....755	1001241403 139, 481
1001219445 288, 294	1001227987.....483	1001235585.....763	1001241547 787
1001219448 288, 294	1001227996..... 731, 733	1001235948..... 156, 160, 168	1001241548 787
1001219454 206, 288, 294	1001228006..... 397, 561	1001235949.....206	1001241578 177, 179
1001219456 206, 288, 294	1001228007..... 399, 559	1001236089.....481	1001241965 487, 489
1001219457 97	1001228042..... 395, 543	1001236092.....139	1001242251 151
1001219458 97	1001228215.....431	1001236303.....65	1001242252 153
1001219630 350	1001228224..... 483, 782	1001236304.....647	1001242409 784
1001219632 349	1001228225..... 483, 781	1001236375.....645	1001243184 784
1001220215 319	1001228243.....447	1001236376.....645	1001243597 786
1001220266 198	1001228375.....451	1001236377.....645	1001243895 271
1001220379 675	1001228376.....445	1001236378.....645	1001243984 709
1001220404 303	1001228377.....449	1001236504.....647	1001244212 768
1001220510 768	1001228506..... 228, 234	1001236505.....647	1001245251 767
1001220511 768	1001228946.....784	1001236552..... 487, 489	1001245761 395, 551
1001220512 768	1001228988..... 498, 507, 509, 775, 777		1001245913 206, 681
1001220864 768	1001229107.....784		1001246012 206, 209
1001221208 693	1001229341.....483		1001246142 784
1001221397 319	1001229530.....703		1001246522 784
1001221464 281, 283	1001229810..... 69, 72		
1001221488 274, 278	1001229940.....785		

SECTION 11 - SPECIAL OPTIONS/ACCESSORIES/KITS

1001246523.....784	1001250595.....787	1001255196.....747, 749, 751, 755, 757, 759, 761, 763, 765, 767	1001261003.....395, 553
1001246590.....221, 226	1001250607.....206		1001261045.....204
1001246592.....218, 221	1001250722.....407		1001261085.....204
1001246593.....223, 232	1001250737.....399	1001255198.....747	1001261335.....525
1001246594.....214, 223	1001250900.....407	1001255413.....93	1001261338.....525
1001246598.....213	1001250983.....657	1001255418.....329	1001262016.....787
1001246599.....217	1001251131.....206	1001255419.....327	1001262102.....767
1001246813.....206	1001251379.....784	1001255424.....381	1001262103.....767
1001246934.....395, 397	1001251618.....164, 165	1001255425.....361	1001262104.....767
1001246935.....397	1001251619.....164	1001255599.....577, 583, 589	1001262105.....767
1001246936.....397	1001252033.....787	1001255777.....173	1001262115.....767
1001246951.....395	1001252034.....787	1001255780.....767	1001262116.....767
1001246952.....395	1001252082.....165	1001255784.....759	1001262117.....767
1001246974.....395	1001252521.....214, 218	1001255785.....753	1001262232.....767
1001246978.....395	1001252527.....672	1001255786.....765	1001262233.....767
1001247029.....206	1001252627.....771, 773	1001255787.....751	1001262234.....767
1001247073.....787	1001252629.....525, 527, 529, 531, 533	1001255788.....761	1001262235.....767
1001247105.....228, 234		1001255789.....749	1001262237.....767
1001247178.....329	1001252946.....511	1001255790.....757	1001262238.....767
1001247338.....785	1001252947.....511	1001255791.....755	1001262239.....767
1001247358.....51	1001253100.....164	1001255792.....763	1001262959.....787
1001247359.....274, 278, 288, 294	1001253151.....784	1001255794.....747, 749, 751, 753, 755, 757, 759, 761, 763, 765	1001263352.....100, 108, 112, 120, 128, 132
1001247468.....405, 781	1001253466.....784	1001255795.....747, 749, 751, 753, 755, 757, 759, 761, 763, 765	1001263353.....104, 116, 124, 136
1001247564.....228, 234	1001253618.....787		1001263355.....124
1001247570.....784	1001253619.....787		1001263356.....120, 128, 132
1001247676.....228, 234	1001253677.....411, 413, 415	1001255901.....704	1001263357.....136
1001247714.....206	1001253680.....57, 413	1001255914.....751	1001263365.....119
1001247716.....206	1001253684.....582	1001255915.....751	1001263366.....127
1001248105.....381	1001253798.....206, 671	1001255926.....749	1001263367.....131
1001248140.....525, 527, 529, 531, 533	1001253805.....93	1001255961.....407	1001263368.....135
1001248141.....525, 527, 529, 531, 533	1001253806.....93	1001256026.....651, 653	1001263395.....787
1001248248.....399	1001253817.....407	1001256028.....655	1001263587.....460, 464
1001248261.....399	1001253873.....671	1001256385.....784	1001263588.....457, 463
1001248265.....395, 399	1001254024.....784	1001256506.....676	1001263612.....417, 419
1001248434.....206	1001254463.....651, 653, 655, 657, 659	1001256879.....198	1001263800.....547, 549
1001248477.....228, 234	1001254464.....657	1001256906.....768	1001263923.....667, 669, 679
1001248478.....228, 234	1001254465.....651, 653, 655, 657	1001257137.....768	1001264239.....457
1001248608.....206	1001254466.....651, 653, 655, 657	1001257271.....525, 527	1001264302.....547
1001248957.....417	1001254467.....651, 653, 655, 657, 707	1001257274.....525, 527	1001264991.....401, 549
1001248958.....417, 419	1001254468.....651, 653, 655, 657, 685	1001257275.....527	1001265163.....535
1001248962.....417, 419, 781	1001254472.....489	1001257285.....753, 767	1001265342.....535
1001249045.....206	1001254473.....489	1001257325.....651, 653	1001265378.....784
1001249052.....787	1001254477.....489	1001257326.....655	1001265493.....187, 191
1001249232.....206	1001254499.....173	1001257430.....576, 582, 588	1001265676.....785
1001249234.....206	1001254622.....576	1001257972.....391	1001266056.....786
1001249261.....206	1001254623.....588	1001258005.....527	1001266069.....455, 459
1001249448.....93	1001254662.....55, 411	1001258140.....785	1001266073.....455
1001249449.....93	1001254663.....173	1001258252.....205	1001266098.....786
1001249681.....201, 204	1001254738.....173	1001258377.....165	1001266284.....786
1001249682.....198, 201	1001254769.....173	1001258800.....205	1001266468.....123
1001249695.....787	1001254948.....577, 583, 589	1001258951.....787	1001266489.....786
1001249705.....206	1001254949.....577, 583, 589	1001259018.....767	1001266628.....100, 104, 108, 112, 116, 120, 124, 128, 132, 136, 703
1001249771.....197	1001254950.....577, 583, 589	1001259137.....545	1001266648.....460, 464
1001249824.....407	1001254954.....577, 583, 589	1001259138.....545	1001266665.....100, 104, 108, 112, 116, 120, 124, 128, 132, 136
1001249941.....787	1001254955.....577, 583, 589	1001259642.....419	1001266799.....786
1001249942.....255, 261, 265	1001255133.....405	1001260070.....419	1001266801.....786
1001249986.....327		1001260412.....206, 228, 234, 256, 262	1001266807.....786
1001250384.....407		1001260413.....205, 228, 234, 256, 262	1001266829.....419
1001250387.....407		1001260432.....204	1001266873.....99
1001250465.....787		1001260654.....198	
1001250466.....787		1001260937.....464	
1001250531.....417, 419			

SECTION 11 - SPECIAL OPTIONS/ACCESSORIES/KITS

1001266874 104	1001284696..... 747, 749, 751, 753, 755, 757, 759, 761, 763, 765	1671093.....498, 503, 603	1703938 761
1001266876 100, 108, 112	1001290252..... 287, 293	1671314.....459, 463	1703939 763
1001266878 116	1001294603..... 164	1684290.....539	1703941 765
1001266897 107	1001294604..... 160	1684465..... 17, 19, 539	1703942 759
1001266898 111	1001294637..... 156	1700818.....767	1703943 757
1001266899 115	1001294703..... 168	1701435.....768	1703944 761
1001266900 103	1001303818..... 288, 294	1701505.... 177, 179, 197, 213, 217, 241, 245	1703945 763
1001266969 786	1001311034..... 489	1701509.... 491, 747, 749, 751, 753, 755, 757, 759, 761, 763, 765	1703947 765
1001267311 747, 749, 751, 753, 755, 757, 759, 761, 763, 765	1060341 ... 515, 517, 519, 521	1701518.....749, 753	1703948 759
1001267716 395	1060343 ... 374, 386, 390	1701529....747, 749, 751, 753, 755, 757, 759, 761, 763, 765	1703949 757
1001267717 395	1060379 ... 509, 511, 513	1701542.....274, 278	1703950 761
1001267885 751	1060584 49	1701543.....274, 278	1703951 763
1001268736 785	1060626 ... 179, 217, 245, 278	1702265.....747	1703953 747
1001269187 786	1060637 ... 177, 179, 201, 221, 223, 249, 251, 281, 283	1702271.....761	1703980 761
1001269389 786	1060903 ... 515, 517, 519, 521	1702565..... 459, 463	1703981 763
1001269629 785	1060908 663, 665	1702566..... 459, 463	1703982 757
1001269630 785	1060918 467	1702567..... 459, 463	1703983 765
1001269631 785	1061033 ... 651, 653, 655, 657	1702617.....765	1703984 759
1001269806 589	1062255 204	1702720.....767	1703987 763
1001269807 583, 589	10702077 . 374, 378, 382, 386, 390	1702773..... 441, 443, 768	1703990 759
1001269809 577	10702082 . 374, 378, 382, 386, 390	1702788.....767	1704000 759, 767
1001269810 577	10836804 . 100, 108, 112, 120, 128, 132	1702819.....749	1704001 765, 767
1001269812 583	1120555 491	1702860.....768	1704174 767
1001269814 566	1260017 77, 79	1702861.....768	1704175 767
1001269815 566	1320016 186, 190	1702868.... 498, 507, 509, 747, 767, 771, 777	1704260 459, 463
1001269816 566	1320022 ... 177, 179, 197, 213, 217, 241, 245, 321	1702938.... 515, 517, 519, 521	1704271 767
1001269817 570	1320061 ... 213, 217, 242, 246	1702941.... 179, 217, 245, 278	1704272 45
1001269818 570	1320110 286, 292	1702942.... 179, 217, 245, 278	1704277 ... 747, 749, 751, 753, 755, 757, 759, 761, 763, 765
1001269819 570	1320127 51	1702943.... 179, 217, 245, 278	1704412 ... 747, 749, 751, 753, 755, 757, 759, 761, 763, 765
1001269861 206	1320162 93, 95, 97	1702944.... 179, 217, 245, 278	1704578 43
1001270482 786	1320177 493, 498	1703162.... 186, 190, 204, 226, 232, 254, 260, 286, 292	1704885 ... 747, 749, 751, 755, 757, 759, 761, 763, 765
1001270516 785	1320218 51	1703479.....767	1704972 768
1001271534 55, 57	1320220 51	1703534.... 576, 582, 588	1705014 441, 443
1001271582 55, 57	1320223 ... 179, 186, 190, 217, 245, 645	1703544.....751	1705084 749
1001271642 786	1320243 409	1703624.....759	1705090 43
1001271643 784	1320263 ... 651, 653, 655, 657	1703687.... 747, 749, 751, 753, 755, 757, 759, 761, 763, 765	1705305 ... 498, 507, 509, 771, 773, 775, 777
1001271644 784	1320289 407	1703797.....747	1705325 613, 615
1001271645 785	1320302 ... 498, 501, 503, 507	1703804.....747	1705336 747
1001271760 786	1321283 275, 278	1703805.....747	1705344 761
1001271832 577, 583, 589	1321716 63, 65, 197, 213, 217, 241, 245	1703811.... 747, 749, 751, 753, 755, 757, 759, 761, 763, 765	1705345 763
1001271833 577, 583, 589	1380147 ... 335, 337, 339	1703814.... 747, 749, 751, 753, 755, 757, 759, 761, 763, 765	1705347 759
1001271835 577, 583, 589	1580012 453	1703923.....765	1705351 747
1001271888 786	1580013 786	1703925.....757	1705355 498, 775, 777
1001272085 785	1670603 609	1703926.....761	1705358 491, 767
1001272178 786	1670767 ... 156, 160, 164, 168	1703927.....763	1705374 ... 354, 365, 641, 643
1001272182 786	1670769 655	1703935.....765	1705375 ... 375, 387, 390, 498, 507, 777
1001272198 785	1671034 ... 651, 653, 657	1703936.....759	1705387 ... 354, 366, 375, 387, 390
1001272274 786	1671092 ... 374, 386, 390, 603	1703937.....755	1705426 761
1001272546 39			1705427 763
1001272547 39			1705429 759
1001272631 577, 583, 589			1705430 755
1001273784 768			1705460 ... 374, 378, 382, 387, 390
1001274367 577, 583, 589			1705461 378, 382
1001276664 21, 23			1705489 ... 357, 361, 369, 378, 382
1001277503 419			1705490 498, 771, 773
1001280403 100, 108, 112, 120, 128, 132			

SECTION 11 - SPECIAL OPTIONS/ACCESSORIES/KITS

1705820.....45	2220377 ... 308, 312, 566, 570, 576, 582, 588	2220893 576, 582, 588	2752659.....91
1705822.....749, 753	2220379 576, 582, 588	2220921 576, 582, 588	2752661.....91
1705828.....749, 753	2220381 576, 582, 588	2220947 ... 308, 312, 576, 582, 588	2752723.....577, 589
1705895.....751	2220386 576, 582, 588	2220948 576, 582, 588	2752724.....577, 589
1705896.....751	2220409 577, 583, 588	2220998 576, 582, 588	2752783.....578, 584, 590
1705897.....751	2220415 ... 566, 570, 576, 582, 588, 593	2220999 576, 582, 588	2752910.....566, 570
1705898.....751	2220418 51	2221024 51	2752928.....566, 570
1705902.....751	2220451. 93, 95, 97, 186, 190, 312, 576, 582, 588	2221026 573	2752929....570, 576, 582, 588
1705903.....751	2220466 576, 582, 588	2221034 308	2752939.....577, 583, 589
1705905.....751	2220468 593	2221036 576, 582, 588	2752985.....577, 583, 589
1705910.....765	2220472 576	2221042 576, 582, 588	2752987.....577, 583, 589
1705917.....765	2220473 ... 566, 570, 573, 576, 582, 588, 593, 595	2221053 ... 576, 582, 588, 595	2752990.....577, 583, 589
1705921.....749, 753	2220474 566, 570, 576	2221065 576, 582, 588	2752991.....577, 583, 589
1705961.....749, 753	2220490 576, 582, 588	2221176 ... 177, 179, 274, 278	2752995.....577, 583, 589
1705967.....751, 767	2220498 576, 582, 588	2221197 51, 274, 278	2753000.....589
1705968.....755, 767	2220500 ... 570, 576, 582, 588	2230046 91	2753002.....583
1705969.....763, 767	2220504 566, 570	2400060 ... 271, 535, 693, 697, 703, 704, 709	2753055.....577, 583, 589
1705977.....749, 753	2220507 570	2400064 693, 697, 781	2753132.....577, 584, 590
1706059.....768	2220511 ... 576, 582, 588	2410014 441, 443	2753133.....578, 584, 590
1706060.....768	2220512 576, 582, 588	2420203 341, 343, 349	2753134.....577, 583, 589
1706061.....768	2220513 91	2460048 373, 377	2753135.....577, 583, 589
1706062.....768	2220516 577, 583, 589	2460051 349	2753354 91
1706063.....768	2220518 91, 97	2460055 341	2753390.....577, 583, 589
1706064.....768	2220567 ... 576, 582, 588	2460056 347	2753397.....566, 570
1706098.....768	2220574 576, 582, 588	2560136 459, 463	2753924.....566, 570
1706385.....441, 443	2220578. 93, 95, 97, 308, 576, 582, 588	2580024 ... 179, 217, 245, 278	2753926.....566
1706510.....513	2220582 ... 566, 570, 576, 582, 588	2580062 190	2753929.....566
1706593.....45	2220596 ... 566, 570, 576, 582, 588	2600281 ... 423, 425, 427, 429, 445, 447	2753968.....576, 582, 588
1706957.....47	2220600 577, 582, 588	2680433 156, 160	2754227.....566, 570
1706960.....47	2220602 576, 582, 588	2680434 156, 160	2754229.....566, 570
2030010....493, 498, 501, 503, 507	2220603 576, 582, 588	2720015 ... 204, 226, 232, 254, 260	2754231.....566, 570
2060025.....186, 190	2220605 576, 582, 588	2720058 ... 177, 179, 286, 292, 321	2754328.....578
2080040....423, 425, 427, 429, 445, 447	2220606 ... 566, 570, 577, 583, 589	2720144 51	2754329.....577, 583, 589
2120149.....55, 57, 780	2220618 576, 582, 588	2720160 493, 498	2754330.....577, 583, 589
2120164.....55, 57	2220623 573	2720340 ... 204, 226, 232, 256, 262	2754731.....570
2120209.....55, 57	2220628 ... 576, 582, 588, 595	2720398 186, 190	2792630.....595
2120210.....55, 57, 780	2220635 ... 577, 583, 589, 595	2750532 ... 177, 179, 213, 217, 242, 246	2820019.....689
2180348....177, 179, 274, 278, 288, 294, 321	2220646 ... 308, 312, 566, 570	2750949 91	2820031....341, 343, 347, 349, 353, 357, 361, 365, 369, 374, 378, 381, 385, 389, 651, 653, 655, 657
2180387.....51	2220654 593	2751362 589	2820035.....271
2180388.....51	2220657 ... 577, 582, 588	2751396 578, 583, 589	2820078.....171
2180389.....51	2220682 97	2752453 578, 583, 589	2820082.....171, 173
2180418.....51, 274, 278	2220700 93, 95, 97	2752462 577, 583, 589	2820083.....171
2180467.....286, 292	2220711 312	2752475 566, 570	2820118.....659, 661
2180504.....288, 294	2220738 91, 576	2752478 583, 589	2820247.....731, 733
2180832....197, 213, 217, 241, 245, 493, 498	2220810 315	2752484 578, 584, 589	2840016.....337, 339
2200222.....83, 85	2220816 321	2752497 577, 583, 589	2840018.....335
2220237566, 570	2220861 566, 570	2752506 577, 583, 589	2860012.....341, 347
222026151, 288, 294	2220881 541	2752519 576, 582, 588	2860030.....99, 103, 107, 111, 115, 119, 123, 127, 131, 135, 781
2220313....177, 179, 197, 213, 217, 241, 245	2220883 ... 415, 541, 543, 545, 547, 551, 561	2752530 577	2900708.....55, 57
2220315....226, 232, 254, 260	2220885 ... 545, 547, 555, 559	2752592 566, 570	2900756.....573
2220362.....566, 570	2220886 59, 543, 551, 561	2752593 577, 583, 589	2900770.....541, 551, 561
2220371566, 570, 573, 577, 583, 589, 593	2220890 539	2752600 578, 584, 590	2900792....543, 545, 547, 549, 551, 553, 561
2220372....573, 576, 582, 588, 595		2752611 566, 570	2900838.....787
2220373....566, 570, 576, 582, 588		2752620 566, 570	2901285.....543
2220374....576, 582, 588		2752635 578	2901861.....559, 561
2220375....566, 570, 576, 582, 588		2752656 578, 584, 590	2902065....186, 190, 204, 226, 232, 254, 260, 305
2220376.....315			2902212.....491
			2902217....498, 501, 503

SECTION 11 - SPECIAL OPTIONS/ACCESSORIES/KITS

2902266 539	3290601 ... 197, 201, 204, 286, 292, 297, 349, 361, 381, 389	232, 241, 245, 249, 251, 254, 260, 274, 278, 281, 283, 353, 357, 361, 365, 369, 374, 377, 385, 411, 413, 455, 457, 487, 489, 609, 613, 615, 617, 619, 621, 623, 625, 627, 629, 631, 633, 635, 637, 639, 647, 747, 749, 751, 753, 755, 757, 759, 761, 763, 765	3421565 49, 77 3422326 21, 23 3422448 ... 177, 179, 197, 213, 217, 241, 245, 274, 278 3422457 399 3422533... 181, 183, 201, 221, 223, 249, 251, 281, 283 3422567 23 3422575 395, 397 3422661 511, 513 3422813 23 3422841 49 3422847 49 3422848 23 3422861 401 3422867 401 3422900 21, 23 3422902 21, 23 3422903 21, 23 3423184 17, 19 3430616 460, 464 3430816 ... 335, 337, 339 3450306 409 3450404 ... 335, 337, 339 3450606 409 3460334 491 3470003 460, 464 3480288 539 3520026 459, 463 3520027 459, 463 3520028 ... 341, 343, 347, 349 3520031 99, 103, 107, 111, 115, 119, 123, 127, 131, 135 3520035 99, 103, 107, 111, 115, 119, 123, 127, 131, 135 3520054 ... 186, 190, 206, 228, 234, 256, 262, 459, 463 3520071 491 3520072 ... 423, 425, 427, 429, 431, 433, 435, 437, 439, 441, 443, 445, 447, 449, 451 3520189 378, 381 3520192 378, 381 3520193 417, 419 3520198 ... 423, 425, 427, 429, 431, 433, 435, 437, 439, 445, 447, 449, 451 3537445 335, 337 3538247 559 3538758 407 3539228 409 3539923 156, 160 3539988 171 3570270 409 3570277 409 3570374 409 3572009 49 3572010 49 3572011 49
2902303 ... 747, 749, 751, 753, 755, 757, 759, 761, 763, 765, 784	3290605 ... 204, 274, 278, 286, 292, 493, 498		
2902307 747, 784	3290606 ... 433, 435, 437, 439, 449, 451		
2902308 761, 784	3290607 ... 151, 153, 286, 292		
2902309 757, 784	3290801 ... 274, 278, 286, 292		
2902310 763, 784	3290805 ... 204, 286, 292, 327, 329, 645, 647		
2902311 765, 784	3290806 405	3311501 156, 160, 164, 168, 417, 419, 515, 517, 519, 521	
2902312 751, 784	3291001 97, 197, 286, 292, 405	3311505 25, 156, 160, 164, 168, 179, 186, 190, 226, 232, 254, 260, 373, 377, 381, 385, 389, 409, 411, 413, 511, 513, 523, 573	
2902322 759, 784	3291005 ... 204, 226, 232, 256, 262, 286, 292, 401, 405, 645		
2902329 ... 749, 753, 784	3291007 339		
2902443 ... 667, 671, 675	3291201 ... 201, 286, 292, 361, 381, 390, 405		
2910100 785	3291202 97	3311508 353, 365	
2910167 788	3291205 405	3311601 83, 85, 156, 160, 460, 464, 487, 489	
2920028 ... 459, 463, 515, 517, 519, 521	3300106 25	3311605 51, 91, 156, 157, 160, 161, 164, 165, 168, 177, 179, 186, 190, 217, 226, 232, 245, 254, 260, 269, 323, 325, 331, 333, 335, 337, 341, 347, 409, 441, 443, 455, 457, 498, 501, 503, 507	
2920029 ... 459, 463, 515, 517, 519, 521	3300151 ... 431, 433, 435, 437, 439, 445, 447, 449, 451, 498, 501, 503, 507	3311608 95	
2920129 709	3300205 99, 103, 107, 111, 115, 119, 123, 127, 131, 135	3311705 341, 343, 347, 349	
2920161 149	3300353 99, 103, 107, 111, 115, 119, 123, 127, 131, 135, 459, 463	3311801 221, 223, 249, 251, 343, 353, 357, 365, 369, 374, 378, 385, 417, 419	
2940074 ... 423, 425, 427, 429, 445, 447, 781	3300396 ... 354, 366, 374, 378, 381, 386, 390	3311805 156, 160, 164, 168, 177, 179, 186, 190, 281, 283, 323, 325, 523	
2940088 ... 156, 157, 160, 161, 164, 165, 169	3300408 99, 103, 107, 111, 115, 119, 123, 127, 131, 135, 139, 481	3312002 69, 525, 527, 529, 531, 533	
2940188 ... 156, 160, 164, 168	3300430 485	3312005 491	
3020029 75	3300454 ... 354, 358, 365, 369, 374, 378, 385, 573	3312205 491	
3020037 201	3310401 ... 226, 232, 254, 260	3312602 149, 151, 153	
3200401 ... 186, 190, 226, 232, 254, 260, 323, 325, 331, 333	3310601 335, 337, 339	3321501 156, 160, 164, 168	
3200406 186, 190	3310801 417, 419	3322201 81	
3220103 317	3310805 51	3331211 204, 327, 329	
3250872 43	3311001 ... 269, 374, 378, 381, 386, 390	3340608 559	
3251102 ... 341, 343, 347, 349, 353, 357, 365, 369	3311005 ... 156, 157, 160, 161, 164, 165, 168, 169, 341, 343, 347, 349, 354, 366, 374, 378, 381, 386, 389, 459, 463, 493, 498, 501, 503, 507	3340764 407	
3251242 ... 609, 621, 627, 633, 639	3311401 ... 141, 515, 517, 519, 521	3340840 407	
3251243 ... 341, 349, 354, 366, 374, 387, 390, 747, 755, 757, 759, 761, 763, 765	3311405 ... 55, 57, 63, 65, 99, 103, 107, 111, 115, 119, 123, 127, 131, 135, 145, 147, 156, 160, 164, 168, 177, 179, 181, 183, 186, 190, 197, 204, 213, 217, 221, 223, 226,	3340871 397, 399	
3251813 768		3340881 397	
3252347 747		3340911 25	
3252507 ... 347, 617, 619, 623, 625, 629, 631, 635, 637		3340943 407	
3252764 ... 361, 373, 377, 381, 385, 389		3340956 491	
3271505 407		3340966 23	
3271601 95, 226, 232, 254, 260		3380434 455, 457	
3271605 ... 206, 407, 525, 527, 529, 531, 533		3420372 49	
3271801 ... 226, 232, 254, 260, 331, 333		3420447 49	
3271805 81, 441, 443		3421453 493, 498	
3272001 ... 525, 527, 529, 531, 533			
3290405 ... 274, 278, 535, 609, 613, 615, 617, 619, 621, 623, 625, 627, 629, 631, 633, 635, 637, 639			
3290505 274, 278			

SECTION 11 - SPECIAL OPTIONS/ACCESSORIES/KITS

3572012.....49	3900268 99, 103, 107, 111, 115, 119, 123, 127, 131, 135	4032015 ... 353, 357, 374, 377	4360469.....99, 103, 107, 111, 115, 119, 123, 127, 131, 135, 782
3573400....498, 501, 503, 507	3900283 407	4060092 607	4360475.....99, 103, 107, 111, 115, 119, 123, 127, 131, 135, 459, 463, 782
3573642....498, 501, 503, 507	3900293 69	4060802 ... 341, 343, 347, 349, 353, 357, 361, 365, 369, 373, 377, 381, 385, 389	4360476.....99, 103, 107, 111, 115, 119, 123, 127, 131, 135, 459, 463
3574091519, 521	3900316 407	4060804 41, 55, 57	4360517.....81, 782
3575359.....515, 517	3900349 459, 463	4060805 ... 157, 161, 186, 190, 204, 226, 232, 256, 262, 288, 294	4360542....341, 343, 349, 780
3575863....354, 357, 374, 378	3910408 ... 226, 232, 254, 260	4060807 25, 55, 57	4360578....417, 419, 781
3576799.....493, 498	3910606... 353, 365, 373, 385, 389, 611, 641, 643	4060808 397	4400275.....51
3577121498, 501, 503, 507	3910608 ... 335, 337, 339	4060906 141	4400420.....51
3580134347	3910610 605, 607	4060918 55, 57	4420014.....491
3580158.....341, 347	3910804 99, 103, 107, 111, 115, 119, 123, 127, 131, 135	4070585 341	4420037....498, 501, 503, 507
3580276.....341, 343	3911016... 156, 157, 160, 161, 165, 169	4070863 397, 399	4420038.....83, 85, 87
3580314.....389	3930820 419	4070864 397, 399	4420051..43, 45, 47, 747, 749, 751, 753, 755, 757, 759, 761, 763, 765
3580317353, 357, 361, 365, 369, 374, 378, 381, 385, 390	3930828 417, 419	4070897 397, 399	4420062.....511, 513
3580318....354, 365, 374, 385	3931016... 354, 365, 373, 377, 381, 385, 389	4070898 397, 399	4420066.....491
3580319....357, 361, 369, 378, 381	3931408 419, 485	4070929 397, 399	4420068....515, 517, 519, 521, 523
3580320....226, 232, 254, 260, 354, 357, 374, 378	3931430 417, 419	407099199, 103, 107, 111, 115, 119, 123, 127, 131, 135	4460007.....459, 463
3580324.....349	3931432 ... 204, 226, 232, 254, 260	4071007 399	4460016.....709
3600242.....315	3931448 559	4071059 23	4460019....667, 669, 671, 679
3600365.....55, 63, 65, 67	3931512 ... 226, 232, 254, 260	4071101 17, 19	4460027....341, 343, 349
3600395....181, 183, 201, 221, 223, 249, 251, 281, 283, 315	3931516 559, 561	4120035 709	4460042.....672, 675
3620034.....91	3931620 ... 181, 183, 201, 221, 223, 249, 251, 281, 283	4130399 23	4460043....271, 667, 671, 675, 693, 695, 697
3641569.....515, 517	3931628 ... 226, 232, 254, 260	4160143 ... 156, 160, 164, 168	4460049....515, 517, 519, 521
3740049.....99, 103, 107, 111, 115, 119, 123, 127, 131, 135, 781	3931632 286, 292	4240018 ... 343, 353, 357, 361, 365, 369, 373, 377, 381, 385, 641, 643	4460071....353, 365, 374, 385, 389, 467, 605, 607, 611
3740067 63, 65, 186, 190, 274, 278, 780, 781	3932030 25	4240032 151, 153, 741	4460125.....607
3740080....341, 343, 347, 349, 389, 781	3932032 543	4240033 ... 417, 419, 483, 485, 487, 489, 651, 653, 655, 657	4460134.....611, 699
3740086.....735	3940604 43	4240099 ... 198, 206, 226, 232, 254, 260, 271, 278, 286, 292, 349, 498, 501, 503, 515, 517, 519, 521	4460142.....667, 703
3760133.....399	3952020 69	4240102 83, 85	4460183.....709
3760170...49, 77, 79, 509	3960389 ... 156, 160, 181, 183	4240149 491	4460190....341, 343, 349
3790012....274, 278, 455, 457, 459, 463, 475, 477, 479	3960407 186, 190	4280295 83, 85	4460205....605, 611, 699
3790152....181, 183, 201, 221, 223, 249, 251, 281, 283	3960418 ... 156, 160, 164, 168	4300157 ... 353, 357, 374, 378	4460224....361, 366, 369, 459, 463
3790158.....25	3960422 ... 353, 365, 373, 385, 389, 605, 607, 611, 641, 643	4360057 ... 515, 517, 519, 521, 781	4460225....687, 689, 709
3820001....747, 749, 751, 753, 755, 757, 759, 761, 763, 765	3960462 164, 165, 169	4360070 ... 354, 366, 374, 378, 382, 386, 390, 780	4460226....141, 459, 463, 467, 469, 472, 667, 669, 679, 709, 739
3820020....423, 425, 427, 429, 445, 447	3960467 156, 160, 164	4360274 115, 135, 782	4460227....459, 463, 703, 709
3841143 21, 23, 177, 179, 197, 213, 217, 241, 245, 274, 278, 401, 405	3960468 186, 190	4360331 ... 455, 457, 475, 477, 479, 782	4460233.....607, 701
3841203.....395, 397	3960469 186, 190	4360336 ... 141, 274, 278, 341, 343, 347, 349, 353, 357, 361, 365, 369, 373, 377, 381, 385, 389, 782	4460234....459, 463, 515, 517, 519, 521
3841258....17, 19, 21, 23, 395	3980007 ... 179, 217, 245, 278	4360387 ... 103, 115, 123, 135, 459, 463, 515, 517, 519, 521, 782	4460247.....671, 675
3841295.....409	3990010 703, 780	4360407459, 463, 780	4460256.....667
3841340.....399	4010608 493, 498	4360436 .. 83, 85, 87, 781	4460259....535, 667, 679, 703, 709
3841347409	4010618 ... 433, 435, 437, 439, 449, 451		4460260....535, 667, 679, 703, 709
3841709.....395	4031505 483		4460265.....469, 472
3900054.....441, 443	4031516 487, 489		4460267.....709, 741
3900085....149, 151, 153	4031711 286, 292		4460268....669, 687, 689, 741
	4031908 204		
	4031912 204		
	4031914 ... 226, 232, 254, 260		
	4032014 ... 226, 232, 254, 260		

SECTION 11 - SPECIAL OPTIONS/ACCESSORIES/KITS

4460294 361, 366, 370	4460509 659, 661	4460928..... 649	4568133 49
4460297 703	4460510 787	4460930..... 671, 675	4640113 35, 39
4460312 667, 679	4460518 419, 649	4460931..... 669	4640261 43, 45, 47
4460313 ... 667, 669, 679, 703	4460526 99, 103, 107, 111, 115, 119, 123, 127, 131, 135	4460932.... 535, 672, 675, 683	4640438 551
4460315 605, 607, 611	4460536 ... 685, 703, 707, 709, 743	4460933..... 649, 703, 709	4640464 685, 707
4460320 703	4460539 ... 651, 653, 655, 657, 667, 669, 671, 679, 685, 707, 709, 741, 743	4460941 683, 729	4640509 ... 543, 545, 547, 549, 551, 553, 561
4460321 349	4460612 641, 643	4460942.... 483, 671, 675, 683	4640605 543, 553
4460346 ... 353, 365, 373, 385, 389, 605, 611	4460634 709	4460943.... 151, 153, 669, 703, 709, 729	4640647 561
4460374 693	4460635 709	4460944.... 667, 669, 671, 675, 679, 703, 709	4640744 315
4460375 693	4460662 ... 609, 619, 623, 625, 627, 629, 631, 633, 635, 637, 639	4460945..... 672, 703	4640751 ... 204, 226, 232, 254, 260
4460384 609	4460670 693	4460956..... 663, 665	4640858 539
4460418 703, 709	4460701 701	4460957..... 663, 665	4640862 559
4460419 703, 709	4460703 671, 675	4460958..... 643	4640866 55, 57
4460424 ... 667, 669, 679, 741	4460708 459, 463, 709	4460962.... 498, 503, 603	4640929 411, 413
4460425 ... 354, 366, 374, 378, 382, 386, 390, 515, 517, 519, 521, 641, 643	4460722 271	4460963.... 374, 386, 390, 603	4640990 91
4460426 99, 103, 107, 111, 115, 119, 123, 127, 131, 135, 354, 366, 374, 378, 382, 386, 390	4460738 669, 679	4460967.... 691, 693, 695, 697	4640999 561
4460428 459, 463	4460742 693, 695, 697	4460968.... 417, 419, 613, 615, 617, 621	4641022 87
4460434 703, 709	4460743 693, 695, 697	4460971 493, 498	4641122 37
4460458 ... 667, 669, 671, 675, 679, 695, 697	4460761 ... 459, 463, 703	4460979.... 667, 669, 679	4641264 93, 95
4460464 ... 145, 147, 467, 535, 649, 659, 667, 669, 679, 683, 685, 703, 709, 735, 737, 743	4460806 ... 627, 633, 703, 709	4461005..... 667	4641284 566, 570
4460465 ... 419, 535, 649, 651, 653, 655, 657, 659, 661, 667, 669, 671, 675, 676, 679, 685, 687, 689, 691, 693, 695, 697, 703, 707, 709, 737, 743	4460807 ... 362, 366, 370, 687, 689	4461006..... 667	4641390 539
4460466 ... 419, 483, 535, 649, 651, 653, 655, 657, 659, 661, 669, 671, 672, 675, 703, 707, 709, 729, 735, 737, 741	4460808 ... 362, 366, 370, 687, 689	4461008.... 667, 672, 676	4641436 417, 419
4460467 787	4460865 ... 651, 653, 655, 657, 659, 661	4461052..... 667	4711000 ... 156, 161, 269, 343, 374, 378, 382, 386, 390
4460470 99, 103, 107, 111, 115, 119, 123, 127, 131, 135, 459, 463	4460866 ... 651, 653, 655, 657, 703, 709	4461053..... 667	4711400 ... 55, 57, 63, 65, 99, 103, 107, 111, 115, 119, 123, 127, 131, 135, 143, 145, 147, 164, 168, 177, 179, 186, 190, 197, 204, 213, 217, 221, 223, 226, 232, 241, 245, 249, 251, 254, 260, 274, 278, 353, 357, 361, 365, 369, 373, 377, 385, 409, 411, 413, 419, 431, 433, 435, 437, 439, 445, 447, 449, 451, 485, 487, 489, 609, 613, 615, 617, 619, 621, 623, 625, 627, 629, 631, 633, 635, 637, 639
4460471 99, 103, 107, 111, 115, 119, 123, 127, 131, 135, 459, 463	4460868 703	4461054.... 667, 672, 683	4711500 ... 41, 93, 95, 97, 227, 233, 254, 260, 373, 377, 381, 385, 389, 407, 411, 413, 417, 419, 573
4460473 ... 651, 653, 655, 657, 659, 661	4460871 ... 667, 669, 679, 703, 709, 741, 743	4461060..... 667	471160055, 57, 164, 168, 179, 186, 190, 197, 213, 217, 227, 233, 241, 245, 254, 260, 269, 274, 278, 321, 343, 354, 357, 361, 365, 369, 374, 378, 385, 397, 407, 417, 419, 460, 464, 525, 527, 529, 531, 533
4460488 99, 103, 107, 111, 115, 119, 123, 127, 131, 135, 151, 153	4460872 703	4461070..... 649, 667	4711700 321, 343, 349
4460496 99, 103, 107, 111, 115, 119, 123, 127, 131, 135	4460873 703, 709	4461071..... 667, 671, 675	4711800 ... 197, 213, 217, 241, 245, 281, 283, 335, 337, 339, 353, 357, 373, 377, 381, 441, 443
4460497 99, 103, 107, 111, 115, 119, 123, 127, 131, 135	4460874 703, 709	4461072..... 667	
4460508 ... 483, 659, 703, 709	4460875 703, 709	4461073..... 667, 675	
	4460876 703	4461074..... 667	
	4460877 703	4461077 729, 735	
	4460878 703	4461095.... 649, 667, 675	
	4460879 535, 709	4461157.... 667, 669, 679	
	4460884 ... 419, 535, 671, 703, 737	4461196..... 711	
	4460887 ... 535, 667, 669, 679, 703, 709	4461198..... 615, 711	
	4460888 709	4461199..... 713, 715	
	4460891 ... 649, 667, 669, 676, 679, 683, 704, 739, 741, 743	4461200..... 715	
	4460892 707	4461201.... 621, 713, 715	
	4460894 ... 671, 675, 703, 707, 709	4461203..... 719	
	4460897 ... 145, 147, 667, 669, 676, 679, 683	4461205.... 717, 719, 721, 723	
	4460899 ... 669, 685, 729, 735, 737	4461206..... 723	
	4460905 703, 709	4461244.... 627, 717, 719	
	4460906 349	4461245.... 633, 721, 723	
	4460910 419, 731	4461246.... 639, 725, 727	
	4460911 704, 729	4461249..... 725, 727	
		4461250..... 727	
		4520256..... 39	
		4520287..... 35, 37	
		4520288..... 35	
		4520344..... 35	
		4520346..... 35	
		4520672..... 39	
		4530028.... 498, 501, 503, 505	
		4567123..... 91	
		4567241..... 409	
		4568119..... 87	

SECTION 11 - SPECIAL OPTIONS/ACCESSORIES/KITS

4712000.....491, 525, 527, 529, 531, 533	260, 323, 325, 331, 333, 341, 347, 390,	4891600 ... 156, 157, 160, 161, 164, 165, 168, 169, 181, 183, 201, 221, 223, 227, 233, 249, 251, 255, 261, 281, 283, 335, 337, 405	70000915.....193
4712200.....491	409, 498, 501, 503, 507	4891800 17, 19, 227, 233, 255, 261, 331, 333, 335, 337, 339, 343, 365, 369, 385, 523	70000916.....193
4740036.....49	4751700 ... 205, 227, 233, 254, 260	4892000 75	70000917.....193
4740057.....69	475180081, 87, 177, 179, 221, 223, 249, 251, 281, 283, 409, 441, 443, 515, 517, 519, 521	4892600001 405	70000918.....193
4740076....156, 160, 164, 168	4752000 ... 177, 179, 197, 213, 217, 241, 245, 274, 278	4921829 349, 699	70000919.....193
4740111.....21, 23	4760600 605, 607, 611	4921954 701	70000934.....55, 57
4740155.....23	4761400 99, 103, 107, 111, 115, 119, 123, 127, 131, 135, 141, 453	4922494 ... 651, 653, 655, 657, 661	70001002.....193
4740158.....17, 19	4761600.63, 65, 455, 457	4922641 ... 341, 344, 347, 354, 357, 361, 366, 375, 378, 382, 387, 391	70001100..373, 377, 385, 390
4740171....156, 160, 164, 168	4770600 335, 337, 339	4922666 459, 463	70001126.....193
4740229.....17, 19	479140063, 65, 186, 190, 353, 357, 365, 369, 373, 377, 385	4922811 657	70001248.....81
4740256.....21, 23	4811400 ... 535, 609, 613, 615, 617, 619, 621, 623, 625, 627, 629, 631, 633, 635, 637, 639	4922892 611	70001384..373, 377, 386, 390
4740274....186, 190, 323, 325	4811700 ... 151, 153, 197, 201, 205, 286, 292, 297, 349, 361, 381, 389, 433, 435, 437, 439, 449, 451, 493, 498	4922894 611	70001423.....193
4740362.....455, 457	4811702 41, 227, 233, 255, 261, 274, 278, 297	4922925 ... 374, 378, 381, 385, 390, 689	70001424.....495
4740393.....25	4811900 ... 205, 227, 233, 255, 261, 274, 278, 286, 292, 297, 327, 329, 405, 645, 647	4923379 186, 190	70001425.....495
4740397.....99, 103, 107, 111, 115, 119, 123, 127, 131, 135, 341, 347, 459, 463	4811902 ... 205, 227, 233, 256, 262, 286, 292, 297	4932990 785	70001427.....495
4740444.....99, 103, 107, 111, 115, 119, 123, 127, 131, 135	4812000 97, 197, 205, 227, 233, 256, 262, 275, 279, 286, 292, 297, 339, 349, 405, 645	4932993 785	70001428.....495
4740463.....21, 23	4812002 93, 205, 288, 294, 303	4933218 515, 519	70001429.....495
4740518.....99, 103, 107, 111, 115, 119, 123, 127, 131, 135	4812100 97, 197, 201, 205, 213, 217, 227, 233, 241, 245, 255, 261, 297, 405	5240800 333	70001430.....495
4750400....227, 233, 254, 260	4812200 ... 186, 190, 205, 227, 233, 255, 261, 323, 325, 327, 329, 331, 333	5241000 25, 286, 292	70001431.....495, 780
4750800.....51	4844817 401	5241200 ... 205, 286, 292, 327, 329, 349, 361, 381, 390, 405	70001432.....495, 782
4751000.....49, 149, 151, 153, 156, 157, 160, 161, 164, 165, 168, 169, 341, 347, 349, 354, 365, 373, 377, 381, 385, 389, 459, 463, 493, 498, 501, 503, 507	4844958 77	5250605 297	70001433.....495, 782
4751200.....399	4845163 335	5250810 ... 227, 233, 256, 262	70001435.....193
475140065, 99, 103, 107, 111, 115, 119, 123, 127, 131, 135, 141, 156, 160, 164, 168, 181, 183, 281, 283, 417, 419, 453, 455, 457, 459, 463, 498, 501, 503, 507, 515, 517, 519, 521, 573, 647, 747, 749, 751, 753, 755, 757, 759, 761, 763, 765	4845582 511, 513	5250812 204	70001498.....194
4751500..25, 63, 65, 156, 160, 164, 168, 177, 179, 227, 233, 254, 260, 341, 343, 347, 353, 365, 409, 511, 513, 515, 517, 519, 521, 523	4846295 49	5251008 405	70001696...373, 377, 389
4751600....25, 51, 81, 83, 85, 87, 91, 95, 156, 157, 160, 161, 164, 165, 168, 171, 177, 179, 186, 190, 197, 204, 213, 217, 227, 233, 241, 245, 254,	4846296 49	5251016 405	70001697.....403
	4846627 ... 498, 501, 503, 507	5260600 297	70001847.....193
	4846673 519, 521	5260800 206	70001850.....193
	4846935 23	5272010 288, 294	70001866.....194
	4871700 390	70000123 347	70001868.....194
	4891500 99, 103, 107, 111, 115, 119, 123, 127, 131, 135, 255, 261, 349	70000124 347	70001870... 193, 237, 265
		70000125 347	70001871.....193
		70000126 347, 780	70001872.....194
		70000127 347	70001953... 373, 377, 390
		70000342 403	70001966..353, 357, 361, 365, 369, 373, 377, 386, 389, 390
		70000345 .. 194, 239, 265	70001973..373, 377, 386, 390
		70000619 . 374, 378, 381, 385, 389	70001974..373, 377, 386, 389
		70000793 305	70002001.....409
		70000851 194	70002002.....409
		70000852 27	70002020.....29
		70000853 27	70002026.....29
		70000854 27	70002027.....29
		70000857 27	70002054.....29
		70000858 27	70002057.....29
		70000861 27	70002059.....29
		70000862 27	70002063.....33
		70000863 . 373, 377, 386, 389	70002064.....33, 415
		70000912 193	70002066.....72
		70000913 193	70002085.....72
		70000914 193	70002088...373, 377, 389
			7000213.....72
			70002133.....27
			70002134.....309, 313
			70002146.....309, 313
			70002147.....309, 313
			70002148.....309, 313
			70002149.....309, 313
			70002150.....309, 313
			70002151.....309, 313
			70002153.....309, 313
			70002154.....309, 313
			70002156.....309, 313
			70002157.....309, 313

SECTION 11 - SPECIAL OPTIONS/ACCESSORIES/KITS

7000217 72	70004037 72	70004508.....209, 265	70004763..... 471
70002176 27, 308, 312	70004040 72	70004509.....265	70004764..... 471
70002201 29	70004041 72	70004510.....265	70004765..... 471
70002209 55, 57	70004042 72	70004513.....237	70004766..... 471
70002234 194	70004043 72	70004594.....59	70004767..... 471
7000228 72	70004044 72	70004595.....59, 780	70004768..... 471
7000229 72	70004045 72	70004596.....59	70004769..... 471
70002290 373, 377	70004047 72	70004597.....59	70004770..... 471
70002291 386	70004052 59	70004617.....59	70004771..... 471
70002297 . 373, 377, 386, 389	70004056 194	70004652.....59	70004772..... 471
7000230 72	70004058 194	70004653.....59, 780	70004773..... 471
70002386 415, 780	70004059 194	70004654.....59	70004774..... 472
70002410 541, 555	70004060 194	70004655.....59	70004775..... 472
7000246 72	70004092 . 353, 357, 361, 365, 369, 386	70004656.....59	70004862..... 89, 780
70002460 . 373, 377, 386, 389	70004094 386	70004657.....59	70005008 . 205, 287, 293, 780, 781
7000247 72	70004098 .. 353, 366, 386	70004659.....59	70005145..... 555
7000248 72	70004099 . 361, 365, 369, 386	70004660.....59, 780	70005146..... 555
7000253 72	70004103 194	70004661.....59	70005171 237, 265
7000255 72	70004149 87	70004662.....59	70005172 237, 265
7000257 72	70004151 415	70004663.....59	70005173 237, 265
70002715 87	70004169 . 373, 377, 389, 390	70004664.....59	70005174 237
70002716 87	70004171 . 353, 357, 373, 377, 390	70004665.....59	70005176 238, 265
70002718 193, 237	70004186 .. 545, 547, 549	70004666.....59	70005177 238, 265
70002745 557	70004201 27	70004667.....59	70005180 238
70002752 557	70004202 27	70004668.....59	70005181 238
70002753 557	70004203 27	70004676.. 353, 357, 361, 365, 369	70005182 238
70002754 557	70004204 27	70004677.....357	70005183 238
70002755 557	70004205 27	70004678.. 353, 357, 361, 366, 369	70005184.. 209, 238, 266
70002756 557	70004207 27	70004679.. 353, 357, 361, 366, 369	70005185 238
70002757 557	70004237 541, 555	70004680.. 353, 357, 361, 366, 369	70005186 238
70002758 59	70004268 193	70004681... 357, 361, 369	70005188 238
70002759 60	70004269 193	70004682.. 353, 357, 361, 366, 369	70005189 238
70002902 467	70004270 194	70004683... 357, 361, 369	70005191 239, 266
70002903 467	70004271 194	70004684..... 353	70005201 59
70002904 467	70004272 194	70004685..... 353, 366	70005202 59
70002905 467	70004273 194	70004686..... 361, 369	70005203 72
70003003 193	70004275 237	70004687..... 366	70005232 60
70003019 59	70004276 266	70004738..... 469	70005298 29
70003136 193	70004277 210, 266	70004739..... 469	70005299 29
70003408 33	70004279 265	70004740..... 469	70005300 29
70003454 81	70004280 237	70004741..... 469	70005301 29
70003456 193	70004281 237	70004742..... 469	70005302 29
70003457 193	70004282 238	70004743..... 469	70005303 29
70003468 193	70004283 238	70004744..... 469	70005304 29
70003469 193	70004284 238	70004745..... 469	70005305 29
70003470 193	70004353 29	70004746..... 469	70005306 29
70003472 193	70004355 29	70004747..... 469	70005307 29
70003473 193	70004356 29	70004748..... 469	70005308 29
70003475 193	70004361 29	70004749..... 469	70005309 29
70003478 193	70004363 29	70004750..... 469	70005311 29
70003525 59	70004365 29	70004751..... 469	70005312 29
70003628 27	70004367 29	70004752..... 471	70005313 29
70003631 . 373, 377, 386, 389	70004369 29	70004753..... 471	70005314 29
70003708 . 353, 357, 361, 365, 369, 373, 377, 386, 390	70004370 29	70004754..... 471	70005315 29
70003709 . 353, 357, 361, 365, 369, 373, 377, 386, 390	70004447 29	70004755..... 471	70005316 29
70003783 .. 186, 190, 780	70004459 59	70004756..... 471	70005317 29
70003784 459, 463	70004460 59, 780	70004757..... 471	70005318 29
70003932 194	70004461 59	70004758..... 471	70005319 29
70003952 . 197, 213, 218, 241, 246	70004463 59, 780	70004759..... 471	70005320 30
	70004504 239, 266	70004760..... 471	70005321 30
	70004505 265	70004761..... 471	70005446 239
	70004506 265	70004762..... 471	70005466 308, 312
	70004507 265		70005467 308, 312
			70005468 308, 312
			70005469 . 308, 309, 312, 313

SECTION 11 - SPECIAL OPTIONS/ACCESSORIES/KITS

70005470.....	309, 313	70006194.....	299	70007454.....	551	70025140.....	237, 265
70005471.....	309, 313	70006195.....	299	70007455.....	551	70025142... 209, 238, 266	
70005472.....	309, 313	70006196.....	300	70007460.....	553	70025144.....	237, 265
70005473.....	309, 313	70006197.....	300	70007461.....	553	70025145.....	237, 265
70005474.....	309, 313	70006198.....	300	70007462.....	553	70025146.....	237, 265
70005475.....	309, 313	70006199.....	300	70007463.....	553	70025148.....	238
70005476.....	309, 313	70006200.....	300	70007464.....	553	70025149.....	238
70005479.....	193	70006202.....	300	70007465.....	553	70025150.....	238
70005527.....	266	70006203.....	300	70007466.....	407	70025151.....	237, 266
70005647.....	266	70006205.....	300	70007467.....	407	70025152.....	265
70005648... 209, 266, 781		70006206.....	300	70007489.....	266	70025153... 209, 265, 781	
70005920.....	265	70006207.....	300	70007603.....	209	70025154.....	237, 265
70005929.....	266	70006208.....	300	70007677.....	55, 57	70025159.....	238
70005931.....	209, 266	70006213.....	300, 781	70009018.....	274, 279	70025160.....	209, 237
70005941.....	209, 265	70006215.....	300	70009019.....	274, 279	70025161... 209, 266, 781	
70005942.....	209, 265	70006217.....	300	70022564.. 541, 551, 555		70025164.....	238, 265
70006093.....	386	70006219.....	300	70023369.. 541, 551, 555		70025165.....	238
70006094.....	386	70006221.....	300	70023370.....	549	70025166.....	239
70006095.....	386	70006225.....	300	70023371.....	549	70025171.....	237
70006096.....	386	70006232.....	300	70023592.. 205, 227, 233,		70025176.....	237
70006097.....	386	70006233.....	299	255, 261, 780, 781		70025177.....	238
70006134.....	297	70006235.....	300	70023593.. 205, 227, 233,		70025179.....	238
70006135.....	297	70006236.....	300	255, 261, 780, 781		70025180.....	238
70006136.....	297	70006294.....	266	70023859.....	59	70025181.....	209, 265
70006144.....	209, 265	70006304.....	72	70023862.....	59	70025182.....	237, 266
70006145.....	299	70006482.....	559, 561	70023867.....	59	70025183.....	237, 266
70006147.....	299	70006483.....	559, 561	70024457.....	59	70025184.....	237, 266
70006150.....	299	70006484.....	561	70024473.....	238	70025185.....	237
70006151.....	299	70006486.....	543	70024494.....	265	70025189.....	239
70006152.....	299	70006487.....	543	70024502.....	237	70025191.....	238
70006153.....	299	70006488.....	543	70024503.....	239	70025192.....	239
70006154.....	299	70006489.....	543	70024504.. 209, 237, 239		70025195.....	237
70006155.....	299, 781	70006552.. 353, 357, 361,		70024507.. 209, 239, 266		70025198.....	237
70006157.....	299	365, 369		70024509.....	266	70025200.....	238, 266
70006158.....	299	70006553.. 353, 357, 361,		70024512.....	239	70025201.....	238
70006159.....	299	365, 369, 781		70024513.. 209, 237, 265		70025205.....	265
70006160.....	299	70006649.. 545, 547, 549		70024517.....	265	70025209.....	239
70006161.....	299	70006650.. 545, 547, 549		70024904.....	237, 265	70025210... 238, 266, 781	
70006162.....	299	70006652.....	209, 266	70024905.....	237, 265	70025211.....	239
70006163.....	299	70006653.....	266	70024906.....	237, 265	70025212.....	266
70006164.....	299	70006654.....	559	70024910.....	238	70025213.....	239
70006165.....	299	70006655.....	559	70024912.....	238, 266	70025214.....	239
70006166.....	299	70006734.. 545, 547, 549		70024913.....	238	70025215.....	238
70006167.....	299	70006735.. 545, 547, 549		70024914.....	238	70025216.....	238
70006168.....	299	70006736.. 545, 547, 549		70024915.....	238, 266	70025217.....	239
70006169.....	299	7000695.....	193	70024917.....	239, 266	70025218.....	239
70006170.....	299	70007051.....	551	70024918.....	239	70025219.....	239
70006171.....	299, 781	70007052.....	551	70024920.. 237, 239, 266		70025220.....	239
70006172.....	299, 781	70007108.....	300	70024922.....	209, 266	70025221.....	238, 239
70006173.....	299	70007156.....	555	70024924.....	209, 265	70025222.....	239
70006174.....	299	70007157.....	541, 555	70024925.....	237, 265	70025223.....	239
70006175.....	299, 781	70007158.....	555	70024961.. 209, 237, 265		70025224.....	239
70006176.....	299, 781	70007159.....	541	70025076.....	237	70025225.....	239
70006177.....	299	70007160.....	541	70025082.....	237	70025226.....	238
70006178.....	299	70007161.....	541, 555	70025084.....	193, 238	70025228.....	238
70006179.....	299	70007168.....	541	70025088.....	237	70025231.....	238, 265
70006180.....	299	70007169.....	541	70025091.....	237	70025233.....	238
70006181.....	299	70007325.....	266	70025101.....	237	70025235.....	237, 266
70006182.....	299	70007326.....	265	70025109.....	238	70025236.....	239
70006183.....	299	70007331.....	266	70025111.....	238, 265	70025237.....	239
70006184.....	299	70007354.....	265	70025113.....	239	70025238.....	239
70006185.....	299	70007355.....	266	70025115.....	238	70025239.....	237, 265
70006186.....	299	70007438.....	27	70025120.....	239, 266	70025240.....	237
70006187.....	299	70007446.....	415	70025130.....	209	70025241.....	239
70006188.....	299	70007451.....	551	70025131.....	238	70025242.....	239, 266
70006189.....	299	70007452.....	551	70025133.....	238	70025477.....	210
70006191.....	299	70007453.....	551	70025135.....	237, 265	70025660.....	239

SECTION 11 - SPECIAL OPTIONS/ACCESSORIES/KITS

70025779	238	7010116	308, 312	7017402.....	415	7022397	33
70025781	238	7010117	309, 313	7017452.....	415	7022399	33
70025788	266	7010119	309, 313	7017496.....	55, 57, 539	7023911	415
70025877	239	7010121	308, 312	7018942.....	59	7023917	33
70026210	209, 266	70104570	239	7019658.....	83, 85	7023933	33
7002821	787	7010492	72	7019680.....	341, 343, 349	7023935	33
7002822	787	7010543	55, 57	7020020.....	55, 57	7023936	33
7002823	787	7011043	67	7020021.....	55, 57	7023979	309, 313
7002826	787	7011044	67	7020108.....	341, 343, 347, 349	7024100	72
7002840	787	7011048	67	7020109.....	341, 343, 347, 349	7024404	81
70028538	266	7011062	67	7020110.....	341, 343, 347, 349	7024439	89
70028540	266	7011063	67	7020111.....	341, 343, 347, 349	7024440	89
70029433	266	7011064	67	7020175.....	99, 103, 107, 111, 115, 119, 123, 127, 131, 135, 459, 463	7024441	89
70029451	265	7011065	67	7020176.....	99, 103, 107, 111, 115, 119, 123, 127, 131, 135, 459, 463	7024443	89
70029512	209	7011066	67	7020190.....	341, 343, 347, 349	7024444	89, 780
70029517	266	70123584	209	7020192.....	347	7024445	89
70029520	266	70124507	209	7020403.....	193	7024446	89
70029797	266	70124530	239	7020404.....	237	7024462	505
70031095	265	70124538	239	7020408.....	193	7024463	505
7004248	67	7012513 ...	341, 343, 347, 349	7020431.....	193	7024467	505
7004275	787	7012514 ...	341, 343, 347, 349	7020460.....	193	7024469	505
7004276	787	7012518	55, 57	7020465.....	193, 209, 237, 265	7024470	505
7004290	67	7012558 ...	341, 343, 349	7020468.....	193	7024471	495, 505
70050795	551	7012773	59	7020471.....	194	7024472	505
7007207	308, 312	7012914	415	7020479.....	194	7024473	505
7007208	308, 312	7012918	415	7020487.....	193	7024474	505
7007412	309, 313	7012941	55, 57	7020492.....	238	7024475	505
7007413	308, 312	7012943	55, 57, 780	7021200.....	308, 312	7024478	505
7007415	308, 312	7012944	55, 57, 780	7021201.....	309, 313	7024485 ...	373, 377, 389, 780
7007417	308, 312	7012953 ...	411, 413, 415	7021202.....	308, 312	7024488 ...	374, 378, 381, 385, 389
7007418	308, 312	7012959	55, 57	7021203.....	309, 313	7024489 ...	374, 378, 381, 385, 389
7007419	27, 308, 312	7012965	415	7021206.....	309, 313	7024530	495
7007420	27, 308, 309, 312, 313	7012967	415	7021207.....	308, 312	7024531	495
7007422	309, 313	7012970	411, 413	7021210.....	308, 312	7024532	495
7007423	308, 312	7012987	315	7021212.....	308, 312	7024533	495
7007425	308, 312	7012988	315	7021214.....	308, 312	7024534	495
7007430	309, 313	7012989	415	7021219.....	309, 313	7024535	495
7007431	309, 313	7012995	55, 57	7021220.....	309, 313	7024536	495
7007434	309, 313	7012998	415	7021221.....	309, 313	7024537	495
7007435	308, 312	7014676	787	7021222.....	309, 313	7024579 ...	193, 237, 265
7007438	308, 312	7016314	83, 85	7021223.....	309, 313	7024598 ...	335, 337, 339
7007439	27, 308, 312	7016319	149	7021232.....	309, 313	7024704	72
7007441	309, 313	7016322 ...	335, 337, 339	7021233.....	308, 312	7024762	72
7007442	308, 312	7016328	193, 780	7021249.....	27	7024763	72
7007443	308, 312	7016331 ...	193, 209, 237, 265, 780, 781	7021256.....	308, 309, 312, 313	7024784	72
7007444	309, 313	7016372	149	7021275.....	27	7024851	309, 313
7007446	27, 308, 312	7016374 ...	335, 337, 339	7021375.....	59	7024867	27
7007448	308, 312	7016652	787	7021625.....	33	7024868	27
7007450	309, 313	7016654	787	7021639.....	573	7024874	308, 312
7007453	309, 313	7016655	787	7021653.....	415	7024875	308, 312
7007457	308, 312	7017023	72	7022162.....	299	7024877	309, 313
7007459	308, 312	7017028	72	7022311.....	27	7024881	573
7007463	308, 312	7017070	72	7022314.....	27	7024892	33
7007464	308, 312	7017072	72	7022321.....	27	7026188 ...	373, 377, 389
7007465	308, 312	7017080	72	7022368.....	27	7026197	81
7007476	309, 313	7017085	72	7022371.....	27	7026199 ...	341, 343, 349
7007477	309, 313	7017142	403			7026503	81
7007484	309, 313	7017159	403			7026504	81
7007485	309, 313	7017162	403			7026505	81
7007487	309, 313	7017163	403			7026506	81
7007488	309, 313	7017164	403			7026507	81
7007489	315	7017172	403			7026509	81
7007633	72	7017192	403			7026597 ...	373, 377, 386, 389
7010103	315	7017195	403				
7010104	315						
7010105	315						

SECTION 11 - SPECIAL OPTIONS/ACCESSORIES/KITS

7026626....373, 377, 386, 389	7027791 194	8270147 ... 197, 213, 218, 241, 245, 274, 279	8406302.....97
7026631.....193	7027792 194	8305401 286, 292	8410001.....287, 293
7027072.... 197, 213, 218, 241, 245, 274, 279	7027795 193, 780	8307109 286, 292	8410009.....288, 294
7027073.... 197, 213, 218, 241, 245, 274, 279	7027796 194	8310129 491	8410011.... 205, 228, 234, 255, 261, 287, 293
7027074.... 197, 213, 218, 241, 246	7027799 ... 373, 377, 386, 389	8310548 286, 292	8410013.... 205, 227, 233, 255, 261
7027075.... 197, 213, 218, 241, 246, 274, 279	7027887 ... 341, 343, 347, 349	8405006 ... 197, 213, 217, 241, 245, 269, 286, 292	85941017..... 177, 179
7027076.... 198, 214, 218, 241, 246	7028909 151, 153	8405007 ... 205, 227, 233, 255, 261	85941018..... 274, 278
7027236..... 193	77143013... 99, 103, 107, 111, 115, 119, 123, 127, 131, 135	8405009 ... 205, 227, 233, 255, 261, 286, 292	8760268..... 577, 583, 589
7027276..... 194	77363233 687, 689	8405102 286, 292	88261024..... 411, 413
7027404..... 300	80233041 .. 576, 582, 588	8405104 ... 205, 227, 233, 255, 261, 287, 293	88411013..... 65, 647
7027740..... 27	80434249 59, 780	8405203 287, 293	88521205..... 63, 65, 177, 179
7027773..... 505	80484084 671, 675	8405204 ... 205, 227, 233, 255, 261	88521214.. 525, 527, 529, 531, 533
7027774..... 505	8093191 781	8406101 274, 278	8896941..... 787
7027775..... 505	80934561 81	8406109 287, 293	91143177... 577, 583, 589
7027776..... 505	80983191 . 672, 675, 780, 781	8406110 ... 205, 227, 233, 255, 261	91164079..... 415
7027777..... 505	8220051 683	8406201 63, 197, 205, 213, 217, 227, 233, 241, 245, 255, 261, 288, 294	91203039..... 405
7027778..... 505	8220115 675		91401281..... 63, 177, 179
7027779..... 505	8220164 671		91403102.. 227, 233, 255, 261, 780, 781
7027780..... 505	8229242 ... 672, 675, 703, 780, 781		91403244... 205, 255, 261
7027790..... 194	8229249 535, 709, 781		



**Corporate Office
JLG Industries, Inc.
1 JLG Drive
McConnellsburg, PA 17233-9533 USA
☎ (717) 485-5161 (Corporate)
☎ (877) 554-5438 (Customer Support)
📠 (717) 485-6417**

**Visit our website for JLG Worldwide Locations.
www.jlg.com**



OSHKOSH™