



# Illustrated Parts Manual

## *Model* **260MRT**

SN 0200000100 to 0200269760

**3121109**

November 11, 2019 - Rev AR

**ANSI**





## REVISION LOG

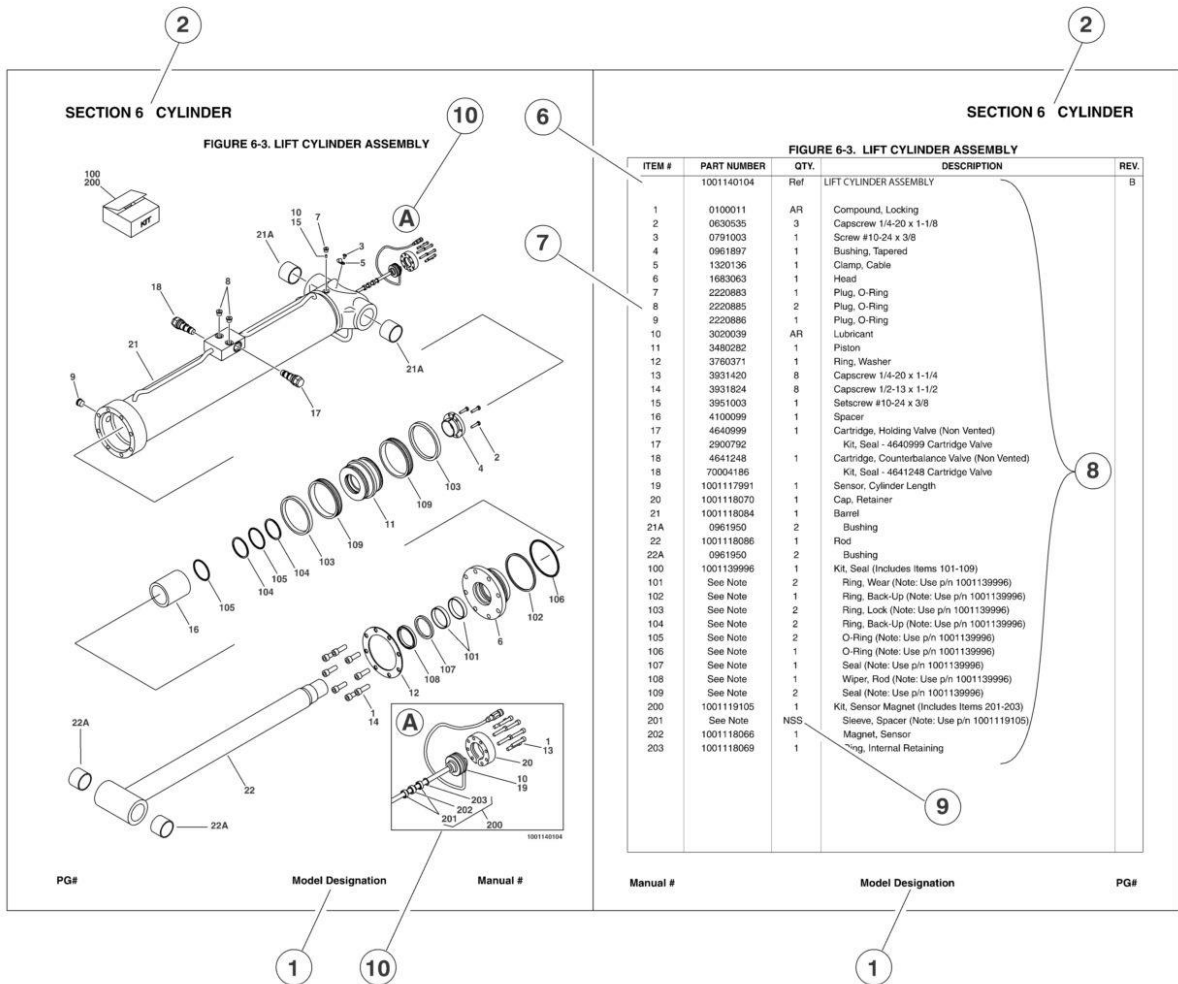
March 27, 2000 - A - Original Issue Of Manual (Edited to Rev. 5)  
July 5, 2000 - B - Updated Pages 1-2, 1-3, 6-2, 6-3 & 6-4  
September 5, 2000 - C - Revised Manual (Revised to B/M 0010567 Revision 9)  
February 1, 2001 - D - Revised Manual (Revised to B/M 0010567 Revision 14)  
February 1, 2002 - E - Revised Manual (Revised to B/M 0010567 Revision 16)  
July 15, 2002 - F - Revised Manual (Revised to B/M 0010567 Revision 21)  
February 11, 2003 - G - Revised Manual (Revised to B/M 0010567 Revision 22)  
May 1, 2003 - H - Revised Manual (Revised to B/M 0010567 Revision 26)  
August 15, 2003 - I - Revised Manual (Revised to B/M 0010567 Revision 28)  
March 4, 2004 - J - Revised Manual (Revised to B/M 0010567 Revision 30)  
August 15, 2004 - K - Revised Manual (Revised to B/M 0010567 Revision 31)  
February 7, 2005 - L - Revised Manual (Revised to B/M 0010567 Revision 37)  
February 27, 2006 - M - Revised Manual (Revised to B/M 0010567 Revision 45)  
July 15, 2006 - N - Revised Manual (Revised to B/M 0010567 Revision 45)  
December 18, 2006 - O - Revised Manual (Revised to B/M 0010567 Revision 45)  
April 15, 2007 - P - Revised Manual (Revised to B/M 0010567 Revision 45)  
November 1, 2007 - Q - Revised Manual (Revised to B/M 0010567 Revision 45)  
May 31, 2008 - R - Revised Manual (Revised to B/M 0010567 Revision 53)  
June 1, 2009 - S - Revised Manual (Revised to B/M 0010567 Revision 55)  
December 31, 2010 - T - Revised Manual (Revised to B/M 0010567 Revision 55)  
April 26, 2011 - U - Revised Manual (Revised to B/M 0010567 Revision 60)  
July 21, 2011 - V - Revised Manual (Revised to B/M 0010567 Revision 60)  
October 5, 2011 - W - Revised Manual (Revised to B/M 0010567 Revision 60)  
February 2, 2012 - X - Revised Manual (Revised to B/M 0010567 Revision 60)  
June 26, 2012 - Y - Revised Manual (Revised to B/M 0010567 Revision 60)  
September 6, 2012 - Z - Revised Manual (Revised to B/M 0010567 Revision D)  
January 18, 2013 - AA- Revised Manual (Revised to B/M 0010567 Revision D)  
April 16, 2013 - AB - Revised Manual (Revised to B/M 0010567 Revision E)

## **REVISION LOG**

**July 15, 2013 - AC - Revised Manual (Revised to B/M 0010567 Revision E)**  
**October 10, 2013 - AD - Revised Manual (Revised to B/M 0010567 Revision E)**  
**December 30, 2014 - AE - Revised Manual (Revised to B/M 0010567 Revision E)**  
**January 30, 2016 - AF - Revised Manual (Revised to B/M 0010567 Revision N)**  
**April 25, 2016 - AG - Revised Manual (Revised to B/M 0010567 Revision N)**  
**July 25, 2016 - AH - Revised Manual (Revised to B/M 0010567 Revision P)**  
**October 24, 2016 - AI - Revised Manual (Revised to B/M 0010567 Revision Q)**  
**February 3, 2017- AJ - Revised Manual (Revised to B/M 0010567 Revision Q)**  
**May 5, 2017 - AK - Revised Manual (Revised to B/M 0010567 Revision Q)**  
**July 15, 2017 - AL - Revised Manual (Revised to B/M 0010567 Revision R)**  
**October 18, 2017 - AM - Revised Manual (Revised to B/M 0010567 Revision R)**  
**January 22, 2018 - AN - Revised Manual (Revised to B/M 0010567 Revision S)**  
**April 12, 2018 - AO - Revised Manual (Revised to B/M 0010567 Revision S)**  
**July 31, 2018 - AP - Revised Manual (Revised to B/M 0010567 Revision T)**  
**October 31, 2018 - AQ - Revised Manual (Revised to B/M 0010567 Revision AA) (Revision 2)**  
**November 11, 2019 - AR - Revised Manual (Revised to B/M 0010567 Revision AA)**



# GENERAL INFORMATION



## 1) MACHINE IDENTIFICATION

Machines are identified by model and in some cases a combination of models, serial number (SN) or regional standard (i.e ANSI, CE, CSA). Components may also be identified by SN or manufacturer. Common components that may be identified by these characteristics are engines and hydraulic components.

## 2) PARTS MANUAL ORGANIZATION

Product information in this manual is organized under section titles. Frame, Cylinder, Hydraulic and Electrical are a few examples. Each section is organized by figure and page number. The information within the Figure is then organized by item number, part number, description and corresponding illustration (s).

## 3) TABLE OF CONTENTS

A table of contents is found toward the beginning of the manual. Figure number, description and page number are provided for quick reference to the page containing the related information.

## 4) RECOMMENDED SPARE PARTS

The Recommended Spare Parts, located near the end of the manual, reference most frequently used maintenance parts.

## 5) PART NUMBER INDEX

A numerical index listing all part numbers and the corresponding page number(s) appears at the back of the manual.

## GENERAL INFORMATION

### 6) NON-SERVICED PARTS

In some instances, it is necessary to display non-serviced parts, assemblies or installations. In the case of assemblies and installations there will be a Ref in the Qty column. In case of parts that are not available for service within assemblies or components, there will be a NSS (Not Sold Separately) or NLA (No Longer Available) listed in the Qty. column of the manual.

### 7) PARTS LIST ITEM NUMBERS

Numbers shown in the item# column correspond to numbers used in the associated illustration (s). Item numbers which are missing from the sequence in the parts list are not used on that page

### 8) INDENTED PARTS DESCRIPTION

An indented part description is included in the item under which it is indented.

### 9) ABB REVIATION AND SYMBOLS

AC.....	.. Alternating Current	LCD .....	.. Liquid Crystal Display
ADE. ....	..Advanced Design Electronics	LED .....	.. Light Emitting Diodes
ANSI .....	..American National Standards Institute	LH... .....	.. Left Hand
AR. ....	..As Required	LSS .....	..Load Sensing System
ASSY .....	.. Assembly	M(m)...	.. Metric/Meter
AUX... .....	..Auxiliary	MM (mm) .....	..Milimeter
AWG.....	..American WireGauge	mA.....	.. Milliamps
B/M.....	.. Bill of Material	NLA.....	..No Longer Available
CE.. .....	..European Conformity	NPT .....	.. National Pipe T threads
CCW .....	..Counter Clockwise	NSS .....	..Not Sold Separately
cm.....	.. Centimeter	OD.....	..Outside Diameter
CW .....	..Clockwise	OR B.....	.. O-Ring Bos s
CSA. ....	..Canadian Standards Association	OR F S.....	.. O-Ring Face Seal
CYL... .....	..Cylinder	OZ (oz). .....	..Ounces
DIA. ....	..Diameter	PG .....	..Page
DC .....	..Direct Current	P/N.....	..Part Number
EMS .....	.. Emergency Stop	qt.....	..Quarts
ENG .....	..Engine	QTY.....	..Quantity
FT (ft).....	.. Feet	REF .....	..Reference
GA(Ga).. .....	..Gauge	REV .....	..Revision Level
HYD .....	..Hydraulic	RH... .....	.. Right Hand
Hz. ....	.. Hertz	SAE.....	.. Society of Automotive Engineers
ID.....	..Inside Diameter	SN. ....	..Serial Number
in.....	.. inches	SPEC(S).....	..Specifications
ISO .....	..International Organization for Standards	T/T.....	..Turntable
JIC.....	..Joint Industry Council	UGM .....	..Universal Ground Module
KG .....	..Kilogram	V.....	.. Volts
L.....	..Liter	W.....	.. Watts
LB .....	..Pounds	#.....	.. Number

### 10) ILLUSTRATION REFERENCE LETTERS

When necessary, illustrations may contain reference letters that are intended to track information (i. e. hoses, harnesses) from one point to another or to track visual enlargement of components to show details that may be located in another area on the illustration.

*Note: Due to continuous product improvements, JLG Industries, Inc. reserves the right to make specification changes without prior notification. Contact JLG Industries, Inc. for updated information.*

# TABLE OF CONTENTS

SECTION 1 - FRAME.....	9
FIGURE 1-1. FRAME AND STEERING INSTALLATION .....	10
FIGURE 1-2. MOTOR/BRAKE/HUB ASSEMBLY (REAR) (Prior to SN 0200078291, SN 0200104784 through 0200268449) .....	14
FIGURE 1-3. MOTOR/BRAKE/HUB ASSEMBLY (REAR) (SN 0200078291 through 0200104783) .....	18
FIGURE 1-4. MOTOR/BRAKE/HUB ASSEMBLY (REAR) (SN 0200268450 through 0200269760) .....	20
FIGURE 1-5. MOTOR/HUB ASSEMBLY (FRONT) (Prior to SN 0200078291, SN 0200112814 through 0200268449) .....	22
FIGURE 1-6. MOTOR/HUB ASSEMBLY (FRONT) (SN 0200078291 through 0200112813) .....	24
FIGURE 1-7. DRIVE MOTOR ASSEMBLY - OPERATORS POSITION RH SIDE - 4WD FRONT (SN 0200268450 through 0200269760) .....	26
FIGURE 1-8. FRAME MOUNTED COMPONENTS INSTALLATION .....	28
FIGURE 1-9. LEVELING JACKS INSTALLATION (Prior to SN 0200141689) .....	32
FIGURE 1-10. LEVELING JACKS AUTO LEVEL INSTALLATION (SN 0200141689 through 0200244750) .....	36
FIGURE 1-11. LEVELING JACKS AUTO LEVEL INSTALLATION (SN 0200244751 through 0200269760) .....	40
SECTION 2 - GROUND CONTROLS .....	43
FIGURE 2-1. CONTROL VALVES AND TANK INSTALLATION .....	44
FIGURE 2-2. MAIN VALVE ASSEMBLY .....	48
FIGURE 2-3. FLOW DIVIDER ASSEMBLY .....	50
FIGURE 2-4. KUBOTA ENGINE INSTALLATION (DUAL FUEL) (Prior to SN 0200212108) .....	52
FIGURE 2-5. KUBOTA ENGINE INSTALLATION (DUAL FUEL) (SN 0200212108 through 0200269760) .....	56
FIGURE 2-6. KUBOTA ENGINE INSTALLATION (DIESEL) .....	60
FIGURE 2-7. ENGINE COMPONENTS - KUBOTA DIESEL (SN 0200222874 through 0200268449) .....	66
FIGURE 2-8. ENGINE COMPONENTS - KUBOTA DIESEL (SN 0200268450 through 0200269760) .....	70
FIGURE 2-9. VARIABLE DISPLACEMENT PUMP ASSEMBLY (Prior to SN 0200117591) .....	74
FIGURE 2-10. VARIABLE DISPLACEMENT PUMP ASSEMBLY (SN 0200117591 through 0200269760) .....	78
FIGURE 2-11. GEAR PUMP ASSEMBLY (Prior to SN 0200111922) .....	82
FIGURE 2-12. GEAR PUMP ASSEMBLY (SN 0200111922 through 0200269760) .....	84
FIGURE 2-13. GROUND CONTROLS INSTALLATION .....	86
FIGURE 2-14. HOODS INSTALLATION .....	90
FIGURE 2-15. GENERATOR INSTALLATION .....	94
SECTION 3 - SCISSOR ARMS.....	97
FIGURE 3-1. SCISSOR ARMS INSTALLATION .....	98
SECTION 4 - PLATFORM.....	101
FIGURE 4-1. PLATFORM COMPONENTS INSTALLATION .....	102
FIGURE 4-2. PLATFORM ATTACH INSTALLATION - WITH LSS.....	106
FIGURE 4-3. HANDRAIL INSTALLATION (DRYWALL DROP GATE) .....	108
FIGURE 4-4. HANDRAIL INSTALLATION (SWING GATE) .....	112
FIGURE 4-5. CONSOLE BOX ASSEMBLY.....	116
FIGURE 4-6. DRIVE/STEER P/Q CONTROLLER ASSEMBLY (Prior to SN 0200142023).....	120
FIGURE 4-7. DRIVE/STEER J.R. MERRITT CONTROLLER ASSEMBLY (SN 0200142023 through 0200269760) .....	122
FIGURE 4-8. PLATFORM RAIL PADDING/DECK BUMPERS INSTALLATION .....	124
SECTION 5 - CYLINDER.....	127
FIGURE 5-1. LEVELING JACKS CYLINDER ASSEMBLY (Prior to SN 0200105371) .....	128
FIGURE 5-2. LEVELING JACKS CYLINDER ASSEMBLY (SN 0200105371 through 0200141688) .....	130
FIGURE 5-3. LEVELING JACKS CYLINDER ASSEMBLY (AUTO LEVEL) (SN 0200141689 through 0200269760) .....	132
FIGURE 5-4. LIFT CYLINDER COMPONENTS ASSEMBLY .....	134
FIGURE 5-5. STEER CYLINDER ASSEMBLY .....	136
SECTION 6 - HYDRAULIC .....	139
FIGURE 6-1. DRIVE HYDRAULIC DIAGRAM (STANDARD) (Prior to SN 0200141689) .....	140
FIGURE 6-2. DRIVE HYDRAULIC DIAGRAM (STANDARD) (SN 0200141689 through 0200269760).....	144
FIGURE 6-3. DRIVE HYDRAULIC DIAGRAM (LEVELING JACKS) (Prior to SN 0200141689).....	148
FIGURE 6-4. DRIVE HYDRAULIC DIAGRAM (AUTO LEVEL LEVELING JACKS) (SN 0200141689 through 0200269760) .....	150
FIGURE 6-5. HYDRAULIC DIAGRAM (OPTIONAL GENERATOR).....	152
FIGURE 6-6. HYDRAULIC DIAGRAM LIST .....	154
SECTION 7 - ELECTRICAL .....	155

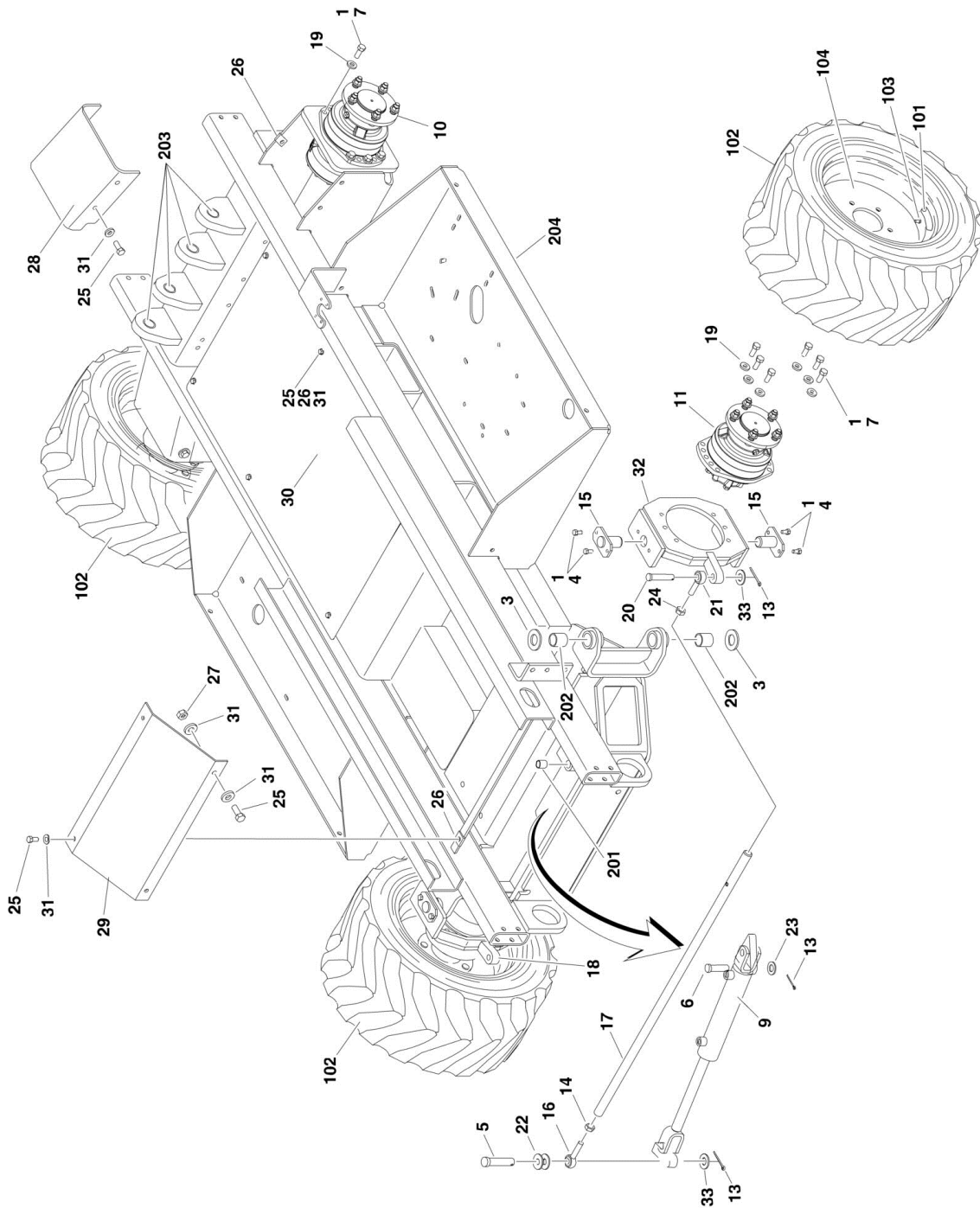
# TABLE OF CONTENTS

FIGURE 7-1. ELECTRICAL SCHEMATIC (WITHOUT GENERATOR) (Prior to SN 0200141689) .....	156
FIGURE 7-2. ELECTRICAL SCHEMATIC (WITHOUT GENERATOR) (SN 0200141689 through 0200200646).....	158
FIGURE 7-3. ELECTRICAL SCHEMATIC (WITHOUT GENERATOR) (SN 0200200647 through 0200269760).....	162
FIGURE 7-4. ELECTRICAL SCHEMATIC (WITH GENERATOR) (Prior to SN 0200141689).....	166
FIGURE 7-5. ELECTRICAL SCHEMATIC (WITH GENERATOR) (SN 0200141689 through 0200200646) .....	168
FIGURE 7-6. ELECTRICAL SCHEMATIC (WITH GENERATOR) (SN 0200200647 through 0200269760) .....	172
FIGURE 7-7. ELECTRICAL COMPONENTS INSTALLATION (Prior to SN 0200141689).....	176
FIGURE 7-8. ELECTRICAL COMPONENTS INSTALLATION (SN 0200141689 through 0200269760) .....	182
SECTION 8 - DECALS .....	189
FIGURE 8-1. DECAL INSTALLATION (ANSI SPEC).....	190
FIGURE 8-2. DECAL INSTALLATION (ANSI EXPORT SPEC) .....	194
SECTION 9 - RECOMMENDED SERVICE PARTS STOCK .....	197
FIGURE 9-1. MODEL 260MRT STANDARD PARTS.....	198
FIGURE 9-2. MODEL 260MRT VARIABLE PARTS.....	200
SECTION 10 - SPECIAL OPTIONS .....	201
FIGURE 10-1. SPECIAL OPTIONS .....	202
PART NUMBER INDEX.....	205

**SECTION 1 - FRAME**

# SECTION 1 - FRAME

## FIGURE 1-1. FRAME AND STEERING INSTALLATION



# SECTION 1 - FRAME

## FIGURE 1-1. FRAME AND STEERING INSTALLATION

ITEM	PART NUMBER	QTY	DESCRIPTION	REV
	0259648	Ref	<b>STEERING AND DRIVE INSTALLATION (4WD/2WS)</b>	R
	0259758	Ref	<b>COVERS INSTALLATION (Prior to SN 0200244751)</b>	F
	1001193379	Ref	<b>COVERS INSTALLATION (SN 0200244751 through 0200269760)</b>	A
1	0100011	AR	Compound, Locking	
3	See Note	1	Thrustwasher (Note: Was p/n 0440237 - Use Bearing/Shim Kit p/n 1001155260 as Replacement. Kit includes Thrustwashers, Kingpin Bolts, Shims and Kingpin Bushings. Machines are already equipped with kit components and do not require axle modification per the kit instruction.)	
4	0641606	8	Bolt 3/8in-16NC x 3/4in	
5		Ref	Options:	
5	0642024	1	Bolt 5/8in-11NC x 3in <b>(Prior to SN 0200076006)</b>	
5	3431024	1	Pin, Clevis <b>(SN 0200076006 through 0200210746)</b>	
5	3431036	1	Pin, Clevis <b>(SN 0200210747 through 0200269760)</b>	
6	3431220	1	Pin, Flat Head Clevis	
7	0681810	24	Bolt 1/2in-13NC x 1-1/4in	
9	1683957	1	Steer Cylinder Assembly (See CYLINDER SECTION for Breakdown)	
10		Ref	Motor/Brake/Hub Assembly (Rear) Options:	
10	3160244	NLA	Motor/Brake/Hub Assembly (Rear) (See MOTOR/BRAKE/HUB ASSEMBLY (REAR) for Breakdown) (Use p/n 1001228234) <b>(Prior to SN 0200078291)</b>	
10	3160254	2	Motor/Brake/Hub Assembly (Rear) (See MOTOR/BRAKE/HUB ASSEMBLY (REAR) for Breakdown) <b>(SN 0200078291 through 0200104783)</b>	
10	3160244	NLA	Motor/Brake/Hub Assembly (Rear) (See MOTOR/BRAKE/HUB ASSEMBLY (REAR) for Breakdown) (Use p/n 1001228234) <b>(SN 0200104784 through 0200268449)</b>	
10	1001228234	2	Motor/Brake/Hub Assembly (Rear) (See MOTOR/BRAKE/HUB ASSEMBLY (REAR) for Breakdown) <b>(SN 0200268450 through 0200269760)</b>	
11		Ref	Motor/Hub Assembly (Front) Options:	
11	3160245	NLA	Motor/Hub Assembly (Front) (See MOTOR/HUB ASSEMBLY (FRONT) for Breakdown) (Use p/n 1001228233) <b>(Prior to SN 0200078291)</b>	
11	3160255	2	Motor/Hub Assembly (Front) (See MOTOR/HUB ASSEMBLY (FRONT) for Breakdown) <b>(SN 0200078291 through 0200112813)</b>	
11	3160245	NLA	Motor/Hub Assembly (Front) (See MOTOR/HUB ASSEMBLY (FRONT) for Breakdown) (Use p/n 1001228233) <b>(SN 0200112814 through 0200268449)</b>	
11	1001228233	2	Motor/Hub Assembly (Front) (See MOTOR/HUB ASSEMBLY (FRONT) for Breakdown) <b>(SN 0200268450 through 0200269760)</b>	
12	3312005	2	Locknut 5/8in-11NC <b>(Prior to SN 0200076006)</b>	
13	3450406	3	Pin, Cotter	
14	3322002	1	Nut, Jam (Right Hand Thread)	
15	3422803	4	Pin, King	
16	3841146	1	Rod, Tie Rod End	
17	3841468	1	Rod, Tie Rod	
18		Ref	Spindle (Right Side) Options:	
18	4130377	NLA	Spindle (Right Side) (Use p/n 1001100031) <b>(Prior to SN 0200202172)</b>	
18	1001100031	1	Spindle (Right Side) <b>(SN 0200202172 through 0200269760)</b>	

# SECTION 1 - FRAME

ITEM	PART NUMBER	QTY	DESCRIPTION	REV
19	4891800	24	Flatwasher 1/2in Hardened	
20		Ref	Options:	
20	0642028	1	Bolt 5/8in-11NC x 3-1/2in (Prior to SN 0200076006)	
20	3431032	1	Pin, Clevis (SN 0200076006 through 0200269760)	
21	3841469	1	Rod, Tie Rod End	
22	4752000	2	Flatwasher 5/8in Regular	
23	4712200	1	Flatwasher 3/4inThin	
24	3300409	1	Nut, Jam (Left Hand Thread)	
25	0641508	18	Bolt 5/16in-18NC x 1in (Prior to SN 0200244751)	
25	0641508	12	Bolt 5/16in-18NC x 1in (SN 0200244751 through 0200269760)	
26	2080053	16	Fastener 5/16in-18NC (Prior to SN 0200244751)	
26	2080053	10	Fastener 5/16in-18NC (SN 0200244751 through 0200269760)	
27	3311505	2	Locknut 5/16in-18NC	
28	3572324	2	Cover, Rear Axle	
29	3572325	1	Cover, Steer Cylinder	
	Note		Note: p/n 3572325 is for machines without leveling jacks. For machines with leveling jacks, refer to Leveling Jacks Installation.	
30	3572326	1	Cover, Center Frame	
31	4711500	20	Flatwasher 5/16in Thin (Prior to SN 0200244751)	
31	4711500	14	Flatwasher 5/16in Thin (SN 0200244751 through 0200269760)	
32		Ref	Spindle (Left Side) Options:	
32	4130380	NLA	Spindle (Left Side) (Use p/n 1001100032) (Prior to SN 0200210747)	
32	1001100032	1	Spindle (Left Side) (SN 0200210747 through 0200269760)	
33	4712000	2	Flatwasher 5/8in Thin	
	2902215	1	Kit - Cover Plates (Includes Items 28, 29 & 30) (Prior to SN 0200244751)	
	1001193442	1	Kit - Cover Plates (Includes Items 28 & 29) (SN 0200244751 through 0200269760)	
		Ref	<b>TIRE AND WHEEL INSTALLATIONS OPTIONS:</b>	
	0259780	Ref	<b>(26 x 12.00) Pneumatic</b>	C
	0259781	Ref	<b>(26 x 12.00) Foam Filled</b>	C
	1001100370	Ref	<b>(26 x 12.00) Foam Filled Non-Marking</b>	C
		Ref	Tire and Wheel Assembly Options:	
	0259975	AR	26 x 12.00 Pneumatic (Right Side)	
	0259976	AR	26 x 12.00 Pneumatic (Left Side)	
	0259977	AR	26 x 12.00 Foam Filled (Right Side)	
	0259978	AR	26 x 12.00 Foam Filled (Left Side)	
	1001100372	AR	26 x 12.00 Foam Filled Non-Marking (Right Side)	
	1001100373	AR	26 x 12.00 Foam Filled Non-Marking (Left Side)	
		Ref	<b>Note: Assemblies may require ballast/foam filling to manufacturer's specifications prior to installing on a machine. Refer to Operation and Safety or Service and Maintenance Manuals. Purchase individual tire and/or rim only if able to foam fill tire and wheel assembly, otherwise, purchase complete assembly.</b>	
		Ref	<b>TIRE AND WHEEL ASSEMBLY COMPONENTS</b>	E
101	1702738	AR	Decal - 45psi (Pneumatic Only)	
102		Ref	Tire Option (26 x 12.00):	
102	4520233	4	Standard	
102	1001100371	4	Non Marking	
103	4640113	AR	Valve, Air (Pneumatic Only)	
103	4641122	1	Valve, Air (Standard Foam-Filled Tires)	

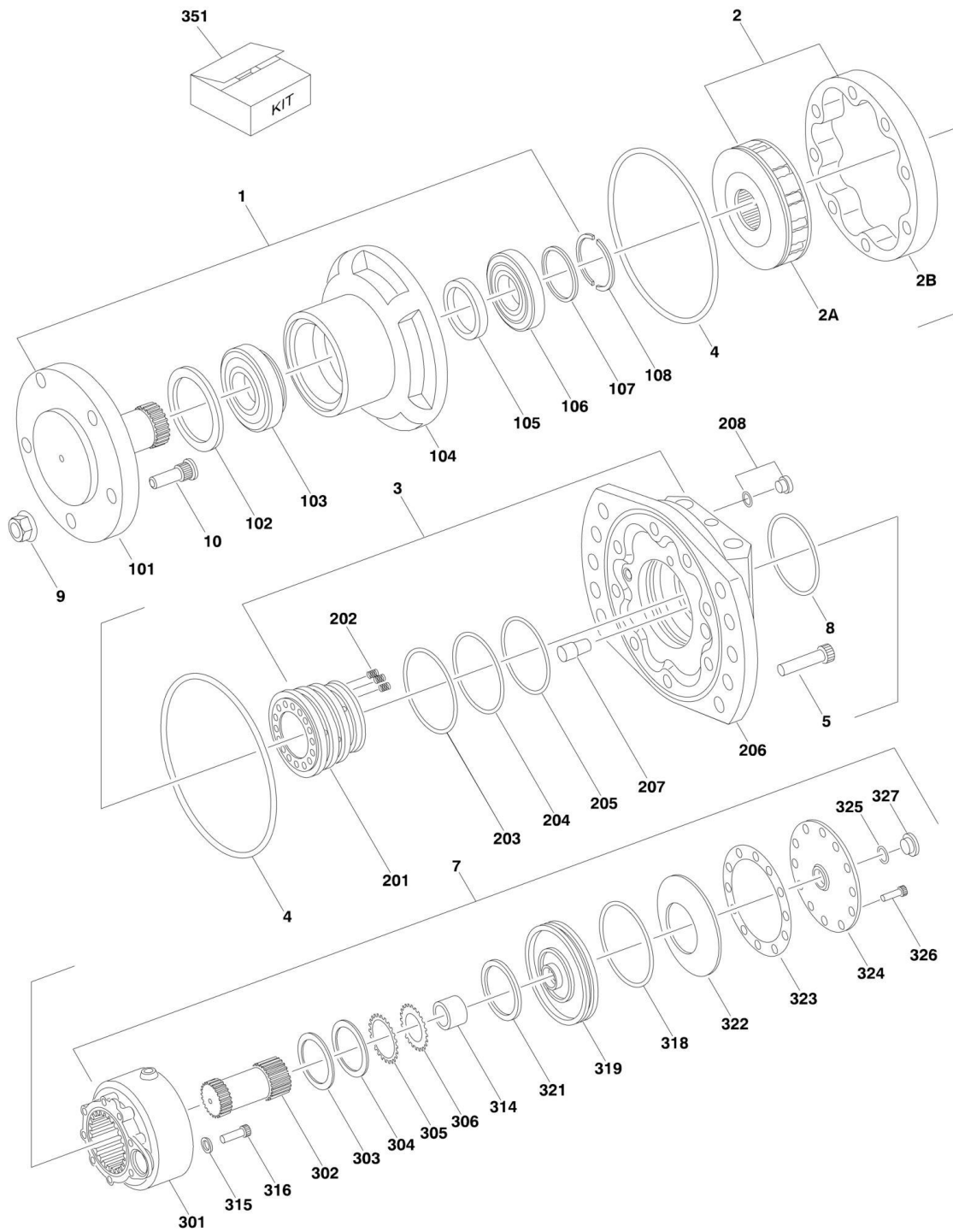


## SECTION 1 - FRAME

ITEM	PART NUMBER	QTY	DESCRIPTION	REV
103	8786514	1	Valve, Air (Non marking Foam-Filled Tires)	
104	4860207	4	Rim	
		Ref	<b>FRAME WELDMENT:</b>	
201	0440228	1	Bearing (Steer Lug Pivot)	
202	See Note	1	Bearing (Kingpin Pivot) (Note: Was p/n 0962220 - Use Bearing /Shim Kit p/n 1001155260 as Replacement. Kit includes Thrustwashers, Kingpin Bolts, Shims and Kingpin Bushings. Machines are already equipped with kit components and do not require axle modification per the kit instruction.)	
203	0962234	4	Bearing (Scissors Arms Pivot)	
204	2360523	1	Frame Weldment ( <b>Prior to SN 0200244751</b> )	
204	1001192860	1	Frame Weldment ( <b>SN 0200244751 through 0200269760</b> )	

# SECTION 1 - FRAME

FIGURE 1-2. MOTOR/BRAKE/HUB ASSEMBLY (REAR) (Prior to SN 0200078291, SN 0200104784 through 0200268449)



## SECTION 1 - FRAME

**FIGURE 1-2. MOTOR/BRAKE/HUB ASSEMBLY (REAR) (Prior to SN 0200078291, SN 0200104784 through 0200268449)**

ITEM	PART NUMBER	QTY	DESCRIPTION	REV
	3160244	Ref	<b>DRIVE MOTOR ASSEMBLY</b>	F
1	See Note	1	Front Housing Assembly (Note: See Items 101 to 108 for Breakdown)	
2	See Note	NSS	Rotary Assembly (Note: Not Available - Purchase p/n 3160244)	
2A	See Note	NSS	Rotary without Cam (Note: Not Available - Purchase p/n 3160244)	
2B	See Note	NSS	Cam (Note: Not Available - Purchase p/n 3160244)	
3	See Note	1	Rear Housing Assembly (Note: See Items 201 to 208 for Breakdown)	
4	See Note	NSS	Seal, Square (Note: Use Item 351)	
5	See Note	6	Screw, Cap (Note: Not Available - Purchase Locally)	
7	See Note	1	Brake Assembly (Note: See Items 301 to 327 for Breakdown)	
8	See Note	NSS	Seal, Square (Note: Use Item 351)	
9	7023806	5	Lugnut	
10	7023807	5	Stud, Wheel	
		Ref	<b>FRONT HOUSING ASSEMBLY</b>	
101	7022586	1	Shaft	
102	See Note	NSS	Seal, Face (Note: Use Item 351)	
103	7022587	1	Bearing, Front	
104	See Note	NSS	Casting, Front (Note: Not Available - Purchase p/n 3160244)	
105	See Note	NSS	Seal, Shaft (Note: Use Item 351)	
106	7022588	1	Bearing, Rear	
107	See Note	1	Washer (Note: Not Available - Purchase Locally)	
108	7022589	1	Ring, Split	
		Ref	<b>REAR HOUSING ASSEMBLY</b>	
201	See Note	NSS	Ring, Distributor (Note: Not Available - Purchase p/n 3160244)	
202	See Note	9	Spring (Note: Not Available - Purchase p/n 3160244)	
203	See Note	NSS	Seal, Nylon (Note: Use Item 351)	
204	See Note	NSS	Seal, Nylon (Note: Use Item 351)	
205	See Note	NSS	Seal, Nylon (Note: Use Item 351)	
206	See Note	NSS	Housing, Rear (Note: Not Available - Purchase p/n 3160244)	
207	7022590	1	Pin, Stop	
208	7022591	1	Plug (O-Ring Supplied with Plug)	
		Ref	<b>BRAKE ASSEMBLY</b>	
301	See Note	NSS	Housing, Brake (Note: Not Available - Purchase p/n 3160244)	
302	7022592	1	Shaft	
303	7022593	1	Shim	
304	7022594	1	Shim	
305	7022595	15	Disc, Outer Brake	
306	7022596	13	Disc, Inner Brake	
314	7022597	1	Bushing	
315	See Note	8	Washer (Note: Not Available - Purchase Locally)	
316	See Note	8	Screw, Cap (Note: Not Available - Purchase Locally)	
318	See Note	NSS	Ring, Square (Note: Use Item 351)	
319	7022598	1	Piston, Brake	
321	See Note	NSS	Seal, Outer (Note: Use Item 351)	
322	7022599	1	Washer, Bellville	
323	See Note	NSS	Gasket (Note: Use Item 351)	
324	See Note	NSS	Cover, End (Note: Not Available - Purchase p/n 3160244)	

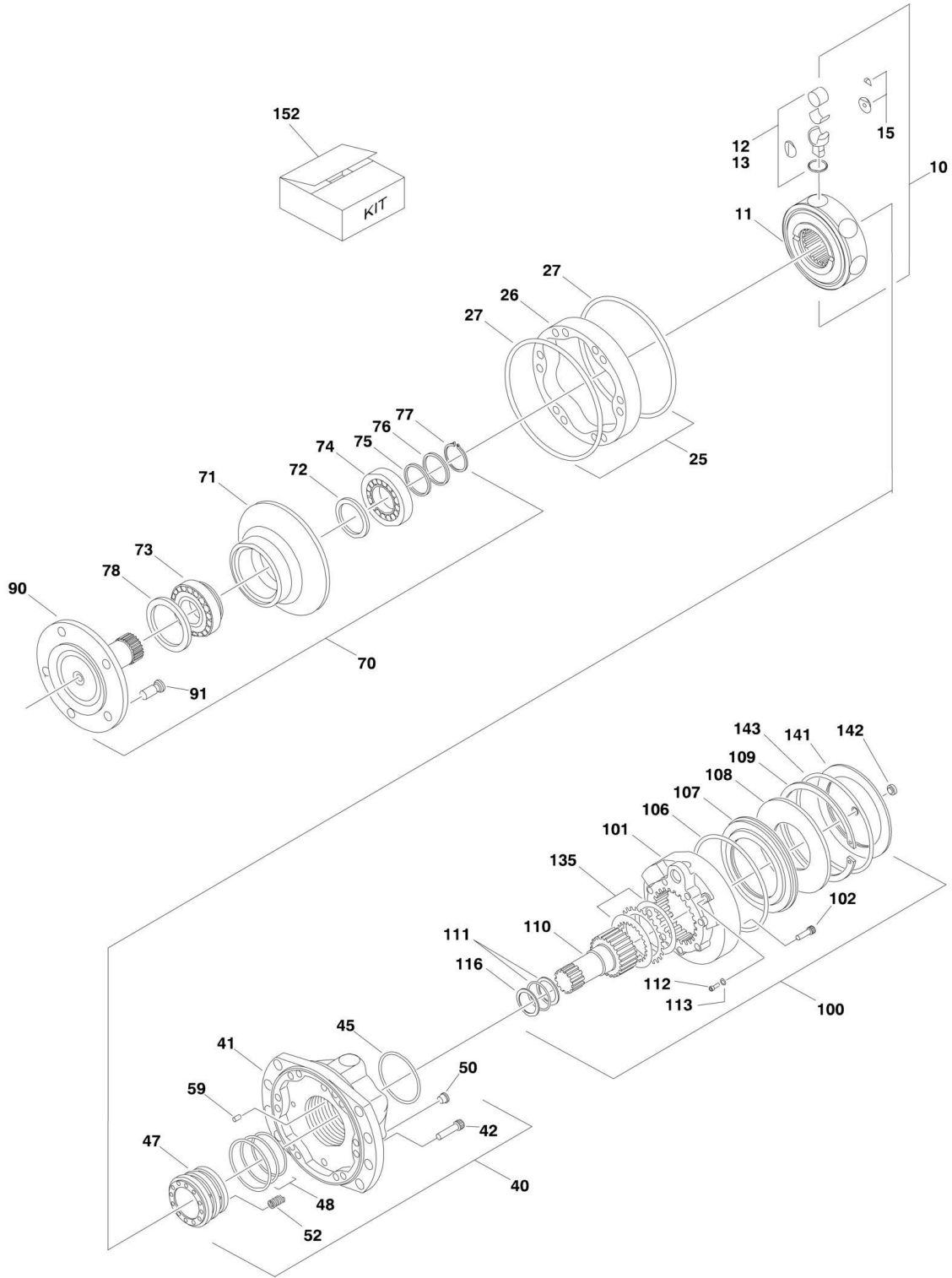
## SECTION 1 - FRAME

ITEM	PART NUMBER	QTY	DESCRIPTION	REV
325	See Note	NSS	O-Ring (Note: Use Item 351)	
326	See Note	12	Screw, Cap (Note: Not Available - Purchase Locally)	
327	7023800	1	Plug	
351	7022585		Seal Kit - (Includes Items 4, 8, 102, 105, 203-205, 318, 321, 323 & 325)	



# SECTION 1 - FRAME

FIGURE 1-3. MOTOR/BRAKE/HUB ASSEMBLY (REAR) (SN 0200078291 through 0200104783)



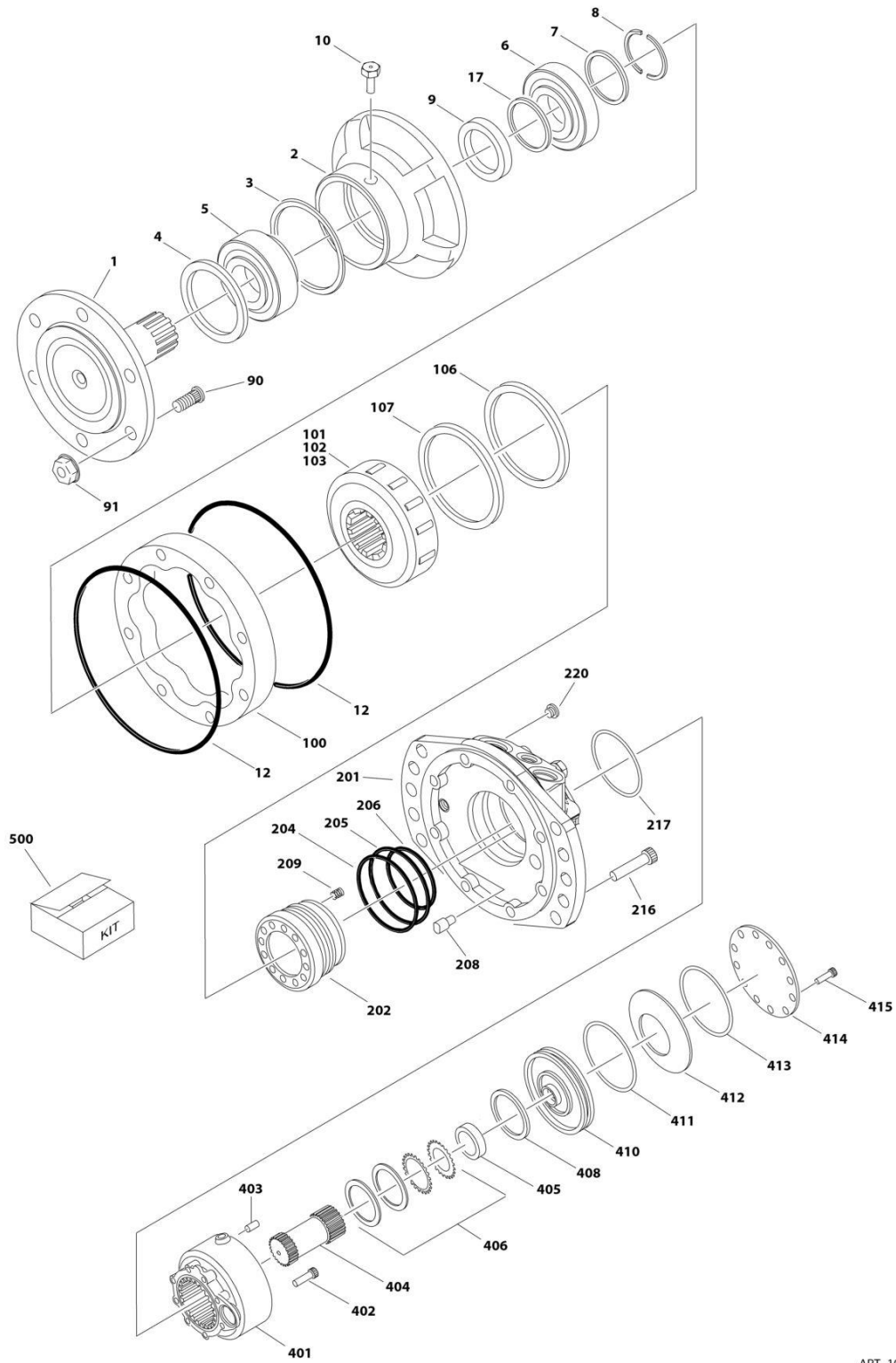
## SECTION 1 - FRAME

**FIGURE 1-3. MOTOR/BRAKE/HUB ASSEMBLY (REAR) (SN 0200078291 through 0200104783)**

ITEM	PART NUMBER	QTY	DESCRIPTION	REV
	3160254	Ref	<b>DRIVE MOTOR ASSEMBLY</b>	C
10	7023279	1	Cylinder Block Assembly	
11	See Note	NSS	Block, Cylinder (Note: Use p/n 7023279)	
12	7023276	1	Piston	
15	7023278	1	Guide and Keeper Kit	
25	7023280	1	Cam Assembly	
26	See Note	NSS	Cam (Note: Use p/n 7023280)	
27	7027888	2	O-Ring	
40	7023281	1	Valving Cover Assembly	
41	See Note	1	Cover, Valving (Note: Use p/n 7023281)	
42	7023282	6	Bolt	
45	See Note	NSS	O-Ring (Note: Use Item 152)	
47	7023283	1	Distributor	
48	See Note	NSS	Seal Kit (Note: Use Item 152)	
50	7023284	1	Plug	
52	7018411	4	Spring	
59	7023286	1	Pin, Split	
70	7023287	1	Support Assembly	
71	See Note	NSS	Support, Bearing (Note: Use p/n 7023287)	
72	See Note	NSS	Seal (Note: Use Item 152)	
73	7023288	1	Bearing	
74	7023289	1	Bearing	
75	7023302	1	Shim Set	
76	7023290	1	Ring	
77	7023291	1	Ring, Snap	
78	See Note	NSS	Seal (Note: Use Item 152)	
90	7023292	1	Shaft	
91	7023303	1	Stud Set	
92	7018436	1	Lugnut Set (Not Shown)	
100	7023293	1	Disc Brake Assembly	
101	See Note	NSS	Body, Brake (Note: Use p/n 7023293)	
102	7023294	8	Bolt	
106	See Note	NSS	O-Ring (Note: Use Item 152)	
107	7023295	1	Piston, Brake	
108	7023296	1	Washer, Spring	
109	7023297	1	Ring, Snap	
110	7023298	1	Shaft	
111	See Note	NSS	Seal (Note: Use Item 152)	
112	7018408	1	Bolt	
113	See Note	NSS	Gasket (Note: Use Item 152)	
116	7023305	1	Shim	
135	7023304	1	Brake Disc Kit (Includes Shim Kit)	
135	7026191	1	Brake Shim Kit	
141	See Note	NSS	Protector (Note: Use Item 152)	
142	See Note	NSS	Plug, Dust (Note: Use Item 152)	
143	See Note	NSS	O-Ring (Note: Use Item 152)	
152	7023301	1	Seal Kit - (Includes Items - 27, 45, 48, 72, 78, 106, 111, 113, 141, 142 & 143)	

# SECTION 1 - FRAME

FIGURE 1-4. MOTOR/BRAKE/HUB ASSEMBLY (REAR) (SN 0200268450 through 0200269760)



ART\_1001228234



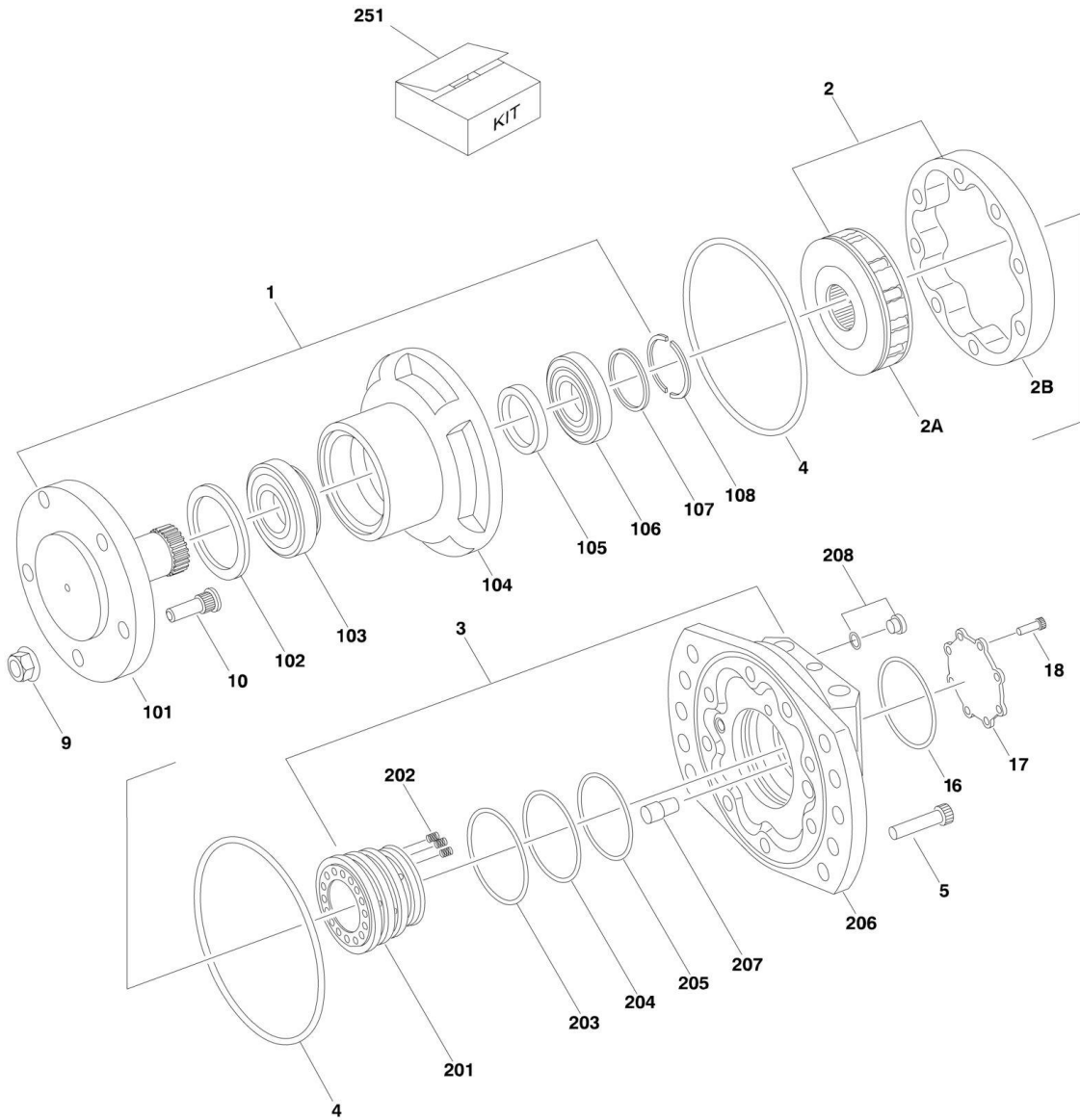
## SECTION 1 - FRAME

**FIGURE 1-4. MOTOR/BRAKE/HUB ASSEMBLY (REAR) (SN 0200268450 through 0200269760)**

ITEM	PART NUMBER	QTY	DESCRIPTION	REV
	1001228234	Ref	DRIVE MOTOR ASSEMBLY	A
1	70006744	1	Shaft	
2	See Note	1	Casting, Front (Note: Purchase Complete Motor)	
3	See Note	NSS	Seal, Face (Note: Use Item 500)	
4	70006745	1	Spacer	
5	70006746	1	Bearing, Front	
6	7022588	1	Bearing, Rear	
7	70006747	1	Washer	
8	7022589	1	Ring, Split	
9	See Note	NSS	Seal, Shaft (Note: Use Item 500)	
10	70006748	1	Plug, Zero-Leak	
12	See Note	NSS	Seal, Square (Note: Use Item 500)	
17	70006749	1	Retainer, Seal	
90	7023807	5	Stud, Wheel	
91	7023806	5	Lugnut	
100	70006750	1	CAM	
101	70006763	1	Block, Cylinder	
102	70006752	8	Piston	
103	70006753	8	Roller	
106	70006756	2	Circlip	
107	70006757	2	Ring, Retaining	
201	See Note	1	Housing, Rear (Note: Purchase Complete Motor)	
202	70006764	1	Ring, Distribution	
204	See Note	NSS	Seal, Nylon (Note: Use Item 500)	
205	See Note	NSS	Seal, Nylon (Note: Use Item 500)	
206	See Note	NSS	Seal, Nylon (Note: Use Item 500)	
208	70006759	1	Pin, Stop	
209	7023872	9	Spring	
216	70001091	6	Capscrew	
217	See Note	NSS	Seal, Square (Note: Use Item 500)	
220	70002759	1	Plug	
		Ref	BRAKE ASSEMBLY	
401	See Note	NSS	Housing, Brake (Note: Not Available - Purchase p/n 1001228234)	
402	70006766	4	Screw, Cap	
403	70006767	3	Pin, Dowel	
404	70006768	1	Shaft	
405	70006769	1	Bushing	
406	70006770	1	Pack, Brake	
406	7022596	14	Disc, Inner Brake	
406	7022595	16	Disc, Outer Brake	
406	7022593	1	Shim	
406	7022594	1	Shim	
408	See Note	NSS	Seal, Outer (Note: Use Item 500)	
410	70001095	1	Piston	
411	See Note	NSS	Seal, Square (Note: Use Item 500)	
412	70006771	1	Washer, Bellville	
413	See Note	NSS	Gasket (Note: Use Item 500)	
414	70006772	1	Cover, End	
415	70006773	12	Screw, Cap	
500	70006765	1	Seal Kit (Includes Items 3, 9, 12, 204-206, 217 408, 411 & 413)	

# SECTION 1 - FRAME

FIGURE 1-5. MOTOR/HUB ASSEMBLY (FRONT) (Prior to SN 0200078291, SN 0200112814 through 0200268449)



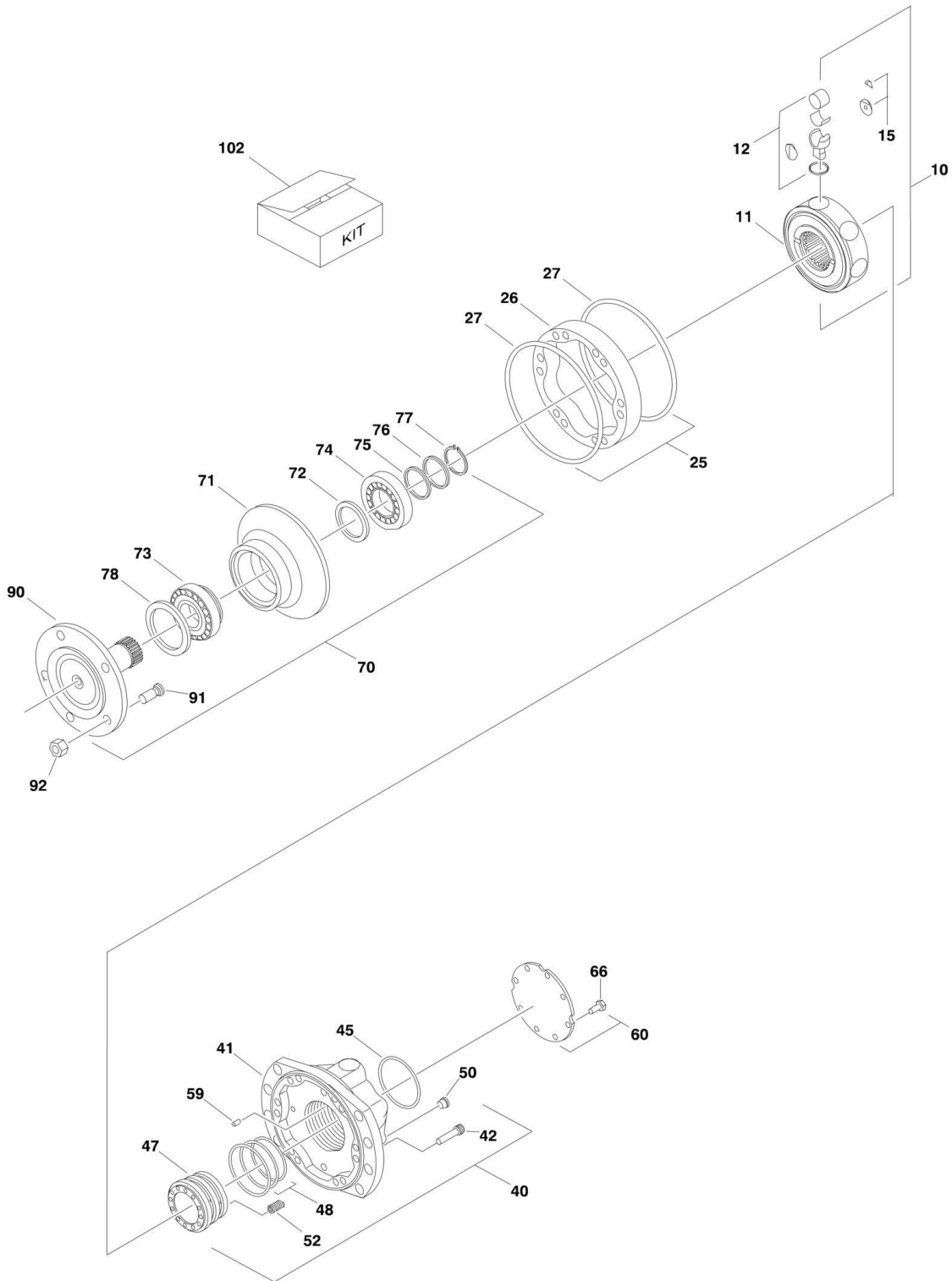
## SECTION 1 - FRAME

**FIGURE 1-5. MOTOR/HUB ASSEMBLY (FRONT) (Prior to SN 0200078291, SN 0200112814 through 0200268449)**

ITEM	PART NUMBER	QTY	DESCRIPTION	REV
	3160245	Ref	<b>DRIVE MOTOR ASSEMBLY</b>	F
1	See Note	1	Front Housing Assembly (Note: See 101 to 108 for Breakdown)	
2	See Note	NSS	Rotary Assembly (Note: Not Available - Purchase p/n 3160245)	
2A	See Note	NSS	Rotary without Cam (Note: Not Available - Purchase p/n 3160245)	
2B	See Note	NSS	Cam (Note: Not Available - Purchase p/n 3160245)	
3	See Note	1	Rear Housing Assembly (Note: See 201 to 208 for Breakdown)	
4	See Note	NSS	Seal, Square (Note: Use Item 251)	
5	See Note	6	Screw, Cap (Note: Not Available - Purchase Locally)	
9	7023806	5	Lugnut	
10	7023807	5	Stud, Wheel	
16	7024008	1	Seal, Square	
17	7024007	1	Plate, Rear Cover	
18	See Note	8	Screw, Cap (Note: Not Available - Purchase Locally)	
		Ref	<b>FRONT HOUSING ASSEMBLY</b>	
101	7022586	1	Shaft	
102	See Note	NSS	Seal, Face (Note: Use Item 251)	
103	7022587	1	Bearing, Front	
104	See Note	NSS	Casting, Front (Note: Not Available - Purchase p/n 3160245)	
105	See Note	NSS	Seal, Shaft (Note: Use Item 251)	
106	7022588	1	Bearing, Rear	
107	See Note	1	Washer (Note: Not Available - Purchase Locally)	
108	See Note	1	Ring, Split (Note: Not Available - Purchase Locally)	
		Ref	<b>REAR HOUSING ASSEMBLY</b>	
201	See Note	1	Ring, Distributor (Note: Not Available - Purchase p/n 3160245)	
202	See Note	9	Spring (Note: Not Available - Purchase p/n 3160245)	
203	See Note	1	Seal, Nylon (Note: Use Item 251)	
204	See Note	1	Seal, Nylon (Note: Use Item 251)	
205	See Note	1	Seal, Nylon (Note: Use Item 251)	
206	See Note	1	Housing, Rear (Note: Not Available - Purchase p/n 3160245)	
207	7022590	1	Pin, Stop	
208	7022591	1	Plug (O-Ring Supplied with Plug)	
251	7023801	1	Seal Kit (Includes Items - 4, 102, 105, 203-205)	

# SECTION 1 - FRAME

FIGURE 1-6. MOTOR/HUB ASSEMBLY (FRONT) (SN 0200078291 through 0200112813)



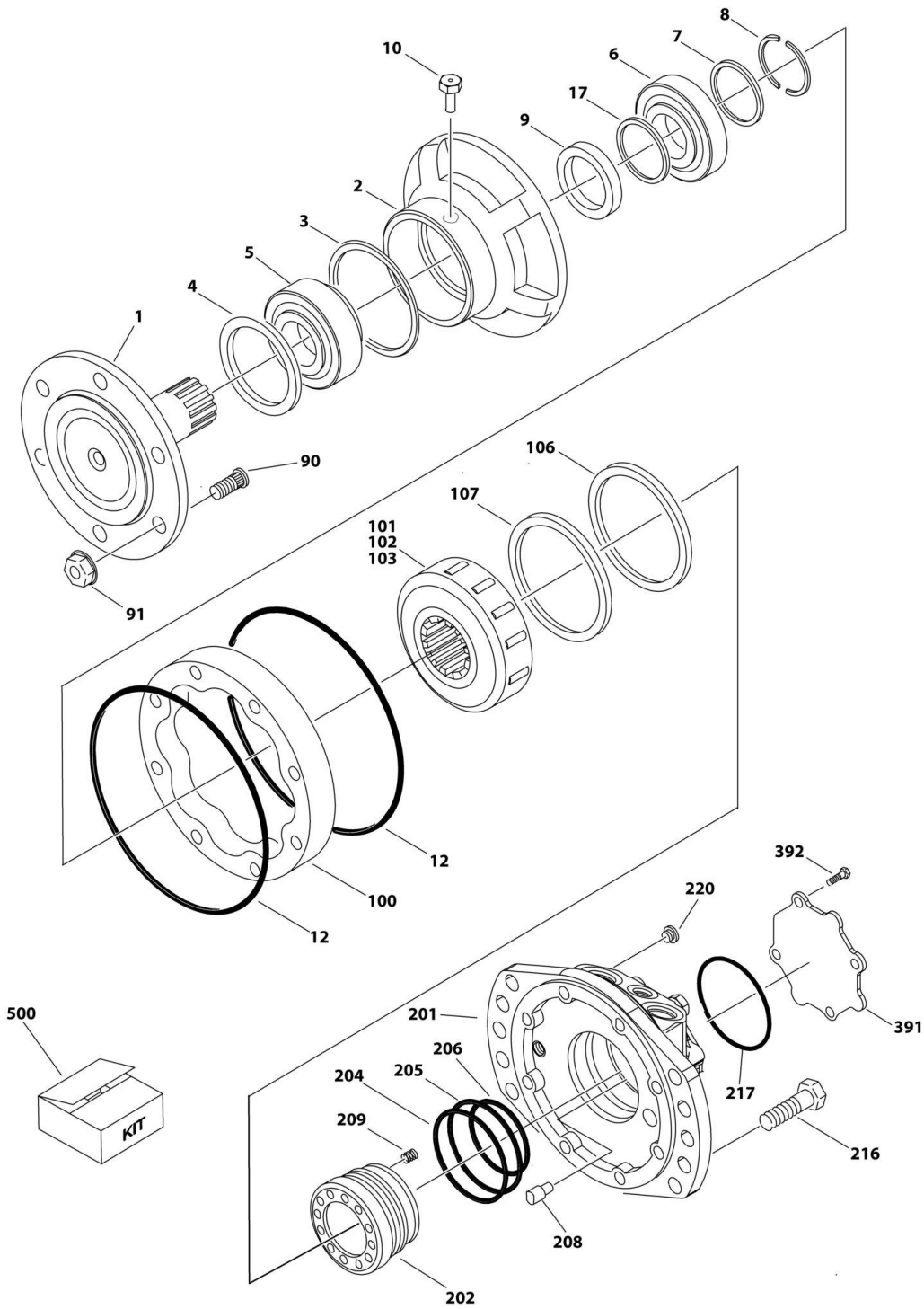
## SECTION 1 - FRAME

**FIGURE 1-6. MOTOR/HUB ASSEMBLY (FRONT) (SN 0200078291 through 0200112813)**

ITEM	PART NUMBER	QTY	DESCRIPTION	REV
	3160255	Ref	<b>DRIVE MOTOR ASSEMBLY</b>	B
10	7023279	1	Cylinder Block Assembly	
11	See Note	NSS	Block, Cylinder (Note: Use p/n 7023279)	
12	7023276	1	Piston	
15	7023278	1	Guide and Keeper Kit	
25	7023280	1	Cam Assembly	
26	See Note	NSS	Cam (Note: Use p/n 7023279)	
27	7027888	2	O-Ring	
40	7023281	1	Valving Cover Assembly	
41	See Note	NSS	Cover, Valving (Note: Use p/n 7023281)	
42	7023282	6	Bolt	
45	See Note	NSS	O-Ring (Note: Use Item 102)	
47	7023283	1	Distributor	
48	See Note	NSS	Seal Kit (Note: Use Item 102)	
50	7023284	1	Plug	
52	7018411	4	Spring	
59	7023286	1	Pin, Split	
60	7023285	1	Back Plate Assembly	
66	7018435	8	Bolt	
70	7023287	1	Support Assembly	
71	See Note	NSS	Support, Bearing (Note: Use p/n 7023287)	
72	See Note	NSS	Seal (Note: Use Item 102)	
73	7023288	1	Bearing	
74	7023289	1	Bearing	
75	7023302	1	Shim Set	
76	7023290	1	Ring	
77	7023291	1	Ring, Snap	
78	See Note	NSS	Seal (Note: Use Item 102)	
90	7023292	1	Shaft	
91	7023303	1	Stud Set	
92	7018436	1	Lugnut Set	
102	7023301	1	Seal Kit - (Includes Items - 27, 45, 48, 72 & 78)	

# SECTION 1 - FRAME

FIGURE 1-7. DRIVE MOTOR ASSEMBLY - OPERATORS POSITION RH SIDE - 4WD FRONT (SN 0200268450 through 0200269760)



ART\_1001228233

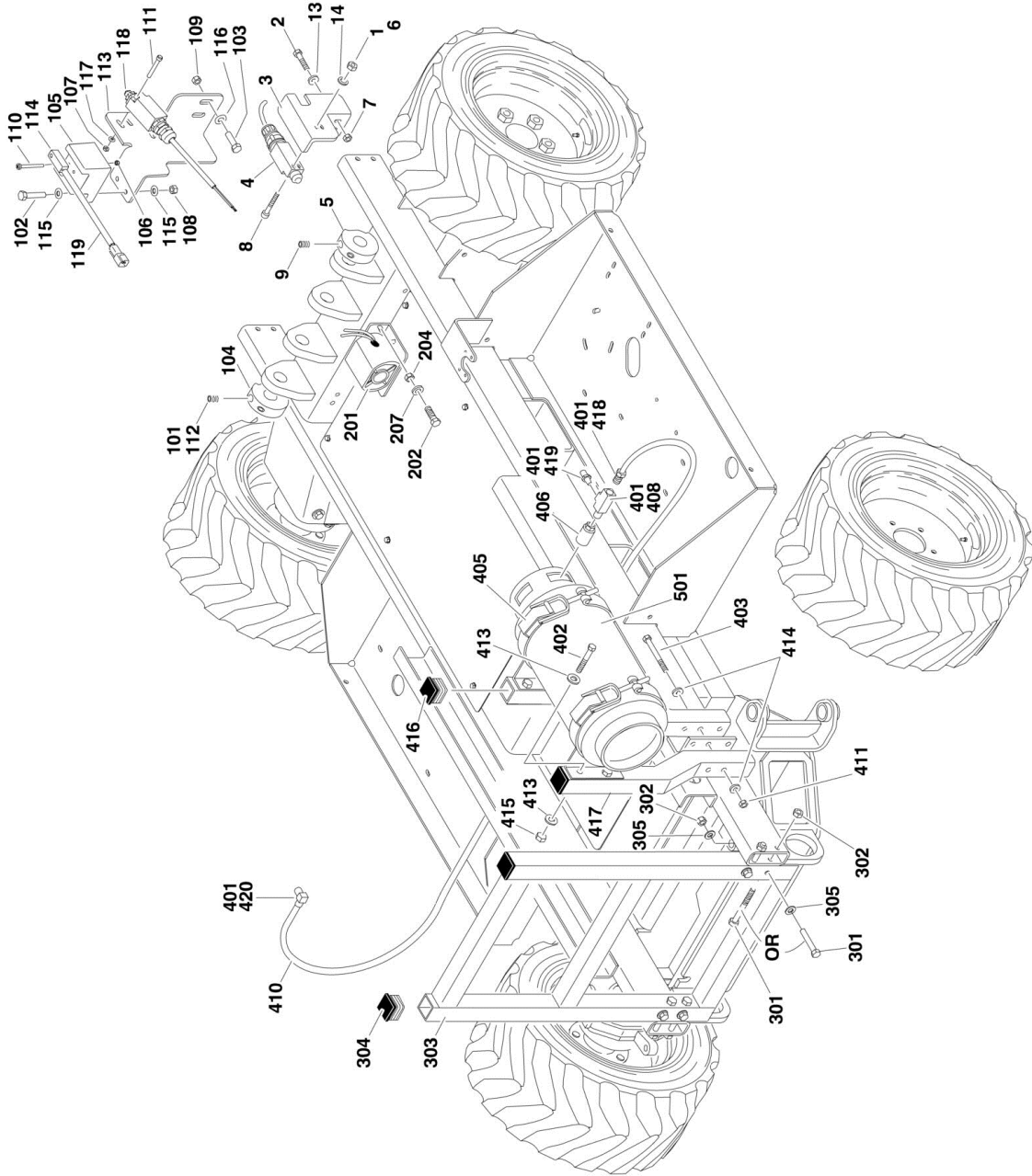
## SECTION 1 - FRAME

**FIGURE 1-7. DRIVE MOTOR ASSEMBLY - OPERATORS POSITION RH SIDE - 4WD FRONT (SN 0200268450 through 0200269760)**

ITEM	PART NUMBER	QTY	DESCRIPTION	REV
	1001228233	Ref	DRIVE MOTOR ASSEMBLY	A
1	70006744	1	Shaft	
2	See Note	1	Casting, Front (Note: Purchase Complete Motor)	
3	See Note	NSS	Seal, Face (Note: Use Item 500)	
4	70006745	1	Spacer	
5	70006746	1	Bearing, Front	
6	7022588	1	Bearing, Rear	
7	70006747	1	Washer	
8	7022589	1	Ring, Split	
9	See Note	NSS	Seal, Shaft (Note: Use Item 500)	
10	70006748	1	Plug, Zero-Leak	
12	See Note	NSS	Seal, Square (Note: Use Item 500)	
17	70006749	1	Retainer, Seal	
90	7023807	5	Stud, Wheel	
91	7023806	5	Lugnut	
100	70006750	1	CAM	
101	70006763	1	Block, Cylinder	
102	70006752	8	Piston	
103	70006753	8	Roller	
106	70006756	2	Circlip	
107	70006757	2	Ring, Retaining	
201	See Note	1	Housing, Rear (Note: Purchase Complete Motor)	
202	70006764	1	Ring, Distribution	
204	See Note	NSS	Seal, Nylon (Note: Use Item 500)	
205	See Note	NSS	Seal, Nylon (Note: Use Item 500)	
206	See Note	NSS	Seal, Nylon (Note: Use Item 500)	
208	70006759	1	Pin, Stop	
209	7023872	9	Spring	
216	70001091	6	Capscrew	
217	See Note	NSS	Seal, Square (Note: Use Item 500)	
220	70002759	1	Plug	
391	See Note	NSS	Plate, Rear Cover	
392	70002264	4	Capscrew	
500	70006765	1	Seal Kit (Includes Items 3, 9, 12, 204-206 & 217)	

# SECTION 1 - FRAME

## FIGURE 1-8. FRAME MOUNTED COMPONENTS INSTALLATION





# SECTION 1 - FRAME

## FIGURE 1-8. FRAME MOUNTED COMPONENTS INSTALLATION

ITEM	PART NUMBER	QTY	DESCRIPTION	REV
	0259805	Ref	<b>ELEVATION SWITCH INSTALLATION</b>	F
1	0100011	AR	Compound, Locking	
2	0641610	2	Bolt 3/8in-16NC x 1 1/4in	
3	0902609	1	Bracket, Limit Switch Mounting	
4	4922630	1	Harness, Elevation (See ELECTRICAL SECTION for Breakdown)	
5	1100110	1	Cam, High Drive Limit Switch	
6	3310801	2	Nut #8-32NC	
7	3311605	2	Locknut 3/8in-16NC	
8	3930820	2	Screw, Machine #8-32NC x 1 1/4in	
9	3951603	2	Setscrew 3/8in x 3/8in	
13	4711600	2	Flatwasher 3/8in Thin	
14	4750800	2	Flatwasher #8 Regular	
	0274337	Ref	<b>ELEVATION SWITCH INSTALLATION (AUTO LEVEL LEVELING JACKS) (SN 0200141689 through 0200269760)</b>	B
101	0100011	AR	Compound, Locking	
102	0641512	2	Bolt 5/16in-18NC x 1 1/2in	
103	0641610	2	Bolt 3/8in-16NC x 1 1/4in	
104	1100110	1	Cam, High Drive Limit Switch	
105	3200453	1	Mount, Proximity Switch	
106	3300474	2	Locknut	
107	3310801	2	Nut #8-32NC	
108	3311505	2	Locknut 5/16in-18NC	
109	3311605	2	Locknut 3/8in-16NC	
110	3930334	2	Screw, Panhead	
111	3930820	2	Screw, Machine #8-32NC x 1 1/4in	
112	3951603	2	Setscrew 3/8in x 3/8in	
113	4341007	1	Mounting, Elevation Switch	
114	4360502	1	Switch, Proximity Sensor	
115	4711500	4	Flatwasher 5/16in Thin	
116	4711600	2	Flatwasher 3/8in Thin	
117	4750800	2	Flatwasher #8 Regular	
118	4922630	1	Cable, 18/2 AND Limit Switch	
118	1060680	9 ft/2.7m	Cable, 18/2	
118	4360548	1	Switch, Limit	
118	4460968	1	Connector, Strain Relief	
118	4460465	2	Socket, Female	
119	4923137	1	Harness, Proximity Switch (See ELECTRICAL SECTION for Breakdown)	
		Ref	<b>ALARM INSTALLATIONS</b>	
	0259816	Ref	<b>Descent Alarm Installation</b>	C
	0259817	Ref	<b>Motion Alarm Installation</b>	C
	0273136	Ref	<b>Alarm Installation (SN 0200112688 through 0200269760)</b>	B
201		Ref	Alarm Options:	
201	0140032	1	Alarm <b>(Prior to SN 0200112688)</b>	
201	0140044	1	Alarm <b>(SN 0200112688 through 0200269760)</b>	
202	0641508	2	Bolt 5/16in-18NC x 1 <b>(Prior to SN 0200112688)</b>	
202	0641408	2	Bolt 1/4in-20NC x 1 <b>(SN 0200112688 through 0200269760)</b>	
204	3311505	2	Locknut 5/16in-18NC <b>(Prior to SN 0200112688)</b>	
204	3311405	2	Locknut 1/4in-20NC <b>(SN 0200112688 through 0200269760)</b>	
207	4711500	4	Flatwasher 5/16in Thin <b>(Prior to SN 0200112688)</b>	

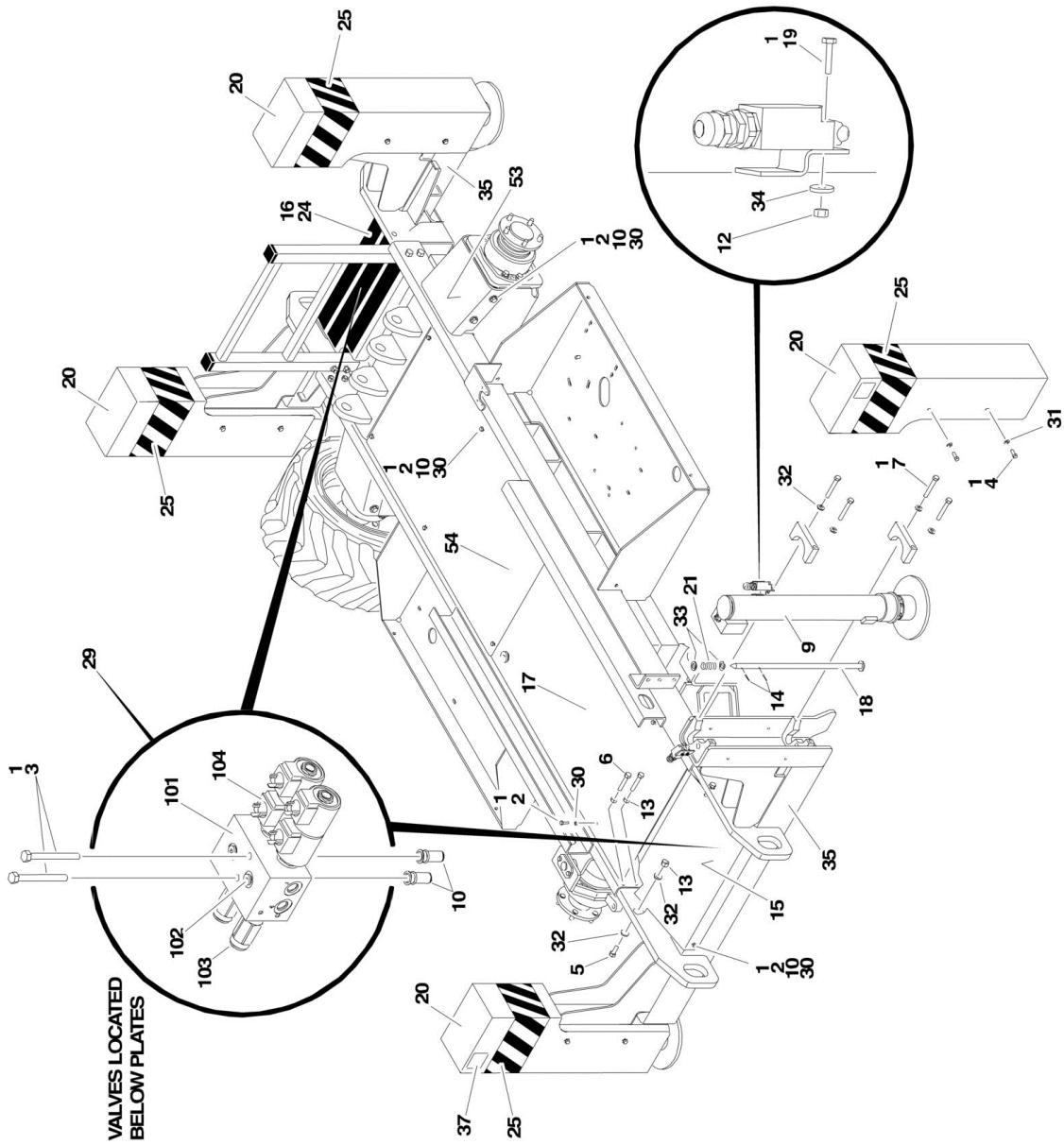
## SECTION 1 - FRAME

ITEM	PART NUMBER	QTY	DESCRIPTION	REV
207	4751400	4	Flatwasher 1/4 Regular (SN 0200112688 through 0200269760)	E
	0259654	Ref	<b>LADDER INSTALLATION</b>	
301		Ref	Bolt Options:	
301	0641838	4	Bolt 1/2in-13NC x 4 3/4 (Prior to SN 0200192485)	
301	0641824	4	Bolt 1/2in-13NC x 3 (SN 0200192485 through 0200269760)	
302	3311805	4	Locknut 1/2in-13NC	
303	4846116	1	Weldment, Ladder	
304		Ref	Plug, Cap Options:	
304	3520071	2	Plug, Cap (Prior to SN 0200192485)	
304	1001109533	2	Plug, Cap (SN 0200192485 through 0200269760)	
305	4711800	4	Flatwasher 1/2in Thin (SN 0200076557 through 0200269760)	I
	0259811	Ref	<b>LP TANKS AND BRACKETS INSTALLATIONS</b>	
401	0100020	AR	Sealant	
402	0641622	4	Bolt 3/8in-16NC x 2 3/4in	
403	0641844	AR	Bolt 1/2in-13NC x 5 1/2in	
405	1320220	1	Clamp	
406	2180387	1	Fitting, LP	
408	2180389	1	Fitting, Relief Valve-LP	
410	2720464	1	Hose, LP	
411	3311805	AR	Locknut 1/2in-13NC	
412	2540023	1	Grommet, 1in (Not Shown)	
413	4751600	4	Flatwasher 3/8in Regular	
414	4751800	AR	Flatwasher 1/2in Regular	
415	3311605	4	Locknut 3/8in-16NC	
416		Ref	Plug, Cap Options:	
416	3520071	2	Plug, Cap (Prior to SN 0200192485)	
416	1001109533	2	Plug, Cap (SN 0200192485 through 0200269760)	
417	4568094	2	Tube, LP Tank Mount	
418	2220399	2	Fitting	
419	2220290	1	Fitting, Tee	
420	2220773	1	Fitting 90	
		Ref	<b>LP TANKS</b>	
501	4400421	1	Bottle (Steel)	
501	4400281	1	Bottle (Aluminum)	



# SECTION 1 - FRAME

## FIGURE 1-9. LEVELING JACKS INSTALLATION (Prior to SN 0200141689)



# SECTION 1 - FRAME

**FIGURE 1-9. LEVELING JACKS INSTALLATION (Prior to SN 0200141689)**

ITEM	PART NUMBER	QTY	DESCRIPTION	REV
	0259757	Ref	<b>LEVELING JACKS INSTALLATION</b>	I
1	0100011	AR	Compound, Locking	
2	0641508	20	Bolt 5/16in-18NC x 1in	
3	0641528	4	Bolt 5/16in-18NC x 3-1/2in	
4	0641608	16	Bolt 3/8in-16NC x 1in	
5	0641816	2	Bolt 1/2in-13NC x 2in	
6	0641820	8	Bolt 1/2in-13NC x 2-1/2in	
7	0641828	16	Bolt 1/2in-13NC x 3-1/2in	
9		Ref	Jack Cylinder Assembly Options: (See CYLINDER SECTION for Breakdown)	
9	1683966	NLA	Jack Cylinder Assembly (Use p/n 1684217) ( <b>Prior to SN 0200105371</b> )	
9	1684217	1	Jack Cylinder Assembly ( <b>SN 0200105371 through 0200141688</b> )	
10	2080053	16	Fastener 5/16in-18NC	
12	3310801	16	Nut #8-32NC	
13	3311805	10	Locknut 1/2in-13NC	
14	3440420	8	Pin, Roll 1/8in x 1-1/4in	
15	3572384	1	Plate, Front Cover	
16	3572385	1	Plate, Rear Cover	
17	3572388	1	Plate, Top Cover	
18	3841326	4	Rod	
19	3930820	16	Bolt #8-32NC x 1-1/4in	
20	4061003	4	Cover	
21	4160116	4	Spring	
23	4420037	24	Tape, Insulation (Not Shown)	
		in/61cm		
24	4420039	6 ft/1.8m	Tape, Non-Skid	
25	4420052	10 ft/3m	Tape, Safety (Use p/n 4420051)	
29	4641150	2	Leveling Jack Control Valve Assembly (See 101 to 104 for Breakdown)	
30	4711500	20	Flatwasher 5/16in Thin	
31	4711600	16	Flatwasher 3/8in Thin	
32	4711800	20	Flatwasher 1/2in Thin	
33	4740415	4	Washer, Special	
34	4750800	16	Flatwasher #8 Regular	
35	4846146	2	Weldment, Leveling Jack	
36	0270543	1	Indicator, Level (Not Shown - Located at Platform)	
37	1704786	4	Decal - Max Load	
38	4922454	2	Harness - Leveling Jack (N.O.) (Not Shown - See ELECTRICAL SECTION for Breakdown)	
39	4922455	2	Harness - Leveling Jack (N.C.) (Not Shown - See ELECTRICAL SECTION for Breakdown)	
40	4922456	1	Harness - Leveling Jack (Not Shown - See ELECTRICAL SECTION for Breakdown)	
53	3572324	2	Cover, Rear Axle ( <b>SN 0200128810 through 0200141689</b> )	
54	3572326	1	Cover, Center Frame ( <b>SN 0200128810 through 0200141689</b> )	
	2902206	2	Kit - Leveling Jack Sub Assembly (Includes Items - 1, 3, 4, 7, 9, 10, 14 thru 21, 24, 29, 31 thru 35, 38, 39 and Hydraulic Fittings and Hoses)	
	4641150	Ref	<b>LEVELING JACK CONTROL VALVE ASSEMBLY</b>	B
101	0561407	1	Valve, Jack Control	
102	2220883	2	Plug	

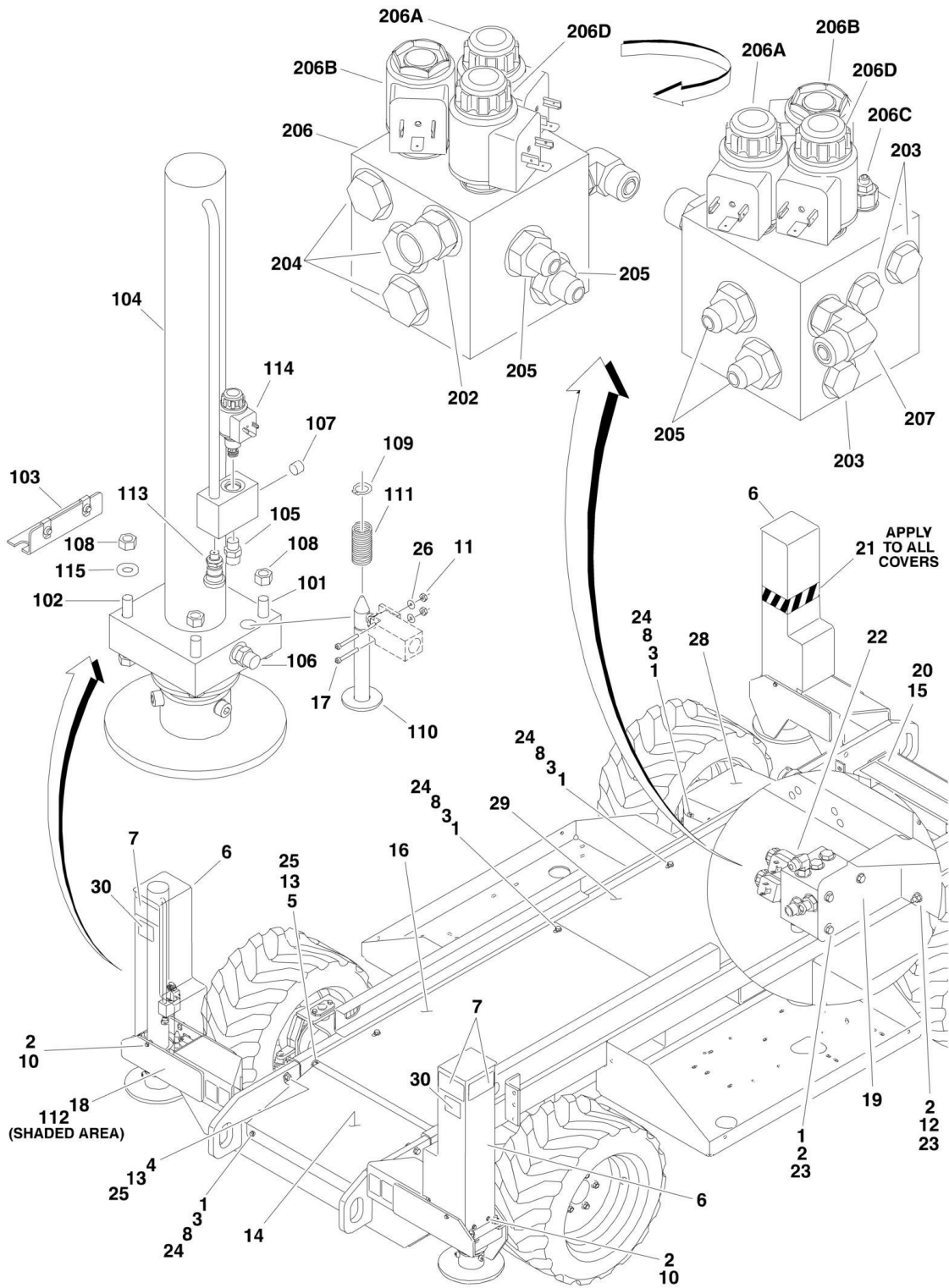
## SECTION 1 - FRAME

ITEM	PART NUMBER	QTY	DESCRIPTION	REV
102	7024822	2	Orifice	
103	4641151	2	Cartridge, Relief Valve	
103	7021653		Seal Kit - 4641151 Valve (1 Per Cartridge)	
104	4641152	2	Valve, 4-Way	
104	7017454		Cartridge without Coil	
104	7012903	2	Seal Kit - 4641152 Valve (1 Per Cartridge)	
104	7012943	4	Coil (2 Per Cartridge)	



# SECTION 1 - FRAME

FIGURE 1-10. LEVELING JACKS AUTO LEVEL INSTALLATION (SN 0200141689 through 0200244750)





## SECTION 1 - FRAME

**FIGURE 1-10. LEVELING JACKS AUTO LEVEL INSTALLATION (SN 0200141689 through 0200244750)**

ITEM	PART NUMBER	QTY	DESCRIPTION	REV
	0273848	Ref	<b>LEVELING JACKS INSTALLATION</b>	I
1	0100011	AR	Compound, Locking	
2	0641407	AR	Bolt 1/4in-20NC x 7/8in	
3	0641508	18	Bolt 5/16in-18NC x 1in	
4	0641816	2	Bolt 1/2in-13NC x 2in	
5	0641824	8	Bolt 1/2in-13NC x 3in	
6	1671195	4	Cover	
7	1701214	8	Decal - Legend	
8	2080053	18	Fastener 5/16in-18NC	
10	3300454	16	Nut 1/4in-20NC	
11	3310805	8	Locknut #8-32NC	
12		Ref	Locknut Options:	
12	3311405	3	Locknut <b>(Prior to SN 0200155061)</b>	
12	3311605	3	Locknut <b>(SN 0200155061 through 0200269760)</b>	
13	3311805	10	Locknut 1/2in-13NC	
14	3572384	1	Plate, Front Cover	
15	3572385	1	Plate, Rear Cover	
16	3572388	1	Plate, Top Cover <b>(Prior to SN 0200239973)</b>	
17	3930820	8	Bolt #8-32NC x 1 1/4in	
18	4210017	2	Leveling Jack Assembly (See 101 to 115 for Breakdown)	
19	4340886	1	Mount, Valve	
20	4420039	6 ft/1.8m	Tape, Non-Skid	
21		Ref	Tape, Safety Options:	
21	4420052	8 ft/2.4m	Tape, Safety (Use P/N 4420051) <b>(Prior to SN 0200149768)</b>	
21	4420051	8 ft/2.4m	Tape, Safety <b>(SN 0200149768 through 0200269760)</b>	
22	4641374	1	Leveling Jack Control Valve Assembly (See 201 to 207 for Breakdown)	
23	4711400	AR	Flatwasher 1/4in Thin	
24	4711500	18	Flatwasher 5/16in Thin	
25	4711800	20	Flatwasher 1/2in Thin	
26	4750800	8	Flatwasher #8 Regular	
27	4922748	1	Harness - Leveling Jack (Not Shown - See ELECTRICAL SECTION for Breakdown)	
28	3572324	2	Cover, Rear Axle	
29	3572326	1	Cover, Center Frame	
30	1704786	4	Decal - Max Load	
31	0641608	3	Bolt 3/8in-16NC x 1in <b>(SN 0200155061 through 0200269760)</b>	
32	4751600	6	Flatwasher 3/8in Regular <b>(SN 0200155061 through 0200269760)</b>	
	4210017	Ref	<b>LEVELING JACK ASSEMBLY</b>	E
101	0641824	4	Bolt 1/2in-13NC x 3in	
102	0641828	4	Bolt 1/2in-13NC x 3 1/2in	
103	0903165	2	Bracket, Jack Cover	
104	1684220	2	Cylinder, Jack (See CYLINDER SECTION for Breakdown)	
105	2110606	2	Fitting	
106	2110808	2	Fitting	
107	2220883	2	Fitting, Plug	
108	3311805	8	Locknut 1/2in-13NC	
109	3760348	2	Ring, Retaining	
110	3841564	2	Rod	
111	4160116	2	Spring	

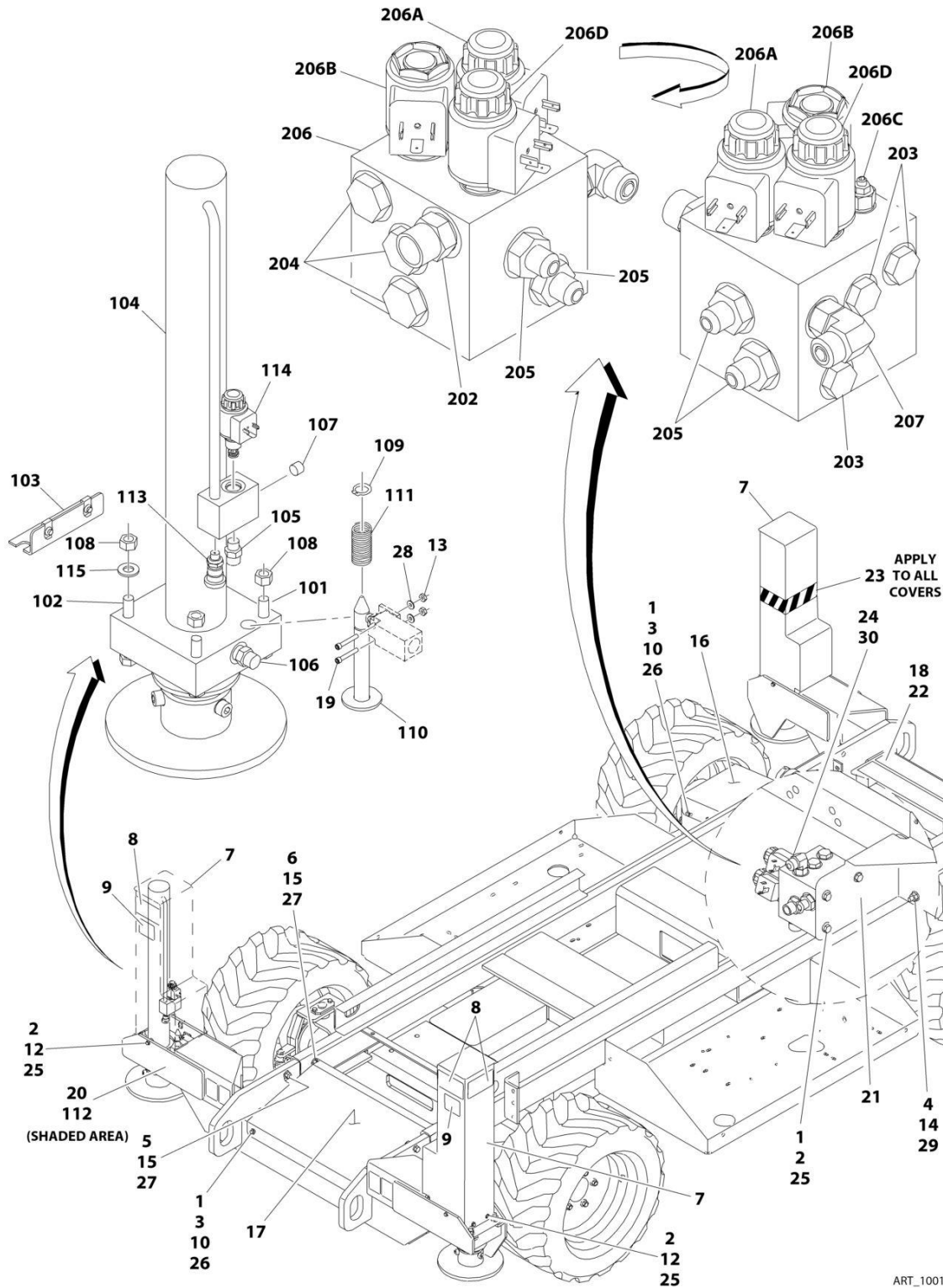
## SECTION 1 - FRAME

ITEM	PART NUMBER	QTY	DESCRIPTION	REV
112	4340885	1	Weldment, Leveling Jack	
113	4360518	2	Switch, Pressure Transducer	
114	4641238	2	Valve, Solenoid Directional	
114	7024497	1	Cartridge (1 Per Cartridge)	
114	7024501	1	Coil (1 Per Cartridge)	
114	7024502	1	Seal Kit - 4641238 Valve (1 Per Cartridge)	
114	7024506	1	Coil Nut, Kit - 4641238 Valve (1 Per Cartridge)	
115	4711800	4	Flatwasher 1/2in Thin	
	4641374	Ref	<b>LEVELING JACK CONTROL VALVE ASSEMBLY</b>	C
201	2110608	1	Fitting Only ( <b>Prior to SN 0200155061</b> )	
202	2110808	1	Fitting	
203	2220237	3	Fitting, Plug	
204	2220238	3	Fitting, Plug	
205	2220372	AR	Fitting	
206	4641240	1	Valve, Directional	
206A	7024497	1	Cartridge	
206A	7024501	1	Coil	
206A	7024506	1	Kit Nut	
206A	7024502	1	Seal Kit - 7024497 Cartridge	
206B	7024498	1	Cartridge	
206B	7024501	1	Coil	
206B	7024507	1	Kit Nut	
206B	7024503	1	Seal Kit - 7024498 Cartridge	
206C	7024499	1	Cartridge	
206C	7024504	1	Seal Kit - 7024499 Cartridge	
206D	7024500	1	Cartridge	
206D	7024501	1	Coil	
206D	7024506	1	Kit Nut	
206D	7024505	1	Seal Kit - 7024500 Cartridge	
207	2130606	1	Fitting, 90	



# SECTION 1 - FRAME

FIGURE 1-11. LEVELING JACKS AUTO LEVEL INSTALLATION (SN 0200244751 through 0200269760)



ART\_1001193378

## SECTION 1 - FRAME

**FIGURE 1-11. LEVELING JACKS AUTO LEVEL INSTALLATION (SN 0200244751 through 0200269760)**

ITEM	PART NUMBER	QTY	DESCRIPTION	REV
	1001193378	Ref	<b>LEVELING JACKS INSTALLATION</b>	A
1	0100011	AR	Compound, Locking	
2	0641407	19	Bolt 1/4in-20NC x 7/8in	
3	0641508	12	Bolt 5/16in-18NC x 1in	
4	0641608	3	Bolt 3/8in-16NC x 1in	
5	0641816	2	Bolt 1/2in-13NC x 2in	
6	0641824	8	Bolt 1/2in-13NC x 3in	
7	1671195	4	Cover	
8	1701214	8	Decal - Legend	
9	1704786	4	Decal - Max Load	
10	2080053	12	Fastener 5/16in-18NC	
11	2792686	1	Hydraulic Diagram Leveling Jacks (Not Shown)	
12	3300454	16	Nut 1/4in-20NC	
13	3310805	8	Locknut #8-32NC	
14	3311605	3	Locknut 3/8in-16NC	
15	3311805	10	Locknut 1/2in-13NC	
16	3572324	2	Cover, Rear Axle	
17	3572384	1	Plate, Front Cover	
18	3572385	1	Plate, Rear Cover	
19	3930820	8	Bolt #8-32NC x 1 1/4in	
20	4210017	2	Leveling Jack Assembly (See 101 to 115 for Breakdown)	
21	4340886	1	Mount, Valve	
22	4420039	5.5 ft /1.7m	Tape, Non-Skid	
23	4420051	8 ft /2.4m	Tape, Safety	
24	4641374	1	Leveling Jack Control Valve Assembly (See 201 to 207 for Breakdown)	
25	4711400	19	Flatwasher 1/4in Thin	
26	4711500	12	Flatwasher 5/16in Thin	
27	4711800	20	Flatwasher 1/2in Thin	
28	4750800	8	Flatwasher #8 Regular	
29	4751600	6	Flatwasher 3/8in Regular	
30	4922748	1	Harness - Leveling Jack (Not Shown - See ELECTRICAL SECTION for Breakdown)	
	4210017	Ref	<b>LEVELING JACK ASSEMBLY</b>	D
101	0641824	4	Bolt 1/2in-13NC x 3in	
102	0641828	4	Bolt 1/2in-13NC x 3 1/2in	
103	0903165	2	Bracket, Jack Cover	
104	1684220	2	Cylinder, Jack (See CYLINDER SECTION for Breakdown)	
105	2110606	2	Fitting	
106	2110808	2	Fitting	
107	2220883	2	Fitting, Plug	
108	3311805	8	Locknut 1/2in-13NC	
109	3760348	2	Ring, Retaining	
110	3841564	2	Rod	
111	4160116	2	Spring	
112	4340885	1	Weldment, Leveling Jack	
113	4360518	2	Switch, Pressure Transducer	
114	4641238	2	Valve, Solenoid Directional	
114	7024497	1	Cartridge (1 Per Cartridge)	

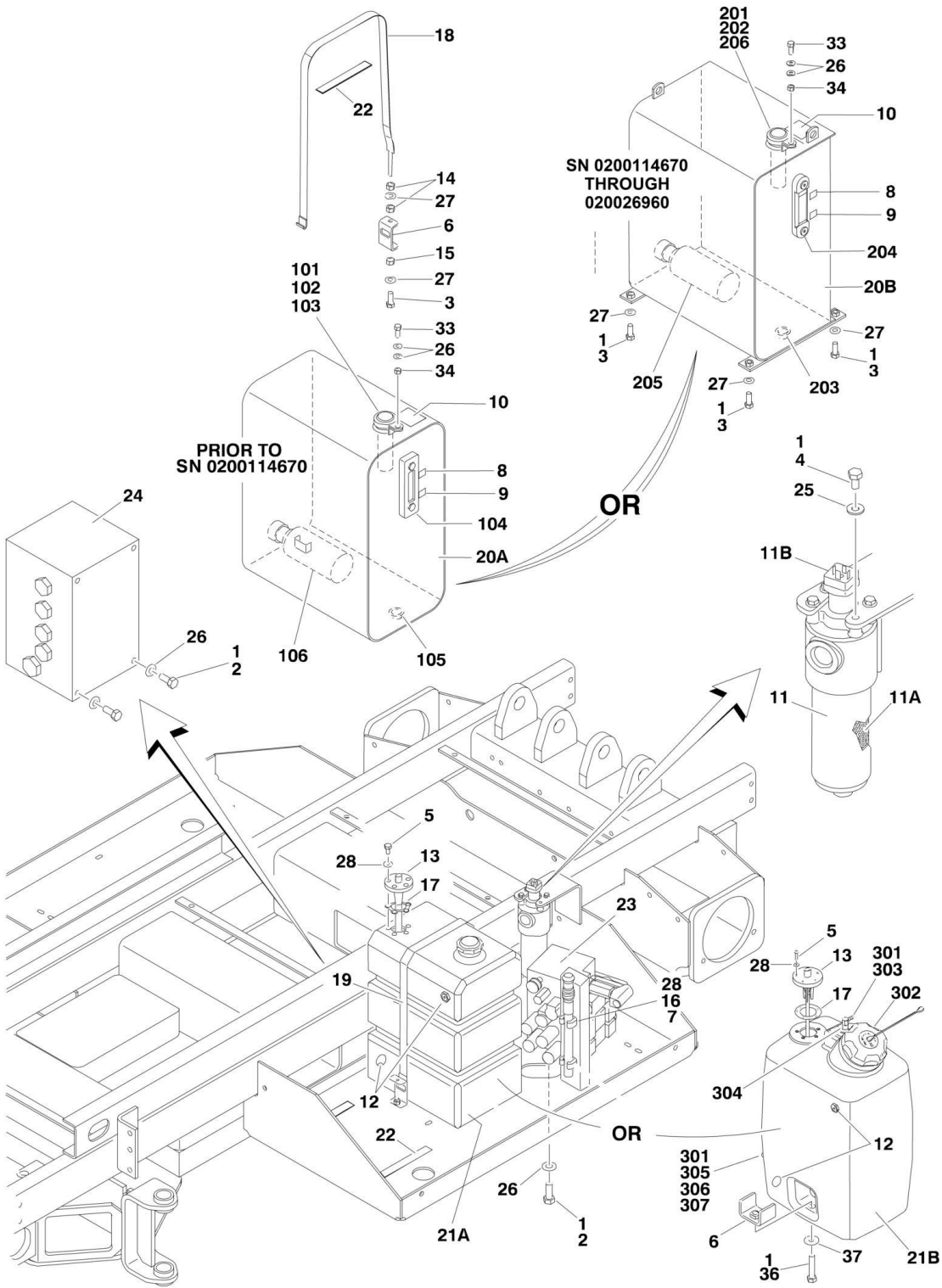
## SECTION 1 - FRAME

ITEM	PART NUMBER	QTY	DESCRIPTION	REV
114	7024501	1	Coil (1 Per Cartridge)	
114	7024502	1	Seal Kit - 4641238 Valve (1 Per Cartridge)	
114	7024506	1	Coil Nut, Kit - 4641238 Valve (1 Per Cartridge)	
115	4711800	4	Flatwasher 1/2in Thin	
	4641374	Ref	<b>LEVELING JACK CONTROL VALVE ASSEMBLY</b>	C
201	2110608	1	Fitting Only ( <b>Prior to SN 0200155061</b> )	
202	2110808	1	Fitting	
203	2220237	3	Fitting, Plug	
204	2220238	3	Fitting, Plug	
205	2220372	AR	Fitting	
206	4641240	1	Valve, Directional	
206A	7024497	1	Cartridge	
206A	7024501	1	Coil	
206A	7024506	1	Kit Nut	
206A	7024502	1	Seal Kit - 7024497 Cartridge	
206B	7024498	1	Cartridge	
206B	7024501	1	Coil	
206B	7024507	1	Kit Nut	
206B	7024503	1	Seal Kit - 7024498 Cartridge	
206C	7024499	1	Cartridge	
206C	7024504	1	Seal Kit - 7024499 Cartridge	
206D	7024500	1	Cartridge	
206D	7024501	1	Coil	
206D	7024506	1	Kit Nut	
206D	7024505	1	Seal Kit - 7024500 Cartridge	
207	2130606	1	Fitting, 90	

**SECTION 2 - GROUND CONTROLS**

# SECTION 2 - GROUND CONTROLS

## FIGURE 2-1. CONTROL VALVES AND TANK INSTALLATION





## SECTION 2 - GROUND CONTROLS

### FIGURE 2-1. CONTROL VALVES AND TANK INSTALLATION

ITEM	PART NUMBER	QTY	DESCRIPTION	REV
		Ref	<b>VALVES AND TANKS INSTALLATION</b>	
	0259752	Ref	<b>Diesel and Dual Fuel (Prior to SN 0200141689)</b>	J
	0274650	Ref	<b>Diesel (SN 0200141689 through 0200269760)</b>	B
	0274650	Ref	<b>Dual Fuel (Prior to SN 0200212108)</b>	B
	1001118608	Ref	<b>Dual Fuel (SN 0200212108 through 0200269760)</b>	D
1	0100011	AR	Compound, Locking	
2	0641506	5	Bolt 5/16in-18NC x 3/4in	
3	0641608	6	Bolt 3/8in-16NC x 1in	
4	0651406	4	Bolt 1/4in-28NF x 3/4in	
5	3900128	5	Screw #10-32NC x 1in	
6		Ref	Bracket, Tank Tie-Down Options:	
6	0902592	2	Diesel	
6	0902592	2	Dual Fuel ( <b>Prior to SN 0200212108</b> )	
6	1001118133	2	Dual Fuel ( <b>SN 0200212108 through 0200269760</b> )	
7	1380136	2	Clip, Gripper	
8	1701502	1	Decal - Hydraulic Oil Level (High)	
9	1701503	1	Decal - Hydraulic Oil Level (Low)	
10	1703812	1	Decal - Hydraulic Oil	
11		Ref	Filter Options:	
11	2120146	1	Filter, Medium Pressure ( <b>Prior to SN 0200141689</b> )	
11	2120209	1	Filter, Pressure ( <b>SN 0200141689 through 0200269760</b> )	
11A		Ref	Element, Filter Options:	
11A	2120150	1	Element, Filter - p/n 2120146	
11A	2120210	1	Element, Filter - p/n 2120209	
11B		Ref	Indicator Options:	
11B	7016312	1	Indicator - p/n 2120146	
11B	7020020	1	Manual Indicator - p/n 2120209	
11C		Ref	O-Ring, Filter Bowl Options (Not Shown):	
11C	7023206	1	O-Ring, Filter Bowl - p/n 2120146	
11C	7023207	1	Back-up Ring, Filter Bowl - p/n 2120146	
11C	70000934	1	O-Ring, Filter Bowl - p/n 2120209	
12	2200233	2	Plug, Drain ( <b>Prior to SN 0200266643</b> )	
13	2420190	1	Gauge, Fuel Level	
14	3311601	2	Nut 3/8in-16NC	
15	3311605	2	Locknut 3/8in-16NC	
16	3820020	2	Rivet	
17	3960525	1	Gasket, Fuel Sensor	
18	4240140	1	Strap, Tank Mounting ( <b>Prior to SN 0200114670</b> )	
19	4240141	1	Strap, Tank Mounting	
20		Ref	Tank, Hydraulic Oil Options:	
20A	4400425	1	Tank, Hydraulic Oil (See Items 101 - 106) ( <b>Prior to SN 0200114670</b> )	
20B	4400458	1	Tank, Hydraulic Oil (See Items 201 - 206) ( <b>SN 0200114670 through 0200269760</b> )	
21		Ref	Tank, Fuel Options:	
	4400428	1	Tank, Fuel (Diesel Machines)	
21A	4400428	1	Tank, Fuel (Dual Fuel Machines) ( <b>Prior to SN 0200212108</b> )	
21A	7020257	NLA	Cap - Standard Black Non-Locking (Included with Tank Assembly) (Use p/n 1120361)	
21A	0259823	1	Cap - Protectoseal Optional (Cap must be purchased	

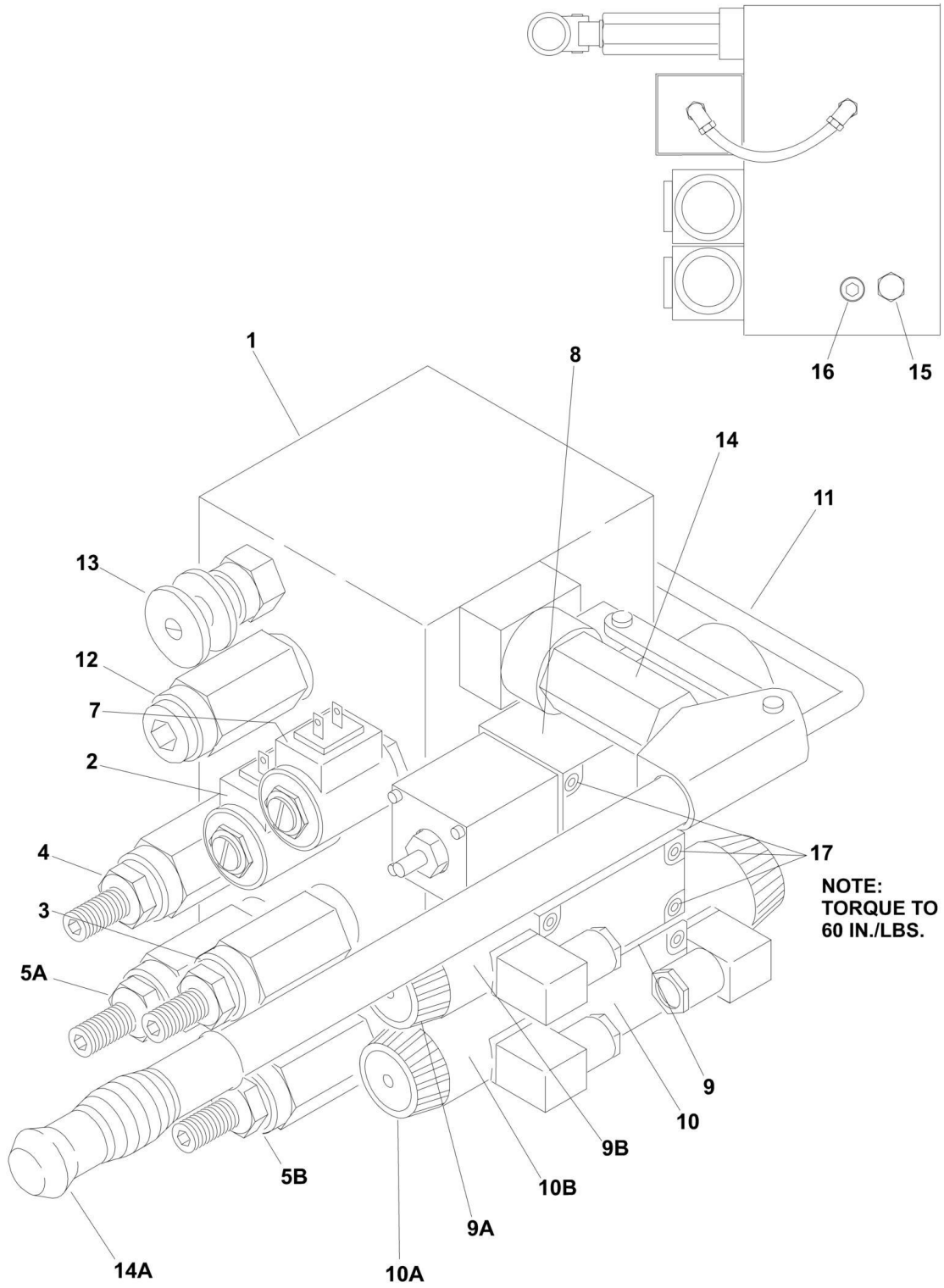
## SECTION 2 - GROUND CONTROLS

ITEM	PART NUMBER	QTY	DESCRIPTION	REV
21B	1001118607	NLA	separately) Tank, Fuel -Dual Fuel (Use p/n 1001213127) (See Items 301-306) <b>(SN 0200212108 through 0200266643)</b>	
21B	1001213127	1	Tank, Fuel -Dual Fuel (See Items 301-306) <b>(SN 0200266644 through 0200269760)</b>	
22	4420037	Ref	Tape, Insulation Options:	
22	4420037	4 ft/1.2m	Tape, Insulation <b>(Prior to SN 0200114670)</b>	
22	4420037	2 ft/0.6m	Tape, Insulation <b>(SN 0200114670 through 0200269760)</b>	
23	4641109	1	Main Valve Assembly (See MAIN VALVE ASSEMBLY for Breakdown)	
24	4641121	1	Flow Divider Valve Assembly (4WD) (See FLOW DIVIDER ASSEMBLY for Breakdown)	
25	4711400	AR	Flatwasher 1/4in Thin	
26	4711500	7	Flatwasher 5/16in Thin	
27	4711600	AR	Flatwasher 3/8in Thin	
28	4751000	AR	Flatwasher #10 Regular	
29	4060808	8 ft/2.4m	Trim, Flexible (Not Shown)	
30	4100033	4 ft/1.2m	Sleeve, Hose Protection (Not Shown) <b>(Prior to SN 0200191139)</b>	
32	4060807	32 in/81cm	Shield, Flex-Trim (Not Shown)	
33	0641508	1	Bolt 5/16in-18NC x 1in	
34	3311505	1	Locknut 5/16in-18NC	
35	4240018	AR	Tie Strap (Not Shown) <b>(SN 0200191139 through 0200269760)</b>	
36	0641820	2	Bolt 1/2in-13NC x 2-1/2in <b>(SN 0200212108 through 0200269760)</b>	
37	4751600	2	Flatwasher 1/2in Regular <b>(SN 0200212108 through 0200269760)</b>	
	4400425	Ref	<b>HYDRAULIC OIL TANK ASSEMBLY (Prior to SN 0200114670)</b>	
101	7014811	1	Cap	
102	7014816	1	Screen	
103	7020256	1	Neck, Fill	
104	7014802	1	Gauge	
105	7023219	1	Plug, Magnetic	
106	7020253	1	Strainer	
	4400458	Ref	<b>HYDRAULIC OIL TANK ASSEMBLY (SN 0200114670 through 0200269760)</b>	H
201	7024445	1	Screen	
202	7026575	1	Cap	
203	7024446	1	Plug, Magnetic	
204	7024441	1	Gauge	
205	7026121	1	Strainer	
206	7024443	1	Neck, Fill	
	1001118607	Ref	<b>FUEL TANK ASSEMBLY - DUAL FUEL (SN 0200212108 through 0200266643)</b>	H
	1001213127	Ref	<b>FUEL TANK ASSEMBLY - DUAL FUEL (SN 0200266644 through 0200269760)</b>	A
301	0100020	AR	Sealant	
302	1001128799	1	Cap - Standard Black Non-Locking (Included with Tank Assembly) (Use p/n 1120361)	
303	1001129043	1	Valve, Fuel Vent	
304	1001130097	1	Attach, Lanyard	
305	2180467	1	Straight Fitting <b>(SN 0200212108 through 0200266643)</b>	
306	2220250	1	Fitting, Reducer <b>(SN 0200212108 through 0200266643)</b>	
307	2221176	1	Fitting, 90 <b>(SN 0200266644 through 0200269760)</b>	



# SECTION 2 - GROUND CONTROLS

## FIGURE 2-2. MAIN VALVE ASSEMBLY



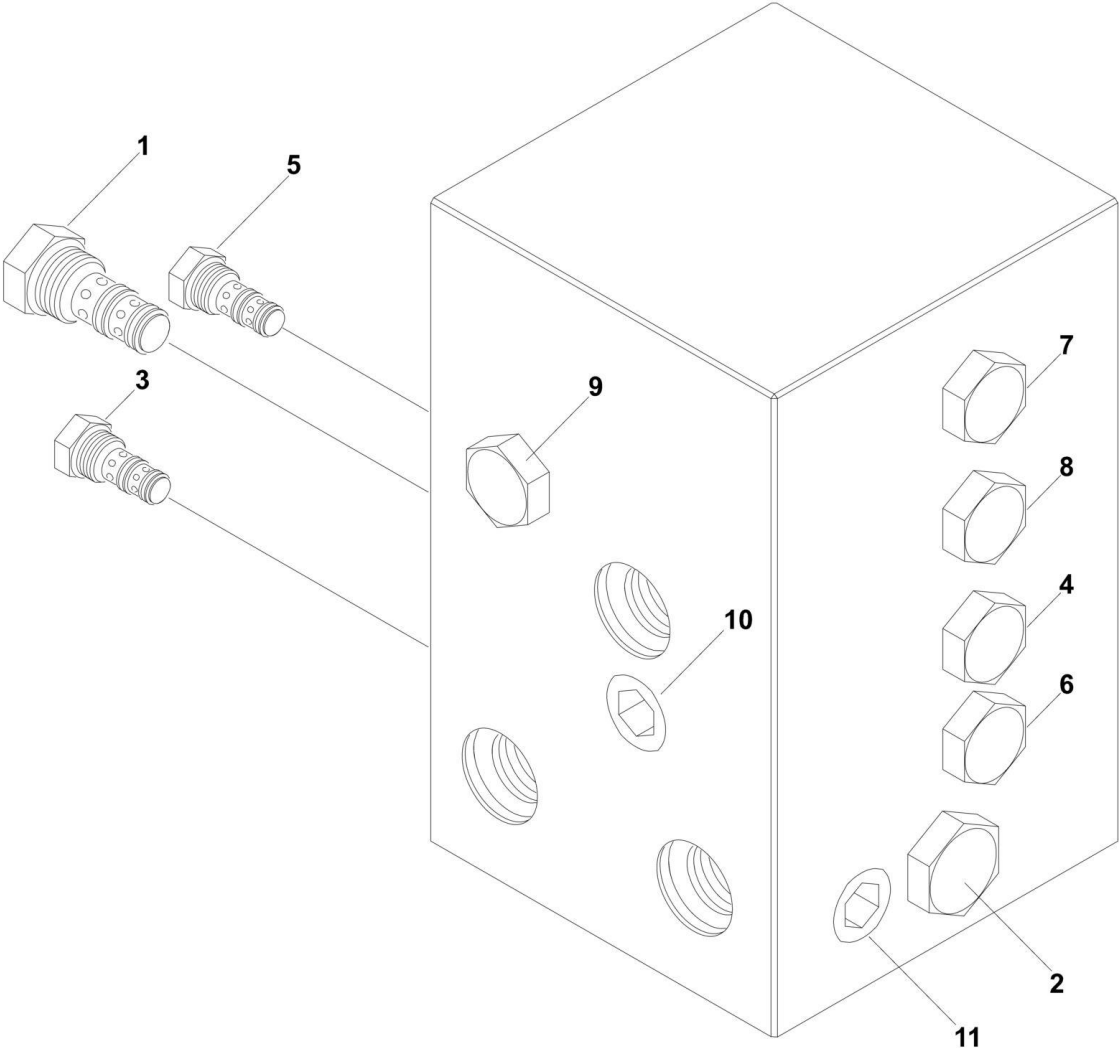
## SECTION 2 - GROUND CONTROLS

### FIGURE 2-2. MAIN VALVE ASSEMBLY

ITEM	PART NUMBER	QTY	DESCRIPTION	REV
	4641109	Ref	<b>MAIN CONTROL VALVE ASSEMBLY</b>	I
1	Not Serviced	1	Manifold	
2	7017410	1	Cartridge Less Coil (Dump)	
2	7012967	1	Seal Kit - 7017410 Cartridge	
2	7012944	1	Coil	
3	7023971	1	Cartridge, Relief (Main) (Was p/n 7017418)	
3	7012953	1	Seal Kit - 7023971 Cartridge	
4	7023972	1	Cartridge, Relief (Lift)	
4	7012953	1	Seal Kit - 7023972 Cartridge	
5A	7023973	2	Cartridge, Relief (Steer)	
5A	7023975	2	Seal Kit - 7023973 Cartridge (1 Per Cartridge)	
5B	7023974	2	Cartridge, Relief (Steer)	
5B	7023975	2	Seal Kit - 7023974 Cartridge (1 Per Cartridge)	
6	7022527	1	Orifice 1/16in/2.0mm (Not Shown - Located on Back of Valve at Port L)	
7	7012941	1	Cartridge Less Coil (Brake Release)	
7	7010543	1	Seal Kit - 7012941 Cartridge	
7	7012944	1	Coil	
8	7024929	1	Valve Assembly	
8	7022531	1	Seal Kit	
9	7022529	1	Valve Assembly (Lift)	
9	7012773	1	Seal Kit	
9A	7021375	1	Nut	
9B	7021376	1	Coil	
10	7021365	1	Valve Assembly (Steer)	
10	7012773	2	Seal Kit	
10A	7021375	2	Nut	
10B	7021376	2	Coil	
11	7018903	1	Tube Assembly	
11	7018904	1	Fitting, Straight	
12	7023916	1	Cartridge, Check (Was p/n 7021628)	
12	7012998	1	Seal Kit - 7023916 Cartridge (Was p/n 7012967)	
13	7021629	1	Cartridge, Needle Valve	
13	7012953	1	Seal Kit - 7021629 Cartridge	
14	7023208	1	Valve Assembly (Brake Release)	
14	7023209	1	Seal Kit - 7023208 Cartridge	
14A	7023210	1	Handle	
15	7023976	1	Cartridge	
15	7012967	1	Seal Kit - 7023976 Cartridge	
16	7022523	1	Orifice	
17	7018942	12	Capscrew, Socket Head #10-24NC x 2in	

# SECTION 2 - GROUND CONTROLS

## FIGURE 2-3. FLOW DIVIDER ASSEMBLY



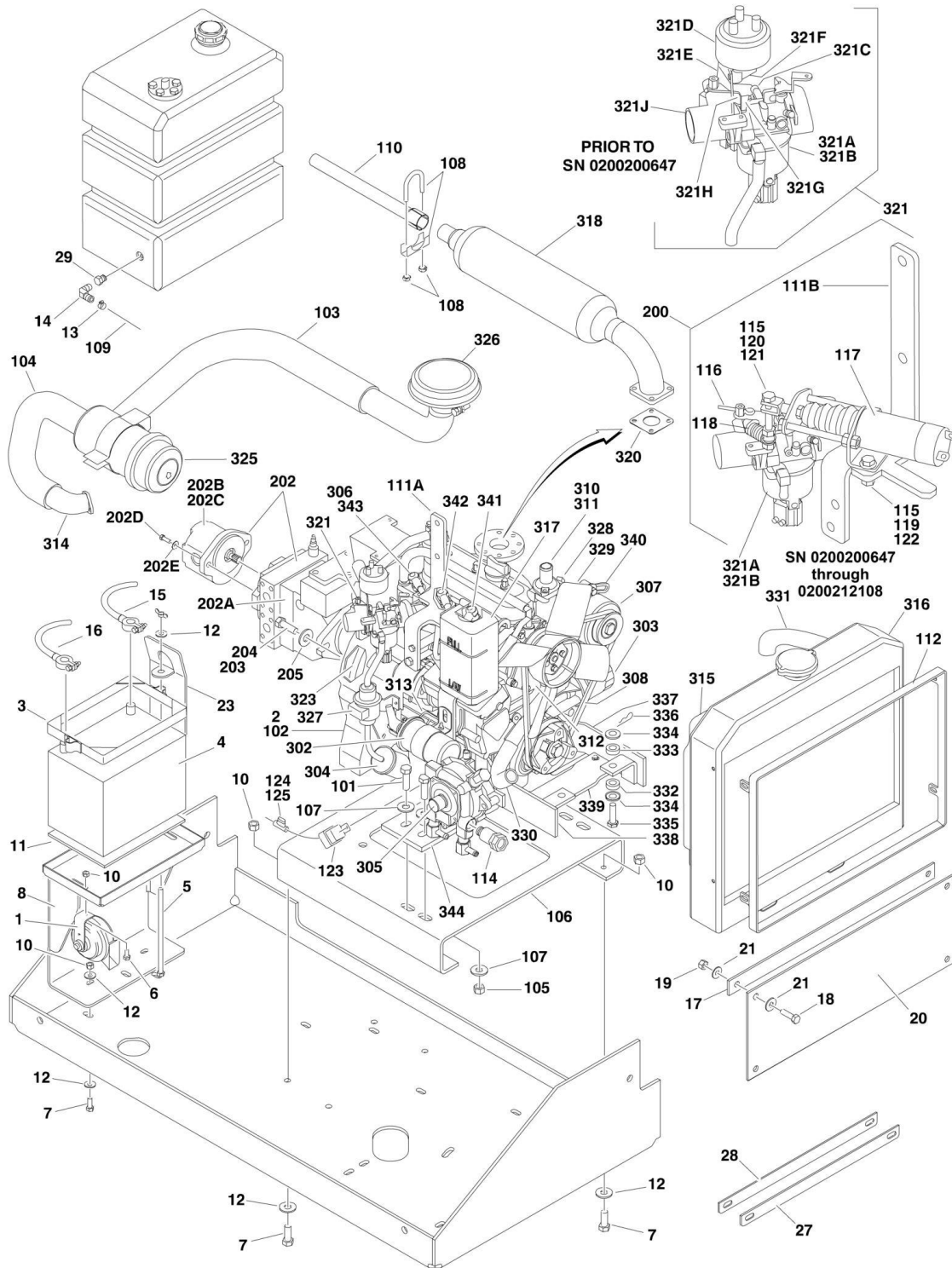
## SECTION 2 - GROUND CONTROLS

### FIGURE 2-3. FLOW DIVIDER ASSEMBLY

ITEM	PART NUMBER	QTY	DESCRIPTION	REV
	4641121	Ref	<b>FLOW DIVIDER VALVE ASSEMBLY</b>	B
1	7017425	1	Cartridge	
1	7017405	1	Seal Kit - 7017425 Cartridge	
2	7024873	1	Cartridge	
2	7012904	1	Seal Kit - 7024873 Cartridge	
3	7024873	1	Cartridge	
3	7012904	1	Seal Kit - 7024873 Cartridge	
4	7012975	1	Cartridge	
4	7012967	1	Seal Kit - 7012975 Cartridge	
5	7012975	1	Cartridge	
5	7012967	1	Seal Kit - 7012975 Cartridge	
6	7012975	1	Cartridge	
6	7012967	1	Seal Kit - 7012975 Cartridge	
7	7012975	1	Cartridge	
7	7012967	1	Seal Kit - 7012975 Cartridge	
8	7012975	1	Cartridge	
8	7012967	1	Seal Kit - 7012975 Cartridge	
9	7012975	1	Cartridge	
9	7012967	1	Seal Kit - 7012975 Cartridge	
10	7022523	1	Orifice (1.0mm)	
11	7022524	2	Orifice (0.5mm)	

# SECTION 2 - GROUND CONTROLS

## FIGURE 2-4. KUBOTA ENGINE INSTALLATION (DUAL FUEL) (Prior to SN 0200212108)





## SECTION 2 - GROUND CONTROLS

**FIGURE 2-4. KUBOTA ENGINE INSTALLATION (DUAL FUEL) (Prior to SN 0200212108)**

ITEM	PART NUMBER	QTY	DESCRIPTION	REV
	0259777	Ref	<b>KUBOTA ENGINE INSTALLATION</b>	N
1	0140001	1	Horn <b>(Prior to SN 0200112688)</b>	
2	0270063	1	Dual Fuel Assembly (See Items 201 to 205 for Breakdown)	
3	0400002	1	Hold Down, Battery	
3	2910479	1	Clip Kit	
4	0400003	1	Battery, 12 Volt	
5	0641676	2	Bolt 3/8in-16NC x 9-1/2in	
7	0641608	6	Bolt 3/8in-16NC x 1in	
8	0902597	1	Bracket, Battery Mount	
10	3311605	10	Locknut 3/8in-16NC	
11	3980003	1	Seat, Battery <b>(Prior to SN 0200111498)</b>	
12	4751600	12	Flatwasher 3/8in Regular	
13	1320022	2	Clamp, Fuel Line	
14		Ref	Fitting Options:	
14	2220869	1	90 Fitting	
14	2180467	1	Straight Fitting	
15	1060816	1	Cable, Battery (Negative)	
16	1060817	1	Cable, Battery (Positive)	
17	0362931	1	Bar, Shield Clamp	
18	0641406	2	Bolt 1/4in-20NC x 3/4in	
19	3311405	2	Locknut 1/4in-20NC	
20	4060992	1	Shield, Radiator	
21	4711400	4	Flatwasher 1/4in Thin	
22	0840025	1	Boot, Cable (Not Shown - Located at Starter)	
23	1670970	1	Cover, Battery	
27	4280315	1	Strip, Air Intake Cover (Outer)	
28	4280316	1	Strip, Air Intake Cover (Inner)	
29	2220250	1	Fitting, Reducer	
	0270038	Ref	<b>KUBOTA ENGINE ASSEMBLY</b>	J
101	0641610	6	Bolt 3/8in-16NC x 1-1/4in	
102	2000167	1	Kubota Engine Assembly with Dual Fuel (See Items 301- 339 for Breakdown)	
103	2720460	1	Hose, Air Intake	
104	2720461	1	Hose, Air Intake	
105	3311605	6	Locknut 3/8in-16NC	
106	3572164	1	Plate, Engine Mount	
107	4751600	12	Flatwasher 3/8in Regular	
108	1320274	1	Clamp, Muffler	
109	1001091587	AR	Hose, Fuel Line	
110	3460319	1	Pipe, Exhaust	
111		Ref	Bracket, Reserve Tank Mounting Options:	
111A	0902619	1	Bracket, Reserve Tank Mounting <b>(Prior to SN 0200200647)</b>	
111B	1001107725	1	Bracket, Reserve Tank Mounting <b>(SN 0200200647 through 0200212108)</b>	
112	0902623	1	Bracket, Radiator Seal	
113	0840026	1	Boot, Terminal (Not Shown - Located at Alternator)	
114	2120077	1	Filter-Lock, LP Gas	
115	3311405	4	Locknut 1/4in-20NC	
116	3450403	1	Pin, Cotter 1/8in x 3/4in	
117	3740151	1	Solenoid, Choke <b>(SN 0200200647 through 0200212108)</b>	

## SECTION 2 - GROUND CONTROLS

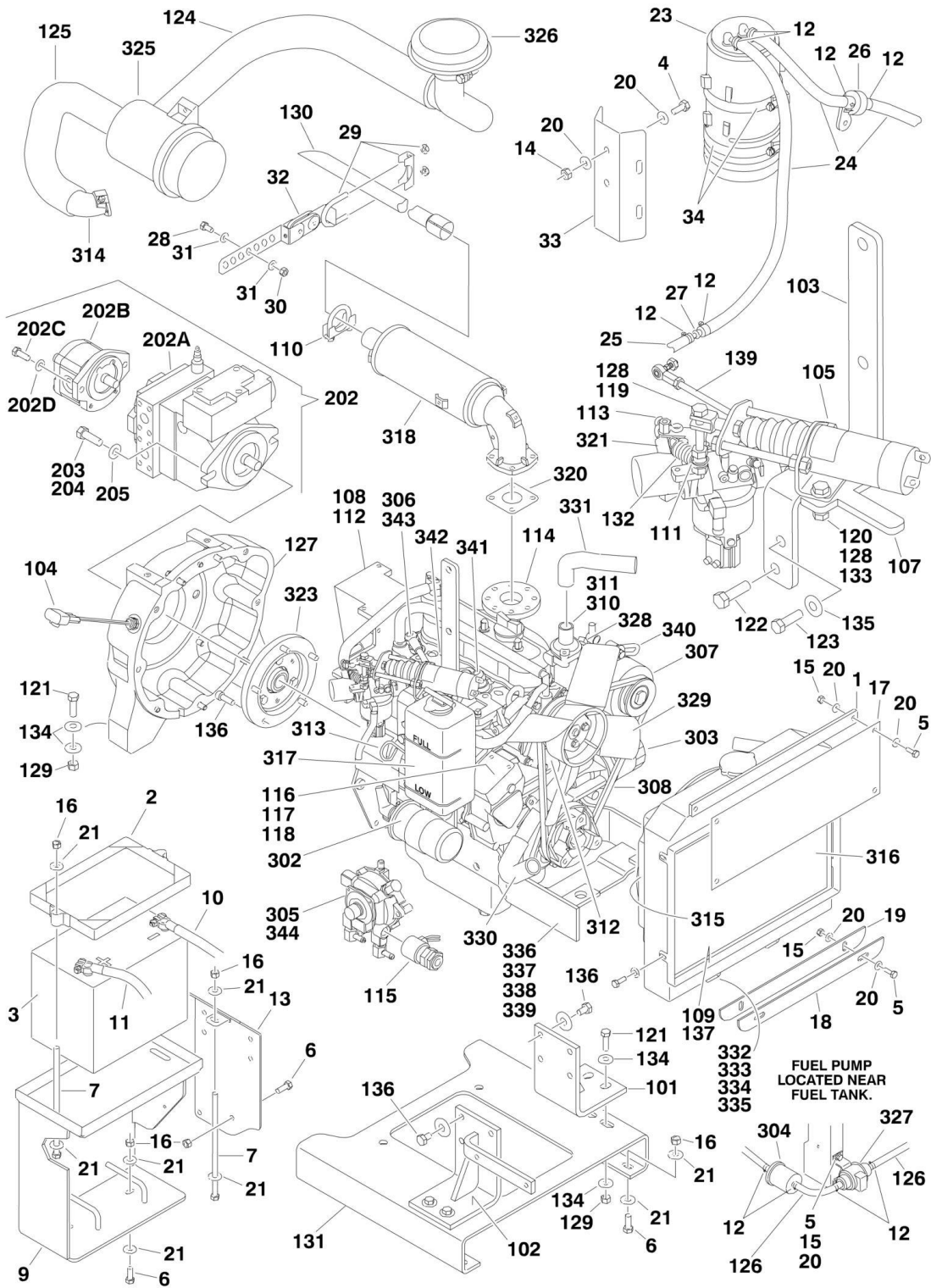
ITEM	PART NUMBER	QTY	DESCRIPTION	REV
118	4160097	1	Spring (SN 0200200647 through 0200212108)	
119	4711400	4	Flatwasher 1/4in Thin	
120	1440322	1	Collar (SN 0200200647 through 0200212108)	
121	0641418	1	Bolt 1/4in-20NC x 2-1/4in	
122	0641406	2	Bolt 1/4in-20NC x 3/4in	
123	3740019	1	Relay (SN 0200200647 through 0200212108)	
124	2400060	1	Fuse Holder (SN 0200200647 through 0200212108)	
125	2400070	1	Fuse, 20 Amp (SN 0200200647 through 0200212108)	
200	1001115331	1	Solenoid Operated Choke Kit (Machines) (Kit Includes Items 111B, 115-125 & 321B) (SN 0200200647 through 0200212108)	
	0270063	Ref	<b>DUAL FUEL POWERPLANT ASSEMBLY</b>	E
202		Ref	Pump Assembly Options:	
202	3600307	NLA	Pump Assembly (Includes Items 202A & 202B) (Use p/n 3600415) (Prior to SN 0200111922)	
202	3600373	NLA	Pump Assembly (Includes Items 202A & 202C) (Use p/n 3600415) (SN 0200111922 through 0200117590)	
202	3600415	1	Pump Assembly (Includes Items 202A & 202C) (SN 0200117591 through 0200212108)	
202A		Ref	Variable Displacement Pump Assembly Options:	
202A	3600300	NLA	Variable Displacement Pump Assembly (See VARIABLE DISPLACEMENT PUMP ASSEMBLY for Breakdown) (Use p/n 3600414) (Prior to SN 0200117591)	
202A	3600414	1	Variable Displacement Pump Assembly (See VARIABLE DISPLACEMENT PUMP ASSEMBLY for Breakdown) (SN 0200117591 through 0200212108)	
202B	3600301	NLA	Gear Pump Assembly (See GEAR PUMP ASSEMBLY for Breakdown) (Use p/n 3600369) (Prior to SN 0200111922)	
202C	3600369	1	Gear Pump Assembly (See GEAR PUMP ASSEMBLY for Breakdown) (SN 0200111922 through 0200212108)	
202D	0641608	2	Bolt 3/8in-16NC x 1in	
202E	4711600	2	Flatwasher 3/8in Thin	
203	0100011	AR	Compound, Locking	
204	0641812	2	Bolt 1/2in-13NC x 1-1/2in	
205	4711800	2	Flatwasher 1/2in Thin	
	2000167	Ref	<b>ENGINE COMPONENTS</b>	C
		Ref	<b>Note: Check ID tag on engine for correct model number, it will be either DF750 or DF752 when ordering parts.</b>	
301	7017901	1	Switch, Oil (Not Shown)	
302	7023105	1	Coil	
303	7017980	1	Filter, Oil	
304	7017992	1	Filter, Fuel	
305	7017998	1	Vaporizer (Model DF750)	
305	70002196	1	Vaporizer (Model DF752)	
306	7017999	3	Sparkplugs	
307	7023169	1	Alternator w/Regulator	
308	7026204	1	V-Belt	
309	7023111	1	Starter (Not Shown)	
310	7023113	1	Thermostat	
311	7023114	1	Gasket, Thermostat	
312	7023115	1	Pump, Water (Model DF750)	
312	70002089	1	Pump, Water (Model DF752)	
312	7026201	1	Gasket, Water Pump	
313	7017981	1	Dipstick	
314	7023198	1	Horn, Air Intake	

## SECTION 2 - GROUND CONTROLS

ITEM	PART NUMBER	QTY	DESCRIPTION	REV
315	7023125	1	Shroud	
316	7023128	1	Radiator	
316	7017967	1	Cap, Radiator	
317	7023126	1	Tank, Reserve	
318	7023127	1	Muffler	
319	7017977	1	Element, Breather (Not Shown - Located on Valve Cover)	
320	7023124	1	Gasket, Exhaust	
321		Ref	Carburetor Options:	
321A	7023197	1	Carburetor with Item 321D Choke	
321B	7023176	1	Carburetor without Choke (Model DF750)	
321B	70002195	1	Carburetor without Choke (Model DF752)	
321C	See Note	NSS	Valve, LP Lockout Solenoid (Note: Not Available for Purchase)	
321D	7023184	1	Choke (Other Parts Sold Separately) <b>(Prior to SN 0200200647)</b>	
321E	7026209	1	Bracket, Choke Support	
321F	7023193	1	Base, Choke	
321F	7023192	1	Bushing (Located Under Choke Base)	
321F	7023194	1	Washer (Located Under Bushing)	
321G	7023195	1	Rod, Choke	
321H	7023191	1	Bushing, Bronze	
321J	7023198	1	Horn, Air	
322	7023173	1	Sensor, Speed (Not Shown)	
323	See Note	1	Coupling, Pump (Note: Not Available for Purchase)	
325	7023174	1	Air Cleaner Assembly	
325	7023153	1	Element	
326	7017942	1	Cap, Air Intake	
327	7023190	1	Pump, Fuel Assembly	
328	7026211	1	Switch, Thermostat Assembly	
329	7023120	1	Fan	
330	70000627	1	Hose, Lower Radiator	
331	70000628	1	Hose, Upper Radiator	
332	70000620	2	Cushion, Lower	
333	70000621	2	Cushion, Upper	
334	70000622	4	Washer, Cup	
335	70000623	2	Bolt	
336	70000624	2	Pin, Snap	
337	70001381	1	Support, Radiator (Right)	
338	70001382	1	Support, Radiator (Left)	
339	70001383	1	Plate, Radiator Support Connector	
340	70001439	1	Alternator, Adjusting Strap	
341	7023101	1	Spark Plug Wire (Model DF750)	
341	70002197	1	Spark Plug Wire (Model DF752)	
342	7023102	1	Spark Plug Wire (Model DF750)	
342	70002198	1	Spark Plug Wire (Model DF752)	
343	7023103	1	Spark Plug Wire (Model DF750)	
343	70002199	1	Spark Plug Wire (Model DF752)	
344	70003624	1	Mount, Engine/Vaporizer	

# SECTION 2 - GROUND CONTROLS

FIGURE 2-5. KUBOTA ENGINE INSTALLATION (DUAL FUEL) (SN 0200212108 through 0200269760)



## SECTION 2 - GROUND CONTROLS

**FIGURE 2-5. KUBOTA ENGINE INSTALLATION (DUAL FUEL) (SN 0200212108 through 0200269760)**

ITEM	PART NUMBER	QTY	DESCRIPTION	REV
	1001118772	Ref	<b>KUBOTA ENGINE INSTALLATION</b>	K
1	0362931	1	Bar, Shield Clamp	
2	0400002	1	Hold Down, Battery	
2	2910479	1	Clip Kit	
3	0400003	1	Battery, 12 Volt	
4	0641405	2	Bolt 1/4in-20NC x 5/8in	
5	0641406	6	Bolt 1/4in-20NC x 3/4in	
6	0641608	8	Bolt 3/8in-16NC x 1in	
7	0641676	2	Bolt 3/8in-16NC x 9-1/2in	
8	0840025	1	Boot, Cable (Not Shown - Located at Starter)	
9	0902597	1	Bracket, Battery Mount	
10	1060816	1	Cable, Battery (Negative)	
11	1060817	1	Cable, Battery (Positive)	
12	1320022	14	Clamp, Fuel Line	
13	1670970	1	Cover, Battery	
14	3311401	2	Nut 1/4in-20NC	
15	3311405	6	Locknut 1/4in-20NC	
16	3311605	10	Locknut 3/8in-16NC	
17	4060992	1	Shield, Radiator	
18	4280315	1	Strip, Air Intake Cover (Outer)	
19	4280316	1	Strip, Air Intake Cover (Inner)	
20	4711400	18	Flatwasher 1/4in Thin	
21	4751600	16	Flatwasher 3/8in Regular	
23	1001127172	1	Filter, Carbon Canister	
24	1001129255	4 ft/1.2m	Hose, Fuel Line	
25	1001129255	6 ft/1.8m	Hose, Fuel Line	
26	1001131324	1	Valve, Check	
27	1001131391	1	Coupling, 3/16in-1/4in Fuel Line	
28	0641505	2	Bolt 5/16in-18NC x 5/8in	
29	1320274	1	Clamp, Muffler	
30	3311505	3	Locknut 5/16in-18NC	
31	4711500	5	Flatwasher 5/16in Regular	
32	1001133497	1	Hanger, Exhaust Tailpipe	
33	1001142984	1	Bracket	
34	1320058	2	Clamp	
35		Ref	Decal - EPA EVAP (Not Shown) Options:	
35	1001144220	1	Decal - EPA EVAP (Prior to SN 0200224849)	
35	1001174314	1	Decal - EPA EVAP (SN 0200224849 through 0200243725)	
35	1001194735	1	Decal - EPA EVAP (SN 0200243726 through 0200253039)	
35	1001213992	1	Decal - EPA EVAP (SN 0200253040 through 0200263093)	
35	1001227592	1	Decal - EPA EVAP (SN 0200263094 through 0200267350)	
35	1001236558	1	Decal - EPA EVAP (SN 0200267351 through 0200269760)	
	1001118770	Ref	<b>KUBOTA ENGINE ASSEMBLY</b>	I
101	1001122553	1	Bracket, Engine Mount	
102	1001122554	1	Bracket, Engine Mount	
103	1001107725	1	Bracket, Reserve Tank Mounting	
104	1001118580	1	Sensor, Speed	
105	3740151	1	Solenoid, Choke	
106	0840026	1	Boot, Terminal (Not Shown - Located at Alternator)	
107	1001121859	1	Bracket, Coil Mount	

## SECTION 2 - GROUND CONTROLS

ITEM	PART NUMBER	QTY	DESCRIPTION	REV
108	1001121916	1	Bracket, Speed Controller	
109	0902623	1	Bracket, Radiator Seal	
110	1320274	1	Clamp, Muffler	
111	1440322	1	Collar	
112	1001121917	1	Controller, Speed	
113	3450403	1	Pin, Cotter 1/8in x 3/4in	
114	1001118769	1	Kubota Engine Assembly with Dual Fuel (See Items 301-344 for Breakdown)	
115	2120077	1	Filter-Lock, LP Gas	
116	2400070	1	Fuse, 20 Amp	
117	2400060	1	Fuse Holder	
118	0100048	AR	Grease, Dielectric	
119	0641418	1	Bolt 1/4in-20NC x 2-1/4in	
120	0641406	2	Bolt 1/4in-20NC x 3/4in	
121	0641610	6	Bolt 3/8in-16NC x 1-1/4in	
122	0700614	1	Bolt Metric M6 x 30mm	
123	0700814	1	Bolt Metric M8 x 30mm	
124	2720460	1	Hose, Air Intake	
125	2720461	1	Hose, Air Intake	
126	1001091587	9 ft/2.7m	Hose, Fuel Line	
127	1001121853	1	Housing, Flywheel	
128	3311405	4	Locknut 1/4in-20NC	
129	3311605	6	Locknut 3/8in-16NC	
130	3460319	1	Pipe, Exhaust	
131	3572164	1	Plate, Engine Mount	
132	4160097	1	Spring	
133	4711400	4	Flatwasher 1/4in Thin	
134	4751600	12	Flatwasher 3/8in Regular	
135	4740495	1	Washer, AC Bracket	
136	0100011	AR	Compound, Locking	
137	3960389	4.6 ft/1.4m	Seal	
138	3740049	1	Relay	
139	1001239806	1	Throttle Arm Assembly (SN 0200268054 through 0200269760)	
	1001118771	Ref	<b>DUAL FUEL POWERPLANT ASSEMBLY</b>	C
202	3600415	1	Pump Assembly (Includes Items 202A & 202B)	
202A	3600414	1	Variable Displacement Pump Assembly (See VARIABLE DISPLACEMENT PUMP ASSEMBLY for Breakdown)	
202B	3600369	1	Gear Pump Assembly (See GEAR PUMP ASSEMBLY for Breakdown)	
202C	0641608	2	Bolt 3/8in-16NC x 1in	
202D	4711600	2	Flatwasher 3/8in Thin	
203	0641812	2	Bolt 1/2in-13NC x 1-1/2in	
204	0100011	AR	Compound, Locking	
205	4711800	2	Flatwasher 1/2in Thin	
	1001118769	Ref	<b>ENGINE COMPONENTS</b>	D
301	7017901	1	Switch, Oil (Not Shown)	
302	7023105	1	Coil	
303	7017980	1	Filter, Oil	
304	7017992	1	Filter, Fuel	
305	70004300	1	Vaporizer	
306	7017999	3	Spark plugs	

## SECTION 2 - GROUND CONTROLS

ITEM	PART NUMBER	QTY	DESCRIPTION	REV
307	7023169	1	Alternator w/Regulator	
308	7026204	1	V-Belt	
309	7023111	1	Starter (Not Shown)	
310	7023113	1	Thermostat	
311	7023114	1	Gasket, Thermostat	
312	70002089	1	Pump, Water	
312	7026201	1	Gasket, Water Pump	
313	7017981	1	Dipstick	
314	7023198	1	Horn, Air Intake	
315	7023125	1	Shroud	
316	7023128	1	Radiator	
316	7017967	1	Cap, Radiator	
317	4400498	1	Tank, Reserve	
318	7023127	1	Muffler	
319	7017977	1	Element, Breather (Not Shown - Located on Valve Cover)	
320	7023124	1	Gasket, Exhaust	
321	70002195	1	Carburetor	
322	7023173	1	Sensor, Speed (Not Shown)	
323	Not Available	1	Coupling, Pump	
325	7023174	1	Air Cleaner Assembly	
325	7023153	1	Element	
326	7017942	1	Cap, Air Intake	
327	7023190	1	Pump, Fuel Assembly	
328	7026211	1	Switch, Thermostat Assembly	
329	7023120	1	Fan	
330	70000627	1	Hose, Lower Radiator	
331	70000628	1	Hose, Upper Radiator	
332	70000620	2	Cushion, Lower	
333	70000621	2	Cushion, Upper	
334	70000622	4	Washer, Cup	
335	Not Available	2	Bolt	
336	Not Available	2	Pin, Snap	
337	70001381	1	Support, Radiator (Right)	
338	70001382	1	Support, Radiator (Left)	
339	70001383	1	Plate, Radiator Support Connector	
340	70001439	1	Alternator, Adjusting Strap	
341	7023101	1	Spark Plug Wire	
342	7023102	1	Spark Plug Wire	
343	7023103	1	Spark Plug Wire	
344	Not Available	1	Mount, Engine/Vaporizer	





## SECTION 2 - GROUND CONTROLS

### FIGURE 2-6. KUBOTA ENGINE INSTALLATION (DIESEL)

ITEM	PART NUMBER	QTY	DESCRIPTION	REV
		Ref	<b>KUBOTA ENGINE INSTALLATION (DIESEL)</b>	
	0259778	Ref	<b>Kubota Engine Installation (Diesel) (Prior to SN 0200185376)</b>	J
	1001096741	Ref	<b>Kubota Engine Installation (Diesel) (SN 0200185376 through 0200222873)</b>	B
	1001157980	Ref	<b>Kubota Engine Installation (Diesel) (SN 0200222874 through 0200269760)</b>	E
1	0100020	AR	Sealant	
2	0140001	1	Horn Only <b>(Prior to SN 0200112688)</b>	
3		Ref	Diesel Powerplant Assembly Options (See Items 201 to 205 for Breakdown):	
3	0270064	1	<b>Kubota Engine Installation (Diesel) (Prior to SN 0200185376)</b>	
3	1001096740	1	<b>Kubota Engine Installation (Diesel) (SN 0200185376 through 0200222873)</b>	
3	1001157978	NLA	<b>Kubota Engine Installation (Diesel) (Use p/n 1001237407) (SN 0200222874 through 0200268449)</b>	
3	1001237407	1	<b>Kubota Engine Installation (Diesel) (SN 0200268450 through 0200269760)</b>	
4	0400002	1	Hold Down, Battery	
4	2910479	1	Clip Kit	
5	0400003	1	Battery, 12 Volt	
6	0641506	1	Bolt 5/16in-18NC x 3/4in <b>(Prior to SN 0200112688)</b>	
7	0641608	8	Bolt 3/8in-16NC x 1in	
8	0641676	2	Bolt 3/8in-16NC x 9-1/2in	
9	0902597	1	Bracket, Battery Mount	
10	1060816	1	Cable, Battery (Negative)	
11	1060817	1	Cable, Battery (Positive)	
12	1320022	4	Clamp, Fuel Line	
13	2220250	2	Fitting, Reducer	
14		Ref	Fitting Options:	
14	2220869	1	90 Fitting	
14	2180467	1	Straight Fitting	
15	2221047	1	Fitting, 90	
17	3311505	1	Locknut 5/16in-18NC <b>(Prior to SN 0200112688)</b>	
18	3311605	10	Locknut 3/8in-16NC	
19	3980003	1	Seat, Battery <b>(Prior to SN 0200111498)</b>	
20	4751600	16	Flatwasher 3/8in Regular	
21	0840025	1	Boot, Cable (Not Shown - Located at Starter)	
22	1670970	1	Cover, Battery	
23	0840046	1	Boot, Terminal (+) <b>(SN 0200268675 through 0200269760)</b>	
24	0840047	1	Boot, Terminal (-) <b>(SN 0200268675 through 0200269760)</b>	
25	0100051	AR	Grease, Terminal	
		Ref	<b>KUBOTA ENGINE ASSEMBLY (DIESEL)</b>	
	0270039	NLA	<b>Kubota Engine Assembly (Diesel) (Use p/n 1001237406) (Prior to SN 0200185376)</b>	F
	1001096739	NLA	<b>Kubota Engine Assembly (Diesel) (Use p/n 1001237406) (SN 0200185376 through 0200222873)</b>	D
	1001157977	NLA	<b>Kubota Engine Assembly (Diesel) (Use p/n 1001237406) (SN 0200222874 through 0200268449)</b>	F
	1001237406	Ref	<b>Kubota Engine Assembly (Diesel) (SN 0200268450 through 0200269760)</b>	B
101	0641406	2	Bolt 1/4in-20NC x 3/4in	
102	0641508	2	Bolt 5/16in-18NC x 1in	

## SECTION 2 - GROUND CONTROLS

ITEM	PART NUMBER	QTY	DESCRIPTION	REV
103	0641608	2	Bolt 3/8in-16NC x 1in	
104	0641610	6	Bolt 3/8in-16NC x 1-1/4in	
105	0902624	1	Bracket, Radiator Seal	
106	0902647	1	Bracket, Mounting <b>(Prior to SN 0200268678)</b>	
106	1001152741	1	Bracket, Mounting <b>(SN 0200268678 through 0200269760)</b>	
107	0902648	1	Mount, Reserve Tank	
108	1320016	4	Clamp	
109	1320274	1	Clamp, Muffler	
110		Ref	Kubota Engine Assembly (Diesel) Options:	
110	2000168	1	Kubota Engine Assembly (Diesel) (See Items 301-340 for Breakdown) <b>(Prior to SN 0200185376)</b>	
110	1001096738	NLA	Kubota Engine Assembly (Diesel) (Use p/n 1001237405) (See Items 301-340 for Breakdown) <b>(SN 0200185376 through 0200222873)</b>	
110	1001157976	NLA	Kubota Engine Assembly (Diesel) (Use p/n 1001237405) (See Separate Breakdown in This Section) <b>(SN 0200222874 through 0200268449)</b>	
110	1001237405	1	Kubota Engine Assembly (Diesel) (See Separate Breakdown in This Section) <b>(SN 0200268450 through 0200269760)</b>	
111	2720058	5.5 ft/1.7m	Hose, Fuel Line	
112	2720271	7.5 ft/2.3m	Hose, 3/16in (Low Pressure)	
113	2720465	1	Hose, Air Intake	
114	2720466	1	Hose, Air Cleaner	
115	3311405	2	Locknut 1/4in-20NC	
116	3311505	2	Locknut 5/16in-18NC	
117	3311605	6	Locknut 3/8in-16NC	
118	3460320	1	Pipe, Exhaust	
119	3572430	1	Plate, Engine Mount	
120	3740049	2	Relay	
121	4711400	2	Flatwasher 1/4in Thin	
122	4711600	2	Flatwasher 3/8in Thin	
123	4751600	12	Flatwasher 3/8in Regular	
124	0840026	1	Boot, Terminal (Not Shown - Located at Alternator)	
		Ref	<b>DIESEL POWERPLANT ASSEMBLY</b>	
	0270064	Ref	<b>Diesel Powerplant Assembly (Prior to SN 0200185376)</b>	D
	1001096740	Ref	<b>Diesel Powerplant Assembly (SN 0200185376 through 0200222873)</b>	B
	1001157978	Ref	<b>Diesel Powerplant Assembly (SN 0200222874 through 0200268449)</b>	C
	1001237407	Ref	<b>Diesel Powerplant Assembly (SN 0200268450 through 0200269760)</b>	B
202		Ref	Pump Assembly Options:	
202	3600307	NLA	Pump Assembly (Includes Items 202A & 202B) (Use p/n 3600415) <b>(Prior to SN 0200111922)</b>	
202	3600373	NLA	Pump Assembly (Includes Items 202A & 202C) (Use p/n 3600415) <b>(SN 0200111922 through 0200117590)</b>	
202	3600415	1	Pump Assembly (Includes Items 202A & 202C) <b>(SN 0200117591 through 0200269760)</b>	
202A		Ref	Variable Displacement Pump Assembly Options:	
202A	3600300	NLA	Variable Displacement Pump Assembly (See VARIABLE DISPLACEMENT PUMP ASSEMBLY for Breakdown) (Use p/n 3600414) <b>(Prior to SN 0200117591)</b>	
202A	3600414	1	Variable Displacement Pump Assembly (See VARIABLE	

## SECTION 2 - GROUND CONTROLS

ITEM	PART NUMBER	QTY	DESCRIPTION	REV
			DISPLACEMENT PUMP ASSEMBLY for Breakdown) (SN 0200117591 through 0200269760)	
202B	3600301	NLA	Gear Pump Assembly (See GEAR PUMP ASSEMBLY for Breakdown) (Use p/n 3600369) (Prior to SN 0200111922)	
202C	3600369	1	Gear Pump Assembly (See GEAR PUMP ASSEMBLY for Breakdown) (SN 0200111922 through 0200269760)	
202D	0641608	2	Bolt 3/8in-16NC x 1in	
202E	4711600	2	Flatwasher 3/8in Thin	
203	0100011	AR	Compound, Locking	
204	0641812	2	Bolt 1/2in-13NC x 1-1/2in	
205	4711800	2	Flatwasher 1/2in Thin	
		Ref	<b>ENGINE COMPONENTS</b>	
	2000168	Ref	Engine Components (Use p/n 1001096738) (Prior to SN 0200185376)	C
	1001096738	Ref	Engine Components (SN 0200185376 through 0200222873)	C
301	7017923	1	Filter, Oil	
302	7023160	1	Dipstick	
303	7023177	1	Solenoid, Stop - Engine 2000168 (Not Shown)	
304	7023164	1	Pump, Injection	
304	70002319	AR	Shim - 0.175mm	
304	70002320	AR	Shim - 0.200mm	
304	70002321	AR	Shim - 0.250mm	
304	70002322	AR	Shim - 0.300mm	
304	70002323	AR	Shim - 0.350mm	
305	7023137	3	Plug, Glow - Engine 2000168	
305	70002324	3	Plug, Glow - Engine 1001096738	
306	7017950	1	Element, Fuel	
307	7026205	1	Pump, Fuel - Engine 2000168	
307	70002325	1	Pump, Fuel - Engine 1001096738	
308	7023141	1	V-Belt	
309	7023169	1	Alternator w/Regulator - Engine 2000168	
309	7017955	1	Alternator w/Regulator - Engine 1001096738	
310	7023144	1	Starter (Not Shown)	
311	7017901	1	Switch, Oil (Not Shown)	
312	7023170	1	Thermostat	
312	70002326	1	Gasket, Thermostat	
313	7017924	1	Pump, Water - Engine 2000168	
313	70002327	1	Pump, Water - Engine 1001096738	
313	70002328	1	Gasket, Water Pump - Engine 1001096738	
314	7017967	1	Cap, Radiator - Engine 2000168	
314	70002329	1	Cap, Radiator - Engine 1001096738	
315	7017968	1	Hose, Radiator - Engine 2000168 (Not Shown - Bottom)	
315	70002273	1	Hose, Radiator - Engine 1001096738 (Not Shown - Bottom)	
316	7017969	1	Hose, Radiator - Engine 2000168 (Not Shown - Top)	
316	70002272	1	Hose, Radiator - Engine 1001096738 (Not Shown - Top)	
317	7017938	1	Element, Breather	
318	7023172	1	Muffler	
319	7023173	1	Sensor, Speed (Not Shown)	
320	70001933	1	Coupling Kit, Pump (includes Coupling Bolts)	
320	70002419	1	Housing, Cast	
320	70001934	1	Flywheel Assembly	
320	70001140	1	Gear, Ring	

## SECTION 2 - GROUND CONTROLS

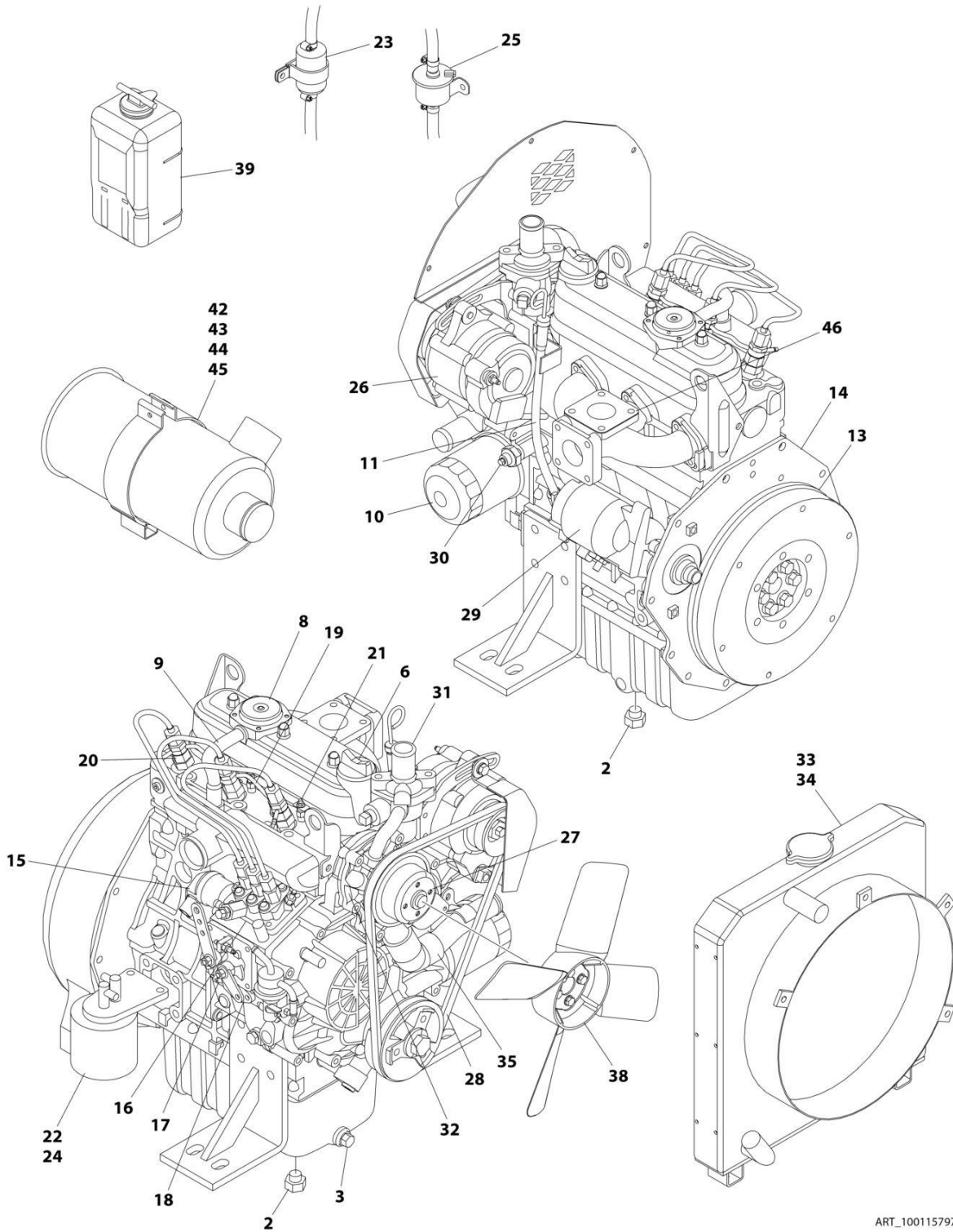
ITEM	PART NUMBER	QTY	DESCRIPTION	REV
320	70001935	6	Bolt, Flywheel	
321	7023124	1	Gasket, Muffler	
322	7017942	1	Cap, Air Intake	
323	7023126	1	Tank, Reservoir - Engine 2000168	
323	70002331	1	Tank, Reservoir - Engine 1001096738	
324	7026211	1	Sensor, Water Temperature	
325	70002274	1	Radiator Assembly	
326	70002275	1	Cover, Fan	
327	7017963	1	Pipe, Water	
328	70002330	1	Pipe, Elbow	
329	70001865	1	Fan	
330	7023149	1	Gasket, Intake Manifold	
331	7023148	1	Gasket, Exhaust Manifold (Not Shown)	
332	7017937	1	Air Cleaner Assembly	
333	7026202	1	Band, Air Cleaner	
334	70002316	1	Pipe	
335	70002317	1	Tube, Breather	
336	7017949	1	Fuel Filter Assembly (Includes - cover, fittings, plug, o-ring and filter element)	
336	7023199	1	Filter, Cover (Includes fittings)	
336	7017992	1	Filter, Inline (Not Shown)	
337	70000623	2	Bolt (Not Shown - Bottom)	
338	70000622	4	Washer (Not Shown - Bottom)	
339	70000620	2	Cushion (Not Shown - Bottom)	
340	70000621	2	Cushion (Not Shown - Bottom)	
	1001181530	Ref	<b>Engine Throttle Installation</b>	C
401	0100011	AR	Loctite #242	
402	0440334	1	Bearing, Spherical Rod End	
403	0641406	2	Bolt, 1/4-20NC x 3/4	
404	0641408	2	Bolt, 1/4-20NC x 1	
405	0641508	2	Bolt, 5/16-18NC x 1	
406	0721005	1	Bolt, N010-24 x .625	
407	0760610	2	Bolt, 8.8 M6 x 20	
408	0760808	2	Bolt, 8.8 M8 x 16	
409	0760814	2	Bolt, 8.8 M8 x 30	
410	3290605	2	Locknut, M6 x 1	
411	3311001	1	Nut, 10-24 UNC GR2	
412	3311405	4	Locknut, 1/4-20 UNC GR2	
413	3311505	2	Locknut, 5/16-18 UNC GR2	
414	3321402	2	Jamnut, 1/4-28 UNF GR2	
415	4240099	AR	Tie wire	
416	4711000	1	Flatwasher, #10 Narrow	
417	4711400	2	Flatwasher, 1/4 Narrow	
418	4751000	1	Flatwasher #10 Wide	
419	4761000	1	Lockwasher, #10	
420	4761400	2	Lockwasher, 1/4	
421	4811700	6	Flatwasher, 6mm	
422	4811900	4	Flatwasher, 8mm	
423	1001118582	1	Actuator, Kubota Throttle	
424	1001118881	1	Clevis, Throttle Linkage	
425	1001118925	1	Bearing, Spherical Rod End	
426	1001128888	1	Flatwasher, Special, Actuator Throttle	

## SECTION 2 - GROUND CONTROLS

ITEM	PART NUMBER	QTY	DESCRIPTION	REV
427	1001152741	1	Bracket, Air Cleaner / Actuator (Prior to SN 0200268675)	
428	1001157598	1	Wire, Harness, Throttle Control	
429	1001158085	1	Harness, Hi_Idle	

# SECTION 2 - GROUND CONTROLS

FIGURE 2-7. ENGINE COMPONENTS - KUBOTA DIESEL (SN 0200222874 through 0200268449)



ART\_1001157976

## SECTION 2 - GROUND CONTROLS

**FIGURE 2-7. ENGINE COMPONENTS - KUBOTA DIESEL (SN 0200222874 through 0200268449)**

ITEM	PART NUMBER	QTY	DESCRIPTION	REV
	1001157976	Ref	ENGINE COMPONENTS - KUBOTA DIESEL	B
1	70004524	1	Drain (Not Shown)	
2	70002314	1	Plug, Drain	
2	70002315	1	Seal, Plug	
3	70004525	1	Plug, Drain	
3	70004526	1	Gasket	
4	70004523	1	Gasket, Cylinder Head (Not Shown)	
5	7023157	1	Seal, Front Main (Not Shown)	
6	70002318	1	Cap, Oil Fill	
6	70004311	1	O-Ring	
7	7023132	1	Gasket, Valve Cover (Not Shown)	
8	70003060	1	Valve, Breather	
8	70003061	1	Cover, Breather	
8	7017934	4	Screw	
9	70002316	1	Pipe, Water Return	
9	70002317	1	Tube, Breather	
9	70004530	1	Clamp, Hose	
9	70004531	1	Band, Pipe	
10	70004395	1	Filter, Oil	
11	7023160	1	Dipstick	
11	70003062	1	Tube, Dipstick	
12	7017928	1	Seal, Rear Main (Not Shown)	
13	70001140	1	Ring Gear	
14	70002419	1	Plate, Rear End	
15	7025479	1	Solenoid, Stop	
16	7023164	1	Pump, Injection	
16	70002319	1	Shim, Injection	
16	70002320	1	Shim, Injection	
16	70002321	1	Shim, Injection Pump	
16	70002322	1	Shim, Injection Pump	
16	70002323	1	Shim, Injection Pump	
16	7017945	1	Joint, Eye	
17	7023136	1	Spring, Governor	
17	70004396	1	Control, Speed	
17	70004397	1	Gasket	
18	7023165	1	Gasket	
19	70004536	1	Pipe, Over Flow	
19	70004537	1	Screw, Air Bleeder	
19	70004538	1	Seal	
19	70004539	1	Pipe, Over Flow	
20	70004399	3	Holder, Nozzle	
20	70004540	3	Nut	
20	7023167	3	Gasket	
20	7023168	3	Seal, Heat	
21	70004398	3	Glow Plug	
21	70004544	1	Cord, Glow Plug	
22	7017949	1	Fuel Filter Assembly (Includes - cover, fittings, plug, o-ring and filter element)	
22	7023199	1	Filter, Cover (Includes fittings)	
23	7017992	1	Filter, Inline	

## SECTION 2 - GROUND CONTROLS

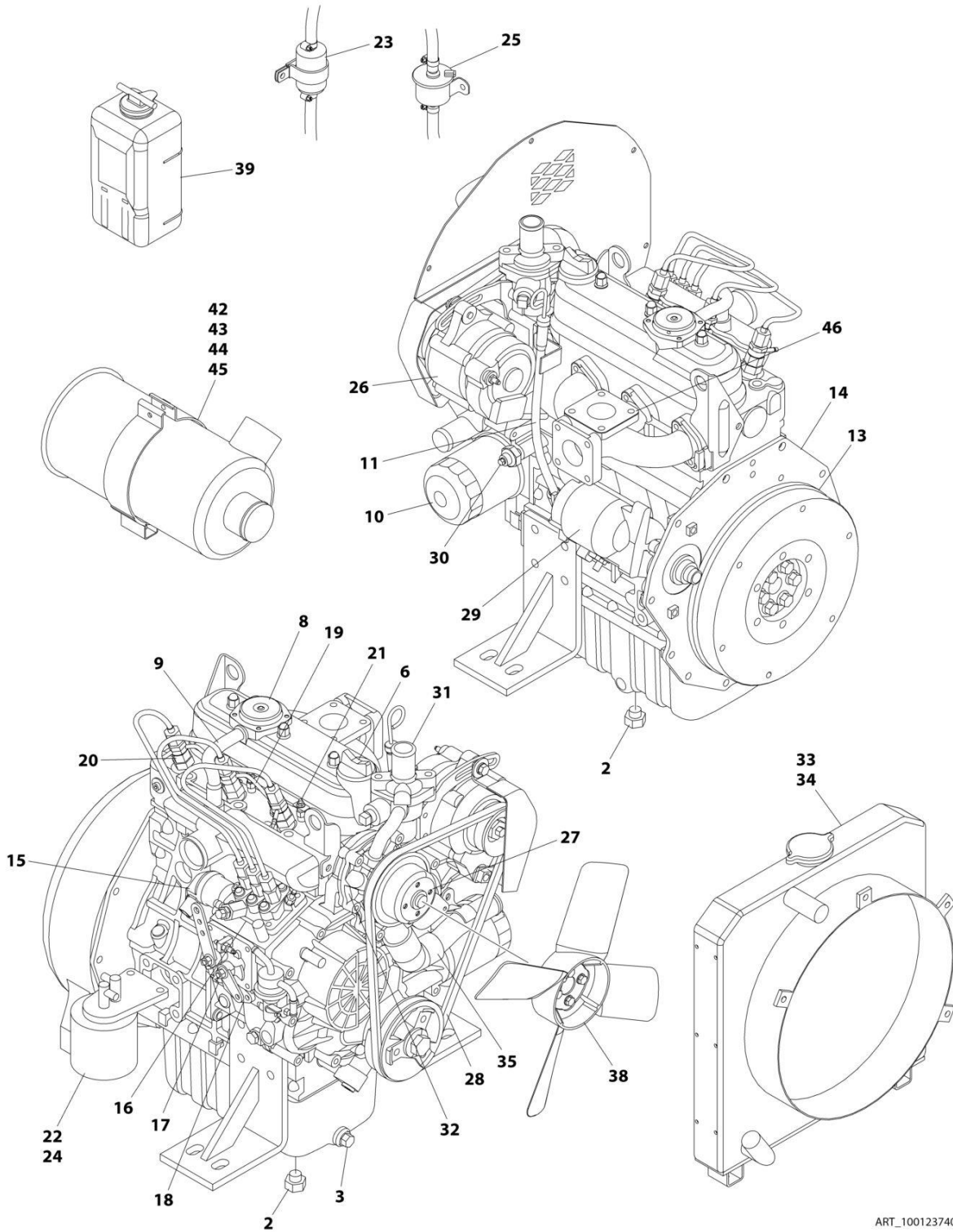
ITEM	PART NUMBER	QTY	DESCRIPTION	REV
24	7017950	1	Element, Fuel	
25	70002325	1	Fuel Pump Assembly - Electric	
26	7017955	1	Alternator	
27	7023140	1	Pulley, Fan	
28	7023141	1	V-Belt	
29	7023144	1	Starter	
30	7017901	1	Switch, Oil	
31	7026211	1	Sensor, Water Temperature	
31	70004547	1	Washer, Seal	
31	70004829	1	Pipe, Water Return	
31	7023145	1	Gasket, Water Flange	
31	7017958	1	Hose, Water Return	
31	7023170	1	Thermostat	
31	70002326	1	Gasket Thermostat	
32	70002327	1	Pump, Water	
32	70002328	1	Gasket, Water Pump	
33	70002274	1	Radiator Assembly	
33	70002329	1	Cap, Radiator	
34	70002275	1	Cover, Fan	
35	7017963	1	Pipe, Water	
35	70002330	1	Pipe, Water	
36	70002273	1	Hose, Radiator (Not Shown - Bottom)	
37	70002272	1	Hose, Radiator (Not Shown - Top)	
38	70001865	1	Fan	
39	4400498	1	Tank, Coolant Reserve	
40	7023149	1	Gasket, Inlet Manifold (Not Shown)	
41	7023148	1	Gasket, Exhaust Manifold (Not Shown)	
42	7017937	1	Air Cleaner Assembly	
43	7017938	1	Element, Breather	
44	7017942	1	Cap, Air Intake	
45	7026202	1	Band, Air Cleaner	
46	7023124	1	Gasket, Muffler	





# SECTION 2 - GROUND CONTROLS

FIGURE 2-8. ENGINE COMPONENTS - KUBOTA DIESEL (SN 0200268450 through 0200269760)



ART\_1001237405

## SECTION 2 - GROUND CONTROLS

**FIGURE 2-8. ENGINE COMPONENTS - KUBOTA DIESEL (SN 0200268450 through 0200269760)**

ITEM	PART NUMBER	QTY	DESCRIPTION	REV
	1001237405	Ref	ENGINE COMPONENTS - KUBOTA DIESEL	B
1	70004524	1	Drain (Not Shown)	
2	70002314	1	Plug, Drain	
2	70002315	1	Seal, Plug	
3	70004525	1	Plug, Drain	
3	70004526	1	Gasket	
4	70004523	1	Gasket, Cylinder Head (Not Shown)	
5	7023157	1	Seal, Front Main (Not Shown)	
6	70002318	1	Cap, Oil Fill	
6	70004311	1	O-Ring	
7	7023132	1	Gasket, Valve Cover (Not Shown)	
8	70003060	1	Valve, Breather	
8	70003061	1	Cover, Breather	
8	7017934	4	Screw	
9	70002316	1	Pipe, Water Return	
9	70002317	1	Tube, Breather	
9	70004530	1	Clamp, Hose	
9	70004531	1	Band, Pipe	
10	70004395	1	Filter, Oil	
11	7023160	1	Dipstick	
11	70003062	1	Tube, Dipstick	
12	7017928	1	Seal, Rear Main (Not Shown)	
13	70001140	1	Ring Gear	
14	70002419	1	Plate, Rear End	
15	7025479	1	Solenoid, Stop	
16	7023164	1	Pump, Injection	
16	70002319	1	Shim, Injection	
16	70002320	1	Shim, Injection	
16	70002321	1	Shim, Injection Pump	
16	70002322	1	Shim, Injection Pump	
16	70002323	1	Shim, Injection Pump	
16	7017945	1	Joint, Eye	
17	7023136	1	Spring, Governor	
17	70004396	1	Control, Speed	
17	70004397	1	Gasket	
18	7023165	1	Gasket	
19	70004536	1	Pipe, Over Flow	
19	70004537	1	Screw, Air Bleeder	
19	70004538	1	Seal	
19	70004539	1	Pipe, Over Flow	
20	70004399	3	Holder, Nozzle	
20	70004540	3	Nut	
20	7023167	3	Gasket	
20	7023168	3	Seal, Heat	
21	70004398	3	Glow Plug	
21	70004544	1	Cord, Glow Plug	
22	7017949	1	Fuel Filter Assembly (Includes - cover, fittings, plug, o-ring and filter element)	
22	7023199	1	Filter, Cover (Includes fittings)	
23	7017992	1	Filter, Inline	

## SECTION 2 - GROUND CONTROLS

ITEM	PART NUMBER	QTY	DESCRIPTION	REV
24	7017950	1	Element, Fuel	
25	70002325	1	Fuel Pump Assembly - Electric	
26	7017955	1	Alternator	
27	7023140	1	Pulley, Fan	
28	7023141	1	V-Belt	
29	7023144	1	Starter	
30	7017901	1	Switch, Oil	
31	7026211	1	Sensor, Water Temperature	
31	70004547	1	Washer, Seal	
31	70004829	1	Pipe, Water Return	
31	7023145	1	Gasket, Water Flange	
31	7017958	1	Hose, Water Return	
31	7023170	1	Thermostat	
31	70002326	1	Gasket Thermostat	
32	70002327	1	Pump, Water	
32	70002328	1	Gasket, Water Pump	
33	70002274	1	Radiator Assembly	
33	70002329	1	Cap, Radiator	
34	70002275	1	Cover, Fan	
35	7017963	1	Pipe, Water	
35	70002330	1	Pipe, Water	
36	70002273	1	Hose, Radiator (Not Shown - Bottom)	
37	70002272	1	Hose, Radiator (Not Shown - Top)	
38	70001865	1	Fan	
39	4400498	1	Tank, Coolant Reserve	
40	7023149	1	Gasket, Inlet Manifold (Not Shown)	
41	7023148	1	Gasket, Exhaust Manifold (Not Shown)	
42	7017937	1	Air Cleaner Assembly	
43	7017938	1	Element, Breather	
44	7017942	1	Cap, Air Intake	
45	7026202	1	Band, Air Cleaner	
46	7023124	1	Gasket, Muffler	





## SECTION 2 - GROUND CONTROLS

**FIGURE 2-9. VARIABLE DISPLACEMENT PUMP ASSEMBLY (Prior to SN 0200117591)**

ITEM	PART NUMBER	QTY	DESCRIPTION	REV
	3600300	Ref	<b>PISTON PUMP ASSEMBLIES</b>	E
		Ref		
			<b>Note: Original Equipment p/n 3600300 piston pump may have been replaced with Service Replacement p/n 3600414. - See VARIABLE DISPLACEMENT PUMP ASSEMBLY for Breakdown. Refer to tag on piston pump for identification before ordering parts.</b>	
1	See Note	1	Rotary Group Assembly (Note: Includes Items 101-116)	
2	See Note	NSS	Shaft Assembly (Note: Purchase Individual Components)	
2	7023887	1	Shaft	
2A	7023888	1	Bearing, Roller	
2B	7023889	1	Ring, Retaining	
3	See Note	1	Housing Assembly (Note: Includes Items 201-211)	
4	See Note	1	Stroking Piston Assembly (Note: Includes Items 301-309)	
5	See Note	1	Port Block Assembly (Note: Includes Items 401-410)	
6	7023877	1	Control Valve Assembly (Includes Items 501-520)	
7	See Note	1	Thru Drive Assembly (Note: Includes Items 601-621)	
8	7023878	2	Ring, Retaining	
9	See Note	NSS	Seal, Shaft (Note: Use Item 651)	
10	See Note	NSS	O-Ring (Note: Use Item 651)	
12	See Note	NSS	Orifice (1.0) (Note: Use p/n 3600300)	
14	See Note	NSS	Plug, O-Ring (Note: Purchase Locally)	
14A	See Note	NSS	O-Ring (Note: Use Item 651)	
15	See Note	NSS	Plug, O-Ring (Note: Purchase Locally)	
15A	See Note	3	O-Ring (Note: Use Item 651)	
17	7023879	1	Pin, Lens	
20	7022380	2	Relief Valve Assembly	
20A	See Note	NSS	Ring, Back-Up (Note: Use Item 651)	
20B	See Note	NSS	O-Ring (Note: Use Item 651)	
23	7023881	1	Charge Pressure Relief Valve Kit	
23A	See Note	NSS	O-Ring (Note: Use Item 651)	
24	See Note	NSS	Nut, Jam (Note: Use Item 651)	
29	See Note	NSS	Plug, O-Ring (Note: Purchase Locally)	
29A	See Note	NSS	O-Ring (Note: Use Item 651)	
32	See Note	NSS	Cover, Stroking Piston (Note: Use p/n 3600300)	
36	7023882	4	Capscrew M6 x 12	
		Ref	<b>ROTARY GROUP ASSEMBLY</b>	
101	See Note	NSS	Barrel (Note: Use p/n 3600300)	
102	See Note	NSS	Plate, Lens (Note: Use p/n 3600300)	
103	See Note	NSS	Piston (Note: Use p/n 3600300)	
104	See Note	NSS	Plate, Retaining (Note: Use p/n 3600300)	
105	See Note	NSS	Coupling, Ball (Note: Use p/n 3600300)	
106	7023883	1	Spring	
107	See Note	NSS	Pin, Pressure (Note: Use p/n 3600300)	
108	7023884	1	Ring, Retaining	
109	See Note	NSS	Disk (Note: Use p/n 3600300)	
110	7023885	1	Cradle Bearing Set	
111	7023834	1	Wire	
112	See Note	NSS	Lever (Note: Use p/n 3600300)	
113	See Note	NSS	Pin (Note: Use p/n 3600300)	
114	See Note	NSS	Wire (Note: Use p/n 3600300)	

## SECTION 2 - GROUND CONTROLS

ITEM	PART NUMBER	QTY	DESCRIPTION	REV
115	See Note	NSS	Plate, Swash (Note: Use p/n 3600300)	
116	7023886	1 pr	Race, Bearing	
		Ref	<b>HOUSING ASSEMBLY</b>	
201	See Note	NSS	Housing (Note: Use p/n 3600300)	
202	See Note	NSS	Rollpin (Note: Purchase Locally)	
203	See Note	NSS	Plug, O-Ring (Note: Purchase Locally)	
203A	See Note	NSS	O-Ring (Note: Use Item 651)	
205	7023890	2	Bushing	
206	See Note	NSS	Glyd-Ring (Note: Use Item 651)	
207	See Note	NSS	Plug, O-Ring (Note: Purchase Locally)	
207A	See Note	NSS	O-Ring (Note: Use Item 651)	
209	See Note	NSS	Pin (Note: Use p/n 3600300)	
210	See Note	NSS	Plug (Note: Use Item 651)	
211	See Note	NSS	Plug, Breakoff (Note: Use p/n 3600300)	
		Ref	<b>STROKING PISTION ASSEMBLY</b>	
301	7023891	1	Bolt, Centering	
302	See Note	NSS	Piston, Center (Note: Use p/n 3600300)	
303	7023892	1	Collar, Spring	
304	7023893	1	Spacer	
305	7023894	1	Collar, Spring	
306	7023895	1	Ring, Retaining	
307	7023896	1	Ring	
308	See Note	NSS	O-Ring (Note: Use Item 651)	
309	7023897	1	Spring	
		Ref	<b>PORT BLOCK ASSEMBLY</b>	
401	See Note	NSS	Block, Port (Note: Use p/n 3600300)	
402	See Note	NSS	Plug (Note: Use Item 651)	
403	7023898	4	Capscrew M12 x 70	
405	See Note	NSS	O-Ring (Note: Use Item 651)	
407	7023899	1	Bearing, Roller	
408	See Note	NSS	Pin, Dowell (Note: Purchase Locally)	
410	See Note	NSS	Plug, O-Ring (Note: Purchase Locally)	
410A	See Note	NSS	O-Ring (Note: Use Item 651)	
		Ref	<b>CONTROL VALVE ASSEMBLY</b>	
501	See Note	NSS	Nut, Seal (Note: Use Item 651)	
502	See Note	NSS	Eccentric (Note: Use p/n 3600300)	
503	7024000	1	Capscrew M6 x 45	
504	7024001	4	Capscrew M6 x 70	
505	See Note	NSS	Gasket (Note: Use Item 651)	
506	7023854	2	Solenoid	
507	7023855	1	Connector, Electrical (Gray)	
508	See Note	8	Capscrew M4 x 50 (Note: Purchase Locally)	
509	See Note	NSS	O-Ring (Note: Use Item 651)	
510	7023856	1	Connector, Electrical (Black)	
511	See Note	NSS	Pin, Dowell (Note: Purchase Locally)	
512	See Note	NSS	Gasket (Note: Use Item 651)	
513	See Note	NSS	Pin (Note: Use p/n 3600300)	
514	7024002	1	Lever, Feedback	
515	7024003	2	Lever	
516	7023859	1	Spring	
517	See Note	NSS	Cover (Note: Use p/n 3600300)	

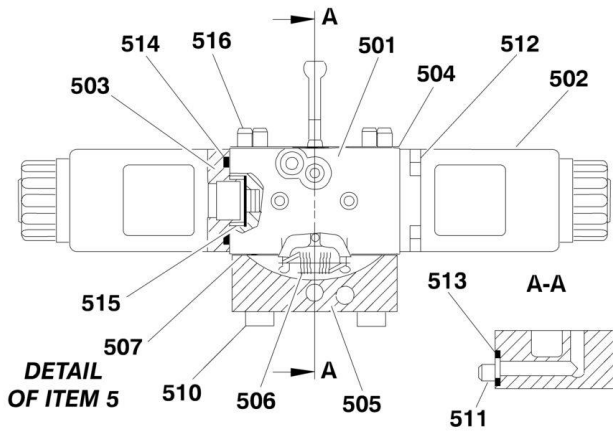


## SECTION 2 - GROUND CONTROLS

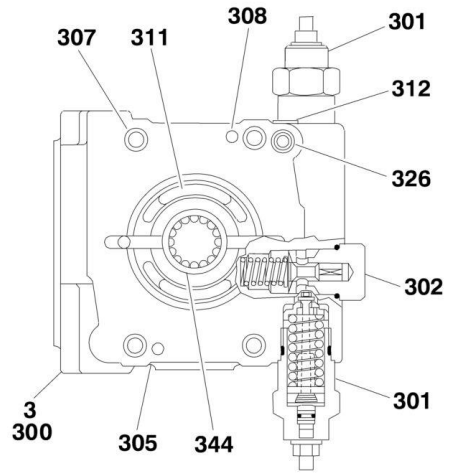
ITEM	PART NUMBER	QTY	DESCRIPTION	REV
518	See Note	NSS	O-Ring (Note: Use Item 651)	
519	See Note	NSS	Block (Note: Use p/n 3600300)	
520	See Note	NSS	Piston (Note: Use p/n 3600300)	
		Ref	<b>THRU DRIVE ASSEMBLY</b>	
601	See Note	NSS	Plate (Note: Use p/n 3600300)	
602	7024004	1	Coupling, Shaft	
607	See Note	NSS	O-Ring (Note: Use Item 651)	
608	See Note	NSS	Gear (Note: Use p/n 3600300)	
609	See Note	NSS	O-Ring (Note: Use Item 651)	
610	See Note	NSS	Capscrew M10 x 20 (Note: Purchase Locally)	
613	See Note	NSS	O-Ring (Note: Use Item 651)	
620	7024005	1	Plate, Wear	
621	See Note	NSS	Pin (Note: Use p/n 3600300)	
651	7024006	1	Seal Kit (Includes Items 9, 10, 14A, 15A, 20A, 20B, 23A, 24, 29A, 203A, 206, 207A, 210, 308, 402, 405, 410A, 501, 505, 509, 512, 518, 607, 609 & 613)	

# SECTION 2 - GROUND CONTROLS

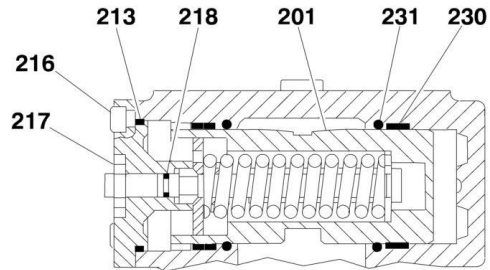
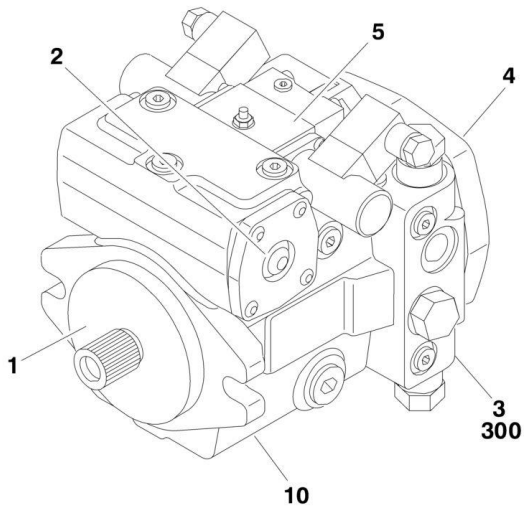
FIGURE 2-10. VARIABLE DISPLACEMENT PUMP ASSEMBLY (SN 0200117591 through 0200269760)



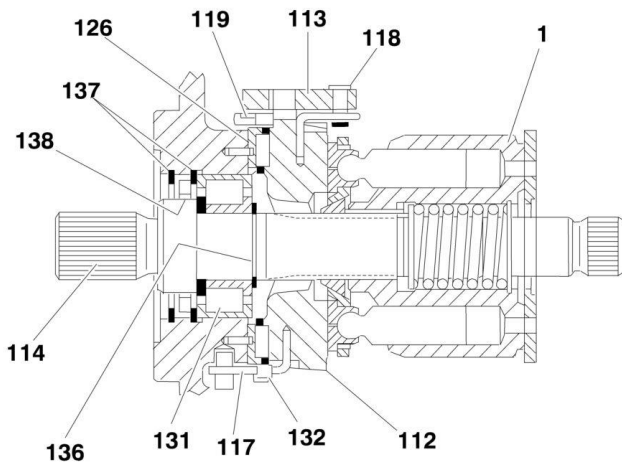
DETAIL OF ITEM 5



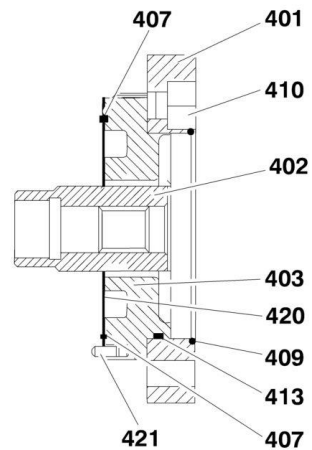
DETAIL OF ITEM 3



DETAIL OF ITEM 2



DETAIL OF ITEM 1



DETAIL OF ITEM 4

## SECTION 2 - GROUND CONTROLS

**FIGURE 2-10. VARIABLE DISPLACEMENT PUMP ASSEMBLY (SN 0200117591 through 0200269760)**

ITEM	PART NUMBER	QTY	DESCRIPTION	REV
	3600414	Ref	<b>PISTON PUMP ASSEMBLY</b>	C
1	7024064	1	Rotary Group (See Items 101-138 for Breakdown)	
2	7024065	1	Control Assembly (See Items 201-231 for Breakdown)	
3	See Note	1	Valve Plate Assembly (Note: See Items 301-344 for Breakdown)	
4	See Note	1	Internal Pump Assembly (Note: See Items 401-421 for Breakdown)	
5	7024068	1	Module Assembly (See Items 501-516 for Breakdown)	
10	See Note	NSS	Housing (Note: Use p/n 3600414)	
13	80934596	1	Joint, Pin (Not Shown)	
14	See Note	NSS	Pin, Dowel (Not Shown) (Note: Purchase Locally)	
20	See Note	NSS	Screw, Locking (Not Shown) (Note: Purchase Locally)	
22	See Note	NSS	Screw, Locking (Not Shown) (Note: Purchase Locally)	
23	See Note	NSS	Screw, Locking (Not Shown) (Note: Purchase Locally)	
24	See Note	NSS	Screw, Locking (Not Shown) (Note: Purchase Locally)	
27	See Note	NSS	Pin, Breakoff (Not Shown) (Note: Purchase Locally)	
28	7018936	2	Orifice (Not Shown)	
31	7028877	2	Pin, Clamping (Not Shown)	
41	7024069	1	O-Ring (Not Shown)	
49	See Note	NSS	Plug (Not Shown) (Note: Purchase Locally)	
	7024064	Ref	<b>ROTARY GROUP</b>	
112	See Note	NSS	Swash Plate (Note: Purchase Assembly p/n 7024064)	
113	See Note	NSS	Ring, Slide (Note: Purchase Assembly p/n 7024064)	
114	7023887	1	Driveshaft	
117	See Note	NSS	Wire (Note: Purchase Assembly p/n 7024064)	
118	See Note	NSS	Joint, Pin (Note: Purchase Assembly p/n 7024064)	
119	See Note	NSS	Wire (Note: Purchase Assembly p/n 7024064)	
126	See Note	NSS	Liner, Bearing (Note: Purchase Assembly p/n 7024064)	
131	7023888	1	Bearing, Roller	
132	7023885	1 Set	Cradle Bearing Assembly	
136	See Note	1	Ring, Retaining (Note: Purchase Assembly p/n 7024064)	
137	70001968	2	Ring, Retaining	
138	7024070	1	Seal, Shaft Ring	
	7024065	Ref	<b>CONTROL ASSEMBLY</b>	
201	See Note	NSS	Piston, Positioning - Complete (Note: Purchase Assembly p/n 7024065) (Includes Items 213 & 218)	
213	7024071	1	O-Ring, Outer Seal	
216	See Note	4	Capscrew, Socket Head (Note: Purchase Locally)	
217	See Note	1	Nut, Hex (Note: Purchase Locally)	
218	7024072	1	O-Ring, Stem	
230	See Note	NSS	Ring, Guide (Purchase Assembly p/n 7024065)	
231	See Note	NSS	Ring, Glide (Purchase Assembly p/n 7024065)	
300		Ref	<b>VALVE PLATE ASSEMBLY</b>	
301	7024073	2	Cartridge, Relief Valve (Note: Sold as an Assembly Except O-Ring and Back-up Ring.)	
301	7024075	2	O-Ring (1 Per Assembly)	
301	7024076	2	Ring, Back-up (1 Per Assembly)	
302	7023881	1	Cartridge, Relief Valve (Note: Sold as an Assembly Except O-Ring.)	
302	7024077	1	O-Ring	
305	70003339	1	Plate, Port	
307	See Note	4	Capscrew (Note: Purchase Locally)	

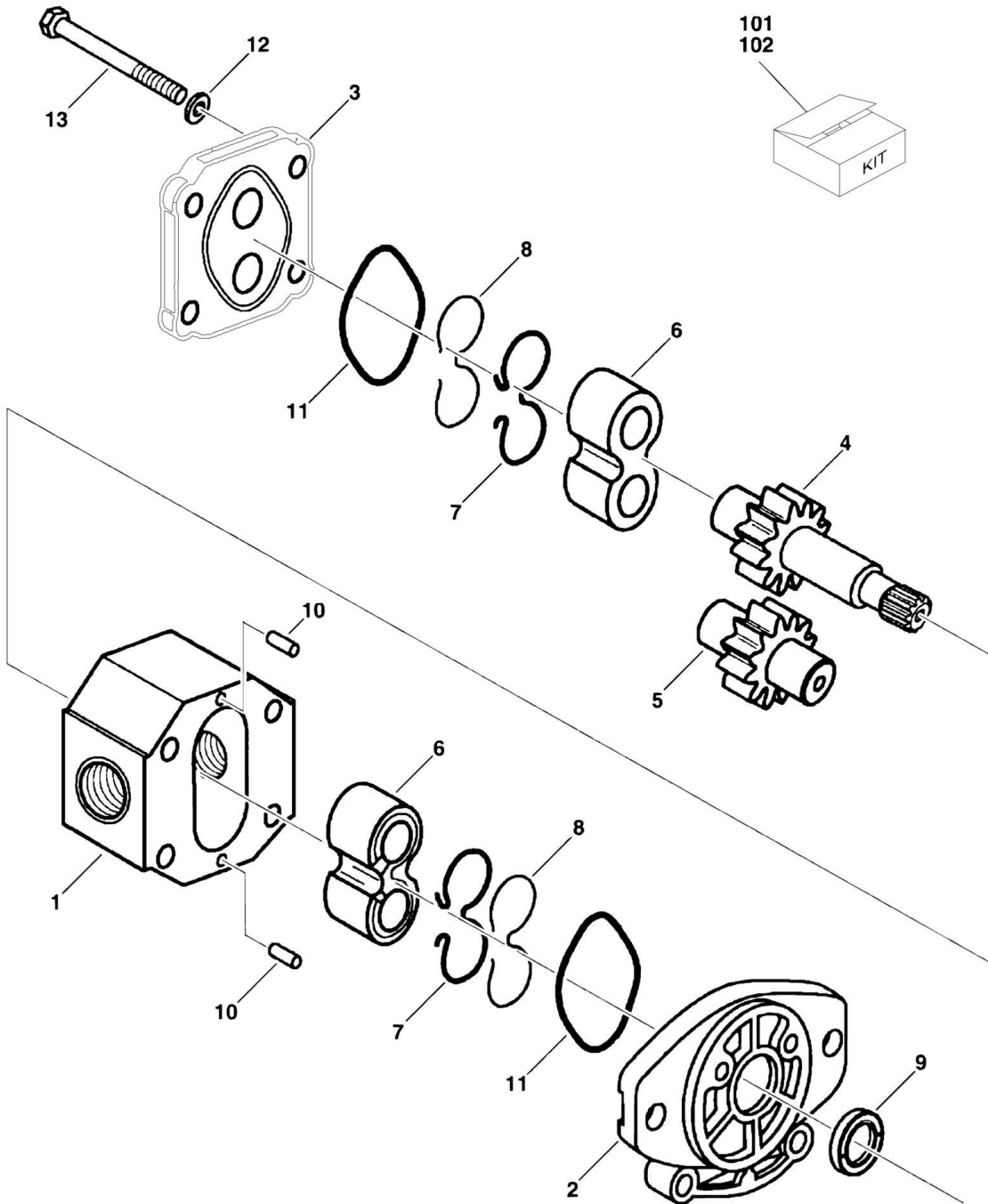
## SECTION 2 - GROUND CONTROLS

ITEM	PART NUMBER	QTY	DESCRIPTION	REV
308	See Note	2	Pin, Dowel (Note: Purchase Locally)	
311	70003340	1	Pin, Breakoff	
312	See Note	1	Screw, Locking (Note: Purchase Locally)	
326	7024908	1	O-Ring	
335	See Note	2	Screw, Locking (Not Shown) (Note: Purchase Locally)	
344	See Note	NSS	Bearing, Roller (Note: Use p/n 3600414)	
		Ref	<b>INTERNAL PUMP ASSEMBLY</b>	
401	See Note	NSS	Plate, Sandwich (Note: Use p/n 3600414)	
402	7024004	1	Coupling, Shaft	
403	See Note	NSS	Seal, Ring (Note: Use p/n 3600414)	
407	See Note	NSS	Seal (Note: Use p/n 3600414)	
409	7024082	1	O-Ring	
410	See Note	4	Capscrew (Note: Purchase Locally)	
413	7024081	1	O-Ring	
420	7024005	1	Plate, Wear	
421	See Note	1	Pin, Dowel (Note: Purchase Locally)	
	7024068	Ref	<b>MODULE ASSEMBLY</b>	
501	7024084	1	Module, Control (Valve Block) Less Coils (Note: No Internal Replacement Parts Available. Sold as an Assembly Only.)	
502	7024083	2	Coil, Solenoid	
503	See Note	NSS	Adapter, Valve Block to Coil (Note: Purchase Assembly p/n 7024068)	
504	7024085	1	Gasket	
505	See Note	NSS	Cover (Note: Purchase Assembly p/n 7024068)	
506	See Note	NSS	Spring, Draw (Note: Purchase Assembly p/n 7024068)	
507	7024086	1	Gasket	
510	80934644	4	Capscrew	
511	See Note	1	Capscrew (Note: Purchase Assembly p/n 7024068)	
512	See Note	8	Capscrew (Note: Purchase Assembly p/n 7024068)	
513	7024087	1	O-Ring	
514	7024088	2	O-Ring	
515	7024089	2	Cup, Spring	
516	See Note	2	Pin, Dowel (Note: Purchase Assembly p/n 7024068)	



# SECTION 2 - GROUND CONTROLS

FIGURE 2-11. GEAR PUMP ASSEMBLY (Prior to SN 0200111922)



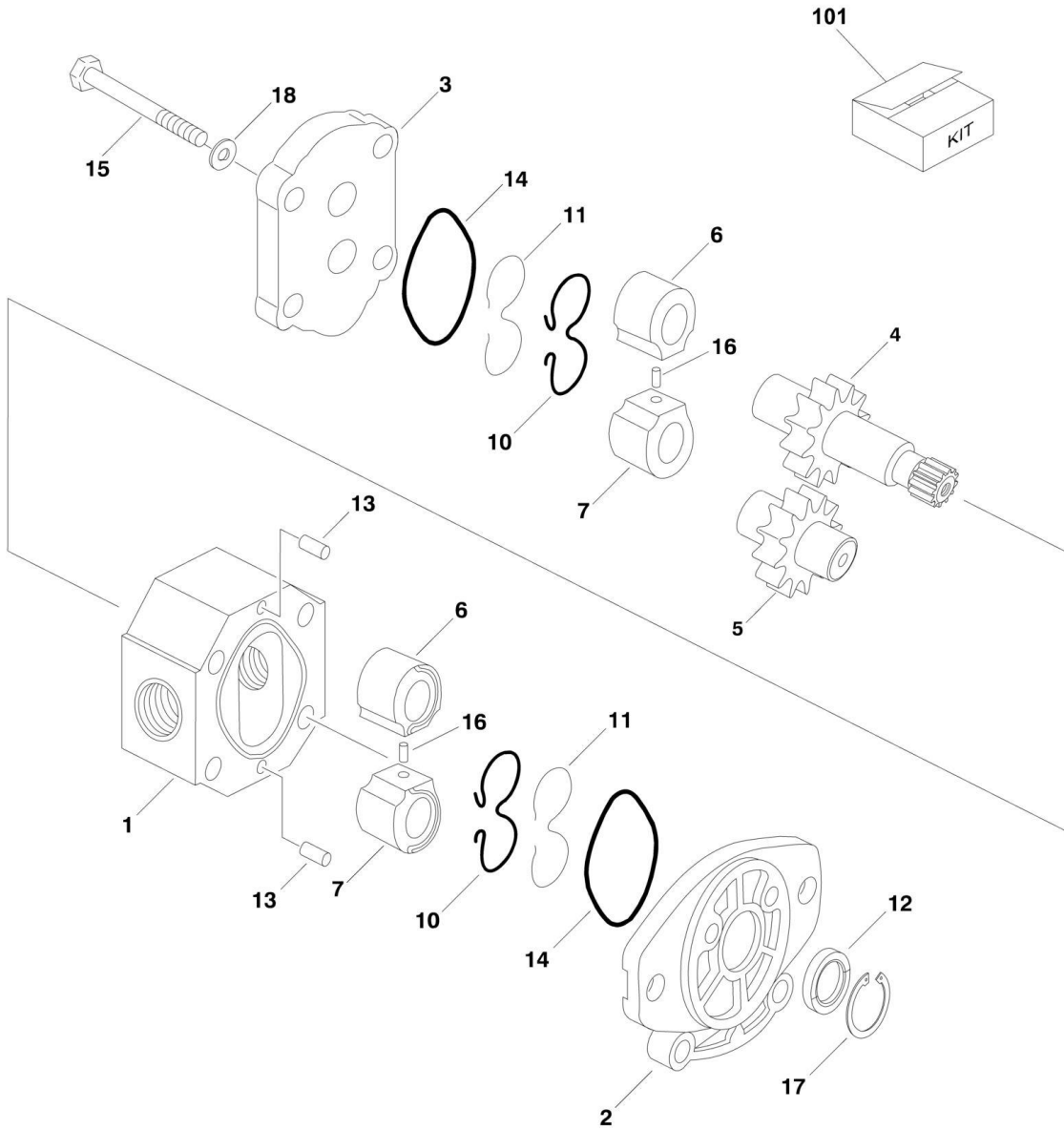
## SECTION 2 - GROUND CONTROLS

**FIGURE 2-11. GEAR PUMP ASSEMBLY (Prior to SN 0200111922)**

ITEM	PART NUMBER	QTY	DESCRIPTION	REV
	3600301	Ref	<b>GEAR PUMP ASSEMBLY</b>	B
		Ref	<b>Note: Original Equipment p/n 3600301 gear pump may have been replaced with Service Replacement p/n 3600369. - See GEAR PUMP ASSEMBLY for Breakdown. Refer to tag on gear pump for identification before ordering parts.</b>	
1	See Note	NSS	Body (Note: Use p/n 3600301)	
2	See Note	NSS	Cover, Front (Note: Use p/n 3600301)	
3	See Note	NSS	Cover, Rear (Note: Use p/n 3600301)	
4	7023816	1	Gear, Drive	
5	7023817	1	Gear, Idler	
6	See Note	2	Bearing, Block (Note: Use Item 101)	
7	See Note	2	Seal, Loading (Note: Use Items 101 & 102)	
8	See Note	2	Seal, Anti Extrusion (Note: Use Items 101 & 102)	
9	See Note	1	Seal, Shaft (Note: Use Items 101 & 102)	
10	See Note	2	Pin, Dowel (Note: Purchase Locally)	
11	See Note	2	Ring, Square (Note: Use Items 101 & 102)	
12	7023813	4	Washer	
13	7023818	4	Screw, Cap	
		Ref	Seal Kit Options:	
101	7023808	1	Kit 1 (Includes Items - 7, 8, 9 & 11)	
102	7023819	1	Kit 2 (Includes Items - 6, 7, 8, 9 & 11)	

# SECTION 2 - GROUND CONTROLS

FIGURE 2-12. GEAR PUMP ASSEMBLY (SN 020011922 through 0200269760)





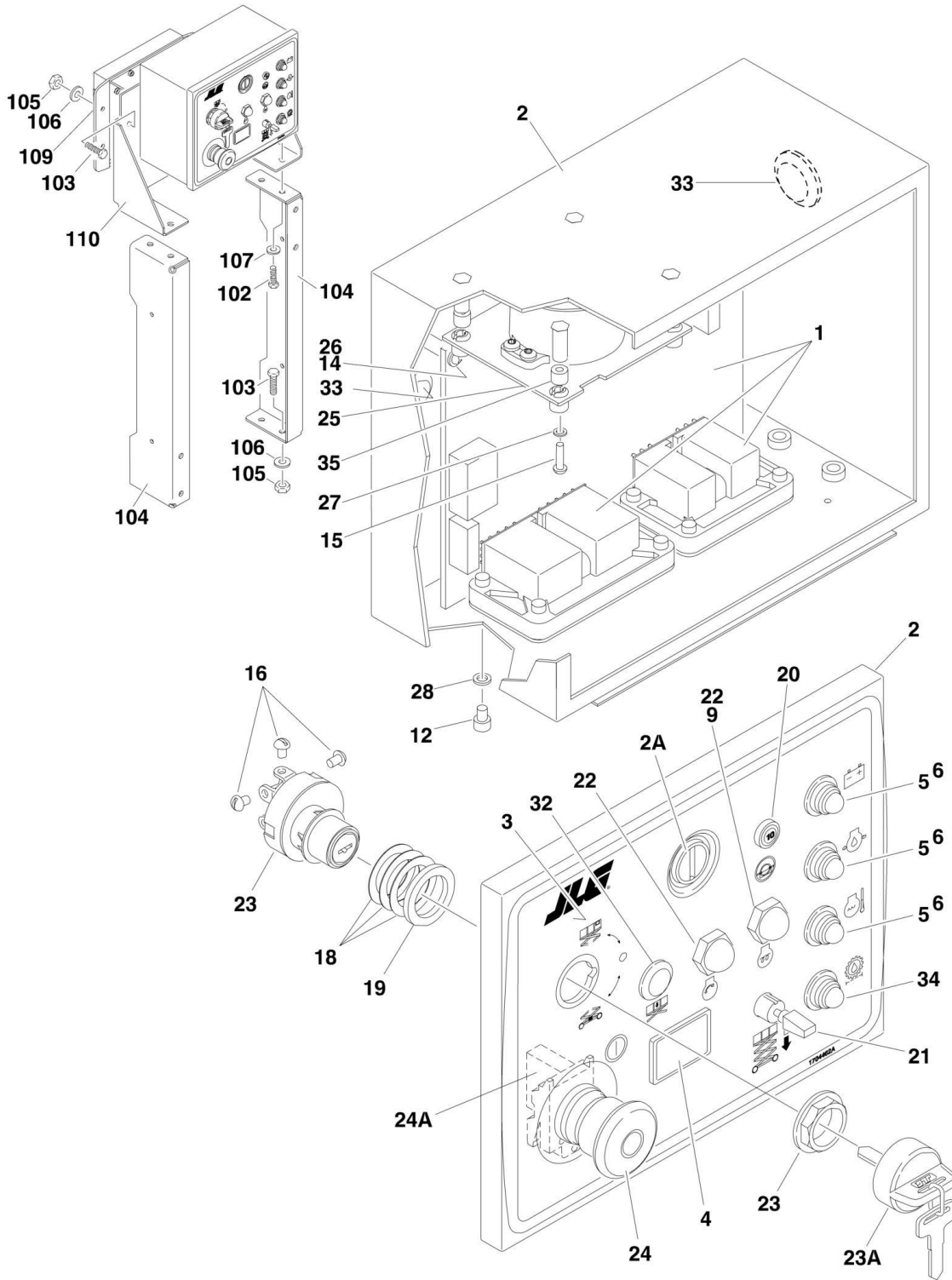
## SECTION 2 - GROUND CONTROLS

**FIGURE 2-12. GEAR PUMP ASSEMBLY (SN 0200111922 through 0200269760)**

ITEM	PART NUMBER	QTY	DESCRIPTION	REV
	3600369	Ref	<b>GEAR PUMP ASSEMBLY</b>	C
1	See Note	NSS	Body (Note: Use p/n 3600369)	
2	See Note	NSS	Cover, Front (Note: Use p/n 3600369)	
3	See Note	NSS	Cover, Rear (Note: Use p/n 3600369)	
4	See Note	NSS	Gear, Drive (Note: Use p/n 3600369)	
5	See Note	NSS	Gear, Driven (Note: Use p/n 3600369)	
6	See Note	NSS	Bearing, Block (Note: Use p/n 3600369)	
7	See Note	NSS	Bearing, Block (Note: Use p/n 3600369)	
10	See Note	2	Seal, Loading (Note: Use Item 101)	
11	See Note	2	Seal, Anti Extrusion (Note: Use Item 101)	
12	See Note	1	Seal, Shaft (Note: Use Item 101)	
13	See Note	2	Pin, Dowel (Note: Purchase Locally)	
14	See Note	2	Ring, Square (Note: Use Item 101)	
15	See Note	4	Screw, Cap (Note: Purchase Locally)	
16	See Note	2	Pin, Dowel (Note: Purchase Locally)	
17	See Note	1	Ring, Retaining (Note: Purchase Locally)	
18	See Note	4	Lockwasher (Note: Purchase Locally)	
101	7024960	1	Seal Kit (Includes Items - 10, 11, 12 & 14)	

# SECTION 2 - GROUND CONTROLS

## FIGURE 2-13. GROUND CONTROLS INSTALLATION



## SECTION 2 - GROUND CONTROLS

**FIGURE 2-13. GROUND CONTROLS INSTALLATION**

ITEM	PART NUMBER	QTY	DESCRIPTION	REV
		Ref	<b>GROUND CONTROL BOX ASSEMBLIES</b>	
		Ref	<b>Dual Fuel Machines without Leveling Jacks Options:</b>	
	0259645	Ref	<b>Dual Fuel Machines without Leveling Jacks (Prior to SN 0200115038)</b>	L
	0259864	Ref	<b>Dual Fuel Machines without Leveling Jacks (SN 0200115038 through 0200141688)</b>	N
	1810014	Ref	<b>Dual Fuel Machines without Leveling Jacks (SN 0200141689 through 0200200646)</b>	J
	1001112909	Ref	<b>Dual Fuel Machines without Leveling Jacks (SN 0200200647 through 0200269760)</b>	E
		Ref	<b>Dual Fuel Machines with Leveling Jacks Options:</b>	
	0259864	Ref	<b>Dual Fuel Machines with Leveling Jacks (Prior to SN 0200141689)</b>	N
	1810014	Ref	<b>Dual Fuel Machines with Leveling Jacks (SN 0200141689 through 0200200646)</b>	J
	1001112909	Ref	<b>Dual Fuel Machines with Leveling Jacks (SN 0200200647 through 0200269760)</b>	E
		Ref	<b>Diesel Machines without Leveling Jacks Options:</b>	
	0259829	Ref	<b>Diesel Machines without Leveling Jacks (Prior to SN 0200115038)</b>	K
	0270423	Ref	<b>Diesel Machines without Leveling Jacks (SN 0200115038 through 0200141688)</b>	O
	1810013	Ref	<b>Diesel Machines without Leveling Jacks (SN 0200141689 through 0200269760)</b>	M
		Ref	<b>Diesel Machines with Leveling Jacks Options:</b>	
	0270423	Ref	<b>Diesel Machines with Leveling Jacks (Prior to SN 0200141689)</b>	O
	1810013	Ref	<b>Diesel Machines with Leveling Jacks (SN 0200141689 through 0200269760)</b>	M
1		Ref	Circuit Board Options:	
1		Ref	Machines without Leveling Jacks Options:	
1	0610140	1	Machines without Leveling Jacks ( <b>Prior to SN 0200115038</b> )	
1	0610134	NLA	Machines without Leveling Jacks (Use p/n 1600457) ( <b>SN 0200115038 through 0200141688</b> )	
1	1600382	1	Machines without Leveling Jacks ( <b>SN 0200141689 through 0200269760</b> )	
1		Ref	Machines with Leveling Jacks Options:	
1	0610134	NLA	Machines with Leveling Jacks (Use p/n 1600457) ( <b>Prior to SN 0200141689</b> )	
1	1600382	1	Machines with Leveling Jacks ( <b>SN 0200141689 through 0200269760</b> )	
2	0861315	1	Box, Ground Control ( <b>Prior to SN 0200243307</b> )	
2A	7023212	1	Latch ( <b>Prior to SN 0200237738</b> )	
2A	1001166257	1	Latch ( <b>SN 0200237738 through 0200269760</b> )	
2	1001181085	1	Box, Ground Control ( <b>SN 0200243307 through 0200269760</b> )	
3		Ref	Decal - Ground Control Box Options:	
3	1704462	1	Decal - Ground Control Box ( <b>Prior to SN 0200112399</b> )	
3	1705729	1	Decal - Ground Control Box (Shown) ( <b>SN 0200112399 through 0200269760</b> )	
4	2420172	1	Gauge, Hour Meter	
5	2920026	AR	Lamp, Holder	
6	2920029	AR	Lamp, Bulb	
9		Ref	Plug Options:	

## SECTION 2 - GROUND CONTROLS

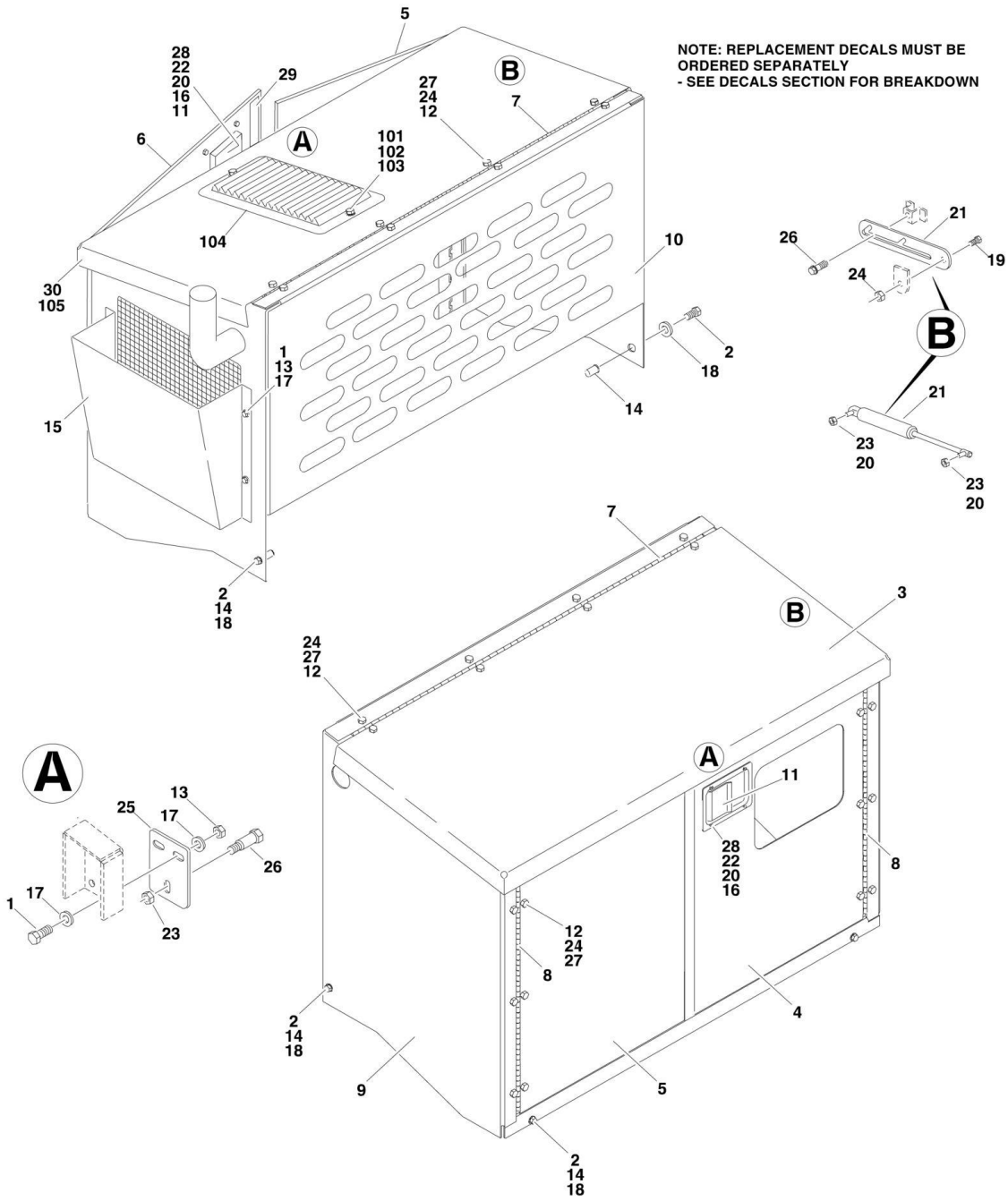
ITEM	PART NUMBER	QTY	DESCRIPTION	REV
9	3520026	1	Dual Fuel Machines	
9	Not Required	0	Diesel Machines	
12	3900281	8	Screw	
14	3910606	3	Screw #6-32NC x 3/8in	
15		Ref	Bolt Options:	
15	3910616	4	Bolt #6-32NC x 1in	
15	3910612	4	Bolt #6-32NC x 3/4in	
16	3910804	3	Screw	
18	4070987	3	Shim	
19	4070991	1	Shim	
20	4360070	1	Breaker, Circuit - 15Amp	
21	4360328	1	Switch, Toggle	
22	4360387	Ref	Switch, Yellow Push Button Options:	
22	4360387	1	Dual Fuel Machines	
22	4360387	2	Diesel Machines	
23	4360469	1	Switch, Key	
23A	2860030	2	Key, Replacement	
24	4360475	1	Switch, E-Stop	
24	7020175	1	Ring, Sealing	
24A	7020176	1	Block, Contact	
25		Ref	Switch, Dual Axis Options:	
25	4360481	1	Switch, Dual Axis <b>(Prior to SN 0200125353)</b>	
25	4000006	NLA	Switch, Dual Axis (Use p/n 1001102811) <b>(SN 0200125353 through 0200191138)</b>	
25	1810140	NLA	Switch, Dual Axis (Use p/n 1001102811) <b>(SN 0200191139 through 0200269760)</b>	
26	4750600	3	Flatwasher #6 Regular	
27	4760600	4	Lockwasher #6	
28	4761000	8	Lockwasher #10	
29		Ref	Ground Control Box Harness Options (Not Shown - See ELECTRICAL SECTION for Breakdown):	
29	4922336	1	Dual Fuel Machines <b>(Prior to SN 0200141689)</b>	
29	4923296	1	Dual Fuel Machines <b>(SN 0200141689 through 0200200646)</b>	
29	1001112908	1	Dual Fuel Machines <b>(SN 0200200647 through 0200269760)</b>	
29	4922378	1	Diesel Machines <b>(Prior to SN 0200141689)</b>	
29	4923293	1	Diesel Machines <b>(SN 0200141689 through 0200269760)</b>	
30	4922339	1	Harness, Tilt (Not Shown - See ELECTRICAL SECTION for Breakdown) <b>(Prior to SN 0200125353)</b>	
32		Ref	Component Option: <b>(SN 0200112399 through 0200269760)</b>	
32	3520193	1	Plug	
32	2920026	1	Lamp, Indicator	
32	2620029	1	Bulb, Light	
33	3520030	AR	Plug <b>(SN 0200115167 through 0200269760)</b>	
34		Ref	Component Option: <b>(SN 0200141689 through 0200269760)</b>	
34	3520193	1	Plug	
34	2920026	1	Lamp, Indicator	
34	2620029	1	Bulb, Light	
35	1001102512	4	Spacer #6 (Nylon) <b>(SN 0200191139 through 0200269760)</b>	
		Ref	<b>GROUND CONTROL BOX INSTALLATIONS</b>	
	0259783	Ref	<b>Dual Fuel Machines without Leveling Jacks (Prior to SN 0200141689)</b>	C
	0274657	Ref	<b>Dual Fuel Machines without Leveling Jacks (SN 0200141689 through 0200269760)</b>	D

## SECTION 2 - GROUND CONTROLS

ITEM	PART NUMBER	QTY	DESCRIPTION	REV
	0259785	Ref	<b>Diesel Machines without Leveling Jacks (Prior to SN 0200141689)</b>	C
	0274655	Ref	<b>Diesel Machines without Leveling Jacks (SN 0200141689 through 0200269760)</b>	C
	0259784	Ref	<b>Dual Fuel Machines with Leveling Jacks (Prior to SN 0200141689)</b>	B
	0274656	Ref	<b>Dual Fuel Machines with Leveling Jacks (SN 0200141689 through 0200269760)</b>	D
	0259786	Ref	<b>Diesel Machines with Leveling Jacks (Prior to SN 0200141689)</b>	B
	0274654	Ref	<b>Diesel Machines with Auto Leveling Jacks (SN 0200141689 through 0200269760)</b>	D
102	0641404	4	Bolt 1/4in-20NC x 1/2in	
102	0641406	4	Bolt 1/4in-20NC x 3/4in (Auto Level Leveling Jacks)	
103	0641406	4	Bolt 1/4in-20NC x 3/4in	
104	0902595	2	Bracket	
105	3311405	AR	Locknut 1/4in-20NC	
106	4751400	4	Flatwasher 1/4in Regular	
106	4711400	8	Flatwasher 1/4in Thin (Auto Level Leveling Jacks)	
107	4761400	4	Lockwasher 1/4in	
108		Ref	Ground Control Harness Options (Not Shown - See ELECTRICAL SECTION for Breakdown):	
108	4922365	1	Machines without Leveling Jacks <b>(Prior to SN 0200141689)</b>	
108	4923295	1	Machines without Leveling Jacks <b>(SN 0200141689 through 0200269760)</b>	
108	4922436	1	Machines with Leveling Jacks <b>(Prior to SN 0200141689)</b>	
108	4923295	1	Machines with Leveling Jacks and Auto Level Leveling Jacks <b>(SN 0200141689 through 0200269760)</b>	
		Ref	<b>Note: Items 109 - 112 used on Auto Level Leveling Jacks Only.</b>	
109	1600386	1	Controller, Module	
110	4340887	1	Mount, Module	
111	4923135	1	Harness, Analyzer (Not Shown - See ELECTRICAL SECTION for Breakdown)	
112	4923136	1	Harness, System Interconnect (Not Shown - See ELECTRICAL SECTION for Breakdown)	

# SECTION 2 - GROUND CONTROLS

## FIGURE 2-14. HOODS INSTALLATION



## SECTION 2 - GROUND CONTROLS

### FIGURE 2-14. HOODS INSTALLATION

ITEM	PART NUMBER	QTY	DESCRIPTION	REV
		Ref	<b>HOOD INSTALLATIONS</b>	
	0259753	Ref	<b>Hood Installations (Use p/n 1001135142) (Prior to SN 0200212108)</b>	
	1001135142	Ref	<b>Hood Installations (SN 0200212108 through 0200269760)</b>	B
1	0641404	8	Bolt 1/4in-20NC x 1/2in	
2	0641508	8	Bolt 5/16in-18NC x 1in	
3		Ref	Valve Side Lid Weldment Options:	
3	1780312	1	Valve Side Lid Weldment <b>(Prior to SN 0200102883)</b>	
3	1780323	1	Valve Side Lid Weldment <b>(SN 0200102883 through 0200269760)</b>	
4	1780313	1	Door, Plate	
5	3571985	2	Plate, Door	
6	1780315	1	Door, Plate	
7	2600264	2	Hinge, Door	
8	2600265	4	Hinge, Door	
9		Ref	Hood, Left Side Options:	
9	2680480	1	Hood, Left Side <b>(Prior to SN 0200102883)</b>	
9	2680494	1	Hood, Left Side <b>(SN 0200102883 through 0200269760)</b>	
10		Ref	Hood, Right Side Options:	
10	2680481	1	Hood, Right Side <b>(Prior to SN 0200102883)</b>	
10	2680493	1	Hood, Right Side <b>(SN 0200102883 through 0200269760)</b>	
11	2940126	2	Latch, Rotary Paddle	
12	0641605	40	Bolt 3/8in-16NC x 5/8in	
13	3311405	8	Locknut 1/4in-20NC	
14	2080053	10	Fastener	
15	3539690	1	Plate, Air Intake	
16	3900289	8	Screw #8-32NC x 1/2in	
17	4711400	16	Flatwasher 1/4in Thin	
18	4711500	12	Flatwasher 5/16in Thin	
19	0641608	2	Bolt 3/8in-16NC x 1in <b>(Prior to SN 0200102883)</b>	
20	0100011	AR	Compound, Locking	
21		Ref	Hardware Options:	
21	0362937	2	Hardware (Bar, Door Prop) <b>(Prior to SN 0200102883)</b>	
21	4160185	2	Hardware (Gas Shock) <b>(SN 0200102883 through 0200269760)</b>	
22	3310801	8	Nut #8-32NC	
23	3311501	AR	Nut 5/16in-18NC	
24	3311605	AR	Locknut 3/8in-16NC	
25	3572305	2	Plate, Striker Mount	
26	3900208	AR	Screw, Shoulder 3/8in x 1in	
27	4711600	AR	Flatwasher 3/8in Thin	
28	4750800	8	Flatwasher #8 Regular	
29	4420037	AR	Tape, Insulation	
30		Ref	Engine Side Lid Weldment Options:	
30	1780312	1	Engine Side Lid Weldment <b>(Prior to SN 0200102883)</b>	
30	1780323	1	Engine Side Lid Weldment <b>(SN 0200102883 through 0200212107)</b>	
30	1001135084	1	Engine Side Lid Weldment (See Items 101-105 for Breakdown) <b>(SN 0200212108 through 0200269760)</b>	
	2902213	1	Kit - Hood Sub Assembly (Includes Items: 1, 3 thru 13, 15 thru 17 & 20 thru 29) <b>(Prior to SN 0200212108)</b>	2
	1001135084	Ref	<b>Engine Side Lid Weldment (SN 0200212108 through</b>	B

## SECTION 2 - GROUND CONTROLS

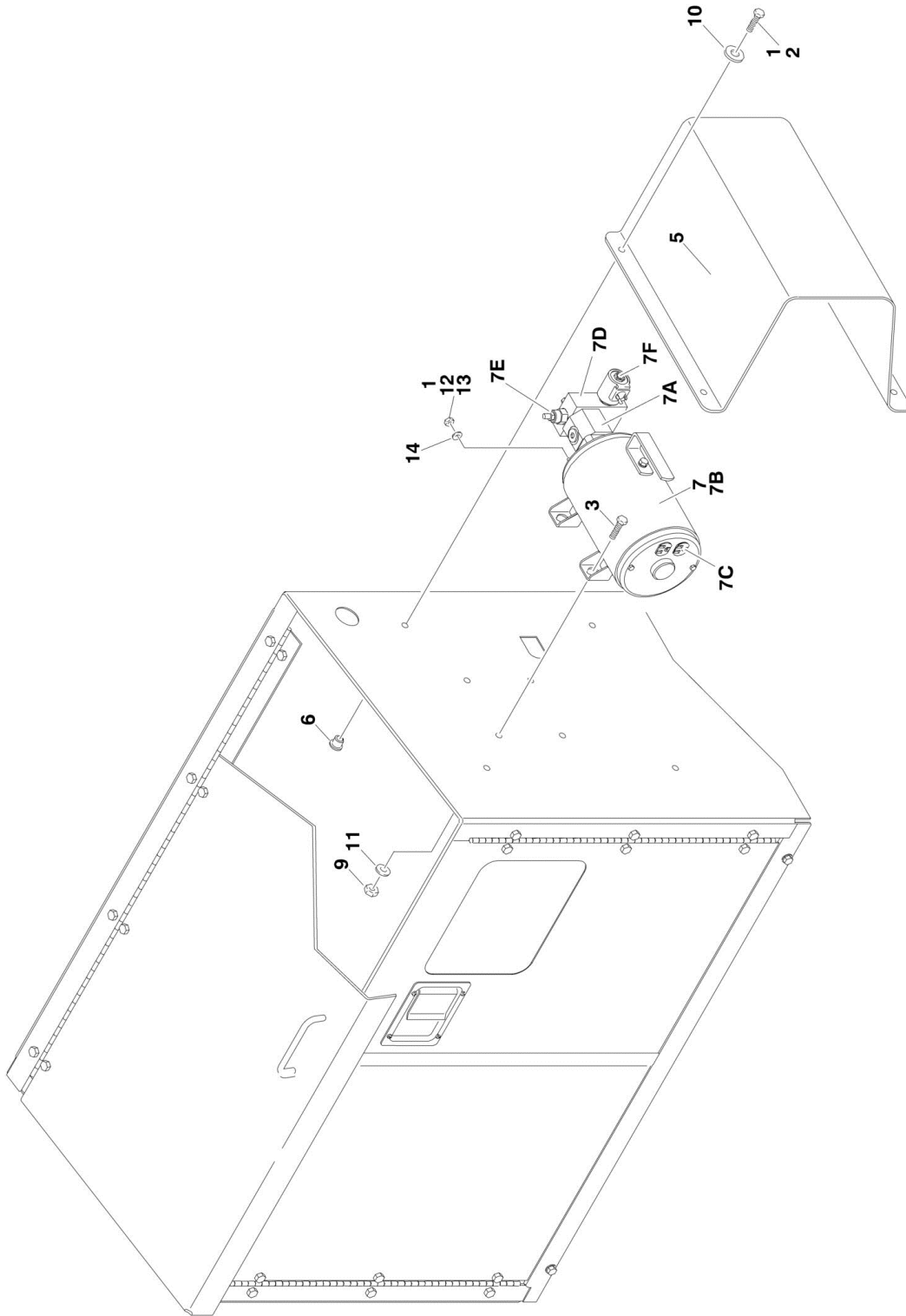
ITEM	PART NUMBER	QTY	DESCRIPTION	REV
			<b>0200269760)</b>	
101	0641406	2	Bolt 1/4in-20NC x 3/4in	
102	3311405	2	Locknut 1/4in-20NC	
103	4751400	4	Flatwasher 1/4in Regular	
104	1001094373	1	Ventilator	
105	1001134212	1	Door, Top	





# SECTION 2 - GROUND CONTROLS

## FIGURE 2-15. GENERATOR INSTALLATION



## SECTION 2 - GROUND CONTROLS

**FIGURE 2-15. GENERATOR INSTALLATION**

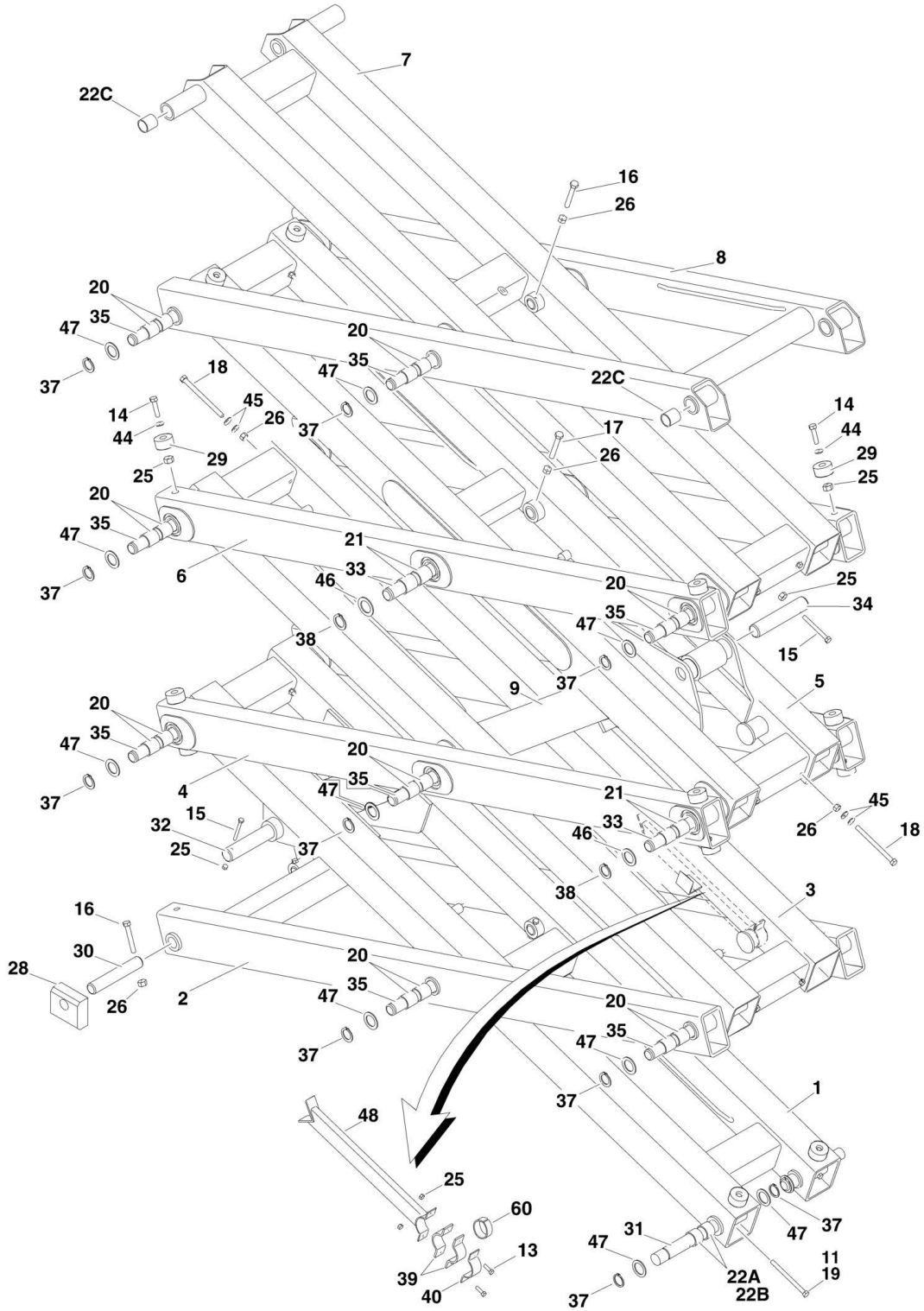
ITEM	PART NUMBER	QTY	DESCRIPTION	REV
	0270350	Ref	<b>GENERATOR INSTALLATION</b>	A
1	0100011	AR	Compound, Locking	
2	0641508	4	Bolt 5/16in-18NC x 1in	
3	0641612	4	Bolt 3/8in-16NC x 1-1/2in	
4	1060882	1	Cable, AC Cord (Not Shown - See ELECTRICAL SECTION for Breakdown)	
5	1670974	1	Cover, Generator	
6	2080053	4	Fastener 5/16in	
7	2460036	1	Generator Assembly	
7A	7023235	1	Motor, Replacement	
7A	See Note	NSS	Gasket and Seal Kit (Note: Use p/n 7023235)	
7A	7023238	1	Seal, Shaft	
7B	7023232	1	Generator, Replacement	
7B	See Note	NSS	Brush Kit - Bell End Assembly (Note: Use p/n 7023232)	
7B	7023233	1	Brush Kit - Motor End	
7B	7023236	1	Bearing	
7C	7023247	1	Receptacle	
7D	See Note	NSS	Valve Assembly (Note: Use p/n 2460036)	
7E	7023234	1	Cartridge, Valve	
7E	See Note	NSS	Seal Kit - 7023234 Valve (Note: Use p/n 7023234)	
7F	7010635	1	Cartridge, Solenoid (Less Coil)	
7F	2900708	1	Seal Kit - 7010635 Cartridge	
7F	7012943	1	Coil	
9	3311605	4	Locknut 3/8in-16NC	
10	4711500	4	Flatwasher 5/16in Thin	
11	4751600	4	Flatwasher 3/8in Regular	
12	3311401	1	Nut 1/4in-20NC	
13	3740049	1	Relay, Skirted	
14	4761400	1	Lockwasher 1/4in	
15	4922453	1	Harness 110V (Not Shown - See ELECTRICAL SECTION for Breakdown)	



**SECTION 3 - SCISSOR ARMS**

# SECTION 3 - SCISSOR ARMS

## FIGURE 3-1. SCISSOR ARMS INSTALLATION



## SECTION 3 - SCISSOR ARMS

### FIGURE 3-1. SCISSOR ARMS INSTALLATION

ITEM	PART NUMBER	QTY	DESCRIPTION	REV
		Ref	<b>SCISSOR ARMS INSTALLATION</b>	
	0259865	Ref	<b>Scissor Arms Installation (Prior to SN 0200112688)</b>	J
	0273069	Ref	<b>Scissor Arms Installation (SN 0200112688 through 0200269760)</b>	E
1	0200699	1	Arm Weldment (1st Inboard)	
2	0200700	1	Arm Weldment (1st Outboard)	
3	0200701	1	Arm Weldment (2nd Inboard)	
4	0200680	2	Arm Weldment (2nd Outboard)	
5	0200702	1	Arm Weldment (3rd Inboard)	
6	0200682	2	Arm Weldment (3rd Outboard)	
7		Ref	Arm Weldment (4th Inboard) Options:	
7	0200703	1	Arm Weldment (4th Inboard) <b>(Prior to SN 0200112688)</b>	
7	0200728	1	Arm Weldment (4th Inboard) <b>(SN 0200112688 through 0200269760)</b>	
8		Ref	Arm Weldment (4th Outboard) Options:	
8	0200704	1	Arm Weldment (4th Outboard) <b>(Prior to SN 0200112688)</b>	
8	0200729	1	Arm Weldment (4th Outboard) <b>(SN 0200112688 through 0200269760)</b>	
9	1683887	1	Lift Cylinder Assembly (See CYLINDER SECTION for Breakdown)	
11	0100011	AR	Compound, Locking	
13	0641508	2	Bolt 5/16in-18NC x 1in	
14	0641510	16	Bolt 5/16in-18NC x 1 1/4in	
15	0681524	2	Bolt 5/16in-18NC x 3in	
16	0641620	8	Bolt 3/8in-16NC x 2 1/2in	
17	0641622	2	Bolt 3/8in-16NC x 2 3/4in	
18	0641638	12	Bolt 3/8in-16NC x 4 3/4in	
19	0681610	2	Bolt 3/8in-16NC x 1 1/4in	
20	0962220	36	Bearing, Garmax	
21	0440241	8	Bearing, Polygon	
22		Ref	Bearing, Garmax Options:	
22A	0962234	4	Bearing, Garmax <b>(Prior to SN 0200105000)</b>	
22B	0962220	4	Bearing, Garmax <b>(SN 0200105000 through 0200112687)</b>	
22C	0440250	4	Bearing, Garmax <b>(SN 0200112688 through 0200269760)</b>	
25	3311505	20	Locknut 5/16in-18NC	
26	3311605	22	Locknut 3/8in-16NC	
28	3340879	2	Pad, Slide Block	
29	3340866	16	Pad, Arm	
30	3422709	2	Pin, Bottom Slider	
31	3422838	2	Pin, Bottom Pivot	
32	3422714	1	Pin, Cylinder	
33	3422839	4	Pin, Pivot <b>(Prior to SN 0200267351)</b>	
33	1001222834	4	Pin, Pivot <b>(SN 0200267351 through 0200269760)</b>	
34	3422815	1	Pin, Cylinder	
35	3422840	16	Pin, Pivot <b>(Prior to SN 0200267351)</b>	
35	1001222835	16	Pin, Pivot <b>(SN 0200267351 through 0200269760)</b>	
37	3760387	AR	Ring, Snap	
38	3760419	4	Ring, Snap	
39	4240125	2	Strap, Nylon	
40	4240128	1	Strap, Safety Prop	

## SECTION 3 - SCISSOR ARMS

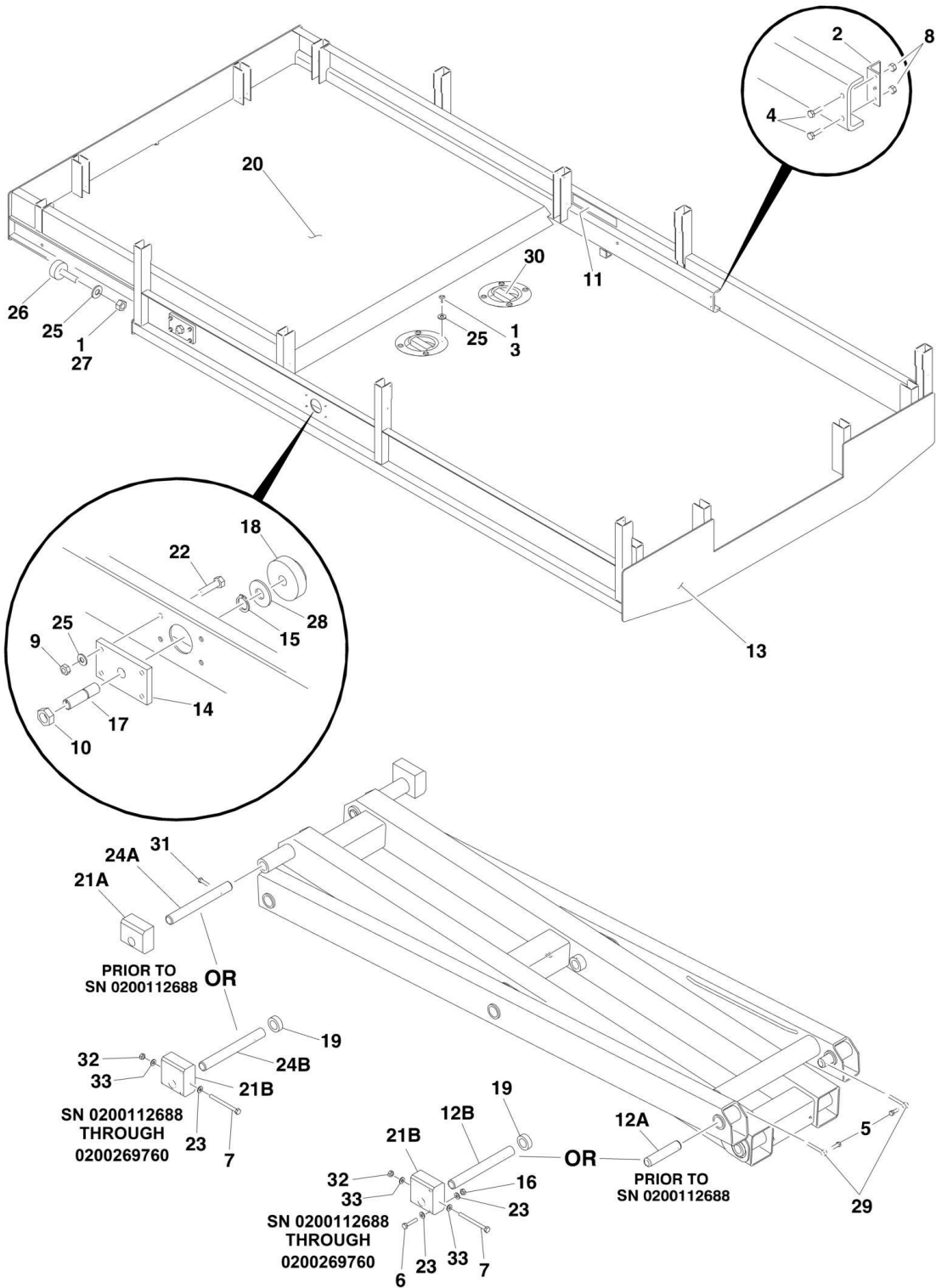
ITEM	PART NUMBER	QTY	DESCRIPTION	REV
44	4711500	16	Flatwasher 5/16in Thin	
45	4711600	24	Flatwasher 3/8in Thin	
46	4740333	4	Washer	
47	4740438	AR	Washer	
48	4846024	1	Prop, Safety	
50	3020022	AR	Grease, White Lithium (Not Shown)	
51	4420037	AR	Tape, Insulation (Not Shown)	
52	4922428	1	Harness, Lift Down (Not Shown - See ELECTRICAL SECTION for Breakdown)	
60	1001211510	1	Ring, Spacer <b>(SN 0200256540 through 0200269760)</b>	
100	2902259	1	Kit, Arm (Included Items 1- 8) (Not Shown)	



**SECTION 4 - PLATFORM**

# SECTION 4 - PLATFORM

## FIGURE 4-1. PLATFORM COMPONENTS INSTALLATION



## SECTION 4 - PLATFORM

**FIGURE 4-1. PLATFORM COMPONENTS INSTALLATION**

ITEM	PART NUMBER	QTY	DESCRIPTION	REV
		Ref	<b>PLATFORM AND EXTENSION INSTALLATIONS</b>	
	0259616	Ref	<b>Platform and Extension (Prior to SN 0200112688)</b>	F
	0273066	Ref	<b>Platform and Extension (SN 0200112688 through 0200269760)</b>	C
	0259820	Ref	<b>Platform and Extension with D-Rings (Prior to SN 0200112688)</b>	C
	0273068	Ref	<b>Platform and Extension with D-Rings (SN 0200112688 through 0200269760)</b>	C
1	0100011	AR	Compound, Locking	
2	0182035	2	Angle, Extension Stop	
3	0630476	8	Screw, Button Head	
4	0681508	4	Bolt 5/16in-18NC x 1in	
5	0641608	2	Bolt 3/8in-16NC x 1in <b>(Prior to SN 0200112688)</b>	
6	0641622	8	Bolt 3/8in-16NC x 2-3/4in <b>(SN 0200112688 through 0200269760)</b>	
7	0641636	4	Bolt 3/8in-16NC x 4-1/2in <b>(SN 0200112688 through 0200251812)</b>	
7	0701029	4	Bolt M10 x 120 <b>(SN 0200251813 through 0200269760)</b>	
8	3271505	4	Locknut 5/16in-18NC	
9	3311505	16	Locknut 5/16in-18NC	
10	3322202	4	Jamnut (Right Hand)	
11	1703175	2	Decal, Lanyard (Platform with D-Rings Only)	
12		Ref	Pin, Slide Options (Rear):	
12A	3422777	2	Pin, Slide <b>(Prior to SN 0200112688)</b>	
12B	3422962	2	Pin, Slide <b>(SN 0200112688 through 0200251812)</b>	
12B	3423049	2	Pin, Slide <b>(SN 0200251813 through 0200269760)</b>	
13		Ref	Platform Weldment Options:	
13	3510730	1	Platform <b>(Prior to SN 0200112688)</b>	
13	3510791	1	Platform <b>(SN 0200112688 through 0200269760)</b>	
13	3510767	1	Platform with D-Rings <b>(Prior to SN 0200112688)</b>	
13	3510797	1	Platform with D-Rings <b>(SN 0200112688 through 0200269760)</b>	
14	3537619	4	Mount, Extension Roller	
15	3760348	4	Ring, Retaining	
16	3311605	12	Locknut 3/8in-16NC <b>(Prior to SN 0200251813)</b>	
16	3311605	8	Locknut 3/8in-16NC <b>(SN 0200251813 through 0200269760)</b>	
17	3841233	4	Rod, Roller Mount	
18	3860059	4	Roller, Extension	
19	4568295	4	Spacer	
20	4846143	1	Extension Weldment	
21		Ref	Block, Slide Options:	
21A	0561332	2	Block, Slide <b>(Prior to SN 0200112688)</b>	
21B	0561474	4	Block, Slide <b>(SN 0200112688 through 0200269760)</b>	
22	0641510	16	Bolt 5/16in-18NC x 1-1/4in	
23	4751600	24	Flatwasher 3/8in Regular <b>(Prior to SN 0200251813)</b>	
23	4751600	16	Flatwasher 3/8in Regular <b>(SN 0200251813 through 0200269760)</b>	
24		Ref	Pin, Slide Options (Front):	
24A	3422655	2	Pin, Slide <b>(Prior to SN 0200112688)</b>	
24B	3422962	2	Pin, Slide <b>(SN 0200112688 through 0200251812)</b>	
24B	3423049	2	Pin, Slide <b>(SN 0200251813 through 0200269760)</b>	
25	4711500	26	Flatwasher 5/16in Thin	
26	0940049	2	Stopper, Hood	

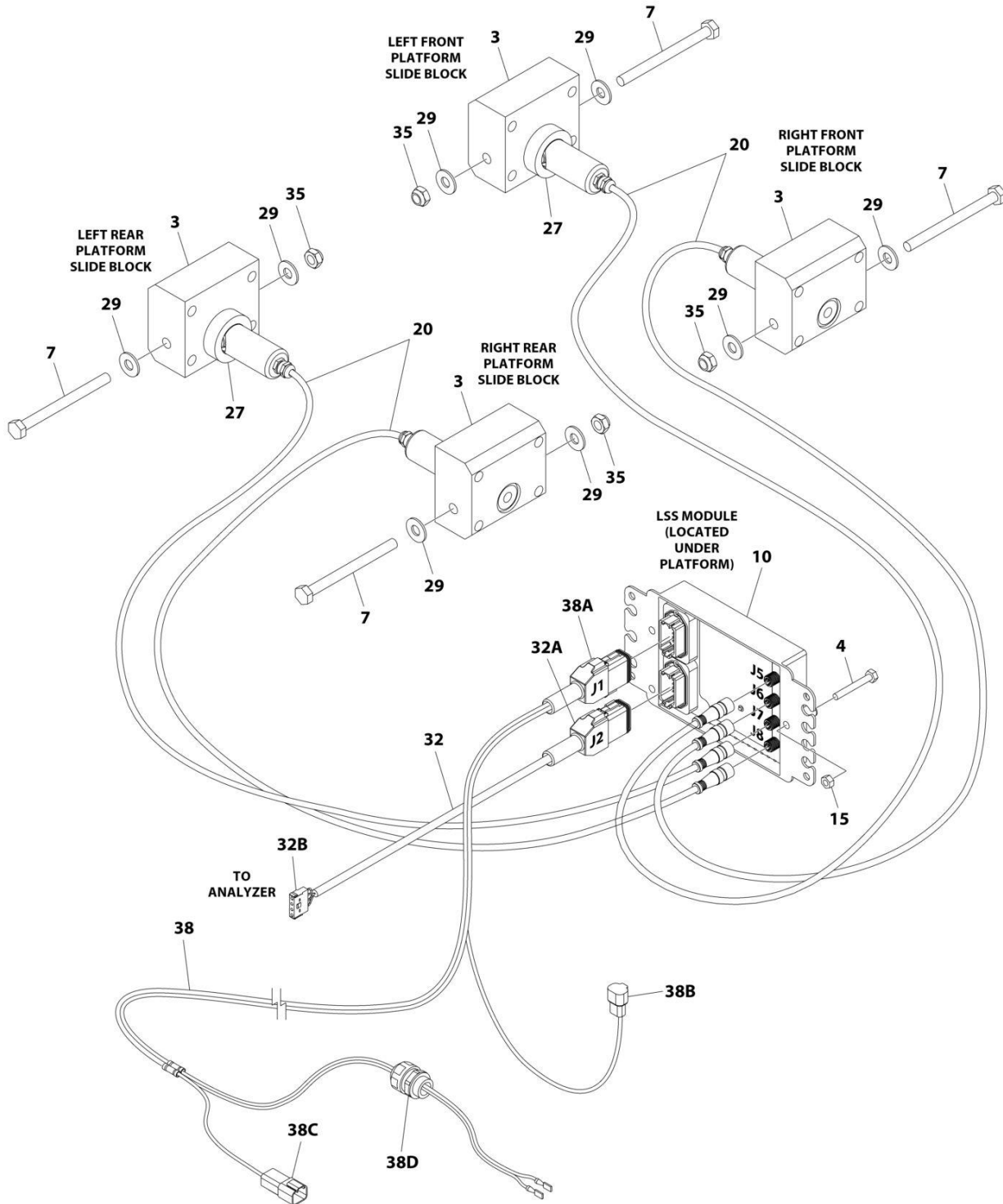
## SECTION 4 - PLATFORM

ITEM	PART NUMBER	QTY	DESCRIPTION	REV
27	3311501	2	Nut 5/16in-18NC	
28	4752200	4	Flatwasher 3/4in Regular	
29	3841143	2	Keeper 3/8in <b>(Prior to SN 0200112688)</b>	
30	3760321	2	Ring, Swivel D-Ring (Platform with D-Rings Only)	
31	0681610	2	Bolt 3/8in-16NC x 1-1/4in <b>(Prior to SN 0200112688)</b>	
32	3291005	4	Locknut M10 <b>(SN 0200251813 through 0200269760)</b>	
33	4812000	8	Washer M10 <b>(SN 0200251813 through 0200269760)</b>	



# SECTION 4 - PLATFORM

## FIGURE 4-2. PLATFORM ATTACH INSTALLATION - WITH LSS



ART\_0272964

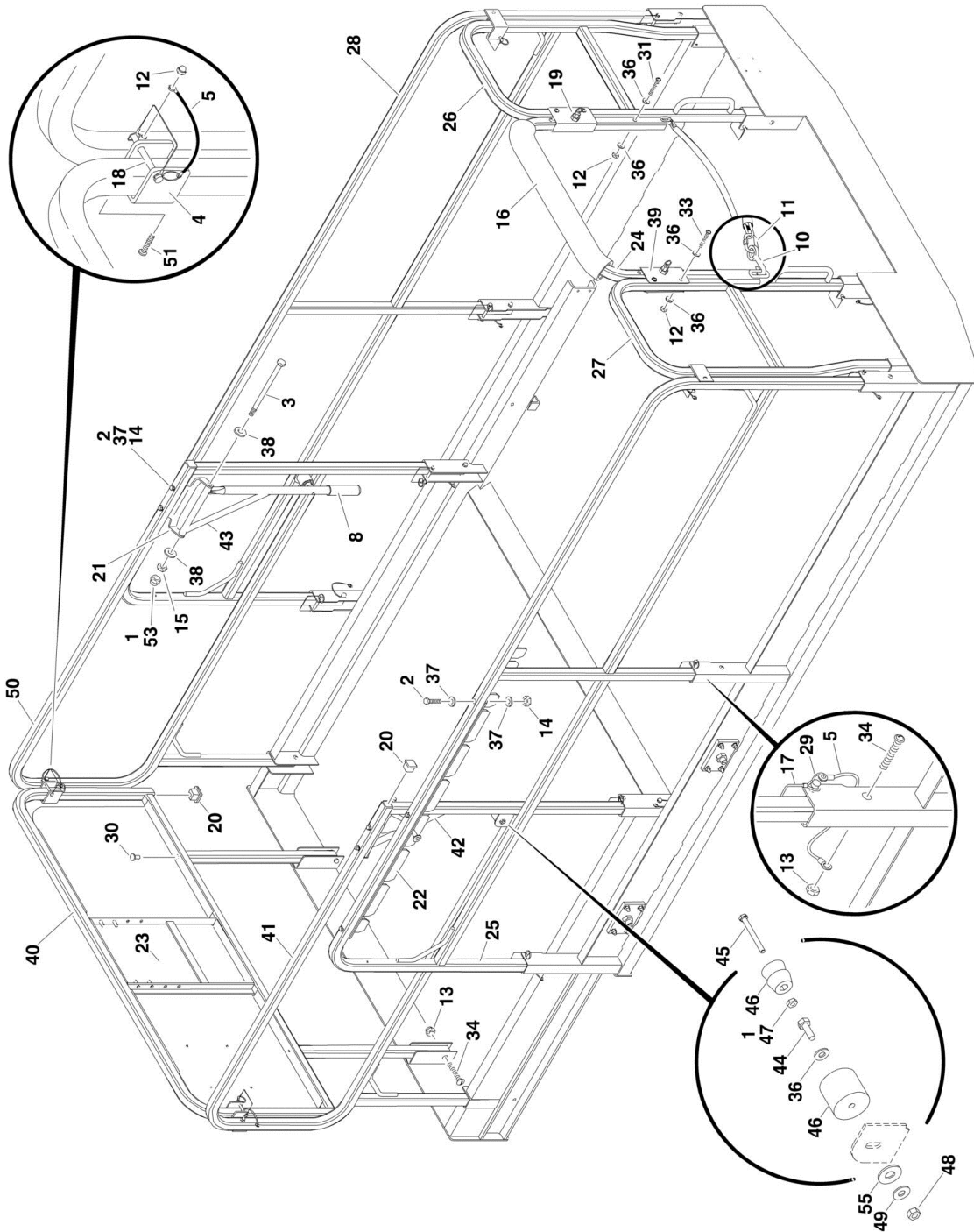
## SECTION 4 - PLATFORM

**FIGURE 4-2. PLATFORM ATTACH INSTALLATION - WITH LSS**

ITEM	PART NUMBER	QTY	DESCRIPTION	REV
		Ref	PLATFORM ATTACH INSTALLATION - WITH LSS	
	0272964	Ref	260MRT (Platform without D-Rings)	F
	0272965	Ref	260MRT (Platform with D-Rings)	E
3	0561474	4	Block, Slide	
4	0641415	3	Bolt 1/4 x 1-7/8	
7	0701029	4	Bolt M10 x 20	
10	1600387	1	Module, LSS (Note: Re-calibration Required when Replaced)	
15	3311405	3	Locknut 1/4in-28NF	
20	3422938	4	Pin, Load Management (Includes Harness)	
27	4568295	4	Tube, Bearing Spacer	
29	4751600	8	Flatwasher 3/8in Regular	
32	4922904	1	Module to Analyzer Harness	E
32A	4460836	1	Plug, Male - 12 Position	
32A	4460465	8	Socket, Female	
32A	4460466	4	Seal, Plug	
32A	0840055	1	Boot	
32B	4460761	1	Connector, Female - 4 Position	
32B	4460294	1	Pin, Male	
35	3291005	4	Locknut M10	
38	4922915	1	Main Load Sensing Harness (Platform with D-Rings)	A
38A	4460836	1	Plug, Male - 12 Position	
38A	4460465	4	Socket, Female	
38A	4460466	8	Seal, Plug	
38A	0840055	1	Boot	
38B	4460897	1	Connector, Female - 2 Position	
38B	4460464	2	Pin, Male	
38C	4460932	1	Connector, Female - 4 Position	
38C	4460464	1	Pin, Male	
38D	4460049	1	Connector, Strain Relief	

# SECTION 4 - PLATFORM

## FIGURE 4-3. HANDRAIL INSTALLATION (DRYWALL DROP GATE)





## SECTION 4 - PLATFORM

**FIGURE 4-3. HANDRAIL INSTALLATION (DRYWALL DROP GATE)**

ITEM	PART NUMBER	QTY	DESCRIPTION	REV
	0259748	Ref	<b>STANDARD HANDRAILS INSTALLATION (DRYWALL DROP GATE)</b>	L
1	0100011	AR	Compound, Locking	
2	0641516	7	Bolt 5/16in-18NC x 2in	
3	0641676	2	Bolt 3/8in-16NC x 9 1/2in	
4	0901870	4	Bracket	
5	1060808	12	Cable, Lanyard	
6	1260136	2 ft/.61m	Chain	
8	2560088	2	Handle	
9	2820097	2 ft/.61m	Cover, Chain	
10	2940064	1	Latch Kit, Snap (Use p/n 1001101076)	
11	3010088	2	Link, Repair	
12		Ref	Hardware Options:	
12	3300151	10	Nut, Acorn 1/4in-20NC ( <b>Prior to SN 0200113155</b> )	
12	2080063	10	Fastener, Nylon Lock 1/4in-20NC ( <b>SN 0200113155 through 0200269760</b> )	
13		Ref	Hardware Options:	
13	3300356	16	Nut, Acorn 3/8in-16NC ( <b>Prior to SN 0200113155</b> )	
13	2080064	16	Fastener, Nylon Lock 3/8in-16NC ( <b>SN 0200113155 through 0200269760</b> )	
14	3311505	7	Locknut 5/16in-18NC	
15	3311605	2	Locknut 3/8in-16NC ( <b>Prior to SN 0200163223</b> )	
16	3340612	18 in/46cm	Pad, Cover	
17	3421565	8	Pin, Snapper	
18	3422219	4	Pin, Snapper	
19	3422369	2	Pin, Plunger	
20	3520072	4	Cap, Plug	
21	3537609	1	Plate, Pivot	
22	3571829	2	Plate, Latch	
23	3571862	1	Plate, Placard	
24	3641310	1	Rail Weldment (Rear Entry)	
25	3641342	1	Rail Weldment (Left Side)	
26	3641344	1	Rail Weldment (Right Side Entry)	
27	3641345	1	Rail Weldment (Left Side Entry)	
28	3641351	1	Rail Weldment (Right Side)	
29	3760170	12	Ring, Split	
30	3820020	4	Rivet, Pop	
31	3911426	2	Screw 1/4in-20NC x 1-5/8in	
33	3911432	4	Screw 1/4in-20NC x 2in	
34	3911532	16	Screw 5/16in-18NC x 2in	
36	4711400	8	Flatwasher 1/4in Thin	
37	4711500	14	Flatwasher 5/16in Thin	
38	4711600	4	Flatwasher 3/8in Thin	
39	4845829	2	Retainer, Rail	
40	4846120	1	Rail Weldment	
41	4846121	1	Rail Weldment (Left Side Extension)	
42	4846181	1	Handle (Left Side)	
43	4846191	1	Handle (Right Hand)	
44	0641406	2	Bolt 1/4in-20NC x 3/4in	

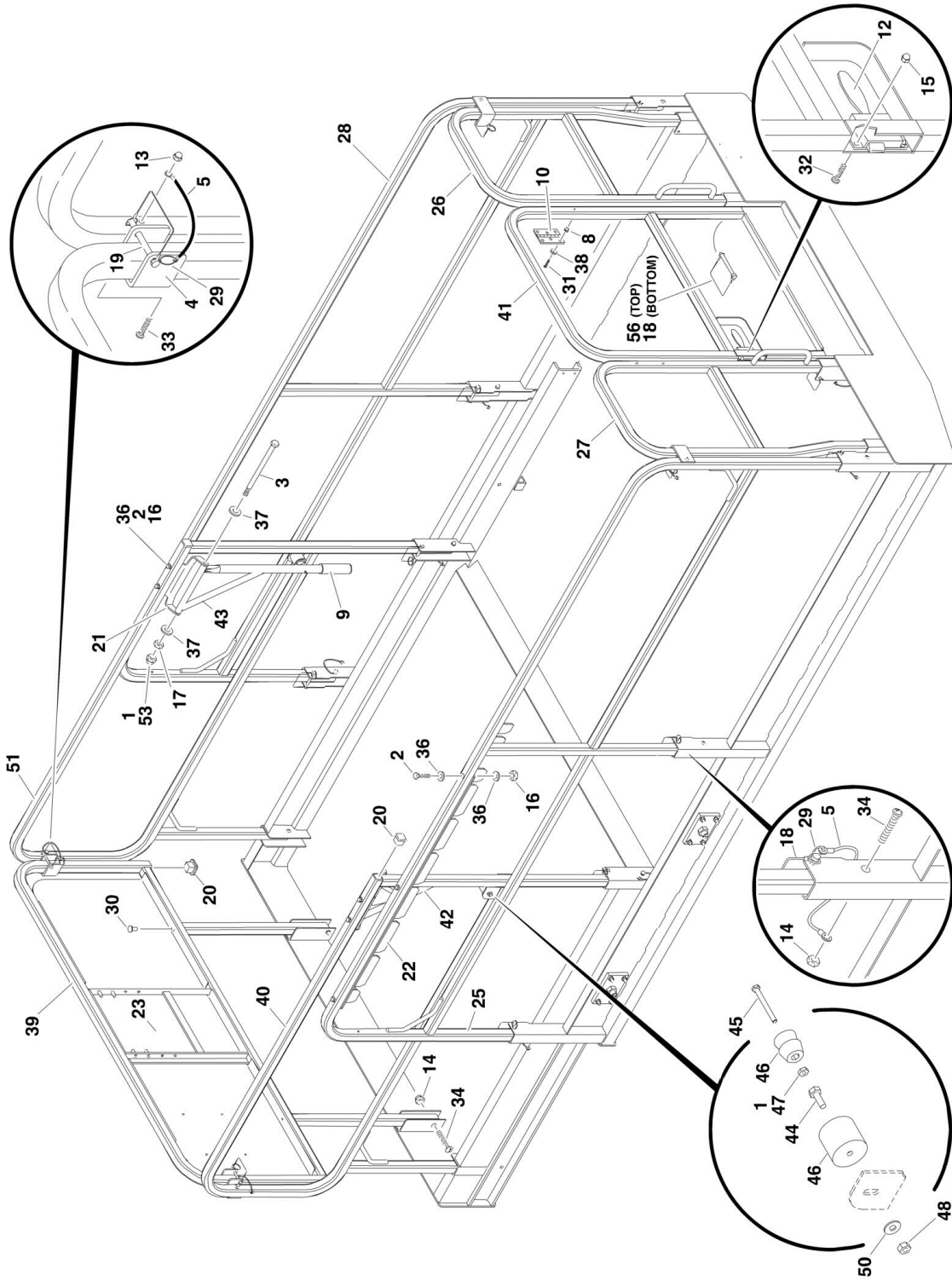
## SECTION 4 - PLATFORM

ITEM	PART NUMBER	QTY	DESCRIPTION	REV
45	0700619	2	Screw	
46	2940127	2	Latch, Rubber	
47	3290601	2	Nut 6mm	
48	3311405	2	Locknut 1/4in-28NF	
49	4751400	2	Flatwasher 1/4in Regular	
50	4846256	1	Rail Weldment (Right Side Extension)	
51	3911428	4	Screw 1/4in-20NC x 1-3/4in	
52	0100048	AR	Grease, Dielectric (Not Shown) <b>(Prior to SN 0200163223)</b>	
53		Ref	Nut, Acorn 3/8in-16NC Options:	
53	3300420	2	Nut, Acorn 3/8in-16NC <b>(Prior to SN 0200163223)</b>	
53	3300467	2	Nut, Acorn 3/8in-16NC <b>(SN 0200163223 through 0200269760)</b>	
54	Not Required	0	Nut, Acorn 3/8in-16NC	
55	4751600	2	Flatwasher 3/8in Regular <b>(SN 0200163223 through 0200269760)</b>	
	2902038	1	Handrail Kit - (Includes Items - 25, 26, 27, 28, 40, 41 & 50)	



# SECTION 4 - PLATFORM

## FIGURE 4-4. HANDRAIL INSTALLATION (SWING GATE)



## SECTION 4 - PLATFORM

**FIGURE 4-4. HANDRAIL INSTALLATION (SWING GATE)**

ITEM	PART NUMBER	QTY	DESCRIPTION	REV
	0259943	Ref	<b>HANDRAIL INSTALLATION (SWING GATE)</b>	O
1	0100011	AR	Compound, Locking	
2	0641516	7	Bolt 5/16in-18NC x 2in	
3	0641676	2	Bolt 3/8in-16NC x 9-1/2in	
4	0901870	4	Bracket	
5	1060808	9	Cable, Lanyard	
8	2080069	12	Fastener #10-32NF	
9	2560088	2	Handle	
10	2600253	2	Hinge	
12	2940074	1	Latch	
13		Ref	Hardware Options:	
13	3300151	4	Nut, Acorn 1/4in-20NC <b>(Prior to SN 0200113155)</b>	
13	2080063	4	Fastener, Nylon Lock 1/4in-20NC <b>(SN 0200113155 through 0200269760)</b>	
14		Ref	Hardware Options:	
14	3300356	16	Nut, Acorn 3/8in-16NC <b>(Prior to SN 0200113155)</b>	
14	2080064	16	Fastener, Nylon Lock 3/8in-16NC <b>(SN 0200113155 through 0200269760)</b>	
15	3300432	4	Nut, Acorn #10-24NC	
16	3311505	7	Locknut 5/16in-18NC	
17	3311605	2	Locknut 3/8in-16NC <b>(Prior to SN 0200163223)</b>	
18	3421565	1	Pin, Snapper	
19	3422219	4	Pin, Snapper	
20	3520072	4	Cap, Plug	
21	3537609	2	Plate, Pivot	
22	3571829	1	Plate, Latch	
23	3571862	1	Plate, Placard	
25	3641342	1	Rail Weldment (Left Side)	
26	3641344	1	Rail Weldment (Right Side Entry)	
27	3641345	1	Rail Weldment (Left Side Entry)	
28	3641351	1	Rail Weldment (Right Side)	
29	3760170	9	Ring, Split	
30	3820020	4	Rivet, Pop	
31	3900267	12	Screw	
32	3911008	4	Screw	
33	3911428	4	Screw 1/4in-20NC x 1-3/4in	
34	3911532	16	Screw 5/16in-18NC x 2in	
36	4711500	14	Flatwasher 5/16in Thin	
37	4711600	4	Flatwasher 3/8in Thin	
38	4751000	12	Flatwasher #10 Regular	
39	4846120	1	Rail Weldment	
40	4846121	1	Rail Weldment (Left Side Extension)	
41	4846122	1	Gate, Self Closing	
42	4846181	1	Handle (Left Side)	
43	4846191	1	Handle (Right Hand)	
44	0641406	2	Bolt 1/4in-20NC x 3/4in	
45	0700619	2	Screw	
46	2940127	2	Latch, Rubber	
47	3290601	2	Nut 6mm	
48	3311405	2	Locknut 1/4in-28NF	

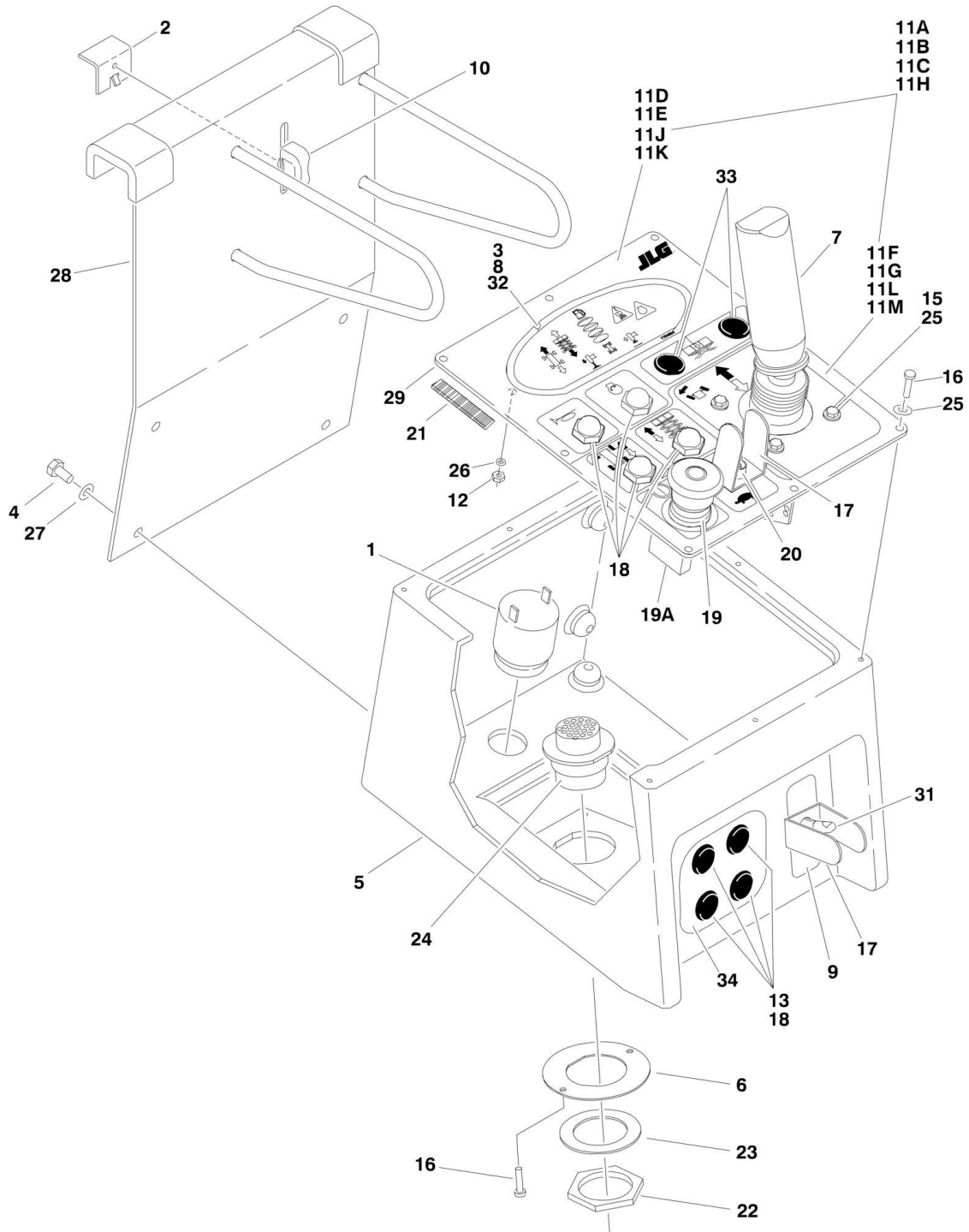
## SECTION 4 - PLATFORM

ITEM	PART NUMBER	QTY	DESCRIPTION	REV
50	4751400	2	Flatwasher 1/4in Regular	
51	4846256	1	Rail Weldment (Right Side Extension)	
52	0100048	AR	Grease, Dielectric (Not Shown) <b>(Prior to SN 0200163223)</b>	
53		Ref	Nut, Acorn 3/8in-16NC Options:	
53	3300420	2	Nut, Acorn 3/8in-16NC <b>(Prior to SN 0200163223)</b>	
53	3300467	2	Nut, Acorn 3/8in-16NC <b>(SN 0200163223 through 0200269760)</b>	
55	4751600	2	Flatwasher 3/8in Regular <b>(SN 0200163223 through 0200269760)</b>	
56	1001097458	1	Pin, Snapper	
	2902039	1	Handrail Kit - (Includes Items - 25, 26, 27, 28, 39, 40, 41 & 51)	



# SECTION 4 - PLATFORM

## FIGURE 4-5. CONSOLE BOX ASSEMBLY





## SECTION 4 - PLATFORM

### FIGURE 4-5. CONSOLE BOX ASSEMBLY

ITEM	PART NUMBER	QTY	DESCRIPTION	REV
		Ref	<b>CONSOLE BOX ASSEMBLY OPTIONS:</b>	
	0270198	Ref	<b>Diesel Machines (Prior to SN 0200141689)</b>	K
	1810017	Ref	<b>Diesel Machines (SN 0200141689 through 0200269760)</b>	C
	0270451	Ref	<b>Diesel Machines with Leveling Jacks (Prior to SN 0200141689)</b>	E
	1810001	Ref	<b>Diesel Machines with Leveling Jacks (SN 0200141689 through 0200269760)</b>	C
	0270537	Ref	<b>Diesel Machines with Generator (Prior to SN 0200141689)</b>	G
	1810021	Ref	<b>Diesel Machines with Generator (SN 0200141689 through 0200269760)</b>	D
	0270539	Ref	<b>Diesel Machines with Leveling Jacks and Generator (Prior to SN 0200141689)</b>	F
	1810022	Ref	<b>Diesel Machines with Leveling Jacks and Generator (SN 0200141689 through 0200269760)</b>	C
	0270128	Ref	<b>Gas Dual Fuel Machines (Prior to SN 0200141689)</b>	J
	1810015	Ref	<b>Gas Dual Fuel Machines (SN 0200141689 through 0200200646)</b>	C
	1810043	Ref	<b>Gas Dual Fuel Machines (SN 0200200647 through 0200269760)</b>	B
	0270450	Ref	<b>Gas Dual Fuel Machines with Leveling Jacks (Prior to SN 0200141689)</b>	F
	1810016	Ref	<b>Gas Dual Fuel Machines with Leveling Jacks (SN 0200141689 through 0200200646)</b>	C
	1810036	Ref	<b>Gas Dual Fuel Machines with Leveling Jacks (SN 0200200647 through 0200269760)</b>	B
	0270536	Ref	<b>Gas Dual Fuel Machines with Generator (Prior to SN 0200141689)</b>	G
	1810019	Ref	<b>Gas Dual Fuel Machines with Generator (SN 0200141689 through 0200200646)</b>	D
	1810047	Ref	<b>Gas Dual Fuel Machines with Generator (SN 0200200647 through 0200269760)</b>	C
	0270538	Ref	<b>Gas Dual Fuel Machines with Leveling Jacks and Generator (Prior to SN 0200141689)</b>	F
	1810020	Ref	<b>Gas Dual Fuel Machines with Leveling Jacks and Generator (SN 0200141689 through 0200200646)</b>	C
	1810048	Ref	<b>Gas Dual Fuel Machines with Leveling Jacks and Generator (SN 0200200647 through 0200269760)</b>	B
1	0140011	1	Alarm	
2	0181847	1	Angle, Latch	
3	0610135	1	Board, P/C Display	
4	0641404	4	Bolt 1/4in-20NC x 1/2in	
5	0861357	1	Box, Console	
6	0902499	1	Bracket, D-Ring	
7		Ref	Drive/Steer Controller Assembly Options:	
7	1600308	1	Drive/Steer Controller Assembly (See DRIVE/STEER P/Q CONTROLLER ASSEMBLY for Breakdown and Note) <b>(Prior to SN 0200142023)</b>	
7	1600403	1	Drive/Steer Controller Assembly (See DRIVE/STEER J.R. MERRITT CONTROLLER ASSEMBLY for Breakdown) <b>(SN 0200142023 through 0200269760)</b>	
8	See Note	1	Decal - Display Board was p/n 1704624 (Note: Use Item 11C/11D - Decal will need trimmed to fit machines built Prior to S/N 0200112399.) <b>(Prior to SN 0200120329)</b>	
9		Ref	Decal - Toggle Switch Function Options:	
9	1704589	1	Glow Plug (Diesel Machines)	
9	1704588	1	Fuel Select (Gas Dual Fuel Machines)	
10	2560141	1	Thumbscrew	

## SECTION 4 - PLATFORM

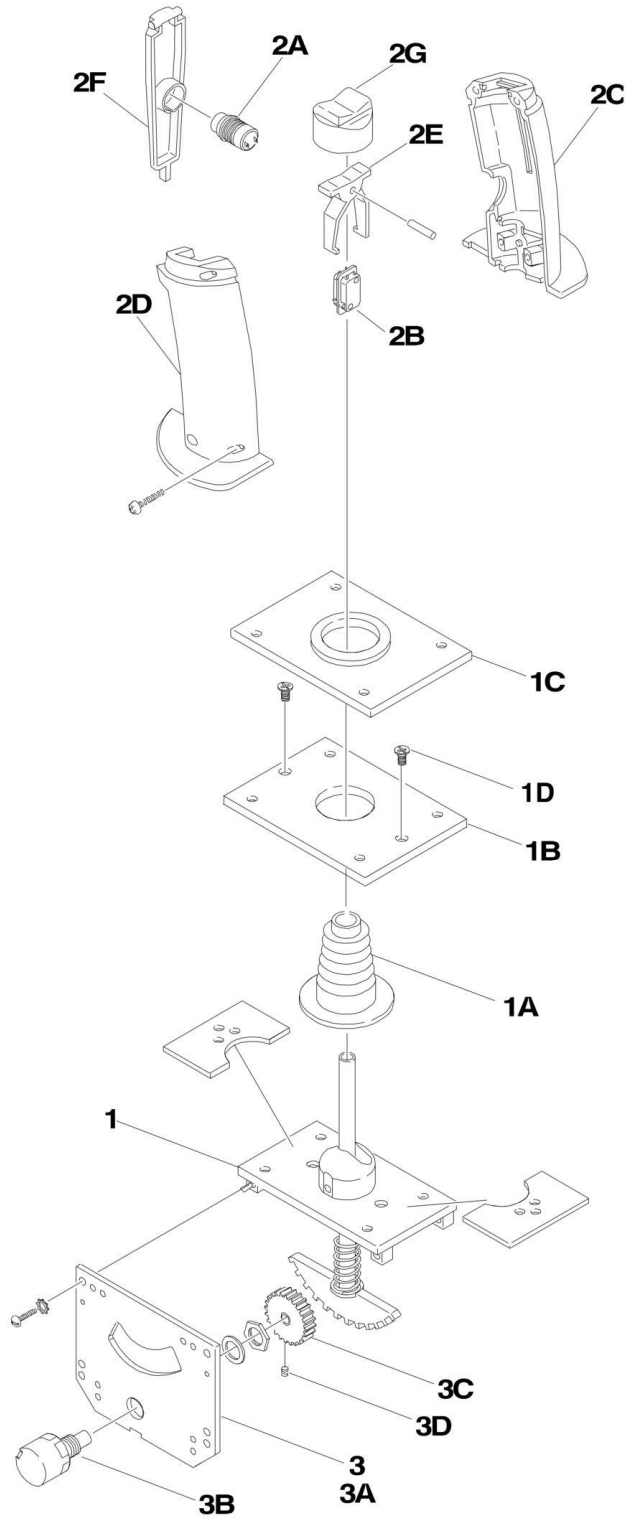
ITEM	PART NUMBER	QTY	DESCRIPTION	REV
11		Ref	Nameplate Options:	
11A		Ref	Nameplate Options (1 Pc Decal): <b>(Prior to SN 0200112399)</b>	
11A	3252695	1	Machines without Generator	
11A	3252746	1	Machines with Generator	
11B		Ref	Nameplate Options (1 Pc Decal): <b>(SN 0200112399 through 0200120328)</b>	
11B	1705711	NLA	Machines without Generator (Shown) (Use Qty (1) of Items 11D & 11F)	
11B	1705712	NLA	Machines with Generator (Use Qty (1) of Items 11E & 11G)	
11C		Ref	Nameplate Options (2 Pc Decal): <b>(SN 0200120329 through 0200200646)</b>	
11D	1705947	1	Machines without Generator (Shown) (Top Half)	
11E	1706130	1	Machines with Generator (Top Half)	
11F	1705948	1	Machines without Generator (Shown) (Bottom Half)	
11G	1705976	1	Machines with Generator (Bottom Half)	
11H		Ref	Nameplate Options (2 Pc Decal): <b>(SN 0200200647 through 0200269760)</b>	
11J	1705947	1	Diesel Machines without Generator (Shown) (Top Half)	
11J	1706763	1	Gas Dual Fuel Machines without Generator (Top Half)	
11K	1706130	1	Diesel Machines with Generator (Top Half)	
11K	1706762	1	Gas Dual Fuel Machines with Generator (Top Half)	
11L	1705948	1	Machines without Generator (Shown) (Bottom Half)	
11M	1705976	1	Machines with Generator (Bottom Half)	
12	3310601	4	Nut #6-32NC	
13		Ref	Component Options:	
13	3520080	4	Machines without Leveling Jacks or Generator (Plug)	
13	4360387	4	Machines with Leveling Jacks and Generator (Push Button Switch)	
13	4360387	4	Machines with Leveling Jacks Only (Push Button Switch)	
13	3520080	4	Machines with Generator Only (Plug)	
13	4360387	1	Machines with Auto Level Leveling Jacks (Push Button Switch)	
13	3520080	3	Machines with Auto Level Leveling Jacks (Plug)	
15	3900178	4	Screw, Plastite #10-32NC x 1/2in	
16	3900265	10	Screw, Self-Tapping #8-18 x 3/4in	
17	4060802	2	Guard, Switch	
18	4360387	1	Switch, Push Button	
19	4360475	1	Switch, Emergency Stop	
19	7020175	1	Ring, Sealing	
19A	7020176	1	Block, Contact	
20		Ref	Toggle Switch Options:	
20	4360482	1	Machines without Leveling Jacks or Generator	
20	4360331	1	Machines with Leveling Jacks and Generator	
20	4360482	1	Machines with Leveling Jacks Only	
20	4360331	1	Machines with Generator Only	
21	4420008	38 in/1m	Tape, Insulation	
22	4460470	1	Nut, Terminal	
23	4460471	1	Lockwasher, Terminal	
24	4460480	1	Connector, Terminal	
25	4740120	12	Washer, Nylon	
26	4760600	4	Lockwasher #6	
27	4791400	4	Starwasher 1/4in	
28	4845938	1	Bracket, Box Mounting	

## SECTION 4 - PLATFORM

ITEM	PART NUMBER	QTY	DESCRIPTION	REV
29		Ref	Lid, Box Options:	
29	4846249	1	Diesel Machines	
29	4846249	1	Dual Fuel Machines <b>(Prior to SN 0200200647)</b>	
29	3380660	1	Dual Fuel Machines <b>(SN 0200200647 through 0200269760)</b>	
30		Ref	Platform Console Box Harness Option (Not Shown - See ELECTRICAL SECTION for Breakdown):	
30	4922391	1	Diesel without Leveling Jacks and Generator	
30	4922437	1	Diesel with Leveling Jacks Only	
30	4922447	1	Diesel with Generator Only	
30	4922446	1	Diesel with Leveling Jacks and Generator	
30	4922391	1	Gas Dual Fuel without Leveling Jacks and Generator <b>(Prior to SN 0200200647)</b>	
30	4923530	1	Gas Dual Fuel without Leveling Jacks and Generator <b>(SN 0200200647 through 0200269760)</b>	
30	4922437	1	Gas Dual Fuel with Leveling Jacks Only <b>(Prior to SN 0200200647)</b>	
30	4923531	1	Gas Dual Fuel with Leveling Jacks Only <b>(SN 0200200647 through 0200269760)</b>	
30	4922447	1	Gas Dual Fuel with Generator Only <b>(Prior to SN 0200200647)</b>	
30	4923532	1	Gas Dual Fuel with Generator Only <b>(SN 0200200647 through 0200269760)</b>	
30	4922446	1	Gas Dual Fuel with Leveling Jacks and Generator <b>(Prior to SN 0200200647)</b>	
30	4923533	1	Gas Dual Fuel with Leveling Jacks and Generator <b>(SN 0200200647 through 0200269760)</b>	
31		Ref	Switch, Toggle Options:	
31	4360483	1	Diesel Machines	
31	4360482	1	Gas Dual Fuel Machines	
32	3340895	1	Pad, Spacer <b>(Prior to SN 0200115598)</b>	
33		Ref	Components Options <b>(SN 0200112399 through 0200269760)</b>	
33	3520193	1	Plug <b>(SN 0200112399 through 0200269760)</b>	
33	2920026	1	Lamp, Indicator	
33	2920029	1	Bulb, Light	
34	1704574	1	Decal - Outrigger Select (Machines with Leveling Jacks Only)	

# SECTION 4 - PLATFORM

FIGURE 4-6. DRIVE/STEER P/Q CONTROLLER ASSEMBLY (Prior to SN 0200142023)



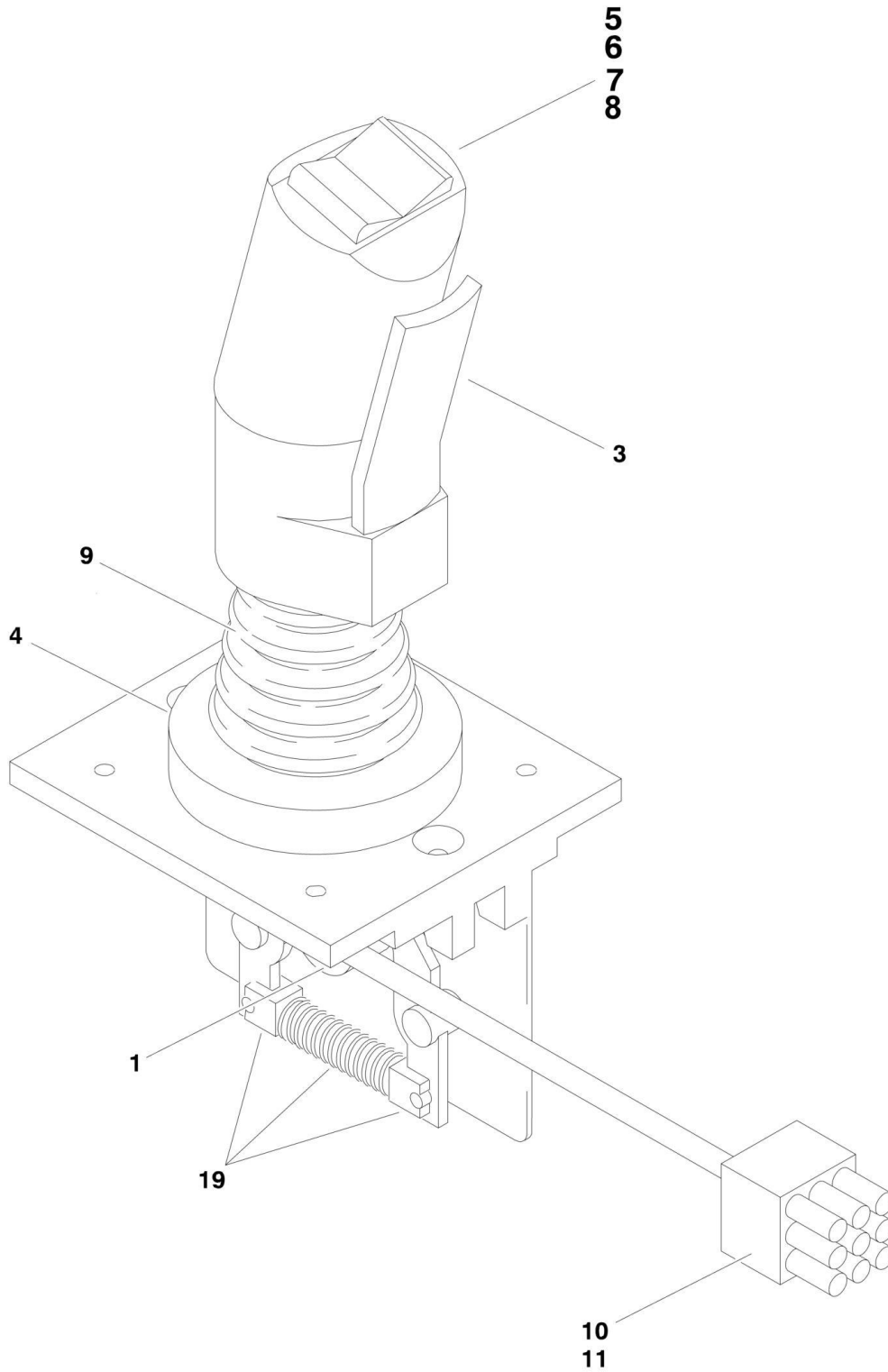
## SECTION 4 - PLATFORM

**FIGURE 4-6. DRIVE/STEER P/Q CONTROLLER ASSEMBLY (Prior to SN 0200142023)**

ITEM	PART NUMBER	QTY	DESCRIPTION	REV
	1600308	Ref	<b>CONTROLLER ASSEMBLY</b>	D
		Ref		
			<b>Note: If your machine was equipped with a 1600308 P/Q controller, when ordering a replacement controller you must order a 1600308 P/Q controller. You can not replace the 1600308 P/Q controller with the 1600403 J.R Merritt controller.</b>	
	7020527	1	Mechanical Assembly	
1	7020503	1	Handle/Housing Assembly	
1A	7020520	1	Boot	
1B	7020504	1	Plate, Mounting	
1C	7020502	1	Gasket	
1D	7020528	1	Screw #10-24NC x 3/8in	
2	7020529	1	Grip Assembly	
2A	7020501	1	Push Button	
2A	7020530	1	Push Button w/Wires	
2B	7020500	1	Switch, Micro	
2C	7020531	NLA	Grip - Right Half (Use p/n 7020541)	
2D	7020532	NLA	Grip - Left Half (Use p/n 7020541)	
		Ref	<b>Note: P/N 7020541 includes both Right Side and Left Side Handle Halves.</b>	
2E	7003791	1	Actuator, Switch	
2F	7011997	1	Trigger	
2G	7003790	1	Cap, Rubber	
3	7020533	1	Electrical Assembly	
3	7020535	2	Resistor	
3A	7020509	1	Plate, Mounting - Potentiometer	
3B	7020534	1	Potentiometer	
3C	7011940	1	Gear, Pinion	
3D	7020511	1	Setscrew #6-32 x 1/8in	
	4460265	1	Plug, Male - 9 Pin (Not Shown)	
	4460268	8	Socket, Female (Not Shown)	
	4460266	1	Connector, Receptacle - 9 Pin (Not Shown - Part of Console Harness)	
	4460267	8	Pin, Male (Not Shown - Part of Console Harness)	

# SECTION 4 - PLATFORM

FIGURE 4-7. DRIVE/STEER J.R. MERRITT CONTROLLER ASSEMBLY (SN 0200142023 through 0200269760)



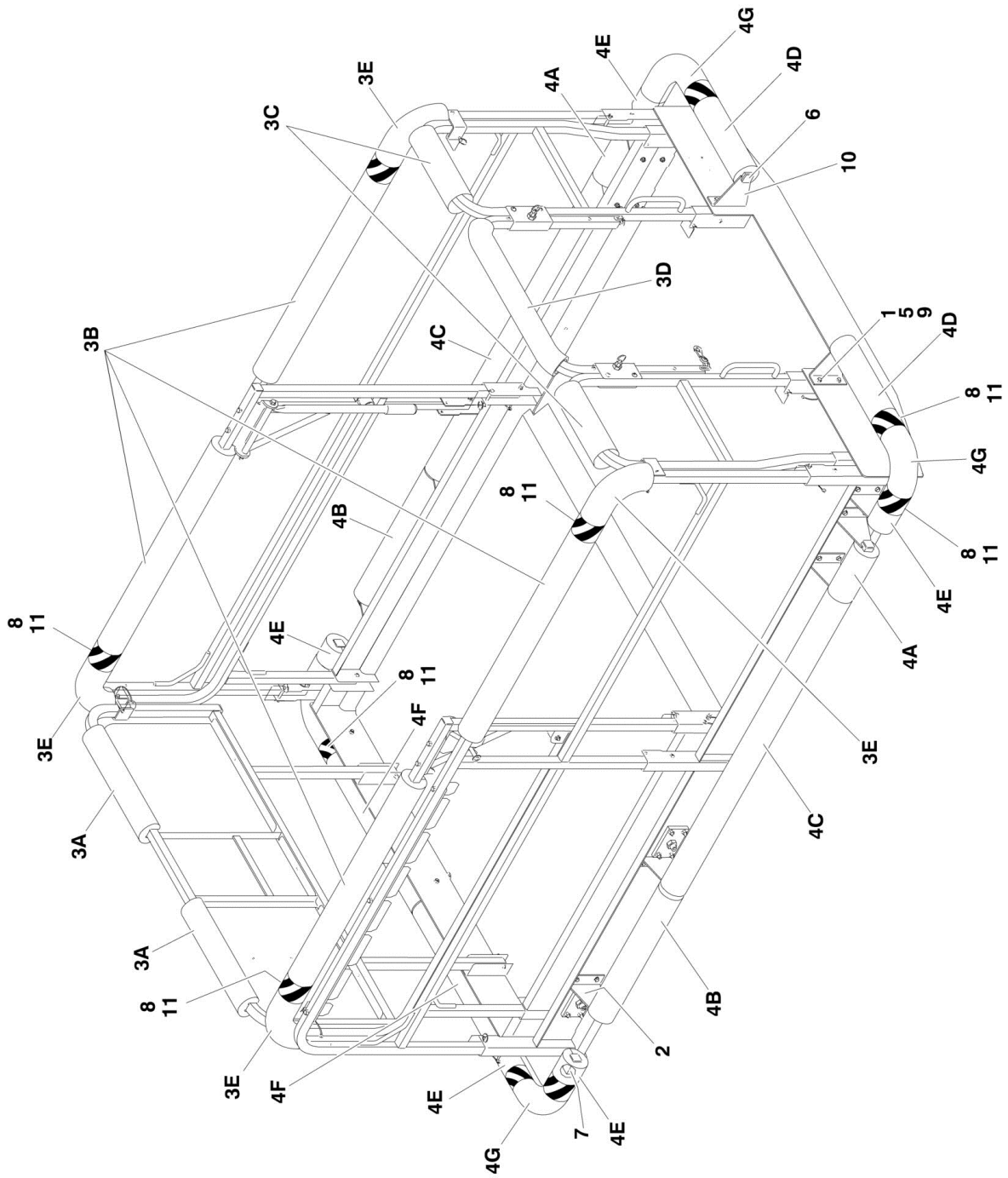
## SECTION 4 - PLATFORM

**FIGURE 4-7. DRIVE/STEER J.R. MERRITT CONTROLLER ASSEMBLY (SN 0200142023 through 0200269760)**

ITEM	PART NUMBER	QTY	DESCRIPTION	REV
	1600403	Ref	<b>CONTROLLER ASSEMBLY</b> <b>Note: If your machine was equipped with a 1600403 J.R. Merritt controller, when ordering a replacement controller you must order a 1600403 J.R. Merritt controller. You can not replace the 1600403 J.R. Merritt controller with the 1600308 P/Q controller.</b>	H
		Ref		
1	70000081	1	Potentiometer	
2	7027367	1	Switch, Push Button (Not Shown - Located Behind #3)	
3	7027765	1	Lever, Enabler	
4	7027766	1	Ring, Retaining	
5	70000082	1	Microswitch	
6	70000083	1	Coupler, Microswitch	
7	70000084	1	Cap, Rubber	
8	7027365	1	Actuator, Switch	
9	70000085	1	Boot, Rubber	
10	4460265	1	Plug, Male - 9 Pin	
11	4460226	8	Socket, Female	
12	70000685	AR	Washer, Plastic (Not Shown)	
13	70000684	AR	Screw, Handle (Not Shown)	
14	See Note	AR	Nut, Handle (Not Shown) (Note: Use p/n 1600403)	
15	70000683	AR	Washer, Neoprene (Not Shown)	
16	70000686	AR	Screw, Handle (Not Shown)	
17	4460266	1	Connector, Receptacle - 9 Pin (Not Shown - Part of Console Harness)	
18	4460267	8	Pin, Male (Not Shown - Part of Console Harness)	
19	70004194	1	Return Spring Kit	
	70003650	1	Handle Repair Kit (Includes handle gasket, push button, lever, front handle half, back handle half, top actuator, boot and hardware.	

# SECTION 4 - PLATFORM

## FIGURE 4-8. PLATFORM RAIL PADDING/DECK BUMPERS INSTALLATION





## SECTION 4 - PLATFORM

**FIGURE 4-8. PLATFORM RAIL PADDING/DECK BUMPERS INSTALLATION**

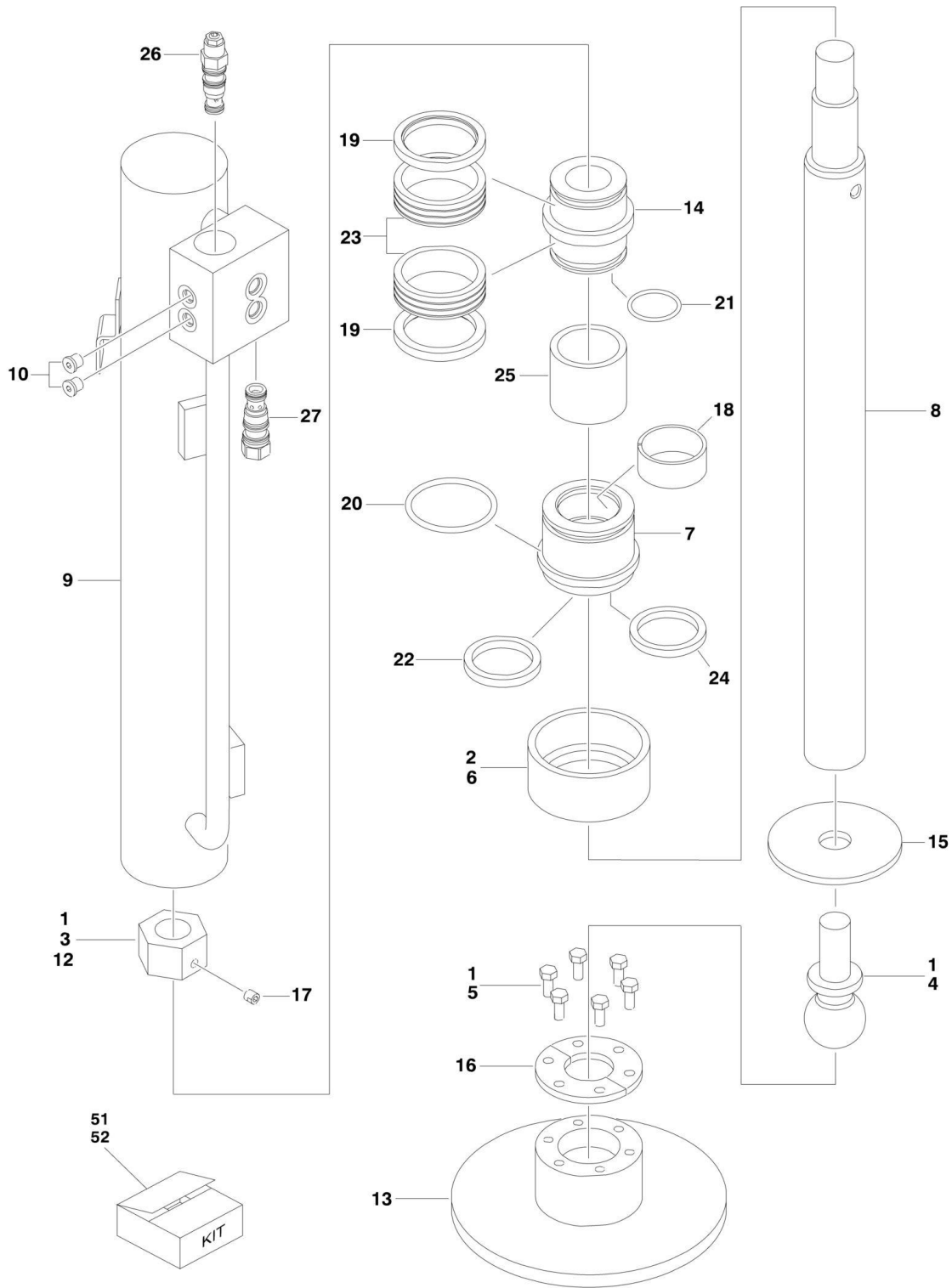
ITEM	PART NUMBER	QTY	DESCRIPTION	REV
	0275049	Ref	<b>RAIL PADDING AND DECK BUMPERS INSTALLATION</b>	D
1	0641406	30	Bolt 1/4in-20NC x 3/4in	
2	0903421	2	Weldment, Deck Side Bumper	
3	0940178	1	Kit Rail Bumper Pad	C
3A	0940149	2	Bumper Pad (2 x 17.25in/44cm)	
3B	0940094	4	Bumper Pad (4 x 38in/96.5cm)	
3C	0940094	2	Bumper Pad (2 x 12in/30cm)	
3D	0940094	1	Bumper Pad (1 x 19in/48cm)	
3E	0940092	4	Bumper Pad Corner 90	
4	0940180	1	Kit Deck Bumper Pad	B
4A	0940094	2	Bumper Pad (7.810in/19.8cm)	
4B	0940094	2	Bumper Pad (21.688in/55.1cm)	
4C	0940094	2	Bumper Pad (51.5in/130.8cm)	
4D	0940094	2	Bumper Pad (14.5in/36.8cm)	
4E	0940094	6	Bumper Pad (3in/7.6cm)	
4F	0940094	2	Bumper Pad (26in/66cm)	
4G	0940092	4	Bumper Pad Corner 90	
5	3311405	30	Locknut 1/4in-20NC	
6	3520072	10	Plug, Cap	
7	4341135	1	Weldment, Extension Bumper	
8	4420068	AR	Tape, Safety <b>(Prior to SN 0200267975)</b>	
9	4711400	60	Flatwasher 1/4in Thin	
10	4846271	2	Weldment, Rear Deck Corner Bumper	
11	1001197017	AR	Strap, Cable Tie <b>(SN 0200267975 through 0200269760)</b>	



**SECTION 5 - CYLINDER**

# SECTION 5 - CYLINDER

## FIGURE 5-1. LEVELING JACKS CYLINDER ASSEMBLY (Prior to SN 0200105371)



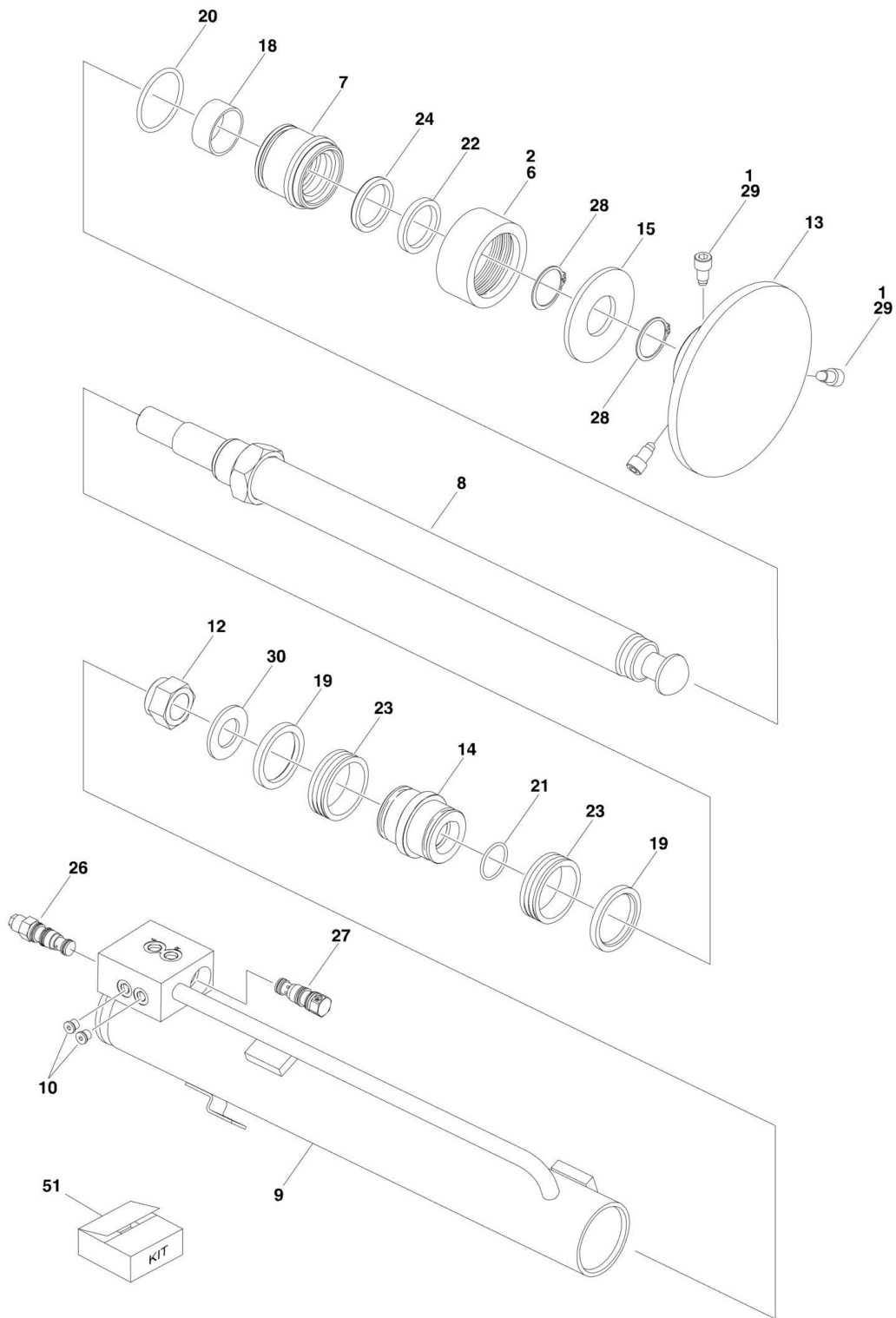
## SECTION 5 - CYLINDER

**FIGURE 5-1. LEVELING JACKS CYLINDER ASSEMBLY (Prior to SN 0200105371)**

ITEM	PART NUMBER	QTY	DESCRIPTION	REV
		Ref	<b>Note: Original Equipment Cylinder may have been replaced with Service Replacement p/n 1684217 - see LEVELING JACKS CYLINDER ASSEMBLY. Identify p/n stamped on cylinder before ordering parts.</b>	
	1683966	Ref	<b>LEVELING JACK CYLINDER ASSEMBLY (Prior to SN 0200105371)</b>	G
1	0100011	AR	Compound, Locking	
2	0100035	AR	Compound, Locking	
3	0100038	AR	Primer, Locking	
4	0320015	1	Ball, Trailer	
5		Ref	Bolt Options:	
5	0681506	6	Bolt 5/16in-18NC x 3/4in Grade 8 <b>(Prior to SN 0200091549)</b>	
5	0681606	6	Bolt 3/8in-16NC x 3/4in Grade 8 <b>(SN 0200091549 through 0200105371)</b>	
6	1120108	1	Cap	
7	1681283	1	Head	
8	1682723	1	Rod	
9	1683967	1	Barrel	
10	2220883	2	Plug	
12	3300281	1	Nut	
13		Ref	Pad, Jack Options:	
13	3340650	NLA	Pad, Jack (Use p/n 2902023) <b>(Prior to SN 0200091549)</b>	
13	3340904	NLA	Pad, Jack (Use p/n 2902023) <b>(SN 0200091549 through 0200105371)</b>	
14	3480092	1	Piston	
15	3536708	1	Plate	
16		Ref	Ring, Retainer Options:	
16	3760261	1	Ring, Retainer <b>(Prior to SN 0200091549)</b>	
16	3760453	1	Ring, Retainer <b>(SN 0200091549 through 0200105371)</b>	
17	3900170	1	Screw, Locking	
18	See Note	1	Ring, Wear (Note: Use Item 51)	
19	See Note	2	Guidelock (Note: Use Item 51)	
20	See Note	1	O-Ring (Note: Use Item 51)	
21	See Note	1	O-Ring (Note: Use Item 51)	
22	See Note	1	Seal, Wiper (Note: Use Item 51)	
23	See Note	2	Polyseal (Note: Use Item 51)	
24	See Note	1	Hydrolock (Note: Use Item 51)	
25	4565647	1	Tube, Spacer	
26	4640495	1	Valve, Counter Balance	
26	2900770	1	Seal Kit - 4640495 Valve	
27	4641156	1	Valve, Check	
27	2900770	1	Seal Kit - 4641156 Valve	
28	4713000	1	Flatwasher 1-1/4in Thin	
51	2901941	1	Seal Kit - 1683966 Cylinders (Includes Items 18-24)	
52	2902023	1	Pad Replacement Kit - 1683966 Cylinder Only (Includes Items 5, 13 & 16)	

# SECTION 5 - CYLINDER

FIGURE 5-2. LEVELING JACKS CYLINDER ASSEMBLY (SN 0200105371 through 0200141688)



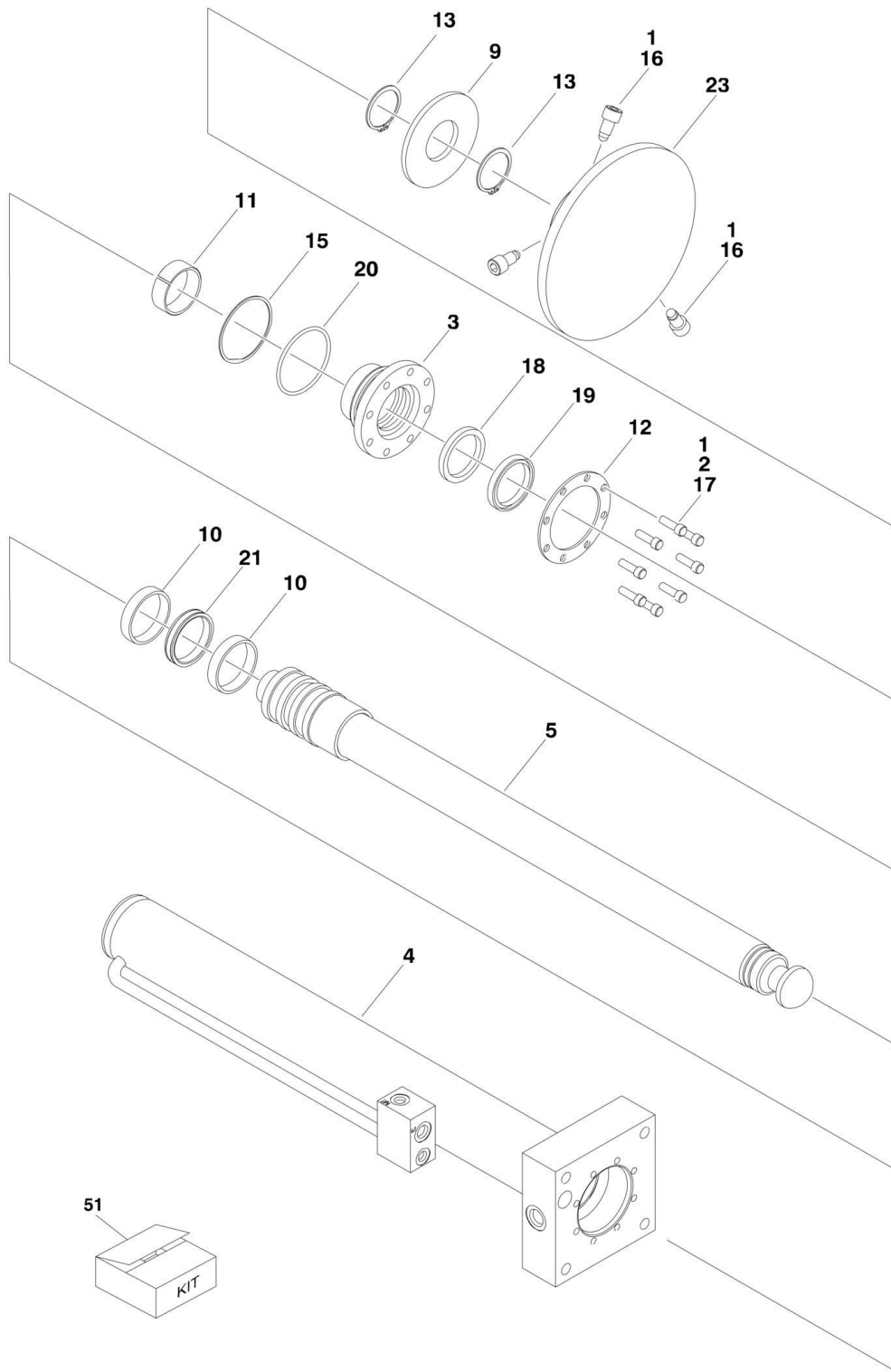
## SECTION 5 - CYLINDER

**FIGURE 5-2. LEVELING JACKS CYLINDER ASSEMBLY (SN 0200105371 through 0200141688)**

ITEM	PART NUMBER	QTY	DESCRIPTION	REV
	1684217	Ref	<b>LEVELING JACK CYLINDER ASSEMBLY (SN 0200105371 through 0200141688)</b>	B
1	0100011	AR	Compound, Locking	
2	0100035	AR	Compound, Locking	
6	1120108	1	Cap	
7	1681283	1	Head	
8	1684206	1	Rod	
9	1683967	1	Barrel	
10	2220883	2	Plug	
12	3300465	1	Nut	
13	4846584	1	Pad, Jack	
14	3480092	1	Piston	
15	3573513	1	Plate	
18	See Note	1	Ring, Wear (Note: Use Item 51)	
19	See Note	2	Guidelock (Note: Use Item 51)	
20	See Note	1	O-Ring (Note: Use Item 51)	
21	See Note	1	O-Ring (Note: Use Item 51)	
22	See Note	1	Seal, Wiper (Note: Use Item 51)	
23	See Note	2	Polyseal (Note: Use Item 51)	
24	See Note	1	Hydrolock (Note: Use Item 51)	
26	4640495	1	Valve, Counter Balance	
26	2900770	1	Seal Kit - 4640495 Valve	
27	4641156	1	Valve, Check	
27	2900770	1	Seal Kit - 4641156 Valve	
28	3760460	2	Ring, Retaining	
29	3900321	3	Screw 1/2in-13NC x 1 1/4in	
30	4713000	1	Flatwasher 1 1/4in Thin	
51	2901941	1	Seal Kit - 1684217 Cylinders (Includes Items 18-24)	

# SECTION 5 - CYLINDER

FIGURE 5-3. LEVELING JACKS CYLINDER ASSEMBLY (AUTO LEVEL) (SN 0200141689 through 0200269760)





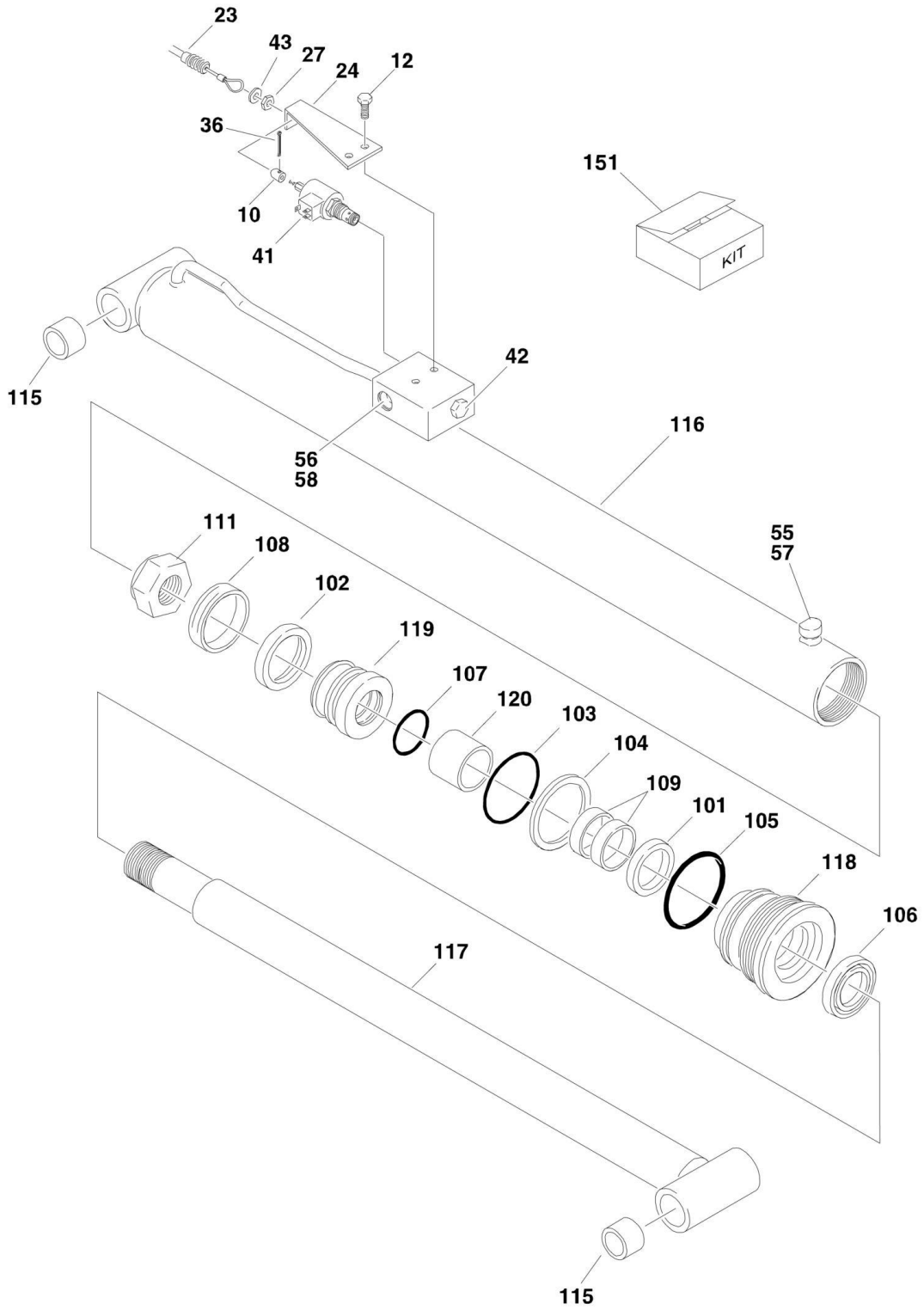
## SECTION 5 - CYLINDER

**FIGURE 5-3. LEVELING JACKS CYLINDER ASSEMBLY (AUTO LEVEL) (SN 0200141689 through 0200269760)**

ITEM	PART NUMBER	QTY	DESCRIPTION	REV
	1684220	Ref	<b>LEVELING JACK CYLINDER ASSEMBLY (AUTO LEVEL)</b>	F
1	0100011	AR	Compound, Locking	
2	0100038	AR	Primer, Locking	
3	1683054	1	Head	
4	1684221	1	Barrel	
5	1684223	1	Rod	
9	3573513	1	Plate	
10	See Note	2	Ring, Wear (Note: Use Item 51)	
11	See Note	1	Ring, Wear (Note: Use Item 51)	
12	3760368	1	Ring, Washer	
13	3760460	2	Ring, Retaining	
15	See Note	1	O-Ring (Note: Use Item 51)	
16	3900321	3	Screw 1/2in-13NC x 1 1/4in	
17	3931516	8	Screw 5/16in-18NC x 1in	
18	See Note	1	Polyseal (Note: Use Item 51)	
19	See Note	1	Seal, Wiper (Note: Use Item 51)	
20	3960200	1	Ring, Back-up	
21	3960483	1	Seal	
23	4846584	1	Pad, Jack	
51	2902182	1	Seal Kit - 1684217 Cylinders (Includes Items 10, 11, 15, 18 - 21)	

# SECTION 5 - CYLINDER

## FIGURE 5-4. LIFT CYLINDER COMPONENTS ASSEMBLY



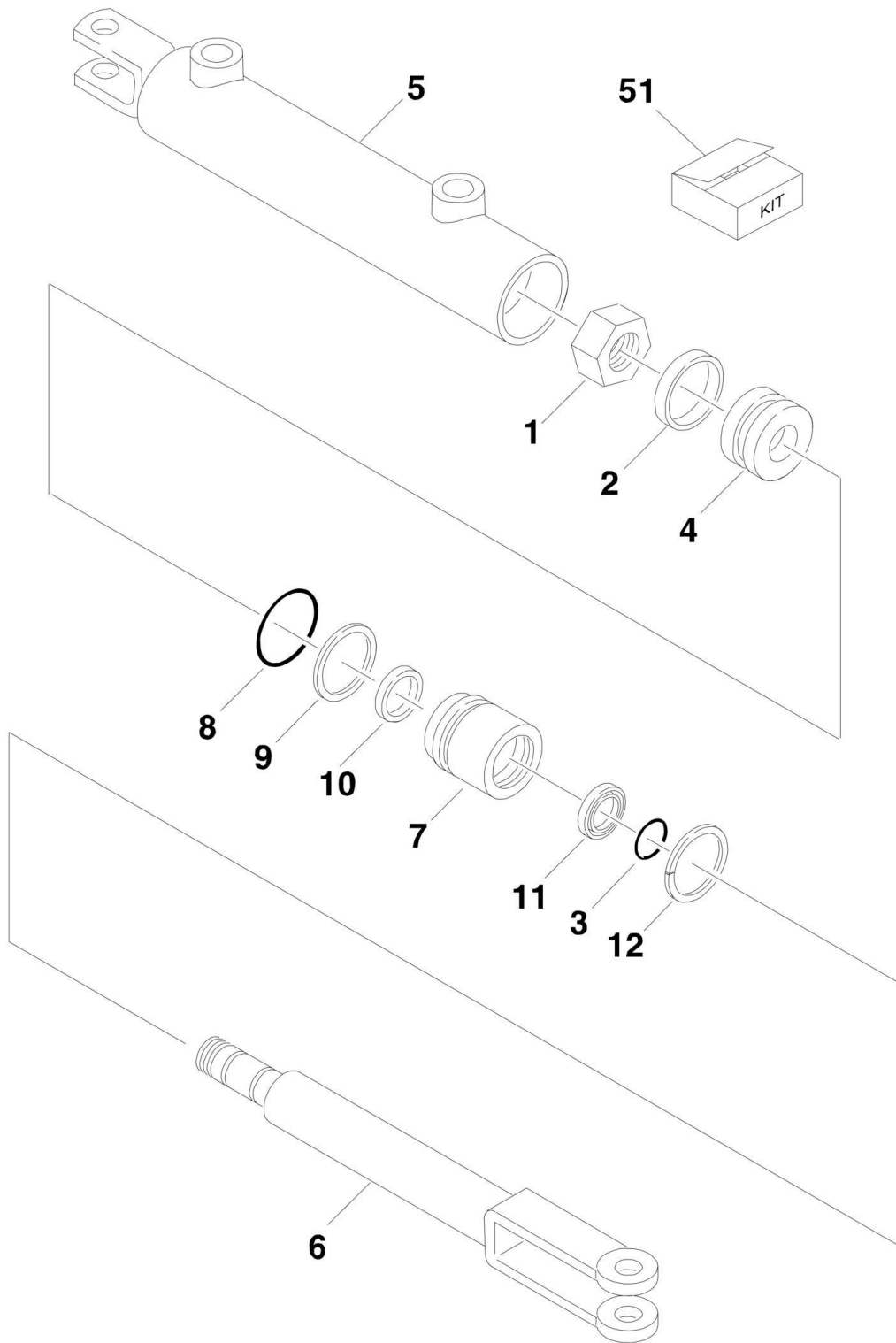
## SECTION 5 - CYLINDER

**FIGURE 5-4. LIFT CYLINDER COMPONENTS ASSEMBLY**

ITEM	PART NUMBER	QTY	DESCRIPTION	REV
		Ref	<b>LIFT CYLINDER SUB-ASSEMBLY</b>	
	0259865	Ref	<b>Lift Cylinder Sub-Assembly (Prior to SN 0200112688)</b>	J
	0273069	Ref	<b>Lift Cylinder Sub-Assembly (SN 0200112688 through 0200269760)</b>	D
10	0080228	1	Adaptor, Cable	
12	0641506	2	Bolt 5/16in-18NC x 3/4in	
23	1060818	1	Cable, Manual Descent	
24	0902421	1	Bracket, Cable Mounting	
27	3321402	2	Jamnut 1/4in-28NF	
36	3450405	1	Pin, Cotter	
41	4641172	1	Valve, Solenoid	
42	4641104	1	Valve, Restrictor/Check	
43	4711400	2	Flatwasher 1/4in Thin	
55	2220371	1	Fitting	
56	2220473	1	Fitting	
57	2752622	1	Hose 3/8in (168in Long)	
58	2753398	1	Hose 3/8in (134in Long)	
		Ref	<b>LIFT CYLINDER ASSEMBLY</b>	
	1683887	Ref	<b>Standard Machines</b>	C
	9884263	Ref	<b>Machines with 20ft Limit</b>	B
101	See Note	1	Seal (Note: Use Item 151)	
102	See Note	1	Seal (Note: Use Item 151)	
103	See Note	1	O-Ring (Note: Use Item 151)	
104	See Note	1	Back-Up (Note: Use Item 151)	
105	See Note	1	O-Ring (Note: Use Item 151)	
106	See Note	1	Wiper (Note: Use Item 151)	
107	See Note	1	O-Ring (Note: Use Item 151)	
108	See Note	1	Ring, Wear (Note: Use Item 151)	
109	See Note	2	Ring, Wear (Note: Use Item 151)	
111	7003226	1	Locknut	
115	0962012	4	Bushing	
116	7019882	1	Barrel	
117	7019881	1	Rod	
118	7017387	1	Head	
119	7019880	1	Piston	
120		Ref	Spacer Options:	
120	7019879	1	Standard Machines	
120	4220273	1	Machines with 20ft Limit	
151	7019878	1	Seal Kit (Includes Items 101 to 109)	

# SECTION 5 - CYLINDER

## FIGURE 5-5. STEER CYLINDER ASSEMBLY



## SECTION 5 - CYLINDER

**FIGURE 5-5. STEER CYLINDER ASSEMBLY**

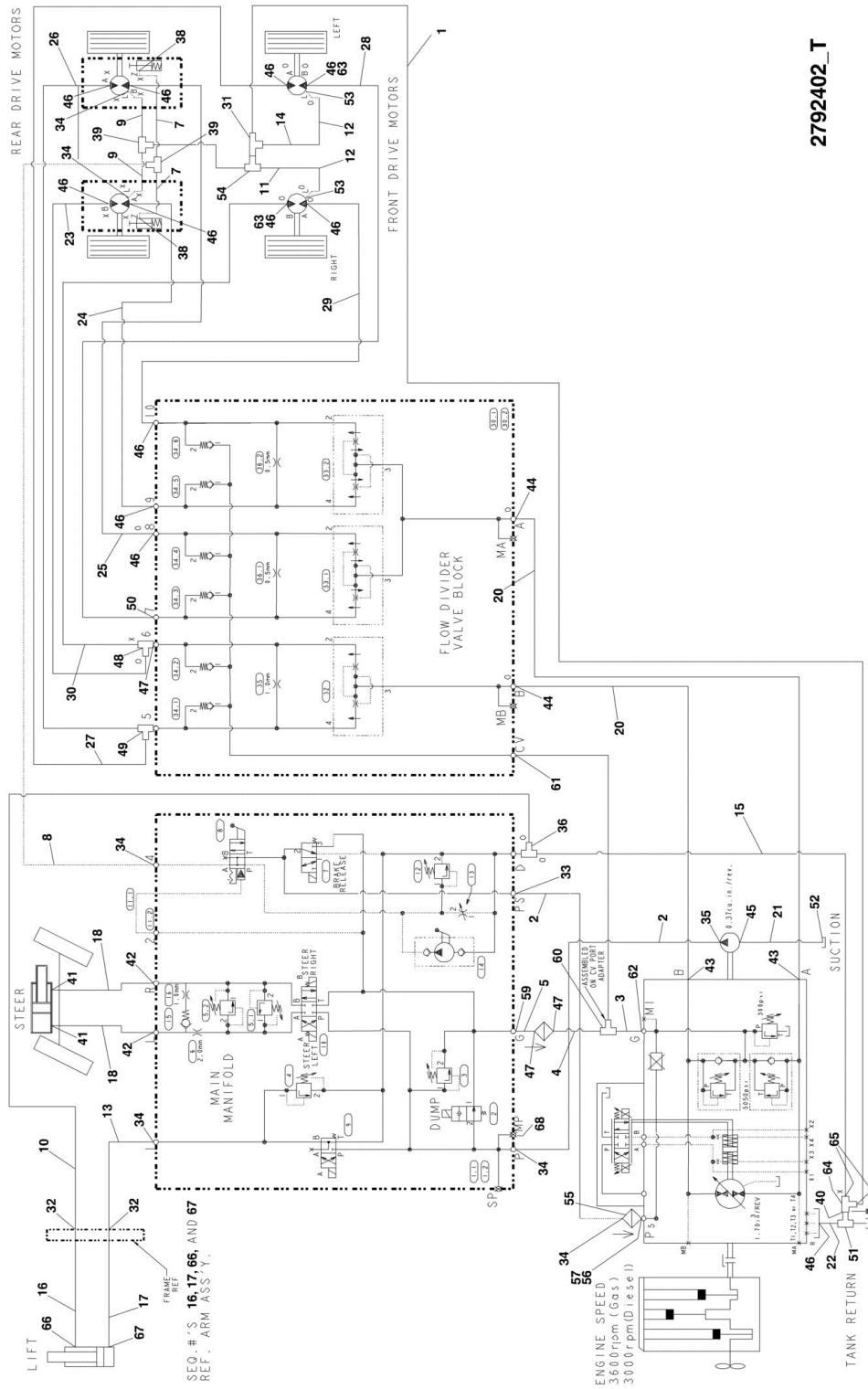
ITEM	PART NUMBER	QTY	DESCRIPTION	REV
	1683957	Ref	<b>STEER CYLINDER ASSEMBLY</b>	B
1	7001626	1	Locknut 7/8in-14NC	
2	See Note	1	Seal (Note: Use Item 51)	
3	See Note	1	O-Ring (Note: Use Item 51)	
4	7017291	1	Piston	
5	7023005	1	Barrel	
6	7023006	1	Rod	
7	7017294	1	Guide	
8	See Note	1	O-Ring (Note: Use Item 51)	
9	See Note	1	Back-Up (Note: Use Item 51)	
10	See Note	1	Ring, Wear (Note: Use Item 51)	
11	See Note	1	Wiper (Note: Use Item 51)	
12	See Note	1	Ring, Retaining (Note: Use Item 51)	
51	7017290	1	Seal Kit (Includes Items 2, 3 & 8 to 12)	



**SECTION 6 - HYDRAULIC**

# SECTION 6 - HYDRAULIC

## FIGURE 6-1. DRIVE HYDRAULIC DIAGRAM (STANDARD) (Prior to SN 0200141689)





## SECTION 6 - HYDRAULIC

**FIGURE 6-1. DRIVE HYDRAULIC DIAGRAM (STANDARD) (Prior to SN 0200141689)**

ITEM	PART NUMBER	QTY	DESCRIPTION	REV
	2792402	Ref	<b>HYDRAULIC DIAGRAM</b>	T
1	2752478	1	Hose	
2	2752613	AR	Hose	
3		Ref	Hose Options:	
3	2753384	1	Hose <b>(Prior to SN 0200080571)</b>	
3	2753503	1	Hose <b>(SN 0200080571 through 0200141689)</b>	
4		Ref	Hose Options:	
4	2753385	1	Hose <b>(Prior to SN 0200080571)</b>	
4	2753504	1	Hose <b>(SN 0200080571 through 0200141689)</b>	
5		Ref	Hose Options:	
5	2753386	1	Hose <b>(Prior to SN 0200080571)</b>	
5	2753505	1	Hose <b>(SN 0200080571 through 0200141689)</b>	
6	2753387	1	Hose <b>(Prior to SN 0200111085)</b>	
7	2753388	2	Hose	
8	2752489	1	Hose	
9	2753389	2	Hose	
10	2752469	1	Hose	
11	2753394	1	Hose	
12	2753395	2	Hose	
13	2753396	1	Hose	
15	2753397	1	Hose	
16	2752622	AR	Hose	
17	2753398	AR	Hose	
18	2753390	2	Hose	
19	2753391	1	Hose <b>(Prior to SN 0200111085)</b>	
20	2753392	AR	Hose	
21	2753393	1	Hose	
22	2753375	1	Hose	
23	2753376	1	Hose	
24	2753377	1	Hose	
25	2753378	1	Hose	
26	2753379	1	Hose	
27	2753380	1	Hose	
28	2753381	1	Hose	
29	2753382	1	Hose	
30	2753383	1	Hose	
31		Ref	Fitting Options:	
31	2220827	1	Fitting <b>(Prior to SN 0200093075)</b>	
31	2220635	1	Fitting <b>(SN 0200093075 through 0200093358)</b>	
31	2220490	1	Fitting <b>(SN 0200093359 through 0200141689)</b>	
32	2230024	2	Fitting, Straight	
33	2220603	2	Fitting, Straight	
34	2220371	AR	Fitting, Straight	
35	2220372	1	Fitting, Straight	
36	2220899	1	Fitting, Tee	
37	2221048	2	Fitting, 90 <b>(Prior to SN 0200080571)</b>	
38	2220473	AR	Fitting, 90	
39	2220490	2	Fitting, Tee	
40		Ref	Fitting, Reducer	
40	2220621	1	Fitting, Reducer <b>(Prior to SN 0200093075)</b>	

## SECTION 6 - HYDRAULIC

ITEM	PART NUMBER	QTY	DESCRIPTION	REV
40	2220622	1	Fitting, Reducer (SN 0200093075 through 0200141689)	
41	2220472	2	Fitting, 90	
42	2220415	2	Fitting, Straight	
43	2220578	2	Fitting, 90	
44	2220451	2	Fitting, Straight	
45	2221025	1	Fitting, Straight	
46	2220947	AR	Fitting, Straight	
47	2220906	3	Fitting, 90	
48	2220948	1	Fitting, Tee	
49	2221049	1	Fitting, Tee	
50	2221036	1	Fitting, 90	
51	2220738	1	Fitting, Tee	
52	2220377	1	Fitting, Straight	
53	2220998	2	Fitting, Straight	
54		Ref	Fitting, Tee Options:	
54	2220579	1	Fitting, Tee (Prior to SN 0200111085)	
54	2220635	1	Fitting, Tee (SN 0200111085 through 0200141689)	
55	2120172	1	Filter, In-Line	
56	2220501	1	Fitting, 45	
57	2220919	1	Fitting, Straight	
58		Ref	Fitting, Straight Options:	
58	2220947	8	Fitting, Straight (Prior to SN 0200078291)	
58	2220865	8	Fitting, Straight (SN 0200078291 through 0200111084)	
58	Not Required	0	Not Required (SN 0200111085 through 0200141689)	
59	2220600	1	Fitting, Straight (SN 0200080571 through 0200141689)	
60	2221076	1	Fitting, Tee (SN 0200080571 through 0200141689)	
61	2221075	1	Fitting, Straight (SN 0200080571 through 0200141689)	
62	2220852	1	Fitting, Straight (SN 0200080571 through 0200141689)	
63	0100075	AR	Loctite #545	
64	2220385	1	Fitting, Swivel (SN 0200093075 through 0200141689)	
65	2220619	2	Fitting, Reducer (SN 0200093075 through 0200141689)	
66	2220371	AR	Fitting, Straight (SN 0200105000 through 0200141689)	
67	2220473	AR	Fitting, 90 (SN 0200105000 through 0200141689)	
68	2221086	1	Fitting, Diagnostic Test Port Coupling	





## SECTION 6 - HYDRAULIC

**FIGURE 6-2. DRIVE HYDRAULIC DIAGRAM (STANDARD) (SN 0200141689 through 0200269760)**

ITEM	PART NUMBER	QTY	DESCRIPTION	REV
	2792717	Ref	<b>HYDRAULIC DIAGRAM</b>	E
1	2752478	2	Hose	
2	2752613	AR	Hose	
3	2753503	1	Hose	
4	2753504	1	Hose	
5	2753505	1	Hose	
7	2753388	2	Hose	
8	2752489	1	Hose	
9	2753389	2	Hose	
10	2752469	1	Hose	
11	2753394	1	Hose	
12	2753395	2	Hose	
15	2753397	1	Hose	
16	2752622	AR	Hose	
17	2753398	AR	Hose	
18	2753390	2	Hose	
20	2753392	AR	Hose	
21	2753393	1	Hose	
22	2753375	1	Hose	
23	2753376	1	Hose	
24	2753377	1	Hose	
25	2753378	1	Hose	
26	2753379	1	Hose	
27	2753380	1	Hose (Note: On Machines Prior to SN 0200165343, this hose runs to Left Front Drive Motor. On Machines SN 0200165343 to 0200269760, this hose runs to Right Front Drive Motor as shown.)	
28	2753381	1	Hose	
29	2753382	1	Hose	
30		Ref	Hose Options: (Note: On Machines Prior to SN 0200165343, this hose runs to Right Front Drive Motor. On Machines SN 0200165343 to 0200269760, this hose runs to Left Front Drive Motor as shown.)	
30	2753383	1	68.5in/ Length ( <b>Prior to SN 0200165343</b> )	
30	1001093121	1	72.75in/Length ( <b>SN 0200165343 through 0200269760</b> )	
31	2220490	1	Fitting	
32	2230024	2	Fitting, Straight	
33	2220603	1	Fitting, Straight	
34	2220371	7	Fitting, Straight	
35	2220372	1	Fitting, Straight	
36	2220899	1	Fitting, Tee	
38	2220473	2	Fitting, 90	
39	2220490	2	Fitting, Tee	
40	2220622	1	Fitting, Reducer	
41	2220472	2	Fitting, 90	
42	2220415	2	Fitting, Straight	
43	2220578	2	Fitting, 90	
44	2220451	2	Fitting, Straight	
45	2221025	1	Fitting, Straight	
46	2220947	12	Fitting, Straight	
47	2220906	1	Fitting, 90	
48	2220948	1	Fitting, Tee	

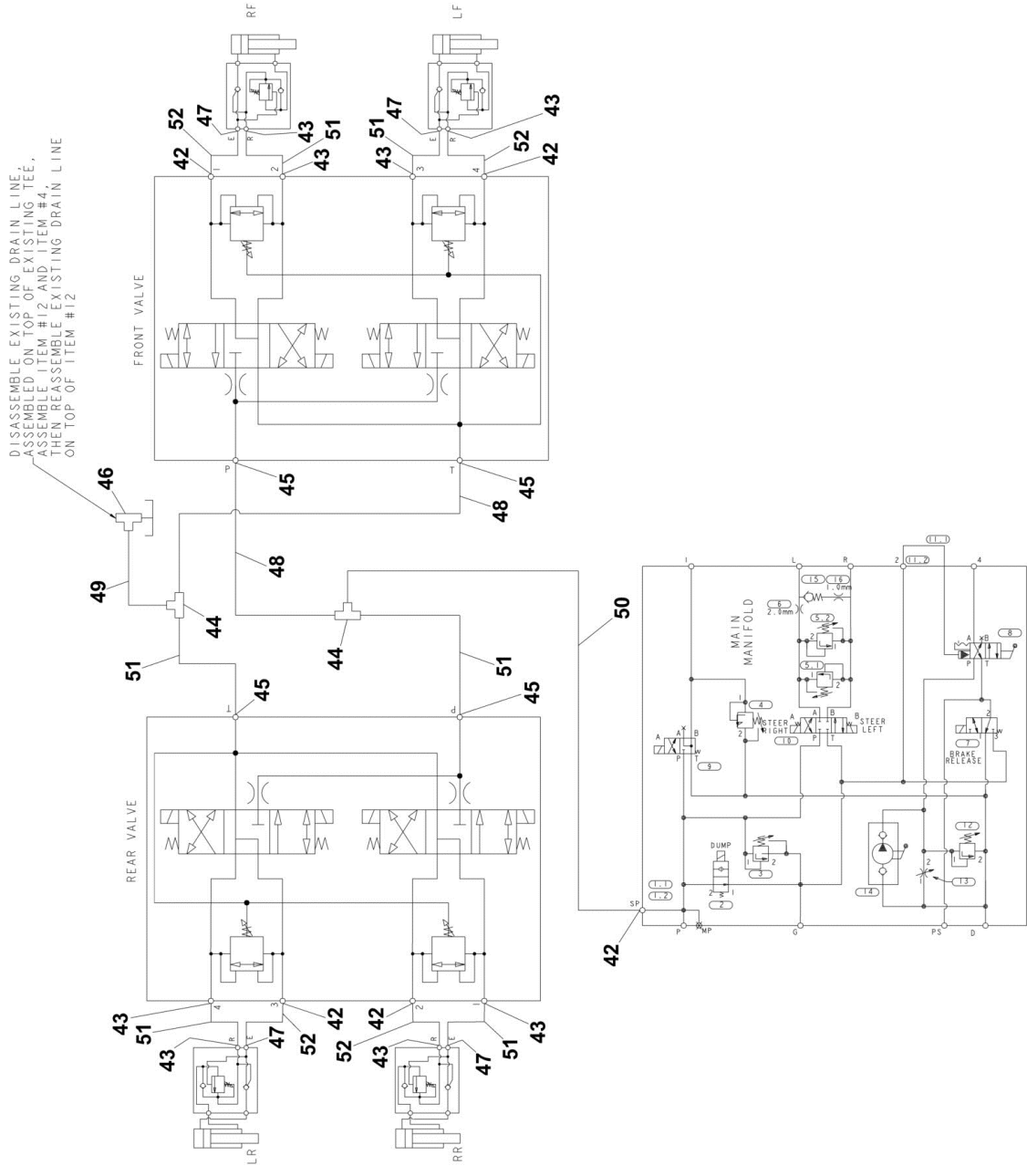
## SECTION 6 - HYDRAULIC

ITEM	PART NUMBER	QTY	DESCRIPTION	REV
49	2221049	1	Fitting, Tee	
50	2221036	1	Fitting, 90	
51	2220738	1	Fitting, Tee	
52	2220377	1	Fitting, Straight	
53	2220998	2	Fitting, Straight	
54	2220635	1	Fitting, Tee	
55	2120172	1	Filter, In-Line	
56	2220501	1	Fitting, 45	
57	2220919	1	Fitting, Straight	
59	2220600	1	Fitting, Straight	
60	2221076	1	Fitting, Tee	
61	2221075	1	Fitting, Straight	
62	2220852	1	Fitting, Straight	
63	0100075	AR	Compound, Locking	
64	2220385	1	Fitting, Swivel	
65	2220619	2	Fitting, Reducer	
66	2220371	AR	Fitting, Straight	
67	2220473	AR	Fitting, 90	
68	2221086	1	Fitting, Diagnostic Test Port Coupling	
69	2221042	2	Fitting, 90	



# SECTION 6 - HYDRAULIC

FIGURE 6-3. DRIVE HYDRAULIC DIAGRAM (LEVELING JACKS) (Prior to SN 0200141689)





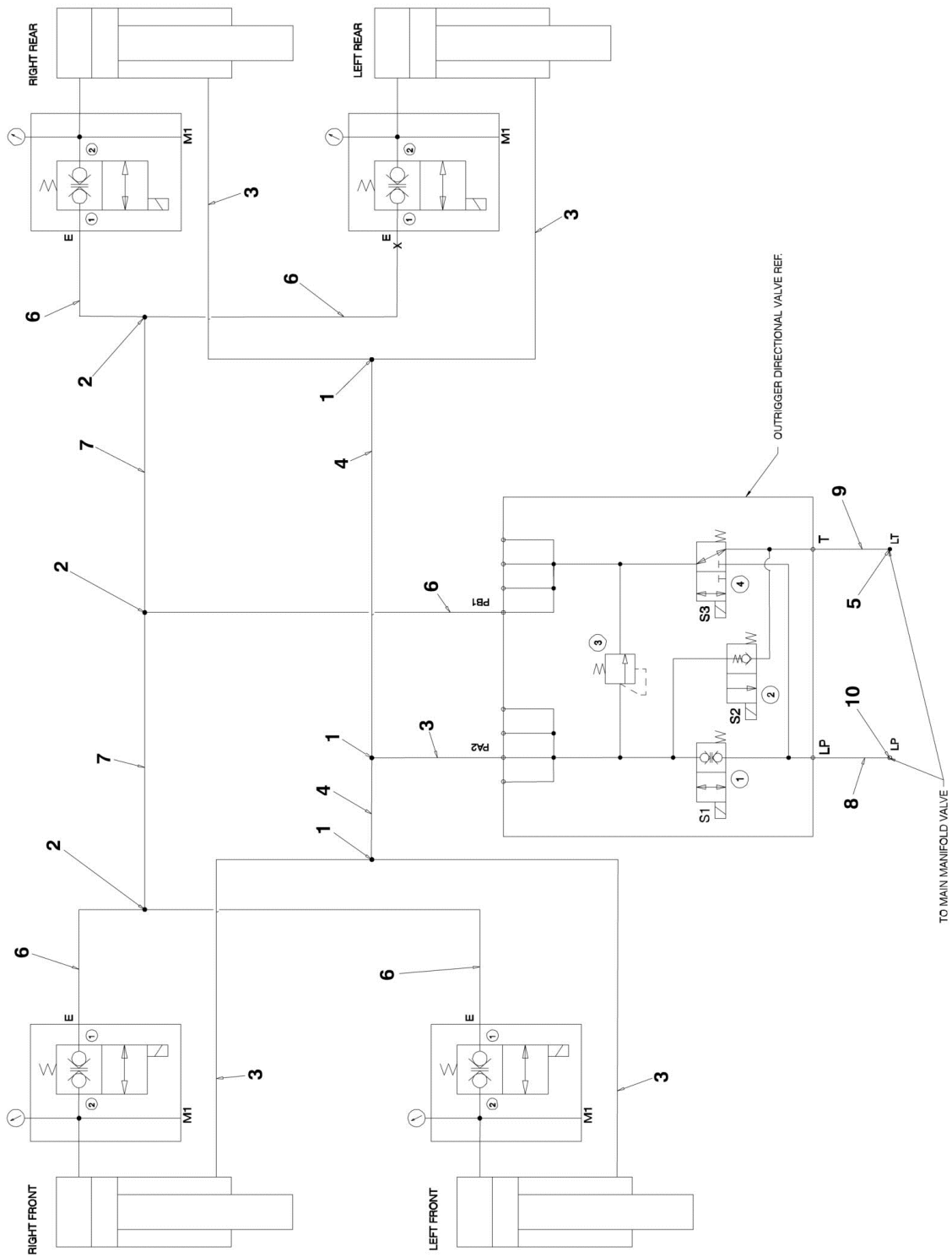
## SECTION 6 - HYDRAULIC

**FIGURE 6-3. DRIVE HYDRAULIC DIAGRAM (LEVELING JACKS) (Prior to SN 0200141689)**

ITEM	PART NUMBER	QTY	DESCRIPTION	REV
		Ref	<b>HYDRAULIC DIAGRAM - LEVELING JACKS</b>	
	2792431	Ref	<b>Hydraulic Diagram (Prior to SN 0200104262)</b>	B
	0259757	Ref	<b>Hydraulic Diagram (SN 0200104262 through 0200141689)</b>	H
42	2220371	1	Fitting	
43	2220473	8	Fitting	
44	2220490	AR	Hose	
45	2220501	AR	Fitting, 45	
46	2220635	AR	Fitting, Tee	
47	2220819	4	Fitting, 90 (Long)	
48	2752466	AR	Hose	
49	2752478	AR	Hose	
50	2752649	AR	Hose	
51	2752966	2	Hose	
52	2753488	4	Hose	

# SECTION 6 - HYDRAULIC

FIGURE 6-4. DRIVE HYDRAULIC DIAGRAM (AUTO LEVEL LEVELING JACKS) (SN 0200141689 through 0200269760)



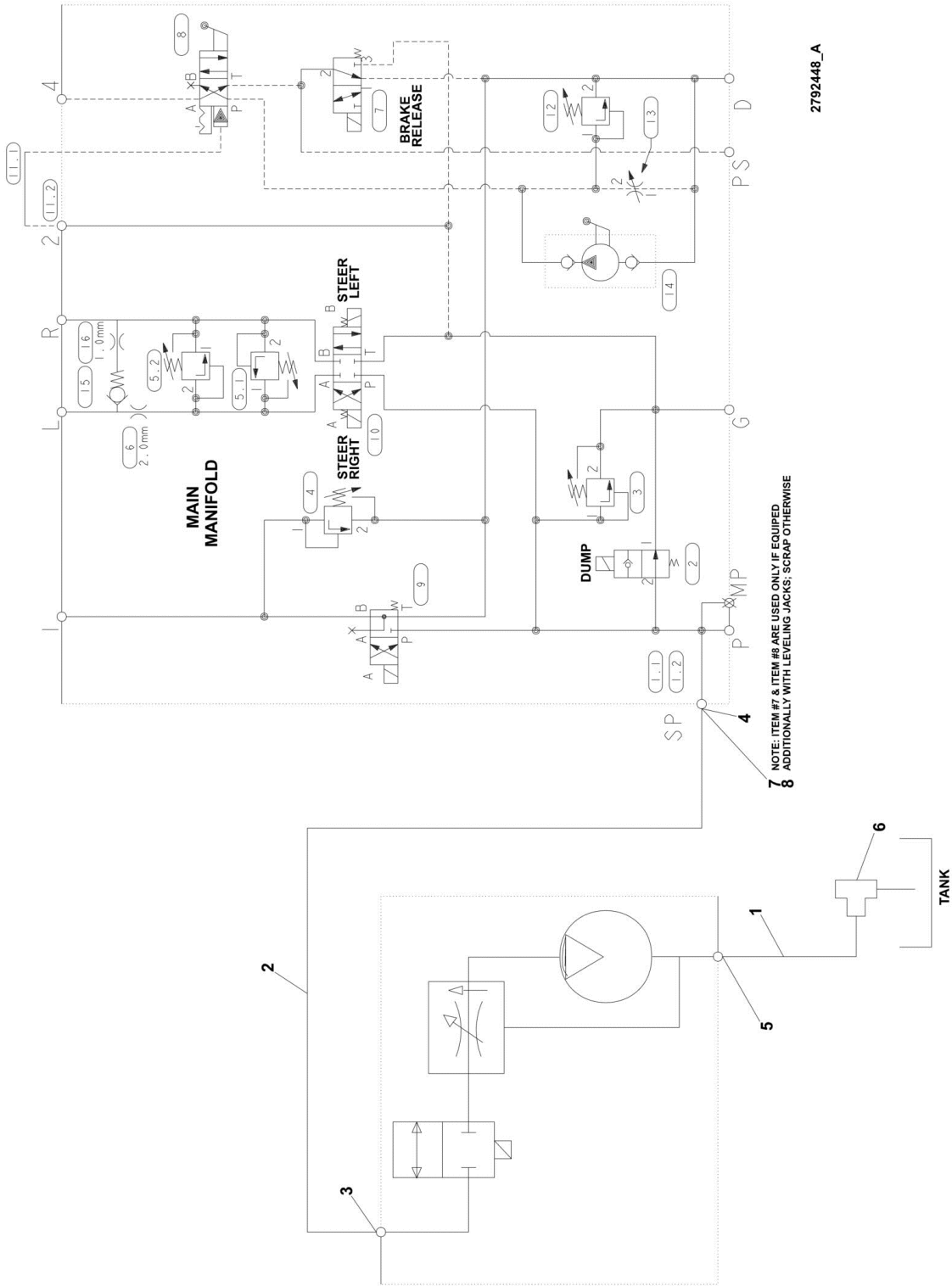
## SECTION 6 - HYDRAULIC

**FIGURE 6-4. DRIVE HYDRAULIC DIAGRAM (AUTO LEVEL LEVELING JACKS) (SN 0200141689 through 0200269760)**

ITEM	PART NUMBER	QTY	DESCRIPTION	REV
	2792686	Ref	<b>HYDRAULIC DIAGRAM - AUTO LEVEL LEVELING JACKS</b>	A
1	2170508	3	Fitting, Tee	
2	2170506	3	Fitting, Tee	
3	2716538	5	Hose	
4	2753579	2	Hose	
5	2220635	1	Fitting, Tee	
6	2716960	5	Hose	
7	2717235	2	Hose	
8	2753068	AR	Hose	
9	2753626	1	Hose Only <b>(Prior to SN 0200155061)</b>	
10		Ref	Fitting Options:	
10	2130606	1	Fitting <b>(Prior to SN 0200155061)</b>	
10	2220371	1	Fitting <b>(SN 0200155061 through 0200269760)</b>	

# SECTION 6 - HYDRAULIC

## FIGURE 6-5. HYDRAULIC DIAGRAM (OPTIONAL GENERATOR)



2792448\_A

## SECTION 6 - HYDRAULIC

**FIGURE 6-5. HYDRAULIC DIAGRAM (OPTIONAL GENERATOR)**

ITEM	PART NUMBER	QTY	DESCRIPTION	REV
	2792448	Ref	<b>HYDRAULIC DIAGRAM - OPTIONAL GENERATOR</b>	B
1	2753496	1	Hose, Return	
2	2753497	1	Hose, Pressure	
3	2220373	1	Fitting	
4	2220600	1	Fitting	
5	2220852	1	Fitting	
6	2220700	1	Fitting, Swivel End	
7		Ref	Fitting, Swivel End Options:	
7	2220385	1	Fitting, Swivel End <b>(Prior to SN 0200155061)</b>	
7	2221035	1	Fitting, Swivel End <b>(SN 0200155061 through 0200269760)</b>	
8		Ref	Fitting, Reducer	
8	2220619	1	Fitting, Reducer <b>(Prior to SN 0200155061)</b>	
8	2220507	1	Fitting, Reducer <b>(SN 0200155061 through 0200269760)</b>	

## SECTION 6 - HYDRAULIC

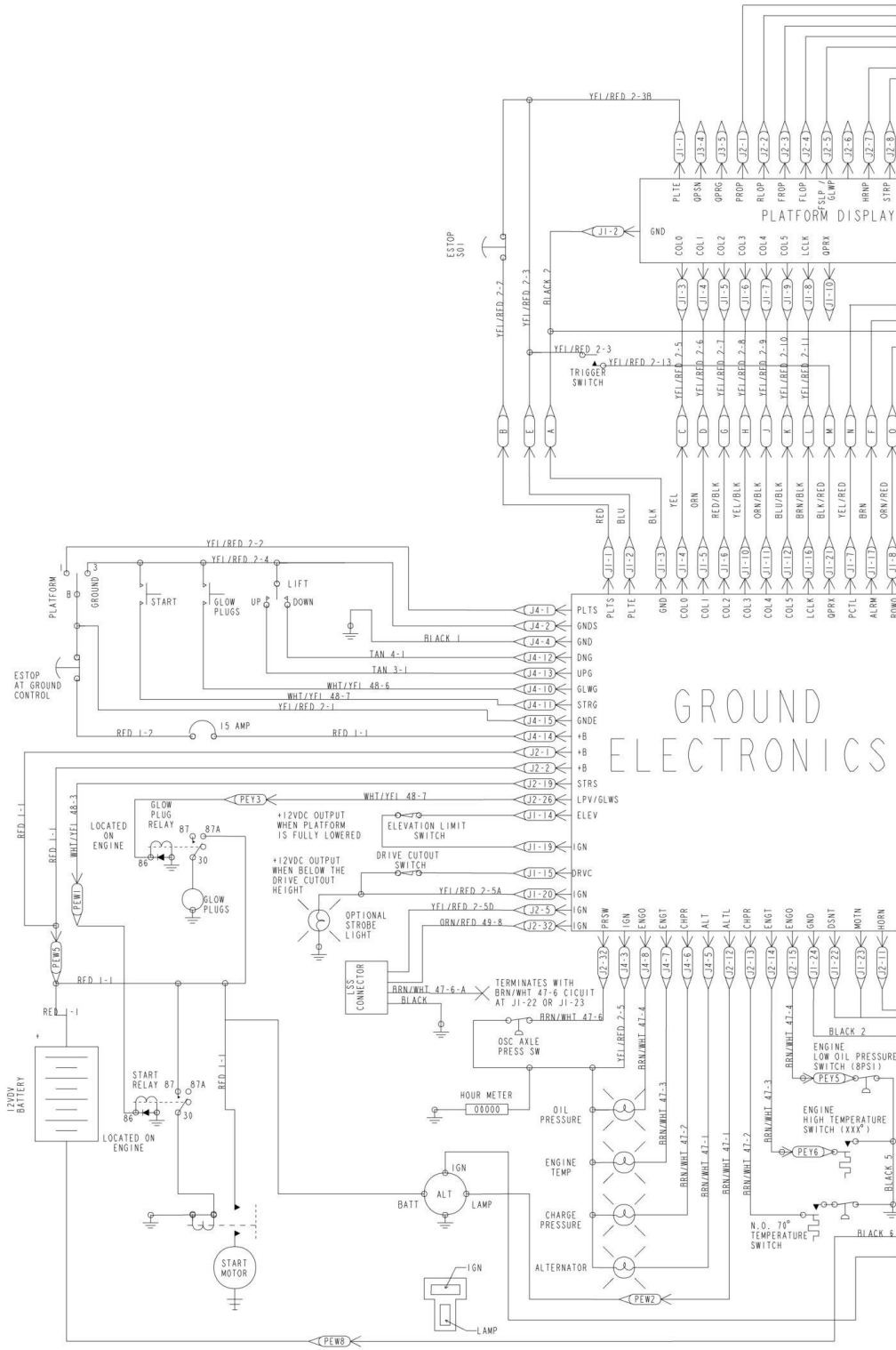
FIGURE 6-6. HYDRAULIC DIAGRAM LIST

ITEM	PART NUMBER	QTY	DESCRIPTION	REV
		Ref	<b>Note: Information on diagrams not shown is available from JLG Service/Parts Departments.</b>	
	2792402	Ref	Hydraulic Diagram and Schematic - Standard <b>(Prior to SN 0200141689)</b>	
	2792717	Ref	Hydraulic Diagram and Schematic - Standard <b>(SN 0200141689 through 0200269760)</b>	
		Ref	Leveling Jacks Options: (Optional)	
	2792431	Ref	Leveling Jacks <b>(Prior to SN 0200104262)</b>	
	0259757	Ref	Leveling Jacks <b>(SN 0200104262 through 0200141688)</b>	
	2792686	Ref	Auto Level Leveling Jacks <b>(SN 0200141689 through 0200269760)</b>	
	2792448	Ref	Generator (Optional)	

**SECTION 7 - ELECTRICAL**

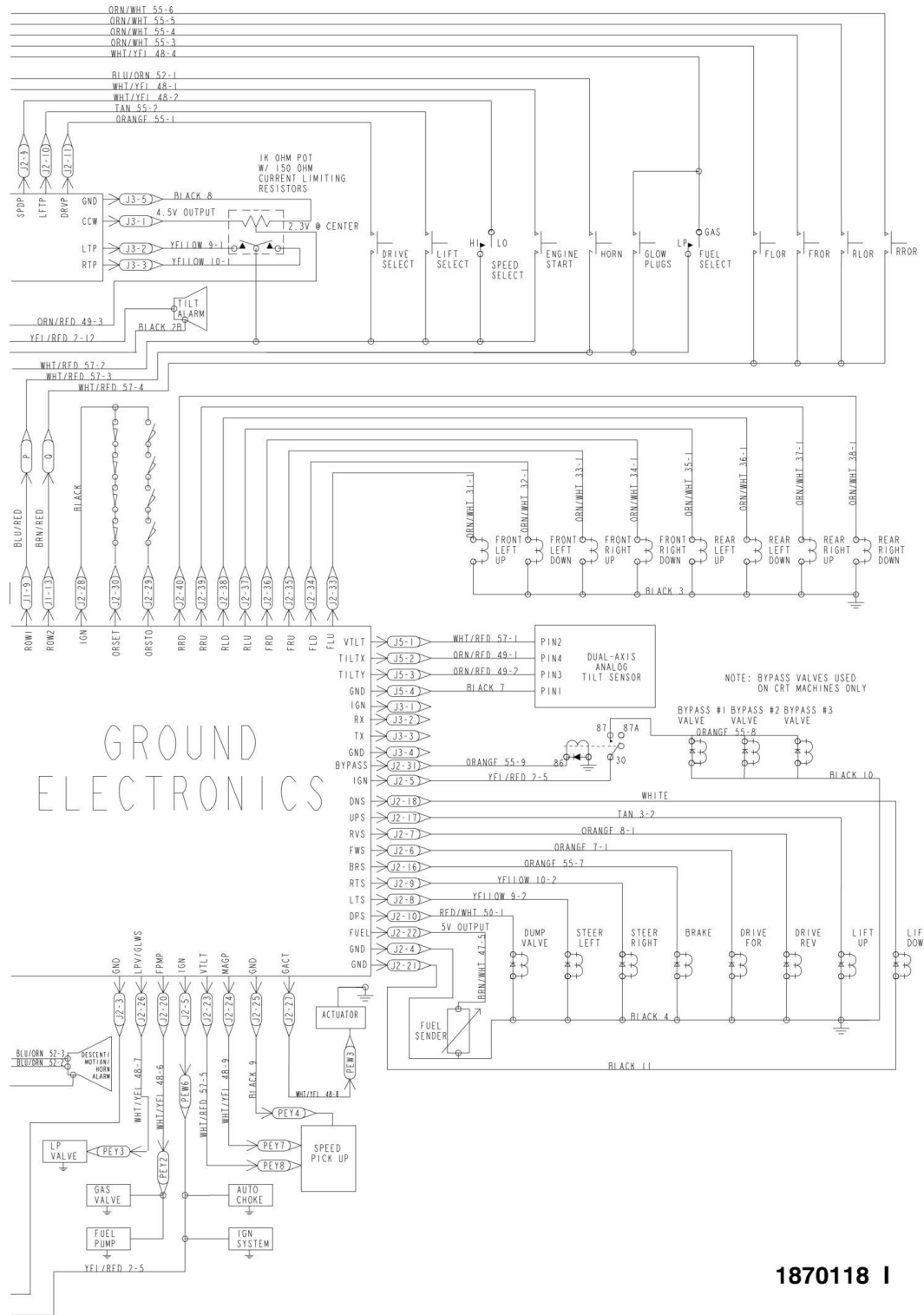
# SECTION 7 - ELECTRICAL

## FIGURE 7-1. ELECTRICAL SCHEMATIC (WITHOUT GENERATOR) (Prior to SN 0200141689)





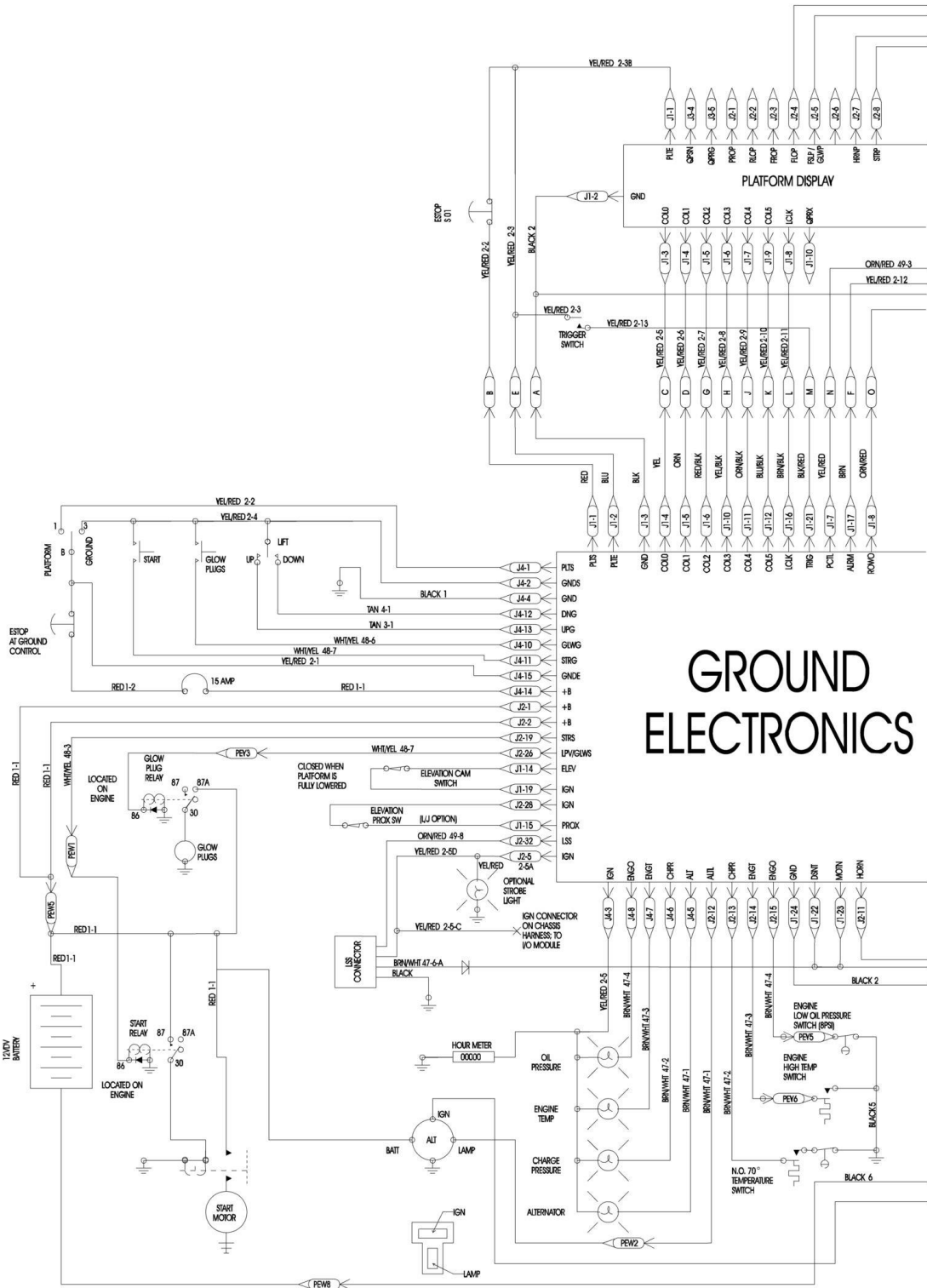
# SECTION 7 - ELECTRICAL



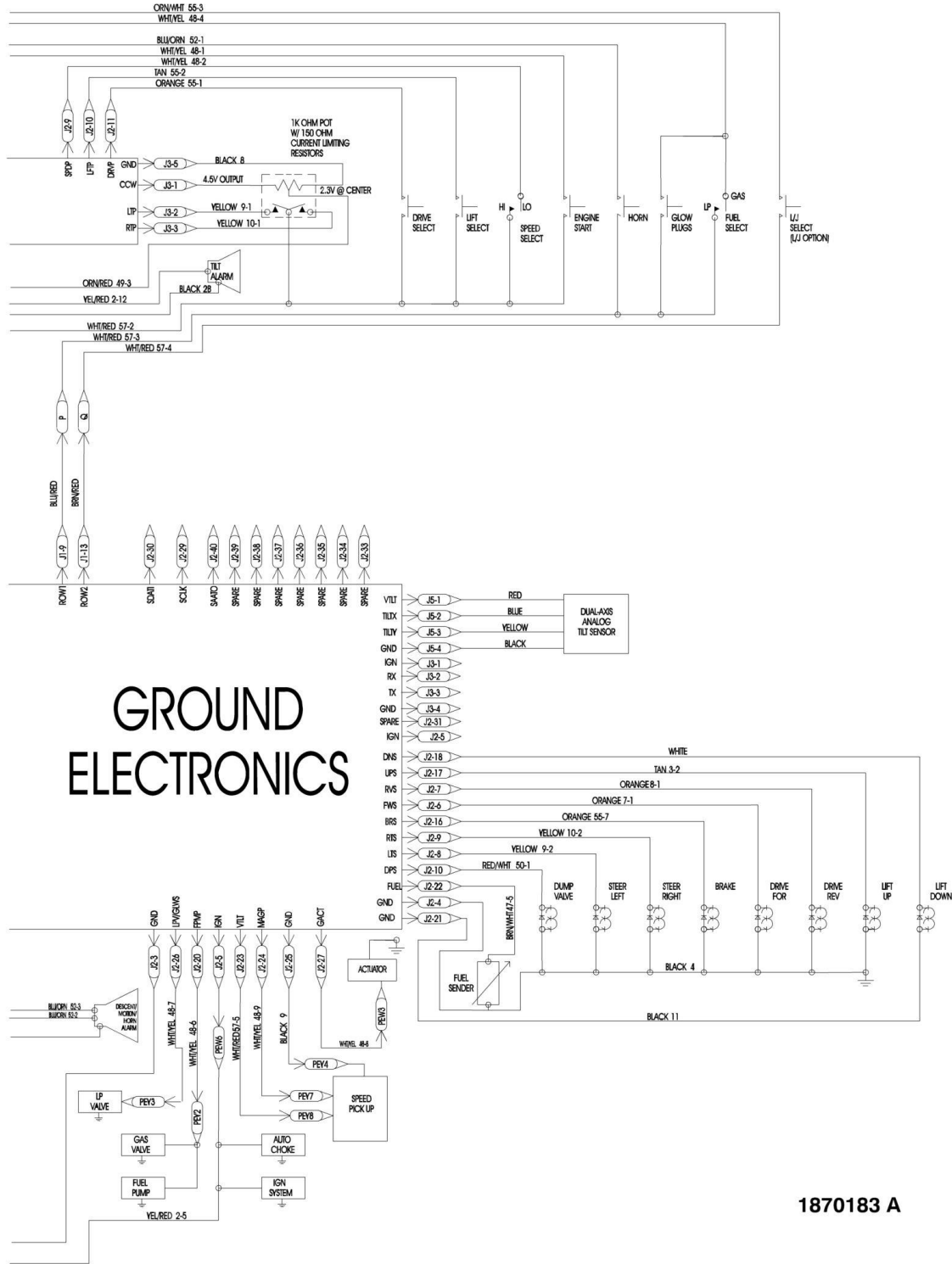
1870118 I

# SECTION 7 - ELECTRICAL

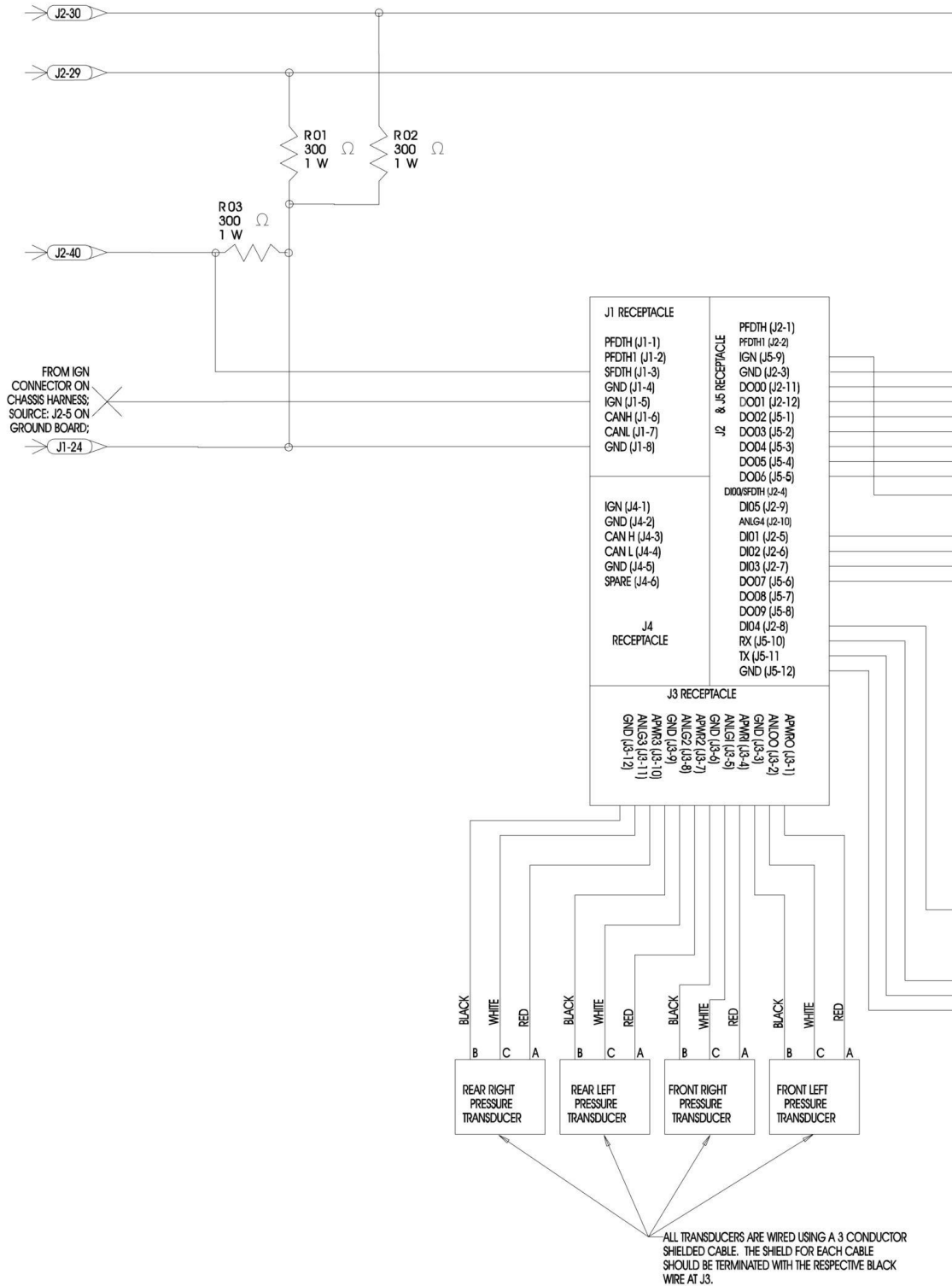
FIGURE 7-2. ELECTRICAL SCHEMATIC (WITHOUT GENERATOR) (SN 0200141689 through 0200200646)



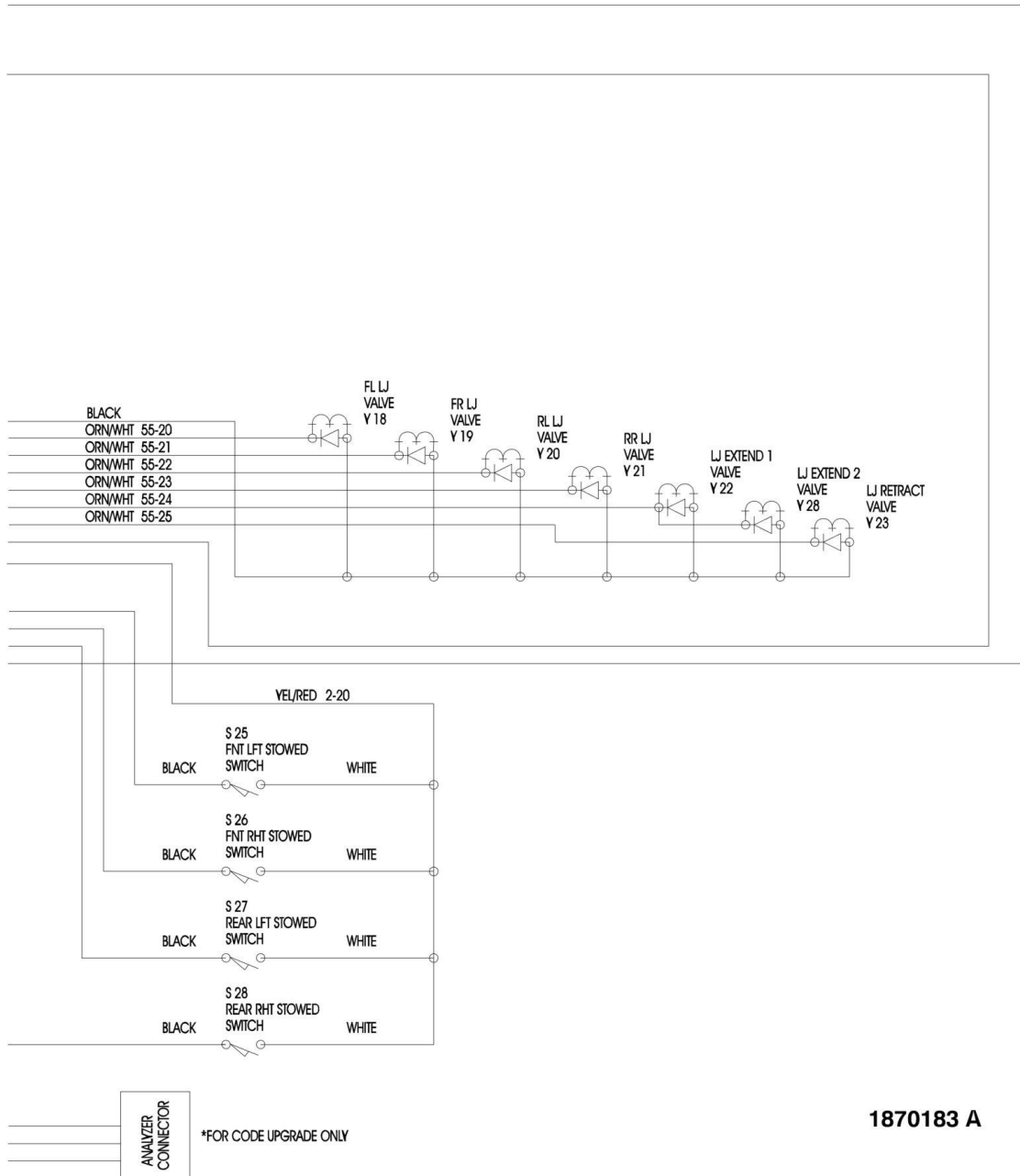
# SECTION 7 - ELECTRICAL



# SECTION 7 - ELECTRICAL



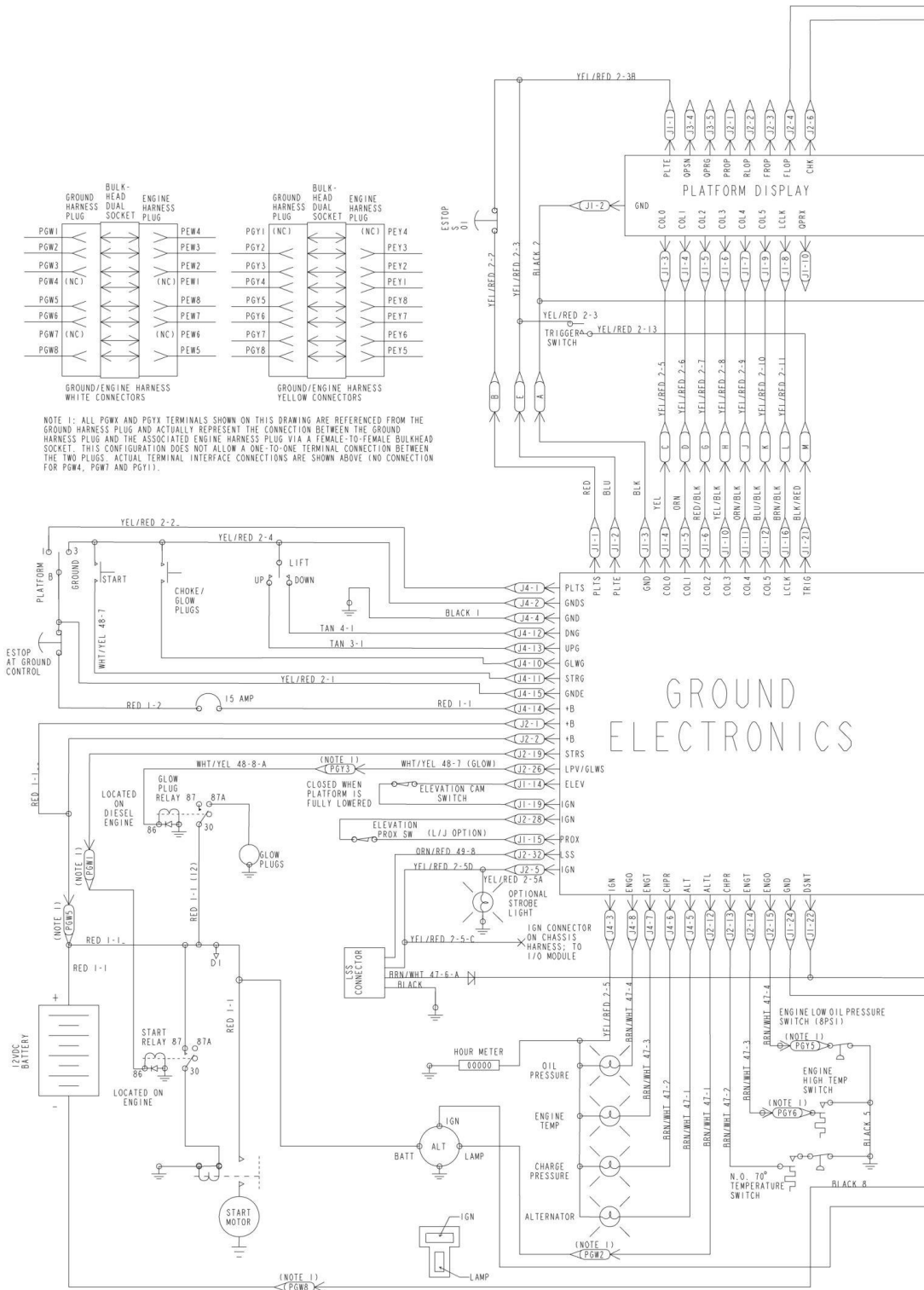
# SECTION 7 - ELECTRICAL



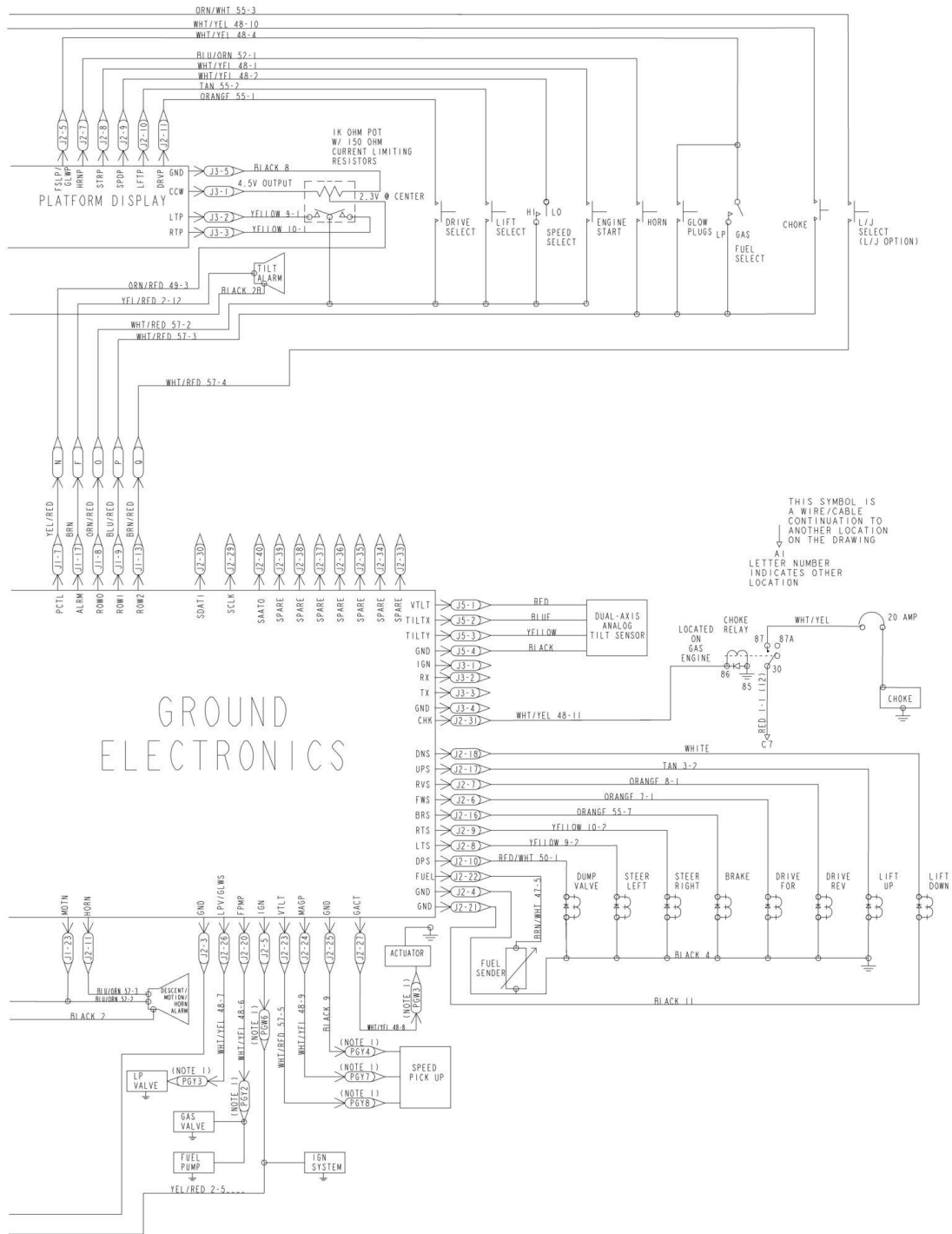
1870183 A

# SECTION 7 - ELECTRICAL

**FIGURE 7-3. ELECTRICAL SCHEMATIC (WITHOUT GENERATOR) (SN 0200200647 through 0200269760)**

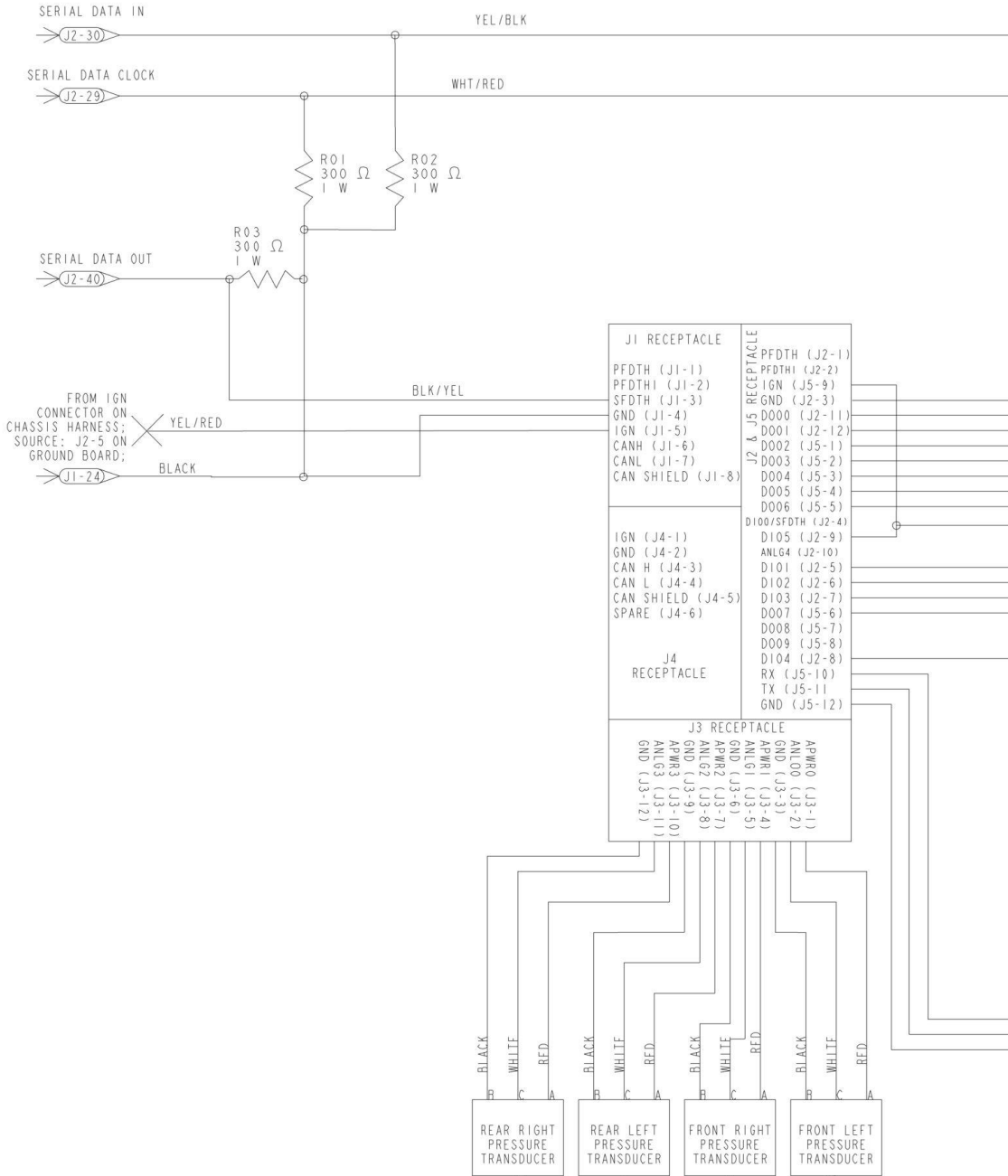


# SECTION 7 - ELECTRICAL



1001109560 B

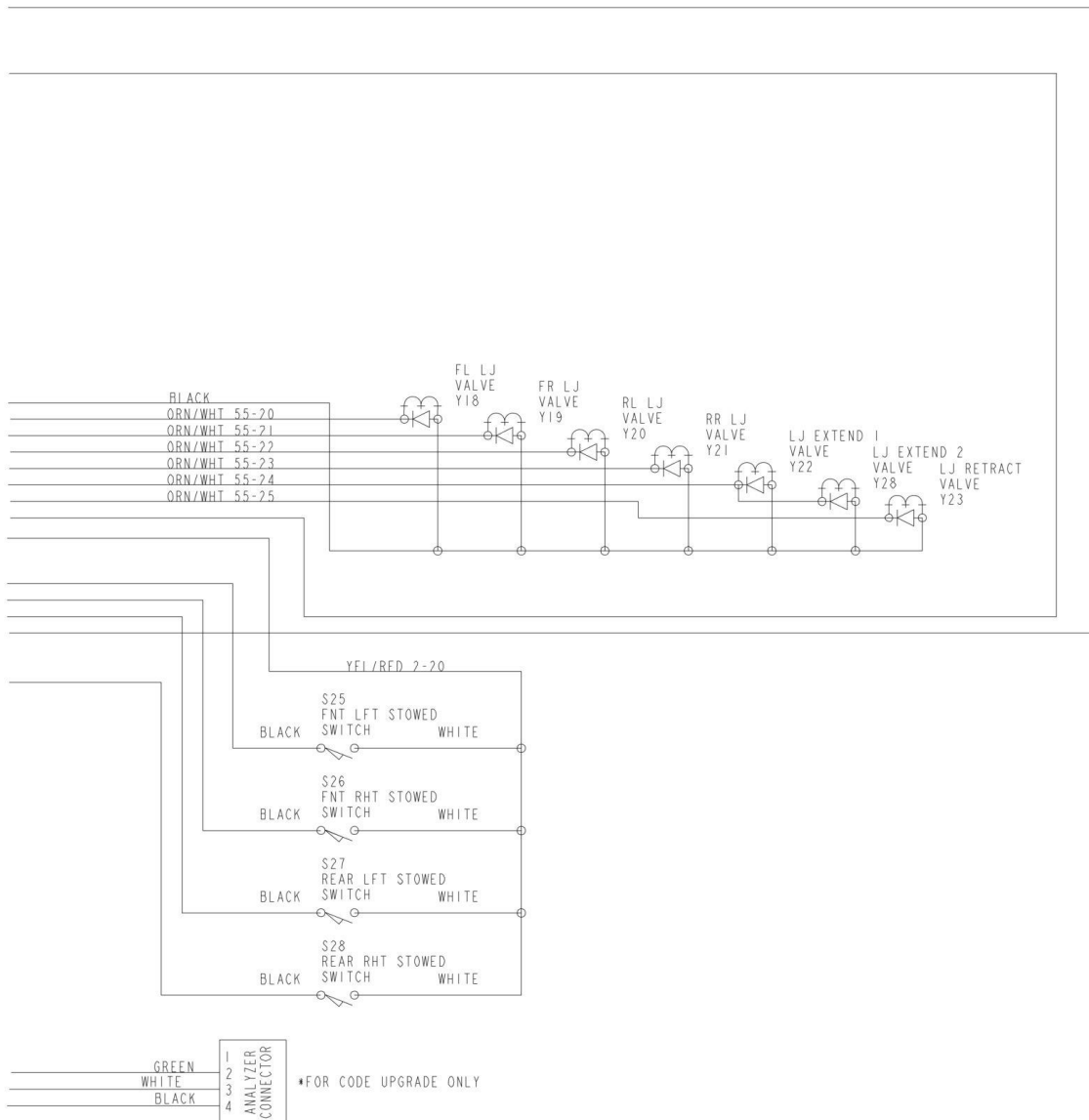
# SECTION 7 - ELECTRICAL



ALL TRANSDUCERS ARE WIRED USING A 3 CONDUCTOR SHIELDED CABLE. THE SHIELD FOR EACH CABLE SHOULD BE TERMINATED WITH THE RESPECTIVE BLACK WIRE AT J3.



# SECTION 7 - ELECTRICAL

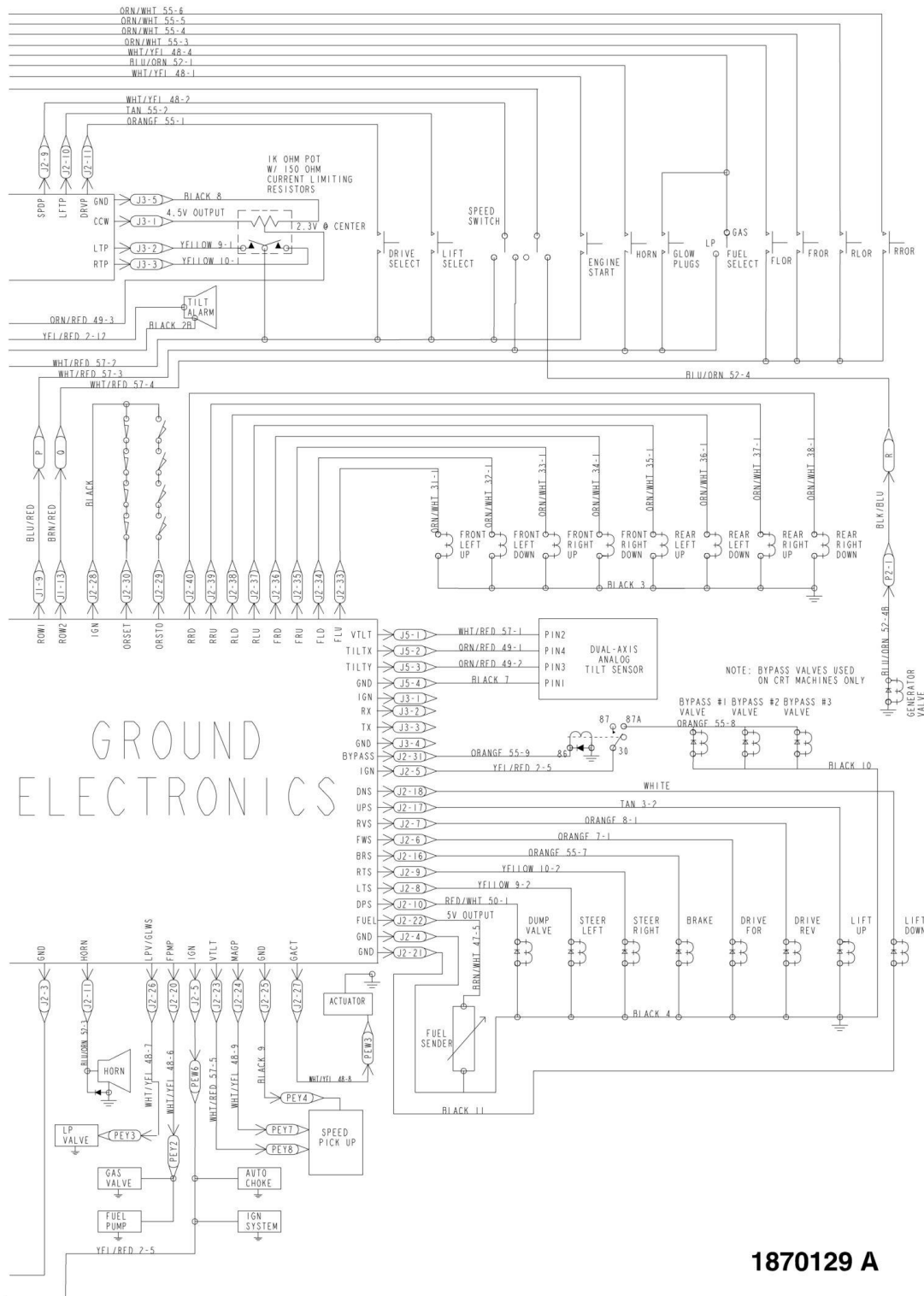


NOTE: ALL COMPONENTS SHOWN ON THIS PAGE ARE FITTED FOR THE LEVELING JACK OPTION ONLY.

**1001109560 B**

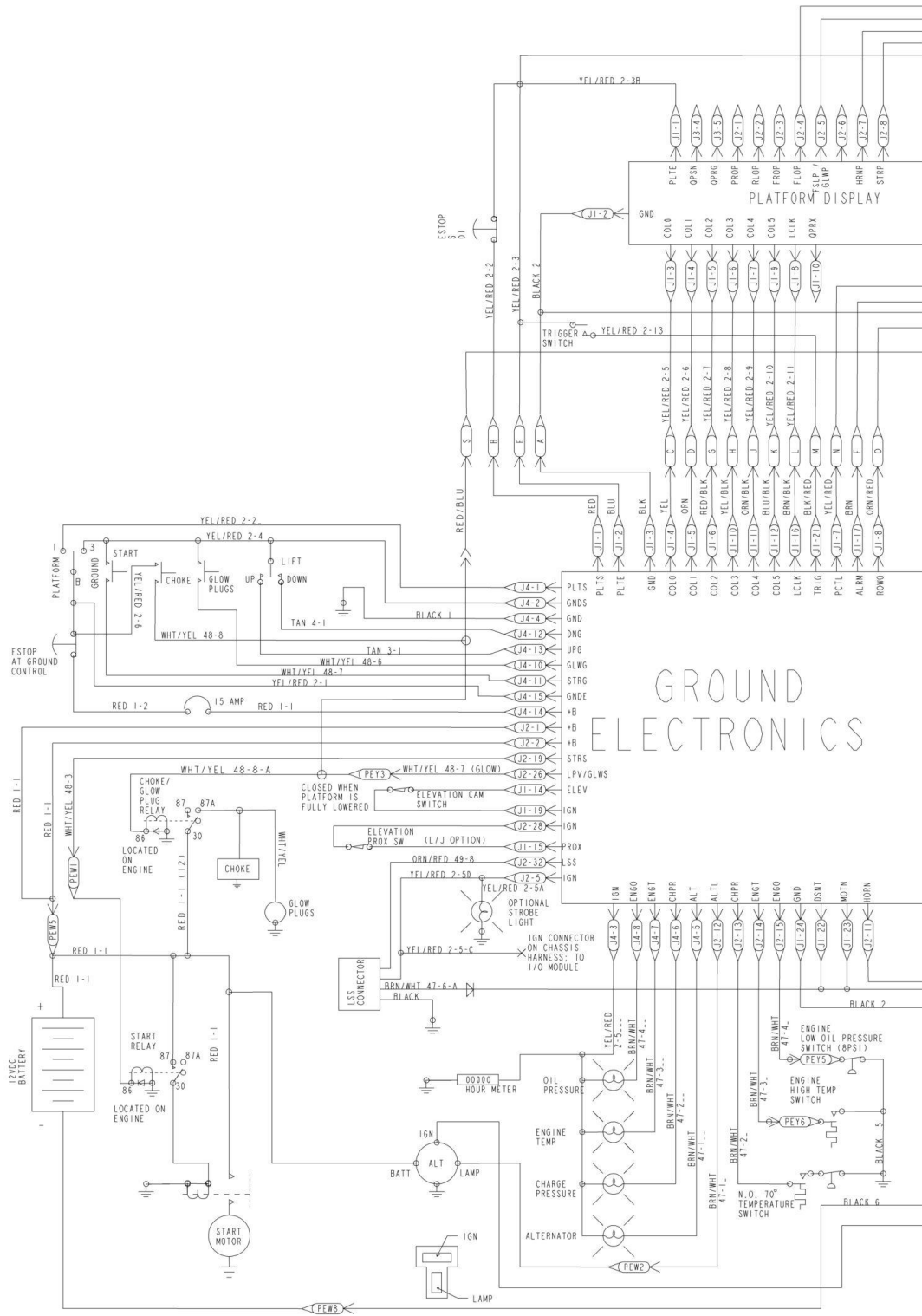


# SECTION 7 - ELECTRICAL

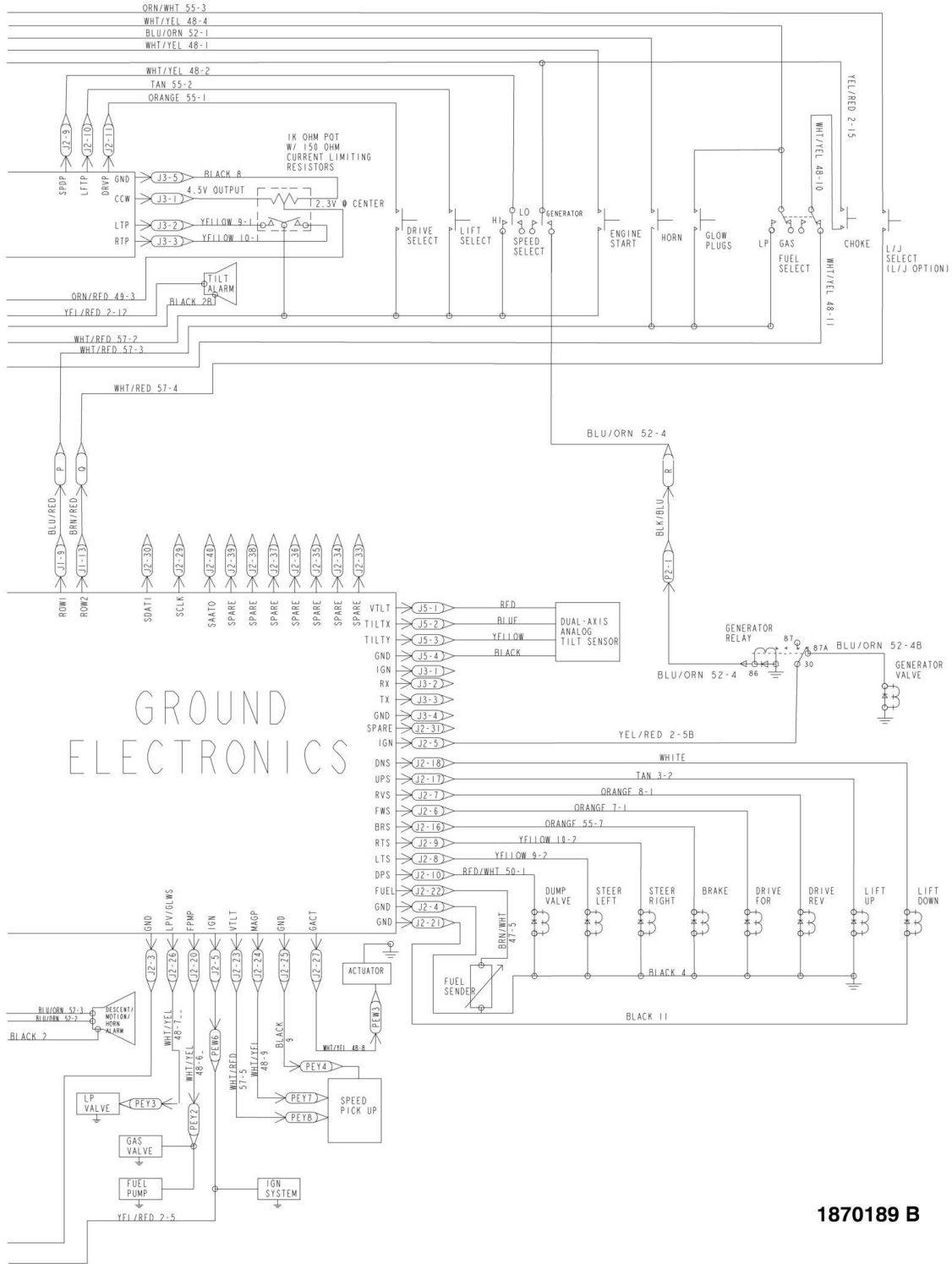


# SECTION 7 - ELECTRICAL

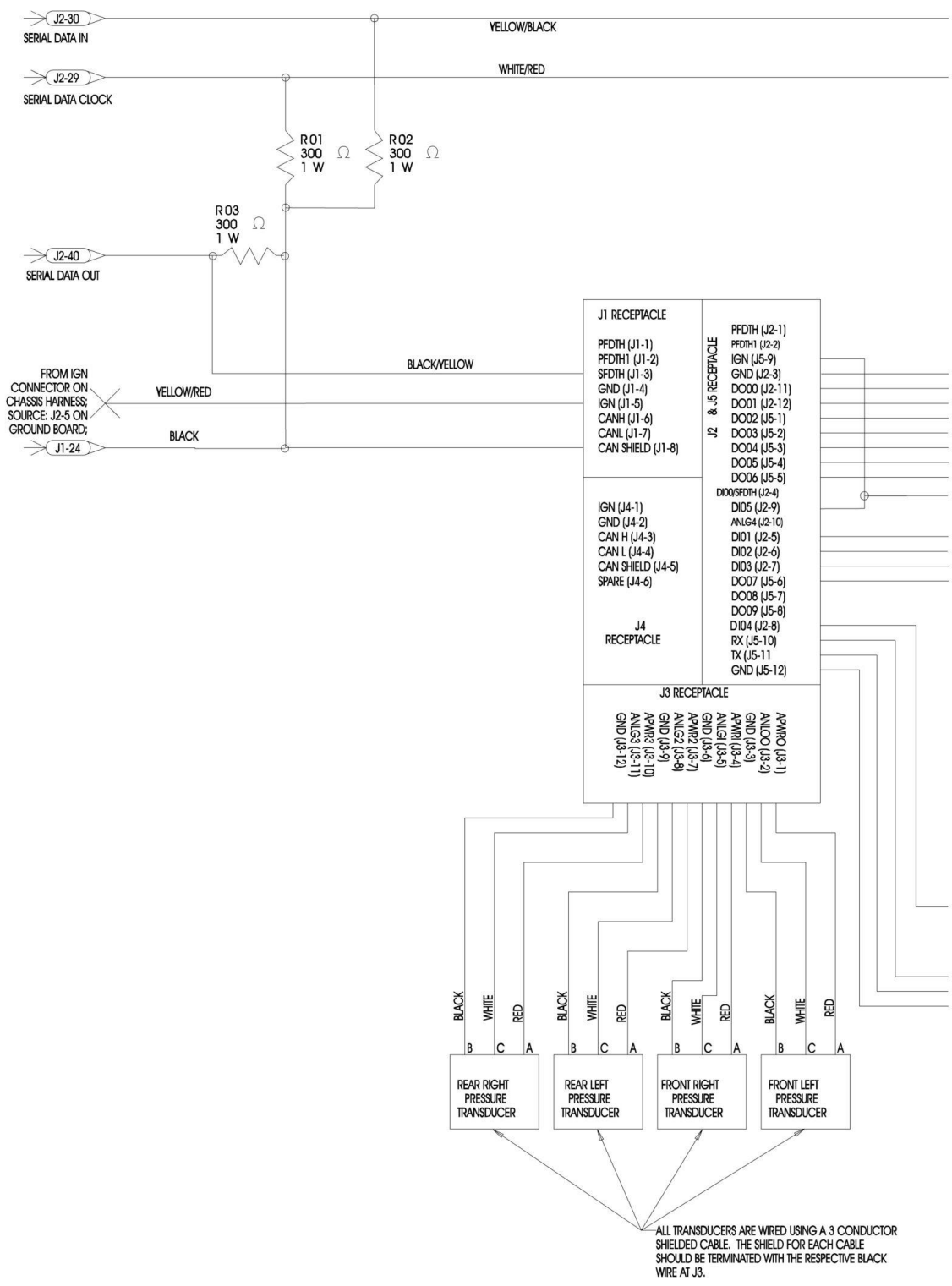
FIGURE 7-5. ELECTRICAL SCHEMATIC (WITH GENERATOR) (SN 0200141689 through 0200200646)



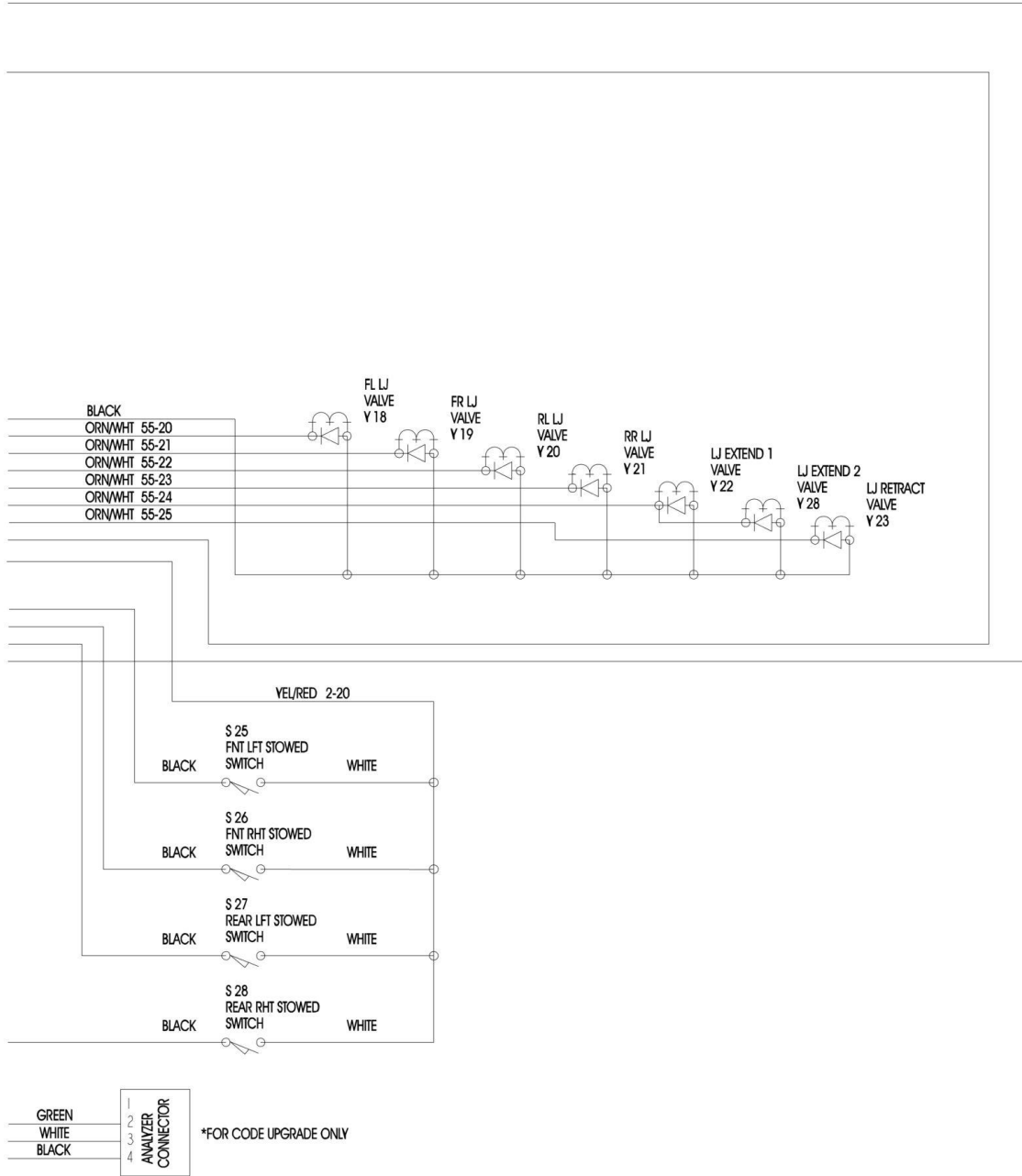
# SECTION 7 - ELECTRICAL



# SECTION 7 - ELECTRICAL



# SECTION 7 - ELECTRICAL



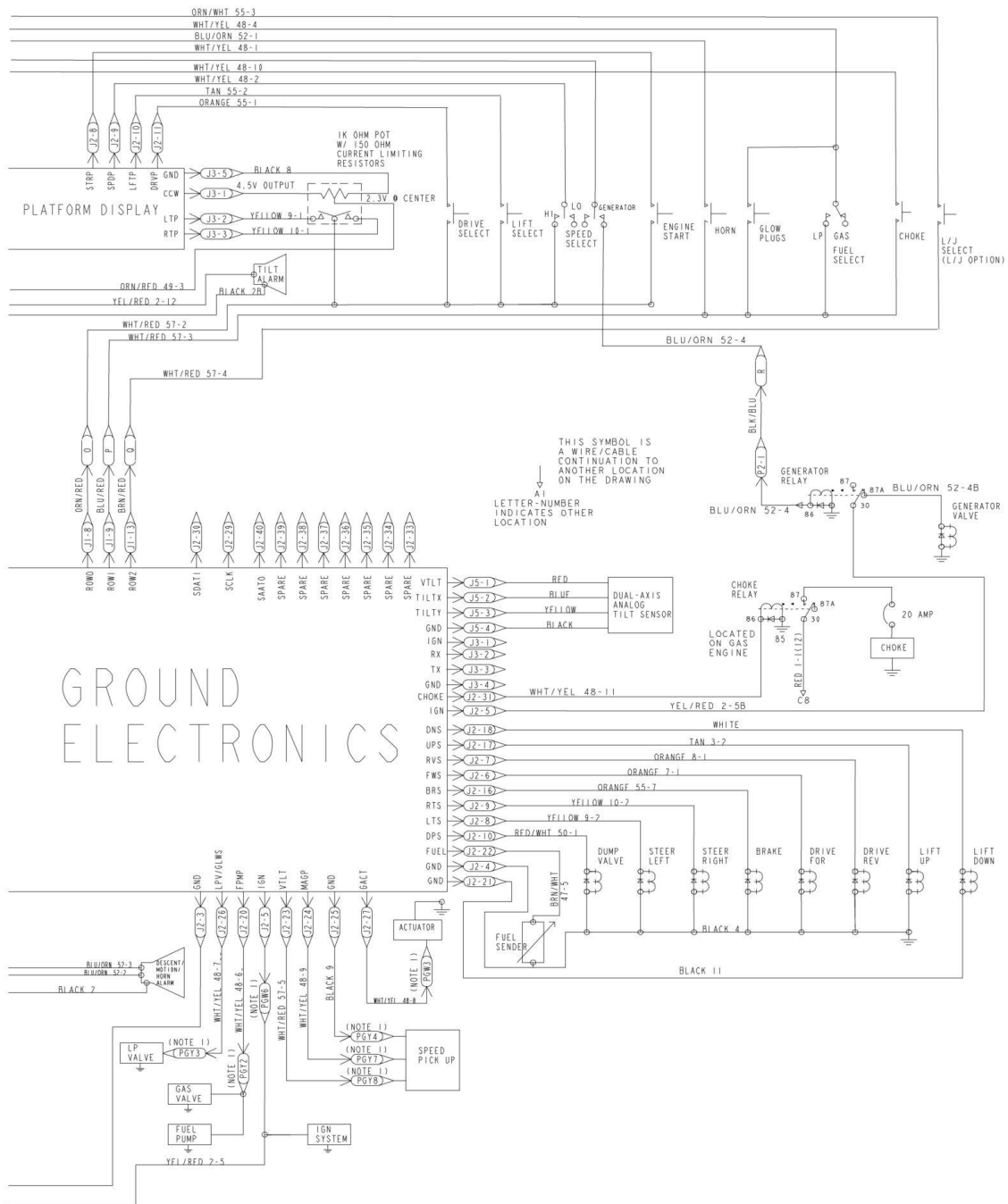
NOTE: ALL COMPONENTS SHOWN ON THIS PAGE ARE FITTED FOR THE LEVELING JACK OPTION ONLY.

1870189 B



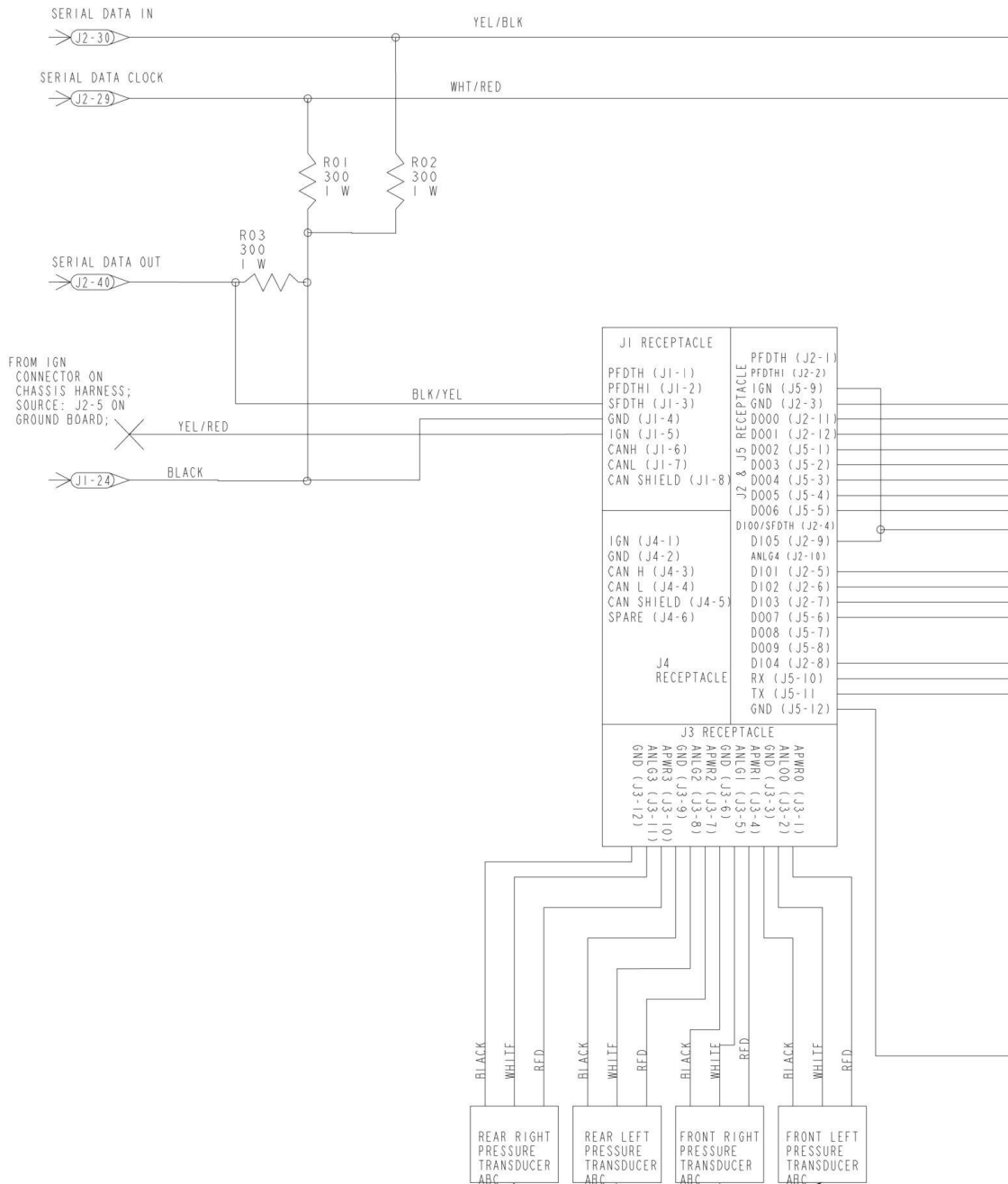


# SECTION 7 - ELECTRICAL



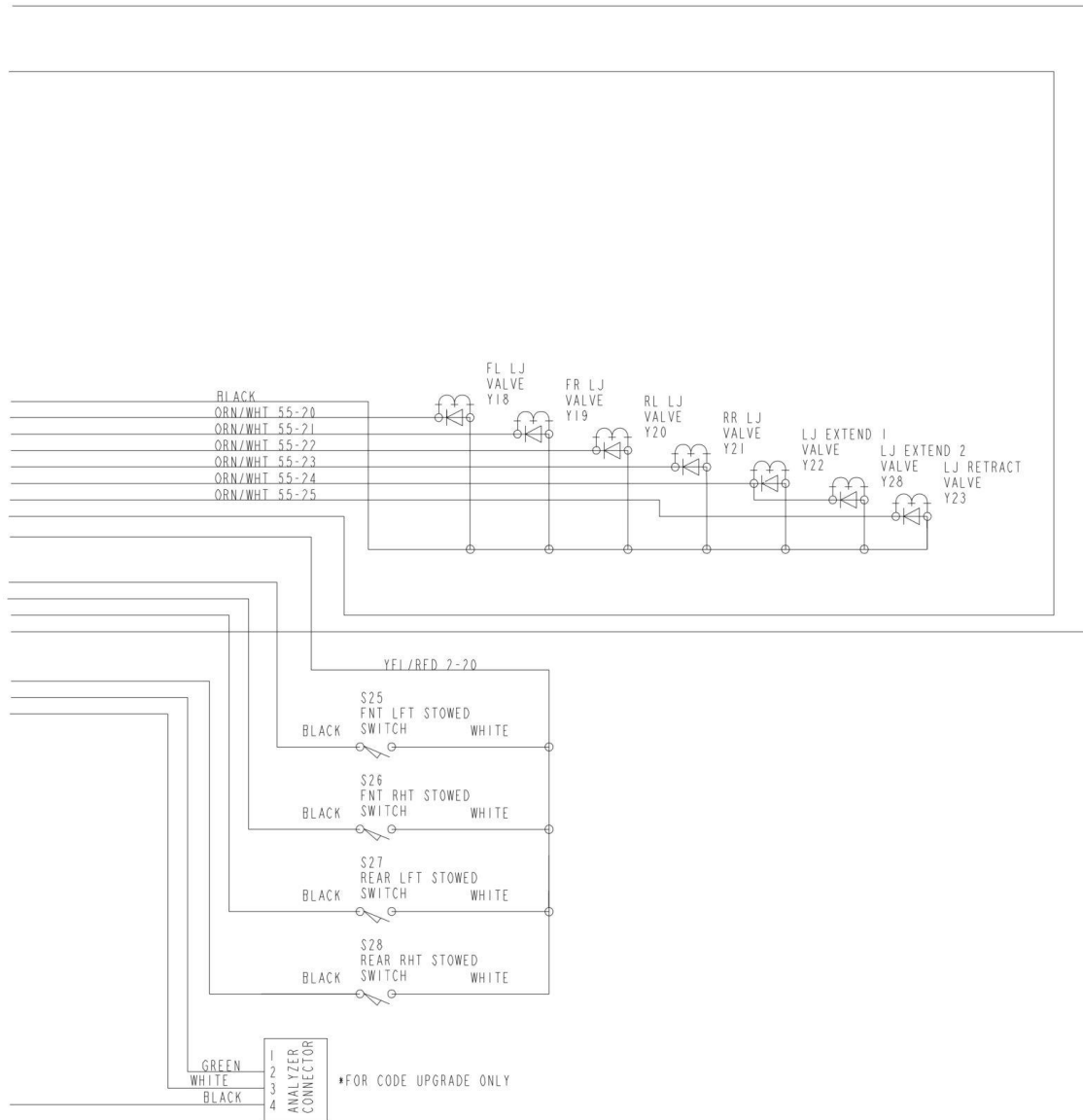
1001109561 B

# SECTION 7 - ELECTRICAL



ALL TRANSDUCERS ARE WIRED USING A 3 CONDUCTOR SHIELDED CABLE. THE SHIELD FOR EACH CABLE SHOULD BE TERMINATED WITH THE RESPECTIVE BLACK WIRE AT J3.

# SECTION 7 - ELECTRICAL

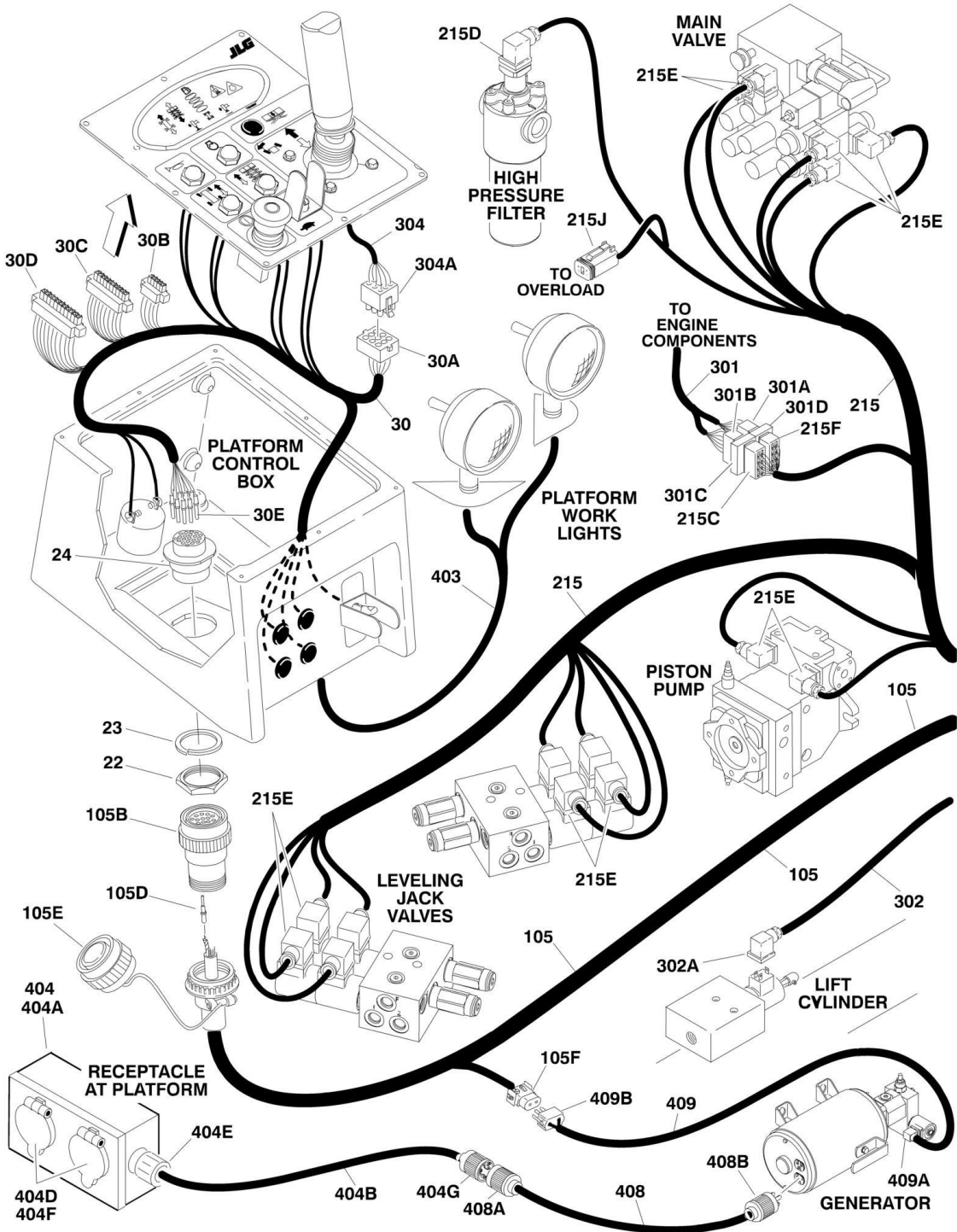


NOTE: ALL COMPONENTS SHOWN ON THIS PAGE ARE FITTED FOR THE LEVELING JACK OPTION ONLY.

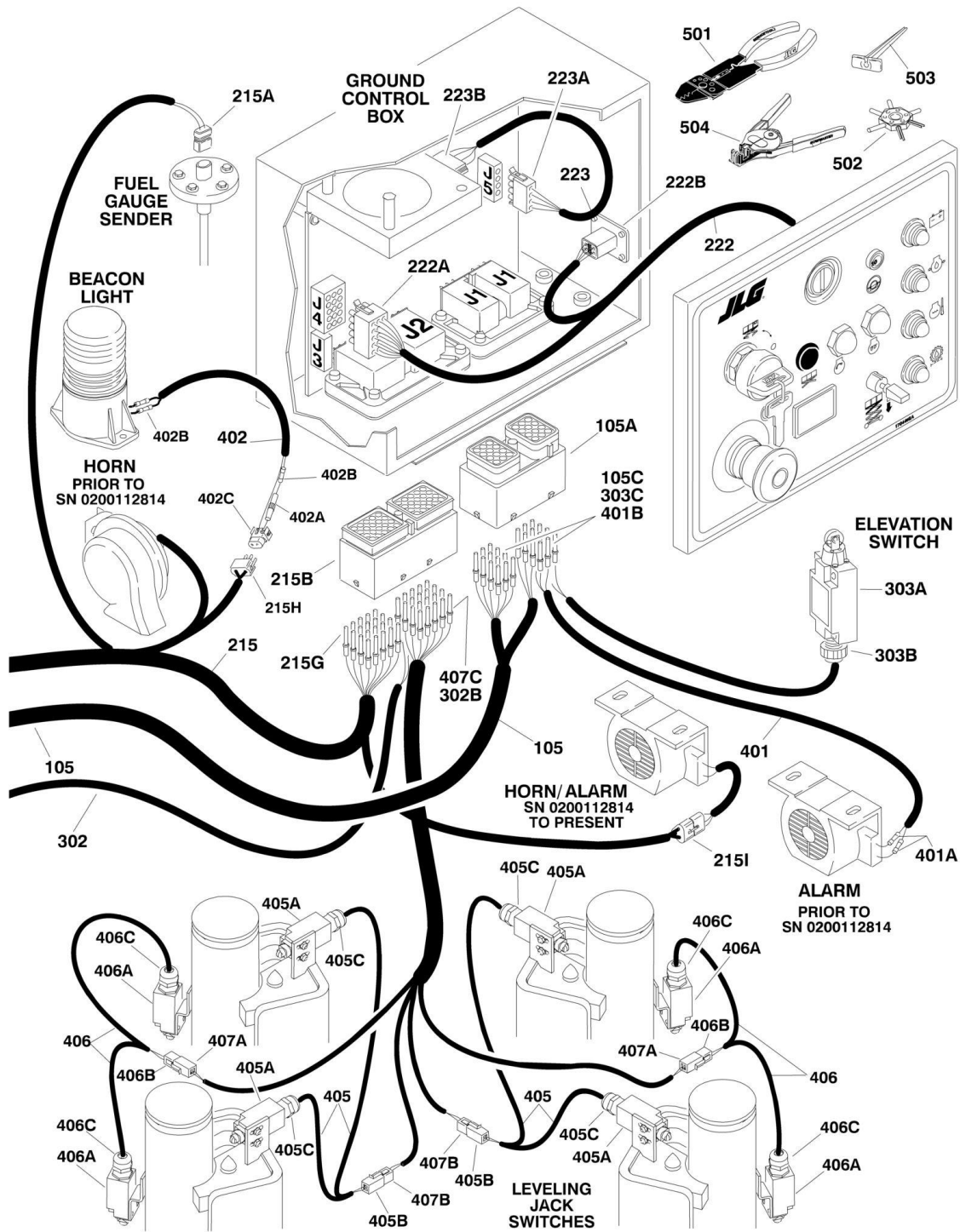
1001109561 B

# SECTION 7 - ELECTRICAL

FIGURE 7-7. ELECTRICAL COMPONENTS INSTALLATION (Prior to SN 0200141689)



# SECTION 7 - ELECTRICAL



# SECTION 7 - ELECTRICAL

**FIGURE 7-7. ELECTRICAL COMPONENTS INSTALLATION (Prior to SN 0200141689)**

ITEM	PART NUMBER	QTY	DESCRIPTION	REV
		Ref	<b>CONSOLE BOX COMPONENTS</b>	
22	4460470	1	Nut, Terminal	
23	4460471	1	Lockwasher, Terminal	
24	4460480	1	Connector, Terminal	
30		Ref	Harness, Console Box Options:	
30	4922391	1	Without Leveling Jacks and Generator	A
30	4922437	1	With Leveling Jacks Only	A
30	4922447	1	With Generator Only	B
30	4922446	1	With Leveling Jacks and Generator	A
30A	4460266	1	Receptacle - 9 Pin	
30A	4460267	8	Pin, Male	
30B	4460817	1	Plug, Male - 5 Position	
30C	4460818	1	Plug, Male - 10 Position	
30D	4460819	1	Plug, Male - 11 Position	
30E	4460465	15	Socket, Female	
	0259803	Ref	<b>PLATFORM CABLE INSTALLATION</b>	C
101	0362801	3	Bar, Cable Rod (Not Shown)	
102	3450404	6	Pin, Cotter (Not Shown)	
103	4740480	6	Washer, Plastic Insert (Not Shown)	
104	4711600	6	Flatwasher 3/8in Thin (Not Shown)	
105	4922379	1	Platform Cable Assembly	F
105	1060815	64.8 ft/19.8m	Cable, 18 Conductors	
105	4460473	1	Clamp, Cable	
105A	4460465	16	Socket, Female	
105B	4460481	1	Plug, Male-23 Position	
105C	4460812	1	Plug, Male-24 Position	
105D	4460464	18	Pin, Male	
105E	4460468	1	Cap, Dust	
105F	4460424	1	Plug, Male - 2 Position	
105F	4460267	2	Pin, Male	
		Ref	<b>GROUND CONTROL BOX ASSEMBLY AND INSTALLATIONS</b>	
215		Ref	Harness, Engine and Valve Options:	
215	4922365	1	Machines without Leveling Jacks	H
215	4922436	1	Machines with Leveling Jacks	E
215	3990010	1	Diode (Not Shown)	
215A	4460834	1	Plug, Male - 2 Position	
215A	4460845	2	Terminal	
215B	4460814	1	Connector, Female - 40 Position	
215C	4460828	1	Connector, Female - 8 Position (White)	
215C	4460829	7	Terminal, Female	
215D	4460449	1	Connector, DIN without Diode	
215E	4460499	AR	Connector, DIN with Diode	
215F	4460827	1	Connector, Female - 8 Position (Yellow)	
215F	4460829	14	Terminal, Female	
215G	4460465	AR	Socket, Female	
215H	4460424	1	Plug, Male - 2 Position	
215H	4460267	2	Pin, Male	
215I	4460539	1	Connector, Female - 2 Position (SN 0200112814 through 0200141689)	

## SECTION 7 - ELECTRICAL

ITEM	PART NUMBER	QTY	DESCRIPTION	REV
215I	4460465	3	Socket, Female	
215J		Ref	Connector, Female Options:	
215J	4460320	1	Connector, Female - 2 Position <b>(Prior to SN 0200112814)</b>	
215J	4460268	2	Socket, Female	
215J	4460884	1	Connector, Female - 4 Position <b>(SN 0200112814 through 0200141689)</b>	
215J	4460465	4	Socket, Female	
222		Ref	Harness, Ground Control Box Options:	
222	4922378	1	Diesel Machines	
222	4922336	1	Gas Dual Fuel Machines	B
222A	4460434	1	Plug, Male - 15 Position	D
222A	4460268	13	Socket, Female	
222B	4460885	1	Plug, Female - 4 Position (Diesel Machines Only) (Not Used for This Application)	
222B	4460464	4	Socket, Female	
223	4922339	1	Harness, Tilt <b>(Prior to SN 0200125353)</b>	C
223A	4460321	1	Plug, Male - 4 Position	
223A	4460267	4	Pin, Male	
223B	4460824	1	Connector, Female - 6 Position <b>(Prior to SN 0200125353)</b>	
223B	4460825	4	Socket, Female <b>(Prior to SN 0200125353)</b>	
		Ref	<b>STANDARD HARNESS COMPONENTS</b>	
301	7023183	1	Harness, Engine (Refer to Kubota Dealer)	
301A	7023179	1	Plug, Male - 8 Position (Yellow)	
301A	7023182	8	Pin, Male	
301B	7023178	1	Plug, Male - 8 Position (White)	
301B	7023182	8	Pin, Male	
301C	7023180	1	Bulkhead, Electrical Connector (White)	
301D	7023181	1	Bulkhead, Electrical Connector (Yellow)	
302	4922428	1	Harness, Lift Down	
302	1060680	16.5 ft/5m	Cable, Electrical - 18/2	
302A	4460499	1	Connector, DIN	
302B	4460465	2	Socket, Female	
303	4922630	1	Elevation Switches Harness	
303	1060680	9 ft/2.7m	Cable, Electrical - 18/2	
303A	4360321	NLA	Switch, Limit (Use p/n 4460548) <b>(Prior to SN 0200115167)</b>	
303B		Ref	Connector, Strain Relief Options:	
303B	4460428	2	Connector, Strain Relief <b>(Prior to SN 0200115167)</b>	
303B	4460968	2	Connector, Strain Relief <b>(SN 0200115167 through 141689)</b>	
303C	4460465	2	Socket, Female	
304	See Note	NSS	Harness, Controller (Note: Part of Controller Electrical Assembly)	
304A	4460265	1	Plug, Male - 9 Position	
304A	4460268	8	Socket, Female	
		Ref	<b>OPTIONAL HARNESS COMPONENTS</b>	
401	See Note	NSS	Alarm Harness (Note: Purchase Alarm Assy) <b>(Prior to SN 0200112814)</b>	
401	1060680	8 ft/2.5m	Cable, Electrical - 18/2 <b>(Prior to SN 0200112814)</b>	
401A	4460248	2	Terminal <b>(Prior to SN 0200112814)</b>	
401B	4460465	2	Socket, Female	
402	4922439	1	Beacon Harness	
402	1060680	6 ft/1.8m	Cable, Electrical - 18/2	
402A	2400056	1	Fuse - 5 Amp	
402A	4460044	1	Fuseholder	

## SECTION 7 - ELECTRICAL

ITEM	PART NUMBER	QTY	DESCRIPTION	REV
402B	4460248	3	Terminal, Butt	
402C	4460268	2	Socket, Female	
402C	4460320	1	Plug, Male - 2 Position	
403	See Note	NSS	Harness - Worklight (Note: Purchase Worklight Assy)	
403	1060680	AR	Cable, Electrical - 18/2	
404		Ref	AC to Platform Receptacle Components Options:	
404	0259807	Ref	110V Receptacle	J
404	0259808	Ref	110V GFI Receptacle	J
404	0259809	Ref	220V Receptacle	K
404	0259810	Ref	220V Receptacle without Box	I
404A	0860038	1	Box, Switch	
404B		Ref	Electrical Cable Options:	
404B	1060308	42	110V <b>(Prior to SN 0200105000)</b>	
		ft/12.8m		
404B	1060461	43	220V <b>(Prior to SN 0200105000)</b>	
		ft/13.1m		
404B	4922713	1	110/220V <b>(SN 0200105000 through 0200114068)</b>	
404B	1061024	43	110/220V <b>(SN 0200114069 through 0200141689)</b>	
		ft/13.1m		
404C	1703464	1	Decal - AC Power (Not Shown)	
404D		Ref	Shield, Cover Options:	
404D	4060092	1	110V	
404D	4060700	1	110V with GFI Receptacle	
404D	See Note	NLA	220V (Note: Not Available for Purchase)	
404E		Ref	Connector, Strain Relief Options:	
404E	4460051	1	110V <b>(Prior to SN 0200105000)</b>	
404E	4460328	1	110V <b>(SN 0200105000 through 0200114068)</b>	
404E	4460071	1	110V <b>(SN 0200114069 through 0200141689)</b>	
404E	4460328	1	220V <b>(Prior to SN 0200114069)</b>	
404E	4460071	1	220V <b>(SN 0200114069 through 0200141689)</b>	
404F		Ref	Receptacle Options:	
404F	4460190	1	110V	
404F	4460346	1	110V GFI Receptacle	
404F	See Note	NLA	220V (Note: Not Available for Purchase)	
404G		Ref	Plug, Male Options:	
404G	4460138	1	110V	
404G	See Note	NLA	220V (Note: Not Available for Purchase)	
405	4922454	2	Harness - Leveling Jacks (N.O. Limit Switches)	D
405	1060680	8.5	Cable, Electrical - 18/2	
		ft/2.6m		
405A	4360321	NLA	Switch, Limit (Use p/n 4360548) <b>(Prior to SN 0200115167)</b>	
405B	4460424	1	Connector, Female - 2 Position	
405B	4460267	2	Pin, Male	
405C		Ref	Connector, Strain Relief Options:	
405C	4460428	2	Connector, Strain Relief <b>(Prior to SN 0200115167)</b>	
405C	4460968	2	Connector, Strain Relief <b>(SN 0200115167 through 0200141689)</b>	
406	4922455	2	Harness - Leveling Jacks (N.C. Limit Switches)	D
406	1060680	10 ft/3m	Cable, Electrical - 18/2	
406A	4360321	NLA	Switch, Limit (Use p/n 4360548) <b>(Prior to SN 0200115167)</b>	
406B	4460320	1	Plug, Male - 2 Position	
406B	4460268	2	Socket, Female	

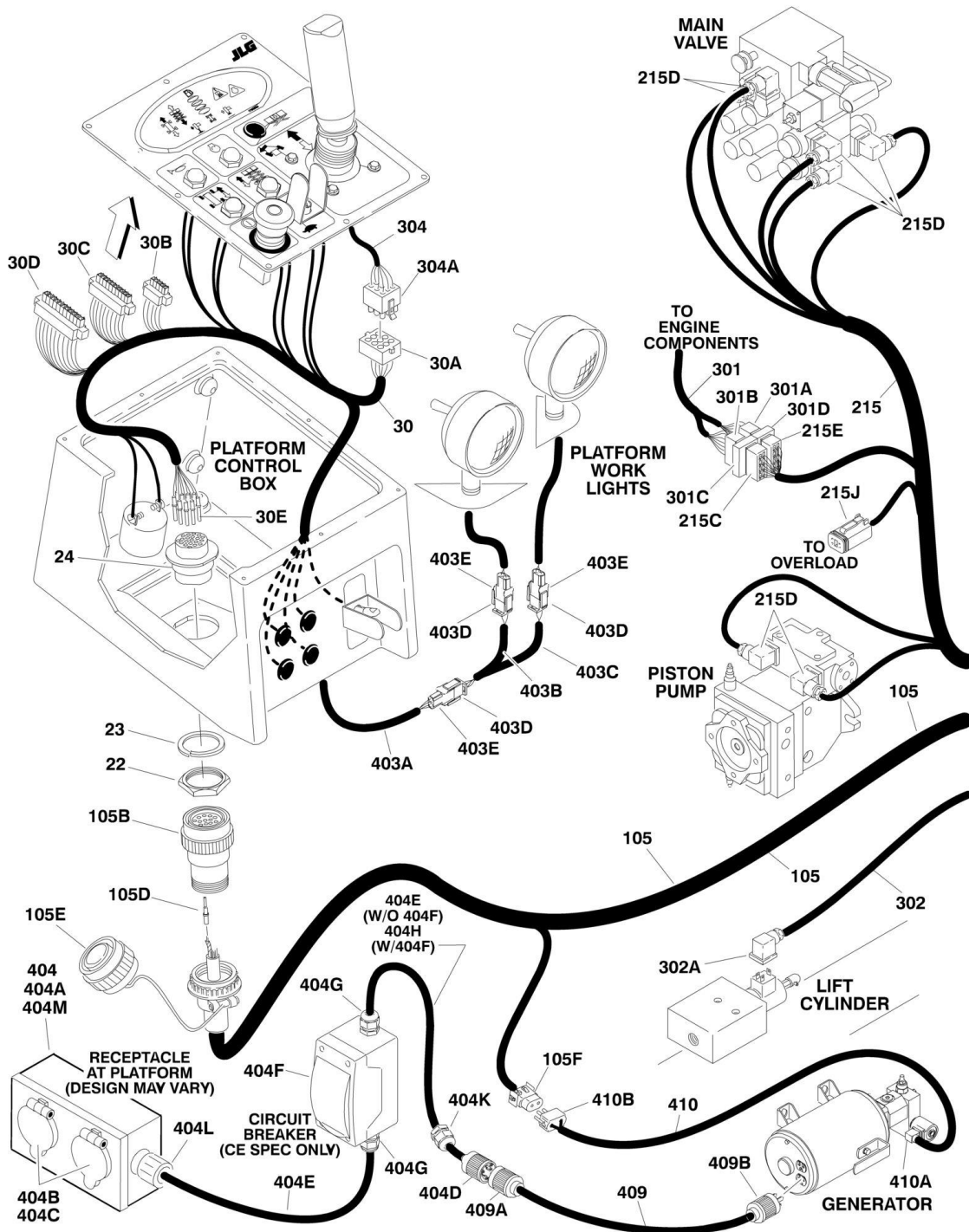


## SECTION 7 - ELECTRICAL

ITEM	PART NUMBER	QTY	DESCRIPTION	REV
406C		Ref	Connector, Strain Relief Options:	
406C	4460428	2	Connector, Strain Relief <b>(Prior to SN 0200115167)</b>	
406C	4460968	2	Connector, Strain Relief <b>(SN 0200115167 through 0200141689)</b>	
407	4922456	1	Harness, Connecting - Leveling Jacks	B
407	1060680	28 ft/8.5m	Cable, Electrical - 18/2	
407A	4460424	2	Connector, Female - 2 Position	
407A	4460267	4	Pin, Male	
407B	4460320	2	Plug, Male - 2 Position	
407B	4460268	4	Socket, Female	
407C	4460465	3	Socket, Female	
408	1060882	1	Generator AC Cord Assembly	A
408	1060308	10 ft/3m	Cable, Electrical 12/3	
408A	4460779	1	Receptacle, Female	
408B	4460858	1	Plug, Male	
409	4922453	1	Harness, Generator	A
409A	4460449	1	Connector, DIN	
409B	4460320	1	Connector, Male - 2 Position	
409B	4460268	2	Socket, Female	
		Ref	<b>TOOLS</b>	
501	7002821	1	Crimper (For Wire to Pin/Socket Connections)	
502	7002823	1	Extractor (For Removal of Pin/Socket from Connectors)	
503	4460467	1	Extractor, Pin (Blue 16-18 Gauge) (For Removal of Pin/Socket from Connectors)	
503	4460510	1	Extractor, Pin (Yellow 12-14 Gauge) (For Removal of Pin/Socket from Connectors)	
504	7002828	1	Stripper, Wire	

# SECTION 7 - ELECTRICAL

FIGURE 7-8. ELECTRICAL COMPONENTS INSTALLATION (SN 0200141689 through 0200269760)





## SECTION 7 - ELECTRICAL

FIGURE 7-8. ELECTRICAL COMPONENTS INSTALLATION (SN 0200141689 through 0200269760)

ITEM	PART NUMBER	QTY	DESCRIPTION	REV
		Ref	<b>CONSOLE BOX COMPONENTS</b>	
22	4460470	1	Nut, Terminal	
23	4460471	1	Lockwasher, Terminal	
24	4460480	1	Connector, Terminal	
30		Ref	Harness, Console Box Options:	
30	4922391	1	Diesel without Leveling Jacks and Generator	D
30	4922437	1	Diesel with Leveling Jacks Only	D
30	4922447	1	Diesel with Generator Only	E
30	4922446	1	Diesel with Leveling Jacks and Generator	D
30	4922391	1	Gas Dual Fuel without Leveling Jacks and Generator ( <b>Prior to SN 0200200647</b> )	D
30	4923530	1	Gas Dual Fuel without Leveling Jacks and Generator ( <b>SN 0200200647 through 0200269760</b> )	B
30	4922437	1	Gas Dual Fuel with Leveling Jacks Only ( <b>Prior to SN 0200200647</b> )	D
30	4923531	1	Gas Dual Fuel with Leveling Jacks Only ( <b>SN 0200200647 through 0200269760</b> )	B
30	4922447	1	Gas Dual Fuel with Generator Only ( <b>Prior to SN 0200200647</b> )	E
30	4923532	1	Gas Dual Fuel with Generator Only ( <b>SN 0200200647 through 0200269760</b> )	B
30	4922446	1	Gas Dual Fuel with Leveling Jacks and Generator ( <b>Prior to SN 0200200647</b> )	D
30	4923533	1	Gas Dual Fuel with Leveling Jacks and Generator ( <b>SN 0200200647 through 0200269760</b> )	AA
30	3990010	1	Diode	
30A	4460266	1	Receptacle - 9 Pin	
30A	4460267	8	Pin, Male	
30B	4460817	1	Plug, Male - 5 Position	
30C	4460818	1	Plug, Male - 10 Position	
30D	4460819	1	Plug, Male - 11 Position	
30E	4460465	AR	Socket, Female	
	0259803	Ref	<b>PLATFORM CABLE INSTALLATION</b>	C
101	0362801	3	Bar, Cable Rod (Not Shown)	
102	3450404	6	Pin, Cotter (Not Shown)	
103	4740480	6	Washer, Plastic Insert (Not Shown)	
104	4711600	6	Flatwasher 3/8in (Not Shown)	
105	4922379	1	Platform Cable Assembly	F
105	1060815	64.8 ft/19.8m	Cable, 18 Conductors	
105	4460473	1	Clamp, Cable	
105A	4460465	16	Socket, Female	
105B	4460481	1	Plug, Male-23 Position	
105C	4460812	1	Plug, Male-24 Position	
105D	4460464	18	Pin, Male	
105E	4460468	1	Cap, Dust	
105F	4460424	1	Plug, Male - 2 Position	
105F	4460267	2	Pin, Male	
105G	4460891	1	Plug, Male - 2 Position (Not Shown - To Platform)	
105G	4640465	2	Socket, Female (Not Shown)	
105H	4460932	1	Receptacle, Female - 4 Position (P3 - Descent Motion) (Not Shown) ( <b>SN 0200266727 through 0200269760</b> )	
105H	4460464	4	Pin, Male (Not Shown) ( <b>SN 0200266727 through 0200269760</b> )	

## SECTION 7 - ELECTRICAL

ITEM	PART NUMBER	QTY	DESCRIPTION	REV
105H	4460884	1	Plug, Male - 4 Position (P3 - Descent Motion) (Not Shown) (SN 0200266727 through 0200269760)	
105H	4460465	2	Socket, Female (Not Shown) (SN 0200266727 through 0200269760)	
105H	4460466	2	Plug, Male - 2 Position (Not Shown - To Platform) (SN 0200266727 through 0200269760)	
		Ref	<b>GROUND CONTROL BOX ASSEMBY AND INSTALLATIONS</b>	
215	4923295	1	Harness, Engine and Valve	E
215	3990010	1	Diode (Not Shown)	
215A	4460834	1	Plug, Male - 2 Position	
215A	4460845	2	Terminal	
215B	4460814	1	Connector, Female - 40 Position	
215C	4460828	1	Connector, Female - 8 Position (White)	
215C	4460829	7	Terminal, Female	
215D	4460449	7	Connector, DIN without Diode	
215E	4460827	1	Connector, Female - 8 Position (Yellow)	
215E	4460829	14	Terminal, Female	
215F	4460465	AR	Socket, Female	
215G	4460424	1	Plug, Male - 2 Position	
215G	4460267	2	Pin, Male	
215H	4460539	1	Connector, Female - 2 Position	
215H	4460465	3	Socket, Female	
215J	4460884	1	Connector, Female - 4 Position	
215J	4460465	4	Socket, Female	
215J	3990010	1	Diode, 6 Amp	
215K	4460884	1	Plug, Male - 4 Position (Telematics Ready) (Not Shown) (SN 0200266727 through 0200269760)	
215K	4460465	4	Socket, Female (Not Shown) (SN 0200266727 through 0200269760)	
215K	1001192401	1	Cap, Dust (Telematics Ready) (Not Shown) (SN 0200266727 through 0200269760)	
215L	4460837	1	Bussbar - 12 Position (Ground Buss) (Not Shown) (SN 0200266727 through 0200269760)	
215L	4460836	1	Connector - 12 Position (Ground Buss) (Not Shown) (SN 0200266727 through 0200269760)	
215L	4460465	10	Socket, Female (Not Shown) (SN 0200266727 through 0200269760)	
215L	4460942	1	Socket, Female (Not Shown) (SN 0200266727 through 0200269760)	
215L	4460466	1	Seal, Terminal (Not Shown) (SN 0200266727 through 0200269760)	
215M	2400060	1	Fuseholder with Cap (Telematics Ready) (Not Shown) (SN 0200266727 through 0200269760)	
215M	8229242	1	Fuse 5Amp (Telematics Ready) (Not Shown) (SN 0200266727 through 0200269760)	
222		Ref	Harness, Ground Control Box Options:	
222	4923293	1	Diesel Machines (SN 0200141689 through 0200200647)	A
222	4923296	1	Dual Fuel Machines (SN 0200141689 through 0200200646)	A
222	1001112908	1	Dual Fuel Machines (SN 0200200647 through 0200269760)	A
222A	4460434	1	Plug, Male - 15 Position	
222A	4460268	13	Socket, Female	
222B	4460885	1	Plug, Female - 4 Position (Not Used for This Application)	
222B	4460464	4	Socket, Female	
223	See Note	1	Harness, Tilt (Part of Dual Axis Tilt Sensor p/n 1001102811)	

## SECTION 7 - ELECTRICAL

ITEM	PART NUMBER	QTY	DESCRIPTION	REV
223A	4460321	1	Plug, Male - 6 Position	
223A	4460267	4	Pin, Male	
		Ref	<b>STANDARD HARNESS COMPONENTS</b>	
301	7023183	1	Harness, Engine (Refer to Kubota Dealer)	
301A	7023179	1	Plug, Male - 8 Position (Yellow)	
301A	7023182	8	Pin, Male	
301B	7023178	1	Plug, Male - 8 Position (White)	
301B	7023182	8	Pin, Male	
301C	7023180	1	Bulkhead, Electrical Connector (White)	
301D	7023181	1	Bulkhead, Electrical Connector (Yellow)	
302	4922428	1	Harness, Lift Down	
302	1060680	16.5 ft/5m	Cable, Electrical - 18/2	
302A	4460499	1	Connector, DIN	
302B	4460465	2	Socket, Female	
303	4922630	1	Elevation Switches Harness	B
303	1060680	9 ft/2.7m	Cable, Electrical - 18/2	
303A	4360548	2	Switch, Limit	
303B	4460968	2	Connector, Strain Relief	
303C	4460465	2	Socket, Female	
304	See Note	1	Harness, Controller (Note: Part of Controller Electrical Assembly)	
304A	4460265	1	Plug, Male - 9 Position	
304A	4460268	8	Socket, Female	
		Ref	<b>OPTIONAL HARNESS COMPONENTS</b>	
402	4922439	1	Beacon Harness	
402	1060680	6 ft/1.8m	Cable, Electrical - 18/2	
402A	2400056	1	Fuse - 5 Amp	
402A	4460044	1	Fuseholder	
402B	4460248	3	Terminal, Butt	
402C	4460268	2	Socket, Female	
402C	4460320	1	Plug, Male - 2 Position	
403	4922564	1	Harness - Worklight	B
403A	1060873	1	Cable, Electrical - 16/2	
403B	1060874	1	Cable, Electrical - 16/2	
403C	1060875	1	Cable, Electrical - 16/2	
403D	4460320	3	Plug, Male - 2 Position	
403D	4460268	6	Socket, Female	
403E	4460424	3	Connector, Female - 2 Position	
403E	4460267	6	Pin, Male	
404		Ref	AC to Platform Receptacle Components Options:	
404	0259807	Ref	110V Receptacle	J
404	0259808	Ref	110V GFI Receptacle	J
404	0259809	Ref	220V Receptacle	K
404	0259810	Ref	220V Receptacle without Box	I
404A		Ref	Box, Switch Options:	
404A	0860038	1	Box, Switch (Prior to SN 0200172932)	
404A	0861731	1	Box, Switch (SN 0200172932 through 0200269760)	
404B		Ref	Receptacle Options:	
404B	4460190	1	110V	
404B	4460346	1	110V GFI Receptacle	
404B	See Note	NLA	220V (Note: Not Available for Purchase)	
404C		Ref	Shield, Cover Options:	

## SECTION 7 - ELECTRICAL

ITEM	PART NUMBER	QTY	DESCRIPTION	REV
404C	4060092	1	110V	
404C	4060700	1	110V with GFI Receptacle	
404C	See Note	NLA	220V (Note: Not Available for Purchase)	
404D		Ref	Plug, Male Options:	
404D	4460138	1	110V	
404D	See Note	NLA	220V (Note: Not Available for Purchase)	
404E	1061024	1	Electrical Cable	
404 Fto 404	Not Required	0	Not Required	
404J	1703464	1	Decal - AC Power (Not Shown)	
404K	4460071	1	Connector, Strain Relief	
404K	3300048	1	Nut, Conduit	
404L	4460071	1	Connector, Strain Relief	
404M	Not Required	0	Not Required	
405	4922748	1	Harness - Auto Leveling Jacks	E
405A	4460499	7	Connector, DIN with Diode	
405B	4460836	1	Connector, Female - 12 Position	
405B	0840055	1	Boot	
405C	4460539	4	Connector, Female - 3 Position	
405D	4460851	1	Connector, Female - 8 Position	
405D	4460852	1	Connector, Female - 8 Position (Bottom)	
405E	4460892	1	Terminal, 6 Position (Buss Bar)	
405E	4460894	1	Plug, 6 Position	
405F	4460934	1	Plug, 12 Position	
405F	0840055	1	Boot	
405G	4460935	1	Plug, 12 Position	
405G	0840055	1	Boot	
405H	4360548	4	Switch, Limit	
405H	4460968	4	Connector, Strain Relief	
405J	4460465	50	Socket, Female (Not Shown)	
405J	4460466	13	Terminal, Plug	
406	4923136	Ref	Harness, Adapter - Auto Level	2-E
406A	4460894	1	Plug, 6 Position	
406A	3730124	3	Resistor, 300 OHM	
406A	4460899	1	Terminal, 6 Position	
406A	4460465	6	Socket, Female	
406A	4460464	6	Pin, Male	
406B	4460933	1	Plug, 12 Position	
406B	4460465	3	Socket, Female	
406C	4460892	1	Terminal, 6 Position (Buss Bar)	
406C	4460894	1	Plug, 6 Position	
406C	4460465	5	Socket, Female	
406D	4460933	1	Plug, 12 Position	
406D	4460465	12	Socket, Female	
406D	4460898	1	Plug, 12 Position (4 Buss Bar)	
406E	4460465	4	Socket, Female	
407	4923135	Ref	Harness, Analyzer - Auto Level	B
407	4060128	1 ft/0.3m	Cable, Control	
407	4460761	1	Housing, Female 4 Position	
407	4460227	3	Pin, Male	
407	4460465	3	Socket, Female	
408	4923137	Ref	Harness, Proximity	A

## SECTION 7 - ELECTRICAL

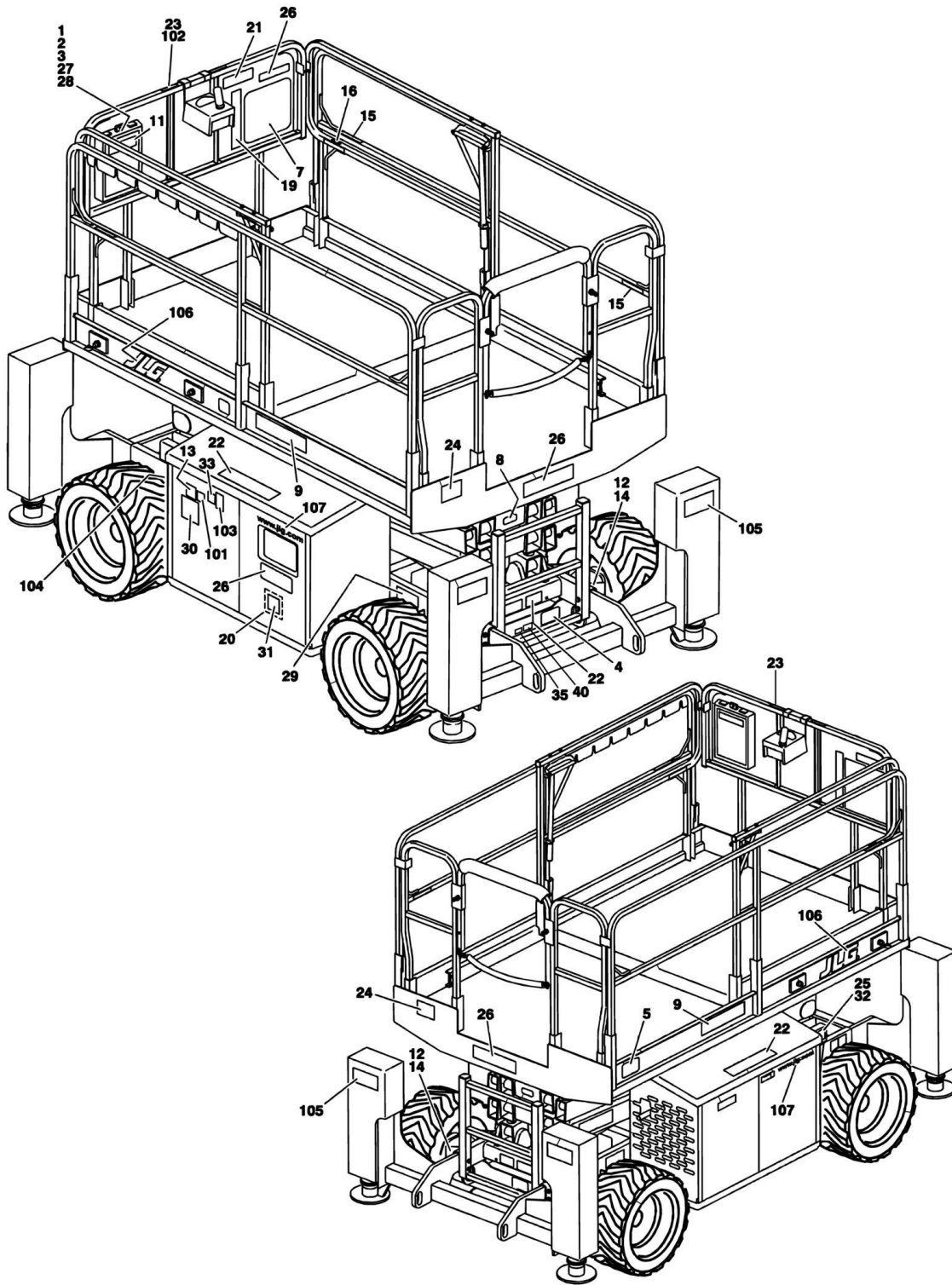
ITEM	PART NUMBER	QTY	DESCRIPTION	REV
408	1060902	8 ft/2.4m	Cable, Electrical 18/2	
408	4460465	4	Socket, Female	
408	4460891	1	Housing, 2 Position	
409	1060882	1	Generator AC Cord Assembly	A
409	1060308	10 ft/3m	Cable, Electrical 12/3	
409A	4460779	1	Receptacle, Female	
409B	4460858	1	Plug, Male	
410	4922453	1	Harness, Generator	A
410A	4460449	1	Connector, DIN	
410B	4460320	1	Connector, Male - 2 Position	
410B	4460268	2	Socket, Female	
		Ref	<b>TOOLS</b>	
501	7002821	1	Crimper (For Wire to Pin/Socket Connections)	
502	7002823	1	Extractor (For Removal of Pin/Socket from Connectors)	
503	4460467	1	Extractor, Pin (Blue 16-18 Gauge) (For Removal of Pin/Socket from Connectors)	
503	4460510	1	Extractor, Pin (Yellow 12-14 Gauge) (For Removal of Pin/Socket from Connectors)	
504	7002828	1	Stripper, Wire	



**SECTION 8 - DECALS**

# SECTION 8 - DECALS

## FIGURE 8-1. DECAL INSTALLATION (ANSI SPEC)



## SECTION 8 - DECALS

**FIGURE 8-1. DECAL INSTALLATION (ANSI SPEC)**

ITEM	PART NUMBER	QTY	DESCRIPTION	REV
	0259792	Ref	<b>DECAL INSTALLATION</b>	M
1	0641405	4	Bolt 1/4in-20NC x 5/8in	
2	0860520	1	Box, Manual Storage	
3	1060279	1	Cable, Lanyard <b>(Prior to SN 0200267886)</b>	
4	1702153	1	Decal - Inspection <b>(Prior to SN 0200267238)</b>	
5	1702631	1	Decal - Bar Code <b>(SN 0200267238 through 0200269760)</b>	
7	1703816	1	Decal - Danger/Warning	
8	1704138	2	Decal - Safety Prop	
9	1704529	2	Decal - 260MRT	
11		Ref	Decal - Manual Reference Options:	
11	1703788	1	Decal - Manual Reference <b>(Prior to SN 0200102883)</b>	
11	1701509	1	Decal - Manual Reference <b>(SN 0200102883 through 0200269760)</b>	
12	1703811	4	Decal - Lifting Lugs	
13	1703812	1	Decal - Hydraulic Oil	
14	1703814	4	Decal - Tie Down	
15	1704277	8	Decal - Attach Lanyard Here	
16	1703819	1	Decal - Directional Arrow	
17	1703822	1	Decal - Manual Descent (Not Shown)	
19	1704480	1	Decal - Legend	
20	1704556	1	Decal - Towing/Winching/Tow Speed	
21	1703696	1	Decal - Gradeability	
22	1703818	4	Decal - Warning Crushing Hazard/Danger Electrocution	
23	1703821	1	Decal - Control Box Location	
24	3251813	1	Decal - USA	
25	See Note	1	Nameplate - Serial Number (Note: Not Available for Purchase)	
26	3252689	3	Nameplate - Capacity	
27	3311405	4	Locknut 1/4in-20NC	
28	4711400	8	Flatwasher 1/4in Thin	
29	1704559	4	Decal - Maximum Tire Load	
30	1704412	1	Decal - Hydraulic Oil	
31		Ref	Decal - Patent Options:	
31	1700584	1	Decal - Patent <b>(Prior to SN 0200210878)</b>	
31	1001131270	1	Decal - Patent <b>(SN 0200210878 through 0200269760)</b>	
32	2080057	4	Fastener, Amtak	
33	1001108923	1	Decal - Fuel Low Sulfur	
34	1705303	1	Decal - CSA Spec	
35	1001223055	1	Decal - Yearly Inspection <b>(SN 0200266568 through 0200269760)</b>	
40	1001223453	1	Decal - ICES (Canada Spec Only) <b>(SN 0200267886 through 0200269760)</b>	
101	1702788	1	Decal - Biodegradable Oil (Optional)	
102		Ref	Decal - Warning Prop. 65 Options (ANSI California Spec Only):	
102	1702961	1	Dual Fuel Machines <b>(Prior to SN 0200267886)</b>	
102	1001236338	1	Dual Fuel Machines <b>(SN 0200267886 through 0200268607)</b>	
102	1001231801	1	Dual Fuel Machines <b>(SN 0200268608 through 0200269760)</b>	
102	1702962	1	Diesel Machines <b>(Prior to SN 0200267886)</b>	
102	1001231801	1	Diesel Machines <b>(SN 0200267886 through 0200269760)</b>	
103		Ref	Decal - Fuel Options:	
103	1701542	1	Dual Fuel Machines	

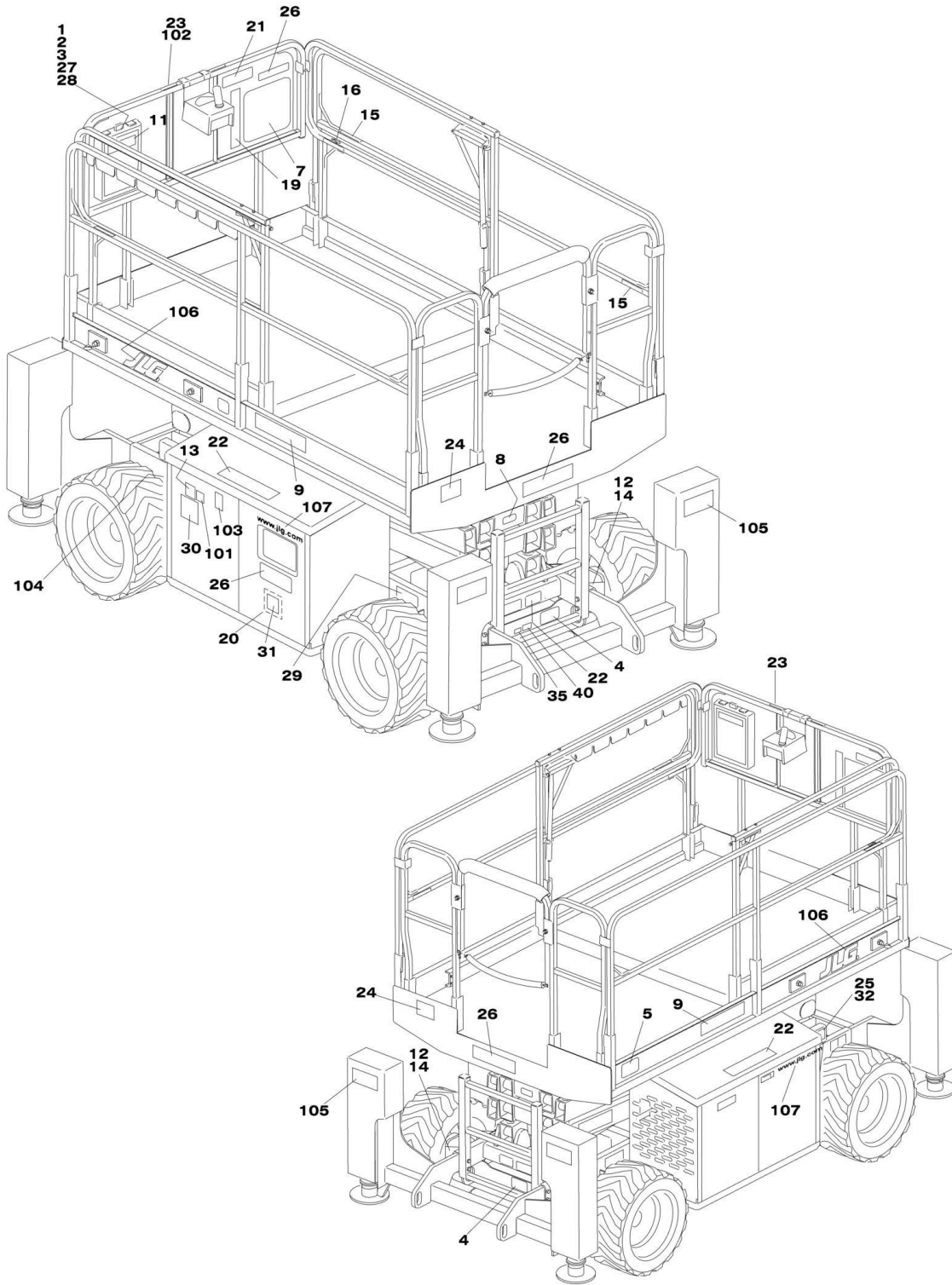
## SECTION 8 - DECALS

ITEM	PART NUMBER	QTY	DESCRIPTION	REV
103	1701505	1	Diesel Machines	B
104	1700818	1	Decal - LP Gas (Dual Fuel Machines Only)	
105	1701214	8	Decal - Outrigger Warning	
	0270262	Ref	JLG Decals Installation	
106	1702773	3	Decal - JLG	
107	1704885	3	Decal - www.jlg.com	



# SECTION 8 - DECALS

## FIGURE 8-2. DECAL INSTALLATION (ANSI EXPORT SPEC)



## SECTION 8 - DECALS

**FIGURE 8-2. DECAL INSTALLATION (ANSI EXPORT SPEC)**

ITEM	PART NUMBER	QTY	DESCRIPTION	REV
		Ref	<b>DECAL INSTALLATIONS</b>	
	0259795	Ref	<b>Brazilian Spec (Dual Language - Portuguese/Spanish)</b>	J
		Ref	<b>CSA Spec Options: (Dual Language - English/French)</b>	
	0259793	Ref	<b>Decal Installations (Prior to SN 0200105332)</b>	7
	0272257	Ref	<b>Decal Installations (SN 0200105332 through 0200269760)</b>	F
	0259794	Ref	<b>Latin American Spec (Dual Language - English/Spanish)</b>	J
1	0641405	4	Bolt 1/4in-20NC x 5/8in	
2	0860520	1	Box, Manual Storage	
3	1060279	1	Cable, Lanyard <b>(Prior to SN 0200267886)</b>	
4		Ref	Decal - Inspection Options: (Not Shown)	
4	1704008	1	Brazilian Spec <b>(Prior to SN 0200267238)</b>	
4	1704006	1	CSA Spec <b>(Prior to SN 0200205401)</b>	
4	1704007	1	Latin American Spec <b>(Prior to SN 0200205401)</b>	
5	1702631	1	Decal - Bar Code <b>(SN 0200267238 through 0200269760)</b>	
7		Ref	Decal - Danger/Warning Options:	
7	1704699	1	Brazilian Spec	
7	1704684	1	CSA Spec	
7	1704691	1	Latin American Spec	
8	1704138	2	Decal - Safety Prop	
9	1704529	2	Decal - 260MRT	
11		Ref	Decal - Manual Reference Options:	
11	1703788	1	Decal - Manual Reference <b>(Prior to SN 0200102883)</b>	
11	1701509	1	Decal - Manual Reference <b>(SN 0200102883 through 0200269760)</b>	
12	1703811	4	Decal - Lifting Lugs	
13	1703812	1	Decal - Hydraulic Oil	
14	1703814	4	Decal - Tie Down	
15	1704277	6	Decal - Attach Lanyard Here	
16	1703819	1	Decal - Directional Arrow	
17	1703822	1	Decal - Manual Descent (Not Shown)	
19		Ref	Decal - Legend Options:	
19	1704700	1	Brazilian Spec	
19	1704685	1	CSA Spec	
19	1704692	1	Latin American Spec	
20		Ref	Decal - Towing/Winching/Tow Speed Options:	
20	1704623	1	Brazilian Spec	
20	1704688	1	CSA Spec	
20	1704695	1	Latin American Spec	
21		Ref	Decal - Gradeability Options:	
21	1704748	1	Brazilian Spec	
21	1704597	1	CSA Spec	
21	1704598	1	Latin American Spec	
22		Ref	Decal - Warning Crushing Hazard/Danger Electrocution Options:	
22	1704701	4	Brazilian Spec	
22	1704686	4	CSA Spec	
22	1704693	4	Latin American Spec	
23		Ref	Decal - Control Box Location Options:	
23	1704702	1	Brazilian Spec	
23	1704687	1	CSA Spec	
23	1704694	1	Latin American Spec	

## SECTION 8 - DECALS

ITEM	PART NUMBER	QTY	DESCRIPTION	REV
24	3251813	1	Decal - USA	
25	See Note	1	Nameplate - Serial Number (Note: Not Available for Purchase)	
26	3252689	3	Nameplate - Capacity	
27	3311405	4	Locknut 1/4in-20NC	
28	4711400	8	Flatwasher 1/4in Thin	
29	1704559	4	Decal - Maximum Tire Load <b>(Prior to SN 0200136298)</b>	
30	1704412	1	Decal - Hydraulic Oil	
31		Ref	Decal - Patent Options:	
31	1702573	1	Brazilian Spec <b>(Prior to SN 0200210878)</b>	
31		Ref	CSA Spec Options:	
31	1700584	1	CSA Spec <b>(Prior to SN 0200210878)</b>	
31	1001131270	1	CSA Spec <b>(SN 0200210878 through 0200269760)</b>	
31	1702573	1	Latin American Spec <b>(Prior to SN 0200210878)</b>	
32	2080057	8	Fastener, Amtak	
33		Ref	Nameplate - CSA (Not Shown - CSA/French Only)	
33	3252191	1	CSA Spec <b>(Prior to SN 0200105332)</b>	
33	1705303	1	CSA Spec <b>(SN 0200105332 through 0200269760)</b>	
35		Ref	Decal - Yearly Inspection Options: <b>(SN 0200266568 through 0200269760)</b>	
35	1001224052	1	Brazilian Spec	
35	1001223971	1	CSA Spec	
35	1001224049	1	Latin American Spec	
40	1001223453	1	Decal - ICES (Canada Spec Only) <b>(SN 0200267886 through 0200269760)</b>	
		Ref	<b>OPTIONAL DECAL INSTALLATIONS</b>	
101	1702788	1	Decal - Biodegradable Oil (Optional)	
102		Ref	Decal - Warning Prop. 65 Options (ANSI California Spec Only):	
102	1702961	1	Dual Fuel Machines <b>(Prior to SN 0200267886)</b>	
102	1001231801	1	Dual Fuel Machines <b>(SN 0200267886 through 0200269760)</b>	
102	1702962	1	Diesel Machines <b>(Prior to SN 0200267886)</b>	
102	1001236338	1	Diesel Machines <b>(SN 0200267886 through 0200269760)</b>	
103		Ref	Decal - Fuel Options:	
103	1701542	1	Dual Fuel Machines	
103	1701505	1	Diesel Machines	
104		Ref	Decal - LP Gas Options (Dual Fuel Machines Only):	
104	1700818	1	English Language	
104	1702720	1	English/Spanish Language	
104	1704271	1	English/French Language	
105		Ref	Decal - Outrigger Warning Options:	
105	1701214	8	English Language	
105	1704698	8	Brazilian Spec	
105	1704690	8	CSA Spec	
105	1704697	8	Latin American Spec	
	0270262	Ref	JLG Decals Installation	B
106	1702773	3	Decal - JLG	
107	1704885	3	Decal - www.jlg.com	



## **SECTION 9 - RECOMMENDED SERVICE PARTS STOCK**

## **SECTION 9 - RECOMMENDED SERVICE PARTS STOCK**

## SECTION 9 - RECOMMENDED SERVICE PARTS STOCK

FIGURE 9-1. MODEL 260MRT STANDARD PARTS

ITEM	PART NUMBER	QTY	DESCRIPTION	REV
	Note	Ref	<b>Note: The following list will service one machine (built to current production per date on the front cover) with emergency repair parts which can be installed in the field. Parts from the list should be replaced when inventory is depleted to keep service parts stock supplied. For further information, contact your JLG dealer or the JLG Industries Parts Department.</b>	
		Ref	<b>STANDARD PARTS</b>	
	2120210	4	Element	
	7012944	1	Coil	
	7021376	1	Coil	
	4360070	1	Breaker, Circuit 15Amp	
	4360328	1	Switch, Toggle	
	4360387	1	Switch, Yellow Push Button	
	4360469	1	Switch, Key	
	2860030	1	Key, Replacement	
	4360475	1	Switch, E-Stop	
	1001102811	1	Switch Kit, Dual Axis	
	1001101076	1	Latch Kit, Snap	
	2940074	1	Latch	
	4360482	1	Switch, Toggle	
	4360483	1	Switch, Toggle	
	1600403	1	Drive/Steer Controller	
	3990010	2	Diode	
	2400056	2	Fuse - 5Amp	



## SECTION 9 - RECOMMENDED SERVICE PARTS STOCK

FIGURE 9-2. MODEL 260MRT VARIABLE PARTS

ITEM	PART NUMBER	QTY	DESCRIPTION	REV
	Note	Ref	<b>Note: The following list will service one machine (built to current production per date on the front cover) with emergency repair parts which can be installed in the field. Parts from the list should be replaced when inventory is depleted to keep service parts stock supplied. For further information, contact your JLG dealer or the JLG Industries Parts Department.</b>	
		Ref	<b>VARIABLE PARTS</b>	
	4360548	1	Switch, Limit (Auto Leveling Jacks)	
	7024501	1	Coil (Auto Leveling Jacks)	
	2400070	2	Fuse - 20Amp (Dual Fuel)	
	7017901	1	Switch, Oil (Dual Fuel)	
	7023105	1	Coil, Ignition (Dual Fuel)	
	7017980	12	Filter, Oil (Dual Fuel)	
	7017992	4	Filter, Fuel (Dual Fuel)	
	7023153	4	Element, Breather (Dual Fuel)	
	3740049	1	Relay (Diesel)	
	7023177	1	Solenoid, Stop (Diesel)	
	7017923	12	Filter, Oil (Diesel)	
	7017901	1	Switch, Oil (Diesel)	
	7017950	4	Element, Fuel (Diesel)	
	7017938	4	Element, Breather (Diesel)	
	7010635	1	Solenoid (Generator)	
	7012943	1	Coil (Generator)	
	4360548	1	Switch, Limit	

**SECTION 10 - SPECIAL OPTIONS**

# SECTION 10 - SPECIAL OPTIONS

## FIGURE 10-1. SPECIAL OPTIONS

ITEM	PART NUMBER	QTY	DESCRIPTION	REV
	Note	Ref	<b>Note: This list is to accommodate machines ordered with special equipment. Options may not be applicable to all models. For more specific parts information contact JLG Parts Department.</b>	
		Ref	<b>MISCELLANEOUS SPECIAL OPTIONS:</b>	
	0274537	Ref	<b>AIR LINE INSTALLATION 1/2in</b>	
	100110710	Ref	<b>ARMS INSTALLATION (LOAD SENSE) (ANSI EXPORT)</b>	
	0259815	Ref	<b>BEACON LIGHT INSTALLATION</b>	
	1001229107	Ref	<b>CLEARSKY TELEMATICS - 3-Wire Connection (ANSI and CSA Specs) (Factory Installed) (SN 0200267120 through 0200269760)</b>	
	1001233237	Ref	<b>CLEARSKY TELEMATICS - 3-Wire Connection (ANSI Export and CE Specs) (Factory Installed) (SN 0200267120 through 0200269760)</b>	
		Ref	<b>COLD WEATHER PACKAGE</b>	
	Not Available	Ref	<b>Diesel Machines</b>	
	1001112912	Ref	<b>Gas Dual Fuel Machines</b>	
		Ref	<b>CYLINDER BELLOWS INSTALLATION</b>	
	0460209	1	Steer Cylinder	
	0460210	1	Lift Cylinder	
		Ref	<b>DECAL INSTALLATIONS</b>	
	1702788	Ref	<b>Decal - Biodegradable Oil</b>	
	1001229698	Ref	<b>Decal - ClearSky</b>	
		Ref	<b>Decal - Prop 65 Warning</b>	
	1702962	Ref	<b>Decal - Diesel Machines</b>	
	1702961	Ref	<b>Decal - Dual Fuel Machines</b>	
		Ref	<b>DECAL KIT OPTIONS:</b>	
	2901912	1	Master Kit	
	2901914	1	Multi-Color Kit (ANSI Spec)	
	2901926	1	Multi-Color Kit (Brazilian Spec)	
	2901938	1	Multi-Color Kit (CSA Spec)	
	2901939	1	Multi-Color Kit (Latin American Spec)	
		Ref	<b>ELECTRICAL CONNECTOR KITS</b>	
	1001148902	Ref	Amp/Tyco Electrical Connector Kit	
	1001148903	Ref	Deutsch DT Electrical Connector Kit	
	1001148904	Ref	Deutsch HD Electrical Connector Kit	
	1001148905	Ref	Packard Electrical Connector Kit	
	1001148906	Ref	Various Electrical Connectors Kit	
	0274423	Ref	<b>ENGINE BLOCK HEATER INSTALLATION (DIESEL ENGINES ONLY)</b>	
		Ref	<b>Filter Kits:</b>	
		Ref	Combined Filter Kit Options (Hydraulic/Air and Fuel/Engine Oil):	
		Ref	Kubota (Diesel Engine)	
	1001111691	1	Machines <b>(Prior to SN 0200141689)</b>	
	1001111698	1	Machines <b>(SN 0200141689 through 0200269760)</b>	
		Ref	Kubota (Gas Engine)	
	2910934	1	W/Metal Air Cleaner	
	1001150358	1	W/Plastic Air Cleaner	
		Ref	Hydraulic/Air Filter Options:	
	1001111666	1	Machines <b>(Prior to SN 0200141689)</b>	

## SECTION 10 - SPECIAL OPTIONS

ITEM	PART NUMBER	QTY	DESCRIPTION	REV
	1001111671	1	Machines (SN 0200141689 through 0200269760)	
	1001111681	1	Fuel/Engine Oil Filter	
	0274849	Ref	<b>FIRE EXTINGUISHER INSTALLATION</b>	
		Ref	<b>FUEL CAP COVER OPTIONS:</b>	
	1001202749	Ref	<b>Fuel Cap Cover Installation - Black (Optional - Diesel Machines) (Tank Cap &amp; Lock Must be Purchased Separately)</b>	
	1001209659	Ref	<b>Fuel Cap Cover Installation - Black (Optional - Dual Fuel Machines) (Tank Cap &amp; Lock Must be Purchased Separately)</b>	
	1001191395	Ref	<b>Fuel Cap Cover Installation - Green (Optional - Diesel Machines) (Tank Cap &amp; Lock Must be Purchased Separately)</b>	
	1001205441	Ref	<b>Fuel Cap Cover Installation - Red (Optional - Dual Fuel Machines) (Tank Cap &amp; Lock Must be Purchased Separately)</b>	
		Ref	<b>HYDRAULIC FLUIDS</b>	
	2300014	Ref	<b>Mobil 424</b>	
	2300027	Ref	<b>Mobil EAL 224H Biodegradeable</b>	
	2300039	Ref	<b>Exxon UNIVIS HVI 26</b>	
	2300016	Ref	<b>Mobil DTE 10 Excel 32</b>	
	2300021	Ref	<b>Union Carbide Ucon HP5046 Fire Resistant</b>	
	0275049	1	Padding, Rail	
	0100040	Ref	<b>SEALANT</b>	
	2901881	Ref	<b>TIE-STRAPS KIT</b>	
		Ref	<b>TOOLS FOR SERVICE</b>	
	7002818	1	Crimper (For Wire to Pin/Socket Connections)	
	7002823	1	Extractor (For Removal of Pin/Socket from Connectors)	
	4460467	1	Extractor, Pin (Blue 16-18 Gauge) (For Removal of Pin/Socket from Connectors)	
	4460510	1	Extractor, Pin (Yellow 12-14 Gauge) (For Removal of Pin/Socket from Connectors)	
	7004275	1	Seal Tool (For 1in Diameter Seals)	
	7004276	1	Seal Tool (For 1-1/2in Diameter Seals)	
	7002826	1	Seal Tool (For 2in Diameter Seals)	
	7002820	1	Arbor Set	
	1001137005	1	Software USB Cable Kit	
	0259814	Ref	<b>WORK LIGHTS INSTALLATION</b>	





**PART NUMBER INDEX**

## SECTION 10 - SPECIAL OPTIONS

0080228.....	135	0259975.....	12	0641505.....	57	0902647.....	62
0100011....	11, 29, 33, 37, 41, 45, 54, 58, 63, 64, 91, 95, 99, 103, 109, 113, 129, 131, 133	0259976.....	12	0641506.....	45, 61, 135	0902648.....	62
0100020.....	30, 46, 61	0259977.....	12	0641508... ..	12, 29, 33, 37, 41, 46, 61, 64, 91, 95, 99	0903165.....	37, 41
0100035.....	129, 131	0259978.....	12	0641510.....	99, 103	0903421.....	125
0100038.....	129, 133	0270038.....	53	0641512.....	29	0940049.....	103
0100040.....	203	0270039.....	61	0641516.....	109, 113	0940092.....	125
0100048.....	58, 110, 114	0270063.....	53, 54	0641528.....	33	0940094.....	125
0100051.....	61	0270064.....	61, 62	0641605.....	91	0940149.....	125
0100075.....	142, 146	0270128.....	117	0641606.....	11	0940178.....	125
0140001.....	53, 61	0270198.....	117	0641608... ..	33, 37, 41, 45, 53, 54, 57, 58, 61, 62, 63, 91, 103	0940180.....	125
0140011.....	117	0270262.....	192, 196	0641622.....	30, 99, 103	0962012.....	135
0140032.....	29	0270350.....	95	0641636.....	103	0962220.....	99
0140044.....	29	0270423.....	87	0641638.....	99	0962234.....	13, 99
0181847.....	117	0270450.....	117	0641676 .	53, 57, 61, 109, 113	1001091587.....	53, 58
0182035.....	103	0270451.....	117	0641610... ..	29, 53, 58, 62	1001093121.....	145
0200680.....	99	0270536.....	117	0641612.....	95	1001094373.....	92
0200682.....	99	0270537.....	117	0641620.....	99	1001096738.....	62, 63
0200699.....	99	0270538.....	117	0641622.....	30, 99, 103	1001096739.....	61
0200700.....	99	0270539.....	117	0641636.....	103	1001096740.....	61, 62
0200701.....	99	0270543.....	33	0641638.....	99	1001096741.....	61
0200702.....	99	0272257.....	195	0641676 .	53, 57, 61, 109, 113	1001097458.....	114
0200703.....	99	0272964.....	107	0641812.....	54, 58, 63	1001100031.....	11
0200704.....	99	0272965.....	107	0641816.....	33, 37, 41	1001100032.....	12
0200728.....	99	0273066.....	103	0641820.....	33, 46	1001100370.....	12
0200729.....	99	0273068.....	103	0641824.....	30, 37, 41	1001100371.....	12
0259616.....	103	0273069.....	99, 135	0641828.....	33, 37, 41	1001100372.....	12
0259645.....	87	0273136.....	29	0641838.....	30	1001100373.....	12
0259648.....	11	0273848.....	37	0641844.....	30	1001101076.....	198
0259654.....	30	0274337.....	29	0642024.....	11	1001102512.....	88
0259748.....	109	0274423.....	202	0642028.....	12	1001102811.....	198
0259752.....	45	0274537.....	202	0651406.....	45	100110710.....	202
0259753.....	91	0274650.....	45	0681506.....	129	1001107725.....	53, 57
0259757.....	33, 149, 154	0274654.....	89	0681508.....	103	1001108923.....	191
0259758.....	11	0274655.....	89	0681524.....	99	1001109533.....	30
0259777.....	53	0274656.....	89	0681606.....	129	1001111666.....	202
0259778.....	61	0274657.....	88	0681610.....	99, 104	1001111671.....	203
0259780.....	12	0274849.....	203	0681810.....	11	1001111681.....	203
0259781.....	12	0275049.....	125, 203	0700614.....	58	1001111691.....	202
0259783.....	88	0320015.....	129	0700619.....	110, 113	1001111698.....	202
0259784.....	89	0362801.....	178, 184	0700814.....	58	1001112908.....	88, 185
0259785.....	89	0362931.....	53, 57	0701029.....	103, 107	1001112909.....	87
0259786.....	89	0362937.....	91	0721005.....	64	1001112912.....	202
0259792.....	191	0400002.....	53, 57, 61	0760610.....	64	1001115331.....	54
0259793.....	195	0400003.....	53, 57, 61	0760808.....	64	1001118133.....	45
0259794.....	195	0440228.....	13	0760814.....	64	1001118580.....	57
0259795.....	195	0440241.....	99	0840025.....	53, 57, 61	1001118582.....	64
0259803.....	178, 184	0440250.....	99	0840026.....	53, 57, 62	1001118607.....	46
0259805.....	29	0440334.....	64	0840046.....	61	1001118608.....	45
0259807.....	180, 186	0460209.....	202	0840047.....	61	1001118769.....	58
0259808.....	180, 186	0460210.....	202	0840055.....	107, 187	1001118770.....	57
0259809.....	180, 186	0561332.....	103	0860038.....	180, 186	1001118771.....	58
0259810.....	180, 186	0561407.....	33	0860520.....	191, 195	1001118772.....	57
0259811.....	30	0561474.....	103, 107	0861315.....	87	1001118881.....	64
0259814.....	203	0610134.....	87	0861357.....	117	1001118925.....	64
0259815.....	202	0610135.....	117	0861731.....	186	1001121853.....	58
0259816.....	29	0610140.....	87	0901870.....	109, 113	1001121859.....	57
0259817.....	29	0630476.....	103	0902421.....	135	1001121916.....	58
0259820.....	103	0641404.....	89, 91, 117	0902499.....	117	1001121917.....	58
0259823.....	45	0641405.....	57, 191, 195	0902592.....	45	1001122553.....	57
0259829.....	87	0641406... ..	53, 54, 57, 58, 61, 64, 89, 92, 109, 113, 125	0902595.....	89	1001122554.....	57
0259864.....	87	0641407.....	37, 41	0902597.....	53, 57, 61	1001127172.....	57
0259865.....	99, 135	0641408.....	29, 64	0902609.....	29	1001128799.....	46
0259943.....	113	0641408.....	29, 64	0902619.....	53	1001128888.....	64
		0641415.....	107	0902623.....	53, 58	1001129043.....	46
		0641418.....	54, 58	0902624.....	62	1001129255.....	57
						1001130097.....	46

## SECTION 10 - SPECIAL OPTIONS

1001131270 ..... 191, 196	1060815 ..... 178, 184	1703821 ..... 191	1810048 ..... 117
1001131324 ..... 57	1060816 ..... 53, 57, 61	1703822 ..... 191, 195	1810140 ..... 88
1001131391 ..... 57	1060817 ..... 53, 57, 61	1704006 ..... 195	2000167 ..... 53, 54
1001133497 ..... 57	1060818 ..... 135	1704007 ..... 195	2000168 ..... 62, 63
1001134212 ..... 92	1060873 ..... 186	1704008 ..... 195	2080053 ... 12, 33, 37, 41, 91, 95
1001135084 ..... 91	1060874 ..... 186	1704138 ..... 191, 195	2080057 ..... 191, 196
1001135142 ..... 91	1060875 ..... 186	1704271 ..... 196	2080063 ..... 109, 113
1001137005 ..... 203	1060882 ..... 95, 181, 188	1704277 ..... 191, 195	2080064 ..... 109, 113
1001142984 ..... 57	1060902 ..... 188	1704412 ..... 191, 196	2080069 ..... 113
1001144220 ..... 57	1061024 ..... 180, 187	1704462 ..... 87	2110606 ..... 37, 41
1001148902 ..... 202	1100110 ..... 29	1704480 ..... 191	2110608 ..... 38, 42
1001148903 ..... 202	1120108 ..... 129, 131	1704529 ..... 191, 195	2110808 ... 37, 38, 41, 42
1001148904 ..... 202	1260136 ..... 109	1704556 ..... 191	2120077 ..... 53, 58
1001148905 ..... 202	1320016 ..... 62	1704559 ..... 191, 196	2120146 ..... 45
1001148906 ..... 202	1320022 ..... 53, 57, 61	1704574 ..... 119	2120150 ..... 45
1001150358 ..... 202	1320058 ..... 57	1704588 ..... 117	2120172 ..... 142, 146
1001152741 ..... 62, 65	1320220 ..... 30	1704589 ..... 117	2120209 ..... 45
1001157598 ..... 65	1320274 ... 53, 57, 58, 62	1704597 ..... 195	2120210 ..... 45, 198
1001157976 ..... 62, 67	1380136 ..... 45	1704598 ..... 195	2130606 ..... 38, 42, 151
1001157977 ..... 61	1440322 ..... 54, 58	1704623 ..... 195	2170506 ..... 151
1001157978 ..... 61, 62	1600308 ..... 117, 121	1704684 ..... 195	2170508 ..... 151
1001157980 ..... 61	1600382 ..... 87	1704685 ..... 195	2180387 ..... 30
1001158085 ..... 65	1600386 ..... 89	1704686 ..... 195	2180389 ..... 30
1001166257 ..... 87	1600387 ..... 107	1704687 ..... 195	2180467 ..... 46, 53, 61
1001174314 ..... 57	1600403 ... 117, 123, 198	1704688 ..... 195	2200233 ..... 45
1001181085 ..... 87	1670970 ..... 53, 57, 61	1704690 ..... 196	2220237 ..... 38, 42
1001181530 ..... 64	1670974 ..... 95	1704691 ..... 195	2220238 ..... 38, 42
1001191395 ..... 203	1671195 ..... 37, 41	1704692 ..... 195	2220250 ..... 46, 53, 61
1001192401 ..... 185	1681283 ..... 129, 131	1704693 ..... 195	2220290 ..... 30
1001192860 ..... 13	1682723 ..... 129	1704694 ..... 195	2220371 ... 135, 141, 142, 145, 146, 149, 151
1001193378 ..... 41	1683054 ..... 133	1704695 ..... 195	2220372 .38, 42, 141, 145
1001193379 ..... 11	1683887 ..... 99, 135	1704697 ..... 196	2220373 ..... 153
1001193442 ..... 12	1683957 ..... 11, 137	1704698 ..... 196	2220377 ..... 142, 146
1001194735 ..... 57	1683966 ..... 33, 129	1704699 ..... 195	2220385 ... 142, 146, 153
1001197017 ..... 125	1683967 ..... 129, 131	1704700 ..... 195	2220399 ..... 30
1001202749 ..... 203	1684206 ..... 131	1704701 ..... 195	2220415 ..... 142, 145
1001205441 ..... 203	1684217 ..... 33, 131	1704702 ..... 195	2220451 ..... 142, 145
1001209659 ..... 203	1684220 ..... 37, 41, 133	1704748 ..... 195	2220472 ..... 142, 145
1001211510 ..... 100	1684221 ..... 133	1704786 ..... 33, 37, 41	2220473 ... 135, 141, 142, 145, 146, 149
1001213127 ..... 46	1684223 ..... 133	1704885 ..... 192, 196	2220490 ... 141, 145, 149
1001213992 ..... 57	1700584 ..... 191, 196	1705303 ..... 191, 196	2220501 ... 142, 146, 149
1001222834 ..... 99	1700818 ..... 192, 196	1705711 ..... 118	2220507 ..... 153
1001222835 ..... 99	1701214 37, 41, 192, 196	1705712 ..... 118	2220578 ..... 142, 145
1001223055 ..... 191	1701502 ..... 45	1705729 ..... 87	2220579 ..... 142
1001223453 ..... 191, 196	1701503 ..... 45	1705947 ..... 118	2220600 ... 142, 146, 153
1001223971 ..... 196	1701505 ..... 192, 196	1705948 ..... 118	2220603 ..... 141, 145
1001224049 ..... 196	1701509 ..... 191, 195	1705976 ..... 118	2220619 ... 142, 146, 153
1001224052 ..... 196	1701542 ..... 191, 196	1706130 ..... 118	2220621 ..... 141
1001227592 ..... 57	1702153 ..... 191	1706762 ..... 118	2220622 ..... 142, 145
1001228233 ..... 11, 27	1702573 ..... 196	1706763 ..... 118	2220635 ... 141, 142, 146, 149, 151
1001228234 ..... 11, 21	1702631 ..... 191, 195	1780312 ..... 91	2220700 ..... 153
1001229107 ..... 202	1702720 ..... 196	1780313 ..... 91	2220738 ..... 142, 146
1001229698 ..... 202	1702738 ..... 12	1780315 ..... 91	2220773 ..... 30
1001231801 ..... 191, 196	1702773 ..... 192, 196	1780323 ..... 91	2220819 ..... 149
1001233237 ..... 202	1702788 ... 191, 196, 202	1810001 ..... 117	2220827 ..... 141
1001236338 ..... 191, 196	1702961 ... 191, 196, 202	1810013 ..... 87	2220852 ... 142, 146, 153
1001236558 ..... 57	1702962 ... 191, 196, 202	1810014 ..... 87	2220865 ..... 142
1001237405 ..... 62, 71	1703175 ..... 103	1810015 ..... 117	2220869 ..... 53, 61
1001237406 ..... 61	1703464 ..... 180, 187	1810016 ..... 117	2220883 .33, 37, 41, 129, 131
1001237407 ..... 61, 62	1703696 ..... 191	1810017 ..... 117	2220899 ..... 141, 145
1001239806 ..... 58	1703788 ..... 191, 195	1810019 ..... 117	2220906 ..... 142, 145
1060279 ..... 191, 195	1703811 ..... 191, 195	1810020 ..... 117	2220919 ..... 142, 146
1060308 ... 180, 181, 188	1703812 ..... 45, 191, 195	1810021 ..... 117	
1060461 ..... 180	1703814 ..... 191, 195	1810022 ..... 117	
1060680 ... 29, 179, 180, 181, 186	1703816 ..... 191	1810036 ..... 117	
1060808 ..... 109, 113	1703818 ..... 191	1810043 ..... 117	
	1703819 ..... 191, 195	1810047 ..... 117	

## SECTION 10 - SPECIAL OPTIONS

2220947.....	142, 145	2753385.....	141	3290601.....	110, 113	3450406.....	11
2220948.....	142, 145	2753386.....	141	3290605.....	64	3460319.....	53, 58
2220998.....	142, 146	2753387.....	141	3291005.....	104, 107	3460320.....	62
2221025.....	142, 145	2753388.....	141, 145	3300048.....	187	3480092.....	129, 131
2221035.....	153	2753389.....	141, 145	3300151.....	109, 113	3510730.....	103
2221036.....	142, 146	2753390.....	141, 145	3300281.....	129	3510767.....	103
2221042.....	146	2753391.....	141	3300356.....	109, 113	3510791.....	103
2221047.....	61	2753392.....	141, 145	3300409.....	12	3510797.....	103
2221048.....	141	2753393.....	141, 145	3300420.....	110, 114	3520026.....	88
2221049.....	142, 146	2753394.....	141, 145	3300432.....	113	3520030.....	88
2221075.....	142, 146	2753395.....	141, 145	3300454.....	37, 41	3520071.....	30
2221076.....	142, 146	2753396.....	141	3300465.....	131	3520072.....	109, 113, 125
2221086.....	142, 146	2753397.....	141, 145	3300467.....	110, 114	3520080.....	118
2221176.....	46	2753398.....	135, 141, 145	3300474.....	29	3520193.....	88, 119
2230024.....	141, 145	2753488.....	149	3310601.....	118	3536708.....	129
2300014.....	203	2753496.....	153	3310801.....	29, 33, 91	3537609.....	109, 113
2300016.....	203	2753497.....	153	3310805.....	37, 41	3537619.....	103
2300021.....	203	2753503.....	141, 145	3311001.....	64	3539690.....	91
2300027.....	203	2753504.....	141, 145	3311401.....	57, 95	3571829.....	109, 113
2300039.....	203	2753505.....	141, 145	3311405.....	29, 37, 53, 57,	3571862.....	109, 113
2360523.....	13	2753579.....	151		58, 62, 64, 89, 91, 92,	3571985.....	91
2400056.....	179, 186, 198	2753626.....	151		107, 110, 113, 125,	3572164.....	53, 58
2400060.....	54, 58, 185	2792402.....	141, 154		191, 196	3572305.....	91
2400070.....	54, 58, 200	2792431.....	149, 154	3311501.....	91, 104	3572324.....	12, 33, 37, 41
2420172.....	87	2792448.....	153, 154	3311505.....	12, 29, 46, 57,	3572325.....	12
2420190.....	45	2792686.....	41, 151, 154		61, 62, 64, 99, 103,	3572326.....	12, 33, 37
2460036.....	95	2792717.....	145, 154		109, 113	3572384.....	33, 37, 41
2540023.....	30	2820097.....	109	3311601.....	45	3572385.....	33, 37, 41
2560088.....	109, 113	2860030.....	88, 198	3311605.....	29, 30, 37, 41,	3572388.....	33, 37
2560141.....	117	2900708.....	95		45, 53, 57, 58, 61, 62,	3572430.....	62
2600253.....	113	2900770.....	129, 131		91, 95, 99, 103, 109,	3573513.....	131, 133
2600264.....	91	2901881.....	203		113	3600300.....	54, 62, 75
2600265.....	91	2901912.....	202	3311805.....	30, 33, 37, 41	3600301.....	54, 63, 83
2620029.....	88	2901914.....	202	3312005.....	11	3600307.....	54, 62
2680480.....	91	2901926.....	202	3321402.....	64, 135	3600369.....	54, 58, 63, 85
2680481.....	91	2901938.....	202	3322002.....	11	3600373.....	54, 62
2680493.....	91	2901939.....	202	3322202.....	103	3600414.....	54, 58, 62, 79
2680494.....	91	2901941.....	129, 131	3340612.....	109	3600415.....	54, 58, 62
2716538.....	151	2902023.....	129	3340650.....	129	3641310.....	109
2716960.....	151	2902038.....	110	3340866.....	99	3641342.....	109, 113
2717235.....	151	2902039.....	114	3340879.....	99	3641344.....	109, 113
2720058.....	62	2902182.....	133	3340895.....	119	3641345.....	109, 113
2720271.....	62	2902206.....	33	3340904.....	129	3641351.....	109, 113
2720460.....	53, 58	2902213.....	91	3380660.....	119	3730124.....	187
2720461.....	53, 58	2902215.....	12	3421565.....	109, 113	3740019.....	54
2720464.....	30	2902259.....	100	3422219.....	109, 113	3740049.....	58, 62, 95, 200
2720465.....	62	2910479.....	53, 57, 61	3422369.....	109	3740151.....	53, 57
2720466.....	62	2910934.....	202	3422655.....	103	3760170.....	109, 113
2752466.....	149	2920026.....	87, 88, 119	3422709.....	99	3760261.....	129
2752469.....	141, 145	2920029.....	87, 119	3422714.....	99	3760321.....	104
2752478.....	141, 145, 149	2940064.....	109	3422777.....	103	3760348.....	37, 41, 103
2752489.....	141, 145	2940074.....	113, 198	3422803.....	11	3760368.....	133
2752613.....	141, 145	2940126.....	91	3422815.....	99	3760387.....	99
2752622.....	135, 141, 145	2940127.....	110, 113	3422838.....	99	3760419.....	99
2752649.....	149	3010088.....	109	3422839.....	99	3760453.....	129
2752966.....	149	3020022.....	100	3422840.....	99	3760460.....	131, 133
2753068.....	151	3160244.....	11, 15	3422938.....	107	3820020.....	45, 109, 113
2753375.....	141, 145	3160245.....	11, 23	3422962.....	103	3841143.....	104
2753376.....	141, 145	3160254.....	11, 19	3423049.....	103	3841146.....	11
2753377.....	141, 145	3160255.....	11, 25	3431024.....	11	3841233.....	103
2753378.....	141, 145	3200453.....	29	3431032.....	12	3841326.....	33
2753379.....	141, 145	3251813.....	191, 196	3431036.....	11	3841468.....	11
2753380.....	141, 145	3252191.....	196	3431220.....	11	3841469.....	12
2753381.....	141, 145	3252689.....	191, 196	3440420.....	33	3841564.....	37, 41
2753382.....	141, 145	3252695.....	118	3450403.....	53, 58	3860059.....	103
2753383.....	141, 145	3252746.....	118	3450404.....	178, 184	3900128.....	45
2753384.....	141	3271505.....	103	3450405.....	135	3900170.....	129

## SECTION 10 - SPECIAL OPTIONS

3900178 .....	118	4360482 ....	118, 119, 198	4460812.....	178, 184	4740120 .....	118
3900208 .....	91	4360483 .....	119, 198	4460814.....	178, 185	4740333 .....	100
3900265 .....	118	4360502 .....	29	4460817.....	178, 184	4740415 .....	33
3900267 .....	113	4360518 .....	38, 41	4460818.....	178, 184	4740438 .....	100
3900281 .....	88	4360548 ....	29, 186, 187,	4460819.....	178, 184	4740480 .....	178, 184
3900289 .....	91	200		4460824.....	179	4740495 .....	58
3900321 .....	131, 133	4400281 .....	30	4460825.....	179	4750600 .....	88
3910606 .....	88	4400421 .....	30	4460827.....	178, 185	4750800 ...	29, 33, 37, 41,
3910612 .....	88	4400425 .....	45, 46	4460828.....	178, 185	91	
3910616 .....	88	4400428 .....	45	4460829.....	178, 185	4751000 .....	46, 64, 113
3910804 .....	88	4400458 .....	45, 46	4460834.....	178, 185	4751400 .	30, 89, 92, 110,
3911008 .....	113	4400498 .....	59, 68, 72	4460836.....	107, 185, 187	114	
3911426 .....	109	4420008 .....	118	4460837.....	185	4751600 ...	30, 37, 41, 46,
3911428 .....	110, 113	4420037 ..	33, 46, 91, 100	4460845.....	178, 185	53, 57, 58, 61, 62, 95,	
3911432 .....	109	4420039 .....	33, 37, 41	4460851.....	187	103, 107, 110, 114	
3911532 .....	109, 113	4420051 .....	37, 41	4460852.....	187	4751800 .....	30
3930334 .....	29	4420052 .....	33, 37	4460858.....	181, 188	4752000 .....	12
3930820 ...	29, 33, 37, 41	4420068 .....	125	4460884.....	179, 185	4752200 .....	104
3931516 .....	133	4460044 .....	179, 186	4460885.....	179, 185	4760600 .....	88, 118
3951603 .....	29	4460049 .....	107	4460891.....	184, 188	4761000 .....	64, 88
3960200 .....	133	4460051 .....	180	4460892.....	187	4761400 .....	64, 89, 95
3960389 .....	58	4460071 .....	180, 187	4460894.....	187	4791400 .....	118
3960483 .....	133	4460138 .....	180, 187	4460897.....	107	4811700 .....	64
3960525 .....	45	4460190 .....	180, 186	4460898.....	187	4811900 .....	64
3980003 .....	53, 61	4460226 .....	123	4460899.....	187	4812000 .....	104
3990010 ...	178, 184, 185,	4460227 .....	187	4460932.....	107, 184	4845829 .....	109
198		4460248 ....	179, 180, 186	4460933.....	187	4845938 .....	118
4000006 .....	88	4460265 ...	121, 123, 179,	4460934.....	187	4846024 .....	100
4060092 .....	180, 187	186		4460935.....	187	4846116 .....	30
4060128 .....	187	4460266 ...	121, 123, 178,	4460942.....	185	4846120 .....	109, 113
4060700 .....	180, 187	184		4460968.....	29, 179, 180,	4846121 .....	109, 113
4060802 .....	118	4460267 ...	121, 123, 178,	181, 186, 187		4846122 .....	113
4060807 .....	46	179, 180, 181, 184,		4520233.....	12	4846143 .....	103
4060808 .....	46	185, 186		4565647.....	129	4846146 .....	33
4060992 .....	53, 57	4460268 ...	121, 179, 180,	4568094.....	30	4846181 .....	109, 113
4061003 .....	33	181, 185, 186, 188		4568295.....	103, 107	4846191 .....	109, 113
4070987 .....	88	4460294 .....	107	4640113.....	12	4846249 .....	119
4070991 .....	88	4460320 ...	179, 180, 181,	4640465.....	184	4846256 .....	110, 114
4100033 .....	46	186, 188		4640495.....	129, 131	4846271 .....	125
4130377 .....	11	4460321 .....	179, 186	4641104.....	135	4846584 .....	131, 133
4130380 .....	12	4460328 .....	180	4641109.....	46, 49	4860207 .....	13
4160097 .....	54, 58	4460346 .....	180, 186	4641121.....	46, 51	4891800 .....	12
4160116 .....	33, 37, 41	4460424 ...	178, 180, 181,	4641122.....	12	4922336 .....	88, 179
4160185 .....	91	184, 185, 186		4641150.....	33	4922339 .....	88, 179
4210017 .....	37, 41	4460428 ....	179, 180, 181	4641151.....	34	4922365 .....	89, 178
4220273 .....	135	4460434 .....	179, 185	4641152.....	34	4922378 .....	88, 179
4240018 .....	46	4460449 ...	178, 181, 185,	4641156.....	129, 131	4922379 .....	178, 184
4240099 .....	64	188		4641172.....	135	4922391 ....	119, 178, 184
4240125 .....	99	4460464 ...	107, 178, 179,	4641238.....	38, 41	4922428 ....	100, 179, 186
4240128 .....	99	184, 185, 187		4641240.....	38, 42	4922436 .....	89, 178
4240140 .....	45	4460465 ....	29, 107, 178,	4641374.....	37, 38, 41, 42	4922437 ....	119, 178, 184
4240141 .....	45	179, 181, 184, 185,		4711000.....	64	4922439 .....	179, 186
4280315 .....	53, 57	186, 187, 188		4711400....	37, 41, 46, 53,	4922446 ....	119, 178, 184
4280316 .....	53, 57	4460466 ....	107, 185, 187	54, 57, 58, 62, 64, 89,		4922447 ....	119, 178, 184
4340885 .....	38, 41	4460467 ....	181, 188, 203	91, 109, 125, 135, 191,		4922453 .....	95, 181, 188
4340886 .....	37, 41	4460468 .....	178, 184	196		4922454 .....	33, 180
4340887 .....	89	4460470 ....	118, 178, 184	4711500....	12, 29, 33, 37,	4922455 .....	33, 180
4341007 .....	29	4460471 ....	118, 178, 184	41, 46, 57, 91, 95, 100,		4922456 .....	33, 181
4341135 .....	125	4460473 .....	178, 184	103, 109, 113		4922564 .....	186
4360070 .....	88, 198	4460480 ....	118, 178, 184	4711600....	29, 33, 46, 54,	4922630 .....	29, 179, 186
4360321 .....	179, 180	4460481 .....	178, 184	58, 62, 63, 91, 100,		4922713 .....	180
4360328 .....	88, 198	4460499 ...	178, 179, 186,	109, 113, 178, 184		4922748 .....	37, 41, 187
4360331 .....	118	187		4711800....	30, 33, 37, 38,	4922904 .....	107
4360387 .....	88, 118, 198	4460510 ....	181, 188, 203	41, 42, 54, 58, 63		4922915 .....	107
4360469 .....	88, 198	4460539 ....	178, 185, 187	4712000.....	12	4923135 .....	89, 187
4360475 .....	88, 118, 198	4460761 .....	107, 187	4712200.....	12	4923136 .....	89, 187
4360481 .....	88	4460779 .....	181, 188	4713000.....	129, 131	4923137 .....	29, 187

## SECTION 10 - SPECIAL OPTIONS

4923293.....	88, 185	70003060.....	67, 71	7011997.....	121	7020257.....	45
4923295.....	89, 185	70003061.....	67, 71	7012773.....	49	7020500.....	121
4923296.....	88, 185	70003062.....	67, 71	7012903.....	34	7020501.....	121
4923530.....	119, 184	70003339.....	79	7012904.....	51	7020502.....	121
4923531.....	119, 184	70003340.....	80	7012941.....	49	7020503.....	121
4923532.....	119, 184	70003624.....	55	7012943.....	34, 95, 200	7020504.....	121
4923533.....	119, 184	70003650.....	123	7012944.....	49, 198	7020509.....	121
70000081.....	123	70004194.....	123	7012953.....	49	7020511.....	121
70000082.....	123	70004300.....	58	7012967.....	49, 51	7020520.....	121
70000083.....	123	70004311.....	67, 71	7012975.....	51	7020527.....	121
70000084.....	123	70004395.....	67, 71	7012998.....	49	7020528.....	121
70000085.....	123	70004396.....	67, 71	7014802.....	46	7020529.....	121
70000620.....	55, 59, 64	70004397.....	67, 71	7014811.....	46	7020530.....	121
70000621.....	55, 59, 64	70004398.....	67, 71	7014816.....	46	7020531.....	121
70000622.....	55, 59, 64	70004399.....	67, 71	7016312.....	45	7020532.....	121
70000623.....	55, 64	70004523.....	67, 71	7017290.....	137	7020533.....	121
70000624.....	55	70004524.....	67, 71	7017291.....	137	7020534.....	121
70000627.....	55, 59	70004525.....	67, 71	7017294.....	137	7020535.....	121
70000628.....	55, 59	70004526.....	67, 71	7017387.....	135	7021365.....	49
70000683.....	123	70004530.....	67, 71	7017405.....	51	7021375.....	49
70000684.....	123	70004531.....	67, 71	7017410.....	49	7021376.....	49, 198
70000685.....	123	70004536.....	67, 71	7017425.....	51	7021629.....	49
70000686.....	123	70004537.....	67, 71	7017454.....	34	7021653.....	34
70000934.....	45	70004538.....	67, 71	7017901 ..	54, 58, 63, 68, 72, 200	7022380.....	75
70001091.....	21, 27	70004539.....	67, 71	7017923.....	63, 200	7022523.....	49, 51
70001095.....	21	70004540.....	67, 71	7017924.....	63	7022524.....	51
70001140.....	63, 67, 71	70004544.....	67, 71	7017928.....	67, 71	7022527.....	49
70001381.....	55, 59	70004547.....	68, 72	7017928.....	67, 71	7022529.....	49
70001382.....	55, 59	70004829.....	68, 72	7017934.....	67, 71	7022531.....	49
70001383.....	55, 59	70006744.....	21, 27	7017937.....	64, 68, 72	7022585.....	16
70001439.....	55, 59	70006745.....	21, 27	7017938 ..	63, 68, 72, 200	7022586.....	15, 23
70001865.....	64, 68, 72	70006746.....	21, 27	7017942 ...	55, 59, 64, 68, 72	7022587.....	15, 23
70001933.....	63	70006747.....	21, 27	7017945.....	67, 71	7022588.....	15, 21, 23, 27
70001934.....	63	70006748.....	21, 27	7017949.....	64, 67, 71	7022589.....	15, 21, 27
70001935.....	64	70006749.....	21, 27	7017950 ..	63, 68, 72, 200	7022590.....	15, 23
70001968.....	79	70006750.....	21, 27	7017955.....	63, 68, 72	7022591.....	15, 23
70002089.....	54, 59	70006752.....	21, 27	7017958.....	68, 72	7022592.....	15
70002195.....	55, 59	70006753.....	21, 27	7017963.....	64, 68, 72	7022593.....	15, 21
70002196.....	54	70006756.....	21, 27	7017967.....	55, 59, 63	7022594.....	15, 21
70002197.....	55	70006757.....	21, 27	7017968.....	63	7022595.....	15, 21
70002198.....	55	70006759.....	21, 27	7017969.....	63	7022596.....	15, 21
70002199.....	55	70006763.....	21, 27	7017977.....	55, 59	7022597.....	15
70002264.....	27	70006764.....	21, 27	7017977.....	55, 59	7022598.....	15
70002272.....	63, 68, 72	70006765.....	21, 27	7017980.....	54, 58, 200	7022599.....	15
70002273.....	63, 68, 72	70006766.....	21	7017981.....	54, 59	7022599.....	15
70002274.....	64, 68, 72	70006767.....	21	7017992 ...	54, 58, 64, 67, 71, 200	7023005.....	137
70002275.....	64, 68, 72	70006768.....	21	7017998.....	54	7023006.....	137
70002314.....	67, 71	70006769.....	21	7017999.....	54, 58	7023101.....	55, 59
70002315.....	67, 71	70006770.....	21	7018408.....	19	7023102.....	55, 59
70002316.....	64, 67, 71	70006771.....	21	7018411.....	19, 25	7023103.....	55, 59
70002317.....	64, 67, 71	70006772.....	21	7018435.....	25	7023105.....	54, 58, 200
70002318.....	67, 71	70006773.....	21	7018436.....	19, 25	7023111.....	54, 59
70002319.....	63, 67, 71	7001626.....	137	7018903.....	49	7023114.....	54, 59
70002320.....	63, 67, 71	7002818.....	203	7018904.....	49	7023115.....	54
70002321.....	63, 67, 71	7002820.....	203	7018936.....	79	7023120.....	55, 59
70002322.....	63, 67, 71	7002821.....	181, 188	7018942.....	49	7023124.....	55, 59, 64, 68, 72
70002323.....	63, 67, 71	7002823.....	181, 188, 203	7019878.....	135	7023125.....	55, 59
70002324.....	63	7002826.....	203	7019879.....	135	7023126.....	55, 64
70002325.....	63, 68, 72	7002828.....	181, 188	7019880.....	135	7023127.....	55, 59
70002326.....	63, 68, 72	7003226.....	135	7019881.....	135	7023128.....	55, 59
70002327.....	63, 68, 72	7003790.....	121	7019882.....	135	7023132.....	67, 71
70002328.....	63, 68, 72	7003791.....	121	7020020.....	45	7023136.....	67, 71
70002329.....	63, 68, 72	7004275.....	203	7020175.....	88, 118	7023137.....	63
70002330.....	64, 68, 72	7004276.....	203	7020176.....	88, 118	7023140.....	68, 72
70002331.....	64	7010543.....	49	7020253.....	46	7023141.....	63, 68, 72
70002419.....	63, 67, 71	7010635.....	95, 200	7020256.....	46	7023144.....	63, 68, 72
70002759.....	21, 27	7011940.....	121				

## SECTION 10 - SPECIAL OPTIONS

7023145 .....	68, 72	7023278 .....	19, 25	7023884 .....	75	7024086 .....	80
7023148 .....	64, 68, 72	7023279 .....	19, 25	7023885 .....	75, 79	7024087 .....	80
7023149 .....	64, 68, 72	7023280 .....	19, 25	7023886 .....	76	7024088 .....	80
7023153 .....	55, 59, 200	7023281 .....	19, 25	7023887 .....	75, 79	7024089 .....	80
7023157 .....	67, 71	7023282 .....	19, 25	7023888 .....	75, 79	7024441 .....	46
7023160 .....	63, 67, 71	7023283 .....	19, 25	7023889 .....	75	7024443 .....	46
7023164 .....	63, 67, 71	7023284 .....	19, 25	7023890 .....	76	7024445 .....	46
7023165 .....	67, 71	7023285 .....	25	7023891 .....	76	7024446 .....	46
7023167 .....	67, 71	7023286 .....	19, 25	7023892 .....	76	7024497 .....	38, 41, 42
7023168 .....	67, 71	7023287 .....	19, 25	7023893 .....	76	7024498 .....	38, 42
7023169 .....	54, 59, 63	7023288 .....	19, 25	7023894 .....	76	7024499 .....	38, 42
7023170 .....	63, 68, 72	7023289 .....	19, 25	7023895 .....	76	7024500 .....	38, 42
7023172 .....	63	7023290 .....	19, 25	7023896 .....	76	7024501 .....	38, 42, 200
7023173 .....	55, 59, 63	7023291 .....	19, 25	7023897 .....	76	7024502 .....	38, 42
7023174 .....	55, 59	7023292 .....	19, 25	7023898 .....	76	7024503 .....	38, 42
7023176 .....	55	7023293 .....	19	7023899 .....	76	7024504 .....	38, 42
7023177 .....	63, 200	7023294 .....	19	7023916 .....	49	7024505 .....	38, 42
7023178 .....	179, 186	7023295 .....	19	7023971 .....	49	7024506 .....	38, 42
7023179 .....	179, 186	7023296 .....	19	7023972 .....	49	7024507 .....	38, 42
7023180 .....	179, 186	7023297 .....	19	7023973 .....	49	7024822 .....	34
7023181 .....	179, 186	7023298 .....	19	7023974 .....	49	7024873 .....	51
7023182 .....	179, 186	7023301 .....	19, 25	7023975 .....	49	7024908 .....	80
7023183 .....	179, 186	7023302 .....	19, 25	7023976 .....	49	7024929 .....	49
7023184 .....	55	7023303 .....	19, 25	7024000 .....	76	7024960 .....	85
7023190 .....	55, 59	7023304 .....	19	7024001 .....	76	7025479 .....	67, 71
7023191 .....	55	7023305 .....	19	7024002 .....	76	7026121 .....	46
7023192 .....	55	7023800 .....	16	7024003 .....	76	7026191 .....	19
7023193 .....	55	7023801 .....	23	7024004 .....	77, 80	7026201 .....	54, 59
7023194 .....	55	7023806 .....	15, 21, 23, 27	7024005 .....	77, 80	7026202 .....	64, 68, 72
7023195 .....	55	7023807 .....	15, 21, 23, 27	7024006 .....	77	7026204 .....	54, 59
7023197 .....	55	7023808 .....	83	7024007 .....	23	7026205 .....	63
7023198 .....	54, 55, 59	7023813 .....	83	7024008 .....	23	7026209 .....	55
7023199 .....	64, 67, 71	7023816 .....	83	7024064 .....	79	7026211 .....	55, 59, 64, 68, 72
7023206 .....	45	7023817 .....	83	7024065 .....	79		
7023207 .....	45	7023818 .....	83	7024068 .....	79, 80	7026575 .....	46
7023208 .....	49	7023819 .....	83	7024069 .....	79	7027365 .....	123
7023209 .....	49	7023834 .....	75	7024070 .....	79	7027367 .....	123
7023210 .....	49	7023854 .....	76	7024071 .....	79	7027765 .....	123
7023212 .....	87	7023855 .....	76	7024072 .....	79	7027766 .....	123
7023219 .....	46	7023856 .....	76	7024073 .....	79	7027888 .....	19, 25
7023232 .....	95	7023859 .....	76	7024075 .....	79	7028877 .....	79
7023233 .....	95	7023872 .....	21, 27	7024076 .....	79	80934596 .....	79
7023234 .....	95	7023877 .....	75	7024077 .....	79	80934644 .....	80
7023235 .....	95	7023878 .....	75	7024081 .....	80	8229242 .....	185
7023236 .....	95	7023879 .....	75	7024082 .....	80	8786514 .....	13
7023238 .....	95	7023881 .....	75, 79	7024083 .....	80	9884263 .....	135
7023247 .....	95	7023882 .....	75	7024084 .....	80		
7023276 .....	19, 25	7023883 .....	75	7024085 .....	80		



3121109



An Oshkosh Corporation Company

**Corporate Office**  
**JLG Industries, Inc.**  
**1 JLG Drive**  
**McConnellsburg, PA 17233-9533 USA**  
**☎ (717) 485-5161 (Corporate)**  
**☎ (877) 554-5438 (Customer Support)**  
**☎ (717) 485-6417**

**Visit our website for JLG Worldwide Locations.**  
**[www.jlg.com](http://www.jlg.com)**