



# Illustrated Parts Manual

***Model  
2632R***

P/N  
3121751

Septemebr 30, 2020 - Rev C

***ANSI***

**CE**



***AS/NZS***



An Oshkosh Corporation Company



## REVISION LOG

### NOTES:

**NOTE: Country of Assembly - The R Scissor Lifts are assembled by JLG Industries in the following countries: USA or China or Europe. Refer to the Serial Number Tag to identify the country of assembly. R Scissors assembled in USA will have a serial number prefix of 02 (i.e. 02XXXXXXXX), R Scissors manufactured in China will have a serial number prefix of B2 (i.e. B2XXXXXXXX), and R Scissors manufactured in Europe will have a serial number prefix of 12 (i.e. 12XXXXXXXX) or E2 (i.e. E2XXXXXXXX)**

### REVISION LOG:

**March 1, 2019 - A - Original Issue of Manual (1001370000 Rev G & 1001238502 Rev A & 1001246082 Rev A) (Revision 2)**

**February 7, 2020 - B - (1001370000 Rev G & 1001238502 Rev B & 1001246082 Rev B)**

**September 30, 2020 - C - (1001370000 Rev G & 1001238502 Rev B & 1001246082 Rev B)**



## GENERAL INFORMATION

### 6) NON-SERVICED PARTS

In some instances, it is necessary to display non-serviced parts, assemblies or installations. In the case of assemblies and installations there will be a Ref in the Qty column. In case of parts that are not available for service within assemblies or components, there will be a NSS (Not Sold Separately) or NLA (No Longer Available) listed in the Qty. column of the manual.

### 7) PARTS LIST ITEM NUMBERS

Numbers shown in the item# column correspond to numbers used in the associated illustration (s). Item numbers which are missing from the sequence in the parts list are not used on that page

### 8) INDENTED PARTS DESCRIPTION

An indented part description is included in the item under which it is indented.

### 9) ABB REVIATION AND SYMBOLS

AC.....	.. Alternating Current	LCD.....	.. Liquid Crystal Display
ADE.....	.. Advanced Design Electronics	LED.....	.. Light Emitting Diodes
ANSI.....	.. American National Standards Institute	LH.....	.. Left Hand
AR.....	..As Required	LSS.....	..Load Sensing System
ASSY.....	.. Assembly	M(m).....	.. Metric/Meter
AUX.....	..A uxiliary	MM (mm).....	..Milimeter
AWG.....	..American WireGauge	mA.....	.. Milliamps
B/M.....	..Bill of Material	NLA.....	.....No Longer A vailable
CE.....	..European Conformity	NPT.....	.. National Pipe T hreads
CCW.....	..Counter Clockwise	NSS.....	.....Not Sold Separately
cm.....	..Centimeter	OD.....	..Outside Diameter
CW.....	..Clockwise	ORB.....	.. O-Ring Boss
CSA.....	..Canadian Standards Association	ORFS.....	.. O-Ring Face Seal
CYL.....	..Cylinder	OZ (oz).....	..Ounces
DIA.....	..Diameter	PG.....	..Page
DC.....	..Direct Current	P/N.....	..Part Num ber
EMS.....	.. Emergency Stop	qt.....	..Quarts
ENG.....	..Engine	QTY.....	..Quantity
FT (ft).....	.. Feet	REF.....	..Reference
GA (Ga).....	..G auge	REV.....	..Revision Level
HYD.....	..Hydraulic	RH.....	.. Right Hand
Hz.....	..Her tz	SAE.....	.. Society of Automotive E ngineers
ID.....	..Inside Diameter	SN.....	..Serial Number
in.....	..inches	SPEC(S).....	.....Specifications
ISO.....	..I nternational Organ ization for Stand ards	T/T.....	..Turntable
JIC.....	..Joint Indust ry Council	UGM.....	..Univ ersal G round Module
KG.....	..Kilogram	V.....	..Volts
L.....	..Liter	W.....	..Watts
LB.....	..P ounds	#.....	.. Number

### 10) ILLUSTRATION REFERENCE LETTERS

When necessary, illustrations may contain reference letters that are intended to track information (i. e. hoses, harnesses) from one point to another or to track visual enlargement of components to show details that may be located in another area on the illustration.

*Note: Due to continuous product improvements, JLG Industries, Inc. reserves the right to make specification changes without prior notification. Contact JLG Industries, Inc. for updated information.*



# TABLE OF CONTENTS

SECTION 1 - FRAME.....	9
FIGURE 1-1. STEER INSTALLATION .....	10
FIGURE 1-2. DRIVE/BRAKE INSTALLATION .....	12
FIGURE 1-3. DRIVE MOTOR ASSEMBLY .....	14
FIGURE 1-4. TIRE/WHEEL INSTALLATION .....	16
FIGURE 1-5. POTHOLE PROTECTION SYSTEM INSTALLATION .....	18
FIGURE 1-6. TILT SENSOR INSTALLATION .....	20
FIGURE 1-7. BATTERY CHARGER INSTALLATION - DELTA-Q (LOCALLY SUPPLIED PLUG) .....	22
FIGURE 1-8. BATTERY CHARGER INSTALLATION - DELTA-Q (110V PLUG) .....	24
FIGURE 1-9. BATTERY CHARGER INSTALLATION - DELTA-Q (AUSTRALIAN PLUG) .....	26
FIGURE 1-10. BATTERY CHARGER INSTALLATION - DELTA-Q (KOREAN PLUG) .....	28
FIGURE 1-11. BATTERY CHARGER INSTALLATION - EAGLE PERFORMANCE (110V PLUG) .....	30
FIGURE 1-12. BATTERY CHARGER INSTALLATION - GREEN POWER (LOCALLY SUPPLIED PLUG) .....	32
FIGURE 1-13. BATTERY CHARGER INSTALLATION - GREEN POWER (CHINA PLUG) .....	34
FIGURE 1-14. STROBE LIGHT INSTALLATION - SINGLE (AMBER) (WITHOUT GUARD) .....	36
FIGURE 1-15. STROBE LIGHT INSTALLATION - DUAL (AMBER) (WITHOUT GUARD) .....	38
FIGURE 1-16. STROBE LIGHT INSTALLATION - SINGLE (AMBER) (WITH GUARD) .....	40
FIGURE 1-17. STROBE LIGHT INSTALLATION - DUAL (AMBER) (WITH GUARD) .....	42
FIGURE 1-18. ALARM INSTALLATION (AMBIENT/WHITE NOISE) .....	44
FIGURE 1-19. LADDER INSTALLATION .....	46
FIGURE 1-20. FRAME COVERS INST ALLATION .....	48
SECTION 2 - GROUND CONTROLS .....	51
FIGURE 2-1. HYDRAULIC COMPONENTS INSTALLATION .....	52
FIGURE 2-2. MAIN VALVE ASSEMBLY .....	54
FIGURE 2-3. ELECTRICAL COMPONENTS INSTALLATION (CHINA BUILT MACHINES) .....	56
FIGURE 2-4. ELECTRICAL COMPONENTS INSTALLATION - #1 (USA & EUROPEAN BUILT MACHINES) .....	58
FIGURE 2-5. ELECTRICAL COMPONENTS INSTALLATION - #2 (USA & EUROPEAN BUILT MACHINES) .....	60
FIGURE 2-6. MDI INSTALLATION .....	62
FIGURE 2-7. BATTERIES INSTALLATION - STANDARD 6V-255AH .....	64
FIGURE 2-8. BATTERIES INSTALLATION - STANDARD 6V-220AH .....	66
FIGURE 2-9. BATTERIES INSTALLATION - AGM 6V-220AH .....	68
FIGURE 2-10. BATTERIES INSTALLATION - AGM EVCG 6V-220AH .....	70
FIGURE 2-11. BATTERIES INSTALLATION - 6V-220AH (TROJAN) .....	72
FIGURE 2-12. INVERTER INSTALLATION (OPTIONAL) .....	74
FIGURE 2-13. DOORS INSTALLATION .....	76
SECTION 3 - SCISSORS ARMS .....	79
FIGURE 3-1. SCISSORS ARMS INSTALLATION .....	80
FIGURE 3-2. ARM GUARDS INST ALLATION .....	84
SECTION 4 - PLATFORM .....	87
FIGURE 4-1. PLATFORM INSTALLATION .....	88
FIGURE 4-2. PLATFORM EXTENSION INST ALLATION .....	90
FIGURE 4-3. RAILS INSTALLATION (SIDE BY SIDE) .....	92
FIGURE 4-4. RAILS INSTALLATION (TUBE IN TUBE) .....	94
FIGURE 4-5. EXTENSION HANDLES INST ALLATION (OPTIONAL) .....	96
FIGURE 4-6. GATE LATCH INSTALLATION - OPTIONAL .....	98
FIGURE 4-7. PLATFORM CONSOLE INST ALLATION .....	100
FIGURE 4-8. DRIVE/STEER CONTROLLER ASSEMBLY .....	102
FIGURE 4-9. PIPE RACKS INSTALLATION (SIDE BY SIDE RAILS) (OPTIONAL) .....	104
FIGURE 4-10. OVERHEAD PROTECTION INST ALLATION (KOREAN SPECS) .....	106
SECTION 5 - CYLINDER .....	109
FIGURE 5-1. LIFT CYLINDER ASSEMBLY .....	110
FIGURE 5-2. STEER CYLINDER ASSEMBLY .....	112
SECTION 6 - HYDRAULIC .....	115
FIGURE 6-1. HYDRAULIC COMPONENTS INSTALLATION .....	116

# TABLE OF CONTENTS

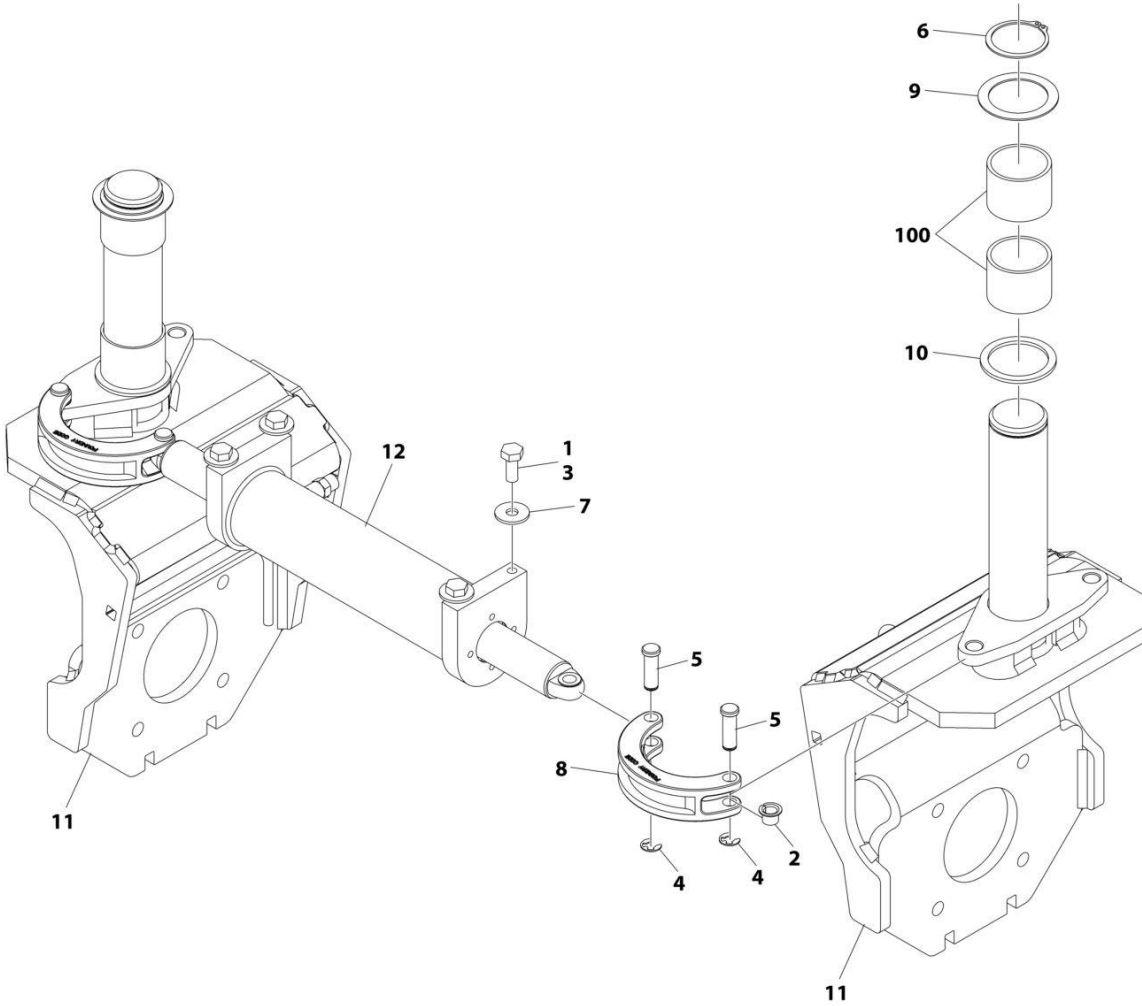
SECTION 7 - ELECTRICAL .....	119
FIGURE 7-1. AC BOX AT PLATFORM INSTALLATION - 110V GFI (ALL SPECS EXCEPT AUSTRALIAN & CE SPECS) .....	120
FIGURE 7-2. AC BOX AT PLATFORM INSTALLATION - 110V IEC YELLOW (CE SPECS) .....	122
FIGURE 7-3. AC BOX AT PLATFORM INSTALLATION - 220V IEC BLUE (CE SPECS) .....	124
FIGURE 7-4. AC BOX AT PLATFORM INSTALLATION - 220V CEE7 POST GROUND (CE SPECS) .....	126
FIGURE 7-5. AC BOX AT PLATFORM INSTALLATION - 220V CEE7 SIDE GROUND (CE SPECS) .....	128
FIGURE 7-6. AC BOX AT PLATFORM INSTALLATION - 220V AFSINT 107 (CE SPECS).....	130
FIGURE 7-7. AC BOX AT PLATFORM INSTALLATION - 220V CHINA PLUG (CHINA SPECS) .....	132
FIGURE 7-8. AC BOX AT PLATFORM INSTALLATION - 220V LOCALLY SUPPLIED .....	134
FIGURE 7-9. AC BOX AT PLATFORM INSTALLATION - 220V (AUSTRALIAN SPECS) .....	136
FIGURE 7-10. BREAKER BOX KIT WITH 1 DOUBLE BREAKER .....	138
FIGURE 7-11. BREAKER BOX KIT WITH 3 BREAKERS .....	140
FIGURE 7-12. CHASSIS HARNESS .....	142
FIGURE 7-13. GROUND TO PLATFORM CABLE INSTALLATION - WITHOUT PLATFORM COIL CABLE (CHINA BUILT MACHINES).....	146
FIGURE 7-14. GROUND TO PLATFORM CABLE INSTALLATION - WITHOUT PLATFORM COIL CABLE & WITH FOOTSWITCH (CHINA BUILT MACHINES) .....	148
FIGURE 7-15. GROUND TO PLATFORM CABLE INSTALLATION - WITH PLATFORM COIL CABLE (CHINA BUILT MACHINES).....	150
FIGURE 7-16. GROUND TO PLATFORM CABLE INSTALLATION - WITH PLATFORM COIL CABLE & FOOTSWITCH (CHINA BUILT MACHINES) .....	152
FIGURE 7-17. GROUND TO PLATFORM CABLE INSTALLATION - PLATFORM STRAIGHT CABLE ONLY (USA AND EUROPE BUILT MACHINES) .....	154
FIGURE 7-18. GROUND TO PLATFORM CABLE INSTALLATION - PLATFORM COIL CABLE ONLY (USA AND EUROPE BUILT MACHINES) .....	156
FIGURE 7-19. GROUND TO PLATFORM CABLE INSTALLATION - SCISSORS ARMS CABLE ONLY (USA AND EUROPE BUILT MACHINES) .....	158
FIGURE 7-20. LIFT DOWN HARNESS .....	160
FIGURE 7-21. PLATFORM CONTROL BOX HARNESS .....	162
FIGURE 7-22. RECEPTACLE BOX KIT - 110V GFI.....	164
FIGURE 7-23. RECEPTACLE BOX KIT - 110V IEC YELLOW (CE SPEC) .....	166
FIGURE 7-24. RECEPTACLE BOX KIT - 220V CEE7 POST GROUND (CE SPEC) .....	168
FIGURE 7-25. RECEPTACLE BOX KIT - 220V CEE7 SIDE GROUND (CE SPEC) .....	170
FIGURE 7-26. RECEPTACLE BOX KIT - 220V AFSINT 107 (CE SPEC) .....	172
FIGURE 7-27. BREAKER BOX KIT (AUSTRALIAN SPEC) .....	174
FIGURE 7-28. EARTH / GROUND LINK HARNESS .....	176
SECTION 8 - DECALS .....	179
FIGURE 8-1. DECAL INSTALLATION (ANSI SPECS) .....	180
FIGURE 8-2. DECAL INSTALLATION (AUSTRALIAN SPECS) .....	182
FIGURE 8-3. DECAL INSTALLATION (BRAZIL SPECS) .....	184
FIGURE 8-4. DECAL INSTALLATION (CE SPECS) .....	186
FIGURE 8-5. DECAL INSTALLATION (CHINA SPECS) .....	188
FIGURE 8-6. DECAL INSTALLATION (CSA SPECS) .....	190
FIGURE 8-7. DECAL INSTALLATION (KOREAN SPECS) .....	192
FIGURE 8-8. DECAL INSTALLATION (LATIN AMERICAN SPECS) .....	194
FIGURE 8-9. DECAL INSTALLATIONS - OPTIONS .....	196
SECTION 9 - RECOMMENDED SERVICE PARTS STOCK .....	199
FIGURE 9-1. RECOMMENDED SERVICE PARTS STOCK.....	200
SECTION 10 - SPECIAL OPTIONS .....	201
FIGURE 10-1. SPECIAL OPTIONS .....	202
PART NUMBER INDEX.....	203



**SECTION 1 - FRAME**

# SECTION 1 - FRAME

## FIGURE 1-1. STEER INSTALLATION



ART\_1001237696

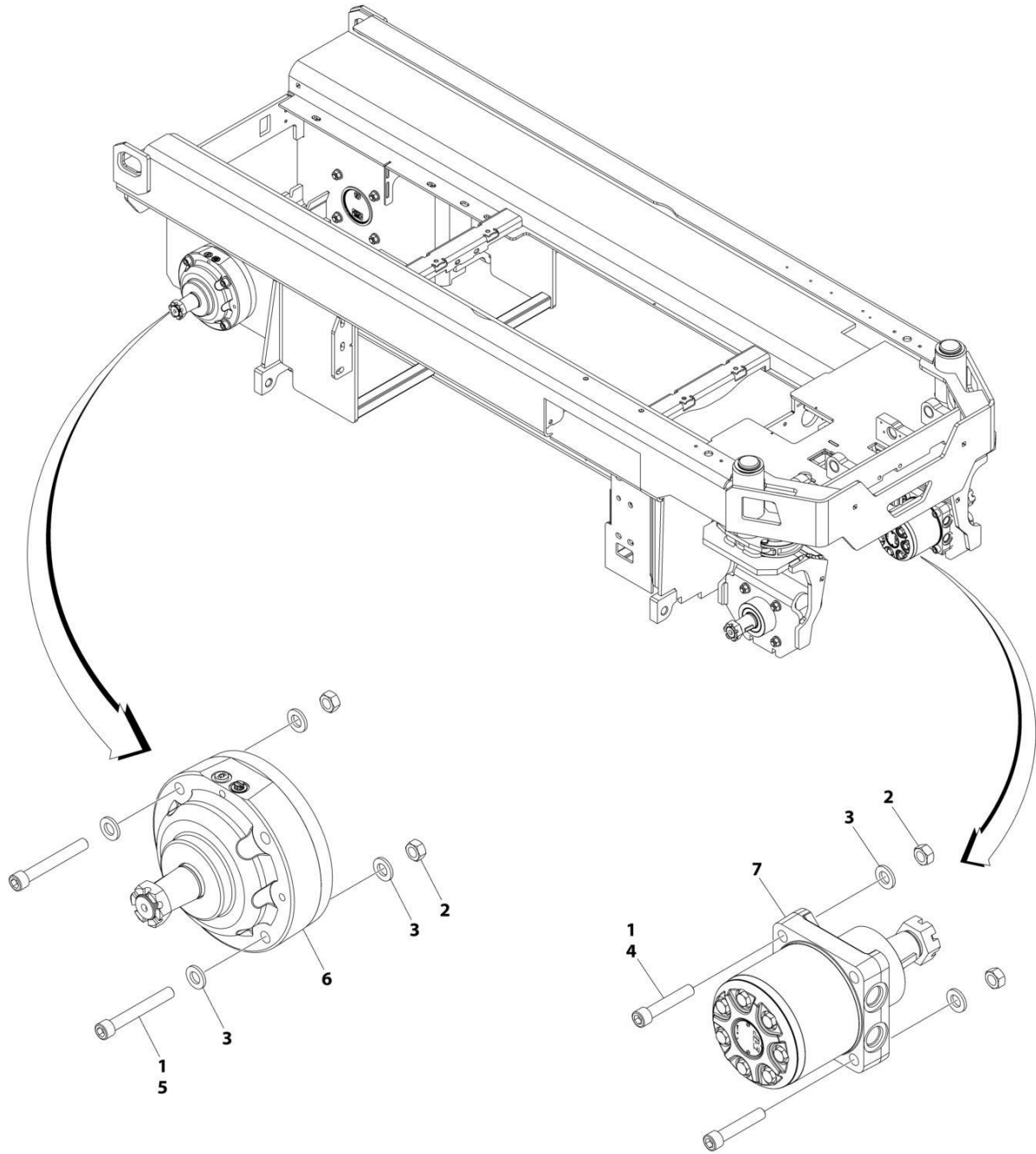
# SECTION 1 - FRAME

## FIGURE 1-1. STEER INSTALLATION

ITEM	PART NUMBER	QTY	DESCRIPTION	REV
	1001237696	Ref	STEER INSTALLATION	A
1	0100011	AR	Compound, Locking	
2	0440259	2	Bearing	
3	0761012	4	Bolt M10 x 25	
4	1380153	4	Clip	
5	3423037	4	Pin	
6	3760217	2	Ring, Retaining	
7	4812000	4	Washer M10	
8	4846757	2	Lug, Steering	
9	1001197396	2	Washer	
10	1001205751	2	Washer	
11	1001234838	2	Spindle	
12	1001179447	1	Steer Cylinder Assembly (See Separate Breakdown in CYLINDER SECTION)	
100	1001153785	4	Bearing (Part of Frame)	

# SECTION 1 - FRAME

## FIGURE 1-2. DRIVE/BRAKE INSTALLATION



ART\_1001244284

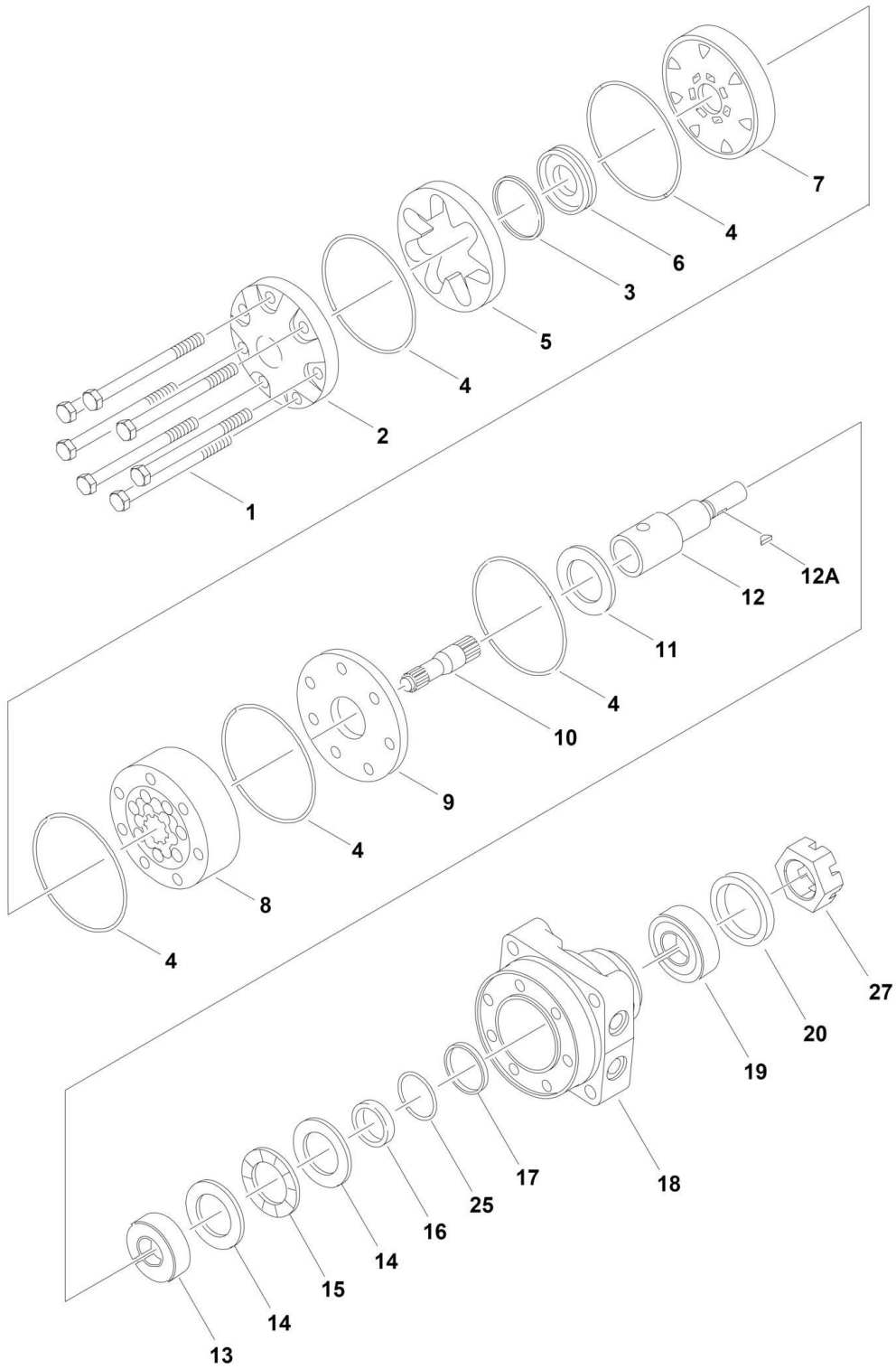
# SECTION 1 - FRAME

## FIGURE 1-2. DRIVE/BRAKE INSTALLATION

ITEM	PART NUMBER	QTY	DESCRIPTION	REV
	1001244284	Ref	DRIVE/BRAKE INSTALLATION	A
1	0100011	AR	Compound, Locking	
2	3331211	16	Nut M12	
3	5241200	24	Washer M12	
4	5272117	8	Capscrew M12 x 65	
5	5272122	8	Capscrew M12 x 90	
6	1001202773	2	Drive Brake Assembly (Note: No Internal Service Parts Available.)	
6	70005918	1	Key, Shaft	
6	70005919	1	Nut 1-1/8	
7	1001213264	2	Drive Motor Assembly (See Separate Breakdown in this Section)	

# SECTION 1 - FRAME

## FIGURE 1-3. DRIVE MOTOR ASSEMBLY



ART\_1001213264

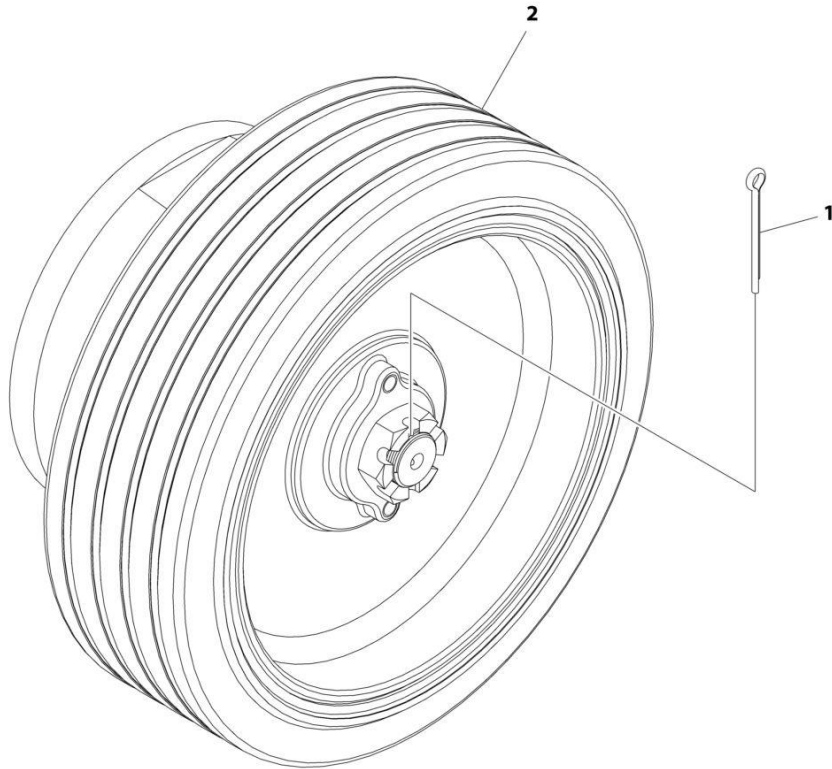
# SECTION 1 - FRAME

## FIGURE 1-3. DRIVE MOTOR ASSEMBLY

ITEM	PART NUMBER	QTY	DESCRIPTION	REV
	1001213264	Ref	DRIVE MOTOR ASSEMBLY	B
1	7023329	7	Bolt	
2	7023328	1	Cover	
3	7023318	1	Seal, Commutator	
4	7023310	5	Ring, Seal	
5	7023315	1	Commutator (Includes Item 6)	
6	See Note	NSS	Ring, Commutator (Use p/n 7023315)	
7	70005812	1	Manifold	
8	70006245	1	Rotor Set	
9	7023311	1	Plate, Wear	
10	70006244	1	Link, Drive	
11	7023308	1	Bearing, Thrust	
12	70005813	1	Shaft	
12A	7023324	1	Key, Shaft (Supplied with Shaft)	
12A	7026179	1	Key, Shaft (Supplied Individually)	
13	7026174	1	Bearing, Inner	
14	70006724	2	Thrustwasher	
15	7023407	1	Bearing, Thrust	
16	70006725	1	Seal	
17	7023321	1	Washer, Backup	
18	See Note	NSS	Housing (Note: Use p/n 1001213264)	
19	7023408	1	Bearing, Outer	
20	70007513	1	Seal, Dirt and Water	
25	7023322	1	Washer, Backup	
27	70005807	1	Nut	

# SECTION 1 - FRAME

## FIGURE 1-4. TIRE/WHEEL INSTALLATION



ART\_1001213928



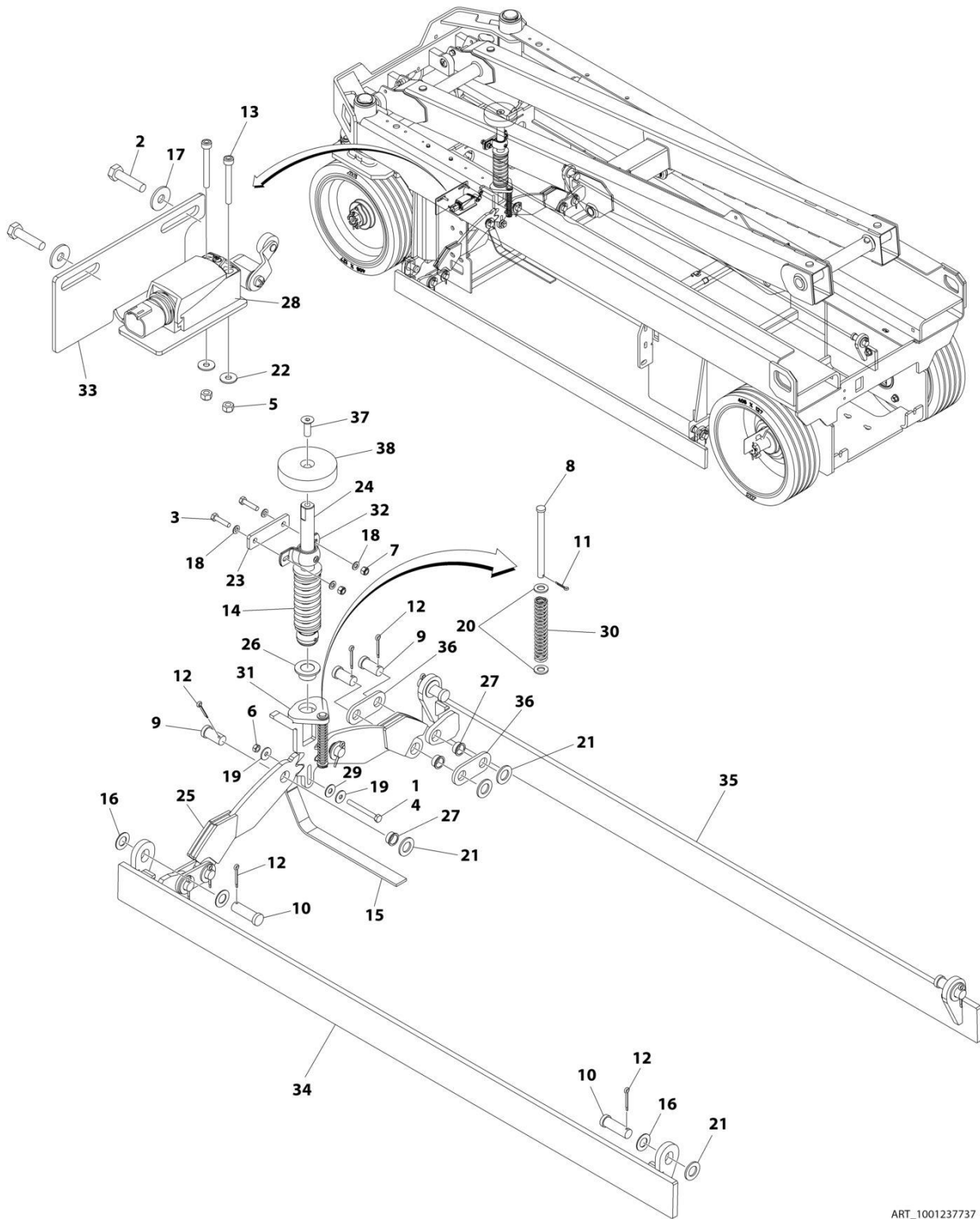
# SECTION 1 - FRAME

## FIGURE 1-4. TIRE/WHEEL INSTALLATION

ITEM	PART NUMBER	QTY	DESCRIPTION	REV
	1001213928	Ref	TIRE AND WHEEL INSTALLATION	A
		Ref	Note: Must Replace Tire and Wheel Assemblies in pairs per axle.	
1	3450508	4	Pin, Cotter 5/32 x 2	
2	1001212187	4	Tire and Wheel	

# SECTION 1 - FRAME

## FIGURE 1-5. POTHOLE PROTECTION SYSTEM INSTALLATION



ART\_1001237737

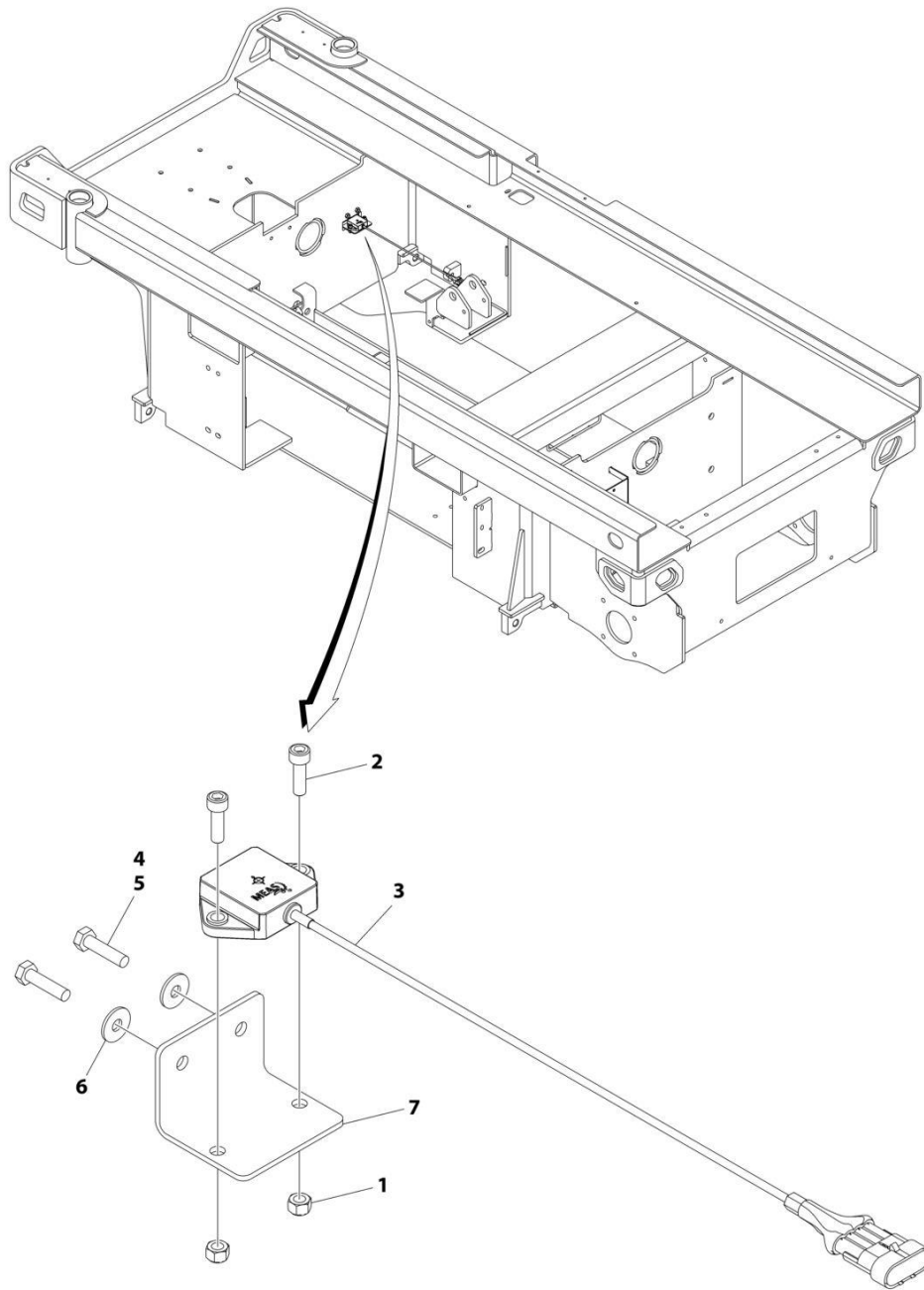
# SECTION 1 - FRAME

## FIGURE 1-5. POTHOLE PROTECTION SYSTEM INSTALLATION

ITEM	PART NUMBER	QTY	DESCRIPTION	REV
	1001237737	Ref	POTHOLE PROTECTION SYSTEM INSTALLATION	D
1	0100011	AR	Compound, Locking	
2	0700612	2	Bolt M6 x 25	
3	0700815	2	Bolt M8 x 35	
4	0700823	1	Bolt M8 x 75	
5	3290405	2	Nut M4	
6	3290801	1	Nut M8	
7	3290805	2	Nut M8	
8	3430636	1	Pin	
9	3431212	6	Pin	
10	3431218	4	Pin	
11	3450302	1	Pin, Cotter 7/8 x 1/2	
12	3450505	10	Pin, Cotter 5/32 x 1/2	
13	4031511	2	Capscrew M4 x 35	
14	4160202	1	Spring	
15	4240147	1	Strap, Anti-Static	
16	4740086	4	Washer	
17	4811702	2	Washer M6	
18	4811900	4	Washer M8	
19	4811902	2	Washer M8	
20	4812000	2	Washer M10	
21	4812500	10	Washer M20	
22	1001091102	2	Washer M4	
23	1001202987	1	Plate, Mounting	
24	1001202988	1	Actuator (Upper) <b>(Prior to SN B200055199)</b>	
24	1001214528	1	Actuator (Upper) <b>(SN B200055199 to Present)</b>	
25	1001243781	2	Plate, Pinion	
26	1001203869	1	Bearing	
27	1001203870	6	Bearing	
28	1001203871	1	Switch, Limit	
29	1001203872	1	Washer 3/8	
30	1001227855	1	Spring	
31	1001214526	1	Actuator (Lower)	
32	1001215953	1	Bearing	
33	1001218307	1	Plate, Sensor Mounting	
34	1001234797	1	Bar (LH)	
35	1001234798	1	Bar (RH)	
36	1001236849	4	Link	
37	1001110302	1	Bolt M12 x 35 <b>(SN B200055199 to Present)</b>	
38	1001214534	1	Pad, Actuator <b>(SN B200055199 to Present)</b>	

# SECTION 1 - FRAME

## FIGURE 1-6. TILT SENSOR INSTALLATION



ART\_1001214217

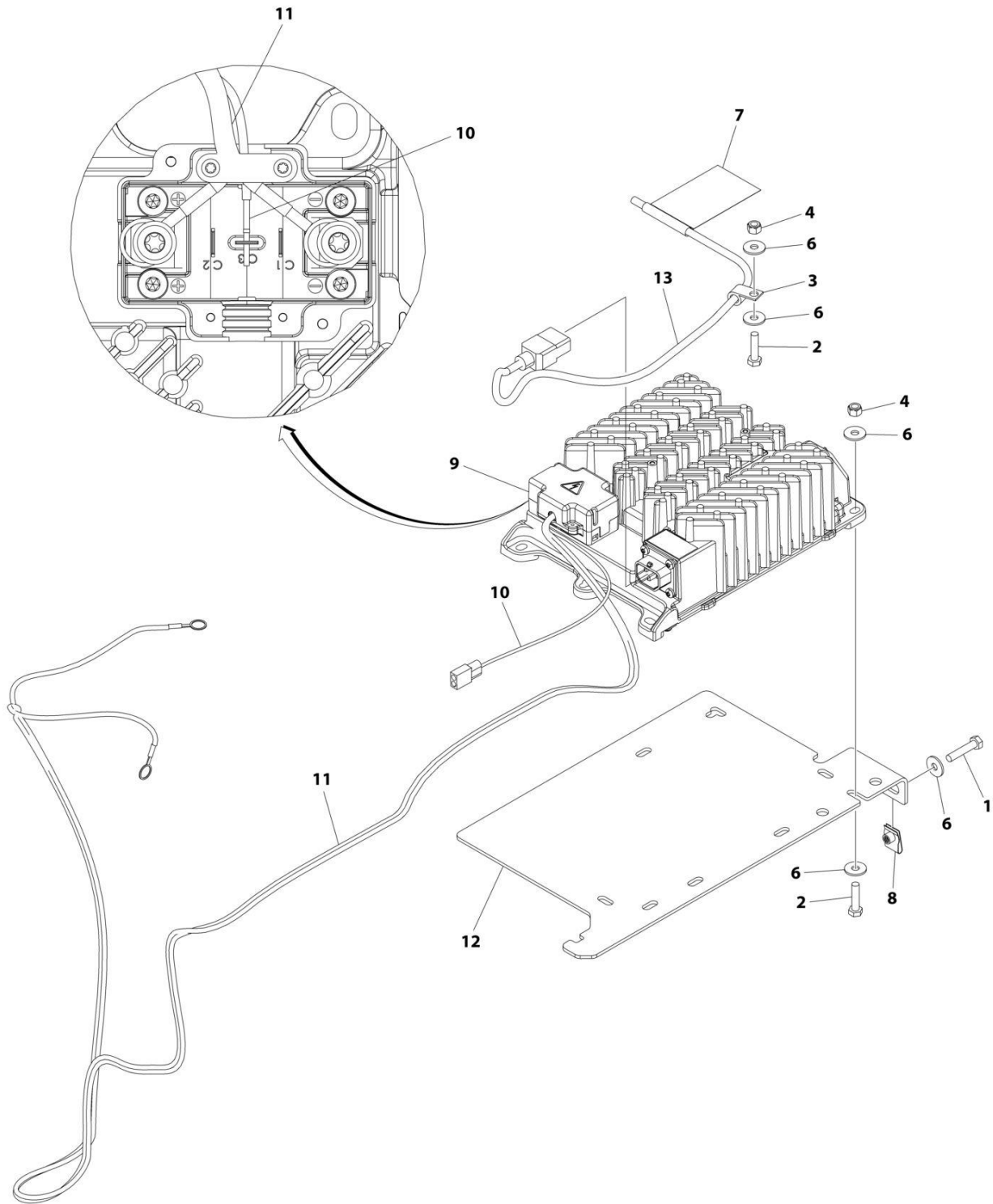
# SECTION 1 - FRAME

## FIGURE 1-6. TILT SENSOR INSTALLATION

ITEM	PART NUMBER	QTY	DESCRIPTION	REV
	1001214217	Ref	TILT SENSOR INSTALLATION	D
1	3290601	2	Nut M6	
2	4031708	2	Capscrew M6 x 20	
3	1001186466	1	Sensor, Tilt	
4	0100011	AR	Compound, Locking	
5	0700612	2	Bolt M6 x 25	
6	4811702	2	Washer M6	
7	1001217059	1	Plate, Mounting	

# SECTION 1 - FRAME

FIGURE 1-7. BATTERY CHARGER INSTALLATION - DELTA-Q (LOCALLY SUPPLIED PLUG)



ART\_1001235153

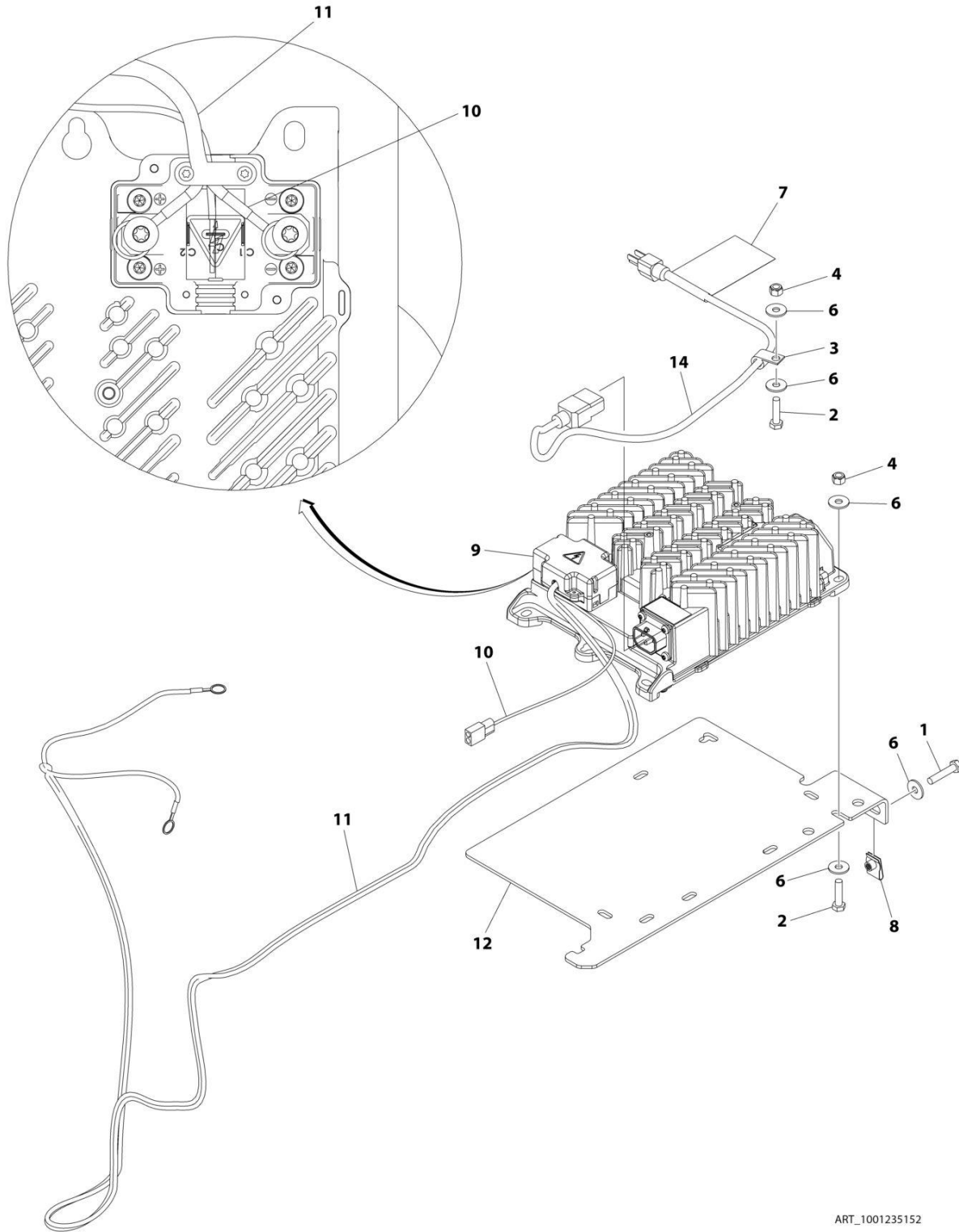
## SECTION 1 - FRAME

**FIGURE 1-7. BATTERY CHARGER INSTALLATION - DELTA-Q (LOCALLY SUPPLIED PLUG)**

ITEM	PART NUMBER	QTY	DESCRIPTION	REV
	1001235153	Ref	BATTERY CHARGER INSTALLATION - DELTA-Q (LOCALLY SUPPLIED PLUG)	C
1	0700614	2	Bolt M6 x 30	
2	0760612	3	Bolt M6 x 25	
3	1321293	1	Clamp	
4	3290605	3	Nut M6	
5	4240017	AR	Tie-Strap (Not Shown)	
6	4811702	8	Washer M6	
7	1001102489	1	Decal - Charger	
8	1001130220	2	Nut, Tinnerman M6	
9	1001200561	1	Charger, Battery - Delta-Q	
10	1001207009	1	Charger Interlock Harness	
10	4460424	1	Receptacle, Female - 2 Position	
10	4460227	2	Pin, Male	
11	1001235105	1	Charger DC Connection Harness	
12	1001236139	1	Bracket	
13	1001207974	1	Cable, Charger AC Input	

# SECTION 1 - FRAME

## FIGURE 1-8. BATTERY CHARGER INSTALLATION - DELTA-Q (110V PLUG)



ART\_1001235152



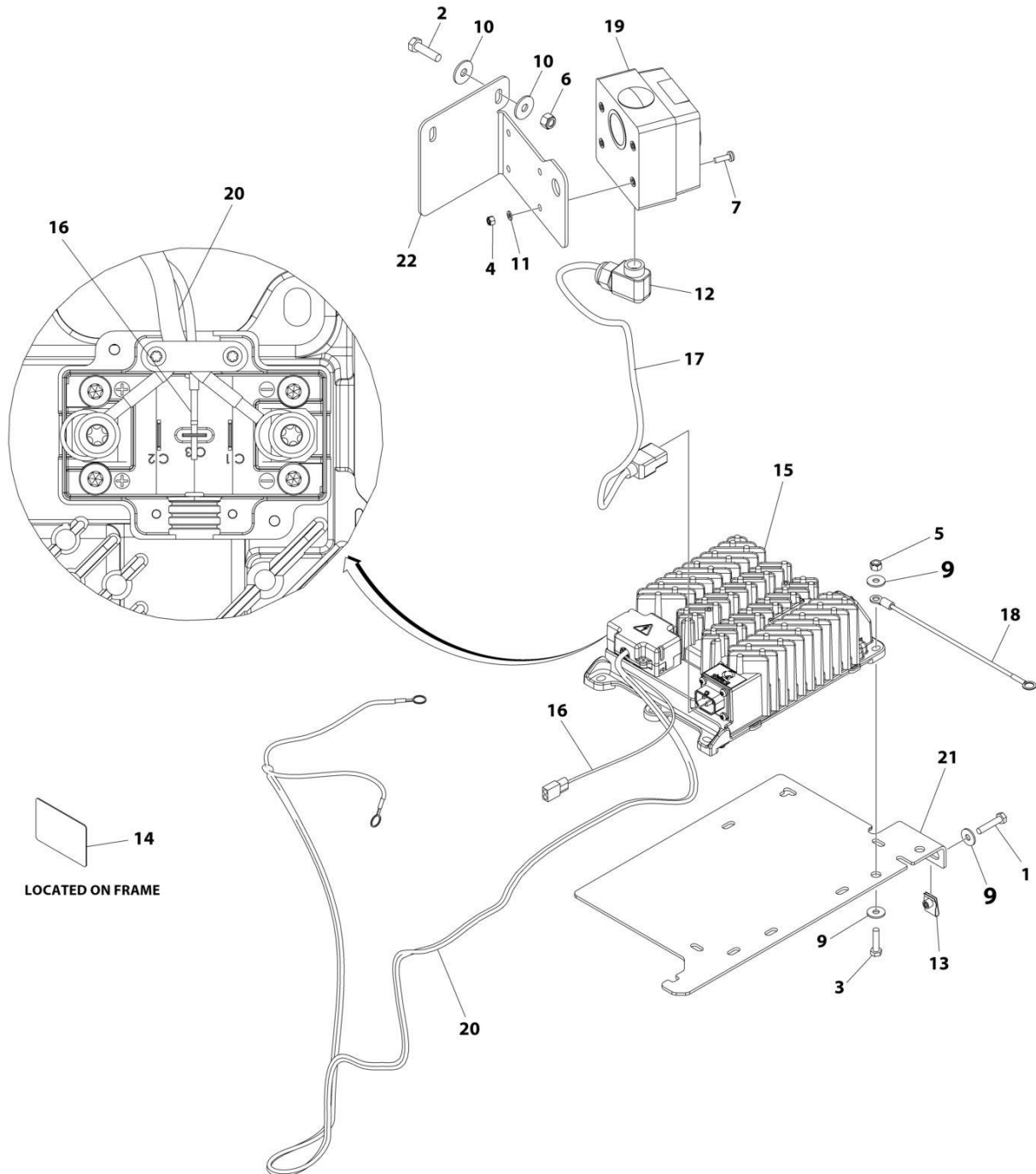
## SECTION 1 - FRAME

**FIGURE 1-8. BATTERY CHARGER INSTALLATION - DELTA-Q (110V PLUG)**

ITEM	PART NUMBER	QTY	DESCRIPTION	REV
	1001235152	Ref	BATTERY CHARGER INSTALLATION - DELTA-Q (110V PLUG)	B
1	0700614	2	Bolt M6 x 30	
2	0760612	3	Bolt M6 x 25	
3	1321293	1	Clamp	
4	3290605	3	Nut M6	
5	4240017	AR	Tie-Strap (Not Shown)	
6	4811702	8	Washer M6	
7	1001102489	1	Decal - Charger	
8	1001130220	2	Nut Tinnerman, M6	
9	1001200561	1	Charger, Battery - Delta-Q	
10	1001207009	1	Charger Interlock Harness	
10	4460424	1	Receptacle, Female - 2 Position	
10	4460227	2	Pin, Male	
11	1001235105	1	Charger DC Connection Harness	
12	1001236139	1	Bracket	
14	1001207970	1	Charger AC Input Cable	

# SECTION 1 - FRAME

## FIGURE 1-9. BATTERY CHARGER INSTALLATION - DELTA-Q (AUSTRALIAN PLUG)



ART\_1001244607

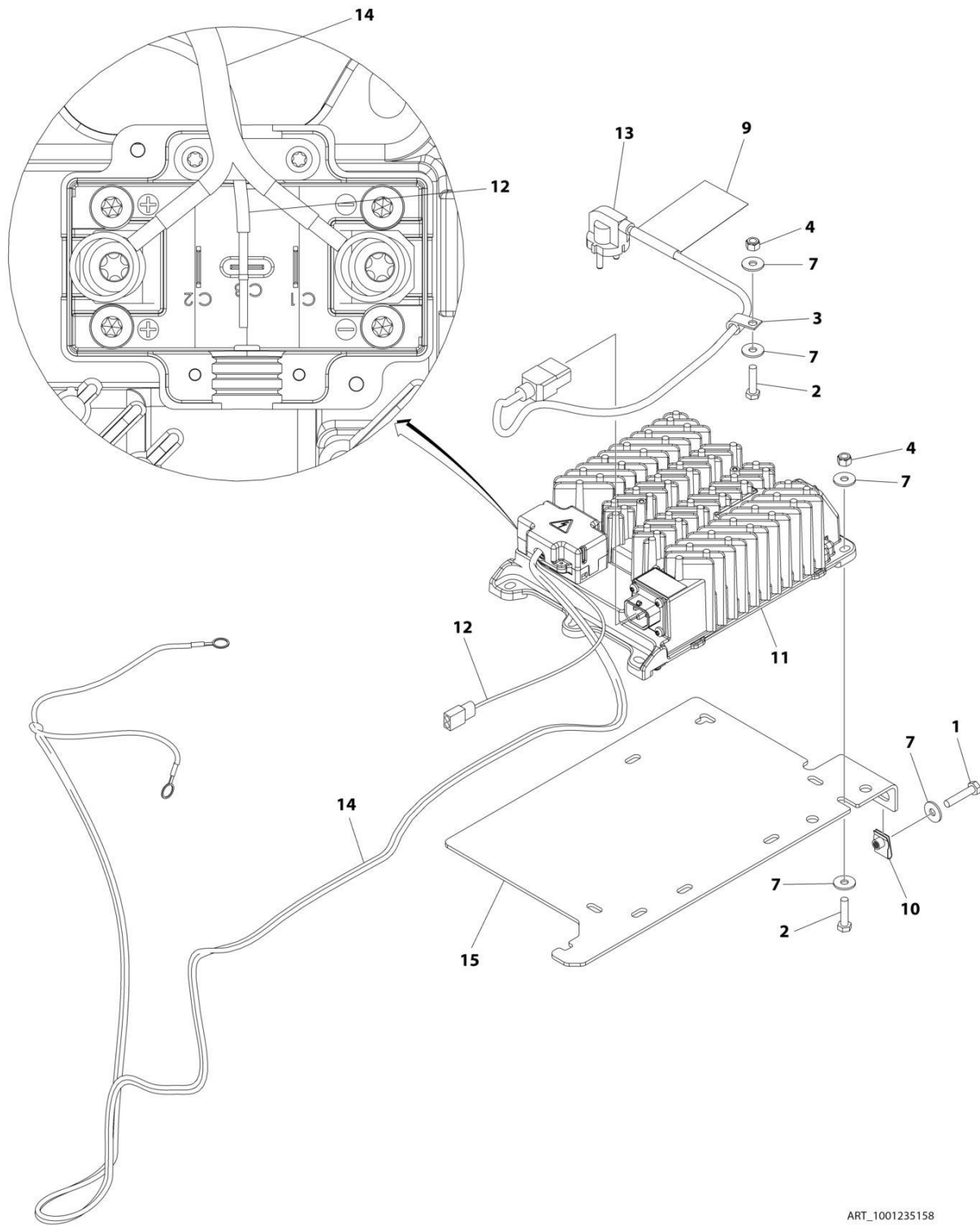
## SECTION 1 - FRAME

**FIGURE 1-9. BATTERY CHARGER INSTALLATION - DELTA-Q (AUSTRALIAN PLUG)**

ITEM	PART NUMBER	QTY	DESCRIPTION	REV
	1001244607	Ref	BATTERY CHARGER INSTALLATION - DELTA-Q (AUSTRALIAN PLUG)	B
1	0700614	2	Bolt M6 x 30	
2	0700814	2	Bolt M8 x 30	
3	0760612	3	Bolt M6 x 25	
4	3290505	4	Nut M5	
5	3290605	3	Nut M6	
6	3290805	2	Nut M8	
7	3900381	4	Screw M5 x 16	
8	4240017	AR	Tie-Strap (Not Shown)	
9	4811702	8	Washer M6	
10	4811902	4	Washer M8	
11	4831600	4	Washer M5	
12	1001103471	1	Connector Strain Relief 90	
13	1001130220	2	Nut Tinnerman M6	
14	1001134280	1	Decal - Charger	
15	1001200561	1	Charger, Battery - Delta-Q	
16	1001207009	1	Charger Interlock Harness	
16	4460424	1	Receptacle, Female - 2 Position	
16	4460227	2	Pin, Male	
17	1001207974	1	Cable, Charger AC Input	
18	1001227219	1	Ground Harness	
19	1001227267	1	Receptacle Australian - 230V	
20	1001235105	1	Charger DC Connection Harness	
21	1001236139	1	Bracket	
22	1001244644	1	Bracket	

# SECTION 1 - FRAME

## FIGURE 1-10. BATTERY CHARGER INSTALLATION - DELTA-Q (KOREAN PLUG)



ART\_1001235158

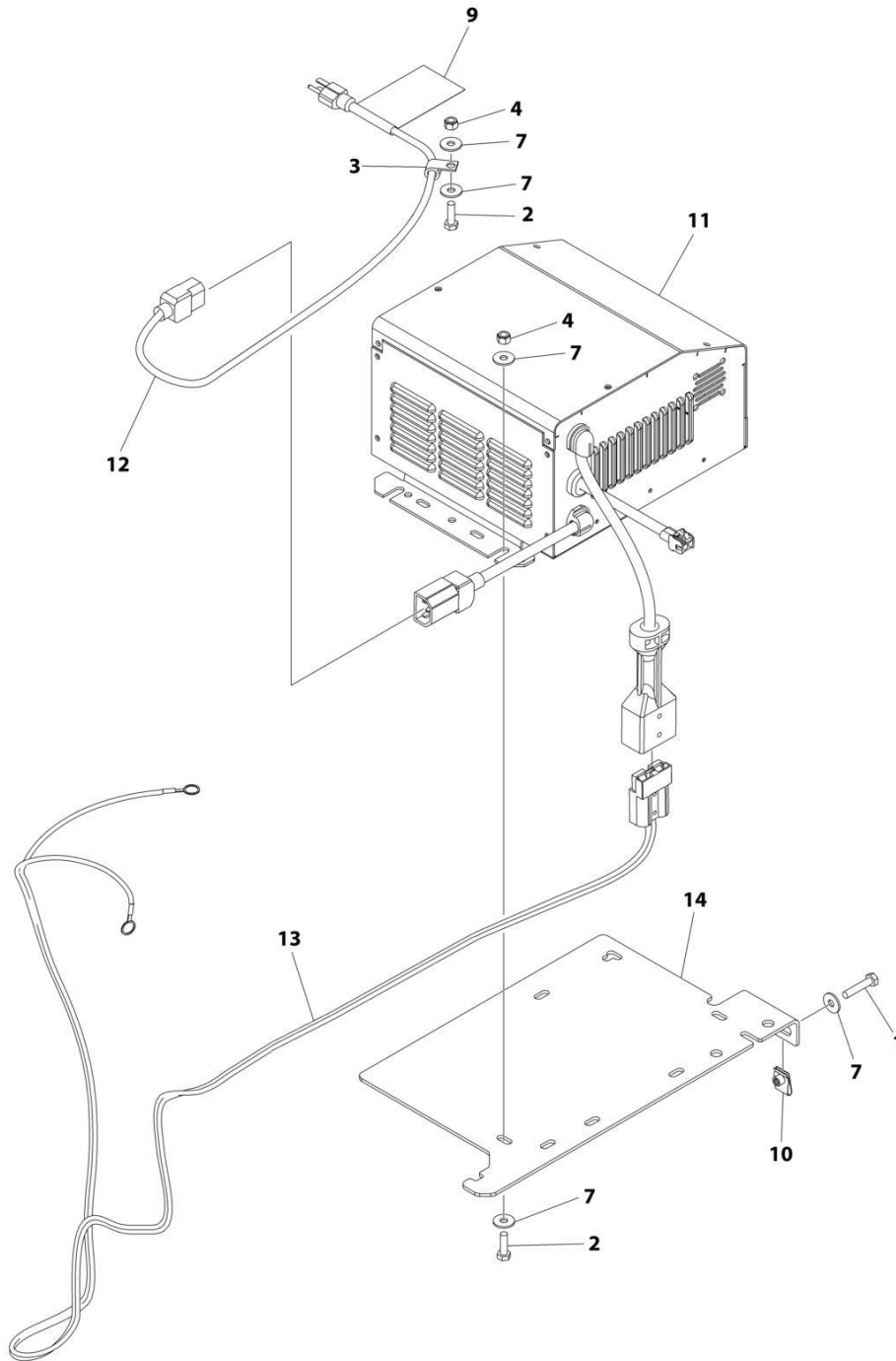
## SECTION 1 - FRAME

**FIGURE 1-10. BATTERY CHARGER INSTALLATION - DELTA-Q (KOREAN PLUG)**

ITEM	PART NUMBER	QTY	DESCRIPTION	REV
	1001235158	Ref	BATTERY CHARGER INSTALLATION - DELTA-Q (KOREAN PLUG)	C
1	0700614	2	Bolt M6 x 30	
2	0760612	3	Bolt M6 x 25	
3	1321293	1	Clamp	
4	3290605	3	Nut M6	
6	4240017	AR	Tie-Strap (Not Shown)	
7	4811702	8	Washer M6	
9	1001102489	1	Decal - Charger	
10	1001130220	2	Nut, Tinnerman M6	
11	1001200561	1	Charger, Battery - Delta-Q	
12	1001207009	1	Charger Interlock Harness	
12	4460424	1	Receptacle, Female - 2 Position	
12	4460227	2	Pin, Male	
13	1001221949	1	Cable, Charger AC Input (With Korean Plug)	
14	1001235105	1	Charger DC Connection Harness	
15	1001236139	1	Bracket	

# SECTION 1 - FRAME

FIGURE 1-11. BATTERY CHARGER INSTALLATION - EAGLE PERFORMANCE (110V PLUG)



ART\_1001235157

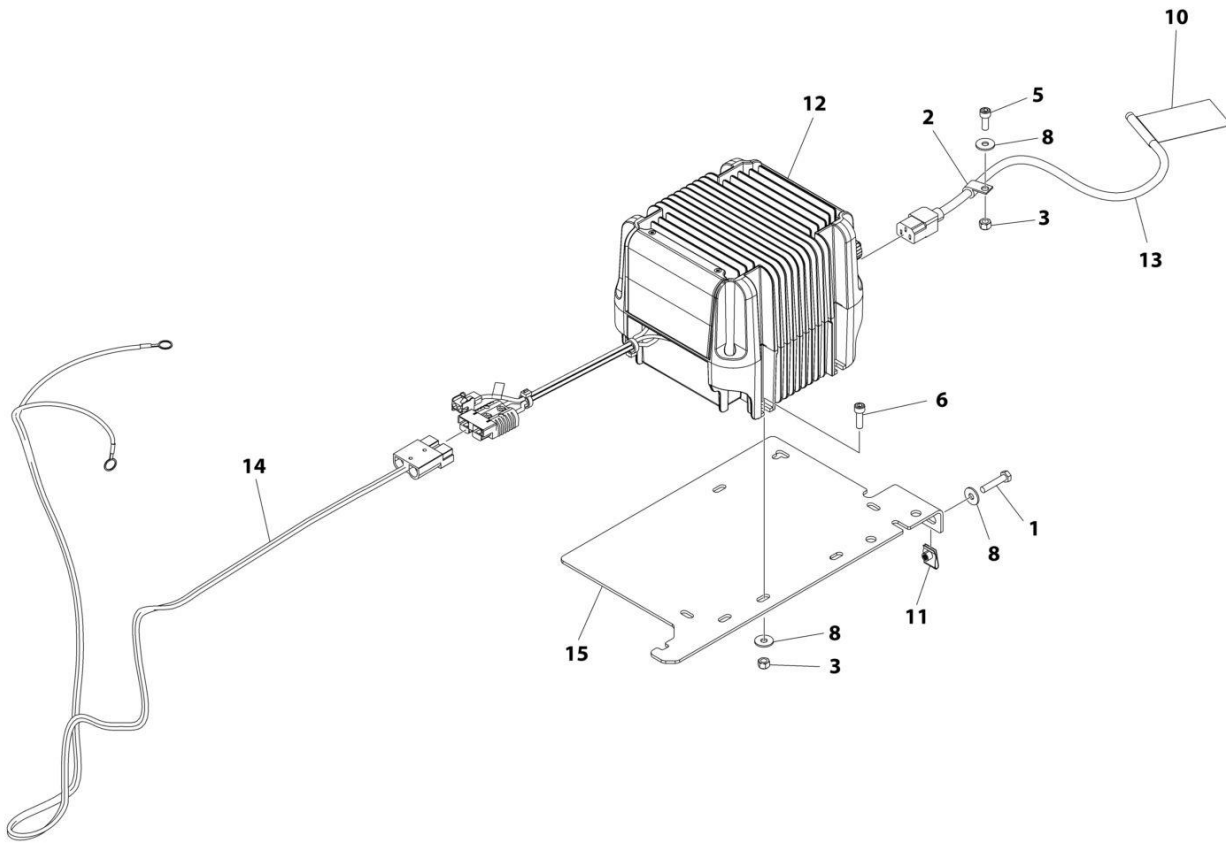
## SECTION 1 - FRAME

**FIGURE 1-11. BATTERY CHARGER INSTALLATION - EAGLE PERFORMANCE (110V PLUG)**

ITEM	PART NUMBER	QTY	DESCRIPTION	REV
	1001235157	Ref	BATTERY CHARGER INSTALLATION - EAGLE PERFORMANCE (110V PLUG)	C
1	0700614	2	Bolt M6 x 30	
2	0760610	3	Bolt M6 x 20	
3	1321293	1	Clamp	
4	3290605	3	Nut M6	
6	4240017	AR	Tie-Strap (Not Shown)	
7	4811702	8	Washer M6	
9	1001102489	1	Decal - Charger	
10	1001130220	2	Nut, Tinnerman M6	
11	1001206995	1	Charger, Battery - Eagle Performance	
12	1001207970	1	Cable, Charger AC Input	
13	1001235946	1	Charger DC Connection Harness	
14	1001236139	1	Bracket	

# SECTION 1 - FRAME

## FIGURE 1-12. BATTERY CHARGER INSTALLATION - GREEN POWER (LOCALLY SUPPLIED PLUG)



ART\_1001235156



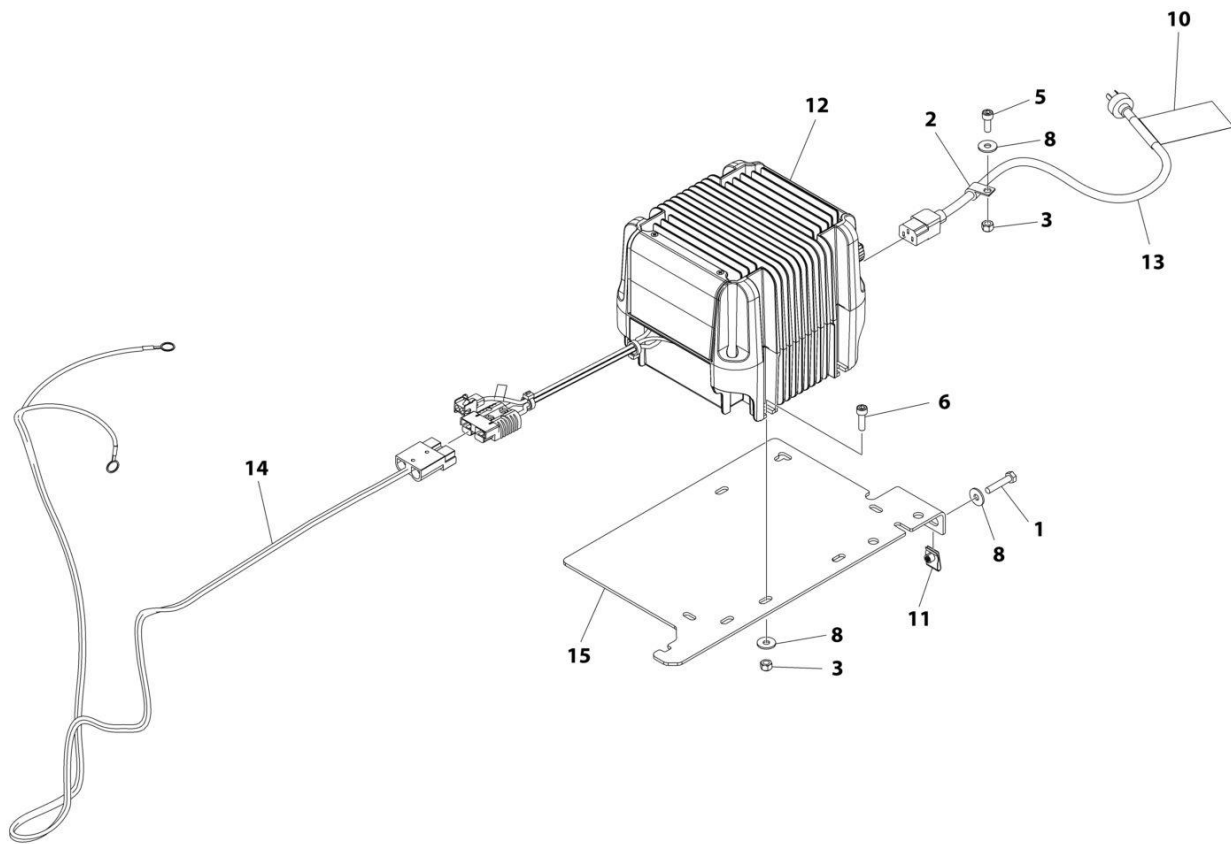
## SECTION 1 - FRAME

**FIGURE 1-12. BATTERY CHARGER INSTALLATION - GREEN POWER (LOCALLY SUPPLIED PLUG)**

ITEM	PART NUMBER	QTY	DESCRIPTION	REV
	1001235156	Ref	BATTERY CHARGER INSTALLATION - GREEN POWER (LOCALLY SUPPLIED PLUG)	C
1	0700614	2	Bolt M6 x 30	
2	1321293	1	Clamp, Cable	
3	3290605	4	Nut M6	
5	4031707	1	Capscrew M6 x 16	
6	4031708	3	Capscrew M6 x 20	
7	4240017	AR	Tie-Strap (Not Shown)	
8	4811702	6	Washer M6	
10	1001102489	1	Decal - Charger	
11	1001130220	2	Nut, Tinnerman M6	
12	1001205598	1	Charger, Battery Green Power	
13	1001207974	1	Cable, Charger AC Input	
14	1001235946	1	Charger DC Connection Harness	
15	1001236139	1	Bracket	

# SECTION 1 - FRAME

## FIGURE 1-13. BATTERY CHARGER INSTALLATION - GREEN POWER (CHINA PLUG)



ART\_1001235154

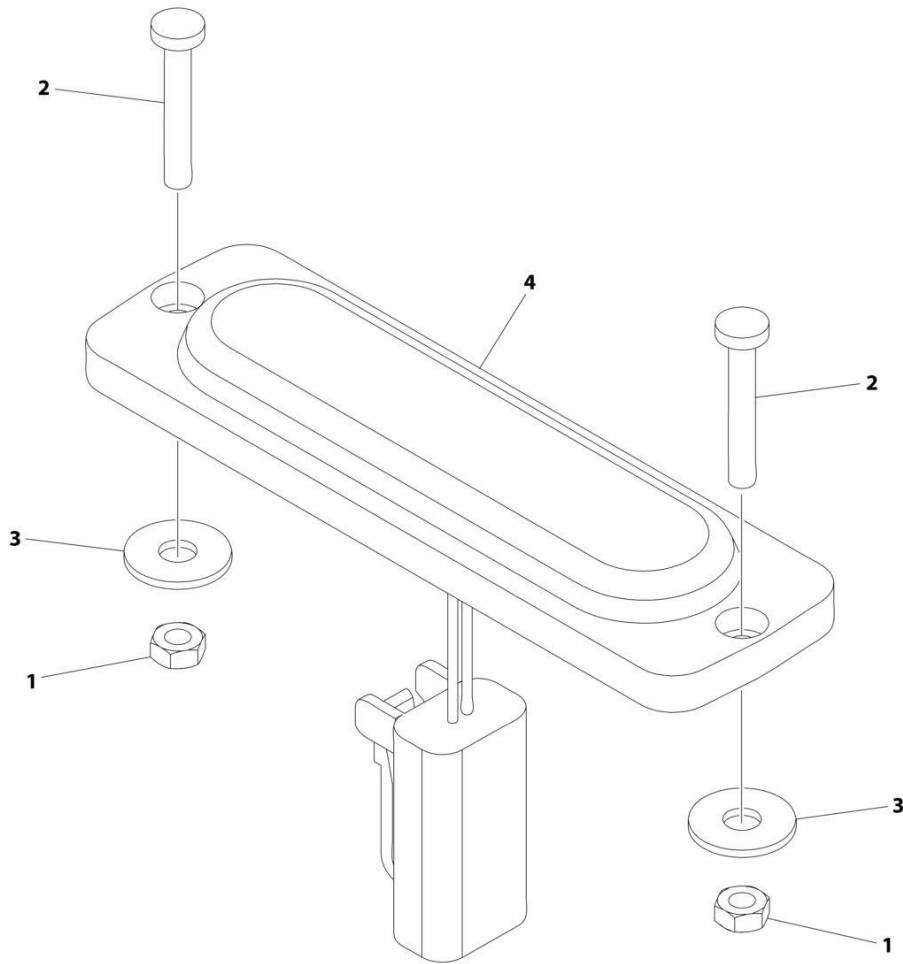
## SECTION 1 - FRAME

**FIGURE 1-13. BATTERY CHARGER INSTALLATION - GREEN POWER (CHINA PLUG)**

ITEM	PART NUMBER	QTY	DESCRIPTION	REV
	1001235154	Ref	BATTERY CHARGER INSTALLATION - GREEN POWER (CHINA PLUG)	C
1	0700614	2	Bolt M6 x 30	
2	1321293	1	Clamp, Cable	
3	3290605	4	Nut, M6	
5	4031707	1	Capscrew M6 x 16	
6	4031708	3	Capscrew M6 x 20	
7	4240017	AR	Tie-Strap (Not Shown)	
8	4811702	6	Washer M6	
10	1001102489	1	Decal - Charger	
11	1001130220	2	Nut, Tinnerman M6	
12	1001205598	1	Charger, Battery Green Power	
13	1001207973	1	Cable, Charger AC Input	
14	1001235946	1	Charger DC Connection Harness	
15	1001236139	1	Bracket	

# SECTION 1 - FRAME

FIGURE 1-14. STROBE LIGHT INSTALLATION - SINGLE (AMBER) (WITHOUT GUARD)



ART\_1001242988

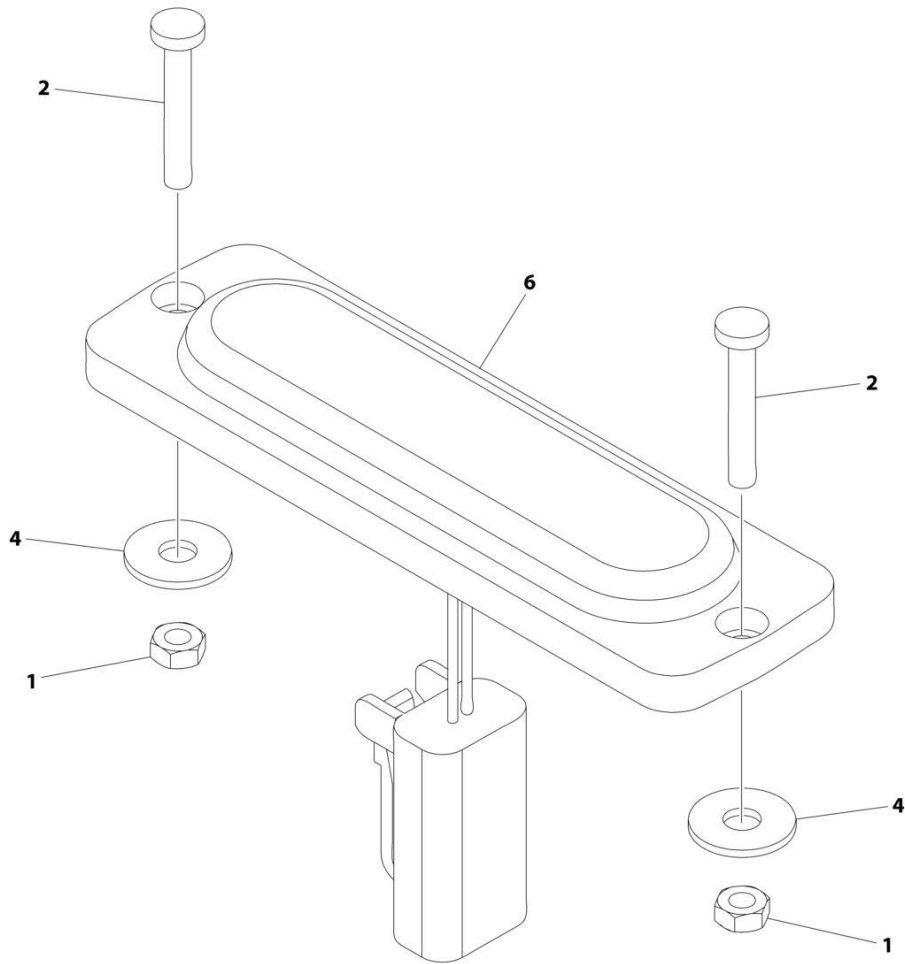
## SECTION 1 - FRAME

**FIGURE 1-14. STROBE LIGHT INSTALLATION - SINGLE (AMBER) (WITHOUT GUARD)**

ITEM	PART NUMBER	QTY	DESCRIPTION	REV
	1001242988	Ref	STROBE LIGHT INSTALLATION - SINGLE (AMBER) (WITHOUT GUARD)	C
1	3290305	2	Nut M3	
2	4010310	2	Screw M3 x 20	
3	1001091102	2	Washer M4	
4	1001239224	1	Light, Strobe	
4	4460891	1	Plug, Male - 2 Position	
4	4460465	2	Socket, Female	

# SECTION 1 - FRAME

## FIGURE 1-15. STROBE LIGHT INSTALLATION - DUAL (AMBER) (WITHOUT GUARD)



ART\_1001242989

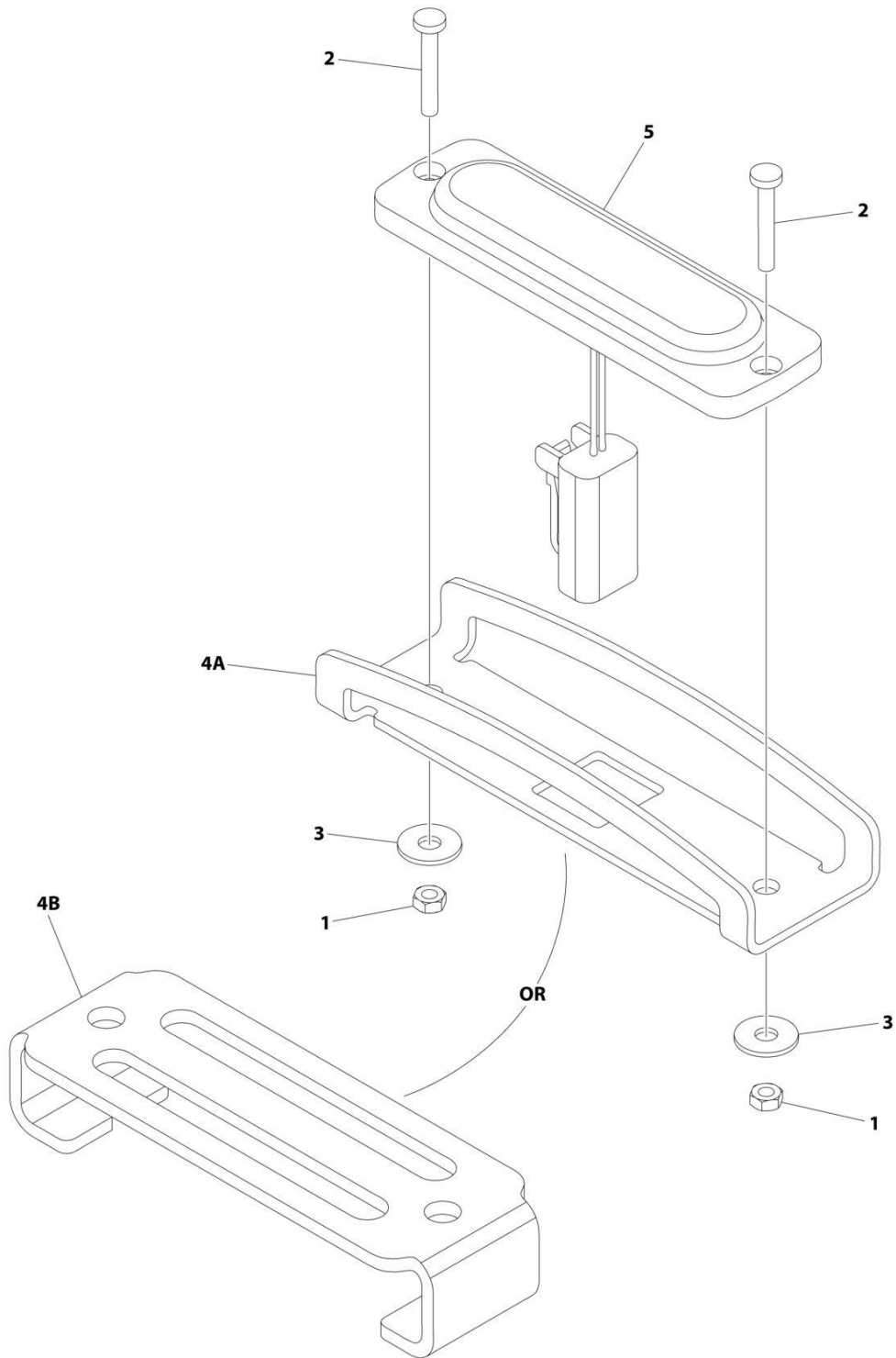
## SECTION 1 - FRAME

**FIGURE 1-15. STROBE LIGHT INSTALLATION - DUAL (AMBER) (WITHOUT GUARD)**

ITEM	PART NUMBER	QTY	DESCRIPTION	REV
	1001242989	Ref	STROBE LIGHT INSTALLATION - DUAL (AMBER) (WITHOUT GUARD)	C
1	3290305	4	Nut M3	
2	4010310	4	Screw M3 x 20	
3	4240018	AR	Tie-Strap (Not Shown)	
4	1001091102	4	Washer M4	
5	1001215216	1	Strobe Light Jumper Harness (Not Shown)	
5	4460897	2	Receptacle, Female - 2 Position	
5	4460464	4	Pin, Male	
5	4460891	1	Plug, Male - 2 Position	
5	4460465	2	Socket, Female	
6	1001239224	2	Light, Strobe	
6	4460891	1	Plug, Male - 2 Position	
6	4460465	2	Socket, Female	

# SECTION 1 - FRAME

## FIGURE 1-16. STROBE LIGHT INSTALLATION - SINGLE (AMBER) (WITH GUARD)



ART\_1001242697



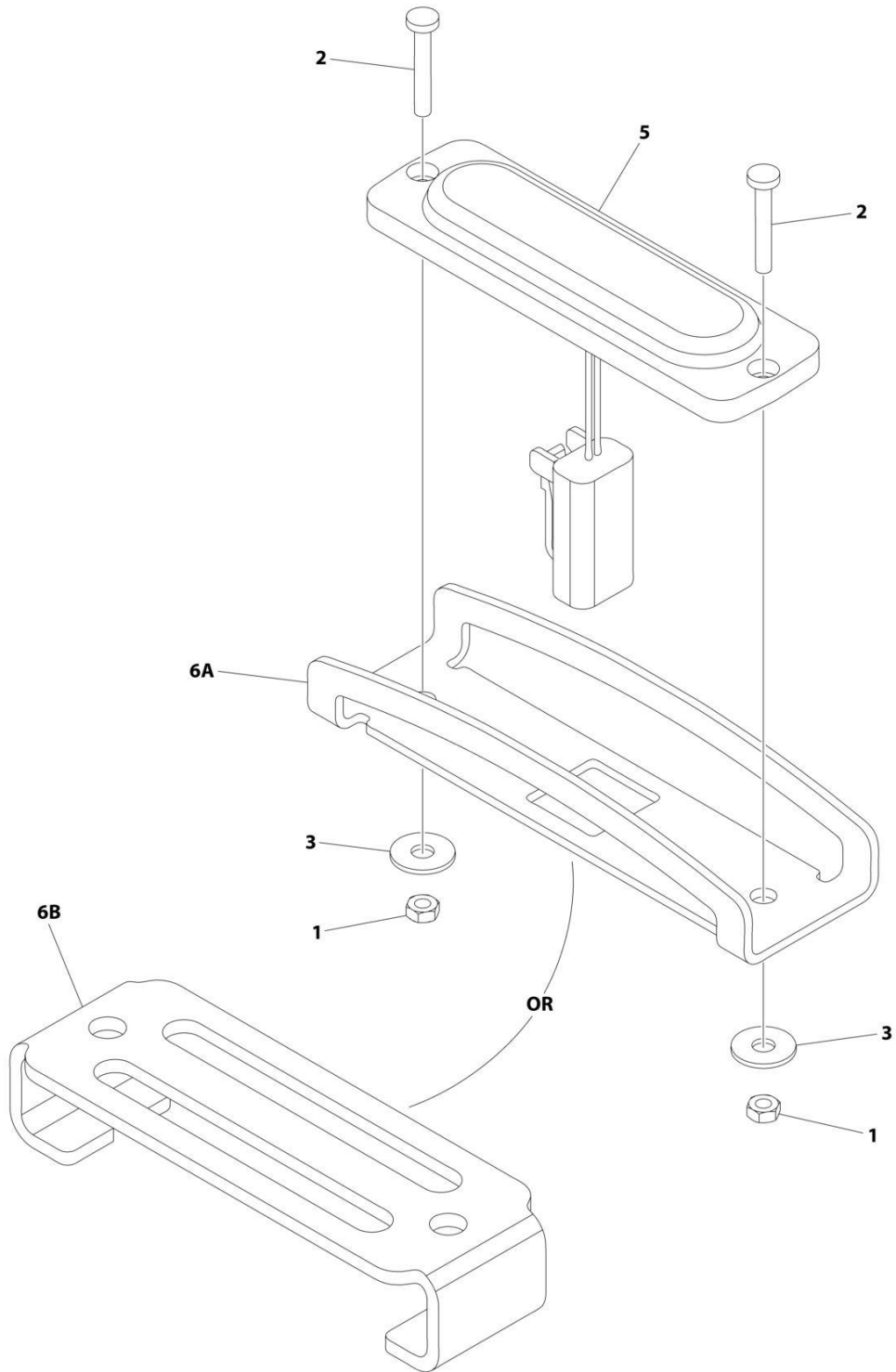
# SECTION 1 - FRAME

## FIGURE 1-16. STROBE LIGHT INSTALLATION - SINGLE (AMBER) (WITH GUARD)

ITEM	PART NUMBER	QTY	DESCRIPTION	REV
	1001242697	Ref	STROBE LIGHT INSTALLATION - SINGLE (AMBER) (WITH GUARD)	D
1	3290305	2	Nut M3	
2	4010310	2	Screw M3 x 20	
3	1001091102	2	Washer M4	
4A	1001242539	1	Guard	
4B	1001239661	1	Cover	
5	1001239224	1	Light, Strobe	
5	4460891	1	Plug, Male - 2 Position	
5	4460465	2	Socket, Female	

# SECTION 1 - FRAME

## FIGURE 1-17. STROBE LIGHT INSTALLATION - DUAL (AMBER) (WITH GUARD)



ART\_1001242990

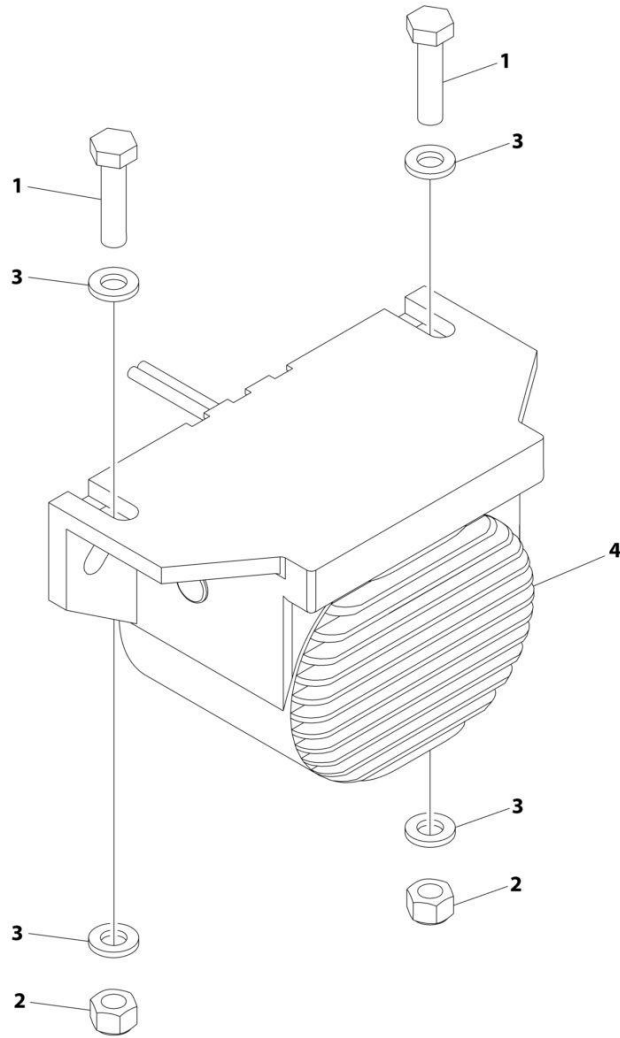
## SECTION 1 - FRAME

**FIGURE 1-17. STROBE LIGHT INSTALLATION - DUAL (AMBER) (WITH GUARD)**

ITEM	PART NUMBER	QTY	DESCRIPTION	REV
	1001242990	Ref	STROBE LIGHT INSTALLATION - DUAL (AMBER) (WITH GUARD)	D
1	3290305	4	Nut M3	
2	4010310	4	Screw M3 x 20	
3	1001091102	4	Washer M4	
4	1001215216	1	Strobe Light Jumper Harness (Not Shown)	
4	4460897	2	Receptacle, Female - 2 Position	
4	4460464	4	Pin, Male	
4	4460891	1	Plug, Male - 2 Position	
4	4460465	2	Socket, Female	
5	1001239224	2	Light, Strobe	
5	4460891	1	Plug, Male - 2 Position	
5	4460465	2	Socket, Female	
6A	1001242539	2	Guard	
6B	1001239661	2	Cover	
7	4240018	AR	Tie-Strap (Not Shown)	

# SECTION 1 - FRAME

FIGURE 1-18. ALARM INSTALLATION (AMBIENT/WHITE NOISE)



ART\_1001204495

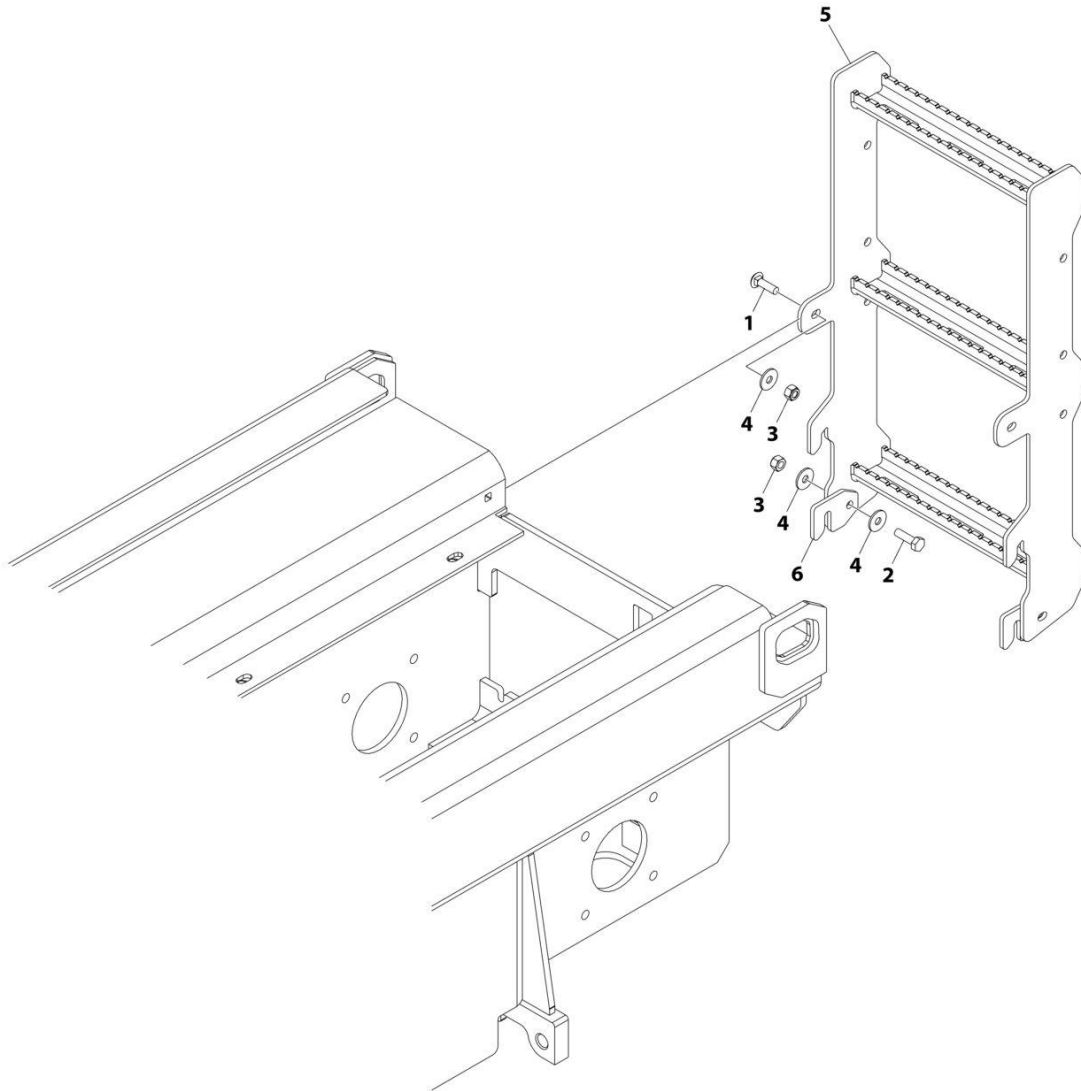
# SECTION 1 - FRAME

## FIGURE 1-18. ALARM INSTALLATION (AMBIENT/WHITE NOISE)

ITEM	PART NUMBER	QTY	DESCRIPTION	REV
	1001204495	Ref	ALARM INSTALLATION (AMBIENT/WHITE NOISE)	B
1	0760612	2	Bolt M6 x 25	
2	3290605	2	Nut M6	
3	4811700	4	Washer M6	
4	1001182806	1	Alarm	
4	4460897	1	Receptacle, Female - 2 Position	
4	4460464	2	Pin, Male	

# SECTION 1 - FRAME

## FIGURE 1-19. LADDER INSTALLATION



ART\_1001237707

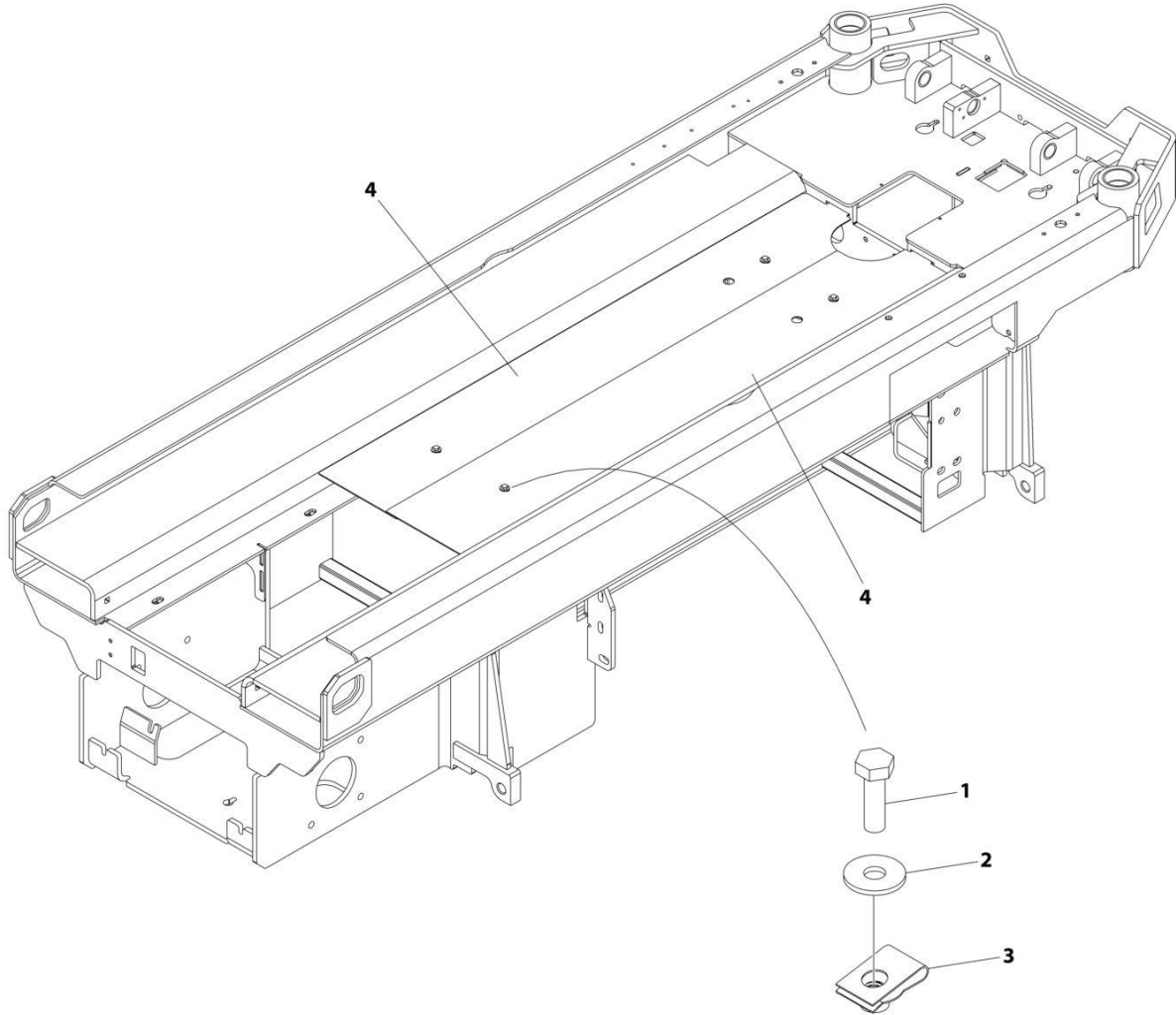
# SECTION 1 - FRAME

## FIGURE 1-19. LADDER INSTALLATION

ITEM	PART NUMBER	QTY	DESCRIPTION	REV
	1001237707	Ref	LADDER INSTALLATION	B
1	1001228406	2	Bolt M10 x 35	
2	0761015	2	Bolt M10 x 35	
3	3291005	4	Nut M10	
4	4812002	6	Washer M10	
5	1001234842	1	Ladder	
6	1001235955	2	Bracket	
6	1001237708	2	Bracket	

# SECTION 1 - FRAME

## FIGURE 1-20. FRAME COVERS INSTALLATION



ART\_1001237855



# SECTION 1 - FRAME

## FIGURE 1-20. FRAME COVERS INSTALLATION

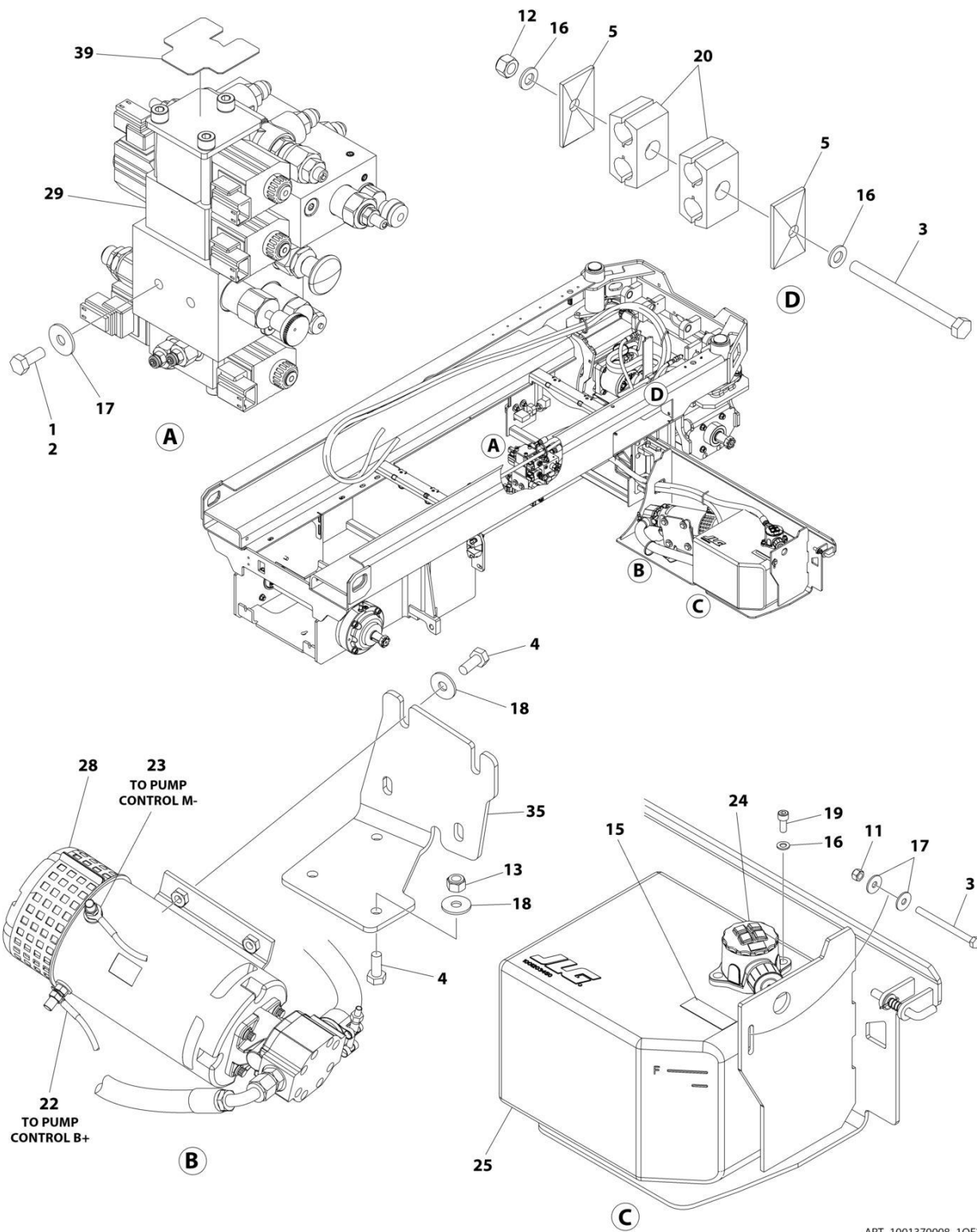
ITEM	PART NUMBER	QTY	DESCRIPTION	REV
	1001237855	Ref	FRAME COVERS INSTALLATION	A
1	0760610	4	Bolt M6 x 20	
2	4811702	4	Washer M6	
3	1001130220	4	Nut, Tinnerman M6	
4	1001237856	2	Cover	



**SECTION 2 - GROUND CONTROLS**

# SECTION 2 - GROUND CONTROLS

## FIGURE 2-1. HYDRAULIC COMPONENTS INSTALLATION



ART\_1001370008\_10F2

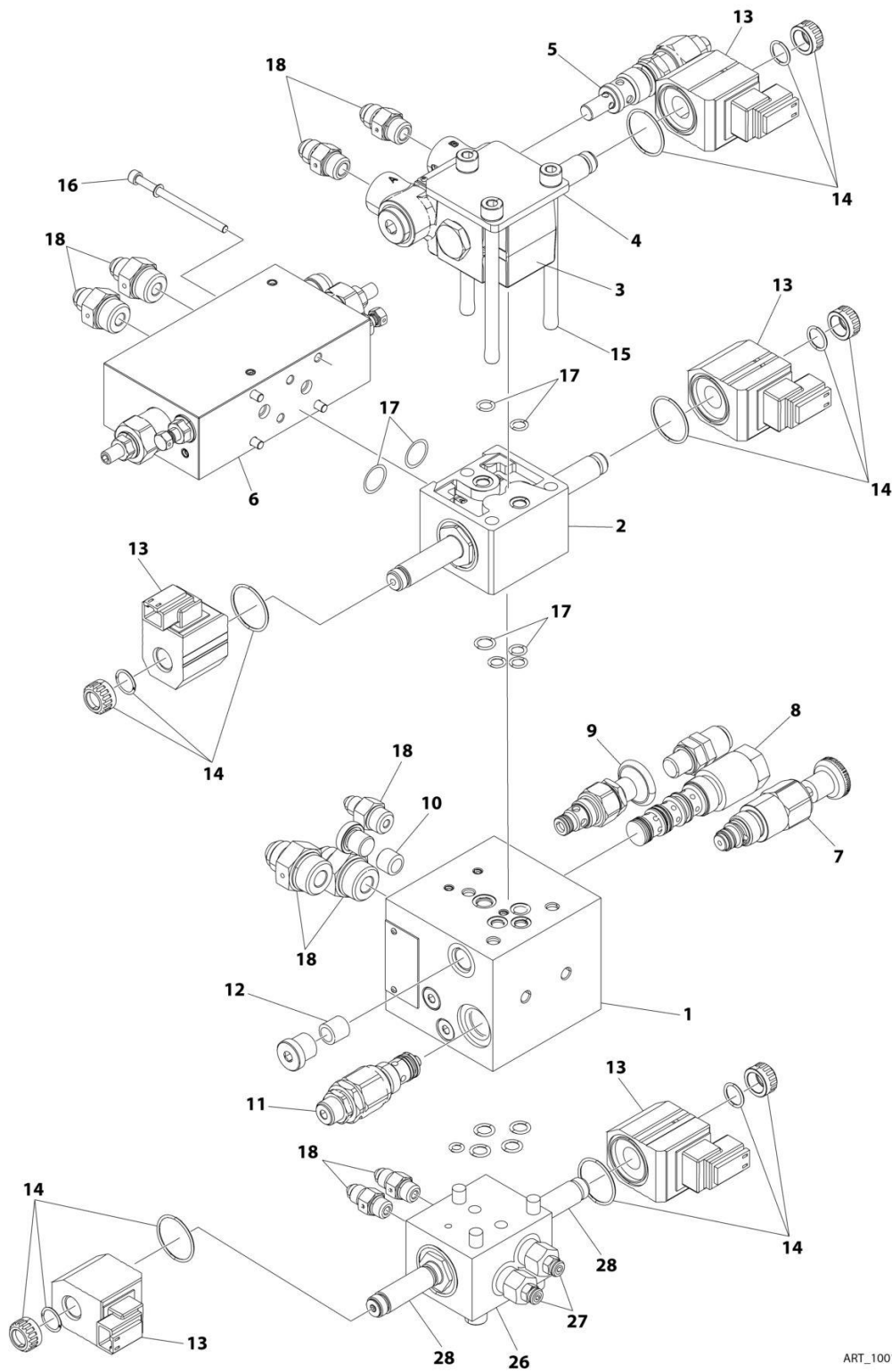
## SECTION 2 - GROUND CONTROLS

### FIGURE 2-1. HYDRAULIC COMPONENTS INSTALLATION

ITEM	PART NUMBER	QTY	DESCRIPTION	REV
	1001370008	Ref	HYDRAULIC COMPONENTS INSTALLATION	D
1	0100011	AR	Compound, Locking	
2	0760810	2	Bolt M8 x 20	
3	0760827	2	Bolt M8 x 100	
4	0761012	7	Bolt M8 x 25	
5	1321752	2	Plate, Clamp	
11	3290801	1	Nut M8	
12	3290805	1	Nut M8	
13	3291005	3	Nut M10	
14	4240017	12	Tie-Strap (Not Shown)	
15	4420062	75 mm	Tape	
16	4811900	4	Washer M8	
17	4811902	4	Washer M8	
18	4812002	7	Washer M10	
19	5271808	2	Capscrew M8 x 20	
20	8750014	2	Clamp	
22	1001201705	1	Cable, Pump (+)	
23	1001201706	1	Cable, Pump (-)	
24	1001202851	1	Filter, Hydraulic	
24	70005423	1	Filter Element Kit (Includes Element, Cap O-Ring and Bowl O-Ring)	
24	70007946	1	O-Ring, Bowl	
25	1001203450	1	Tank, Hydraulic	
28	1001213875	1	Motor/Pump Assembly	
28	70006351	1	Replacement Motor	
28	70006352	1	Replacement Pump	
28	70005816	1	Seal and Mounting Kit (Includes Shaft Seal, Retaining Ring, Gasket and Pump Mounting Hardware)	
29	1001248679	1	Main Valve Assembly (See Separate Breakdown in this Section)	
35	1001241894	1	Bracket	
39	1001212294	1	Decal - Manifold	

# SECTION 2 - GROUND CONTROLS

## FIGURE 2-2. MAIN VALVE ASSEMBLY



ART\_1001248679

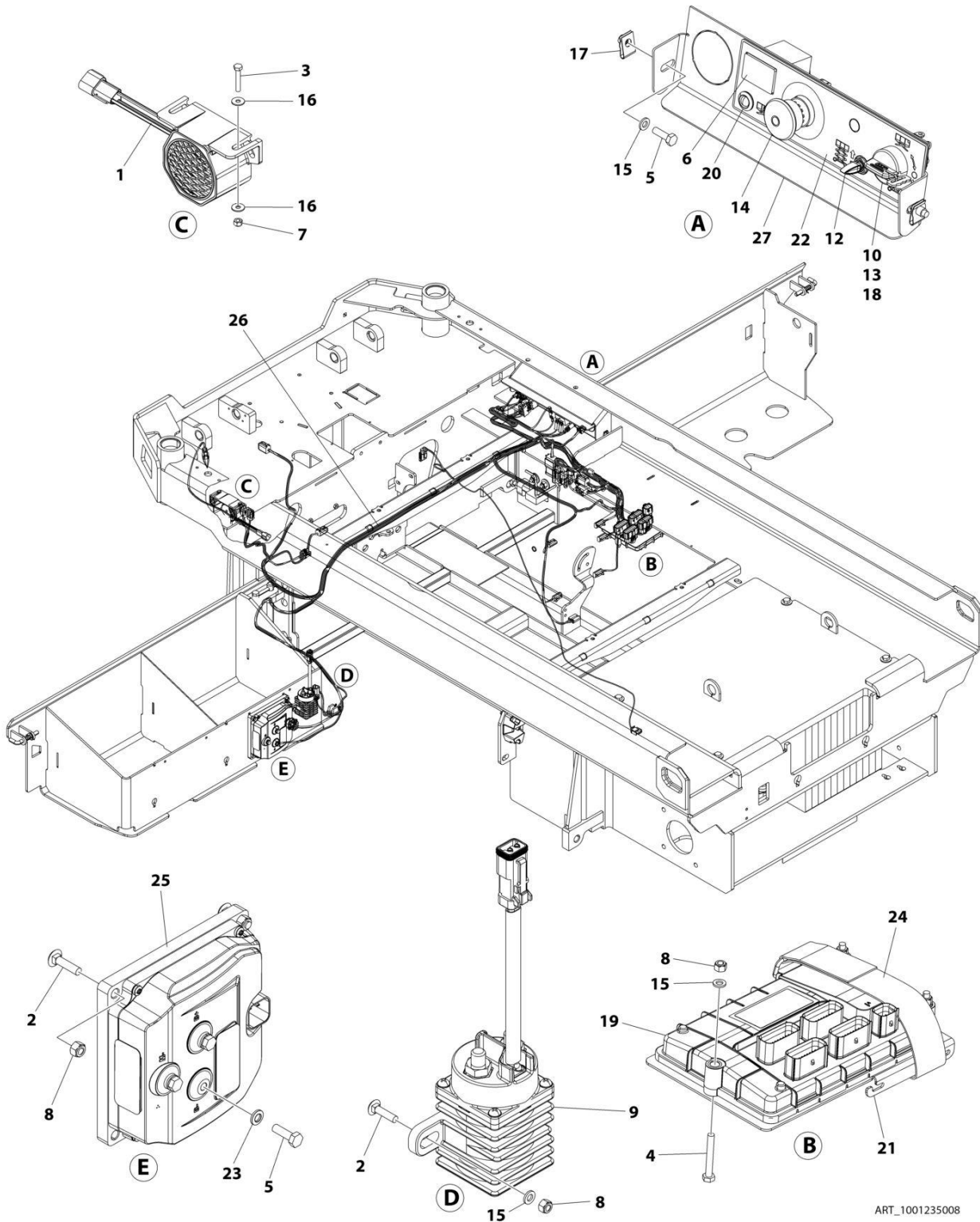
## SECTION 2 - GROUND CONTROLS

### FIGURE 2-2. MAIN VALVE ASSEMBLY

ITEM	PART NUMBER	QTY	DESCRIPTION	REV
	1001248679	Ref	MAIN VALVE ASSEMBLY	D
1	70007595	1	Valve Assembly (Includes Items 7-9)	
2	70005903	1	Valve Assembly - Lower Drive	
3	70007594	1	Valve Assembly - Lift	
4	70005911	1	Plate	
5	70005909	1	Valve, Cartridge	
6	70007593	1	Valve Assembly - Upperr Drive	
7	70005900	1	Valve, Cartridge	
8	70005898	1	Valve, Cartridge	
9	70005899	1	Valve, Cartridge	
10	70007598	1	Restrictor, Flow	
11	70007596	1	Cartridge, Valve	
12	70007597	1	Orifice	
13	70005893	5	Coil	
14	70021209	5	Coil Nut Kit	
15	70007599	1	Bolt Kit	
16	70007600	1	Bolt Kit	
17	70007601	1	Seal Kit	
18	70007602	1	Fitting Kit	
26	NPN	1	Valve Assembly - Steer	
27	70006301	2	Valve, Cartridge - Relief	
28	NPN	2	Valve, Solenoid Cartridge	

# SECTION 2 - GROUND CONTROLS

## FIGURE 2-3. ELECTRICAL COMPONENTS INSTALLATION (CHINA BUILT MACHINES)



ART\_1001235008



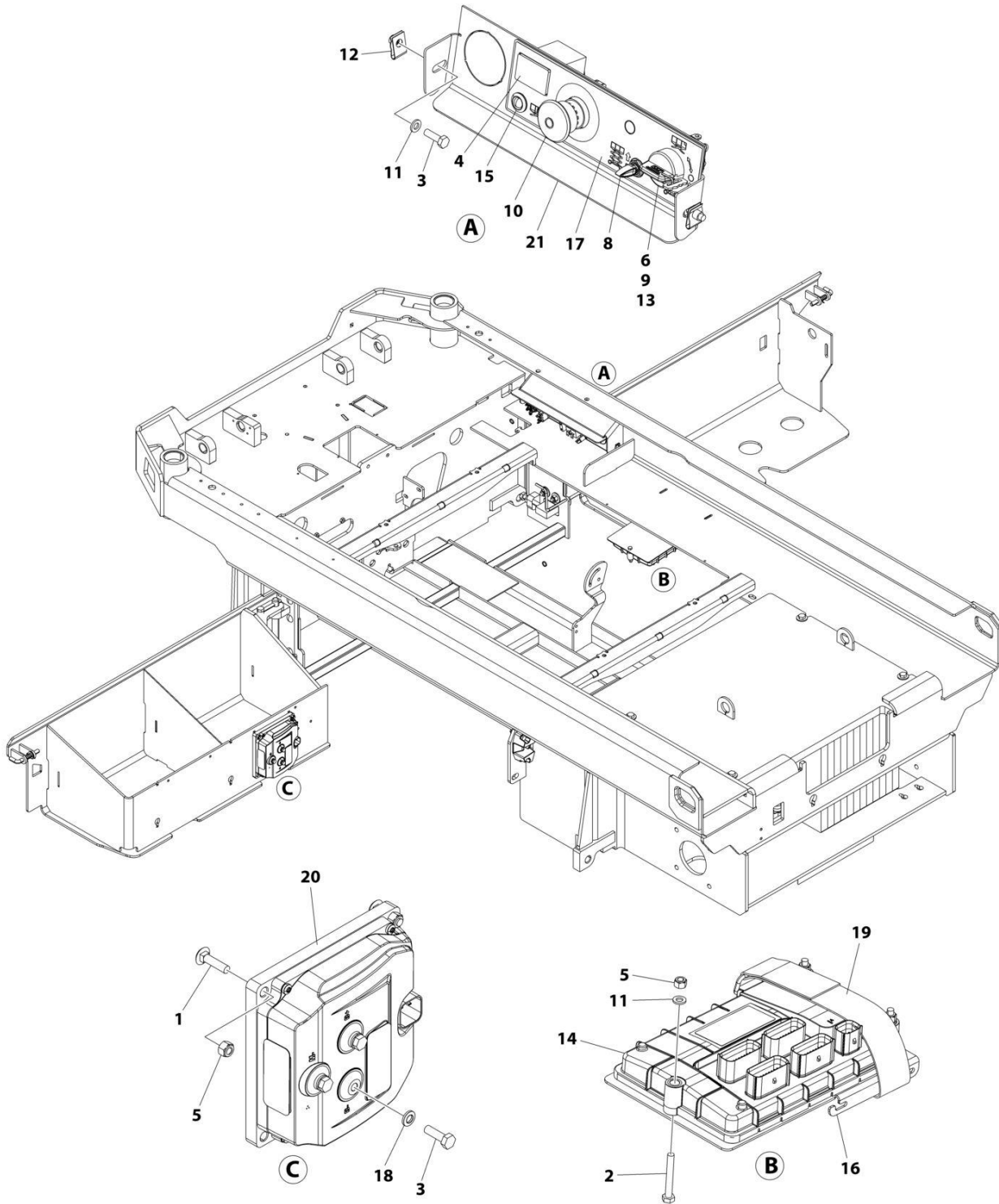
## SECTION 2 - GROUND CONTROLS

**FIGURE 2-3. ELECTRICAL COMPONENTS INSTALLATION (CHINA BUILT MACHINES)**

ITEM	PART NUMBER	QTY	DESCRIPTION	REV
	1001235008	Ref	ELECTRICAL COMPONENTS INSTALLATION	C
1	0140043	1	Alarm	
2	0630587	4	Bolt M6 x 25	
3	0700412	2	Bolt M4 x 25	
4	0700617	3	Bolt M6 x 45	
5	0760610	5	Bolt M6 x 20	
6	2420172	1	Hourmeter	
7	3290405	2	Nut M4	
8	3290605	7	Nut M6	
9	3740150	1	Relay	
10	3910804	3	Screw #8 x 1/4	
11	4240017	AR	Tie-Strap (Not Shown)	
12	4360328	1	Switch, Toggle	
13	4360469	1	Switch, Key	
13	2860030	1 Set	Key, Replacement	
14	4360475	1	Switch, Emergency Stop (Metal)	
14	7020175	1	Cap	
14	7020176	1	Block, Contact	
14	1001274559	1	Switch, Emergency Stop (Plastic)	
15	4811700	7	Washer M6	
16	1001091102	4	Washer M4	
17	1001130220	2	Nut Tinnerman M6	
18	1001130590	1	Plate	
19	1001200629	1	Module, Control (Note: Recalibration Required when Replaced)	
20	1001200631	1	Light, Indicator (Red)	
21	1001207494	1	Bracket	
22	1001209682	1	Decal - Ground Control	
23	1001210966	3	Washer	
24	1001215762	1	Strap, Clinch	
25	1001216062	1	Module, Power (Note: Recalibration Required when Replaced)	
26	1001234479	1	Chassis Harness (See Separate Breakdown in ELECTRICAL SECTION)	
27	1001235559	1	Support	

# SECTION 2 - GROUND CONTROLS

## FIGURE 2-4. ELECTRICAL COMPONENTS INSTALLATION - #1 (USA & EUROPEAN BUILT MACHINES)



ART\_1001237887

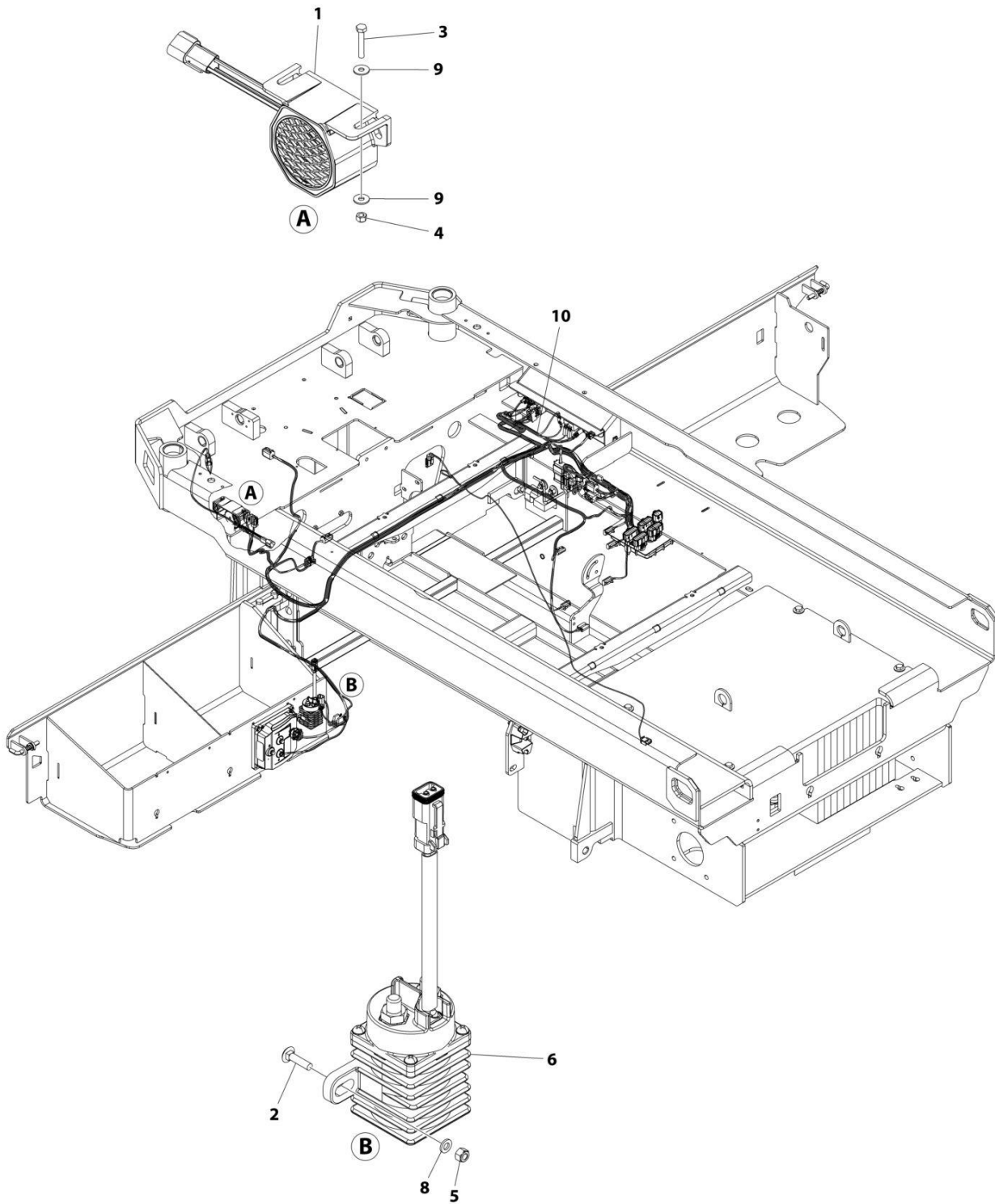
## SECTION 2 - GROUND CONTROLS

**FIGURE 2-4. ELECTRICAL COMPONENTS INSTALLATION - #1 (USA & EUROPEAN BUILT MACHINES)**

ITEM	PART NUMBER	QTY	DESCRIPTION	REV
	1001237887	Ref	ELECTRICAL COMPONENTS INSTALLATION	B
1	0630587	2	Bolt M6 x 25	
2	0700617	3	Bolt M6 x 45	
3	0760610	5	Bolt M6 x 20	
4	2420172	1	Hourmeter	
5	3290605	5	Nut M6	
6	3910804	3	Screw #8 x 1/4	
7	4240017	AR	Tie-Strap (Not Shown)	
8	4360328	1	Switch, Toggle	
9	4360469	1	Switch, Key	
9	2860030	1 Set	Key, Replacement	
10	4360475	1	Switch, Emergency Stop (Metal)	
10	7020175	1	Cap	
10	7020176	1	Block, Contact	
10	1001274559	1	Switch, Emergency Stop (Plastic)	
11	4811700	5	Washer M6	
12	1001130220	2	Nut Tinnerman M6	
13	1001130590	1	Plate	
14	1001200629	1	Module, Control (Note: Recalibration Required when Replaced)	
15	1001200631	1	Light, Indicator (Red)	
16	1001207494	1	Bracket	
17	1001209682	1	Decal - Ground Control	
18	1001210966	3	Washer	
19	1001215762	1	Strap, Clinch	
20	1001216062	1	Module, Power (Note: Recalibration Required when Replaced)	
21	1001235559	1	Support	

## SECTION 2 - GROUND CONTROLS

FIGURE 2-5. ELECTRICAL COMPONENTS INSTALLATION - #2 (USA & EUROPEAN BUILT MACHINES)



ART\_1001239386

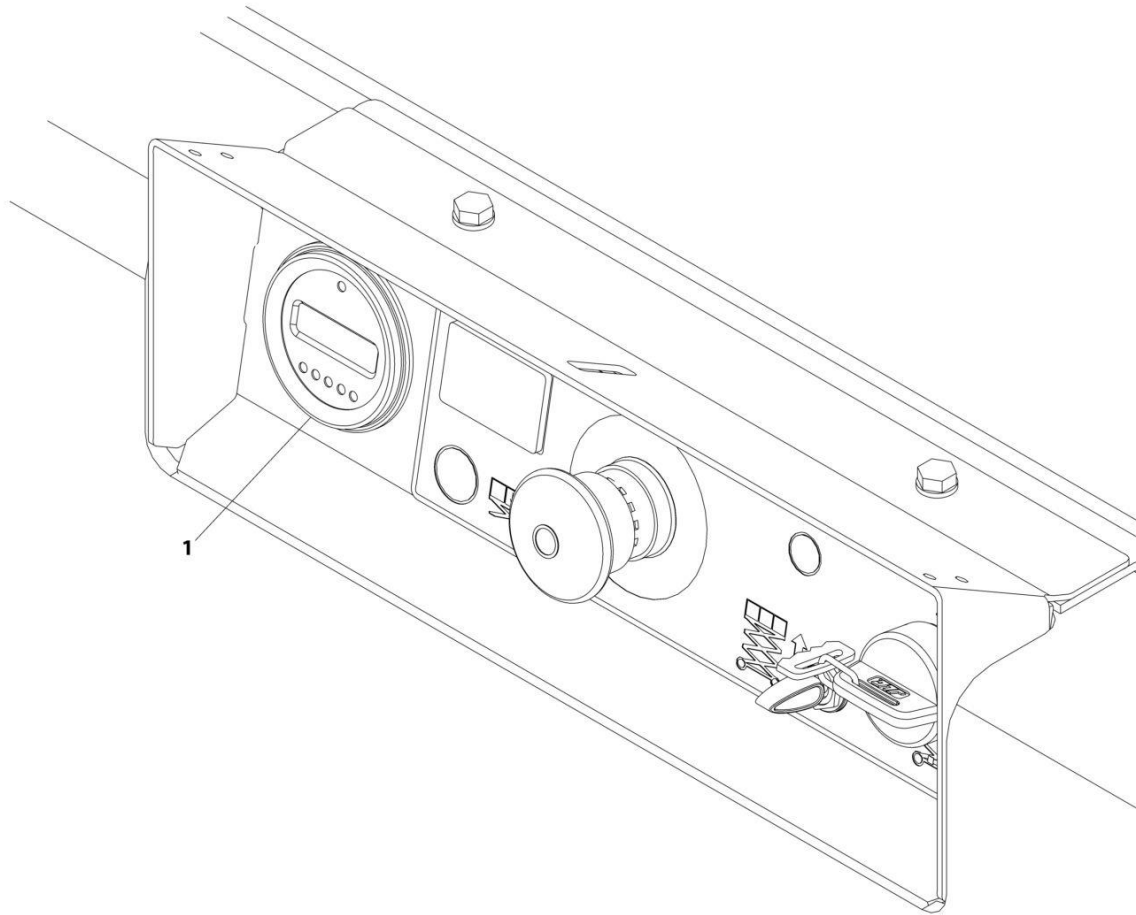
## SECTION 2 - GROUND CONTROLS

**FIGURE 2-5. ELECTRICAL COMPONENTS INSTALLATION - #2 (USA & EUROPEAN BUILT MACHINES)**

ITEM	PART NUMBER	QTY	DESCRIPTION	REV
	1001239386	Ref	ELECTRICAL COMPONENTS INSTALLATION	B
1	0140043	1	Alarm	
2	0630587	2	Bolt M6 x 25	
3	0700412	2	Bolt M4 x 25	
4	3290405	2	Nut M4	
5	3290605	2	Nut M6	
6	3740150	1	Relay	
7	4240017	AR	Tie-Strap (Not Shown)	
8	4811700	2	Washer M6	
9	1001091102	4	Washer M4	
10	1001283410	1	Chassis Harness with ClearSky (See Separate Breakdown in ELECTRICAL SECTION)	

# SECTION 2 - GROUND CONTROLS

## FIGURE 2-6. MDI INSTALLATION



ART\_1001207293

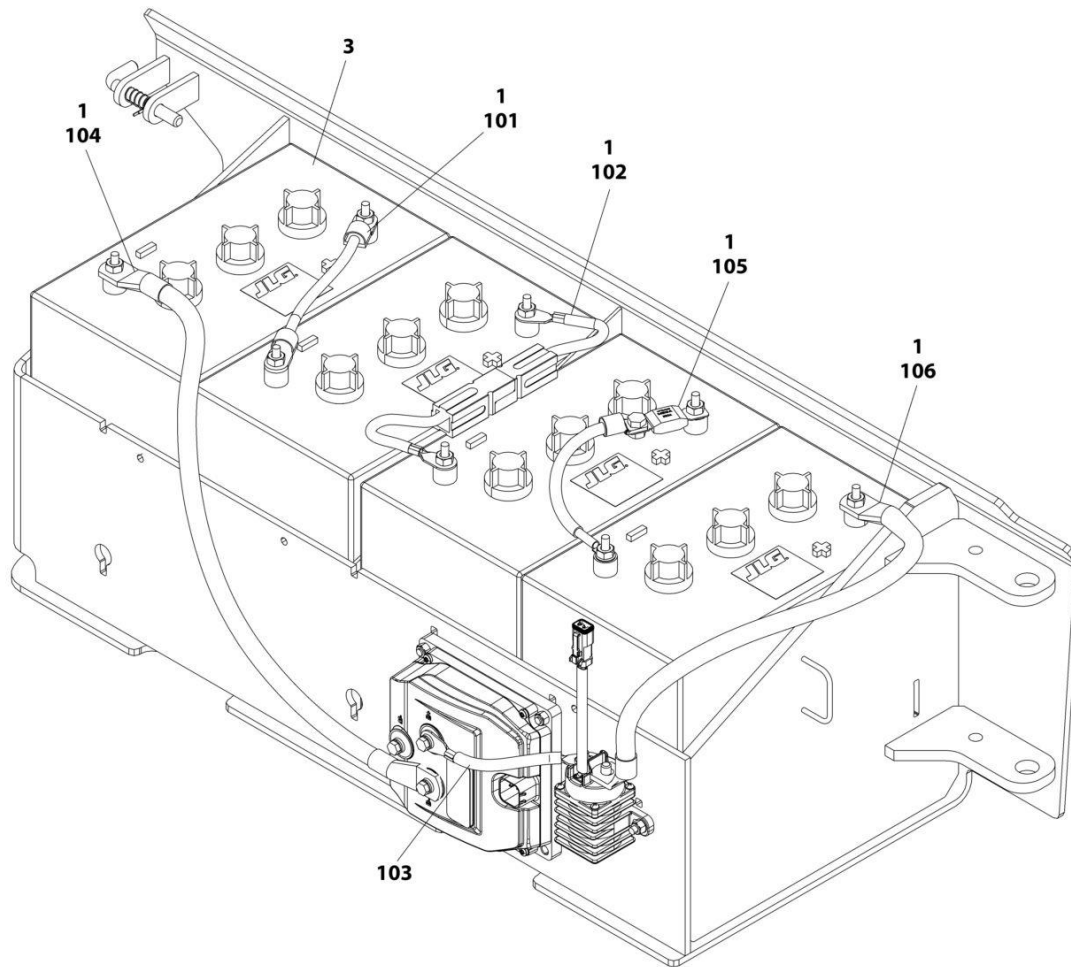
## SECTION 2 - GROUND CONTROLS

FIGURE 2-6. MDI INSTALLATION

ITEM	PART NUMBER	QTY	DESCRIPTION	REV
1	1001207293	Ref	MDI INSTALLATION	B
	1001200632	1	Gauge, MDI	

## SECTION 2 - GROUND CONTROLS

FIGURE 2-7. BATTERIES INSTALLATION - STANDARD 6V-255AH



ART\_1001235834



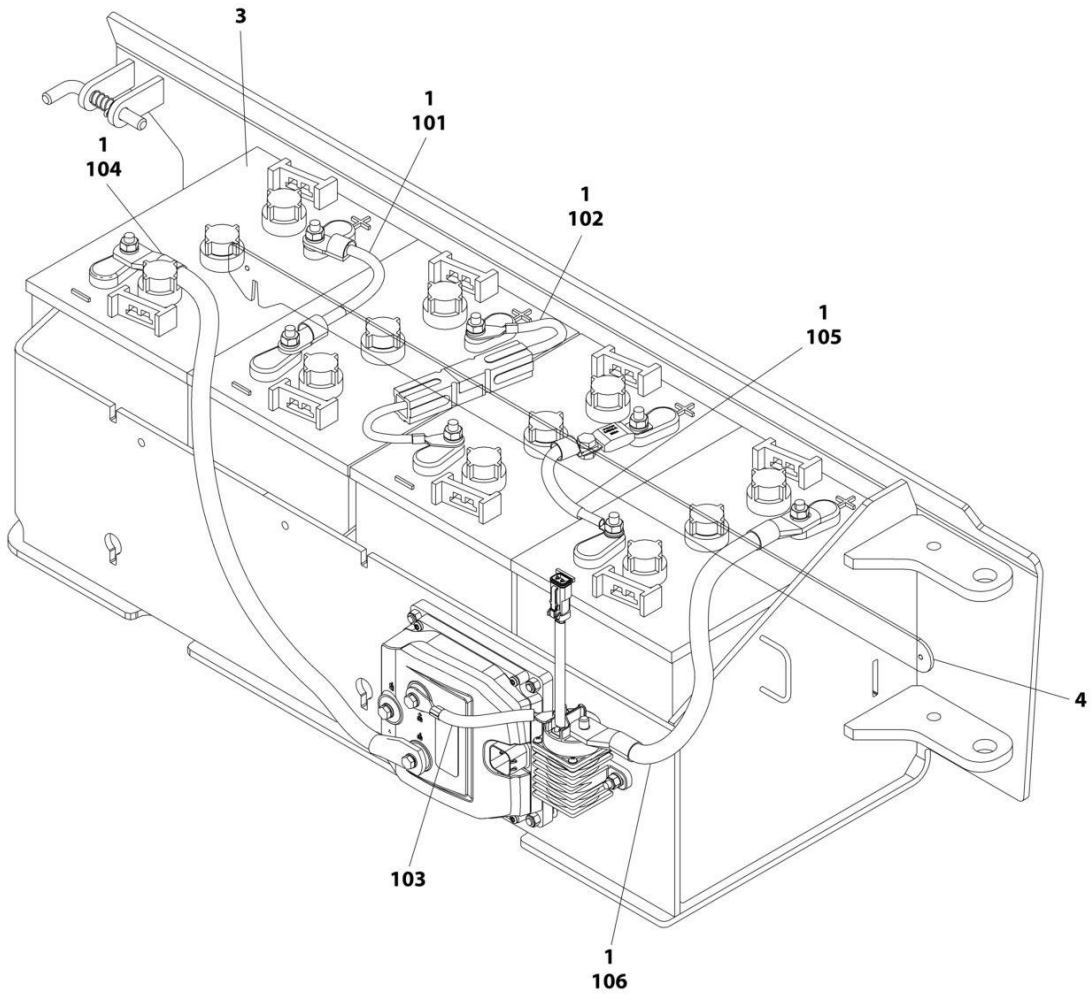
## SECTION 2 - GROUND CONTROLS

**FIGURE 2-7. BATTERIES INSTALLATION - STANDARD 6V-255AH**

ITEM	PART NUMBER	QTY	DESCRIPTION	REV
	1001235834	Ref	BATTERIES INSTALLATION	A
1	0100051	AR	Grease, Terminal	
2	4240017	AR	Tie-Strap (Not Shown)	
3	1001235106	4	Battery	
100	1001228123	1	Battery Cable Kit (Not Shown)	
101	1060998	1	Cable, Positive to Negative	
102	4923328	1	Cable, Positive to Negative	
103	1001201708	1	Cable, Contactor to Pump Control B+	
104	1001201711	1	Cable, Battery Negative to Pump Control B-	
105	1001210401	1	Cable, Battery Fuse	
106	1001229110	1	Cable, Battery Positive to Contactor	

# SECTION 2 - GROUND CONTROLS

FIGURE 2-8. BATTERIES INSTALLATION - STANDARD 6V-220AH



ART\_1001236632

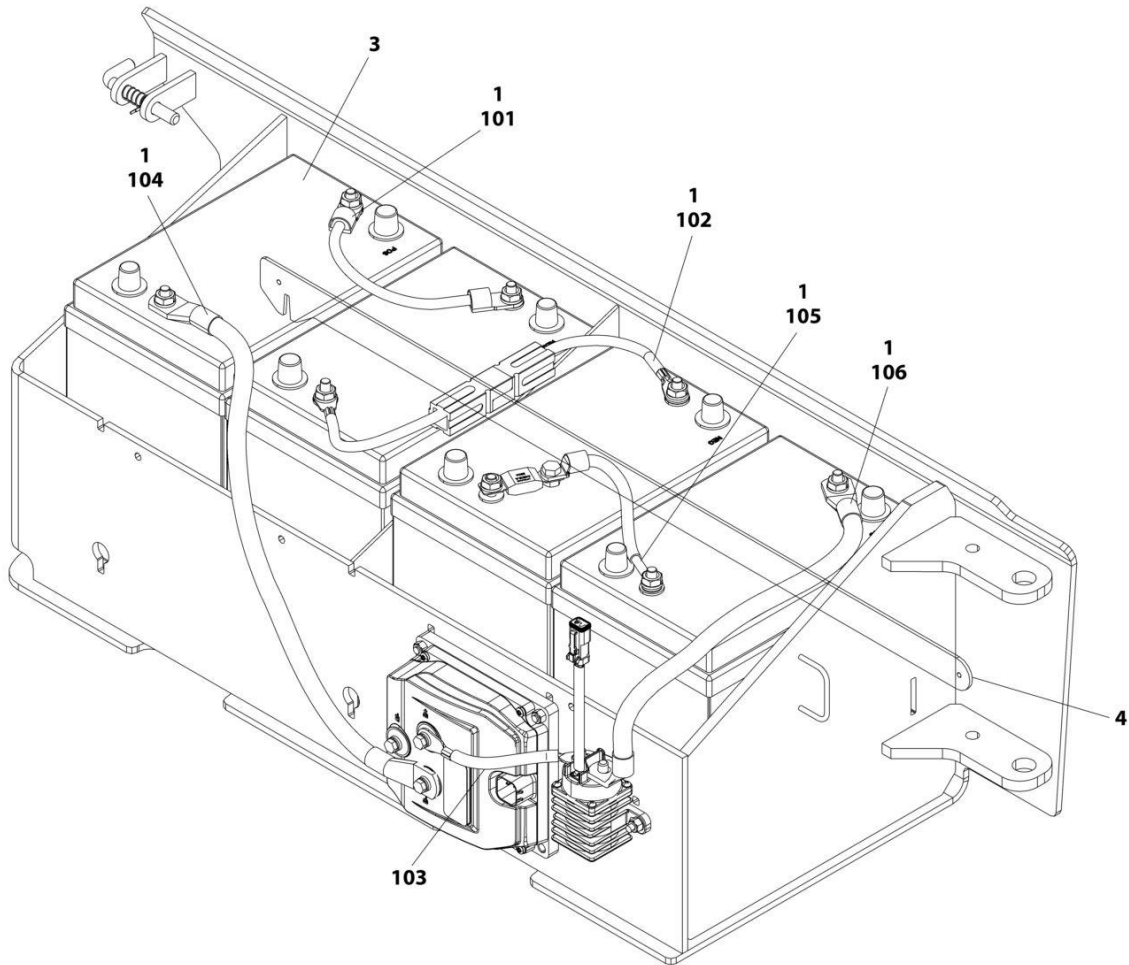
## SECTION 2 - GROUND CONTROLS

**FIGURE 2-8. BATTERIES INSTALLATION - STANDARD 6V-220AH**

ITEM	PART NUMBER	QTY	DESCRIPTION	REV
	1001236632	Ref	BATTERIES INSTALLATION	B
1	0100051	AR	Grease, Terminal	
2	4240017	AR	Tie-Strap (Not Shown)	
3	1001216180	4	Battery	
4	1001239269	1	Bar	
100	1001228123	1	Battery Cable Kit (Not Shown)	
101	1060998	1	Cable, Positive to Negative	
102	4923328	1	Cable, Positive to Negative	
103	1001201708	1	Cable, Contactor to Pump Control B+	
104	1001201711	1	Cable, Battery Negative to Pump Control B-	
105	1001210401	1	Cable, Battery Fuse	
106	1001229110	1	Cable, Battery Positive to Contactor	

# SECTION 2 - GROUND CONTROLS

## FIGURE 2-9. BATTERIES INSTALLATION - AGM 6V-220AH



ART\_1001237989

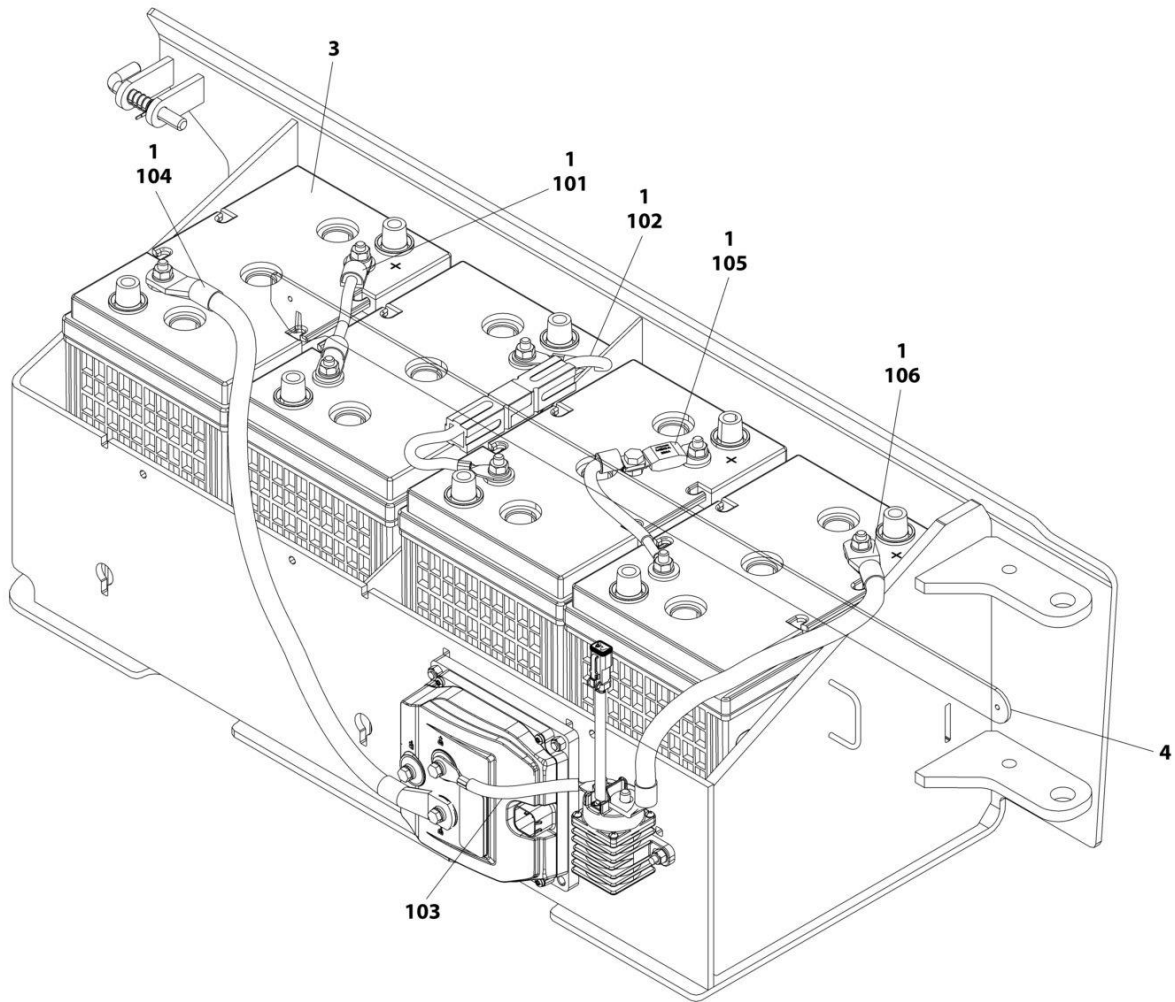
## SECTION 2 - GROUND CONTROLS

**FIGURE 2-9. BATTERIES INSTALLATION - AGM 6V-220AH**

ITEM	PART NUMBER	QTY	DESCRIPTION	REV
	1001237989	Ref	BATTERIES INSTALLATION	B
1	0100051	AR	Grease, Terminal	
2	4240017	AR	Tie-Strap (Not Shown)	
3	1001112112	4	Battery	
4	1001239269	1	Bar	
100	1001228123	1	Battery Cable Kit (Not Shown)	
101	1060998	1	Cable, Positive to Negative	
102	4923328	1	Cable, Positive to Negative	
103	1001201708	1	Cable, Contactor to Pump Control B+	
104	1001201711	1	Cable, Battery Negative to Pump Control B-	
105	1001210401	1	Cable, Battery Fuse	
106	1001229110	1	Cable, Battery Positive to Contactor	

# SECTION 2 - GROUND CONTROLS

## FIGURE 2-10. BATTERIES INSTALLATION - AGM EVCG 6V-220AH



ART\_1001237991

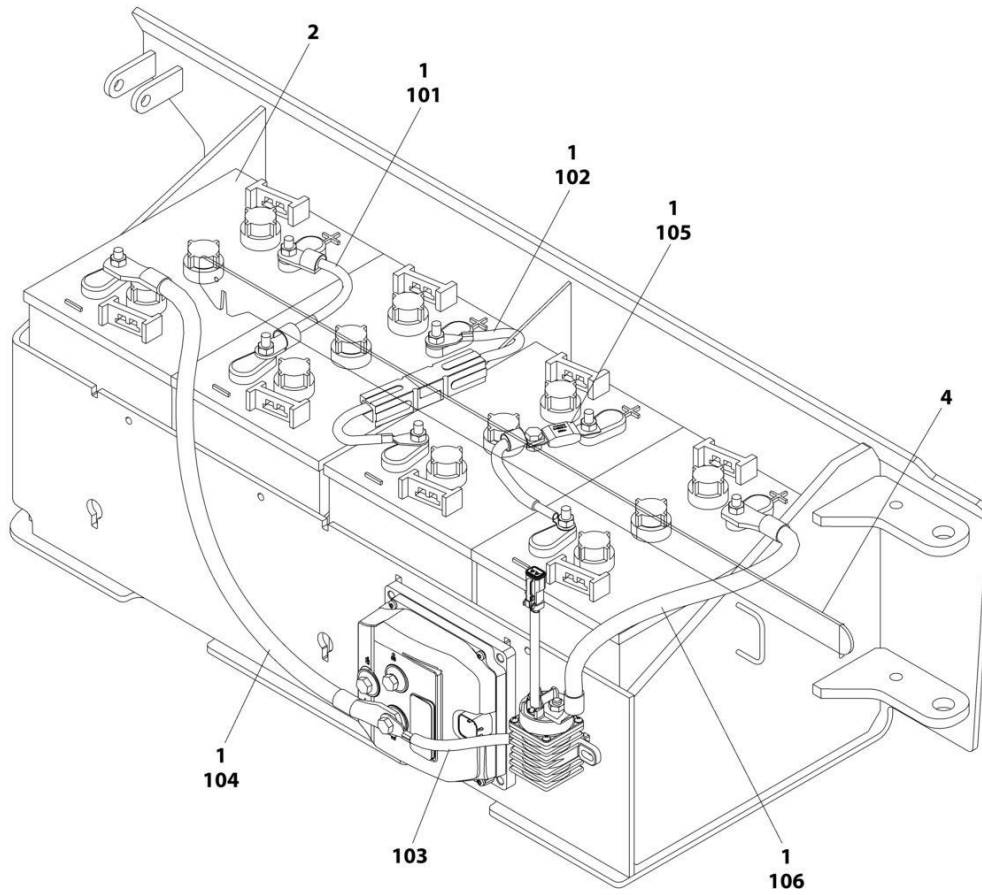
## SECTION 2 - GROUND CONTROLS

**FIGURE 2-10. BATTERIES INSTALLATION - AGM EVCG 6V-220AH**

ITEM	PART NUMBER	QTY	DESCRIPTION	REV
	1001237991	Ref	BATTERIES INSTALLATION	B
1	0100051	AR	Grease, Terminal	
2	4240017	AR	Tie-Strap (Not Shown)	
3	1001214347	4	Battery	
4	1001239269	1	Bar	
100	1001228123	1	Battery Cable Kit (Not Shown)	
101	1060998	1	Cable, Positive to Negative	
102	4923328	1	Cable, Positive to Negative	
103	1001201708	1	Cable, Contactor to Pump Control B+	
104	1001201711	1	Cable, Battery Negative to Pump Control B-	
105	1001210401	1	Cable, Battery Fuse	
106	1001229110	1	Cable, Battery Positive to Contactor	

## SECTION 2 - GROUND CONTROLS

FIGURE 2-11. BATTERIES INSTALLATION - 6V-220AH (TROJAN)



ART\_1001249054



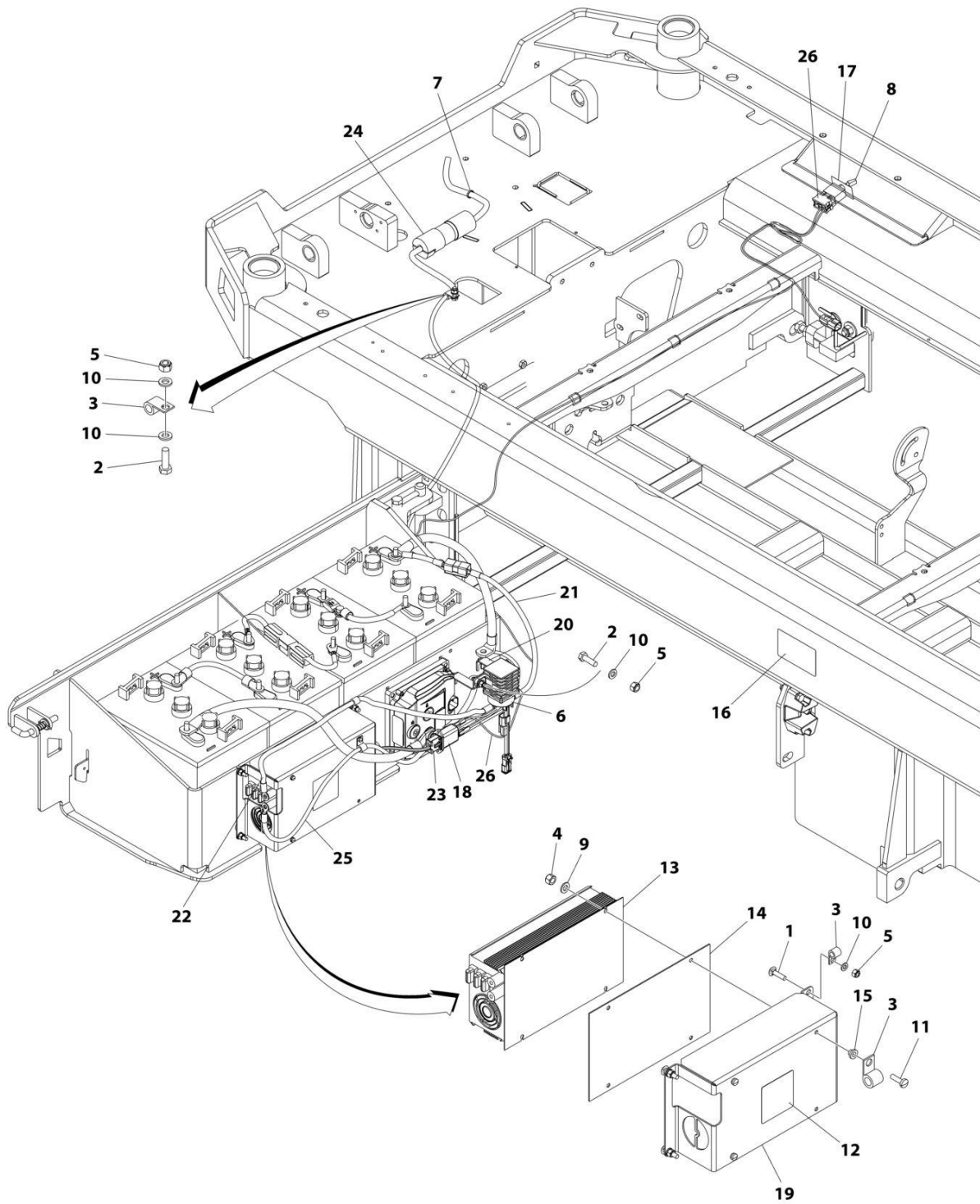
## SECTION 2 - GROUND CONTROLS

**FIGURE 2-11. BATTERIES INSTALLATION - 6V-220AH (TROJAN)**

ITEM	PART NUMBER	QTY	DESCRIPTION	REV
	1001249054	Ref	BATTERIES INSTALLATION	B
1	0100051	AR	Grease, Terminal	
2	1001258498	4	Battery	
3	4240017	AR	Tie-Strap (Not Shown)	
4	1001239269	1	Bar	
100	1001228123	1	Battery Cable Kit (Not Shown)	
101	1060998	1	Cable, Positive to Negative	
102	4923328	1	Cable, Positive to Negative	
103	1001201708	1	Cable, Contactor to Pump Control B+	
104	1001201711	1	Cable, Battery Negative to Pump Control B-	
105	1001210401	1	Cable, Battery Fuse	
106	1001229110	1	Cable, Battery Positive to Contactor	

# SECTION 2 - GROUND CONTROLS

## FIGURE 2-12. INVERTER INSTALLATION (OPTIONAL)



ART\_1001236132

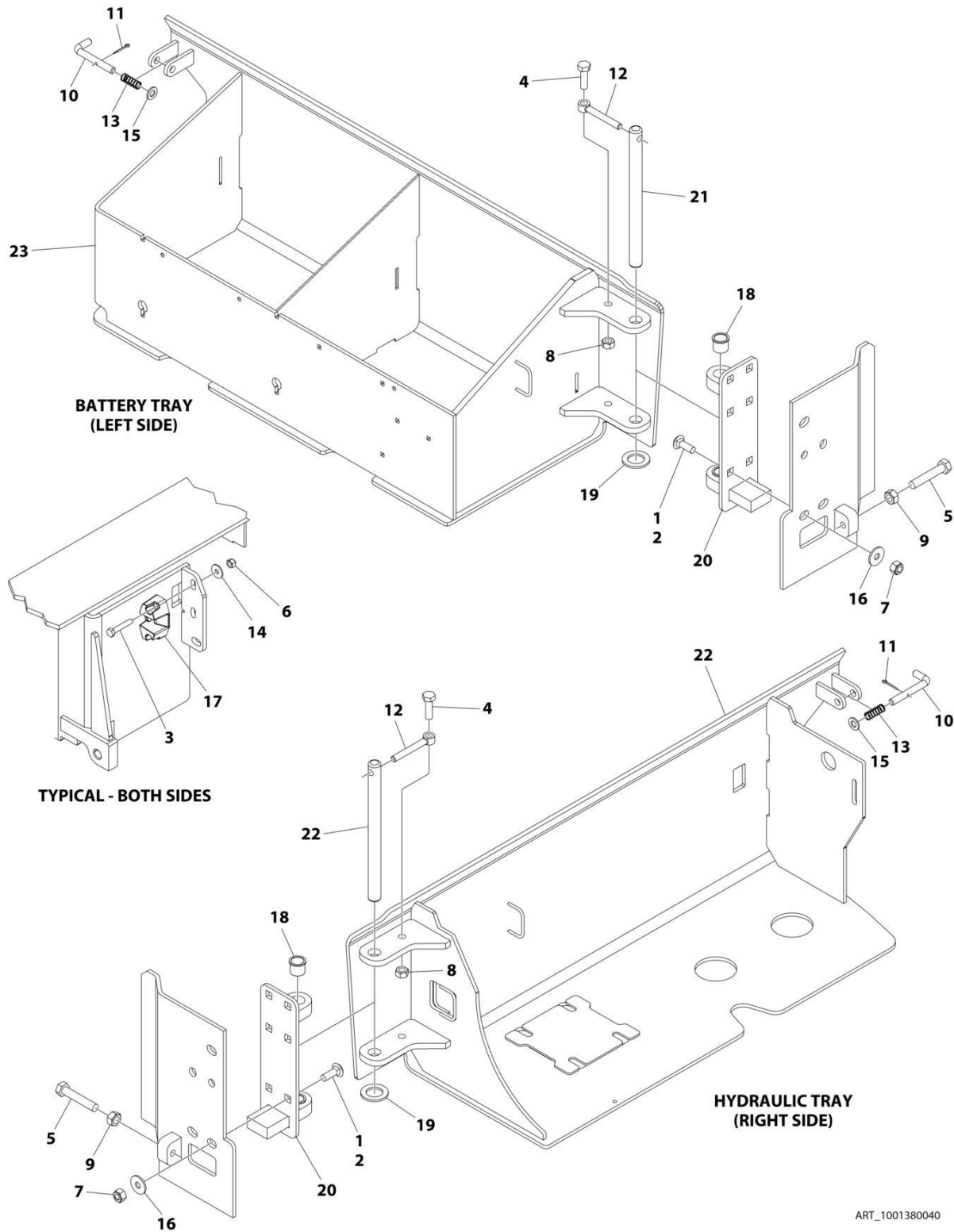
## SECTION 2 - GROUND CONTROLS

**FIGURE 2-12. INVERTER INSTALLATION (OPTIONAL)**

ITEM	PART NUMBER	QTY	DESCRIPTION	REV
	1001236132	Ref	INVERTER INSTALLATION (OPTIONAL)	B
1	0630587	4	Bolt M6 x 25	
2	0760610	3	Bolt M6 x 20	
3	1321293	3	Clamp	
4	3290405	3	Nut M4	
5	3290605	7	Nut M6	
6	3740150	1	Relay	
7	4240017	AR	Tie-Strap	
8	4360336	1	Switch, Toggle	
9	4811400	3	Washer M4	
10	4811700	8	Washer M6	
11	1001101540	3	Screw M4 x 14	
12	1001125483	1	Decal - Pressure Wash	
13	1001136757	1	Inverter	
14	1001142173	1	Insulate	
15	1001142174	3	Washer 1/8	
16	1001143009	1	Decal - Inverter	
17	1001143010	1	Decal - On/Off Inverter	
18	1001157547	1	Filter, AC	
19	1001210440	1	Support	
20	1001210605	1	Support	
21	1001210878	1	Cable, Battery + to Inverter Contactor	
22	1001210879	1	Cable, Inverter Contactor to Inverter +	
23	1001210881	1	Cable, Inverter to AC Filter	
24	1001210882	1	Cable, AC Filter to AC Plug	
25	1001210967	1	Cable, Pump Control B- to Inverter	
26	1001235954	1	Inverter Harness	
26	4460897	2	Receptacle, Female - 2 Position	
26	4460464	3	Pin, Male	
26	4460466	1	Plug, Terminal	
26	4460418	1	Plug, Male - 6 Position	
26	4460419	2	Terminal	

# SECTION 2 - GROUND CONTROLS

## FIGURE 2-13. DOORS INSTALLATION



ART\_1001380040

## SECTION 2 - GROUND CONTROLS

### FIGURE 2-13. DOORS INSTALLATION

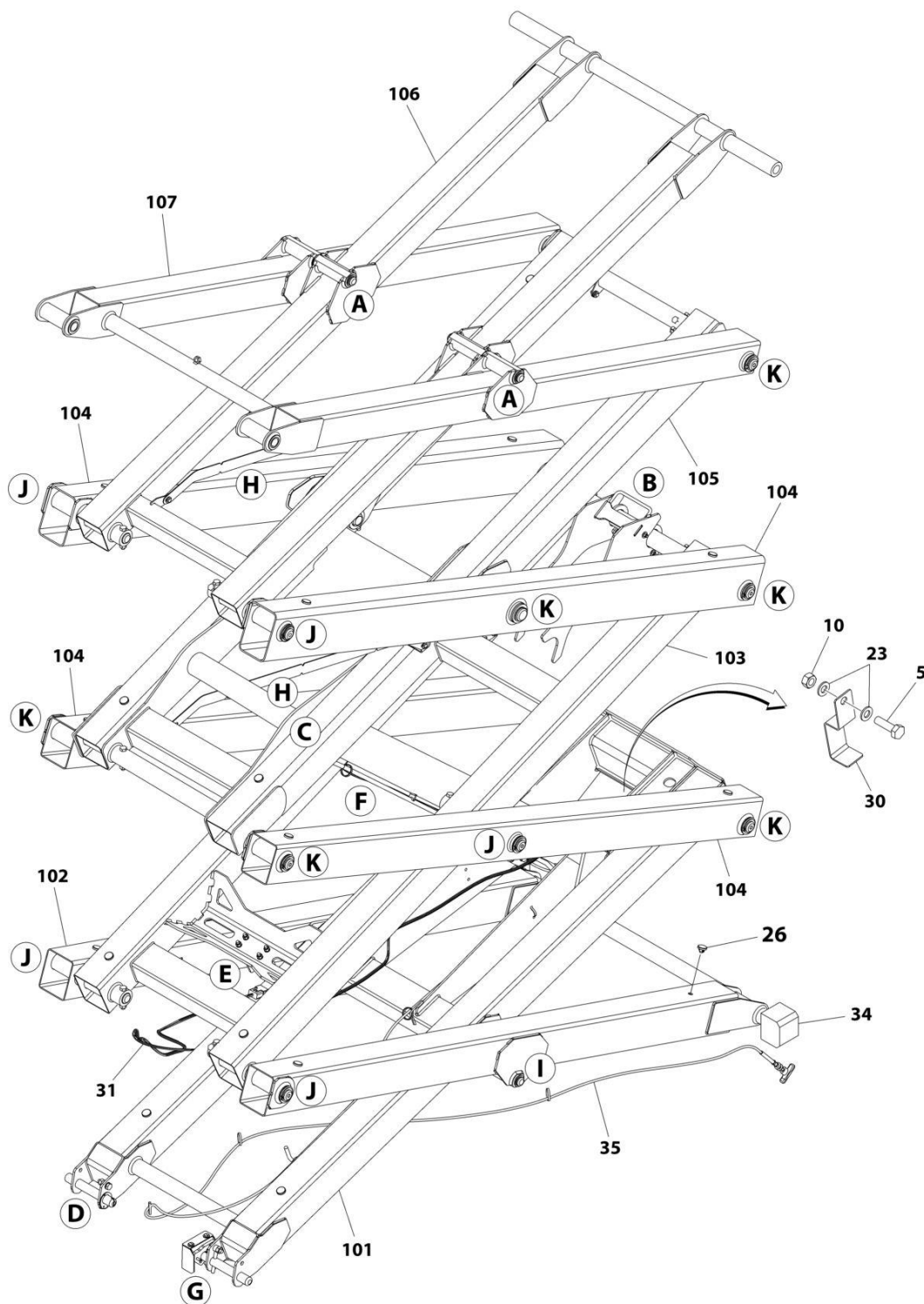
ITEM	PART NUMBER	QTY	DESCRIPTION	REV
	1001380040	Ref	DOORS INSTALLATION	B
1	0100011	AR	Compound, Locking	
2	0630613	10	Bolt M10 x 30	
3	0700817	4	Bolt M8 x 45	
4	0701015	2	Bolt M10 x 35	
5	0761221	2	Bolt M12 x 65	
6	3290805	4	Nut M8	
7	3291005	10	Nut M10	
8	3291007	2	Nut M10	
9	3291201	2	Nut M12	
10	3423243	2	Pin	
11	3450303	2	Pin, Cotter 3/32 x 3/4	
12	3841143	2	Keeper, Pin	
13	4160214	2	Spring	
14	4811902	4	Washer M8	
15	4812000	AR	Washer M10	
16	4812002	10	Washer M10	
17	1001214810	2	Support	
18	1001218573	4	Bearing	
19	1001229792	2	Washer	
20	1001234858	2	Hinge	
21	1001234862	2	Pin	
22	1001380041	1	Tray, Hydraulic	
23	1001380042	1	Tray, Battery	



**SECTION 3 - SCISSORS ARMS**

# SECTION 3 - SCISSORS ARMS

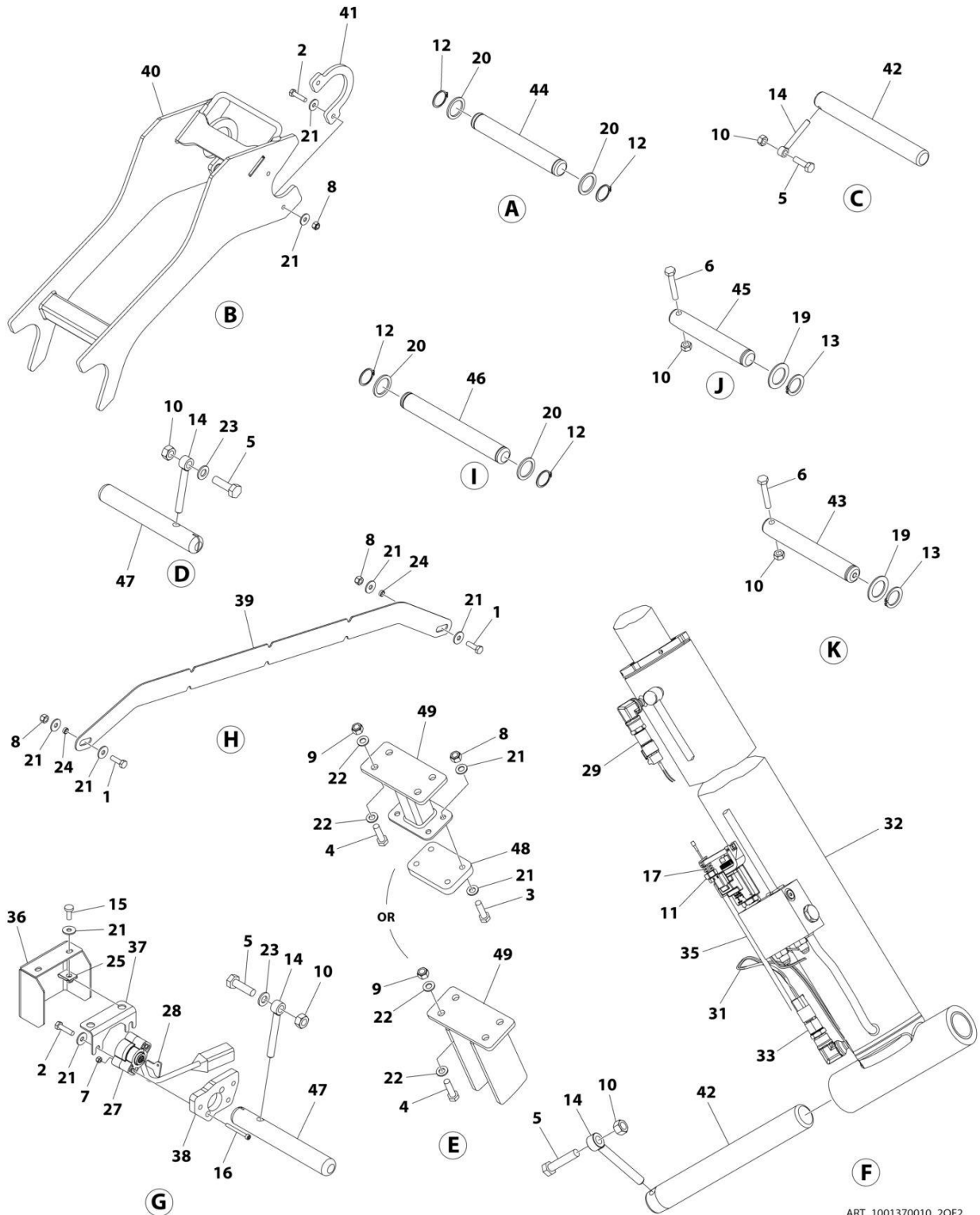
## FIGURE 3-1. SCISSORS ARMS INSTALLATION



ART\_1001370010\_10F2



# SECTION 3 - SCISSORS ARMS



ART\_1001370010\_2OF2

# SECTION 3 - SCISSORS ARMS

## FIGURE 3-1. SCISSORS ARMS INSTALLATION

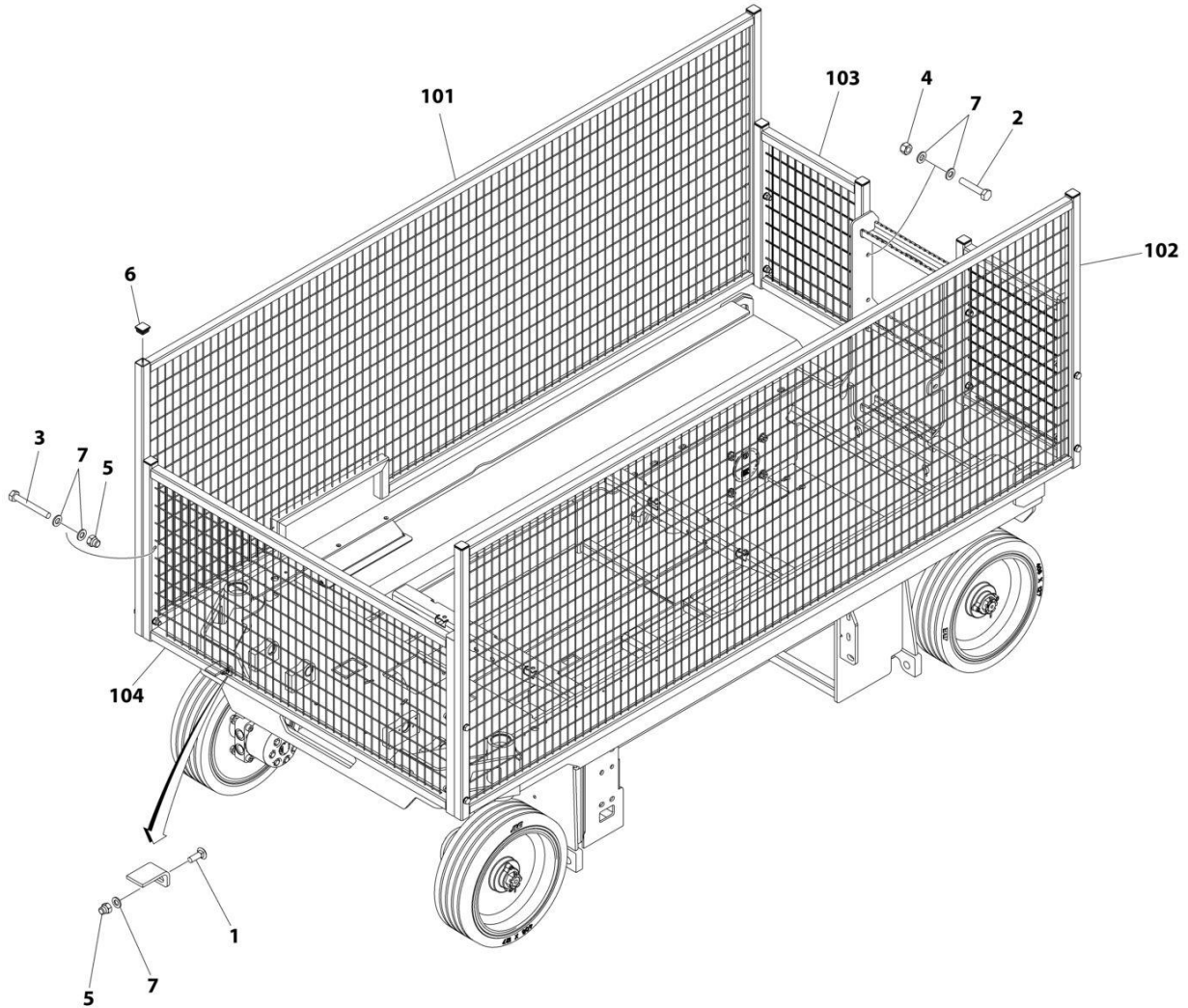
ITEM	PART NUMBER	QTY	DESCRIPTION	REV
	1001370010	Ref	SCISSORS ARMS INSTALLATION	D
1	0700610	4	Bolt M6 x 20	
2	0700612	7	Bolt M6 x 25	
3	0700614	4	Bolt M6 x 30 <b>(Prior to SN B200055199)</b>	
4	0700814	4	Bolt M8 x 30	
5	0701015	5	Bolt M10 x 35	
6	0701021	16	Bolt M10 x 65	
7	3290405	2	Nut M4	
8	3290605	12	Nut M6 <b>(Prior to SN B200055199)</b>	
8	3290605	8	Nut M6 <b>(SN B200055199 to Present)</b>	
9	3290805	4	Nut M8	
10	3291007	21	Nut M10	
11	3321402	1	Nut 1/4	
12	3760115	8	Ring, Retaining	
13	3760387	16	Ring, Retaining	
14	3841143	4	Keeper, Pin	
15	4010608	2	Screw M6 x 16	
16	4031512	2	Capscrew M4 x 40	
17	4160078	1	Spring	
18	4240017	AR	Tie-Strap (Not Shown)	
19	4740438	16	Washer	
20	4740531	8	Washer	
21	4811702	29	Washer M6 <b>(Prior to SN B200055199)</b>	
21	4811702	21	Washer M6 <b>(SN B200055199 to Present)</b>	
22	4811900	8	Washer M8	
23	4812000	4	Washer M10	
24	1001128888	4	Washer	
25	1001130220	2	Nut Tinnerman M6	
26	1001137675	24	Bumper	
27	1001146963	1	Sensor, Angle	
28	1001205345	1	Key	
29	1001225164	1	Sensor, Pressure Transducer	
30	1001226791	1	Bracket, Cable	
31	1001233795	1	Lift Down Harness (See Separate Breakdown in ELECTRICAL SECTION)	
32	1001244416	1	Lift Cylinder Assembly (See Separate Breakdown in CYLINDER SECTION)	
33	1001235104	1	Sensor, Pressure Transducer	
34	1001235593	2	Block, Side <b>(Prior to SN B200055199)</b>	
34	1001247707	2	Block, Side <b>(SN B200055199 to Present)</b>	
35	1001236269	1	Cable, Manual Descent	
36	1001236486	1	Cover	
37	1001236487	1	Plate	
38	1001236488	1	Plate	
39	1001237824	2	Plate	
40	1001238684	1	Arm, Prop	
41	1001239479	2	Plate	
42	1001239925	2	Pin	
43	1001239927	10	Pin	
44	1001239928	2	Pin	

## SECTION 3 - SCISSORS ARMS

ITEM	PART NUMBER	QTY	DESCRIPTION	REV
45	1001239929	6	Pin	
46	1001239930	2	Pin	
47	1001239931	2	Pin	
48	1001242747	1	Pad <b>(Prior to SN B200055199)</b>	
49	1001242984	1	Adapter <b>(Prior to SN B200055199)</b>	
49	1001246674	1	Adapter <b>(SN B200055199 to Present)</b>	
50	4420062	370 mm	Tape	
100	1001241744	1	Arm Kit	
101	1001241737	1	Arm - Inner 1	
101	1001241738	4	Bearing (Not Shown)	
102	1001241738	1	Arm - Outer 2	
102	0440264	4	Bearing - 1 ID (Not Shown)	
102	0440265	4	Bearing - 1-1/4 ID (Not Shown)	
103	1001241739	1	Arm - Inner 2	
104	1001241740	2	Arm - Outer 2 and Outer 3	
104	0440265	6	Bearing (Not Shown)	
105	1001241741	1	Arm - Inner 3	
106	1001241742	1	Arm - Inner 4	
106	0440264	4	Bearing (Not Shown)	
107	1001241743	1	Arm - Outer 4	
107	0440264	8	Bearing - 1 ID (Not Shown)	
107	0440265	4	Bearing - 1-1/4 ID (Not Shown)	
201	0440264	4	Bearing (Part of Frame) (Not Shown)	

# SECTION 3 - SCISSORS ARMS

## FIGURE 3-2. ARM GUARDS INSTALLATION



ART\_1001239674

## SECTION 3 - SCISSORS ARMS

**FIGURE 3-2. ARM GUARDS INSTALLATION**

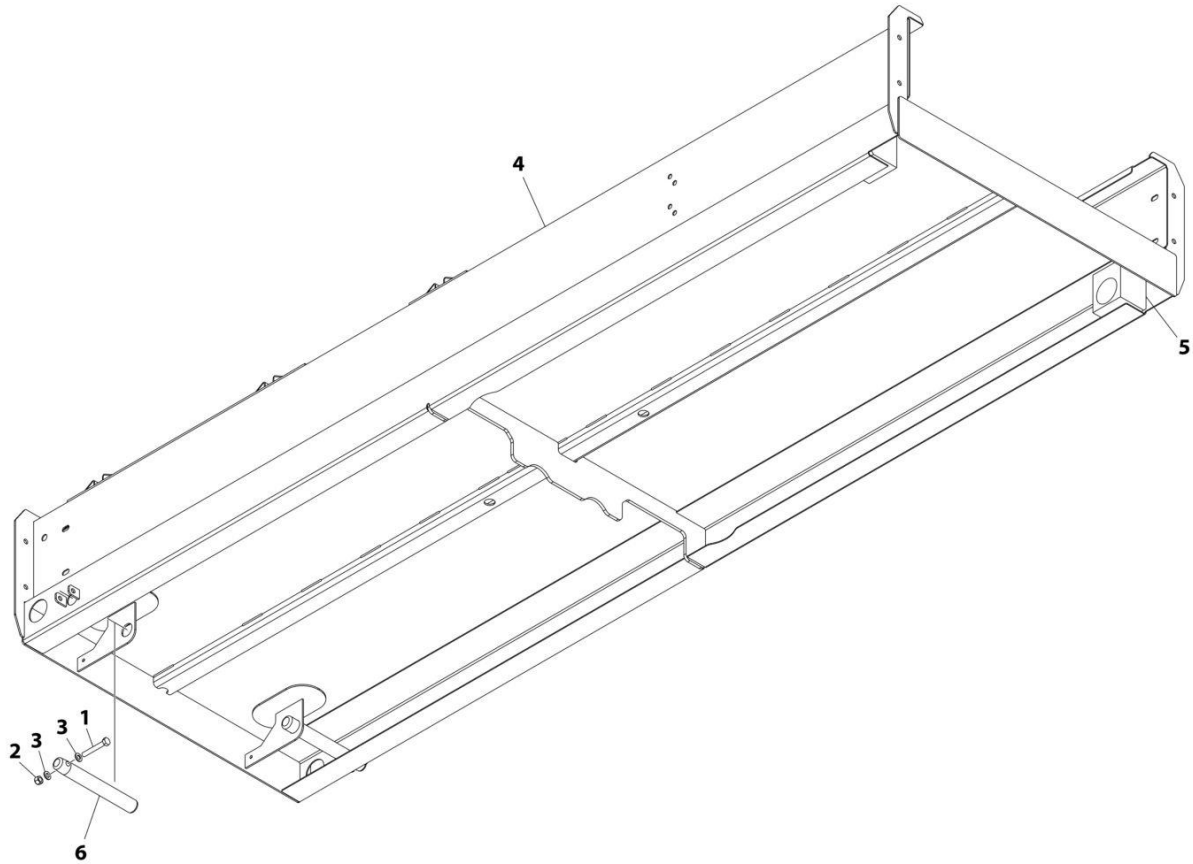
ITEM	PART NUMBER	QTY	DESCRIPTION	REV
	1001239674	Ref	ARM GUARD INSTALLATION	A
1	0630613	2	Bolt M10 x 30	
2	0701019	4	Bolt M10 x 55	
3	0701024	8	Bolt M10 x 80	
4	3291005	4	Nut M10	
5	3291006	10	Nut M10	
6	3520072	10	Plug	
7	4812000	26	Washer M10	
100	1001241352	1	Arm Guard Kit (Not Shown)	
101	1001239892	1	Guard, Arm (RH)	
102	1001239894	1	Guard, Arm (LH)	
103	1001241353	2	Guard, Arm (Rear)	
104	1001241358	1	Guard, Arm (Front)	



**SECTION 4 - PLATFORM**

# SECTION 4 - PLATFORM

## FIGURE 4-1. PLATFORM INSTALLATION



ART\_1001234384



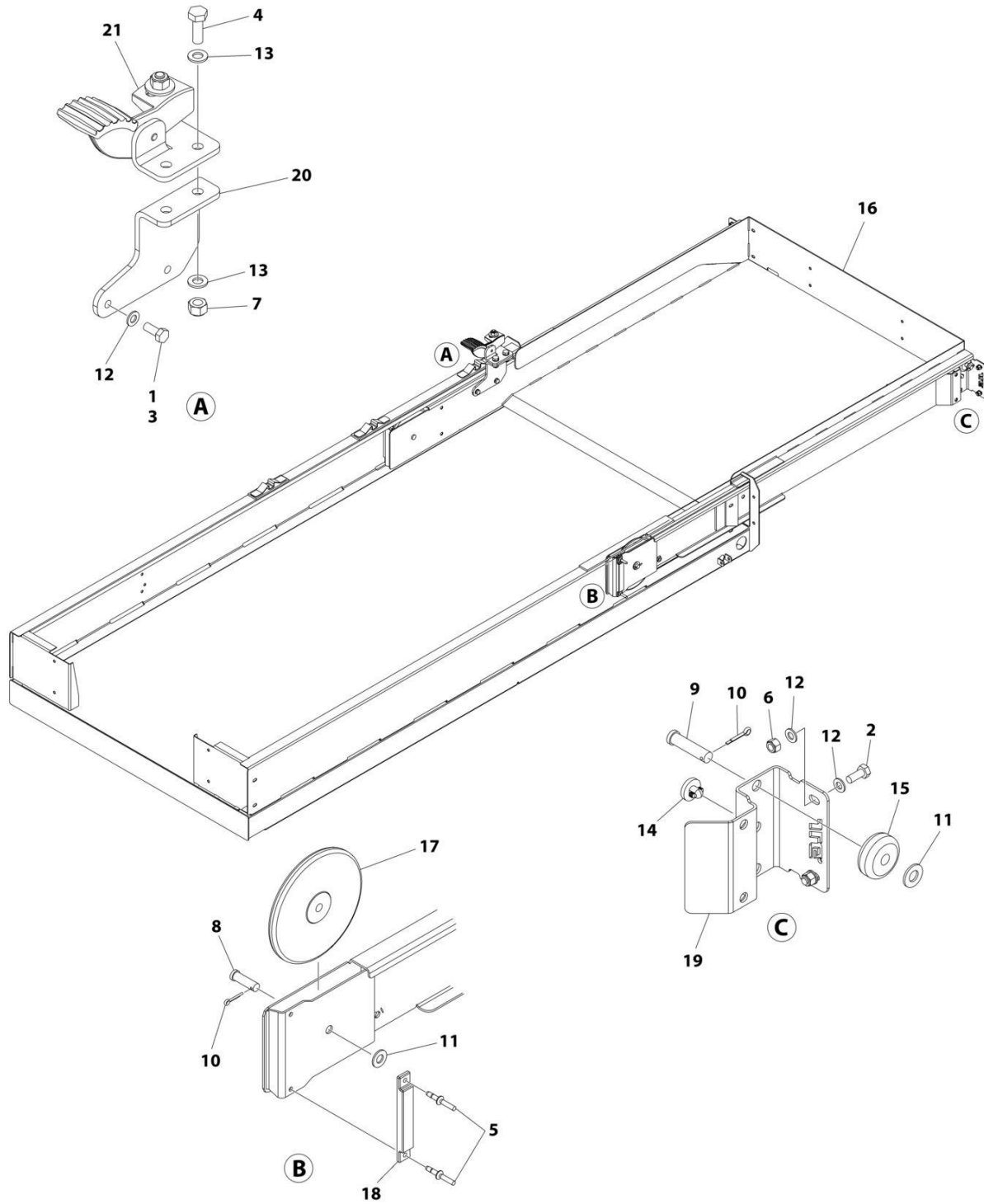
## SECTION 4 - PLATFORM

**FIGURE 4-1. PLATFORM INSTALLATION**

ITEM	PART NUMBER	QTY	DESCRIPTION	REV
	1001234384	Ref	PLATFORM INSTALLATION	B
1	0700819	2	Bolt M8 x 55	
2	3290805	2	Nut M8	
3	4811900	4	Washer M8	
4	1001235555	1	Platform	
5	1001235592	2	Block, Slide <b>(Prior to SN B200055199)</b>	
5	1001247706	2	Block, Slide <b>(SN B200055199 to Present)</b>	
6	1001239926	2	Pin	

# SECTION 4 - PLATFORM

## FIGURE 4-2. PLATFORM EXTENSION INSTALLATION



ART\_1001234385

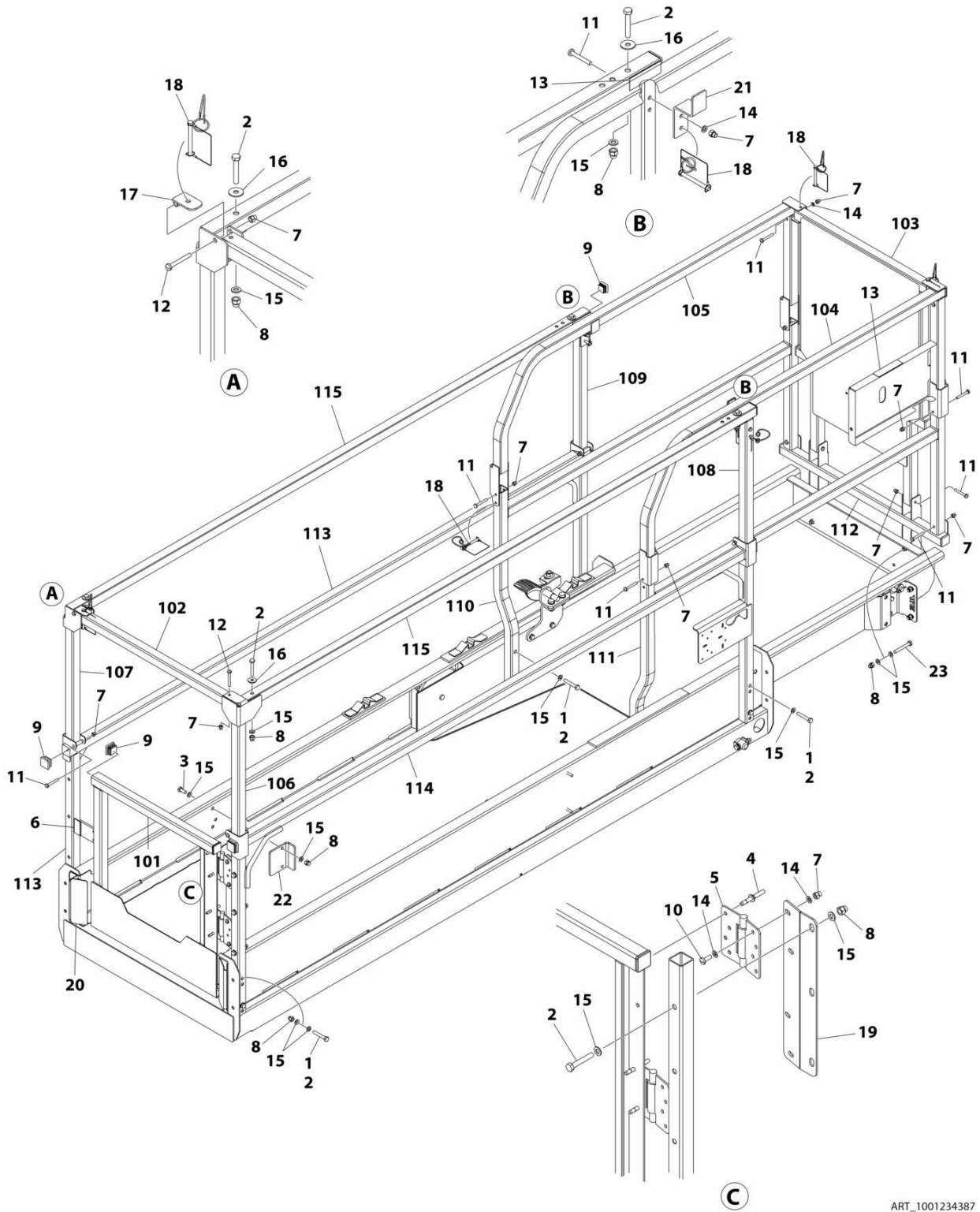
## SECTION 4 - PLATFORM

**FIGURE 4-2. PLATFORM EXTENSION INSTALLATION**

ITEM	PART NUMBER	QTY	DESCRIPTION	REV
	1001234385	Ref	PLATFORM EXTENSION INSTALLATION	A
1	0100011	AR	Compound, Locking	
2	0760810	4	Bolt M8 x 20	
3	0760812	2	Bolt, M8 x 25	
4	0761014	2	Bolt M10 x 30	
5	2080040	4	Fastener	
6	3290805	4	Nut M8	
7	3291005	2	Nut M10	
8	3430814	2	Pin	
9	3430816	2	Pin	
10	3450403	4	Pin, Cotter	
11	4711800	4	Washer 1/2	
12	4811900	10	Washer M8	
13	4812000	4	Washer M10	
14	1001137675	2	Bumper	
15	1001205422	2	Roller (Front)	
16	1001205424	1	Extension, Platform	
17	1001205430	2	Roller (Rear)	
18	1001208852	2	Pad	
19	1001210064	2	Support	
20	1001213838	1	Bracket	
21	1001234407	1	Latch Assembly	

# SECTION 4 - PLATFORM

## FIGURE 4-3. RAILS INSTALLATION (SIDE BY SIDE)



ART\_1001234387

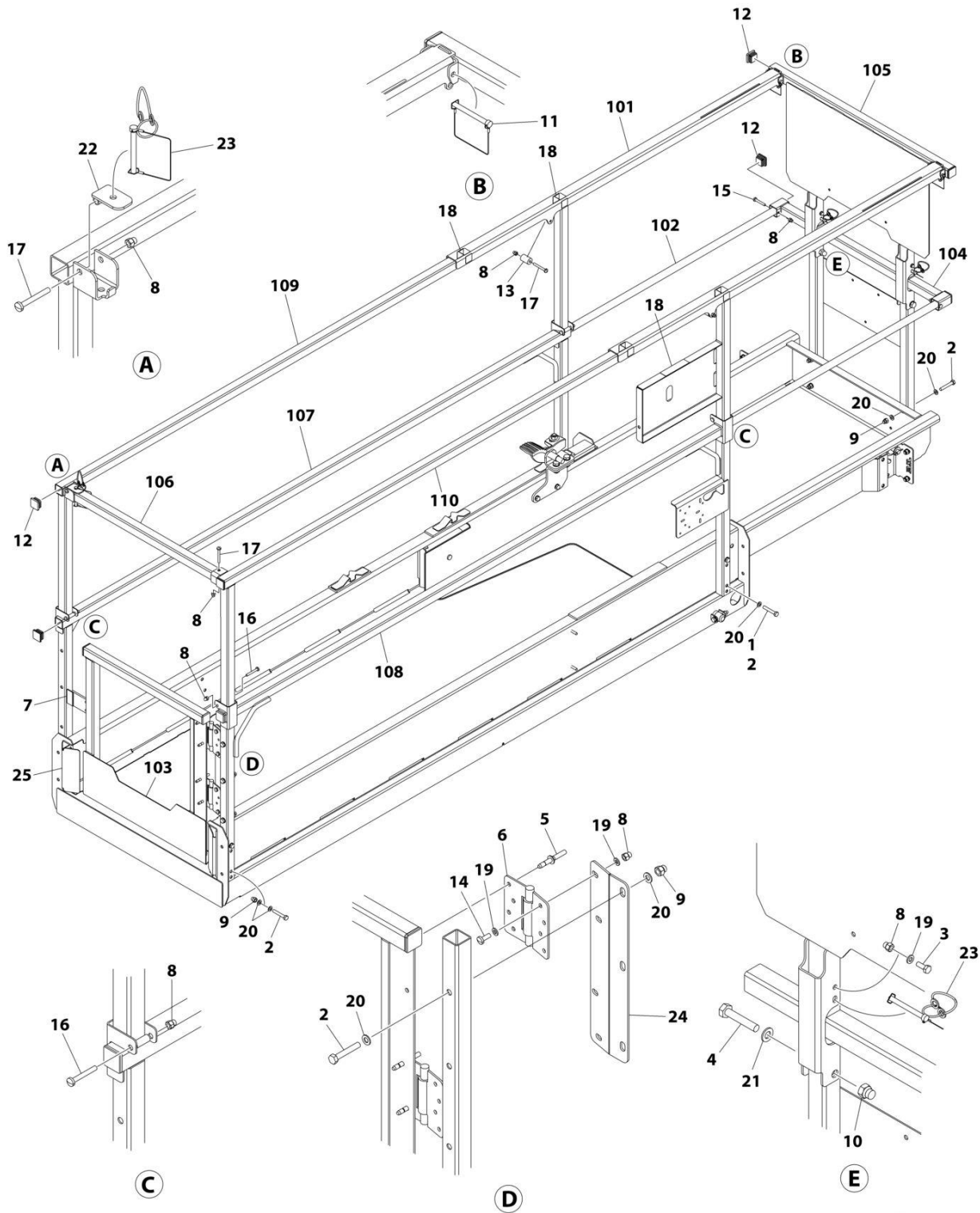
## SECTION 4 - PLATFORM

**FIGURE 4-3. RAILS INSTALLATION (SIDE BY SIDE)**

ITEM	PART NUMBER	QTY	DESCRIPTION	REV
	1001234387	Ref	RAILS INSTALLATION (SIDE BY SIDE)	F
1	0100011	AR	Compound, Locking	
2	0700818	19	Bolt M8 x 50	
3	0760810	2	Bolt M8 x 20	
4	2080040	4	Fastener	
5	2600281	2	Hinge	
6	3080007	1	Magnet, Gate	
7	3290606	22	Nut M6	
8	3290806	17	Nut M8	
9	3520072	12	Plug	
10	4010608	4	Screw M6 x 16	
11	4010617	16	Screw M6 x 45	
12	4010618	2	Screw M6 x 50	
13	4420062	15 in/ 37cm	Tape	
14	4811700	12	Washer M6	
15	4811900	42	Washer M8	
16	4811902	4	Washer M8	
17	1001154378	1	Bracket	
18	1001187587	6	Pin, Snap with Lanyard	
19	1001210586	1	Support	
20	1001210963	2	Cover	
21	1001232257	2	Brace	
22	1001232622	1	Bracket	
23	0700820	4	Bolt M8 x 60	
24	1001156186	4	Plug, Hole	
100	1001236624	1	Rail Kit (Not Shown)	
101	1001210302	1	Gate	
102	1001210458	1	Tube, Rear Top	
103	1001229732	1	Rail, Extension Front (Upper)	
104	1001229733	1	Rail, Extension Side (RH)	
105	1001229734	1	Rail, Extension Side (LH)	
106	1001229739	1	Rail Rear (Upper RH)	
107	1001229740	1	Rail Rear (Upper LH)	
108	1001229741	1	Rail Front (Upper RH)	
109	1001229742	1	Rail Front (Upper LH)	
110	1001230248	1	Tube, Rail (Lower LH)	
111	1001230249	1	Tube, Rail (Lower RH)	
112	1001231405	1	Tube, Extension (Lower)	
113	1001234006	1	Rail Rear (Lower LH)	
114	1001234007	1	Rail Rear (Lower RH)	
115	1001235286	2	Rail, Side Top	

# SECTION 4 - PLATFORM

## FIGURE 4-4. RAILS INSTALLATION (TUBE IN TUBE)



ART\_1001234386

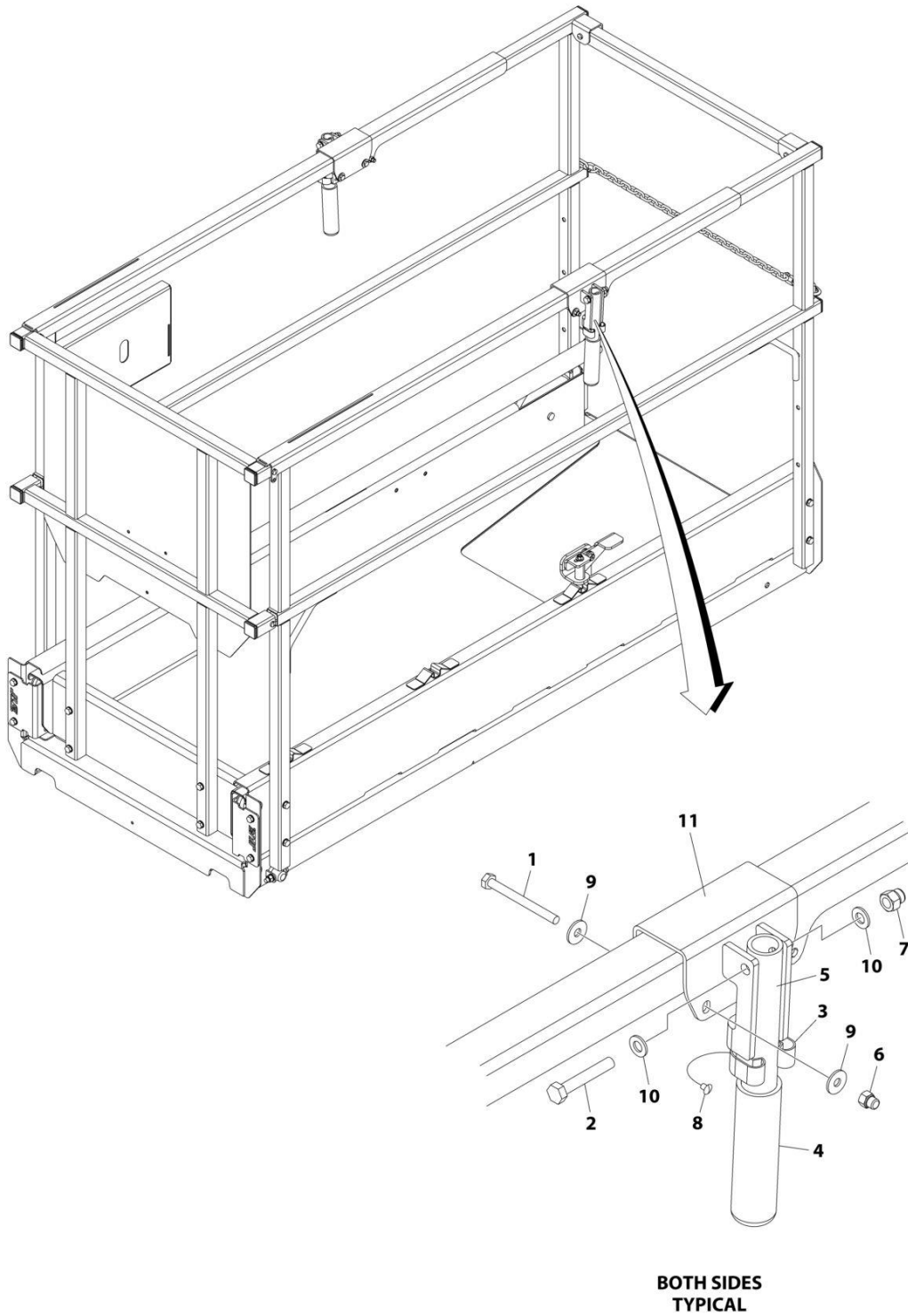
## SECTION 4 - PLATFORM

**FIGURE 4-4. RAILS INSTALLATION (TUBE IN TUBE)**

ITEM	PART NUMBER	QTY	DESCRIPTION	REV
	1001234386	Ref	RAILS INSTALLATION (TUBE IN TUBE)	D
1	0100011	AR	Compound, Locking	
2	0700818	15	Bolt M8 x 50	
3	0760608	2	Bolt M6 x 16	
4	0761019	2	Bolt M10 x 55	
5	2080040	4	Fastener	
6	2600281	2	Hinge	
7	3080007	1	Magnet, Gate	
8	3290606	16	Nut M6	
9	3290806	11	Nut M8	
10	3291006	2	Nut M10	
11	3422219	2	Pin, Snap	
12	3520072	10	Plug	
13	3860111	2	Roller	
14	4010608	4	Screw M6 x 16	
15	4010616	2	Screw M6 x 40	
16	4010617	4	Screw M6 x 45	
17	4010618	4	Screw M6 x 50	
18	4420062	16 in/ 40cm	Tape	
19	4811700	10	Washer M6	
20	4811900	30	Washer M8	
21	4812000	2	Washer M10	
22	1001154378	1	Bracket	
23	1001187587	3	Pin, Snap with Lanyard	
24	1001210586	1	Support	
25	1001210963	2	Cover	
100	1001236623	1	Rail Kit (Not Shown)	
101	1001206225	1	Rail, Extension Top	
102	1001206226	1	Rail, Extension MID	
103	1001210302	1	Gate	
104	1001210446	1	Rail, Extension MID Front	
105	1001210447	1	Rail, Extension Top Front	
106	1001210458	1	Tube, Rear Top	
107	1001234006	1	Rail, Side MID (LH)	
108	1001234007	1	Rail, Side MID (RH)	
109	1001234141	1	Rail, Side Top (LH)	
110	1001234142	1	Rail, Side Top (RH)	

# SECTION 4 - PLATFORM

## FIGURE 4-5. EXTENSION HANDLES INSTALLATION (OPTIONAL)



ART\_1001222587



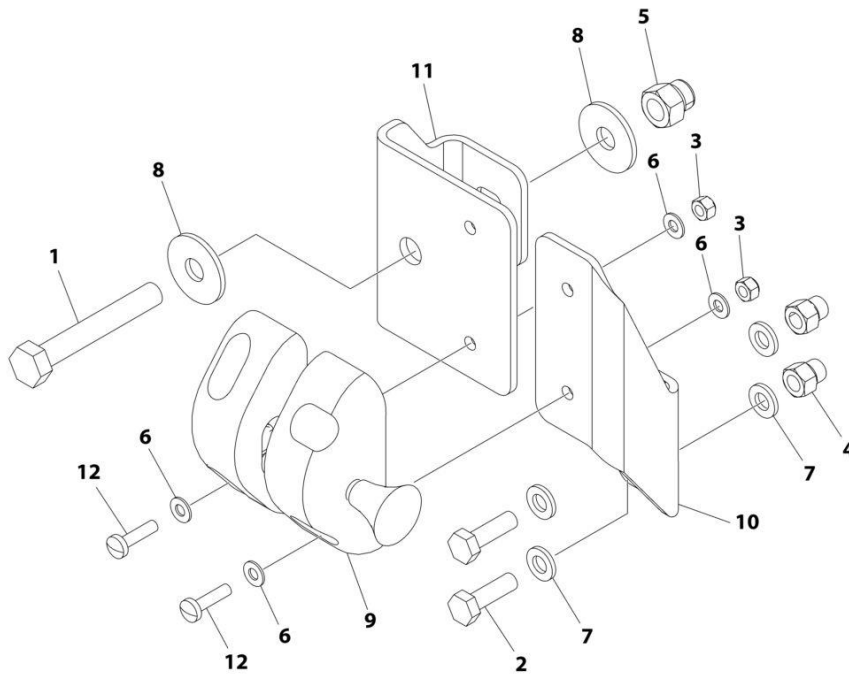
## SECTION 4 - PLATFORM

FIGURE 4-5. EXTENSION HANDLES INSTALLATION (OPTIONAL)

ITEM	PART NUMBER	QTY	DESCRIPTION	REV
	1001222587	Ref	HANDLE EXTENSION INSTALLATION (OPTIONAL)	B
1	0700621	4	Bolt M6 x 65	
2	0700818	2	Bolt M8 x 50	
3	1380132	2	Clip	
4	2560088	2	Grip, Handle	
5	2560190	2	Handle	
6	3290606	2	Nut M6	
7	3290806	2	Nut M8	
8	3820019	2	Rivet	
9	4811702	8	Washer M6	
10	4811900	4	Washer M8	
11	1001216823	2	Bracket	

# SECTION 4 - PLATFORM

## FIGURE 4-6. GATE LATCH INSTALLATION - OPTIONAL



ART\_1001220995

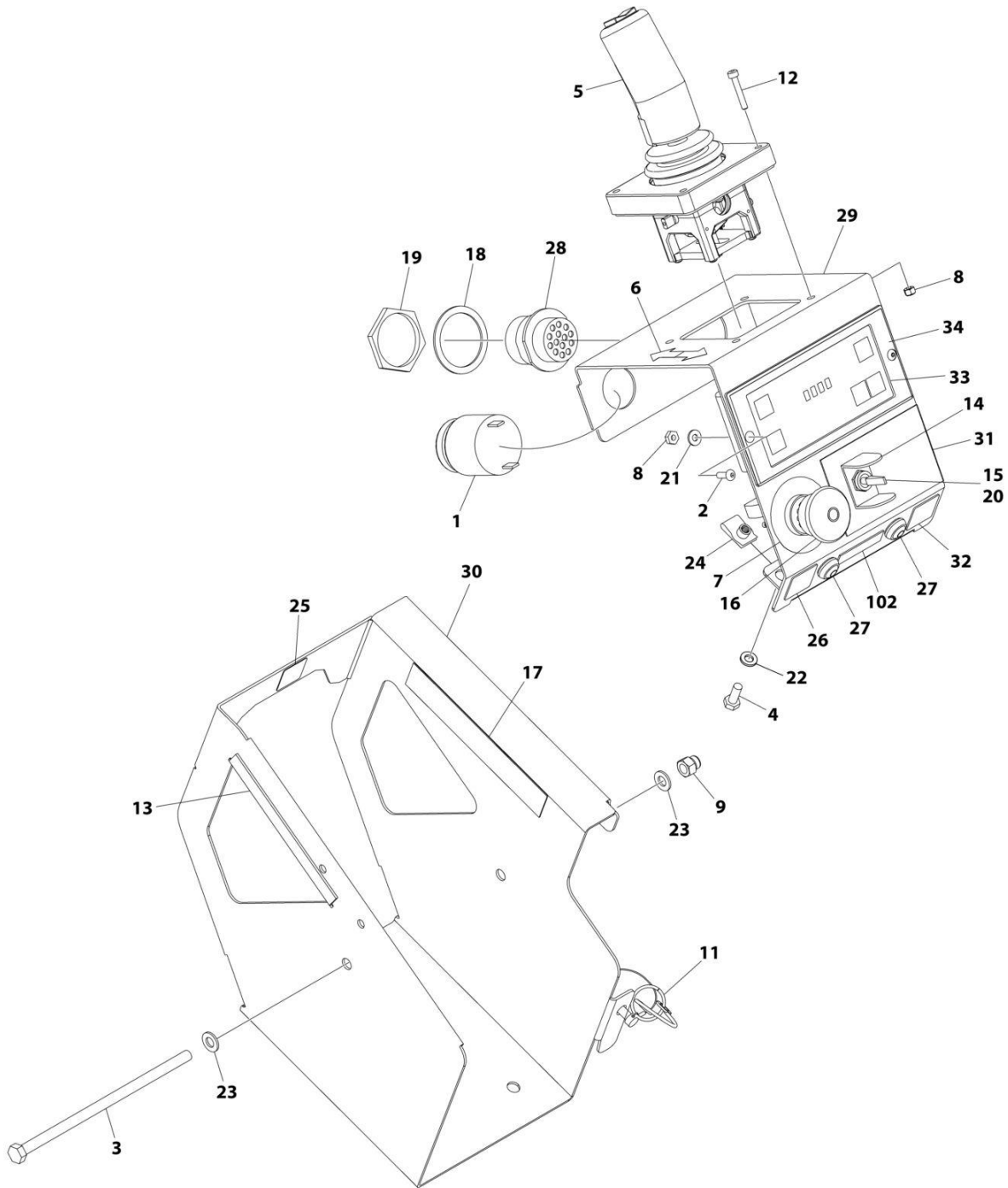
## SECTION 4 - PLATFORM

**FIGURE 4-6. GATE LATCH INSTALLATION - OPTIONAL**

ITEM	PART NUMBER	QTY	DESCRIPTION	REV
	1001220995	Ref	GATE LATCH INSTALLATION	B
1	0700819	1	Bolt M8 x 55	
2	0760610	2	Bolt M6 x 20	
3	3290405	4	Nut M4	
4	3290606	2	Nut M6	
5	3290806	1	Nut M8	
6	4811400	8	Washer M4	
7	4811700	4	Washer M6	
8	4811902	2	Washer M8	
9	1001134821	1	Latch	
10	1001220409	1	Mount	
11	1001220410	1	Plate	
12	4010408	4	Screw M4 x 16	

# SECTION 4 - PLATFORM

## FIGURE 4-7. PLATFORM CONSOLE INSTALLATION



ART\_1001236880

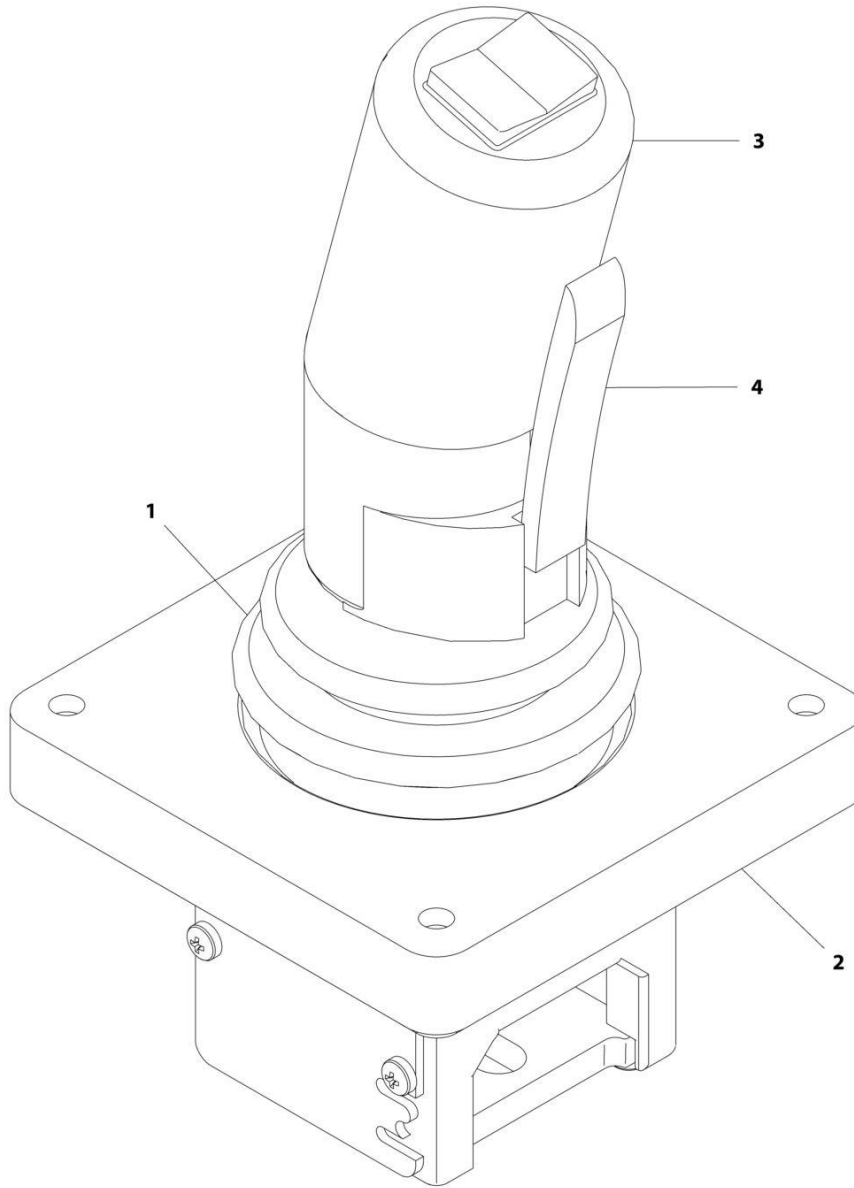
## SECTION 4 - PLATFORM

### FIGURE 4-7. PLATFORM CONSOLE INSTALLATION

ITEM	PART NUMBER	QTY	DESCRIPTION	REV
	1001236880	Ref	PLATFORM CONTROL BOX INSTALLATION	C
1	0140030	1	Alarm	
2	1001047064	2	Screw	
3	0700835	1	Bolt M8 x 180	
4	0760610	2	Bolt M6 x 20	
5	1600402	1	Controller Assembly (See Separate Breakdown in this Section)	
6	1703819	1	Decal - Arrow	
7	1704260	1	Decal - Emergency Stop	
8	3290405	6	Nut M4	
9	3290806	1	Nut M8	
11	3423278	1	Pin, Snap with Lanyard	
12	4031509	4	Capscrew M4 x 25	
13	4060803	6 in/14cm	Flex-Trim	
14	4060906	1	Guard, Switch	
15	4360345	1	Switch, Toggle	
16	4360475	1	Switch, Emergency Stop	
16	7020175	1	Cap	
16	7020176	1	Block, Contact	
17	4420062	12 in/ 30cm	Tape	
18	4460496	1	Washer, Terminal	
19	4460497	1	Nut, Terminal	
20	4711700	1	Washer 7/16	
21	4811400	2	Washer M4	
22	4811700	2	Washer M6	
23	4811900	2	Washer M8	
24	1001130220	2	Nut, Tinnerman M6	
25	1001132358	1	Decal - Steer	
26	1001132361	1	Decal - Horn	
27	1001200633	2	Switch, Push Button	
28	1001200819	1	Platform Control Box Harness (Not Shown) (See Separate Breakdown in ELECTRICAL SECTION)	
29	1001209595	1	Plate, Box (Inside)	
30	1001209596	1	Plate, Box (Outside)	
31	1001213491	1	Decal - Lift/Drive Function	
32	1001213886	1	Decal - Indoor/Outdoor	
33	1001218285	1	Decal - Platform Control	
34	1001228112	1	Module, Platform Control	
	1001224868	1	PLATFORM CONTROL BOX INSTALLATION	D
102	1001219173	1	Decal - 1532R/1932R/2632R	

# SECTION 4 - PLATFORM

## FIGURE 4-8. DRIVE/STEER CONTROLLER ASSEMBLY



ART\_1600402

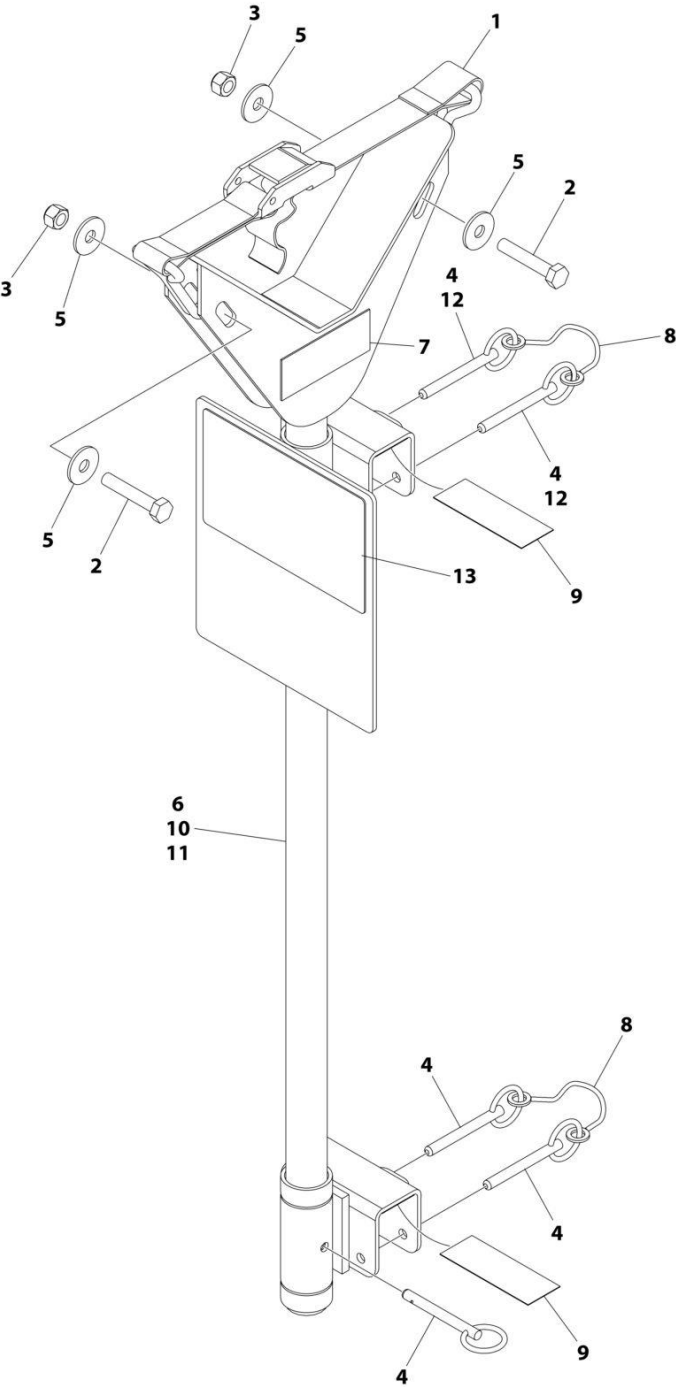
## SECTION 4 - PLATFORM

**FIGURE 4-8. DRIVE/STEER CONTROLLER ASSEMBLY**

ITEM	PART NUMBER	QTY	DESCRIPTION	REV
	1600402	Ref	DRIVE/STEER CONTROLLER ASSEMBLY	A
1	70001250	1	Boot, Panel	
2	70001252	1	Gasket, Mounting	
2	70001251	1	Bezel, Mounting	
3	70003650	1	Handle Repair Kit (Includes handle gasket, item#4 push button and item #4 lever installed in front handle half, back handle half, top actuator, boot and hardware.)	
3	70000084	1	Cap, Rubber	
3	70000082	1	Microswitch	
3	7027766	1	Ring, Retaining	
3	7027365	1	Actuator, Handle	
3	70001253	1	Gasket, Handle	
3	70000683	4	Washer, Neoprene	
3	70000685	2	Spacer, Plastic	
3	70000686	2	Screw (Top)	
3	70000684	2	Screw (Bottom)	
4	7027367	1	Switch, Push Button	
4	7027765	1	Lever, Enable	

# SECTION 4 - PLATFORM

## FIGURE 4-9. PIPE RACKS INSTALLATION (SIDE BY SIDE RAILS) (OPTIONAL)



ART\_1001214229



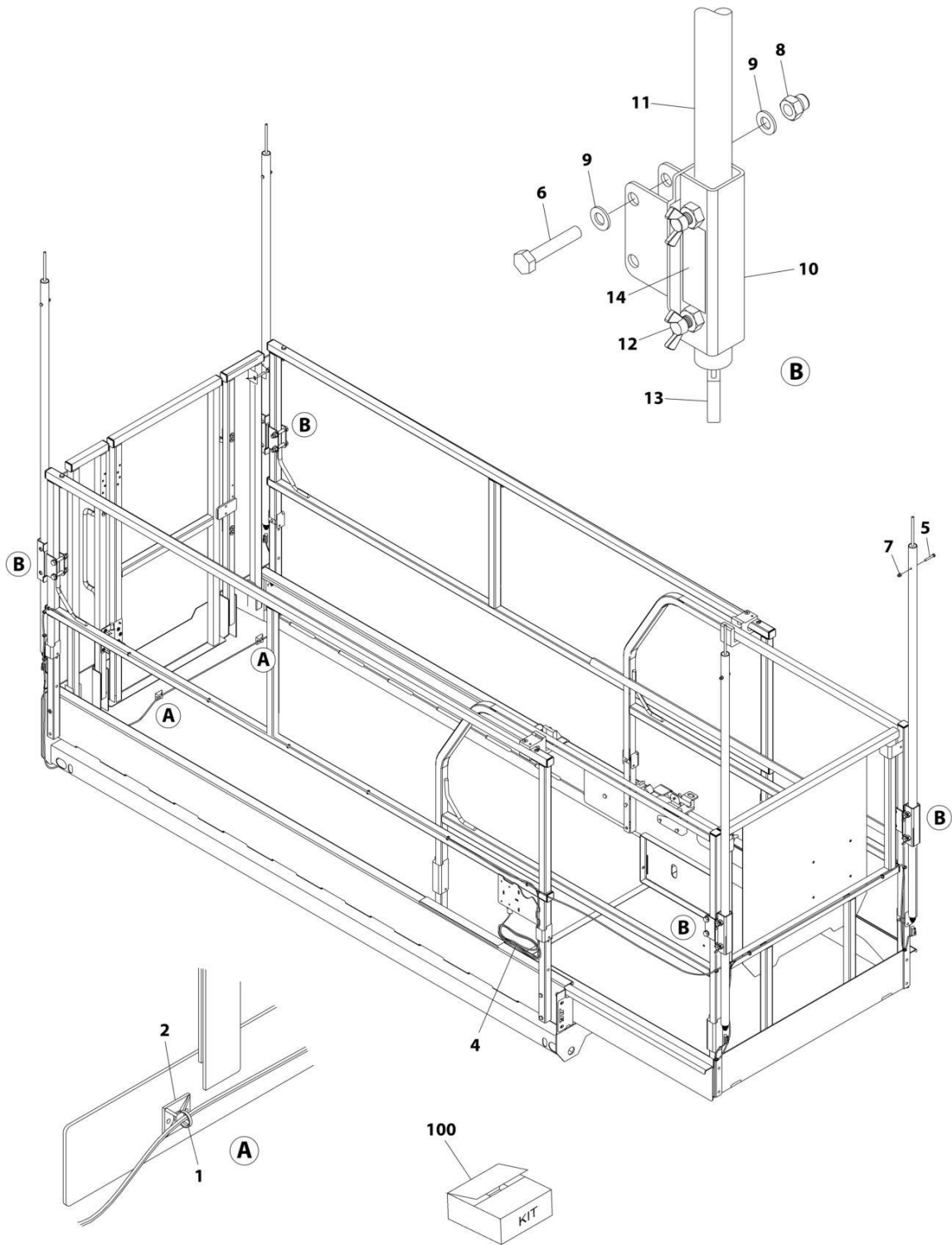
## SECTION 4 - PLATFORM

**FIGURE 4-9. PIPE RACKS INSTALLATION (SIDE BY SIDE RAILS) (OPTIONAL)**

ITEM	PART NUMBER	QTY	DESCRIPTION	REV
	1001214229	Ref	PIPE RACKS INSTALLATION (SIDE BY SIDE RAILS) (OPTIONAL)	B
1	0480100	2	Strap	
2	0700817	4	Bolt M8 x 45	
3	3290805	4	Nut M8	
4	3422661	AR	Pin	
5	4811902	8	Washer M6	
6	4845582	2	Rack, Tube	
7	1001220892	2	Decal - Tube Rack Capacity	
8	1060379	4	Lanyard	
9	4420062	AR	Tape	
10	1001235498	1	Rack, Tube (Rear)	
11	1001235509	1	Rack, Tube (Front)	
12	1001235941	2	Pin	
13	1001236621	2	Decal - Pipe Rack Capacity	

# SECTION 4 - PLATFORM

## FIGURE 4-10. OVERHEAD PROTECTION INSTALLATION (KOREAN SPECS)



## SECTION 4 - PLATFORM

**FIGURE 4-10. OVERHEAD PROTECTION INSTALLATION (KOREAN SPECS)**

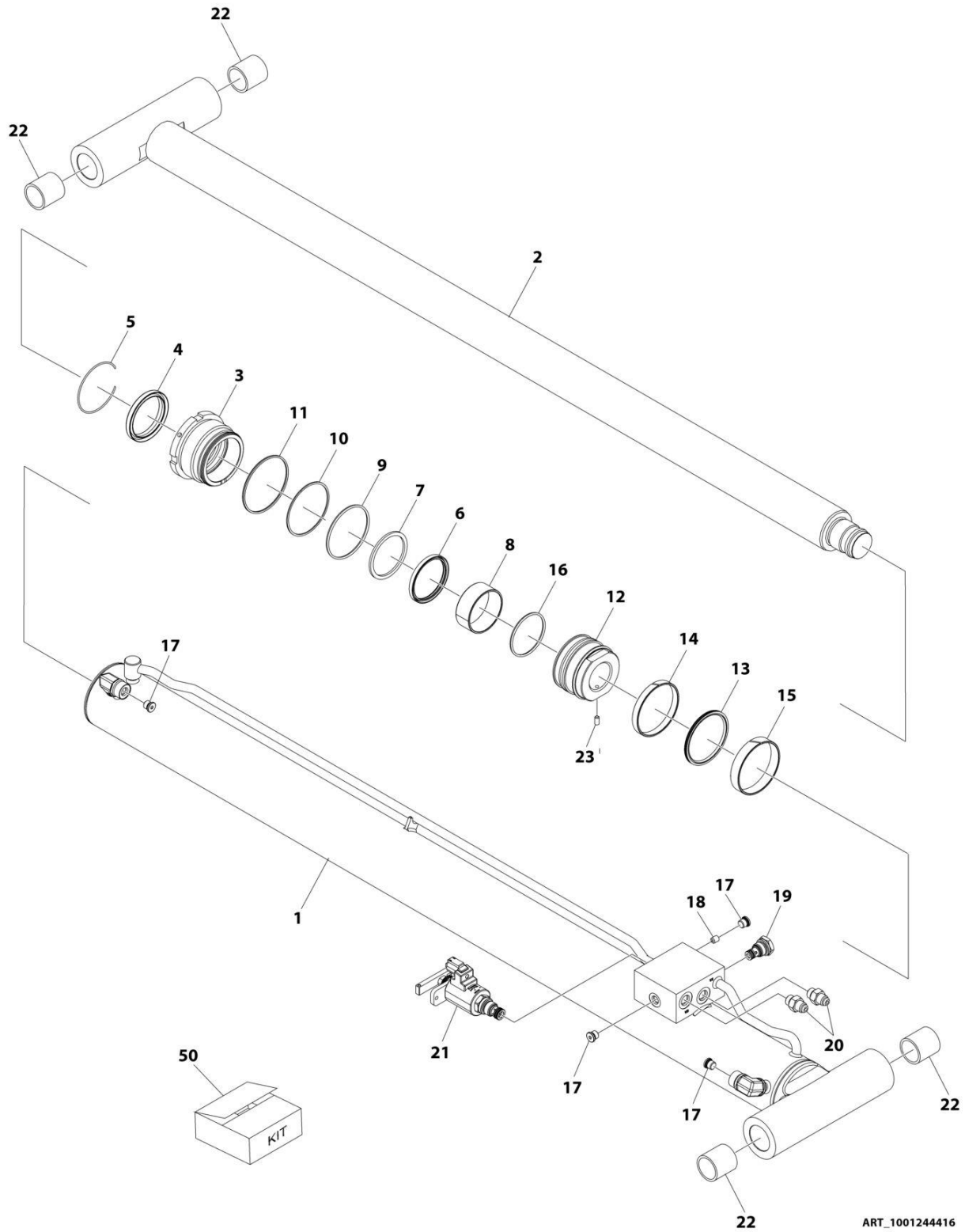
ITEM	PART NUMBER	QTY	DESCRIPTION	REV
	1001226901	Ref	OVERHEAD PROTECTION INSTALLATION (KOREAN SPECS)	A
1	4240017	AR	Tie-Strap	
2	4460234	2	Mount, Tie-Strap	
4	1001227728	1	Overhead Protection Harness	A
4	4460891	4	Plug, Male - 2 Position (X503-X506)	
4	4460465	8	Socket, Female	
4	4460536	1	Receptacle, Female - 3 Position (X507)	
4	4460464	2	Pin, Male	
4	4460466	1	Plug, Terminal	
5	0700616	4	Bolt M6 x 40	
6	0701019	8	Bolt M10 x 55	
7	3290606	4	Nut M6	
8	3291006	8	Nut M10	
9	4812000	16	Washer M10	
10	1001221275	4	Bracket	
11	1001221276	4	Tube	
12	1001222914	8	Thumb Screw	
13	1001226277	4	Switch, Overhead Protection	
14	1001228184	1	Decal - Overhaed Protection Weight	
100	1001221244	1	Overhead Protection Kit (Includes Items 5-14)	



**SECTION 5 - CYLINDER**

# SECTION 5 - CYLINDER

## FIGURE 5-1. LIFT CYLINDER ASSEMBLY



## SECTION 5 - CYLINDER

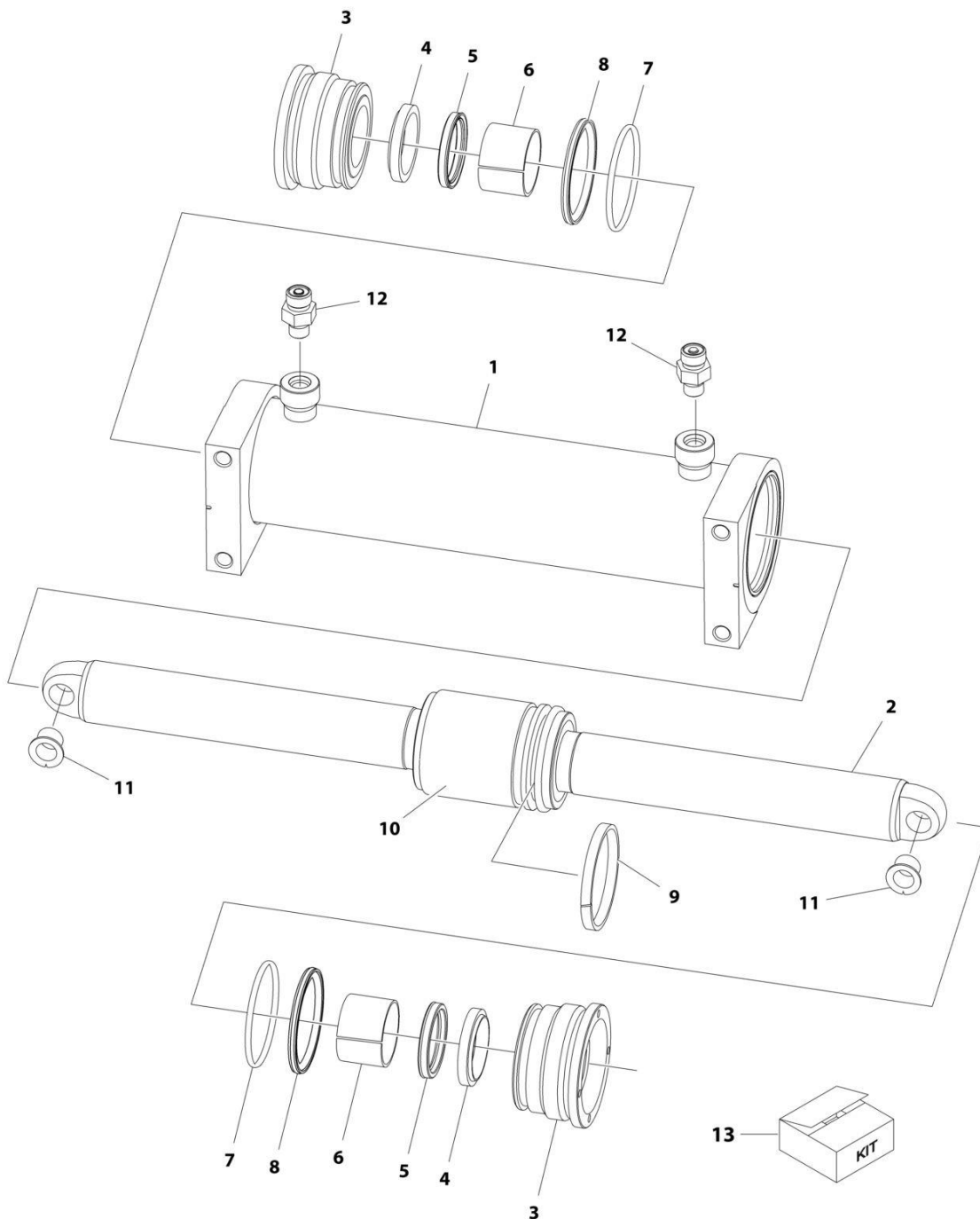
### FIGURE 5-1. LIFT CYLINDER ASSEMBLY

ITEM	PART NUMBER	QTY	DESCRIPTION	REV
	1001244416	Ref	LIFT CYLINDER ASSEMBLY	D
		Ref	<b>Note: Original Cylinder May Have Been Replaced with Service Replacement. Identify PN Stamped on Cylinder Before Ordering Parts.</b>	
1	See Note	NSS	Barrel (Note: Purchase Complete Cylinder)	
2	70007101	1	Rod	
3	70007102	1	Head	
4	See Note	NSS	Wiper	
5	70027244	1	Ring, Retaining	
6	See Note	NSS	Seal	
7	See Note	NSS	Ring, Back-up	
8	70007103	1	Bearing	
9	See Note	NSS	O-Ring	
10	See Note	NSS	Ring, Back-up	
11	See Note	NSS	O-Ring	
12	70007104	1	Piston	
13	See Note	NSS	Seal, Piston	
14	See Note	NSS	Ring, Wear	
15	See Note	NSS	Ring, Wear	
16	See Note	NSS	O-Ring	
17	2220883	4	Plug	
18	70007055	1	Orifice	
19	70004585	1	Valve, Cartridge - Check	
20	2220371	1	Fitting, Straight - JIC/ORB	
21	70005236	1	Valve, Cartridge - Manual Descent (Includes Lever & Spring)	
22	0962006	4	Bearing	
23	70007105	1	Setscrew M6 x 12	
50	70007106	1	Seal Kit - 1001244416 Cylinder (Includes Items 4,,6,7, 9-11 & 13-16)	

# SECTION 5 - CYLINDER

## FIGURE 5-2. STEER CYLINDER ASSEMBLY

**NOTE: IDENTIFY THE PART NUMBER STAMPED ON CYLINDER BEFORE ORDERING PARTS.**



ART\_1001179447



## SECTION 5 - CYLINDER

**FIGURE 5-2. STEER CYLINDER ASSEMBLY**

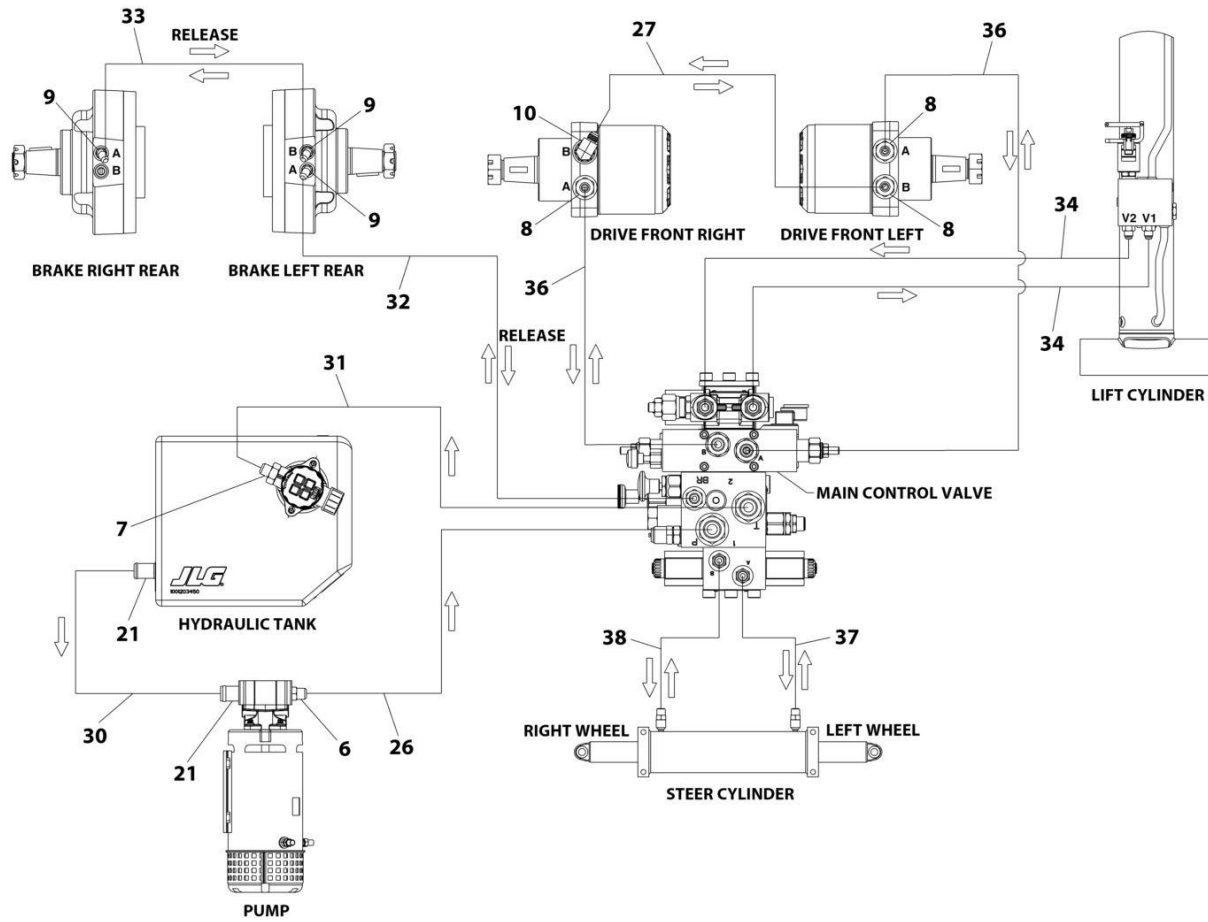
ITEM	PART NUMBER	QTY	DESCRIPTION	REV
	1001179447	Ref	STEER CYLINDER ASSEMBLY (SH-PAC)	A
		Ref	Note: Original Cylinder May Have Been Replaced with Service Replacement. Identify PN Stamped on Cylinder Before Ordering Parts.	
1	70005421	1	Barrel	
2	70005420	1	Rod	
3	70004241	2	Head	
4	See Note	NSS	Wiper (Note: Use Item 13)	
5	See Note	NSS	Seal, Rod (Note: Use Item 13)	
6	See Note	NSS	Ring, Wear (Note: Use Item 13)	
7	See Note	NSS	O-Ring (Note: Use Item 13)	
8	See Note	NSS	Ring, Back-up (Note: Use Item 13)	
9	See Note	NSS	Seal, Piston (Note: Use Item 13)	
10	70005419	1	Spacer	
11	0440259	2	Bearing, Flange	
12	2110404	2	Fitting, Straight ORFS/ORB	
13	70004239	1	Seal Kit - 1001179447 Cylinder (Includes Items 4-9)	



**SECTION 6 - HYDRAULIC**

# SECTION 6 - HYDRAULIC

## FIGURE 6-1. HYDRAULIC COMPONENTS INSTALLATION



ART\_1001370008\_20F2

## SECTION 6 - HYDRAULIC

**FIGURE 6-1. HYDRAULIC COMPONENTS INSTALLATION**

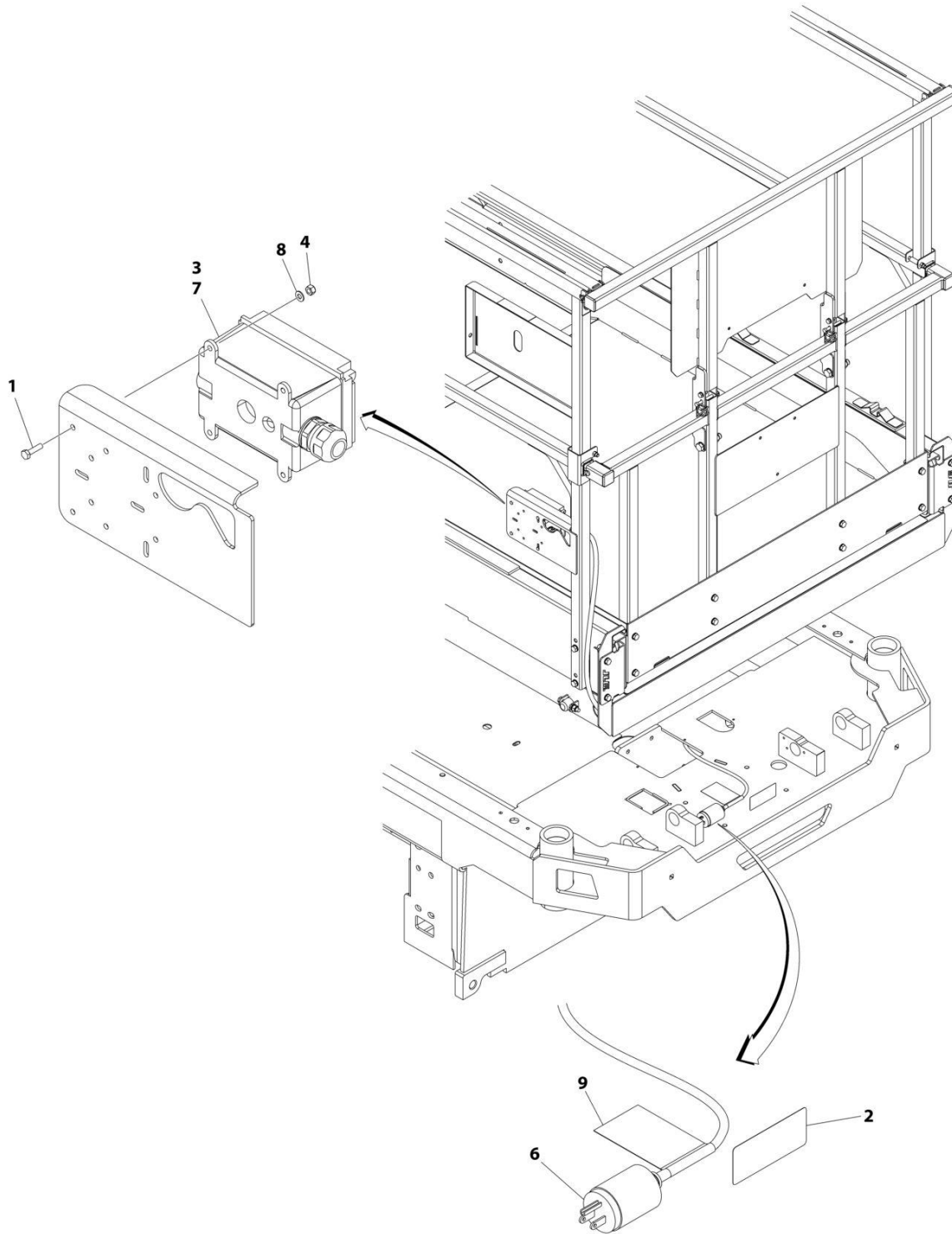
ITEM	PART NUMBER	QTY	DESCRIPTION	REV
	1001370008	Ref	HYDRAULIC COMPONENTS INSTALLATION	D
6	2220373	1	Fitting, Straight - JIC/ORB	
7	2220375	1	Fitting, Straight - JIC/ORB	
8	2220497	3	Fitting, Straight - JIC/ORB	
9	2220502	3	Fitting, 45 - JIC/ORB	
10	2220628	1	Fitting, 90 - JIC/ORB	
21	1001143501	2	Clamp, T-Bolt Heavy Duty	
26	1001203836	1	Hose	
27	1001203846	1	Hose	
30	1001247627	1	Hose	
31	1001236801	1	Hose	
32	1001236802	1	Hose	
33	1001236803	1	Hose	
34	1001236809	2	Hose	
36	1001242230	2	Hose	
37	1001243487	1	Hose	
38	1001243488	1	Hose	



**SECTION 7 - ELECTRICAL**

# SECTION 7 - ELECTRICAL

FIGURE 7-1. AC BOX AT PLATFORM INSTALLATION - 110V GFI (ALL SPECS EXCEPT AUSTRALIAN & CE SPECS)



ART\_1001237400



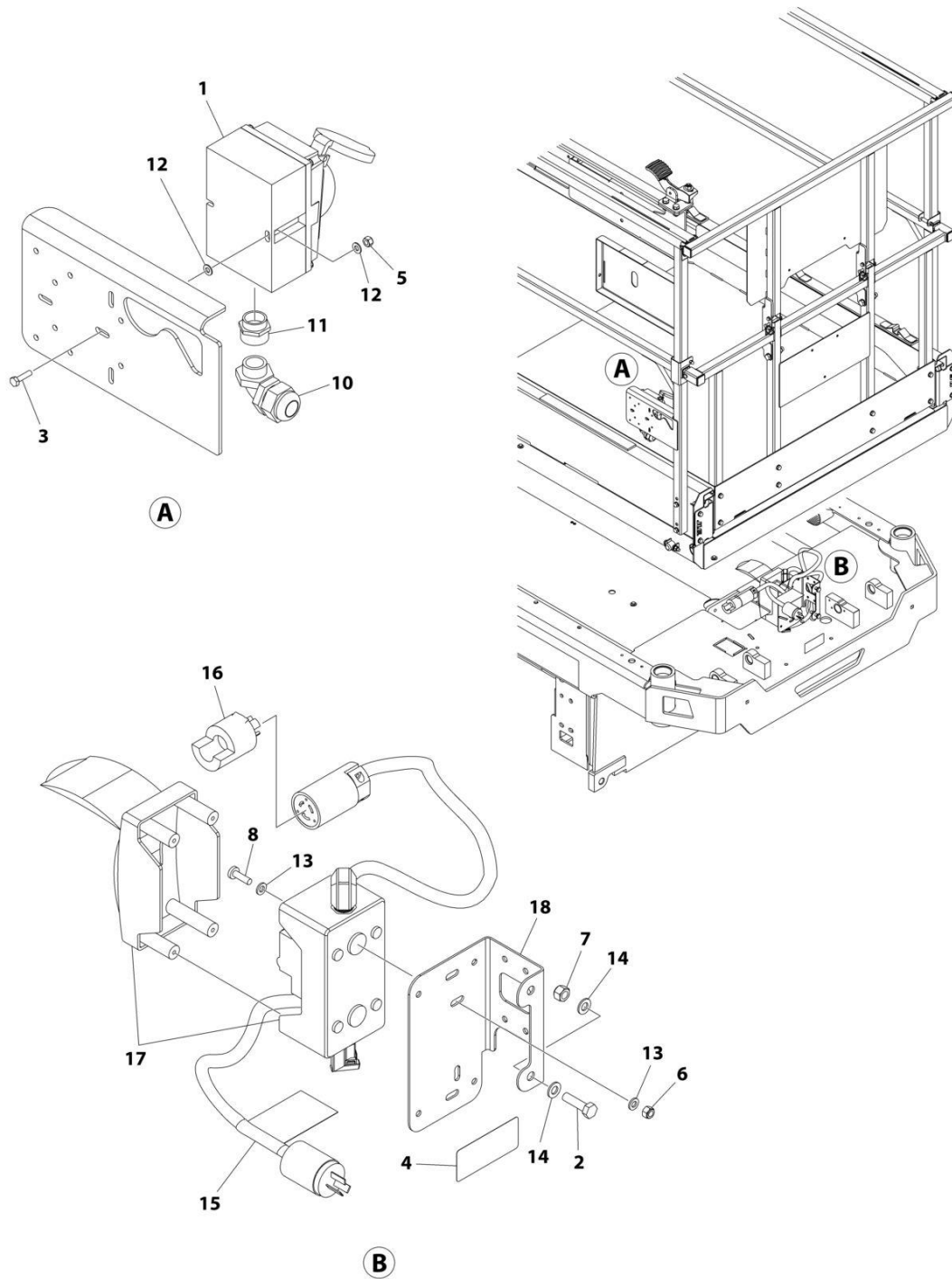
## SECTION 7 - ELECTRICAL

**FIGURE 7-1. AC BOX AT PLATFORM INSTALLATION - 110V GFI (ALL SPECS EXCEPT AUSTRALIAN & CE SPECS)**

ITEM	PART NUMBER	QTY	DESCRIPTION	REV
	1001237400	Ref	AC BOX AT PLATFORM INSTALLATION - 110V GFI	C
1	0760408	4	Bolt M4 x 16	
2	1703464	1	Decal - AC Power	
3	2902431	1	Receptacle Box Kit (See Separate Breakdown in this Section)	
4	3290405	4	Nut M4	
5	4240017	AR	Tie-Strap (Not Shown)	
6	4460138	1	Plug, Male - AC	
7	4460315	1	Terminal	
8	4811400	4	Washer M4	
9	1001102258	1	Decal - AC Label	

# SECTION 7 - ELECTRICAL

## FIGURE 7-2. AC BOX AT PLATFORM INSTALLATION - 110V IEC YELLOW (CE SPECS)



ART\_1001238133

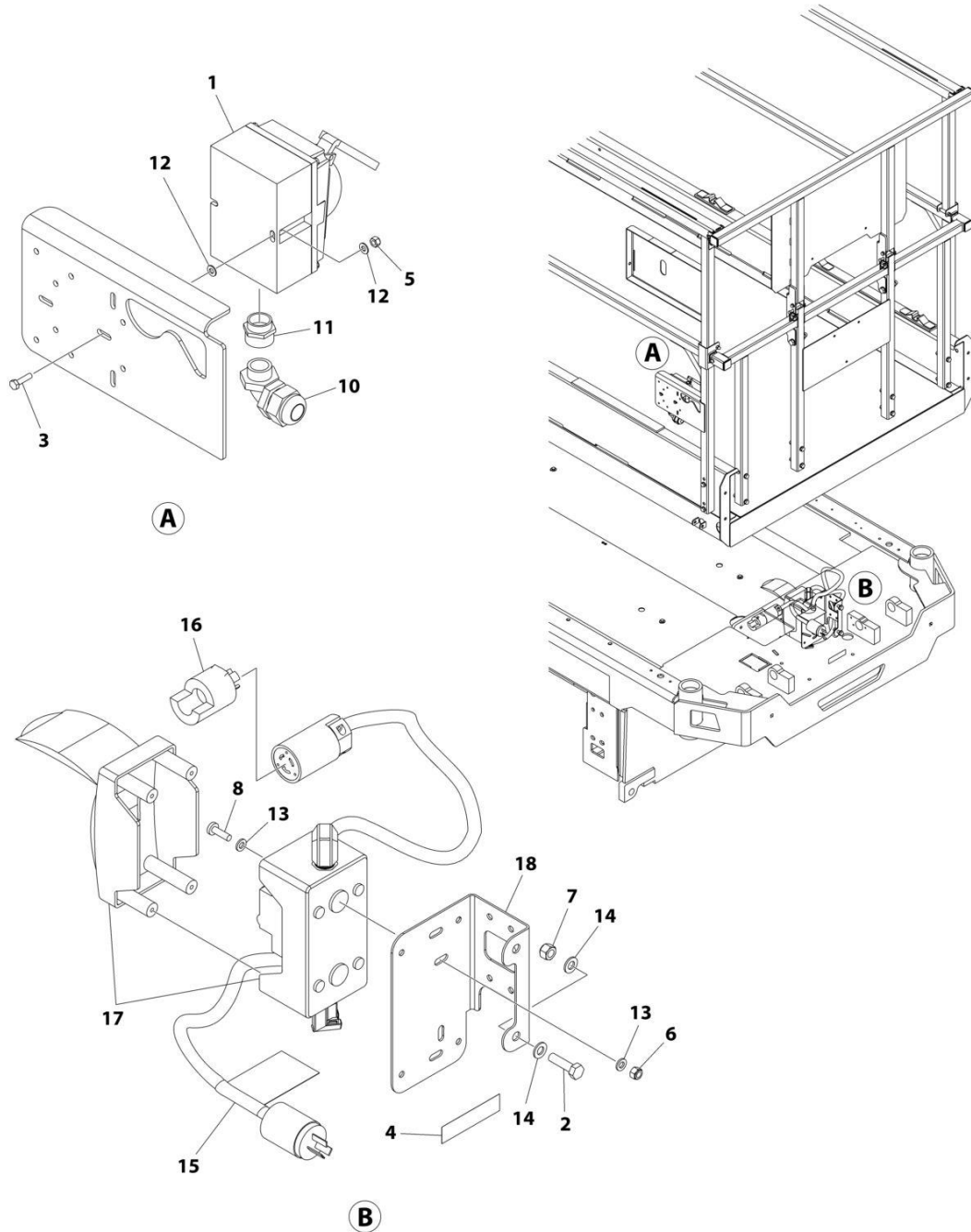
## SECTION 7 - ELECTRICAL

**FIGURE 7-2. AC BOX AT PLATFORM INSTALLATION - 110V IEC YELLOW (CE SPECS)**

ITEM	PART NUMBER	QTY	DESCRIPTION	REV
	1001238133	Ref	AC BOX AT PLATFORM INSTALLATION - 110V IEC YELLOW	B
1	0275216	1	Receptacle Box Kit - 110V IEC Yellow (See Separate Breakdown in this Section)	
2	0700814	2	Bolt M8 x 30	
3	0760408	2	Bolt M4 x 16	
4	1703464	1	Decal - AC Power	
5	3290405	2	Nut M4	
6	3290605	2	Nut M6	
7	3290805	2	Nut M8	
8	4010610	2	Screw M6 x 20	
9	4240017	AR	Tie-Strap (Not Shown)	
10	4461257	1	Connector, Strain Relief	
11	4461258	1	Connector, Adapter	
12	4811400	4	Washer M4	
13	4811700	4	Washer M6	
14	4811900	4	Washer M8	
15	1001102258	1	Decal - AC Label	
16	1001120204	1	Plug, Male Twist	
17	1001209776	1	Breaker Box Kit (See Separate Breakdown in this Section)	
18	1001238198	1	Bracket	

# SECTION 7 - ELECTRICAL

## FIGURE 7-3. AC BOX AT PLATFORM INSTALLATION - 220V IEC BLUE (CE SPECS)



ART\_1001238134

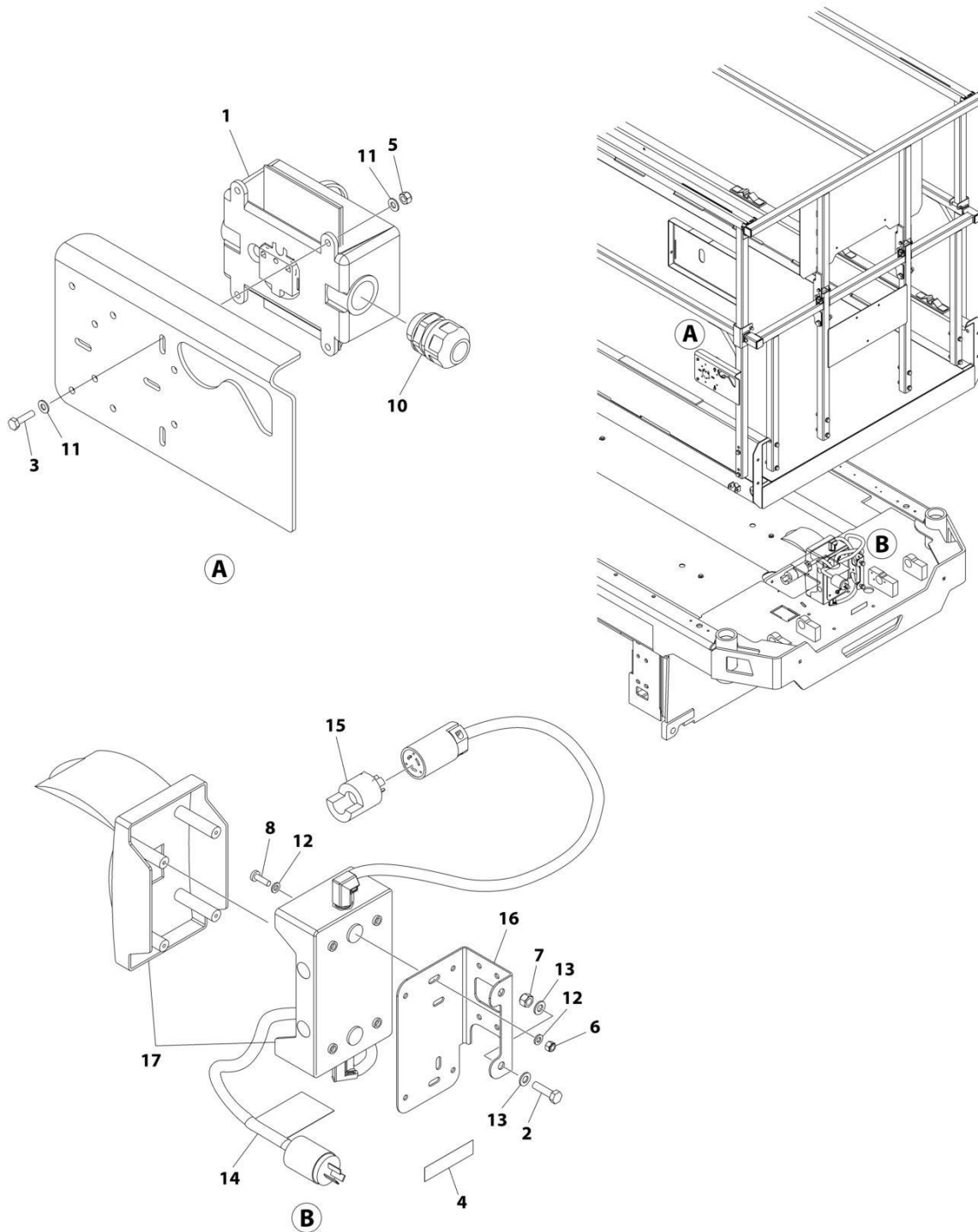
## SECTION 7 - ELECTRICAL

**FIGURE 7-3. AC BOX AT PLATFORM INSTALLATION - 220V IEC BLUE (CE SPECS)**

ITEM	PART NUMBER	QTY	DESCRIPTION	REV
	1001238134	Ref	AC BOX AT PLATFORM INSTALLATION - 220V IEC BLUE	A
1	0275217	1	Receptacle Box Kit - 220V IEC Blue (See Separate Breakdown in this Section)	
2	0700814	2	Bolt M8 x 30	
3	0760408	2	Bolt M4 x 16	
4	3252507	1	Decal - AC Power	
5	3290405	2	Nut M4	
6	3290605	2	Nut M6	
7	3290805	2	Nut M8	
8	4010610	2	Screw M6 x 20	
9	4240017	AR	Tie-Strap (Not Shown)	
10	4461257	1	Connector, Strain Relief	
11	4461258	1	Connector, Adapter	
12	4811400	4	Washer M4	
13	4811700	4	Washer M6	
14	4811900	4	Washer M8	
15	1001102258	1	Decal - AC Label	
16	1001120204	1	Plug, Male Twist	
17	1001209776	1	Breaker Box Kit (See Separate Breakdown in this Section)	
18	1001238198	1	Bracket	

# SECTION 7 - ELECTRICAL

## FIGURE 7-4. AC BOX AT PLATFORM INSTALLATION - 220V CEE7 POST GROUND (CE SPECS)



ART\_1001238130

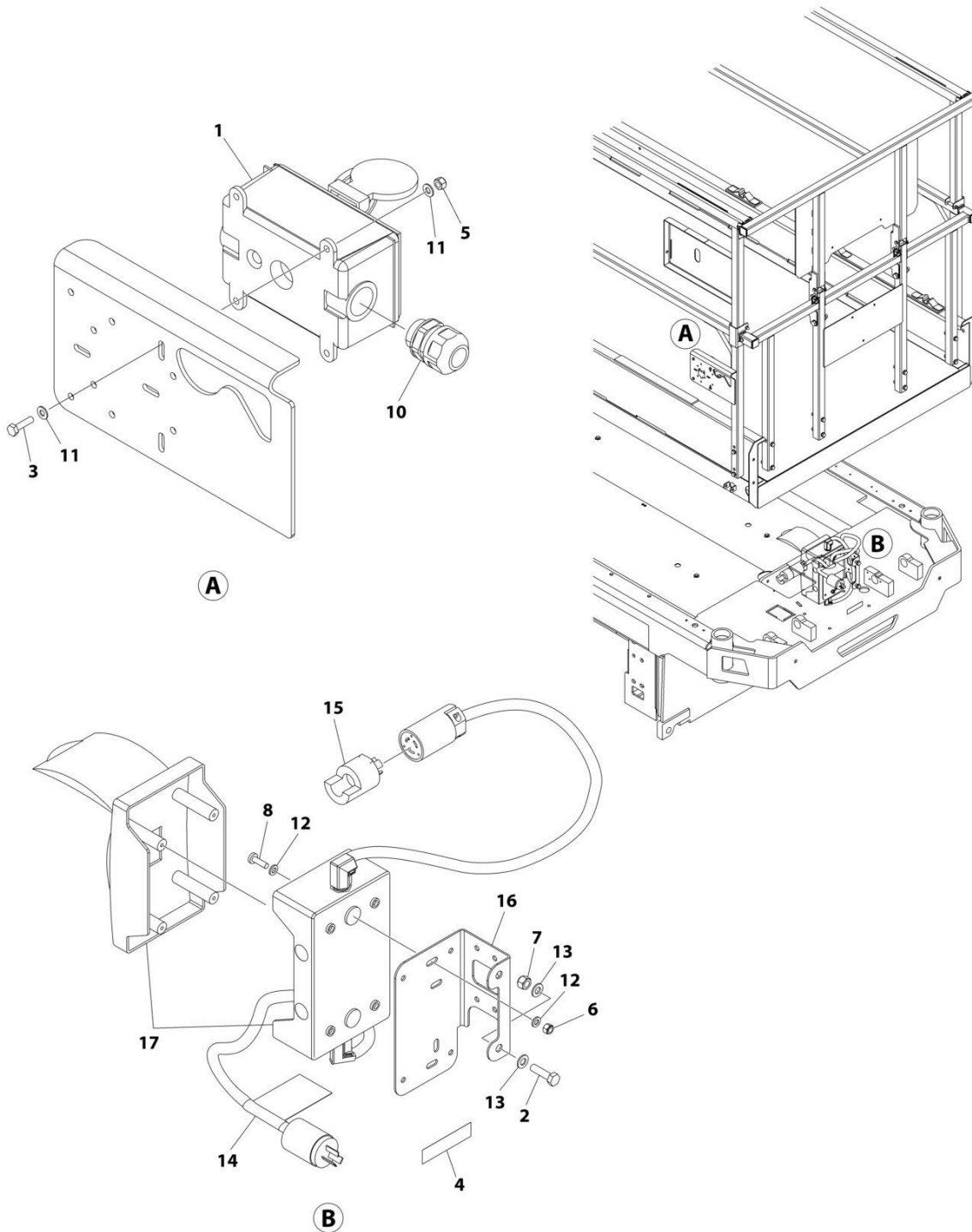
## SECTION 7 - ELECTRICAL

**FIGURE 7-4. AC BOX AT PLATFORM INSTALLATION - 220V CEE7 POST GROUND (CE SPECS)**

ITEM	PART NUMBER	QTY	DESCRIPTION	REV
	1001238130	Ref	AC BOX AT PLATFORM INSTALLATION - 220V CEE7 POST GROUND	B
1	0275452	1	Receptacle Box Kit - 220V CEE7 Post Ground (See Separate Breakdown in this Section)	
2	0700814	2	Screw M8 x 30	
3	0760408	4	Bolt M4 x 16	
4	3252507	1	Decal - AC Power	
5	3290405	4	Nut M4	
6	3290605	2	Nut M6	
7	3290805	2	Nut M8	
8	4010610	2	Screw M6 x 20	
9	4240017	AR	Tie-Strap (Not Shown)	
10	4460662	1	Connector, Strain Relief	
11	4811400	8	Washer M4	
12	4811700	4	Washer M6	
13	4811900	4	Washer M8	
14	1001102258	1	Decal - AC Label	
15	1001120204	1	Plug, Male Twist	
16	1001238198	1	Bracket	
17	1001209482	1	Breaker Box Kit (See Separate Breakdown in this Section)	

# SECTION 7 - ELECTRICAL

## FIGURE 7-5. AC BOX AT PLATFORM INSTALLATION - 220V CEE7 SIDE GROUND (CE SPECS)



ART\_1001238131



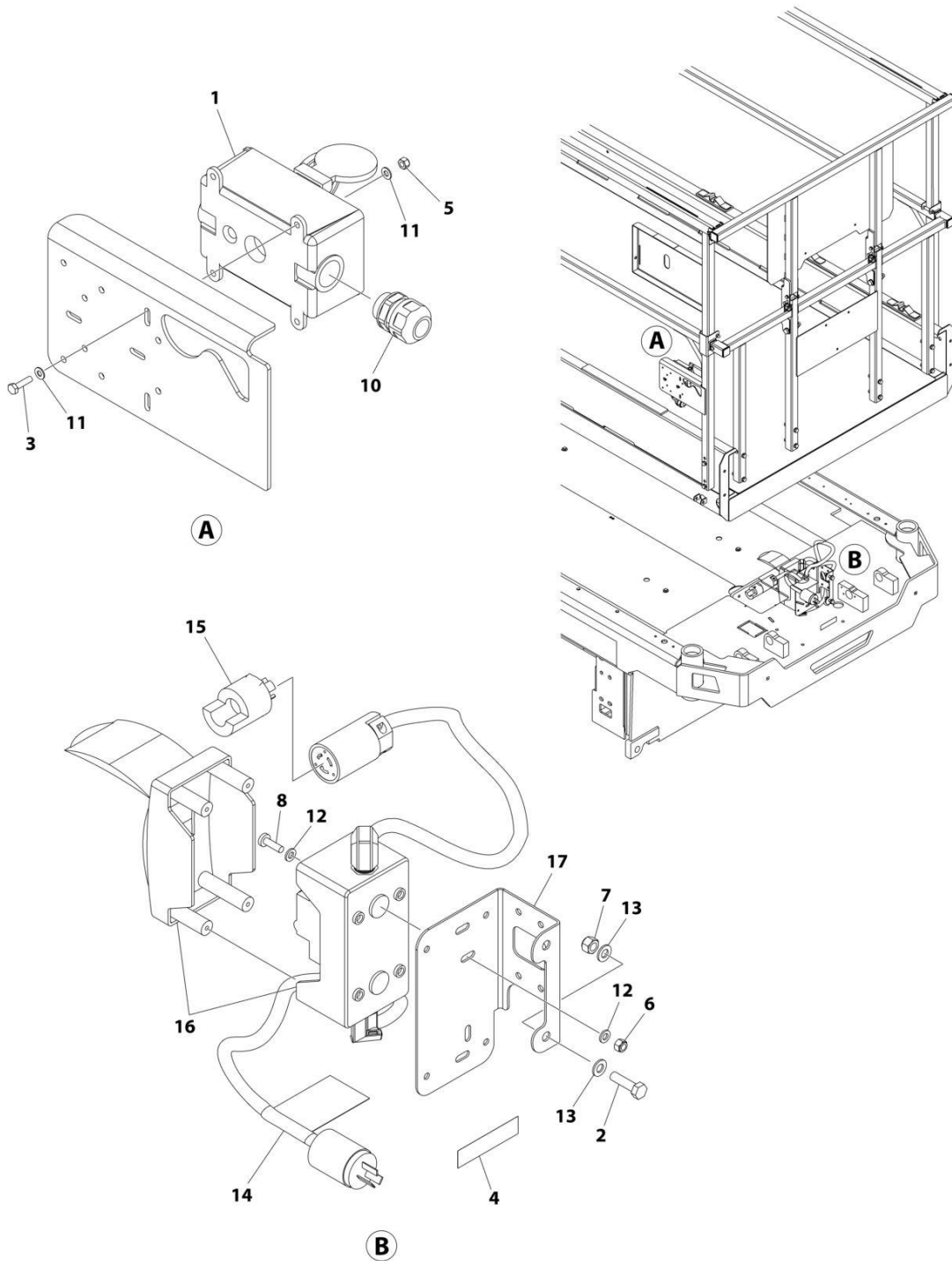
## SECTION 7 - ELECTRICAL

**FIGURE 7-5. AC BOX AT PLATFORM INSTALLATION - 220V CEE7 SIDE GROUND (CE SPECS)**

ITEM	PART NUMBER	QTY	DESCRIPTION	REV
	1001238131	Ref	AC BOX AT PLATFORM INSTALLATION - 220V CEE7 SIDE GROUND	B
1	0275453	1	Receptacle Box Kit - 220V CEE7 Side Ground (See Separate Breakdown in this Section)	
2	0700814	2	Bolt M8 x 30	
3	0760408	4	Bolt M4 x 16	
4	3252507	1	Decal - AC Power	
5	3290405	4	Nut M4	
6	3290605	2	Nut M6	
7	3290805	2	Nut M8	
8	4010610	2	Screw M6 x 20	
9	4240017	AR	Tie-Strap (Not Shown)	
10	4460662	1	Connector, Strain Relief	
11	4811400	8	Washer M4	
12	4811700	4	Washer M6	
13	4811900	4	Washer M8	
14	1001102258	1	Decal - AC Label	
15	1001120204	1	Plug, Male Twist	
16	1001238198	1	Bracket	
17	1001209482	1	Breaker Box Kit (See Separate Breakdown in this Section)	

# SECTION 7 - ELECTRICAL

## FIGURE 7-6. AC BOX AT PLATFORM INSTALLATION - 220V AFSINT 107 (CE SPECS)



ART\_1001238132

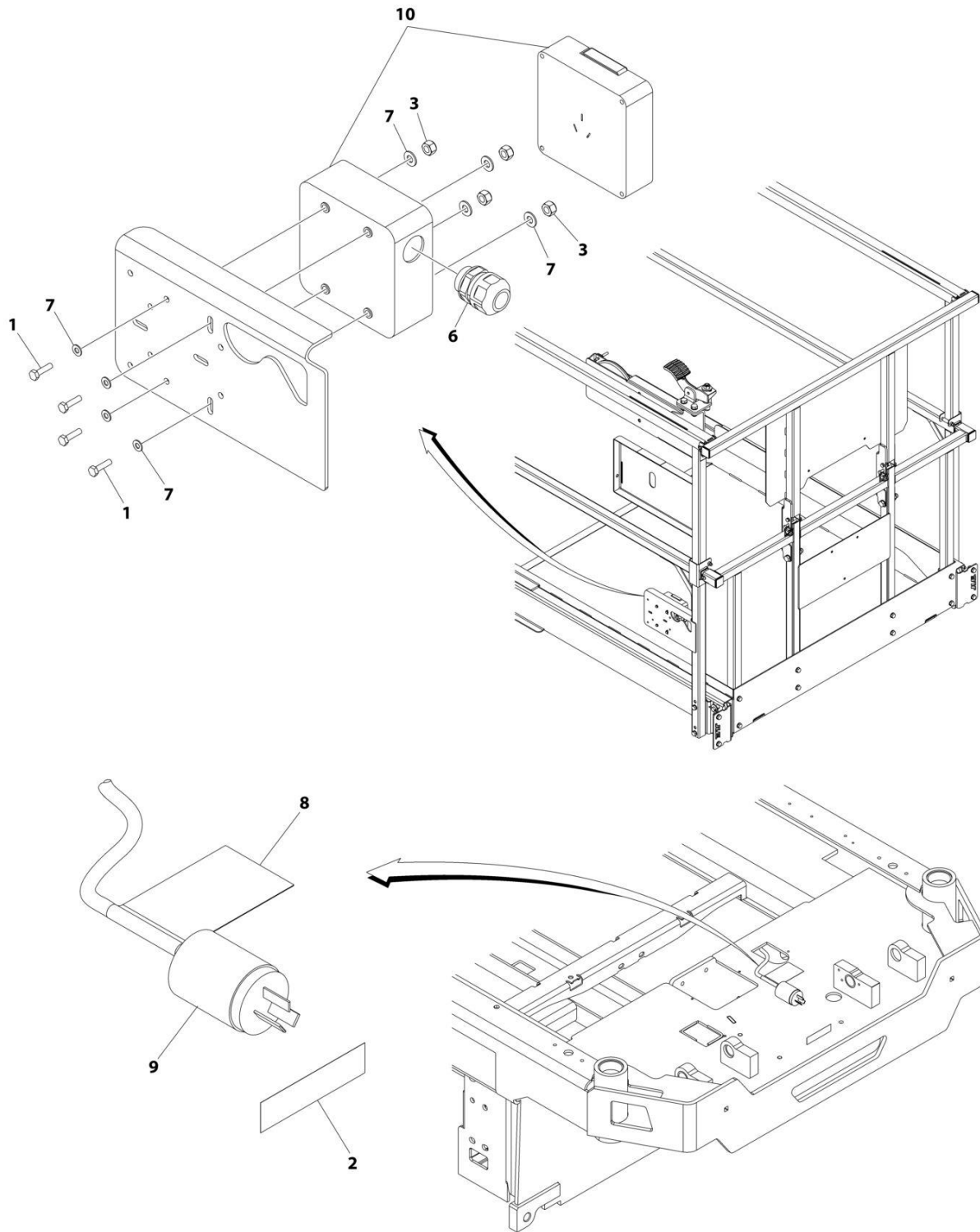
## SECTION 7 - ELECTRICAL

**FIGURE 7-6. AC BOX AT PLATFORM INSTALLATION - 220V AFSINT 107 (CE SPECS)**

ITEM	PART NUMBER	QTY	DESCRIPTION	REV
	1001238132	Ref	AC BOX AT PLATFORM INSTALLATION - 220V AFSINT 107	B
1	0275454	1	Receptacle Box Kit - 220V AFSINT 107 (See Separate Breakdown in this Section)	
2	0700814	2	Bolt M8 x 30	
3	0760408	4	Bolt M4 x 16	
4	3252507	1	Decal - AC Power	
5	3290405	4	Nut M4	
6	3290605	2	Nut M6	
7	3290805	2	Nut M8	
8	4010610	2	Screw M6 x 20	
9	4240017	AR	Tie-Strap (Not Shown)	
10	4460662	1	Connector, Strain Relief	
11	4811400	8	Washer M4	
12	4811700	4	Washer M6	
13	4811900	4	Washer M8	
14	1001102258	1	Decal - AC Label	
15	1001120204	1	Plug, Male Twist	
16	1001209776	1	Breaker Box Kit (See Separate Breakdown in this Section)	
17	1001238198	1	Bracket	

# SECTION 7 - ELECTRICAL

## FIGURE 7-7. AC BOX AT PLATFORM INSTALLATION - 220V CHINA PLUG (CHINA SPECS)



ART\_1001238135

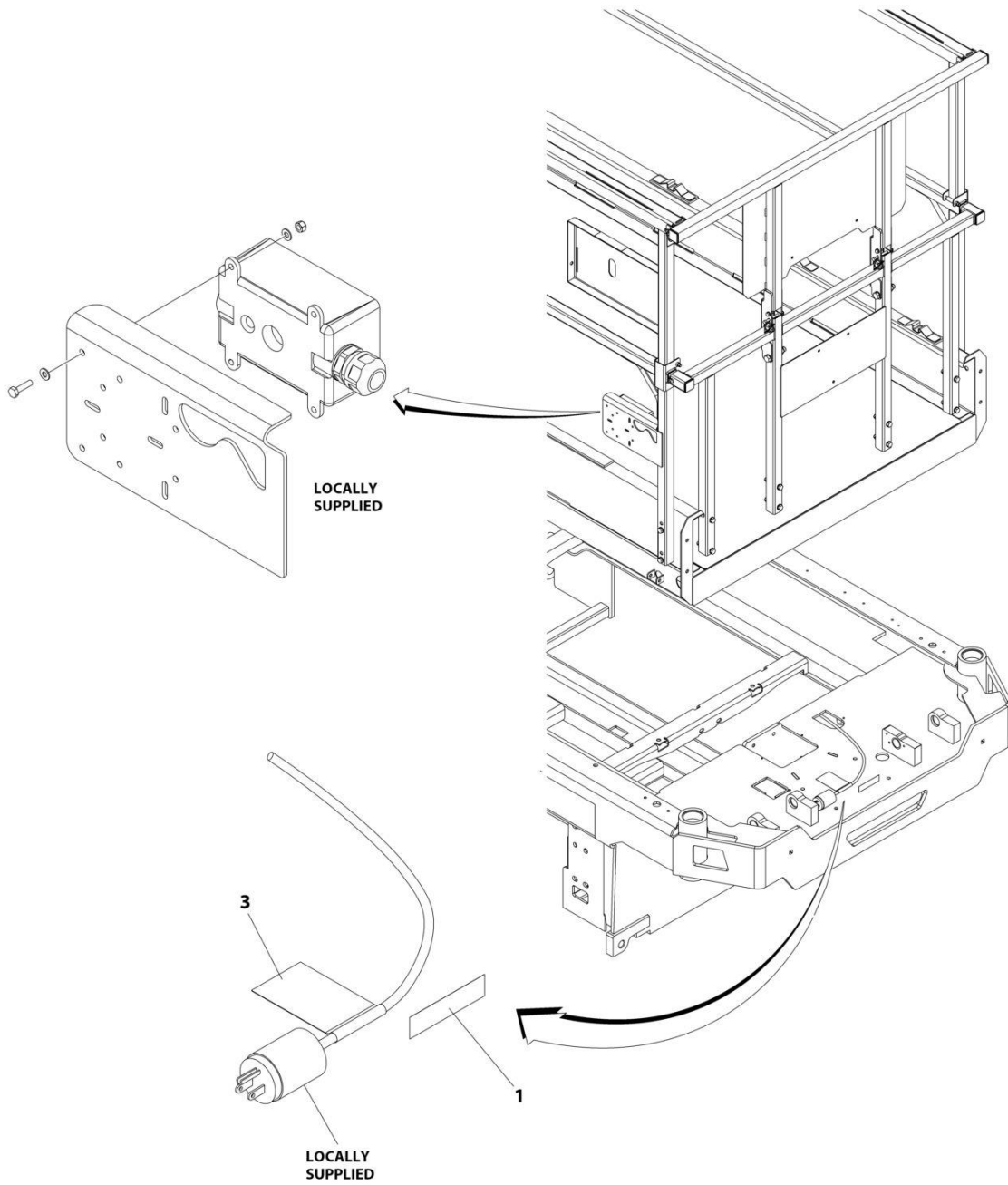
## SECTION 7 - ELECTRICAL

**FIGURE 7-7. AC BOX AT PLATFORM INSTALLATION - 220V CHINA PLUG (CHINA SPECS)**

ITEM	PART NUMBER	QTY	DESCRIPTION	REV
	1001238135	Ref	AC BOX AT PLATFORM INSTALLATION - 220V CHINA PLUG (CHINA SPECS)	A
1	0760408	4	Bolt M4 x 16	
2	3252507	1	Decal - 220 Volt	
3	3290405	4	Nut M4	
4	4240017	AR	Tie-Strap (Not Shown)	
5	4460315	1	Terminal (Not Shown)	
6	4460968	1	Connector, Strain Relief	
7	4811400	8	Washer M4	
8	1001102258	1	Decal - AC Label	
9	1001187816	1	Plug	
10	1001188116	1	Box	

# SECTION 7 - ELECTRICAL

## FIGURE 7-8. AC BOX AT PLATFORM INSTALLATION - 220V LOCALLY SUPPLIED



ART\_1001237401

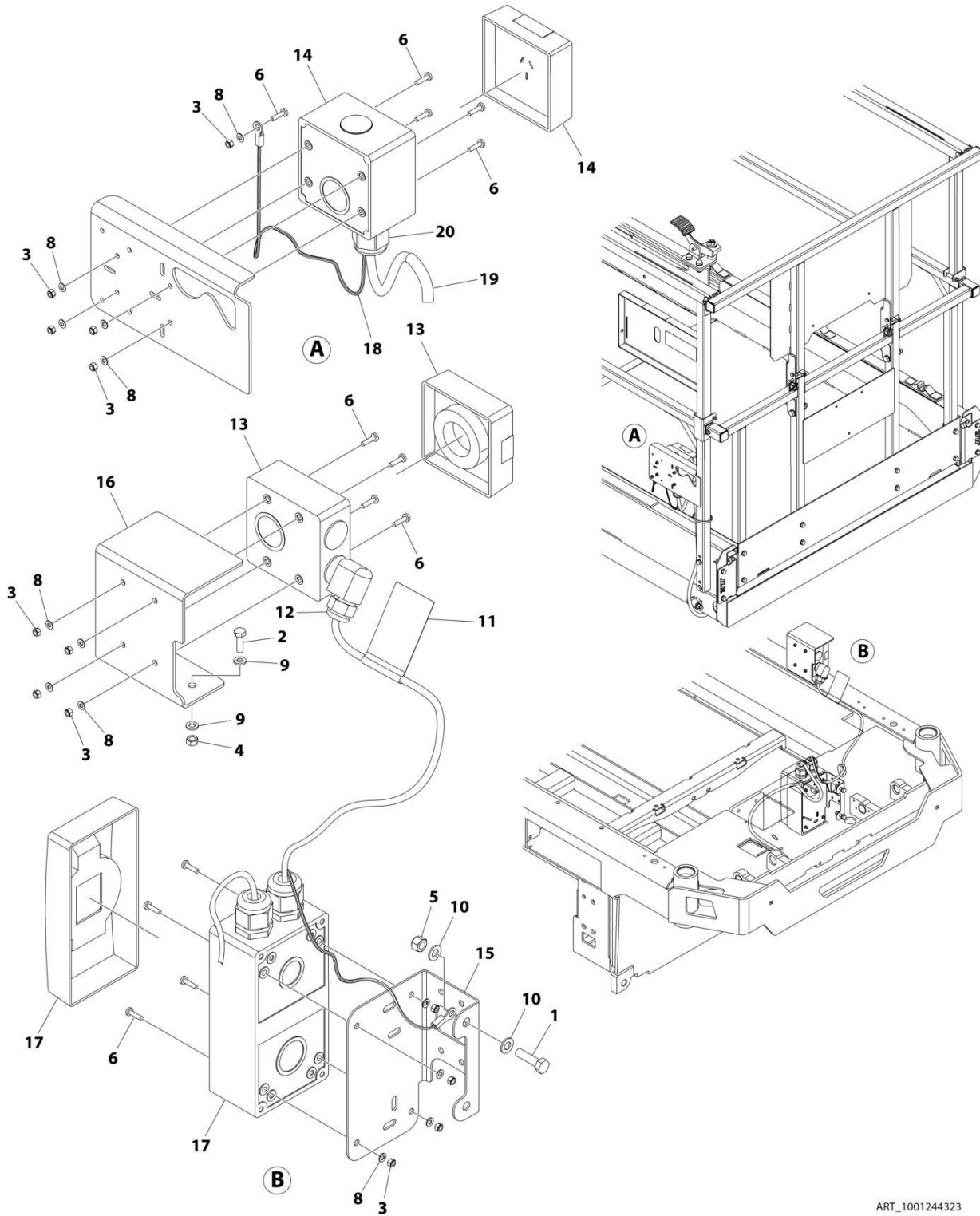
## SECTION 7 - ELECTRICAL

**FIGURE 7-8. AC BOX AT PLATFORM INSTALLATION - 220V LOCALLY SUPPLIED**

ITEM	PART NUMBER	QTY	DESCRIPTION	REV
	1001237401	Ref	AC BOX AT PLATFORM INSTALLATION - 220V LOCALLY SUPPLIED COMPONENTS (ALL SPECS)	C
1	3252507	1	Decal - 220 Volt	
2	4240017	AR	Tie-Strap (Not Shown)	
3	1001102258	1	Decal - AC Label	

# SECTION 7 - ELECTRICAL

## FIGURE 7-9. AC BOX AT PLATFORM INSTALLATION - 220V (AUSTRALIAN SPECS)



ART\_1001244323



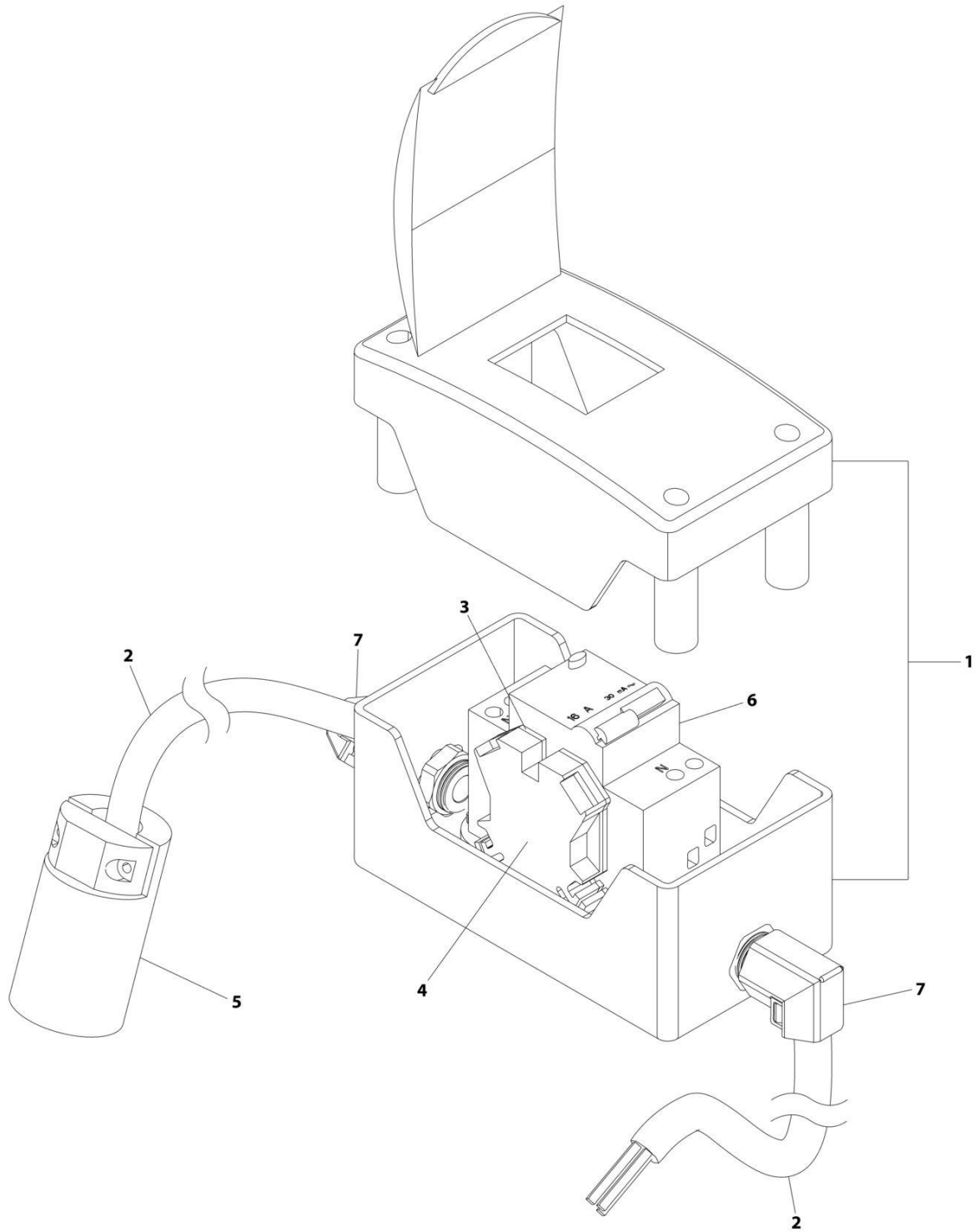
## SECTION 7 - ELECTRICAL

**FIGURE 7-9. AC BOX AT PLATFORM INSTALLATION - 220V (AUSTRALIAN SPECS)**

ITEM	PART NUMBER	QTY	DESCRIPTION	REV
	1001244323	Ref	AC BOX AT PLATFORM INSTALLATION - 220V (AUSTRALIAN SPECS)	B
1	0700814	2	Bolt M8 x 30	
2	0760610	2	Bolt M6 x 20	
3	3290405	13	Nut M4	
4	3290601	2	Nut M6	
5	3290805	2	Nut M8	
6	4010408	13	Screw M4 x 16	
7	4240017	AR	Tie-Strap (Not Shown)	
8	4811400	13	Washer M4	
9	4811700	4	Washer M6	
10	4811900	4	Washer M8	
11	1001102258	1	Decal - AC Label	
12	1001103471	1	Connector Strain Relief 90	
13	1001227267	1	Receptacle Australian - 230V	
14	1001227268	1	Receptacle Australian - 230V	
15	1001238198	1	Bracket	
16	1001244900	1	Bracket	
17	1001245739	1	Box and Breaker Electrical Assembly (See Separate Breakdown in this Section)	
18	1001245744	1	Earth/Ground Link Harness	
19	1001245747	1	Conduit	
20	1001097150	1	Terminal	

# SECTION 7 - ELECTRICAL

## FIGURE 7-10. BREAKER BOX KIT WITH 1 DOUBLE BREAKER



ART\_1001209776

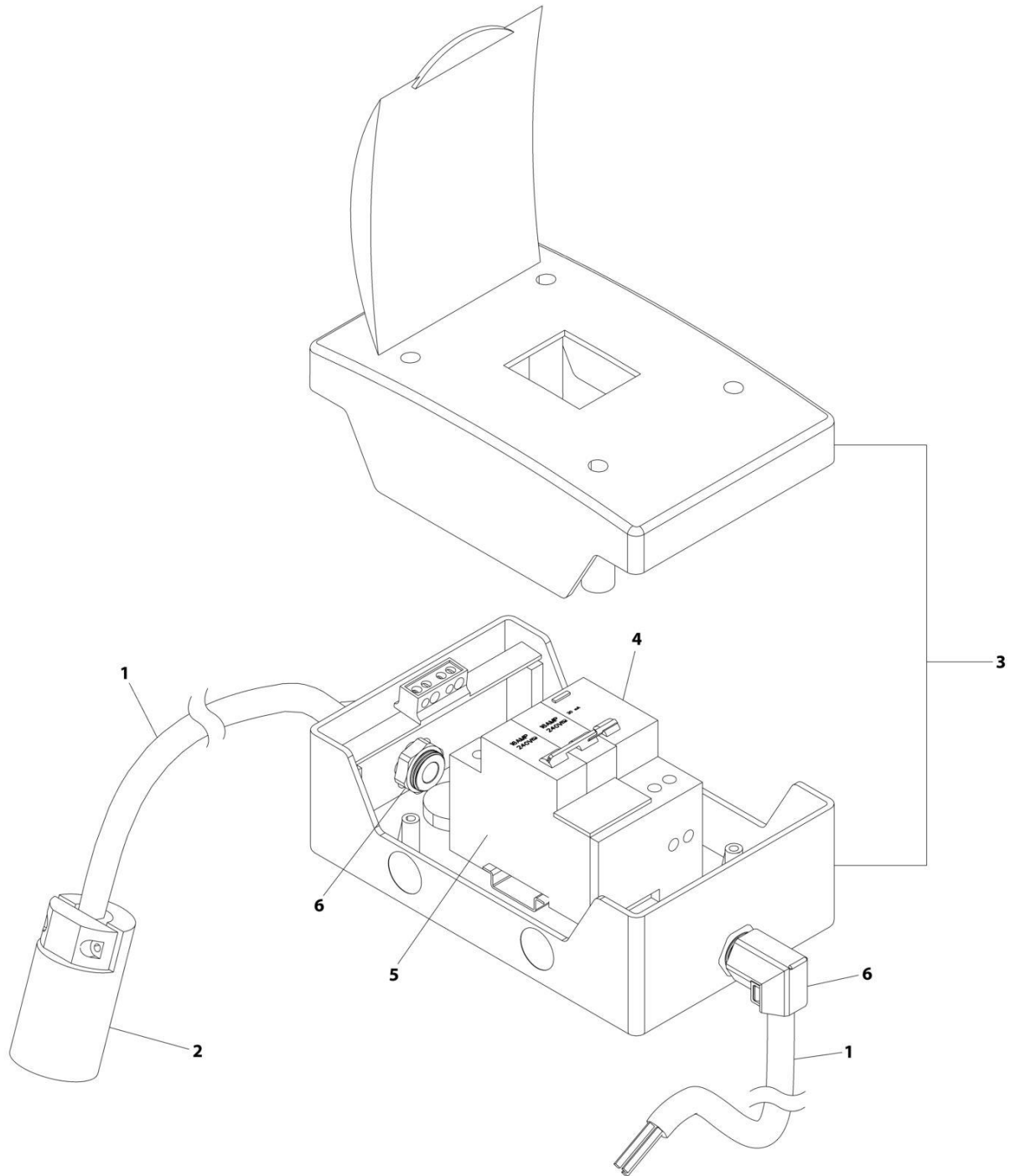
## SECTION 7 - ELECTRICAL

**FIGURE 7-10. BREAKER BOX KIT WITH 1 DOUBLE BREAKER**

ITEM	PART NUMBER	QTY	DESCRIPTION	REV
	1001209776	Ref	BREAKER BOX KIT WITH 1 DOUBLE BREAKER	F
1	0861880	1	Box	
2	1060908	126 in /3.2m	Cable, 12/3	
3	4460956	1	Barrier, Terminal	
4	4460957	1	Block, Terminal	
5	1001120205	1	Connector, Female Twist	
6	1001181045	1	Breaker 30mAmp/16 Amp	
7	1001217164	2	Connector, Strain Relief 90	

# SECTION 7 - ELECTRICAL

## FIGURE 7-11. BREAKER BOX KIT WITH 3 BREAKERS



ART\_1001209482

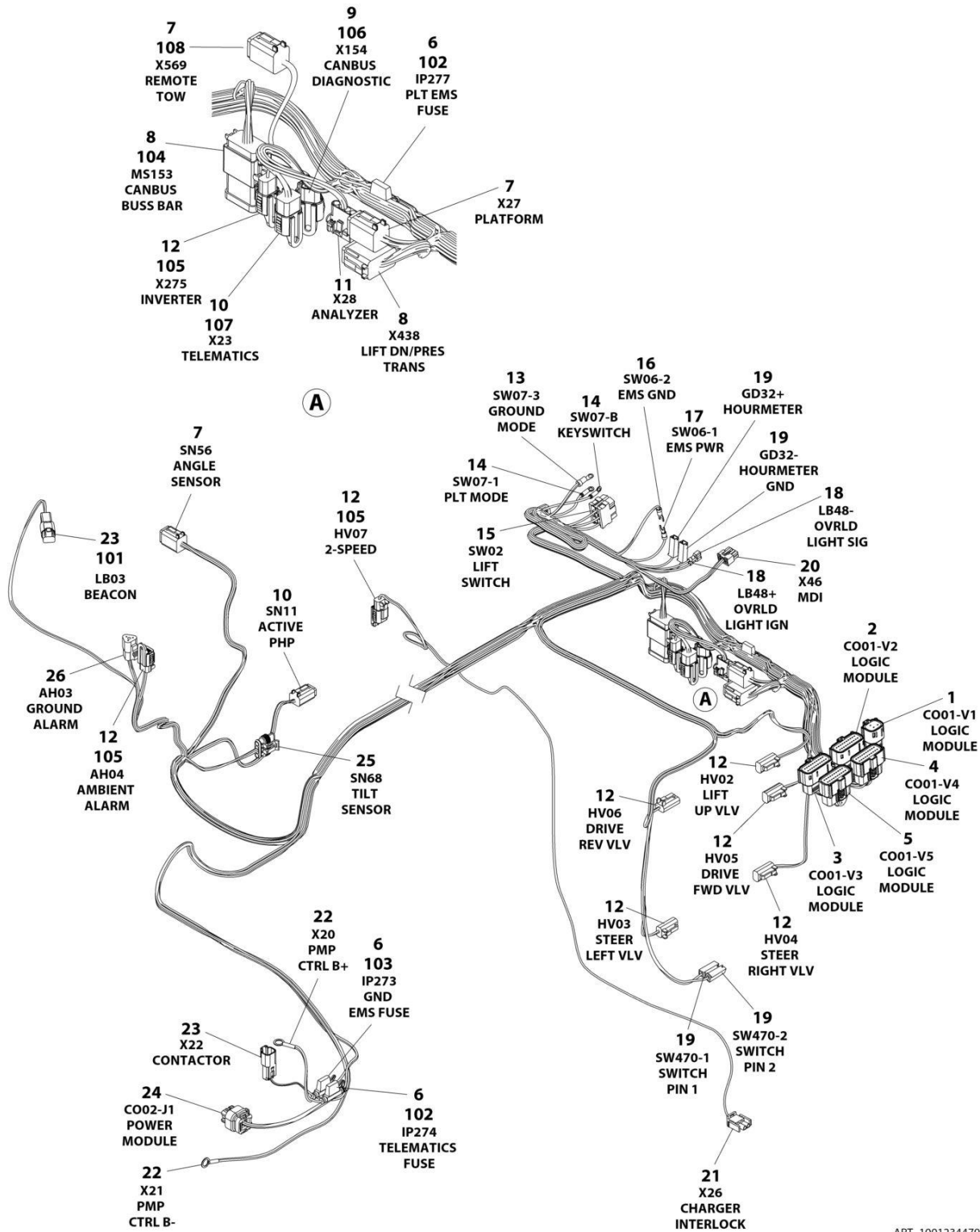
## SECTION 7 - ELECTRICAL

### FIGURE 7-11. BREAKER BOX KIT WITH 3 BREAKERS

ITEM	PART NUMBER	QTY	DESCRIPTION	REV
	1001209482	Ref	BREAKER BOX KIT WITH 3 BREAKERS	G
1	1060908	126 in /3.2m	Cable, 12/3	
2	1001120205	1	Connector, Female Twist	
3	1001152483	1	Box	
4	1001189171	1	Breaker, 30mAmp	
5	1001189172	1	Breaker 16 Amp, Double	
6	1001217164	2	Connector, Strain Relief 90	

# SECTION 7 - ELECTRICAL

## FIGURE 7-12. CHASSIS HARNESS



ART\_1001234479

# SECTION 7 - ELECTRICAL

## FIGURE 7-12. CHASSIS HARNESS

ITEM	PART NUMBER	QTY	DESCRIPTION	REV
	1001234479	Ref	CHASSIS HARNESS	D
1	1001205409	1	Connector - 8 Position	
1	1001162887	6	Terminal	
1	1001163340	2	Plug, Terminal	
2	1001205410	1	Connector - 20 Position	
2	1001162887	12	Terminal	
2	1001163340	8	Plug, Terminal	
3	1001162886	1	Connector - 20 Position	
3	1001162887	16	Terminal	
3	1001163340	4	Plug, Terminal	
4	1001205411	1	Connector - 20 Position	
4	1001162887	16	Terminal	
4	1001163340	4	Plug, Terminal	
5	1001205412	1	Connector - 20 Position	
5	1001162887	18	Terminal	
5	1001163340	2	Plug, Terminal	
6	2400060	3	Holder/Cover, Fuse	
7	4460894	3	Plug, Male - 6 Position	
7	4460465	14	Socket, Female	
7	4460944	2	Socket, Female	
7	4460466	2	Plug, Terminal	
8	4460933	2	Plug, Male - 12 Position	
8	4460465	22	Socket, Female	
8	4460466	2	Plug, Terminal	
9	1001116812	1	Receptacle, Female - 3 Position	
9	4060944	2	Socket, Female	
9	4460466	1	Plug, Terminal	
10	4460884	2	Plug, Male - 4 Position	
10	4460465	8	Socket, Female	
11	4460761	1	Plug, Male - 4 Position	
11	4460227	4	Socket, Female	
12	4460891	8	Plug, Male - 2 Position	
12	4460465	16	Socket, Female	
12	4460466	1	Plug, Terminal	
13	4460042	1	Terminal, Ring	
14	4460247	2	Terminal, Ring	
15	4460418	1	Connector - 6 Position	
15	1001159186	3	Terminal	
16	4460115	1	Terminal, Ring	
17	4460183	1	Terminal, Ring	
18	1001201885	2	Terminal	
19	4460260	4	Cover, Terminal	
16	4460259	4	Terminal	
20	1001151629	1	Plug, Male - 8 Position	
20	4461023	2	Terminal	
20	4460877	2	Terminal	
21	4460320	1	Plug, Male - 2 Position	
21	4460226	1	Socket, Female	
22	4460256	2	Terminal	
23	4460897	2	Receptacle, Female - 2 Position	

## SECTION 7 - ELECTRICAL

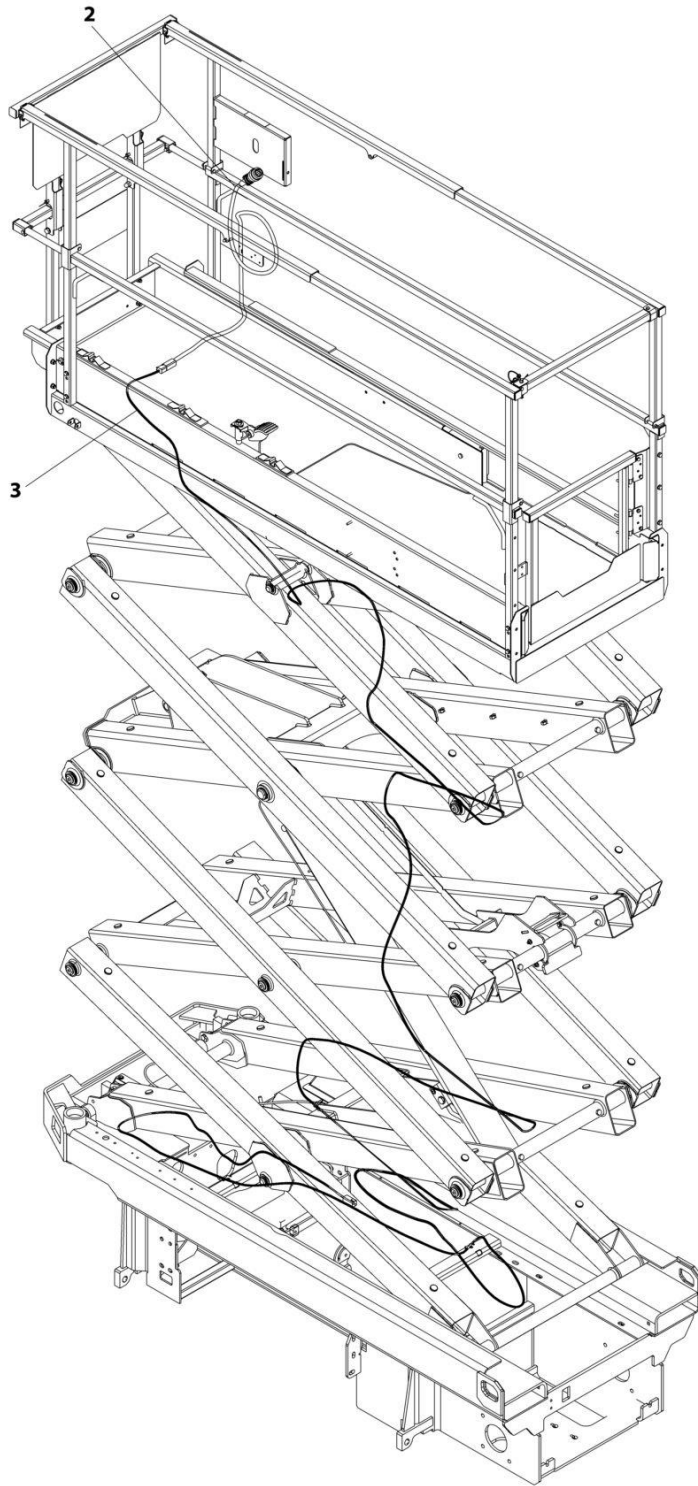
ITEM	PART NUMBER	QTY	DESCRIPTION	REV
23	4460464	4	Pin, Male	
24	1001113961	1	Connector - 8 Position	
24	4460871	4	Socket, Female	
24	4460905	4	Plug, Terminal	
25	1001103012	1	Plug, Male - 4 Position	
25	1001196589	4	Terminal	
25	1001104498	4	Seal Terminal	
26	4460539	1	Plug, Male - 3 Position	
26	4460465	3	Socket, Female	
101	4460891	1	Plug, Male - 4 Position	
102	8229242	2	Fuse 5 Amp	
103	8229244	1	Fuse, 15 Amp	
104	1001125677	1	Connector, Bussbar	
105	1001144295	3	Cap - 2 Position	
106	1001144296	1	Cap - 3 Position	
107	1001192401	1	Cap, Dust	
108	1001213448	1	Connector, Dust Cap	





## SECTION 7 - ELECTRICAL

FIGURE 7-13. GROUND TO PLATFORM CABLE INSTALLATION - WITHOUT PLATFORM COIL CABLE  
(CHINA BUILT MACHINES)



ART\_1001239675

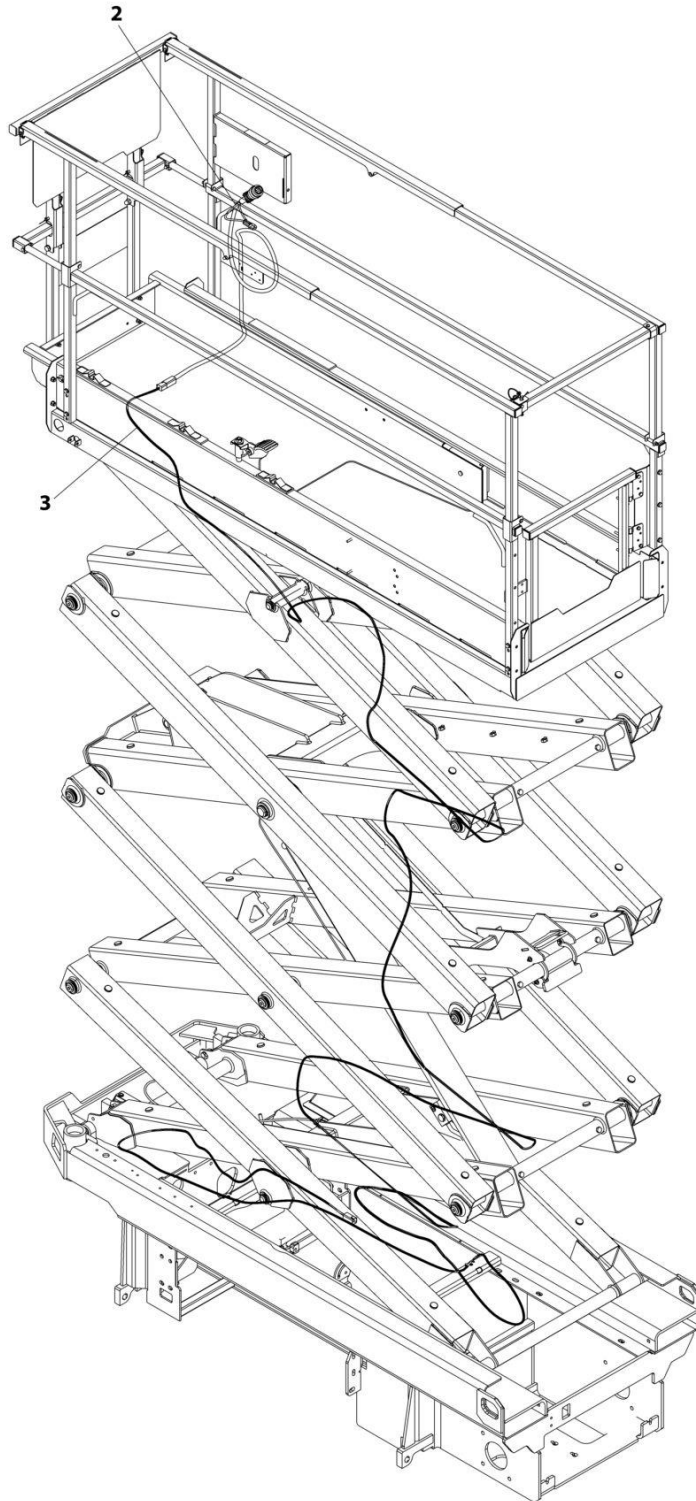
## SECTION 7 - ELECTRICAL

**FIGURE 7-13. GROUND TO PLATFORM CABLE INSTALLATION - WITHOUT PLATFORM COIL CABLE  
(CHINA BUILT MACHINES)**

ITEM	PART NUMBER	QTY	DESCRIPTION	REV
	1001239675	Ref	GROUND TO PLATFORM CABLE INSTALLATION - WITHOUT PLATFORM COIL CABLE	F
1	4240017	AR	Tie-Strap (Not Shown)	
2	1001200812	1	Platform Harness	
2	4460899	1	Receptacle, Female - 6 Position (To Item 3)	
2	4460464	4	Pin, Male	
2	4460943	2	Pin, Male	
2	4460754	1	Connector - 14 Position (To Console Box)	
2	4460465	8	Socket, Female	
2	4460466	6	Plug, Terminal	
3	1001237132	1	Cable Assembly - Ground to Platform	
3	4460894	1	Plug, Male - 6 Position (To Platform Harness Item 2)	
3	4460465	4	Socket, Female	
3	4460944	2	Socket, Female	
3	4460899	1	Receptacle, Female - 6 Position (To Chassis Harness)	
3	4460464	4	Pin, Male	
3	4460943	2	Pin, Male	

## SECTION 7 - ELECTRICAL

FIGURE 7-14. GROUND TO PLATFORM CABLE INSTALLATION - WITHOUT PLATFORM COIL CABLE & WITH FOOTSWITCH (CHINA BUILT MACHINES)



ART\_1001239677

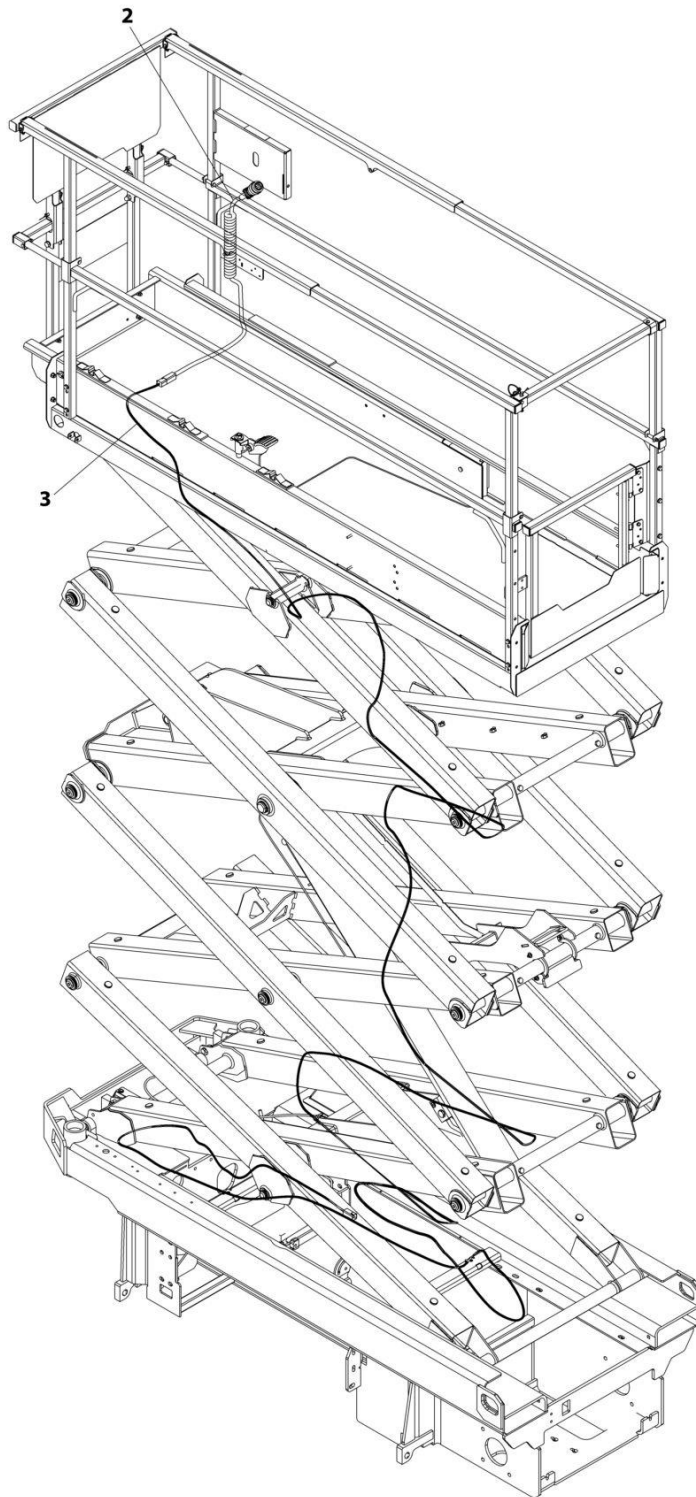
## SECTION 7 - ELECTRICAL

**FIGURE 7-14. GROUND TO PLATFORM CABLE INSTALLATION - WITHOUT PLATFORM COIL CABLE  
& WITH FOOTSWITCH (CHINA BUILT MACHINES)**

ITEM	PART NUMBER	QTY	DESCRIPTION	REV
	1001239677	Ref	GROUND TO PLATFORM CABLE INSTALLATION - WITHOUT PLATFORM COIL CABLE AND WITH FOOTSWITCH	F
1	4240017	AR	Tie-Strap (Not Shown)	
2	1001223263	1	Platform Harness	
2	4460899	1	Receptacle, Female - 6 Position (To Item 3)	
2	4460464	4	Pin, Male	
2	4460943	2	Pin, Male	
2	4460754	1	Connector - 14 Position (To Console Box)	
2	4460465	8	Socket, Female	
2	4460944	2	Socket, Female	
2	4460466	4	Plug, Terminal	
2	4460891	1	Plug, Male - 2 Position (To Footswitch)	
2	4460465	2	Socket, Female	
2	4460897	1	Receptacle, Female - 2 Position (Footswitch Jumper)	
2	4460464	2	Pin, Male	
2	4460539	1	Plug, Male - 3 Position (To Overhead Switches)	
2	4460465	2	Socket, Female	
2	4460466	1	Plug, Terminal	
3	1001237132	1	Cable Assembly - Ground to Platform	
3	4460894	1	Plug, Male - 6 Position (To Platform Harness Item 2)	
3	4460465	4	Socket, Female	
3	4460944	2	Socket, Female	
3	4460899	1	Receptacle, Female - 6 Position (To Chassis Harness)	
3	4460464	4	Pin, Male	
3	4460943	2	Pin, Male	

## SECTION 7 - ELECTRICAL

FIGURE 7-15. GROUND TO PLATFORM CABLE INSTALLATION - WITH PLATFORM COIL CABLE  
(CHINA BUILT MACHINES)



ART\_1001239676

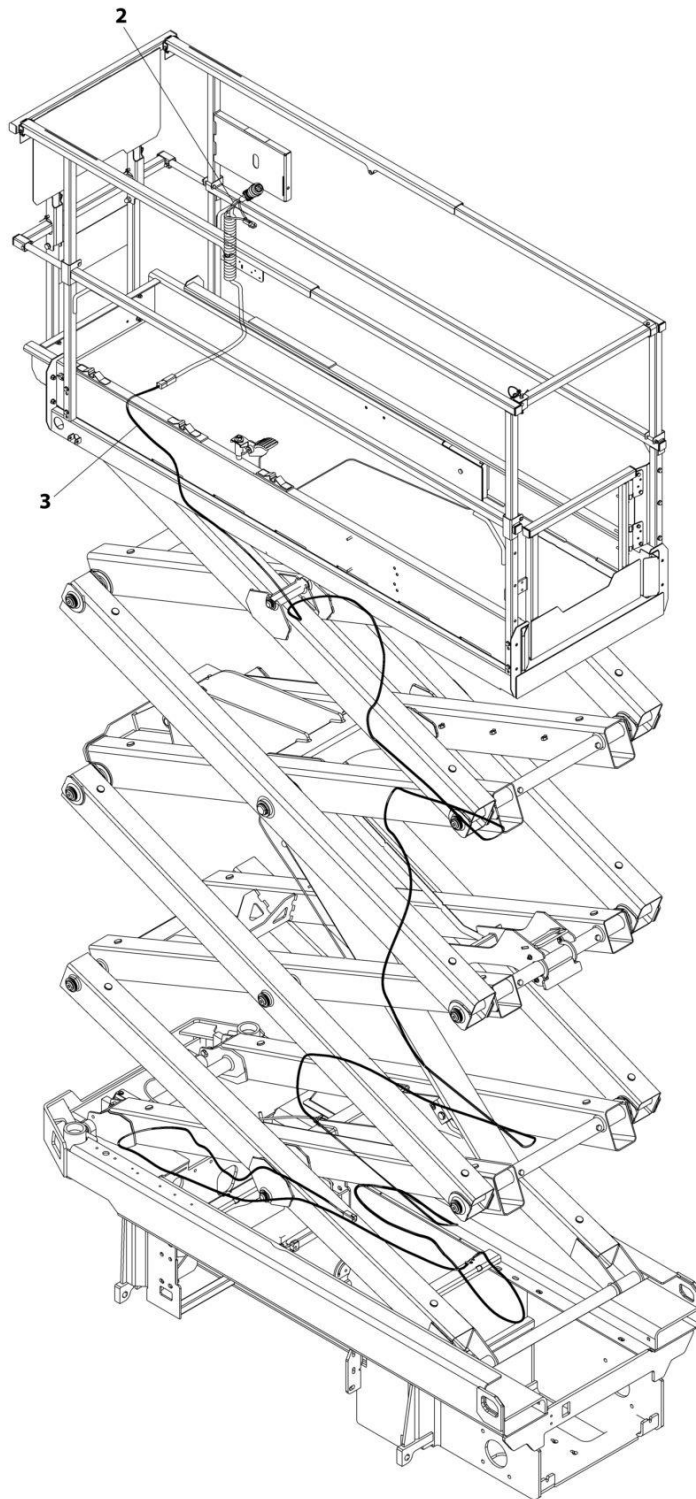
## SECTION 7 - ELECTRICAL

**FIGURE 7-15. GROUND TO PLATFORM CABLE INSTALLATION - WITH PLATFORM COIL CABLE  
(CHINA BUILT MACHINES)**

ITEM	PART NUMBER	QTY	DESCRIPTION	REV
	1001239676	Ref	GROUND TO PLATFORM CABLE INSTALLATION - WITH PLATFORM COIL CABLE	F
1	4240017	AR	Tie-Strap (Not Shown)	
2	1001202184	1	Platform Harness	
2	4460899	1	Receptacle, Female - 6 Position (To Item 3)	
2	4460464	4	Pin, Male	
2	4460943	2	Pin, Male	
2	4460754	1	Connector - 14 Position (To Console Box)	
2	4460465	8	Socket, Female	
2	4460466	6	Plug, Terminal	
3	1001237132	1	Cable Assembly - Ground to Platform	
3	4460894	1	Plug, Male - 6 Position (To Platform Harness Item 2)	
3	4460465	4	Socket, Female	
3	4460944	2	Socket, Female	
3	4460899	1	Receptacle, Female - 6 Position (To Chassis Harness)	
3	4460464	4	Pin, Male	
3	4460943	2	Pin, Male	

## SECTION 7 - ELECTRICAL

FIGURE 7-16. GROUND TO PLATFORM CABLE INSTALLATION - WITH PLATFORM COIL CABLE & FOOTSWITCH (CHINA BUILT MACHINES)



ART\_1001239678



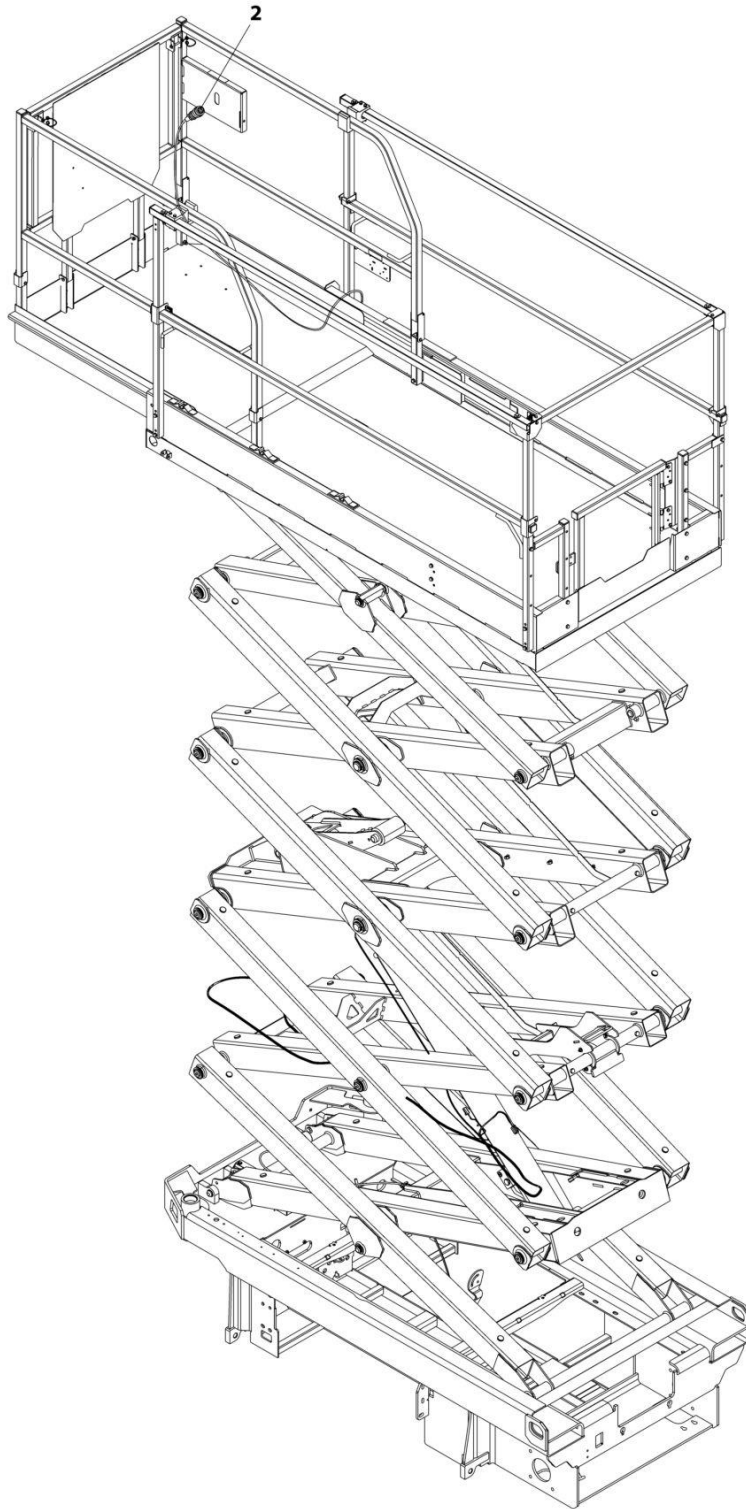
## SECTION 7 - ELECTRICAL

**FIGURE 7-16. GROUND TO PLATFORM CABLE INSTALLATION - WITH PLATFORM COIL CABLE & FOOTSWITCH (CHINA BUILT MACHINES)**

ITEM	PART NUMBER	QTY	DESCRIPTION	REV
	1001239678	Ref	GROUND TO PLATFORM CABLE INSTALLATION - WITH PLATFORM COIL CABLE AND FOOTSWITCH	F
1	4240017	AR	Tie-Strap (Not Shown)	
2	1001223262	1	Platform Harness	
2	4460899	1	Receptacle, Female - 6 Position (To Item 3)	
2	4460464	4	Pin, Male	
2	4460943	2	Pin, Male	
2	4460754	1	Connector - 14 Position (To Console Box)	
2	4460465	8	Socket, Female	
2	4460944	2	Socket, Female	
2	4460466	4	Plug, Terminal	
2	4460891	1	Plug, Male - 2 Position (To Footswitch)	
2	4460465	2	Socket, Female	
2	4460897	1	Receptacle, Female - 2 Position (Footswitch Jumper)	
2	4460464	2	Pin, Male	
2	4460539	1	Plug, Male - 3 Position (To Overhead Switches)	
2	4460465	2	Socket, Female	
2	4460466	1	Plug, Terminal	
3	1001237132	1	Cable Assembly - Ground to Platform	
3	4460894	1	Plug, Male - 6 Position (To Platform Harness Item 2)	
3	4460465	4	Socket, Female	
3	4460944	2	Socket, Female	
3	4460899	1	Receptacle, Female - 6 Position (To Chassis Harness)	
3	4460464	4	Pin, Male	
3	4460943	2	Pin, Male	

## SECTION 7 - ELECTRICAL

FIGURE 7-17. GROUND TO PLATFORM CABLE INSTALLATION - PLATFORM STRAIGHT CABLE ONLY (USA AND EUROPE BUILT MACHINES)



ART\_1001223650

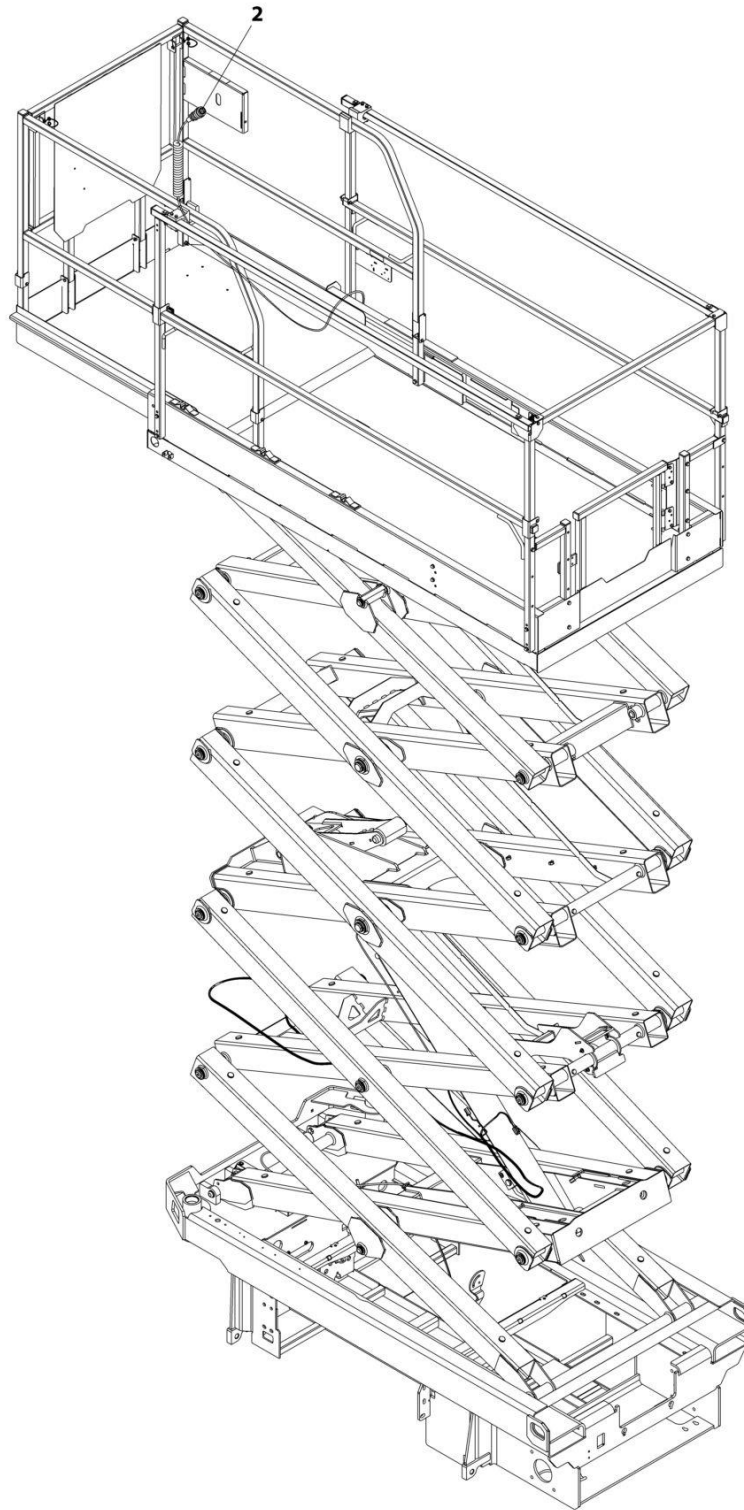
## SECTION 7 - ELECTRICAL

**FIGURE 7-17. GROUND TO PLATFORM CABLE INSTALLATION - PLATFORM STRAIGHT CABLE ONLY (USA AND EUROPE BUILT MACHINES)**

ITEM	PART NUMBER	QTY	DESCRIPTION	REV
	1001223650	Ref	GROUND TO PLATFORM CABLE INSTALLATION	A
1	4240017	AR	Tie-Strap (Not Shown)	
2	1001200812	1	Platform Harness	
2	4460899	1	Receptacle, Female - 6 position (To Platform/AC Cable Connector)	
2	4460464	4	Pin, Male	
2	4460943	2	Pin, Male	
2	4460754	1	Connector - 14 Position (To Console Box)	
2	4460465	8	Socket, Female	
2	4460466	6	Plug, Terminal	

## SECTION 7 - ELECTRICAL

FIGURE 7-18. GROUND TO PLATFORM CABLE INSTALLATION - PLATFORM COIL CABLE ONLY  
(USA AND EUROPE BUILT MACHINES)



ART\_1001223651

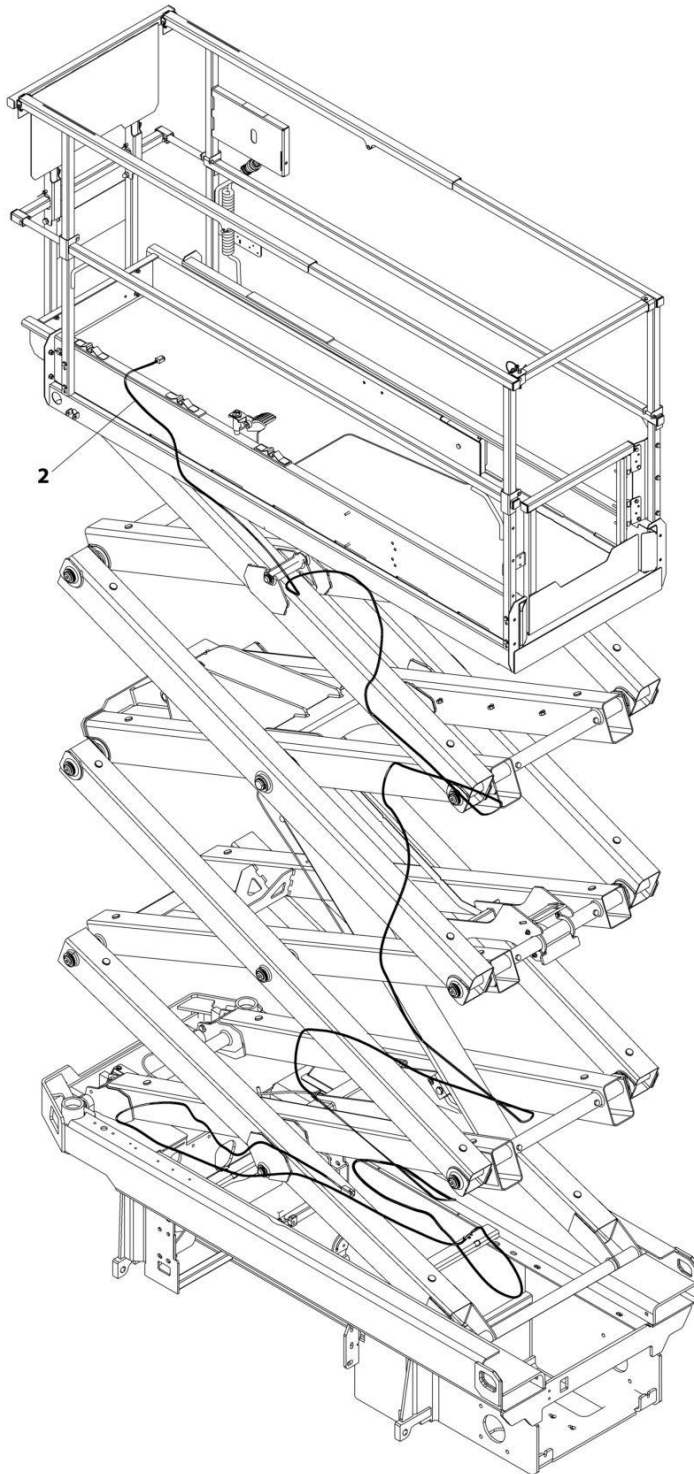
## SECTION 7 - ELECTRICAL

**FIGURE 7-18. GROUND TO PLATFORM CABLE INSTALLATION - PLATFORM COIL CABLE ONLY  
(USA AND EUROPE BUILT MACHINES)**

ITEM	PART NUMBER	QTY	DESCRIPTION	REV
	1001223651	Ref	GROUND TO PLATFORM CABLE INSTALLATION	A
1	4240017	AR	Tie-Strap (Not Shown)	
2	1001202184	1	Platform Harness	
2	4460899	1	Receptacle, Female - 6 position (To Platform/AC Cable Connector)	
2	4460464	4	Pin, Male	
2	4460943	2	Pin, Male	
2	4460754	1	Connector - 14 Position (To Console Box)	
2	4460465	8	Socket, Female	
2	4460466	6	Plug, Terminal	

## SECTION 7 - ELECTRICAL

FIGURE 7-19. GROUND TO PLATFORM CABLE INSTALLATION - SCISSORS ARMS CABLE ONLY  
(USA AND EUROPE BUILT MACHINES)



ART\_1001239679

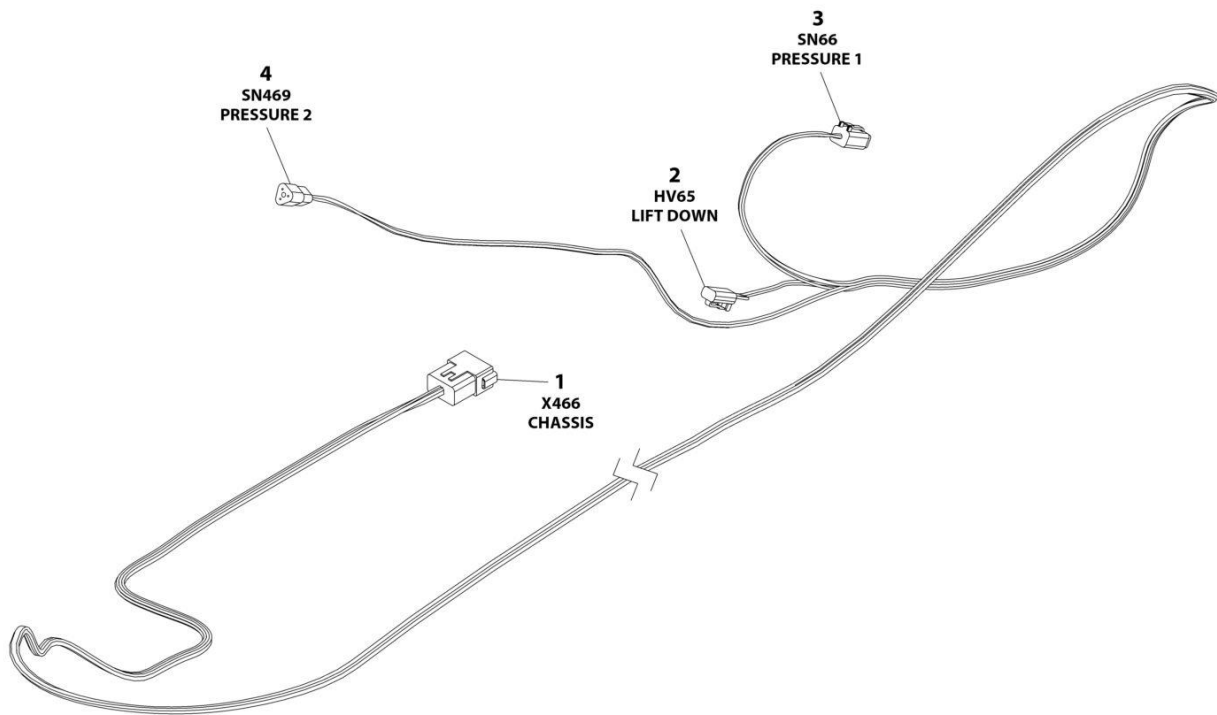
## SECTION 7 - ELECTRICAL

**FIGURE 7-19. GROUND TO PLATFORM CABLE INSTALLATION - SCISSORS ARMS CABLE ONLY  
(USA AND EUROPE BUILT MACHINES)**

ITEM	PART NUMBER	QTY	DESCRIPTION	REV
	1001239679	Ref	GROUND TO PLATFORM CABLE INSTALLATION	F
1	4240017	AR	Tie-Strap (Not Shown)	
2	1001237132	1	Cable Assembly - Ground to Platform	
2	4460894	1	Plug, Male - 6 Position (To Platform Harness Item 2)	
2	4460465	4	Socket, Female	
2	4460944	2	Socket, Female	
2	4460899	1	Receptacle, Female - 6 Position (To Chassis Harness)	
2	4460464	4	Pin, Male	
2	4460943	2	Pin, Male	

# SECTION 7 - ELECTRICAL

## FIGURE 7-20. LIFT DOWN HARNESS



ART\_1001233795



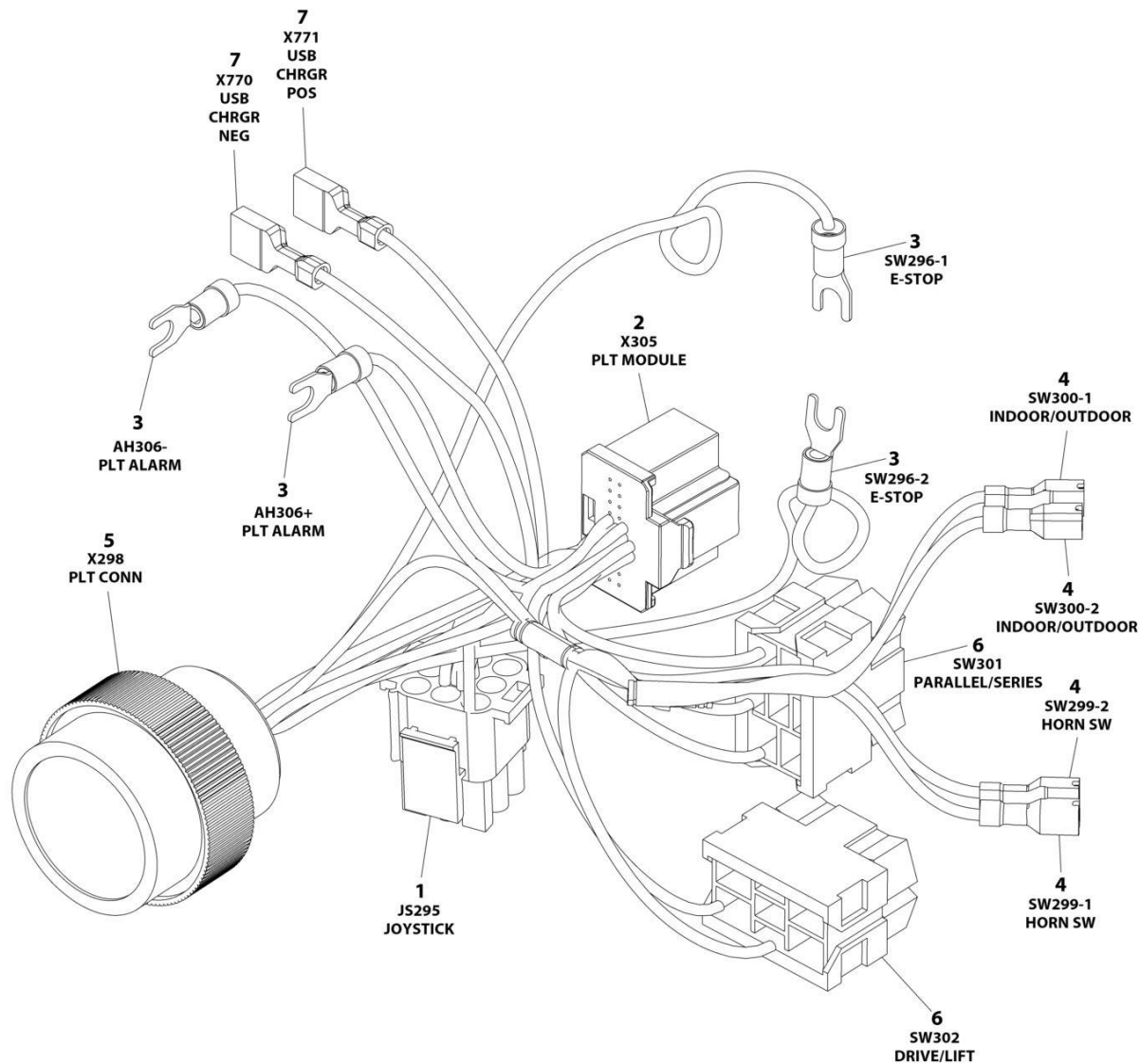
# SECTION 7 - ELECTRICAL

## FIGURE 7-20. LIFT DOWN HARNESS

ITEM	PART NUMBER	QTY	DESCRIPTION	REV
	1001233795	Ref	LIFT DOWN HARNESS	D
1	4460970	1	Receptacle, Female - 12 Position	
1	4460464	9	Pin, Male	
1	4460466	3	Plug, Terminal	
2	4460891	1	Plug, Male - 4 Position	
2	4460465	2	Socket, Female	
3	4460884	1	Plug, Male - 4 Position	
3	4460465	4	Socket, Female	
4	4460539	1	Plug, Male - 3 Position	
4	4460465	3	Socket, Female	

# SECTION 7 - ELECTRICAL

## FIGURE 7-21. PLATFORM CONTROL BOX HARNESS



ART\_1001200819

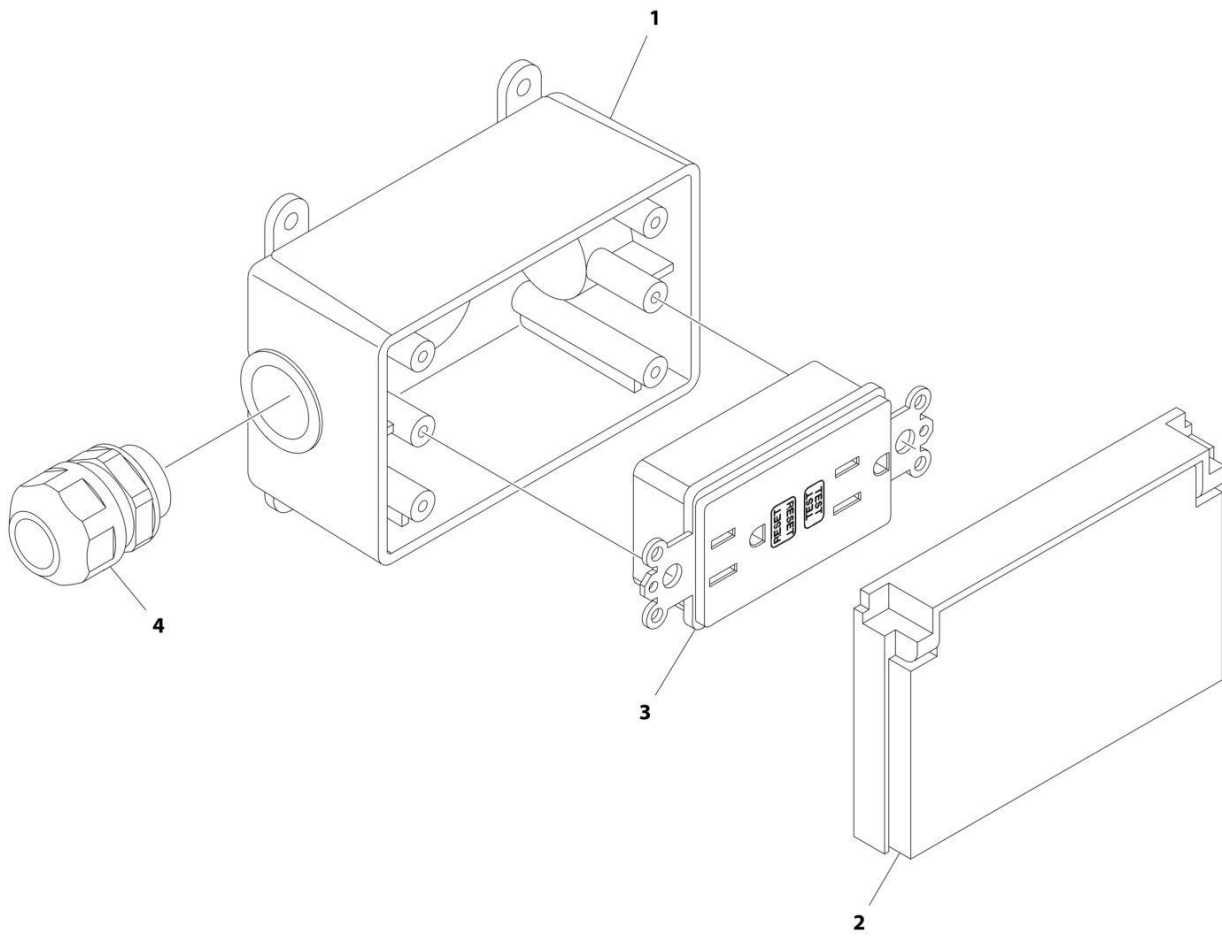
## SECTION 7 - ELECTRICAL

### FIGURE 7-21. PLATFORM CONTROL BOX HARNESS

ITEM	PART NUMBER	QTY	DESCRIPTION	REV
	1001200819	Ref	PLATFORM CONTROL BOX HARNESS	E
1	4460265	1	Plug, Male - 9 Position	
1	4460267	6	Pin, Male	
2	1001212036	1	Connector - 20 Position	
2	1001212035	16	Terminal	
3	4460183	4	Terminal, Fork	
4	1001201885	4	Terminal with Cover	
5	4461016	1	Connector - 14 Position	
5	4460464	8	Pin, Male	
5	4460466	6	Plug, Terminal	
6	4460418	2	Connector - 6 Position	
6	1001159186	5	Terminal	
7	1001194421	2	Terminal	

# SECTION 7 - ELECTRICAL

## FIGURE 7-22. RECEPTACLE BOX KIT - 110V GFI



ART\_2902431

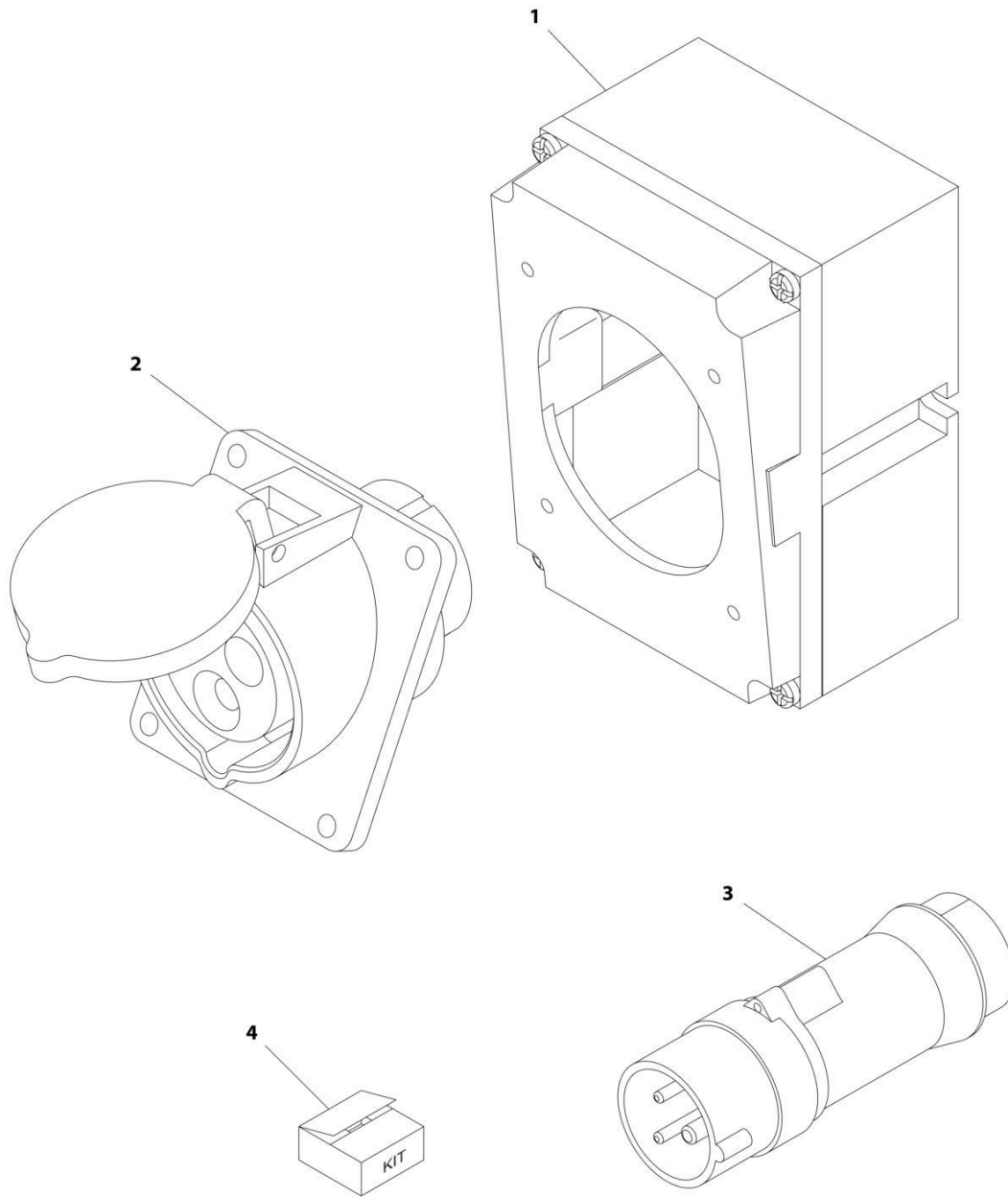
## SECTION 7 - ELECTRICAL

### FIGURE 7-22. RECEPTACLE BOX KIT - 110V GFI

ITEM	PART NUMBER	QTY	DESCRIPTION	REV
	2902431	Ref	RECEPTACLE BOX KIT - 110V GFI	D
1	0861731	1	Box, Receptacle	
2	1671207	1	Cover, Receptacle	
3	4460346	1	Receptacle	
4	4460662	1	Connector, Strain Relief	

# SECTION 7 - ELECTRICAL

FIGURE 7-23. RECEPTACLE BOX KIT - 110V IEC YELLOW (CE SPEC)



ART\_0275217

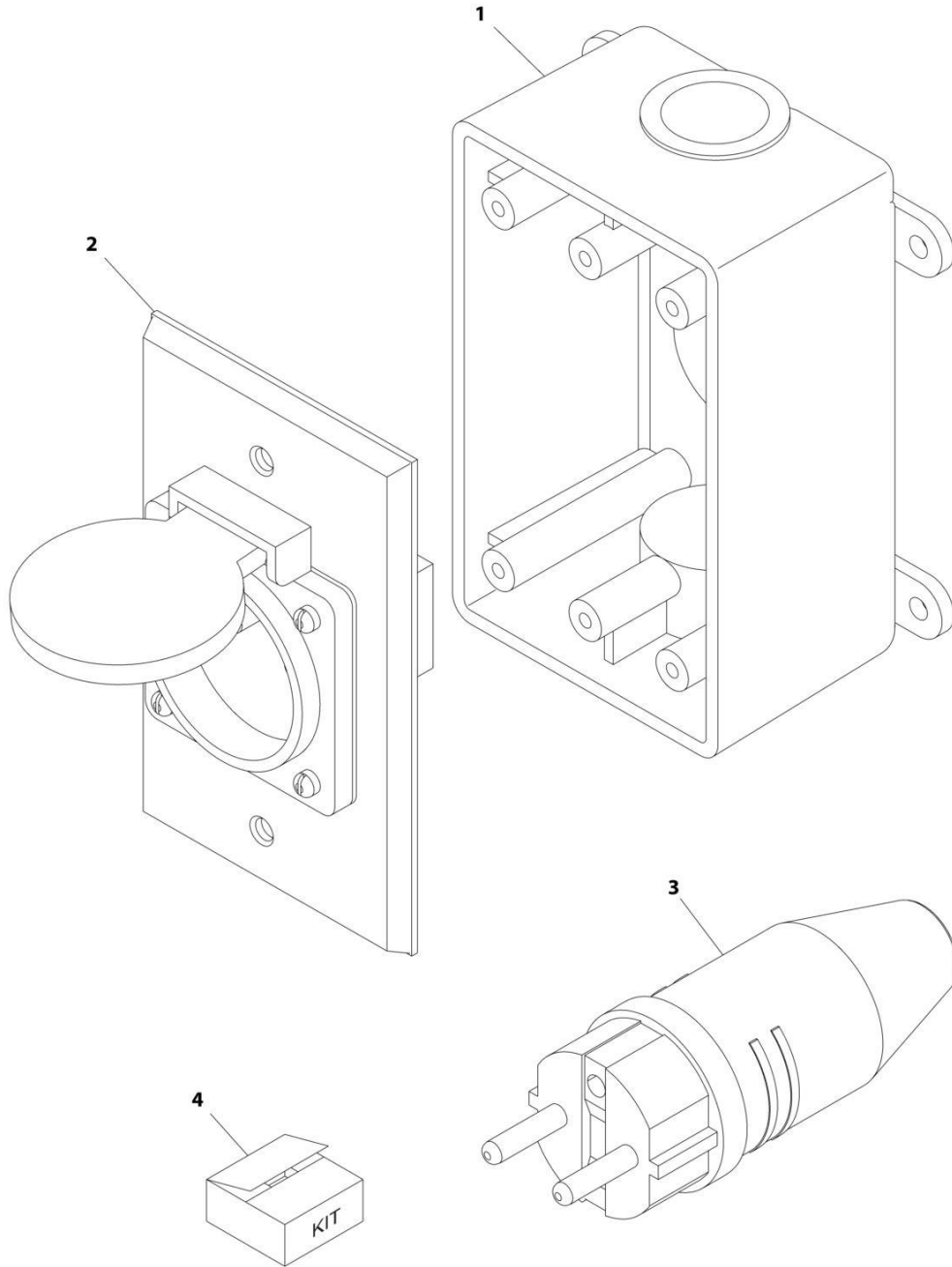
## SECTION 7 - ELECTRICAL

**FIGURE 7-23. RECEPTACLE BOX KIT - 110V IEC YELLOW (CE SPEC)**

ITEM	PART NUMBER	QTY	DESCRIPTION	REV
	0275217	Ref	RECEPTACLE BOX KIT - 220V IEC BLUE	B
1	0861781	1	Box, Switch	
2	4461201	1	Receptacle	
3	4461199	1	Plug, Male	
4	1001100342	1	Plug and Socket Kit (Includes Items 1-3 and Female Plug p/n 4461200)	

# SECTION 7 - ELECTRICAL

FIGURE 7-24. RECEPTACLE BOX KIT - 220V CEE7 POST GROUND (CE SPEC)



ART\_0275452-C



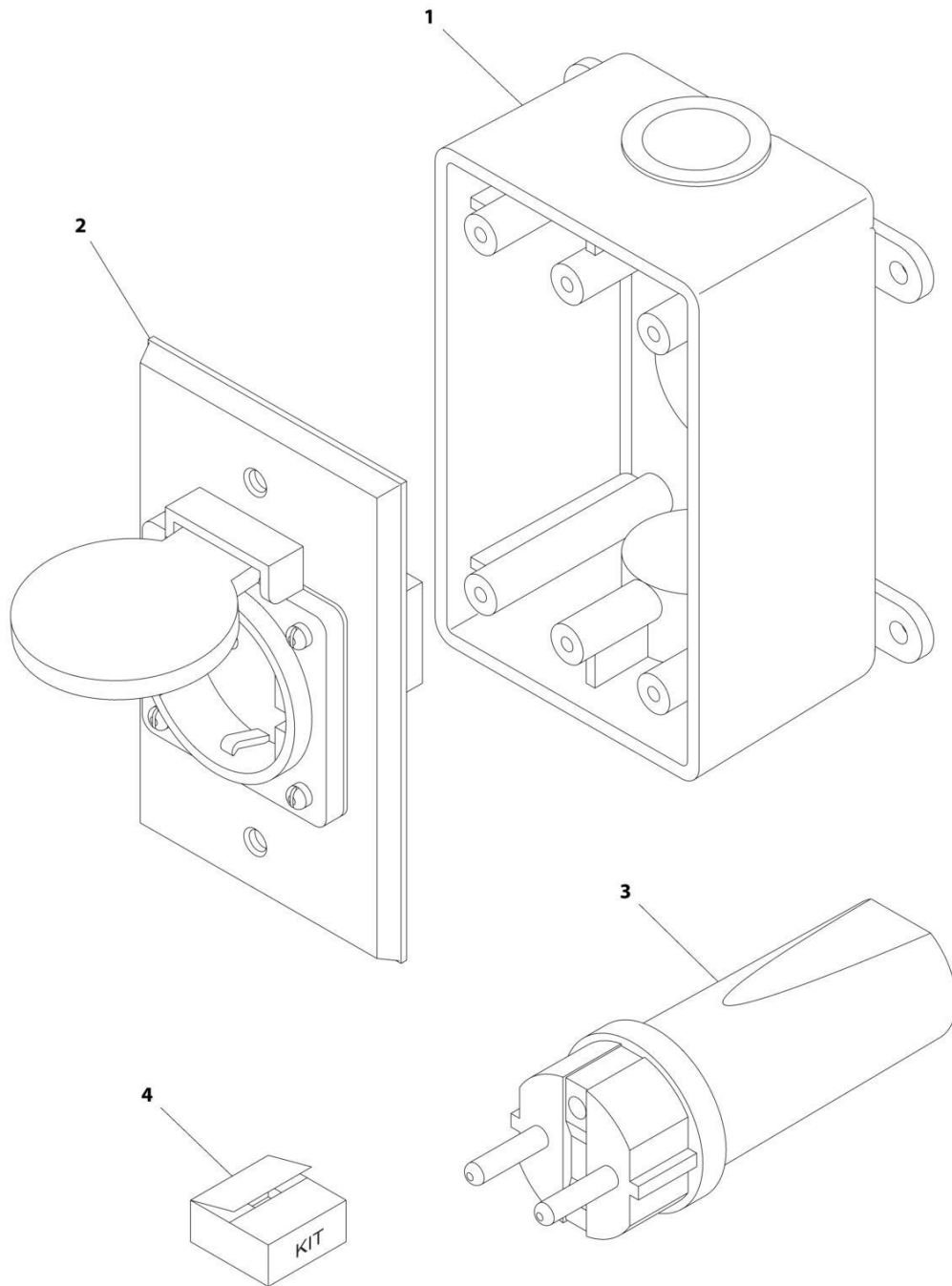
## SECTION 7 - ELECTRICAL

**FIGURE 7-24. RECEPTACLE BOX KIT - 220V CEE7 POST GROUND (CE SPEC)**

ITEM	PART NUMBER	QTY	DESCRIPTION	REV
	0275452	Ref	RECEPTACLE BOX KIT - 220V CEE7 POST GROUND 2IN X 4IN BOX	C
1	0861731	1	Box, Switch	
2	4461244	1	Receptacle	
3	4461205	1	Plug, Male	
4	1001100345	1	Plug and Socket Kit (Includes Items 1-3 and Female Plug p/n 4461203)	

# SECTION 7 - ELECTRICAL

FIGURE 7-25. RECEPTACLE BOX KIT - 220V CEE7 SIDE GROUND (CE SPEC)



ART\_0275453

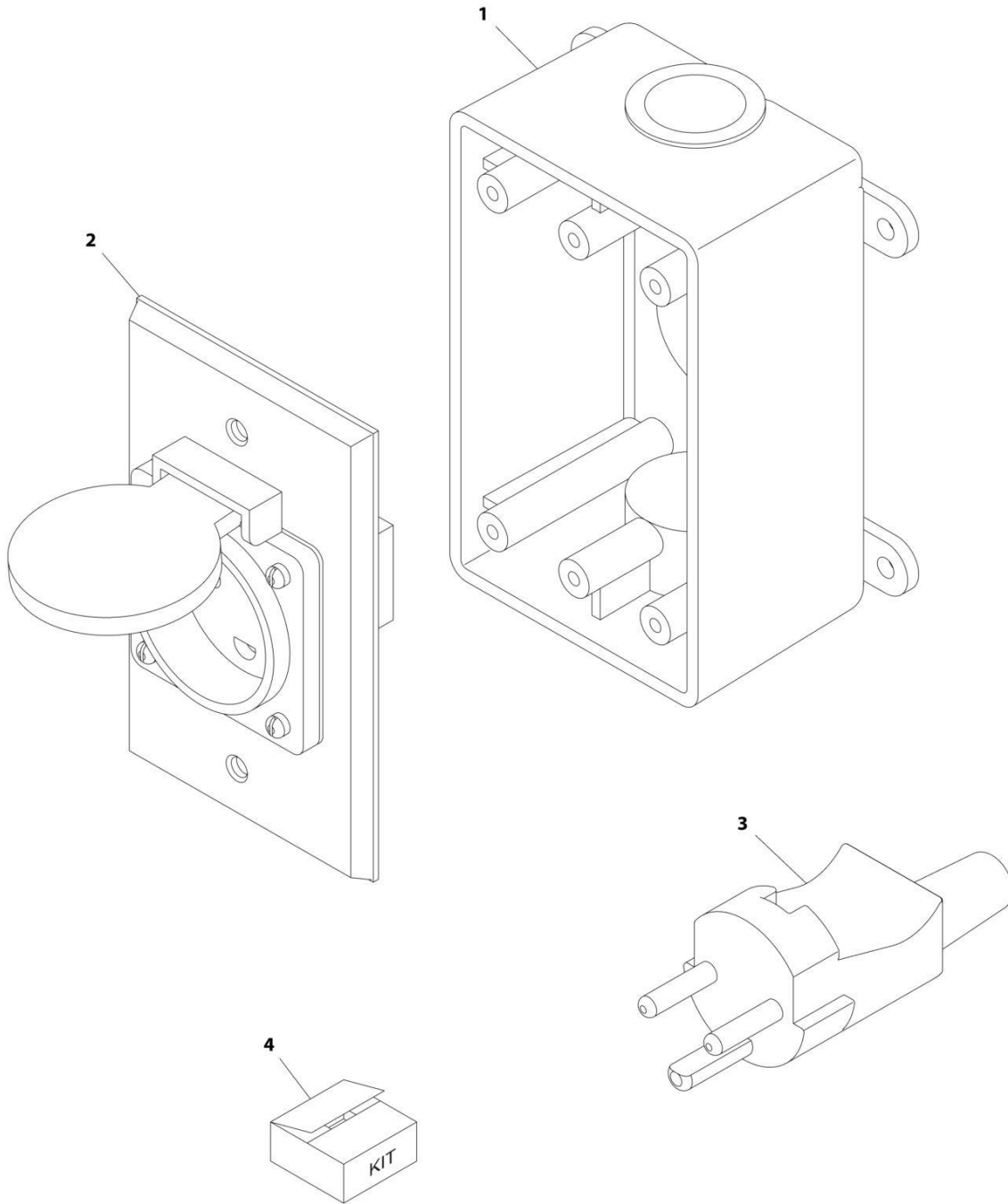
## SECTION 7 - ELECTRICAL

**FIGURE 7-25. RECEPTACLE BOX KIT - 220V CEE7 SIDE GROUND (CE SPEC)**

ITEM	PART NUMBER	QTY	DESCRIPTION	REV
	0275453	Ref	RECEPTACLE BOX KIT - 220V CEE7 SIDE GROUND	B
1	0861731	1	Box, Switch	
2	4461245	1	Receptacle	
3	4461205	1	Plug, Male	
4	1001100347	1	Plug and Socket Kit (Includes Items 1-3 and Female Plug p/n 4461206)	

# SECTION 7 - ELECTRICAL

FIGURE 7-26. RECEPTACLE BOX KIT - 220V AFSINT 107 (CE SPEC)



ART\_0275454

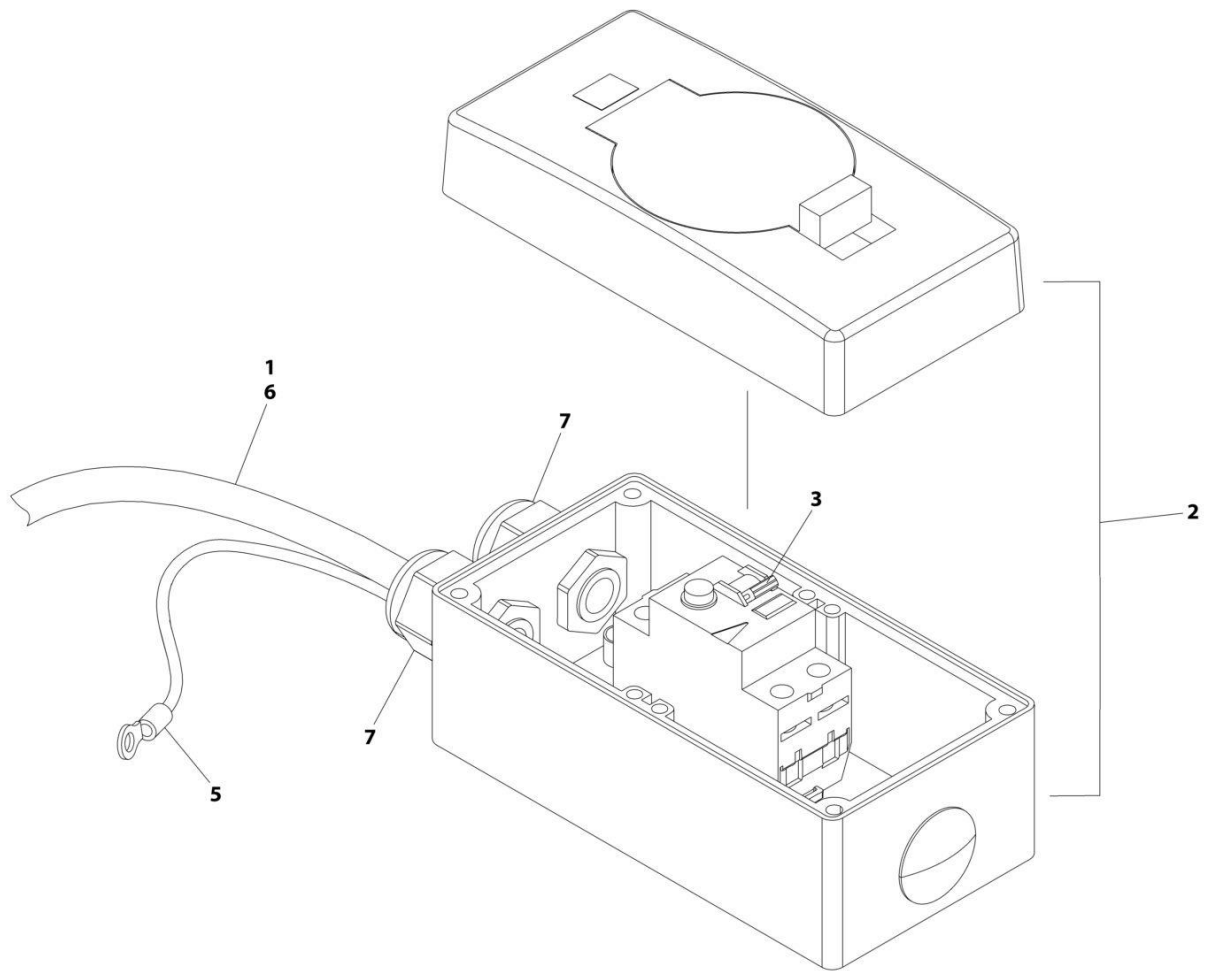
## SECTION 7 - ELECTRICAL

**FIGURE 7-26. RECEPTACLE BOX KIT - 220V AFSINT 107 (CE SPEC)**

ITEM	PART NUMBER	QTY	DESCRIPTION	REV
	0275454	Ref	RECEPTACLE BOX KIT - 220V AFSINT 107	B
1	0861731	1	Box, Switch	
2	4461246	1	Receptacle	
3	4461249	1	Plug, Male	
4	1001100346	1	Plug and Socket Kit (Includes Items 1-3 and Female Plug p/n 4461250)	

# SECTION 7 - ELECTRICAL

## FIGURE 7-27. BREAKER BOX KIT (AUSTRALIAN SPEC)



ART\_1001245739

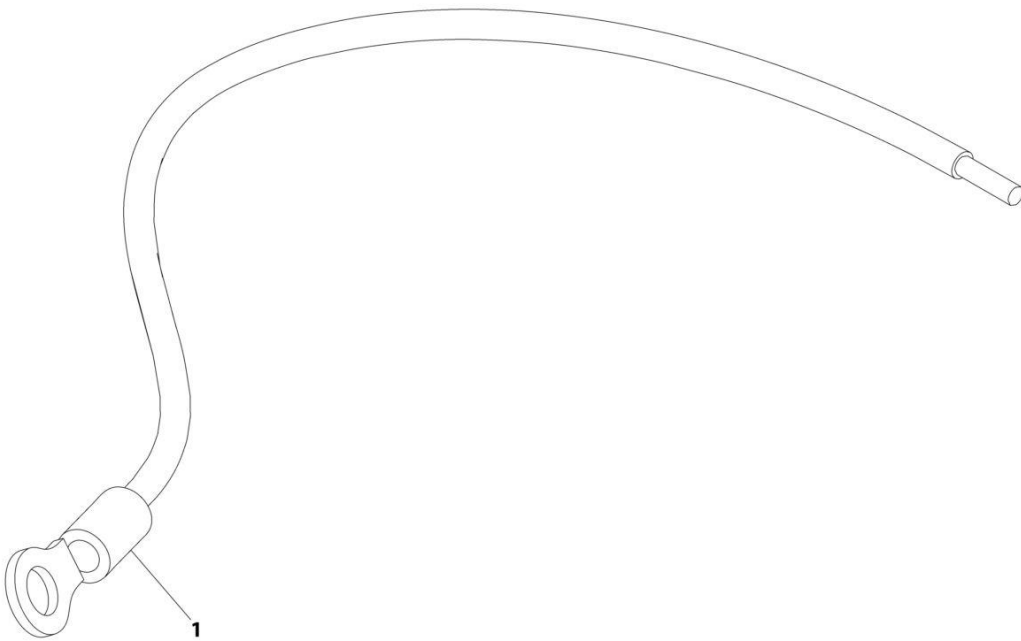
## SECTION 7 - ELECTRICAL

### FIGURE 7-27. BREAKER BOX KIT (AUSTRALIAN SPEC)

ITEM	PART NUMBER	QTY	DESCRIPTION	REV
	1001245739	Ref	BREAKER BOX KIT	B
1	1060908	825 mm/ 32.5in	Cable	
2	1001227269	1	Enclosure	
3	1001228191	1	Breaker	
4	1001245743	1	Terminal (Not Shown)	
5	1001245744	1	Earth/Ground Link Harness	
6	1001125927	1	Conduit	
7	1001097150	2	Connector	

# SECTION 7 - ELECTRICAL

## FIGURE 7-28. EARTH / GROUND LINK HARNESS



ART\_1001245744



# SECTION 7 - ELECTRICAL

## FIGURE 7-28. EARTH / GROUND LINK HARNESS

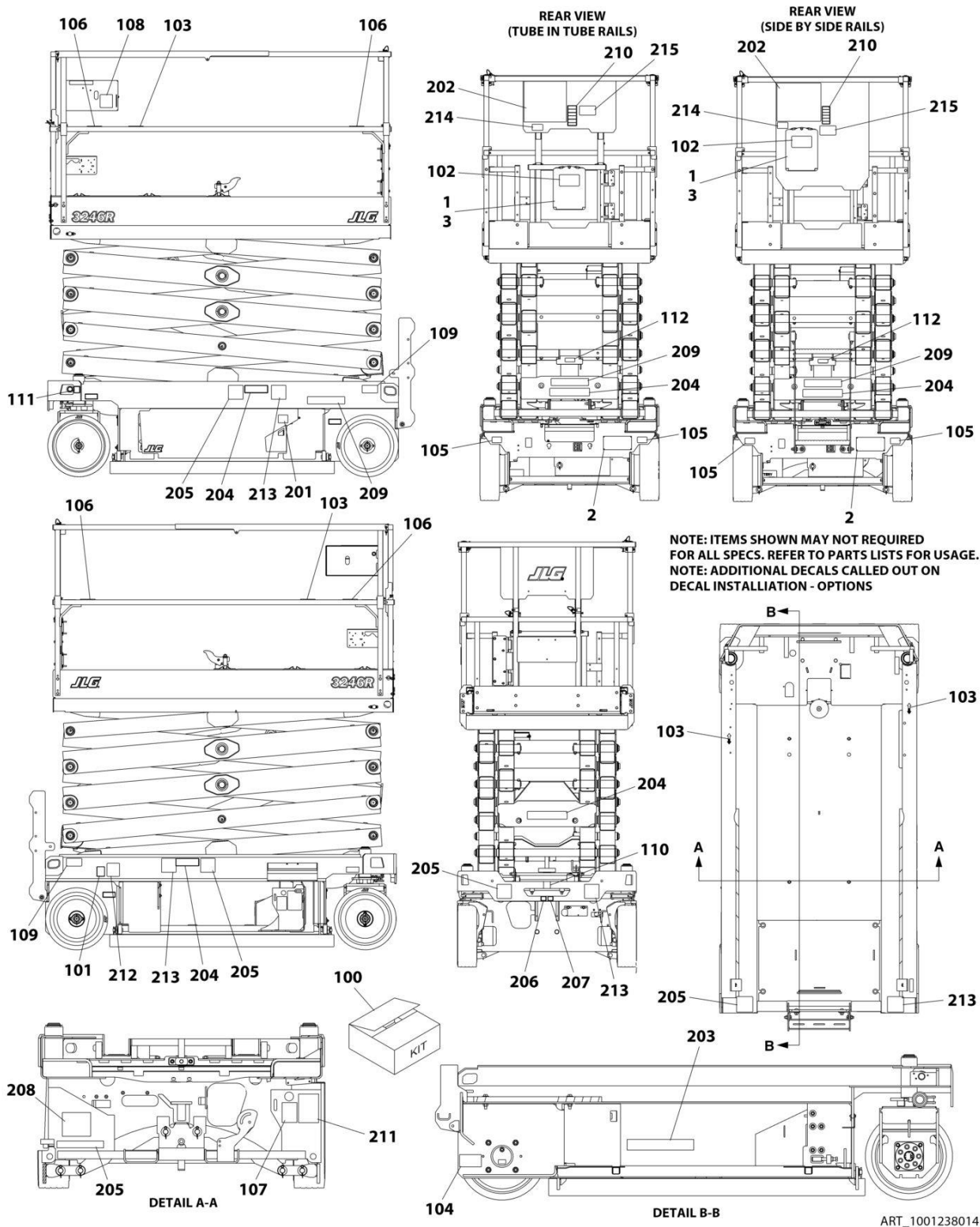
ITEM	PART NUMBER	QTY	DESCRIPTION	REV
1	1001245744	Ref	EARTH / GROUND LINK HARNESS	A
	4460043	1	Terminal Ring	



**SECTION 8 - DECALS**

# SECTION 8 - DECALS

## FIGURE 8-1. DECAL INSTALLATION (ANSI SPECS)



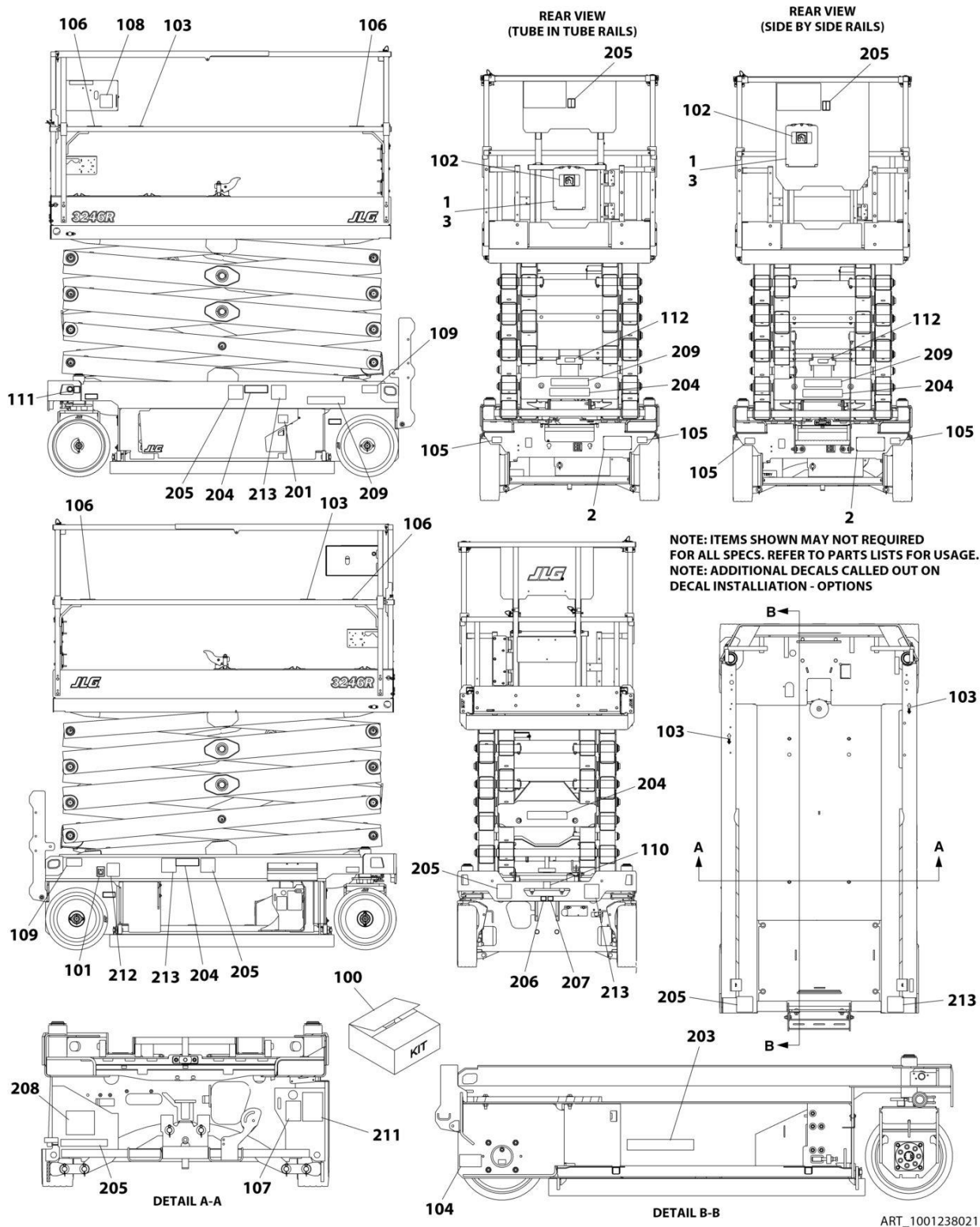
## SECTION 8 - DECALS

**FIGURE 8-1. DECAL INSTALLATION (ANSI SPECS)**

ITEM	PART NUMBER	QTY	DESCRIPTION	REV
	1001238014	Ref	DECAL INSTALLATION (ENGLISH LANGUAGE)	C
1	2080040	3	Fastener	
2	2080057	4	Fastener	
3	8990147	1	Holder, Manual	
100	1001239270	1	Master Decal Kit	D
101	1701504	1	Decal - Hydraulic Oil	
102	1701640	1	Decal - Manual	
103	1703819	4	Decal - Direction Arrow	
104	1703822	1	Decal - Manual Descent Instructions <b>(Prior to SN B200054639)</b>	
104	1001248126	1	Decal - Manual Descent Instructions <b>(SN B200054639 to Present)</b>	
105	1704016	2	Decal - Fork Lift	
106	1704277	4	Decal - Lanyard Attach	
107	1704412	1	Decal - Hydraulic Oil	
108	1001132359	1	Decal - Control Box Locate	
109	1001162864	2	Decal - Lift Point/Tie Down	
110	1001212290	1	Decal - Tie Down	
111	1001212291	2	Decal - Lifting Lug	
112	1001237899	1	Decal - Arms Prop	
201	1702155	1	Decal - Battery Disconnect	
202	1703816	1	Decal - Danger/Warning	
203	1001146794	1	Decal - Battery/Charger Service	
204	1001211777	4	Decal - Crushing Hazard	
205	1001211779	4	Decal - Electrocution	
206	1001212292	1	Decal - No Lifting	
207	1001212293	1	Decal - No Forklift	
208	1001237538	1	Decal - Battery Spacer	
209	1703813	2	Decal - Warning Battery Ventilation	
210	1705686	1	Decal - Legend	
211	1001131270	1	Decal - Patent	
212	1001223055	1	Decal - Yearly Inspection	
214	1001228370	1	Decal - ICES <b>(SN B200054639 to Present)</b>	
215	1001231801	1	Decal - Warning Prop 65 <b>(SN B200054639 to Present)</b>	

# SECTION 8 - DECALS

## FIGURE 8-2. DECAL INSTALLATION (AUSTRALIAN SPECS)



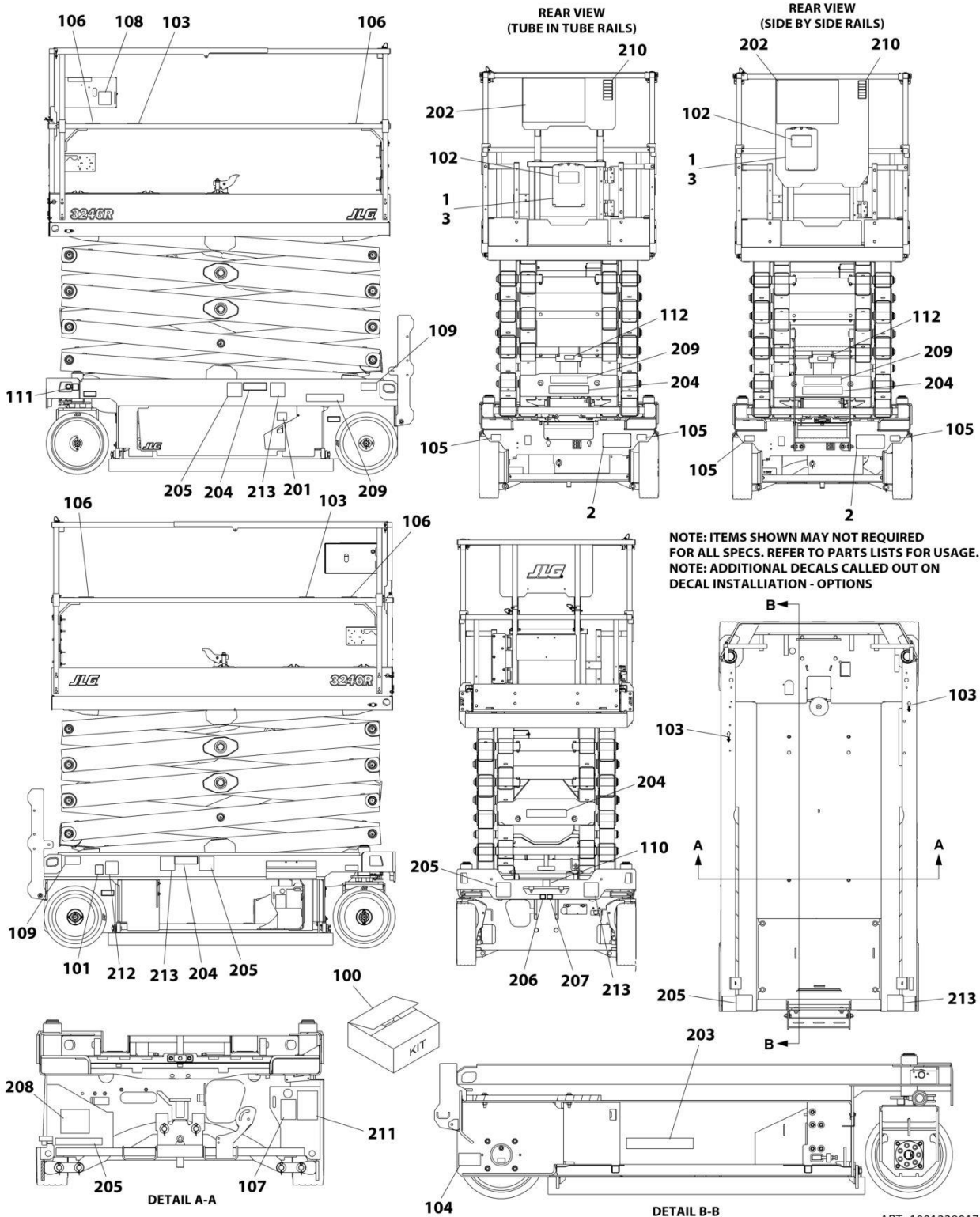
## SECTION 8 - DECALS

**FIGURE 8-2. DECAL INSTALLATION (AUSTRALIAN SPECS)**

ITEM	PART NUMBER	QTY	DESCRIPTION	REV
	1001238021	Ref	DECAL INSTALLATION (ENGLISH LANGUAGE)	C
1	2080040	3	Fasteners	
2	2080057	4	Fasteners	
3	8990147	1	Holder, Manual	
100	1001239270	1	Master Decal Kit	D
101	1701504	1	Decal - Hydraulic Oil	
102	1701640	1	Decal - Manual	
103	1703819	4	Decal - Direction Arrow	
104	1703822	1	Decal - Manual Descent Instructions ( <b>Prior to SN B200054639</b> )	
104	1001248126	1	Decal - Manual Descent Instructions ( <b>SN B200054639 to Present</b> )	
105	1704016	2	Decal - Fork Lift	
106	1704277	4	Decal - Lanyard Attach Graphic	
107	1704412	1	Decal - Hydraulic Oil	
108	1001132359	1	Decal - Control Box Locate	
109	1001162864	2	Decal - Lift Point/Tie Down	
110	1001212290	1	Decal - Tie Down	
111	1001212291	2	Decal - Lifting Lug	
112	1001237899	1	Decal - Arms Prop	
201	1702155	1	Decal - Battery Disconnect	
203	1001146794	1	Decal - Battery/Charger Service	
204	1705673	4	Decal - Crushing	
205	1705671	5	Decal - Electrocution	
206	1001212292	1	Decal - No Lifting	
207	1001212293	1	Decal - No Forklift	
208	1001237538	1	Decal - Battery Spacer	
209	1705670	2	Decal - Fire Hazard	

# SECTION 8 - DECALS

## FIGURE 8-3. DECAL INSTALLATION (BRAZIL SPECS)





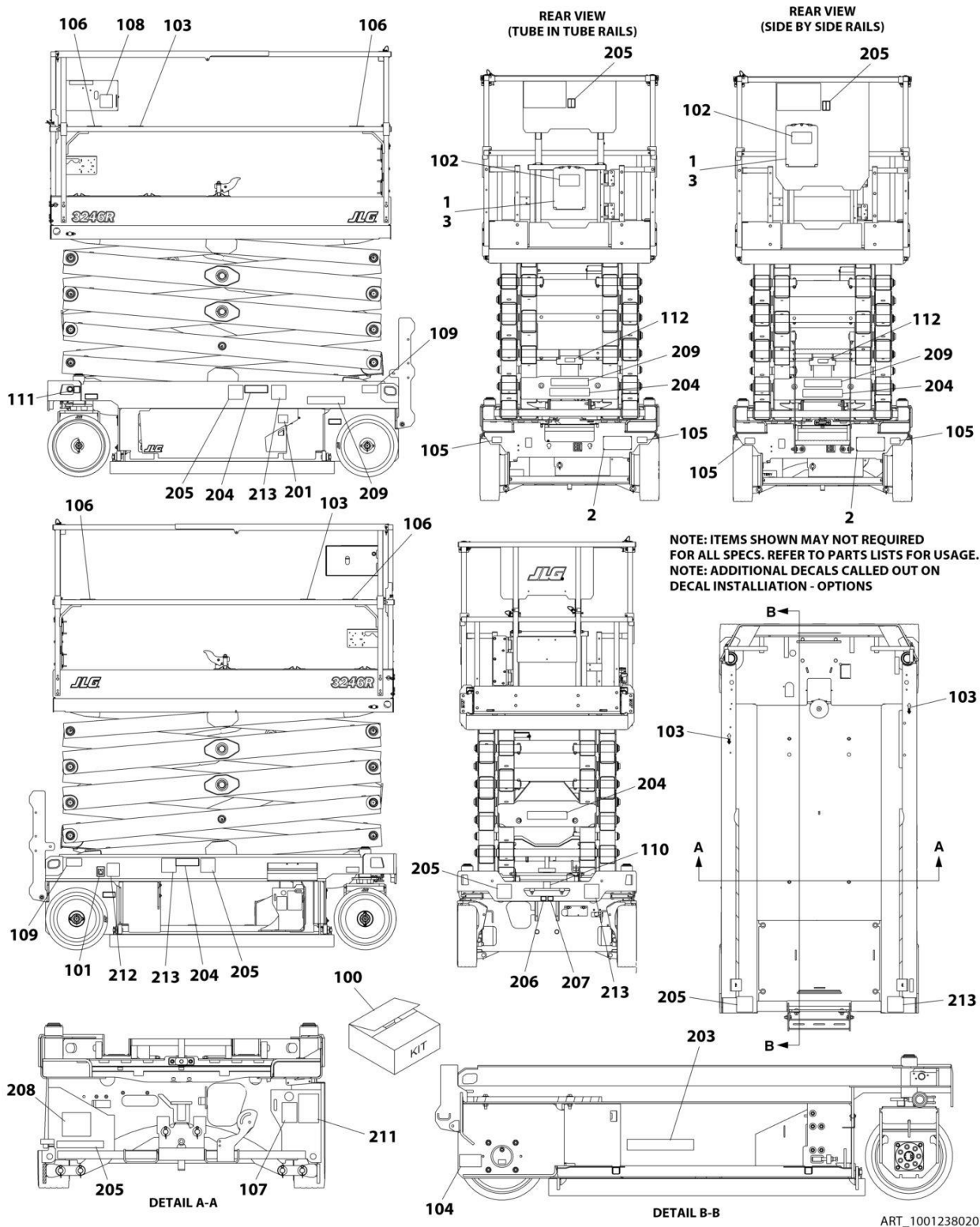
## SECTION 8 - DECALS

**FIGURE 8-3. DECAL INSTALLATION (BRAZIL SPECS)**

ITEM	PART NUMBER	QTY	DESCRIPTION	REV
	1001238017	Ref	DECAL INSTALLATION (SPANISH/PORTUGUESE LANGUAGE)	B
1	2080040	3	Fastener	
2	2080057	4	Fastener	
3	8990147	1	Holder, Manual	
100	1001239270	1	Master Decal Kit	D
101	1701504	1	Decal - Hydraulic Oil	
102	1701640	1	Decal - Manual	
103	1703819	4	Decal - Direction Arrow	
104	1703822	1	Decal - Manual Descent Instructions ( <b>Prior to SN B200054639</b> )	
104	1001248126	1	Decal - Manual Descent Instructions ( <b>SN B200054639 to Present</b> )	
105	1704016	2	Decal - Fork Lift	
106	1704277	4	Decal - Lanyard Attach	
107	1704412	1	Decal - Hydraulic Oil	
108	1001132359	1	Decal - Control Box Locate	
109	1001162864	2	Decal - Lift Point/Tie Down	
110	1001212290	1	Decal - Tie Down	
111	1001212291	2	Decal - Lifting Lug	
112	1001237899	1	Decal - Arms Prop	
201	1702155	1	Decal - Battery Disconnect	
202	1704699	1	Decal - Danger/Warning	
203	1001146794	1	Decal - Battery/Charger Service	
204	1001216650	4	Decal - Crushing Hazard	
205	1001215748	4	Decal - Electrocution	
206	1001212292	1	Decal - No Lifting	
207	1001212293	1	Decal - No Forklift	
208	1001237538	1	Decal - Battery Spacer	
209	1704341	2	Decal - Warning Battery Ventilation	
210	1705726	1	Decal - Legend	
212	1001224052	1	Decal - Yearly Inspection	
213	1001216648	4	Decal - Danger Electrocution	

# SECTION 8 - DECALS

## FIGURE 8-4. DECAL INSTALLATION (CE SPECS)



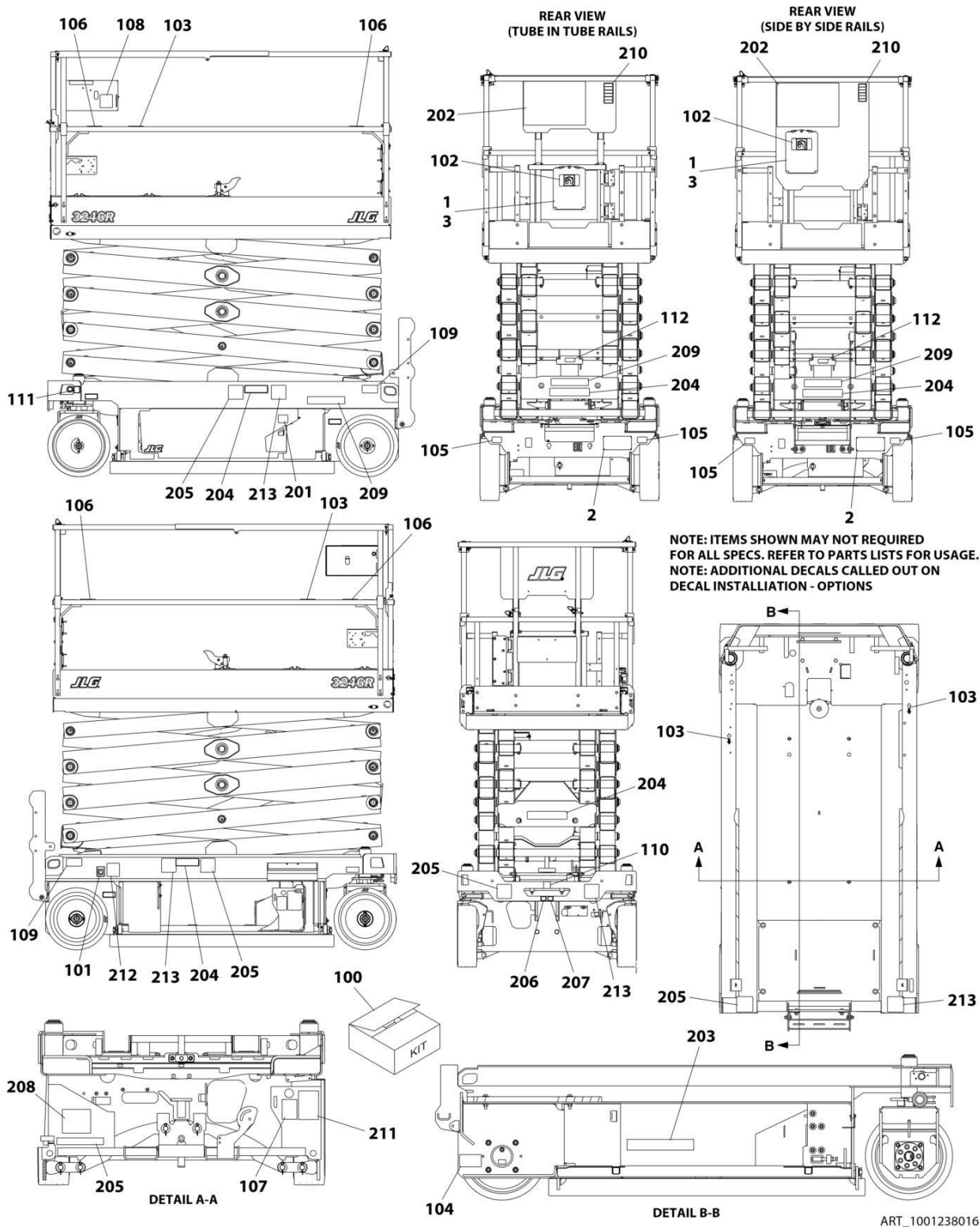
## SECTION 8 - DECALS

**FIGURE 8-4. DECAL INSTALLATION (CE SPECS)**

ITEM	PART NUMBER	QTY	DESCRIPTION	REV
	1001238020	Ref	DECAL INSTALLATION (ENGLISH LANGUAGE)	C
1	2080040	3	Fastener	
2	2080057	4	Fastener	
3	8990147	1	Holder, Manual	
100	1001239270	1	Master Decal Kit	D
101	1701504	1	Decal - Hydraulic Oil	
102	1701640	1	Decal - Manual	
103	1703819	4	Decal - Direction Arrow	
104	1703822	1	Decal - Manual Descent Instructions ( <b>Prior to SN B200054639</b> )	
104	1001248126	1	Decal - Manual Descent Instructions ( <b>SN B200054639 to Present</b> )	
105	1704016	2	Decal - Fork Lift	
106	1704277	4	Decal - Lanyard Attach	
107	1704412	1	Decal - Hydraulic Oil	
108	1001132359	1	Decal - Control Box Locate	
109	1001162864	2	Decal - Lift Point/Tie Down	
110	1001212290	1	Decal - Tie Down	
111	1001212291	2	Decal - Lifting Lug	
112	1001237899	1	Decal - Arms Prop	
201	1702155	1	Decal - Battery Disconnect	
203	1001146795	1	Decal - Battery/Charger Service	
204	1705673	4	Decal - Crushing	
205	1705671	5	Decal - Electrocution	
206	1001212292	1	Decal - No Lifting	
207	1001212293	1	Decal - No Forklift	
208	1001237538	1	Decal - Battery Spacer	
209	1705670	2	Decal - Fire Hazard	

# SECTION 8 - DECALS

## FIGURE 8-5. DECAL INSTALLATION (CHINA SPECS)



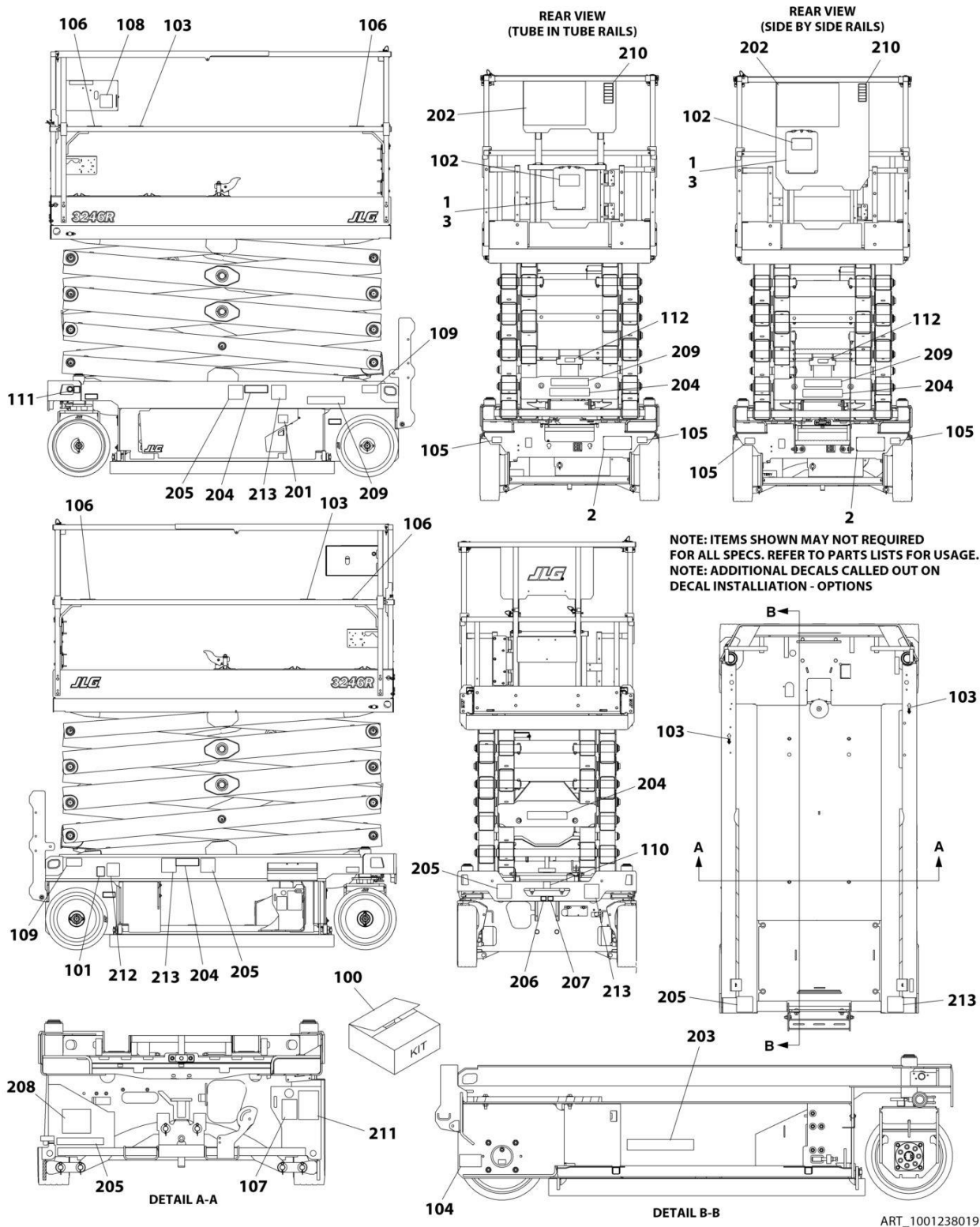
## SECTION 8 - DECALS

**FIGURE 8-5. DECAL INSTALLATION (CHINA SPECS)**

ITEM	PART NUMBER	QTY	DESCRIPTION	REV
	1001238016	Ref	DECAL INSTALLATION (ENGLISH/CHINESE LANGUAGE)	C
1	2080040	3	Fastener	
2	2080057	4	Fastener	
3	8990147	1	Holder, Manual	
100	1001239270	1	Master Decal Kit	D
101	1701504	1	Decal - Hydraulic Oil	
102	1701640	1	Decal - Manual	
103	1703819	4	Decal - Direction Arrow	
104	1703822	1	Decal - Manual Descent Instructions ( <b>Prior to SN B200054639</b> )	
104	1001248126	1	Decal - Manual Descent Instructions ( <b>SN B200054639 to Present</b> )	
105	1704016	2	Decal - Fork Lift	
106	1704277	4	Decal - Lanyard Attach	
107	1704412	1	Decal - Hydraulic Oil	
108	1001132359	1	Decal - Control Box Locate	
109	1001162864	2	Decal - Lift Point/Tie Down	
110	1001212290	1	Decal - Tie Down	
111	1001212291	2	Decal - Lifting Lug	
112	1001237899	1	Decal - Arms Prop	
201	1702155	1	Decal - Battery Disconnect	
202	1705195	1	Decal - Danger/Warning	
203	1001146794	1	Decal - Battery/Charger Service	
204	1001215752	4	Decal - Crushing Hazard	
205	1001211779	4	Decal - Electrocution	
206	1001212292	1	Decal - No Lifting	
207	1001212293	1	Decal - No Forklift	
208	1001237538	1	Decal - Battery Spacer	
209	1704344	2	Decal - Warning Battery Ventilation	
210	1705946	1	Decal - Legend	
212	1001224051	1	Decal - Yearly Inspection	
213	1001215747	4	Decal - Danger Electrocution	

# SECTION 8 - DECALS

## FIGURE 8-6. DECAL INSTALLATION (CSA SPECS)



ART\_1001238019

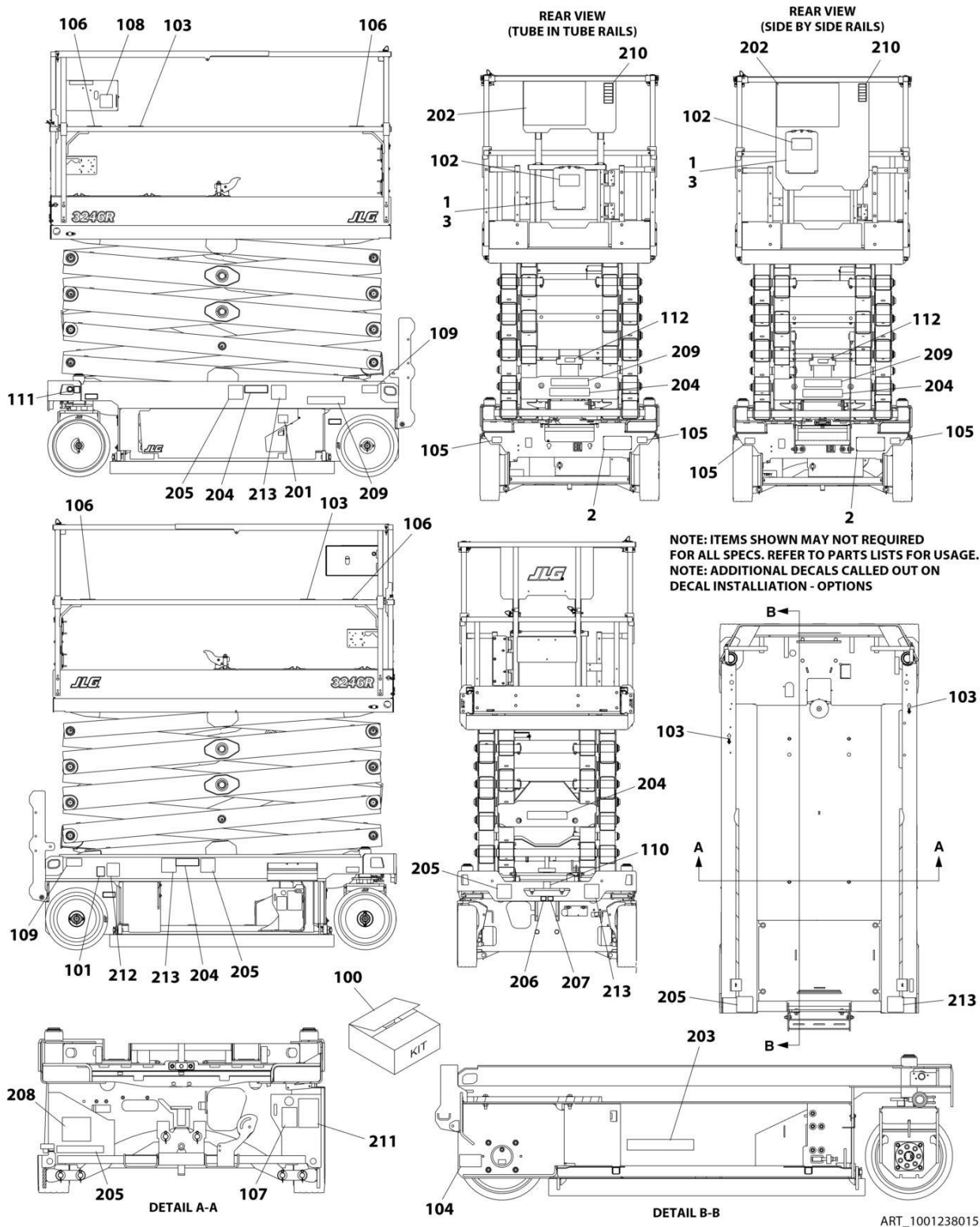
## SECTION 8 - DECALS

**FIGURE 8-6. DECAL INSTALLATION (CSA SPECS)**

ITEM	PART NUMBER	QTY	DESCRIPTION	REV
	1001238019	Ref	DECAL INSTALLATION (ENGLISH/FRENCH LANGUAGE)	B
1	2080040	3	Fastener	
2	2080057	4	Fastener	
3	8990147	1	Holder, Manual	
100	1001239270	1	Master Decal Kit	D
101	1701504	1	Decal - Hydraulic Oil	
102	1701640	1	Decal - Manual	
103	1703819	4	Decal - Direction Arrow	
104	1703822	1	Decal - Manual Descent Instructions ( <b>Prior to SN B200054639</b> )	
104	1001248126	1	Decal - Manual Descent Instructions ( <b>SN B200054639 to Present</b> )	
105	1704016	2	Decal - Fork Lift	
106	1704277	4	Decal - Lanyard Attach	
107	1704412	1	Decal - Hydraulic Oil	
108	1001132359	1	Decal - Control Box Locate	
109	1001162864	2	Decal - Lift Point/Tie Down	
110	1001212290	1	Decal - Tie Down	
111	1001212291	2	Decal - Lifting Lug	
112	1001237899	1	Decal - Arms Prop	
201	1702155	1	Decal - Battery Disconnect	
202	1704684	1	Decal - Danger/Warning	
203	1001146794	1	Decal - Battery/Charger Service	
204	1705311	4	Decal - Crushing Hazard	
205	1001211779	4	Decal - Electrocution	
206	1001212292	1	Decal - No Lifting	
207	1001212293	1	Decal - No Forklift	
208	1001237538	2	Decal - Battery Spacer	
209	1704340	1	Decal - Warning Battery Ventilation	
210	1705723	1	Decal - Legend	
211	1001131270	1	Decal - Patent	
212	1001223971	1	Decal - Yearly Inspection	
213	1001215749	4	Decal - Danger Electrocution	

# SECTION 8 - DECALS

## FIGURE 8-7. DECAL INSTALLATION (KOREAN SPECS)





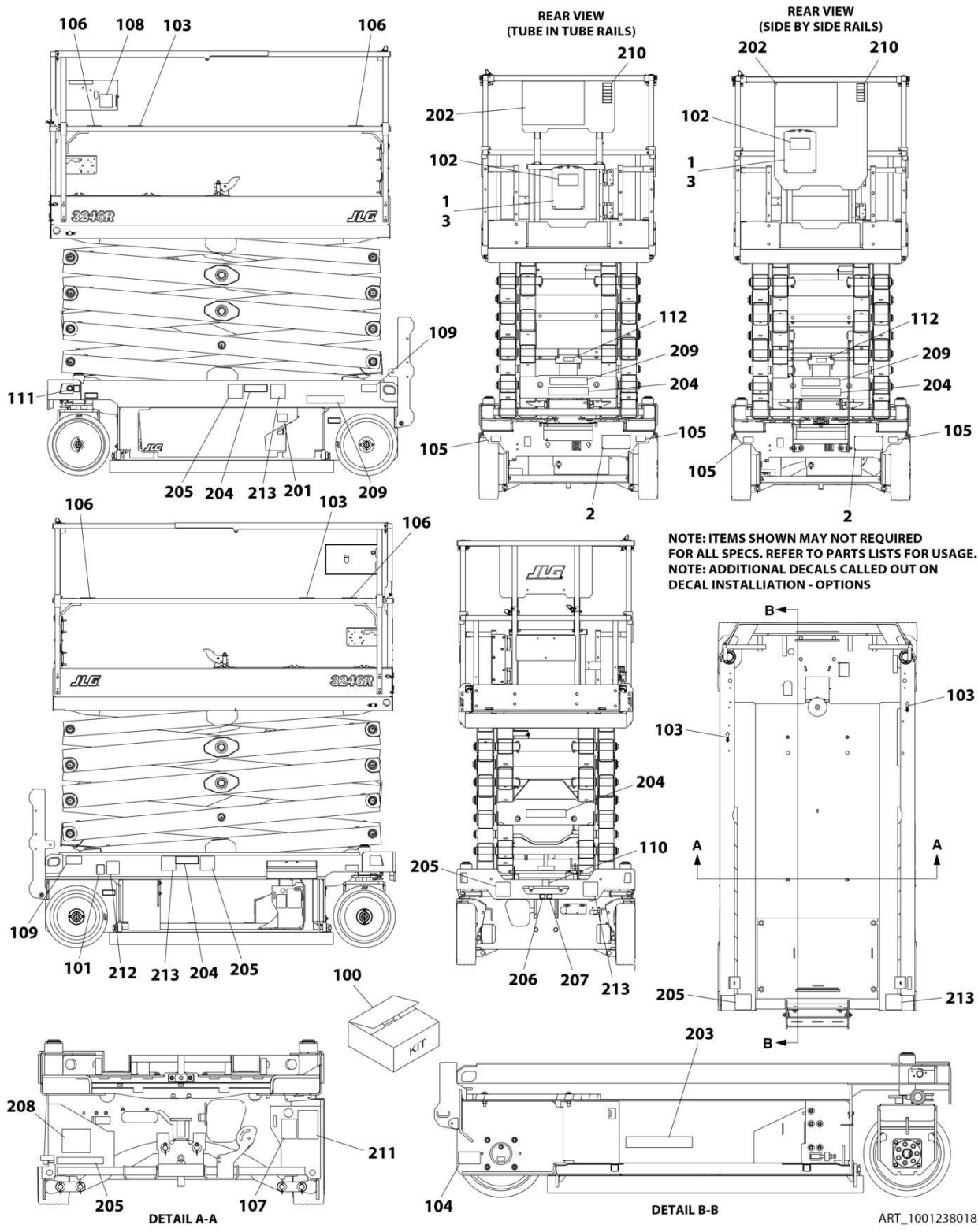
## SECTION 8 - DECALS

**FIGURE 8-7. DECAL INSTALLATION (KOREAN SPECS)**

ITEM	PART NUMBER	QTY	DESCRIPTION	REV
	1001238015	Ref	DECAL INSTALLATION (ENGLISH/KOREAN LANGUAGES)	C
1	2080040	3	Fastener	
2	2080057	4	Fastener	
3	8990147	1	Holder, Manual	
100	1001239270	1	Master Decal Kit	D
101	1701504	1	Decal - Hydraulic Oil	
102	1701640	1	Decal - Manual	
103	1703819	4	Decal - Direction Arrow	
104	1703822	1	Decal - Manual Descent Instructions ( <b>Prior to SN B200054639</b> )	
104	1001248126	1	Decal - Manual Descent Instructions ( <b>SN B200054639 to Present</b> )	
105	1704016	2	Decal - Fork Lift	
106	1704277	4	Decal - Lanyard Attach	
107	1704412	1	Decal - Hydraulic Oil	
108	1001132359	1	Decal - Control Box Locate	
109	1001162864	2	Decal - Lift Point/Tie Down	
110	1001212290	1	Decal - Tie Down	
111	1001212291	2	Decal - Lifting Lug	
112	1001237899	1	Decal - Arms Prop	
201	1702155	1	Decal - Battery Disconnect	
202	1001162115	1	Decal - Danger/Warning	
203	1001146794	1	Decal - Battery/Charger Service	
204	1001215751	4	Decal - Crushing Hazard	
205	1001211779	4	Decal - Electrocution	
206	1001212292	1	Decal - No Lifting	
207	1001212293	1	Decal - No Forklift	
208	1001237538	1	Decal - Battery Spacer	
209	1707022	2	Decal - Warning Battery Ventilation	
210	1706057	1	Decal - Legend	
212	1001224048	1	Decal - Yearly Inspection	
213	1001215750	4	Decal - Danger Electrocution	

# SECTION 8 - DECALS

## FIGURE 8-8. DECAL INSTALLATION (LATIN AMERICAN SPECS)



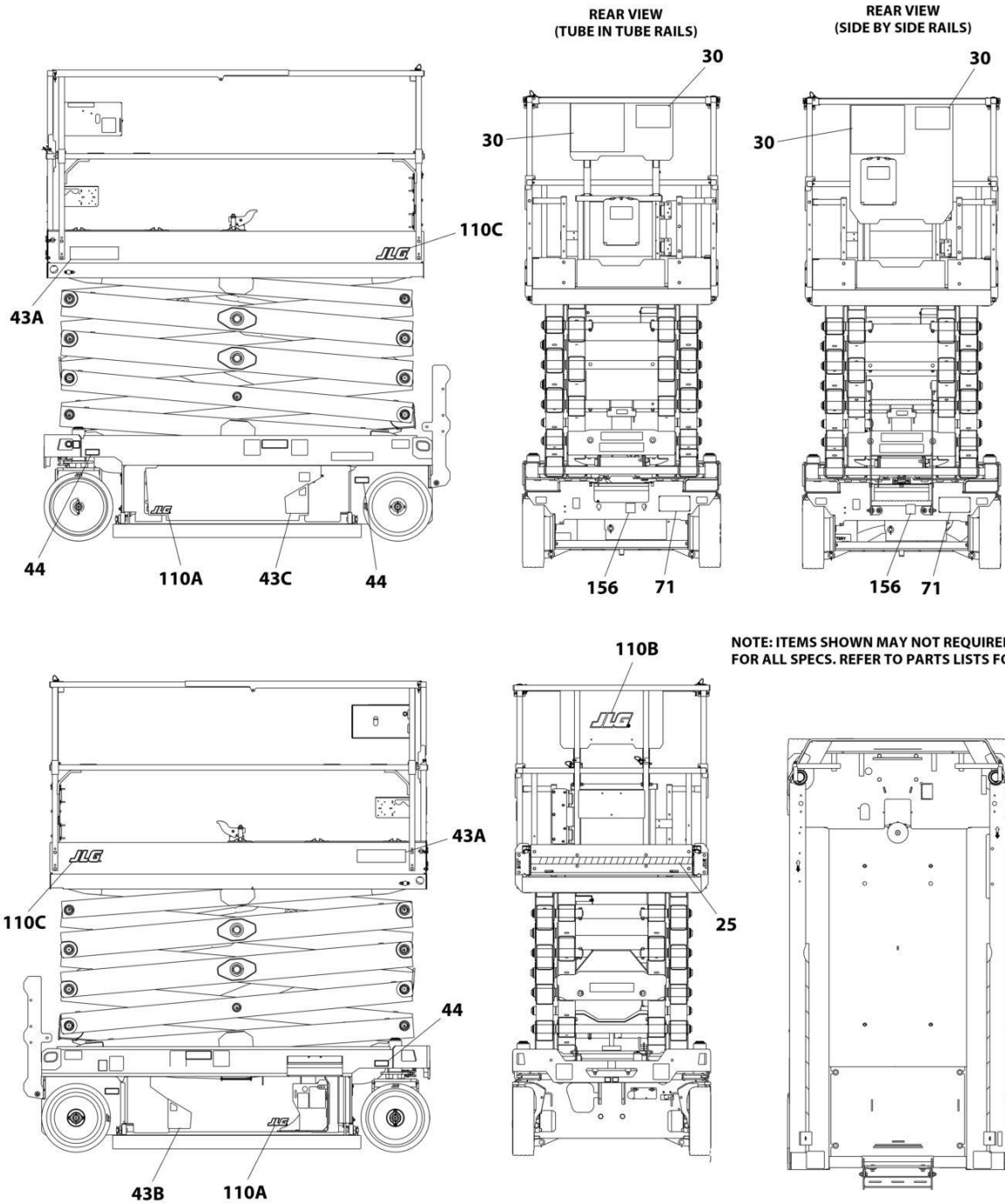
## SECTION 8 - DECALS

**FIGURE 8-8. DECAL INSTALLATION (LATIN AMERICAN SPECS)**

ITEM	PART NUMBER	QTY	DESCRIPTION	REV
	1001238018	Ref	DECAL INSTALLATION (ENGLISH/SPANISH LANGUAGES)	B
1	2080040	3	Fastener	
2	2080057	4	Fastener	
3	8990147	1	Holder, Manual	
100	1001239270	1	Master Decal Kit	D
101	1701504	1	Decal - Hydraulic Oil	
102	1701640	1	Decal - Manual	
103	1703819	4	Decal - Direction Arrow	
104	1703822	1	Decal - Manual Descent Instructions ( <b>Prior to SN B200054639</b> )	
104	1001248126	1	Decal - Manual Descent Instructions ( <b>SN B200054639 to Present</b> )	
105	1704016	2	Decal - Fork Lift	
106	1704277	4	Decal - Lanyard Attach	
107	1704412	1	Decal - Hydraulic Oil	
108	1001132359	1	Decal - Control Box Locate	
109	1001162864	2	Decal - Lift Point/Tie Down	
110	1001212290	1	Decal - Tie Down	
111	1001212291	2	Decal - Lifting Lug	
112	1001237899	1	Decal - Arms Prop	
201	1702155	1	Decal - Battery Disconnect	
202	1704691	1	Decal - Danger/Warning	
203	1001146794	1	Decal - Battery/Charger Service	
204	1705316	4	Decal - Crushing Hazard	
205	1001211779	4	Decal - Electrocution	
206	1001212292	1	Decal - No Lifting	
207	1001212293	1	Decal - No Forklift	
208	1001237538	1	Decal - Battery Spacer	
209	1704339	2	Decal - Warning Battery Ventilation	
210	1705720	1	Decal - Legend	
212	1001224049	1	Decal - Yearly Inspection	
213	1001215748	4	Decal - Danger Electrocution	

# SECTION 8 - DECALS

## FIGURE 8-9. DECAL INSTALLATIONS - OPTIONS



ART\_DECAL\_OPTIONS

## SECTION 8 - DECALS

**FIGURE 8-9. DECAL INSTALLATIONS - OPTIONS**

ITEM	PART NUMBER	QTY	DESCRIPTION	REV
		Ref	DECAL INSTALLATION - OPTIONS:	
25	1001209906	Ref	Corner Stripes Installation	
25	4420051	30 in/ 75 cm	Tape, Safety	
30		Ref	Decal- Capacity Options	
30	1001239684	1	Decal- Capacity (507 LB/ 230 KG)	
30	1001244506	Ref	Decal- Capacity (with Dual Languages)	
30	1001239684	1	Decal- Capacity (507 LB/ 230 KG)	
30	1001216865	1	Plate, Decal Mounting	
30	1001248681	1	Decal - Capacity (Indoor Only)	
43	1001238756	Ref	Decal- Model Designation Options:	
43A	1001238757	2	Decal- Model Designation - 2632R	
43B	1001238759	1	Decal- Model Designation - 2632R (RH)	
43C	1001238758	1	Decal- Model Designation - 2632R (LH)	
44	1706310	4	Decal- Maximum Tire Load	
71	See Note	NSS	Decal- Manufacturing Serial Number (Note: Not Available for Purchase)	
110	1001214779	Ref	JLG Decal Installation	
110A	1703177	2	Decal- JLG	
110B	1705754	1	Decal- JLG	
110C	1705781	2	Decal- JLG	
156	1001173703	1	Decal - EAC (Russian/CIS Specs)	



## **SECTION 9 - RECOMMENDED SERVICE PARTS STOCK**

## **SECTION 9 - RECOMMENDED SERVICE PARTS STOCK**

## SECTION 9 - RECOMMENDED SERVICE PARTS STOCK

FIGURE 9-1. RECOMMENDED SERVICE PARTS STOCK

ITEM	PART NUMBER	QTY	DESCRIPTION	REV
		Ref	Note: The following list will service one machine (built to current production per date on the front cover) with emergency repair parts which can be installed in the field. Parts from the list should be replaced when inventory is depleted to keep service parts stock supplied. For further information, contact your JLG dealer or the JLG Industries Parts Department.	
		Ref	STANDARD PARTS	
	70005423	6	Hydraulic Filter Service Kit	
	70006297	1	Coil	
	70005893	1	Coil	
	3740150	1	Relay	
	4360328	1	Switch, Toggle	
	4360469	1	Switch, Key	
	2860030	1	Key, Replacement	
	4360475	1	Switch, Mushroom	
	3080007	1	Magnet, Latch	
	1600402	1	Controller, Drive/Steer	
	4360345	1	Switch, Toggle	
	1001200633	1	Switch, Push Button	
	8229242	2	Fuse 5Amp	
	8229244	2	Fuse 15 Amp	
		Ref	VARIABLE PARTS	
	1001203871	1	Switch, Roller	
	1001186466	1	Sensor, Tilt	
	1001200629	1	Module, Control	
	1001216062	1	Module, Power	
	4360336	1	Switch, Toggle (Machines with Inverter)	
	1001225164	1	Sensor, Pressure Transducer	
	1001235104	1	Sensor, Pressure Transducer	
	1001228112	1	Module, Platform	
	1001181045	1	Breaker 30mAmp/16Amp (CE Specs Machines)	
	1001189171	1	Breaker 30mAmp (CE Specs Machines)	
	1001189172	1	Breaker 16Amp Double (CE Specs Machines)	



**SECTION 10 - SPECIAL OPTIONS**

# SECTION 10 - SPECIAL OPTIONS

## FIGURE 10-1. SPECIAL OPTIONS

ITEM	PART NUMBER	QTY	DESCRIPTION	REV
		Ref	Note: This list is to accommodate machines ordered with special equipment. Options may not be applicable to all models. For more specific parts information contact the JLG Parts Department.	
		Ref	SPECIAL OPTIONS	
	1001236903	Ref	Antivandalism Package	
		Ref	ClearSky Installation Options:	
	1001229107	Ref	ClearSky Installation - 3-Wire (ANSI & CSA Specs)	
	1001233237	Ref	ClearSky Installation - 3-Wire (ANSI Export & CE Specs)	
	1001235697	Ref	ClearSky Installation - Canbus (ANSI & CSA Specs)	
	1001236982	Ref	ClearSky Installation - Canbus (ANSI Export & CE Specs)	
	1001246530	Ref	ClearSky Installation - Canbus (Australian Specs)	
		Ref	Decal Options:	
	1001236984	Ref	Decal - ClearSky	
		Ref	Decal Kit Options:	
	1001239270	Ref	Decal Kit - Master	
	1001234319	Ref	Drive Motor Covers installation	
		Ref	Electrical Connector Kits	
	1001148902	Ref	Amp/Tyco Electrical Connector Kit	
	1001148903	Ref	Deutsch DT Electrical Connector Kit	
	1001148904	Ref	Deutsch HD Electrical Connector Kit	
	1001148905	Ref	Packard Electrical Connector Kit	
	1001148906	Ref	Various Electrical Connector Kit	
	1001246082	Ref	European Subassembly Kit	
	1001218728	Ref	Fire Extinguisher Installation	
		Ref	Fluid Options	
	2300014	Ref	Hydraulic Fluid - Mobil 424 (Machines with Standard Oil)	
	2300042	Ref	Hydraulic Fluid - Mobil EAL H 32 (Machines with Biodegradeable Oil)	
	1001236547	Ref	Footswitch Installation (ANSI Export, Japanese & Korean Specs Only)	
	1001220933	Ref	Height Restrictor Switch Installation	
	1001239481	Ref	Remote Tow Installation	
	1001224583	Ref	Service Kits List	H
		Ref	Tools for Service	
	2901443	1	Analyzer Kit	
	1001232474	1	Benchtop Harness	
	8896941	1	Wire Stripper	
	7002821	1	Wire Crimper (To install wire ends to wires)	
	7002823	1	Pin/Socket Extractor - Universal (To Remove Pins/Sockets from Connectors)	
	4460467	1	Extractor - 16-18 Gauge (For Removal Pins/Sockets from Deutsch Connectors)	
	4460510	1	Extractor - 12-14 Gauge (For Removal of Pins/Sockets from Deutsch Connectors)	
	7002822	1	Screwdriver, Potentiometer (To Adjust Drive Controllers)	
	7016654	1	Screwdriver, Magnetic	
	7004275	1	Seal Installation Tool - 1in	
	7004276	1	Seal Installation Tool - 1-1/2in	
	7002826	1	Seal Installation Tool - 2in	

## **PART NUMBER INDEX**

0100011.....11, 13, 19, 21, 53, 77, 91, 93, 95	1001102258.....121, 123, 125, 127, 129, 131, 133, 135, 137	1001187816 ..... 133	1001210440.....75
0100051.....65, 67, 69, 71, 73	1001102489.... 23, 25, 29, 31, 33, 35	1001188116 ..... 133	1001210446.....95
0140030..... 101	1001103012..... 144	1001189171 ..... 141, 200	1001210447.....95
0140043.....57, 61	1001103471.....27, 137	1001189172 ..... 141, 200	1001210458.....93, 95
0275216..... 123	1001104498..... 144	1001192401 ..... 144	1001210586.....93, 95
0275217..... 125, 167	1001110302..... 19	1001194421 ..... 163	1001210605.....75
0275452..... 127, 169	1001112112.....69	1001196589 ..... 144	1001210878.....75
0275453..... 129, 171	1001113961..... 144	1001197396 ..... 11	1001210879.....75
0275454..... 131, 173	1001116812..... 143	1001200561 ....23, 25, 27, 29	1001210881.....75
0440259..... 11, 113	1001120204.....123, 125, 127, 129, 131	1001200629 ...57, 59, 200	1001210882.....75
0440264..... 83	1001120205.....139, 141	1001200631 ..... 57, 59	1001210963.....93, 95
0440265..... 83	1001125483..... 75	1001200632 ..... 63	1001210966.....57, 59
0480100..... 105	1001125677..... 144	1001200633 ..... 101, 200	1001210967.....75
0630587.....57, 59, 61, 75	1001125927..... 175	1001200812 ..... 147, 155	1001211779.....181, 189, 191, 193, 195
0630613.....77, 85	1001128888.....82	1001200819 ..... 101, 163	1001212035..... 163
0700412.....57, 61	1001130220.... 23, 25, 27, 29, 31, 33, 35, 49, 57, 59, 82, 101	1001201705 ..... 53	1001212036..... 163
0700610..... 82	1001130590.....57, 59	1001201706 ..... 53	1001212187.....17
0700612.....19, 21, 82	1001131270.....181, 191	1001201708 ...65, 67, 69, 71, 73	1001212290.....181, 183, 185, 187, 189, 191, 193, 195
0700614.....23, 25, 27, 29, 31, 33, 35, 82	1001132358..... 101	1001201711 ...65, 67, 69, 71, 73	1001212291.....181, 183, 185, 187, 189, 191, 193, 195
0700616..... 107	1001132359.....181, 183, 185, 187, 189, 191, 193, 195	1001201885 ..... 143, 163	1001212292.....181, 183, 185, 187, 189, 191, 193, 195
0700617.....57, 59	1001132361..... 101	1001202184 ..... 151, 157	1001212293.....181, 183, 185, 187, 189, 191, 193, 195
0700621..... 97	1001134280.....27	1001202773 ..... 13	1001212294..... 53
0700814 27, 82, 123, 125, 127, 129, 131, 137	1001134821.....99	1001202851 ..... 53	1001213264.....13, 15
0700815..... 19	1001136757.....75	1001202987 ..... 19	1001213448..... 144
0700817.....77, 105	1001137675.....82, 91	1001202988 ..... 19	1001213491..... 101
0700818.....93, 95, 97	1001142173.....75	1001203450 ..... 53	1001213838.....91
0700819.....89, 99	1001142174.....75	1001203836 ..... 117	1001213875..... 53
0700820..... 93	1001143009.....75	1001203846 ..... 117	1001213886..... 101
0700823..... 19	1001143010.....75	1001203869 ..... 19	1001213928..... 17
0700835..... 101	1001143501.....117	1001203870 ..... 19	1001214217.....21
0701015.....77, 82	1001144295..... 144	1001203871 ..... 19, 200	1001214229.....105
0701019.....85, 107	1001144296..... 144	1001203872 ..... 19	1001214347.....71
0701021..... 82	1001146794.....181, 183, 185, 189, 191, 193, 195	1001204495 ..... 45	1001214526..... 19
0701024..... 85	1001146795..... 187	1001204542 ..... 91	1001214528..... 19
0760408.....121, 123, 125, 127, 129, 131, 133	1001146963.....82	1001205410 ..... 143	1001214534..... 19
0760608..... 95	1001148902.....202	1001205411 ..... 143	1001214779..... 197
0760610.....31, 49, 57, 59, 75, 99, 101, 137	1001148903.....202	1001205412 ..... 143	1001214810.....77
0760612.....23, 25, 27, 29, 45	1001148904.....202	1001205422 ..... 91	1001215216.....39, 43
0760810.....53, 91, 93	1001148905.....202	1001205424 ..... 91	1001215747..... 189
0760812..... 91	1001148906.....202	1001205430 ..... 91	1001215748.....185, 195
0760827..... 53	1001151629..... 143	1001205598 ..... 33, 35	1001215749..... 191
0761012..... 11, 53	1001152483..... 141	1001205751 ..... 11	1001215750..... 193
0761014..... 91	1001153785..... 11	1001206225 ..... 95	1001215751..... 193
0761015..... 47	1001154378.....93, 95	1001206226 ..... 95	1001215752..... 189
0761019..... 95	1001156186.....93	1001206995 ..... 31	1001215762.....57, 59
0761221.....77	1001157547 .....75	1001207009 ....23, 25, 27, 29	1001215953..... 19
0861731.....165, 169, 171, 173	1001159186.....143, 163	1001207293 ..... 63	1001216062... 57, 59, 200
0861781..... 167	1001162115..... 193	1001207494 .....57, 59	1001216180.....67
0861880..... 139	1001162864.....181, 183, 185, 187, 189, 191, 193, 195	1001207970 .....25, 31	1001216648..... 185
0962006..... 111	1001162886..... 143	1001207973 ..... 35	1001216650..... 185
1001047064 ..... 101	1001162887..... 143	1001207974 ....23, 27, 33	1001216823.....97
1001091102 ....19, 37, 39, 41, 43, 57, 61	1001163340..... 143	1001208852 ..... 91	1001216865..... 197
1001097150 ..... 137, 175	1001173703..... 197	1001209482 ..... 127, 129, 141	1001217059.....21
1001100342 ..... 167	1001179447.....11, 113	1001209595 ..... 101	1001217164.....139, 141
1001100345 ..... 169	1001181045.....139, 200	1001209596 ..... 101	1001218285..... 101
1001100346 ..... 173	1001182806.....45	1001209682 .....57, 59	1001218307..... 19
1001100347 ..... 171	1001186466.....21, 200	1001209776 ..... 123, 125, 131, 139	1001218573.....77
1001101540 ..... 75	1001187587.....93, 95	1001209906 ..... 197	1001218728.....202
		1001210064 ..... 91	1001219173..... 101
		1001210302 .....93, 95	
		1001210401 ....65, 67, 69, 71, 73	

1001220409 .....	99	1001234407 .....	91	1001237899 .....	181, 183, 185, 187, 189, 191, 193, 195	1001242984 .....	83
1001220410 .....	99	1001234479 .....	57, 143	1001237989 .....	69	1001242988 .....	37
1001220892 .....	105	1001234797 .....	19	1001237991 .....	71	1001242989 .....	39
1001220933 .....	202	1001234798 .....	19	1001238014 .....	181	1001242990 .....	43
1001220995 .....	99	1001234838 .....	11	1001238015 .....	193	1001243487 .....	117
1001221244 .....	107	1001234842 .....	47	1001238016 .....	189	1001243488 .....	117
1001221275 .....	107	1001234858 .....	77	1001238017 .....	185	1001243781 .....	19
1001221276 .....	107	1001234862 .....	77	1001238018 .....	195	1001244284 .....	13
1001221949 .....	29	1001235008 .....	57	1001238019 .....	191	1001244323 .....	137
1001222587 .....	97	1001235104 .....	82, 200	1001238020 .....	187	1001244416 .....	82, 111
1001222914 .....	107	1001235105 .....	23, 25, 27, 29	1001238021 .....	183	1001244506 .....	197
1001223055 .....	181	1001235106 .....	65	1001238130 .....	127	1001244607 .....	27
1001223262 .....	153	1001235152 .....	25	1001238131 .....	129	1001244644 .....	27
1001223263 .....	149	1001235153 .....	23	1001238132 .....	131	1001244900 .....	137
1001223650 .....	155	1001235154 .....	35	1001238133 .....	123	1001245739 .....	137, 175
1001223651 .....	157	1001235156 .....	33	1001238134 .....	125	1001245743 .....	175
1001223971 .....	191	1001235157 .....	31	1001238135 .....	133	1001245744 .....	137, 175, 177
1001224048 .....	193	1001235158 .....	29	1001238198 .....	123, 125, 127, 129, 131, 137	1001245747 .....	137
1001224049 .....	195	1001235286 .....	93	1001238684 .....	82	1001246082 .....	202
1001224051 .....	189	1001235498 .....	105	1001238756 .....	197	1001246530 .....	202
1001224052 .....	185	1001235509 .....	105	1001238757 .....	197	1001246674 .....	83
1001224583 .....	202	1001235555 .....	89	1001238758 .....	197	1001247627 .....	117
1001224868 .....	101	1001235559 .....	57, 59	1001238759 .....	197	1001247706 .....	89
1001225164 .....	82, 200	1001235592 .....	89	1001239224 .....	37, 39, 41, 43	1001247707 .....	82
1001226277 .....	107	1001235593 .....	82	1001239269 .....	67, 69, 71, 73	1001248126 .....	181, 183, 185, 187, 189, 191, 193, 195
1001226791 .....	82	1001235697 .....	202	1001239270 .....	181, 183, 185, 187, 189, 191, 193, 195, 202	1001248679 .....	53, 55
1001226901 .....	107	1001235834 .....	65	1001239386 .....	61	1001248681 .....	197
1001227219 .....	27	1001235941 .....	105	1001239479 .....	82	1001249054 .....	73
1001227267 .....	27, 137	1001235946 .....	31, 33, 35	1001239481 .....	202	1001258498 .....	73
1001227268 .....	137	1001235954 .....	75	1001239661 .....	41, 43	1001274559 .....	57, 59
1001227269 .....	175	1001235955 .....	47	1001239674 .....	85	1001283410 .....	61
1001227728 .....	107	1001236132 .....	75	1001239675 .....	147	1001370008 .....	53, 117
1001227855 .....	19	1001236139 .....	23, 25, 27, 29, 31, 33, 35	1001239676 .....	151	1001370010 .....	82
1001228112 .....	101, 200	1001236269 .....	82	1001239677 .....	149	1001380040 .....	77
1001228123 .....	65, 67, 69, 71, 73	1001236486 .....	82	1001239678 .....	153	1001380041 .....	77
1001228184 .....	107	1001236487 .....	82	1001239679 .....	159	1001380042 .....	77
1001228191 .....	175	1001236488 .....	82	1001239684 .....	197	1060379 .....	105
1001228370 .....	181	1001236547 .....	202	1001239892 .....	85	1060908 .....	139, 141, 175
1001228406 .....	47	1001236621 .....	105	1001239894 .....	85	1060998 .....	65, 67, 69, 71, 73
1001229107 .....	202	1001236623 .....	95	1001239925 .....	82	1321293 .....	23, 25, 29, 31, 33, 35, 75
1001229110 .....	65, 67, 69, 71, 73	1001236624 .....	93	1001239926 .....	89	1321752 .....	53
1001229732 .....	93	1001236632 .....	67	1001239927 .....	82	1380132 .....	97
1001229733 .....	93	1001236801 .....	117	1001239928 .....	82	1380153 .....	11
1001229734 .....	93	1001236802 .....	117	1001239929 .....	83	1600402 .....	101, 103, 200
1001229739 .....	93	1001236803 .....	117	1001239930 .....	83	1671207 .....	165
1001229740 .....	93	1001236809 .....	117	1001239931 .....	83	1701504 .....	181, 183, 185, 187, 189, 191, 193, 195
1001229741 .....	93	1001236849 .....	19	1001241352 .....	85	1701640 .....	181, 183, 185, 187, 189, 191, 193, 195
1001229742 .....	93	1001236880 .....	101	1001241353 .....	85	1702155 .....	181, 183, 185, 187, 189, 191, 193, 195
1001229792 .....	77	1001236903 .....	202	1001241358 .....	85	1703177 .....	197
1001230248 .....	93	1001236982 .....	202	1001241737 .....	83	1703464 .....	121, 123
1001230249 .....	93	1001236984 .....	202	1001241738 .....	83	1703813 .....	181
1001231405 .....	93	1001237132 .....	147, 149, 151, 153, 159	1001241739 .....	83	1703816 .....	181
1001231801 .....	181	1001237400 .....	121	1001241740 .....	83	1703819 .....	101, 181, 183, 185, 187, 189, 191, 193, 195
1001232257 .....	93	1001237401 .....	135	1001241742 .....	83	1703822 .....	181, 183, 185, 187, 189, 191, 193, 195
1001232474 .....	202	1001237538 .....	181, 183, 185, 187, 189, 191, 193, 195	1001241743 .....	83	1704016 .....	181, 183, 185, 187, 189, 191, 193, 195
1001232622 .....	93	1001237696 .....	11	1001241744 .....	83	1704260 .....	101
1001233237 .....	202	1001237707 .....	47	1001241894 .....	53		
1001233795 .....	82, 161	1001237708 .....	47	1001242230 .....	117		
1001234006 .....	93, 95	1001237737 .....	19	1001242539 .....	41, 43		
1001234007 .....	93, 95	1001237824 .....	82	1001242697 .....	41		
1001234141 .....	95	1001237827 .....	19	1001242747 .....	83		
1001234142 .....	95	1001237855 .....	49				
1001234319 .....	202	1001237856 .....	49				
1001234384 .....	89	1001237887 .....	59				
1001234385 .....	91						
1001234386 .....	95						
1001234387 .....	93						

1704277.....181, 183, 185, 187, 189, 191, 193, 195	3290805 .... 19, 27, 53, 77, 82, 89, 91, 105, 123, 125, 127, 129, 131, 137	4360469.....57, 59, 200	4460968.....133
1704339.....195	3290806 .... 93, 95, 97, 99, 101	4360475.57, 59, 101, 200	4460970.....161
1704340.....191	3291005 .... 47, 53, 77, 85, 91	4420051.....197	4461016.....163
1704341.....185	3291006 ..... 85, 95, 107	4420062.....53, 83, 93, 95, 101, 105	4461023.....143
1704344.....189	3291007 .....77, 82	4460042.....143	4461199.....167
1704412.....181, 183, 185, 187, 189, 191, 193, 195	3291201 .....77	4460043.....177	4461201.....167
1704684.....191	3321402 .....82	4460115.....143	4461205.....169, 171
1704691.....195	3331211 .....13	4460138.....121	4461244.....169
1704699.....185	3422219 .....95	4460183.....143, 163	4461245.....171
1705195.....189	3422661 .....105	4460226.....143	4461246.....173
1705311.....191	3423037 .....11	4460227.....23, 25, 27, 29, 143	4461249.....173
1705316.....195	3423243 .....77	4460234.....107	4461257.....123, 125
1705670.....183, 187	3423278 .....101	4460247.....143	4461258.....123, 125
1705671.....183, 187	3430636 .....19	4460256.....143	4711700.....101
1705673.....183, 187	3430814 .....91	4460259.....143	4711800.....91
1705686.....181	3430816 .....91	4460260.....143	4740086.....19
1705720.....195	3431212 .....19	4460265.....163	4740438.....82
1705723.....191	3431218 .....19	4460267.....163	4740531.....82
1705726.....185	3450302 .....19	4460315.....121, 133	4811400 75, 99, 101, 121, 123, 125, 127, 129, 131, 133, 137
1705754.....197	3450303 .....77	4460320.....143	4811700 .... 45, 57, 59, 61, 75, 93, 95, 99, 101, 123, 125, 127, 129, 131, 137
1705781.....197	3450403 .....91	4460346.....165	4811702 .... 19, 21, 23, 25, 27, 29, 31, 33, 35, 49, 82, 97
1705946.....189	3450505 .....19	4460418.....75, 143, 163	4811900 .... 19, 53, 82, 89, 91, 93, 95, 97, 101, 123, 125, 127, 129, 131, 137
1706057.....193	3450508 .....17	4460419.....75	4811902 .... 19, 27, 53, 77, 93, 99, 105
1706310.....197	3520072 ..... 85, 93, 95	4460424.....23, 25, 27, 29	4812000 .... 11, 19, 77, 82, 85, 91, 95, 107
1707022.....193	3740150 ... 57, 61, 75, 200	4460464.....39, 43, 45, 75, 107, 144, 147, 149, 151, 153, 155, 157, 159, 161, 163	4812002 ..... 47, 53, 77
2080040...91, 93, 95, 181, 183, 185, 187, 189, 191, 193, 195	3760115 .....82	4460465.....37, 39, 41, 43, 107, 143, 144, 147, 149, 151, 153, 155, 157, 159, 161	4812500 .....19
2080057.....181, 183, 185, 187, 189, 191, 193, 195	3760217 .....11	4460466.....75, 107, 143, 147, 149, 151, 153, 155, 157, 161, 163	4831600 .....27
2110404.....113	3760387 .....82	4460467.....202	4845582 .....105
2220371.....111	3820019 .....97	4460496.....101	4846757 .....11
2220373.....117	3841143 .....77, 82	4460497.....101	4923328 .... 65, 67, 69, 71, 73
2220375.....117	3860111 .....95	4460510.....202	5241200 .....13
2220497.....117	3900381 .....27	4460536.....107	5271808 .....53
2220502.....117	3910804 .....57, 59	4460539.....144, 149, 153, 161	5272117 .....13
2220628.....117	4010310 .... 37, 39, 41, 43	4460662.....127, 129, 131, 165	5272122 .....13
2220883.....111	4010408 .....99, 137	4460754.....147, 149, 151, 153, 155, 157	70000082 .....103
2300014.....202	4010608 ..... 82, 93, 95	4460761.....143	70000084 .....103
2300042.....202	4010610 .... 123, 125, 127, 129, 131	4460871.....144	70000683 .....103
2400060.....143	4010616 .....95	4460877.....143	70000684 .....103
2420172.....57, 59	4010617 .....93, 95	4460884.....143, 161	70000685 .....103
2560088.....97	4010618 .....93, 95	4460891.....37, 39, 41, 43, 107, 143, 144, 149, 153, 161	70000686 .....103
2560190.....97	4031509 .....101	4460894.....143, 147, 149, 151, 153, 159	70001250 .....103
2600281.....93, 95	4031511 .....19	4460897.....39, 43, 45, 75, 143, 149, 153	70001251 .....103
2860030.....57, 59, 200	4031512 .....82	4460899.....147, 149, 151, 153, 155, 157, 159	70001252 .....103
2901443.....202	4031707 .....33, 35	4460905.....144	70001253 .....103
2902431.....121, 165	4031708 ..... 21, 33, 35	4460933.....143	70003650 .....103
3080007.....93, 95, 200	4060803 .....101	4460943.....147, 149, 151, 153, 155, 157, 159	70004239 .....113
3252507.....125, 127, 129, 131, 133, 135	4060906 .....101	4460956.....139	70004241 .....113
3290305.....37, 39, 41, 43	4060944 .....143	4460957.....139	70004585 .....111
3290405.....19, 57, 61, 75, 82, 99, 101, 121, 123, 125, 127, 129, 131, 133, 137	4160078 .....82		70005236 .....111
3290505.....27	4160202 .....19		70005419 .....113
3290601.....21, 137	4160214 .....77		70005420 .....113
3290605.....23, 25, 27, 29, 31, 33, 35, 45, 57, 59, 61, 75, 82, 123, 125, 127, 129, 131	4240017 .... 23, 25, 27, 29, 31, 33, 35, 53, 57, 59, 61, 65, 67, 69, 71, 73, 75, 82, 107, 121, 123, 125, 127, 129, 131, 133, 135, 137, 147, 149, 151, 153, 155, 157, 159		70005421 .....113
3290606.....93, 95, 97, 99, 107	4240018 .....39, 43		70005423 .....53, 200
3290801.....19, 53	4240147 .....19		70005807 .....15
	4360328 ..... 57, 59, 200		70005812 .....15
	4360336 .....75, 200		70005813 .....15
	4360345 .....101, 200		

70005816 .....	53	70007055 .....	111	70007946 .....	53	7023322 .....	15
70005893 .....	55, 200	70007101 .....	111	70021209 .....	55	7023324 .....	15
70005898 .....	55	70007102 .....	111	70027244 .....	111	7023328 .....	15
70005899 .....	55	70007103 .....	111	7002821 .....	202	7023329 .....	15
70005900 .....	55	70007104 .....	111	7002822 .....	202	7023407 .....	15
70005903 .....	55	70007105 .....	111	7002823 .....	202	7023408 .....	15
70005909 .....	55	70007106 .....	111	7002826 .....	202	7026174 .....	15
70005911 .....	55	70007513 .....	15	7004275 .....	202	7026179 .....	15
70005918 .....	13	70007593 .....	55	7004276 .....	202	7027365 .....	103
70005919 .....	13	70007594 .....	55	7016654 .....	202	7027367 .....	103
70006244 .....	15	70007595 .....	55	7020175 .....	57, 59, 101	7027765 .....	103
70006245 .....	15	70007596 .....	55	7020176 .....	57, 59, 101	7027766 .....	103
70006297 .....	200	70007597 .....	55	7023308 .....	15	8229242 .....	144, 200
70006301 .....	55	70007598 .....	55	7023310 .....	15	8229244 .....	144, 200
70006351 .....	53	70007599 .....	55	7023311 .....	15	8750014 .....	53
70006352 .....	53	70007600 .....	55	7023315 .....	15	8896941 .....	202
70006724 .....	15	70007601 .....	55	7023318 .....	15	8990147 ....	181, 183, 185,
70006725 .....	15	70007602 .....	55	7023321 .....	15		187, 189, 191, 193, 195



3121751



An Oshkosh Corporation Company

**Corporate Office**  
**JLG Industries, Inc.**  
**1 JLG Drive**  
**McConnellsburg, PA 17233-9533 USA**  
**☎ (717) 485-5161 (Corporate)**  
**☎ (877) 554-5438 (Customer Support)**  
**☎ (717) 485-6417**

**Visit our website for JLG Worldwide Locations.**  
**[www.jlg.com](http://www.jlg.com)**