



Illustrated Parts Manual

***Model
3246R***

P/N
3121752

September 30, 2020 - Rev C

ANSI

CE



AS/NZS



An Oshkosh Corporation Company

REVISION LOG

NOTES:

NOTE: Country of Assembly - The R Scissor Lifts are assembled by JLG Industries in the following countries: USA or China. Refer to the Serial Number Tag to identify the country of assembly. R Scissors assembled in USA will have a serial number prefix of 02 (i.e. 02XXXXXXXX), and R Scissors manufactured in China will have a serial number prefix of B2 (i.e. B2XXXXXXXX).

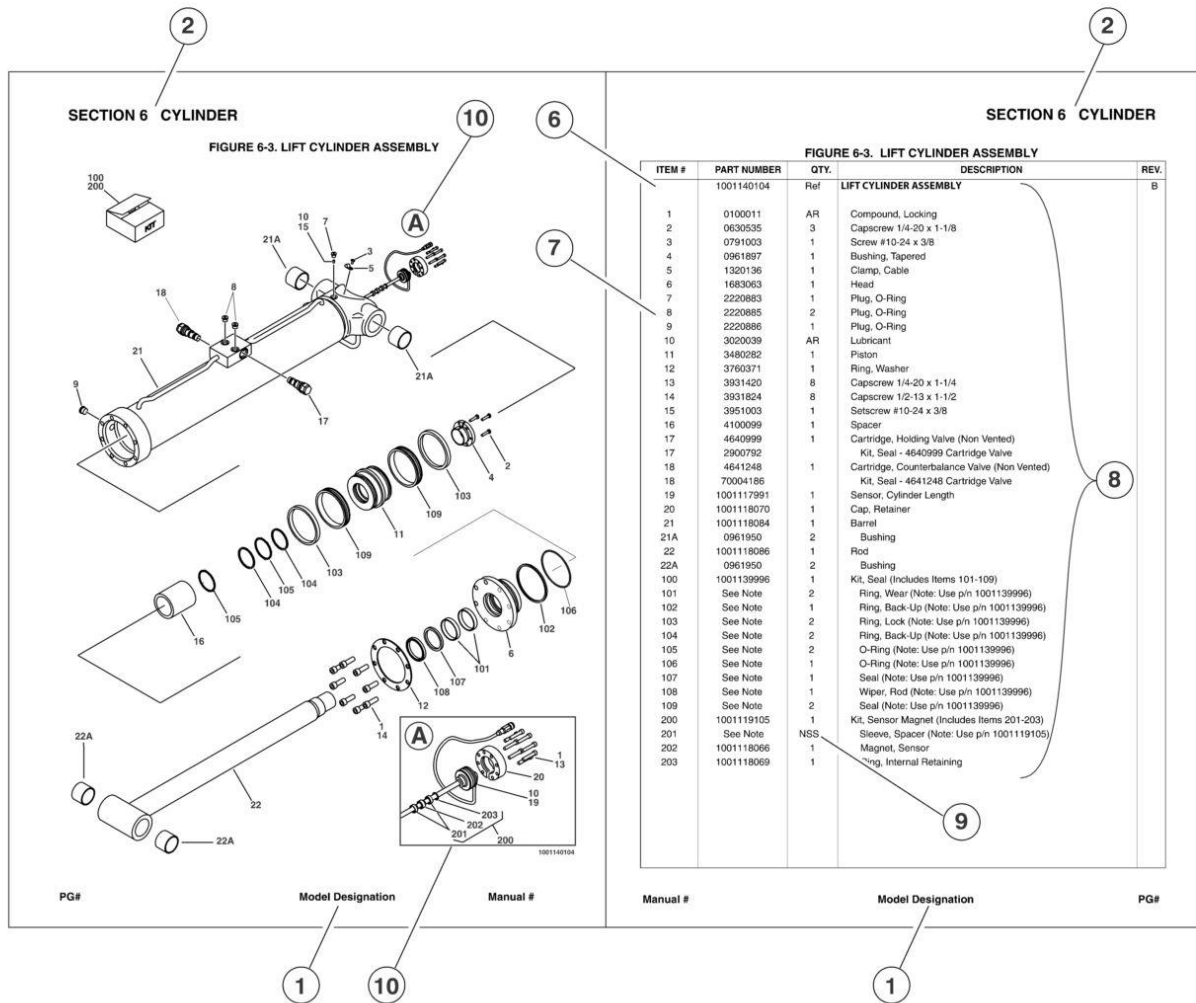
REVISION LOG:

December 15, 2018 - A - Original Issue of Manual (1001380000 Rev E & 1001237967 A) (Revision 1)

February 7, 2020 - B - (1001380000 Rev F & 1001237967 B)

September 30, 2020 - C - (1001380000 Rev F & 1001237967 B)

GENERAL INFORMATION



1) MACHINE IDENTIFICATION

Machines are identified by model and in some cases a combination of models, serial number (SN) or regional standard (i.e ANSI, CE, CSA). Components may also be identified by SN or manufacturer. common components that may be identified by these characteristics are engines and hydraulic components.

2) PARTS MANUAL ORGANIZATION

Product information in this manual is organized under section titles. Frame, Cylinder, Hydraulic and Electrical are a few examples. Each section is organized by figure and page number. The information within the Figure is then organized by item number, part number, description and corresponding illustration (s).

3) TABLE OF CONTENTS

A table of contents is found toward the beginning of the manual. Figure number, description and page number are provided for quick reference to the page containing the related information.

4) RECOMMENDED SPARE PARTS

The Recommended Spare Parts, located near the end of the manual, reference most frequently used maintenance parts.

5) PART NUMBER INDEX

A numerical index listing all part numbers and the corresponding page number(s) appears at the back of the manual.

GENERAL INFORMATION

6) NON-SERVICED PARTS

In some instances, it is necessary to display non-serviced parts, assemblies or installations. In the case of assemblies and installations there will be a Ref in the Qty column. In case of parts that are not available for service within assemblies or components, there will be a NSS (Not Sold Separately) or NLA (No Longer Available) listed in the Qty. column of the manual.

7) PARTS LIST ITEM NUMBERS

Numbers shown in the item# column correspond to numbers used in the associated illustration (s). Item numbers which are missing from the sequence in the parts list are not used on that page

8) INDENTED PARTS DESCRIPTION

An indented part description is included in the item under which it is indented.

9) ABBREVIATION AND SYMBOLS

| | | | |
|--------------|--|--------------|---------------------------------|
| AC..... | .. Alternating Current | LCD..... | Liquid Crystal Display |
| ADE..... | Advanced Design Electronics | LED..... | Light Emitting Diodes |
| ANSI..... | ..American National Standards Institute | LH..... | Left Hand |
| AR..... | ..As Required | LSS..... | ..Load Sensing System |
| ASSY..... | Assembly | M(m)..... | Metric/Meter |
| AUX..... | Auxiliary | MM (mm)..... |Millimeter |
| AWG..... | ..American Wire Gauge | mA..... |Milliamps |
| B/M..... | Bill of Material | NLA..... |No Longer Available |
| CE..... | ..European Conformity | NPT..... | National Pipe Threads |
| CCW..... | ..Counter Clockwise | NSS..... |Not Sold Separately |
| cm..... | Centimeter | OD..... | ..Outside Diameter |
| CW..... | ..Clockwise | ORB..... | O-Ring Boss |
| CSA..... | ..Canadian Standard Association | ORFS..... | O-Ring Face Seal |
| CYL..... | Cylinder | OZ (oz)..... |Ounces |
| DIA..... | Diameter | PG..... | Page |
| DC..... | Direct Current | P/N..... | ..Part Number |
| EMS..... | Emergency Stop | qt..... | ..Quarts |
| ENG..... | Engine | QTY..... | Quantity |
| FT (ft)..... | Feet | REF..... | Reference |
| GA(Ga)..... | Gauge | REV..... | ..Revision Level |
| HYD..... | Hydraulic | RH..... | Right Hand |
| Hz..... | Hertz | SAE..... | Society of Automotive Engineers |
| ID..... | Inside Diameter | SN..... | ..Serial Number |
| in..... | inches | SPEC(S)..... |Specifications |
| ISO..... | International Organization for Standards | T/T..... | Turntable |
| JIC..... | Joint Industry Council | UGM..... | Universal Ground Module |
| KG..... | Kilogram | V..... | Volts |
| L..... | Liter | W..... | Watts |
| LB..... | Pounds | #..... | Number |

10) ILLUSTRATION REFERENCE LETTERS

When necessary, illustrations may contain reference letters that are intended to track information (i. e. hoses, harnesses) from one point to another or to track visual enlargement of components to show details that may be located in another area on the illustration.

Note: Due to continuous product improvements, JLG Industries, Inc. reserves the right to make specification changes without prior notification. Contact JLG Industries, Inc. for updated information.

TABLE OF CONTENTS

| | |
|--|-----|
| SECTION 1 - FRAME..... | 9 |
| FIGURE 1-1. STEER INSTALLATION..... | 10 |
| FIGURE 1-2. DRIVE/BRAKE INSTALLATION | 12 |
| FIGURE 1-3. DRIVE MOTOR ASSEMBLY | 14 |
| FIGURE 1-4. TIRE/WHEEL INSTALLATION..... | 16 |
| FIGURE 1-5. POTHOLE PROTECTION SYSTEM INSTALLATION | 18 |
| FIGURE 1-6. TILT SENSOR INSTALLATION | 20 |
| FIGURE 1-7. BATTERY CHARGER INSTALLATION - DELTA-Q (LOCALLY SUPPLIED PLUG)..... | 22 |
| FIGURE 1-8. BATTERY CHARGER INSTALLATION - DELTA-Q (110V PLUG)..... | 24 |
| FIGURE 1-9. BATTERY CHARGER INSTALLATION - DELTA-Q (AUSTRALIAN PLUG)..... | 26 |
| FIGURE 1-10. BATTERY CHARGER INSTALLATION - DELTA-Q (KOREAN PLUG) | 28 |
| FIGURE 1-11. BATTERY CHARGER INSTALLATION - EAGLE PERFORMANCE (110V PLUG)..... | 30 |
| FIGURE 1-12. BATTERY CHARGER INSTALLATION - GREEN POWER (LOCALLY SUPPLIED PLUG)..... | 32 |
| FIGURE 1-13. BATTERY CHARGER INSTALLATION - GREEN POWER (CHINA PLUG)..... | 34 |
| FIGURE 1-14. STROBE LIGHT INSTALLATION - SINGLE (AMBER) (WITHOUT GUARD)..... | 36 |
| FIGURE 1-15. STROBE LIGHT INSTALLATION - DUAL (AMBER) (WITHOUT GUARD)..... | 38 |
| FIGURE 1-16. STROBE LIGHT INSTALLATION - SINGLE (AMBER) (WITH GUARD)..... | 40 |
| FIGURE 1-17. STROBE LIGHT INSTALLATION - DUAL (AMBER) (WITH GUARD)..... | 42 |
| FIGURE 1-18. ALARM INSTALLATION (AMBIENT/WHITE NOISE) | 44 |
| FIGURE 1-19. LADDER INSTALLATION | 46 |
| FIGURE 1-20. FRAME COVERS INSTALLATION..... | 48 |
| SECTION 2 - GROUND CONTROLS | 51 |
| FIGURE 2-1. HYDRAULIC COMPONENTS INSTALLATION | 52 |
| FIGURE 2-2. MAIN VALVE ASSEMBLY (Prior to SN B20057924, Prior to SN 1200034037)..... | 54 |
| FIGURE 2-3. MAIN VALVE ASSEMBLY (SN B20057924 to Present, SN 12000034037 to Present) | 56 |
| FIGURE 2-4. ELECTRICAL COMPONENTS INSTALLATION (CHINA BUILT MACHINES) | 58 |
| FIGURE 2-5. ELECTRICAL COMPONENTS INSTALLATION - #1 (USA BUILT MACHINES)..... | 60 |
| FIGURE 2-6. ELECTRICAL COMPONENTS INSTALLATION - #2 (USA BUILT MACHINES)..... | 62 |
| FIGURE 2-7. MDI INSTALLATION..... | 64 |
| FIGURE 2-8. BATTERIES INSTALLATION - STANDARD 6V-255AH | 66 |
| FIGURE 2-9. BATTERIES INSTALLATION - STANDARD 6V-220AH | 68 |
| FIGURE 2-10. BATTERIES INSTALLATION - AGM 6V-220AH..... | 70 |
| FIGURE 2-11. BATTERIES INSTALLATION - AGM EVCG 6V-220AH..... | 72 |
| FIGURE 2-12. BATTERIES INSTALLATION - 6V-220AH (TROJAN) | 74 |
| FIGURE 2-13. INVERTER INSTALLATION (OPTIONAL) | 76 |
| FIGURE 2-14. DOORS INSTALLATION | 78 |
| SECTION 3 - SCISSORS ARMS | 81 |
| FIGURE 3-1. SCISSORS ARMS INSTALLATION..... | 82 |
| FIGURE 3-2. ARMS GUARD INSTALLATION | 86 |
| SECTION 4 - PLATFORM..... | 89 |
| FIGURE 4-1. PLATFORM INSTALLATION..... | 90 |
| FIGURE 4-2. PLATFORM EXTENSION INSTALLATION | 92 |
| FIGURE 4-3. RAILS INSTALLATION (SIDE BY SIDE) | 94 |
| FIGURE 4-4. RAILS INSTALLATION (TUBE IN TUBE) | 96 |
| FIGURE 4-5. EXTENSION HANDLES INSTALLATION (OPTIONAL)..... | 98 |
| FIGURE 4-6. PLATFORM CONSOLE INSTALLATION..... | 100 |
| FIGURE 4-7. CONTROLLER ASSEMBLY | 102 |
| FIGURE 4-8. GATE LATCH INSTALLATION | 104 |
| FIGURE 4-9. PIPE RACKS INSTALLATION (SIDE BY SIDE RAILS) (OPTIONAL)..... | 106 |
| FIGURE 4-10. PIPE RACKS INSTALLATION (TUBE IN TUBE RAILS) (OPTIONAL) | 108 |
| FIGURE 4-11. OVERHEAD PROTECTION INSTALLATION (KOREAN SPECS) | 110 |
| SECTION 5 - CYLINDER..... | 113 |
| FIGURE 5-1. LIFT CYLINDER ASSEMBLY | 114 |
| FIGURE 5-2. STEER CYLINDER ASSEMBLY..... | 116 |
| SECTION 6 - HYDRAULIC | 119 |

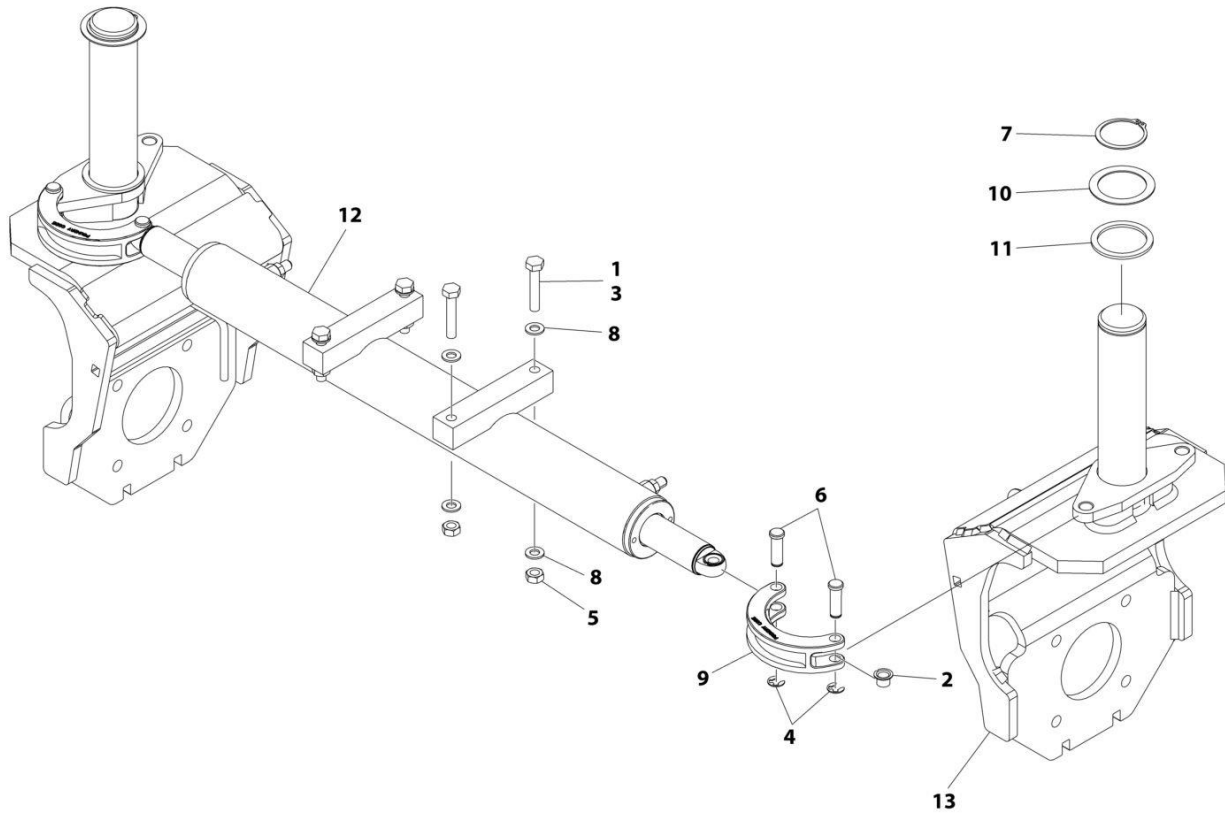
TABLE OF CONTENTS

| | |
|--|-----|
| FIGURE 6-1. HYDRAULIC COMPONENTS INSTALLATION..... | 120 |
| SECTION 7 - ELECTRICAL..... | 123 |
| FIGURE 7-1. AC BOX AT PLATFORM INSTALLATION - 110V GFI (ALL SPECS EXCEPT AUSTRALIAN & CE SPECS) | 124 |
| FIGURE 7-2. AC BOX AT PLATFORM INSTALLATION - 110V IEC YELLOW (CE SPECS)..... | 126 |
| FIGURE 7-3. AC BOX AT PLATFORM INSTALLATION - 220V IEC BLUE (CE SPECS) | 128 |
| FIGURE 7-4. AC BOX AT PLATFORM INSTALLATION - 220V CEE7 POST GROUND (CE SPECS)..... | 130 |
| FIGURE 7-5. AC BOX AT PLATFORM INSTALLATION - 220V CEE7 SIDE GROUND (CE SPECS) | 132 |
| FIGURE 7-6. AC BOX AT PLATFORM INSTALLATION - 220V AFSINT 107 (CE SPECS) | 134 |
| FIGURE 7-7. AC BOX AT PLATFORM INSTALLATION - 220V CHINA PLUG (CHINA SPECS)..... | 136 |
| FIGURE 7-8. AC BOX AT PLATFORM INSTALLATION - 220V LOCALLY SUPPLIED COMPONENTS (ALL SPECS)..... | 138 |
| FIGURE 7-9. AC BOX AT PLATFORM INSTALLATION - 220V (AUSTRALIAN SPECS) | 140 |
| FIGURE 7-10. BREAKER BOX KIT WITH 1 DOUBLE BREAKER | 142 |
| FIGURE 7-11. BREAKER BOX KIT WITH 3 BREAKERS..... | 144 |
| FIGURE 7-12. CHASSIS HARNESS..... | 146 |
| FIGURE 7-13. GROUND TO PLATFORM CABLE INSTALLATION - WITHOUT PLATFORM COIL CABLE (CHINA BUILT MACHINES)..... | 150 |
| FIGURE 7-14. GROUND TO PLATFORM CABLE INSTALLATION - WITHOUT PLATFORM COIL CABLE & WITH FOOTSWITCH (CHINA BUILT MACHINES)..... | 152 |
| FIGURE 7-15. GROUND TO PLATFORM CABLE INSTALLATION - WITH PLATFORM COIL CABLE (CHINA BUILT MACHINES)..... | 154 |
| FIGURE 7-16. GROUND TO PLATFORM CABLE INSTALLATION - WITH PLATFORM COIL CABLE & FOOTSWITCH (CHINA BUILT MACHINES)..... | 156 |
| FIGURE 7-17. GROUND TO PLATFORM CABLE INSTALLATION - PLATFORM STRAIGHT CABLE ONLY (USA BUILT MACHINES)..... | 158 |
| FIGURE 7-18. GROUND TO PLATFORM CABLE INSTALLATION - PLATFORM COIL CABLE ONLY (USA BUILT MACHINES)..... | 160 |
| FIGURE 7-19. GROUND TO PLATFORM CABLE INSTALLATION - SCISSORS ARMS CABLE ONLY (USA BUILT MACHINES)..... | 162 |
| FIGURE 7-20. LIFT DOWN HARNESS..... | 164 |
| FIGURE 7-21. PLATFORM CONTROL BOX HARNESS..... | 166 |
| FIGURE 7-22. RECEPTACLE BOX KIT - 110V GFI | 168 |
| FIGURE 7-23. RECEPTACLE BOX KIT - 110V IEC YELLOW | 170 |
| FIGURE 7-24. RECEPTACLE BOX KIT - 220V IEC BLUE | 172 |
| FIGURE 7-25. RECEPTACLE BOX KIT - 220V CEE7 POST GROUND 2X4 BOX (CE SPEC) | 174 |
| FIGURE 7-26. RECEPTACLE BOX KIT - 220V CEE7 SIDE GROUND..... | 176 |
| FIGURE 7-27. RECEPTACLE BOX KIT - 220V AFSINT 107 (CE SPEC) | 178 |
| SECTION 8 - DECALS | 181 |
| FIGURE 8-1. DECAL INSTALLATION (ANSI SPECS) | 182 |
| FIGURE 8-2. DECAL INSTALLATION (AUSTRALIAN SPECS) | 184 |
| FIGURE 8-3. DECAL INSTALLATION (BRAZIL SPECS) | 186 |
| FIGURE 8-4. DECAL INSTALLATION (CE SPECS)..... | 188 |
| FIGURE 8-5. DECAL INSTALLATION (CHINA SPECS)..... | 190 |
| FIGURE 8-6. DECAL INSTALLATION (CSA SPECS) | 192 |
| FIGURE 8-7. DECAL INSTALLATION (KOREAN SPECS)..... | 194 |
| FIGURE 8-8. DECAL INSTALLATION (LATIN AMERICAN SPECS)..... | 196 |
| FIGURE 8-9. DECAL INSTALLATION - OPTIONS..... | 198 |
| SECTION 9 - RECOMMENDED SERVICE PARTS STOCK..... | 201 |
| FIGURE 9-1. RECOMMENDED SERVICE PARTS STOCK..... | 202 |
| SECTION 10 - SPECIAL OPTIONS | 203 |
| FIGURE 10-1. SPECIAL OPTIONS | 204 |
| PART NUMBER INDEX..... | 205 |

SECTION 1 - FRAME

SECTION 1 - FRAME

FIGURE 1-1. STEER INSTALLATION



ART_1001234316

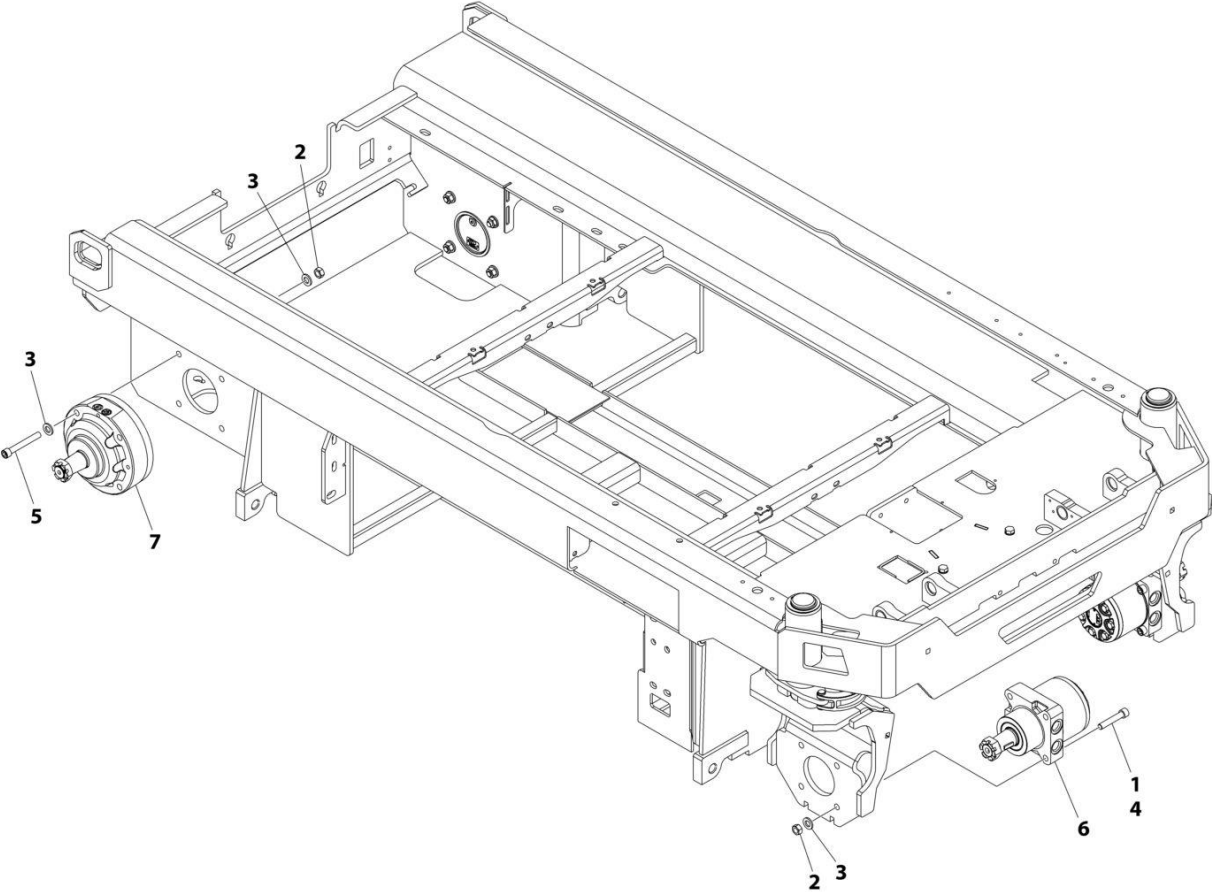
SECTION 1 - FRAME

FIGURE 1-1. STEER INSTALLATION

| ITEM | PART NUMBER | QTY | DESCRIPTION | REV |
|------|-------------|-----|--|-----|
| | 1001234316 | Ref | STEER INSTALLATION | B |
| 1 | 0100011 | AR | Compound, Locking | |
| 2 | 0440259 | 2 | Bearing | |
| 3 | 0761019 | 4 | Bolt M10 x 55 | |
| 4 | 1380153 | 4 | E-Clip | |
| 5 | 3291001 | 4 | Nut M10 | |
| 6 | 3423037 | 4 | Pin | |
| 7 | 3760217 | 2 | Ring, Retaining | |
| 8 | 4812000 | 8 | Washer M10 | |
| 9 | 4846757 | 2 | Link | |
| 10 | 1001197396 | 2 | Washer | |
| 11 | 1001205751 | 2 | Washer | |
| 12 | 1001233449 | 1 | Steer Cylinder Assembly (See Separate Breakdown in Cylinder Section) | |
| 13 | 1001234838 | 2 | Spindle | |

SECTION 1 - FRAME

FIGURE 1-2. DRIVE/BRAKE INSTALLATION



ART_1001234529

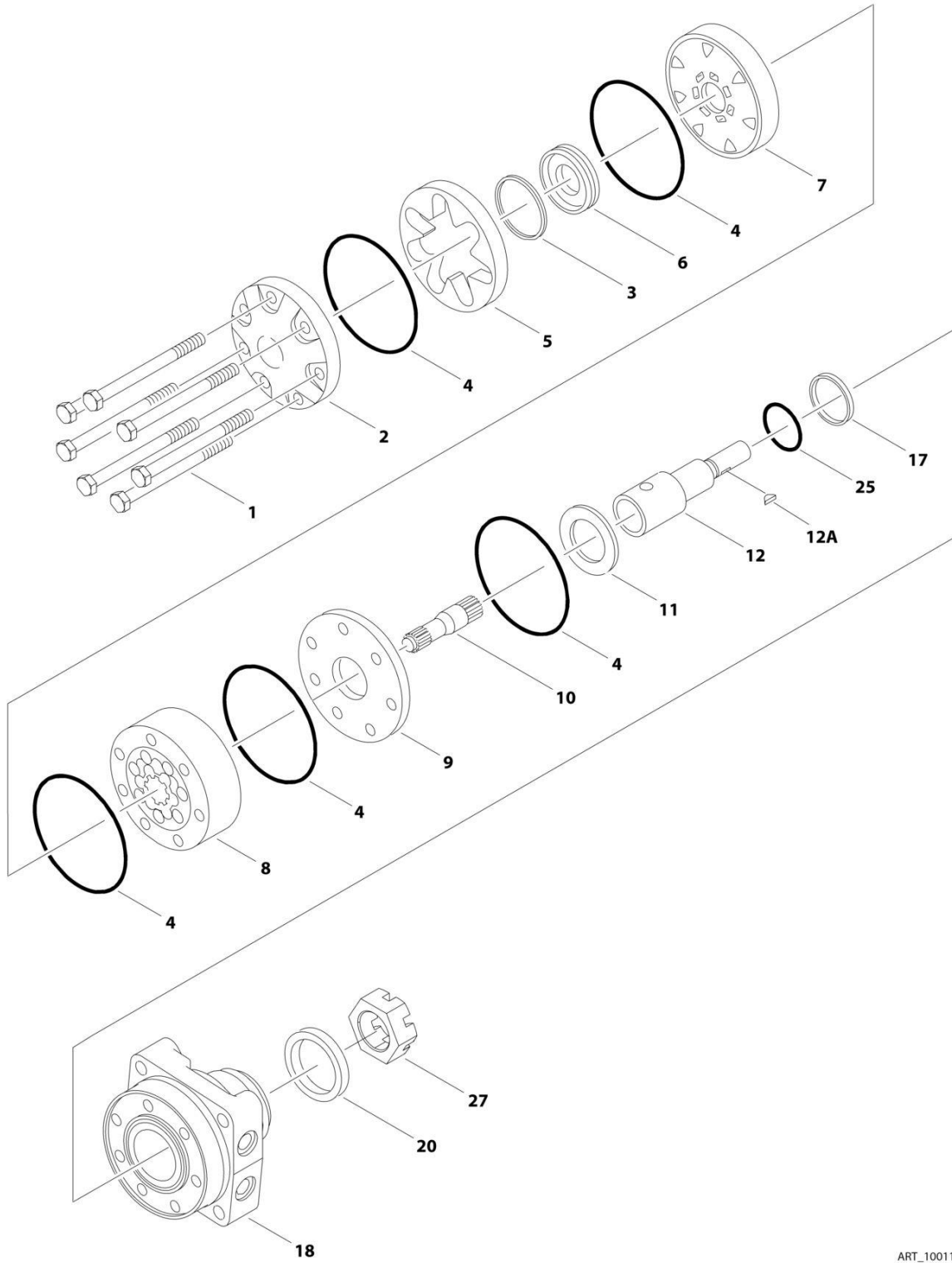
SECTION 1 - FRAME

FIGURE 1-2. DRIVE/BRAKE INSTALLATION

| ITEM | PART NUMBER | QTY | DESCRIPTION | REV |
|-------------|--------------------|------------|--|------------|
| | 1001234529 | Ref | DRIVE/BRAKE INSTALLATION | B |
| 1 | 0100011 | AR | Compound, Locking | |
| 2 | 3331211 | 16 | Nut M12 | |
| 3 | 5241200 | 24 | Washer M12 | |
| 4 | 5272117 | 8 | Capscrew M12 x 65 | |
| 5 | 5272122 | 8 | Capscrew M12 x 90 | |
| 6 | 1001199937 | 2 | Drive Motor Assembly (See Separate Breakdown in this Section) | |
| 7 | 1001202773 | 2 | Drive Brake Assembly (Note: No Internal Service Parts Available) | |
| 7 | 70005918 | 1 | Key, Shaft | |
| 7 | 70005919 | 1 | Nut 1-1/8 | |

SECTION 1 - FRAME

FIGURE 1-3. DRIVE MOTOR ASSEMBLY



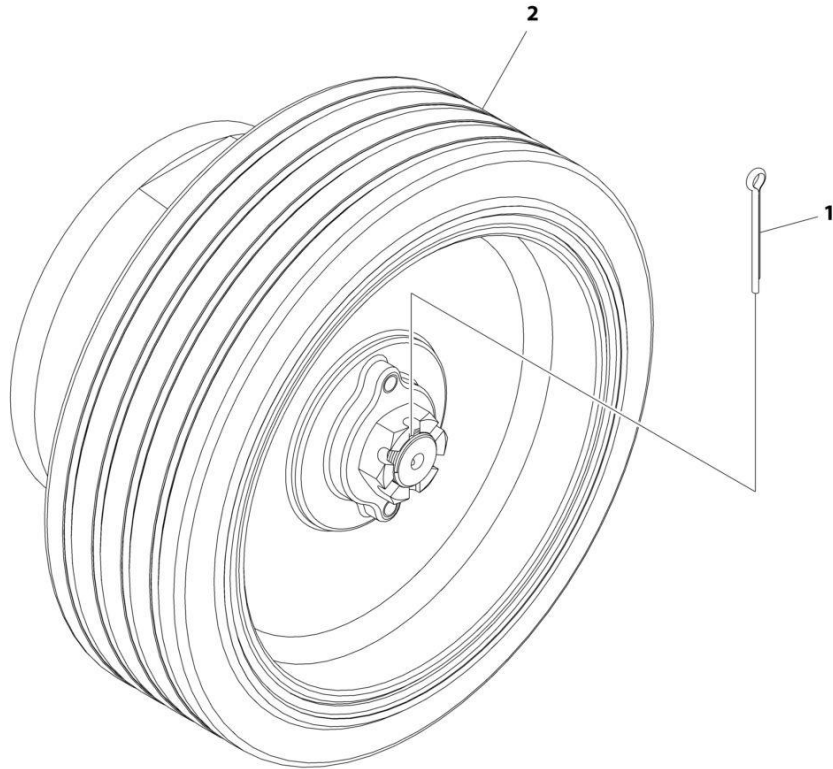
ART_1001199937

FIGURE 1-3. DRIVE MOTOR ASSEMBLY

| ITEM | PART NUMBER | QTY | DESCRIPTION | REV |
|------|-------------|-----|---------------------------------------|-----|
| | 1001199937 | Ref | DRIVE MOTOR ASSEMBLY | D |
| 1 | 70005806 | 7 | Bolt | |
| 2 | 7023328 | 1 | Cover | |
| 3 | 7023318 | 1 | Seal, Commutator | |
| 4 | 7023310 | 5 | Ring, Seal | |
| 5 | 7023315 | 1 | Commutator (Includes Item 6) | |
| 6 | See Note | NSS | Ring, Commutator (Use p/n 7023315) | |
| 7 | 70005812 | 1 | Manifold | |
| 8 | 70000278 | 1 | Rotor Set | |
| 9 | 7023311 | 1 | Plate, Wear | |
| 10 | 70005814 | 1 | Link, Drive | |
| 11 | 7023308 | 1 | Bearing, Thrust | |
| 12 | 70005813 | 1 | Shaft | |
| 12A | 7023324 | 1 | Key, Shaft | |
| 17 | 70005809 | 1 | Washer, Backup | |
| 18 | See Note | NSS | Housing Assembly (Use p/n 1001199937) | |
| 20 | 7023319 | 1 | Seal, Dirt and Water | |
| 25 | 70005808 | 1 | Ring, Backup | |
| 27 | 70005807 | 1 | Nut | |

SECTION 1 - FRAME

FIGURE 1-4. TIRE/WHEEL INSTALLATION



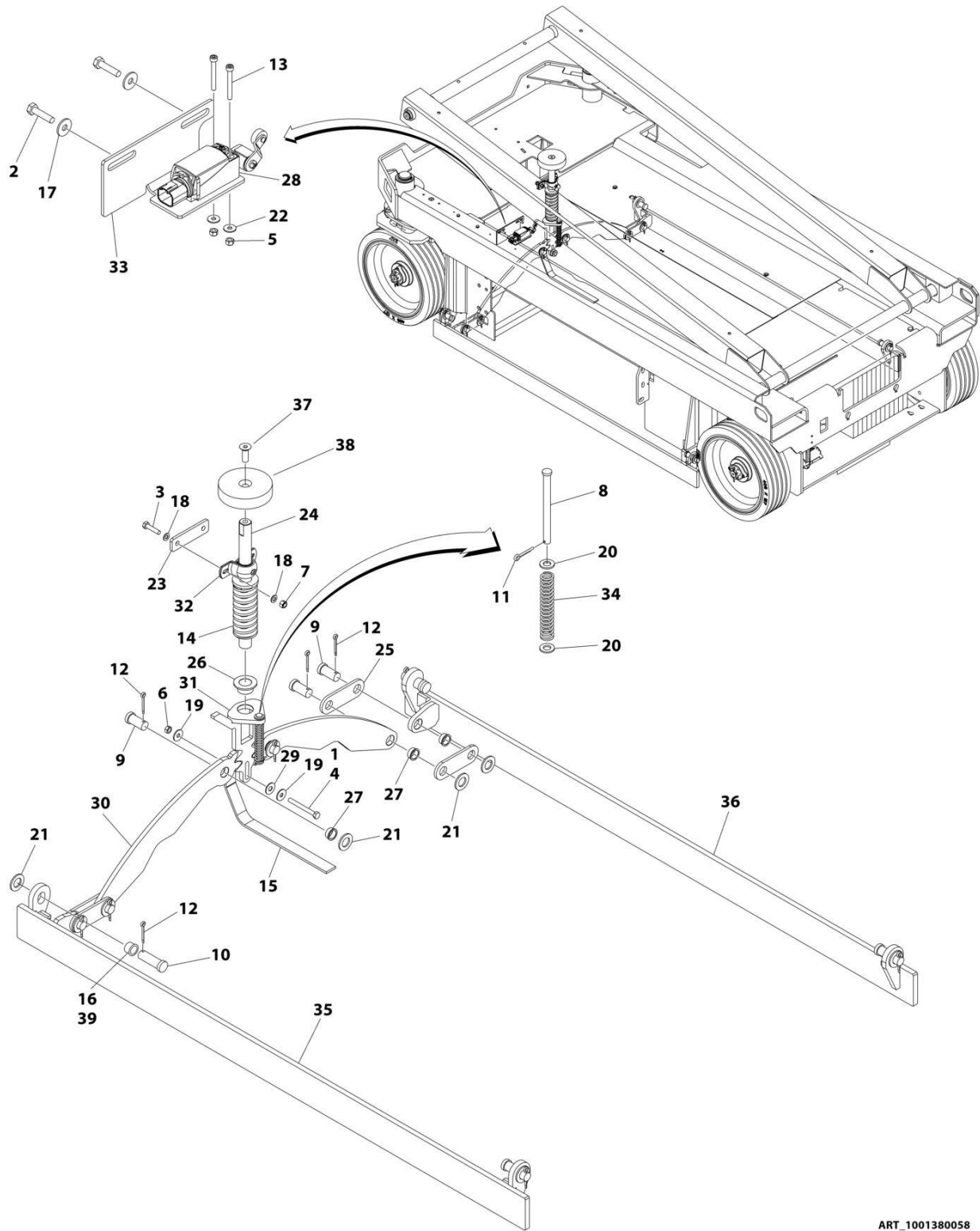
ART_1001213928

FIGURE 1-4. TIRE/WHEEL INSTALLATION

| ITEM | PART NUMBER | QTY | DESCRIPTION | REV |
|-------------|--------------------|------------|---|------------|
| | 1001213928 | Ref | TIRE AND WHEEL INSTALLATION | A |
| | | Ref | Note: Must Replace Tire and Wheel Assemblies in pairs per axle. | |
| 1 | 3450508 | 4 | Pin, Cotter 5/32 x 2 | |
| 2 | 1001212187 | 4 | Tire and Wheel | |

SECTION 1 - FRAME

FIGURE 1-5. POTHOLE PROTECTION SYSTEM INSTALLATION



ART_1001380058

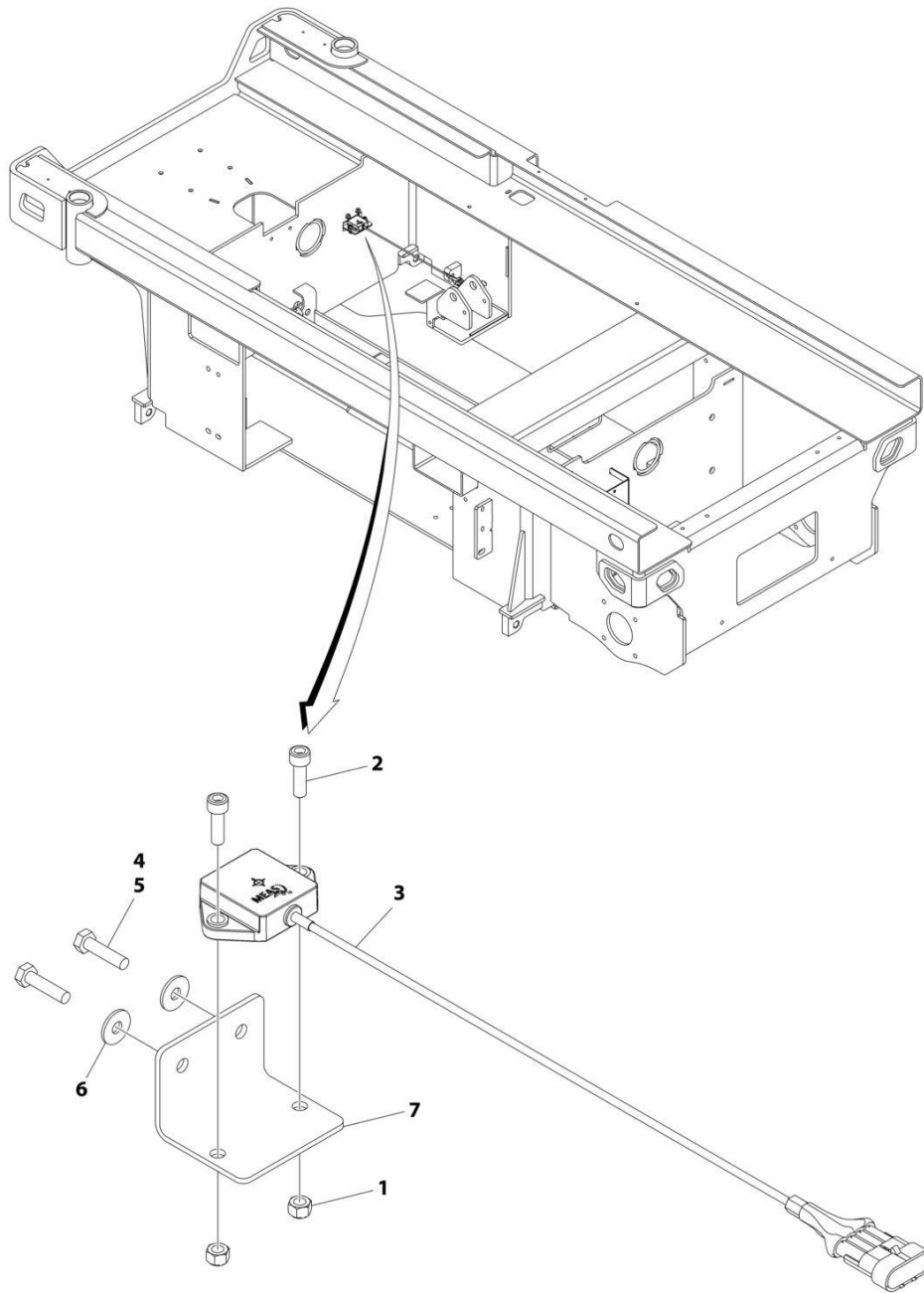
SECTION 1 - FRAME

FIGURE 1-5. POTHOLE PROTECTION SYSTEM INSTALLATION

| ITEM | PART NUMBER | QTY | DESCRIPTION | REV |
|------|-------------|-----|---|-----|
| | 1001380058 | Ref | POTHOLE PROTECTION SYSTEM INSTALLATION | D |
| 1 | 0100011 | AR | Compound, Locking | |
| 2 | 0700612 | 2 | Bolt M6 x 25 | |
| 3 | 0700815 | 2 | Bolt M8 x 35 | |
| 4 | 0700823 | 1 | Bolt M8 x 75 | |
| 5 | 3290405 | 2 | Nut M4 | |
| 6 | 3290801 | 1 | Nut M8 | |
| 7 | 3290805 | 2 | Nut M8 | |
| 8 | 3430636 | 1 | Pin | |
| 9 | 3431212 | 6 | Pin | |
| 10 | 3431218 | 4 | Pin | |
| 11 | 3450403 | 1 | Pin, Cotter 1/8 x 3/4 | |
| 12 | 3450505 | 10 | Pin, Cotter 5/32 x 1/2 | |
| 13 | 4031511 | 2 | Capscrew M4 x 35 | |
| 14 | 4160202 | 1 | Spring | |
| 15 | 4240147 | 1 | Strap, Anti-Static | |
| 16 | 4740086 | NLA | Washer (Use Item 39) | |
| 17 | 4811702 | 2 | Washer M6 | |
| 18 | 4811900 | 4 | Washer M8 | |
| 19 | 4811902 | 2 | Washer M8 | |
| 20 | 4812000 | 2 | Washer M10 | |
| 21 | 4812500 | 10 | Washer M20 | |
| 22 | 1001091102 | 2 | Washer M4 | |
| 23 | 1001202987 | 1 | Plate, Mounting | |
| 24 | 1001214528 | 1 | Actuator (Upper) (Cylindrical Shaft Machined at Top - as Shown) | |
| 24 | 1001202988 | 1 | Actuator (Upper) (Full Length Cylindrical Shaft - Not Shown) | |
| 25 | 1001202999 | 4 | Link | |
| 26 | 1001203869 | 1 | Bearing | |
| 27 | 1001203870 | 6 | Bearing | |
| 28 | 1001203871 | 1 | Switch, Limit | |
| 29 | 1001203872 | 1 | Washer | |
| 30 | 1001213597 | 2 | Plate, Pinion | |
| 31 | 1001214526 | 1 | Actuator (Lower) | |
| 32 | 1001215953 | 1 | Bearing | |
| 33 | 1001218307 | 1 | Plate, Sensor Mounting | |
| 34 | 1001227855 | 1 | Spring | |
| 35 | 1001234797 | 1 | Bar (LH) | |
| 36 | 1001234798 | 1 | Bar (RH) | |
| 37 | 1001110302 | 1 | Screw M12 x 35 | |
| 38 | 1001214534 | 1 | Pad | |
| 39 | 0440263 | 4 | Bearing, Flange | |

SECTION 1 - FRAME

FIGURE 1-6. TILT SENSOR INSTALLATION



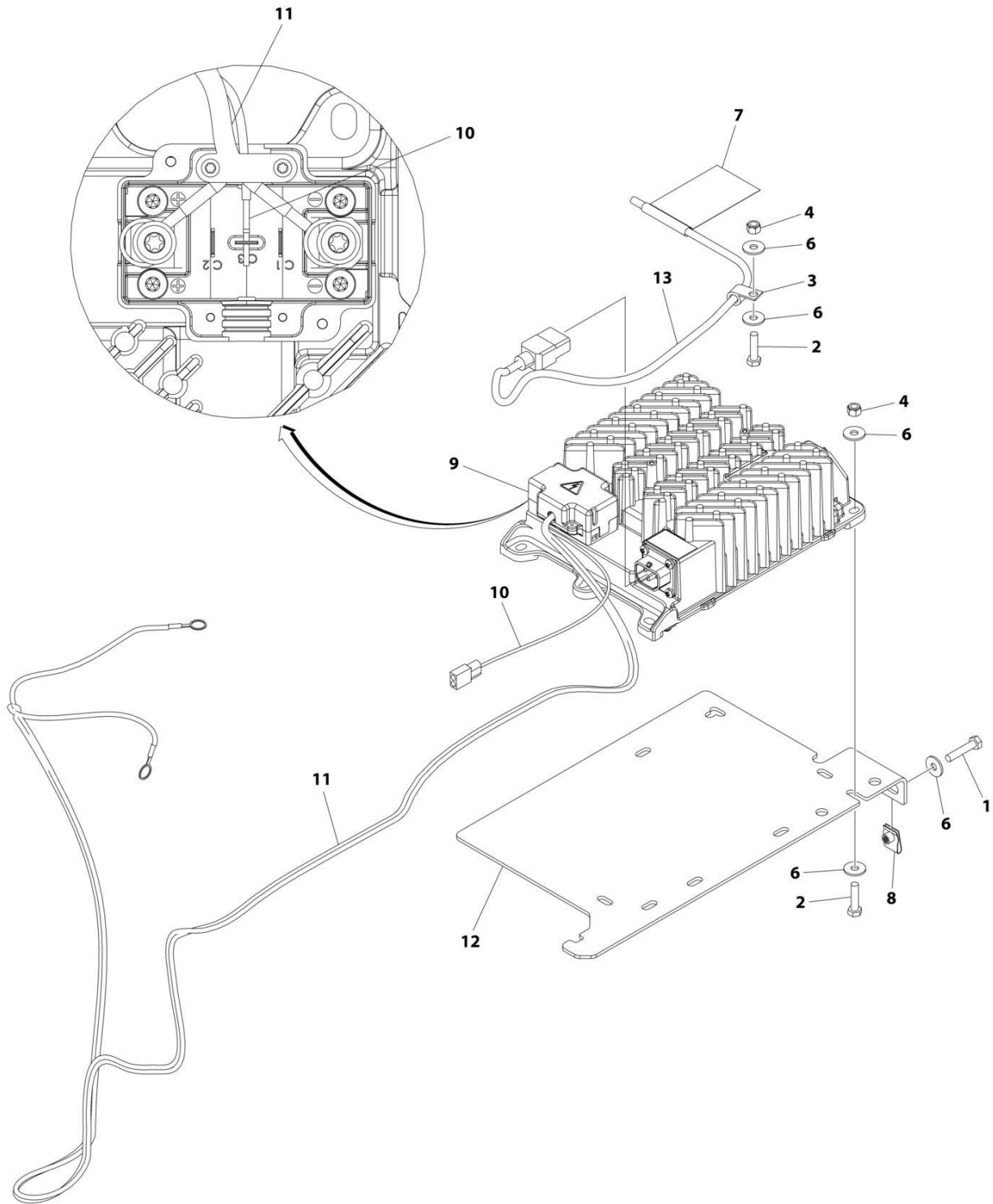
ART_1001214217

FIGURE 1-6. TILT SENSOR INSTALLATION

| ITEM | PART NUMBER | QTY | DESCRIPTION | REV |
|------|-------------|-----|--------------------------|-----|
| | 1001214217 | Ref | TILT SENSOR INSTALLATION | D |
| 1 | 3290601 | 2 | Nut M6 | |
| 2 | 4031708 | 2 | Capscrew M6 x 20 | |
| 3 | 1001186466 | 1 | Sensor, Tilt | |
| 4 | 0100011 | AR | Compound, Locking | |
| 5 | 0700612 | 2 | Bolt M6 x 25 | |
| 6 | 4811702 | 2 | Washer M6 | |
| 7 | 1001217059 | 1 | Plate, Mounting | |

SECTION 1 - FRAME

FIGURE 1-7. BATTERY CHARGER INSTALLATION - DELTA-Q (LOCALLY SUPPLIED PLUG)



ART_1001235153

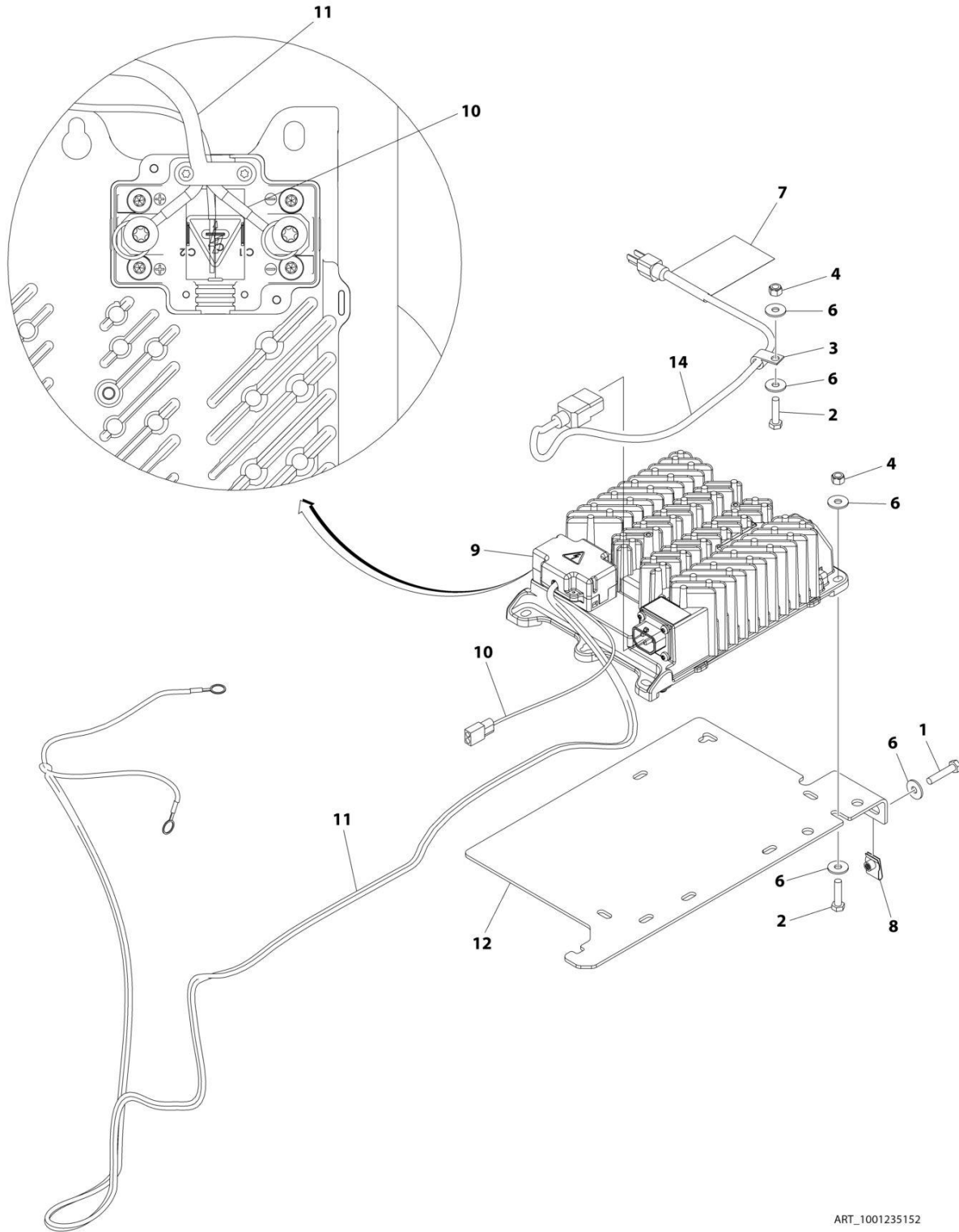
SECTION 1 - FRAME

FIGURE 1-7. BATTERY CHARGER INSTALLATION - DELTA-Q (LOCALLY SUPPLIED PLUG)

| ITEM | PART NUMBER | QTY | DESCRIPTION | REV |
|------|-------------|-----|--|-----|
| | 1001235153 | Ref | BATTERY CHARGER INSTALLATION - DELTA-Q (LOCALLY SUPPLIED PLUG) | C |
| 1 | 0700614 | 2 | Bolt M6 x 30 | |
| 2 | 0760612 | 3 | Bolt M6 x 25 | |
| 3 | 1321293 | 1 | Clamp | |
| 4 | 3290605 | 3 | Nut M6 | |
| 5 | 4240017 | AR | Tie-Strap (Not Shown) | |
| 6 | 4811702 | 8 | Washer M6 | |
| 7 | 1001102489 | 1 | Decal - Charger | |
| 8 | 1001130220 | 2 | Nut, Tinnerman M6 | |
| 9 | 1001200561 | 1 | Charger, Battery - Delta-Q | |
| 10 | 1001207009 | 1 | Charger Interlock Harness | |
| 10 | 4460424 | 1 | Receptacle, Female - 2 Position | |
| 10 | 4460227 | 2 | Pin, Male | |
| 11 | 1001235105 | 1 | Charger DC Connection Harness | |
| 12 | 1001236139 | 1 | Bracket | |
| 13 | 1001207974 | 1 | Cable, Charger AC Input | |

SECTION 1 - FRAME

FIGURE 1-8. BATTERY CHARGER INSTALLATION - DELTA-Q (110V PLUG)



ART_1001235152

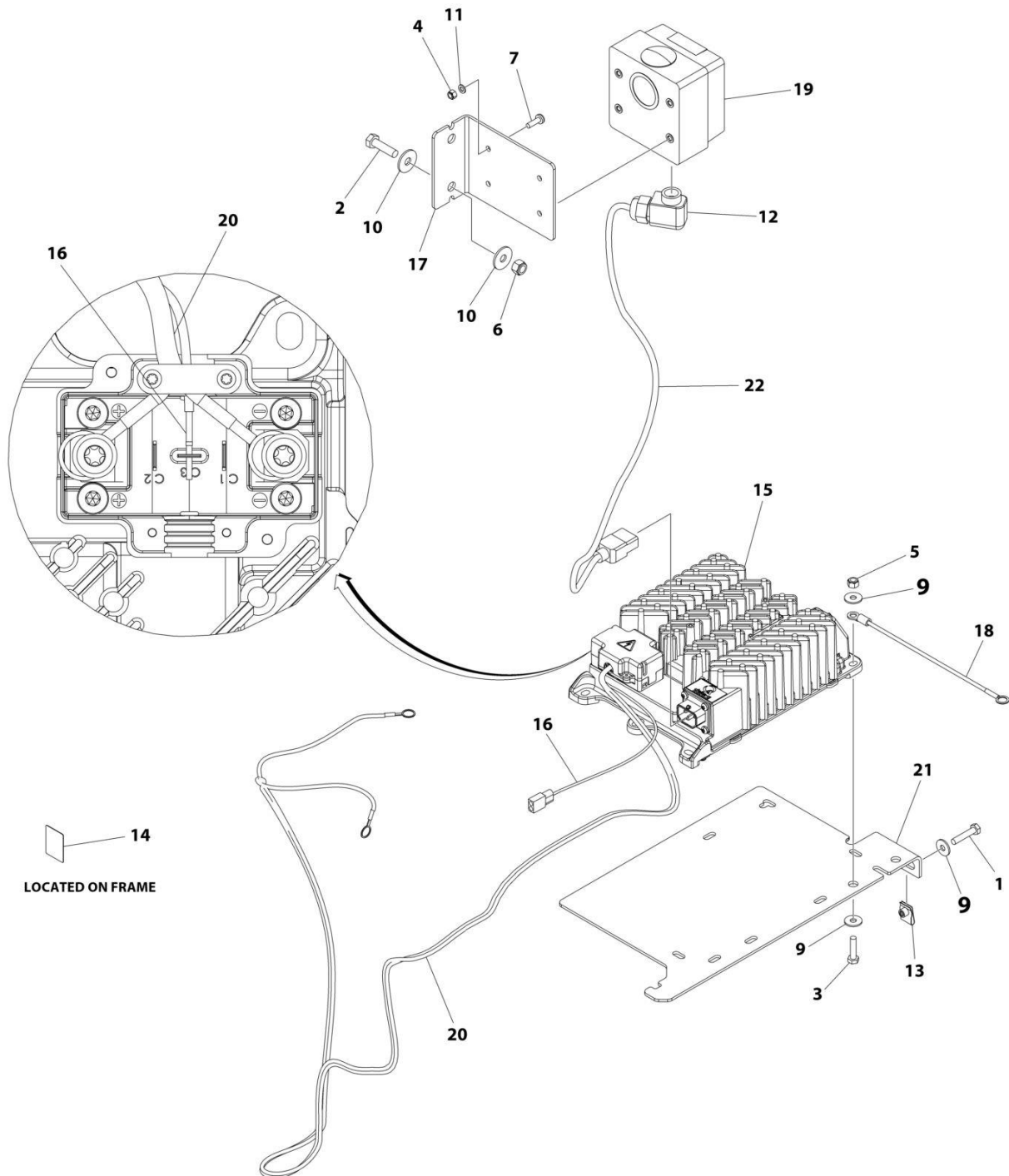
SECTION 1 - FRAME

FIGURE 1-8. BATTERY CHARGER INSTALLATION - DELTA-Q (110V PLUG)

| ITEM | PART NUMBER | QTY | DESCRIPTION | REV |
|------|-------------|-----|--|-----|
| | 1001235152 | Ref | BATTERY CHARGER INSTALLATION - DELTA-Q (110V PLUG) | B |
| 1 | 0700614 | 2 | Bolt M6 x 30 | |
| 2 | 0760612 | 3 | Bolt M6 x 25 | |
| 3 | 1321293 | 1 | Clamp | |
| 4 | 3290605 | 3 | Nut M6 | |
| 5 | 4240017 | AR | Tie-Strap (Not Shown) | |
| 6 | 4811702 | 8 | Washer M6 | |
| 7 | 1001102489 | 1 | Decal - Charger | |
| 8 | 1001130220 | 2 | Nut Tinnerman, M6 | |
| 9 | 1001200561 | 1 | Charger, Battery - Delta-Q | |
| 10 | 1001207009 | 1 | Charger Interlock Harness | |
| 10 | 4460424 | 1 | Receptacle, Female - 2 Position | |
| 10 | 4460227 | 2 | Pin, Male | |
| 11 | 1001235105 | 1 | Charger DC Connection Harness | |
| 12 | 1001236139 | 1 | Bracket | |
| 14 | 1001207970 | 1 | Charger AC Input Cable | |

SECTION 1 - FRAME

FIGURE 1-9. BATTERY CHARGER INSTALLATION - DELTA-Q (AUSTRALIAN PLUG)



ART_1001243534

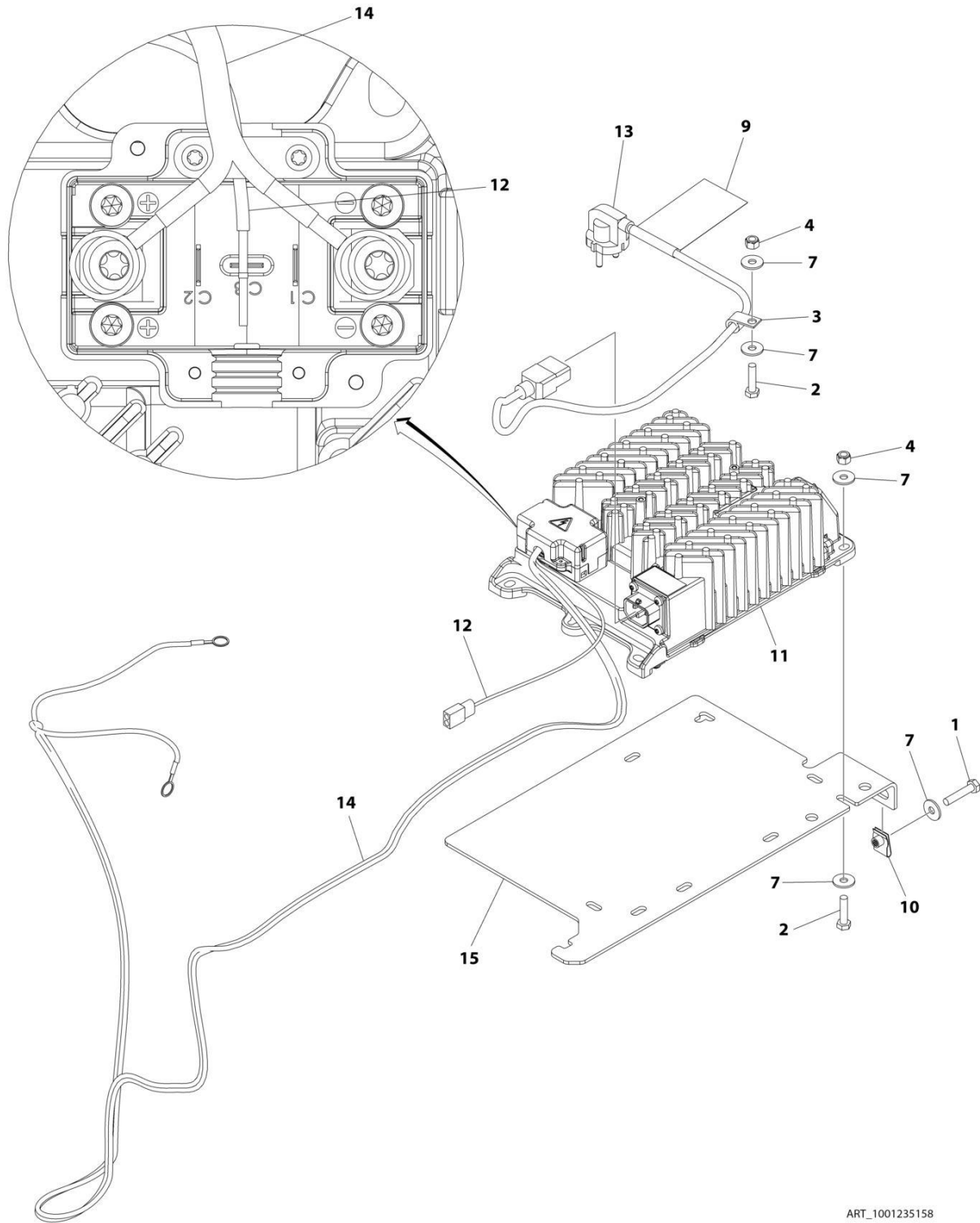
SECTION 1 - FRAME

FIGURE 1-9. BATTERY CHARGER INSTALLATION - DELTA-Q (AUSTRALIAN PLUG)

| ITEM | PART NUMBER | QTY | DESCRIPTION | REV |
|------|-------------|-----|--|-----|
| | 1001243534 | Ref | BATTERY CHARGER INSTALLATION - DELTA-Q (AUSTRALIAN PLUG) | B |
| 1 | 0700614 | 2 | Bolt M6 x 30 | |
| 2 | 0700814 | 2 | Bolt M8 x 30 | |
| 3 | 0760612 | 3 | Bolt M6 x 25 | |
| 4 | 3290505 | 4 | Nut M5 | |
| 5 | 3290605 | 3 | Nut M6 | |
| 6 | 3290805 | 2 | Nut M8 | |
| 7 | 3900381 | 4 | Screw M5 x 16 | |
| 8 | 4240017 | AR | Tie-Strap (Not Shown) | |
| 9 | 4811702 | 8 | Washer M6 | |
| 10 | 4811902 | 4 | Washer M8 | |
| 11 | 4831600 | 4 | Washer M5 | |
| 12 | 1001103471 | 1 | Connector Strain Relief 90 | |
| 13 | 1001130220 | 2 | Nut Tinnerman M6 | |
| 14 | 1001134280 | 1 | Decal - Charger | |
| 15 | 1001200561 | 1 | Charger, Battery - Delta-Q | |
| 16 | 1001207009 | 1 | Charger Interlock Harness | |
| 16 | 4460424 | 1 | Receptacle, Female - 2 Position | |
| 16 | 4460227 | 2 | Pin, Male | |
| 17 | 1001227213 | 1 | Bracket | |
| 17 | 1001249890 | 1 | Bracket (Prior to SN B200057633) | |
| 18 | 1001227219 | 1 | Ground Harness (SN B200057633 to Present) | |
| 19 | 1001227267 | 1 | Receptacle Australian - 230V | |
| 20 | 1001235105 | 1 | Charger DC Connection Harness | |
| 21 | 1001236139 | 1 | Bracket | |
| 22 | 1001207974 | 1 | Cable, Charger AC Input | |

SECTION 1 - FRAME

FIGURE 1-10. BATTERY CHARGER INSTALLATION - DELTA-Q (KOREAN PLUG)



ART_1001235158

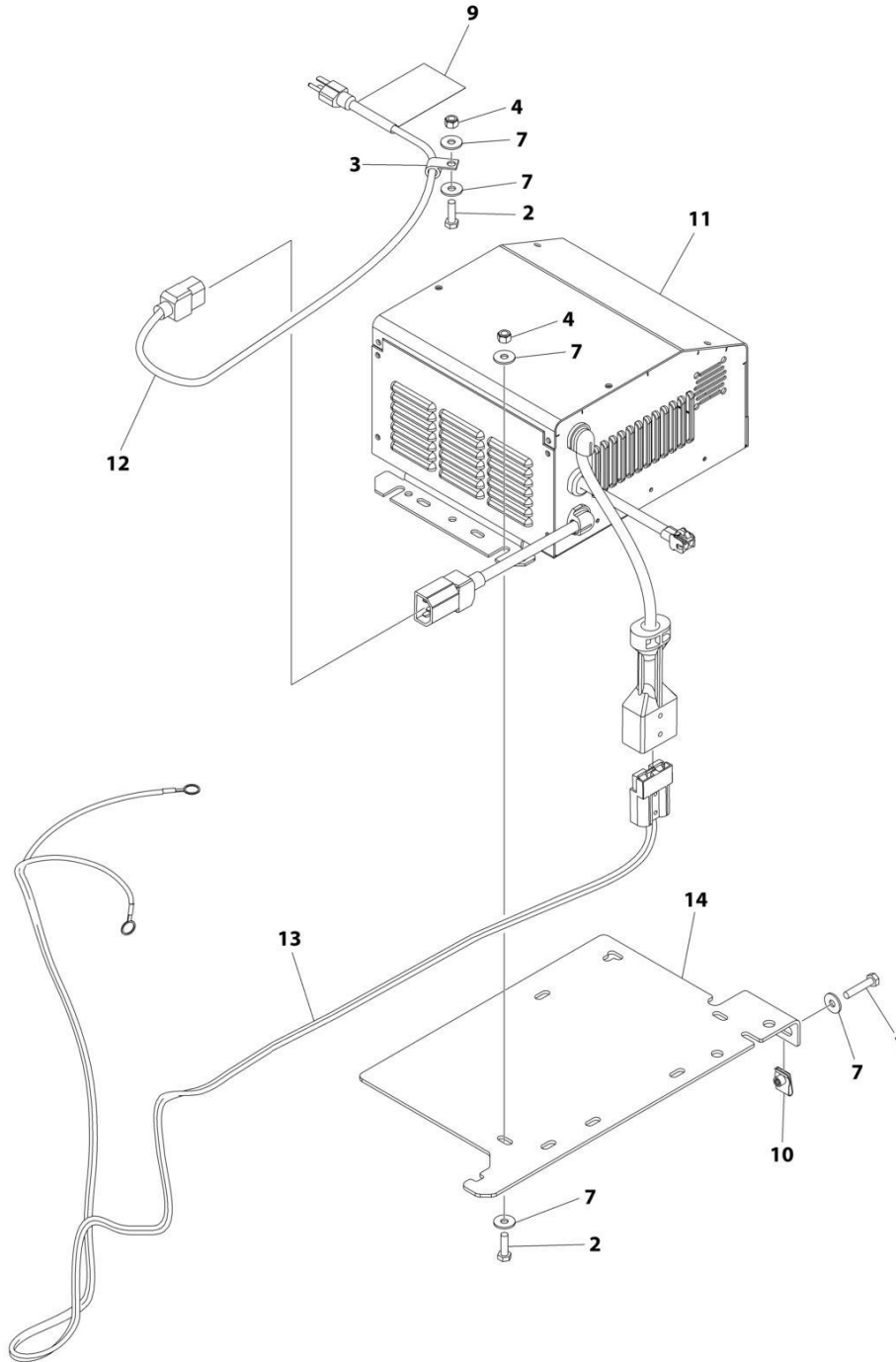
SECTION 1 - FRAME

FIGURE 1-10. BATTERY CHARGER INSTALLATION - DELTA-Q (KOREAN PLUG)

| ITEM | PART NUMBER | QTY | DESCRIPTION | REV |
|------|-------------|-----|--|-----|
| | 1001235158 | Ref | BATTERY CHARGER INSTALLATION - DELTA-Q (KOREAN PLUG) | C |
| 1 | 0700614 | 2 | Bolt M6 x 30 | |
| 2 | 0760612 | 3 | Bolt M6 x 25 | |
| 3 | 1321293 | 1 | Clamp | |
| 4 | 3290605 | 3 | Nut M6 | |
| 6 | 4240017 | AR | Tie-Strap (Not Shown) | |
| 7 | 4811702 | 8 | Washer M6 | |
| 9 | 1001102489 | 1 | Decal - Charger | |
| 10 | 1001130220 | 2 | Nut, Tinnerman M6 | |
| 11 | 1001200561 | 1 | Charger, Battery - Delta-Q | |
| 12 | 1001207009 | 1 | Charger Interlock Harness | |
| 12 | 4460424 | 1 | Receptacle, Female - 2 Position | |
| 12 | 4460227 | 2 | Pin, Male | |
| 13 | 1001221949 | 1 | Cable, Charger AC Input (With Korean Plug) | |
| 14 | 1001235105 | 1 | Charger DC Connection Harness | |
| 15 | 1001236139 | 1 | Bracket | |

SECTION 1 - FRAME

FIGURE 1-11. BATTERY CHARGER INSTALLATION - EAGLE PERFORMANCE (110V PLUG)



ART_1001235157

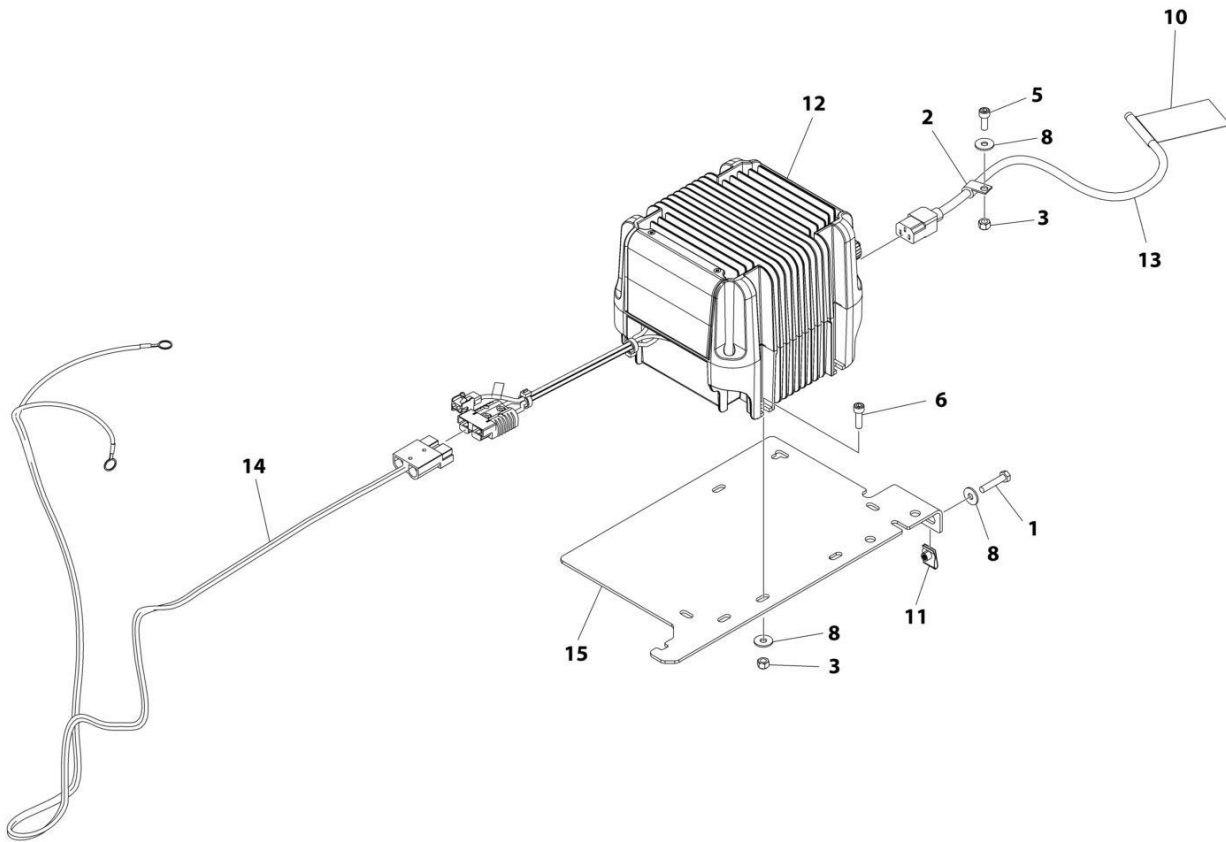
SECTION 1 - FRAME

FIGURE 1-11. BATTERY CHARGER INSTALLATION - EAGLE PERFORMANCE (110V PLUG)

| ITEM | PART NUMBER | QTY | DESCRIPTION | REV |
|------|-------------|-----|--|-----|
| | 1001235157 | Ref | BATTERY CHARGER INSTALLATION - EAGLE PERFORMANCE (110V PLUG) | C |
| 1 | 0700614 | 2 | Bolt M6 x 30 | |
| 2 | 0760610 | 3 | Bolt M6 x 20 | |
| 3 | 1321293 | 1 | Clamp | |
| 4 | 3290605 | 3 | Nut M6 | |
| 6 | 4240017 | AR | Tie-Strap (Not Shown) | |
| 7 | 4811702 | 8 | Washer M6 | |
| 9 | 1001102489 | 1 | Decal - Charger | |
| 10 | 1001130220 | 2 | Nut, Tinnerman M6 | |
| 11 | 1001206995 | 1 | Charger, Battery - Eagle Performance | |
| 12 | 1001207970 | 1 | Cable, Charger AC Input | |
| 13 | 1001235946 | 1 | Charger DC Connection Harness | |
| 14 | 1001236139 | 1 | Bracket | |

SECTION 1 - FRAME

FIGURE 1-12. BATTERY CHARGER INSTALLATION - GREEN POWER (LOCALLY SUPPLIED PLUG)



ART_1001235156

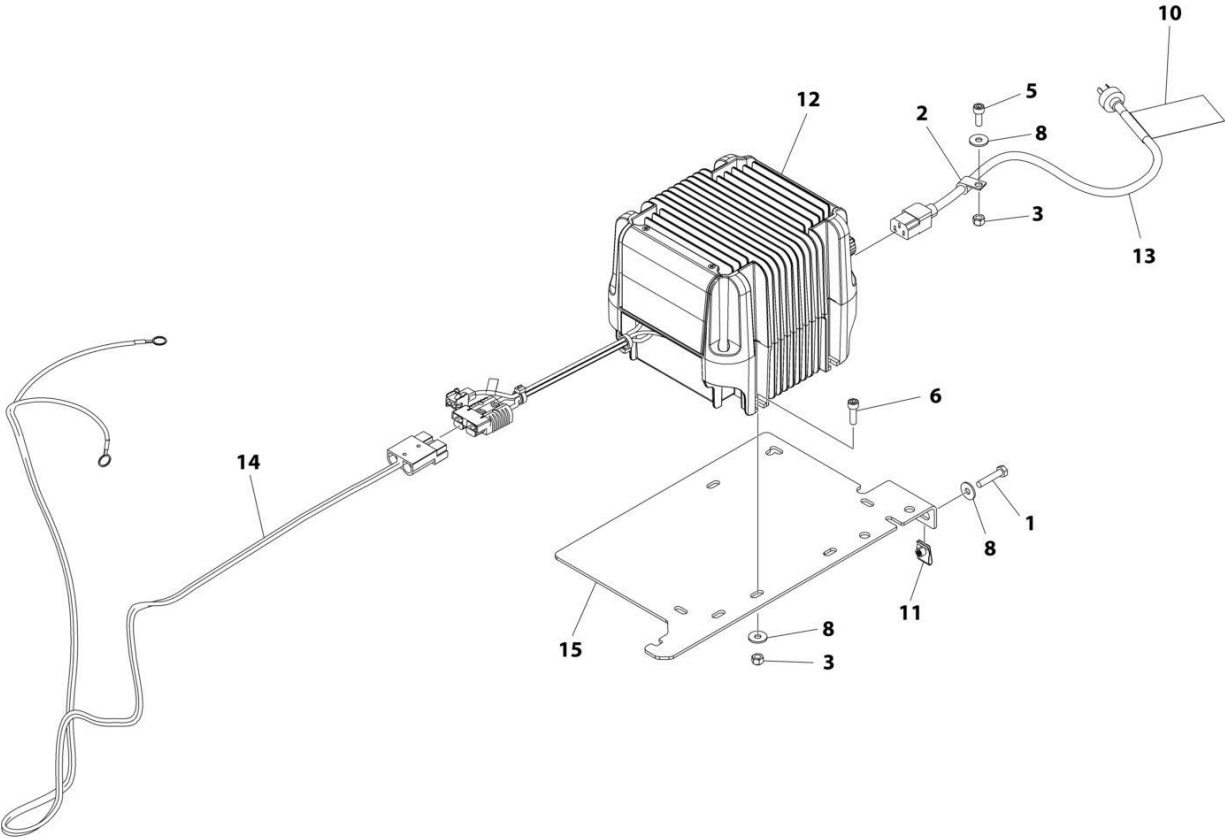
SECTION 1 - FRAME

FIGURE 1-12. BATTERY CHARGER INSTALLATION - GREEN POWER (LOCALLY SUPPLIED PLUG)

| ITEM | PART NUMBER | QTY | DESCRIPTION | REV |
|------|-------------|-----|---|-----|
| | 1001235156 | Ref | BATTERY CHARGER INSTALLATION - GREEN POWER (LOCALLY SUPPLIED PLUG) | C |
| 1 | 0700614 | 2 | Bolt M6 x 30 | |
| 2 | 1321293 | 1 | Clamp, Cable | |
| 3 | 3290605 | 4 | Nut M6 | |
| 5 | 4031707 | 1 | Capscrew M6 x 16 | |
| 6 | 4031708 | 3 | Capscrew M6 x 20 | |
| 7 | 4240017 | AR | Tie-Strap (Not Shown) | |
| 8 | 4811702 | 6 | Washer M6 | |
| 10 | 1001102489 | 1 | Decal - Charger | |
| 11 | 1001130220 | 2 | Nut, Tinnerman M6 | |
| 12 | 1001205598 | 1 | Charger, Battery Green Power | |
| 13 | 1001207974 | 1 | Cable, Charger AC Input | |
| 14 | 1001235946 | 1 | Charger DC Connection Harness | |
| 15 | 1001236139 | 1 | Bracket | |

SECTION 1 - FRAME

FIGURE 1-13. BATTERY CHARGER INSTALLATION - GREEN POWER (CHINA PLUG)



ART_1001235154

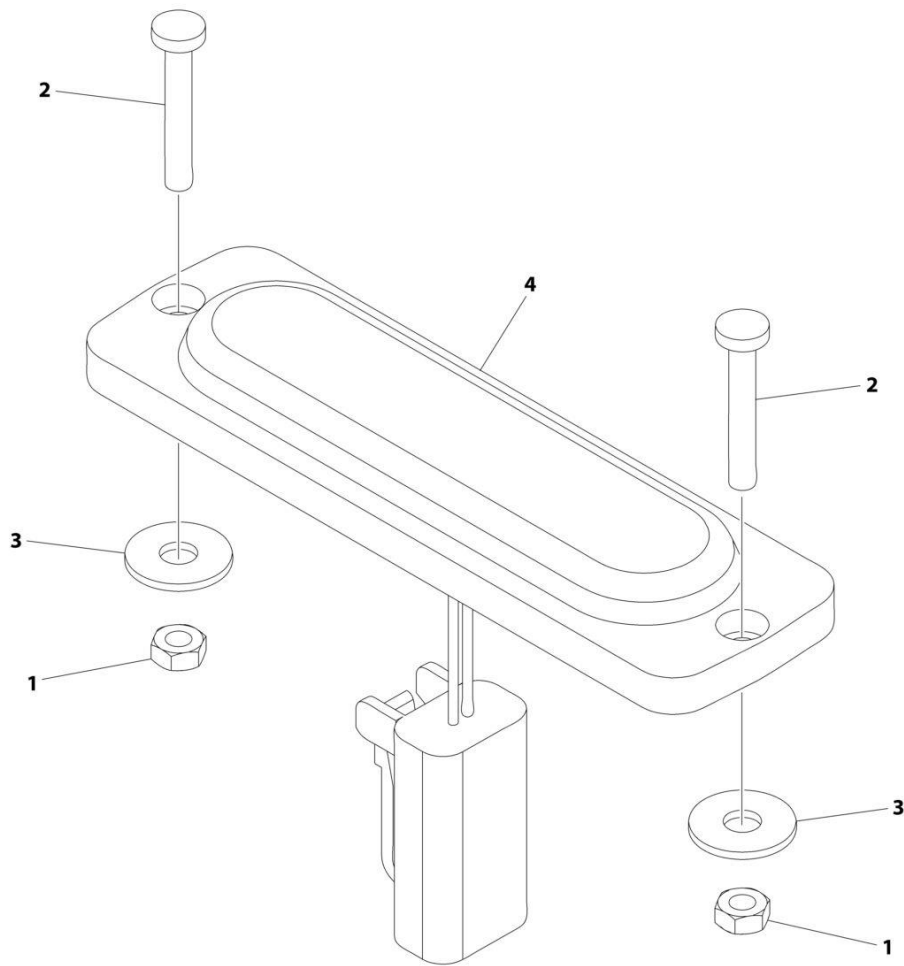
SECTION 1 - FRAME

FIGURE 1-13. BATTERY CHARGER INSTALLATION - GREEN POWER (CHINA PLUG)

| ITEM | PART NUMBER | QTY | DESCRIPTION | REV |
|------|-------------|-----|---|-----|
| | 1001235154 | Ref | BATTERY CHARGER INSTALLATION - GREEN POWER (CHINA PLUG) | C |
| 1 | 0700614 | 2 | Bolt M6 x 30 | |
| 2 | 1321293 | 1 | Clamp, Cable | |
| 3 | 3290605 | 4 | Nut, M6 | |
| 5 | 4031707 | 1 | Capscrew M6 x 16 | |
| 6 | 4031708 | 3 | Capscrew M6 x 20 | |
| 7 | 4240017 | AR | Tie-Strap (Not Shown) | |
| 8 | 4811702 | 6 | Washer M6 | |
| 10 | 1001102489 | 1 | Decal - Charger | |
| 11 | 1001130220 | 2 | Nut, Tinnerman M6 | |
| 12 | 1001205598 | 1 | Charger, Battery Green Power | |
| 13 | 1001207973 | 1 | Cable, Charger AC Input | |
| 14 | 1001235946 | 1 | Charger DC Connection Harness | |
| 15 | 1001236139 | 1 | Bracket | |

SECTION 1 - FRAME

FIGURE 1-14. STROBE LIGHT INSTALLATION - SINGLE (AMBER) (WITHOUT GUARD)



ART_1001242988

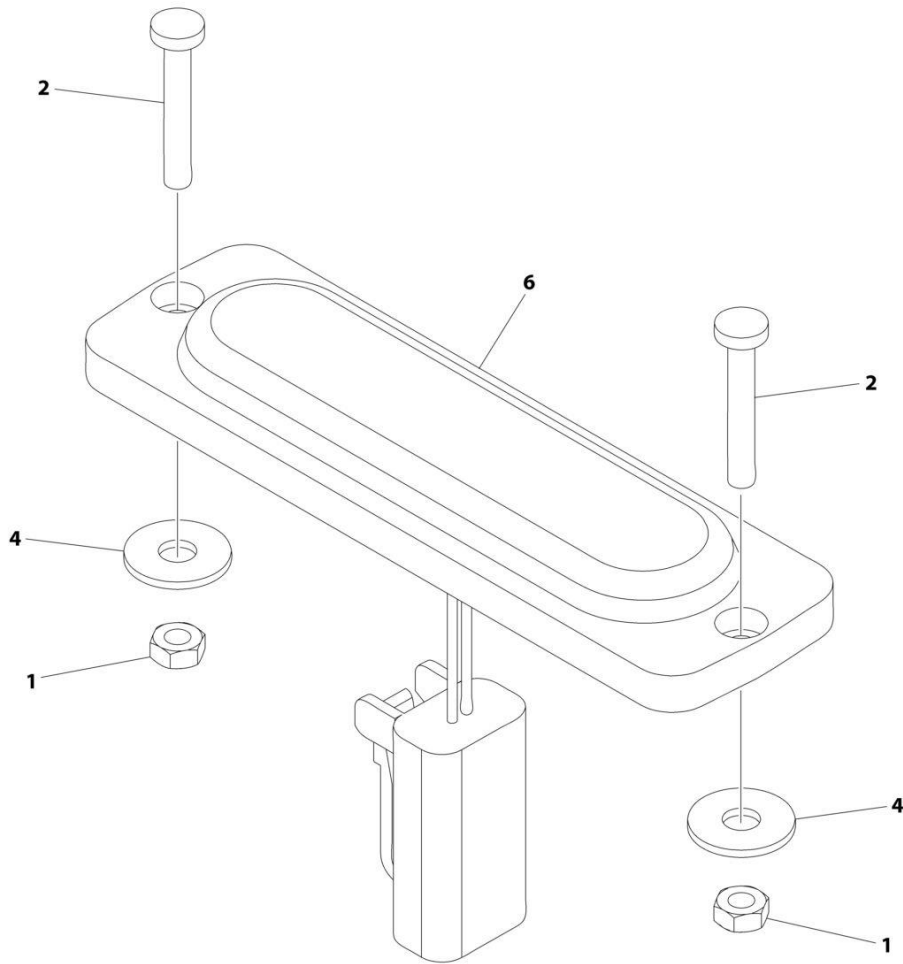
SECTION 1 - FRAME

FIGURE 1-14. STROBE LIGHT INSTALLATION - SINGLE (AMBER) (WITHOUT GUARD)

| ITEM | PART NUMBER | QTY | DESCRIPTION | REV |
|------|-------------|-----|--|-----|
| | 1001242988 | Ref | STROBE LIGHT INSTALLATION - SINGLE (AMBER) (WITHOUT GUARD) | C |
| 1 | 3290305 | 2 | Nut M3 | |
| 2 | 4010310 | 2 | Screw M3 x 20 | |
| 3 | 1001091102 | 2 | Washer M4 | |
| 4 | 1001239224 | 1 | Light, Strobe | |
| 4 | 4460891 | 1 | Plug, Male - 2 Position | |
| 4 | 4460465 | 2 | Socket, Female | |

SECTION 1 - FRAME

FIGURE 1-15. STROBE LIGHT INSTALLATION - DUAL (AMBER) (WITHOUT GUARD)



ART_1001242989

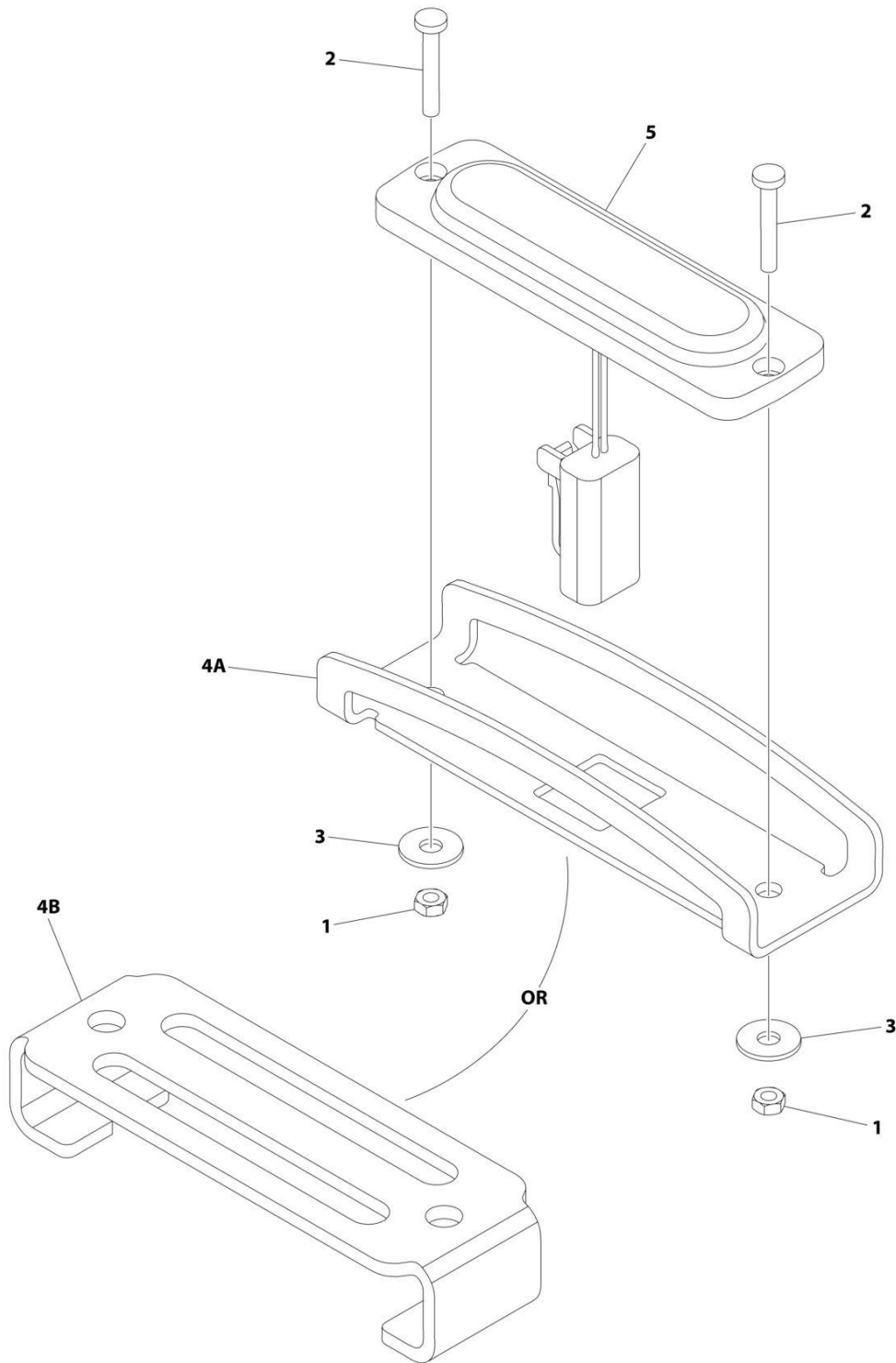
SECTION 1 - FRAME

FIGURE 1-15. STROBE LIGHT INSTALLATION - DUAL (AMBER) (WITHOUT GUARD)

| ITEM | PART NUMBER | QTY | DESCRIPTION | REV |
|------|-------------|-----|--|-----|
| | 1001242989 | Ref | STROBE LIGHT INSTALLATION - DUAL (AMBER) (WITHOUT GUARD) | C |
| 1 | 3290305 | 4 | Nut M3 | |
| 2 | 4010310 | 4 | Screw M3 x 20 | |
| 3 | 4240018 | AR | Tie-Strap (Not Shown) | |
| 4 | 1001091102 | 4 | Washer M4 | |
| 5 | 1001215216 | 1 | Strobe Light Jumper Harness (Not Shown) | |
| 5 | 4460897 | 2 | Receptacle, Female - 2 Position | |
| 5 | 4460464 | 4 | Pin, Male | |
| 5 | 4460891 | 1 | Plug, Male - 2 Position | |
| 5 | 4460465 | 2 | Socket, Female | |
| 6 | 1001239224 | 2 | Light, Strobe | |
| 6 | 4460891 | 1 | Plug, Male - 2 Position | |
| 6 | 4460465 | 2 | Socket, Female | |

SECTION 1 - FRAME

FIGURE 1-16. STROBE LIGHT INSTALLATION - SINGLE (AMBER) (WITH GUARD)



ART_1001242697

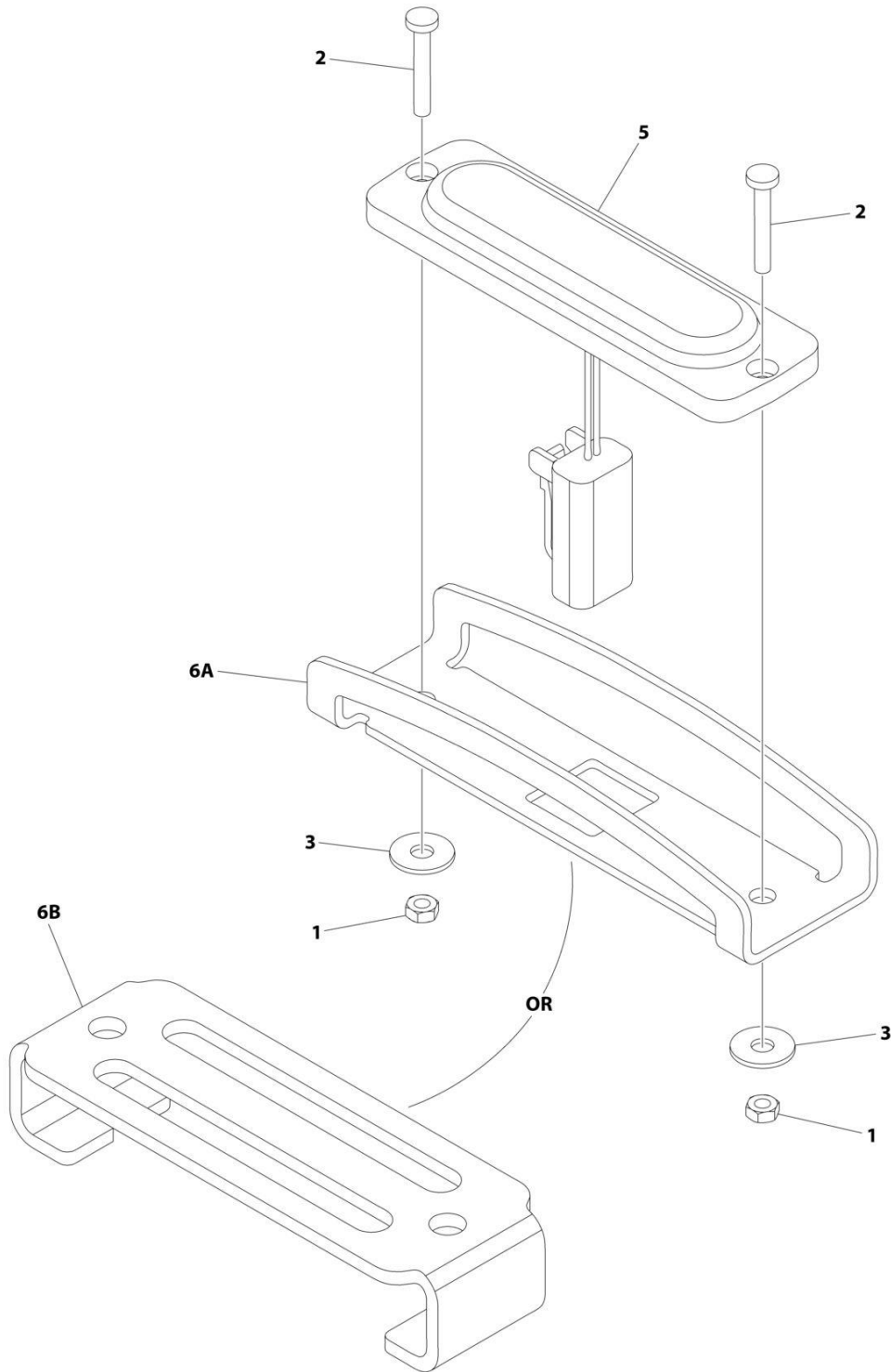
SECTION 1 - FRAME

FIGURE 1-16. STROBE LIGHT INSTALLATION - SINGLE (AMBER) (WITH GUARD)

| ITEM | PART NUMBER | QTY | DESCRIPTION | REV |
|------|-------------|-----|---|-----|
| | 1001242697 | Ref | STROBE LIGHT INSTALLATION - SINGLE (AMBER) (WITH GUARD) | D |
| 1 | 3290305 | 2 | Nut M3 | |
| 2 | 4010310 | 2 | Screw M3 x 20 | |
| 3 | 1001091102 | 2 | Washer M4 | |
| 4A | 1001242539 | 1 | Guard | |
| 4B | 1001239661 | 1 | Cover | |
| 5 | 1001239224 | 1 | Light, Strobe | |
| 5 | 4460891 | 1 | Plug, Male - 2 Position | |
| 5 | 4460465 | 2 | Socket, Female | |

SECTION 1 - FRAME

FIGURE 1-17. STROBE LIGHT INSTALLATION - DUAL (AMBER) (WITH GUARD)



ART_1001242990

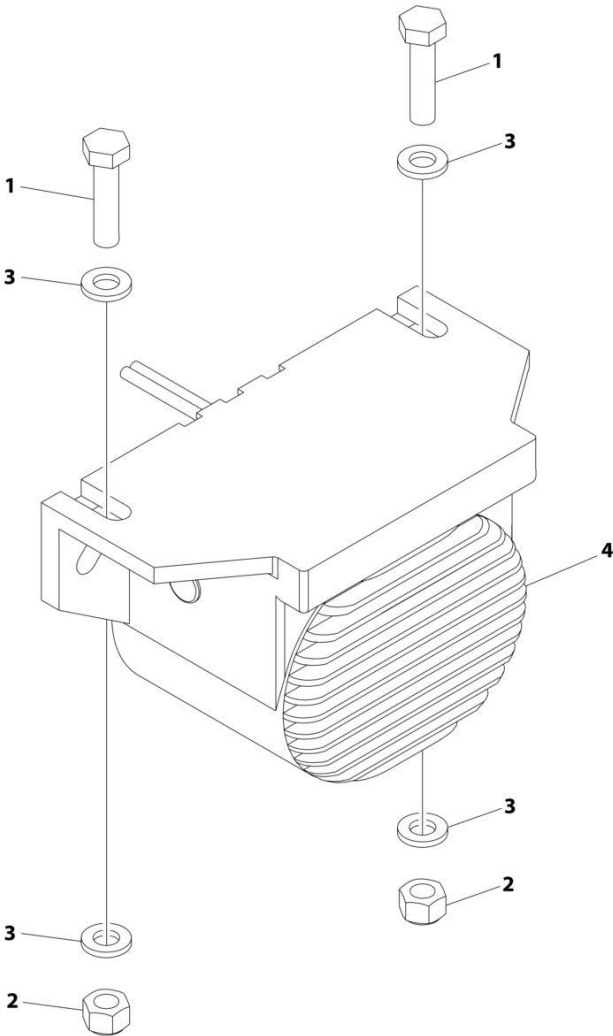
SECTION 1 - FRAME

FIGURE 1-17. STROBE LIGHT INSTALLATION - DUAL (AMBER) (WITH GUARD)

| ITEM | PART NUMBER | QTY | DESCRIPTION | REV |
|------|-------------|-----|---|-----|
| | 1001242990 | Ref | STROBE LIGHT INSTALLATION - DUAL (AMBER) (WITH GUARD) | D |
| 1 | 3290305 | 4 | Nut M3 | |
| 2 | 4010310 | 4 | Screw M3 x 20 | |
| 3 | 1001091102 | 4 | Washer M4 | |
| 4 | 1001215216 | 1 | Strobe Light Jumper Harness (Not Shown) | |
| 4 | 4460897 | 2 | Receptacle, Female - 2 Position | |
| 4 | 4460464 | 4 | Pin, Male | |
| 4 | 4460891 | 1 | Plug, Male - 2 Position | |
| 4 | 4460465 | 2 | Socket, Female | |
| 5 | 1001239224 | 2 | Light, Strobe | |
| 5 | 4460891 | 1 | Plug, Male - 2 Position | |
| 5 | 4460465 | 2 | Socket, Female | |
| 6A | 1001242539 | 2 | Guard | |
| 6B | 1001239661 | 2 | Cover | |
| 7 | 4240018 | AR | Tie-Strap (Not Shown) | |

SECTION 1 - FRAME

FIGURE 1-18. ALARM INSTALLATION (AMBIENT/WHITE NOISE)



ART_1001204495

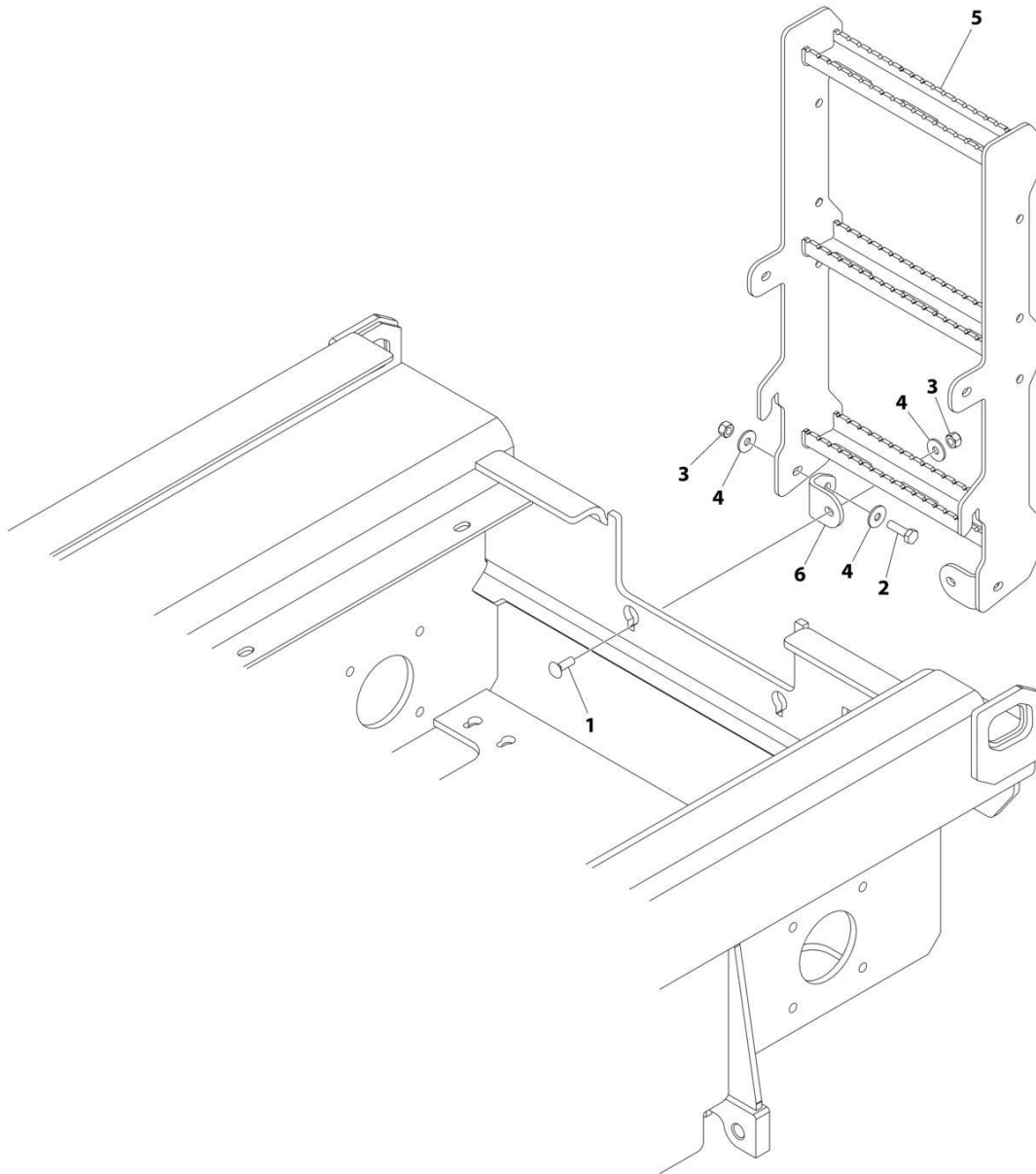
SECTION 1 - FRAME

FIGURE 1-18. ALARM INSTALLATION (AMBIENT/WHITE NOISE)

| ITEM | PART NUMBER | QTY | DESCRIPTION | REV |
|-------------|--------------------|------------|--|------------|
| | 1001204495 | Ref | ALARM INSTALLATION (AMBIENT/WHITE NOISE) | B |
| 1 | 0760612 | 2 | Bolt M6 x 25 | |
| 2 | 3290605 | 2 | Nut M6 | |
| 3 | 4811700 | 4 | Washer M6 | |
| 4 | 1001182806 | 1 | Alarm | |
| 4 | 4460897 | 1 | Receptacle, Female - 2 Position | |
| 4 | 4460464 | 2 | Pin, Male | |

SECTION 1 - FRAME

FIGURE 1-19. LADDER INSTALLATION



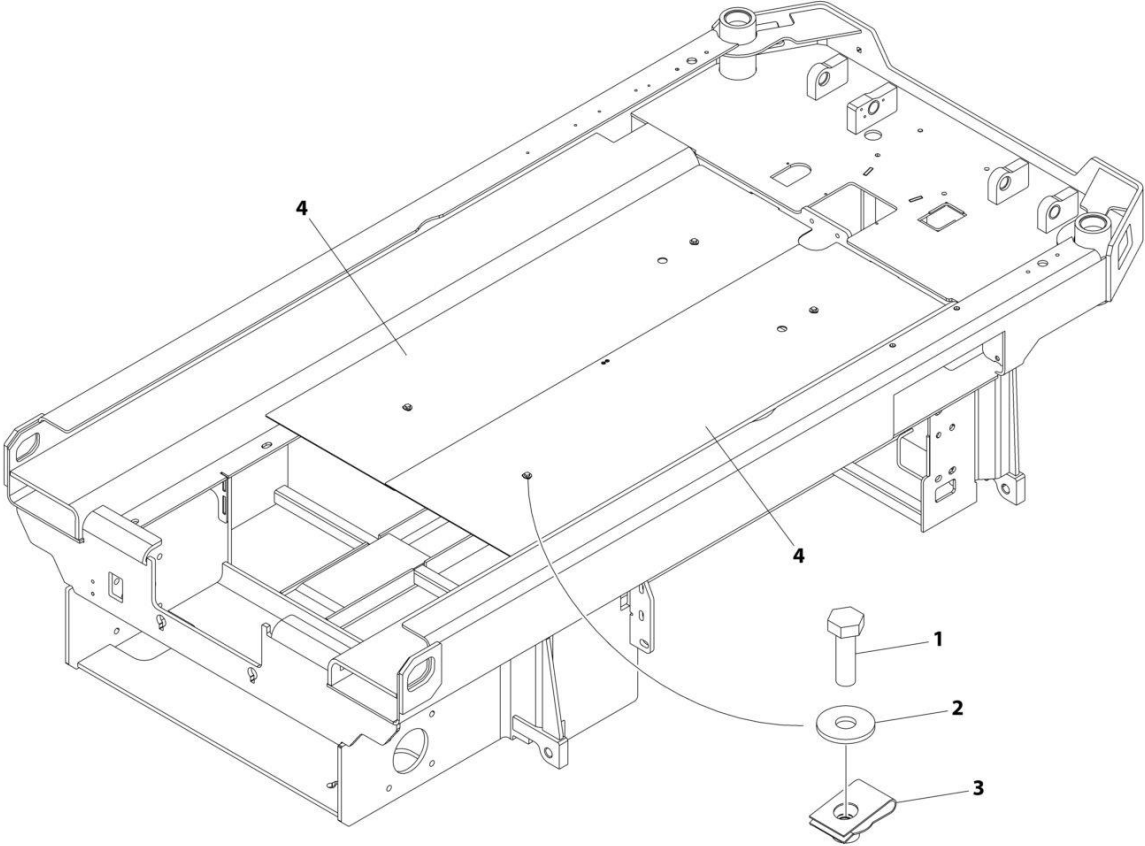
ART_1001234317

FIGURE 1-19. LADDER INSTALLATION

| ITEM | PART NUMBER | QTY | DESCRIPTION | REV |
|-------------|--------------------|------------|---------------------|------------|
| | 1001234317 | Ref | LADDER INSTALLATION | A |
| 1 | 0630613 | 2 | Bolt M10 x 30 | |
| 2 | 0761015 | 2 | Bolt M10 x 35 | |
| 3 | 3291005 | 4 | Nut M10 | |
| 4 | 4812002 | 6 | Washer M10 | |
| 5 | 1001234842 | 1 | Ladder | |
| 6 | 1001235955 | 2 | Bracket | |

SECTION 1 - FRAME

FIGURE 1-20. FRAME COVERS INSTALLATION



ART_1001236968

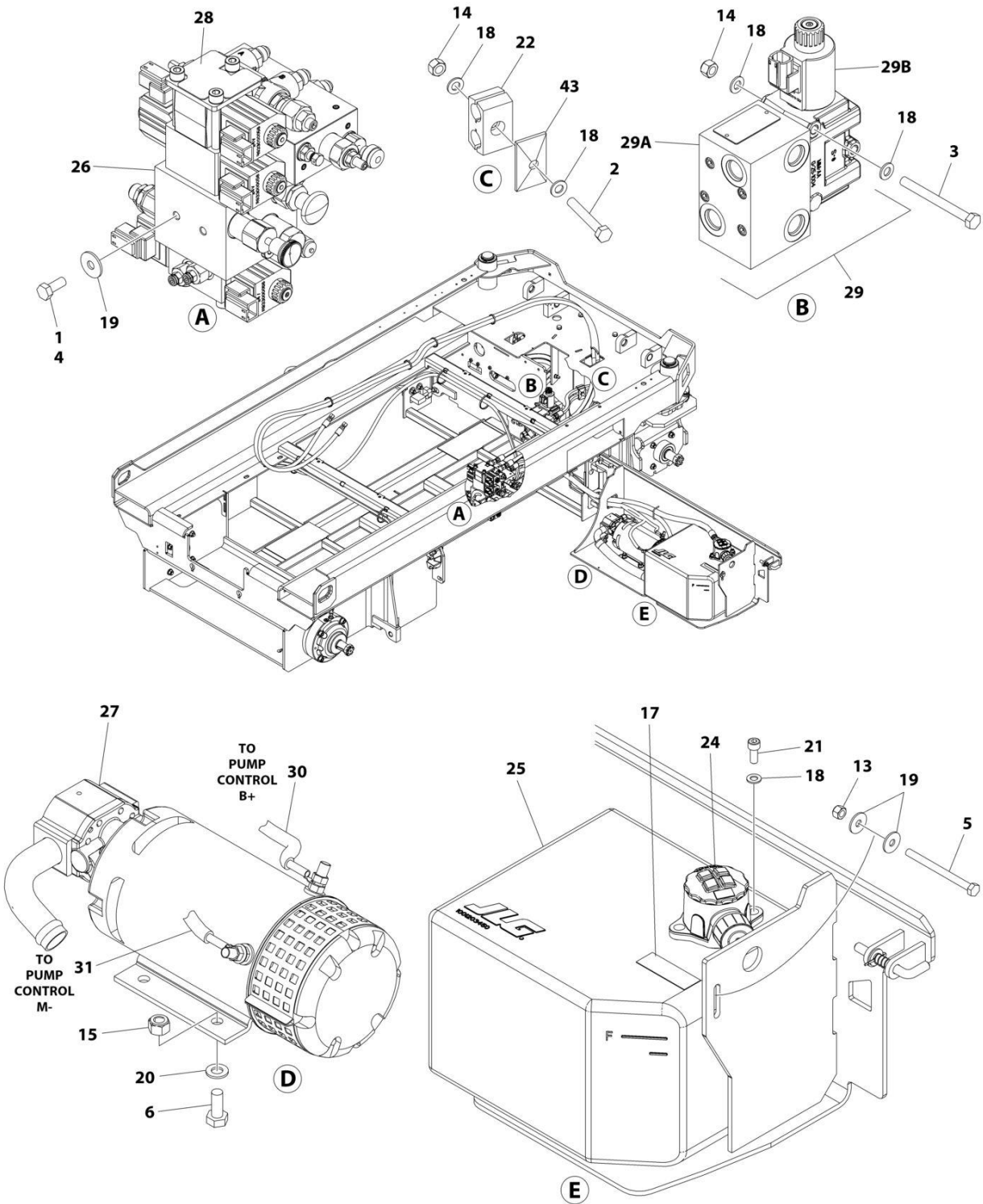
FIGURE 1-20. FRAME COVERS INSTALLATION

| ITEM | PART NUMBER | QTY | DESCRIPTION | REV |
|-------------|--------------------|------------|---------------------------|------------|
| | 1001236968 | Ref | FRAME COVERS INSTALLATION | A |
| 1 | 0760610 | 4 | Bolt M6 x 20 | |
| 2 | 4811702 | 4 | Washer M6 | |
| 3 | 1001130220 | 4 | Nut, Tinnerman M6 | |
| 4 | 1001236531 | 2 | Cover | |

SECTION 2 - GROUND CONTROLS

SECTION 2 - GROUND CONTROLS

FIGURE 2-1. HYDRAULIC COMPONENTS INSTALLATION



ART_1001380008_10F2

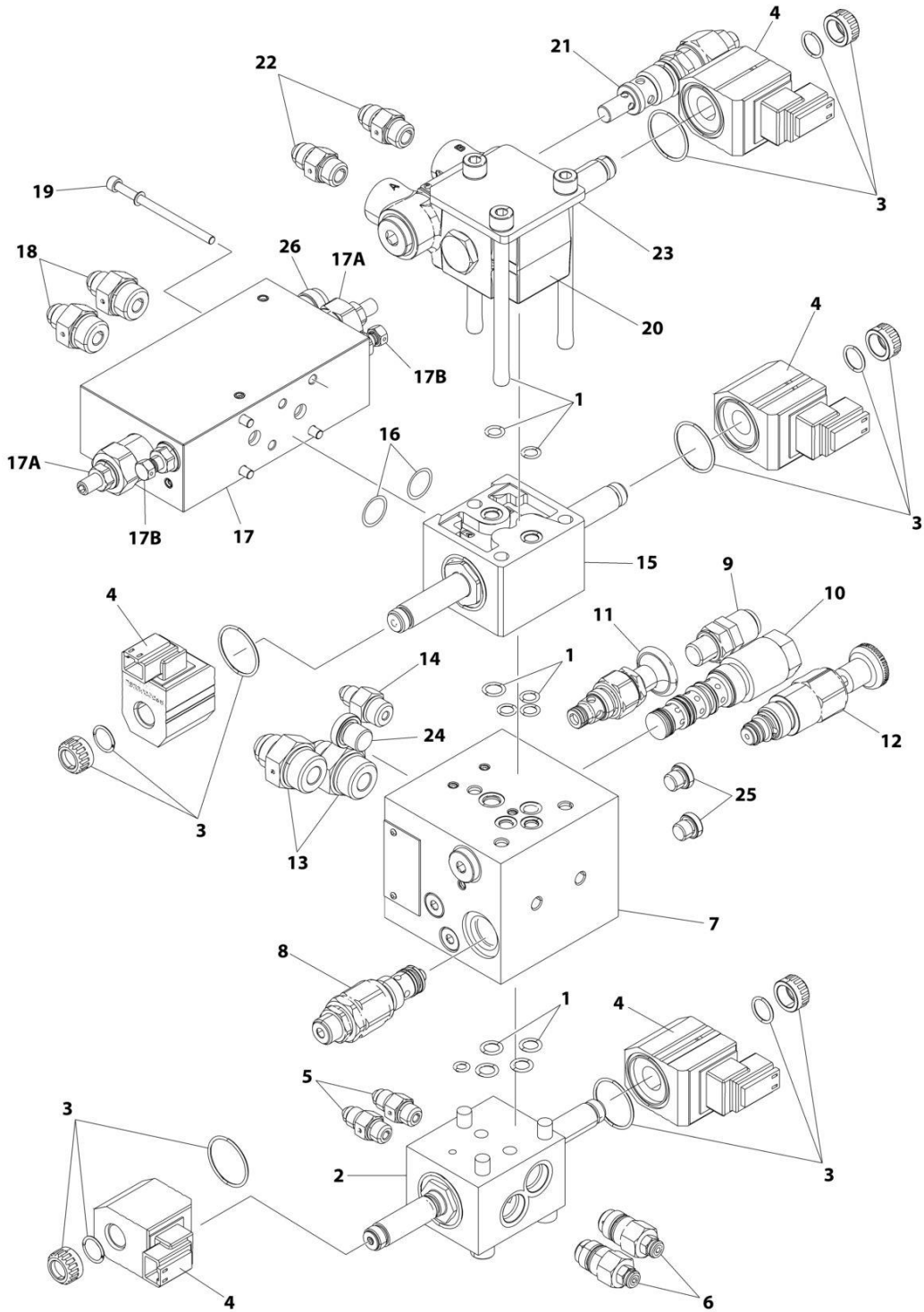
SECTION 2 - GROUND CONTROLS

FIGURE 2-1. HYDRAULIC COMPONENTS INSTALLATION

| ITEM | PART NUMBER | QTY | DESCRIPTION | REV |
|------|-------------|-------|--|-----|
| | 1001380008 | Ref | HYDRAULIC COMPONENTS INSTALLATION | E |
| 1 | 0100011 | AR | Compound, Locking | |
| 2 | 0700819 | 2 | Bolt M8 x 55 | |
| 3 | 0700825 | 2 | Bolt M8 x 85 | |
| 4 | 0760810 | 2 | Bolt M8 x 20 | |
| 5 | 0760827 | 1 | Bolt M8 x 100 | |
| 6 | 0761012 | 2 | Bolt M8 x 25 | |
| 13 | 3290801 | 1 | Nut M8 | |
| 14 | 3290805 | 4 | Nut M8 | |
| 15 | 3291005 | 2 | Nut M10 | |
| 16 | 4240017 | AR | Tie-Strap (Not Shown) | |
| 17 | 4420062 | 75 mm | Tape | |
| 18 | 4811900 | AR | Washer M8 | |
| 19 | 4811902 | 4 | Washer M8 | |
| 20 | 4812000 | 2 | Washer M10 | |
| 21 | 5271808 | 2 | Capscrew M8 x 20 | |
| 22 | 8750014 | 2 | Clamp | |
| 24 | 1001202851 | 1 | Filter, Hydraulic | |
| 24 | 70005423 | 1 | Filter Element Kit (Includes Element, Cap O-Ring and Bowl O-Ring) | |
| 24 | 70007946 | 1 | O-Ring, Bowl | |
| 25 | 1001203450 | 1 | Tank, Hydraulic | |
| 26 | 1001215433 | 1 | Main Valve Assembly (See Separate Breakdown in this Section) (Prior to SN B20057924, Prior to SN 1200034037) | |
| 26 | 1001248679 | 1 | Main Valve Assembly (See Separate Breakdown in this Section) (SN B20057924 to Present, SN 1200034037 to Present) | |
| 27 | 1001204719 | 1 | Motor/Pump Assembly | |
| 27 | 70005815 | 1 | Replacement Motor | |
| 27 | 70005817 | 1 | Replacement Pump | |
| 27 | 70005816 | 1 | Seal and Mounting Kit (Includes Shaft Seal, Retaining Ring, Gasket and Pump Mounting Hardware) | |
| 28 | 1001212294 | 1 | Decal - Manifold | |
| 29 | 1001215434 | 1 | Traction Valve Assembly | |
| 29 | 70006295 | 4 | Screw | |
| 29A | 70004465 | 1 | Valve, Flow Divider | |
| 29A | 70004164 | 1 | Seal Kit - 70004465 Valve | |
| 29B | 70006296 | 1 | Valve, Diverter | |
| 29B | 70006297 | 1 | Coil | |
| 29B | 70006298 | 1 | Seal, Interface | |
| 29B | 70006299 | 1 | Coil Seal & Nut Kit | |
| 30 | 1001234628 | 1 | Cable, Pump (+) | |
| 31 | 1001234629 | 1 | Cable, Pump (-) | |
| 43 | 1321752 | 2 | Clamp | |

SECTION 2 - GROUND CONTROLS

FIGURE 2-2. MAIN VALVE ASSEMBLY (Prior to SN B20057924, Prior to SN 1200034037)



ART_1001215433

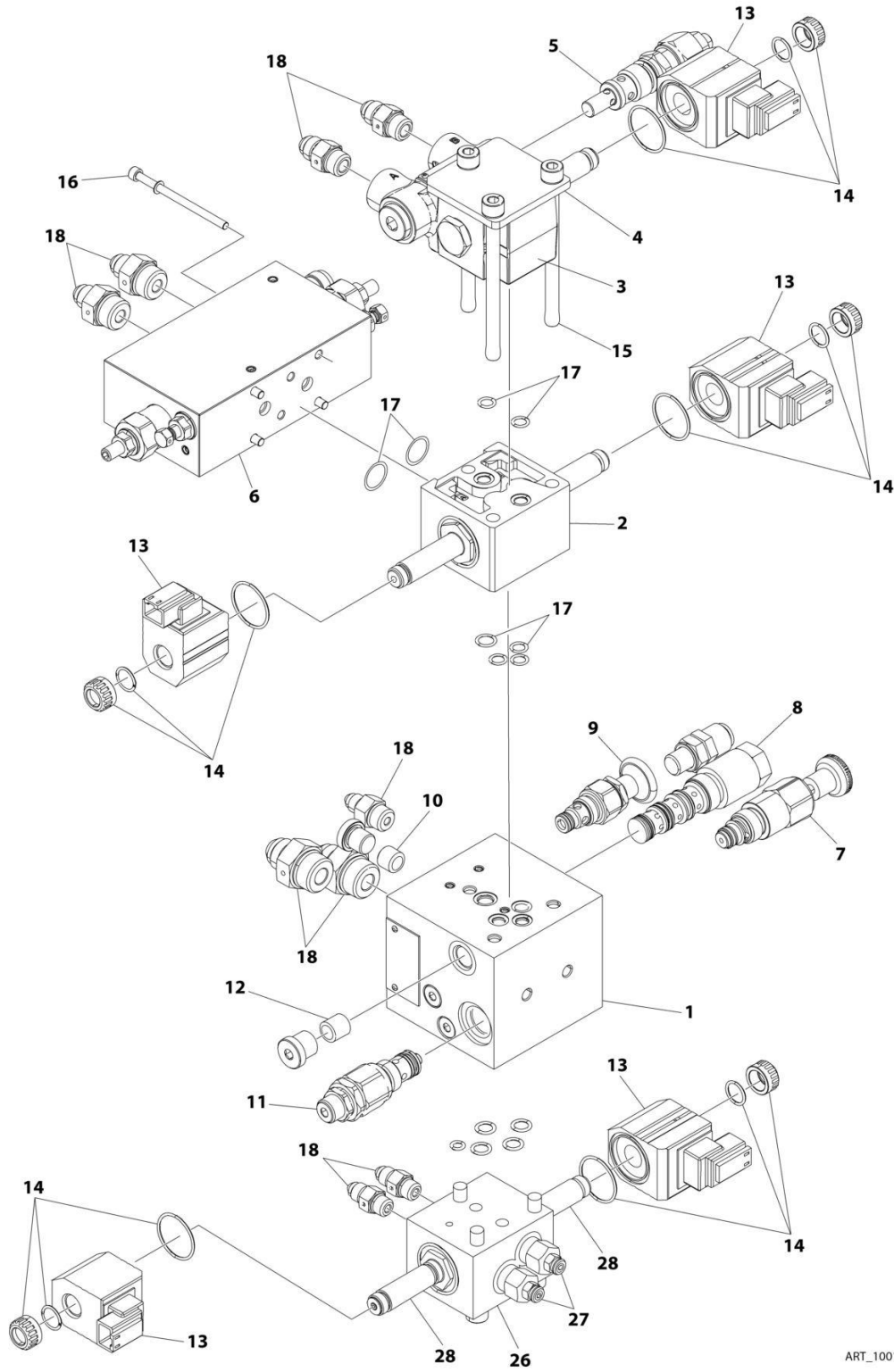
SECTION 2 - GROUND CONTROLS

FIGURE 2-2. MAIN VALVE ASSEMBLY (Prior to SN B20057924, Prior to SN 1200034037)

| ITEM | PART NUMBER | QTY | DESCRIPTION | REV |
|------|-------------|-----|--|-----|
| | 1001215433 | Ref | VALVE ASSEMBLY | A |
| 1 | 70005891 | 1 | Assembly Kit (Includes Assembly Hardware and Seals Between Valve Blocks) | |
| 2 | 70006302 | 1 | Valve Assembly Less Coil (Steer) | |
| 3 | 70021209 | 5 | Coil Retainer Kit | |
| 4 | 70005893 | 5 | Coil | |
| 5 | 2220415 | 2 | Fitting, Straight | |
| 6 | 70006301 | 3 | Valve, Cartridge (Steer) | |
| 7 | See Note | NSS | Block, Valve (Entry Valve) (Note: Use p/n 1001215433) | |
| 8 | 70005896 | 1 | Valve, Cartridge | |
| 9 | 2221086 | 1 | Fitting, Hydraulic Test | |
| 10 | 70005898 | 1 | Valve, Cartridge | |
| 11 | 70005899 | 1 | Valve, Cartridge | |
| 12 | 70005900 | 1 | Valve, Cartridge | |
| 13 | 2220374 | 2 | Fitting, Straight JIC/ORB | |
| 14 | 2220582 | 1 | Fitting, Straight JIC/ORB | |
| 15 | 70005903 | 1 | Valve Assembly Less Coil (Lower Drive Valve) | |
| 16 | 70005904 | 1 | Seal Kit | |
| 17 | 70006300 | 1 | Valve Assembly (Upper Drive Valve) | |
| 17A | See Note | NSS | Valve, Cartridge (Note: Use p/n 70006300) | |
| 17B | See Note | NSS | Valve, Cartridge (Note: Use p/n 70006300) | |
| 18 | 2220372 | 2 | Fitting, Straight JIC/ORB | |
| 19 | 70005907 | 1 | Hardware Kit - Valve Mounting | |
| 20 | 70005908 | 1 | Valve Assembly Less Coil (Lift) | |
| 21 | 70005909 | 1 | Valve, Cartridge | |
| 22 | 2220371 | 2 | Fitting, Straight JIC/ORB | |
| 23 | 70005911 | 1 | Plate, End | |
| 24 | 70005912 | 1 | Plug | |
| 25 | 70005913 | 2 | Plug | |
| 26 | 70005914 | 1 | Valve, Cartridge | |

SECTION 2 - GROUND CONTROLS

FIGURE 2-3. MAIN VALVE ASSEMBLY (SN B20057924 to Present, SN 12000034037 to Present)



ART_1001248679

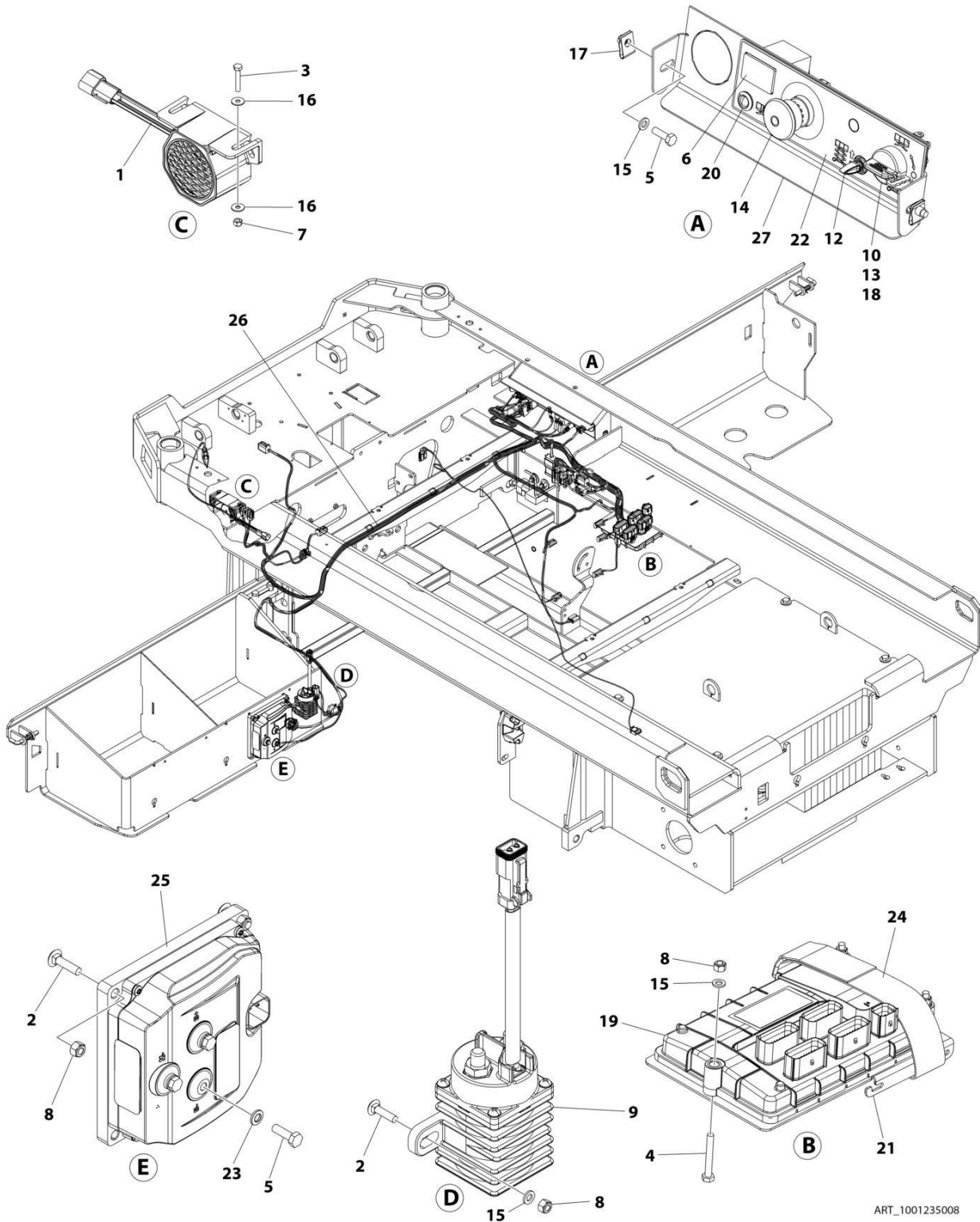
SECTION 2 - GROUND CONTROLS

FIGURE 2-3. MAIN VALVE ASSEMBLY (SN B20057924 to Present, SN 1200034037 to Present)

| ITEM | PART NUMBER | QTY | DESCRIPTION | REV |
|------|-------------|-----|-------------------------------------|-----|
| | 1001248679 | Ref | MAIN VALVE ASSEMBLY | D |
| 1 | 70007595 | 1 | Valve Assembly (Includes Items 7-9) | |
| 2 | 70005903 | 1 | Valve Assembly - Lower Drive | |
| 3 | 70007594 | 1 | Valve Assembly - Lift | |
| 4 | 70005911 | 1 | Plate | |
| 5 | 70005909 | 1 | Valve, Cartridge | |
| 6 | 70007593 | 1 | Valve Assembly - Upperr Drive | |
| 7 | 70005900 | 1 | Valve, Cartridge | |
| 8 | 70005898 | 1 | Valve, Cartridge | |
| 9 | 70005899 | 1 | Valve, Cartridge | |
| 10 | 70007598 | 1 | Restrictor, Flow | |
| 11 | 70007596 | 1 | Cartridge, Valve | |
| 12 | 70007597 | 1 | Orifice | |
| 13 | 70005893 | 5 | Coil | |
| 14 | 70021209 | 5 | Coil Nut Kit | |
| 15 | 70007599 | 1 | Bolt Kit | |
| 16 | 70007600 | 1 | Bolt Kit | |
| 17 | 70007601 | 1 | Seal Kit | |
| 18 | 70007602 | 1 | Fitting Kit | |
| 26 | NPN | 1 | Valve Assembly - Steer | |
| 27 | 70006301 | 2 | Valve, Cartridge - Relief | |
| 28 | NPN | 2 | Valve, Solenoid Cartridge | |

SECTION 2 - GROUND CONTROLS

FIGURE 2-4. ELECTRICAL COMPONENTS INSTALLATION (CHINA BUILT MACHINES)



ART_1001235008

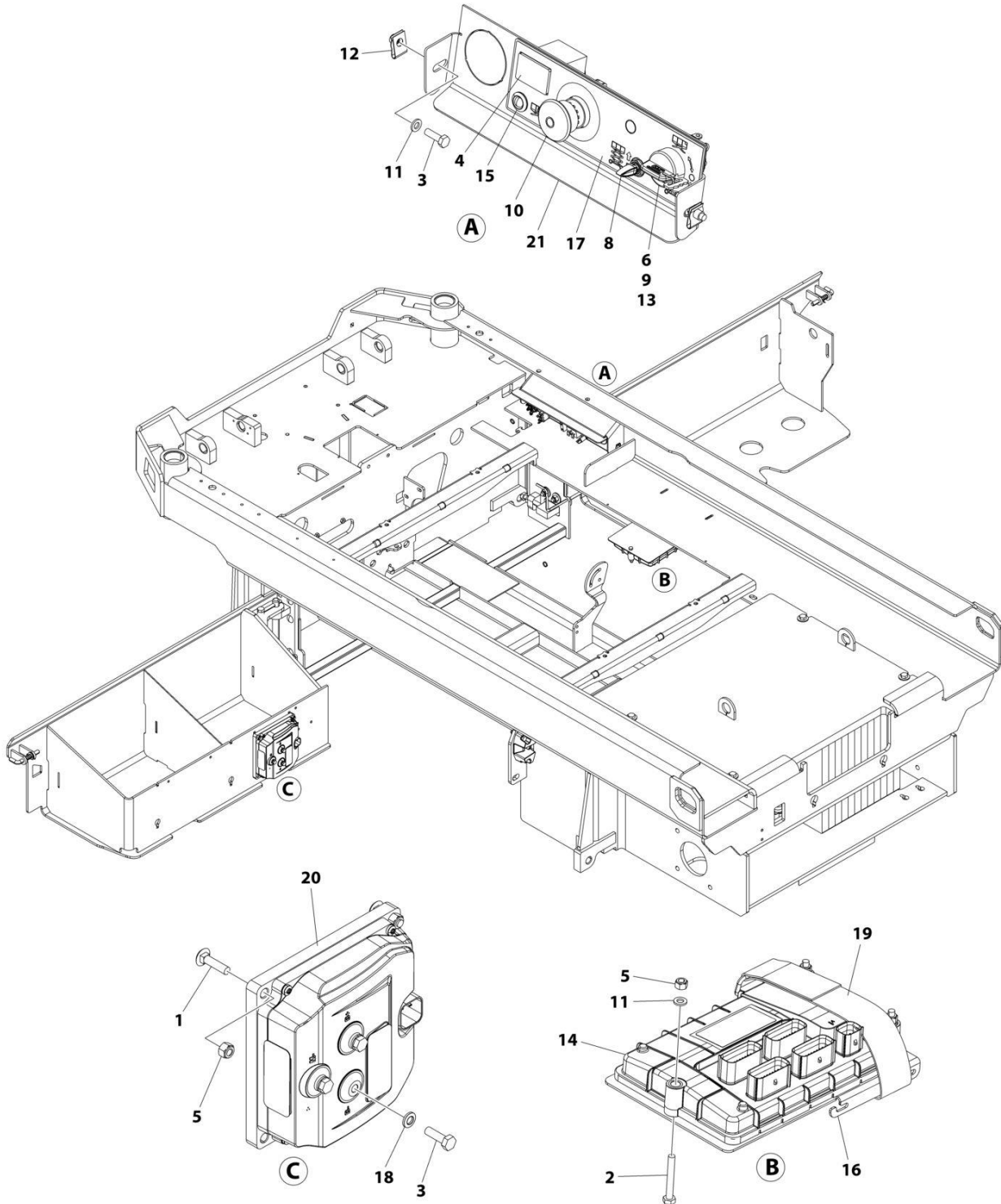
SECTION 2 - GROUND CONTROLS

FIGURE 2-4. ELECTRICAL COMPONENTS INSTALLATION (CHINA BUILT MACHINES)

| ITEM | PART NUMBER | QTY | DESCRIPTION | REV |
|------|-------------|-------|--|-----|
| | 1001235008 | Ref | ELECTRICAL COMPONENTS INSTALLATION | C |
| 1 | 0140043 | 1 | Alarm | |
| 2 | 0630587 | 4 | Bolt M6 x 25 | |
| 3 | 0700412 | 2 | Bolt M4 x 25 | |
| 4 | 0700617 | 3 | Bolt M6 x 45 | |
| 5 | 0760610 | 5 | Bolt M6 x 20 | |
| 6 | 2420172 | 1 | Hourmeter | |
| 7 | 3290405 | 2 | Nut M4 | |
| 8 | 3290605 | 7 | Nut M6 | |
| 9 | 3740150 | 1 | Relay | |
| 10 | 3910804 | 3 | Screw #8 x 1/4 | |
| 11 | 4240017 | AR | Tie-Strap (Not Shown) | |
| 12 | 4360328 | 1 | Switch, Toggle | |
| 13 | 4360469 | 1 | Switch, Key | |
| 13 | 2860030 | 1 Set | Key, Replacement | |
| 14 | 4360475 | 1 | Switch, Emergency Stop (Metal) | |
| 14 | 7020175 | 1 | Cap | |
| 14 | 7020176 | 1 | Block, Contact | |
| 14 | 1001274559 | 1 | Switch, Emergency Stop (Plastic) | |
| 15 | 4811700 | 7 | Washer M6 | |
| 16 | 1001091102 | 4 | Washer M4 | |
| 17 | 1001130220 | 2 | Nut Tinnerman M6 | |
| 18 | 1001130590 | 1 | Plate | |
| 19 | 1001200629 | 1 | Module, Control (Note: Recalibration Required when Replaced) | |
| 20 | 1001200631 | 1 | Light, Indicator (Red) | |
| 21 | 1001207494 | 1 | Bracket | |
| 22 | 1001209682 | 1 | Decal - Ground Control | |
| 23 | 1001210966 | 3 | Washer | |
| 24 | 1001215762 | 1 | Strap, Clinch | |
| 25 | 1001216062 | 1 | Module, Power (Note: Recalibration Required when Replaced) | |
| 26 | 1001234479 | 1 | Chassis Harness (See Separate Breakdown in ELECTRICAL SECTION) | |
| 27 | 1001235559 | 1 | Support | |

SECTION 2 - GROUND CONTROLS

FIGURE 2-5. ELECTRICAL COMPONENTS INSTALLATION - #1 (USA BUILT MACHINES)



ART_1001237887

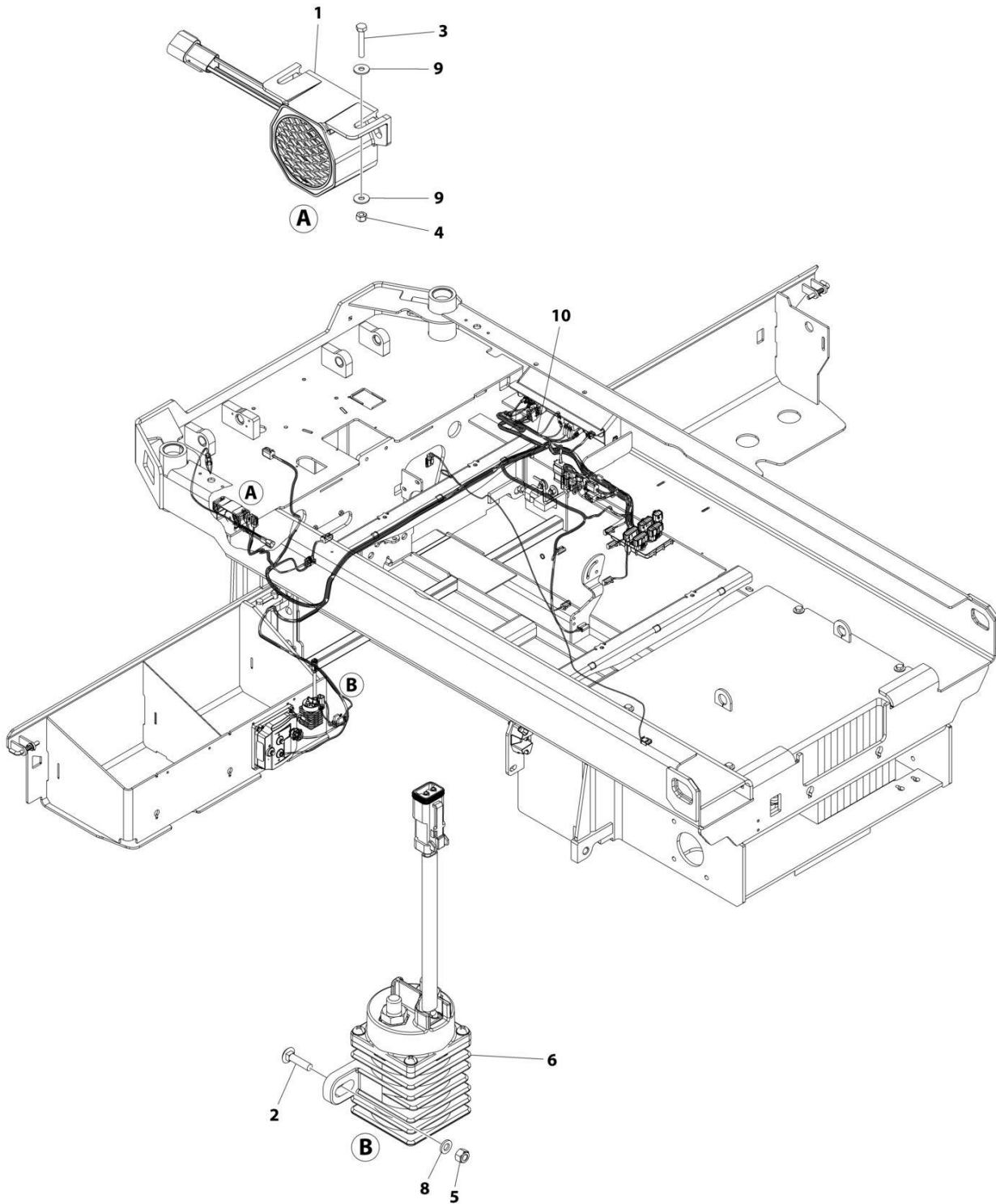
SECTION 2 - GROUND CONTROLS

FIGURE 2-5. ELECTRICAL COMPONENTS INSTALLATION - #1 (USA BUILT MACHINES)

| ITEM | PART NUMBER | QTY | DESCRIPTION | REV |
|------|-------------|-------|--|-----|
| | 1001237887 | Ref | ELECTRICAL COMPONENTS INSTALLATION | B |
| 1 | 0630587 | 2 | Bolt M6 x 25 | |
| 2 | 0700617 | 3 | Bolt M6 x 45 | |
| 3 | 0760610 | 5 | Bolt M6 x 20 | |
| 4 | 2420172 | 1 | Hourmeter | |
| 5 | 3290605 | 5 | Nut M6 | |
| 6 | 3910804 | 3 | Screw #8 x 1/4 | |
| 7 | 4240017 | AR | Tie-Strap (Not Shown) | |
| 8 | 4360328 | 1 | Switch, Toggle | |
| 9 | 4360469 | 1 | Switch, Key | |
| 9 | 2860030 | 1 Set | Key, Replacement | |
| 10 | 4360475 | 1 | Switch, Emergency Stop (Metal) | |
| 10 | 7020175 | 1 | Cap | |
| 10 | 7020176 | 1 | Block, Contact | |
| 10 | 1001274559 | 1 | Switch, Emergency Stop (Plastic) | |
| 11 | 4811700 | 5 | Washer M6 | |
| 12 | 1001130220 | 2 | Nut Tinnerman M6 | |
| 13 | 1001130590 | 1 | Plate | |
| 14 | 1001200629 | 1 | Module, Control (Note: Recalibration Required when Replaced) | |
| 15 | 1001200631 | 1 | Light, Indicator (Red) | |
| 16 | 1001207494 | 1 | Bracket | |
| 17 | 1001209682 | 1 | Decal - Ground Control | |
| 18 | 1001210966 | 3 | Washer | |
| 19 | 1001215762 | 1 | Strap, Clinch | |
| 20 | 1001216062 | 1 | Module, Power (Note: Recalibration Required when Replaced) | |
| 21 | 1001235559 | 1 | Support | |

SECTION 2 - GROUND CONTROLS

FIGURE 2-6. ELECTRICAL COMPONENTS INSTALLATION - #2 (USA BUILT MACHINES)



ART_1001239386

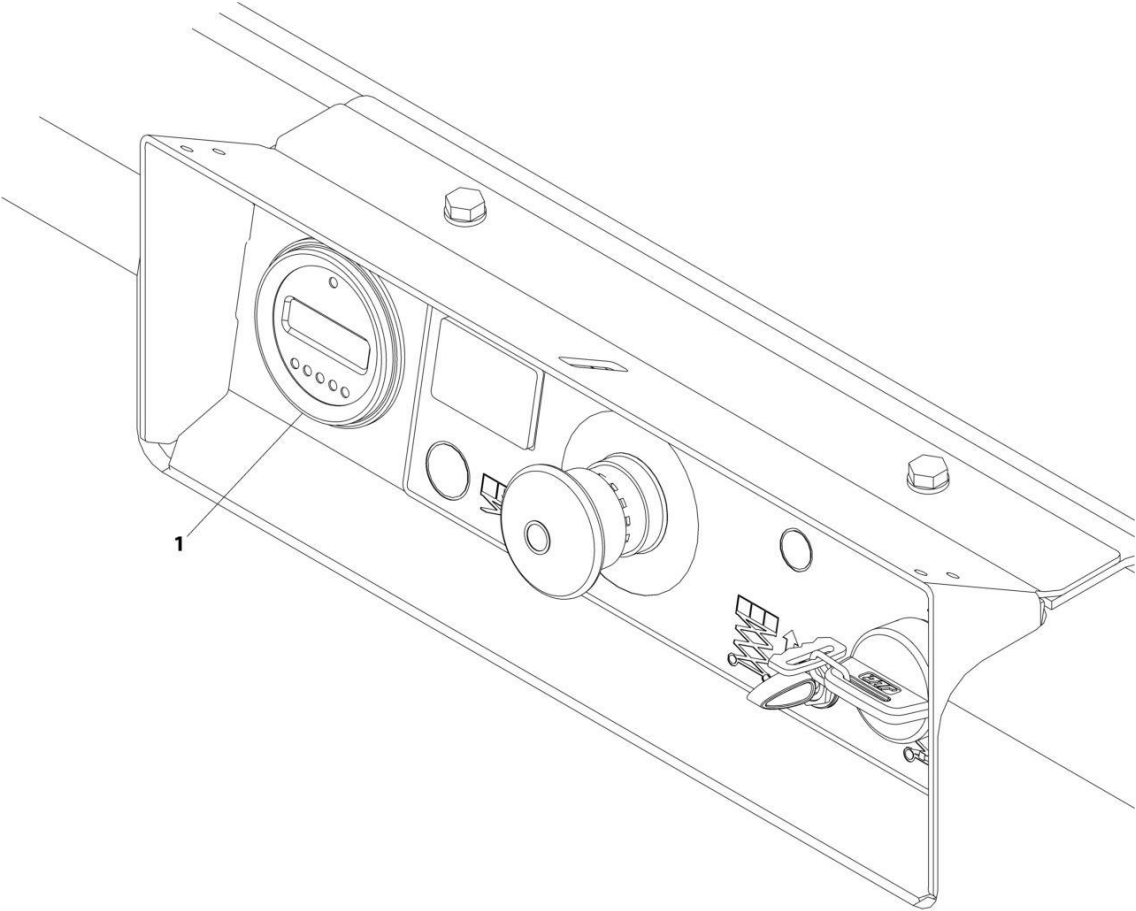
SECTION 2 - GROUND CONTROLS

FIGURE 2-6. ELECTRICAL COMPONENTS INSTALLATION - #2 (USA BUILT MACHINES)

| ITEM | PART NUMBER | QTY | DESCRIPTION | REV |
|------|-------------|-----|--|-----|
| | 1001239386 | Ref | ELECTRICAL COMPONENTS INSTALLATION | B |
| 1 | 0140043 | 1 | Alarm | |
| 2 | 0630587 | 2 | Bolt M6 x 25 | |
| 3 | 0700412 | 2 | Bolt M4 x 25 | |
| 4 | 3290405 | 2 | Nut M4 | |
| 5 | 3290605 | 2 | Nut M6 | |
| 6 | 3740150 | 1 | Relay | |
| 7 | 4240017 | AR | Tie-Strap (Not Shown) | |
| 8 | 4811700 | 2 | Washer M6 | |
| 9 | 1001091102 | 4 | Washer M4 | |
| 10 | 1001283410 | 1 | Chassis Harness with ClearSky (See Separate Breakdown in ELECTRICAL SECTION) | |

SECTION 2 - GROUND CONTROLS

FIGURE 2-7. MDI INSTALLATION



ART_1001207293

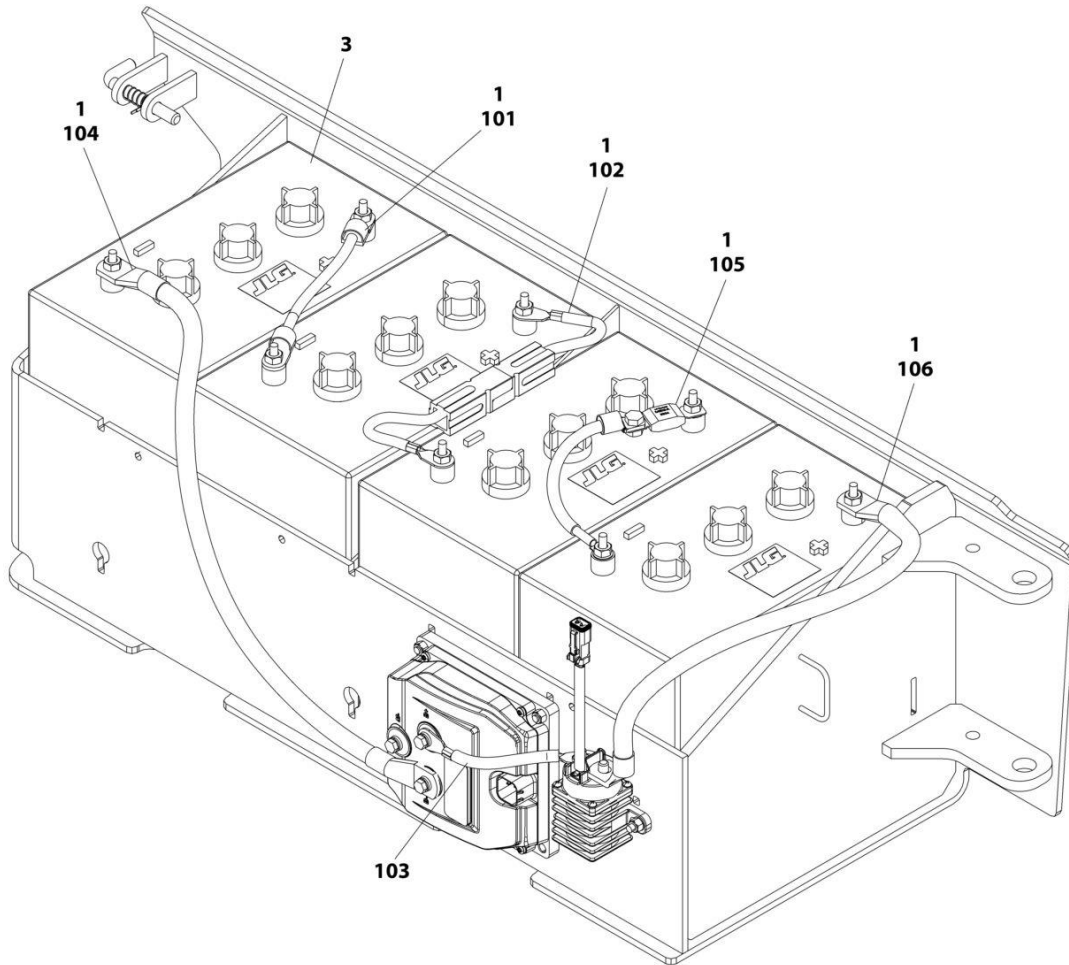
SECTION 2 - GROUND CONTROLS

FIGURE 2-7. MDI INSTALLATION

| ITEM | PART NUMBER | QTY | DESCRIPTION | REV |
|------|--------------------------|----------|--------------------------------|-----|
| 1 | 1001207293 1001200632 | Ref 1 | MDI INSTALLATION Gauge, MDI | B |

SECTION 2 - GROUND CONTROLS

FIGURE 2-8. BATTERIES INSTALLATION - STANDARD 6V-255AH



ART_1001235834

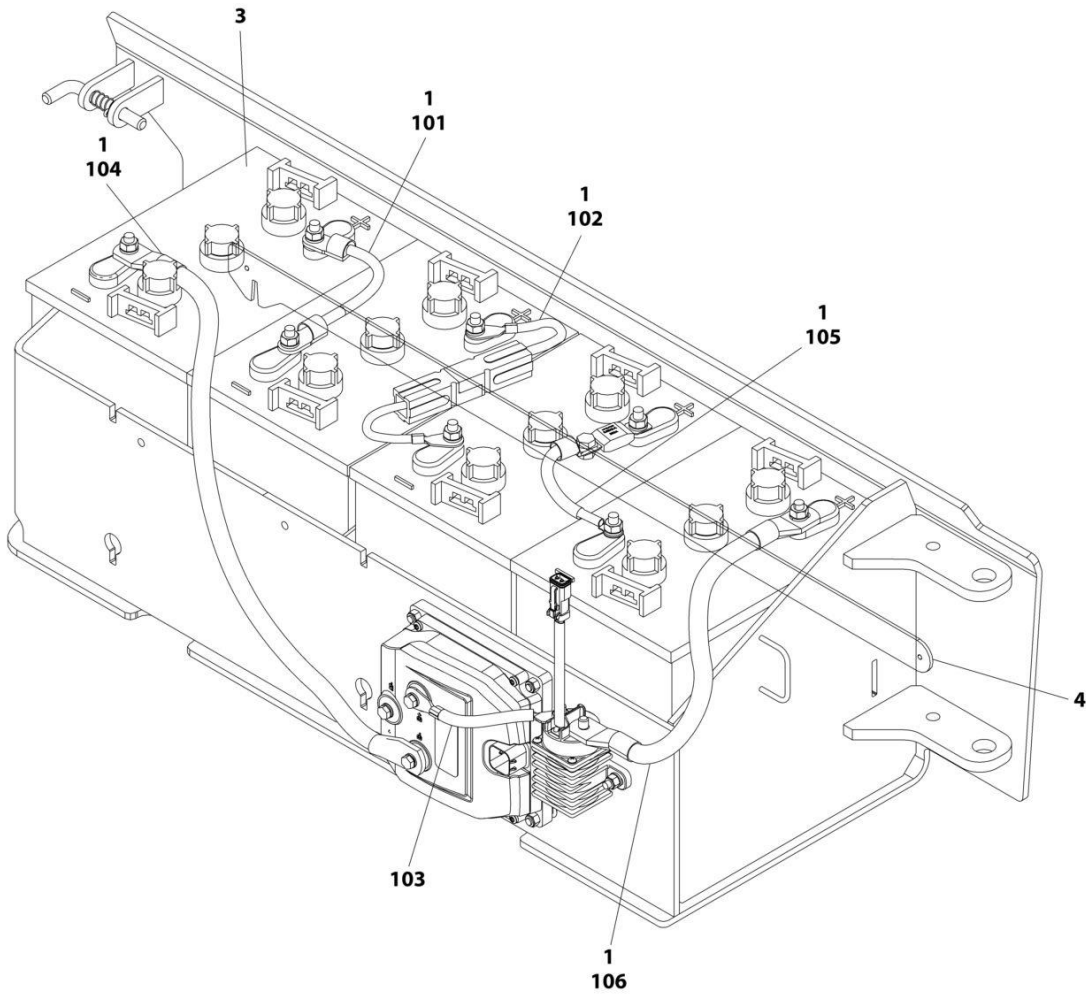
SECTION 2 - GROUND CONTROLS

FIGURE 2-8. BATTERIES INSTALLATION - STANDARD 6V-255AH

| ITEM | PART NUMBER | QTY | DESCRIPTION | REV |
|------|-------------|-----|--|-----|
| | 1001235834 | Ref | BATTERIES INSTALLATION | A |
| 1 | 0100051 | AR | Grease, Terminal | |
| 2 | 4240017 | AR | Tie-Strap (Not Shown) | |
| 3 | 1001235106 | 4 | Battery | |
| 100 | 1001228123 | 1 | Battery Cable Kit (Not Shown) | |
| 101 | 1060998 | 1 | Cable, Positive to Negative | |
| 102 | 4923328 | 1 | Cable, Positive to Negative | |
| 103 | 1001201708 | 1 | Cable, Contactor to Pump Control B+ | |
| 104 | 1001201711 | 1 | Cable, Battery Negative to Pump Control B- | |
| 105 | 1001210401 | 1 | Cable, Battery Fuse | |
| 106 | 1001229110 | 1 | Cable, Battery Positive to Contactor | |

SECTION 2 - GROUND CONTROLS

FIGURE 2-9. BATTERIES INSTALLATION - STANDARD 6V-220AH



ART_1001236632

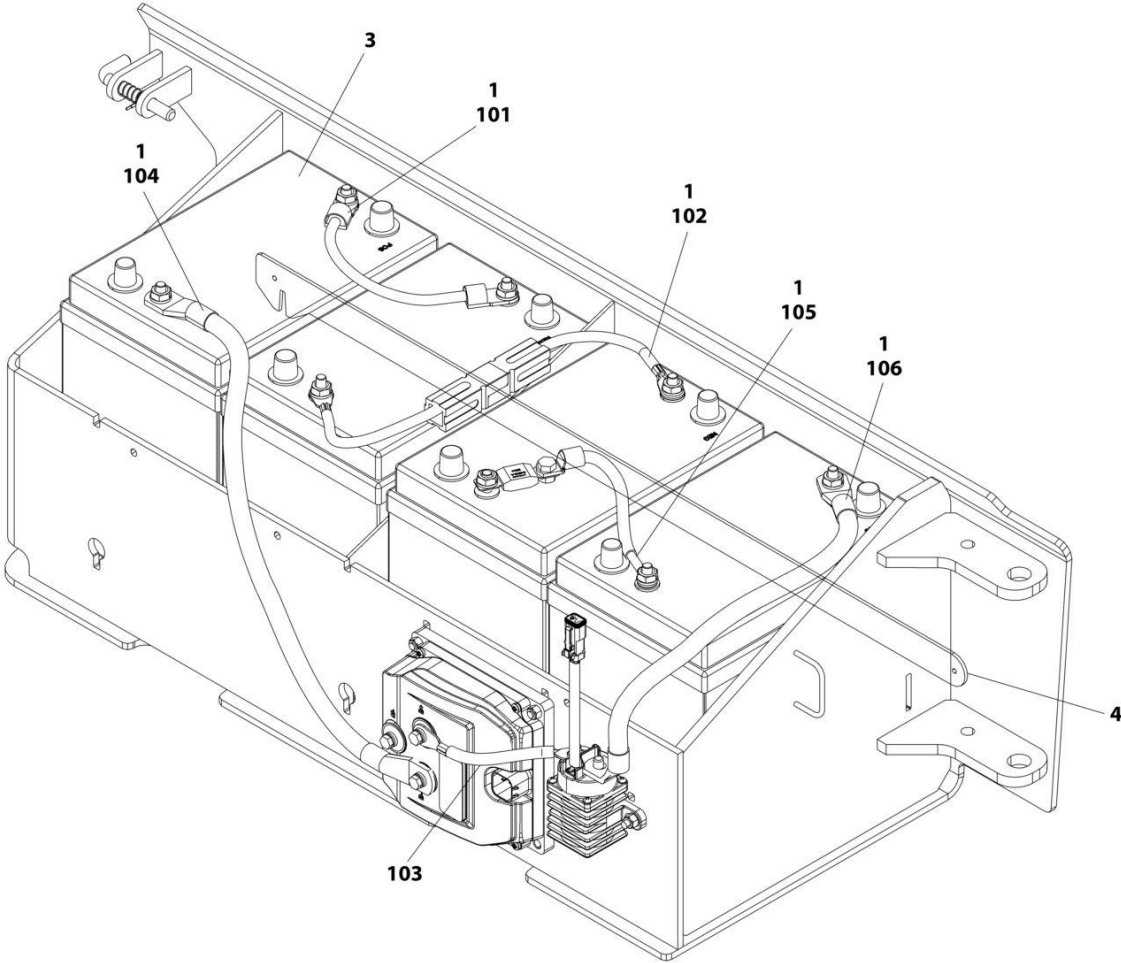
SECTION 2 - GROUND CONTROLS

FIGURE 2-9. BATTERIES INSTALLATION - STANDARD 6V-220AH

| ITEM | PART NUMBER | QTY | DESCRIPTION | REV |
|------|-------------|-----|--|-----|
| | 1001236632 | Ref | BATTERIES INSTALLATION | B |
| 1 | 0100051 | AR | Grease, Terminal | |
| 2 | 4240017 | AR | Tie-Strap (Not Shown) | |
| 3 | 1001216180 | 4 | Battery | |
| 4 | 1001239269 | 1 | Bar | |
| 100 | 1001228123 | 1 | Battery Cable Kit (Not Shown) | |
| 101 | 1060998 | 1 | Cable, Positive to Negative | |
| 102 | 4923328 | 1 | Cable, Positive to Negative | |
| 103 | 1001201708 | 1 | Cable, Contactor to Pump Control B+ | |
| 104 | 1001201711 | 1 | Cable, Battery Negative to Pump Control B- | |
| 105 | 1001210401 | 1 | Cable, Battery Fuse | |
| 106 | 1001229110 | 1 | Cable, Battery Positive to Contactor | |

SECTION 2 - GROUND CONTROLS

FIGURE 2-10. BATTERIES INSTALLATION - AGM 6V-220AH



ART_1001237989

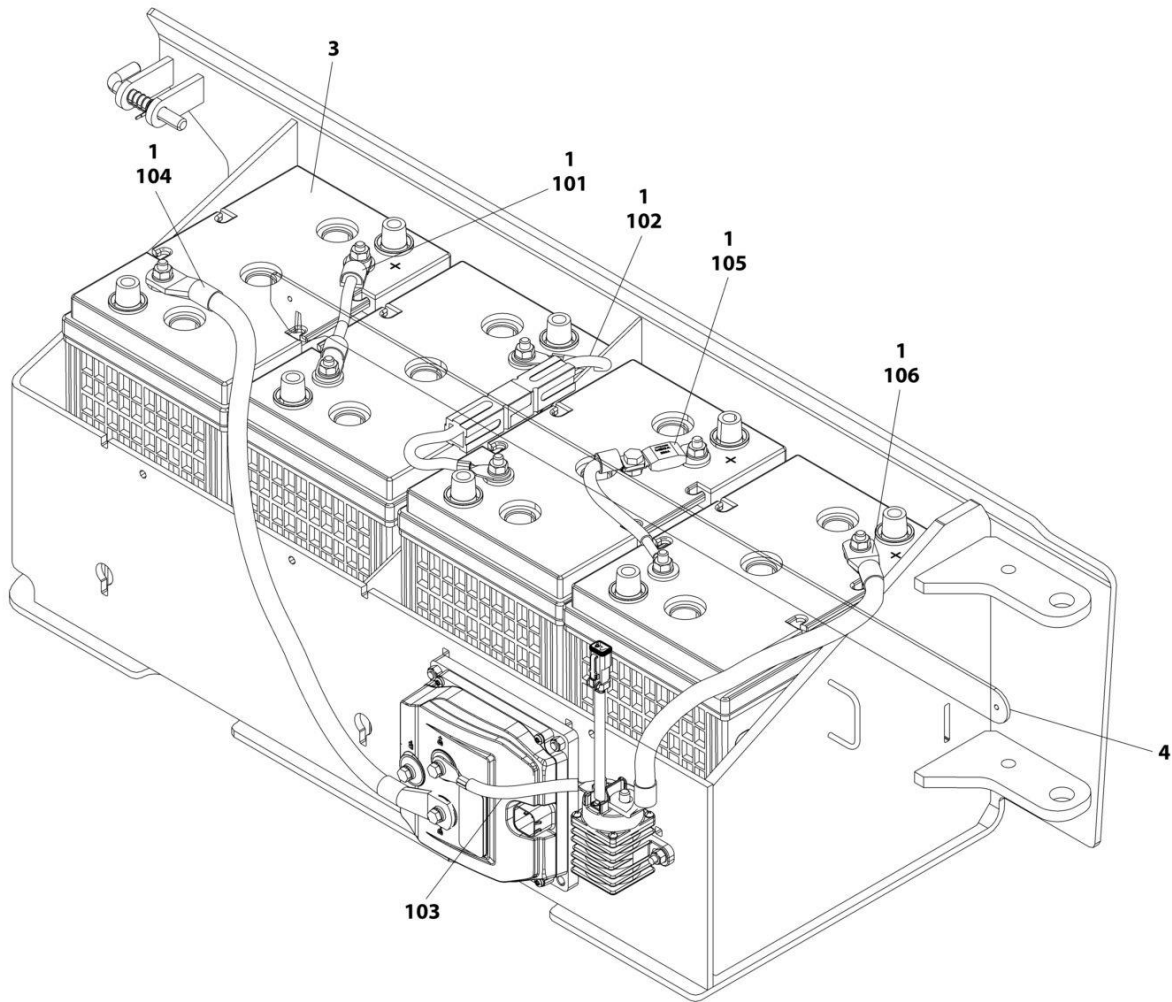
SECTION 2 - GROUND CONTROLS

FIGURE 2-10. BATTERIES INSTALLATION - AGM 6V-220AH

| ITEM | PART NUMBER | QTY | DESCRIPTION | REV |
|------|-------------|-----|--|-----|
| | 1001237989 | Ref | BATTERIES INSTALLATION | B |
| 1 | 0100051 | AR | Grease, Terminal | |
| 2 | 4240017 | AR | Tie-Strap (Not Shown) | |
| 3 | 1001112112 | 4 | Battery | |
| 4 | 1001239269 | 1 | Bar | |
| 100 | 1001228123 | 1 | Battery Cable Kit (Not Shown) | |
| 101 | 1060998 | 1 | Cable, Positive to Negative | |
| 102 | 4923328 | 1 | Cable, Positive to Negative | |
| 103 | 1001201708 | 1 | Cable, Contactor to Pump Control B+ | |
| 104 | 1001201711 | 1 | Cable, Battery Negative to Pump Control B- | |
| 105 | 1001210401 | 1 | Cable, Battery Fuse | |
| 106 | 1001229110 | 1 | Cable, Battery Positive to Contactor | |

SECTION 2 - GROUND CONTROLS

FIGURE 2-11. BATTERIES INSTALLATION - AGM EVCG 6V-220AH



ART_1001237991

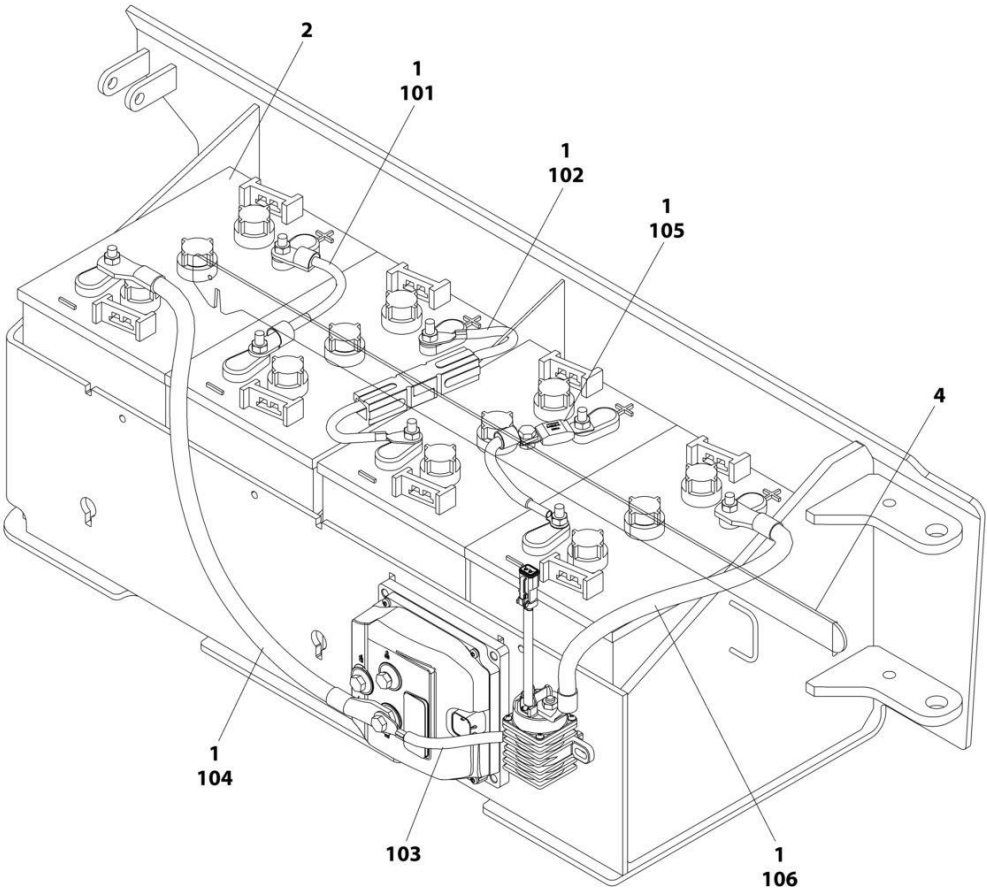
SECTION 2 - GROUND CONTROLS

FIGURE 2-11. BATTERIES INSTALLATION - AGM EVCG 6V-220AH

| ITEM | PART NUMBER | QTY | DESCRIPTION | REV |
|------|-------------|-----|--|-----|
| | 1001237991 | Ref | BATTERIES INSTALLATION | B |
| 1 | 0100051 | AR | Grease, Terminal | |
| 2 | 4240017 | AR | Tie-Strap (Not Shown) | |
| 3 | 1001214347 | 4 | Battery | |
| 4 | 1001239269 | 1 | Bar | |
| 100 | 1001228123 | 1 | Battery Cable Kit (Not Shown) | |
| 101 | 1060998 | 1 | Cable, Positive to Negative | |
| 102 | 4923328 | 1 | Cable, Positive to Negative | |
| 103 | 1001201708 | 1 | Cable, Contactor to Pump Control B+ | |
| 104 | 1001201711 | 1 | Cable, Battery Negative to Pump Control B- | |
| 105 | 1001210401 | 1 | Cable, Battery Fuse | |
| 106 | 1001229110 | 1 | Cable, Battery Positive to Contactor | |

SECTION 2 - GROUND CONTROLS

FIGURE 2-12. BATTERIES INSTALLATION - 6V-220AH (TROJAN)



ART_1001249054

SECTION 2 - GROUND CONTROLS

FIGURE 2-12. BATTERIES INSTALLATION - 6V-220AH (TROJAN)

| ITEM | PART NUMBER | QTY | DESCRIPTION | REV |
|------|-------------|-----|--|-----|
| | 1001249054 | Ref | BATTERIES INSTALLATION | B |
| 1 | 0100051 | AR | Grease, Terminal | |
| 2 | 1001258498 | 4 | Battery | |
| 3 | 4240017 | AR | Tie-Strap (Not Shown) | |
| 4 | 1001239269 | 1 | Bar | |
| 100 | 1001228123 | 1 | Battery Cable Kit (Not Shown) | |
| 101 | 1060998 | 1 | Cable, Positive to Negative | |
| 102 | 4923328 | 1 | Cable, Positive to Negative | |
| 103 | 1001201708 | 1 | Cable, Contactor to Pump Control B+ | |
| 104 | 1001201711 | 1 | Cable, Battery Negative to Pump Control B- | |
| 105 | 1001210401 | 1 | Cable, Battery Fuse | |
| 106 | 1001229110 | 1 | Cable, Battery Positive to Contactor | |

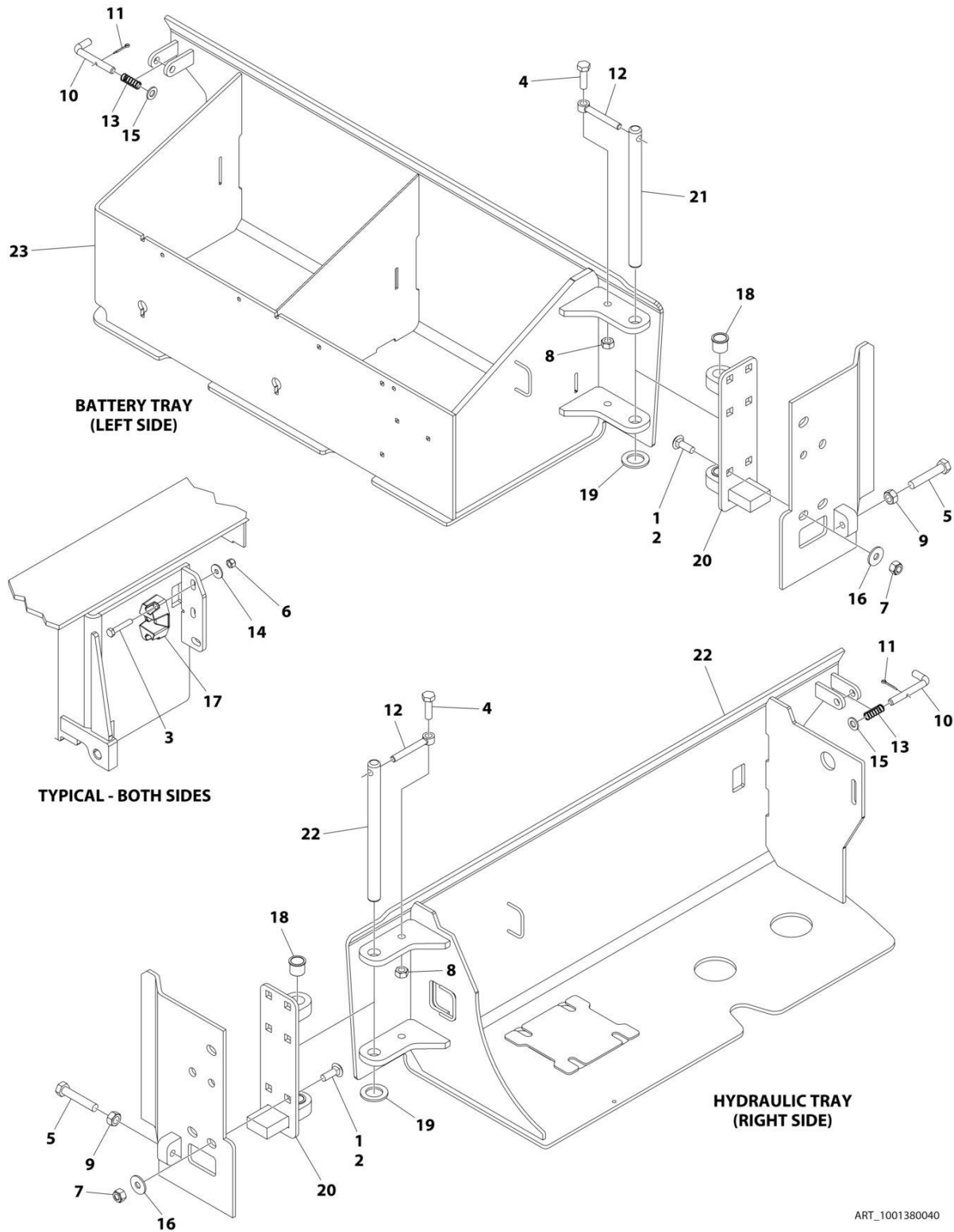
SECTION 2 - GROUND CONTROLS

FIGURE 2-13. INVERTER INSTALLATION (OPTIONAL)

| ITEM | PART NUMBER | QTY | DESCRIPTION | REV |
|------|-------------|-----|---|-----|
| | 1001236132 | Ref | INVERTER INSTALLATION (OPTIONAL) | B |
| 1 | 0630587 | 4 | Bolt M6 x 25 | |
| 2 | 0760610 | 3 | Bolt M6 x 20 | |
| 3 | 1321293 | 3 | Clamp | |
| 4 | 3290405 | 3 | Nut M4 | |
| 5 | 3290605 | 7 | Nut M6 | |
| 6 | 3740150 | 1 | Relay | |
| 7 | 4240017 | AR | Tie-Strap | |
| 8 | 4360336 | 1 | Switch, Toggle | |
| 9 | 4811400 | 3 | Washer M4 | |
| 10 | 4811700 | 8 | Washer M6 | |
| 11 | 1001101540 | 3 | Screw M4 x 14 | |
| 12 | 1001125483 | 1 | Decal - Pressure Wash | |
| 13 | 1001136757 | 1 | Inverter | |
| 14 | 1001142173 | 1 | Insulate | |
| 15 | 1001142174 | 3 | Washer 1/8 | |
| 16 | 1001143009 | 1 | Decal - Inverter | |
| 17 | 1001143010 | 1 | Decal - On/Off Inverter | |
| 18 | 1001157547 | 1 | Filter, AC | |
| 19 | 1001210440 | 1 | Support | |
| 20 | 1001210605 | 1 | Support | |
| 21 | 1001210878 | 1 | Cable, Battery + to Inverter Contactor | |
| 22 | 1001210879 | 1 | Cable, Inverter Contactor to Inverter + | |
| 23 | 1001210881 | 1 | Cable, Inverter to AC Filter | |
| 24 | 1001210882 | 1 | Cable, AC Filter to AC Plug | |
| 25 | 1001210967 | 1 | Cable, Pump Control B- to Inverter | |
| 26 | 1001235954 | 1 | Inverter Harness | |
| 26 | 4460897 | 2 | Receptacle, Female - 2 Position | |
| 26 | 4460464 | 3 | Pin, Male | |
| 26 | 4460466 | 1 | Plug, Terminal | |
| 26 | 4460418 | 1 | Plug, Male - 6 Position | |
| 26 | 4460419 | 2 | Terminal | |

SECTION 2 - GROUND CONTROLS

FIGURE 2-14. DOORS INSTALLATION



ART_1001380040

SECTION 2 - GROUND CONTROLS

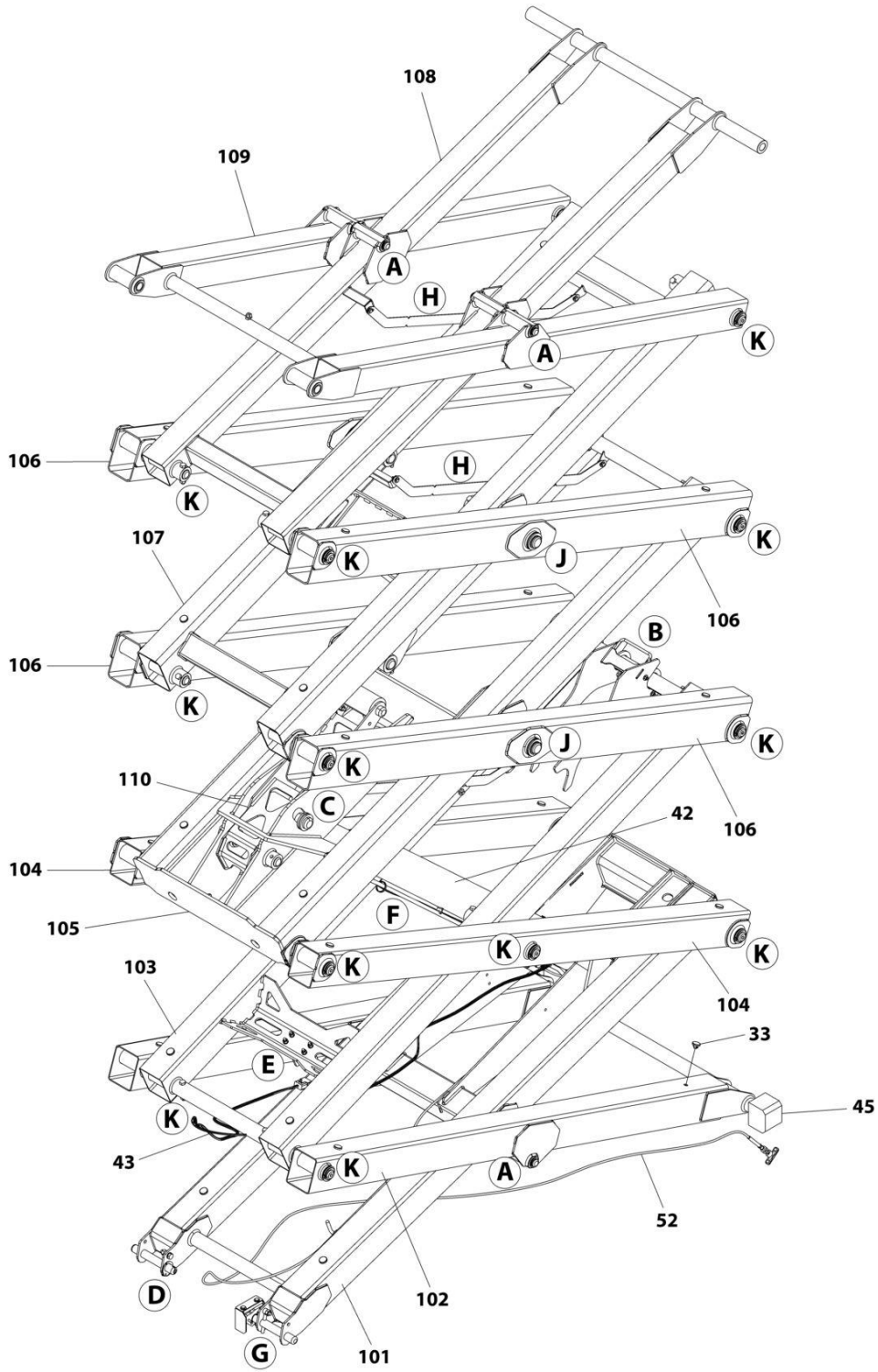
FIGURE 2-14. DOORS INSTALLATION

| ITEM | PART NUMBER | QTY | DESCRIPTION | REV |
|------|-------------|-----|------------------------|-----|
| | 1001380040 | Ref | DOORS INSTALLATION | B |
| 1 | 0100011 | AR | Compound, Locking | |
| 2 | 0630613 | 10 | Bolt M10 x 30 | |
| 3 | 0700817 | 4 | Bolt M8 x 45 | |
| 4 | 0701015 | 2 | Bolt M10 x 35 | |
| 5 | 0761221 | 2 | Bolt M12 x 65 | |
| 6 | 3290805 | 4 | Nut M8 | |
| 7 | 3291005 | 10 | Nut M10 | |
| 8 | 3291007 | 2 | Nut M10 | |
| 9 | 3291201 | 2 | Nut M12 | |
| 10 | 3423243 | 2 | Pin | |
| 11 | 3450303 | 2 | Pin, Cotter 3/32 x 3/4 | |
| 12 | 3841143 | 2 | Keeper, Pin | |
| 13 | 4160214 | 2 | Spring | |
| 14 | 4811902 | 4 | Washer M8 | |
| 15 | 4812000 | AR | Washer M10 | |
| 16 | 4812002 | 10 | Washer M10 | |
| 17 | 1001214810 | 2 | Support | |
| 18 | 1001218573 | 4 | Bearing | |
| 19 | 1001229792 | 2 | Washer | |
| 20 | 1001234858 | 2 | Hinge | |
| 21 | 1001234862 | 2 | Pin | |
| 22 | 1001380041 | 1 | Tray, Hydraulic | |
| 23 | 1001380042 | 1 | Tray, Battery | |

SECTION 3 - SCISSORS ARMS

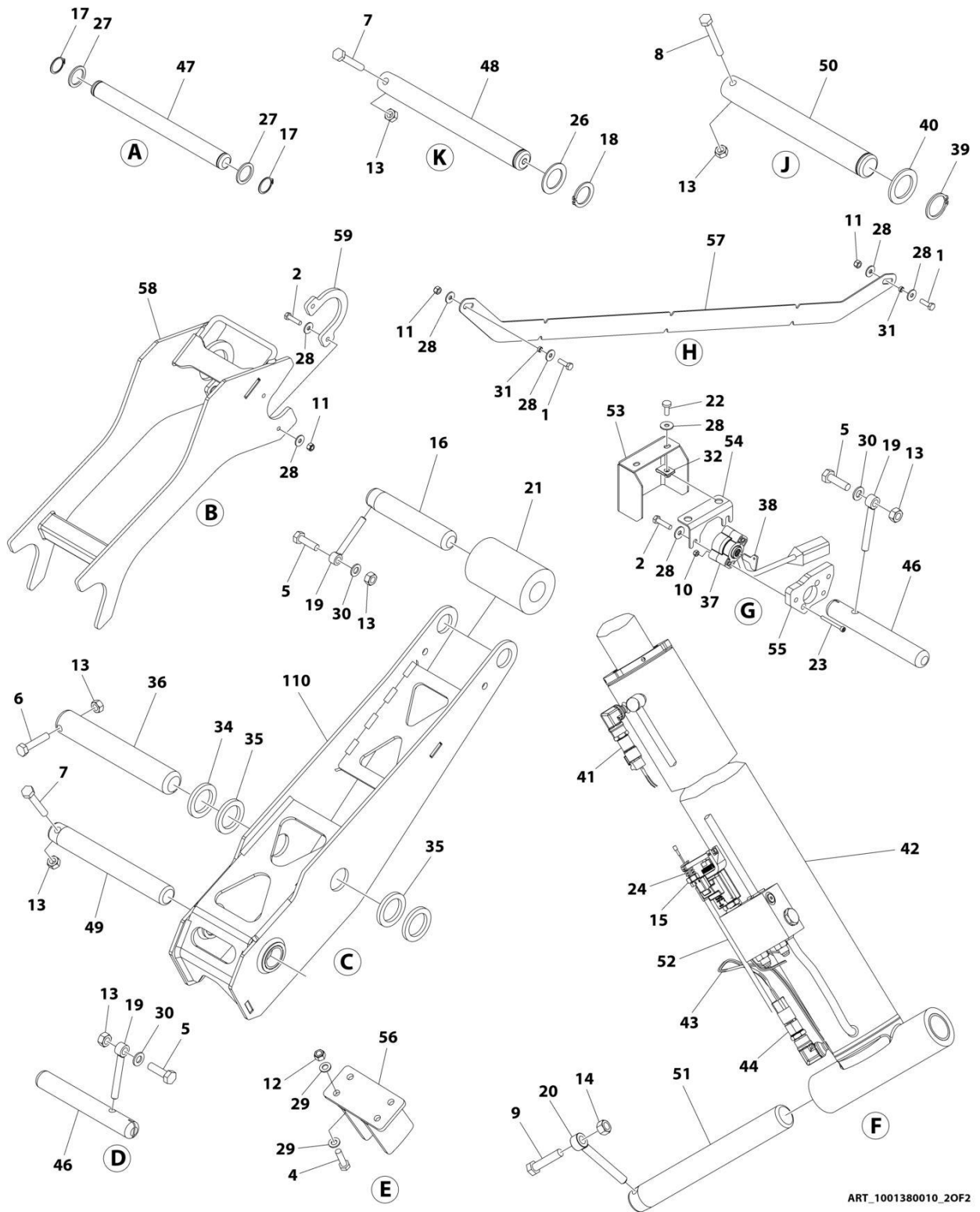
SECTION 3 - SCISSORS ARMS

FIGURE 3-1. SCISSORS ARMS INSTALLATION



ART_1001380010_10F2

SECTION 3 - SCISSORS ARMS



ART_1001380010_20F2

SECTION 3 - SCISSORS ARMS

FIGURE 3-1. SCISSORS ARMS INSTALLATION

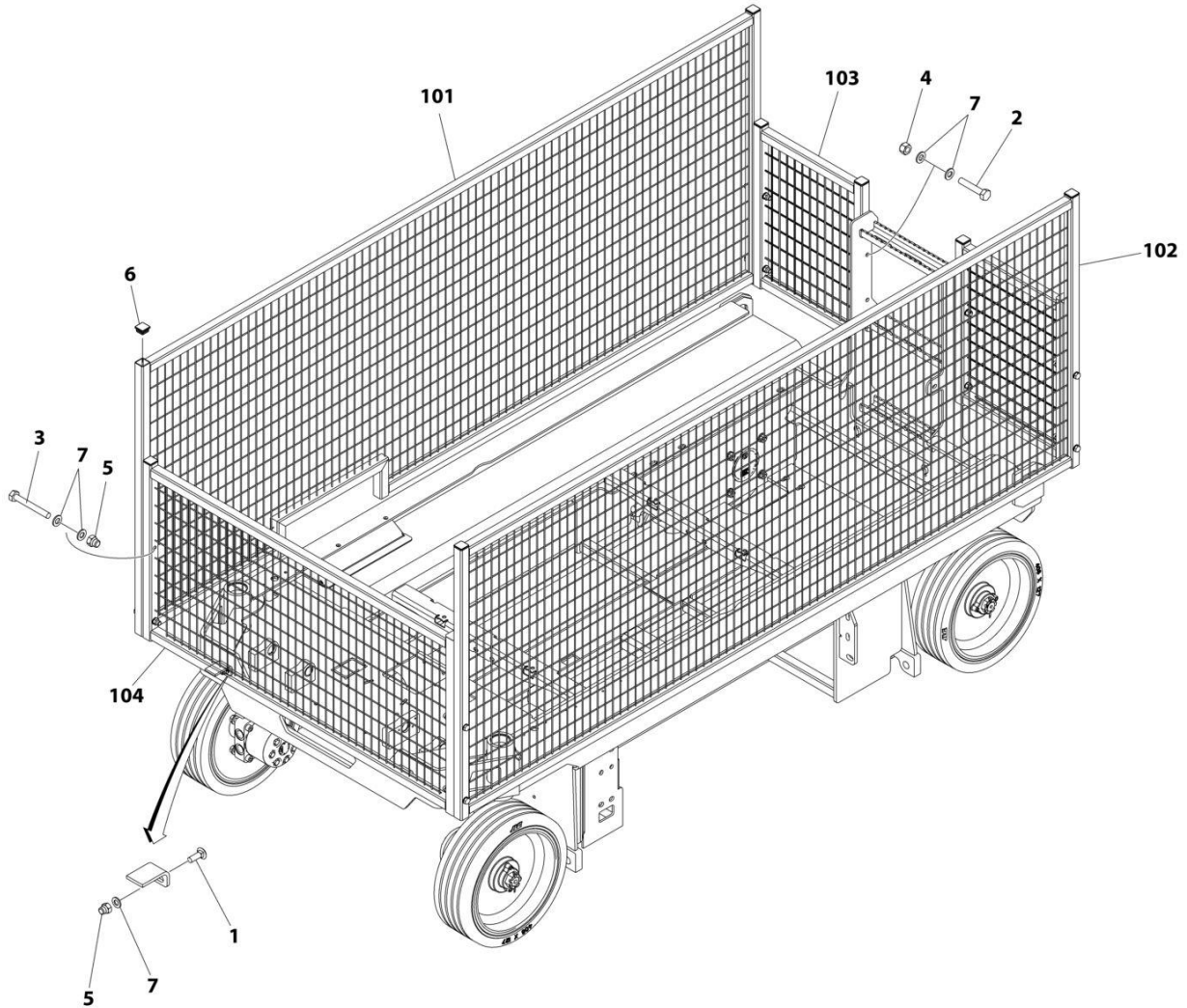
| ITEM | PART NUMBER | QTY | DESCRIPTION | REV |
|------|-------------|-----|---|-----|
| | 1001380010 | Ref | SCISSORS ARMS INSTALLATION | D |
| 1 | 0700610 | 6 | Bolt M6 x 20 | |
| 2 | 0700612 | 7 | Bolt M6 x 25 | |
| 4 | 0700814 | 4 | Bolt M8 x 30 | |
| 5 | 0701015 | 3 | Bolt M10 x 35 | |
| 6 | 0701018 | 1 | Bolt M10 x 50 | |
| 7 | 0701021 | 19 | Bolt M10 x 65 | |
| 8 | 0701024 | 4 | Bolt M10 x 80 | |
| 9 | 0701219 | 1 | Bolt M12 x 55 | |
| 10 | 3290405 | 2 | Nut M4 | |
| 11 | 3290605 | 10 | Nut M6 | |
| 12 | 3290805 | 4 | Nut M8 | |
| 13 | 3291007 | 27 | Nut M10 | |
| 14 | 3291207 | 1 | Nut M12 | |
| 15 | 3321402 | 1 | Nut 1/4 | |
| 16 | 3422998 | 1 | Pin | |
| 17 | 3760115 | 8 | Ring, Retaining | |
| 18 | 3760387 | 18 | Ring, Retaining | |
| 19 | 3841143 | 3 | Keeper, Pin | |
| 20 | 3841203 | 1 | Keeper, Pin | |
| 21 | 3860104 | 1 | Roller | |
| 22 | 4010608 | 2 | Screw M6 x 16 | |
| 23 | 4031512 | 2 | Capscrew M4 x 40 | |
| 24 | 4160078 | 1 | Spring | |
| 25 | 4240017 | AR | Tie-Strap (Not Shown) | |
| 26 | 4740438 | 18 | Washer | |
| 27 | 4740531 | 8 | Washer | |
| 28 | 4811702 | 25 | Washer M6 | |
| 29 | 4811900 | 8 | Washer M8 | |
| 30 | 4812000 | 3 | Washer M10 | |
| 31 | 1001128888 | 6 | Washer | |
| 32 | 1001130220 | 2 | Nut Tinnerman M6 | |
| 33 | 1001137675 | 32 | Bumper | |
| 34 | 1001139000 | 1 | Plate | |
| 35 | 1001139002 | 2 | Pad | |
| 36 | 1001139003 | 1 | Pin | |
| 37 | 1001146963 | 1 | Sensor, Angle | |
| 38 | 1001205345 | 1 | Key | |
| 39 | 1001214689 | 4 | Ring, Retaining | |
| 40 | 1001217457 | 4 | Washer | |
| 41 | 1001225164 | 1 | Sensor, Pressure Transducer | |
| 42 | 1001244417 | 1 | Lift Cylinder Assembly (See Separate Breakdown in CYLINDER SECTION) | |
| 43 | 1001233795 | 1 | Lift Down Harness (See Separate Breakdown in ELECTRICAL SECTION) | |
| 44 | 1001235104 | 1 | Sensor, Pressure Transducer | |
| 45 | 1001247707 | 1 | Block, Side | |
| 46 | 1001236165 | 2 | Pin | |
| 47 | 1001236167 | 4 | Pin | |
| 48 | 1001236169 | 18 | Pin | |

SECTION 3 - SCISSORS ARMS

| ITEM | PART NUMBER | QTY | DESCRIPTION | REV |
|------|-------------|-----|--------------------------------|-----|
| 49 | 1001236170 | 1 | Pin | |
| 50 | 1001236171 | 4 | Pin | |
| 51 | 1001236172 | 1 | Pin | |
| 52 | 1001236269 | 1 | Cable, Manual Descent | |
| 53 | 1001236486 | 1 | Cover | |
| 54 | 1001236487 | 1 | Plate | |
| 55 | 1001236488 | 1 | Plate | |
| 56 | 1001243348 | 1 | Adapter | |
| 57 | 1001237824 | 3 | Plate | |
| 58 | 1001238684 | 1 | Arm, Prop | |
| 59 | 1001239479 | 2 | Plate | |
| 100 | 1001236348 | 1 | Arm Kit | |
| 101 | 1001241662 | 1 | Arm - Inner 1 | |
| 101 | 0440264 | 4 | Bearing (Not Shown) | |
| 102 | 1001241663 | 1 | Arm - Outer 1 | |
| 102 | 0440264 | 4 | Bearing - 1 ID (Not Shown) | |
| 102 | 0440265 | 4 | Bearing - 1-1/4 ID (Not Shown) | |
| 103 | 1001241664 | 1 | Arm - Inner 2 | |
| 104 | 1001241665 | 1 | Arm - Outer 2 | |
| 104 | 0440265 | 6 | Bearing (Not Shown) | |
| 105 | 1001241666 | 1 | Arm - Inner 3 | |
| 106 | 1001241667 | 2 | Arm - Outer 3 and Outer 4 | |
| 106 | 0440265 | 4 | Bearing - 1-1/4 ID (Not Shown) | |
| 106 | 0962272 | 4 | Bearing - 1-1/2 ID (Not Shown) | |
| 107 | 1001241668 | 1 | Arm - Inner 4 | |
| 108 | 1001241669 | 1 | Arm - Inner 5 | |
| 108 | 0440264 | 4 | Bearing (Not Shown) | |
| 109 | 1001241670 | 1 | Arm - Outer 5 | |
| 109 | 0440264 | 4 | Bearing - 1 ID (Not Shown) | |
| 109 | 0440265 | 4 | Bearing - 1-1/4 ID (Not Shown) | |
| 110 | 1001241671 | 1 | Kicker | |
| 110 | 0440265 | 2 | Bearing (Not Shown) | |

SECTION 3 - SCISSORS ARMS

FIGURE 3-2. ARMS GUARD INSTALLATION



ART_1001380024

SECTION 3 - SCISSORS ARMS

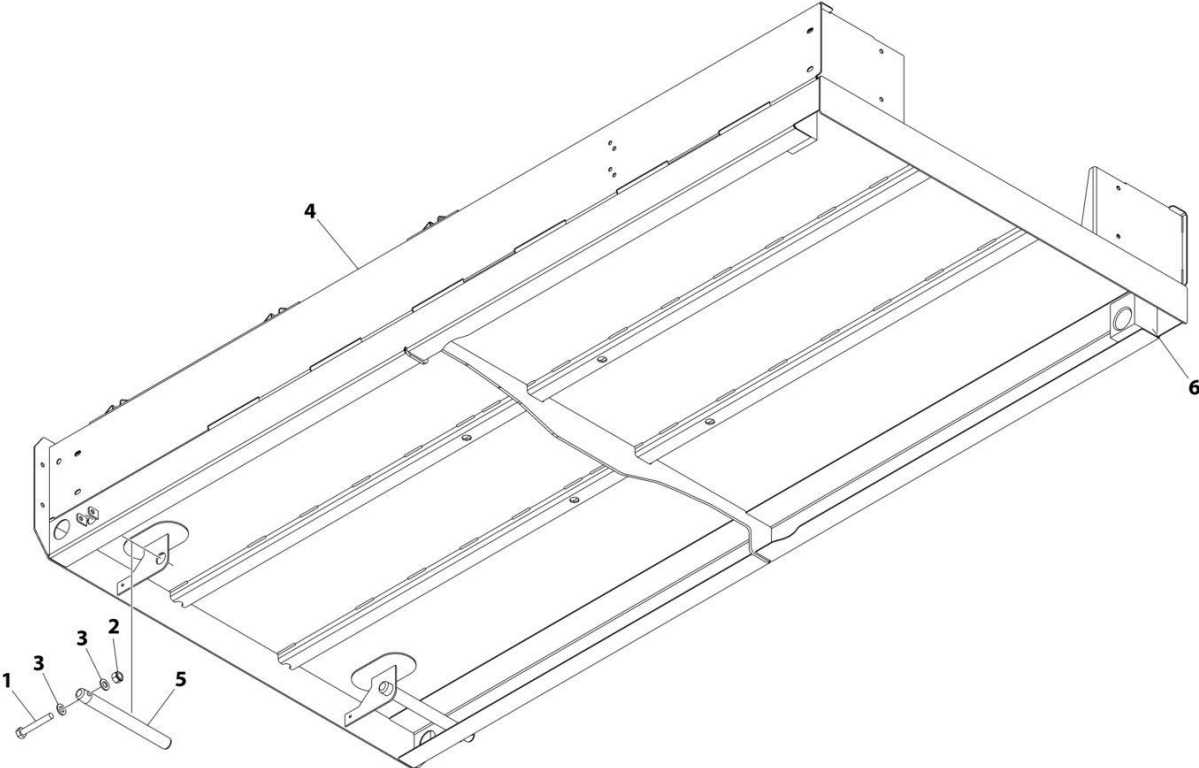
FIGURE 3-2. ARMS GUARD INSTALLATION

| ITEM | PART NUMBER | QTY | DESCRIPTION | REV |
|------|-------------|-----|---------------------------|-----|
| | 1001380024 | Ref | ARM GUARD INSTALLATION | A |
| 1 | 0630613 | 2 | Bolt M10 x 30 | |
| 2 | 0701019 | 4 | Bolt M10 x 55 | |
| 3 | 0701024 | 8 | Bolt M10 x 80 | |
| 4 | 3291005 | 4 | Nut M10 | |
| 5 | 3291006 | 10 | Nut M10 | |
| 6 | 3520072 | 10 | Plug | |
| 7 | 4812000 | 26 | Washer M10 | |
| 100 | 1001239943 | 1 | Arm Guard Kit (Not Shown) | |
| 101 | 1001239892 | 1 | Guard, Arm (RH) | |
| 102 | 1001239894 | 1 | Guard, Arm (LH) | |
| 103 | 1001239899 | 2 | Guard, Arm (Rear) | |
| 104 | 1001239904 | 1 | Guard, Arm (Front) | |

SECTION 4 - PLATFORM

SECTION 4 - PLATFORM

FIGURE 4-1. PLATFORM INSTALLATION



ART_1001234380

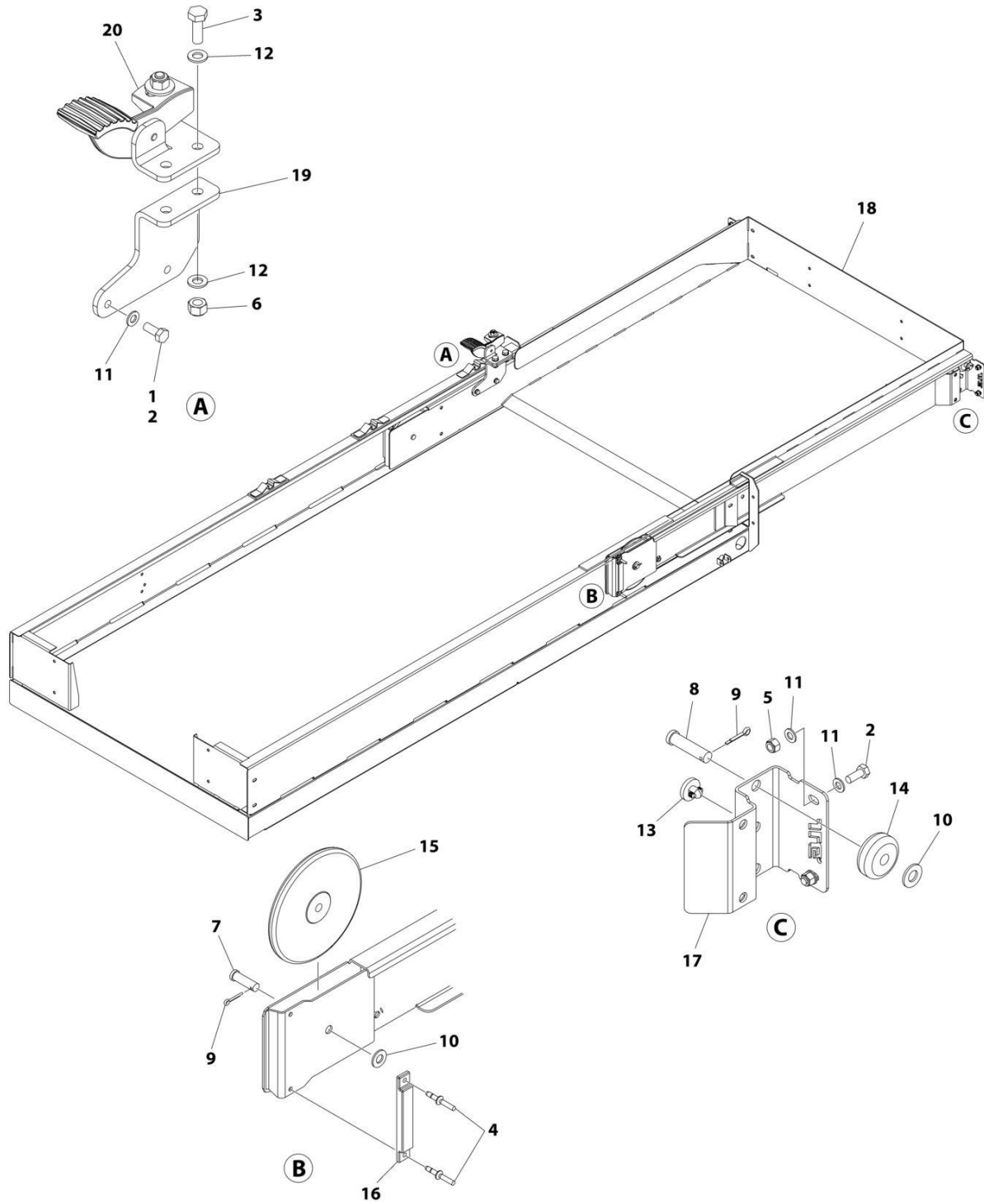
SECTION 4 - PLATFORM

FIGURE 4-1. PLATFORM INSTALLATION

| ITEM | PART NUMBER | QTY | DESCRIPTION | REV |
|------|-------------|-----|---|-----|
| | 1001234380 | Ref | PLATFORM INSTALLATION | C |
| 1 | 0700819 | 2 | Bolt M8 x 55 | |
| 2 | 3290805 | 2 | Nut M8 | |
| 3 | 4811900 | 4 | Washer M8 | |
| 4 | 1001234336 | 1 | Platform | |
| 5 | 1001235590 | 2 | Pin | |
| 6 | 1001235592 | NLA | Block, Slide (Use p/n 1001247706) (Prior to SN B200053681) | |
| 6 | 1001247706 | 2 | Block, Slide (SN B200053681 to Present) | |

SECTION 4 - PLATFORM

FIGURE 4-2. PLATFORM EXTENSION INSTALLATION



ART_1001234381

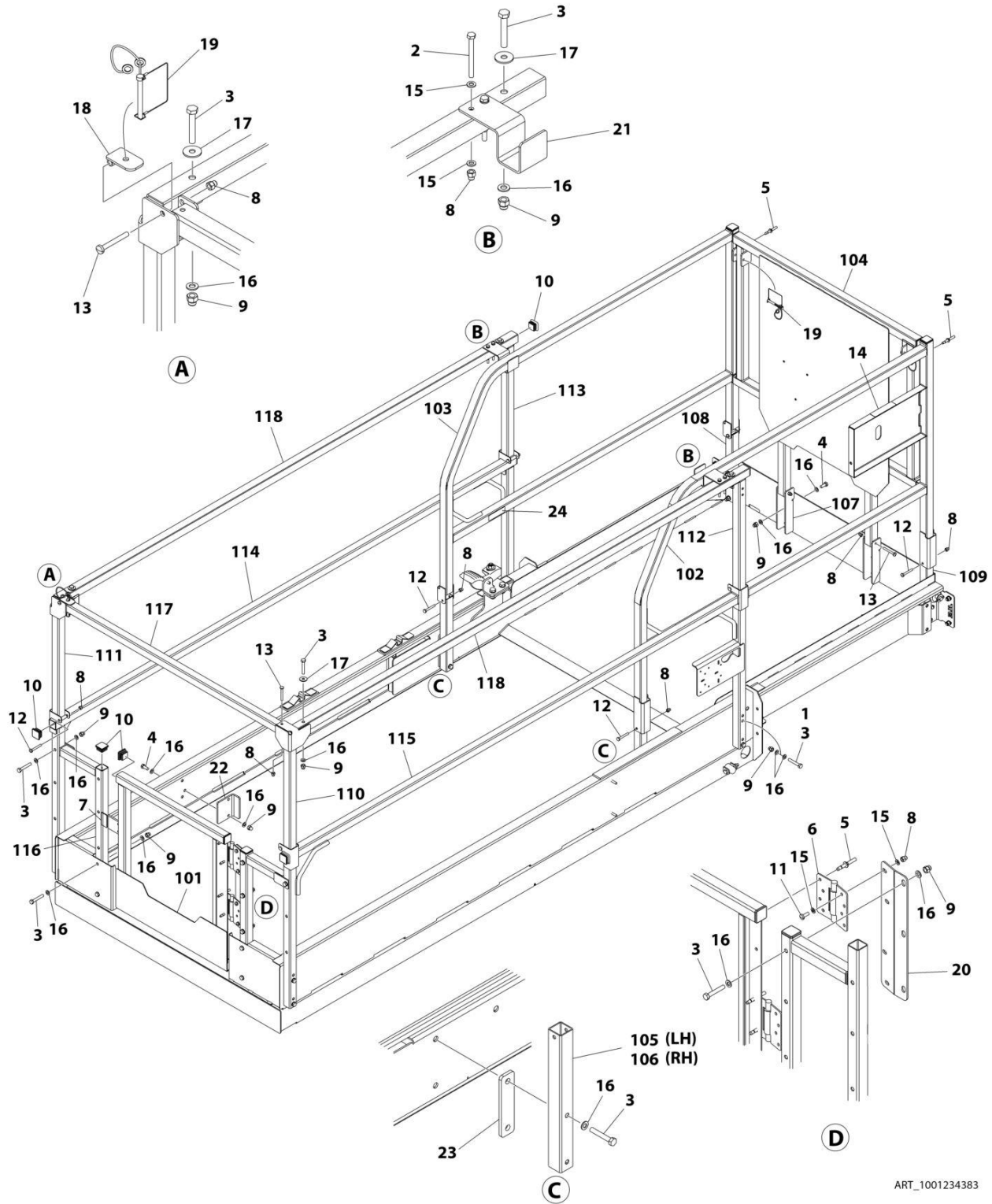
SECTION 4 - PLATFORM

FIGURE 4-2. PLATFORM EXTENSION INSTALLATION

| ITEM | PART NUMBER | QTY | DESCRIPTION | REV |
|------|-------------|-----|---------------------------------|-----|
| | 1001234381 | Ref | PLATFORM EXTENSION INSTALLATION | C |
| 1 | 0100011 | AR | Compound, Locking | |
| 2 | 0760810 | 6 | Bolt M8 x 20 | |
| 3 | 0761014 | 2 | Bolt M10 x 30 | |
| 4 | 2080040 | 4 | Fastener | |
| 5 | 3290805 | 4 | Nut M8 | |
| 6 | 3291005 | 2 | Nut M10 | |
| 7 | 3430813 | 2 | Pin | |
| 8 | 3430816 | 2 | Pin | |
| 9 | 3450403 | 4 | Pin, Cotter | |
| 10 | 4711800 | 4 | Washer 1/2 | |
| 11 | 4811900 | 10 | Washer M8 | |
| 12 | 4812000 | 4 | Washer M10 | |
| 13 | 1001137675 | 2 | Bumper | |
| 14 | 1001205422 | 2 | Roller (Front) | |
| 15 | 1001205430 | 2 | Roller (Rear) | |
| 16 | 1001208852 | 2 | Pad | |
| 17 | 1001210064 | 2 | Support | |
| 18 | 1001213470 | 1 | Extension, Platform | |
| 19 | 1001213838 | 1 | Latch Assembly | |
| 20 | 1001234407 | 1 | Bracket | |

SECTION 4 - PLATFORM

FIGURE 4-3. RAILS INSTALLATION (SIDE BY SIDE)



ART_1001234383

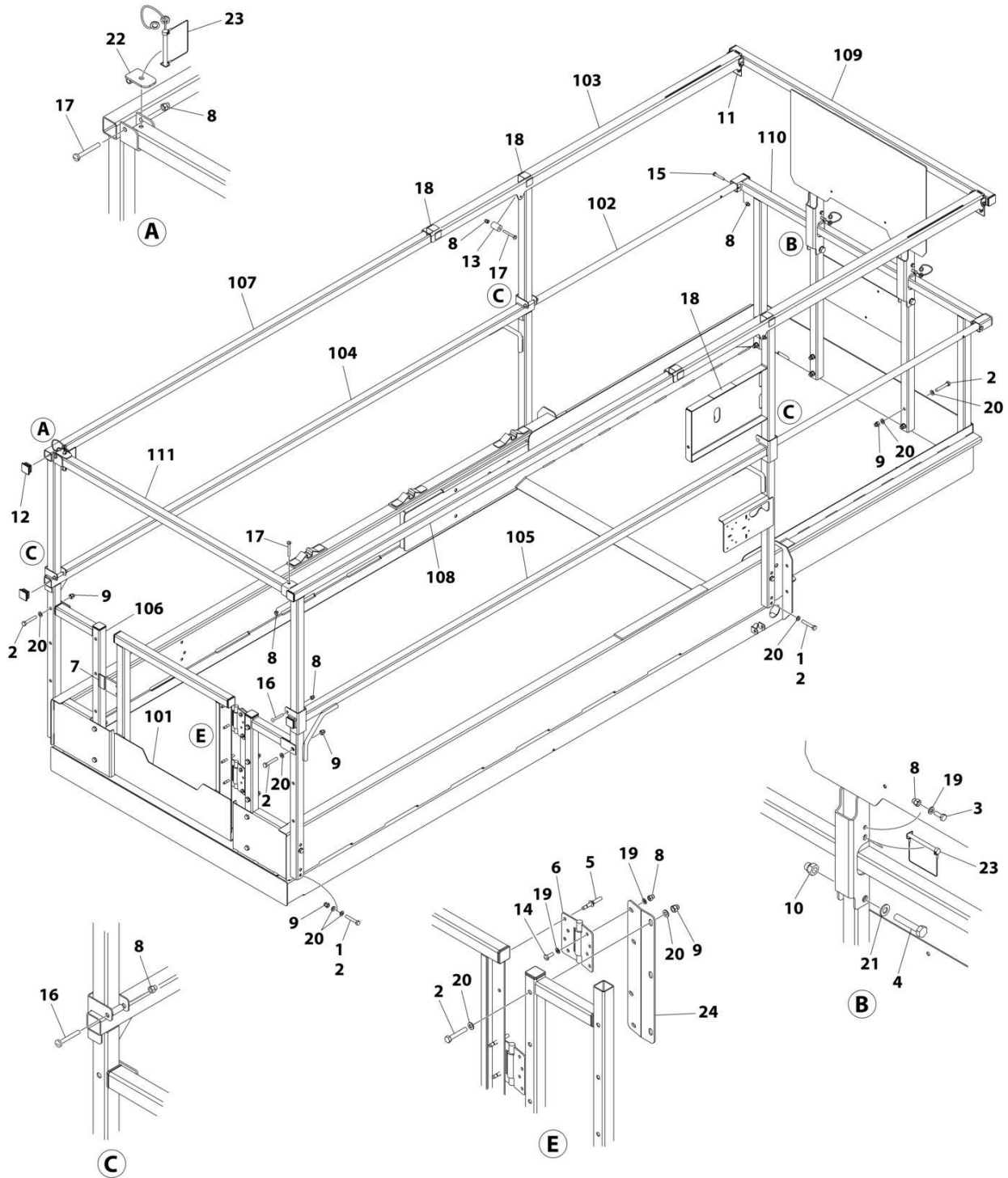
SECTION 4 - PLATFORM

FIGURE 4-3. RAILS INSTALLATION (SIDE BY SIDE)

| ITEM | PART NUMBER | QTY | DESCRIPTION | REV |
|------|-------------|------------|-----------------------------------|-----|
| | 1001234383 | Ref | RAILS INSTALLATION (SIDE BY SIDE) | G |
| 1 | 0100011 | AR | Compound, Locking | |
| 2 | 0700621 | AR | Bolt M6 x 65 | |
| 2 | 0700618 | AR | Bolt M6 x 50 | |
| 3 | 0700818 | 29 | Bolt M8 x 50 | |
| 4 | 0760810 | 6 | Bolt M8 x 20 | |
| 5 | 2080040 | 6 | Fastener | |
| 6 | 2600281 | 2 | Hinge | |
| 7 | 3080007 | 1 | Magnet, Gate | |
| 8 | 3290606 | 20 | Nut M6 | |
| 9 | 3290806 | 31 | Nut M8 | |
| 10 | 3520072 | 18 | Plug | |
| 11 | 4010608 | 4 | Screw M6 x 16 | |
| 12 | 4010617 | 8 | Screw M6 x 45 | |
| 13 | 4010618 | 4 | Screw M6 x 50 | |
| 14 | 4420062 | 4 in/ 10cm | Tape | |
| 15 | 4811700 | 16 | Washer M6 | |
| 16 | 4811900 | 66 | Washer M8 | |
| 17 | 4811902 | 4 | Washer M8 | |
| 18 | 1001154378 | 1 | Bracket | |
| 19 | 1001187587 | 3 | Pin, Snap with Lanyard | |
| 20 | 1001210586 | 1 | Support | |
| 21 | 1001237911 | 2 | Bracket | |
| 22 | 1001232622 | 1 | Bracket | |
| 23 | 1001235287 | 2 | Plate | |
| 24 | 1704277 | 2 | Decal - Lanyard Attach Graphic | |
| 100 | 1001235960 | 1 | Rail Kit (Not Shown) | |
| 101 | 1001210302 | 1 | Gate | |
| 102 | 1001213915 | 1 | Rail, Extension Side (RH) | |
| 103 | 1001213916 | 1 | Rail, Extension Side (LH) | |
| 104 | 1001213931 | 1 | Rail, Extension Front | |
| 105 | 1001222861 | 1 | Tube Rail (Lower LH) | |
| 106 | 1001222869 | 1 | Tube Rail (Lower RH) | |
| 107 | 1001223053 | 2 | Bracket | |
| 108 | 1001223165 | 1 | Tube, Extension (Lower LH) | |
| 109 | 1001223166 | 1 | Tube, Extension (Lower RH) | |
| 110 | 1001229739 | 1 | Rail Rear (Upper RH) | |
| 111 | 1001229740 | 1 | Rail Rear (Upper LH) | |
| 112 | 1001229741 | 1 | Rail Front (Upper RH) | |
| 113 | 1001229742 | 1 | Rail Front (Upper LH) | |
| 114 | 1001234006 | 1 | Rail Rear (Lower LH) | |
| 115 | 1001234007 | 1 | Rail Rear (Lower RH) | |
| 116 | 1001234008 | 2 | Rail, Gate Mount | |
| 117 | 1001234268 | 1 | Tube, Rear Top | |
| 118 | 1001235286 | 2 | Rail, Side Top | |

SECTION 4 - PLATFORM

FIGURE 4-4. RAILS INSTALLATION (TUBE IN TUBE)



ART_1001234382

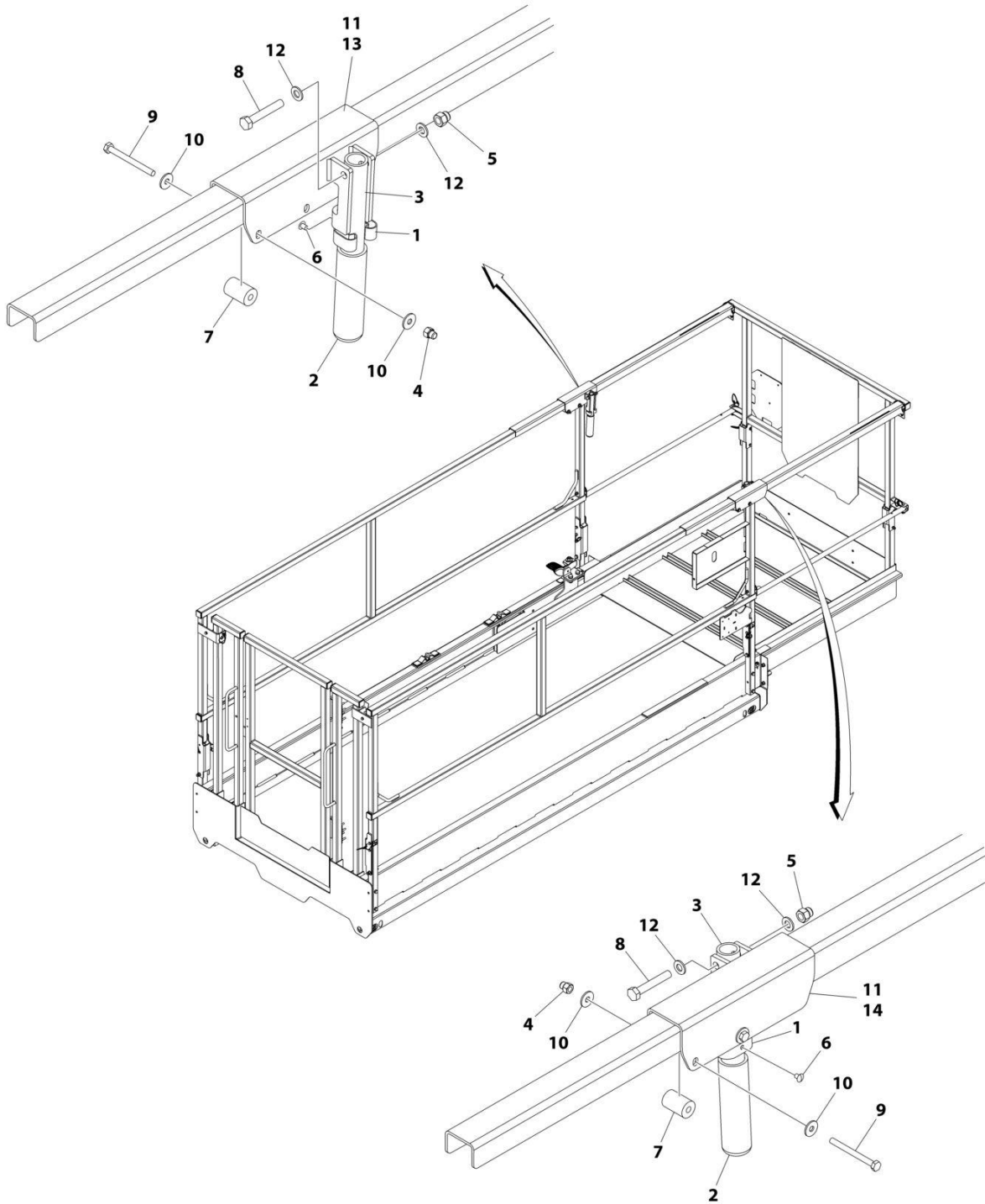
SECTION 4 - PLATFORM

FIGURE 4-4. RAILS INSTALLATION (TUBE IN TUBE)

| ITEM | PART NUMBER | QTY | DESCRIPTION | REV |
|------|-------------|----------------|-----------------------------------|-----|
| | 1001234382 | Ref | RAILS INSTALLATION (TUBE IN TUBE) | D |
| 1 | 0100011 | AR | Compound, Locking | |
| 2 | 0700818 | 25 | Bolt M8 x 50 | |
| 3 | 0760608 | 2 | Bolt M6 x 16 | |
| 4 | 0761019 | 2 | Bolt M10 x 55 | |
| 5 | 2080040 | 4 | Fastener | |
| 6 | 2600281 | 2 | Hinge | |
| 7 | 3080007 | 1 | Magnet, Gate | |
| 8 | 3290606 | 16 | Nut M6 | |
| 9 | 3290806 | 21 | Nut M8 | |
| 10 | 3291006 | 2 | Nut M10 | |
| 11 | 3422219 | 2 | Pin, Snap | |
| 12 | 3520072 | 14 | Plug | |
| 13 | 3860111 | 2 | Roller | |
| 14 | 4010608 | 4 | Screw M6 x 16 | |
| 15 | 4010616 | 2 | Screw M6 x 40 | |
| 16 | 4010617 | 4 | Screw M6 x 45 | |
| 17 | 4010618 | 4 | Screw M6 x 50 | |
| 18 | 4420062 | 16 in/ 40cm | Tape | |
| 19 | 4811700 | 10 | Washer M6 | |
| 20 | 4811900 | 50 | Washer M8 | |
| 21 | 4812000 | 2 | Washer M10 | |
| 22 | 1001154378 | 1 | Bracket | |
| 23 | 1001187587 | 3 | Pin, Snap with Lanyard | |
| 24 | 1001210586 | 1 | Support | |
| 100 | 1001235959 | 1 | Rail Kit (Not Shown) | |
| 101 | 1001210302 | 1 | Gate | |
| 102 | 1001213415 | 2 | Rod, Extension MID | |
| 103 | 1001213416 | 2 | Rail, Extension Top | |
| 104 | 1001234006 | 1 | Rail, Side MID (LH) | |
| 105 | 1001234007 | 1 | Rail, Side MID (RH) | |
| 106 | 1001234008 | 2 | Rail, Rear | |
| 107 | 1001234141 | 1 | Rail, Side Top (LH) | |
| 108 | 1001234142 | 1 | Rail, Side Top (RH) | |
| 109 | 1001234266 | 1 | Rail, Extension Top Front | |
| 110 | 1001234267 | 1 | Rail, Extension MID Front | |
| 111 | 1001234268 | 1 | Tube, Rear Top | |

SECTION 4 - PLATFORM

FIGURE 4-5. EXTENSION HANDLES INSTALLATION (OPTIONAL)



ART_1001215446

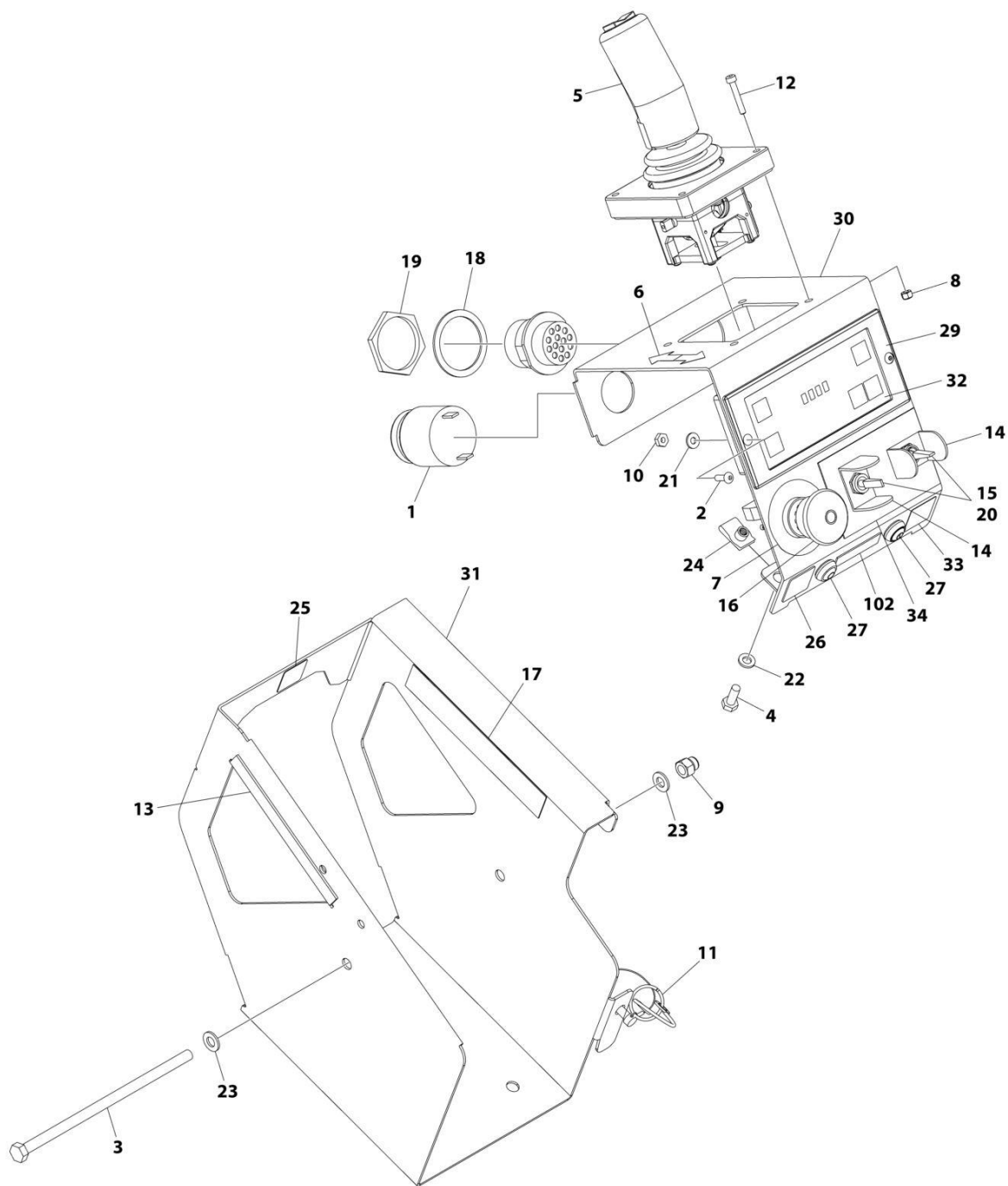
SECTION 4 - PLATFORM

FIGURE 4-5. EXTENSION HANDLES INSTALLATION (OPTIONAL)

| ITEM | PART NUMBER | QTY | DESCRIPTION | REV |
|------|-------------|-----|---|-----|
| | 1001215446 | Ref | EXTENSION HANDLES INSTALLATION (OPTIONAL) | E |
| 1 | 1380132 | 2 | Clip | |
| 2 | 2560088 | 2 | Grip | |
| 3 | 2560190 | 2 | Handle | |
| 4 | 3290606 | 2 | Nut M6 | |
| 5 | 3290806 | 2 | Nut M8 | |
| 6 | 3820019 | 2 | Rivet | |
| 7 | 3860111 | 2 | Roller | |
| 8 | 0700818 | AR | Bolt M8 x 50 | |
| 9 | 0700621 | AR | Bolt M6 x 65 | |
| 10 | 4811702 | AR | Washer M6 | |
| 11 | 1001216823 | 2 | Bracket (Prior to SN 0200267774, SN B200000100 to Present) | |
| 12 | 4811900 | AR | Washer M8 | |
| 13 | 1001235560 | 1 | Bracket (LH) (SN 0200267774 to Present, SN M200000001 to Present) | |
| 14 | 1001235561 | 1 | Bracket (RH) (SN 0200267774 to Present, SN M200000001 to Present) | |

SECTION 4 - PLATFORM

FIGURE 4-6. PLATFORM CONSOLE INSTALLATION



ART_1001214924

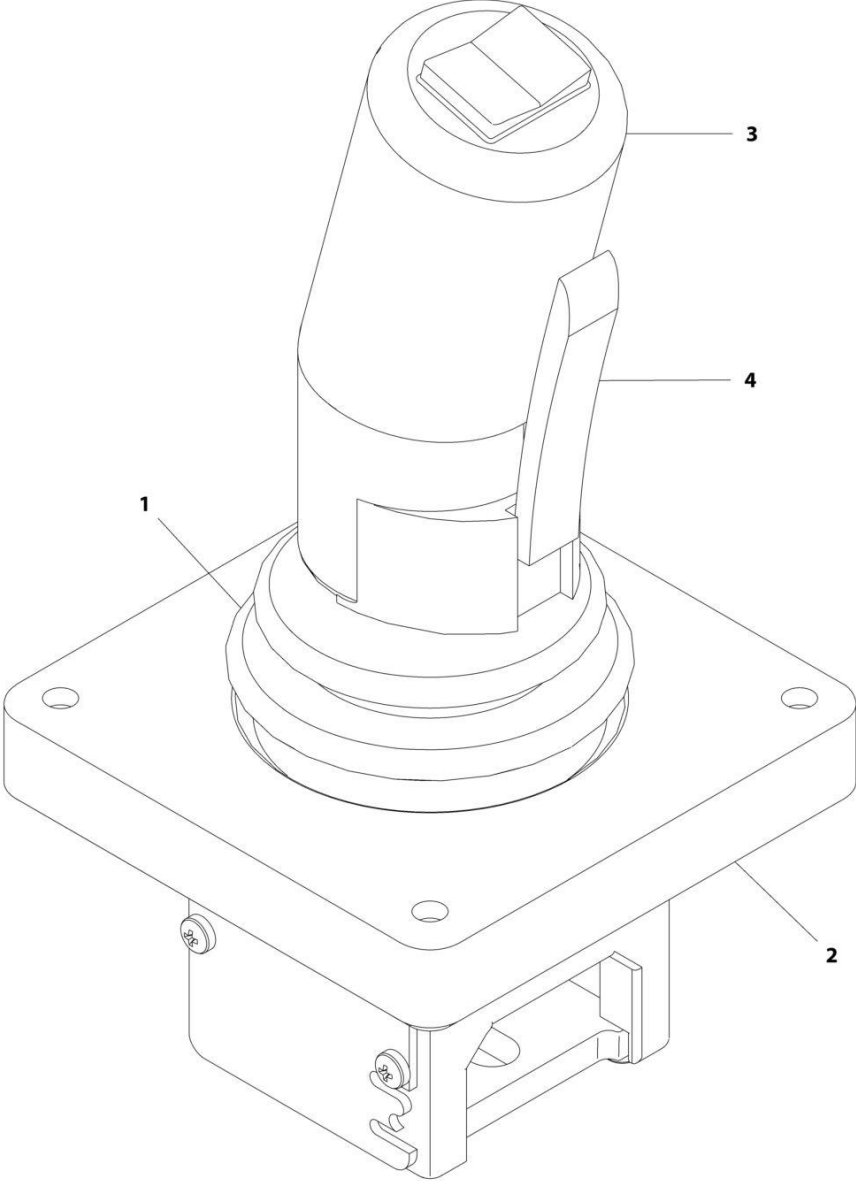
SECTION 4 - PLATFORM

FIGURE 4-6. PLATFORM CONSOLE INSTALLATION

| ITEM | PART NUMBER | QTY | DESCRIPTION | REV |
|------|-------------|----------------|---|-----|
| | 1001214924 | Ref | PLATFORM CONSOLE ASSEMBLY | F |
| 1 | 0140030 | 1 | Alarm | |
| 2 | 0630473 | 2 | Screw #8 x 1/2 | |
| 2 | 1001047064 | 2 | Screw (Socket Head) | |
| 3 | 0700835 | 1 | Bolt M8 x 180 | |
| 4 | 0760610 | 2 | Bolt M6 x 20 | |
| 5 | 1600402 | 1 | Controller Assembly (See Separate Breakdown in this Section) | |
| 6 | 1703819 | 1 | Decal - Arrow | |
| 7 | 1704260 | 1 | Decal - Emergency Stop | |
| 8 | 3290405 | AR | Nut M4 | |
| 9 | 3290806 | 1 | Nut M8 | |
| 10 | 3310805 | AR | Nut #8 | |
| 11 | 3423278 | 1 | Pin, Snap with Lanyard | |
| 12 | 4031509 | 4 | Capscrew M4 x 25 | |
| 13 | 4060803 | 6 in /14cm | Flex-Trim | |
| 14 | 4060906 | 2 | Guard, Switch | |
| 15 | 4360345 | 2 | Switch, Toggle | |
| 16 | 4360475 | 1 | Switch, Emergency Stop | |
| 16 | 7020175 | 1 | Cap | |
| 16 | 7020176 | 1 | Block, Contact | |
| 17 | 4420062 | 12 in/ 30cm | Tape | |
| 18 | 4460496 | 1 | Washer, Terminal | |
| 19 | 4460497 | 1 | Nut, Terminal | |
| 20 | 4711700 | 2 | Washer 7/16 | |
| 21 | 4750800 | AR | Washer #8 | |
| 21 | 4811400 | AR | Washer M4 | |
| 22 | 4811700 | 2 | Washer M6 | |
| 23 | 4811900 | 2 | Washer M8 | |
| 24 | 1001130220 | 2 | Nut, Tinnerman M6 | |
| 25 | 1001132358 | 1 | Decal - Steer | |
| 26 | 1001132361 | 1 | Decal - Horn | |
| 27 | 1001226749 | 2 | Switch - Push Button | |
| 28 | 1001200819 | 1 | Platform Control Box Harness (Not Shown) (See Separate Breakdown in ELECTRICAL SECTION) | |
| 29 | 1001228112 | 1 | Module, Platform Control | |
| 30 | 1001209595 | 1 | Plate, Box (Inside) | |
| 31 | 1001209596 | 1 | Plate, Box (Outside) | |
| 32 | 1001218285 | 1 | Decal - Platform Control | |
| 33 | 1001213886 | 1 | Decal - Indoor/Outdoor | |
| 34 | 1001220893 | 1 | Decal - Lift/Drive Function | |
| | 1001214151 | Ref | PLATFORM CONSOLE INSTALLATION | D |
| 102 | 1001220889 | 1 | Decal - 3246R/4045R | |

SECTION 4 - PLATFORM

FIGURE 4-7. CONTROLLER ASSEMBLY



ART_1600402

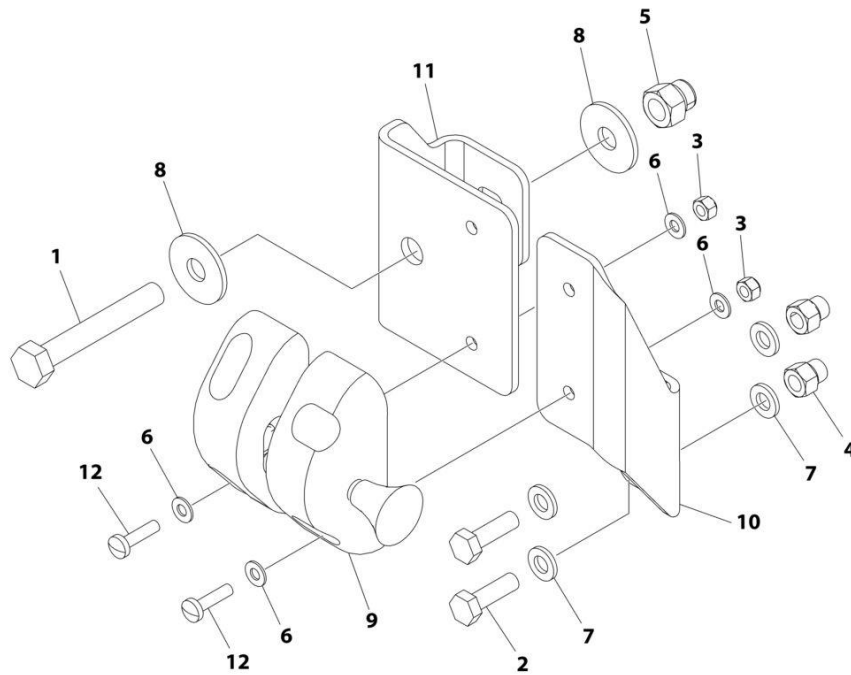
SECTION 4 - PLATFORM

FIGURE 4-7. CONTROLLER ASSEMBLY

| ITEM | PART NUMBER | QTY | DESCRIPTION | REV |
|------|-------------|-----|---|-----|
| | 1600402 | Ref | DRIVE/STEER CONTROLLER ASSEMBLY | A |
| 1 | 70001250 | 1 | Boot, Panel | |
| 2 | 70001252 | 1 | Gasket, Mounting | |
| 2 | 70001251 | 1 | Bezel, Mounting | |
| 3 | 70003650 | 1 | Handle Repair Kit (Includes handle gasket, item#4 push button and item #4 lever installed in front handle half, back handle half, top actuator, boot and hardware.) | |
| 3 | 70000084 | 1 | Cap, Rubber | |
| 3 | 70000082 | 1 | Microswitch | |
| 3 | 7027766 | 1 | Ring, Retaining | |
| 3 | 7027365 | 1 | Actuator, Handle | |
| 3 | 70001253 | 1 | Gasket, Handle | |
| 3 | 70000683 | 4 | Washer, Neoprene | |
| 3 | 70000685 | 2 | Spacer, Plastic | |
| 3 | 70000686 | 2 | Screw (Top) | |
| 3 | 70000684 | 2 | Screw (Bottom) | |
| 4 | 7027367 | 1 | Switch, Push Button | |
| 4 | 7027765 | 1 | Lever, Enable | |

SECTION 4 - PLATFORM

FIGURE 4-8. GATE LATCH INSTALLATION



ART_1001220995

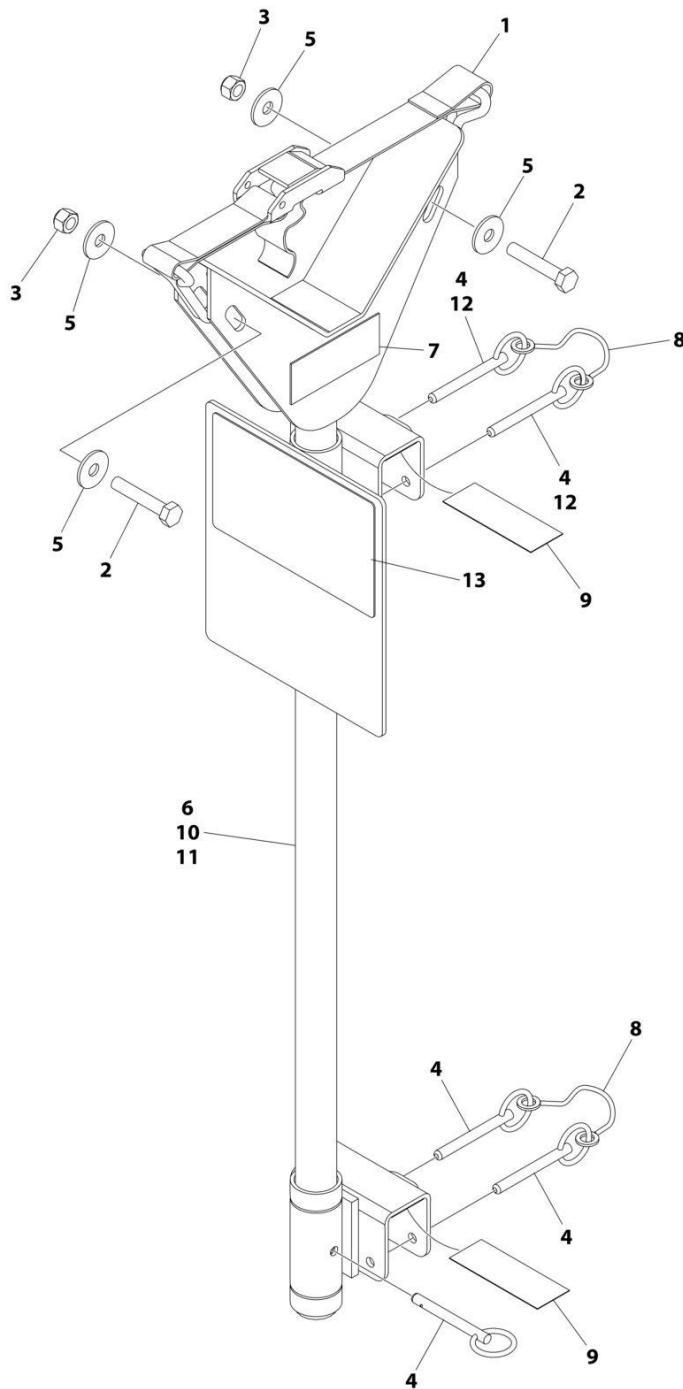
SECTION 4 - PLATFORM

FIGURE 4-8. GATE LATCH INSTALLATION

| ITEM | PART NUMBER | QTY | DESCRIPTION | REV |
|------|-------------|-----|-------------------------|-----|
| | 1001220995 | Ref | GATE LATCH INSTALLATION | B |
| 1 | 0700819 | 1 | Bolt M8 x 55 | |
| 2 | 0760610 | 2 | Bolt M6 x 20 | |
| 3 | 3290405 | 4 | Nut M4 | |
| 4 | 3290606 | 2 | Nut M6 | |
| 5 | 3290806 | 1 | Nut M8 | |
| 6 | 4811400 | 8 | Washer M4 | |
| 7 | 4811700 | 4 | Washer M6 | |
| 8 | 4811902 | 2 | Washer M8 | |
| 9 | 1001134821 | 1 | Latch | |
| 10 | 1001220409 | 1 | Mount | |
| 11 | 1001220410 | 1 | Plate | |
| 12 | 4010408 | 4 | Screw M4 x 16 | |

SECTION 4 - PLATFORM

FIGURE 4-9. PIPE RACKS INSTALLATION (SIDE BY SIDE RAILS) (OPTIONAL)



ART_1001214229

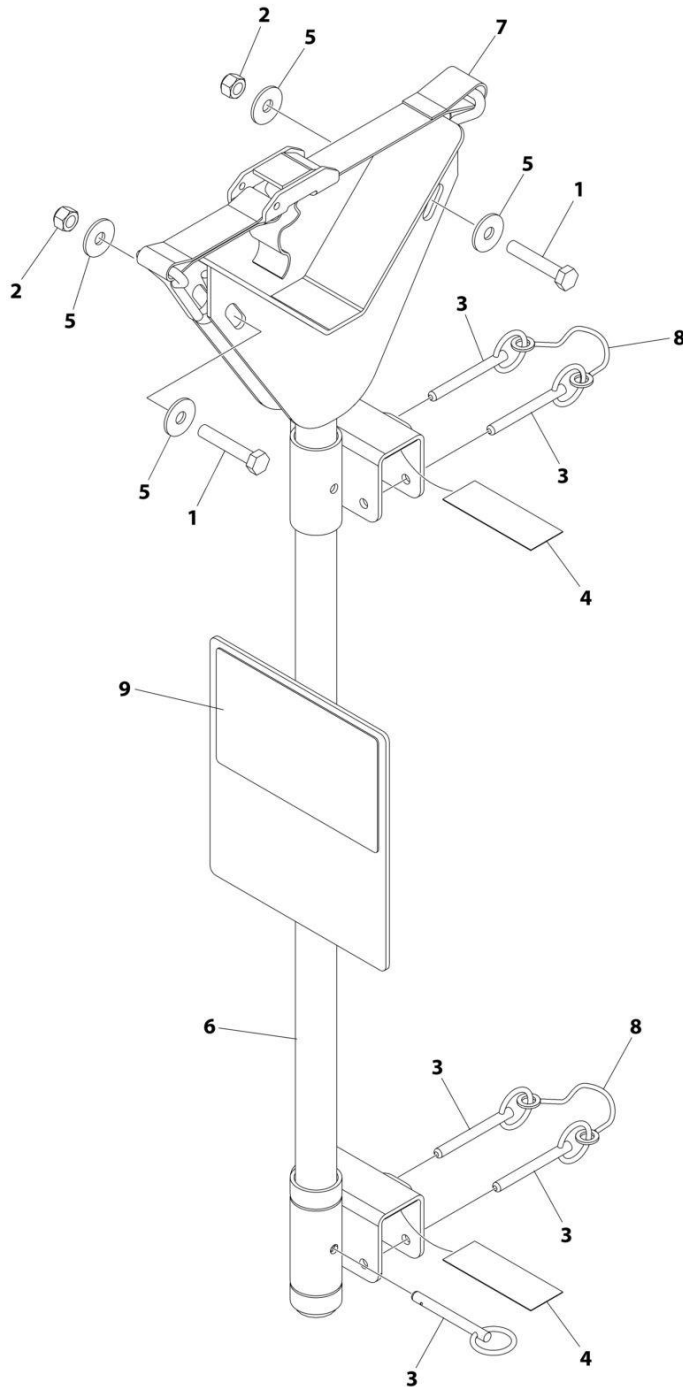
SECTION 4 - PLATFORM

FIGURE 4-9. PIPE RACKS INSTALLATION (SIDE BY SIDE RAILS) (OPTIONAL)

| ITEM | PART NUMBER | QTY | DESCRIPTION | REV |
|------|-------------|-----|---|-----|
| | 1001214229 | Ref | PIPE RACKS INSTALLATION (SIDE BY SIDE RAILS) (OPTIONAL) | B |
| 1 | 0480100 | 2 | Strap | |
| 2 | 0700817 | 4 | Bolt M8 x 45 | |
| 3 | 3290805 | 4 | Nut M8 | |
| 4 | 3422661 | AR | Pin | |
| 5 | 4811902 | 8 | Washer M6 | |
| 6 | 4845582 | 2 | Rack, Tube | |
| 7 | 1001220892 | 2 | Decal - Tube Rack Capacity | |
| 8 | 1060379 | 4 | Lanyard | |
| 9 | 4420062 | AR | Tape | |
| 10 | 1001235498 | 1 | Rack, Tube (Rear) | |
| 11 | 1001235509 | 1 | Rack, Tube (Front) | |
| 12 | 1001235941 | 2 | Pin | |
| 13 | 1001236621 | 2 | Decal - Pipe Rack Capacity | |

SECTION 4 - PLATFORM

FIGURE 4-10. PIPE RACKS INSTALLATION (TUBE IN TUBE RAILS) (OPTIONAL)



ART_1001235849

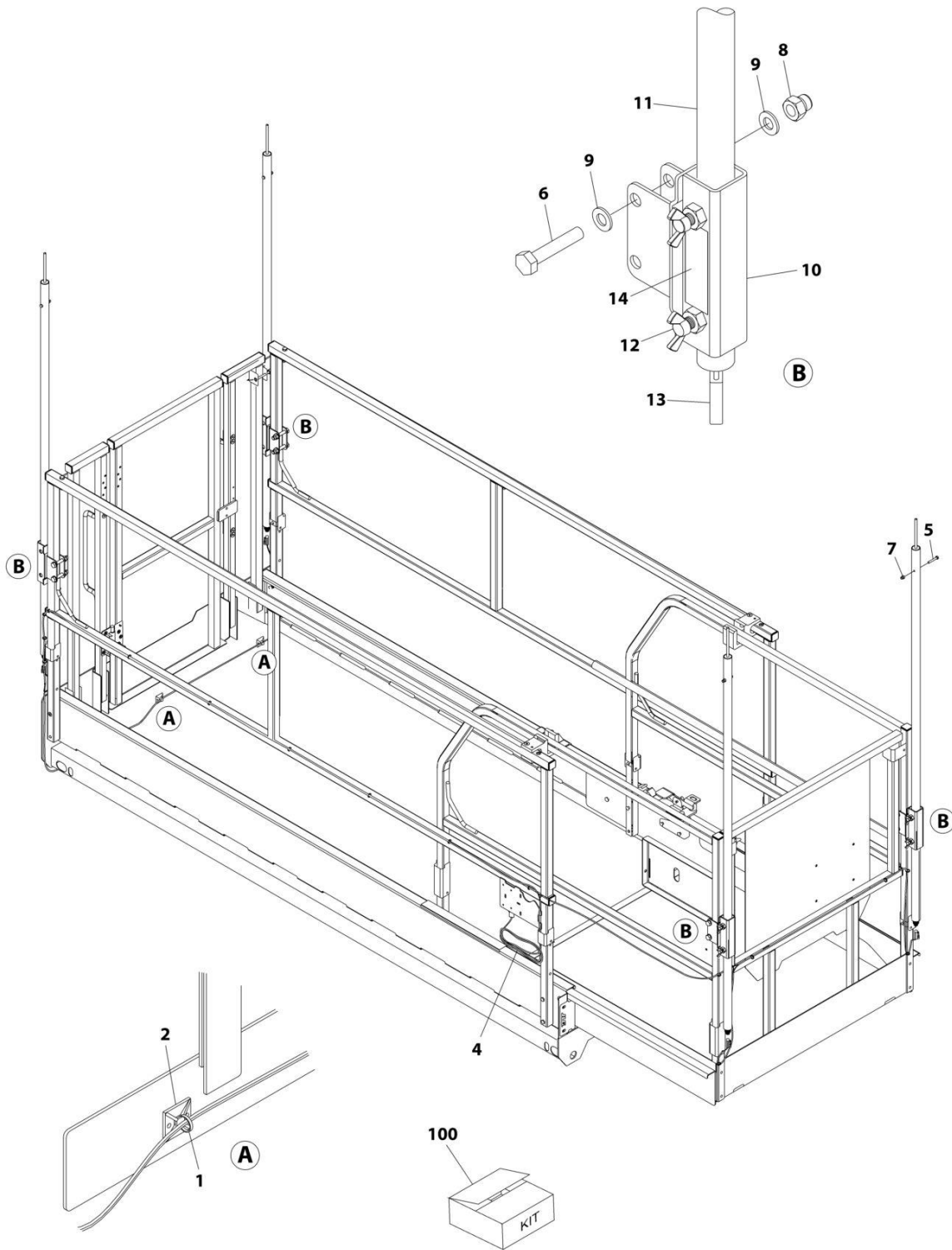
SECTION 4 - PLATFORM

FIGURE 4-10. PIPE RACKS INSTALLATION (TUBE IN TUBE RAILS) (OPTIONAL)

| ITEM | PART NUMBER | QTY | DESCRIPTION | REV |
|------|-------------|-----|------------------------------------|-----|
| | 1001235849 | Ref | PIPE RACKS INSTALLATION (OPTIONAL) | A |
| 1 | 0700817 | 4 | Bolt M8 x 45 | |
| 2 | 3290805 | 4 | Nut M8 | |
| 3 | 3422661 | 10 | Pin | |
| 4 | 4420062 | AR | Tape | |
| 5 | 4811902 | 8 | Washer M6 | |
| 6 | 1001235498 | 2 | Rack, Tube | |
| 7 | 0480100 | 2 | Strap | |
| 8 | 1060379 | 4 | Lanyard | |
| 9 | 1001236621 | 2 | Decal - Tube Rack Capacity | |

SECTION 4 - PLATFORM

FIGURE 4-11. OVERHEAD PROTECTION INSTALLATION (KOREAN SPECS)



ART_1001226901

SECTION 4 - PLATFORM

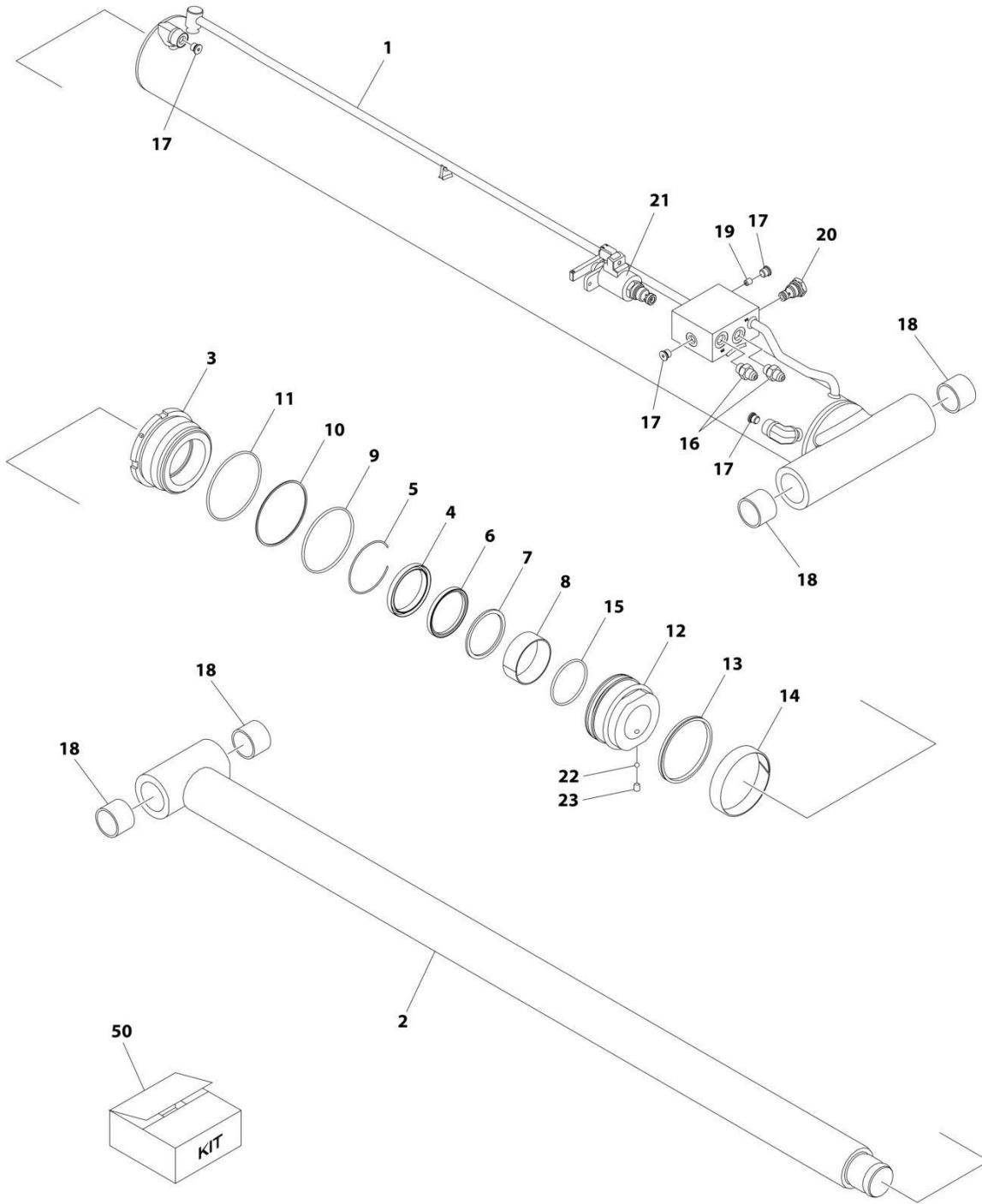
FIGURE 4-11. OVERHEAD PROTECTION INSTALLATION (KOREAN SPECS)

| ITEM | PART NUMBER | QTY | DESCRIPTION | REV |
|------|-------------|-----|---|-----|
| | 1001226901 | Ref | OVERHEAD PROTECTION INSTALLATION (KOREAN SPECS) | A |
| 1 | 4240017 | AR | Tie-Strap | |
| 2 | 4460234 | 2 | Mount, Tie-Strap | |
| 4 | 1001227728 | 1 | Overhead Protection Harness | A |
| 4 | 4460891 | 4 | Plug, Male - 2 Position (X503-X506) | |
| 4 | 4460465 | 8 | Socket, Female | |
| 4 | 4460536 | 1 | Receptacle, Female - 3 Position (X507) | |
| 4 | 4460464 | 2 | Pin, Male | |
| 4 | 4460466 | 1 | Plug, Terminal | |
| 5 | 0700616 | 4 | Bolt M6 x 40 | |
| 6 | 0701019 | 8 | Bolt M10 x 55 | |
| 7 | 3290606 | 4 | Nut M6 | |
| 8 | 3291006 | 8 | Nut M10 | |
| 9 | 4812000 | 16 | Washer M10 | |
| 10 | 1001221275 | 4 | Bracket | |
| 11 | 1001221276 | 4 | Tube | |
| 12 | 1001222914 | 8 | Thumb Screw | |
| 13 | 1001226277 | 4 | Switch, Overhead Protection | |
| 14 | 1001228184 | 1 | Decal - Overhaed Protection Weight | |
| 100 | 1001221244 | 1 | Overhead Protection Kit (Includes Items 5-14) | |

SECTION 5 - CYLINDER

SECTION 5 - CYLINDER

FIGURE 5-1. LIFT CYLINDER ASSEMBLY



ART_1001244417

SECTION 5 - CYLINDER

FIGURE 5-1. LIFT CYLINDER ASSEMBLY

| ITEM | PART NUMBER | QTY | DESCRIPTION | REV |
|------|-------------|-----|--|-----|
| | 1001244417 | Ref | LIFT CYLINDER ASSEMBLY | C |
| | | Ref | Note: Original Cylinder May Have Been Replaced with Service Replacement. Identify PN Stamped on Cylinder Before Ordering Parts. | |
| 1 | See Note: | NSS | Barrel (Note: Purchase Complete Part) | |
| 2 | 70007050 | 1 | Rod | |
| 3 | 70007051 | 1 | Head | |
| 4 | See Note | NSS | Wiper (Note: Use Item 50) | |
| 5 | 70050795 | 1 | Ring, Retaining | |
| 6 | See Note | NSS | Seal, Rod (Note: Use Item 50) | |
| 7 | See Note | NSS | Ring, Back-up (Note: Use Item 50) | |
| 8 | 70007052 | 1 | Bearing | |
| 9 | See Note | NSS | O-Ring (Note: Use Item 50) | |
| 10 | See Note | NSS | Ring, Back-up (Note: Use Item 50) | |
| 11 | See Note | NSS | O-Ring (Note: Use Item 50) | |
| 12 | 70007053 | 1 | Piston | |
| 13 | See Note | NSS | Seal, Piston (Note: Use Item 50) | |
| 14 | See Note | NSS | Ring, Wear (Note: Use Item 50) | |
| 15 | See Note | NSS | O-Ring (Note: Use Item 50) | |
| 16 | 70007054 | 2 | Fitting | |
| 17 | 2220883 | 4 | Plug | |
| 18 | 0961948 | 4 | Bearing | |
| 19 | 70007055 | 1 | Orifice | |
| 20 | 70004585 | 1 | Cartridge, Valve | |
| 21 | 70005236 | 1 | Cartridge, Solenoid Valve | |
| 22 | 70022564 | 1 | Ball | |
| 23 | 70023369 | 1 | Setscrew | |
| 50 | 70007056 | 1 | Seal Kit - 1001244417 Cylinder (Includes Items 4, 6, 7, 9-11 & 13-15) | |

SECTION 5 - CYLINDER

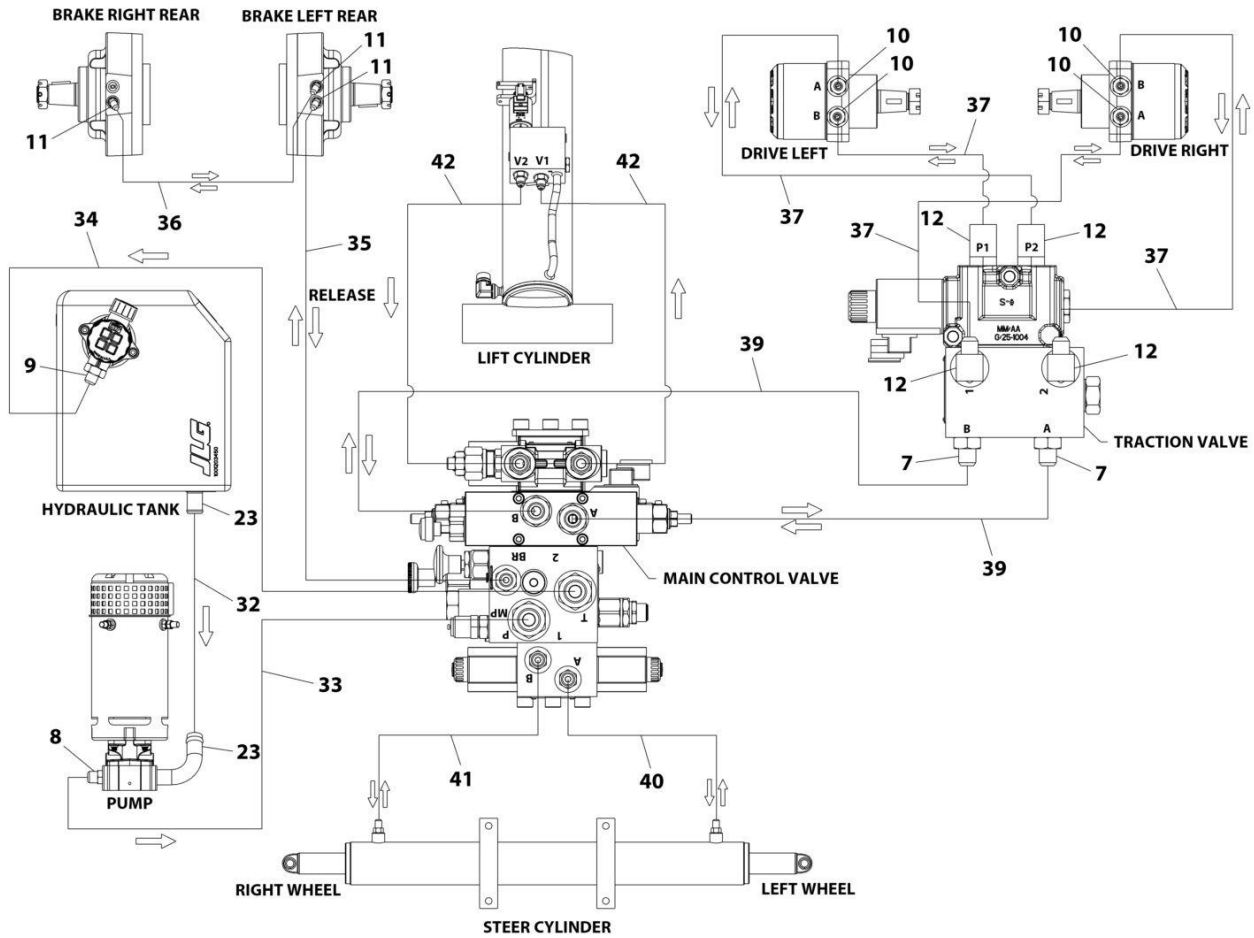
FIGURE 5-2. STEER CYLINDER ASSEMBLY

| ITEM | PART NUMBER | QTY | DESCRIPTION | REV |
|------|-------------|-----|--|-----|
| | 1001233449 | Ref | STEER CYLINDER ASSEMBLY | C |
| | | Ref | Note: Original Cylinder May Have Been Replaced with Service Replacement. Identify PN Stamped on Cylinder Before Ordering Parts. | |
| 1 | 70003636 | 4 | Lock | |
| 2 | See Note | NSS | Barrel (Note: Purchase Complete Assembly) | |
| 3 | 70007074 | 1 | Rod | |
| 4 | 70007075 | 1 | Piston | |
| 5 | 70007076 | 2 | Head | |
| 6 | 70007077 | 1 | Ring | |
| 7 | 70007078 | 2 | Spacer | |
| 8 | 0440259 | 2 | Bearing | |
| 9 | See Note | NSS | Ring, Wear (Note: Use Item 51) | |
| 10 | See Note | NSS | Ring, Wear (Note: Use Item 51) | |
| 11 | See Note | NSS | O-Ring (Note: Use Item 51) | |
| 12 | See Note | NSS | O-Ring (Note: Use Item 51) | |
| 13 | See Note | NSS | O-Ring (Note: Use Item 51) | |
| 14 | See Note | NSS | Ring, Back-Up (Note: Use Item 51) | |
| 15 | See Note | NSS | Ring, Back-Up (Note: Use Item 51) | |
| 16 | See Note | NSS | Seal (Note: Use Item 51) | |
| 17 | See Note | NSS | Seal, Stop (Not Shown) (Note: Use Item 51) | |
| 18 | See Note | NSS | Wiper (Note: Use Item 51) | |
| 19 | 70007079 | 2 | Fitting, Straight | |
| 51 | 70007080 | 1 | Seal Kit - 1001233449 Cylinder (Includes Items 9-18) | |

SECTION 6 - HYDRAULIC

SECTION 6 - HYDRAULIC

FIGURE 6-1. HYDRAULIC COMPONENTS INSTALLATION



ART_1001380008_2OF2

SECTION 6 - HYDRAULIC

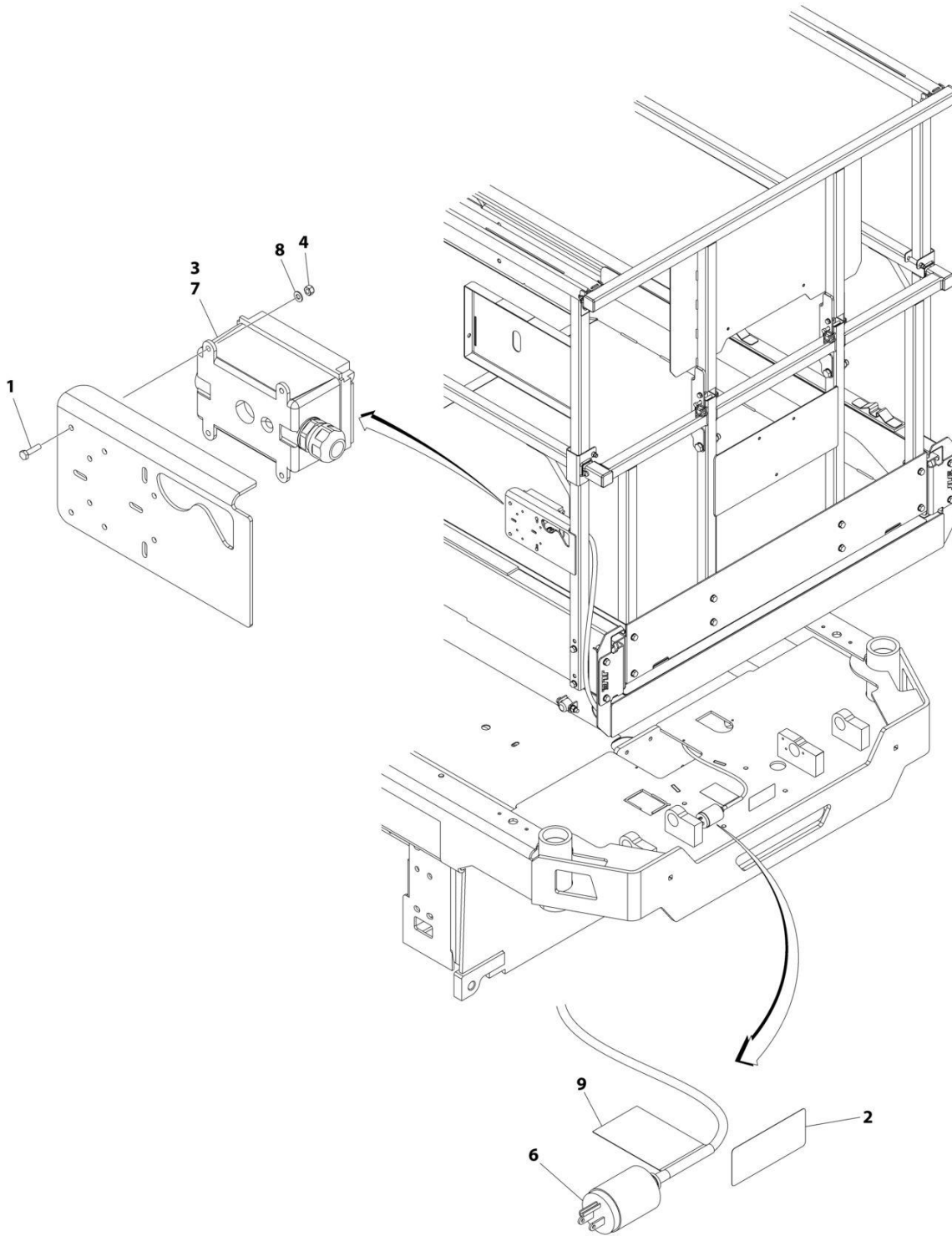
FIGURE 6-1. HYDRAULIC COMPONENTS INSTALLATION

| ITEM | PART NUMBER | QTY | DESCRIPTION | REV |
|------|-------------|-----|-----------------------------------|-----|
| | 1001380008 | Ref | HYDRAULIC COMPONENTS INSTALLATION | E |
| 7 | 2220372 | 2 | Fitting, Straight - JIC/ORB | |
| 8 | 2220373 | 1 | Fitting, Straight - JIC/ORB | |
| 9 | 2220375 | 1 | Fitting, Straight - JIC/ORB | |
| 10 | 2220497 | 4 | Fitting, Straight - JIC/ORB | |
| 11 | 2220502 | 3 | Fitting, 45 JIC/ORB | |
| 12 | 2220628 | 4 | Fitting, 90 JIC/ORB | |
| 23 | 1001143501 | 2 | Clamp, T-Bolt Heavy Duty | |
| 32 | 1001203835 | 1 | Hose | |
| 33 | 1001236800 | 1 | Hose | |
| 34 | 1001236801 | 1 | Hose | |
| 35 | 1001236802 | 1 | Hose | |
| 36 | 1001236803 | 1 | Hose | |
| 37 | 1001236804 | 4 | Hose | |
| 39 | 1001236806 | 2 | Hose | |
| 40 | 1001236807 | 1 | Hose | |
| 41 | 1001236808 | 1 | Hose | |
| 42 | 1001236809 | 2 | Hose | |

SECTION 7 - ELECTRICAL

SECTION 7 - ELECTRICAL

FIGURE 7-1. AC BOX AT PLATFORM INSTALLATION - 110V GFI (ALL SPECS EXCEPT AUSTRALIAN & CE SPECS)



ART_1001237400

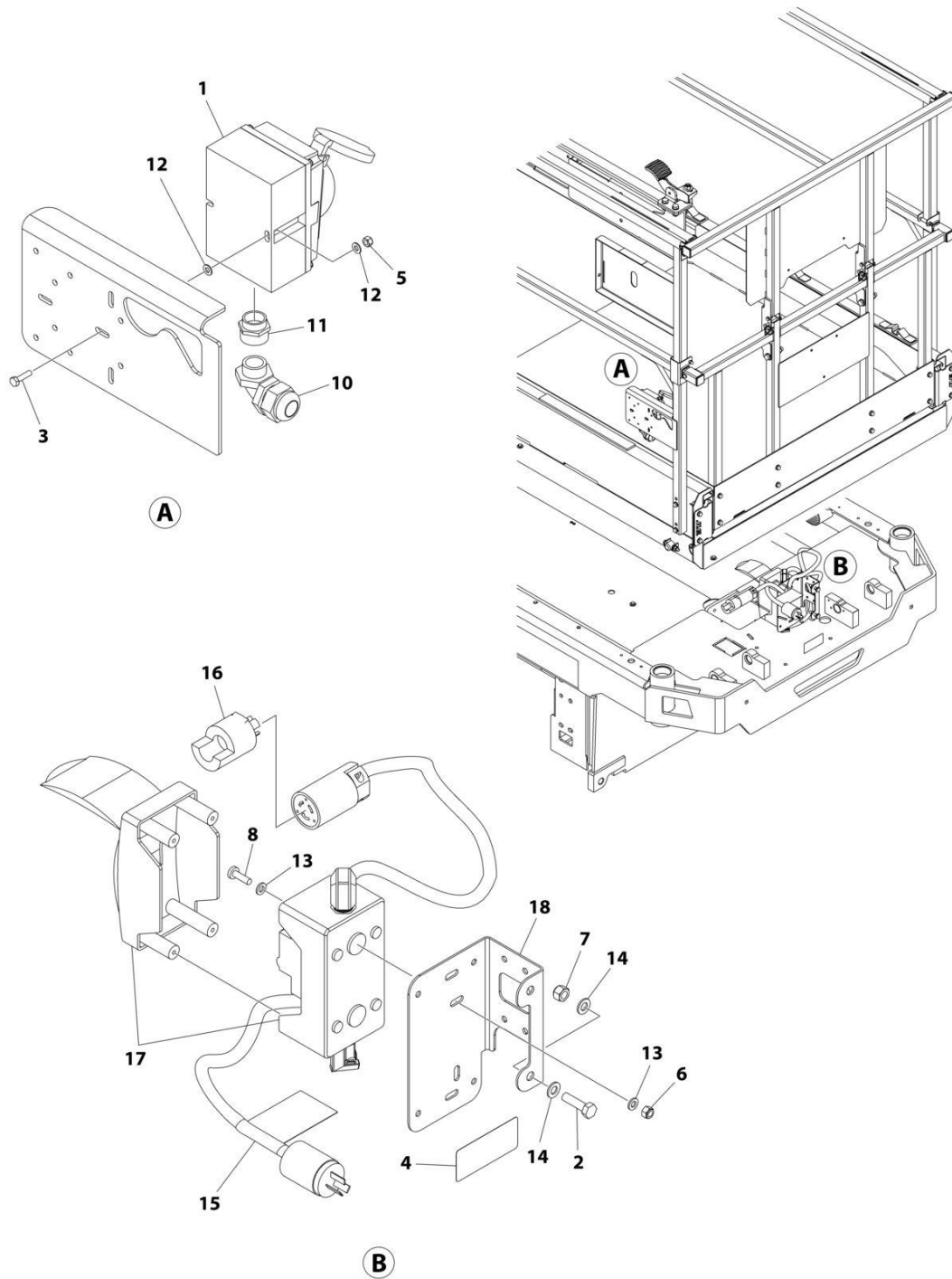
SECTION 7 - ELECTRICAL

FIGURE 7-1. AC BOX AT PLATFORM INSTALLATION - 110V GFI (ALL SPECS EXCEPT AUSTRALIAN & CE SPECS)

| ITEM | PART NUMBER | QTY | DESCRIPTION | REV |
|------|-------------|-----|---|-----|
| | 1001237400 | Ref | AC BOX AT PLATFORM INSTALLATION - 110V GFI | C |
| 1 | 0760408 | 4 | Bolt M4 x 16 | |
| 2 | 1703464 | 1 | Decal - AC Power | |
| 3 | 2902431 | 1 | Receptacle Box Kit (See Separate Breakdown in this Section) | |
| 4 | 3290405 | 4 | Nut M4 | |
| 5 | 4240017 | AR | Tie-Strap (Not Shown) | |
| 6 | 4460138 | 1 | Plug, Male - AC | |
| 7 | 4460315 | 1 | Terminal | |
| 8 | 4811400 | 4 | Washer M4 | |
| 9 | 1001102258 | 1 | Decal - AC Label | |

SECTION 7 - ELECTRICAL

FIGURE 7-2. AC BOX AT PLATFORM INSTALLATION - 110V IEC YELLOW (CE SPECS)



ART_1001238133

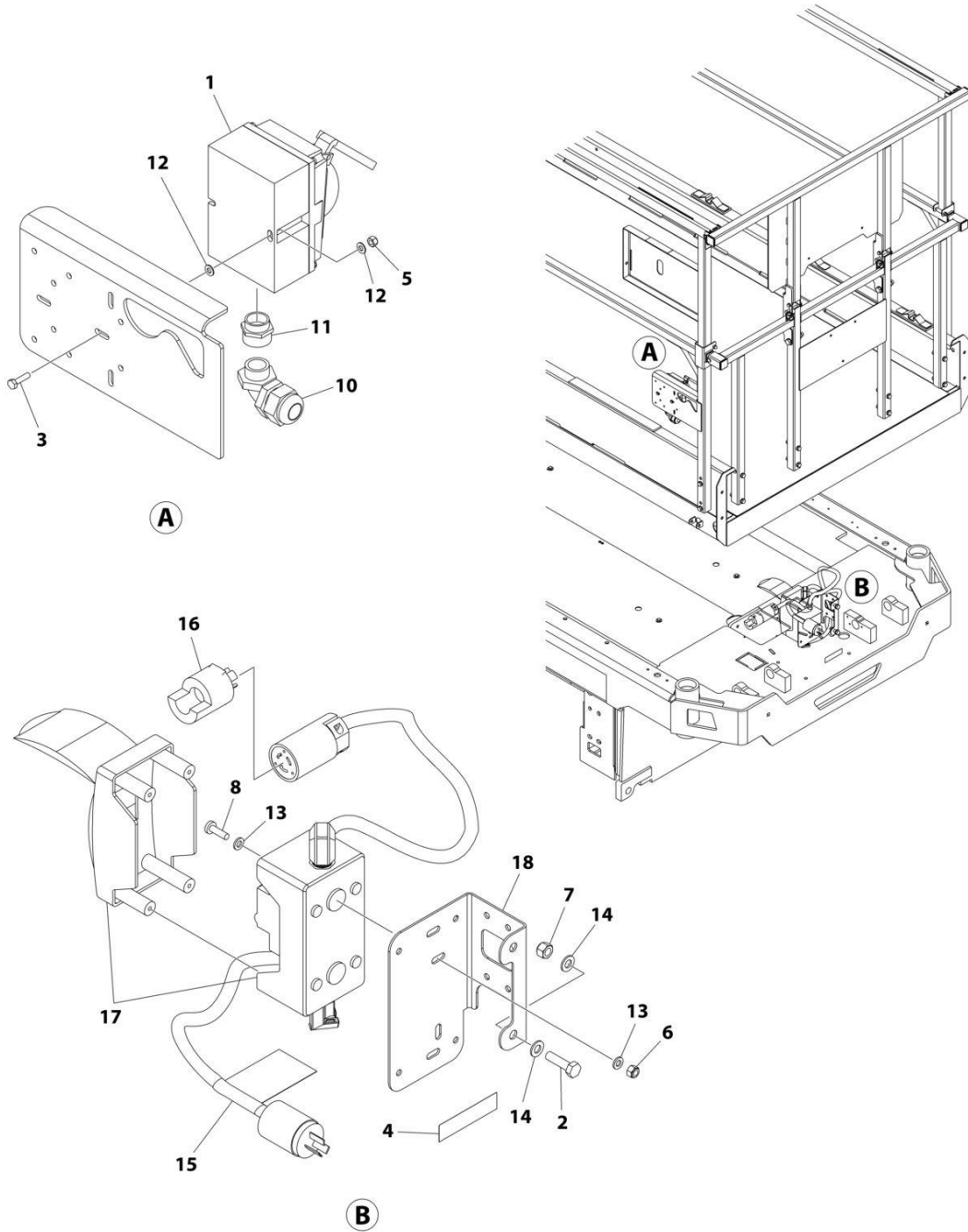
SECTION 7 - ELECTRICAL

FIGURE 7-2. AC BOX AT PLATFORM INSTALLATION - 110V IEC YELLOW (CE SPECS)

| ITEM | PART NUMBER | QTY | DESCRIPTION | REV |
|------|-------------|-----|---|-----|
| | 1001238133 | Ref | AC BOX AT PLATFORM INSTALLATION - 110V IEC YELLOW | B |
| 1 | 0275216 | 1 | Receptacle Box Kit - 110V IEC Yellow (See Separate Breakdown in this Section) | |
| 2 | 0700814 | 2 | Bolt M8 x 30 | |
| 3 | 0760408 | 2 | Bolt M4 x 16 | |
| 4 | 1703464 | 1 | Decal - AC Power | |
| 5 | 3290405 | 2 | Nut M4 | |
| 6 | 3290605 | 2 | Nut M6 | |
| 7 | 3290805 | 2 | Nut M8 | |
| 8 | 4010610 | 2 | Screw M6 x 20 | |
| 9 | 4240017 | AR | Tie-Strap (Not Shown) | |
| 10 | 4461257 | 1 | Connector, Strain Relief | |
| 11 | 4461258 | 1 | Connector, Adapter | |
| 12 | 4811400 | 4 | Washer M4 | |
| 13 | 4811700 | 4 | Washer M6 | |
| 14 | 4811900 | 4 | Washer M8 | |
| 15 | 1001102258 | 1 | Decal - AC Label | |
| 16 | 1001120204 | 1 | Plug, Male Twist | |
| 17 | 1001209776 | 1 | Breaker Box Kit (See Separate Breakdown in this Section) | |
| 18 | 1001238198 | 1 | Bracket | |

SECTION 7 - ELECTRICAL

FIGURE 7-3. AC BOX AT PLATFORM INSTALLATION - 220V IEC BLUE (CE SPECS)



ART_1001238134

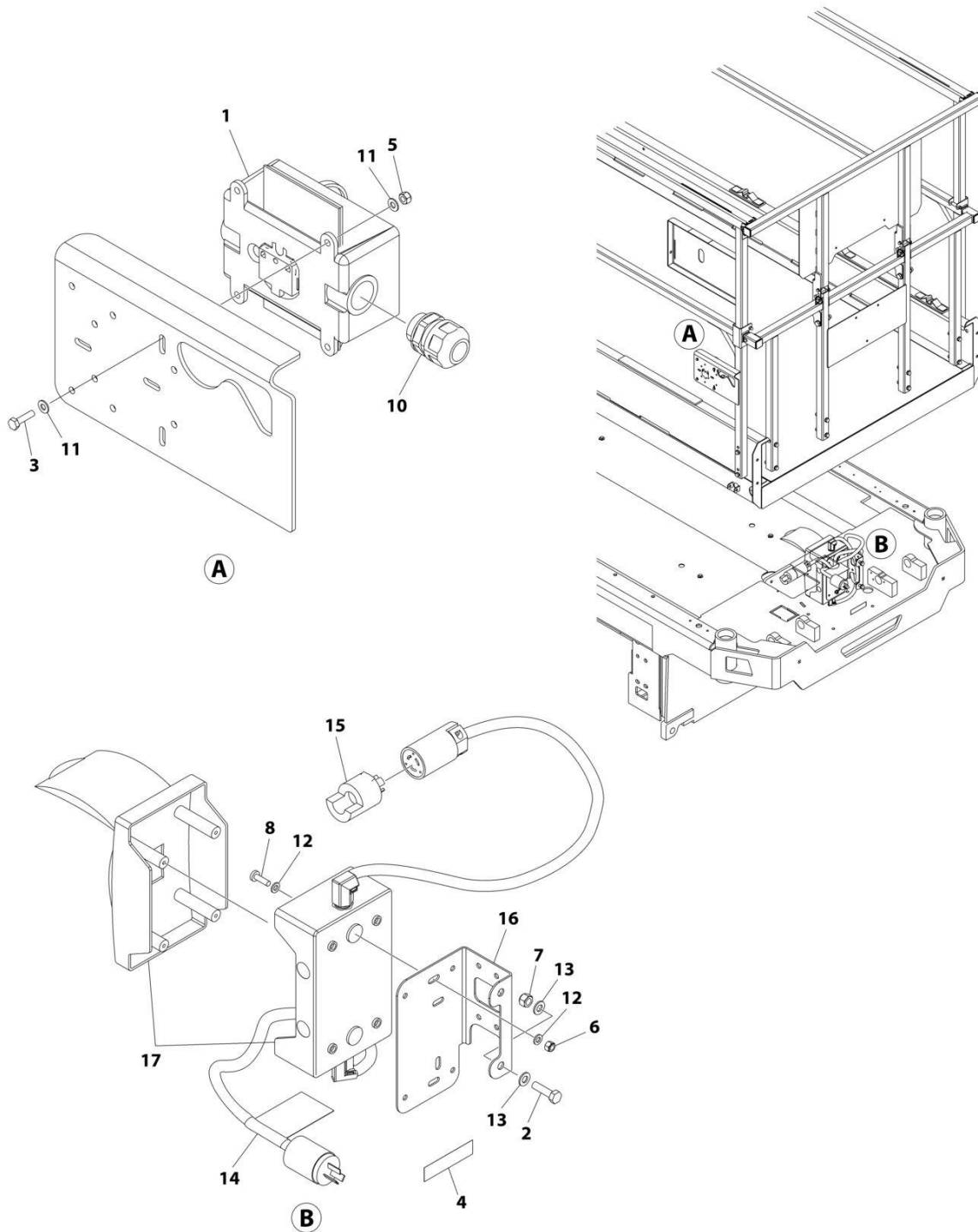
SECTION 7 - ELECTRICAL

FIGURE 7-3. AC BOX AT PLATFORM INSTALLATION - 220V IEC BLUE (CE SPECS)

| ITEM | PART NUMBER | QTY | DESCRIPTION | REV |
|------|-------------|-----|---|-----|
| | 1001238134 | Ref | AC BOX AT PLATFORM INSTALLATION - 220V IEC BLUE | A |
| 1 | 0275217 | 1 | Receptacle Box Kit - 220V IEC Blue (See Separate Breakdown in this Section) | |
| 2 | 0700814 | 2 | Bolt M8 x 30 | |
| 3 | 0760408 | 2 | Bolt M4 x 16 | |
| 4 | 3252507 | 1 | Decal - AC Power | |
| 5 | 3290405 | 2 | Nut M4 | |
| 6 | 3290605 | 2 | Nut M6 | |
| 7 | 3290805 | 2 | Nut M8 | |
| 8 | 4010610 | 2 | Screw M6 x 20 | |
| 9 | 4240017 | AR | Tie-Strap (Not Shown) | |
| 10 | 4461257 | 1 | Connector, Strain Relief | |
| 11 | 4461258 | 1 | Connector, Adapter | |
| 12 | 4811400 | 4 | Washer M4 | |
| 13 | 4811700 | 4 | Washer M6 | |
| 14 | 4811900 | 4 | Washer M8 | |
| 15 | 1001102258 | 1 | Decal - AC Label | |
| 16 | 1001120204 | 1 | Plug, Male Twist | |
| 17 | 1001209776 | 1 | Breaker Box Kit (See Separate Breakdown in this Section) | |
| 18 | 1001238198 | 1 | Bracket | |

SECTION 7 - ELECTRICAL

FIGURE 7-4. AC BOX AT PLATFORM INSTALLATION - 220V CEE7 POST GROUND (CE SPECS)



ART_1001238130

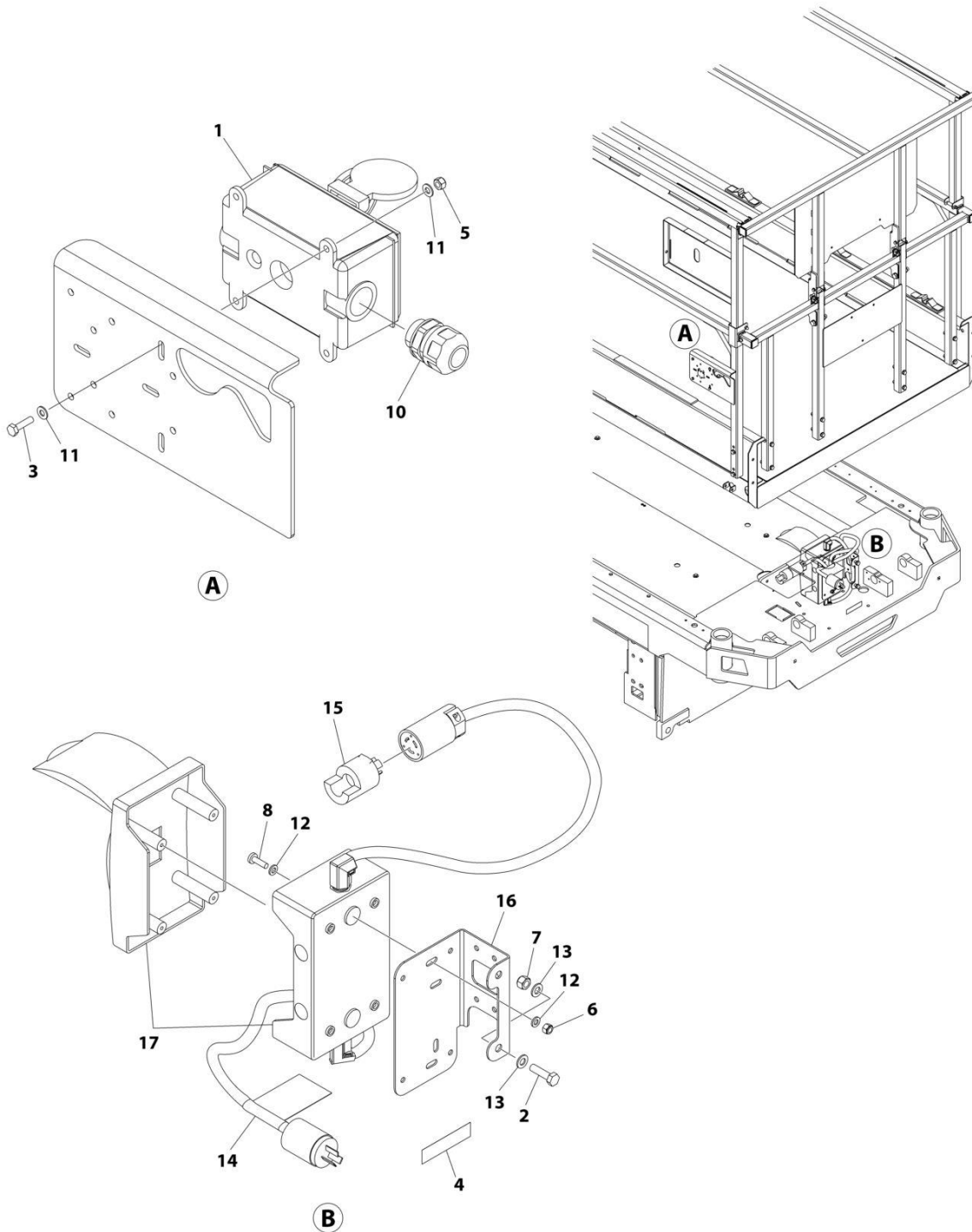
SECTION 7 - ELECTRICAL

FIGURE 7-4. AC BOX AT PLATFORM INSTALLATION - 220V CEE7 POST GROUND (CE SPECS)

| ITEM | PART NUMBER | QTY | DESCRIPTION | REV |
|------|-------------|-----|---|-----|
| | 1001238130 | Ref | AC BOX AT PLATFORM INSTALLATION - 220V CEE7 POST GROUND | B |
| 1 | 0275452 | 1 | Receptacle Box Kit - 220V CEE7 Post Ground (See Separate Breakdown in this Section) | |
| 2 | 0700814 | 2 | Screw M8 x 30 | |
| 3 | 0760408 | 4 | Bolt M4 x 16 | |
| 4 | 3252507 | 1 | Decal - AC Power | |
| 5 | 3290405 | 4 | Nut M4 | |
| 6 | 3290605 | 2 | Nut M6 | |
| 7 | 3290805 | 2 | Nut M8 | |
| 8 | 4010610 | 2 | Screw M6 x 20 | |
| 9 | 4240017 | AR | Tie-Strap (Not Shown) | |
| 10 | 4460662 | 1 | Connector, Strain Relief | |
| 11 | 4811400 | 8 | Washer M4 | |
| 12 | 4811700 | 4 | Washer M6 | |
| 13 | 4811900 | 4 | Washer M8 | |
| 14 | 1001102258 | 1 | Decal - AC Label | |
| 15 | 1001120204 | 1 | Plug, Male Twist | |
| 16 | 1001238198 | 1 | Bracket | |
| 17 | 1001209482 | 1 | Breaker Box Kit (See Separate Breakdown in this Section) | |

SECTION 7 - ELECTRICAL

FIGURE 7-5. AC BOX AT PLATFORM INSTALLATION - 220V CEE7 SIDE GROUND (CE SPECS)



ART_1001238131

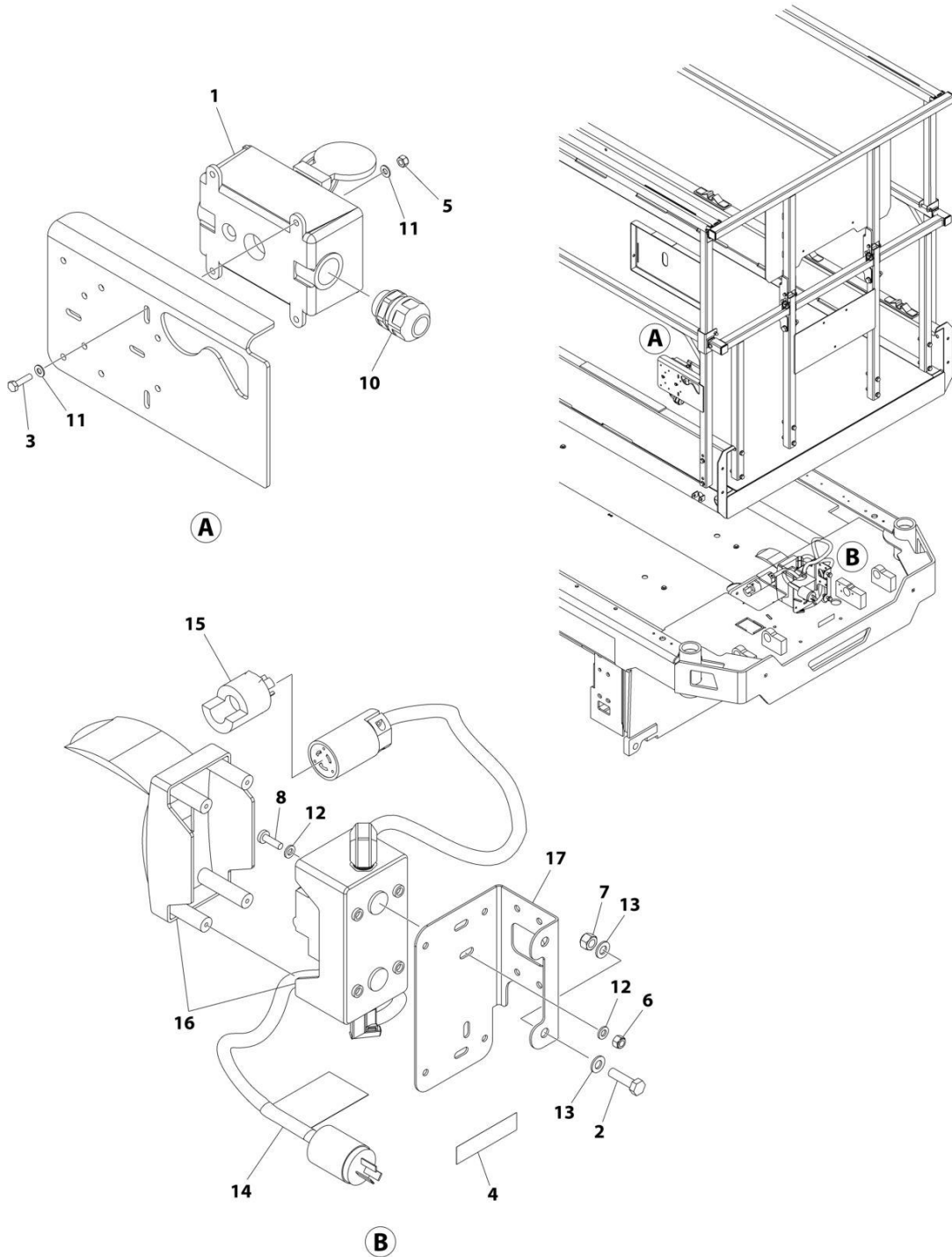
SECTION 7 - ELECTRICAL

FIGURE 7-5. AC BOX AT PLATFORM INSTALLATION - 220V CEE7 SIDE GROUND (CE SPECS)

| ITEM | PART NUMBER | QTY | DESCRIPTION | REV |
|------|-------------|-----|---|-----|
| | 1001238131 | Ref | AC BOX AT PLATFORM INSTALLATION - 220V CEE7 SIDE GROUND | B |
| 1 | 0275453 | 1 | Receptacle Box Kit - 220V CEE7 Side Ground (See Separate Breakdown in this Section) | |
| 2 | 0700814 | 2 | Bolt M8 x 30 | |
| 3 | 0760408 | 4 | Bolt M4 x 16 | |
| 4 | 3252507 | 1 | Decal - AC Power | |
| 5 | 3290405 | 4 | Nut M4 | |
| 6 | 3290605 | 2 | Nut M6 | |
| 7 | 3290805 | 2 | Nut M8 | |
| 8 | 4010610 | 2 | Screw M6 x 20 | |
| 9 | 4240017 | AR | Tie-Strap (Not Shown) | |
| 10 | 4460662 | 1 | Connector, Strain Relief | |
| 11 | 4811400 | 8 | Washer M4 | |
| 12 | 4811700 | 4 | Washer M6 | |
| 13 | 4811900 | 4 | Washer M8 | |
| 14 | 1001102258 | 1 | Decal - AC Label | |
| 15 | 1001120204 | 1 | Plug, Male Twist | |
| 16 | 1001238198 | 1 | Bracket | |
| 17 | 1001209482 | 1 | Breaker Box Kit (See Separate Breakdown in this Section) | |

SECTION 7 - ELECTRICAL

FIGURE 7-6. AC BOX AT PLATFORM INSTALLATION - 220V AFSINT 107 (CE SPECS)



ART_1001238132

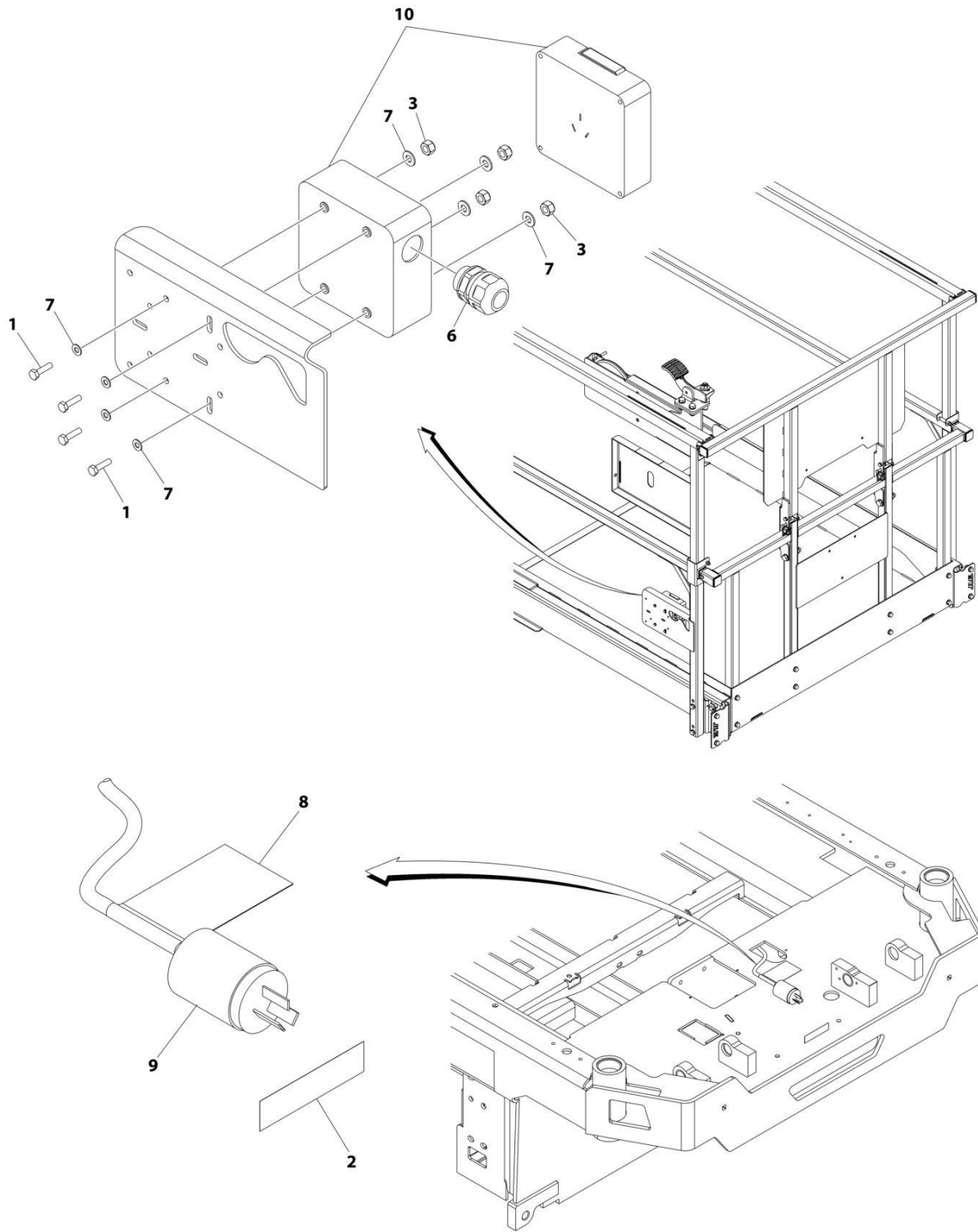
SECTION 7 - ELECTRICAL

FIGURE 7-6. AC BOX AT PLATFORM INSTALLATION - 220V AFSINT 107 (CE SPECS)

| ITEM | PART NUMBER | QTY | DESCRIPTION | REV |
|------|-------------|-----|---|-----|
| | 1001238132 | Ref | AC BOX AT PLATFORM INSTALLATION - 220V AFSINT 107 | B |
| 1 | 0275454 | 1 | Receptacle Box Kit - 220V AFSINT 107 (See Separate Breakdown in this Section) | |
| 2 | 0700814 | 2 | Bolt M8 x 30 | |
| 3 | 0760408 | 4 | Bolt M4 x 16 | |
| 4 | 3252507 | 1 | Decal - AC Power | |
| 5 | 3290405 | 4 | Nut M4 | |
| 6 | 3290605 | 2 | Nut M6 | |
| 7 | 3290805 | 2 | Nut M8 | |
| 8 | 4010610 | 2 | Screw M6 x 20 | |
| 9 | 4240017 | AR | Tie-Strap (Not Shown) | |
| 10 | 4460662 | 1 | Connector, Strain Relief | |
| 11 | 4811400 | 8 | Washer M4 | |
| 12 | 4811700 | 4 | Washer M6 | |
| 13 | 4811900 | 4 | Washer M8 | |
| 14 | 1001102258 | 1 | Decal - AC Label | |
| 15 | 1001120204 | 1 | Plug, Male Twist | |
| 16 | 1001209776 | 1 | Breaker Box Kit (See Separate Breakdown in this Section) | |
| 17 | 1001238198 | 1 | Bracket | |

SECTION 7 - ELECTRICAL

FIGURE 7-7. AC BOX AT PLATFORM INSTALLATION - 220V CHINA PLUG (CHINA SPECS)



ART_1001238135

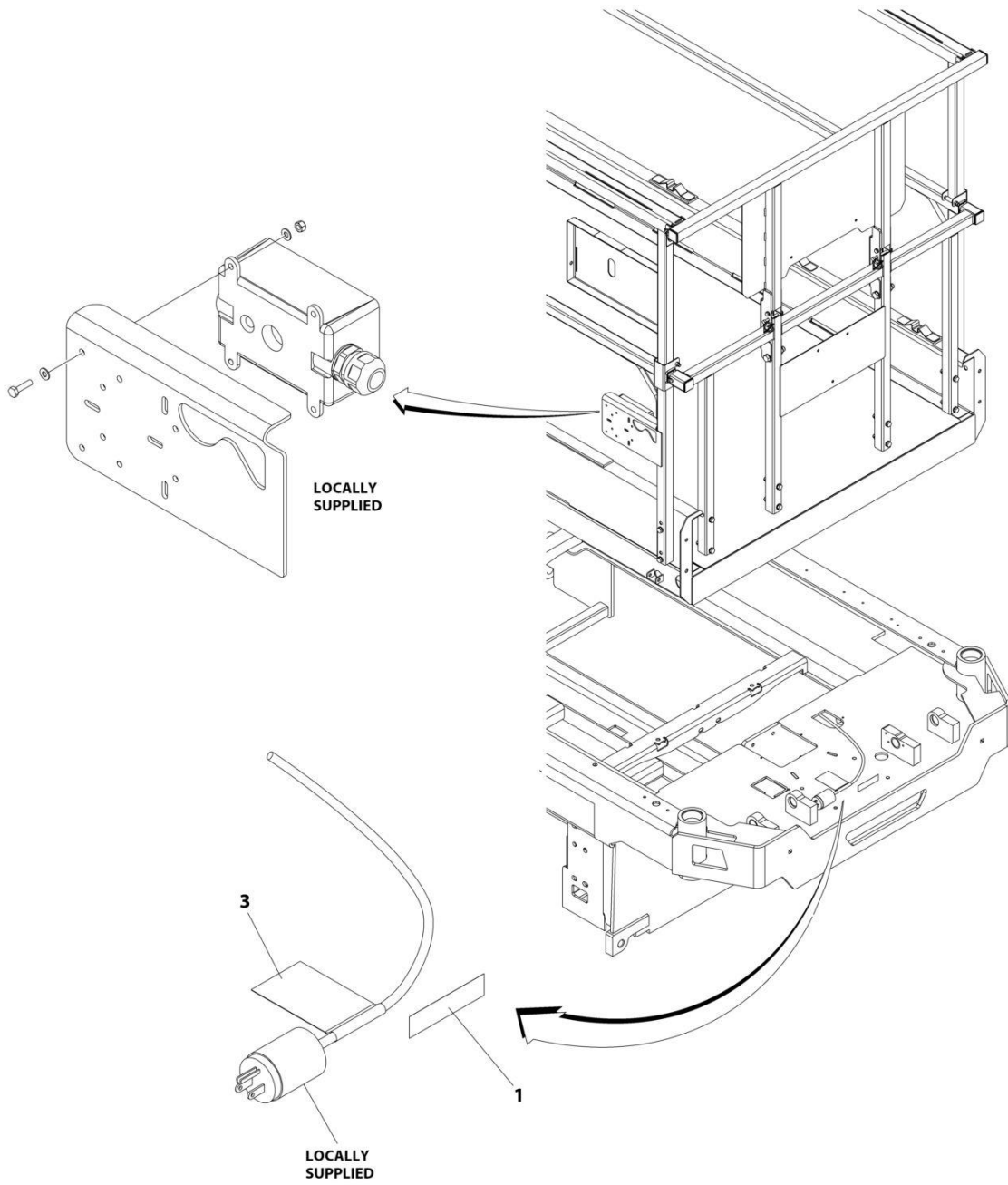
SECTION 7 - ELECTRICAL

FIGURE 7-7. AC BOX AT PLATFORM INSTALLATION - 220V CHINA PLUG (CHINA SPECS)

| ITEM | PART NUMBER | QTY | DESCRIPTION | REV |
|------|-------------|-----|--|-----|
| | 1001238135 | Ref | AC BOX AT PLATFORM INSTALLATION - 220V CHINA PLUG (CHINA SPECS) | A |
| 1 | 0760408 | 4 | Bolt M4 x 16 | |
| 2 | 3252507 | 1 | Decal - 220 Volt | |
| 3 | 3290405 | 4 | Nut M4 | |
| 4 | 4240017 | AR | Tie-Strap (Not Shown) | |
| 5 | 4460315 | 1 | Terminal (Not Shown) | |
| 6 | 4460968 | 1 | Connector, Strain Relief | |
| 7 | 4811400 | 8 | Washer M4 | |
| 8 | 1001102258 | 1 | Decal - AC Label | |
| 9 | 1001187816 | 1 | Plug | |
| 10 | 1001188116 | 1 | Box | |

SECTION 7 - ELECTRICAL

FIGURE 7-8. AC BOX AT PLATFORM INSTALLATION - 220V LOCALLY SUPPLIED COMPONENTS (ALL SPECS)



ART_1001237401

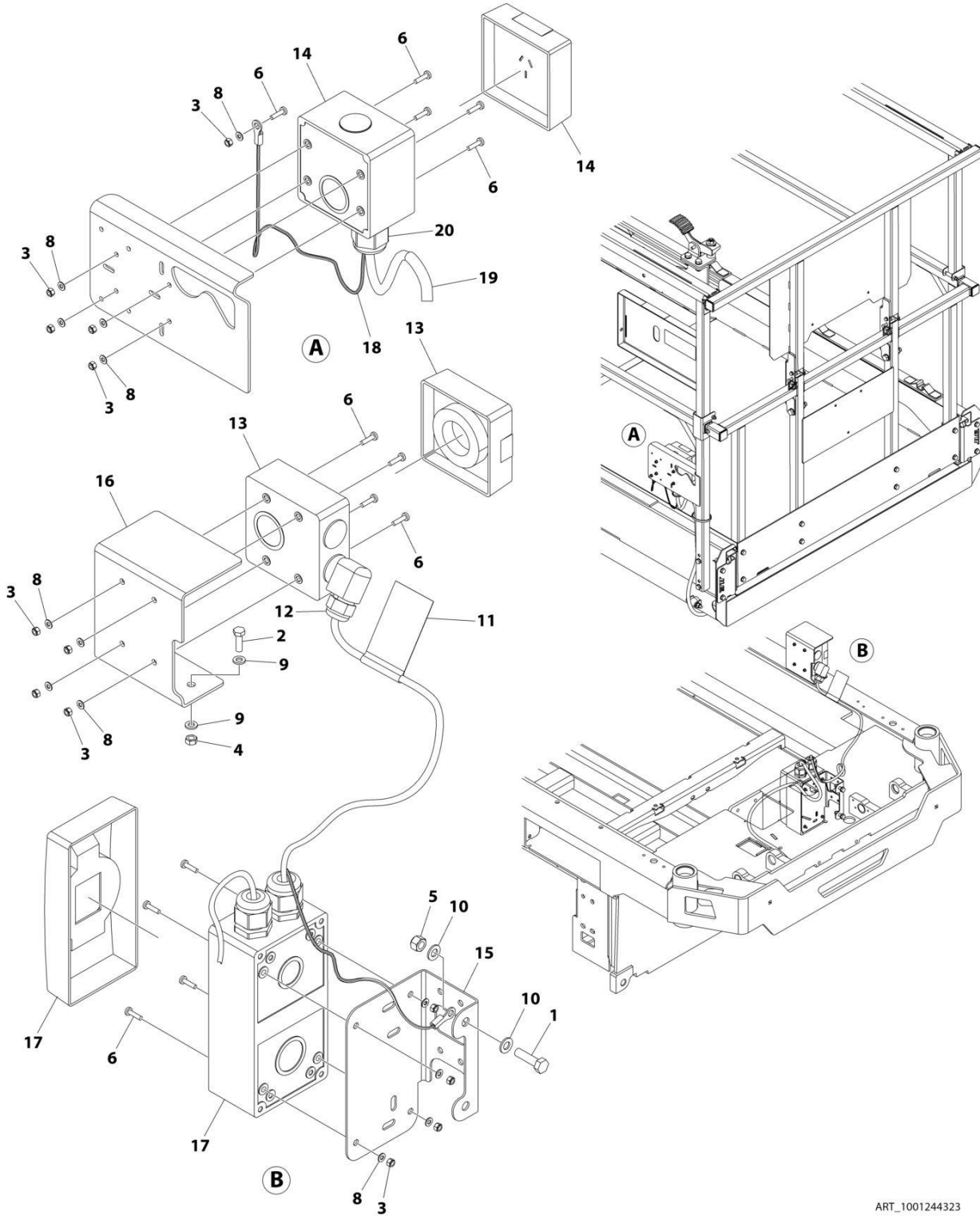
SECTION 7 - ELECTRICAL

**FIGURE 7-8. AC BOX AT PLATFORM INSTALLATION - 220V LOCALLY SUPPLIED COMPONENTS
(ALL SPECS)**

| ITEM | PART NUMBER | QTY | DESCRIPTION | REV |
|------|-------------|-----|--|-----|
| | 1001237401 | Ref | AC BOX AT PLATFORM INSTALLATION - 220V LOCALLY SUPPLIED COMPONENTS (ALL SPECS) | C |
| 1 | 3252507 | 1 | Decal - 220 Volt | |
| 2 | 4240017 | AR | Tie-Strap (Not Shown) | |
| 3 | 1001102258 | 1 | Decal - AC Label | |

SECTION 7 - ELECTRICAL

FIGURE 7-9. AC BOX AT PLATFORM INSTALLATION - 220V (AUSTRALIAN SPECS)



ART_1001244323

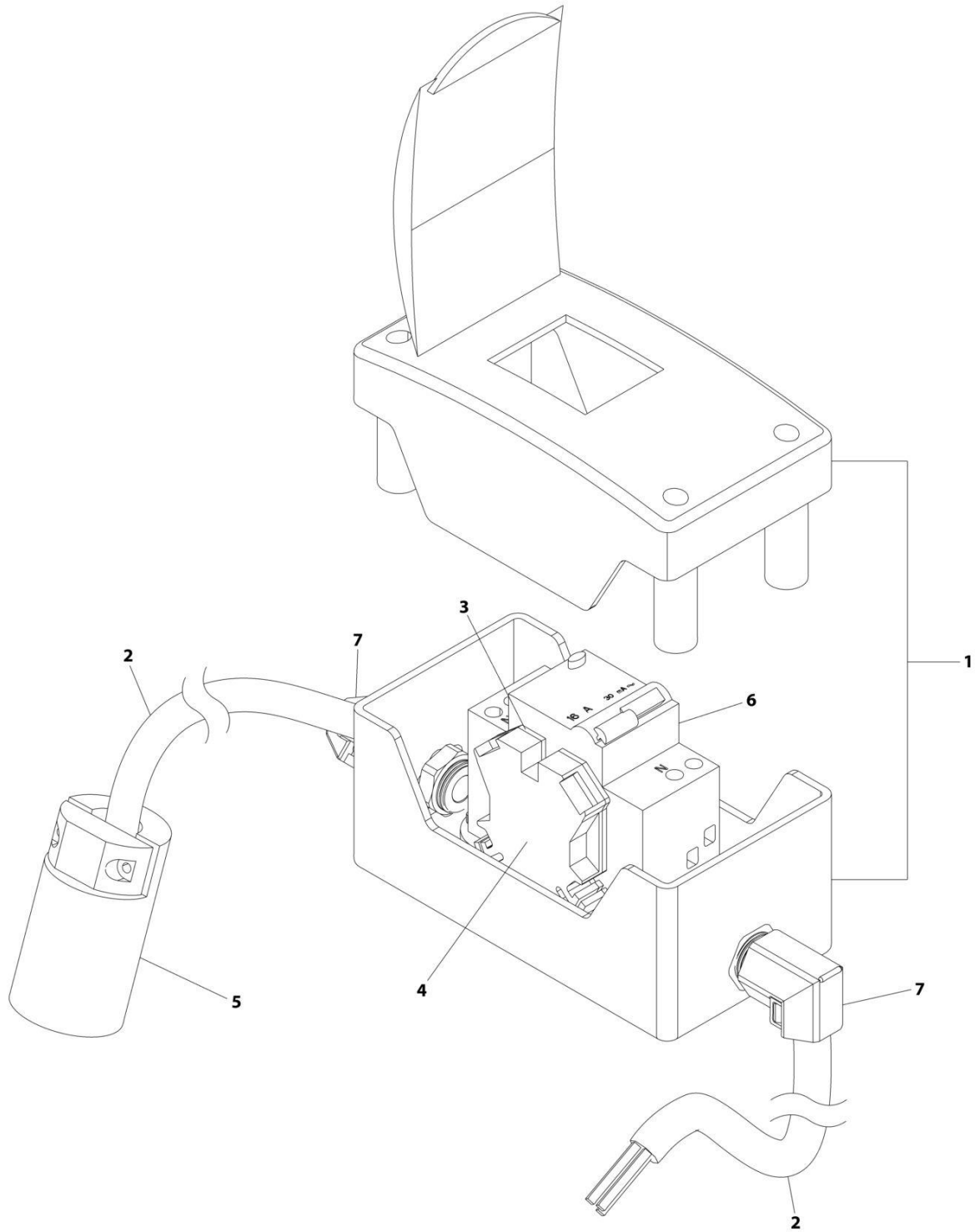
SECTION 7 - ELECTRICAL

FIGURE 7-9. AC BOX AT PLATFORM INSTALLATION - 220V (AUSTRALIAN SPECS)

| ITEM | PART NUMBER | QTY | DESCRIPTION | REV |
|------|-------------|-----|--|-----|
| | 1001244323 | Ref | AC BOX AT PLATFORM INSTALLATION - 220V (AUSTRALIAN SPECS) | B |
| 1 | 0700814 | 2 | Bolt M8 x 30 | |
| 2 | 0760610 | 2 | Bolt M6 x 20 | |
| 3 | 3290405 | 13 | Nut M4 | |
| 4 | 3290601 | 2 | Nut M6 | |
| 5 | 3290805 | 2 | Nut M8 | |
| 6 | 4010408 | 13 | Screw M4 x 16 | |
| 7 | 4240017 | AR | Tie-Strap (Not Shown) | |
| 8 | 4811400 | 13 | Washer M4 | |
| 9 | 4811700 | 4 | Washer M6 | |
| 10 | 4811900 | 4 | Washer M8 | |
| 11 | 1001102258 | 1 | Decal - AC Label | |
| 12 | 1001103471 | 1 | Connector Strain Relief 90 | |
| 13 | 1001227267 | 1 | Receptacle Australian - 230V | |
| 14 | 1001227268 | 1 | Receptacle Australian - 230V | |
| 15 | 1001238198 | 1 | Bracket | |
| 16 | 1001244900 | 1 | Bracket | |
| 17 | 1001245739 | 1 | Box and Breaker Electrical Assembly (See Separate Breakdown in this Section) | |
| 18 | 1001245744 | 1 | Earth/Ground Link Harness | |
| 19 | 1001245747 | 1 | Conduit | |
| 20 | 1001097150 | 1 | Terminal | |

SECTION 7 - ELECTRICAL

FIGURE 7-10. BREAKER BOX KIT WITH 1 DOUBLE BREAKER



ART_1001209776

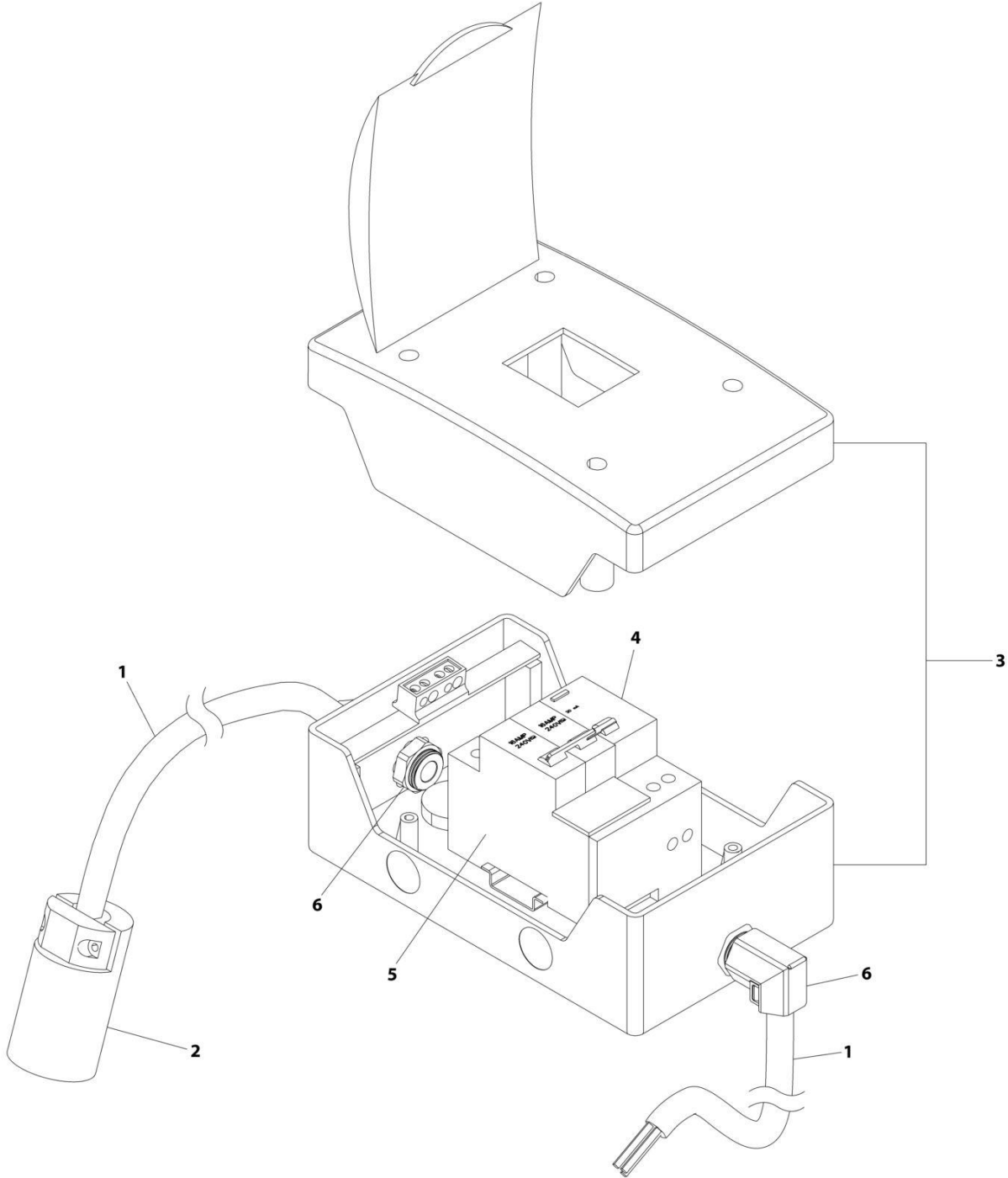
SECTION 7 - ELECTRICAL

FIGURE 7-10. BREAKER BOX KIT WITH 1 DOUBLE BREAKER

| ITEM | PART NUMBER | QTY | DESCRIPTION | REV |
|------|-------------|-----------------|---------------------------------------|-----|
| | 1001209776 | Ref | BREAKER BOX KIT WITH 1 DOUBLE BREAKER | F |
| 1 | 0861880 | 1 | Box | |
| 2 | 1060908 | 126 in /3.2m | Cable, 12/3 | |
| 3 | 4460956 | 1 | Barrier, Terminal | |
| 4 | 4460957 | 1 | Block, Terminal | |
| 5 | 1001120205 | 1 | Connector, Female Twist | |
| 6 | 1001181045 | 1 | Breaker 30mAmp/16 Amp | |
| 7 | 1001217164 | 2 | Connector, Strain Relief 90 | |

SECTION 7 - ELECTRICAL

FIGURE 7-11. BREAKER BOX KIT WITH 3 BREAKERS



ART_1001209482

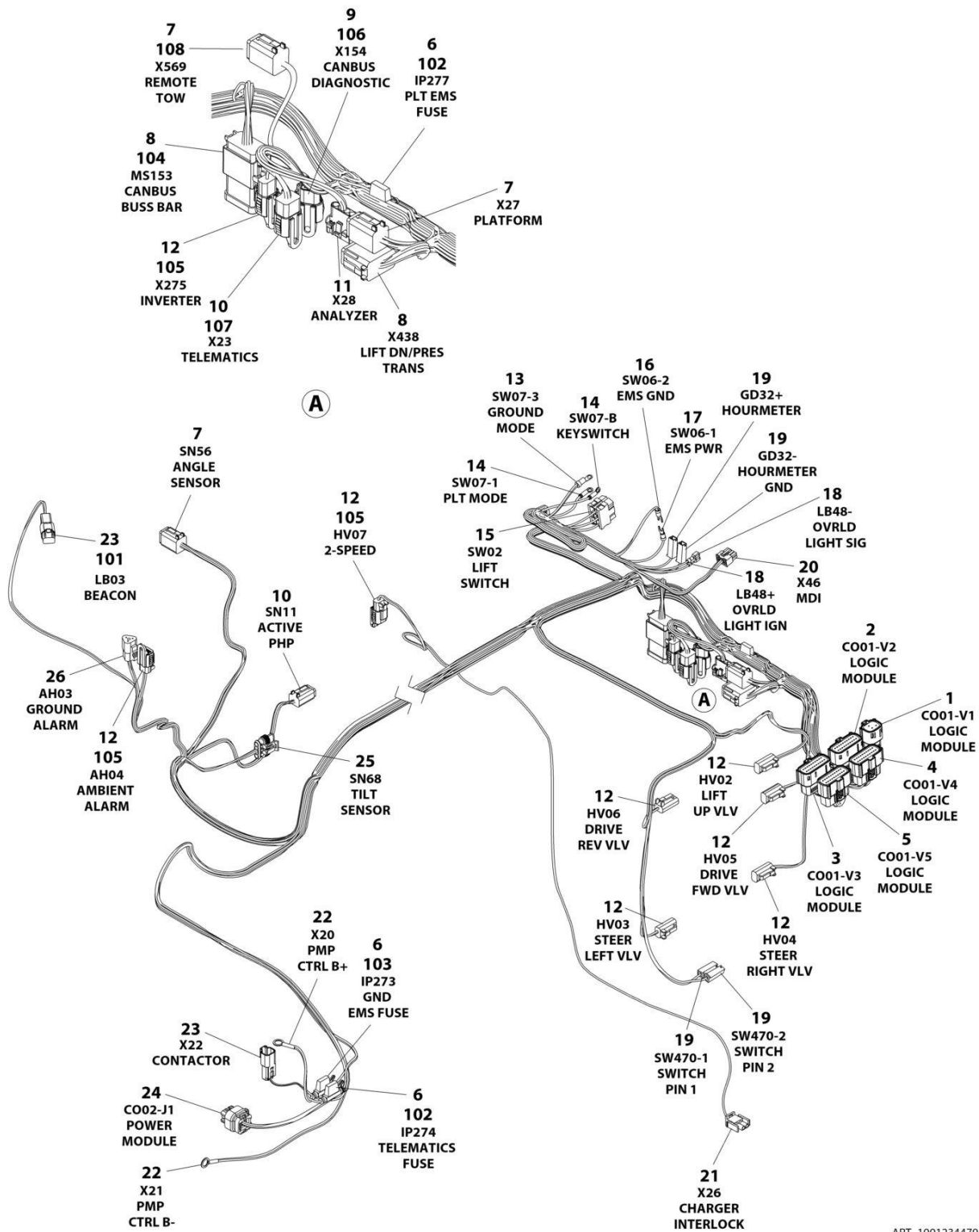
SECTION 7 - ELECTRICAL

FIGURE 7-11. BREAKER BOX KIT WITH 3 BREAKERS

| ITEM | PART NUMBER | QTY | DESCRIPTION | REV |
|------|-------------|-----------------|---------------------------------|-----|
| 1 | 1001209482 | Ref | BREAKER BOX KIT WITH 3 BREAKERS | G |
| | 1060908 | 126 in /3.2m | Cable, 12/3 | |
| 2 | 1001120205 | 1 | Connector, Female Twist | |
| 3 | 1001152483 | 1 | Box | |
| 4 | 1001189171 | 1 | Breaker, 30mAmp | |
| 5 | 1001189172 | 1 | Breaker 16 Amp, Double | |
| 6 | 1001217164 | 2 | Connector, Strain Relief 90 | |

SECTION 7 - ELECTRICAL

FIGURE 7-12. CHASSIS HARNESS



ART_1001234479

SECTION 7 - ELECTRICAL

FIGURE 7-12. CHASSIS HARNESS

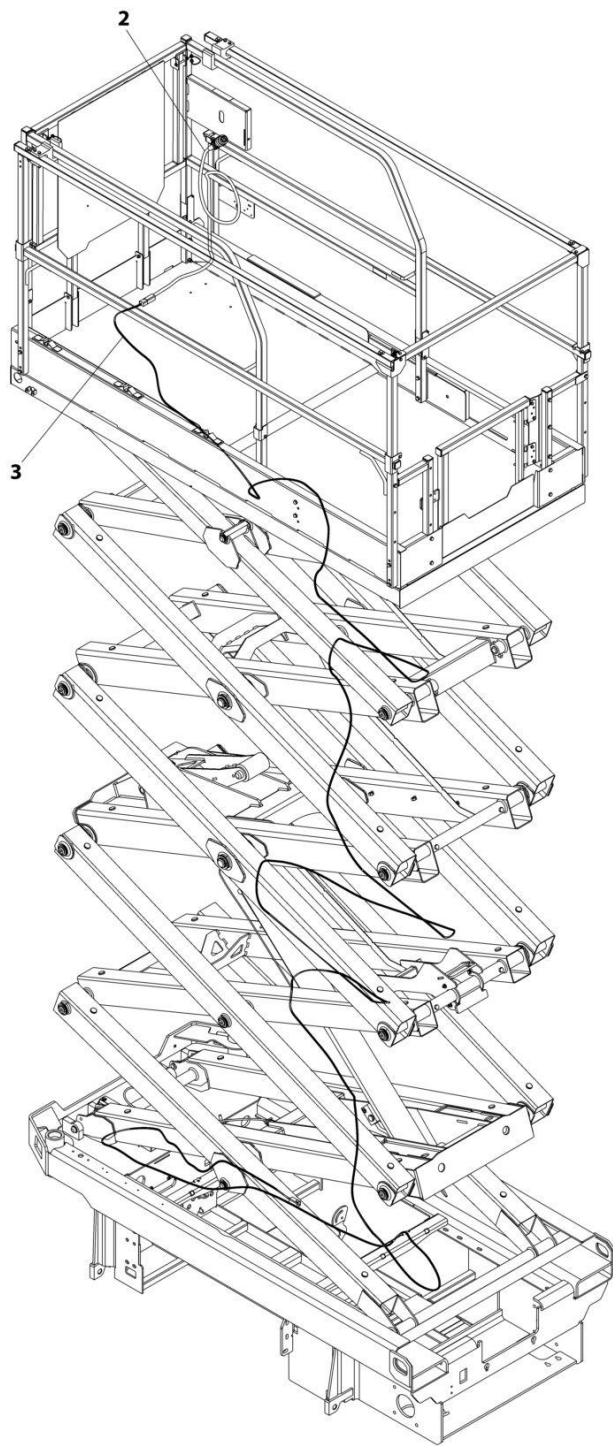
| ITEM | PART NUMBER | QTY | DESCRIPTION | REV |
|------|-------------|-----|---------------------------------|-----|
| | 1001234479 | Ref | CHASSIS HARNESS | D |
| 1 | 1001205409 | 1 | Connector - 8 Position | |
| 1 | 1001162887 | 6 | Terminal | |
| 1 | 1001163340 | 2 | Plug, Terminal | |
| 2 | 1001205410 | 1 | Connector - 20 Position | |
| 2 | 1001162887 | 12 | Terminal | |
| 2 | 1001163340 | 8 | Plug, Terminal | |
| 3 | 1001162886 | 1 | Connector - 20 Position | |
| 3 | 1001162887 | 16 | Terminal | |
| 3 | 1001163340 | 4 | Plug, Terminal | |
| 4 | 1001205411 | 1 | Connector - 20 Position | |
| 4 | 1001162887 | 16 | Terminal | |
| 4 | 1001163340 | 4 | Plug, Terminal | |
| 5 | 1001205412 | 1 | Connector - 20 Position | |
| 5 | 1001162887 | 18 | Terminal | |
| 5 | 1001163340 | 2 | Plug, Terminal | |
| 6 | 2400060 | 3 | Holder/Cover, Fuse | |
| 7 | 4460894 | 3 | Plug, Male - 6 Position | |
| 7 | 4460465 | 14 | Socket, Female | |
| 7 | 4460944 | 2 | Socket, Female | |
| 7 | 4460466 | 2 | Plug, Terminal | |
| 8 | 4460933 | 2 | Plug, Male - 12 Position | |
| 8 | 4460465 | 22 | Socket, Female | |
| 8 | 4460466 | 2 | Plug, Terminal | |
| 9 | 1001116812 | 1 | Receptacle, Female - 3 Position | |
| 9 | 4060944 | 2 | Socket, Female | |
| 9 | 4460466 | 1 | Plug, Terminal | |
| 10 | 4460884 | 2 | Plug, Male - 4 Position | |
| 10 | 4460465 | 8 | Socket, Female | |
| 11 | 4460761 | 1 | Plug, Male - 4 Position | |
| 11 | 4460227 | 4 | Socket, Female | |
| 12 | 4460891 | 8 | Plug, Male - 2 Position | |
| 12 | 4460465 | 16 | Socket, Female | |
| 12 | 4460466 | 1 | Plug, Terminal | |
| 13 | 4460042 | 1 | Terminal, Ring | |
| 14 | 4460247 | 2 | Terminal, Ring | |
| 15 | 4460418 | 1 | Connector - 6 Position | |
| 15 | 1001159186 | 3 | Terminal | |
| 16 | 4460115 | 1 | Terminal, Ring | |
| 17 | 4460183 | 1 | Terminal, Ring | |
| 18 | 1001201885 | 2 | Terminal | |
| 19 | 4460260 | 4 | Cover, Terminal | |
| 16 | 4460259 | 4 | Terminal | |
| 20 | 1001151629 | 1 | Plug, Male - 8 Position | |
| 20 | 4461023 | 2 | Terminal | |
| 20 | 4460877 | 2 | Terminal | |
| 21 | 4460320 | 1 | Plug, Male - 2 Position | |
| 21 | 4460226 | 1 | Socket, Female | |
| 22 | 4460256 | 2 | Terminal | |
| 23 | 4460897 | 2 | Receptacle, Female - 2 Position | |

SECTION 7 - ELECTRICAL

| ITEM | PART NUMBER | QTY | DESCRIPTION | REV |
|------|-------------|-----|-------------------------|-----|
| 23 | 4460464 | 4 | Pin, Male | |
| 24 | 1001113961 | 1 | Connector - 8 Position | |
| 24 | 4460871 | 4 | Socket, Female | |
| 24 | 4460905 | 4 | Plug, Terminal | |
| 25 | 1001103012 | 1 | Plug, Male - 4 Position | |
| 25 | 1001196589 | 4 | Terminal | |
| 25 | 1001104498 | 4 | Seal Terminal | |
| 26 | 4460539 | 1 | Plug, Male - 3 Position | |
| 26 | 4460465 | 3 | Socket, Female | |
| 101 | 4460891 | 1 | Plug, Male - 4 Position | |
| 102 | 8229242 | 2 | Fuse 5 Amp | |
| 103 | 8229244 | 1 | Fuse, 15 Amp | |
| 104 | 1001125677 | 1 | Connector, Bussbar | |
| 105 | 1001144295 | 3 | Cap - 2 Position | |
| 106 | 1001144296 | 1 | Cap - 3 Position | |
| 107 | 1001192401 | 1 | Cap, Dust | |
| 108 | 1001213448 | 1 | Connector, Dust Cap | |

SECTION 7 - ELECTRICAL

FIGURE 7-13. GROUND TO PLATFORM CABLE INSTALLATION - WITHOUT PLATFORM COIL CABLE
(CHINA BUILT MACHINES)



ART_1001234093

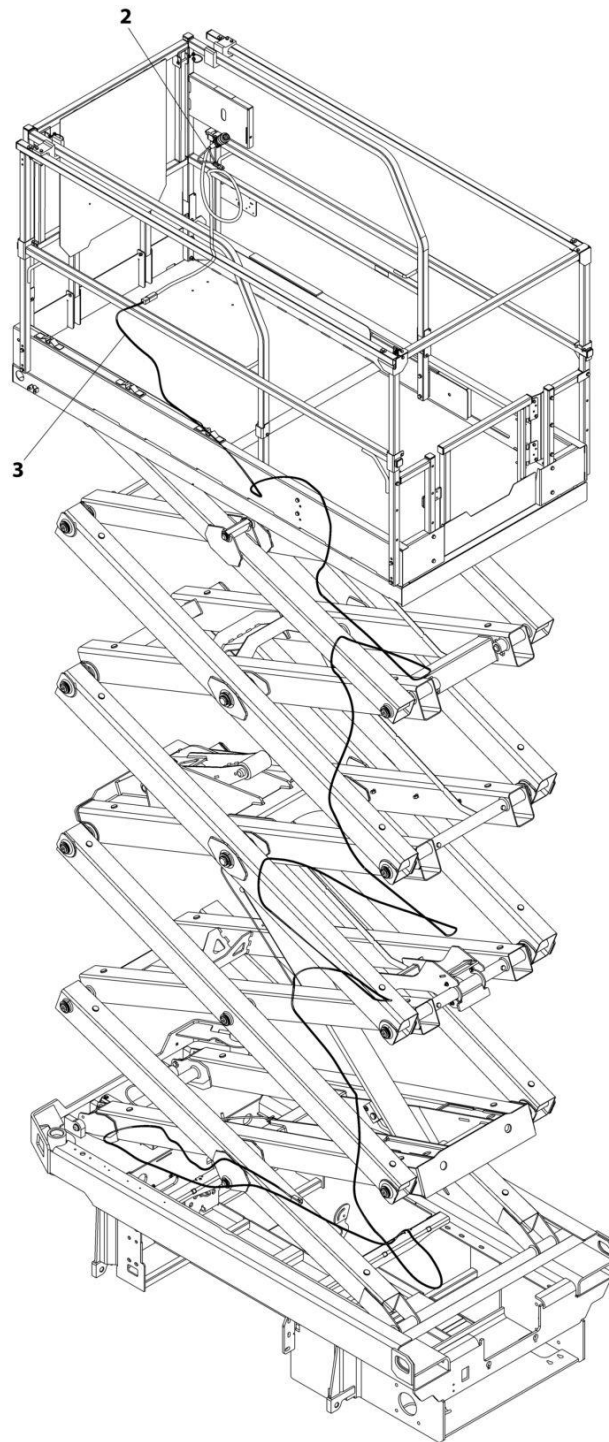
SECTION 7 - ELECTRICAL

**FIGURE 7-13. GROUND TO PLATFORM CABLE INSTALLATION - WITHOUT PLATFORM COIL CABLE
(CHINA BUILT MACHINES)**

| ITEM | PART NUMBER | QTY | DESCRIPTION | REV |
|------|-------------|-----|---|-----|
| | 1001234093 | Ref | GROUND TO PLATFORM CABLE INSTALLATION - WITHOUT PLATFORM COIL CABLE | A |
| 1 | 4240017 | AR | Tie-Strap (Not Shown) | |
| 2 | 1001200812 | 1 | Platform Harness | |
| 2 | 4460899 | 1 | Receptacle, Female - 6 Position (To Item 3) | |
| 2 | 4460464 | 4 | Pin, Male | |
| 2 | 4460943 | 2 | Pin, Male | |
| 2 | 4460754 | 1 | Connector - 14 Position (To Console Box) | |
| 2 | 4460465 | 8 | Socket, Female | |
| 2 | 4460466 | 6 | Plug, Terminal | |
| 3 | 1001234631 | 1 | Cable Assembly - Ground to Platform | |
| 3 | 4460894 | 1 | Plug, Male - 6 Position (To Platform Harness Item 2) | |
| 3 | 4460465 | 4 | Socket, Female | |
| 3 | 4460944 | 2 | Socket, Female | |
| 3 | 4460899 | 1 | Receptacle, Female - 6 Position (To Chassis Harness) | |
| 3 | 4460464 | 4 | Pin, Male | |
| 3 | 4460943 | 2 | Pin, Male | |

SECTION 7 - ELECTRICAL

FIGURE 7-14. GROUND TO PLATFORM CABLE INSTALLATION - WITHOUT PLATFORM COIL CABLE & WITH FOOTSWITCH (CHINA BUILT MACHINES)



ART_1001234095

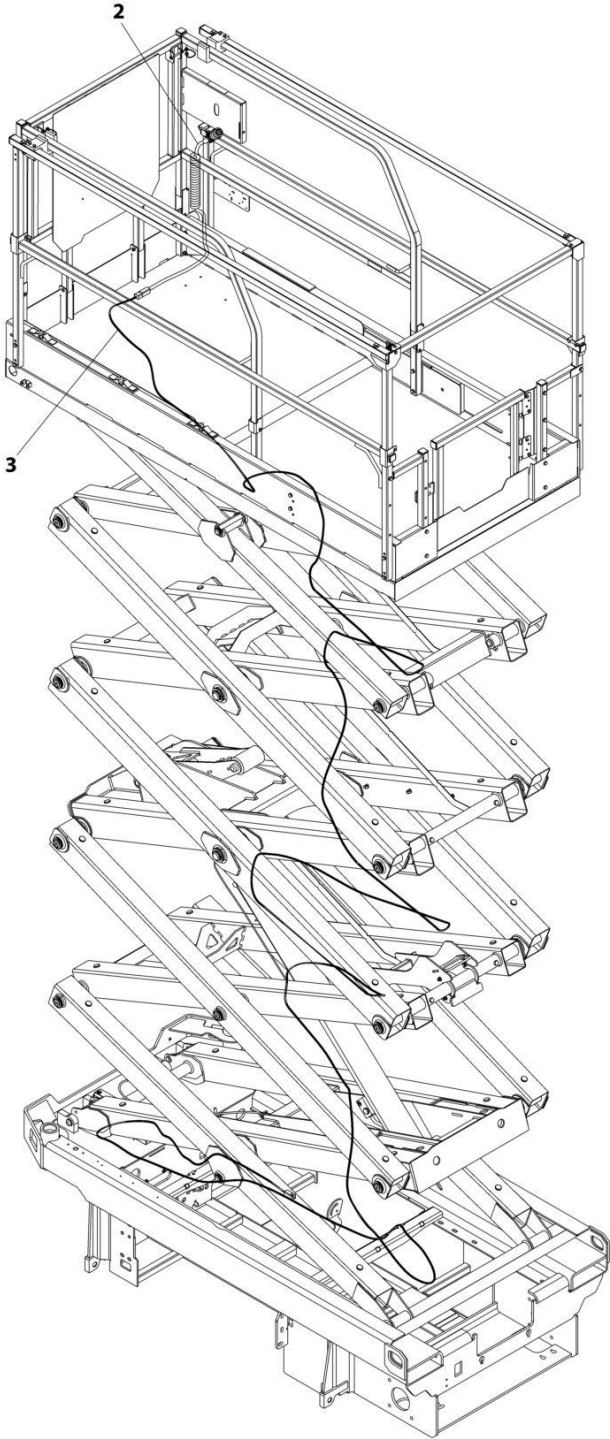
SECTION 7 - ELECTRICAL

**FIGURE 7-14. GROUND TO PLATFORM CABLE INSTALLATION - WITHOUT PLATFORM COIL CABLE
& WITH FOOTSWITCH (CHINA BUILT MACHINES)**

| ITEM | PART NUMBER | QTY | DESCRIPTION | REV |
|------|-------------|-----|---|-----|
| | 1001234095 | Ref | GROUND TO PLATFORM CABLE INSTALLATION - WITHOUT PLATFORM COIL CABLE AND WITH FOOTSWITCH | A |
| 1 | 4240017 | AR | Tie-Strap (Not Shown) | |
| 2 | 1001223263 | 1 | Platform Harness | |
| 2 | 4460899 | 1 | Receptacle, Female - 6 Position (To Item 3) | |
| 2 | 4460464 | 4 | Pin, Male | |
| 2 | 4460943 | 2 | Pin, Male | |
| 2 | 4460754 | 1 | Connector - 14 Position (To Console Box) | |
| 2 | 4460465 | 8 | Socket, Female | |
| 2 | 4460944 | 2 | Socket, Female | |
| 2 | 4460466 | 4 | Plug, Terminal | |
| 2 | 4460891 | 1 | Plug, Male - 2 Position (To Footswitch) | |
| 2 | 4460465 | 2 | Socket, Female | |
| 2 | 4460897 | 1 | Receptacle, Female - 2 Position (Footswitch Jumper) | |
| 2 | 4460464 | 2 | Pin, Male | |
| 2 | 4460539 | 1 | Plug, Male - 3 Position (To Overhead Switches) | |
| 2 | 4460465 | 2 | Socket, Female | |
| 2 | 4460466 | 1 | Plug, Terminal | |
| 3 | 1001234631 | 1 | Cable Assembly - Ground to Platform | |
| 3 | 4460894 | 1 | Plug, Male - 6 Position (To Platform Harness Item 2) | |
| 3 | 4460465 | 4 | Socket, Female | |
| 3 | 4460944 | 2 | Socket, Female | |
| 3 | 4460899 | 1 | Receptacle, Female - 6 Position (To Chassis Harness) | |
| 3 | 4460464 | 4 | Pin, Male | |
| 3 | 4460943 | 2 | Pin, Male | |

SECTION 7 - ELECTRICAL

FIGURE 7-15. GROUND TO PLATFORM CABLE INSTALLATION - WITH PLATFORM COIL CABLE (CHINA BUILT MACHINES)



ART_1001234094

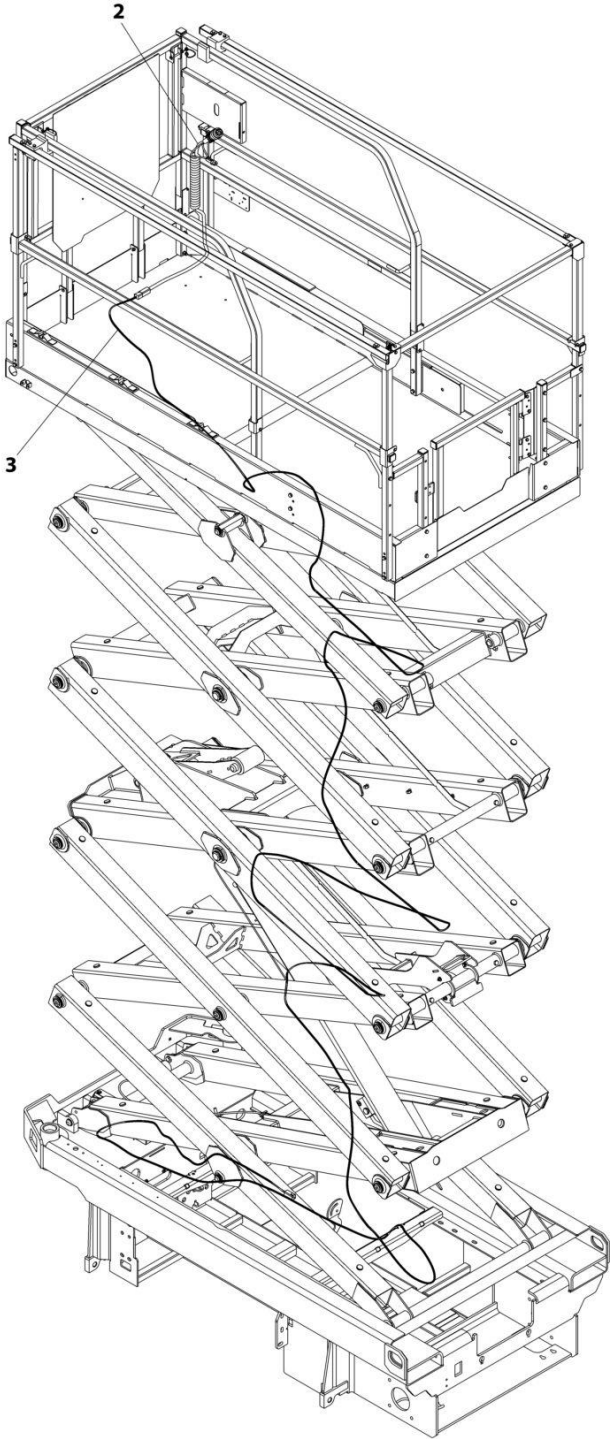
SECTION 7 - ELECTRICAL

**FIGURE 7-15. GROUND TO PLATFORM CABLE INSTALLATION - WITH PLATFORM COIL CABLE
(CHINA BUILT MACHINES)**

| ITEM | PART NUMBER | QTY | DESCRIPTION | REV |
|------|-------------|-----|--|-----|
| | 1001234094 | Ref | GROUND TO PLATFORM CABLE INSTALLATION - WITH PLATFORM COIL CABLE | A |
| 1 | 4240017 | AR | Tie-Strap (Not Shown) | |
| 2 | 1001202184 | 1 | Platform Harness | |
| 2 | 4460899 | 1 | Receptacle, Female - 6 Position (To Item 3) | |
| 2 | 4460464 | 4 | Pin, Male | |
| 2 | 4460943 | 2 | Pin, Male | |
| 2 | 4460754 | 1 | Connector - 14 Position (To Console Box) | |
| 2 | 4460465 | 8 | Socket, Female | |
| 2 | 4460466 | 6 | Plug, Terminal | |
| 3 | 1001234631 | 1 | Cable Assembly - Ground to Platform | |
| 3 | 4460894 | 1 | Plug, Male - 6 Position (To Platform Harness Item 2) | |
| 3 | 4460465 | 4 | Socket, Female | |
| 3 | 4460944 | 2 | Socket, Female | |
| 3 | 4460899 | 1 | Receptacle, Female - 6 Position (To Chassis Harness) | |
| 3 | 4460464 | 4 | Pin, Male | |
| 3 | 4460943 | 2 | Pin, Male | |

SECTION 7 - ELECTRICAL

FIGURE 7-16. GROUND TO PLATFORM CABLE INSTALLATION - WITH PLATFORM COIL CABLE & FOOTSWITCH (CHINA BUILT MACHINES)



ART_1001234096

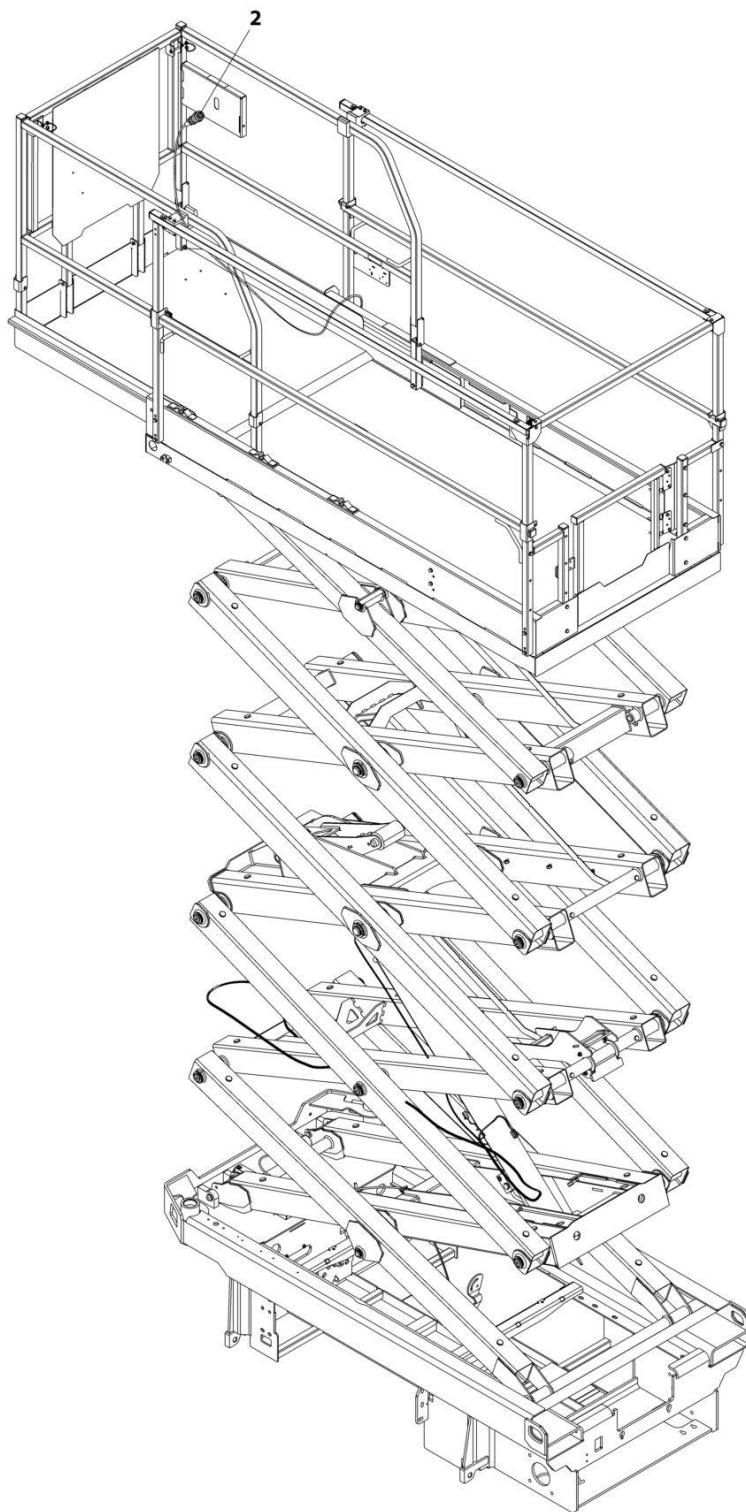
SECTION 7 - ELECTRICAL

FIGURE 7-16. GROUND TO PLATFORM CABLE INSTALLATION - WITH PLATFORM COIL CABLE & FOOTSWITCH (CHINA BUILT MACHINES)

| ITEM | PART NUMBER | QTY | DESCRIPTION | REV |
|------|-------------|-----|---|-----|
| | 1001234096 | Ref | GROUND TO PLATFORM CABLE INSTALLATION - WITH PLATFORM COIL CABLE AND FOOTSWITCH | A |
| 1 | 4240017 | AR | Tie-Strap (Not Shown) | |
| 2 | 1001223262 | 1 | Platform Harness | |
| 2 | 4460899 | 1 | Receptacle, Female - 6 Position (To Item 3) | |
| 2 | 4460464 | 4 | Pin, Male | |
| 2 | 4460943 | 2 | Pin, Male | |
| 2 | 4460754 | 1 | Connector - 14 Position (To Console Box) | |
| 2 | 4460465 | 8 | Socket, Female | |
| 2 | 4460944 | 2 | Socket, Female | |
| 2 | 4460466 | 4 | Plug, Terminal | |
| 2 | 4460891 | 1 | Plug, Male - 2 Position (To Footswitch) | |
| 2 | 4460465 | 2 | Socket, Female | |
| 2 | 4460897 | 1 | Receptacle, Female - 2 Position (Footswitch Jumper) | |
| 2 | 4460464 | 2 | Pin, Male | |
| 2 | 4460539 | 1 | Plug, Male - 3 Position (To Overhead Switches) | |
| 2 | 4460465 | 2 | Socket, Female | |
| 2 | 4460466 | 1 | Plug, Terminal | |
| 3 | 1001234631 | 1 | Cable Assembly - Ground to Platform | |
| 3 | 4460894 | 1 | Plug, Male - 6 Position (To Platform Harness Item 2) | |
| 3 | 4460465 | 4 | Socket, Female | |
| 3 | 4460944 | 2 | Socket, Female | |
| 3 | 4460899 | 1 | Receptacle, Female - 6 Position (To Chassis Harness) | |
| 3 | 4460464 | 4 | Pin, Male | |
| 3 | 4460943 | 2 | Pin, Male | |

SECTION 7 - ELECTRICAL

FIGURE 7-17. GROUND TO PLATFORM CABLE INSTALLATION - PLATFORM STRAIGHT CABLE ONLY (USA BUILT MACHINES)



ART_1001223650

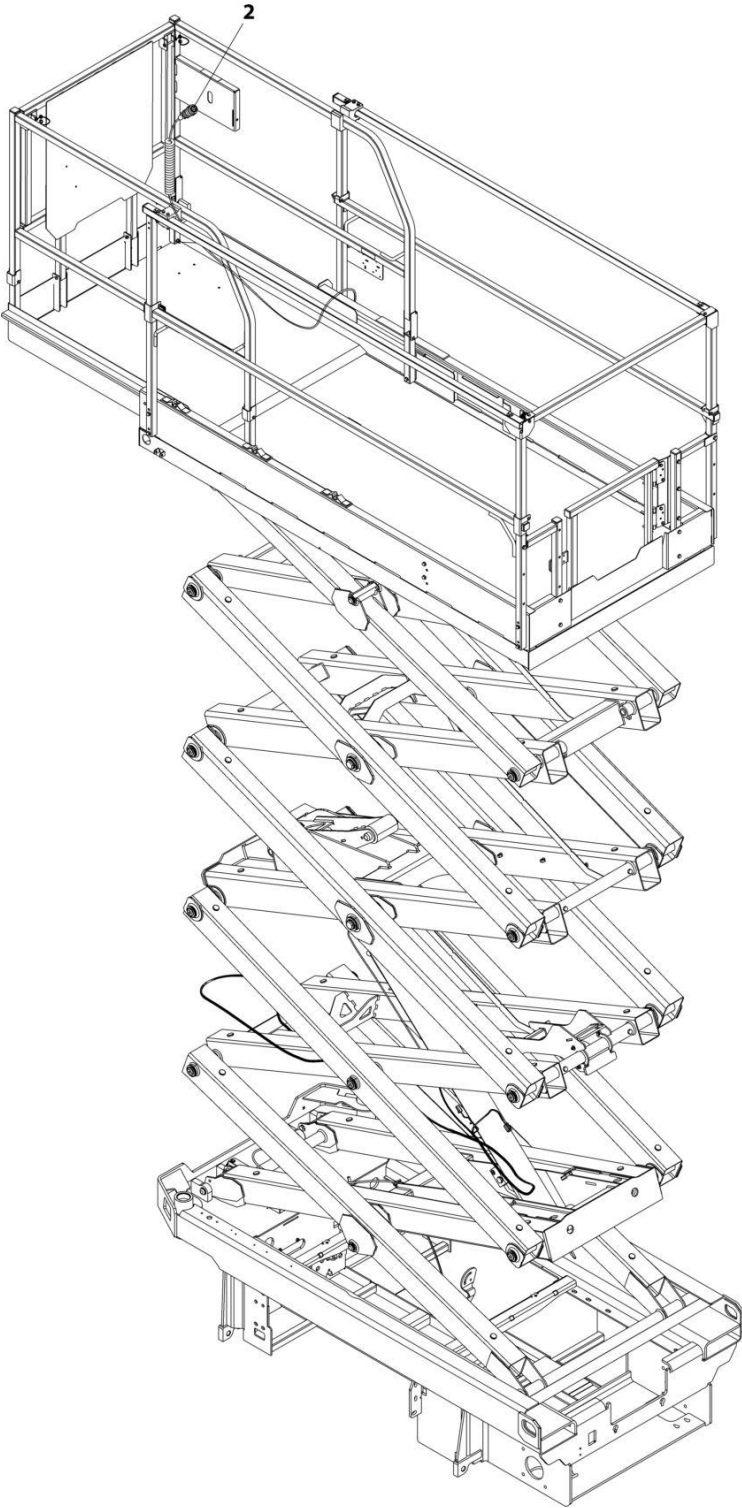
SECTION 7 - ELECTRICAL

FIGURE 7-17. GROUND TO PLATFORM CABLE INSTALLATION - PLATFORM STRAIGHT CABLE ONLY (USA BUILT MACHINES)

| ITEM | PART NUMBER | QTY | DESCRIPTION | REV |
|------|-------------|-----|--|-----|
| | 1001223650 | Ref | GROUND TO PLATFORM CABLE INSTALLATION | A |
| 1 | 4240017 | AR | Tie-Strap (Not Shown) | |
| 2 | 1001200812 | 1 | Platform Harness | |
| 2 | 4460899 | 1 | Receptacle, Female - 6 position (To Platform/AC Cable Connector) | |
| 2 | 4460464 | 4 | Pin, Male | |
| 2 | 4460943 | 2 | Pin, Male | |
| 2 | 4460754 | 1 | Connector - 14 Position (To Console Box) | |
| 2 | 4460465 | 8 | Socket, Female | |
| 2 | 4460466 | 6 | Plug, Terminal | |

SECTION 7 - ELECTRICAL

**FIGURE 7-18. GROUND TO PLATFORM CABLE INSTALLATION - PLATFORM COIL CABLE ONLY
(USA BUILT MACHINES)**



ART_1001223651

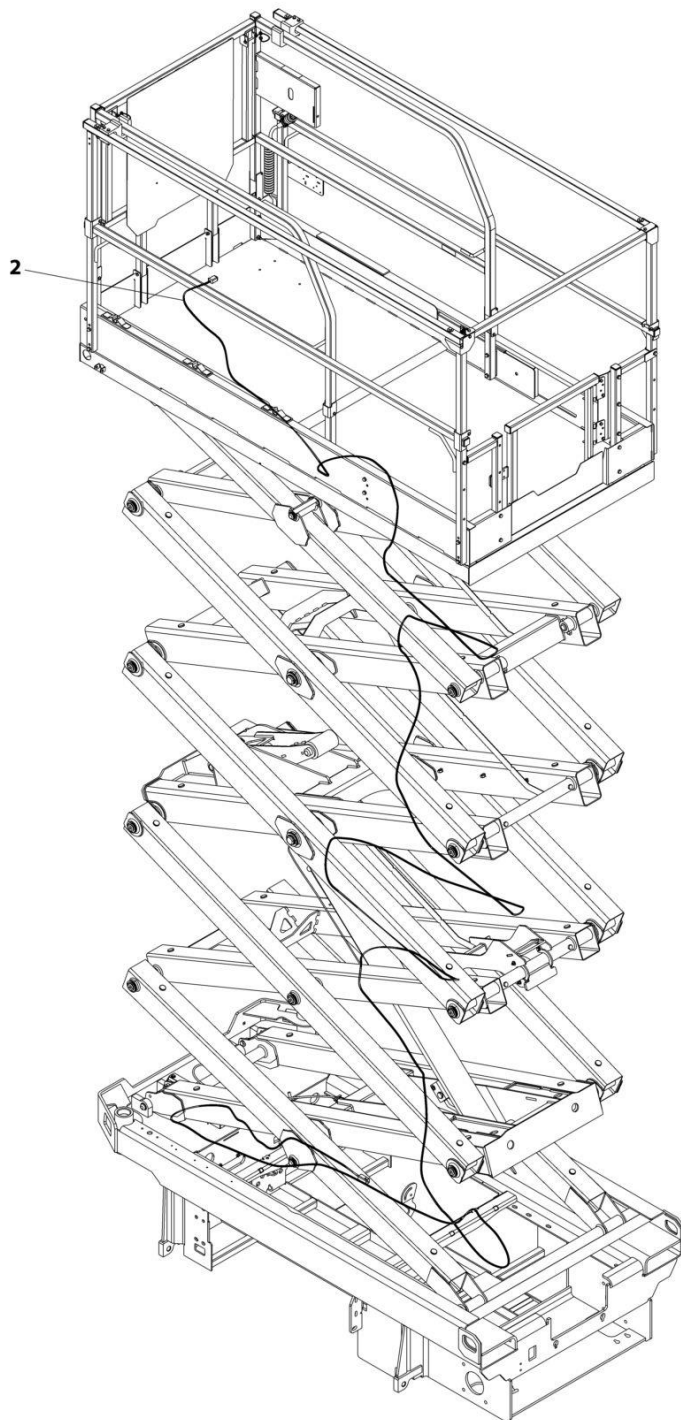
SECTION 7 - ELECTRICAL

**FIGURE 7-18. GROUND TO PLATFORM CABLE INSTALLATION - PLATFORM COIL CABLE ONLY
(USA BUILT MACHINES)**

| ITEM | PART NUMBER | QTY | DESCRIPTION | REV |
|------|-------------|-----|--|-----|
| | 1001223651 | Ref | GROUND TO PLATFORM CABLE INSTALLATION | A |
| 1 | 4240017 | AR | Tie-Strap (Not Shown) | |
| 2 | 1001202184 | 1 | Platform Harness | |
| 2 | 4460899 | 1 | Receptacle, Female - 6 position (To Platform/AC Cable Connector) | |
| 2 | 4460464 | 4 | Pin, Male | |
| 2 | 4460943 | 2 | Pin, Male | |
| 2 | 4460754 | 1 | Connector - 14 Position (To Console Box) | |
| 2 | 4460465 | 8 | Socket, Female | |
| 2 | 4460466 | 6 | Plug, Terminal | |

SECTION 7 - ELECTRICAL

FIGURE 7-19. GROUND TO PLATFORM CABLE INSTALLATION - SCISSORS ARMS CABLE ONLY
(USA BUILT MACHINES)



ART_1001239389

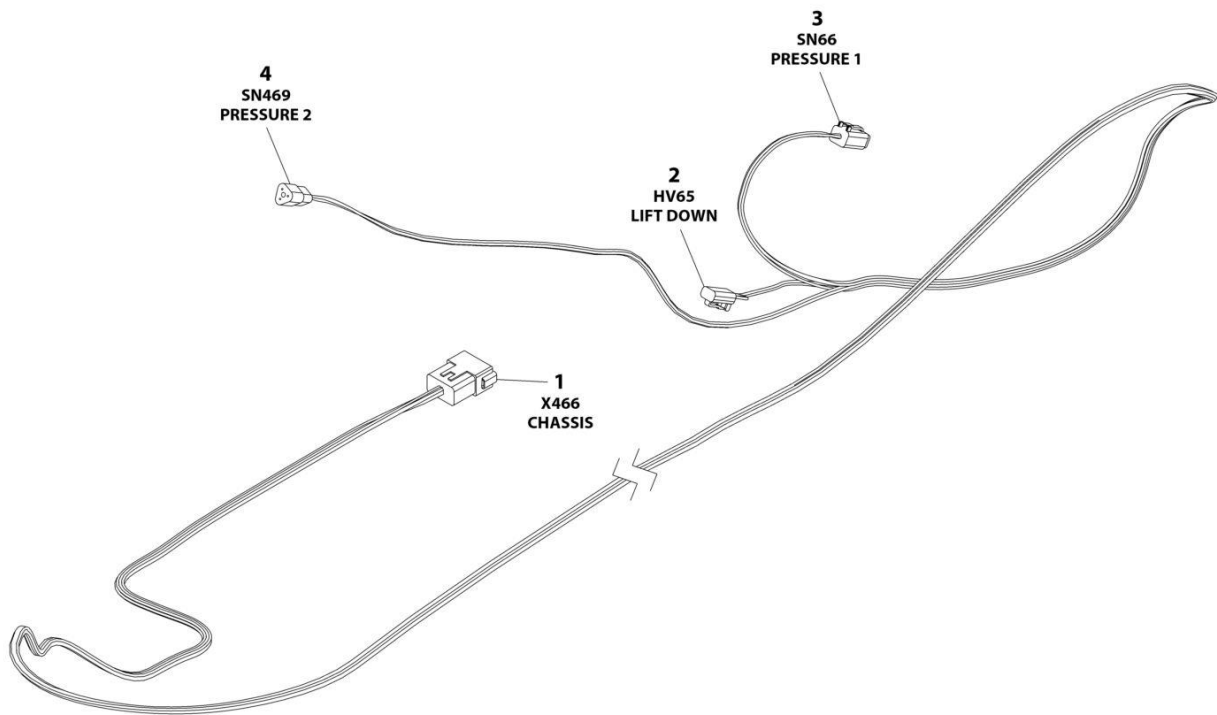
SECTION 7 - ELECTRICAL

**FIGURE 7-19. GROUND TO PLATFORM CABLE INSTALLATION - SCISSORS ARMS CABLE ONLY
(USA BUILT MACHINES)**

| ITEM | PART NUMBER | QTY | DESCRIPTION | REV |
|------|-------------|-----|--|-----|
| | 1001239389 | Ref | GROUND TO PLATFORM CABLE INSTALLATION | A |
| 1 | 4240017 | AR | Tie-Strap (Not Shown) | |
| 2 | 1001234631 | 1 | Cable Assembly - Ground to Platform | |
| 2 | 4460894 | 1 | Plug, Male - 6 Position (To Platform Harness Item 2) | |
| 2 | 4460465 | 4 | Socket, Female | |
| 2 | 4460944 | 2 | Socket, Female | |
| 2 | 4460899 | 1 | Receptacle, Female - 6 Position (To Chassis Harness) | |
| 2 | 4460464 | 4 | Pin, Male | |
| 2 | 4460943 | 2 | Pin, Male | |

SECTION 7 - ELECTRICAL

FIGURE 7-20. LIFT DOWN HARNESS



ART_1001233795

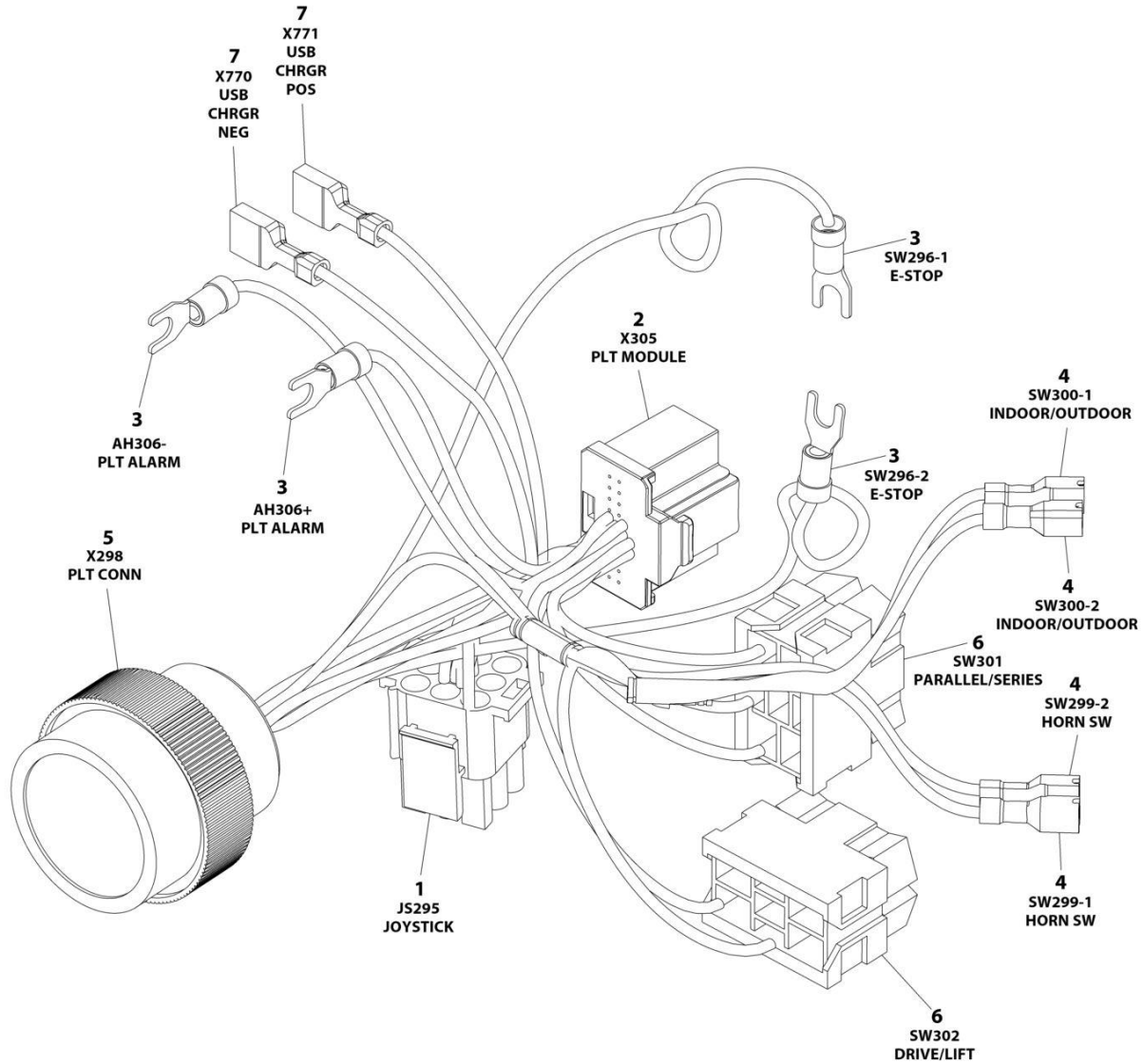
SECTION 7 - ELECTRICAL

FIGURE 7-20. LIFT DOWN HARNESS

| ITEM | PART NUMBER | QTY | DESCRIPTION | REV |
|------|-------------|-----|----------------------------------|-----|
| | 1001233795 | Ref | LIFT DOWN HARNESS | D |
| 1 | 4460970 | 1 | Receptacle, Female - 12 Position | |
| 1 | 4460464 | 9 | Pin, Male | |
| 1 | 4460466 | 3 | Plug, Terminal | |
| 2 | 4460891 | 1 | Plug, Male - 4 Position | |
| 2 | 4460465 | 2 | Socket, Female | |
| 3 | 4460884 | 1 | Plug, Male - 4 Position | |
| 3 | 4460465 | 4 | Socket, Female | |
| 4 | 4460539 | 1 | Plug, Male - 3 Position | |
| 4 | 4460465 | 3 | Socket, Female | |

SECTION 7 - ELECTRICAL

FIGURE 7-21. PLATFORM CONTROL BOX HARNESS



ART_1001200819

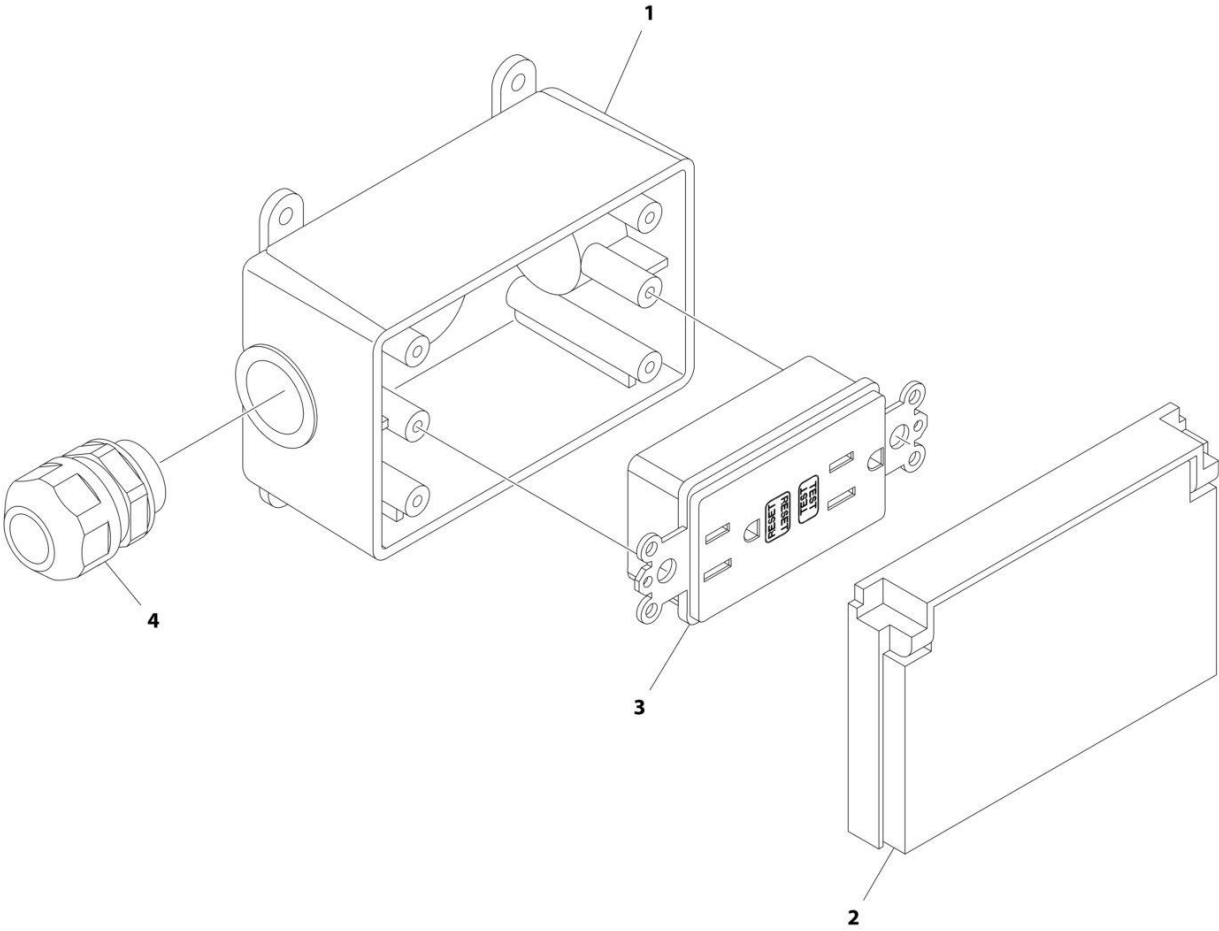
SECTION 7 - ELECTRICAL

FIGURE 7-21. PLATFORM CONTROL BOX HARNESS

| ITEM | PART NUMBER | QTY | DESCRIPTION | REV |
|------|-------------|-----|------------------------------|-----|
| | 1001200819 | Ref | PLATFORM CONTROL BOX HARNESS | E |
| 1 | 4460265 | 1 | Plug, Male - 9 Position | |
| 1 | 4460267 | 6 | Pin, Male | |
| 2 | 1001212036 | 1 | Connector - 20 Position | |
| 2 | 1001212035 | 16 | Terminal | |
| 3 | 4460183 | 4 | Terminal, Fork | |
| 4 | 1001201885 | 4 | Terminal with Cover | |
| 5 | 4461016 | 1 | Connector - 14 Position | |
| 5 | 4460464 | 8 | Pin, Male | |
| 5 | 4460466 | 6 | Plug, Terminal | |
| 6 | 4460418 | 2 | Connector - 6 Position | |
| 6 | 1001159186 | 5 | Terminal | |
| 7 | 1001194421 | 2 | Terminal | |

SECTION 7 - ELECTRICAL

FIGURE 7-22. RECEPTACLE BOX KIT - 110V GFI



ART_2902431

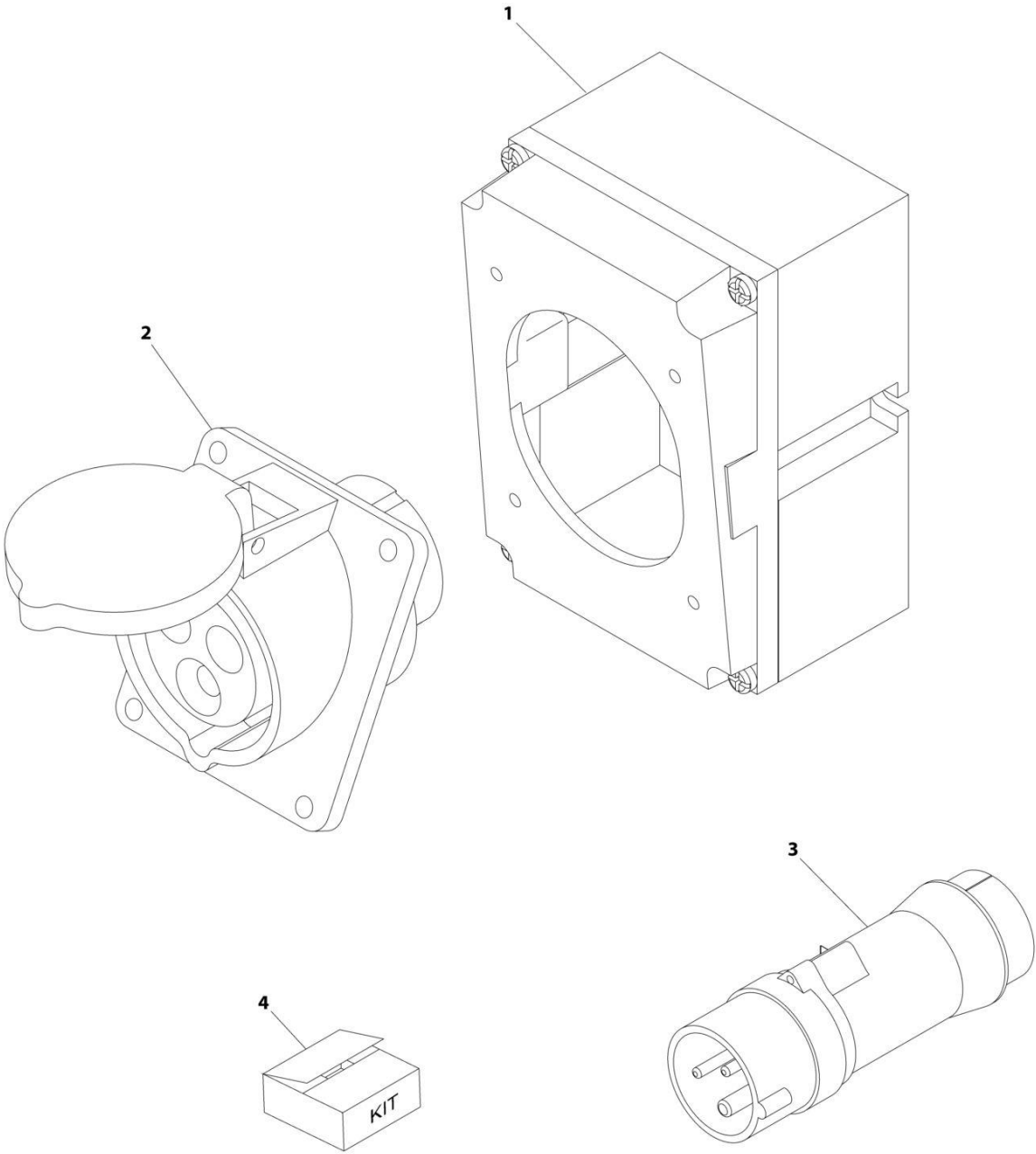
SECTION 7 - ELECTRICAL

FIGURE 7-22. RECEPTACLE BOX KIT - 110V GFI

| ITEM | PART NUMBER | QTY | DESCRIPTION | REV |
|------|-------------|-----|-------------------------------|-----|
| | 2902431 | Ref | RECEPTACLE BOX KIT - 110V GFI | D |
| 1 | 0861731 | 1 | Box, Receptacle | |
| 2 | 1671207 | 1 | Cover, Receptacle | |
| 3 | 4460346 | 1 | Receptacle | |
| 4 | 4460662 | 1 | Connector, Strain Relief | |

SECTION 7 - ELECTRICAL

FIGURE 7-23. RECEPTACLE BOX KIT - 110V IEC YELLOW



ART_0275216

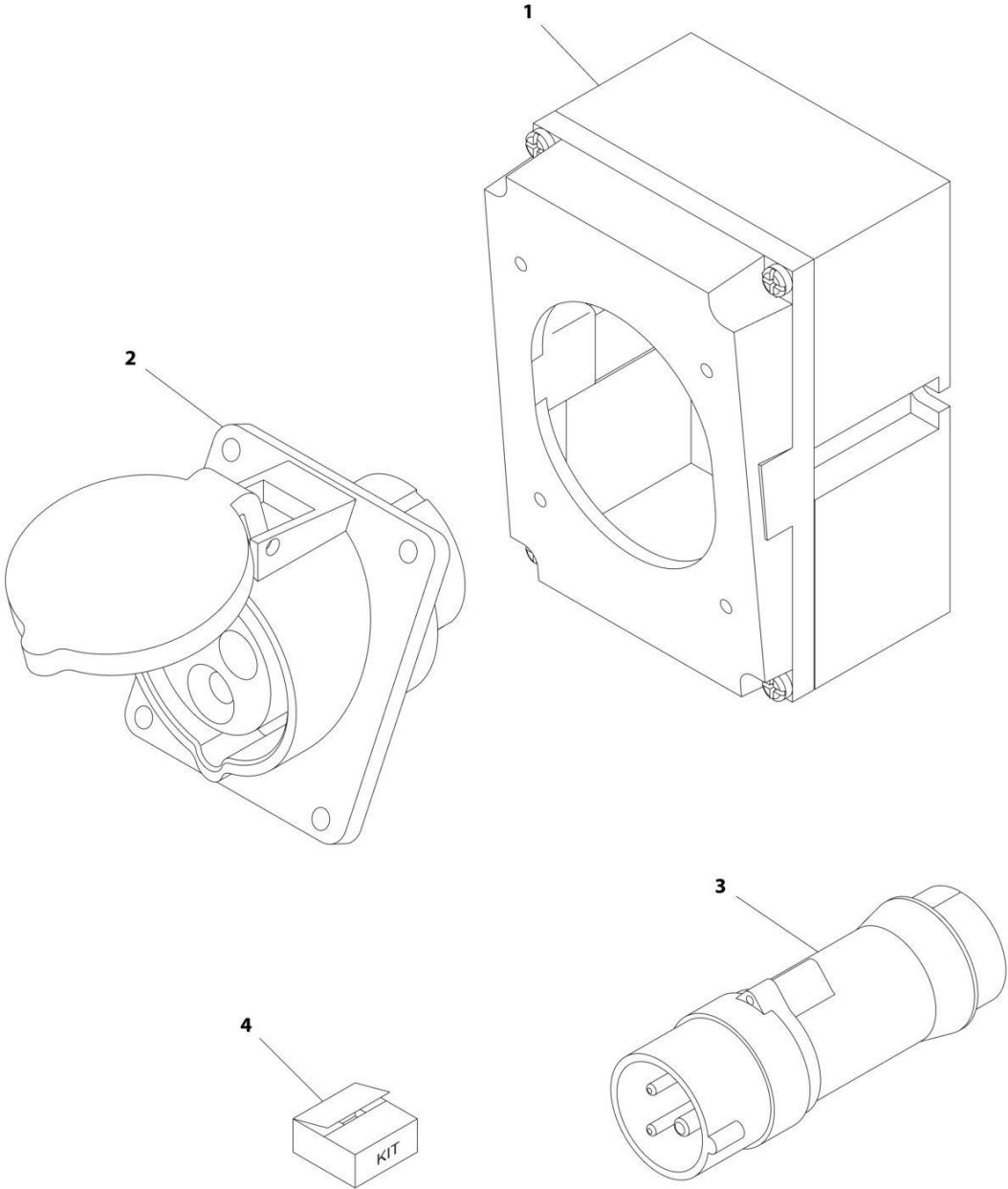
SECTION 7 - ELECTRICAL

FIGURE 7-23. RECEPTACLE BOX KIT - 110V IEC YELLOW

| ITEM | PART NUMBER | QTY | DESCRIPTION | REV |
|------|-------------|-----|--|-----|
| | 0275216 | Ref | RECEPTACLE BOX KIT - 110V IEC YELLOW | B |
| 1 | 0861781 | 1 | Box, Switch | |
| 2 | 4461198 | 1 | Receptacle | |
| 3 | 4461196 | 1 | Plug, Male | |
| 4 | 1001100341 | 1 | Plug and Socket Kit (Includes Items 1-3 and Female Plug p/n 4461197) | |

SECTION 7 - ELECTRICAL

FIGURE 7-24. RECEPTACLE BOX KIT - 220V IEC BLUE



ART_0275217

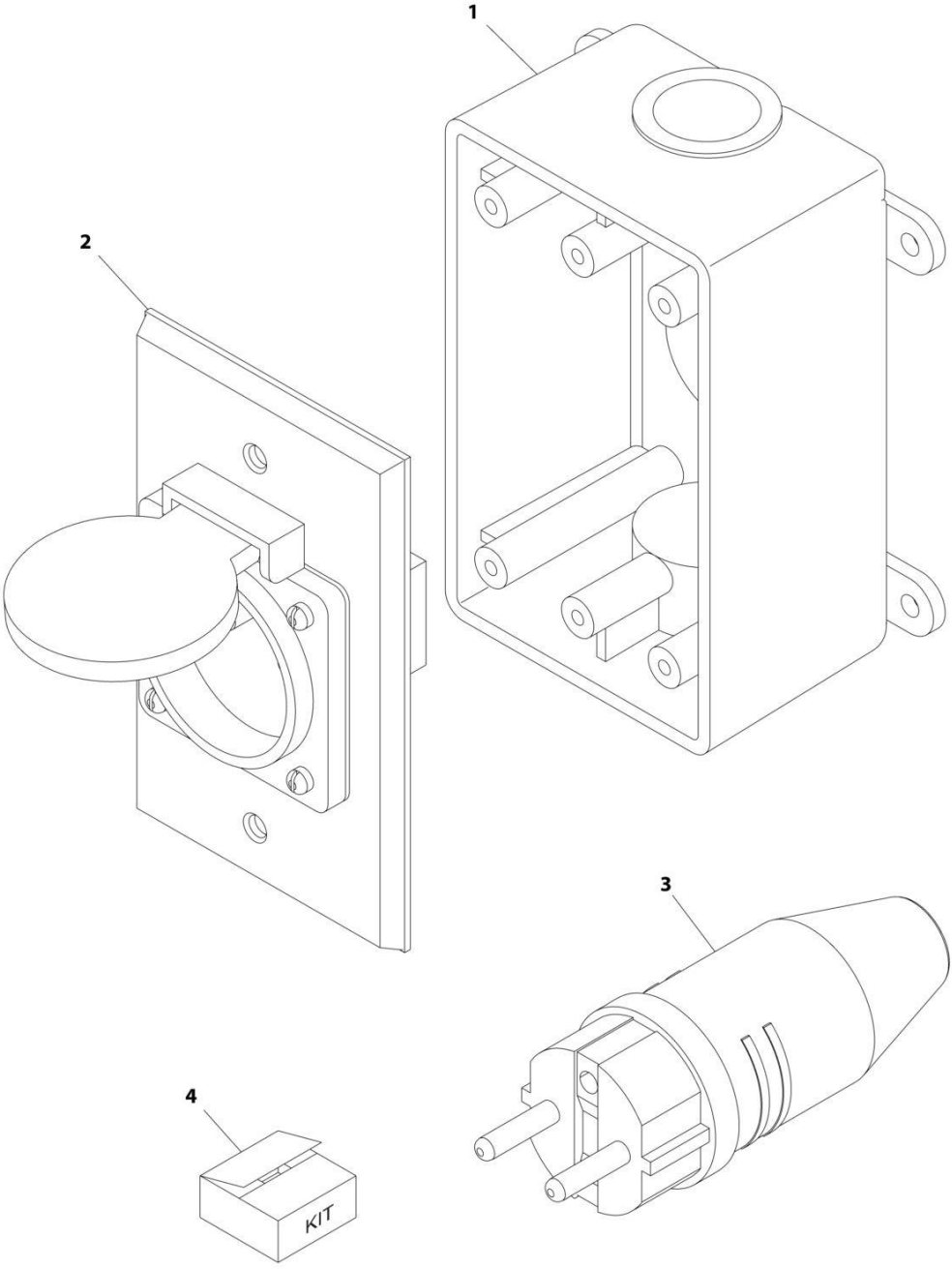
SECTION 7 - ELECTRICAL

FIGURE 7-24. RECEPTACLE BOX KIT - 220V IEC BLUE

| ITEM | PART NUMBER | QTY | DESCRIPTION | REV |
|------|-------------|-----|--|-----|
| | 0275217 | Ref | RECEPTACLE BOX KIT - 220V IEC BLUE | B |
| 1 | 0861781 | 1 | Box, Switch | |
| 2 | 4461201 | 1 | Receptacle | |
| 3 | 4461199 | 1 | Plug, Male | |
| 4 | 1001100342 | 1 | Plug and Socket Kit (Includes Items 1-3 and Female Plug p/n 4461200) | |

SECTION 7 - ELECTRICAL

FIGURE 7-25. RECEPTACLE BOX KIT - 220V CEE7 POST GROUND 2X4 BOX (CE SPEC)



ART_0275452-C

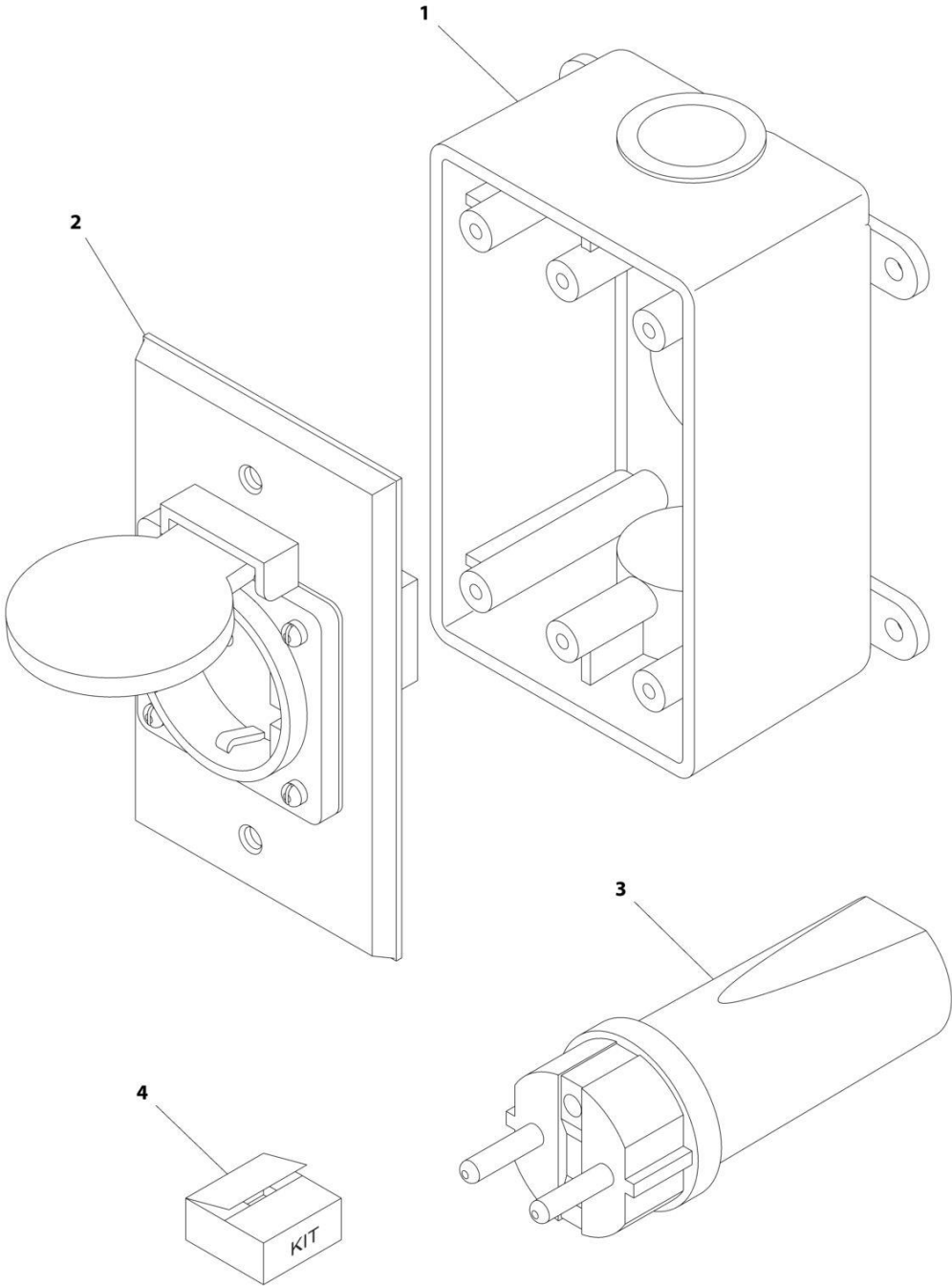
SECTION 7 - ELECTRICAL

FIGURE 7-25. RECEPTACLE BOX KIT - 220V CEE7 POST GROUND 2X4 BOX (CE SPEC)

| ITEM | PART NUMBER | QTY | DESCRIPTION | REV |
|------|-------------|-----|--|-----|
| | 0275452 | Ref | RECEPTACLE BOX KIT - 220V CEE7 POST GROUND 2IN X 4IN BOX | C |
| 1 | 0861731 | 1 | Box, Switch | |
| 2 | 4461244 | 1 | Receptacle | |
| 3 | 4461205 | 1 | Plug, Male | |
| 4 | 1001100345 | 1 | Plug and Socket Kit (Includes Items 1-3 and Female Plug p/n 4461203) | |

SECTION 7 - ELECTRICAL

FIGURE 7-26. RECEPTACLE BOX KIT - 220V CEE7 SIDE GROUND



ART_0275453

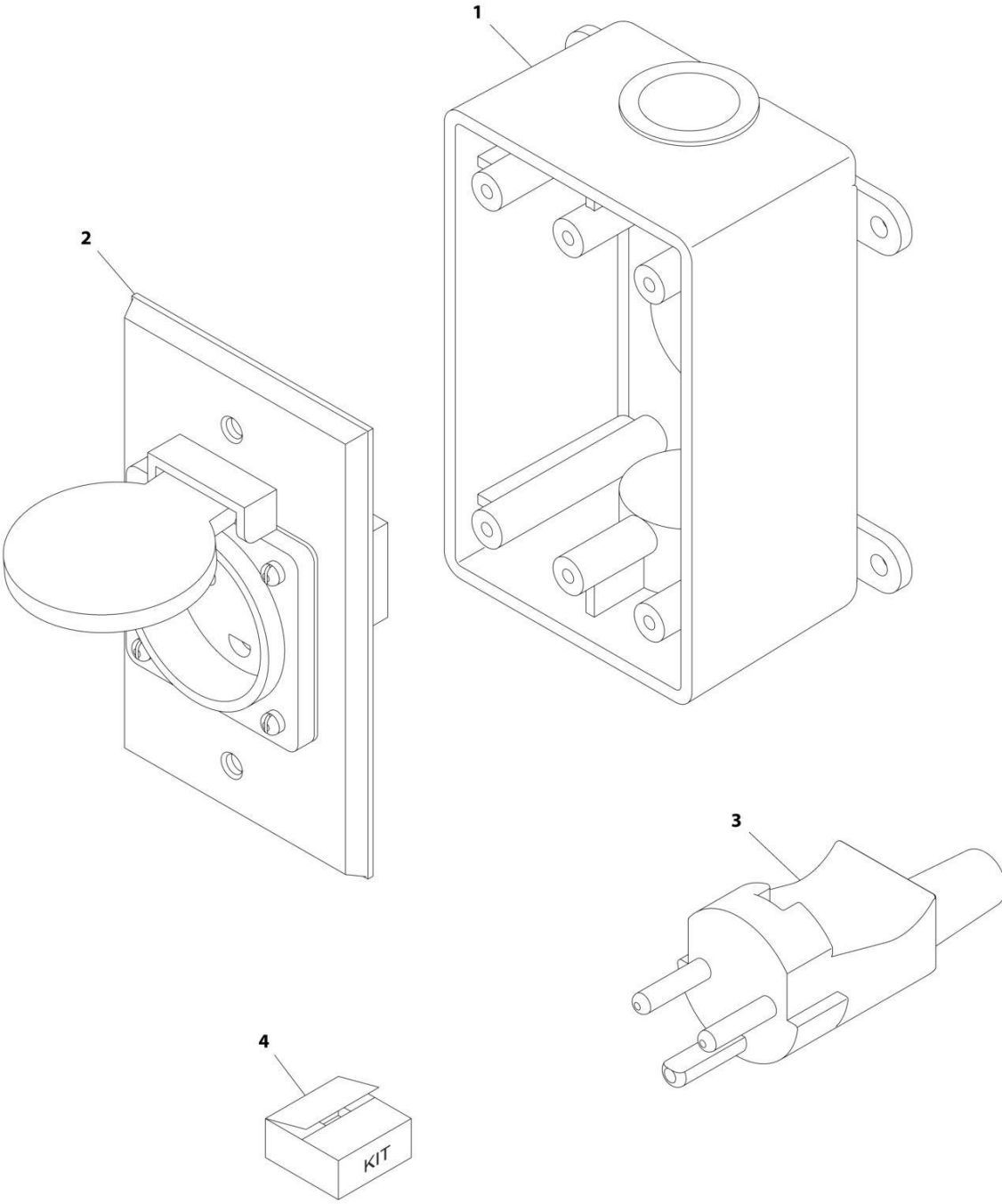
SECTION 7 - ELECTRICAL

FIGURE 7-26. RECEPTACLE BOX KIT - 220V CEE7 SIDE GROUND

| ITEM | PART NUMBER | QTY | DESCRIPTION | REV |
|------|-------------|-----|--|-----|
| | 0275453 | Ref | RECEPTACLE BOX KIT - 220V CEE7 SIDE GROUND | B |
| 1 | 0861731 | 1 | Box, Switch | |
| 2 | 4461245 | 1 | Receptacle | |
| 3 | 4461205 | 1 | Plug, Male | |
| 4 | 1001100347 | 1 | Plug and Socket Kit (Includes Items 1-3 and Female Plug p/n 4461206) | |

SECTION 7 - ELECTRICAL

FIGURE 7-27. RECEPTACLE BOX KIT - 220V AFSINT 107 (CE SPEC)



ART_0275454

SECTION 7 - ELECTRICAL

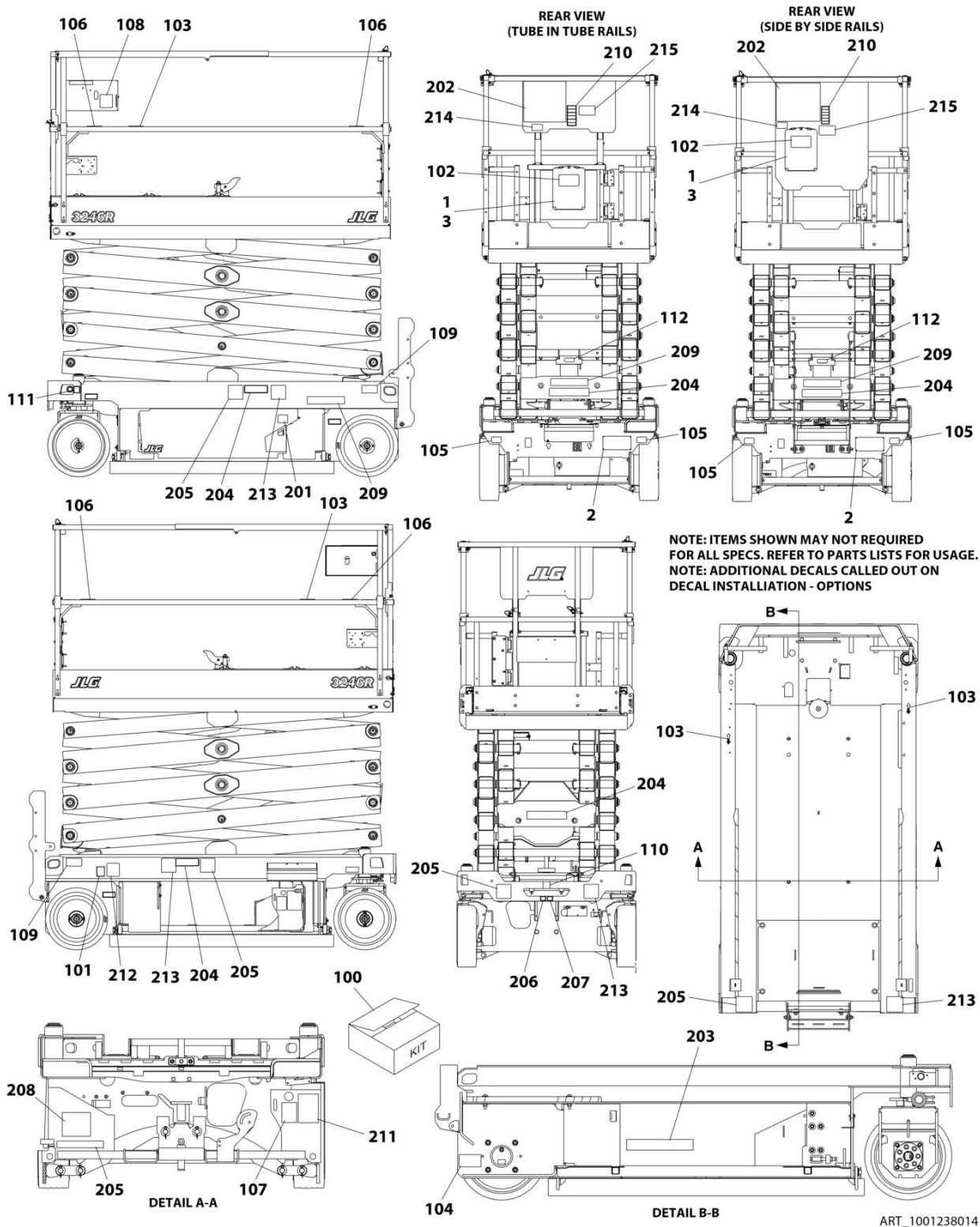
FIGURE 7-27. RECEPTACLE BOX KIT - 220V AFSINT 107 (CE SPEC)

| ITEM | PART NUMBER | QTY | DESCRIPTION | REV |
|------|-------------|-----|--|-----|
| | 0275454 | Ref | RECEPTACLE BOX KIT - 220V AFSINT 107 | B |
| 1 | 0861731 | 1 | Box, Switch | |
| 2 | 4461246 | 1 | Receptacle | |
| 3 | 4461249 | 1 | Plug, Male | |
| 4 | 1001100346 | 1 | Plug and Socket Kit (Includes Items 1-3 and Female Plug p/n 4461250) | |

SECTION 8 - DECALS

SECTION 8 - DECALS

FIGURE 8-1. DECAL INSTALLATION (ANSI SPECS)



SECTION 8 - DECALS

FIGURE 8-1. DECAL INSTALLATION (ANSI SPECS)

| ITEM | PART NUMBER | QTY | DESCRIPTION | REV |
|------|-------------|-----|---|-----|
| | 1001238014 | Ref | DECAL INSTALLATION (ENGLISH LANGUAGE) | C |
| 1 | 2080040 | 3 | Fastener | |
| 2 | 2080057 | 4 | Fastener | |
| 3 | 8990147 | 1 | Holder, Manual | |
| 100 | 1001239270 | 1 | Master Decal Kit | D |
| 101 | 1701504 | 1 | Decal - Hydraulic Oil | |
| 102 | 1701640 | 1 | Decal - Manual | |
| 103 | 1703819 | 4 | Decal - Direction Arrow | |
| 104 | 1703822 | 1 | Decal - Manual Descent Instructions (Prior to SN B200054639) | |
| 104 | 1001248126 | 1 | Decal – Manual Descent Instructions (SN B200054639 to Present) | |
| 105 | 1704016 | 2 | Decal - Fork Lift | |
| 106 | 1704277 | 4 | Decal - Lanyard Attach | |
| 107 | 1704412 | 1 | Decal - Hydraulic Oil | |
| 108 | 1001132359 | 1 | Decal - Control Box Locate | |
| 109 | 1001162864 | 2 | Decal - Lift Point/Tie Down | |
| 110 | 1001212290 | 1 | Decal - Tie Down | |
| 111 | 1001212291 | 2 | Decal - Lifting Lug | |
| 112 | 1001237899 | 1 | Decal - Arms Prop | |
| 201 | 1702155 | 1 | Decal - Battery Disconnect | |
| 202 | 1703816 | 1 | Decal - Danger/Warning | |
| 203 | 1001146794 | 1 | Decal - Battery/Charger Service | |
| 204 | 1001211777 | 4 | Decal - Crushing Hazard | |
| 205 | 1001211779 | 4 | Decal - Electrocutation | |
| 206 | 1001212292 | 1 | Decal - No Lifting | |
| 207 | 1001212293 | 1 | Decal - No Forklift | |
| 208 | 1001237538 | 1 | Decal - Battery Spacer | |
| 209 | 1703813 | 2 | Decal - Warning Battery Ventilation | |
| 210 | 1705686 | 1 | Decal - Legend | |
| 211 | 1001131270 | 1 | Decal - Patent | |
| 212 | 1001223055 | 1 | Decal - Yearly Inspection | |
| 214 | 1001228370 | 1 | Decal – ICES (SN B200054639 to Present) | |
| 215 | 1001231801 | 1 | Decal – Warning Prop 65 (SN B200054639 to Present) | |

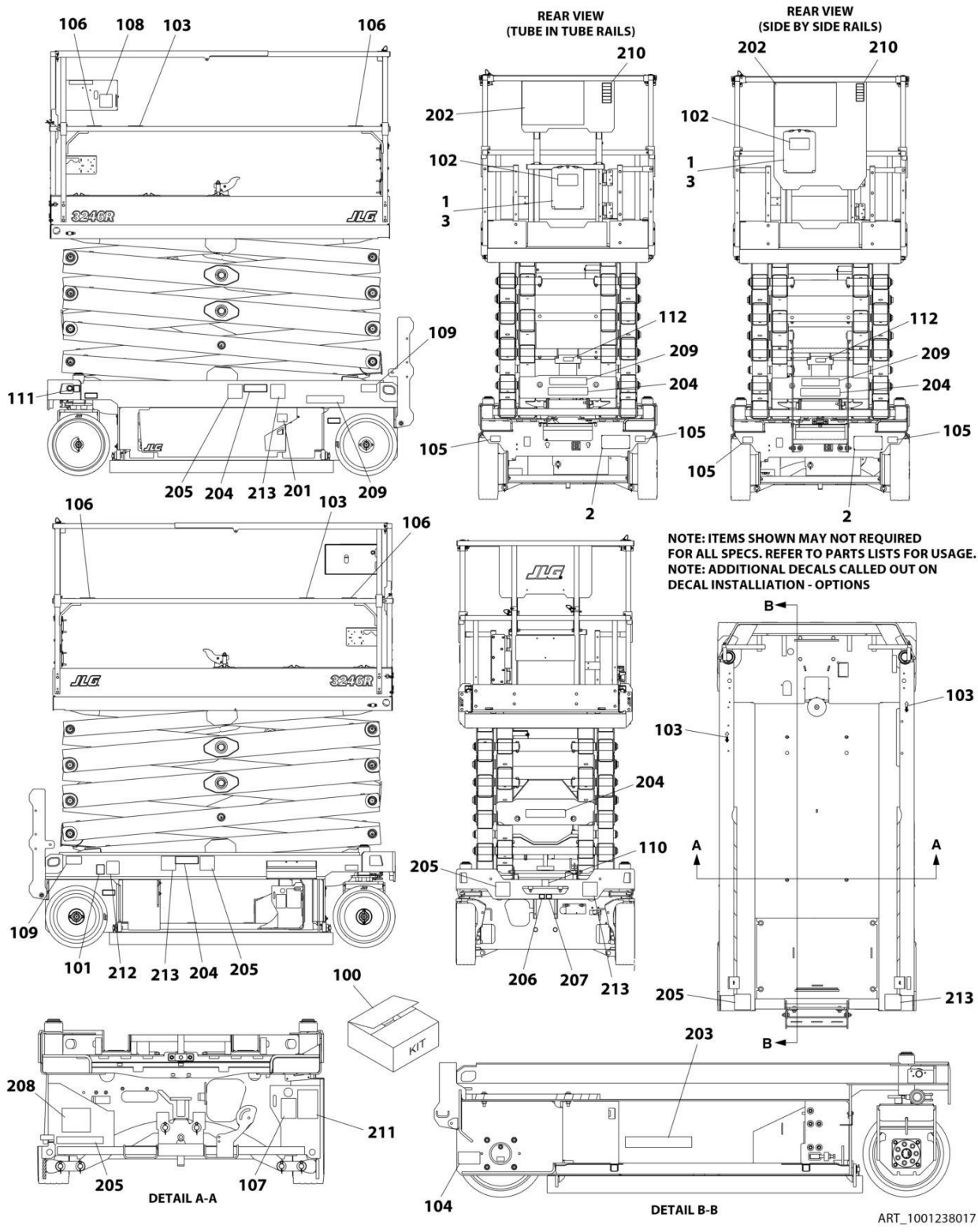
SECTION 8 - DECALS

FIGURE 8-2. DECAL INSTALLATION (AUSTRALIAN SPECS)

| ITEM | PART NUMBER | QTY | DESCRIPTION | REV |
|------|-------------|-----|---|-----|
| | 1001238021 | Ref | DECAL INSTALLATION (ENGLISH LANGUAGE) | C |
| 1 | 2080040 | 3 | Fasteners | |
| 2 | 2080057 | 4 | Fasteners | |
| 3 | 8990147 | 1 | Holder, Manual | |
| 100 | 1001239270 | 1 | Master Decal Kit | D |
| 101 | 1701504 | 1 | Decal - Hydraulic Oil | |
| 102 | 1701640 | 1 | Decal - Manual | |
| 103 | 1703819 | 4 | Decal - Direction Arrow | |
| 104 | 1703822 | 1 | Decal - Manual Descent Instructions (Prior to SN B200054639) | |
| 104 | 1001248126 | 1 | Decal - Manual Descent Instructions (SN B200054639 to Present) | |
| 105 | 1704016 | 2 | Decal - Fork Lift | |
| 106 | 1704277 | 4 | Decal - Lanyard Attach Graphic | |
| 107 | 1704412 | 1 | Decal - Hydraulic Oil | |
| 108 | 1001132359 | 1 | Decal - Control Box Locate | |
| 109 | 1001162864 | 2 | Decal - Lift Point/Tie Down | |
| 110 | 1001212290 | 1 | Decal - Tie Down | |
| 111 | 1001212291 | 2 | Decal - Lifting Lug | |
| 112 | 1001237899 | 1 | Decal - Arms Prop | |
| 201 | 1702155 | 1 | Decal - Battery Disconnect | |
| 203 | 1001146794 | 1 | Decal - Battery/Charger Service | |
| 204 | 1705673 | 4 | Decal - Crushing | |
| 205 | 1705671 | 5 | Decal - Electrocution | |
| 206 | 1001212292 | 1 | Decal - No Lifting | |
| 207 | 1001212293 | 1 | Decal - No Forklift | |
| 208 | 1001237538 | 1 | Decal - Battery Spacer | |
| 209 | 1705670 | 2 | Decal - Fire Hazard | |

SECTION 8 - DECALS

FIGURE 8-3. DECAL INSTALLATION (BRAZIL SPECS)



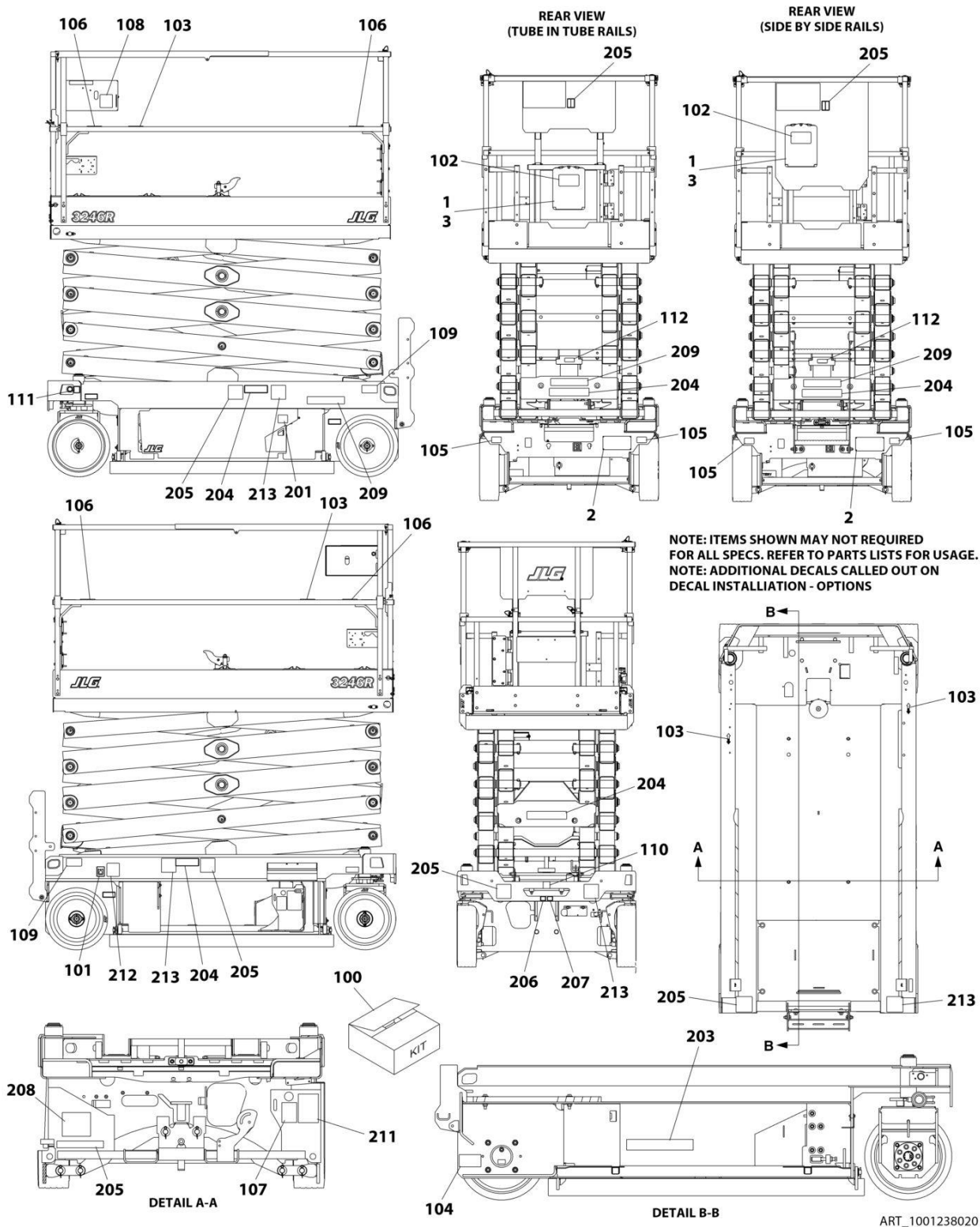
SECTION 8 - DECALS

FIGURE 8-3. DECAL INSTALLATION (BRAZIL SPECS)

| ITEM | PART NUMBER | QTY | DESCRIPTION | REV |
|------|-------------|-----|---|-----|
| | 1001238017 | Ref | DECAL INSTALLATION (SPANISH/PORTUGUESE LANGUAGE) | B |
| 1 | 2080040 | 3 | Fastener | |
| 2 | 2080057 | 4 | Fastener | |
| 3 | 8990147 | 1 | Holder, Manual | |
| 100 | 1001239270 | 1 | Master Decal Kit | D |
| 101 | 1701504 | 1 | Decal - Hydraulic Oil | |
| 102 | 1701640 | 1 | Decal - Manual | |
| 103 | 1703819 | 4 | Decal - Direction Arrow | |
| 104 | 1703822 | 1 | Decal - Manual Descent Instructions (Prior to SN B200054639) | |
| 104 | 1001248126 | 1 | Decal - Manual Descent Instructions (SN B200054639 to Present) | |
| 105 | 1704016 | 2 | Decal - Fork Lift | |
| 106 | 1704277 | 4 | Decal - Lanyard Attach | |
| 107 | 1704412 | 1 | Decal - Hydraulic Oil | |
| 108 | 1001132359 | 1 | Decal - Control Box Locate | |
| 109 | 1001162864 | 2 | Decal - Lift Point/Tie Down | |
| 110 | 1001212290 | 1 | Decal - Tie Down | |
| 111 | 1001212291 | 2 | Decal - Lifting Lug | |
| 112 | 1001237899 | 1 | Decal - Arms Prop | |
| 201 | 1702155 | 1 | Decal - Battery Disconnect | |
| 202 | 1704699 | 1 | Decal - Danger/Warning | |
| 203 | 1001146794 | 1 | Decal - Battery/Charger Service | |
| 204 | 1001216650 | 4 | Decal - Crushing Hazard | |
| 205 | 1001215748 | 4 | Decal - Electrocution | |
| 206 | 1001212292 | 1 | Decal - No Lifting | |
| 207 | 1001212293 | 1 | Decal - No Forklift | |
| 208 | 1001237538 | 1 | Decal - Battery Spacer | |
| 209 | 1704341 | 2 | Decal - Warning Battery Ventilation | |
| 210 | 1705726 | 1 | Decal - Legend | |
| 212 | 1001224052 | 1 | Decal - Yearly Inspection | |
| 213 | 1001216648 | 4 | Decal - Danger Electrocution | |

SECTION 8 - DECALS

FIGURE 8-4. DECAL INSTALLATION (CE SPECS)



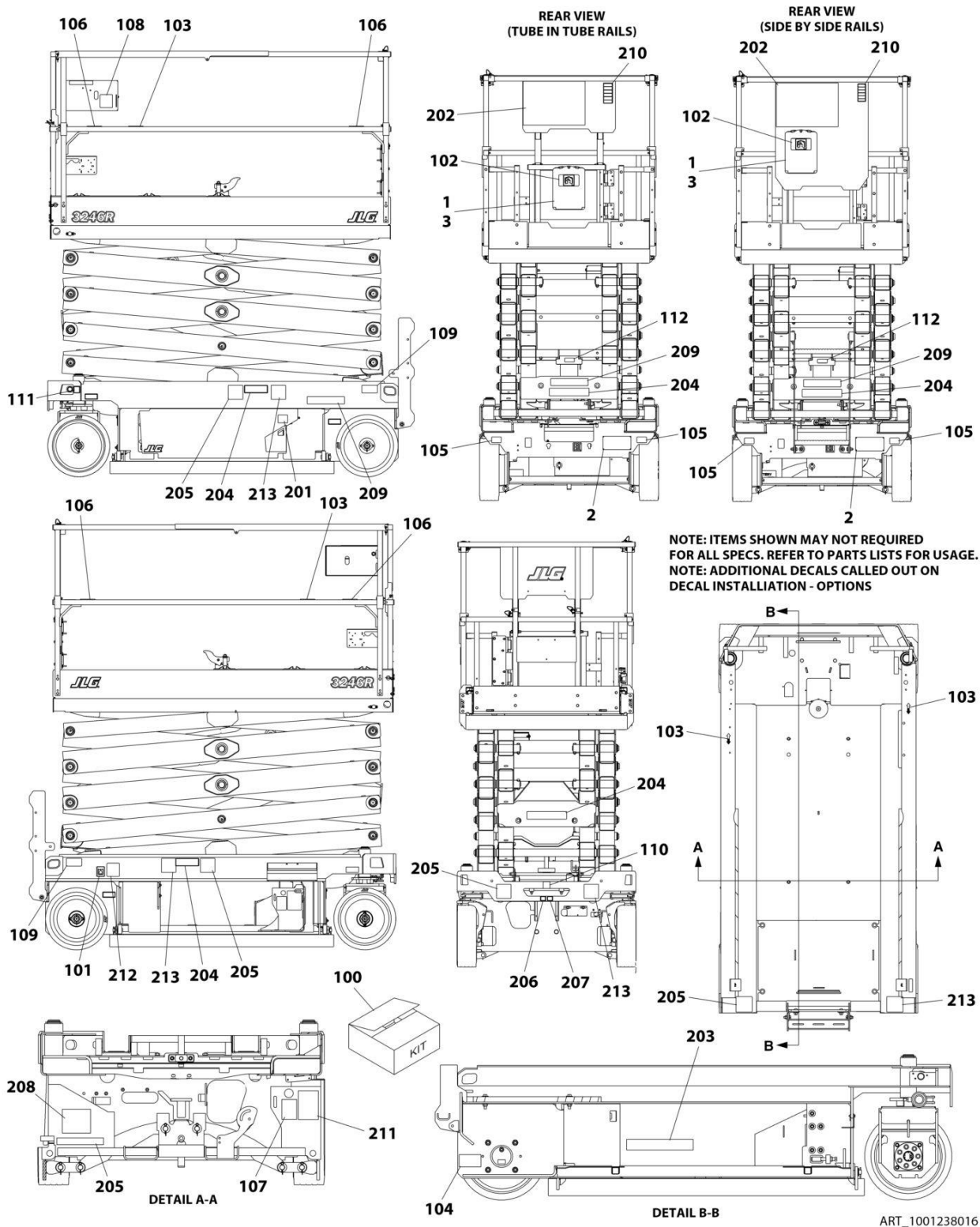
SECTION 8 - DECALS

FIGURE 8-4. DECAL INSTALLATION (CE SPECS)

| ITEM | PART NUMBER | QTY | DESCRIPTION | REV |
|------|-------------|-----|---|-----|
| | 1001238020 | Ref | DECAL INSTALLATION (ENGLISH LANGUAGE) | C |
| 1 | 2080040 | 3 | Fastener | |
| 2 | 2080057 | 4 | Fastener | |
| 3 | 8990147 | 1 | Holder, Manual | |
| 100 | 1001239270 | 1 | Master Decal Kit | D |
| 101 | 1701504 | 1 | Decal - Hydraulic Oil | |
| 102 | 1701640 | 1 | Decal - Manual | |
| 103 | 1703819 | 4 | Decal - Direction Arrow | |
| 104 | 1703822 | 1 | Decal - Manual Descent Instructions (Prior to SN B200054639) | |
| 104 | 1001248126 | 1 | Decal - Manual Descent Instructions (SN B200054639 to Present) | |
| 105 | 1704016 | 2 | Decal - Fork Lift | |
| 106 | 1704277 | 4 | Decal - Lanyard Attach | |
| 107 | 1704412 | 1 | Decal - Hydraulic Oil | |
| 108 | 1001132359 | 1 | Decal - Control Box Locate | |
| 109 | 1001162864 | 2 | Decal - Lift Point/Tie Down | |
| 110 | 1001212290 | 1 | Decal - Tie Down | |
| 111 | 1001212291 | 2 | Decal - Lifting Lug | |
| 112 | 1001237899 | 1 | Decal - Arms Prop | |
| 201 | 1702155 | 1 | Decal - Battery Disconnect | |
| 203 | 1001146795 | 1 | Decal - Battery/Charger Service | |
| 204 | 1705673 | 4 | Decal - Crushing | |
| 205 | 1705671 | 5 | Decal - Electrocution | |
| 206 | 1001212292 | 1 | Decal - No Lifting | |
| 207 | 1001212293 | 1 | Decal - No Forklift | |
| 208 | 1001237538 | 1 | Decal - Battery Spacer | |
| 209 | 1705670 | 2 | Decal - Fire Hazard | |

SECTION 8 - DECALS

FIGURE 8-5. DECAL INSTALLATION (CHINA SPECS)



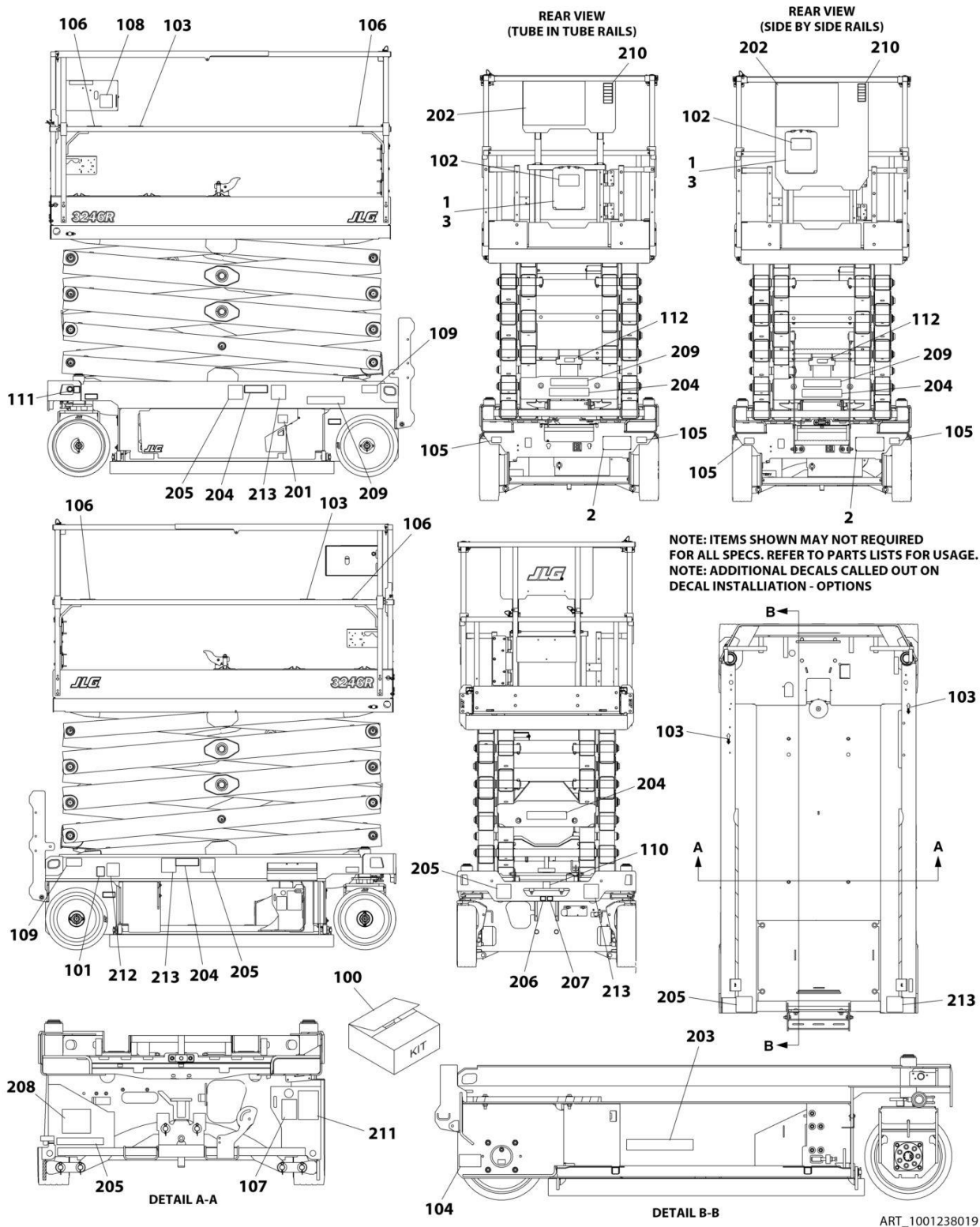
SECTION 8 - DECALS

FIGURE 8-5. DECAL INSTALLATION (CHINA SPECS)

| ITEM | PART NUMBER | QTY | DESCRIPTION | REV |
|------|-------------|-----|---|-----|
| | 1001238016 | Ref | DECAL INSTALLATION (ENGLISH/CHINESE LANGUAGE) | C |
| 1 | 2080040 | 3 | Fastener | |
| 2 | 2080057 | 4 | Fastener | |
| 3 | 8990147 | 1 | Holder, Manual | |
| 100 | 1001239270 | 1 | Master Decal Kit | D |
| 101 | 1701504 | 1 | Decal - Hydraulic Oil | |
| 102 | 1701640 | 1 | Decal - Manual | |
| 103 | 1703819 | 4 | Decal - Direction Arrow | |
| 104 | 1703822 | 1 | Decal - Manual Descent Instructions (Prior to SN B200054639) | |
| 104 | 1001248126 | 1 | Decal - Manual Descent Instructions (SN B200054639 to Present) | |
| 105 | 1704016 | 2 | Decal - Fork Lift | |
| 106 | 1704277 | 4 | Decal - Lanyard Attach | |
| 107 | 1704412 | 1 | Decal - Hydraulic Oil | |
| 108 | 1001132359 | 1 | Decal - Control Box Locate | |
| 109 | 1001162864 | 2 | Decal - Lift Point/Tie Down | |
| 110 | 1001212290 | 1 | Decal - Tie Down | |
| 111 | 1001212291 | 2 | Decal - Lifting Lug | |
| 112 | 1001237899 | 1 | Decal - Arms Prop | |
| 201 | 1702155 | 1 | Decal - Battery Disconnect | |
| 202 | 1705195 | 1 | Decal - Danger/Warning | |
| 203 | 1001146794 | 1 | Decal - Battery/Charger Service | |
| 204 | 1001215752 | 4 | Decal - Crushing Hazard | |
| 205 | 1001211779 | 4 | Decal - Electrocution | |
| 206 | 1001212292 | 1 | Decal - No Lifting | |
| 207 | 1001212293 | 1 | Decal - No Forklift | |
| 208 | 1001237538 | 1 | Decal - Battery Spacer | |
| 209 | 1704344 | 2 | Decal - Warning Battery Ventilation | |
| 210 | 1705946 | 1 | Decal - Legend | |
| 212 | 1001224051 | 1 | Decal - Yearly Inspection | |
| 213 | 1001215747 | 4 | Decal - Danger Electrocution | |

SECTION 8 - DECALS

FIGURE 8-6. DECAL INSTALLATION (CSA SPECS)



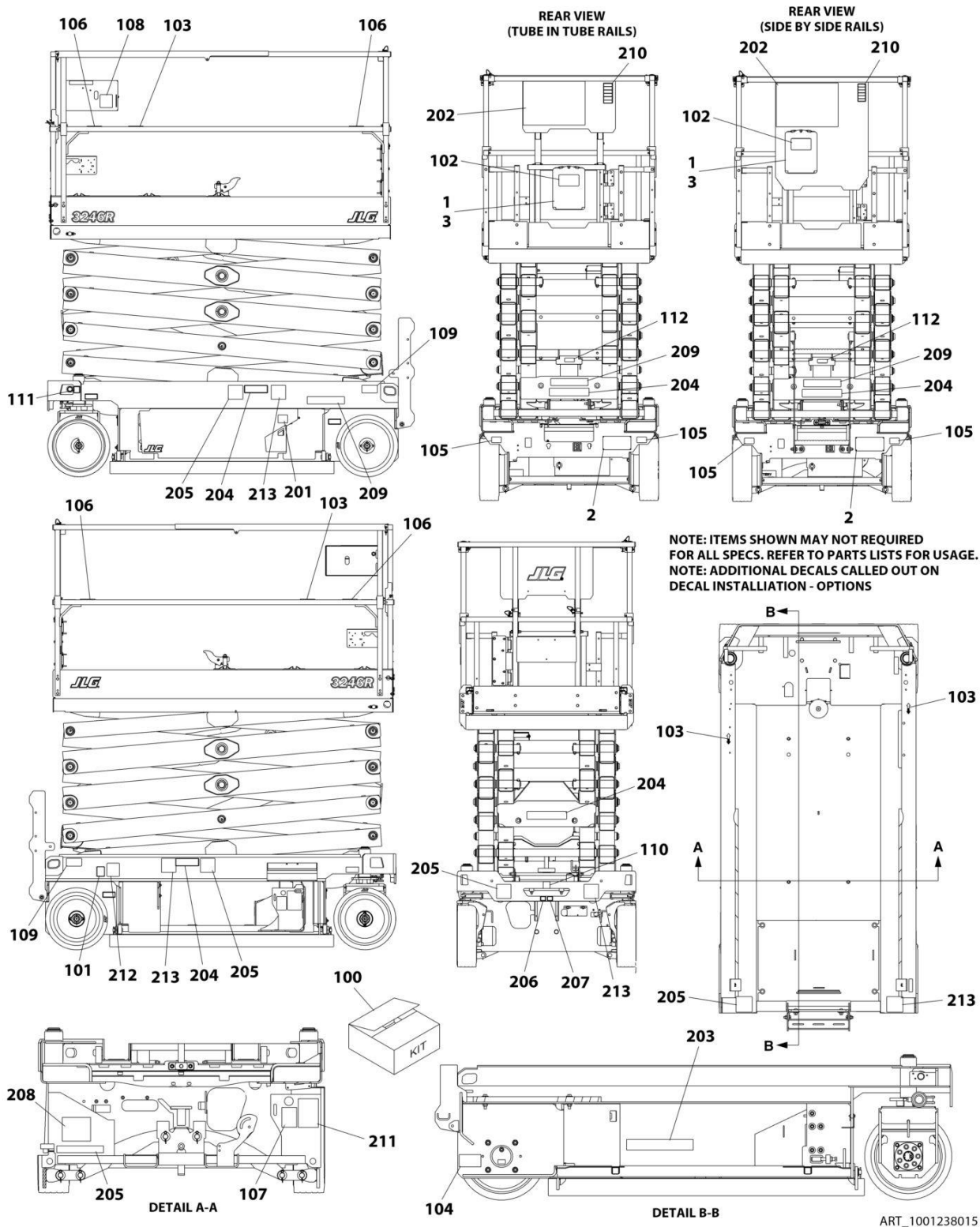
SECTION 8 - DECALS

FIGURE 8-6. DECAL INSTALLATION (CSA SPECS)

| ITEM | PART NUMBER | QTY | DESCRIPTION | REV |
|------|-------------|-----|---|-----|
| | 1001238019 | Ref | DECAL INSTALLATION (ENGLISH/FRENCH LANGUAGE) | B |
| 1 | 2080040 | 3 | Fastener | |
| 2 | 2080057 | 4 | Fastener | |
| 3 | 8990147 | 1 | Holder, Manual | |
| 100 | 1001239270 | 1 | Master Decal Kit | D |
| 101 | 1701504 | 1 | Decal - Hydraulic Oil | |
| 102 | 1701640 | 1 | Decal - Manual | |
| 103 | 1703819 | 4 | Decal - Direction Arrow | |
| 104 | 1703822 | 1 | Decal - Manual Descent Instructions (Prior to SN B200054639) | |
| 104 | 1001248126 | 1 | Decal - Manual Descent Instructions (SN B200054639 to Present) | |
| 105 | 1704016 | 2 | Decal - Fork Lift | |
| 106 | 1704277 | 4 | Decal - Lanyard Attach | |
| 107 | 1704412 | 1 | Decal - Hydraulic Oil | |
| 108 | 1001132359 | 1 | Decal - Control Box Locate | |
| 109 | 1001162864 | 2 | Decal - Lift Point/Tie Down | |
| 110 | 1001212290 | 1 | Decal - Tie Down | |
| 111 | 1001212291 | 2 | Decal - Lifting Lug | |
| 112 | 1001237899 | 1 | Decal - Arms Prop | |
| 201 | 1702155 | 1 | Decal - Battery Disconnect | |
| 202 | 1704684 | 1 | Decal - Danger/Warning | |
| 203 | 1001146794 | 1 | Decal - Battery/Charger Service | |
| 204 | 1705311 | 4 | Decal - Crushing Hazard | |
| 205 | 1001211779 | 4 | Decal - Electrocution | |
| 206 | 1001212292 | 1 | Decal - No Lifting | |
| 207 | 1001212293 | 1 | Decal - No Forklift | |
| 208 | 1001237538 | 2 | Decal - Battery Spacer | |
| 209 | 1704340 | 1 | Decal - Warning Battery Ventilation | |
| 210 | 1705723 | 1 | Decal - Legend | |
| 211 | 1001131270 | 1 | Decal - Patent | |
| 212 | 1001223971 | 1 | Decal - Yearly Inspection | |
| 213 | 1001215749 | 4 | Decal - Danger Electrocution | |

SECTION 8 - DECALS

FIGURE 8-7. DECAL INSTALLATION (KOREAN SPECS)



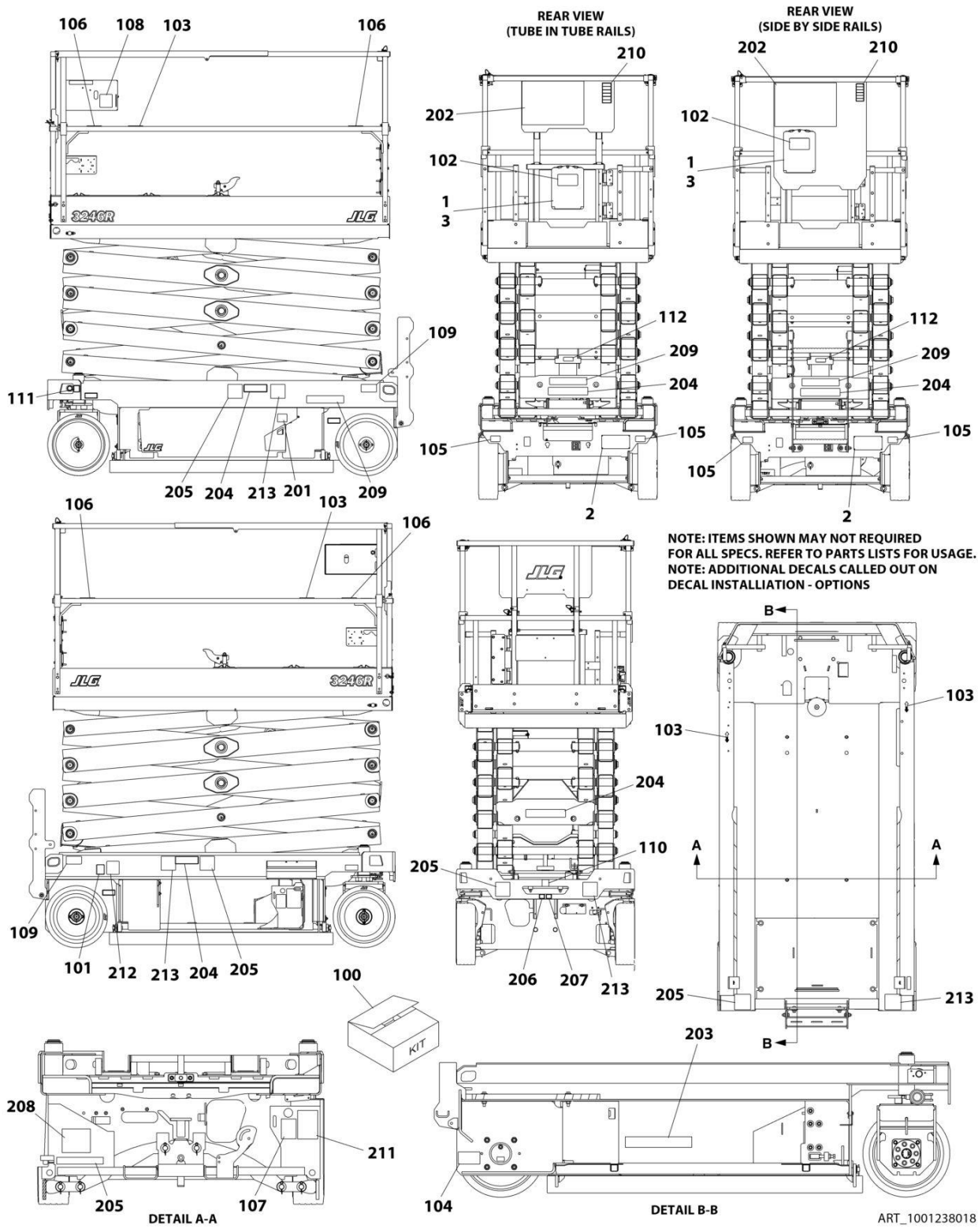
SECTION 8 - DECALS

FIGURE 8-7. DECAL INSTALLATION (KOREAN SPECS)

| ITEM | PART NUMBER | QTY | DESCRIPTION | REV |
|------|-------------|-----|---|-----|
| | 1001238015 | Ref | DECAL INSTALLATION (ENGLISH/KOREAN LANGUAGES) | C |
| 1 | 2080040 | 3 | Fastener | |
| 2 | 2080057 | 4 | Fastener | |
| 3 | 8990147 | 1 | Holder, Manual | |
| 100 | 1001239270 | 1 | Master Decal Kit | D |
| 101 | 1701504 | 1 | Decal - Hydraulic Oil | |
| 102 | 1701640 | 1 | Decal - Manual | |
| 103 | 1703819 | 4 | Decal - Direction Arrow | |
| 104 | 1703822 | 1 | Decal - Manual Descent Instructions (Prior to SN B200054639) | |
| 104 | 1001248126 | 1 | Decal - Manual Descent Instructions (SN B200054639 to Present) | |
| 105 | 1704016 | 2 | Decal - Fork Lift | |
| 106 | 1704277 | 4 | Decal - Lanyard Attach | |
| 107 | 1704412 | 1 | Decal - Hydraulic Oil | |
| 108 | 1001132359 | 1 | Decal - Control Box Locate | |
| 109 | 1001162864 | 2 | Decal - Lift Point/Tie Down | |
| 110 | 1001212290 | 1 | Decal - Tie Down | |
| 111 | 1001212291 | 2 | Decal - Lifting Lug | |
| 112 | 1001237899 | 1 | Decal - Arms Prop | |
| 201 | 1702155 | 1 | Decal - Battery Disconnect | |
| 202 | 1001162115 | 1 | Decal - Danger/Warning | |
| 203 | 1001146794 | 1 | Decal - Battery/Charger Service | |
| 204 | 1001215751 | 4 | Decal - Crushing Hazard | |
| 205 | 1001211779 | 4 | Decal - Electrocution | |
| 206 | 1001212292 | 1 | Decal - No Lifting | |
| 207 | 1001212293 | 1 | Decal - No Forklift | |
| 208 | 1001237538 | 1 | Decal - Battery Spacer | |
| 209 | 1707022 | 2 | Decal - Warning Battery Ventilation | |
| 210 | 1706057 | 1 | Decal - Legend | |
| 212 | 1001224048 | 1 | Decal - Yearly Inspection | |
| 213 | 1001215750 | 4 | Decal - Danger Electrocution | |

SECTION 8 - DECALS

FIGURE 8-8. DECAL INSTALLATION (LATIN AMERICAN SPECS)



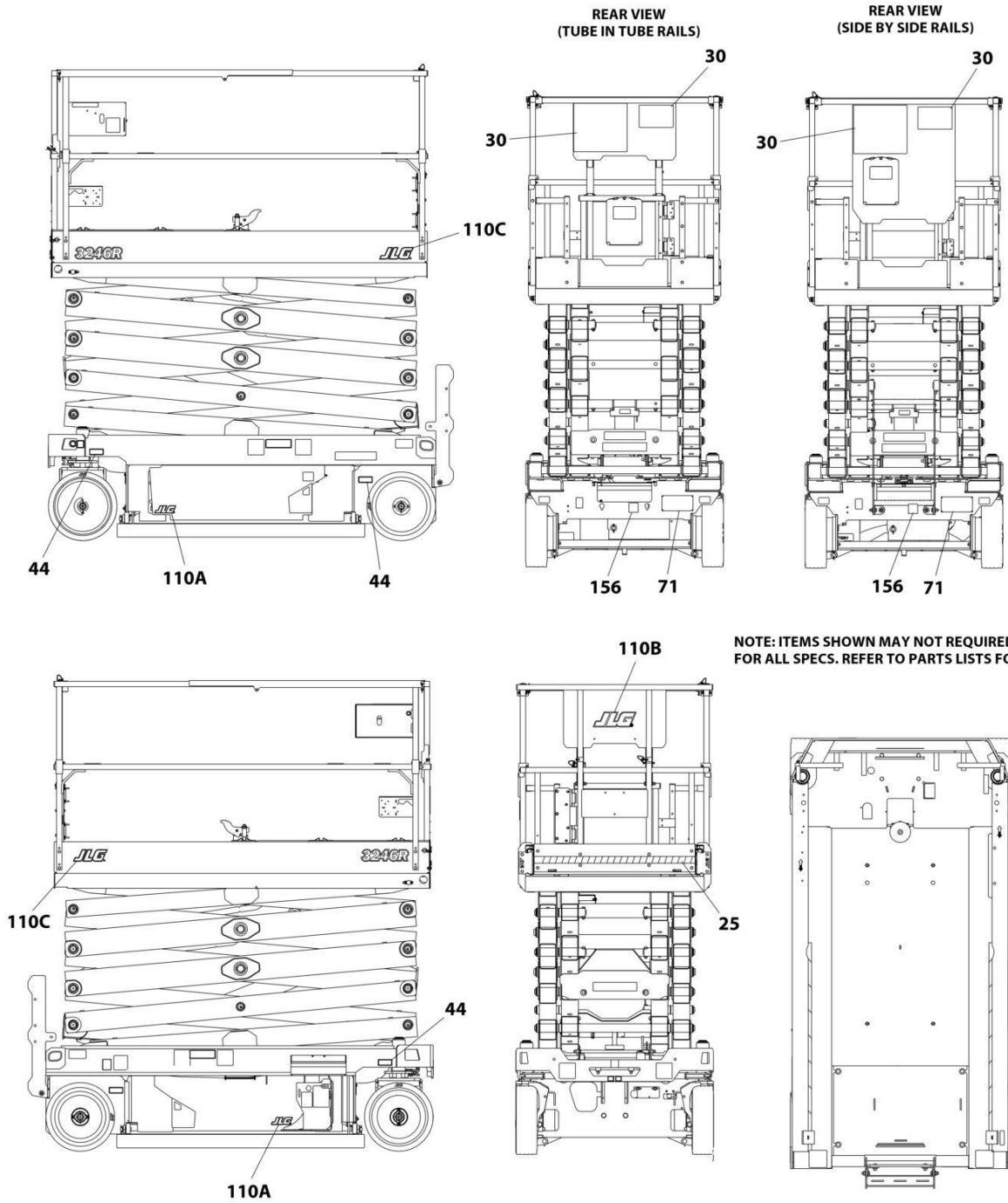
SECTION 8 - DECALS

FIGURE 8-8. DECAL INSTALLATION (LATIN AMERICAN SPECS)

| ITEM | PART NUMBER | QTY | DESCRIPTION | REV |
|------|-------------|-----|---|-----|
| | 1001238018 | Ref | DECAL INSTALLATION (ENGLISH/SPANISH LANGUAGES) | B |
| 1 | 2080040 | 3 | Fastener | |
| 2 | 2080057 | 4 | Fastener | |
| 3 | 8990147 | 1 | Holder, Manual | |
| 100 | 1001239270 | 1 | Master Decal Kit | D |
| 101 | 1701504 | 1 | Decal - Hydraulic Oil | |
| 102 | 1701640 | 1 | Decal - Manual | |
| 103 | 1703819 | 4 | Decal - Direction Arrow | |
| 104 | 1703822 | 1 | Decal - Manual Descent Instructions (Prior to SN B200054639) | |
| 104 | 1001248126 | 1 | Decal - Manual Descent Instructions (SN B200054639 to Present) | |
| 105 | 1704016 | 2 | Decal - Fork Lift | |
| 106 | 1704277 | 4 | Decal - Lanyard Attach | |
| 107 | 1704412 | 1 | Decal - Hydraulic Oil | |
| 108 | 1001132359 | 1 | Decal - Control Box Locate | |
| 109 | 1001162864 | 2 | Decal - Lift Point/Tie Down | |
| 110 | 1001212290 | 1 | Decal - Tie Down | |
| 111 | 1001212291 | 2 | Decal - Lifting Lug | |
| 112 | 1001237899 | 1 | Decal - Arms Prop | |
| 201 | 1702155 | 1 | Decal - Battery Disconnect | |
| 202 | 1704691 | 1 | Decal - Danger/Warning | |
| 203 | 1001146794 | 1 | Decal - Battery/Charger Service | |
| 204 | 1705316 | 4 | Decal - Crushing Hazard | |
| 205 | 1001211779 | 4 | Decal - Electrocution | |
| 206 | 1001212292 | 1 | Decal - No Lifting | |
| 207 | 1001212293 | 1 | Decal - No Forklift | |
| 208 | 1001237538 | 1 | Decal - Battery Spacer | |
| 209 | 1704339 | 2 | Decal - Warning Battery Ventilation | |
| 210 | 1705720 | 1 | Decal - Legend | |
| 212 | 1001224049 | 1 | Decal - Yearly Inspection | |
| 213 | 1001215748 | 4 | Decal - Danger Electrocution | |

SECTION 8 - DECALS

FIGURE 8-9. DECAL INSTALLATION - OPTIONS



NOTE: ITEMS SHOWN MAY NOT REQUIRED FOR ALL SPECS. REFER TO PARTS LISTS FOR USAGE.

ART_DECAL_OPTIONS

SECTION 8 - DECALS

FIGURE 8-9. DECAL INSTALLATION - OPTIONS

| ITEM | PART NUMBER | QTY | DESCRIPTION | REV |
|------|-------------|------------------|--|-----|
| | | Ref | DECAL INSTALLATION - OPTIONS: | |
| 25 | 1001217894 | Ref | Corner Stripes Installation | |
| 25 | 4420051 | 62 in/ 156 cm | Tape, Safety | |
| 30 | | Ref | Decal - Capacity Options: | |
| 30 | 1001237115 | 1 | Decal - Capacity (705LB/320KG) | |
| 30 | 1001245409 | Ref | Decal - Capacity (with Dual Languages) | |
| 30 | 1001237115 | 1 | Decal - Capacity (705LB/320KG) | |
| 30 | 1001216865 | 1 | Plate, Decal Mounting | |
| 44 | 1706312 | 4 | Decal - Maximum Tire Load | |
| 71 | See Note | NSS | Decal - Manufacturers Serial Number (Note: Not Available for Purchase) | |
| 110 | 1001214779 | Ref | JLG Decals Installation | |
| 110A | 1703177 | 2 | Decal - JLG | |
| 110B | 1705754 | 1 | Decal - JLG | |
| 110C | 1705781 | 2 | Decal - JLG | |
| 156 | 1001173703 | 1 | Decal - EAC (Russian/CIS Specs) | |

SECTION 9 - RECOMMENDED SERVICE PARTS STOCK

SECTION 9 - RECOMMENDED SERVICE PARTS STOCK

SECTION 9 - RECOMMENDED SERVICE PARTS STOCK

FIGURE 9-1. RECOMMENDED SERVICE PARTS STOCK

| ITEM | PART NUMBER | QTY | DESCRIPTION | REV |
|------|-------------|-----|---|-----|
| | | Ref | Note: The following list will service one machine (built to current production per date on the front cover) with emergency repair parts which can be installed in the field. Parts from the list should be replaced when inventory is depleted to keep service parts stock supplied. For further information, contact your JLG dealer or the JLG Industries Parts Department. | |
| | | Ref | STANDARD PARTS | |
| | 70005423 | 6 | Hydraulic Filter Service Kit | |
| | 70006297 | 1 | Coil | |
| | 70005893 | 1 | Coil | |
| | 3740150 | 1 | Relay | |
| | 4360328 | 1 | Switch, Toggle | |
| | 4360469 | 1 | Switch, Key | |
| | 2860030 | 1 | Key, Replacement | |
| | 4360475 | 1 | Switch, Mushroom | |
| | 3080007 | 1 | Magnet, Latch | |
| | 1600402 | 1 | Controller, Drive/Steer | |
| | 4360345 | 1 | Switch, Toggle | |
| | 1001226749 | 1 | Switch, Push Button | |
| | 8229242 | 2 | Fuse 5Amp | |
| | 8229244 | 2 | Fuse 15 Amp | |
| | | Ref | VARIABLE PARTS | |
| | 1001203871 | 1 | Switch, Roller | |
| | 1001186466 | 1 | Sensor, Tilt | |
| | 1001200629 | 1 | Module, Control | |
| | 1001216062 | 1 | Module, Power | |
| | 4360336 | 1 | Switch, Toggle (Machines with Inverter) | |
| | 1001225164 | 1 | Sensor, Pressure Transducer | |
| | 1001235104 | 1 | Sensor, Pressure Transducer | |
| | 1001228112 | 1 | Module, Platform | |
| | 1001181045 | 1 | Breaker 30mAmp/16Amp (CE Specs Machines) | |
| | 1001189171 | 1 | Breaker 30mAmp (CE Specs Machines) | |
| | 1001189172 | 1 | Breaker 16Amp Double (CE Specs Machines) | |

SECTION 10 - SPECIAL OPTIONS

SECTION 10 - SPECIAL OPTIONS

FIGURE 10-1. SPECIAL OPTIONS

| ITEM | PART NUMBER | QTY | DESCRIPTION | REV |
|------|-------------|-----|---|-----|
| | | Ref | Note: This list is to accommodate machines ordered with special equipment. Options may not be applicable to all models. For more specific parts information contact the JLG Parts Department. | |
| | | Ref | SPECIAL OPTIONS | |
| | 1001236903 | Ref | Antivandalism Package | |
| | | Ref | ClearSky Installation Options: | |
| | 1001229107 | Ref | ClearSky Installation - 3-Wire (ANSI & CSA Specs) | |
| | 1001233237 | Ref | ClearSky Installation - 3-Wire (ANSI Export & CE Specs) | |
| | 1001235697 | Ref | ClearSky Installation - Canbus (ANSI & CSA Specs) | |
| | 1001236982 | Ref | ClearSky Installation - Canbus (ANSI Export & CE Specs) | |
| | 1001246530 | Ref | ClearSky Installation - Canbus (Australian Specs) | |
| | | Ref | Decal Options: | |
| | 1001236984 | Ref | Decal - ClearSky | |
| | | Ref | Decal Kit Options: | |
| | 1001239270 | Ref | Decal Kit - Master | |
| | 1001234319 | Ref | Drive Motor Covers installation | |
| | | Ref | Electrical Connector Kits | |
| | 1001148902 | Ref | Amp/Tyco Electrical Connector Kit | |
| | 1001148903 | Ref | Deutsch DT Electrical Connector Kit | |
| | 1001148904 | Ref | Deutsch HD Electrical Connector Kit | |
| | 1001148905 | Ref | Packard Electrical Connector Kit | |
| | 1001148906 | Ref | Various Electrical Connector Kit | |
| | 1001245768 | Ref | European Assembly Kit (3246R) | |
| | 1001218728 | Ref | Fire Extinguisher Installation | |
| | | Ref | Fluid Options | |
| | 2300014 | Ref | Hydraulic Fluid - Mobil 424 (Machines with Standard Oil) | |
| | 2300042 | Ref | Hydraulic Fluid - Mobil EAL H 32 (Machines with Biodegradeable Oil) | |
| | 1001236547 | Ref | Footswitch Installation (ANSI Export, Japanese & Korean Specs Only) | |
| | 1001220933 | Ref | Height Restrictor Switch Installation | |
| | 1001234453 | Ref | Remote Tow Installation | |
| | 1001224583 | Ref | Service Kits List | G |
| | | Ref | Tools for Service | |
| | 2901443 | 1 | Analyzer Kit | |
| | 1001232474 | 1 | Benchtop Harness | |
| | 8896941 | 1 | Wire Stripper | |
| | 7002821 | 1 | Wire Crimper (To install wire ends to wires) | |
| | 7002823 | 1 | Pin/Socket Extractor - Universal (To Remove Pins/Sockets from Connectors) | |
| | 4460467 | 1 | Extractor - 16-18 Gauge (For Removal Pins/Sockets from Deutsch Connectors) | |
| | 4460510 | 1 | Extractor - 12-14 Gauge (For Removal of Pins/Sockets from Deutsch Connectors) | |
| | 7002822 | 1 | Screwdriver, Potentiometer (To Adjust Drive Controllers) | |
| | 7016654 | 1 | Screwdriver, Magnetic | |
| | 7004275 | 1 | Seal Installation Tool - 1in | |
| | 7004276 | 1 | Seal Installation Tool - 1-1/2in | |
| | 7002826 | 1 | Seal Installation Tool - 2in | |

PART NUMBER INDEX

SECTION 10 - SPECIAL OPTIONS

| | | | |
|---|--|--|---|
| 0100011.....11, 13, 19, 21, 53, 79, 93, 95, 97 | 1001100341 171 | 1001162887 147 | 1001210064.....93 |
| 0100051.....67, 69, 71, 73, 75 | 1001100342 173 | 1001163340 147 | 1001210302.....95, 97 |
| 0140030.....101 | 1001100345 175 | 1001173703 199 | 1001210401....67, 69, 71, 73, 75 |
| 0140043.....59, 63 | 1001100346 179 | 1001181045 143, 202 | 1001210440.....77 |
| 0275216.....127, 171 | 1001100347 177 | 1001182806 45 | 1001210586.....95, 97 |
| 0275217.....129, 173 | 1001101540 77 | 1001186466 21, 202 | 1001210605.....77 |
| 0275452.....131, 175 | 1001102258 125, 127, 129, 131, 133, 135, 137, 139, 141 | 1001187587 95, 97 | 1001210878.....77 |
| 0275453.....133, 177 | 1001102489 ... 23, 25, 29, 31, 33, 35 | 1001187816 137 | 1001210879.....77 |
| 0275454.....135, 179 | 1001103012 148 | 1001188116 137 | 1001210881.....77 |
| 0440259.....11, 117 | 1001103471 27, 141 | 1001189171 145, 202 | 1001210882.....77 |
| 0440263.....19 | 1001104498 148 | 1001189172 145, 202 | 1001210966.....59, 61 |
| 0440264.....85 | 1001110302 19 | 1001192401 148 | 1001210967.....77 |
| 0440265.....85 | 1001112112 71 | 1001194421 167 | 1001210977.....183 |
| 0480100.....107, 109 | 1001113961 148 | 1001196589 148 | 1001211779.....183, 191, 193, 195, 197 |
| 0630473.....101 | 1001116812 147 | 1001197396 11 | 1001211779.....183, 191, 193, 195, 197 |
| 0630587.....59, 61, 63, 77 | 1001120204 127, 129, 131, 133, 135 | 1001199937 13, 15 | 1001212035.....167 |
| 0630613.....47, 79, 87 | 1001120205 143, 145 | 1001200561 ... 23, 25, 27, 29 | 1001212036.....167 |
| 0700412.....59, 63 | 1001125483 77 | 1001200629 .. 59, 61, 202 | 1001212187.....17 |
| 0700610.....84 | 1001125677 148 | 1001200631 59, 61 | 1001212290.....183, 185, 187, 189, 191, 193, 195, 197 |
| 0700612.....19, 21, 84 | 1001128888 84 | 1001200632 65 | 1001212290.....183, 185, 187, 189, 191, 193, 195, 197 |
| 0700614....23, 25, 27, 29, 31, 33, 35 | 1001130220 ... 23, 25, 27, 29, 31, 33, 35, 49, 59, 61, 84, 101 | 1001200812 151, 159 | 1001212291.....183, 185, 187, 189, 191, 193, 195, 197 |
| 0700616.....111 | 1001130590 59, 61 | 1001200819 101, 167 | 1001212292.....183, 185, 187, 189, 191, 193, 195, 197 |
| 0700617.....59, 61 | 1001131270 183, 193 | 1001201708 ... 67, 69, 71, 73, 75 | 1001212292.....183, 185, 187, 189, 191, 193, 195, 197 |
| 0700618.....95 | 1001132358 101 | 1001201711 ... 67, 69, 71, 73, 75 | 1001212293.....183, 185, 187, 189, 191, 193, 195, 197 |
| 0700621.....95, 99 | 1001132359 183, 185, 187, 189, 191, 193, 195, 197 | 1001201885 147, 167 | 1001212293.....183, 185, 187, 189, 191, 193, 195, 197 |
| 070081427, 84, 127, 129, 131, 133, 135, 141 | 1001132361 101 | 1001202184 155, 161 | 1001212294.....53 |
| 0700815.....19 | 1001134280 27 | 1001202773 13 | 1001213415.....97 |
| 0700817.....79, 107, 109 | 1001134821 105 | 1001202851 53 | 1001213416.....97 |
| 0700818.....95, 97, 99 | 1001136757 77 | 1001202987 19 | 1001213448.....148 |
| 0700819.....53, 91, 105 | 1001137675 84, 93 | 1001202988 19 | 1001213470.....93 |
| 0700823.....19 | 1001139000 84 | 1001202999 19 | 1001213597.....19 |
| 0700825.....53 | 1001139002 84 | 1001203450 53 | 1001213838.....93 |
| 0700835.....101 | 1001139003 84 | 1001203835 121 | 1001213886.....101 |
| 0701015.....79, 84 | 1001142173 77 | 1001203869 19 | 1001213915.....95 |
| 0701018.....84 | 1001142174 77 | 1001203870 19 | 1001213916.....95 |
| 0701019.....87, 111 | 1001143009 77 | 1001203871 19, 202 | 1001213928.....17 |
| 0701021.....84 | 1001143010 77 | 1001203872 19 | 1001213931.....95 |
| 0701024.....84, 87 | 1001143501 121 | 1001204495 45 | 1001214151.....101 |
| 0701219.....84 | 1001144295 148 | 1001204719 53 | 1001214217.....21 |
| 0760408....125, 127, 129, 131, 133, 135, 137 | 1001144296 148 | 1001205345 84 | 1001214229.....107 |
| 0760608.....97 | 1001146794 183, 185, 187, 191, 193, 195, 197 | 1001205409 147 | 1001214347.....73 |
| 0760610....31, 49, 59, 61, 77, 101, 105, 141 | 1001146795 189 | 1001205410 147 | 1001214526.....19 |
| 0760612....23, 25, 27, 29, 45 | 1001146963 84 | 1001205411 147 | 1001214528.....19 |
| 0760810.....53, 93, 95 | 1001148902 204 | 1001205412 147 | 1001214534.....19 |
| 0760827.....53 | 1001148903 204 | 1001205422 93 | 1001214689.....84 |
| 0761012.....53 | 1001148904 204 | 1001205430 93 | 1001214779.....199 |
| 0761014.....93 | 1001148905 204 | 1001205598 33, 35 | 1001214810.....79 |
| 0761015.....47 | 1001148906 204 | 1001205751 11 | 1001214924.....101 |
| 0761019.....11, 97 | 1001151629 147 | 1001206995 31 | 1001215216.....39, 43 |
| 0761221.....79 | 1001152483 145 | 1001207009 ... 23, 25, 27, 29 | 1001215433.....53, 55 |
| 0861731....169, 175, 177, 179 | 1001154378 95, 97 | 1001207293 65 | 1001215434.....53 |
| 0861781.....171, 173 | 1001157547 77 | 1001207494 59, 61 | 1001215446.....99 |
| 0861880.....143 | 1001159186 147, 167 | 1001207970 25, 31 | 1001215477.....191 |
| 0961948.....115 | 1001162115 195 | 1001207973 35 | 1001215748.....187, 197 |
| 0962272.....85 | 1001162864 183, 185, 187, 189, 191, 193, 195, 197 | 1001207974 ... 23, 27, 33 | 1001215749.....193 |
| 1001047064.....101 | 1001162886 147 | 1001208852 93 | 1001215750.....195 |
| 1001091102....19, 37, 39, 41, 43, 59, 63 | | 1001209482 131, 133, 145 | 1001215751.....195 |
| 1001097150.....141 | | 1001209595 101 | 1001215752.....191 |
| | | 1001209596 101 | 1001215762.....59, 61 |
| | | 1001209682 59, 61 | 1001215953.....19 |
| | | 1001209776 127, 129, 135, 143 | 1001216062... 59, 61, 202 |

SECTION 10 - SPECIAL OPTIONS

| | | | |
|---------------------------------------|--|--|---|
| 1001216180..... 69 | 1001233237..... 204 | 1001236139..... 23, 25, 27, 29, 31, 33, 35 | 1001239270..... 183, 185, 187, 189, 191, 193, 195, 197, 204 |
| 1001216648..... 187 | 1001233449..... 11, 117 | 1001236165..... 84 | 1001239386..... 63 |
| 1001216650..... 187 | 1001233795..... 84, 165 | 1001236167..... 84 | 1001239389..... 163 |
| 1001216823..... 99 | 1001234006..... 95, 97 | 1001236169..... 84 | 1001239479..... 85 |
| 1001216865..... 199 | 1001234007..... 95, 97 | 1001236170..... 85 | 1001239661..... 41, 43 |
| 1001217059..... 21 | 1001234008..... 95, 97 | 1001236171..... 85 | 1001239892..... 87 |
| 1001217164..... 143, 145 | 1001234093..... 151 | 1001236172..... 85 | 1001239894..... 87 |
| 1001217457..... 84 | 1001234094..... 155 | 1001236269..... 85 | 1001239899..... 87 |
| 1001217894..... 199 | 1001234095..... 153 | 1001236348..... 85 | 1001239904..... 87 |
| 1001218285..... 101 | 1001234096..... 157 | 1001236486..... 85 | 1001239943..... 87 |
| 1001218307..... 19 | 1001234141..... 97 | 1001236487..... 85 | 1001241662..... 85 |
| 1001218573..... 79 | 1001234142..... 97 | 1001236488..... 85 | 1001241663..... 85 |
| 1001218728..... 204 | 1001234266..... 97 | 1001236531..... 49 | 1001241664..... 85 |
| 1001220409..... 105 | 1001234267..... 97 | 1001236547..... 204 | 1001241665..... 85 |
| 1001220410..... 105 | 1001234268..... 95, 97 | 1001236621..... 107, 109 | 1001241666..... 85 |
| 1001220889..... 101 | 1001234316..... 11 | 1001236632..... 69 | 1001241667..... 85 |
| 1001220892..... 107 | 1001234317..... 47 | 1001236800..... 121 | 1001241668..... 85 |
| 1001220893..... 101 | 1001234319..... 204 | 1001236801..... 121 | 1001241669..... 85 |
| 1001220933..... 204 | 1001234336..... 91 | 1001236802..... 121 | 1001241670..... 85 |
| 1001220995..... 105 | 1001234380..... 91 | 1001236803..... 121 | 1001241671..... 85 |
| 1001221244..... 111 | 1001234381..... 93 | 1001236804..... 121 | 1001242539..... 41, 43 |
| 1001221275..... 111 | 1001234382..... 97 | 1001236806..... 121 | 1001242697..... 41 |
| 1001221276..... 111 | 1001234383..... 95 | 1001236807..... 121 | 1001242988..... 37 |
| 1001221949..... 29 | 1001234407..... 93 | 1001236808..... 121 | 1001242989..... 39 |
| 1001222861..... 95 | 1001234453..... 204 | 1001236809..... 121 | 1001242990..... 43 |
| 1001222869..... 95 | 1001234479..... 59, 147 | 1001236903..... 204 | 1001243348..... 85 |
| 1001222914..... 111 | 1001234529..... 13 | 1001236968..... 49 | 1001243534..... 27 |
| 1001223053..... 95 | 1001234628..... 53 | 1001236982..... 204 | 1001244323..... 141 |
| 1001223055..... 183 | 1001234629..... 53 | 1001236984..... 204 | 1001244417..... 84, 115 |
| 1001223165..... 95 | 1001234631..... 151, 153, 155, 157, 163 | 1001237115..... 199 | 1001244900..... 141 |
| 1001223166..... 95 | 1001234797..... 19 | 1001237400..... 125 | 1001245409..... 199 |
| 1001223262..... 157 | 1001234798..... 19 | 1001237401..... 139 | 1001245739..... 141 |
| 1001223263..... 153 | 1001234838..... 11 | 1001237538..... 183, 185, 187, 189, 191, 193, 195, 197 | 1001245744..... 141 |
| 1001223650..... 159 | 1001234842..... 47 | 1001237824..... 85 | 1001245747..... 141 |
| 1001223651..... 161 | 1001234858..... 79 | 1001237887..... 61 | 1001245768..... 204 |
| 1001223971..... 193 | 1001234862..... 79 | 1001237899..... 183, 185, 187, 189, 191, 193, 195, 197 | 1001246530..... 204 |
| 1001224048..... 195 | 1001235008..... 59 | 1001237911..... 95 | 1001247706..... 91 |
| 1001224049..... 197 | 1001235104..... 84, 202 | 1001237989..... 71 | 1001247707..... 84 |
| 1001224051..... 191 | 1001235105..... 23, 25, 27, 29 | 1001237991..... 73 | 1001248126..... 183, 185, 187, 189, 191, 193, 195, 197 |
| 1001224052..... 187 | 1001235106..... 67 | 1001238014..... 183 | 1001248679..... 53, 57 |
| 1001224583..... 204 | 1001235152..... 25 | 1001238015..... 195 | 1001249054..... 75 |
| 1001225164..... 84, 202 | 1001235153..... 23 | 1001238016..... 191 | 1001249890..... 27 |
| 1001226277..... 111 | 1001235154..... 35 | 1001238017..... 187 | 1001258498..... 75 |
| 1001226749..... 101, 202 | 1001235156..... 33 | 1001238018..... 197 | 1001274559..... 59, 61 |
| 1001226901..... 111 | 1001235157..... 31 | 1001238019..... 193 | 1001283410..... 63 |
| 1001227213..... 27 | 1001235158..... 29 | 1001238020..... 189 | 1001380008..... 53, 121 |
| 1001227219..... 27 | 1001235286..... 95 | 1001238021..... 185 | 1001380010..... 84 |
| 1001227267..... 27, 141 | 1001235287..... 95 | 1001238130..... 131 | 1001380024..... 87 |
| 1001227268..... 141 | 1001235498..... 107, 109 | 1001238131..... 133 | 1001380040..... 79 |
| 1001227728..... 111 | 1001235509..... 107 | 1001238132..... 135 | 1001380041..... 79 |
| 1001227855..... 19 | 1001235559..... 59, 61 | 1001238133..... 127 | 1001380042..... 79 |
| 1001228112..... 101, 202 | 1001235560..... 99 | 1001238134..... 129 | 1001380058..... 19 |
| 1001228123..... 67, 69, 71, 73, 75 | 1001235561..... 99 | 1001238135..... 137 | 1060379..... 107, 109 |
| 1001228184..... 111 | 1001235590..... 91 | 1001238198..... 127, 129, 131, 133, 135, 141 | 1060998..... 143, 145, 75 |
| 1001228370..... 183 | 1001235592..... 91 | 1001238684..... 85 | 1321293..... 23, 25, 29, 31, 33, 35, 77 |
| 1001229107..... 204 | 1001235697..... 204 | 1001239224..... 37, 39, 41, 43 | 1321752..... 53 |
| 1001229110..... 67, 69, 71, 73, 75 | 1001235834..... 67 | 1001239269..... 69, 71, 73, 75 | 1380132..... 99 |
| 1001229739..... 95 | 1001235849..... 109 | | 1380153..... 11 |
| 1001229740..... 95 | 1001235941..... 107 | | 1600402..... 101, 103, 202 |
| 1001229741..... 95 | 1001235946..... 31, 33, 35 | | 1671207..... 169 |
| 1001229742..... 95 | 1001235954..... 77 | | |
| 1001229792..... 79 | 1001235955..... 47 | | |
| 1001231801..... 183 | 1001235959..... 97 | | |
| 1001232474..... 204 | 1001235960..... 95 | | |
| 1001232622..... 95 | 1001236132..... 77 | | |

SECTION 10 - SPECIAL OPTIONS

| | | | |
|--|--|--|---|
| 1701504..... 183, 185, 187, 189, 191, 193, 195, 197 | 2560088 99 | 4010408 105, 141 | 4460467.....204 |
| 1701640..... 183, 185, 187, 189, 191, 193, 195, 197 | 2560190 99 | 4010608 84, 95, 97 | 4460496.....101 |
| 1702155..... 183, 185, 187, 189, 191, 193, 195, 197 | 2600281 95, 97 | 4010610 ... 127, 129, 131, 133, 135 | 4460497..... 101 |
| 1703177 199 | 2860030 59, 61, 202 | 4010616 97 | 4460510.....204 |
| 1703464..... 125, 127 | 2901443 204 | 4010617 95, 97 | 4460536.....111 |
| 1703813..... 183 | 2902431 125, 169 | 4010618 95, 97 | 4460539.... 148, 153, 157, 165 |
| 1703816..... 183 | 3080007 95, 97, 202 | 4031509 101 | 4460662.... 131, 133, 135, 169 |
| 1703819.... 101, 183, 185, 187, 189, 191, 193, 195, 197 | 3252507 ... 129, 131, 133, 135, 137, 139 | 4031511 19 | 4460754.... 151, 153, 155, 157, 159, 161 |
| 1703822.... 183, 185, 187, 189, 191, 193, 195, 197 | 3290305 ... 37, 39, 41, 43 | 4031512 84 | 4460761.....147 |
| 1704016.... 183, 185, 187, 189, 191, 193, 195, 197 | 3290405 ... 19, 59, 63, 77, 84, 101, 105, 125, 127, 129, 131, 133, 135, 137, 141 | 4031707 33, 35 | 4460871.....148 |
| 1704260..... 101 | 3290505 27 | 4031708 21, 33, 35 | 4460877..... 147 |
| 1704277..... 95, 183, 185, 187, 189, 191, 193, 195, 197 | 3290601 21, 141 | 4060803 101 | 4460884..... 147, 165 |
| 1704339..... 197 | 3290605 ... 23, 25, 27, 29, 31, 33, 35, 45, 59, 61, 63, 77, 84, 127, 129, 131, 133, 135 | 4060906 101 | 4460891.... 37, 39, 41, 43, 111, 147, 148, 153, 157, 165 |
| 1704340..... 193 | 3290606 . 95, 97, 99, 105, 111 | 4060944 147 | 4460894.... 147, 151, 153, 155, 157, 163 |
| 1704341..... 187 | 3290801 19, 53 | 4160078 84 | 4460897.... 39, 43, 45, 77, 147, 153, 157 |
| 1704344..... 191 | 3290805 ... 19, 27, 53, 79, 84, 91, 93, 107, 109, 127, 129, 131, 133, 135, 141 | 4160202 19 | 4460899.... 151, 153, 155, 157, 159, 161, 163 |
| 1704412.... 183, 185, 187, 189, 191, 193, 195, 197 | 3290806 . 95, 97, 99, 101, 105 | 4160214 79 | 4460905..... 148 |
| 1704684..... 193 | 3291001 11 | 4240017 ... 23, 25, 27, 29, 31, 33, 35, 53, 59, 61, 63, 67, 69, 71, 73, 75, 77, 84, 111, 125, 127, 129, 131, 133, 135, 137, 139, 141, 151, 153, 155, 157, 159, 161, 163 | 4460933..... 147 |
| 1704691..... 197 | 3291005 ... 47, 53, 79, 87, 93 | 4240018 39, 43 | 4460943.... 151, 153, 155, 157, 159, 161, 163 |
| 1704699..... 187 | 3291006 87, 97, 111 | 4240147 19 | 4460944.... 147, 151, 153, 155, 157, 163 |
| 1705195..... 191 | 3291007 79, 84 | 4360328 59, 61, 202 | 4460956..... 143 |
| 1705311..... 193 | 3291201 79 | 4360336 77, 202 | 4460957..... 143 |
| 1705316..... 197 | 3291207 84 | 4360345 101, 202 | 4460968..... 137 |
| 1705670..... 185, 189 | 3310805 101 | 4360469 59, 61, 202 | 4460970..... 165 |
| 1705671..... 185, 189 | 3321402 84 | 4360475 59, 61, 101, 202 | 4461016..... 167 |
| 1705673..... 185, 189 | 3331211 13 | 4420051 199 | 4461023..... 147 |
| 1705686..... 183 | 3422219 97 | 4420062 . 53, 95, 97, 101, 107, 109 | 4461196..... 171 |
| 1705720..... 197 | 3422661 107, 109 | 4460042 147 | 4461198..... 171 |
| 1705723..... 193 | 3422998 84 | 4460115 147 | 4461199..... 173 |
| 1705726..... 187 | 3423037 11 | 4460138 125 | 4461201..... 173 |
| 1705754..... 199 | 3423243 79 | 4460183 147, 167 | 4461205..... 175, 177 |
| 1705781 199 | 3423278 101 | 4460226 147 | 4461244 175 |
| 1705946..... 191 | 3430636 19 | 4460227 ... 23, 25, 27, 29, 147 | 4461245..... 177 |
| 1706057..... 195 | 3430813 93 | 4460234 111 | 4461246..... 179 |
| 1706312..... 199 | 3430816 93 | 4460247 147 | 4461249 179 |
| 1707022..... 195 | 3431212 19 | 4460256 147 | 4461257..... 127, 129 |
| 2080040.. 93, 95, 97, 183, 185, 187, 189, 191, 193, 195, 197 | 3431218 19 | 4460259 147 | 4461258..... 127, 129 |
| 2080057.... 183, 185, 187, 189, 191, 193, 195, 197 | 3450303 79 | 4460260 147 | 4711700..... 101 |
| 2220371..... 55 | 3450403 19, 93 | 4460265 167 | 4711800..... 93 |
| 2220372..... 55, 121 | 3450505 19 | 4460267 167 | 4740086..... 19 |
| 2220373..... 121 | 3450508 17 | 4460315 125, 137 | 4740438..... 84 |
| 2220374..... 55 | 3520072 87, 95, 97 | 4460320 147 | 4740531..... 84 |
| 2220375..... 121 | 3740150 ... 59, 63, 77, 202 | 4460346 169 | 4750800..... 101 |
| 2220415..... 55 | 3760115 84 | 4460418 77, 147, 167 | 4811400..... 77, 101, 105, 125, 127, 129, 131, 133, 135, 137, 141 |
| 2220497 121 | 3760217 11 | 4460419 77 | 4811700.... 45, 59, 61, 63, 77, 95, 97, 101, 105, 127, 129, 131, 133, 135, 141 |
| 2220502..... 121 | 3760387 84 | 4460424 ... 23, 25, 27, 29 | 4811702.... 19, 21, 23, 25, 27, 29, 31, 33, 35, 49, 84, 99 |
| 2220582..... 55 | 3820019 99 | 4460464 ... 39, 43, 45, 77, 111, 148, 151, 153, 155, 157, 159, 161, 163, 165, 167 | 4811900.... 19, 53, 84, 91, 93, 95, 97, 99, 101, 127, 129, 131, 133, 135, 141 |
| 2220628..... 121 | 3841143 79, 84 | 4460465 ... 37, 39, 41, 43, 111, 147, 148, 151, 153, 155, 157, 159, 161, 163, 165 | |
| 2220883..... 115 | 3841203 84 | 4460466 77, 111, 147, 151, 153, 155, 157, 159, 161, 165, 167 | |
| 2221086..... 55 | 3860104 84 | | |
| 2300014..... 204 | 3860111 97, 99 | | |
| 2300042..... 204 | 3900381 27 | | |
| 2400060..... 147 | 3910804 59, 61 | | |
| 2420172..... 59, 61 | 4010310 37, 39, 41, 43 | | |

SECTION 10 - SPECIAL OPTIONS

| | | | |
|--|----------------------------|------------------------|---|
| 4811902 ... 19, 27, 53, 79, 95, 105, 107, 109 | 70005236 115 | 70006297 53, 202 | 70021209 55, 57 |
| 4812000 ... 11, 19, 53, 79, 84, 87, 93, 97, 111 | 70005423 53, 202 | 70006298 53 | 70022564 115 |
| 4812002 47, 79 | 70005806 15 | 70006299 53 | 70023369 115 |
| 4812500 19 | 70005807 15 | 70006300 55 | 7002821 204 |
| 4831600 27 | 70005808 15 | 70006301 55, 57 | 7002822 204 |
| 4845582 107 | 70005809 15 | 70006302 55 | 7002823 204 |
| 4846757 11 | 70005812 15 | 70007050 115 | 7002826 204 |
| 4923328 ... 67, 69, 71, 73, 75 | 70005813 15 | 70007051 115 | 7004275 204 |
| 5241200 13 | 70005814 15 | 70007052 115 | 7004276 204 |
| 5271808 53 | 70005815 53 | 70007053 115 | 70050795 115 |
| 5272117 13 | 70005816 53 | 70007054 115 | 7016654 204 |
| 5272122 13 | 70005817 53 | 70007055 115 | 7020175 59, 61, 101 |
| 70000082 103 | 70005891 55 | 70007056 115 | 7020176 59, 61, 101 |
| 70000084 103 | 70005893 55, 57, 202 | 70007074 117 | 7023308 15 |
| 70000278 15 | 70005896 55 | 70007075 117 | 7023310 15 |
| 70000683 103 | 70005898 55, 57 | 70007076 117 | 7023311 15 |
| 70000684 103 | 70005899 55, 57 | 70007077 117 | 7023315 15 |
| 70000685 103 | 70005900 55, 57 | 70007078 117 | 7023318 15 |
| 70000686 103 | 70005903 55, 57 | 70007079 117 | 7023319 15 |
| 70001250 103 | 70005904 55 | 70007080 117 | 7023324 15 |
| 70001251 103 | 70005907 55 | 70007593 57 | 7023328 15 |
| 70001252 103 | 70005908 55 | 70007594 57 | 7027365 103 |
| 70001253 103 | 70005909 55, 57 | 70007595 57 | 7027367 103 |
| 70003636 117 | 70005911 55, 57 | 70007596 57 | 7027765 103 |
| 70003650 103 | 70005912 55 | 70007597 57 | 7027766 103 |
| 70004164 53 | 70005913 55 | 70007598 57 | 8229242 148, 202 |
| 70004465 53 | 70005914 55 | 70007599 57 | 8229244 148, 202 |
| 70004585 115 | 70005918 13 | 70007600 57 | 8750014 53 |
| | 70005919 13 | 70007601 57 | 8896941 204 |
| | 70006295 53 | 70007602 57 | 8990147 ... 183, 185, 187, 189, 191, 193, 195, 197 |
| | 70006296 53 | 70007946 53 | |



3121752



An Oshkosh Corporation Company

Corporate Office
JLG Industries, Inc.
1 JLG Drive
McConnellsburg, PA 17233-9533 USA
☎ (717) 485-5161 (Corporate)
☎ (877) 554-5438 (Customer Support)
📠 (717) 485-6417

Visit our website for JLG Worldwide Locations.
www.jlg.com