



Illustrated Parts Manual

Models

330LRT

430LRT

SN 0200000100 to 0200269765

P/N
3121759

December 12, 2019 - Rev J

ANSI

CE



AS/NZS



An Oshkosh Corporation Company

REVISION LOG

April 1, 2017 - A - Original Issue Of Manual (Edited to B/M 1001205000 Revision D) (Revision 1)

July 1, 2017 - B - Revised Manual (Edited to B/M 1001205000 Revision D) (Revision 2)

October 11, 2017 - C - Revised Manual (Edited to B/M 1001205000 Revision F)

November 3, 2017 - D - Revised Manual (Edited to B/M 1001205000 Revision G)

January 15, 2018 - E - Revised Manual (Edited to B/M 1001205000 Revision I)

April 15, 2018 - F - Revised Manual (Edited to B/M 1001205000 Revision L)

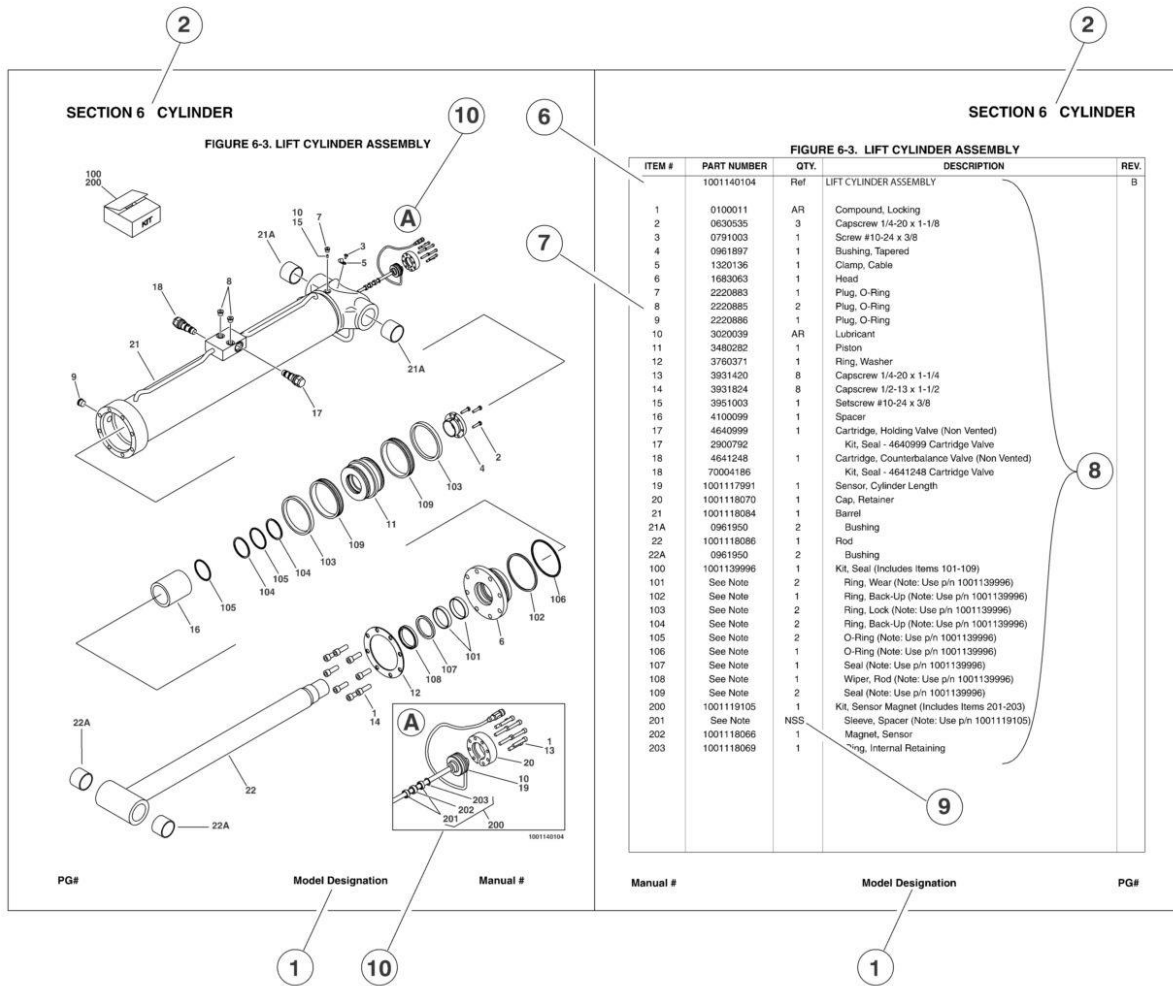
May 21, 2018 - G - Revised Manual (Edited to B/M 1001205000 Revision N)

July 20, 2018 - H - Revised Manual (Edited to B/M 1001205000 Revision O)

October 25, 2018 - I - Revised Manual (Edited to B/M 1001205000 Revision O) (Revision 3)

December 12, 2019 - J - Revised Manual (Edited to B/M 1001205000 Revision V)

GENERAL INFORMATION



1) MACHINE IDENTIFICATION

Machines are identified by model and in some cases a combination of models, serial number (SN) or regional standard (i.e. ANSI, CE, CSA). Components may also be identified by SN or manufacturer. Common components that may be identified by these characteristics are engines and hydraulic components.

2) PARTS MANUAL ORGANIZATION

Product information in this manual is organized under section titles. Frame, Cylinder, Hydraulic and Electrical are a few examples. Each section is organized by figure and page number. The information within the Figure is then organized by item number, part number, description and corresponding illustration(s).

3) TABLE OF CONTENTS

A table of contents is found toward the beginning of the manual. Figure number, description and page number are provided for quick reference to the page containing the related information.

4) RECOMMENDED SPARE PARTS

The Recommended Spare Parts, located near the end of the manual, reference most frequently used maintenance parts.

5) PART NUMBER INDEX

A numerical index listing all part numbers and the corresponding page number(s) appears at the back of the manual.

GENERAL INFORMATION

6) NON-SERVICED PARTS

In some instances, it is necessary to display non-serviced parts, assemblies or installations. In the case of assemblies and installations there will be a Ref in the Qty column. In case of parts that are not available for service within assemblies or components, there will be a NSS (Not Sold Separately) or NLA (No Longer Available) listed in the Qty. column of the manual.

7) PARTS LIST ITEM NUMBERS

Numbers shown in the item# column correspond to numbers used in the associated illustration (s). Item numbers which are missing from the sequence in the parts list are not used on that page

8) INDENTED PARTS DESCRIPTION

An indented part description is included in the item under which it is indented.

9) ABB REVIATION AND SYMBOLS

AC.....	.. Alternating Current	LCD.....	.. Liquid Crystal Display
ADE.....	.. Advanced Design Electronics	LED.....	.. Light Emitting Diodes
ANSI.....	.. American National Standards Institute	LH.....	.. Left Hand
AR.....	.. As Required	LSS.....	.. Load Sensing System
ASSY.....	.. Assembly	M(m).....	.. Metric/Meter
AUX.....	.. A uxiliary	MM (mm).....	.. Milimeter
AWG.....	.. American Wire Gauge	mA.....	.. Miliamps
B/M.....	.. Bill of Material	NLA.....	.. No Longer Available
CE.....	.. European Conformity	NPT.....	.. National Pipe Threads
CCW.....	.. Counter Clockwise	NSS.....	.. Not Sold Separately
cm.....	.. Centimeter	OD.....	.. Outside Diameter
CW.....	.. Clockwise	ORB.....	.. O-Ring Boss
CSA.....	.. Canadian Standards Association	ORFS.....	.. O-Ring Face Seal
CYL.....	.. Cylinder	OZ (oz).....	.. Ounces
DIA.....	.. Diameter	PG.....	.. Page
DC.....	.. Direct Current	P/N.....	.. Part Number
EMS.....	.. Emergency Stop	qt.....	.. Quarts
ENG.....	.. Engine	QTY.....	.. Quantity
FT (ft).....	.. Feet	REF.....	.. Reference
GA (Ga).....	.. Gauge	REV.....	.. Revision Level
HYD.....	.. Hydraulic	RH.....	.. Right Hand
Hz.....	.. Hertz	SAE.....	.. Society of Automotive Engineers
ID.....	.. Inside Diameter	SN.....	.. Serial Number
in.....	.. inches	SPEC(S).....	.. Specifications
ISO.....	.. International Organization for Standards	T/T.....	.. Turntable
JIC.....	.. Joint Industry Council	UGM.....	.. Universal Ground Module
KG.....	.. Kilogram	V.....	.. Volts
L.....	.. Liter	W.....	.. Watts
LB.....	.. Pounds	#.....	.. Number

10) ILLUSTRATION REFERENCE LETTERS

When necessary, illustrations may contain reference letters that are intended to track information (i. e. hoses, harnesses) from one point to another or to track visual enlargement of components to show details that may be located in another area on the illustration.

Note: Due to continuous product improvements, JLG Industries, Inc. reserves the right to make specification changes without prior notification. Contact JLG Industries, Inc. for updated information.

TABLE OF CONTENTS

SECTION 1 - FRAME.....	11
FIGURE 1-1. AXLE INSTALLATION	12
FIGURE 1-2. STEER INSTALLATION (ALL SPECS EXCEPT CE SPECS)	14
FIGURE 1-3. STEER INSTALLTION (CE & JAPANESE SPECS)	16
FIGURE 1-4. DRIVE/BRAKE INSTALLATION.....	18
FIGURE 1-5. DRIVE HUB ASSEMBLY - FRONT.....	20
FIGURE 1-6. DRIVE HUB AND BRAKE ASSEMBLY - REAR	22
FIGURE 1-7. DRIVE MOTOR ASSEMBLY	26
FIGURE 1-8. TIRE AND WHEEL INSTALLATION - 12 X 16.5 FOAM FILLED (AVAILABLE ON ALL SPECS)	28
FIGURE 1-9. TIRE AND WHEEL INSTALLATION - 12 X 16.5 FOAM-FILLED NON MARKING	30
FIGURE 1-10. TIRE AND WHEEL INSTALLATION - 33/16LL X 16.1 FOAM-FILLED	32
FIGURE 1-11. TIRE AND WHEEL INSTALLATION - 33/1550-16.5 FOAM-FILLED	34
FIGURE 1-12. TIRE AND WHEEL INSTALLATION - IN315/55D20 FOAM-FILLED.....	36
FIGURE 1-13. STROBE LIGHT INSTALLATION (AMBER)	38
FIGURE 1-14. LEVELING JACKS INSTALLATION (Prior to SN 0200267917).....	40
FIGURE 1-15. LEVELING JACKS INSTALLATION (SN 0200267917 through 0200269765)	42
FIGURE 1-16. LEVELING JACKS ASSEMBLY.....	44
FIGURE 1-17. LEVELING JACKS VALVE ASSEMBLY.....	46
SECTION 2 - GROUND CONTROLS	49
FIGURE 2-1. VALVES INSTALLATION (ALL SPECS EXCEPT CE SPECS)	50
FIGURE 2-2. VALVES INSTALLATION (CE & JAPANESE SPECS)	52
FIGURE 2-3. MAIN VALVE ASSEMBLY (ALL SPECS EXCEPT CE SPECS)	54
FIGURE 2-4. MAIN VALVE ASSEMBLY (CE SPECS)	56
FIGURE 2-5. FLOW DIVIDER VALVE ASSEMBLY	58
FIGURE 2-6. TANKS AND HORN INSTALLATION (DIESEL MACHINES)	60
FIGURE 2-7. TANKS AND HORN INSTALLATION (GAS MACHINES)	62
FIGURE 2-8. HYDRAULIC TANK ASSEMBLY.....	64
FIGURE 2-9. GROUND CONTROL BOX ASSEMBLY (DIESEL MACHINES) (Prior to SN 0200267917)	66
FIGURE 2-10. GROUND CONTROL BOX ASSEMBLY (DIESEL MACHINES) (SN 0200267917 through 0200269765)	68
FIGURE 2-11. GROUND CONTROL BOX ASSEMBLY (GAS MACHINES) (Prior to SN 0200267917)	70
FIGURE 2-12. GROUND CONTROL BOX ASSEMBLY (GAS MACHINES) (SN 0200267917 through 0200269765)	72
FIGURE 2-13. MOTION ALARM INSTALLATION	74
FIGURE 2-14. HOODS AND LADDERS INSTALLATION (330LRT)	76
FIGURE 2-15. HOODS AND LADDERS INSTALLATION (430LRT)	80
SECTION 3 - ENGINE	85
FIGURE 3-1. ENGINE INSTALLATION - KUBOTA DIESEL STAGE III (Prior to SN 0200268705)	86
FIGURE 3-2. ENGINE AND PUMP SUB-ASSEMBLY - KUBOTA DIESEL STAGE III (Prior to SN 0200268705)	90
FIGURE 3-3. ENGINE ASSEMBLY - KUBOTA DIESEL STAGE III (Prior to SN 0200268705)	92
FIGURE 3-4. ENGINE INSTALLATION - KUBOTA DIESEL STAGE III WITH GENERATOR (Prior to SN 0200268705)	96
FIGURE 3-5. ENGINE AND PUMP SUB-ASSEMBLY - KUBOTA DIESEL STAGE III WITH GENERATOR (Prior to SN 0200268705)	100
FIGURE 3-6. ENGINE ASSEMBLY - KUBOTA DIESEL STAGE III WITH GENERATOR (Prior to SN 0200268705)	102
FIGURE 3-7. ENGINE COMPONENTS - KUBOTA DIESEL STAGE III (Prior to SN 0200268705)	106
FIGURE 3-8. ENGINE INSTALLATION - KUBOTA DIESEL T4F	110
FIGURE 3-9. ENGINE AND PUMP SUB-ASSEMBLY - KUBOTA DIESEL T4F (Prior to SN 0200268660).....	114
FIGURE 3-10. ENGINE AND PUMP SUB-ASSEMBLY - KUBOTA DIESEL E4B (SN 0200268660 through 0200269765).....	116
FIGURE 3-11. ENGINE ASSEMBLY - KUBOTA DIESEL T4F (Prior to SN 0200268660)	118
FIGURE 3-12. ENGINE ASSEMBLY - KUBOTA DIESEL E4B (SN 0200268660 through 0200269765)	122
FIGURE 3-13. ENGINE INSTALLATION - KUBOTA DIESEL STAGE T4F WITH GENERATOR (Prior to SN 0200268660).....	126
FIGURE 3-14. ENGINE AND PUMP SUB-ASSEMBLY - KUBOTA DIESEL T4F WITH GENERATOR (Prior to SN 0200268660)	130
FIGURE 3-15. ENGINE AND PUMP SUB-ASSEMBLY - KUBOTA DIESEL E4B WITH GENERATOR (SN 0200268660 through 0200269765)	132
FIGURE 3-16. ENGINE ASSEMBLY - KUBOTA DIESEL T4F WITH GENERATOR (Prior to SN 0200268660)	134
FIGURE 3-17. ENGINE ASSEMBLY - KUBOTA DIESEL E4B WITH GENERATOR (SN 0200268660 through 0200269765)	138
FIGURE 3-18. ENGINE COMPONENTS - KUBOTA DIESEL T4F (Prior to SN 0200268660)	142
FIGURE 3-19. ENGINE COMPONENTS - KUBOTA DIESEL E4B (SN 0200268660 through 0200269765)	146
FIGURE 3-20. ENGINE INSTALLATION - KUBOTA GASOLINE	150
FIGURE 3-21. ENGINE AND PUMP SUB-ASSEMBLY - KUBOTA GASOLINE	154
FIGURE 3-22. ENGINE ASSEMBLY - KUBOTA GASOLINE	156
FIGURE 3-23. ENGINE INSTALLATION - KUBOTA GASOLINE WITH GENERATOR	160

TABLE OF CONTENTS

FIGURE 3-24. ENGINE AND PUMP SUB-ASSEMBLY - KUBOTA GASOLINE WITH GENERATOR	164
FIGURE 3-25. ENGINE ASSEMBLY - KUBOTA GASOLINE WITH GENERATOR	166
FIGURE 3-26. ENGINE COMPONENTS - KUBOTA GASOLINE	170
FIGURE 3-27. FUEL/WATER SEPARATOR ASSEMBLY - DIESEL ENGINES	174
FIGURE 3-28. COUPLING KIT - DIESEL ENGINES	176
FIGURE 3-29. COUPLING KIT - GASOLINE ENGINES	178
FIGURE 3-30. PISTON PUMP ASSEMBLY	180
FIGURE 3-31. SPARK ARRESTOR MUFFLER - OPTIONAL (DIESEL ENGINES) (Prior to SN 0200267546)	184
FIGURE 3-32. SPARK ARRESTOR MUFFLER - OPTIONAL (GASOLINE ENGINES)	186
FIGURE 3-33. 7500W GENERATOR INSTALLATION - KUBOTA DIESEL STAGE III	188
FIGURE 3-34. 7500W GENERATOR INSTALLATION - KUBOTA DIESEL T4F	192
FIGURE 3-35. 7500W GENERATOR INSTALLATION - KUBOTA GASOLINE	196
SECTION 4 - SCISSORS ARMS	201
FIGURE 4-1. SCISSORS ARMS INSTALLATION - 330LRT	202
FIGURE 4-2. SCISSORS ARMS ASSEMBLY - 330LRT	204
FIGURE 4-3. SCISSORS ARMS INSTALLATION - 330LRT WITH GENERATOR	210
FIGURE 4-4. SCISSORS ARMS ASSEMBLY - 330LRT WITH GENERATOR	212
FIGURE 4-5. SCISSORS ARMS INSTALLATION - 430LRT	218
FIGURE 4-6. SCISSORS ARMS ASSEMBLY - 430LRT	220
FIGURE 4-7. SCISSORS ARMS INSTALLATION - 430LRT WITH GENERATOR	226
FIGURE 4-8. SCISSORS ARMS ASSEMBLY - 430LRT WITH GENERATOR	228
FIGURE 4-9. ARM GUARDS INSTALLATION (MACHINES WITH LSS)	234
SECTION 5 - PLATFORM	237
FIGURE 5-1. PLATFORM MOUNT INSTALLATION (NON-LSS)	238
FIGURE 5-2. PLATFORM MOUNT INSTALLATION (LSS)	240
FIGURE 5-3. PLATFORM WITH SINGLE EXTENSION INSTALLATION	242
FIGURE 5-4. PLATFORM (12.6FT/3.84M LENGTH) WITH DUAL EXTENSION INSTALLATION	244
FIGURE 5-5. PLATFORM (15.8FT/4.83M LENGTH MEGADECK) WITH DUAL EXTENSION INSTALLATION	246
FIGURE 5-6. RAIL INSTALLATION - PLATFORM WITH SINGLE EXTENSION	248
FIGURE 5-7. RAIL INSTALLATION - 12.6FT/3.84M LENGTH PLATFORM WITH DUAL EXTENSION	252
FIGURE 5-8. RAIL INSTALLATION - 15.8FT/4.83M LENGTH MEGADECK PLATFORM WITH DUAL EXTENSION	256
FIGURE 5-9. PLATFORM CONSOLE BOX INSTALLATION - DIESEL MACHINES (Prior to SN 0200267917)	260
FIGURE 5-10. PLATFORM CONSOLE BOX INSTALLATION - DIESEL MACHINES (WITHOUT LEVELING JACKS) (SN 0200267917 through 0200269765)	262
FIGURE 5-11. PLATFORM CONSOLE BOX INSTALLATION - DIESEL MACHINES (WITH LEVELING JACKS) (SN 0200267917 through 0200269765)	264
FIGURE 5-12. PLATFORM CONSOLE BOX INSTALLATION - GASOLINE MACHINES (Prior to SN 0200267917)	266
FIGURE 5-13. PLATFORM CONSOLE BOX INSTALLATION - GASOLINE MACHINES (WITHOUT LEVELING JACKS) (SN 0200267917 through 0200269765)	268
FIGURE 5-14. PLATFORM CONSOLE BOX INSTALLATION - GASOLINE MACHINES (WITH LEVELING JACKS) (SN 0200267917 through 0200269765)	270
FIGURE 5-15. DRIVE/STEER CONTROLLER ASSEMBLY	272
FIGURE 5-16. PLATFORM MODULE INSTALLATION (NON-LSS)	274
FIGURE 5-17. PLATFORM MODULE INSTALLATION (LSS)	276
FIGURE 5-18. PIPE RACKS INSTALLATION (OPTIONAL)	278
FIGURE 5-19. SKYWELDER INSTALLATION (OPTIONAL) (ANSI SPECS)	280
FIGURE 5-20. SKYWELDER INSTALLATION (OPTIONAL) (CE SPECS)	282
FIGURE 5-21. WELDER ASSEMBLY	284
FIGURE 5-22. WORKSTATION INSTALLATION (OPTIONAL)	286
SECTION 6 - CYLINDER	289
FIGURE 6-1. AXLE LOCKOUT CYLINDER ASSEMBLY	290
FIGURE 6-2. LEVELING JACK CYLINDER ASSEMBLY	292
FIGURE 6-3. LIFT CYLINDER ASSEMBLY	294
FIGURE 6-4. LIFT CYLINDER ASSEMBLY	296
FIGURE 6-5. STEER CYLINDER ASSEMBLY	298
SECTION 7 - HYDRAULIC	301
FIGURE 7-1. HYDRAULIC DIAGRAM - LEVELING JACKS (Prior to SN 0200267917)	302
FIGURE 7-2. HYDRAULIC DIAGRAM - LEVELING JACKS (SN 0200267917 through 0200269765)	304
FIGURE 7-3. HYDRAULIC DIAGRAM - STANDARD (ALL SPECS EXCEPT CE SPECS)	306

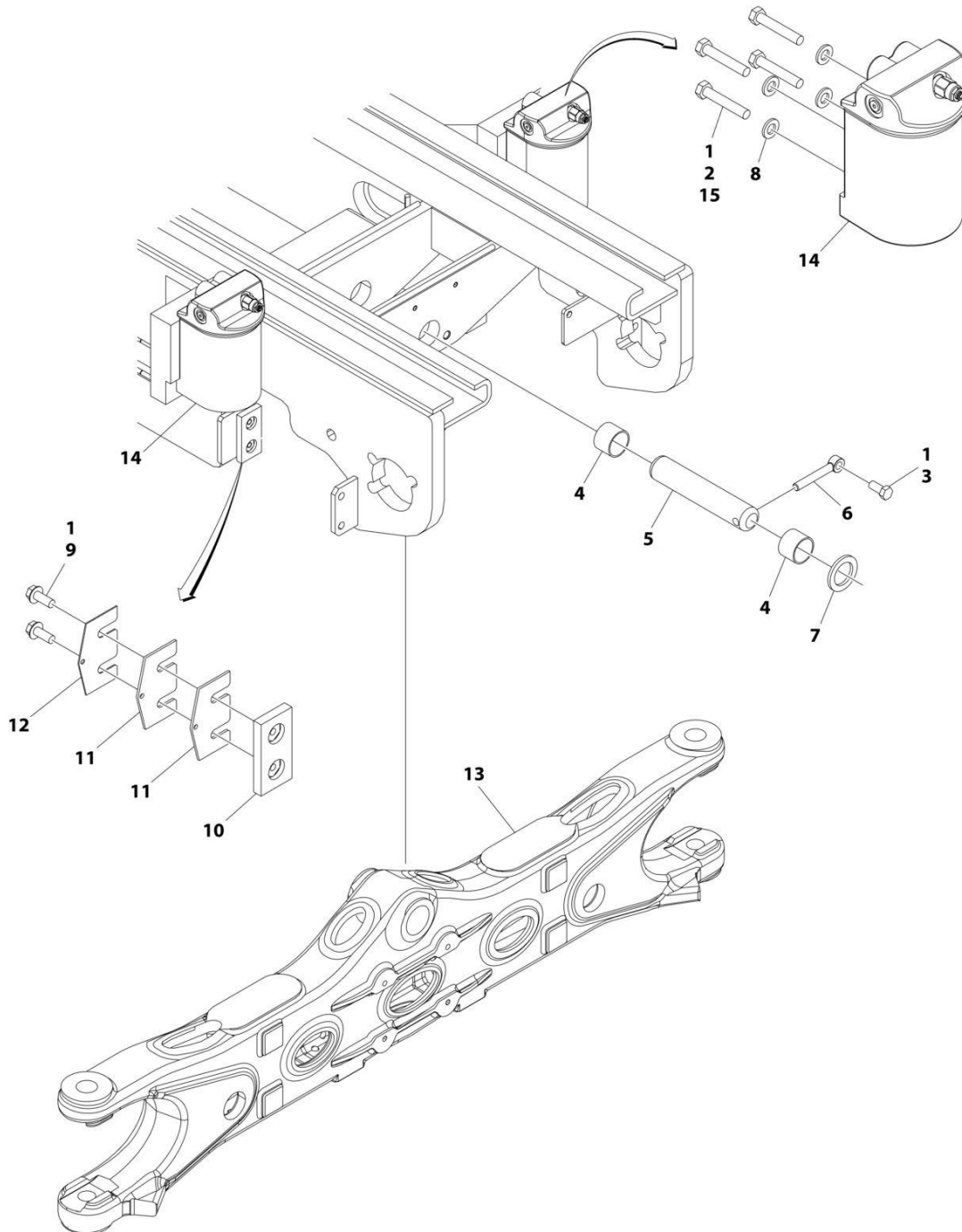
TABLE OF CONTENTS

FIGURE 7-4. HYDRAULIC DIAGRAM - STANDARD (CE & JAPANESE SPECS)	310
FIGURE 7-5. HYDRAULIC DIAGRAM LIST	314
SECTION 8 - ELECTRICAL	315
FIGURE 8-1. ELECTRICAL DIAGRAM LIST	316
FIGURE 8-2. AC BOX AT PLATFORM INSTALLATION - 110V GFI (ALL SPECS EXCEPT AUSTRALIAN AND CE SPECS) ...	318
FIGURE 8-3. AC BOX AT PLATFORM INSTALLATION - 110V IEC YELLOW (CE SPECS)	320
FIGURE 8-4. AC BOX AT PLATFORM INSTALLATION - 220V IEC BLUE (CE SPECS)	322
FIGURE 8-5. AC BOX AT PLATFORM INSTALLATION - 220V AFSINT 107 (CE SPECS)	324
FIGURE 8-6. AC BOX AT PLATFORM INSTALLATION - 220V CEE7 POST GROUND 2X4 BOX (CE SPECS)	326
FIGURE 8-7. AC BOX AT PLATFORM INSTALLATION - 220V CEE7 POST GROUND 70X70 BOX (CE SPECS)	328
FIGURE 8-8. AC BOX AT PLATFORM INSTALLATION - 220V CEE7 SIDE GROUND 2X4 BOX (CE SPECS)	330
FIGURE 8-9. AC BOX AT PLATFORM INSTALLATION - 220V CEE7 SIDE GROUND 70X70 BOX (CE SPECS)	332
FIGURE 8-10. BATTERY CABLE KIT	334
FIGURE 8-11. BREAKER BOX KIT (Prior to SN 0200268756)	336
FIGURE 8-12. BREAKER BOX KIT (SN 0200268756 through 0200269765)	338
FIGURE 8-13. CHASSIS HARNESS (Prior to SN 0200267917)	340
FIGURE 8-14. CHASSIS HARNESS (SN 0200267917 through 0200269765)	344
FIGURE 8-15. ENGINE HARNESS - KUBOTA DIESEL (Prior to SN 0200267917)	348
FIGURE 8-16. ENGINE HARNESS - KUBOTA DIESEL (SN 0200267917 through 0200269765)	352
FIGURE 8-17. ENGINE HARNESS - KUBOTA GASOLINE (Prior to SN 0200267917)	356
FIGURE 8-18. ENGINE HARNESS - KUBOTA GASOLINE (SN 0200267917 through 0200269765)	360
FIGURE 8-19. GENERATOR HARNESS - 7500W (Prior to SN 0200267640)	364
FIGURE 8-20. GENERATOR HARNESS - 7500W (SN 0200267640 through 0200269765)	366
FIGURE 8-21. GROUND CONTROL BOX HARNESS (LOWER) (Prior to SN 0200267917)	368
FIGURE 8-22. GROUND CONTROL BOX HARNESS (LOWER) (SN 0200267917 through 0200269765)	370
FIGURE 8-23. GROUND CONTROL BOX HARNESS (UPPER)	372
FIGURE 8-24. GROUND TO PLATFORM HARNESS - 330LRT	374
FIGURE 8-25. GROUND TO PLATFORM HARNESS - 430LRT	376
FIGURE 8-26. LEVELING JACKS HARNESS	378
FIGURE 8-27. LSS HARNESS	380
FIGURE 8-28. PLATFORM CONTROL BOX HARNESS (Prior to SN 0200267917)	382
FIGURE 8-29. PLATFORM CONTROL BOX HARNESS (SN 0200267917 through 0200269765)	384
FIGURE 8-30. PLATFORM MODULE HARNESS (Prior to SN 0200267917)	386
FIGURE 8-31. PLATFORM MODULE HARNESS (SN 0200267917 through 0200269765)	388
FIGURE 8-32. RECEPTACLE BOX KIT - 110V GFI	390
FIGURE 8-33. RECEPTACLE BOX KIT - 110V IEC YELLOW (CE SPEC)	392
FIGURE 8-34. RECEPTACLE BOX KIT - 220V IEC BLUE (CE SPEC)	394
FIGURE 8-35. RECEPTACLE BOX KIT - 220V AFSINT 107 (CE SPEC)	396
FIGURE 8-36. RECEPTACLE BOX KIT - 220V CEE7 POST GROUND (CE SPEC)	398
FIGURE 8-37. RECEPTACLE BOX KIT - 220V CEE7 POST GROUND 70X70 BOX (CE SPEC)	400
FIGURE 8-38. RECEPTACLE BOX KIT - 220V CEE7 SIDE GROUND (CE SPEC)	402
FIGURE 8-39. RECEPTACLE BOX KIT - 220V CEE7 SIDE GROUND 70X70 BOX (CE SPEC)	404
FIGURE 8-40. RECEPTACLE/BREAKER BOX ASSEMBLY - 220V GFI	406
SECTION 9 - DECALS	409
FIGURE 9-1. DECAL INSTALLATION - ANSI AND ANSI EXPORT SPECS (ENGLISH)	410
FIGURE 9-2. DECAL INSTALLATION - AUSTRALIAN, CE & JAPANESE SPEC (ENGLISH)	412
FIGURE 9-3. DECAL INSTALLATION - BRAZIL SPECS (SPANISH/PORTUGUESE)	414
FIGURE 9-4. DECAL INSTALLATION - CHINESE SPECS (ENGLISH/CHINESE)	416
FIGURE 9-5. DECAL INSTALLATION - CSA SPECS (ENGLISH/FRENCH)	418
FIGURE 9-6. DECAL INSTALLATION - KOREAN SPECS (ENGLISH/KOREAN)	420
FIGURE 9-7. DECAL INSTALLATION - LATIN AMERICAN SPECS (ENGLISH/SPANISH)	422
FIGURE 9-8. DECAL INSTALLATION - OPTIONS	424
SECTION 10 - RECOMMENDED SERVICE PARTS STOCK	427
FIGURE 10-1. RECOMMENDED SERVICE PARTS STOCK	428
SECTION 11 - SPECIAL OPTIONS	431
FIGURE 11-1. SPECIAL OPTIONS	432
PART NUMBER INDEX	435

SECTION 1 - FRAME

SECTION 1 - FRAME

FIGURE 1-1. AXLE INSTALLATION



ART_1001204606

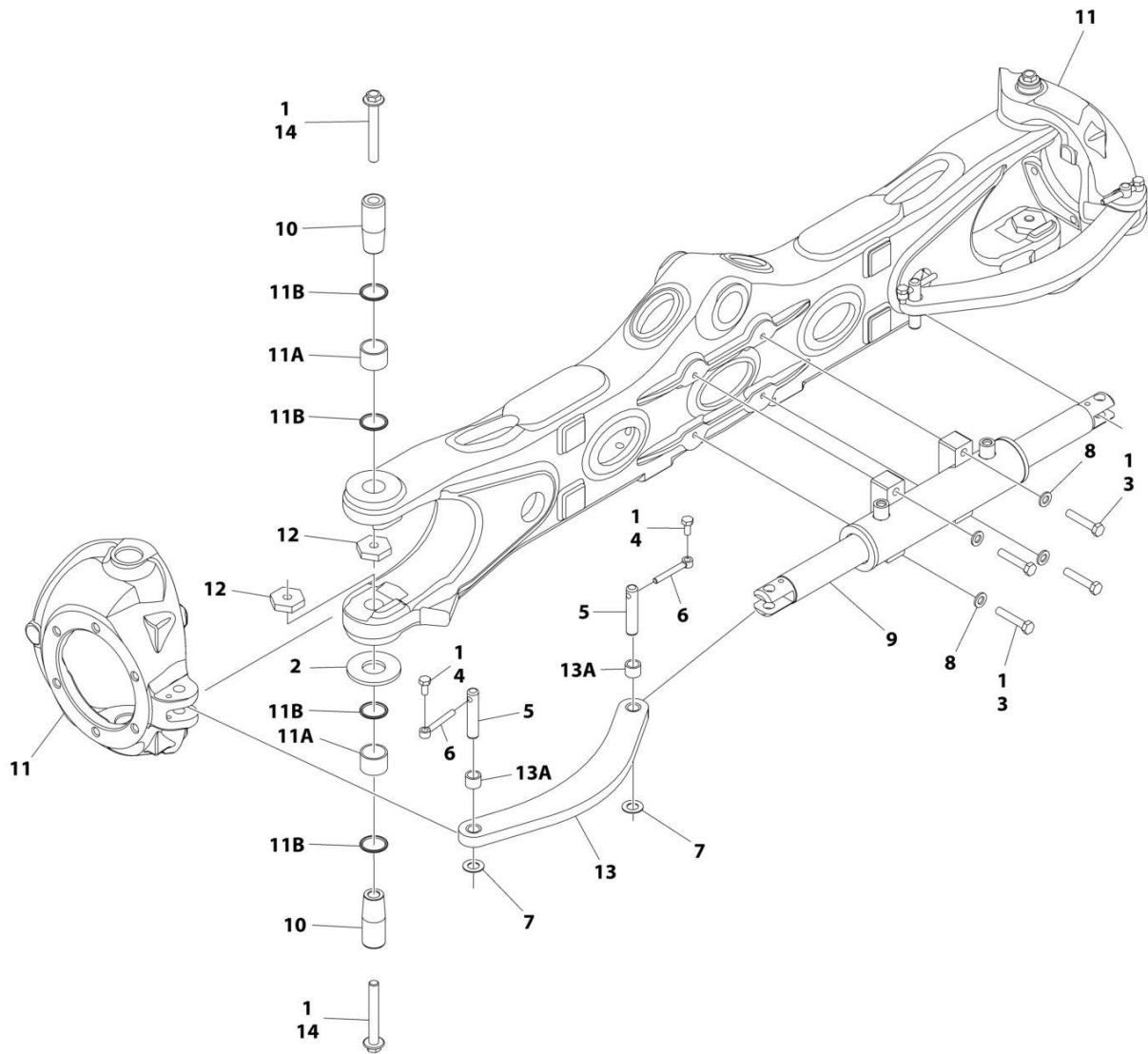
SECTION 1 - FRAME

FIGURE 1-1. AXLE INSTALLATION

ITEM	PART NUMBER	QTY	DESCRIPTION	REV
	1001204606	Ref	AXLE INSTALLATION	B
1	0100011	AR	Compound, Locking	
2	0701222	8	Bolt M12 x 70	
3	0642012	1	Bolt 5/8 x 1-1/2	
4	0961950	2	Bearing	
5	3422592	1	Pin	
6	3841258	1	Keeper, Pin	
7	4740158	1	Washer	
8	5241200	8	Washer M12	
9	5251012	4	Bolt M10 x 25	
10	1001118511	2	Pad	
11	1001118518	4	Shim, 11GA	
12	1001118519	2	Shim, 16GA	
13	1001162995	1	Axle	
14	1001163580	2	Axle Lockout Cylinder Assembly (See Separate Breakdown in CYLINDER SECTION)	
15	0100038	AR	Primer, Locking	

SECTION 1 - FRAME

FIGURE 1-2. STEER INSTALLATION (ALL SPECS EXCEPT CE SPECS)



ART_1001204611

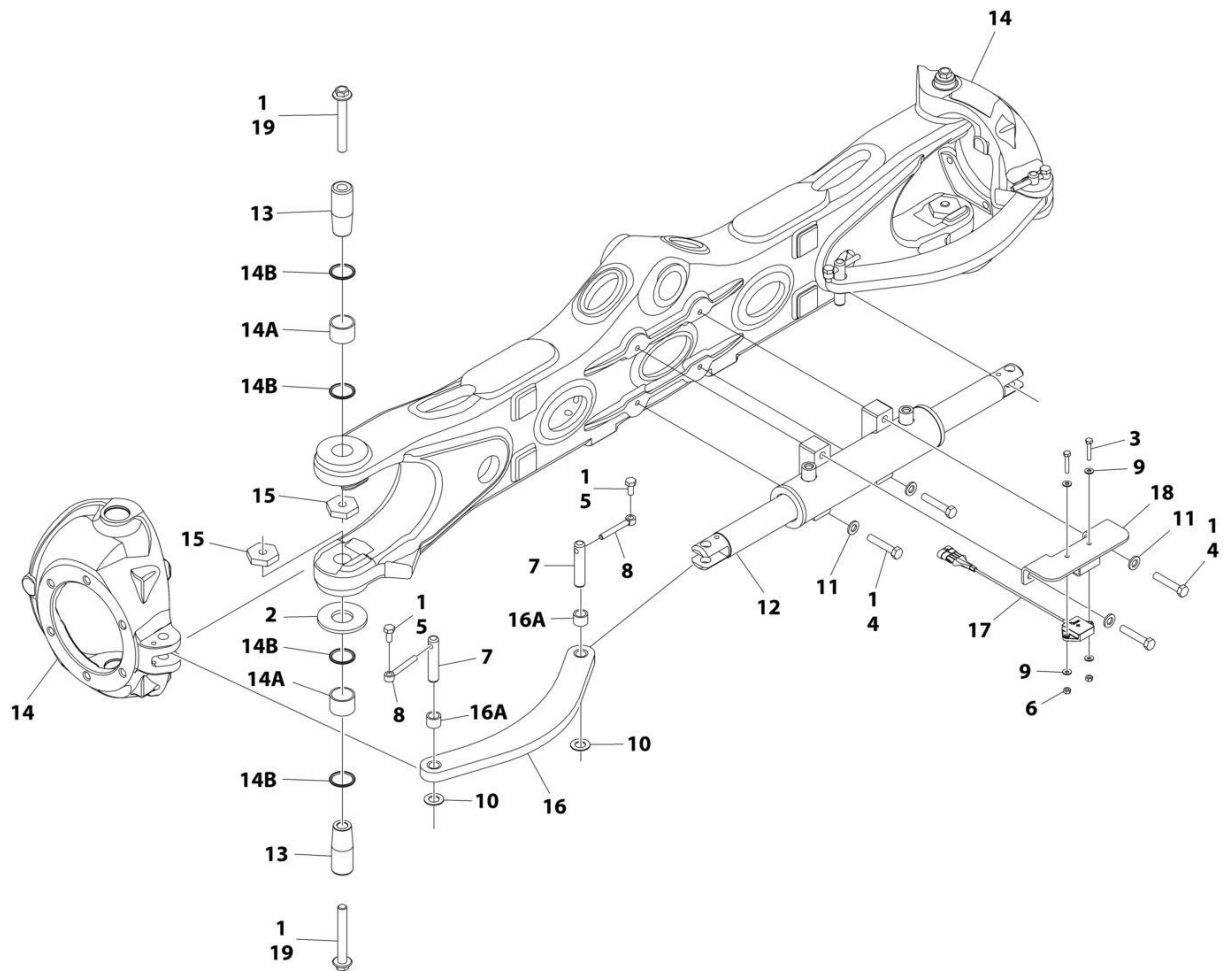
SECTION 1 - FRAME

FIGURE 1-2. STEER INSTALLATION (ALL SPECS EXCEPT CE SPECS)

ITEM	PART NUMBER	QTY	DESCRIPTION	REV
	1001204611	Ref	STEER INSTALLATION	B
1	0100011	AR	Compound, Locking	
2	0440271	2	Bearing	
3	0711221	4	Bolt M12 x 65	
4	0761011	4	Bolt M10 x 22	
5	3423304	4	Pin	
6	3841143	4	Keeper, Pin	
7	4740086	4	Washer	
8	5241200	4	Washer M12	
9	1001163178	1	Steer Cylinder Assembly (See Separate Breakdown in CYLINDER SECTION)	
10	1001163405	4	Kingpin	
11	1001163715	2	Spindle	
11A	0961948	4	Bearing (2 Per Spindle)	
11B	1001163716	8	Seal (4 Per Spindle)	
12	1001176848	4	Nut M16	
13	1001163179	2	Link, Tierod	
13A	1001164209	4	Bearing (2 Per Link)	
14	1001190368	4	Bolt M16 x 120	

SECTION 1 - FRAME

FIGURE 1-3. STEER INSTALLTION (CE & JAPANESE SPECS)



ART_1001204612

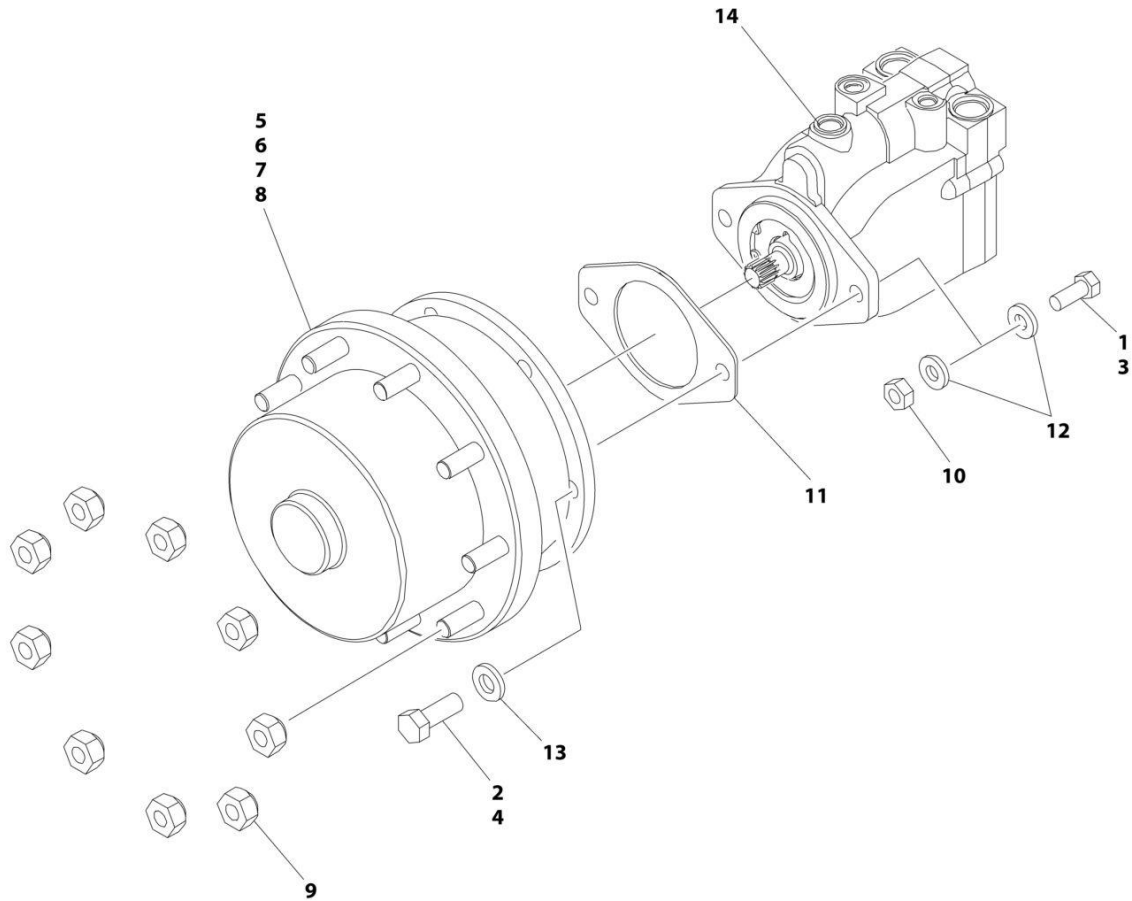
SECTION 1 - FRAME

FIGURE 1-3. STEER INSTALLTION (CE & JAPANESE SPECS)

ITEM	PART NUMBER	QTY	DESCRIPTION	REV
	1001204612	Ref	STEER INSTALLATION	C
1	0100011	AR	Compound, Locking	
2	0440271	2	Bearing	
3	0641412	2	Bolt 1/4 x 1-1/2	
4	0711221	4	Bolt M12 x 65	
5	0761011	4	Bolt M10 x 22	
6	3311405	2	Nut 1/4	
7	3423304	4	Pin	
8	3841143	4	Keeper, Pin	
9	4711400	4	Washer 1/4	
10	4740086	4	Washer	
11	5241200	4	Washer M12	
12	1001163178	1	Steer Cylinder Assembly (See Separate Breakdown in CYLINDER SECTION)	
13	1001163405	4	Kingpin	
14	1001163715	2	Spindle	
14A	0961948	4	Bearing (2 Per Spindle)	
14B	1001163716	8	Seal (4 Per Spindle)	
15	1001176848	4	Nut M16	
16	1001163179	2	Link, Tierod	
16A	1001164209	4	Bearing (2 Per Link)	
17	1001186467	1	Sensor, Dual Axis	
17	See Note	NSS	Receptacle, Female - 4 Position (Note: Not Available for Purchase)	
17	See Note	NSS	Terminal (Note: Not Available for Purchase)	
18	1001187695	1	Bracket	
19	1001190368	4	Bolt M16 x 120	

SECTION 1 - FRAME

FIGURE 1-4. DRIVE/BRAKE INSTALLATION



ART_1001204613

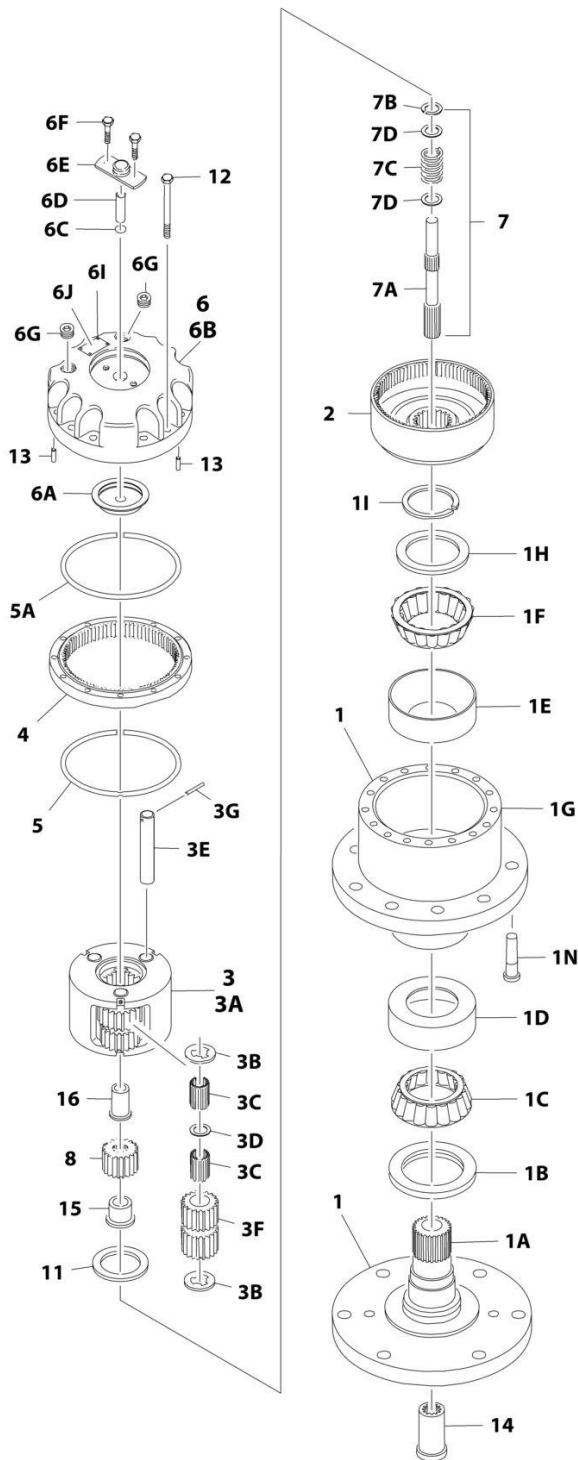
SECTION 1 - FRAME

FIGURE 1-4. DRIVE/BRAKE INSTALLATION

ITEM	PART NUMBER	QTY	DESCRIPTION	REV
	1001204613	Ref	DRIVE/BRAKE INSTALLATION	A
1	0100011	AR	Compound, Locking	
2	0100019	AR	Compound, Locking	
3	0681810	4	Bolt 1/2 x 1-1/4	
4	0682014	24	Bolt 5/8 x 1-3/4	
5	2300016	AR	Fluid, Hydraulic	
6	2780267	2	Drive Hub with Brake Assembly (Rear) (See Separate Breakdown in this Section)	
7	2780268	2	Drive Hub without Brake Assembly (Front) (See Separate Breakdown in this Section)	
8	3020008	AR	Lubricant HD 80W-90	
9	3300106	36	Lugnut	
10	3311801	4	Nut 1/2	
11	3960526	4	Gasket	
12	4891800	8	Washer 1/2	
13	4892000	24	Washer 5/8	
14	1001102805	4	Drive Motor Assembly (See Separate Breakdown in this Section)	

SECTION 1 - FRAME

FIGURE 1-5. DRIVE HUB ASSEMBLY - FRONT



ART_2780268

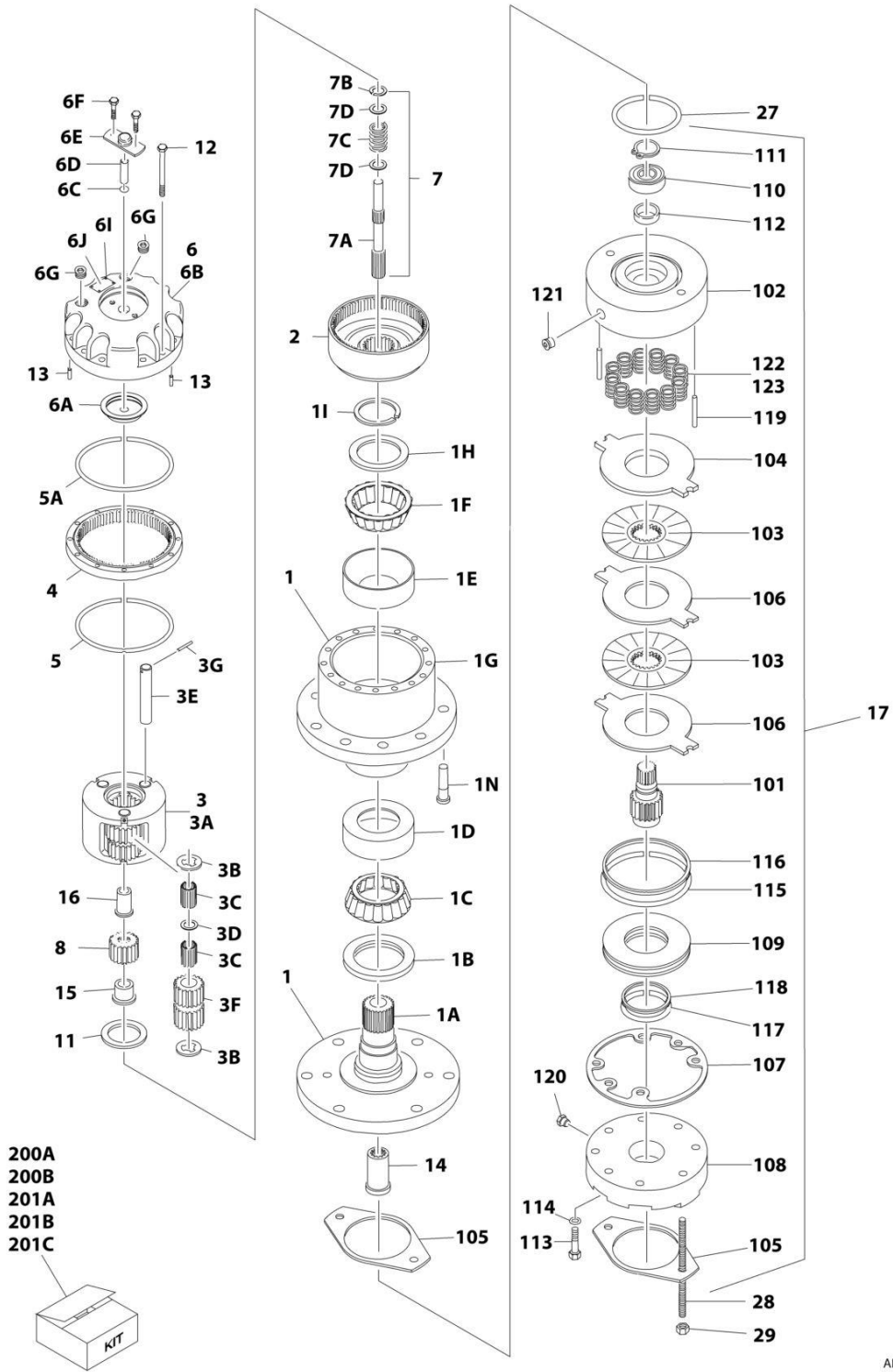
SECTION 1 - FRAME

FIGURE 1-5. DRIVE HUB ASSEMBLY - FRONT

ITEM	PART NUMBER	QTY	DESCRIPTION	REV
	2780268	Ref	DRIVE HUB ASSEMBLY - FRONT	F
1	See Note	1	Spindle/Housing Assembly (Note: Purchase Individual Components)	
1A	7017059	1	Spindle	
1B	7001998	1	Seal	
1C	7010429	1	Cone, Bearing (Includes Item 1D)	
1D	7010429	1	Cup, Bearing (Includes Item 1C)	
1E	7000257	1	Cup, Bearing	
1F	7000258	1	Cone, Bearing	
1G	7007601	1	Housing/Ring Gear	
1H	7000232	1	Washer, Thrust	
1I	7000229	1	Ring, Retaining	
1N	7007640	9	Stud, Wheel	
2	7000246	1	Gear, Internal	
3	7024712	1	Carrier Assembly	
3A	See Note	1	Carrier (Note: Use Item 3)	
3B	See Note	6	Ring, Retaining (Note: Use Item 3)	
3C	See Note	AR	Bearing, Needle (Note: Use Item 3)	
3D	See Note	3	Washer, Thrust (Note: Use Item 3)	
3E	See Note	3	Shaft, Planet (Note: Use Item 3)	
3F	See Note	3	Gear, Planet (Note: Use Item 3)	
3G	See Note	3	Roll Pin (Note: Use Item 3)	
4	7000248	1	Ring Gear	
5	7000230	1	O-Ring	
5A	7017070	1	O-Ring	
6	70001349	1	Cover Assembly Kit	
6A	See Note	1	Spacer, Thrust (Note: Use Item 6)	
6B	See Note	1	Plate, Cover (Note: Use Item 6)	
6C	See Note	1	O-Ring (Note: Use Item 6)	
6D	See Note	1	Rod, Disconnect (Note: Use Item 6)	
6E	See Note	1	Cap, Disengage (Note: Use Item 6)	
6F	See Note	2	Bolt (Note: Use Item 6)	
6G	See Note	1	Plug, Pipe (Note: Use Item 6)	
6I	See Note	4	Rivet (Note: Not Available for Purchase)	
6J	See Note	1	Plate, ID (Note: Not Available for Purchase)	
7		Ref	Input Shaft Assembly	
7A	7024714	1	Shaft	
7B	7000261	1	Ring, Retaining	
7C	7000262	1	Spring	
7D	7000263	2	Spacer, Thrust	
8	7024713	1	Gear, Sun	
11	7000253	1	Washer, Thrust	
12	7017067	12	Bolt	
13	7017080	4	Pin, Dowel	
14	7000206	1	Coupling	
15	7024715	1	Spacer, Input	
16	7024716	1	Spacer, Input	

SECTION 1 - FRAME

FIGURE 1-6. DRIVE HUB AND BRAKE ASSEMBLY - REAR



ART_2780267

SECTION 1 - FRAME

FIGURE 1-6. DRIVE HUB AND BRAKE ASSEMBLY - REAR

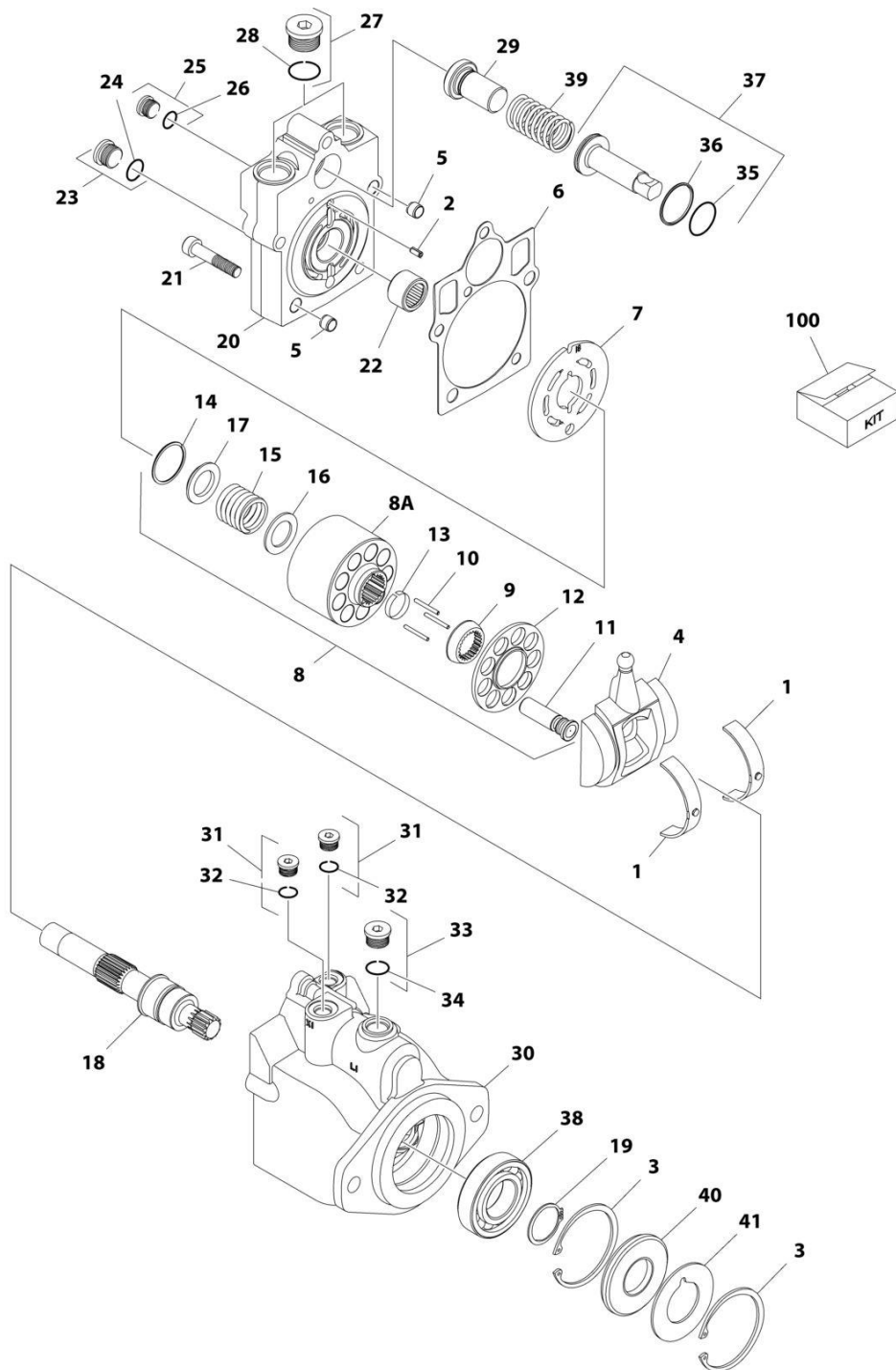
ITEM	PART NUMBER	QTY	DESCRIPTION	REV
	2780267	Ref	DRIVE HUB AND BRAKE ASSEMBLY - REAR	I
1	See Note	1	Spindle/Housing Assembly (Note: Purchase Individual Components)	
1A	7017059	1	Spindle	
1B	7001998	1	Seal	
1C	7010429	1	Cone, Bearing (Includes Item 1D)	
1D	7010429	1	Cup, Bearing (Includes Item 1C)	
1E	7000257	1	Cup, Bearing	
1F	7000258	1	Cone, Bearing	
1G	7007601	1	Housing/Ring Gear	
1H	7000232	1	Washer, Thrust	
1I	7000229	1	Ring, Retaining	
1N	7007640	9	Stud, Wheel	
2	7000246	1	Gear, Internal	
3	7024712	1	Carrier Assembly	
3A	See Note	1	Carrier (Note: Use Item 3)	
3B	See Note	6	Ring, Retaining (Note: Use Item 3)	
3C	See Note	AR	Bearing, Needle (Note: Use Item 3)	
3D	See Note	3	Washer, Thrust (Note: Use Item 3)	
3E	See Note	3	Shaft, Planet (Note: Use Item 3)	
3F	See Note	3	Gear, Planet (Note: Use Item 3)	
3G	See Note	3	Roll Pin (Note: Use Item 3)	
4	7000248	1	Ring Gear	
5	7000230	1	O-Ring	
5A	7017070	1	O-Ring	
6	70001349	1	Cover Assembly Kit	
6A	See Note	1	Spacer, Thrust (Note: Use Item 6)	
6B	See Note	1	Plate, Cover (Note: Use Item 6)	
6C	See Note	1	O-Ring (Note: Use Item 6)	
6D	See Note	1	Rod, Disconnect (Note: Use Item 6)	
6E	See Note	1	Cap, Disengage (Note: Use Item 6)	
6F	See Note	2	Bolt (Note: Use Item 6)	
6G	See Note	1	Plug, Pipe (Note: Use Item 6)	
6I	See Note	4	Rivet (Note: Not Available for Purchase)	
6J	See Note	1	Plate, ID (Note: Not Available for Purchase)	
7		Ref	Input Shaft Assembly	
7A	7024714	1	Shaft	
7B	7000261	1	Ring, Retaining	
7C	7000262	1	Spring	
7D	7000263	2	Spacer, Thrust	
8	7024713	1	Gear, Sun	
11	7000253	1	Washer, Thrust	
12	7017067	12	Bolt	
13	7017080	4	Pin, Dowel	
14	7000206	1	Coupling	
15	7024715	1	Spacer, Input	
16	7024716	1	Spacer, Input	
17	7024182	1	Brake Assembly (See Items 101-123 for Breakdown)	
27	7024705	1	O-Ring	
28	7024717	2	Rod, Threaded	

SECTION 1 - FRAME

ITEM	PART NUMBER	QTY	DESCRIPTION	REV
29	7024718	2	Nut 1/2in-13NC	
	7024182	Ref	BRAKE ASSEMBLY	
101	7024189	1	Shaft	
102	See Note	1	Housing (Note: Use Item 17)	
103	See Note	2	Plate, Friction (Note: Use Item 201B)	
104	See Note	1	Plate, Pressure (Note: Use Item 201B)	
105	7000731	2	Gasket	
106	See Note	2	Plate, Outer (Note: Use Item 201B)	
107	See Note	1	Gasket (Note: Use Item 200A, 201B or 201C)	
108	7024191	1	Cylinder	
109	7024192	1	Piston	
110	See Note	1	Bearing, Ball (Note: Use Item 201C)	
111	See Note	1	Ring, Retaining (Note: Use Item 201C)	
112	See Note	1	Seal, Shaft (Note: Use Item 201C)	
113	See Note	6	Capscrew (Note: Use Item 17)	
114	See Note	6	Lockwasher (Note: Use Item 17)	
115	See Note	1	O-Ring (Note: Use Item 200B)	
116	See Note	1	Ring, Back-up (Note: Use Item 200B)	
117	See Note	1	O-Ring (Note: Use Item 200B)	
118	See Note	1	Ring, Back-up (Note: Use Item 200B)	
119	7024190	2	Pin, Dowel	
120	See Note	1	Plug (Note: Use Item 17)	
121	See Note	2	Plug (Note: Use Item 17)	
122	See Note	12	Spring Kit (Natural) (Note: Use Item 201A)	
123	See Note	2	Spring Kit (Blue) (Note: Use Item 201A)	
		Ref	Kit Options	
200		Ref	Seal Kit Options:	
200A	See Note	1	Hub Seal Kit (Note: Purchase Individual Components)	
200B	7024194	1	Brake Seal Kit (Includes Items 105, 107 & 115-118)	
201		Ref	Repair Kit Options:	
201A	7024196	1	Brake Spring Kit (Includes 12 Natural Colored and 2 Blue Colored Springs Items 122 & 123)	
201B	7024193	1	Brake Friction Disc Kit (Includes Items 103, 104, 106 & 107)	
201C	7024197	1	Brake Bearing Kit (Includes Items 107 & 110-112)	

SECTION 1 - FRAME

FIGURE 1-7. DRIVE MOTOR ASSEMBLY



ART_1001102805

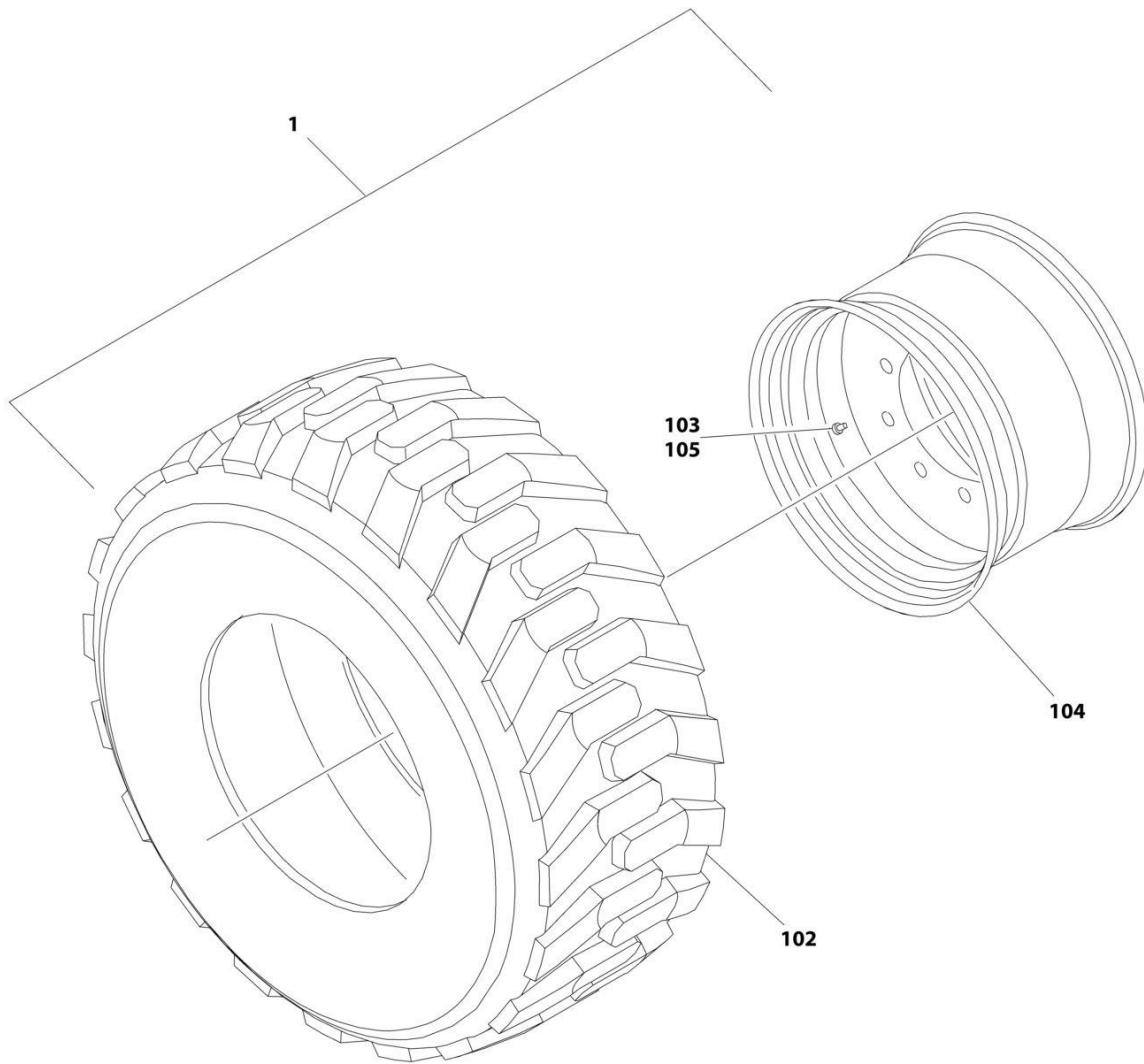
SECTION 1 - FRAME

FIGURE 1-7. DRIVE MOTOR ASSEMBLY

ITEM	PART NUMBER	QTY	DESCRIPTION	REV
	1001102805	Ref	DRIVE MOTOR ASSEMBLY	D
1	7022302	2	Bearing, Journal	
2	7007446	1	Pin	
3	7007438	2	Ring, Retaining	
4	7022305	1	Swash Plate	
5	See Note	2	Pin (Note: Not Available for Purchase)	
6	See Note	1	Gasket (Note: Use Item 100)	
7	7024862	1	Plate, Valve	
8	7023907	1	Cylinder Block Kit (Includes Items 8A & 9-17)	
8A	See Note	1	Block, Cylinder (Note: Use Item 8)	
9	7021277	1	Guide, Slipper Retainer	
10	7021275	3	Pin, Slipper Hold Down	
11	See Note	9	Piston Assembly (Note: Use Item 8)	
12	7021276	1	Retainer, Hold Down Pin	
13	7022310	1	Retainer, Slipper	
14	7022311	1	Ring, Retaining	
15	7022312	1	Spring	
16	7024868	1	Washer	
17	7022314	1	Retainer, Spring	
18	7023910	1	Shaft	
19	7007439	1	Ring, Retaining	
20	70000797	1	Cap, End - Axial	
21	7022368	5	Screw	
22	7021249	1	Bearing, Needle	
23	2220886	1	Plug (Includes Item 24)	
24	See Note	1	O-Ring (Note: Use Item 23 or 100)	
25	2220883	1	Plug (Includes Item 26)	
26	See Note	1	O-Ring (Note: Use Item 25 or 100)	
27	7027419	2	Plug (Includes Item 28)	
28	See Note	2	O-Ring (Note: Use Item 27 or 100)	
29	7022369	1	Seat, Spring	
30	70001932	1	Housing	
31	2220883	2	Plug (Includes Item 32)	
32	See Note	2	O-Ring (Note: Use Item 31 or 100)	
33	2220886	1	Plug (Includes Item 34)	
34	See Note	1	O-Ring (Note: Use Item 33 or 100)	
35	See Note	1	O-Ring (Note: Use Item 37 or 100)	
36	See Note	1	Ring, Seal (Note: Use Item 37 or 100)	
37	7024854	1	Piston, Servo (Includes Items 35 & 36)	
38	7007437	1	Bearing	
39	7022326	1	Spring	
40	See Note	1	Seal, Lip (Note: Use Item 100)	
41	7022371	1	Washer, Support	
100	7022328	1	Seal Kit (Includes Items 6, 24, 26, 28, 32, 34, 35, 36 & 40)	

SECTION 1 - FRAME

FIGURE 1-8. TIRE AND WHEEL INSTALLATION - 12 X 16.5 FOAM FILLED (AVAILABLE ON ALL SPECS)



ART_0270092

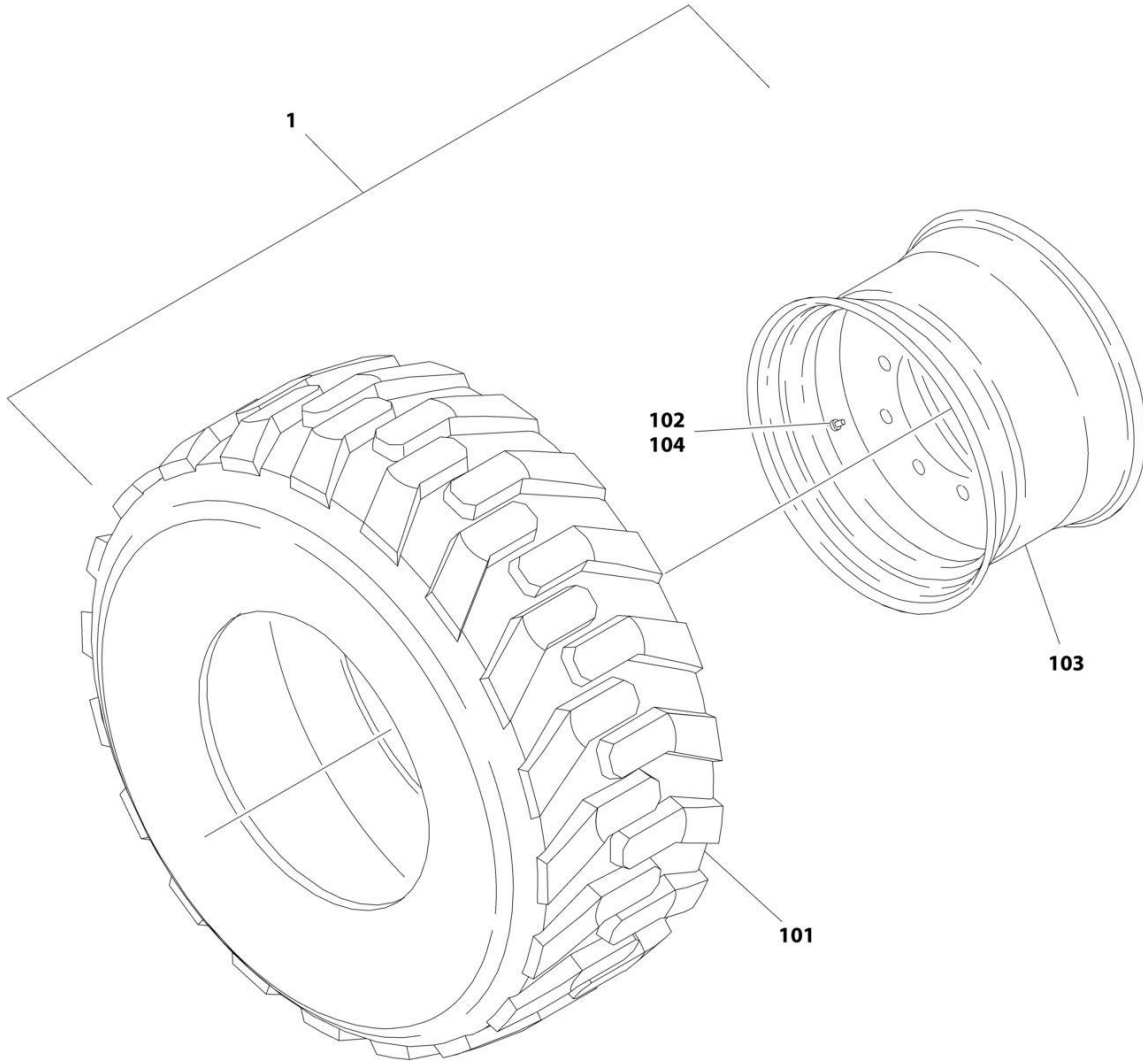
SECTION 1 - FRAME

FIGURE 1-8. TIRE AND WHEEL INSTALLATION - 12 X 16.5 FOAM FILLED (AVAILABLE ON ALL SPECS)

ITEM	PART NUMBER	QTY	DESCRIPTION	REV
	0270092	Ref	TIRE AND WHEEL INSTALLATION - 12 X 16.5 FOAM FILLED	C
		Ref	Note: Assemblies may require ballast/foam filling to manufacturer's specifications prior to installing on a machine. Refer to Operation and Safety or Service and Maintenance Manuals. Purchase individual tire and/or rim only if able to foam fill tire and wheel assembly, otherwise, purchase complete assembly.	
1	1001148865	2	Tire and Wheel Assembly - 12 x 16.5 (RH Side)	G
1	1001148866	2	Tire and Wheel Assembly - 12 x 16.5 (LH Side)	G
102	4520216	4	Tire - 12 x 16.5	
103	4641122	4	Valve	
104	1001147274	4	Rim, Wheel	
105	1001149953	4	Cap, Valve Stem	

SECTION 1 - FRAME

FIGURE 1-9. TIRE AND WHEEL INSTALLATION - 12 X 16.5 FOAM-FILLED NON MARKING



ART_0270653

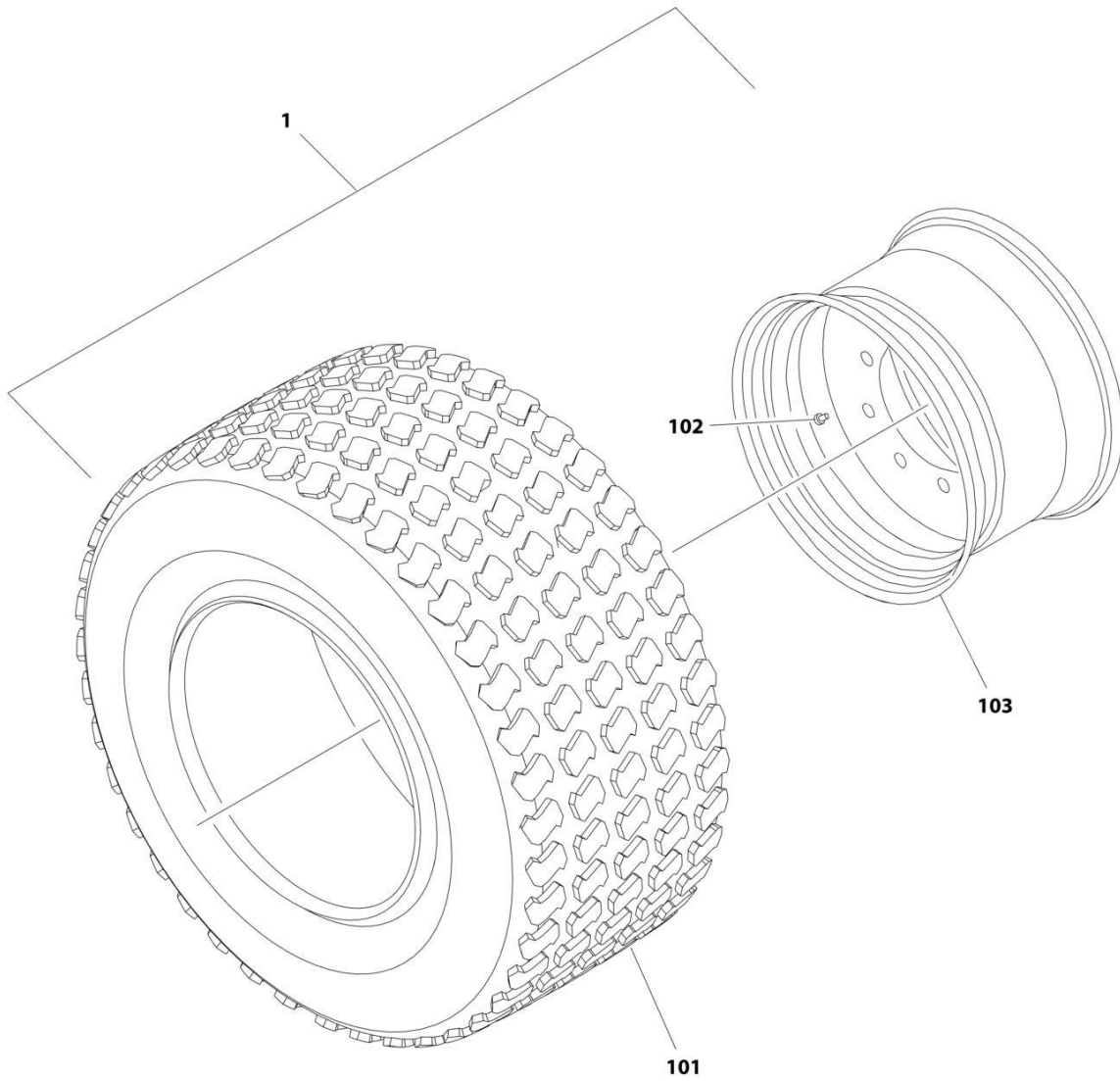
SECTION 1 - FRAME

FIGURE 1-9. TIRE AND WHEEL INSTALLATION - 12 X 16.5 FOAM-FILLED NON MARKING

ITEM	PART NUMBER	QTY	DESCRIPTION	REV
	0270653	Ref	TIRE AND WHEEL INSTALLATION - 12 X 16.5 FOAM-FILLED NON MARKING	C
		Ref	Note: Assemblies may require ballast/foam filling to manufacturer's specifications prior to installing on a machine. Refer to Operation and Safety or Service and Maintenance Manuals. Purchase individual tire and/or rim only if able to foam fill tire and wheel assembly, otherwise, purchase complete assembly.	
1	1001148869	1	Tire and Wheel Assembly - Right Side	H
1	1001148870	1	Tire and Wheel Assembly - Left Side	H
101	4520240	1	Tire, 12 x 16.5 Non-Marking	
102	4641122	1	Valve, Air Liquid	
103	1001147274	1	Wheel, 16.5 x 9.75	
104	1001149953	1	Cap, Large Bore Dome	

SECTION 1 - FRAME

FIGURE 1-10. TIRE AND WHEEL INSTALLATION - 33/16LL X 16.1 FOAM-FILLED



ART_0271785

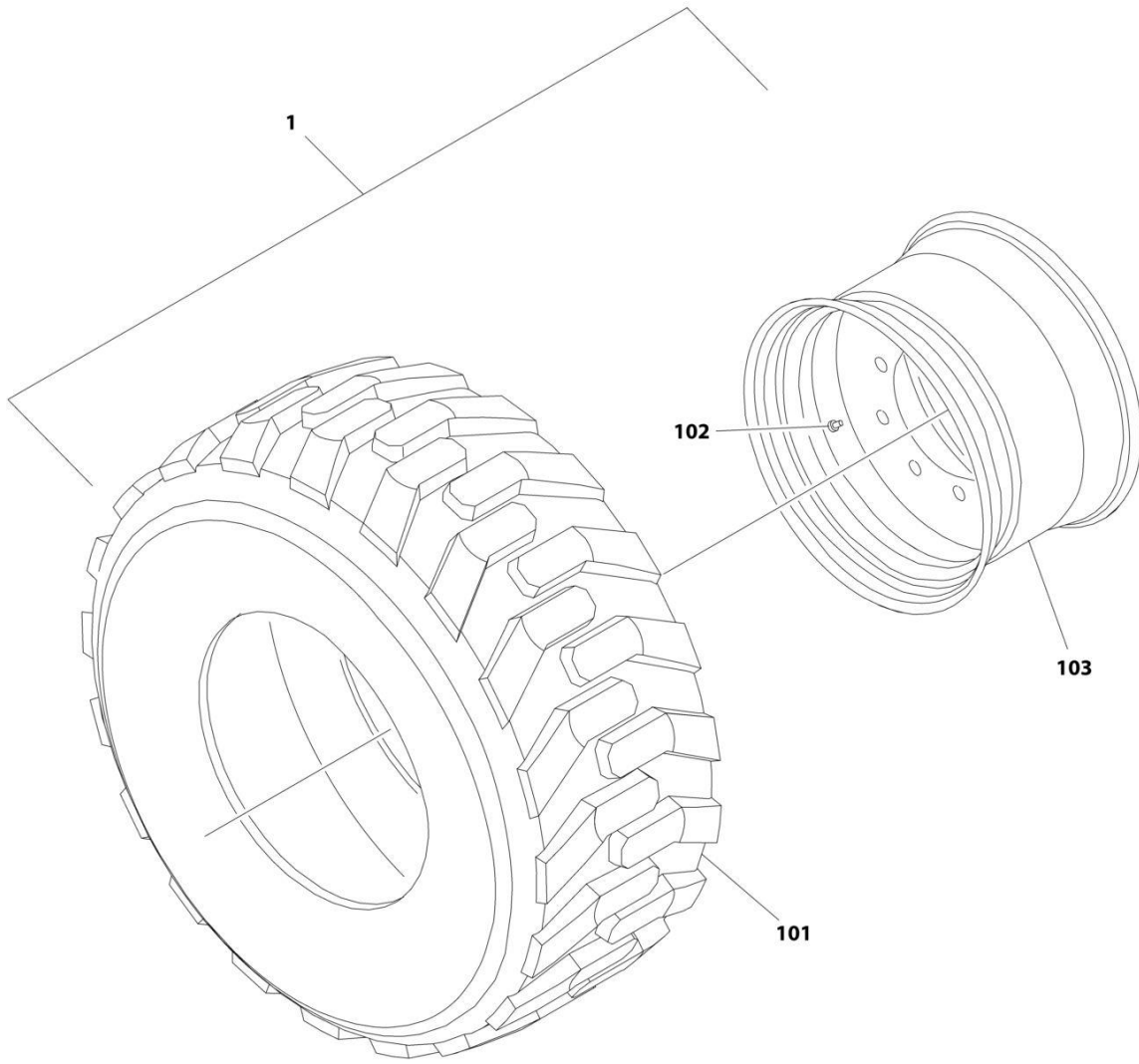
SECTION 1 - FRAME

FIGURE 1-10. TIRE AND WHEEL INSTALLATION - 33/16LL X 16.1 FOAM-FILLED

ITEM	PART NUMBER	QTY	DESCRIPTION	REV
	0271785	Ref	TIRE AND WHEEL INSTALLATION - 33/16LL X 16.1 FOAM-FILLED	B
1	0272268	4	Tire and Wheel Assembly	E
101	4520262	1	Tire, 33 x 16LL500, Sand Tire	
102	4641122	1	Valve, Air	
103	4860237	1	Rim, Wheel - 19.5 x 14	

SECTION 1 - FRAME

FIGURE 1-11. TIRE AND WHEEL INSTALLATION - 33/1550-16.5 FOAM-FILLED



ART_0271719

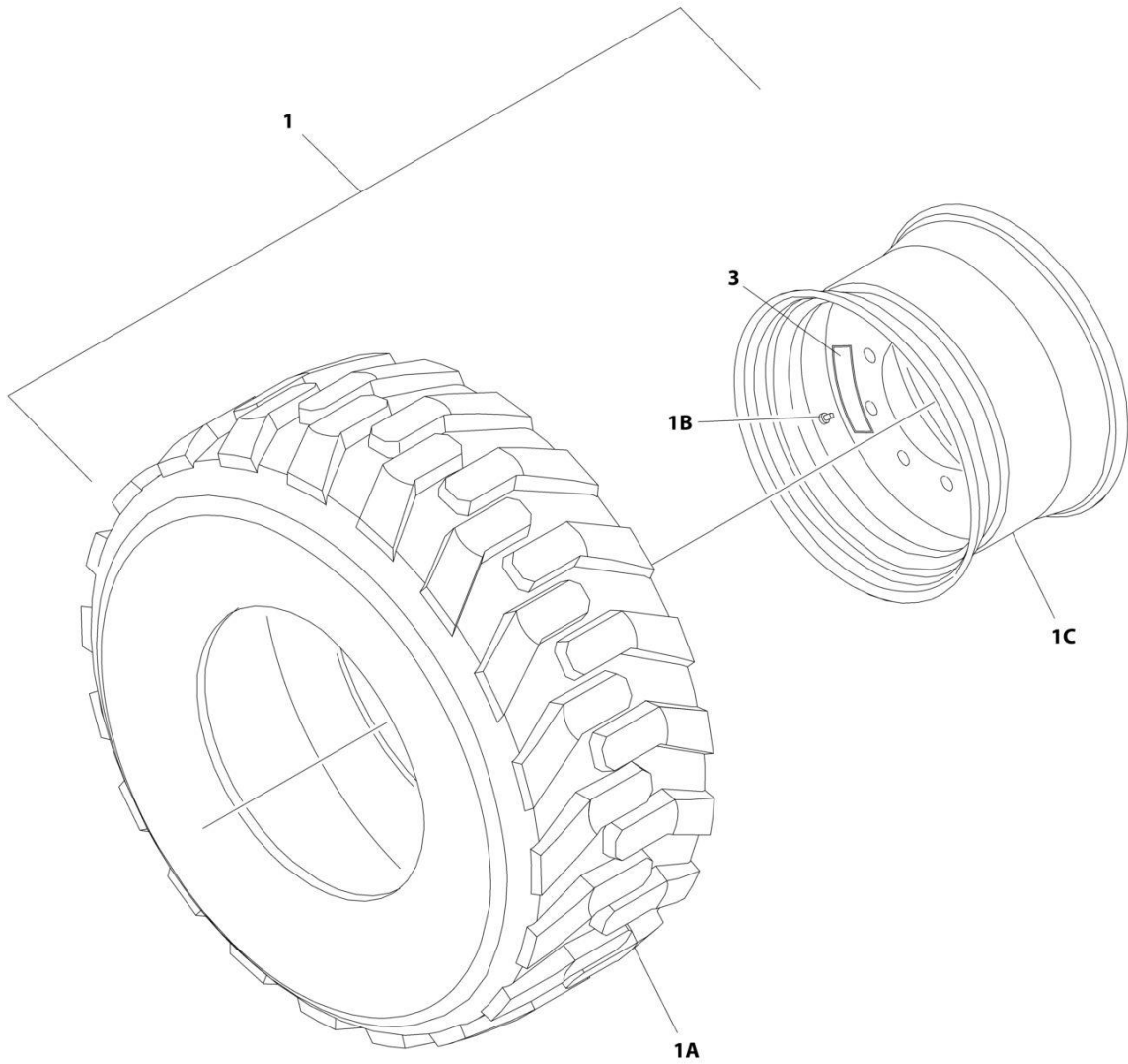
SECTION 1 - FRAME

FIGURE 1-11. TIRE AND WHEEL INSTALLATION - 33/1550-16.5 FOAM-FILLED

ITEM	PART NUMBER	QTY	DESCRIPTION	REV
	0271719	Ref	TIRE AND WHEEL INSTALLATION - 33/1550-16.5 FOAM-FILLED	B
		Ref	Note: Assemblies may require ballast/foam filling to manufacturer's specifications prior to installing on a machine. Refer to Operation and Safety or Service and Maintenance Manuals. Purchase individual tire and/or rim only if able to foam fill tire and wheel assembly, otherwise, purchase complete assembly.	
1	0258011	2	Tire and Wheel Assembly - Right Side	I
1	0258012	2	Tire and Wheel Assembly - Left Side	I
101	4520217	1	Tire, 33/1550 x 16.5, Lug Tire	
102	8786514	1	Valve, Air	
103	4860179	1	Rim, Wheel - 16.5 x 12.0	

SECTION 1 - FRAME

FIGURE 1-12. TIRE AND WHEEL INSTALLATION - IN315/55D20 FOAM-FILLED



ART_1001102196

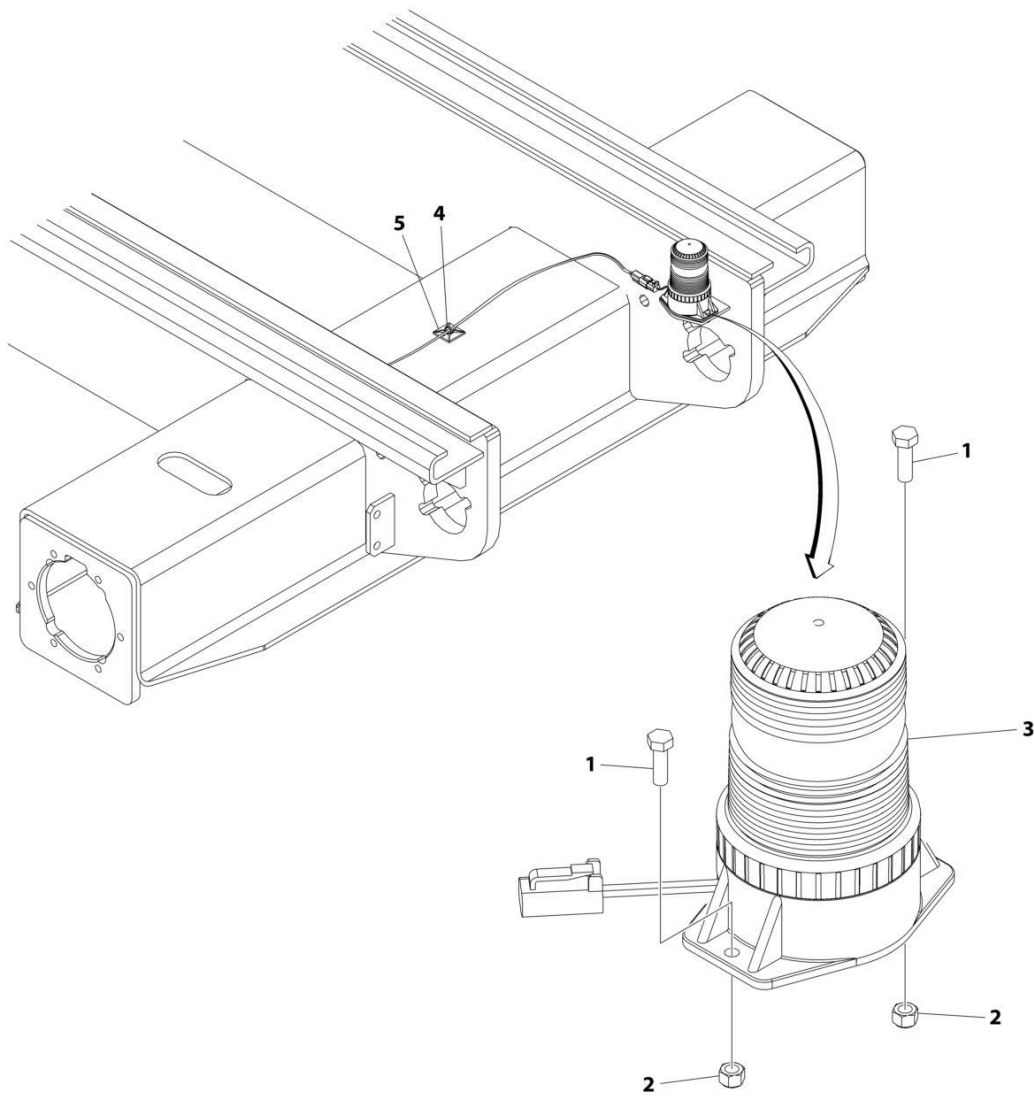
SECTION 1 - FRAME

FIGURE 1-12. TIRE AND WHEEL INSTALLATION - IN315/55D20 FOAM-FILLED

ITEM	PART NUMBER	QTY	DESCRIPTION	REV
	1001102196	Ref	TIRE AND WHEEL INSTALLATION - IN315/55D20 FOAM-FILLED	C
		Ref	Note: Assemblies may require ballast/foam filling to manufacturer's specifications prior to installing on a machine. Refer to Operation and Safety or Service and Maintenance Manuals. Purchase individual tire and/or rim only if able to foam fill tire and wheel assembly, otherwise, purchase complete assembly.	
1	1001102194	2	Tire and Wheel Assembly - Left Side	C
1	1001102195	2	Tire and Wheel Assembly - Right Side	C
1A	4520608	1	Tire, IN315/55D20, Lug Tire	
1B	4641122	1	Valve, Air	
1C	1001101511	1	Rim, Wheel - 20 x 11	
3	1001105700	4	Decal - Transport Wheel Warning	

SECTION 1 - FRAME

FIGURE 1-13. STROBE LIGHT INSTALLATION (AMBER)



ART_1001215697

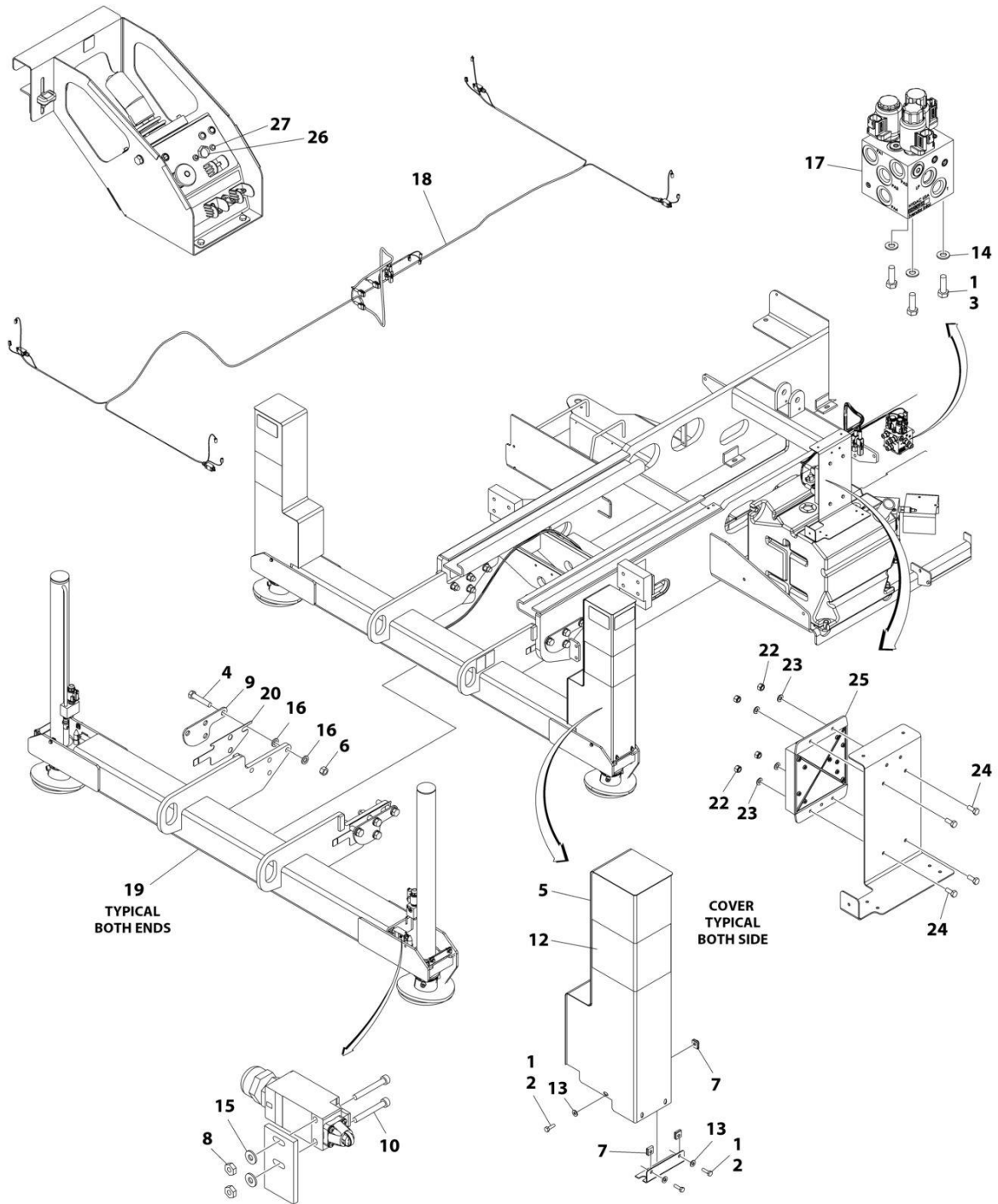
SECTION 1 - FRAME

FIGURE 1-13. STROBE LIGHT INSTALLATION (AMBER)

ITEM	PART NUMBER	QTY	DESCRIPTION	REV
	1001215697	Ref	STROBE LIGHT INSTALLATION (AMBER)	B
1	0760508	2	Bolt M5 x 16	
2	3290505	2	Nut M5	
3	1001191139	1	Beacon Light Assembly	
3	4460891	1	Plug, Male - 2 Position	
3	4460465	2	Socket, Female	
4	4240032	1	Tie-Strap	
5	4460488	1	Mounting, Tie-Strap	

SECTION 1 - FRAME

FIGURE 1-14. LEVELING JACKS INSTALLATION (Prior to SN 0200267917)



ART_1001206893

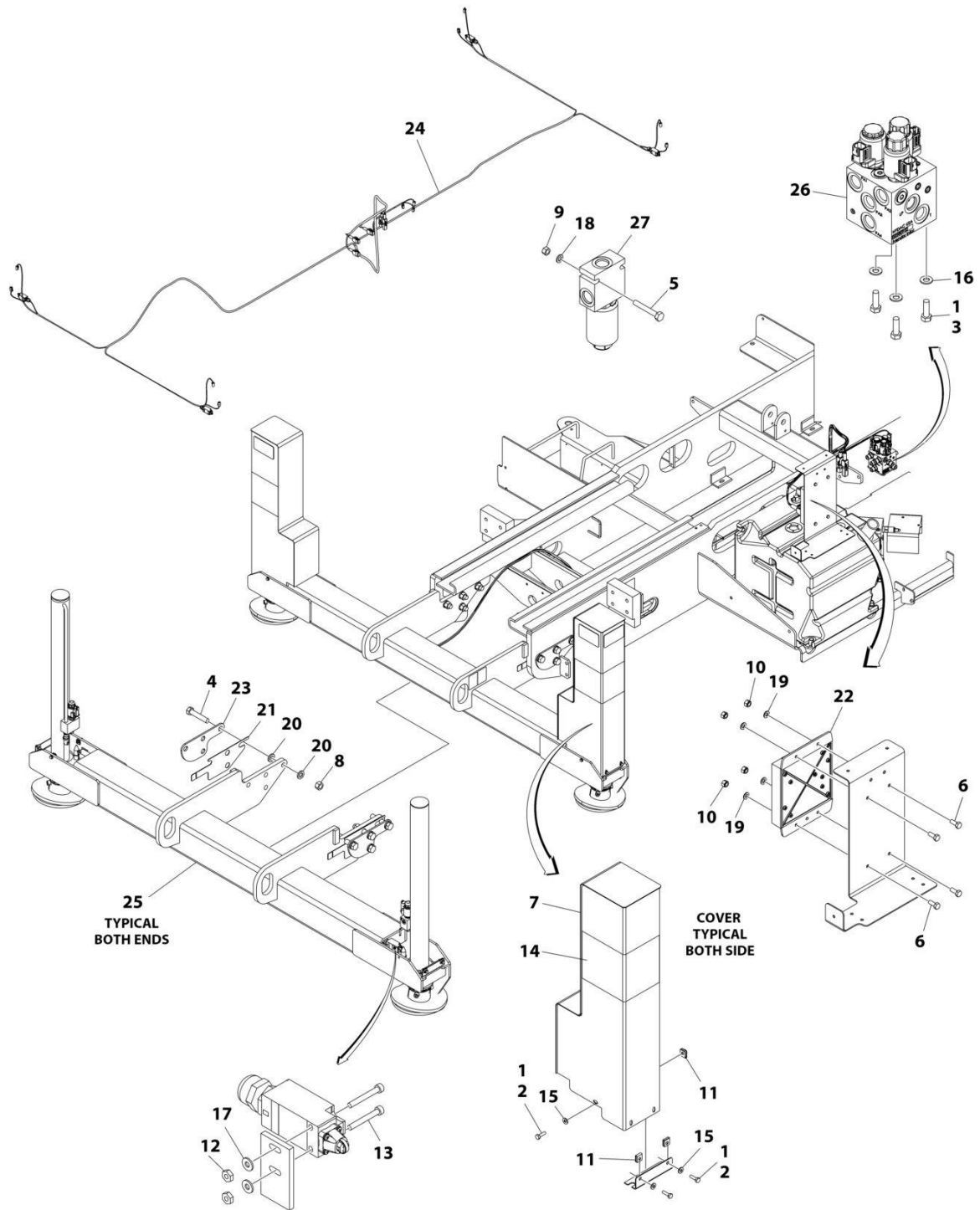
SECTION 1 - FRAME

FIGURE 1-14. LEVELING JACKS INSTALLATION (Prior to SN 0200267917)

ITEM	PART NUMBER	QTY	DESCRIPTION	REV
	1001206893	Ref	LEVELING JACKS INSTALLATION	H
1	0100011	AR	Compound, Locking	
2	0641407	16	Bolt 1/4 x 7/8	
3	0641508	3	Bolt 5/16 x 1	
4	0682230	16	Bolt 3/4 x 3-3/4	
5	1671165	4	Cover	
6	3272205	16	Nut 3/4	
7	3300353	16	Nut, Tinnerman	
8	3310805	8	Nut #8	
9	1001183328	4	Plate	
10	3930820	8	Capscrew #8 x 1-1/4	
12	4420051	95 in/ 2.4m	Tape, Safety	
13	4711400	16	Washer 1/4	
14	4711500	3	Washer 5/16	
15	4750800	8	Washer #8	
16	4892200	32	Washer 3/4	
17	1001217108	1	Leveling Jacks Valve Assembly (See Separate Breakdown in this Section)	
18	1001210619	1	Leveling Jacks Harness (See Separate Breakdown in ELECTRICAL SECTION)	
19	1001214550	2	Leveling Jacks Assembly (See Separate Breakdown in this Section)	
20	1001166837	2	Shim	
21	1001209314	1	Leveling Jack Hydraulic Diagram (Not Shown) (See Separate Breakdown in HYDRAULIC SECTION)	
22	3290805	4	Nut M8	
23	4811900	4	Washer M8	
24	0760810	4	Bolt M8 x 20	
25	1001182481	1	Module, Jack Control	
26	4360387	1	Switch, Push Button	
27	1001190474	1	Lamp, Yellow (With Harness)	

SECTION 1 - FRAME

FIGURE 1-15. LEVELING JACKS INSTALLATION (SN 0200267917 through 0200269765)



ART_1001237756

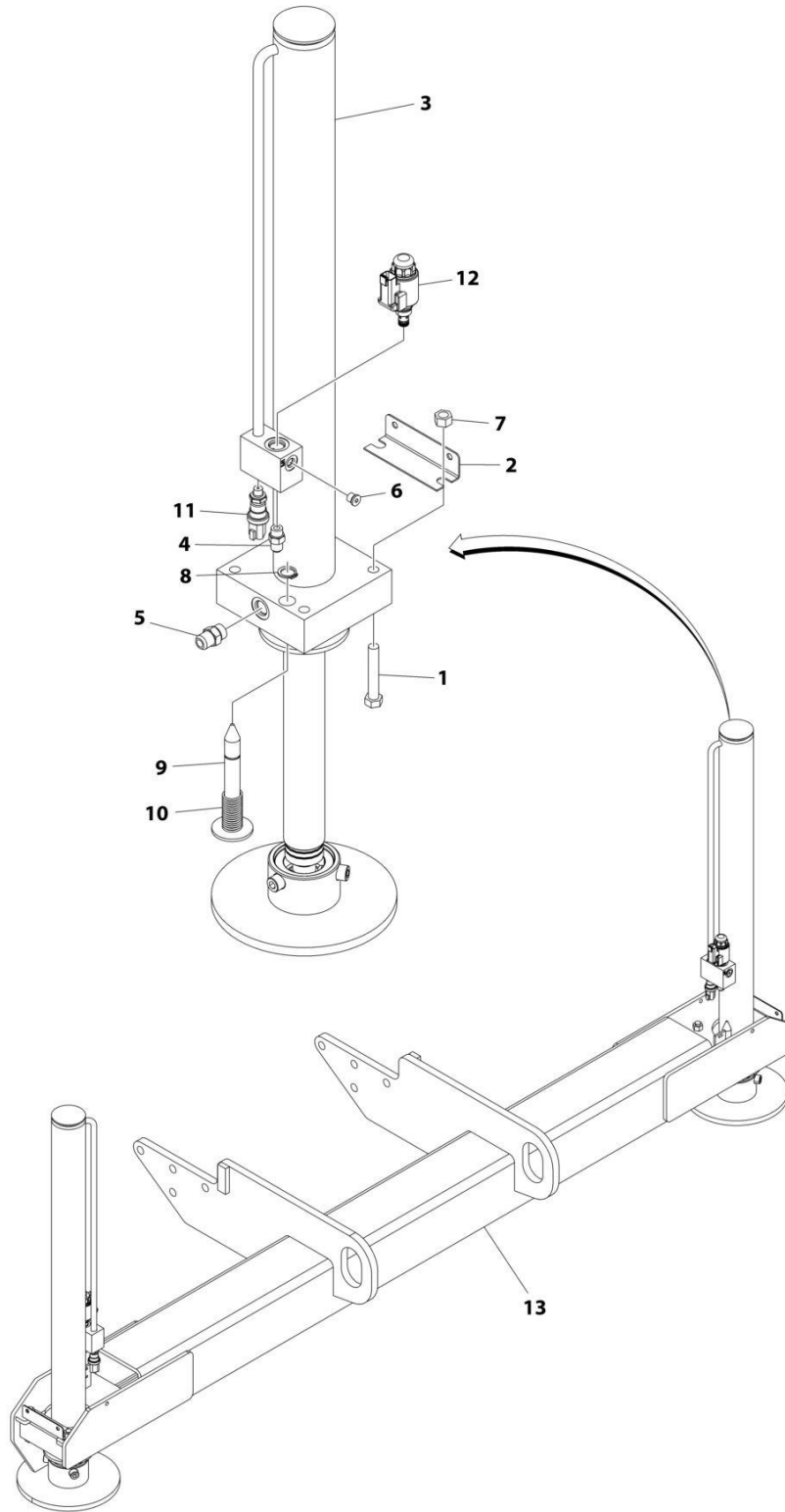
SECTION 1 - FRAME

FIGURE 1-15. LEVELING JACKS INSTALLATION (SN 0200267917 through 0200269765)

ITEM	PART NUMBER	QTY	DESCRIPTION	REV
	1001237756	Ref	LEVELING JACKS INSTALLATION	C
1	0100011	AR	Compound, Locking	
2	0641407	16	Bolt 1/4 x 7/8	
3	0641508	3	Bolt 5/16 x 1	
4	0682230	16	Bolt 3/4 x 3-3/4	
5	0760618	2	Bolt M6 x 50	
6	0760810	2	Bolt M8 x 20	
7	1671165	4	Cover	
8	3272205	16	Nut 3/4	
9	3290601	2	Nut M6	
10	3290805	4	Nut M8	
11	3300353	16	Nut, Tinnerman	
12	3310805	8	Nut #8	
13	3930820	8	Capscrew #8 x 1-1/4	
14	4420051	95 in/ 2.4m	Tape, Safety	
15	4711400	16	Washer 1/4	
16	4711500	3	Washer 5/16	
17	4750800	8	Washer #8	
18	4811700	AR	Washer M6	
19	4811900	4	Washer M8	
20	4892200	32	Washer 3/4	
21	1001166837	AR	Shim	
22	1001182481	1	Module, Jack Control	
23	1001183328	4	Plate	
24	1001210619	1	Leveling Jacks Harness (See Separate Breakdown in ELECTRICAL Section)	
25	1001214550	2	Leveling Jacks Assembly (See Separate Breakdown in this Section)	
26	1001217108	1	Leveling Jacks Valve Assembly (See Separate Breakdown in this Section)	
27	1001237453	1	Valve Assembly	
27	7023904	1	Cartridge, Valve Less Coil	
27	7012518	1	Seal Kit - 7023904 Valve	
27	70003789	1	Coil	
27	70006737	1	Nut, Coil	
27	70006738	1	Lockdown Kit	
28	1001237464	1	Leveling Jack Hydraulic Diagram (Not Shown) (See Separate Breakdown in HYDRAULIC Section)	

SECTION 1 - FRAME

FIGURE 1-16. LEVELING JACKS ASSEMBLY



ART_1001214550

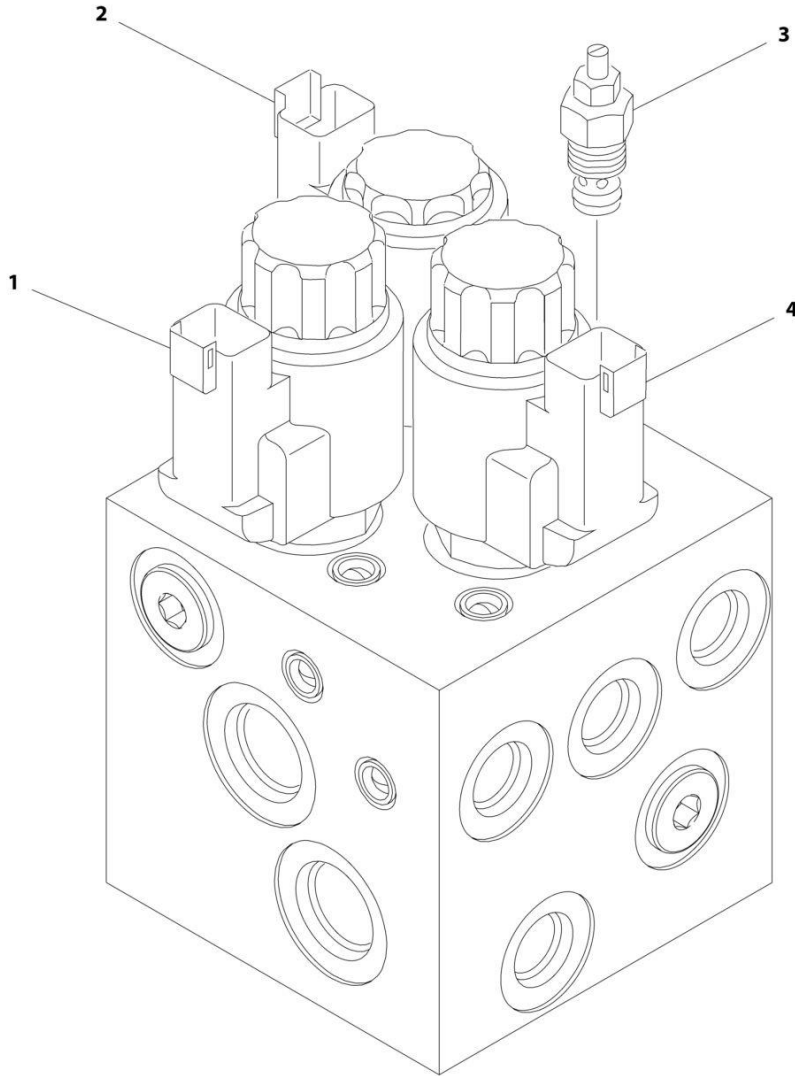
SECTION 1 - FRAME

FIGURE 1-16. LEVELING JACKS ASSEMBLY

ITEM	PART NUMBER	QTY	DESCRIPTION	REV
	1001214550	Ref	LEVELING JACKS ASSEMBLY	A
1	0641824	8	Bolt 1/2 x 3	
2	0903054	2	Bracket	
3	1684406	2	Jack Cylinder Assembly (See Separate Breakdown in CYLINDER SECTION)	
4	2220371	2	Fitting, Straight JIC/ORB	
5	2220373	2	Fitting, Straight JIC/ORB	
6	2220883	2	Plug	
7	3311805	8	Nut 1/2	
8	3760348	2	Ring, Retaining	
9	3841564	2	Rod	
10	4160116	2	Spring	
11	4360518	2	Transducer, Pressure	
12	1001103761	2	Cartridge, Solenoid Valve	
12	7024497	1	Cartridge Less Coil	
12	7024502	1	Seal Kit - 7024497 Valve	
12	70001965	1	Coil	
12	7024506	1	Nut Kit	
13	1001166176	1	Mount, Leveling Jack	

SECTION 1 - FRAME

FIGURE 1-17. LEVELING JACKS VALVE ASSEMBLY



ART_1001217108

SECTION 1 - FRAME

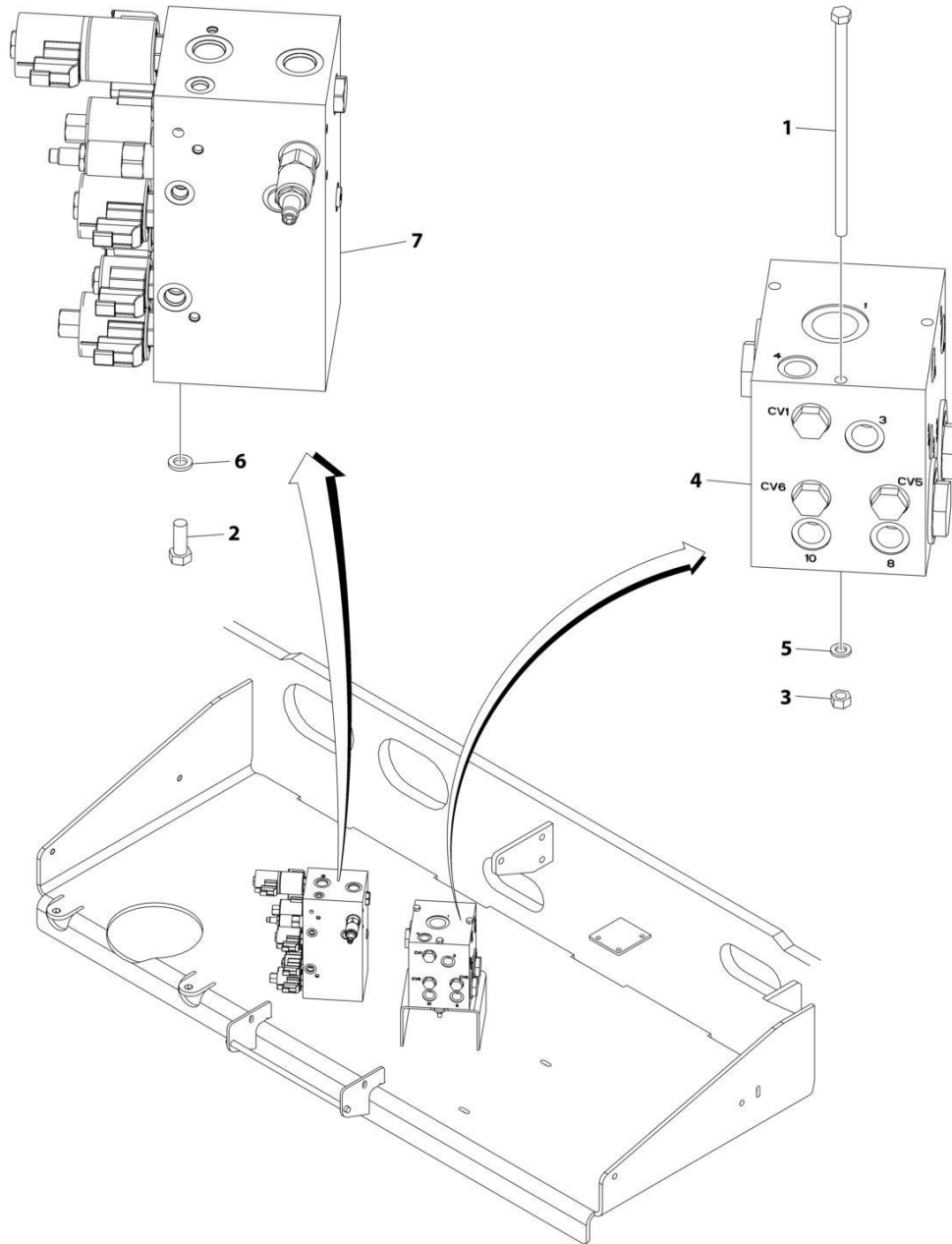
FIGURE 1-17. LEVELING JACKS VALVE ASSEMBLY

ITEM	PART NUMBER	QTY	DESCRIPTION	REV
	1001217108	Ref	LEVELING JACKS VALVE ASSEMBLY	B
1	7024497	1	Cartridge without Coil (Retract)	
1	7024502	1	Seal Kit - 7024497 Cartridge	
1	70001965	1	Coil	
1	7024506	1	Coil Nut Kit	
2	7024498	1	Cartridge without Coil (Extend)	
2	7024503	1	Seal Kit - 7024498 Cartridge	
2	70001965	1	Coil	
2	7024507	1	Coil Nut Kit	
3	70006292	1	Cartridge (Thermal Relief)	
3	7024504	1	Seal Kit - 70006292 Cartridge	
4	7024500	1	Cartridge without Coil	
4	7024505	1	Seal Kit - 7024500 Cartridge	
4	70001965	1	Coil	
4	7024506	1	Coil Nut Kit	

SECTION 2 - GROUND CONTROLS

SECTION 2 - GROUND CONTROLS

FIGURE 2-1. VALVES INSTALLATION (ALL SPECS EXCEPT CE SPECS)



ART_1001204614

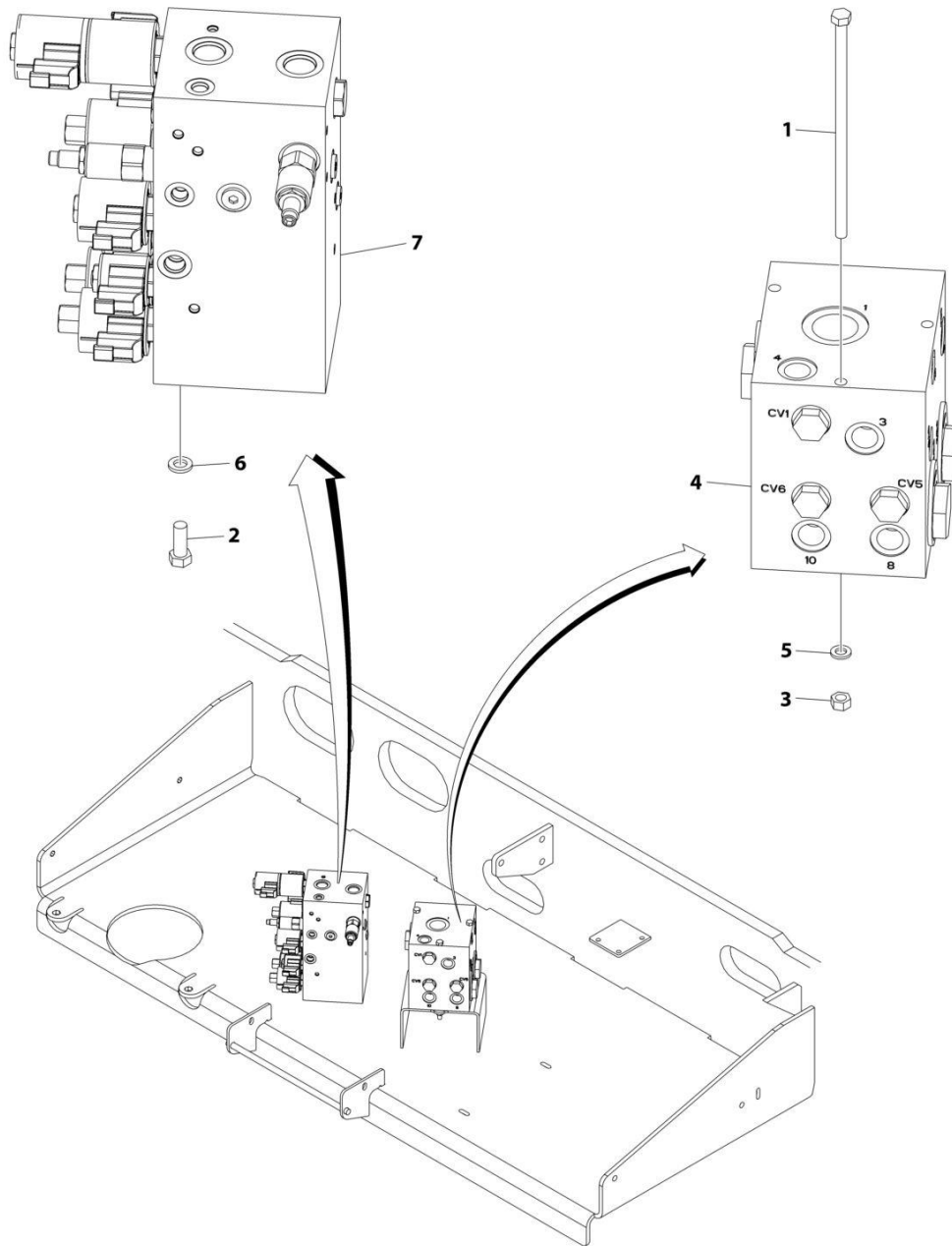
SECTION 2 - GROUND CONTROLS

FIGURE 2-1. VALVES INSTALLATION (ALL SPECS EXCEPT CE SPECS)

ITEM	PART NUMBER	QTY	DESCRIPTION	REV
	1001204614	Ref	VALVES INSTALLATION	B
1	0641560	3	Bolt 5/16 x 7-1/2	
2	0641608	4	Bolt 3/8 x 1	
3	3311501	3	Nut 5/16	
4	4641303	1	Flow Divider Valve Assembly (See Separate Breakdown in this Section)	
5	4761500	3	Washer 5/16	
6	4761600	4	Washer 3/8	
7	1001209589	1	Main Valve Assembly (See Separate Breakdown in this Section)	

SECTION 2 - GROUND CONTROLS

FIGURE 2-2. VALVES INSTALLATION (CE & JAPANESE SPECS)



ART_1001204615

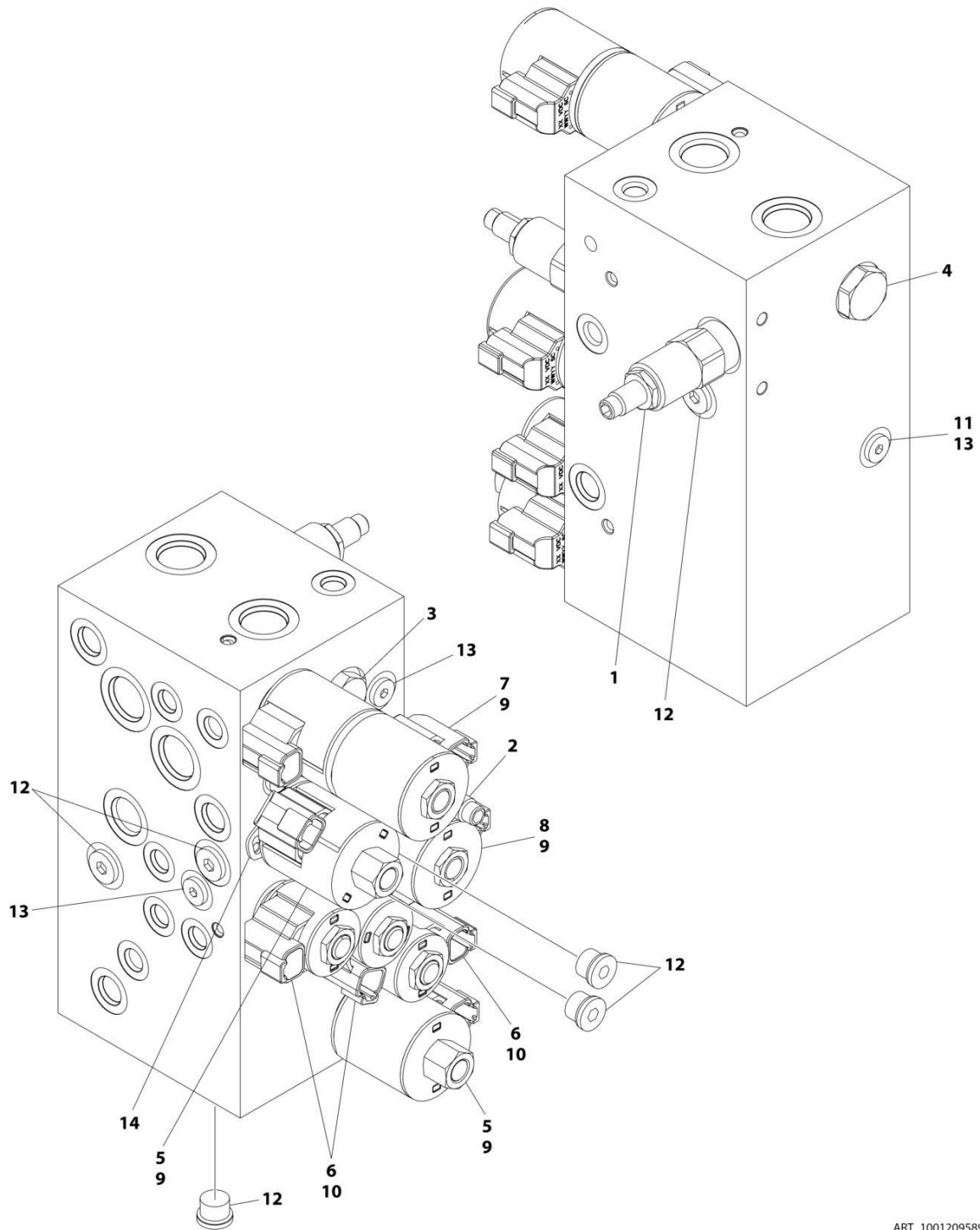
SECTION 2 - GROUND CONTROLS

FIGURE 2-2. VALVES INSTALLATION (CE & JAPANESE SPECS)

ITEM	PART NUMBER	QTY	DESCRIPTION	REV
	1001204615	Ref	VALVES INSTALLATION	B
1	0641560	3	Bolt 5/16 x 7-1/2	
2	0641608	4	Bolt 3/8 x 1	
3	3311501	3	Nut 5/16	
4	4641303	1	Flow Divider Valve Assembly (See Separate Breakdown in this Section)	
5	4761500	3	Washer 5/16	
6	4761600	4	Washer 3/8	
7	1001205979	1	Main Valve Assembly (See Separate Breakdown in this Section)	

SECTION 2 - GROUND CONTROLS

FIGURE 2-3. MAIN VALVE ASSEMBLY (ALL SPECS EXCEPT CE SPECS)



ART_1001209589

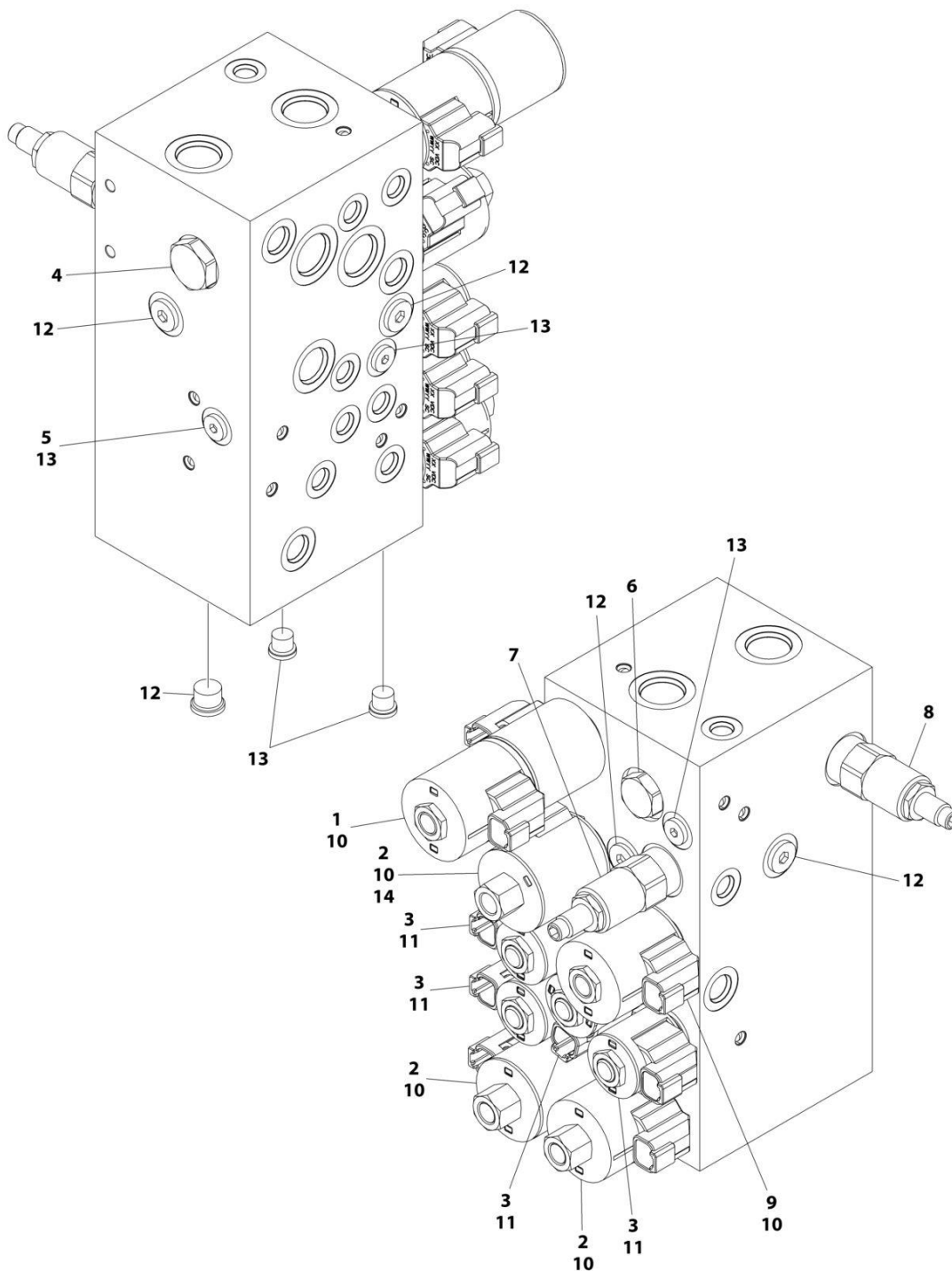
SECTION 2 - GROUND CONTROLS

FIGURE 2-3. MAIN VALVE ASSEMBLY (ALL SPECS EXCEPT CE SPECS)

ITEM	PART NUMBER	QTY	DESCRIPTION	REV
	1001209589	Ref	MAIN VALVE ASSEMBLY	D
1	70005723	1	Cartridge, Valve - Relief (Steer)	
1	7023936	1	Seal Kit - 70005723 Valve	
2	70005165	1	Cartridge, Valve - Relief	
2	7022399	1	Seal Kit - 70005165 Valve	
3	7022398	1	Cartridge, Valve - Load Shuttle	
3	7023900	1	Seal Kit - 7022398 Valve	
4	70005100	1	Cartridge, Valve - Check	
4	7022399	1	Seal Kit - 70005100 Valve	
5	70005069	2	Cartridge, Solenoid Valve	
5	7022399	2	Seal Kit - 70005069 Valve	
5	70003977	2	Nut, Coil	
6	70005167	3	Cartridge, Solenoid Valve	
6	7023900	3	Seal Kit - 70005167 Valve	
6	7022390	3	Nut, Coil	
7	70005449	1	Cartridge, Solenoid Valve	
7	70005073	1	Seal Kit - 70005449 Valve	
7	7022390	1	Nut, Coil	
7	70003024	1	Spacer Coil	
8	70005448	1	Cartridge, Solenoid Valve	
8	70004580	1	Seal Kit - 70005448 Valve	
8	7022390	1	Nut, Coil	
9	70050516	5	Coil	
10	70002963	3	Coil	
11	70004883	1	Orifice	
12	2220885	6	Plug	
13	2220883	4	Plug	
14	70005724	1	Lockdown Kit	

SECTION 2 - GROUND CONTROLS

FIGURE 2-4. MAIN VALVE ASSEMBLY (CE SPECS)



ART_1001205979

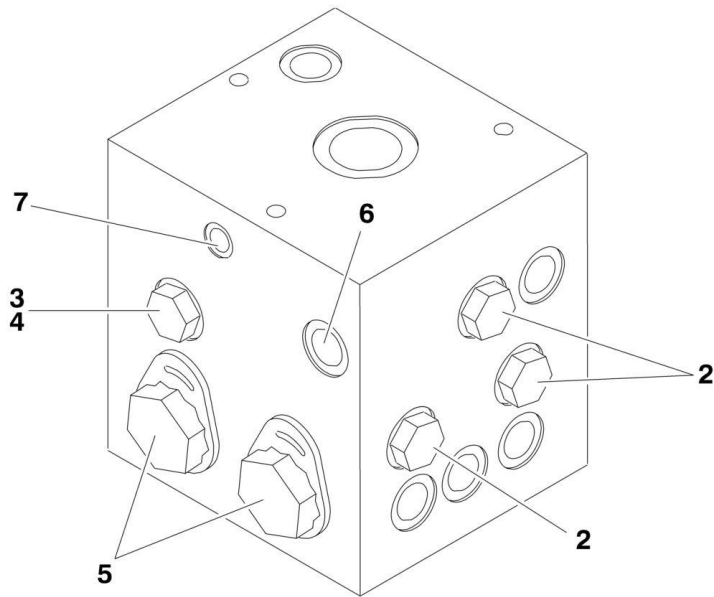
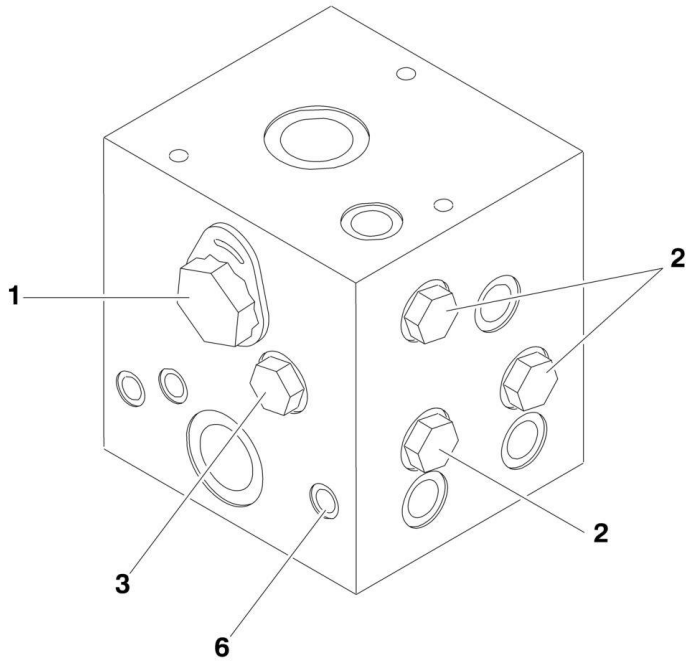
SECTION 2 - GROUND CONTROLS

FIGURE 2-4. MAIN VALVE ASSEMBLY (CE SPECS)

ITEM	PART NUMBER	QTY	DESCRIPTION	REV
	1001205979	Ref	MAIN VALVE ASSEMBLY	C
1	70005449	1	Cartridge, Solenoid Valve	
1	70005073	1	Seal Kit - 70005449 Valve	
1	7022390	1	Nut, Coil	
1	70003024	1	Spacer Coil	
2	70005069	3	Cartridge, Solenoid Valve	
2	7022399	3	Seal Kit - 70005069 Valve	
2	70003977	3	Nut, Coil	
3	70005167	4	Cartridge, Solenoid Valve	
3	7023900	4	Seal Kit - 70005167 Valve	
3	7022390	4	Nut, Coil	
4	70005100	1	Cartridge, Valve - Check	
4	7022399	1	Seal Kit - 70005100 Valve	
5	70004883	1	Orifice	
6	7022398	1	Cartridge, Valve - Load Shuttle	
6	7023900	1	Seal Kit - 7022398 Valve	
7	70005165	1	Cartridge, Valve - Relief	
7	7022399	1	Seal Kit - 70005165 Valve	
8	70005723	1	Cartridge, Valve - Relief (Steer)	
8	7023936	1	Seal Kit - 70005723 Valve	
9	70005448	1	Cartridge, Solenoid Valve	
9	70004580	1	Seal Kit - 70005448 Valve	
9	7022390	1	Nut, Coil	
10	70050516	6	Coil	
11	70002963	4	Coil	
12	2220885	6	Plug	
13	2220883	6	Plug	
14	70005724	1	Lockdown Kit	

SECTION 2 - GROUND CONTROLS

FIGURE 2-5. FLOW DIVIDER VALVE ASSEMBLY



ART_4641303

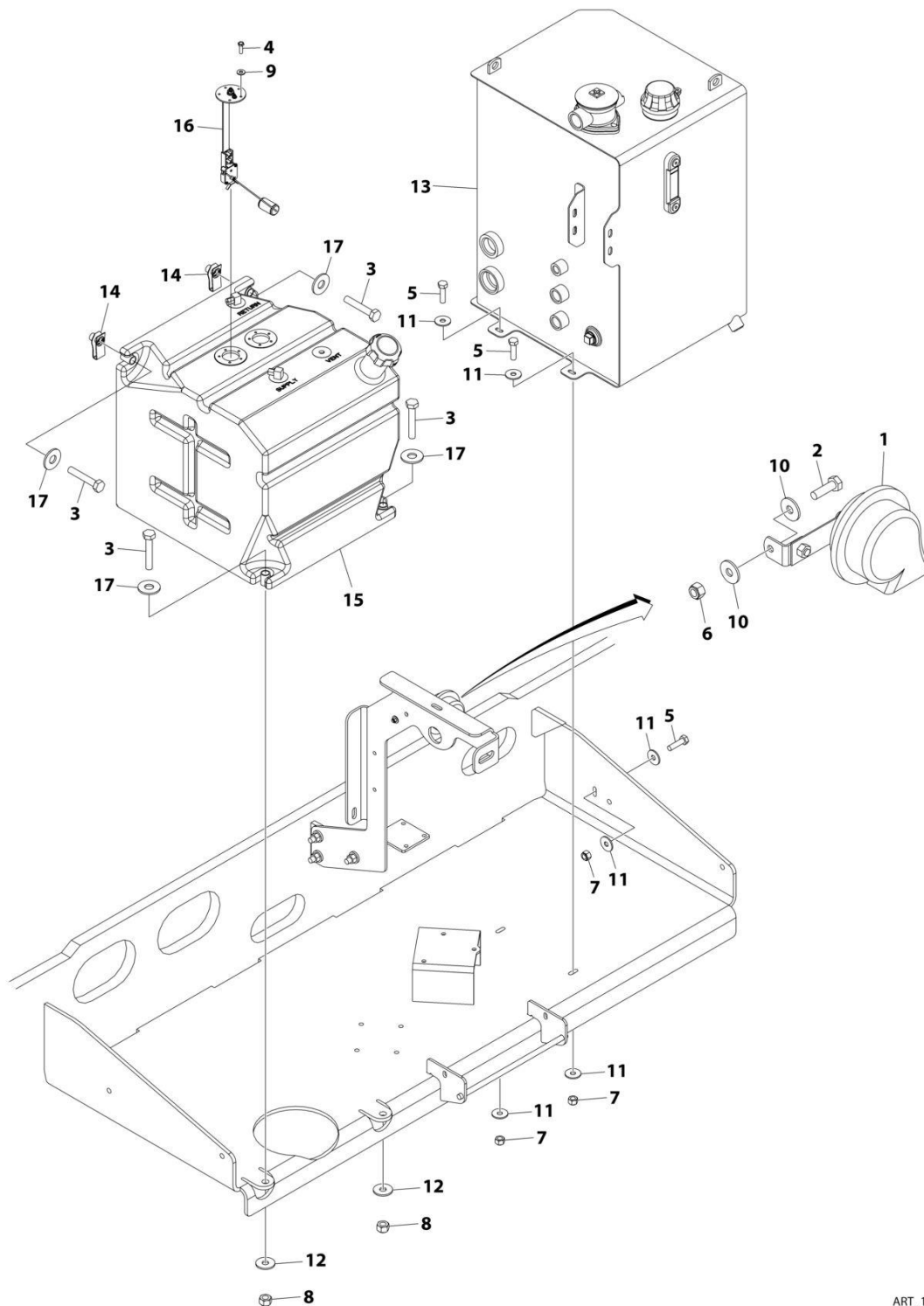
SECTION 2 - GROUND CONTROLS

FIGURE 2-5. FLOW DIVIDER VALVE ASSEMBLY

ITEM	PART NUMBER	QTY	DESCRIPTION	REV
	4641303	Ref	FLOW DIVIDER VALVE ASSEMBLY	C
1	7023933	1	Cartridge, Flow Divider	
1	7021625	1	Seal Kit - 7023933 Cartridge	
2	7022397	6	Cartridge, Check	
2	7022399	6	Seal Kit - 7022397 Cartridge	
3	7021639	2	Cartridge, Check Valves	
3	2900756	2	Seal Kit - 7022398 Cartridge	
4	7024881	1	Piston, Pilot	
5	7023917	2	Cartridge, Flow Divider	
5	7021625	2	Seal Kit - 7023917 Cartridge	
6	70003935	2	Orifice	
7	70003936	1	Orifice	

SECTION 2 - GROUND CONTROLS

FIGURE 2-6. TANKS AND HORN INSTALLATION (DIESEL MACHINES)



ART_1001204617

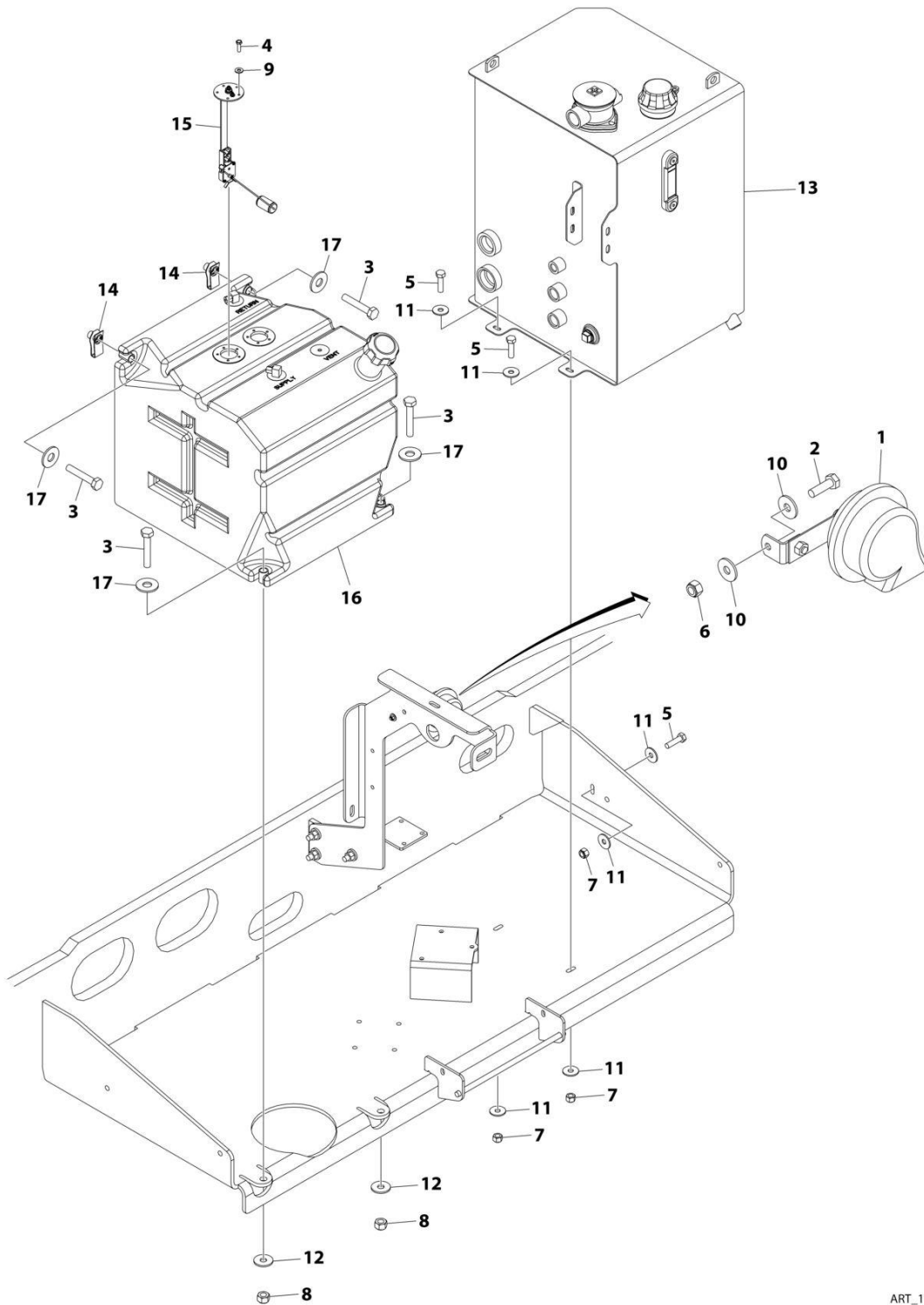
SECTION 2 - GROUND CONTROLS

FIGURE 2-6. TANKS AND HORN INSTALLATION (DIESEL MACHINES)

ITEM	PART NUMBER	QTY	DESCRIPTION	REV
	1001204617	Ref	TANKS AND HORN INSTALLATION (DIESEL MACHINES)	C
1	0140001	1	Horn	
2	0700610	1	Bolt M6 x 20	
3	0701020	4	Bolt M10 x 60	
4	0731005	5	Screw #10 x 5/8	
5	0760814	3	Bolt M8 x 30	
6	3290605	1	Nut M6	
7	3290805	3	Nut M8	
8	3291005	2	Nut M10	
9	4751000	5	Washer #10	
10	4811702	2	Washer M6	
11	4811902	6	Washer M8	
12	4812002	2	Washer M12	
13	1001102823	1	Hydraulic Tank Assembly (See Separate Breakdown in this Section)	
14	1001118972	2	Nut, Tinnerman M10	
15	1001163418	1	Fuel Tank Assembly	
15	1001193336	1	Cap, Fuel	
15	70004794	1	Tube, Pick-up	
16	1001168762	1	Sensor, Fuel Level (Prior to SN 0200266861)	
16	1001231195	1	Sensor, Fuel Level (SN 0200266861 through 0200269765)	
17	4751800	4	Washer 1/2	

SECTION 2 - GROUND CONTROLS

FIGURE 2-7. TANKS AND HORN INSTALLATION (GAS MACHINES)



ART_1001204618

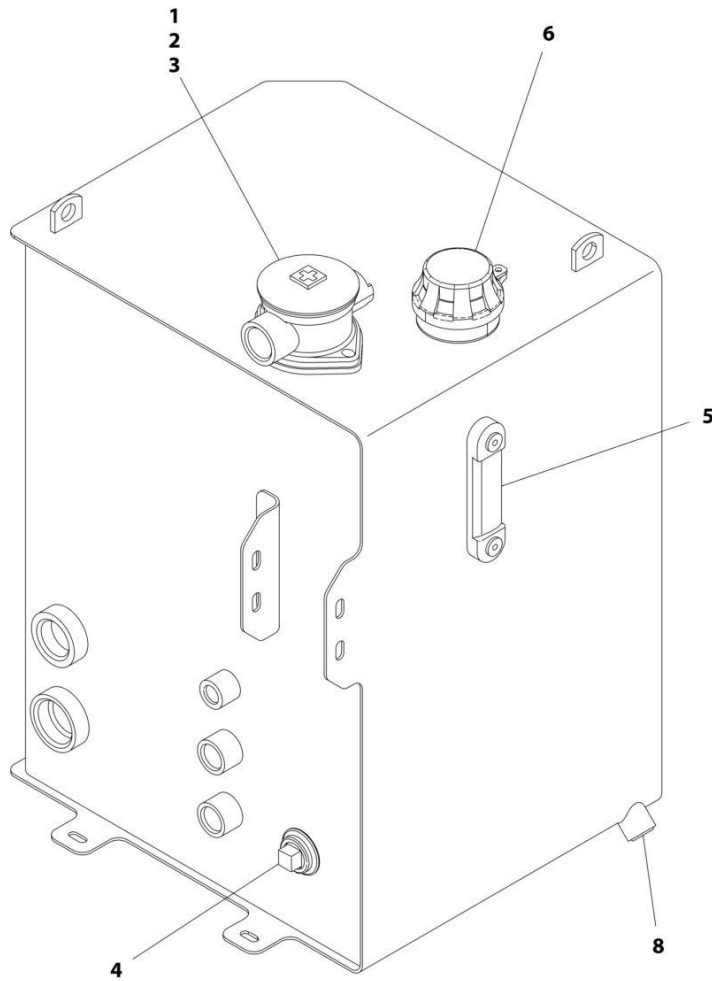
SECTION 2 - GROUND CONTROLS

FIGURE 2-7. TANKS AND HORN INSTALLATION (GAS MACHINES)

ITEM	PART NUMBER	QTY	DESCRIPTION	REV
	1001204618	Ref	TANKS AND HORN INSTALLATION (GAS MACHINES)	C
1	0140001	1	Horn	
2	0700610	1	Bolt M6 x 20	
3	0701020	4	Bolt M10 x 60	
4	0731005	5	Screw #10 x 5/8	
5	0760814	3	Bolt M8 x 30	
6	3290605	1	Nut M6	
7	3290805	3	Nut M8	
8	3291005	2	Nut M10	
9	4751000	5	Washer #10	
10	4811702	2	Washer M6	
11	4811902	6	Washer M8	
12	4812002	2	Washer M10	
13	1001102823	1	Hydraulic Tank Assembly (See Separate Breakdown in this Section)	
14	1001118972	2	Nut, Tinnerman M10	
15	1001168762	1	Sensor, Fuel Level (Prior to SN 0200266861)	
15	1001231195	1	Sensor, Fuel Level (SN 0200266861 through 0200269765)	
16	1001206896	1	Fuel Tank Assembly	
16	1001207109	1	Cap, Fuel	
16	70004794	1	Tube, Pick-up	
17	4751800	4	Washer 1/2	

SECTION 2 - GROUND CONTROLS

FIGURE 2-8. HYDRAULIC TANK ASSEMBLY



ART_1001102823

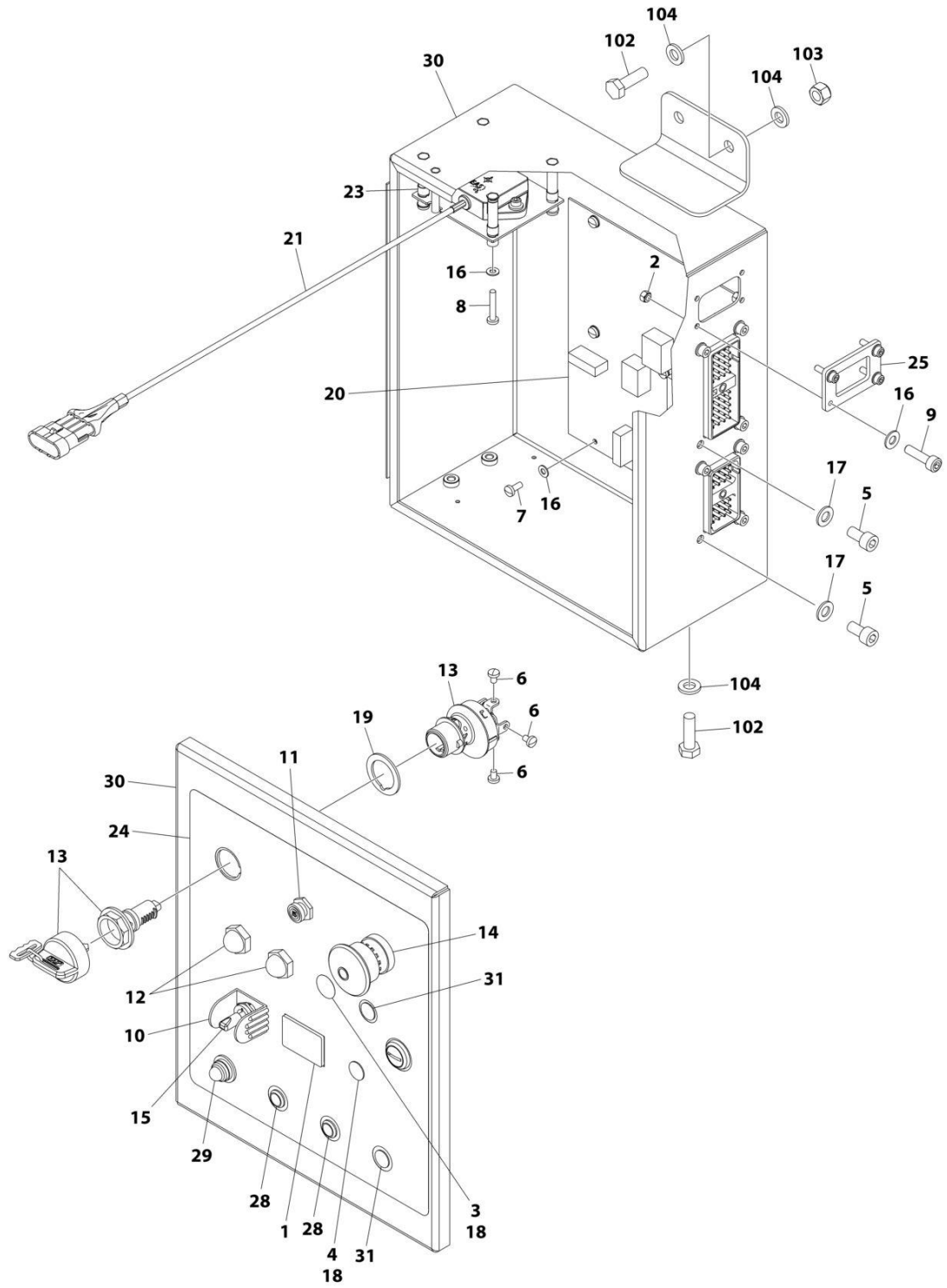
SECTION 2 - GROUND CONTROLS

FIGURE 2-8. HYDRAULIC TANK ASSEMBLY

ITEM	PART NUMBER	QTY	DESCRIPTION	REV
	1001102823	Ref	HYDRAULIC TANK ASSEMBLY	C
1	70001959	1	Filter, Return	
1	70001960	1	Element, Filter	
1	70002768	1	Spring, Return Filter Assembly	
2	7023306	1	Seal Between Filter Cover and Head	
3	7023347	1	Gasket Between Tank and Filter Flange	
4	7024446	1	Plug, Magnetic 1in NPT	
5	7024441	1	Gauge, Fluid Level	
6	70002113	1	Breather/Fill Cap	
7	See Note	2	Strainer (Note: Not a serviceable Item per Vendor) (Not Shown)	
8	70002112	1	Plug, Magnetic	

SECTION 2 - GROUND CONTROLS

FIGURE 2-9. GROUND CONTROL BOX ASSEMBLY (DIESEL MACHINES) (Prior to SN 0200267917)



ART_1001215252

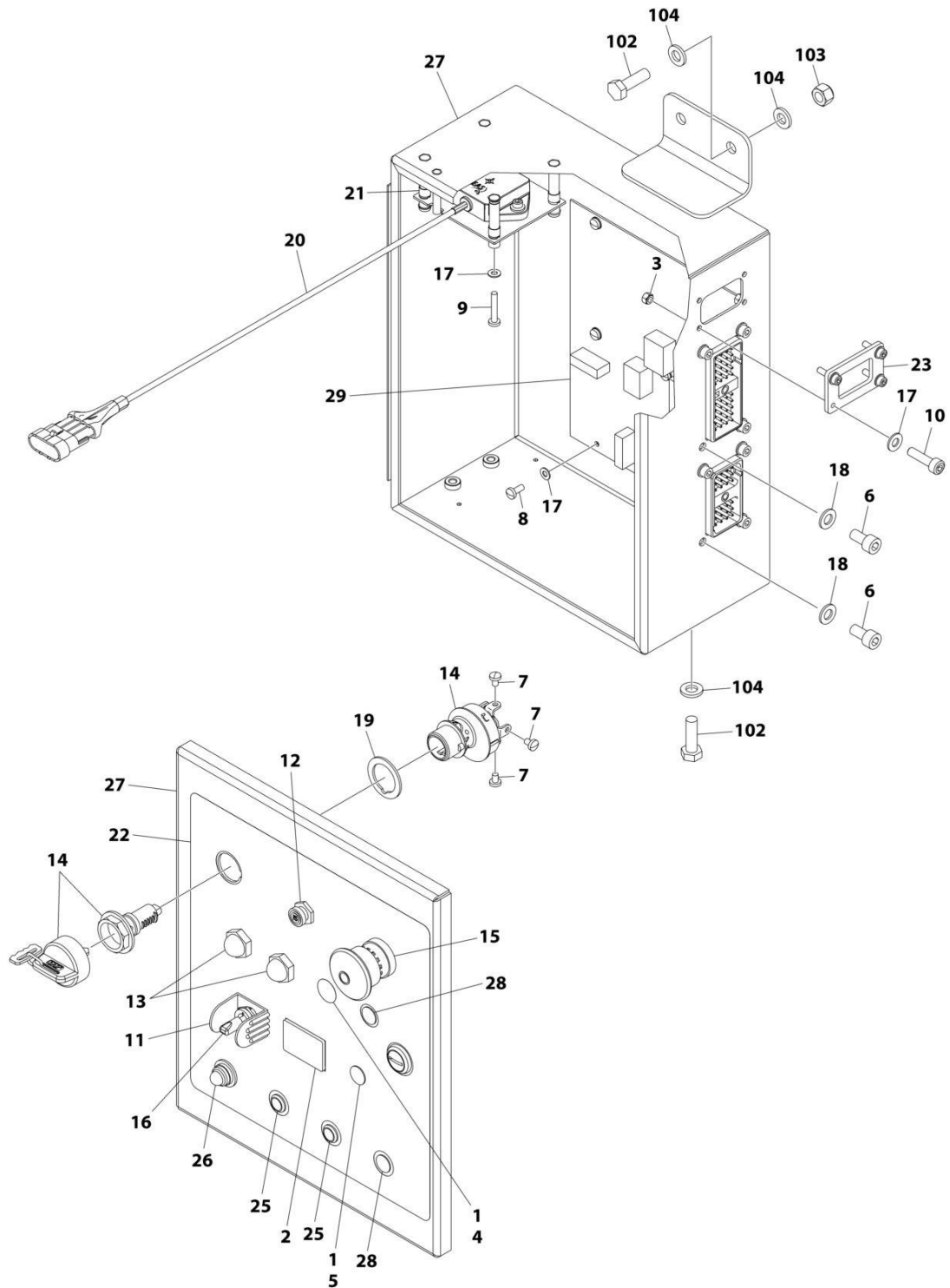
SECTION 2 - GROUND CONTROLS

FIGURE 2-9. GROUND CONTROL BOX ASSEMBLY (DIESEL MACHINES) (Prior to SN 0200267917)

ITEM	PART NUMBER	QTY	DESCRIPTION	REV
	1001215252	Ref	GROUND CONTROL BOX ASSEMBLY (DIESEL MACHINES)	F
1	2420172	1	Hourmeter	
2	3290405	4	Nut M4	
3	3520026	1	Plug	
4	3250028	1	Plug	
5	3900300	8	Capscrew #10 x 3/8	
6	4010403	3	Screw M4 x 6	
7	4010405	4	Screw M4 x 10	
8	4010412	4	Screw M4 x 24	
9	4031507	4	Capscrew M4 x 16	
10	4060802	1	Guard, Switch	
11	4360070	1	Breaker, Circuit 15Amp	
12	4360387	2	Switch, Push Button	
13	4360469	1	Switch Key	
13	2860030	1 Set	Key, Replacement	
14	4360475	1	Switch, Emergency Stop	
14	7020175	1	Cap	
14	7020176	1	Block, Contact	
15	4360524	1	Switch, Toggle	
16	4811400	12	Washer M4	
17	4811600	8	Washer M5	
18	0100009	AR	Sealant	
19	1001151393	1	Shim, Nylon .063	
20	1001181314	1	Module, Ground Control (Note: Re-calibration Required when Replaced)	
21	1001181330	1	Sensor	
21	See Note	NSS	Connector - 4 Position (Note: Not Available for Purchase)	
21	See Note	NSS	Terminal (Note: Not Available for Purchase)	
23	1001184730	4	Washer	
24	1001189773	1	Decal - Ground Control	
25	1001190002	1	Seal, Connector	
26	1001214989	1	Ground Control Box Harness (Not Shown) (Upper) (See Separate Breakdown in ELECTRICAL SECTION)	
27	1001214990	1	Ground Control Box Harness (Not Shown) (Lower) (See Separate Breakdown in ELECTRICAL SECTION)	
28	1001215255	2	Light, LED with Harness (Yellow)	
29	1001221687	1	Light with Harness (Yellow)	
29	2920029	1	Bulb, Light	
30	1001222169	1	Box, Ground Control	
31	1001226421	2	Plug, Hole	
	1001210755	Ref	GROUND CONTROL BOX INSTALLATION (DIESEL MACHINES)	B
102	0760610	6	Bolt M6 x 20	
103	3290605	2	Nut M6	
104	4811700	8	Washer M6	

SECTION 2 - GROUND CONTROLS

FIGURE 2-10. GROUND CONTROL BOX ASSEMBLY (DIESEL MACHINES) (SN 0200267917 through 0200269765)



ART_1001236352

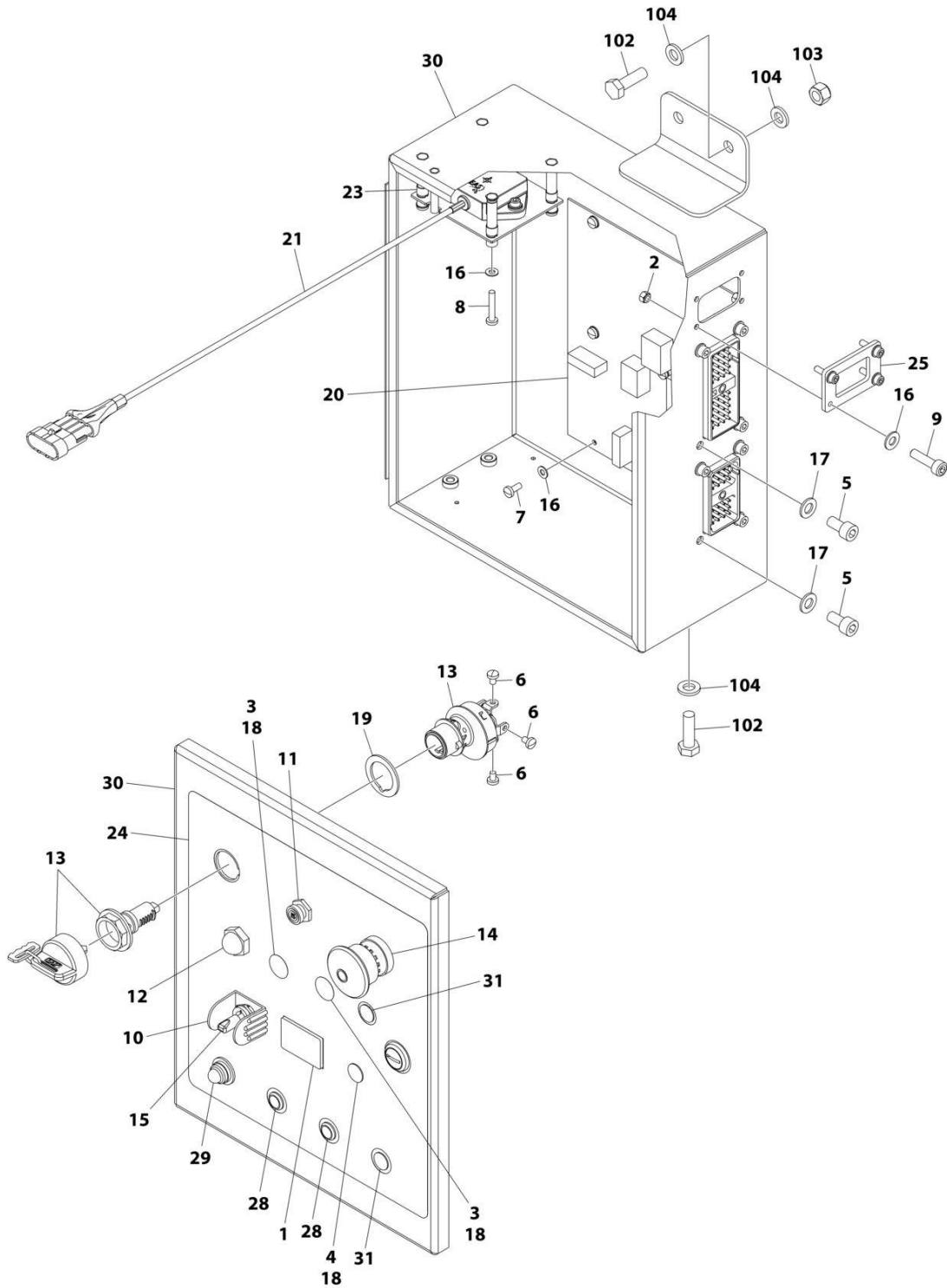
SECTION 2 - GROUND CONTROLS

FIGURE 2-10. GROUND CONTROL BOX ASSEMBLY (DIESEL MACHINES) (SN 0200267917 through 0200269765)

ITEM	PART NUMBER	QTY	DESCRIPTION	REV
	1001236352	Ref	GROUND CONTROL BOX ASSEMBLY (DIESEL MACHINES)	C
1	0100009	AR	Sealant	
2	2420172	1	Hourmeter	
3	3290405	4	Nut M4	
4	3520026	1	Plug	
5	3250028	1	Plug	
6	3900300	8	Capscrew #10 x 3/8	
7	4010403	3	Screw M4 x 6	
8	4010405	4	Screw M4 x 10	
9	4010412	4	Screw M4 x 24	
10	4031507	4	Capscrew M4 x 16	
11	4060802	1	Guard, Switch	
12	4360070	1	Breaker, Circuit 15Amp	
13	4360387	2	Switch, Push Button	
14	4360469	1	Switch Key	
14	2860030	1 Set	Key, Replacement	
15	1001274559	1	Switch, Emergency Stop (Plastic)	
15	4360475	1	Switch, Emergency Stop (Metal)	
15	7020175	1	Cap	
15	7020176	1	Block, Contact	
16	4360524	1	Switch, Toggle	
17	4811400	12	Washer M4	
18	4811600	8	Washer M5	
19	1001151393	1	Shim, Nylon .063	
20	1001181330	1	Sensor	
20	See Note	NSS	Connector - 4 Position (Note: Not Available for Purchase)	
20	See Note	NSS	Terminal (Note: Not Available for Purchase)	
21	1001184730	4	Washer	
22	1001189773	1	Decal - Ground Control	
23	1001190002	1	Seal, Connector	
24	1001214989	1	Ground Control Box Harness (Not Shown) (Upper) (See Separate Breakdown in ELECTRICAL SECTION)	
25	1001215255	2	Light, LED with Harness (Yellow)	
26	1001221687	1	Light with Harness (Yellow)	
26	2920029	1	Bulb, Light	
27	1001222169	1	Box, Ground Control	
28	1001226421	2	Plug, Hole	
29	1001234735	1	Module, Ground Control (Note: Re-calibration Required when Replaced)	
30	1001236154	1	Ground Control Box Harness (Not Shown) (Lower) (See Separate Breakdown in ELECTRICAL SECTION)	
	1001210755	Ref	GROUND CONTROL BOX INSTALLATION (DIESEL MACHINES)	C
102	0760610	6	Bolt M6 x 20	
103	3290605	2	Nut M6	
104	4811700	8	Washer M6	

SECTION 2 - GROUND CONTROLS

FIGURE 2-11. GROUND CONTROL BOX ASSEMBLY (GAS MACHINES) (Prior to SN 0200267917)



ART_1001215251

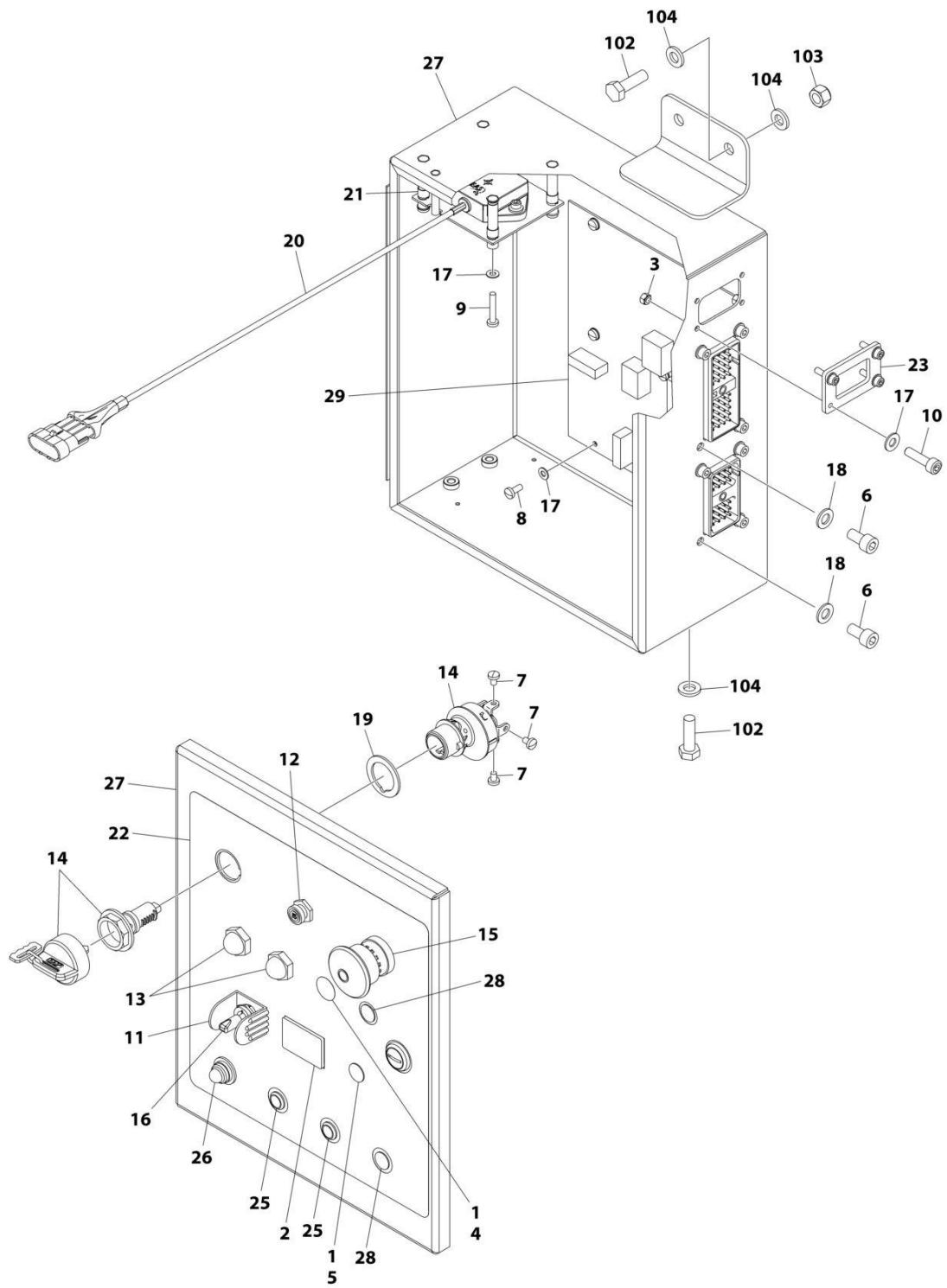
SECTION 2 - GROUND CONTROLS

FIGURE 2-11. GROUND CONTROL BOX ASSEMBLY (GAS MACHINES) (Prior to SN 0200267917)

ITEM	PART NUMBER	QTY	DESCRIPTION	REV
	1001215251	Ref	GROUND CONTROL BOX ASSEMBLY (GAS MACHINES)	F
1	2420172	1	Hourmeter	
2	3290405	4	Nut M4	
3	3520026	2	Plug	
4	3520028	1	Plug	
5	3900300	8	Capscrew #10 x 3/8	
6	4010403	3	Screw M4 x 6	
7	4010405	4	Screw M4 x 10	
8	4010412	4	Screw M4 x 24	
9	4031507	4	Capscrew M4 x 16	
10	4060802	1	Guard, Switch	
11	4360070	1	Breaker, Circuit 15Amp	
12	4360387	1	Switch, Push Button	
13	4360469	1	Switch, Key	
13	2860030	1 Set	Key, Replacement	
14	4360475	1	Switch, Emergency Stop	
14	7020175	1	Cap	
14	7020176	1	Block, Contact	
15	4360524	1	Switch, Toggle	
16	4811400	12	Washer M4	
17	4811600	8	Washer M5	
18	0100009	AR	Sealant	
19	1001151393	1	Shim, Nylon .063	
20	1001181314	1	Module, Ground Control (Note: Re-calibration Required when Replaced)	
21	1001181330	1	Sensor	
21	See Note	NSS	Connector - 4 Position (Note: Not Available for Purchase)	
21	See Note	NSS	Terminal (Note: Not Available for Purchase)	
23	1001184730	4	Washer	
24	1001189773	1	Decal - Ground Control	
25	1001190002	1	Seal, Connector	
26	1001214989	1	Ground Control Box Harness (Not Shown) (Upper) (See Separate Breakdown in ELECTRICAL SECTION)	
27	1001214990	1	Ground Control Box Harness (Not Shown) (Lower) (See Separate Breakdown in ELECTRICAL SECTION)	
28	1001215255	2	Light, LED with Harness (Yellow)	
29	1001221687	1	Light with Harness (Yellow)	
29	2920029	1	Bulb, Light	
30	1001222169	1	Box, Ground Control	
31	1001226421	2	Plug, Hole	
	1001210754	Ref	GROUND CONTROL BOX INSTALLATION (GAS MACHINES)	B
102	0760610	6	Bolt M6 x 20	
103	3290605	2	Nut M6	
104	4811700	8	Washer M6	

SECTION 2 - GROUND CONTROLS

FIGURE 2-12. GROUND CONTROL BOX ASSEMBLY (GAS MACHINES) (SN 0200267917 through 0200269765)



ART_1001236351

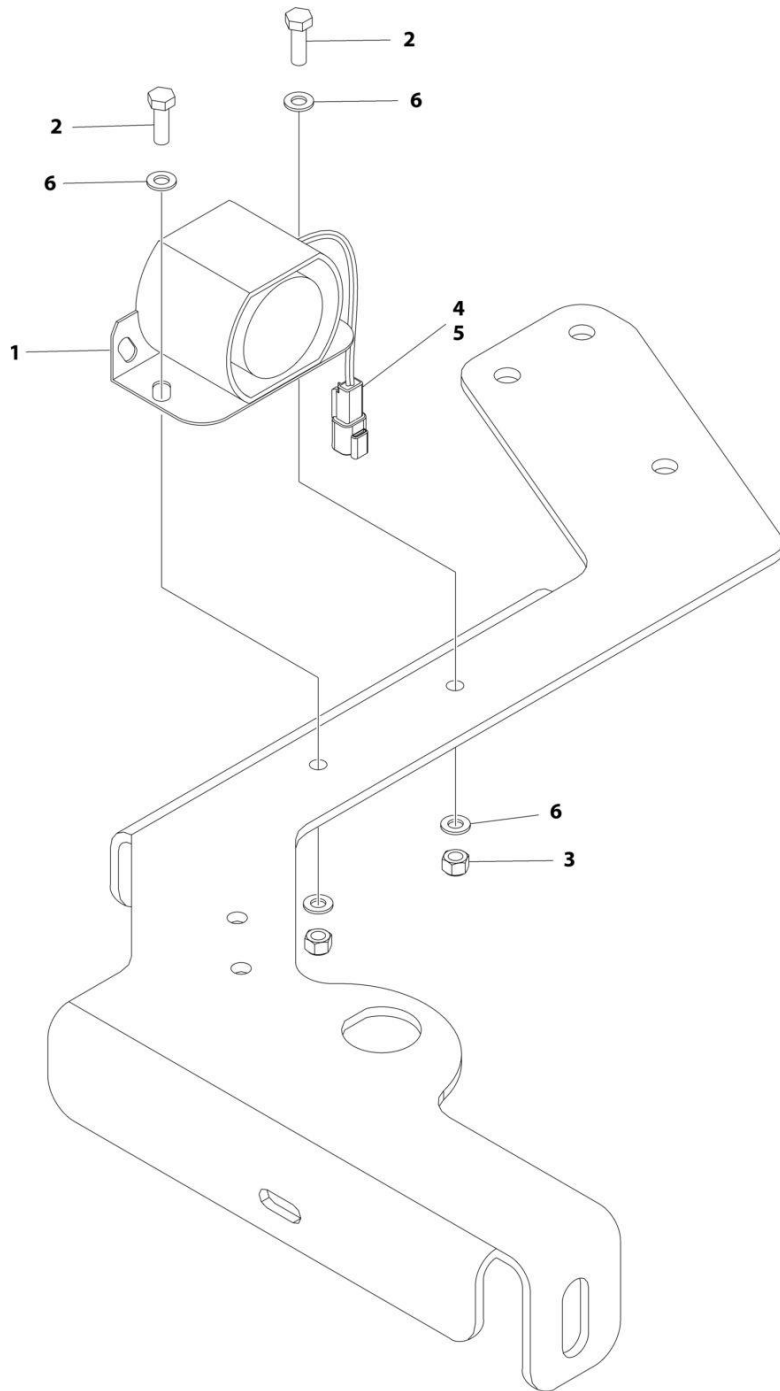
SECTION 2 - GROUND CONTROLS

FIGURE 2-12. GROUND CONTROL BOX ASSEMBLY (GAS MACHINES) (SN 0200267917 through 0200269765)

ITEM	PART NUMBER	QTY	DESCRIPTION	REV
	1001236351	Ref	GROUND CONTROL BOX ASSEMBLY (GAS MACHINES)	C
1	0100009	AR	Sealant	
2	2420172	1	Hourmeter	
3	3290405	4	Nut M4	
4	3520026	2	Plug	
5	3250028	1	Plug	
6	3900300	8	Capscrew #10 x 3/8	
7	4010403	3	Screw M4 x 6	
8	4010405	4	Screw M4 x 10	
9	4010412	4	Screw M4 x 24	
10	4031507	4	Capscrew M4 x 16	
11	4060802	1	Guard, Switch	
12	4360070	1	Breaker, Circuit 15Amp	
13	4360387	1	Switch, Push Button	
14	4360469	1	Switch Key	
14	2860030	1 Set	Key, Replacement	
15	1001274559	1	Switch, Emergency Stop (Plastic)	
15	4360475	1	Switch, Emergency Stop (Metal)	
15	7020175	1	Cap	
15	7020176	1	Block, Contact	
16	4360524	1	Switch, Toggle	
17	4811400	12	Washer M4	
18	4811600	8	Washer M5	
19	1001151393	1	Shim, Nylon .063	
20	1001181330	1	Sensor	
20	See Note	NSS	Connector - 4 Position (Note: Not Available for Purchase)	
20	See Note	NSS	Terminal (Note: Not Available for Purchase)	
21	1001184730	4	Washer	
22	1001189773	1	Decal - Ground Control	
23	1001190002	1	Seal, Connector	
24	1001214989	1	Ground Control Box Harness (Not Shown) (Upper) (See Separate Breakdown in ELECTRICAL SECTION)	
25	1001215255	2	Light, LED with Harness (Yellow)	
26	1001221687	1	Light with Harness (Yellow)	
26	2920029	1	Bulb, Light	
27	1001222169	1	Box, Ground Control	
28	1001226421	2	Plug, Hole	
29	1001234735	1	Module, Ground Control (Note: Re-calibration Required when Replaced)	
30	1001236154	1	Ground Control Box Harness (Not Shown) (Lower) (See Separate Breakdown in ELECTRICAL SECTION)	
	1001210754	Ref	GROUND CONTROL BOX INSTALLATION (DIESEL MACHINES)	C
102	0760610	6	Bolt M6 x 20	
103	3290605	2	Nut M6	
104	4811700	8	Washer M6	

SECTION 2 - GROUND CONTROLS

FIGURE 2-13. MOTION ALARM INSTALLATION



ART_1001206689

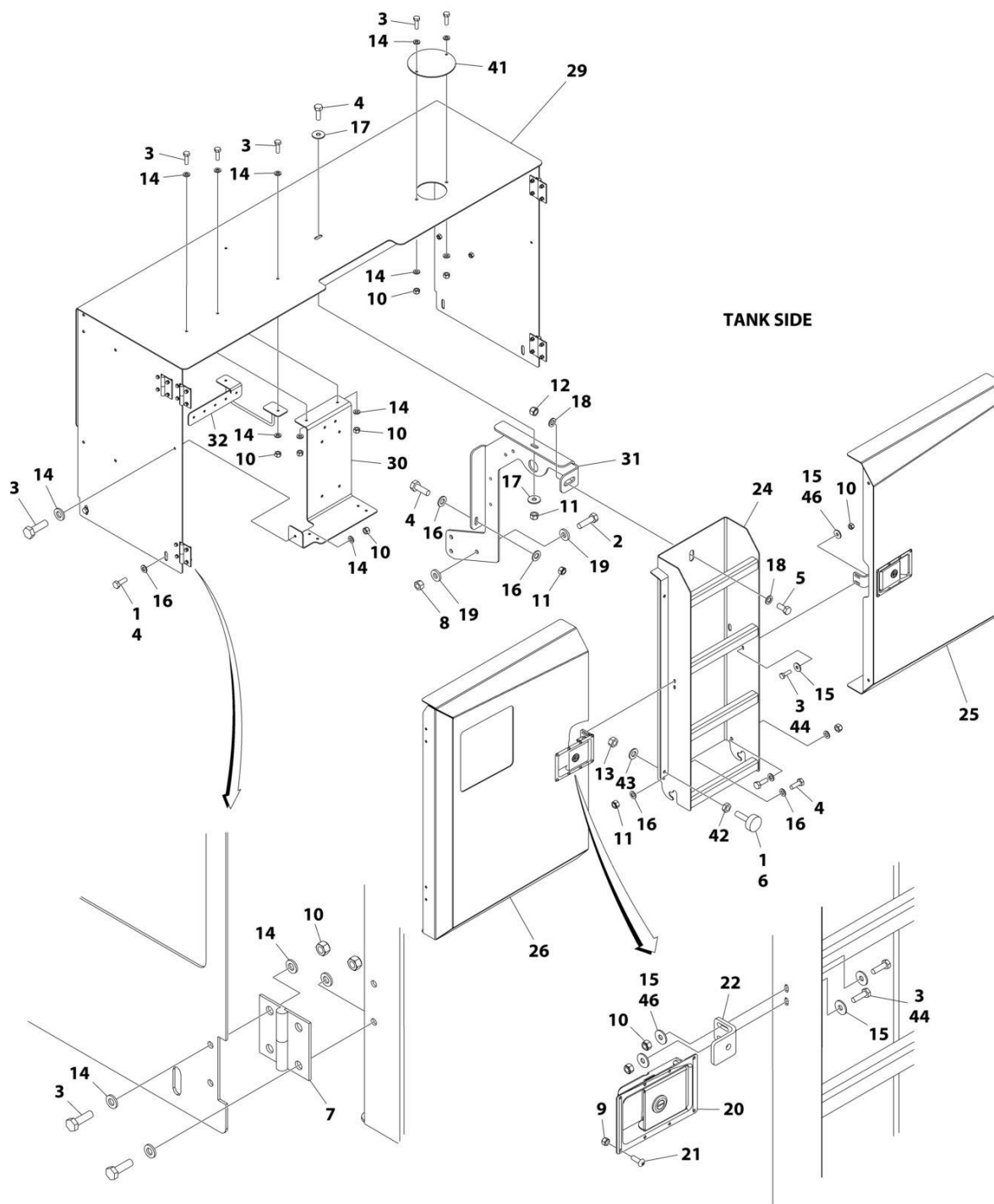
SECTION 2 - GROUND CONTROLS

FIGURE 2-13. MOTION ALARM INSTALLATION

ITEM	PART NUMBER	QTY	DESCRIPTION	REV
	1001206689	Ref	MOTION ALARM INSTALLATION	A
1	0140032	1	Alarm	
2	0770812	2	Bolt M8 x 25	
3	3290805	2	Nut M8	
4	4460464	2	Pin, Male	
5	4460897	1	Receptacle, Female - 2 Position	
6	4811900	4	Washer M8	

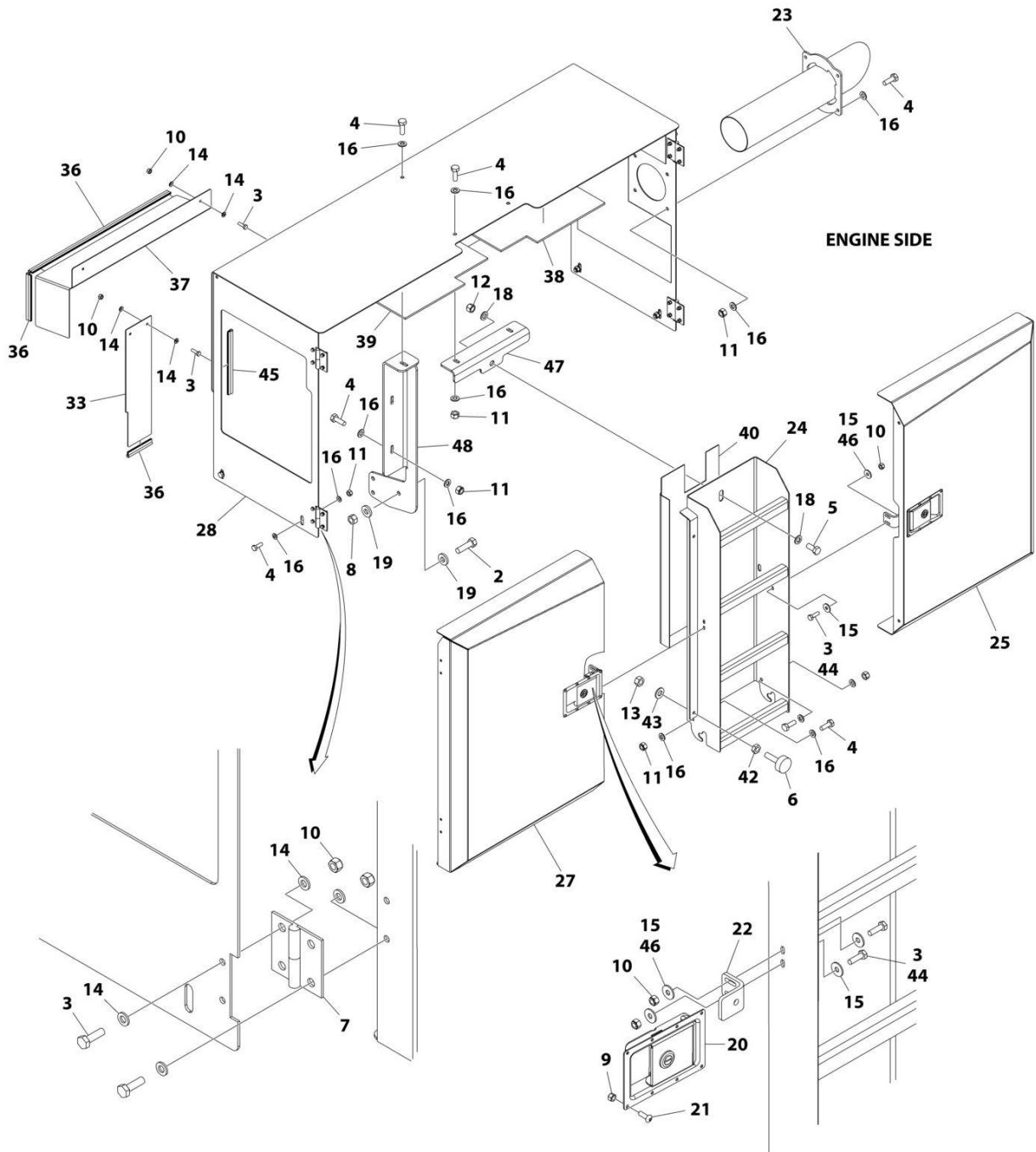
SECTION 2 - GROUND CONTROLS

FIGURE 2-14. HOODS AND LADDERS INSTALLATION (330LRT)



ART_1001204695_10F2

SECTION 2 - GROUND CONTROLS



ART_1001204695_2OF2

SECTION 2 - GROUND CONTROLS

FIGURE 2-14. HOODS AND LADDERS INSTALLATION (330LRT)

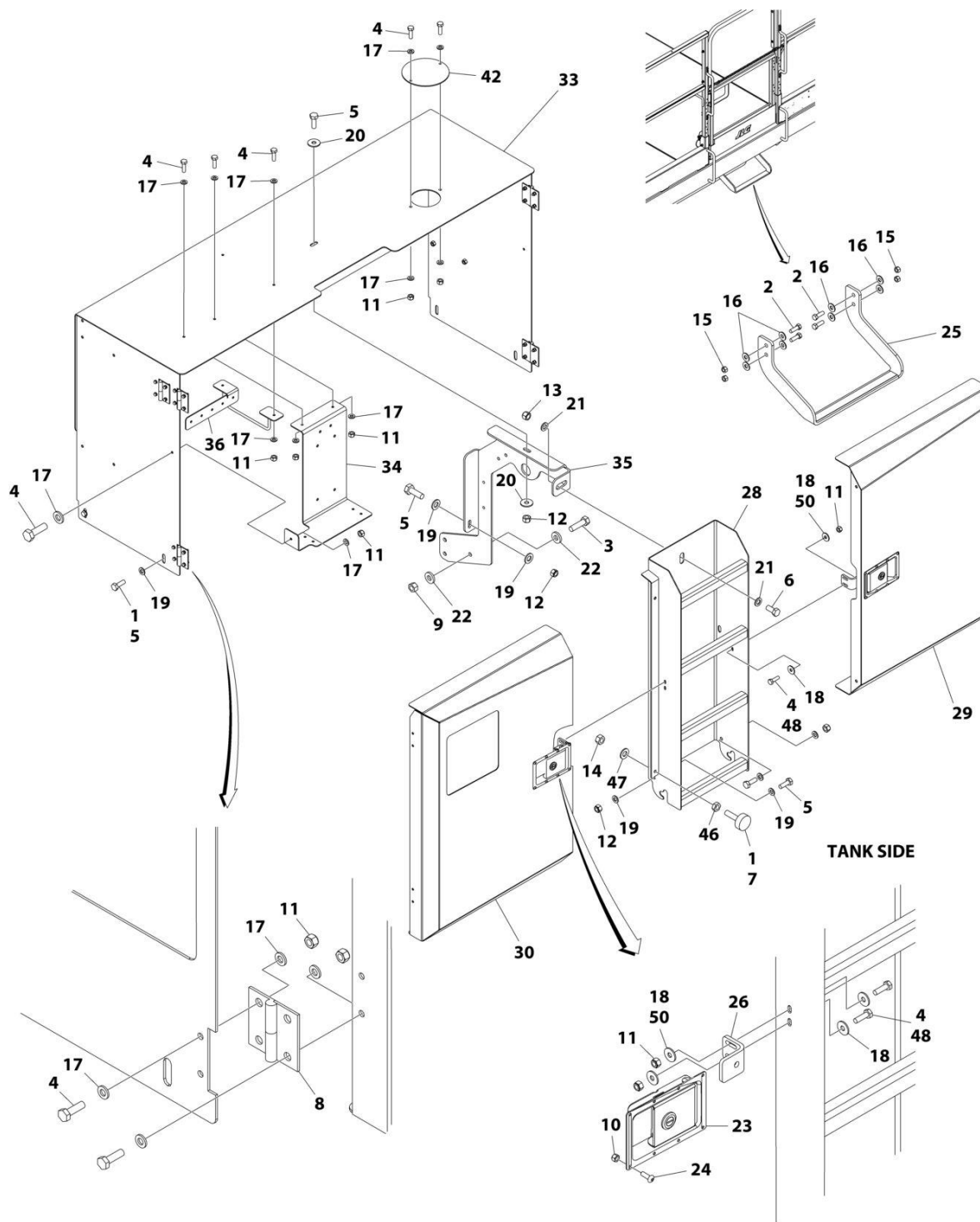
ITEM	PART NUMBER	QTY	DESCRIPTION	REV
	1001204695	Ref	HOODS AND LADDERS INSTALLATION (330LRT)	L
1	0100011	AR	Compound, Locking	
2	0681814	AR	Bolt 1/2 x 1-3/4 Grade 8	
3	0760610	AR	Bolt M6 x 20	
4	0761014	AR	Bolt M10 x 30	
5	0761615	AR	Bolt M16 x 35	
6	0940049	AR	Stopper	
7	2600216	8	Hinge	
8	3271805	AR	Nut 1/2 Grade 8	
9	3290505	AR	Nut M5	
10	3290605	AR	Nut M6	
11	3291005	AR	Nut M10	
12	3291605	AR	Nut M16	
13	3311501	AR	Nut 5/16	
14	4811700	AR	Washer M6	
15	4811702	AR	Washer M6	
16	4812000	AR	Washer M10	
17	4812002	AR	Washer M10	
18	4812300	AR	Washer M16	
19	4891800	AR	Washer 1/2	
20	1001093383	4	Latch	
21	1001099125	AR	Screw M5 x 16 Grade 10.9	
22	1001219882	4	Bracket, Latch	
23	1001183416	1	Tube, Exhaust	
24	1001204140	2	Ladder	
25	1001204145	2	Door (Rear)	
26	1001204146	1	Door (Tank Side Front)	
27	1001204147	1	Door (Engine Side Front)	
28	1001204224	NLA	Cover (Engine Side) (Prior to SN 0200268060)	
28	1001239222	1	Cover (Engine Side) (SN 0200268060 through 0200269765)	
29	1001204236	1	Cover (Tank Side)	
30	1001204248	1	Bracket, Ground Control Box	
31	1001204382	AR	Support, Ladder	
32	1001209208	1	Support, Harness	
33	1001218727	1	Bracket, Generator	
36	1001110433	37.2 in/ 94.5cm	Seal	
37	1001218729	1	Bracket, Generator	
38	1001225258	1	Insulate (Right)	
39	1001225257	1	Insulate (Left)	
40	1001225256	1	Insulate (Prior to SN 0200268060)	
40	1001238471	1	Insulate (SN 0200268060 through 0200269765)	
41	1001226221	1	Plate, Access	
42	3311502	AR	Nut 5/16 Grade 2	
43	4711500	AR	Washer 5/16	
44	0760612	8	Bolt M6 x 25 (SN 0200267032 through 0200269765)	
45	4060803	7.4 in /19cm	Shield, Flex Trim (SN 0200267032 through 0200269765)	
46	5240600	AR	Washer M6 (SN 0200267032 through 0200269765)	
47	1001237907	1	Bracket, Ladder Support (SN 0200268060 through 0200269765)	

SECTION 2 - GROUND CONTROLS

ITEM	PART NUMBER	QTY	DESCRIPTION	REV
48	1001237908	1	Bracket, Hood Support (SN 0200268060 through 0200269765)	

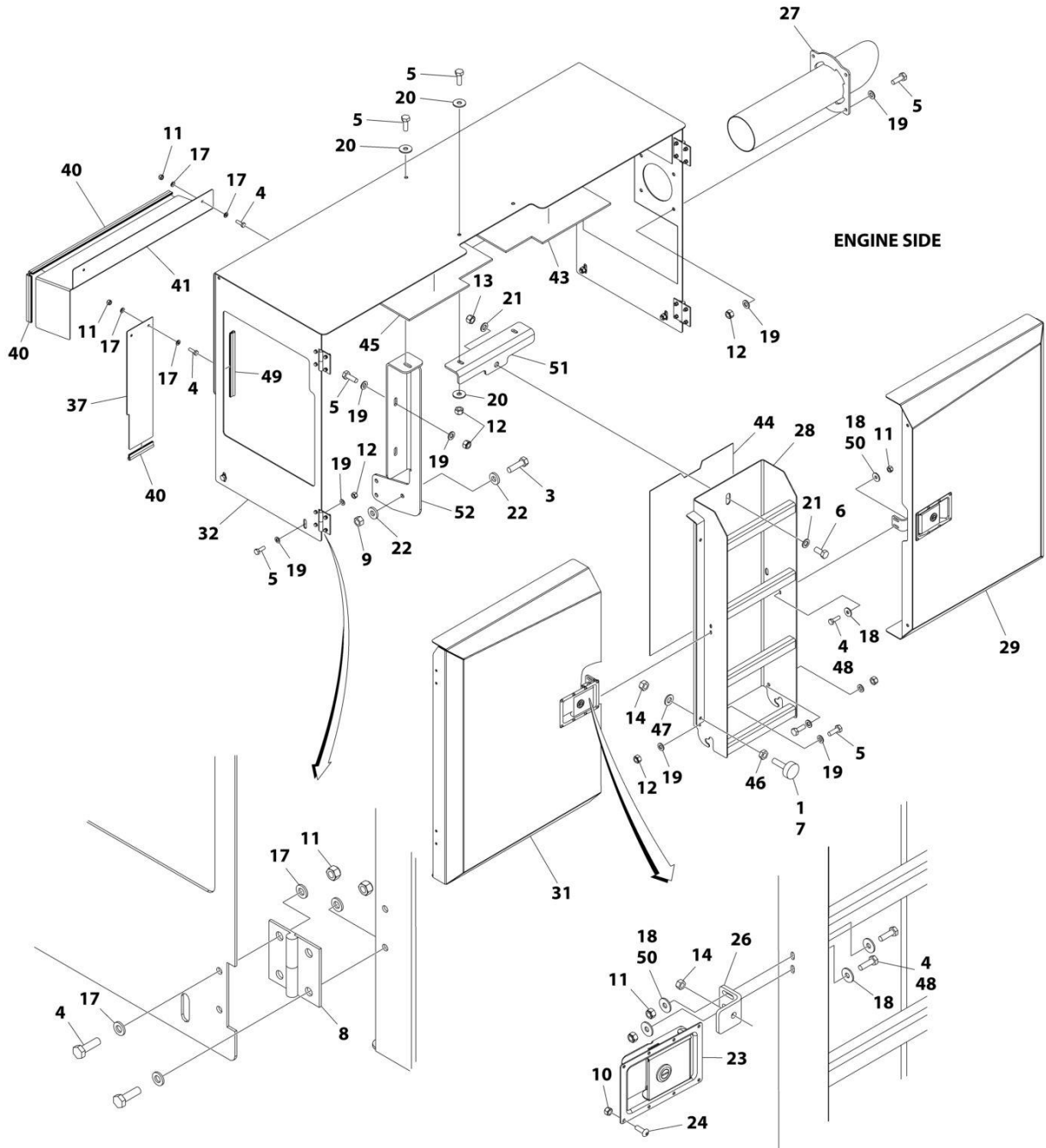
SECTION 2 - GROUND CONTROLS

FIGURE 2-15. HOODS AND LADDERS INSTALLATION (430LRT)



ART_1001206467_1OF2

SECTION 2 - GROUND CONTROLS



ART_1001206467_2OF2

SECTION 2 - GROUND CONTROLS

FIGURE 2-15. HOODS AND LADDERS INSTALLATION (430LRT)

ITEM	PART NUMBER	QTY	DESCRIPTION	REV
	1001206467	Ref	HOODS AND LADDERS INSTALLATION (430LRT)	L
1	0100011	AR	Compound, Locking	
2	0641609	AR	Bolt 3/8 x 1-1/8	
3	0681814	AR	Bolt 1/2 x 1-3/4 Grade 8	
4	0760610	AR	Bolt M6 x 20	
5	0761014	AR	Bolt M10 x 30	
6	0761615	AR	Bolt M16 x 35	
7	0940049	8	Stopper	
8	2600216	8	Hinge	
9	3271805	AR	Nut 1/2 Grade 8	
10	3290505	AR	Nut M5	
11	3290605	AR	Nut M6	
12	3291005	AR	Nut M10	
13	3291605	AR	Nut M16	
14	3311501	AR	Nut 5/16	
15	3311605	AR	Nut 3/8	
16	4751600	AR	Washer 3/8	
17	4811700	AR	Washer M6	
18	4811702	AR	Washer M6	
19	4812000	AR	Washer M10	
20	4812002	AR	Washer M10	
21	4812300	AR	Washer M16	
22	4891800	AR	Washer 1/2	
23	1001093383	4	Latch	
24	1001099125	32	Screw M5 x 16 Grade 10.9	
25	1001167469	2	Ladder	
26	1001219882	4	Bracket, Latch	
27	1001183416	1	Tube, Exhaust	
28	1001204140	2	Ladder	
29	1001204145	2	Door (Rear)	
30	1001204146	1	Door (Tank Side Front)	
31	1001204147	1	Door (Engine Side Front)	
32	1001204224	NLA	Cover (Engine Side) (Prior to SN 0200268060)	
32	1001239222	1	Cover (Engine Side) (SN 0200268060 through 0200269765)	
33	1001204236	1	Cover (Tank Side)	
34	1001204248	1	Bracket, Ground Control Box	
35	1001204382	AR	Support, Ladder	
36	1001209208	1	Support, Harness	
37	1001218727	1	Bracket, Generator	
40	1001110433	37.2 in/ 94.5cm	Seal	
41	1001218729	1	Bracket, Generator	
42	1001226221	1	Plate, Access	
43	1001225258	1	Insulate (Right)	
44	1001225256	1	Insulate (Prior to SN 0200268060)	
44	1001228471	1	Insulate (SN 0200268060 through 0200269765)	
45	1001225257	1	Insulate (Left)	
46	3311502	AR	Nut 5/16 Grade 2	
47	4711500	AR	Washer 5/16	
48	0760612	AR	Bolt M6 x 25	

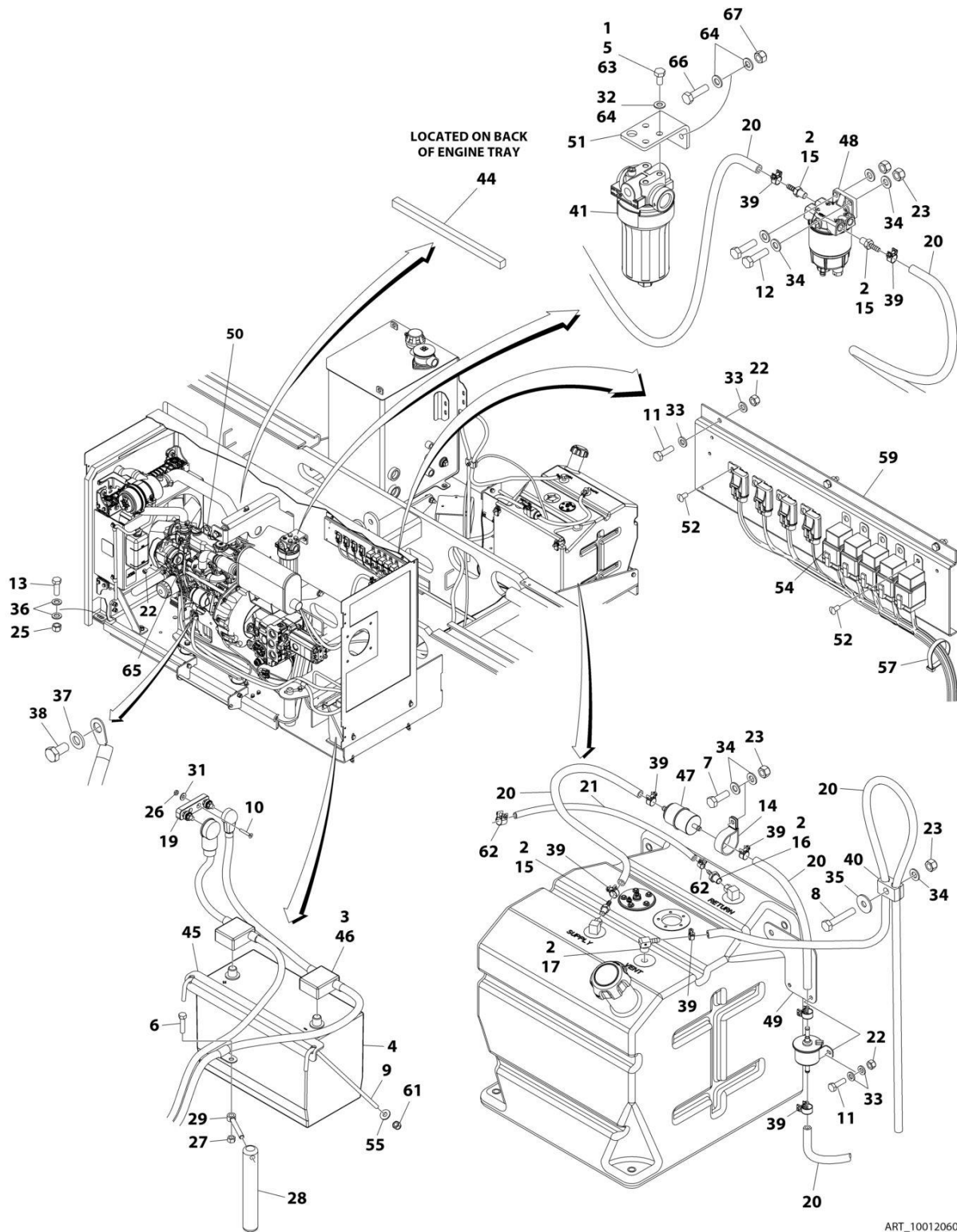
SECTION 2 - GROUND CONTROLS

ITEM	PART NUMBER	QTY	DESCRIPTION	REV
49	4060803	7.4 in /19cm	Shield, Flex Trim	
50	5240600	AR	Washer M6	
51	1001237907	1	Bracket, Ladder Support (SN 0200268060 through 0200269765)	
52	1001237908	1	Bracket, Hood Support (SN 0200268060 through 0200269765)	

SECTION 3 - ENGINE

SECTION 3 - ENGINE

FIGURE 3-1. ENGINE INSTALLATION - KUBOTA DIESEL STAGE III (Prior to SN 0200268705)



ART_1001206036

SECTION 3 - ENGINE

FIGURE 3-1. ENGINE INSTALLATION - KUBOTA DIESEL STAGE III (Prior to SN 0200268705)

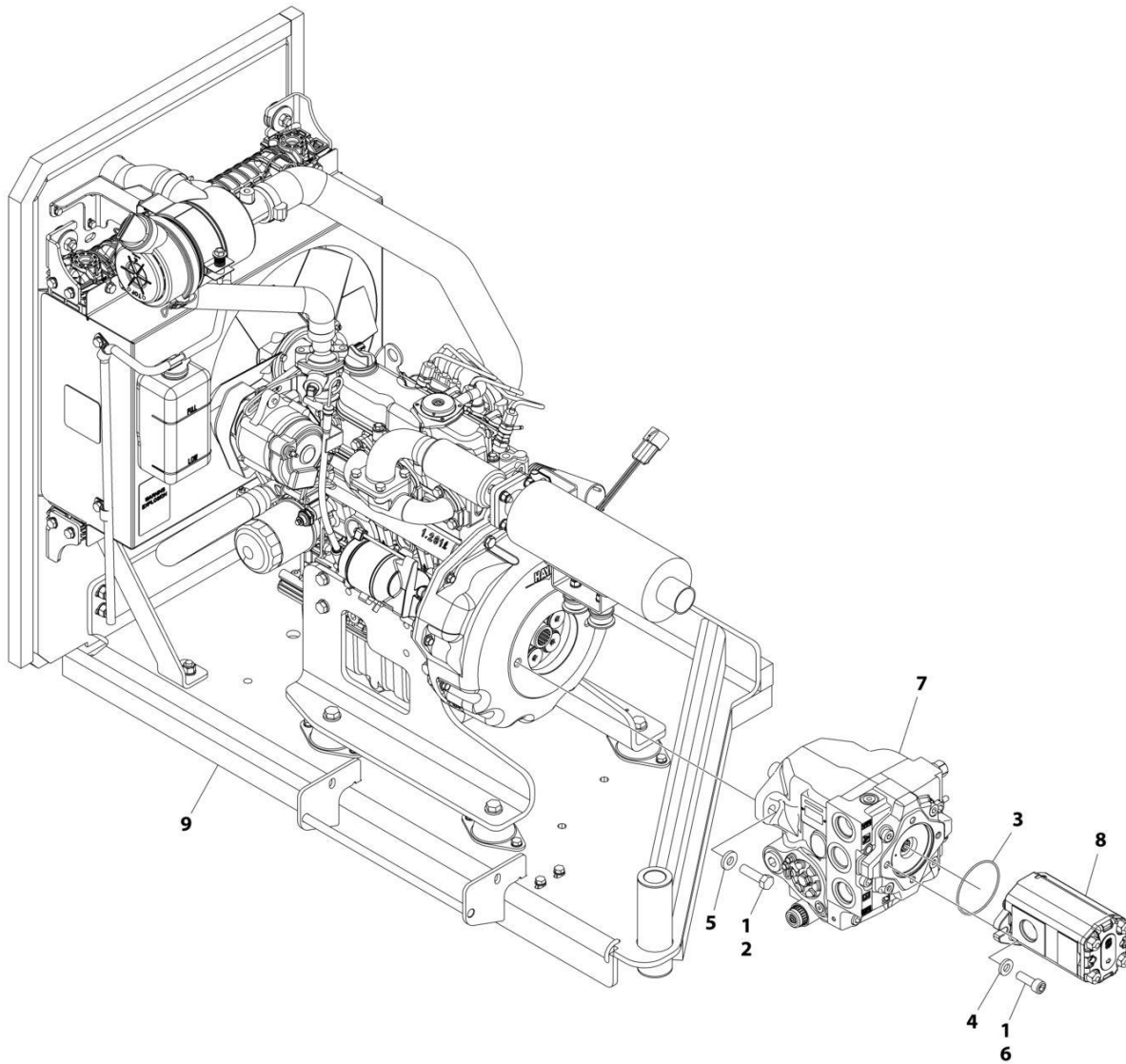
ITEM	PART NUMBER	QTY	DESCRIPTION	REV
	1001206036	Ref	ENGINE INSTALLATION - KUBOTA DIESEL STAGE III	M
1	0100011	AR	Compound, Locking	
2	0100020	AR	Sealant	
3	0100051	AR	Grease, Terminal	
4	0400075	1	Battery	
5	0641605	4	Bolt 3/8 x 5/8 (Prior to SN 0200266880)	
6	0641612	AR	Bolt 3/8 x 1-1/2	
7	0700812	AR	Bolt M8 x 25	
8	0700817	AR	Bolt M8 x 45	
9	1001093382	2	J-Bolt	
10	0741010	AR	Screw #10 x 1-1/4	
11	0760610	AR	Bolt M6 x 20	
12	0760814	AR	Bolt M8 x 30	
13	0761617	AR	Bolt M16 x 45	
14	1320265	1	Clamp	
15	2180348	3	Fitting, Straight NPT x Barbed	
16	2180666	1	Fitting, Straight NPT x Barbed	
17	1001208764	1	Fitting, 90 NPT x Barbed	
18	2300004	AR	Coolant (Not Shown)	
19	2400044	1	Block, Fuse Mounting	
20	2720058	242 in/ 6.2m	Hose	
21	2720271	136 in/ 3.5m	Hose	
22	3290605	AR	Nut M6	
23	3290805	AR	Nut M8	
25	3291605	AR	Nut M16	
26	3300408	AR	Nut	
27	3311605	AR	Nut 3/8	
28	3422669	1	Pin	
29	3841143	1	Keeper, Pin	
31	4711400	AR	Washer 1/4	
32	4711600	AR	Washer 3/8	
33	4811700	10	Washer M6	
34	4811900	11	Washer M8	
35	4811902	AR	Washer M8	
36	4812300	AR	Washer M16	
37	5241000	AR	Washer M10	
38	8303511	AR	Capscrew M10 x 20	
39	1001174486	9	Clamp	
40	8750014	1	Clamp	
41	1001102987	1	Filter, Charge Pump (Prior to SN 0200266880)	
41	1001208874	1	Filter, Charge Pump (SN 0200266880 through 0200268705)	
41	70010383	1	Element, Filter	
42	1001159301	AR	Oil, Engine (Not Shown)	
44	1001183421	1	Foam, Baffle	
45	1001184065	1	Bracket, Hold Down	
46	1001186428	1	Battery Cable Kit (See Separate Breakdown in ELECTRICAL SECTION)	
47	1001190545	1	Filter, Fuel	

SECTION 3 - ENGINE

ITEM	PART NUMBER	QTY	DESCRIPTION	REV
48	1001190609	1	Fuel/Water Separator Assembly - Diesel Engines (See Separate Breakdown in this Section)	
49	1001191146	1	Bracket	
50	1001206051	1	Engine and Pump Sub-Assembly - Kubota Diesel Stage III (See Separate Breakdown in this Section) (Prior to SN 0200268705)	
51	1001206686	1	Bracket (Prior to SN 0200268060)	
51	1001194836	1	Bracket (SN 0200268060 through 0200268705)	
52	3820020	AR	Rivet	
53	3290505	AR	Nut M5 (Not Shown)	
54	3740080	5	Relay	
55	4751500	AR	Washer 5/16	
57	4240018	AR	Tie-Strap	
58	4811600	AR	Washer M5 (Not Shown)	
59	1001185125	1	Plate	
60	1001209064	1	Engine Harness - Kubota Diesel Stage III (Not Shown - See Separate Breakdown in ELECTRICAL SECTION) (Prior to SN 0200267917)	
60	1001236545	1	Engine Harness - Kubota Diesel Stage III (Not Shown - See Separate Breakdown in ELECTRICAL SECTION) (SN 0200267917 through 0200268705)	
61	88521205	AR	Nut 5/16	
62	1001185585	2	Clamp	
63	0761010	AR	Bolt, M10 x 20	
64	4812000	AR	Washer M10	
65	1001234069	1	Harness, Fusible Link (SN 0200267917 through 0200268705)	
66	0761014	AR	Bolt M10 x 30 (SN 0200268060 through 0200268705)	
67	3291005	AR	Locknut M10 (SN 0200268060 through 0200268705)	

SECTION 3 - ENGINE

FIGURE 3-2. ENGINE AND PUMP SUB-ASSEMBLY - KUBOTA DIESEL STAGE III (Prior to SN 0200268705)



ART_1001206051

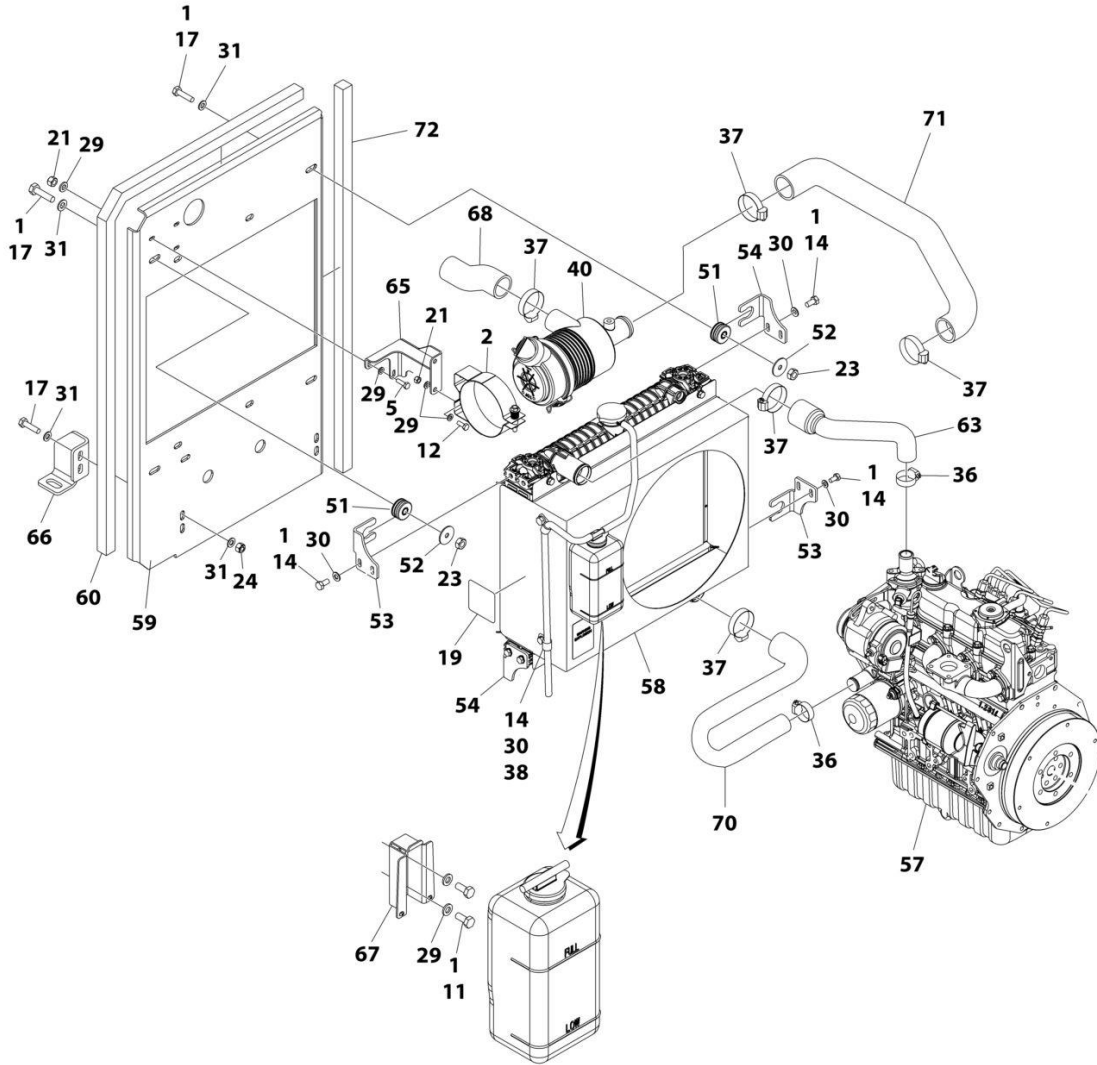
SECTION 3 - ENGINE

FIGURE 3-2. ENGINE AND PUMP SUB-ASSEMBLY - KUBOTA DIESEL STAGE III (Prior to SN 0200268705)

ITEM	PART NUMBER	QTY	DESCRIPTION	REV
	1001206051	Ref	ENGINE AND PUMP SUB-ASSEMBLY - KUBOTA DIESEL STAGE III	F
1	0100011	AR	Compound, Locking	
2	0641814	2	Bolt 1/2 x 1-3/4	
3	3790152	1	O-Ring	
4	4891600	2	Washer 3/8	
5	4891800	2	Washer 1/2	
6	83191040	2	Capscrew M10 x 30	
7	1001101331	1	Piston Pump Assembly (See Separate Breakdown in this Section)	
8	1001181393	NLA	Gear Pump Assembly (Use p/n 1001239200)	
8	7023929	1	Seal Kit - 1001181393 & 1001239200 Pump (Note: Seal Kit is only service component available)	
9	1001205969	1	Engine Assembly - Kubota Diesel Stage III (See Separate Breakdown in this Section)	

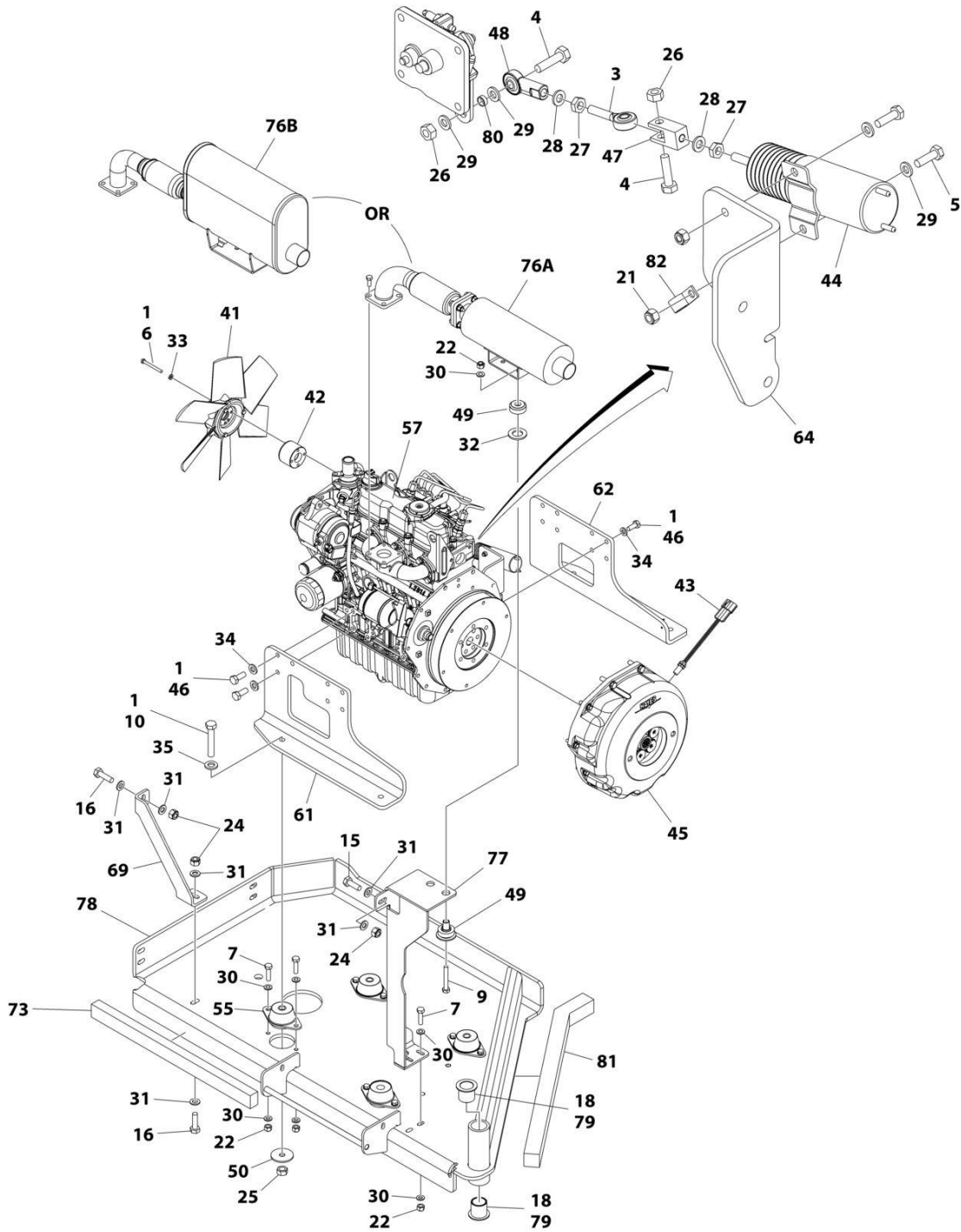
SECTION 3 - ENGINE

FIGURE 3-3. ENGINE ASSEMBLY - KUBOTA DIESEL STAGE III (Prior to SN 0200268705)



ART_1001205969_10F2

SECTION 3 - ENGINE



ART_1001205969_20F2

SECTION 3 - ENGINE

FIGURE 3-3. ENGINE ASSEMBLY - KUBOTA DIESEL STAGE III (Prior to SN 0200268705)

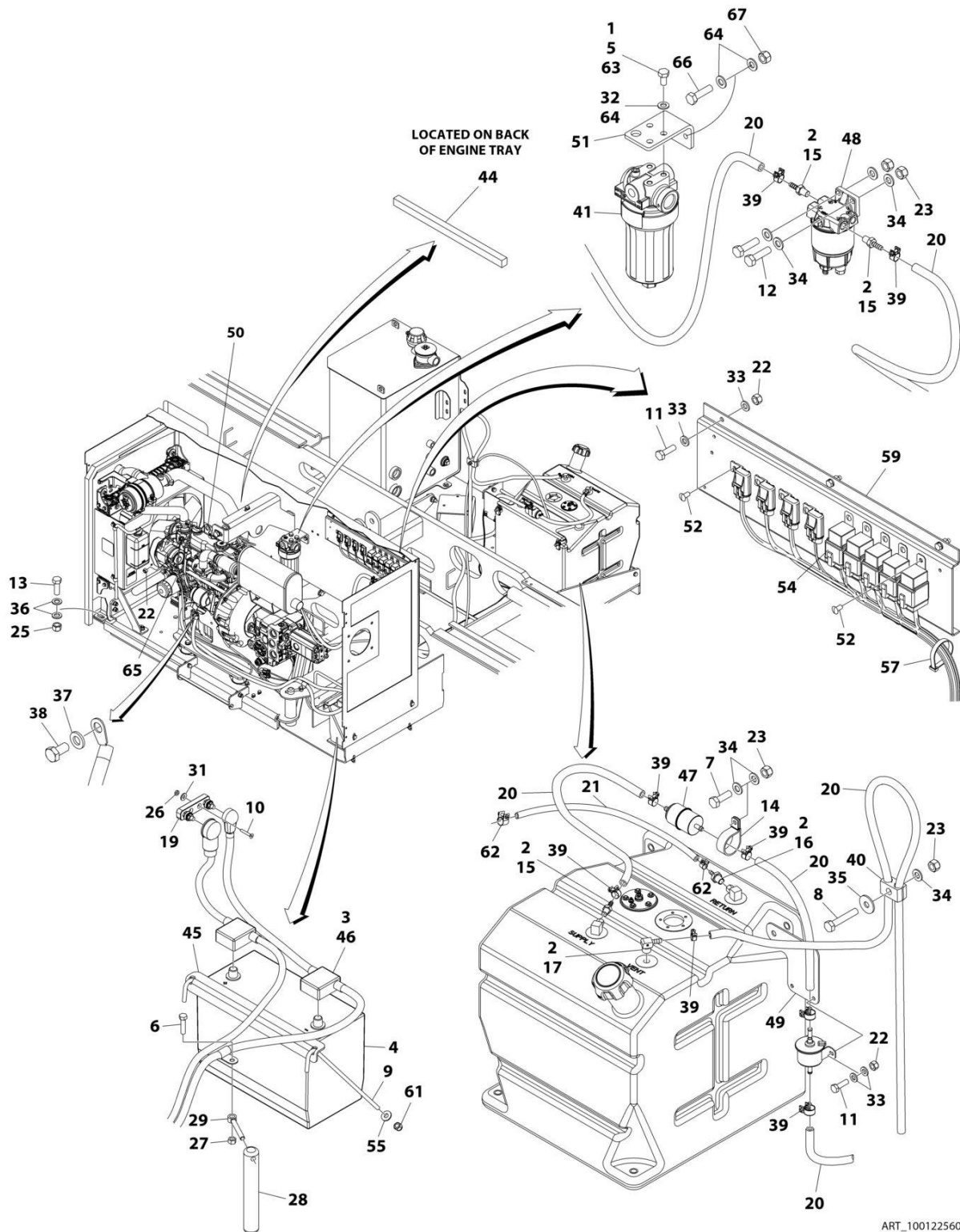
ITEM	PART NUMBER	QTY	DESCRIPTION	REV
	1001205969	Ref	ENGINE ASSEMBLY - KUBOTA DIESEL STAGE III	K
1	0100011	AR	Compound, Locking	
2	0340045	1	Band, Mounting	
3	0440334	1	End, Rod	
4	0641408	2	Bolt 1/4 x 1	
5	0700610	5	Bolt M6 x 20	
6	0700620	4	Bolt M6 x 60	
7	0700814	10	Bolt M8 x 30	
9	0700819	2	Bolt M8 x 55	
10	0701222	4	Bolt M12 x 70	
11	0760607	2	Bolt M6 x 14	
12	0760608	AR	Bolt M6 x 16	
12	0760810	AR	Bolt M8 x 20	
14	0760808	10	Bolt M8 x 16	
15	0761014	1	Bolt M10 x 30	
16	0761015	4	Bolt M10 x 35	
17	0761016	6	Bolt M10 x 40	
18	0961986	2	Bearing	
19	1703162	2	Decal - Fan Blade	
21	3290605	AR	Nut M6	
22	3290805	AR	Nut M8	
23	3291001	4	Nut M10	
24	3291005	7	Nut M10	
25	3291201	4	Nut M12	
26	3311405	2	Nut 1/4	
27	3321402	2	Nut 1/4	
28	4761400	2	Washer 1/4	
29	4811700	AR	Washer M6	
30	4811900	AR	Washer M8	
31	4812000	18	Washer M10	
32	4812500	2	Washer M20	
33	5240600	4	Washer M6	
34	5241000	8	Washer M10	
35	5241200	4	Washer M12	
36	8405101	2	Clamp	
37	8405104	5	Clamp	
38	85941016	2	Clamp	
40	1001118280	1	Air Filter Assembly	
40	7015004	2	Element	
40	7015005	1	Cover Assembly	
40	1340069	1	Valve, Vacuator	
41	1001118538	1	Fan	
42	1001118539	2	Spacer, Fan	
43	1001118580	1	Sensor, Speed	
44	1001118582	1	Actuator, Throttle	
45	1001118675	1	Coupling Kit - Diesel Engines (See Separate Breakdown in this Section)	
46	1001118746	8	Bolt M10 x 25	
47	1001118881	1	Clevis	
48	1001118925	1	End, Rod	

SECTION 3 - ENGINE

ITEM	PART NUMBER	QTY	DESCRIPTION	REV
49	1001125248	2	Mount, Engine	
50	1001168018	4	Washer	
51	1001169054	4	Isolator	
52	1001169138	AR	Pad	
53	1001169967	2	Bracket	
54	1001170035	2	Bracket	
55	1001187235	4	Mount, Motor	
57	1001224201	1	Engine, Kubota Diesel Stage III (See Separate Breakdown in this Section)	
58	1001220957	1	Radiator & Shroud Assembly	
58	1001198726	1	Radiator	
58	70007502	1	Valve, Drain	
58	1001220959	1	Shroud	
59	1001181658	1	Plate, Radiator	
60	1001227285	1	Seal	
61	1001182976	1	Mount, Engine (LH)	
62	1001182977	1	Mount, Engine (RH)	
63	1001182978	1	Tube, Inlet	
64	1001182979	1	Bracket, Throttle Cylinder	
65	1001182980	1	Bracket, Air Cleaner	
66	1001182981	1	Bracket, Tray	
67	1001182982	1	Mount	
68	1001182983	1	Tube, Intake	
69	1001182984	1	Bracket, Support	
70	1001182985	1	Tube, Outlet	
71	1001182987	1	Tube, Air Intake	
72	1001183420	1	Foam, Baffle	
73	1001183424	1	Foam, Baffle	
76A	1001195594	1	Muffler (Prior to SN 0200267917)	
76B	1001234950	1	Muffler (SN 0200267917 through 0200268705)	
77	1001195600	1	Bracket, Muffler	
78	1001205968	1	Tray	
79	0100062	AR	Adhesive (Prior to SN 0200267917)	
79	1001180620	AR	Adhesive (SN 0200267917 through 0200268705)	
80	1001128888	1	Washer	
81	1001184066	1	Foam, Baffle	
82	1320043	1	Clamp, Cable (SN 0200266880 through 0200268705)	

SECTION 3 - ENGINE

FIGURE 3-4. ENGINE INSTALLATION - KUBOTA DIESEL STAGE III WITH GENERATOR (Prior to SN 0200268705)



SECTION 3 - ENGINE

FIGURE 3-4. ENGINE INSTALLATION - KUBOTA DIESEL STAGE III WITH GENERATOR (Prior to SN 0200268705)

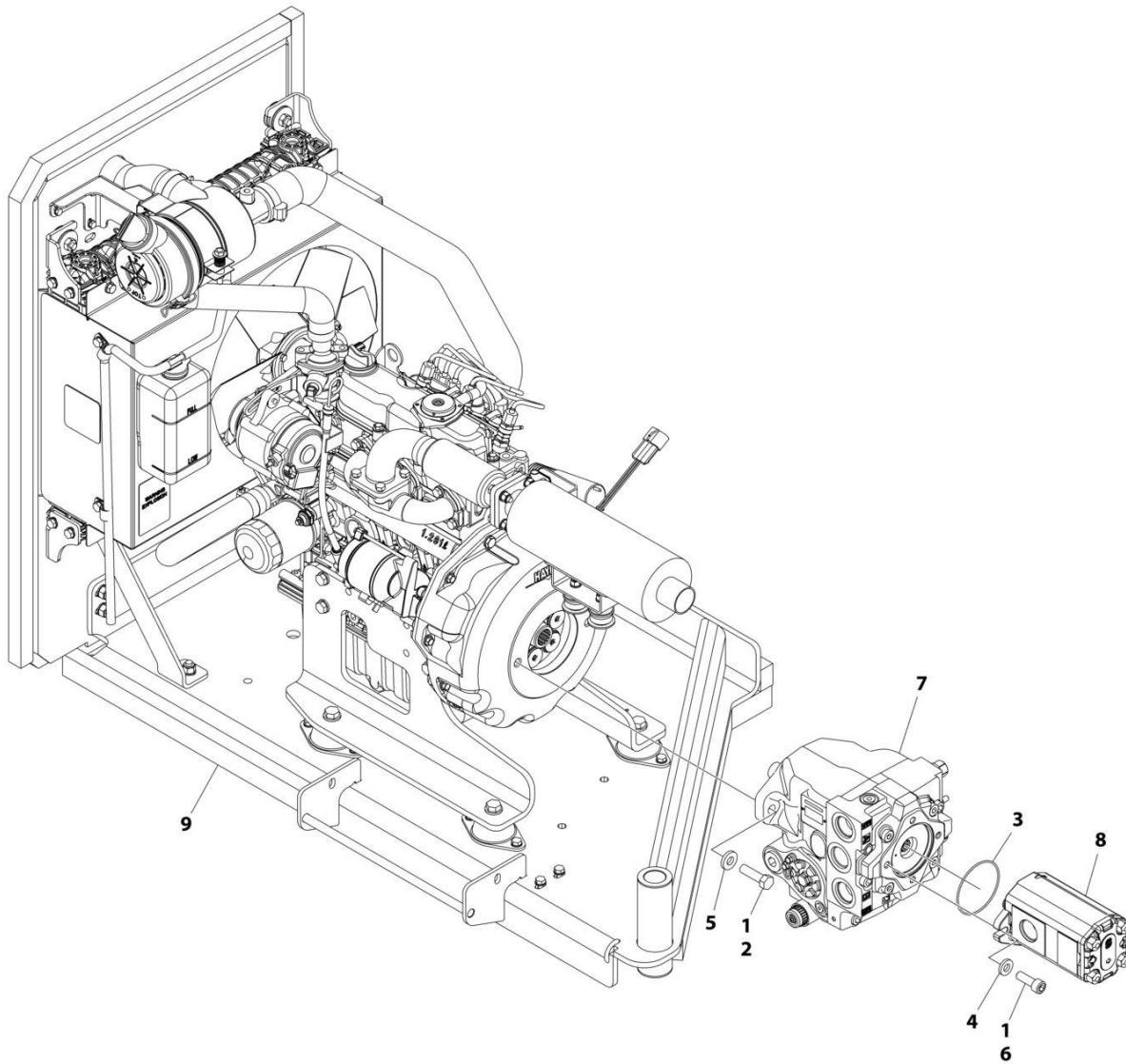
ITEM	PART NUMBER	QTY	DESCRIPTION	REV
	1001225609	Ref	ENGINE INSTALLATION - KUBOTA DIESEL STAGE III WITH GENERATOR	H
1	0100011	AR	Compound, Locking	
2	0100020	AR	Sealant	
3	0100051	AR	Grease, Terminal	
4	0400075	1	Battery	
5	0641605	4	Bolt 3/8 x 5/8 (Prior to SN 0200266880)	
6	0641612	AR	Bolt 3/8 x 1-1/2	
7	0700812	AR	Bolt M8 x 25	
8	0700817	AR	Bolt M8 x 45	
9	1001093382	2	J-Bolt	
10	0741010	AR	Screw #10 x 1-1/4	
11	0760610	AR	Bolt M6 x 20	
12	0760814	AR	Bolt M8 x 30	
13	0761617	AR	Bolt M16 x 45	
14	1320265	1	Clamp	
15	2180348	3	Fitting, Straight NPT x Barbed	
16	2180666	1	Fitting, Straight NPT x Barbed	
17	1001208764	1	Fitting, 90 NPT x Barbed	
18	2300004	AR	Coolant (Not Shown)	
19	2400044	1	Block, Fuse Mounting	
20	2720058	242 in/ 6.2m	Hose	
21	2720271	136 in/ 3.5m	Hose	
22	3290605	AR	Nut M6	
23	3290805	AR	Nut M8	
25	3291605	AR	Nut M16	
26	3300408	AR	Nut	
27	3311605	AR	Nut 3/8	
28	3422669	1	Pin	
29	3841143	1	Keeper, Pin	
31	4711400	AR	Washer 1/4	
32	4711600	AR	Washer 3/8	
33	4811700	10	Washer M6	
34	4811900	AR	Washer M8	
35	4811902	AR	Washer M8	
36	4812300	AR	Washer M16	
37	5241000	AR	Washer M10	
38	8303511	AR	Capscrew M10 x 20	
39	1001174486	9	Clamp	
40	8750014	1	Clamp	
41	1001102987	1	Filter, Charge Pump (Prior to SN 0200266880)	
41	1001208874	1	Filter, Charge Pump (SN 0200266880 through 0200268705)	
41	70010383	1	Element, Filter	
42	1001159301	AR	Oil, Engine (Not Shown)	
44	1001183421	1	Foam, Baffle	
45	1001184065	1	Bracket, Hold Down	
46	1001186428	1	Battery Cable Kit (See Separate Breakdown in ELECTRICAL SECTION)	

SECTION 3 - ENGINE

ITEM	PART NUMBER	QTY	DESCRIPTION	REV
47	1001190545	1	Filter, Fuel	
48	1001190609	1	Fuel/Water Separator Assembly - Diesel Engines (See Separate Breakdown in this Section)	
49	1001191146	1	Bracket	
50	1001225615	1	Engine and Pump Sub-Assembly - Kubota Diesel Stage III with Generator (See Separate Breakdown in this Section)	
51	1001206686	1	Bracket (Prior to SN 0200268060)	
51	1001194836	1	Bracket (SN 0200268060 through 0200268705)	
52	3820020	AR	Rivet	
53	3290505	1	Nut M5 (Not Shown)	
54	3740080	5	Relay	
55	4751500	AR	Washer 5/16	
57	4240018	AR	Tie-Strap	
58	4811600	1	Washer M5 (Not Shown)	
59	1001185125	1	Plate	
60	1001209064	1	Engine Harness - Kubota Diesel Stage III (Not Shown - See Separate Breakdown in ELECTRICAL SECTION) (Prior to SN 0200267917)	
60	1001236545	1	Engine Harness - Kubota Diesel Stage III (Not Shown - See Separate Breakdown in ELECTRICAL SECTION) (SN 0200267917 through 0200268705)	
61	88521205	AR	Nut 5/16	
62	1001185585	2	Clamp	
63	0761010	AR	Bolt M10 x 20	
64	4812000	AR	Washer M10	
65	1001234069	1	Harness, Fusible Link (SN 0200267917 through 0200268705)	
66	0761014	AR	Bolt M10 x 30 (SN 0200268060 through 0200268705)	
67	3291005	AR	Locknut M10 (SN 0200268060 through 0200268705)	

SECTION 3 - ENGINE

FIGURE 3-5. ENGINE AND PUMP SUB-ASSEMBLY - KUBOTA DIESEL STAGE III WITH GENERATOR
(Prior to SN 0200268705)



ART_1001225615

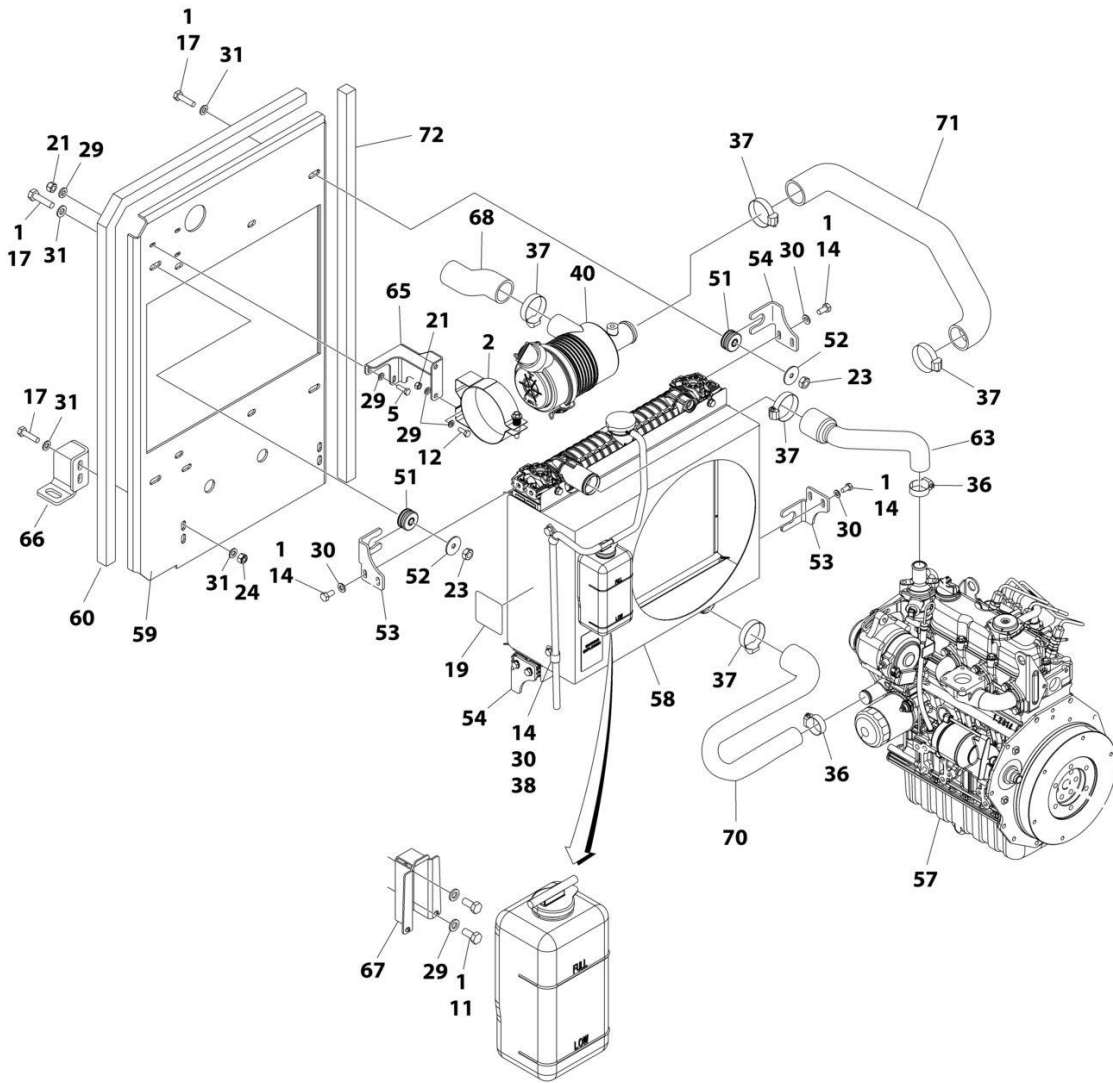
SECTION 3 - ENGINE

**FIGURE 3-5. ENGINE AND PUMP SUB-ASSEMBLY - KUBOTA DIESEL STAGE III WITH GENERATOR
(Prior to SN 0200268705)**

ITEM	PART NUMBER	QTY	DESCRIPTION	REV
	1001225615	Ref	ENGINE AND PUMP SUB-ASSEMBLY - KUBOTA DIESEL STAGE III WITH GENERATOR	D
1	0100011	AR	Compound, Locking	
2	0641814	2	Bolt 1/2 x 1-3/4	
3	3790152	1	O-Ring	
4	4891600	2	Washer 3/8	
5	4891800	2	Washer 1/2	
6	83191040	2	Capscrew M10 x 30	
7	1001101331	1	Piston Pump Assembly (See Separate Breakdown in this Section)	
8	1001181393	NLA	Gear Pump Assembly (Use p/n 1001239200)	
8	7023929	1	Seal Kit - 1001181393 & 1001239200 Pump (Note: Seal Kit is only service components available)	
9	1001225616	1	Engine Assembly - Kubota Diesel Stage III with Generator (See Separate Breakdown in this Section)	

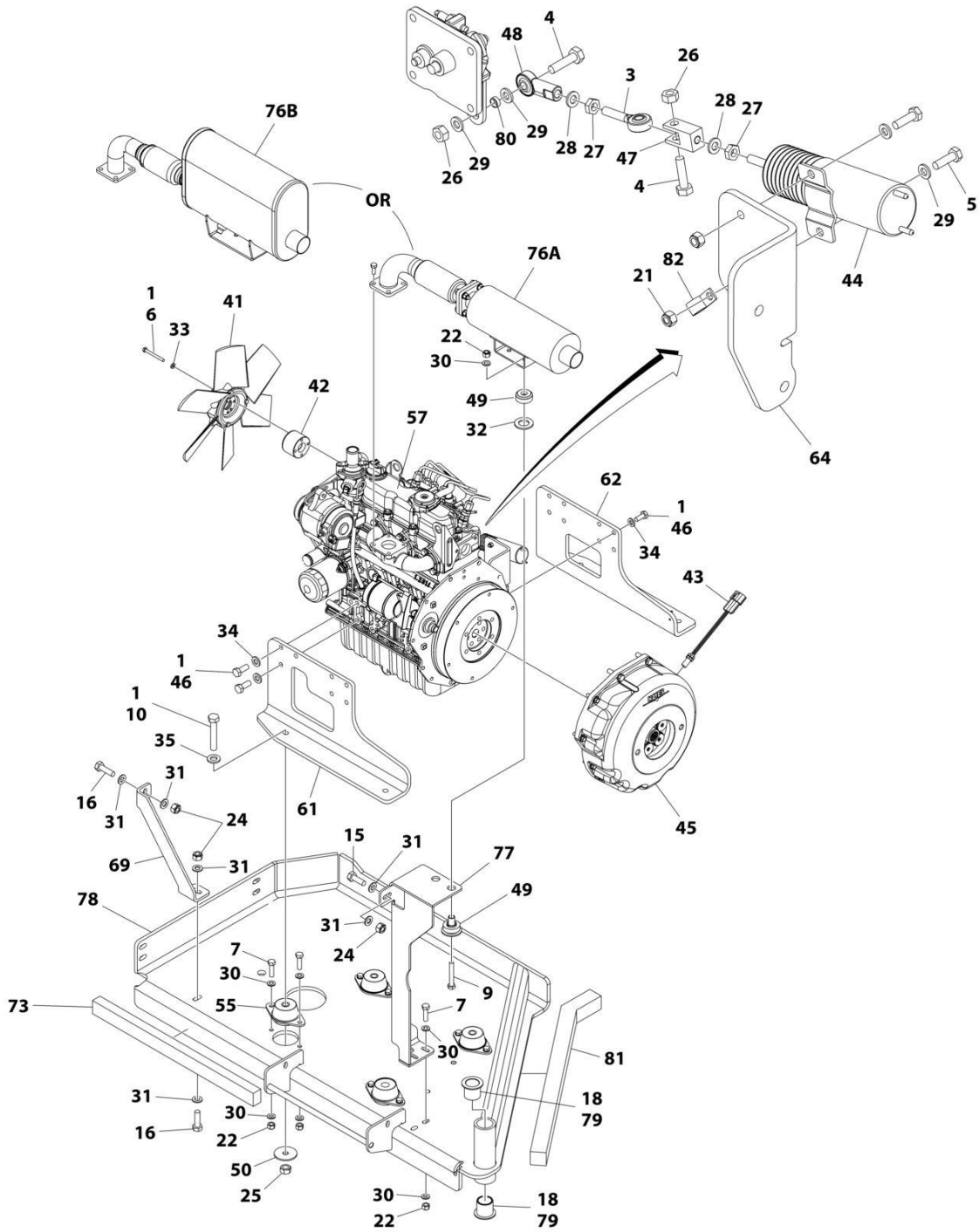
SECTION 3 - ENGINE

FIGURE 3-6. ENGINE ASSEMBLY - KUBOTA DIESEL STAGE III WITH GENERATOR (Prior to SN 0200268705)



ART_1001225616_10F2

SECTION 3 - ENGINE



ART_1001225616_2OF2

SECTION 3 - ENGINE

FIGURE 3-6. ENGINE ASSEMBLY - KUBOTA DIESEL STAGE III WITH GENERATOR (Prior to SN 0200268705)

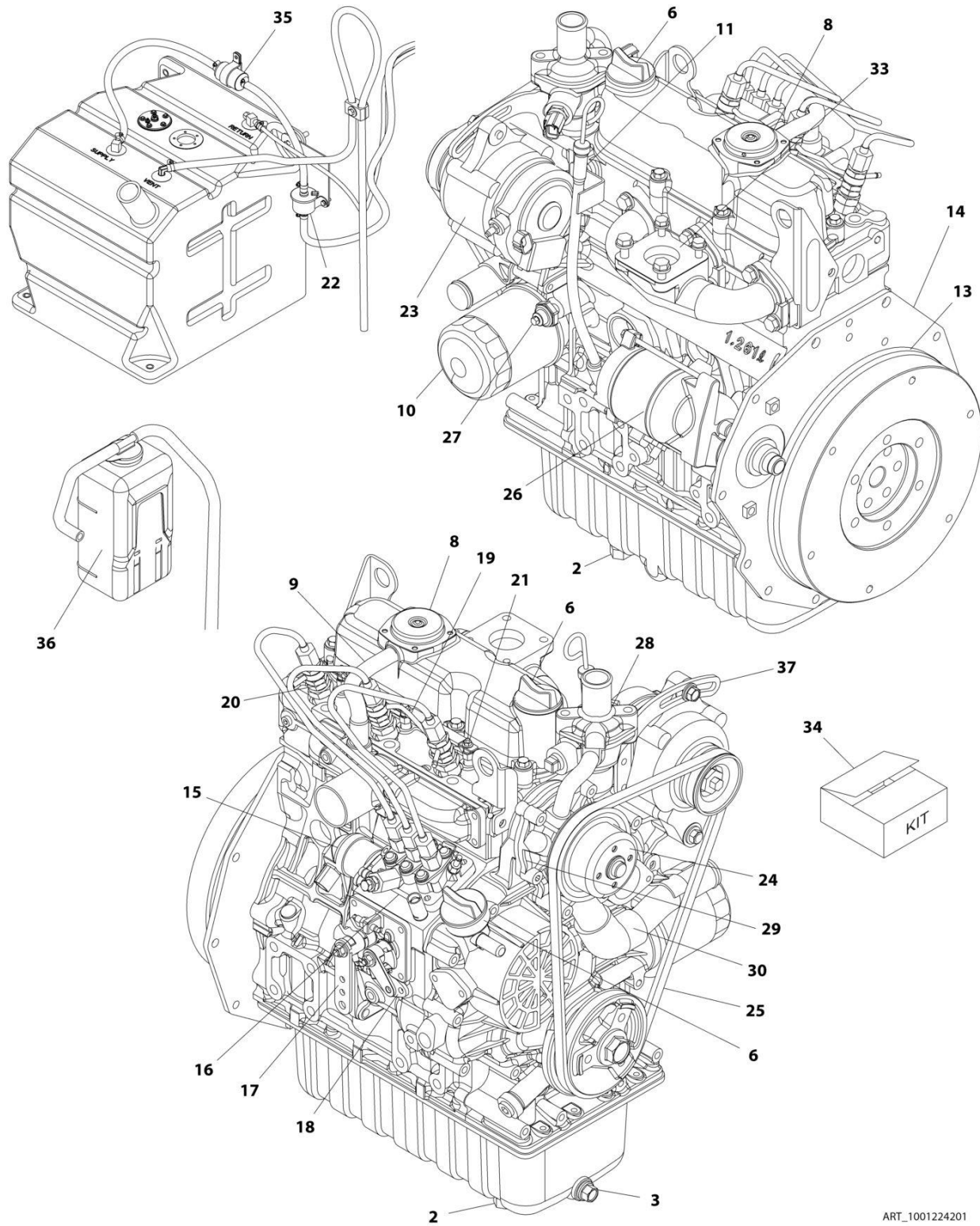
ITEM	PART NUMBER	QTY	DESCRIPTION	REV
	1001225616	Ref	ENGINE ASSEMBLY - KUBOTA DIESEL STAGE III WITH GENERATOR	H
1	0100011	AR	Compound, Locking	
2	0340045	1	Band, Mounting	
3	0440334	1	End, Rod	
4	0641408	2	Bolt 1/4 x 1	
5	0700610	5	Bolt M6 x 20	
6	0700620	4	Bolt M6 x 60	
7	0700814	10	Bolt M8 x 30	
9	0700819	2	Bolt M8 x 55	
10	0701222	4	Bolt M12 x 70	
11	0760607	2	Bolt M6 x 14	
12	0760608	AR	Bolt M6 x 16	
12	0760810	AR	Bolt M8 x 20	
14	0760808	10	Bolt M8 x 16	
15	0761014	1	Bolt M10 x 30	
16	0761015	4	Bolt M10 x 35	
17	0761016	6	Bolt M10 x 40	
18	0961986	2	Bearing	
19	1703162	2	Decal - Fan Blade	
21	3290605	AR	Nut M6	
22	3290805	AR	Nut M8	
23	3291001	4	Nut M10	
24	3291005	7	Nut M10	
25	3291201	4	Nut M12	
26	3311405	2	Nut 1/4	
27	3321402	2	Nut 1/4	
28	4761400	2	Washer 1/4	
29	4811700	AR	Washer M6	
30	4811900	AR	Washer M8	
31	4812000	18	Washer M10	
32	4812500	2	Washer M20	
33	5240600	4	Washer M6	
34	5241000	8	Washer M10	
35	5241200	4	Washer M12	
36	8405101	2	Clamp	
37	8405104	5	Clamp	
38	85941016	2	Clamp	
40	1001118280	1	Air Filter Assembly	
40	7015004	2	Element	
40	7015005	1	Cover Assembly	
40	1340069	1	Valve, Vacuator	
41	1001118538	1	Fan	
42	1001118539	1	Spacer, Fan	
43	1001118580	1	Spacer, Speed	
44	1001118582	1	Actuator, Throttle	
45	1001118675	1	Coupling Kit - Diesel Engines (See Separate Breakdown in this Section)	
46	1001118746	8	Bolt M10 x 25	

SECTION 3 - ENGINE

ITEM	PART NUMBER	QTY	DESCRIPTION	REV
47	100118881	1	Clevis	
48	100118925	1	End, Rod	
49	1001125248	2	Mount, Engine	
50	1001168018	4	Washer	
51	1001169054	4	Isolator	
52	1001169138	AR	Pad	
53	1001169967	2	Bracket	
54	1001170035	2	Bracket	
55	1001175509	4	Mount, Motor	
57	1001224201	1	Engine, Kubota Diesel Stage III (See Separate Breakdown in this Section)	
58	1001220957	1	Radiator & Shroud Assembly	
58	1001198726	1	Radiator	
58	70007502	1	Valve, Drain	
58	1001220959	1	Shroud	
59	1001181658	1	Plate, Radiator	
60	1001227285	1	Seal	
61	1001182976	1	Mount, Engine (LH)	
62	1001182977	1	Mount, Engine (RH)	
63	1001182978	1	Tube, Inlet	
64	1001182979	1	Bracket, Throttle Cylinder	
65	1001182980	1	Bracket, Air Cleaner	
66	1001182981	1	Bracket, Tray	
67	1001182982	1	Mount	
68	1001182983	1	Tube, Intake	
69	1001182984	1	Bracket, Support	
70	1001182985	1	Tube, Outlet	
71	1001182987	1	Tube, Air Intake	
72	1001183420	1	Foam, Baffle	
73	1001183424	1	Foam, Baffle	
76A	1001195594	1	Muffler (Prior to SN 0200267917)	
76B	1001234950	1	Muffler (SN 0200267917 through 0200268705)	
77	1001195600	1	Bracket, Muffler	
78	1001205968	1	Tray	
79	0100062	AR	Adhesive (Prior to SN 0200267917)	
79	1001180620	AR	Adhesive (SN 0200267917 through 0200268705)	
80	1001128888	1	Washer	
81	1001184066	1	Foam, Baffle	
82	1320043	1	Clamp, Cable (SN 0200266880 through 0200268705)	

SECTION 3 - ENGINE

FIGURE 3-7. ENGINE COMPONENTS - KUBOTA DIESEL STAGE III (Prior to SN 0200268705)



ART_1001224201

SECTION 3 - ENGINE

FIGURE 3-7. ENGINE COMPONENTS - KUBOTA DIESEL STAGE III (Prior to SN 0200268705)

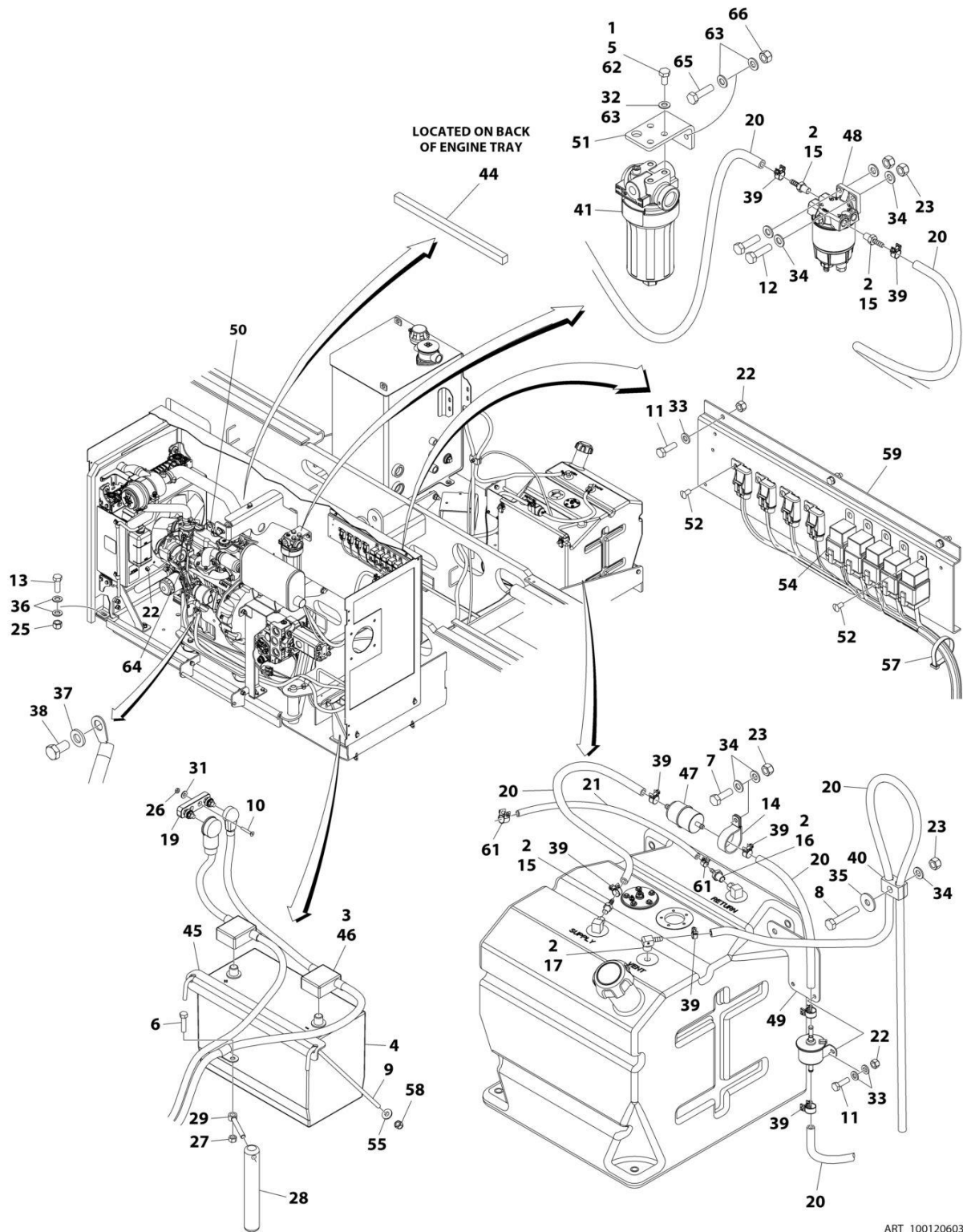
ITEM	PART NUMBER	QTY	DESCRIPTION	REV
	1001224201	Ref	ENGINE COMPONENTS - KUBOTA DIESEL STAGE III	F
1	70004524	1	Drain (Not Shown)	
2	7023154	1	Plug, Drain	
2	70002315	1	Seal, Plug	
3	70004525	1	Plug, Drain	
3	70004526	1	Gasket	
4	70005220	1	Gasket, Cylinder Head (Not Shown)	
5	7023157	1	Seal, Front Main (Not Shown)	
6	70002318	2	Cap, Oil Fill	
6	70004311	2	O-Ring	
7	70005221	1	Gasket, Valve Cover (Not Shown)	
8	70003060	1	Valve, Breather	
8	70003061	1	Cover, Breather	
8	7017934	4	Screw	
9	70002316	1	Pipe, Water Return	
9	70002317	1	Tube, Breather	
9	70004530	1	Clamp, Hose	
9	70004531	1	Band, Pipe	
10	70004395	1	Filter, Oil	
11	70005222	1	Dipstick	
11	70005223	1	Tube, Dipstick	
12	7017928	1	Seal, Rear Main (Not Shown)	
13	70005224	1	Gear, Ring	
14	70002419	1	Plate, Rear End	
15	7025479	1	Solenoid, Stop	
16	7023164	1	Pump, Injection	
16	70002319	1	Shim, Injection	
16	70002320	1	Shim, Injection	
16	70002321	1	Shim, Injection Pump	
16	70002322	1	Shim, Injection Pump	
16	70002323	1	Shim, Injection Pump	
16	7017945	1	Joint, Eye	
17	7023136	1	Spring, Governor	
17	70004396	1	Control, Speed	
17	70004397	1	Gasket	
18	7023165	1	Gasket	
19	70004536	1	Pipe, Over Flow	
19	70004537	1	Screw, Air Bleeder	
19	70004538	1	Seal	
19	70004539	1	Pipe, Over Flow	
20	70004399	3	Holder, Nozzle	
20	70004540	3	Nut	
20	7023167	3	Gasket	
20	7023168	3	Seal, Heat	
21	70002324	3	Plug, Glow	
21	70004544	1	Cord, Glow Plug	
22	70005228	1	Fuel Pump Assembly - Electric	
23	70006661	1	Alternator - 60Amp	
24	7023140	1	Pulley, Fan	
25	70006665	1	V-Belt	

SECTION 3 - ENGINE

ITEM	PART NUMBER	QTY	DESCRIPTION	REV
26	7023144	1	Starter	
27	7017901	1	Switch, Oil	
28	70003064	1	Sensor, Water Temperature	
28	70003063	1	Washer, Seal	
28	70004829	1	Pipe, Water Return	
28	7023145	1	Gasket, Water Flange	
28	7017958	1	Hose, Water Return	
28	7023170	1	Thermostat	
28	70002326	1	Gasket Thermostat	
29	70002327	1	Pump, Water	
29	70002328	1	Gasket, Water Pump	
30	7017963	1	Pipe, Water	
30	70002330	1	Pipe, Water	
31	7023149	1	Gasket, Inlet Manifold (Not Shown)	
32	7023148	1	Gasket, Exhaust Manifold (Not Shown)	
33	7023124	1	Gasket, Muffler	
33	70004415	4	Bolt	
34	70005226	1	Upper Gasket Kit	
34	70005227	1	Lower Gasket Kit	
35	7017992	1	Fuel, Filter	
36	70005229	1	Tank, Coolant Reserve	
37	70006664	1	Arm, Adjustment	

SECTION 3 - ENGINE

FIGURE 3-8. ENGINE INSTALLATION - KUBOTA DIESEL T4F



SECTION 3 - ENGINE

FIGURE 3-8. ENGINE INSTALLATION - KUBOTA DIESEL T4F

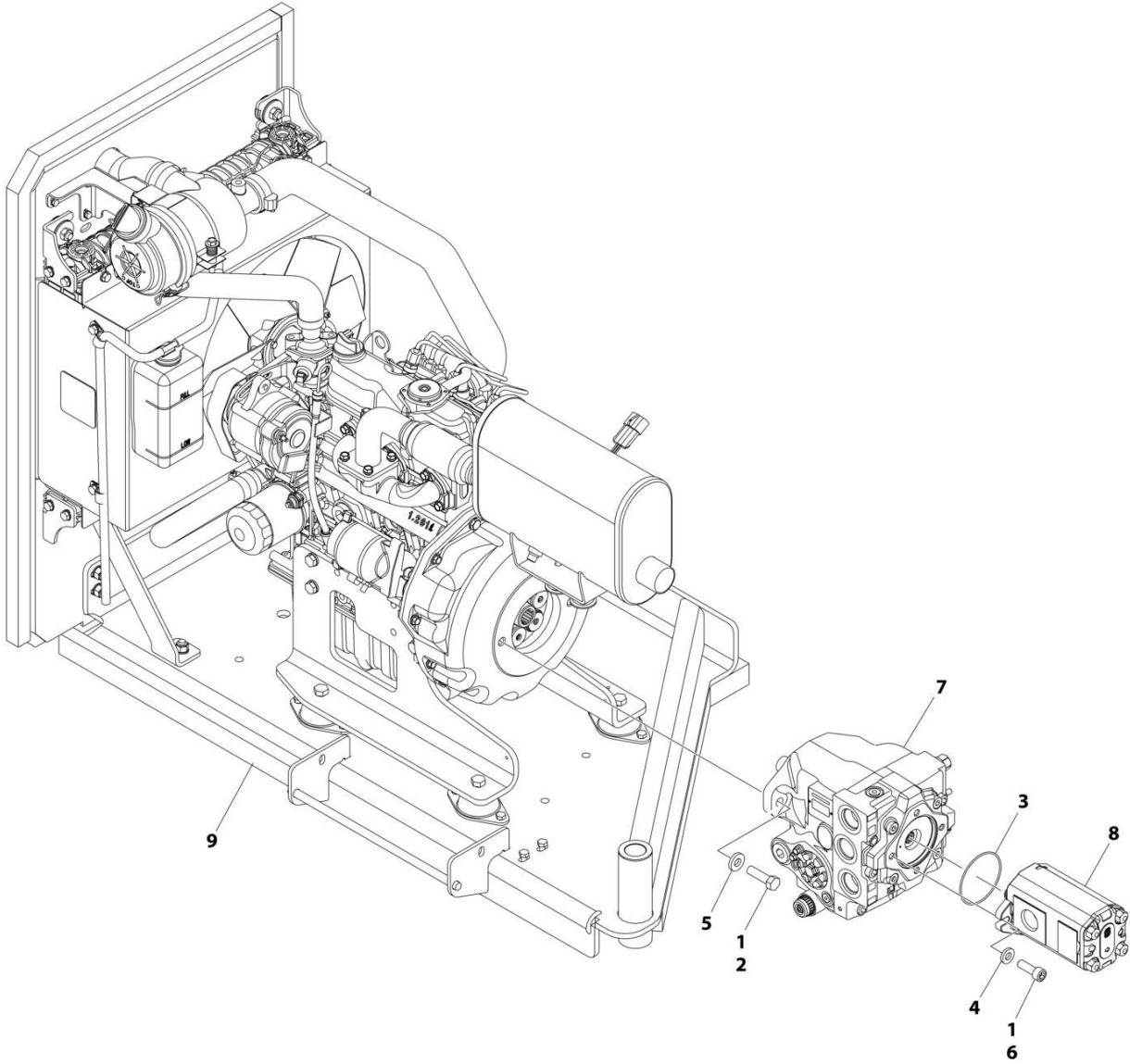
ITEM	PART NUMBER	QTY	DESCRIPTION	REV
	1001206034	Ref	ENGINE INSTALLATION - KUBOTA DIESEL STAGE T4F	M
1	0100011	AR	Compound, Locking	
2	0100020	AR	Sealant	
3	0100051	AR	Grease, Terminal	
4	0400075	1	Battery	
5	0641605	AR	Bolt 3/8 x 5/8	
6	0641612	AR	Bolt 3/8 x 1-1/2	
7	0700812	AR	Bolt M8 x 25	
8	0700817	AR	Bolt M8 x 45	
9	1001093382	2	J-Bolt	
10	0741010	AR	Screw #10 x 1-1/4	
11	0760610	AR	Bolt M6 x 20	
12	0760814	AR	Bolt M8 x 30	
13	0761617	AR	Bolt M6 x 45	
14	1320265	1	Clamp	
15	2180348	3	Fitting, Straight NPT x Barbed	
16	2180666	1	Fitting, Straight NPT x Barbed	
17	1001208764	1	Fitting, 90 NPT x Barbed	
18	2300004	AR	Coolant (Not Shown)	
19	2400044	1	Block, Fuse Mounting	
20	2720058	242 in/ 6.2m	Hose	
21	2720271	136 in/ 3.5m	Hose	
22	3290605	AR	Nut M6	
23	3290805	AR	Nut M8	
25	3291605	AR	Nut M16	
26	3300408	AR	Nut	
27	3311605	AR	Nut 3/8	
28	3422669	1	Pin	
29	3841143	1	Keeper, Pin	
31	4711400	AR	Washer 1/4	
32	4711600	AR	Washer 3/8	
33	4811700	AR	Washer M6	
34	4811900	AR	Washer M8	
35	4811902	AR	Washer M8	
36	4812300	AR	Washer M16	
37	5241000	AR	Washer M10	
38	8303511	AR	Capscrew M10 x 20	
39	1001174486	9	Clamp	
40	8750014	1	Clamp	
41	1001102987	1	Filter, Charge Pump (Prior to SN 0200266880)	
41	1001208874	1	Filter, Charge Pump (SN 0200266880 through 0200269765)	
41	70010383	1	Element, Filter	
42	1001159301	AR	Oil, Engine (Not Shown)	
44	1001183421	1	Foam, Baffle	
45	1001184065	1	Bracket, Hold Down	
46	1001186428	1	Battery Cable Kit (See Separate Breakdown in ELECTRICAL SECTION)	
47	1001190545	1	Filter, Fuel	

SECTION 3 - ENGINE

ITEM	PART NUMBER	QTY	DESCRIPTION	REV
48	1001190609	1	Fuel/Water Separator Assembly - Diesel Engines (See Separate Breakdown in this Section)	
49	1001191146	1	Bracket	
50	1001206050	NLA	Engine and Pump Sub-Assembly - Kubota Diesel T4F (Use p/n 1001238772) (See Separate Breakdown in this Section) (Prior to SN 0200268660)	
50	1001238772	1	Engine and Pump Sub-Assembly – Kubota Diesel T4F (See Separate Breakdown in this Section) (SN 0200268660 through 0200269765)	
51	1001206686	1	Bracket (Prior to SN 0200268060)	
51	1001194836	1	Bracket (SN 0200268060 through 0200269765)	
52	3820020	9	Rivet	
54	3740080	5	Relay	
55	4751500	AR	Washer 5/16	
57	4240018	AR	Tie-Strap	
58	88521205	2	Nut 5/16	
59	1001185125	1	Plate	
60	1001209064	1	Engine Harness - Kubota Diesel T4F (Not Shown - See Separate Breakdown IN ELECTRICAL SECTION) (Prior to SN 0200267917)	
60	1001236545	1	Engine Harness - Kubota Diesel T4F (Not Shown - See Separate Breakdown IN ELECTRICAL SECTION) (SN 0200267917 through 0200269765)	
61	1001185585	2	Clamp	
62	0761010	AR	Bolt M10 x 20	
63	4812000	AR	Washer M10	
64	1001234069	1	Harness, Fusible Link (SN 0200267917 through 0200269765)	
65	0761014	AR	Bolt M10 x 30 (SN 0200268060 through 0200269765)	
66	3291005	AR	Locknut M10 (SN 0200268060 through 0200269765)	

SECTION 3 - ENGINE

FIGURE 3-9. ENGINE AND PUMP SUB-ASSEMBLY - KUBOTA DIESEL T4F (Prior to SN 0200268660)



ART_1001206050

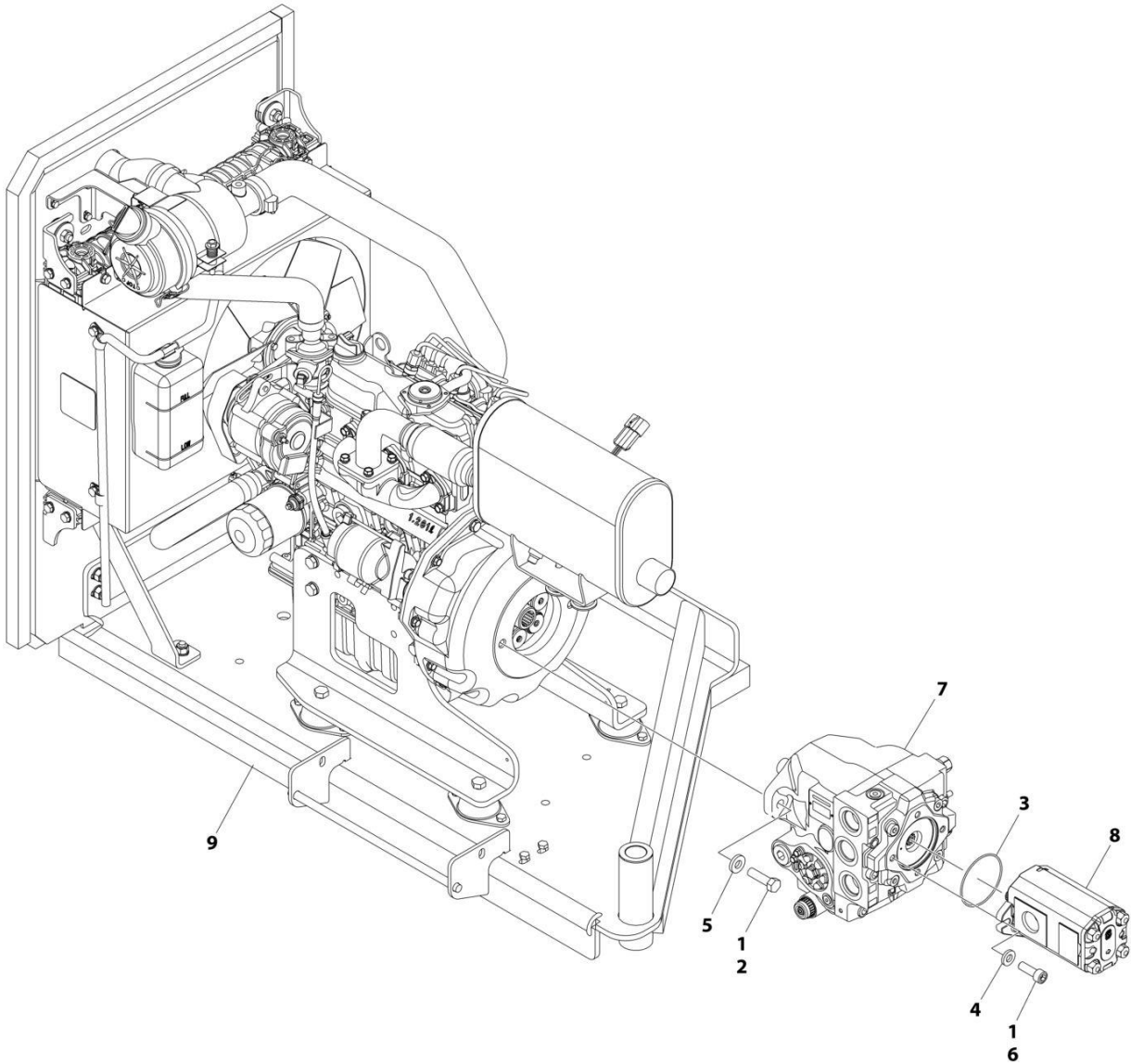
SECTION 3 - ENGINE

FIGURE 3-9. ENGINE AND PUMP SUB-ASSEMBLY - KUBOTA DIESEL T4F (Prior to SN 0200268660)

ITEM	PART NUMBER	QTY	DESCRIPTION	REV
	1001206050	Ref	ENGINE AND PUMP SUB-ASSEMBLY - KUBOTA DIESEL T4F	D
1	0100011	AR	Compound, Locking	
2	0641814	2	Bolt 1/2 x 1-3/4	
3	3790152	1	O-Ring	
4	4891600	2	Washer 3/8	
5	4891800	2	Washer 1/2	
6	83191040	2	Capscrew M10 x 30	
7	1001101331	1	Piston Pump Assembly (See Separate Breakdown in this Section)	
8	1001181393	NLA	Gear Pump Assembly (Use p/n 1001239200)	
8	7023929	1	Seal Kit - 1001181393 & 1001239200 Pump (Note: Seal Kit is only service component available)	
9	1001205974	1	Engine Assembly - Kubota Diesel T4F (See Separate Breakdown in this Section)	

SECTION 3 - ENGINE

FIGURE 3-10. ENGINE AND PUMP SUB-ASSEMBLY - KUBOTA DIESEL E4B (SN 0200268660 through 0200269765)



ART_1001238772

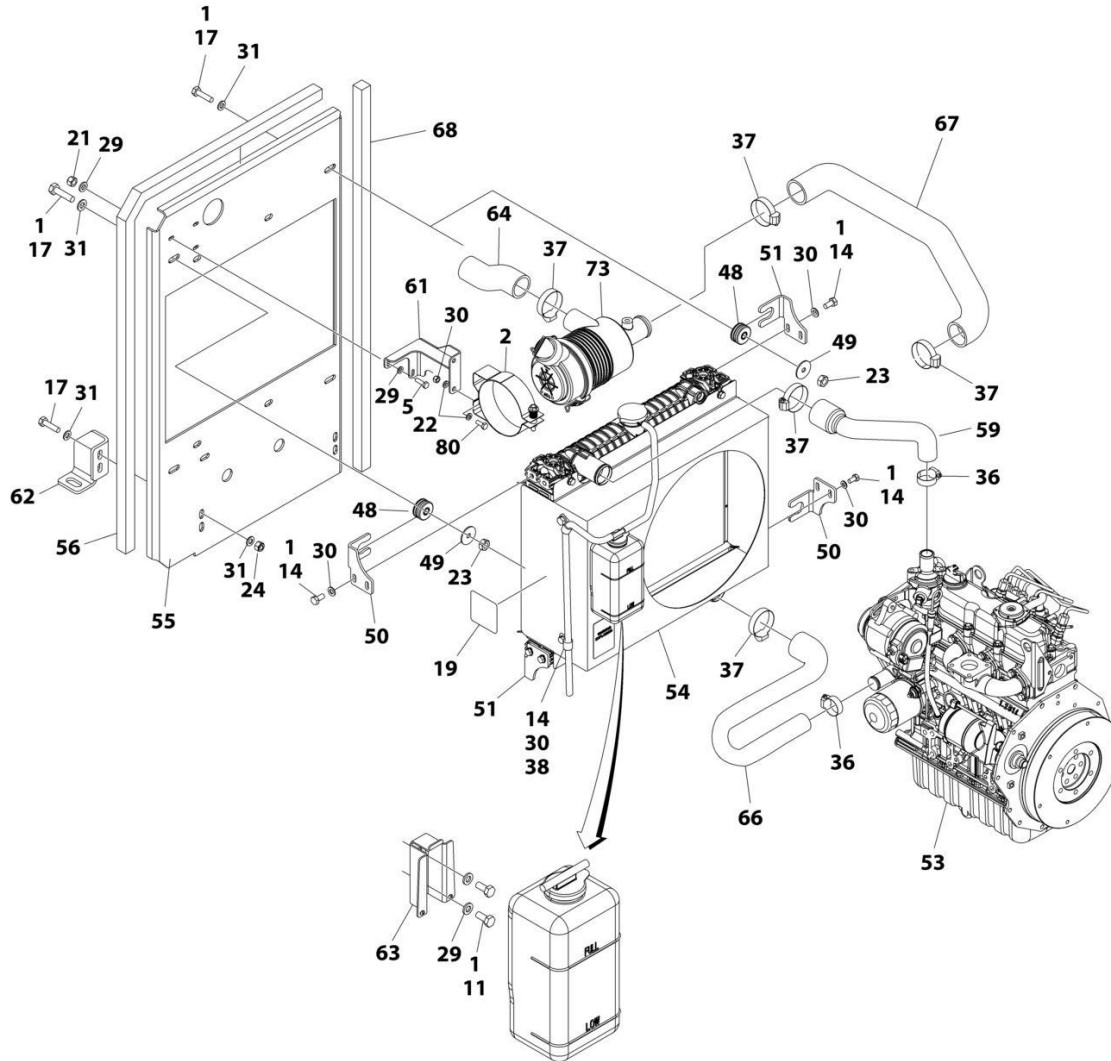
SECTION 3 - ENGINE

FIGURE 3-10. ENGINE AND PUMP SUB-ASSEMBLY - KUBOTA DIESEL E4B (SN 0200268660 through 0200269765)

ITEM	PART NUMBER	QTY	DESCRIPTION	REV
	1001238772	Ref	ENGINE AND PUMP SUB-ASSEMBLY - KUBOTA DIESEL E4B	C
1	0100011	AR	Compound, Locking	
2	0641814	2	Bolt 1/2 x 1-3/4	
3	3790152	1	O-Ring	
4	4891600	2	Washer 3/8	
5	4891800	2	Washer 1/2	
6	0761014	2	Capscrew M10 x 30	
7	1001101331	1	Piston Pump Assembly (See Separate Breakdown in this Section)	
8	1001239200	1	Gear Pump Assembly	
8	7023929	1	Seal Kit - 1001239200 Pump (Note: Seal Kit is only service component available)	
9	1001238771	1	Engine Assembly - Kubota Diesel E4B (See Separate Breakdown in this Section)	

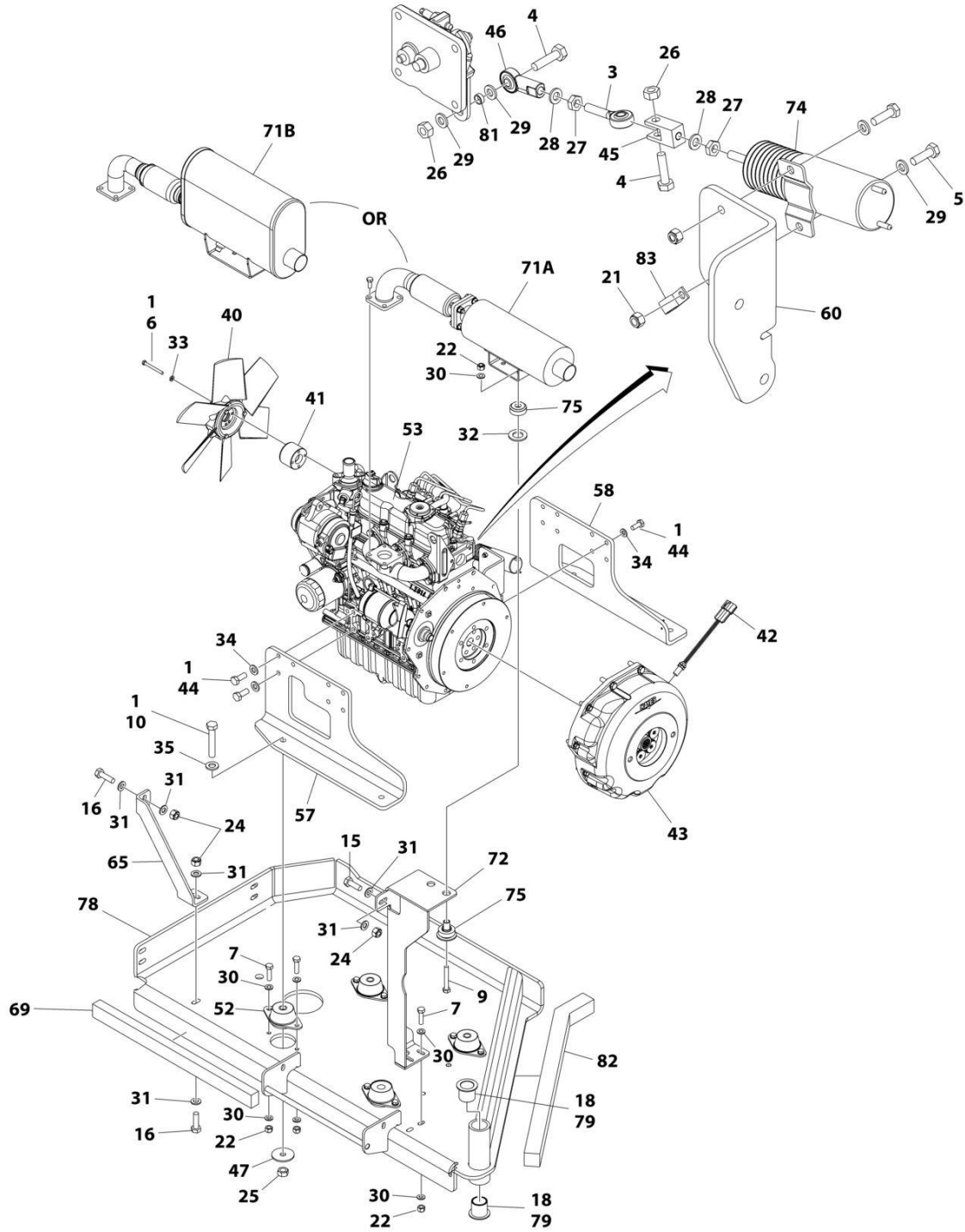
SECTION 3 - ENGINE

FIGURE 3-11. ENGINE ASSEMBLY - KUBOTA DIESEL T4F (Prior to SN 0200268660)



ART_1001205974_10F2

SECTION 3 - ENGINE



ART_1001205974_20F2

SECTION 3 - ENGINE

FIGURE 3-11. ENGINE ASSEMBLY - KUBOTA DIESEL T4F (Prior to SN 0200268660)

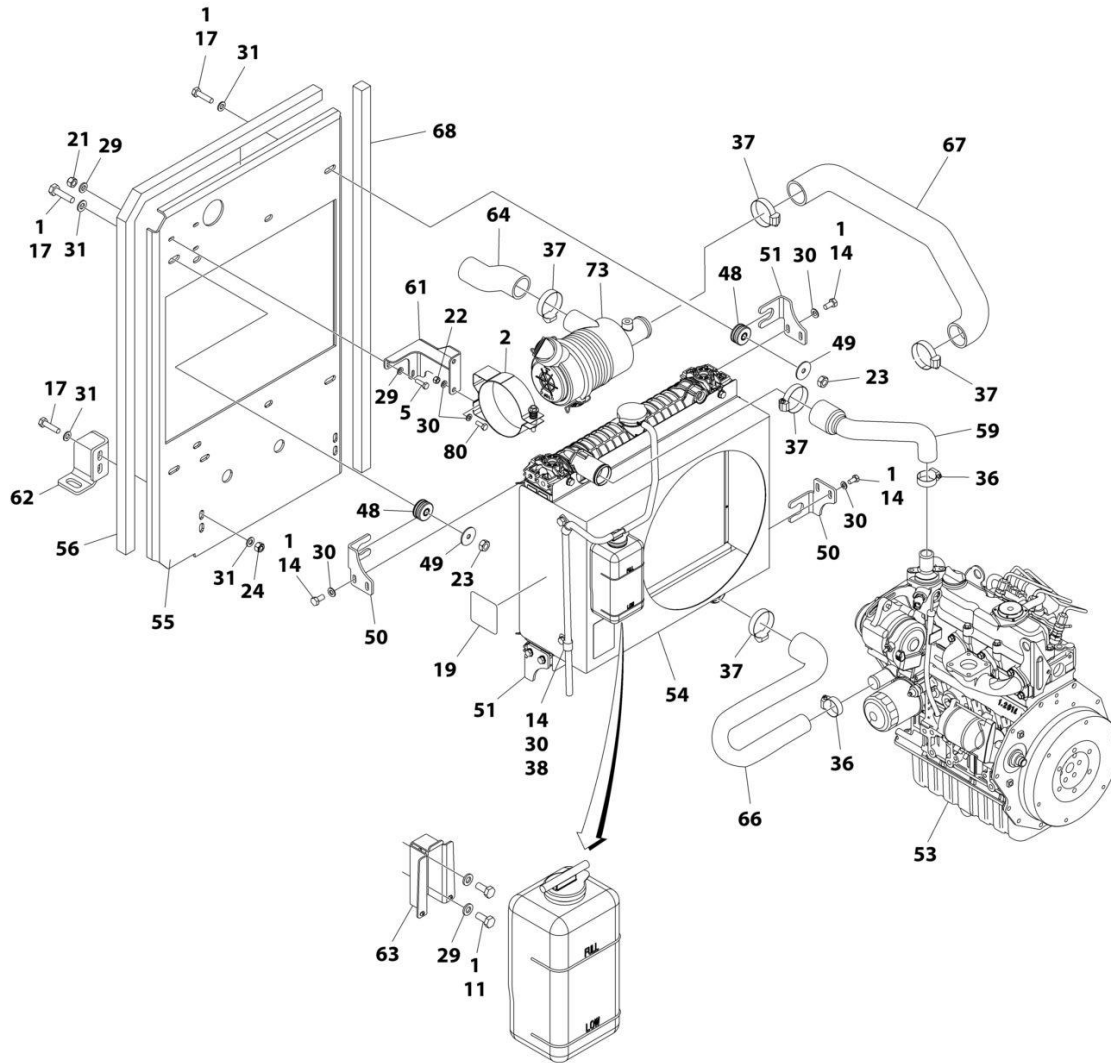
ITEM	PART NUMBER	QTY	DESCRIPTION	REV
	1001205974	Ref	ENGINE ASSEMBLY - KUBOTA DIESEL T4F	I
1	0100011	AR	Compound, Locking	
2	0340045	1	Band, Mounting	
3	0440334	1	End, Rod	
4	0641408	2	Bolt 1/4 x 1	
5	0700610	5	Bolt M6 x 20	
6	0700620	4	Bolt M6 x 60	
7	0700814	10	Bolt M8 x 30	
9	0700819	2	Bolt M8 x 55	
10	0701222	4	Bolt M12 x 70	
11	0760607	2	Bolt M6 x 14	
14	0760808	10	Bolt M8 x 16	
15	0761014	1	Bolt M10 x 30	
16	0761015	4	Bolt M10 x 35	
17	0761016	6	Bolt M10 x 40	
18	0961986	2	Bearing	
19	1703162	2	Decal - Fan Blade	
21	3290605	5	Nut M6	
22	3290805	14	Nut M8	
23	3291001	4	Nut M10	
24	3291005	7	Nut M10	
25	3291201	4	Nut M12	
26	3311405	2	Nut 1/4	
27	3321402	2	Nut 1/4	
28	4761400	2	Washer 1/4	
29	4811700	AR	Washer M6	
30	4811900	36	Washer M8	
31	4812000	18	Washer M10	
32	4812500	2	Washer M20	
33	5240600	4	Washer M6	
34	5241000	8	Washer M10	
35	5241200	4	Washer M12	
36	8405101	2	Clamp	
37	8405104	5	Clamp	
38	85941016	2	Clamp	
40	1001118538	1	Fan	
41	1001118539	1	Spacer, Fan	
42	1001118580	1	Sensor, Speed	
43	1001118675	1	Coupling Kit - Diesel Engines (See Separate Breakdown in this Section)	
44	1001118746	8	Bolt M10 x 25	
45	1001118881	1	Clevis	
46	1001118925	1	End, Rod	
47	1001168018	4	Washer	
48	1001169054	4	Isolator	
49	1001169138	AR	Pad	
50	1001169967	2	Bracket	
51	1001170035	2	Bracket	
52	1001187235	4	Mount, Motor	
53	1001224430	1	Engine, Kubota T4F (See Separate Breakdown in this Section)	

SECTION 3 - ENGINE

ITEM	PART NUMBER	QTY	DESCRIPTION	REV
54	1001220957	1	Radiator & Shroud Assembly	
54	1001198726	1	Radiator	
54	70007502	1	Valve, Drain	
54	1001220959	1	Shroud	
55	1001181658	1	Plate, Radiator	
56	1001227285	1	Seal	
57	1001182976	1	Mount, Engine (LH)	
58	1001182977	1	Mount, Engine (RH)	
59	1001182978	1	Tube, Inlet	
60	1001182979	1	Bracket, Throttle Cylinder	
61	1001182980	1	Bracket, Air Cleaner	
62	1001182981	1	Bracket	
63	1001182982	1	Mount	
64	1001182983	1	Tube, Intake	
65	1001182984	1	Bracket, Support	
66	1001182985	1	Tube, Outlet	
67	1001182987	1	Tube, Air Intake	
68	1001183420	1	Foam, Baffle	
69	1001183424	1	Foam, Baffle	
71A	1001195594	1	Muffler (Prior to SN 0200267917)	
71B	1001234950	1	Muffler (SN 0200267917 through 0200268660)	
72	1001195600	1	Bracket, Muffler	
73	1001118280	1	Air Filter Assembly	
73	7015004	2	Element	
73	7015005	1	Cover Assembly	
73	1340069	1	Valve, Vacuator	
74	1001118582	1	Actuator, Throttle	
75	1001125248	2	Mount, Engine	
78	1001205968	1	Tray	
79A	0100062	AR	Adhesive (Prior to SN 0200267917)	
79B	1001180620	AR	Adhesive (SN 0200267917 through 0200268660)	
80	0760810	2	Bolt M8 x 20	
81	1001128888	1	Washer	
82	1001184066	1	Foam, Baffle	
83	1320043	1	Clamp, Cable (SN 0200266880 through 0200268660)	

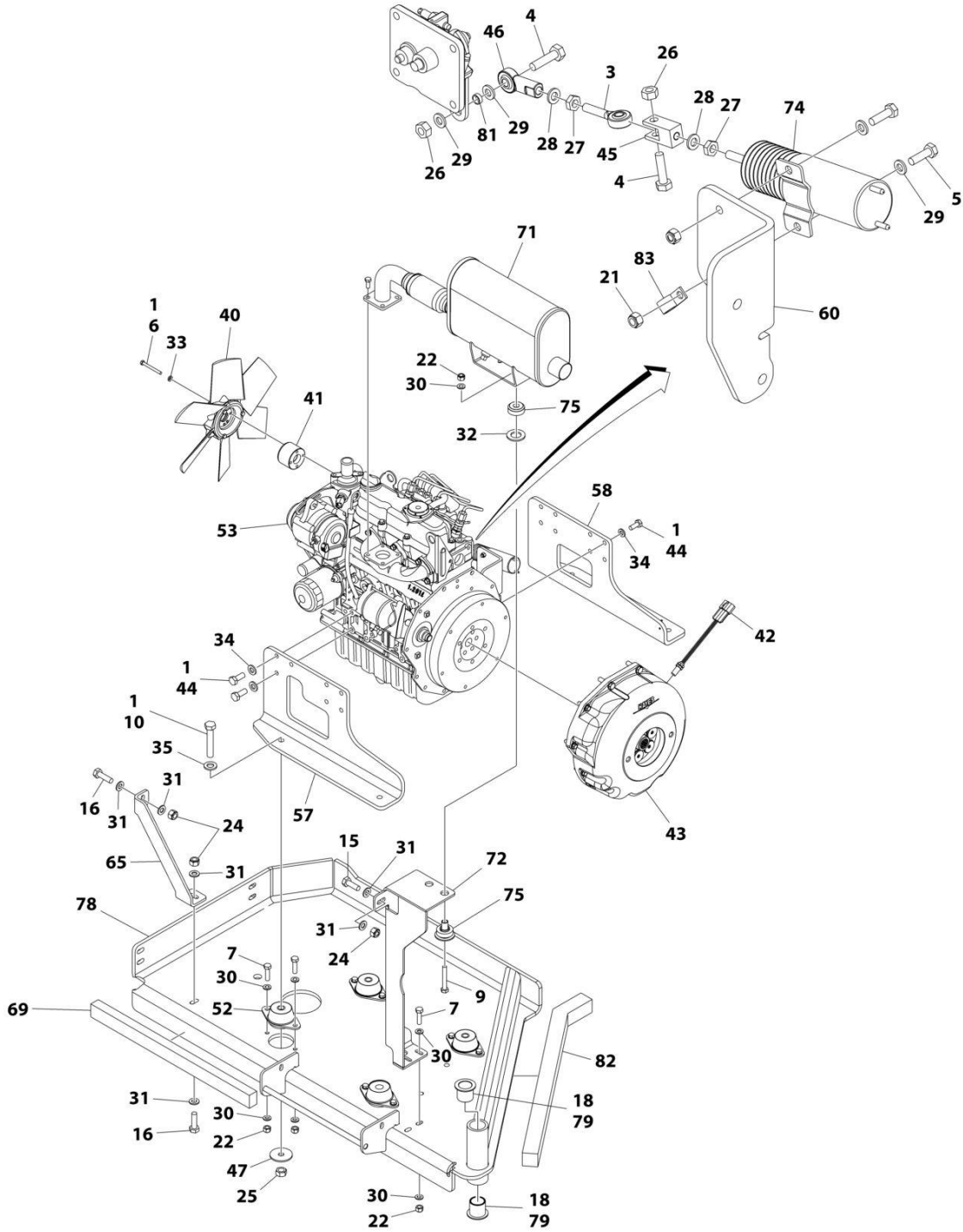
SECTION 3 - ENGINE

FIGURE 3-12. ENGINE ASSEMBLY - KUBOTA DIESEL E4B (SN 0200268660 through 0200269765)



ART_1001238771_10F2

SECTION 3 - ENGINE



ART_1001238771_2OF2

SECTION 3 - ENGINE

FIGURE 3-12. ENGINE ASSEMBLY - KUBOTA DIESEL E4B (SN 0200268660 through 0200269765)

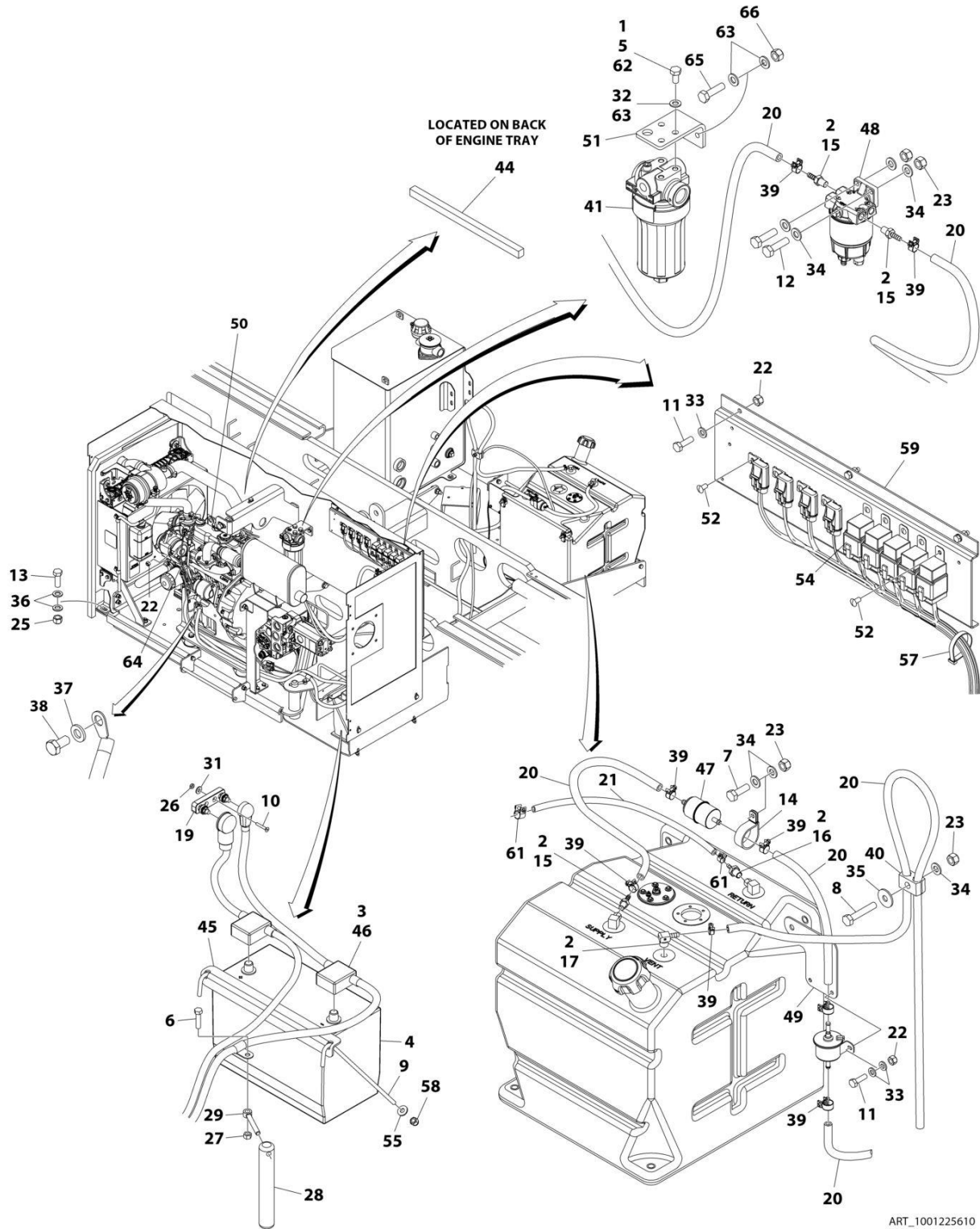
ITEM	PART NUMBER	QTY	DESCRIPTION	REV
	1001238771	Ref	ENGINE ASSEMBLY - KUBOTA DIESEL E4B	A
1	0100011	AR	Compound, Locking	
2	0340045	1	Band, Mounting	
3	0440334	1	End, Rod	
4	0641408	2	Bolt 1/4 x 1	
5	0700610	5	Bolt M6 x 20	
6	0700620	4	Bolt M6 x 60	
7	0700814	10	Bolt M8 x 30	
9	0700819	2	Bolt M8 x 55	
10	0701222	4	Bolt M12 x 70	
11	0760607	2	Bolt M6 x 14	
14	0760808	10	Bolt M8 x 16	
15	0761014	1	Bolt M10 x 30	
16	0761015	4	Bolt M10 x 35	
17	0761016	6	Bolt M10 x 40	
18	0961986	2	Bearing	
19	1703162	2	Decal - Fan Blade	
21	3290605	5	Nut M6	
22	3290805	14	Nut M8	
23	3291001	4	Nut M10	
24	3291005	7	Nut M10	
25	3291201	4	Nut M12	
26	3311405	2	Nut 1/4	
27	3321402	2	Nut 1/4	
28	4761400	2	Washer 1/4	
29	4811700	AR	Washer M6	
30	4811900	36	Washer M8	
31	4812000	18	Washer M10	
32	4812500	2	Washer M20	
33	5240600	4	Washer M6	
34	5241000	8	Washer M10	
35	5241200	4	Washer M12	
36	8405101	2	Clamp	
37	8405104	5	Clamp	
38	85941016	2	Clamp	
40	1001118538	1	Fan	
41	1001118539	1	Spacer, Fan	
42	1001118580	1	Sensor, Speed	
43	1001118675	1	Coupling Kit - Diesel Engines (See Separate Breakdown in this Section)	
44	1001118746	8	Bolt M10 x 25	
45	1001118881	1	Clevis	
46	1001118925	1	End, Rod	
47	1001168018	4	Washer	
48	1001169054	4	Isolator	
49	1001169138	AR	Pad	
50	1001169967	2	Bracket	
51	1001170035	2	Bracket	
52	1001187235	4	Mount, Motor	
53	1001238770	1	Engine, Kubota T4F (See Separate Breakdown in this Section)	

SECTION 3 - ENGINE

ITEM	PART NUMBER	QTY	DESCRIPTION	REV
54	1001220957	1	Radiator & Shroud Assembly	
54	1001198726	1	Radiator	
54	70007502	1	Valve, Drain	
54	1001220959	1	Shroud	
55	1001181658	1	Plate, Radiator	
56	1001227285	1	Seal	
57	1001182976	1	Mount, Engine (LH)	
58	1001182977	1	Mount, Engine (RH)	
59	1001182978	1	Tube, Inlet	
60	1001182979	1	Bracket, Throttle Cylinder	
61	1001182980	1	Bracket, Air Cleaner	
62	1001182981	1	Bracket	
63	1001182982	1	Mount	
64	1001182983	1	Tube, Intake	
65	1001182984	1	Bracket, Support	
66	1001182985	1	Tube, Outlet	
67	1001182987	1	Tube, Air Intake	
68	1001183420	1	Foam, Baffle	
69	1001183424	1	Foam, Baffle	
71	1001234950	1	Muffler	
72	1001195600	1	Bracket, Muffler	
73	1001118280	1	Air Filter Assembly	
73	7015004	2	Element	
73	7015005	1	Cover Assembly	
73	1340069	1	Valve, Vacuator	
74	1001118582	1	Actuator, Throttle	
75	1001125248	2	Mount, Engine	
78	1001205968	1	Tray	
79	1001180620	AR	Adhesive	
80	0760810	2	Bolt M8 x 20	
81	1001128888	1	Washer	
82	1001184066	1	Foam, Baffle	
83	1320043	1	Clamp, Cable	

SECTION 3 - ENGINE

FIGURE 3-13. ENGINE INSTALLATION - KUBOTA DIESEL STAGE T4F WITH GENERATOR (Prior to SN 0200268660)



SECTION 3 - ENGINE

FIGURE 3-13. ENGINE INSTALLATION - KUBOTA DIESEL STAGE T4F WITH GENERATOR (Prior to SN 0200268660)

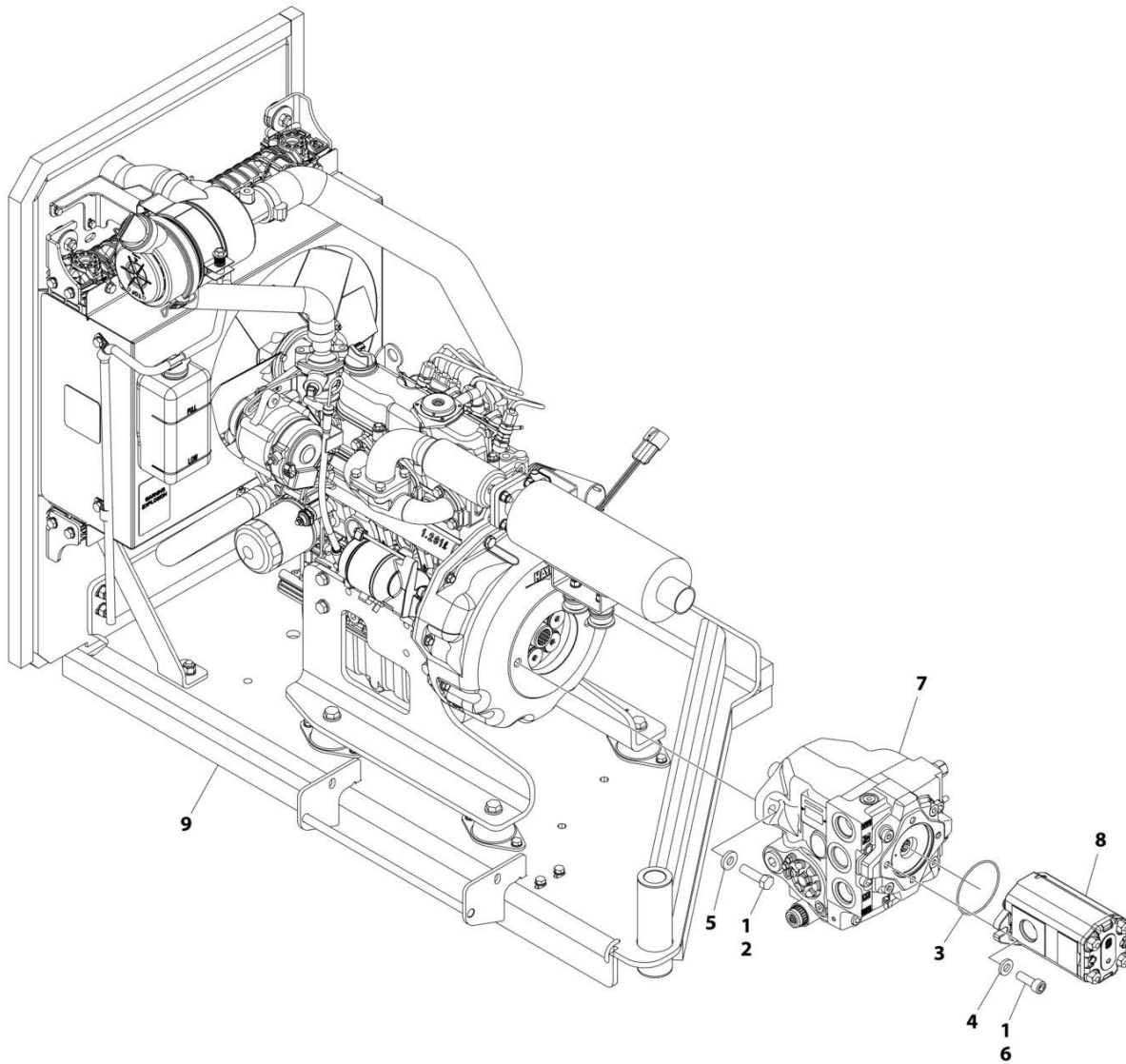
ITEM	PART NUMBER	QTY	DESCRIPTION	REV
	1001225610	Ref	ENGINE INSTALLATION - KUBOTA DIESEL T4F WITH GENERATOR	H
1	0100011	AR	Compound, Locking	
2	0100020	AR	Sealant	
3	0100051	AR	Grease, Terminal	
4	0400075	1	Battery	
5	0641605	4	Bolt 3/8 x 5/8 (Prior to SN 0200266880)	
6	0641612	AR	Bolt 3/8 x 1-1/2	
7	0700812	AR	Bolt M8 x 25	
8	0700817	AR	Bolt M8 x 45	
9	1001093382	2	J-Bolt	
10	0741010	AR	Screw #10 x 1-1/4	
11	0760610	AR	Bolt M6 x 20	
12	0760814	AR	Bolt M8 x 30	
13	0761617	AR	Bolt M6 x 45	
14	1320265	1	Clamp	
15	2180348	3	Fitting, Straight NPT x Barbed	
16	2180666	1	Fitting, Straight NPT x Barbed	
17	1001208764	1	Fitting, 90 NPT x Barbed	
18	2300004	AR	Coolant (Not Shown)	
19	2400044	1	Block, Fuse Mounting	
20	2720058	242 in/ 6.2m	Hose	
21	2720271	136 in/ 3.5m	Hose	
22	3290605	AR	Nut M6	
23	3290805	AR	Nut M8	
25	3291605	AR	Nut M16	
26	3300408	AR	Nut	
27	3311605	AR	Nut 3/8	
28	3422669	1	Pin	
29	3841143	1	Keeper, Pin	
31	4711400	AR	Washer 1/4	
32	4711600	AR	Washer 3/8	
33	4811700	AR	Washer M6	
34	4811900	AR	Washer M8	
35	4811902	AR	Washer M8	
36	4812300	AR	Washer M16	
37	5241000	AR	Washer M10	
38	8303511	AR	Capscrew M10 x 20	
39	1001174486	9	Clamp	
40	8750014	1	Clamp	
41	1001102987	1	Filter, Charge Pump (Prior to SN 0200266880)	
41	1001208874	1	Filter, Charge Pump (SN 0200266880 through 0200268660)	
41	70010383	1	Element, Filter	
42	1001159301	AR	Oil, Engine (Not Shown)	
44	1001183421	1	Foam, Baffle	
45	1001184065	1	Bracket, Hold Down	
46	1001186428	1	Battery Cable Kit (See Separate Breakdown in ELECTRICAL SECTION)	

SECTION 3 - ENGINE

ITEM	PART NUMBER	QTY	DESCRIPTION	REV
47	1001190545	1	Filter, Fuel	
48	1001190609	1	Fuel/Water Separator Assembly - Diesel Engines (See Separate Breakdown in this Section)	
49	1001191146	1	Bracket	
50	1001225613	NLA	Engine and Pump Sub-Assembly - Kubota Diesel T4F with Generator (Use p/n 1001238774) (See Separate Breakdown in this Section) (Prior to SN 0200268660)	
50	1001238774	1	Engine and Pump Sub-Assembly - Kubota Diesel T4F with Generator (See Separate Breakdown in this Section) (SN 0200268660 through 0200268660)	
51	1001206686	1	Bracket (Prior to SN 0200268060)	
51	1001194836	1	Bracket (SN 0200268060 through 0200268660)	
52	3820020	AR	Rivet	
54	3740080	5	Relay	
55	4751500	AR	Washer 5/16	
57	4240018	AR	Tie-Strap	
58	88521205	2	Nut 5/16	
59	1001185125	1	Plate	
60	1001209064	1	Engine Harness - Kubota Diesel T4F (Not Shown - See Separate Breakdown in ELECTRICAL SECTION) (Prior to SN 0200267917)	
60	1001236545	1	Engine Harness - Kubota Diesel T4F (Not Shown - See Separate Breakdown in ELECTRICAL SECTION) (SN 0200267917 through 0200268660)	
61	1001185585	2	Clamp	
62	0761010	AR	Bolt M10 x 20	
63	4812000	AR	Washer M10	
64	1001234069	1	Harness, Fusible Link (SN 0200267917 through 0200268660)	
65	0761014	AR	Bolt M10 x 30 (SN 0200268060 through 0200268660)	
66	3291005	AR	Locknut M10 (SN 0200268060 through 0200268660)	

SECTION 3 - ENGINE

FIGURE 3-14. ENGINE AND PUMP SUB-ASSEMBLY - KUBOTA DIESEL T4F WITH GENERATOR
(Prior to SN 0200268660)



ART_1001225613

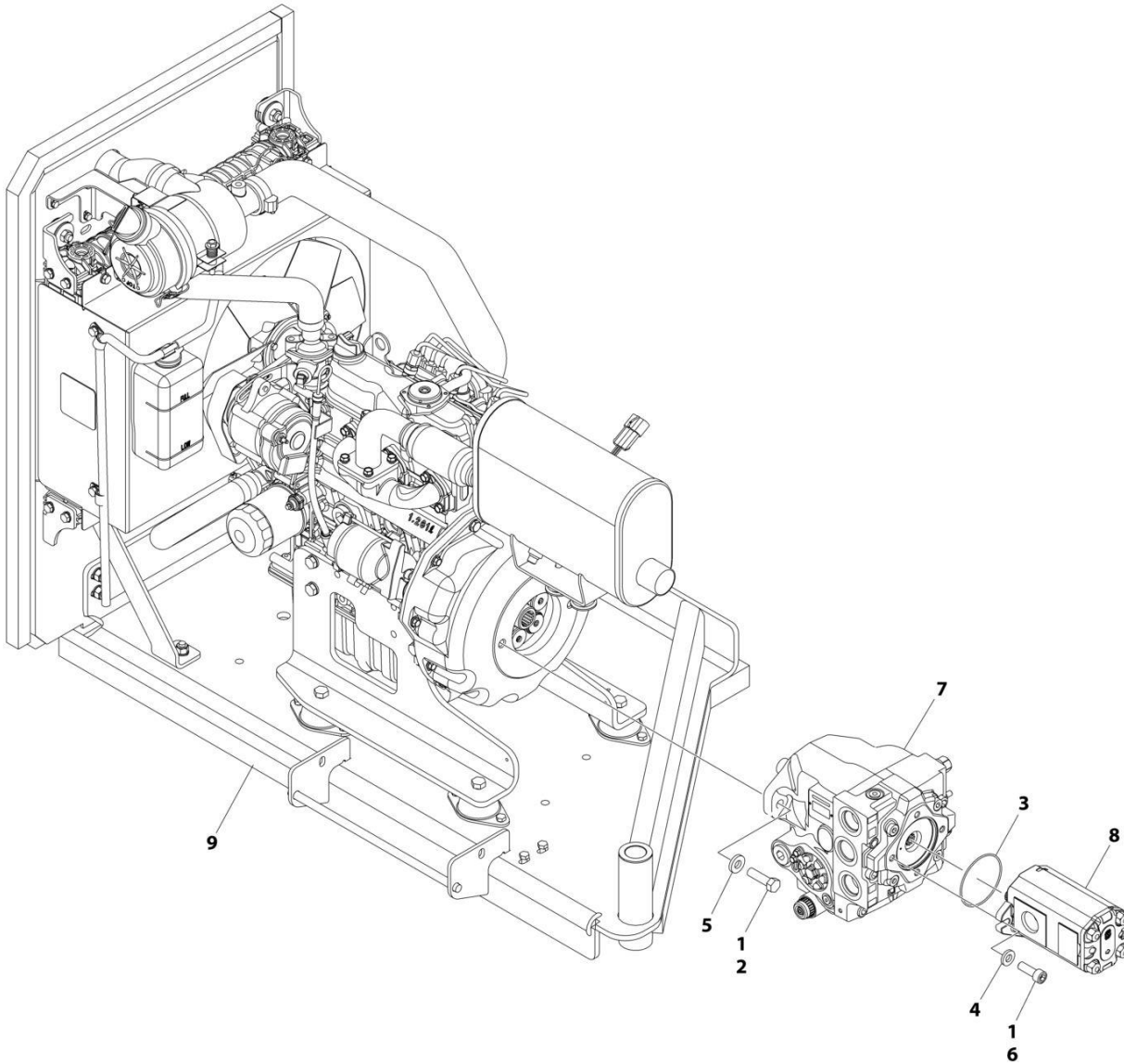
SECTION 3 - ENGINE

**FIGURE 3-14. ENGINE AND PUMP SUB-ASSEMBLY - KUBOTA DIESEL T4F WITH GENERATOR
(Prior to SN 0200268660)**

ITEM	PART NUMBER	QTY	DESCRIPTION	REV
	1001225613	Ref	ENGINE AND PUMP SUB-ASSEMBLY - KUBOTA DIESEL T4F WITH GENERATOR	A
1	0100011	AR	Compound, Locking	
2	0641814	2	Bolt 1/2 x 1-3/4	
3	3790152	1	O-Ring	
4	4891600	2	Washer 3/8	
5	4891800	2	Washer 1/2	
6	83191040	2	Capscrew M10 x 30	
7	1001101331	1	Piston Pump Assembly (See Separate Breakdown in this Section)	
8	1001181393	NLA	Gear Pump Assembly (Use p/n 1001239200)	
8	7023929	1	Seal Kit - 1001181393 & 1001239200 Pump (Note: Seal Kit is only service component available)	
9	1001225614	1	Engine Assembly - Kubota Diesel T4F with Generator (See Separate Breakdown in this Section)	

SECTION 3 - ENGINE

FIGURE 3-15. ENGINE AND PUMP SUB-ASSEMBLY - KUBOTA DIESEL E4B WITH GENERATOR (SN 0200268660 through 0200269765)



ART_1001238774

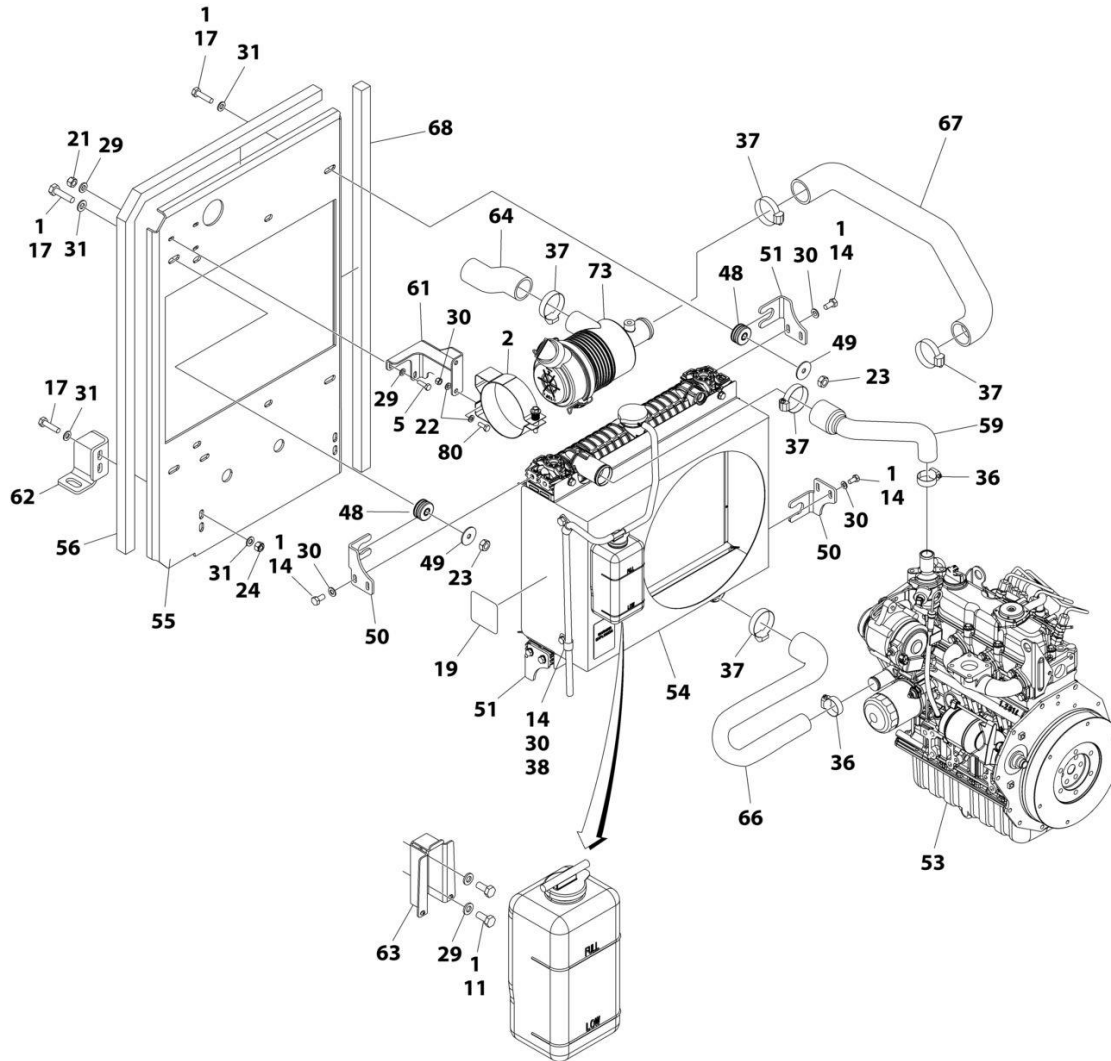
SECTION 3 - ENGINE

FIGURE 3-15. ENGINE AND PUMP SUB-ASSEMBLY - KUBOTA DIESEL E4B WITH GENERATOR (SN 0200268660 through 0200269765)

ITEM	PART NUMBER	QTY	DESCRIPTION	REV
	1001238774	Ref	ENGINE AND PUMP SUB-ASSEMBLY - KUBOTA DIESEL E4B WITH GENERATOR	C
1	0100011	AR	Compound, Locking	
2	0641814	2	Bolt 1/2 x 1-3/4	
3	3790152	1	O-Ring	
4	4891600	2	Washer 3/8	
5	4891800	2	Washer 1/2	
6	0761014	2	Capscrew M10 x 30	
7	1001101331	1	Piston Pump Assembly (See Separate Breakdown in this Section)	
8	1001239200	1	Gear Pump Assembly	
8	7023929	1	Seal Kit – 1001239200 Pump (Note: Seal Kit is only service component available)	
9	1001238773	1	Engine Assembly - Kubota Diesel E4B with Generator (See Separate Breakdown in this Section)	

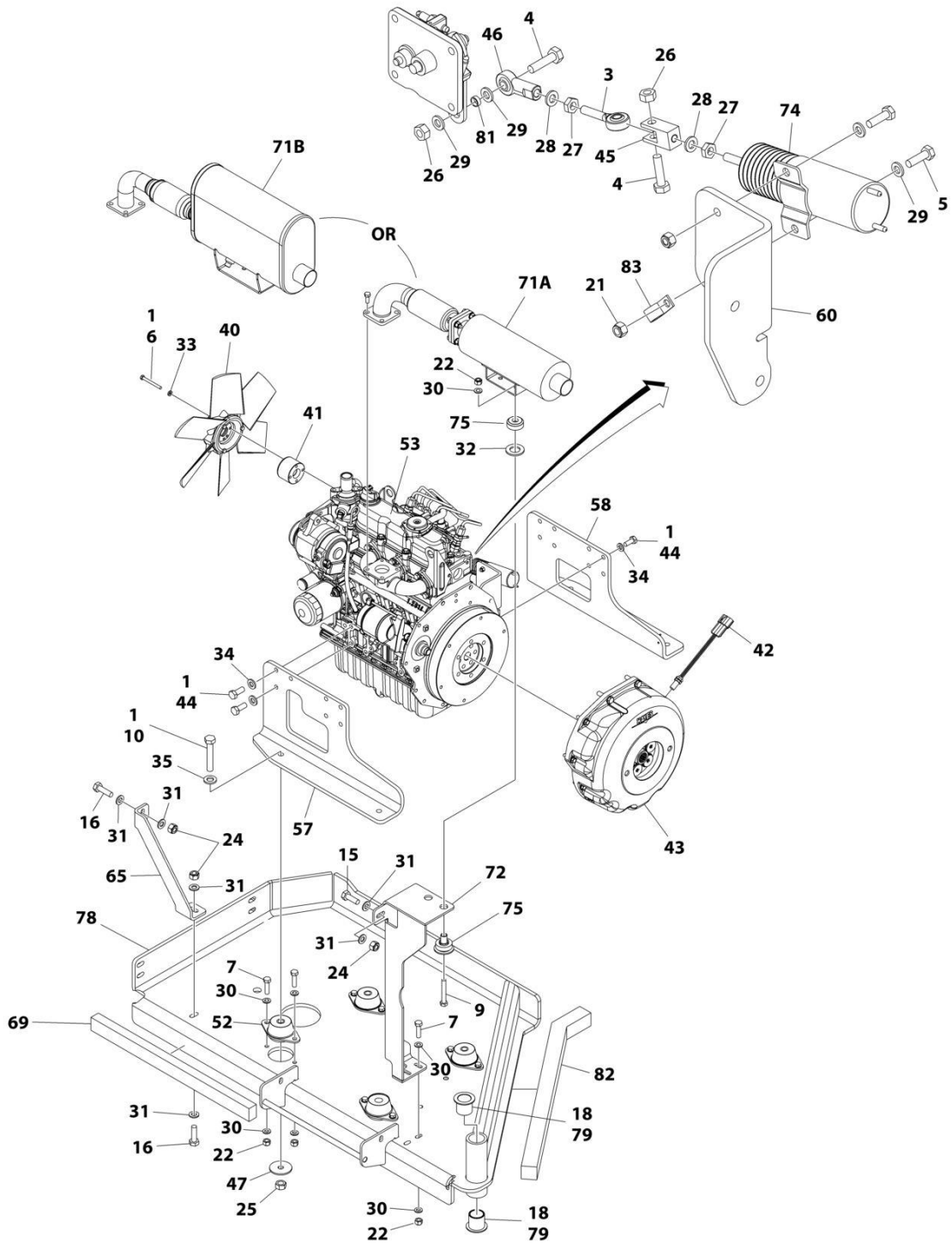
SECTION 3 - ENGINE

FIGURE 3-16. ENGINE ASSEMBLY - KUBOTA DIESEL T4F WITH GENERATOR (Prior to SN 0200268660)



ART_1001225614_10F2

SECTION 3 - ENGINE



ART_1001225614_2OF2

SECTION 3 - ENGINE

FIGURE 3-16. ENGINE ASSEMBLY - KUBOTA DIESEL T4F WITH GENERATOR (Prior to SN 0200268660)

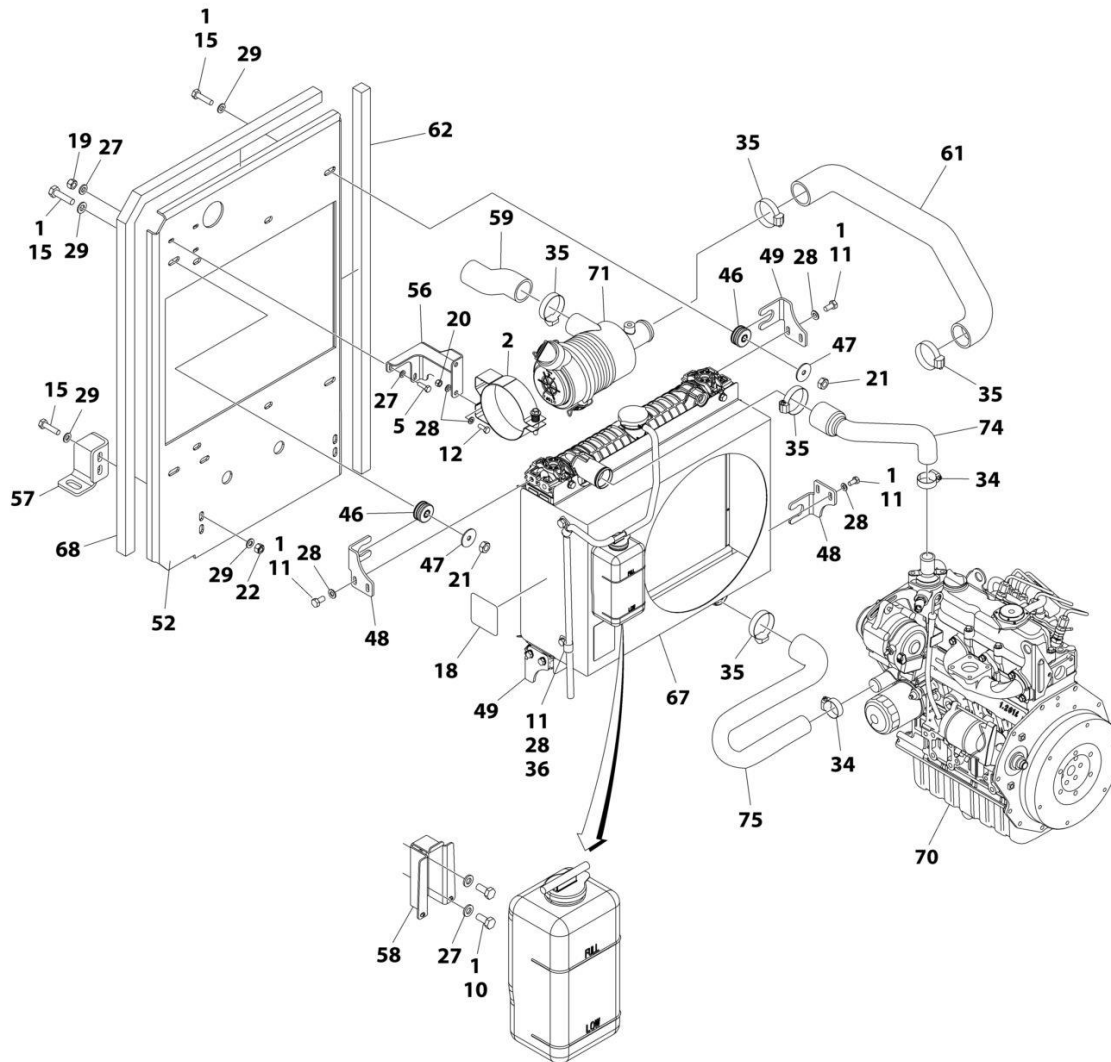
ITEM	PART NUMBER	QTY	DESCRIPTION	REV
	1001225614	Ref	ENGINE ASSEMBLY - KUBOTA DIESEL T4F WITH GENERATOR	F
1	0100011	AR	Compound, Locking	
2	0340045	1	Band, Mounting	
3	0440334	1	End, Rod	
4	0641408	2	Bolt 1/4 x 1	
5	0700610	5	Bolt M6 x 20	
6	0700620	4	Bolt M6 x 60	
7	0700814	10	Bolt M8 x 30	
9	0700819	2	Bolt M8 x 55	
10	0701222	4	Bolt M12 x 70	
11	0760607	2	Bolt M6 x 14	
14	0760808	10	Bolt M8 x 16	
15	0761014	1	Bolt M10 x 30	
16	0761015	4	Bolt M10 x 35	
17	0761016	6	Bolt M10 x 40	
18	0961986	2	Bearing	
19	1703162	2	Decal - Fan Blade	
21	3290605	5	Nut M6	
22	3290805	14	Nut M8	
23	3291001	4	Nut M10	
24	3291005	7	Nut M10	
25	3291201	4	Nut M12	
26	3311405	2	Nut 1/4	
27	3321402	2	Nut 1/4	
28	4761400	2	Washer 1/4	
29	4811700	AR	Washer M6	
30	4811900	36	Washer M8	
31	4812000	18	Washer M10	
32	4812500	2	Washer M20	
33	5240600	4	Washer M6	
34	5241000	8	Washer M10	
35	5241200	4	Washer M12	
36	8405101	2	Clamp	
37	8405104	5	Clamp	
38	85941016	2	Clamp	
40	1001118538	1	Fan	
41	1001118539	1	Spacer, Fan	
42	1001118580	1	Sensor, Speed	
43	1001118675	1	Coupling Kit - Diesel Engines (See Separate Breakdown in this Section)	
44	1001118746	8	Bolt M10 x 25	
45	1001118881	1	Clevis	
46	1001118925	1	End, Rod	
47	1001168018	4	Washer	
48	1001169054	4	Isolator	
49	1001169138	AR	Pad	
50	1001169967	2	Bracket	
51	1001170035	2	Bracket	
52	1001175509	4	Mount, Motor	

SECTION 3 - ENGINE

ITEM	PART NUMBER	QTY	DESCRIPTION	REV
53	1001224430	1	Engine, Kubota T4F (See Separate Breakdown in this Section)	
54	1001220957	1	Radiator & Shroud Assembly	
54	1001198726	1	Radiator	
54	70007502	1	Valve, Drain	
54	1001220959	1	Shroud	
55	1001181658	1	Plate, Radiator	
56	1001227285	1	Seal	
57	1001182976	1	Mount, Engine (LH)	
58	1001182977	1	Mount, Engine (RH)	
59	1001182978	1	Tube, Inlet	
60	1001182979	1	Bracket, Throttle Cylinder	
61	1001182980	1	Bracket, Air Cleaner	
62	1001182981	1	Bracket	
63	1001182982	1	Mount	
64	1001182983	1	Tube, Intake	
65	1001182984	1	Bracket, Support	
66	1001182985	1	Tube, Outlet	
67	1001182987	1	Tube, Air Intake	
68	1001183420	1	Foam, Baffle	
69	1001183424	1	Foam, Baffle	
71A	1001195594	1	Muffler (Prior to SN 0200267917)	
71B	1001234950	1	Muffler (SN 0200267917 through 0200268660)	
72	1001195600	1	Bracket, Muffler	
73	1001118280	1	Air Filter Assembly	
73	7015004	2	Element	
73	7015005	1	Cover Assembly	
73	1340069	1	Valve, Vacuumator	
74	1001118582	1	Actuator, Throttle	
75	1001125248	2	Mount, Engine	
78	1001205968	1	Tray	
79	0100062	AR	Adhesive (Prior to SN 0200267917)	
79	1001180620	AR	Adhesive (SN 0200267917 through 0200268660)	
80	0760810	2	Bolt M8 x 20	
81	1001128888	1	Washer	
82	1001184066	1	Foam, Baffle	
83	1320043	1	Clamp, Cable (SN 0200266880 through 0200268660)	

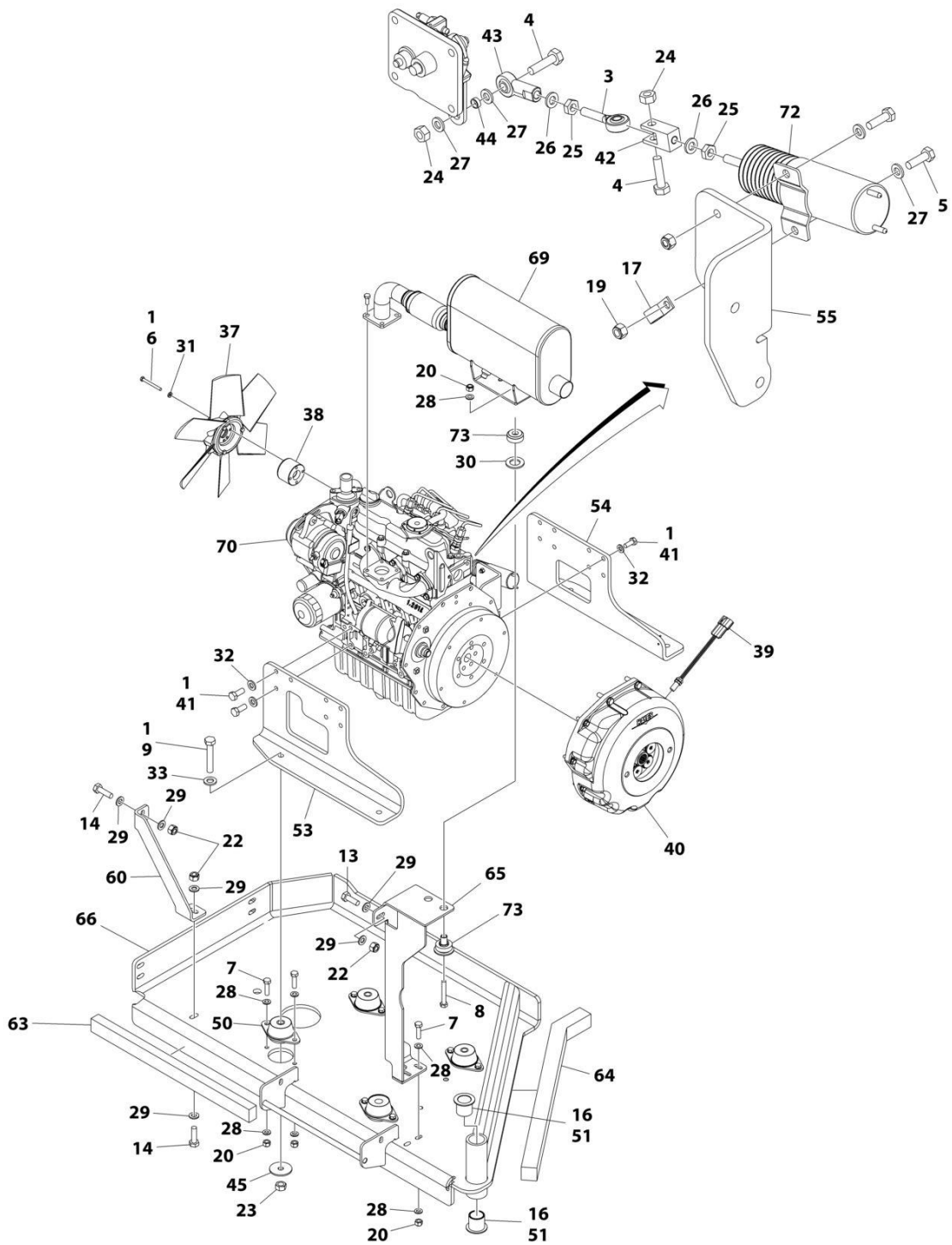
SECTION 3 - ENGINE

FIGURE 3-17. ENGINE ASSEMBLY - KUBOTA DIESEL E4B WITH GENERATOR (SN 0200268660 through 0200269765)



ART_1001238773_10F2

SECTION 3 - ENGINE



ART_1001238773_2OF2

SECTION 3 - ENGINE

FIGURE 3-17. ENGINE ASSEMBLY - KUBOTA DIESEL E4B WITH GENERATOR (SN 0200268660 through 0200269765)

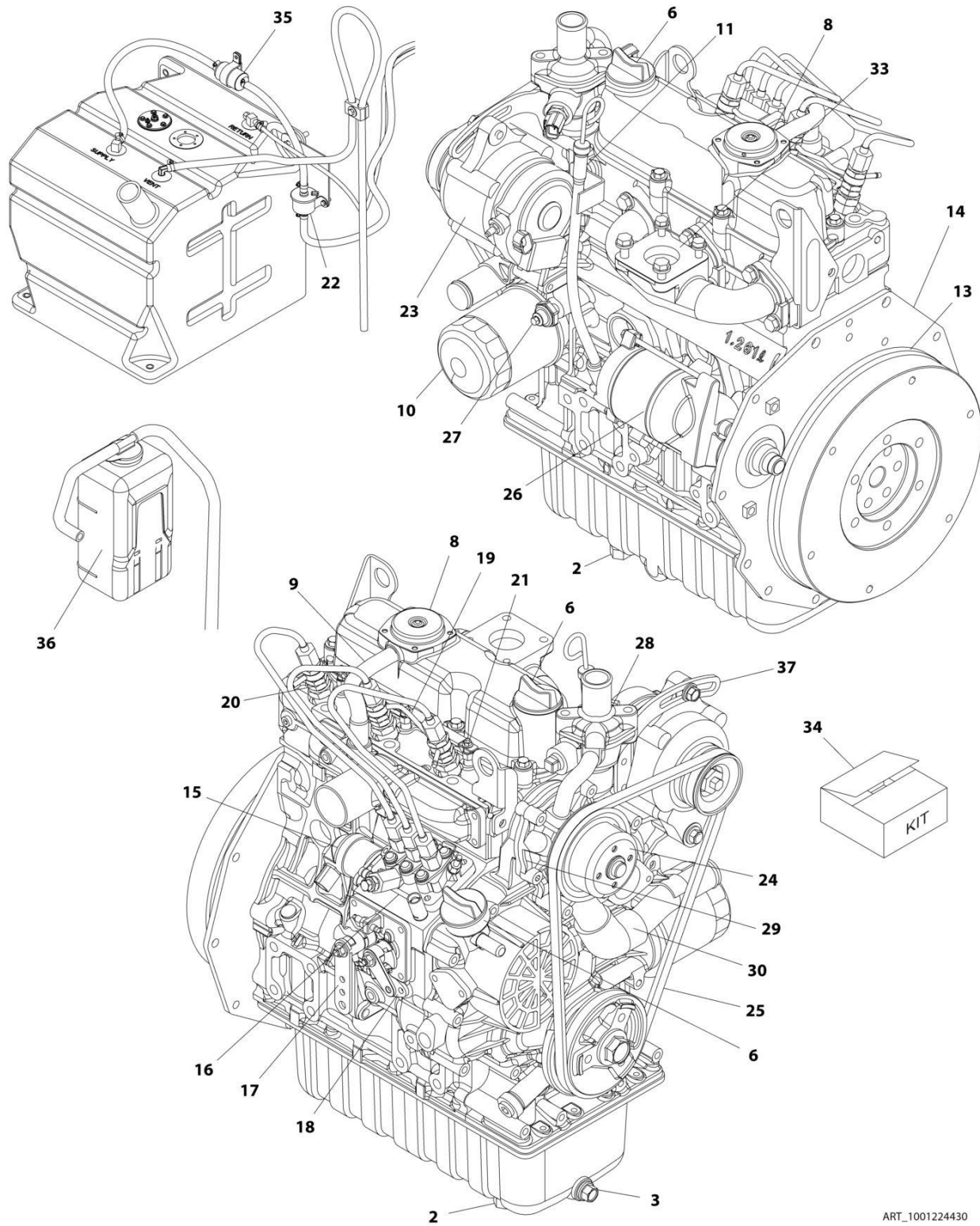
ITEM	PART NUMBER	QTY	DESCRIPTION	REV
	1001238773	Ref	ENGINE ASSEMBLY - KUBOTA DIESEL E4B WITH GENERATOR	A
1	0100011	AR	Compound, Locking	
2	0340045	1	Band, Mounting	
3	0440334	1	End, Rod	
4	0641408	2	Bolt 1/4 x 1	
5	0700610	5	Bolt M6 x 20	
6	0700620	4	Bolt M6 x 60	
7	0700814	10	Bolt M8 x 30	
8	0700819	2	Bolt M8 x 55	
9	0701222	4	Bolt M12 x 70	
10	0760607	2	Bolt M6 x 14	
11	0760808	10	Bolt M8 x 16	
12	0760810	2	Bolt M8 x 20	
13	0761014	1	Bolt M10 x 30	
14	0761015	4	Bolt M10 x 35	
15	0761016	6	Bolt M10 x 40	
16	0961986	2	Bearing	
17	1320043	1	Clamp, Cable	
18	1703162	2	Decal - Fan Blade	
19	3290605	5	Nut M6	
20	3290805	14	Nut M8	
21	3291001	4	Nut M10	
22	3291005	7	Nut M10	
23	3291201	4	Nut M12	
24	3311405	2	Nut 1/4	
25	3321402	2	Nut 1/4	
26	4761400	2	Washer 1/4	
27	4811700	13	Washer M6	
28	4811900	36	Washer M8	
29	4812000	18	Washer M10	
30	4812500	2	Washer M20	
31	5240600	4	Washer M6	
32	5241000	8	Washer M10	
33	5241200	4	Washer M12	
34	8405101	2	Clamp	
35	8405104	5	Clamp	
36	85941016	2	Clamp	
37	1001118538	1	Fan	
38	1001118539	1	Spacer, Fan	
39	1001118580	1	Sensor, Speed	
40	1001118675	1	Coupling Kit - Diesel Engines (See Separate Breakdown in this Section)	
41	1001118746	8	Bolt M10 x 25	
42	1001118881	1	Clevis	
43	1001118925	1	End, Rod	
44	1001128888	1	Washer	
45	1001168018	4	Washer	
46	1001169054	4	Isolator	
47	1001169138	6	Pad	

SECTION 3 - ENGINE

ITEM	PART NUMBER	QTY	DESCRIPTION	REV
48	1001169967	2	Bracket	
49	1001170035	2	Bracket	
50	1001175509	4	Mount, Engine	
51	1001180620	1	Adhesive	
52	1001181658	1	Plate, Radiator	
53	1001182976	1	Mount, Engine (LH)	
54	1001182977	1	Mount, Engine (RH)	
55	1001182979	1	Bracket, Throttle Cylinder	
56	1001182980	1	Bracket, Air Cleaner	
57	1001182981	1	Bracket	
58	1001182982	1	Mount	
59	1001182983	1	Tube, Intake	
60	1001182984	1	Bracket, Support	
61	1001182987	1	Tube, Air Intake	
62	1001183420	1	Foam, Baffle	
63	1001183424	1	Foam, Baffle	
64	1001184066	1	Foam, Baffle	
65	1001195600	1	Bracket, Muffler	
66	1001205968	1	Tray	
67	1001220957	1	Radiator & Shroud Assembly	
67	1001198726	1	Radiator	
67	70007502	1	Valve, Drain	
67	1001220959	1	Shroud	
68	1001227285	1	Seal	
69	1001234950	1	Muffler	
70	1001238770	1	Engine, Kubota T4F (See Separate Breakdown in this Section)	
71	1001118280	1	Air Filter Assembly	
71	7015004	1	Element	
71	7015005	1	Cover Assembly	
71	1340069	1	Valve, Vacuumator	
72	1001118582	1	Actuator, Throttle	
73	1001125248	2	Mount, Engine	
74	1001182978	1	Tube, Inlet	
75	1001182985	1	Tube, Outlet	

SECTION 3 - ENGINE

FIGURE 3-18. ENGINE COMPONENTS - KUBOTA DIESEL T4F (Prior to SN 0200268660)



ART_1001224430

SECTION 3 - ENGINE

FIGURE 3-18. ENGINE COMPONENTS - KUBOTA DIESEL T4F (Prior to SN 0200268660)

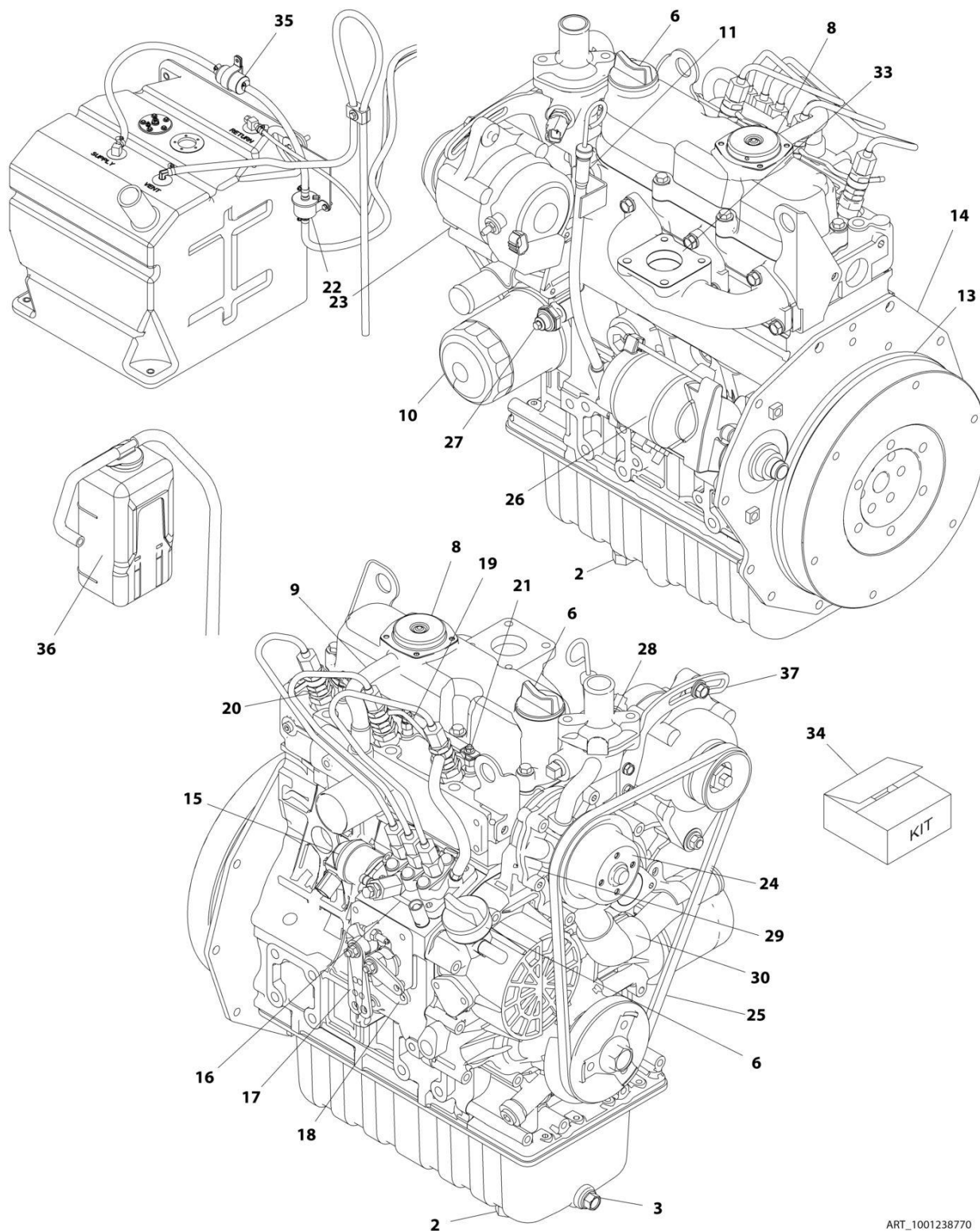
ITEM	PART NUMBER	QTY	DESCRIPTION	REV
	1001224430	Ref	ENGINE COMPONENTS - KUBOTA DIESEL T4F	D
1	70004524	1	Drain (Not Shown)	
2	7023154	1	Plug, Drain	
2	70002315	1	Seal, Plug	
3	70004525	1	Plug, Drain	
3	70004526	1	Gasket	
4	70005220	1	Gasket, Cylinder Head (Not Shown)	
5	7017922	1	Seal, Front Main (Not Shown)	
6	70002318	2	Cap, Oil Fill	
6	70004311	2	O-Ring	
7	70005221	1	Gasket, Valve Cover (Not Shown)	
8	70003060	1	Comp Valve, Breather	
8	70003061	1	Cover, Breather	
8	7017934	4	Screw	
9	70002316	1	Pipe, Water Return	
9	70002317	1	Tube, Breather	
9	70004530	1	Clamp, Hose	
9	70004531	1	Band, Pipe	
10	70004395	1	Filter, Oil	
11	70005222	1	Dipstick	
11	70005223	1	Tube, Dipstick	
12	7017928	1	Seal, Rear Main (Not Shown)	
13	70005224	1	Gear, Ring	
14	70002419	1	Plate, Rear End	
15	7025479	1	Solenoid, Stop	
16	7023164	1	Pump, Injection	
16	70002319	1	Shim, Injection	
16	70002320	1	Shim, Injection	
16	70002321	1	Shim, Injection Pump	
16	70002322	1	Shim, Injection Pump	
16	70002323	1	Shim, Injection Pump	
16	7017945	1	Joint, Eye	
17	70004396	1	Control, Speed	
17	70004397	1	Gasket	
18	7023165	1	Gasket	
19	70004536	1	Pipe, Over Flow	
19	70004537	1	Screw, Air Bleeder	
19	70004538	1	Gasket	
19	70004539	1	Pipe, Over Flow	
20	70004399	3	Holder, Nozzle	
20	70004540	3	Nut	
20	7023167	3	Gasket	
20	7023168	3	Seal, Heat	
21	70004398	3	Plug, Glow	
21	70004544	1	Cord, Glow Plug	
22	70005228	1	Electric Fuel Feed Pump	
23	70006661	1	Alternator - 60Amp	
24	7023140	1	Pulley, Fan	
25	70006665	1	V-Belt	
26	7023144	1	Starter	

SECTION 3 - ENGINE

ITEM	PART NUMBER	QTY	DESCRIPTION	REV
27	7017901	1	Switch, Oil	
28	70004829	1	Pipe, Water Return	
28	7023145	1	Gasket, Flange	
28	7017958	1	Hose, Water Return	
28	7023170	1	Thermostat	
28	70002326	1	Gasket, Thermostat	
28	70003064	1	Sensor, Water Temperature	
28	70003063	1	Washer, Seal	
29	70002327	1	Pump, Water	
29	70002328	1	Gasket, Water Pump	
30	7017963	1	Pipe, Water	
30	70002330	1	Pipe, Water	
31	7023149	1	Gasket, Inlet Manifold (Not Shown)	
32	7023148	1	Gasket, Exhaust Manifold (Not Shown)	
33	7023124	1	Gasket (Muffler)	
33	70004415	4	Bolt, Sems	
34	70005226	1	Upper Gasket Kit	
34	70005227	1	Lower Gasket Kit	
35	7017992	1	Fuel Filter	
36	70005229	1	Tank, Coolant Reserve	
37	70006664	1	Arm, Adjustment	

SECTION 3 - ENGINE

FIGURE 3-19. ENGINE COMPONENTS - KUBOTA DIESEL E4B (SN 0200268660 through 0200269765)



ART_1001238770

SECTION 3 - ENGINE

FIGURE 3-19. ENGINE COMPONENTS - KUBOTA DIESEL E4B (SN 0200268660 through 0200269765)

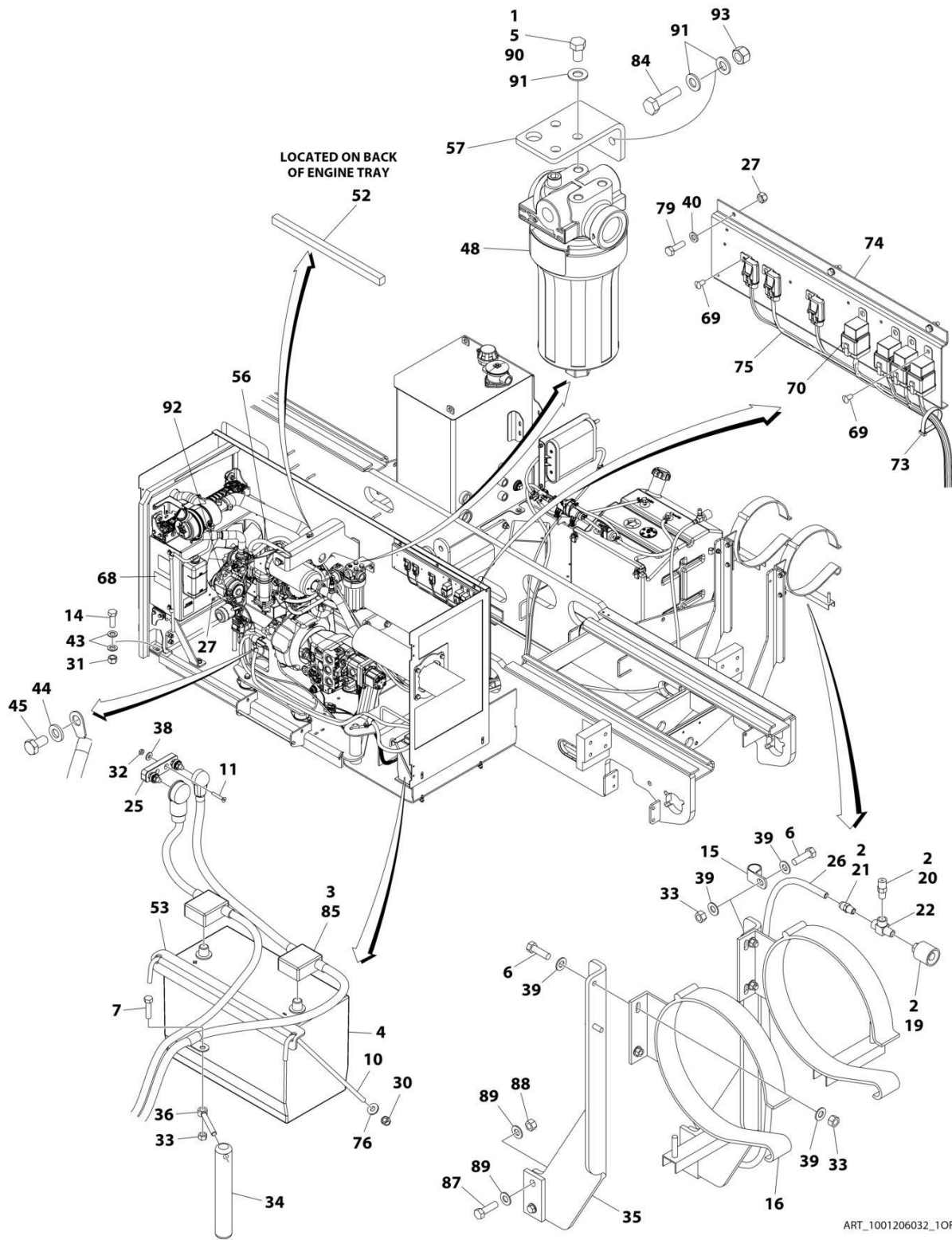
ITEM	PART NUMBER	QTY	DESCRIPTION	REV
	1001238770	Ref	ENGINE COMPONENTS - KUBOTA DIESEL T4F	A
1	70004524	1	Drain (Not Shown)	
2	7023154	1	Plug, Drain	
2	70002315	1	Seal, Plug	
3	70004525	1	Plug, Drain	
3	70004526	1	Gasket	
4	70005220	1	Gasket, Cylinder Head (Not Shown)	
5	7017922	1	Seal, Front Main (Not Shown)	
6	70002318	2	Cap, Oil Fill	
6	70004311	2	O-Ring	
7	70005221	1	Gasket, Valve Cover (Not Shown)	
8	70003060	1	Comp Valve, Breather	
8	70003061	1	Cover, Breather	
8	7017934	4	Screw	
9	70002316	1	Pipe, Water Return	
9	70002317	1	Tube, Breather	
9	70004530	1	Clamp, Hose	
9	70004531	1	Band, Pipe	
10	70004395	1	Filter, Oil	
11	70005222	1	Dipstick	
11	70005223	1	Tube, Dipstick	
12	7017928	1	Seal, Rear Main (Not Shown)	
13	70005224	1	Gear, Ring	
14	70002419	1	Plate, Rear End	
15	7025479	1	Solenoid, Stop	
16	7023164	1	Pump, Injection	
16	70002319	1	Shim, Injection	
16	70002320	1	Shim, Injection	
16	70002321	1	Shim, Injection Pump	
16	70002322	1	Shim, Injection Pump	
16	70002323	1	Shim, Injection Pump	
16	7017945	1	Joint, Eye	
17	70004396	1	Control, Speed	
17	70004397	1	Gasket	
18	7023165	1	Gasket	
19	70004536	1	Pipe, Over Flow	
19	70004537	1	Screw, Air Bleeder	
19	70004538	1	Gasket	
19	70004539	1	Pipe, Over Flow	
20	70004399	3	Holder, Nozzle	
20	70004540	3	Nut	
20	7023167	3	Gasket	
20	7023168	3	Seal, Heat	
21	70004398	3	Plug, Glow	
21	70004544	1	Cord, Glow Plug	
22	70005228	1	Electric Fuel Feed Pump	
23	70006661	1	Alternator - 60Amp	
24	7023140	1	Pulley, Fan	
25	70006665	1	V-Belt	
26	7023144	1	Starter	

SECTION 3 - ENGINE

ITEM	PART NUMBER	QTY	DESCRIPTION	REV
27	7017901	1	Switch, Oil	
28	70004829	1	Pipe, Water Return	
28	7023145	1	Gasket, Flange	
28	7017958	1	Hose, Water Return	
28	7023170	1	Thermostat	
28	70002326	1	Gasket, Thermostat	
28	70003064	1	Sensor, Water Temperature	
28	70003063	1	Washer, Seal	
29	70002327	1	Pump, Water	
29	70002328	1	Gasket, Water Pump	
30	7017963	1	Pipe, Water	
30	70002330	1	Pipe, Water	
31	7023149	1	Gasket, Inlet Manifold (Not Shown)	
32	7023148	1	Gasket, Exhaust Manifold (Not Shown)	
33	7023124	1	Gasket (Muffler)	
33	70004415	4	Bolt, Sems	
34	70005226	1	Upper Gasket Kit	
34	70005227	1	Lower Gasket Kit	
35	7017992	1	Fuel Filter	
36	70005229	1	Tank, Coolant Reserve	
37	70006664	1	Arm, Adjustment	

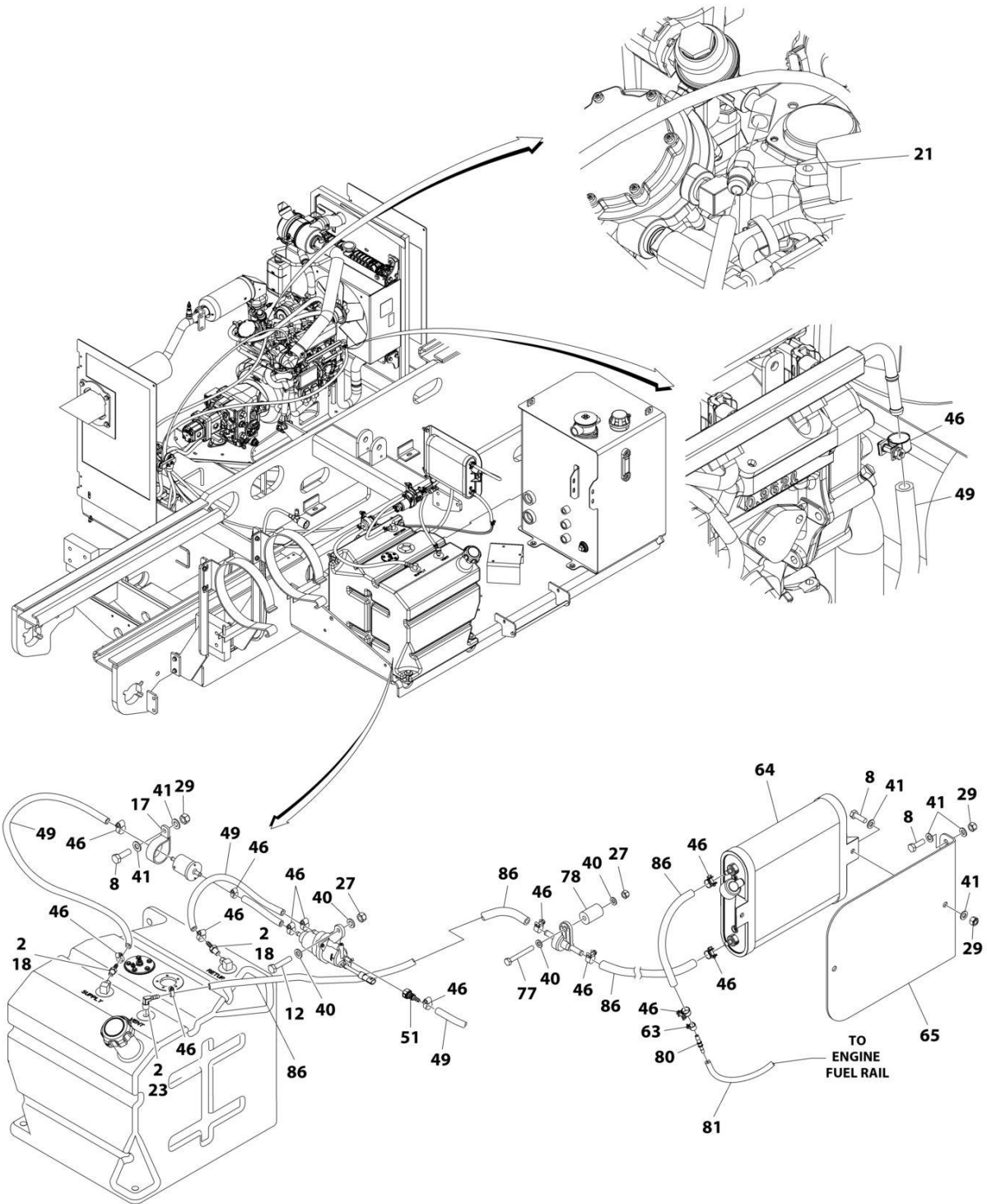
SECTION 3 - ENGINE

FIGURE 3-20. ENGINE INSTALLATION - KUBOTA GASOLINE



ART_1001206032_10F2

SECTION 3 - ENGINE



ART_1001206032_20F2

SECTION 3 - ENGINE

FIGURE 3-20. ENGINE INSTALLATION - KUBOTA GASOLINE

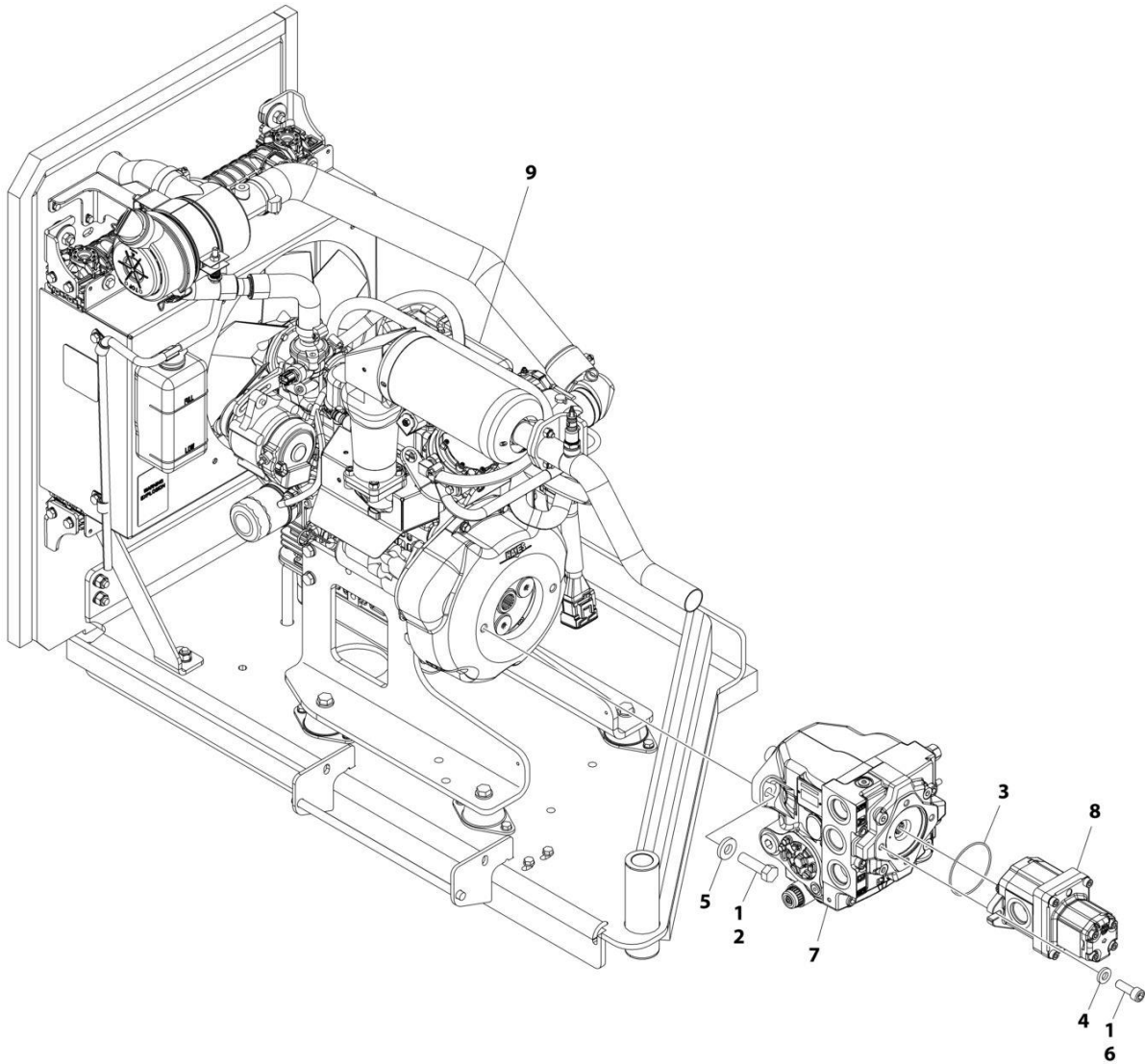
ITEM	PART NUMBER	QTY	DESCRIPTION	REV
	1001206032	Ref	ENGINE INSTALLATION - KUBOTA GASOLINE	P
1	0100011	AR	Compound, Locking	
2	0100020	AR	Sealant	
3	0100051	AR	Grease, Terminal	
4	0400075	1	Battery	
5	0641605	4	Bolt 3/8 x 5/8 (Prior to SN 0200266880)	
6	0641610	AR	Bolt 3/8 x 1-1/4	
7	0641612	AR	Bolt 3/8 x 1-1/2	
8	0700812	AR	Bolt M8 x 25	
10	1001093382	2	J-Bolt	
11	0741010	AR	Screw #10 x 1-1/4	
12	0760614	AR	Bolt M6 x30	
14	0761617	AR	Bolt M16 x 45	
15	1320061	1	Clamp	
16	1320220	1	LP Clamp Kit	
16	4400420	1	Tank, LP - Steel (Not Shown)	
16	4400275	1	Tank, LP - Aluminum (Not Shown)	
17	1320265	1	Clamp	
18	2180348	2	Fitting, Straight NPT x Barbed	
19	2180387	1	Fitting, Tank Connector	
20	2180389	1	Fitting, Relief Valve	
21	2180418	2	Fitting, Straight	
22	2220290	1	Fitting, Tee	
23	2221176	1	Fitting, 90 NPT x Barbed	
24	2300004	AR	Coolant (Not Shown)	
25	2400044	1	Block, Fuse Mounting	
26	2720611	1	Hose	
27	3290605	AR	Nut M6	
29	3290805	AR	Nut M8	
30	88521205	AR	Nut 5/16	
31	3291605	AR	Nut M16	
32	3300408	AR	Nut	
33	3311605	AR	Nut 3/8	
34	3422669	1	Pin	
35	3573440	2	Plate, LP Tank Mount	
36	3841143	1	Keeper, Pin	
38	4711400	AR	Washer 1/4	
39	4711600	AR	Washer 3/8	
40	4811700	AR	Washer M6	
41	4811900	AR	Washer M8	
43	4812300	AR	Washer M16	
44	5241000	AR	Washer M10	
45	8303511	AR	Capscrew M10 x 20	
46	1001174486	14	Clamp	
48	1001102987	1	Filter, Charge Pump (Prior to SN 0200266880)	
48	1001208874	1	Filter, Charge Pump (SN 0200266880 through 0200269765)	
48	70010383	1	Element, Filter	
49	1001156819	169 in/ 4.3m	Hose	
51	1001174093	1	Coupling, Quick Connect	

SECTION 3 - ENGINE

ITEM	PART NUMBER	QTY	DESCRIPTION	REV
52	1001183421	1	Foam, Baffle	
53	1001184065	1	Bracket, Hold Down	
55	1001190775	AR	Oil, Engine (Not Shown)	
56	1001204069	1	Engine and Pump Sub-Assembly - Kubota Gasoline (See Separate Breakdown in this Section)	
57	1001206686	1	Bracket (Prior to SN 0200268060)	
57	1001194836	1	Bracket (SN 0200268060 through 0200269765)	
63	1001185585	2	Clamp	
64	1001225420	1	Filter, Carbon Canister	
65	1001225421	1	Bracket	
68	1001227591	1	Decal - EPA Evaporation 2017 Standards (Prior to SN 0200267503)	
68	1001236559	1	Decal - EPA Evaporation 2018 Standards (SN 0200267503 through 0200268746)	
68	1001249253	1	Decal - EPA Evaporation 2019 Standards (SN 0200268747 through 0200269765)	
69	3820020	7	Rivet	
70	3740080	4	Relay	
73	4240018	AR	Tie-Strap	
74	1001185125	1	Plate	
75	1001209931	1	Engine Harness - Kubota Gasoline (See Separate Breakdown in ELECTRICAL SECTION) (Prior to SN 0200267917)	
75	1001236546	1	Engine Harness - Kubota Gasoline (See Separate Breakdown in ELECTRICAL SECTION) (SN 0200267917 through 0200269765)	
76	4751500	AR	Washer 5/16	
77	0700618	AR	Bolt M6 x 50	
78	3860111	1	Roller	
79	0760610	AR	Bolt M6 x 20	
80	1001131391	1	Fitting, Coupling	
81	1001129256	111 in/ 2.8m	Hose	
83	1001146588	1	Tie-Strap (Not Shown)	
84	0760814	AR	Bolt M8 x 30	
85	1001186428	1	Battery Cable Kit (See Separate Breakdown in ELECTRICAL SECTION)	
86	1001129255	54 in/1.4m	Hose	
87	0641812	4	Bolt 1/2 x 1-1/2	
88	3311801	4	Nut 1/2	
89	4711800	AR	Washer 1/2	
90	0761010	AR	Bolt M10 x 20	
91	4812000	AR	Washer M10	
92	1001234069	1	Harness, Fusible Link (SN 0200267917 through 0200269765)	
93	3291005	AR	Lock Nut M10 (SN 0200268060 through 0200269765)	

SECTION 3 - ENGINE

FIGURE 3-21. ENGINE AND PUMP SUB-ASSEMBLY - KUBOTA GASOLINE



ART_1001206049

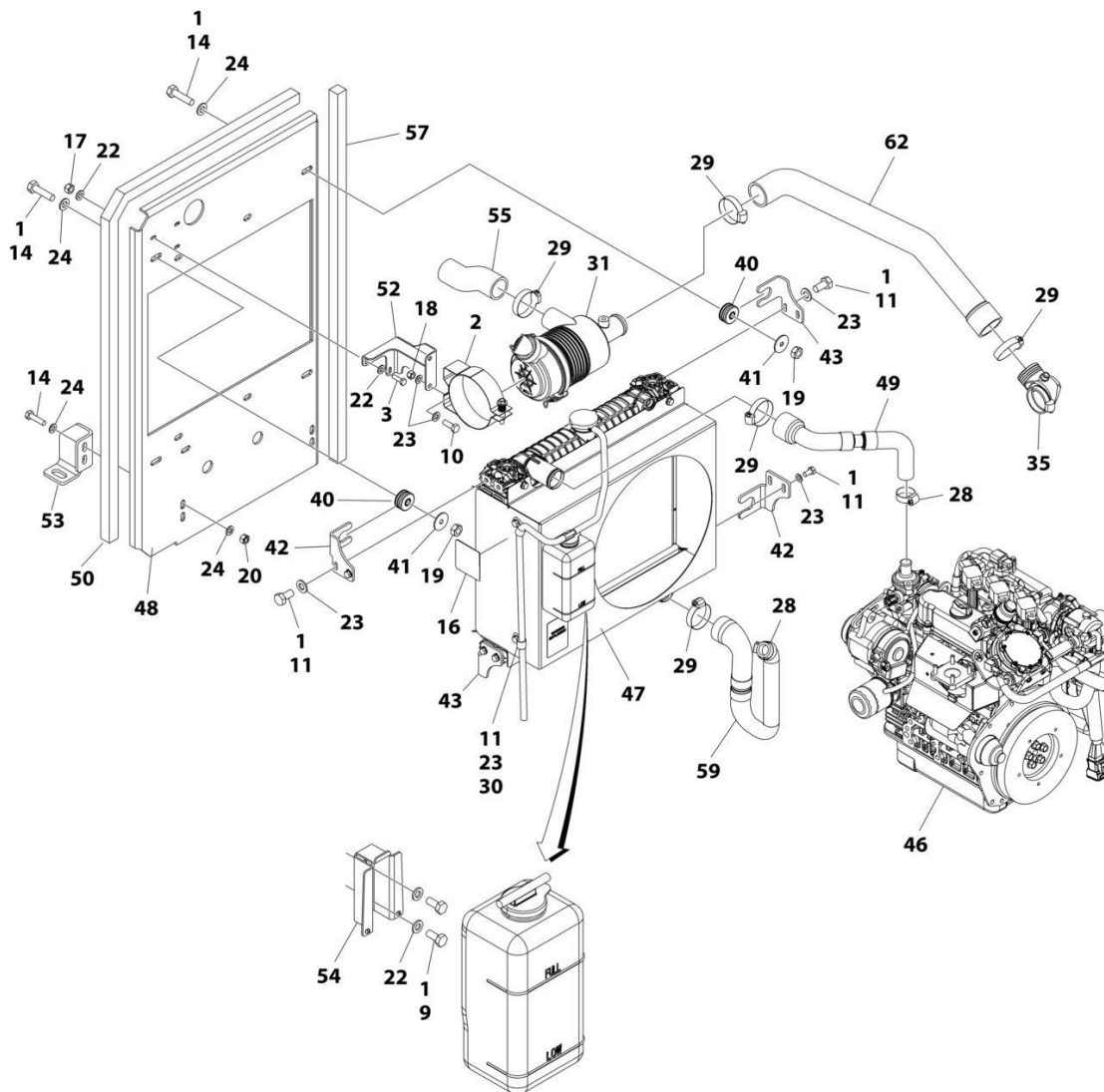
SECTION 3 - ENGINE

FIGURE 3-21. ENGINE AND PUMP SUB-ASSEMBLY - KUBOTA GASOLINE

ITEM	PART NUMBER	QTY	DESCRIPTION	REV
	1001206049	Ref	ENGINE AND PUMP SUB-ASSEMBLY - KUBOTA GASOLINE	F
1	0100011	AR	Compound, Locking	
2	0641814	2	Bolt 1/2 x 1-3/4	
3	3790152	1	O-Ring	
4	4711600	2	Washer 3/8	
5	4891800	2	Washer 1/2	
6	83191040	2	Capscrew M10 x 30	
7	1001101331	1	Piston Pump Assembly (See Separate Breakdown in this Section)	
8	1001217291	1	Gear Pump Assembly	
8	70002861	1	Seal Kit - 1001217291 Pump (Note: Seal Kit is only service component available)	
9	1001205973	1	Engine Assembly - Kubota Gasoline (See Separate Breakdown in this Section)	

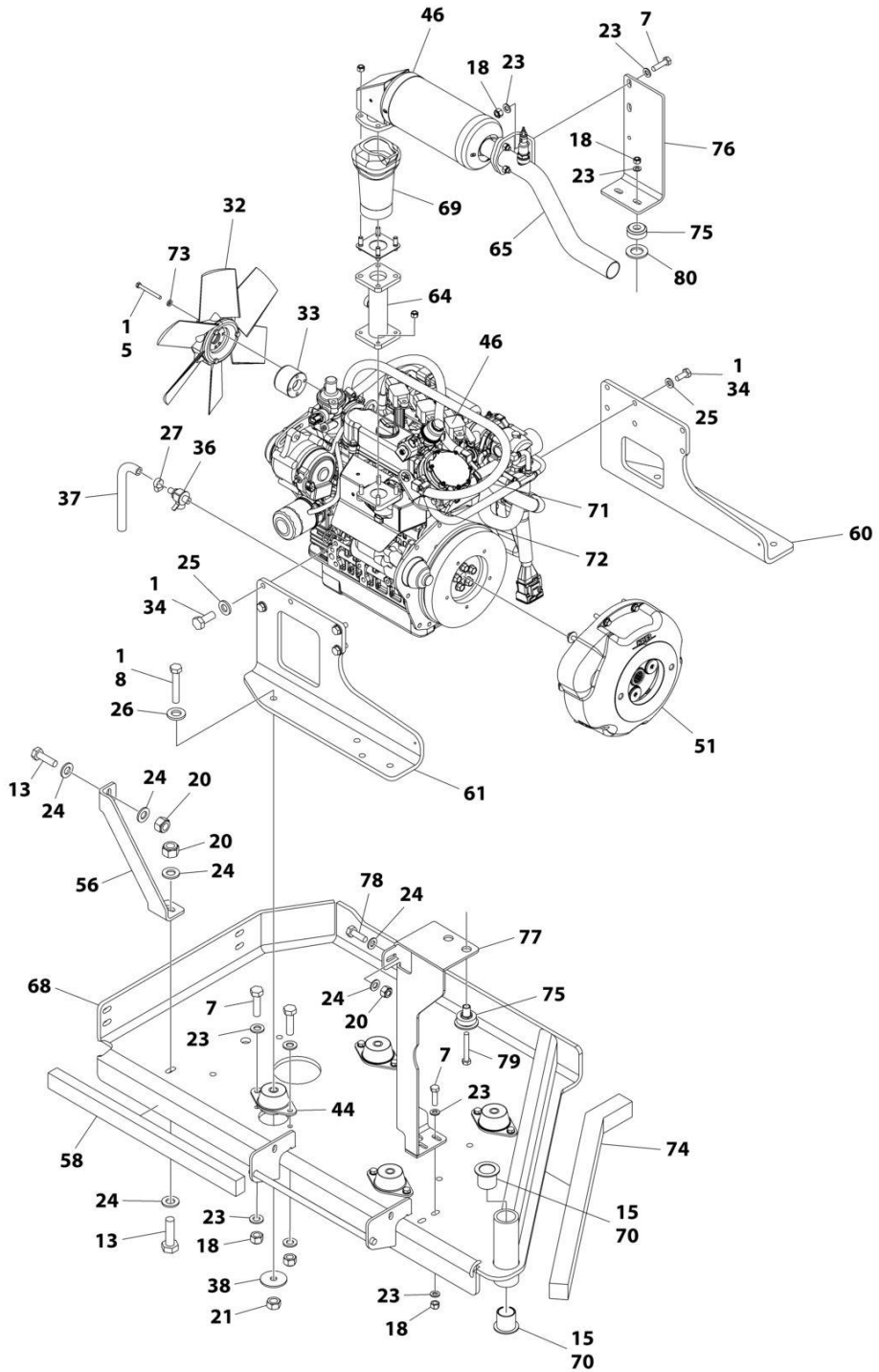
SECTION 3 - ENGINE

FIGURE 3-22. ENGINE ASSEMBLY - KUBOTA GASOLINE



ART_1001205973_1OF2

SECTION 3 - ENGINE



ART_1001205973_2OF2

SECTION 3 - ENGINE

FIGURE 3-22. ENGINE ASSEMBLY - KUBOTA GASOLINE

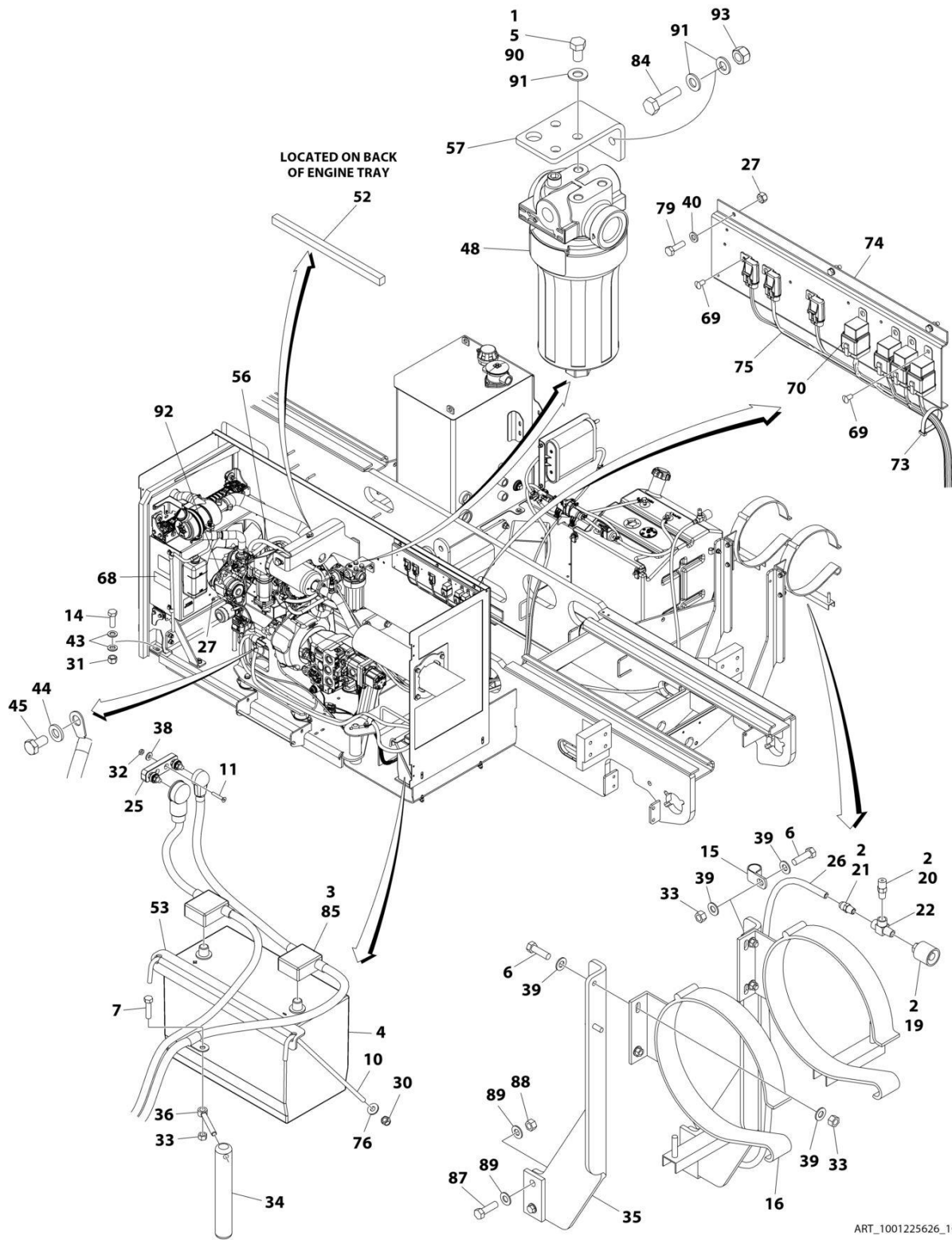
ITEM	PART NUMBER	QTY	DESCRIPTION	REV
	1001205973	Ref	ENGINE ASSEMBLY - KUBOTA GASOLINE	H
1	0100011	AR	Compound, Locking	
2	0340045	1	Band, Mounting	
3	0700610	3	Bolt M6 x 20	
5	0700620	4	Bolt M6 x 60	
7	0700814	12	Bolt M8 x 30	
8	0701222	4	Bolt M12 x 70	
9	0760607	2	Bolt M6 x 14	
10	0760810	2	Bolt M8 x 20	
11	0760808	8	Bolt M8 x 16	
13	0761015	4	Bolt M10 x 35	
14	0761016	6	Bolt M10 x 40	
15	0961986	2	Bearing	
16	1703162	2	Decal - Fan Blade	
17	3290605	3	Nut M6	
18	3290805	16	Nut M8	
19	3291001	4	Nut M10	
20	3291005	7	Nut M10	
21	3291201	4	Nut M12	
22	4811700	8	Washer M6	
23	4811900	40	Washer M8	
24	4812000	18	Washer M10	
25	5241000	8	Washer M10	
26	5241200	4	Washer M12	
27	8405009	1	Clamp	
28	8405101	2	Clamp	
29	8405104	5	Clamp	
30	85941016	2	Clamp	
31	1001118280	1	Air Filter Assembly	
31	7015004	2	Element	
31	7015005	1	Cover Assembly	
31	1340069	1	Valve, Vacuator	
32	1001118538	1	Fan	
33	1001118539	1	Spacer, Fan	
34	1001118746	8	Bolt M10 x 25	
35	1001146043	1	Coupling, 90	
36	1001161497	1	Valve, Oil Drain	
37	1001165035	8 in/20cm	Hose	
38	1001168018	4	Washer	
40	1001169054	4	Isolator	
41	1001169138	6	Pad	
42	1001169967	2	Bracket	
43	1001170035	2	Bracket	
44	1001187235	4	Mount, Motor	
46	1001224493	1	Engine, Kubota Gasoline (See Separate Breakdown in this Section)	
47	1001220957	1	Radiator & Shroud Assembly	
47	1001198726	1	Radiator	
47	70007502	1	Valve, Drain	
47	1001220959	1	Shroud	

SECTION 3 - ENGINE

ITEM	PART NUMBER	QTY	DESCRIPTION	REV
48	1001181658	1	Plate, Radiator	
49	1001181659	1	Hose, Radiator (Upper)	
50	1001227285	1	Seal	
51	1001181829	1	Coupling Kit - Gasoline Engines (See Separate Breakdown in this Section)	
52	1001182980	1	Bracket	
53	1001182981	1	Bracket	
54	1001182982	1	Mount	
55	1001182983	1	Tube, Intake	
56	1001182984	1	Support	
57	1001183420	1	Foam, Baffle	
58	1001183424	1	Foam, Baffle	
59	1001183427	1	Tube, Coolant	
60	1001183428	1	Mount, Engine (RH)	
61	1001215543	1	Mount, Engine (LH)	
62	1001184064	1	Tube, Intake	
64	1001213847	1	Tube, Exhaust	
65	1001186833	1	Tube, Exhaust	
68	1001205968	1	Tray	
69	1001210708	1	Insulate, Exhaust	
70	0100062	AR	Adhesive	
71	1001181625	50 in/ 127cm	Hose	
72	8410013	4	Clamp	
73	5240600	4	Washer M6	
74	1001184066	1	Foam, Baffle	
75	1001125248	2	Mount, Engine	
76	1001226420	1	Support	
77	1001195600	1	Bracket, Muffler	
78	0761014	1	Bolt M10 x 30	
79	0700819	2	Bolt M8 x 55	
80	4812500	2	Washer M20	

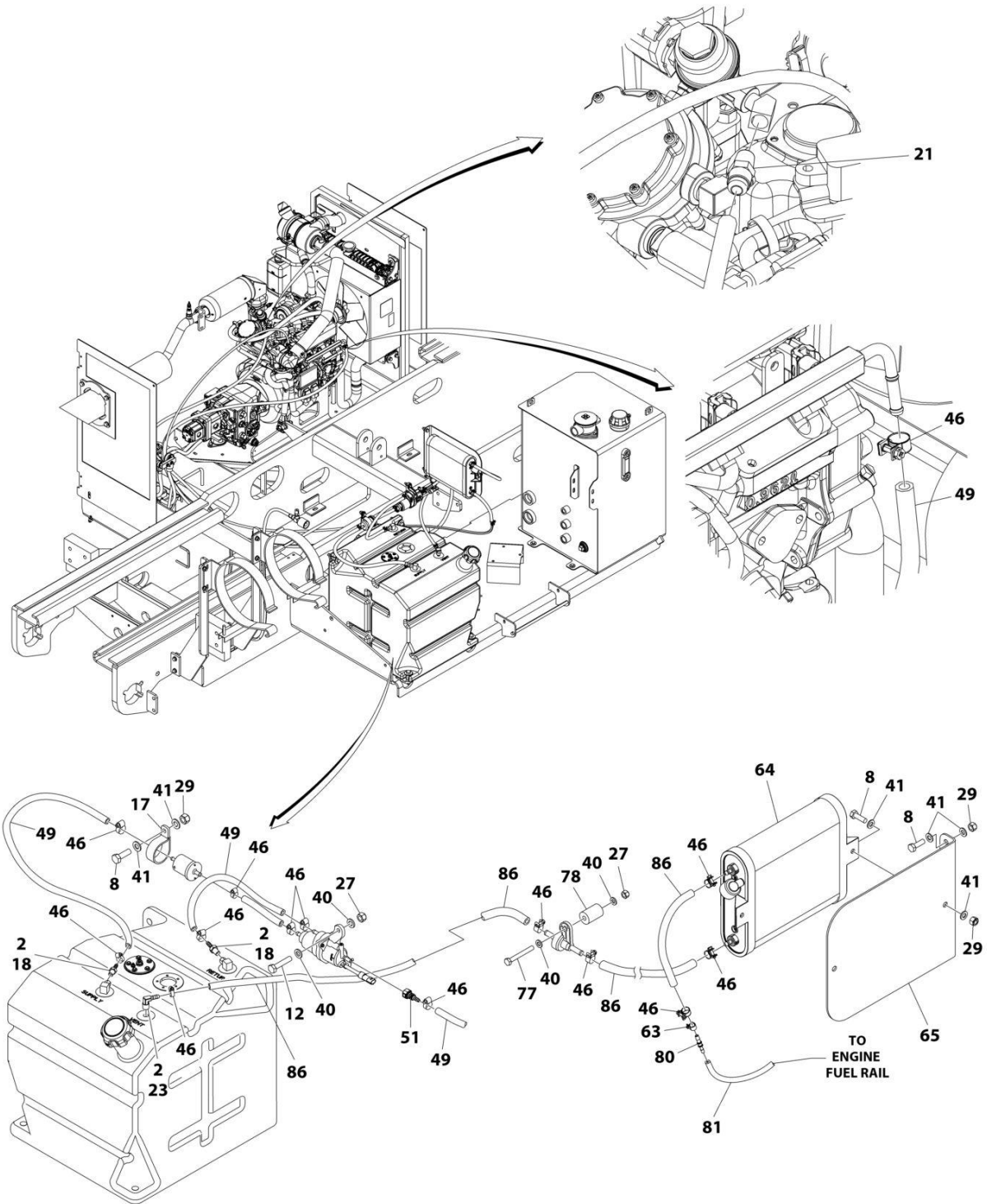
SECTION 3 - ENGINE

FIGURE 3-23. ENGINE INSTALLATION - KUBOTA GASOLINE WITH GENERATOR



ART_1001225626_10F2

SECTION 3 - ENGINE



ART_1001225626_20F2

SECTION 3 - ENGINE

FIGURE 3-23. ENGINE INSTALLATION - KUBOTA GASOLINE WITH GENERATOR

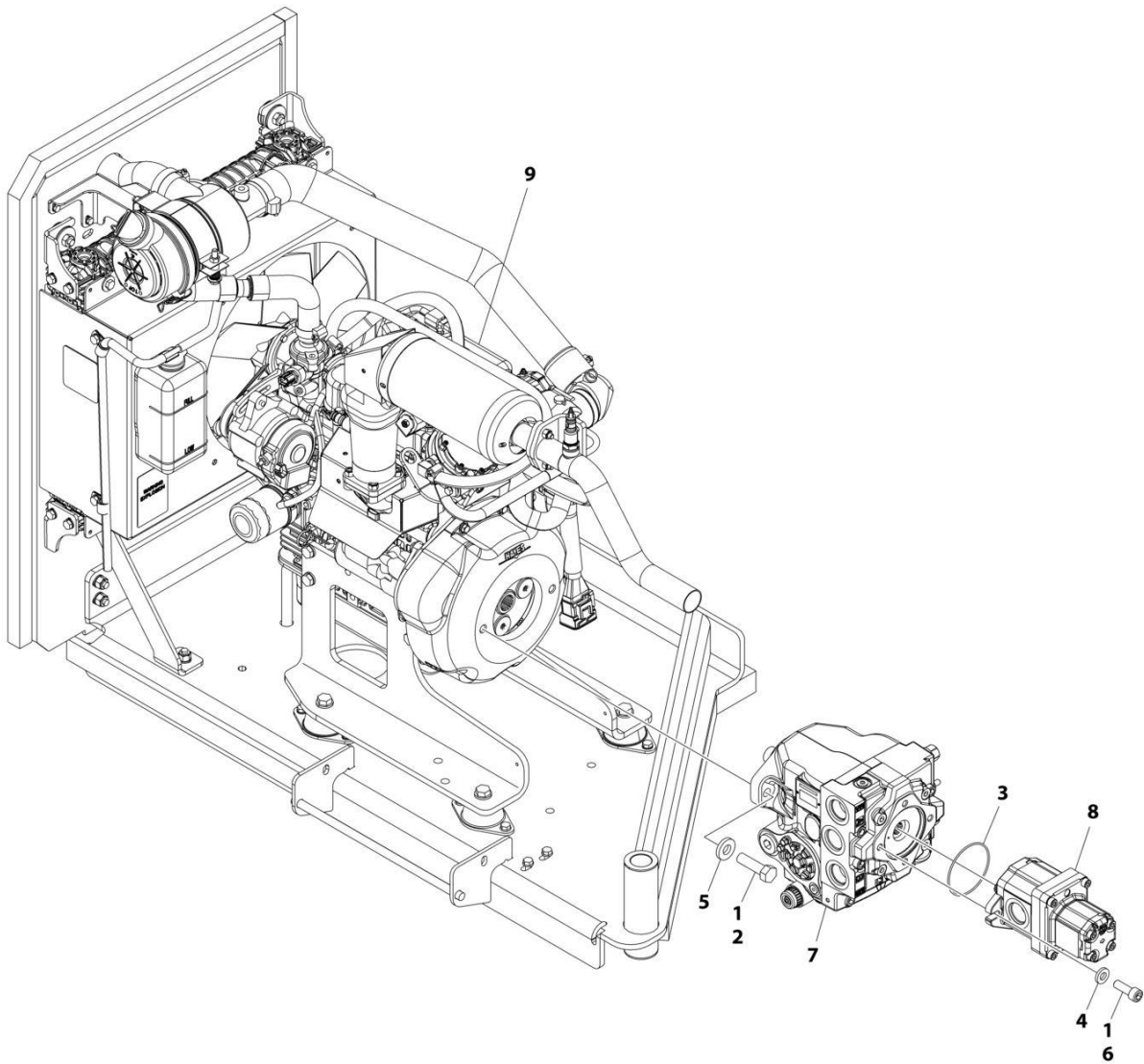
ITEM	PART NUMBER	QTY	DESCRIPTION	REV
	1001225626	Ref	ENGINE INSTALLATION - KUBOTA GASOLINE WITH GENERATOR	I
1	0100011	AR	Compound, Locking	
2	0100020	AR	Sealant	
3	0100051	AR	Grease, Terminal	
4	0400075	1	Battery	
5	0641605	AR	Bolt 3/8 x 5/8	
6	0641610	AR	Bolt 3/8 x 1-1/4	
7	0641612	AR	Bolt 3/8 x 1-1/2	
8	0700812	AR	Bolt M8 x 25	
10	1001093382	2	J-Bolt	
11	0741010	AR	Screw #10 x 1-1/4	
12	0760614	AR	Bolt M6 x 30	
14	0761617	AR	Bolt M16 x 45	
15	1320061	1	Clamp	
16	1320220	1	LP Clamp Kit	
16	4400420	1	Tank, LP - Steel (Not Shown)	
16	4400275	1	Tank, LP - Aluminum (Not Shown)	
17	1320265	1	Clamp	
18	2180348	2	Fitting, Straight NPT x Barbed	
19	2180387	1	Fitting, Tank Connector	
20	2180389	1	Fitting, Relief Valve	
21	2180418	2	Fitting, Straight	
22	2220290	1	Fitting, Tee	
23	2221176	1	Fitting, 90 NPT x Barbed	
24	2300004	AR	Coolant (Not Shown)	
25	2400044	1	Block, Fuse Mounting	
26	2720611	1	Hose	
27	3290605	AR	Nut M6	
29	3290805	AR	Nut M8	
30	88521205	AR	Nut 5/16	
31	3291605	AR	Nut M16	
32	3300408	AR	Nut	
33	3311605	AR	Nut 3/8	
34	3422669	1	Pin	
35	3573440	2	Plate, LP Tank Mount	
36	3841143	1	Keeper, Pin	
38	4711400	AR	Washer 1/4	
39	4711600	AR	Washer 3/8	
40	4811700	AR	Washer M6	
41	4811900	AR	Washer M8	
43	4812300	AR	Washer M16	
44	5241000	AR	Washer M10	
45	8303511	AR	Capscrew M10 x 20	
46	1001174486	14	Clamp	
48	1001102987	1	Filter, Charge Pump (Prior to SN 0200266880)	
48	1001208874	1	Filter, Charge Pump (SN 0200266880 through 0200269765)	
48	70010383	1	Element, Filter	
49	1001156819	169 in/ 4.3m	Hose	

SECTION 3 - ENGINE

ITEM	PART NUMBER	QTY	DESCRIPTION	REV
51	1001174093	1	Coupling, Quick Connect	
52	1001183421	1	Foam, Baffle	
53	1001184065	1	Bracket, Hold Down	
55	1001190775	AR	Oil, Engine (Not Shown)	
56	1001225627	1	Engine and Pump Sub-Assembly - Kubota Gasoline with Generator (See Separate Breakdown in this Section)	
57	1001206686	1	Bracket (Prior to SN 0200268060)	
57	1001194836	1	Bracket (SN 0200268060 through 0200269765)	
63	1001185585	2	Clamp	
64	1001225420	1	Filter, Carbon Canister	
65	1001225421	1	Bracket	
68	1001207289	1	Decal - EPA Evaporation 2017 Standards (Prior to SN 0200267503)	
68	1001236559	1	Decal - EPA Evaporation 2018 Standards (SN 0200267503 through 0200268746)	
68	1001249253	1	Decal - EPA Evaporation 2019 Standards (SN 0200268747 through 0200269765)	
69	3820020	AR	Rivet	
70	3740080	4	Relay	
73	4240018	AR	Tie-Strap	
74	1001185125	1	Plate	
75	1001209931	1	Engine Harness - Kubota Gasoline (See Separate Breakdown in ELECTRICAL SECTION) (Prior to SN 0200267917)	
75	1001236546	1	Engine Harness - Kubota Gasoline (See Separate Breakdown in ELECTRICAL SECTION) (SN 0200267917 through 0200269765)	
76	4751500	AR	Washer 5/16	
77	0700618	AR	Bolt M6 x 50	
78	3860111	1	Roller	
79	0760610	AR	Bolt M6 x 20	
80	1001131391	1	Fitting, Coupling	
81	1001129256	111 in/ 2.8m	Hose	
83	1001146588	1	Tie-Strap (Not Shown)	
84	0760814	AR	Bolt M8 x 30	
85	1001186428	1	Battery Cable Kit (See Separate Breakdown in ELECTRICAL SECTION)	
86	1001129255	54 in/1.4m	Hose	
87	0641812	AR	Bolt 1/2 x 1-1/2	
88	3311801	AR	Nut 1/2	
89	4711800	AR	Washer 1/2	
90	0761010	AR	Bolt M10 x 20	
91	4812000	AR	Washer M10	
92	1001234069	1	Harness, Fusible Link (SN 0200267917 through 0200269765)	
93	3291005	AR	Locknut M10 (SN 0200268060 through 0200269765)	

SECTION 3 - ENGINE

FIGURE 3-24. ENGINE AND PUMP SUB-ASSEMBLY - KUBOTA GASOLINE WITH GENERATOR



ART_1001225627

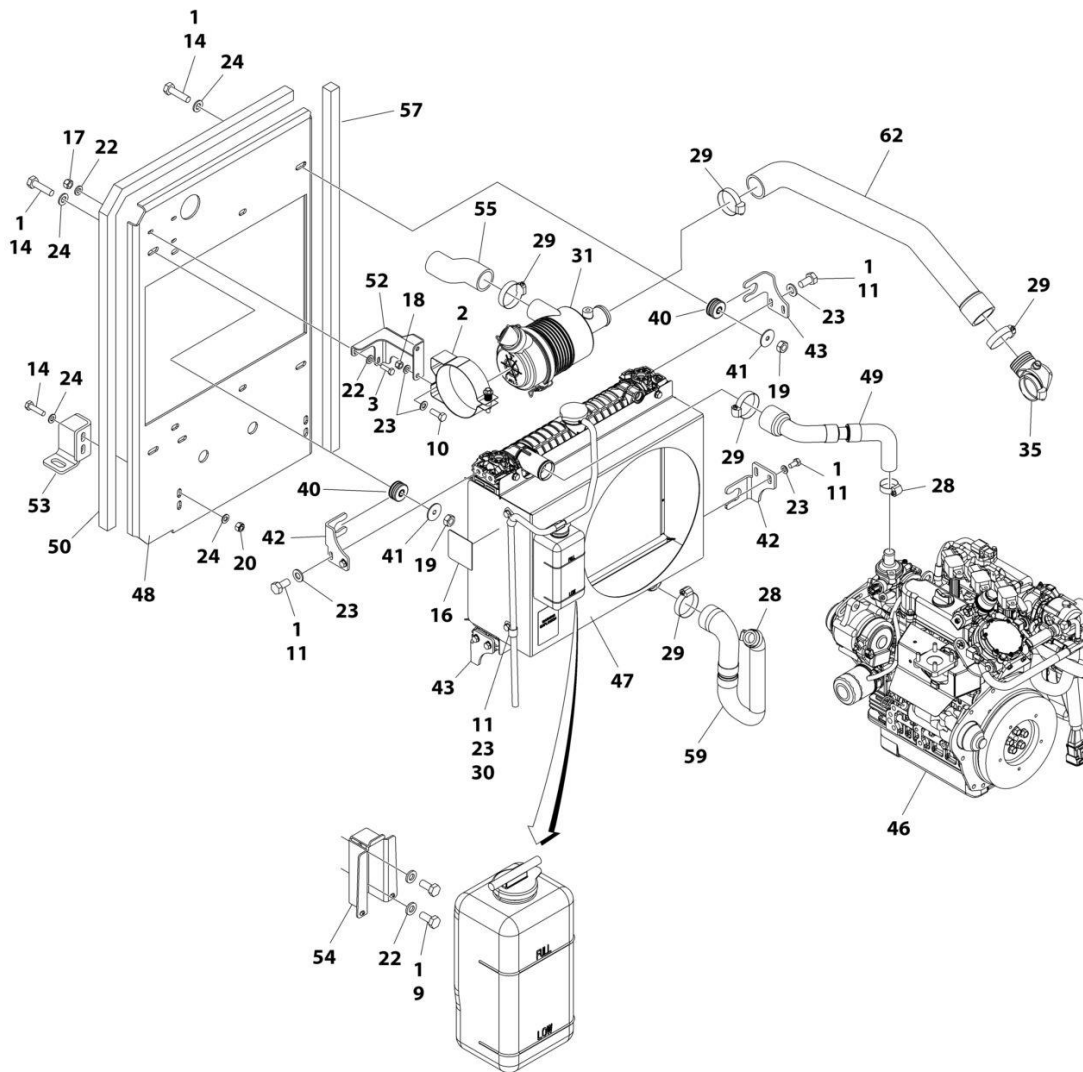
SECTION 3 - ENGINE

FIGURE 3-24. ENGINE AND PUMP SUB-ASSEMBLY - KUBOTA GASOLINE WITH GENERATOR

ITEM	PART NUMBER	QTY	DESCRIPTION	REV
	1001225627	Ref	ENGINE AND PUMP SUB-ASSEMBLY - KUBOTA GASOLINE WITH GENERATOR	C
1	0100011	AR	Compound, Locking	
2	0641814	2	Bolt 1/2 x 1-3/4	
3	3790152	1	O-Ring	
4	4711600	2	Washer 3/8	
5	4891800	2	Washer 1/2	
6	83191040	2	Capscrew M10 x 30	
7	1001101331	1	Piston Pump Assembly (See Separate Breakdown in this Section)	
8	1001217291	1	Gear Pump Assembly	
8	70002861	1	Seal Kit - 1001217291 Pump (Note: Seal Kit is only service component available)	
9	1001225628	1	Engine Assembly - Kubota Gasoline with Generator (See Separate Breakdown in this Section)	

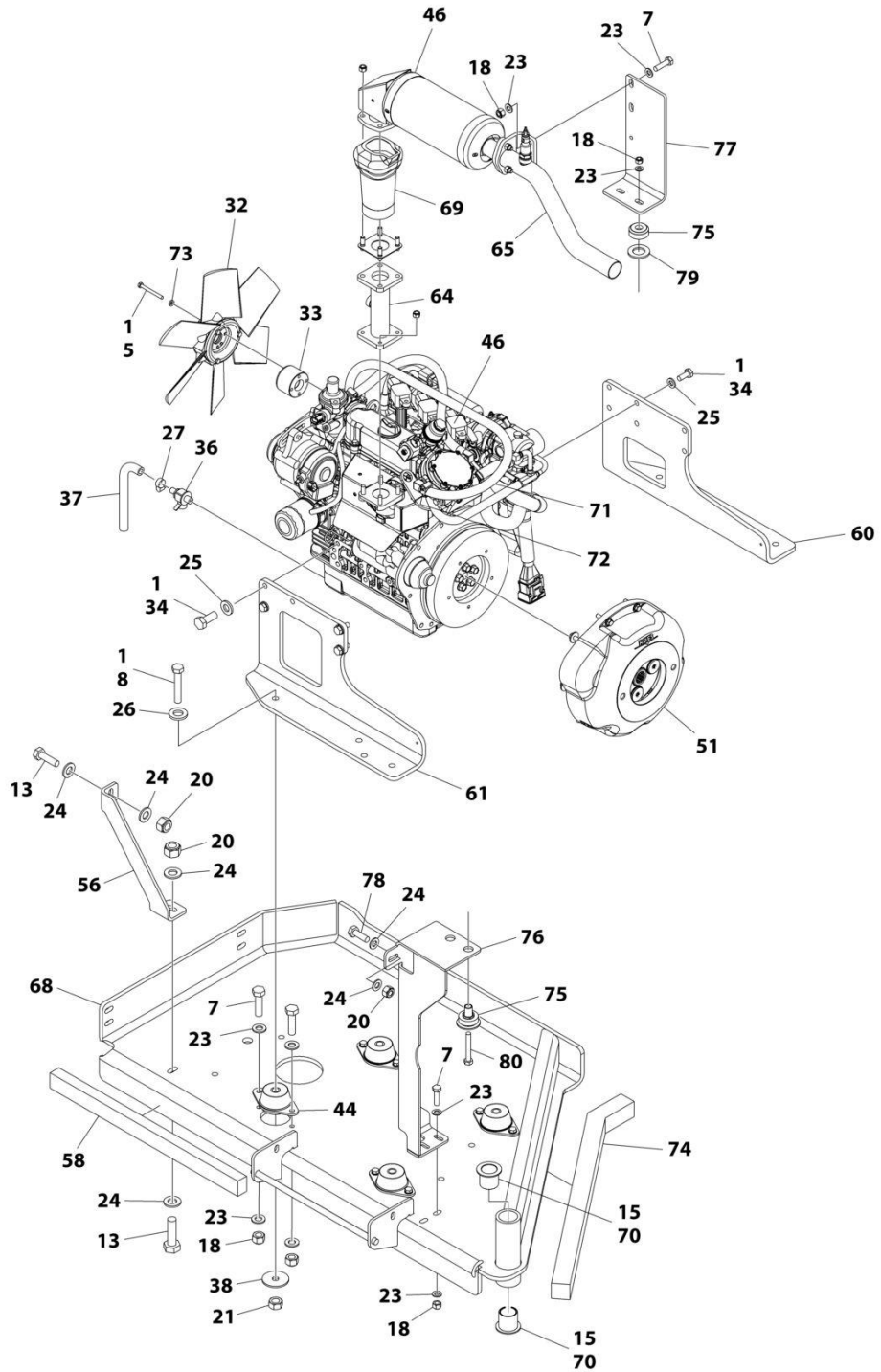
SECTION 3 - ENGINE

FIGURE 3-25. ENGINE ASSEMBLY - KUBOTA GASOLINE WITH GENERATOR



ART_1001225628_10F2

SECTION 3 - ENGINE



ART_1001225628_2OF2

SECTION 3 - ENGINE

FIGURE 3-25. ENGINE ASSEMBLY - KUBOTA GASOLINE WITH GENERATOR

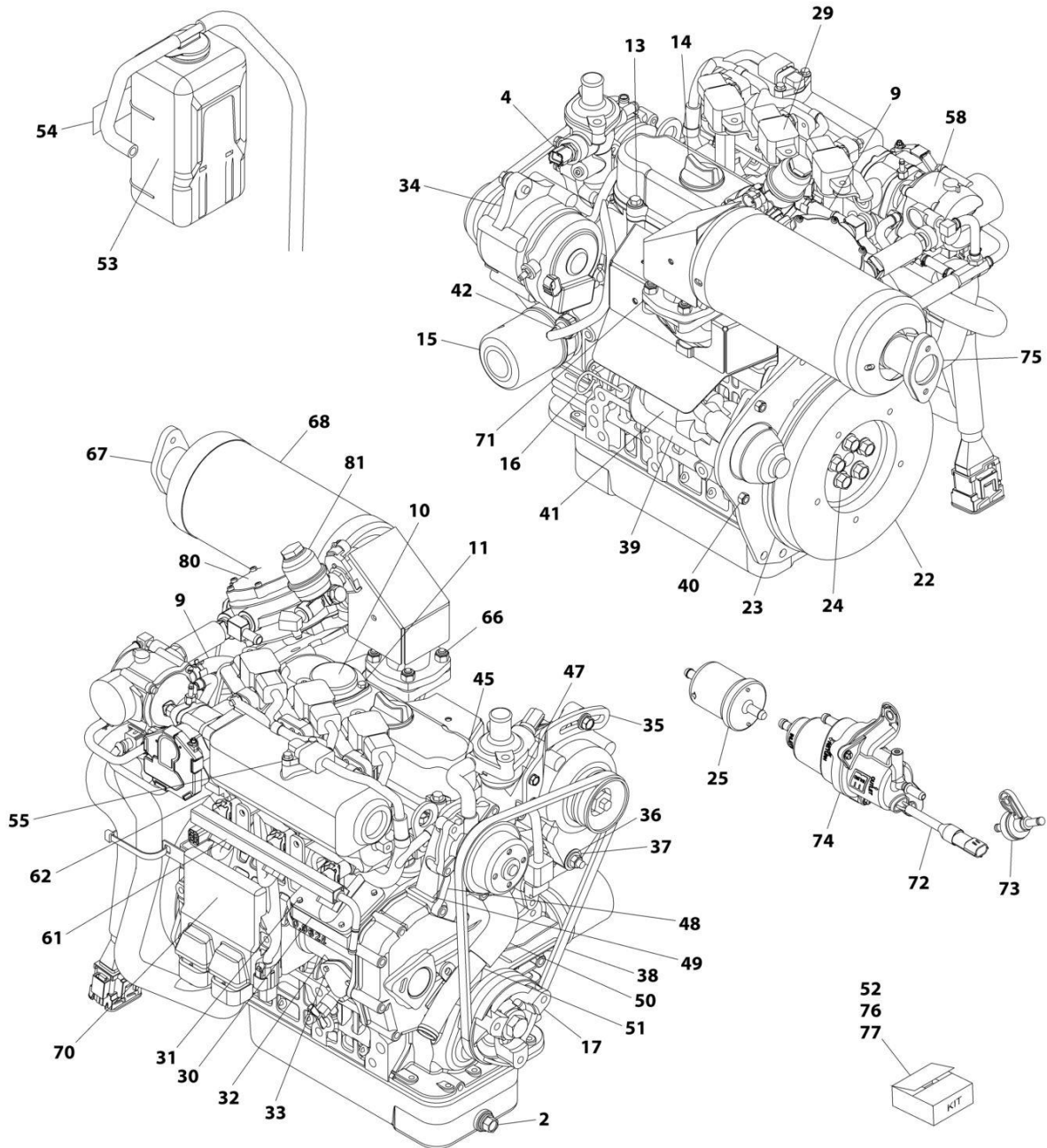
ITEM	PART NUMBER	QTY	DESCRIPTION	REV
	1001225628	Ref	ENGINE ASSEMBLY - KUBOTA GASOLINE WITH GENERATOR	D
1	0100011	AR	Compound, Locking	
2	0340045	1	Band, Mounting	
3	0700610	3	Bolt M6 x 20	
5	0700620	4	Bolt M6 x 60	
7	0700814	12	Bolt M8 x 30	
8	0701222	4	Bolt M12 x 70	
9	0760607	2	Bolt M6 x 14	
10	0760810	2	Bolt M8 x 20	
11	0760808	10	Bolt M8 x 16	
13	0761015	4	Bolt M10 x 35	
14	0761016	6	Bolt M10 x 40	
15	0961986	2	Bearing	
16	1703162	2	Decal - Fan Blade	
17	3290605	3	Nut M6	
18	3290805	16	Nut M8	
19	3291001	4	Nut M10	
20	3291005	7	Nut M10	
21	3291201	4	Nut M12	
22	4811700	8	Washer M6	
23	4811900	40	Washer M8	
24	4812000	18	Washer M10	
25	5241000	8	Washer M10	
26	5241200	4	Washer M12	
27	8405009	1	Clamp	
28	8405101	2	Clamp	
29	8405104	5	Clamp	
30	85941016	2	Clamp	
31	1001118280	1	Air Filter Assembly	
31	7015004	2	Element	
31	7015005	1	Cover Assembly	
31	1340069	1	Valve, Vacuator	
32	1001118538	1	Fan	
33	1001118539	1	Spacer, Fan	
34	1001118746	8	Bolt M10 x 25	
35	1001146043	1	Coupling, 90	
36	1001161497	1	Valve, Oil Drain	
37	1001165035	8 in/20cm	Hose	
38	1001168018	4	Washer	
40	1001169054	4	Isolator	
41	1001169138	AR	Pad	
42	1001169967	2	Bracket	
43	1001170035	2	Bracket	
44	1001175509	4	Mount, Motor	
46	1001224493	1	Engine, Kubota Gasoline with Generator (See Separate Breakdown in this Section)	
47	1001220957	1	Radiator & Shroud Assembly	
47	1001198726	1	Radiator	
47	70007502	1	Valve, Drain	
47	1001220959	1	Shroud	

SECTION 3 - ENGINE

ITEM	PART NUMBER	QTY	DESCRIPTION	REV
48	1001181658	1	Plate, Radiator	
49	1001181659	1	Hose, Radiator (Upper)	
50	1001227285	1	Seal	
51	1001181829	1	Coupling Kit - Gasoline Engines (See Separate Breakdown in this Section)	
52	1001182980	1	Bracket	
53	1001182981	1	Bracket	
54	1001182982	1	Mount	
55	1001182983	1	Tube, Intake	
56	1001182984	1	Support	
57	1001183420	1	Foam, Baffle	
58	1001183424	1	Foam, Baffle	
59	1001183427	1	Tube, Coolant	
60	1001183428	1	Mount, Engine (RH)	
61	1001215543	1	Mount, Engine (LH)	
62	1001184064	1	Tube, Intake	
64	1001213847	1	Tube, Exhaust	
65	1001186833	1	Tube, Exhaust	
68	1001205968	1	Tray	
69	1001210708	1	Insulate, Exhaust	
70	0100062	AR	Adhesive	
71	1001181625	50 in/ 127cm	Hose	
72	8410013	4	Clamp	
73	5240600	4	Washer M6	
74	1001184066	1	Foam, Baffle	
75	1001125248	2	Mount, Engine	
76	1001195600	1	Bracket, Muffler	
77	1001226420	1	Support	
78	0761014	1	Bolt M10 x 30	
79	4812500	2	Washer M20	
80	0700819	2	Bolt M8 x 55	

SECTION 3 - ENGINE

FIGURE 3-26. ENGINE COMPONENTS - KUBOTA GASOLINE



ART_1001224493

SECTION 3 - ENGINE

FIGURE 3-26. ENGINE COMPONENTS - KUBOTA GASOLINE

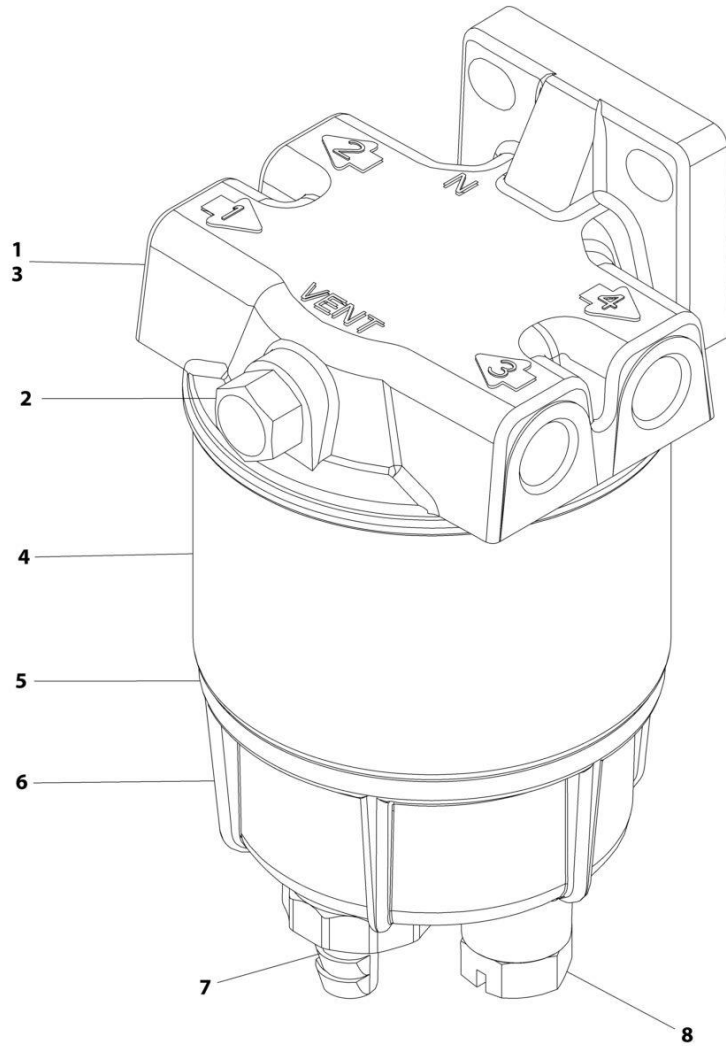
ITEM	PART NUMBER	QTY	DESCRIPTION	REV
	1001224493	Ref	ENGINE COMPONENTS - KUBOTA GASOLINE	C
1	70004524	1	Drain (Not Shown)	
2	70004525	1	Plug, Drain	
2	70004526	1	Gasket	
3	7017906	2	Bolt (Not Shown)	
4	70005726	1	Sensor, Water Temperature	
4	70005727	1	Gasket	
5	70005728	1	Gasket, Head (Not Shown)	
6	7017914	1	Joint, Pipe (Not Shown)	
7	70005729	1	Seal, Oil (Not Shown)	
8	70005730	1	Sensor, Revolution (Not Shown)	
9	7017959	2	Band, Pipe	
10	70005731	1	O-Ring, Breather	
10	70005732	1	Cover, Breather	
11	7017934	4	Screw	
12	70005733	1	Gasket, Head Cover (Not Shown)	
13	70004831	4	Bolt	
14	70002318	1	Plug, Oil Filler	
14	70004311	1	O-Ring	
15	7017980	1	Filter, Oil	
16	70005734	1	Gauge, Oil	
17	70004294	1	Pump, Oil	
17	70004295	1	Gasket, Oil	
18	70004296	1	Key, Feather (Not Shown)	
19	7017982	1	Gasket, Bearing Case (Not Shown)	
20	7017983	1	Seal, Oil (Not Shown)	
21	7017984	1	Gasket, Case Cover (Not Shown)	
22	70005735	1	Gear, Ring	
23	70005736	1	Rotor	
24	70004834	5	Bolt	
25	7017992	1	Fuel, Filter	
26	70005737	1	Sensor, Stick (Not Shown)	
27	70005738	1	Holder, Sensor (Not Shown)	
28	70005739	3	Spark Plug (Not Shown)	
29	70005740	3	Coil, Ignition	
30	7017986	1	Gasket	
31	70004538	2	Packing	
32	7017995	1	Gasket, Fuel Pump	
33	70004848	2	Bolt	
34	70006661	1	Alternator - 60Amp	
35	70006662	1	Bracket, Adjustment	
36	70004557	1	Washer	
37	70004558	1	Washer, Spring Lock	
38	7023107	1	V-Belt	
39	70005743	1	Starter	
40	70005329	5	Nut	
41	70005744	1	Magnetic, Switch	
42	70005745	1	Switch, Oil Pressure	
43	70004829	1	Pipe, Water Return (Not Shown)	
44	70004306	1	Gasket, Water Flange (Not Shown)	

SECTION 3 - ENGINE

ITEM	PART NUMBER	QTY	DESCRIPTION	REV
45	70004851	1	Pipe, Water Return	
46	7023170	1	Thermostat (Not Shown)	
47	70002326	1	Gasket, Thermostat	
48	70004853	1	Pump, Water	
49	70004854	1	Gasket, Water Pump	
50	70004912	1	Hose, Water	
51	70004913	2	Band, Pipe	
52	70005229	1	Coolant Tank Kit	
53	4400498	1	Tank, Coolant	
54	70004401	1	Decal - Instruction	
55	70005746	1	Sensor (TMAP)	
56	70005747	1	O-Ring (Not Shown)	
57	7017994	2	Gasket, Air Cleaner (Not Shown)	
58	70005748	1	Mixer	
59	70004537	1	Screw, Air Bleeder (Not Shown)	
60	70005749	1	Gasket, In-Manifold (Not Shown)	
61	70005750	1	Rail, Fuel Ignition	
62	70005751	3	Injector	
63	70005752	1	Gasket, Exhaust Manifold (Not Shown)	
64	70005753	3	Bolt, Stud (Not Shown)	
65	70005327	6	Nut (Not Shown)	
66	70005754	4	Bolt, Stud	
67	70005755	1	Muffler	
68	70005756	1	Cover, Muffler	
69	70005757	1	Harness, Wire (ECU) (Not Shown)	
70	70005758	1	Module, Engine Control (ECU)	
71	70005759	2	Gasket, Muffler	
72	70005760	2	Sensor, O2	
73	70005762	1	Valve, 2 Way	
74	70005761	1	Pump, Fuel	
75	70005763	1	Gasket, Muffler	
76	70005764	1	Upper Gasket Kit	
77	70005765	1	Lower Gasket Kit	
78	70005766	1	Cable Assembly (ECOM) (Not Shown)	
79	70005767	1	Adapter (ECOM) (Not Shown)	
80	70005768	1	Regulator	
81	70005769	1	Valve, Lockoff	

SECTION 3 - ENGINE

FIGURE 3-27. FUEL/WATER SEPARATOR ASSEMBLY - DIESEL ENGINES



ART_1001190609

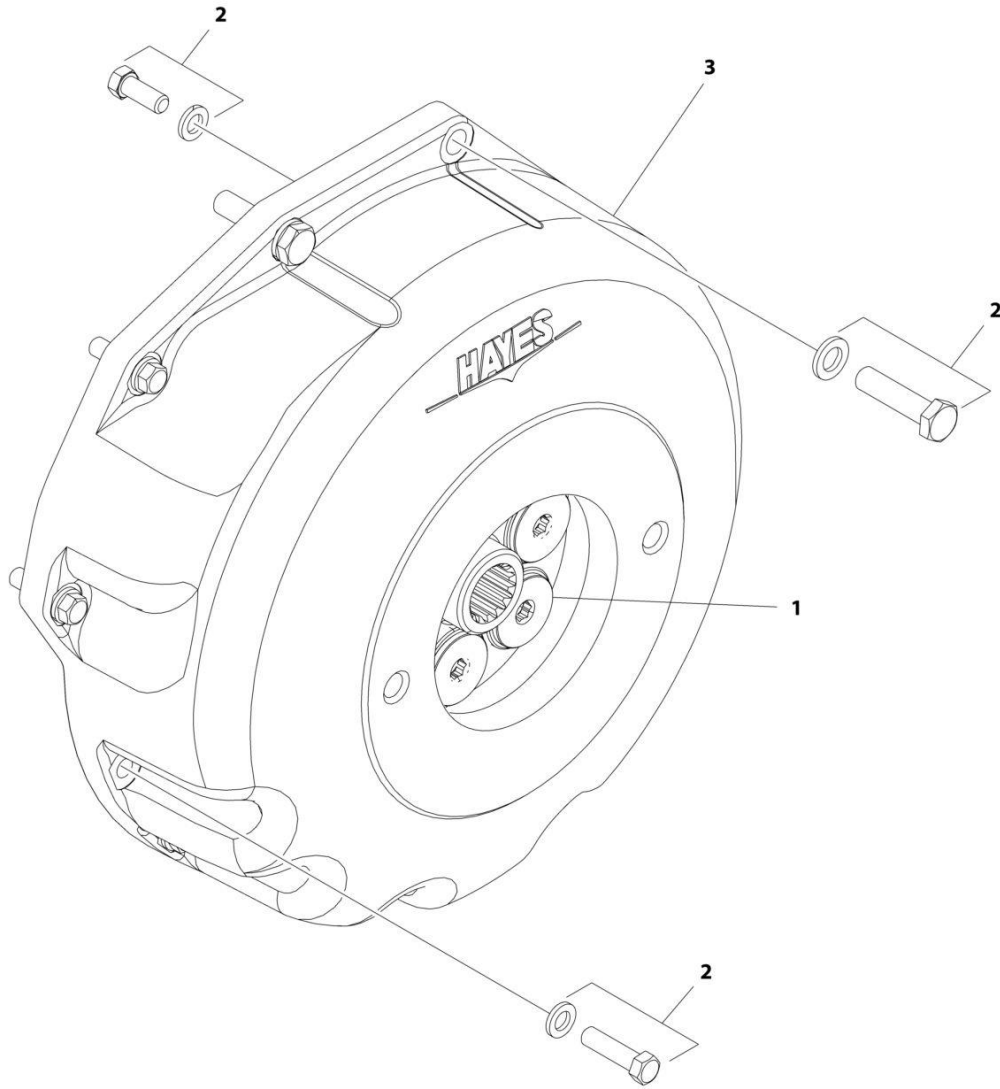
SECTION 3 - ENGINE

FIGURE 3-27. FUEL/WATER SEPARATOR ASSEMBLY - DIESEL ENGINES

ITEM	PART NUMBER	QTY	DESCRIPTION	REV
	1001190609	Ref	FUEL/WATER SEPARATOR ASSEMBLY - DIESEL ENGINES	B
1	70005293	1	Head, Mounting	
2	70005294	1	Plug	
3	70005295	1	Gasket, Head	
4	70005296	1	Element	
5	70005297	1	O-Ring	
6	70002901	1	Bowl	
7	70004070	1	Drain, Self Venting	
8	70004069	1	Plug	

SECTION 3 - ENGINE

FIGURE 3-28. COUPLING KIT - DIESEL ENGINES



ART_1001118675

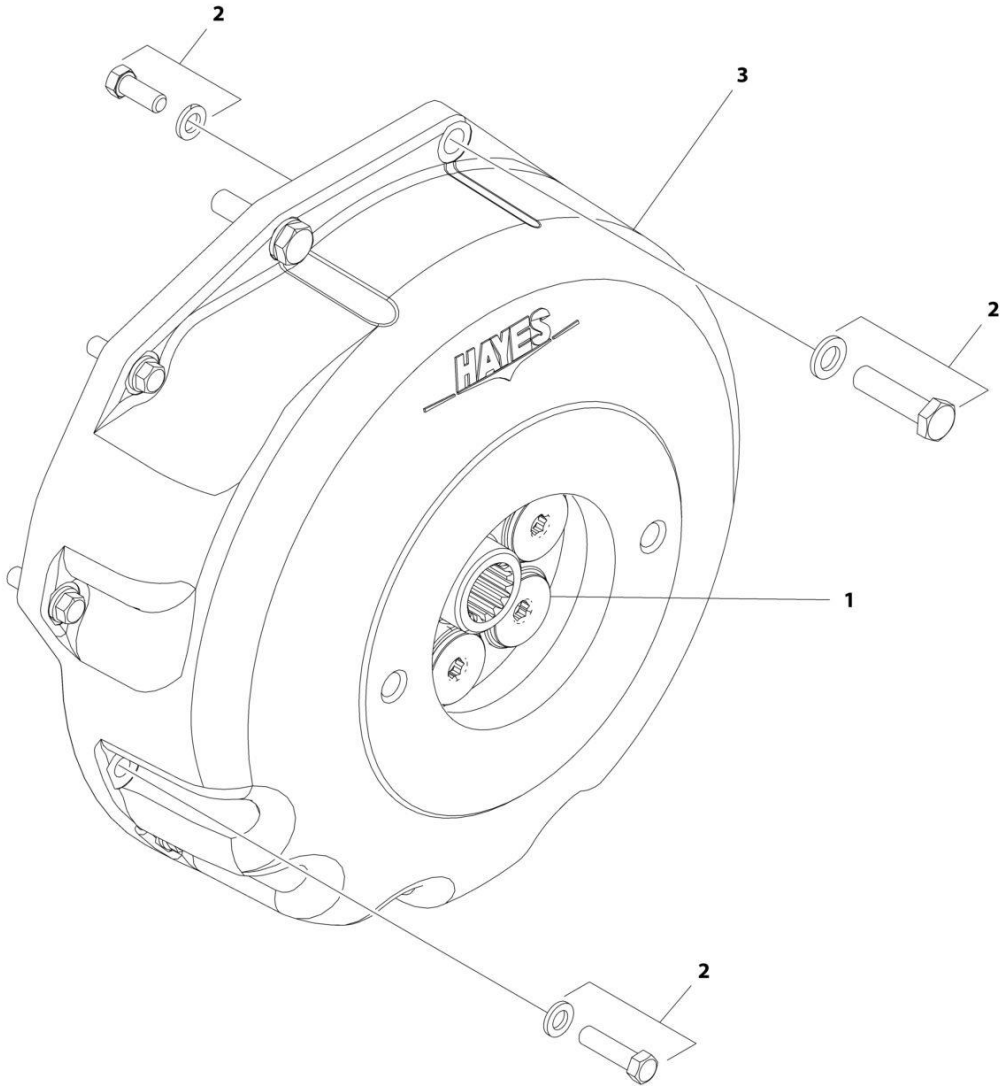
SECTION 3 - ENGINE

FIGURE 3-28. COUPLING KIT - DIESEL ENGINES

ITEM	PART NUMBER	QTY	DESCRIPTION	REV
	1001118675	Ref	COUPLING KIT - DIESEL ENGINES	A
1	70001933	1	Coupling Assembly	
2	70005453	1	Bolt Kit	
3	See Note	NSS	Housing (Note: Use p/n 1001118675)	

SECTION 3 - ENGINE

FIGURE 3-29. COUPLING KIT - GASOLINE ENGINES



ART_1001181829

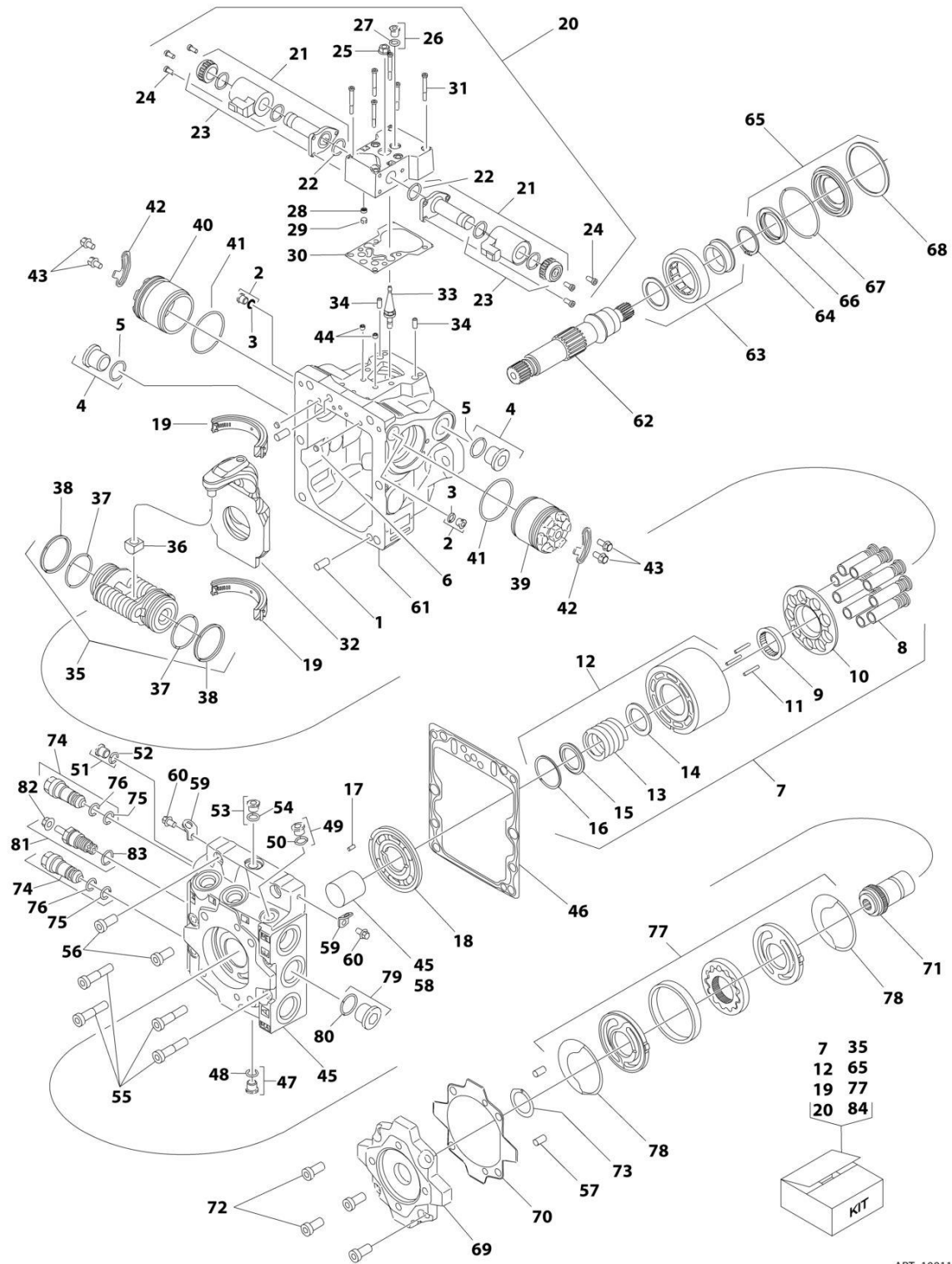
SECTION 3 - ENGINE

FIGURE 3-29. COUPLING KIT - GASOLINE ENGINES

ITEM	PART NUMBER	QTY	DESCRIPTION	REV
	1001181829	Ref	COUPLING KIT - GASOLINE ENGINES	B
1	70005455	1	Coupling Assembly	
2	70005454	1	Bolt Kit	
3	See Note	NSS	Housing (Note: Use p/n 1001181829)	

SECTION 3 - ENGINE

FIGURE 3-30. PISTON PUMP ASSEMBLY



ART_1001101331

SECTION 3 - ENGINE

FIGURE 3-30. PISTON PUMP ASSEMBLY

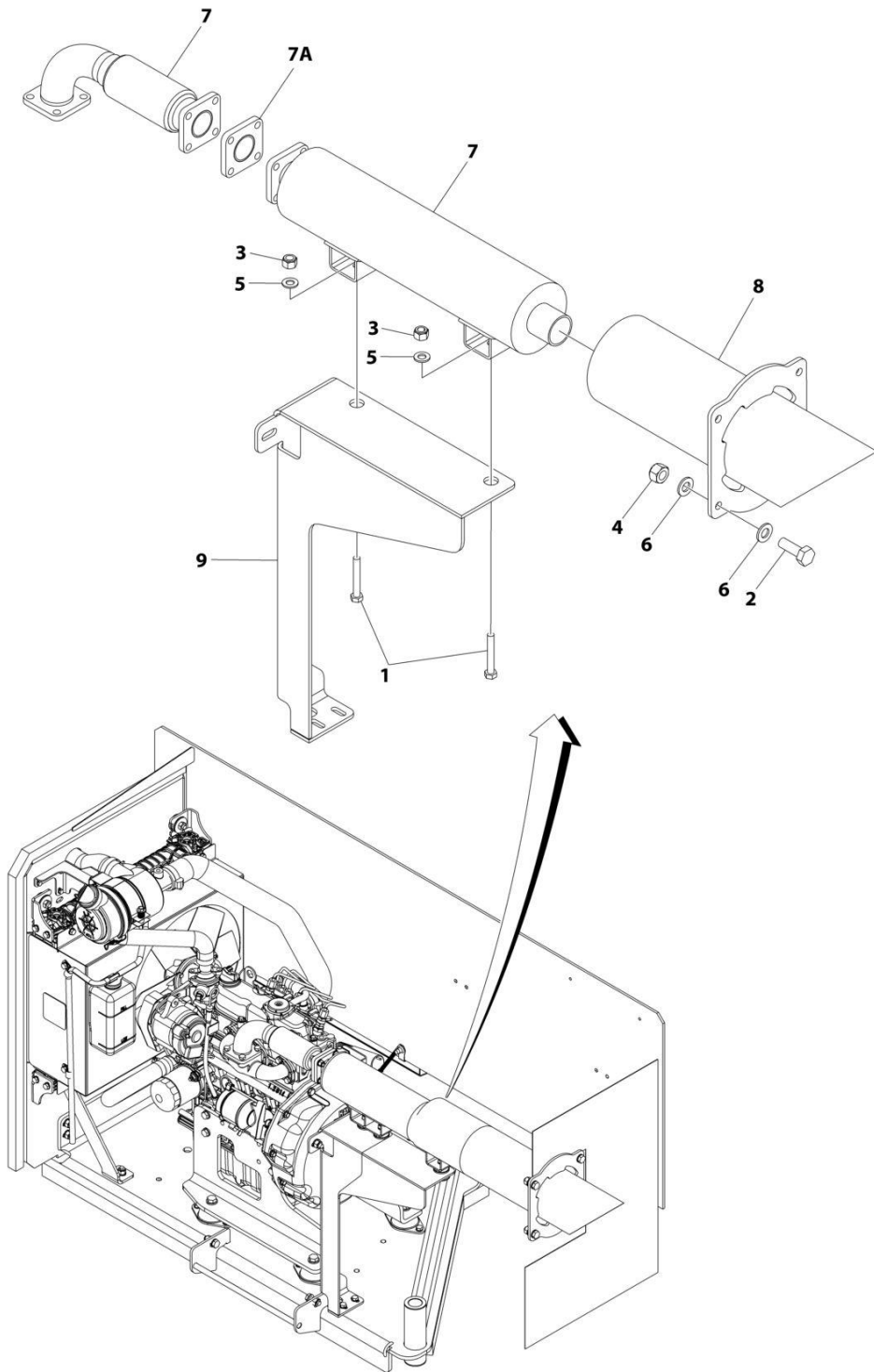
ITEM	PART NUMBER	QTY	DESCRIPTION	REV
	1001101331	Ref	PISTON PUMP ASSEMBLY	E
1	70002132	2	Pin	
2	70002133	2	Plug Assembly (Includes Item 3)	
3	7007207	2	O-Ring (Part of Item 2)	
4	7007419	2	Plug Assembly (Includes Item 5)	
5	7007418	2	O-Ring (Part of Item 4)	
6	70002134	2	Screen	
7	70002135	1	Cylinder Block Kit (Includes Items 8-16)	
8	70002136	1	Piston Assembly Kit (Includes Qty 9 Piston Assemblies) (Part of Item 7)	
9	70002137	1	Guide, Slipper Retainer (Part of Item 7)	
10	70002138	1	Retainer, Slipper (Part of Item 7)	
11	7021275	3	Pin, Slipper Retainer Hold Down (Part of Item 7)	
12	70002143	1	Cylinder Block Assembly (Includes Items 13-16) (Part of Item 7)	
13	70002139	1	Spring (Part of Item 12)	
14	70002140	1	Washer (Part of Item 12)	
15	70002141	1	Washer (Part of Item 12)	
16	70002142	1	Ring, Retaining (Part of Item 12)	
17	7007446	1	Pin	
18	70002144	1	Plate, CW Valve	
19	70002145	1	Swash Plate Bearing Kit (Includes Qty 2 Bearings)	
20	70002146	1	EDC Kit (Includes Items 21-31)	
21	70002147	2	Solenoid Valve Assembly (Includes Item 22 & 23) (Part of Item 20)	
22	70002148	2	O-Ring (1 Per Valve Assembly) (Part of Item 21)	
23	70002149	2	Coil, Nut and Seals Kit (1 Per Valve Assembly) (Part of Item 21)	
24	70002150	6	Screw (Part of Item 20)	
25	7022301	1	Nut, Seal (Part of Item 20)	
26	70002151	1	Plug Assembly (Part of Item 20) (Includes Item 27)	
27	7007207	1	O-Ring (Part of Item 26)	
28	70002134	1	Screen (Part of Item 20)	
29	70002153	1	Ring, Locking (Part of Item 20)	
30	70002154	1	Gasket, Control (Part of Item 20)	
31	70002156	6	Capscrew (Part of Item 20)	
32	70002152	1	Swash Plate	
33	70002155	1	Link, Swash Plate	
34	70002157	2	Pin, Dowel	
35	70002158	1	Servo Piston Assembly (Includes Items 36-38)	
36	70002159	1	Block, Slider (Part of Item 35)	
37	70002160	2	O-Ring (Part of Item 35)	
38	70002161	2	Ring, Piston (Part of Item 35)	
39	70002162	1	Cylinder, Servo	
40	70002162	1	Cylinder, Servo	
41	70002163	2	O-Ring	
42	70002164	2	Plate, Locking	
43	70002165	4	Screw	
44	70002166	2	Orifice	
45	70002167	1	Cap, End (Includes Item 58)	
46	70002168	1	Gasket, End Cap	
47	70002158	1	Plug Assembly (Includes Item 48)	

SECTION 3 - ENGINE

ITEM	PART NUMBER	QTY	DESCRIPTION	REV
48	7021256	1	O-Ring (Part of Item 47)	
49	70001958	1	Plug Assembly (Includes Item 50)	
50	7021256	1	O-Ring (Part of Item 49)	
51	70001958	1	Plug Assembly (Includes Item 52)	
52	7021256	1	O-Ring (Part of Item 51)	
53	70001958	1	Plug Assembly (Includes Item 54)	
54	7021256	1	O-Ring (Part of Item 53)	
55	70002169	4	Capscrew	
56	70002170	2	Capscrew	
57	70002132	2	Pin	
58	70002172	1	Bearing, Journal (Part of Item 45)	
59	7022340	2	Bracket, Lifting	
60	70002165	2	Screw	
61	See Note	1	Housing (Note: Purchase p/n 1001101331)	
62	70002175	1	Shaft	
63	70002176	1	Ball Bearing Kit	
64	70007439	1	Ring, Retaining	
65	70002174	1	Shaft Seal Kit (Includes Items 66-68) (Note: This is a universal kit and will contain extra pieces that are not used on this pump assembly.)	
66	70002177	1	Seal, Lip	
67	70002178	1	O-Ring	
68	70002179	1	Ring, Retaining	
69	70002180	1	Adapter	
70	70002181	1	Seal, Adapter	
71	70002182	1	Coupling	
72	70002185	4	Capscrew	
73	70002186	1	Plate, Thrust	
74	70002188	2	High Pressure Relief Valve Cartridge Assembly (Includes Item 75 & 76)	
75	70002187	2	O-Ring (1 Per Cartridge) (Part of Item 74)	
76	7007415	2	O-Ring (1 Per Cartridge) (Part of Item 74)	
77	70002189	1	Charge Pump Kit (Includes Item 78)	
78	70002190	2	Ring, Seal (Part of Item 77)	
79	7023964	1	Plug Assembly (Includes Item 80)	
80	7007415	1	O-Ring (Part of Item 79)	
81	70002191	1	Charge Relief Valve Cartridge Assembly (Includes Item 82 & 83)	
82	70002187	1	Nut, Seal (Part of Item 81)	
83	7007415	1	O-Ring (Part of Item 81)	
84	70002192	1	Overhaul Seal Kit (Includes Items 3, 5, 22, 27, 30, 37, 38, 41, 48, 50, 52, 54, 66, 67, 70, 75, 76, 78, 82 & 83)	

SECTION 3 - ENGINE

FIGURE 3-31. SPARK ARRESTOR MUFFLER - OPTIONAL (DIESEL ENGINES) (Prior to SN 0200267546)



ART_1001199438

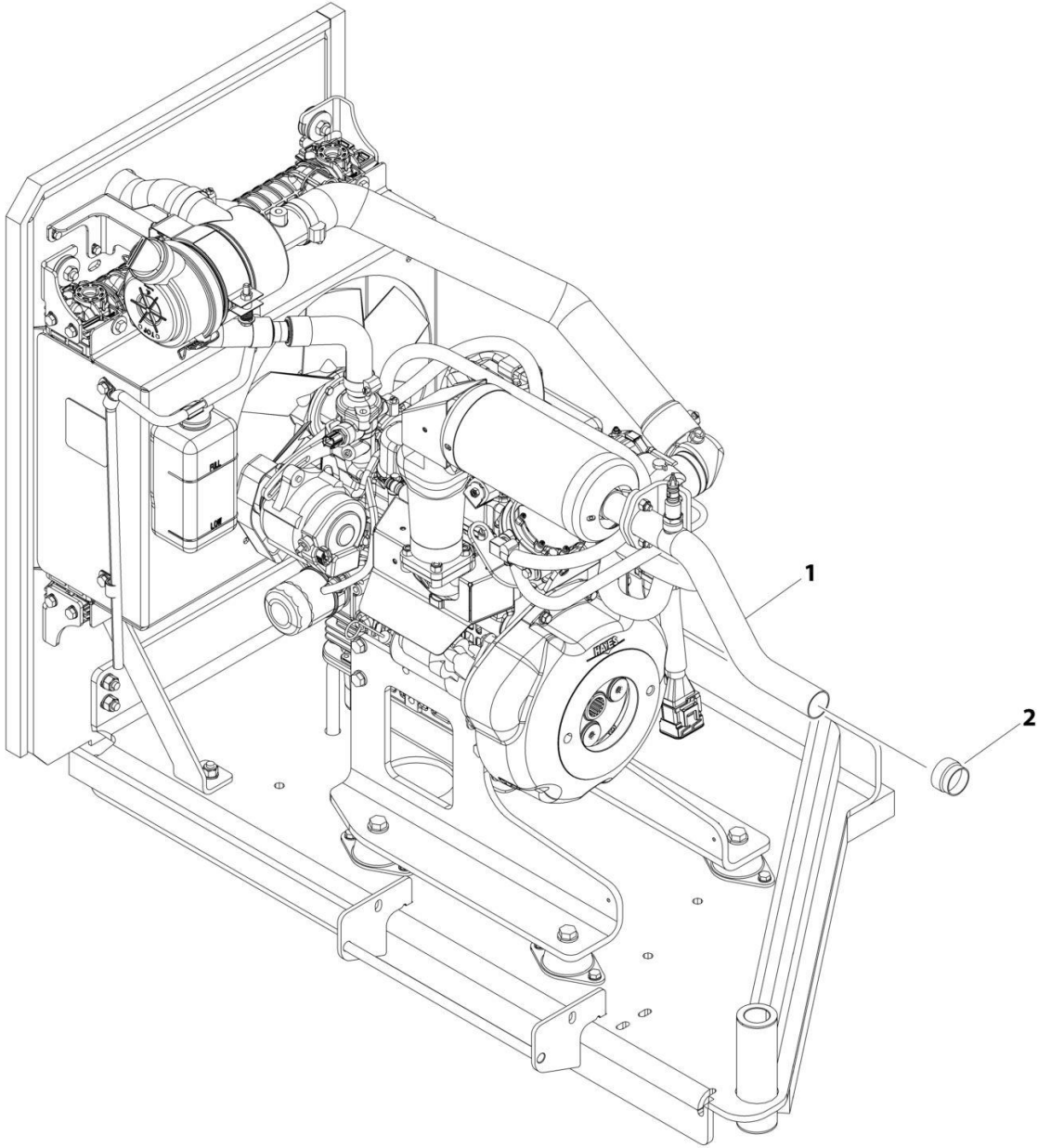
SECTION 3 - ENGINE

FIGURE 3-31. SPARK ARRESTOR MUFFLER - OPTIONAL (DIESEL ENGINES) (Prior to SN 0200267546)

ITEM	PART NUMBER	QTY	DESCRIPTION	REV
	1001199438	Ref	SPARK ARRESTOR MUFFLER - OPTIONAL (DIESEL ENGINES)	B
1	0700819	2	Bolt M8 x 55	
2	0761014	4	Bolt M10 x 30	
3	3290805	2	Nut M8	
4	3291005	4	Nut M10	
5	4811900	2	Washer M8	
6	4812000	8	Washer M10	
7	1001199943	1	Muffler, Spark Arresting with Pipe	
7A	70006293	1	Gasket	
8	1001199945	1	Pipe, Exhaust	
9	1001200927	1	Bracket, Muffler	

SECTION 3 - ENGINE

FIGURE 3-32. SPARK ARRESTOR MUFFLER - OPTIONAL (GASOLINE ENGINES)



ART_1001187703

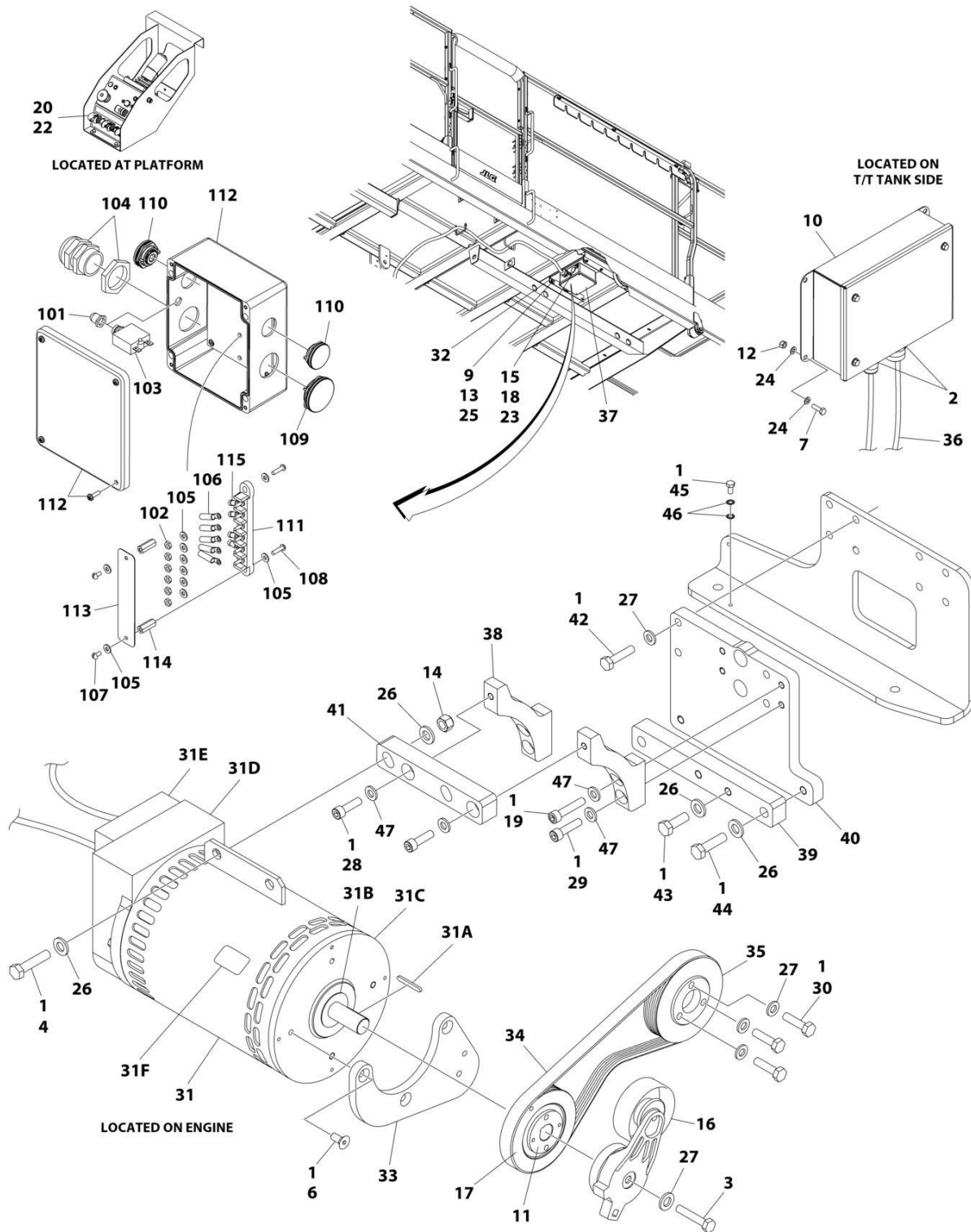
SECTION 3 - ENGINE

FIGURE 3-32. SPARK ARRESTOR MUFFLER - OPTIONAL (GASOLINE ENGINES)

ITEM	PART NUMBER	QTY	DESCRIPTION	REV
	1001187703	Ref	SPARK ARRESTOR MUFFLER - OPTIONAL (GASOLINE ENGINES)	A
1	1001219775	1	Arrestor, Spark	
2	1001219826	1	Pipe, Exhaust	

SECTION 3 - ENGINE

FIGURE 3-33. 7500W GENERATOR INSTALLATION - KUBOTA DIESEL STAGE III



ART_1001208752

SECTION 3 - ENGINE

FIGURE 3-33. 7500W GENERATOR INSTALLATION - KUBOTA DIESEL STAGE III

ITEM	PART NUMBER	QTY	DESCRIPTION	REV
	1001208752	Ref	75000W GENERATOR INSTALLATION - KUBOTA DIESEL STAGE III	F
1	0100011	AR	Compound, Locking	
2	0100048	AR	Grease, Silicone	
3	0701019	1	Bolt M10 x 55	
4	0701219	2	Bolt M12 x 55	
6	0741607	3	Screw 3/8 x 7/8	
7	0760610	4	Bolt M6 x 20	
9	0780810	4	Bolt M8 x 20	
10	0861572	1	Box, Generator Control	
10	7024488	1	Card, Circuit - Generator Power (Not Shown)	
10	See Note	1	Fuse (Note: Not Available - Purchase Locally)	
10	7024489	1	Card, Circuit - Control (Not Shown)	
		Ref	Note: When replacing card, rocker switch on card must be set for required application.	
10	70000619	1	Harness, Circuit Card	
11	0962520	1	Bushing, Taper	
12	3290605	4	Nut M6	
13	3290805	4	Nut M8	
14	3291201	2	Nut M12	
15	3311005	4	Nut #10	
16	3580317	1	Tensioner, Belt	
17	3580318	1	Pulley	
18	3931016	4	Capscrew #10 x 1	
19	4032014	2	Capscrew M10 x 50	
20	4060802	1	Guard, Switch	
21	4240017	AR	Tie-Strap (Not Shown)	
22	4360482	1	Switch, Toggle	
23	4751000	4	Washer #10	
24	4811700	8	Washer M6	
25	4811900	4	Washer M8	
26	5241200	8	Washer M12	
27	5241000	AR	Washer M10	
28	5272011	2	Capscrew M10 x 35	
29	5272012	2	Capscrew M10 x 40	
30	100119929	3	Bolt M10 x 35	
31	1001136988	1	Generator Assembly - 7500W (Prior to SN 0200226714)	
31	1001212223	1	Generator Assembly - 7500W (SN 0200226714 through 0200269765)	
31	70001100	1	Rotor (Includes p/n 70001384 & 70000863) (Not Shown)	
31	70001384	1	Bearing, Shaft (Rear) (Not Shown)	
31	70000863	1	Fan, Generator (Not Shown)	
31	70004093	1	Stator - 1001136988 Generator (Not Shown)	
31	70006093	1	Stator - 1001212223 Generator (Not Shown)	
31	70002297	2	Stud 1/4 x 12-7/8 (Not Shown)	
31	70003631	1	Brushholder Assembly (Not Shown) (was p/n 7024484)	
31A	70004099	1	Key	
31B	70001966	1	Bearing, Ball Radial (Located in Belt Tensioner Endbell)	
31B	70003709	1	Ring, Retaining (Small)	
31B	70003708	1	Ring, Retaining (Large)	

SECTION 3 - ENGINE

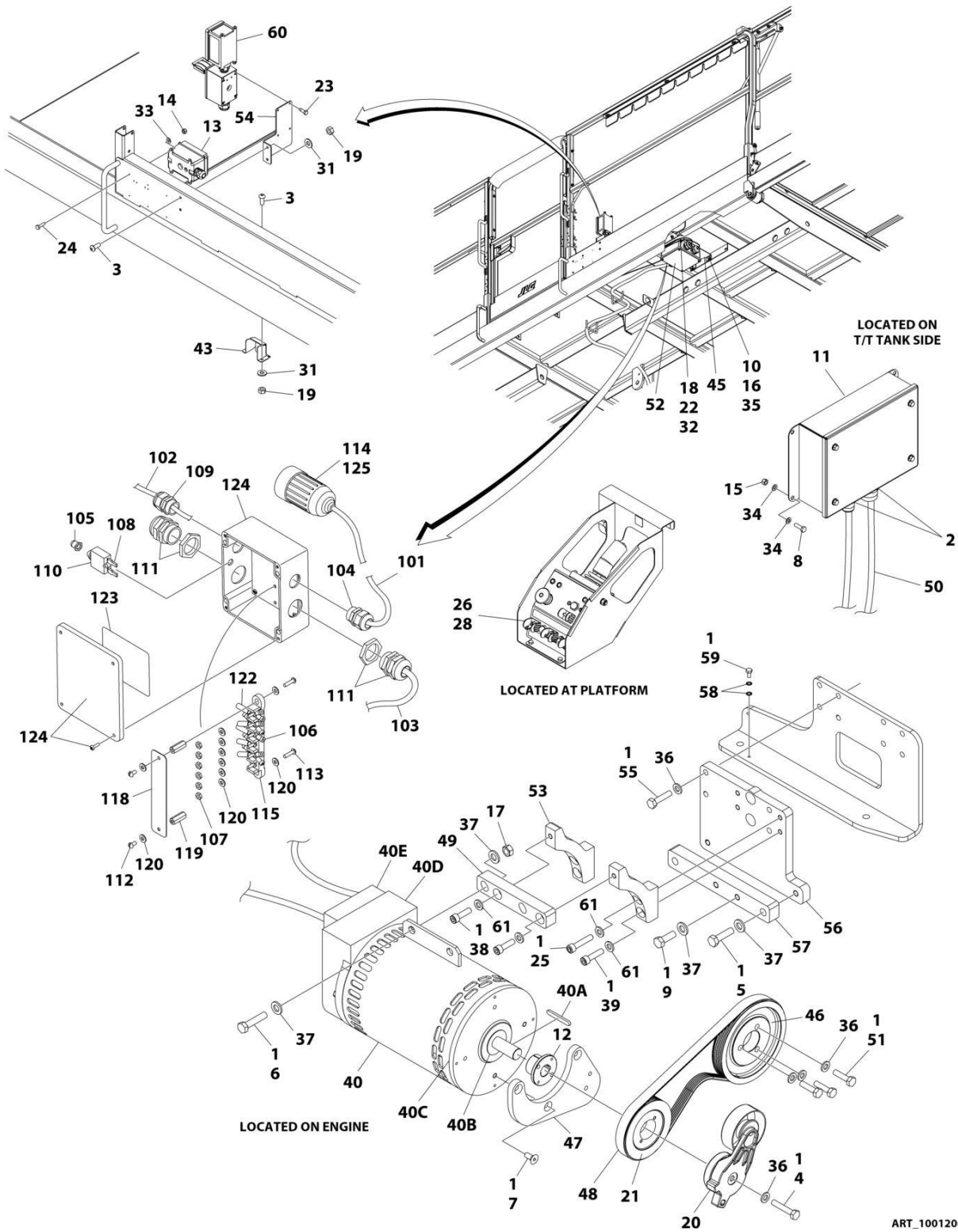
ITEM	PART NUMBER	QTY	DESCRIPTION	REV
31C	70004092	1	Endbell, Belt Tensioner	
31D	70004094	1	Endbell, Brush Block	
31E	70004096	1	Shroud - 1001136988 Generator	
31E	70006094	1	Shroud - 1001212223 Generator	
31E	7027799	1	Block, Connector - 6 Position (Not Shown)	
31E	70002460	1	Nut, Brass (Attaches p/n 7027799 to Cover) (Not Shown)	
31E	7024485	1	Breaker, Circuit 30Amp - 1001136988 Generator (Not Shown)	
31E	70006095	1	Breaker, Circuit 30Amp - 1001212223 Generator (Not Shown)	
31E	70001696	1	Boot, Breaker- 1001136988 Generator (was p/n 7024486 - Not Shown)	
31E	70006096	1	Boot, Breaker - 1001212223 Generator (Not Shown)	
31E	7026597	1	Connector with Leads (Not Shown)	
31E	7026626	1	Connector with Pins (Not Shown)	
31E	70004098	1	Clamp, Cable (Not Shown)	
31E	70004095	1	Plate, End Panel - 1001136988 Generator (Not Shown)	
31E	70006097	1	Plate, End Panel - 1001212223 Generator (Not Shown)	
31E	70004097	1	Insulator, Endbell - 1001136988 Generator (Not Shown)	
31E	70002291	1	Insulator, Endbell - 1001212223 Generator (Not Shown)	
31E	70001974	1	Decal - Terminal Connections (Not Shown)	
31F	70001973	1	Decal - Warning Moving Parts	
32	1001166732	1	Support	
33	1001184162	1	Mount, Tensioner	
34	1001184163	1	Belt (Prior to SN 0200268705)	
34	1001244939	1	Belt (SN 0200268705 through 0200269765)	
35	1001185510	1	Pulley (Prior to SN 0200268705)	
35	1001244937	1	Pulley (SN 0200268705 through 0200269765)	
36	1001186821	NLA	Generator Harness - 7500W (Use p/n 1001236442) (See Separate Breakdown in ELECTRICAL SECTION) (Prior to SN 0200267640)	
36	1001236442	1	Generator Harness - 7500W (See Separate Breakdown in ELECTRICAL SECTION) (SN 0200267640 through 0200269765)	
37	1001187197	1	Junction Box Assembly (See Items 101-115 for Breakdown)	
38	1001202532	2	Arm	
39	1001208340	1	Bar (Lower)	
40	1001208339	1	Plate, Mounting	
41	1001202536	1	Bar (Upper)	
42	1001207285	4	Bolt M10 x 45 Grade 10.9	
43	0701215	2	Bolt M12 x 35	
44	0701217	2	Bolt M12 x 45	
45	0760606	1	Bolt M6 x 12	
46	4871700	2	Washer M6	
47	4891600	AR	Washer M10 (SN 0200266880 through 0200269765)	
	1001187197	Ref	JUNCTION BOX ASSEMBLY	A
101	3300396	1	Cover, Fuse	
102	3311001	6	Nut #10	
103	4360070	1	Breaker, Circuit - 15Amp	
104	4460426	1	Connector, Strain Relief	
105	4711000	10	Washer #10	
106	8220022	5	Terminal, Ring	
107	10702077	2	Screw #10 x 3/8	
108	10702082	2	Screw #10 x 3/4	
109	1001148648	1	Plug	
110	1001152525	2	Plug	

SECTION 3 - ENGINE

ITEM	PART NUMBER	QTY	DESCRIPTION	REV
111	1001157520	1	Block, Terminal - 6 Pole	
112	1001157521	1	Box, Junction	
113	1001158007	1	Cover	
114	1001158008	2	Stand-Off	
115	4460068	4	Terminal, Ring	

SECTION 3 - ENGINE

FIGURE 3-34. 7500W GENERATOR INSTALLATION - KUBOTA DIESEL T4F



ART_1001206708

SECTION 3 - ENGINE

FIGURE 3-34. 7500W GENERATOR INSTALLATION - KUBOTA DIESEL T4F

ITEM	PART NUMBER	QTY	DESCRIPTION	REV
	1001206708	Ref	7500W GENERATOR INSTALLATION - KUBOTA DIESEL T4F	F
1	0100011	AR	Compound, Locking	
2	0100048	AR	Grease, Silicone	
3	0630407	4	Screw 1/4 x 5/8	
4	0701019	1	Bolt M10 x 55	
5	0701217	2	Bolt M12 x 45	
6	0701219	2	Bolt M12 x 55	
7	0741607	3	Screw 3/8 x 7/8	
8	0760610	4	Bolt M6 x 20	
9	0701215	2	Bolt M12 x 35	
10	0780810	4	Bolt M8 x 20	
11	0861538	1	Box, Generator Control	
11	7024488	1	Card, Circuit - Generator Power (Not Shown)	
11	See Note	1	Fuse (Note: Not Available - Purchase Locally)	
11	7024489	1	Card, Circuit - Control (Not Shown)	
		Ref	Note: When replacing card, rocker switch on card must be set for required application.	
11	70000619	1	Harness, Circuit Card	
12	0962520	1	Bushing, Taper	
13	2902431	1	Receptacle Box Kit - 110V GFI (See Separate Breakdown in ELECTRICAL SECTION)	
14	3290405	4	Nut M4	
15	3290605	4	Nut M6	
16	3290805	4	Nut M8	
17	3291201	2	Nut M12	
18	3311005	4	Nut #10	
19	3311405	4	Nut 1/4	
20	3580317	1	Tensioner, Belt	
21	3580318	1	Pulley	
22	3931016	4	Capscrew #10 x 1	
23	3940804	4	Screw	
24	4010408	4	Screw M4 x 16	
25	4032014	2	Capscrew M10 x 50	
26	4060802	1	Guard, Switch	
27	4240017	AR	Tie-Strap (Not Shown)	
28	4360482	1	Switch, Toggle	
29	4460315	3	Terminal (Not Shown)	
31	4711400	4	Washer 1/4	
32	4751000	4	Washer #10	
33	4811400	AR	Washer M4	
34	4811700	8	Washer M6	
35	4811900	4	Washer M8	
36	5241000	AR	Washer M10	
37	5241200	8	Washer M12	
38	5272011	2	Capscrew M10 x 35	
39	5272012	2	Capscrew M10 x 40	
40	1001136988	1	Generator Assembly - 7500W (Prior to SN 0200226714)	
40	1001212223	1	Generator Assembly - 7500W (SN 0200226714 through 0200269765)	
40	70001100	1	Rotor (Includes p/n 70001384 & 70000863) (Not Shown)	

SECTION 3 - ENGINE

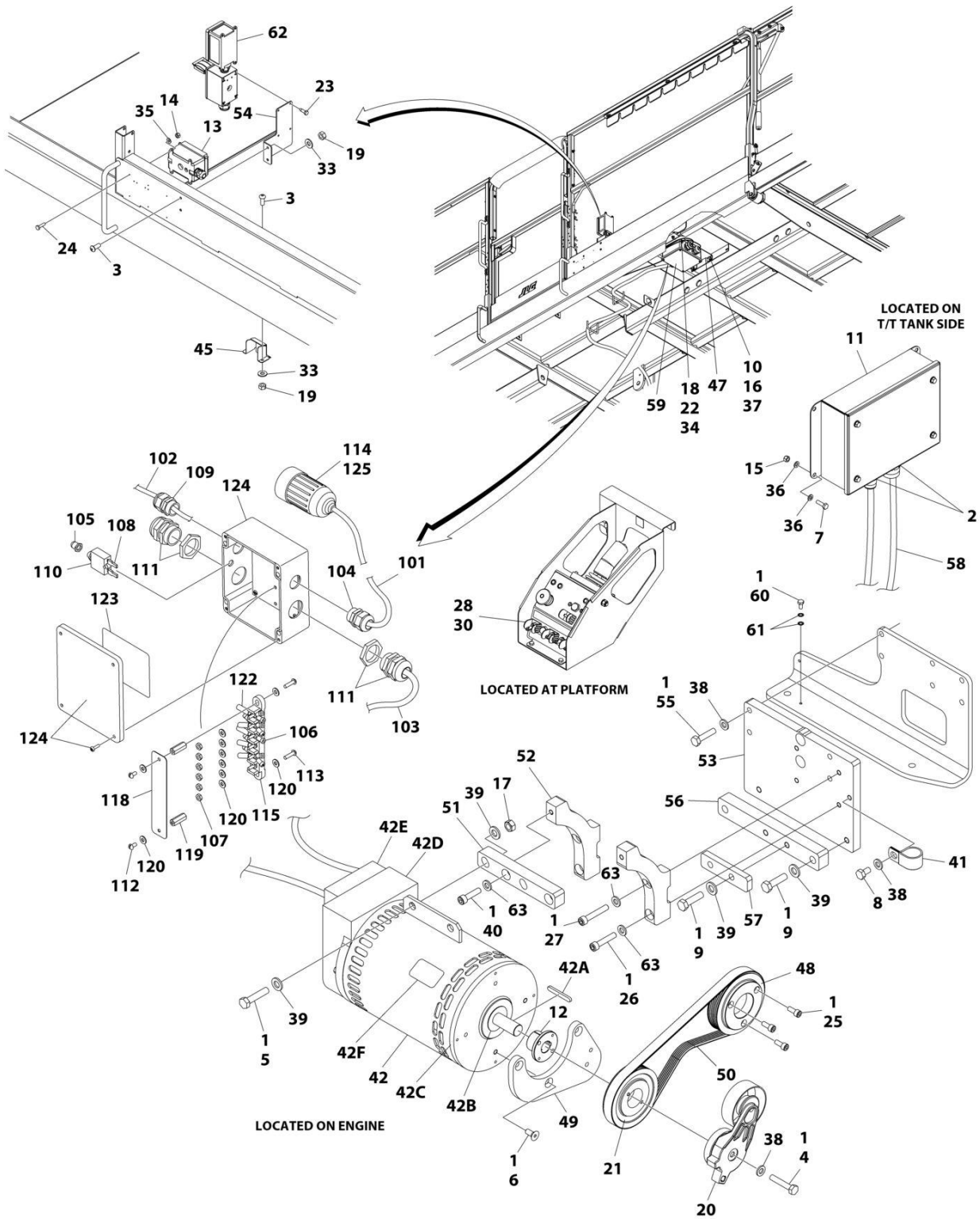
ITEM	PART NUMBER	QTY	DESCRIPTION	REV
40	70001384	1	Bearing, Shaft (Rear) (Not Shown)	
40	70000863	1	Fan, Generator (Not Shown)	
40	70004093	1	Stator - 1001136988 Generator (Not Shown)	
40	70006093	1	Stator - 1001212223 Generator (Not Shown)	
40	70002297	2	Stud 1/4 x 12-7/8 (Not Shown)	
40	70003631	1	Brushholder Assembly (Not Shown) (was p/n 7024484)	
40A	70004099	1	Key	
40B	70001966	1	Bearing, Ball Radial (Located in Belt Tensioner Endbell)	
40B	70003709	1	Ring, Retaining (Small)	
40B	70003708	1	Ring, Retaining (Large)	
40C	70004092	1	Endbell, Belt Tensioner	
40D	70004094	1	Endbell, Brush Block	
40E	70004096	1	Shroud - 1001136988 Generator	
40E	70006094	1	Shroud - 1001212223 Generator	
40E	7027799	1	Block, Connector - 6 Position (Not Shown)	
40E	70002460	1	Nut, Brass (Attaches p/n 7027799 to Cover) (Not Shown)	
40E	7024485	1	Breaker, Circuit 30Amp - 1001136988 Generator (Not Shown)	
40E	70006095	1	Breaker, Circuit 30Amp - 1001212223 Generator (Not Shown)	
40E	70001696	1	Boot, Breaker- 1001136988 Generator (was p/n 7024486 - Not Shown)	
40E	70006096	1	Boot, Breaker - 1001212223 Generator (Not Shown)	
40E	7026597	1	Connector with Leads (Not Shown)	
40E	7026626	1	Connector with Pins (Not Shown)	
40E	70004098	1	Clamp, Cable (Not Shown)	
40E	70004095	1	Plate, End Panel - 1001136988 Generator (Not Shown)	
40E	70006097	1	Plate, End Panel - 1001212223 Generator (Not Shown)	
40E	70004097	1	Insulator, Endbell - 1001136988 Generator (Not Shown)	
40E	70002291	1	Insulator, Endbell - 1001212223 Generator (Not Shown)	
40E	70001974	1	Decal - Terminal Connections (Not Shown)	
40F	70001973	1	Decal - Warning Moving Parts	
43	1001148844	1	Support	
45	1001166732	1	Support	
46	1001183726	1	Pulley	
47	1001184162	1	Mount	
48	1001184235	1	Belt	
49	1001202536	1	Bar (Upper)	
50	1001186821	NLA	Generator Harness - 7500W (Use p/n 1001236442) (See Separate Breakdown in ELECTRICAL SECTION) (Prior to SN 0200267640)	
50	1001236442	1	Generator Harness - 7500W (See Separate Breakdown in ELECTRICAL SECTION) (SN 0200267640 through 0200269765)	
51	1001186919	3	Bolt M10 x 40	
52	1001187228	1	Junction Box Assembly (See Items 101-125 for Breakdown)	
53	1001202532	2	Arm	
54	1001206707	1	Support	
55	1001207285	4	Bolt M10 x 45 Grade 10.9	
56	1001208339	1	Plate	
57	1001208340	1	Bar (Lower)	
58	4871700	2	Washer M6	
59	0760606	1	Bolt M6 x 12	
60	1001216162	1	Receptacle/Breaker Assembly (See Separate Breakdown in ELECTRICAL SECTION)	
61	4891600	1	Washer 3/8	

SECTION 3 - ENGINE

ITEM	PART NUMBER	QTY	DESCRIPTION	REV
	1001187228	Ref	JUNCTION BOX ASSEMBLY	A
101	1060343	6.8 ft/2m	Cable, Electrical - 10/4	
102	1060494	6.8 ft/2m	Cable, Electrical - 12/3	
103	1060708	6.8 ft/2m	Cable, Electrical - 10/3	
104	1321692	1	Strain Relief, Terminal	
105	3300396	1	Cover, Fuse	
106	4460068	10	Terminal	
107	3311001	6	Nut #10	
108	4460483	2	Terminal	
109	4460425	1	Strain Relief, Terminal	
110	4360070	1	Breaker, Circuit - 15Amp	
111	4460426	2	Connector, Strain Relief	
112	10702077	2	Screw #10 x 3/8	
113	10702082	2	Screw #10 x 3/4	
114	4460963	1	Connector, Turnlock	
115	1001157520	1	Block, Terminal - 6 Pole	
118	1001158007	1	Cover	
119	1001158008	2	Stand-Off	
120	4711000	10	Washer #10	
122	8220022	5	Terminal, Ring	
123	1001157528	1	Decal - Wiring Schematic	
124	1001187232	1	Box, Junction	
125	1671092	1	Cover, Connector	

SECTION 3 - ENGINE

FIGURE 3-35. 7500W GENERATOR INSTALLATION - KUBOTA GASOLINE



ART_1001208751

SECTION 3 - ENGINE

FIGURE 3-35. 7500W GENERATOR INSTALLATION - KUBOTA GASOLINE

ITEM	PART NUMBER	QTY	DESCRIPTION	REV
	1001208751	Ref	7500W GENERATOR INSTALLATION - KUBOTA GASOLINE	G
1	0100011	AR	Compound, Locking	
2	0100048	AR	Grease, Silicone	
3	0630407	4	Screw 1/4 x 5/8	
4	0701019	1	Bolt M10 x 55	
5	0701219	2	Bolt M12 x 55	
6	0741607	3	Screw 3/8 x 7/8	
7	0760610	4	Bolt M6 x 20	
8	0761009	1	Bolt M10 x 18	
9	0701217	4	Bolt M12 x 45	
10	0780810	4	Bolt M8 x 20	
11	0861538	1	Box, Generator Control	
11	7024488	1	Card, Circuit - Generator Power (Not Shown)	
11	See Note	1	Fuse (Note: Not Available - Purchase Locally)	
11	7024489	1	Card, Circuit - Control (Not Shown)	
		Ref	Note: When replacing card, rocker switch on card must be set for required application.	
11	70000619	1	Harness, Circuit Card	
12	0962520	1	Bushing, Taper	
13	2902431	1	Receptacle Box Kit - 110V GFI (See Separate Breakdown in ELECTRICAL SECTION)	
14	3290405	4	Nut M4	
15	3290605	4	Nut M6	
16	3290805	4	Nut M8	
17	3291201	2	Nut M12	
18	3311005	4	Nut #10	
19	3311405	4	Nut 1/4	
20	3580317	1	Tensioner, Belt	
21	3580318	1	Pulley	
22	3931016	4	Capscrew #10 x 1	
23	3940804	4	Screw	
24	4010408	4	Screw M4 x 16	
25	4031908	3	Cascrew M8 x 20	
26	4032014	2	Capscrew M10 x 50	
27	4032016	2	Capscrew M10 x 60	
28	4060802	1	Guard, Switch	
29	4240017	AR	Tie-Strap (Not Shown)	
30	4360482	1	Switch, Toggle	
31	4460315	3	Terminal (Not Shown)	
33	4711400	4	Washer 1/4	
34	4751000	4	Washer #10	
35	4811400	AR	Washer M4	
36	4811700	8	Washer M6	
37	4811900	4	Washer M8	
38	5241000	AR	Washer M10	
39	5241200	8	Washer M12	
40	5272012	2	Capscrew M10 x 40	
41	8406302	1	Clamp	
42	1001136988	1	Generator Assembly - 7500W (Prior to SN 0200226714)	
42	1001212223	1	Generator Assembly - 7500W (SN 0200226714 through	

SECTION 3 - ENGINE

ITEM	PART NUMBER	QTY	DESCRIPTION	REV
			0200269765)	
42	70001100	1	Rotor (Includes p/n 70001384 & 70000863) (Not Shown)	
42	70001384	1	Bearing, Shaft (Rear) (Not Shown)	
42	70000863	1	Fan, Generator (Not Shown)	
42	70004093	1	Stator - 1001136988 Generator (Not Shown)	
42	70006093	1	Stator - 1001212223 Generator (Not Shown)	
42	70002297	2	Stud 1/4 x 12-7/8 (Not Shown)	
42	70003631	1	Brushholder Assembly (Not Shown) (was p/n 7024484)	
42A	70004099	1	Key	
42B	70001966	1	Bearing, Ball Radial (Located in Belt Tensioner Endbell)	
42B	70003709	1	Ring, Retaining (Small)	
42B	70003708	1	Ring, Retaining (Large)	
42C	70004092	1	Endbell, Belt Tensioner	
42D	70004094	1	Endbell, Brush Block	
42E	70004096	1	Shroud - 1001136988 Generator	
42E	70006094	1	Shroud - 1001212223 Generator	
42E	7027799	1	Block, Connector - 6 Position (Not Shown)	
42E	70002460	1	Nut, Brass (Attaches p/n 7027799 to Cover) (Not Shown)	
42E	7024485	1	Breaker, Circuit 30Amp - 1001136988 Generator (Not Shown)	
42E	70006095	1	Breaker, Circuit 30Amp - 1001212223 Generator (Not Shown)	
42E	70001696	1	Boot, Breaker- 1001136988 Generator (was p/n 7024486 - Not Shown)	
42E	70006096	1	Boot, Breaker - 1001212223 Generator (Not Shown)	
42E	7026597	1	Connector with Leads (Not Shown)	
42E	7026626	1	Connector with Pins (Not Shown)	
42E	70004098	1	Clamp, Cable (Not Shown)	
42E	70004095	1	Plate, End Panel - 1001136988 Generator (Not Shown)	
42E	70006097	1	Plate, End Panel - 1001212223 Generator (Not Shown)	
42E	70004097	1	Insulator, Endbell - 1001136988 Generator (Not Shown)	
42E	70002291	1	Insulator, Endbell - 1001212223 Generator (Not Shown)	
42E	70001974	1	Decal - Terminal Connections (Not Shown)	
42F	70001973	1	Decal - Warning Moving Parts	
45	1001148844	1	Support	
47	1001166732	1	Support	
48	1001181211	1	Pulley	
49	1001184162	1	Mount	
50	1001184163	1	Belt	
51	1001202759	1	Bar (Upper)	
52	1001202760	2	Arm	
53	1001202764	1	Plate	
54	1001206707	1	Support	
55	1001207285	4	Bolt M10 x 45 Grade 10.9	
56	1001208340	1	Bar (Lower)	
57	1001210645	1	Bar	
58	1001186821	NLA	Generator Harness - 7500W (Use p/n 1001236442) (See Separate Breakdown in ELECTRICAL SECTION) (Prior to SN 0200267640)	
58	1001236442	1	Generator Harness - 7500W (See Separate Breakdown in ELECTRICAL SECTION) (SN 0200267640 through 0200269765)	
59	1001187228	1	Junction Box Assembly (See Items 101-125 for Breakdown)	
60	0760606	1	Bolt M6 x 12	
61	4871700	2	Washer M6	
62	1001216162	1	Receptacle/Breaker Assembly (See Separate Breakdown in	

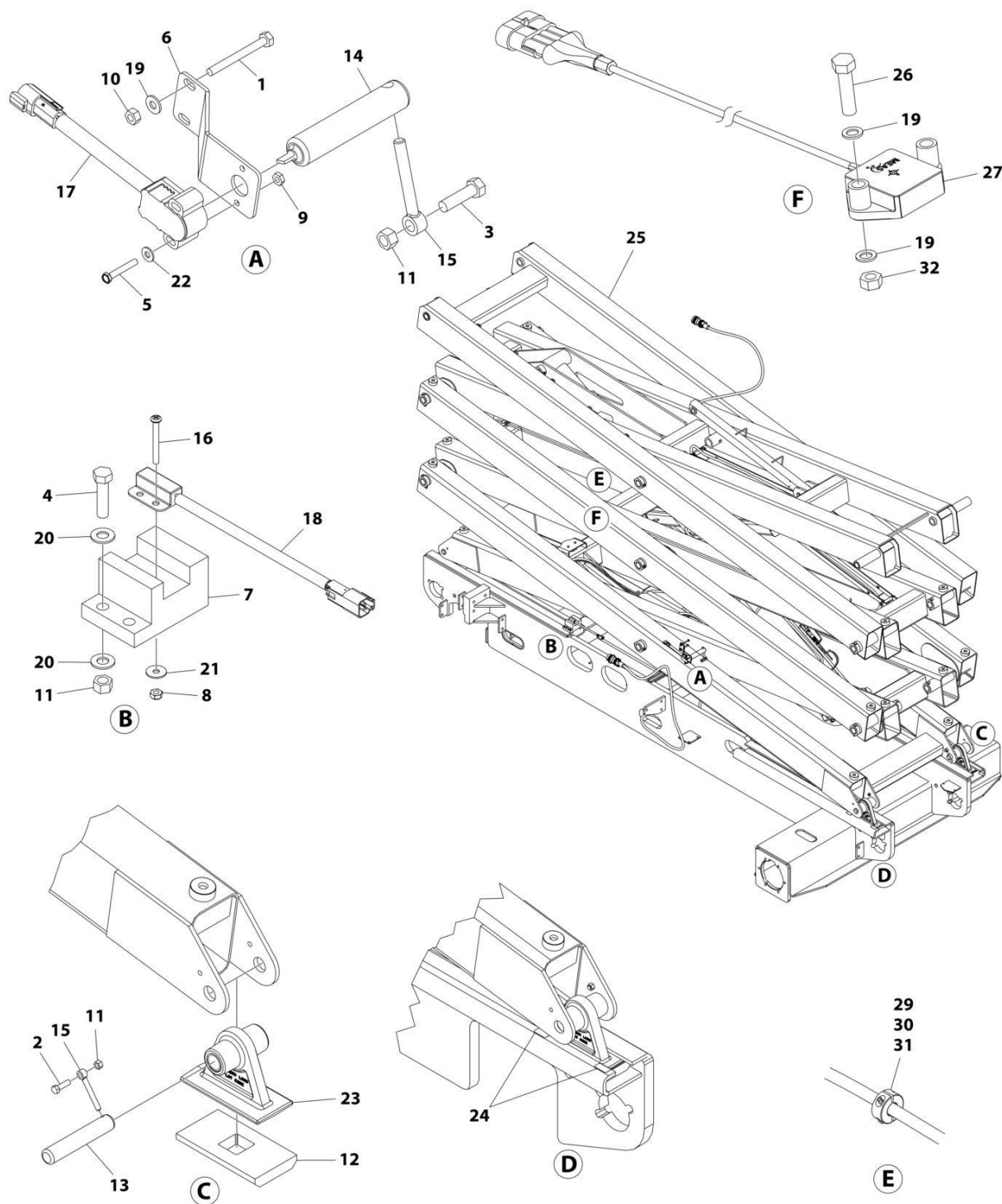
SECTION 3 - ENGINE

ITEM	PART NUMBER	QTY	DESCRIPTION	REV
63	4891600	1	ELECTRICAL SECTION) Washer 3/8	A
	1001187228	Ref	JUNCTION BOX ASSEMBLY	
101	1060343	6.8 ft/2m	Cable, Electrical - 10/4	
102	1060494	6.8 ft/2m	Cable, Electrical - 12/3	
103	1060708	6.8 ft/2m	Cable, Electrical - 10/3	
104	1321692	1	Strain Relief, Terminal	
105	3300396	1	Cover, Fuse	
106	4460068	10	Terminal	
107	3311001	6	Nut #10	
108	4460483	2	Terminal	
109	4460425	1	Strain Relief, Terminal	
110	4360070	1	Breaker, Circuit - 15Amp	
111	4460426	2	Connector, Strain Relief	
112	10702077	2	Screw #10 x 3/8	
113	10702082	2	Screw #10 x 3/4	
114	4460963	1	Connector, Turnlock	
115	1001157520	1	Block, Terminal - 6 Pole	
118	1001158007	1	Cover	
119	1001158008	2	Stand-Off	
120	4711000	10	Washer #10	
122	8220022	5	Terminal, Ring	
123	1001157528	1	Decal - Wiring Schematic	
124	1001187232	1	Box, Junction	
125	1671092	1	Cover, Connector	

SECTION 4 - SCISSORS ARMS

SECTION 4 - SCISSORS ARMS

FIGURE 4-1. SCISSORS ARMS INSTALLATION - 330LRT



ART_1001220081

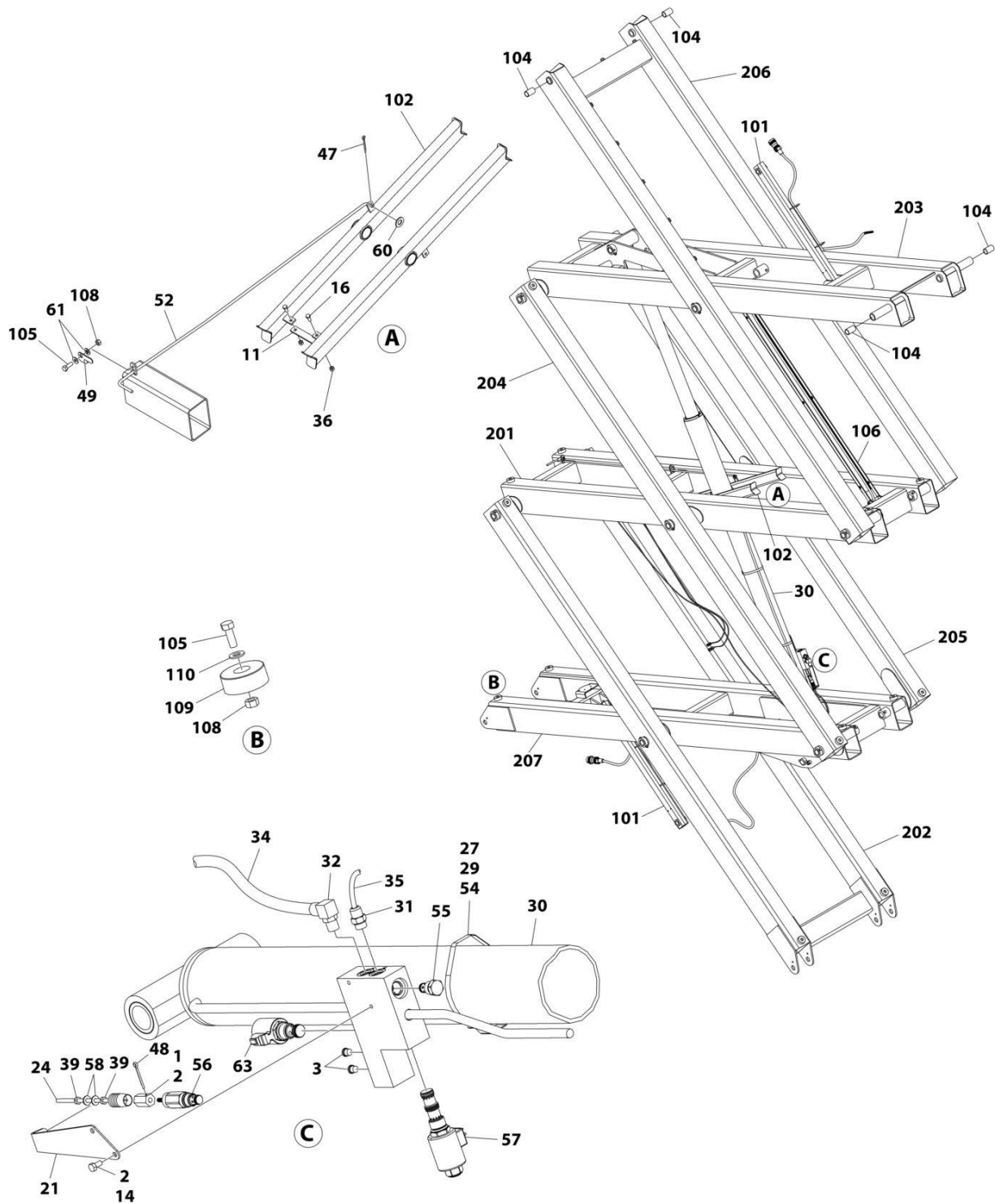
SECTION 4 - SCISSORS ARMS

FIGURE 4-1. SCISSORS ARMS INSTALLATION - 330LRT

ITEM	PART NUMBER	QTY	DESCRIPTION	REV
	1001220081	Ref	SCISSORS ARMS INSTALLATION - 330LRT	G
1	0641420	2	Bolt 1/4 x 2-1/2	
2	0641610	4	Bolt 3/8 x 1-1/4	
3	0641611	1	Bolt 3/8 x 1-3/8	
4	0641612	AR	Bolt 3/8 x 1-1/2	
5	0721010	2	Screw #10 x 1-1/4	
6	0902774	1	Bracket	
7	3200447	1	Mount, Switch (Prior to SN 0200267917)	
8	3300455	AR	Nut #10	
9	3311005	2	Nut #10	
10	3311405	AR	Nut 1/4	
11	3311605	AR	Nut 3/8	
12	3340935	4	Pad	
13	3422961	4	Pin	
14	3422963	1	Pin	
15	3841143	5	Keeper, Pin	
16	3900325	AR	Screw #10	
17	4360500	1	Switch, Angle Sensor	
18	4360502	1	Switch, Proximity Sensor (Prior to SN 0200267917)	
19	4711400	AR	Washer 1/4	
20	4711600	AR	Washer 3/8	
21	4740506	AR	Washer #10	
22	4751000	2	Washer #10	
23	1001099623	4	Support, Slider	
24	1001125243	1	Decal - Calibration	
25	1001220082	1	Scissors Arms Assembly - 330LRT (See Separate Breakdown in this Section)	
26	0641412	AR	Bolt 1/4 x 1-1/2	
27	1001187857	1	Sensor (SN 0200267917 through 0200269765)	
28	4240018	AR	Tie-Strap (Not Shown)	
29	0100081	AR	Adhesive (SN 0200268060 through 0200269765)	
30	1001238626	1	Clamp, Collar (2 pieces) (SN 0200268060 through 0200269765)	
31	0100035	AR	Adhesive (SN 0200268060 through 0200269765)	
32	8310382	2	Nut, Flange	
	1001227736	Ref	SCISSORS ARMS INSTALLATION - 330LRT WITH LSS	A
102	1001227249	Ref	Arm Guards Installation (Not Shown - See Separate Breakdown in this Section)	

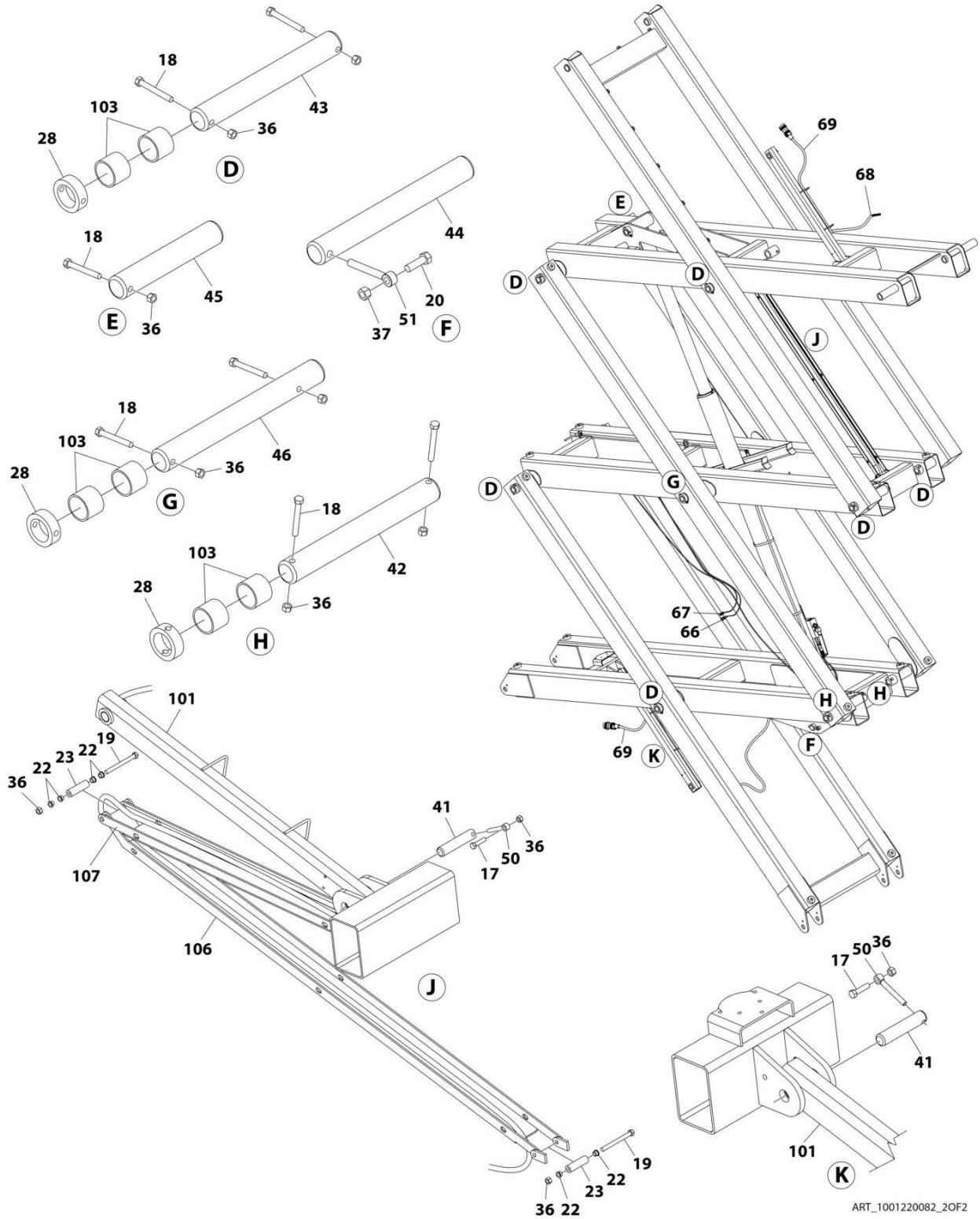
SECTION 4 - SCISSORS ARMS

FIGURE 4-2. SCISSORS ARMS ASSEMBLY - 330LRT



ART_1001220082_10F2

SECTION 4 - SCISSORS ARMS



ART_1001220082_20F2

SECTION 4 - SCISSORS ARMS

FIGURE 4-2. SCISSORS ARMS ASSEMBLY - 330LRT

ITEM	PART NUMBER	QTY	DESCRIPTION	REV
	1001220082	Ref	SCISSORS ARMS ASSEMBLY - 330LRT	D
1	0080190	1	Adapter, Cable	
2	0100011	AR	Compound, Locking	
3	2220883	2	Plug	
11	0363050	1	Bar, Prop	
14	0641505	2	Bolt 5/16 x 5/8	
16	0681607	2	Bolt 3/8 x 7/8	
17	0681612	2	Bolt 3/8 x 1-1/2	
18	0681624	29	Bolt 3/8 x 3	
19	0681632	3	Bolt 3/8 x 4	
20	0681813	1	Bolt 1/2 x 1-5/8	
21	0902773	1	Bracket	
22	0962031	8	Bushing	
23	0962446	3	Spacer	
24	1060929	1	Cable, Manual Descent	
24	7020218	1	Handle	
24	7019602	1	Bellows	
24	7020219	1	Washer	
27	1001216251	3	Clamp	
28	1440331	14	Collar	
29	1670995	3	Cover, Hose/Cable	
30		Ref	Lift Cylinder Assembly Options (See Separate Breakdown in CYLINDER SECTION):	
	See Note	Ref	Note: Machines were built with one of the 2 cylinders listed below. Identify cylinder by p/n stamped on the cylinder valve block.	
30	1684332	1	Lift Cylinder Assembly (Rectangular Valve Block)	
30	1001217085	1	Lift Cylinder Assembly ("P" shaped Valve Block)	
31	2220373	1	Fitting, Straight JIC/ORB	
32	2221042	1	Fitting, 90 JIC/ORB	
34	1001216383	1	Hose	
35	1001216384	1	Hose	
36	3271605	36	Nut 3/8	
37	3271805	1	Nut 1/2	
39	3321402	2	Nut 1/4	
41	3422943	2	Pin	
42	3422944	2	Pin	
43	3422945	10	Pin	
44	3422946	1	Pin	
45	3422954	1	Pin	
46	3422965	2	Pin	
47	3450304	1	Pin 3/32 x 1	
48	3450405	1	Pin 1/8 x 1-1/4	
49	3573370	1	Plate	
50	3841143	2	Keeper, Pin	
51	3841203	1	Keeper, Pin	
52	3841556	1	Rod, Prop	
53	4240033	AR	Tie-Strap (Not Shown)	
54	4280295	18 in/ 46cm	Strip, Protector	

SECTION 4 - SCISSORS ARMS

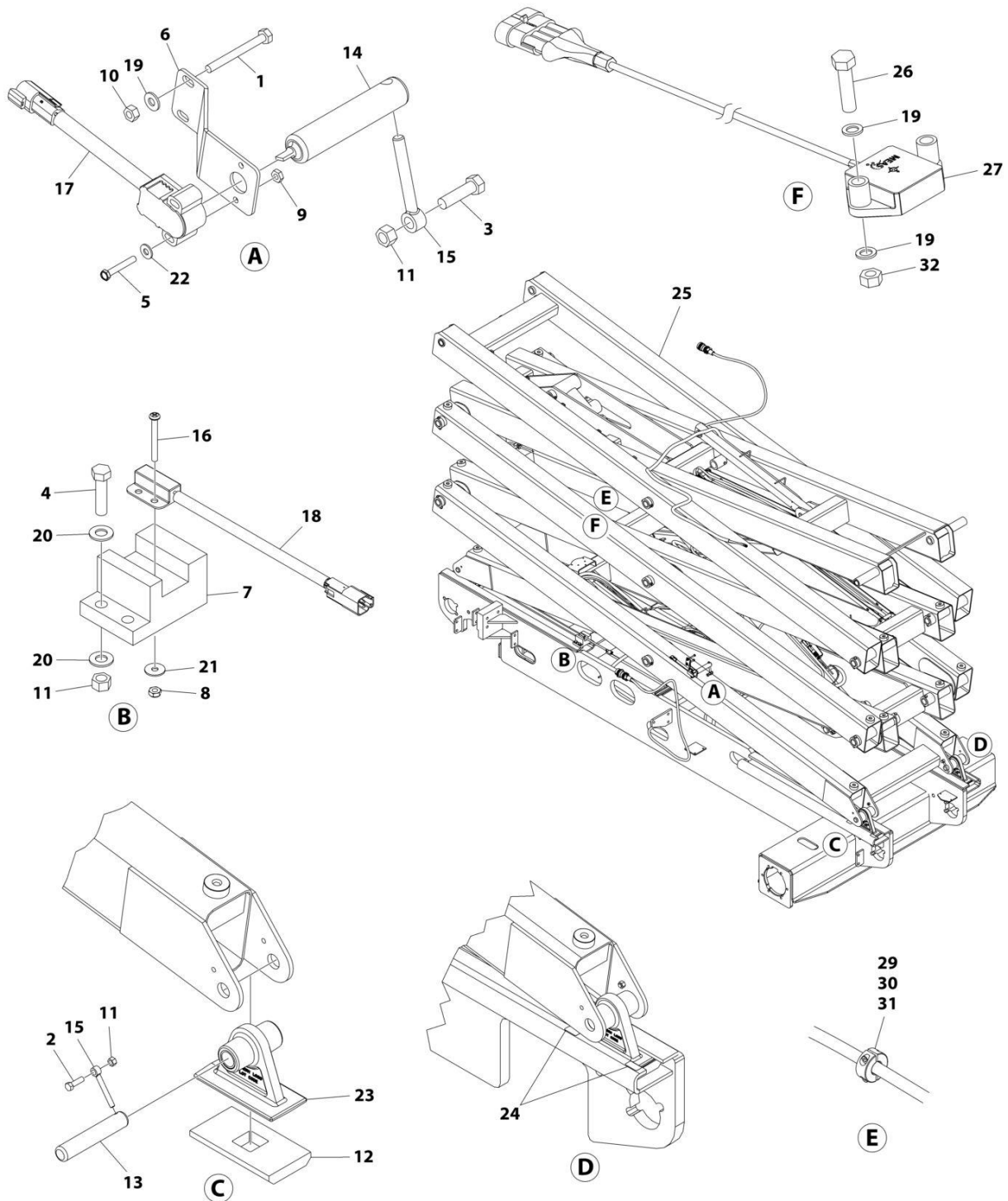
ITEM	PART NUMBER	QTY	DESCRIPTION	REV
55	4641193	1	Cartridge, Check Valve	
55	2900756	1	Seal Kit - 4641193 Valve	
56	4641205	1	Cartridge, Holding Valve	
56	7017496	1	Seal Kit - 4641205 Valve	
57	4641254	1	Cartridge, Proportional Valve	
57	7024829	1	Cartridge Less Cartridge	
57	7012925	1	Seal Kit - 7024829 & 4641254 Valves	
57	7017451	1	Coil	
58	4711400	2	Washer 1/4	
60	4711600	1	Washer 3/8	
61	4740455	2	Washer	
63	1001103760	1	Cartridge, Solenoid Valve	
63	7023923	1	Cartridge Less Cartridge	
63	7023919	1	Seal Kit - 7023923 & 1001103760 Valves	
63	70001967	1	Coil	
66	1001209182	1	Lift Cylinder Prop Harness	
66	4460499	1	Connector, DIN (HV9 - Proportional Valve)	
66	4460897	1	Receptacle, Female - 2 Position (X14B - Chassis Harness)	
66	4460464	2	Pin, Male	
67	1001209183	1	Lift Cylinder Holding Valve Harness	
67	4460891	2	Plug, Male - 2 Position (X13A - Chassis Harness & HV10 Holding Valve)	
67	4460465	4	Socket, Female	
68	1060866	1	Cable, Ground to AC Box (12/3) (Not Shown)	
69	1001209181	1	Ground to Platform Harness - 330LRT (See Separate Breakdown in ELECTRICAL SECTION)	
100	1001220020	1	Arms and Attach Link Kit (Not Shown)	
101	0272209	2	Link	
101	0962474	4	Bushing	
102	0272211	2	Prop, Safety	
103	0440236	28	Bearing	
104	0440250	4	Bearing	
105	0641507	17	Bolt 5/16 x 7/8	
106	1180371	1	Carrier, Cable	
107	1180372	1	Carrier, Cable	
108	3311505	17	Nut 5/16	
109	3340929	16	Pad	
110	4711500	16	Washer 5/16	
200	1001220010	1	Arms Kit (Not Shown)	
201	0200713	1	Arm, Lower Mid Inboard	
201	1001200412	6	Bushing (Not Shown)	
202	0200716	1	Arm, Lower Outboard	
202	1001200506	4	Bushing (Not Shown)	
203	0200717	1	Arm, Upper Inboard	
203	1001200401	2	Bushing - 8-1/2 Length (Not Shown)	
203	1001200402	1	Bushing - 1-1/8 Length (Not Shown)	
203	1001200412	2	Bushing - 6-1/2 Length (Not Shown)	
203	1001200510	2	Bushing - 11-1/2 Length (Not Shown)	
204	0200718	1	Arm, Lower Mid Outboard (LH)	
204	1001200506	3	Bushing (Not Shown)	
205	0200719	1	Arm, Lower Mid Outboard (RH)	
205	1001200506	3	Bushing (Not Shown)	

SECTION 4 - SCISSORS ARMS

ITEM	PART NUMBER	QTY	DESCRIPTION	REV
206	0200723	1	Arm, Upper Outboard	
206	1001200528	2	Bushing (Not Shown)	
207	1001215305	1	Arm, Lower Inboard	
207	1001200400	2	Bushing - 7-1/2 Length (Not Shown)	
207	1001200401	2	Bushing - 8-1/2 Length (Not Shown)	
207	1001200402	2	Bushing - 1-1/8 Length (Not Shown)	

SECTION 4 - SCISSORS ARMS

FIGURE 4-3. SCISSORS ARMS INSTALLATION - 330LRT WITH GENERATOR



ART_1001220085

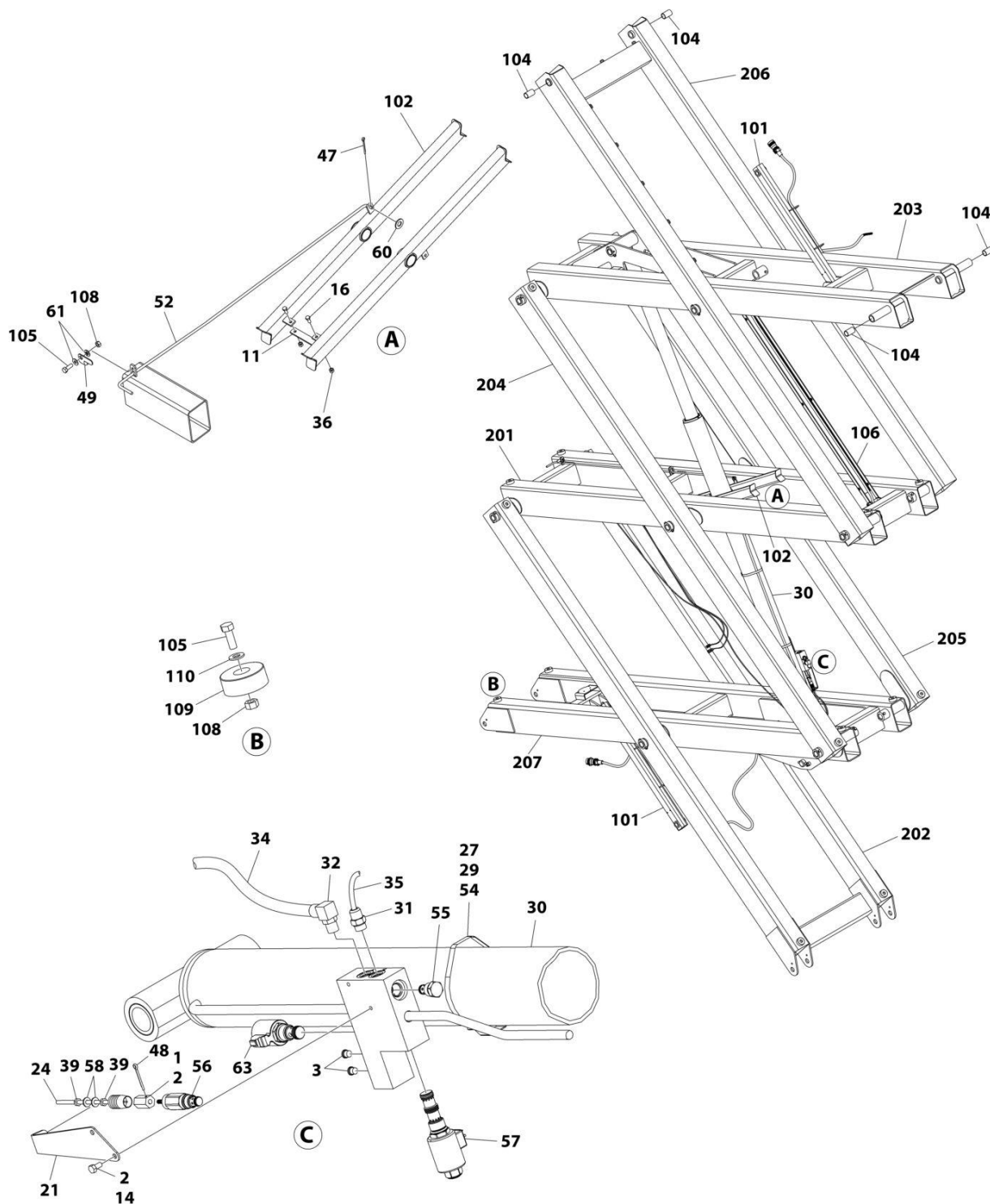
SECTION 4 - SCISSORS ARMS

FIGURE 4-3. SCISSORS ARMS INSTALLATION - 330LRT WITH GENERATOR

ITEM	PART NUMBER	QTY	DESCRIPTION	REV
	1001220085	Ref	SCISSORS ARMS INSTALLATION - 330LRT WITH GENERATOR	G
1	0641420	2	Bolt 1/4 x 2-1/2	
2	0641610	4	Bolt 3/8 x 1-1/4	
3	0641611	1	Bolt 3/8 x 1-3/8	
4	0641612	AR	Bolt 3/8 x 1-1/2	
5	0721010	2	Screw #10 x 1-1/4	
6	0902774	1	Bracket	
7	3200447	1	Mount, Switch (Prior to SN 0200267917)	
8	3300455	AR	Nut #10	
9	3311005	2	Nut #10	
10	3311405	AR	Nut 1/4	
11	3311605	AR	Nut 3/8	
12	3340935	4	Pad	
13	3422961	4	Pin	
14	3422963	1	Pin	
15	3841143	5	Keeper, Pin	
16	3900325	AR	Screw #10	
17	4360500	1	Switch, Angle Sensor	
18	4360502	1	Switch, Proximity Sensor (Prior to SN 0200267917)	
19	4711400	AR	Washer 1/4	
20	4711600	AR	Washer 3/8	
21	4740506	AR	Washer #10	
22	4751000	2	Washer #10	
23	1001099623	4	Support, Slider	
24	1001125243	1	Decal - Calibration	
25	1001220087	1	Scissors Arms Assembly - 330LRT with Generator (See Separate Breakdown in this Section)	
26	0641412	AR	Bolt 1/4 x 1-1/2	
27	1001187857	1	Sensor (SN 0200267917 through 0200269765)	
28	4240018	AR	Tie-Strap (Not Shown)	
29	0100081	AR	Adhesive (SN 0200268060 through 0200269765)	
30	1001238626	1	Clamp, Collar (2 pieces) (SN 0200268060 through 0200269765)	
31	0100035	AR	Adhesive (SN 0200268060 through 0200269765)	
32	8310382	2	Nut, Flange	
	1001227738	Ref	SCISSORS ARMS INSTALLATION - 330LRT WITH GENERATOR AND LSS	A
102	1001227249	Ref	Arm Guards Installation (Not Shown - See Separate Breakdown in this Section)	

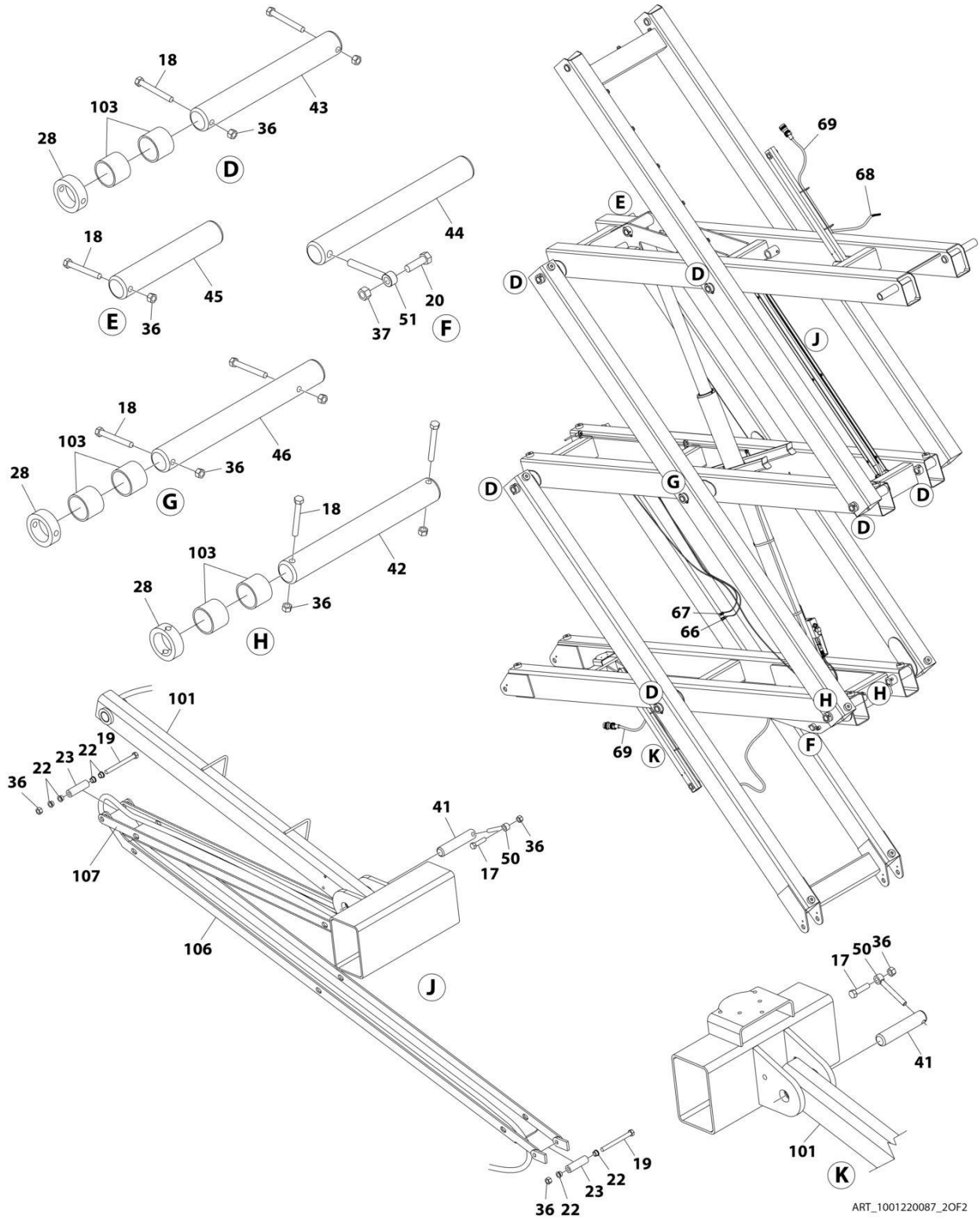
SECTION 4 - SCISSORS ARMS

FIGURE 4-4. SCISSORS ARMS ASSEMBLY - 330LRT WITH GENERATOR



ART_1001220087_10F2

SECTION 4 - SCISSORS ARMS



ART_1001220087_20F2

SECTION 4 - SCISSORS ARMS

FIGURE 4-4. SCISSORS ARMS ASSEMBLY - 330LRT WITH GENERATOR

ITEM	PART NUMBER	QTY	DESCRIPTION	REV
	1001220087	Ref	SCISSORS ARMS ASSEMBLY - 330LRT WITH GENERATOR	E
1	0080190	1	Adapter, Cable	
2	0100011	AR	Compound, Locking	
3	2220883	2	Plug	
11	0363050	1	Bar, Prop	
14	0641505	2	Bolt 5/16 x 5/8	
16	0681607	2	Bolt 3/8 x 7/8	
17	0681612	2	Bolt 3/8 x 1-1/2	
18	0681624	29	Bolt 3/8 x 3	
19	0681632	3	Bolt 3/8 x 4	
20	0681813	1	Bolt 1/2 x 1-5/8	
21	0902773	1	Bracket	
22	0962031	8	Bushing	
23	0962446	3	Spacer	
24	1060929	1	Cable, Manual Descent	
24	7020218	1	Handle	
24	7019602	1	Bellows	
24	7020219	1	Washer	
27	1001216251	3	Clamp	
28	1440331	14	Collar	
29	1670995	3	Cover, Hose/Cable	
30		Ref	Lift Cylinder Assembly Options (See Separate Breakdown in CYLINDER SECTION):	
	See Note	Ref	Note: Machines were built with one of 2 cylinders listed below. Identify cylinder by p/n stamped on valve block.	
30	1684332	1	Lift Cylinder Assembly (Rectangular Valve Block)	
30	1001217085	1	Lift Cylinder Assembly ("P" Shaped Valve Block)	
31	2220373	1	Fitting, Straight JIC/ORB	
32	2221042	1	Fitting, 90 JIC/ORB	
34	1001216383	1	Hose	
35	1001216384	1	Hose	
36	3271605	36	Nut 3/8	
37	3271805	1	Nut 1/2	
39	3321402	2	Nut 1/4	
41	3422943	2	Pin	
42	3422944	2	Pin	
43	3422945	10	Pin	
44	3422946	1	Pin	
45	3422954	1	Pin	
46	3422965	2	Pin	
47	3450304	1	Pin 3/32 x 1	
48	3450405	1	Pin 1/8 x 1-1/4	
49	3573370	1	Plate	
50	3841143	2	Keeper, Pin	
51	3841203	1	Keeper, Pin	
52	3841556	1	Rod, Prop	
53	4240033	AR	Tie-Strap (Not Shown)	
54	4280295	18 in/ 46cm	Strip, Protector	
55	4641193	1	Cartridge, Check Valve	

SECTION 4 - SCISSORS ARMS

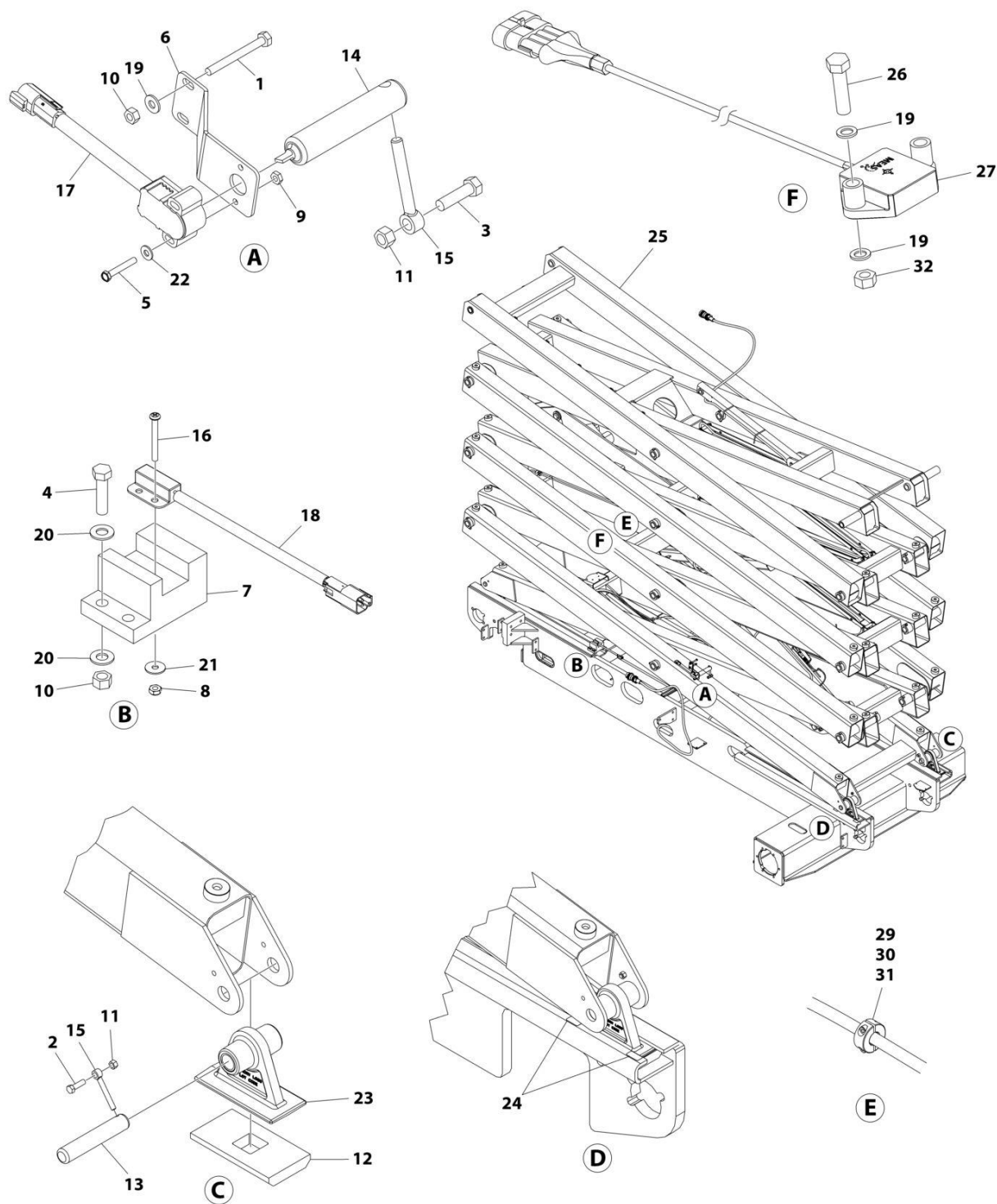
ITEM	PART NUMBER	QTY	DESCRIPTION	REV
55	2900756	1	Seal Kit - 4641193 Valve	
56	4641205	1	Cartridge, Holding Valve	
56	7017496	1	Seal Kit - 4641205 Valve	
57	4641254	1	Cartridge, Proportional Valve	
57	7024829	1	Cartridge Less Cartridge	
57	7012925	1	Seal Kit - 7024829 & 4641254 Valves	
57	7017451	1	Coil	
58	4711400	2	Washer 1/4	
60	4711600	1	Washer 3/8	
61	4740455	2	Washer	
63	1001103760	1	Cartridge, Solenoid Valve	
63	7023923	1	Cartridge Less Cartridge	
63	7023919	1	Seal Kit - 7023923 & 1001103760 Valves	
63	70001967	1	Coil	
66	1001209182	1	Lift Cylinder Prop Harness	
66	4460499	1	Connector, DIN (HV9 - Proportional Valve)	
66	4460897	1	Receptacle, Female - 2 Position (X14B - Chassis Harness)	
66	4460464	2	Pin, Male	
67	1001209183	1	Lift Cylinder Holding Valve Harness	
67	4460891	2	Plug, Male - 2 Position (X13A - Chassis Harness & HV10 Holding Valve)	
67	4460465	4	Socket, Female	
68	1001209853	NLA	Cable, Generator to Platform (8/5) (use p/n 1001237293) (Prior to SN 0200267640)	
68	1001237293	1	Cable, Generator to Platform (8/5) (SN 0200267640 through 0200269765)	
69	1001209181	1	Ground to Platform Harness - 330LRT (See Separate Breakdown in ELECTRICAL SECTION)	
100	1001220020	1	Arms and Attach Link Kit (Not Shown)	
101	0272209	2	Link	
101	0962474	4	Bushing	
102	0272211	2	Prop, Safety	
103	0440236	28	Bearing	
104	0440250	4	Bearing	
105	0641507	17	Bolt 5/16 x 7/8	
106	1180371	1	Carrier, Cable	
107	1180372	1	Carrier, Cable	
108	3311505	17	Nut 5/16	
109	3340929	16	Pad	
110	4711500	16	Washer 5/16	
200	1001220010	1	Arms Kit (Not Shown)	
201	0200713	1	Arm, Lower Mid Inboard	
201	1001200412	6	Bushing (Not Shown)	
202	0200716	1	Arm, Lower Outboard	
202	1001200506	4	Bushing (Not Shown)	
203	0200717	1	Arm, Upper Inboard	
203	1001200401	2	Bushing - 8-1/2 Length (Not Shown)	
203	1001200402	1	Bushing - 1-1/8 Length (Not Shown)	
203	1001200412	2	Bushing - 6-1/2 Length (Not Shown)	
203	1001200510	2	Bushing - 11-1/2 Length (Not Shown)	
204	0200718	1	Arm, Lower Mid Outboard (LH)	
204	1001200506	3	Bushing (Not Shown)	

SECTION 4 - SCISSORS ARMS

ITEM	PART NUMBER	QTY	DESCRIPTION	REV
205	0200719	1	Arm, Lower Mid Outboard (RH)	
205	1001200506	3	Bushing (Not Shown)	
206	0200723	1	Arm, Upper Outboard	
206	1001200528	2	Bushing (Not Shown)	
207	1001215305	1	Arm, Lower Inboard	
207	1001200400	2	Bushing - 7-1/2 Length (Not Shown)	
207	1001200401	2	Bushing - 8-1/2 Length (Not Shown)	
207	1001200402	2	Bushing - 1-1/8 Length (Not Shown)	

SECTION 4 - SCISSORS ARMS

FIGURE 4-5. SCISSORS ARMS INSTALLATION - 430LRT



ART_1001220083

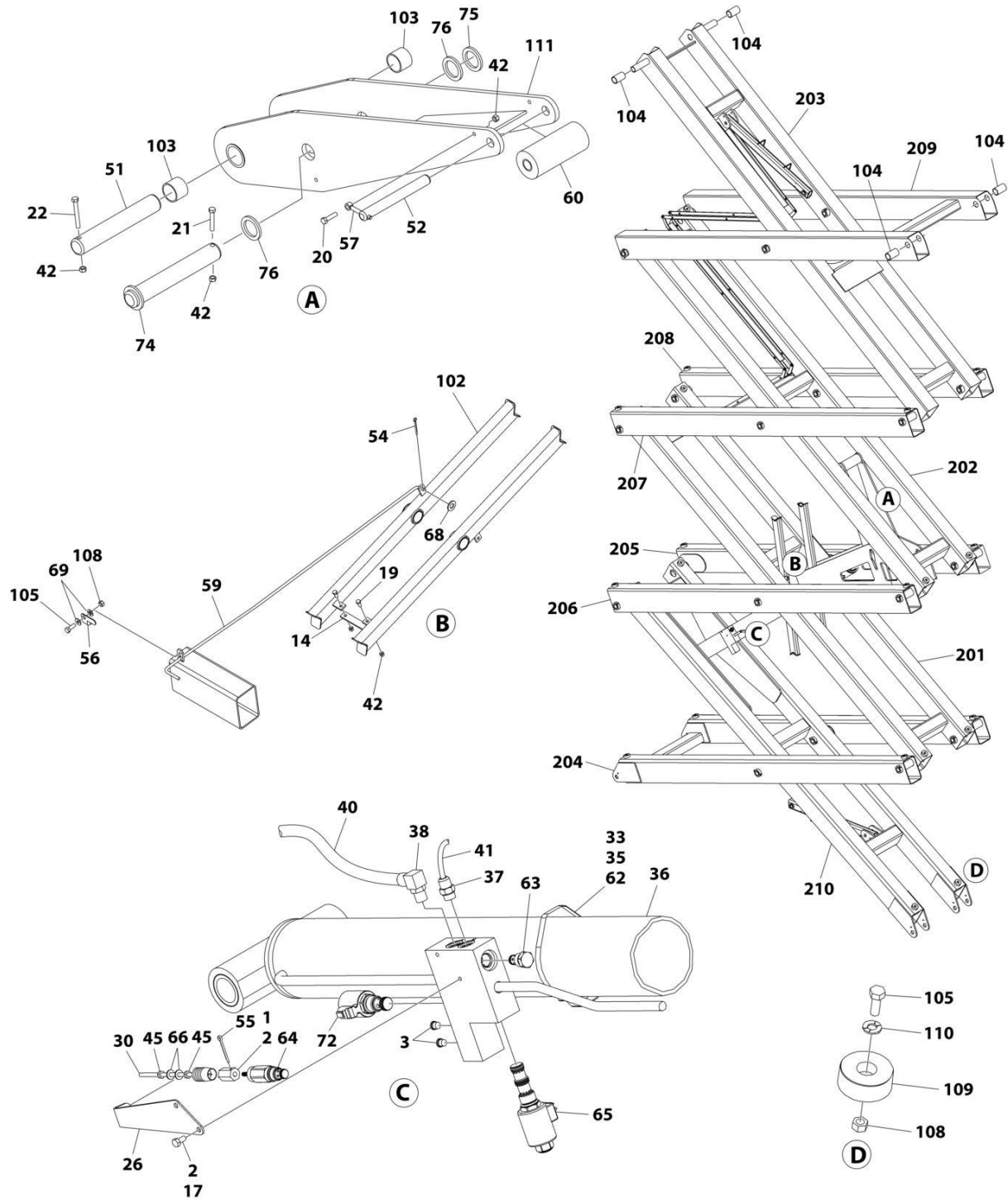
SECTION 4 - SCISSORS ARMS

FIGURE 4-5. SCISSORS ARMS INSTALLATION - 430LRT

ITEM	PART NUMBER	QTY	DESCRIPTION	REV
	1001220083	Ref	SCISSORS ARMS INSTALLATION - 430LRT	G
1	0641420	2	Bolt 1/4 x 2-1/2	
2	0641610	4	Bolt 3/8 x 1-1/4	
3	0641611	1	Bolt 3/8 x 1-3/8	
4	0641612	AR	Bolt 3/8 x 1-1/2	
5	0721010	2	Screw #10 x 1-1/4	
6	0902774	1	Bracket	
7	3200447	1	Mount, Switch (Prior to SN 0200267917)	
8	3300455	AR	Nut #10	
9	3311005	2	Nut #10	
10	3311405	4	Nut 1/4	
11	3311605	5	Nut 3/8	
12	3340935	4	Pad	
13	3422961	4	Pin	
14	3422963	1	Pin	
15	3841143	5	Keeper, Pin	
16	3900325	AR	Screw #10	
17	4360500	1	Switch, Angle Sensor	
18	4360502	1	Switch, Proximity Sensor (Prior to SN 0200267917)	
19	4711400	AR	Washer 1/4	
20	4711600	AR	Washer 3/8	
21	4740506	AR	Washer #10	
22	4751000	2	Washer #10	
23	1001099623	4	Support, Slider	
24	1001125242	1	Decal - Calibration	
25	1001220084	1	Scissors Arms Assembly - 430LRT (See Separate Breakdown in this Section)	
26	0641412	AR	Bolt 1/4 x 1-1/2	
27	1001187857	1	Sensor (SN 0200267917 through 0200269765)	
28	4240018	AR	Tie-Strap (Not Shown)	
29	0100081	AR	Adhesive (SN 0200268060 through 0200269765)	
30	1001238626	1	Clamp, Collar (2 pieces) (SN 0200268060 through 0200269765)	
31	0100035	AR	Adhesive (SN 0200268060 through 0200269765)	
32	8310382	2	Nut, Flange	
	1001227737	Ref	SCISSORS ARMS INSTALLATION - 430LRT WITH LSS	A
102	1001227249	Ref	Arm Guards Installation (Not Shown - See Separate Breakdown in this Section)	

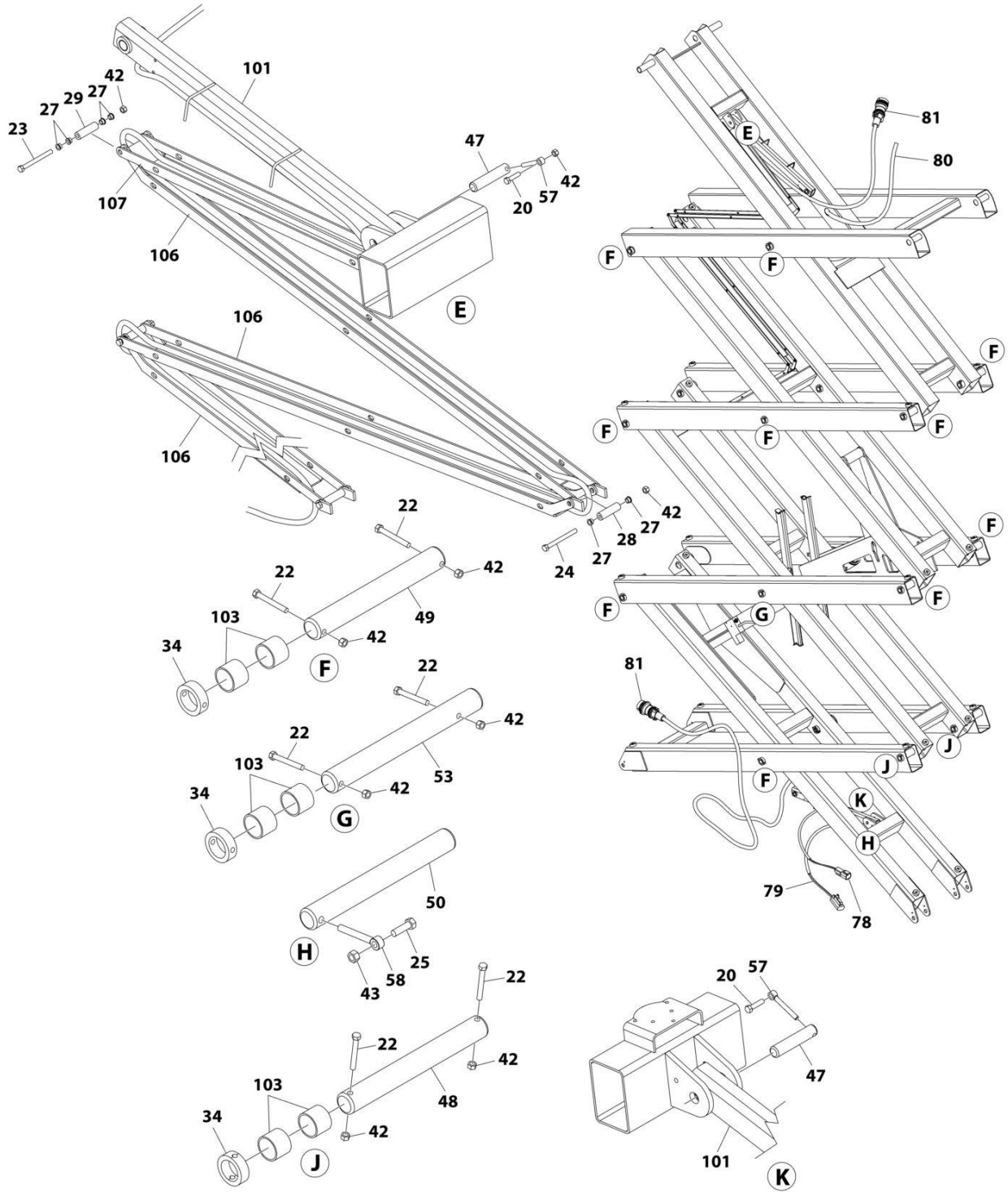
SECTION 4 - SCISSORS ARMS

FIGURE 4-6. SCISSORS ARMS ASSEMBLY - 430LRT



ART_1001220084_1OF2

SECTION 4 - SCISSORS ARMS



ART_1001220084_20F2

SECTION 4 - SCISSORS ARMS

FIGURE 4-6. SCISSORS ARMS ASSEMBLY - 430LRT

ITEM	PART NUMBER	QTY	DESCRIPTION	REV
	1001220084	Ref	SCISSORS ARMS ASSEMBLY - 430LRT	D
1	0080190	1	Adapter, Cable	
2	0100011	AR	Compound, Locking	
3	2220883	2	Plug	
14	0363050	1	Bar, Prop	
17	0641505	2	Bolt 5/16 x 5/8	
19	0681607	2	Bolt 3/8 x 7/8	
20	0681612	3	Bolt 3/8 x 1-1/2	
21	0681618	1	Bolt 3/8 x 2-1/4	
22	0681624	41	Bolt 3/8 x 3	
23	0681632	4	Bolt 3/8 x 4	
24	0681636	1	Bolt 3/8 x 4-1/2	
25	0681813	1	Bolt 1/2 x 1-5/8	
26	0902773	1	Bracket	
27	0962031	16	Bushing	
28	0962445	1	Spacer	
29	0962446	4	Spacer	
30	1060929	1	Cable, Manual Descent	
30	7020218	1	Handle	
30	7019602	1	Bellows	
30	7020219	1	Washer	
33	1001216251	3	Clamp	
34	1440331	20	Collar	
35	1670995	3	Cover, Hose/Cable	
36		Ref	Lift Cylinder Assembly Options (See Separate Breakdown in CYLINDER SECTION):	
	See Note	Ref	Note: Machines were built with one of 2 cylinders listed below. Identify cylinder by p/n stamed on valve block.	
36	1684332	1	Lift Cylinder Assembly Rectangular Valve Block)	
36	1001217085	1	Lift Cylinder Assembly ("P" Shaped Valve Block)	
37	2220373	1	Fitting, Straight JIC/ORB	
38	2221042	1	Fitting, 90 JIC/ORB	
40	1001216383	1	Hose	
41	1001216384	1	Hose	
42	3271605	52	Nut 3/8	
43	3271805	1	Nut 1/2	
45	3321402	2	Nut 1/4	
47	3422943	2	Pin	
48	3422944	2	Pin	
49	3422945	16	Pin	
50	3422946	1	Pin	
51	3422948	1	Pin	
52	3422964	1	Pin	
53	3422965	2	Pin	
54	3450304	1	Pin 3/32 x 1	
55	3450405	1	Pin 1/8 x 1-1/4	
56	3573370	1	Plate	
57	3841143	3	Keeper, Pin	
58	3841203	1	Keeper, Pin	
59	3841556	1	Rod, Prop	

SECTION 4 - SCISSORS ARMS

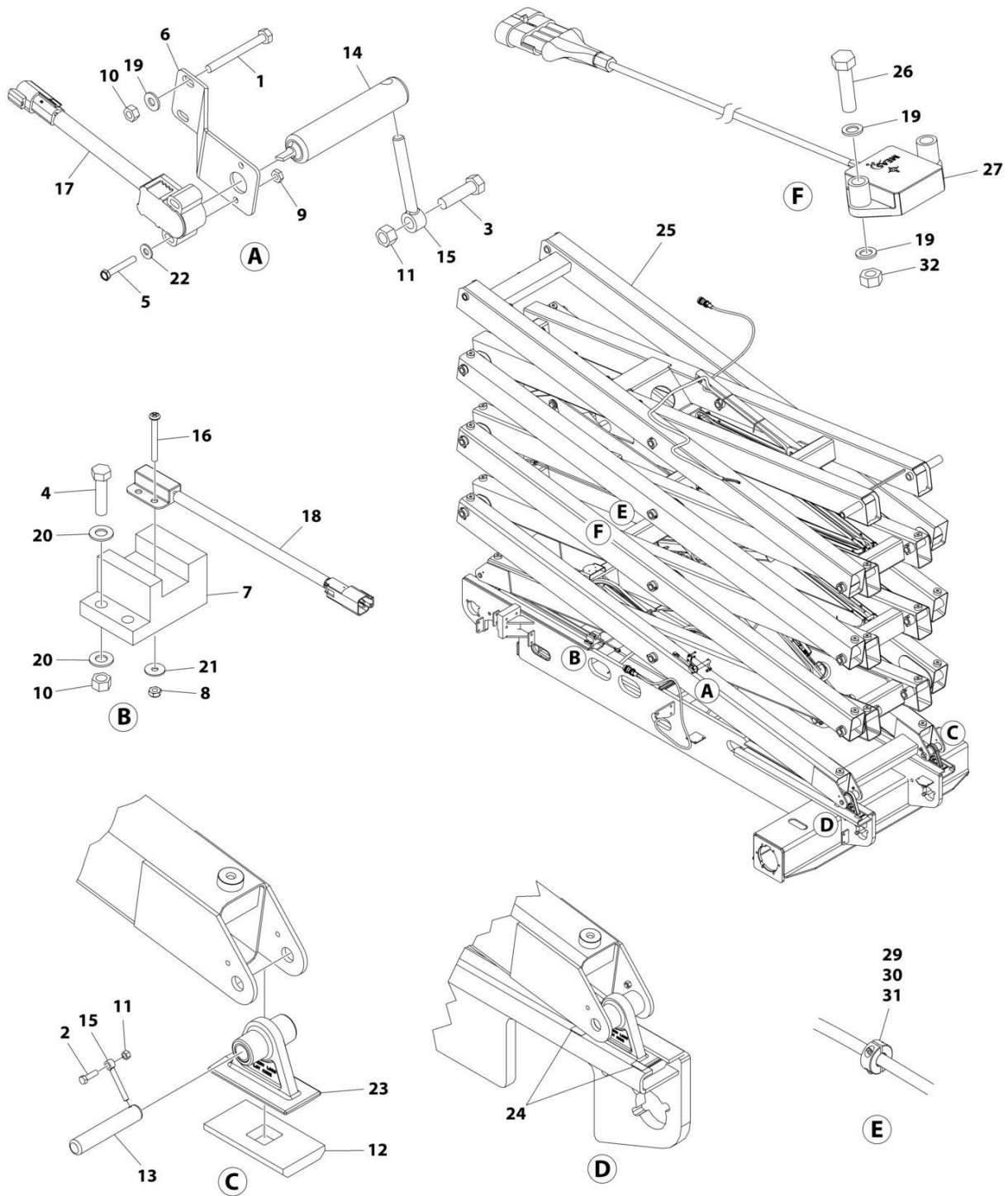
ITEM	PART NUMBER	QTY	DESCRIPTION	REV
60	3860102	1	Roller	
60	0962356	2	Bearing	
61	4240033	AR	Tie-Strap (Not Shown)	
62	4280295	18 in/ 46cm	Strip, Protector	
63	4641193	1	Cartridge, Check Valve	
63	2900756	1	Seal Kit - 4641193 Valve	
64	4641205	1	Cartridge, Holding Valve	
64	7017496	1	Seal Kit - 4641205 Valve	
65	4641254	1	Cartridge, Proportional Valve	
65	7024829	1	Cartridge Less Cartridge	
65	7012925	1	Seal Kit - 7024829 & 4641254 Valves	
65	7017451	1	Coil	
66	4711400	2	Washer 1/4	
68	4711600	1	Washer 3/8	
69	4740455	2	Washer	
72	1001103760	1	Cartridge, Solenoid Valve	
72	7023923	1	Cartridge Less Cartridge	
72	7023919	1	Seal Kit - 7023923 & 1001103760 Valves	
72	70001967	1	Coil	
74	1001174384	1	Pin	
75	1001174386	1	Plate	
76	1001174387	2	Pad	
78	1001209182	1	Lift Cylinder Prop Harness	
78	4460499	1	Connector, DIN (HV9 - Proportional Valve)	
78	4460897	1	Receptacle, Female - 2 Position (X14B - Chassis Harness)	
78	4460464	2	Pin, Male	
79	1001209183	1	Lift Cylinder Holding Valve Harness	
79	4460891	2	Plug, Male - 2 Position (X13A - Chassis Harness & HV10 Holding Valve)	
79	4460465	4	Socket, Female	
80	1060907	1	Ground to AC Box (12/3) (Not Shown)	
81	1001210080	1	Ground to Platform Harness - 430LRT (See Separate Breakdown in ELECTRICAL SECTION)	
100	1001220040	1	Arms and Attach Link Kit (Not Shown)	
101	0272209	2	Link	
101	0962474	4	Bushing	
102	0272211	2	Prop, Safety	
103	0440236	42	Bearing	
104	0440250	4	Bearing	
105	0641507	25	Bolt 5/16 x 7/8	
106	1180371	3	Carrier, Cable	
107	1180372	1	Carrier, Cable	
108	3311505	25	Nut 5/16	
109	3340929	24	Pad	
110	4711500	24	Washer 5/16	
111	4846460	1	Kicker	
200	1001220030	1	Arms Kit (Not Shown)	
201	0200713	1	Arm, Lower Mid Inboard	
201	1001200412	6	Bushing (Not Shown)	
202	0200714	1	Arm, Upper Mid Inboard	
202	1001200401	2	Bushing - 8-1/2 Length (Not Shown)	

SECTION 4 - SCISSORS ARMS

ITEM	PART NUMBER	QTY	DESCRIPTION	REV
202	1001200402	1	Bushing - 1-1/8 Length (Not Shown)	
202	1001200412	4	Bushing - 6-1/2 Length (Not Shown)	
203	0200715	1	Arm, Upper Inboard	
203	1001200412	4	Bushing - 6-1/2 Length (Not Shown)	
203	1001200510	2	Bushing - 11-1/2 Length (Not Shown)	
204	0200716	1	Arm, Lower Outboard	
204	1001200506	4	Bushing (Not Shown)	
205	0200718	1	Arm, Lower Mid Outboard (LH)	
205	1001200506	3	Bushing (Not Shown)	
206	0200719	1	Arm, Lower Mid Outboard (RH)	
206	1001200506	3	Bushing (Not Shown)	
207	0200720	1	Arm, Upper Mid Outboard (LH)	
207	1001200506	3	Bushing (Not Shown)	
208	0200721	1	Arm, Upper Mid Outboard (RH)	
208	1001200506	3	Bushing (Not Shown)	
209	0200722	1	Arm, Upper Outboard	
209	1001200506	4	Bushing - 2 ID (Not Shown)	
209	1001200528	1	Bushing - 1-5/16 ID (Not Shown)	
210	1001215305	1	Arm, Lower Inboard	
210	1001200400	2	Bushing - 7-1/2 Length (Not Shown)	
210	1001200401	2	Bushing - 8-1/2 Length (Not Shown)	
210	1001200402	2	Bushing - 1-1/8 Length (Not Shown)	

SECTION 4 - SCISSORS ARMS

FIGURE 4-7. SCISSORS ARMS INSTALLATION - 430LRT WITH GENERATOR



ART_1001220088

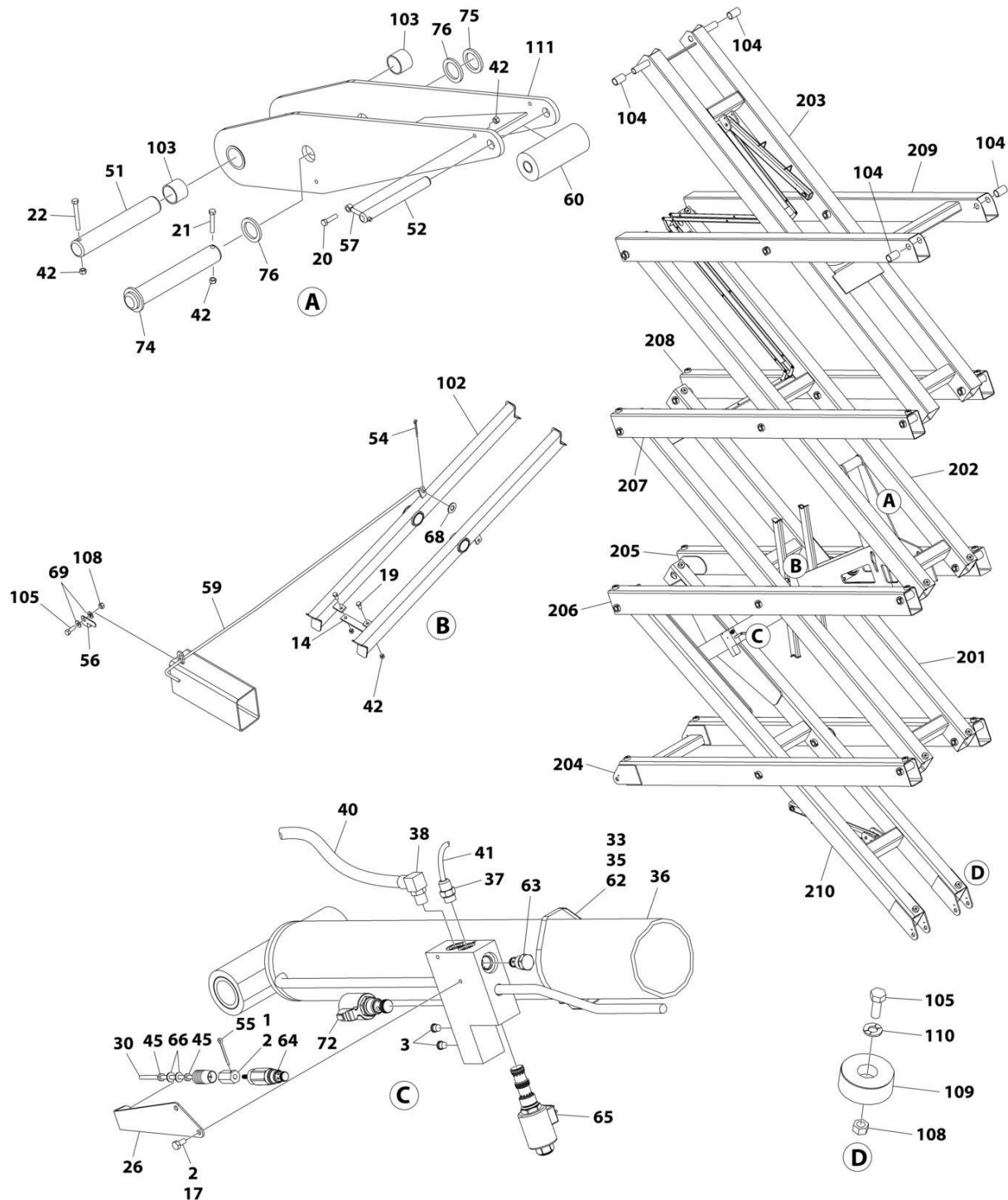
SECTION 4 - SCISSORS ARMS

FIGURE 4-7. SCISSORS ARMS INSTALLATION - 430LRT WITH GENERATOR

ITEM	PART NUMBER	QTY	DESCRIPTION	REV
	1001220088	Ref	SCISSORS ARMS INSTALLATION - 430LRT WITH GENERATOR	G
1	0641420	2	Bolt 1/4 x 2-1/2	
2	0641610	4	Bolt 3/8 x 1-1/4	
3	0641611	1	Bolt 3/8 x 1-3/8	
4	0641612	AR	Bolt 3/8 x 1-1/2	
5	0721010	2	Screw #10 x 1-1/4	
6	0902774	1	Bracket	
7	3200447	1	Mount, Switch (Prior to SN 0200267917)	
8	3300455	AR	Nut #10	
9	3311005	2	Nut #10	
10	3311405	4	Nut 1/4	
11	3311605	5	Nut 3/8	
12	3340935	4	Pad	
13	3422961	4	Pin	
14	3422963	1	Pin	
15	3841143	5	Keeper, Pin	
16	3900325	AR	Screw #10	
17	4360500	1	Switch, Angle Sensor	
18	4360502	1	Switch, Proximity Sensor (Prior to SN 0200267917)	
19	4711400	AR	Washer 1/4	
20	4711600	AR	Washer 3/8	
21	4740506	AR	Washer #10	
22	4751000	2	Washer #10	
23	1001099623	4	Support, Slider	
24	1001125242	1	Decal - Calibration	
25	1001220089	1	Scissors Arms Assembly - 430LRT with Generator (See Separate Breakdown in this Section)	
26	0641412	AR	Bolt 1/4 x 1-1/2	
27	1001187857	1	Sensor (SN 0200267917 through 0200269765)	
28	4240018	AR	Tie-Strap (Not Shown)	
29	0100081	AR	Adhesive (SN 0200268060 through 0200269765)	
30	1001238626	1	Clamp, Collar (2 pieces) (SN 0200268060 through 0200269765)	
31	0100035	AR	Adhesive (SN 0200268060 through 0200269765)	
32	8310382	2	Nut, Flange	
	1001227739	Ref	SCISSORS ARMS INSTALLATION - 430LRT WITH GENERATOR AND LSS	A
102	1001227249	Ref	Arm Guards Installation (Not Shown - See Separate Breakdown in this Section)	

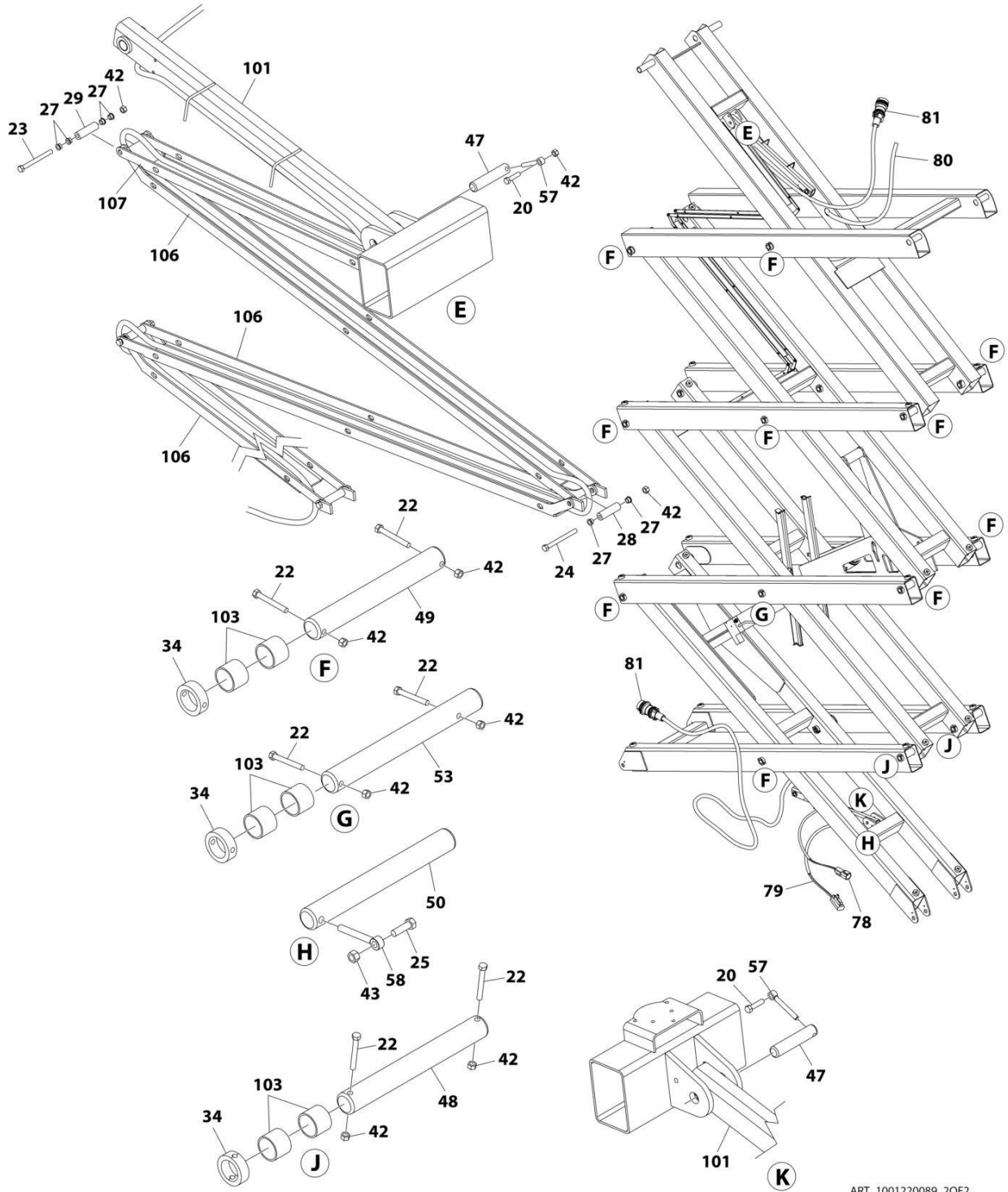
SECTION 4 - SCISSORS ARMS

FIGURE 4-8. SCISSORS ARMS ASSEMBLY - 430LRT WITH GENERATOR



ART_1001220089_10F2

SECTION 4 - SCISSORS ARMS



ART_1001220089_20F2

SECTION 4 - SCISSORS ARMS

FIGURE 4-8. SCISSORS ARMS ASSEMBLY - 430LRT WITH GENERATOR

ITEM	PART NUMBER	QTY	DESCRIPTION	REV
	1001220089	Ref	SCISSORS ARMS ASSEMBLY - 430LRT WITH GENERATOR	F
1	0080190	1	Adapter, Cable	
2	0100011	AR	Compound, Locking	
3	2220883	2	Plug	
14	0363050	1	Bar, Prop	
17	0641505	2	Bolt 5/16 x 5/8	
19	0681607	2	Bolt 3/8 x 7/8	
20	0681612	3	Bolt 3/8 x 1-1/2	
21	0681618	1	Bolt 3/8 x 2-1/4	
22	0681624	41	Bolt 3/8 x 3	
23	0681632	4	Bolt 3/8 x 4	
24	0681636	1	Bolt 3/8 x 4-1/2	
25	0681813	1	Bolt 1/2 x 1-5/8	
26	0902773	1	Bracket	
27	0962031	16	Bushing	
28	0962445	1	Spacer	
29	0962446	4	Spacer	
30	1060929	1	Cable, Manual Descent	
30	7020218	1	Handle	
30	7019602	1	Bellows	
30	7020219	1	Washer	
33	1001216251	3	Clamp	
34	1440331	20	Collar	
35	1670995	3	Cover, Hose/Cable	
36		Ref	Lift Cylinder Assembly Options (See Separate Breakdown in CYLINDER SECTION):	
	See Note	Ref	Note: Machines were built with one of 2 cylinders listed below. Identify cylinder by p/n stamed on valve block.	
36	1684332	1	Lift Cylinder Assembly (Rectangular Valve Block)	
36	1001217085	1	Lift Cylinder Assembly ("P" Shaped Valve Block)	
37	2220373	1	Fitting, Straight JIC/ORB	
38	2221042	1	Fitting, 90 JIC/ORB	
40	1001216383	1	Hose	
41	1001216384	1	Hose	
42	3271605	52	Nut 3/8	
43	3271805	1	Nut 1/2	
45	3321402	2	Nut 1/4	
47	3422943	2	Pin	
48	3422944	2	Pin	
49	3422945	16	Pin	
50	3422946	1	Pin	
51	3422948	1	Pin	
52	3422964	1	Pin	
53	3422965	2	Pin	
54	3450304	1	Pin 3/32 x 1	
55	3450405	1	Pin 1/8 x 1-1/4	
56	3573370	1	Plate	
57	3841143	3	Keeper, Pin	
58	3841203	1	Keeper, Pin	
59	3841556	1	Rod, Prop	

SECTION 4 - SCISSORS ARMS

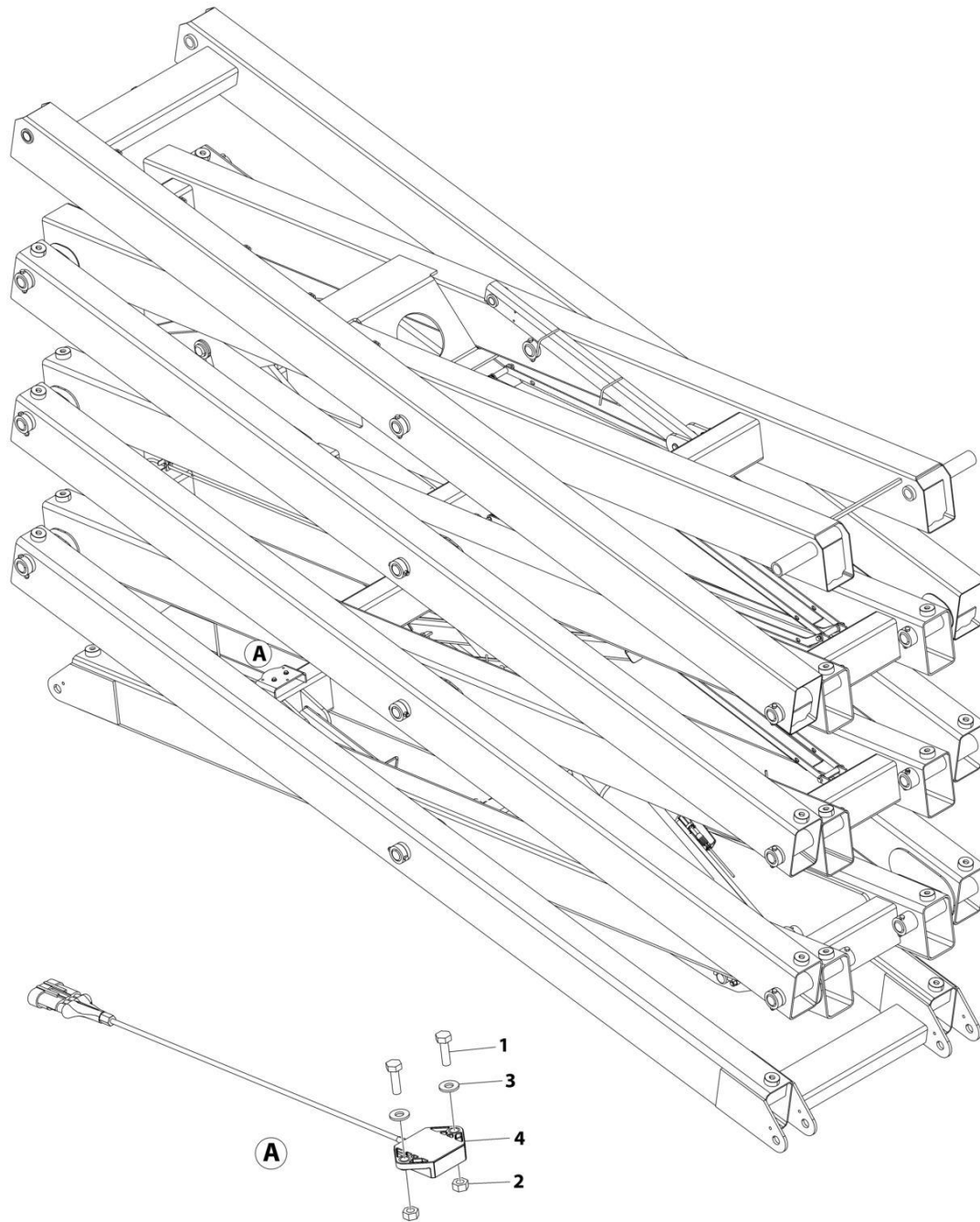
ITEM	PART NUMBER	QTY	DESCRIPTION	REV
60	3860102	1	Roller	
60	0962356	2	Bearing	
61	4240033	AR	Tie-Strap (Not Shown)	
62	4280295	18 in/ 46cm	Strip, Protector	
63	4641193	1	Cartridge, Check Valve	
63	2900756	1	Seal Kit - 4641193 Valve	
64	4641205	1	Cartridge, Holding Valve	
64	7017496	1	Seal Kit - 4641205 Valve	
65	4641254	1	Cartridge, Proportional Valve	
65	7024829	1	Cartridge Less Cartridge	
65	7012925	1	Seal Kit - 7024829 & 4641254 Valves	
65	7017451	1	Coil	
66	4711400	2	Washer 1/4	
68	4711600	1	Washer 3/8	
69	4740455	2	Washer	
72	1001103760	1	Cartridge, Solenoid Valve	
72	7023923	1	Cartridge Less Cartridge	
72	7023919	1	Seal Kit - 7023923 & 1001103760 Valves	
72	70001967	1	Coil	
74	1001174384	1	Pin	
75	1001174386	1	Plate	
76	1001174387	2	Pad	
78	1001209182	1	Lift Cylinder Prop Harness	
78	4460499	1	Connector, DIN (HV9 - Proportional Valve)	
78	4460897	1	Receptacle, Female - 2 Position (X14B - Chassis Harness)	
78	4460464	2	Pin, Male	
79	1001209183	1	Lift Cylinder Holding Valve Harness	
79	4460891	2	Plug, Male - 2 Position (X13A - Chassis Harness & HV10 Holding Valve)	
79	4460465	4	Socket, Female	
80	1001209854	NLA	Cable, Generator to Platform (8/5) (Use p/n 1001237292) (Prior to SN 0200267640)	
80	1001237292	1	Cable, Generator to Platform (8/5) (SN 0200267640 through 0200269765)	
81	1001210080	1	Ground to Platform Harness - 430LRT (See Separate Breakdown in ELECTRICAL SECTION)	
100	1001220040	1	Arms and Attach Link Kit (Not Shown)	
101	0272209	2	Link	
101	0962474	4	Bushing	
102	0272211	2	Prop, Safety	
103	0440236	42	Bearing	
104	0440250	4	Bearing	
105	0641507	25	Bolt 5/16 x 7/8	
106	1180371	3	Carrier, Cable	
107	1180372	1	Carrier, Cable	
108	3311505	25	Nut 5/16	
109	3340929	24	Pad	
110	4711500	24	Washer 5/16	
111	4846460	1	Kicker	
200	1001220030	1	Arms Kit (Not Shown)	
201	0200713	1	Arm, Lower Mid Inboard	

SECTION 4 - SCISSORS ARMS

ITEM	PART NUMBER	QTY	DESCRIPTION	REV
201	1001200412	6	Bushing (Not Shown)	
202	0200714	1	Arm, Upper Mid Inboard	
202	1001200401	2	Bushing - 8-1/2 Length (Not Shown)	
202	1001200402	1	Bushing - 1-1/8 Length (Not Shown)	
202	1001200412	4	Bushing - 6-1/2 Length (Not Shown)	
203	0200715	1	Arm, Upper Inboard	
203	1001200412	4	Bushing - 6-1/2 Length (Not Shown)	
203	1001200510	2	Bushing - 11-1/2 Length (Not Shown)	
204	0200716	1	Arm, Lower Outboard	
204	1001200506	4	Bushing (Not Shown)	
205	0200718	1	Arm, Lower Mid Outboard (LH)	
205	1001200506	3	Bushing (Not Shown)	
206	0200719	1	Arm, Lower Mid Outboard (RH)	
206	1001200506	3	Bushing (Not Shown)	
207	0200720	1	Arm, Upper Mid Outboard (LH)	
207	1001200506	3	Bushing (Not Shown)	
208	0200721	1	Arm, Upper Mid Outboard (RH)	
208	1001200506	3	Bushing (Not Shown)	
209	0200722	1	Arm, Upper Outboard	
209	1001200506	4	Bushing - 2 ID (Not Shown)	
209	1001200528	2	Bushing - 1-5/16 ID (Not Shown)	
210	1001215305	1	Arm, Lower Inboard	
210	1001200400	2	Bushing - 7-1/2 Length (Not Shown)	
210	1001200401	2	Bushing - 8-1/2 Length (Not Shown)	
210	1001200402	2	Bushing - 1-1/8 Length (Not Shown)	

SECTION 4 - SCISSORS ARMS

FIGURE 4-9. ARM GUARDS INSTALLATION (MACHINES WITH LSS)



ART_1001227249

SECTION 4 - SCISSORS ARMS

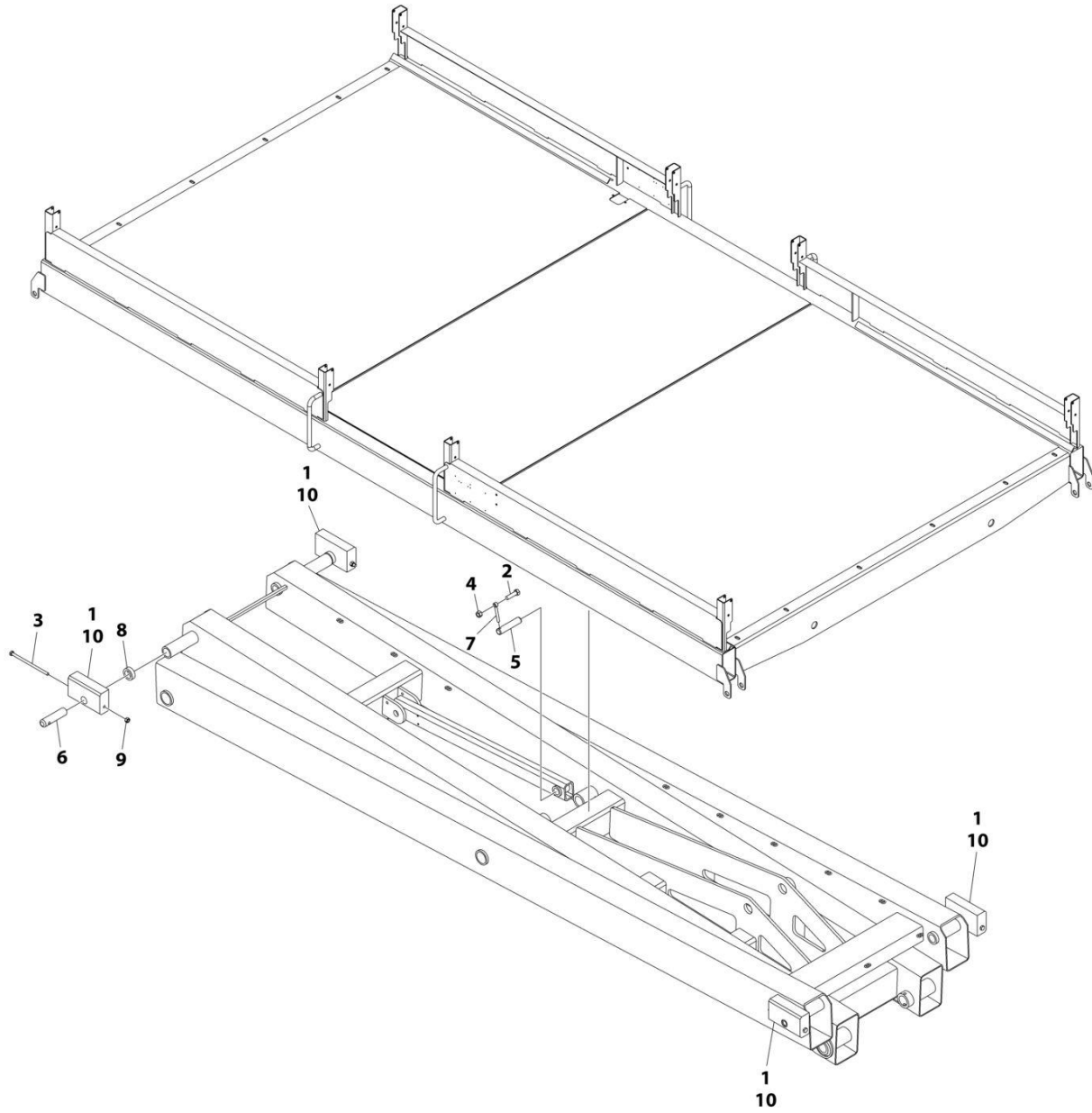
FIGURE 4-9. ARM GUARDS INSTALLATION (MACHINES WITH LSS)

ITEM	PART NUMBER	QTY	DESCRIPTION	REV
	1001227249	Ref	ARM GUARDS INSTALLATION (MACHINES WITH LSS)	A
1	0641407	2	Bolt 1/4 x 7/8	
2	3311405	2	Nut 1/4	
3	4711400	2	Washer 1/4	
4	1001187857	1	Sensor	

SECTION 5 - PLATFORM

SECTION 5 - PLATFORM

FIGURE 5-1. PLATFORM MOUNT INSTALLATION (NON-LSS)



ART_1001206786

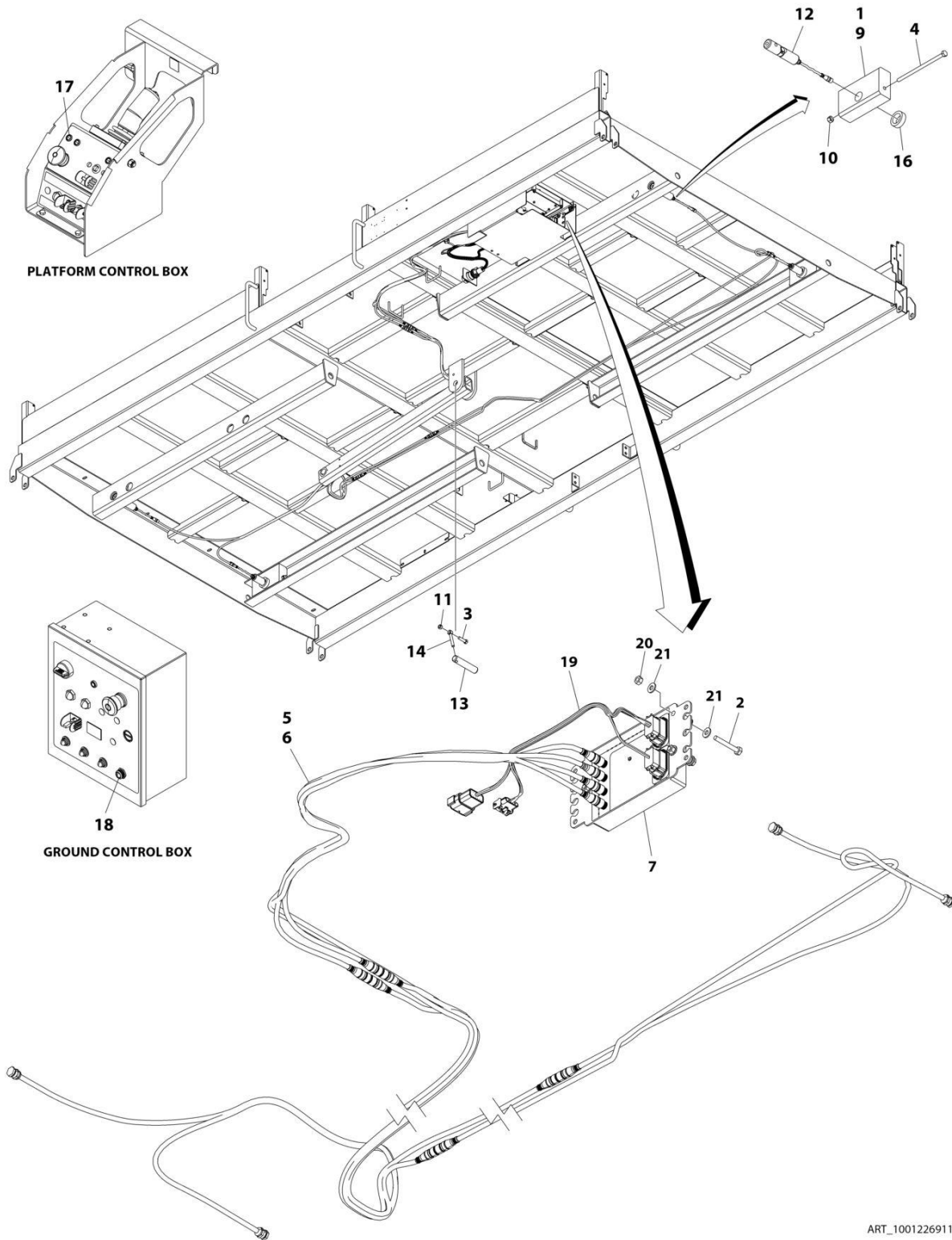
SECTION 5 - PLATFORM

FIGURE 5-1. PLATFORM MOUNT INSTALLATION (NON-LSS)

ITEM	PART NUMBER	QTY	DESCRIPTION	REV
	1001206786	Ref	PLATFORM MOUNT INSTALLATION (NON-LSS)	B
1	0561489	4	Block, Slide	
2	0641611	1	Bolt 3/8 x 1-3/8	
3	0701037	4	Bolt M10 x 200	
4	3311605	1	Nut 3/8	
5	3422943	1	Pin	
6	3423049	4	Pin	
7	3841143	1	Keeper, Pin	
8	4568295	4	Tube, Spacer	
9	3291005	4	Nut M10	
10	3020022	AR	Grease, Lithium	

SECTION 5 - PLATFORM

FIGURE 5-2. PLATFORM MOUNT INSTALLATION (LSS)



ART_1001226911

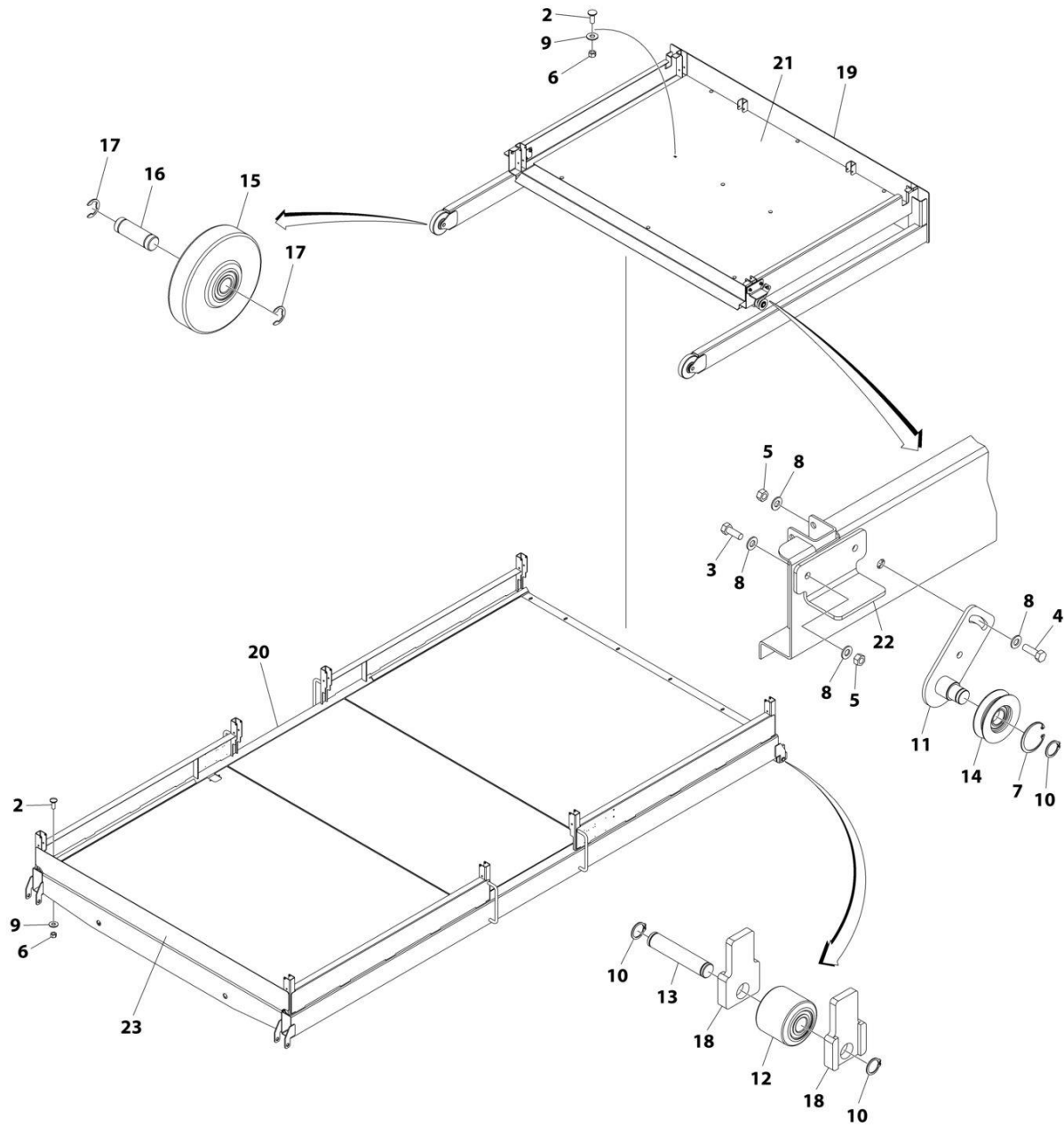
SECTION 5 - PLATFORM

FIGURE 5-2. PLATFORM MOUNT INSTALLATION (LSS)

ITEM	PART NUMBER	QTY	DESCRIPTION	REV
	1001226911	Ref	PLATFORM MOUNT INSTALLATION (LSS)	C
1	0561489	4	Block, Slide	
2	0641415	3	Bolt 1/4 x 1-7/8	
3	0641611	1	Bolt 3/8 x 1-3/8	
4	0701037	4	Bolt M10 x 200	
5	1061020	2	Cable, Sensor (1.5m Length)	
6	1061021	2	Cable, Sensor (3m Length)	
7	1600387	1	Module, LSS (Note: Re-calibration Required when Replaced)	
9	3020022	AR	Lubricant	
10	3291005	4	Nut M10	
11	3311605	1	Nut 3/8	
12	3422938	4	Pin	
13	3422943	1	Pin	
14	3841143	1	Keeper, Pin	
15	4240033	AR	Tie-Strap (Not Shown)	
16	4568295	4	Tube, Spacer	
17	1001190472	1	Lamp, LED	
18	1001215255	1	Lamp, LED (Prior to SN 0200267670)	
18	1001239350	1	Lamp, LED (SN 0200267670 through 0200269765)	
19	1001226830	1	LSS Harness (See Separate Breakdown in ELECTRICAL SECTION)	
20	3311405	3	Nut 1/4	
21	4711400	6	Washer 1/4	

SECTION 5 - PLATFORM

FIGURE 5-3. PLATFORM WITH SINGLE EXTENSION INSTALLATION



ART_1001205640

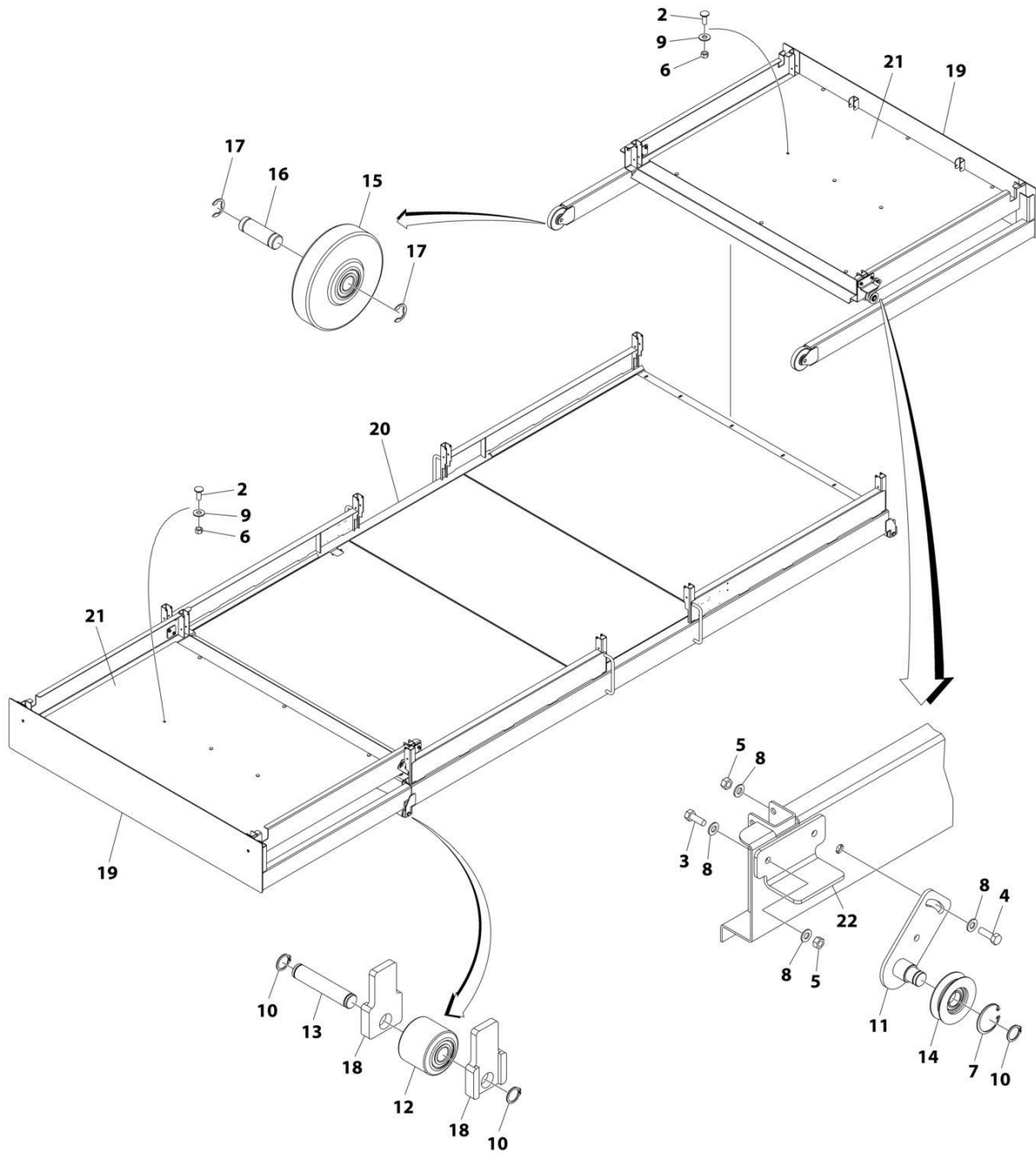
SECTION 5 - PLATFORM

FIGURE 5-3. PLATFORM WITH SINGLE EXTENSION INSTALLATION

ITEM	PART NUMBER	QTY	DESCRIPTION	REV
	1001205640	Ref	PLATFORM WITH SINGLE EXTENSION INSTALLATION	H
2	0630485	15	Bolt	
3	0641507	4	Bolt 5/16 x 7/8	
4	0641508	4	Bolt 5/16 x 1	
5	3311505	8	Nut 5/16	
6	3311601	15	Nut 3/8	
7	3760257	2	Ring, Retaining	
8	4711500	16	Washer 5/16	
9	4751600	15	Washer 3/8	
10	1001149581	6	Ring, Retaining	
11	1001166729	2	Plate, Mounting	
12	1001167269	2	Roller	
13	1001210278	2	Pin	
14	1001167272	2	Roller	
15	1001167274	2	Roller	
16	1001167275	2	Pin	
17	1001167696	4	Clip	
18	1001215224	4	Bumper	
19	1001205642	1	Extension, Platform	
20	1001205643	1	Platform	
21	1001205765	1	Plate, Floor	
22	1001205896	2	Plate, Stop	
23	1001206182	1	Kickplate	

SECTION 5 - PLATFORM

FIGURE 5-4. PLATFORM (12.6FT/3.84M LENGTH) WITH DUAL EXTENSION INSTALLATION



ART_1001205638

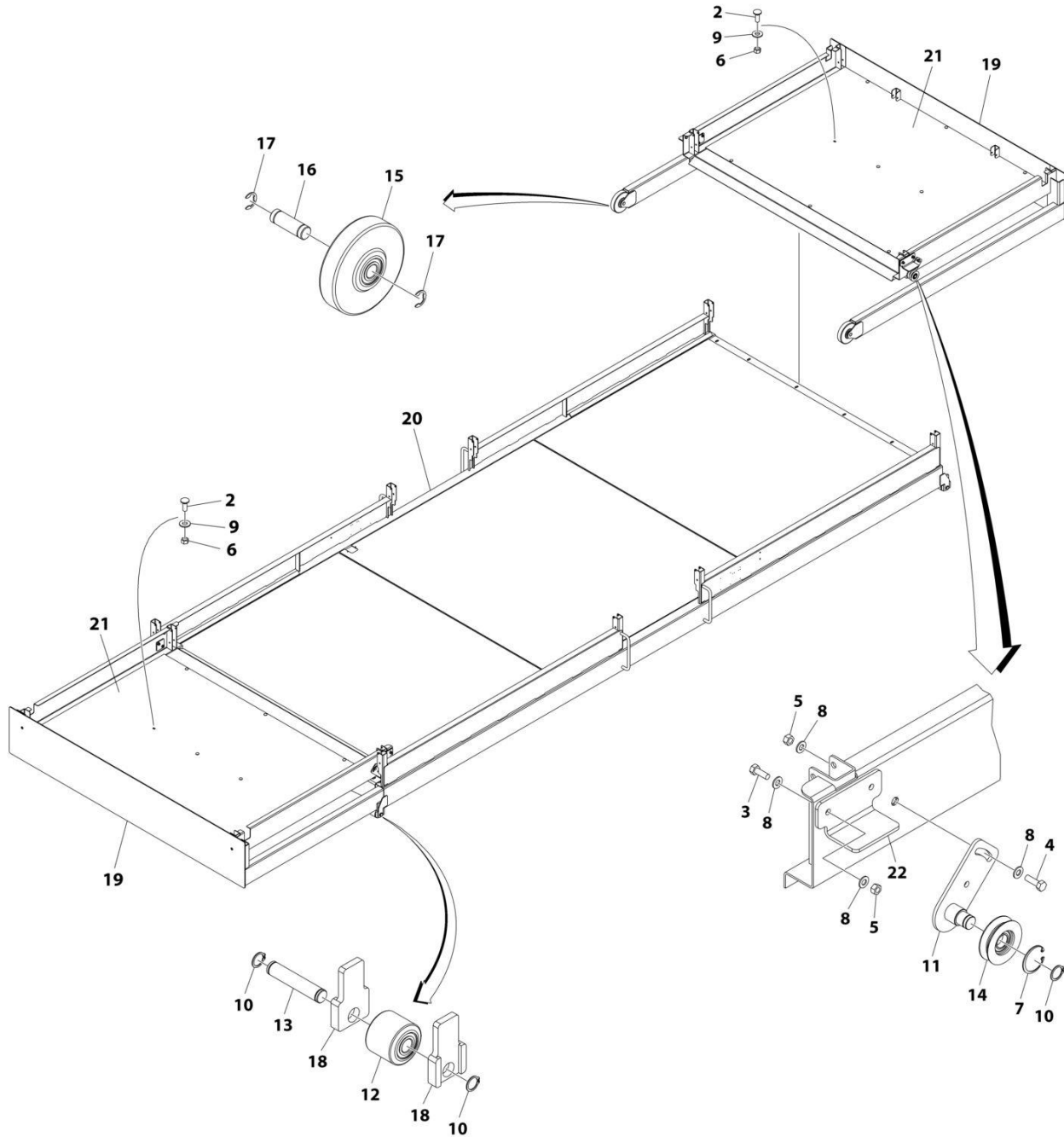
SECTION 5 - PLATFORM

FIGURE 5-4. PLATFORM (12.6FT/3.84M LENGTH) WITH DUAL EXTENSION INSTALLATION

ITEM	PART NUMBER	QTY	DESCRIPTION	REV
	1001205638	Ref	PLATFORM (12.6FT/3.84M LENGTH) WITH DUAL EXTENSION INSTALLATION	H
2	0630485	18	Bolt	
3	0641507	8	Bolt 5/16 x 7/8	
4	0641508	8	Bolt 5/16 x 1	
5	3311505	16	Nut 5/16	
6	3311601	18	Nut 3/8	
7	3760257	4	Ring, Retaining	
8	4711500	32	Washer 5/16	
9	4751600	18	Washer 3/8	
10	1001149581	12	Ring, Retaining	
11	1001166729	4	Plate, Mounting	
12	1001167269	4	Roller	
13	1001210278	4	Pin	
14	1001167272	4	Roller	
15	1001167274	4	Roller	
16	1001167275	4	Pin	
17	1001167696	8	Clip	
18	1001215224	8	Bumper	
19	1001205642	2	Extension, Platform	
20	1001205643	1	Platform	
21	1001205765	2	Plate, Floor	
22	1001205896	4	Plate, Stop	

SECTION 5 - PLATFORM

FIGURE 5-5. PLATFORM (15.8FT/4.83M LENGTH MEGADECK) WITH DUAL EXTENSION INSTALLATION



ART_1001205636

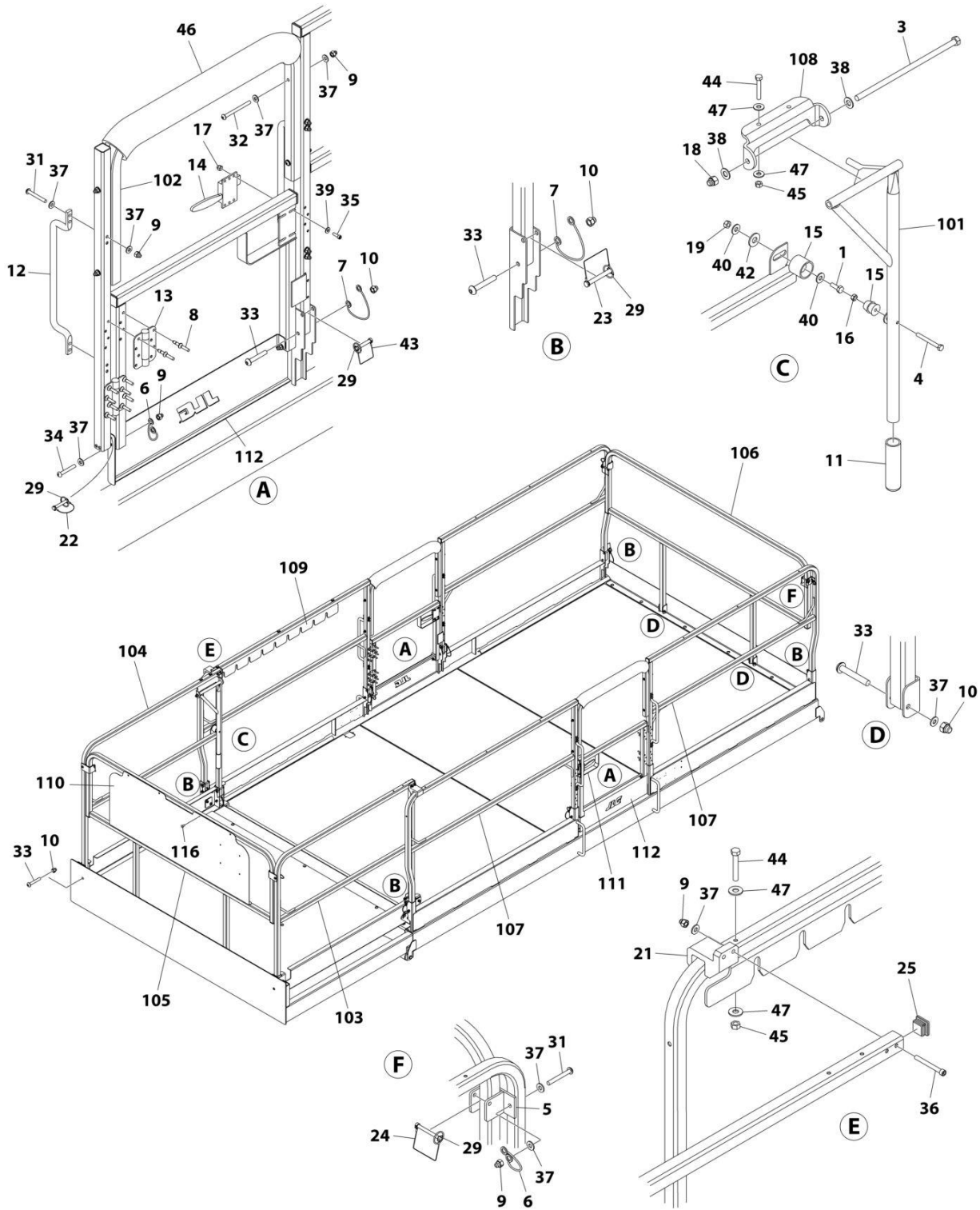
SECTION 5 - PLATFORM

FIGURE 5-5. PLATFORM (15.8FT/4.83M LENGTH MEGADECK) WITH DUAL EXTENSION INSTALLATION

ITEM	PART NUMBER	QTY	DESCRIPTION	REV
	1001205636	Ref	PLATFORM (15.8FT/4.83M LENGTH MEGADECK) WITH DUAL EXTENSION INSTALLATION	H
2	0630485	18	Bolt	
3	0641507	8	Bolt 5/16 x 7/8	
4	0641508	8	Bolt 5/16 x 1	
5	3311505	16	Nut 5/16	
6	3311601	18	Nut 3/8	
7	3760257	4	Ring, Retaining	
8	4711500	32	Washer 5/16	
9	4751600	18	Washer 3/8	
10	1001149581	12	Ring, Retaining	
11	1001166729	4	Plate, Mounting	
12	1001167269	4	Roller	
13	1001210278	4	Pin	
14	1001167272	4	Roller	
15	1001167274	4	Roller	
16	1001167275	4	Pin	
17	1001167696	8	Clip	
18	1001215224	8	Bumper	
19	1001205642	2	Extension, Platform	
20	1001205644	1	Platform	
21	1001205765	2	Plate, Floor	
22	1001205896	4	Plate, Stop	

SECTION 5 - PLATFORM

FIGURE 5-6. RAIL INSTALLATION - PLATFORM WITH SINGLE EXTENSION



ART_1001206190

SECTION 5 - PLATFORM

FIGURE 5-6. RAIL INSTALLATION - PLATFORM WITH SINGLE EXTENSION

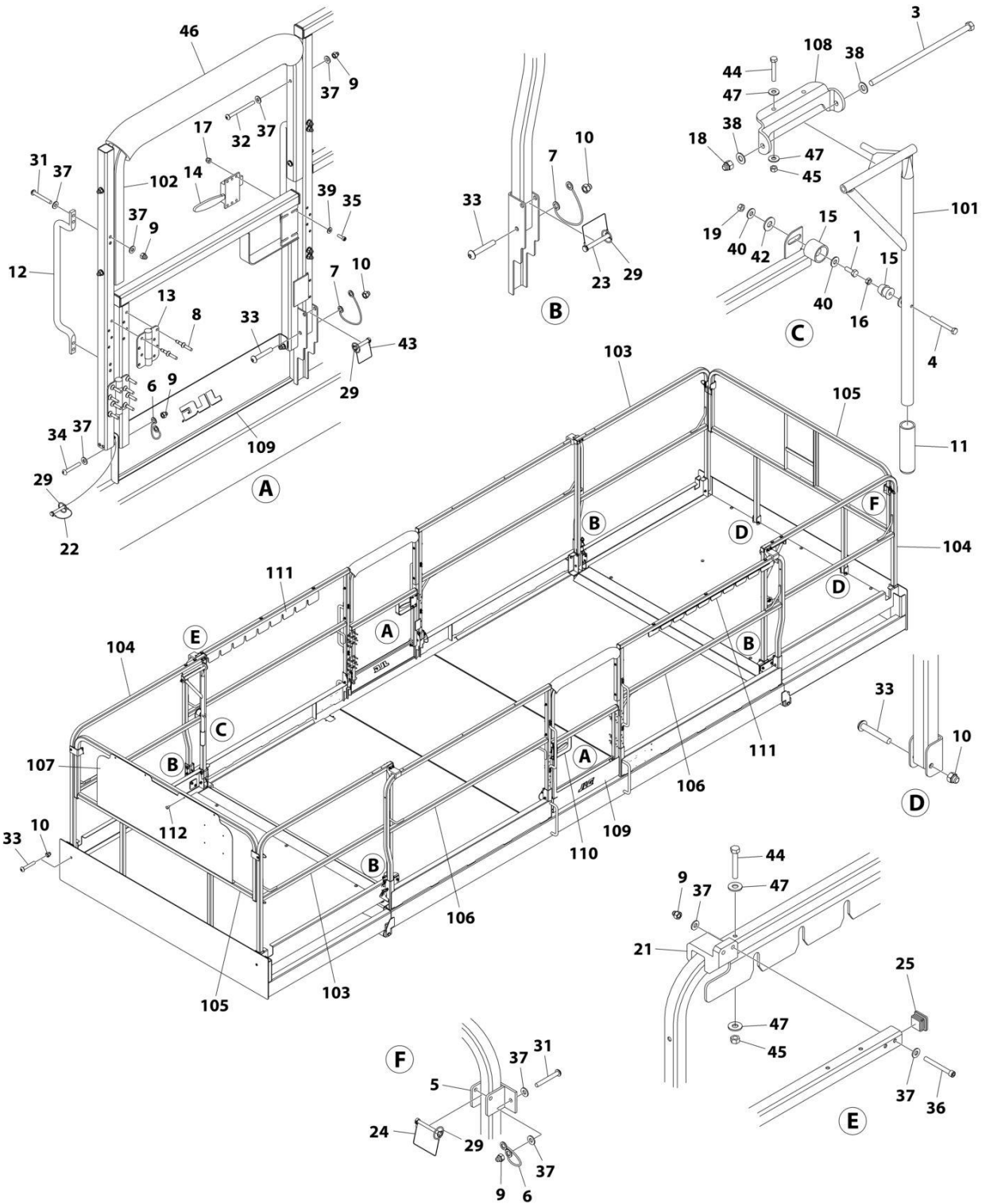
ITEM	PART NUMBER	QTY	DESCRIPTION	REV
	1001206190	Ref	RAIL INSTALLATION - PLATFORM WITH SINGLE EXTENSION	F
1	0641406	1	Bolt 1/4 x 3/4	
3	0641676	1	Bolt 3/8 x 9-1/2	
4	0700619	1	Bolt M6 x 55	
5	0901870	4	Bracket	
6	1060379	6	Lanyard	
7	1060808	10	Lanyard	
8	2080040	32	Fastener	
9	2080063	36	Nut 1/4	
10	2080064	16	Nut 5/16	
11	2560088	1	Grip, Handle	
12	2560176	4	Handle	
13	2600285	4	Hinge	
14	2940074	2	Latch	
15	2940127	1	Latch	
16	3290601	1	Nut M6	
17	3300432	8	Nut #10	
18	3300467	1	Nut 3/8	
19	3311405	1	Nut 1/4	
21	3340937	2	Pad, Rail Slide	
22	3421453	2	Pin, Snap	
23	3421565	6	Pin, Snap	
24	3422219	4	Pin, Snap	
25	3520072	14	Plug	
29	3760170	16	Ring, Split	
31	3900318	20	Screw 1/4 x 2	
32	3900319	8	Screw 1/4 x 3	
33	3900323	16	Screw 5/16 x 2	
34	3911428	4	Screw 1/4 x 1-3/4	
35	3931010	8	Capscrew #10 x 5/8	
36	3931436	4	Capscrew 1/4 x 2-1/4	
37	4711400	70	Washer 1/4	
38	4711600	2	Washer 3/8	
39	4751000	8	Washer #10	
40	4751400	2	Washer 1/4	
42	4751600	1	Washer 3/8	
43	1001145292	4	Pin, Snap	
44	0641516	5	Bolt 5/16 x 2	
45	3311505	5	Nut 5/16	
46	3340612	36 in/ 90cm	Cover	
47	4751500	10	Washer 5/16	
100	1001206065	1	Rail Kit (Not Shown)	
101	2560172	1	Handle (RH)	
102	3641452	2	Rail, Door	
103	4846532	1	Rail, Extension (LH)	
104	4846537	1	Rail, Extension (RH)	
105	1001167055	1	Rail, Extension (Front)	
106	1001167058	1	Rail (Rear)	
107	1001213495	4	Rail	

SECTION 5 - PLATFORM

ITEM	PART NUMBER	QTY	DESCRIPTION	REV
108	3537609	1	Plate, Pivot	
109	1001206025	1	Plate, Latch	
110	3571862	1	Plate, Placard	
111	4846570	2	Gate	
112	3573472	2	Kickplate	
116	3820020	7	Rivet	

SECTION 5 - PLATFORM

FIGURE 5-7. RAIL INSTALLATION - 12.6FT/3.84M LENGTH PLATFORM WITH DUAL EXTENSION



ART_1001206097

SECTION 5 - PLATFORM

FIGURE 5-7. RAIL INSTALLATION - 12.6FT/3.84M LENGTH PLATFORM WITH DUAL EXTENSION

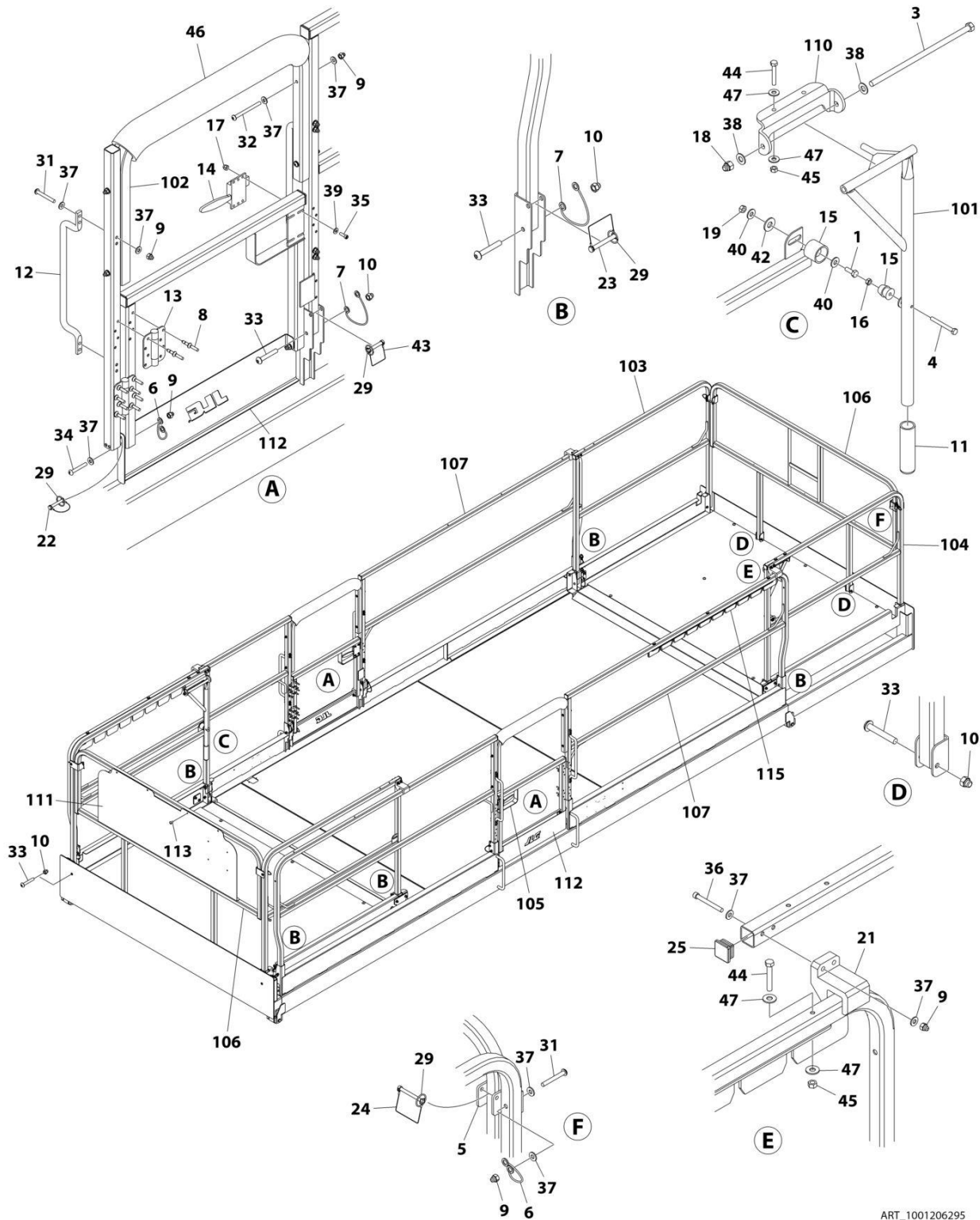
ITEM	PART NUMBER	QTY	DESCRIPTION	REV
	1001206097	Ref	RAIL INSTALLATION - 12.6FT/3.84M LENGTH PLATFORM WITH DUAL EXTENSION	E
1	0641406	2	Bolt 1/4 x 3/4	
3	0641676	2	Bolt 3/8 x 9-1/2	
4	0700619	2	Bolt M6 x 55	
5	0901870	4	Bracket	
6	1060379	6	Lanyard	
7	1060808	12	Lanyard	
8	2080040	32	Fastener	
9	2080063	40	Nut 1/4	
10	2080064	20	Nut 5/16	
11	2560088	2	Grip, Handle	
12	2560176	4	Handle	
13	2600285	4	Hinge	
14	2940074	2	Latch	
15	2940127	2	Latch	
16	3290601	2	Nut M6	
17	3300432	8	Nut #10	
18	3300467	2	Nut 3/8	
19	3311405	2	Nut 1/4	
21	3340937	4	Pad, Rail Slide	
22	3421453	2	Pin, Snap	
23	3421565	8	Pin, Snap	
24	3422219	4	Pin, Snap	
25	3520072	16	Plug	
29	3760170	18	Ring, Split	
31	3900318	20	Screw 1/4 x 2	
32	3900319	8	Screw 1/4 x 3	
33	3900323	20	Screw 5/16 x 2	
34	3911428	4	Screw 1/4 x 1-3/4	
35	3931010	8	Capscrew #10 x 5/8	
36	3931436	8	Capscrew 1/4 x 2-1/4	
37	4711400	78	Washer 1/4	
38	4711600	4	Washer 3/8	
39	4751000	8	Washer #10	
40	4751400	4	Washer 1/4	
42	4751600	2	Washer 3/8	
43	1001145292	4	Pin, Snap	
44	0641516	10	Bolt 5/16 x 2	
45	3311505	10	Nut 5/16	
46	3340612	36 in/ 90cm	Cover	
47	4751500	20	Washer 5/16	
100	1001206009	1	Rail Kit (Not Shown)	
101	2560172	2	Handle (RH)	
102	3641452	2	Rail, Door	
103	4846532	2	Rail, Extension (LH)	
104	4846537	2	Rail, Extension (RH)	
105	1001167055	2	Rail, Extension (Front)	
106	1001213495	4	Rail	

SECTION 5 - PLATFORM

ITEM	PART NUMBER	QTY	DESCRIPTION	REV
107	3571862	1	Plate, Placard	
108	3537609	2	Plate, Pivot	
109	3573472	2	Kickplate	
110	4846570	2	Gate	
111	1001206025	2	Plate, Latch	
112	3820020	7	Rivet	

SECTION 5 - PLATFORM

FIGURE 5-8. RAIL INSTALLATION - 15.8FT/4.83M LENGTH MEGADECK PLATFORM WITH DUAL EXTENSION



ART_1001206295

SECTION 5 - PLATFORM

FIGURE 5-8. RAIL INSTALLATION - 15.8FT/4.83M LENGTH MEGADECK PLATFORM WITH DUAL EXTENSION

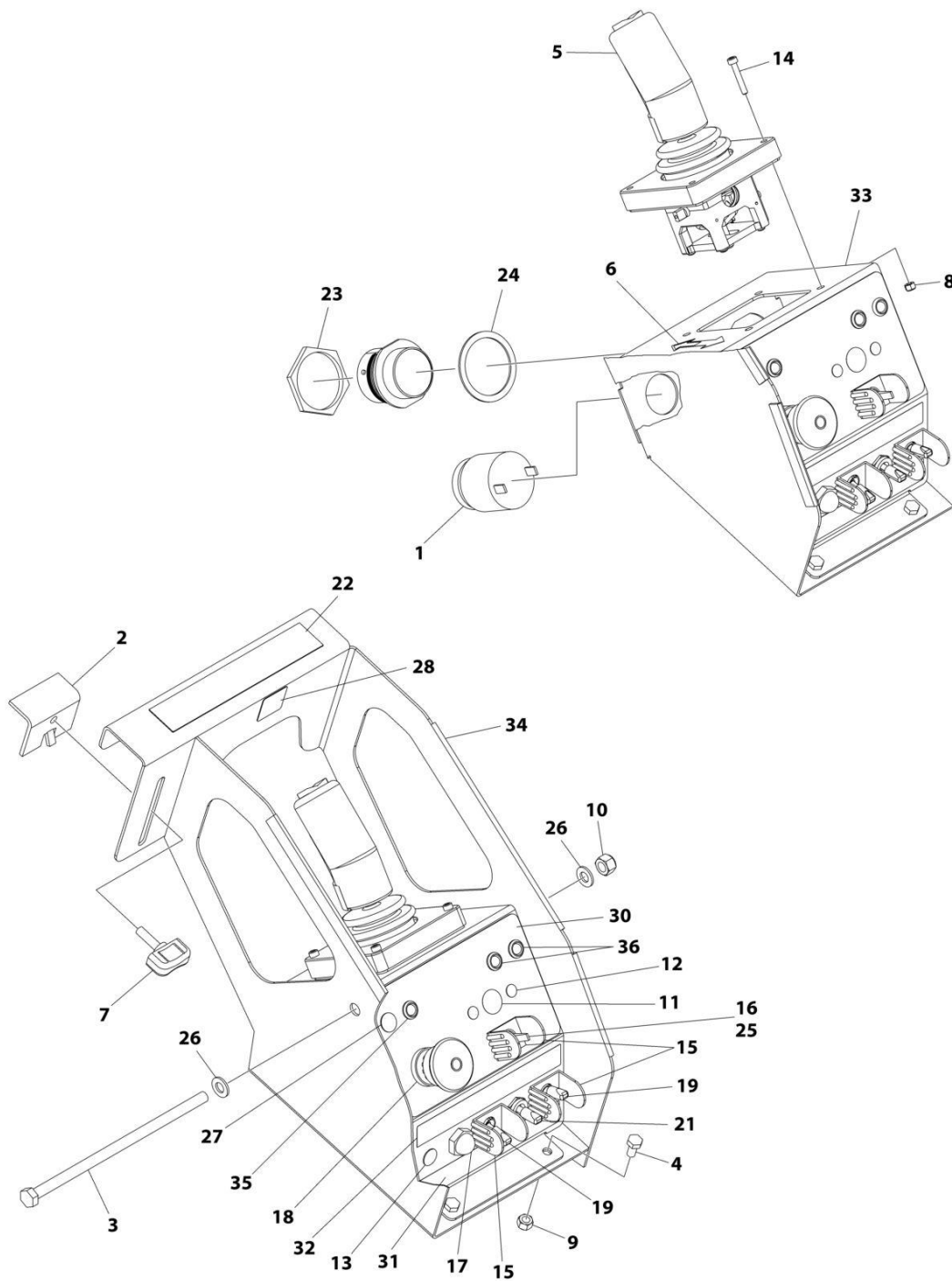
ITEM	PART NUMBER	QTY	DESCRIPTION	REV
	1001206295	Ref	RAIL INSTALLATION - 15.8FT/4.83M LENGTH MEGADECK PLATFORM WITH DUAL EXTENSION	E
1	0641406	2	Bolt 1/4 x 3/4	
3	0641676	2	Bolt 3/8 x 9-1/2	
4	0700619	2	Bolt M6 x 55	
5	0901870	4	Bracket	
6	1060379	6	Lanyard	
7	1060808	12	Lanyard	
8	2080040	32	Fastener	
9	2080063	40	Nut 1/4	
10	2080064	20	Nut 5/16	
11	2560088	2	Grip, Handle	
12	2560176	4	Handle	
13	2600285	4	Hinge	
14	2940074	2	Latch	
15	2940127	2	Latch	
16	3290601	2	Nut M6	
17	3300432	8	Nut #10	
18	3300467	2	Nut 3/8	
19	3311405	2	Nut 1/4	
21	3340937	4	Pad, Rail Slide	
22	3421453	2	Pin, Snap	
23	3421565	8	Pin, Snap	
24	3422219	4	Pin, Snap	
25	3520072	16	Plug	
29	3760170	18	Ring, Split	
31	3900318	20	Screw 1/4 x 2	
32	3900319	8	Screw 1/4 x 3	
33	3900323	20	Screw 5/16 x 2	
34	3911428	4	Screw 1/4 x 1-3/4	
35	3931010	8	Capscrew #10 x 5/8	
36	3931436	8	Capscrew 1/4 x 2-1/4	
37	4711400	78	Washer 1/4	
38	4711600	4	Washer 3/8	
39	4751000	8	Washer #10	
40	4751400	4	Washer 1/4	
42	4751600	2	Washer 3/8	
43	1001145292	4	Pin, Snap	
44	0641516	10	Bolt 5/16 x 2	
45	3311505	10	Nut 5/16	
46	3340612	36 in/ 90cm	Cover	
47	4751500	20	Washer 5/16	
100	1001206294	1	Rail Kit (Not Shown)	
101	2560172	2	Handle (RH)	
102	3641452	2	Rail, Door	
103	4846532	2	Rail, Extension (LH)	
104	4846537	2	Rail, Extension (RH)	
105	4846570	2	Gate	

SECTION 5 - PLATFORM

ITEM	PART NUMBER	QTY	DESCRIPTION	REV
106	1001167055	2	Rail, Extension (Front)	
107	1001213718	4	Rail	
110	3537609	2	Plate, Pivot	
111	3571862	1	Plate, Placard	
112	3573472	2	Kickplate	
113	3820020	7	Rivet	
115	1001206025	2	Plate, Latch	

SECTION 5 - PLATFORM

FIGURE 5-9. PLATFORM CONSOLE BOX INSTALLATION - DIESEL MACHINES (Prior to SN 0200267917)



ART_1001210553

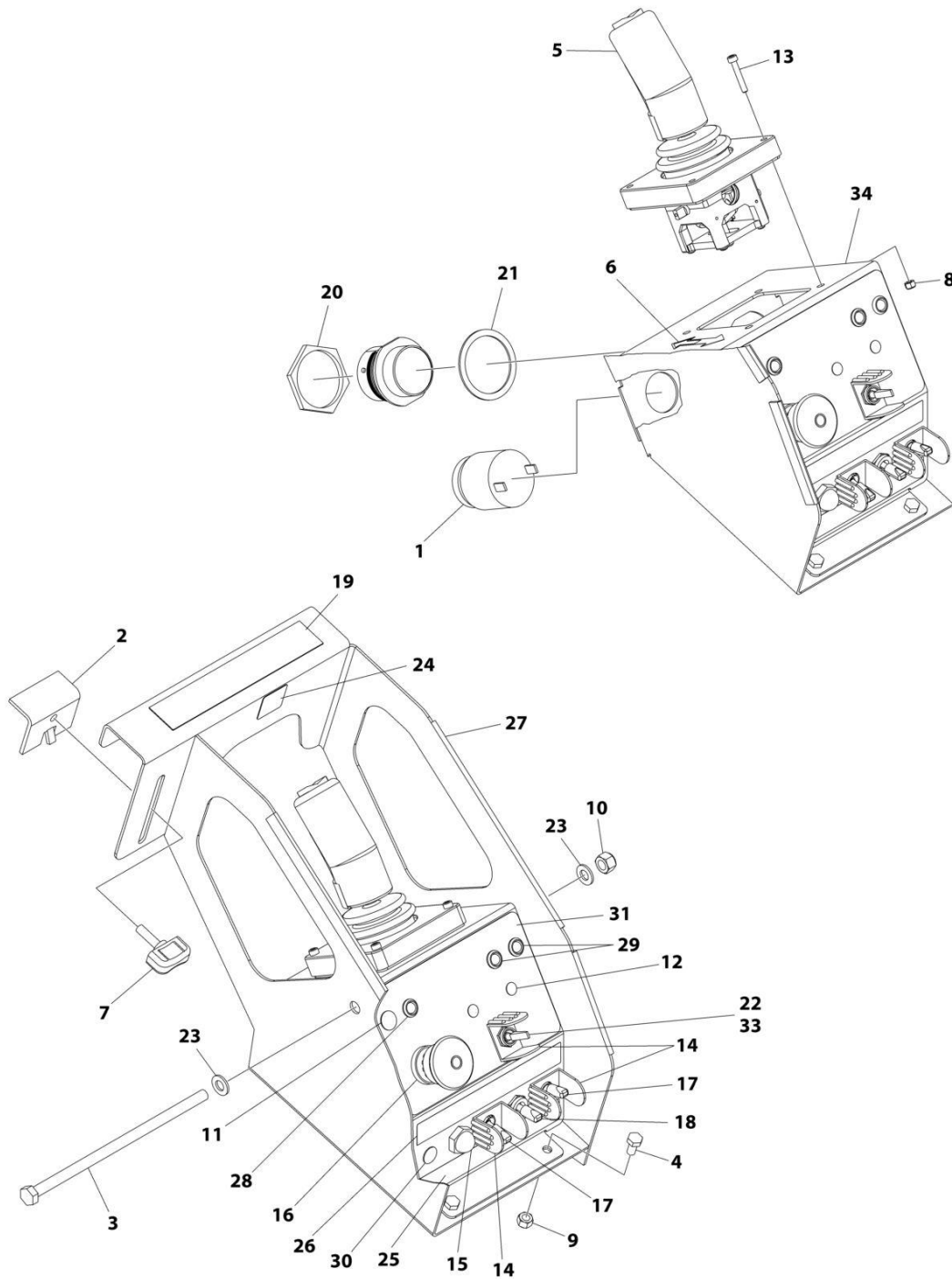
SECTION 5 - PLATFORM

FIGURE 5-9. PLATFORM CONSOLE BOX INSTALLATION - DIESEL MACHINES (Prior to SN 0200267917)

ITEM	PART NUMBER	QTY	DESCRIPTION	REV
	1001210553	Ref	PLATFORM CONSOLE BOX INSTALLATION - DIESEL MACHINES	B
	1001210555	Ref	PLATFORM CONSOLE BOX ASSEMBLY - DIESEL MACHINES	E
1	0140030	1	Alarm	
2	0181847	1	Angle, Clamp	
3	0700835	1	Bolt M8 x 180	
4	0760606	AR	Bolt M6 x 12	
5	1600402	1	Drive/Steer Controller Assembly (See Separate Breakdown in this Section)	
6	1703819	1	Decal - Direction Arrow	
7	2560141	1	Thumbscrew	
8	3290405	4	Nut M4	
9	3290605	AR	Nut M6	
10	3290805	1	Nut M8	
11	3520026	1	Plug	
12	3520034	2	Plug	
13	3520193	1	Plug (Prior to SN 0200226714)	
13	1001226421	1	Plug (SN 0200226714 through 0200267916)	
14	4031509	4	Capscrew M4 x 25	
15	4060802	3	Guard, Switch	
16	4360345	1	Switch, Toggle	
17	4360387	1	Switch, Push Button	
18	4360475	1	Switch, Emergency Stop	
18	7020175	1	Cap	
18	7020176	1	Block, Contact	
19	4360483	2	Switch, Toggle	
21	4360525	1	Switch, Toggle	
22	4420076	3	Tape	
23	4460470	1	Nut, Terminal	
24	4460471	1	Washer, Terminal	
25	4711700	2	Washer 7/16	
26	4811900	2	Washer M8	
27	1001100208	1	Plug (Prior to SN 0200226714)	
27	3520028	1	Plug (SN 0200226714 through 0200267916)	
28	1001132358	1	Decal - Steer	
29	1001176787	1	Platform Box Harness (Not Shown - See Separate Breakdown in ELECTRICAL SECTION)	
30	1001178957	1	Decal - Platform Function	
31	1001181622	1	Decal - Platform Diesel	
32	1001181623	1	Decal - Platform Diesel	
33	1001219371	1	Plate	
34	1001190270	1	Bracket	
35	1001190472	1	Lamp, LED with Harness	
36	1001190473	2	Lamp, LED with Harness	

SECTION 5 - PLATFORM

FIGURE 5-10. PLATFORM CONSOLE BOX INSTALLATION - DIESEL MACHINES (WITHOUT LEVELING JACKS) (SN 0200267917 through 0200269765)



ART_1001236266

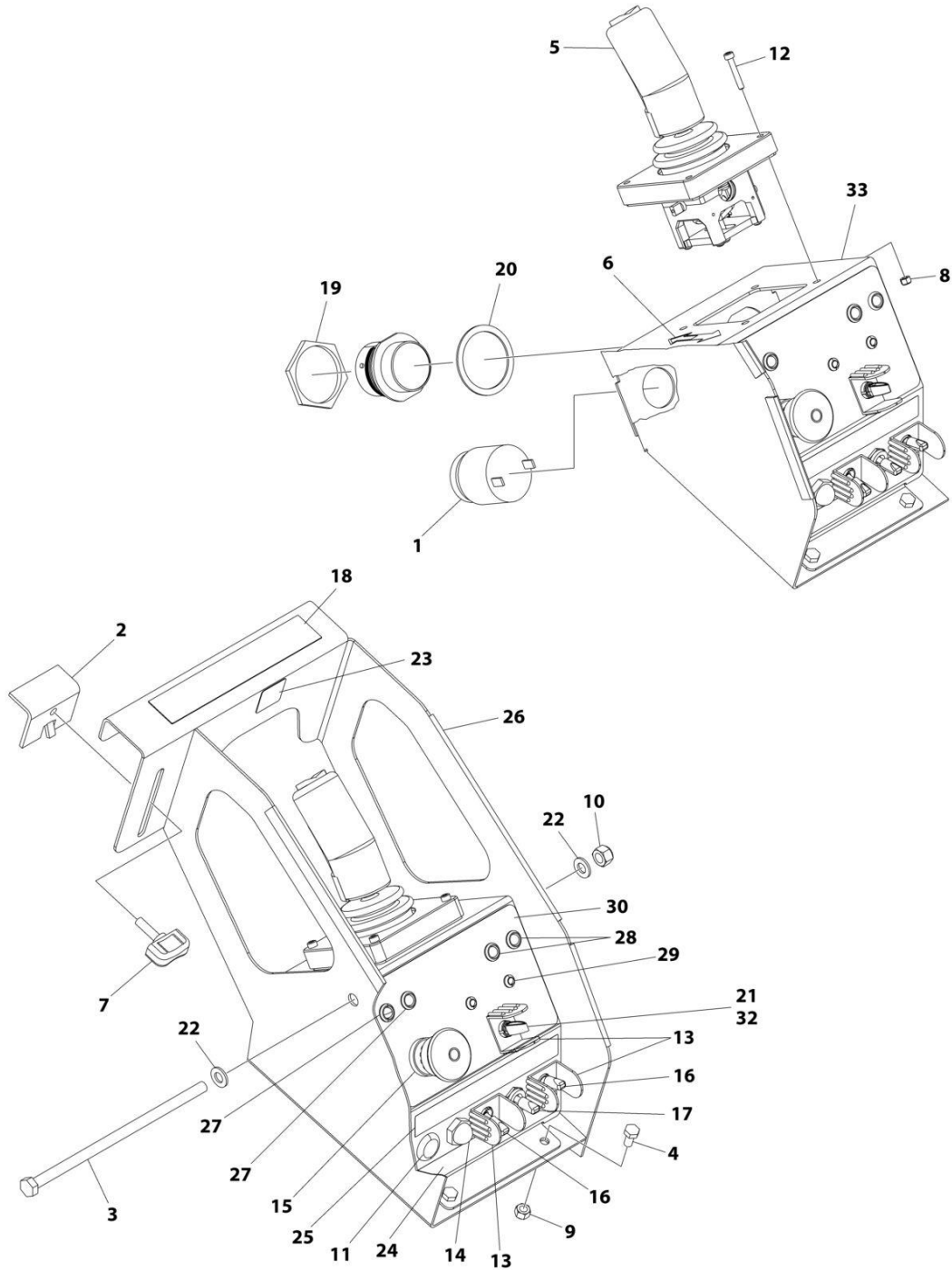
SECTION 5 - PLATFORM

FIGURE 5-10. PLATFORM CONSOLE BOX INSTALLATION - DIESEL MACHINES (WITHOUT LEVELING JACKS) (SN 0200267917 through 0200269765)

ITEM	PART NUMBER	QTY	DESCRIPTION	REV
	1001236266	Ref	PLATFORM CONSOLE BOX INSTALLATION - DIESEL MACHINES	C
1	0140030	1	Alarm	
2	0181847	1	Angle, Clamp	
3	0700835	1	Bolt M8 x 180	
4	0760606	3	Bolt M6 x 12	
5	1600402	1	Drive/Steer Controller Assembly (See Separate Breakdown in this Section)	
6	1703819	1	Decal - Direction Arrow	
7	2560141	1	Thumbscrew	
8	3290405	4	Nut M4	
9	3290605	3	Nut M6	
10	3290805	1	Nut M8	
11	3520028	1	Plug	
12	3520034	2	Plug	
13	4031509	4	Capscrew M4 x 25	
14	4060802	3	Guard, Switch	
15	4360387	1	Switch, Push Button	
16	4360475	1	Switch, Emergency Stop	
16	7020175	1	Cap	
16	7020176	1	Block, Contact	
17	4360483	2	Switch, Toggle	
18	4360525	1	Switch, Toggle	
19	4420076	3	Tape	
20	4460470	1	Nut, Terminal	
21	4460471	1	Washer, Terminal	
22	4711700	2	Washer 7/16	
23	4811900	2	Washer M8	
24	1001132358	1	Decal - Steer	
25	1001181622	1	Decal - Platform Diesel	
26	1001181623	1	Decal - Platform Diesel	
27	1001190270	1	Bracket	
28	1001190472	1	Lamp, LED with Harness	
29	1001190473	2	Lamp, LED with Harness	
30	1001226421	1	Plug	
31	1001237754	1	Decal - Platform Function	
32	1001236230	1	Platform Box Harness (Not Shown - See Separate Breakdown in ELECTRICAL SECTION)	
33	4360345	1	Switch, Toggle	
34	1001235922	1	Plate	

SECTION 5 - PLATFORM

FIGURE 5-11. PLATFORM CONSOLE BOX INSTALLATION - DIESEL MACHINES (WITH LEVELING JACKS) (SN 0200267917 through 0200269765)



ART_1001241363

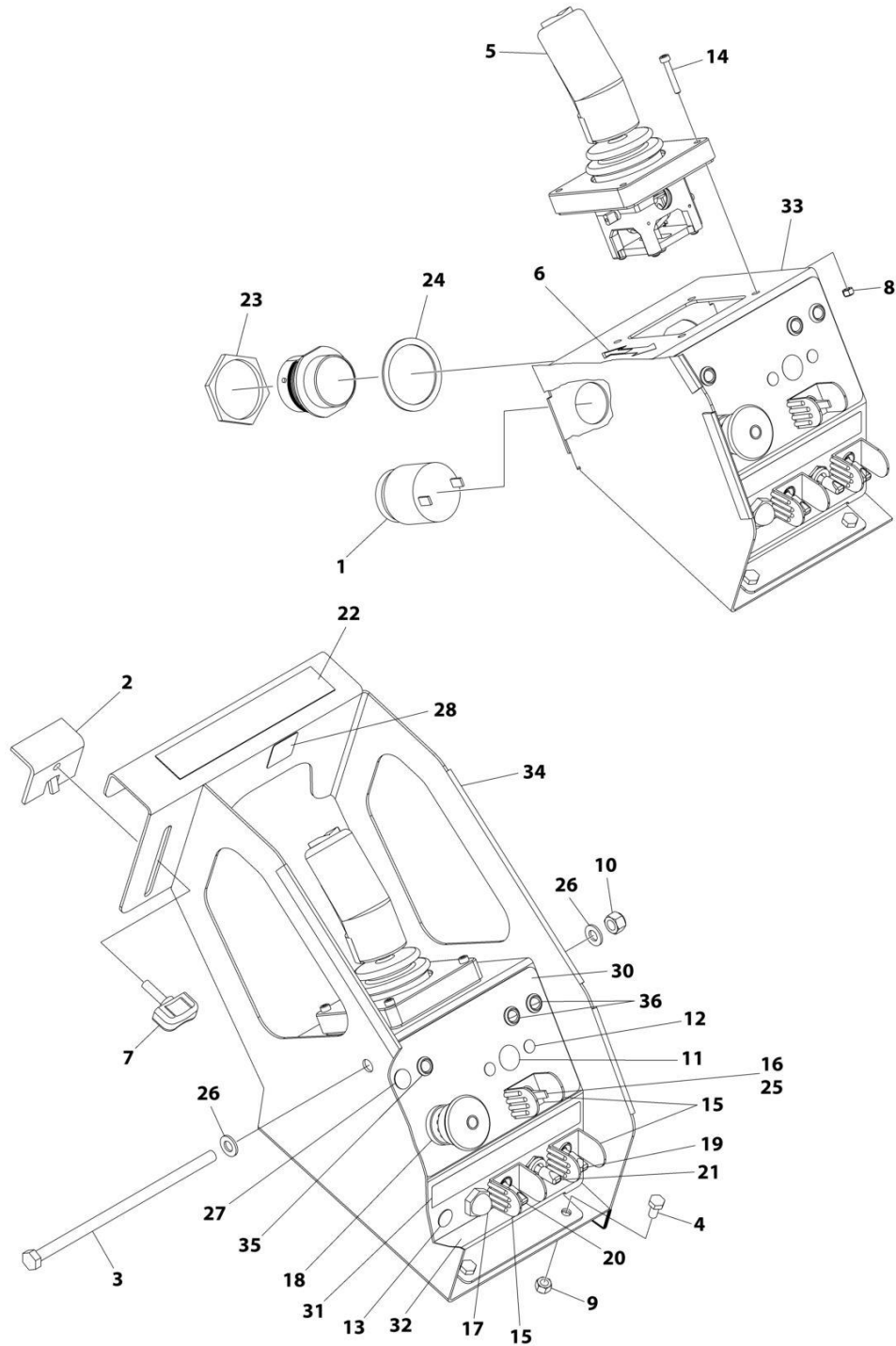
SECTION 5 - PLATFORM

FIGURE 5-11. PLATFORM CONSOLE BOX INSTALLATION - DIESEL MACHINES (WITH LEVELING JACKS) (SN 0200267917 through 0200269765)

ITEM	PART NUMBER	QTY	DESCRIPTION	REV
	1001241363	Ref	PLATFORM CONSOLE BOX INSTALLATION - DIESEL MACHINES	B
1	0140030	1	Alarm	
2	0181847	1	Angle, Clamp	
3	0700835	1	Bolt M8 x 180	
4	0760606	3	Bolt M6 x 12	
5	1600402	1	Drive/Steer Controller Assembly (See Separate Breakdown in this Section)	
6	1703819	1	Decal - Direction Arrow	
7	2560141	1	Thumbscrew	
8	3290405	4	Nut M4	
9	3290605	3	Nut M6	
10	3290805	1	Nut M8	
11	3520193	1	Plug (SN 0200267917 through 0200268280)	
11	1001226421	1	Plug (SN 0200268281 through 0200269765)	
12	4031509	4	Capscrew M4 x 25	
13	4060802	3	Guard, Switch	
14	4360387	1	Switch, Push Button	
15	4360475	1	Switch, Emergency Stop	
15	7020175	1	Cap	
15	7020176	1	Block, Contact	
16	4360483	2	Switch, Toggle	
17	4360525	1	Switch, Toggle	
18	4420076	3	Tape	
19	4460470	1	Nut, Terminal	
20	4460471	1	Washer, Terminal	
21	4711700	2	Washer 7/16	
22	4811900	2	Washer M8	
23	1001132358	1	Decal - Steer	
24	1001181622	1	Decal - Platform Diesel	
25	1001181623	1	Decal - Platform Diesel	
26	1001190270	1	Bracket	
27	1001190472	2	Lamp, LED with Harness	
28	1001190473	2	Lamp, LED with Harness	
29	1001190474	2	Lamp, LED with Harness	
30	1001236199	1	Decal - Platform Function	
31	1001236230	1	Platform Box Harness (Not Shown - See Separate Breakdown in ELECTRICAL SECTION)	
32	1001236560	1	Switch, Toggle	
33	1001235922	1	Plate	

SECTION 5 - PLATFORM

FIGURE 5-12. PLATFORM CONSOLE BOX INSTALLATION - GASOLINE MACHINES (Prior to SN 0200267917)



ART_1001210554

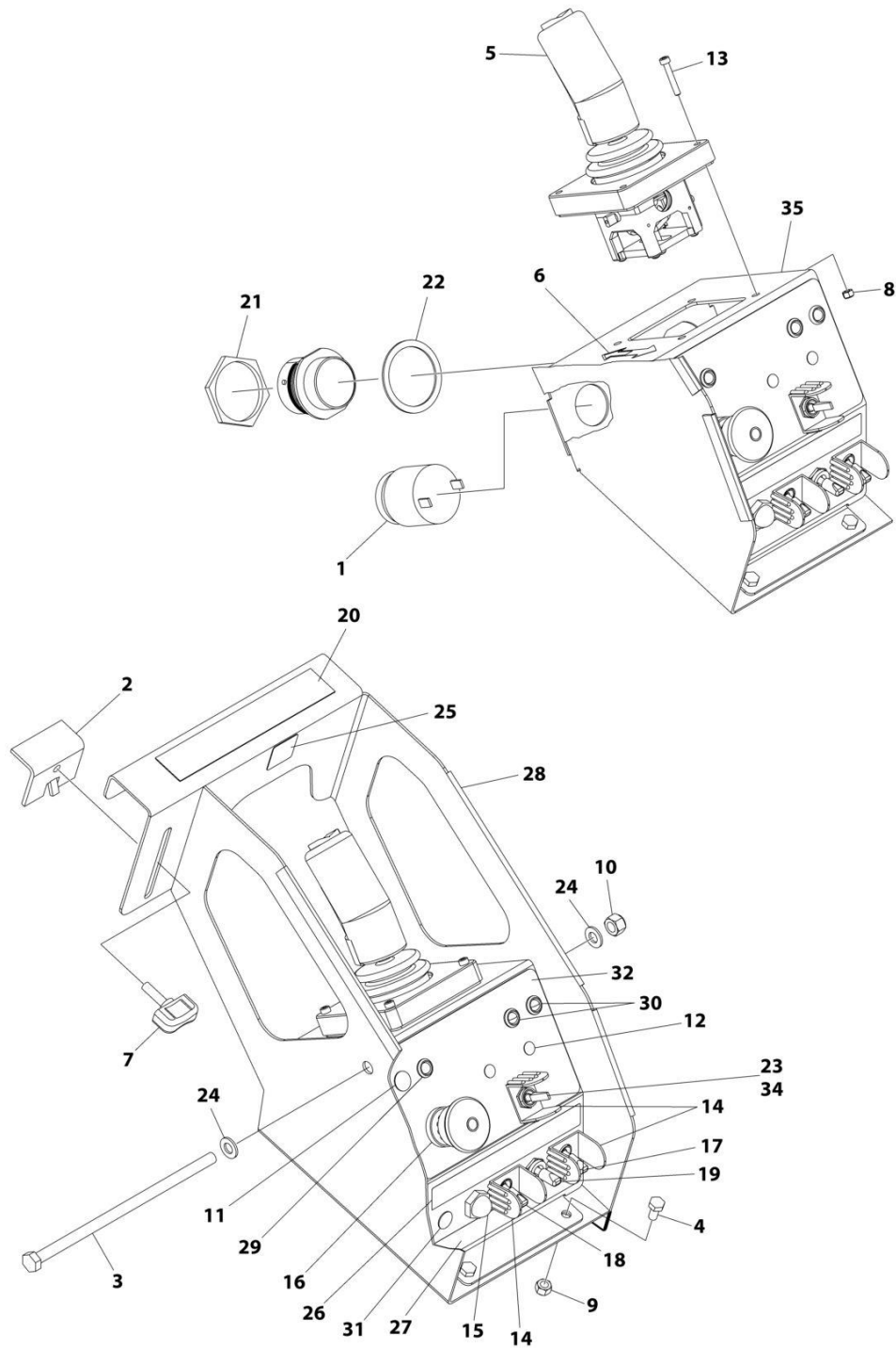
SECTION 5 - PLATFORM

FIGURE 5-12. PLATFORM CONSOLE BOX INSTALLATION - GASOLINE MACHINES (Prior to SN 0200267917)

ITEM	PART NUMBER	QTY	DESCRIPTION	REV
	1001210554	Ref	PLATFORM CONSOLE BOX INSTALLATION - GASOLINE MACHINES	B
	1001210556	Ref	PLATFORM CONSOLE BOX ASSEMBLY - GASOLINE MACHINES	E
1	0140030	1	Alarm	
2	0181847	1	Angle, Clamp	
3	0700835	1	Bolt M8 x 180	
4	0760606	AR	Bolt M6 x 12	
5	1600402	1	Drive/Steer Controller Assembly (See Separate Breakdown in this Section)	
6	1703819	1	Decal - Direction Arrow	
7	2560141	1	Thumbscrew	
8	3290405	4	Nut M4	
9	3290605	AR	Nut M6	
10	3290805	1	Nut M8	
11	3520026	1	Plug	
12	3520034	2	Plug	
13	3520193	1	Plug (Prior to SN 0200226714)	
13	1001226421	1	Plug (SN 0200226714 through 0200267916)	
14	4031509	4	Capscrew M4 x 25	
15	4060802	3	Guard, Switch	
16	4360345	1	Switch, Toggle	
17	4360387	1	Switch, Push Button	
18	4360475	1	Switch, Emergency Stop	
18	7020175	1	Cap	
18	7020176	1	Block, Contact	
19	4360482	1	Switch, Toggle	
20	4360483	1	Switch, Toggle	
21	4360525	1	Switch, Toggle	
22	4420076	3	Tape	
23	4460470	1	Nut, Terminal	
24	4460471	1	Washer, Terminal	
25	4711700	2	Washer 7/16	
26	4811900	2	Washer M8	
27	1001100208	1	Plug (Prior to SN 0200226714)	
27	3520028	1	Plug (SN 0200226714 through 0200267916)	
28	1001132358	1	Decal - Steer	
29	1001176787	1	Platform Box Harness (Not Shown - See Separate Breakdown in ELECTRICAL SECTION)	
30	1001178957	1	Decal - Platform Function	
31	1001181626	1	Decal - Platform Dual Fuel	
32	1001181627	1	Decal - Platform Dual Fuel	
33	1001219371	1	Plate	
34	1001190270	1	Bracket	
35	1001190472	1	Lamp, LED with Harness	
36	1001190473	2	Lamp, LED with Harness	

SECTION 5 - PLATFORM

FIGURE 5-13. PLATFORM CONSOLE BOX INSTALLATION - GASOLINE MACHINES (WITHOUT LEVELING JACKS) (SN 0200267917 through 0200269765)



ART_1001236267

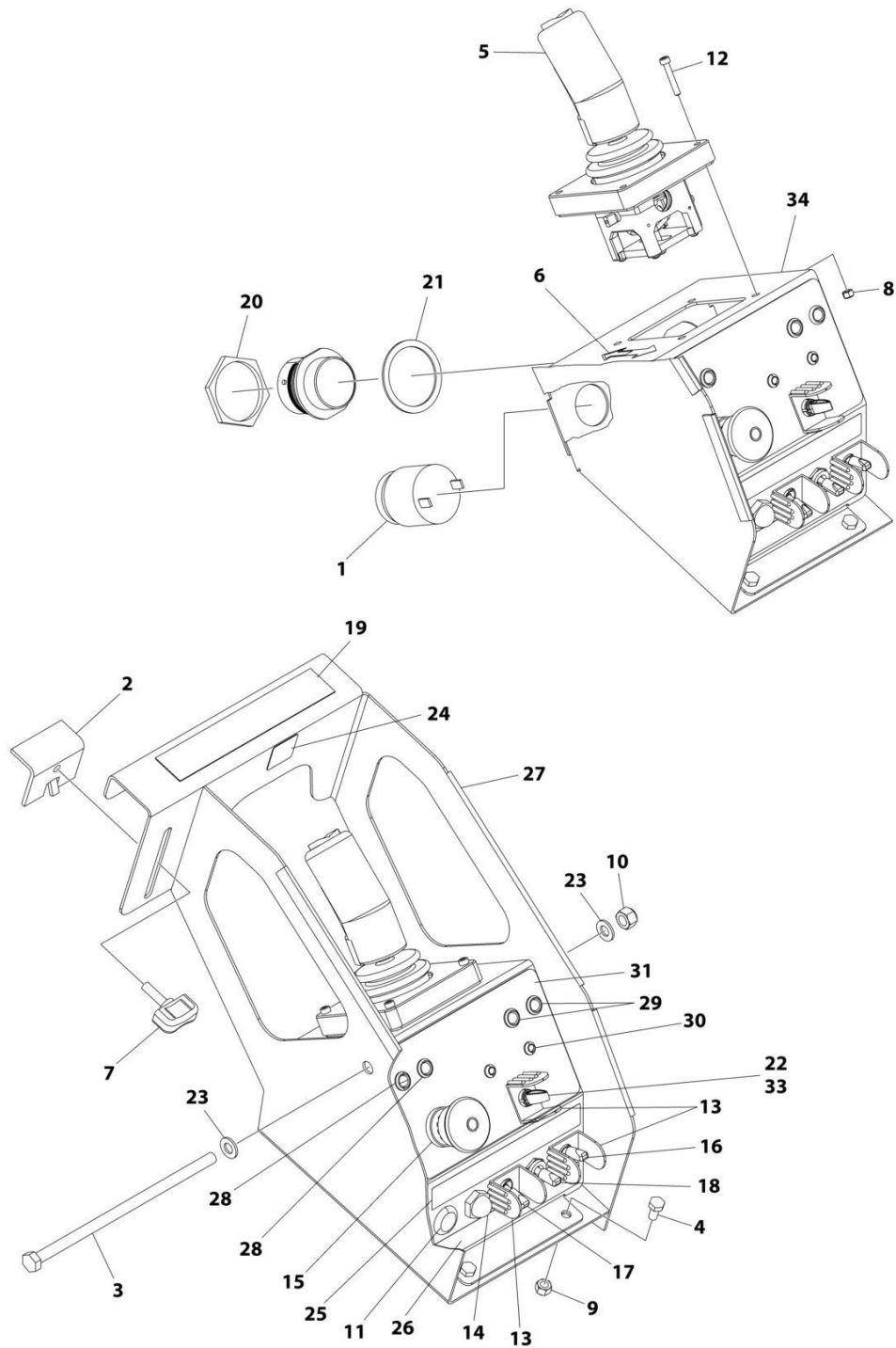
SECTION 5 - PLATFORM

FIGURE 5-13. PLATFORM CONSOLE BOX INSTALLATION - GASOLINE MACHINES (WITHOUT LEVELING JACKS) (SN 0200267917 through 0200269765)

ITEM	PART NUMBER	QTY	DESCRIPTION	REV
	1001236267	Ref	PLATFORM CONSOLE BOX INSTALLATION - GASOLINE MACHINES	B
1	0140030	1	Alarm	
2	0181847	1	Angle, Clamp	
3	0700835	1	Bolt M8 x 180	
4	0760606	3	Bolt M6 x 12	
5	1600402	1	Drive/Steer Controller Assembly (See Separate Breakdown in this Section)	
6	1703819	1	Decal - Direction Arrow	
7	2560141	1	Thumbscrew	
8	3290405	4	Nut M4	
9	3290605	3	Nut M6	
10	3290805	1	Nut M8	
11	3520028	1	Plug	
12	3520034	2	Plug	
13	4031509	4	Capscrew M4 x 25	
14	4060802	3	Guard, Switch	
15	4360387	1	Switch, Push Button	
16	4360475	1	Switch, Emergency Stop	
16	7020175	1	Cap	
16	7020176	1	Block, Contact	
17	4360482	1	Switch, Toggle	
18	4360483	1	Switch, Toggle	
19	4360525	1	Switch, Toggle	
20	4420076	3	Tape	
21	4460470	1	Nut, Terminal	
22	4460471	1	Washer, Terminal	
23	4711700	2	Washer 7/16	
24	4811900	2	Washer M8	
25	1001132358	1	Decal - Steer	
26	1001181626	1	Decal - Platform Dual Fuel	
27	1001181627	1	Decal - Platform Dual Fuel	
28	1001190270	1	Bracket	
29	1001190472	1	Lamp, LED with Harness	
30	1001190473	2	Lamp, LED with Harness	
31	1001226421	1	Plug	
32	1001237754	1	Decal - Platform Function	
33	1001236230	1	Platform Box Harness (Not Shown - See Separate Breakdown in ELECTRICAL SECTION)	
34	4360345	1	Switch, Toggle	
35	1001235922	1	Plate	

SECTION 5 - PLATFORM

FIGURE 5-14. PLATFORM CONSOLE BOX INSTALLATION - GASOLINE MACHINES (WITH LEVELING JACKS) (SN 0200267917 through 0200269765)



ART_1001241364

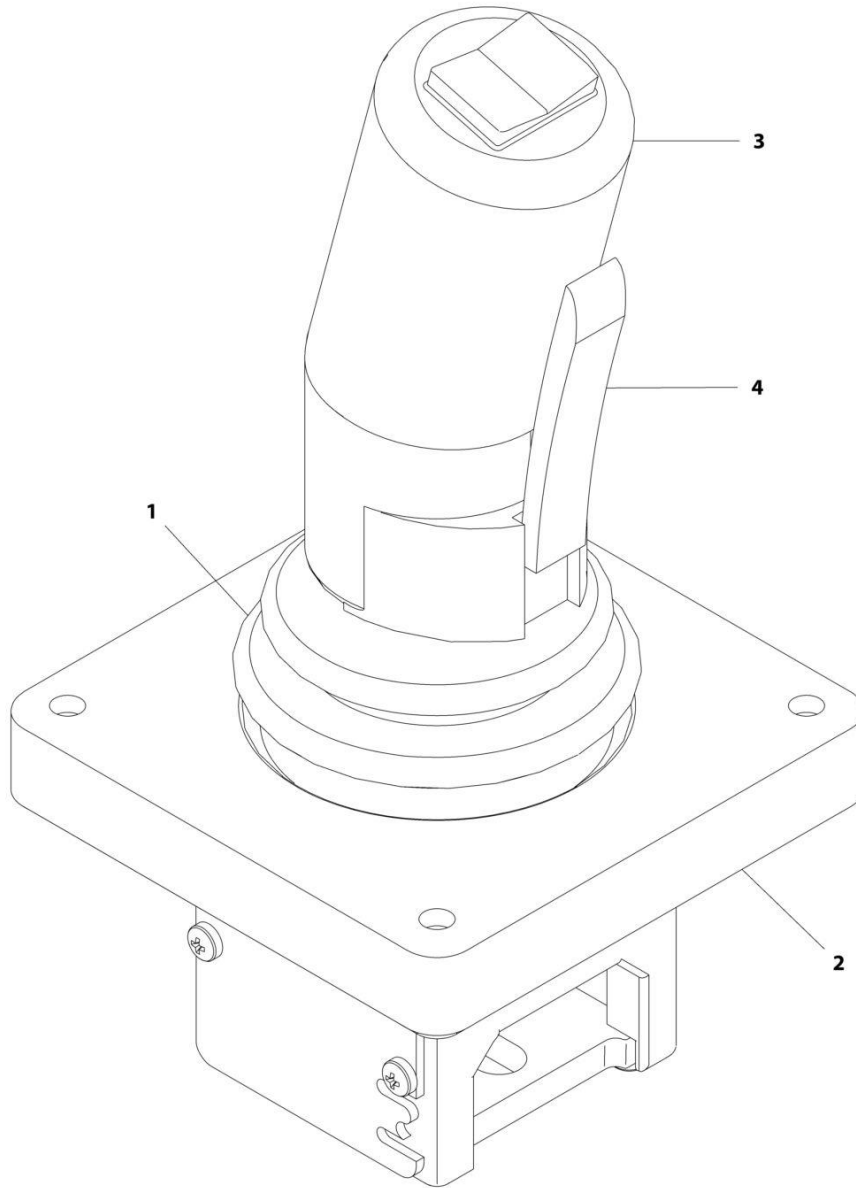
SECTION 5 - PLATFORM

FIGURE 5-14. PLATFORM CONSOLE BOX INSTALLATION - GASOLINE MACHINES (WITH LEVELING JACKS) (SN 0200267917 through 0200269765)

ITEM	PART NUMBER	QTY	DESCRIPTION	REV
	1001241364	Ref	PLATFORM CONSOLE BOX INSTALLATION - GASOLINE MACHINES	B
1	0140030	1	Alarm	
2	0181847	1	Angle, Clamp	
3	0700835	1	Bolt M8 x 180	
4	0760606	3	Bolt M6 x 12	
5	1600402	1	Drive/Steer Controller Assembly (See Separate Breakdown in this Section)	
6	1703819	1	Decal - Direction Arrow	
7	2560141	1	Thumbscrew	
8	3290405	4	Nut M4	
9	3290605	3	Nut M6	
10	3290805	1	Nut M8	
11	3520193	1	Plug (SN 0200267917 through 0200268280)	
11	1001226421	1	Plug (SN 0200268281 through 0200269765)	
12	4031509	4	Capscrew M4 x 25	
13	4060802	3	Guard, Switch	
14	4360387	1	Switch, Push Button	
15	4360475	1	Switch, Emergency Stop	
15	7020175	1	Cap	
15	7020176	1	Block, Contact	
16	4360482	1	Switch, Toggle	
17	4360483	1	Switch, Toggle	
18	4360525	1	Switch, Toggle	
19	4420076	3	Tape	
20	4460470	1	Nut, Terminal	
21	4460471	1	Washer, Terminal	
22	4711700	2	Washer 7/16	
23	4811900	2	Washer M8	
24	1001132358	1	Decal - Steer	
25	1001181626	1	Decal - Platform Dual Fuel	
26	1001181627	1	Decal - Platform Dual Fuel	
27	1001190270	1	Bracket	
28	1001190472	2	Lamp, LED with Harness	
29	1001190473	2	Lamp, LED with Harness	
30	1001190474	2	Lamp, LED with Harness	
31	1001236199	1	Decal - Platform Function	
32	1001236230	1	Platform Box Harness (Not Shown - See Separate Breakdown in ELECTRICAL SECTION)	
33	1001236560	1	Switch, Toggle	
34	1001235922	1	Plate	

SECTION 5 - PLATFORM

FIGURE 5-15. DRIVE/STEER CONTROLLER ASSEMBLY



ART_1600402

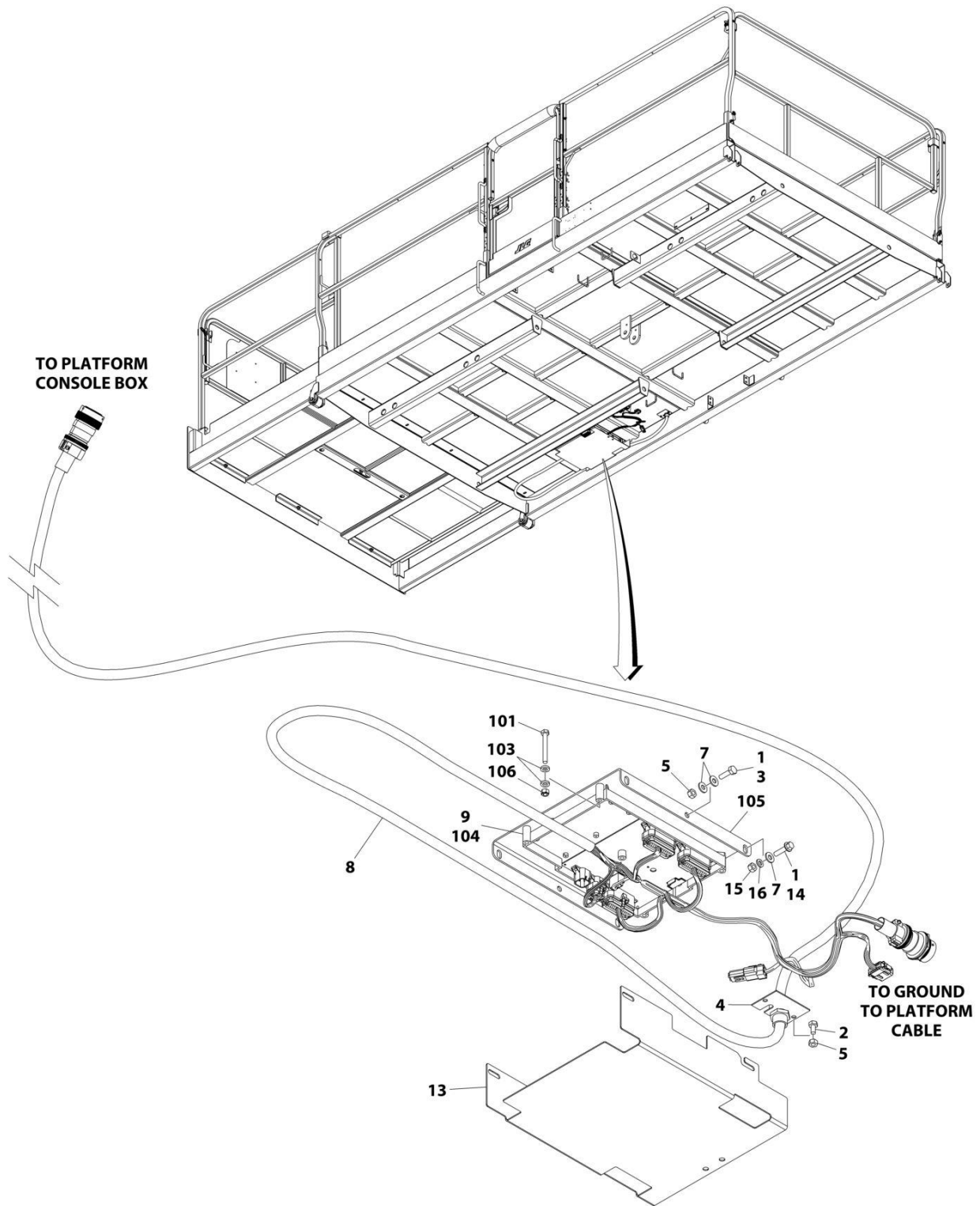
SECTION 5 - PLATFORM

FIGURE 5-15. DRIVE/STEER CONTROLLER ASSEMBLY

ITEM	PART NUMBER	QTY	DESCRIPTION	REV
	1600402	Ref	DRIVE/STEER CONTROLLER ASSEMBLY	A
1	70001250	1	Boot, Panel	
2	70001252	1	Gasket, Mounting	
2	70001251	1	Bezel, Mounting	
3	70003650	1	Handle Repair Kit (Includes handle gasket, item#4 push button and item #4 lever installed in front handle half, back handle half, top actuator, boot and hardware.)	
3	70000084	1	Cap, Rubber	
3	70000082	1	Microswitch	
3	7027766	1	Ring, Retaining	
3	7027365	1	Actuator, Handle	
3	70001253	1	Gasket, Handle	
3	70000683	4	Washer, Neoprene	
3	70000685	2	Spacer, Plastic	
3	70000686	2	Screw (Top)	
3	70000684	2	Screw (Bottom)	
4	7027367	1	Switch, Push Button	
4	7027765	1	Lever, Enable	

SECTION 5 - PLATFORM

FIGURE 5-16. PLATFORM MODULE INSTALLATION (NON-LSS)



ART_1001206787

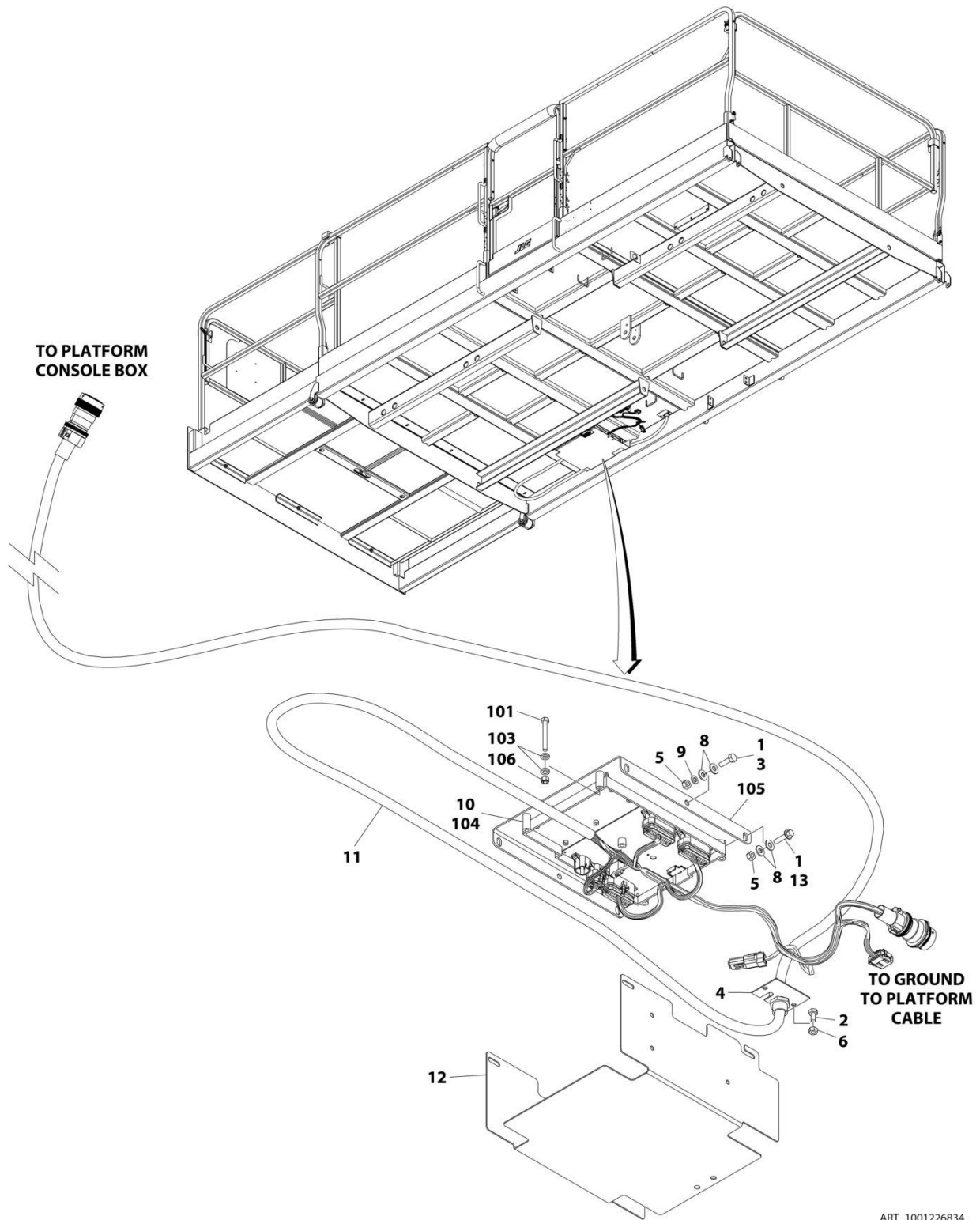
SECTION 5 - PLATFORM

FIGURE 5-16. PLATFORM MODULE INSTALLATION (NON-LSS)

ITEM	PART NUMBER	QTY	DESCRIPTION	REV
	1001206787	Ref	PLATFORM MODULE INSTALLATION (NON-LSS)	E
1	0100011	AR	Compound, Locking	
2	0641404	2	Bolt 1/4 x 1/2	
3	0641407	2	Bolt 1/4 x 7/8	
4	1670988	1	Cover	
5	3311405	2	Nut 1/4 (Prior to SN 0200266880)	
5	3311405	4	Nut 1/4 (SN 0200266880 through 0200269765)	
6	4240033	AR	Tie-Strap (Not Shown)	
7	4711400	8	Washer 1/4	
8	1001215138	1	Platform Module Harness (See Separate Breakdown in ELECTRICAL SECTION) (Prior to SN 0200267917)	
8	1001236163	1	Platform Module Harness (See Separate Breakdown in ELECTRICAL SECTION) (SN 0200267917 through 0200269765)	
9	1001206832	1	Control Module Assembly (See Items 101-106 for Breakdown)	
13	1001215510	1	Cover	
14	0791408	4	Screw 1/4 x 1	
15	3311401	6	Nut 1/4 (Prior to SN 0200266880)	
15	3311401	4	Nut 1/4 (SN 0200266880 through 0200269765)	
16	4761400	6	Washer 1/4 (Prior to SN 0200266880)	
16	4761400	4	Washer 1/4 (SN 0200266880 through 0200269765)	
	1001206832	Ref	CONTROL MODULE ASSEMBLY	C
101	0760618	4	Bolt M6 x 50	
103	5240600	8	Washer M6	
104	1001181223	1	Module, Control - Platform (Note: Re-calibration Required when Replaced) (Prior to SN 0200267917)	
104	1001235098	1	Module, Control - Platform (Note: Re-calibration Required when Replaced) (SN 0200267917 through 0200269765)	
105	1001194115	1	Bracket	
106	3290605	4	Nut M6	

SECTION 5 - PLATFORM

FIGURE 5-17. PLATFORM MODULE INSTALLATION (LSS)



ART_1001226834

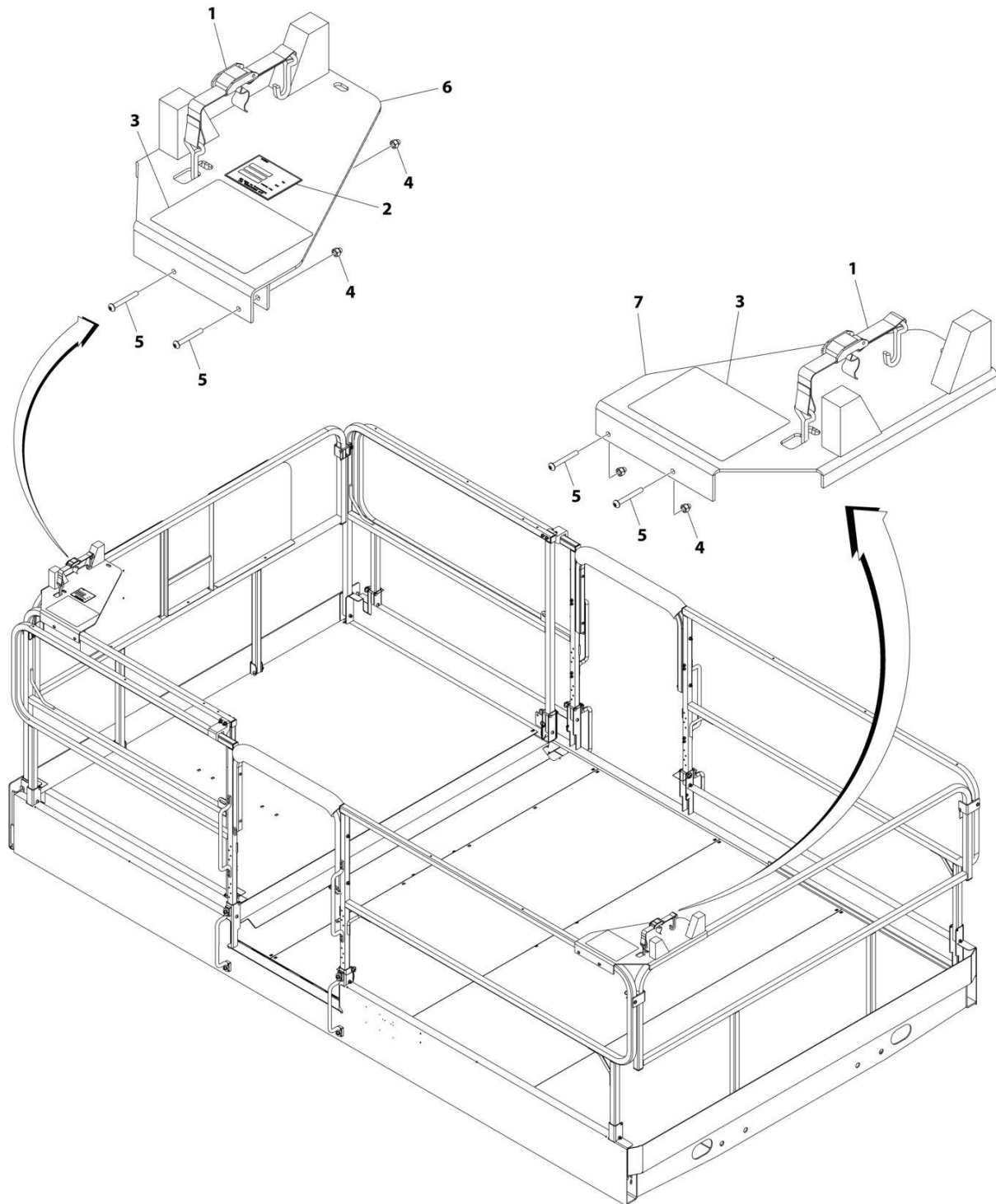
SECTION 5 - PLATFORM

FIGURE 5-17. PLATFORM MODULE INSTALLATION (LSS)

ITEM	PART NUMBER	QTY	DESCRIPTION	REV
	1001226834	Ref	PLATFORM MODULE INSTALLATION (LSS)	D
1	0100011	AR	Compound, Locking	
2	0641404	2	Bolt 1/4 x 1/2	
3	0641407	2	Bolt 1/4 x 7/8	
4	1670988	1	Cover	
5	3311401	AR	Nut 1/4	
6	3311405	AR	Nut 1/4	
7	4240033	AR	Tie-Strap (Not Shown)	
8	4711400	8	Washer 1/4	
9	4761400	AR	Washer 1/4	
10	1001206832	1	Control Module Assembly (See Items 101-106 for Breakdown)	
11	1001215138	1	Platform Module Harness (See Separate Breakdown in ELECTRICAL SECTION) (Prior to SN 0200267917)	
11	1001236163	1	Platform Module Harness (See Separate Breakdown in ELECTRICAL SECTION) (SN 0200267917 through 0200269765)	
12	1001223646	1	Cover	
13	0791408	4	Screw 1/4 x 1	
	1001206832	Ref	CONTROL MODULE ASSEMBLY	C
101	0760618	4	Bolt M6 x 50	
103	5240600	8	Washer M6	
104	1001181223	1	Module, Control - Platform (Note: Re-calibration Required when Replaced) (Prior to SN 0200267917)	
104	1001235098	1	Module, Control - Platform (Note: Re-calibration Required when Replaced) (SN 0200267917 through 0200269765)	
105	1001194115	1	Bracket	
106	3290605	4	Nut M6	

SECTION 5 - PLATFORM

FIGURE 5-18. PIPE RACKS INSTALLATION (OPTIONAL)



ART_0272829

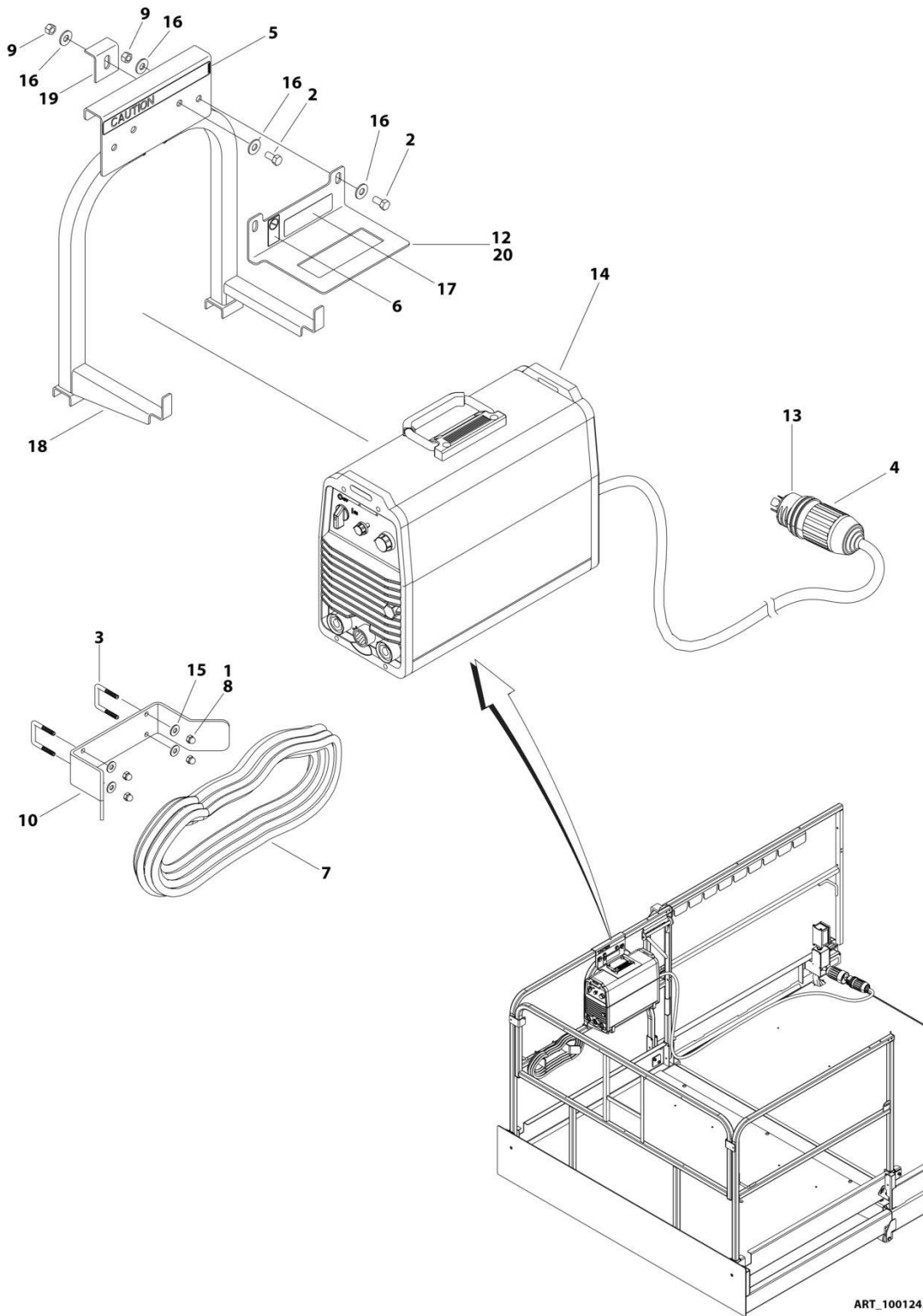
SECTION 5 - PLATFORM

FIGURE 5-18. PIPE RACKS INSTALLATION (OPTIONAL)

ITEM	PART NUMBER	QTY	DESCRIPTION	REV
	0272829	Ref	PIPE RACKS INSTALLATION (OPTIONAL)	C
1	0480100	2	Belt, Tie Down	
2	See Note	NSS	Nameplate (Note: Not Available for Purchase)	
3	1705637	2	Decal - Pipe Rack Capacity	
4	2080063	4	Fastener 1/4	
5	3900318	4	Screw 1/4 x 2	
6	4845441	1	Support, Pipe Rack	
7	4845442	1	Support, Pipe Rack	

SECTION 5 - PLATFORM

FIGURE 5-19. SKYWELDER INSTALLATION (OPTIONAL) (ANSI SPECS)



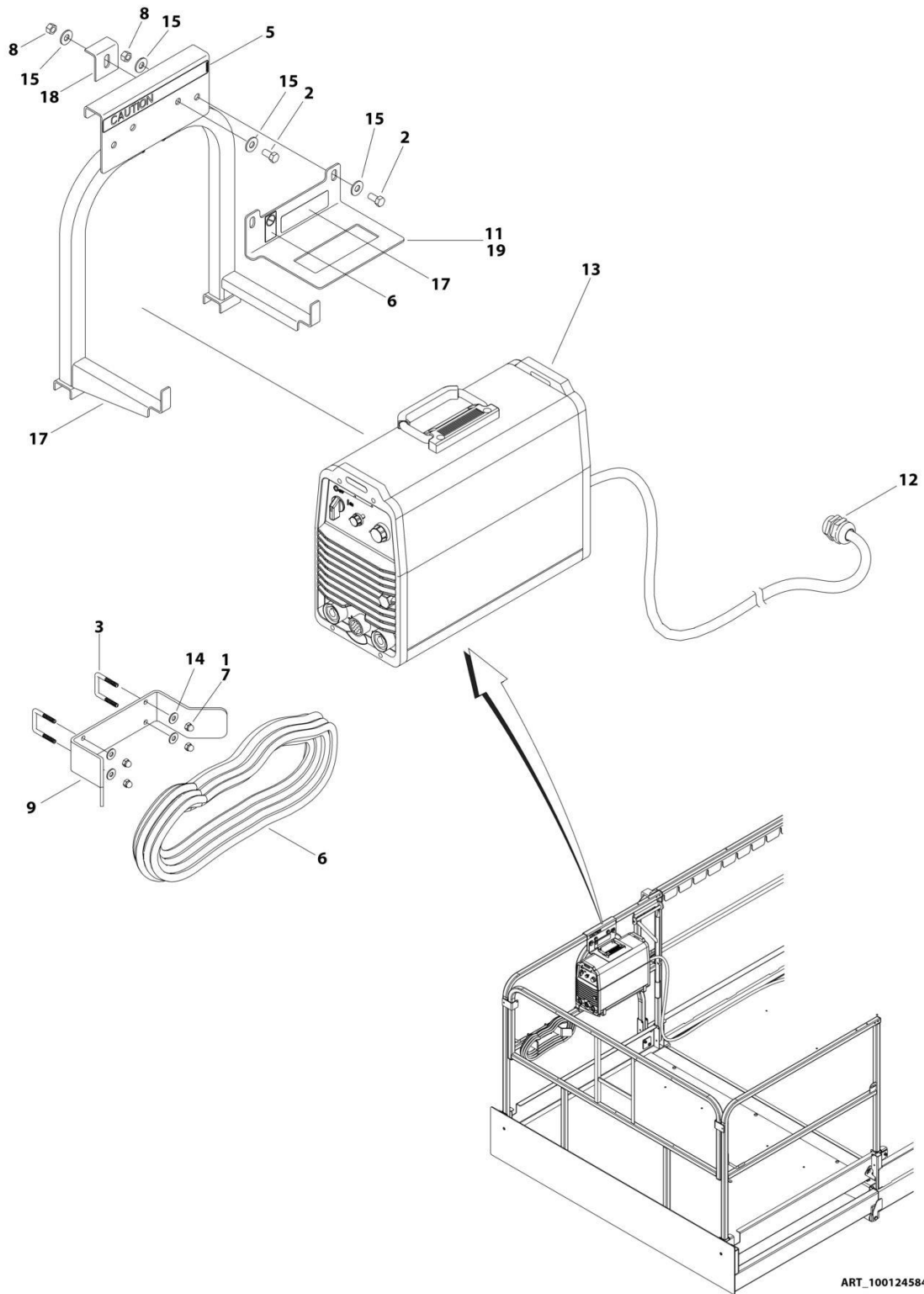
SECTION 5 - PLATFORM

FIGURE 5-19. SKYWELDER INSTALLATION (OPTIONAL) (ANSI SPECS)

ITEM	PART NUMBER	QTY	DESCRIPTION	REV
	1001245845	Ref	SKYWELDER INSTALLATION	A
1	0100011	AR	Compound, Locking	
2	0641606	4	Bolt 3/8 x 3/4	
3	1320302	2	Clamp	
4	1671093	1	Cover, Plug	
5	1702868	1	Decal - No Hands	
6	1705305	1	Decal - Weld Lead	
7	2902217	1	Weld Leads Kit	
8	3300151	4	Nut 1/4	
9	3311605	4	Nut 3/8	
10	3573400	1	Plate	
11	4240099	AR	Tie-Strap (Not Shown)	
12	4420037	AR	Tape	
13	4460962	1	Plug, Male Twistlock	
14	4530028	1	Welder Assembly (See Separate Breakdown in this Section)	
15	4751400	4	Washer 1/4	
16	4751600	8	Washer 3/8	
17	1001228988	1	Decal - Weight	
18	1001245681	1	Support	
19	1001245996	2	Bracket	
20	1001246080	1	Bracket	

SECTION 5 - PLATFORM

FIGURE 5-20. SKYWELDER INSTALLATION (OPTIONAL) (CE SPECS)



ART_1001245846

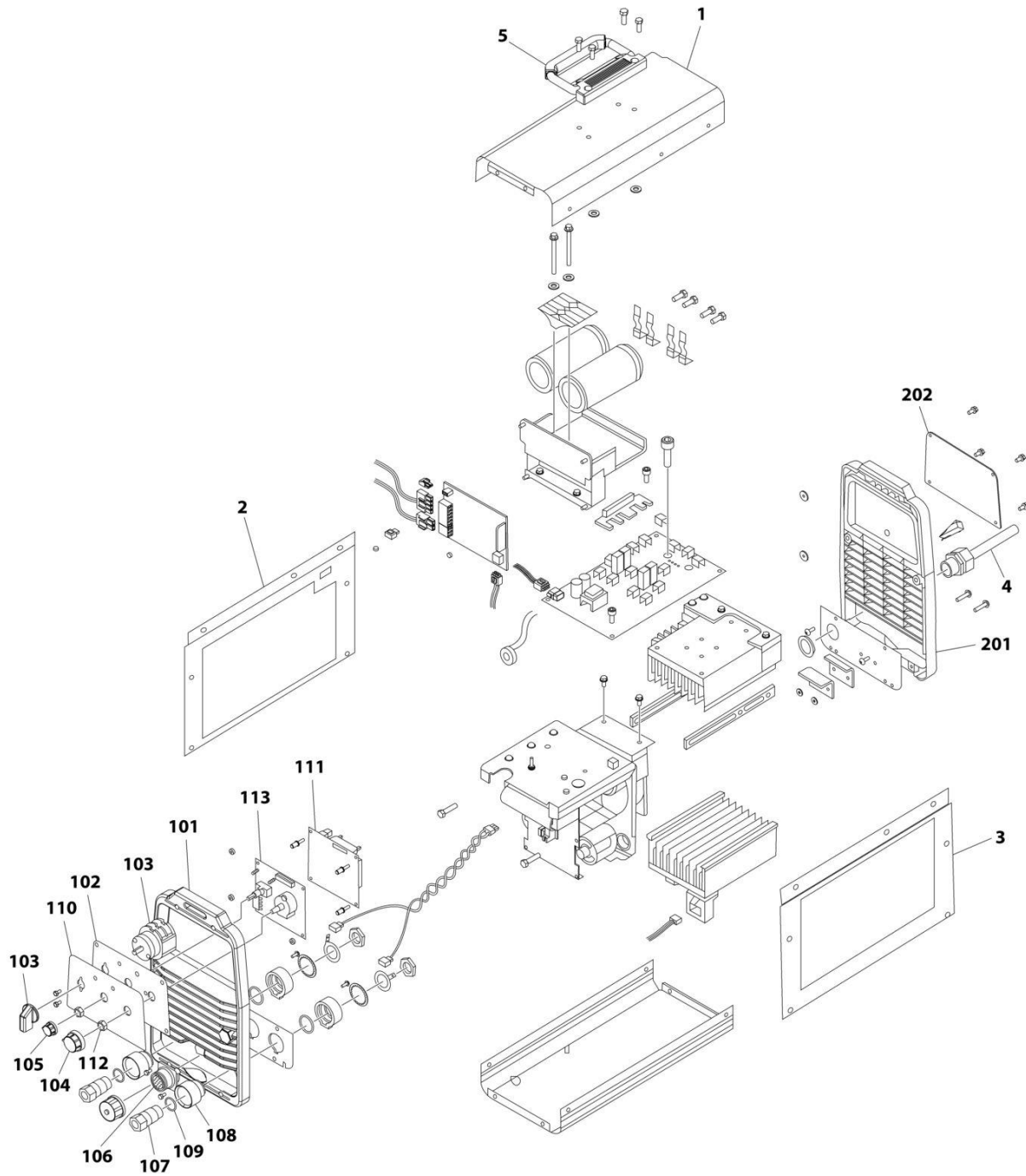
SECTION 5 - PLATFORM

FIGURE 5-20. SKYWELDER INSTALLATION (OPTIONAL) (CE SPECS)

ITEM	PART NUMBER	QTY	DESCRIPTION	REV
	1001245846	Ref	SKYWELDER INSTALLATION	A
1	0100011	AR	Compound, Locking	
2	0641606	4	Bolt 3/8 x 3/4	
3	1320302	2	Clamp	
4	1702868	1	Decal - No Hands	
5	1705305	1	Decal - Weld Lead	
6	2902217	1	Weld Leads Kit	
7	3300151	4	Nut 1/4	
8	3311605	4	Nut 3/8	
9	3573400	1	Plate	
10	4240099	AR	Tie-Strap (Not Shown)	
11	4420037	AR	Tape	
12	4460426	1	Connector, Strain Relief	
13	4530028	1	Welder Assembly (See Separate Breakdown in this Section)	
14	4751400	4	Washer 1/4	
15	4751600	8	Washer 3/8	
16	1001228988	1	Decal - Weight	
17	1001245681	1	Support	
18	1001245996	2	Bracket	
19	1001246080	1	Bracket	

SECTION 5 - PLATFORM

FIGURE 5-21. WELDER ASSEMBLY



ART_4530028

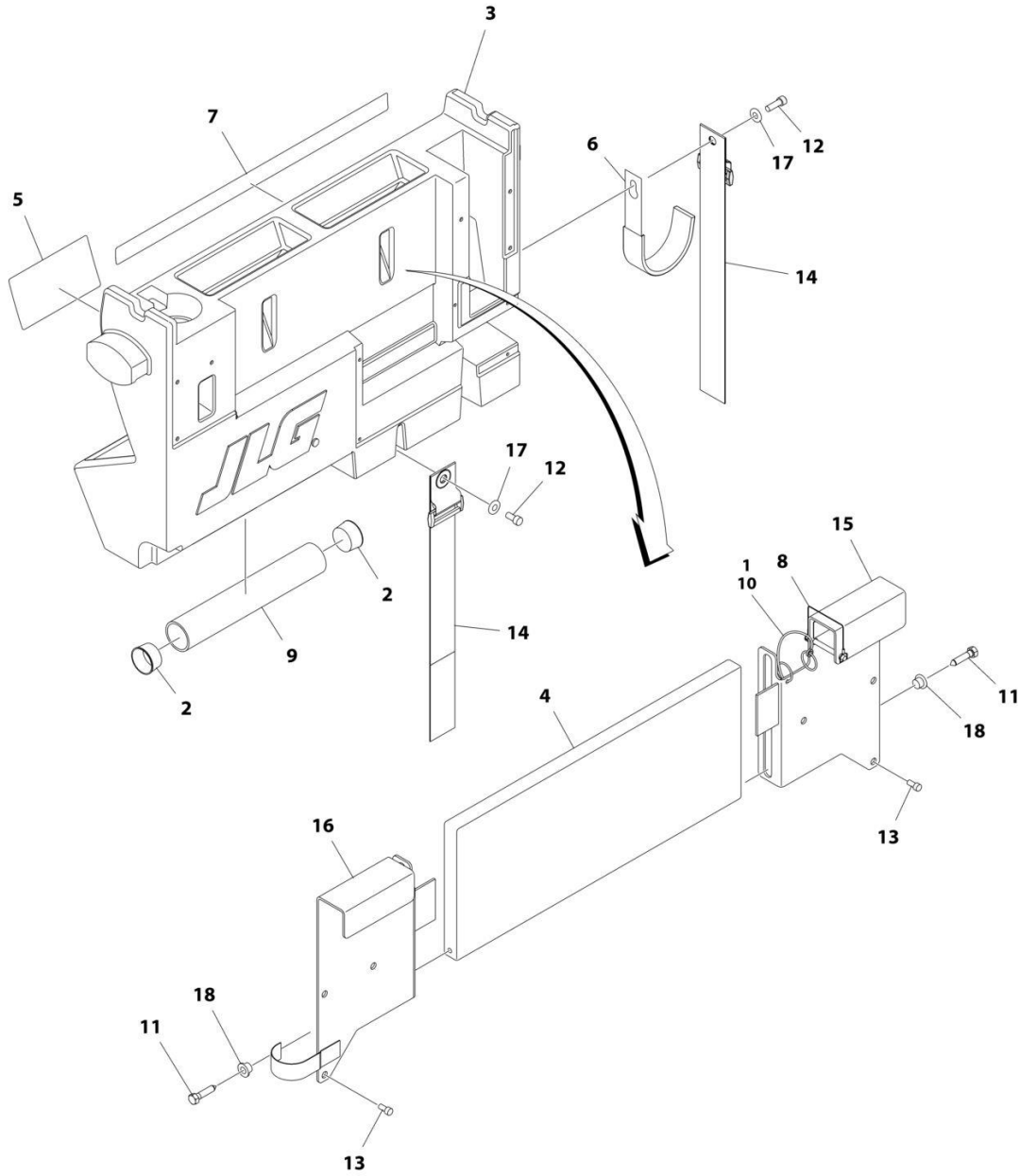
SECTION 5 - PLATFORM

FIGURE 5-21. WELDER ASSEMBLY

ITEM	PART NUMBER	QTY	DESCRIPTION	REV
	4530028	Ref	WELDER ASSEMBLY	B
		Ref	Note: For Other Components, contact your Miller Welder Dealer.	
1	7027773	1	Cover, Top	
1	7027774	1	Decal - Static Precautionary Warning	
2	See Note	NSS	Panel, LH Side (Note: Part of Item 1. Purchase Item 1)	
3	See Note	NSS	Panel, RH Side (Note: Part of Item 1. Purchase Item 1)	
4	7024467	1	Cable, Power	
4	7027775	1	Decal - Electrical Shock Warning (Not Shown)	
5	7027776	1	Handle, Carrying	
101	7024462	1	Panel, Front	
102	7024463	1	Panel, Console	
103	7024469	1	Switch with Lead	
104	7024470	1	Knob	
105	7024471	1	Knob	
106	7024472	1	Receptacle with Leads and Plugs	
107	7024473	2	Receptacle, Twistlock Female	
108	7024474	2	Insulator	
109	7024475	2	O-Ring	
110	7027777	1	Nameplate	
111	7027779	1	Circuit Card Assembly (Process Control)	
112	7024478	2	Nut	
113	7027778	1	Circuit Card Assembly (Operator Interface)	
201	7024462	1	Panel, Rear	
202	7027780	1	Panel, Cover	

SECTION 5 - PLATFORM

FIGURE 5-22. WORKSTATION INSTALLATION (OPTIONAL)



ART_0274260

SECTION 5 - PLATFORM

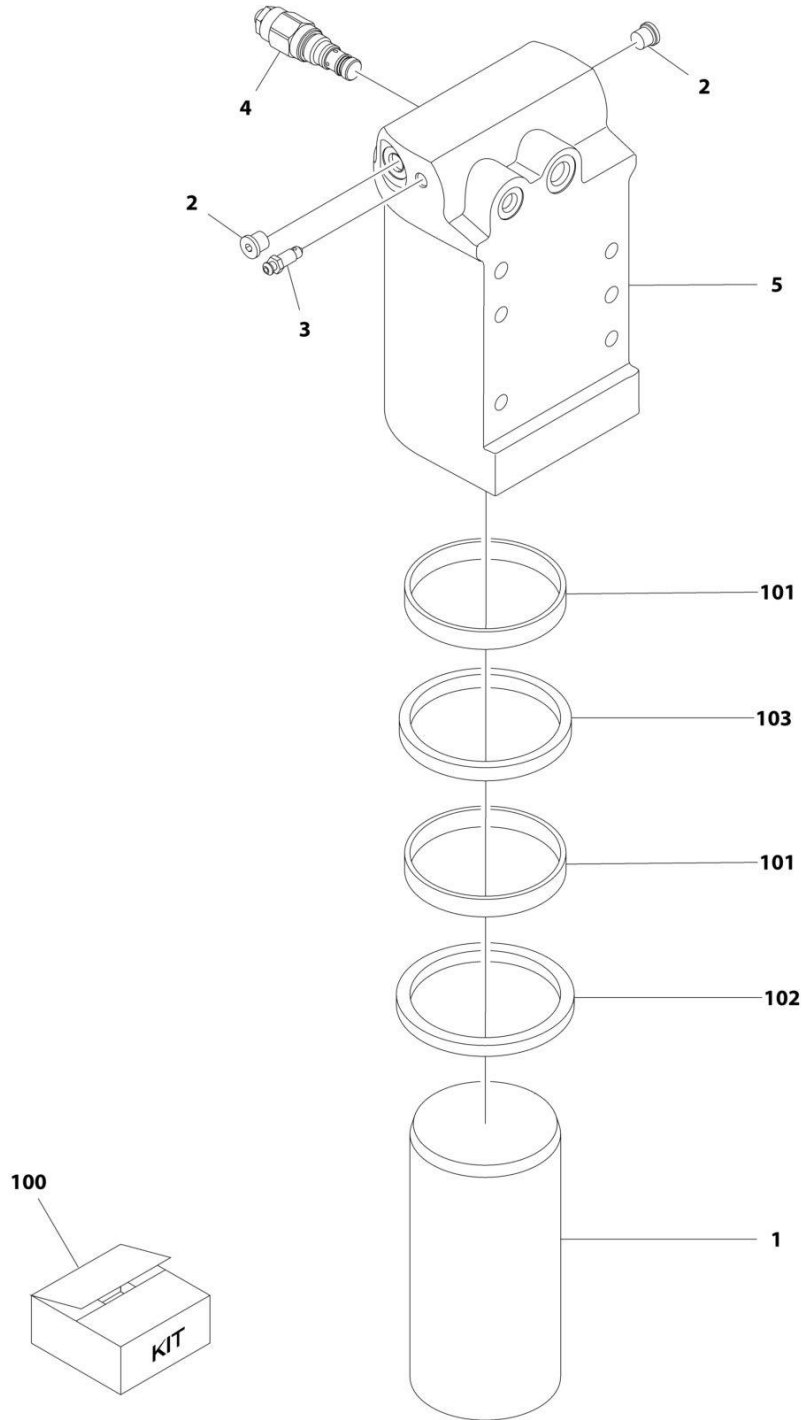
FIGURE 5-22. WORKSTATION INSTALLATION (OPTIONAL)

ITEM	PART NUMBER	QTY	DESCRIPTION	REV
	0274260	Ref	WORKSTATION INSTALLATION - REFERENCE CHART	B
	0240087	Ref	WORKSTATION INSTALLATION (OPTIONAL)	C
1	1060379	1	Cable, Lanyard	
2	1120555	2	Cap, Manual Storage	
3	1580023	1	Container	
4	1580024	1	Tray	
5	1705997	1	Decal - Workstation	
6	2700100	1	Hook, Hanger	
7	2902348	1	Decal - Workstation Kit	
8	3422219	1	Pin	
9	3460334	1	PVC Pipe	
10	3760170	2	Ring	
11	3900355	2	Screw 5/16 x 1-1/2	
12	3931412	2	Bolt 1/4 x 3/4	
13	3931508	6	Bolt 5/16 x 1/2	
14	4240003	2	Strap	
15	4340853	1	Mount, RH Channel	
16	4340854	1	Mount, LH Channel	
17	4420062	3 ft/0.9m	Tape	
18	4711400	2	Washer 1/4	
19	4740480	2	Insert, Plastic	

SECTION 6 - CYLINDER

SECTION 6 - CYLINDER

FIGURE 6-1. AXLE LOCKOUT CYLINDER ASSEMBLY



ART_1001163580

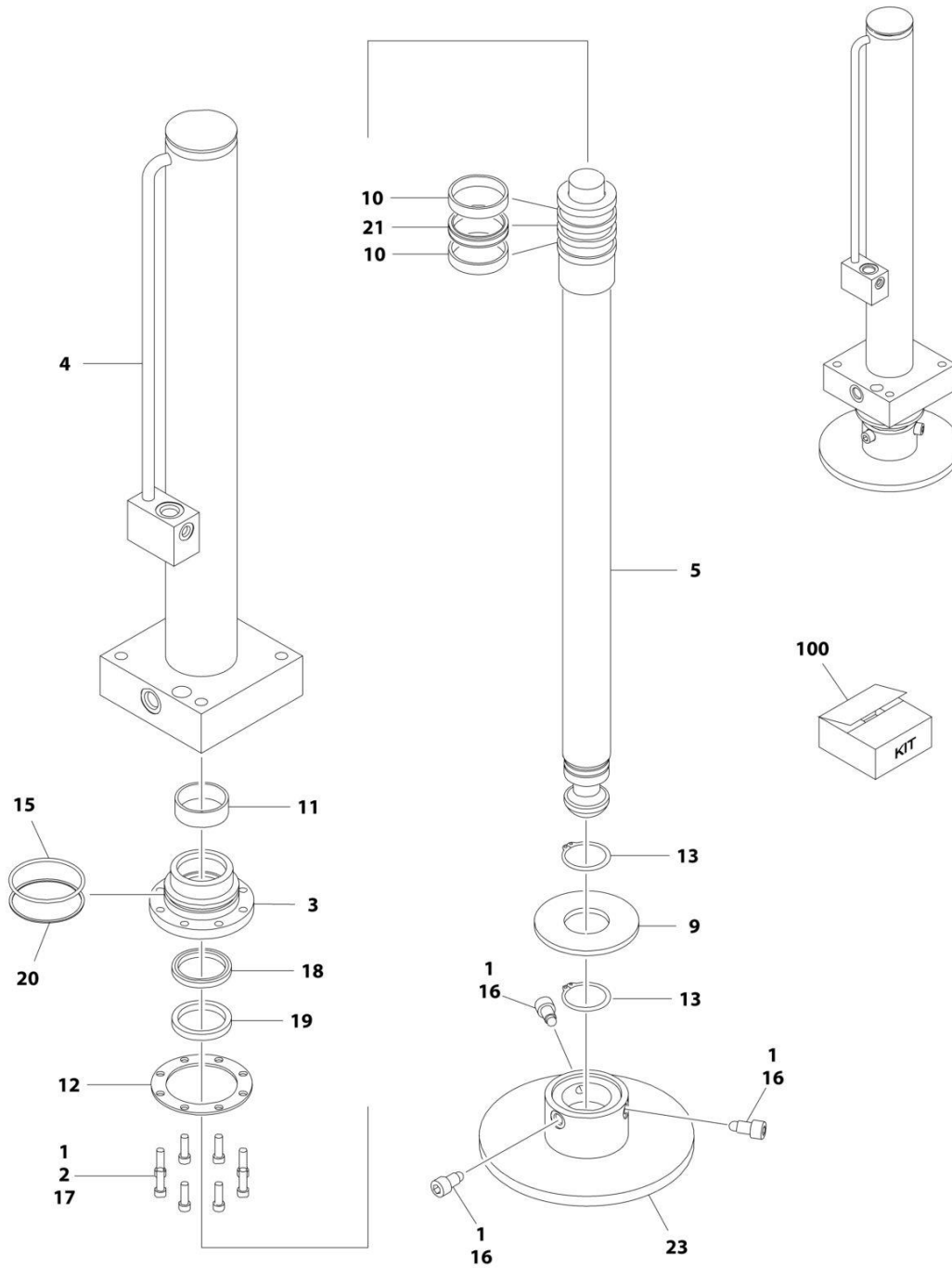
SECTION 6 - CYLINDER

FIGURE 6-1. AXLE LOCKOUT CYLINDER ASSEMBLY

ITEM	PART NUMBER	QTY	DESCRIPTION	REV
	1001163580	Ref	AXLE LOCKOUT CYLINDER ASSEMBLY	I
		Ref	Note: Original Cylinder May Have Been Replaced with Service Replacement. Identify PN Stamped on Cylinder Before Ordering Parts.	
1	1684290	1	Rod	
2	2220883	2	Plug #4	
3	4640858	1	Valve, Bleeder	
4	1001117372	1	Cartridge, Valve	
4	70002842	1	Seal Kit - 1001117372 Valve	
5	1001164817	1	Barrel	
100	2902266	NLA	Seal Kit - 1001163590 Cylinder (Includes Items 101-103)	
101	See Note	NSS	Ring, Wear (Note: Use Item 100)	
102	See Note	NSS	Seal (Note: Use Item 100)	
103	See Note	NSS	Wiper (Note: Use Item 100)	

SECTION 6 - CYLINDER

FIGURE 6-2. LEVELING JACK CYLINDER ASSEMBLY



ART_1684406-D

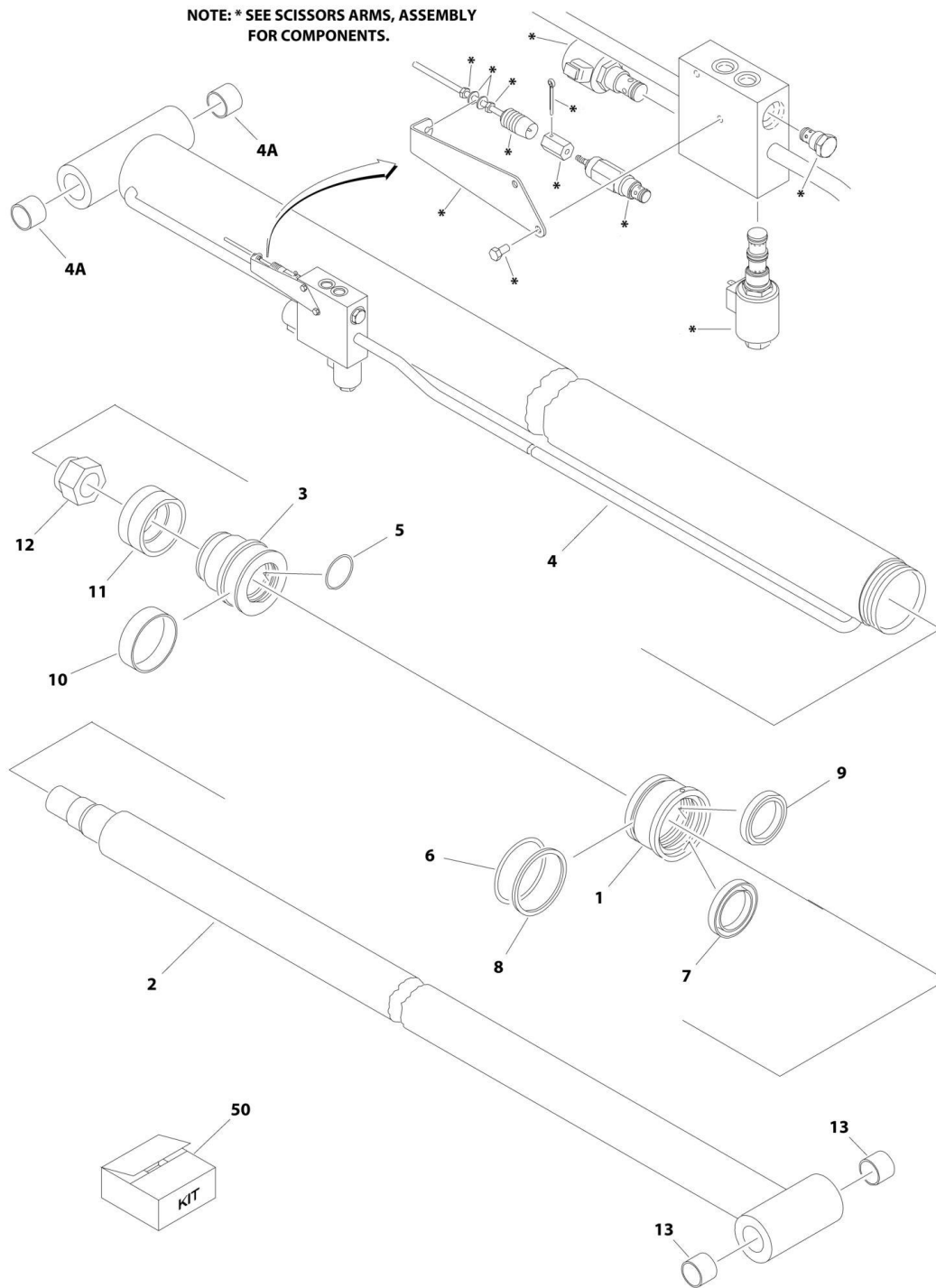
SECTION 6 - CYLINDER

FIGURE 6-2. LEVELING JACK CYLINDER ASSEMBLY

ITEM	PART NUMBER	QTY	DESCRIPTION	REV
	1684406	Ref	LEVELING JACK CYLINDER ASSEMBLY	D
		Ref	Note: Original Cylinder May Have Been Replaced with Service Replacement. Identify PN Stamped on Cylinder Before Ordering Parts.	
1	0100011	AR	Compound, Locking	
2	0100038	AR	Primer, Locking	
3	1683054	1	Head	
4	0370018	1	Barrel	
5	3850013	1	Rod	
9	3573513	1	Plate, Jack	
10	See Note	NSS	Ring, Lock (Note: Use Item 100)	
11	See Note	NSS	Ring, Wear (Note: Use Item 100)	
12	3760368	1	Ring, Washer	
13	3760460	2	Ring, Retaining	
15	See Note	NSS	O-Ring (Note: Use Item 100)	
16	3900321	3	Screw 1/2 x 1-1/4	
17	3931516	8	Capscrew 5/16 x 1	
18	See Note	NSS	Seal (Note: Use Item 100)	
19	See Note	NSS	Wiper (Note: Use Item 100)	
20	See Note	NSS	Ring, Back-up (Note: Use Item 100)	
21	See Note	NSS	T-Seal (Note: Use Item 100)	
23	4846584	1	Pad, Jack	
100	2902182	1	Seal Kit - 1684406 Cylinder (Includes Items 10, 11, 15 & 18-21)	

SECTION 6 - CYLINDER

FIGURE 6-3. LIFT CYLINDER ASSEMBLY



ART_1684332

SECTION 6 - CYLINDER

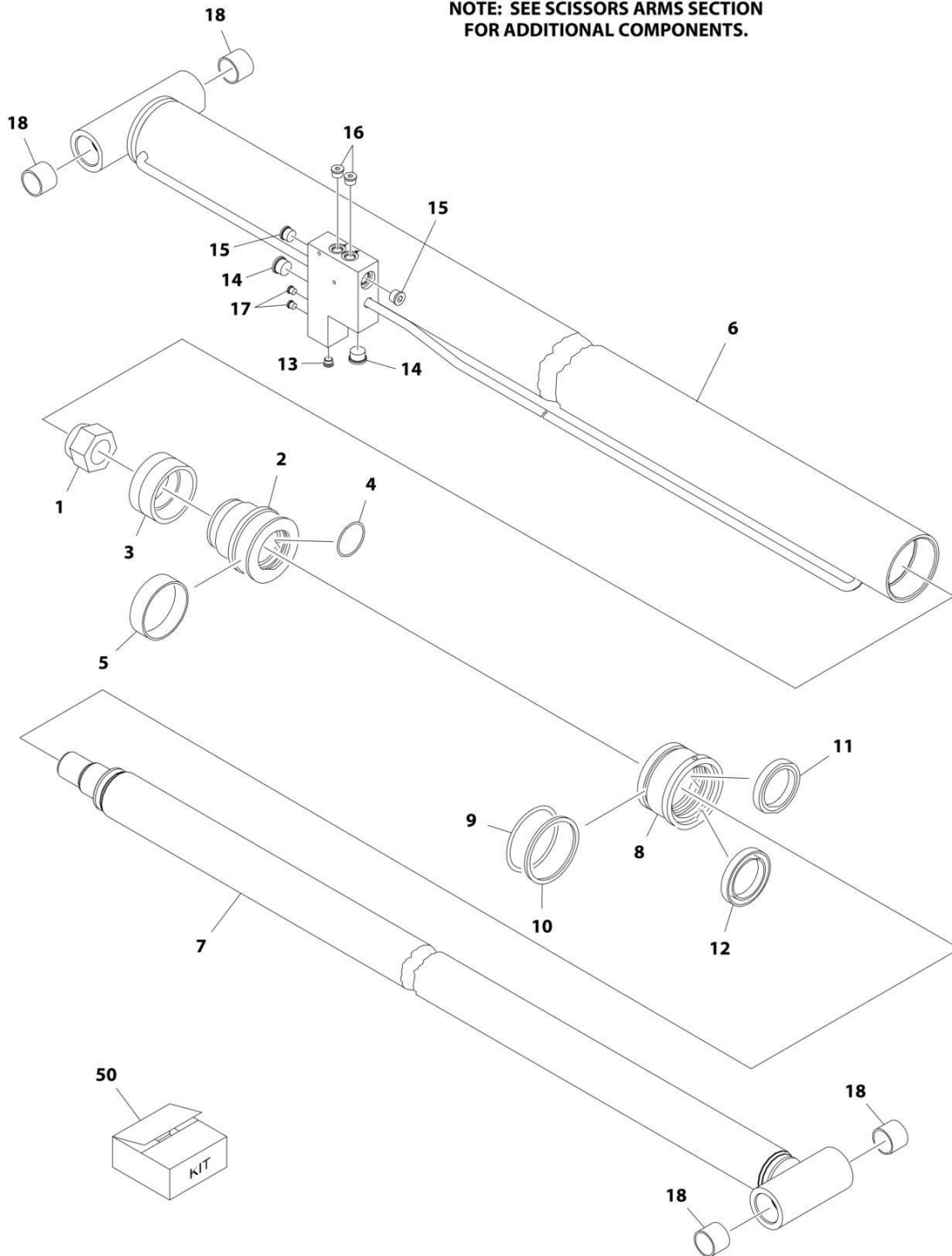
FIGURE 6-3. LIFT CYLINDER ASSEMBLY

ITEM	PART NUMBER	QTY	DESCRIPTION	REV
	1684332	Ref	LIFT CYLINDER ASSEMBLY	A
		Ref	Note: Machines were built with one of 2 cylinders. Identify cylinder by p/n stamped on valve block before ordering parts.	
1	7026585	1	Head	
2	7026584	1	Rod	
3	7026583	1	Piston	
4	7026582	1	Barrel	
4A	70002202	2	Bushing	
5	See Note	NSS	Ring, Back-up (Note: Use Item 50)	
6	See Note	NSS	Seal (Note: Use Item 50)	
7	See Note	NSS	Seal (Note: Use Item 50)	
8	See Note	NSS	Ring, Back-up (Note: Use Item 50)	
9	See Note	NSS	Wiper (Note: Use Item 50)	
10	See Note	NSS	Ring, Wear (Note: Use Item 50)	
11	See Note	NSS	Seal (Note: Use Item 50)	
12	70002203	1	Nut	
13	70002202	2	Bushing	
50	7026586	1	Seal Kit - 1684332 Cylinder (Includes Items 5-11)	

SECTION 6 - CYLINDER

FIGURE 6-4. LIFT CYLINDER ASSEMBLY

NOTE: SEE SCISSORS ARMS SECTION FOR ADDITIONAL COMPONENTS.



ART_1001217085

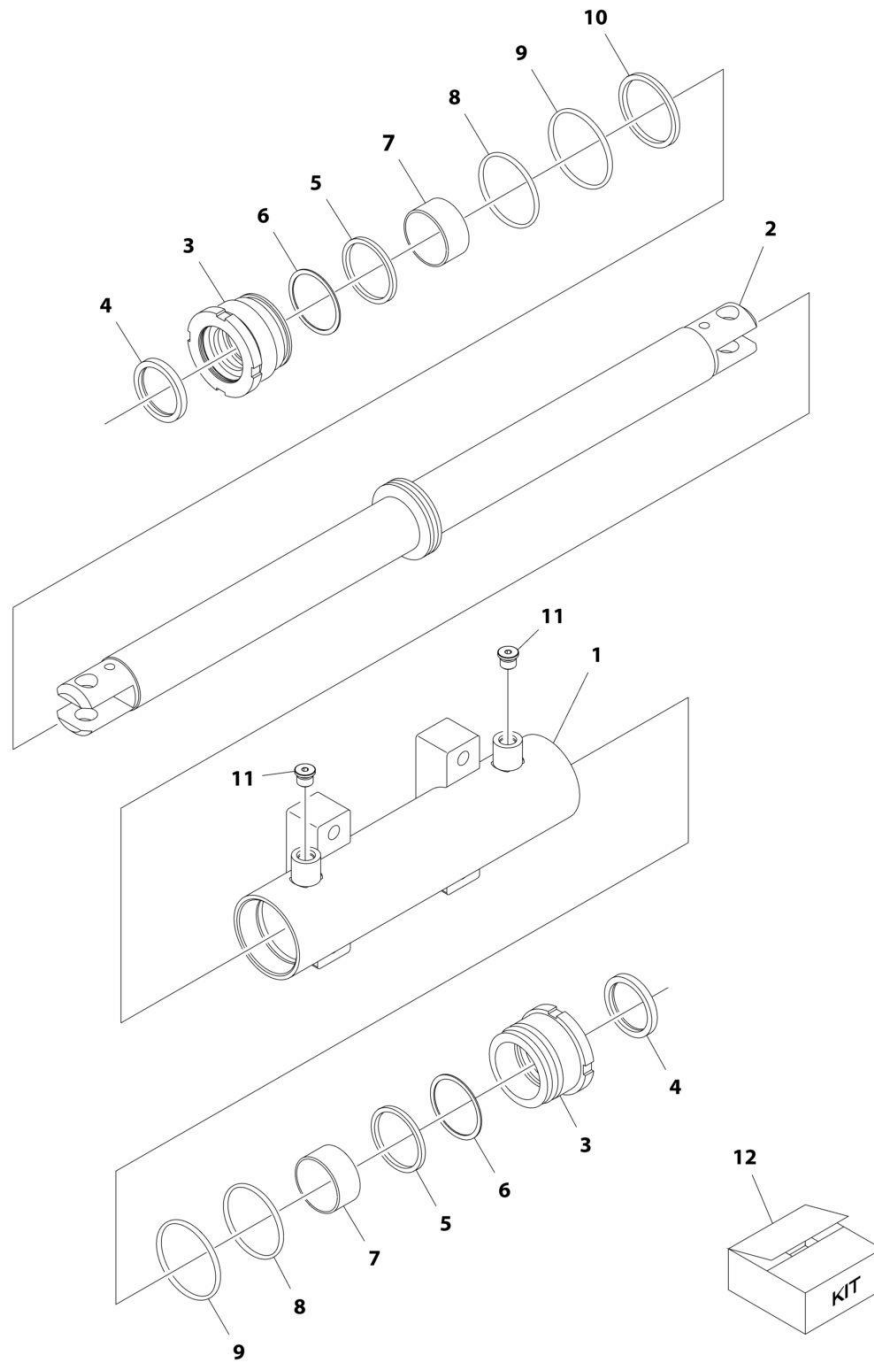
SECTION 6 - CYLINDER

FIGURE 6-4. LIFT CYLINDER ASSEMBLY

ITEM	PART NUMBER	QTY	DESCRIPTION	REV
	1001217085	Ref	LIFT CYLINDER ASSEMBLY	C
		Ref	Note: Machines were built with one of 2 cylinders. Identify cylinder by p/n stamped on valve block before ordering parts.	
1	70006285	1	Nut	
2	70006286	1	Piston	
3	See Note	NSS	Seal (Note: Use Item 50)	
4	See Note	NSS	O-Ring (Note: Use Item 50)	
5	See Note	NSS	Ring, Wear (Note: Use Item 50)	
6	70006287	1	Barrel	
7	70006288	1	Rod	
8	70006289	1	Head	
9	See Note	NSS	O-Ring (Note: Use Item 50)	
10	See Note	NSS	Ring, Back-up (Note: Use Item 50)	
11	See Note	NSS	Seal (Note: Use Item 50)	
12	See Note	NSS	Wiper (Note: Use Item 50)	
13	2220885	1	Plug #6	
14	2220888	2	Plug #12	
15	2220887	2	Plug #10	
16	2220886	2	Plug #8	
17	2220883	2	Plug #4	
18	70006290	4	Bushing	
50	70006284	1	Seal Kit - 1001217085 Cylinder (Includes Items 5-11)	

SECTION 6 - CYLINDER

FIGURE 6-5. STEER CYLINDER ASSEMBLY



ART_1001163178

SECTION 6 - CYLINDER

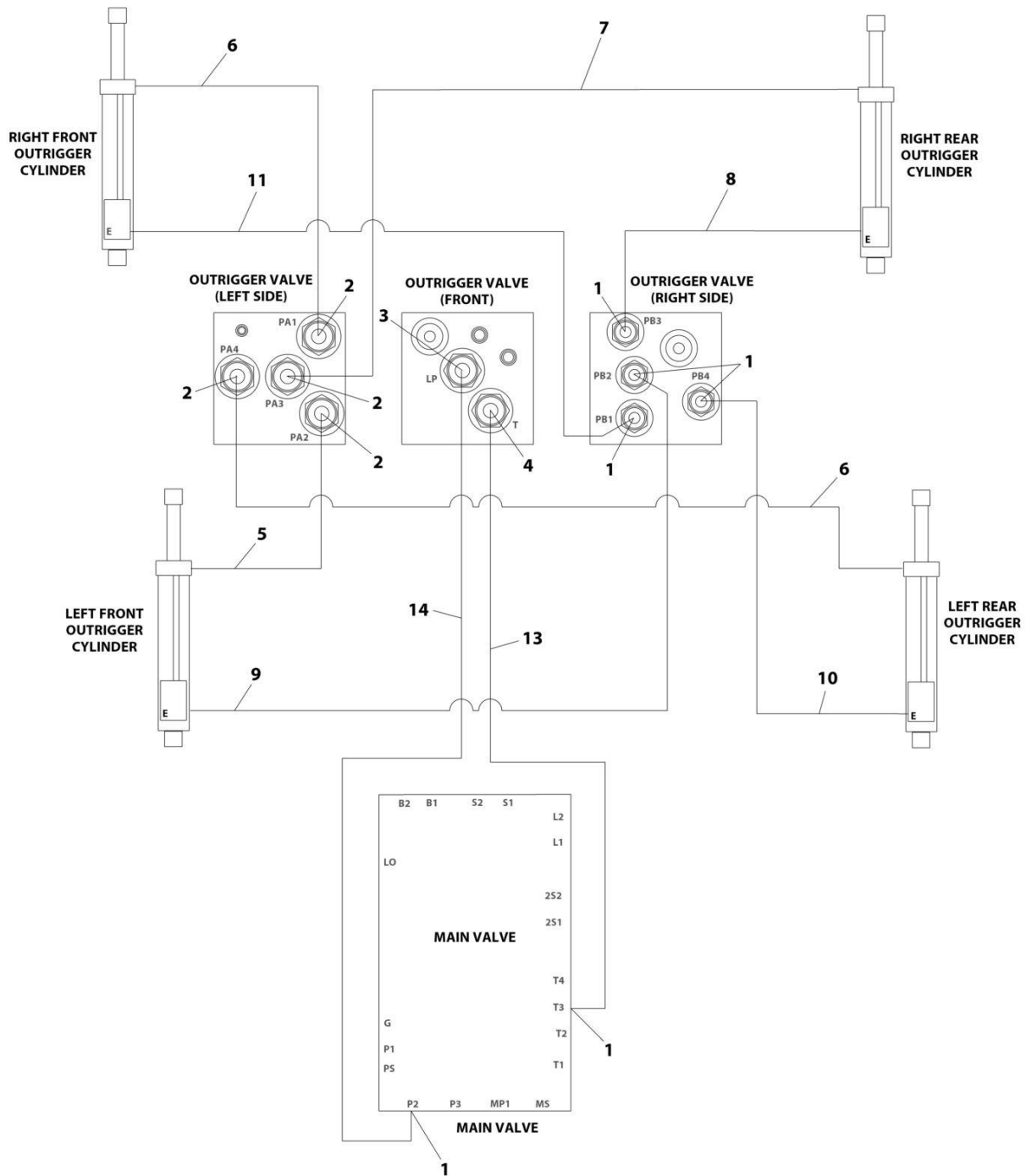
FIGURE 6-5. STEER CYLINDER ASSEMBLY

ITEM	PART NUMBER	QTY	DESCRIPTION	REV
	1001163178	Ref	STEER CYLINDER ASSEMBLY	D
		Ref	Note: Original Cylinder May Have Been Replaced with Service Replacement. Identify PN Stamped on Cylinder Before Ordering Parts.	
1	70005150	1	Barrel	
2	70005151	1	Rod	
3	70005152	2	Head	
4	See Note	NSS	Wiper (Note: Use Item 12)	
5	See Note	NSS	Seal, Rod (Note: Use Item 12)	
6	See Note	NSS	Ring, Back-up (Note: Use Item 12)	
7	70005153	2	Bearing, Dry	
8	See Note	NSS	O-Ring (Note: Use Item 12)	
9	See Note	NSS	O-Ring (Note: Use Item 12)	
10	See Note	NSS	Seal, Piston (Note: Use Item 12)	
11	See Note	2	Plug 9/16 (Note: Not Available for Purchase)	
12	70005154	1	Seal Kit - 1001163178 Cylinder (Includes Items 4-6 & 8-10)	

SECTION 7 - HYDRAULIC

SECTION 7 - HYDRAULIC

FIGURE 7-1. HYDRAULIC DIAGRAM - LEVELING JACKS (Prior to SN 0200267917)



ART_1001209314

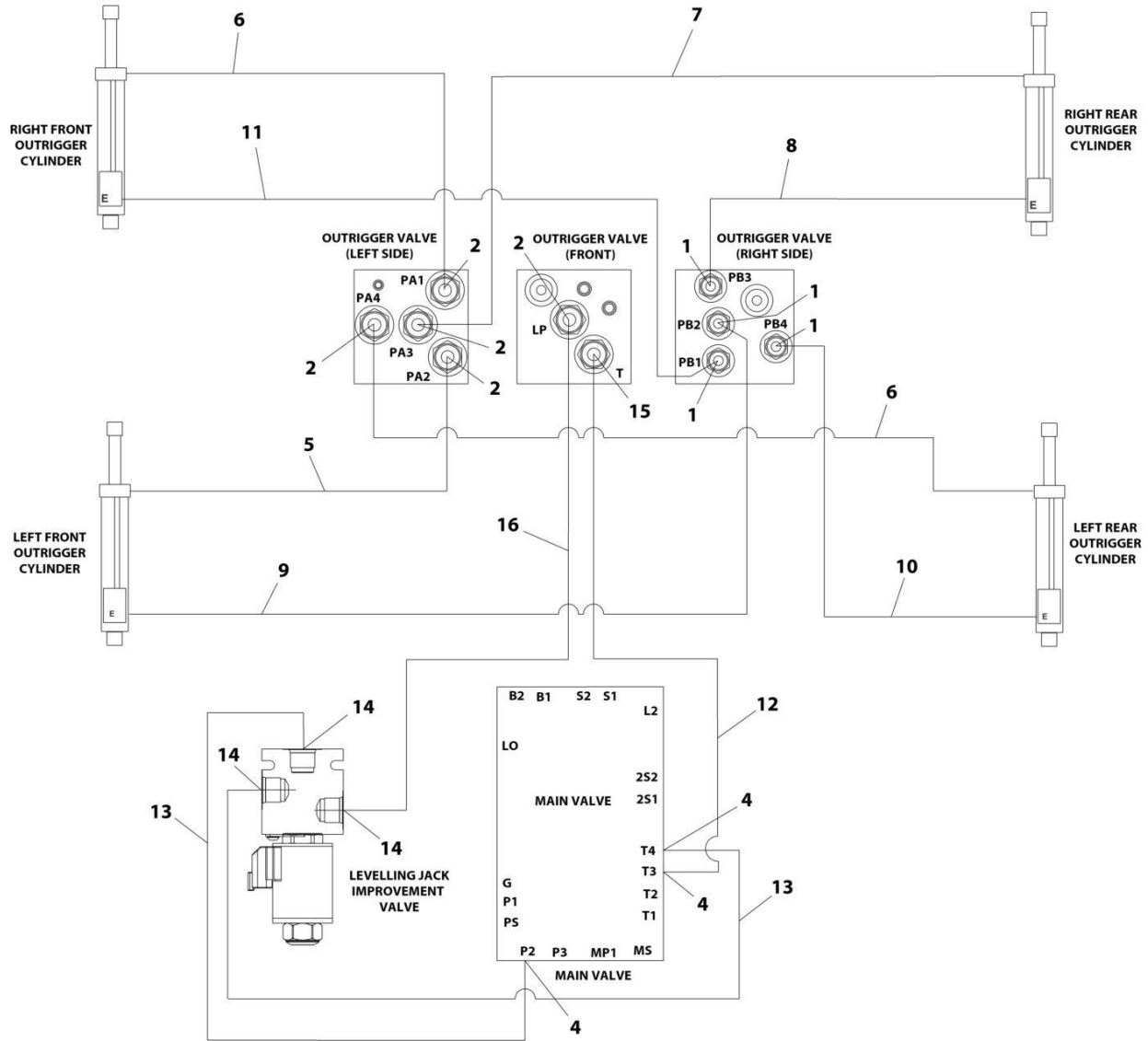
SECTION 7 - HYDRAULIC

FIGURE 7-1. HYDRAULIC DIAGRAM - LEVELING JACKS (Prior to SN 0200267917)

ITEM	PART NUMBER	QTY	DESCRIPTION	REV
	1001209314	Ref	HYDRAULIC DIAGRAM - LEVELING JACKS	B
1	2220371	6	Fitting, Straight JIC/ORB	
2	2220373	4	Fitting, Straight JIC/ORB	
3	2220628	1	Fitting, 90 JIC/ORB	
4	2220372	1	Fitting, Straight JIC/ORB	
5	1001214864	1	Hose	
6	1001194384	2	Hose	
7	1001121396	1	Hose	
8	1001194387	1	Hose	
9	1001194386	1	Hose	
10	1001214865	1	Hose	
11	1001194388	1	Hose	
13	2716762	1	Hose	
14	1001208903	1	Hose	

SECTION 7 - HYDRAULIC

FIGURE 7-2. HYDRAULIC DIAGRAM - LEVELING JACKS (SN 0200267917 through 0200269765)



ART_1001237464

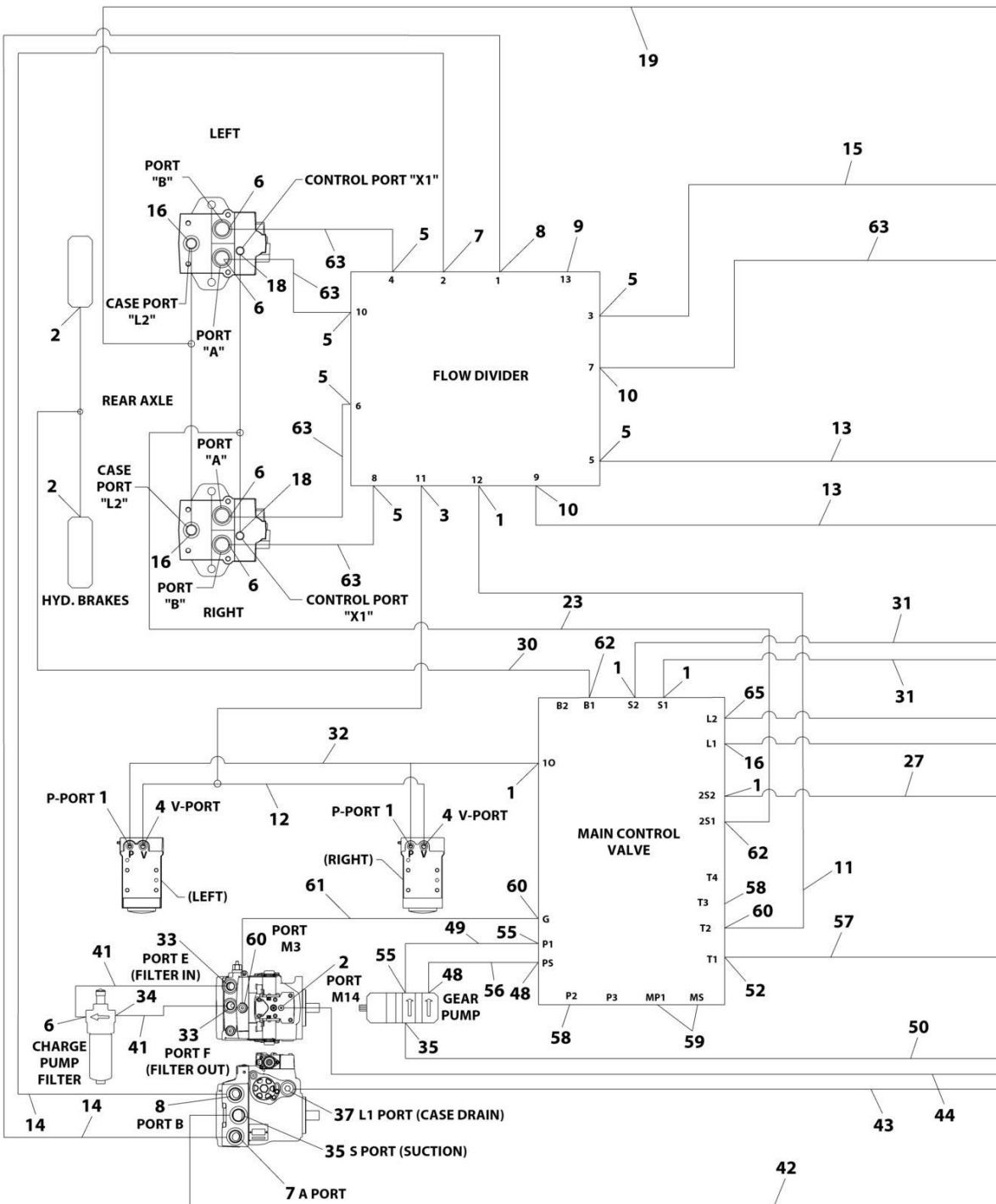
SECTION 7 - HYDRAULIC

FIGURE 7-2. HYDRAULIC DIAGRAM - LEVELING JACKS (SN 0200267917 through 0200269765)

ITEM	PART NUMBER	QTY	DESCRIPTION	REV
	1001237464	Ref	HYDRAULIC DIAGRAM - LEVELING JACKS	A
1	2220371	4	Fitting, Straight JIC/ORB	
2	2220373	5	Fitting, Straight JIC/ORB	
4	2220600	3	Fitting, Straight JIC/ORB	
5	1001214864	1	Hose	
6	1001194384	2	Hose	
7	1001121396	1	Hose	
8	1001194387	1	Hose	
9	1001194386	1	Hose	
10	1001214865	1	Hose	
11	1001194388	1	Hose	
12	1001237915	1	Hose	
13	1001237916	2	Hose	
14	2220596	3	Fitting, 90 JIC/ORB	
15	2220500	1	Fitting, 45 JIC/ORB	
16	1001239088	1	Hose	

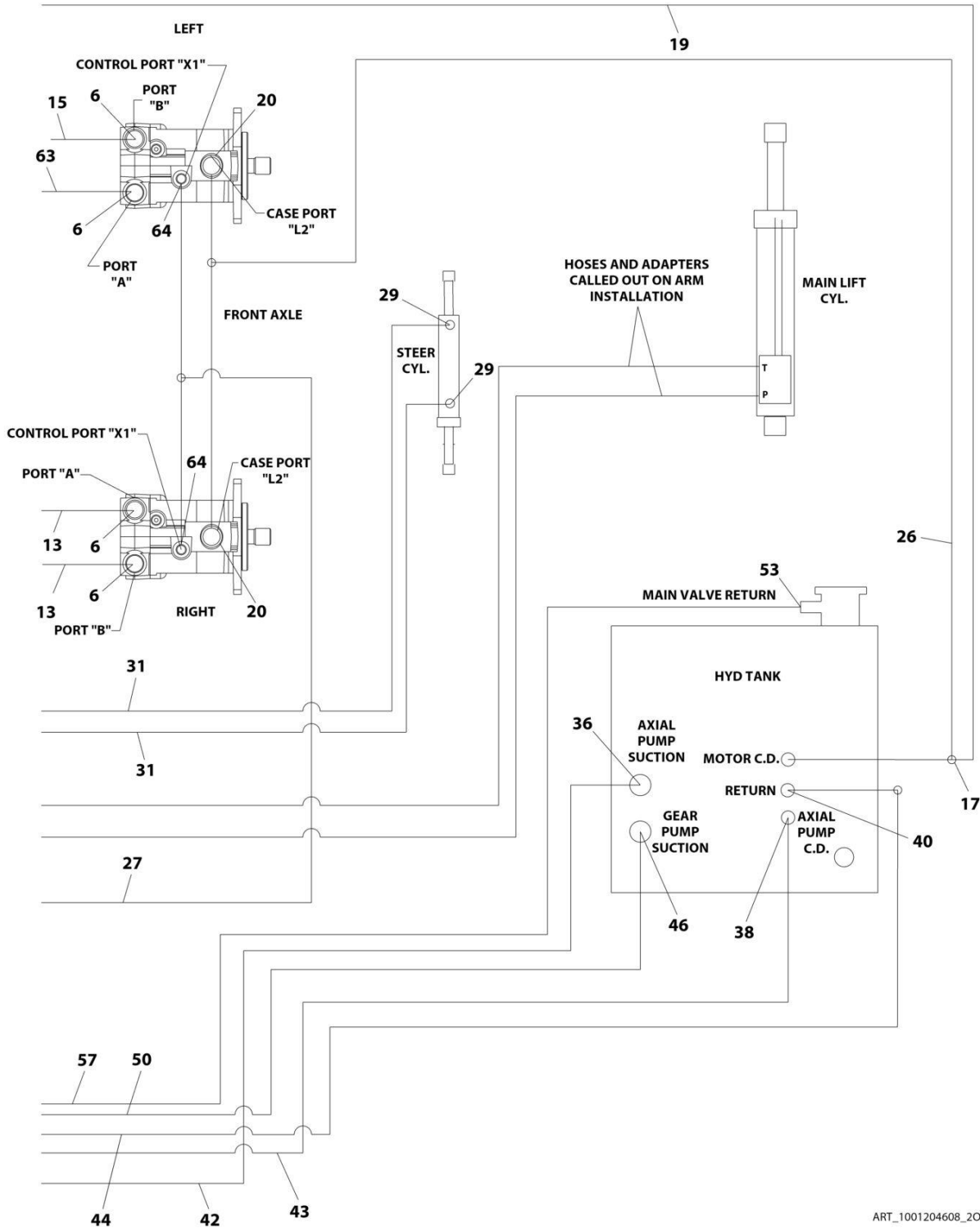
SECTION 7 - HYDRAULIC

FIGURE 7-3. HYDRAULIC DIAGRAM - STANDARD (ALL SPECS EXCEPT CE SPECS)



ART_1001204608_1OF2

SECTION 7 - HYDRAULIC



SECTION 7 - HYDRAULIC

FIGURE 7-3. HYDRAULIC DIAGRAM - STANDARD (ALL SPECS EXCEPT CE SPECS)

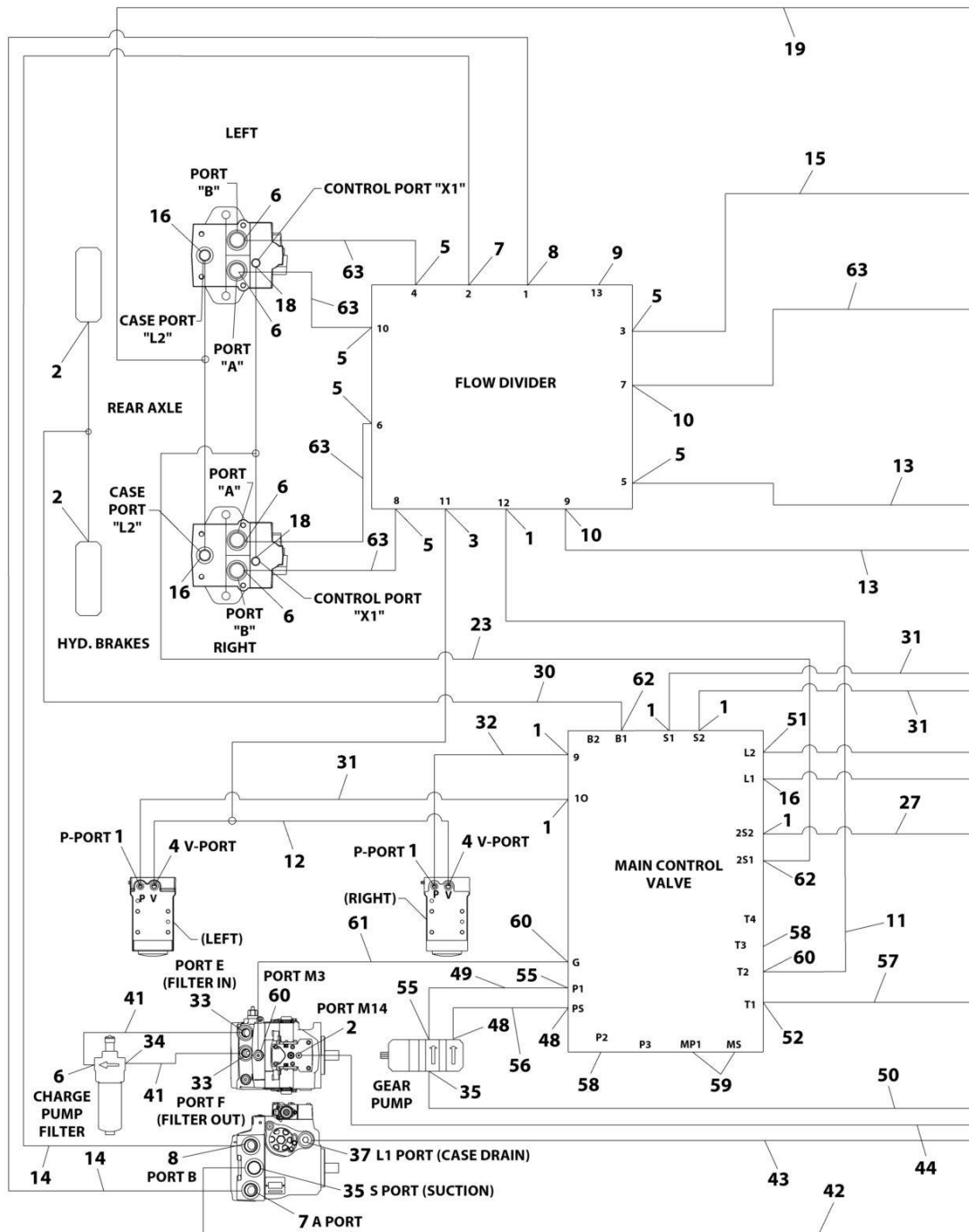
ITEM	PART NUMBER	QTY	DESCRIPTION	REV
	1001204608	Ref	HYDRAULIC DIAGRAM - STANDARD	E
1	2220415	7	Fitting, Straight JIC/ORB	
2	2220466	3	Fitting, 90 JIC/ORB	
3	2220473	1	Fitting, 90 JIC/ORB	
4	2220371	2	Fitting, Straight JIC/ORB	
5	2130808	6	Fitting, 90 ORFS/ORB	
6	2110812	9	Fitting, Straight ORFS/ORB	
7	2111216	2	Fitting, Straight ORFS/ORB	
8	2131216	2	Fitting, 90 ORFS/ORB	
9	2220238	1	Plug	
10	2110808	2	Fitting, Straight ORFS/ORB	
11	1001151351	1	Hose	
12	1001213672	1	Hose	
13	2753791	2	Hose	
14	1001213673	2	Hose	
15	2753970	1	Hose	
16	2220373	3	Fitting, Straight JIC/ORB	
17	2220602	1	Fitting, Tee JIC/ORB/JIC	
18	2220582	2	Fitting, Straight JIC/ORB	
19	1001194383	1	Hose	
20	2220500	2	Fitting, 45 JIC/ORB	
23	1001213674	1	Hose	
26	1001213684	1	Hose	
27	1001213676	1	Hose	
29	2221040	2	Fitting, 45 JIC/ORB	
30	1001213677	1	Hose	
31	1001158199	2	Hose	
32	1001213678	1	Hose	
33	2110810	2	Fitting, Straight ORFS/ORB	
34	2130812	1	Fitting, 90 ORFS/ORB	
35	2220479	2	Fitting, Straight JIC/ORB	
36	2221081	1	Fitting, 45 JIC/ORB	
37	2220451	1	Fitting, Straight JIC/ORB	
38	2220578	1	Fitting, 90 JIC/ORB	
40	2220577	1	Fitting, Straight JIC/ORB	
41	2754244	2	Hose	
42	1001213679	1	Hose	
43	1001194381	1	Hose	
44	1001213680	1	Hose	
46	8760351	1	Fitting, 45 JIC/ORB	
48	2220497	2	Fitting, Straight JIC/ORB	
49	1001146311	1	Hose	
50	1001108128	1	Hose	
52	2220408	1	Fitting, Straight JIC/ORB	
53	2220435	1	Fitting, Straight JIC/ORB	
55	2221036	2	Fitting, 90 JIC/ORB	
56	1001206648	1	Hose	
57	1001194378	1	Hose	
58	2220237	2	Plug	
59	2221086	2	Fitting, Test Port	

SECTION 7 - HYDRAULIC

ITEM	PART NUMBER	QTY	DESCRIPTION	REV
60	2220472	3	Fitting, 90 JIC/ORB	
61	2755023	1	Hose	
62	2220502	2	Fitting, 45 JIC/ORB	
63	1001213681	5	Hose	
64	2221040	2	Fitting, 45 JIC/ORB	
65	2221050	1	Fitting, 45 JIC/ORB	

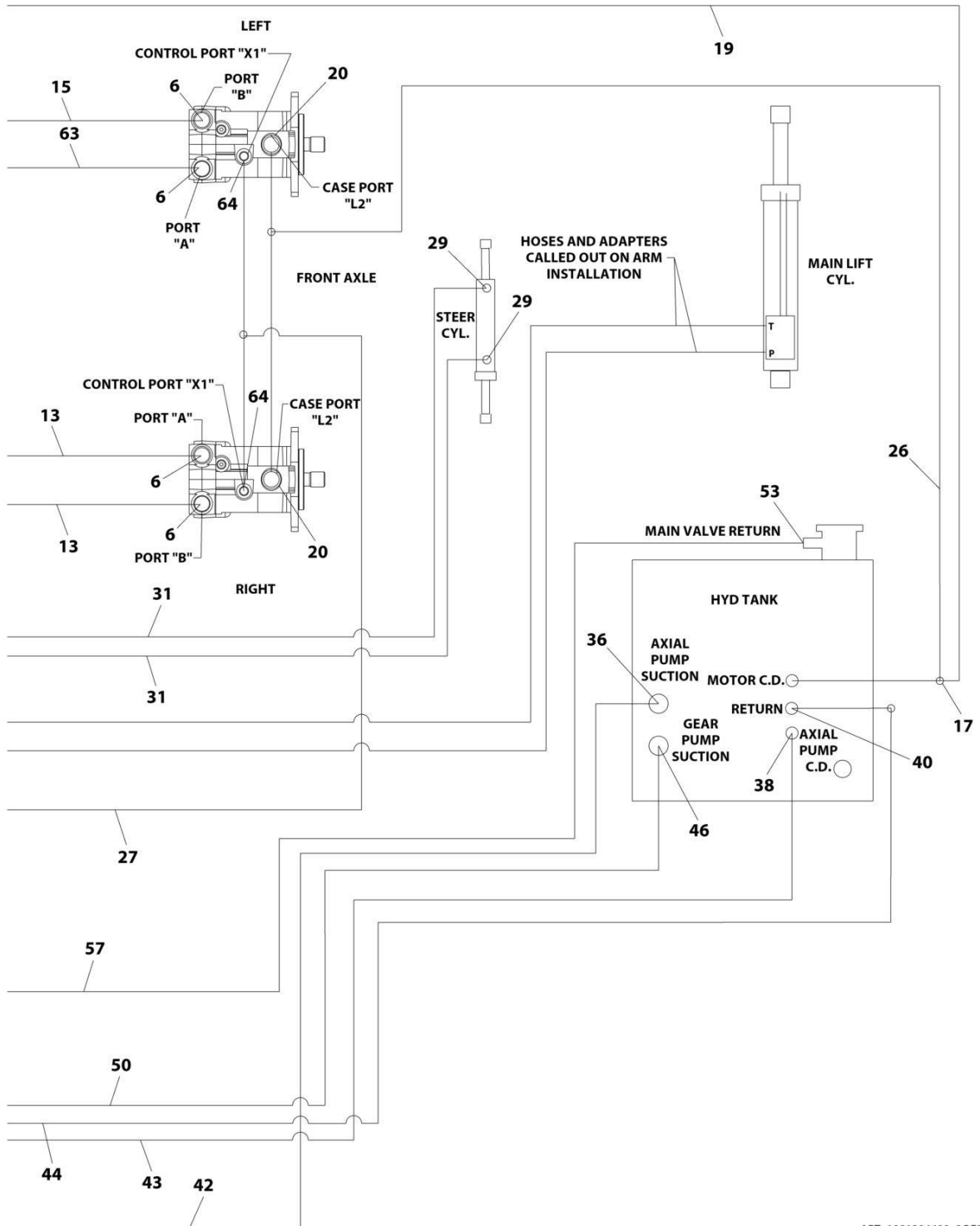
SECTION 7 - HYDRAULIC

FIGURE 7-4. HYDRAULIC DIAGRAM - STANDARD (CE & JAPANESE SPECS)



ART_1001204609_10F2

SECTION 7 - HYDRAULIC



ART_1001204609_2OF2

SECTION 7 - HYDRAULIC

FIGURE 7-4. HYDRAULIC DIAGRAM - STANDARD (CE & JAPANESE SPECS)

ITEM	PART NUMBER	QTY	DESCRIPTION	REV
	1001204609	Ref	HYDRAULIC DIAGRAM - STANDARD	D
1	2220415	8	Fitting, Straight JIC/ORB	
2	2220466	3	Fitting, 90 JIC/ORB	
3	2220473	1	Fitting, 90 JIC/ORB	
4	2220371	2	Fitting, Straight JIC/ORB	
5	2130808	6	Fitting, 90 ORFS/ORB	
6	2110812	9	Fitting, Straight ORFS/ORB	
7	2111216	2	Fitting, Straight ORFS/ORB	
8	2131216	2	Fitting, 90 ORFS/ORB	
9	2220238	1	Plug	
10	2110808	2	Fitting, Straight ORFS/ORB	
11	1001151351	1	Hose	
12	1001213672	1	Hose	
13	2753791	2	Hose	
14	1001213673	2	Hose	
15	2753970	1	Hose	
16	2220373	3	Fitting, Straight JIC/ORB	
17	2220602	1	Fitting, Tee JIC/ORB/JIC	
18	2220582	2	Fitting, Straight JIC/ORB	
19	1001194383	1	Hose	
20	2220500	2	Fitting, 45 JIC/ORB	
23	1001213674	1	Hose	
26	1001213684	1	Hose	
27	1001213676	1	Hose	
29	2221040	2	Fitting, 45 JIC/ORB	
30	1001213677	1	Hose	
31	1001158199	3	Hose	
32	1001173043	1	Hose	
33	2110810	2	Fitting, Straight ORFS/ORB	
34	2130812	1	Fitting, 90 ORFS/ORB	
35	2220479	2	Fitting, Straight JIC/ORB	
36	2221081	1	Fitting, 45 JIC/ORB	
37	2220451	1	Fitting, Straight JIC/ORB	
38	2220578	1	Fitting, 90 JIC/ORB	
40	2220577	1	Fitting, Straight JIC/ORB	
41	2754244	2	Hose	
42	1001213679	1	Hose	
43	1001194381	1	Hose	
44	1001213680	1	Hose	
46	8760351	1	Fitting, 45 JIC/ORB	
48	2220497	2	Fitting, Straight JIC/ORB	
49	1001146311	1	Hose	
50	1001108128	1	Hose	
51	2221050	1	Fitting, 45 JIC/ORB	
52	2220408	1	Fitting, Straight JIC/ORB	
53	2220435	1	Fitting, Straight JIC/ORB	
55	2221036	2	Fitting, 90 JIC/ORB	
56	1001206648	1	Hose	
57	1001194378	1	Hose	
58	2220237	2	Plug	

SECTION 7 - HYDRAULIC

ITEM	PART NUMBER	QTY	DESCRIPTION	REV
59	2221086	2	Fitting, Test Port	
60	2220472	3	Fitting, 90 JIC/ORB	
61	2755023	1	Hose	
62	2220502	2	Fitting, 45 JIC/ORB	
63	1001213681	5	Hose	
64	2221040	2	Fitting, 45 JIC/ORB	

SECTION 7 - HYDRAULIC

FIGURE 7-5. HYDRAULIC DIAGRAM LIST

ITEM	PART NUMBER	QTY	DESCRIPTION	REV
		Ref	Note: Information on diagrams not shown are available from JLG Service/Parts Departments. See Service and Maintenance Manual for Schematics.	
		Ref	HYDRAULIC DIAGRAM LIST	
	1001209314	Ref	HYDRAULIC DIAGRAM - LEVELING JACKS	
	1001204608	Ref	HYDRAULIC DIAGRAM - STANDARD (ALL SPECS EXCEPT CE SPECS)	
	1001204609	Ref	HYDRAULIC DIAGRAM - STANDARD (CE SPECS)	
	1001209179	Ref	HYDRAULIC SCHEMATIC (ALL SPECS EXCEPT CE SPECS)	
	1001209178	Ref	HYDRAULIC SCHEMATIC (CE & JAPANESE SPECS)	

SECTION 8 - ELECTRICAL

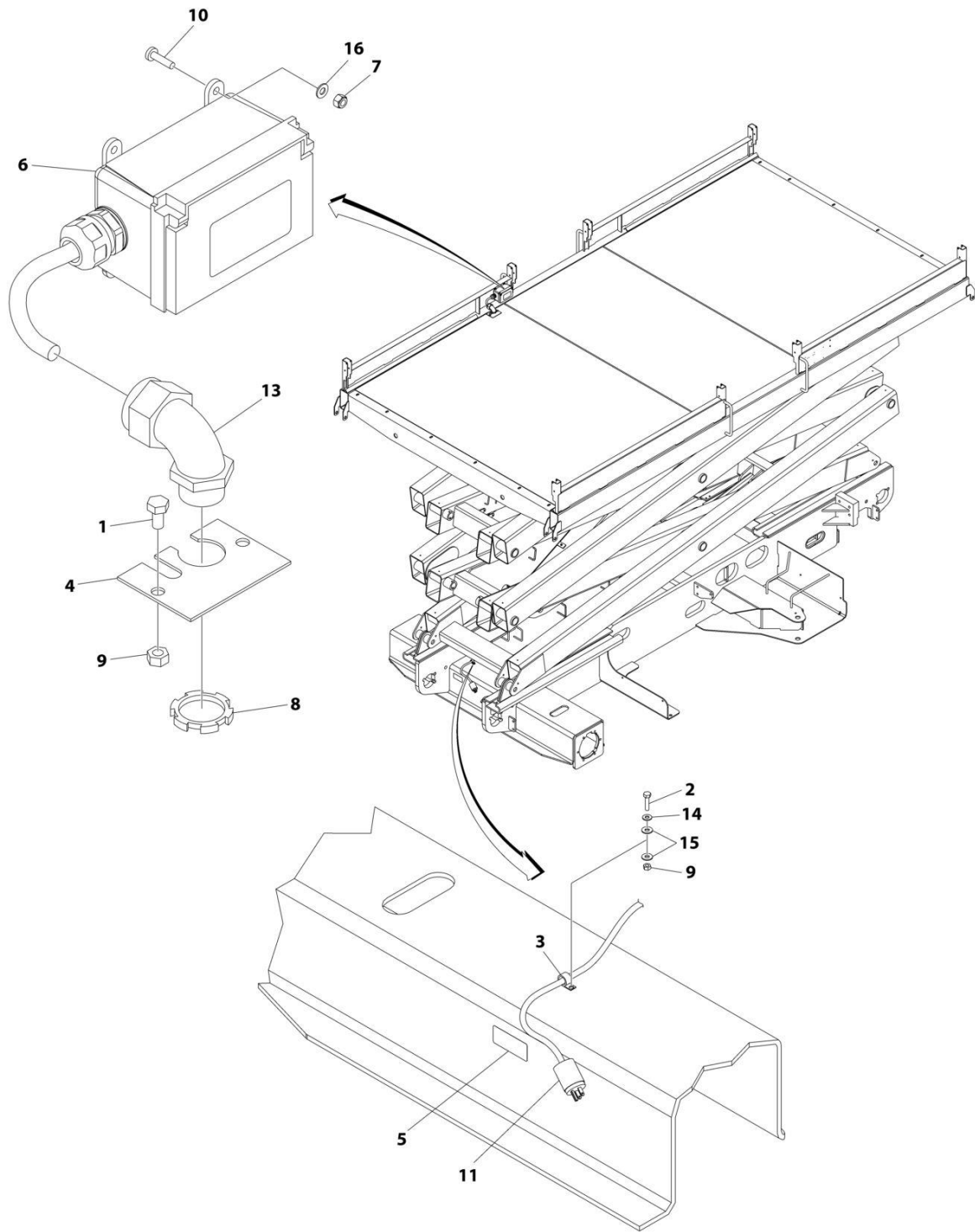
SECTION 8 - ELECTRICAL

FIGURE 8-1. ELECTRICAL DIAGRAM LIST

ITEM	PART NUMBER	QTY	DESCRIPTION	REV
		Ref	Note: For information, refer to Service Manual or contact JLG Customer Service Department.	
		Ref	ELECTRICAL DIAGRAM LIST	
	1001208849	Ref	Electrical Schematic (Prior to SN 0200267917)	
	1001236135	Ref	Electrical Schematic (SN 0200267917 through 0200269765)	
	1001208752	Ref	7500W Generator Electrical Diagram - Kubota Diesel Stage III	
	1001206708	Ref	7500W Generator Electrical Diagram - Kubota Diesel T4F	
	1001208751	Ref	7500W Generator Electrical Diagram - Kubota Gasoline	
	1870170	Ref	LSS Electrical Schematic (Prior to SN 0200268060)	
	1001239852	Ref	LSS Electrical Schematic (SN 0200268060 through 0200269765)	

SECTION 8 - ELECTRICAL

FIGURE 8-2. AC BOX AT PLATFORM INSTALLATION - 110V GFI (ALL SPECS EXCEPT AUSTRALIAN AND CE SPECS)



ART_1001206776

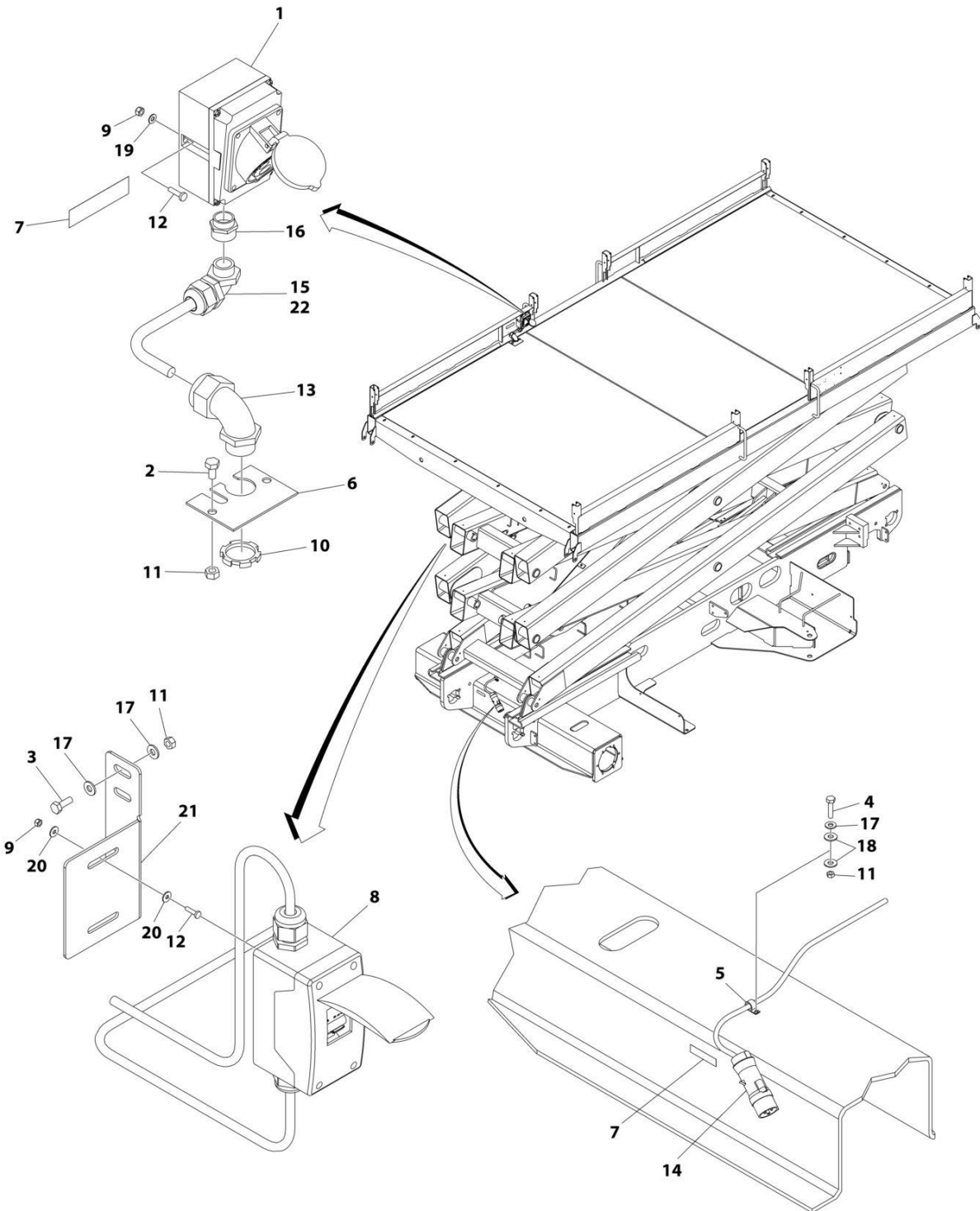
SECTION 8 - ELECTRICAL

FIGURE 8-2. AC BOX AT PLATFORM INSTALLATION - 110V GFI (ALL SPECS EXCEPT AUSTRALIAN AND CE SPECS)

ITEM	PART NUMBER	QTY	DESCRIPTION	REV
	1001206776	Ref	AC BOX AT PLATFORM INSTALLATION - 110V GFI	B
1	0641404	2	Bolt 1/4 x 1/2	
2	0641409	1	Bolt 1/4 x 1-1/8	
3	1320224	1	Clamp	
4	1670988	1	Cover	
5	1703464	1	Decal - AC Power	
6	2902431	1	Receptacle Box Kit - 110V GFI (See Separate Breakdown in this Section)	
7	3290405	4	Nut M4	
8	3300048	1	Nut 3/4	
9	3311405	3	Nut 1/4	
10	4010408	4	Screw M4 x 16	
11	4460138	1	Plug, Male	
12	4460315	3	Terminal, Spade (Not Shown)	
13	4460422	1	Connector, Strain Relief	
14	4711400	1	Washer 1/4	
15	4751400	2	Washer 1/4	
16	4811400	4	Washer M4	

SECTION 8 - ELECTRICAL

FIGURE 8-3. AC BOX AT PLATFORM INSTALLATION - 110V IEC YELLOW (CE SPECS)



ART_1001206782

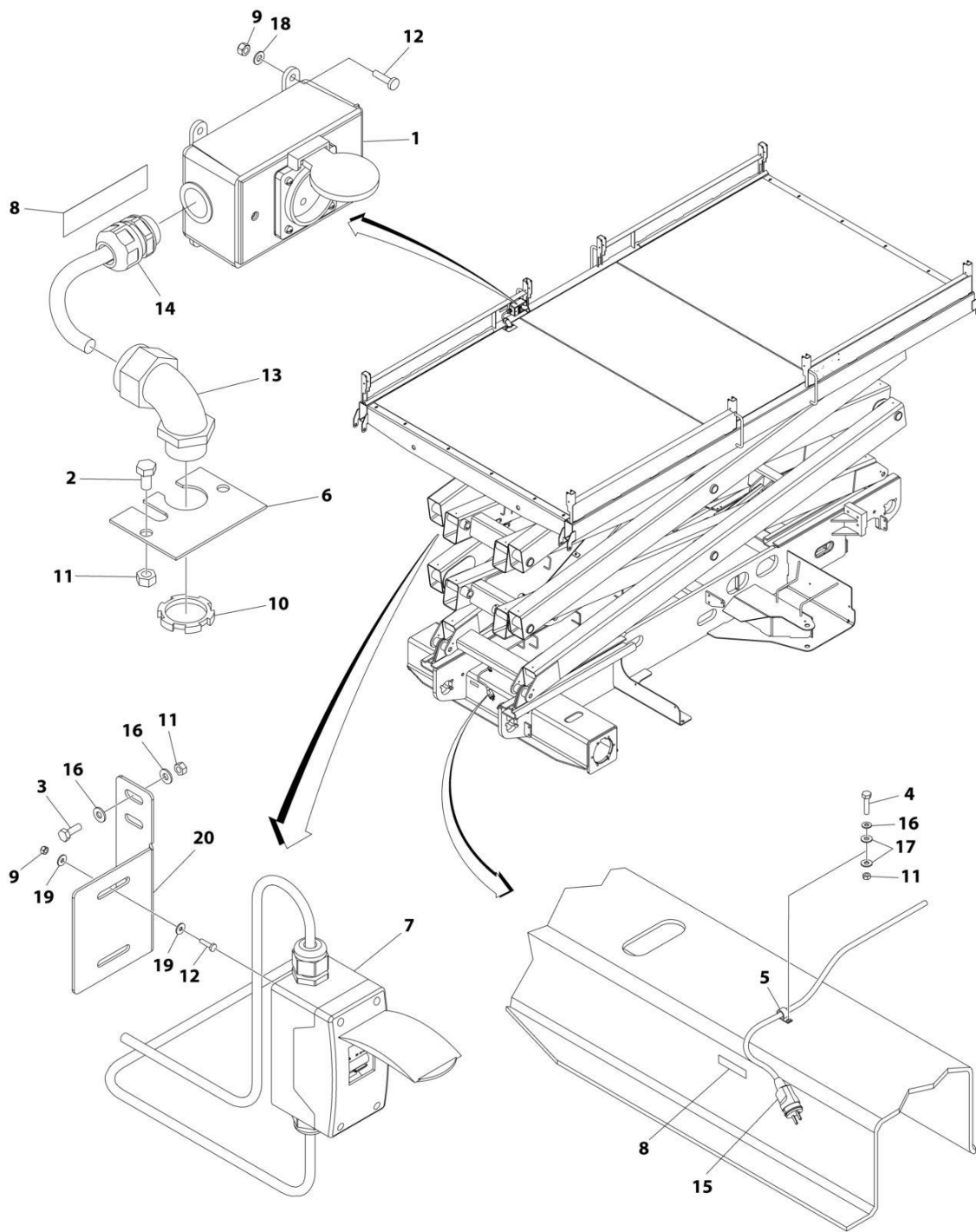
SECTION 8 - ELECTRICAL

FIGURE 8-3. AC BOX AT PLATFORM INSTALLATION - 110V IEC YELLOW (CE SPECS)

ITEM	PART NUMBER	QTY	DESCRIPTION	REV
	1001206782	Ref	AC BOX AT PLATFORM INSTALLATION - 110V IEC YELLOW (CE SPECS)	E
1	0275216	1	Receptacle Box Kit - 110V IEC Yellow (CE Specs) (See Separate Breakdown in this Section)	
2	0641404	2	Bolt 1/4 x 1/2	
3	0641406	2	Bolt 1/4 x 3/4	
4	0641409	1	Bolt 1/4 x 1-1/8	
5	1320224	1	Clamp	
6	1670988	1	Cover	
7	1705325	2	Decal - 110 Volt	
8	2902549	1	Breaker Box Kit (See Separate Breakdown in this Section) (Prior to SN 0200268756)	
8	1001096070	1	Breaker Box Kit (See Separate Breakdown in this Section) (SN 0200268756 through 0200269765)	
9	3290405	4	Nut M4	
10	3300048	1	Nut 3/4	
11	3311405	5	Nut 1/4	
12	4010408	4	Screw M4 x 16	
13	4460422	1	Connector, Strain Relief	
14	4461196	1	Plug, Male	
15	4461257	1	Connector, Strain Relief (Prior to SN 0200226714)	
16	4461258	1	Adapter (Prior to SN 0200226714)	
17	4711400	5	Washer 1/4	
18	4751400	2	Washer 1/4	
19	4811400	AR	Washer M4	
20	1001091102	4	Washer M4	
21	1001206928	1	Bracket	
22	4460968	1	Connector, Strain Relief (SN 0200226714 through 0200269765)	

SECTION 8 - ELECTRICAL

FIGURE 8-4. AC BOX AT PLATFORM INSTALLATION - 220V IEC BLUE (CE SPECS)



ART_1001206783

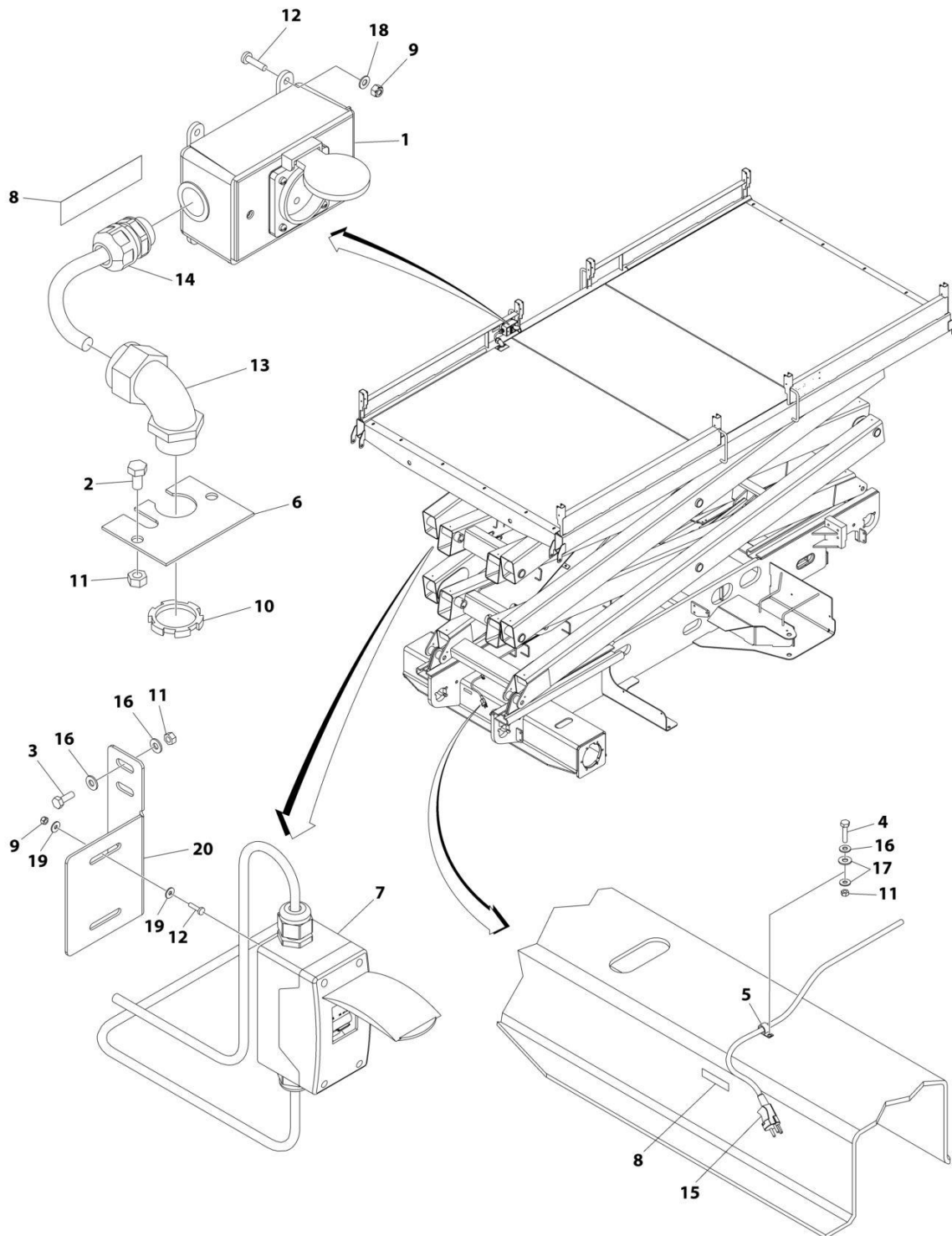
SECTION 8 - ELECTRICAL

FIGURE 8-4. AC BOX AT PLATFORM INSTALLATION - 220V IEC BLUE (CE SPECS)

ITEM	PART NUMBER	QTY	DESCRIPTION	REV
	1001206783	Ref	AC BOX AT PLATFORM INSTALLATION - 220V IEC BLUE (CE SPECS)	E
1	0275217	1	Receptacle Box Kit - 220V IEC Blue (CE Specs) (See Separate Breakdown in this Section)	
2	0641404	2	Bolt 1/4 x 1/2	
3	0641406	2	Bolt 1/4 x 3/4	
4	0641409	1	Bolt 1/4 x 1-1/8	
5	1320224	1	Clamp	
6	1670988	1	Cover	
7	2902549	1	Breaker Box Kit (See Separate Breakdown in this Section) (Prior to SN 0200268756)	
7	1001096070	1	Breaker Box Kit (See Separate Breakdown in this Section) (SN 0200268756 through 0200269765)	
8	3252507	2	Decal - 220 Volt	
9	3290405	AR	Nut M4	
10	3300048	1	Nut 3/4	
11	3311405	5	Nut 1/4	
12	4010408	AR	Screw M4 x 16	
13	4460422	1	Connector, Strain Relief	
14	4460968	1	Connector, Strain Relief	
15	4461202	1	Plug, Male	
16	4711400	5	Washer 1/4	
17	4751400	2	Washer 1/4	
18	4811400	4	Washer M4	
19	1001091102	4	Washer M4	
20	1001206928	1	Bracket	

SECTION 8 - ELECTRICAL

FIGURE 8-5. AC BOX AT PLATFORM INSTALLATION - 220V AFSINT 107 (CE SPECS)



ART_1001206781

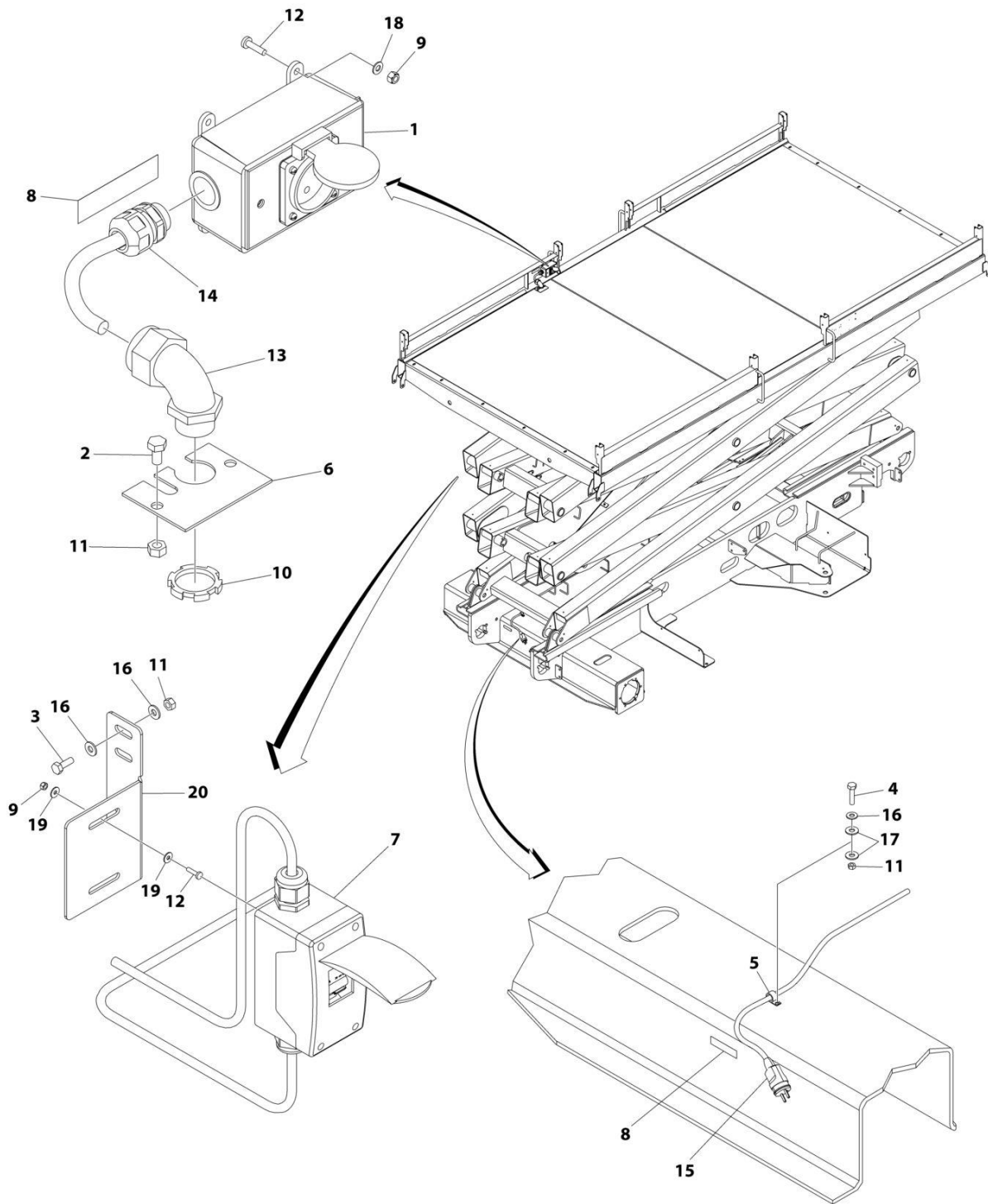
SECTION 8 - ELECTRICAL

FIGURE 8-5. AC BOX AT PLATFORM INSTALLATION - 220V AFSINT 107 (CE SPECS)

ITEM	PART NUMBER	QTY	DESCRIPTION	REV
	1001206781	Ref	AC BOX AT PLATFORM INSTALLATION - 220V AFSINT 107 (CE SPECS)	D
1	0275454	1	Receptacle Box Kit - 220V AFSINT 107 (CE Specs) (See Separate Breakdown in this Section)	
2	0641404	2	Bolt 1/4 x 1/2	
3	0641406	2	Bolt 1/4 x 3/4	
4	0641409	1	Bolt 1/4 x 1-1/8	
5	1320224	1	Clamp	
6	1670988	1	Cover	
7	2902549	1	Breaker Box Kit (See Separate Breakdown in this Section) (Prior to SN 0200268756)	
7	1001096070	1	Breaker Box Kit (See Separate Breakdown in this Section) (SN 0200268756 through 0200269765)	
8	3252507	2	Decal - 220 Volt	
9	3290405	6	Nut M4	
10	3300048	1	Nut 3/4	
11	3311405	5	Nut 1/4	
12	4010408	6	Screw M4 x 16	
13	4460422	1	Connector, Strain Relief	
14	4460968	1	Connector, Strain Relief	
15	4461249	1	Plug, Male	
16	4711400	5	Washer 1/4	
17	4751400	2	Washer 1/4	
18	4811400	4	Washer M4	
19	1001091102	4	Washer M4	
20	1001206928	1	Bracket	

SECTION 8 - ELECTRICAL

FIGURE 8-6. AC BOX AT PLATFORM INSTALLATION - 220V CEE7 POST GROUND 2X4 BOX (CE SPECS)



ART_1001206779

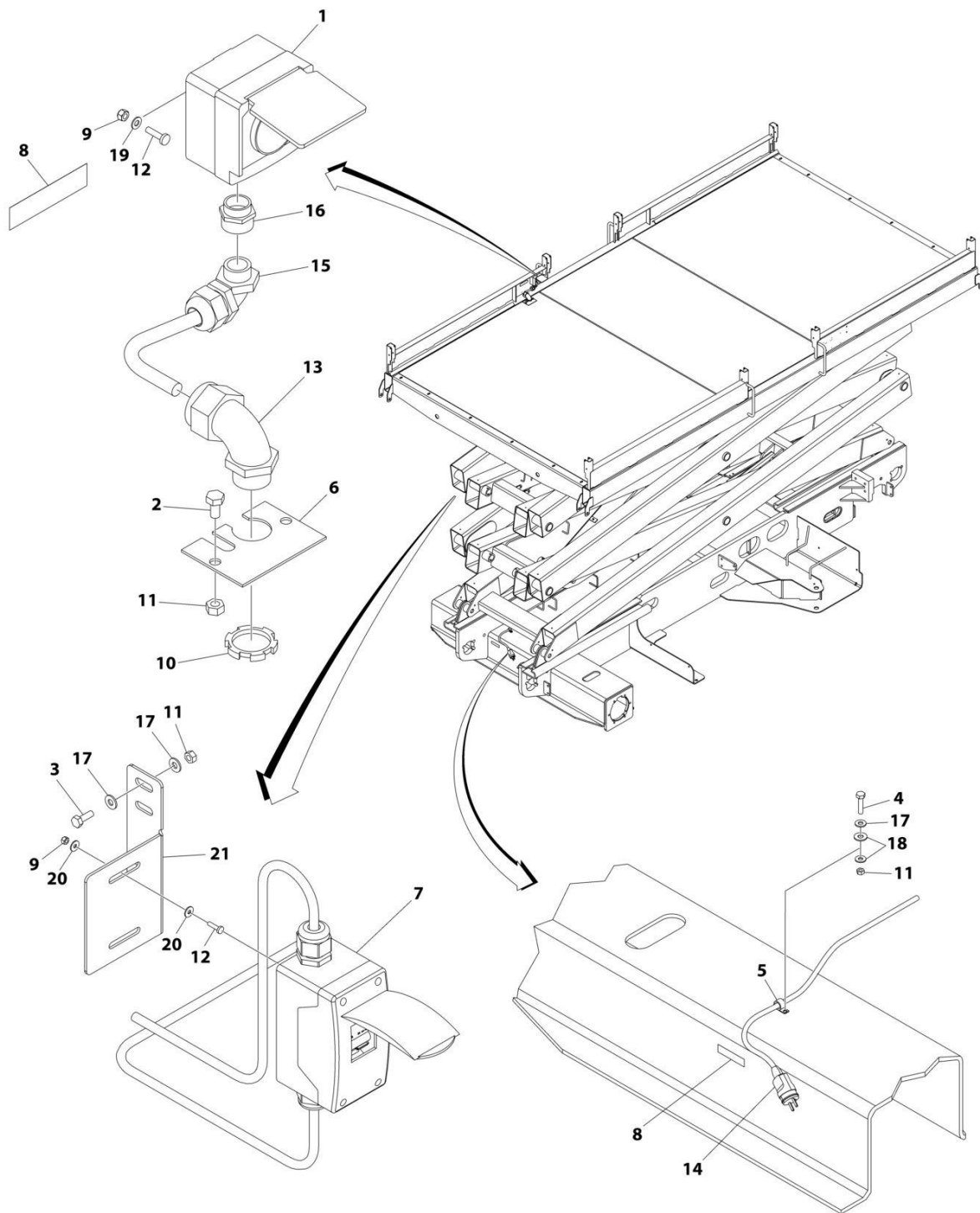
SECTION 8 - ELECTRICAL

FIGURE 8-6. AC BOX AT PLATFORM INSTALLATION - 220V CEE7 POST GROUND 2X4 BOX (CE SPECS)

ITEM	PART NUMBER	QTY	DESCRIPTION	REV
	1001206779	Ref	AC BOX AT PLATFORM INSTALLATION - 220V CEE7 POST GROUND 2X4 BOX (CE SPECS)	D
1	0275452	1	Receptacle Box Kit - 220V CEE7 Post Ground 2X4 Box (CE Specs) (See Separate Breakdown in this Section)	
2	0641404	2	Bolt 1/4 x 1/2	
3	0641406	2	Bolt 1/4 x 3/4	
4	0641409	1	Bolt 1/4 x 1-1/8	
5	1320224	1	Clamp	
6	1670988	1	Cover	
7	2902549	1	Breaker Box Kit (See Separate Breakdown in this Section) (Prior to SN 0200268756)	
7	1001096070	1	Breaker Box Kit (See Separate Breakdown in this Section) (SN 0200268756 through 0200269765)	
8	3252507	2	Decal - 220 Volt	
9	3290405	6	Nut M4	
10	3300048	1	Nut 3/4	
11	3311405	5	Nut 1/4	
12	4010408	6	Screw M4 x 16	
13	4460422	1	Connector, Strain Relief	
14	4460968	1	Connector, Strain Relief	
15	4461202	1	Plug, Male	
16	4711400	5	Washer 1/4	
17	4751400	2	Washer 1/4	
18	4811400	4	Washer M4	
19	1001091102	4	Washer M4	
20	1001206928	1	Bracket	

SECTION 8 - ELECTRICAL

FIGURE 8-7. AC BOX AT PLATFORM INSTALLATION - 220V CEE7 POST GROUND 70X70 BOX (CE SPECS)



ART_1001206784

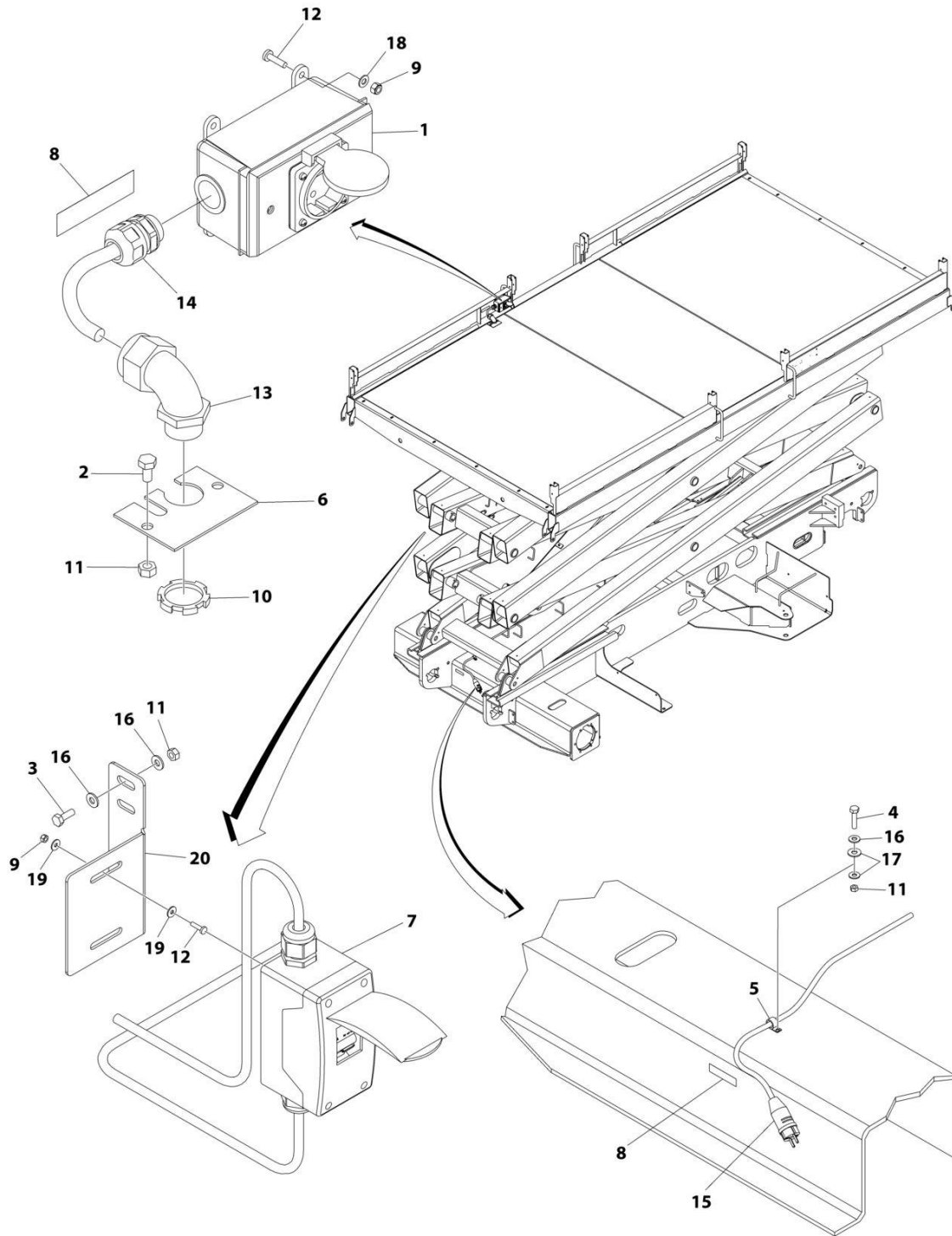
SECTION 8 - ELECTRICAL

FIGURE 8-7. AC BOX AT PLATFORM INSTALLATION - 220V CEE7 POST GROUND 70X70 BOX (CE SPECS)

ITEM	PART NUMBER	QTY	DESCRIPTION	REV
	1001206784	Ref	AC BOX AT PLATFORM INSTALLATION - 220V CEE7 POST GROUND 70X70 BOX (CE SPECS)	D
1	0275218	1	Receptacle Box Kit - 220V CEE7 Post Ground 70X70 Box (CE Specs) (See Separate Breakdown in this Section)	
2	0641404	2	Bolt 1/4 x 1/2	
3	0641406	2	Bolt 1/4 x 3/4	
4	0641409	1	Bolt 1/4 x 1-1/8	
5	1320224	1	Clamp	
6	1670988	1	Cover	
7	2902549	1	Breaker Box Kit (See Separate Breakdown in this Section) (Prior to SN 0200268756)	
7	1001096070	1	Breaker Box Kit (See Separate Breakdown in this Section) (SN 0200268756 through 0200269765)	
8	3252507	2	Decal - 220 Volt	
9	3290405	4	Nut M4	
10	3300048	1	Nut 3/4	
11	3311405	5	Nut 1/4	
12	4010408	4	Screw M4 x 16	
13	4460422	1	Connector, Strain Relief	
14	4461202	1	Plug, Male	
15	4461257	1	Connector, Strain Relief	
16	4461258	1	Adapter	
17	4711400	5	Washer 1/4	
18	4751400	2	Washer 1/4	
19	4811400	2	Washer M4	
20	1001091102	4	Washer M4	
21	1001206928	1	Bracket	

SECTION 8 - ELECTRICAL

FIGURE 8-8. AC BOX AT PLATFORM INSTALLATION - 220V CEE7 SIDE GROUND 2X4 BOX (CE SPECS)



ART_1001206780

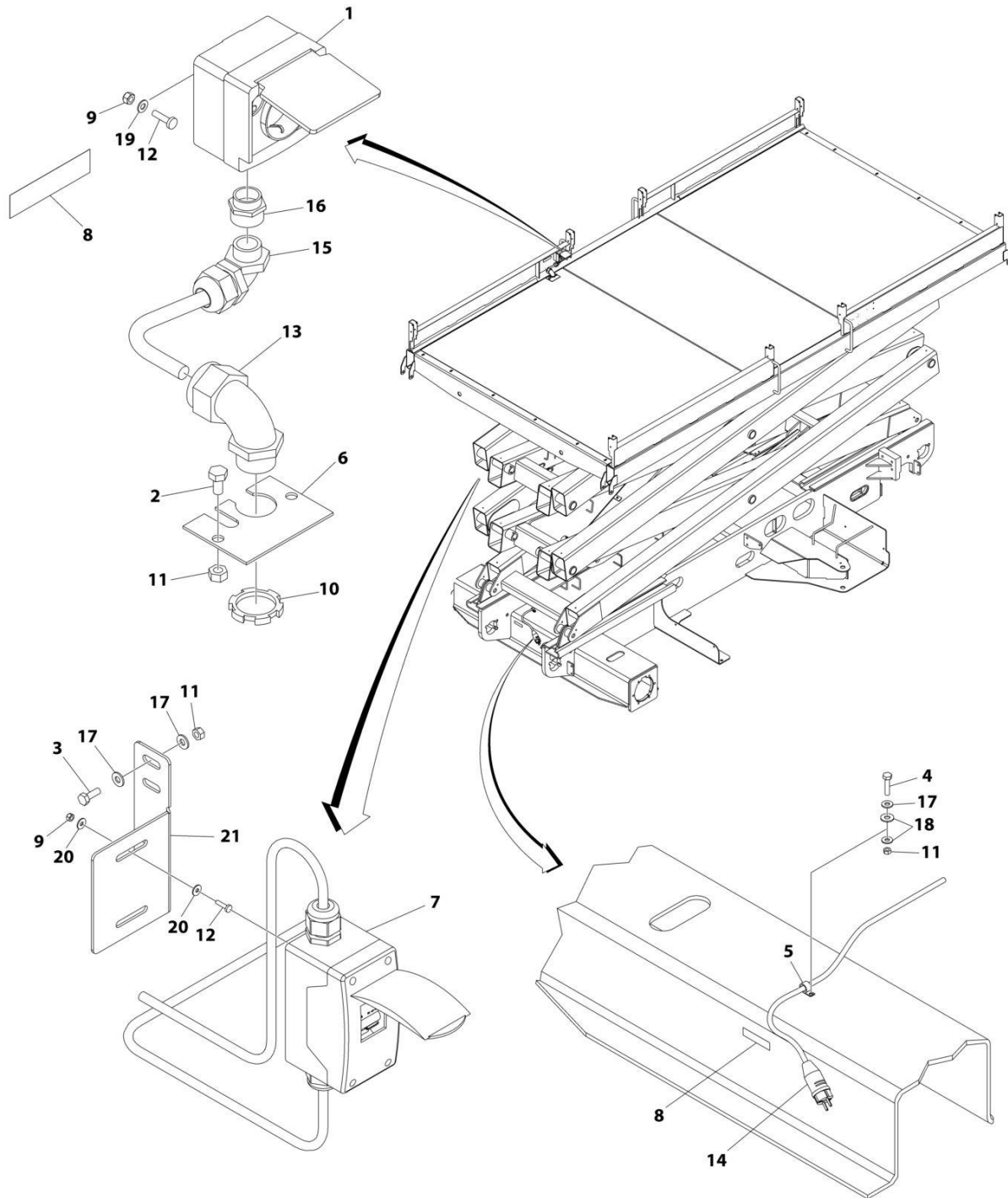
SECTION 8 - ELECTRICAL

FIGURE 8-8. AC BOX AT PLATFORM INSTALLATION - 220V CEE7 SIDE GROUND 2X4 BOX (CE SPECS)

ITEM	PART NUMBER	QTY	DESCRIPTION	REV
	1001206780	Ref	AC BOX AT PLATFORM INSTALLATION - 220V CEE7 SIDE GROUND 2X4 BOX (CE SPECS)	D
1	0275453	1	Receptacle Box Kit - 220V CEE7 Side Ground 2X4 Box (CE Specs) (See Separate Breakdown in this Section)	
2	0641404	2	Bolt 1/4 x 1/2	
3	0641406	2	Bolt 1/4 x 3/4	
4	0641409	1	Bolt 1/4 x 1-1/8	
5	1320224	1	Clamp	
6	1670988	1	Cover	
7	2902549	1	Breaker Box Kit (See Separate Breakdown in this Section) (Prior to SN 0200268756)	
7	1001096070	1	Breaker Box Kit (See Separate Breakdown in this Section) (SN 0200268756 through 0200269765)	
8	3252507	2	Decal - 220 Volt	
9	3290405	6	Nut M4	
10	3300048	1	Nut 3/4	
11	3311405	5	Nut 1/4	
12	4010408	6	Screw M4 x 16	
13	4460422	1	Connector, Strain Relief	
14	4460968	1	Connector, Strain Relief	
15	4461205	1	Plug, Male	
16	4711400	5	Washer 1/4	
17	4751400	2	Washer 1/4	
18	4811400	4	Washer M4	
19	1001091102	4	Washer M4	
20	1001206928	1	Bracket	

SECTION 8 - ELECTRICAL

FIGURE 8-9. AC BOX AT PLATFORM INSTALLATION - 220V CEE7 SIDE GROUND 70X70 BOX (CE SPECS)



ART_1001206785

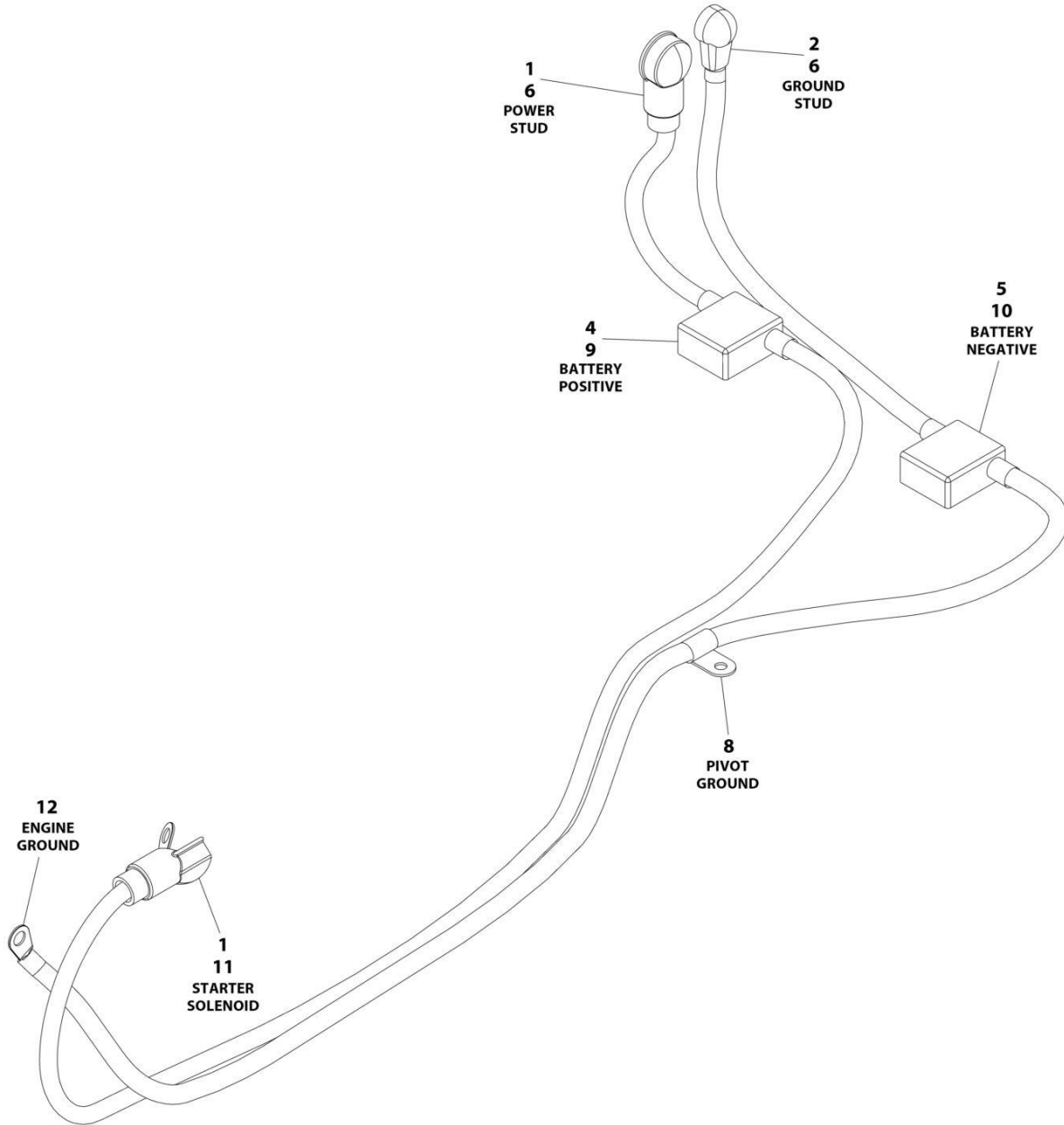
SECTION 8 - ELECTRICAL

FIGURE 8-9. AC BOX AT PLATFORM INSTALLATION - 220V CEE7 SIDE GROUND 70X70 BOX (CE SPECS)

ITEM	PART NUMBER	QTY	DESCRIPTION	REV
	1001206785	Ref	AC BOX AT PLATFORM INSTALLATION - 220V CEE7 SIDE GROUND 70X70 BOX (CE SPECS)	D
1	0275219	1	Receptacle Box Kit - 220V CEE7 Side Ground 70X70 Box (CE Specs) (See Separate Breakdown in this Section)	
2	0641404	2	Bolt 1/4 x 1/2	
3	0641406	2	Bolt 1/4 x 3/4	
4	0641409	1	Bolt 1/4 x 1-1/8	
5	1320224	1	Clamp	
6	1670988	1	Cover	
7	2902549	1	Breaker Box Kit (See Separate Breakdown in this Section) (Prior to SN 0200268756)	
7	1001096070	1	Breaker Box Kit (See Separate Breakdown in this Section) (SN 0200268756 through 0200269765)	
8	3252507	2	Decal - 220 Volt	
9	3290405	4	Nut M4	
10	3300048	1	Nut 3/4	
11	3311405	5	Nut 1/4	
12	4010408	4	Screw M4 x 16	
13	4460422	1	Connector, Strain Relief	
14	4461205	1	Plug, Male	
15	4461257	1	Connector, Strain Relief	
16	4461258	1	Adapter	
17	4711400	5	Washer 1/4	
18	4751400	2	Washer 1/4	
19	4811400	2	Washer M4	
20	1001091102	4	Washer M4	
21	1001206928	1	Bracket	

SECTION 8 - ELECTRICAL

FIGURE 8-10. BATTERY CABLE KIT



ART_1001186428

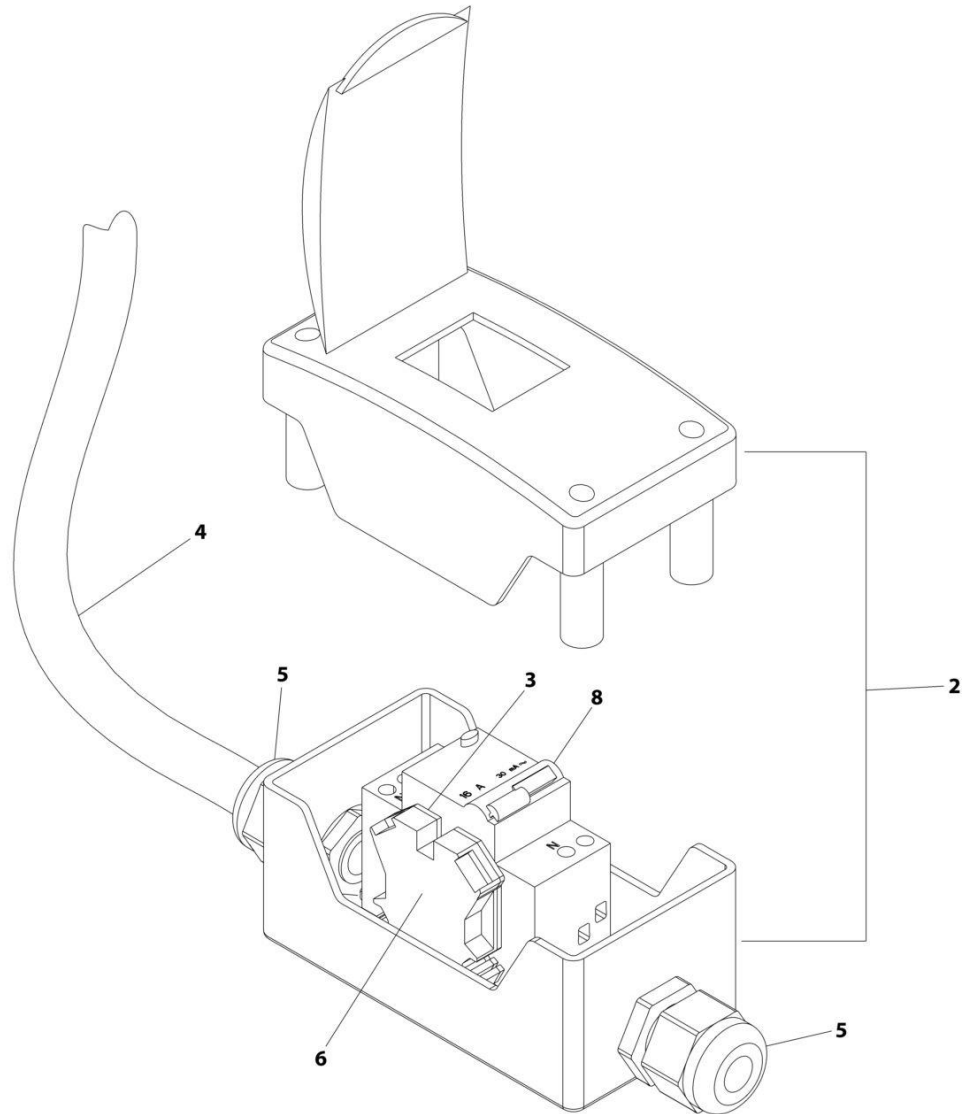
SECTION 8 - ELECTRICAL

FIGURE 8-10. BATTERY CABLE KIT

ITEM	PART NUMBER	QTY	DESCRIPTION	REV
	1001186428	Ref	BATTERY CABLE KIT	D
1	0840052	2	Boot	
2	1001098765	1	Boot	
3	1001137304	AR	Conduit (Red) (Not Shown)	
4	1001186483	1	Boot (Red)	
5	1001186484	1	Boot (Black)	
6	1001181804	2	Terminal, Ring	
7	1001186479	2	Terminal, Ring (Prior to SN 0200267032)	
8	1001186480	1	Terminal	
9	1001186481	1	Terminal, Battery +	
10	1001186482	1	Terminal, Battery -	
11	1001230006	1	Terminal, Angle 45, 5/16 (SN 0200267032 through 0200269765)	
12	1001230007	1	Terminal, Angle 45, 3/8 (SN 0200267032 through 0200269765)	

SECTION 8 - ELECTRICAL

FIGURE 8-11. BREAKER BOX KIT (Prior to SN 0200268756)



ART_2902549

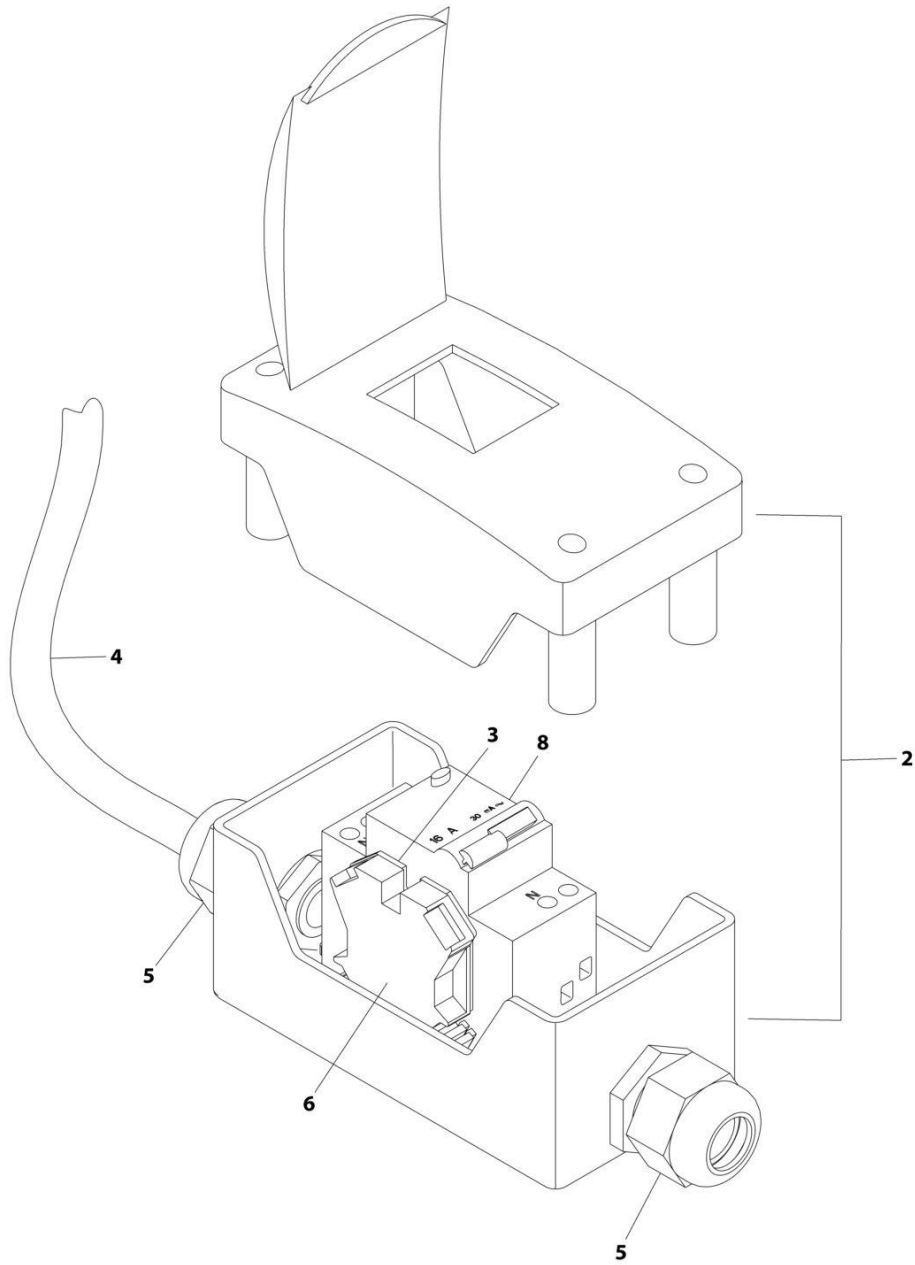
SECTION 8 - ELECTRICAL

FIGURE 8-11. BREAKER BOX KIT (Prior to SN 0200268756)

ITEM	PART NUMBER	QTY	DESCRIPTION	REV
	2902549	Ref	BREAKER BOX KIT - 110/220V 16AMP BREAKER	F
2	0861880	1	Box	
3	4460956	1	Barrier, Terminal	
4	1060908	6 ft/1.8m	Cable, 12/3	
5	1001097150	2	Connector, Strain Relief	
6	4460957	1	Block, Terminal	
8	1001181045	1	Breaker, Combination 16Amp/30mAmp	

SECTION 8 - ELECTRICAL

FIGURE 8-12. BREAKER BOX KIT (SN 0200268756 through 0200269765)



ART_1001096070

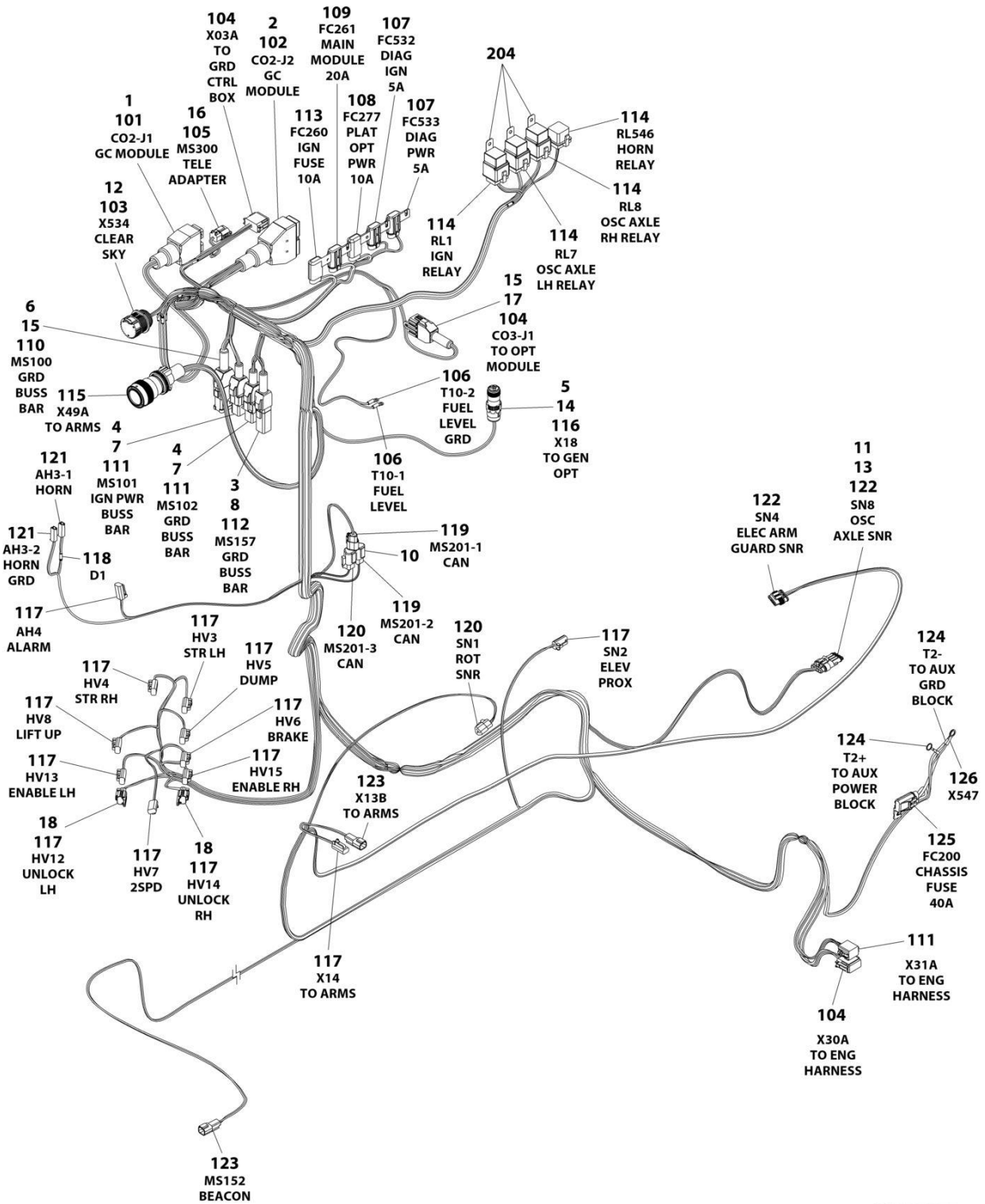
SECTION 8 - ELECTRICAL

FIGURE 8-12. BREAKER BOX KIT (SN 0200268756 through 0200269765)

ITEM	PART NUMBER	QTY	DESCRIPTION	REV
	1001096070	Ref	BREAKER BOX KIT	E
2	0861880	1	Box	
3	4460956	1	Barrier, Terminal Block End	
4	1060908	12 ft/ 3.6m	Cable, 12/3	
5	1001097150	2	Connector, Strain Relief	
6	4460957	1	Block, Terminal	
8	1001181045	1	Breaker, 16Amp	

SECTION 8 - ELECTRICAL

FIGURE 8-13. CHASSIS HARNESS (Prior to SN 0200267917)



ART_1001208757

SECTION 8 - ELECTRICAL

FIGURE 8-13. CHASSIS HARNESS (Prior to SN 0200267917)

ITEM	PART NUMBER	QTY	DESCRIPTION	REV
	1001208757	Ref	CHASSIS HARNESS	F
1	0840056	1	Boot	
2	0840057	1	Boot	
3	0840059	1	Boot	
4	0840061	2	Boot	
5	4460466	3	Plug, Terminal	
6	4460837	1	Bussbar - 12 Position	
7	4460852	1	Bussbar - 8 Position	
8	4460892	1	Bussbar - 6 Position	
10	4460945	1	Receptacle, 3 Way	
11	1001103013	1	Receptacle, Female - 4 Position	
12	1001106736	1	Cap, Dust	
13	1001116698	4	Plug, Terminal	
14	1001154726	1	Connector - 3 Position	
15	1001174455	2	Boot	
16	1001192401	1	Cap, Dust	
17	1001215898	1	Cap, Dust	
18	1001155806	2	Cap, Dust	
101	4460812	1	Connector - 24 Position	
101	4460465	17	Socket, Female	
101	4460944	3	Socket, Female	
101	4460942	2	Socket, Female	
101	4460466	2	Plug, Terminal	
102	4460814	1	Connector - 40 Position	
102	4460465	25	Socket, Female	
102	4460944	3	Socket, Female	
102	4460942	5	Socket, Female	
102	4460466	7	Plug, Terminal	
103	1001112612	1	Connector - 9 Position	
103	4460943	3	Pin, Male	
103	4460464	3	Pin, Male	
103	4460466	3	Plug, Terminal	
104	4460933	3	Plug, Male - 12 Position	
104	4460465	21	Socket, Female	
104	4460944	3	Socket, Female	
104	4460466	12	Plug, Terminal	
105	4460884	1	Plug, Male - 4 Position	
105	4460465	4	Socket, Female	
106	8220007	2	Terminal, Ring	
107	1001117078	2	Fuseholder with 5Amp Fuse	
107	See Note	NSS	Fuse - 5Amp ATO (Note: Purchase Locally)	
107	1001191599	2	Cover	
107	1001117019	2	Bracket	
107	1001116732	1	Terminal	
107	1001116733	1	Terminal	
108	1001117023	1	Fuseholder with 10Amp Fuse	
108	See Note	NSS	Fuse - 10Amp ATO (Note: Purchase Locally)	
108	1001191599	1	Cover	
108	1001117019	1	Bracket	
108	1001116734	2	Terminal	

SECTION 8 - ELECTRICAL

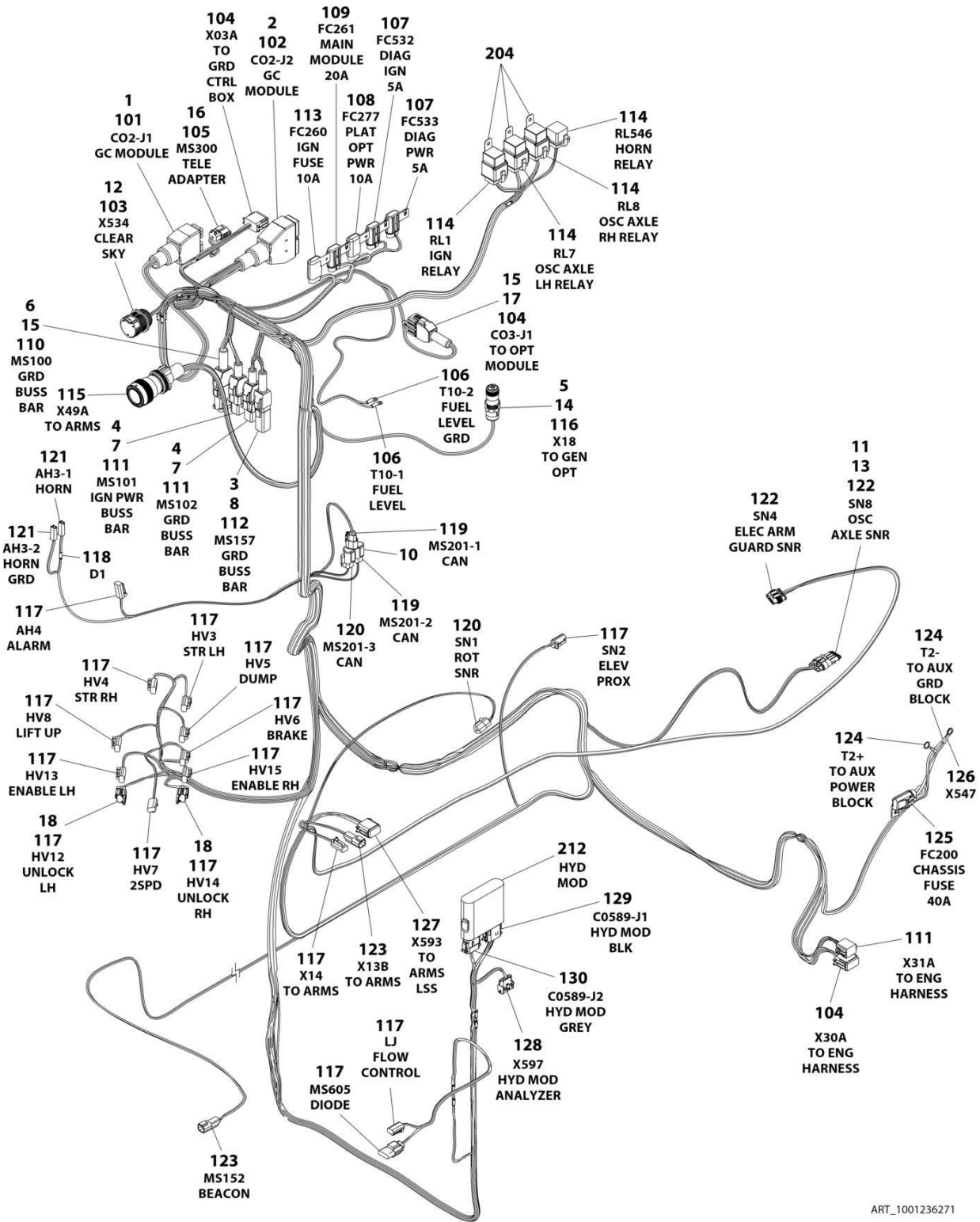
ITEM	PART NUMBER	QTY	DESCRIPTION	REV
109	1001117069	1	Fuseholder with 20Amp Fuse	
109	See Note	NSS	Fuse - 20Amp ATO (Note: Purchase Locally)	
109	1001191599	1	Cover	
109	1001117019	1	Bracket	
109	1001116734	2	Terminal	
110	4460836	1	Plug, Male - 12 Position	
110	4460465	9	Socket, Female	
110	4460466	3	Plug, Terminal	
111	4460851	3	Plug, Male - 8 Position	
111	4460465	18	Socket, Female	
111	4460944	3	Socket, Female	
111	4460466	1	Plug, Terminal	
112	4460894	1	Plug, Male - 6 Position	
112	4460465	6	Socket, Female	
113	1001201642	1	Fuseholder with 10Amp Fuse	
113	See Note	NSS	Fuse - 10Amp ATO (Note: Purchase Locally)	
113	1001191599	1	Cover	
113	See Note	NSS	Bracket (Note: Use p/n 1001201642)	
113	1001116733	2	Terminal	
114	1001117057	4	Plug, Relay	
114	1001116732	8	Terminal	
114	1001116733	8	Terminal	
115	1001116926	1	Connector - 21 Position	
115	4460465	4	Socket, Female	
115	4460944	3	Socket, Female	
115	4460509	4	Socket, Female	
115	4460466	10	Plug, Terminal	
116	4460967	1	Connector - 3 Position	
116	4460465	3	Socket, Female	
117	4460891	13	Plug, Male - 4 Position	
117	4460465	26	Socket, Female	
118	3990010	1	Diode	
119	1001116812	2	Plug, Male - 3 Position	
119	4460944	6	Socket, Female	
120	4460539	2	Plug, Male - 3 Position	
120	4460944	6	Socket, Female	
121	4460260	2	Cover, Terminal	
121	4460259	2	Terminal	
122	1001103012	2	Plug, Male - 4 Position	
122	1001107854	8	Socket, Female	
122	1001104498	4	Seal	
122	1001116763	4	Seal	
123	4460897	2	Receptacle, Female - 2 Position	
123	4460464	4	Pin, Male	
124	4460019	2	Terminal, Ring	
125	1001118938	1	Fuseholder with 40Amp Fuse	
125	See Note	NSS	Fuse - 40Amp ATO (Note: Purchase Locally)	
125	1001191599	1	Cover	
125	See Note	NSS	Bracket (Note: Use p/n 1001118938)	
125	1001116734	2	Terminal	
126	4460256	1	Terminal, Ring	

SECTION 8 - ELECTRICAL

ITEM	PART NUMBER	QTY	DESCRIPTION	REV
	1001209619	Ref	CHASSIS HARNESS INSTALLATION	D
204	3740080	3	Relay	

SECTION 8 - ELECTRICAL

FIGURE 8-14. CHASSIS HARNESS (SN 0200267917 through 0200269765)



ART_1001236271

SECTION 8 - ELECTRICAL

FIGURE 8-14. CHASSIS HARNESS (SN 0200267917 through 0200269765)

ITEM	PART NUMBER	QTY	DESCRIPTION	REV
	1001236271	Ref	CHASSIS HARNESS	E
1	0840056	1	Boot	
2	0840057	1	Boot	
3	0840059	1	Boot	
4	0840061	2	Boot	
5	4460466	3	Plug, Terminal	
6	4460837	1	Bussbar - 12 Position	
7	4460852	2	Bussbar - 8 Position	
8	4460892	1	Bussbar - 6 Position	
10	4460945	1	Receptacle, 3 Way	
11	1001103013	1	Receptacle, Female - 4 Position	
12	1001106736	1	Cap, Dust	
13	1001116698	4	Plug, Terminal	
14	1001154726	1	Connector - 3 Position	
15	1001174455	2	Boot	
16	1001192401	1	Cap, Dust	
17	1001215898	1	Cap, Dust	
18	1001155806	2	Cap, Dust	
101	4460812	1	Connector - 24 Position	
101	4460465	15	Socket, Female	
101	4460944	3	Socket, Female	
101	4460942	2	Socket, Female	
101	4460466	4	Plug, Terminal	
102	4460814	1	Connector - 40 Position	
102	4460465	25	Socket, Female	
102	4460944	3	Socket, Female	
102	4460942	5	Socket, Female	
102	4460466	7	Plug, Terminal	
103	1001112612	1	Connector - 9 Position	
103	4460943	3	Pin, Male	
103	4460464	3	Pin, Male	
103	4460466	3	Plug, Terminal	
104	4460933	3	Plug, Male - 12 Position	
104	4460465	19	Socket, Female	
104	4460944	5	Socket, Female	
104	4460466	12	Plug, Terminal	
105	4460884	1	Plug, Male - 4 Position	
105	4460465	4	Socket, Female	
106	8220007	2	Terminal, Ring	
107	1001117078	2	Fuseholder with 5Amp Fuse	
107	See Note	NSS	Fuse - 5Amp ATO (Note: Purchase Locally)	
107	1001191599	2	Cover	
107	1001117019	2	Bracket	
107	1001116732	1	Terminal	
107	1001116733	1	Terminal	
108	1001117023	1	Fuseholder with 10Amp Fuse	
108	See Note	NSS	Fuse - 10Amp ATO (Note: Purchase Locally)	
108	1001191599	1	Cover	
108	1001117019	1	Bracket	
108	1001116734	2	Terminal	

SECTION 8 - ELECTRICAL

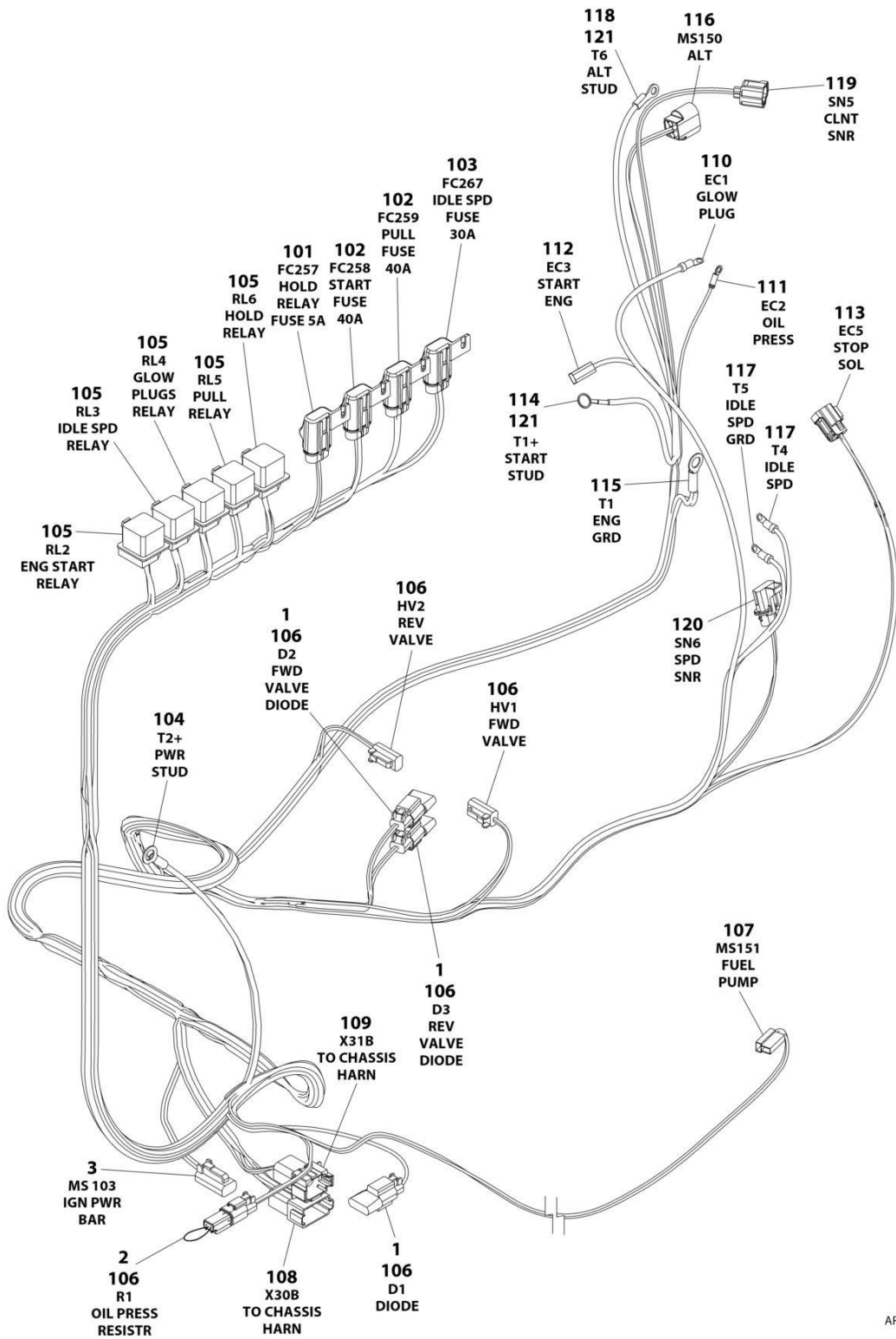
ITEM	PART NUMBER	QTY	DESCRIPTION	REV
109	1001117069	1	Fuseholder with 20Amp Fuse	
109	See Note	NSS	Fuse - 20Amp ATO (Note: Purchase Locally)	
109	1001191599	1	Cover	
109	1001117019	1	Bracket	
109	1001116734	2	Terminal	
110	4460836	1	Plug, Male - 12 Position	
110	4460465	10	Socket, Female	
110	4460466	2	Plug, Terminal	
111	4460851	3	Plug, Male - 8 Position	
111	4460465	20	Socket, Female	
111	4460944	3	Socket, Female	
111	4460466	1	Plug, Terminal	
112	4460894	1	Plug, Male - 6 Position	
112	4460465	6	Socket, Female	
113	1001201642	1	Fuseholder with 10Amp Fuse	
113	See Note	NSS	Fuse - 10Amp ATO (Note: Purchase Locally)	
113	1001191599	1	Cover	
113	See Note	NSS	Bracket (Note: Use p/n 1001201642)	
113	1001116733	2	Terminal	
114	1001117057	4	Plug, Relay	
114	1001116732	8	Terminal	
114	1001116733	8	Terminal	
115	1001116926	1	Connector - 21 Position	
115	4460465	4	Socket, Female	
115	4460944	3	Socket, Female	
115	4460509	4	Socket, Female	
115	4460466	10	Plug, Terminal	
116	4460967	1	Connector - 3 Position	
116	4460465	3	Socket, Female	
117	4460891	14	Plug, Male - 4 Position	
117	4460465	28	Socket, Female	
118	3990010	1	Diode	
119	1001116812	2	Plug, Male - 3 Position	
119	4460944	6	Socket, Female	
120	4460539	2	Plug, Male - 3 Position	
120	4460944	6	Socket, Female	
121	4460260	2	Cover, Terminal	
121	4460259	2	Terminal	
122	1001103012	2	Plug, Male - 4 Position	
122	1001107854	8	Socket, Female	
122	1001104498	4	Seal	
122	1001116763	4	Seal	
123	4460897	2	Receptacle, Female - 2 Position	
123	4460464	4	Pin, Male	
124	4460019	2	Terminal, Ring	
125	1001118938	1	Fuseholder with 40Amp Fuse	
125	See Note	NSS	Fuse - 40Amp ATO (Note: Purchase Locally)	
125	1001191599	1	Cover	
125	See Note	NSS	Bracket (Note: Use p/n 1001118938)	
125	1001116734	2	Terminal	
126	4460256	1	Terminal, Ring	

SECTION 8 - ELECTRICAL

ITEM	PART NUMBER	QTY	DESCRIPTION	REV
127	4460930	1	Plug, Male - 8 Position	
127	4460465	7	Socket, Female	
127	4460466	1	Plug, Terminal	
128	4460761	1	Receptacle, Female - 4 Position	
128	4460267	4	Pin, Male	
129	1001116808	1	Plug, Male - 12 Position	
129	1001126008	4	Terminal	
129	4460518	8	Plug, Terminal	
130	1001116774	1	Plug, Male - 12 Position	
130	1001126008	7	Terminal	
130	1001126009	2	Terminal	
130	4460518	3	Plug, Terminal	
	1001209619	Ref	CHASSIS HARNESS INSTALLATION	F
204	3740080	3	Relay	
212	1001234736	1	Module, Control	

SECTION 8 - ELECTRICAL

FIGURE 8-15. ENGINE HARNESS - KUBOTA DIESEL (Prior to SN 0200267917)



ART_1001209064

SECTION 8 - ELECTRICAL

FIGURE 8-15. ENGINE HARNESS - KUBOTA DIESEL (Prior to SN 0200267917)

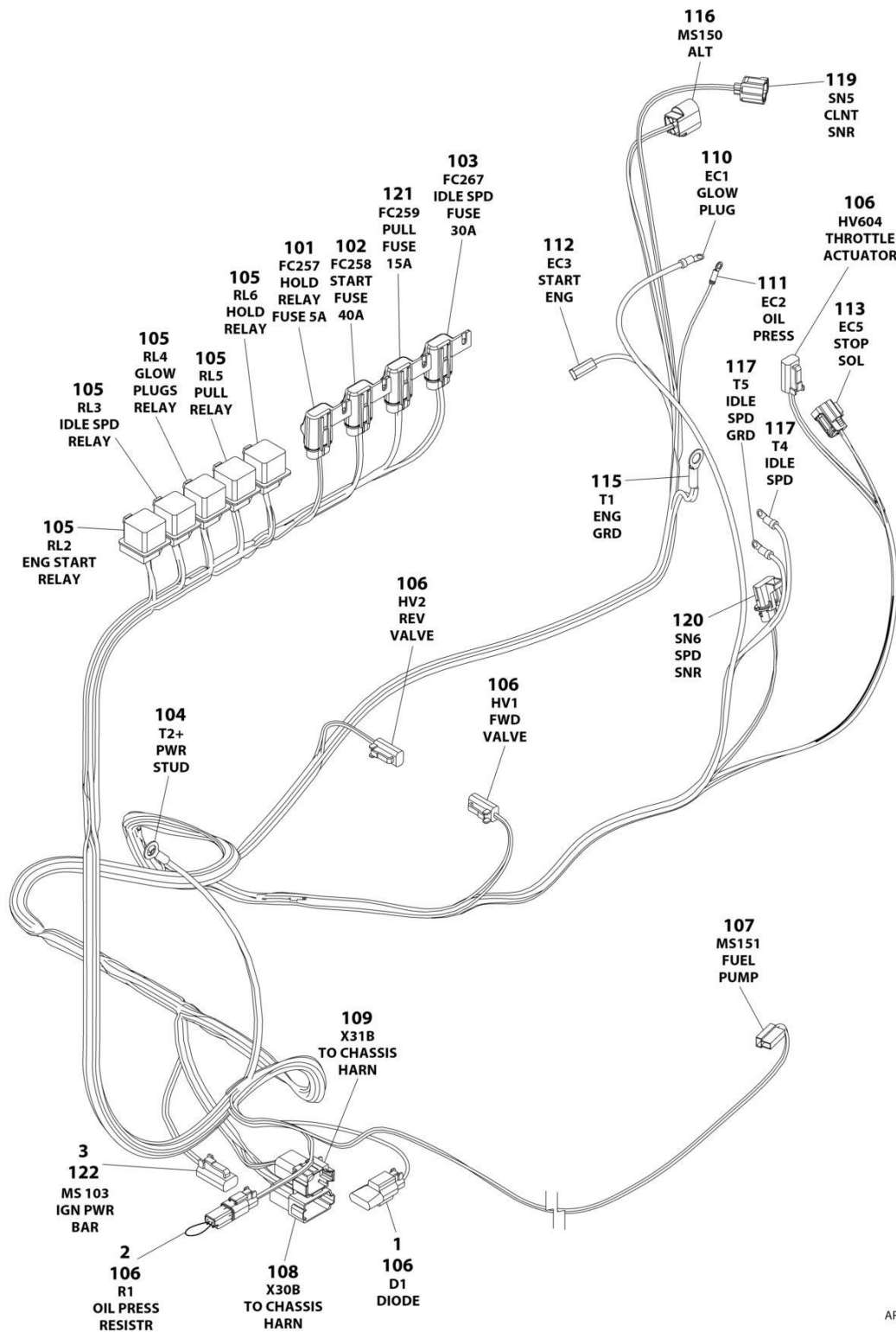
ITEM	PART NUMBER	QTY	DESCRIPTION	REV
	1001209064	Ref	ENGINE HARNESS - KUBOTA DIESEL	I
1	1001116816	3	Receptacle, Female with Diode	
2	1001195684	1	Resistor	
3	4460893	1	Terminal, 4 Position Buss Bar (SN 0200267032 through 0200267917)	
101	1001119412	1	Fuseholder with 5Amp Fuse	
101	See Note	NSS	Fuse - 5Amp ATO (Note: Purchase Locally)	
101	1001191599	1	Cover	
101	See Note	NSS	Bracket (Note: Use p/n 1001119412)	
101	1001116732	1	Terminal	
101	1001116733	1	Terminal	
102	1001118938	2	Fuseholder with 40Amp Fuse	
102	See Note	NSS	Fuse - 40Amp ATO (Note: Purchase Locally)	
102	1001191599	2	Cover	
102	See Note	NSS	Bracket (Note: Use p/n 1001118938)	
102	1001116734	4	Terminal	
103	1001117070	1	Fuseholder with 30Amp Fuse	
103	See Note	NSS	Fuse - 30Amp ATO (Note: Purchase Locally)	
103	1001191599	1	Cover	
103	See Note	NSS	Bracket (Note: Use p/n 1001117070)	
103	1001116734	4	Terminal	
104	8220164	2	Terminal, Ring	
105	1001117057	5	Plug, Relay	
105	1001116732	12	Terminal	
105	1001116734	AR	Terminal	
105	1001116752	1	Terminal	
106	4460891	6	Plug, Male - 4 Position	
106	4460465	10	Socket, Female	
106	4460942	2	Socket, Female	
107	1001118744	1	Receptacle, Female - 2 Position	
107	1001118745	2	Terminal (Prior to SN 0200267032)	
107	1001230488	2	Terminal (SN 0200267032 through 0200267917)	
108	4460970	1	Receptacle, Female - 12 Position	
108	4460464	11	Pin, Male	
108	4460466	1	Plug, Terminal	
109	1001116813	1	Receptacle, Female - 8 Position	
109	4460464	5	Pin, Male	
109	4460466	3	Plug, Terminal	
110	4460142	1	Terminal, Ring	
111	4460247	1	Terminal, Ring	
112	1001118743	1	Cover, Terminal	
112	1001118745	1	Terminal	
113	1001223432	1	Receptacle, Female - 2 Position	
113	1001223795	2	Terminal	
113	1001223796	2	Seal	
114	4460019	1	Terminal, Ring (Use Item 121) (Prior to SN 0200267917)	
115	8220164	1	Terminal, Ring	
116	1001125748	1	Receptacle, Female - 2 Position	
116	1001125773	2	Terminal	
116	1001129772	2	Seal	

SECTION 8 - ELECTRICAL

ITEM	PART NUMBER	QTY	DESCRIPTION	REV
117	4460042	2	Terminal, Ring	
118	8220045	1	Terminal, Ring (Use Item 121) (Prior to SN 0200267917)	
119	1001118657	1	Receptacle, Female - 2 Position	
119	1001118658	2	Terminal	
119	1001200250	2	Seal	
120	1001117055	1	Receptacle, Female - 2 Position	
120	4460746	2	Terminal	
120	1001175265	2	Seal	
121	1001234069	1	Harness, Fusible Link (Note: Replacement Harness p/n 1001209064 does not include item 114, 118 or associated wiring. Item 121 must be purchased separately.)	

SECTION 8 - ELECTRICAL

FIGURE 8-16. ENGINE HARNESS - KUBOTA DIESEL (SN 0200267917 through 0200269765)



ART_1001236545

SECTION 8 - ELECTRICAL

FIGURE 8-16. ENGINE HARNESS - KUBOTA DIESEL (SN 0200267917 through 0200269765)

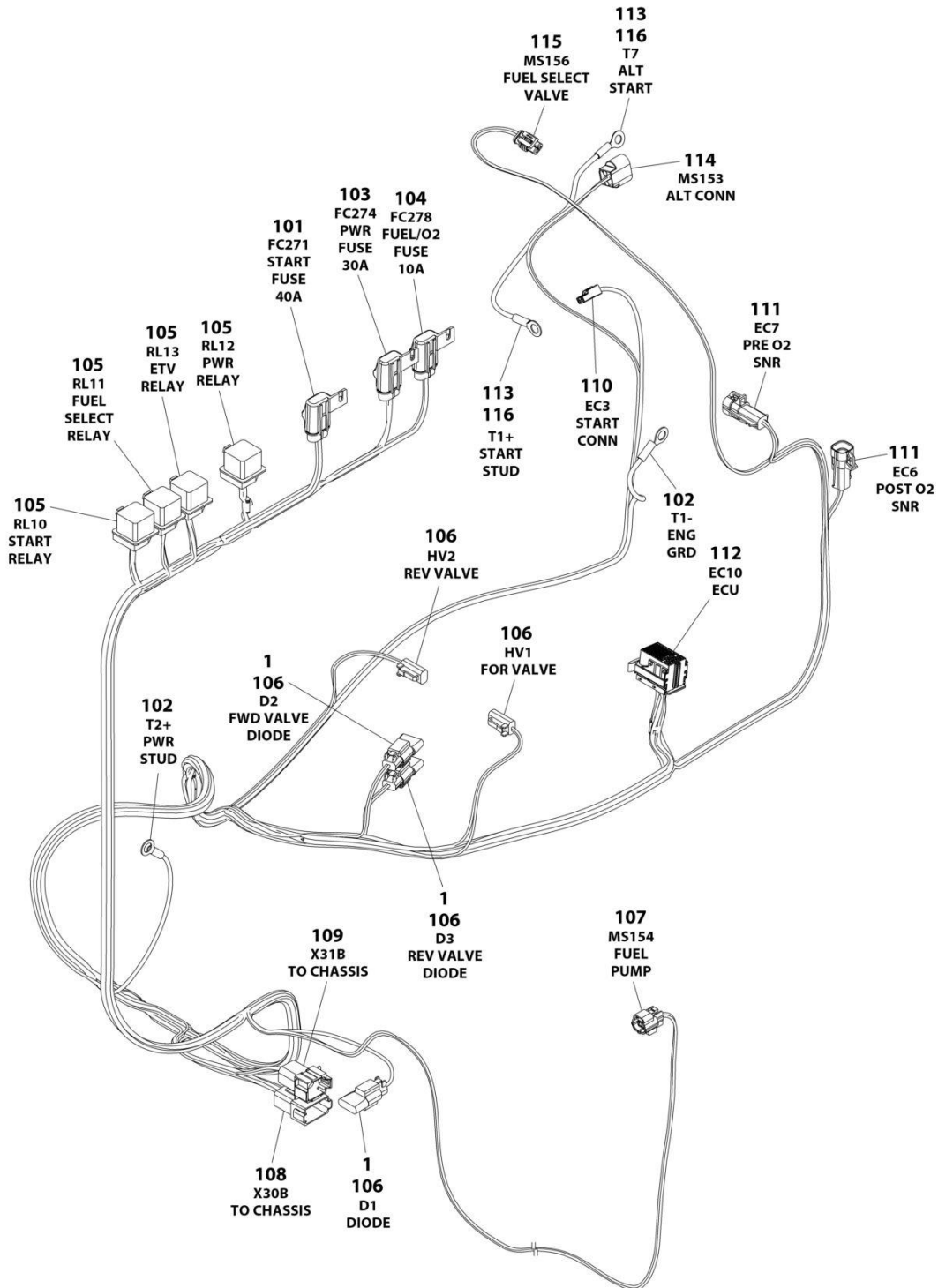
ITEM	PART NUMBER	QTY	DESCRIPTION	REV
	1001236545	Ref	ENGINE HARNESS - KUBOTA DIESEL	C
1	1001116816	3	Receptacle, Female with Diode	
2	1001195684	1	Resistor	
3	4460893	1	Terminal, 4 Position Buss Bar	
101	1001119412	1	Fuseholder with 5Amp Fuse	
101	See Note	NSS	Fuse - 5Amp ATO (Note: Purchase Locally)	
101	1001191599	1	Cover	
101	See Note	NSS	Bracket (Note: Use p/n 1001119412)	
101	1001116732	1	Terminal	
101	1001116733	1	Terminal	
102	1001118938	1	Fuseholder with 40Amp Fuse	
102	See Note	NSS	Fuse - 40Amp ATO (Note: Purchase Locally)	
102	1001191599	1	Cover	
102	See Note	NSS	Bracket (Note: Use p/n 1001118938)	
102	1001116734	2	Terminal	
103	1001117070	1	Fuseholder with 30Amp Fuse	
103	See Note	NSS	Fuse - 30Amp ATO (Note: Purchase Locally)	
103	1001191599	1	Cover	
103	See Note	NSS	Bracket (Note: Use p/n 1001117070)	
103	1001116734	2	Terminal	
104	8220164	2	Terminal, Ring	
105	1001117057	5	Plug, Relay	
105	1001116732	12	Terminal	
105	1001116734	8	Terminal	
106	4460891	6	Plug, Male - 4 Position	
106	4460465	10	Socket, Female	
106	4460942	2	Socket, Female	
107	1001118744	1	Receptacle, Female - 2 Position	
107	1001118745	2	Terminal	
108	4460970	1	Receptacle, Female - 12 Position	
108	4460464	11	Pin, Male	
108	4460941	1	Pin, Male	
109	1001116813	1	Receptacle, Female - 8 Position	
109	4460464	5	Pin, Male	
109	4460466	3	Plug, Terminal	
110	4460142	1	Terminal, Ring	
111	4460247	1	Terminal, Ring	
112	1001118743	1	Cover, Terminal	
112	1001230488	1	Terminal	
113	1001223432	1	Receptacle, Female - 2 Position	
113	1001223795	2	Terminal	
113	1001223796	2	Seal	
115	8220164	1	Terminal, Ring	
116	1001125748	1	Receptacle, Female - 2 Position	
116	1001125773	2	Terminal	
116	1001129772	2	Seal	
117	4460042	2	Terminal, Ring	
119	1001118657	1	Receptacle, Female - 2 Position	
119	1001118658	2	Terminal	
119	1001200250	2	Seal	

SECTION 8 - ELECTRICAL

ITEM	PART NUMBER	QTY	DESCRIPTION	REV
120	1001117055	1	Receptacle, Female - 2 Position	
120	4460746	2	Terminal	
120	1001175265	2	Seal	
121	1001117024	1	Fuseholder with 15Amp Fuse	
121	See Note	NSS	Fuse - 15Amp ATO (Note: Purchase Locally)	
121	1001191599	1	Cover	
121	See Note	NSS	Bracket (Note: Use p/n 1001117024)	
121	1001116734	2	Terminal	
122	4460884	1	Plug, Male - 4 Position	
122	4460465	3	Socket, Female	
122	4460466	1	Plug, Terminal	

SECTION 8 - ELECTRICAL

FIGURE 8-17. ENGINE HARNESS - KUBOTA GASOLINE (Prior to SN 0200267917)



ART_1001209931

SECTION 8 - ELECTRICAL

FIGURE 8-17. ENGINE HARNESS - KUBOTA GASOLINE (Prior to SN 0200267917)

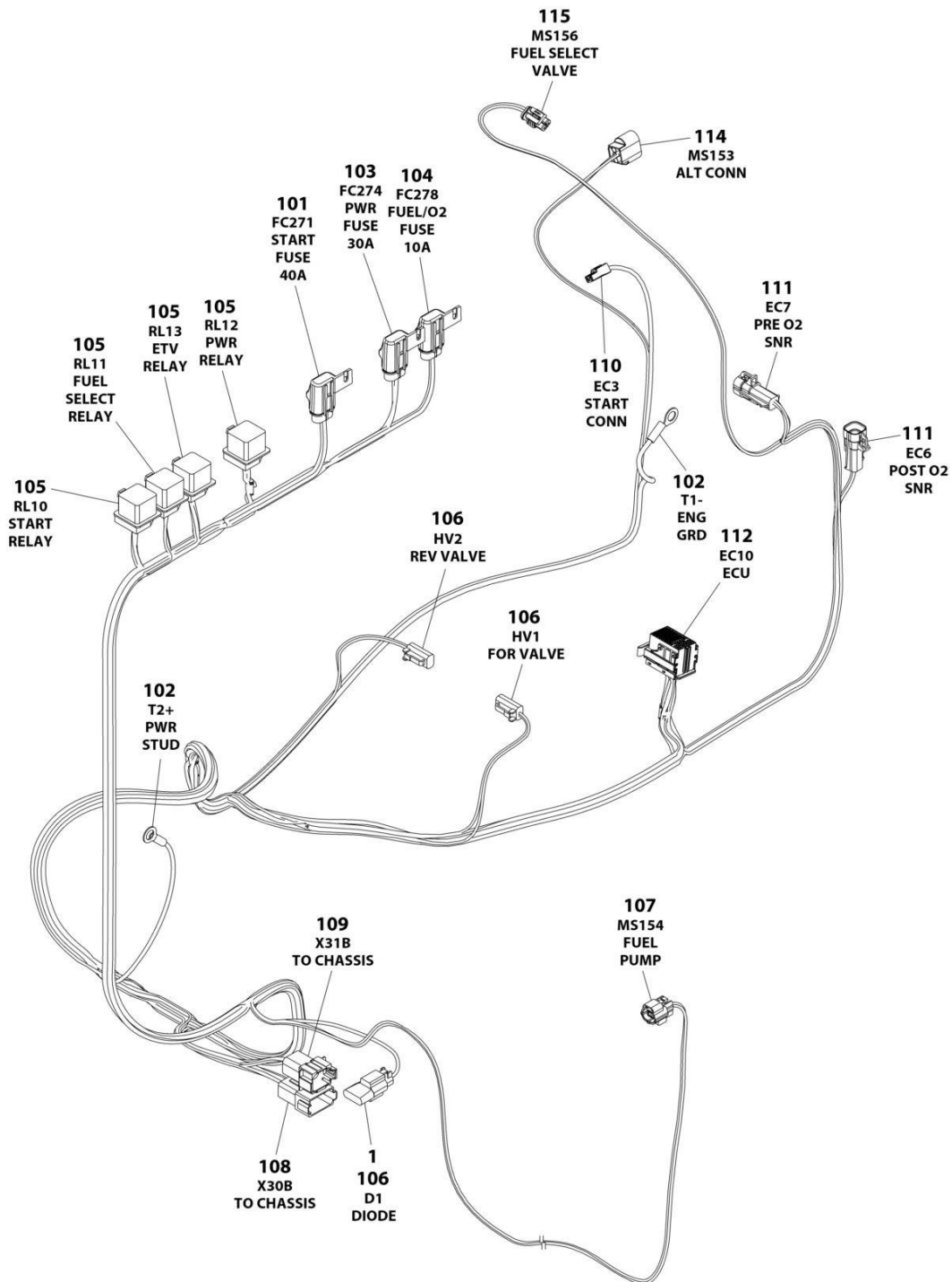
ITEM	PART NUMBER	QTY	DESCRIPTION	REV
	1001209931	Ref	ENGINE HARNESS - KUBOTA GASOLINE	G
1	1001116816	3	Receptacle, Female with Diode	
101	1001118938	2	Fuseholder with 40Amp Fuse	
101	See Note	NSS	Fuse - 40Amp ATO (Note: Purchase Locally)	
101	1001191599	2	Cover	
101	See Note	NSS	Bracket (Note: Use p/n 1001118938)	
101	1001116734	2	Terminal	
102	8220164	2	Terminal, Ring	
103	1001117070	1	Fuseholder with 30Amp Fuse	
103	See Note	NSS	Fuse - 30Amp ATO (Note: Purchase Locally)	
103	1001191599	1	Cover	
103	See Note	NSS	Bracket (Note: Use p/n 1001117070)	
103	1001116734	2	Terminal	
104	1001117023	1	Fuseholder with 10Amp Fuse	
104	See Note	NSS	Fuse - 10Amp ATO (Note: Purchase Locally)	
104	1001191599	1	Cover	
104	See Note	NSS	Bracket (Note: Use p/n 1001201642)	
104	1001116734	2	Terminal	
105	1001117057	4	Plug, Relay	
105	1001116732	6	Terminal	
105	1001116733	2	Terminal	
105	1001116734	7	Terminal	
105	1001116752	1	Terminal	
106	4460891	5	Plug, Male - 4 Position	
106	4460465	10	Socket, Female	
107	1001184832	1	Receptacle, Female - 2 Position	
107	1001118658	2	Terminal	
108	4460970	1	Receptacle, Female - 12 Position	
108	4460464	7	Pin, Male	
108	4460466	5	Plug, Terminal	
109	1001116813	1	Receptacle, Female - 8 Position	
109	4460464	1	Pin, Male	
109	4460943	3	Pin, Male	
109	4460466	4	Plug, Terminal	
110	1001184768	1	Cover, Terminal	
110	1001125033	2	Terminal	
111	4461124	2	Plug, Male - 4 Position	
111	1001116749	8	Terminal	
111	4460608	8	Seal	
112	1001184705	1	Connector - 42 Position	
112	1001187455	5	Terminal	
112	1001184716	10	Terminal	
112	1001184717	2	Terminal	
112	1001184718	4	Terminal	
112	4461054	6	Seal	
112	1001167690	3	Seal	
112	1001126393	12	Seal	
112	1001116696	21	Plug, Terminal	
113	8220045	2	Terminal, Ring (Use item 116) (Prior to SN 0200267917)	
114	1001125748	1	Receptacle, Female - 2 Position	

SECTION 8 - ELECTRICAL

ITEM	PART NUMBER	QTY	DESCRIPTION	REV
114	1001125773	2	Terminal	
114	1001129772	2	Seal	
115	4461118	1	Plug, Male - 2 Position	
115	See Note	NSS	Terminal (Note: Not Available for Purchase)	
115	1001104498	2	Seal	
116	1001234069	1	Harness, Fusible Link (Note: Replacement Harness p/n 1001209931 does not include item 113 and associated wiring. Item 116 must be purchased separately.)	

SECTION 8 - ELECTRICAL

FIGURE 8-18. ENGINE HARNESS - KUBOTA GASOLINE (SN 0200267917 through 0200269765)



ART_1001236546

SECTION 8 - ELECTRICAL

FIGURE 8-18. ENGINE HARNESS - KUBOTA GASOLINE (SN 0200267917 through 0200269765)

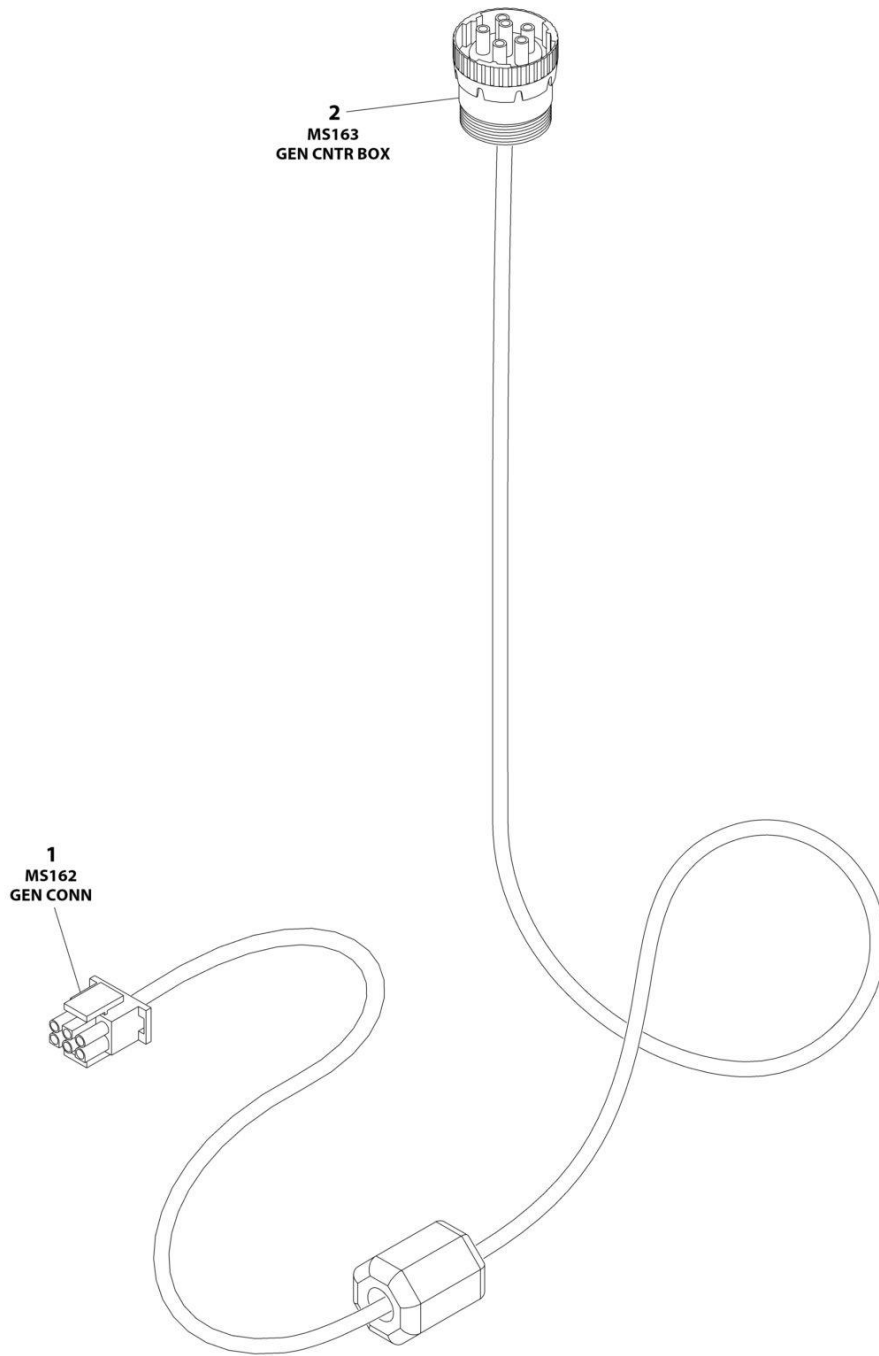
ITEM	PART NUMBER	QTY	DESCRIPTION	REV
	1001236546	Ref	ENGINE HARNESS - KUBOTA GASOLINE	C
1	1001116816	1	Receptacle, Female with Diode	
101	1001118938	1	Fuseholder with 40Amp Fuse	
101	See Note	NSS	Fuse - 40Amp ATO (Note: Purchase Locally)	
101	1001191599	1	Cover	
101	See Note	NSS	Bracket (Note: Use p/n 1001118938)	
101	1001116734	2	Terminal	
102	8220164	2	Terminal, Ring	
103	1001117070	1	Fuseholder with 30Amp Fuse	
103	See Note	NSS	Fuse - 30Amp ATO (Note: Purchase Locally)	
103	1001191599	1	Cover	
103	See Note	NSS	Bracket (Note: Use p/n 1001117070)	
103	1001116734	2	Terminal	
104	1001117023	1	Fuseholder with 10Amp Fuse	
104	See Note	NSS	Fuse - 10Amp ATO (Note: Purchase Locally)	
104	1001191599	1	Cover	
104	See Note	NSS	Bracket (Note: Use p/n 1001201642)	
104	1001116734	2	Terminal	
105	1001117057	4	Plug, Relay	
105	1001116732	6	Terminal	
105	1001116733	2	Terminal	
105	1001116734	7	Terminal	
105	1001116752	1	Terminal	
106	4460891	3	Plug, Male - 4 Position	
106	4460465	6	Socket, Female	
107	1001184832	1	Receptacle, Female - 2 Position	
107	1001118658	2	Terminal	
108	4460970	1	Receptacle, Female - 12 Position	
108	4460464	7	Pin, Male	
108	4460466	5	Plug, Terminal	
109	1001116813	1	Receptacle, Female - 8 Position	
109	4460464	1	Pin, Male	
109	4460943	3	Pin, Male	
109	4460466	4	Plug, Terminal	
110	1001184768	1	Cover, Terminal	
110	1001184769	2	Terminal	
111	4461124	2	Plug, Male - 4 Position	
111	1001116749	8	Terminal	
111	4460608	8	Seal	
112	1001184705	1	Connector - 42 Position	
112	1001187455	5	Terminal	
112	1001184716	10	Terminal	
112	1001184717	2	Terminal	
112	1001184718	4	Terminal	
112	4461054	6	Seal	
112	1001167690	3	Seal	
112	1001126393	10	Seal	
112	1001223459	2	Seal	
112	1001116691	20	Plug, Terminal	
112	1001116696	1	Plug, Terminal	

SECTION 8 - ELECTRICAL

ITEM	PART NUMBER	QTY	DESCRIPTION	REV
114	1001125748	1	Receptacle, Female - 2 Position	
114	1001125773	2	Terminal	
114	1001129772	2	Seal	
115	4461118	1	Plug, Male - 2 Position	
115	1001107854	2	Terminal	
115	1001116763	2	Seal	

SECTION 8 - ELECTRICAL

FIGURE 8-19. GENERATOR HARNESS - 7500W (Prior to SN 0200267640)



ART_1001186821

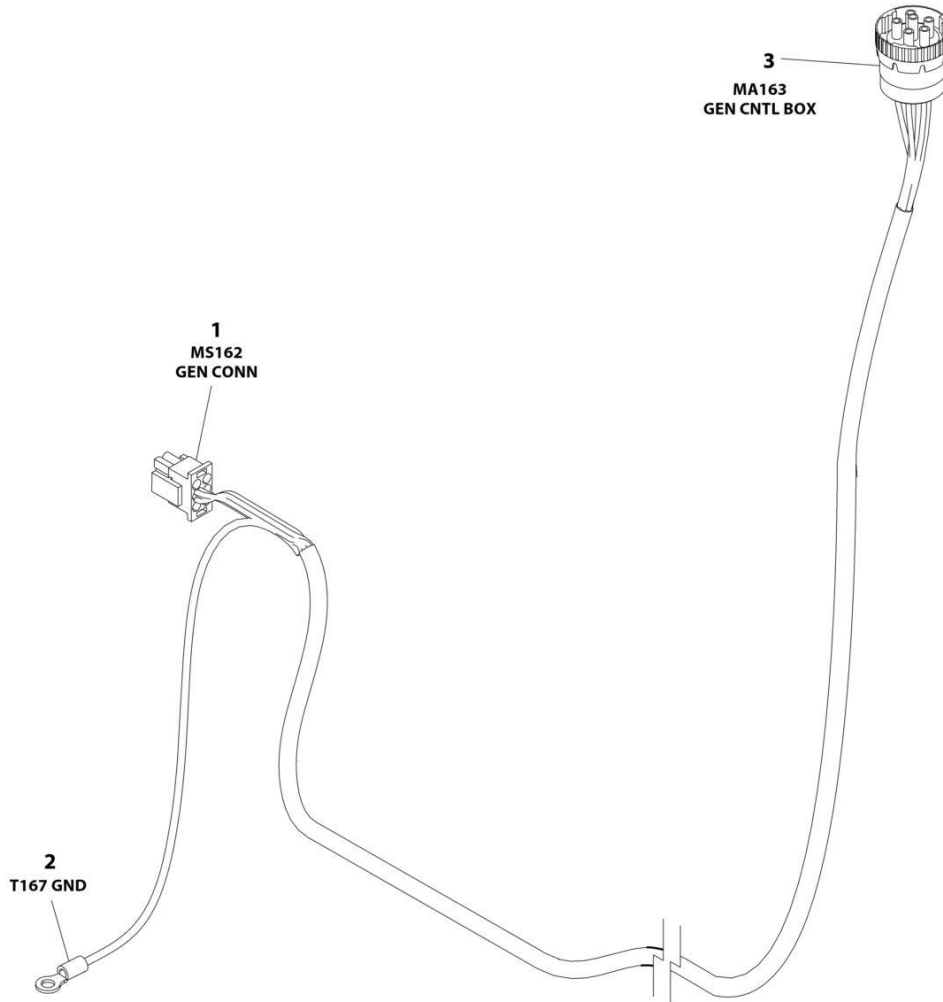
SECTION 8 - ELECTRICAL

FIGURE 8-19. GENERATOR HARNESS - 7500W (Prior to SN 0200267640)

ITEM	PART NUMBER	QTY	DESCRIPTION	REV
	1001186821	Ref	GENERATOR HARNESS - 7500W	D
1	4460225	1	Plug, Male - 6 Position	
1	4460268	6	Socket, Female	
1	4460807	1	Seal, Terminal	
2	77363233	1	Connector - 6 Position	
2	4460465	6	Socket, Female	

SECTION 8 - ELECTRICAL

FIGURE 8-20. GENERATOR HARNESS - 7500W (SN 0200267640 through 0200269765)



ART_1001236442

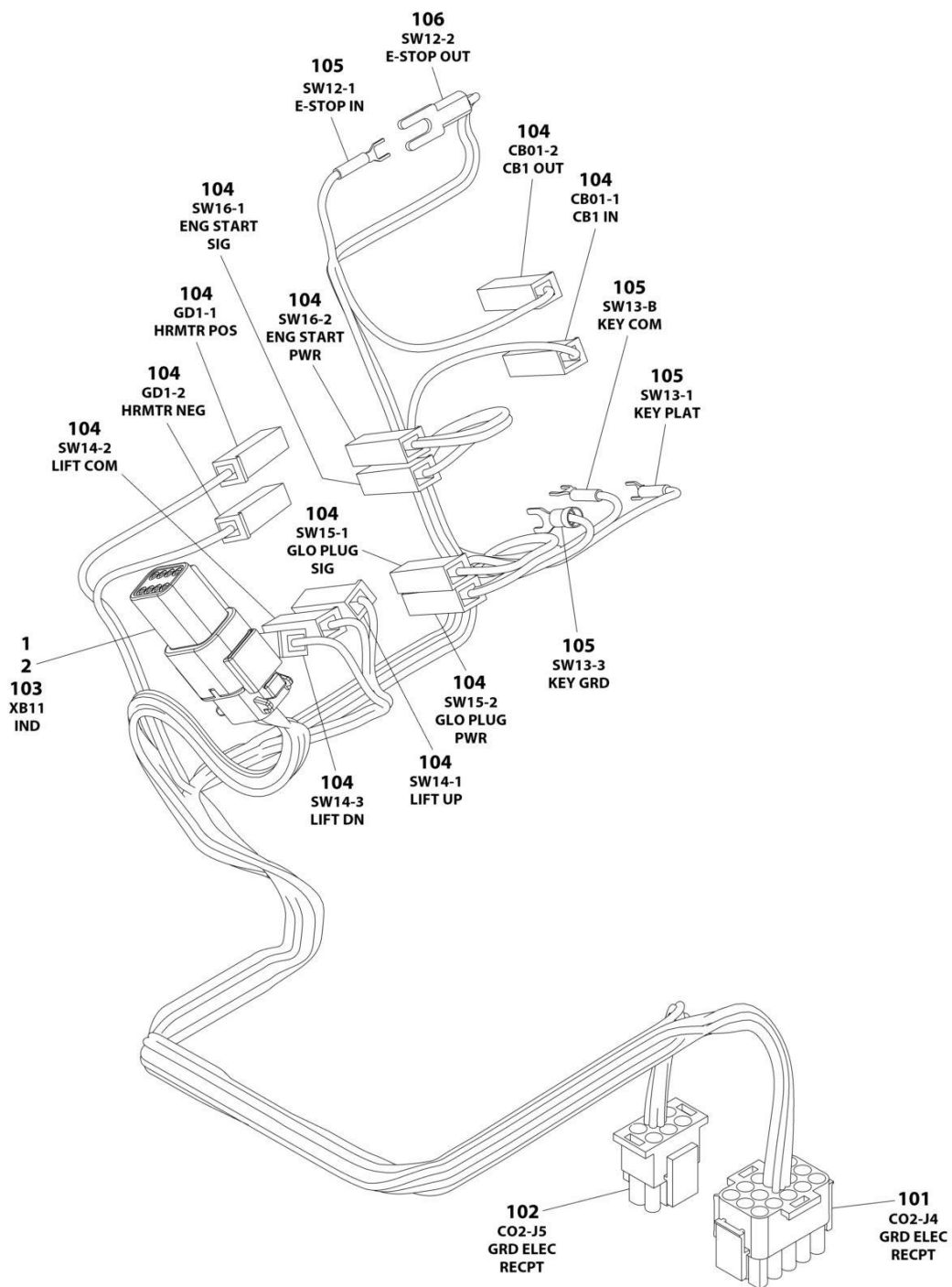
SECTION 8 - ELECTRICAL

FIGURE 8-20. GENERATOR HARNESS - 7500W (SN 0200267640 through 0200269765)

ITEM	PART NUMBER	QTY	DESCRIPTION	REV
	1001236442	Ref	GENERATOR HARNESS - 7500W	A
1	4460225	1	Plug, Male - 6 Position	
1	4460808	1	Seal, Terminal	
1	4460268	6	Socket, Female	
2	4460043	1	Terminal, Ring	
3	77363233	1	Connector - 6 Position	
3	4460465	6	Socket, Female	

SECTION 8 - ELECTRICAL

FIGURE 8-21. GROUND CONTROL BOX HARNESS (LOWER) (Prior to SN 0200267917)



ART_1001214990

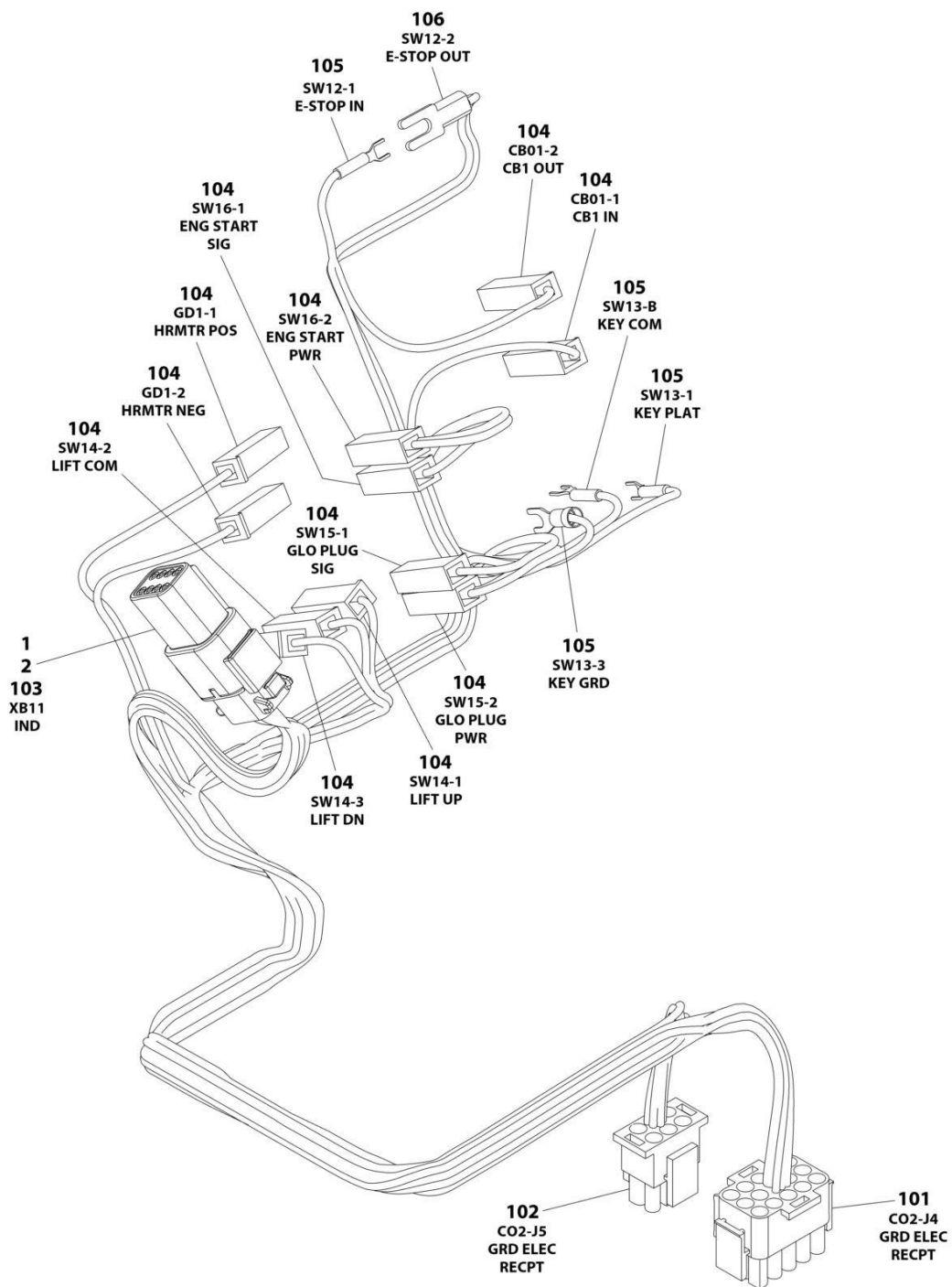
SECTION 8 - ELECTRICAL

FIGURE 8-21. GROUND CONTROL BOX HARNESS (LOWER) (Prior to SN 0200267917)

ITEM	PART NUMBER	QTY	DESCRIPTION	REV
	1001214990	Ref	GROUND CONTROL BOX HARNESS (LOWER)	D
1	1001190578	1	Receptacle, Female - 8 Position	
2	4460518	8	Plug, Terminal	
101	4460434	1	Plug, Male -15 Position	
101	4460268	10	Socket, Female	
102	4460225	1	Plug, Male - 6 Position	
102	4460268	6	Socket, Female	
103	1001190577	1	Plug, Male - 8 Position	
103	4460928	8	Socket, Female	
104	4460260	11	Cover, Terminal	
104	4460259	11	Terminal	
105	4460183	4	Terminal, Fork	
106	4460144	1	Terminal, Fork	

SECTION 8 - ELECTRICAL

FIGURE 8-22. GROUND CONTROL BOX HARNESS (LOWER) (SN 0200267917 through 0200269765)



ART_1001236154

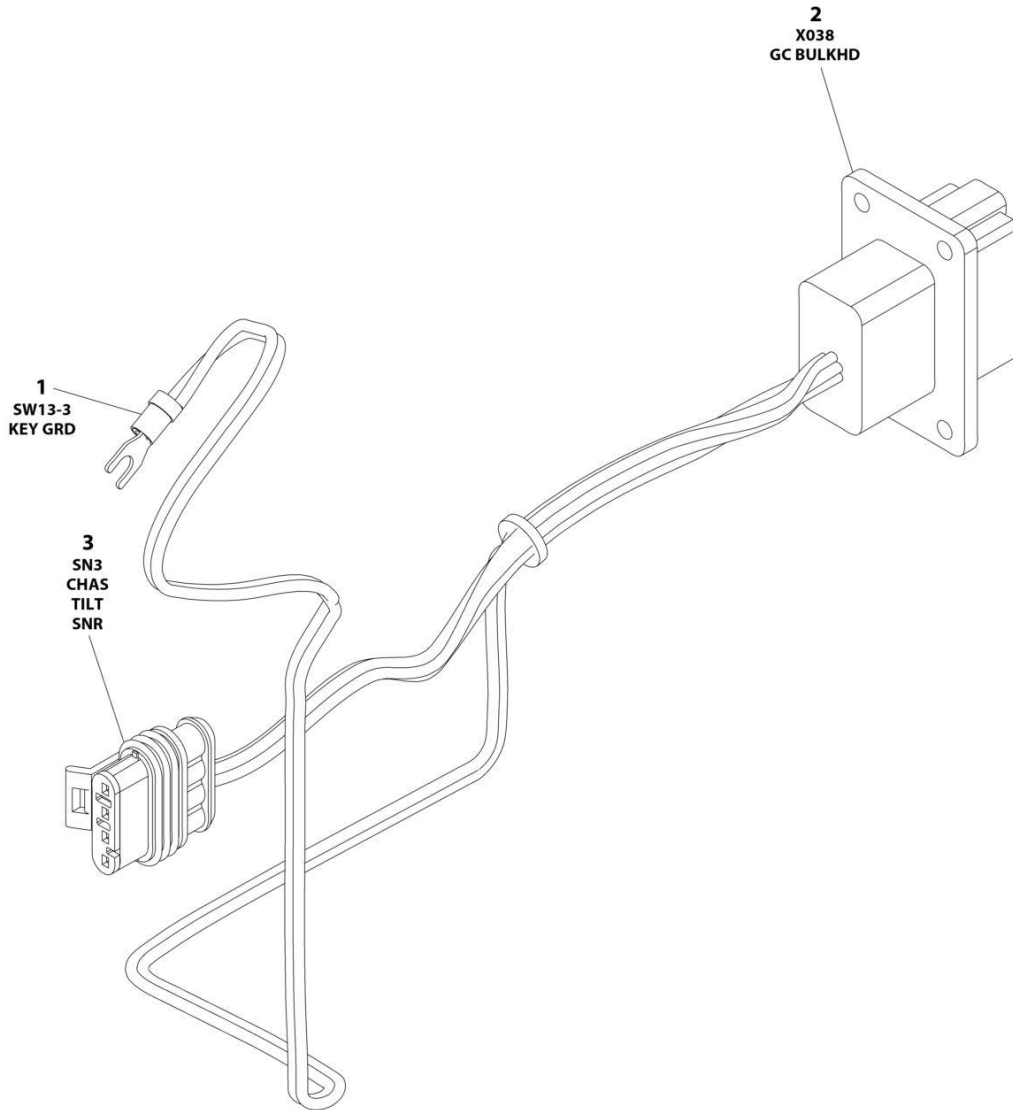
SECTION 8 - ELECTRICAL

FIGURE 8-22. GROUND CONTROL BOX HARNESS (LOWER) (SN 0200267917 through 0200269765)

ITEM	PART NUMBER	QTY	DESCRIPTION	REV
	1001236154	Ref	GROUND CONTROL BOX HARNESS (LOWER)	B
1	4460518	8	Plug, Terminal	
2	1001190578	1	Receptacle, Female - 8 Position	
101	4460434	1	Plug, Male -15 Position	
101	4460268	10	Socket, Female	
102	4460225	1	Plug, Male - 6 Position	
102	4460268	6	Socket, Female	
103	1001190577	1	Plug, Male - 8 Position	
103	4460928	8	Socket, Female	
104	4460260	11	Cover, Terminal	
104	4460259	11	Terminal	
105	4460115	4	Terminal, Fork	
106	4460144	1	Terminal, Fork	

SECTION 8 - ELECTRICAL

FIGURE 8-23. GROUND CONTROL BOX HARNESS (UPPER)



ART_1001214989

SECTION 8 - ELECTRICAL

FIGURE 8-23. GROUND CONTROL BOX HARNESS (UPPER)

ITEM	PART NUMBER	QTY	DESCRIPTION	REV
	1001214989	Ref	GROUND CONTROL BOX HARNESS (UPPER)	B
1	4460115	1	Terminal, Fork	
2	4460939	1	Receptacle, Female - 12 Position	
2	4460464	4	Pin, Male	
2	4460943	2	Pin, Male	
2	4460466	6	Plug, Terminal	
3	1001103012	1	Plug, Male - 4 Position	
3	1001107854	4	Socket, Female	
3	1001104498	4	Seal	

SECTION 8 - ELECTRICAL

FIGURE 8-24. GROUND TO PLATFORM HARNESS - 330LRT



ART_1001209181

SECTION 8 - ELECTRICAL

FIGURE 8-24. GROUND TO PLATFORM HARNESS - 330LRT

ITEM	PART NUMBER	QTY	DESCRIPTION	REV
	1001209181	Ref	GROUND TO PLATFORM HARNESS	C
1	1001116926	1	Connector - 21 Position	
1	4460465	8	Socket, Female	
1	4460509	4	Socket, Female	
1	4460944	2	Socket, Female	
1	4460466	7	Plug, Terminal	
2	1001116930	1	Connector - 21 Position	
2	4460464	8	Pin, Male	
2	4460508	4	Pin, Male	
2	4460943	2	Pin, Male	
2	4460466	7	Plug, Terminal	

SECTION 8 - ELECTRICAL

FIGURE 8-25. GROUND TO PLATFORM HARNESS - 430LRT



ART_1001210080

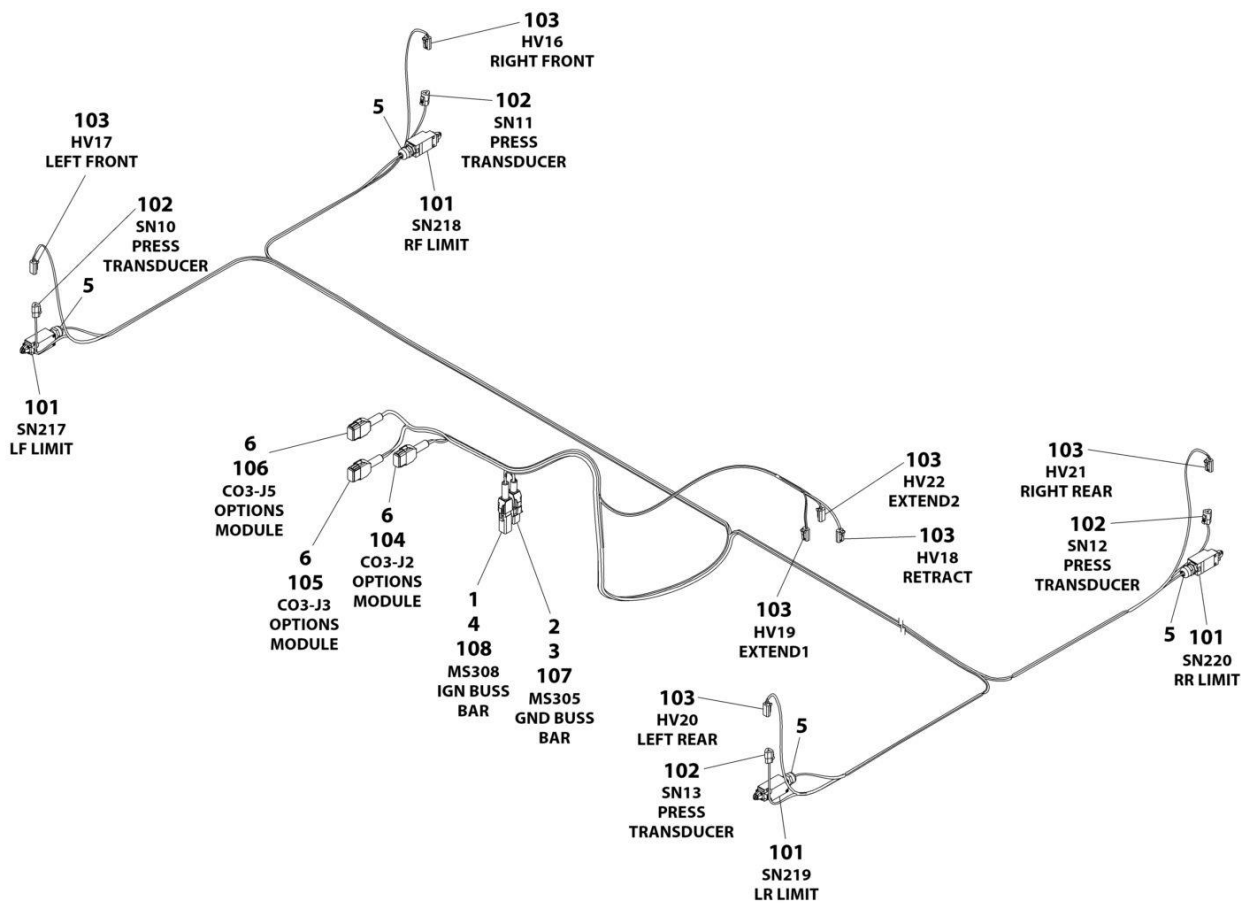
SECTION 8 - ELECTRICAL

FIGURE 8-25. GROUND TO PLATFORM HARNESS - 430LRT

ITEM	PART NUMBER	QTY	DESCRIPTION	REV
	1001210080	Ref	GROUND TO PLATFORM HARNESS	C
1	1001116926	1	Connector - 21 Position	
1	4460465	8	Socket, Female	
1	4460509	4	Socket, Female	
1	4460944	2	Socket, Female	
1	4460466	7	Plug, Terminal	
2	1001116930	1	Connector - 21 Position	
2	4460464	8	Pin, Male	
2	4460508	4	Pin, Male	
2	4460943	2	Pin, Male	
2	4460466	7	Plug, Terminal	

SECTION 8 - ELECTRICAL

FIGURE 8-26. LEVELING JACKS HARNESS



ART_1001210619

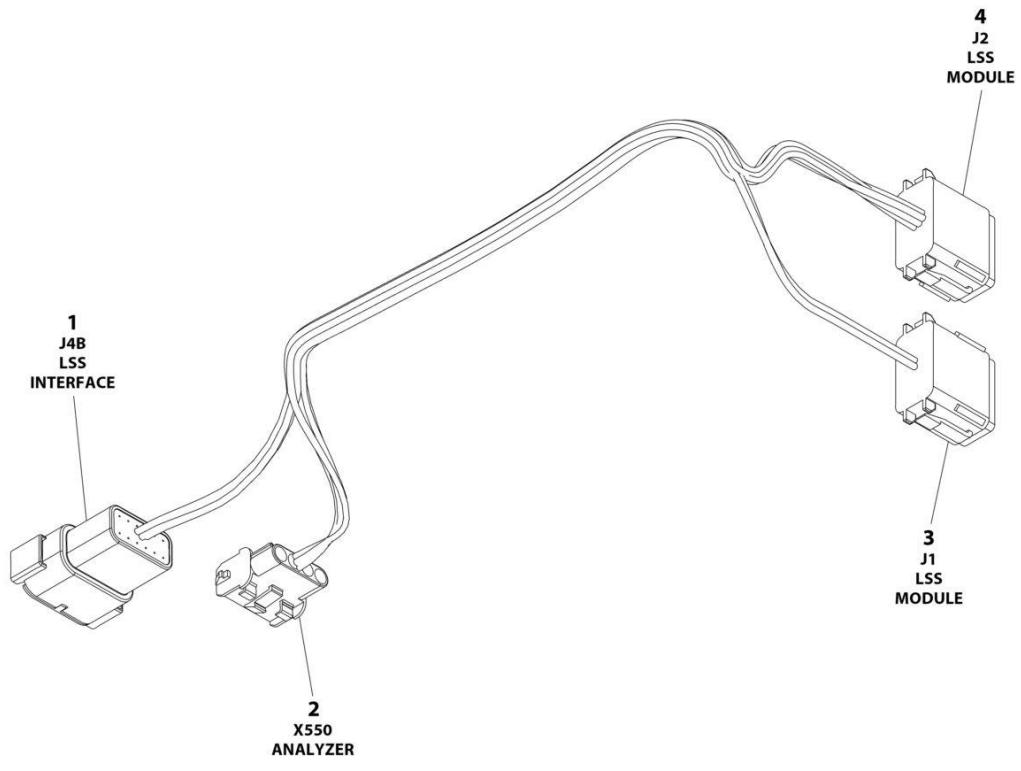
SECTION 8 - ELECTRICAL

FIGURE 8-26. LEVELING JACKS HARNESS

ITEM	PART NUMBER	QTY	DESCRIPTION	REV
	1001210619	Ref	LEVELING JACKS HARNESS	D
1	0840059	1	Boot	
2	0840061	1	Boot	
3	4460852	1	Bussbar - 8 Position	
4	4460892	1	Bussbar - 6 Position	
5	4460968	NLA	Connector, Strain Relief (Use p/n 1001243778) (Prior to SN 0200268616)	
5	1001243778	4	Connector, Strain Relief (SN 0200268616 through 0200269765)	
6	1001174455	3	Boot	
101	4360548	4	Switch, Limit	
102	4460539	4	Plug, Male - 3 Position	
102	4460465	12	Socket, Female	
103	4460891	7	Plug, Male - 4 Position	
103	4460465	14	Socket, Female	
104	4460836	1	Plug, Male - 12 Position	
104	4460465	8	Socket, Female	
104	4460466	4	Plug, Terminal	
105	4460934	1	Plug, Male - 12 Position	
105	4460465	12	Socket, Female	
106	4460935	1	Plug, Male -12 Position	
106	4460465	5	Socket, Female	
106	4460466	7	Plug, Terminal	
107	4460851	1	Plug, Male - 8 Position	
107	4460465	8	Socket, Female	
108	4460894	1	Plug, Male - 6 Position	
108	4460465	6	Socket, Female	

SECTION 8 - ELECTRICAL

FIGURE 8-27. LSS HARNESS



ART_1001226830

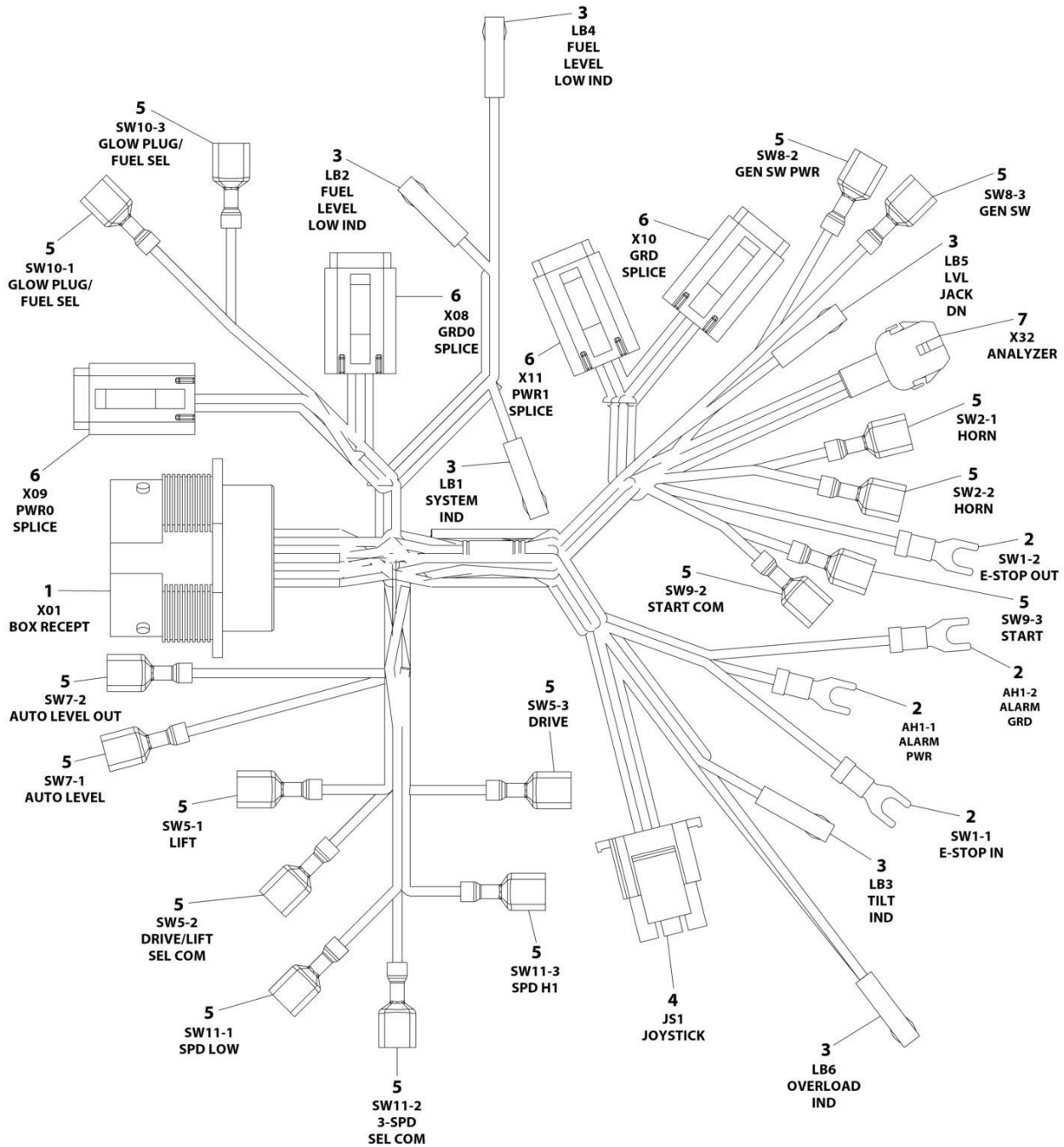
SECTION 8 - ELECTRICAL

FIGURE 8-27. LSS HARNESS

ITEM	PART NUMBER	QTY	DESCRIPTION	REV
	1001226830	Ref	LSS HARNESS	A
1	1001132170	1	Connector - 12 Position	
1	4460929	2	Pin, Male	
1	4460917	2	Pin, Male	
1	4460518	8	Plug, Terminal	
2	4460761	1	Receptacle, Female - 4 Position	
2	4460294	4	Pin, Male	
3	4460933	1	Connector - 12 Position	
3	4460465	2	Socket, Female	
3	4460466	10	Plug, Terminal	
4	4460836	1	Connector - 12 Position	
4	4460465	5	Socket, Female	
4	4460944	2	Socket, Female	
4	4460466	5	Plug, Terminal	

SECTION 8 - ELECTRICAL

FIGURE 8-28. PLATFORM CONTROL BOX HARNESS (Prior to SN 0200267917)



ART_1001176787

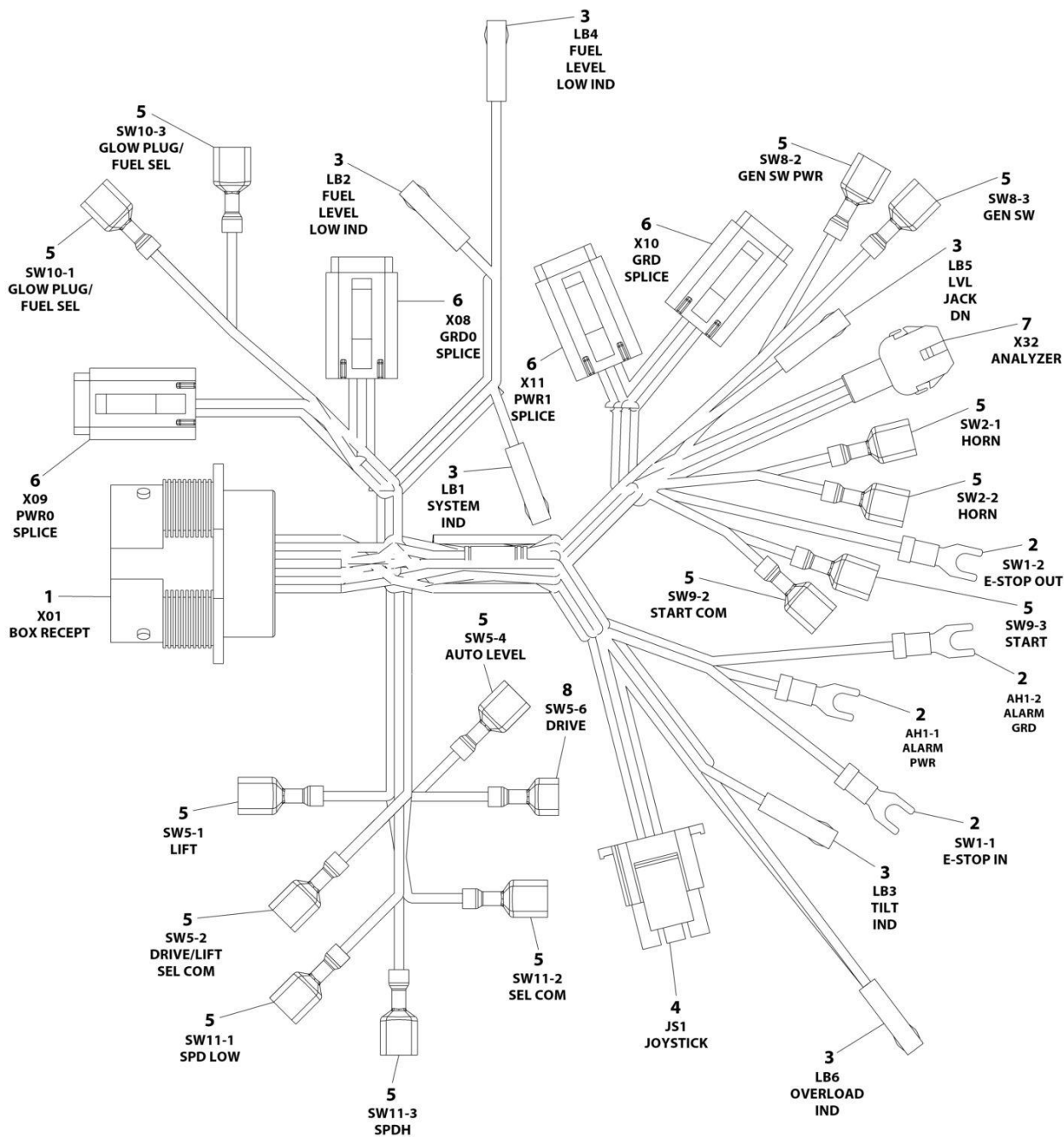
SECTION 8 - ELECTRICAL

FIGURE 8-28. PLATFORM CONTROL BOX HARNESS (Prior to SN 0200267917)

ITEM	PART NUMBER	QTY	DESCRIPTION	REV
	1001176787	Ref	PLATFORM CONSOLE BOX HARNESS	I
1	1001116934	1	Connector - 31 Position	
1	4460464	31	Pin, Male	
2	4460183	4	Terminal, Fork	
3	1001190469	6	Connector - 2 Position	
3	1001190471	12	Terminal	
4	4460265	1	Plug, Male - 9 Position	
4	4460267	9	Terminal	
5	1001194421	14	Terminal	
6	4460894	4	Plug, Male - 6 Position	
6	4460465	19	Socket, Female	
6	4460466	5	Plug, Terminal	
6	4460892	4	Bussbar	
7	4460761	1	Plug, Male - 4 Position	
7	4460267	4	Terminal	

SECTION 8 - ELECTRICAL

FIGURE 8-29. PLATFORM CONTROL BOX HARNESS (SN 0200267917 through 0200269765)



ART_1001236230

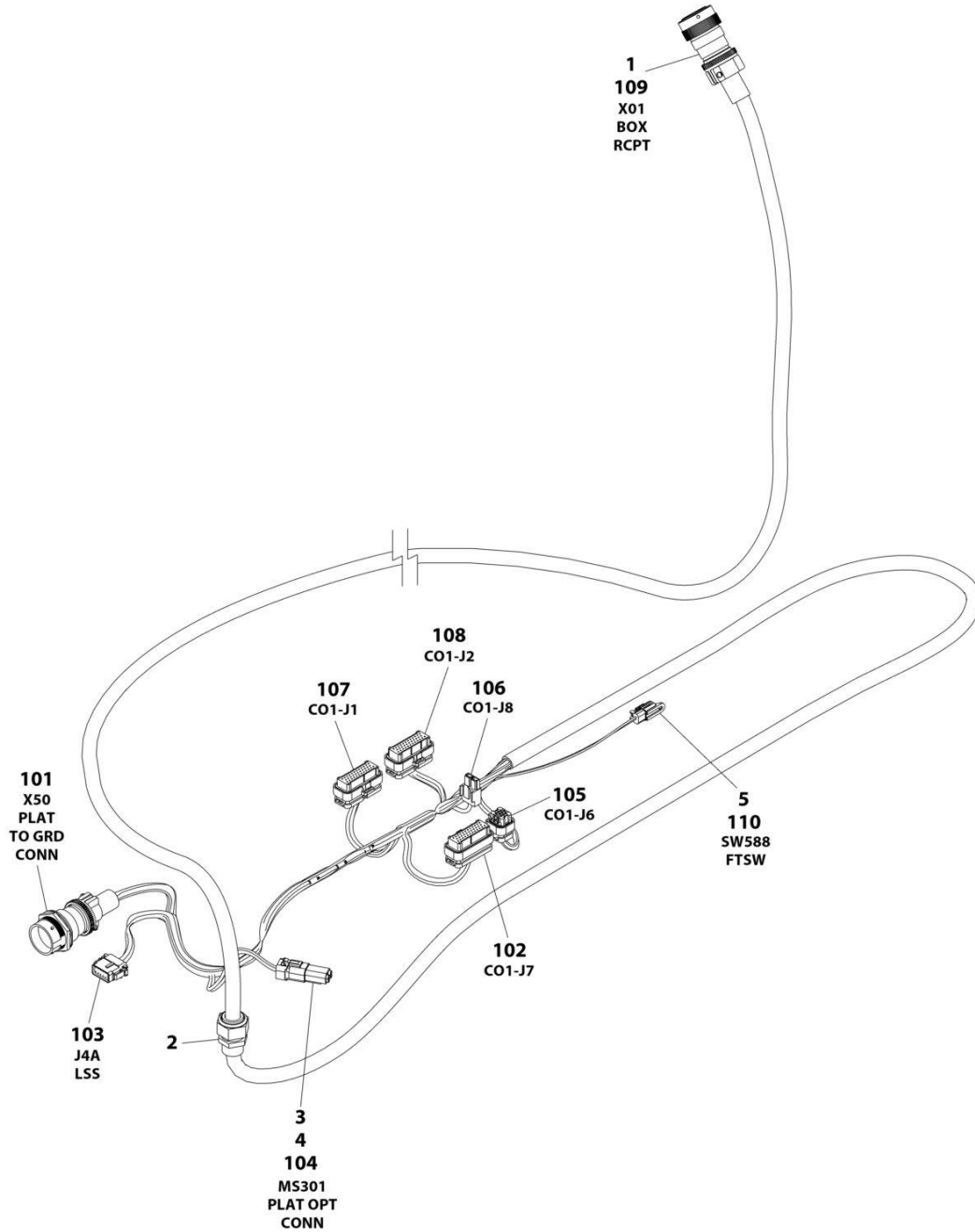
SECTION 8 - ELECTRICAL

FIGURE 8-29. PLATFORM CONTROL BOX HARNESS (SN 0200267917 through 0200269765)

ITEM	PART NUMBER	QTY	DESCRIPTION	REV
	1001236230	Ref	PLATFORM CONSOLE BOX HARNESS	C
1	1001116934	1	Connector - 31 Position	
1	4460464	31	Pin, Male	
2	4460183	4	Terminal, Fork	
3	1001190469	6	Connector - 2 Position	
3	1001190471	12	Terminal	
4	4460265	1	Plug, Male - 9 Position	
4	4460267	7	Terminal	
5	1001194421	13	Terminal	
6	4460894	4	Plug, Male - 6 Position	
6	4460465	20	Socket, Female	
6	4460466	4	Plug, Terminal	
6	4460892	4	Bussbar	
7	4460761	1	Plug, Male - 4 Position	
7	4460267	4	Terminal	
8	1001194221	1	Terminal	

SECTION 8 - ELECTRICAL

FIGURE 8-30. PLATFORM MODULE HARNESS (Prior to SN 0200267917)



ART_1001215138

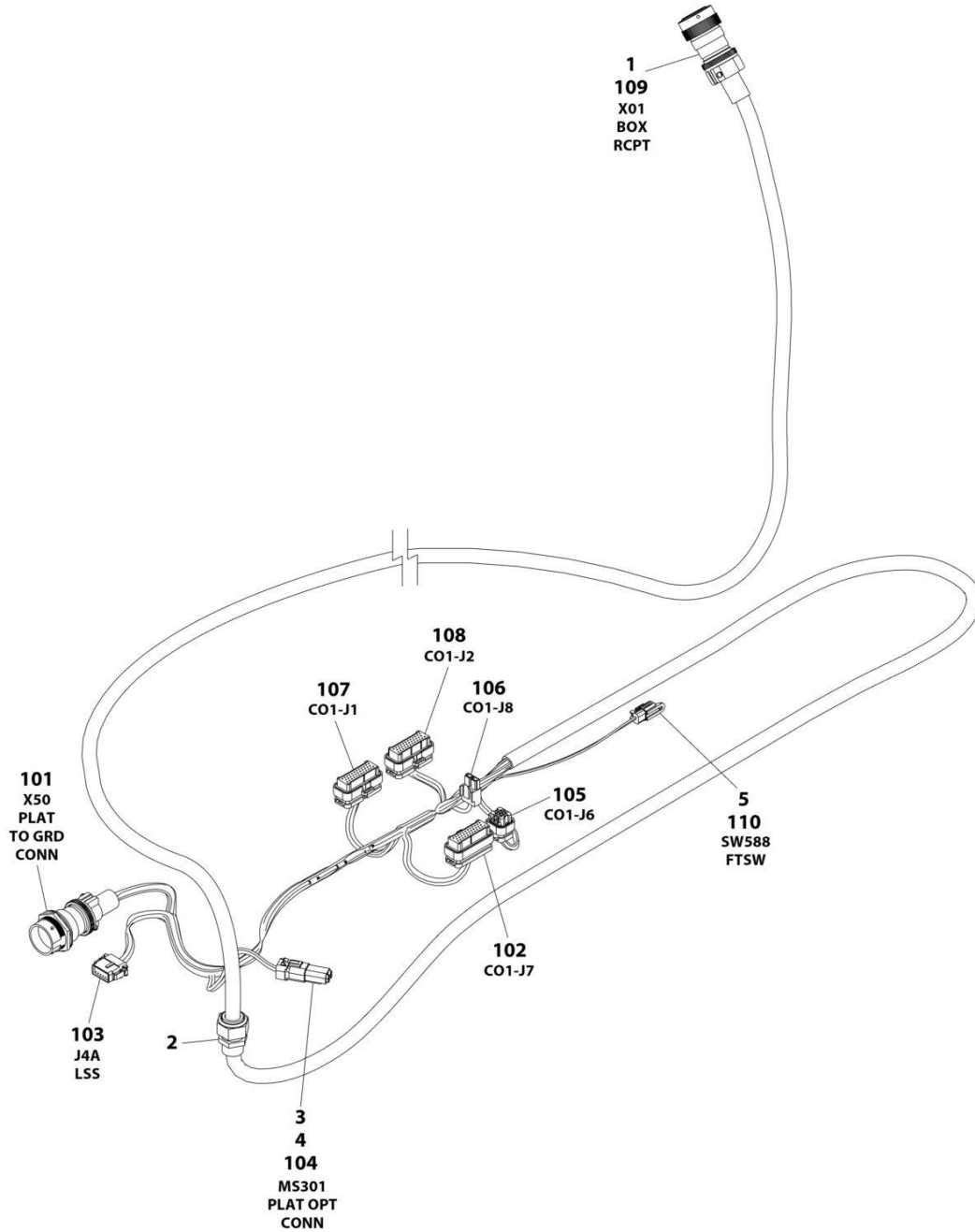
SECTION 8 - ELECTRICAL

FIGURE 8-30. PLATFORM MODULE HARNESS (Prior to SN 0200267917)

ITEM	PART NUMBER	QTY	DESCRIPTION	REV
	1001215138	Ref	PLATFORM MODULE HARNESS	E
1	2820031	AR	Heatshrink	
2	4460051	1	Connector, Strain Relief	
3	4460466	4	Plug, Terminal	
4	1001116811	1	Receptacle, Female - 4 Position	
5	1001144295	1	Cap, Female - 2 Position (SN 0200267670 through 0200267916)	
101	1001116930	1	Connector - 21 Position	
101	4460508	4	Pin, Male	
101	4460464	6	Pin, Male	
101	4460466	11	Plug, Terminal	
102	4460873	1	Connector - 35 Position	
102	4460871	12	Socket, Female	
102	4460905	23	Plug, Terminal	
103	4460909	1	Plug, Male - 12 Position	
103	4460928	8	Socket, Female	
103	4460918	4	Socket, Female	
104	1001116812	1	Plug, Male - 4 Position	
104	4460509	2	Socket, Female	
104	4460466	2	Plug, Terminal	
105	1001113961	1	Connector - 8 Position	
105	4460871	7	Socket, Female	
105	4460905	1	Plug, Terminal	
106	4460879	1	Plug, Male - 2 Position	
106	4461271	2	Socket, Female	
107	4460874	1	Connector - 35 Position	
107	4460871	10	Socket, Female	
107	4460905	25	Plug, Terminal	
108	4460876	1	Connector - 35 Position	
108	4460871	13	Socket, Female	
108	4460905	22	Plug, Terminal	
109	1001195123	1	Connector - 31 Position	
109	4460465	31	Socket, Female	
110	4460891	1	Plug, Male - 2 Position (SN 0200267670 through 0200267916)	
110	4460465	2	Socket, Female	

SECTION 8 - ELECTRICAL

FIGURE 8-31. PLATFORM MODULE HARNESS (SN 0200267917 through 0200269765)



ART_1001236163

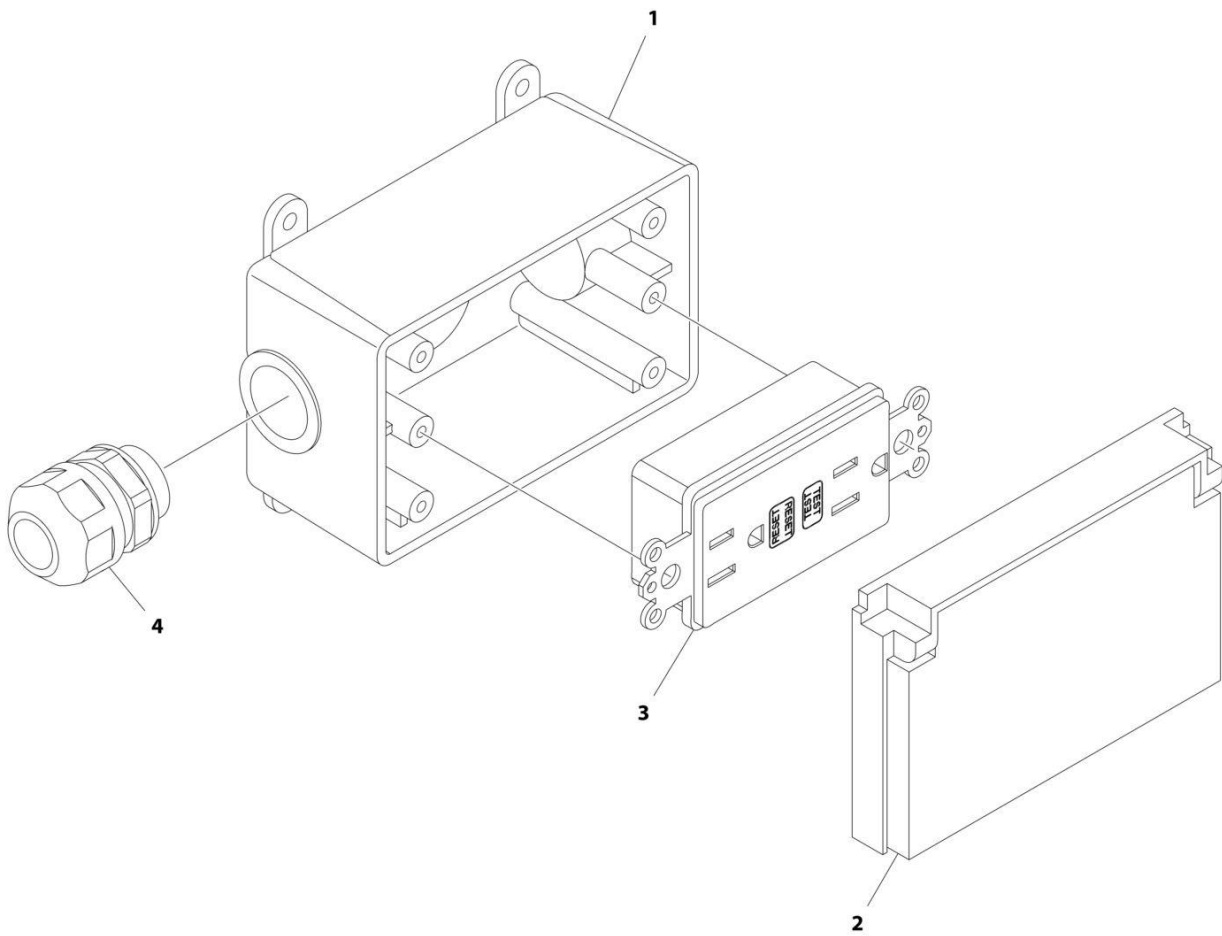
SECTION 8 - ELECTRICAL

FIGURE 8-31. PLATFORM MODULE HARNESS (SN 0200267917 through 0200269765)

ITEM	PART NUMBER	QTY	DESCRIPTION	REV
	1001236163	Ref	PLATFORM MODULE HARNESS	B
1	2820031	AR	Heatshrink	
2	4460051	1	Connector, Strain Relief	
3	4460466	4	Plug, Terminal	
4	1001116811	1	Receptacle, Female - 4 Position	
5	1001144295	1	Cap, Female - 2 Position	
101	1001116930	1	Connector - 21 Position	
101	4460508	4	Pin, Male	
101	4460464	6	Pin, Male	
101	4460466	11	Plug, Terminal	
102	4460873	1	Connector - 35 Position	
102	4460871	10	Socket, Female	
102	4460905	25	Plug, Terminal	
103	1001116808	1	Plug, Male - 12 Position	
103	4460928	2	Socket, Female	
103	4460918	2	Socket, Female	
103	4460518	8	Plug, Terminal	
104	1001116810	1	Plug, Male - 4 Position	
104	4460509	2	Socket, Female	
104	4460466	2	Plug, Terminal	
105	1001113961	1	Connector - 8 Position	
105	4460871	2	Socket, Female	
105	4460905	6	Plug, Terminal	
106	4460879	1	Plug, Male - 2 Position	
106	4461271	2	Socket, Female	
107	4460874	1	Connector - 35 Position	
107	4460871	12	Socket, Female	
107	4460905	23	Plug, Terminal	
108	4460876	1	Connector - 35 Position	
108	4460871	15	Socket, Female	
108	4460905	20	Plug, Terminal	
109	1001195123	1	Connector - 31 Position	
109	4460465	31	Socket, Female	
110	4460891	1	Plug, Male - 2 Position	
110	4460465	2	Socket, Female	

SECTION 8 - ELECTRICAL

FIGURE 8-32. RECEPTACLE BOX KIT - 110V GFI



ART_2902431

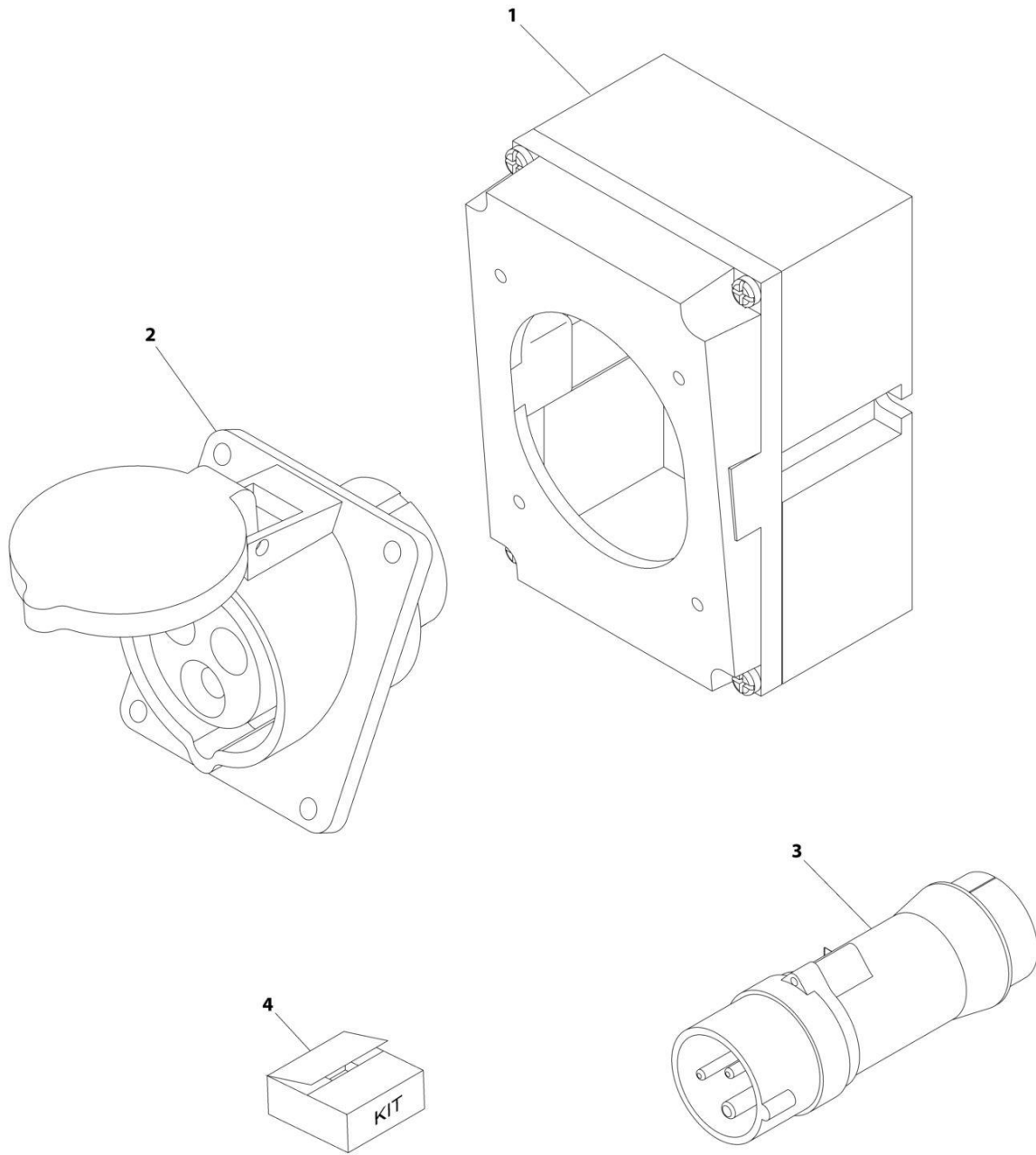
SECTION 8 - ELECTRICAL

FIGURE 8-32. RECEPTACLE BOX KIT - 110V GFI

ITEM	PART NUMBER	QTY	DESCRIPTION	REV
	2902431	Ref	RECEPTACLE BOX KIT - 110V GFI	D
1	0861731	1	Box, Receptacle	
2	1671207	1	Cover, Receptacle	
3	4460346	1	Receptacle	
4	4460662	1	Connector, Strain Relief	

SECTION 8 - ELECTRICAL

FIGURE 8-33. RECEPTACLE BOX KIT - 110V IEC YELLOW (CE SPEC)



ART_0275216

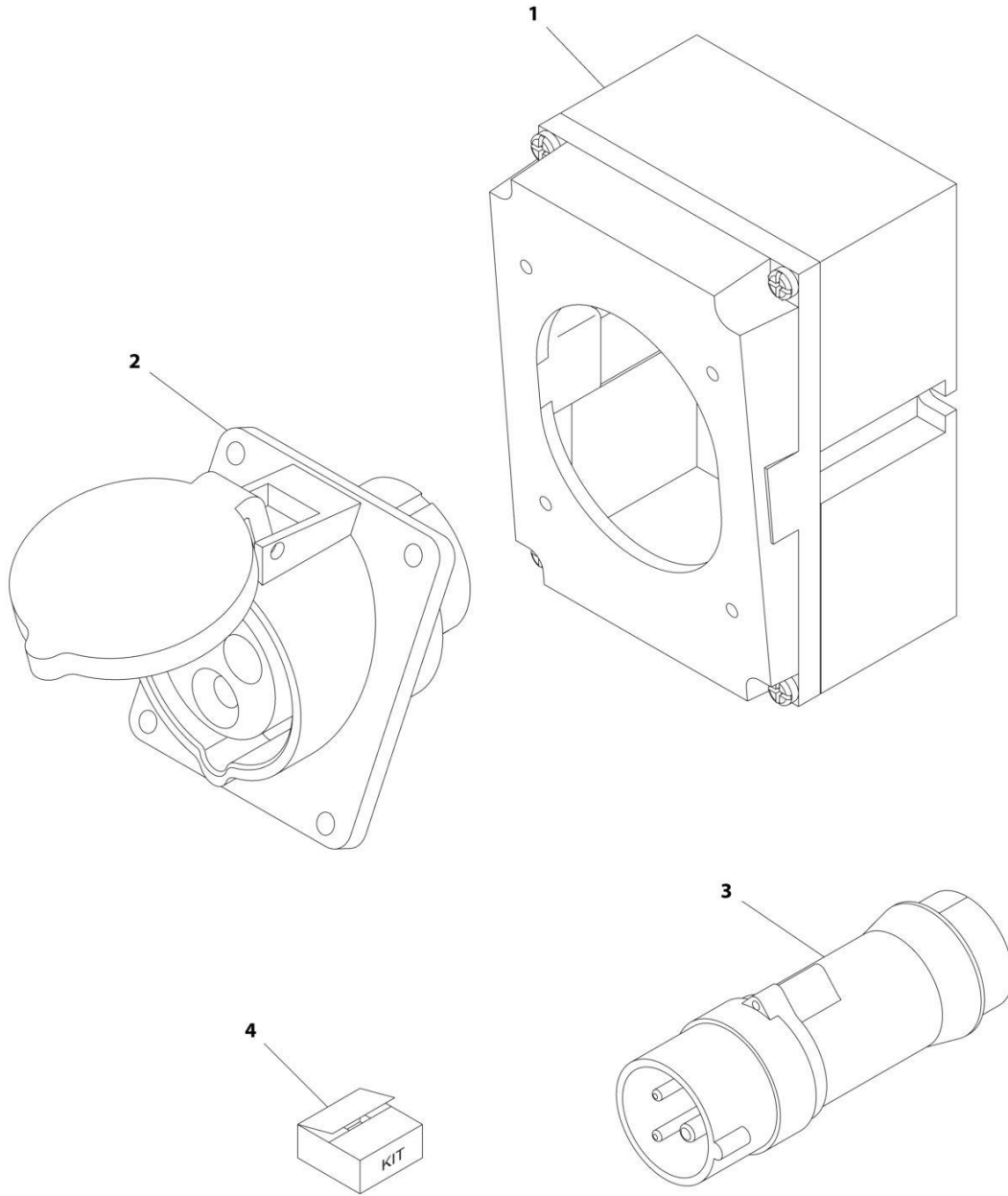
SECTION 8 - ELECTRICAL

FIGURE 8-33. RECEPTACLE BOX KIT - 110V IEC YELLOW (CE SPEC)

ITEM	PART NUMBER	QTY	DESCRIPTION	REV
	0275216	Ref	RECEPTACLE BOX KIT - 110V IEC YELLOW	B
1	0861781	1	Box, Switch	
2	4461198	1	Receptacle	
3	4461196	1	Plug, Male	
4	1001100341	1	Plug and Socket Kit (Includes Items 1-3 and Female Plug p/n 4461197)	

SECTION 8 - ELECTRICAL

FIGURE 8-34. RECEPTACLE BOX KIT - 220V IEC BLUE (CE SPEC)



ART_0275217

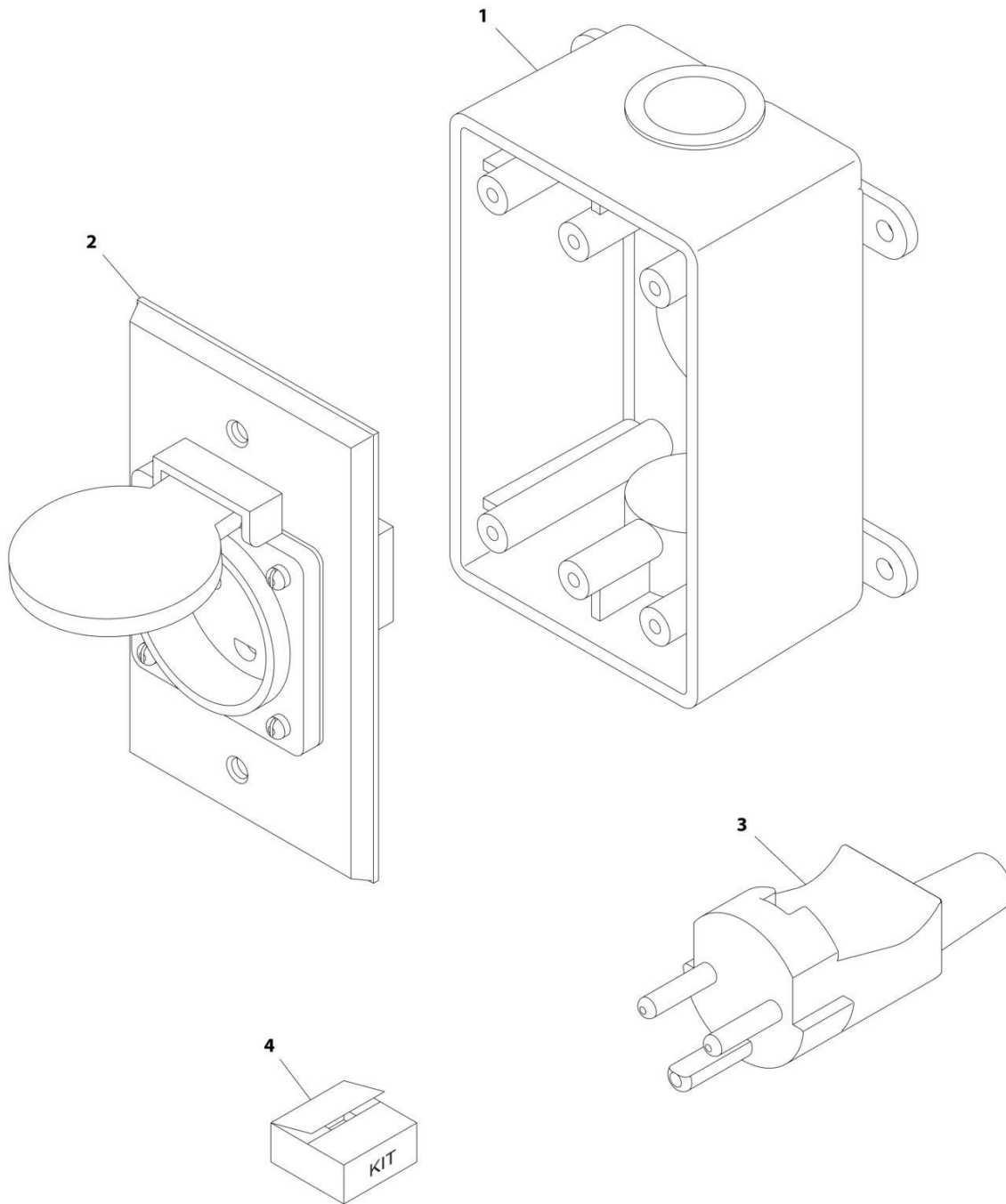
SECTION 8 - ELECTRICAL

FIGURE 8-34. RECEPTACLE BOX KIT - 220V IEC BLUE (CE SPEC)

ITEM	PART NUMBER	QTY	DESCRIPTION	REV
	0275217	Ref	RECEPTACLE BOX KIT - 220V IEC BLUE	B
1	0861781	1	Box, Switch	
2	4461201	1	Receptacle	
3	4461199	1	Plug, Male	
4	1001100342	1	Plug and Socket Kit (Includes Items 1-3 and Female Plug p/n 4461200)	

SECTION 8 - ELECTRICAL

FIGURE 8-35. RECEPTACLE BOX KIT - 220V AFSINT 107 (CE SPEC)



ART_0275454

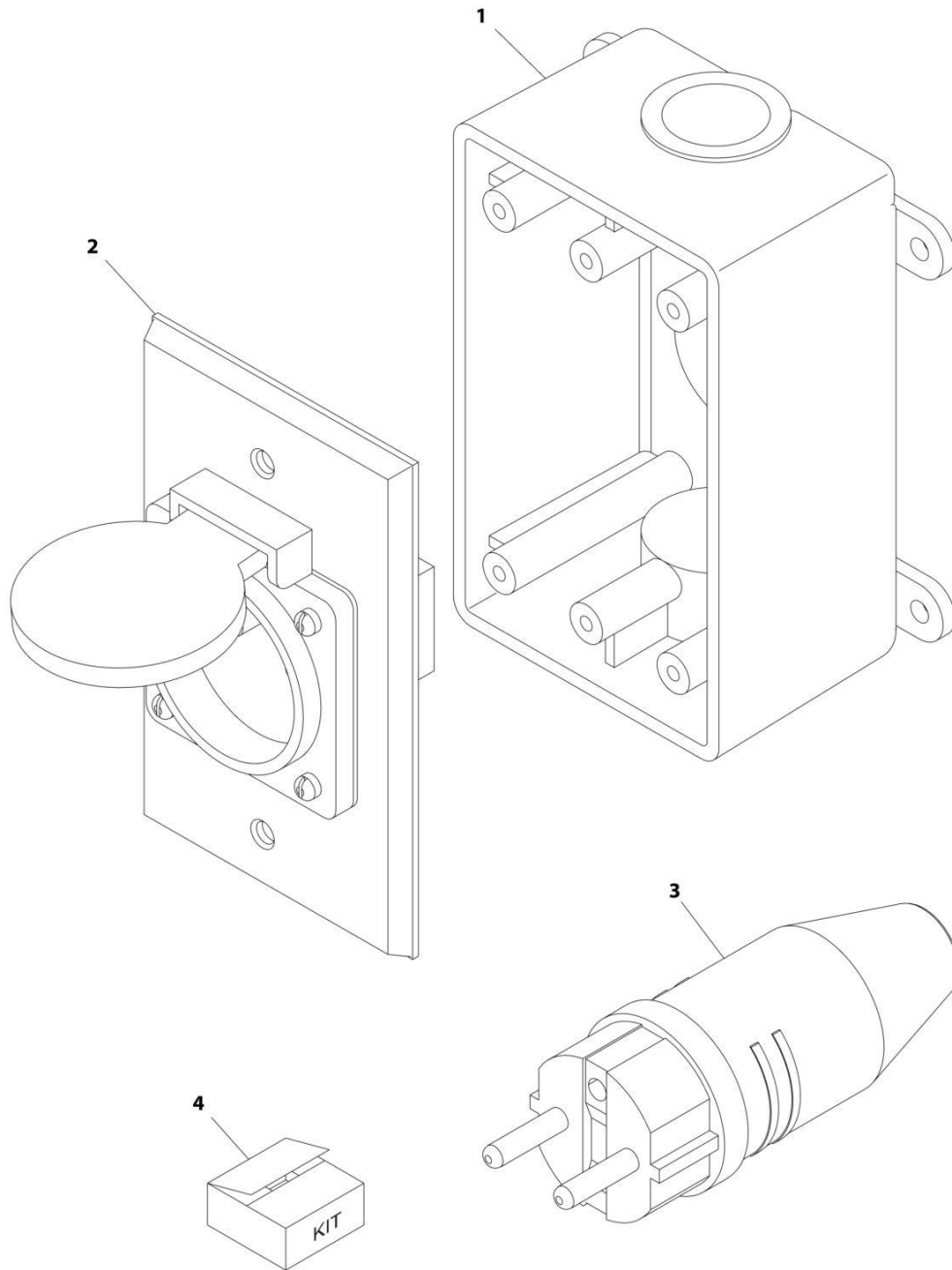
SECTION 8 - ELECTRICAL

FIGURE 8-35. RECEPTACLE BOX KIT - 220V AFSINT 107 (CE SPEC)

ITEM	PART NUMBER	QTY	DESCRIPTION	REV
	0275454	Ref	RECEPTACLE BOX KIT - 220V AFSINT 107	B
1	0861731	1	Box, Switch	
2	4461246	1	Receptacle	
3	4461249	1	Plug, Male	
4	1001100346	1	Plug and Socket Kit (Includes Items 1-3 and Female Plug p/n 4461250)	

SECTION 8 - ELECTRICAL

FIGURE 8-36. RECEPTACLE BOX KIT - 220V CEE7 POST GROUND (CE SPEC)



ART_0275452-C

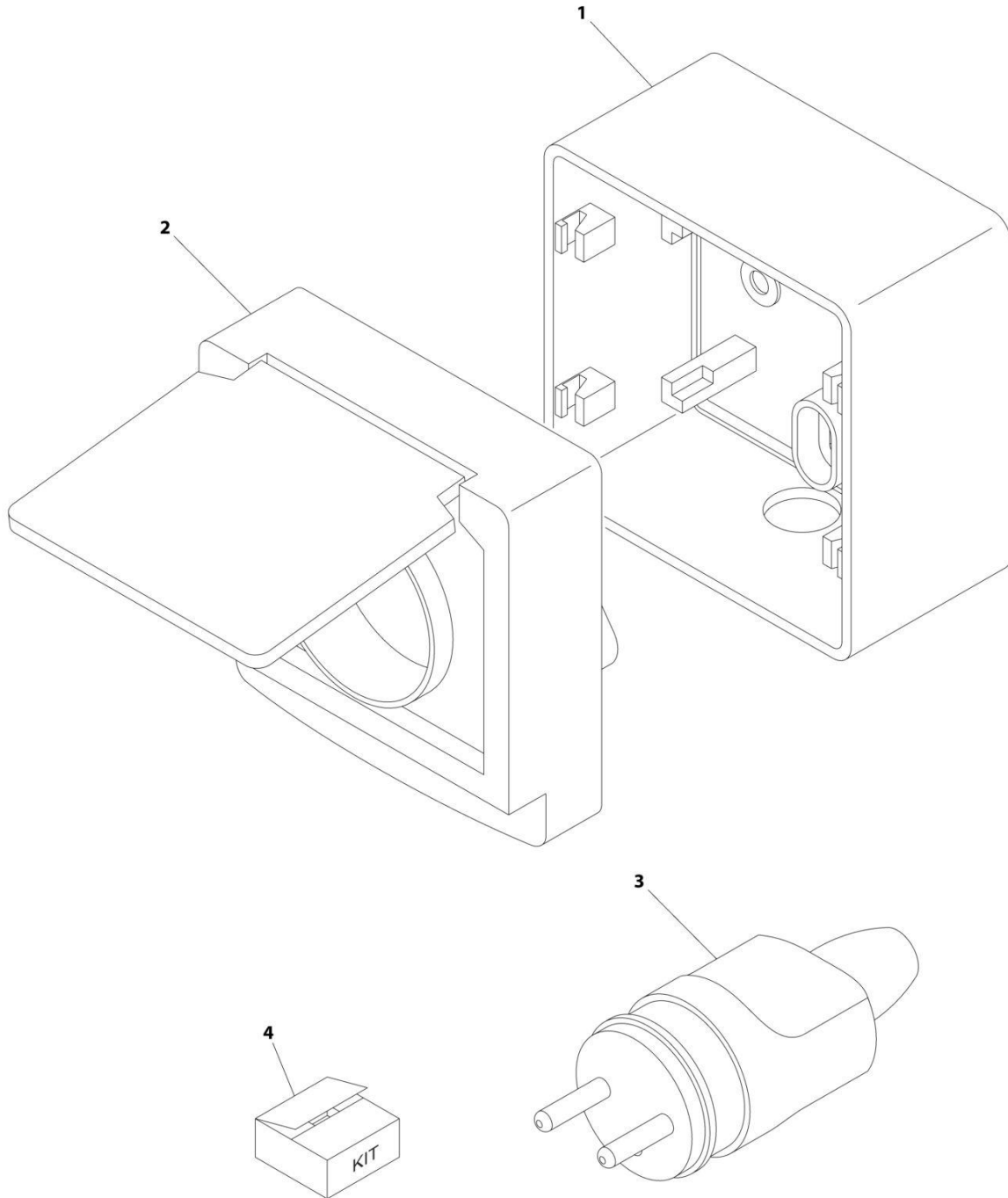
SECTION 8 - ELECTRICAL

FIGURE 8-36. RECEPTACLE BOX KIT - 220V CEE7 POST GROUND (CE SPEC)

ITEM	PART NUMBER	QTY	DESCRIPTION	REV
	0275452	Ref	RECEPTACLE BOX KIT - 220V CEE7 POST GROUND 2IN X 4IN BOX	C
1	0861731	1	Box, Switch	
2	4461244	1	Receptacle	
3	4461205	1	Plug, Male	
4	1001100345	1	Plug and Socket Kit (Includes Items 1-3 and Female Plug p/n 4461203)	

SECTION 8 - ELECTRICAL

FIGURE 8-37. RECEPTACLE BOX KIT - 220V CEE7 POST GROUND 70X70 BOX (CE SPEC)



ART_0275218

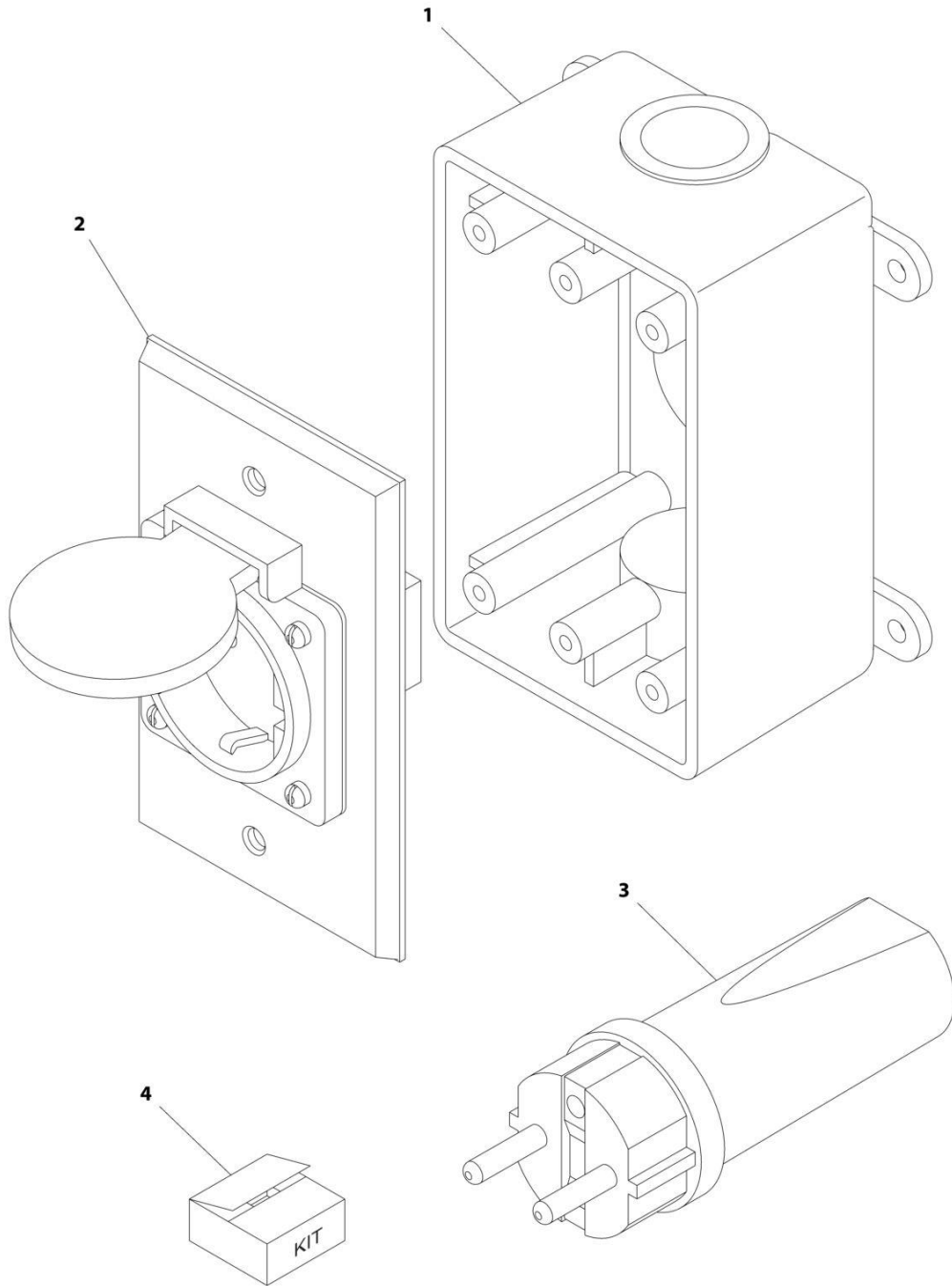
SECTION 8 - ELECTRICAL

FIGURE 8-37. RECEPTACLE BOX KIT - 220V CEE7 POST GROUND 70X70 BOX (CE SPEC)

ITEM	PART NUMBER	QTY	DESCRIPTION	REV
	0275218	Ref	RECEPTACLE BOX KIT - 220V CEE7 POST GROUND 70X70 BOX	C
1	1001141967	1	Box, Switch	
2	1001141968	1	Receptacle	
3	4461205	1	Plug, Male	
4	1001141971	1	Plug and Socket Kit (Includes Items 1-3 and Female Plug p/n 4461206)	

SECTION 8 - ELECTRICAL

FIGURE 8-38. RECEPTACLE BOX KIT - 220V CEE7 SIDE GROUND (CE SPEC)



ART_0275453

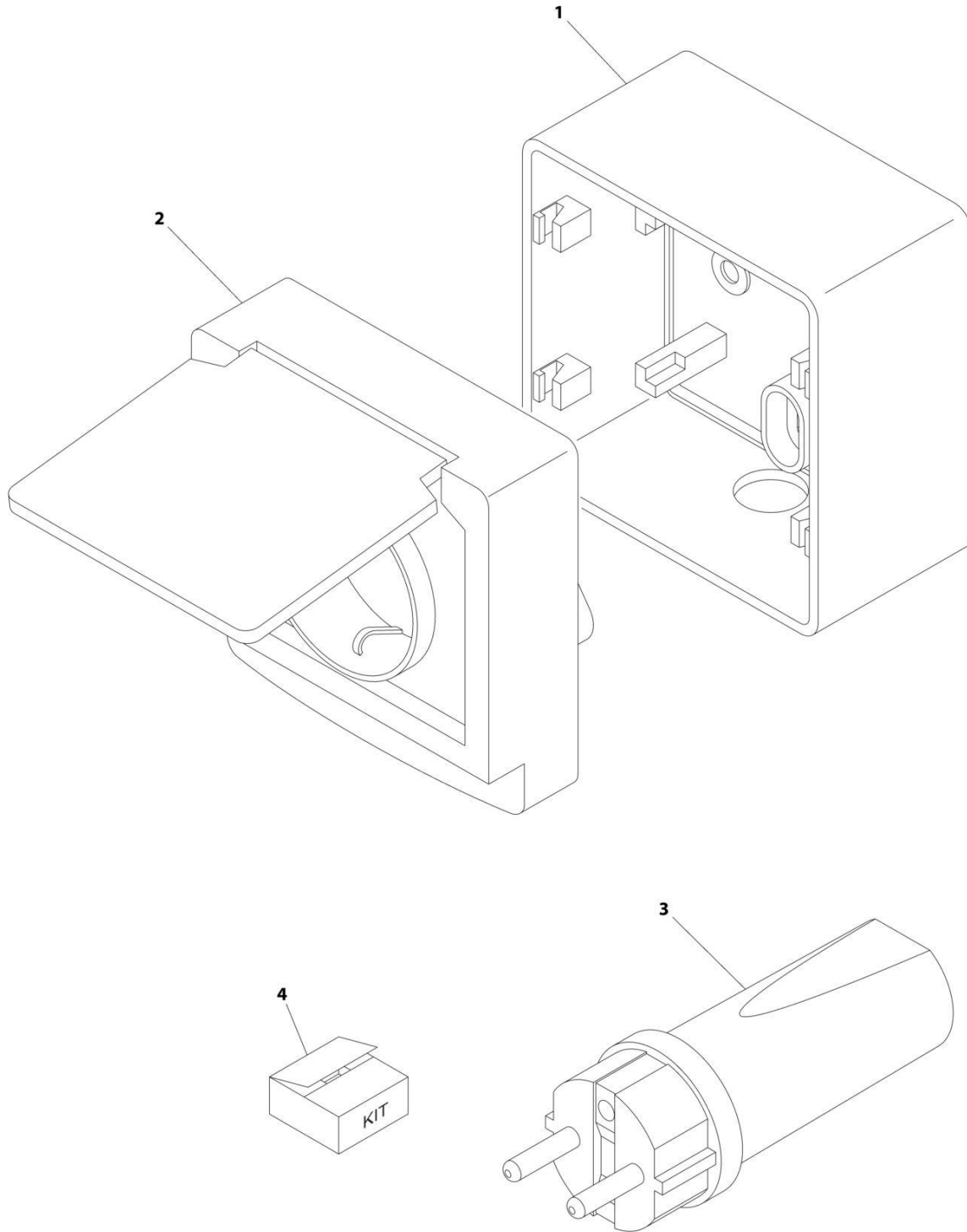
SECTION 8 - ELECTRICAL

FIGURE 8-38. RECEPTACLE BOX KIT - 220V CEE7 SIDE GROUND (CE SPEC)

ITEM	PART NUMBER	QTY	DESCRIPTION	REV
	0275453	Ref	RECEPTACLE BOX KIT - 220V CEE7 SIDE GROUND	B
1	0861731	1	Box, Switch	
2	4461245	1	Receptacle	
3	4461205	1	Plug, Male	
4	1001100347	1	Plug and Socket Kit (Includes Items 1-3 and Female Plug p/n 4461206)	

SECTION 8 - ELECTRICAL

FIGURE 8-39. RECEPTACLE BOX KIT - 220V CEE7 SIDE GROUND 70X70 BOX (CE SPEC)



ART_0275219

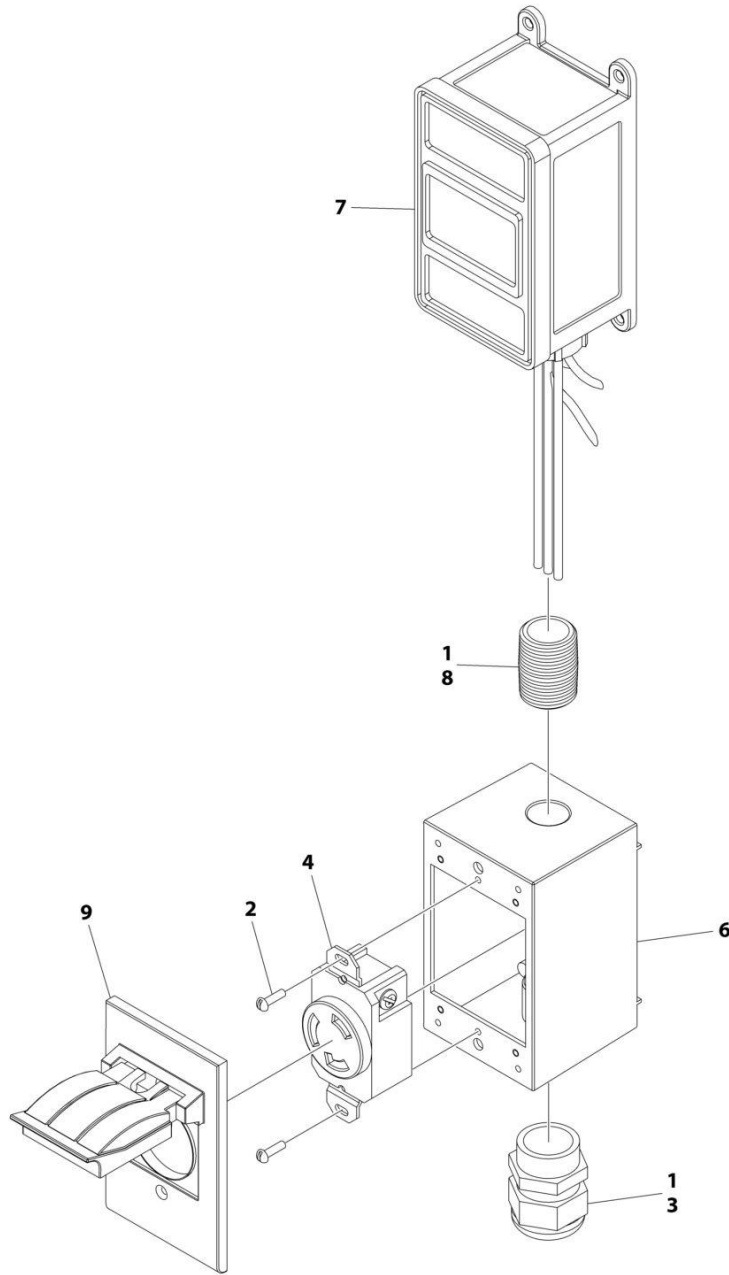
SECTION 8 - ELECTRICAL

FIGURE 8-39. RECEPTACLE BOX KIT - 220V CEE7 SIDE GROUND 70X70 BOX (CE SPEC)

ITEM	PART NUMBER	QTY	DESCRIPTION	REV
	0275219	Ref	RECEPTACLE BOX KIT - 220V CEE7 SIDE GROUND 70MM X 70MM BOX	B
1	1001141967	1	Box, Switch	
2	1001141969	1	Receptacle	
3	4461205	1	Plug, Male	
4	1001141970	1	Plug and Socket Kit (Includes Items 1-3 and Female Plug p/n 4461206)	

SECTION 8 - ELECTRICAL

FIGURE 8-40. RECEPTACLE/BREAKER BOX ASSEMBLY - 220V GFI



ART_1001216162

SECTION 8 - ELECTRICAL

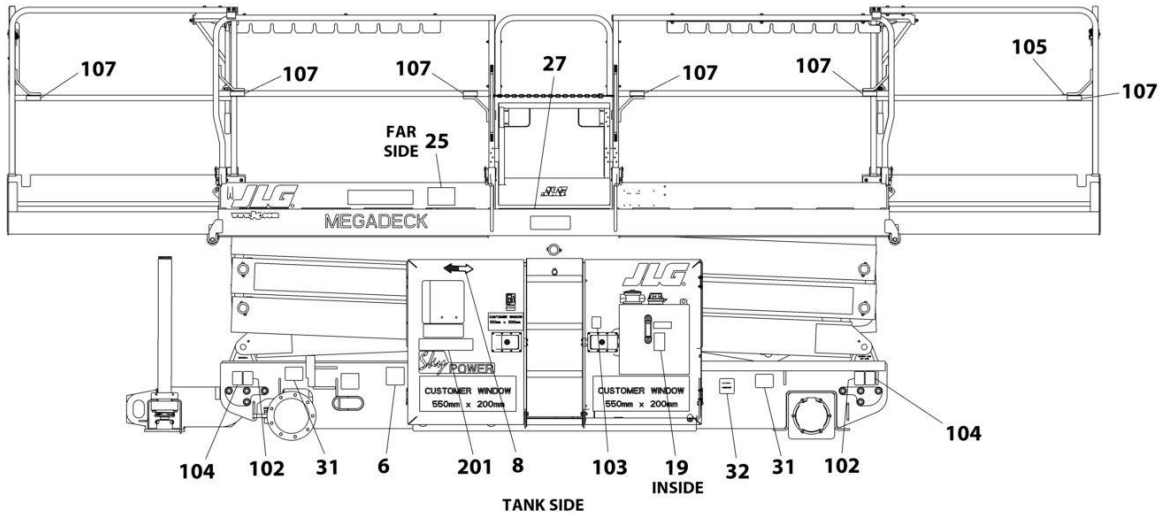
FIGURE 8-40. RECEPTACLE/BREAKER BOX ASSEMBLY - 220V GFI

ITEM	PART NUMBER	QTY	DESCRIPTION	REV
	1001216162	Ref	RECEPTACLE/BREAKER BOX ASSEMBLY - 220V GFI	A
1	0100020	AR	Sealant	
2	3910608	2	Screw #6 x 1/2	
3	4460612	1	Connector, Strain Relief	
4	4460958	1	Receptacle, Turnlok	
5	1001099670	3	Terminal, Splice (Not Shown)	
6	1001148675	1	Box, Receptacle	
7	1001159118	1	Breaker, 30A 240V	
8	1001159119	1	Fitting, Conduit	
9	1001110872	1	Cover	

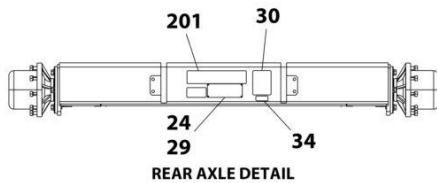
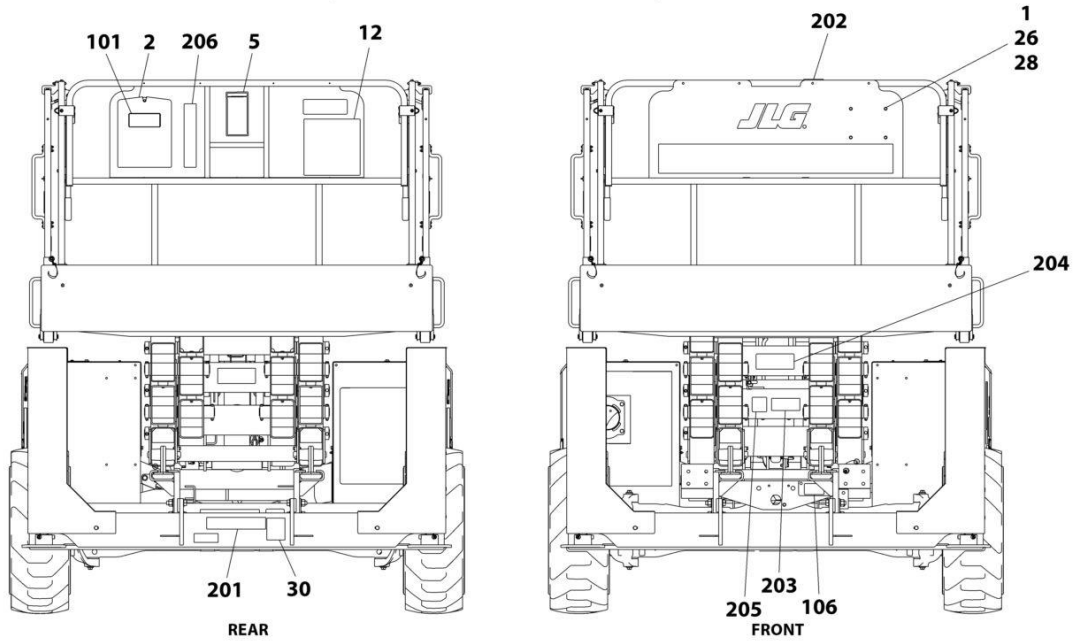
SECTION 9 - DECALS

SECTION 9 - DECALS

FIGURE 9-1. DECAL INSTALLATION - ANSI AND ANSI EXPORT SPECS (ENGLISH)



(NOTE: SOME DECALS TYPICAL BOTH SIDES)



(NOTE: SOME DECALS MOVE TO LEVELING JACKS WHEN EQUIPPED)

(NOTE: ADDITIONAL DECALS CALLED OUT ON DECAL INSTALLATION - OPTIONS)

ART_1001207678

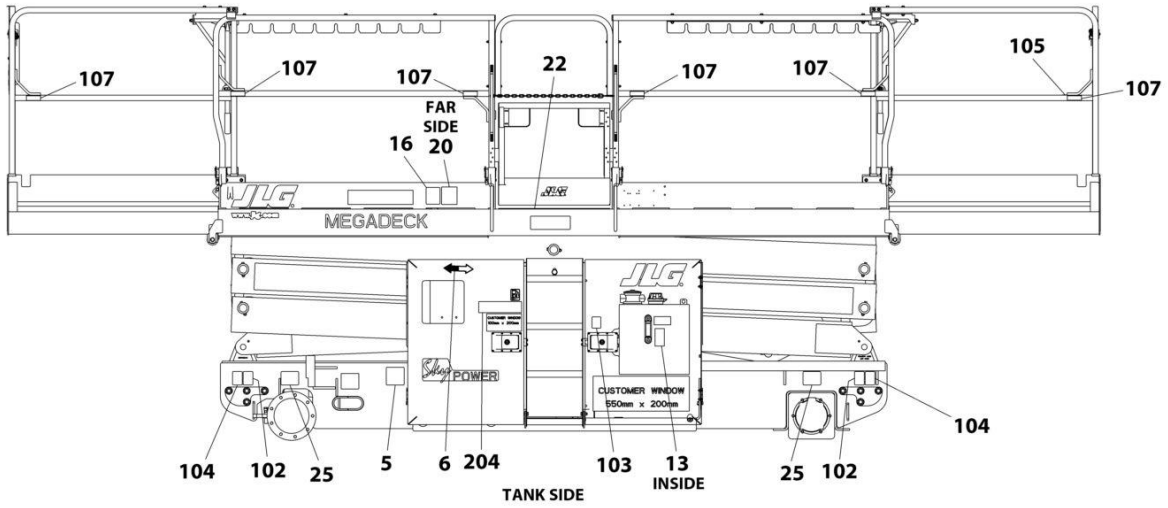
SECTION 9 - DECALS

FIGURE 9-1. DECAL INSTALLATION - ANSI AND ANSI EXPORT SPECS (ENGLISH)

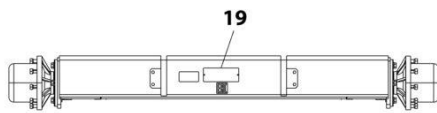
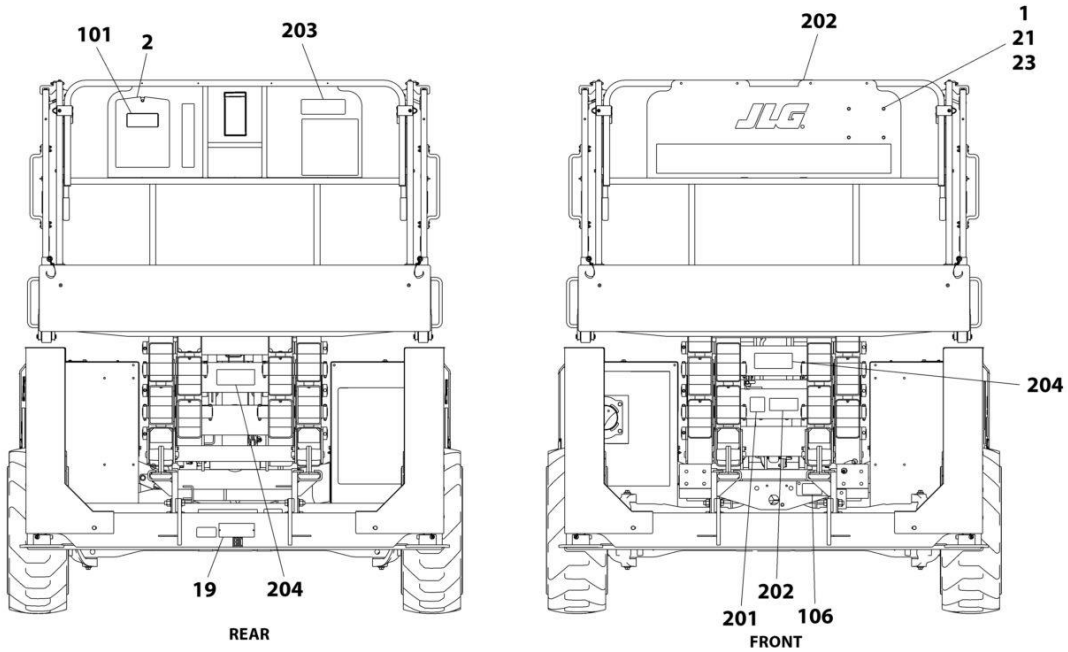
ITEM	PART NUMBER	QTY	DESCRIPTION	REV
	1001207678	Ref	DECAL INSTALLATION - ANSI AND ANSI EXPORT SPECS (ENGLISH)	F
1	0641407	4	Bolt 1/4 x 7/8	
2	0860520	1	Box, Manual Storage	
5	1705679	1	Decal - Inspection	
6	See Note	NSS	Decal - Bar Code (Note: Not Available for Purchase)	
8	1703687	2	Decal - Direction Arrow	
12	1703816	1	Decal - Danger/Warning	
19	1704412	1	Decal - Hydraulic Oil	
24	2080057	4	Fastener	
25	3251813	1	Decal - USA	
26	3311405	4	Nut 1/4	
27	4420067	48 in/1.2m	Tape, Tread	
28	4711400	8	Washer 1/4	
29	See Note	NSS	Nameplate - Manufacturers Serial Number (Note: Not Available for Purchase)	
30	1001131270	1	Decal - Patent	
31	1703493	4	Decal - Maximum Wheel Load	
32	1001223055	1	Decal - Inspection	
34	1001223453	1	Decal - ICES	
100	1001216012	1	Master Decal Kit (Not Shown)	A
101	1701509	1	Decal - Manual	
102	1703811	4	Decal - Lifting Lug	
103	1703812	1	Decal - Hydraulic Oil	
104	1703814	4	Decal - Tie Down	
105	1703819	1	Decal - Direction Arrow	
106	1703822	1	Decal - Manual Descent Instruction	
107	1704277	12	Decal - Lanyard Attach	
200	1001216020	1	Country Specs Decal Kit - ANSI & ANSI Export (English) (Not Shown)	A
201	1703818	3	Decal - Warning	
202	1703821	1	Decal - Control Box Location	
203	1703823	1	Decal - Danger	
204	1704432	1	Decal - Warning/Danger	
205	1705019	1	Decal - Safety Prop	
206	1001192853	1	Decal - Legend	

SECTION 9 - DECALS

FIGURE 9-2. DECAL INSTALLATION - AUSTRALIAN, CE & JAPANESE SPEC (ENGLISH)



(NOTE: SOME DECALS TYPICAL BOTH SIDES)



REAR AXLE DETAIL

(NOTE: ADDITIONAL DECALS CALLED OUT ON DECAL INSTALLATION - OPTIONS)

(NOTE: SOME DECALS MOVE TO LEVELING JACKS WHEN EQUIPPED)

ART_1001207680

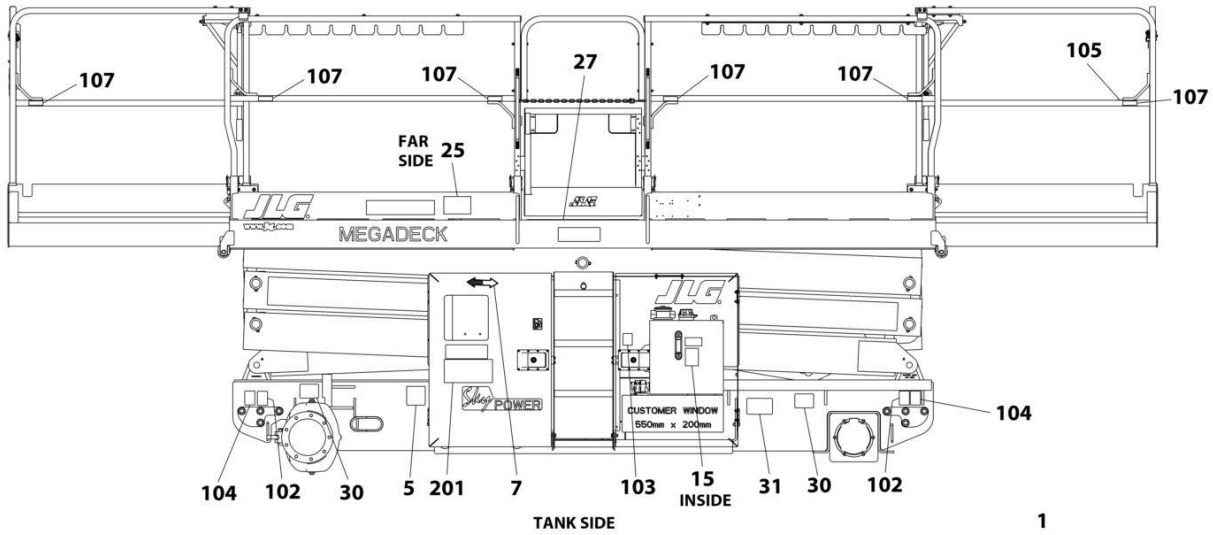
SECTION 9 - DECALS

FIGURE 9-2. DECAL INSTALLATION - AUSTRALIAN, CE & JAPANESE SPEC (ENGLISH)

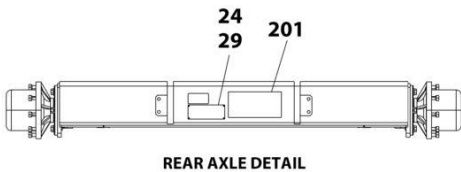
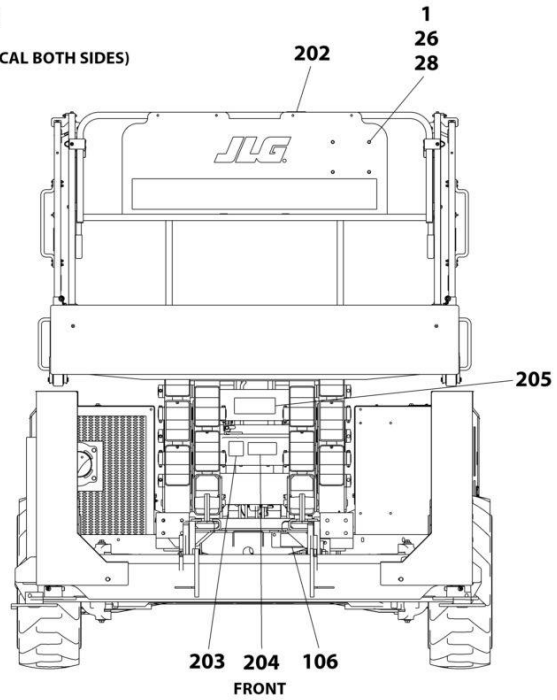
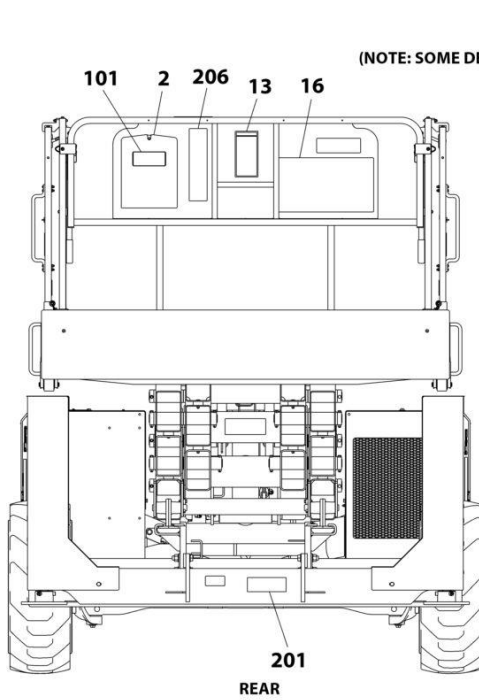
ITEM	PART NUMBER	QTY	DESCRIPTION	REV
	1001207680	Ref	DECAL INSTALLATION - AUSTRALIAN, CE & JAPANESE SPEC (ENGLISH)	F
1	0641407	4	Bolt 1/4 x 7/8	
2	0860520	1	Box, Manual Storage	
5	See Note	NSS	Decal - Bar Code (Note: Not Available for Purchase)	
6	1703687	2	Decal - Direction Arrow	
13	1704412	1	Decal - Hydraulic Oil	
16	1705515	2	Decal - Sound Power (109dB) (Prior to SN 0200266687)	
16	1705368	2	Decal - Sound Power (112dB) (SN 0200266687 through 0200267916)	
16	80463053	2	Decal - Sound Power (106dB) (SN 0200267917 through 0200269765)	
19	2080057	2	Fastener	
20	3251813	1	Decal - USA	
21	3311405	4	Nut 1/4	
22	4420067	48 in/ 1.2m	Tape, Tread	
23	4711400	8	Washer 1/4	
25	1703493	4	Decal - Maximum Wheel Load	
100	1001216012	1	Master Decal Kit (Not Shown)	A
101	1701509	1	Decal - Manual	
102	1703811	4	Decal - Lifting Lug	
103	1703812	1	Decal - Hydraulic Oil	
104	1703814	4	Decal - Tie Down	
105	1703819	1	Decal - Direction Arrow	
106	1703822	1	Decal - Manual Descent Instruction	
107	1704277	12	Decal - Lanyard Attach	
200	2902498	1	Country Specs Decal Kit - Australian & CE Specs (English) (Not Shown)	1
201	1705019	1	Decal - Safety Prop	
202	1705372	1	Decal - Warning/Danger	
203	1705671	1	Decal - Electrocution	
204	1706338	4	Decal - Electrocution/Crushing	

SECTION 9 - DECALS

FIGURE 9-3. DECAL INSTALLATION - BRAZIL SPECS (SPANISH/PORTUGUESE)



(NOTE: SOME DECALS TYPICAL BOTH SIDES)



(NOTE: ADDITIONAL DECALS CALLED OUT ON DECAL INSTALLATION - OPTIONS)

(NOTE: SOME DECALS MOVE TO LEVELING JACKS WHEN EQUIPPED)

ART_1001207683

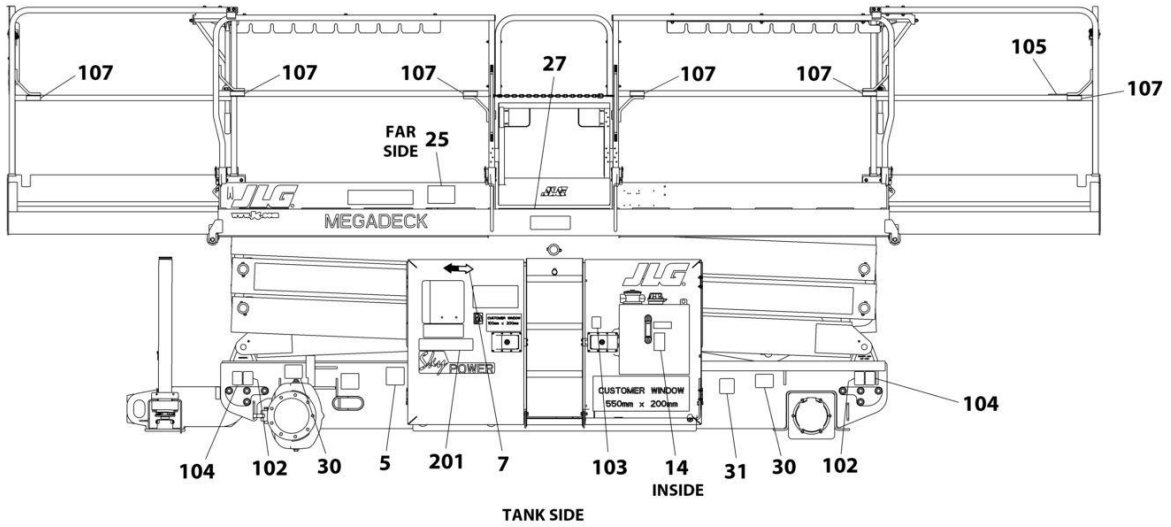
SECTION 9 - DECALS

FIGURE 9-3. DECAL INSTALLATION - BRAZIL SPECS (SPANISH/PORTUGUESE)

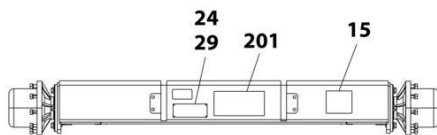
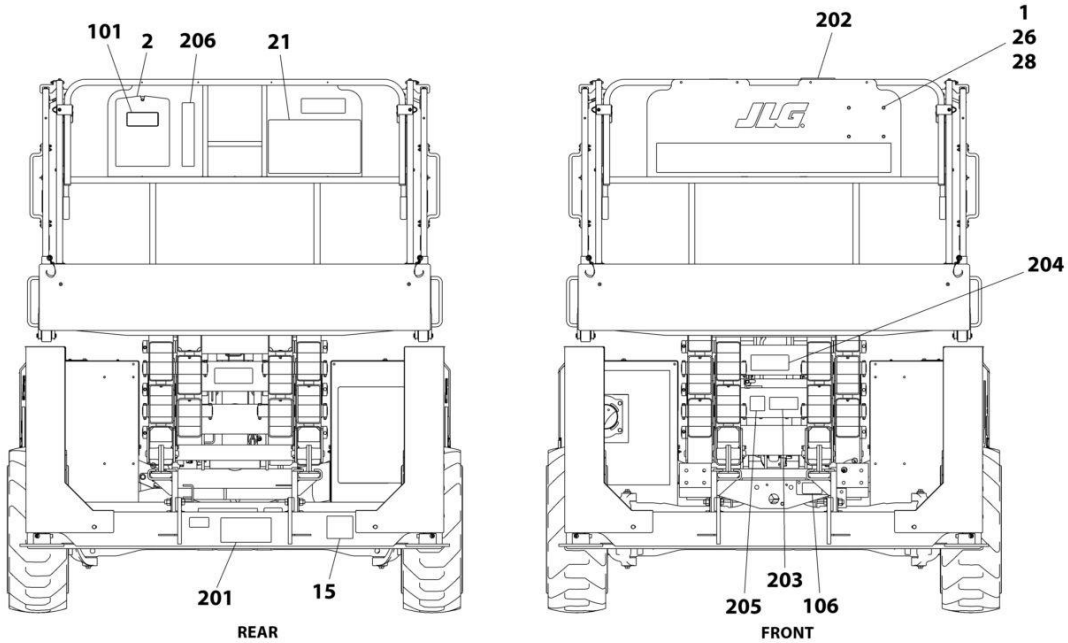
ITEM	PART NUMBER	QTY	DESCRIPTION	REV
	1001207683	Ref	DECAL INSTALLATION - BRAZIL SPECS (SPANISH/PORTUGUESE)	D
1	0641407	4	Bolt 1/4 x 7/8	
2	0860520	1	Box, Manual Storage	
5	See Note	NSS	Decal - Bar Code (Note: Not Available for Purchase)	
7	1703687	2	Decal - Direction Arrow	
13	1705727	1	Decal - Inspection	
15	1704412	1	Decal - Hydraulic Oil	
16	1704699	1	Decal - Danger/Warning	
24	2080057	4	Fastener	
25	3251813	1	Decal - USA	
26	3311405	4	Nut 1/4	
27	4420067	48 in/1.2m	Tape, Tread	
28	4711400	8	Washer 1/4	
29	See Note	NSS	Nameplate - Manufacturers Serial Number (Note: Not Available for Purchase)	
30	1703493	4	Decal - Maximum Wheel Load	
31	1001224052	1	Decal - Inspection	
100	1001216012	1	Master Decal Kit (Not Shown)	A
101	1701509	1	Decal - Manual	
102	1703811	4	Decal - Lifting Lug	
103	1703812	1	Decal - Hydraulic Oil	
104	1703814	4	Decal - Tie Down	
105	1703819	1	Decal - Direction Arrow	
106	1703822	1	Decal - Manual Descent Instruction	
107	1704277	12	Decal - Lanyard Attach	
200	1001216726	1	Country Specs Decal Kit - Brazil Specs (Spanish/Portuguese) (Not Shown)	A
201	1704701	3	Decal - Electrocution/Crushing	
202	1704702	1	Decal - Control Box Location	
203	1705019	1	Decal - Safety Prop	
204	1705043	1	Decal - Danger Electrical Hazard	
205	1705318	1	Decal - Warning/Crushing	
206	1001203077	1	Decal - Legend	

SECTION 9 - DECALS

FIGURE 9-4. DECAL INSTALLATION - CHINESE SPECS (ENGLISH/CHINESE)



(NOTE: SOME DECALS TYPICAL BOTH SIDES)



(NOTE: ADDITIONAL DECALS CALLED OUT ON DECAL INSTALLATION - OPTIONS)

(NOTE: SOME DECALS MOVE TO LEVELING JACKS WHEN EQUIPPED)

ART_1001207681

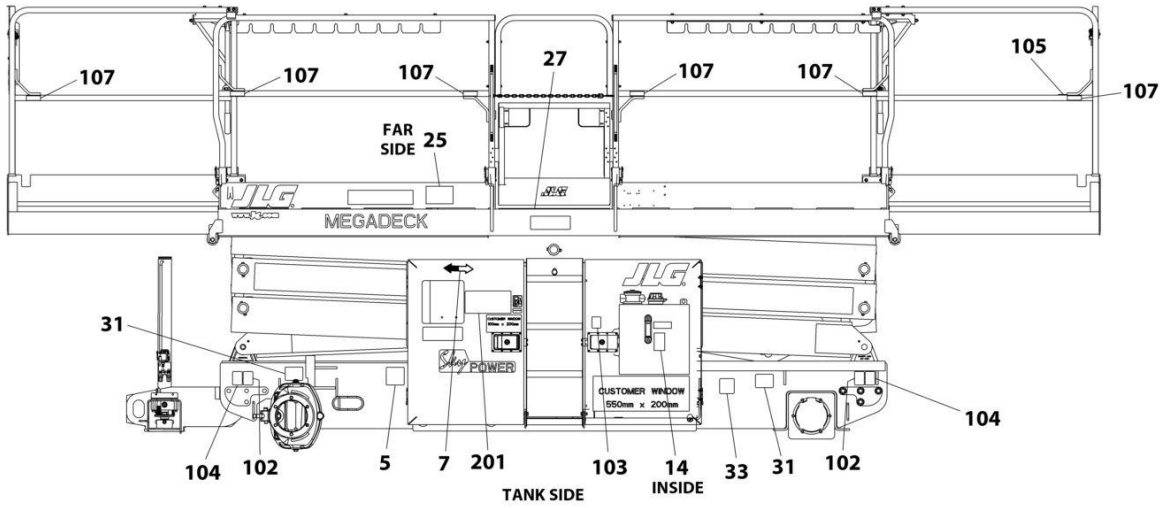
SECTION 9 - DECALS

FIGURE 9-4. DECAL INSTALLATION - CHINESE SPECS (ENGLISH/CHINESE)

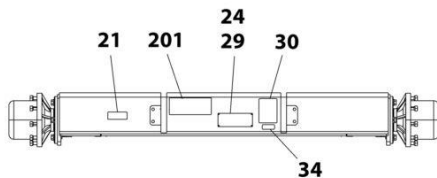
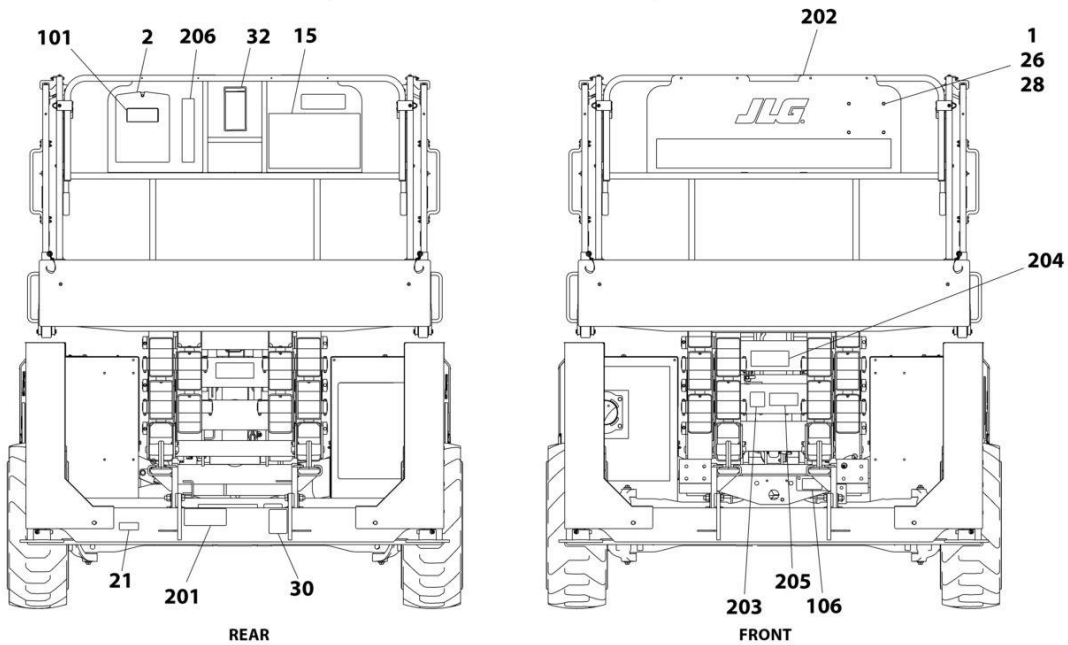
ITEM	PART NUMBER	QTY	DESCRIPTION	REV
	1001207681	Ref	DECAL INSTALLATION - CHINESE SPECS (ENGLISH/CHINESE)	D
1	0641407	4	Bolt 1/4 x 7/8	
2	0860520	1	Box, Manual Storage	
5	See Note	NSS	Decal - Bar Code (Note: Not Available for Purchase)	
7	1703687	2	Decal - Direction Arrow	
14	1704412	1	Decal - Hydraulic Oil	
15	1704607	1	Decal - Inspection	
21	1705195	1	Decal - Danger/Warning	
24	2080057	4	Fastener	
25	3251813	1	Decal - USA	
26	3311405	4	Nut 1/4	
27	4420067	48 in/1.2m	Tape, Tread	
28	4711400	8	Washer 1/4	
29	See Note	NSS	Nameplate - Manufacturers Serial Number (Note: Not Available for Purchase)	
30	1703493	4	Decal - Maximum Wheel Load	
31	1001224050	1	Decal - Inspection	
100	1001216012	1	Master Decal Kit (Not Shown)	A
101	1701509	1	Decal - Manual	
102	1703811	4	Decal - Lifting Lug	
103	1703812	1	Decal - Hydraulic Oil	
104	1703814	4	Decal - Tie Down	
105	1703819	1	Decal - Direction Arrow	
106	1703822	1	Decal - Manual Descent Instruction	
107	1704277	12	Decal - Lanyard Attach	
200	1001217067	1	Country Specs Decal Kit - Chinese Specs (English/Chinese) (Not Shown)	A
201	1705193	3	Decal - Warning/Crushing/Danger	
202	1705194	1	Decal - Control Box Location	
203	1705944	1	Decal - Danger Electrocutation	
204	1705943	1	Decal - Crushing	
205	1705019	1	Decal - Safety Prop	
206	1001192853	1	Decal - Legend	

SECTION 9 - DECALS

FIGURE 9-5. DECAL INSTALLATION - CSA SPECS (ENGLISH/FRENCH)



(NOTE: SOME DECALS TYPICAL BOTH SIDES)



REAR AXLE DETAIL

(NOTE: SOME DECALS MOVE TO LEVELING JACKS WHEN EQUIPPED)

(NOTE: ADDITIONAL DECALS CALLED OUT ON DECAL INSTALLATION - OPTIONS)

ART_1001207679

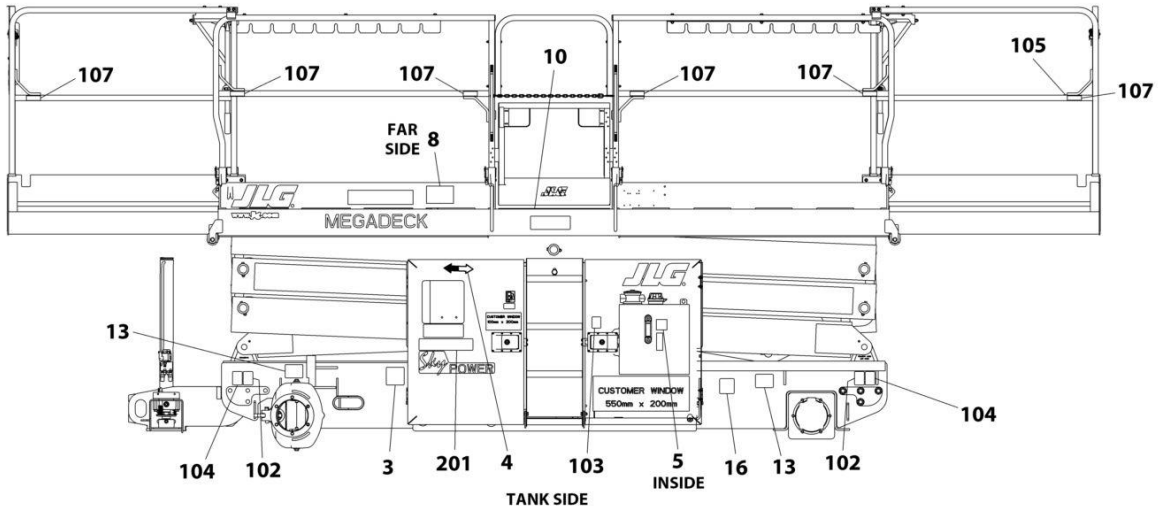
SECTION 9 - DECALS

FIGURE 9-5. DECAL INSTALLATION - CSA SPECS (ENGLISH/FRENCH)

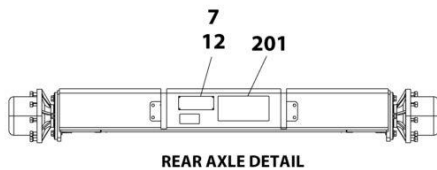
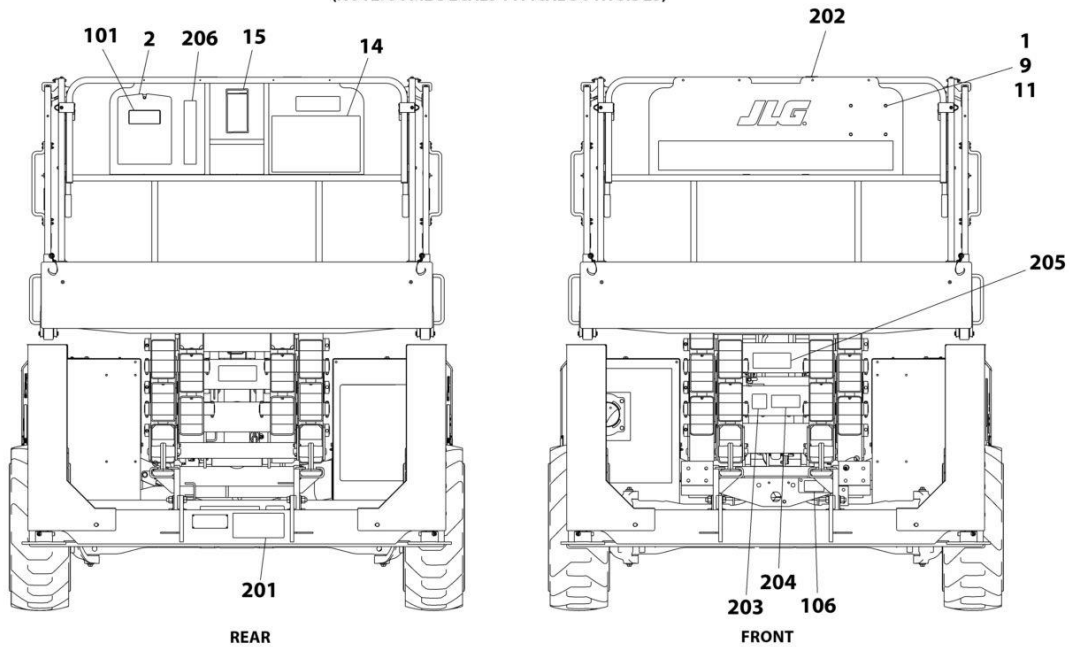
ITEM	PART NUMBER	QTY	DESCRIPTION	REV
	1001207679	Ref	DECAL INSTALLATION - CSA SPECS (ENGLISH/FRENCH)	E
1	0641407	1	Bolt 1/4 x 7/8	
2	0860520	1	Box, Manual Storage	
5	See Note	NSS	Decal - Bar Code (Note: Not Available for Purchase)	
7	1703687	2	Decal - Direction Arrow	
14	1704412	1	Decal - Hydraulic Oil	
15	1704684	1	Decal - Danger/Warning	
21	1705303	1	Decal - CSA	
24	2080057	4	Fastener	
25	3251813	1	Decal - USA	
26	3311405	4	Nut 1/4	
27	4420067	48 in/1.2m	Tape, Tread	
28	4711400	8	Washer 1/4	
29	See Note	NSS	Nameplate - Manufacturers Serial Number (Note: Not Available for Purchase)	
30	1001131270	1	Decal - Patent	
31	1703493	4	Decal - Maximum Wheel Load	
32	1705679	1	Decal - Inspection	
33	1001223971	1	Decal - Inspection	
34	1001223453	1	Decal - ICES	
100	1001216012	1	Master Decal Kit (Not Shown)	A
101	1701509	1	Decal - Manual	
102	1703811	4	Decal - Lifting Lug	
103	1703812	1	Decal - Hydraulic Oil	
104	1703814	4	Decal - Tie Down	
105	1703819	1	Decal - Direction Arrow	
106	1703822	1	Decal - Manual Descent Instruction	
107	1704277	12	Decal - Lanyard Attach	
200	1001216299	1	Country Specs Decal Kit - CSA Specs (English/French) (Not Shown)	A
201	1704686	3	Decal - Warning/Crushing/Danger	
202	1704687	1	Decal - Control Box Location	
203	1705019	1	Decal - Safety Prop	
204	1705040	1	Decal - Danger Electrocution	
205	1705311	1	Decal - Crushing	
206	1001203075	1	Decal - Legend	

SECTION 9 - DECALS

FIGURE 9-6. DECAL INSTALLATION - KOREAN SPECS (ENGLISH/KOREAN)



(NOTE: SOME DECALS TYPICAL BOTH SIDES)



(NOTE: SOME DECALS MOVE TO LEVELING JACKS WHEN EQUIPPED)

(NOTE: ADDITIONAL DECALS CALLED OUT ON DECAL INSTALLATION - OPTIONS)

ART_1001216811

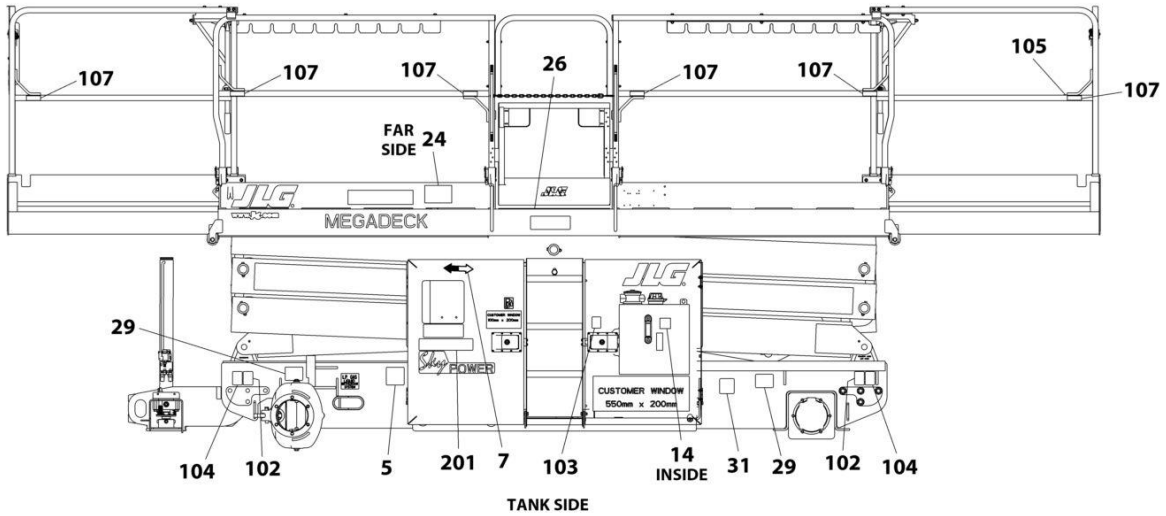
SECTION 9 - DECALS

FIGURE 9-6. DECAL INSTALLATION - KOREAN SPECS (ENGLISH/KOREAN)

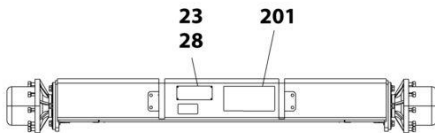
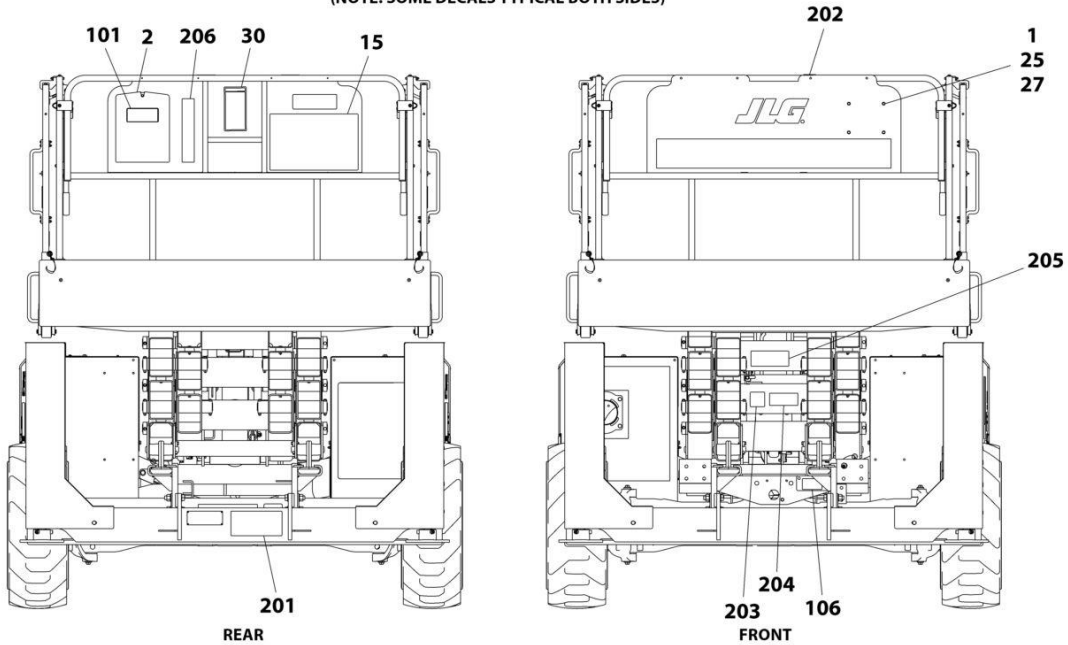
ITEM	PART NUMBER	QTY	DESCRIPTION	REV
	1001216811	Ref	DECAL INSTALLATION - KOREAN SPECS (ENGLISH/KOREAN)	C
1	0641407	4	Bolt 1/4 x 7/8	
2	0860520	1	Box, Manual Storage	
3	See Note	NSS	Decal - Bar Code (Note: Not Available for Purchase)	
4	1703687	2	Decal - Direction Arrow	
5	1704412	1	Decal - Hydraulic Oil	
7	2080057	4	Fastener	
8	3251813	1	Decal - USA	
9	3311405	4	Nut 1/4	
10	4420067	48 in/1.2m	Tape, Tread	
11	4711400	8	Washer 1/4	
12	See Note	NSS	Nameplate - Manufacturers Serial Number (Note: Not Available for Purchase)	
13	1703493	4	Decal - Maximum Wheel Load	
14	1704691	1	Decal - Danger/Warning	
15	1705679	1	Decal - Inspection	
16	1001224048	1	Decal - Inspection	
100	1001216012	1	Master Decal Kit (Not Shown)	A
101	1701509	1	Decal - Manual	
102	1703811	4	Decal - Lifting Lug	
103	1703812	1	Decal - Hydraulic Oil	
104	1703814	4	Decal - Tie Down	
105	1703819	1	Decal - Direction Arrow	
106	1703822	1	Decal - Manual Descent Instruction	
107	1704277	12	Decal - Lanyard Attach	
200	1001217026	1	Country Specs Decal Kit - Korean Specs (English/Korean) (Not Shown)	A
201	1001162111	3	Decal - Warning/Crushing/Danger	
202	1001162112	1	Decal - Control Box Location	
203	1705019	1	Decal - Safety Prop	
204	1001162114	1	Decal - Danger Electrical Hazard	
205	1001162113	1	Decal - Warning/Crushing	
206	1001192853	1	Decal - Legend	

SECTION 9 - DECALS

FIGURE 9-7. DECAL INSTALLATION - LATIN AMERICAN SPECS (ENGLISH/SPANISH)



(NOTE: SOME DECALS TYPICAL BOTH SIDES)



REAR AXLE DETAIL

(NOTE: SOME DECALS MOVE TO LEVELING JACKS WHEN EQUIPPED)

(NOTE: ADDITIONAL DECALS CALLED OUT ON DECAL INSTALLATION - OPTIONS)

ART_1001207682

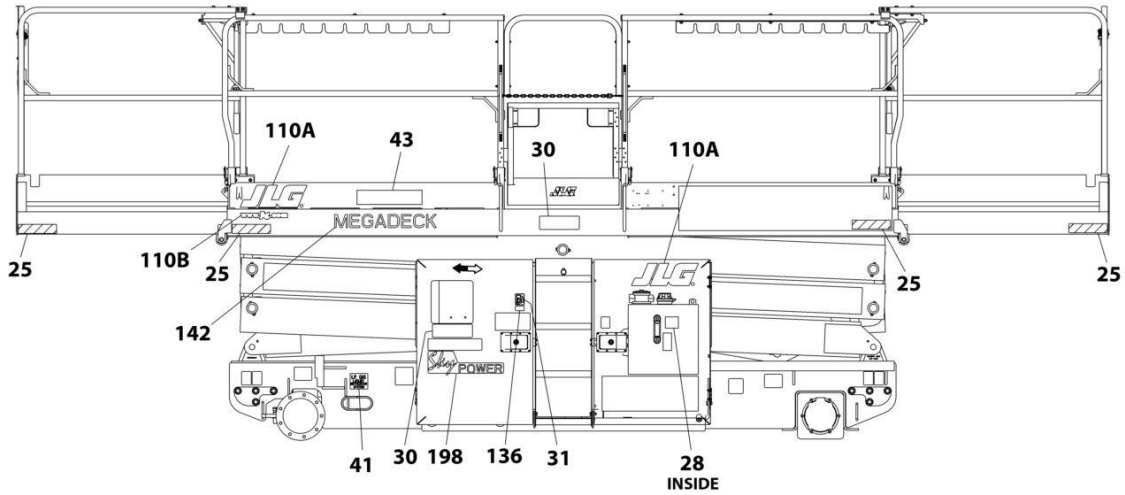
SECTION 9 - DECALS

FIGURE 9-7. DECAL INSTALLATION - LATIN AMERICAN SPECS (ENGLISH/SPANISH)

ITEM	PART NUMBER	QTY	DESCRIPTION	REV
	1001207682	Ref	DECAL INSTALLATION - LATIN AMERICAN SPECS (ENGLISH/SPANISH)	D
1	0641407	4	Bolt 1/4 x 7/8	
2	0860520	1	Box, Manual Storage	
5	See Note	NSS	Decal - Bar Code (Note: Not Available for Purchase)	
7	1703687	2	Decal - Direction Arrow	
14	1704412	1	Decal - Hydraulic Oil	
15	1704691	1	Decal - Danger/Warning	
23	2080057	4	Fastener	
24	3251813	1	Decal - USA	
25	3311405	4	Nut 1/4	
26	4420067	48 in/1.2m	Tape, Tread	
27	4711400	8	Washer 1/4	
28	See Note	NSS	Nameplate - Manufacturers Serial Number (Note: Not Available for Purchase)	
29	1703493	4	Decal, Maximum Wheel Load	
30	1705679	1	Decal - Inspection	
31	1001224049	1	Decal - Inspection	
100	1001216012	1	Master Decal Kit (Not Shown)	A
101	1701509	1	Decal - Manual	
102	1703811	4	Decal - Lifting Lug	
103	1703812	1	Decal - Hydraulic Oil	
104	1703814	4	Decal - Tie down	
105	1703819	1	Decal - Direction Arrow	
106	1703822	1	Decal - Manual Descent Instruction	
107	1704277	12	Decal - Lanyard Attach	
200	1001216738	1	Country Specs Decal Kit - Latin American Specs (English/Spanish) (Not Shown)	A
201	1704693	3	Decal - Warning/Crushing/Danger	
202	1704694	1	Decal - Control Box Location	
203	1705019	1	Decal - Safety Prop	
204	1705041	1	Decal - Danger Electrical Hazard	
205	1705316	1	Decal - Warning/Crushing	
206	1001203076	1	Decal - Legend	

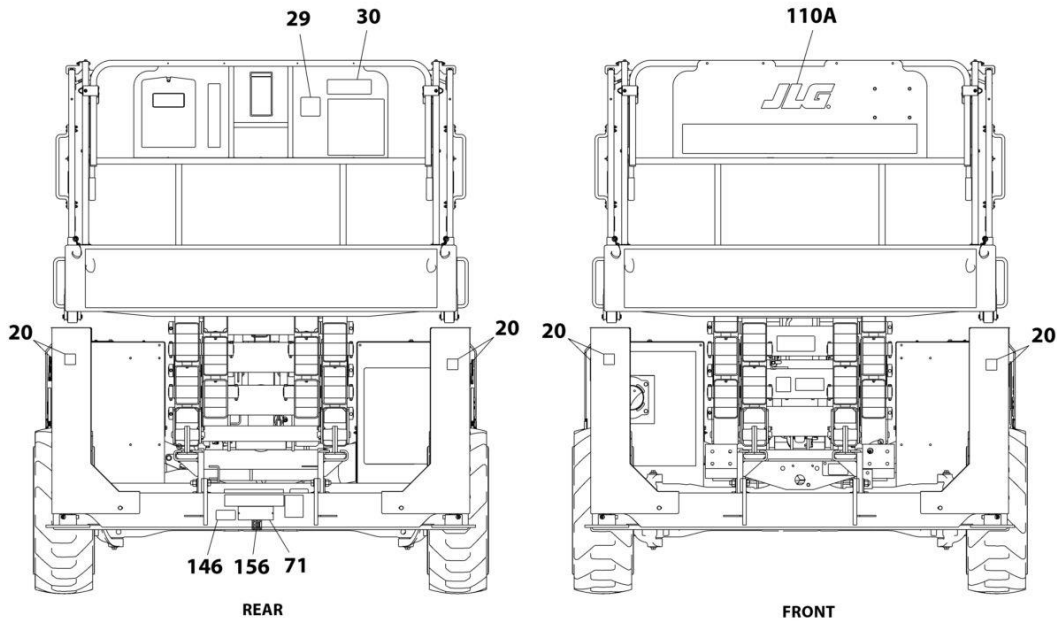
SECTION 9 - DECALS

FIGURE 9-8. DECAL INSTALLATION - OPTIONS



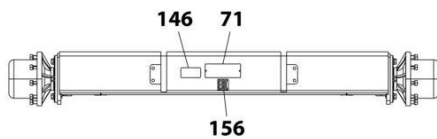
TANK SIDE

(NOTE: SOME DECALS TYPICAL BOTH SIDES)



REAR

FRONT



REAR AXLE DETAIL

(NOTE: SOME DECALS MOVE TO LEVELING JACKS WHEN EQUIPPED)

(NOTE: ADDITIONAL DECALS CALLED OUT ON DECAL INSTALLATION - OPTIONS)

ART_DECAL_OPTIONS

SECTION 9 - DECALS

FIGURE 9-8. DECAL INSTALLATION - OPTIONS

ITEM	PART NUMBER	QTY	DESCRIPTION	REV
		Ref	DECAL INSTALLATION - REFERENCE CHART	
20	1701214	8	Decal - Outrigger Warning (ANSI & ANSI Export Specs) (English)	
20	1701785	8	Decal - Outrigger Warning (Australian, CE and Japanese Specs) (English)	
20	1704698	8	Decal - Outrigger Warning (Brazilian Spec) (Spanish/Portuguese)	
20	1704690	8	Decal - Outrigger Warning (CSA Specs) (English/French)	
20	1001215447	8	Decal - Outrigger Warning (Korean Specs) (English/Korean)	
20	1704697	8	Decal - Outrigger Warning (Latin American Spec) (English/Spanish)	
25	1001216420	Ref	Decal - Warning Stripes Installation (Single Deck Extension)	A
25	1001216421	Ref	Decal - Warning Stripes Installation (Dual Deck Extension)	A
25	4420051	10 ft/3.1m	Tape, Safety (Single Deck Extension)	
25	4420051	12 ft/3.7m	Tape, Safety (Dual Deck Extension)	
28	1702788	1	Decal - Biodegradable Hydraulic Fluid (All Specs Except ANSI Export)	
28	1704174	1	Decal - Synthetic Biodegradable Hydraulic Fluid (All Specs Except ANSI Export)	
28	1703479	1	Decal - Biodegradable Hydraulic Fluid (German Specs)	
28	1704175	1	Decal - Synthetic Biodegradable Hydraulic Fluid (German Specs)	
29	1001231801	1	Decal - Warning Prop65 (Diesel) (SN 0200267546 through 0200268617)	
30	1705020	4	Decal - Capacity 2250lbs/1020kg (330LRT with Single Deck Extension) (All Specs Except Australian and CE Specs)	
30	1705034	1	Decal - Capacity 1020kg (330LRT with Single Deck Extension) (Australian and CE Specs)	
30	3252757	4	Decal - Capacity 2000lbs/905kg (330LRT with Dual Deck Extension) (All Specs Except Australian and CE Specs)	
30	1705035	1	Decal - Capacity 905kg (330LRT with Dual Deck Extension) (Australian and CE Specs)	
30	1705021	4	Decal - Capacity 1500lbs/680kg (430LRT with Single Deck Extension) (All Specs Except Australian and CE Specs)	
30	1705036	1	Decal - Capacity 680kg (430LRT with Single Deck Extension) (Australian and CE Specs)	
30	1705022	4	Decal - Capacity 1250lbs/568kg (430LRT with Dual Deck Extension) (All Specs Except Australian and CE Specs)	
30	1705037	1	Decal - Capacity 565kg (430LRT with Dual Deck Extension) (Australian and CE Specs)	
31	1701505	1	Decal - Fuel (Diesel)	
31	1701542	1	Decal - Fuel (Dual Fuel)	
41	1700818	1	Decal - LP Gas (ANSI, ANSI Export and CSA Specs) (English)	
41	1702720	1	Decal - LP Gas (ANSI Export Specs) (Spanish)	
41	1704271	1	Decal - LP Gas (CSA Spec) (English/French)	
43	1001205823	2	Decal - Model 330LRT	
43	1001205825	2	Decal - Model 430LRT	
71	See Note	NSS	Nameplate - Manufacturer Serial Number (Australian and CE Specs) (Note: Not Available for Purchase)	
110	1001170869	Ref	JLG Logo Decal Installation (Not Shown)	A
110A	1702773	5	Decal - JLG	
110B	1704885	2	Decal - Website	
130	1704972	1	Decal - Warning Explosion/Fire (English) (ANSI and ANSI Export Specs) (Not Shown - Located on Radiator Shroud)	
130	1706098	1	Decal - Warning Explosion/Fire (Pictogram) (Australian, CE & Japanese Specs) (Not Shown - Located on Radiator Shroud)	

SECTION 9 - DECALS

ITEM	PART NUMBER	QTY	DESCRIPTION	REV
130	1706059	1	Decal - Warning Explosion/Fire (English/Portuguese) (Brazil Specs) (Not Shown - Located on Radiator Shroud)	
130	1706060	1	Decal - Warning Explosion/Fire (English/Chinese) (China Specs) (Not Shown - Located on Radiator Shroud)	
130	1706064	1	Decal - Warning Explosion/Fire (English/French) (CSA Specs) (Not Shown - Located on Radiator Shroud)	
130	1706061	1	Decal - Warning Explosion/Fire (English/Korean) (Korean Specs) (Not Shown - Located on Radiator Shroud)	
130	1706063	1	Decal - Warning Explosion/Fire (English/Spanish) (Latin American Specs) (Not Shown - Located on Radiator Shroud)	
136	1001125387	1	Decal - Ultra Low Sulfur Fuel (ANSI, CSA & Japanese Specs) (Kubota T4F Only)	
136	1001139654	1	Decal - Ultra Low Sulfur Fuel (CE Specs)	
142	1001142595	2	Decal - Megadeck	
145	1705460	2	Decal - SkyPower (Machines with 7500W Generator)	
146	1001143852	1	Decal - Emission Compliance (Diesel Only) (ANSI Export, Australian, CE & Japanese Specs)	
156	1001214029	1	EAC Decal Installation (Russian/CIS Specs)	A
156	1001173703	1	Decal - EAC	

SECTION 10 - RECOMMENDED SERVICE PARTS STOCK

SECTION 10 - RECOMMENDED SERVICE PARTS STOCK

SECTION 10 - RECOMMENDED SERVICE PARTS STOCK

FIGURE 10-1. RECOMMENDED SERVICE PARTS STOCK

ITEM	PART NUMBER	QTY	DESCRIPTION	REV
		Ref	Note: The following list will service one machine (built to current production per date on the front cover) with emergency repair parts which can be installed in the field. Parts from the list should be replaced when inventory is depleted to keep service parts stock supplied. For further information, contact your JLG dealer or the JLG Industries Parts Department.	
		Ref	STANDARD PARTS	
	70050516	1	Coil	
	70002963	1	Coil	
	70001960	4	Element, Return Filter	
	70002113	1	Breather, Hydraulic Tank	
	4360070	1	Breaker, Circuit	
	4360387	1	Switch, Push Button	
	4360469	1	Switch, Key	
	2860030	1	Key, Replacement	
	4360475	1	Switch, Emergency Stop	
	4360524	1	Switch, Toggle	
	1001258446	1	Switch, Toggle	
	1001236560	1	Switch, Toggle	
	70010383	1 dz	Element, Charge Filter	
	3740080	1	Relay	
	7015004	1 dz	Filter, Air	
	7017992	1 dz	Filter, Fuel	
	7017451	1	Coil	
	70001967	1	Coil	
	2940074	1	Latch	
	1600402	1	Controller, Drive/Steer	
	4360345	1	Switch, Toggle	
	4360483	1	Switch, Toggle	
	4360525	1	Switch, Toggle	
		Ref	VARIABLE PARTS	
	1001182481	1	Module, Control - Leveling Jacks (Machines with Leveling Jacks)	
	70003789	1	Coil (Machines with Leveling Jacks)	
	70001965	1	Coil (Machines with Leveling Jacks)	
	1001234735	1	Module, Control - Ground Control	
	1001190545	1 dz	Filter, Fuel (Diesel Engines)	
	1001225420	1 dz	Filter, Carbon Cannister (Gasoline Engines)	
	70004395	1 dz	Filter, Oil (Diesel Engines)	
	7017980	1	Filter, Oil (Gasoline Engines)	
	70005296	1	Element, Fuel/Water Separator Filter (Diesel Engines)	
	4360482	1	Switch, Toggle (Machines with Generator)	
	70006095	1	Breaker, Circuit - 30Amp (Machines with Generator)	
	4360500	1	Switch, Rotary Angle Sensor	
	1001187857	1	Sensor	
	1600387	1	Module, Control - LSS (Machines with LSS)	
	4360482	1	Switch, Toggle (Gas Machines)	
	1001235098	1	Module, Control - Platform	
	1001181045	1	Breaker, 16Amp (CE Specs Machines with AC Box at Platform)	
	4360548	1	Switch, Limit (With Leveling Jacks)	

SECTION 10 - RECOMMENDED SERVICE PARTS STOCK

ITEM	PART NUMBER	QTY	DESCRIPTION	REV
	1001159118	1	Breaker, 30Amp (Machines with SkyPower 7500W Generator)	

SECTION 11 - SPECIAL OPTIONS

SECTION 11 - SPECIAL OPTIONS

FIGURE 11-1. SPECIAL OPTIONS

ITEM	PART NUMBER	QTY	DESCRIPTION	REV
		Ref	Note: This list is to accommodate machines ordered with special equipment. Options may not be applicable to all models. For more specific parts information contact JLG Parts Department.	
		Ref	MISCELLANEOUS SPECIAL OPTIONS	
	0271782	Ref	Airline to Platform Installation - 330LRT (Factory Installed)	
	0271783	Ref	Airline to Platform Installation - 430LRT (Factory Installed)	
	1001227835	Ref	Airline Add-on Kit (Dealer Installed)	
	1001177763	Ref	Cold Weather Package - 120V (Diesel Engine)	
	1001215968	Ref	Cold Weather Package Add-on Kit - 120V (Diesel Engine)	
	1001206739	Ref	Cold Weather Package - 120V (Gas Engine)	
	1001216866	Ref	Cold Weather Package Add-on Kit - 120V (Gas Engine)	
	1001188785	Ref	Cold Weather Package - 240V (Diesel Engine)	
	1001215969	Ref	Cold Weather Package Add-on Kit - 240V (Diesel Engine)	
	1001215977	Ref	Container Shipment Preparation	
		Ref	ClearSky (Telematics) Installation (Factory Installed) Options:	
	1001229107	Ref	ClearSky (Telematics) Installation - 3 Wire (ANSI and CSA Specs)	
	1001233237	Ref	ClearSky (Telematics) Installation - 3 Wire (ANSI Export and CE Specs)	
	1001236021	Ref	ClearSky (Telematics) Installation - Canbus (ANSI and CSA Specs)	
	1001236869	Ref	ClearSky (Telematics) Installation - Canbus (ANSI Export and CE Specs)	
	1001246528	Ref	ClearSky (Telematics) Installation - Canbus (Australian Specs)	
		Ref	ClearSky Telematic Add-on Kit (Dealer Installed) Options:	
	1001230504	Ref	ClearSky (Telematics) Installation - 3 Wire (ANSI and CSA Specs)	
	1001234102	Ref	ClearSky (Telematics) Installation - 3 Wire (ANSI Export and CE Specs)	
	1001237254	Ref	ClearSky (Telematics) Installation - Canbus (ANSI and CSA Specs)	
	1001237255	Ref	ClearSky (Telematics) Installation - Canbus (ANSI Export and CE Specs)	
		Ref	Decal Options:	
	1001196612	Ref	Decal - Ahearn Rentals	
	1001231471	Ref	Decal - Blueline Rentals	
	1001229699	Ref	Decal - ClearSky	
	1001115671	Ref	Decal - FedEx Installation	
	0274680	Ref	Decal - Head & Engquist Equipment L.L.C (H&E)	
	1001221960	Ref	Decal - HERC Rentals	
	1001222118	Ref	Decal - HERTZ Canada	
	1001128997	Ref	Decal - NES	
	0274249	Ref	Decal - National Equipment Services (NES)	
	1001231470	Ref	Decal - Sunbelt Rentals (330LRT)	
	1001197870	Ref	Decal - Sunbelt Rentals (430LRT)	
	1001237011	Ref	Decal - Synergy Equipment	
	1001205516	Ref	Decal - Titan Rentals Installation	
	0271666	Ref	Decal - United Rentals Installation	
	1001098292	Ref	Decal - UPS Installation	
		Ref	Decal Kits:	
	1001216020	Ref	Decal Kit - Country Spec (ANSI & ANSI Export Specs)	

SECTION 11 - SPECIAL OPTIONS

ITEM	PART NUMBER	QTY	DESCRIPTION	REV
	2902498	Ref	Decal Kit - Country Spec (Australian & CE Specs)	
	1001216726	Ref	Decal Kit - Country Spec (Brazil Specs)	
	1001217067	Ref	Decal Kit - Country Spec (Chinese Specs)	
	1001216299	Ref	Decal Kit - Country Spec (CSA Specs)	
	1001217026	Ref	Decal Kit - Country Spec (Korean Specs)	
	1001216738	Ref	Decal Kit - Country Spec (Latin American Specs)	
	1001216012	Ref	Decal Kit - Master	
	1001233631	Ref	Door Bumpers Kit	
	1001233817	Ref	Door Retention Kit	
		Ref	Electrical Connector Kits	
	1001148902	Ref	Electrical Connector Kit - Amp/Tyco Electrical Connectors	
	1001148903	Ref	Electrical Connector Kit - Deutsch DT Electrical Connectors	
	1001148904	Ref	Electrical Connector Kit - Deutsch HD Electrical Connectors	
	1001148905	Ref	Electrical Connector Kit - Packard Electrical Connectors	
	1001148906	Ref	Electrical Connector Kit - Various Electrical Connectors	
	1001175145	Ref	Fire Extinguisher Installation	
		Ref	Fluid Options:	
	3020008	Ref	Drive Hub Lubricant HD80W-90	
		Ref	Engine Coolant Options:	
	2300004	Ref	Coolant (Machines without Arctic Package)	
		Ref	Engine Oil Options:	
	1001159301	Ref	Engine Oil (Diesel Machines)	
	1001190775	Ref	Engine Oil (Gas Machines)	
	See Note	Ref	Hydraulic Fluid Options:	
	2300039	Ref	Hydraulic Fluid - Exxon Univis HVI 26	
	2300014	Ref	Hydraulic Fluid - Mobil #424	
	2300016	Ref	Hydraulic Fluid - Mobil DTE 13	
	2300027	Ref	Hydraulic Fluid - Mobil EAL 224H Bio	
	2300029	Ref	Hydraulic Fluid - Mobil EAL EnviroSyn H46 Bio	
	2300021	Ref	Hydraulic Fluid - Union Carbide Ucon Hydrolube HP-5046D (Fire Resistant)	
	1001233320	Ref	Footswitch Installation (Factory Installed) (Korean Spec Only)	
	1001224574	Ref	Footswitch Add-on Kit (Dealer Installed)	
	1001217377	Ref	Forklift Tire Guides Installation (ANSI Specs 330LRT Only)	
		Ref	Fuel Cap Cover Installation Options:	
	1001202749	Ref	Fuel Cap Cover Installation (Black) (All Specs) (Note: Lock p/n 1001102157 must be Purchased Separately)	
	1001191395	Ref	Fuel Cap Cover Installation (Green) (Diesel Machines) (ANSI, ANSI Export & CSA Specs) (Note: Lock p/n 1001102157 must be Purchased Separately)	
	1001191394	Ref	Fuel Cap Cover Installation (Red) (Gas Machines) (ANSI, ANSI Export & CSA Specs) (Note: Lock p/n 1001102157 must be Purchased Separately)	
		Ref	Generator Add-on Kit (Dealer Installed)	
	1001227833	Ref	Generator Add-on Kit (7500W - 50Hz) (KUBOTA Stage III)	
	1001227831	Ref	Generator Add-on Kit (7500W - 60Hz) (KUBOTA T4F)	
	1001227832	Ref	Generator Add-on Kit (7500W - 60Hz) (KUBOTA Gasoline)	
	1001110509	Ref	Ground Control Box Cover Installation (ANSI Specs 330LRT Only)	
	1001111280	Ref	Ground Control Box Light Installation (ANSI Specs 330LRT Only)	
	1001227836	Ref	Headlights and Taillights Add-on Kit (All Specs except CE Specs)	
	1001223282	Ref	Oil Cooler Installation (Factory Installed)	
	1001227837	Ref	Oil Cooler Add-on Kit (Dealer Installed)	

SECTION 11 - SPECIAL OPTIONS

ITEM	PART NUMBER	QTY	DESCRIPTION	REV
	1001238488	Ref	Large Material Rack (Single Extension)	
	1001236784	Ref	Large Material Rack (Dual Extension)	
	1001236786	Ref	Large Material Rack (Mega Deck) (CE Specs 330LRT Only)	
		Ref	Platform Lights Options:	
	1001227834	Ref	Platform Lights Add-on Kit - Flood Lights (Dealer Installed)	
	1001187698	Ref	Platform Lights Installation - Worklights (Prior to SN 0200267546)	
	1001234830	Ref	Platform Lights Installation (SN 0200267546 through 02002697546)	
	1001215965	Ref	Platform Lights Add-on Kit - Worklights	
		Ref	Platform Padding Options:	
	1001206575	Ref	Platform Padding Installation - Top Rail Only/No Switches (Single Extension)	
	1001206579	Ref	Platform Padding Installation - Top Rail Only/No Switches (Dual Extension)	
	1001206580	Ref	Platform Padding Installation - Soft Touch Switches (ANSI & ANSI Export Specs)	
		Ref	Rack Options:	
	1001238488	Ref	Large Material (Single Extension)	
	1001236784	Ref	Large Material (Dual Extension)	
	1001236786	Ref	Large Material (Mega Deck)	
	1001239226	Ref	Service Kit - Hoods	
	1001210089	Ref	Telematics - Cat	
	1001228363	Ref	Telematics - Herc	
	1001209282	Ref	Telematics - Loxam	
	1001210090	Ref	Telematics - Riwal	
	1001195610	Ref	Telematics - United Rentals - M6	
	1001214463	Ref	Telematics - United Rentals - M8	
		Ref	Tools for Service	
	7002821	Ref	Crimper, Wire	
	7002823	Ref	Pin Extractor - Universal (For Electrical Connectors with Pins and Sockets)	
	4460510	Ref	Pin Extractor - 12-14 Gauge (For Removal of Pin/Sockets from Deutsch Connectors)	
	4460467	Ref	Pin Extractor - 16-18 Gauge (For Removal of Pin/Sockets from Deutsch Connectors)	
	7016654	Ref	Screwdriver, Magnetic	
	7002822	Ref	Screwdriver, Potentiometer	
	7004275	Ref	Tools - Seal Tool 1in (For Cylinders)	
	7004276	Ref	Seal Tool 1-1/2in (For Cylinders)	
	7002828	Ref	Stripper, Wire	

PART NUMBER INDEX

SECTION 11 - SPECIAL OPTIONS

0080190.....206, 214, 222, 230	0275216321, 393	0641814.....91, 101, 115, 117, 131, 133, 155, 165	0760808 94, 104, 120, 124, 136, 140, 158, 168
0100009.....67, 69, 71, 73	0275217323, 395	0641824.....45	0760810 .. 41, 43, 94, 104, 121, 125, 137, 140, 158, 168
0100011.....13, 15, 17, 19, 41, 43, 78, 82, 87, 91, 94, 97, 101, 104, 111, 115, 117, 120, 124, 127, 131, 133, 136, 140, 152, 155, 158, 162, 165, 168, 189, 193, 197, 206, 214, 222, 230, 275, 277, 281, 283, 293	0275218329, 401	0642012.....13	0760814 61, 63, 87, 97, 111, 127, 153, 163
0100019.....19	0275219333, 405	0681607.....206, 214, 222, 230	0761009197
0100020 87, 97, 111, 127, 152, 162, 407	0275452327, 399	0681612.....206, 214, 222, 230	0761010 88, 98, 112, 128, 153, 163
0100035.....203, 211, 219, 227	0275453331, 403	0681618.....222, 230	076101115, 17
0100038.....13, 293	0275454325, 397	0681624.....206, 214, 222, 230	0761014 78, 82, 88, 94, 98, 104, 112, 117, 120, 124, 128, 133, 136, 140, 159, 169, 185
0100048.....189, 193, 197	0340045 94, 104, 120, 124, 136, 140, 158, 168	0681632.....206, 214, 222, 230	0761015 94, 104, 120, 124, 136, 140, 158, 168
0100051 87, 97, 111, 127, 152, 162	0363050 206, 214, 222, 230	0681636.....222, 230	0761016 94, 104, 120, 124, 136, 140, 158, 168
0100062.....95, 105, 121, 137, 159, 169	0370018293	0681810.....19	076161578, 82
0100081203, 211, 219, 227	0400075 87, 97, 111, 127, 152, 162	0681813.....206, 214, 222, 230	0761617 87, 97, 111, 127, 152, 162
014000161, 63	0440236 207, 215, 223, 231	0681814.....78, 82	077081275
0140030.....261, 263, 265, 267, 269, 271	0440250 207, 215, 223, 231	0682014.....19	0780810 189, 193, 197
0140032.....75	044027115, 17	0682230.....41, 43	0791408275, 277
0181847.....261, 263, 265, 267, 269, 271	0440334 94, 104, 120, 124, 136, 140	0700610...61, 63, 94, 104, 120, 124, 136, 140, 158, 168	0840052335
0200713.....207, 215, 223, 231	0480100279	0700618.....153, 163	0840056341, 345
0200714.....223, 232	0561489239, 241	0700619.....249, 253, 257	0840057341, 345
0200715.....224, 232	0630407193, 197	0700620.....94, 104, 120, 124, 136, 140, 158, 168	0840059 341, 345, 379
0200716.....207, 215, 224, 232	0630485 243, 245, 247	0700812 87, 97, 111, 127, 152, 162	0840061 341, 345, 379
0200717.....207, 215	0641404 275, 277, 319, 321, 323, 325, 327, 329, 331, 333	0700814.....94, 104, 120, 124, 136, 140, 158, 168	0860520 411, 413, 415, 417, 419, 421, 423
0200718.....207, 215, 224, 232	0641406 249, 253, 257, 321, 323, 325, 327, 329, 331, 333	0700817. 87, 97, 111, 127	0861538193, 197
0200719.....207, 216, 224, 232	0641407 41, 43, 235, 275, 277, 411, 413, 415, 417, 419, 421, 423	0700819.....94, 104, 120, 124, 136, 140, 159, 169, 185	0861572189
0200720.....224, 232	0641408 94, 104, 120, 124, 136, 140	0700835.....261, 263, 265, 267, 269, 271	0861731 391, 397, 399, 403
0200721.....224, 232	0641409 319, 321, 323, 325, 327, 329, 331, 333	0701019.....189, 193, 197	0861781393, 395
0200722.....224, 232	0641412 17, 203, 211, 219, 227	0701020.....61, 63	0861880337, 339
0200723.....208, 216	0641415241	0701037.....239, 241	0901870 249, 253, 257
0240087287	0641420 203, 211, 219, 227	0701215.....190, 193	0902773 206, 214, 222, 230
025801135	0641505 206, 214, 222, 230	0701217.....190, 193, 197	0902774 203, 211, 219, 227
0258012.....35	0641507 207, 215, 223, 231, 243, 245, 247	0701219.....189, 193, 197	090305445
0270092.....29	0641508 41, 43, 243, 245, 247	0701222 13, 94, 104, 120, 124, 136, 140, 158, 168	094004978, 82
0270653.....31	0641516 249, 253, 257	0711221.....15, 17	096194815, 17
0271666.....432	064156051, 53	0721010.....203, 211, 219, 227	096195013
0271719.....35	0641605 87, 97, 111, 127, 152, 162	0731005.....61, 63	0961986 94, 104, 120, 124, 136, 140, 158, 168
0271782.....432	0641606281, 283	0741010 87, 97, 111, 127, 152, 162	0962031 206, 214, 222, 230
0271783.....432	064160851, 53	0741607.....189, 193, 197	0962356223, 231
0271785.....33	064160982	0760508.....39	0962445222, 230
0272209.....207, 215, 223, 231	0641610 152, 162, 203, 211, 219, 227	0760606.....190, 194, 198, 261, 263, 265, 267, 269, 271	0962446 206, 214, 222, 230
0272211.....207, 215, 223, 231	0641611 203, 211, 219, 227, 239, 241	0760607.....94, 104, 120, 124, 136, 140, 158, 168	0962474 207, 215, 223, 231
0272268.....33	0641612 87, 97, 111, 127, 152, 162, 203, 211, 219, 227	0760608.....94, 104	0962520 189, 193, 197
0272829.....279	0641676 249, 253, 257	0760610.....67, 69, 71, 73, 78, 82, 87, 97, 111, 127, 153, 163, 189, 193, 197	1001091102.....321, 323, 325, 327, 329, 331, 333
0274249.....432	0641812153, 163	0760612.....78, 82	1001093382.. 87, 97, 111, 127, 152, 162
0274260.....287		0760614.....152, 162	1001093383.....78, 82
0274680.....432		0760618.....43, 275, 277	1001096070.....321, 323, 325, 327, 329, 331, 333, 339

SECTION 11 - SPECIAL OPTIONS

1001097150 337, 339	100116813349, 353, 357, 361	1001126393 357, 361	1001162111421
1001098292432	100116816349, 353, 357, 361	1001128888 95, 105, 121, 125, 137, 140	1001162112421
1001098765335	100116926342, 346, 375, 377	1001128997 432	1001162113421
1001099125 78, 82	100116930375, 377, 387, 389	1001129255 153, 163	1001162114421
1001099623 203, 211, 219, 227	100116934383, 385	1001129256 153, 163	1001162995 13
1001099670407	100117019341, 342, 345, 346	1001129772349, 353, 358, 362	1001163178... 15, 17, 299
1001100208 261, 267	100117023341, 345, 357, 361	1001131270 411, 419	100116317915, 17
1001100341393	100117024354	1001131391 153, 163	100116340515, 17
1001100342395	100117055350, 354	1001132170 381	100116341861
1001100345399	100117057342, 346, 349, 353, 357, 361	1001132358261, 263, 265, 267, 269, 271	100116358013, 291
1001100346397	100117069342, 346	1001136988 189, 193, 197	100116371515, 17
1001100347403	100117070349, 353, 357, 361	1001137304 335	100116371615, 17
1001101331 91, 101, 115, 117, 131, 133, 155, 165, 181	100117078341, 345	1001139654 426	100116420915, 17
100110151137	100117372291	1001141967 401, 405	1001164817291
100110219437	100118280 94, 104, 121, 125, 137, 141, 158, 168	1001141968 401	1001165035158, 168
100110219537	100118511 13	1001141969 405	100116617645
100110219637	100118518 13	1001141970 405	1001166729243, 245, 247
1001102805 19, 27	100118519 13	1001141971 401	1001166732190, 194, 198
100110282361, 63, 65	100118538 94, 104, 120, 124, 136, 140, 158, 168	1001142595 426	100116683741, 43
1001102987 ..87, 97, 111, 127, 152, 162	100118539 94, 104, 120, 124, 136, 140, 158, 168	1001143852 426	1001167055249, 253, 258
1001103012 342, 346, 373	100118580 94, 104, 120, 124, 136, 140	1001144295 387, 389	1001167058249
1001103013 341, 345	100118582 94, 104, 121, 125, 137, 141	1001144295 387, 389	1001167269243, 245, 247
1001103760 207, 215, 223, 231	100118657350, 353	1001145292249, 253, 257	1001167272243, 245, 247
100110376145	100118658350, 353, 357, 361	1001146043 158, 168	1001167274243, 245, 247
1001104498 342, 346, 358, 373	100118675 94, 104, 120, 124, 136, 140, 177	1001146311308, 312	1001167275243, 245, 247
100110570037	100118743349, 353	1001146588 153, 163	100116746982
1001106736 341, 345	100118744349, 353	100114727429, 31	1001167690357, 361
1001107854 342, 346, 362, 373	100118745349, 353	1001148648 190	1001167696243, 245, 247
1001108128 308, 312	100118746 94, 104, 120, 124, 136, 140, 158, 168	1001148675 407	1001168018 95, 105, 120, 124, 136, 140, 158, 168
1001110433 78, 82	100118881 94, 105, 120, 124, 136, 140	1001148844 194, 198	100116876261, 63
1001110509433	100118925 94, 105, 120, 124, 136, 140	1001148865 29	1001169054 95, 105, 120, 124, 136, 140, 158, 168
1001110872407	100118938342, 346, 349, 353, 357, 361	1001148866 29	1001169138 95, 105, 120, 124, 136, 140, 158, 168
1001111280433	10011897261, 63	1001148869 31	1001169967 95, 105, 120, 124, 136, 141, 158, 168
1001112612 341, 345	100119412349, 353	1001148870 31	1001170035 95, 105, 120, 124, 136, 141, 158, 168
1001113961 387, 389	100119929189	1001148902433	1001170869425
1001115671432	100121396303, 305	1001148903433	1001173043312
1001116691361	100125033357	1001148904433	1001173703426
1001116696 357, 361	100125242219, 227	1001148905433	1001174093152, 163
1001116698 341, 345	100125243203, 211	1001148906433	1001174384223, 231
1001116732 341, 342, 345, 346, 349, 353, 357, 361	100125248 95, 105, 121, 125, 137, 141, 159, 169	1001149581243, 245, 247	1001174386223, 231
1001116733 341, 342, 345, 346, 349, 353, 357, 361	100125387426	1001149581243, 245, 247	1001174387223, 231
1001116734 341, 342, 345, 346, 349, 353, 354, 357, 361	100125748349, 353, 357, 362	100114995329, 31	1001174455341, 345, 379
1001116749 357, 361	100125773349, 353, 358, 362	1001151351308, 312	1001174486 .. 87, 97, 111, 127, 152, 162
1001116752 349, 357, 361	100126008347	100115139367, 69, 71, 73	1001175145433
1001116763 342, 346, 362	100126009347	1001152525 190	1001175265350, 354
1001116774347		1001154726341, 345	1001175509105, 136, 141, 168
1001116808 347, 389		1001155806 341, 345	1001176787261, 267, 383
1001116810389		1001156819 152, 162	100117684815, 17
1001116811 387, 389		1001157520 191, 195, 199	1001177763432
1001116812 342, 346, 387		1001157521 191	1001178957261, 267
		1001157528 195, 199	
		1001158007 191, 195, 199	
		1001158008 191, 195, 199	
		1001158199308, 312	
		1001159118 407, 429	
		1001159119 407	
		1001159301 ..87, 97, 111, 127, 433	
		1001161497 158, 168	

SECTION 11 - SPECIAL OPTIONS

1001180620 95, 105, 121, 125, 137, 141	1001184163.....190, 198	1001191394 433	1001204236.....78, 82
1001181045337, 339, 428	1001184235..... 194	1001191395 433	1001204248.....78, 82
1001181211 198	1001184705.....357, 361	1001191599 341, 342, 345, 346, 349, 353, 354, 357, 361	1001204382.....78, 82
1001181223275, 277	1001184716.....357, 361	1001192401 341, 345	1001204606..... 13
1001181314 67, 71	1001184717357, 361	1001192853 411, 417, 421	1001204608.....308, 314
100118133067, 69, 71, 73	1001184718.....357, 361	1001193336 61	1001204609.....312, 314
1001181393 91, 101, 115, 131	1001184730.... 67, 69, 71, 73	1001194115 275, 277	1001204611..... 15
1001181622261, 263, 265	1001184768.....357, 361	1001194221 385	1001204612..... 17
1001181623261, 263, 265	1001184769.....361	1001194378 308, 312	1001204613..... 19
1001181625 159, 169	1001184832.....357, 361	1001194381 308, 312	1001204614..... 51
1001181626267, 269, 271	1001185125.. 88, 98, 112, 128, 153, 163	1001194383 308, 312	1001204615..... 53
1001181627267, 269, 271	1001185510..... 190	1001194384 303, 305	1001204617..... 61
1001181658 95, 105, 121, 125, 137, 141, 159, 169	1001185585.. 88, 98, 112, 128, 153, 163	1001194386 303, 305	1001204618..... 63
1001181659 159, 169	1001186428.. 87, 97, 111, 127, 153, 163, 335	1001194387 303, 305	1001204619..... 78
1001181804 335	1001186467..... 17	1001194388 303, 305	1001205516..... 432
1001181829 159, 169, 179	1001186479..... 335	1001194421 383, 385	1001205636..... 247
1001182481 ...41, 43, 428	1001186480..... 335	1001194836 ..88, 98, 112, 128, 153, 163	1001205638..... 245
1001182976 95, 105, 121, 125, 137, 141	1001186481..... 335	1001195123 387, 389	1001205640..... 243
1001182977 95, 105, 121, 125, 137, 141	1001186482..... 335	1001195594 95, 105, 121, 137	1001205642.....243, 245, 247
1001182978 95, 105, 121, 125, 137, 141	1001186483..... 335	1001195600 95, 105, 121, 125, 137, 141, 159, 169	1001205643.....243, 245
1001182979 95, 105, 121, 125, 137, 141	1001186484..... 335	1001195610 434	1001205644..... 247
1001182980 95, 105, 121, 125, 137, 141, 159, 169	1001186821.....190, 194, 198, 365	1001195684 349, 353	1001205765.....243, 245, 247
1001182981 95, 105, 121, 125, 137, 141, 159, 169	1001186833.....159, 169	1001196612 432	1001205823..... 425
1001182982 95, 105, 121, 125, 137, 141, 159, 169	1001186919..... 194	1001197870 432	1001205825..... 425
1001182983 95, 105, 121, 125, 137, 141, 159, 169	1001187197..... 190	1001198726 95, 105, 121, 125, 137, 141, 158, 168	1001205896.....243, 245, 247
1001182984 95, 105, 121, 125, 137, 141, 159, 169	1001187228.....194, 195, 198, 199	1001199438 185	1001205968 95, 105, 121, 125, 137, 141, 159, 169
1001182985 95, 105, 121, 125, 137, 141	1001187232.....195, 199	1001199943 185	1001205969.....91, 94
1001182987 95, 105, 121, 125, 137, 141	1001187235 95, 120, 124, 158	1001199945 185	1001205973.....155, 158
1001183328 41, 43	1001187455.....357, 361	1001200250 350, 353	1001205974.....115, 120
100118341678, 82	1001187695..... 17	1001200400208, 216, 224, 232	1001205979.....53, 57
1001183420 95, 105, 121, 125, 137, 141, 159, 169	1001187698..... 434	1001200401207, 208, 215, 216, 223, 224, 232	1001206009.....253
1001183421 ..87, 97, 111, 127, 153, 163	1001187703..... 187	1001200402207, 208, 215, 216, 224, 232	1001206025.....250, 254, 258
1001183424 95, 105, 121, 125, 137, 141, 159, 169	1001187857.....203, 211, 219, 227, 235, 428	1001200412207, 215, 223, 224, 232	1001206032..... 152
1001183427 159, 169	1001188785..... 432	1001200506207, 215, 216, 224, 232	1001206034..... 111
1001183428 159, 169	1001189773.... 67, 69, 71, 73	1001200510207, 215, 224, 232	1001206036..... 87
1001183726 194	1001190002.... 67, 69, 71, 73	1001200528208, 216, 224, 232	1001206049..... 155
1001184064 159, 169	1001190270.....261, 263, 265, 267, 269, 271	1001200927 185	1001206050.....112, 115
1001184065 ..87, 97, 111, 127, 153, 163	1001190368.....15, 17	1001201642 342, 346	1001206051.....88, 91
1001184066 95, 105, 121, 125, 137, 141, 159, 169	1001190469.....383, 385	1001202532 190, 194	1001206065..... 249
1001184162 190, 194, 198	1001190471.....383, 385	1001202536 190, 194	1001206097.....253
	1001190472.....241, 261, 263, 265, 267, 269, 271	1001202749 433	1001206182..... 243
	1001190473.....261, 263, 265, 267, 269, 271	1001202759 198	1001206190..... 249
	1001190474. 41, 265, 271	1001202760 198	1001206294..... 257
	1001190545.. 87, 98, 111, 128, 428	1001202764 198	1001206295..... 257
	1001190577.....369, 371	1001203075 419	1001206467..... 82
	1001190578.....369, 371	1001203076 423	1001206575..... 434
	1001190609.. 88, 98, 112, 128, 175	1001203077 415	1001206579..... 434
	1001190775.....153, 163, 433	1001204069 153	1001206580..... 434
	1001191139..... 39	1001204140 78, 82	1001206648.....308, 312
	1001191146.. 88, 98, 112, 128	1001204145 78, 82	1001206686.. 88, 98, 112, 128, 153, 163
		1001204146 78, 82	1001206689..... 75
		1001204147 78, 82	1001206707.....194, 198
		1001204224 78, 82	1001206708.....193, 316
			1001206739..... 432
			1001206776..... 319
			1001206779..... 327
			1001206780..... 331
			1001206781..... 325
			1001206782..... 321
			1001206783..... 323
			1001206784..... 329

SECTION 11 - SPECIAL OPTIONS

1001206785.....333	1001213672.....308, 312	1001219371.....261, 267	1001226911.....241
1001206786.....239	1001213673.....308, 312	1001219775.....187	1001227249.....203, 211, 219, 227, 235
1001206787.....275	1001213674.....308, 312	1001219826.....187	1001227285 95, 105, 121, 125, 137, 141, 159, 169
1001206832.....275, 277	1001213676.....308, 312	1001219882.....78, 82	1001227591.....153
1001206893.....41	1001213677.....308, 312	1001220010.....207, 215	1001227736.....203
1001206896.....63	1001213678.....308	1001220020.....207, 215	1001227737.....219
1001206928.....321, 323, 325, 327, 329, 331, 333	1001213679.....308, 312	1001220030.....223, 231	1001227738.....211
1001207109.....63	1001213680.....308, 312	1001220040.....223, 231	1001227739.....227
1001207285.....190, 194, 198	1001213681.....309, 313	1001220081.....203	1001227831.....433
1001207289.....163	1001213684.....308, 312	1001220082.....203, 206	1001227832.....433
1001207678.....411	1001213718.....258	1001220083.....219	1001227833.....433
1001207679.....419	1001213847.....159, 169	1001220084.....219, 222	1001227834.....434
1001207680.....413	1001214029.....426	1001220085.....211	1001227835.....432
1001207681.....417	1001214463.....434	1001220087.....211, 214	1001227836.....433
1001207682.....423	1001214550.....41, 43, 45	1001220088.....227	1001227837.....433
1001207683.....415	1001214864.....303, 305	1001220089.....227, 230	1001228363.....434
1001208339.....190, 194	1001214865.....303, 305	1001220957 95, 105, 121, 125, 137, 141, 158, 168	1001228471.....82
1001208340.....190, 194, 198	1001214989.....67, 69, 71, 73, 373	1001220959 95, 105, 121, 125, 137, 141, 158, 168	1001228988.....281, 283
1001208751.....197, 316	1001214990.....67, 71, 369	1001221687.....67, 69, 71, 73	1001229107.....432
1001208752.....189, 316	1001215138.....275, 277, 387	1001221960.....432	1001229699.....432
1001208757.....341	1001215224.....243, 245, 247	1001222118.....432	1001230006.....335
1001208764.....87, 97, 111, 127	1001215251.....71	1001222169.....67, 69, 71, 73	1001230007.....335
1001208849.....316	1001215252.....67	1001223055.....411	1001230488.....349, 353
1001208874.....87, 97, 111, 127, 152, 162	1001215255.....67, 69, 71, 73, 241	1001223282.....433	1001230504.....432
1001208903.....303	1001215305.....208, 216, 224, 232	1001223432.....349, 353	1001231195.....61, 63
1001209064.....88, 98, 112, 128, 349	1001215447.....425	1001223453.....411, 419	1001231470.....432
1001209178.....314	1001215510.....275	1001223459.....361	1001231471.....432
1001209179.....314	1001215543.....159, 169	1001223646.....277	1001231801.....425
1001209181.....207, 215, 375	1001215697.....39	1001223795.....349, 353	1001233237.....432
1001209182.....207, 215, 223, 231	1001215898.....341, 345	1001223796.....349, 353	1001233320.....433
1001209183.....207, 215, 223, 231	1001215965.....434	1001223971.....419	1001233631.....433
1001209208.....78, 82	1001215968.....432	1001224048.....421	1001233817.....433
1001209282.....434	1001215969.....432	1001224049.....423	1001234069.....88, 98, 112, 128, 153, 163, 350, 358
1001209314.....41, 303, 314	1001215977.....432	1001224050.....417	1001234102.....432
1001209589.....51, 55	1001216012.....411, 413, 415, 417, 419, 421, 423, 433	1001224052.....415	1001234735.....69, 73, 428
1001209619.....343, 347	1001216020.....411, 432	1001224201.....95, 105, 107	1001234736.....347
1001209853.....215	1001216162.....194, 198, 407	1001224430.....120, 137, 143	1001234830.....434
1001209854.....231	1001216251.....206, 214, 222, 230	1001224493.....158, 168, 171	1001234950 95, 105, 121, 125, 137, 141
1001209931.....153, 163, 357	1001216299.....419, 433	1001224574.....433	1001235098.....275, 277, 428
1001210080.....223, 231, 377	1001216383.....206, 214, 222, 230	1001225256.....78, 82	1001235922.....263, 265, 269, 271
1001210089.....434	1001216384.....206, 214, 222, 230	1001225257.....78, 82	1001236021.....432
1001210090.....434	1001216420.....425	1001225258.....78, 82	1001236135.....316
1001210278.....243, 245, 247	1001216421.....425	1001225420.....153, 163, 428	1001236154.....69, 73, 371
1001210553.....261	1001216726.....415, 433	1001225421.....153, 163	1001236163.....275, 277, 389
1001210554.....267	1001216738.....423, 433	1001225609.....97	1001236199.....265, 271
1001210555.....261	1001216811.....421	1001225610.....127	1001236230.....263, 265, 269, 271, 385
1001210556.....267	1001216866.....432	1001225613.....128, 131	1001236266.....263
1001210619.....41, 43, 379	1001217026.....421, 433	1001225614.....131, 136	1001236267.....269
1001210645.....198	1001217067.....417, 433	1001225615.....98, 101	1001236271.....345
1001210708.....159, 169	1001217085.....206, 214, 222, 230, 297	1001225616.....101, 104	1001236351.....73
1001210754.....71, 73	1001217108.....41, 43, 47	1001225626.....162	1001236352.....69
1001210755.....67, 69	1001217291.....155, 165	1001225627.....163, 165	1001236442.....190, 194, 198, 367
1001212223.....189, 193, 197	1001217377.....433	1001225628.....165, 168	1001236545.....88, 98, 112, 128, 353
1001213495.....249, 253	1001218727.....78, 82	1001226221.....78, 82	1001236546.....153, 163, 361
	1001218729.....78, 82	1001226420.....159, 169	1001236559.....153, 163
		1001226421.....67, 69, 71, 73, 261, 263, 265, 267, 269, 271	
		1001226830.....241, 381	
		1001226834.....277	

SECTION 11 - SPECIAL OPTIONS

1001236560265, 271, 428	1180372 207, 215, 223, 231	1703822.....411, 413, 415, 417, 419, 421, 423	2080040 249, 253, 257
1001236784 434	1320043 95, 105, 121, 125, 137, 140	1703823..... 411	2080057 411, 413, 415, 417, 419, 421, 423
1001236786 434	1320061152, 162	1704174..... 425	2080063 249, 253, 257, 279
1001236869 432	1320220152, 162	1704175..... 425	2080064 249, 253, 257
1001237011 432	1320224 319, 321, 323, 325, 327, 329, 331, 333	1704271..... 425	2110808308, 312
1001237254 432	1320265 87, 97, 111, 127, 152, 162	1704277.....411, 413, 415, 417, 419, 421, 423	2110810308, 312
1001237255 432	1320302281, 283	1704412.....411, 413, 415, 417, 419, 421, 423	2110812308, 312
1001237292 231	1321692195, 199	1704432..... 411	2111216308, 312
1001237293 215	1340069 94, 104, 121, 125, 137, 141, 158, 168	1704607..... 417	2130808308, 312
1001237453 43	1440331 206, 214, 222, 230	1704684..... 419	2130812308, 312
1001237464 43, 305	1580023287	1704686..... 419	2180348 87, 97, 111, 127, 152, 162
1001237754 263, 269	1580024287	1704687..... 419	2180387152, 162
1001237756 43	1600387241, 428	1704690..... 425	2180389152, 162
1001237907 78, 83	1600402 261, 263, 265, 267, 269, 271, 273, 428	1704691..... 421, 423	2180418152, 162
1001237908 79, 83	1670988 275, 277, 319, 321, 323, 325, 327, 329, 331, 333	1704693..... 423	2180666 .87, 97, 111, 127
1001237915 305	1670995 206, 214, 222, 230	1704694..... 423	2220237308, 312
1001237916 305	1671092195, 199	1704697..... 425	2220238308, 312
1001238471 78	1671093281	1704698..... 425	2220290152, 162
1001238488 434	167116541, 43	1704699..... 415	2220299152, 162
1001238626 203, 211, 219, 227	1671207391	1704701..... 415	2220371 45, 303, 305, 308, 312
1001238770 124, 141, 147	1683054293	1704702..... 415	2220372303
1001238771 117, 124	1684290291	1704885..... 425	2220373 45, 206, 214, 222, 230, 303, 305, 308, 312
1001238772 112, 117	1684332 206, 214, 222, 230, 295	1704972..... 425	2220408308, 312
1001238773 133, 140	168440645, 293	1705019.....411, 413, 415, 417, 419, 421, 423	2220415308, 312
1001238774 128, 133	1700818425	1705020..... 425	2220435308, 312
1001239088 305	1701214425	1705021..... 425	2220451308, 312
1001239200 117, 133	1701505425	1705022..... 425	2220466308, 312
1001239222 78, 82	1701509 411, 413, 415, 417, 419, 421, 423	1705034..... 425	2220472309, 313
1001239226 434	1701542425	1705035..... 425	2220473308, 312
1001239350 241	1701785425	1705036..... 425	2220479308, 312
1001239852 316	1702720425	1705037..... 425	2220497308, 312
1001241363 265	1702773425	1705040..... 419	2220500 305, 308, 312
1001241364 271	1702788425	1705041..... 423	2220502309, 313
1001243778 379	1702868281, 283	1705043..... 415	2220577308, 312
1001244937 190	1703162 94, 104, 120, 124, 136, 140, 158, 168	1705044..... 417	2220578308, 312
1001244939 190	1703464319	1705193..... 417	2220582308, 312
1001245681281, 283	1703479425	1705194..... 417	2220596305
1001245845 281	1703493 411, 413, 415, 417, 419, 421, 423	1705195..... 417	2220600305
1001245846 283	1703687 411, 413, 415, 417, 419, 421, 423	1705303..... 419	2220602308, 312
1001245996 281, 283	1703811 411, 413, 415, 417, 419, 421, 423	1705305..... 281, 283	2220628303
1001246080281, 283	1703812 411, 413, 415, 417, 419, 421, 423	1705311..... 419	2220883 27, 45, 55, 57, 206, 214, 222, 230, 291, 297
1001246528 432	1703814 411, 413, 415, 417, 419, 421, 423	1705316..... 423	2220885 55, 57, 297
1001249253 153, 163	1703816411	1705318..... 415	222088627, 297
1001258446 428	1703818411	1705325..... 321	2220887297
1001274559 69, 73	1703819 261, 263, 265, 267, 269, 271, 411, 413, 415, 417, 419, 421, 423	1705368..... 413	2220888297
1060343 195, 199	1703821411	1705372..... 413	2221036308, 312
1060379249, 253, 257, 287		1705460..... 426	2221040 308, 309, 312, 313
1060494 195, 199		1705515..... 413	2221042 206, 214, 222, 230
1060708 195, 199		1705637..... 279	2221050309, 312
1060808249, 253, 257		1705671..... 413	2221081308, 312
1060866 207		1705679.....411, 419, 421, 423	2221086308, 313
1060907 223		1705727..... 415	2221176152, 162
1060908 337, 339		1705943..... 417	2300004 87, 97, 111, 127, 152, 162, 433
1060929206, 214, 222, 230		1705944..... 417	2300014433
1061020 241		1705997..... 287	230001619, 433
1061021 241		1706059..... 426	2300021433
10702077190, 195, 199		1706060..... 426	
10702082190, 195, 199		1706061..... 426	
1120555 287		1706063..... 426	
1180371207, 215, 223, 231		1706064..... 426	
		1706098..... 425	
		1706338..... 413	
		1870170..... 316	

SECTION 11 - SPECIAL OPTIONS

2300027433	3290605 61, 63, 67, 69, 71, 73, 78, 82, 87, 94, 97, 104, 111, 120, 124, 127, 136, 140, 152, 158, 162, 168, 189, 193, 197, 261, 263, 265, 267, 269, 271, 275, 277	3321402.....94, 104, 120, 124, 136, 140, 206, 214, 222, 230	3760368293
2300029433	3290805 41, 43, 61, 63, 75, 87, 94, 97, 104, 111, 120, 124, 127, 136, 140, 152, 158, 162, 168, 185, 189, 193, 197, 261, 263, 265, 267, 269, 271	3340612.....249, 253, 257	3760460293
2300039433	3291001 94, 104, 120, 124, 136, 140, 158, 168	3340929.....207, 215, 223, 231	3790152 91, 101, 115, 117, 131, 133, 155, 165
2400044 87, 97, 111, 127, 152, 162	3291005 61, 63, 78, 82, 88, 94, 98, 104, 112, 120, 124, 128, 136, 140, 153, 158, 163, 168, 185, 239, 241	3340935.....203, 211, 219, 227	3820020 88, 98, 112, 128, 153, 163, 250, 254, 258
2420172 67, 69, 71, 73	3291201 94, 104, 120, 124, 136, 140, 158, 168, 189, 193, 197	3340937.....249, 253, 257	3841143 15, 17, 87, 97, 111, 127, 152, 162, 203, 206, 211, 214, 219, 222, 227, 230, 239, 241
2560088249, 253, 257	3300048 319, 321, 323, 325, 327, 329, 331, 333	3421453.....249, 253, 257	3841203 206, 214, 222, 230
2560141261, 263, 265, 267, 269, 271	3300106 19	3421565.....249, 253, 257	3841258 13
2560172249, 253, 257	3300151281, 283	3422219.....249, 253, 257, 287	3841556 206, 214, 222, 230
2560176249, 253, 257	330035341, 43	3422592..... 13	384156445
2600216 78, 82	3300396 190, 195, 199	3422669 87, 97, 111, 127, 152, 162	3850013293
2600285249, 253, 257	3300408 87, 97, 111, 127, 152, 162	3422938..... 241	3860102223, 231
2700100287	3300432 249, 253, 257	3422943.....206, 214, 222, 230, 239, 241	3860111153, 163
2716762303	3300455 203, 211, 219, 227	3422944.....206, 214, 222, 230	3900300 67, 69, 71, 73
2720058 87, 97, 111, 127	3300467 249, 253, 257	3422945.....206, 214, 222, 230	3900318 249, 253, 257, 279
2720271 87, 97, 111, 127	331080541, 43	3422946.....206, 214, 222, 230	3900319 249, 253, 257
2720611 152, 162	3311001 190, 195, 199	3422948.....222, 230	3900321293
2753791 308, 312	3311005 189, 193, 197, 203, 211, 219, 227	3422954.....206, 214	3900323 249, 253, 257
2753970 308, 312	3311401275, 277	3422961.....203, 211, 219, 227	3900325 203, 211, 219, 227
2754244 308, 312	3311405 17, 94, 104, 120, 124, 136, 140, 193, 197, 203, 211, 219, 227, 235, 241, 249, 253, 257, 275, 277, 319, 321, 323, 325, 327, 329, 331, 333, 411, 413, 415, 417, 419, 421, 423	3422963.....203, 211, 219, 227	3900355 287
2755023 309, 313	3311501 51, 53, 78, 82	3422964..... 222, 230	3910608407
2780267 19, 23	331150278, 82	3422965.....206, 214, 222, 230	3911428 249, 253, 257
2780268 19, 21	3311505 207, 215, 223, 231, 243, 245, 247, 249, 253, 257	3423049..... 239	393082041, 43
2820031 387, 389	3311601 243, 245, 247	3423304..... 15, 17	3931010 249, 253, 257
286003067, 69, 71, 73, 428	3311605 .. 82, 87, 97, 111, 127, 152, 162, 203, 211, 219, 227, 239, 241, 281, 283	3450304.....206, 214, 222, 230	3931016 189, 193, 197
290075659, 207, 215, 223, 231	3311801 19, 153, 163	3450405.....206, 214, 222, 230	3931412287
2902182293	331180545	3460334 287	3931436 249, 253, 257
2902217 281, 283		3520026.....67, 69, 71, 73, 261, 267	3931508287
2902266291		3520028.....71, 261, 263, 267, 269	3931516293
2902348287		3520034.....261, 263, 267, 269	3940804193, 197
2902431 193, 197, 319, 391		3520072.....249, 253, 257	3960526 19
2902498 413, 433		3520193.....261, 265, 267, 271	3990010342, 346
2902549321, 323, 325, 327, 329, 331, 333, 337		3537609.....250, 254, 258	4010403 67, 69, 71, 73
292002967, 69, 71, 73		3571862.....250, 254, 258	4010405 67, 69, 71, 73
2940074249, 253, 257, 428		3573370.....206, 214, 222, 230	4010408 193, 197, 319, 321, 323, 325, 327, 329, 331, 333
2940127 249, 253, 257		3573400.....281, 283	4010412 67, 69, 71, 73
3020008 19, 433		3573440.....152, 162	4031507 67, 69, 71, 73
3020022 239, 241		3573472.....250, 254, 258	4031509 261, 263, 265, 267, 269, 271
3200447203, 211, 219, 227		3573513..... 293	4031908 197
325002867, 69, 73		3580317.....189, 193, 197	4032014 189, 193, 197
3251813411, 413, 415, 417, 419, 421, 423		3580318.....189, 193, 197	4032016197
3252507323, 325, 327, 329, 331, 333		3641452.....249, 253, 257	4060802 67, 69, 71, 73, 189, 193, 197, 261, 263, 265, 267, 269, 271
3252757425		3740080 88, 98, 112, 128, 153, 163, 343, 347, 428	406080378, 83
3271605206, 214, 222, 230		3760170.....249, 253, 257, 287	416011645
3271805 78, 82, 206, 214, 222, 230		3760257.....243, 245, 247	4240003287
3272205 41, 43		3760348..... 45	4240017 189, 193, 197
329040567, 69, 71, 73, 193, 197, 261, 263, 265, 267, 269, 271, 319, 321, 323, 325, 327, 329, 331, 333			4240018 88, 98, 112, 128, 153, 163, 203, 211, 219, 227
329050539, 78, 82, 88, 98			424003239
329060143, 249, 253, 257			4240033 206, 214, 223, 231, 241, 275, 277

SECTION 11 - SPECIAL OPTIONS

4280295.....206, 214, 223, 231	4460425195, 199	4460894.....342, 346, 379, 383, 385	4711000..... 190, 195, 199
4340853..... 287	4460426 190, 195, 199, 283	4460897.....75, 207, 215, 223, 231, 342, 346	4711400 17, 41, 43, 87, 97, 111, 127, 152, 162, 193, 197, 203, 207, 211, 215, 219, 223, 227, 231, 235, 241, 249, 253, 257, 275, 277, 287, 319, 321, 323, 325, 327, 329, 331, 333, 411, 413, 415, 417, 419, 421, 423
4340854..... 287	4460434369, 371	4460905.....387, 389	4711500 41, 43, 78, 82, 207, 215, 223, 231, 243, 245, 247
4360070.....67, 69, 71, 73, 190, 195, 199, 428	4460464 75, 207, 215, 223, 231, 341, 342, 345, 346, 349, 353, 357, 361, 373, 375, 377, 383, 385, 387, 389	4460909..... 387	4711600 87, 97, 111, 127, 152, 155, 162, 165, 203, 207, 211, 215, 219, 223, 227, 231, 249, 253, 257
4360345.....261, 263, 267, 269, 428	4460465 39, 207, 215, 223, 231, 341, 342, 345, 346, 347, 349, 353, 354, 357, 361, 365, 367, 375, 377, 379, 381, 383, 385, 387, 389	4460917..... 381	4711700 261, 263, 265, 267, 269, 271
4360387.....41, 67, 69, 71, 73, 261, 263, 265, 267, 269, 271, 428	4460466 341, 342, 345, 346, 347, 349, 353, 354, 357, 361, 373, 375, 377, 379, 381, 383, 385, 387, 389	4460918.....387, 389	4711800153, 163
4360469.....67, 69, 71, 73, 428	4460467 434	4460928.....369, 371, 387, 389	474008615, 17
4360475.....67, 69, 71, 73, 261, 263, 265, 267, 269, 271, 428	4460470 261, 263, 265, 267, 269, 271	4460929..... 381	474015813
4360482.....189, 193, 197, 267, 269, 271, 428	4460471 261, 263, 265, 267, 269, 271	4460930..... 347	4740455 207, 215, 223, 231
4360483.....261, 263, 265, 267, 269, 271, 428	4460483195, 199	4460933.....341, 345, 381	4740480287
4360500.....203, 211, 219, 227, 428	4460488 39	4460934..... 379	4740506 203, 211, 219, 227
4360502.....203, 211, 219, 227	4460499 207, 215, 223, 231	4460935..... 379	475080041, 43
4360518..... 45	4460508 375, 377, 387, 389	4460939..... 373	4751000 61, 63, 189, 193, 197, 203, 211, 219, 227, 249, 253, 257
4360524.....67, 69, 71, 73, 428	4460509 342, 346, 375, 377, 387, 389	4460941..... 353	4751400 249, 253, 257, 281, 283, 319, 321, 323, 325, 327, 329, 331, 333
4360525.....261, 263, 265, 267, 269, 271, 428	4460510 434	4460942.....341, 345, 349, 353	4751500 88, 98, 112, 128, 153, 163, 249, 253, 257
4360548379, 428	4460518 347, 369, 371, 381, 389	4460943.....341, 345, 357, 361, 373, 375, 377	4751600 82, 243, 245, 247, 249, 253, 257, 281, 283
4400275 152, 162	4460539 342, 346, 379	4460944.....341, 342, 345, 346, 375, 377, 381	475180061, 63
4400420 152, 162	4460608357, 361	4460945..... 341, 345	4761400 94, 104, 120, 124, 136, 140, 275, 277
4400498 172	4460612407	4460956..... 337, 339	476150051, 53
4420037281, 283	4460662391	4460957..... 337, 339	476160051, 53
442005141, 43, 425	4460746350, 354	4460958..... 407	4811400 67, 69, 71, 73, 193, 197, 319, 321, 323, 325, 327, 329, 331, 333
4420062 287	4460761 347, 381, 383, 385	4460962 281	4811600 67, 69, 71, 73, 88, 98
4420067.....411, 413, 415, 417, 419, 421, 423	4460807365	4460963..... 195, 199	4811700 43, 67, 69, 71, 73, 78, 82, 87, 94, 97, 104, 111, 120, 124, 127, 136, 140, 152, 158, 162, 168, 189, 193, 197
4420076.....261, 263, 265, 267, 269, 271	4460808367	4460967.....342, 346	4811900 41, 43, 75, 87, 94, 97, 104, 111, 120, 124, 127, 136, 140, 152, 158, 162, 168, 185, 189, 193, 197, 261, 263, 265, 267, 269, 271
4460019.....342, 346, 349	4460812341, 345	4460968.....321, 323, 325, 327, 331, 379	
4460042350, 353	4460814341, 345	4460970.....349, 353, 357, 361	
4460043 367	4460836 342, 346, 379, 381	4461054..... 357, 361	
4460051387, 389	4460837341, 345	4461118.....358, 362	
4460068..... 191, 195, 199	4460851 342, 346, 379	4461124..... 357, 361	
4460115371, 373	4460852 341, 345, 379	4461196..... 321, 393	
4460138 319	4460871387, 389	4461198 393	
4460142349, 353	4460873387, 389	4461199..... 395	
4460144369, 371	4460874387, 389	4461201..... 395	
4460183.....369, 383, 385	4460876387, 389	4461202.....323, 327, 329	
4460225.....365, 367, 369, 371	4460879387, 389	4461205.....331, 333, 399, 401, 403, 405	
4460247349, 353	4460884 341, 345, 354	4461244..... 399	
4460256342, 346	4460891 39, 207, 215, 223, 231, 342, 346, 349, 353, 357, 361, 379, 387, 389	4461245..... 403	
4460259.....342, 346, 369, 371	4460892 341, 345, 379, 383, 385	4461246..... 397	
4460260.....342, 346, 369, 371	4460893349, 353	4461249..... 325, 397	
4460265383, 385		4461257.....321, 329, 333	
4460267347, 383, 385		4461258.....321, 329, 333	
4460268.....365, 367, 369, 371		4461271..... 387, 389	
4460294 381		4520216..... 29	
4460315.....193, 197, 319		4520217..... 35	
4460346 391		4520240 31	
4460422.....319, 321, 323, 325, 327, 329, 331, 333		4520262..... 33	
		4520608..... 37	
		4530028.....281, 283, 285	
		4568295..... 239, 241	
		4640858..... 291	
		4641122.....29, 31, 33, 37	
		4641193.....207, 214, 223, 231	
		4641205.....207, 215, 223, 231	
		4641254.....207, 215, 223, 231	
		4641303.....51, 53, 59	

SECTION 11 - SPECIAL OPTIONS

481190261, 63, 87, 97, 111, 127	70001967 ..207, 215, 223, 231, 428	70002291190, 194, 198	70004397 ... 107, 143, 147
481200078, 82, 88, 94, 98, 104, 112, 120, 124, 128, 136, 140, 153, 158, 163, 168, 185	70001973 ... 190, 194, 198	70002297189, 194, 198	70004398143, 147
481200261, 63, 78, 82	70001974 ... 190, 194, 198	7000230.....21, 23	70004399 ... 107, 143, 147
481230078, 82, 87, 97, 111, 127, 152, 162	700020621, 23	70002315....107, 143, 147	70004401172
481250094, 104, 120, 124, 136, 140, 159, 169	7000211265	70002316....107, 143, 147	70004415 ... 108, 144, 148
4845441279	7000211365, 428	70002317 ...107, 143, 147	70004524 .. 107, 143, 147, 171
4845442279	70002132181, 182	70002318...107, 143, 147, 171	70004525 .. 107, 143, 147, 171
4846460 223, 231	70002133181	70002319....107, 143, 147	70004526 .. 107, 143, 147, 171
4846532249, 253, 257	70002134181	7000232.....21, 23	70004530 ... 107, 143, 147
4846537249, 253, 257	70002135181	70002320....107, 143, 147	70004531 ... 107, 143, 147
4846570250, 254, 257	70002136181	70002321107, 143, 147	70004536 ... 107, 143, 147
4846584293	70002137181	70002322....107, 143, 147	70004537 .. 107, 143, 147, 172
486017935	70002138181	70002323....107, 143, 147	70004538 .. 107, 143, 147, 171
486023733	70002139181	70002324.....107	70004539 ... 107, 143, 147
4871700 190, 194, 198	70002140181	70002326...108, 144, 148, 172	70004540 ... 107, 143, 147
489160091, 101, 115, 117, 131, 133, 190, 194, 199	70002141181	70002327108, 144, 148	70004544 ... 107, 143, 147
4891800 19, 78, 82, 91, 101, 115, 117, 131, 133, 155, 165	70002142181	70002328....108, 144, 148	70004557171
489200019	70002143181	70002330....108, 144, 148	70004558171
4892200 41, 43	70002144181	70002419....107, 143, 147	7000458055, 57
5240600 ..78, 83, 94, 104, 120, 124, 136, 140, 159, 169, 275, 277	70002145181	7000246.....21, 23	7000479461, 63
5241000 ..87, 94, 97, 104, 111, 120, 124, 127, 136, 140, 152, 158, 162, 168, 189, 193, 197	70002146181	70002460....190, 194, 198	70004829 .. 108, 144, 148, 171
5241200 13, 15, 17, 94, 104, 120, 124, 136, 140, 158, 168, 189, 193, 197	70002147181	7000248.....21, 23	70004831171
525101213	70002148181	7000253.....21, 23	70004834171
5272011 189, 193	70002149181	7000257.....21, 23	70004848171
5272012 189, 193, 197	70002150181	7000258.....21, 23	70004851172
70000082273	70002151181	7000261.....21, 23	70004853172
70000084273	70002152181	7000262.....21, 23	70004854172
70000619 ... 189, 193, 197	70002153181	7000263.....21, 23	7000488355, 57
70000683273	70002154181	70002768.....65	70004912172
70000684273	70002155181	70002842.....291	70004913172
70000685273	70002156181	70002861155, 165	7000506955, 57
70000686273	70002157181	70002901175	7000507355, 57
7000079727	70002158181	70002963.....55, 57, 428	7000510055, 57
70000863 ... 189, 194, 198	70002159181	70003024.....55, 57	70005150299
70001100 ... 189, 193, 198	70002160181	70003060....107, 143, 147	70005151299
70001250273	70002161181	70003061107, 143, 147	70005152299
70001251273	70002162181	70003063...108, 144, 148	70005153299
70001252273	70002163181	70003064....108, 144, 148	70005154299
70001253273	70002164181	70003631189, 194, 198	7000516555, 57
70001349 21, 23	70002165181, 182	70003650.....273	7000516755, 57
70001384 ... 189, 194, 198	70002166181	70003708....189, 194, 198	70005220 ... 107, 143, 147
70001696 ... 190, 194, 198	70002167181	70003709....189, 194, 198	70005221 ... 107, 143, 147
7000193227	70002168181	70003789.....43, 428	70005222 ... 107, 143, 147
70001933177	70002169182	70003935.....59	70005223 ... 107, 143, 147
70001958182	70002170182	70003936.....59	70005224 ... 107, 143, 147
7000195965	70002172182	70003977.....55, 57	70005226 ... 108, 144, 148
70001960 65, 428	70002174182	70004069.....175	70005227 ... 108, 144, 148
70001965 45, 47, 428	70002175182	70004070175	70005228 ... 107, 143, 147
70001966 ... 189, 194, 198	70002176182	70004070175	70005229 .. 108, 144, 148, 172
	70002177182	70004092....190, 194, 198	70005293175
	70002178182	70004093....189, 194, 198	70005294175
	70002179182	70004094....190, 194, 198	70005295175
	70002180182	70004095....190, 194, 198	70005296175, 428
	70002181182	70004096....190, 194, 198	70005297175
	70002182182	70004097190, 194, 198	70005327172
	70002185182	70004098190, 194, 198	70005329171
	70002186182	70004099....189, 194, 198	7000544855, 57
	70002187182	70004294171	7000544955, 57
	70002188182	70004295171	70005453177
	70002189182	70004296171	70005454179
	70002190182	70004306171	
	70002191182	70004311 ...107, 143, 147, 171	
	70002192182	70004395...107, 143, 147, 428	
	70002202295	70004396....107, 143, 147	
	70002203295		
	700022921, 23		

SECTION 11 - SPECIAL OPTIONS

70005455.....	179	7000731	24	7020176.....	67, 69, 71, 73, 261, 263, 265, 267, 269, 271	7024192.....	24
70005723.....	55, 57	70007439.....	182	7020218.....	206, 214, 222, 230	7024193.....	24
70005724.....	55, 57	70007502....	95, 105, 121, 125, 137, 141, 158, 168	7020219.....	206, 214, 222, 230	7024194.....	24
70005726.....	171	70010383.....	87, 97, 111, 127, 152, 162, 428	7021249.....	27	7024196.....	24
70005727.....	171	7001998	21, 23	7021256.....	182	7024197.....	24
70005728.....	171	7002821	434	7021275.....	27, 181	7024441	65
70005729.....	171	7002822.....	434	7021276.....	27	7024446.....	65
70005730.....	171	7002823.....	434	7021277.....	27	7024462.....	285
70005731.....	171	7002828.....	434	7021625.....	59	7024463.....	285
70005732.....	171	7004275.....	434	7021639.....	59	7024467.....	285
70005733.....	171	7004276.....	434	7022301.....	181	7024469.....	285
70005734.....	171	70050516.....	55, 57, 428	7022302.....	27	7024470.....	285
70005735.....	171	7007207	181	7022305.....	27	7024471.....	285
70005736.....	171	7007415	182	7022310.....	27	7024472.....	285
70005737.....	171	7007418	181	7022311.....	27	7024473.....	285
70005738.....	171	7007419	181	7022312.....	27	7024474.....	285
70005739.....	171	7007437	27	7022314.....	27	7024475.....	285
70005740.....	171	7007438	27	7022326.....	27	7024478.....	285
70005743.....	171	7007439	27	7022328.....	27	7024485....	190, 194, 198
70005744.....	171	7007446.....	27, 181	7022340.....	182	7024488....	189, 193, 197
70005745.....	171	7007601.....	21, 23	7022368.....	27	7024489....	189, 193, 197
70005746.....	172	7007640.....	21, 23	7022369.....	27	7024497.....	45, 47
70005747.....	172	7010429.....	21, 23	7022371.....	27	7024498.....	47
70005748.....	172	7012518	43	7022390.....	55, 57	7024500.....	47
70005749.....	172	7012925	207, 215, 223, 231	7022397.....	59	7024502.....	45, 47
70005750.....	172	7015004	94, 104, 121, 125, 137, 141, 158, 168, 428	7022398.....	55, 57	7024503.....	47
70005751.....	172	7015005	94, 104, 121, 125, 137, 141, 158, 168	7022399.....	55, 57, 59	7024504.....	47
70005752.....	172	7016654	434	7023107.....	171	7024505.....	47
70005753.....	172	7017059	21, 23	7023124.....	108, 144, 148	7024506.....	45, 47
70005754.....	172	7017067	21, 23	7023136.....	107	7024507.....	47
70005755.....	172	7017070	21, 23	7023140.....	107, 143, 147	7024705.....	23
70005756.....	172	7017080	21, 23	7023144.....	108, 143, 147	7024712.....	21, 23
70005757.....	172	7017080	21, 23	7023145.....	108, 144, 148	7024713.....	21, 23
70005758.....	172	7017451	207, 215, 223, 231, 428	7023148.....	108, 144, 148	7024714.....	21, 23
70005759.....	172	7017496	207, 215, 223, 231	7023149.....	108, 144, 148	7024715.....	21, 23
70005760.....	172	7017901	108, 144, 148	7023154.....	107, 143, 147	7024716.....	21, 23
70005761.....	172	7017906	171	7023157.....	107	7024717.....	23
70005762.....	172	7017914	171	7023164.....	107, 143, 147	7024718.....	24
70005763.....	172	7017922.....	143, 147	7023165.....	107, 143, 147	7024829	207, 215, 223, 231
70005764.....	172	7017928	107, 143, 147	7023167.....	107, 143, 147	7024854.....	27
70005765.....	172	7017934	107, 143, 147, 171	7023168.....	107, 143, 147	7024862.....	27
70005766.....	172	7017945	107, 143, 147	7023170.....	108, 144, 148, 172	7024868.....	27
70005767.....	172	7017958	108, 144, 148	7023306.....	65	7024881.....	59
70005768.....	172	7017959.....	171	7023347.....	65	7025479....	107, 143, 147
70005769.....	172	7017963	108, 144, 148	7023900.....	55, 57	7026582.....	295
70006093....	189, 194, 198	7017963	108, 144, 148	7023904.....	43	7026583.....	295
70006094....	190, 194, 198	7017980.....	171, 428	7023907.....	27	7026584.....	295
70006095...190, 194, 198, 428		7017982.....	171	7023910.....	27	7026585.....	295
70006096....190, 194, 198		7017983.....	171	7023917.....	59	7026586.....	295
70006097....190, 194, 198		7017983.....	171	7023919.....	207, 215, 223, 231	7026587....	190, 194, 198
70006284.....	297	7017984.....	171	7023923.....	207, 215, 223, 231	7026626....	190, 194, 198
70006285.....	297	7017986.....	171	7023929.....	91, 101, 115, 117, 131, 133	7027365.....	273
70006286.....	297	7017992	108, 144, 148, 171, 428	7023933.....	59	7027367.....	273
70006287.....	297	7017994.....	172	7023936.....	55, 57	7027419.....	27
70006288.....	297	7017995.....	171	7023964.....	182	7027765.....	273
70006289.....	297	7019602	206, 214, 222, 230	7024182.....	23, 24	7027766.....	273
70006289.....	297	7020175	67, 69, 71, 73, 261, 263, 265, 267, 269, 271	7024189.....	24	7027773.....	285
70006290.....	297			7024190.....	24	7027774.....	285
70006292.....	47			7024191.....	24	7027775.....	285
70006293.....	185					7027776.....	285
70006661...107, 143, 147, 171						7027777.....	285
70006662.....	171					7027778.....	285
70006664....108, 144, 148						7027779.....	285
70006665....107, 143, 147						7027780.....	285
70006737.....	43					7027799....	190, 194, 198
70006738.....	43					77363233.....	365, 367

SECTION 11 - SPECIAL OPTIONS

80463053413	8303511 87, 97, 111, 127, 152, 162	8405101.....94, 104, 120, 124, 136, 140, 158, 168	85941016 94, 104, 120, 124, 136, 140, 158, 168
8220007 341, 345	8310382 203, 211, 219, 227	8405104.....94, 104, 120, 124, 136, 140, 158, 168	8750014 .87, 97, 111, 127
8220022 190, 195, 199	83191040 91, 101, 115, 131, 155, 165	8406302..... 197	8760351308, 312
8220045 350, 357	8405009158, 168	8410013..... 159, 169	878651435
8220164349, 353, 357, 361			88521205 88, 98, 112, 128, 152, 162



3121759



An Oshkosh Corporation Company

Corporate Office
JLG Industries, Inc.
1 JLG Drive
McConnellsburg, PA 17233-9533 USA
☎ **(717) 485-5161 (Corporate)**
☎ **(877) 554-5438 (Customer Support)**
📠 **(717) 485-6417**

Visit our website for JLG Worldwide Locations.
www.jlg.com