



# Illustrated Parts Manual

## **Models 3394RT & 4394RT**

Prior to  
SN 0200191606

**P/N  
3121134**

August 30, 2018 - Rev AE

**ANSI**



An Oshkosh Corporation Company



## REVISION LOG

NOTE: For Machines with SN 0200186972, 0200187002 & 0200187013 refer to Illustrated Parts Manual p/n 3121250. These Machines are built to B/M 0010583 Revision 56 or higher specs.

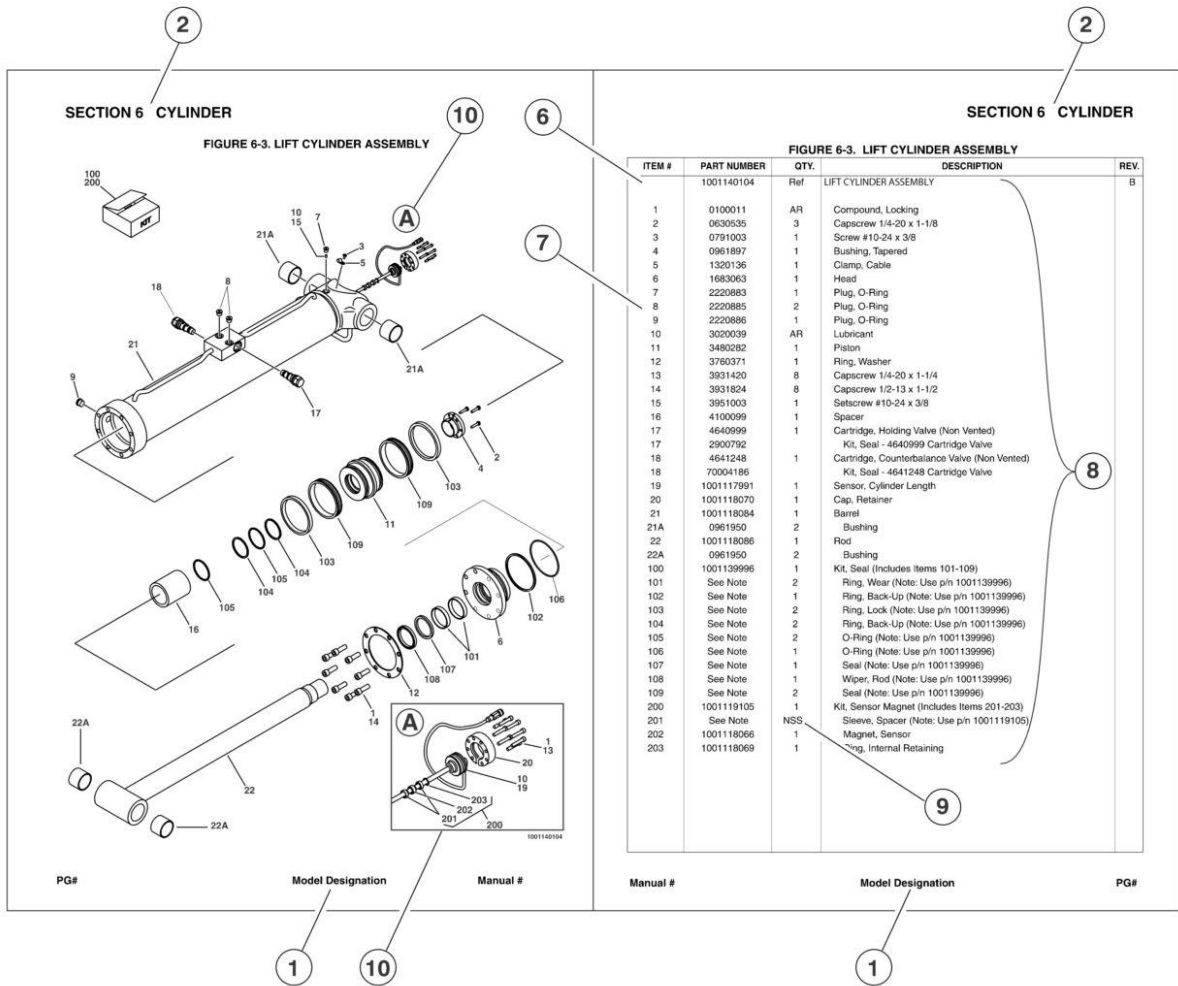
June 1, 2002 - A - Original Issue Of Manual (Manual edited to B/M 0010583 Revision 4)  
November 1, 2002 - B - Revised Manual (Manual edited to B/M 0010583 Revision 8)  
March 6, 2003 - C - Revised Manual (Manual edited to B/M 0010583 Revision 10)  
October 6, 2003 - D - Revised Manual (Manual edited to B/M 0010583 Revision 19)  
May 14, 2004 - E - Revised Manual (Manual edited to B/M 0010583 Revision 27)  
September 1, 2004 - F - Revised Manual (Manual edited to B/M 0010583 Revision 29)  
January 24, 2005 - G - Revised Manual (Manual edited to B/M 0010583 Revision 32)  
December 13, 2005 - H - Revised Manual (Manual edited to B/M 0010583 Revision 43)  
April 27, 2006 - I - Revised Manual (Manual edited to B/M 0010583 Revision 45)  
November 14, 2006 - J - Revised Manual (Manual edited to B/M 0010583 Revision 47)  
April 15, 2007 - K - Revised Manual (Manual edited to B/M 0010583 Revision 51)  
August 1, 2007 - L - Revised Manual (Manual edited to B/M 0010583 Revision 51)  
November 30, 2007 - M - Revised Manual (Manual edited to B/M 0010583 Revision 52)  
January 31, 2008 - N - Revised Manual (Manual edited to B/M 0010583 Revision 55)  
October 15, 2008 - O - Revised Manual (Manual edited to B/M 0010583 Revision 55)  
January 1, 2009 - P - Revised Manual  
June 1, 2009 - Q - Revised Manual  
October 1, 2010 - R - Revised Manual  
June 16, 2011 - S - Revised Manual  
September 22, 2011 - T - Revised Manual  
February 14, 2012 - U - Revised Manual  
June 27, 2012 - V - Revised Manual  
September 7, 2012 - W - Revised Manual  
January 21, 2013 - X - Revised Manual  
April 30, 2013 - Y - Revised Manual

## **REVISION LOG**

July 22, 2013 - Z - Revised Manual  
October 14, 2013 - AA - Revised Manual  
February 7, 2014 - AB - Revised Manual  
February 1, 2015 - AC - Revised Manual  
August 1, 2016 - AD - Revised Manual (Revision 1)  
August 30, 2018 - AE - Revised Manual



# GENERAL INFORMATION



## 1) MACHINE IDENTIFICATION

Machines are identified by model and in some cases a combination of models, serial number (SN) or regional standard (i.e ANSI, CE, CSA). Components may also be identified by SN or manufacturer. Common components that may be identified by these characteristics are engines and hydraulic components.

## 2) PARTS MANUAL ORGANIZATION

Product information in this manual is organized under section titles. Frame, Cylinder, Hydraulic and Electrical are a few examples. Each section is organized by figure and page number. The information within the Figure is then organized by item number, part number, description and corresponding illustration (s).

## 3) TABLE OF CONTENTS

A table of contents is found toward the beginning of the manual. Figure number, description and page number are provided for quick reference to the page containing the related information.

## 4) RECOMMENDED SPARE PARTS

The Recommended Spare Parts, located near the end of the manual, reference most frequently used maintenance parts.

## 5) PART NUMBER INDEX

A numerical index listing all part numbers and the corresponding page number(s) appears at the back of the manual.

## GENERAL INFORMATION

### 6) NON-SERVICED PARTS

In some instances, it is necessary to display non-serviced parts, assemblies or installations. In the case of assemblies and installations there will be a Ref in the Qty column. In case of parts that are not available for service within assemblies or components, there will be a NSS (Not Sold Separately) or NLA (No Longer Available) listed in the Qty. column of the manual.

### 7) PARTS LIST ITEM NUMBERS

Numbers shown in the item# column correspond to numbers used in the associated illustration(s). Item numbers which are missing from the sequence in the parts list are not used on that page.

### 8) INDENTED PARTS DESCRIPTION

An indented part description is included in the item under which it is indented.

### 9) ABBREVIATION AND SYMBOLS

AC.....	.. Alternating Current	LCD .....	.. Liquid Crystal Display
ADE. ....	.. Advanced Design Electronics	LED .....	.. Light Emitting Diodes
ANSI .....	.. American National Standards Institute	LH.....	.. Left Hand
AR.....	.. As Required	LSS .....	.. Load Sensing System
ASSY .....	.. Assembly	M(m)...	.. Metric/Meter
AUX.....	.. Auxiliary	MM (mm) .....	.. Milimeter
AWG.....	.. American Wire Gauge	mA.....	.. Milliamps
B/M.....	.. Bill of Material	NLA.....	.. No Longer Available
CE.....	.. European Conformity	NPT .....	.. National Pipe Threads
CCW .....	.. Counter Clockwise	NSS .....	.. Not Sold Separately
cm.....	.. Centimeter	OD.....	.. Outside Diameter
CW.....	.. Clockwise	ORB.....	.. O-Ring Boss
CSA.....	.. Canadian Standards Association	ORFS.....	.. O-Ring Face Seal
CYL.....	.. Cylinder	OZ (oz).....	.. Ounces
DIA.....	.. Diameter	PG .....	.. Page
DC.....	.. Direct Current	P/N.....	.. Part Number
EMS .....	.. Emergency Stop	qt.....	.. Quarts
ENG .....	.. Engine	QTY.....	.. Quantity
FT (ft).....	.. Feet	REF .....	.. Reference
GA (Ga).....	.. Gauge	REV .....	.. Revision Level
HYD .....	.. Hydraulic	RH.....	.. Right Hand
Hz.....	.. Hertz	SAE.....	.. Society of Automotive Engineers
ID.....	.. Inside Diameter	SN.....	.. Serial Number
in.....	.. inches	SPEC(S).....	.. Specifications
ISO.....	.. International Organization for Standards	T/T.....	.. Turntable
JIC.....	.. Joint Industry Council	UGM .....	.. Universal Ground Module
KG .....	.. Kilogram	V.....	.. Volts
L.....	.. Liter	W.....	.. Watts
LB.....	.. Pounds	#.....	.. Number

### 10) ILLUSTRATION REFERENCE LETTERS

When necessary, illustrations may contain reference letters that are intended to track information (i. e. hoses, harnesses) from one point to another or to track visual enlargement of components to show details that may be located in another area on the illustration.

*Note: Due to continuous product improvements, JLG Industries, Inc. reserves the right to make specification changes without prior notification. Contact JLG Industries, Inc. for updated information.*

# TABLE OF CONTENTS

SECTION 1 - FRAME.....	9
FIGURE 1-1. AXLE AND STEERING INSTALLATION - 2WD .....	10
FIGURE 1-2. AXLE AND STEERING INSTALLATION - 4WD .....	14
FIGURE 1-3. TIRE AND WHEEL DRIVE INSTALLATIONS.....	18
FIGURE 1-4. DRIVE MOTOR/HUB ASSEMBLY .....	22
FIGURE 1-5. BEACON LIGHT AND 4WD VALVE INSTALLATIONS (FRAME MOUNTED).....	26
FIGURE 1-6. LEVELING JACKS INSTALLATION.....	28
SECTION 2 - GROUND CONTROLS .....	31
FIGURE 2-1. CONTROL VALVES INSTALLATION .....	32
FIGURE 2-2. MAIN CONTROL VALVE ASSEMBLY.....	36
FIGURE 2-3. ENGINE INSTALLATION (DEUTZ).....	38
FIGURE 2-4. GENERATOR INSTALLATION (DEUTZ ENGINE OPTIONS).....	46
FIGURE 2-5. ENGINE INSTALLATION (FORD) .....	50
FIGURE 2-6. GENERATOR INSTALLATION (FORD ENGINE OPTIONS).....	60
FIGURE 2-7. ENGINE INSTALLATION (GM).....	64
FIGURE 2-8. GENERATOR INSTALLATION (GM ENGINE OPTIONS) .....	70
FIGURE 2-9. DRIVE PUMP SUB-ASSEMBLY .....	74
FIGURE 2-10. 2WD PISTON PUMP ASSEMBLY (SINGLE).....	76
FIGURE 2-11. 4WD PISTON PUMP ASSEMBLY (TANDEM).....	80
FIGURE 2-12. GEAR PUMP ASSEMBLY .....	86
FIGURE 2-13. AUXILIARY PUMP ASSEMBLY.....	88
FIGURE 2-14. TANKS, ALARM AND HORN INSTALLATIONS.....	90
FIGURE 2-15. GROUND CONTROL BOX INSTALLATION.....	94
FIGURE 2-16. HOODS AND LADDERS INSTALLATIONS (Prior to SN 0200116736).....	98
FIGURE 2-17. HOODS AND LADDERS INSTALLATIONS (SN 0200116736 through 0200191606) .....	102
SECTION 3 - SCISSOR ARMS.....	107
FIGURE 3-1. SCISSORS ARMS INSTALLATION (3394RT).....	108
FIGURE 3-2. SCISSORS ARMS INSTALLATION (4394RT).....	112
SECTION 4 - PLATFORM.....	117
FIGURE 4-1. PLATFORM ATTACH AND MODULE INSTALLATIONS.....	118
FIGURE 4-2. MANUAL SINGLE DECK EXTENSION AND PLATFORM ASSEMBLY .....	120
FIGURE 4-3. MANUAL DUAL DECK EXTENSION AND PLATFORM ASSEMBLY.....	124
FIGURE 4-4. POWER DECK EXTENSION AND PLATFORM ASSEMBLY.....	128
FIGURE 4-5. RAILS INSTALLATION .....	134
FIGURE 4-6. PLATFORM CONSOLE BOX ASSEMBLY .....	138
FIGURE 4-7. DRIVE/STEER CONTROLLER ASSEMBLY (Prior to SN 0200141441).....	142
FIGURE 4-8. DRIVE/STEER CONTROLLER ASSEMBLY (SN 0200141441 through 0200191606) .....	144
FIGURE 4-9. PIPE RACKS INSTALLATION (RAIL MOUNT).....	146
FIGURE 4-10. PIPE RACKS INSTALLATION (SKY POSITIONER).....	148
FIGURE 4-11. WORKSTATION WITHOUT DC CONVERTER INSTALLATION.....	152
SECTION 5 - CYLINDER.....	155
FIGURE 5-1. AXLE LOCKOUT CYLINDER ASSEMBLY .....	156

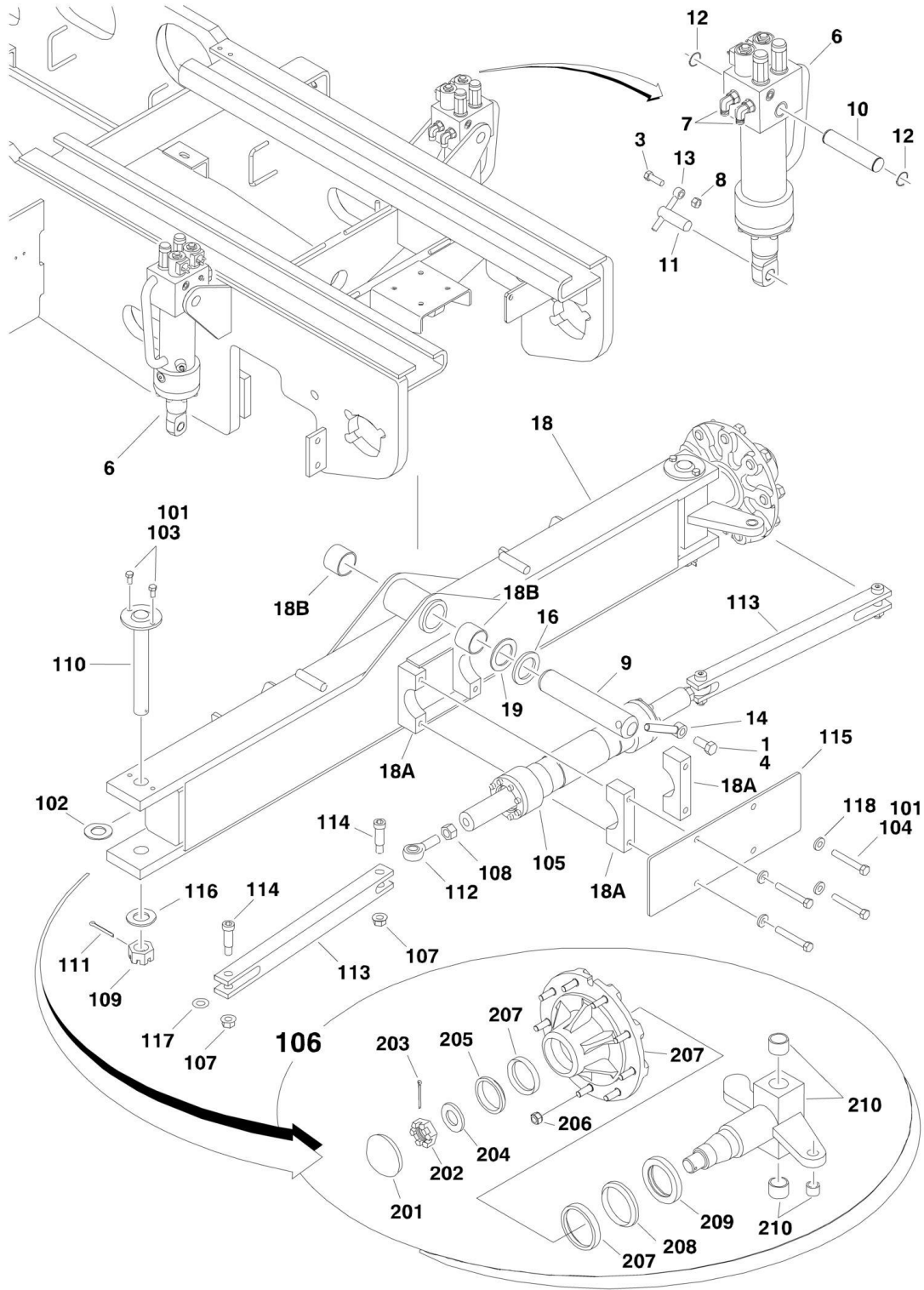
# TABLE OF CONTENTS

FIGURE 5-2. LEVEL JACK CYLINDER ASSEMBLY .....	158
FIGURE 5-3. LIFT CYLINDER ASSEMBLY .....	160
FIGURE 5-4. PLATFORM EXTENSION CYLINDER ASSEMBLY .....	164
FIGURE 5-5. STEER CYLINDER ASSEMBLY (Prior to SN 0200137518).....	166
FIGURE 5-6. STEER CYLINDER ASSEMBLY (SN 0200137518 through 0200191606) .....	168
SECTION 6 - HYDRAULIC .....	171
FIGURE 6-1. STANDARD HYDRAULIC DIAGRAM (2WD) .....	172
FIGURE 6-2. STANDARD HYDRAULIC DIAGRAM (4WD) .....	174
FIGURE 6-3. LEVELING JACK HYDRAULIC DIAGRAM.....	178
FIGURE 6-4. HYDRAULIC DIAGRAM LIST.....	180
SECTION 7 - ELECTRICAL.....	181
FIGURE 7-1. ELECTRICAL COMPONENTS INSTALLATION .....	182
SECTION 8 - DECALS .....	193
FIGURE 8-1. DECAL INSTALLATION (ANSI SPEC).....	194
FIGURE 8-2. DECAL INSTALLATION (COUNTRY SPEC) .....	198
SECTION 9 - RECOMMENDED SERVICE PARTS STOCK.....	201
FIGURE 9-1. STANDARD PARTS.....	202
FIGURE 9-2. VARIABLE PARTS .....	204
SECTION 10 - SPECIAL OPTIONS .....	205
FIGURE 10-1. SPECIAL OPTIONS LIST.....	206
PART NUMBER INDEX.....	209

**SECTION 1 - FRAME**

# SECTION 1 - FRAME

## FIGURE 1-1. AXLE AND STEERING INSTALLATION - 2WD



# SECTION 1 - FRAME

## FIGURE 1-1. AXLE AND STEERING INSTALLATION - 2WD

ITEM	PART NUMBER	QTY	DESCRIPTION	REV
	0271691	Ref	<b>OSCILLATING AXLE INSTALLATION</b>	D
1	0100011	AR	Locking, Compound	
3	0641609	2	Bolt 3/8-16NC x 1-1/8	
4	0642012	1	Bolt 5/8-11NC x 1-1/2	
6	1684145	2	Oscillating Axle Cylinder Assembly (See CYLINDER SECTION for Breakdown)	
7	2130406	4	Fitting, 90	
8	3311605	2	Locknut 3/8-16NC	
9	3422592	1	Pin, Axle Pivot	
10	3422745	2	Pin, Cylinder (Top)	
11	3422899	2	Pin, Cylinder (Bottom)	
12	3760115	4	Ring, Retaining	
13	3841143	2	Keeper, Pin	
14	3841258	1	Keeper, Pin	
16	4740158	1	Washer, Thrust	
18	0272212	1	Axle Weldment	
18A	0561300	4	Block, Cylinder	
18B	0961950	2	Bushing	
19	4740541	2	Washer, Thrust	
	0271620	Ref	<b>STEERING INSTALLATION - 2WD FRONT</b>	E
101	0100011	AR	Locking, Compound	
102	0440162	2	Bearing, Thrust	
103	0641606	4	Bolt 3/8-16NC x 3/4	
104		Ref	Bolt Options:	
104	0681828	4	Bolt 1/2-13NC x 3-1/2 (Grade 8) <b>(Prior to SN 0200113943)</b>	
104	0641824	4	Bolt 1/2-13NC x 3 <b>(SN 0200113943 through 0200191606)</b>	
105		Ref	Steer Cylinder Assembly Options (See CYLINDER SECTION for Breakdown):	
105	1683614	NLA	Steer Cylinder Assembly (Use p/n 1684412) <b>(Prior to SN 0200137518)</b>	
105	1684412	1	Steer Cylinder Assembly <b>(SN 0200137518 through 0200191606)</b>	
106	2780230	2	Hub/Spindle Assembly (See Items 201 to 210 for Breakdown)	
107	3312008	4	Nut 5/8-11NC	
108	3322201	2	Nut 3/4-16NC	
109	3323003	2	Nut, Slotted 1-1/4-12NC	
110	3422692	2	Kingpin	
111	3450808	2	Pin, Cotter 1/4 x 2	
112	3841367	2	Rod-End with Grease Fitting	
113	3841442	2	Rod-End	
114	3900109	4	Screw, Shoulder	
115	4061048	1	Shield, Cylinder <b>(Prior to SN 0200113943)</b>	
116	4713000	2	Flatwasher 1-1/4 Narrow	
117	4740086	2	Washer, Thrust	
118	4891800	4	Flatwasher, Hardened 1/2	
	2780230	Ref	<b>HUB/SPINDLE ASSEMBLY</b>	A
		Ref	<b>Note: Quantities shown are for 1 assembly. Two Assemblies are required per machine.</b>	
201	7020033	1	Cap, Dust	
202	7020054	1	Nut, Slotted	
203	7010642	1	Pin, Cotter 2 x 3/16	

## SECTION 1 - FRAME

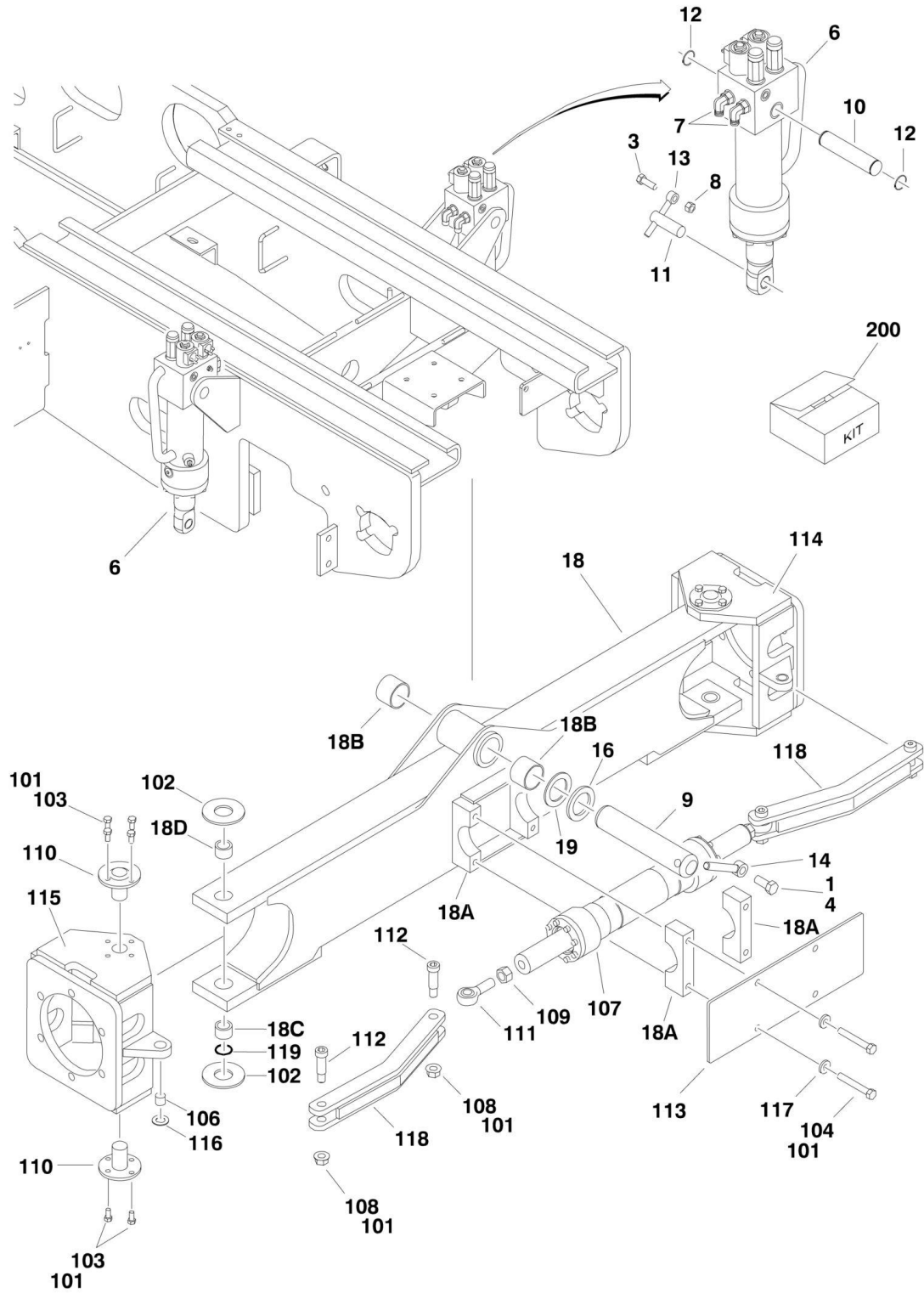
ITEM	PART NUMBER	QTY	DESCRIPTION	REV
204	7020055	1	Washer	
205	7020039	1	Bearing, Cone - Outer	
206	7020042	9	Lugnut	
207	7020035	1	Hub (Includes Inner and Outer Bearing Cups)	
208	7020037	1	Bearing, Cone - Inner	
209	7020040	1	Seal	
210	7020034	1	Spindle	





# SECTION 1 - FRAME

## FIGURE 1-2. AXLE AND STEERING INSTALLATION - 4WD



## SECTION 1 - FRAME

### FIGURE 1-2. AXLE AND STEERING INSTALLATION - 4WD

ITEM	PART NUMBER	QTY	DESCRIPTION	REV
	0271509	Ref	<b>OSCILLATING AXLE INSTALLATION</b>	E
1	0100011	AR	Locking, Compound	
3	0641609	2	Bolt 3/8-16NC x 1-1/8	
4	0642012	1	Bolt 5/8-11NC x 1-1/2	
6	1684145	1	Oscillating Axle Cylinder Assembly (See CYLINDER SECTION for Breakdown)	
7	2130406	4	Fitting, 90	
8	3311605	2	Locknut 3/8-16NC	
9	3422592	1	Pin, Axle Pivot	
10	3422745	2	Pin, Cylinder (Top)	
11	3422899	2	Pin, Cylinder (Bottom)	
12	3760115	4	Ring, Retaining	
13	3841143	2	Keeper, Pin	
14	3841258	1	Keeper, Pin	
16	4740158	1	Washer, Thrust	
18	0271790	1	Axle Weldmentb, (Note: If kingpin holes in axle measure 1.503 diameter or larger in any direction, axle weldment must be replaced)	C
18A	0561300	4	Block, Cylinder	
18B	0961950	2	Bushing	
18C		Ref	Bearing Options:	
18C	0961951	2	Bearing (Note: See Kit) <b>(Prior to SN 0200122967)</b>	
18C	0440274	2	Bearing <b>(SN 0200122967 through 0200191606)</b>	
18D		Ref	Bearing Options:	
18D	0961951	2	Bearing (Note: See Kit) <b>(Prior to SN 0200122967)</b>	
18D	0440291	2	Bearing <b>(SN 0200122967 through 0200191606)</b>	
19	4740541	2	Washer, Thrust	
	0271507	Ref	<b>STEERING INSTALLATION - 4WD FRONT</b>	I
101	0100011	AR	Locking, Compound	
102		Ref	Thrustwasher Options:	
102	0440161	4	Thrustwasher (Top and Bottom Kingpin Locations) (Note: See Kit) <b>(Prior to SN 0200122967)</b>	
102	4740537	AR	Thrustwasher (.0625) (Top Kingpin Location) <b>(SN 0200122967 through 0200191606)</b>	
102	4740538	AR	Thrustwasher (.125) (Top Kingpin Location) <b>(SN 0200122967 through 0200191606)</b>	
102	4740539	AR	Thrustwasher (.188) (Top Kingpin Location) <b>(SN 0200122967 through 0200191606)</b>	
102	4740540	AR	Thrustwasher (.250) (Top Kingpin Location) <b>(SN 0200122967 through 0200191606)</b>	
102	0440271	AR	Thrustwasher (.250) (Bottom Kingpin Location) <b>(SN 0200122967 through 0200191606)</b>	
103	0641606	Ref	Bolt 3/8-16NC x 3/4	
103	0641606	8	Bolt 3/8-16NC x 3/4 <b>(Prior to SN 0200122967)</b>	
103	0641606	16	Bolt 3/8-16NC x 3/4 <b>(SN 0200122967 through 0200191606)</b>	
104		Ref	Bolt Options:	
104	0681828	4	Bolt 1/2-13NC x 3-1/2 (Grade 8) <b>(Prior to SN 0200113943)</b>	
104	0641824	4	Bolt 1/2-13NC x 3 <b>(SN 0200113943 through 0200191606)</b>	
106	0962140	2	Bearing	
107		Ref	Steer Cylinder Assembly Options (See CYLINDER SECTION for Breakdown):	

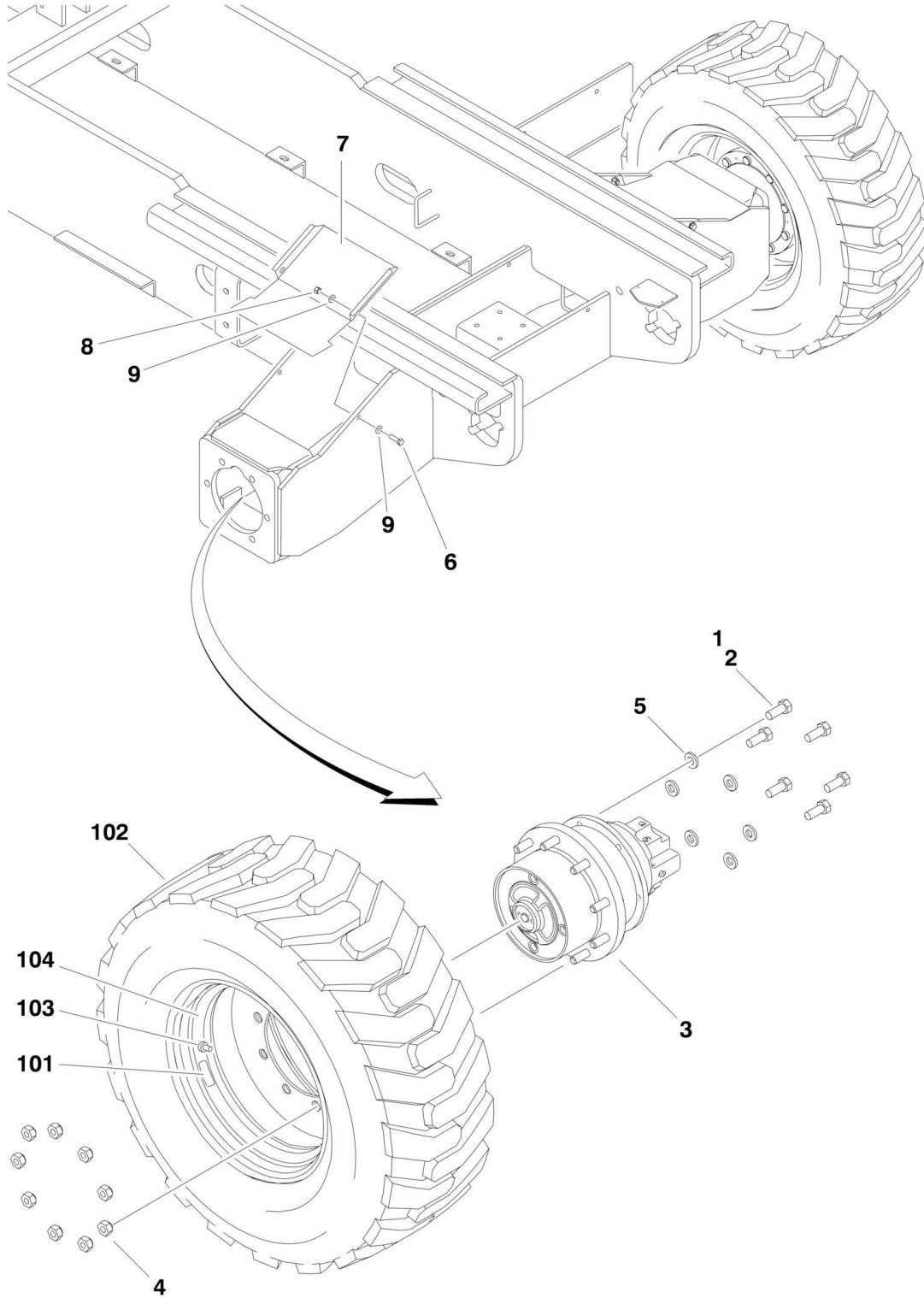
## SECTION 1 - FRAME

ITEM	PART NUMBER	QTY	DESCRIPTION	REV
107	1683614	NLA	Steer Cylinder Assembly (Use p/n 1684412) <b>(Prior to SN 0200137518)</b>	
107	1684412	1	Steer Cylinder Assembly <b>(SN 0200137518 through 0200191606)</b>	
108	3312008	4	Nut 5/8-11NC	
109	3322201	2	Nut 3/4-16NC	
110		Ref	Kingpin Options:	
110	3422716	4	Kingpin (2 Mounting Bolts) (Note: See Kit) <b>(Prior to SN 0200122967)</b>	
110	3423081	4	Kingpin (4 Mounting Bolts) <b>(SN 0200122967 through 0200191606)</b>	
111	3841367	2	Rod-End with Grease Fitting	
112	3900109	4	Screw, Shoulder	
113	4061048	1	Shield, Cylinder <b>(Prior to SN 0200113943)</b>	
114		Ref	Spindle (Left Side)	
114	4130368	NLA	Spindle (Left Side), (Note: See Kit) (Use p/n 4130403) <b>(Prior to SN 0200122967)</b>	
114	4130403	1	Spindle (Left Side) <b>(SN 0200122967 through 0200191606)</b>	
115		Ref	Spindle (Right Side)	
115	4130369	NLA	Spindle (Right Side), (Note: See Kit) (Use p/n 4130404) <b>(Prior to SN 0200122967)</b>	
115	4130404	1	Spindle (Right Side) <b>(SN 0200122967 through 0200191606)</b>	
116	4740086	4	Washer, Thrust	
117	4891800	4	Flatwasher, Hardened 1/2	
118	4846070	2	Rod-End	
119	3780182	2	O-Ring Only (Bottom Kingpin Location) <b>(SN 0200122967 through 0200191606)</b>	
124	3020029	AR	Grease, Bearing (Not Shown)	
200	2902400	1	Kingpin and Bushings Update Kit for Machines Built Prior to SN 0200122967 (Includes Newer "SN 0200122967 through SN 0200191606 Design Items 18C, 18D, 102, 103, 110 & 119). See Field Service Bulletin AWP-04-11.	
		Ref	<b>Note: Newer bushings will fit in "Prior to SN 0200122967 axles however if kingpin holes measure 1.503 diameter or larger in any direction, axle weldment must be replaced before installation of kit.</b>	
		Ref	<b>Note: Spindles require drilling and tapping for 8 additional kingpin mounting bolts. Newer design kingpins require 4 mounting bolts each.</b>	



# SECTION 1 - FRAME

## FIGURE 1-3. TIRE AND WHEEL DRIVE INSTALLATIONS



# SECTION 1 - FRAME

## FIGURE 1-3. TIRE AND WHEEL DRIVE INSTALLATIONS

ITEM	PART NUMBER	QTY	DESCRIPTION	REV
		Ref	<b>WHEEL DRIVE INSTALLATIONS</b>	
	0271695	Ref	<b>2WD</b>	D
	0271508	Ref	<b>4WD</b>	E
		Ref	<b>Note: Quantities are per axle.</b>	
1	0100019	AR	Locking, Compound	
2	0682012	12	Bolt 5/8-11NC x 1-1/2	
3		Ref	Drive Motor/Hub Assembly Options (See DRIVE MOTOR/HUB ASSEMBLY for Breakdown):	
3	2780263	2	2WD	
3	2780262	2	4WD	
4	3300106	18	Lugnut	
5	4892000	12	Washer, Hardened	
6	0641610	4	Bolt 3/8-16NC x 1-1/4	
7	1671056	2	Cover, Rear Axle	
8	3311605	4	Locknut 3/8-16NC	
9	4711600	8	Flatwasher 3/8 Narrow	
		Ref	<b>TIRE AND WHEEL INSTALLATIONS</b>	
		Ref	<b>Tire and Wheel Installations Options: (3394RT)</b>	
	0270091	Ref	<b>12 x 16.5 Pneumatic Lug Tire (3394RT)</b>	A
	0270092	Ref	<b>12 x 16.5 Foam-Filled Lug Tire (3394RT)</b>	A
	0270650	Ref	<b>12 x 16.5 Pneumatic Non-Marking Tires (3394RT)</b>	A
	0270653	Ref	<b>12 x 16.5 Foam-Filled Non-Marking Tires (3394RT)</b>	A
	0271785	Ref	<b>33/16LL x 16.1 Foam-Filled Sand Tire (3394RT)</b>	A
	0271718	Ref	<b>33/16LL x 16.5 Pneumatic Lug Tire (3394RT)</b>	A
	0271719	Ref	<b>33/16LL x 16.5 Foam-Filled Lug Tire (3394RT)</b>	A
	0274789	Ref	<b>31 x 15.5-15 Grass Master Tire (3394RT)</b>	A
		Ref	<b>Tire and Wheel Installations Options: (4394RT)</b>	
	0271787	Ref	<b>12 x 16.5 Pneumatic Lug Tire (4394RT)</b>	A
	0270092	Ref	<b>12 x 16.5 Foam-Filled Lug Tire (4394RT)</b>	A
	0274371	Ref	<b>12 x 16.5 Pneumatic Non-Marking Tires (Counterweight Required) (4394RT)</b>	A
	0270653	Ref	<b>12 x 16.5 Foam-Filled Non-Marking Tires (4394RT)</b>	A
	0271785	Ref	<b>33/16LL x 16.1 Foam-Filled Sand Tire (4394RT)</b>	A
	0271788	Ref	<b>33/16LL x 16.5 Pneumatic Lug Tire (4394RT)</b>	A
	0271719	Ref	<b>33/16LL x 16.5 Foam-Filled Lug Tire (4394RT)</b>	A
	0270074	2	12 x 16.5 Pneumatic Right Side Lug Tire	A
	0270075	2	12 x 16.5 Pneumatic Left Side Lug Tire	A
	0270076	2	12 x 16.5 Foam-Filled Right Side Lug Tire	A
	0270077	2	12 x 16.5 Foam-Filled Left Side Lug Tire	A
	0270651	2	12 x 16.5 Pneumatic Right Side Non-Marking Tire	A
	0270652	2	12 x 16.5 Pneumatic Left Side Non-Marking Tire	A
	0270654	2	12 x 16.5 Foam-Filled Right Side Non-Marking Tire	A
	0270655	2	12 x 16.5 Foam-Filled Left Side Non-Marking Tire	A
	0272268	4	33/16LL x 16.1 Foam-Filled Right Side Sand Tire	C
	0257755	2	33/16LL x 16.5 Pneumatic Right Side Lug Tire	C
	0257756	2	33/16LL x 16.5 Pneumatic Left Side Lug Tire	C
	0258011	2	33/16LL x 16.5 Foam-Filled Right Side Lug Tire	D
	0258012	2	33/16LL x 16.5 Foam-Filled Left Side Lug Tire	D
	4520571	4	31 x 15.5-15 Grass Master Tire	B

## SECTION 1 - FRAME

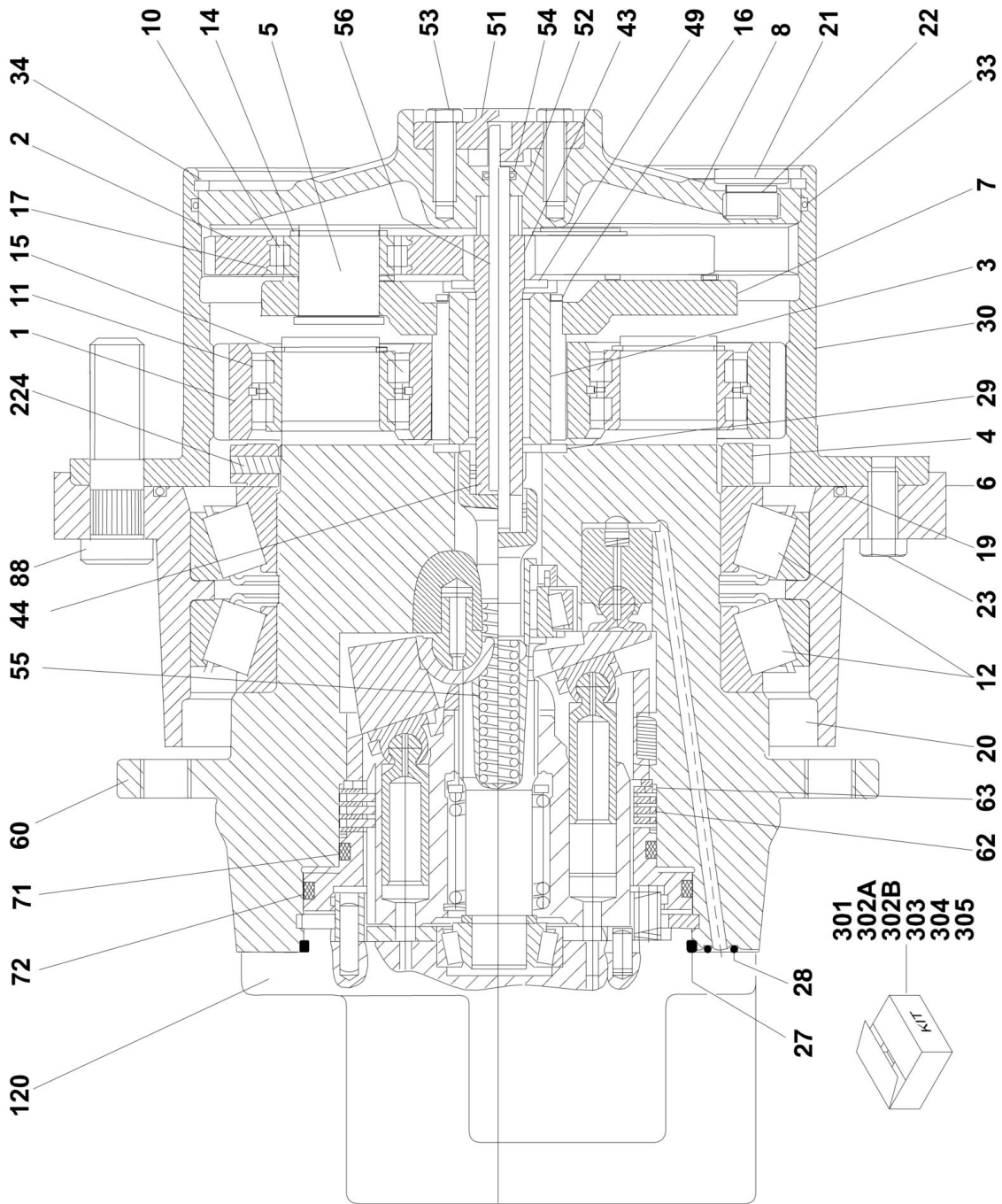
ITEM	PART NUMBER	QTY	DESCRIPTION	REV
		Ref	<b>Note: Assemblies may require ballast/foam filling to manufacturer's specifications prior to installing on a machine. Refer to Operation and Safety or Service and Maintenance Manuals. Purchase individual tire and/or rim only if able to foam fill tire and wheel assembly, otherwise, purchase complete assembly.</b>	
101		Ref	Decal Options:	
101	1702740	1	Decal - 90psi (Pneumatic Only):	
101	1702137	1	Decal - 60psi (Pneumatic Only) (Grass Master):	
102		Ref	Tire Options:	
102	4520216	1	12 x 16.5 NHS Lug Tire	
102	4520240	1	12 x 16.5 OTR NHS Non-Marking Tire	
102	4520262	1	33/16LL x 16.1 Lug Tire	
102	4520217	1	33/16LL x 16.5 Lug Tire	
102	4520576	1	31 x 15.5-15 Grass Tire	
103		Ref	Valve, Air Options:	
103	4640113	1	With Pneumatic Tire/Wheel Assemblies	
103	8786514	1	With 0258011 & 0258012 Foam-Filled Tire/Wheel Assemblies	
103	4640113	1	All Foam-Filled Tire/Wheel Assemblies except 025811 & 0258012	
104		Ref	Rim, Wheel	
104	4860213	1	16.5 x 9.75 (Use with 12 x 16.5 Lug Tires)	
104	4860179	1	16.5 x 12 (Use with 33/16LL x 16.5 Lug Tires)	
104	4860237	1	19.5 x 14 (Use with 33/16LL x 16.1 Sand Tires)	
104	4520570	1	15 x 13 (Use with 31 x 15.5-15 Grass Tire)	





# SECTION 1 - FRAME

## FIGURE 1-4. DRIVE MOTOR/HUB ASSEMBLY



# SECTION 1 - FRAME

## FIGURE 1-4. DRIVE MOTOR/HUB ASSEMBLY

ITEM	PART NUMBER	QTY	DESCRIPTION	REV
		Ref	<b>DRIVE MOTOR/HUB ASSEMBLY</b>	
	2780263	Ref	<b>2WD</b>	B
	2780262	Ref	<b>4WD</b>	B
		Ref	<b>Note: Unless there is capability to torque shaft (item 4) to 626 ft/lbs (850Nm) Repair beyond this level is NOT advised.</b>	
1	See Note	NSS	Gear, Planet (Note: Use Item 301)	
2	See Note	NSS	Gear, Planet (Note: Use Item 302A or 302B)	
3	7021325	1	Gear, Sun	
4	See Note	NSS	Nut, Shaft (Note: Use Item 303)	
		Ref	<b>Note: Unless there is capability to torque shaft nut (Item 4) to 626 ft/lbs (850Nm) Repair beyond this level is not advised.</b>	
5	7021326	3	Pin, Planet	
6	7021327	1	Ring, Support	
7	7021328	1	Carrier, Planet	
8	See Note	NSS	Cover (Note: Use Item 304)	
10	See Note	NSS	Bearing, Roller (Note: Use Item 302A or 302B)	
11	See Note	NSS	Bearing, Roller (Note: Use Item 301)	
12	See Note	NSS	Bearing, Tapered Roller (Note: Use Item 303)	
14	See Note	NSS	Ring, Retaining (Note: Use Item 302A or 302B)	
15	See Note	NSS	Ring, Retaining (Note: Use Item 301)	
16	7021341	1	Ring, Retaining	
17	See Note	NSS	Disk, Support (Note: Use Item 302A or 302B)	
19	See Note	NSS	O-Ring (Note: Use Item 303)	
20	See Note	NSS	Seal, Shaft (Note: Use Item 303)	
21	See Note	NSS	Plug, screw (Note: Use Item 304)	
22	7024048	3	Ring, Seal	
23	See Note	NSS	Bolt (Note: Use Item 303)	
27	70002303	1	O-Ring	
28	70002304	1	Seal	
29	7024049	1	Washer, Thrust	
30		Ref	Gear, Ring Options:	
30	7021335	1	2WD	
30	7021346	1	4WD	
33	See Note	NSS	O-Ring (Note: Use Item 303 or 304)	
34	See Note	NSS	Ring, Retaining (Note: Use Item 304)	
43		Ref	Shaft, Sun Gear Options:	
43	7021336	1	2WD	
43	7021347	1	4WD	
44	7024050	1	Shaft, Input	
49	7024051	1	Washer, Thrust	
51	See Note	NSS	Cover (Note: Use Item 304 or 305)	
52	See Note	NSS	Sleeve (Note: Use Item 304)	
53	See Note	NSS	Bolt (Note: Use Item 304 or 305)	
54	See Note	NSS	O-Ring (Note: Use Item 304 or 305)	
55	7024053	1	Spring	
56	See Note	NSS	Rod, Shift (Note: Use Item 305)	
60	See Note	NSS	Housing, Brake (Note: Not Available - Purchase Complete Assembly)	
62	70005672	3	Disc, Lamination	
63	70005673	4	Disc, Counter	

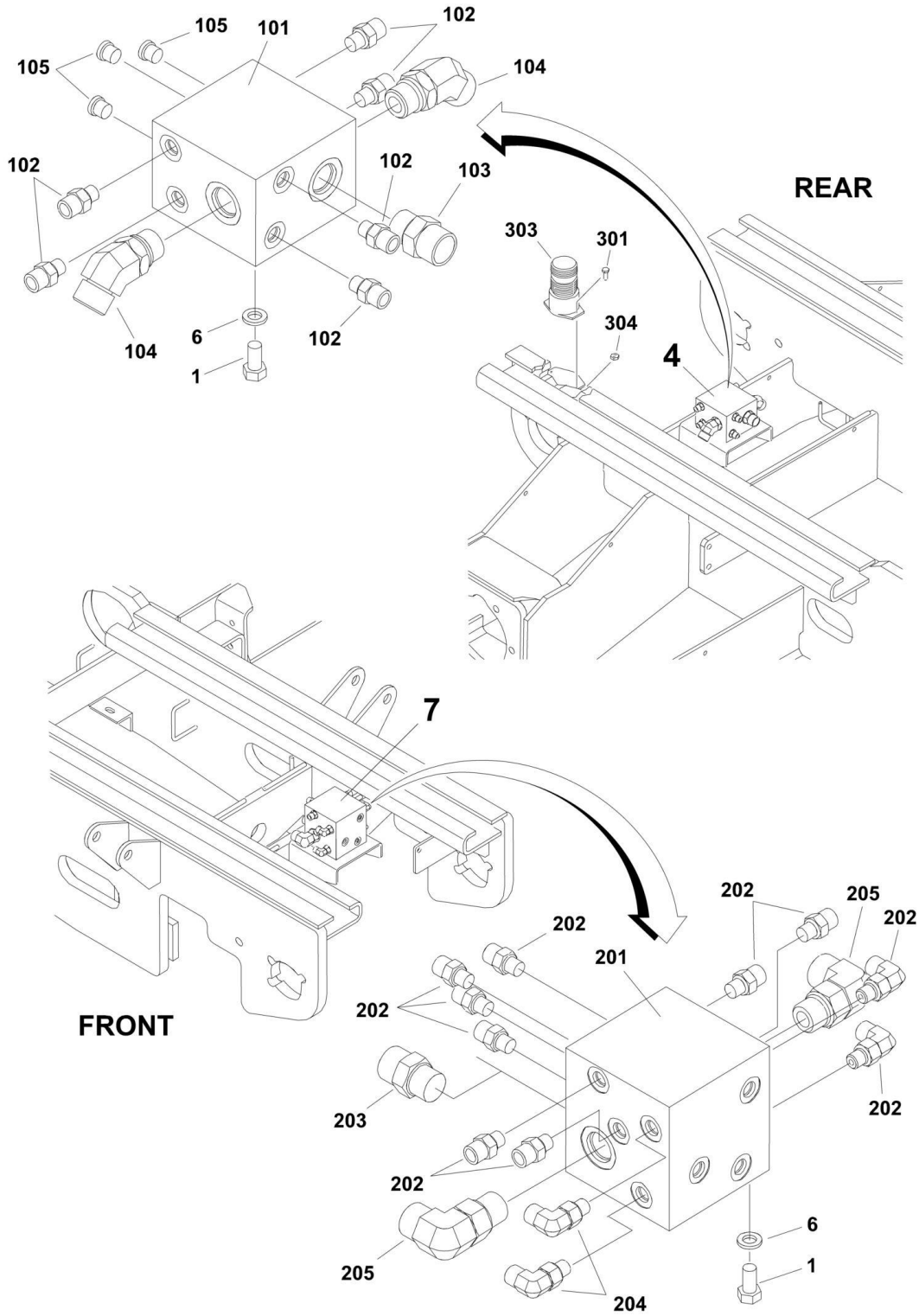
## SECTION 1 - FRAME

ITEM	PART NUMBER	QTY	DESCRIPTION	REV
71	70005674	1	O-Ring	
72	70005675	1	O-Ring	
88	7021344	9	Stud, Wheel	
120	7024055	1	Motor, Hydraulic	
224	See Note	NSS	Dowel, Spring Sleeve (Note: Use Item 303)	
		Ref	<b>REPAIR KIT OPTIONS</b>	
301	7022544	1	Planet Gear Kit (Includes Items 1, 11 & 15)	
302		Ref	Planet Gear Kit Options: (Includes Items 2, 10, 14 & 17)	
302A	7024027	1	2WD	
302B	7022545	1	4WD	
303	7024047	1	Bearing Kit (Includes Items 4, 12, 19, 20, 23, 33 & 224)	
		Ref	<b>Note: Unless there is capability to torque shaft nut (Item 4) to 626 ft/lbs (850Nm) Repair beyond this level is NOT advised.</b>	
304	7021329	1	Cover Kit (Includes Items 8, 21, 22, 33, 34, 51, 52, 53 & 54)	
305	7024054	1	Mechanical Disconnect Kit (Includes 51, 53, 54 & 56)	



# SECTION 1 - FRAME

## FIGURE 1-5. BEACON LIGHT AND 4WD VALVE INSTALLATIONS (FRAME MOUNTED)



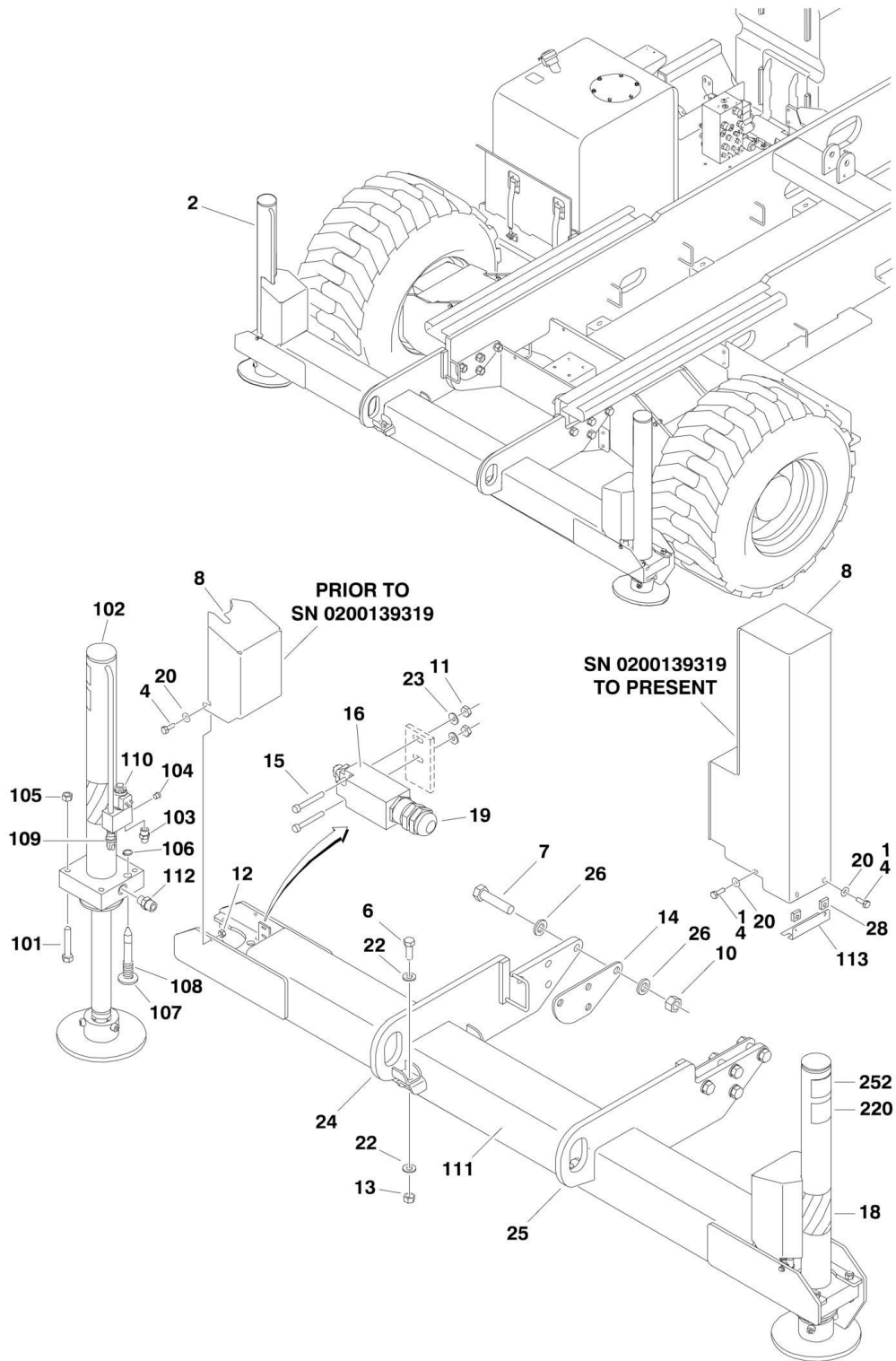
## SECTION 1 - FRAME

**FIGURE 1-5. BEACON LIGHT AND 4WD VALVE INSTALLATIONS (FRAME MOUNTED)**

ITEM	PART NUMBER	QTY	DESCRIPTION	REV
	0271779	Ref	<b>4WD VALVE INSTALLATIONS (FRAME MOUNTED)</b>	C
1	0641606	8	Bolt 3/8-16NC x 3/4	
4	4641225	1	Valve Assembly - 4WD Rear Axle (See Items 101 to 105 for Breakdown)	
6	4761600	2	Lockwasher 3/8	
7	4641220	1	Valve Assembly - 4WD Front Axle (See Items 201 to 205 for Breakdown)	
	4641225	Ref	<b>VALVE ASSEMBLY - REAR AXLE (4WD)</b>	C
101	See Note	NSS	Block, Manifold (Note: Not Available for Purchase)	
102	2110404	6	Fitting, Straight	
103	2111010	1	Fitting, Straight	
104	2151010	2	Fitting, 45	
105	See Note	NSS	Orifice (Note: Not Available for Purchase)	
	4641220	Ref	<b>VALVE ASSEMBLY - FRONT AXLE (4WD)</b>	C
201	See Note	NSS	Block, Manifold (Note: Not Available for Purchase)	
202	2110404	8	Fitting, Straight	
203	2111010	1	Fitting, Straight	
204	2130404	4	Fitting, 90	
205	2131010	2	Fitting, 90	
	0271746	Ref	<b>BEACON LIGHT INSTALLATION</b>	A
301	0721004	2	Screw #10-24NC x 1/2	
302	2820018	2 in/8cm	Heat-Shrink (Not Shown)	
303	2920146	1	Beacon Light Assembly	
303	7016319	1	Bulb, Replacement	
303	7016372	1	Lens, Replacement	
304	3311005	2	Locknut #10-24NC	
305	4922739	1	Harness, Beacon Light (Not Shown - See ELECTRICAL SECTION for Breakdown)	

# SECTION 1 - FRAME

## FIGURE 1-6. LEVELING JACKS INSTALLATION





# SECTION 1 - FRAME

## FIGURE 1-6. LEVELING JACKS INSTALLATION

ITEM	PART NUMBER	QTY	DESCRIPTION	REV
		Ref	<b>LEVELING JACKS INSTALLATIONS:</b>	
	0271776	Ref	<b>Leveling Jacks Installations (Prior to SN 0200139319)</b>	F
	0274623	Ref	<b>Leveling Jacks Installations (SN 0200139319 through 0200191606)</b>	B
1	0100011	AR	Locking, Compound (Not Shown)	
2		Ref	Leveling Jack Assembly Options (See Items 101-113 for Breakdown):	
2	0272261	2	Leveling Jack Assembly ( <b>Prior to SN 0200139319</b> )	
2	0274622	2	Leveling Jack Assembly ( <b>SN 0200139319 through 0200191606</b> )	
3	0272278	1	Directional Valve Assembly (Not Shown - See GROUND CONTROLS SECTION for Breakdown)	
4		Ref	Bolt Options:	
4	0641406	8	Bolt 1/4-20NC x 3/4 ( <b>Prior to SN 0200139319</b> )	
4	0641407	16	Bolt 1/4-20NC x 7/8 ( <b>SN 0200139319 through 0200191606</b> )	
6	0641811	8	Bolt 1/2-13NC x 1-3/8	
7	0682226	16	Bolt 3/4-10NC x 3-1/4	
8		Ref	Cover Options:	
8	1671071	4	Cover ( <b>Prior to SN 0200139319</b> )	
8	1671165	4	Cover ( <b>SN 0200139319 through 0200191606</b> )	
10	3272205	16	Locknut 3/4-10NC	
11	3310805	8	Locknut #8-32NC	
12	3311405	8	Locknut 1/4-20NC ( <b>Prior to SN 0200139319</b> )	
13	3311805	8	Locknut 1/2-13NC	
14	3573658	4	Plate	
15	3930820	8	Capscrew #8-32NC	
16		Ref	Switch, Limit Options:	
16	4360548	4	Switch, Limit ( <b>Prior to SN 0200115380</b> )	
16	See Note	4	Switch, Limit (Note: See ELECTRICAL SECTION for Breakdown) ( <b>SN 0200115380 through 0200191606</b> )	
18		Ref	Tape, Safety Options:	
18	4420052	3 ft/1m	Tape, Safety ( <b>Prior to SN 0200139319</b> )	
18	4420052	8 ft/2.4m	Tape, Safety ( <b>SN 0200139319 through 0200149812</b> )	
18	4420051	8 ft/2.4m	Tape, Safety ( <b>SN 0200149813 through 0200191606</b> )	
19	4460968	4	Connector, Strain Relief ( <b>Prior to SN 0200115380</b> )	
20	4711400	AR	Flatwasher 1/4 Narrow	
22	4711800	16	Flatwasher 1/2 Narrow	
23	4750800	8	Flatwasher #8 Thick	
24	4846620	2	Support (Front Right/Rear Left)	
25	4846621	2	Support (Front Left/Rear Right)	
26	4892200	32	Washer, Hardened 3/4	
27	4922748	1	Harness, Leveling Jack (See ELECTRICAL SECTION for Breakdown)	
28	3300353	16	Nut, Tinnerman ( <b>SN 0200139319 through 0200191606</b> )	
		Ref	<b>LEVELING JACK ASSEMBLIES:</b>	
	0272261	Ref	<b>Leveling Jack Assemblies (Prior to SN 0200139319)</b>	C
	0274622	Ref	<b>Leveling Jack Assemblies (SN 0200139319 through 0200191606)</b>	A
		Ref	<b>Note: Qty shown is for one Level Jack Assembly. Two assemblies required per machine.</b>	
101	0641824	8	Bolt 1/2-13NC x 3	

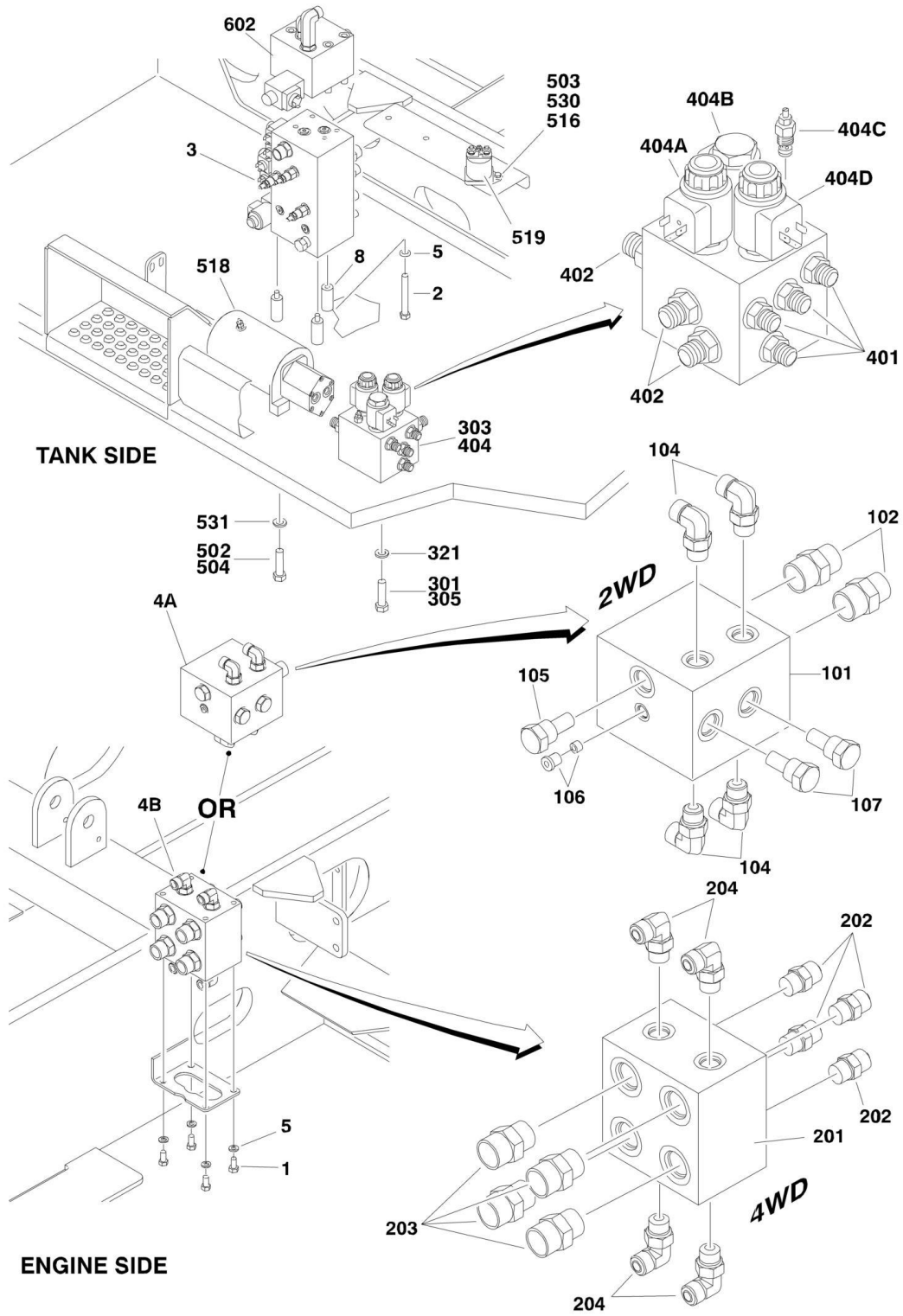
## SECTION 1 - FRAME

ITEM	PART NUMBER	QTY	DESCRIPTION	REV
102		Ref	Jack Cylinder Assembly Options (See CYLINDER SECTION for Breakdown):	
102	1684220	2	Jack Cylinder Assembly ( <b>Prior to SN 0200139319</b> )	
102	1684406	2	Jack Cylinder Assembly ( <b>SN 0200139319 through 0200191606</b> )	
103	2110606	2	Fitting, Straight	
104	2220883	2	Plug	
105	3311805	8	Locknut 1/2-13NC	
106	3760348	2	Ring, Retaining	
107	3841564	2	Rod	
108	4160116	2	Spring	
109	4360518	2	Transducer, Pressure	
110	4641238	2	Cartridge, Solenoid Valve	
110	7024502	2	Seal Kit - 4641238 Valve (1 Per Cartridge)	
110	7024501	2	Coil (1 Per Cartridge)	
110	7024506	2	Coil Nut Kit (1 Per Cartridge)	
111		Ref	Mount, Leveling Jack Options:	
111	4846619	1	Mount, Leveling Jack ( <b>Prior to SN 0200139319</b> )	
111	4210028	1	Mount, Leveling Jack ( <b>SN 0200139319 through 0200191606</b> )	
112	2110808	2	Fitting, Straight	
113	0903054	2	Bracket, Jack Cover ( <b>SN 0200139319 through 0200191606</b> )	
	0010583	Ref	<b>DECALS INSTALLATION</b>	
220		Ref	Decal - Outrigger Warning Options:	
220	1701214	4	ANSI Spec (English)	
220	1704690	4	CSA Spec (English/French)	
220	1704698	4	Brazilian Spec (Spanish/Portuguese)	
220	1704697	4	Latin American Spec (English/Spanish)	
252	1705042	4	Decal - Maximum Load	

**SECTION 2 - GROUND CONTROLS**

# SECTION 2 - GROUND CONTROLS

## FIGURE 2-1. CONTROL VALVES INSTALLATION



## SECTION 2 - GROUND CONTROLS

### FIGURE 2-1. CONTROL VALVES INSTALLATION

ITEM	PART NUMBER	QTY	DESCRIPTION	REV
		Ref	<b>CONTROL VALVE INSTALLATION</b>	
	0271778	Ref	<b>2WD</b>	B
	0271779	Ref	<b>4WD</b>	C
1	0641606	4	Bolt 3/8-16NC x 3/4	
2	0641624	3	Bolt 3/8-16NC x 3	
3	4641211	1	Valve Assembly - Main (See MAIN CONTROL VALVE ASSEMBLY for Breakdown)	
4		Ref	Valve Assembly - Drive Header Options:	
4A	4641228	1	2WD (See Items 101-106 for Breakdown)	
4B	4641227	1	4WD (See Items 201-204 for Breakdown)	
5	4761600	7	Lockwasher 3/8	
8	4568114	3	Spacer, Tube	
	4641228	Ref	<b>VALVE ASSEMBLY - DRIVE HEADER (2WD)</b>	C
101	See Note	NSS	Block, Manifold (Note: Not Available for Purchase)	
102	2111212	2	Fitting, Straight	
104	2130808	4	Fitting, 90	
105	7026010	1	Cartridge	
105	70002519	1	Seal Kit - 7026010 Cartridge	
106	7018905	1	Plug, O-Ring	
106	7022523	1	Orifice	
107	7026012	2	Cartridge	
107	7011346	2	Seal Kit - 7026012 Cartridge	
	4641227	Ref	<b>VALVE ASSEMBLY - DRIVE HEADER (4WD)</b>	C
201	See Note	NSS	Block, Manifold (Note: Not Available for Purchase)	
202	2110808	4	Fitting, Straight	
203	2111212	4	Fitting, Straight	
204	2130808	4	Fitting, 90	
		Ref	<b>LEVELING JACK VALVE INSTALLATION</b>	B
	0271776	Ref	<b>Leveling Jack Valve Installation (Prior to SN 0200139319)</b>	
	0274623	Ref	<b>Leveling Jack Valve Installation (SN 0200139319 through 0200191606)</b>	
301	0100011	AR	Locking, Compound	
303	0272278	1	Leveling Jack Valve Assembly (See Items 401-403 for Breakdown)	
305	0641508	3	Bolt 5/16-18NC x 1	
321	4711500	3	Flatwasher 5/16 Narrow	
	0272278	Ref	<b>LEVELING JACK VALVE SUB-ASSEMBLY</b>	C
401	2110606	4	Fitting, Straight	
402	2110808	6	Fitting, Straight	
404	4641240	1	Valve Assembly	
404A	7024497	1	Cartridge without Coil (Retract)	
404A	7024502	1	Seal Kit - 7024497 Cartridge	
404A	7024501	1	Coil	
404A	7024506	1	Coil Nut Kit	
404B	7024498	1	Cartridge without Coil (Extend)	
404B	7024503	1	Seal Kit - 7024498 Cartridge	
404B	7024501	1	Coil	
404B	7024507	1	Coil Nut Kit	
404C	7024499	1	Cartridge	
404C	7024504	1	Seal Kit - 7024499 Cartridge	

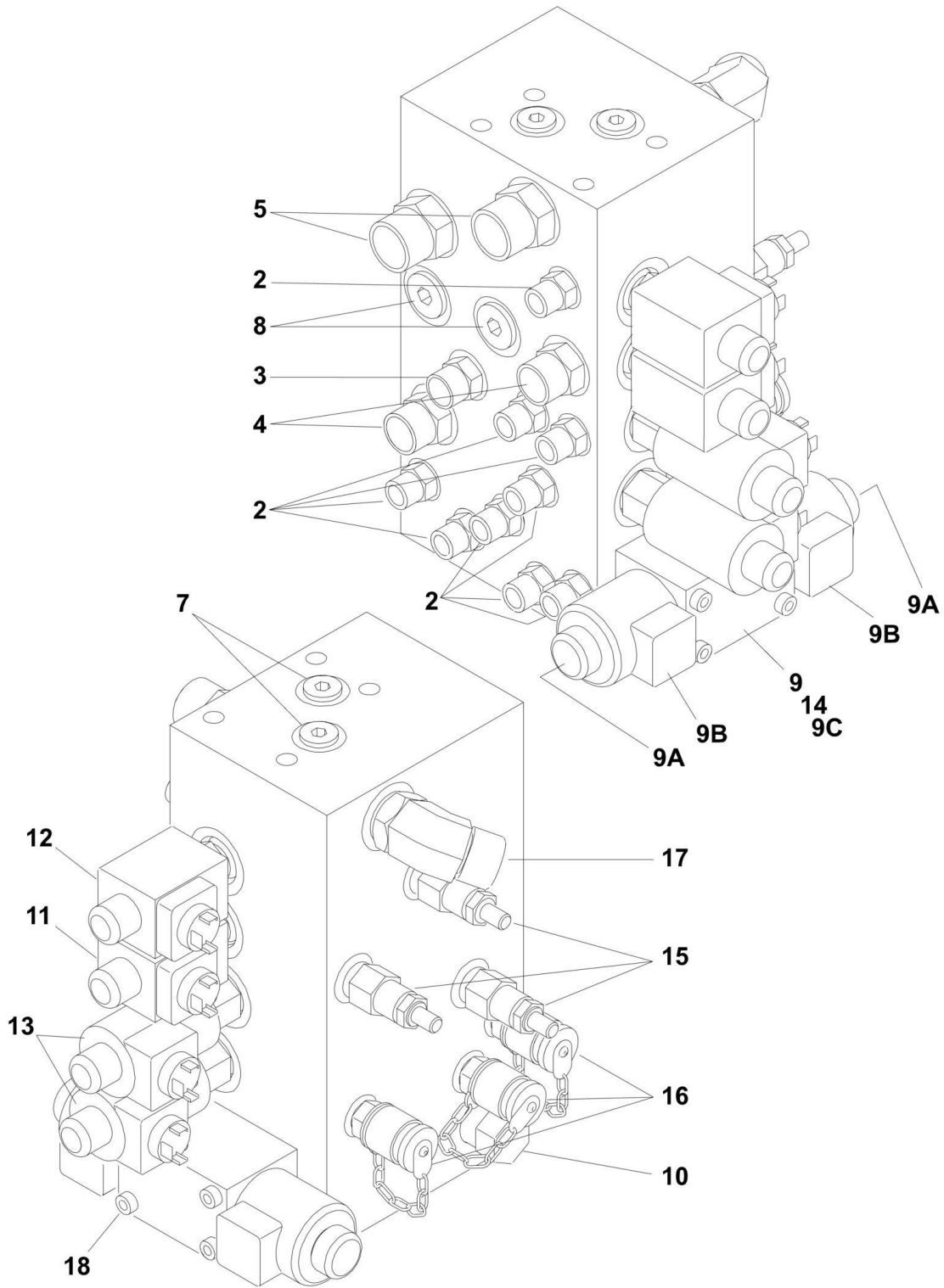
## SECTION 2 - GROUND CONTROLS

ITEM	PART NUMBER	QTY	DESCRIPTION	REV
404D	7024500	1	Cartridge without Coil	
404D	7024505	1	Seal Kit - 7024500 Cartridge	
404D	7024501	1	Coil	
404D	7024506	1	Coil Nut Kit	
		Ref	<b>POWER DECK EXTENSION AUXILIARY PUMP INSTALLATION</b>	
	0271701	Ref	<b>Power Deck Extension Auxiliary Pump Installation - with Single Deck Extension (3394RT)</b>	E
	0271705	Ref	<b>Power Deck Extension Auxiliary Pump Installation - with Dual Deck Extension (3394RT)</b>	E
	0271702	Ref	<b>Power Deck Extension Auxiliary Pump Installation - with Single Deck Extension (4394RT)</b>	E
	0271706	Ref	<b>Power Deck Extension Auxiliary Pump Installation - with Dual Deck Extension (4394RT)</b>	E
502	0100011	AR	Locking, Compound	
503	0641405	2	Bolt 1/4-20NC x 5/8	
504	0641608	2	Bolt 3/8-16NC x 1	
516	3311405	2	Locknut 1/4-20NC	
518		Ref	Auxiliary Power Pump Assembly Options (See AUXILIARY PUMP ASSEMBLY for Breakdown):	
518	3600208	NLA	Auxiliary Power Pump Assembly (Use p/n 3600468) <b>(Prior to SN 0200164133)</b>	
518	3600468	1	Auxiliary Power Pump Assembly <b>(SN 0200164133 through 0200191606)</b>	
519	3740067	1	Relay	
530	4751400	4	Flatwasher 1/4 Wide	
531	4751600	2	Flatwasher 3/8 Wide	
		Ref	<b>AUXILIARY POWER VALVE BLOCK INSTALLATION</b>	
	0272687	Ref	<b>Auxiliary Power Valve Block Installation - with Dual Deck Extension (3394RT)</b>	A
	0272688	Ref	<b>Auxiliary Power Valve Block Installation - with Dual Deck Extension (4394RT)</b>	A
601	2753867	2	Hose (Not Shown - Runs From Auxiliary Power Block to Power Deck Valve) (3394RT)	
601	2753868	2	Hose (Not Shown - Runs From Auxiliary Power Block to Power Deck Valve) (4394RT)	
602	4641226	1	Valve, Power Deck Sandwich	D
602	7026012	1	Cartridge	
602	7011346	1	Seal Kit - 7026012 Cartridge	
602	7024573	1	Cartridge without Coil	
602	7024574	1	Seal Kit - 7024573 Cartridge	
602	7011354	1	Coil	



# SECTION 2 - GROUND CONTROLS

## FIGURE 2-2. MAIN CONTROL VALVE ASSEMBLY





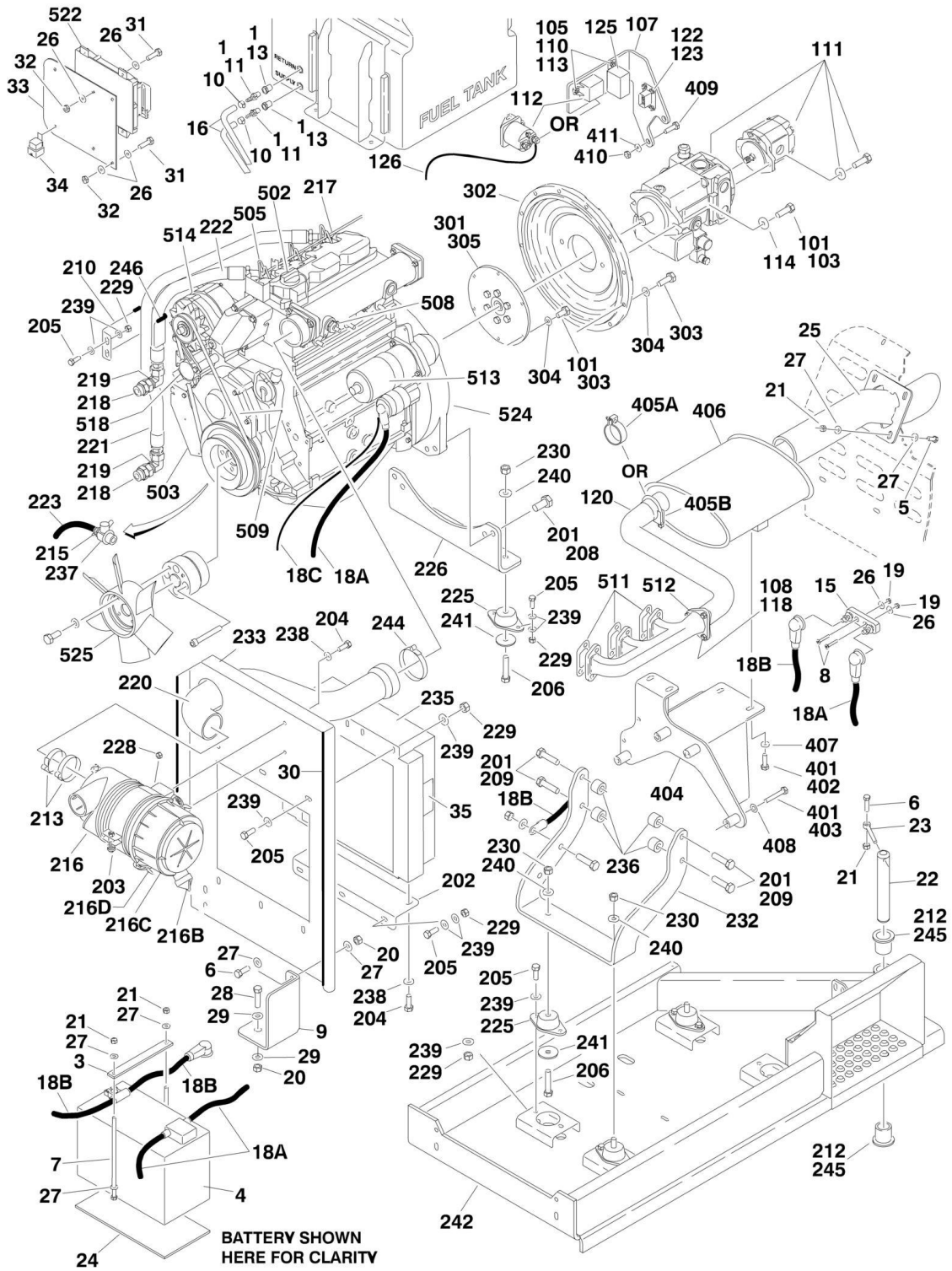
## SECTION 2 - GROUND CONTROLS

### FIGURE 2-2. MAIN CONTROL VALVE ASSEMBLY

ITEM	PART NUMBER	QTY	DESCRIPTION	REV
	4641211	Ref	<b>MAIN CONTROL VALVE ASSEMBLY</b>	E
2	2110404	9	Fitting, Straight	
3	2110606	1	Fitting, Straight	
4	2110808	2	Fitting, Straight	
5	2111010	2	Fitting, Straight	
7	2220885	2	Plug	
8	2220884	2	Plug	
9	7021365	1	Control Valve Assembly (Steer)	
9	7012773	1	Seal Kit - 7021365 Valve	
9A	7021375	2	Nut, Coil	
9B	7021376	2	Coil	
9C	7018998	2	Spring	
10	7011355	1	Cartridge (Steer Shuttle)	
10	2900770	1	Seal Kit - 7011355 Cartridge	
11	7024573	1	Cartridge without Coil (Lift)	
11	2900770	1	Seal Kit - 7024573 Cartridge	
11	7011354	1	Coil	
11	7024577	1	Seal Kit - 7011354 Coil	
12	7024576	1	Cartridge without Coil (Dump)	
12	7024574	1	Seal Kit - 7024576 Cartridge	
12	7011354	1	Coil	
12	7024577	1	Seal Kit - 7011354 Coil	
13	7024570	2	Cartridge without Coil (Brake/2 Speed)	
13	70001930	2	Seal Kit - 7024570 Cartridge	
13	7024571	2	Coil	
13	7024578	2	Seal Kit - 7024571 Coil	
14	7018900	1	Orifice (Steer)	
15	7024572	3	Cartridge (Main/Lift/Steer)	
15	7011346	3	Seal Kit - 7024572 Cartridge	
16	2221086	3	Fitting	
17	2151010	1	Fitting, 45	
18	7018942	4	Capscrew #10-24NC x 2	

# SECTION 2 - GROUND CONTROLS

## FIGURE 2-3. ENGINE INSTALLATION (DEUTZ)



## SECTION 2 - GROUND CONTROLS

### FIGURE 2-3. ENGINE INSTALLATION (DEUTZ)

ITEM	PART NUMBER	QTY	DESCRIPTION	REV
		Ref	<b>ENGINE INSTALLATIONS - DEUTZ</b>	
	0271697	Ref	<b>2WD (Prior to SN 0200120143)</b>	D
	0271773	Ref	<b>4WD (Prior to SN 0200120143)</b>	D
	0273846	Ref	<b>Engine Installations - Deutz (SN 0200120143 through 0200138633)</b>	C
	0274602	Ref	<b>Engine Installations - Deutz (SN 0200138634 through 0200191606)</b>	B
1	0100079	AR	Sealant, Pipe	
3	0361810	1	Bar, Battery Hold-Down	
4	0400075	1	Battery	
5	0641608	4	Bolt 3/8-16NC x 1	
6	0641612	3	Bolt 3/8-16NC x 1-1/2	
7	0641680	2	Bolt 3/8-16NC x 10	
8	0741010	2	Screw, Countersunk #10-24NC x 1-1/4	
9	0902777	1	Bracket, Latch Mounting	
10	1320022	4	Clamp	
11		Ref	Fitting, Straight Barbed Options:	
11	2180536	1	Fitting, Straight Barbed (Return Line) <b>(Prior to SN 0200120143)</b>	
11	2180348	1	Fitting, Straight Barbed (Supply Line) <b>(Prior to SN 0200120143)</b>	
11	2180348	2	Fitting, Straight Barbed (Both Lines) <b>(SN 0200120143 through 0200191606)</b>	
13		Ref	Fitting, Reducer Options:	
13	2220430	1	Fitting, Reducer (Return Line) <b>(Prior to SN 0200120143)</b>	
13	2220250	1	Fitting, Reducer (Supply Line) <b>(Prior to SN 0200120143)</b>	
13	2220250	2	Fitting, Reducer (Both Lines) <b>(SN 0200120143 through 0200191606)</b>	
14	4923062	1	Harness, Start Assist Solenoid (Not Shown - See ELECTRICAL SECTION for Breakdown) <b>(Prior to SN 0200138634)</b>	
15	2400044	1	Fuse, Mounting Block	
16		Ref	Hose Options:	
16	2720271	12 ft/3.7m	Hose (Return Line) <b>(Prior to SN 0200120143)</b>	
16	2720058	12 ft/3.7m	Hose (Supply Line) <b>(Prior to SN 0200120143)</b>	
16	2720058	24 ft/7.3m	Hose (Both Lines) <b>(SN 0200120143 through 0200191606)</b>	
18	2902132	1	Battery Cable Kit	A
18A	7024585	1	Cable, Battery (Red) (Includes 3 Boots)	
18B	7024586	1	Cable, Battery (Black) (Includes 1 Boots)	
18C	7024587	1	Cable (Red)	
19	3300408	2	Locknut with Nylon Insert	
20	3312005	1	Locknut 5/8-11NC	
21	3311605	7	Locknut 3/8-16NC	
22	3422669	1	Pin	
23	3841143	1	Keeper, Pin	
24	3980007	1	Seat, Battery	
25	4568499	1	Pipe, Exhaust	
26	4711400	AR	Flatwasher 1/4 Narrow	
27	4711600	12	Flatwasher 3/8 Narrow	
28	0642016	1	Bolt 5/8-11NC x 2	
29	4712000	1	Flatwasher 5/8 Narrow	
30	3960468	2	Seal	

## SECTION 2 - GROUND CONTROLS

ITEM	PART NUMBER	QTY	DESCRIPTION	REV
31	0641408	6	Bolt 1/4-20NC x 1 (SN 0200138634 through 0200191606)	
32	3311405	6	Locknut 1/4-20NC (SN 0200138634 through 0200191606)	
33	3576003	1	Plate, EMR2 Mounting (SN 0200138634 through 0200191606)	
34	3740049	1	Relay (SN 0200138634 through 0200191606)	
35		Ref	Decal - Warning Explosion/Fire Options: (SN 0200148587 through 0200191606)	
35	1704972	1	ANSI and ANSI Export Spec	
35	1706064	1	CSA Spec	
35	1706059	1	Brazil Spec (English/Portuguese)	
35	1706060	1	Chinese Spec (English/Chinese)	
35	1706063	1	Latin American Spec (English/Spanish)	
		Ref	<b>ENGINE AND PUMP ASSEMBLIES</b>	
	0271920	Ref	<b>2WD (Prior to SN 0200120143)</b>	L
	0271921	Ref	<b>4WD (Prior to SN 0200120143)</b>	L
	2000239	Ref	<b>Engine and Pump Assemblies (SN 0200120143 through 0200138633)</b>	F
	2000309	Ref	<b>Engine and Pump Assemblies (SN 0200138634 through 0200191606)</b>	J
101	0100011	AR	Locking, Compound	
103	0641812	2	Bolt 1/2-13NC x 1-1/2	
105	0721006	3	Screw #10-24NC x 3/4	
107	0902812	1	Bracket, Relay Mounting	
108	0701025	4	Bolt 10mm x 85mm	
110	3311005	3	Locknut #10-24NC	
111		Ref	Pump Assembly Options (See DRIVE PUMP SUB-ASSEMBLY for Breakdown):	
111	3600344	1	2WD	
111		Ref	4WD Options:	
111	3600336	NLA	Pump Assembly (Use p/n 3600371) (Prior to SN 0200128982)	
111	3600371	1	Pump Assembly (SN 0200128982 through 0200191606)	
112		Ref	Relay Options:	
112	3740112	1	Relay (Prior to SN 0200149013)	
112	3740067	1	Relay (SN 0200149013 through 0200191606)	
113	4751000	6	Flatwasher #10	
114	4891800	2	Flatwasher 1/2 Hardened	
116		Ref	Harness, Engine Options (Not Shown - See ELECTRICAL SECTION for Breakdown):	
116	4922709	1	Harness, Engine (Prior to SN 0200138634)	
116	4923276	1	Harness, Engine (SN 0200138634 through 0200149012)	
116	4923386	1	Harness, Engine (SN 0200149013 through 0200191606)	
118	4891600	4	Flatwasher 3/8 Hardened	
120	3460335	1	Pipe, Exhaust Options:	
120	3460332	NLA	Pipe, Exhaust (Use p/n 2902271) (Prior to SN 0200113034)	
120	2902271	1	Pipe, Exhaust (SN 0200113034 through 0200120142)	
120	3460335	1	Pipe, Exhaust (SN 0200120143 through 0200191606)	
122	0720805	4	Screw #8-32NC x 5/8	
123	3310805	4	Locknut #8	
125	3740080	1	Relay	
126	4923478	1	Harness, Glow Plug (SN 0200149013 through 0200191606)	
		Ref	<b>ENGINE ASSEMBLIES</b>	
	0271819	Ref	<b>Engine Assemblies (Prior to SN 0200120143)</b>	G
	2000238	Ref	<b>Engine Assemblies (SN 0200120143 through 0200138633)</b>	B

## SECTION 2 - GROUND CONTROLS

ITEM	PART NUMBER	QTY	DESCRIPTION	REV
	2000310	Ref	<b>Engine Assemblies (SN 0200138634 through 0200191606)</b>	E
201	0100011	AR	Locking, Compound	
202	0182029	1	Angle, Support	
203	0340052	1	Band, Air Cleaner Mounting	
204	0641507	4	Bolt 5/16-18NC x 7/8	
205	0641608	20	Bolt 3/8-16NC x 1	
206	0641820	4	Bolt 1/2-13NC x 2-1/2	
208	0701414	4	Bolt14mm x 30mm	
209	0701419	4	Bolt 14mm x 55mm	
210	0902786	1	Bracket, Hose Guide	
212	0961986	2	Bushing, Flanged	
213	1320016	AR	Clamp	
215	1320022	1	Clamp, Hose	
216	1340066	1	Air Cleaner Assembly Filter Element	
216A	7024438	1	Element, Filter (Not Shown)	
216B	8273291	1	Valve, Vactuators	
216C	70001787	1	Cover, Air Cleaner	
216D	70000263	1	Clip	
217		Ref	Engine, Deutz Diesel Options:	
217	2000184	1	Engine, Deutz Diesel <b>(Prior to SN 0200120143)</b>	
217	2000237	1	Engine, Deutz Diesel <b>(SN 0200120143 through 0200138633)</b>	
217	2000308	1	Engine, Deutz Diesel <b>(SN 0200138634 through 0200149012)</b>	
217	2000341	1	Engine, Deutz Diesel <b>(SN 0200149013 through 0200166291)</b>	
217	1001092724	1	Engine, Deutz Diesel <b>(SN 0200166292 through 0200191606)</b>	
218	2220451	2	Fitting, Straight	
219	2220655	2	Fitting, 90	
220	2720486	1	Hose, Air Cleaner	
221	2720494	1	Hose	
222	2720495	1	Hose	
223	2750532	1 ft/30cm	Hose, Oil Drain	
225	3200378	4	Mount, Motor	
226	3200431	1	Plate, Motor Mounting (Rear)	
228	3311505	4	Locknut 5/16-18NC	
229	3311605	20	Locknut 3/8-16NC	
230	3311805	4	Locknut 1/2-13NC	
232	3573288	1	Plate, Motor Mounting (Front)	
233	3573304	1	Plate, Oil Cooler Mounting	
235	3620043	1	Radiator	
236	4568398	4	Tube, Spacer	
237	4640751	1	Valve, Oil Drain	
238	4711500	4	Flatwasher 5/16 Narrow	
239	4711600	40	Flatwasher 3/8 Narrow	
240	4711800	4	Flatwasher 1/2 Narrow	
241	4740274	4	Washer, Snubbing	
242	4846480	1	Tray, Engine	
244	1320058	1	Clamp	
245	0100062	AR	Loctite #RC/680	
246	4060803	4 in/9cm	Flex-Trim	
		Ref	<b>PUMP COUPLING KITS</b>	
	2902065	Ref	<b>2WD</b>	G
	2902101	Ref	<b>4WD</b>	B

## SECTION 2 - GROUND CONTROLS

ITEM	PART NUMBER	QTY	DESCRIPTION	REV
301		Ref	Coupling, Hayes Options:	
301	70000793	1	2WD	
301	7027232	1	4WD	
302		Ref	Plate, Pump Adapter Options:	
302	See Note	NSS	2WD (Note: Use p/n 2902065)	
302	7027233	1	4WD	
303		Ref	Bolt Metric 10mm	
303	See Note	20	2WD (Note: Use p/n 2902065)	
303	See Note	18	4WD (Note: Use p/n 2902101)	
304		Ref	Flatwasher 10mm	
304	See Note	12	2WD (Note: Use p/n 2902065)	
304	See Note	18	4WD (Note: Use p/n 2902101)	
305	3020021	AR	Grease, Coupling	
		Ref	<b>MUFFLER KIT OPTIONS:</b>	
	0271920	Ref	<b>2WD (Prior to SN 0200110801)</b>	L
	0271921	Ref	<b>4WD (Prior to SN 0200110801)</b>	L
	2902243	Ref	<b>Spark Arrestor (SN 0200110801 through 0200191606)</b>	F
	2902244	Ref	<b>Catalytic (SN 0200110801 through 0200191606)</b>	E
401	0100011	AR	Locking, Compound	
402	0641608	2	Bolt, 3/8-16NC x 1	
403		Ref	Bolt Options:	
403	0701015	4	Bolt 10mm x 35mm	
403	0701013	4	Bolt 10mm x 28mm	
403	0711025	4	Bolt 10mm x 85mm (was p/n 0701025)	
404		Ref	Bracket, Muffler Mount Options:	
404	0902788	1	Bracket, Muffler Mount (Not Shown) <b>(Prior to SN 0200110801)</b>	
404	0902885	1	Bracket, Muffler Mount <b>(SN 0200110801 through 0200191606)</b>	
405		Ref	Clamp, Muffler Options:	
405A	70001017	1	Clamp, Circle (Supplied with 406A)	
405B	1320019	1	Clamp Saddle (Note: Must be purchased separately)	
406		Ref	Muffler Options:	
406	3220129	1	Spark Arrestor (Includes Item 405A)	
406	3220131	1	Catalytic	
407	4711600	2	Flatwasher 3/8 Narrow	
408	4891600	4	Flatwasher 3/8 Hardened	
409	0701013	2	Bolt 10mm x 28mm	
410	3291005	2	Locknut 10mm	
411	4812000	2	Flatwasher 10mm	
		Ref	<b>ENGINE COMPONENTS</b>	
	2000184	Ref	<b>Engine Components (Prior to SN 0200120143)</b>	
	2000237	Ref	<b>Engine Components (SN 0200120143 through 0200138633)</b>	
	2000308	Ref	<b>Engine Components (SN 0200138634 through 0200149012)</b>	
	2000341	Ref	<b>Engine Components (SN 0200149013 through 0200166291)</b>	
	1001092724	Ref	<b>Engine Components (SN 0200166292 through 0200191606)</b>	
501		Ref	Dipstick (Not Shown - Located on RH Side of Engine)	
501	7020026	1	Used with Engine p/n 2000184	
501	7027244	NLA	Used with Engine p/n's 2000237, 2000308, 2000341 & 1001092724 (Use p/n 7020026)	
502	7020465	2	Cap, Oil Fill	
503		Ref	Pump, Oil (RH Side Lower Front)	
503	7020467	1	Used with Engine p/n 2000184	

## SECTION 2 - GROUND CONTROLS

ITEM	PART NUMBER	QTY	DESCRIPTION	REV
503	7020495	1	Used with Engine p/n's 2000237, 2000308, 2000341 & 1001092724	
503	7020468	1	Ring, Seal (Oil Pump to Engine Block) (Not Shown)	
504	7016331	1	Filter, Oil (Not Shown - Located on RH Side of Engine)	
505		Ref	Pump, Fuel Injection	
505	7024318	3	Used with Engine p/n 2000184	
505		Ref	Used with Engine p/n's 2000237, 2000308, 2000341 & 1001092724	
505	70000912	3	Pump, Fuel Injection - A (was p/n 7027246)	
505	70000913	3	Pump, Fuel Injection - B (was p/n 7027608)	
505	70000914	3	Pump, Fuel Injection - C (was p/n 7027609)	
505	70000915	3	Pump, Fuel Injection - D (was p/n 7027610)	
505	7020447	3	Gasket, Fuel Pump	
506		Ref	Pump, Fuel Supply (Not Shown - Located on RH Side of Engine)	
506	7020463	1	Used with Engine p/n 2000184 (was p/n 7020490)	
506	70000916		Used with Engine p/n's 2000237, 2000308, 2000341, 1001092724 (was p/n 7027238)	
506	7020411	1	O-Ring (Fuel Supply Pump to Engine Block) (Not Shown)	
507	7020023	1	Filter, Spin-On Fuel (Not Shown - Located on RH Side of Engine)	
507	70001423	1	Bracket, Spin-On Fuel Filter (Not Shown - Located on RH Side of Engine)	
507	7027245	1	Filter, In-Line Fuel (Not Shown)	
508	7020491	1	Plug, Glow (Used with Engine p/n's 2000184, 2000237 & 2000308)	
508	7020492	1	Seal (Glow Plug to Manifold) (Not Shown)	
509	7020414	1	V-Belt	
510	70001871	3	Gasket (Air Intake to Head) (Not Shown) (was p/n 7020449)	
511	7020471	3	Gasket (Exhaust Manifold to Head)	
512	7020486	1	Gasket (Exhaust Manifold to Exhaust Pipe)	
513	7020479	1	Starter	
513	7026608	1	Relay/Solenoid, Starter	
514	7000663	1	Generator (was p/n 7020493)	
514	7020494	1	Regulator, Voltage	
515	7024565	1	Sensor, Speed Pick-up (Not Shown - Located on RH Side of Bellhousing)	
516		Ref	Sensor, Oil Pressure Options (Not Shown - Located on RH Side of Engine about Fuel Pump):	
516	7020461	1	Used with Engine p/n's 2000184 & 2000237	
516	7027790	1	Used with Engine p/n's 2000308, 2000341 & 1001092724	
517		Ref	Sender, Engine Temperature (Not Shown - Located on RH Side of Engine Beside Fuel Injector #1)	
517	7020168	1	Used with Engine p/n 2000184	
517	7027241	1	Used with Engine p/n 2000237	
517	7020480	1	Ring, Sealing (Used with Engine p/n's 2000184 & p/n 2000237)	
517	7027791	1	Used with Engine p/n's 2000308, 2000341 & 1001092724	
517		Ref	Sender, Engine Temperature (Not Shown - Located on RH Side of Engine Near Oil Filter)	
517	See Note	1	Used with Engine p/n 2000184 (Note: Not Available for Purchase)	
517	7027236	1	Used with Engine p/n's 2000237, 2000308, 2000341, 1001092724	
518		Ref	Actuator, Throttle Options:	
518	7020458	1	Used with Engine p/n's 2000184 & 2000237	
518	7027792	1	Used with Engine p/n's 2000308, 2000341 & 1001092724	

## SECTION 2 - GROUND CONTROLS

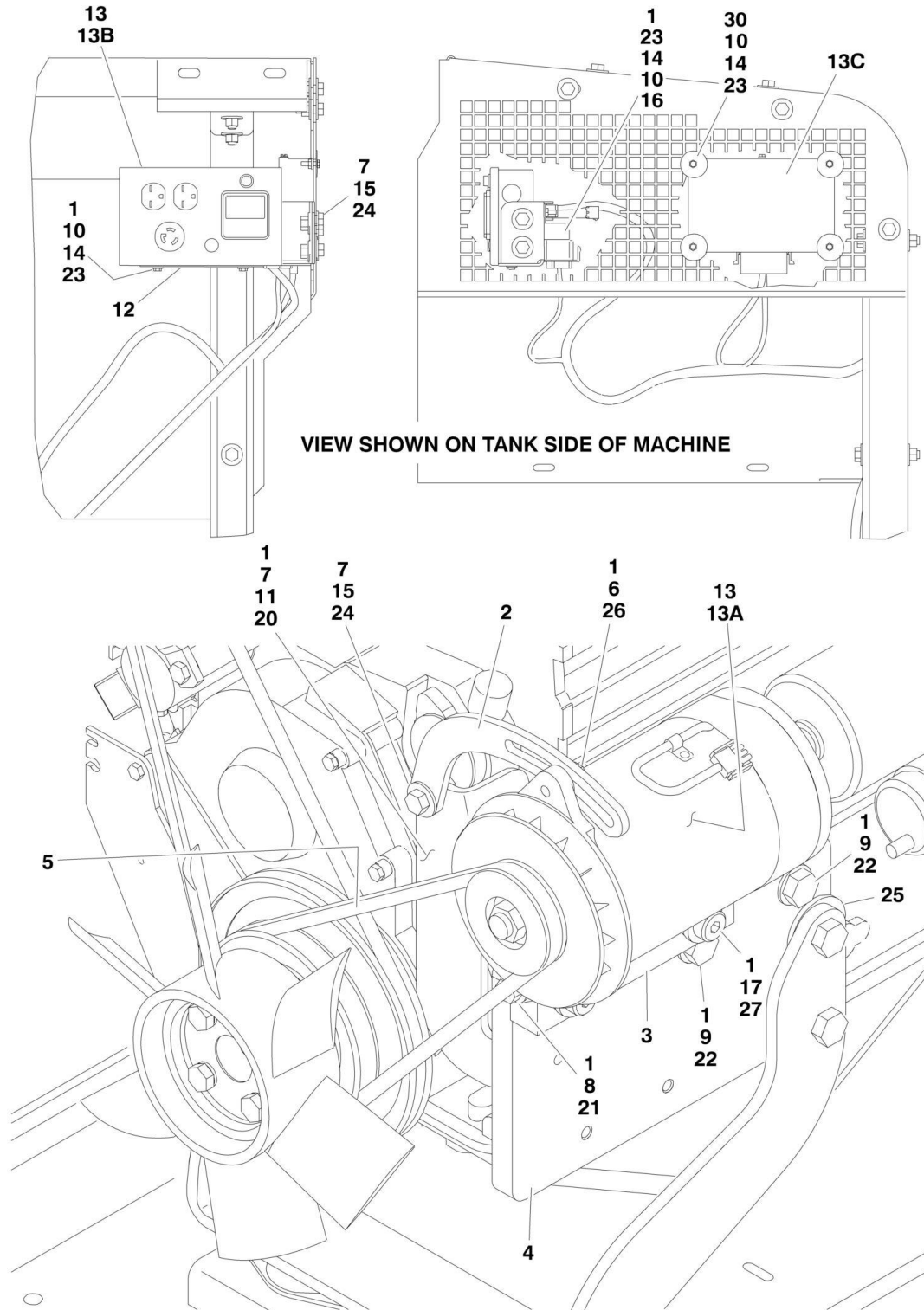
ITEM	PART NUMBER	QTY	DESCRIPTION	REV
518	7027276	2	Spring, Actuator	
519		Ref	Thermostat (Not Shown - Located on RH Side of Engine)	
519	See Note	1	Used with Engine p/n 2000184 (Note: Not Available for Purchase)	
519	70003475	1	Used with Engine p/n's 2000237, 2000308, 2000341 & 1001092724 (was p/n 7020459)	
519		Ref	Spring, Thermostat (Not Shown - Located on RH Side of Engine)	
519	See Note	1	Used with Engine p/n 2000184 (Note: Not Available for Purchase)	
519	7020460	1	Used with Engine p/n's 2000237, 2000308, 2000341 & 1001092724	
520	See Note	1	Flywheel (Not Shown - Located at Rear of Engine) (Note: Not Available for Purchase)	
520	7024579	1	Rim, Gear (Not Shown - Part of Flywheel)	
521	7027239	1	Solenoid, Start (Not Shown - Located on RH Side of Engine near the Front) (Used with Engine p/n's 2000237, 2000308, 2000341 & 1001092724)	
522	7027795	1	Deutz EMR2 Controller, Module (Used with Engine p/n 2000308, p/n 2000341 & p/n 1001092724)	
523	70000345	4	Glow PLug (Not Shown) (Used with Engine p/n 2000341 & p/n 1001092724)	
524	7027231	1	Housing, Bell	
525	70000783	1	Fan (Used with Engine p/n's 2000341 & 1001092724)	
526		Ref	Gasket, Head Options (Not Shown):	
526		Ref	Gasket for 2000184	
526	70003001	1	Gasket - 1 Notch	
526	70003002	1	Gasket - 2 Notch	
526	70003003	1	Gasket - 3 Notch	
526		Ref	Gasket for 2000237, 2000308, 2000341 & 1001098211 Engines	
526	70003479	1	Gasket - 1 Notch	
526	70003480	1	Gasket - 2 Notch	
526	70003481	1	Gasket - 3 Notch	





# SECTION 2 - GROUND CONTROLS

## FIGURE 2-4. GENERATOR INSTALLATION (DEUTZ ENGINE OPTIONS)



## SECTION 2 - GROUND CONTROLS

**FIGURE 2-4. GENERATOR INSTALLATION (DEUTZ ENGINE OPTIONS)**

ITEM	PART NUMBER	QTY	DESCRIPTION	REV
		Ref	<b>GENERATOR INSTALLATIONS (DEUTZ ENGINE OPTION)</b>	
	0271743	Ref	<b>110V (ANSI and ANSI Export Specs)</b>	B
	0271745	Ref	<b>220V (ANSI Export Spec)</b>	B
1	0100011	AR	Locking, Compound	
2	0200742	1	Arm, Adjusting	
3	0363082	1	Bar, Generator Adjusting	
4	0363098	1	Bar, Generator Mounting	
5	0480124	1	Belt, Drive	
6	0641508	1	Bolt 5/16-18NC x 1	
7	0641608	6	Bolt 3/8-16NC x 1	
8	0641718	2	Bolt 7/16-14NC x 2-1/4	
9	0701418	2	Bolt, Metric 14mm x 50mm	
10	0721006	7	Screw #10-24NC x 3/4	
11	0902813	1	Bracket, Arm Mounting	
12	0902842	1	Bracket, Generator Box Mounting	
13		Ref	Generator and Control Box Assembly Options:	
13	2460043	1	110V Generator and Control Box (ANSI and ANSI Export Specs)	B
13	2460047	1	220V Generator and Control Box (ANSI Export Spec)	B
13A		Ref	Generator Assembly Options:	
13A	2460049	1	110V Generator Only	
13A	1001100321	1	220V Generator Only	
13A		Ref	Armature with Slip Rings Options:	
13A	70000122	1	110V Armature	
13A	70000123	1	220V Armature	
13A	7020108	4	Brushes	
13A	7020109	4	Holder, Brush	
13A	7012513	4	Cap, Brush Holder	
13A	7012514	1	Fan	
13A	7020110	1	Bell, Front	
13A	7020111	1	Bell, Rear	
13A	7020190	2	Bearing	
13A	7027887	1	Key, Pulley Woodruff	
13A	3580134	1	Pulley	
13B		Ref	Box, Control Assembly Options:	
13B	70002241	1	110V Generator Control Box (Note: Replacement 110V Control Box comes with 2 Standard Receptacles p/n 4460190. Optional Industrial Twist Lock Receptacles p/n 4460027 must be ordered separately.)	
13B	70002236	1	220V Generator Control Box	
13B		Ref	Breaker, Circuit Options:	
13B	70002240	1	110V Generator Breaker	
13B	70000126	1	220V Generator Breaker	
13B		Ref	Voltmeter Options:	
13B	2420203	1	110V Generator Voltmeter	
13B	7020192	1	220V Generator Voltmeter	
13B		Ref	Receptacle Options:	
13B	4460190	1	110V Standard Receptacle	
13B	4460027	1	110V Twist-Lock Receptacle	
13B	70000124	1	220V Double Receptacle	

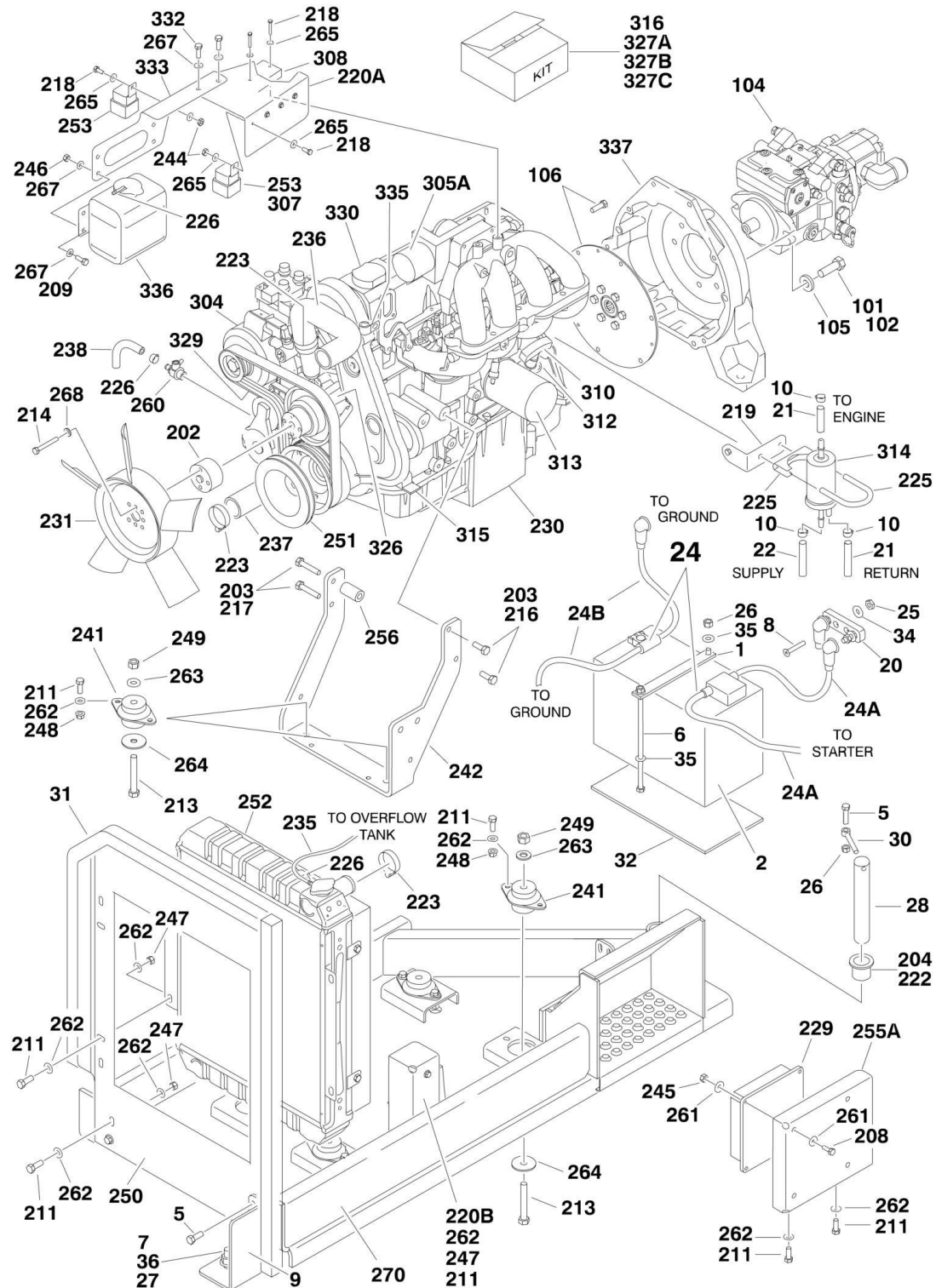
## SECTION 2 - GROUND CONTROLS

ITEM	PART NUMBER	QTY	DESCRIPTION	REV
13B	70000125	1	220V Single Receptacle	
13B	2920162	1	Lamp Assembly	
13B	70002237	1	Diode 6A/600V	
13B	3520028	1	Plug	
13C	7026525	1	Regulator, Voltage (110V Only)	
14	3311001	3	Nut #10-24NC	
15	3311605	3	Locknut 3/8-16NC	
16	3740080	1	Relay	
17	3900322	2	Bolt, Shoulder	
18	4060802	1	Guard, Switch (Not Shown - Located on Platform Console Box)	
19	4360482	1	Switch, Toggle (Not Shown - Located on Platform Console Box)	
20	4711600	3	Flatwasher 3/8 Narrow	
21	4711700	2	Flatwasher 7/16 Narrow	
22	4711900	2	Flatwasher 9/16 Narrow	
23	4751000	10	Flatwasher #10 Regular	
24	4751600	8	Flatwasher 3/8 Regular	
25	4752200	2	Flatwasher 3/4 Regular	
26	4891500	2	Flatwasher 5/16 Hardened	
27	4892000	2	Flatwasher 5/8 Hardened	
28	4922800	1	Harness, Generator (See ELECTRICAL SECTION for Breakdown)	
29	1061006	1	Cable, AC (See ELECTRICAL SECTION for Breakdown)	
30	4740362	4	Washer, Fender	

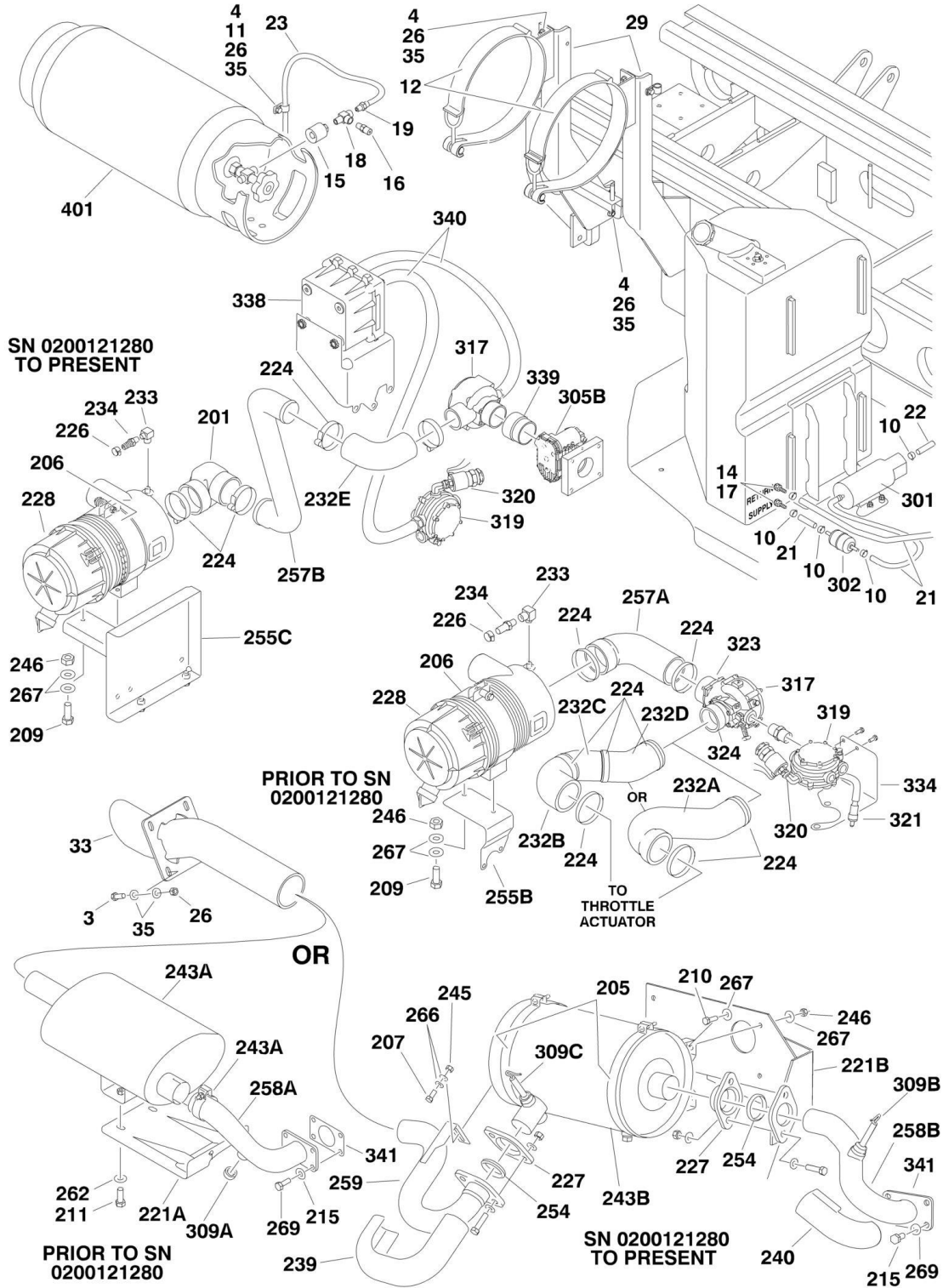


# SECTION 2 - GROUND CONTROLS

## FIGURE 2-5. ENGINE INSTALLATION (FORD)



# SECTION 2 - GROUND CONTROLS



## SECTION 2 - GROUND CONTROLS

FIGURE 2-5. ENGINE INSTALLATION (FORD)

ITEM	PART NUMBER	QTY	DESCRIPTION	REV
		Ref	<b>ENGINE INSTALLATION</b>	
		Ref	<b>2WD Options:</b>	
	0271696	Ref	<b>Engine Installation (Prior to SN 0200115380)</b>	C
	0273504	Ref	<b>Engine Installation (SN 0200115380 through 0200121279)</b>	A
	See Note	Ref	<b>Engine Installation (Note: No Longer Available) (SN 0200121280 through 0200191606)</b>	
		Ref	<b>4WD Options:</b>	
	0271772	Ref	<b>4WD (Prior to SN 0200115380)</b>	D
	0273505	Ref	<b>4WD (SN 0200115380 through 0200121279)</b>	B
	0274023	Ref	<b>4WD (SN 0200121280 through 0200191606)</b>	C
1	0361810	1	Bar, Battery Holddown	
2	0400075	1	Battery	
3	0641608	4	Bolt 3/8-16NC x 1	
4	0641610	9	Bolt 3/8-16NC x 1-1/4	
5	0641612	3	Bolt 3/8-16NC x 1-1/2	
6	0641680	2	Bolt 3/8-16NC x 5	
7	0642016	1	Bolt 5/8-11NC x 2	
8	0741010	2	Screw, Countersunk #10-24 x 1-1/4	
9	0902777	1	Bracket, Tray Latch	
10	1320022	6	Clamp	
11	1320061	1	Clamp	
12	1320220	1	Clamp	
14	2180348	2	Fitting, Barbed	
15	2180387	1	Fitting, LP	
16	2180389	1	Valve, Relief	
17	2220250	2	Fitting, Reducer	
18	2220290	1	Fitting, Tee	
19	2220399	2	Fitting, Straight	
20	2400044	1	Fuse	
21	2720058	12 ft/3.7m	Hose, Fuel Return	
22	2720472	1	Hose, Fuel Supply	
23	2720503	1	Hose, LP Gas	
24	2902139	1	Battery Cable Kit	A
24A	7024588	1	Cable, Battery - Red (Includes 3 Terminal Boots)	
24B	4711600	1	Cable, Battery - Black (Includes 1 Terminal Boots)	
24C	3573440	1	Cable, Battery - Red (Not Shown)	
25	3300408	2	Locknut	
26	3311605	16	Locknut 3/8-16NC	
27	3312005	1	Locknut 5/8-11NC	A
28	3422669	1	Pin	
29	3573440	2	Plate, LP Tank Mounting	
30	3841143	1	Keeper, Pin	
31	3960468	2	Seal	
32	3980007	1	Seat, Battery	
33	4568346	1	Tube, Exhaust	
34	4711400	2	Flatwasher 1/4 Narrow	
35	4711600	30	Flatwasher 3/8 Narrow	
36	4712000	1	Flatwasher 5/8	
		Ref	<b>ENGINE SUB-ASSEMBLY</b>	
		Ref	<b>2WD Options:</b>	



## SECTION 2 - GROUND CONTROLS

ITEM	PART NUMBER	QTY	DESCRIPTION	REV
	0271918	Ref	<b>Engine Sub-Assembly (Prior to SN 0200115380)</b>	F
	2000204	Ref	<b>Engine Sub-Assembly (SN 0200115380 through 0200121279)</b>	A
	See Note	Ref	<b>Engine Sub-Assembly (Note: No Longer Available) (SN 0200121280 through 0200191606)</b>	
		Ref	<b>4WD Options:</b>	
	0271919	Ref	<b>Engine Sub-Assembly (Prior to SN 0200115380)</b>	G
	2000205	Ref	<b>Engine Sub-Assembly (SN 0200115380 through 0200121279)</b>	B
	2000259	Ref	<b>Engine Sub-Assembly (SN 0200121280 through 0200191606)</b>	E
101	0100011	AR	Locking, Compound	
102	0641812	2	Bolt 1/2-13NC x 1-1/2	
104		Ref	Pump Assembly Options (See DRIVE PUMP SUB-ASSEMBLY for Breakdown):	
104	3600344	1	2WD	
104		Ref	4WD Options:	
104	3600336	NLA	Pump Assembly (Use p/n 3600371) ( <b>Prior to SN 0200128982</b> )	
104	3600371	1	Pump Assembly ( <b>SN 0200128982 through 0200191606</b> )	
105	4891800	2	Washer, Hardened 1/2	
106		Ref	Pump Coupling Kit Options (Includes Coupling and Mounting Hardware):	
106	1660250	1	2WD (15 Teeth)	
106	1660249	1	4WD (13 Teeth)	
		Ref	<b>ENGINE ASSEMBLY</b>	
	0271818	Ref	<b>Engine Assembly (Prior to SN 0200115380)</b>	J
	2000203	Ref	<b>Engine Assembly (SN 0200115380 through 0200121279)</b>	B
	2000235	Ref	<b>Engine Assembly (SN 0200121280 through 0200191606)</b>	D
201		Ref	Elbow, Air Intake Options:	
201	Not Required	0	Elbow, Air Intake ( <b>Prior to SN 0200121280</b> )	
201	0080201	1	Elbow, Air Intake ( <b>SN 0200121280 through 0200191606</b> )	
202	0080240	1	Spacer, Fan	
203	0100011	AR	Locking, Compound	
204	0100062	AR	Loctite #RC 680	
205		Ref	Band, Muffler Mounting Options:	
205	Not Required	0	Band, Muffler Mounting ( <b>Prior to SN 0200121280</b> )	
205	0340046	2	Band, Muffler Mounting ( <b>SN 0200121280 through 0200191606</b> )	
206	0340052	1	Band, Air Cleaner Mounting	
207	0641406	4	Bolt 1/4-20NC x 3/4	
208	0641412	4	Bolt 1/4-20NC x 1-1/2	
209		Ref	Bolt 5/16-18NC Options:	
209	0641506	6	Bolt 5/16-18NC x 3/4	
209	0641507	6	Bolt 5/16-18NC x 7/8	
210	0641508	4	Bolt 5/16-18NC x 1	
211	0641608	19	Bolt 3/8-16NC x 1	
212	0641612	4	Bolt 3/8-16NC x 1-1/2 (Not Shown)	
213	0641828	4	Bolt 1/2-13NC x 3-1/2	
214	0700820	4	Bolt, Metric M8 x 60mm	
215	0701012	4	Bolt, Metric M10 x 25mm	
216	0701014	2	Bolt, Metric M10 x 30mm	
217	0701022	2	Bolt, Metric M10 x 70mm	
218		Ref	Screw, Machine #10-24NC Options:	
218	0721004	4	Screw, Machine #10-24NC x 1/2	

## SECTION 2 - GROUND CONTROLS

ITEM	PART NUMBER	QTY	DESCRIPTION	REV
218	0721010	2	Screw, Machine #10-24NC x 1-1/4	
219	0902539	1	Bracket, Fuel Filter Mounting	
220		Ref	Bracket, Relay Mounting Options:	
220A	3571498	1	Bracket, Relay Mounting <b>(Prior to SN 0200121280)</b>	
220B	0902943	1	Bracket, Relay Mounting <b>(SN 0200121280 through 0200191606)</b>	
		Ref	<b>Note use both Brackets. (SN 0200115380 through 0200121280)</b>	
221		Ref	Bracket, Muffler Mounting Options:	
221A	0902770	1	Bracket, Muffler Mounting <b>(Prior to SN 0200121280)</b>	
221B	0903064	1	Bracket, Muffler Mounting <b>(SN 0200121280 through 0200191606)</b>	
222	0961986	2	Bushing, Flange	
223	1320012	4	Clamp	
224		Ref	Clamp Options:	
224	1320058	4	Clamp <b>(Prior to SN 0200121280)</b>	
224	1320016	4	Clamp <b>(SN 0200121280 through 0200191606)</b>	
225	1320019	1	Clamp, Muffler	
226	1320022	5	Clamp	
227		Ref	Flange, Exhaust	
227	Not Required	0	Flange, Exhaust <b>(Prior to SN 0200121280)</b>	
227	1321138	2	Flange, Exhaust <b>(SN 0200121280 through 0200191606)</b>	
228	1340066	1	Cleaner, Air	
228	7024438	1	Element, Air Cleaner	
229		Ref	Module, ECM Controller	
229	1600314	NLA	Module, ECM Controller (Use p/n 2915202) <b>(Prior to SN 0200115380)</b>	
229	1600363	1	Module, ECM Controller <b>(SN 0200115380 through 0200121279)</b>	
229	1600374	1	Module, ECM Controller <b>(SN 0200121280 through 0200191606)</b>	
230		Ref	Engine, Ford	
230	2000186	1	Engine, Ford <b>(Prior to SN 0200113630)</b>	
230	2000202	1	Engine, Ford <b>(SN 0200113630 through 0200121279)</b>	
230	2000234	1	Engine, Ford <b>(SN 0200121280 through 0200191606)</b>	
231	2060014	1	Fan	
232		Ref	Air, Intake Component Options:	
232A	2720492	1	Tube Used <b>(Prior to SN 0200115380)</b>	
232B	2180842	1	Rubber Elbow Used <b>(SN 0200115380 through 0200121280)</b>	
232C	4588844	1	Tube Used <b>(SN 0200115380 through 0200121280)</b>	
232D	2720514	1	Hose 45 Used <b>(SN 0200115380 through 0200121280)</b>	
232E	2180482	1	Rubber Elbow Used <b>(SN 0200121280 through 0200191606)</b>	
233	2221110	1	Fitting, 90	
234	2221119	1	Fitting, Barber	
235	2720058	18	Hose	
		in/43cm		
236	2720490	1	Hose, Radiator (Top)	
237	2720491	1	Hose, Radiator (Bottom)	
238	2750532	6 in/15cm	Hose	
239		Ref	Shield, Insulation Options:	
239	Not Required	0	Shield, Insulation <b>(Prior to SN 0200121280)</b>	
239	2820172	1	Shield, Insulation <b>(SN 0200121280 through 0200191606)</b>	
240		Ref	Shield, Insulation Options:	

## SECTION 2 - GROUND CONTROLS

ITEM	PART NUMBER	QTY	DESCRIPTION	REV
240	Not Required	0	Shield, Insulation <b>(Prior to SN 0200121280)</b>	
240	2820173	1	Shield, Insulation <b>(SN 0200121280 through 0200191606)</b>	
241	3200362	4	Mount, Motor	
242	3200451	1	Plate, Engine Mount	
243		Ref	Muffler Options:	
243A	3220129	1	Muffler <b>(Prior to SN 0200121280)</b>	
243B	3220134	1	Muffler <b>(SN 0200121280 through 0200191606)</b>	
244	3311005	3	Locknut #10-24NC	
245	3311405	7	Locknut 1/4-20NC	
246	3311505	6	Locknut 5/16-18NC	
247	3311605	13	Locknut 3/8-16NC	
248	3311608	8	Nut, Serrated 3/8-16NC	
249	3311805	4	Locknut 1/2-13NC	
250	3573195	1	Plate, Radiator Mounting	
251	3580250	1	Pulley, Auxiliary Drive	
252	3620042	1	Radiator	
253	3740080	1	Relay	
254		Ref	Seal, Exhaust Options:	
254	Not Required	0	Seal, Exhaust <b>(Prior to SN 0200121280)</b>	
254	3960591	2	Seal, Exhaust <b>(SN 0200121280 through 0200191606)</b>	
255		Ref	Bracket Options:	
255A	0902819	1	Module Bracket Used <b>(Prior to SN 0200121280)</b>	
255B	0902783	1	Air Cleaner Bracket Used <b>(Prior to SN 0200121280)</b>	
255C	4340905	1	Module/Air Cleaner Bracket (1 Pc) <b>(SN 0200121280 through 0200191606)</b>	
256	4566605	1	Tube, Spacer	
257		Ref	Air Intake Tube Options:	
257A	2720493	1	Air Intake Tube <b>(Prior to SN 0200121280)</b>	
257B	4569060	1	Air Intake Tube <b>(SN 0200121280 through 0200191606)</b>	
258		Ref	Pipe, Exhaust Options:	
258A	4568358	1	Pipe, Exhaust <b>(Prior to SN 0200121280)</b>	
258B	4569068	1	Pipe, Exhaust <b>(SN 0200121280 through 0200191606)</b>	
259		Ref	Tailpipe Options:	
259	Not Required	0	Tailpipe <b>(Prior to SN 0200121280)</b>	
259	4569080	1	Tailpipe <b>(SN 0200121280 through 0200191606)</b>	
260	4640989	1	Valve, Oil Drain	
261	4711400	12	Flatwasher 1/4 Narrow	
262	4711600	36	Flatwasher 3/8 Narrow	
263	4711800	4	Flatwasher 1/2 Narrow	
264	4740274	4	Washer, Snubbing	
265	4751000	10	Flatwasher #10 Regular	
266	4751400	8	Flatwasher 1/4 Regular	
267	4711500	14	Flatwasher 5/16 Narrow	
268	4831900	4	Lockwasher, Metric 8mm	
269	4832000	4	Lockwasher, Metric 10mm	
270	4846480	1	Tray	
		Ref	<b>ENGINE COMPONENTS</b>	
	2000186	Ref	<b>Engine Components (Prior to SN 0200115380)</b>	D
	2000202	Ref	<b>Engine Components (SN 0200115380 through 0200121279)</b>	B
	2000234	Ref	<b>Engine Components (SN 0200121280 through 0200191606)</b>	C
301		Ref	Fuel Pump and Isolator Assembly Options:	

## SECTION 2 - GROUND CONTROLS

ITEM	PART NUMBER	QTY	DESCRIPTION	REV
301	3600377	1	Fuel Pump and Isolator Assembly (was p/n 7022133) <b>(Prior to SN 0200121280)</b>	
301	7022133	1	Fuel Pump and Isolator Assembly (was p/n 7027407) <b>(SN 0200121280 through 0200191606)</b>	
301	7022134	1	Harness, Fuel Pump Wiring	
302	91083218	1	Filter, Fuel (was p/n 7022135)	
303		Ref	Starter Options (Not Shown):	
303	7019986	1	Starter <b>(Prior to SN 0200115380)</b>	
303	7012679	1	Starter <b>(SN 0200115380 through 0200121279)</b>	
303	7012679	1	Starter (was p/n 7027408) <b>(SN 0200121280 through 0200191606)</b>	
304	7019977	1	Alternator with Regulator and Pulley	
305		Ref	Actuator, Throttle Options:	
305A	7023655	1	Actuator, Throttle <b>(Prior to SN 0200115380)</b>	
305A	7023652	1	Plate, Actuator Adapter	
305A	7023654	1	Gasket, Actuator to Adapter Plate	
305A	7023653	2	Bolt (Adapter Plate to Intake Manifold)	
305A	7023656	4	Bolt (Actuator to Adapter Plate)	
305A	7023683	1	Actuator, Throttle <b>(SN 0200115380 through 0200191606)</b>	
305B		Ref	Gasket, Upper Manifold Throttle Options:	
305B	7022144	1	Gasket, Upper Manifold Throttle <b>(Prior to SN 0200115380)</b>	
305B	7027404	1	Gasket, Upper Manifold Throttle <b>(SN 0200115380 through 0200191606)</b>	
306		Ref	Sensor, Air Temperature Options (Not Shown):	
306	7019996	1	Sensor, Air Temperature <b>(Prior to SN 0200115380)</b>	
306	See Note	1	Sensor, Air Temperature (Note: Not Available for Purchase) <b>(SN 0200115380 through 0200121279)</b>	
306	7019996	1	Sensor, Air Temperature (was p/n 7023661) <b>(SN 0200121280 through 0200191606)</b>	
306	7023662	1	Bracket, Air Temperature Sensor	
307		Ref	Harness, Engine Control Processor Options:	
307	7023663	1	Harness, Engine Control Processor <b>(Prior to SN 0200115380)</b>	
307	See Note	1	Harness, Engine Control Processor (Note: Not Available for Purchase) <b>(SN 0200115380 through 0200121279)</b>	
307	7023681	1	Harness, Engine Control Processor (was p/n 7027403) <b>(SN 0200121280 through 0200191606)</b>	
308	7022139	1	Sensor, MAP	
309		Ref	Sensor, EGR Options:	
309A	7019994	1	Sensor, EGR <b>(Prior to SN 0200121280)</b>	
309B	7023682	1	Sensor, EGR (Before Muffler) <b>(SN 0200121280 through 0200191606)</b>	
309C	7019994	1	Sensor, EGR (After Muffler) (was p/n 7027406) <b>(SN 0200121280 through 0200191606)</b>	
310	2420187	1	Dipstick	
310	4564281	1	Tube, Dipstick	
311	7019925	1	PCV Valve (Not Shown)	
312		Ref	Switch, Oil Pressure Sender Options:	
312	7023637	1	Switch, Oil Pressure Sender <b>(Prior to SN 0200115380)</b>	
312	See Note	1	Switch, Oil Pressure Sender (Note: Not Available for Purchase) <b>(SN 0200115380 through 0200191606)</b>	
313	7021868	1	Filter, Oil (was p/n 7022147)	
314		Ref	Pressure Regulator and Filter Assembly Options:	
314	7019993	1	Pressure Regulator and Filter Assembly <b>(Prior to SN 0200115380)</b>	

## SECTION 2 - GROUND CONTROLS

ITEM	PART NUMBER	QTY	DESCRIPTION	REV
314	7022163	1	Pressure Regulator and Filter Assembly <b>(SN 0200115380 through 0200191606)</b>	
315		Ref	Sensor, Crank Options:	
315	7022178	1	Sensor, Crank <b>(Prior to SN 0200115380)</b>	
315	See Note	1	Sensor, Crank (Note: Not Available for Purchase) <b>(SN 0200115380 through 0200191606)</b>	
315		Ref	Sensor, Cam Options (Not Shown):	
315	7022179	1	Sensor, Cam <b>(Prior to SN 0200115380)</b>	
315	See Note	1	Sensor, Cam (Note: Not Available for Purchase) <b>(SN 0200115380 through 0200191606)</b>	
316	See Note	1	Dual Fuel Conversion Kit (Note: Includes hose, fittings, clamps and items indented below. For replacement hose, fittings and clamps supply locally.) (Note: Not Available for Purchase)	
317		Ref	MIXER OPTIONS:	
317	7022165	1	Mixer <b>(Prior to SN 0200115380)</b>	
317	7022171	1	Repair Kit - 7022165 Mixer	
317	7027400	1	Mixer <b>(SN 0200115380 through 0200191606)</b>	
317	See Note	1	Repair Kit - 7027400 Mixer (Note: Not Available for Purchase)	
319		Ref	Convertor/Regulator Options:	
319	7022167	1	Convertor <b>(Prior to SN 0200115380)</b>	
319	7022170	1	Repair Kit - 7022167 Convertor	
319	7023698	1	Regulator <b>(SN 0200115380 through 0200191606)</b>	
319	See Note	1	Repair Kit - 7023698 Regulator (Note: Not Available for Purchase)	
320	7023680	1	Filter, LP Shut-Off (Was p/n 7022169)	
320	7023679	1	Electrical Connector Kit (Includes (1) 2 Position Connector, 2 Pins and 2 Seals)	
321	7022168	1	Valve, Solenoid <b>(Prior to SN 0200115380)</b>	
322	4360188	1	Switch, Vacuum (Not Shown) <b>(Prior to SN 0200115380)</b>	
323	7023603	1	Adaptor <b>(Prior to SN 0200115380)</b>	
323	7023659	1	Gasket <b>(Prior to SN 0200115380)</b>	
323	7023660	4	Screw M6 x 14mm	
324	7022166	1	Adaptor <b>(Prior to SN 0200115380)</b>	
324	7023645	1	Gasket <b>(Prior to SN 0200115380)</b>	
325		Ref	Plug, Spark Options (Not Shown):	
325	7019932	4	Plug, Spark <b>(Prior to SN 0200115380)</b>	
325	7027405	4	Plug, Spark <b>(SN 0200115380 through 0200191606)</b>	
325		Ref	Plug Wire Set (Not Shown)	
325	7022157	4	Plug Wire Set <b>(Prior to SN 0200115380)</b>	
325	See Note		Plug Wire Set (Note: Not Available for Purchase) <b>(SN 0200115380 through 0200191606)</b>	
326		Ref	Pump, Water Options:	
326	7022153	1	Pump, Water <b>(Prior to SN 0200115380)</b>	
326	See Note		Pump, Water (Note: Not Available for Purchase) <b>(SN 0200115380 through 0200191606)</b>	
326		Ref	Gasket, Water Pump Options (Not Shown):	
326	7022154	1	Gasket, Water Pump <b>(Prior to SN 0200115380)</b>	
326	See Note		Gasket, Water Pump (Note: Not Available for Purchase) <b>(SN 0200115380 through 0200191606)</b>	
326	7022155	1	Sensor, Water Temperature (Not Shown)	
326	7022156	1	Thermostat	
326	7025134	1	Gasket, Thermostat	
326	7027411	1	Sender, Water (Not Shown) <b>(SN 0200121280 through 0200191606)</b>	

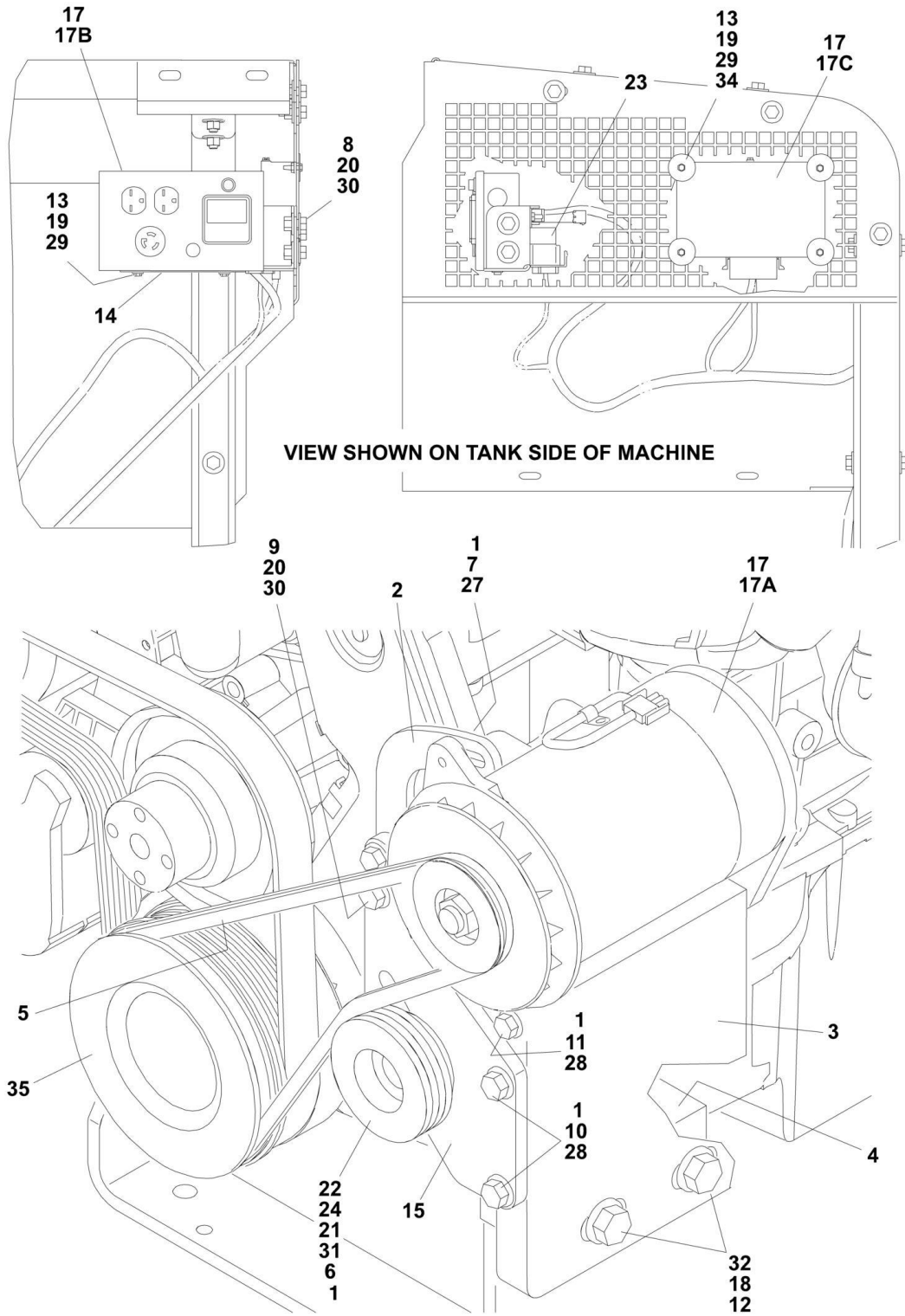
## SECTION 2 - GROUND CONTROLS

ITEM	PART NUMBER	QTY	DESCRIPTION	REV
327		Ref	Gasket Kit Options (Not Shown):	
327A	7025124	1	Upper Kit (was p/n 7022148) <b>(Prior to SN 0200115380)</b>	
327B	7022149	1	Lower Kit <b>(Prior to SN 0200115380)</b>	
327C	See Note	AR	Upper and Lower Kits (Note: Not Available for Purchase) <b>(SN 0200115380 through 0200191606)</b>	
328		Ref	Belt, Timing Options (Not Shown):	
328	7022150	1	Belt, Timing <b>(Prior to SN 0200115380)</b>	
328	See Note		Belt, Timing (Note: Not Available for Purchase) <b>(SN 0200115380 through 0200191606)</b>	
329	7027402	1	Belt, Drive (was p/n 7019979)	
329	70002567	1	Tensioner, Belt (2000186 Engine Only)	
329	7019929	1	Tensioner, Belt (2000202 Engine Only)	
329	See Note	1	Tensioner, Belt (2000234 Engine Only) (Note: Not Available for Purchase)	
330	7022151	1	Cap, Oil Fill	
331	7019976	1	Flywheel Assembly (Not Shown)	
331	7022180	1	Gear, Ring (Not Shown)	
332	0700812	2	Bolt, Metric M8 x 25mm	
333		Ref	Bracket, Overflow Tank Mounting Options:	
333	0902779	1	Bracket, Overflow Tank Mounting (Must be purchased separately when ordering 2000186 or 2000202 engine) <b>(Prior to SN 0200121280)</b>	
334	0902784	1	Bracket, LP Components Support (Must be purchased separately when ordering 2000186 or 2000202 engine)	
335	1320042	1	Clamp (Must be purchased separately when ordering 2000186 or 2000202 engine)	
336	1580011	1	Tank, Coolant Overflow (Must be purchased separately when ordering 2000186 or 2000202 engine)	
337	2760112	1	Housing, Engine (Must be purchased separately when ordering 2000186 or 2000202 engine)	
338	7023699	1	Megajector <b>(SN 0200121280 through 0200191606)</b>	
339	2720341	1	Horn, Rubber Air <b>(SN 0200121280 through 0200191606)</b>	
340	70001691	1	Hose Kit, Megajector <b>(SN 0200121280 through 0200191606)</b>	
341	70002307	1	Gasket, Exhaust Manifold to Pipe	
341	7022143	1	Gasket, Exhaust Manifold to Cylinder Head (Not Shown) (Was p/n 7027401)	
342	7023657	1	Harness, TPS Harness (Not Shown) <b>(Prior to SN 0200115380)</b>	
343	7027410	1	Harness, Megajector (Not Shown) <b>(SN 0200121280 through 0200191606)</b>	
401		Ref	<b>LP TANK ASSEMBLY</b>	
401	4400420	Ref	#43 Steel Tank	
401	4400275	Ref	#43 Aluminum Tank	



# SECTION 2 - GROUND CONTROLS

## FIGURE 2-6. GENERATOR INSTALLATION (FORD ENGINE OPTIONS)





## SECTION 2 - GROUND CONTROLS

**FIGURE 2-6. GENERATOR INSTALLATION (FORD ENGINE OPTIONS)**

ITEM	PART NUMBER	QTY	DESCRIPTION	REV
		Ref	<b>GENERATOR INSTALLATION-FORD ENGINE OPTION</b>	
	0271742	Ref	<b>110V</b>	C
	0271744	Ref	<b>220V</b>	B
1	0100011	AR	Locking, Compound	
2	0200790	1	Arm, Adjusting	
3	0363124	1	Bar, Generator Mounting	
4	0363154	1	Bracket, Generator Mounting	
5	0480123	1	Belt, Drive	
6	0630561	1	Bolt, Carriage	
7	0641508	1	Bolt 5/16-18NC x 1	
8	0641606	2	Bolt 3/8-16NC x 3/4	
9	0641610	2	Bolt 3/8-16NC x 1-1/4	
10	0641708	2	Bolt 7/16-14NC x 1	
11	0641718	2	Bolt 7/16-14NC x 2-1/4	
12	0682238	2	Bolt 3/4-10 x 4 3/4 Grade 8	
13	0721006	7	Screw #10-24NC x 3/4	
14	0902842	1	Bracket, Generator Box Mounting	
15	0902870	1	Bracket, Arm Mounting	
16	1061006	1	Cable, AC (See ELECTRICAL SECTION for Breakdown)	
17		Ref	Generator and Control Box Assembly Options:	
17	2460043	1	110V Generator and Control Box Assembly	B
17	2460046	1	220V Generator and Control Box Assembly	B
17A		Ref	Generator Assembly Options:	
17A	2460049	1	110V Generator Only	
17A	1001100321	1	220V Generator Only	
17A		Ref	Armature with Slip Rings Options:	
17A	70000122	1	110V Armature	
17A	70000123	1	220V Armature	
17A	7020108	4	Brushes	
17A	7020109	4	Holder, Brush	
17A	7012513	4	Cap, Brush Holder	
17A	7012514	1	Fan	
17A	7020110	1	Bell, Front	
17A	7020111	1	Bell, Rear	
17A	7020190	2	Bearing	
17A	7027887	1	Key, Pulley Woodruff	
17A	3580134	1	Pulley	
17B		Ref	Box, Control Assembly Options:	
17B	70002241	1	110V Generator Control Box (Note: Replacement 110V Control Box comes with 2 Standard Receptacles p/n 4460190. Optional Industrial Twist Lock Receptacles p/n 4460027 must be ordered separately.)	
17B	70002236	1	220V Generator Control Box	
17B		Ref	Breaker, Circuit Options:	
17B	70002240	1	110V Generator Breaker	
17B	70000126	1	220V Generator Breaker	
17B		Ref	Voltmeter Options:	
17B	2420203	1	110V Generator Voltmeter	
17B	7020192	1	220V Generator Voltmeter	
17B		Ref	Receptacle Options:	

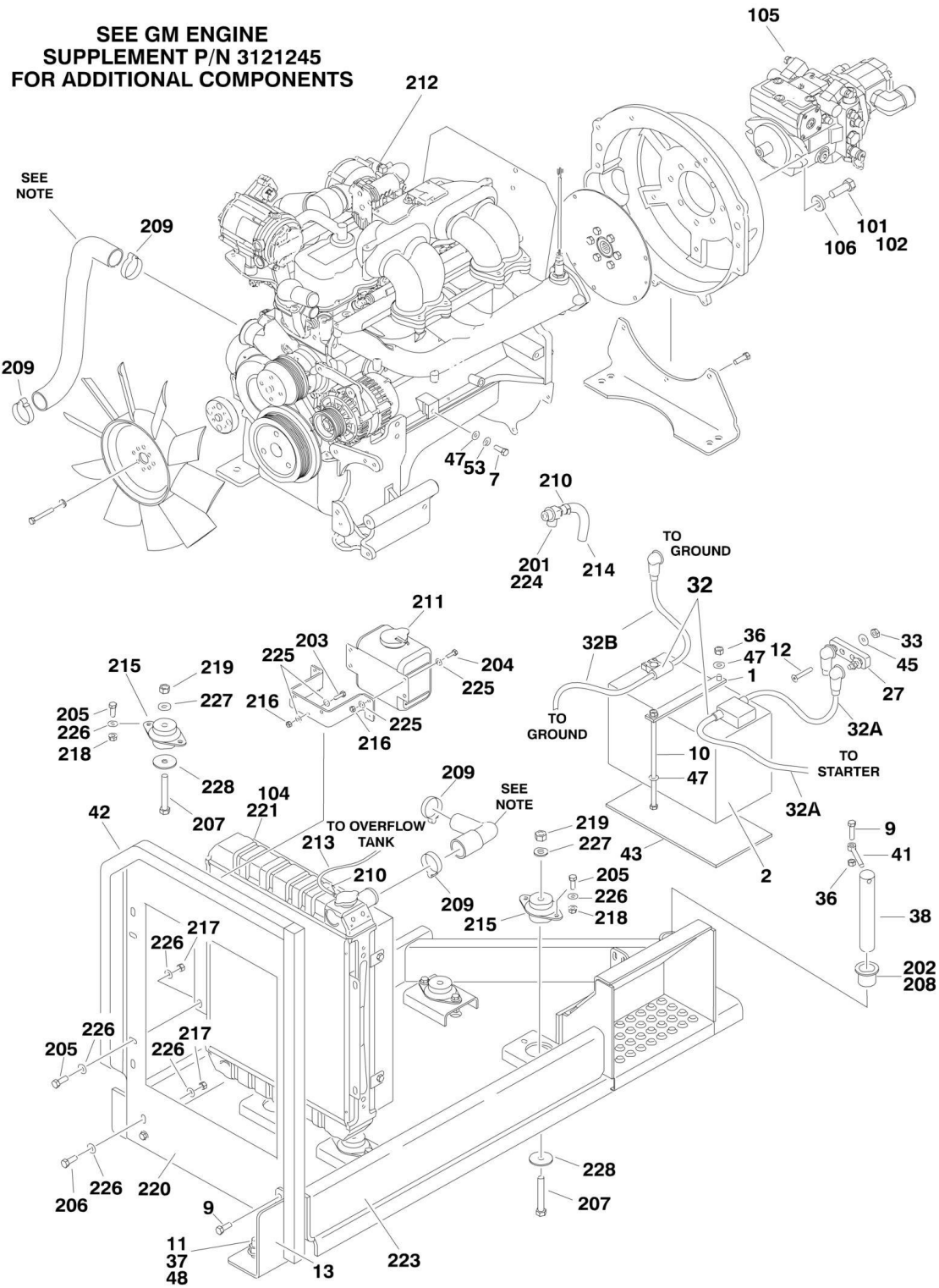
## SECTION 2 - GROUND CONTROLS

ITEM	PART NUMBER	QTY	DESCRIPTION	REV
17B	4460190	1	110V Standard Receptacle	
17B	4460027	1	110V Twist-Lock Receptacle	
17B	70000124	1	220V Double Receptacle	
17B	70000125	1	220V Single Receptacle	
17B	2920162	1	Lamp Assembly	
17B	70002237	1	Diode 6A/600V	
17B	3520028	1	Plug	
17C		Ref	Regulator, Voltage Options:	
17C	7026525	1	110V Regulator	
17C	70002238	1	220V Regulator	
18	3272205	2	Locknut 3/4-10NC	
19	3311001	7	Nut #10-24NC	
20	3311605	4	Locknut 3/8-16NC	
21	3311801	1	Nut 1/2-13NC	
22	3580309	1	Pulley, Idler	
23	3740080	1	Relay	
24	4040273	1	Shaft, Idler Pulley	
25	4060802	1	Guard, Switch (Not Shown - Located on Platform Console Box)	
26	4360482	1	Switch, Toggle (Not Shown - Located on Platform Console Box)	
27	4711500	1	Flatwasher 5/16 Narrow	
28	4711700	4	Flatwasher 7/16 Narrow	
29	4751000	10	Flatwasher #10 Regular	
30	4751600	8	Flatwasher 3/8 Regular	
31	4751800	1	Flatwasher 1/2 Regular	
32	4892200	2	Flatwasher 3/4 Hardened	
33	4922800	1	Harness, Generator (See ELECTRICAL SECTION for Breakdown)	
34	4740362	4	Washer, Fender	
35	See Note	1	Pulley (Note: Part of Engine Assembly)	

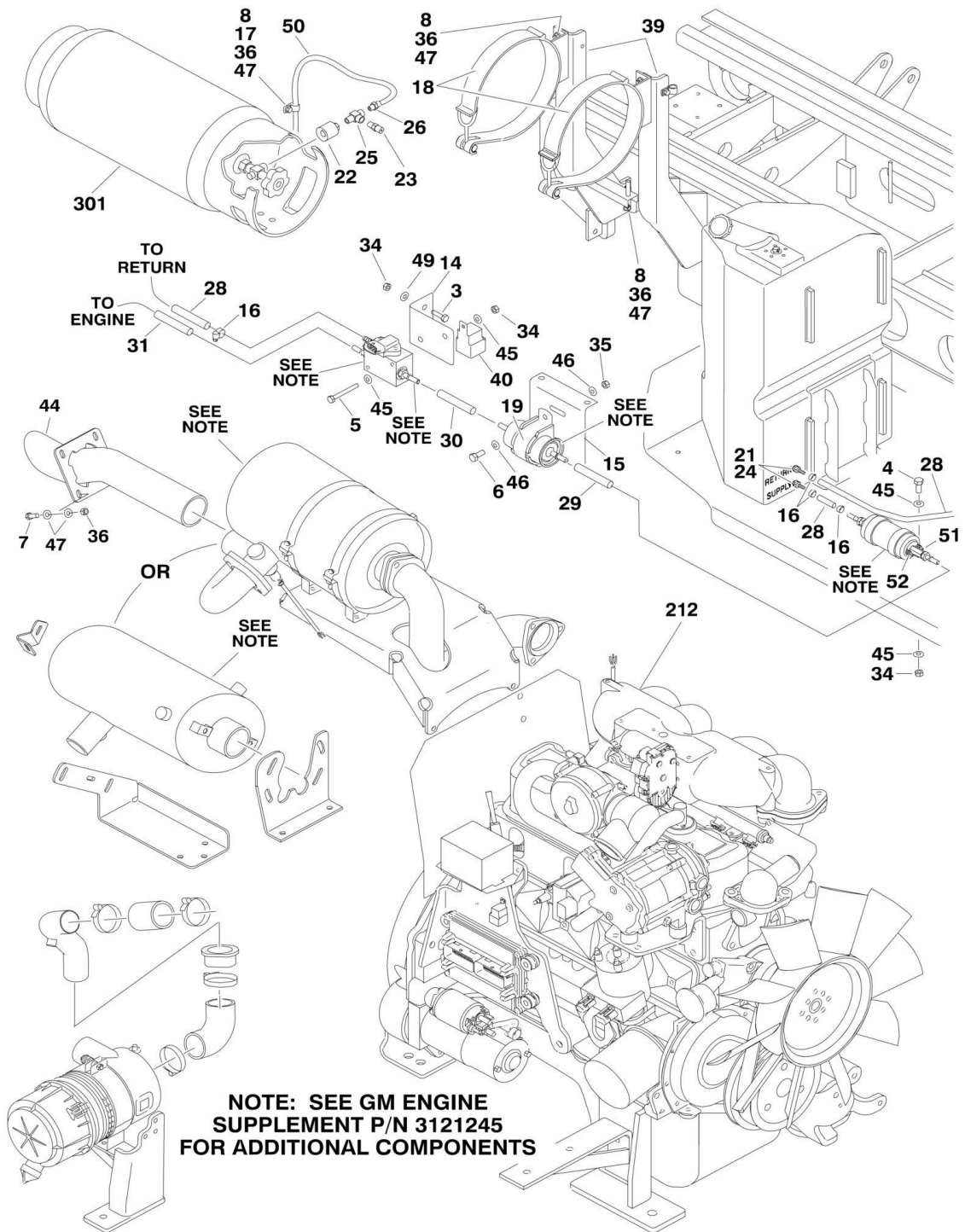


# SECTION 2 - GROUND CONTROLS

## FIGURE 2-7. ENGINE INSTALLATION (GM)



# SECTION 2 - GROUND CONTROLS



## SECTION 2 - GROUND CONTROLS

FIGURE 2-7. ENGINE INSTALLATION (GM)

ITEM	PART NUMBER	QTY	DESCRIPTION	REV
	0275095	Ref	<b>ENGINE INSTALLATION</b>	D
1	0361810	1	Bar, Battery Hold Down	
2	0400075	1	Battery	
3	0641408	2	Bolt 1/4-20NC x 1	
4	0641410	2	Bolt 1/4-20NC x 1-1/4	
5	0641418	2	Bolt 1/4-20NC x 2-1/4	
6	0641506	2	Bolt 5/16-18NC x 3/4	
7	0641608	5	Bolt 3/8-16NC x 1	
8	0641610	9	Bolt 3/8-16NC x 1-1/4	
9	0641612	3	Bolt 3/8-16NC x 1-1/2	
10	0641680	2	Bolt 3/8-16NC x 10	
11	0642016	1	Bolt 5/8-11NC x 2	
12	0741010	2	Bolt #10-24NC x 1-1/4	
13	0902777	1	Bracket, Engine Tray Latch Mount	
14	0903475	1	Plate, Fuel Regulator	
15	0903476	1	Plate, Fuel Filter	
16	1320022	4	Clamp	
17	1320061	1	Clamp	
18	1320220	1	Clamp	
19	1320323	1	Clamp	
21	2180348	2	Fitting 1/4 x 5/16 Barb	
22	2180387	1	Fitting, LP	
23	2180389	1	Fitting, Relief Valve - LP	
24	2220250	2	Fitting, Reducer	
25	2220290	1	Fitting, Tee	
26	2180418	1	Fitting	
27	2400044	1	Fuse, Mounting Block	
28		Ref	Hose, Fuel Line Options:	
28	2720058	3.5 ft /1.1m	Hose, Fuel Line <b>(Prior to SN 0200166823)</b>	
28	1001091587	3.5 ft /1.1m	Hose, Fuel Line <b>(SN 0200166823 through 0200191606)</b>	
29	2720473	1	Hose, Fuel Line	
30	2720566	1	Hose, Fuel Line	
31	2720580	1	Hose, Fuel Line	
32		Ref	Battery Cable Kit Options:	
32	2902139	1	Battery Cable Kit <b>(Prior to SN 0200153214)</b>	B
32	2902534	1	Battery Cable Kit <b>(SN 0200153214 through 0200191606)</b>	C
32A		Ref	Cable, Battery - Red (Includes 3 Terminal Boots)	
32A	7024588	1	Kit - p/n 2902139	
32A	7027019	1	Kit - p/n 2902534	
32B		Ref	Cable, Battery - Black (Includes 1 Terminal Boots)	
32B	4711600	1	Kit - p/n 2902139	
32B	7027020	1	Kit - p/n 2902534	
32C	3573440	1	Cable, Battery - Red (Not Shown)	
33	3300408	2	Locknut	
34	3311405	6	Locknut 1/4-20NC	
35	3311505	2	Locknut 5/16-18NC	
36	3311605	16	Locknut 3/8-16NC	
37	3312005	1	Locknut 5/8-11NC	

## SECTION 2 - GROUND CONTROLS

ITEM	PART NUMBER	QTY	DESCRIPTION	REV
38	3422669	1	Pin	
39	3573440	2	Plate, LP Tank Mount	
40	3740080	1	Relay	
41	3841143	1	Keeper	
42	3960468	2	Seal	
43	3980007	1	Seat, Battery	
44	4568346	1	Tube, Exhaust	
45	4711400	10	Flatwasher 1/4 (Narrow)	
46	4711500	4	Flatwasher 5/16 (Narrow)	
47	4711600	31	Flatwasher 3/8 (Narrow)	
48	4712000	1	Flatwasher 5/8 (Narrow)	
49	4751400	2	Flatwasher 1/4 (Wide)	
50	2720611	1	Hose, LP	
51	3290505	1	Nut 5mm	
52	3290405	1	Nut 4mm	
53	4761600	1	Lockwasher 3/8	
		Ref	<b>GM ENGINE AND PUMP SUB-ASSEMBLY</b>	
	2000362	Ref	<b>GM Engine and Pump Sub-Assembly (Prior to SN 0200166823)</b>	D
	1001091607	Ref	<b>GM Engine and Pump Sub-Assembly (SN 0200166823 through 0200191606)</b>	C
101	0100011	AR	Locking, Compound	
102	0641812	2	Bolt 1/2-13NC x 1-1/2	
104	2300004	AR	Coolant	
105	3600371	1	Pump Assembly (See DRIVE PUMP SUB-ASSEMBLY for Breakdown)	
106	4891800	2	Flatwasher, 1/2 Hardened	
		Ref	<b>GM ENGINE ASSEMBLY</b>	
	2000361	Ref	<b>GM Engine Assembly (Prior to SN 0200166823)</b>	D
	1001091606	Ref	<b>GM Engine Assembly (SN 0200166823 through 0200191606)</b>	B
201	0100020	AR	Sealant, Pipe	
202	0100062	AR	Loctite #RC/680	
203	0641406	4	Bolt 1/4-20NC x 3/4	
204	0641407	3	Bolt 1/4-20NC x 7/8	
205	0641608	12	Bolt 3/8-16NC x 1	
206	0641609	4	Bolt 3/8-16NC x 1-1/8	
207	0641828	4	Bolt 1/2-13NC x 3-1/2	
208	0961986	2	Flange, Bearing	
209	1320012	4	Clamp	
210	1320022	3	Clamp	
211	1580011	1	Container, Coolant Overflow	
212		Ref	Engine, GM 3.0L Options (See GM Engine Supplement P/N 3121245 for Breakdown of Additional Components):	
212	2000360	1	Engine, GM 3.0L (Prior to SN 0200166823)	
212	1001091585	1	Engine, GM 3.0L (SN 0200166823 through 0200191606)	
212	7027965	1	Filter, Oil	
212	7027972	1	Filter, Fuel	
212	70000164	4	Plug, Spark	
212	7024438	1	Element, Air Cleaner Filter	
213	2720058	10/25.4cm	Hose	
214	2750532	10/25.4cm	Hose	
215	3200362	4	Mount, Resilient Engine	
216	3311405	7	Locknut 1/4-20NC	

## SECTION 2 - GROUND CONTROLS

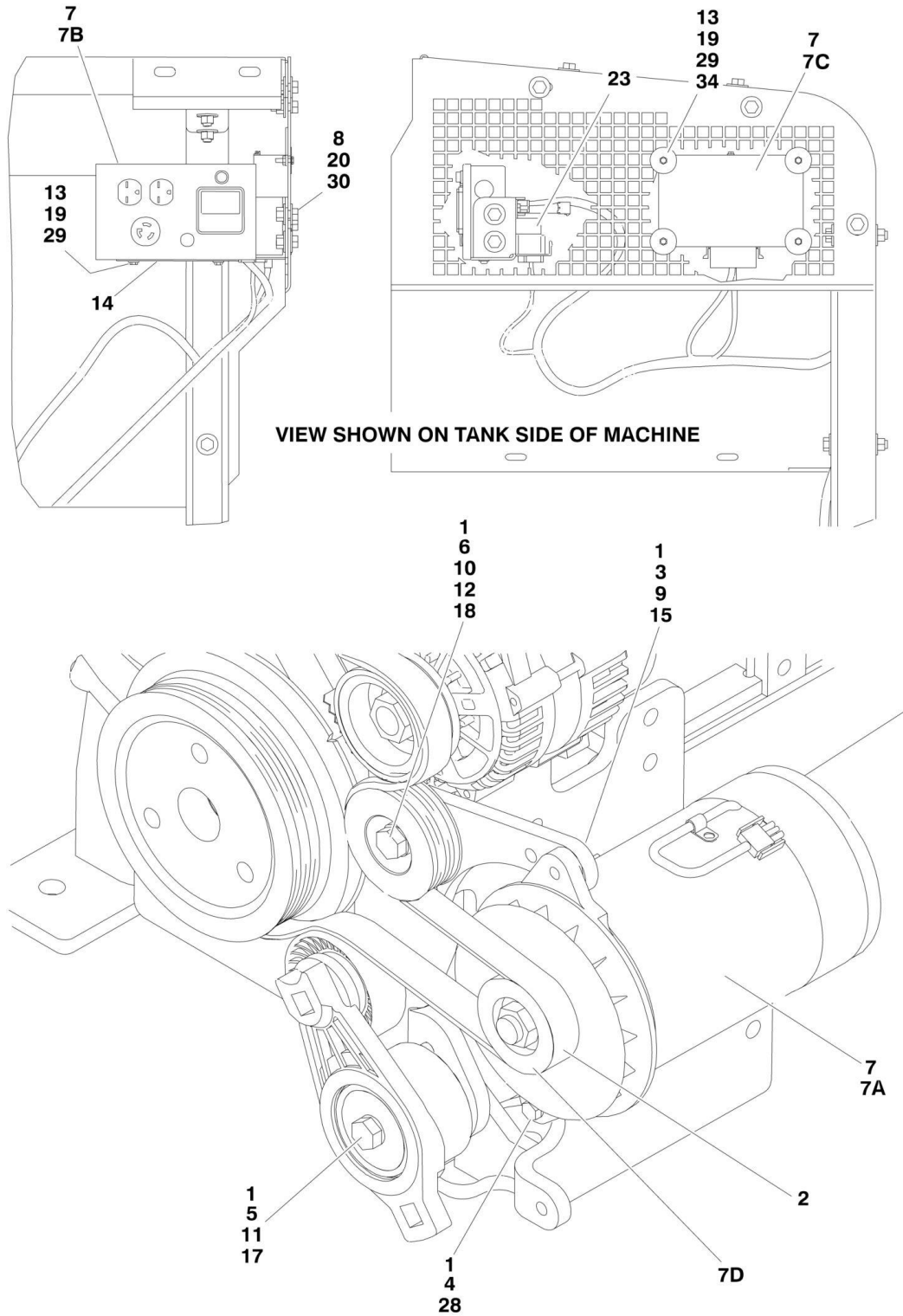
ITEM	PART NUMBER	QTY	DESCRIPTION	REV
217	3311605	8	Locknut 3/8-16NC	
218	3311608	8	Nut 3/8-16NC	
219	3311805	4	Locknut 1/2-13NC	
220	3573195	1	Plate, Radiator Mount	
221	3620042	1	Radiator	
221	7027412	1	Cap, Radiator	
223	4341190	1	Support, Engine Tray	
224	4640952	1	Valve, Oil Drain	
225	4711400	AR	Flatwasher 1/4 (Narrow)	
226	4711600	32	Flatwasher 3/8 (Narrow)	
227	4711800	4	Flatwasher 1/2 (Narrow)	
228	4740274	4	Washer (Snubbing)	
301		Ref	<b>LP TANK ASSEMBLY</b>	
301	4400420	Ref	#43 Steel Tank	
301	4400275	Ref	#43 Aluminum Tank	





# SECTION 2 - GROUND CONTROLS

## FIGURE 2-8. GENERATOR INSTALLATION (GM ENGINE OPTIONS)



## SECTION 2 - GROUND CONTROLS

**FIGURE 2-8. GENERATOR INSTALLATION (GM ENGINE OPTIONS)**

ITEM	PART NUMBER	QTY	DESCRIPTION	REV
	0275141	Ref	<b>110V GENERATOR INSTALLATION (GM ENGINE OPTION)</b>	C
1	0100011	AR	Locking, Compound	
2	0480143	1	Belt, Serpentine	
3		Ref	Bolt Options:	
3	0641514	1	Bolt 5/16-18NC x 1-3/4 <b>(Prior to SN 0200151212)</b>	
3	0641510	1	Bolt 5/16-18NC x 1-1/4 <b>(SN 0200151212 through 0200191606)</b>	
4	0641710	2	Bolt 7/16-14NC x 1-1/4	
5	0700820	1	Bolt Metric 8 x 60mm	
6	0701016	1	Bolt Metric 10 x 40mm	
7	2460059	1	Generator and Control Box Assembly	
7A	2460049	1	GeneratorAssembly	
		Ref	<b>Note: Replacement Generator comes with a 3 1/2 Dia pulley standard, must be changed to p/n 3580324 - 3 pulley (Item 7D) to operate correctly.</b>	
7A	70000122	1	Armature	
7A	7020108	4	Brushes	
7A	7020109	4	Holder, Brush	
7A	7012513	4	Cap, Brush Holder	
7A	7012514	1	Fan	
7A	7020110	1	Bell, Front	
7A	7020111	1	Bell, Rear	
7A	7020190	2	Bearing	
7B	70002241	1	Box, Control Assembly	
		Ref	<b>Note: Replacement 110V Control Box comes with 2 standard Receptacles p/n 4460190. Optional Industrial Twist Lock Receptacles p/n 4460027 must be ordered separately.</b>	
7B	70002240	1	Breaker, Circuit	
7B	2420203	1	Voltmeter	
7B		Ref	Receptacle Options:	
7B	4460190	2	Standard Receptacle	
7B	4460027	2	Twist-Lock Receptacle	
7B	70002237	1	Diode	
7B	3520028	1	Plug	
7C	7026525	1	Regulator, Voltage	
7D	3580324	1	Pulley	
8	0641606	2	Bolt 3/8-16NC x 3/4	
9	3311505	1	Locknut 5/16 x 18NC <b>(Prior to SN 0200151212)</b>	
10	3580312	1	Pulley, Idler	
11	3580348	1	Pulley, Belt Tensioner	
12	4568735	1	Tube, Spacer	
13	0721006	7	Screw #10-24NC x 3/4	
14	0902842	1	Bracket, Generator Box Mounting	
15	4751500	AR	Flatwasher 5/16 Wide	
16	1061006	1	Cable, AC (See ELECTRICAL SECTION for Breakdown)	
17	4811900	1	Flatwasher 8mm	
18	4891600	1	Flatwasher 3/8 Hardened	
19	3311001	7	Nut #10-24NC	
20	3311605	2	Locknut 3/8-16NC	
23	3740080	1	Relay	
25	4060802	1	Guard, Switch (Not Shown - Located on Platform Console Box)	

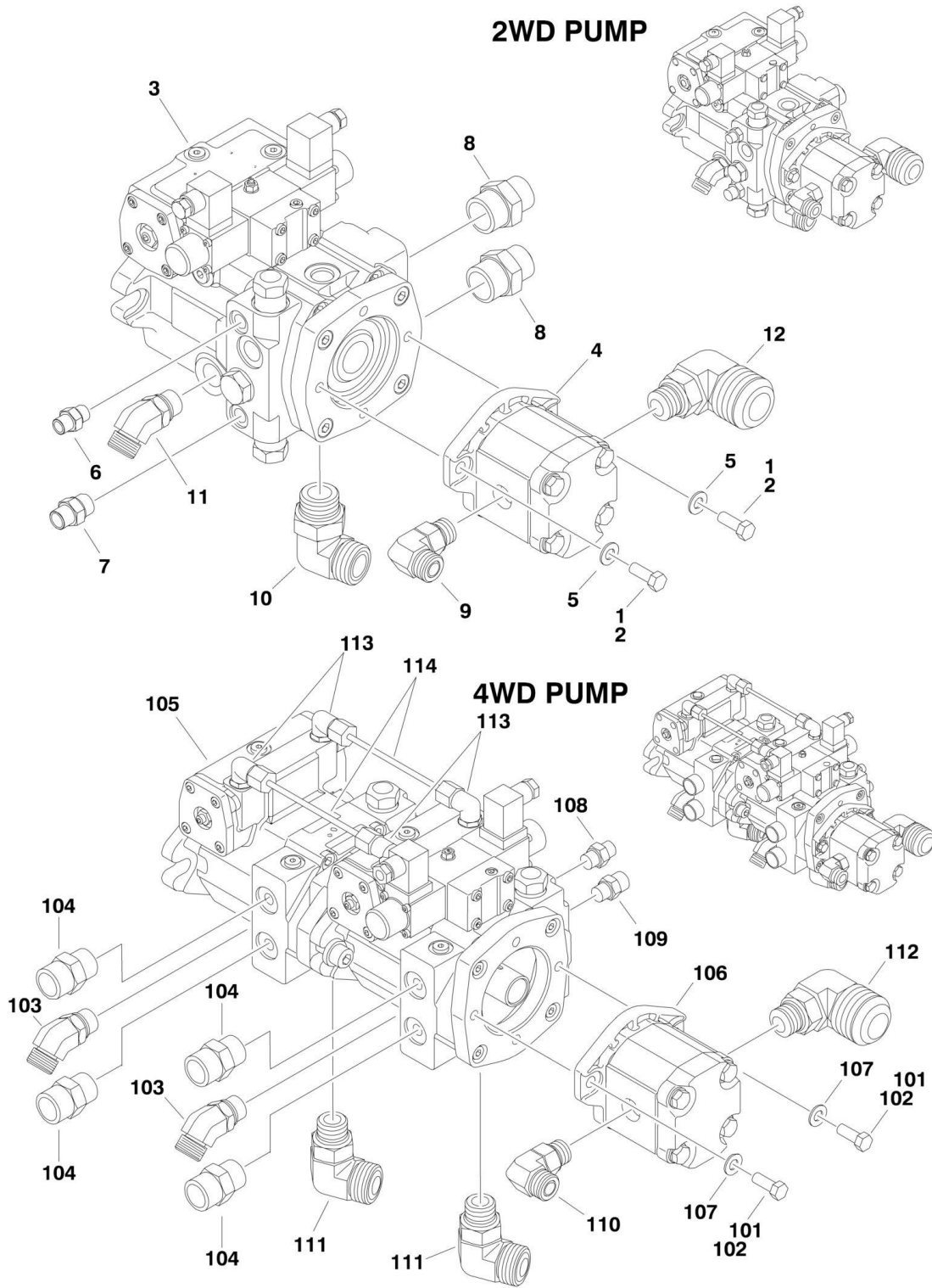
## SECTION 2 - GROUND CONTROLS

ITEM	PART NUMBER	QTY	DESCRIPTION	REV
26	4360482	1	Switch, Toggle (Not Shown - Located on Platform Console Box)	
28	4711700	2	Flatwasher 7/16 Narrow	
29	4751000	10	Flatwasher #10 Regular	
30	4751600	4	Flatwasher 3/8 Regular	
33	4922800	1	Harness, Generator (See ELECTRICAL SECTION for Breakdown)	
34	4740362	4	Washer, Fender	



# SECTION 2 - GROUND CONTROLS

## FIGURE 2-9. DRIVE PUMP SUB-ASSEMBLY



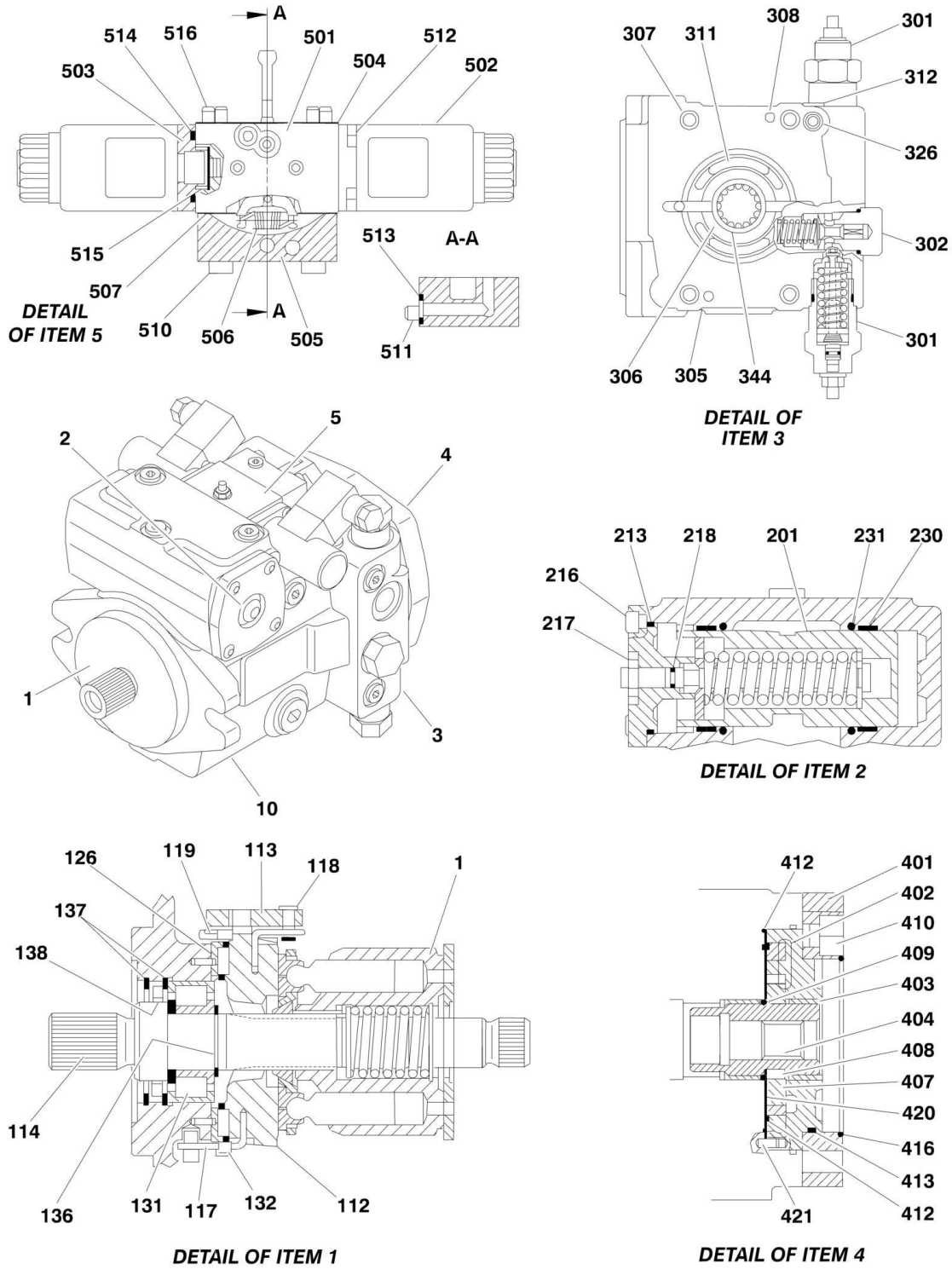
## SECTION 2 - GROUND CONTROLS

### FIGURE 2-9. DRIVE PUMP SUB-ASSEMBLY

ITEM	PART NUMBER	QTY	DESCRIPTION	REV
	3600344	Ref	<b>2WD DRIVE PUMP SUB-ASSEMBLY</b>	B
1	0100011	AR	Locking, Compound	
2	0641608	2	Bolt 3/8-16NC x 1	
3	3600335	1	Piston Pump Assembly - Single (See 2WD PISTON PUMP ASSEMBLY (SINGLE) for Breakdown)	
4	3600338	1	Gear Pump Assembly (See GEAR PUMP ASSEMBLY for Breakdown)	
5	4711600	2	Flatwasher 3/8 Narrow	
6	2110406	1	Fitting, Straight	
7	2110608	1	Fitting, Straight	
8	2111216	2	Fitting, Straight	
9	2131010	1	Fitting, 90	
10	2131616	1	Fitting, 90	
11	2151010	1	Fitting, 45	
12	2221118	1	Fitting, Straight	
		Ref	<b>4WD DRIVE PUMP SUB-ASSEMBLY OPTIONS:</b>	
	3600336	Ref	<b>4WD Drive Pump Sub-Assembly (Prior to SN 0200128982)</b>	C
	3600371	Ref	<b>4WD Drive Pump Sub-Assembly (SN 0200128982 through 0200191606)</b>	C
101	0100011	AR	Locking, Compound	
102	0641608	2	Bolt 3/8-16NC x 1	
103	2151008	2	Fitting, 45	
104	2111212	4	Fitting, Straight	
105	3600337	1	Piston Pump Assembly - Tandem (See 4WD PISTON PUMP ASSEMBLY (TANDEM) for Breakdown)	
106		Ref	Gear Pump Assembly Options: (See GEAR PUMP ASSEMBLY for Breakdown)	
106	3600338	NLA	Gear Pump Assembly (Use p/n 3600370) <b>(Prior to SN 0200128982)</b>	
106	3600370	1	Gear Pump Assembly <b>(SN 0200128982 through 0200191606)</b>	
107	4711600	2	Flatwasher 3/8 Narrow	
108	2110406	1	Fitting, Straight	
109	2110606	1	Fitting, Straight	
110	2131010	1	Fitting, 90	
111	2131612	2	Fitting, 90	
112	2221118	1	Fitting, Straight	
113	2220466	4	Fitting, 90	
114	70000435	2	Hose	

# SECTION 2 - GROUND CONTROLS

## FIGURE 2-10. 2WD PISTON PUMP ASSEMBLY (SINGLE)





## SECTION 2 - GROUND CONTROLS

**FIGURE 2-10. 2WD PISTON PUMP ASSEMBLY (SINGLE)**

ITEM	PART NUMBER	QTY	DESCRIPTION	REV
	3600335	Ref	<b>SINGLE PUMP ASSEMBLY</b>	A
1	7024064	1	Rotary Group (See Items 101-138 for Breakdown)	
2	7024065	1	Control Assembly (See Items 201-231 for Breakdown)	
3	7024066	1	Valve Plate Assembly (See Items 301-344 for Breakdown)	
4	7024067	1	Internal Pump Assembly (See Items 401-421 for Breakdown)	
5	7024068	1	Module Assembly (See Items 501-516 for Breakdown)	
10	See Note	NSS	Housing (Note: Not Available - Purchase Complete Assembly)	
13	See Note	NSS	Joint, Pin (Not Shown) (Note: Not Available - Purchase Complete Assembly)	
14	See Note	NSS	Pin, Dowel (Not Shown) (Note: Not Available - Purchase Complete Assembly)	
20	See Note	NSS	Screw, Locking (Not Shown) (Note: Not Available - Purchase Complete Assembly)	
22	See Note	NSS	Screw, Locking (Not Shown) (Note: Not Available - Purchase Complete Assembly)	
23	See Note	NSS	Screw, Locking (Not Shown) (Note: Not Available - Purchase Complete Assembly)	
24	See Note	NSS	Screw, Locking (Not Shown) (Note: Not Available - Purchase Complete Assembly)	
27	See Note	NSS	Pin, Breakoff (Not Shown) (Note: Not Available - Purchase Complete Assembly)	
28	7018936	2	Orifice (Not Shown)	
31	See Note	NSS	Pin, Clamping (Not Shown) (Note: Not Available - Purchase Complete Assembly)	
41	7024069	1	O-Ring (Not Shown)	
49	See Note	NSS	Plug (Not Shown) (Note: Not Available - Purchase Complete Assembly)	
	7024064	Ref	<b>ROTARY GROUP</b>	
112	See Note	NSS	Cradle (Note: Purchase Assembly p/n 7024064)	
113	See Note	NSS	Ring, Slide (Note: Purchase Assembly p/n 7024064)	
114	See Note	NSS	Driveshaft (Note: Purchase Assembly p/n 7024064)	
117	See Note	NSS	Wire (Note: Purchase Assembly p/n 7024064)	
118	See Note	NSS	Joint, Pin (Note: Purchase Assembly p/n 7024064)	
119	See Note	NSS	Wire (Note: Purchase Assembly p/n 7024064)	
126	See Note	NSS	Liner, Bearing (Note: Purchase Assembly p/n 7024064)	
131	See Note	NSS	Bearing, Roller (Note: Purchase Assembly p/n 7024064)	
132	See Note	NSS	Cradle Bearing Assembly (Note: Purchase Assembly p/n 7024064)	
136	See Note	NSS	Ring, Retaining (Note: Purchase Assembly p/n 7024064)	
137	See Note	NSS	Ring, Retaining (Note: Purchase Assembly p/n 7024064)	
138	7024070	1	Seal, Shaft Ring	
	7024065	Ref	<b>CONTROL ASSEMBLY</b>	
201	See Note	NSS	Piston, Positioning - Complete (Note: Use p/n 7024065) (Includes Items 213 & 218)	
213	7024071	1	O-Ring, Outer Seal	
216	See Note	NSS	Capscrew, Socket Head (Note: Use p/n 7024065)	
217	See Note	NSS	Nut, Hex (Note: Use p/n 7024065)	
218	7024072	1	O-Ring, Stem	
230	See Note	NSS	Ring, Guide (Note: Use p/n 7024065)	
231	See Note	NSS	Ring, Glide (Note: Use p/n 7024065)	
	7024066	Ref	<b>VALVE PLATE ASSEMBLY</b>	
301	7024073	2	Cartridge, Relief Valve (Note: Sold as an Assembly Except O-Ring and Back-up Ring.)	

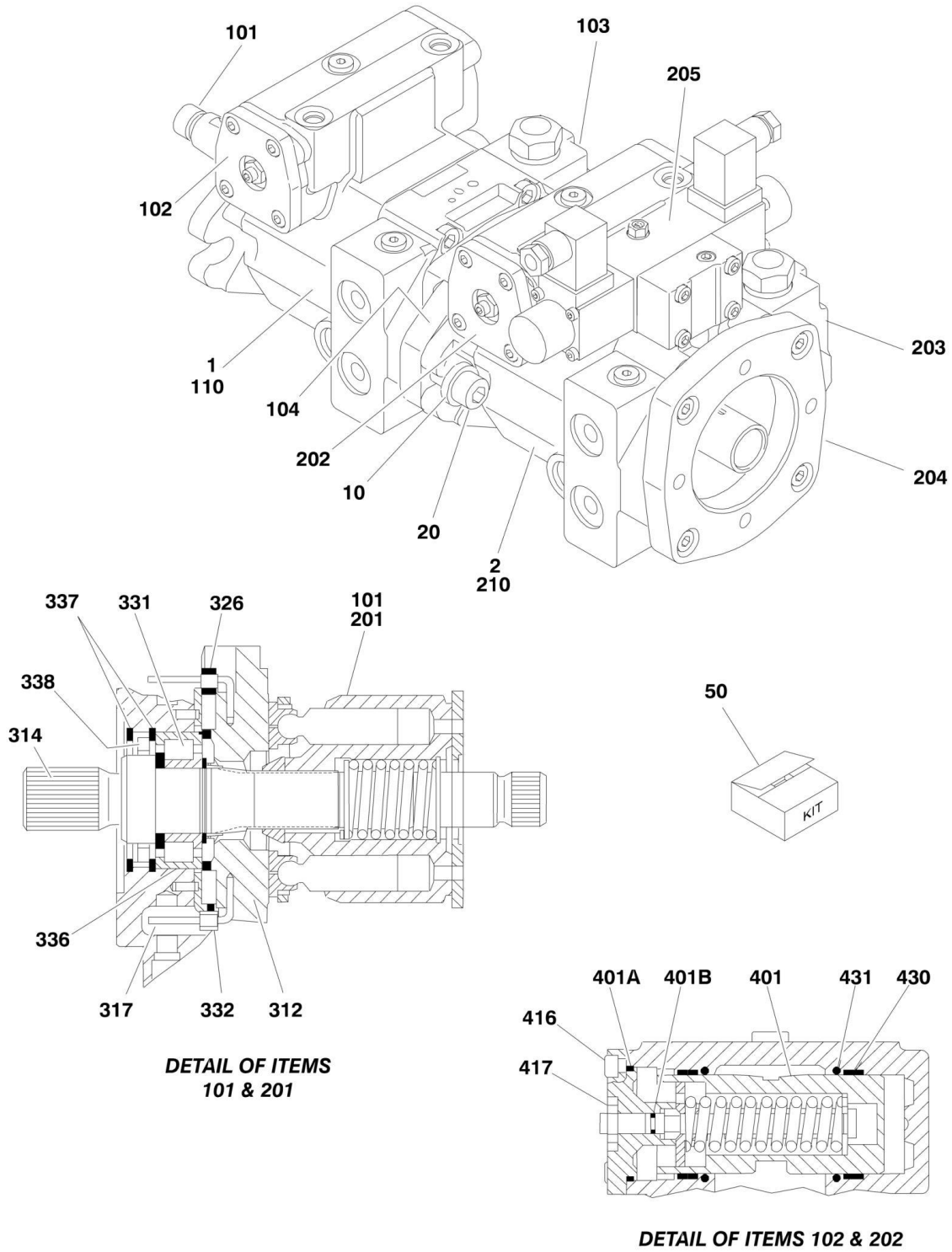
## SECTION 2 - GROUND CONTROLS

ITEM	PART NUMBER	QTY	DESCRIPTION	REV
301	7024075	2	O-Ring (1 Per Assembly)	
301	7024076	2	Ring, Back-up (1 Per Assembly)	
302	7023881	1	Cartridge, Relief Valve (Note: Sold as an Assembly Except O-Ring.)	
302	7024077	1	O-Ring	
305	See Note	NSS	Plate, Port (Note: Use p/n 7024066)	
306	See Note	NSS	Bushing, Bearing (Note: Use p/n 7024066)	
307	See Note	NSS	Capscrew (Note: Use p/n 7024066)	
308	See Note	NSS	Pin, Dowel (Note: Use p/n 7024066)	
311	See Note	NSS	Pin, Breakoff (Note: Use p/n 7024066)	
312	See Note	NSS	Screw, Locking (Note: Use p/n 7024066)	
326	7024074	1	O-Ring	
335	See Note	NSS	Screw, Locking (Not Shown) (Note: Use p/n 7024066)	
344	See Note	NSS	Bearing, Roller (Note: Use p/n 7024066)	
	7024067	Ref	<b>INTERNAL PUMP ASSEMBLY</b>	
401	See Note	NSS	Plate, Sandwich (Note: Use p/n 7024067)	
402	See Note	NSS	Housing, Gear (Note: Use p/n 7024067)	
403	See Note	NSS	Bushing, Bearing (Note: Use p/n 7024067)	
404	See Note	NSS	Coupling, Shaft (Note: Use p/n 7024067)	
407	7024078	1	Gear Set	
408	7024079	1	Key, Shaft	
409	See Note	NSS	Ring, Retaining (Note: Use p/n 7024067)	
410	See Note	NSS	Capscrew (Note: Use p/n 7024067)	
412	7024080	2	Seal	
413	7024081	1	O-Ring	
416	7024082	1	O-Ring	
420	7024005	1	Plate, Wear	
421	See Note	NSS	Pin, Dowel (Note: Use p/n 7024067)	
	7024068	Ref	<b>MODULE ASSEMBLY</b>	
501	7024084	1	Module, Control (Valve Block) Less Coils (Note: No Internal Replacement Parts Available. Sold as an Assembly Only.)	
502	7024083	2	Coil, Solenoid	
502	70002569	2	Nut, Coil	
503	See Note	NSS	Adapter, Valve Block to Coil (Note: Use p/n 7024068)	
504	7024085	1	Gasket	
505	See Note	NSS	Cover (Note: Use p/n 7024068)	
506	See Note	NSS	Spring, Draw (Note: Use p/n 7024068)	
507	7024086	1	Gasket	
510	See Note	NSS	Capscrew (Note: Use p/n 7024068)	
511	See Note	NSS	Capscrew (Note: Use p/n 7024068)	
512	See Note	NSS	Capscrew (Note: Use p/n 7024068)	
513	7024087	1	O-Ring	
514	7024088	2	O-Ring	
515	7024089	2	Cup, Spring	
516	See Note	NSS	Pin, Dowel (Note: Use p/n 7024068)	

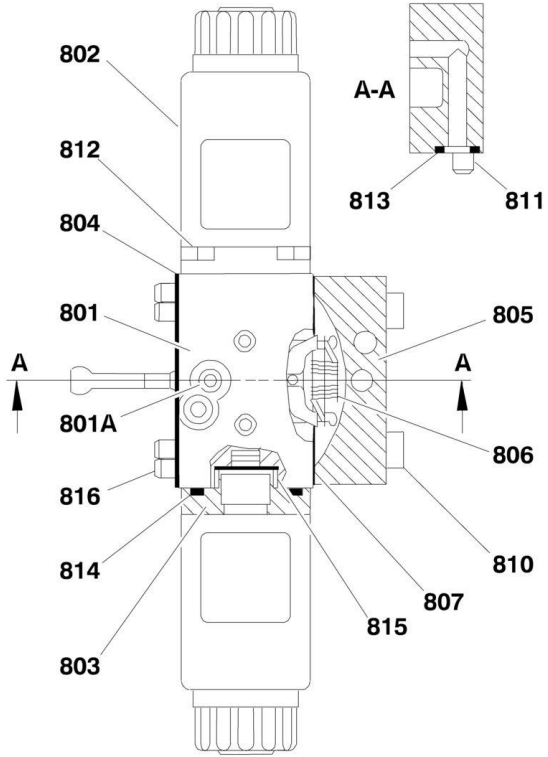


# SECTION 2 - GROUND CONTROLS

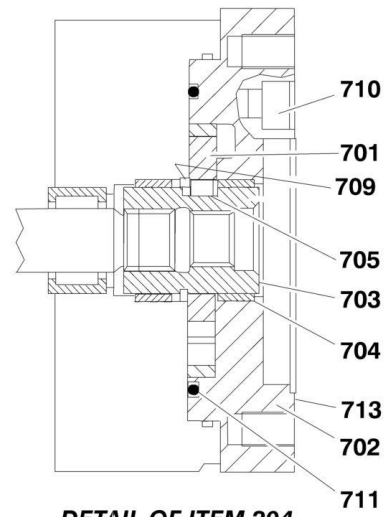
FIGURE 2-11. 4WD PISTON PUMP ASSEMBLY (TANDEM)



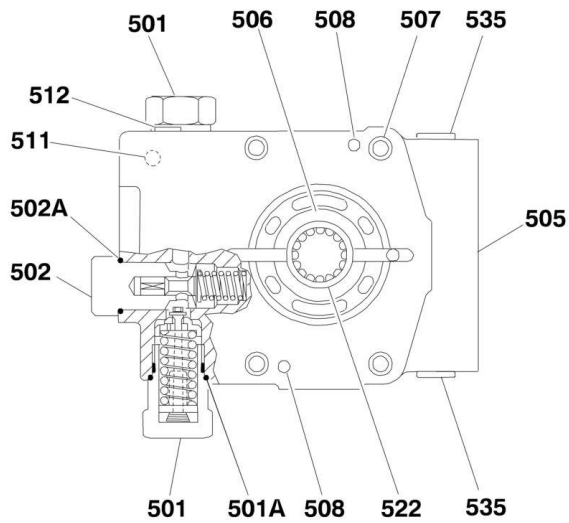
## SECTION 2 - GROUND CONTROLS



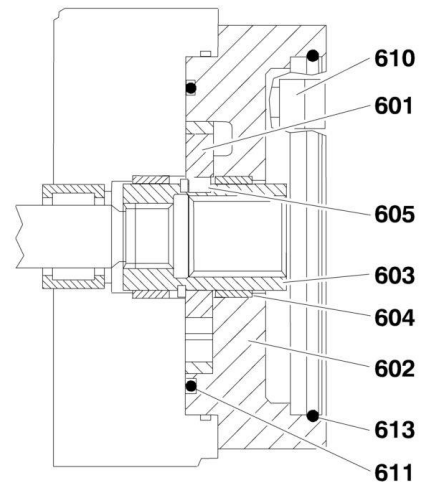
**DETAIL OF ITEM 205**



**DETAIL OF ITEM 204**



**DETAIL OF ITEMS  
103 & 203**



**DETAIL OF ITEM 104**

## SECTION 2 - GROUND CONTROLS

FIGURE 2-11. 4WD PISTON PUMP ASSEMBLY (TANDEM)

ITEM	PART NUMBER	QTY	DESCRIPTION	REV
	3600337	Ref	<b>TANDEM PUMP ASSEMBLY</b>	A
1	7024045	1	Front Pump Assembly - Complete (See Item 101-147 for Breakdown)	
2	7024046	1	Middle Pump Assembly - Complete (See Item 201-249 for Breakdown)	
10	7024091	2	Flatwasher	
20	7024092	2	Capscrew, Socket Head 1/2-13NC x 1-1/2	
50	70002277	2	Seal Kit (Includes Items 141, 241, 338, 501A, 611, 711, 801A, 804, 807, 813 & 814) (Requires Qty 1 for each Pump Assembly)	
	7024045	Ref	<b>FRONT PUMP ASSEMBLY</b>	
101	7023825	1	Rotary Group (Includes Items 301-338 for Breakdown)	
102	7024093	1	Hydraulic Control (Includes Items 401-431 for Breakdown)	
103	7024094	1	Port Plate with Valves (Includes Items 501-535 for Breakdown)	
104	7024095	1	Internal Gear Pump Assembly (Includes Items 601-613 for Breakdown)	
110	See Note	NSS	Housing (Note: Use p/n 7024095)	
113	See Note	NSS	Pin, Dowel (Not Shown) (Note: Use p/n 7024095)	
118	See Note	NSS	Ring, Slide (Not Shown) (Note: Use p/n 7024095)	
120	See Note	NSS	Screw 3/4-16NC (Not Shown) (Note: Use p/n 7024095)	
122	See Note	NSS	Screw 7/16-20NF (Not Shown) (Note: Use p/n 7024095)	
124	See Note	NSS	Screw M10 x 1 (Not Shown) (Note: Use p/n 7024095)	
126	See Note	NSS	Screw 9/16-18NF (Not Shown) (Note: Use p/n 7024095)	
128	See Note	NSS	Orifice (Not Shown) (Note: Use p/n 7024095)	
131	See Note	NSS	Pin, Clamping (Not Shown) (Note: Use p/n 7024095)	
141	See Note	NSS	O-Ring (Note: Use p/n 70002277)	
146	See Note	NSS	Screw, Eccentric (Not Shown) (Note: Use p/n 7024095)	
147	See Note	NSS	Seal, Locknut M10 x 1 (Not Shown) (Note: Use p/n 7024095)	
	7024046	Ref	<b>MIDDLE PUMP ASSEMBLY</b>	
201	7023825	1	Rotary Group (Includes Items 301-338 for Breakdown)	
202	7024098	1	Hydraulic Control (Includes Items 401-431 for Breakdown)	
203	7024099	1	Port Plate with Valves (Includes Items 501-535 for Breakdown)	
204	7024900	1	Internal Gear Pump (Includes Items 701-713 for Breakdown)	
205	7024901	1	Control Module (Includes Items 801-816 for Breakdown)	
210	See Note	NSS	Housing (Note: Use p/n 7024046)	
213	See Note	NSS	Pin, Joint (Not Shown) (Note: Use p/n 7024046)	
214	See Note	NSS	Pin, Cylinder (Not Shown) (Note: Use p/n 7024046)	
218	See Note	NSS	Ring, Slide (Not Shown) (Note: Use p/n 7024046)	
220	See Note	NSS	Screw, Locking 3/4-16NF (Not Shown) (Note: Use p/n 7024046)	
222	See Note	NSS	Screw 7/16-20NF (Not Shown) (Note: Use p/n 7024046)	
224	See Note	NSS	Screw, Locking M10 x 1 (Not Shown) (Note: Use p/n 7024046)	
227	See Note	NSS	Pin, Break-Off (Not Shown) (Note: Use p/n 7024046)	
228	See Note	NSS	Orifice (Not Shown) (Note: Use p/n 7024046)	
231	See Note	NSS	Pin, Clamping (Not Shown) (Note: Use p/n 7024046)	
241	See Note	NSS	O-Ring (Not Shown) (Note: Use p/n 70002277)	
249	See Note	NSS	Plug (Not Shown) (Note: Use p/n 7024046)	
	7023825	Ref	<b>ROTARY GROUP</b>	
312	See Note	NSS	Cradle (Note: Use p/n 7023825)	
314	See Note	NSS	Driveshaft (Note: Use p/n 7023825)	
317	See Note	NSS	Wire (Note: Use p/n 7023825)	
326	See Note	NSS	Liner, Bearing (Note: Use p/n 7023825)	

## SECTION 2 - GROUND CONTROLS

ITEM	PART NUMBER	QTY	DESCRIPTION	REV
331	See Note	NSS	Bearing, Roller (Note: Use p/n 7023825)	
332	See Note	NSS	Cradle Bearing Assembly (Note: Use p/n 7023825)	
336	See Note	NSS	Ring, Retaining (Note: Use p/n 7023825)	
337	See Note	NSS	Ring, Retaining (Note: Use p/n 7023825)	
338	See Note	NSS	Seal, Shaft (Note: Use p/n 70002277)	
		Ref	<b>HYDRAULIC CONTROLS</b>	
	7024093	Ref	<b>Front Pump Assembly</b>	
	7024098	Ref	<b>Middle Pump Assembly</b>	
401		Ref	Piston, Positioning - Complete (Note: Sold as an Assembly Except Outer Seal O-Ring and Stem O-Ring.)	
401	7024096	1	Front Pump Assembly	
401	7023840	1	Middle Pump Assembly	
401A	7024071	1	O-Ring	
401B	7024072	1	O-Ring, Stem	
416	7023846	4	Screw, Socket Head M6 x 10-8.8	
417	7023847	1	Nut	
430	See Note	NSS	Ring, Guide (Note: Use p/n 7024093 or 7024098)	
431	See Note	NSS	O-Ring (Note: Use p/n 7024093 or 7024098)	
		Ref	<b>PORT PLATE WITH VALVES</b>	
	7024094	Ref	<b>Front Pump Assembly</b>	
	7024099	Ref	<b>Middle Pump Assembly</b>	
501	7023848	2	Cartridge, Relief Valve (High Pressure) (Note: Sold as an Assembly)	
501A	See Note	NSS	O-Ring (Note: Use p/n 70002277)	
502	7024097	1	Cartridge, Relief Valve (Boost Pressure) (Note: Sold as an Assembly)	
502A	7024075	1	O-Ring	
505	See Note	NSS	Plate, Port (Note: Use p/n 7024094 or 7024099)	
506	See Note	NSS	Bushing, Bearing (Note: Use p/n 7024094 or 7024099)	
507	See Note	NSS	Screw, Socket Head M10 x 50 (Note: Use p/n 7024094 or 7024099)	
508	See Note	NSS	Pin, Dowel (Note: Use p/n 7024094 or 7024099)	
511	See Note	NSS	Pin, Break-Off (Note: Use p/n 7024094 or 7024099)	
512	See Note	NSS	Screw, Locking (Note: Use p/n 7024094 or 7024099)	
522	See Note	NSS	Bearing, Roller (Note: Use p/n 7024094 or 7024099)	
535	See Note	NSS	Screw, Locking (Note: Use p/n 7024094 or 7024099)	
	7024095	Ref	<b>INTERNAL GEAR PUMP ASSEMBLY (FRONT PUMP ONLY)</b>	
601	See Note	NSS	Gear Set (Note: Use p/n 7024095)	
602	See Note	NSS	Flange, Intermediate (Note: Use p/n 7024095)	
603	See Note	NSS	Coupling, Driveshaft Through (Note: Use p/n 7024095)	
604	See Note	NSS	Bushing, Bearing (Note: Use p/n 7024095)	
605	See Note	NSS	Key (Note: Use p/n 7024095)	
610	See Note	NSS	Socket, Socket Head (Note: Use p/n 7024095)	
611	See Note	NSS	O-Ring (Note: Use p/n 70002277)	
613	3790155	1	O-Ring	
	7024095	Ref	<b>INTERNAL GEAR PUMP ASSEMBLY (MIDDLE PUMP ONLY)</b>	
701	7024902	1	Gear Set	
702	See Note	NSS	Flange, Intermediate (Note: Use p/n 7024095)	
703	See Note	NSS	Coupling, Driveshaft Through (Note: Use p/n 7024095)	
704	See Note	NSS	Bushing, Bearing (Note: Use p/n 7024095)	
705	See Note	NSS	Key (Note: Use p/n 7024095)	
709	See Note	NSS	Ring, Retaining (Note: Use p/n 7024095)	

## SECTION 2 - GROUND CONTROLS

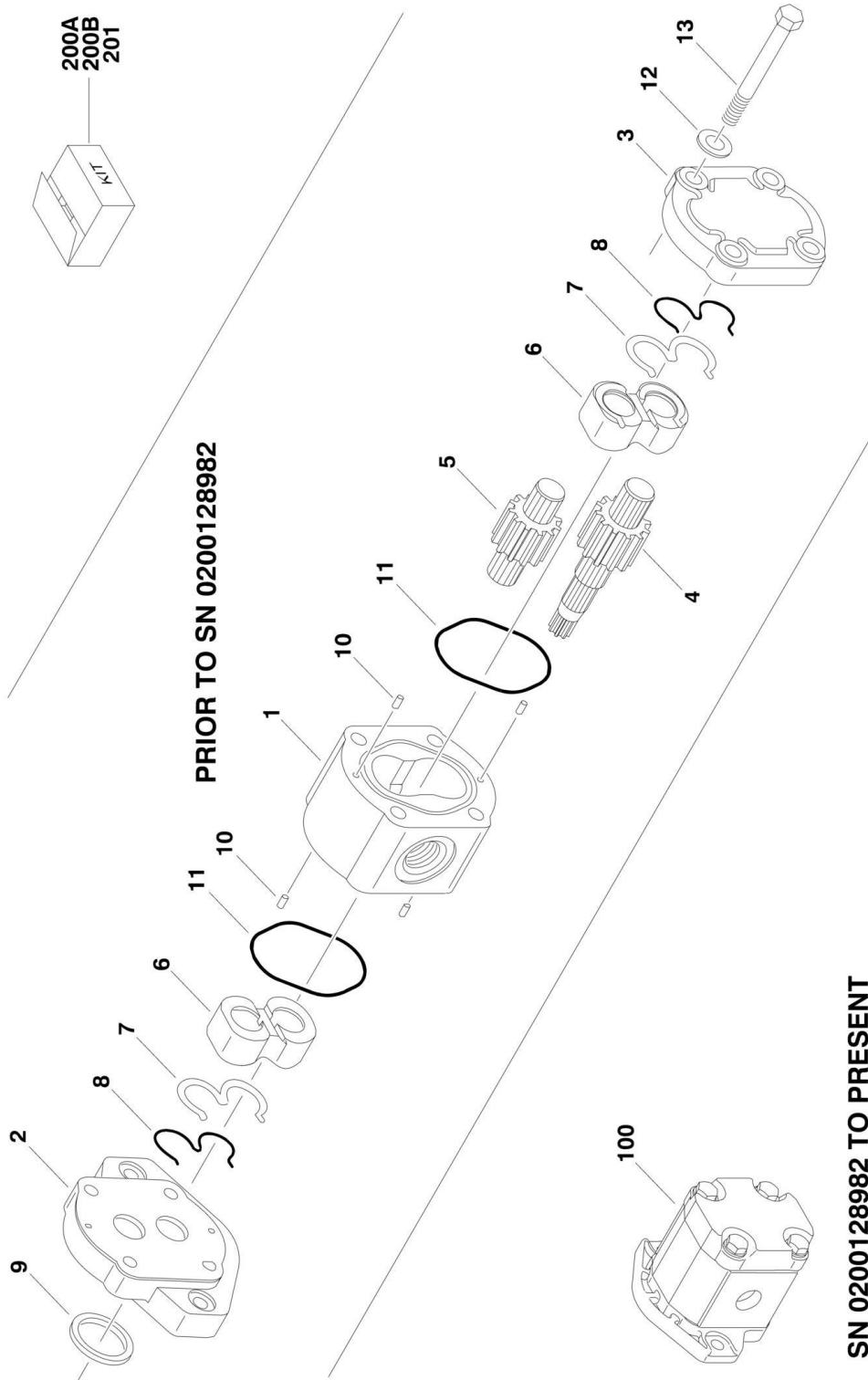
ITEM	PART NUMBER	QTY	DESCRIPTION	REV
710	See Note	NSS	Screw, Socket Head M8 x 22-8.8 (Note: Use p/n 7024095)	
711	See Note	NSS	O-Ring (Note: Use p/n 70002277)	
713	3790151	1	O-Ring	
	7024901	Ref	<b>CONTROL MODULE (MIDDLE PUMP ONLY)</b>	
801	7024903	1	Module, Control (Valve Block) Less Coils (Note: No Internal Replacement Parts Available. Sold as an Assembly Only.)	
801A	See Note	NSS	O-Ring (On Eccentric Pin) (Note: Use p/n 70002277)	
802	7024083	2	Coil, Solenoid	
803	See Note	NSS	Adapter, Solenoid (Note: Use p/n 7024901)	
804	7024085	2	Gasket	
805	See Note	NSS	Cover (Note: Use p/n 7024901)	
806	See Note	NSS	Spring (Note: Use p/n 7024901)	
807	7024086	1	Gasket	
810	See Note	NSS	Screw, Socket Head M6 x 65-8.8 (Note: Use p/n 7024901)	
811	See Note	NSS	Screw, Socket M6 x 45-8.8 (Note: Use p/n 7024901)	
812	See Note	NSS	Screw, Socket Head M5 x 10-8.8 (Note: Use p/n 7024901)	
813	See Note	NSS	O-Ring (Note: Use p/n 70002277)	
814	See Note	NSS	O-Ring (Note: Use p/n 70002277)	
815	7024089	2	Cup, Spring	
816	See Note	NSS	Pin, Cylinder (Note: Use p/n 7024901)	





# SECTION 2 - GROUND CONTROLS

## FIGURE 2-12. GEAR PUMP ASSEMBLY



**SN 0200128982 TO PRESENT**

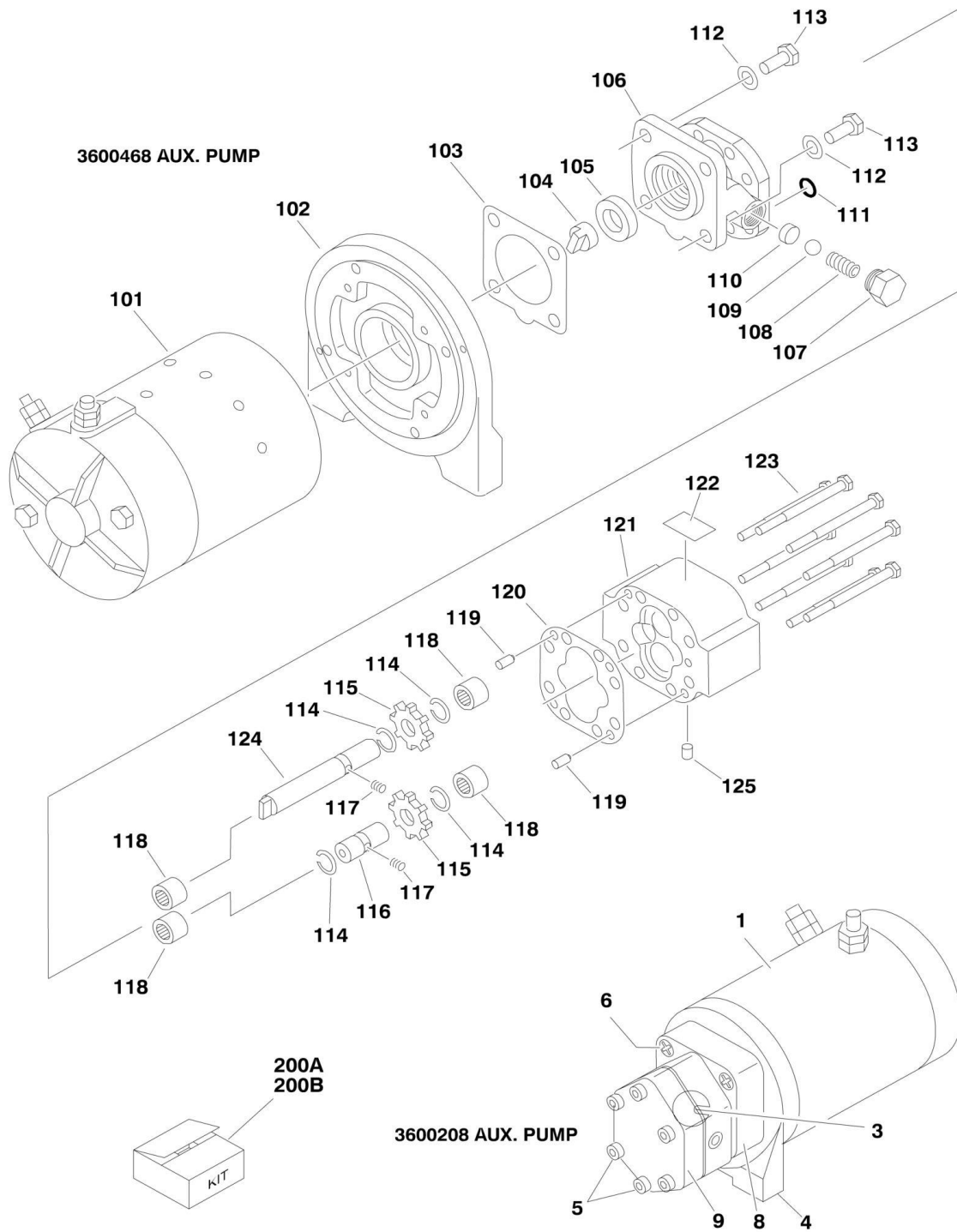
## SECTION 2 - GROUND CONTROLS

### FIGURE 2-12. GEAR PUMP ASSEMBLY

ITEM	PART NUMBER	QTY	DESCRIPTION	REV
		Ref	<b>GEAR PUMP ASSEMBLY</b>	
		Ref	<b>Note: Original Equipment gear pump may have been replaced with Service Replacement gear pump p/n 3600370. Refer to tag on pump for identification before ordering parts.</b>	
	3600338	Ref	<b>Gear Pump Assembly (Original Equipment) (Prior to SN 0200128982)</b>	B
1	See Note	NSS	Body (Note: Use p/n 3600370)	
2	See Note	NSS	Cover, Front (Note: Use p/n 3600370)	
3	See Note	NSS	Cover, Rear (Note: Use p/n 3600370)	
4	See Note	NSS	Shaft, Gear (Note: Use p/n 3600370)	
5	See Note	NSS	Gear (Note: Use p/n 3600370)	
6	7023819	2	Block, Bearing	
7	See Note	2	Seal, Loading (Note: Use Item 200A or 200B)	
8	See Note	2	Seal, Anti-Extrusion (Note: Use Item 200A or 200B)	
9	See Note	1	Seal, Shaft (Note: Use Item 200A or 200B)	
10	See Note	NSS	Pin, Dowel (Note: Use p/n 3600370)	
11	See Note	2	Ring, Square (Note: Use Item 200A or 200B)	
12	7023813	4	Flatwasher M10	
13	7024057	4	Capscrew M10 x 90mm	
100	3600370	Ref	<b>Gear Pump Assembly (SN 0200128982 through 0200191606)</b>	B
		Ref	<b>Note: The only parts available are the shaft seal and seal kit.</b>	
100	70000946	1	Seal, Shaft	
		Ref	<b>Kit Options:</b>	
200		Ref	Kit Options for Machines: <b>(Prior to SN 0200128982)</b>	
200A	7023808	1	Seal Kit (Includes Items 7, 8, 9 & 11)	
200B	7023819	1	Bearing and Seal Kit (Includes Items 6, 7, 8, 9 & 11)	
201	70000945	1	Seal Kit for Machines <b>(SN 0200128982 through 0200191606)</b>	

# SECTION 2 - GROUND CONTROLS

## FIGURE 2-13. AUXILIARY PUMP ASSEMBLY



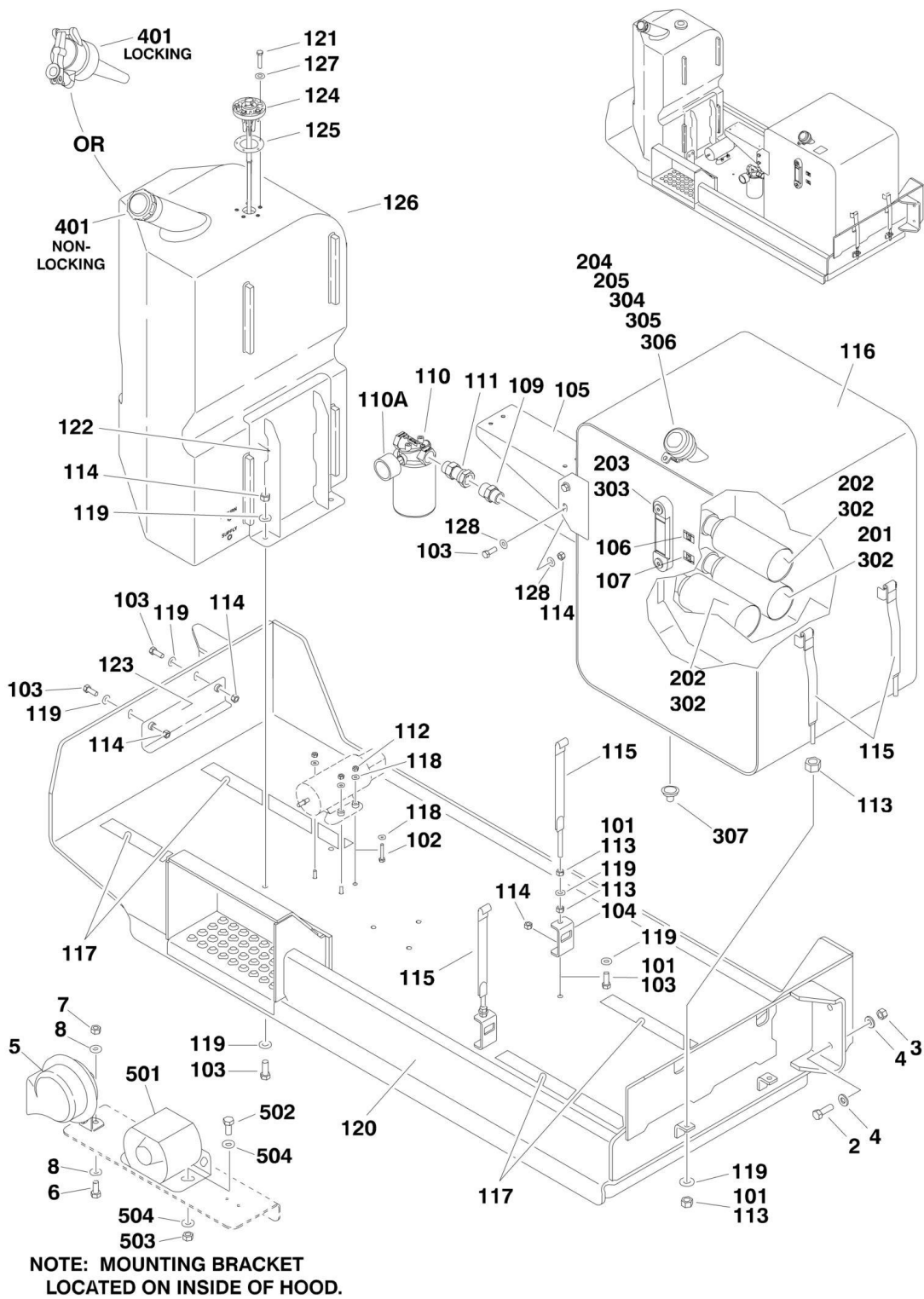
## SECTION 2 - GROUND CONTROLS

### FIGURE 2-13. AUXILIARY PUMP ASSEMBLY

ITEM	PART NUMBER	QTY	DESCRIPTION	REV
		Ref	<b>AUXILIARY PUMP ASSEMBLY</b>	
		Ref	<b>Note: Original Equipment pump may have been replaced with Service Replacement pump p/n 3600468. Refer to tag on pump for identification before ordering parts.</b>	
	3600208	Ref	<b>Gear Pump Assembly (Original Equipment) (Prior to SN 0200164133)</b>	B
1	7013710	1	Motor	
1	7013753	1	Brush Kit	
3	7013711	1	Coupling, Drive	
4	See Note	NSS	Bracket, Mounting (Note: Use p/n 3600468)	
5	See Note	6	Capscrew 5/16-24NF x 2-1/2 (Note: Not Available - Purchase Locally)	
6	See Note	2	Screw 5/16-18NF x 1 (Note: Not Available - Purchase Locally)	
7	See Note	NSS	Pin (Not Shown) (Note: Use p/n 3600468)	
8	7016746	1	Adapter	
9	7013712	1	Pump, Replacement	
	3600468	Ref	<b>Gear Pump Assembly (Service Replacement) (SN 0200164133 through 0200191606)</b>	A
101	7011003	1	Motor	
102	7012576	1	Bracket, Mounting	
103	7011044	1	Gasket, Mounting	
104	7011016	1	Coupling	
105	70000969	1	Seal, Shaft	
106	See Note	NSS	Stator (Note: Use Item 200B)	
107	70001079	1	Cap Assembly	
108	70001076	1	Spring	
109	70001081	1	Ball	
110	70001080	1	Seat	
111	7011024	1	Seal	
112	7011048	4	Washer	
113	7011043	4	Screw	
114	70000970	4	Ring, Retaining	
115	70000971	2	Gear	
116	70001112	1	Shaft, Idler	
117	70001065	2	Pin, Drive	
118	70000976	4	Bearing, Needle	
119	7010911	2	Pin, Dowel	
120	70001085	1	Gasket	
121	See Note	NSS	Housing, Gear (Note: Use Item 200B)	
122	See Note	NSS	Label (Note: Not Available for Purchase)	
123	70001106	8	Screw	
124	70001107	1	Shaft, Drive	
125	See Note	NSS	Plug (Note: Use Item 200B)	
		Ref	<b>Repair Kit Options</b>	
200		Ref	Replacement Pump Kit Options:	
200A	See Note		Replacement Pump Kit (Note: Use p/n 360048) <b>(Prior to SN 0200164133)</b>	
200B	70001108	1	Replacement Pump Kit (Includes Items 103-125) <b>(SN 0200164133 through 0200191606)</b>	

# SECTION 2 - GROUND CONTROLS

## FIGURE 2-14. TANKS, ALARM AND HORN INSTALLATIONS



## SECTION 2 - GROUND CONTROLS

### FIGURE 2-14. TANKS, ALARM AND HORN INSTALLATIONS

ITEM	PART NUMBER	QTY	DESCRIPTION	REV
		Ref	<b>TANK TRAY INSTALLATION</b>	
	0271698	Ref	<b>All Diesel Machines</b>	B
	0271698	Ref	<b>Gas Machines (Prior to SN 0200166823)</b>	B
	1001091569	Ref	<b>Gas Machines (SN 0200166823 through 0200191606)</b>	A
2	0641812	4	Bolt 1/2-13NC x 1-1/2	
3	3311805	4	Locknut 1/2-13NC	
4	4711800	8	Flatwasher 1/2 Narrow	
5	0140001	1	Horn	
6	0641506	1	Bolt 5/16-18NC x 3/4	
7	3311505	1	Locknut 5/16-18NC	
8	4711500	2	Flatwasher 5/16 Narrow	
		Ref	<b>TANK TRAY ASSEMBLY</b>	
	0271959	Ref	<b>All Diesel Machines</b>	L
	0271959	Ref	<b>Gas Machines (Prior to SN 0200166823)</b>	L
	1001091570	Ref	<b>Gas Machines (SN 0200166823 through 0200191606)</b>	A
101	0100011	AR	Locking, Compound ( <b>Prior to SN 0200113871</b> )	
102		Ref	Bolt Options:	
102	0641412	3	Bolt 1/4-20NC x 1-1/2 ( <b>Prior to SN 0200134783</b> )	
102	0641410	2	Bolt 1/4-20NC x 1-1/4 ( <b>SN 0200134783 through 0200151211</b> )	
103	0641608	AR	Bolt 3/8-16NC x 1	
104	0902592	2	Bracket, Tank Tie-Down ( <b>Prior to SN 0200113871</b> )	
105	0902789	1	Bracket, Ground Control Box Mount	
106	1701502	1	Decal - Oil Level High	
107	1701503	1	Decal - Oil Level Low	
109	2111212	1	Fitting, Straight	
110	2120165	1	Filter, Oil	
110	2120158	1	Element, Filter	
110A	7020021	1	Clog Indicator Gauge Assembly (Includes Gauge, Adapter and Seal Ring)	
111	2221111	1	Fitting, Straight	
112	3311405	3	Locknut 1/4-20NC ( <b>Prior to SN 0200151212</b> )	
113	3311601	8	Nut 3/8-16NC ( <b>Prior to SN 0200113871</b> )	
114	3311605	AR	Locknut 3/8-16NC	
115	4240112	4	Strap, Tank ( <b>Prior to SN 0200113871</b> )	
116		Ref	Hydraulic Oil Tank Assembly Options:	
116	4400445	1	Hydraulic Oil Tank Assembly (See Items 201 to 205 for Breakdown) ( <b>Prior to SN 0200113871</b> )	
116	4400456	1	Hydraulic Oil Tank Assembly (See Items 301 to 308 for Breakdown) ( <b>SN 0200113871 through 0200191606</b> )	
117	4420037	3 ft/1m	Tape, Insulation	
118	4711400	6	Flatwasher 1/4 Narrow ( <b>Prior to SN 0200151212</b> )	
119	4711600	AR	Flatwasher 3/8 Narrow	
120	4846548	1	Tray	
121	0731008	5	Screw, Machine #10-32NF x 1	
122	0902801	1	Bracket, Fuel Tank Mount	
123		Ref	Bracket, Tank Mounting Options:	
123	0902802	1	Bracket, Tank Mounting ( <b>Prior to SN 0200134783</b> )	
123	0182033	1	Bracket, Tank Mounting ( <b>SN 0200134783 through 0200191606</b> )	
124	2420199	1	Gauge, Fuel Level	

## SECTION 2 - GROUND CONTROLS

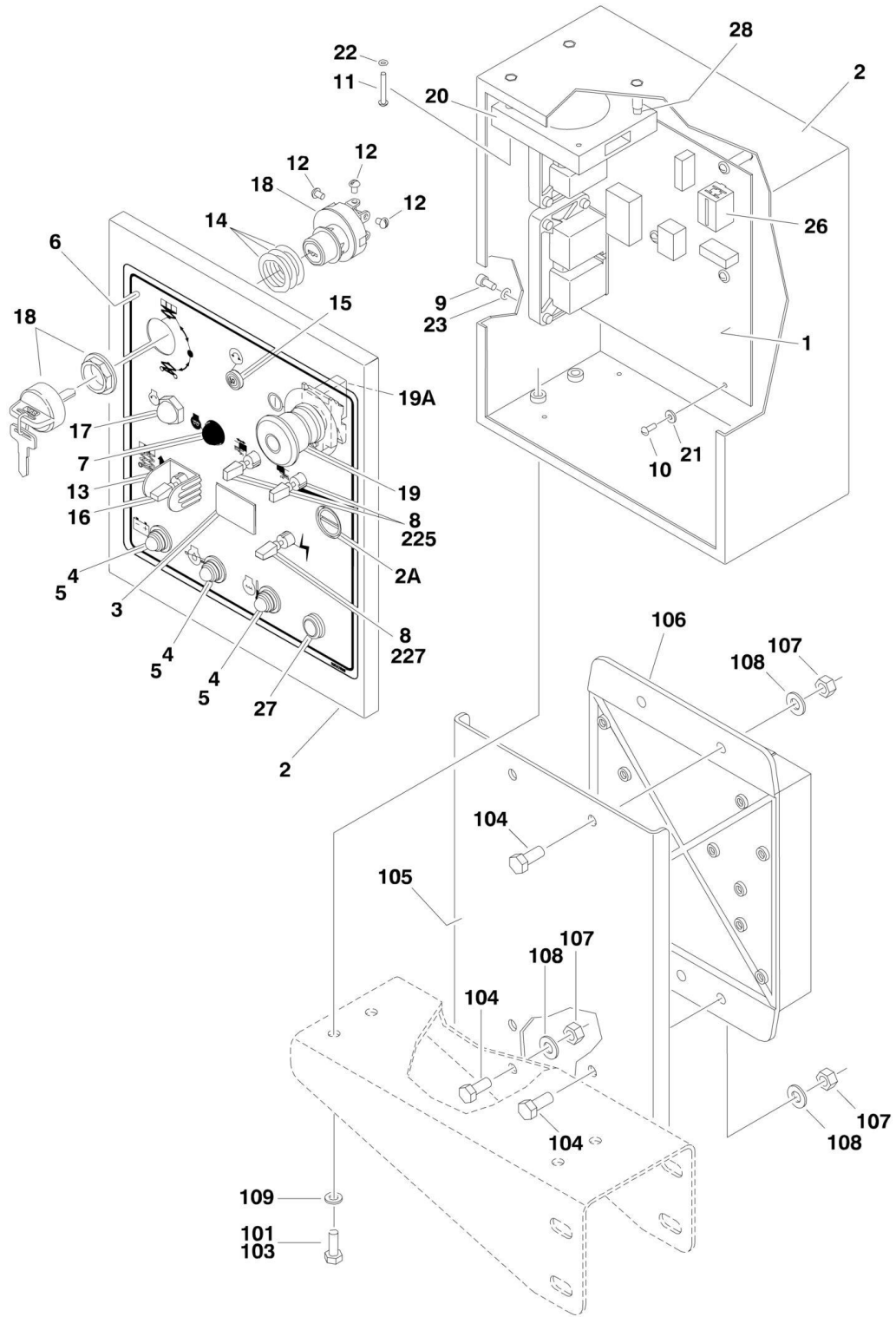
ITEM	PART NUMBER	QTY	DESCRIPTION	REV
125	3960525	1	Seal, Gauge	
126		Ref	Tank, Fuel Options:	
126	4400436	1	All Diesel Machines	
126	4400436	1	Gas Machines ( <b>Prior to SN 0200166823</b> )	
126	1001091564	1	Gas Machines ( <b>SN 0200166823 through 0200191606</b> )	
127	4751000	5	Flatwasher #10	
128	4891600	8	Flatwasher 3/8 Hardened	
129	0641609	AR	Bolt 3/8-16NC x 1-1/8 (Not Shown)	
		Ref	<b>HYDRAULIC TANK ASSEMBLY OPTIONS:</b>	
	4400445	Ref	<b>Hydraulic Tank Assembly (Prior to SN 0200113871)</b>	E
201	7014818	1	Strainer 1-1/2 NPT	
202	7014801	2	Strainer 1 1/4 NPT	
203	7014802	1	Gauge, Sight	
204	7014811	1	Breather/Fill Cap	
205	7020256	1	Neck, Fill	
205	7014816	1	Screen	
	4400456	Ref	<b>Hydraulic Tank Assembly (SN 0200113871 through 0200191606)</b>	J
301	7024440	1	Gasket (Not Shown)	
302	7024481	3	Strainer	
303	7024441	1	Gauge, Fluid Level	
304	7014811	1	Breather/Fill Cap	
305	7020256	1	Neck, Fill	
305	7014816	1	Screen	
306	7024445	1	Strainer	
307	7024446	1	Plug, Magnetic 1 NPT	
308	7026122	1	Cover (Not Shown)	
		Ref	<b>FUEL TANK CAP INSTALLATIONS</b>	
	4400436	Ref	<b>Diesel Machines with Non-Locking Cap</b>	
	0271775	Ref	<b>Diesel Machines with Locking Cap</b>	A
	4400436	Ref	<b>Gas Machines with Non-Locking Cap (Prior to SN 0200166823)</b>	
	0271774	Ref	<b>Gas Machines with Locking Cap (Prior to SN 0200166823)</b>	A
	1001091564	Ref	<b>Gas Machines with Non-Locking Cap (SN 0200166823 through 0200191606)</b>	
401		Ref	Cap Options:	
401		Ref	Diesel Machines:	
401	1120361	1	Standard Vented Non-Locking Cap (Part of Item 126 p/n 4400436 Tank)	
401	1120558	1	Optional Blue Vented Locking Cap	
401		Ref	Gas Machines:	
401	1120361	1	Standard Vented Non-Locking Cap (Part of Item 126 p/n 4400436 Tank) ( <b>Prior to SN 0200166823</b> )	
401	70001103	1	Standard Non-Vented Non-Locking Cap (Part of Item 126 p/n 1001091564 Tank) ( <b>SN 0200166823 through 0200191606</b> )	
401	1120485	1	Optional Red Vented Locking Cap ( <b>Prior to SN 0200166823</b> )	
		Ref	<b>ALARMS INSTALLATION</b>	
	0271781	Ref	<b>Motion Alarm</b>	B
	0273969	Ref	<b>Horn</b>	A
501	0140032	1	Alarm	
502	0641506	2	Bolt 5/16-18NC x 3/4	
503	3311505	2	Locknut 5/16-18NC	
504	4711500	4	Flatwasher 5/16 Narrow	





# SECTION 2 - GROUND CONTROLS

## FIGURE 2-15. GROUND CONTROL BOX INSTALLATION



## SECTION 2 - GROUND CONTROLS

### FIGURE 2-15. GROUND CONTROL BOX INSTALLATION

ITEM	PART NUMBER	QTY	DESCRIPTION	REV
		Ref	<b>GROUND CONTROL BOX ASSEMBLIES</b>	
	0271813	Ref	<b>Diesel Machines</b>	X
	0271812	Ref	<b>Gas Machines</b>	X
1	0610152	NLA	Board, Circuit (Note: Control System must be recalibrated when Module is replaced) (Use p/n 1001091731)	
1	2915022	1	Update Kit (Includes Cables, Programming Instructions and CD Software)	
2	0861508	1	Box Assembly	B
2A	7023212	1	Latch	
3	2420172	1	Hourmeter	
4	2920026	3	Holder, Lamp	
5	2920029	3	Bulb, Light	
6		Ref	Nameplate/Decal Options:	
6	3252796	1	Nameplate/Decal ( <b>Prior to SN 0200112736</b> )	
6	1705688	1	Nameplate/Decal ( <b>SN 0200112736 through 0200191606</b> )	
7		Ref	Plug, Hole Options:	
7	Not Required	0	Diesel Machines	
7	3520026	1	Gas Machines	
8	3520028	3	Plug, Hole	
9	3900300	8	Screw	
10	3910606	4	Screw #6-32 x 3/8	
11		Ref	Screw Options:	
11	3910612	4	#6-32 x 3/4 Length	
11	3910616	4	#6-32 x 1 Length	
12	3910804	3	Screw #8-24 x 1/4	
13	4060802	1	Guard, Switch	
14	4070987	1	Shim .015	
15	4360070	1	Breaker, Circuit 15Amp	
16	4360328	1	Switch, Toggle	
17	4360387	Ref	Switch, Push Button	
17	4360387	2	Diesel Machines	
17	4360387	1	Gas Machines	
18	4360469	1	Keyswitch	
18	2860030	1	Key, Replacement	
19	4360475	1	Switch, Push-Pull Emergency Stop	
19	7020175	1	Cap	
19A	7020176	1	Block, Contact	
20		Ref	Switch, Dual Axis Options:	
20	4360481	NLA	Switch, Dual Axis (Use p/n 1001102811) ( <b>Prior to SN 0200123252</b> )	
20	4000006	NLA	Switch, Dual Axis (Use p/n 1001102811) ( <b>SN 0200123252 through 0200184435</b> )	
20	1810140	1	Switch, Dual Axis ( <b>SN 0200184436 through 0200191606</b> )	
21	4750600	4	Flatwasher #6	
22	4760600	4	Lockwasher #6	
23	4761000	8	Lockwasher #10	
24	4922339	4	Tilt Harness Assembly (Not Shown - See ELECTRICAL SECTION for Breakdown) ( <b>Prior to SN 0200123252</b> )	
25	4922667	1	Ground Control Box Harness (Not Shown - See ELECTRICAL SECTION for Breakdown)	
26	2820155	1	Bead, Ferrite ( <b>Prior to SN 0200123252</b> )	

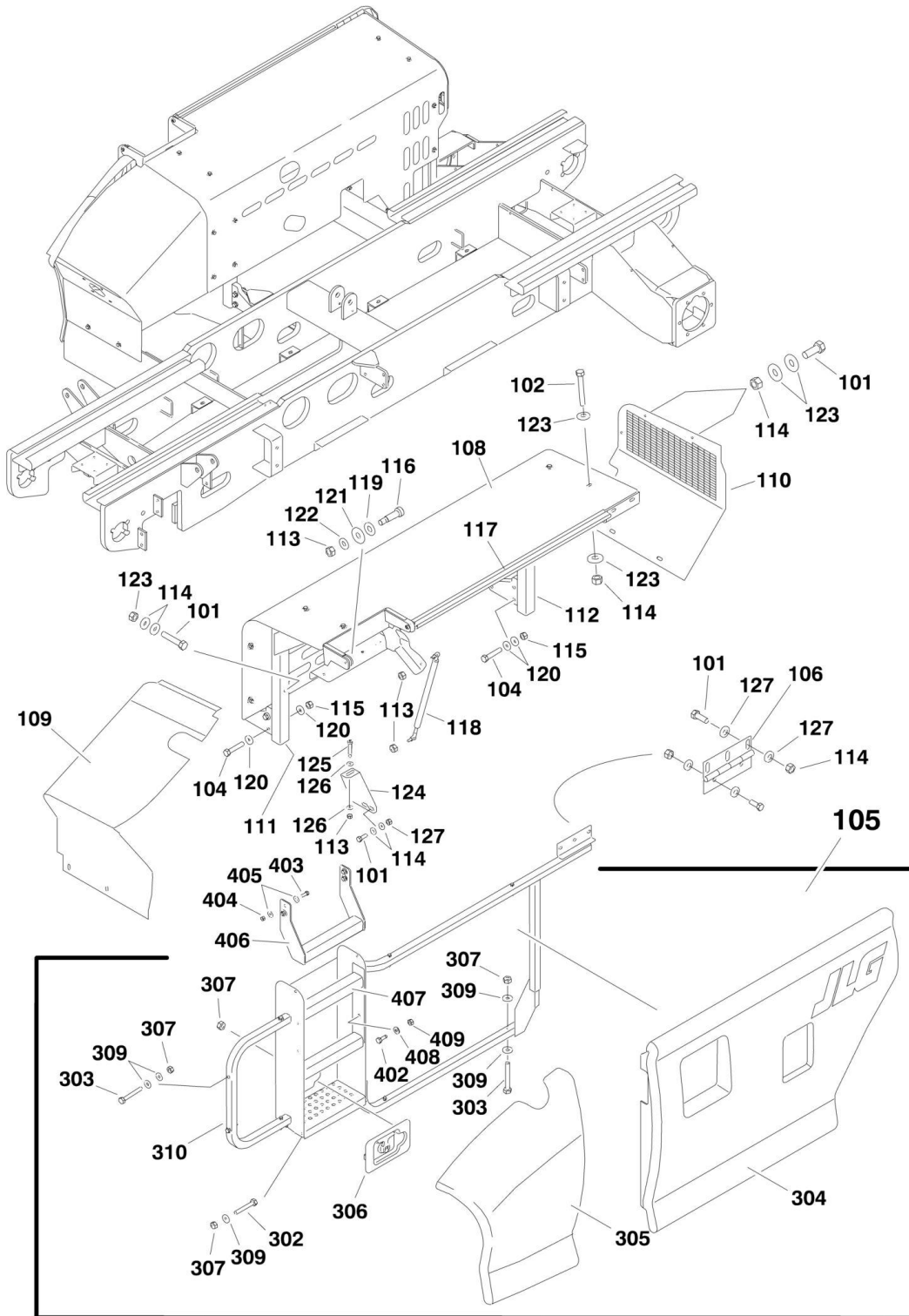
## SECTION 2 - GROUND CONTROLS

ITEM	PART NUMBER	QTY	DESCRIPTION	REV
27		Ref	Component Options:	
27	3520193	1	Plug, 7/8	
27	2920026	1	Holder, Lamp	
27	2920029	1	Bulb, Light	
28	1001102512	4	Washer, Spacer	
		Ref	<b>GROUND CONTROL BOX INSTALLATION OPTIONS:</b>	
	0271730	Ref	<b>Diesel Machines without Options Module</b>	B
	0271733	Ref	<b>Diesel Machines with Options Module</b>	B
	0271729	Ref	<b>Gas Machines without Options Module</b>	B
	0271732	Ref	<b>Gas Machines with Options Module</b>	B
101	0100011	AR	Locking, Compound	
103	0641406	4	Bolt 1/4-20NC x 3/4	
104	0641506	6	Bolt 5/16-18 x 3/4 (With Options Module Only)	
105	0902847	1	Bracket, Mounting (With Options Module Only)	
106	1600336	1	Module, Options (Note: Control System must be recalibrated when Module is replaced)	
107	3311505	6	Locknut 5/16-18NC (With Options Module Only)	
108	4711500	6	Flatwasher 5/16 (With Options Module Only)	
109	4761400	4	Lockwasher 1/4	
110		Ref	Valve and Engine Harness Options (Not Shown - See ELECTRICAL SECTION for Breakdown):	
110	4922715	1	Diesel Machines <b>(Prior to SN 0200138634)</b>	
110	4923307	1	Diesel Machines <b>(SN 0200138634 through 0200191606)</b>	
110		Ref	Gas Machines Options:	
110	4922688	1	Ford Machines	
110	4923483	1	GM Machines	
		Ref	<b>POWER DECK SWITCH INSTALLATIONS</b>	
225	4360328	Ref	Switch, Toggle	
225	4360328	1	Single Deck Extension	
225	4360328	2	Dual Deck Extension	
227	4360483	1	Switch, Toggle	

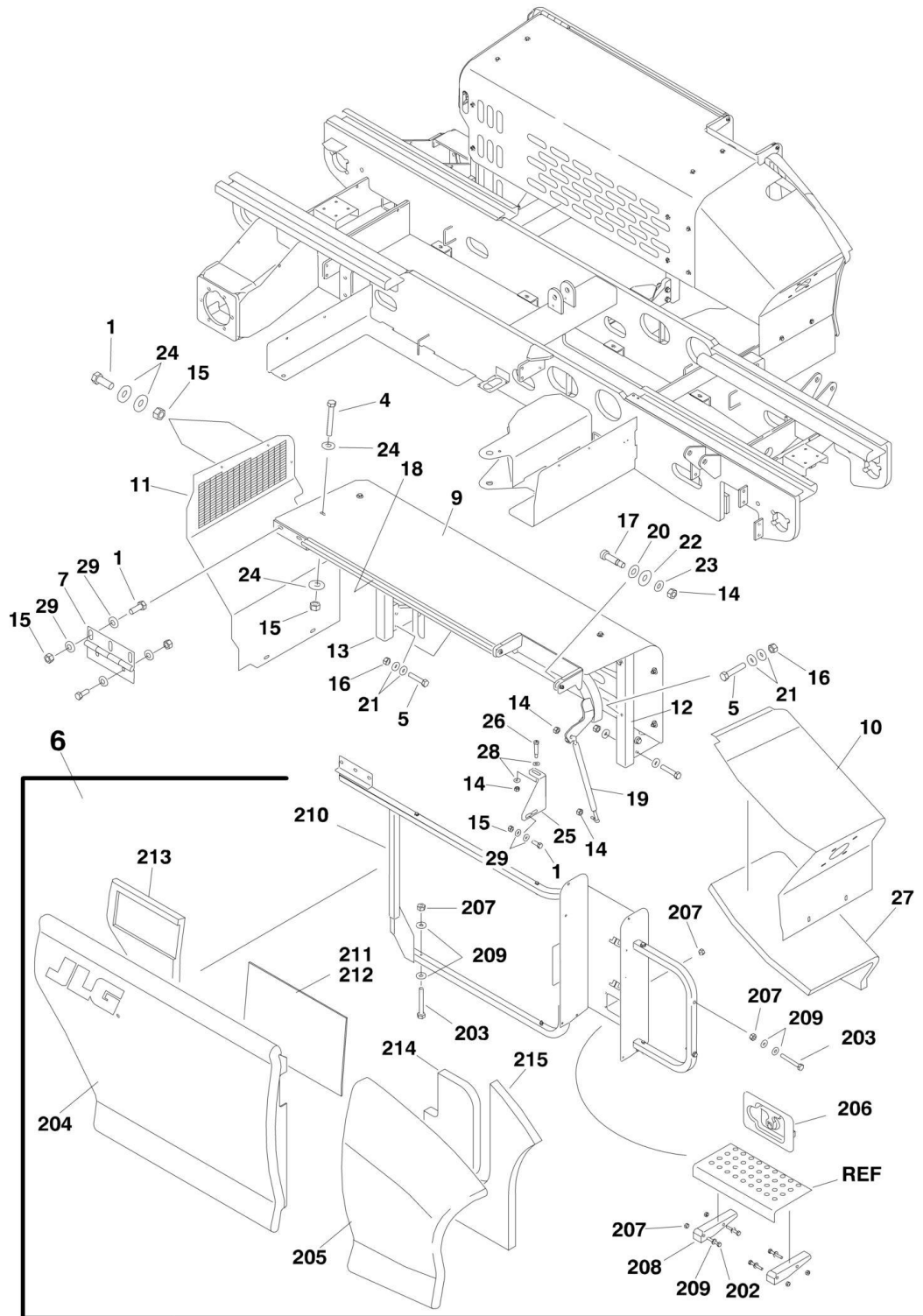


# SECTION 2 - GROUND CONTROLS

FIGURE 2-16. HOODS AND LADDERS INSTALLATIONS (Prior to SN 0200116736)



# SECTION 2 - GROUND CONTROLS



## SECTION 2 - GROUND CONTROLS

FIGURE 2-16. HOODS AND LADDERS INSTALLATIONS (Prior to SN 0200116736)

ITEM	PART NUMBER	QTY	DESCRIPTION	REV
	0271699	Ref	<b>HOODS INSTALLATIONS (Prior to SN 0200116736)</b>	A
	0272038	Ref	<b>Engine Side Hood Assembly</b>	D
1	0641608	12	Bolt 3/816NC x 1	
2	0641610	4	Bolt 3/8-16NC x 1-1/4	
4	0641622	8	Bolt 3/8-16NC x 2-3/4	
5	0681820	6	Bolt 1/2-13NC x 2-1/2 (Grade 8)	
6	1780325	1	Door Assembly - Engine Side (See Items 201 to 215 for Breakdown)	
7	2600286	1	Hinge	
9	1671060	1	Cover, Back	
10	1671069	1	Cover, Front	
11	3573535	1	Cover, Rear	
12	4846564	1	Support, Front	
13	4846565	1	Support, Rear	
14	3311505	5	Locknut 5/16-18NC	
15	3311605	24	Locknut 3/8-16NC	
16	3271805	6	Locknut 1/2-13NC (Grade 8)	
17	3900290	2	Screw 3/8 x 1	
18	3960559	1	Seal	
19	4160196	1	Spring, Gas	
20	4711600	2	Flatwasher 3/8 Narrow	
21	4891800	12	Washer, Hardened 1/2	
22	4740520	2	Washer, Thrust	
23	4711500	2	Flatwasher 5/16 Narrow	
24	4751600	34	Flatwasher 3/8 Thick	
25	0902831	1	Bracket	
26	3900328	1	Screw, Shoulder 3/8 x 1-1/2	
27	2820159	1	Insulation	
28	4751400	2	Flatwasher 1/4	
29	4891600	14	Flatwasher 3/8 Hardened	
	2902188	1	Cover Kit - Engine Side (Includes 9-13)	
		Ref	<b>Note: Replacement Decals Must be Ordered Separately - See DECALS SECTION.</b>	
	0272039	Ref	<b>Tank Side Hood Assembly</b>	D
101	0641608	14	Bolt 3/816NC x 1	
102	0641622	8	Bolt 3/8-16NC x 2-3/4	
104	0681820	6	Bolt 1/2-13NC x 2-1/2 (Grade 8)	
105	1780326	1	Door Assembly - Engine Side (See Items 301 to 310 for Breakdown)	
106	2600286	1	Hinge	
108	1671061	1	Cover, Back	
109	1671070	1	Cover, Front	
110	3573536	1	Cover, Rear	
111	4846564	1	Support, Front	
112	4846565	1	Support, Rear	
113	3311505	5	Locknut 5/16-18NC	
114	3311605	22	Locknut 3/8-16NC	
115	3271805	6	Locknut 1/2-13NC (Grade 8)	
116	3900290	2	Screw 3/8 x 1	
117	3960559	1	Seal	

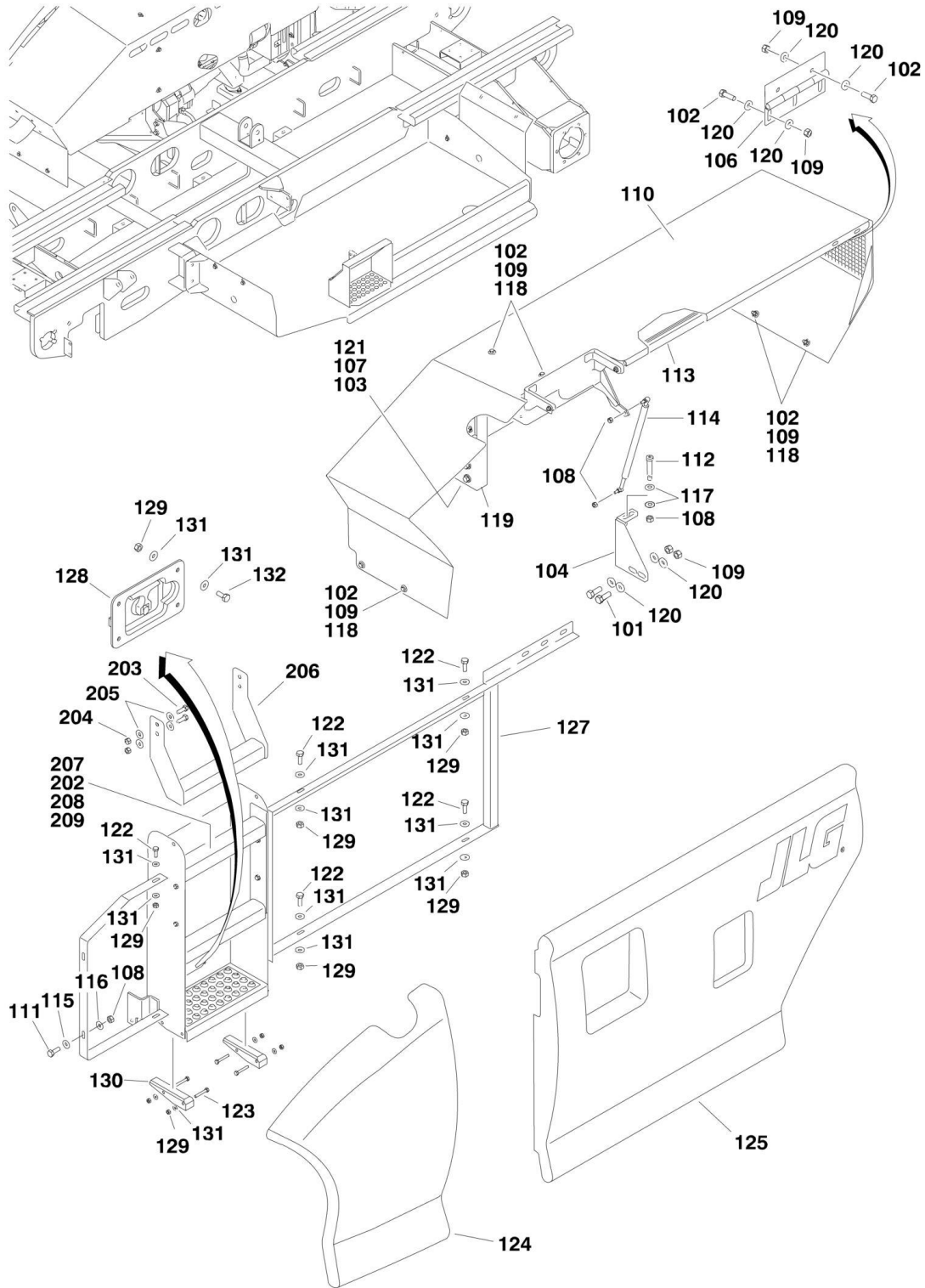


## SECTION 2 - GROUND CONTROLS

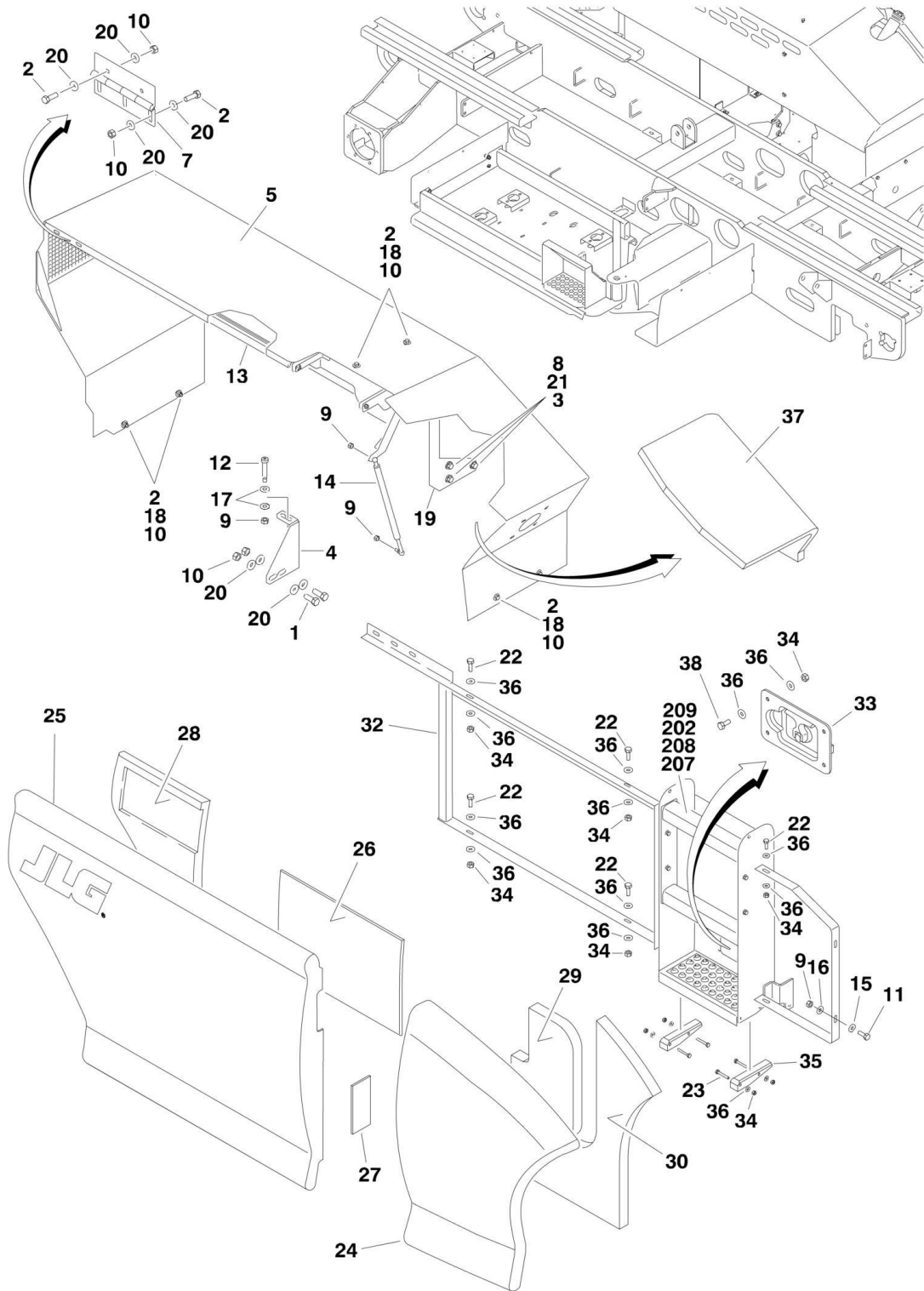
ITEM	PART NUMBER	QTY	DESCRIPTION	REV
118	4160196	1	Spring, Gas	
119	4711600	2	Flatwasher 3/8 Narrow	
120	4891800	12	Washer, Hardened 1/2	
121	4740520	2	Washer, Thrust	
122	4711500	2	Flatwasher 5/16 Narrow	
123	4751600	30	Flatwasher 3/8 Thick	
124	0902831	1	Bracket	
125	3900328	1	Screw, Shoulder 3/8 x 1-1/2	
126	4751400	2	Flatwasher 1/4	
127	4891600	14	Flatwasher 3/8 Hardened	
	2902189	1	Cover Kit - Tank Side (Includes 108-112)	
		Ref	<b>Note: Replacement Decals Must be Ordered Separately - See DECALS SECTION.</b>	
	1780325	Ref	<b>DOOR ASSEMBLY - ENGINE SIDE (Prior to SN 0200116736)</b>	E
202	0641414	4	Bolt 1/4-20NC x 1-3/4	
203	0641416	8	Bolt 1/4-20NC x 2	
204	2680504	1	Door, Left	
205	2680505	1	Door, Right	
206	2940147	1	Latch	
207	3311405	16	Locknut 1/4-20NC	
208	3340945	2	Pad	
209	4711400	20	Flatwasher 1/4 Narrow	
210	4846544	1	Step	
211	2820153	1	Insulation	
212	2820154	1	Insulation	
213	2820156	1	Insulation	
214	2820157	1	Insulation	
215	2820158	1	Insulation	
	1780326	Ref	<b>DOOR ASSEMBLY - TANK SIDE (Prior to SN 0200116736)</b>	D
302	0641414	4	Bolt 1/4-20NC x 1-3/4	
303	0641416	8	Bolt 1/4-20NC x 2	
304	2680507	1	Door, Right	
305	2680508	1	Door, Left	
306	2940147	1	Latch	
307	3311405	16	Locknut 1/4-20NC	
308	3340945	2	Pad	
309	4711400	20	Flatwasher 1/4 Narrow	
310	4846545	1	Step	
		Ref	<b>LADDER INSTALLATIONS</b>	
	0272228	Ref	<b>Ladder Installations (3394RT)</b>	C
	0272229	Ref	<b>Ladder Installations (4394RT)</b>	D
402	0641406	8	Bolt 1/4-20NC x 3/4	
403	0641608	8	Bolt 3/8-16NC x 1 (4394RT)	
404	3311605	8	Locknut 3/8-16NC (4394RT)	
405	4751600	16	Flatwasher 3/8 Thick (4394RT)	
406	4846569	NLA	Ladder (Use p/n 1001092410) (4394RT)	
407		Ref	Ladder Options:	
407	4846612	2	Ladder (3394RT)	
407	4846612	2	Ladder (4394RT)	
408	4711400	8	Flatwasher 1/4 Narrow	
409	3311405	8	Locknut 1/4-20NC	

# SECTION 2 - GROUND CONTROLS

FIGURE 2-17. HOODS AND LADDERS INSTALLATIONS (SN 0200116736 through 0200191606)



# SECTION 2 - GROUND CONTROLS



## SECTION 2 - GROUND CONTROLS

FIGURE 2-17. HOODS AND LADDERS INSTALLATIONS (SN 0200116736 through 0200191606)

ITEM	PART NUMBER	QTY	DESCRIPTION	REV
	0273788	Ref	<b>HOODS INSTALLATIONS (SN 0200116736 through 0200191606)</b>	B
	0272944	Ref	<b>Engine Side Hood Assembly</b>	I
1	0641608	2	Bolt 3/8-16NC x 1	
2	0641609	13	Bolt 3/8-16NC x 1-1/8	
3	0681816	3	Screw 1/2-13NC x 2	
4	0902831	1	Bracket	
5	1671099	1	Cover, Engine	
7	2600286	1	Hinge	
8	3271805	3	Locknut 1/2-13NC (Grade 8)	
9	3311605	AR	Locknut 3/8-16NC	
9	3311601	AR	Nut 3/8-16NC	
9	3311605	AR	Locknut 3/8-16NC	
10	3311605	16	Locknut 3/8-16NC	
11	3900290	2	Screw 3/8 x 1	
12		Ref	Screw, Shoulder Options:	
12	3900328	1	Screw, Shoulder (Use p/n 0641620) <b>(Prior to SN 0200125739)</b>	
12	0641620	1	Screw, Shoulder <b>(SN 0200125739 through 0200191606)</b>	
13	3960559	1	Seal	
14	4160196	1	Spring, Gas	
15	4711500	2	Flatwasher 5/16 Narrow	
16	4711600	4	Flatwasher 3/8 Narrow	
17	4751400	2	Flatwasher 1/4 <b>(Prior to SN 0200125739)</b>	
18	4751600	16	Flatwasher 3/8 Thick	
19	4846825	1	Weld, Hood Support	
20	4891600	14	Flatwasher 3/8 Hardened	
21	4891800	6	Washer, Hardened 1/2	
22	0641406	8	Bolt, 1/4-20NC x 3/4	
23	0641414	4	Bolt, 1/4-20NC x 1-3/4	
24	2680505	1	Hood, ABS, Nose, Engine Cover	
25	See Note	NSS	Hood, ABS, Main Engine Cover, RT (Note: Use p/n 1001097967)	
26	2820153	1	Insulation, Heat Shield	
27	2820154	1	Insulation, Heat Shield	
28	2820156	1	Insulation, Sound (Low Temp)	
29	2820157	1	Insulation, Sound Absorb	
30	2820158	1	Insulation, Sound Absorb	
32	4846826	1	Weld, Engine Cover Frame	
33	2940147	1	Latch, Rotary "T" Handle	
34	3311405	16	Locknut, 1/4-20NC	
35	3340945	2	Pad, Ladder Slide	
36	4711400	28	Flatwasher, 1/4	
37	2820159	1	Insulation, Sound Absorb	
38	0641405	4	Bolt 1/4-20NC x 5/8	
	2902337	1	Cover Kit - Engine Side (Includes 5, 19 & 32)	
	1001097967	1	Hood Kit - Engine Side (Includes 25 - 28)	
		Ref	<b>Note: Replacement Decals Must be Ordered Separately - See DECAL SECTION.</b>	
	0272945	Ref	<b>Tank Side Hood Assembly</b>	E
101	0641608	2	Bolt 3/8-16NC x 1	
102	0641609	13	Bolt 3/8-16NC x 1-1/8	
103	0681816	3	Bolt 1/2-16NC x 2	

## SECTION 2 - GROUND CONTROLS

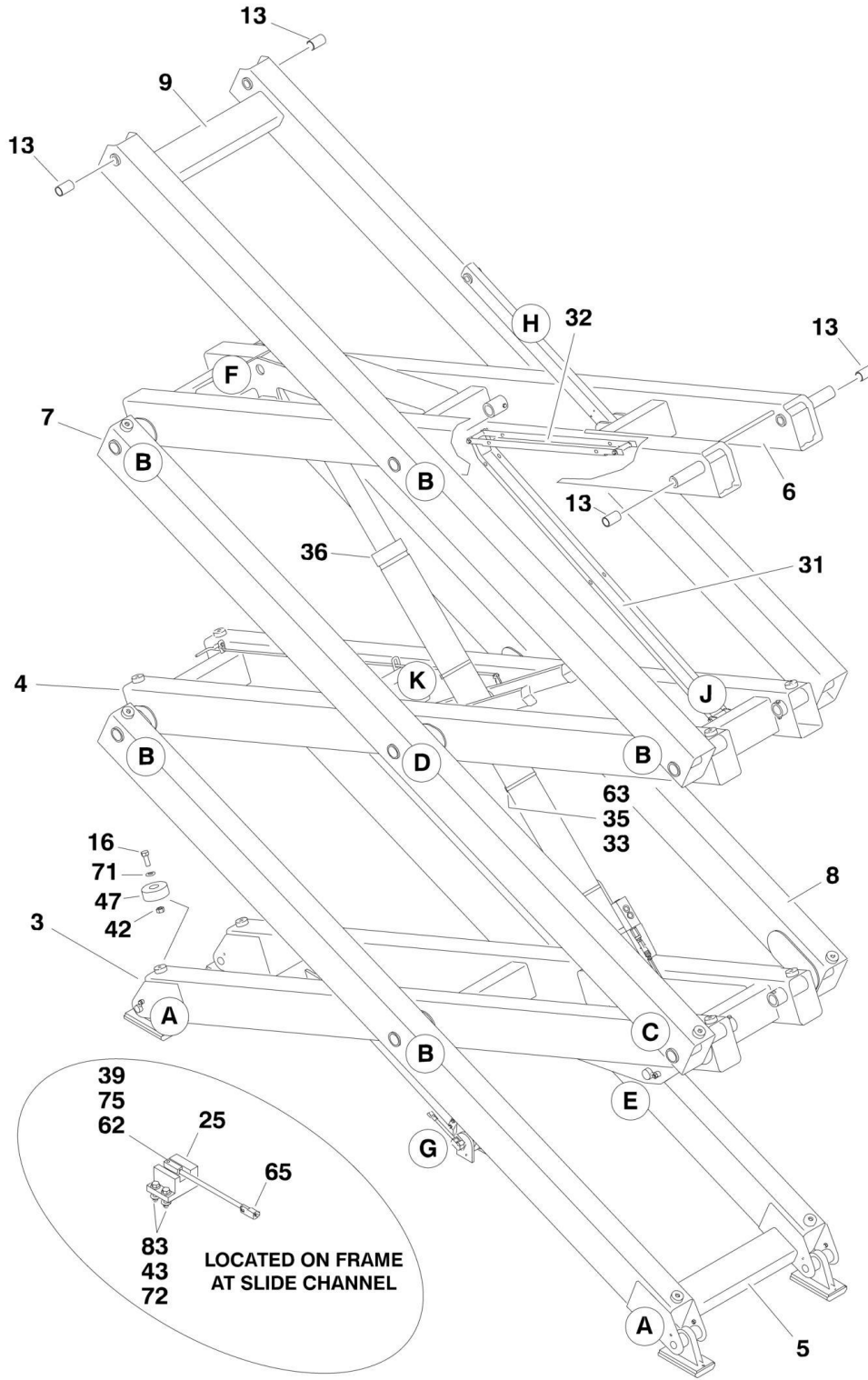
ITEM	PART NUMBER	QTY	DESCRIPTION	REV
104	0902831	1	Bracket	
106	2600286	1	Hinge	
107	3271805	3	Locknut 1/2-13NC (Grade 8)	
108	3311505	AR	Locknut 5/16-18NC	
108	3311605	AR	Locknut 3/8-16NC	
108	3311601	AR	Nut 3/8-16NC	
109	3311605	16	Locknut 3/8-16NC	
110	3380495	1	Panel, Hyd Cover	
111	3900290	2	Screw 3/8 x 1	
112		Ref	Screw, Shoulder Options:	
112	3900328	1	Screw, Shoulder (Use p/n 0641620) <b>(Prior to SN 0200125739)</b>	
112	0641620	1	Screw, Shoulder <b>(SN 0200125739 through 0200191606)</b>	
113	3960559	1	Seal	
114	4160196	1	Spring, Gas	
115	4711500	2	Flatwasher 5/16 Narrow	
116	4711600	4	Flatwasher 3/8 Narrow	
117	4751400	2	Flatwasher 1/4 <b>(Prior to SN 0200125739)</b>	
118	4751600	16	Flatwasher 3/8 Thick	
119	4846825	1	Weld, Hood Support	
120	4891600	14	Flatwasher 3/8 Hardened	
121	4891800	6	Flatwasher 1/2 Hardened	
122	0641406	8	Bolt, 1/4-20NC x 3/4	
123	0641414	4	Bolt, 1/4-20NC x 1-3/4	
124	2680508	1	Hood, ABS, Nose, Hydraulic Compartment	
125	2680519	1	Hood, Main Hydraulic Compartment, RT	
127	4846827	1	Weld, Hyd Compartment Cover Frame	
128	2940147	1	Latch, Rotary "T" Handle	
129	3311405	16	Locknut, 1/4-20NC	
130	3340945	2	Pad, Ladder Slide	
131	4711400	28	Flatwasher, 1/4	
132	0641405	4	Bolt 1/4-20NC x 5/8	
	2902338	1	Cover Kit - Tank Side (Includes 110, 119 & 127)	
		Ref	<b>Note: Replacement Decals Must be Ordered Separately - See DECAL SECTION.</b>	
		Ref	<b>LADDER INSTALLATIONS</b>	
	0272228	Ref	<b>Ladder Installations (3394RT)</b>	C
	0272229	Ref	<b>Ladder Installations (4394RT)</b>	D
202	0641406	8	Bolt 1/4-20NC x 3/4	
203	0641608	8	Bolt 3/8-16NC x 1 (4394RT)	
204	3311605	8	Locknut 3/8-16NC (4394RT)	
205	4751600	16	Flatwasher 3/8 Thick (4394RT)	
206		Ref	Ladder Options (4394RT)	
206	4846569	NLA	Ladder (Use p/n 1001092410) (4394RT) <b>(Prior to SN 0200166189)</b>	
206	1001092410	2	Ladder (4394RT) <b>(SN 0200166189 through 0200191606)</b>	
207		Ref	Ladder Options:	
207	4846611	2	Ladder (3394RT)	
207	4846612	2	Ladder (4394RT)	
208	4711400	8	Flatwasher 1/4 Narrow	
209	3311405	8	Locknut 1/4-20NC	



**SECTION 3 - SCISSOR ARMS**

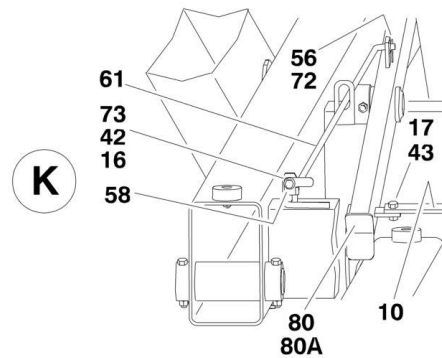
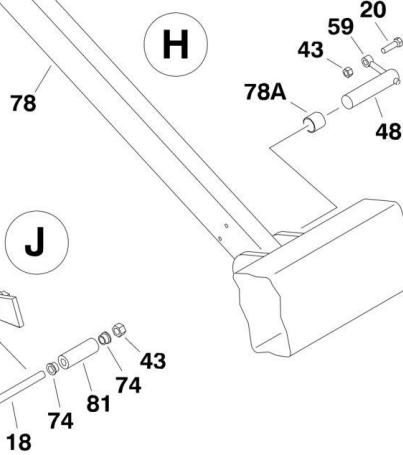
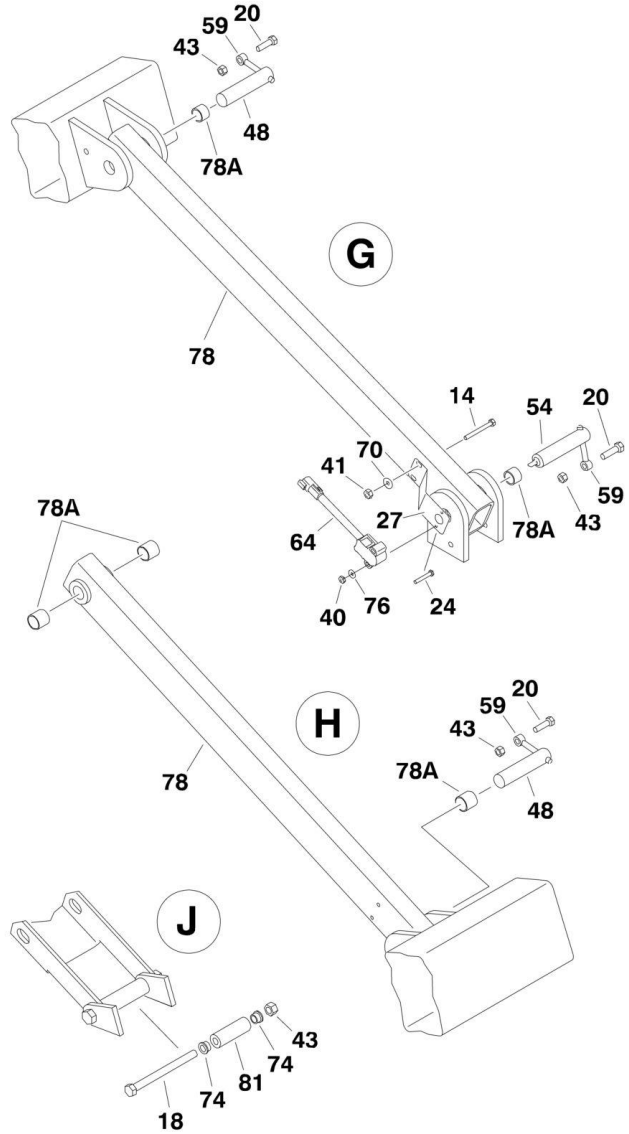
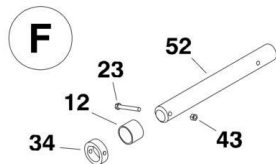
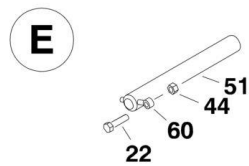
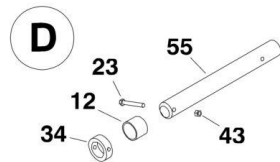
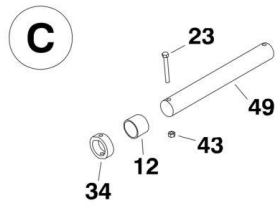
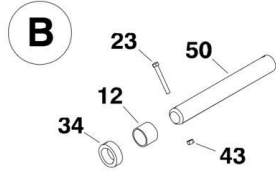
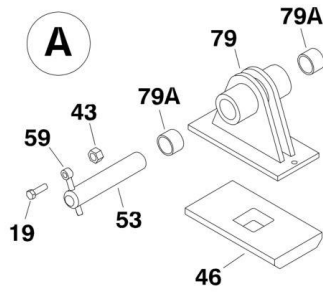
# SECTION 3 - SCISSOR ARMS

## FIGURE 3-1. SCISSORS ARMS INSTALLATION (3394RT)





# SECTION 3 - SCISSOR ARMS



# SECTION 3 - SCISSOR ARMS

## FIGURE 3-1. SCISSORS ARMS INSTALLATION (3394RT)

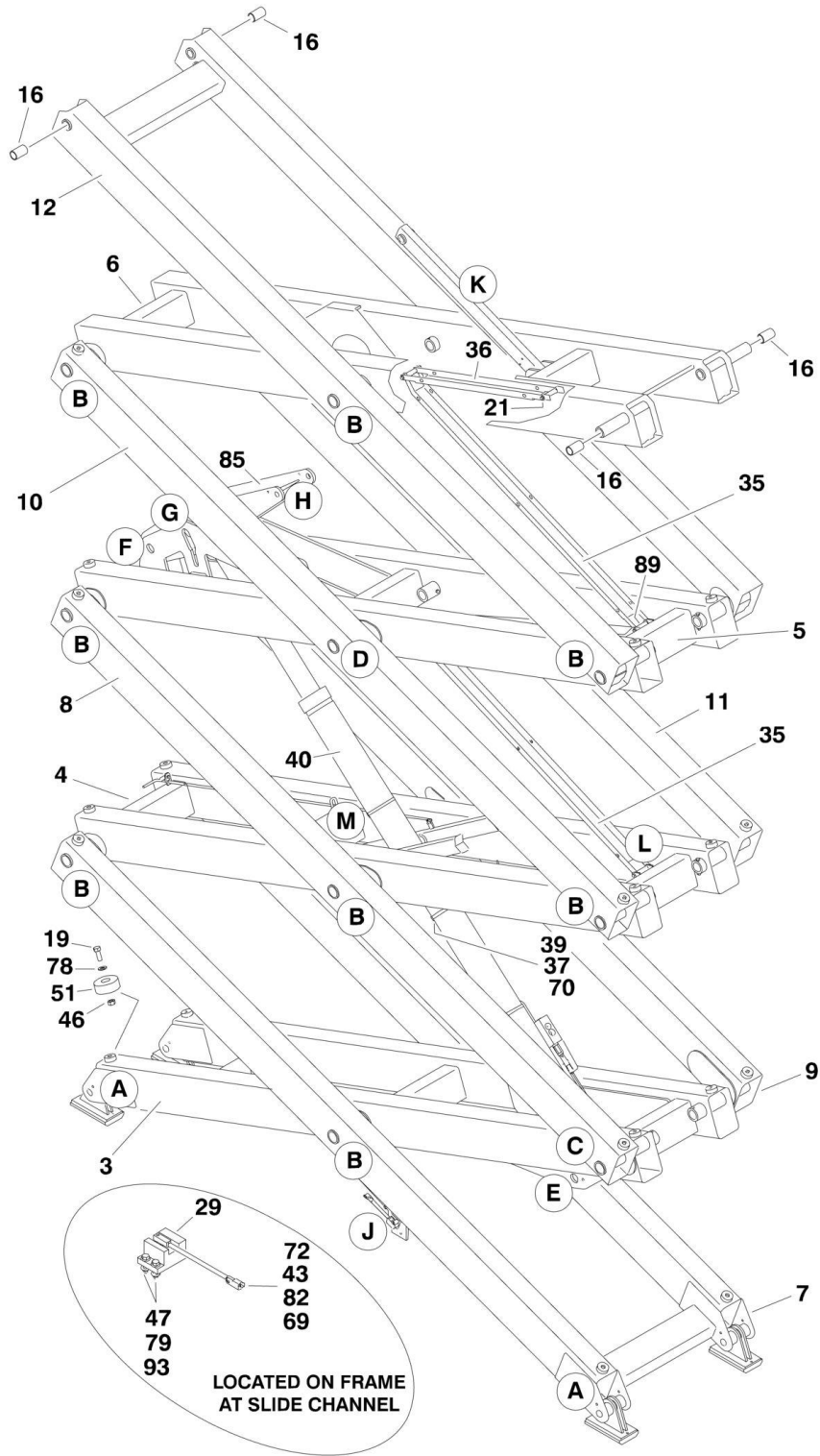
ITEM	PART NUMBER	QTY	DESCRIPTION	REV
	0271497	Ref	<b>SCISSOR ARMS INSTALLATIONS</b>	J
	0275483	Ref	<b>SCISSOR ARMS ASSEMBLY</b>	A
3	0200712	1	Arm - Lower Inboard	
4	0200713	1	Arm - Mid Inboard	
5	0200716	1	Arm - Lower Outboard	
6	0200717	1	Arm - Upper Inboard	
7	0200718	1	Arm - Mid Outboard (Left Side)	
8	0200719	1	Arm - Mid Outboard (Right Side)	
9	0200723	1	Arm - Upper Outboard	
10	0363050	1	Bar, Prop Attach	
12	0440236	28	Bearing	
13	0440250	4	Bearing	
14	0641420	2	Bolt 1/4-20NC x 2-1/2	
16	0641507	1	Bolt 5/16-18NC x 7/8	
17	0641607	2	Bolt 3/8-16NC x 7/8	
18	0641632	3	Bolt 3/8-16NC x 4	
19	0641610	4	Bolt 3/8-16NC x 1-1/4	
20	0641611	3	Bolt 3/8-16NC x 1-3/8	
22	0641813	1	Bolt 1/2-13NC x 1-5/8	
23	0630557	29	Bolt 3/8-16NC x 3	
24	0721010	2	Screw #10-24NC x 1-1/4	
25	3200447	1	Mount, Proximity Switch	
27	0902774	1	Bracket, Switch Mounting	
31	1180371	1	Carrier, Cable	
32	1180372	1	Carrier, Cable	
33	1320122	3	Clamp	
34	1440331	14	Collar	
35	1670995	3	Cover, Hose/Cable	
36		Ref	Lift Cylinder Assembly (See CYLINDER SECTION for Breakdown)	
36	1684147	NLA	Lift Cylinder Assembly (Use p/n 1684332) <b>(Prior to SN 0200114765)</b>	
36	1684332	1	Lift Cylinder Assembly <b>(SN 0200114765 through 0200191606)</b>	
39	3300455	2	Locknut, Stainless #10-24NC	
40	3311005	2	Locknut #10-24NC	
41	3311405	2	Locknut 1/4-20NC	
42	3311505	16	Locknut 5/16-18NC	
43	3311605	43	Locknut 3/8-16NC	
44	3311805	1	Locknut 1/2-13NC	
46	3340935	4	Pad, Slide	
47	3340929	16	Pad, Arm	
48	3422943	2	Pin	
49	3422944	2	Pin	
50	3422945	10	Pin	
51	3422946	1	Pin	
52	3422954	1	Pin	
53	3422961	4	Pin	
54	3422963	1	Pin	
55	3422965	2	Pin	
56	3450304	1	Pin, Cotter 3/32 x 1	
58	3573370	1	Plate, Rod Keeper	

## SECTION 3 - SCISSOR ARMS

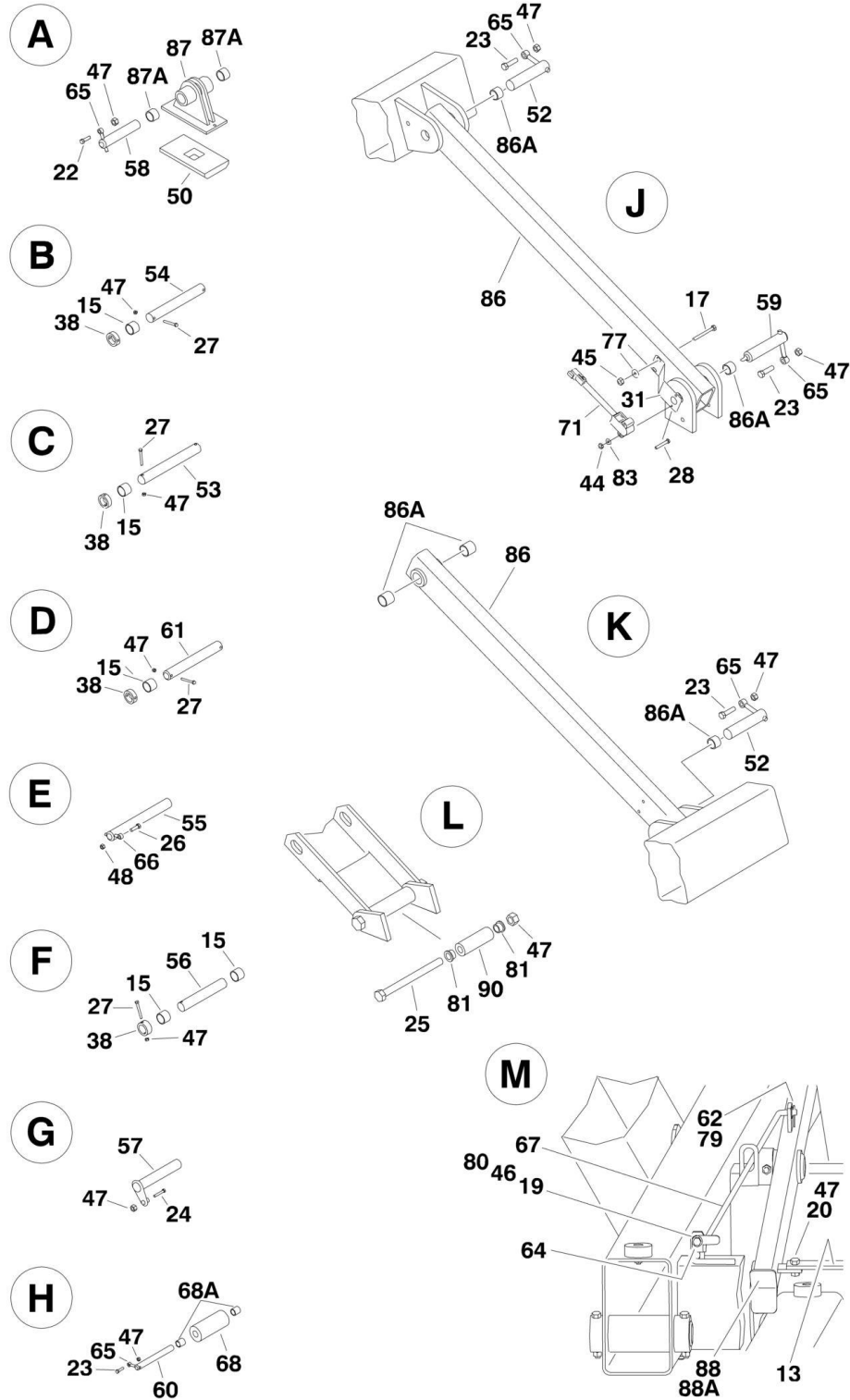
ITEM	PART NUMBER	QTY	DESCRIPTION	REV
59	3841143	7	Keeper, Pin	
60	3841203	1	Keeper, Pin	
61	3841556	1	Rod, Prop Actuator	
62	3900325	2	Screw, Stainless #10-24NC	
63	4280295	18 in /46cm	Strip, Protector	
64	4360500	1	Switch, Rotary Angle Sensor	
65	4360502	1	Switch, Proximity Sensor	
70	4711400	2	Flatwasher 1/4 Narrow	
71	4711500	16	Flatwasher 5/16 Narrow	
72	4711600	5	Flatwasher 3/8 Narrow	
73	4740455	2	Washer, Nylon Shoulder	
74	0962031	8	Bushing, Flanged	
75	4740506	2	Washer, Stainless#10	
76	4751000	2	Flatwasher #10	
78	0272209	2	Link, Attach	
78A	0962474	8	Bushing (Qty 4 per Link)	
79	0272210	NLA	Slider (Use p/n 1001099623)	
79A	0440234	4	Bearing (Qty 2 per Slider)	
80	0272211	2	Prop, Safety	
80A	0961388	2	Bushing (Qty 1 per Prop)	
81	0962446	4	Spacer	
83	0641612	2	Bolt 3/8-16NC x 1-1/2	
84	2110808	1	Fitting, Straight (Not Shown - See HYDRAULIC SECTION for fitting) <b>(SN 0200152397 through 0200191606)</b>	
85	2131008	1	Fitting, 90 (Not Shown - See HYDRAULIC SECTION for fitting) <b>(SN 0200152397 through 0200191606)</b>	
86	2753793	1	Hose (Not Shown - See HYDRAULIC SECTION for fitting) <b>(SN 0200152397 through 0200191606)</b>	
87	2753794	1	Hose (Not Shown - See HYDRAULIC SECTION for fitting) <b>(SN 0200152397 through 0200191606)</b>	
88	1060866	1	Cable, 12/3 (220 Volt) (Not Shown - See ELECTRICAL SECTION for Cable)	
89	4923309	1	Ground to Platform Module Harness (Not Shown - See ELECTRICAL SECTION for Cable) <b>(SN 0200152397 through 0200191606)</b>	
90	4240033	AR	Strap, Tie <b>(SN 0200152397 through 0200191606)</b>	
	2902062	1	Scissor Arm Kit (Includes Items 3-9) (3394RT)	
	2902149	1	Arm Components Kit (Includes Items 3-9, 12, 13, 16, 31, 32, 42, 47, 71, 78 & 80)	6

# SECTION 3 - SCISSOR ARMS

## FIGURE 3-2. SCISSORS ARMS INSTALLATION (4394RT)



# SECTION 3 - SCISSOR ARMS



# SECTION 3 - SCISSOR ARMS

## FIGURE 3-2. SCISSORS ARMS INSTALLATION (4394RT)

ITEM	PART NUMBER	QTY	DESCRIPTION	REV
	0271498	Ref	<b>SCISSOR ARMS INSTALLATION</b>	J
	0275484	Ref	<b>SCISSOR ARMS ASSEMBLY</b>	A
3	0200712	1	Arm - Lower Inboard	
4	0200713	1	Arm - Upper Mid Inboard	
5	0200714	1	Arm - Upper Mid Inboard	
6	0200715	1	Arm - Upper Inboard	
7	0200716	1	Arm - Lower Outboard	
8	0200718	1	Arm - Lower Mid Outboard (Left Side)	
9	0200719	1	Arm - Lower Mid Outboard (Right Side)	
10	0200720	1	Arm - Upper Mid Outboard (Left Side)	
11	0200721	1	Arm - Upper Mid Outboard (Right Side)	
12	0200722	1	Arm - Upper Outboard	
13	0363050	1	Bar, Prop Attach	
15	0440236	42	Bearing	
16	0440250	4	Bearing	
17	0641420	2	Bolt 1/4-20NC x 2-1/2	
19	0641507	25	Bolt 5/16-18NC x 7/8	
20	0641607	2	Bolt 3/8-16NC x 7/8	
21	0641636	1	Bolt 3/8-16NC x 4-1/2	
22	0641610	4	Bolt 3/8-16NC x 1-1/4	
23	0641611	4	Bolt 3/8-16NC x 1-3/8	
24	0681618	1	Bolt 3/8-16NC x 2-1/4 (Grade 8)	
25	0641632	4	Bolt 3/8-16NC x 4	
26	0641813	1	Bolt 1/2-13NC x 1-5/8	
27	0630557	41	Bolt 3/8-16NC x 3	
28	0721010	2	Screw #10-24NC x 1-1/4	
29	3200447	1	Bracket, Proximity Switch Mounting	
31	0902774	1	Bracket, Switch Mounting	
35	1180371	3	Carrier, Cable	
36	1180372	1	Carrier, Cable	
37	1320122	3	Clamp	
38	1440331	20	Collar	
39	1670995	3	Cover, Hose/Cable	
40		Ref	Lift Cylinder Assembly (See CYLINDER SECTION for Breakdown)	
40	1684147	NLA	Lift Cylinder Assembly (Use p/n 1684332) <b>(Prior to SN 0200114765)</b>	
40	1684332	1	Lift Cylinder Assembly <b>(SN 0200114765 through 0200191606)</b>	
43	3300455	2	Locknut, Stainless #10-24NC	
44	3311005	2	Locknut #10-24NC	
45	3311405	2	Locknut 1/4-20NC	
46	3311505	25	Locknut 5/16-18NC	
47	3311605	59	Locknut 3/8-16NC	
48	3311805	1	Locknut 1/2-13NC	
50	3340935	4	Pad, Slide	
51	3340929	24	Pad, Arm	
52	3422943	2	Pin	
53	3422944	2	Pin	
54	3422945	16	Pin	
55	3422946	1	Pin	
56	3422948	1	Pin	

## SECTION 3 - SCISSOR ARMS

ITEM	PART NUMBER	QTY	DESCRIPTION	REV
57	3422952	1	Pin	
58	3422961	4	Pin	
59	3422963	1	Pin	
60	3422964	1	Pin	
61	3422965	2	Pin	
62	3450304	1	Pin, Cotter 3/32 x 1	
64	3573370	1	Plate, Rod Keeper	
65	3841143	8	Keeper, Pin	
66	3841203	1	Keeper, Pin	
67	3841556	1	Rod, Prop Actuator	
68	3860102	1	Roller	
68A	0962356	2	Bearing	
69	3900306	2	Screw, Stainless #10-24NC x 1/2	
70	4280295	18 in /46cm	Strip, Protector	
71	4360500	1	Switch, Rotary Angle Sensor	
72	4360502	1	Switch, Proximity Sensor	
77	4711400	2	Flatwasher 1/4 Narrow	
78	4711500	24	Flatwasher 5/16 Narrow	
79	4711600	5	Flatwasher 3/8 Narrow	
80	4740455	2	Washer, Nylon Shoulder	
81	0962031	16	Bushing, Flanged	
82	4740506	2	Washer, Stainless#10	
83	4751000	2	Flatwasher #10	
85	4846460	1	Kicker, Arm	
86	0272209	2	Link, Attach	
86A	0962474	8	Bushing (Qty 4 per Link)	
87	0272210	NLA	Slider (Use p/n 1001099623)	
87A	0440234	4	Bearing (Qty 2 per Slider)	
88	0272211	2	Prop, Safety	
88A	0961388	2	Bushing (Qty 1 per Prop)	
89	0962445	1	Spacer	
90	0962446	4	Spacer	
93	0641612	2	Bolt 3/8-16NC x 1-1/2	
94	1060907	1	Cable, 12/3 (220 Volt) (Not Shown - See ELECTRICAL SECTION for Cable)	
95	2110808	1	Fitting, Straight (Not Shown - See HYDRAULIC SECTION for fitting) (SN 0200152397 through 0200191606)	
96	2131008	1	Fitting, 90 (Not Shown - See HYDRAULIC SECTION for fitting) (SN 0200152397 through 0200191606)	
97	2753793	1	Hose (Not Shown - See HYDRAULIC SECTION for fitting) (SN 0200152397 through 0200191606)	
98	2753794	1	Hose (Not Shown - See HYDRAULIC SECTION for fitting) (SN 0200152397 through 0200191606)	
99	4923308	1	Ground to Platform Module Harness (Not Shown - See ELECTRICAL SECTION for Cable) (SN 0200152397 through 0200191606)	
100	4240033	AR	Strap, Tie (SN 0200152397 through 0200191606)	
	2902063	1	Scissor Arm Kit (Includes Items 3-12) (4394RT)	
	2902150	1	Arm Components Kit (Includes Items 3-12, 15, 16, 19, 35, 36, 46, 51, 78, 79, 85, 86 & 88)	6

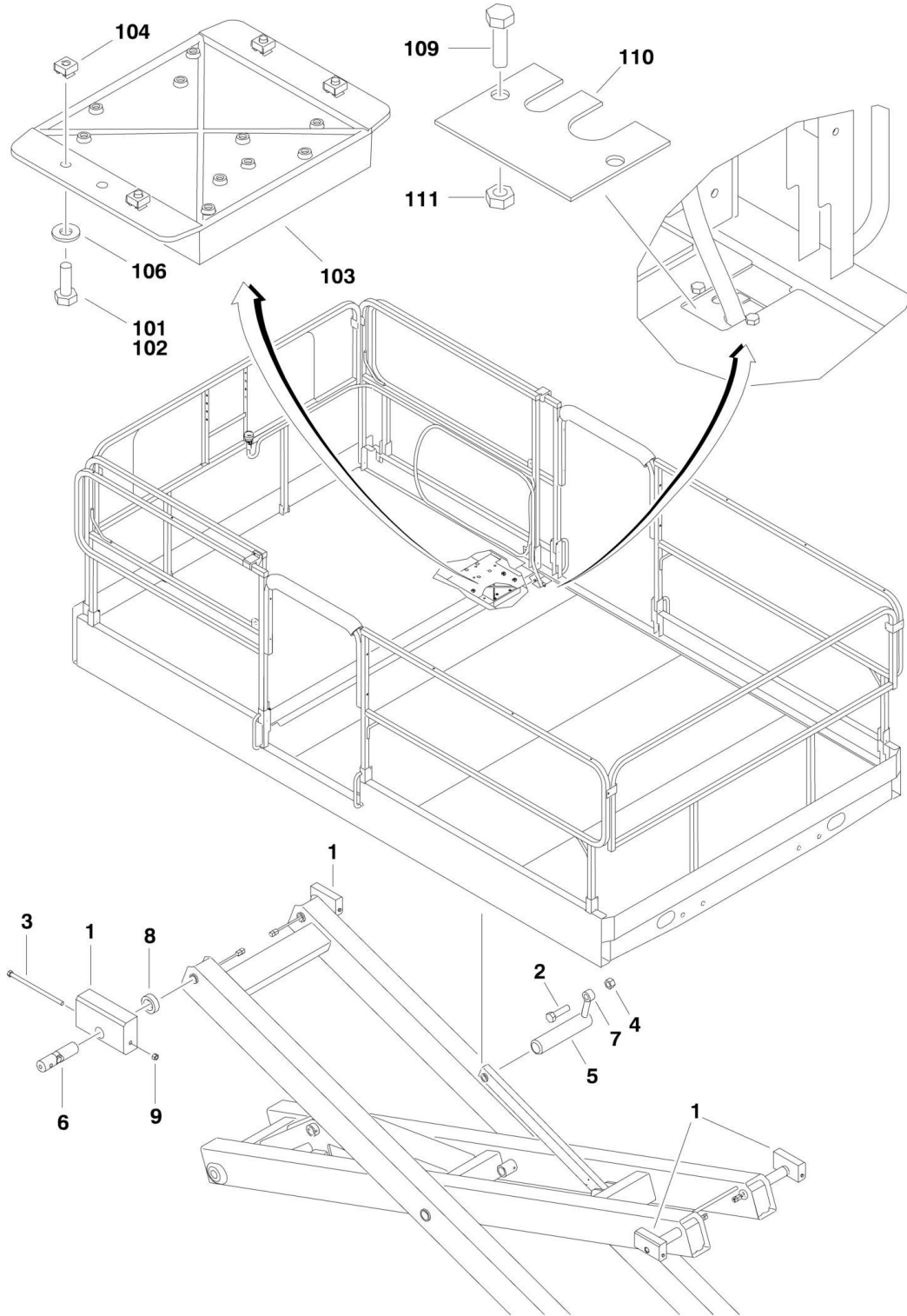




**SECTION 4 - PLATFORM**

# SECTION 4 - PLATFORM

## FIGURE 4-1. PLATFORM ATTACH AND MODULE INSTALLATIONS



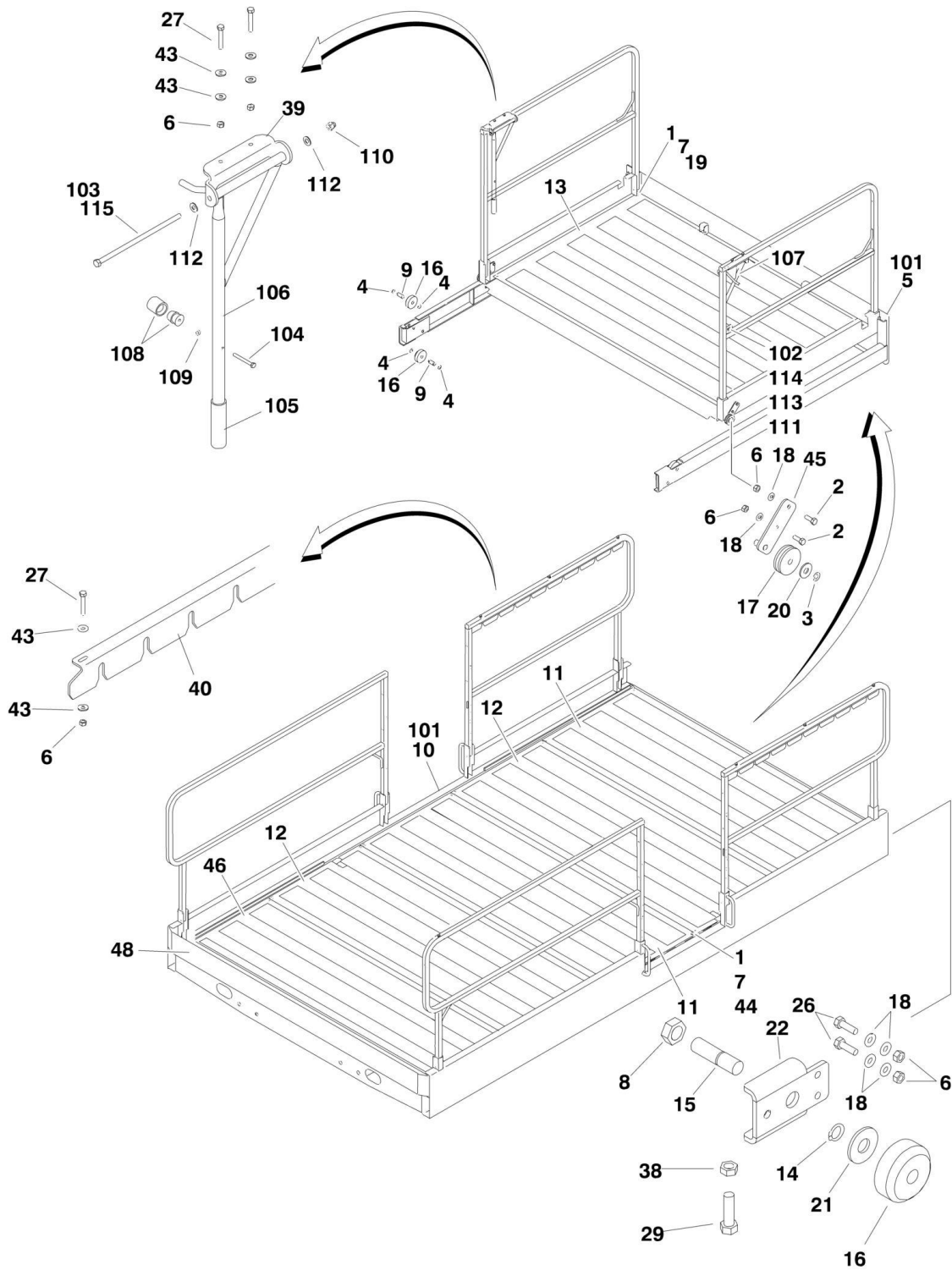
## SECTION 4 - PLATFORM

**FIGURE 4-1. PLATFORM ATTACH AND MODULE INSTALLATIONS**

ITEM	PART NUMBER	QTY	DESCRIPTION	REV
		Ref	<b>PLATFORM ATTACH INSTALLATIONS</b>	
	0271682	Ref	<b>Standard Platform</b>	B
	See Note	Ref	<b>Platform with Load Management System (Note: See JLG Supplement p/n 3124288 for Components.)</b>	
1	0561489	4	Block, Slide	
2	0641611	1	Bolt 3/8-16NC x 1 3/8	
3		Ref	Bolt Options:	
3	0641660	4	Bolt 3/8-16NC x 7 1/2 <b>(Prior to SN 0200152397)</b>	
3	0701037	4	Bolt (Metric) 10 X 200 <b>(SN 0200152397 through 0200191606)</b>	
4	3311605	1	Locknut 3/8-16NC	
5	3422943	1	Pin	
6		Ref	Pin Options:	
6		Ref	Standard Platform	
6	3422962	4	Pin <b>(Prior to SN 0200152397)</b>	
6	3423049	4	Pin <b>(SN 0200152397 through 0200191606)</b>	
6	See Note	4	Platform with Load Management System (Note: See JLG Supplement p/n 3124288 for Components.)	
7	3841143	1	Keeper, Pin	
8	4568295	4	Tube, Spacer	
9		Ref	Locknut Options:	
9	3311605	4	Locknut 3/8-16NC <b>(Prior to SN 0200152397)</b>	
9	3291005	4	Locknut (Metric) M10 x 1.5 <b>(SN 0200152397 through 0200191606)</b>	
		Ref	<b>PLATFORM MODULE INSTALLATION</b>	
	0271708	Ref	<b>Platform Module Installation (3394RT)</b>	D
	0271709	Ref	<b>Platform Module Installation (4394RT)</b>	D
101	0100011	AR	Locking, Compound	
102	0641406	4	Bolt 1/4-20NC x 3/4	
103	1600336	1	Module, Platform	
104	3300182	4	Nut, Retainer 1/4-20NC	
105	4240035	25	Tie-Strap (Not Shown)	
106	4711400	4	Flatwasher 1/4 Narrow	
109	0641404	2	Bolt 1/4-20NC x 1/2	
110	1670988	1	Cover, Cable Access	
111	3311405	2	Locknut 1/4-20NC	

# SECTION 4 - PLATFORM

## FIGURE 4-2. MANUAL SINGLE DECK EXTENSION AND PLATFORM ASSEMBLY



## SECTION 4 - PLATFORM

**FIGURE 4-2. MANUAL SINGLE DECK EXTENSION AND PLATFORM ASSEMBLY**

ITEM	PART NUMBER	QTY	DESCRIPTION	REV
	0271700	Ref	<b>MANUAL SINGLE DECK EXTENSION AND PLATFORM ASSEMBLIES</b>	N
		Ref	<b>Note: Replacement Decals Must be Ordered Separately - See DECALS SECTION.</b>	
1	0630485	24	Bolt, Carriage	
2	0641507	4	Bolt 5/16-18NC x 7/8	
3	1380150	2	E-Clip 1/2	
4	1380151	8	E-Clip 3/4	
5	2020006	1	Deck, Extension	
6	3311505	18	Locknut 5/16-18NC	
7	3300472	24	Nut, Acorn 3/8-16NC	
8	3322202	2	Nut, Jam	
9	3422966	4	Pin	
10		Ref	Platform Weldment Options:	
10	3510806	1	Platform <b>(Prior to SN 0200141094)</b>	
10	3510878	1	Platform <b>(SN 0200141094 through 0200191606)</b>	
11	0272241	2	Plate, Floor	
11	4420069	AR	Tape, Safety Tread	
12	0272242	2	Plate, Floor	
12	4420069	AR	Tape, Safety Tread	
13	0272101	1	Plate, Floor	
13	4420069	AR	Tape, Safety Tread	
14	3760348	2	Ring, Retaining	
15	3841233	2	Rod, Roller	
16	3860059	6	Roller, Extension	
17		Ref	Roller Options:	
17	3860100	NLA	Roller (Use p/n 1001097107) <b>(Prior to SN 0200178257)</b>	
17	1001096984	2	Roller <b>(SN 0200178257 through 0200191606)</b>	
18	4711500	12	Flatwasher 5/16 Narrow	
19	4711600	4	Flatwasher 3/8 Narrow	
20		Ref	Washer Options:	
20	4751800	2	Washer <b>(Prior to SN 0200178257)</b>	
20	1001096985	2	Washer <b>(SN 0200178257 through 0200191606)</b>	
21	4752200	2	Flatwasher 3/4 Wide	
22	4846519	2	Support, Roller	
23	0100048	AR	Grease, Dielectric (Not Shown)	
26	0641508	4	Bolt 5/16-18NC x 1	
27	0641516	10	Bolt 5/16-18NC x 2	
29	0641814	2	Bolt 1/2-13NC x 1-3/4	
38	3311802	2	Nut, Jam 1/2-13NC	
39	3537609	2	Plate, Pivot	
40	3573438	2	Plate, Latch	
43	4751500	20	Flatwasher 5/16 Wide	
44	4751600	20	Flatwasher 3/8 Wide	
45		Ref	Mount, Roller Options:	
45	4846517	NLA	Mount (Use p/n 1001097107) <b>(Prior to SN 0200178257)</b>	
45	1001096983	2	Mount <b>(SN 0200178257 through 0200191606)</b>	
46	0272243	1	Plate, Floor	
47	4420066	82 ft/25m	Tape, Double Sided (Not Shown - Located Between Floor Plates and Platform Weldment)	

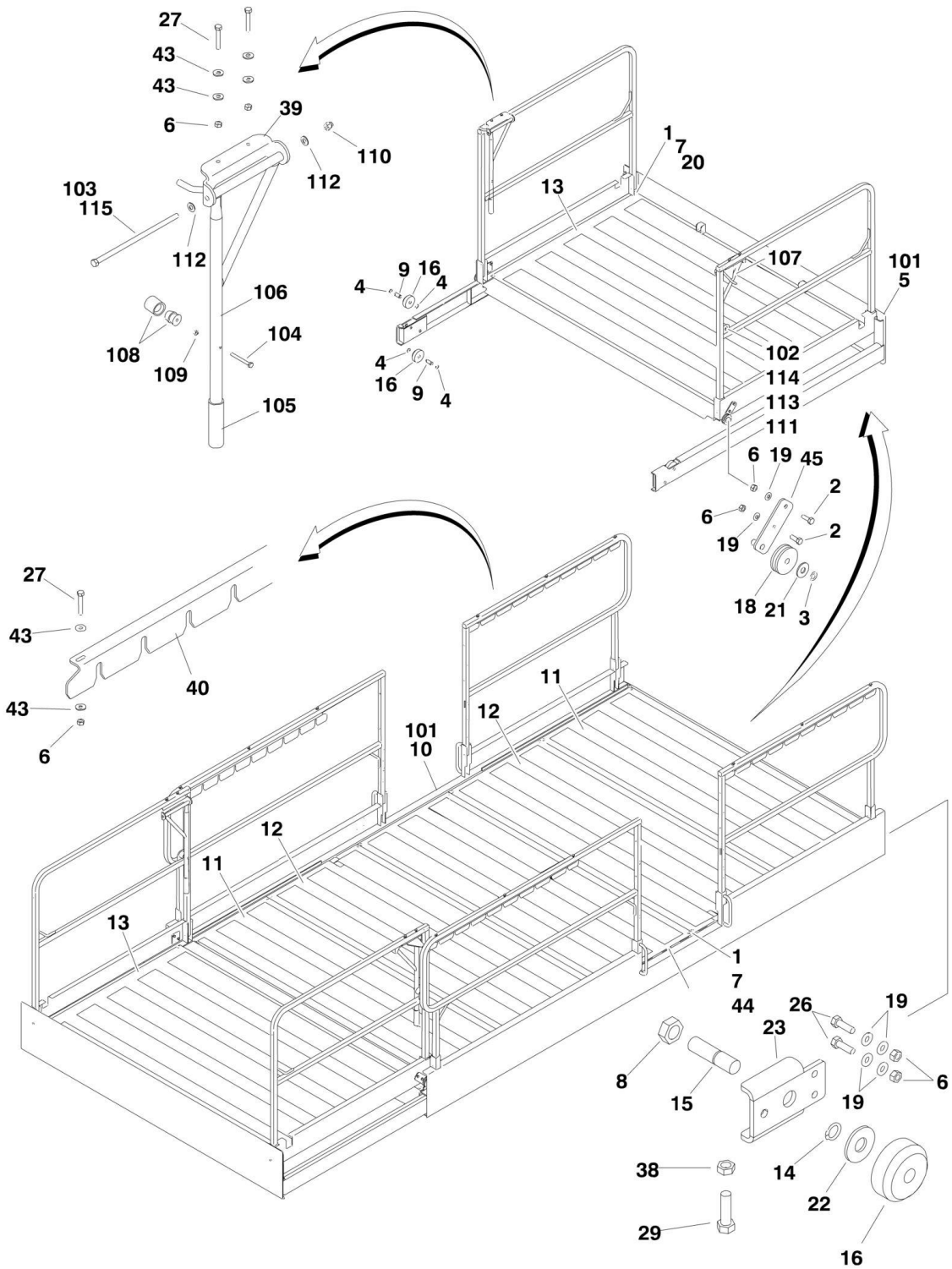
## SECTION 4 - PLATFORM

ITEM	PART NUMBER	QTY	DESCRIPTION	REV
48	4846556		Kickplate	
	0275196	Ref	<b>MANUAL SINGLE DECK EXTENSION</b>	B
101	0271700	1	Platform and Extension (See Items 1 - 48 for Breakdown)	
102	0641406	2	Bolt 1/4-20NC x 3/4	
103	0641676	2	Bolt 3/8-16NC x 9-1/2	
104	0700619	2	Bolt, Metric M6 x 55mm	
105	2560088	2	Grip, Handle	
106	2560171	1	Handle (Left)	
107	2560172	1	Handle (Right)	
108	2940127	2	Latch	
109	3290601	2	Nut, Metric M6	
110	3300467	2	Nut, Acorn 3/8-16NC	
111	3311405	2	Locknut 1/4-20NC	
112	4711600	4	Flatwasher 3/8 Narrow	
113	4751400	4	Flatwasher 1/4 Wide	
114	4751600	2	Flatwasher 3/8 Wide	
115	0100011	AR	Locking, Compound	



# SECTION 4 - PLATFORM

## FIGURE 4-3. MANUAL DUAL DECK EXTENSION AND PLATFORM ASSEMBLY





## SECTION 4 - PLATFORM

**FIGURE 4-3. MANUAL DUAL DECK EXTENSION AND PLATFORM ASSEMBLY**

ITEM	PART NUMBER	QTY	DESCRIPTION	REV
	0271704	Ref	<b>MANUAL DUAL DECK EXTENSION AND PLATFORM ASSEMBLIES</b>	N
		Ref	<b>Note: Replacement Decals Must be Ordered Separately - See DECALS SECTION.</b>	
1	0630485	28	Bolt, Carriage	
2	0641507	8	Bolt 5/16-18NC x 7/8	
3	1380150	4	E-Clip 1/2	
4	1380151	16	E-Clip 3/4	
5	2020006	2	Deck, Extension	
6	3311505	36	Locknut 5/16-18NC	
7	3300472	28	Nut, Acorn 3/8-16NC	
8	3322202	4	Nut, Jam	
9	3422966	8	Pin	
10		Ref	Platform Weldment Options:	
10	3510806	1	Platform <b>(Prior to SN 0200141094)</b>	
10	3510878	1	Platform <b>(SN 0200141094 through 0200191606)</b>	
11	0272241	3	Plate, Floor	
11	4420069	AR	Tape, Safety Tread	
12	0272242	2	Plate, Floor	
12	4420069	AR	Tape, Safety Tread	
13	0272101	2	Plate, Floor	
13	4420069	AR	Tape, Safety Tread	
14	3760348	4	Ring, Retaining	
15	3841233	4	Rod, Roller	
16	3860059	12	Roller, Extension	
17	0100048	AR	Grease, Dielectric (Not Shown)	
18		Ref	Roller Options:	
18	3860100	NLA	Roller (Use p/n 1001097107) <b>(Prior to SN 0200182214)</b>	
18	1001096984	4	Roller <b>(SN 0200182214 through 0200191606)</b>	
19	4711500	24	Flatwasher 5/16 Narrow	
20	4711600	8	Flatwasher 3/8 Narrow	
21		Ref	Flatwasher Options:	
21	4751800	4	Flatwasher <b>(Prior to SN 0200182214)</b>	
21	1001096985	4	Flatwasher <b>(SN 0200182214 through 0200191606)</b>	
22	4752200	4	Flatwasher 3/4 Wide	
23	4846519	4	Support, Roller	
26	0641508	8	Bolt 5/16-18NC x 1	
27	0641516	20	Bolt 5/16-18NC x 2	
29	0641814	4	Bolt 1/2-13NC x 1-3/4	
38	3311802	4	Nut, Jam 1/2-13NC	
39	3537609	4	Plate, Pivot	
40	3573438	4	Plate, Latch	
43	4751500	40	Flatwasher 5/16 Wide	
44	4751600	20	Flatwasher 3/8 Wide	
45		Ref	Mount, Roller Options:	
45	4846517	NLA	Mount, Roller (Use p/n 1001097107) <b>(Prior to SN 0200182214)</b>	
45	1001096983	4	Mount, Roller <b>(SN 0200182214 through 0200191606)</b>	
46	4420066	97 ft /29.6m	Tape, Double Sided (Not Shown - Located Between Floor Plates and Platform Weldment)	
	0275197	Ref	<b>MANUAL DUAL DECK EXTENSION</b>	B

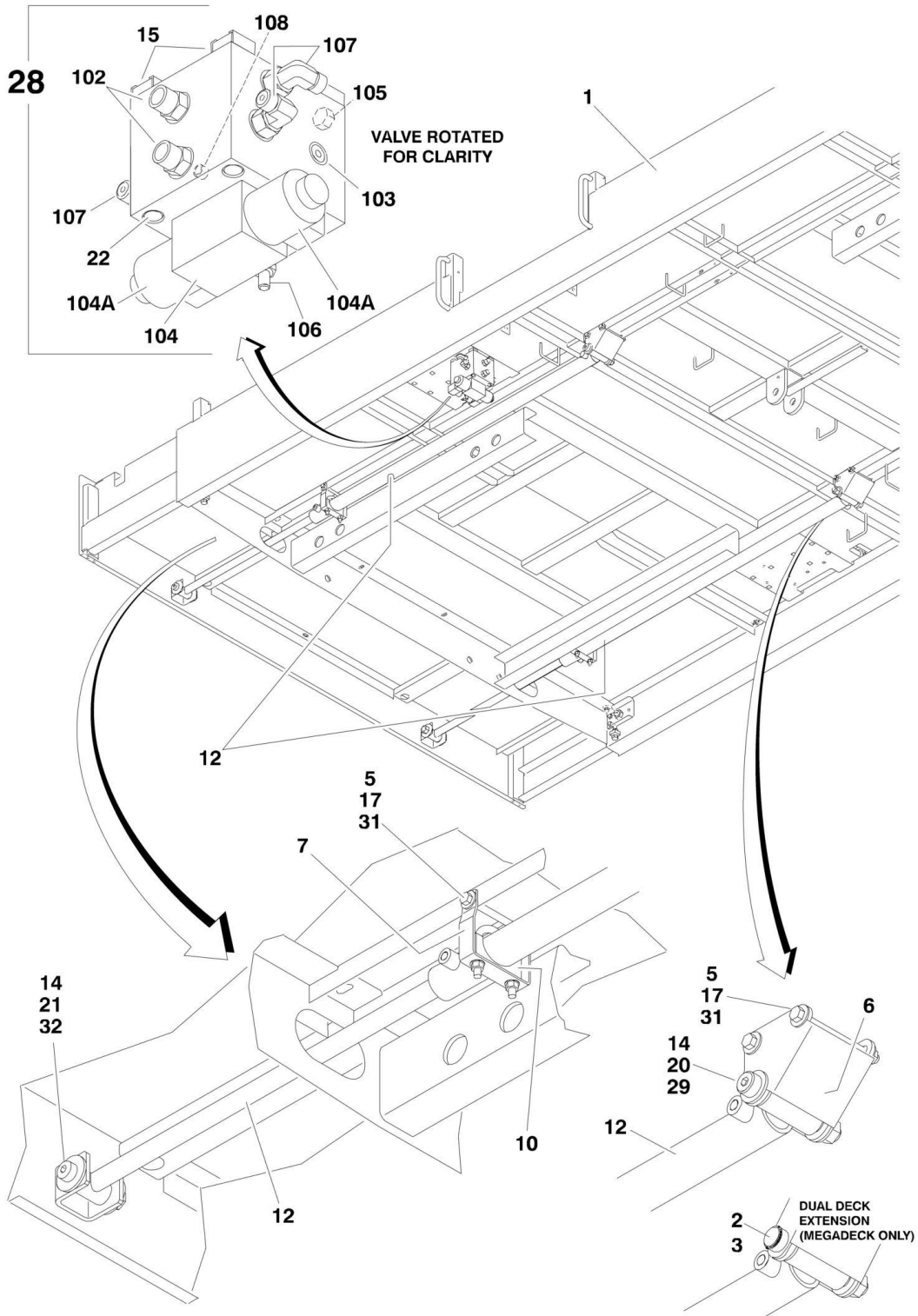
## SECTION 4 - PLATFORM

ITEM	PART NUMBER	QTY	DESCRIPTION	REV
101	0271704	1	Platform and Extension (See Items 1 - 46 for Breakdown)	
102	0641406	4	Bolt 1/4-20NC x 3/4	
103	0641676	4	Bolt 3/8-16NC x 9-1/2	
104	0700619	4	Bolt, Metric M6 x 55mm	
105	2560088	4	Grip, Handle	
106	2560171	2	Handle (Left)	
107	2560172	2	Handle (Right)	
108	2940127	4	Latch	
109	3290601	4	Nut, Metric M6	
110	3300467	4	Nut, Acorn 3/8-16NC	
111	3311405	4	Locknut 1/4-20NC	
112	4711600	8	Flatwasher 3/8 Narrow	
113	4751400	8	Flatwasher 1/4 Wide	
114	4751600	4	Flatwasher 3/8 Wide	
115	0100011	AR	Locking, Compound	

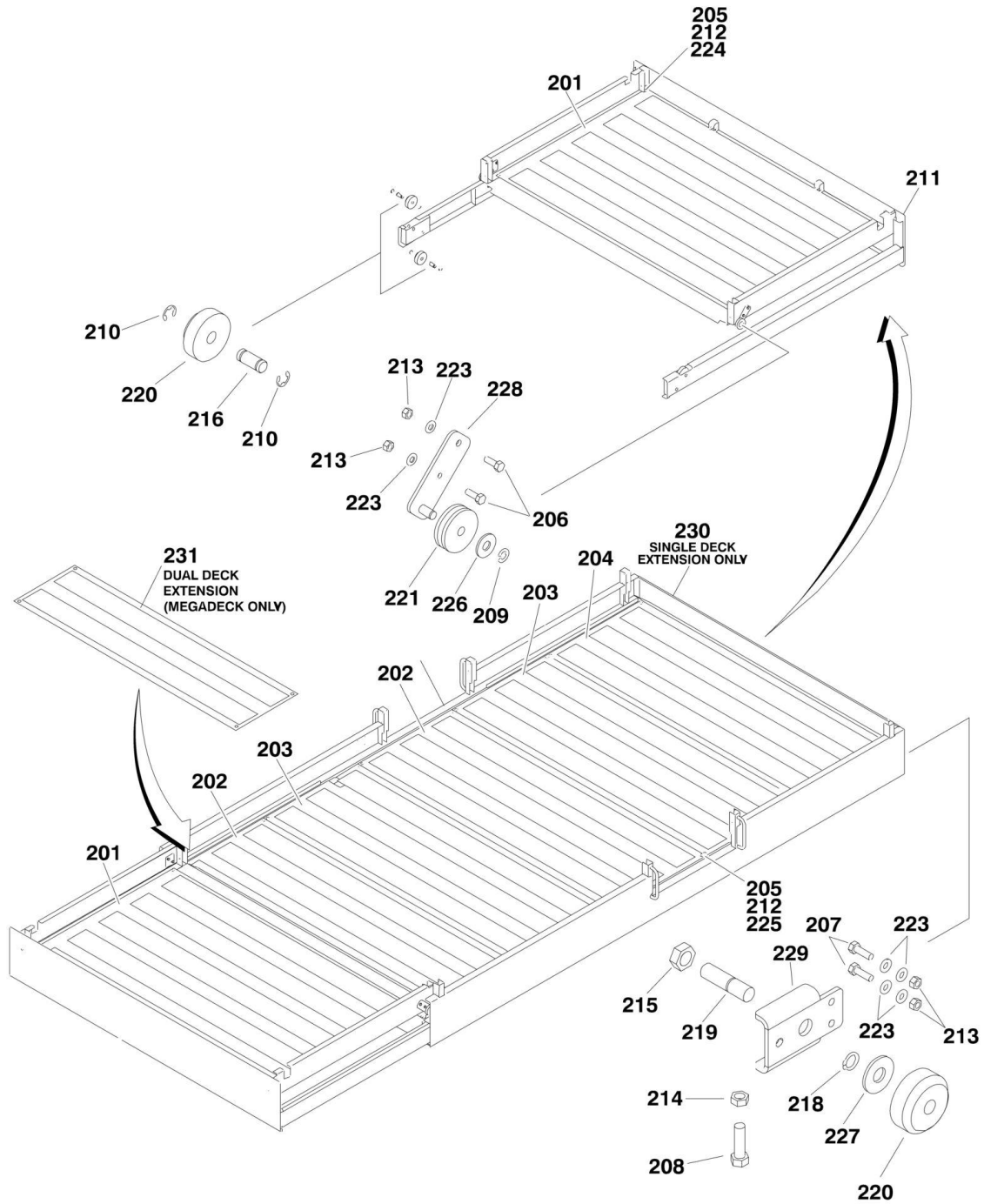


# SECTION 4 - PLATFORM

## FIGURE 4-4. POWER DECK EXTENSION AND PLATFORM ASSEMBLY



# SECTION 4 - PLATFORM



# SECTION 4 - PLATFORM

## FIGURE 4-4. POWER DECK EXTENSION AND PLATFORM ASSEMBLY

ITEM	PART NUMBER	QTY	DESCRIPTION	REV
		Ref	<b>POWER DECK EXTENSION AND PLATFORM ASSEMBLIES</b>	
	0271701	Ref	<b>Power Deck Extension and Platform Assemblies - with Single Deck Extension (Platform Length - 12.6ft/3.8m) (3394RT)</b>	E
	0271705	Ref	<b>Power Deck Extension and Platform Assemblies - with Dual Deck Extension(Platform Length - 12.6ft/3.8m) (3394RT)</b>	E
	0271702	Ref	<b>Power Deck Extension and Platform Assemblies - with Single Deck Extension(Platform Length - 12.6ft/3.8m) (4394RT)</b>	E
	0271706	Ref	<b>Power Deck Extension and Platform Assemblies - with Dual Deck Extension (Platform Length - 12.6ft/3.8m) (4394RT)</b>	E
	0273062	Ref	<b>Power Deck Extension and Platform Assemblies - with Dual Deck Extension (Platform Length - 15.8ft/4.8m) (Megadeck) (3394RT)</b>	E
		Ref	<b>Note: Quantities Shown are for Single Deck Extension. Double Quantity as needed for Dual Deck Extension.</b>	
		Ref	<b>Note: Replacement Decals Must be Ordered Separately - See DECALS SECTION.</b>	
1		Ref	Platform and Deck Extension Assembly (See Items 201 to 230 for Breakdown)	
1	0272605	1	Single Deck Extension (Length - 12.6ft/3.8m)	
1	0272707	1	Dual Deck Extension (Length - 12.6ft/3.8m)	
1	0272990	1	Dual Deck Extension (Length - 15.8ft/4.8m) (Megadeck)	
2	3423052	4	Pin, Tele Barrel - Dual Deck Extension (Length - 15.8ft/4.8m) (Megadeck Only)	
3	3760351	8	Ring, Retaining - Dual Deck Extension (Length - 15.8ft/4.8m) (Megadeck Only)	
5	0641636	6	Bolt 3/8-16NC x 4-1/2	
6	0902838	2	Bracket, Cylinder Attach	
7	0902839	2	Bracket, Hanger	
10	1320019	2	Clamp	
12	1684266	2	Extension Cylinder Assembly (See CYLINDER SECTION for Breakdown)	
14	3272005	4	Locknut 5/8-11NC	
15	3300471	4	Nut, Retainer 3/8-16NC	
17	3311605	6	Locknut 3/8-16NC	
20	3900254	2	Screw, Shoulder	
21	3900330	2	Screw, Shoulder	
22	3931664	4	Capscrew 3/8-16NC x 4	
28		Ref	Valve Assembly Options (See Items 101-107 for Breakdown):	
28	4641219	NLA	Valve (Use p/n 1001092957) <b>(Prior to SN 0200156384)</b>	
28	1001092957	1	Valve <b>(SN 0200156384 through 0200191606)</b>	
29	4712200	4	Flatwasher 3/4 Narrow	
31	4751600	12	Flatwasher 3/8 Wide	
32	4752200	4	Flatwasher 3/4 Wide	
		Ref	<b>VALVE ASSEMBLY</b>	
	4641219	Ref	<b>Valve Assembly (Prior to SN 0200156384)</b>	D
	1001092957	Ref	<b>Valve Assembly (SN 0200156384 through 0200191606)</b>	B
102	2110806	2	Fitting, Straight	
103	2220883	1	Plug	
104		Ref	Control Valve Assembly Options:	
104	70001342	1	Valve (was p/n 7024019) <b>(Prior to SN 0200156384)</b>	
104	7012773	1	Seal Kit - 7024019 Valve	
104	70001342	1	Valve <b>(SN 0200156384 through 0200191606)</b>	

## SECTION 4 - PLATFORM

ITEM	PART NUMBER	QTY	DESCRIPTION	REV
104	See Note	1	Seal Kit - 70001342 Valve (Note: Not Available for Purchase)	
104A	7024013	2	Coil (4641219 Valve Only)	
105	7026002	1	Cartridge	
105	2900770	1	Seal Kit - 7026002 Cartridge	
106		Ref	Cartridge Options:	
106	7024572	1	Cartridge ( <b>Prior to SN 0200156384</b> )	
106	70001343	1	Cartridge ( <b>SN 0200156384 through 0200191606</b> )	
106	7011346	1	Seal Kit	
107	2130406	4	Fitting, 90	
108	7024926	1	Orifice	
		Ref	<b>PLATFORM AND DECK EXTENSION ASSEMBLY</b>	
	0272605	Ref	<b>Single Deck Extension (Length - 12.6ft/3.8m)</b>	F
	0272707	Ref	<b>Dual Deck Extension (Length - 12.6ft/3.8m)</b>	F
	0272990	Ref	<b>Dual Deck Extension (Length - 15.8ft/4.8m) (Megadeck)</b>	I
		Ref	<b>Note: Quantities Shown are for Single Deck Extension. Double Quantity as needed for Dual Deck Extension.</b>	
		Ref	<b>Note: Replacement Decals Must be Ordered Separately - See DECALS SECTION for Breakdown.</b>	
201	0272101	1	Plate, Floor	
201	4420069	30 ft/9m	Tape, Safety Tread	
202	0272241	Ref	Plate, Floor Options:	
202	0272241	2	Single Deck Extension	
202	0272241	3	Dual Deck Extension	
202	4420069	19.5 ft/6m	Tape, Safety Tread	
203	0272242	2	Plate, Floor	
203	4420069	19.5 ft/6m	Tape, Safety Tread	
204		Ref	Plate, Floor Options:	
204	0272243	1	Single Deck Extension	
204	0272241	1	Dual Deck Extension	
204	4420069	19.5 ft/6m	Tape, Safety Tread	
205	0630485	24	Bolt, Carriage	
206	0641507	4	Bolt 5/16-18NC x 7/8	
207	0641508	4	Bolt 5/16-18NC x 1	
208	0641814	2	Bolt 1/2-13NC x 1-3/4	
209	1380150	2	E-Clip 1/2	
210	1380151	8	E-Clip 3/4	
211	2020006	1	Deck, Extension	
212	3300472	24	Nut, Acorn 3/8-16NC	
213	3311505	8	Locknut 5/16-18NC	
214	3311802	2	Nut, Jam 1/2-13NC	
215	3322202	2	Nut, Jam	
216	3422966	4	Pin	
217		Ref	Platform Weldment Options:	
217		Ref	Single and Dual Deck Extension (Length - 12.6ft/3.8m)	
217	3510806	1	Standard Extension ( <b>Prior to SN 0200141094</b> )	
217	3510878	1	Standard Extension ( <b>SN 0200141094 through 0200191606</b> )	
217		Ref	Dual Deck Extension (Length - 15.8ft/4.8m) (Megadeck)	
217	3510842	1	Megadeck Extension ( <b>Prior to SN 0200141094</b> )	
217	3510879	1	Megadesk Extension ( <b>SN 0200141094 through 0200191606</b> )	
218	3760348	2	Ring, Retaining	
219	3841233	2	Rod, Roller	
220	3860059	6	Roller, Extension	

## SECTION 4 - PLATFORM

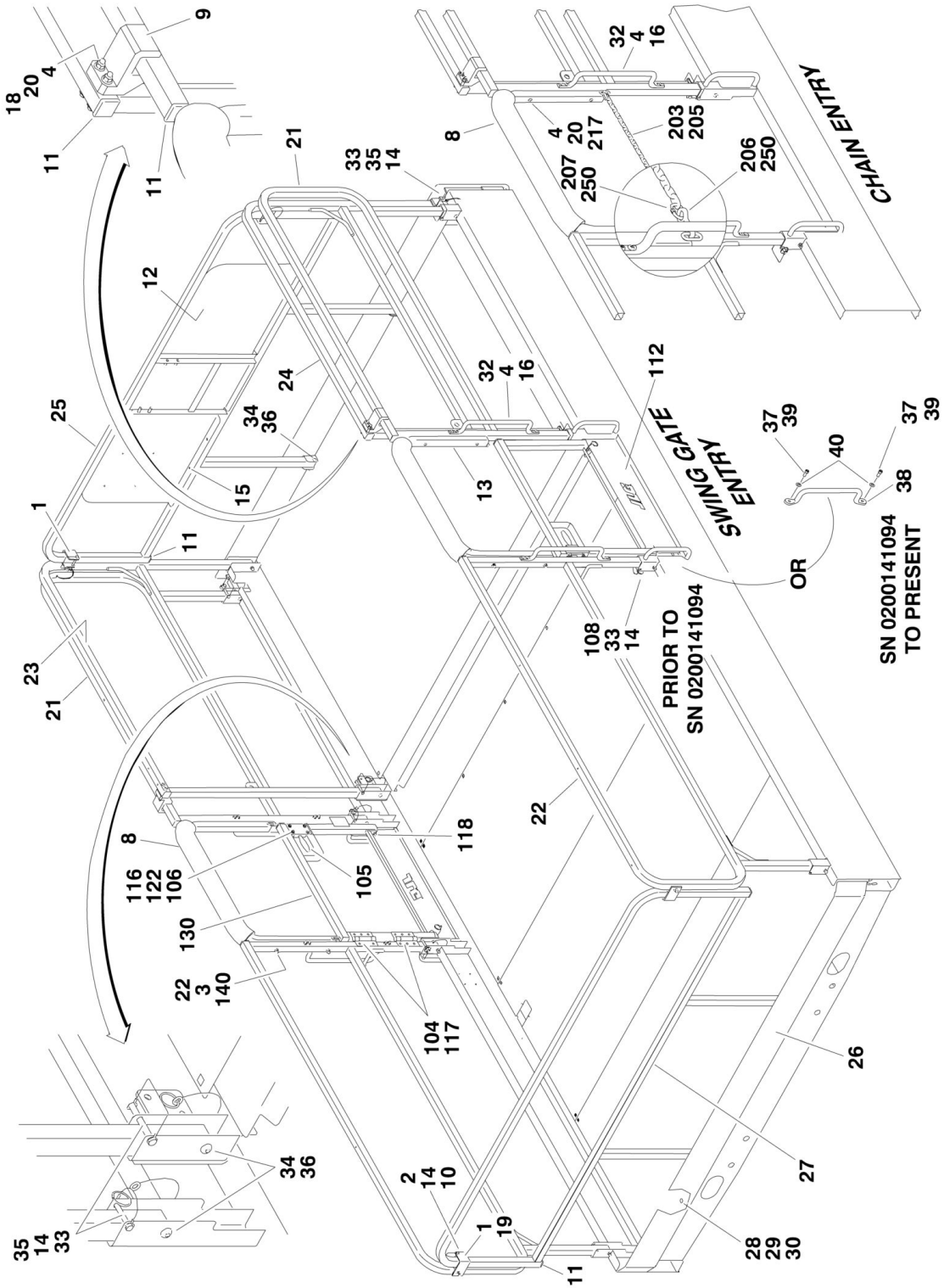
ITEM	PART NUMBER	QTY	DESCRIPTION	REV
221		Ref	Roller Options:	
221	3860100	NLA	Roller (Use p/n 1001097107) <b>(Prior to SN 0200178257)</b>	
221	1001096984	2	Roller <b>(SN 0200178257 through 0200191606)</b>	
222	4420066	Ref	Tape, Double Sided (Not Shown - Located Between Floor Plates and Platform Weldment)	
222	4420066	82 ft/25m	Single Deck Extension	
222	4420066	92 ft/28m	Dual Deck Extension	
223	4711500	12	Flatwasher 5/16 Narrow	
224	4711600	4	Flatwasher 3/8 Narrow	
225	4751600	20	Flatwasher 3/8 Wide	
226		Ref	Washer Options:	
226	4751800	2	Washer <b>(Prior to SN 0200178257)</b>	
226	1001096985	2	Washer <b>(SN 0200178257 through 0200191606)</b>	
227	4752200	2	Flatwasher 3/4 Wide	
228		Ref	Mount, Roller Options:	
228	4846517	NLA	Mount (Use p/n 1001097107) <b>(Prior to SN 0200178257)</b>	
228	1001096983	2	Mount <b>(SN 0200178257 through 0200191606)</b>	
229	4846519	2	Support, Roller	
230	4846556	1	Kickplate (Single Deck Extension Only)	
231	0272998	2	Plate, Deck (Dual Deck Extension w/ Megadeck Only)	





# SECTION 4 - PLATFORM

## FIGURE 4-5. RAILS INSTALLATION



## SECTION 4 - PLATFORM

### FIGURE 4-5. RAILS INSTALLATION

ITEM	PART NUMBER	QTY	DESCRIPTION	REV
		Ref	<b>RAILS INSTALLATIONS</b>	
	0271714	Ref	<b>Swing Gate Entry (Single Deck Extension) (Platform Length - 12.6ft/3.8m)</b>	J
	0271715	Ref	<b>Swing Gate Entry (Dual Deck Extension) (Platform Length - 12.6ft/3.8m)</b>	J
	0273063	Ref	<b>Swing Gate Entry (Dual Deck Extension) (Platform Length - 15.8ft/4.8m) (Megadeck)</b>	D
	0271694	Ref	<b>Chain Entry (Single Deck Extension) (Platform Length - 12.6ft/3.8m)</b>	L
	0271711	Ref	<b>Chain Entry (Dual Deck Extension) (Platform Length - 12.6ft/3.8m)</b>	K
1	0901870	4	Bracket	
2	1060379	Ref	Lanyard Options:	
2	1060379	6	Swing Gate Entry	
2	1060379	4	Chain Entry	
4	2080063	Ref	Fastener 1/4-20NC	
4	2080063	36	Single Deck Extension	
4	2080063	40	Dual Deck Extension	
8	3340612	1 ft/1m	Cover, Rail	
9	3340937	Ref	Pad, Slide	
9	3340937	2	Single Deck Extension	
9	3340937	4	Dual Deck Extension	
10	3422219	4	Pin, Snap	
11	3520072	AR	Plug, Cap	
12	3571862	1	Plate, Placard	
13	4846590	2	Rail	
14	3760170	Ref	Ring, Split	
14	3760170	14	Swing Gate Entry (Single Deck Extension)	
14	3760170	14	Swing Gate Entry (Dual Deck Extension)	
14	3760170	16	Chain Entry (Single Deck Extension)	
14	3760170	18	Chain Entry (Dual Deck Extension)	
15	3820020	7	Rivet	
16	3900318	20	Screw, Button Head 1/4-20NC x 2	
18	3931436	Ref	Capscrew 1/4-20NC x 2-1/4	
18	3931436	4	Single Deck Extension	
18	3931436	8	Dual Deck Extension	
19	4420055	1 ft/30cm	<b>Tape (Prior to SN 0200118849)</b>	
20	4711400	Ref	Flatwasher 1/4 Narrow	
20	4711400	30	Single Deck Extension	
20	4711400	38	Dual Deck Extension	
21		Ref	Rail, Side Options:	
21	4846530	2	Swing Gate Entry (Single Deck Extension) (Platform Length - 12.6ft/3.8m)	
21	4846843	2	Swing Gate Entry (Dual Deck Extension) (Platform Length - 15.8ft/4.8m) (Megadeck)	
21	4846530	2	Chain Entry (Single Deck and Dual Deck Extension) (Platform Length - 12.6ft/3.8m)	
22		Ref	Rail, Side Options:	
22	4846531	2	Swing Gate Entry (Single Deck Extension) (Platform Length - 12.6ft/3.8m)	
22	4846844	2	Swing Gate Entry (Dual Deck Extension) (Platform Length - 15.8ft/4.8m) (Megadeck)	

## SECTION 4 - PLATFORM

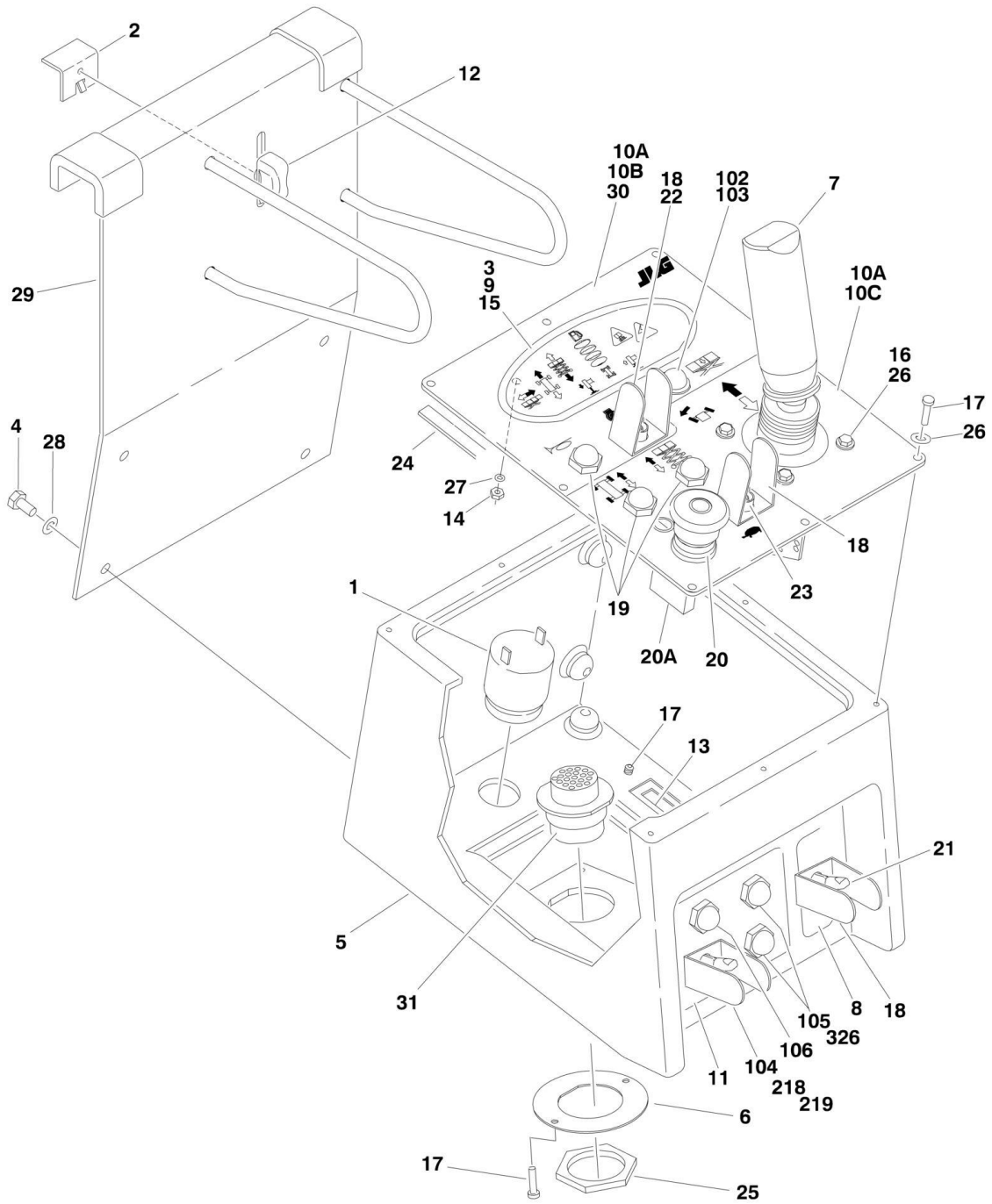
ITEM	PART NUMBER	QTY	DESCRIPTION	REV
22	4846531	2	Chain Entry (Single Deck and Dual Deck Extension) (Platform Length - 12.6ft/3.8m)	
23	4846532	1	Rail, Side Extension	
24	4846537	1	Rail, Side Extension	
25	4846542	1	Rail, End Extension	
26		Ref	Kickplate Options:	
26	4846556	1	Single Deck Extension	
26	Not Required	0	Dual Deck Extension	
27		Ref	Rail, End Options:	
27	4846557	1	Single Deck Extension	
27	Not Required	0	Dual Deck Extension	
28	0630485	4	Bolt, Carriage 3/8-16NC (Single Deck Extension)	
29	3311605	4	Locknut 3/8-16NC (Single Deck Extension)	
30	4751600	4	Flatwasher 3/8 Wide (Single Deck Extension)	
32	2560176	4	Handle	
33	1060808	Ref	Lanyard	
33	1060808	8	Single Deck Extension	
33	1060808	12	Dual Deck Extension	
34	2080064	16	Fastener 5/16-18NC	
35	3421565	8	Pin, Snap	
36	3900323	16	Screw, Button Head 5/16-18NC x 2	
37	0100011	AR	Locking, Compound <b>(SN 0200141094 through 0200191606)</b>	
38	2560188	4	Handle <b>(SN 0200141094 through 0200191606)</b>	
39	3931512	8	Bolt 5/16-18NC x 3/4 <b>(SN 0200141094 through 0200191606)</b>	
40	4711500	8	Flatwasher 5/16 Narrow <b>(SN 0200141094 through 0200191606)</b>	
		Ref	Rails Kit Options:	
	2902147	1	Swing Gate Entry (Single Deck Extension) (Includes Items 12-13, 15, 21-25, 112 & 130)	
	2902148	1	Swing Gate Entry (Dual Deck Extension) (Includes Items 12-13, 15, 21-25, 112 & 130)	
	2902263	1	Swing Gate Entry (Dual Deck Extension) (Megadeck) (Includes Items 12-13, 15, 21-25, 112 & 130)	
	2902067	1	Chain Entry (Single Deck Extension) (Includes Items 12-13, 15, 21-25 & 27)	
	2902146	1	CHAIN ENTRY (DUAL DECK EXTENSION) (INCLUDES ITEMS 12-13, 15 & 21-25)	
		Ref	<b>SWING GATE INSTALLATION</b>	
	0271714	Ref	<b>(Single Deck Extension) (Platform Length - 12.6ft/3.8m)</b>	I
	0271715	Ref	<b>(Dual Deck Extension) (Platform Length - 12.6ft/3.8m)</b>	J
	0273063	Ref	<b>(Dual Deck Extension) (Platform Length - 15.8ft/4.8m) (Megadeck)</b>	C
104	2600285	4	Hinge	
105	2940074	2	Latch	
106	3300432	8	Nut, Acorn #10-24NC	
108	3421453	4	Pin, Snap	
112	3573472	2	Kickplate	
116	3911428	8	Screw 1/4-20NC x 1-3/4	
117	2080040	32	Fastener, Huck	
118	3931028	4	Capscrew #10-24NC x 1-3/4	
122	4751000	8	Flatwasher #10 Wide	
130	4846570	2	Gate	
140	3900319	8	Screw, Button 1/4-20NC x 3	
		Ref	<b>CHAIN ENTRY INSTALLATION</b>	

## SECTION 4 - PLATFORM

ITEM	PART NUMBER	QTY	DESCRIPTION	REV
	0271694	Ref	<b>Single Deck Extension</b>	K
	0271711	Ref	<b>Dual Deck Extension</b>	J
203	1260136	4 ft/1.2m	Chain	
205	2820097	2	Cover, Chain	
206	2940064	2	Latch, Snap (Use Item 250)	
207	3010088	4	Link, Repair	
217	3900319	8	Screw, Button Head 1/4-20NC x 3	
250	1001101076	2	Snap Latch Repair Kit (Includes (qty 1 each) Items 206 & 207)	

# SECTION 4 - PLATFORM

## FIGURE 4-6. PLATFORM CONSOLE BOX ASSEMBLY



## SECTION 4 - PLATFORM

### FIGURE 4-6. PLATFORM CONSOLE BOX ASSEMBLY

ITEM	PART NUMBER	QTY	DESCRIPTION	REV
		Ref	<b>CONSOLE BOX ASSEMBLY OPTIONS:</b>	
	0272400	Ref	<b>Diesel Machines</b>	F
	0271748	Ref	<b>Gas Dual Fuel Machines</b>	F
1	0140011	1	Alarm	
2	0181847	1	Angle, Latch	
3		Ref	Board, P/C Display Options:	
3	0610145	NLA	Board, P/C Display (Use p/n 0610169) <b>(Prior to SN 0200121277)</b>	
3	0610169	1	Board, P/C Display <b>(SN 0200121277 through 0200191606)</b>	
4	0641404	4	Bolt 1/4-20NC x 1/2	
5	0861554	1	Box, Console	
6	0902499	1	Bracket, D-Ring	
7		Ref	Drive/Steer Controller Assembly Options:	
7	1600308	NLA	Drive/Steer Controller Assembly (Use p/n 1600403) (See DRIVE/STEER CONTROLLER ASSEMBLY for Breakdown) <b>(Prior to SN 0200141441)</b>	
7	1600403	1	Drive/Steer Controller Assembly (See DRIVE/STEER CONTROLLER ASSEMBLY for Breakdown) <b>(SN 0200141441 through 0200191606)</b>	
8		Ref	Decal - Toggle Switch Function Options:	
8	1704589	1	Glow Plug (Diesel Machines)	
8	1704588	1	Fuel Select (Gas Dual Fuel Machines)	
9	1705189	NLA	Decal - Display Board (Use p/n 1705913) <b>(Prior to SN 0200121277)</b>	
10		Ref	Decal - Platform Lid Options:	
10A	1705390	NLA	Decal - Platform Lid (Was 1 pc Decal) (Note: Use Items 10B & 10C) <b>(Prior to SN 0200121277)</b>	
10B	1705913	1	Decal - Platform Lid (Top Half of 2 Pc Decal) <b>(SN 0200121277 through 0200191606)</b>	
10C	1705914	1	Decal - Platform Lid (Bottom Half of 2 Pc Decal) <b>(SN 0200121277 through 0200191606)</b>	
11	1705392	1	Decal - Outrigger Select	
12	2560141	1	Thumbscrew	
13	3200450	1	Mount, Terminal	
14	3310601	4	Nut #6-32NC	
15	3340895	1	Pad, Spacer <b>(Prior to SN 0200121277)</b>	
16	3900178	4	Screw, Plastite #10-32NC x 1/2	
17	3900265	12	Screw, Self-Tapping #8-18 x 3/4	
18	4060802	3	Guard, Switch	
19	4360387	3	Switch, Push Button	
20	4360475	1	Switch, Emergency Stop	
20	7020175	1	Ring, Sealing	
20A	7020176	1	Block, Contact	
21		Ref	Switch, Toggle Options:	
21	4360483	1	Glow Plug (Diesel Machines)	
21	4360482	1	Fuel Select (Gas Dual Fuel Machines)	
22	4360524	1	Switch, Toggle	
23	4360525	1	Switch, Toggle	
24	4420008	38 in/1m	Tape, Insulation	
25	4460470	1	Nut, Terminal	
26	4740120	12	Washer, Nylon	
27	4760600	4	Lockwasher #6	

## SECTION 4 - PLATFORM

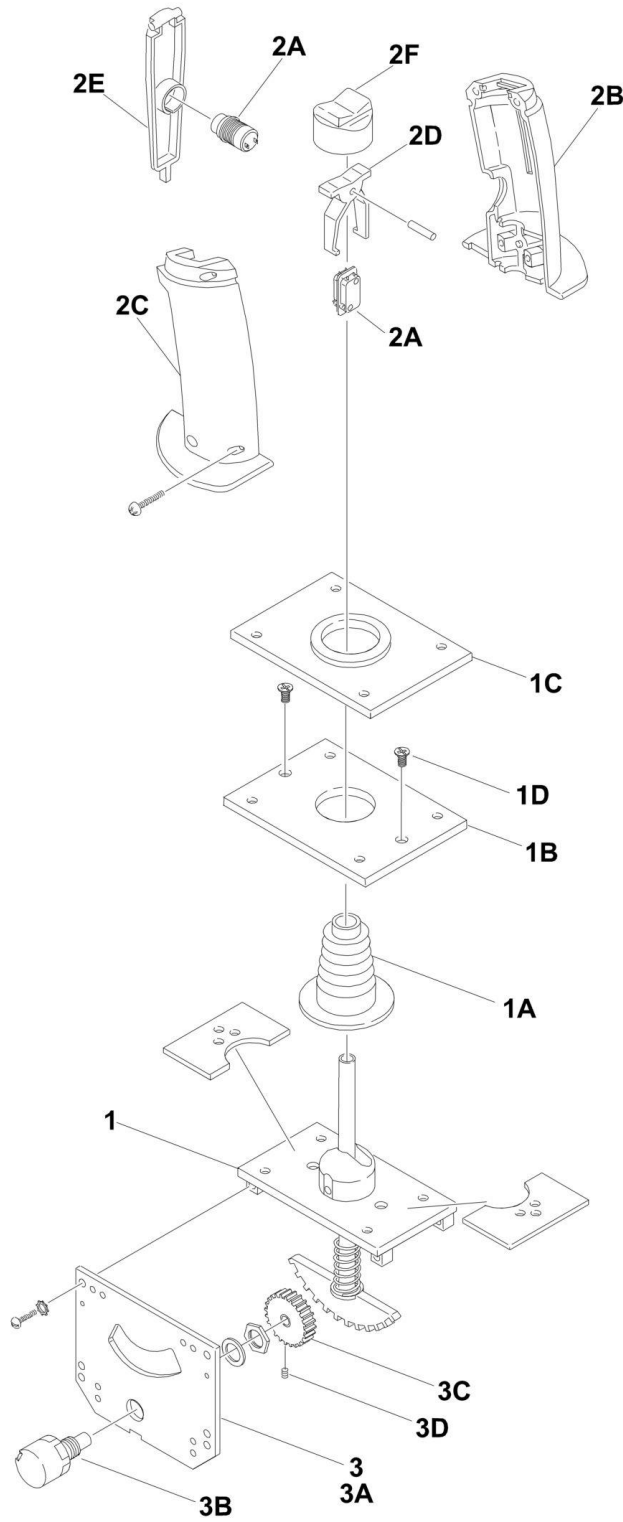
ITEM	PART NUMBER	QTY	DESCRIPTION	REV
28	4791400	4	Starwasher 1/4	
29	4845938	1	Bracket, Box Mounting	
30	4846655	1	Lid, Box	
31	4922768	1	Platform Console Box Harness (See ELECTRICAL SECTION for Breakdown)	
		Ref	<b>CONSOLE BOX INSTALLATIONS</b>	
		Ref	<b>Diesel Machines:</b>	
	0272409	Ref	<b>Without Leveling Jacks/Without Load Management System</b>	C
	0272410	Ref	<b>With Leveling Jacks/Without Load Management System</b>	D
	0272411	Ref	<b>Without Leveling Jacks/With Load Management System</b>	B
	0272412	Ref	<b>With Leveling Jacks/With Load Management System</b>	B
		Ref	<b>Gas Machines:</b>	
	0272405	Ref	<b>Without Leveling Jacks/Without Load Management System</b>	D
	0272406	Ref	<b>With Leveling Jacks/Without Load Management System</b>	C
	0272407	Ref	<b>Without Leveling Jacks/With Load Management System</b>	A
	0272408	Ref	<b>With Leveling Jacks/With Load Management System</b>	A
102		Ref	Component Options:	
102	3520193	1	Plug, Hole (Without Load Management)	
102	2920026	1	Lamp, Indicator (With Load Management)	
103	2920029	1	Bulb, Light (With Load Management)	
104	3520079	1	Plug, Hole	
105	3520080	2	Plug, Hole	
106		Ref	Component Options:	
106	3520080	1	Plug, Hole (Without Leveling Jacks)	
106	4360387	1	Switch, Push Button (With Leveling Jacks)	
		Ref	<b>GENERATOR CONTROL SWITCH INSTALLATIONS</b>	
218	4060802	1	Guard, Switch	
219	4360482	1	Switch, Toggle	
		Ref	<b>POWER DECK SWITCH INSTALLATIONS</b>	
326	4360387	Ref	Switch, Push Button	
326	4360387	1	Single Deck Extension	
326	4360387	2	Dual Deck Extension	





# SECTION 4 - PLATFORM

FIGURE 4-7. DRIVE/STEER CONTROLLER ASSEMBLY (Prior to SN 0200141441)



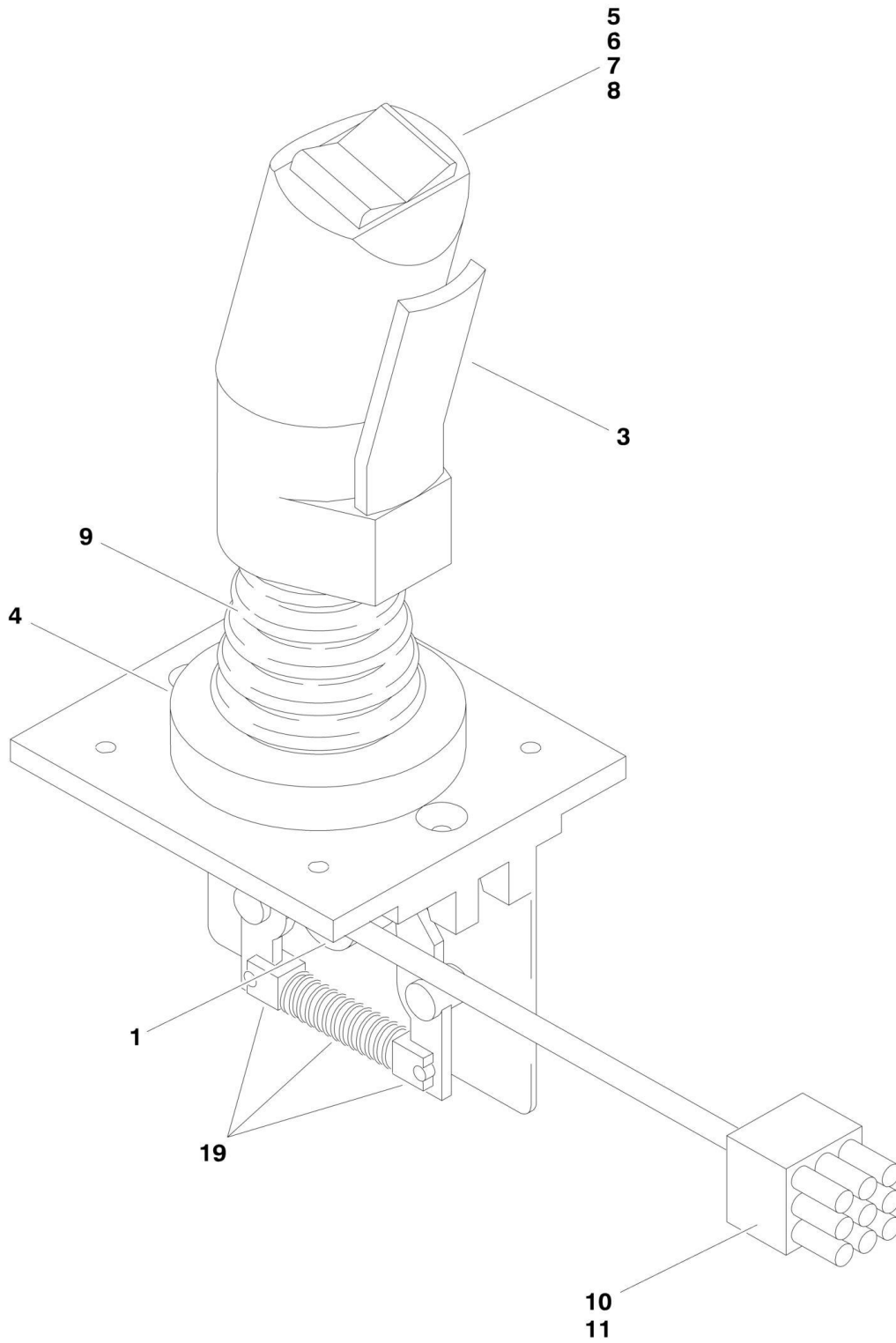
## SECTION 4 - PLATFORM

**FIGURE 4-7. DRIVE/STEER CONTROLLER ASSEMBLY (Prior to SN 0200141441)**

ITEM	PART NUMBER	QTY	DESCRIPTION	REV
	1600308	Ref	<b>CONTROLLER ASSEMBLY</b> <b>Note: Original Equipment Assembly p/n 1600308 may have been replaced with p/n 1600403 as Service Replacement Assembly. Identify P/N before ordering replacement components. If equipped with p/n 1600403 refer to DRIVE/STEER CONTROLLER ASSEMBLY.</b>	C
		Ref		
	7020527	1	Mechanical Assembly	
1	7020503	1	Handle/Housing Assembly	
1A	7020520	1	Housing	
1B	7020504	1	Plate, Mounting	
1C	7020502	1	Gasket	
1D	7020528	2	Screw #10-32NC x 3/8in	
2	7020529	1	Grip Assembly	
2A	7020530	1	Switch, Push Button	
2A	7020500	1	Microswitch	
2B	7020541	1	Grip - Right Half (was p/n 7020531)	
2C	7020541	1	Grip - Left Half (was p/n 7020532)	
2D	7003791	1	Actuator, Switch	
2E	7011997	1	Trigger	
2F	7003790	1	Cap, Rubber	
3	7020533	1	Electrical Assembly	
3	7020535	2	Resistor	
3A	7020509	1	Plate, Mounting - Potentiometer	
3B	7020534	1	Potentiometer	
3C	7011940	1	Gear, Pinion	
3D	7020511	1	Setscrew #6-32 x 1/8	
	4460265	1	Plug, Male - 9 Pin (Not Shown)	
	4460268	8	Socket, Female (Not Shown)	
	4460266	1	Connector, Receptacle - 9 Pin (Not Shown - Part of Console Harness)	
	4460267	8	Pin, Male (Not Shown - Part of Console Harness)	

# SECTION 4 - PLATFORM

FIGURE 4-8. DRIVE/STEER CONTROLLER ASSEMBLY (SN 0200141441 through 0200191606)



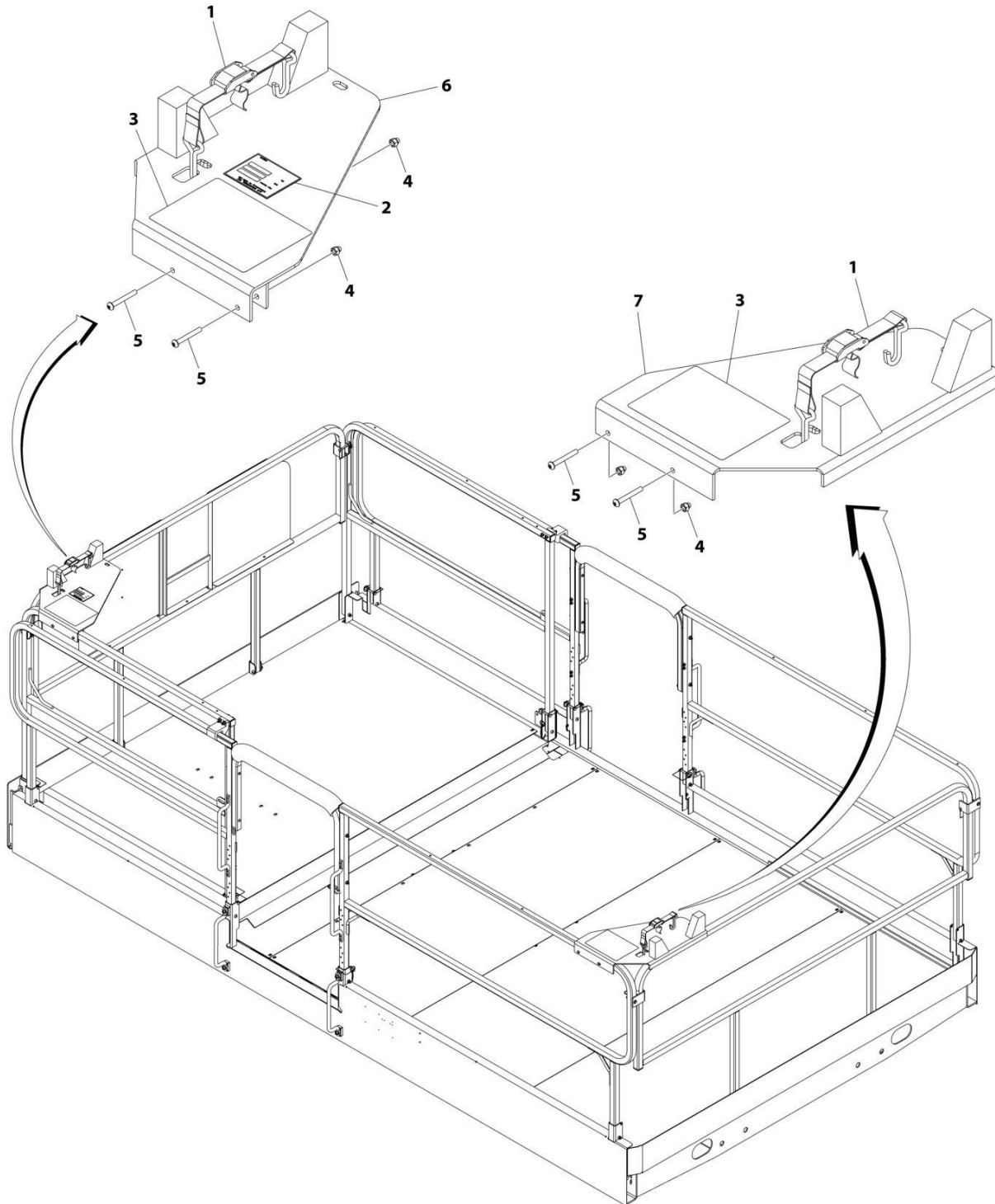
## SECTION 4 - PLATFORM

**FIGURE 4-8. DRIVE/STEER CONTROLLER ASSEMBLY (SN 0200141441 through 0200191606)**

ITEM	PART NUMBER	QTY	DESCRIPTION	REV
	1600403	Ref	<b>CONTROLLER ASSEMBLY</b>	F
1	70000081	1	Potentiometer	
2	7027367	1	Switch, Push Button (Not Shown - Located Behind #3)	
3	7027765	1	Lever, Enabler	
4	7027766	1	Ring, Retaining	
5	70000082	1	Microswitch	
6	70000083	1	Coupler, Microswitch	
7	70000084	1	Cap, Rubber	
8	7027365	1	Actuator, Switch	
9	70000085	1	Boot, Rubber	
10	4460265	1	Plug, Male - 9 Pin	
11	4460226	8	Socket, Female	
12	70000685	AR	Washer, Plastic (Not Shown)	
13	70000684	AR	Screw, Handle (Not Shown)	
14	See Note	AR	Nut, Handle (Not Shown) (Note: Not available for purchase)	
15	70000683	AR	Washer, Neoprene (Not Shown)	
16	70000686	AR	Screw, Handle (Not Shown)	
17	4460266	1	Connector, Receptacle - 9 Pin (Not Shown - Part of Console Harness)	
18	4460267	8	Pin, Male (Not Shown - Part of Console Harness)	
19	70004194	1	Return Spring Kit	
	70003650	1	Handle Repair Kit (Includes handle gasket, push button, lever, front handle half, back handle half, top actuator, boot and hardware.	

# SECTION 4 - PLATFORM

## FIGURE 4-9. PIPE RACKS INSTALLATION (RAIL MOUNT)



ART\_0272829

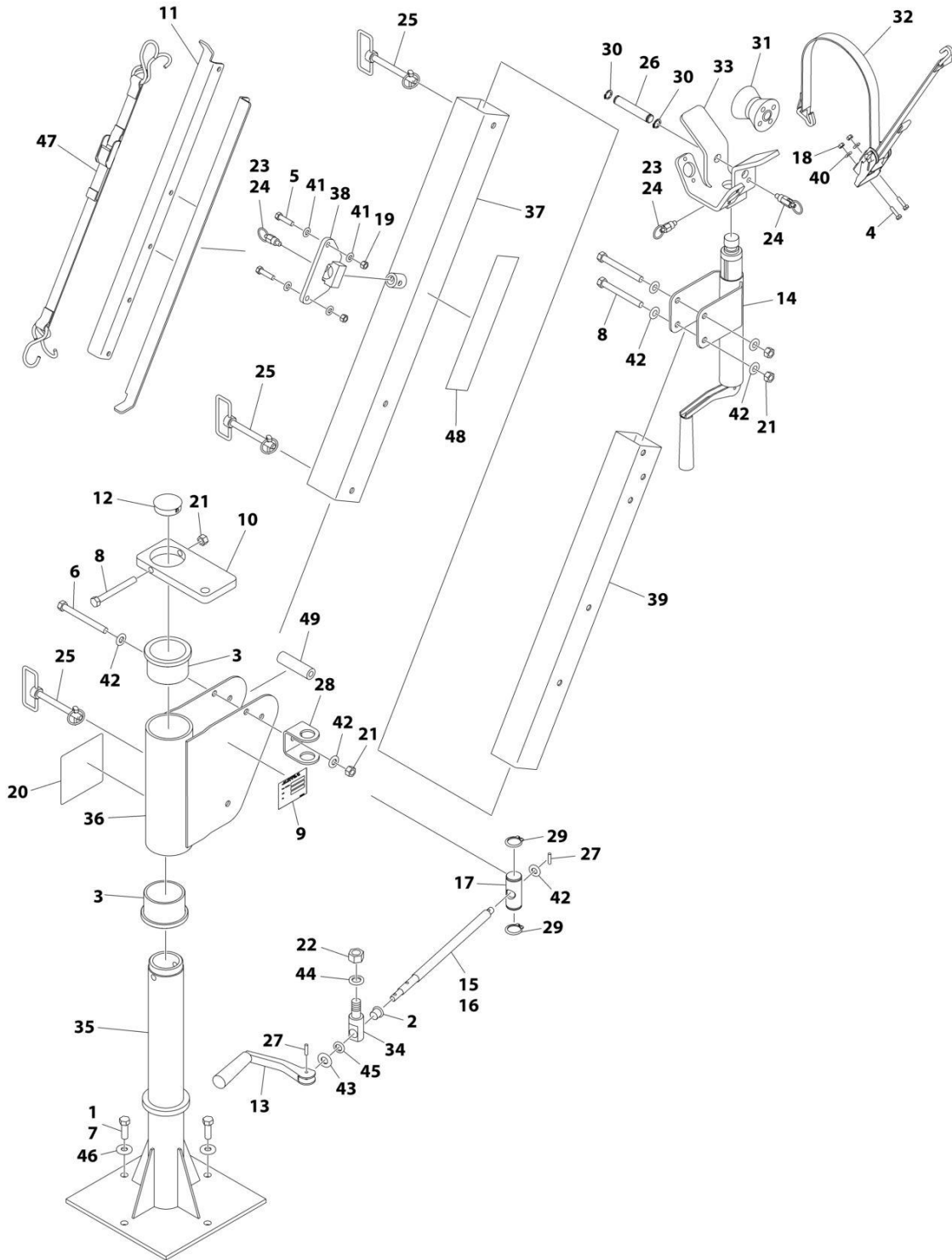
## SECTION 4 - PLATFORM

### FIGURE 4-9. PIPE RACKS INSTALLATION (RAIL MOUNT)

ITEM	PART NUMBER	QTY	DESCRIPTION	REV
	0272829	Ref	<b>PIPE RACKS INSTALLATION (RAIL MOUNT)</b>	B
1	0480100	2	Belt, Tie Down	
2	See Note	NSS	Nameplate (Note: Not Available for Purchase)	
3	1705637	2	Decal - Pipe Rack Capacity	
4	2080063	4	Fastener 1/4	
5	3900318	4	Screw 1/4 x 2	
6	4845441	1	Support, Pipe Rack	
7	4845442	1	Support, Pipe Rack	

# SECTION 4 - PLATFORM

## FIGURE 4-10. PIPE RACKS INSTALLATION (SKY POSITIONER)



ART\_0274103



## SECTION 4 - PLATFORM

**FIGURE 4-10. PIPE RACKS INSTALLATION (SKY POSITIONER)**

ITEM	PART NUMBER	QTY	DESCRIPTION	REV
	0274103	Ref	<b>PIPE RACKS INSTALLATION (SKY POSITIONER)</b>	C
1	0100011	AR	Compound, Locking	
2	0440311	2	Bearing, Flanged	
3	0440312	4	Bearing, Flanged	
4	0641408	4	Bolt 1/4 x 1	
5	0641612	4	Bolt 3/8 x 1-1/2	
6	0641840	2	Bolt 1/2 x 5	
7	0641812	8	Bolt 1/2 x 1-1/2	
8	0641836	6	Bolt 1/2 x 4-1/2	
9	See Note	2	Nameplate, Accessory Serial Tag (Note: Not Available for Purchase)	
10	0903095	2	Bracket, Jack Mount	
11	0903104	4	Bracket, Duct Mount	
12	1120580	2	Plug	
13	2560186	2	Handle	
14	2840023	2	Jack, Screw	
15	2840024	2	Screw, Jack	
16	3020035	AR	Lubricant (Not Shown)	
17	3300489	2	Nut 3/4	
18	3311405	4	Nut 1/4	
19	3311605	4	Nut 3/8	
20	1706113	2	Decal - Pipe Rack Capacity	
21	3311805	8	Nut 1/2	
22	3312205	2	Nut 3/4	
23	3423047	4	Pin, Plunger (Use p/n 3423151)	
24	3423151	6	Pin, Locking Plunger	
25	3423179	6	Pin, Hitch	
26	3423180	2	Pin	
27	3440816	4	Pin, Roll	
28	3575597	2	Plate, Jack Mount	
29	3760141	4	Ring, Retaining	
30	3760348	4	Ring, Retaining	
31	3860122	2	Roller	
32	4240170	2	Strap, Ratchet Tie Down	
33	4340922	2	Pipe, Support	
34	4340932	2	Mount, Jack Screw	
35	4340933	2	Mount, Pipe Rack	
36	4340934	2	Support, Pipe Rack Arm	
37	4340948	2	Support, Pipe Rack Outer	
38	4340949	2	Mount, Duct	
39	4569126	2	Tube, Pipe Rack Inner	
40	4711400	4	Washer 1/4	
41	4711600	8	Washer 3/8	
42	4711800	14	Washer 1/2	
43	4712000	2	Washer 5/8	
44	4740415	2	Washer, Special	
45	4740529	2	Washer, Thrust	
46	4751800	8	Washer 1/2	
47	4240171	2	Strap	
48	1706197	2	Decal - Sky Positioner	

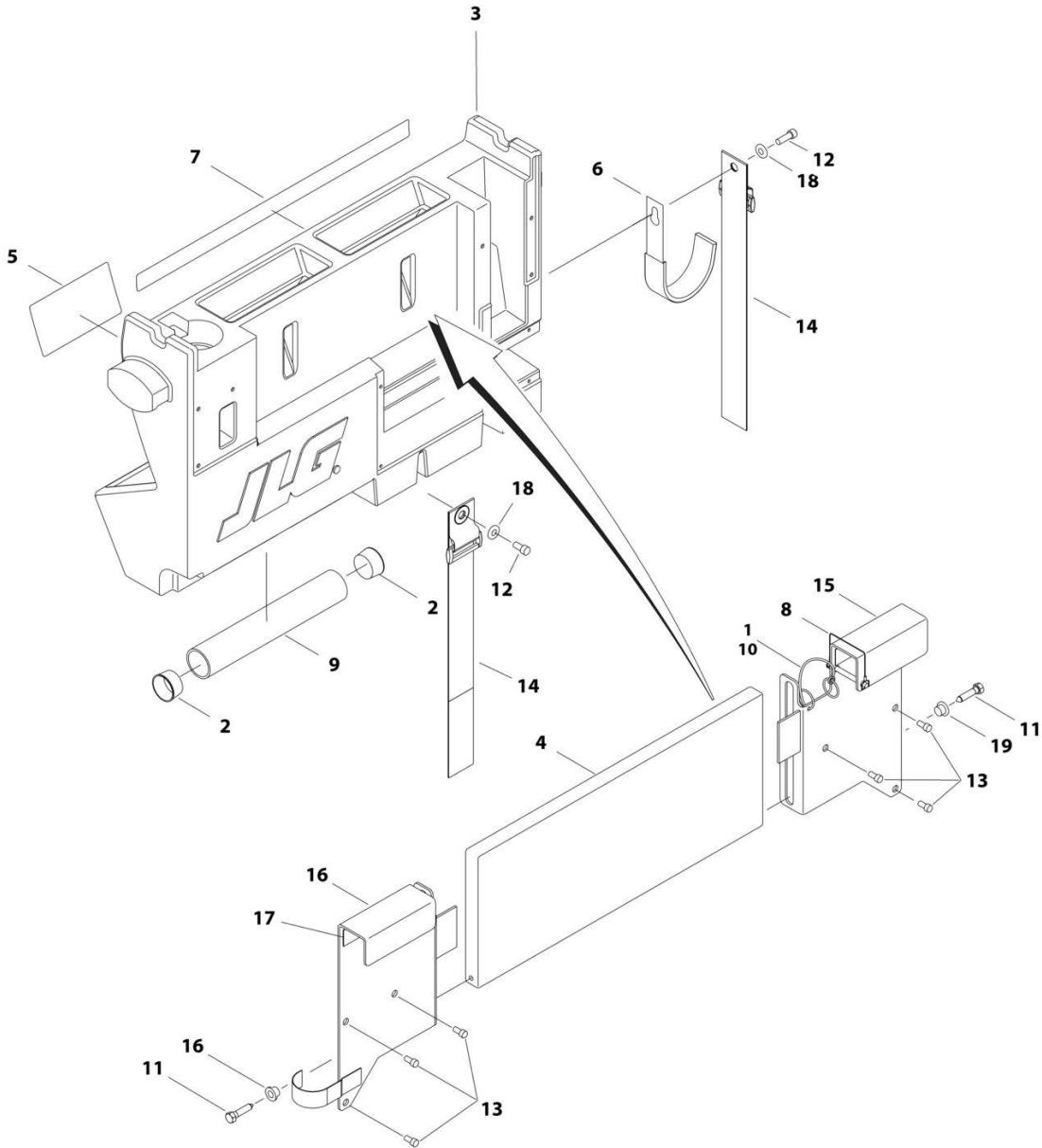
## SECTION 4 - PLATFORM

ITEM	PART NUMBER	QTY	DESCRIPTION	REV
49	4569150	2	Tube, Spacer	



# SECTION 4 - PLATFORM

## FIGURE 4-11. WORKSTATION WITHOUT DC CONVERTER INSTALLATION



ART\_0240087

## SECTION 4 - PLATFORM

**FIGURE 4-11. WORKSTATION WITHOUT DC CONVERTER INSTALLATION**

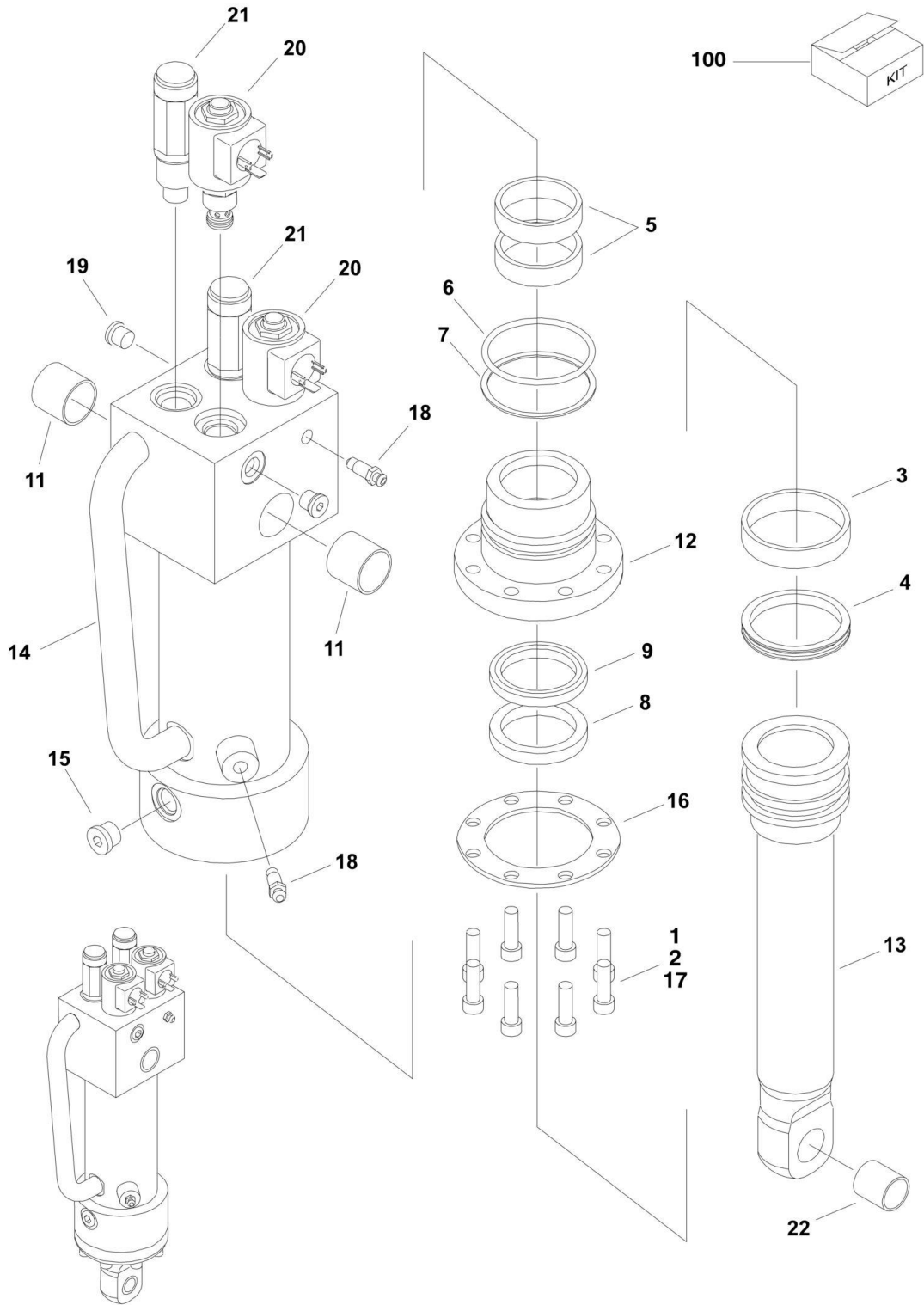
ITEM	PART NUMBER	QTY	DESCRIPTION	REV
	0274260	Ref	<b>WORKSTATION INSTALLATION - REFERENCE CHART</b>	B
	0240087	Ref	<b>WORKSTATION WITHOUT DC CONVERTER INSTALLATION</b>	C
1	1060379	1	Cable, Lanyard	
2	1120555	2	Cap, Manual Storage	
3	1580023	1	Container	
4	1580024	1	Tray	
5	1705997	1	Decal - Workstation	
6	2700100	1	Hook, Hanger	
7	2902348	1	Decal - Workstation Kit	
8	3422219	1	Pin	
9	3460334	1	PVC Pipe	
10	3760170	2	Ring	
11	3900355	2	Screw 5/16 x 1-1/2	
12	3931412	2	Bolt 1/4 x 3/4	
13	3931508	6	Bolt 5/16 x 1/2	
14	4240003	2	Strap	
15	4340853	1	Mount, RH Channel	
16	4340854	1	Mount, LH Channel	
17	4420062	3 ft/0.9m	Tape	
18	4711400	2	Washer 1/4	
19	4740480	2	Insert, Plastic	



**SECTION 5 - CYLINDER**

# SECTION 5 - CYLINDER

## FIGURE 5-1. AXLE LOCKOUT CYLINDER ASSEMBLY





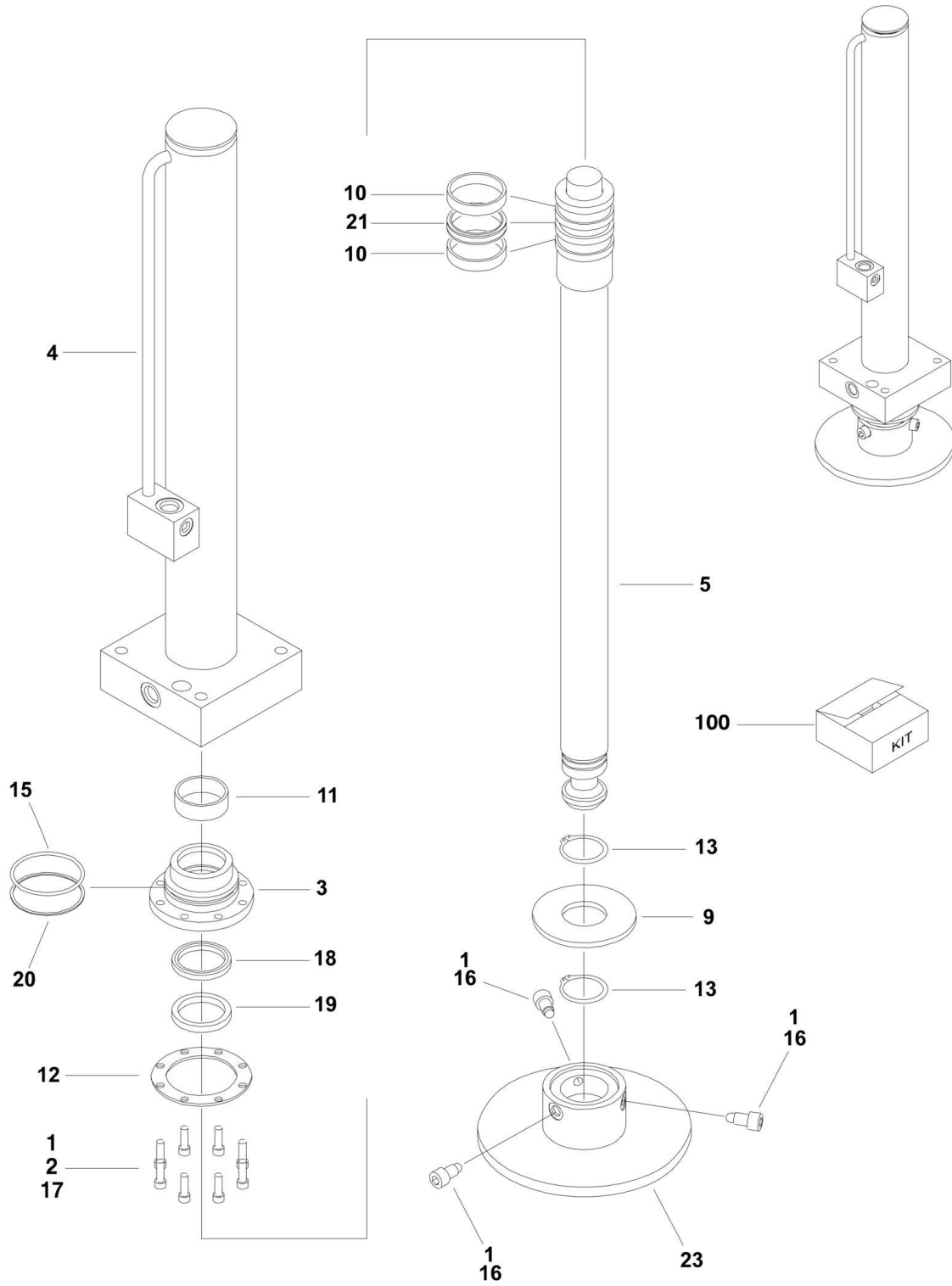
## SECTION 5 - CYLINDER

### FIGURE 5-1. AXLE LOCKOUT CYLINDER ASSEMBLY

ITEM	PART NUMBER	QTY	DESCRIPTION	REV
	1684145	Ref	<b>AXLE LOCKOUT CYLINDER ASSEMBLY</b>	B
1	0100011	AR	Locking, Compound	
2	0100038	AR	Primer, Locking	
3	See Note	NSS	Ring, Wear (Note: Use Item 100)	
4	See Note	NSS	T-Seal (Note: Use Item 100)	
5	See Note	NSS	Ring, Wear (Note: Use Item 100)	
6	See Note	NSS	O-Ring (Note: Use Item 100)	
7	See Note	NSS	Ring, Back-up (Note: Use Item 100)	
8	See Note	NSS	Seal, Wiper (Note: Use Item 100)	
9	See Note	NSS	Polyseal (Note: Use Item 100)	
11	0962474	2	Bushing	
12	1683076	1	Head	
13	1684146	1	Rod	
14	1684205	1	Barrel	
15	2220885	1	Plug, O-Ring	
16	3760367	1	Ring, Washer	
17	3931516	8	Capscrew 5/16-18NC x 1	
18	4640858	2	Bleeder	
19	2220883	2	Plug, O-Ring	
20	4641173	2	Solenoid Valve Assembly	
20	70000898	2	Cartridge without Coil (1 Per Assembly)	
20	7024502	2	Seal Kit - 70000898 Cartridge (1 Per Assembly)	
20	7024501	2	Coil (1 Per Assembly)	
21	4641174	2	Valve, Relief	
21	7023902	2	Seal Kit - 4641174 Cartridge (1 Per Assembly)	
22	0440228	1	Bearing	
100	2901548	1	Seal Kit - 1684145 Cylinder (Includes Items 3-9)	

# SECTION 5 - CYLINDER

## FIGURE 5-2. LEVEL JACK CYLINDER ASSEMBLY



## SECTION 5 - CYLINDER

### FIGURE 5-2. LEVEL JACK CYLINDER ASSEMBLY

ITEM	PART NUMBER	QTY	DESCRIPTION	REV
		Ref	<b>LEVELING JACK CYLINDER ASSEMBLIES (HYDRAULIC JACK OPTION):</b>	
	1684220	Ref	<b>Leveling Jack Cylinder Assemblies (Prior to SN 0200139319)</b>	D
	1684406	Ref	<b>Leveling Jack Cylinder Assemblies (SN 0200139319 through 0200191606)</b>	A
1	0100011	AR	Locking, Compound	
2	0100038	AR	Primer, Locking	
3	1683054	1	Head	
4		Ref	Barrel Options:	
4	1684221	1	Barrel <b>(Prior to SN 0200139319)</b>	
4	0370018	1	Barrel <b>(SN 0200139319 through 0200191606)</b>	
5		Ref	Rod Options:	
5	1684223	1	Rod <b>(Prior to SN 0200139319)</b>	
5	3850013	1	Rod <b>(SN 0200139319 through 0200191606)</b>	
9	3573513	1	Plate, Jack	
10	See Note	NSS	Ring, Lock (Note: Use Item 100)	
11	See Note	NSS	Ring, Wear (Note: Use Item 100)	
12	3760368	1	Ring, Washer	
13	3760460	2	Ring, Retaining	
15	See Note	NSS	O-Ring (Note: Use Item 100)	
16	3900321	3	Screw 1/2-13NC x 1-1/4	
17	3931516	8	Capscrew 5/16-18NC x 1	
18	See Note	NSS	Seal (Note: Use Item 100)	
19	See Note	NSS	Wiper (Note: Use Item 100)	
20	See Note	NSS	Ring, Back-up (Note: Use Item 100)	
21	See Note	NSS	T-Seal (Note: Use Item 100)	
23	4846584	1	Pad, Jack	
100	2902182	1	Seal Kit - 1684220 & 1684406 Cylinders (Includes Items 10, 11, 15 & 18-21)	



## SECTION 5 - CYLINDER

### FIGURE 5-3. LIFT CYLINDER ASSEMBLY

ITEM	PART NUMBER	QTY	DESCRIPTION	REV
		Ref	<b>LIFT CYLINDER SUB-ASSEMBLIES</b>	
	0271497	Ref	<b>Lift Cylinder Sub-Assemblies - Installation (3394RT)</b>	J
	0275483	Ref	<b>Lift Cylinder Sub-Assemblies - Assembly (3394RT)</b>	A
	0271498	Ref	<b>Lift Cylinder Sub-Assemblies - Installation (4394RT)</b>	J
	0275484	Ref	<b>Lift Cylinder Sub-Assemblies - Assembly (4394RT)</b>	A
1	0080190	1	Adapter, Cable	
2	0100011	AR	Locking, Compound	
15	0641505	2	Bolt 5/16-18NC x 5/8	
27	0902773	1	Bracket	
30	1060929	1	Cable, Manual Descent	
30	7020218	1	Handle, "T"	
30	7019602	1	Bellow	
30	7020219	1	Washer	
37	2220885	1	Plug, O-Ring	
45	3321402	2	Nut, Jam 1/4-28NF	
57	3450405	1	Pin, Cotter 1/8 x 1-1/4	
66	4641254	1	Cartridge, Lift Holding Solenoid	
66	7024829	1	Cartridge - 4641254 Valve	
66	7012925	1	Seal Kit - 4641254 Valve	
66	7017451	1	Coil - 4641254 Valve	
67	4641188	1	Cartridge, Lift Holding Solenoid	
67	7023923	1	Cartridge - 4641188 Valve	
67	7023919	1	Seal Kit - 4641188 Valve	
67	7012943	1	Coil - 4641188 Valve	
68	4641193	1	Cartridge, Check	
68	2900756	1	Seal Kit - 4641193 Valve	
69	4641205	1	Valve, Manual	
69	7017496	1	Seal Kit - 4641205 Valve	
70	4711400	2	Flatwasher 1/4 Narrow	
		Ref	<b>LIFT CYLINDER ASSEMBLY OPTIONS:</b>	
		Ref	<b>Note: Original Equipment Cylinder may have been replaced with Service Replacement p/n 1684332. Identify p/n stamped on cylinder before ordering parts.</b>	
	1684147	Ref	<b>Lift Cylinder Assembly (Original Equipment) (Prior to SN 0200114765)</b>	B
101	See Note	NSS	Wiper (Note: Use Item 150)	
102	See Note	NSS	Seal (Note: Use Item 150)	
103	See Note	NSS	Ring, Wear (Note: Use Item 150)	
104	See Note	NSS	Seal (Note: Use Item 150)	
105	See Note	NSS	Ring, Back-Up (Note: Use Item 150)	
106	See Note	NSS	Setscrew (Note: Not Available - Purchase Locally)	
107	7024516	1	Head	
108	See Note	NSS	Seal (Note: Use Item 150)	
109	See Note	NSS	Ring, Wear (Note: Use Item 150)	
110	7024515	1	Nut	
111	See Note	NSS	Seal (Note: Use Item 150)	
112	See Note	NSS	Ring, Back-Up (Note: Use Item 150)	
113	7024514	1	Spacer	
118	7024513	4	Bushing	
119	7024512	1	Piston	

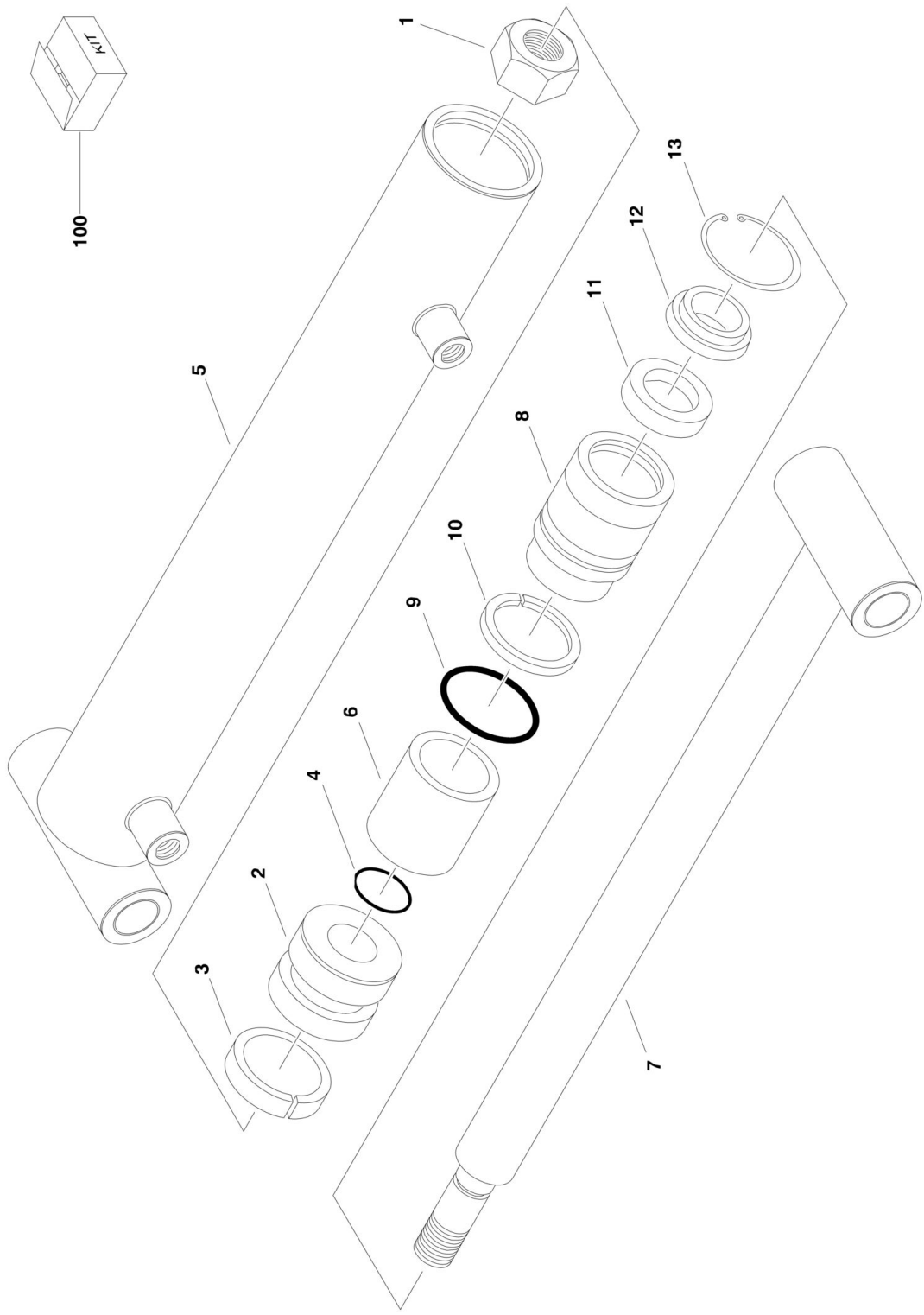
## SECTION 5 - CYLINDER

ITEM	PART NUMBER	QTY	DESCRIPTION	REV
120	7024511	1	Seal	
122	7024510	1	Rod	
123	7024509	1	Barrel	
150	7024517	1	Seal Kit - 1684147 Cylinder (Includes Items 101-105, 108, 109, 111 & 112)	
	1684332	Ref	<b>Lift Cylinder Assembly (Service Replacement) (SN 0200114765 through 0200191606)</b>	A
201	7026585	1	Head	
202	7026584	1	Rod	
203	7026583	1	Piston	
204	7026582	1	Barrel	
204A	70002202	2	Bushing	
205	See Note	NSS	Ring, Back-Up (Note: Use Item 250)	
206	See Note	NSS	Seal (Note: Use Item 250)	
207	See Note	NSS	Seal (Note: Use Item 250)	
208	See Note	NSS	Ring, Back-Up (Note: Use Item 250)	
209	See Note	NSS	Wiper (Note: Use Item 250)	
210	See Note	NSS	Ring, Wear (Note: Use Item 250)	
211	See Note	NSS	Seal (Note: Use Item 250)	
212	70002203	1	Nut	
213	70002202	2	Bushing	
250	7026586	1	Seal Kit - 1684332 Cylinder (Includes Items 205-211)	



# SECTION 5 - CYLINDER

## FIGURE 5-4. PLATFORM EXTENSION CYLINDER ASSEMBLY





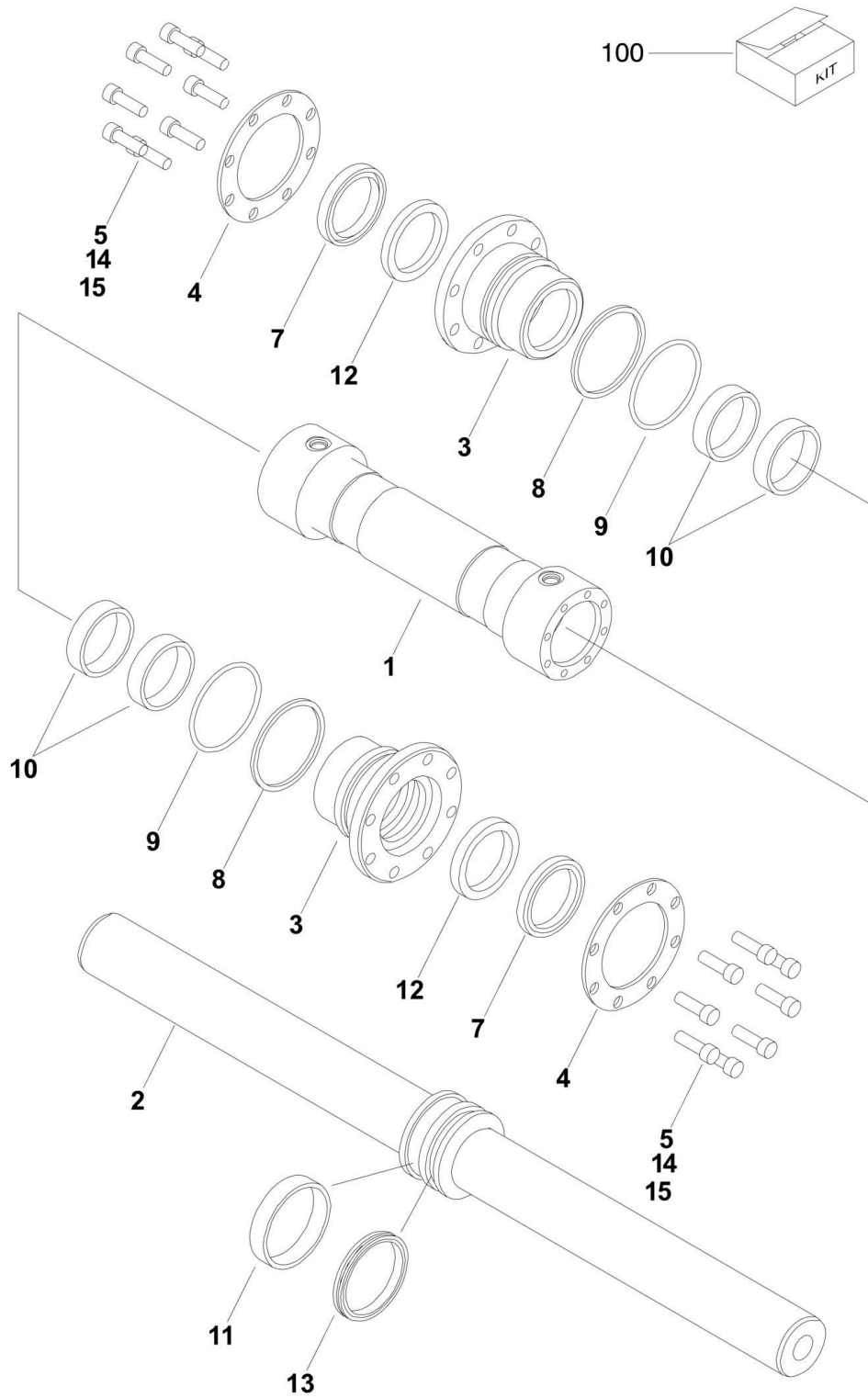
## SECTION 5 - CYLINDER

**FIGURE 5-4. PLATFORM EXTENSION CYLINDER ASSEMBLY**

ITEM	PART NUMBER	QTY	DESCRIPTION	REV
	1684266	Ref	<b>PLATFORM EXTENSION CYLINDER ASSEMBLY</b>	A
1	7001084	1	Locknut	
2	7001610	1	Piston	
3	See Note	NSS	Seal (Note: Use Item 100)	
4	See Note	NSS	O-Ring (Note: Use Item 100)	
5	7023035	1	Barrel	
6	7023036	1	Tube, Spacer	
7	7001617	1	Rod	
8	7001613	1	Head	
9	See Note	NSS	O-Ring (Note: Use Item 100)	
10	See Note	NSS	Ring, Back-up (Note: Use Item 100)	
11	See Note	NSS	Seal (Note: Use Item 100)	
12	See Note	NSS	Ring, Wiper (Note: Use Item 100)	
13	7001614	1	Ring, Retaining	
100	7001608	1	Seal Kit - 1684266 Cylinder (Includes Items 3, 4 & 9-13)	

# SECTION 5 - CYLINDER

FIGURE 5-5. STEER CYLINDER ASSEMBLY (Prior to SN 0200137518)



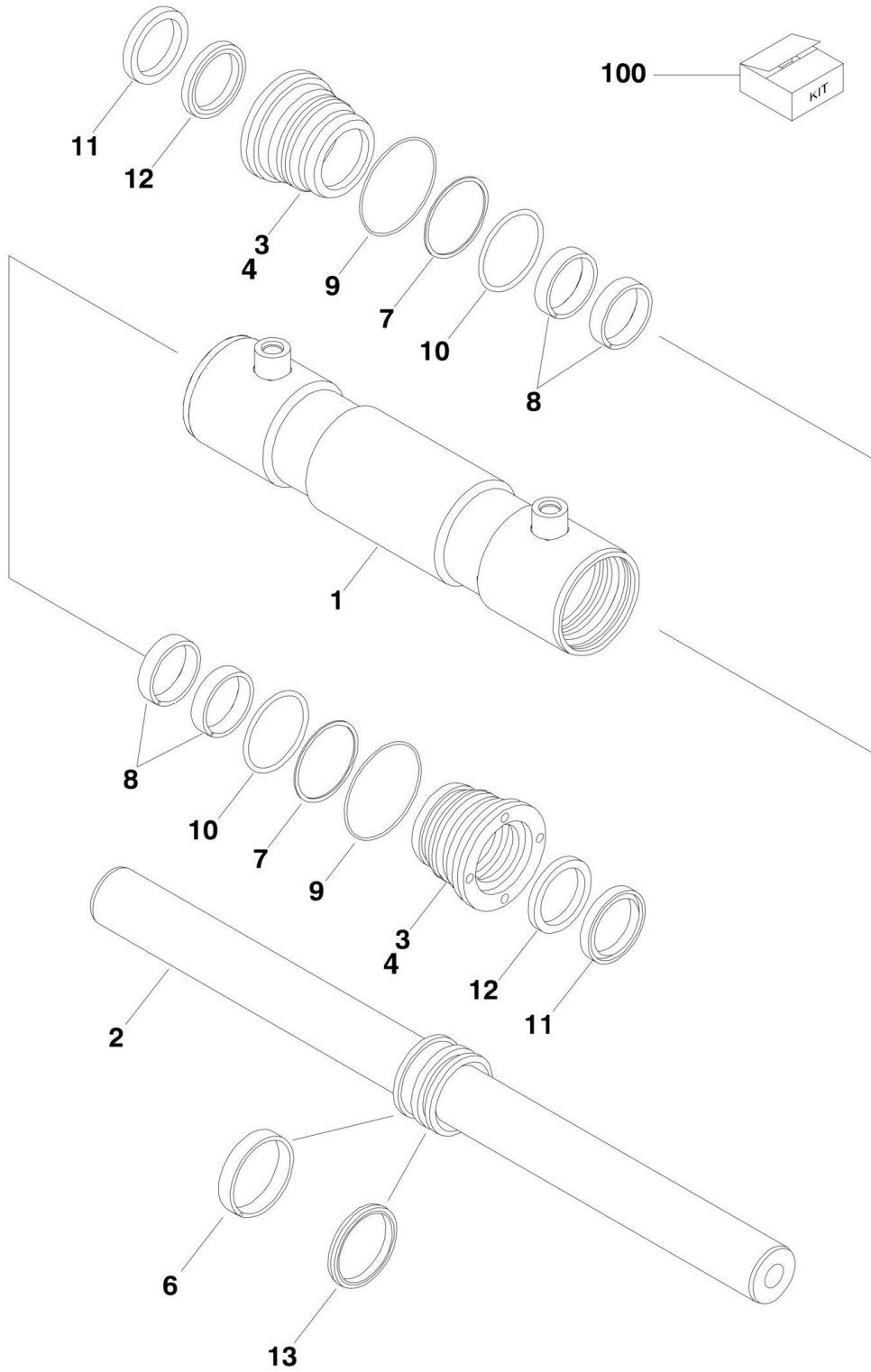
## SECTION 5 - CYLINDER

**FIGURE 5-5. STEER CYLINDER ASSEMBLY (Prior to SN 0200137518)**

ITEM	PART NUMBER	QTY	DESCRIPTION	REV
		Ref	<b>Note: Original Equipment Cylinder may have been replaced with Service Replacement p/n 1684412 - See STEER CYLINDER ASSEMBLY. Identify p/n stamped on cylinder before ordering parts.</b>	
	1683614	Ref	<b>STEER CYLINDER ASSEMBLY</b>	B
1	1683615	1	Barrel Weldment	
2	1683658	1	Rod Weldment	
3	1683076	2	Cap	
4	3760367	2	Washer, Ring	
5	3931516	16	Bolt, Socket Head 5/16-18NC x 2	
7	See Note	NSS	Wiper (Note: Use Item 100)	
8	See Note	NSS	Ring, Back-up (Note: Use Item 100)	
9	See Note	NSS	O-Ring (Note: Use Item 100)	
10	See Note	NSS	Ring, Wear (Note: Use Item 100)	
11	See Note	NSS	Ring, Wear (Note: Use Item 100)	
12	See Note	NSS	Seal (Note: Use Item 100)	
13	See Note	NSS	T-Seal (Note: Use Item 100)	
14	0100011	AR	Locking, Compound	
15	0100038	AR	Primer, Locking	
100	2901547	1	Seal Kit - 1683614 (Includes Items 7-13)	

# SECTION 5 - CYLINDER

FIGURE 5-6. STEER CYLINDER ASSEMBLY (SN 0200137518 through 0200191606)



## SECTION 5 - CYLINDER

**FIGURE 5-6. STEER CYLINDER ASSEMBLY (SN 0200137518 through 0200191606)**

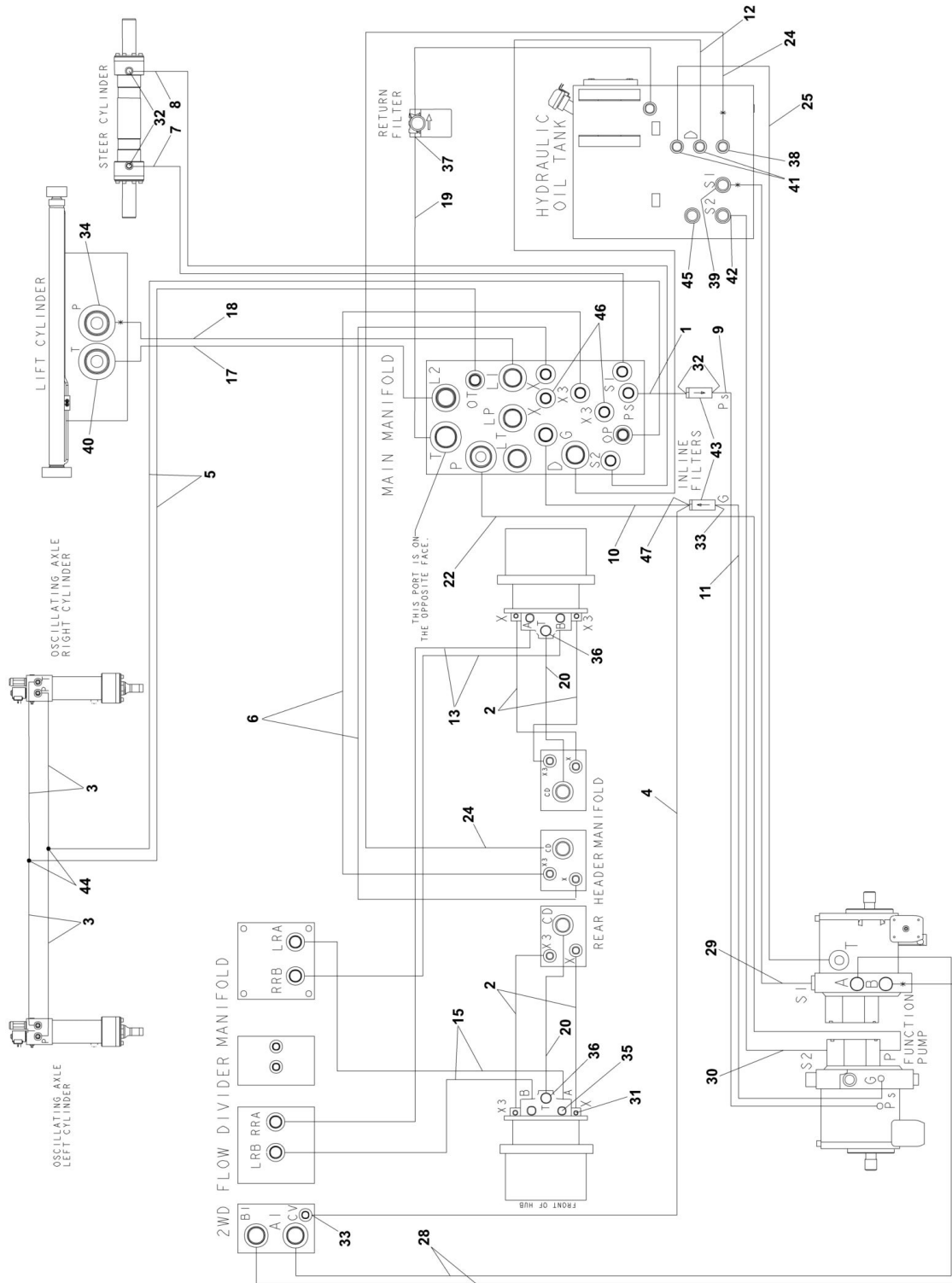
ITEM	PART NUMBER	QTY	DESCRIPTION	REV
	1684412	Ref	<b>STEER CYLINDER ASSEMBLY</b>	A
1	0370024	1	Barrel Weldment	
2	1683658	1	Rod Weldment	
3	2570008	2	Head, Cylinder	
4	3020043	1	Lube, Anti-Seize	
6	See Note	NSS	Ring, Wear (Note: Use Item 100)	
7	See Note	NSS	Ring, Back-up (Note: Use Item 100)	
8	See Note	NSS	Ring, Wear (Note: Use Item 100)	
9	See Note	NSS	O-Ring (Note: Use Item 100)	
10	See Note	NSS	O-Ring (Note: Use Item 100)	
11	See Note	NSS	Wiper (Note: Use Item 100)	
12	See Note	NSS	Seal (Note: Use Item 100)	
13	See Note	NSS	T-Seal (Note: Use Item 100)	
100	2902409	1	Seal Kit (Includes Items 6-13)	



**SECTION 6 - HYDRAULIC**

# SECTION 6 - HYDRAULIC

## FIGURE 6-1. STANDARD HYDRAULIC DIAGRAM (2WD)





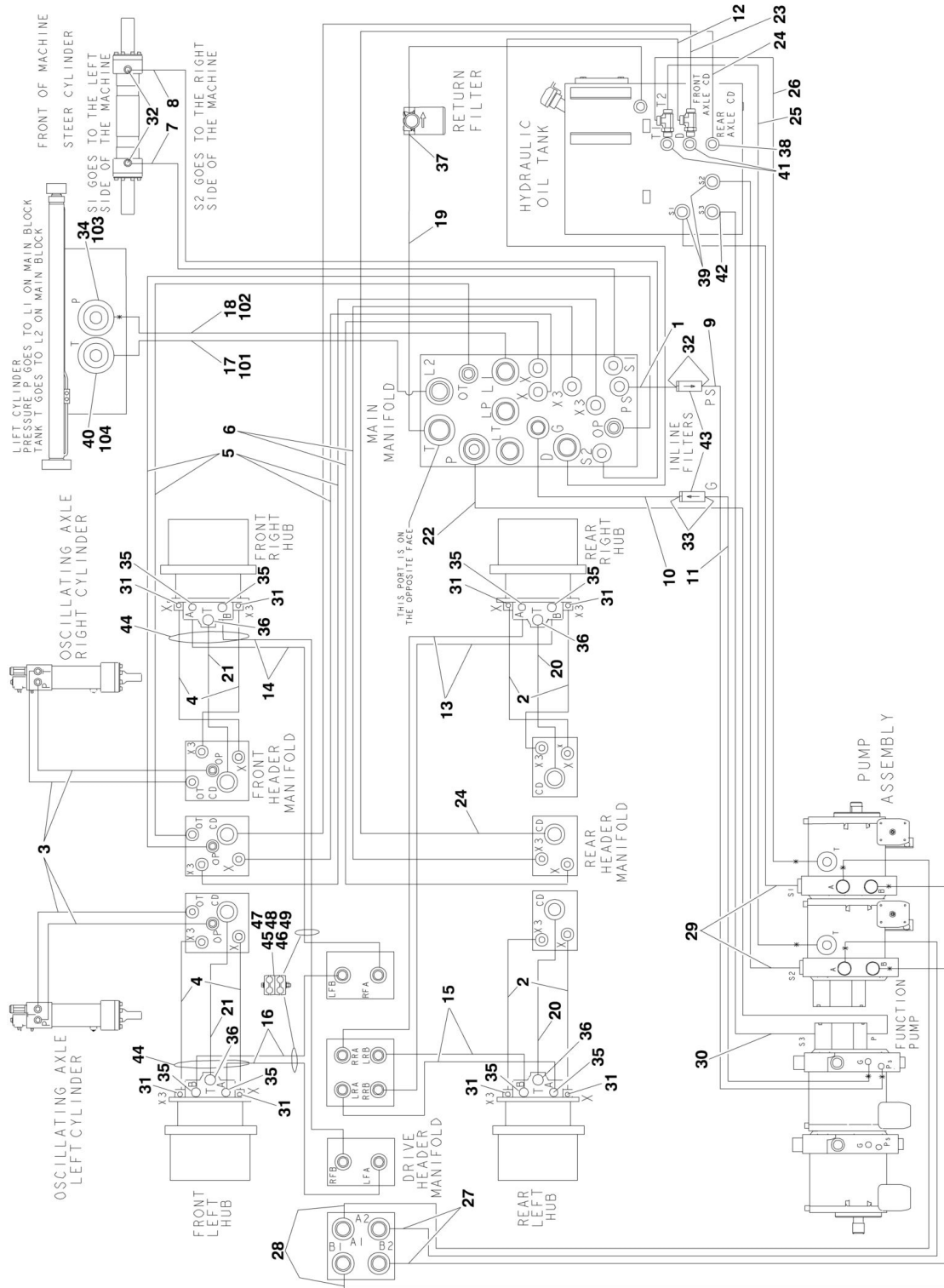
## SECTION 6 - HYDRAULIC

**FIGURE 6-1. STANDARD HYDRAULIC DIAGRAM (2WD)**

ITEM	PART NUMBER	QTY	DESCRIPTION	REV
	2792541	Ref	<b>HYDRAULIC DIAGRAM - 2WD</b>	A
1	2753538	1	Hose	
2	2753781	4	Hose	
3	2753844	4	Hose	
4	2753851	1	Hose	
5	2753550	2	Hose	
6	2753675	2	Hose	
7	2753785	1	Hose	
8	2753786	1	Hose	
9	2753787	1	Hose	
10	2753624	1	Hose	
11	2753729	1	Hose	
12	2753788	1	Hose	
13	2753789	2	Hose	
15	2753791	2	Hose	
17	2753793	1	Hose	
18	2753794	1	Hose	
19	2753795	1	Hose	
20	2753796	2	Hose	
22	2753798	1	Hose	
24	2753800	1	Hose	
26	2753802	1	Hose	
28	2753804	2	Hose	
29	2753805	1	Hose	
30	2753806	1	Hose	
31	2110404	4	Fitting, Straight	
32	2110406	4	Fitting, Straight	
33	2110606	3	Fitting, Straight	
34	2110808	1	Fitting, Straight	
35	2110810	4	Fitting, Straight	
36	2111010	2	Fitting, Straight	
37	2111012	1	Fitting, Straight	
38	2111212	1	Fitting, Straight	
39	2111620	1	Fitting, Straight	
40	2131008	1	Fitting, 90	
41	2131212	2	Fitting, Straight	
42	2220765	1	Fitting, Straight	
43	2120172	2	Filter, In-Line	
44	2170504	2	Fitting, Tee	
45	2220243	1	Plug	
46	2170904	2	Cap	
47	2170306	1	Fitting, Tee	

# SECTION 6 - HYDRAULIC

## FIGURE 6-2. STANDARD HYDRAULIC DIAGRAM (4WD)



## SECTION 6 - HYDRAULIC

### FIGURE 6-2. STANDARD HYDRAULIC DIAGRAM (4WD)

ITEM	PART NUMBER	QTY	DESCRIPTION	REV
	2792542	Ref	<b>HYDRAULIC DIAGRAM - 4WD</b>	H
1	2753538	1	Hose	
2	2753781	4	Hose	
3	2753782	4	Hose	
4	2753783	4	Hose	
5	2753784	4	Hose	
6		Ref	Hose Options:	
6	2753675	2	Hose <b>(Prior to SN 0200125739)</b>	
6	2753784	2	Hose <b>(SN 0200125739 through 0200191606)</b>	
7	2753785	1	Hose	
8	2753786	1	Hose	
9	2753787	1	Hose	
10	2753624	1	Hose	
11	2753729	1	Hose	
12	2753788	1	Hose	
13	2753789	2	Hose	
14	2753790	2	Hose	
15	2753791	2	Hose	
16	2753792	2	Hose	
17	2753793	1	Hose <b>(Prior to SN 0200152397)</b>	
18	2753794	1	Hose <b>(Prior to SN 0200152397)</b>	
19	2753795	1	Hose	
20	2753796	2	Hose	
21	2753797	2	Hose	
22	2753798	1	Hose	
23	2753799	1	Hose	
24	2753800	1	Hose <b>(Prior to SN 0200119593)</b>	
25	2753801	1	Hose	
26	2753802	1	Hose	
27	2753803	2	Hose	
28	2753804	2	Hose	
29	2753805	2	Hose	
30	2753806	1	Hose	
31	2110404	8	Fitting, Straight	
32	2110406	4	Fitting, Straight	
33	2110606	2	Fitting, Straight	
34	2110808	1	Fitting, Straight <b>(Prior to SN 0200152397)</b>	
35	2110810	8	Fitting, Straight	
36	2111010	4	Fitting, Straight	
37	2111012	1	Fitting, Straight	
38	2111212	1	Fitting, Straight	
39	2111620	2	Fitting, Straight	
40	2131008	1	Fitting, 90 <b>(Prior to SN 0200152397)</b>	
41	2170312	2	Fitting, Tee	
42	2220765	1	Fitting, Straight	
43	2120172	2	Filter, In-Line	
44	4100033	69 in/1.75m	Sleeve, Nylon	
45	77323029	2	Clamp, Twin (was p/n 1320192)	
46	1320194	2	Lockwasher	

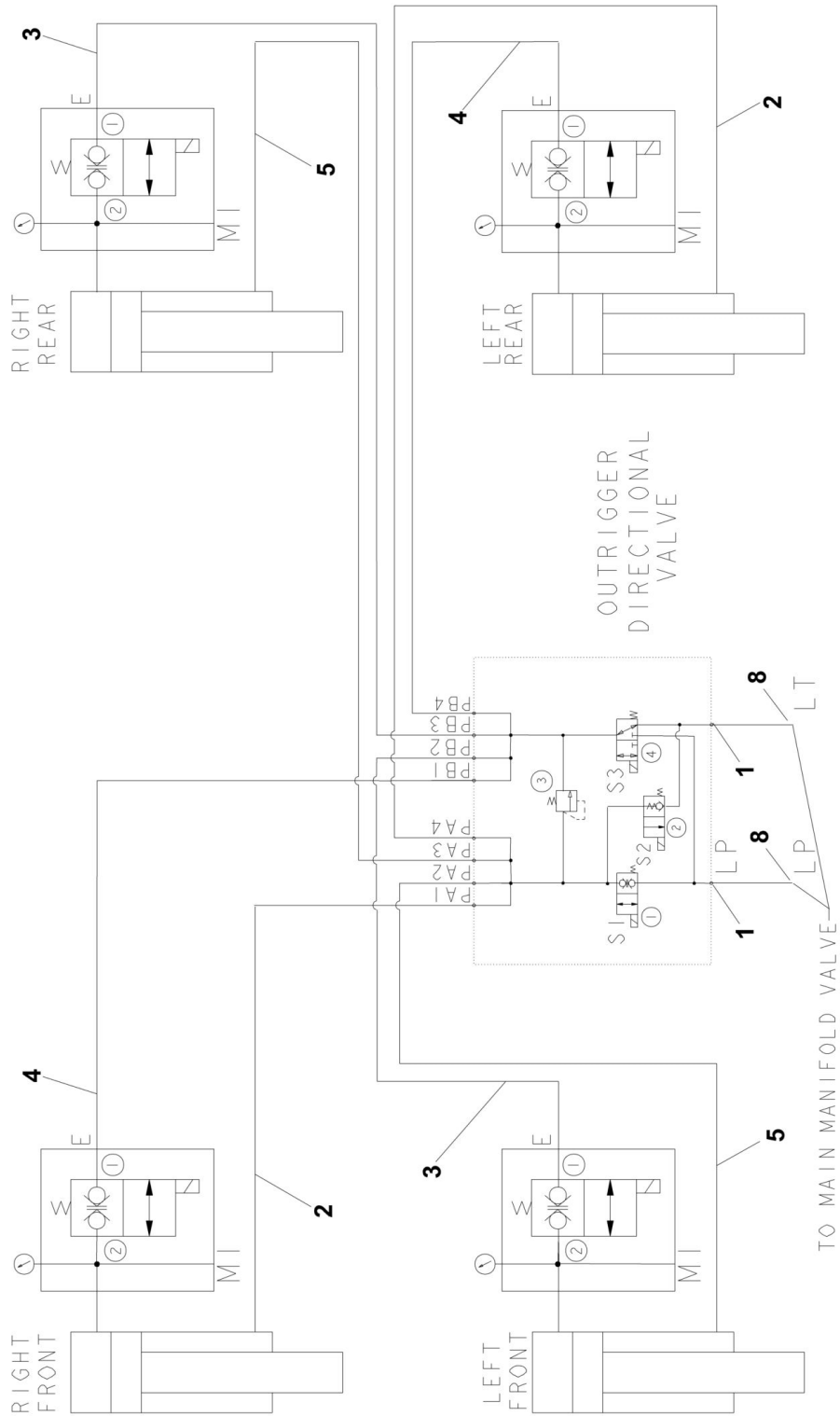
## SECTION 6 - HYDRAULIC

ITEM	PART NUMBER	QTY	DESCRIPTION	REV
47	4711600	3	Flatwasher 3/8 Narrow	
48	0641628	1	Bolt 3/8-16NC x 3-1/2	
49	3311605	1	Locknut 3/8-16NC	
	0275483	Ref	<b>SCISSOR ARMS ASSEMBLY (3394RT)</b>	A
	0275484	Ref	<b>SCISSOR ARMS ASSEMBLY (4394RT)</b>	A
101	2753793	1	Hose	
102	2753794	1	Hose	
103	2110808	1	Fitting, Straight	
104	2131008	1	Fitting, 90	



# SECTION 6 - HYDRAULIC

## FIGURE 6-3. LEVELING JACK HYDRAULIC DIAGRAM



## SECTION 6 - HYDRAULIC

### FIGURE 6-3. LEVELING JACK HYDRAULIC DIAGRAM

ITEM	PART NUMBER	QTY	DESCRIPTION	REV
	2792569	Ref	<b>HYDRAULIC DIAGRAM - LEVELING JACKS</b>	B
1	2753681	2	Hose	
2	2753832	2	Hose	
3	2753833	2	Hose	
4	2753834	2	Hose	
5	2753835	2	Hose	
8	2110808	2	Fitting, Straight	

## SECTION 6 - HYDRAULIC

FIGURE 6-4. HYDRAULIC DIAGRAM LIST

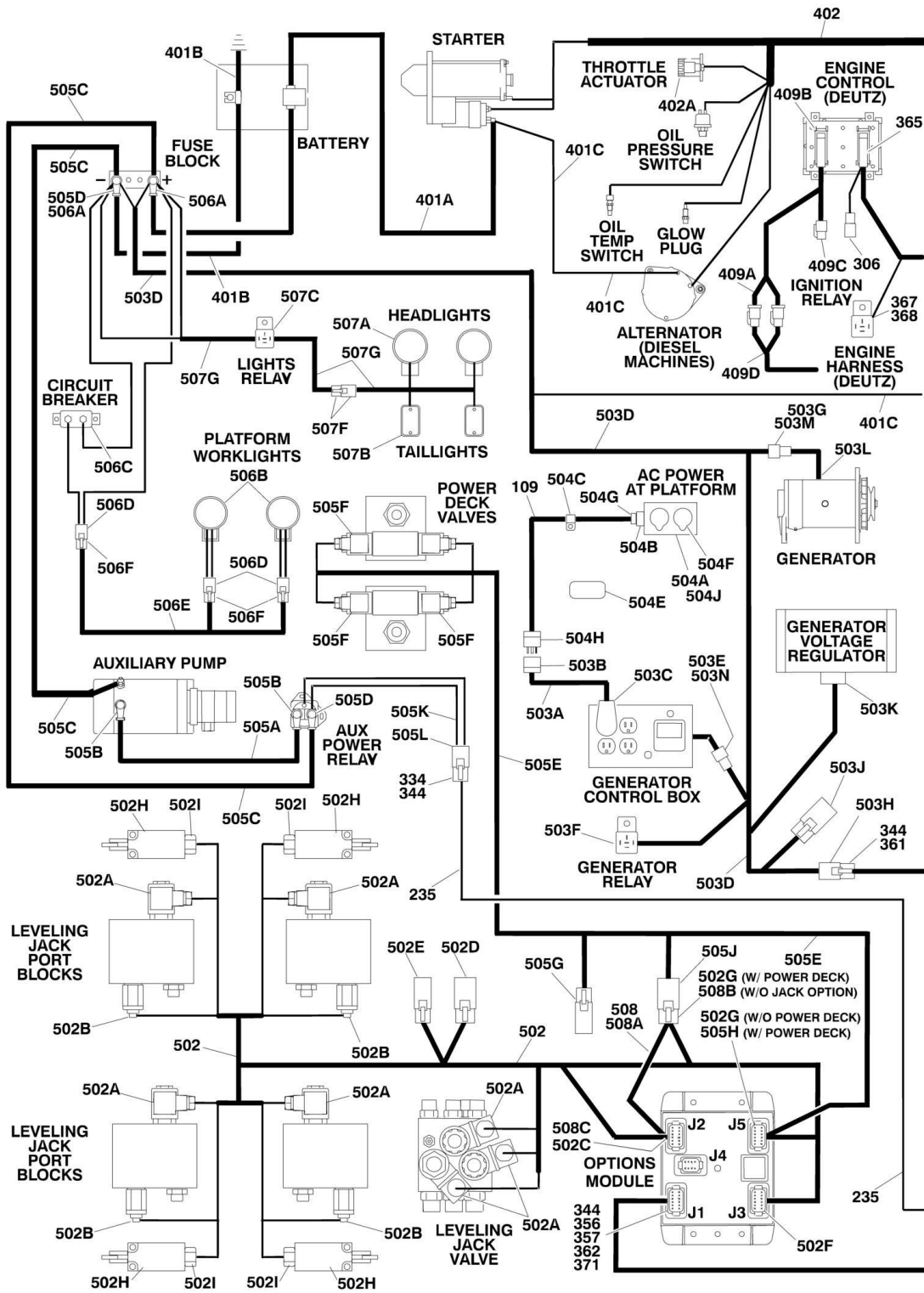
ITEM	PART NUMBER	QTY	DESCRIPTION	REV
		Ref	<b>Note: Information on diagrams not shown is available from JLG Customer Service Department.</b>	
	2792541	Ref	Hydraulic Diagram - 2WD	
	2792542	Ref	Hydraulic Diagram - 4WD	
	2792569	Ref	Hydraulic Diagram - Leveling Jacks (Optional)	
	2792594	Ref	Hydraulic Diagram - Deck Extension (Single) (Length - 12.6ft/3.8m)	
	2792592	Ref	Hydraulic Diagram - Deck Extension (Dual) (Length - 12.6ft/3.8m)	
	2792611	Ref	Hydraulic Diagram - Deck Extension (Dual) (Megadeck) (Length - 15.8ft/4.8m)	
	2792544	Ref	Hydraulic Schematic - 2WD	
	2792543	Ref	Hydraulic Schematic - 4WD	



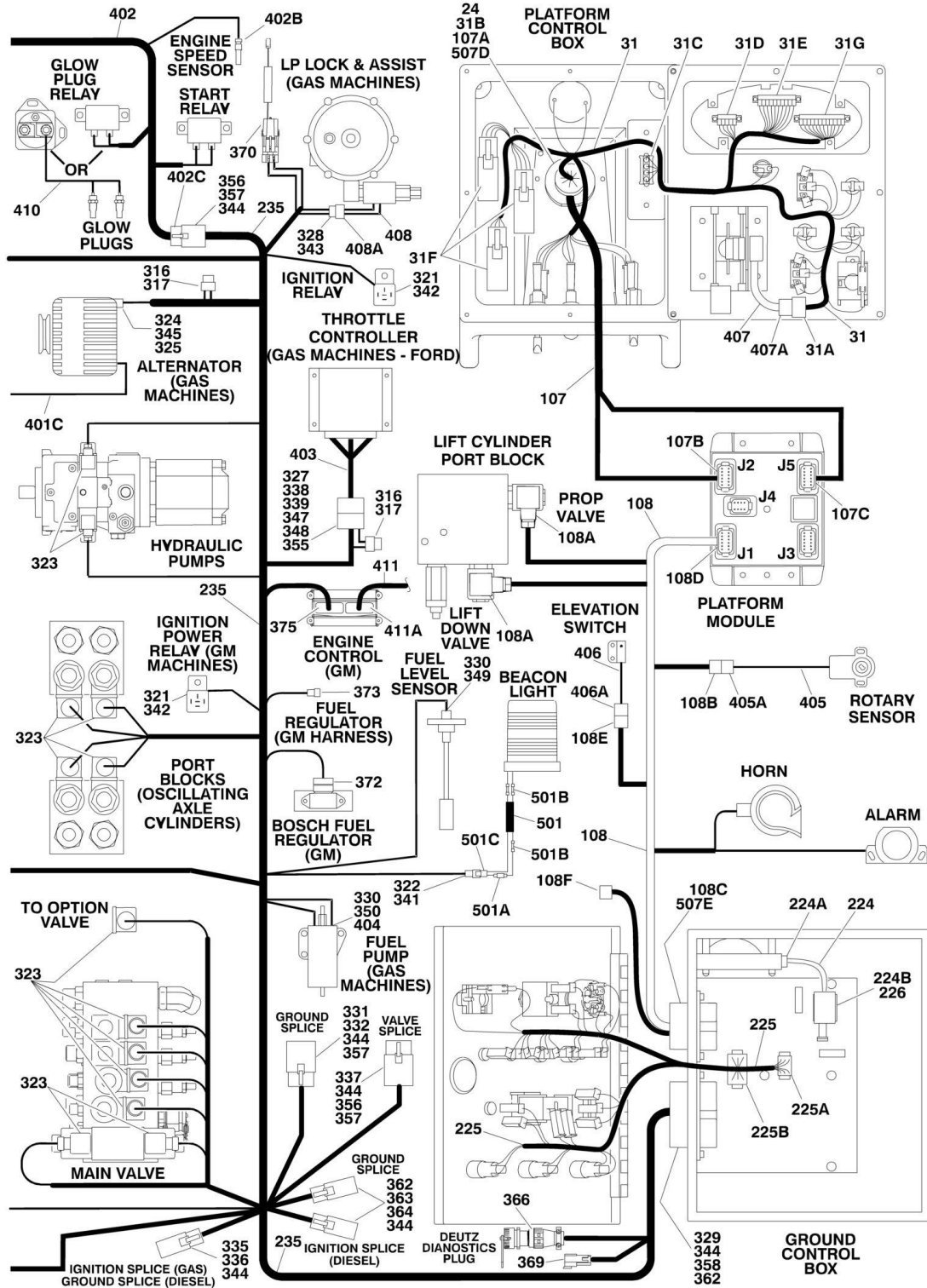
**SECTION 7 - ELECTRICAL**

# SECTION 7 - ELECTRICAL

## FIGURE 7-1. ELECTRICAL COMPONENTS INSTALLATION



# SECTION 7 - ELECTRICAL



# SECTION 7 - ELECTRICAL

## FIGURE 7-1. ELECTRICAL COMPONENTS INSTALLATION

ITEM	PART NUMBER	QTY	DESCRIPTION	REV
		Ref	<b>CONSOLE BOX COMPONENTS</b>	
24	4460470	1	Nut, Terminal	
31	4922768	1	Console Box Harness	B
31A	4460266	1	Connector - 9 Position	
31A	4460267	8	Pin, Male	
31B	4460480	1	Connector - 23 Position	
31B	4460465	21	Socket, Female	
31C	4460761	1	Connector - 4 Position	
31C	4460267	4	Pin, Male	
31D	4460817	1	Terminal, Male - 5 Position	
31E	4460818	1	Terminal, Male - 10 Position	
31F	4460892	3	Terminal, Buss Bar - 6 Position	
31F	4460894	3	Connector - 6 Position	
31F	4460465	15	Socket, Female	
31G	4460895	1	Terminal, Male - 12 Position	
		Ref	<b>PLATFORM CABLES INSTALLATION</b>	
	0271708	Ref	<b>Platform Cables Installation (3394RT)</b>	D
	0271709	Ref	<b>Platform Cables Installation (4394RT)</b>	D
	0275483	Ref	<b>Scissor Arms Assembly (3394RT)</b>	A
	0275484	Ref	<b>Scissor Arms Assembly (4394RT)</b>	A
107	4922692	1	Platform Module to Console Box Harness	C
107A	4460481	1	Connector - 23 Position	
107A	4460464	21	Pin, Male	
107B	4460836	1	Connector - 12 Position	
107B	4460465	10	Socket, Female	
107B	0840055	1	Boot	
107C	4460935	1	Connector - 12 position	
107C	4460465	11	Socket, Female	
107C	0840055	1	Boot	
108		Ref	Ground to Platform Module Harness Options:	
108	4922694	1	Ground to Platform Module Harness (3394RT) <b>(Prior to SN 0200138634)</b>	D
108	4923309	1	Ground to Platform Module Harness (3394RT) <b>(SN 0200138634 through 0200191606)</b>	A
108	4922693	1	Ground to Platform Module Harness (4394RT) <b>(Prior to SN 0200138634)</b>	D
108	4923308	1	Ground to Platform Module Harness (4394RT) <b>(SN 0200138634 through 0200191606)</b>	A
108	3990010	1	Diode 6 Amp	
108A	4460499	2	DIN Connector with Diode	
108B	4460539	1	Connector - 3 Position	
108B	4460465	3	Socket, Female	
108C	4460812	1	Connector - 24 Position	
108C	4460465	23	Socket, Female	
108C	4460466	1	Plug, Sealing	
108C	0840056	1	Boot	
108D	4460933	1	Connector - 12 Position	
108D	4460465	10	Socket, Female	
108D	4460466	2	Plug, Sealing	
108D	0840055	1	Boot	

## SECTION 7 - ELECTRICAL

ITEM	PART NUMBER	QTY	DESCRIPTION	REV
108E	4460891	1	Connector - 2 Position	
108E	4460465	2	Socket, Female	
108F	4460539	1	Connector - 3 Position <b>(SN 0200138634 through 0200191606)</b>	
108F	4460944	3	Socket, Female	
109		Ref	Cable, Electrical - 12/3	
109	1060866	1	Cable, Electrical - 12/3 (3394RT)	
109	1060907	1	Cable, Electrical - 12/3 (4394RT)	
		Ref	<b>GROUND CONTROL BOX ASSEMBLY AND INSTALLATIONS</b>	
224		Ref	Tilt Harness Options:	
224	4922339	1	Tilt Harness <b>(Prior to SN 0200123252)</b>	
224	Not Required	0	Tilt Harness (Harness part of Tilt Sensor) <b>(SN 0200123252 through 0200191606)</b>	D
224A	4460824	1	Connector, Female - 6 Position (4922339 Harness Only)	
224A	4460825	4	Socket, Female (4922339 Harness Only)	
224B	4460321	1	Connector - 4 Position	
224B	4460267	4	Pin, Male	
225	4922667	1	Ground Control Box Harness	B
225A	4460225	1	Connector - 6 Position	
225A	4460268	5	Socket, Female	
225B	4460434	1	Connector - 15 Position	
225B	4460268	15	Socket, Female	
226	2820155	1	Insulator, Ferrite Bead	
235		Ref	Engine and Valve Harness Options (See Items 301 to 369 for Breakdown):	
235	4922715	1	Diesel Machines <b>(Prior to SN 0200138634)</b>	
235	4923307	1	Diesel Machines <b>(SN 0200138634 through 0200191606)</b>	
235		Ref	Gas Machines Options:	
235	4922688	1	Ford Machines	
235	4923483	1	GM Machines	
		Ref	<b>ENGINE AND VALVE HARNESS</b>	
	4922715	Ref	<b>Diesel Machines (Prior to SN 0200138634)</b>	D
	4923307	Ref	<b>Diesel Machines (SN 0200138634 through 0200191606)</b>	C
	4922688	Ref	<b>Gas Machines - Ford</b>	G
	4923483	Ref	<b>Gas Machines - GM</b>	E
316	2400060	2	Holder, Fuse with Cover (Gas Machines - Ford Only)	
317	2400061	2	Fuse 10 Amp (Gas Machines - Ford Only)	
321	4460374	1	Plug, Male Relay Options (Gas Machines Only)	
322	4460424	1	Connector, Female - 2 Position	
323	4460499	13	Connector, DIN with Diode	
324	4460579	1	Connector - 3 Position (Gas Machines - Ford Only)	
325	4460583	1	Connector - 1 Position (Gas Machines - Ford Only)	
327	4460713	1	Connector, Ford - 42 Position (Gas Machines - Ford Only)	
328	4460742	1	Connector - 2 Position (Gas Machines Only)	
329	4460814	1	Connector - 40 Position	
330	4460955	1	Connector - 2 Position	
331	4460836	1	Connector - 12 Position	
332	4460837	1	Connector, Buss Bar - 12 Position	
333	4460855	1	Connector - 1 Position (Gas Machines Only)	
334	4460891	1	Connector - 2 Position	
335	4460892	1	Connector, Buss Bar - 6 Position	
336	4460894	1	Connector - 6 Position	

## SECTION 7 - ELECTRICAL

ITEM	PART NUMBER	QTY	DESCRIPTION	REV
337	4460898	1	Connector, Buss Bar - 12 Position	
338	4460725	1	Wedgelock (Gas Machines - Ford Only)	
339	4460726	2	Wedgelock (Gas Machines - Ford Only)	
341	4460268	2	Socket, Female	
342	4460375	4	Terminal, Female Options (Gas Machines Only)	
343	4460457	4	Socket, Female (Gas Machines Only)	
344	4460465	AR	Socket, Female	
345	4660582	3	Terminal (Gas Machines - Ford Only)	
346	4460584	1	Terminal (Gas Machines Only)	
347	4460799	6	Pin, Male (Small) (Gas Machines - Ford Only)	
348	4460800	29	Plug, Hole (Gas Machines - Ford Only)	
349	4460842	2	Terminal, Female	
350	4460854	1	Terminal, Female (Gas Machines - Ford Only)	
355	4460728	4	Pin, Male (Large) (Gas Machines - Ford Only)	
356	4460933	Ref	Connector - 12 Position	
356	4460933	3	Diesel Machines <b>(Prior to SN 0200138634)</b>	
356	4460933	2	Diesel Machines <b>(SN 0200138634 through 0200191606)</b>	
356	4460933	2	Gas Machines - Ford	
356	4460933	1	Gas Machines - GM	
357	0840055	Ref	Boot, Terminal	
357	0840055	4	Diesel Machines <b>(Prior to SN 0200138634)</b>	
357	0840055	2	Diesel Machines <b>(SN 0200138634 through 0200191606)</b>	
357	0840055	3	Gas Machines - Ford	
357	0840055	2	Gas Machines - GM	
358	0840057	1	Boot, Terminal	
361	4460539	1	Plug, Male	
362	4460466	AR	Plug, Sealing	
363	4460884	Ref	Connector - 4 Position	
363	4460884	2	Diesel Machines	
363	4460884	1	Gas Machines	
363	4460884	1	Gas Machines	
365	4461052	1	Connector - 25 Position Deutz Engine Only <b>(SN 0200138634 through 0200191606)</b>	
365	4461005	5	Terminal (Gold) (Deutz Engine Only)	
365	4461006	5	Seal, Terminal (Deutz Engine Only)	
365	4461060	2	Terminal (Tin) (Deutz Engine Only)	
365	4461054	2	Seal, Terminal (Deutz Engine Only)	
365	4461053	1	Cover, Plug (Deutz Engine Only)	
365	4461008	18	Plug, Hole (Deutz Engine Only)	
366	2902443	1	Receptacle Kit (Deutz Only)	
366	4461071	8	Socket, Female	
366	4461072	1	Receptacle	
366	4461073	1	Cap, Dust	
366	4461074	1	Shell, Black	
367	4460741	1	Plug, Male Relay (Deutz Engine Only)	
368	4460420	4	Terminal, Female (Deutz Engine Only)	
369	4460536	1	Connector, Female 3- Position (Deutz Engine Only)	
369	4460943	3	Pin, Male (Deutz Engine Only)	
370	3730123	1	Assembly, Resistor (Ford Engine Only) <b>(SN 0200115380 through 0200191606)</b>	
371	4460970	1	Receptacle, Female (Deutz Engine Only)	
372	4461121	1	Connector, Male 4 - Position (GM Engine Only)	

## SECTION 7 - ELECTRICAL

ITEM	PART NUMBER	QTY	DESCRIPTION	REV
372	4461122	4	Terminal, Female (GM Engine Only)	
372	4461123	4	Seal (GM Engine Only)	
373	4461124	1	Connector, Male 4 - Position (GM Engine Only)	
373	4460693	4	Terminal, Male (GM Engine Only)	
373	4460608	4	Seal (GM Engine Only)	
373	4461161	1	Terminal, Lock (GM Engine Only)	
374	4461070	1	Receptacle with Resistor (GM Engine Only)	
374	4460944	3	Terminal, Gold (GM Engine Only)	
374	4461095	1	Connector - 3 Position (GM Engine Only)	
375	4461109	1	Connector - 16 Position (GM Engine Only)	
375	4461111	7	Pin, Male (GM Engine Only)	
375	4461113	7	Seal, Terminal (GM Engine Only)	
375	4461222	9	Terminal, Cavity Plug (GM Engine Only)	
		Ref	<b>STANDARD HARNESS COMPONENTS</b>	
401		Ref	Battery Cable Kit Options:	
401	2902132	1	Diesel Machines - Deutz	A
401	2902139	1	Gas Machines - Ford	A
401	2902139	1	Gas Machines - GM <b>(Prior to SN 0200153214)</b>	B
401	2902534	1	Gas Machines - GM <b>(SN 0200153214 through 0200191606)</b>	A
401A		Ref	Cable, Battery - Red (Start Solenoid to Battery + to Fuse)	
401A	7024585	1	Kit - p/n 2902132	
401A	7024588	1	Kit - p/n 2902139	
401A	7027019	1	Kit - p/n 2902534	
401B		Ref	Cable, Battery - Black (Battery - to Ground)	
401B	7024586	1	Kit - p/n 2902132	
401B	4711600	1	Kit - p/n 2902139	
401B	7027020	1	Kit - p/n 2902534	
401C		Ref	Cable - Red (From Start Solenoid)	
401C	7024587	1	Kit - p/n 2902132	
401C	7024590	1	Kit - p/n 2902139	
401C	Not Required	0	Kit - p/n 2902534	
402		Ref	Engine Harness (Diesel Machines Only)	
402	4922709	1	Engine Harness (Diesel Machines Only) <b>(Prior to SN 0200138634)</b>	
402	4923276	1	Engine Harness (Diesel Machines Only) <b>(SN 0200138634 through 0200149012)</b>	
402	4923386	1	Engine Harness (Diesel Machines Only) <b>(SN 0200149013 through 0200191606)</b>	
402A	4460449	1	DIN Connector without Diode <b>(Prior to SN 0200138634)</b>	
402B	4460890	1	Connector - 2 Position <b>(Prior to SN 0200138634)</b>	
402B	4460889	2	Terminal <b>(Prior to SN 0200138634)</b>	
402C	4460939	1	Connector - 12 Position	
402C	4460464	AR	Pin, Male	
403		Ref	Engine Control Processor Harness (Ford Machines Only)	
403	7023663	1	Engine Control Processor Harness <b>(Prior to SN 0200115380)</b>	
403	See Note	NSS	Engine Control Processor Harness (Note: Not Available for Purchase) <b>(SN 0200115380 through 0200121279)</b>	
403	7023681	1	Engine Control Processor Harness (was p/n 7027403) <b>(SN 0200121280 through 0200191606)</b>	
404	See Note	NSS	Fuel Pump Harness (Gas Machines Only) (Note: Not Available for Purchase)	
405	See Note	1	Scissor Arms Rotary Angle Sensor Harness (Note: For Replacement Purchase P/N 4360500 Sensor)	

## SECTION 7 - ELECTRICAL

ITEM	PART NUMBER	QTY	DESCRIPTION	REV
405A	4460536	1	Connector - 3 Position	
405A	4460464	3	Pin, Male	
406	See Note	1	Scissor Arms Proximity Harness (Note: For Replacement Purchase P/N 4360502 Sensor)	
406A	4460897	1	Connector - 2 Position	
406A	4460464	2	Pin, Male	
407	See Note	NSS	Harness, Controller (Part of Electrical Assembly) (Note: Not Available for Purchase)	
407A	4460265	1	Connector - 9 Position	
407A	4460268	8	Socket, Female	
408	See Note	NSS	Dual Fuel Shut-Off Filter Harness (Note: Not Available for Purchase)	
408A	7023679	1	Electrical Connector Kit (Includes [1] 2 Position Connector, 2 Pins and 2 Seals)	
409	See Note	NSS	Deutz Engine Harness Components (Deutz Engine Machines Only) (Note: Not Available for Purchase)	
409A	7027796	1	Deutz Engine Harness	
409B	See Note	NSS	Receptacle, Female - 25 Position (Note: Not Available - Purchase Complete Harness)	
409C	7027793	1	Plug-In, Connector	
409D	7027794	1	Deutz Engine Harness (For other replacement parts refer to Deutz engine dealer)	
410	4923478	1	Harness, Glow Plugs (Deutz Engine Machines Only) <b>(SN 0200149013 through 0200191606)</b>	
411		Ref	Harness, Engine Options (GM Engine Machines Only):	
411	7027991	1	Tier 1 Engines <b>(Prior to SN 0200166823)</b>	
411	70000718	1	Tier 2 Engines <b>(SN 0200166823 through 0200191606)</b>	
411	7027989	1	Connector, Male - 10 Position (Not Shown)	
411	See Note	NSS	Box, Fuse (Note: Parts of Harness - Not Available for Purchase)	
411	70002627	1	Cover, Fuse Box	
411	70001950	2	Relay (Power and Fuel Pump)	
411	70001951	1	Relay (Starter)	
411	70001931	1	Fuse - 60 Amp (Alternator)	
411	See Note	NSS	Fuse - 20 Amp (Note: Not Available - Purchase Locally)	
411	See Note	NSS	Fuse - 15 Amp (Note: Not Available - Purchase Locally)	
411	See Note	NSS	Fuse - 10 Amp (Note: Not Available - Purchase Locally)	
411	See Note	NSS	Fuse - 5 Amp (Note: Not Available - Purchase Locally)	
411A	4461110	1	Connector - 16 Position	
411A	4461112	1	Terminal, Female	
		Ref	<b>OPTIONAL HARNESS COMPONENTS</b>	
501	4922739	1	Beacon Harness	A
501	1060680	5 ft/1.5m	Cable, Electrical - 18/2	
501A	2400056	1	Fuse - 5 Amp	
501A	4460044	1	Fuseholder	
501B	4460248	3	Terminal, Butt	
501C	4460267	2	Pin, Male	
501C	4460320	1	Connector - 2 Position	
502	4922748	1	Harness - Leveling Jacks	D
502A	4460499	7	DIN Connector	
502B	4460539	4	Connector - 3 Position	
502B	4460465	12	Socket, Female	
502C	4460836	1	Connector - 12 Position	
502C	0840055	1	Boot	



## SECTION 7 - ELECTRICAL

ITEM	PART NUMBER	QTY	DESCRIPTION	REV
502C	4460465	7	Socket, Female	
502C	4460466	5	Plug	
502D	4460851	1	Connector - 8 Position	
502D	4460852	1	Connector, Buss Bar - 8 Position	
502D	4460465	8	Socket, Female	
502E	4460892	1	Connector, Buss Bar - 6 Position	
502E	4460894	1	Connector - 6 Position	
502E	4460465	6	Socket, Female	
502F	4460934	1	Connector - 12 Position	
502F	0840055	1	Boot	
502F	4460465	12	Socket, Female	
502G	4460935	1	Connector - 12 Position	
502G	0840055	1	Boot	
502G	4460465	5	Socket, Female	
502G	4460466	7	Plug	
502H	4360548	4	Switch, Limit	
502I	4460968	4	Connector, Strain Relief	
503		Ref	Generator Electrical Components	
503	0271743	AR	110V/3500W/60Hz (Deutz Engine Machines)	B
503	0271742	AR	110V/3500W/60Hz (Ford Engine Machines)	B
503	0275141	AR	110V/3500W/60Hz (Ford and GM Machines)	A
503	0271745	AR	220V/2000W/50Hz (Deutz Engine Export Machines)	B
503	0271744	AR	220V/2500W/60Hz (Ford Engine Machines)	B
503A	1061006	1	AC Cord Assembly Options:	A
503A	1060308	11 ft/3.3m	Cable, Electrical - 12/3	
503B	4460779	1	Receptacle, Female	
503C	4460858	1	Plug, 90 Male	
503D	4922800	1	Generator Harness	C
503E	4460225	1	Connector - 6 Position	
503E	4460267	4	Pin, Male	
503E	4460906	2	Socket, Female	
503F	4460374	1	Plug, Relay	
503F	4460375	4	Terminal	
503G	4460445	1	Connector - 3 Position	
503G	4460906	3	Socket, Female	
503H	4460536	1	Connector - 3 Position	
503H	4460464	2	Pin, Male	
503J	4460884	1	Connector - 4 Position	
503J	4460893	1	Plug, Buss Bar - 4 Position	
503J	4460465	3	Socket, Female	
503K	4460972	1	Connector - 5 Position	
503K	4460974	4	Terminal	
503L	7020193	1	Generator Power Cable (12ft Length)	
503M	4460326	1	Connector - 3 Position	
503M	4460705	3	Pin, Male	
503N	4460224	1	Connector - 6 Position	
503N	4460268	4	Socket, Female	
503N	4460705	2	Pin, Male	
504		Ref	AC to Platform Receptacle Components Options:	
504	0271735	Ref	110V Receptacle Installation (ANSI Spec - 3394RT was 0271735 / 4394RT was 0271738)	G

## SECTION 7 - ELECTRICAL

ITEM	PART NUMBER	QTY	DESCRIPTION	REV
504	0271736	Ref	220V Receptacle Installation (ANSI Spec - 3394RT was 0271736 / 4394RT was 0271739)	F
504	0271737	Ref	220V Receptacle Installation (ANSI Export Spec - 3394RT was 0271737 / 4394RT was 0271740)	F
504A		Ref	Box, Switch Options:	
504A	0860038	1	ANSI Spec	
504A	See Note	1	ANSI Export Spec (Note: Purchase Locally)	
504B	Not Required	0	Not Required	
504C	1320224	1	Clamp	
504D	1670988	1	Cover, Access (Not Shown - Located on Platform Floor)	
504E		Ref	Decal - AC Power Options:	
504E	1703464	1	110V	
504E	3252507	1	220V	
504F		Ref	Shield, Cover Options:	
504F	4060700	1	110V	
504F	See Note	1	220V (Note: Purchase Locally)	
504G		Ref	Connector, Strain Relief Options:	
504G		Ref	ANSI Spec	
504G	4460051	1	Connector, Strain Relief ( <b>Prior to SN 0200110801</b> )	
504G	4460071	1	Connector, Strain Relief ( <b>SN 0200110801 through 0200191606</b> )	
504G	See Note	1	ANSI Export Spec (Note: Purchase Locally)	
504H		Ref	Plug, Male Options:	
504H	4460138	1	110V	
504H	See Note	1	220V (Note: Purchase Locally)	
504J		Ref	Receptacle Options:	
504J	4460346	1	110V	
504J	See Note	1	220V (Note: Purchase Locally)	
504K	3300048	1	Locknut, Conduit 3/4 (Not Shown)	
504L	4460422	1	Terminal, Strain Relief (Not Shown)	
505		Ref	Power Deck Component Options:	
505	0271701	AR	Power Deck Component - with Single Power Deck (3394RT)	E
505	0271705	AR	Power Deck Component - with Dual Power Deck (3394RT)	E
505	0271702	AR	Power Deck Component - with Single Power Deck (4394RT)	E
505	0271706	AR	Power Deck Component - with Dual Power Deck (4394RT)	E
505A	1061003	1	Cable, Electrical	
505B	0840041	2	Boot, Terminal	
505C	1061004	2	Cable, Electrical	
505D	0840041	2	Boot, Terminal (1 Per Assembly)	
505E	1670995	3	Cover, Cable	
505E	4282845	AR	Strip, Protective	
505E	4240033	6	Tie-Strap	
505E		Ref	Power Deck Harness Options (Ground to Platform)	
505E	4922845	1	Power Deck Harness Options (Ground to Platform) (3394RT)	C
505E	4922848	1	Power Deck Harness Options (Ground to Platform) (4394RT)	C
505F	4460499	4	Connector, DIN	
505G	4460892	1	Terminal, Buss Bar - 6 Position	
505G	4460894	1	Connector - 6 Position	
505G	4460465	5	Socket, Female	
505G	4460466	1	Plug, Sealing	
505H	4460935	1	Connector - 12 Position	
505H	0840055	1	Boot, Terminal	

## SECTION 7 - ELECTRICAL

ITEM	PART NUMBER	QTY	DESCRIPTION	REV
505H	4460465	10	Socket, Female	
505H	4460466	2	Plug, Sealing	
505J	4460982	1	Connector - 12 Position	
505J	0840055	1	Boot, Terminal	
505J	4460464	5	Pin, Male	
505J	4460466	7	Plug, Sealing	
505K	4922859	1	Auxiliary Power Harness	
505L	4460897	1	Connector - 2 Position	
505L	4460464	2	Pin, Male	
506		Ref	Platform Worklight Component Options:	
506A	0840026	2	Boot, Terminal	
506B	2920140	2	Worklight and Harness (without Terminal Ends)	
506B	7016399	2	Bulb, Replacement (1 per Assembly)	
506B	0901930	2	Bracket, Mounting (Not Shown)	
506C	4360448	1	Breaker, Circuit - 10 Amp	
506D	4460267	6	Pin, Male	
506D	4460424	3	Connector - 2 Position	
506E	1060341	90 ft /27.4m	Cable, Electrical - 16/2	
506F	4460320	3	Connector - 2 Position	
506F	4460268	6	Socket, Female	
507		Ref	Headlight and Taillight Component Options:	
507A	2920110	2	Headlight and Harness (without Terminal Ends)	
507A	7016628	2	Bulb, Replacement (1 Per Assembly)	
507A	3574164	2	Bracket, Mounting (Not Shown)	
507B	2920113	2	Headlight and Harness (without Terminal Ends)	
507B	3574153	2	Bracket, Mounting (Not Shown)	
507C	3740080	1	Relay	
507D	4460464	1	Pin, Male	
507D	4460465	1	Socket, Female	
507E	4460206	1	Pin, Male	
507E	4460185	1	Socket, Female	
507F	4460892	1	Terminal, Buss Bar - 6 Position	
507F	4460894	1	Connector - 6 Position	
507F	4460465	10	Socket, Female	
507F	4460466	2	Plug, Sealing	
507G	1060341	90 ft/27.4m	Cable, Electrical - 16/2	
507H	4360482	1	Switch, Toggle (Not Shown)	
507H	4060802	1	Shield, Switch (Not Shown)	
508	0275320	1	Power Deck Jumper Harness (SN 0200151143 through 0200191606)	
508A	4923507	1	Harness, Jumper	
508B	4460935	1	Connector - 12 Position	
508B	0840055	1	Boot	
508B	4460465	1	Socket, Female	
508B	4460466	11	Plug	
508C	4460836	1	Connector - 12 Position	
508C	0840055	1	Boot	
508C	4460465	1	Socket, Female	
508C	4460466	11	Plug	
		Ref	<b>TOOLS FOR SERVICE (NOT SHOWN)</b>	

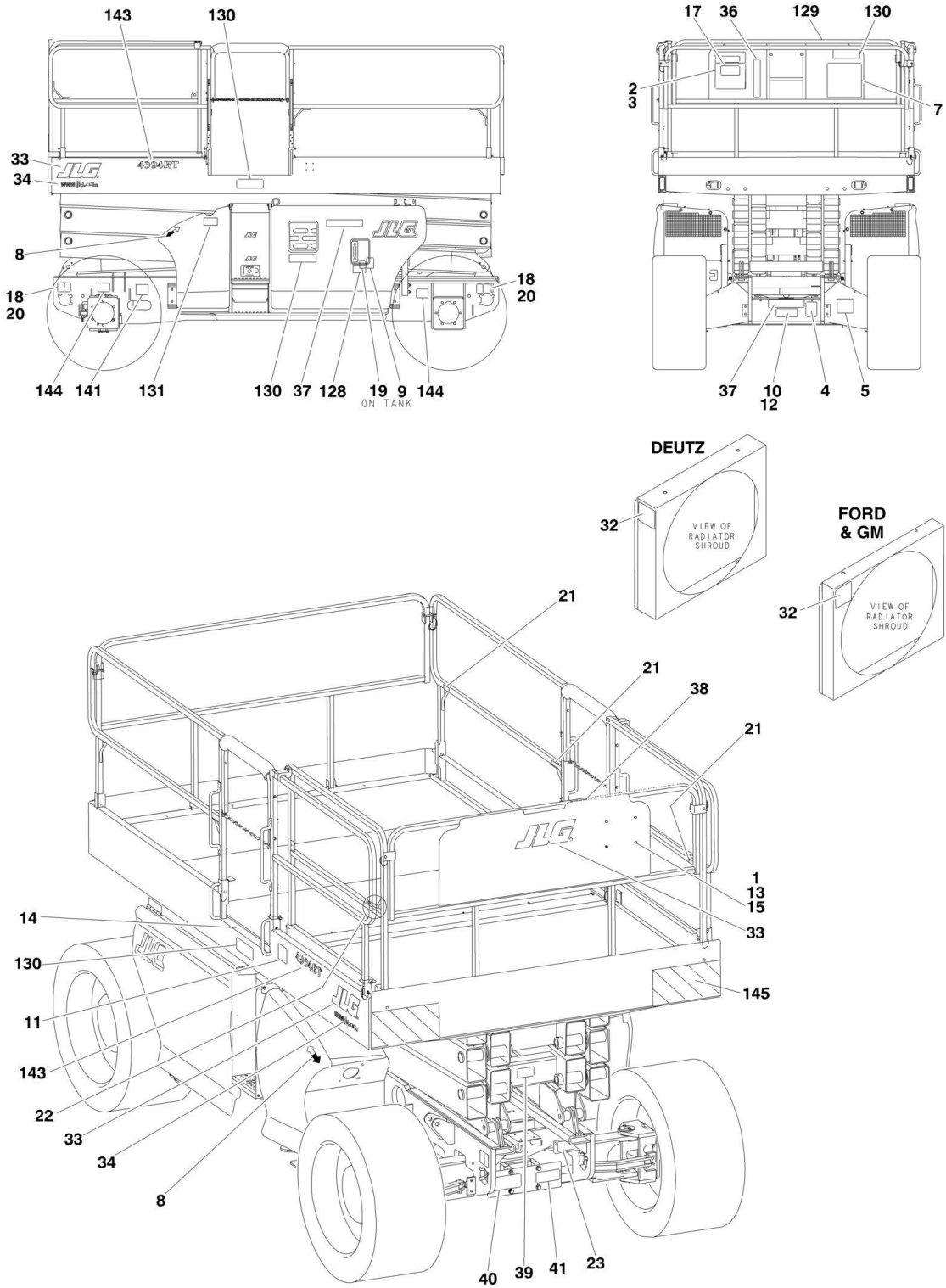
## SECTION 7 - ELECTRICAL

ITEM	PART NUMBER	QTY	DESCRIPTION	REV
	7002821	1	Crimper, Wire	
	7002823	1	Extractor, Pin - Universal	
	4460467	AR	Extractor, Pin #16 Gauge	
	4460510	AR	Extractor, Pin #12 Gauge	
	7002828	1	Stripper, Wire	
	2901443	1	Analyzer Kit	

**SECTION 8 - DECALS**

# SECTION 8 - DECALS

## FIGURE 8-1. DECAL INSTALLATION (ANSI SPEC)



## SECTION 8 - DECALS

**FIGURE 8-1. DECAL INSTALLATION (ANSI SPEC)**

ITEM	PART NUMBER	QTY	DESCRIPTION	REV
		Ref	<b>DECALS INSTALLATION</b>	
	0271752	Ref	<b>Decal Installation - ANSI Spec</b>	5
	0271777	Ref	<b>Decal Installation - JLG</b>	2
1	0641405	4	Bolt 1/4-20NC x 5/8	
2	0860520	1	Box, Manual Storage	
3	1060279	1	Cable, Lanyard	
4	1700584	1	Decal - Patent	
5	1702153	1	Decal - Inspection	
6	See Note	NSS	Decal - Bar Code (Note: Not Available for Purchase)	
7	1703816	1	Decal - Danger/Warning	
8	1703687	2	Decal - Directional Arrow	
9	1704412	1	Decal - Hydraulic Oil	
10	2080057	4	Fastener	
11	3251813	1	Nameplate - USA	
12	See Note	NSS	Nameplate - Serial Number (Note: Not Available for Purchase)	
13	3311405	4	Locknut 1/4-20NC	
14	4420067	4 ft/1.2m	Tape, Safety Tread	
15	4711400	5	Flatwasher 1/4 Narrow	
17	1701509	1	Decal - Manual Reference	
18	1703811	4	Decal - Lifting Lugs	
19	1703812	1	Decal - Oil	
20	1703814	4	Decal - Tie Down	
21	1704277	8	Decal - Attach Lanyard Here	
22	1703819	1	Decal - Directional Arrow	
23	1703822	1	Decal - Manual Descent	
32	1703162	1	Decal - Fan Blade	
33	1702773	3	Decal - JLG	
34	1704885	2	Decal - Website	
36	1705190	1	Decal - Legend	
37	1703818	3	Decal - Crushing Hazard/Danger Electrocution	
38	1703821	1	Decal - Control Box Location	
39	1705019	1	Decal - Safety Prop	
40	1704432	1	Decal - Warning Crushing	
41	1703823	1	Decal - Danger/Electrical Hazard	
	0010583	Ref	<b>DECAL OPTIONS</b>	
128		Ref	Decal - Hydraulic Fluid Options:	
128	1702788	1	Biodegradable Hydraulic Fluid	
128	1704174	1	Synthetic Biodegradable Hydraulic Fluid	
129		Ref	Decal - Warning Prop 65 Options (California Spec):	
129	1702962	1	Diesel Machines	
129	1702961	1	Gas Machines	
130		Ref	Decal - Capacity Options:	
130	1705020	4	2250lbs/909kg (with Single Deck Extension) (3394RT)	
130	3252757	4	2000lbs/795kg (with Dual Deck Extension) (3394RT)	
130	1705021	4	1500lbs/681kg (with Single Deck Extension) (4394RT)	
130	1705022	4	1250lbs/568kg (with Dual Deck Extension) (4394RT)	
131		Ref	Decal - Fuel:	
131	1701505	1	Diesel Machines	
131	1701542	1	Gas Machines	
141	1700818	1	Decal - LP	

## SECTION 8 - DECALS

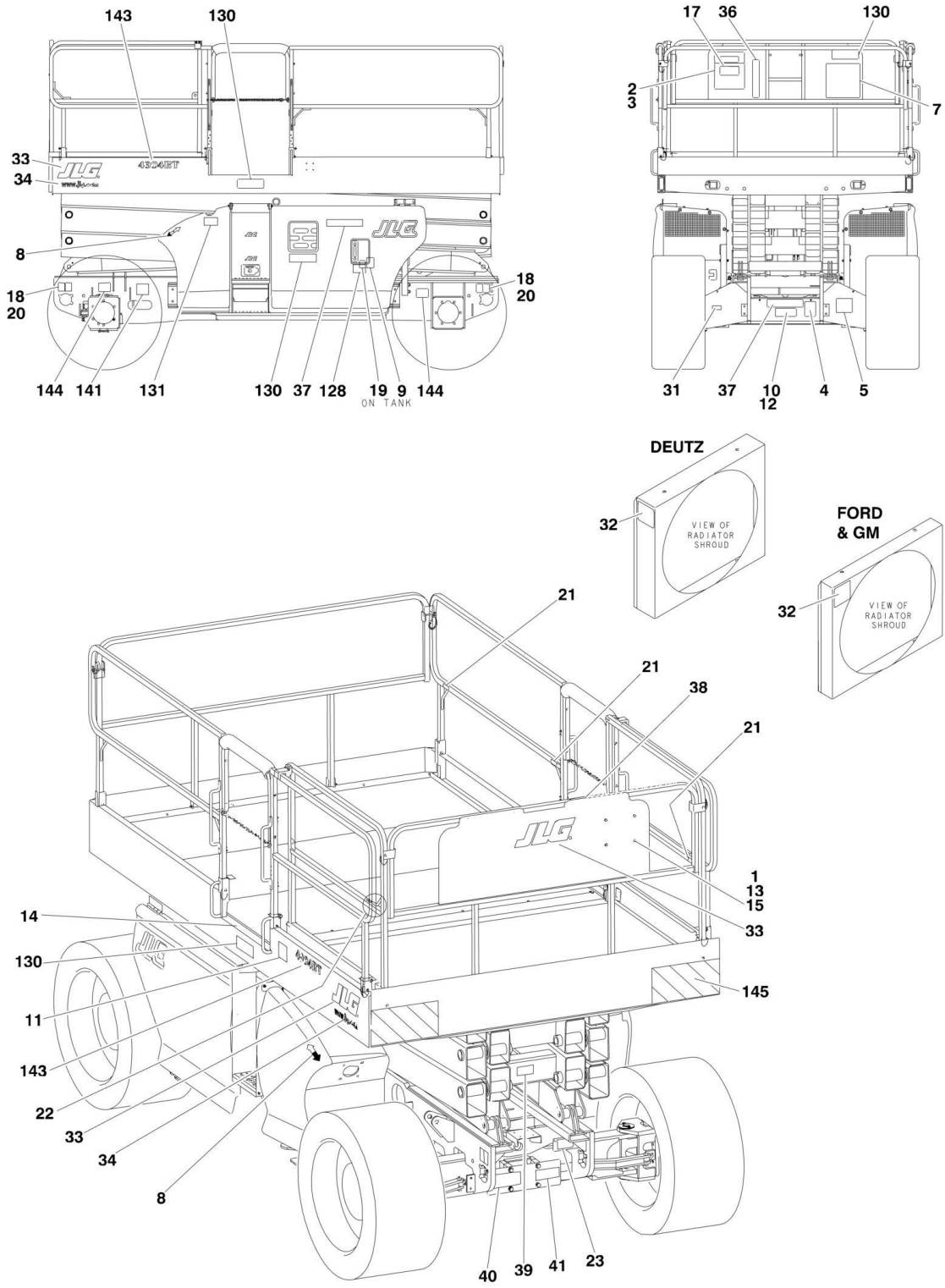
ITEM	PART NUMBER	QTY	DESCRIPTION	REV
143		Ref	Decal - Model Designation Options:	
143	1705038	2	Decal - Model Designation (3394RT)	
143	1705039	2	Decal - Model Designation (4394RT)	
144	1703493	4	Decal - Max Tire Load (Not Used on Machines with Leveling Jacks)	
145	4420051	Ref	Warning Tape Options (Optional):	
145	4420051	4 ft/1.2m	With Single Extension	
145	4420051	8 ft/2.4m	With Dual Extension	





# SECTION 8 - DECALS

## FIGURE 8-2. DECAL INSTALLATION (COUNTRY SPEC)



## SECTION 8 - DECALS

**FIGURE 8-2. DECAL INSTALLATION (COUNTRY SPEC)**

ITEM	PART NUMBER	QTY	DESCRIPTION	REV
		Ref	<b>DECALS INSTALLATION - COUNTRY SPEC</b>	
	0271767	Ref	<b>Decal Installation - Brazil Spec (Spanish/Portuguese)</b>	3
	0275100	Ref	<b>Decal Installation - Chinese Spec (English/Chinese)</b>	2
	0271755	Ref	<b>Decal Installation - CSA Spec (English/French)</b>	4
	0271766	Ref	<b>Decal Installation - Latin American Spec (English/Spanish)</b>	3
	0271777	Ref	<b>Decal Installation - JLG</b>	1
1	0641405	4	Bolt 1/4-20NC x 5/8	
2	0860520	1	Box, Manual Storage	
3	1060279	1	Cable, Lanyard	
4	1700584	1	Decal - Patent	
5		Ref	Decal - Inspection Options:	
5	1704008	1	Brazil Spec (Spanish/Portuguese)	
5	1704607	1	Chinese Spec (English/Chinese)	
5	1704006	1	CSA Spec (English/French)	
5	1704007	1	Latin American Spec (English/Spanish)	
6	See Note	NSS	Decal - Bar Code (Note: Not Available for Purchase)	
7		Ref	Decal - Danger/Warning Options;	
7	1704699	1	Brazil Spec (Spanish/Portuguese)	
7	1705195	1	Chinese Spec (English/Chinese)	
7	1704684	1	CSA Spec (English/French)	
7	1704691	1	Latin American Spec (English/Spanish)	
8	1703687	2	Decal - Directional Arrow	
9	1704412	1	Decal - Hydraulic Oil	
10	2080057	4	Fastener	
11	3251813	1	Nameplate - USA	
12	See Note	NSS	Nameplate - Serial Number (Note: Not Available for Purchase)	
13	3311405	4	Locknut 1/4-20NC	
14	4420067	4 ft/1.2m	Tape, Safety Tread	
15	4711400	AR	Flatwasher 1/4 Narrow	
17	1701509	1	Decal - Manual Reference	
18	1703811	4	Decal - Lifting Lugs	
19	1703812	1	Decal - Oil	
20	1703814	4	Decal - Tie Down	
21	1704277	8	Decal - Attach Lanyard Here	
22	1703819	1	Decal - Directional Arrow	
23	1703822	1	Decal - Manual Descent	
31		Ref	Decal - CSA Options:	
31	Not Required	0	Brazil Spec (Spanish/Portuguese)	
31	Not Required	0	Chinese Spec (English/Chinese)	
31	1705303	1	CSA Spec (English/French)	
31	Not Required	0	Latin American Spec (English/Spanish)	
32	1703162	1	Decal - Fan Blade	
33	1702773	3	Decal - JLG	
34	1704885	2	Decal - Website	
36		Ref	Decal - Legend Options:	
36	1705317	1	Brazil Spec (Spanish/Portuguese)	
36	1705190	1	Chinese Spec (English/Chinese)	
36	1705314	1	CSA Spec (English/French)	
36	1705315	1	Latin American Spec (English/Spanish)	
37		Ref	Decal - Crushing Hazard/Danger Electrocutio	

## SECTION 8 - DECALS

ITEM	PART NUMBER	QTY	DESCRIPTION	REV
37	1704701	3	Brazil Spec (Spanish/Portuguese)	
37	1705193	3	Chinese Spec (English/Chinese)	
37	1704686	3	CSA Spec (English/French)	
37	1704693	3	Latin American Spec (English/Spanish)	
38		Ref	Decal - Control Box Location Options:	
38	1704702	1	Brazil Spec (Spanish/Portuguese)	
38	1705194	1	Chinese Spec (English/Chinese)	
38	1704687	1	CSA Spec (English/French)	
38	1704694	1	Latin American Spec (English/Spanish)	
39	1705019	1	Decal - Safety Prop	
40		Ref	Decal - Warning Crushing Options:	
40	1705318	1	Brazil Spec (Spanish/Portuguese)	
40	1705943	1	Chinese Spec (English/Chinese)	
40	1705311	1	CSA Spec (English/French)	
40	1705316	1	Latin American Spec (English/Spanish)	
41		Ref	Decal - Danger/Electrical Hazard Options:	
41	1705043	1	Brazil Spec (Spanish/Portuguese)	
41	1705944	1	Chinese Spec (English/Chinese)	
41	1705040	1	CSA Spec (English/French)	
41	1705041	1	Latin American Spec (English/Spanish)	
	0010583	Ref	<b>DECAL OPTIONS</b>	
128		Ref	Decal - Hydraulic Fluid Options:	
128	1702788	1	CSA Spec (Biodegradable Hydraulic Fluid)	
128	1704174	1	CSA Spec (Synthetic Biodegradable Hydraulic Fluid)	
128	Not Required	0	Brazil/Latin American Specs	
130		Ref	Decal - Capacity Options:	
130	1705020	3	2250lbs/909kg (with Single Deck Extension) (3394RT)	
130	3252757	3	2000lbs/795kg (with Dual Deck Extension) (3394RT)	
130	1705021	3	1500lbs/681kg (with Single Deck Extension) (4394RT)	
130	1705022	3	1250lbs/568kg (with Dual Deck Extension) (4394RT)	
131		Ref	Decal - Fuel:	
131	1701505	1	Diesel Machines	
131	1701542	1	Gas Machines	
141		Ref	Decal - LP Options (Not Shown - LP Gas Machines):	
141	1700818	1	English Language	
141	1704271	1	English/French Language	
141	1702720	1	Spanish Language	
143		Ref	Decal - Model Designation Options:	
143	1705038	1	Decal - Model Designation (3394RT)	
143	1705039	1	Decal - Model Designation (4394RT)	
144	1703493	4	Decal - Max Tire Load (Not Used on Machines with Leveling Jacks)	
145	4420051	Ref	Warning Tape Options (Optional):	
145	4420051	4 ft/1.2m	With Single Extension	
145	4420051	8 ft/2.4m	With Dual Extension	

## **SECTION 9 - RECOMMENDED SERVICE PARTS STOCK**

## **SECTION 9 - RECOMMENDED SERVICE PARTS STOCK**

# SECTION 9 - RECOMMENDED SERVICE PARTS STOCK

FIGURE 9-1. STANDARD PARTS

ITEM	PART NUMBER	QTY	DESCRIPTION	REV
		Ref	<b>The following list will service one machine (built to current production per date on the front cover) with emergency repair parts which can be installed in the field. Parts from the list should be replaced when inventory is depleted to keep service parts stock supplied. For further information, contact your JLG dealer or the JLG Industries Parts Department.</b>	
		Ref	<b>STANDARD PARTS</b>	
	7024501	1	Coil	
	7021376	1	Coil	
	7024571	1	Coil	
	7024438	1 doz	Element, Air Cleaner	
	3740080	1	Relay	
	2120158	4	Element, Hydraulic Tank Filter	
	7014811	1	Breather, Hydraulic Tank	
	4360070	1	Breaker, Circuit	
	4360328	1	Switch, Toggle	
	4360387	1	Switch, Push Button	
	4360469	1	Switch, Key	
	2860030	1	Key, Replacement	
	4360475	1	Switch, Mushroom	
	1810140	1	Switch, Dual Axis	
	4360500	1	Switch, Rotary Angle Sensor	
	4360502	1	Switch, Proximity	
	2940074	1	Latch	
	4360524	1	Switch, Toggle	
	4360525	1	Switch, Toggle	
	70000082	1	Microswitch	
	7027367	1	Push Button Switch	
	70000081	1	Potentiometer	
	7012944	1	Coil	
	7017451	1	Coil	
	7012943	1	Coil	
	2120172	1	Filter, In-Line	



## SECTION 9 - RECOMMENDED SERVICE PARTS STOCK

FIGURE 9-2. VARIABLE PARTS

ITEM	PART NUMBER	QTY	DESCRIPTION	REV
		Ref	<b>The following list will service one machine (built to current production per date on the front cover) with emergency repair parts which can be installed in the field. Parts from the list should be replaced when inventory is depleted to keep service parts stock supplied. For further information, contact your JLG dealer or the JLG Industries Parts Department.</b>	
		Ref	<b>VARIABLE PARTS</b>	
	7011354	1	Coil (Machines with Dual Power Deck Extensions)	
	3740112	1	Relay (Deutz Engine Machines)	
	7016331	1 doz	Filter, Oil (Deutz Engine Machines)	
	7020023	4	Filter, Spin On Fuel (Deutz Engine Machines)	
	7027245	4	Filter, Inline Fuel (Deutz Engine Machines)	
	3740080	1	Relay (Machines with Generator)	
	7021868	1 doz	Filter, Oil (Ford Engine Machines)	
	7022135	4	Filter, Fuel (Ford Engine Machines)	
	7022168	1	Solenoid Valve (Ford Engine Machines)	
	1600374	1	Module, Engine ECM Control (Ford Engine Machines)	
	70000165	1 doz	Filter, Oil (GM Engine Machines)	
	7027972	4	Filter, Fuel (GM Engine Machines)	
	7027994	1	Module, Engine ECU Control (GM Engine Machines)	
	1600336	1	Module	
	1001091731	1	Module, Ground Control	
	4360483	1	Switch, Toggle (Machines with Power Deck Extensions)	
	7024013	1	Coil (Machines with Power Deck Extensions)	
	4360483	1	Switch, Toggle (Deutz Engine Machines)	
	4360482	1	Switch, Toggle (Ford Engine Machines)	
	2400061	2	Fuse - 10Amp (Ford Engine Machines)	
	2400056	2	Fuse - 5 Amp (With Beacon Light Option)	
	3990010	2	Diode (Machines with Generator Option)	



**SECTION 10 - SPECIAL OPTIONS**

# SECTION 10 - SPECIAL OPTIONS

## FIGURE 10-1. SPECIAL OPTIONS LIST

ITEM	PART NUMBER	QTY	DESCRIPTION	REV
		Ref	<b>SPECIAL OPTIONS LIST</b>	
		Ref	<b>Note: This list is to accommodate machines ordered with special equipment. Options may not be applicable to all models. For more specific parts information contact the JLG Parts Department.</b>	
		Ref	<b>Airline to Platform Installation - 1/2</b>	
	0271782	Ref	<b>Airline to Platform Installation (3394RT)</b>	
	0271783	Ref	<b>Airline to Platform Installation (4394RT)</b>	
		Ref	<b>Cold Weather Package Installation Options:</b>	
	0271786	Ref	<b>Deutz Engine Machines</b>	
	0271784	Ref	<b>Ford Engine Machines</b>	
	0275149	Ref	<b>GM Engine Machines</b>	
		Ref	<b>Decal Options</b>	
	0253807	Ref	<b>Decal - Corner Stripes (Dual Deck Extension)</b>	
	0251642	Ref	<b>Decal - Corner Stripes (Single Deck Extension)</b>	
	0274680	Ref	<b>Decals - Head and Engquist Equipment L.L.C (H &amp; E)</b>	
		Ref	<b>Decal - Nations Rent</b>	
	0273375	Ref	<b>Decal - Nations Rent (Prior to SN 123207)</b>	
	0274185	Ref	<b>Decal - Nations Rent (SN 123207 through 191606)</b>	
	0274249	Ref	<b>Decal - National Equipment Services (NES)</b>	
	0272289	Ref	<b>Decals - Sunbelt</b>	
	0271666	Ref	<b>Decals - United Airlines</b>	
	1001098292	Ref	<b>Decals - UPS</b>	
		Ref	<b>Decal Kits</b>	
	2902066	Ref	<b>Decal Kit - Country Spec (ANSI)</b>	
	2902192	Ref	<b>Decal Kit - Country Spec (Brazil) (Spanish/Portuguese Languages)</b>	
	2902498	Ref	<b>Decal Kit - Country Spec (CE and Australian)</b>	
	2902190	Ref	<b>Decal Kit - Country Spec (CSA) (English/French Languages)</b>	
	1001162116	Ref	<b>Decal Kit - Country Spec (Korean America) (English/Korean Languages)</b>	
	2902191	Ref	<b>Decal Kit - Country Spec (Latin America) (English/Spanish Languages)</b>	
	2901912	Ref	<b>Decal Kit - Master</b>	
	2910832	Ref	<b>Decal Kit - Service</b>	
	1001235569	Ref	<b>Fan &amp; Belt Shield Add-on Kit (Deutz T4i D2011 Engines)</b>	
		Ref	<b>Filter Kits</b>	
		Ref	<b>Deutz Engine</b>	
	1001111697	1	<b>Combined Filter Kit (Hydraulic/Air and Fuel/Engine Oil)</b>	
	1001111670	1	<b>Hydraulic/Air Filter</b>	
	1001111685	1	<b>Fuel/Engine Oil Filter</b>	
		Ref	<b>Ford Engine</b>	
	2910951	1	<b>Combined Filter Kit (Hydraulic/Air and Fuel/Engine Oil)</b>	
		Ref	<b>GM Engine</b>	
	1001150356	1	<b>Combined Filter Kit (Hydraulic/Air and Fuel/Engine Oil)</b>	
	0272726	Ref	<b>Headlights and Taillights Installation</b>	
		Ref	<b>Hydraulic Fluids Options:</b>	
	2300014	Ref	<b>Mobil 424</b>	
	2300027	Ref	<b>Mobil 224H Bio</b>	
	2300029	Ref	<b>Mobil EAL ISO 46 Bio</b>	

## SECTION 10 - SPECIAL OPTIONS

ITEM	PART NUMBER	QTY	DESCRIPTION	REV
	2300016	Ref	Mobil DTE 10 EXCEL 32	
	2300021	Ref	Union Carbide Ucon HP5046 Fire Resistant	
	2300027	Ref	Mobil EAL 224 H	
	2300039	Ref	Exxon Univis HVI 26	
	2300040	Ref	<b>Diesel Fuel Conditioner</b>	
	0271749	Ref	<b>Platform Worklights Installation (3394RT)</b>	
	0273801	Ref	<b>Platform Worklights Installation (4394RT)</b>	
	2902348	Ref	<b>Platform Workstation Decal Capacity Kit</b>	
		Ref	<b>Floodlights Installation Options:</b>	
	0271750	Ref	<b>Floodlights Installation (3394RT)</b>	
	0271751	Ref	<b>Floodlights Installation (4394RT)</b>	
	1001200380	Ref	<b>Radiator Replacement Kit (RCP to Modine Brand) (ANSI - USA &amp; CSA Specs)</b>	
		Ref	<b>Tools for Service</b>	
	7002821	1	Crimper, Wire	
	7002823	1	Extractor, Pin - Universal	
	4460467	AR	Extractor, Pin #16 Gauge	
	4460510	AR	Extractor, Pin #12 Gauge	
	7004275	1	Installer, Cylinder Seal - 1	
	7004276	1	Installer, Cylinder Seal - 1 1/2	
	7002826	1	Installer, Cylinder Seal - 2	
	7016654	1	Screwdriver, Magnetic	
	7002822	1	Screwdriver, Potentiometer	
	7002828	1	Stripper, Wire	
	2901443	1	Analyzer Kit	
		Ref	<b>Note: Refer to GM Parts Supplement Manual p/n 3121245 for Special Tools for GM Engines.</b>	



**PART NUMBER INDEX**

## SECTION 10 - SPECIAL OPTIONS

0010583.....30, 195, 200	0271698.....91	0272212.....11	0363154.....61
0080190.....161	0271699.....100	0272228.....101, 105	0370018.....159
0080201.....53	0271700.....121, 122	0272229.....101, 105	0370024.....169
0080240.....53	0271701.....34, 130, 190	0272241.....121, 125, 131	0400075.....39, 52, 66
0100011.....11, 15, 29, 33, 34, 40, 41, 42, 47, 53, 61, 67, 71, 75, 91, 96, 119, 122, 126, 136, 149, 157, 159, 161, 167	0271702.....34, 130, 190	0272242.....121, 125, 131	0440161.....15
0100019.....19	0271704.....125, 126	0272243.....121, 131	0440162.....11
0100020.....67	0271705.....34, 130, 190	0272261.....29	0440228.....157
0100038.....157, 159, 167	0271706.....34, 130, 190	0272268.....19	0440234.....111, 115
0100048.....121, 125	0271708.....119, 184	0272278.....29, 33	0440236.....110, 114
0100062.....41, 53, 67	0271709.....119, 184	0272289.....206	0440250.....110, 114
0100079.....39	0271711.....135, 137	0272400.....139	0440271.....15
0140001.....91	0271714.....135, 136	0272405.....140	0440274.....15
0140011.....139	0271715.....135, 136	0272406.....140	0440291.....15
0140032.....92	0271718.....19	0272407.....140	0440311.....149
0181847.....139	0271719.....19	0272408.....140	0440312.....149
0182029.....41	0271729.....96	0272409.....140	0480100.....147
0182033.....91	0271730.....96	0272410.....140	0480123.....61
0200712.....110, 114	0271732.....96	0272411.....140	0480124.....47
0200713.....110, 114	0271733.....96	0272412.....140	0480143.....71
0200714.....114	0271735.....189	0272605.....130, 131	0561300.....11, 15
0200715.....114	0271736.....190	0272687.....34	0561489.....119
0200716.....110, 114	0271737.....190	0272688.....34	0610145.....139
0200717.....110	0271742.....61, 189	0272707.....130, 131	0610152.....95
0200718.....110, 114	0271743.....47, 189	0272726.....206	0610169.....139
0200719.....110, 114	0271744.....61, 189	0272829.....147	0630485.....121, 125, 131, 136
0200720.....114	0271745.....47, 189	0272944.....104	0630557.....110, 114
0200721.....114	0271746.....27	0272945.....104	0630561.....61
0200722.....114	0271748.....139	0272990.....130, 131	0641404.....119, 139
0200723.....110	0271749.....207	0272998.....132	0641405.....34, 104, 105, 195, 199
0200742.....47	0271750.....207	0273062.....130	0641406.....29, 53, 67, 96, 101, 104, 105, 119, 122, 126
0200790.....61	0271751.....207	0273063.....135, 136	0641407.....29, 67
0240087.....153	0271752.....195	0273375.....206	0641408.....40, 66, 149
0251642.....206	0271755.....199	0273504.....52	0641410.....66, 91
0253807.....206	0271766.....199	0273505.....52	0641412.....53, 91
0257755.....19	0271767.....199	0273788.....104	0641414.....101, 104, 105
0257756.....19	0271772.....52	0273801.....207	0641416.....101
0258011.....19	0271773.....39	0273846.....39	0641418.....66
0258012.....19	0271774.....92	0273969.....92	0641420.....110, 114
0270074.....19	0271775.....92	0274023.....52	0641505.....161
0270075.....19	0271776.....29, 33	0274103.....149	0641506.....53, 66, 91, 92, 96
0270076.....19	0271777.....195, 199	0274185.....206	0641507.....41, 53, 110, 114, 121, 125, 131
0270077.....19	0271778.....33	0274249.....206	0641508.....33, 47, 53, 61, 121, 125, 131
0270091.....19	0271779.....27, 33	0274260.....153	0641510.....71
0270092.....19	0271781.....92	0274371.....19	0641514.....71
0270650.....19	0271782.....206	0274602.....39	0641516.....121, 125
0270651.....19	0271783.....206	0274622.....29	0641606.....11, 15, 27, 33, 61, 71
0270652.....19	0271784.....206	0274623.....29, 33	0641607.....110, 114
0270653.....19	0271785.....19	0274680.....206	0641608.....34, 39, 41, 42, 47, 52, 53, 66, 67, 75, 91, 100, 101, 104, 105
0270654.....19	0271786.....206	0274789.....19	0641609.....11, 15, 67, 92, 104
0270655.....19	0271787.....19	0275095.....66	0641610.....19, 52, 61, 66, 100, 110, 114
0271497.....110, 161	0271788.....19	0275100.....199	0641611.....110, 114, 119
0271498.....114, 161	0271789.....15	0275141.....71, 189	0641612.....39, 52, 53, 66, 111, 115, 149
0271507.....15	0271812.....95	0275149.....206	0641620.....104, 105
0271508.....19	0271813.....95	0275196.....122	0641622.....100
0271509.....15	0271818.....53	0275197.....125	
0271620.....11	0271819.....40	0275320.....191	
0271666.....206	0271819.....40	0275483.....110, 161, 176, 184	
0271682.....119	0271918.....53	0275484.....114, 161, 176, 184	
0271691.....11	0271919.....53	0340046.....53	
0271694.....135, 137	0271920.....40, 42	0340052.....41, 53	
0271695.....19	0271921.....40, 42	0361810.....39, 52, 66	
0271696.....52	0271959.....91	0363050.....110, 114	
0271697.....39	0272038.....100	0363082.....47	
	0272039.....100	0363098.....47	
	0272101.....121, 125, 131	0363124.....61	
	0272209.....111, 115		
	0272210.....111, 115		
	0272211.....111, 115		

## SECTION 10 - SPECIAL OPTIONS

0641624.....	33	0902774.....	110, 114	1060279.....	195, 199	1684205.....	157
0641628.....	176	0902777.....	39, 52, 66	1060308.....	189	1684220.....	30, 159
0641632.....	110, 114	0902779.....	58	1060341.....	191	1684221.....	159
0641636.....	114, 130	0902783.....	55	1060379.....	135, 153	1684223.....	159
0641660.....	119	0902784.....	58	1060680.....	188	1684266.....	130, 165
0641676.....	122, 126	0902786.....	41	1060808.....	136	1684332....	110, 114, 162
0641680.....	39, 52, 66	0902788.....	42	1060866.....	111, 185	1684406.....	30, 159
0641708.....	61	0902789.....	91	1060907.....	115, 185	1684412.....	11, 16, 169
0641710.....	71	0902801.....	91	1060929.....	161	1700584.....	195, 199
0641718.....	47, 61	0902802.....	91	1061003.....	190	1700818.....	195, 200
0641811.....	29	0902812.....	40	1061004.....	190	1701214.....	30
0641812... ..	40, 53, 67, 91, 149	0902813.....	47	1061006... ..	48, 61, 71, 189	1701502.....	91
0641813.....	110, 114	0902819.....	55	1120361.....	92	1701503.....	91
0641814.... ..	121, 125, 131	0902831 ... ..	100, 101, 104, 105	1120485.....	92	1701505.....	195, 200
0641820.....	41	0902838.....	130	1120555.....	153	1701509.....	195, 199
0641824.....	11, 15, 29	0902839.....	130	1120558.....	92	1701542.....	195, 200
0641828.....	53, 67	0902842.....	47, 61, 71	1120580.....	149	1702137.....	20
0641836.....	149	0902847.....	96	1180371.....	110, 114	1702153.....	195
0641840.....	149	0902870.....	61	1180372.....	110, 114	1702720.....	200
0642012.....	11, 15	0902885.....	42	1260136.....	137	1702740.....	20
0642016.....	39, 52, 66	0902943.....	54	1320012.....	54, 67	1702773.....	195, 199
0681618.....	114	0902943.....	54	1320016.....	41, 54	1702788.....	195, 200
0681816.....	104	0903054.....	30	1320019.....	42, 54, 130	1702961.....	195
0681820.....	100	0903064.....	54	1320022... ..	39, 41, 52, 54, 66, 67	1702962.....	195
0681828.....	11, 15	0903095.....	149	1320042.....	58	1703162.....	195, 199
0682012.....	19	0903104.....	149	1320058.....	41, 54	1703464.....	190
0682226.....	29	0903475.....	66	1320061.....	52, 66	1703493.....	196, 200
0682238.....	61	0903476.....	66	1320122.....	110, 114	1703687.....	195, 199
0700619.....	122, 126	0961388.....	111, 115	1320194.....	175	1703811.....	195, 199
0700812.....	58	0961950.....	11, 15	1320220.....	52, 66	1703812.....	195, 199
0700820.....	53, 71	0961951.....	15	1320224.....	190	1703814.....	195, 199
0701012.....	53	0961986.....	41, 54, 67	1320323.....	66	1703816.....	195
0701013.....	42	0962031.....	111, 115	1321138.....	54	1703818.....	195
0701014.....	53	0962140.....	15	1340066.....	41, 54	1703819.....	195, 199
0701015.....	42	0962356.....	115	1380150.... ..	121, 125, 131	1703821.....	195
0701016.....	71	0962445.....	115	1380151.... ..	121, 125, 131	1703822.....	195, 199
0701022.....	53	0962446.....	111, 115	1440331.....	110, 114	1703823.....	195
0701025.....	40	0962474 ... ..	111, 115, 157	1580011.....	58, 67	1704006.....	199
0701037.....	119	1001091564.....	92	1580023.....	153	1704007.....	199
0701414.....	41	1001091569.....	91	1580024.....	153	1704008.....	199
0701418.....	47	1001091570.....	91	1600308.....	139, 143	1704174.....	195, 200
0701419.....	41	1001091585.....	67	1600314.....	54	1704271.....	200
0711025.....	42	1001091587.....	66	1600336.....	96, 119, 204	1704277.....	195, 199
0720805.....	40	1001091606.....	67	1600363.....	54	1704412.....	195, 199
0721004.....	27, 53	1001091607.....	67	1600374.....	54, 204	1704432.....	195
0721006... ..	40, 47, 61, 71	1001091731.....	204	1600403.....	139, 145	1704588.....	139
0721010.... ..	54, 110, 114	1001092410.....	105	1660249.....	53	1704589.....	139
0731008.....	91	1001092724.....	41, 42	1660250.....	53	1704607.....	199
0741010.....	39, 52, 66	1001092957.....	130	1670988.....	119, 190	1704684.....	199
0840026.....	191	1001096983.... ..	121, 125, 132	1670995.... ..	110, 114, 190	1704686.....	200
0840041.....	190	1001096984.... ..	121, 125, 132	1671056.....	19	1704687.....	200
0840055 ... ..	184, 186, 188, 189, 190, 191	1001096985.... ..	121, 125, 132	1671060.....	100	1704690.....	30
0840056.....	184	1001097967.....	104	1671061.....	100	1704691.....	199
0840057.....	186	1001098292.....	206	1671069.....	100	1704693.....	200
0860038.....	190	1001100321.....	47, 61	1671070.....	100	1704694.....	200
0860520.....	195, 199	1001101076.....	137	1671071.....	29	1704697.....	30
0861508.....	95	1001102512.....	96	1671099.....	104	1704698.....	30
0861554.....	139	1001111670.....	206	1671165.....	29	1704699.....	199
0901870.....	135	1001111685.....	206	1683054.....	159	1704701.....	200
0901930.....	191	1001111697.....	206	1683076.....	157, 167	1704702.....	200
0902499.....	139	1001150356.....	206	1683614.....	11, 16, 167	1704885.....	195, 199
0902539.....	54	1001162116.....	206	1683615.....	167	1704972.....	40
0902592.....	91	1001200380.....	207	1683658.....	167, 169	1705019.....	195, 200
0902770.....	54	1001235569.....	206	1684145.....	11, 15, 157	1705020.....	195, 200
0902773.....	161			1684146.....	157	1705021.....	195, 200
				1684147.... ..	110, 114, 161	1705022.....	195, 200
						1705038.....	196, 200

## SECTION 10 - SPECIAL OPTIONS

1705039.....	196, 200	2110808. 30, 33, 37, 111,	2460043 .....	47, 61	2753800.....	173, 175
1705040.....	200	115, 173, 175, 176, 179	2460046 .....	61	2753801.....	175
1705041.....	200	2110810 .....	2460047 .....	47	2753802.....	173, 175
1705042.....	30	2111010 .27, 37, 173, 175	2460049 .....	47, 61, 71	2753803.....	175
1705043.....	200	2111012 .....	2460059 .....	71	2753804.....	173, 175
1705189.....	139	2111212. 33, 75, 91, 173,	2560088 .....	122, 126	2753805.....	173, 175
1705190.....	195, 199	175	2560141 .....	139	2753806.....	173, 175
1705193.....	200	2111216 .....	2560171 .....	122, 126	2753832.....	179
1705194.....	200	2111620 .....	2560172 .....	122, 126	2753833.....	179
1705195.....	199	2120158 .....	2560176 .....	136	2753834.....	179
1705303.....	199	2120165 .....	2560186 .....	149	2753835.....	179
1705311.....	200	2120172 ... 173, 175, 202	2560188 .....	136	2753844.....	173
1705314.....	199	2130404 .....	2570008 .....	169	2753851.....	173
1705315.....	199	2130406 .....	2600285 .....	136	2753867.....	34
1705316.....	200	2130808 .....	2600286 ... 100, 104, 105		2753868.....	34
1705317.....	199	2131008 ... 111, 115, 173,	2680504 .....	101	2760112.....	58
1705318.....	200	175, 176	2680505 .....	101, 104	2780230.....	11
1705390.....	139	2131010 .....	2680507 .....	101	2780262.....	19, 23
1705392.....	139	2131212 .....	2680508 .....	101, 105	2780263.....	19, 23
1705637.....	147	2131612 .....	2680519 .....	105	2792541.....	173, 180
1705688.....	95	2131616 .....	2700100 .....	153	2792542.....	175, 180
1705913.....	139	2151008 .....	2720058 ... 39, 52, 54, 66,		2792543.....	180
1705914.....	139	2151010 .....	67		2792544.....	180
1705943.....	200	2170306 .....	2720271 .....	39	2792569.....	179, 180
1705944.....	200	2170312 .....	2720341 .....	58	2792592.....	180
1705997.....	153	2170504 .....	2720472 .....	52	2792594.....	180
1706059.....	40	2170904 .....	2720473 .....	66	2792611.....	180
1706060.....	40	2180348 .....	2720486 .....	41	2820018.....	27
1706063.....	40	2180387 .....	2720490 .....	54	2820097.....	137
1706064.....	40	2180389 .....	2720491 .....	54	2820153.....	101, 104
1706113.....	149	2180418 .....	2720492 .....	54	2820154.....	101, 104
1706197.....	149	2180482 .....	2720493 .....	55	2820155.....	95, 185
1780325.....	100, 101	2180536 .....	2720494 .....	41	2820156.....	101, 104
1780326.....	100, 101	2180842 .....	2720495 .....	41	2820157.....	101, 104
1810140.....	95, 202	2220243 .....	2720495 .....	41	2820158.....	101, 104
2000184.....	41, 42	2220250 .....	2720503 .....	52	2820159.....	100, 104
2000186.....	54, 55	2220290 .....	2720514 .....	54	2820172.....	54
2000202.....	54, 55	2220399 .....	2720566 .....	66	2820173.....	55
2000203.....	53	2220430 .....	2720580 .....	66	2840023.....	149
2000204.....	53	2220451 .....	2720611 .....	67	2840024.....	149
2000205.....	53	2220466 .....	2750532 .....	41, 54, 67	2860030.....	95, 202
2000234.....	54, 55	2220466 .....	2753538 .....	173, 175	2900756.....	161
2000235.....	53	2220655 .....	2753550 .....	173	2900770.....	37, 131
2000237.....	41, 42	2220765 .....	2753624 .....	173, 175	2901443.....	192, 207
2000238.....	40	2220883 .....	2753675 .....	173, 175	2901547.....	167
2000239.....	40	2220884 .....	2753681 .....	179	2901548.....	157
2000259.....	53	2220885 .....	2753729 .....	173, 175	2901912.....	206
2000308.....	41, 42	2221086 .....	2753781 .....	173, 175	2902062.....	111
2000309.....	40	2221110 .....	2753782 .....	175	2902063.....	115
2000310.....	41	2221111 .....	2753783 .....	175	2902065.....	41
2000341.....	41, 42	2221118 .....	2753784 .....	175	2902066.....	206
2000360.....	67	2221119 .....	2753785 .....	173, 175	2902067.....	136
2000361.....	67	2300004 .....	2753786 .....	173, 175	2902101.....	41
2000362.....	67	2300014 .....	2753787 .....	173, 175	2902132.....	39, 187
2020006.....	121, 125, 131	2300016 .....	2753788 .....	173, 175	2902139.....	52, 66, 187
2060014.....	54	2300021 .....	2753789 .....	173, 175	2902146.....	136
2080040.....	136	2300027 .....	2753790 .....	175	2902147.....	136
2080057.....	195, 199	2300029 .....	2753791 .....	173, 175	2902148.....	136
2080063.....	135, 147	2300039 .....	2753792 .....	175	2902149.....	111
2080064.....	136	2300040 .....	2753793 ... 111, 115, 173,		2902150.....	115
2110404. 27, 37, 173, 175		2400044 .....	175, 176		2902182.....	159
2110406.....	75, 173, 175	2400056 .....	2753794 ... 111, 115, 173,		2902188.....	100
2110606.....	30, 33, 37, 75,	2400060 .....	175, 176		2902189.....	101
173, 175		2400061 .....	2753795 .....	173, 175	2902190.....	206
2110608.....	75	2420172 .....	2753796 .....	173, 175	2902191.....	206
2110806.....	130	2420187 .....	2753797 .....	175	2902192.....	206
		2420199 .....	2753798 .....	173, 175	2902243.....	42
		2420203 .....	2753799 .....	175		



## SECTION 10 - SPECIAL OPTIONS

2902244.....	42	3311405 ...	29, 34, 40, 55, 66, 67, 91, 101, 104, 105, 110, 114, 119, 122, 126, 149, 195, 199	3460335.....	40	3841143 ...	11, 15, 39, 52, 67, 111, 115, 119
2902263.....	136	3311505 ...	41, 55, 66, 71, 91, 92, 96, 100, 105, 110, 114, 121, 125, 131	3510806.....	121, 125, 131	3841203.....	111, 115
2902271.....	40	3311601.....	91, 104, 105	3510842.....	131	3841233....	121, 125, 131
2902337.....	104	3311605 ...	11, 15, 19, 39, 41, 48, 52, 55, 62, 66, 68, 71, 91, 100, 101, 104, 105, 110, 114, 119, 130, 136, 149, 176	3510878.....	121, 125, 131	3841258.....	11, 15
2902338.....	105	3311608.....	55, 68	3510879.....	131	3841367.....	11, 16
2902348.....	153, 207	3311801.....	62	3520026.....	95	3841442.....	11
2902400.....	16	3311802 ...	121, 125, 131	3520028....	48, 62, 71, 95	3841556.....	111, 115
2902409.....	169	3311805 ...	29, 30, 41, 55, 68, 91, 110, 114, 149	3520072.....	135	3841564.....	30
2902443.....	186	3312005.....	39, 52, 66	3520079.....	140	3850013.....	159
2902498.....	206	3312008.....	11, 16	3520080.....	140	3860059....	121, 125, 131
2902534.....	66, 187	3312205.....	149	3520193.....	96, 140	3860100....	121, 125, 132
2910832.....	206	3321402.....	161	3537609.....	121, 125	3860102.....	115
2910951.....	206	3322201.....	11, 16	3571498.....	54	3860122.....	149
2915022.....	95	3322202 ...	121, 125, 131	3571862.....	135	3900109.....	11, 16
2920026.....	95, 96, 140	3323003.....	11	3573195.....	55, 68	3900178.....	139
2920029.....	95, 96, 140	3340612.....	135	3573288.....	41	3900254.....	130
2920110.....	191	3340895.....	139	3573304.....	41	3900265.....	139
2920113.....	191	3340929.....	110, 114	3573370.....	110, 115	3900290....	100, 104, 105
2920140.....	191	3340935.....	110, 114	3573438.....	121, 125	3900300.....	95
2920146.....	27	3340937.....	135	3573440.....	52, 66, 67	3900306.....	115
2920162.....	48, 62	3340945 ...	101, 104, 105	3573472.....	136	3900318.....	135, 147
2940064.....	137	3380495.....	105	3573513.....	159	3900319.....	136, 137
2940074.....	136, 202	3421453.....	136	3573535.....	100	3900321.....	159
2940127.....	122, 126	3421565.....	136	3573536.....	100	3900322.....	48
2940147 ...	101, 104, 105	3422219.....	135, 153	3573658.....	29	3900323.....	136
3010088.....	137	3422592.....	11, 15	3574153.....	191	3900325.....	111
3020021.....	42	3422669.....	39, 52, 67	3574164.....	191	3900328... 100, 101, 104, 105	
3020029.....	16	3422692.....	11	3575597.....	149	3900330.....	130
3020035.....	149	3422716.....	16	3576003.....	40	3900355.....	153
3020043.....	169	3422745.....	11, 15	3580134.....	47, 61	3910606.....	95
3200362.....	55, 67	3422899.....	11, 15	3580250.....	55	3910612.....	95
3200378.....	41	3422943 ...	110, 114, 119	3580309.....	62	3910616.....	95
3200431.....	41	3422944.....	110, 114	3580312.....	71	3910804.....	95
3200447.....	110, 114	3422945.....	110, 114	3580324.....	71	3911428.....	136
3200450.....	139	3422946.....	110, 114	3580348.....	71	3930820.....	29
3200451.....	55	3422948.....	114	3600208.....	34, 89	3931028.....	136
3220129.....	42, 55	3422952.....	115	3600335.....	75, 77	3931412.....	153
3220131.....	42	3422954.....	110	3600336.....	40, 53, 75	3931436.....	135
3220134.....	55	3422961.....	110, 115	3600337.....	75, 82	3931508.....	153
3251813.....	195, 199	3422962.....	119	3600338.....	75, 87	3931512.....	136
3252507.....	190	3422963.....	110, 115	3600344.....	40, 53, 75	3931516....	157, 159, 167
3252757.....	195, 200	3422964.....	115	3600370.....	75, 87	3931664.....	130
3252796.....	95	3422965.....	110, 115	3600371....	40, 53, 67, 75	3960468.....	39, 52, 67
3271805 ...	100, 104, 105	3422966 ...	121, 125, 131	3600377.....	56	3960525.....	92
3272005.....	130	3423047.....	149	3600468.....	34, 89	3960559....	100, 104, 105
3272205.....	29, 62	3423049.....	119	3620042.....	55, 68	3960591.....	55
3290405.....	67	3423052.....	130	3620043.....	41	3980007.....	39, 52, 67
3290505.....	67	3423081.....	16	3730123.....	186	3990010.....	184, 204
3290601.....	122, 126	3423151.....	149	3740049.....	40	4000006.....	95
3291005.....	42, 119	3423179.....	149	3740067.....	34, 40	4040273.....	62
3300048.....	190	3423180.....	149	3740080....	40, 48, 55, 62, 67, 71, 191, 202, 204	4060700.....	190
3300106.....	19	3440816.....	149	3740112.....	40, 204	4060802... 48, 62, 71, 95, 139, 140, 191	
3300182.....	119	3450304.....	110, 115	3760115.....	11, 15	4060803.....	41
3300353.....	29	3450405.....	161	3760141.....	149	4061048.....	11, 16
3300408.....	39, 52, 66	3450808.....	11	3760170.....	135, 153	4070987.....	95
3300432.....	136	3460332.....	40	3760348....	30, 121, 125, 131, 149	4100033.....	175
3300455.....	110, 114	3460334.....	153	3760351.....	130	4130368.....	16
3300467.....	122, 126			3760367.....	157, 167	4130369.....	16
3300471.....	130			3760368.....	159	4130403.....	16
3300472 ...	121, 125, 131			3760460.....	159	4130404.....	16
3300489.....	149			3780182.....	16	4160116.....	30
3310601.....	139			3790151.....	84	4160196... 100, 101, 104, 105	
3310805.....	29, 40			3790155.....	83	4210028.....	30
3311001.....	48, 62, 71			3820020.....	135		
3311005 .	27, 40, 55, 110, 114						

## SECTION 10 - SPECIAL OPTIONS

4240003.....153	4460268 ... 143, 185, 186, 188, 189, 191	4460892 ... 184, 185, 189, 190, 191	4588844.....54
4240033.....111, 115, 190	4460320 ..... 188, 191	4460893 ..... 189	4640113.....20
4240035.....119	4460321 ..... 185	4460894 ... 184, 185, 189, 190, 191	4640751.....41
4240112.....91	4460326 ..... 189	4460895 ..... 184	4640858.....157
4240170.....149	4460346 ..... 190	4460897 ..... 188, 191	4640952.....68
4240171.....149	4460374 ..... 185, 189	4460898 ..... 186	4640989.....55
4280295.....111, 115	4460375 ..... 186, 189	4460906 ..... 189	4641173.....157
4282845.....190	4460420 ..... 186	4460933 ..... 184, 186	4641174.....157
4340853.....153	4460422 ..... 190	4460934 ..... 189	4641188.....161
4340854.....153	4460424 ..... 185, 191	4460935 ... 184, 189, 190, 191	4641193.....161
4340905.....55	4460434 ..... 185	4460939 ..... 187	4641205.....161
4340922.....149	4460445 ..... 189	4460943 ..... 186	4641211.....33, 37
4340932.....149	4460449 ..... 187	4460944 ..... 185, 187	4641219.....130
4340933.....149	4460457 ..... 186	4460955 ..... 185	4641220.....27
4340934.....149	4460464 ... 184, 187, 188, 189, 191	4460968 ..... 29, 189	4641225.....27
4340948.....149	4460465 ... 184, 185, 186, 188, 189, 190, 191	4460970 ..... 186	4641226.....34
4340949.....149	4460466 ... 184, 186, 189, 190, 191	4460972 ..... 189	4641227.....33
4341190.....68	4460467 ..... 192, 207	4460974 ..... 189	4641228.....33
4360070.....95, 202	4460470 ..... 139, 184	4460982 ..... 191	4641238.....30
4360188.....57	4460480 ..... 184	4461005 ..... 186	4641240.....33
4360328.....95, 96, 202	4460481 ..... 184	4461006 ..... 186	4641254.....161
4360387.....95, 139, 140, 202	4460489 ... 184, 185, 188, 190	4461008 ..... 186	4660582.....186
4360448.....191	4460510 ..... 192, 207	4461052 ..... 186	4711400....29, 39, 52, 55, 67, 68, 91, 101, 104, 105, 111, 115, 119, 135, 149, 153, 161, 195, 199
4360469.....95, 202	4460536 .... 186, 188, 189	4461053 ..... 186	4711500....33, 41, 55, 62, 67, 91, 92, 96, 100, 101, 104, 105, 111, 115, 121, 125, 132, 136
4360475.....95, 139, 202	4460539 ... 184, 185, 186, 188	4461060 ..... 186	4711600....19, 39, 41, 42, 48, 52, 55, 66, 67, 68, 75, 91, 100, 101, 104, 105, 111, 115, 121, 122, 125, 126, 132, 149, 176, 187
4360481.....95	4460579 ..... 185	4461070 ..... 187	4711700.....48, 62, 72
4360482..48, 62, 72, 139, 140, 191, 204	4460583 ..... 185	4461071 ..... 186	4711800....29, 41, 55, 68, 91, 149
4360483.....96, 139, 204	4460584 ..... 186	4461072 ..... 186	4711900.....48
4360500.....111, 115, 202	4460608 ..... 187	4461073 ..... 186	4712000...39, 52, 67, 149
4360502.....111, 115, 202	4460693 ..... 187	4461074 ..... 186	4712200.....130
4360518.....30	4460705 ..... 189	4461095 ..... 187	4713000.....11
4360524.....139, 202	4460713 ..... 185	4461109 ..... 187	4740086.....11, 16
4360525.....139, 202	4460725 ..... 186	4461110 ..... 188	4740120.....139
4360548.....29, 189	4460726 ..... 186	4461111 ..... 187	4740158.....11, 15
4400275.....58, 68	4460728 ..... 186	4461112 ..... 188	4740274.....41, 55, 68
4400420.....58, 68	4460741 ..... 186	4461113 ..... 187	4740362.....48, 62, 72
4400436.....92	4460742 ..... 185	4461121 ..... 186	4740415.....149
4400445.....91, 92	4460761 ..... 184	4461122 ..... 187	4740455.....111, 115
4400456.....91, 92	4460779 ..... 189	4461123 ..... 187	4740480.....153
4420008.....139	4460799 ..... 186	4461124 ..... 187	4740506.....111, 115
4420037.....91	4460800 ..... 186	4461161 ..... 187	4740520.....100, 101
4420051.....29, 196, 200	4460812 ..... 184	4461222 ..... 187	4740529.....149
4420052.....29	4460814 ..... 185	4520216 ..... 20	4740537.....15
4420055.....135	4460817 ..... 184	4520217 ..... 20	4740538.....15
4420062.....153	4460818 ..... 184	4520240 ..... 20	4740539.....15
4420066.....121, 125, 132	4460824 ..... 185	4520262 ..... 20	4740540.....15
4420067.....195, 199	4460825 ..... 185	4520570 ..... 20	4740541.....11, 15
4420069.....121, 125, 131	4460836 ... 184, 185, 188, 191	4520571 ..... 19	4750600.....95
4460027.....47, 62, 71	4460837 ..... 185	4520576 ..... 20	4750800.....29
4460044.....188	4460842 ..... 186	4564281 ..... 56	4751000....40, 48, 55, 62, 72, 92, 111, 115, 136
4460051.....190	4460851 ..... 189	4566605 ..... 55	4751400..34, 55, 67, 100, 101, 104, 105, 122, 126
4460071.....190	4460852 ..... 189	4568114 ..... 33	4751500.....71, 121, 125
4460138.....190	4460854 ..... 186	4568295 ..... 119	
4460185.....191	4460855 ..... 185	4568346 ..... 52, 67	
4460190.....47, 62, 71	4460858 ..... 189	4568358 ..... 55	
4460206.....191	4460884 ..... 186, 189	4568398 ..... 41	
4460224.....189	4460889 ..... 187	4568499 ..... 39	
4460225.....185, 189	4460890 ..... 187	4568735 ..... 71	
4460226.....145	4460891 ..... 185	4569060 ..... 55	
4460248.....188		4569068 ..... 55	
4460265.....143, 145, 188		4569080 ..... 55	
4460266.....143, 145, 184		4569126 ..... 149	
4460267.....143, 145, 184, 185, 188, 189, 191		4569150 ..... 150	

## SECTION 10 - SPECIAL OPTIONS

4751600 ... 34, 48, 62, 72, 100, 101, 104, 105, 121, 122, 125, 126, 130, 132, 136	4922694 ..... 184	70001423.....43	7012576..... 89
4751800 ..... 62, 121, 125, 132, 149	4922709 ..... 40, 187	70001691.....58	7012679..... 56
4752200 ..... 48, 121, 125, 130, 132	4922715 ..... 96, 185	70001787.....41	7012773..... 37, 130
4760600 ..... 95, 139	4922739 ..... 27, 188	70001871.....43	7012925..... 161
4761000 ..... 95	4922748 ..... 29, 188	70001930.....37	7012943..... 161, 202
4761400 ..... 96	4922768 ..... 140, 184	70001931.....188	7012944..... 202
4761600 ..... 27, 33, 67	4922800 .. 48, 62, 72, 189	70001950.....188	7013710..... 89
4791400 ..... 140	4922845 ..... 190	70001951.....188	7013711..... 89
4811900 ..... 71	4922848 ..... 190	70002202.....162	7013712..... 89
4812000 ..... 42	4922859 ..... 191	70002203.....162	7013753..... 89
4831900 ..... 55	4923062 ..... 39	70002236..... 47, 61	7014801..... 92
4832000 ..... 55	4923276 ..... 40, 187	70002237..... 48, 62, 71	7014802..... 92
4845441 ..... 147	4923307 ..... 96, 185	70002238.....62	7014811..... 92, 202
4845442 ..... 147	4923308 ..... 115, 184	70002240..... 47, 61, 71	7014816..... 92
4845938 ..... 140	4923309 ..... 111, 184	70002241..... 47, 61, 71	7014818..... 92
4846070 ..... 16	4923386 ..... 40, 187	70002277.....82	7016319..... 27
4846460 ..... 115	4923478 ..... 40, 188	70002303.....23	7016331..... 43, 204
4846480 ..... 41, 55	4923483 ..... 96, 185	70002304.....23	7016372..... 27
4846517 ... 121, 125, 132	4923507 ..... 191	70002307.....58	7016399..... 191
4846519 ... 121, 125, 132	70000081 ..... 145, 202	70002519.....33	7016628..... 191
4846530 ..... 135	70000082 ..... 145, 202	70002567.....58	7016654..... 207
4846531 ..... 135, 136	70000083 ..... 145	70002569.....78	7016746..... 89
4846532 ..... 136	70000084 ..... 145	70002627.....188	7017451..... 161, 202
4846537 ..... 136	70000085 ..... 145	70003001.....44	7017496..... 161
4846542 ..... 136	70000122 ..... 47, 61, 71	70003002.....44	7018900..... 37
4846544 ..... 101	70000123 ..... 47, 61	70003003.....44	7018905..... 33
4846545 ..... 101	70000124 ..... 47, 62	70003475.....44	7018936..... 77
4846548 ..... 91	70000125 ..... 48, 62	70003479.....44	7018942..... 37
4846556 ... 122, 132, 136	70000126 ..... 47, 61	70003480.....44	7018998..... 37
4846557 ..... 136	70000164 ..... 67	70003481.....44	7019602..... 161
4846564 ..... 100	70000165 ..... 204	70003650.....145	7019925..... 56
4846565 ..... 100	70000263 ..... 41	70004194.....145	7019929..... 58
4846569 ..... 101, 105	70000345 ..... 44	70005672.....23	7019932..... 57
4846570 ..... 136	70000435 ..... 75	70005673.....23	7019976..... 58
4846584 ..... 159	70000683 ..... 145	70005674.....24	7019977..... 56
4846590 ..... 135	70000684 ..... 145	70005675.....24	7019986..... 56
4846611 ..... 105	70000685 ..... 145	7000663..... 43	7019993..... 56
4846612 ..... 101, 105	70000686 ..... 145	7001084.....165	7019994..... 56
4846619 ..... 30	70000718 ..... 188	7001608.....165	7019996..... 56
4846620 ..... 29	70000783 ..... 44	7001610.....165	7020021..... 91
4846621 ..... 29	70000793 ..... 42	7001613.....165	7020023..... 43, 204
4846655 ..... 140	70000898 ..... 157	7001614.....165	7020026..... 42
4846825 ..... 104, 105	70000912 ..... 43	7001617.....165	7020033..... 11
4846826 ..... 104	70000913 ..... 43	7002821..... 192, 207	7020034..... 12
4846827 ..... 105	70000914 ..... 43	7002822.....207	7020035..... 12
4846843 ..... 135	70000915 ..... 43	7002823..... 192, 207	7020037..... 12
4846844 ..... 135	70000916 ..... 43	7002826.....207	7020039..... 12
4860179 ..... 20	70000945 ..... 87	7002828..... 192, 207	7020040..... 12
4860213 ..... 20	70000946 ..... 87	7003790.....143	7020042..... 12
4860237 ..... 20	70000969 ..... 89	7003791.....143	7020054..... 11
4891500 ..... 48	70000970 ..... 89	7004275.....207	7020055..... 12
4891600 ... 40, 42, 71, 92, 100, 101, 104, 105	70000971 ..... 89	7004276.....207	7020108..... 47, 61, 71
4891800 ... 11, 16, 40, 53, 67, 100, 101, 104, 105	70000976 ..... 89	7010642.....11	7020109..... 47, 61, 71
4892000 ..... 19, 48	70001017 ..... 42	7010911.....89	7020110..... 47, 61, 71
4892200 ..... 29, 62	70001065 ..... 89	7011003.....89	7020111..... 47, 61, 71
4922339 ..... 95, 185	70001076 ..... 89	7011016.....89	7020168..... 43
4922667 ..... 95, 185	70001079 ..... 89	7011024.....89	7020175..... 95, 139
4922688 ..... 96, 185	70001080 ..... 89	7011043.....89	7020176..... 95, 139
4922692 ..... 184	70001081 ..... 89	7011044.....89	7020190..... 47, 61, 71
4922693 ..... 184	70001085 ..... 89	7011048.....89	7020192..... 47, 61
	70001103 ..... 92	7011346...33, 34, 37, 131	7020193..... 189
	70001106 ..... 89	7011354..... 34, 37, 204	7020218..... 161
	70001107 ..... 89	7011355.....37	7020219..... 161
	70001108 ..... 89	7011940.....143	7020256..... 92
	70001112 ..... 89	7011997.....143	7020411..... 43
	70001342 ..... 130	7012513..... 47, 61, 71	7020414..... 43
	70001343 ..... 131	7012514..... 47, 61, 71	7020447..... 43

## SECTION 10 - SPECIAL OPTIONS

7020458.....	43	7022171.....	57	7024073.....	77	7024586.....	39, 187
7020460.....	44	7022178.....	57	7024074.....	78	7024587.....	39, 187
7020461.....	43	7022179.....	57	7024075.....	78, 83	7024588.....	52, 66, 187
7020463.....	43	7022180.....	58	7024076.....	78	7024590.....	187
7020465.....	42	7022523.....	33	7024077.....	78	7024829.....	161
7020467.....	42	7022544.....	24	7024078.....	78	7024900.....	82
7020468.....	43	7022545.....	24	7024079.....	78	7024901.....	82, 84
7020471.....	43	7023035.....	165	7024080.....	78	7024902.....	83
7020479.....	43	7023036.....	165	7024081.....	78	7024903.....	84
7020480.....	43	7023212.....	95	7024082.....	78	7024926.....	131
7020486.....	43	7023603.....	57	7024083.....	78, 84	7025124.....	58
7020491.....	43	7023637.....	56	7024084.....	78	7025134.....	57
7020492.....	43	7023645.....	57	7024085.....	78, 84	7026002.....	131
7020494.....	43	7023652.....	56	7024086.....	78, 84	7026010.....	33
7020495.....	43	7023653.....	56	7024087.....	78	7026012.....	33, 34
7020500.....	143	7023654.....	56	7024088.....	78	7026122.....	92
7020502.....	143	7023655.....	56	7024089.....	78, 84	7026525.....	48, 62, 71
7020503.....	143	7023656.....	56	7024091.....	82	7026582.....	162
7020504.....	143	7023657.....	58	7024092.....	82	7026583.....	162
7020509.....	143	7023659.....	57	7024093.....	82, 83	7026584.....	162
7020511.....	143	7023660.....	57	7024094.....	82, 83	7026585.....	162
7020520.....	143	7023662.....	56	7024095.....	82, 83	7026586.....	162
7020527.....	143	7023663.....	56, 187	7024096.....	83	7026608.....	43
7020528.....	143	7023679.....	57, 188	7024097.....	83	7027019.....	66, 187
7020529.....	143	7023680.....	57	7024098.....	82, 83	7027020.....	66, 187
7020530.....	143	7023681.....	56, 187	7024099.....	82, 83	7027231.....	44
7020533.....	143	7023682.....	56	7024318.....	43	7027232.....	42
7020534.....	143	7023683.....	56	7024438.....	41, 54, 67, 202	7027233.....	42
7020535.....	143	7023698.....	57	7024440.....	92	7027236.....	43
7020541.....	143	7023699.....	58	7024441.....	92	7027239.....	44
7021325.....	23	7023808.....	87	7024445.....	92	7027241.....	43
7021326.....	23	7023813.....	87	7024446.....	92	7027244.....	42
7021327.....	23	7023819.....	87	7024481.....	92	7027245.....	43, 204
7021328.....	23	7023825.....	82	7024497.....	33	7027276.....	44
7021329.....	24	7023840.....	83	7024498.....	33	7027365.....	145
7021335.....	23	7023846.....	83	7024499.....	33	7027367.....	145, 202
7021336.....	23	7023847.....	83	7024500.....	34	7027400.....	57
7021341.....	23	7023848.....	83	7024501.....	30, 33, 34, 157, 202	7027402.....	58
7021344.....	24	7023881.....	78	7024502.....	30, 33, 157	7027404.....	56
7021346.....	23	7023902.....	157	7024503.....	33	7027405.....	57
7021347.....	23	7023919.....	161	7024504.....	33	7027410.....	58
7021365.....	37	7023923.....	161	7024505.....	34	7027411.....	57
7021375.....	37	7024005.....	78	7024505.....	34	7027412.....	68
7021376.....	37, 202	7024013.....	131, 204	7024506.....	30, 33, 34	7027765.....	145
7021868.....	56, 204	7024027.....	24	7024507.....	33	7027766.....	145
7022133.....	56	7024045.....	82	7024509.....	162	7027790.....	43
7022134.....	56	7024046.....	82	7024510.....	162	7027791.....	43
7022135.....	204	7024047.....	24	7024511.....	162	7027792.....	43
7022139.....	56	7024048.....	23	7024512.....	161	7027793.....	188
7022143.....	58	7024049.....	23	7024513.....	161	7027794.....	188
7022144.....	56	7024050.....	23	7024514.....	161	7027795.....	44
7022149.....	58	7024051.....	23	7024515.....	161	7027796.....	188
7022150.....	58	7024053.....	23	7024516.....	161	7027887.....	47, 61
7022151.....	58	7024054.....	24	7024517.....	162	7027965.....	67
7022153.....	57	7024055.....	24	7024565.....	43	7027972.....	67, 204
7022154.....	57	7024057.....	87	7024570.....	37	7027989.....	188
7022155.....	57	7024064.....	77	7024571.....	37, 202	7027991.....	188
7022156.....	57	7024065.....	77	7024572.....	37, 131	7027994.....	204
7022157.....	57	7024066.....	77	7024573.....	34, 37	77323029.....	175
7022163.....	57	7024067.....	77, 78	7024574.....	34, 37	8273291.....	41
7022165.....	57	7024068.....	77, 78	7024576.....	37	8786514.....	20
7022166.....	57	7024069.....	77	7024577.....	37	91083218.....	56
7022167.....	57	7024070.....	77	7024578.....	37		
7022168.....	57, 204	7024071.....	77, 83	7024579.....	44		
7022170.....	57	7024072.....	77, 83	7024585.....	39, 187		





3121134



An Oshkosh Corporation Company

**Corporate Office**  
**JLG Industries, Inc.**  
**1 JLG Drive**  
**McConnellsburg, PA 17233-9533 USA**  
**☎ (717) 485-5161 (Corporate)**  
**☎ (877) 554-5438 (Customer Support)**  
**☎ (717) 485-6417**

**Visit our website for JLG Worldwide Locations.**  
**[www.jlg.com](http://www.jlg.com)**