



Illustrated Parts Manual

Models

3394RT
4394RT

**SN 0200239053
to Present**

**P/N
3121643**

September 1, 2018 - Rev G

ANSI

CE



AS/NZS



REVISION LOG

January 15, 2015 - A - Original Issue Of Manual (Edited to B/M 1001165100 Revision F)

January 30, 2016 - B - Revised Manual (Edited to B/M 1001165100 Revision L)

August 1, 2016 - C - Revised Manual (Edited to B/M 1001165100 Revision L)

October 28, 2016 - D - Revised Manual (Edited to B/M 1001165100 Revision L)

January 27, 2017 - E - Revised Manual (Edited to B/M 1001165100 Revision L)

April 28, 2017 - F - Revised Manual (Edited to B/M 1001165100 Revision L)

September 1, 2018 - G - Revised Manual (Edited to B/M 1001165100 Revision T)

GENERAL INFORMATION

SECTION 6 CYLINDER

FIGURE 6-3. LIFT CYLINDER ASSEMBLY

PG# Model Designation Manual #

SECTION 6 CYLINDER

FIGURE 6-3. LIFT CYLINDER ASSEMBLY

ITEM #	PART NUMBER	QTY.	DESCRIPTION	REV.
	1001140104	Ref	LIFT CYLINDER ASSEMBLY	B
1	0100011	AR	Compound, Locking	
2	0630535	3	Capscrew 1/4-20 x 1-1/8	
3	0791003	1	Screw #10-24 x 3/8	
4	0961897	1	Bushing, Tapered	
5	1320136	1	Clamp, Cable	
6	1683063	1	Head	
7	2220883	1	Plug, O-Ring	
8	2220885	2	Plug, O-Ring	
9	2220886	1	Plug, O-Ring	
10	3020039	AR	Lubricant	
11	3480282	1	Piston	
12	3760371	1	Ring, Washer	
13	3931420	8	Capscrew 1/4-20 x 1-1/4	
14	3931824	8	Capscrew 1/2-13 x 1-1/2	
15	3951003	1	Setscrew #10-24 x 3/8	
16	4100099	1	Spacer	
17	4640999	1	Cartridge, Holding Valve (Non Vented)	
17	2900792	1	Kit, Seal - 4640999 Cartridge Valve	
18	4641248	1	Cartridge, Counterbalance Valve (Non Vented)	
18	70004186	1	Kit, Seal - 4641248 Cartridge Valve	
19	100117991	1	Sensor, Cylinder Length	
20	1001118070	1	Cap, Retainer	
21	1001118084	1	Barrel	
21A	0961950	2	Bushing	
22	1001118066	1	Rod	
22A	0961950	2	Bushing	
100	1001139996	1	Kit, Seal (Includes Items 101-109)	
101	See Note	2	Ring, Wear (Note: Use p/n 1001139996)	
102	See Note	1	Ring, Back-Up (Note: Use p/n 1001139996)	
103	See Note	2	Ring, Lock (Note: Use p/n 1001139996)	
104	See Note	2	Ring, Back-Up (Note: Use p/n 1001139996)	
105	See Note	2	O-Ring (Note: Use p/n 1001139996)	
106	See Note	1	O-Ring (Note: Use p/n 1001139996)	
107	See Note	1	Seal (Note: Use p/n 1001139996)	
108	See Note	1	Wiper, Rod (Note: Use p/n 1001139996)	
109	See Note	2	Seal (Note: Use p/n 1001139996)	
200	1001119105	1	Kit, Sensor Magnet (Includes Items 201-203)	
201	See Note	NSS	Sieve, Spacer (Note: Use p/n 1001119105)	
202	1001118066	1	Magnet, Sensor	
203	1001118069	1	Ring, Internal Retaining	

Manual # Model Designation PG#

1) MACHINE IDENTIFICATION

Machines are identified by model and in some cases a combination of models, serial number (SN) or regional standard (i.e. ANSI, CE, CSA). Components may also be identified by SN or manufacturer. Common components that may be identified by these characteristics are engines and hydraulic components.

2) PARTS MANUAL ORGANIZATION

Product information in this manual is organized under section titles. Frame, Cylinder, Hydraulic and Electrical are a few examples. Each section is organized by figure and page number. The information within the Figure is then organized by item number, part number, description and corresponding illustration(s).

3) TABLE OF CONTENTS

A table of contents is found toward the beginning of the manual. Figure number, description and page number are provided for quick reference to the page containing the related information.

4) RECOMMENDED SPARE PARTS

The Recommended Spare Parts, located near the end of the manual, reference most frequently used maintenance parts.

5) PART NUMBER INDEX

A numerical index listing all part numbers and the corresponding page number(s) appears at the back of the manual.

GENERAL INFORMATION

6) NON-SERVICED PARTS

In some instances, it is necessary to display non-serviced parts, assemblies or installations. In the case of assemblies and installations there will be a Ref in the Qty column. In case of parts that are not available for service within assemblies or components, there will be a NSS (Not Sold Separately) or NLA (No Longer Available) listed in the Qty. column of the manual.

7) PARTS LIST ITEM NUMBERS

Numbers shown in the item# column correspond to numbers used in the associated illustration(s). Item numbers which are missing from the sequence in the parts list are not used on that page.

8) INDENTED PARTS DESCRIPTION

An indented part description is included in the item under which it is indented.

9) ABBREVIATION AND SYMBOLS

AC.....	.. Alternating Current	LCD Liquid Crystal Display
ADE.....	.. Advanced Design Electronics	LED Light Emitting Diodes
ANSI American National Standards Institute	LH.....	.. Left Hand
AR.....	.. As Required	LSS Load Sensing System
ASSY Assembly	M(m).....	.. Metric/Meter
AUX.....	.. Auxiliary	MM (mm) Milimeter
AWG.....	.. American Wire Gauge	mA.....	.. Milliamps
B/M.....	.. Bill of Material	NLA.....	.. No Longer Available
CE.....	.. European Conformity	NPT National Pipe Threads
CCW Counter Clockwise	NSS Not Sold Separately
cm.....	.. Centimeter	OD.....	.. Outside Diameter
CW.....	.. Clockwise	ORB.....	.. O-Ring Boss
CSA.....	.. Canadian Standards Association	ORFS O-Ring Face Seal
CYL.....	.. Cylinder	OZ (oz) Ounces
DIA.....	.. Diameter	PG.....	.. Page
DC.....	.. Direct Current	P/N.....	.. Part Number
EMS Emergency Stop	qt.....	.. Quarts
ENG Engine	QTY.....	.. Quantity
FT (ft).....	.. Feet	REF Reference
GA(Ga).....	.. Gauge	REV Revision Level
HYD Hydraulic	RH.....	.. Right Hand
HZ.....	.. Hertz	SAE.....	.. Society of Automotive Engineers
ID.....	.. Inside Diameter	SN.....	.. Serial Number
in.....	.. inches	SPEC(S).....	.. Specifications
ISO.....	.. International Organization for Standards	T/T.....	.. Turntable
JIC.....	.. Joint Industry Council	UGM Universal Ground Module
KG Kilogram	V.....	.. Volts
L.....	.. Liter	W.....	.. Watts
LB.....	.. Pounds	#.....	.. Number

10) ILLUSTRATION REFERENCE LETTERS

When necessary, illustrations may contain reference letters that are intended to track information (i.e. hoses, harnesses) from one point to another or to track visual enlargement of components to show details that may be located in another area on the illustration.

Note: Due to continuous product improvements, JLG Industries, Inc. reserves the right to make specification changes without prior notification. Contact JLG Industries, Inc. for updated information.

TABLE OF CONTENTS

SECTION 1 - FRAME.....	13
FIGURE 1-1. AXLE INSTALLATION	14
FIGURE 1-2. AXLE INSTALLATION	16
FIGURE 1-3. STEERING INSTALLATION	18
FIGURE 1-4. STEERING INSTALLATION	20
FIGURE 1-5. WHEEL DRIVE INSTALLATION	22
FIGURE 1-6. DRIVE HUB ASSEMBLY - FRONT.....	24
FIGURE 1-7. DRIVE HUB AND BRAKE ASSEMBLY - REAR	26
FIGURE 1-8. DRIVE MOTOR ASSEMBLY - SAUER-DANFOSS.....	30
FIGURE 1-9. TIRE AND WHEEL INSTALLATION - IN315/55D20 PNEUMATIC (3394RT).....	32
FIGURE 1-10. TIRE AND WHEEL INSTALLATION - 33/1550-16.5 PNEUMATIC (3394RT).....	34
FIGURE 1-11. TIRE AND WHEEL INSTALLATION - 31 X 15.50-15 PNEUMATIC (3394RT)	36
FIGURE 1-12. TIRE AND WHEEL INSTALLATION - 12 X 16.5 PNEUMATIC NON-MARKING (3394RT).....	38
FIGURE 1-13. TIRE AND WHEEL INSTALLATION - IN315/55D20 FOAM-FILLED	40
FIGURE 1-14. TIRE AND WHEEL INSTALLATION - 33/1550-16.5 FOAM-FILLED	42
FIGURE 1-15. TIRE AND WHEEL INSTALLATION - 33/16LL X 16.1 FOAM-FILLED (3394RT)	44
FIGURE 1-16. TIRE AND WHEEL INSTALLATION - 12 X 16.5 FOAM-FILLED NON MARKING.....	46
FIGURE 1-17. WHEEL AND COUNTERWEIGHT INSTALLATION - IN315/55D20 PNEUMATIC (4394RT).....	48
FIGURE 1-18. WHEEL AND COUNTERWEIGHT INSTALLATION - 33/1550-16.5 PNEUMATIC (4394RT).....	50
FIGURE 1-19. WHEEL AND COUNTERWEIGHT INSTALLATION - 12 X 16.5 PNEUMATIC NON-MARKING (4394RT).....	52
FIGURE 1-20. BEACON LIGHT INSTALLATION - OPTIONAL.....	54
FIGURE 1-21. LEVELING JACK INSTALLATION	56
FIGURE 1-22. LEVELING JACK INSTALLATION	58
FIGURE 1-23. LEVELING JACK VALVE ASSEMBLY.....	60
FIGURE 1-24. LEVELING JACK ASSEMBLY	62
SECTION 2 - GROUND CONTROLS	65
FIGURE 2-1. CONTROL VALVE INSTALLATION.....	66
FIGURE 2-2. CONTROL VALVE INSTALLATION.....	68
FIGURE 2-3. FLOW DIVIDER VALVE ASSEMBLY	70
FIGURE 2-4. MAIN CONTROL VALVE ASSEMBLY.....	72
FIGURE 2-5. MAIN CONTROL VALVE ASSEMBLY.....	74
FIGURE 2-6. POWERDECK AUXILIARY VALVE INSTALLATION (ALL SPECS EXCEPT CE SPEC) (3394RT) (SN 0200241796 to Present).....	76
FIGURE 2-7. POWERDECK AUXILIARY VALVE INSTALLATION (CE SPEC) (3394RT) (SN 0200241796 to Present)	78
FIGURE 2-8. POWERDECK AUXILIARY VALVE INSTALLATION (ALL SPECS EXCEPT CE SPEC) (4394RT) (SN 0200241796 to Present).....	80
FIGURE 2-9. POWERDECK AUXILIARY VALVE INSTALLATION (CE SPEC) (4394RT) (SN 0200241796 to Present)	82
FIGURE 2-10. GROUND CONTROL BOX INSTALLATION - DEUTZ D2011 ENGINE (ANSI EXPORT & AUSTRALIAN SPECS WITHOUT POWER OPTIONS MODULE).....	84
FIGURE 2-11. GROUND CONTROL BOX INSTALLATION - DEUTZ D2011 ENGINE (ANSI EXPORT SPECS WITHOUT POWER OPTIONS MODULE AND WITH LOW TEMPERTURE CUTOUT)	86
FIGURE 2-12. GROUND CONTROL BOX INSTALLATION - DEUTZ D2011 ENGINE (ANSI EXPORT & AUSTRALIAN SPECS WITH POWER OPTIONS MODULE) (SN 0200239053 through 0200241795)	88
FIGURE 2-13. GROUND CONTROL BOX INSTALLATION - DEUTZ D2011 ENGINE (ANSI EXPORT & AUSTRALIAN SPECS WITH POWER OPTIONS MODULE) (SN 0200241796 to Present).....	90

TABLE OF CONTENTS

FIGURE 2-14. GROUND CONTROL BOX INSTALLATION - DEUTZ D2011 ENGINE (ANSI EXPORT SPECS WITH POWER OPTIONS MODULE AND WITH LOW TEMPERATURE CUTOUT)	92
FIGURE 2-15. GROUND CONTROL BOX INSTALLATION - DEUTZ D2011 ENGINE (CE SPECS WITHOUT POWER OPTIONS MODULE) (SN 0200239053 through 0200241795)	94
FIGURE 2-16. GROUND CONTROL BOX INSTALLATION - DEUTZ D2011 ENGINE (CE SPECS WITHOUT POWER OPTIONS MODULE) (SN 0200241796 to Present)	96
FIGURE 2-17. GROUND CONTROL BOX INSTALLATION - DEUTZ D2011 ENGINE (CE SPECS WITHOUT POWER OPTIONS MODULE AND WITH LOW TEMPERATURE CUTOUT)	98
FIGURE 2-18. GROUND CONTROL BOX INSTALLATION - DEUTZ D2011 ENGINE (CE SPECS WITH POWER OPTIONS MODULE) (SN 0200239053 through 0200241795)	100
FIGURE 2-19. GROUND CONTROL BOX INSTALLATION - DEUTZ D2011 ENGINE (CE SPECS WITH POWER OPTIONS MODULE) (SN 0200241796 to Present)	102
FIGURE 2-20. GROUND CONTROL BOX INSTALLATION - DEUTZ D2011 ENGINE (CE SPECS WITH POWER OPTIONS MODULE AND WITH LOW TEMPERATURE CUTOUT)	104
FIGURE 2-21. GROUND CONTROL BOX INSTALLATION - DEUTZ D2.9L4 ENGINE (ANSI, ANSI EXPORT & CSA SPECS WITHOUT POWER OPTIONS MODULE)	106
FIGURE 2-22. GROUND CONTROL BOX INSTALLATION - DEUTZ D2.9L4 ENGINE (ANSI & CSA SPECS WITH POWER OPTIONS MODULE).....	108
FIGURE 2-23. GROUND CONTROL BOX INSTALLATION - GM ENGINE (ANSI, ANSI EXPORT & CSA WITHOUT POWER OPTIONS MODULE).....	110
FIGURE 2-24. GROUND CONTROL BOX INSTALLATION - GM ENGINE (ANSI & CSA SPECS WITHOUT POWER OPTIONS MODULE AND WITH LOW TEMPERATURE CUTOUT).....	112
FIGURE 2-25. GROUND CONTROL BOX INSTALLATION - GM ENGINE (ANSI, ANSI EXPORT & CSA SPECS WITH POWER OPTIONS MODULE).....	114
FIGURE 2-26. GROUND CONTROL BOX INSTALLATION - GM ENGINE (ANSI & CSA SPECS WITH POWER OPTIONS MODULE AND WITH LOW TEMPERATURE CUTOUT).....	116
FIGURE 2-27. GROUND CONTROL BOX ASSEMBLY - DEUTZ ENGINE WITHOUT LOW TEMPERATURE CUTOUT (ALL SPECS WITHOUT CE SPECS)	118
FIGURE 2-28. GROUND CONTROL BOX ASSEMBLY - DEUTZ ENGINE WITHOUT LOW TEMPERATURE CUTOUT (CE SPEC)	120
FIGURE 2-29. GROUND CONTROL BOX ASSEMBLY - DEUTZ ENGINE WITH LOW TEMPERATURE CUTOUT (ALL SPECS EXCEPT CE SPEC).....	122
FIGURE 2-30. GROUND CONTROL BOX ASSEMBLY - DEUTZ D2011 ENGINE WITH LOW TEMPERATURE CUTOUT (ANSI EXPORT SPEC).....	124
FIGURE 2-31. GROUND CONTROL BOX ASSEMBLY - GM ENGINE WITHOUT LOW TEMPERATURE CUTOUT	126
FIGURE 2-32. GROUND CONTROL BOX ASSEMBLY - GM ENGINE WITH LOW TEMPERATURE CUTOUT	128
FIGURE 2-33. GROUND CONTROL BOX COMPONENTS - WITHOUT LOW TEMPERATURE CUTOUT (SN 0200246033 to Present).....	130
FIGURE 2-34. GROUND CONTROL BOX COMPONENTS - WITH LOW TEMPERATURE CUTOUT (SN 0200246033 to Present)	132
FIGURE 2-35. HORN INSTALLATION.....	134
FIGURE 2-36. MOTION ALARM INSTALLATION	136
FIGURE 2-37. TANKS INSTALLATION - DIESEL ENGINE MACHINES	138
FIGURE 2-38. TANKS INSTALLATION - GAS ENGINE MACHINES	140
FIGURE 2-39. HYDRAULIC OIL TANK ASSEMBLY	142
FIGURE 2-40. FUEL CAP INSTALLATION - LOCKABLE - DIESEL MACHINES (OPTIONAL)	144
FIGURE 2-41. FUEL CAP INSTALLATION - LOCKABLE - GAS MACHINES (OPTIONAL).....	146
FIGURE 2-42. HOODS AND COVERS INSTALLATION - DEUTZ D2011 AND GM ENGINE MACHINES (3394RT,4394RT)	148
FIGURE 2-43. HOODS AND COVERS INSTALLATION - DEUTZ D2.9L4 ENGINE MACHINES (3394RT,4394RT)	152
FIGURE 2-44. LADDER INSTALLATION (3394RT).....	156
FIGURE 2-45. LADDER INSTALLATION (4394RT).....	158

TABLE OF CONTENTS

SECTION 3 - ENGINE	161
FIGURE 3-1. ENGINE INSTALLATION - DEUTZ D2011 ENGINE.....	162
FIGURE 3-2. ENGINE AND PUMP SUB-ASSEMBLY - DEUTZ D2011 ENGINE	166
FIGURE 3-3. ENGINE ASSEMBLY - DEUTZ D2011 ENGINE.....	168
FIGURE 3-4. ENGINE COMPONENTS - DEUTZ D2011 ENGINE	170
FIGURE 3-5. ENGINE INSTALLATION - DEUTZ D2.9L4 ENGINE (WITHOUT ARCTIC PACKAGE).....	174
FIGURE 3-6. ENGINE AND PUMP SUB-ASSEMBLY - DEUTZ D2.9L4 ENGINE	178
FIGURE 3-7. ENGINE ASSEMBLY - DEUTZ D2.9L4 ENGINE (WITHOUT ARCTIC PACKAGE).....	180
FIGURE 3-8. ENGINE INSTALLATION - DEUTZ D2.9L4 ENGINE (WITH ARCTIC PACKAGE)	186
FIGURE 3-9. ENGINE AND PUMP SUB-ASSEMBLY - DEUTZ D2.9L4 ENGINE (WITH ARCTIC PACKAGE)	190
FIGURE 3-10. ENGINE ASSEMBLY - DEUTZ D2.9L4 ENGINE (WITH ARCTIC PACKAGE).....	192
FIGURE 3-11. ENGINE COMPONENTS - DEUTZ D2.9L4 ENGINE	198
FIGURE 3-12. BRACKET ASSEMBLY (LESS FUEL PUMP AND FILTER)	202
FIGURE 3-13. PUMP COUPLING KIT	204
FIGURE 3-14. MUFFLER KIT - SPARK ARRESTOR (DEUTZ D2011 ENGINE) (OPTIONAL)	206
FIGURE 3-15. MUFFLER KIT - CATALYTIC MUFFLER (DEUTZ D2011 ENGINE) (OPTIONAL).....	208
FIGURE 3-16. SPARK ARRESTER INSTALLATION (DEUTZ D2.9L4) (OPTIONAL).....	210
FIGURE 3-17. ENGINE INSTALLATION - GM ENGINE (SN 0200239053 through 0200259520).....	212
FIGURE 3-18. ENGINE INSTALLATION - GM ENGINE (SN 0200259521 to Present).....	216
FIGURE 3-19. GM ENGINE AND PUMP SUB-ASSEMBLY (SN 0200239053 through 0200259520).....	220
FIGURE 3-20. GM ENGINE AND PUMP SUB-ASSEMBLY (SN 0200259521 to Present)	222
FIGURE 3-21. GM ENGINE ASSEMBLY (SN 0200239053 through 0200259520)	224
FIGURE 3-22. GM ENGINE ASSEMBLY (SN 0200259521 to Present).....	226
FIGURE 3-23. PISTON PUMP ASSEMBLY	228
FIGURE 3-24. GENERATOR INSTALLATION - 110V - DEUTZ D2011 ENGINE (OPTIONAL).....	232
FIGURE 3-25. GENERATOR INSTALLATION - 220V - DEUTZ D2011 ENGINE (OPTIONAL).....	236
FIGURE 3-26. GENERATOR INSTALLATION - 110V - DEUTZ D2.9L4 (OPTIONAL)	240
FIGURE 3-27. GENERATOR INSTALLATION - 7500W - DEUTZ D2.9L4 ENGINE (OPTIONAL).....	244
FIGURE 3-28. JUNCTION BOX ASSEMBLY - 7500W GENERATOR	248
FIGURE 3-29. GENERATOR INSTALLATION - 110V - GM ENGINE (OPTIONAL)	250
SECTION 4 - SCISSORS ARMS	253
FIGURE 4-1. SCISSOR ARMS INSTALLATION (DEUTZ D2011 ENGINE AND GM ENGINE MACHINES) (3394RT).....	254
FIGURE 4-2. SCISSOR ARMS ASSEMBLY (DEUTZ D2011 ENGINE AND GM ENGINE MACHINES) (3394RT).....	256
FIGURE 4-3. SCISSOR ARMS INSTALLATION (DEUTZ D2.9L4 ENGINE MACHINES) (3394RT).....	260
FIGURE 4-4. SCISSOR ARMS ASSEMBLY (DEUTZ D2.9L4 ENGINE MACHINES) (3394RT).....	262
FIGURE 4-5. SCISSOR ARMS INSTALLATION (DEUTZ D2011 ENGINE AND GM ENGINE MACHINES) (4394RT).....	266
FIGURE 4-6. SCISSOR ARMS ASSEMBLY (DEUTZ D2011 ENGINE AND GM ENGINE MACHINES) (4394RT).....	268
FIGURE 4-7. SCISSOR ARMS INSTALLATION (DEUTZ D2.9L4 ENGINE MACHINES) (4394RT).....	272
FIGURE 4-8. SCISSORS ARMS ASSEMBLY (4394RT).....	274
FIGURE 4-9. ARM GUARDS INSTALLATION (CE SPEC ONLY) (3394RT)	278
FIGURE 4-10. ARM GUARDS INSTALLATION (CE SPEC ONLY) (4394RT)	280
SECTION 5 - PLATFORM.....	283
FIGURE 5-1. PLATFORM ATTACH INSTALLATIONS - WITHOUT LSS.....	284
FIGURE 5-2. PLATFORM ATTACH INSTALLATION - WITH LSS.....	286

TABLE OF CONTENTS

FIGURE 5-3. PLATFORM MODULE INSTALLATION (3394RT)	288
FIGURE 5-4. PLATFORM MODULE INSTALLATION (4394RT)	290
FIGURE 5-5. MANUAL SINGLE DECK EXTENSION AND PLATFORM INSTALLATION.....	292
FIGURE 5-6. MANUAL DUAL DECK EXTENSION AND PLATFORM INSTALLATION	294
FIGURE 5-7. POWER SINGLE DECK EXTENSION AND PLATFORM INSTALLATION (3394RT).....	296
FIGURE 5-8. POWER SINGLE DECK EXTENSION AND PLATFORM INSTALLATION (3394RT).....	300
FIGURE 5-9. POWER SINGLE DECK EXTENSION AND PLATFORM INSTALLATION (4394RT).....	304
FIGURE 5-10. POWER SINGLE DECK EXTENSION AND PLATFORM INSTALLATION (4394RT).....	308
FIGURE 5-11. POWER DUAL DECK EXTENSION AND PLATFORM INSTALLATION (WITH 12.6FT/3.8M LENGTH PLATFORM) (3394RT)	312
FIGURE 5-12. POWER DUAL DECK EXTENSION AND PLATFORM INSTALLATION (WITH 12.6FT/3.8M LENGTH PLATFORM) (3394RT)	316
FIGURE 5-13. POWER DUAL DECK EXTENSION AND PLATFORM INSTALLATION (WITH 12.6FT/3.8M LENGTH PLATFORM) (4394RT)	320
FIGURE 5-14. POWER DUAL DECK EXTENSION AND PLATFORM INSTALLATION (WITH 12.6FT/3.8M LENGTH PLATFORM) (4394RT)	324
FIGURE 5-15. POWER DUAL DECK EXTENSION AND PLATFORM INSTALLATION (WITH 15.8FT/4.8M LENGTH MEGADECK PLATFORM) (3394RT) (SN 0200239053 through 0200246956)	328
FIGURE 5-16. POWER DUAL DECK EXTENSION AND PLATFORM INSTALLATION (WITH 15.8FT/4.8M LENGTH MEGADECK PLATFORM) (3394RT) (SN 0200246957 to Present).....	332
FIGURE 5-17. PLATFORM AND MANUAL SINGLE DECK EXTENSION ASSEMBLY	336
FIGURE 5-18. PLATFORM AND MANUAL DUAL DECK EXTENSION ASSEMBLY	338
FIGURE 5-19. PLATFORM AND POWER SINGLE DECK EXTENSION ASSEMBLY	340
FIGURE 5-20. PLATFORM AND POWER DUAL DECK EXTENSION ASSEMBLY (WITH 12.6FT/3.8M LENGTH PLATFORM).....	342
FIGURE 5-21. PLATFORM AND POWER DUAL DECK EXTENSION ASSEMBLY (WITH 15.8FT/4.8M LENGTH MEGADECK PLATFORM)	344
FIGURE 5-22. POWER DECK AUXILIARY PUMP ASSEMBLY	346
FIGURE 5-23. POWER DECK VALVE ASSEMBLY - SINGLE EXTENSION	348
FIGURE 5-24. POWER DECK VALVE ASSEMBLY - DUAL EXTENSION	350
FIGURE 5-25. POWER DECK VALVE ASSEMBLY - DUAL EXTENSION	352
FIGURE 5-26. RAILS INSTALLATION - CHAIN ENTRY (SINGLE DECK EXTENSION)	354
FIGURE 5-27. RAILS INSTALLATION - CHAIN ENTRY (DUAL DECK EXTENSION).....	356
FIGURE 5-28. RAILS INSTALLATION - SWING GATE ENTRY (SINGLE DECK EXTENSION).....	358
FIGURE 5-29. RAILS INSTALLATION - SWING GATE ENTRY (DUAL DECK EXTENSION)	360
FIGURE 5-30. RAILS INSTALLATION - SWING GATE ENTRY (MEGADECK EXTENSION) (CE SPEC ONLY) (3394RT)	362
FIGURE 5-31. PLATFORM CONSOLE BOX INSTALLATION - DIESEL MACHINES	364
FIGURE 5-32. PLATFORM CONSOLE BOX INSTALLATION - GAS DUAL FUEL MACHINES	366
FIGURE 5-33. PLATFORM CONSOLE BOX ASSEMBLY - DIESEL MACHINES	368
FIGURE 5-34. PLATFORM CONSOLE BOX ASSEMBLY - GAS DUAL FUEL MACHINES.....	370
FIGURE 5-35. DRIVE/STEER CONTROLLER ASSEMBLY	372
FIGURE 5-36. LEVELING JACKS SWITCH INSTALLATION	374
FIGURE 5-37. LEVELING JACKS SWITCH INSTALLATION	376
FIGURE 5-38. PIPE RACKS INSTALLATION (RAIL MOUNT)	378
FIGURE 5-39. PIPE RACKS INSTALLATION (SKY POSITIONER)	380
FIGURE 5-40. WORKSTATION WITHOUT DC CONVERTER INSTALLATION	384
SECTION 6 - CYLINDER.....	387
FIGURE 6-1. AXLE LOCKOUT CYLINDER ASSEMBLY.....	388

TABLE OF CONTENTS

FIGURE 6-2. AXLE LOCKOUT CYLINDER ASSEMBLY	390
FIGURE 6-3. LEVELING JACK CYLINDER ASSEMBLY	392
FIGURE 6-4. LIFT CYLINDER ASSEMBLY	394
FIGURE 6-5. PLATFORM EXTENSION CYLINDER ASSEMBLY	396
FIGURE 6-6. STEER CYLINDER ASSEMBLY.....	398
SECTION 7 - HYDRAULIC	401
FIGURE 7-1. HYDRAULIC DIAGRAM.....	402
FIGURE 7-2. HYDRAULIC DIAGRAM.....	406
FIGURE 7-3. LEVELING JACK HYDRAULIC DIAGRAM	410
FIGURE 7-4. LEVELING JACK HYDRAULIC DIAGRAM	412
FIGURE 7-5. POWER SINGLE DECK EXTENSION HYDRAULIC DIAGRAM	414
FIGURE 7-6. POWER SINGLE DECK EXTENSION HYDRAULIC DIAGRAM	416
FIGURE 7-7. POWER DUAL DECK EXTENSION (12.6FT/3.8M LENGTH PLATFORM) HYDRAULIC DIAGRAM.....	418
FIGURE 7-8. POWER DUAL DECK EXTENSION (12.6FT/3.8M LENGTH PLATFORM) HYDRAULIC DIAGRAM.....	422
FIGURE 7-9. POWER DUAL DECK EXTENSION (15.8FT/4.8M LENGTH MEGADECK PLATFORM) HYDRAULIC DIAGRAM (SN 0200239053 through 0200246956)	426
FIGURE 7-10. POWER DUAL DECK EXTENSION (15.8FT/4.8M LENGTH MEGADECK PLATFORM) (SN 0200246957 to Present)	430
FIGURE 7-11. HYDRAULIC DIAGRAM LIST	434
SECTION 8 - ELECTRICAL	435
FIGURE 8-1. ELECTRICAL DIAGRAM LIST.....	436
FIGURE 8-2. AC BOX AT PLATFORM INSTALLATION - 110V GFI (ANSI, ANSI EXPORT AND CE SPECS)	438
FIGURE 8-3. AC BOX AT PLATFORM INSTALLATION - 110V (IEC 60309 YELLOW) (CE SPEC ONLY).....	440
FIGURE 8-4. AC BOX AT PLATFORM INSTALLATION - 220V - NO BOX (ALL SPECS).....	442
FIGURE 8-5. AC BOX AT PLATFORM INSTALLATION - 220V (ANSI, ANSI EXPORT AND CSA SPECS).....	444
FIGURE 8-6. AC BOX AT PLATFORM INSTALLATION - 220V (IEC 60309 BLUE) (CE SPEC ONLY)	446
FIGURE 8-7. AC BOX AT PLATFORM INSTALLATION - 220V (AFSINT 107 KEYED GROUND 2X4 BOX) (CE SPEC ONLY) 448	
FIGURE 8-8. AC BOX AT PLATFORM INSTALLATION - 220V (CEE7 POST GROUND 2X4 BOX) (CE SPEC ONLY).....	450
FIGURE 8-9. AC BOX AT PLATFORM INSTALLATION - 220V (CEE7 SIDE GROUND 2X4 BOX) (CE SPEC ONLY)	452
FIGURE 8-10. AC BOX AT PLATFORM INSTALLATION - 220V (CEE7 POST GROUND 70X70 BOX) (CE SPEC ONLY).....	454
FIGURE 8-11. AC BOX AT PLATFORM INSTALLATION - 220V (CEE7 SIDE GROUND 70X70 BOX) (CE SPEC ONLY)	456
FIGURE 8-12. AC CORD ASSEMBLY - 2000W & 3500W	458
FIGURE 8-13. BEACON HARNESS ASSEMBLY (OPTIONAL).....	460
FIGURE 8-14. BREAKER BOX KIT (CE SPEC).....	462
FIGURE 8-15. CONSOLE BOX HARNESS.....	464
FIGURE 8-16. ENGINE AND VALVE HARNESS - DEUTZ ENGINE MACHINES	466
FIGURE 8-17. ENGINE AND VALVE HARNESS - DEUTZ ENGINE MACHINES	468
FIGURE 8-18. ENGINE AND VALVE HARNESS - GM ENGINE MACHINES	472
FIGURE 8-19. ENGINE HARNESS - DEUTZ D2011 ENGINE.....	474
FIGURE 8-20. ENGINE HARNESS - DEUTZ D2.9L4 ENGINE.....	476
FIGURE 8-21. FUEL HARNESS - DEUTZ D2.9L4 ENGINE	480
FIGURE 8-22. GENERATOR HARNESS - DEUTZ D2011 & GM ENGINES	482
FIGURE 8-23. GENERATOR AC CABLE - DEUTZ D2.9L4 ENGINES - 2500W	484
FIGURE 8-24. GENERATOR HARNESS - DEUTZ D2.9L4 ENGINES - 2500W.....	486
FIGURE 8-25. GENERATOR TO CONTROL BOX HARNESS - DEUTZ D2.9L4 ENGINES - 7500W	488

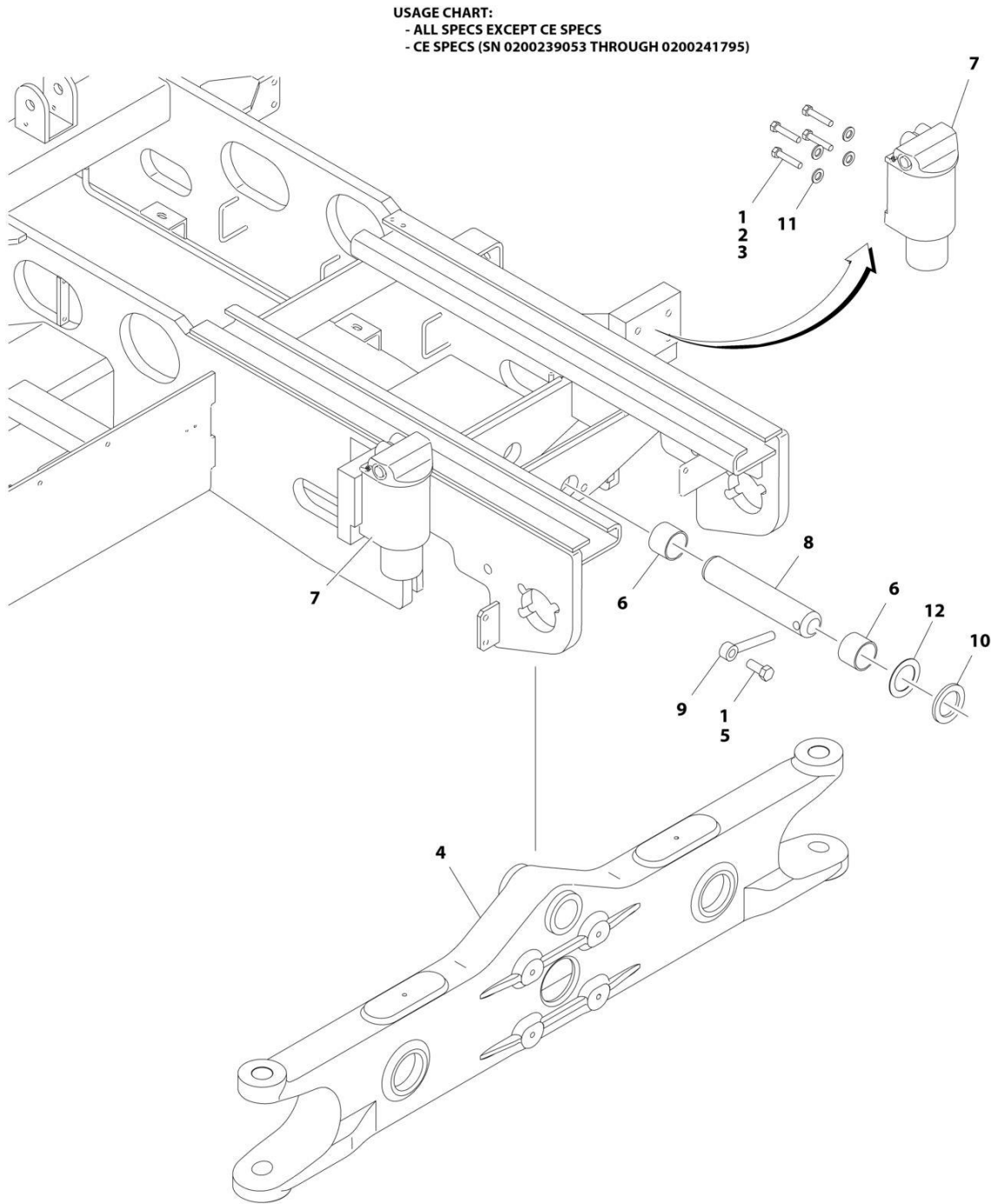
TABLE OF CONTENTS

FIGURE 8-26. GENERATOR TO VEHICLE INTERFACE HARNESS - DEUTZ D2.9L4 ENGINES - 7500W	490
FIGURE 8-27. GROUND CONTROL BOX HARNESS	492
FIGURE 8-28. GROUND TO PLATFORM MODULE HARNESS (3394RT).....	494
FIGURE 8-29. GROUND TO PLATFORM MODULE HARNESS (4394RT).....	496
FIGURE 8-30. LEVELING JACK HARNESS ASSEMBLY	498
FIGURE 8-31. PLATFORM MODULE TO CONSOLE BOX HARNESS.....	500
FIGURE 8-32. POWER DECK HARNESS.....	502
FIGURE 8-33. POWER DECK HARNESS.....	504
FIGURE 8-34. POWER DECK HARNESS.....	506
FIGURE 8-35. POWER DECK AUXILIARY POWER HARNESS.....	508
FIGURE 8-36. POWER DECK JUMPER HARNESS INSTALLATION.....	510
FIGURE 8-37. RECEPTACLE BOX KIT - 110V GFI	512
FIGURE 8-38. RECEPTACLE BOX KIT - 110V IEC YELLOW (CE SPEC)	514
FIGURE 8-39. RECEPTACLE BOX KIT - 220V IEC BLUE (CE SPEC).....	516
FIGURE 8-40. RECEPTACLE BOX KIT - 220V AFSINT 107 (CE SPEC)	518
FIGURE 8-41. RECEPTACLE BOX KIT - 220V CEE7 POST GROUND 2X4 BOX (CE SPEC)	520
FIGURE 8-42. RECEPTACLE BOX KIT - 220V CEE7 SIDE GROUND 2X4 BOX (CE SPEC).....	522
FIGURE 8-43. RECEPTACLE BOX KIT - CEE7 POST GROUND 70X70 BOX (CE SPEC).....	524
FIGURE 8-44. RECEPTACLE BOX KIT - CEE7 SIDE GROUND 70X70 BOX (CE SPEC).....	526
FIGURE 8-45. TEMPERATURE SENSOR HARNESS	528
SECTION 9 - DECALS	531
FIGURE 9-1. DECAL INSTALLATION (ANSI SPEC).....	532
FIGURE 9-2. DECAL INSTALLATION (AUSTRALIAN AND CE SPECS).....	534
FIGURE 9-3. DECAL INSTALLATION - BRAZIL SPEC (SPANISH/PORTUGUESE).....	536
FIGURE 9-4. DECAL INSTALLATION - CHINESE SPEC (ENGLISH/CHINESE)	538
FIGURE 9-5. DECAL INSTALLATION - CSA SPEC (ENGLISH/FRENCH)	540
FIGURE 9-6. DECAL INSTALLATION - KOREAN SPEC (ENGLISH/KOREAN)	542
FIGURE 9-7. DECAL INSTALLATION - LATIN AMERICAN SPEC (ENGLISH/SPANISH).....	544
FIGURE 9-8. DECAL INSTALLATION - OPTIONS.....	546
SECTION 10 - RECOMMENDED SERVICE PARTS STOCK.....	549
FIGURE 10-1. RECOMMENDED SERVICE PARTS STOCK.....	550
SECTION 11 - SPECIAL OPTIONS	553
FIGURE 11-1. SPECIAL OPTIONS LIST.....	554
PART NUMBER INDEX.....	557

SECTION 1 - FRAME

SECTION 1 - FRAME

FIGURE 1-1. AXLE INSTALLATION



ART_1001139626

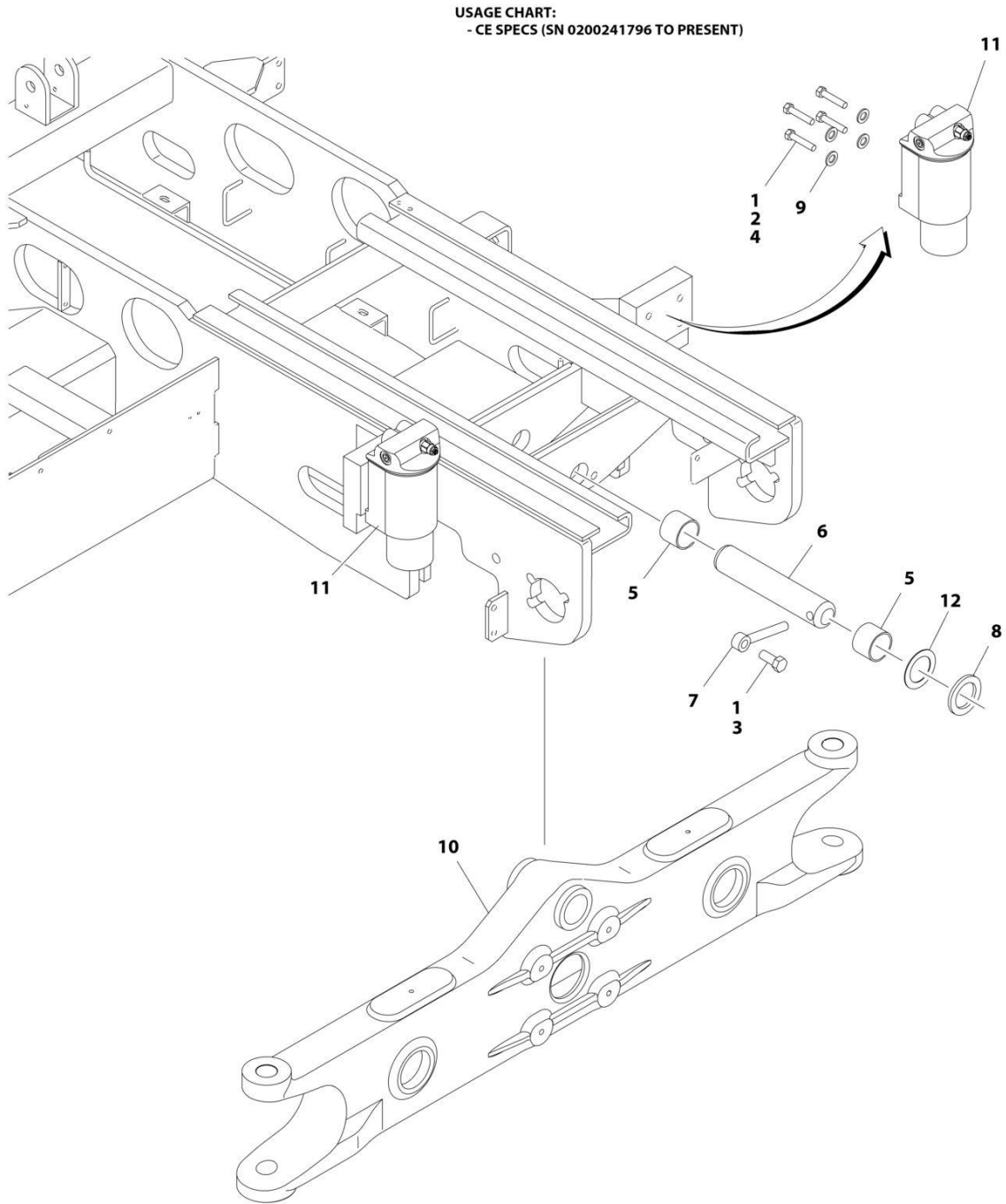
SECTION 1 - FRAME

FIGURE 1-1. AXLE INSTALLATION

ITEM	PART NUMBER	QTY	DESCRIPTION	REV
		Ref	USAGE CHART:	
		Ref	- All Specs except CE Specs	
		Ref	- CE Specs (SN 0200239053 through 0200241795)	
	1001139626	Ref	AXLE INSTALLATION	C
1	0100011	AR	Compound, Locking	
2	0641822	8	Bolt 1/2 x 2-3/4	
3	0100038	AR	Primer, Locking	
4	1001098130	1	Axle	
5	0642012	1	Bolt 5/8 x 1-1/2	
6	0961950	2	Bearing	
7	1684465	2	Oscillating Axle Cylinder Assembly (See CYLINDER SECTION for Breakdown)	
8	3422592	1	Pin, Axle Pivot	
9	3841258	1	Keeper, Pin	
10	4740158	1	Washer, Thrust	
11	4891800	8	Washer 1/2	
12	4740541	AR	Washer	

SECTION 1 - FRAME

FIGURE 1-2. AXLE INSTALLATION



ART_1001188845

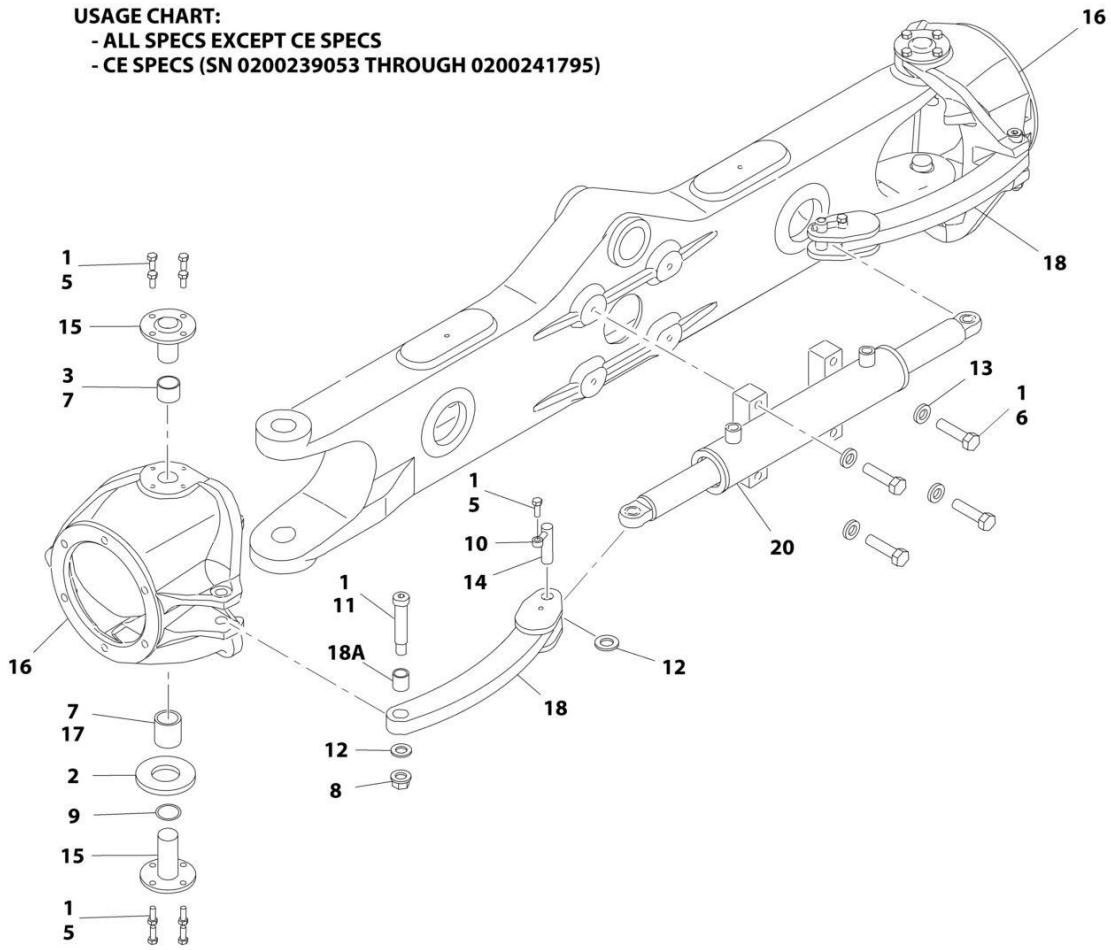
SECTION 1 - FRAME

FIGURE 1-2. AXLE INSTALLATION

ITEM	PART NUMBER	QTY	DESCRIPTION	REV
		Ref	USAGE CHART:	
		Ref	- CE Specs (SN 0200241796 to Present)	
	1001188845	Ref	AXLE INSTALLATION	B
1	0100011	AR	Compound, Locking	
2	0100038	AR	Primer, Locking	
3	0642012	1	Bolt 5/8 x 1-1/2	
4	0701222	8	Bolt M12 x 70	
5	0961950	2	Bearing	
6	3422592	1	Pin, Axle Pivot	
7	3841258	1	Keeper, Pin	
8	4740158	1	Washer, Thrust	
9	5241200	8	Washer M12	
10	1001098130	1	Axle	
11	1001163580	2	Oscillating Axle Cylinder Assembly (See CYLINDER SECTION for Breakdown)	
12	4740541	AR	Washer	

SECTION 1 - FRAME

FIGURE 1-3. STEERING INSTALLATION



ART_1001139935

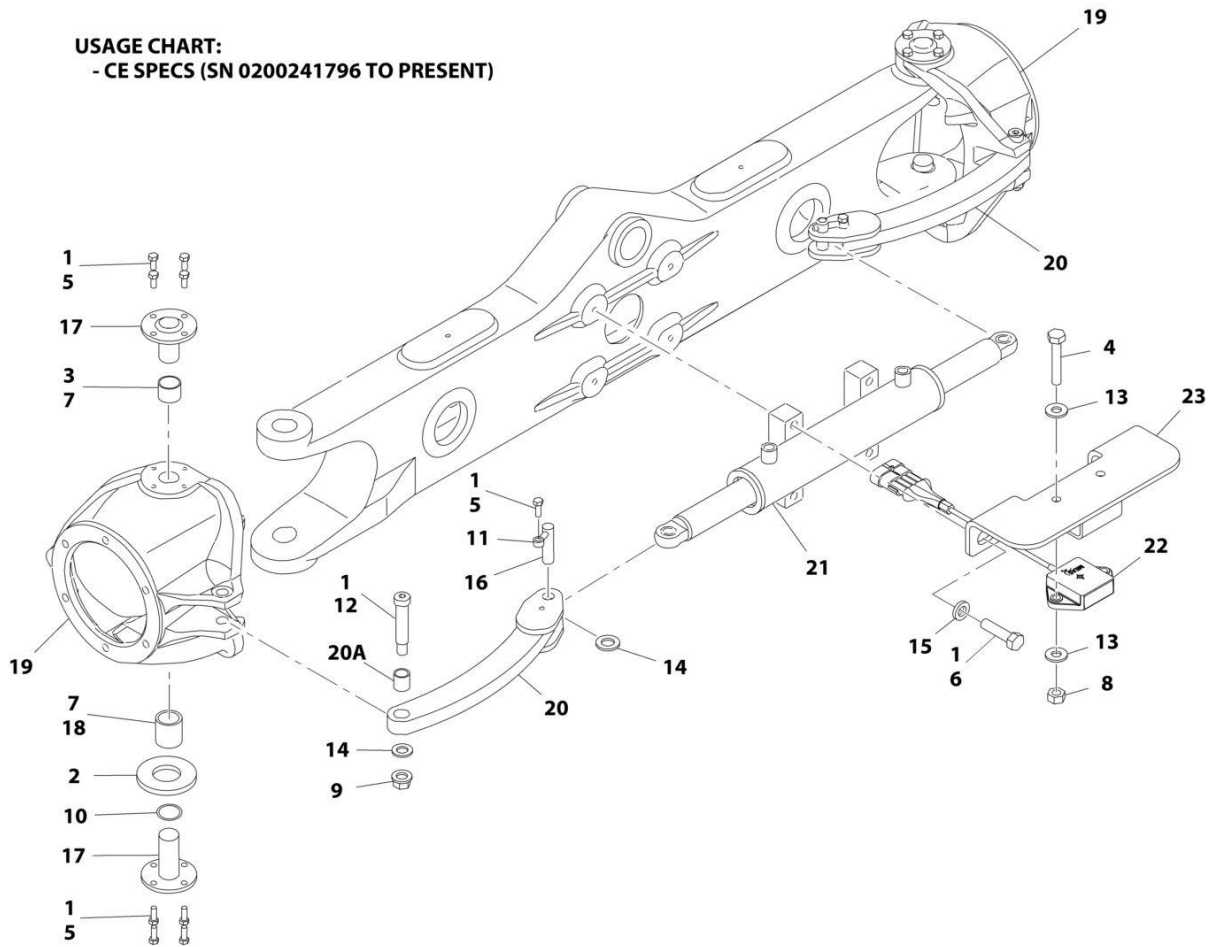
SECTION 1 - FRAME

FIGURE 1-3. STEERING INSTALLATION

ITEM	PART NUMBER	QTY	DESCRIPTION	REV
		Ref	USAGE CHART:	
		Ref	- All Specs except CE Specs	
		Ref	- CE Specs (SN 0200239053 through 0200241795)	
	1001139935	Ref	STEERING INSTALLATION	E
1	0100011	AR	Compound, Locking	
2	0440271	2	Washer, Thrust	
3	0440291	2	Bearing	
5	0641607	18	Bolt 3/8 x 7/8	
6	0681820	4	Bolt 1/2 x 2-1/2 Grade 8	
7	3020029	AR	Grease, Bearing	
8	3312008	2	Nut 5/8	
9	3780182	2	O-Ring	
10	3841520	2	Keeper	
11	3900255	2	Screw, Shoulder	
12	4740086	4	Washer, Thrust	
13	4891800	4	Washer 1/2	
14	1001116867	2	Pin, Axle Pivot	
15	1001139141	4	Kingpin	
16	1001139645	2	Spindle	
17	1001139476	2	Bearing	
18	1001139892	2	Tie-Rod	
18A	1001139943	2	Bearing	
20	1001143434	1	Steer Cylinder Assembly (See CYLINDER SECTION for Breakdown)	

SECTION 1 - FRAME

FIGURE 1-4. STEERING INSTALLATION



ART_1001187880

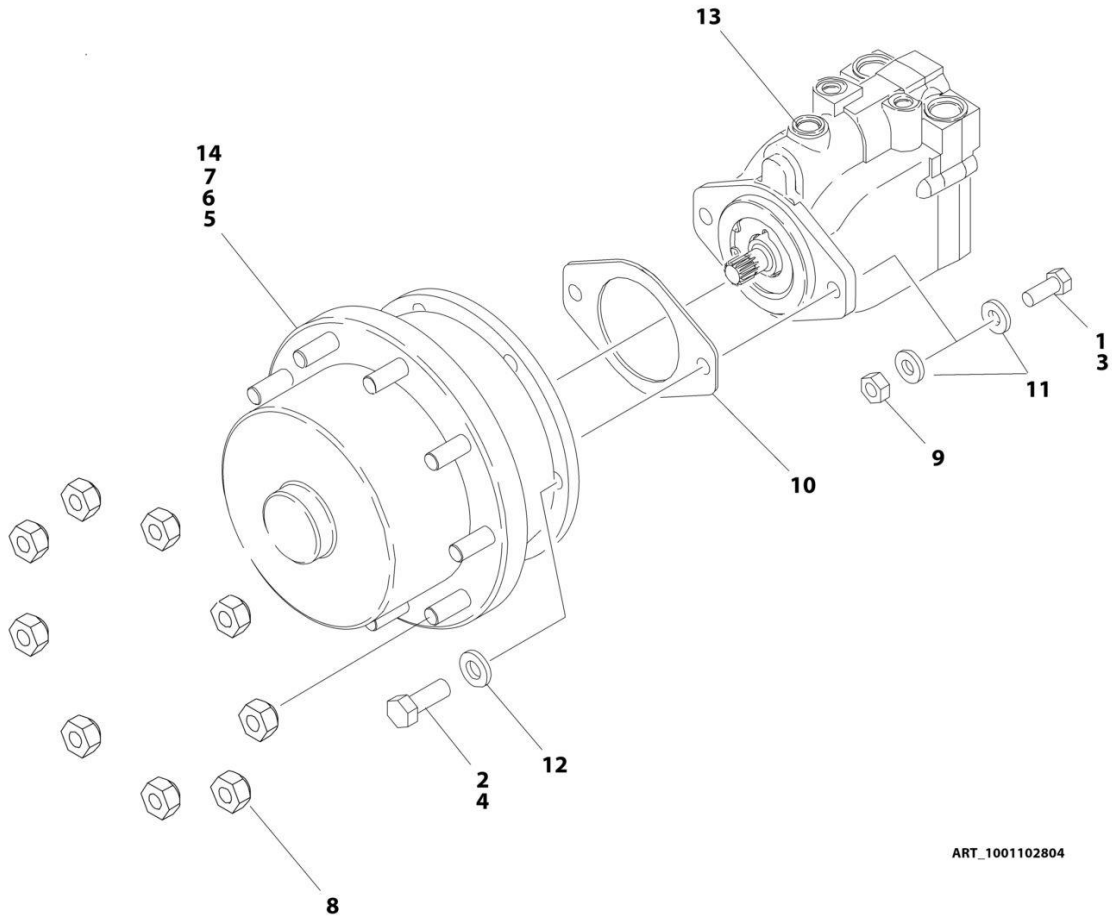
SECTION 1 - FRAME

FIGURE 1-4. STEERING INSTALLATION

ITEM	PART NUMBER	QTY	DESCRIPTION	REV
		Ref	USAGE CHART:	
		Ref	- CE Specs (SN 0200241796 to Present)	
	1001187880	Ref	STEERING INSTALLATION	B
1	0100011	AR	Compound, Locking	
2	0440271	2	Washer, Thrust	
3	0440291	2	Bearing	
4	0641412	2	Bolt 1/4 x 1-1/2	
5	0641607	18	Bolt 3/8 x 7/8	
6	0681822	4	Bolt 1/2 x 2-3/4 Grade 8	
7	3020029	AR	Grease, Bearing	
8	3311405	2	Nut 1/4	
9	3312008	2	Nut 5/8	
10	3780182	2	O-Ring	
11	3841520	2	Keeper	
12	3900255	2	Screw, Shoulder	
13	4711400	4	Washer 1/4	
14	4740086	4	Washer, Thrust	
15	4891800	4	Washer 1/2	
16	1001116867	2	Pin, Axle Pivot	
17	1001139141	4	Kingpin	
18	1001139476	2	Bearing	
19	1001139645	2	Spindle	
20	1001139892	2	Tie-Rod	
20A	1001139943	2	Bearing	
21	1001143434	1	Steer Cylinder Assembly (See CYLINDER SECTION for Breakdown)	
22	1001186467	1	Sensor, Steer	
22	See Note	NSS	Receptacle, Female - 4 Position (Note: Use p/n 1001186467)	
23	1001187695	1	Bracket	

SECTION 1 - FRAME

FIGURE 1-5. WHEEL DRIVE INSTALLATION



ART_1001102804

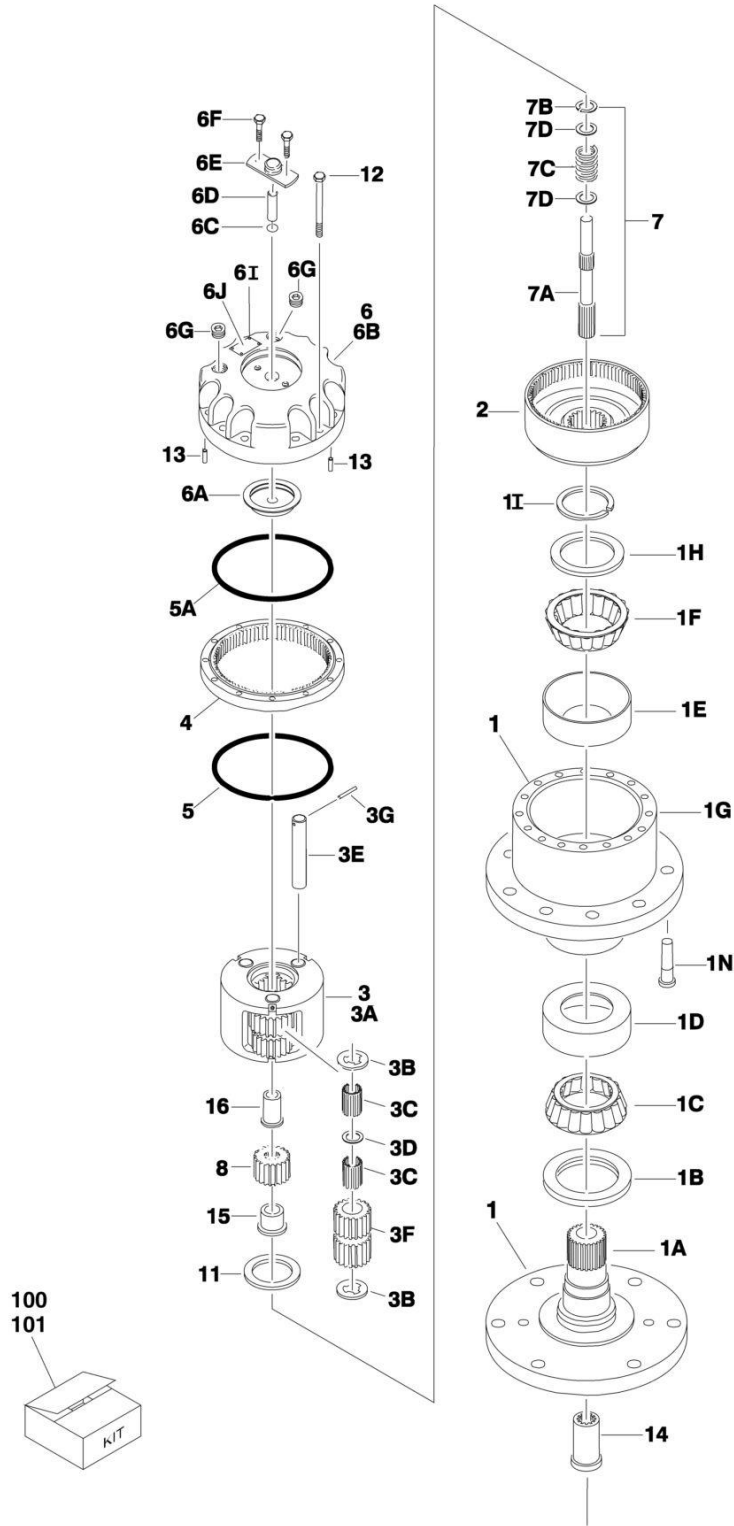
SECTION 1 - FRAME

FIGURE 1-5. WHEEL DRIVE INSTALLATION

ITEM	PART NUMBER	QTY	DESCRIPTION	REV
	1001102804	Ref	WHEEL DRIVE INSTALLATION	F
1	0100011	AR	Compound, Locking	
2	0100019	AR	Compound, Locking	
3	0681810	4	Bolt 1/2 x 1-1/4	
4	0682014	24	Bolt 5/8 x 1-3/4	
5	2300016	AR	Fluid, Hydraulic	
6	2780267	2	Drive Hub with Brake Assembly (Rear) (See DRIVE HUB ASSEMBLY - REAR for Breakdown)	
7	2780268	2	Drive Hub without Brake Assembly (Front) (See DRIVE HUB ASSEMBLIES - FRONT for Breakdown)	
8	3300106	36	Lugnut	
9	3311801	4	Nut 1/2	
10	3960526	4	Gasket	
11	4891800	8	Washer 1/2	
12	4892000	24	Washer 5/8	
13	1001102805	4	Drive Motor Assembly (Sauer-Danfoss) (See DRIVE MOTOR ASSEMBLY (SAUER-DANFOSS) for Breakdown)	
14	3020008	AR	Lubricant, Mobilube HD 80W-90	

SECTION 1 - FRAME

FIGURE 1-6. DRIVE HUB ASSEMBLY - FRONT



ART_2780268

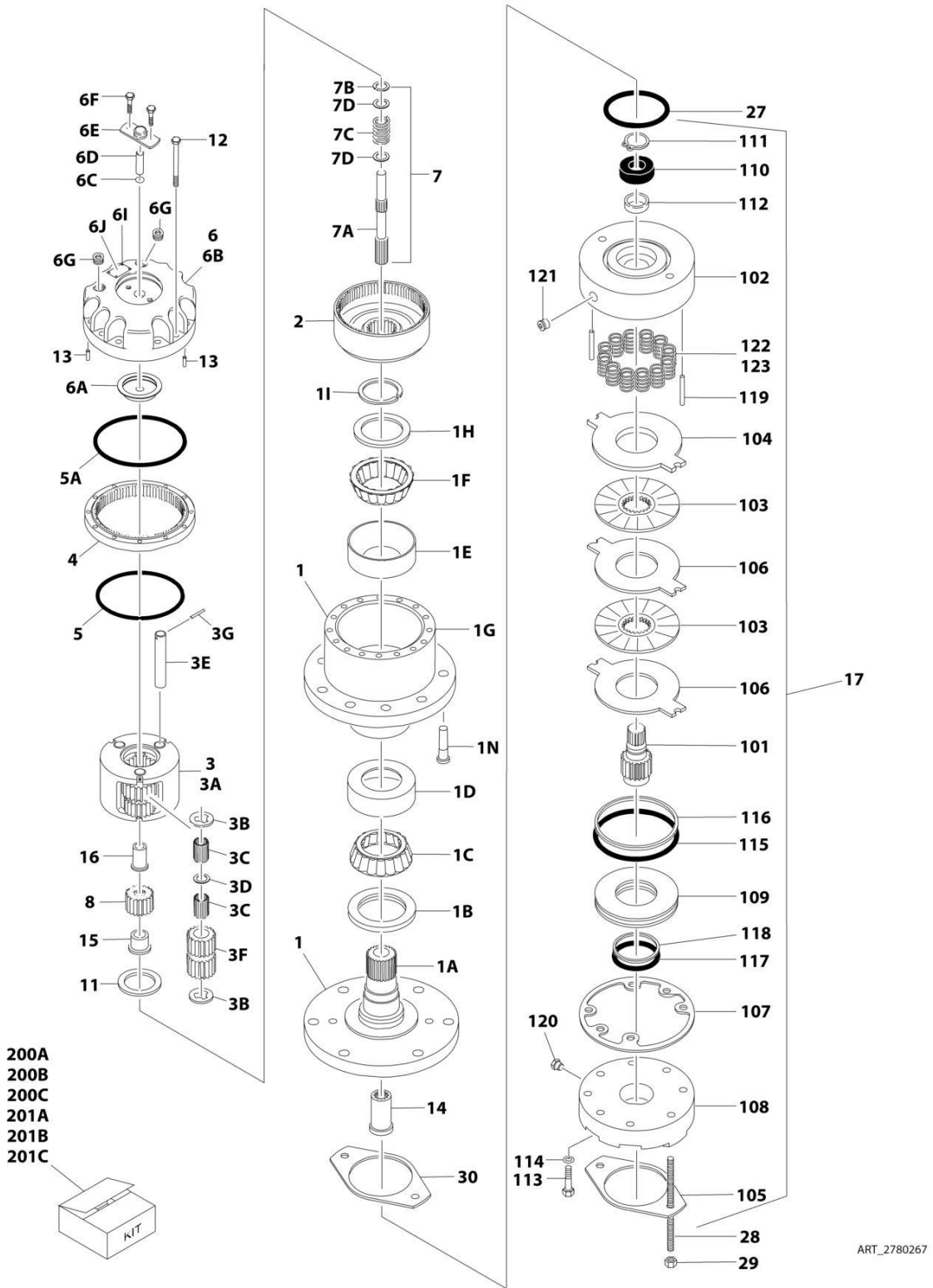
SECTION 1 - FRAME

FIGURE 1-6. DRIVE HUB ASSEMBLY - FRONT

ITEM	PART NUMBER	QTY	DESCRIPTION	REV
	2780268	Ref	DRIVE HUB ASSEMBLY - FRONT	E
1	See Note	NSS	Spindle/Housing Assembly (Note: Purchase Individual Components)	
1A	7017059	1	Spindle	
1B	7001998	1	Seal	
1C	7010429	1	Cone, Bearing (Includes Item 1D)	
1D	7010429	1	Cup, Bearing (Includes Item 1C)	
1E	7000257	1	Cup, Bearing	
1F	7000258	1	Cone, Bearing	
1G	7007601	1	Housing/Ring Gear	
1H	7000232	1	Washer, Thrust	
1I	7000229	1	Ring, Retaining	
1N	7007640	9	Stud, Wheel	
2	7000246	1	Gear, Internal	
3	7024712	1	Carrier Assembly	
3A	See Note	NSS	Carrier (Note: Use p/n 7024712)	
3B	See Note	NSS	Ring, Retaining (Note: Use p/n 7024712)	
3C	See Note	NSS	Bearing, Needle (Note: Use p/n 7024712)	
3D	See Note	NSS	Washer, Thrust (Note: Use p/n 7024712)	
3E	See Note	NSS	Shaft, Planet (Note: Use p/n 7024712)	
3F	See Note	NSS	Gear, Planet (Note: Use p/n 7024712)	
3G	See Note	NSS	Rollpin (Note: Not Available for Purchase)	
4	7000248	1	Ring Gear	
5	7000230	1	O-Ring	
5A	7017070	1	O-Ring	
6	70001349	1	Cover Assembly Kit	
6A	See Note	NSS	Spacer, Thrust (Note: Use p/n 70001349)	
6B	See Note	NSS	Plate, Cover (Note: Use p/n 70001349)	
6C	See Note	NSS	O-Ring (Note: Use p/n 70001349)	
6D	See Note	NSS	Rod, Disconnect (Note: Use p/n 70001349)	
6E	See Note	NSS	Cap, Disengage (Note: Use p/n 70001349)	
6F	See Note	NSS	Bolt (Note: Use p/n 70001349)	
6G	See Note	NSS	Plug, Pipe (Note: Use p/n 70001349)	
6I	See Note	NSS	Rivet (Note: Not Available for Purchase)	
6J	See Note	NSS	Plate, ID (Note: Not Available for Purchase)	
7		Ref	Input Shaft Assembly	
7A	7024714	1	Shaft	
7B	7000261	1	Ring, Retaining	
7C	7000262	1	Spring	
7D	7000263	2	Spacer, Thrust	
8	7024713	1	Gear, Sun	
11	7000253	1	Washer, Thrust	
12	7017067	12	Bolt	
13	7017080	4	Pin, Dowell	
14	7000206	1	Coupling	
15	7024715	1	Spacer, Input	
16	7024716	1	Spacer, Input	
100	70006428	1	Bearing and Seal Kit (Includes Items 1B-1F, 1I, 5, 5A & 12)	
101	70006429	1	Seal Kit (Includes Items 1B, 1I, 5, 5A & 12)	

SECTION 1 - FRAME

FIGURE 1-7. DRIVE HUB AND BRAKE ASSEMBLY - REAR



SECTION 1 - FRAME

FIGURE 1-7. DRIVE HUB AND BRAKE ASSEMBLY - REAR

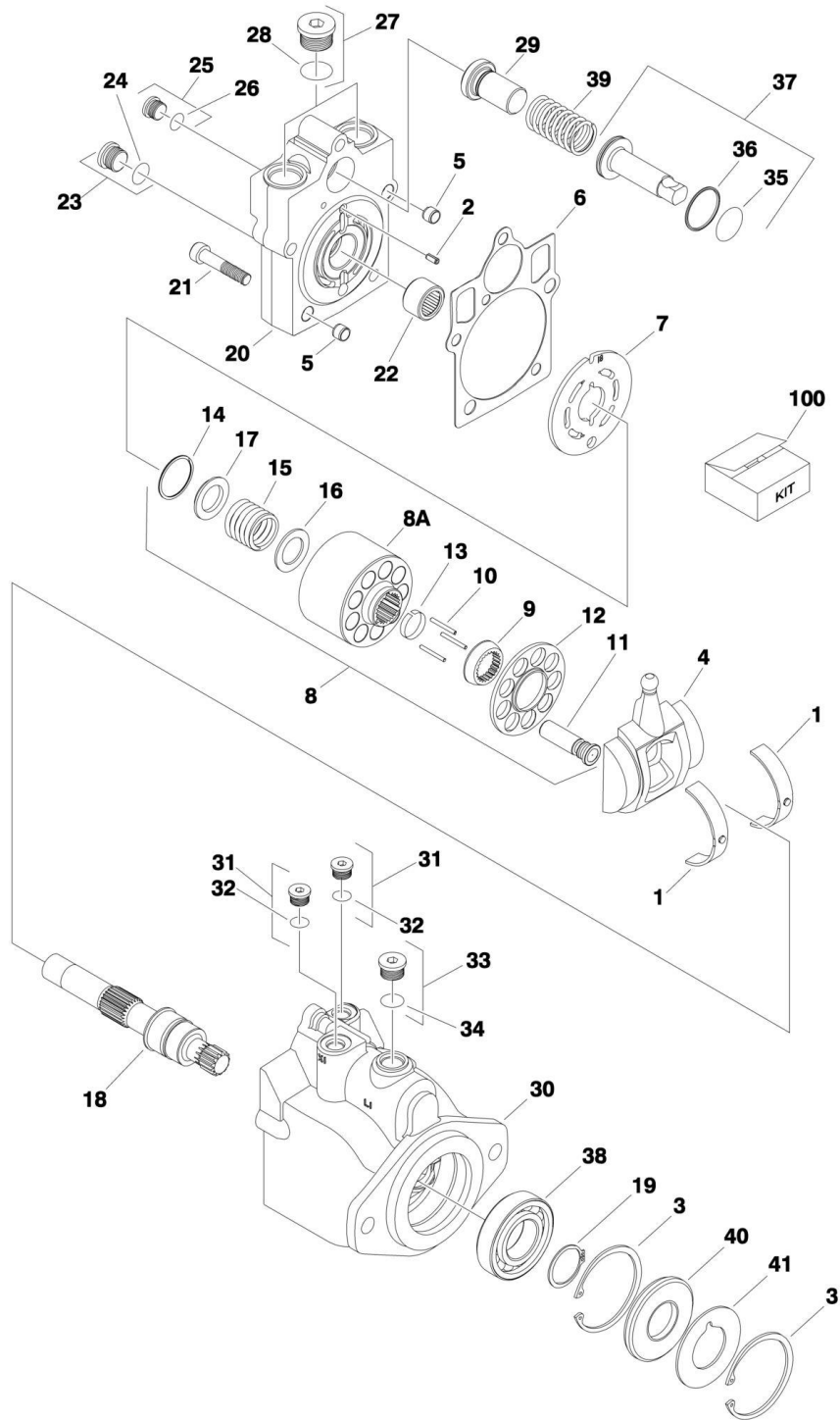
ITEM	PART NUMBER	QTY	DESCRIPTION	REV
	2780267	Ref	DRIVE HUB AND BRAKE ASSEMBLY - REAR	H
1	See Note	NSS	Spindle/Housing Assembly (Note: Purchase Individual Components)	
1A	7017059	1	Spindle	
1B	7001998	1	Seal	
1C	7010429	1	Cone, Bearing (Includes Item 1D)	
1D	7010429	1	Cup, Bearing (Includes Item 1C)	
1E	7000257	1	Cup, Bearing	
1F	7000258	1	Cone, Bearing	
1G	7007601	1	Housing/Ring Gear	
1H	7000232	1	Washer, Thrust	
1I	7000229	1	Ring, Retaining	
1N	7007640	9	Stud, Wheel	
2	7000246	1	Gear, Internal	
3	7024712	1	Carrier Assembly	
3A	See Note	NSS	Carrier (Note: Use p/n 7024712)	
3B	See Note	NSS	Ring, Retaining (Note: Use p/n 7024712)	
3C	See Note	NSS	Bearing, Needle (Note: Use p/n 7024712)	
3D	See Note	NSS	Washer, Thrust (Note: Use p/n 7024712)	
3E	See Note	NSS	Shaft, Planet (Note: Use p/n 7024712)	
3F	See Note	NSS	Gear, Planet (Note: Use p/n 7024712)	
3G	See Note	NSS	Rollpin (Note: Not Available for Purchase)	
4	7000248	1	Ring Gear	
5	7000230	1	O-Ring	
5A	7017070	1	O-Ring	
6	70001349	1	Cover assembly Kit	
6A	See Note	NSS	Spacer, Thrust (Note: Use p/n 70001349)	
6B	See Note	NSS	Plate, Cover (Note: Use p/n 70001349)	
6C	See Note	NSS	O-Ring (Note: Use p/n 70001349)	
6D	See Note	NSS	Rod, Disconnect (Note: Use p/n 70001349)	
6E	See Note	NSS	Cap, Disengage (Note: Use p/n 70001349)	
6F	See Note	NSS	Bolt (Note: Use p/n 70001349)	
6G	See Note	NSS	Plug, Pipe (Note: Use p/n 70001349)	
6I	See Note	NSS	Rivet (Note: Not Available for Purchase)	
6J	See Note	NSS	Plate, ID (Note: Not Available for Purchase)	
7		Ref	Input Shaft Assembly	
7A	7024714	1	Shaft	
7B	7000261	1	Ring, Retaining	
7C	7000262	1	Spring	
7D	7000263	2	Spacer, Thrust	
8	7024713	1	Gear, Sun	
11	7000253	1	Washer, Thrust	
12	7017067	12	Bolt	
13	7017080	4	Pin, Dowell	
14	7000206	1	Coupling	
15	7024715	1	Spacer, Input	
16	7024716	1	Spacer, Input	
17	7024182	1	Brake Assembly (See Items 101-123 for Breakdown)	
27	7024705	1	O-Ring	
28	7024717	2	Rod, Threaded	

SECTION 1 - FRAME

ITEM	PART NUMBER	QTY	DESCRIPTION	REV
29	7024718	2	Nut 1/2-13	
30	70005483	1	Gasket	
	7024182	Ref	BRAKE ASSEMBLY	
101	7024189	1	Shaft	
102	See Note	NSS	Housing (Note: Use p/n 7024182)	
103	See Note	NSS	Plate, Friction (Note: Use p/n 7024193)	
104	See Note	NSS	Plate, Pressure (Note: Use p/n 7024193)	
105	7000731	1	Gasket	
106	See Note	NSS	Plate, Outer (Note: Use p/n 7024193)	
107	See Note	NSS	Gasket (Note: Use Item 200A, 201B or 201C)	
108	7024191	1	Cylinder	
109	7024192	1	Piston	
110	See Note	NSS	Bearing, Ball (Note: Use p/n 7024197)	
111	See Note	NSS	Ring, Retaining (Note: Use p/n 7024197)	
112	See Note	NSS	Seal, Shaft (Note: Use p/n 7024197)	
113	See Note	NSS	Capscrew (Note: Not Available for Purchase)	
114	See Note	NSS	Washer (Note: Not Available for Purchase)	
115	See Note	NSS	O-Ring (Note: Not Available for Purchase)	
116	See Note	NSS	Ring, Back-up (Note: Not Available for Purchase)	
117	See Note	NSS	O-Ring (Note: Not Available for Purchase)	
118	See Note	NSS	Ring, Back-up (Note: Not Available for Purchase)	
119	7024190	2	Pin, Dowel	
120	See Note	NSS	Plug (Note: Not Available for Purchase)	
121	See Note	NSS	Plug (Note: Not Available for Purchase)	
122	See Note	NSS	Spring Kit (Natural) (Note: Use p/n 7024196)	
123	See Note	NSS	Spring Kit (Blue) (Note: Use p/n 7024196)	
		Ref	Kit Options	
200		Ref	Seal Kit Options:	
200A	70006429	1	Seal Kit (Includes Items 1B, 1I, 5, 5A & 12)	
200B	7024194	1	Brake Seal Kit (Includes Items 105, 107 & 115-118)	
200C	70006428	1	Bearing and Seal Kit (Includes Items 1B-1F, 1I, 5, 5A & 12)	
201		Ref	Repair Kit Options:	
201A	7024196	1	Brake Spring Kit (Includes 12 Natural Colored and 2 Blue Colored Springs Items 122 and 123)	
201B	7024193	1	Brake Friction Disc Kit (Includes Items 103, 104, 106 & 107)	
201C	7024197	1	Brake Bearing Kit (Includes Items 107 & 110-112)	

SECTION 1 - FRAME

FIGURE 1-8. DRIVE MOTOR ASSEMBLY - SAUER-DANFOSS



ART_1001102805

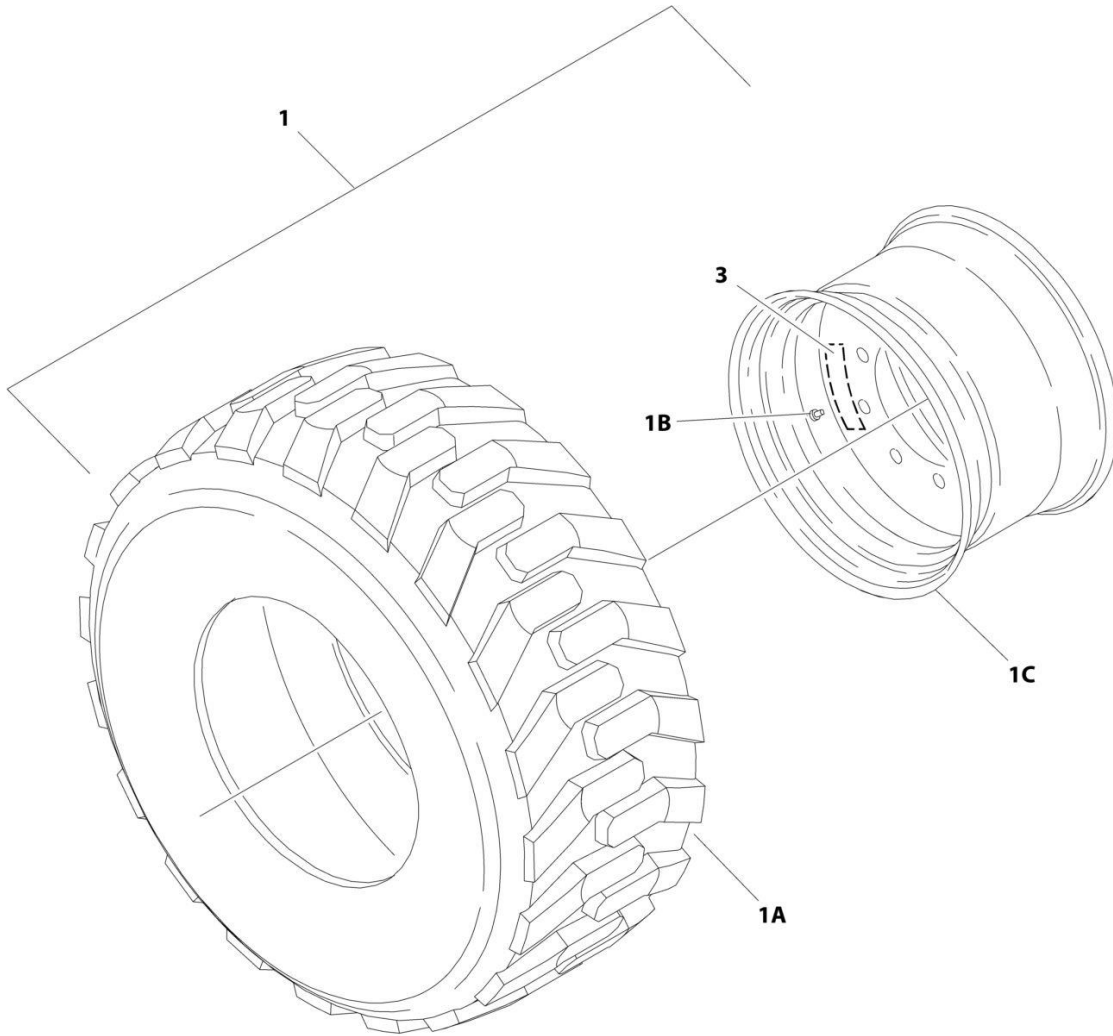
SECTION 1 - FRAME

FIGURE 1-8. DRIVE MOTOR ASSEMBLY - SAUER-DANFOSS

ITEM	PART NUMBER	QTY	DESCRIPTION	REV
	1001102805	Ref	DRIVE MOTOR ASSEMBLY - SAUER-DANFOSS	D
1	7022302	2	Bearing, Journal	
2	7007446	1	Pin	
3	7007438	2	Ring, Retaining	
4	7022305	1	Swashplate	
5	See Note	2	Pin (Note: Not Available for Purchase)	
6	See Note	1	Gasket (Note: Use Item 100)	
7	7024862	1	Plate, Valve	
8	7023907	1	Cylinder Block Kit (Includes Items 8A & 9-17)	
8A	See Note	NSS	Block, Cylinder (Note: Use Item 8)	
9	7021277	1	Guide, Slipper Retainer	
10	7021275	3	Pin, Slipper Hold Down	
11	See Note	NSS	Piston Assembly (Note: Use Item 8)	
12	7021276	1	Retainer, Hold Down Pin	
13	7022310	1	Retainer, Slipper	
14	7022311	1	Ring, Retaining	
15	7022312	1	Spring	
16	7024868	1	Washer	
17	7022314	1	Retainer, Spring	
18	7023910	1	Shaft	
19	7007439	1	Ring, Retaining	
20	70000797	1	Cap, End - Axial	
21	7022368	5	Screw	
22	7021249	1	Bearing, Needle	
23	2220886	1	Plug (Includes Item 24)	
24	See Note	NSS	O-Ring (Note: Use Item 23 or 100)	
25	2220883	1	Plug (Includes Item 26)	
26	See Note	NSS	O-Ring (Note: Use Item 25 or 100)	
27	7027419	2	Plug (Includes Item 28)	
28	See Note	NSS	O-Ring (Note: Use Item 27 or 100)	
29	7022369	1	Seat, Spring	
30	70001932	1	Housing	
31	2220883	2	Plug (Includes Item 32)	
32	See Note	NSS	O-Ring (Note: Use Item 31 or 100)	
33	2220886	1	Plug (Includes Item 34)	
34	See Note	NSS	O-Ring (Note: Use Item 33 or 100)	
35	See Note	NSS	O-Ring (Note: Use Item 100)	
36	See Note	NSS	Ring, Seal (Note: Use Item 100)	
37	7024854	1	Piston, Servo (Includes Items 35 & 36)	
38	7007437	1	Bearing	
39	7022326	1	Spring	
40	See Note	NSS	Seal, Lip (Note: Use Item 100)	
41	7022371	1	Washer, Support	
100	7022328	1	Seal Kit (Includes Items 6, 24, 26, 28, 32, 34, 35, 36 & 40)	

SECTION 1 - FRAME

FIGURE 1-9. TIRE AND WHEEL INSTALLATION - IN315/55D20 PNEUMATIC (3394RT)



ART_1001102190

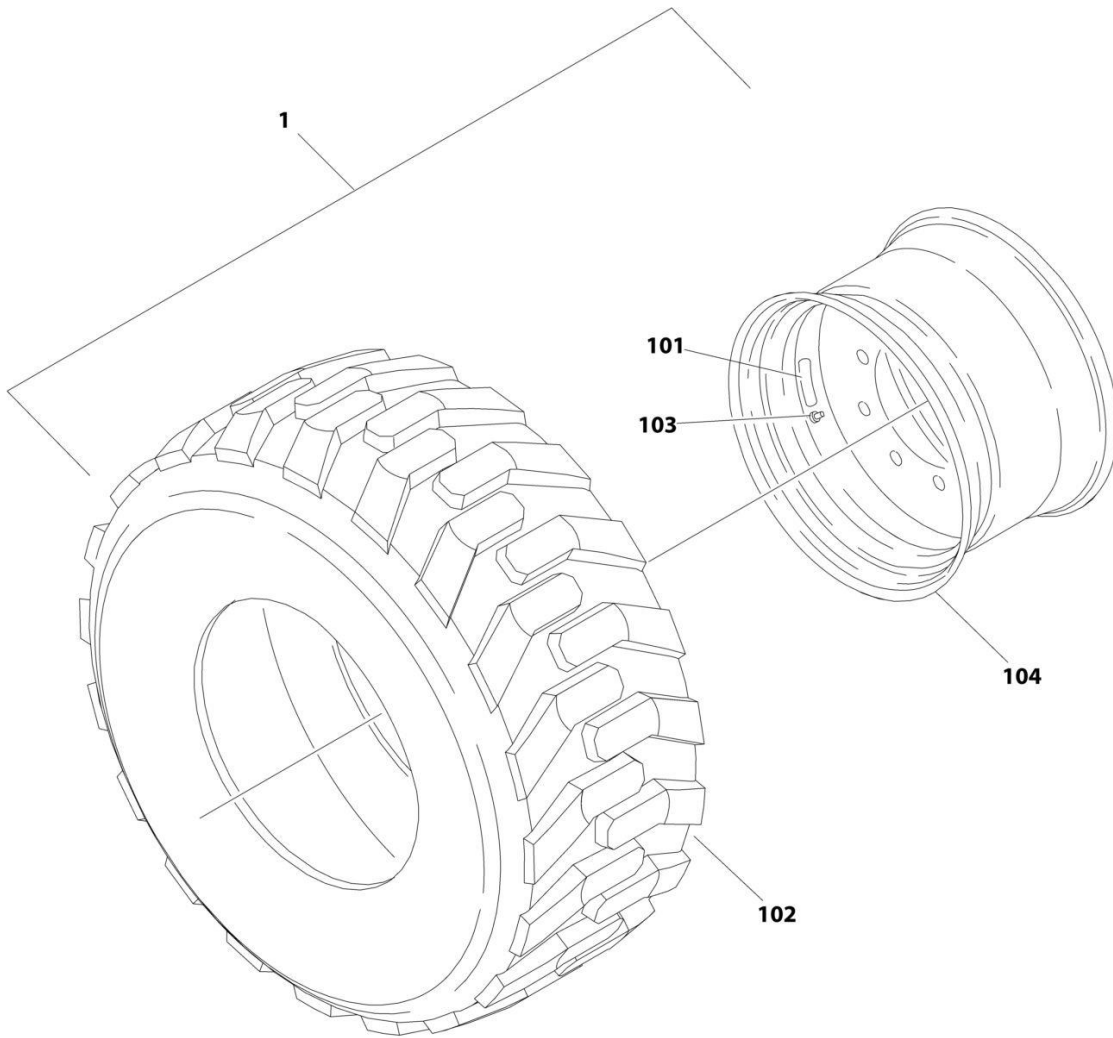
SECTION 1 - FRAME

FIGURE 1-9. TIRE AND WHEEL INSTALLATION - IN315/55D20 PNEUMATIC (3394RT)

ITEM	PART NUMBER	QTY	DESCRIPTION	REV
	1001102190	Ref	TIRE AND WHEEL INSTALLATION - IN315/55D20 PNEUMATIC	C
1	1001101512	2	Tire and Wheel Assembly - Left Side	B
1	1001101513	2	Tire and Wheel Assembly - Right Side	B
1A	4520608	1	Tire, IN315/55D20, Lug Tire	
1B	4640113	1	Valve, Air	
1C	1001101511	1	Rim, Wheel - 20 x 11	
3	1001105700	4	Decal - Transport Wheel Warning	

SECTION 1 - FRAME

FIGURE 1-10. TIRE AND WHEEL INSTALLATION - 33/1550-16.5 PNEUMATIC (3394RT)



ART_0271718

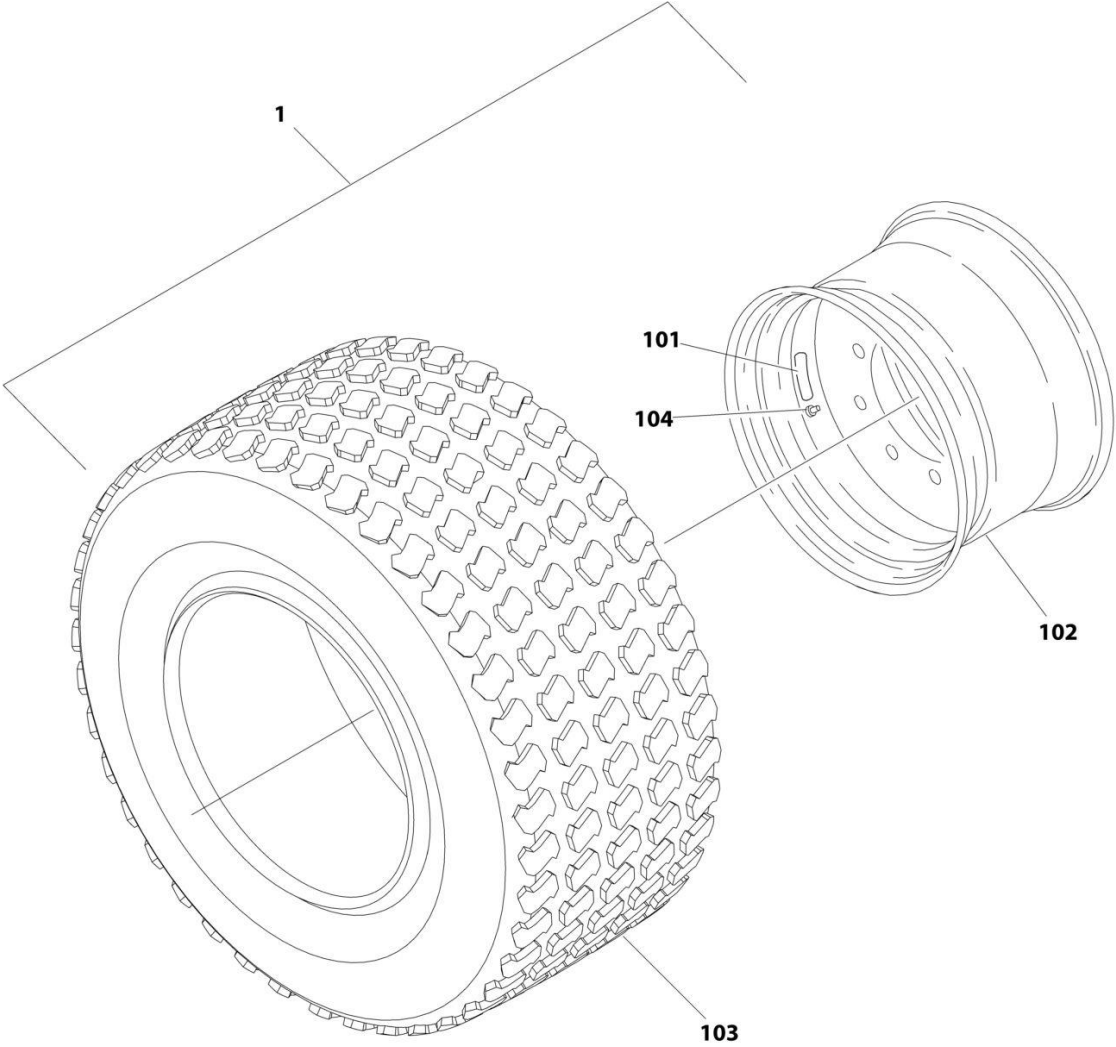
SECTION 1 - FRAME

FIGURE 1-10. TIRE AND WHEEL INSTALLATION - 33/1550-16.5 PNEUMATIC (3394RT)

ITEM	PART NUMBER	QTY	DESCRIPTION	REV
	0271718	Ref	TIRE AND WHEEL INSTALLATION - 33/1550-16.5 PNEUMATIC	B
1	0257755	2	Tire and Wheel Assembly - Right Side	E
1	0257756	2	Tire and Wheel Assembly - Left Side	E
101	1702740	1	Decal - Tire Pressure	
102	4520217	1	Tire, 33/1550 x 16.5, Lug Tire	
103	4640113	1	Valve, Air	
104	4860179	1	Rim, Wheel - 16.5 x 12.0	

SECTION 1 - FRAME

FIGURE 1-11. TIRE AND WHEEL INSTALLATION - 31 X 15.50-15 PNEUMATIC (3394RT)



ART_0274789

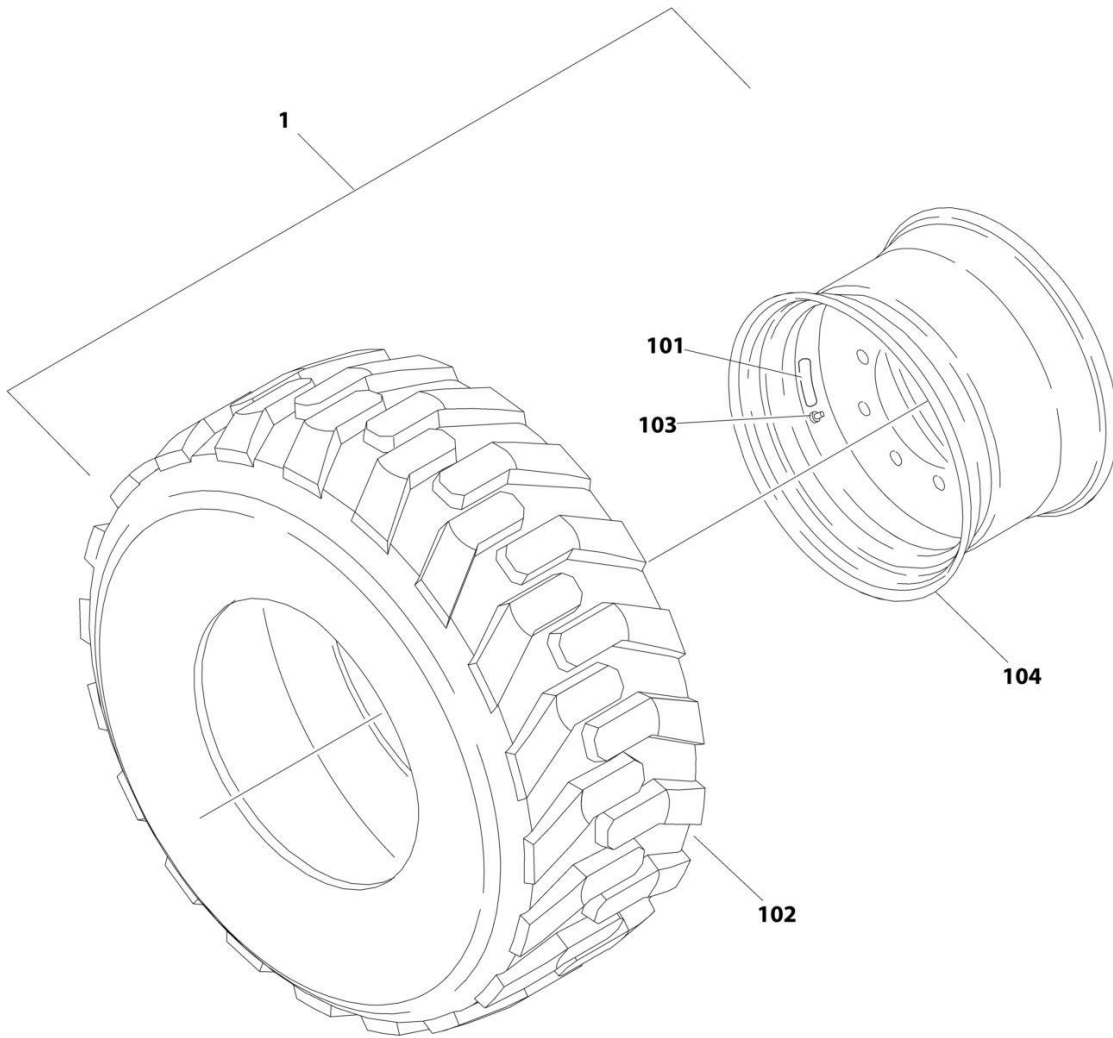
SECTION 1 - FRAME

FIGURE 1-11. TIRE AND WHEEL INSTALLATION - 31 X 15.50-15 PNEUMATIC (3394RT)

ITEM	PART NUMBER	QTY	DESCRIPTION	REV
	0274789	Ref	TIRE AND WHEEL INSTALLATION - 31 X 15.50-15 PNEUMATIC	B
1	4520571	4	Tire and Wheel Assembly	C
101	1702137	1	Decal - Tire Pressure	
102	4520570	1	Rim, Wheel - 15 x 13	
103	4520576	1	Tire, 31 x 15.50-15, Grass Tire	
104	4640113	1	Valve, Air	

SECTION 1 - FRAME

FIGURE 1-12. TIRE AND WHEEL INSTALLATION - 12 X 16.5 PNEUMATIC NON-MARKING (3394RT)



ART_0270650

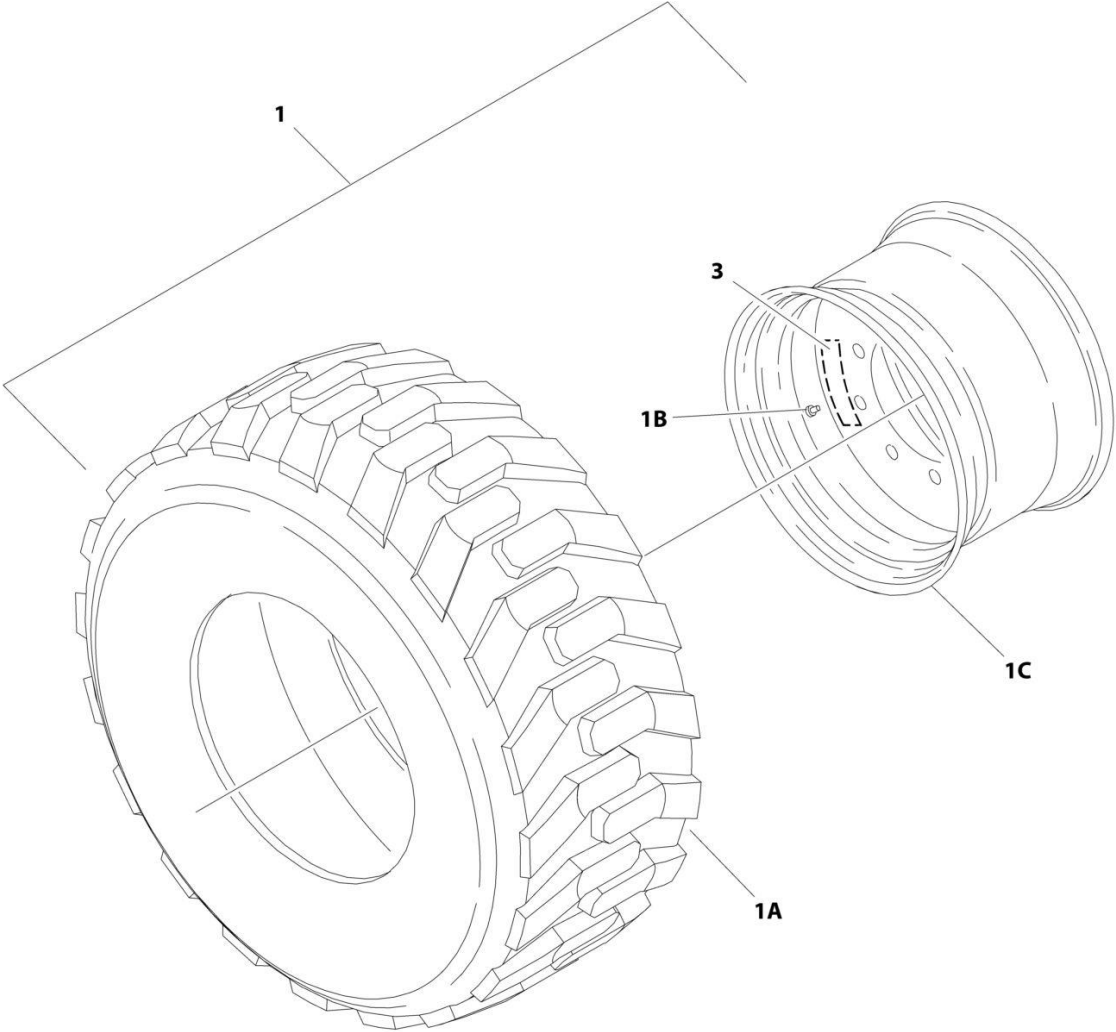
SECTION 1 - FRAME

FIGURE 1-12. TIRE AND WHEEL INSTALLATION - 12 X 16.5 PNEUMATIC NON-MARKING (3394RT)

ITEM	PART NUMBER	QTY	DESCRIPTION	REV
	0270650	Ref	TIRE AND WHEEL INSTALLATION - 12 X 16.5 PNEUMATIC NON-MARKING	C
1	1001148867	1	Tire and Wheel Assembly - Right Side	D
1	1001148868	1	Tire and Wheel Assembly - Left Side	D
101	1702740	1	Decal - Tire Pressure	
102	4520240	1	Tire, 12 x 16.5, Non-Marking Tire	
103	4640113	1	Valve, Air	
104	1001147274	1	Rim, Wheel - 16.5 x 9.75	

SECTION 1 - FRAME

FIGURE 1-13. TIRE AND WHEEL INSTALLATION - IN315/55D20 FOAM-FILLED



ART_1001102196

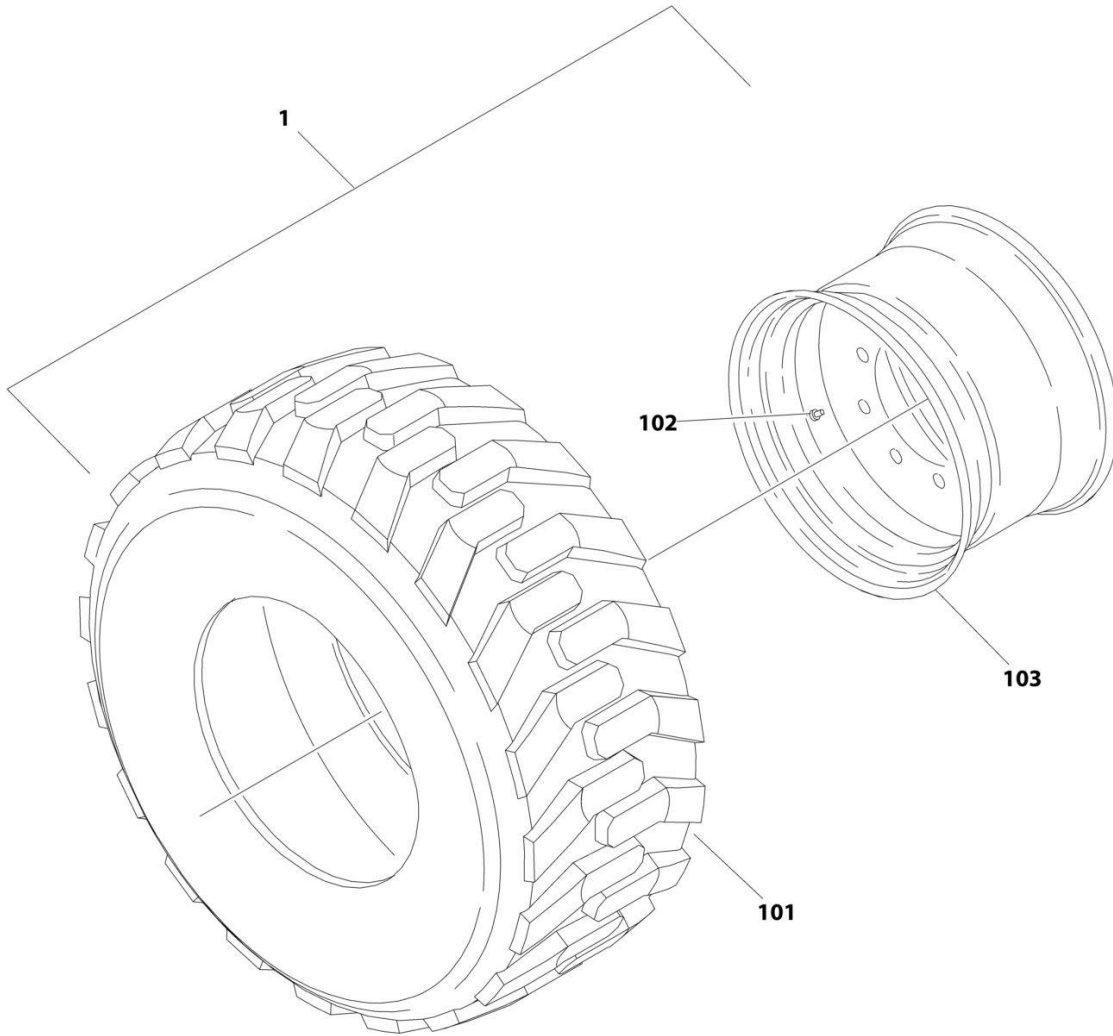
SECTION 1 - FRAME

FIGURE 1-13. TIRE AND WHEEL INSTALLATION - IN315/55D20 FOAM-FILLED

ITEM	PART NUMBER	QTY	DESCRIPTION	REV
	1001102196	Ref	TIRE AND WHEEL INSTALLATION - IN315/55D20 FOAM-FILLED	C
		Ref	Note: Assemblies may require ballast/foam filling to manufacturer's specifications prior to installing on a machine. Refer to Operation and Safety or Service and Maintenance Manuals. Purchase individual tire and/or rim only if able to foam fill tire and wheel assembly, otherwise, purchase complete assembly.	
1	1001102194	2	Tire and Wheel Assembly - Left Side	C
1	1001102195	2	Tire and Wheel Assembly - Right Side	C
1A	4520608	1	Tire, IN315/55D20, Lug Tire	
1B	4640113	1	Valve, Air (SN 0200239053 through 0200249349)	
1B	4641122	1	Valve, Air (SN 0200249350 to Present)	
1C	1001101511	1	Rim, Wheel - 20 x 11	
3	1001105700	4	Decal - Transport Wheel Warning	

SECTION 1 - FRAME

FIGURE 1-14. TIRE AND WHEEL INSTALLATION - 33/1550-16.5 FOAM-FILLED



ART_0271719

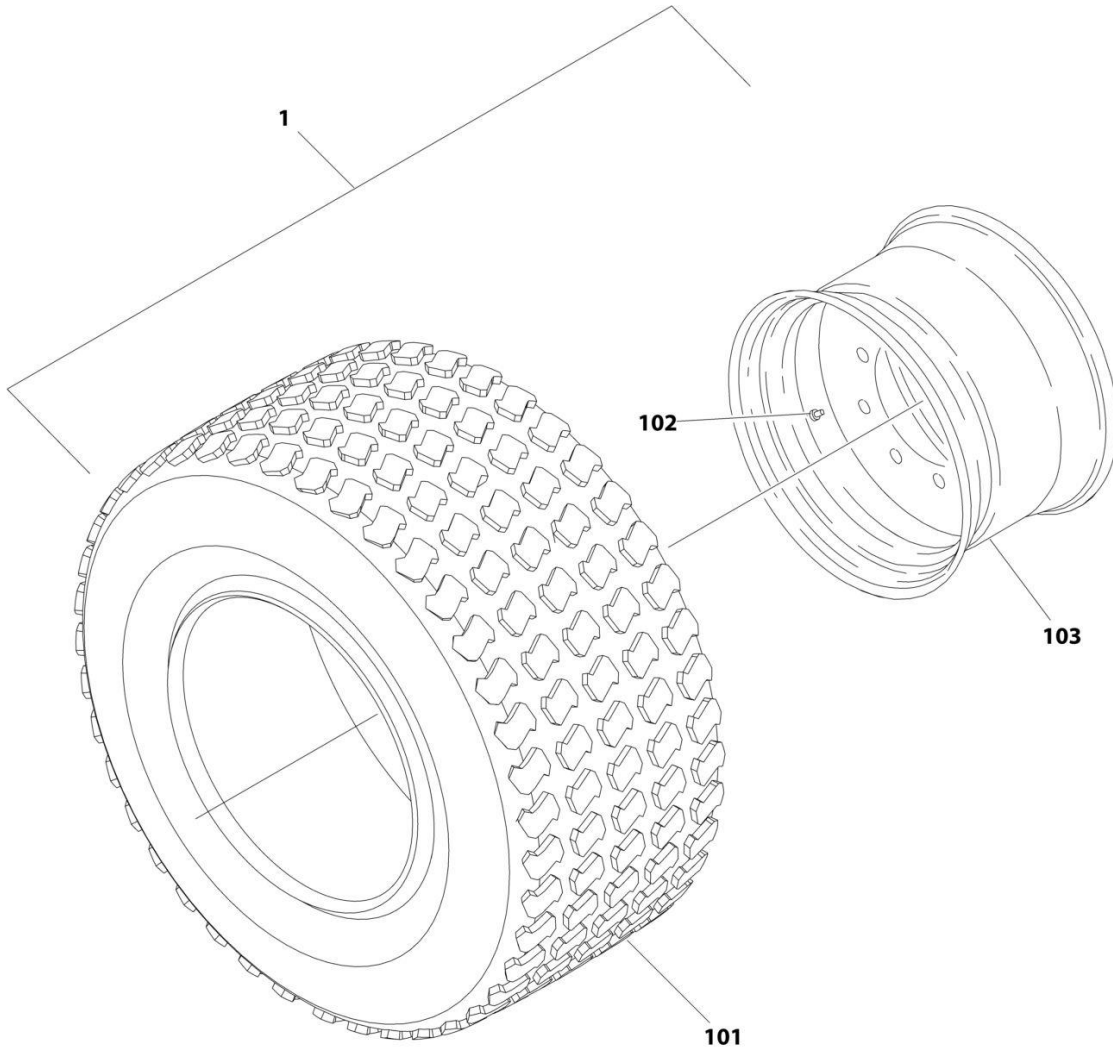
SECTION 1 - FRAME

FIGURE 1-14. TIRE AND WHEEL INSTALLATION - 33/1550-16.5 FOAM-FILLED

ITEM	PART NUMBER	QTY	DESCRIPTION	REV
	0271719	Ref	TIRE AND WHEEL INSTALLATION - 33/1550-16.5 FOAM-FILLED	B
		Ref	Note: Assemblies may require ballast/foam filling to manufacturer's specifications prior to installing on a machine. Refer to Operation and Safety or Service and Maintenance Manuals. Purchase individual tire and/or rim only if able to foam fill tire and wheel assembly, otherwise, purchase complete assembly.	
1	0258011	2	Tire and Wheel Assembly - Right Side	H
1	0258012	2	Tire and Wheel Assembly - Left Side	H
101	4520217	1	Tire, 33/1550 x 16.5, Lug Tire	
102	8786514	1	Valve, Air	
103	4860179	1	Rim, Wheel - 16.5 x 12.0	

SECTION 1 - FRAME

FIGURE 1-15. TIRE AND WHEEL INSTALLATION - 33/16LL X 16.1 FOAM-FILLED (3394RT)



ART_0271785

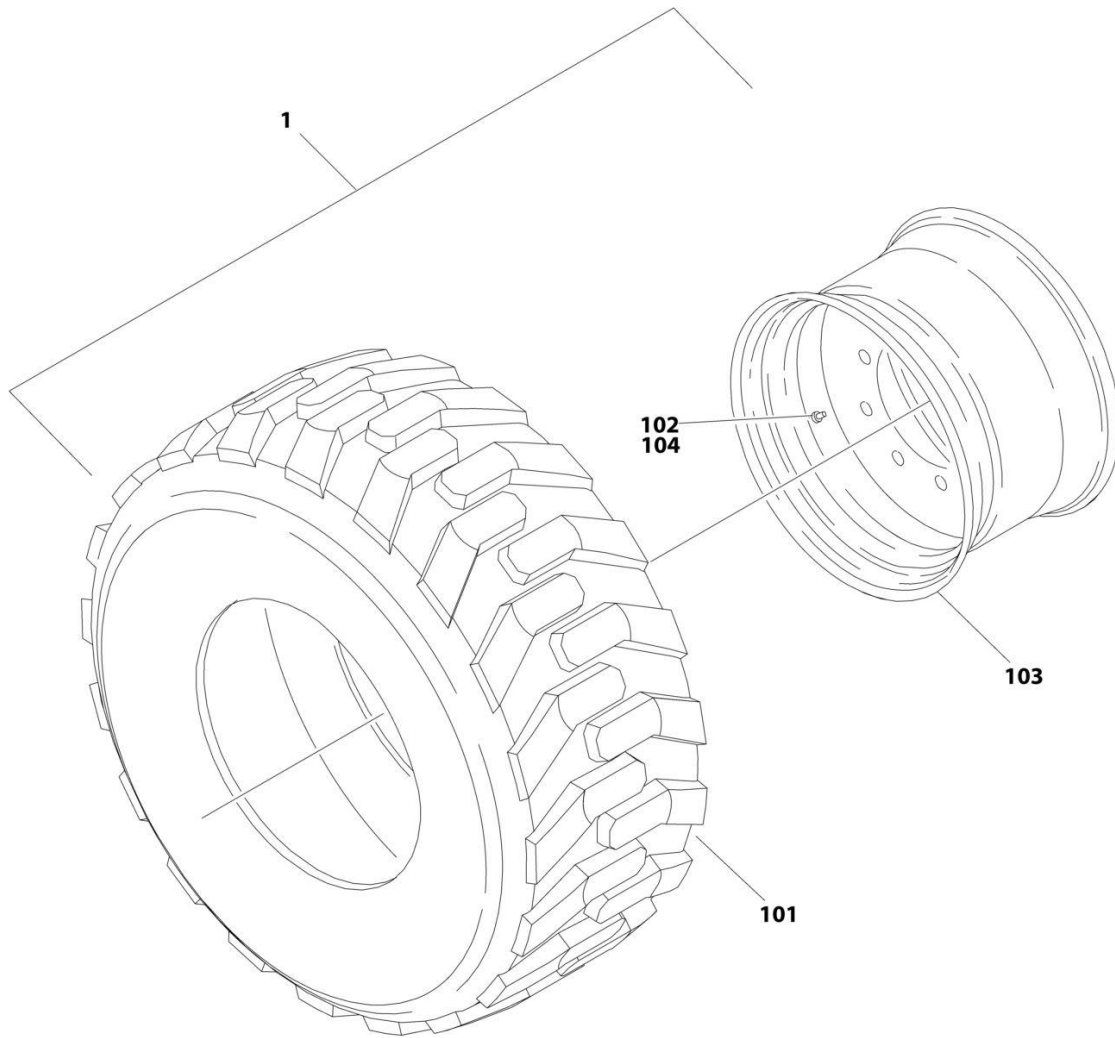
SECTION 1 - FRAME

FIGURE 1-15. TIRE AND WHEEL INSTALLATION - 33/16LL X 16.1 FOAM-FILLED (3394RT)

ITEM	PART NUMBER	QTY	DESCRIPTION	REV
	0271785	Ref	TIRE AND WHEEL INSTALLATION - 33/16LL X 16.1 FOAM-FILLED	B
1	0272268	4	Tire and Wheel Assembly	D
101	4520262	1	Tire, 33 x 16LL500, Sand Tire	
102	4640113	1	Valve, Air (SN 0200239053 through 0200249349)	
102	4641122	1	Valve, Air (SN 0200249350 to Present)	
103	4860237	1	Rim, Wheel - 19.5 x 14	

SECTION 1 - FRAME

FIGURE 1-16. TIRE AND WHEEL INSTALLATION - 12 X 16.5 FOAM-FILLED NON MARKING



ART_0270653

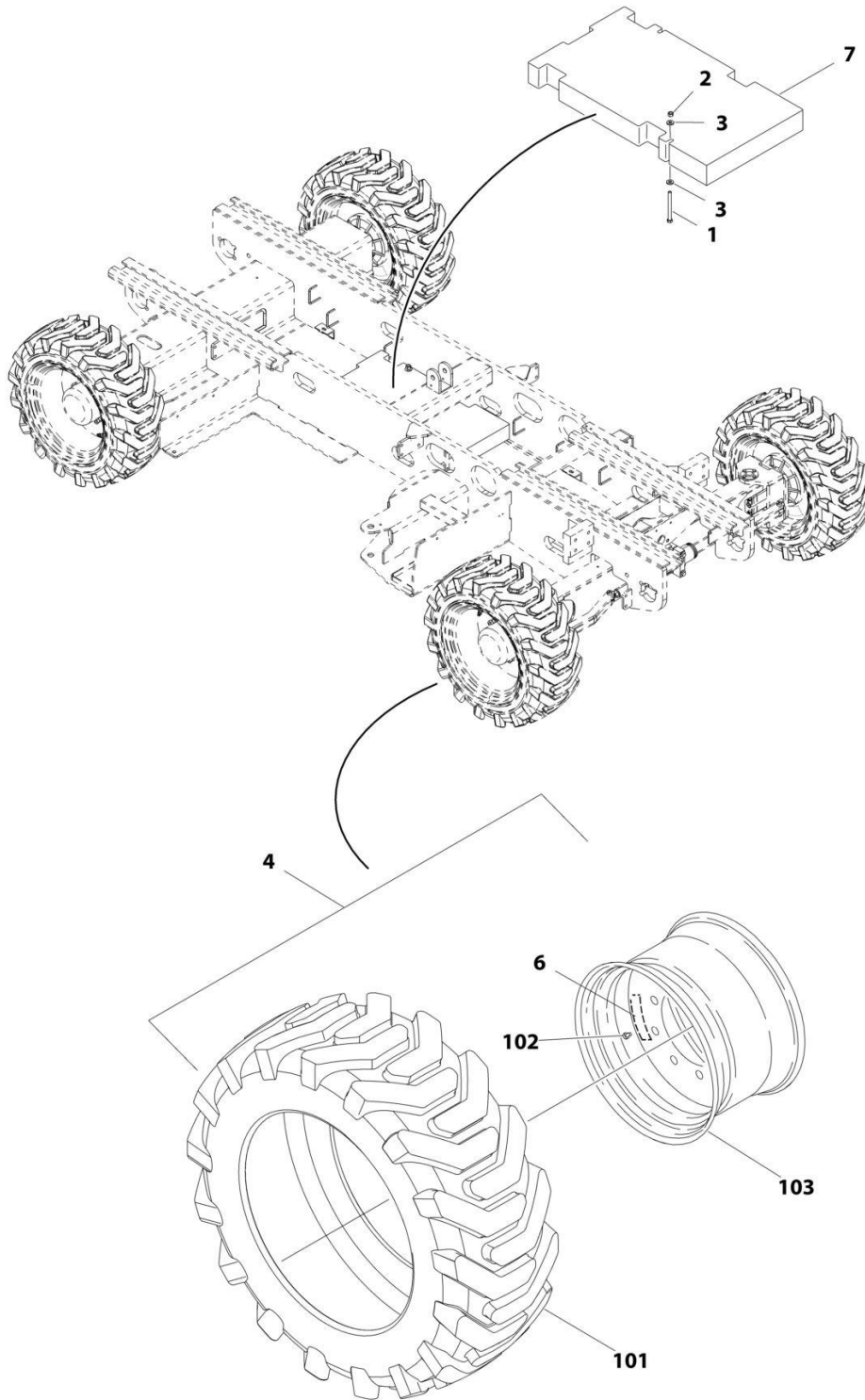
SECTION 1 - FRAME

FIGURE 1-16. TIRE AND WHEEL INSTALLATION - 12 X 16.5 FOAM-FILLED NON MARKING

ITEM	PART NUMBER	QTY	DESCRIPTION	REV
	0270653	Ref	TIRE AND WHEEL INSTALLATION - 12 X 16.5 FOAM-FILLED NON-MARKING	C
		Ref	Note: Assemblies may require ballast/foam filling to manufacturer's specifications prior to installing on a machine. Refer to Operation and Safety or Service and Maintenance Manuals. Purchase individual tire and/or rim only if able to foam fill tire and wheel assembly, otherwise, purchase complete assembly.	
1	1001148869	1	Tire and Wheel Assembly - Right Side	F
1	1001148870	1	Tire and Wheel Assembly - Left Side	F
101	4520240	1	Tire, 12 x 16.5 Non-Marking	
102	4641122	1	Valve, Air Liquid	
103	1001147274	1	Wheel, 16.5 x 9.75	
104	1001149953	1	Cap, Large Bore Dome	

SECTION 1 - FRAME

FIGURE 1-17. WHEEL AND COUNTERWEIGHT INSTALLATION - IN315/55D20 PNEUMATIC (4394RT)



ART_1001169979

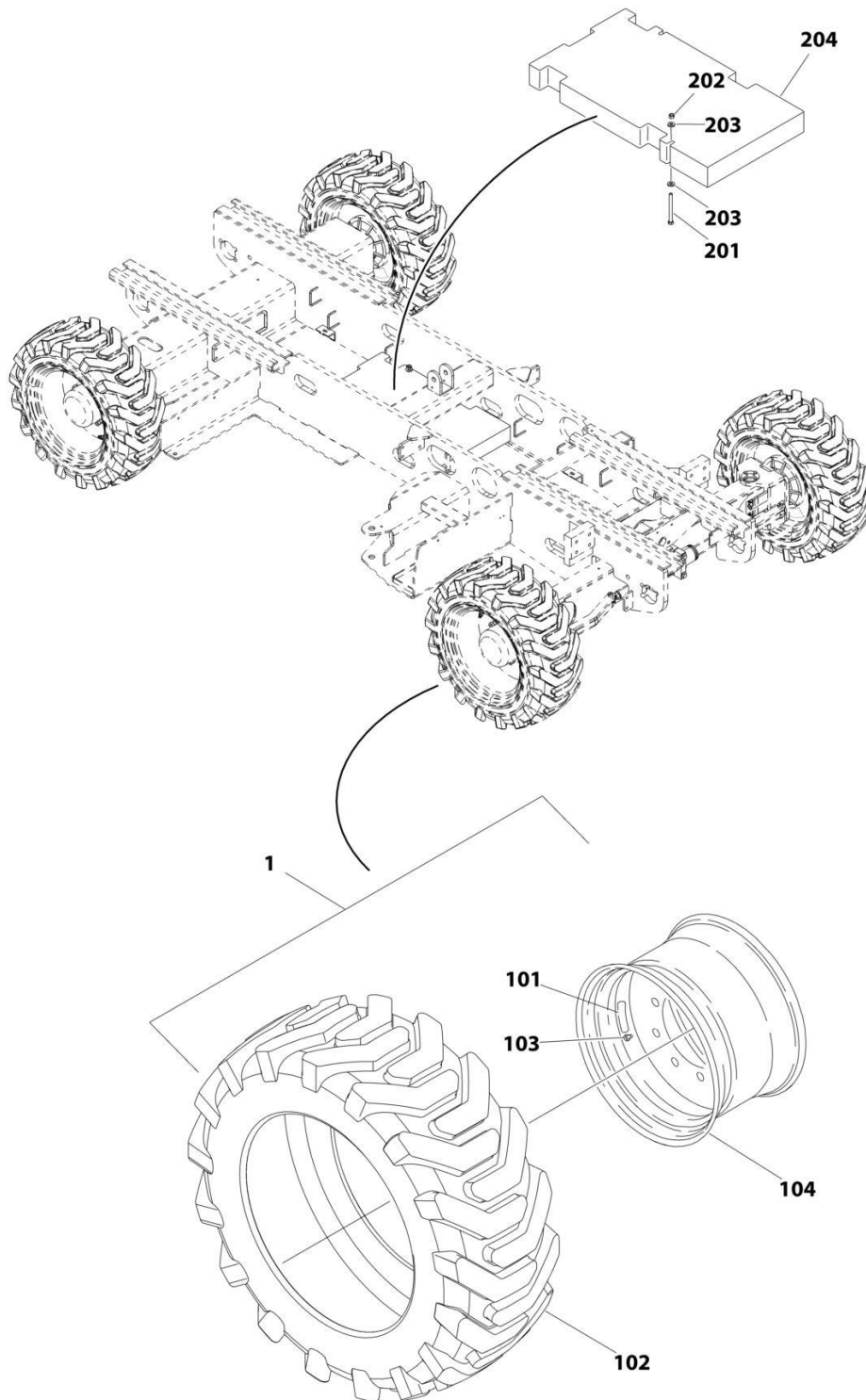
SECTION 1 - FRAME

FIGURE 1-17. WHEEL AND COUNTERWEIGHT INSTALLATION - IN315/55D20 PNEUMATIC (4394RT)

ITEM	PART NUMBER	QTY	DESCRIPTION	REV
	1001169979	Ref	WHEEL AND COUNTERWEIGHT INSTALLATION - IN315/55D20 PNEUMATIC	B
1	0681844	2	Bolt 1/2 x 5-1/2 Grade 8	
2	3271805	2	Nut 1/2 Grade 8	
3	4891800	4	Washer 1/2	
4	1001101512	2	Tire and Wheel Assembly - Left Side (See Items 101-103 for Breakdown)	
4	1001101513	2	Tire and Wheel Assembly - Right Side (See Items 101-103 for Breakdown)	
6	1001105700	4	Decal - Transport Wheels Warning	
7	1001164401	1	Weight, Frame	
	1001101512	Ref	Tire and Wheel Assembly - Left Side	B
	1001101513	Ref	Tire and Wheel Assembly - Right Side	B
101	4520608	1	Tire, IN315/55D20	
102	4640113	1	Valve, Air	
103	1001101511	1	Rim, Wheel - 20 x 11	

SECTION 1 - FRAME

FIGURE 1-18. WHEEL AND COUNTERWEIGHT INSTALLATION - 33/1550-16.5 PNEUMATIC (4394RT)



ART_1001169980

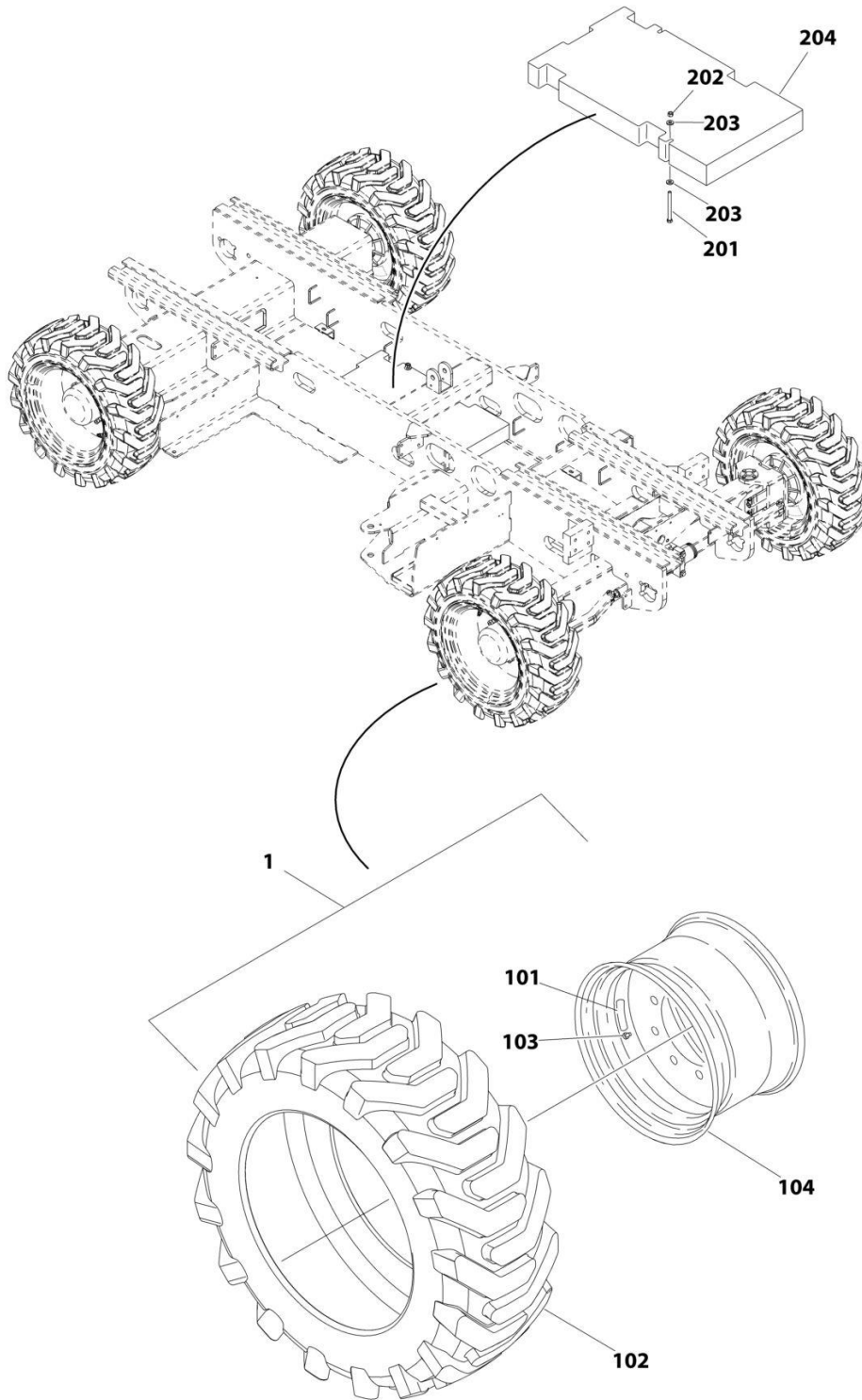
SECTION 1 - FRAME

FIGURE 1-18. WHEEL AND COUNTERWEIGHT INSTALLATION - 33/1550-16.5 PNEUMATIC (4394RT)

ITEM	PART NUMBER	QTY	DESCRIPTION	REV
	1001169980	Ref	WHEEL AND COUNTERWEIGHT INSTALLATION - 33/1550-16.5 PNEUMATIC	B
	0271718	Ref	Tire and Wheel Installation	B
1	0257755	2	Tire and Wheel Assembly - Right Side	D
1	0257756	2	Tire and Wheel Assembly - Left Side	D
101	1702740	1	Decal - Tire Pressure	
102	4520217	1	Tire, 33/1550 x 16.5	
103	4640113	1	Valve, Air	
104	4860179	1	Rim, Wheel 16.5 x 12.0	
	1001164185	Ref	Counter Weight Installation	B
201	0681844	2	Bolt 1/2 x 5-1/2 Grade 8	
202	3271805	2	Nut 1/2 Grade 8	
203	4891800	4	Washer 1/2	
204	1001164401	1	Weight, Frame	

SECTION 1 - FRAME

FIGURE 1-19. WHEEL AND COUNTERWEIGHT INSTALLATION - 12 X 16.5 PNEUMATIC NON-MARKING (4394RT)



ART_1001169981

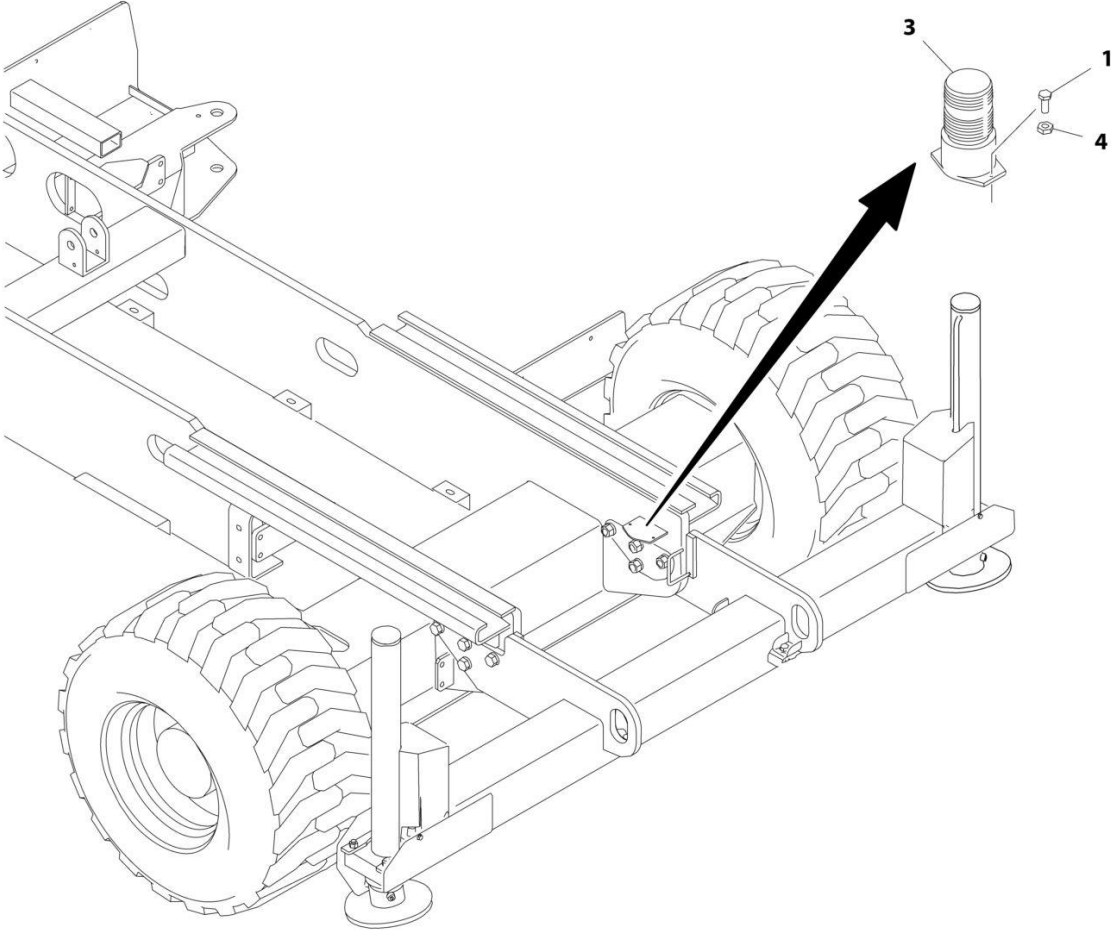
SECTION 1 - FRAME

FIGURE 1-19. WHEEL AND COUNTERWEIGHT INSTALLATION - 12 X 16.5 PNEUMATIC NON-MARKING (4394RT)

ITEM	PART NUMBER	QTY	DESCRIPTION	REV
	1001169981	Ref	WHEEL AND COUNTERWEIGHT INSTALLATION - 12 X 16.5 PNEUMATIC NON-MARKING	B
	0270650	Ref	Tire and Wheel Installation	C
1	1001148867	2	Tire and Wheel Assembly - Right Side	D
1	1001148868	2	Tire and Wheel Assembly - Left Side	D
101	1702740	1	Decal - Tire Pressure	
102	4520240	1	Tire, 12 x 16.5, Non-Marking Tire	
103	4640113	1	Valve, Air	
104	1001147274	1	Rim, Wheel - 16.5 x 9.75	
	1001164185	Ref	Counterweight Installation	B
201	0681844	2	Bolt 1/2 x 5-1/2 Grade 8	
202	3271805	2	Nut 1/2 Grade 8	
203	4891800	4	Washer 1/2	
204	1001164401	1	Weight, Frame	

SECTION 1 - FRAME

FIGURE 1-20. BEACON LIGHT INSTALLATION - OPTIONAL



ART_0271746

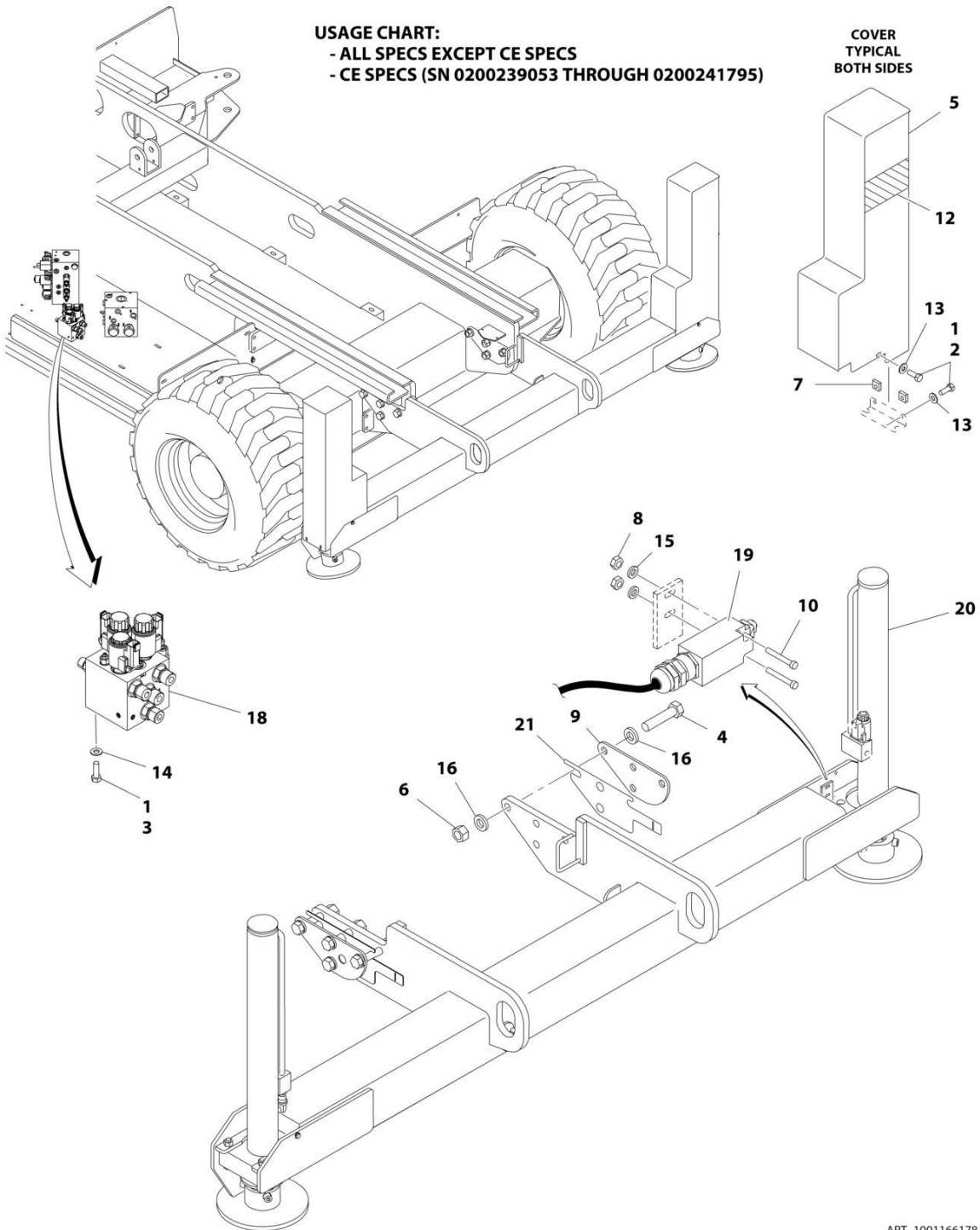
SECTION 1 - FRAME

FIGURE 1-20. BEACON LIGHT INSTALLATION - OPTIONAL

ITEM	PART NUMBER	QTY	DESCRIPTION	REV
	0271746	Ref	BEACON LIGHT INSTALLATION - OPTIONAL	C
1	0721004	2	Screw #10 x 1/2	
2	2820018	AR	Heat-Shrink (Not Shown)	
3	2920146	1	Beacon Light Assembly	
3	7016319	1	Bulb, Replacement	
3	7016372	1	Len, Replacement	
4	3311005	2	Nut #10	
5	4922739	1	Harness, Beacon Light (Not Shown - See ELECTRICAL SECTION for Breakdown)	

SECTION 1 - FRAME

FIGURE 1-21. LEVELING JACK INSTALLATION



ART_1001166178_10F2

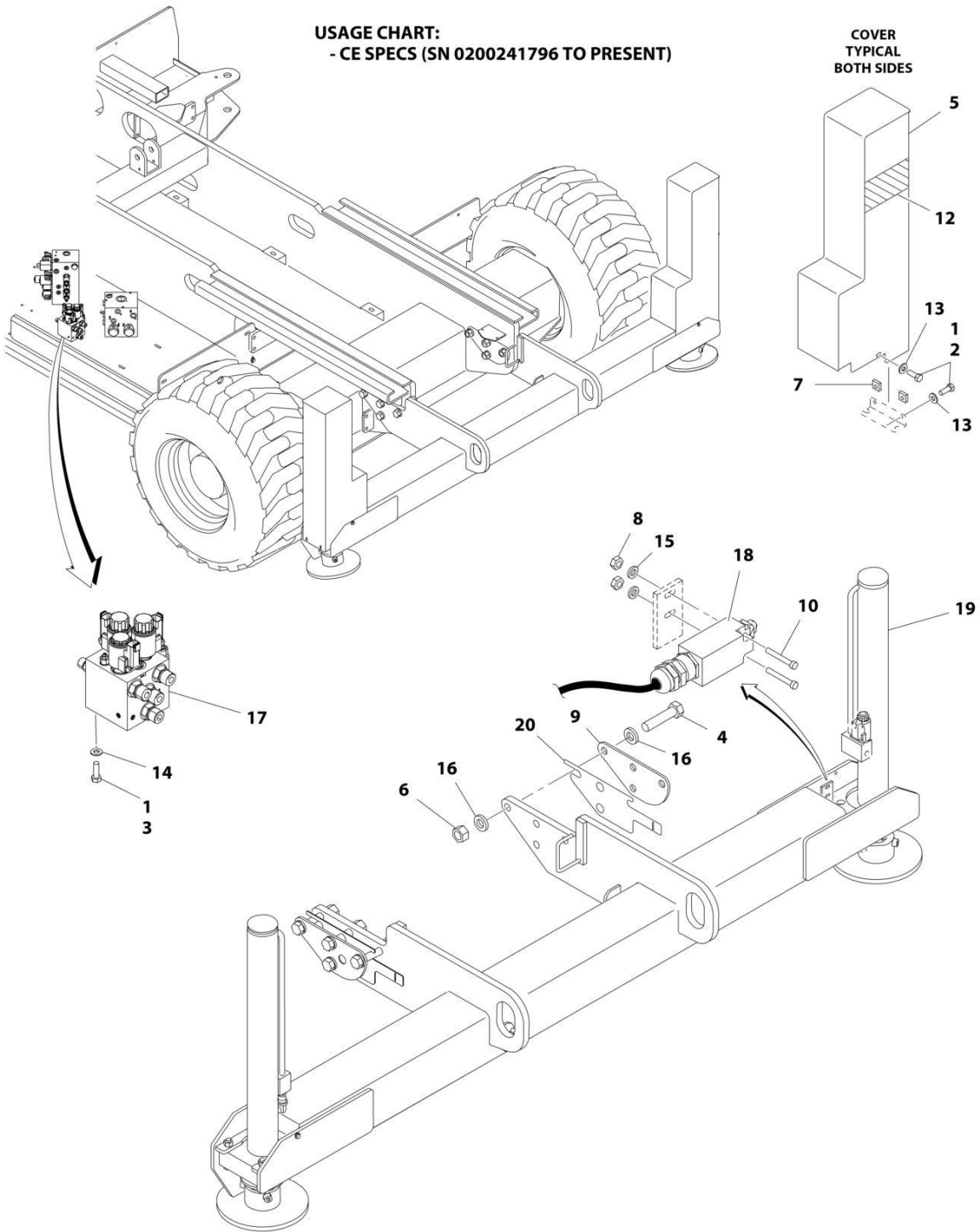
SECTION 1 - FRAME

FIGURE 1-21. LEVELING JACK INSTALLATION

ITEM	PART NUMBER	QTY	DESCRIPTION	REV
		Ref	USAGE CHART:	
		Ref	- All Specs except CE Specs	
		Ref	- CE Specs (SN 0200239053 through 0200241795)	
	1001166178	Ref	LEVELING JACK INSTALLATION	D
1	0100011	AR	Compound, Locking	
2	0641407	16	Bolt 1/4 x 7/8	
3	0641508	3	Bolt 5/16 x 1	
4	0682230	16	Bolt 3/4 x 3-3/4 Grade 8	
5	1671165	4	Cover	
6	3272205	16	Nut 3/4 Grade 8	
7	3300353	16	Nut, Tinnerman	
8	3310805	8	Nut #8	
9	3573658	4	Plate	
10	3930820	8	Capscrew #8 x 1-1/4	
12	4420051	8 ft /2.4m	Tape, Safety	
13	4711400	16	Washer 1/4	
14	4711500	3	Washer 5/16	
15	4750800	8	Washer #8	
16	4892200	32	Washer 3/4	
17	1001103552	1	Hydraulic Diagram (Not Shown - See HYDRAULIC SECTION for Breakdown)	
18	1001103762	1	Leveling Jack Valve Assembly (See LEVELING JACK VALVE ASSEMBLY for Breakdown)	
19	1001103801	1	Harness, Leveling Jack (See ELECTRICAL SECTION for Breakdown)	
20	1001166177	2	Leveling Jack Assembly (See LEVELING JACK VALVE ASSEMBLY for Breakdown)	
21	1001166837	AR	Shim	

SECTION 1 - FRAME

FIGURE 1-22. LEVELING JACK INSTALLATION



ART_1001188847_10F2

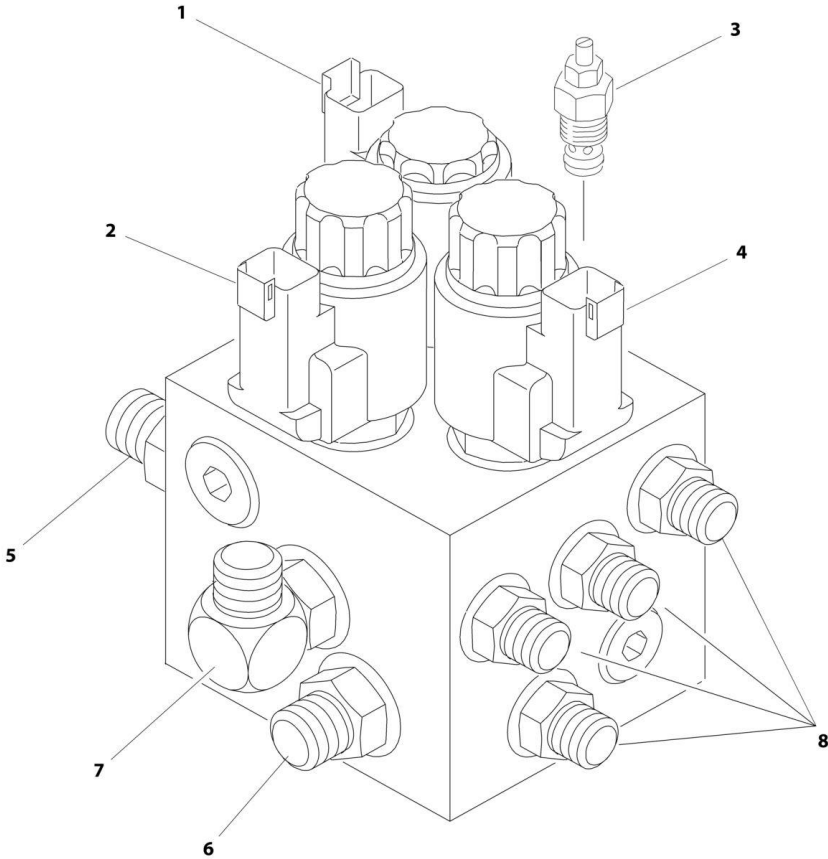
SECTION 1 - FRAME

FIGURE 1-22. LEVELING JACK INSTALLATION

ITEM	PART NUMBER	QTY	DESCRIPTION	REV
		Ref	USAGE CHART:	
		Ref	- CE Specs (SN 0200241796 to Present)	
	1001188847	Ref	LEVELING JACK INSTALLATION	A
1	0100011	AR	Compound, Locking	
2	0641407	16	Bolt 1/4 x 7/8	
3	0641508	3	Bolt 5/16 x 1	
4	0682230	16	Bolt 3/4 x 3-3/4 Grade 8	
5	1671165	4	Cover	
6	3272205	16	Nut 3/4 Grade 8	
7	3300353	16	Nut, Tinnerman	
8	3310805	8	Nut #8	
9	3573658	4	Plate	
10	3930820	8	Capscrew #8 x 1-1/4	
12	4420051	8 ft/2.4m	Tape, Safety	
13	4711400	16	Washer 1/4	
14	4711500	3	Washer 5/16	
15	4750800	8	Washer #8	
16	4892200	32	Washer 3/4	
17	1001103762	1	Leveling Jack Valve Assembly (See LEVELING JACK VALVE ASSEMBLY for Breakdown)	
18	1001103801	1	Harness, Leveling Jack (See ELECTRICAL SECTION for Breakdown)	
19	1001166177	2	Leveling Jack Assembly (See LEVELING JACK VALVE ASSEMBLY for Breakdown)	
20	1001166837	AR	Shim	
21	1001188848	1	Hydraulic Diagram (Not Shown - See HYDRAULIC SECTION for Breakdown)	

SECTION 1 - FRAME

FIGURE 1-23. LEVELING JACK VALVE ASSEMBLY



ART_1001103762

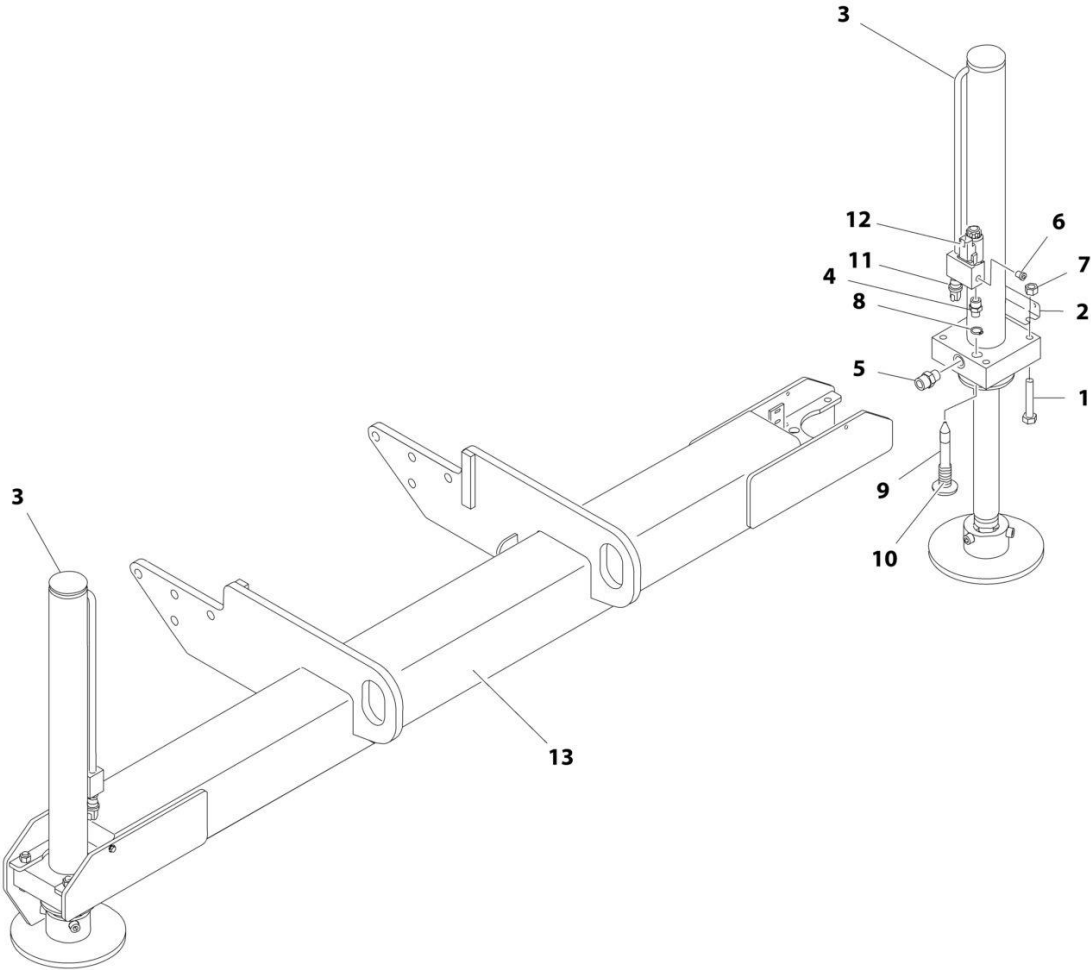
SECTION 1 - FRAME

FIGURE 1-23. LEVELING JACK VALVE ASSEMBLY

ITEM	PART NUMBER	QTY	DESCRIPTION	REV
	1001103762	Ref	LEVELING JACK VALVE ASSEMBLY	C
1	7024497	1	Cartridge without Coil (Retract)	
1	7024502	1	Seal Kit - 7024497 Cartridge	
1	70001965	1	Coil	
1	7024506	1	Coil Nut Kit	
2	7024498	1	Cartridge without Coil (Extend)	
2	7024503	1	Seal Kit - 7024498 Cartridge	
2	70001965	1	Coil	
2	7024507	1	Coil Nut Kit	
3	7024499	1	Cartridge	
3	7024504	1	Seal Kit - 7024499 Cartridge	
4	7024500	1	Cartridge without Coil	
4	7024505	1	Seal Kit - 7024500 Cartridge	
4	70001965	1	Coil	
4	7024506	1	Coil Nut Kit	
5	2110808	4	Fitting, Straight ORFS/ORB	
6	2110608	1	Fitting, Straight ORFS/ORB	
7	2130608	1	Fitting, 90 ORFS/ORB	
8	2110606	4	Fitting, Straight ORFS/ORB	

SECTION 1 - FRAME

FIGURE 1-24. LEVELING JACK ASSEMBLY



ART_1001166177

SECTION 1 - FRAME

FIGURE 1-24. LEVELING JACK ASSEMBLY

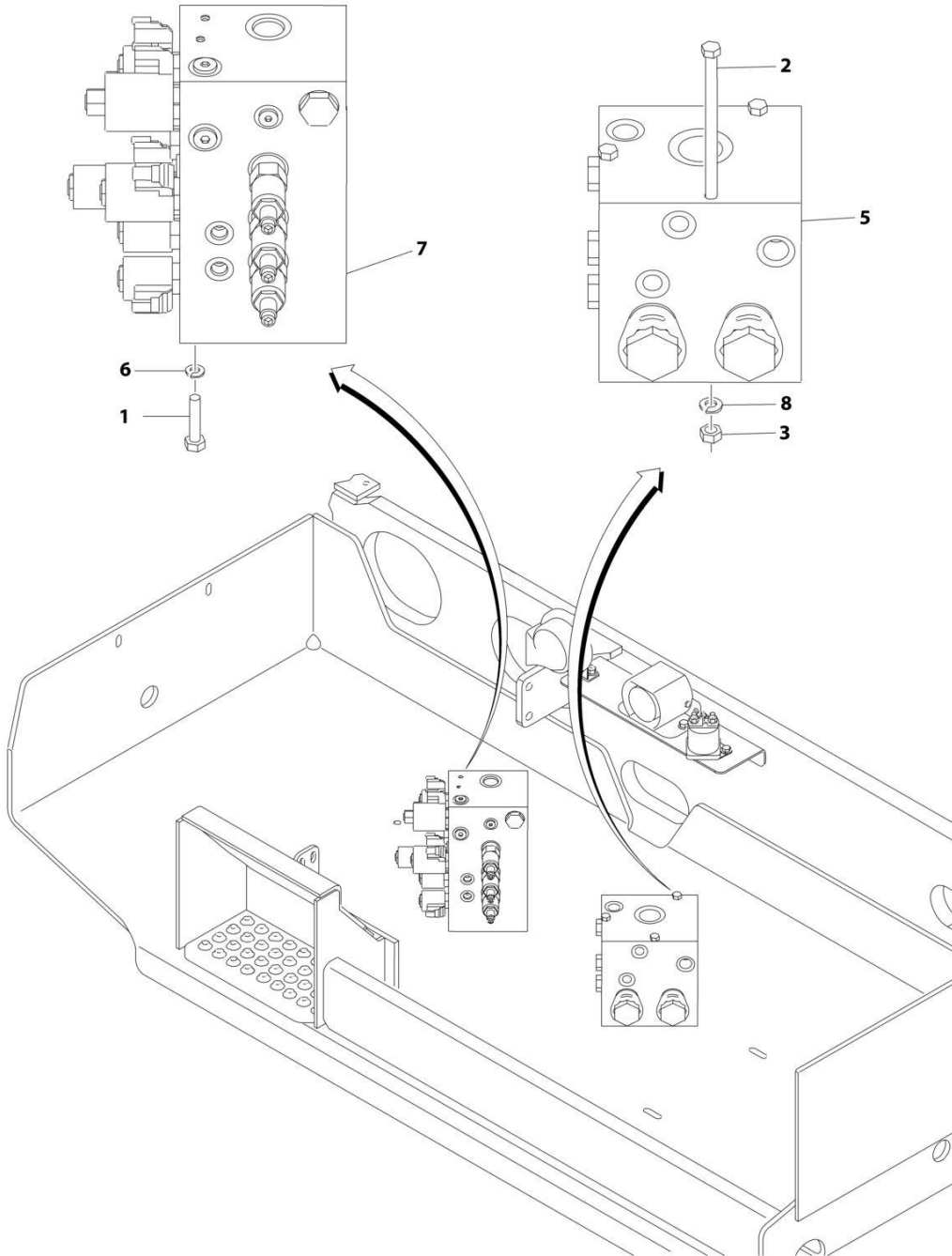
ITEM	PART NUMBER	QTY	DESCRIPTION	REV
	1001166177	Ref	LEVELING JACK ASSEMBLY	D
		Ref	Note: Qty shown is for one Level Jack Assembly. Two assemblies required per machine.	
1	0641824	8	Bolt 1/2 x 3	
2	0903054	2	Bracket, Jack Cover	
3	1684406	NLA	Jack Cylinder Assembly (See CYLINDER SECTION for Breakdown)	
4	2110606	2	Fitting, Straight ORFS/ORB	
5	2110808	2	Fitting, Straight ORFS/ORB	
6	2220883	2	Plug	
7	3311805	8	Nut 1/2-13	
8	3760348	2	Ring, Retaining	
9	3841564	2	Rod	
10	4160116	2	Spring	
11	4360518	2	Transducer, Pressure	
12	1001103761	2	Cartridge, Solenoid Valve	
12	7024502	2	Seal Kit - 1001103761 Valve (1 Per Cartridge)	
12	70001965	2	Coil (1 Per Cartridge)	
12	7024506	2	Coil Nut Kit (1 Per Cartridge)	
13	1001166176	1	Mount, Leveling Jack	

SECTION 2 - GROUND CONTROLS

SECTION 2 - GROUND CONTROLS

FIGURE 2-1. CONTROL VALVE INSTALLATION

USAGE CHART:
- ALL SPECS EXCEPT CE SPECS
- CE SPECS (SN 0200239053 THROUGH 0200241795)



ART_1001102976

SECTION 2 - GROUND CONTROLS

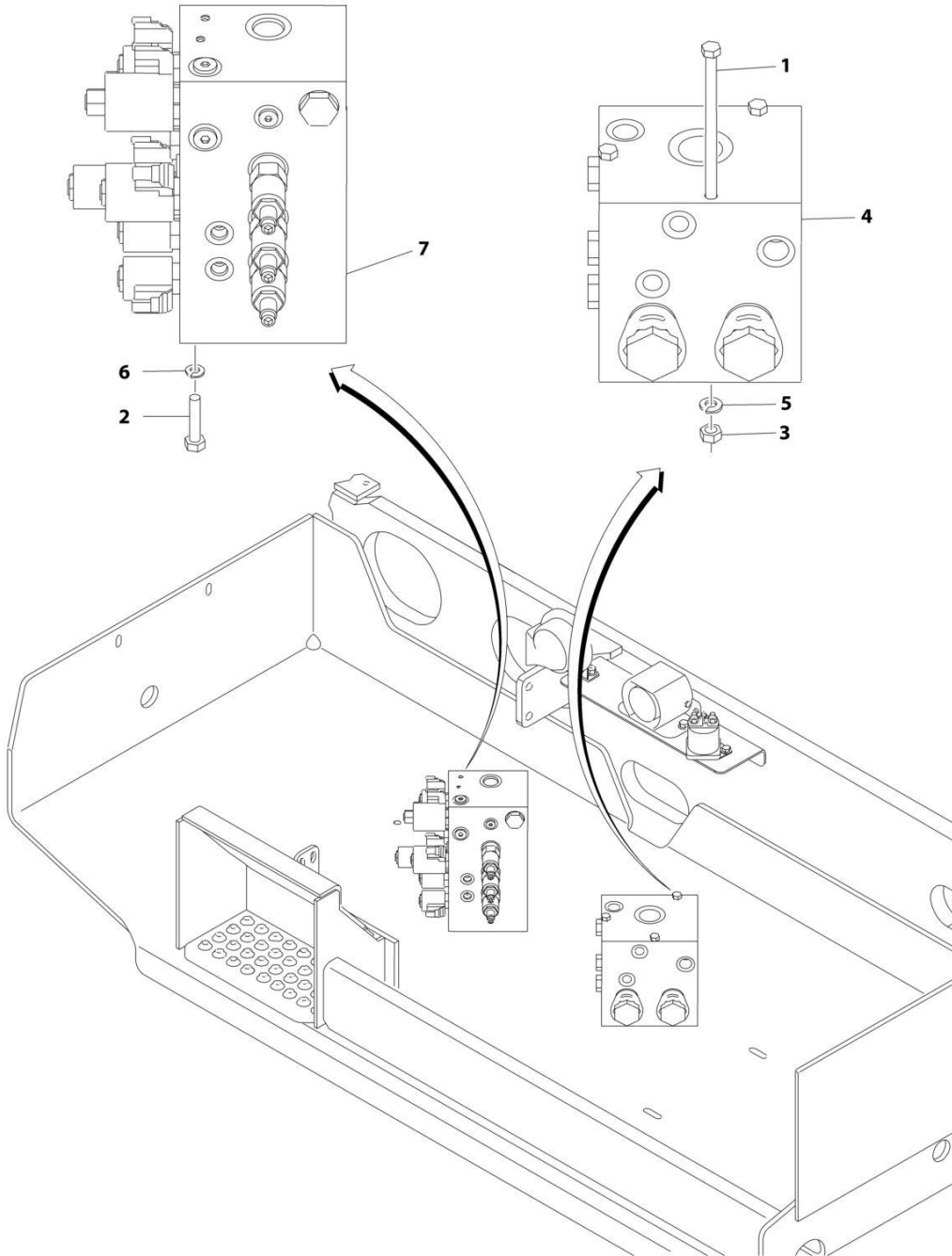
FIGURE 2-1. CONTROL VALVE INSTALLATION

ITEM	PART NUMBER	QTY	DESCRIPTION	REV
		Ref	USAGE CHART:	
		Ref	- All Specs except CE Specs	
		Ref	- CE Specs (SN 0200239053 through 0200241795)	
	1001102976	Ref	CONTROL VALVE INSTALLATION	D
1	0641608	4	Bolt 3/8 x 1	
2	0641560	3	Bolt 5/16 x 7-1/2	
3	3311501	3	Nut 5/16	
5	4641303	1	Flow Divider Valve Assembly (See FLOW DIVIDER VALVE ASSEMBLY for Breakdown)	
6	4761600	4	Washer 3/8	
7	1001105709	1	Main Valve Assembly (See MAIN CONTROL VALVE ASSEMBLY for Breakdown)	
8	4761500	3	Washer 5/16	

SECTION 2 - GROUND CONTROLS

FIGURE 2-2. CONTROL VALVE INSTALLATION

USAGE CHART:
- CE SPECS (SN 0200241796 TO PRESENT)



ART_1001188990

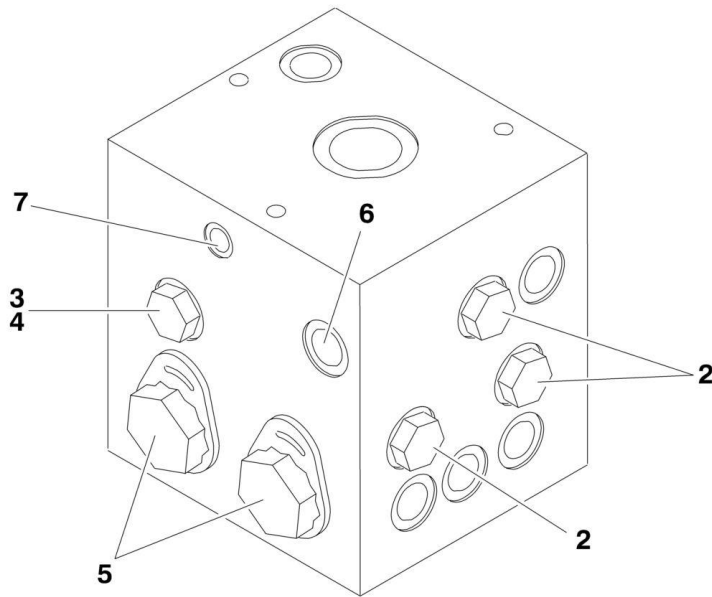
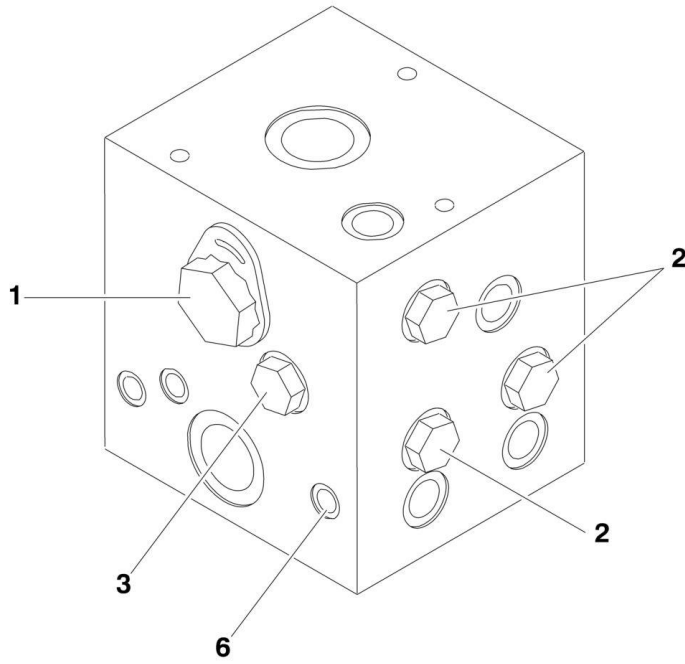
SECTION 2 - GROUND CONTROLS

FIGURE 2-2. CONTROL VALVE INSTALLATION

ITEM	PART NUMBER	QTY	DESCRIPTION	REV
		Ref	USAGE CHART:	
		Ref	- CE Specs (SN 0200241796 to Present)	
	1001188990	Ref	CONTROL VALVE INSTALLATION	A
1	0641560	3	Bolt 5/16 x 7-1/2	
2	0641608	4	Bolt 3/8 x 1	
3	3311501	3	Nut 5/16	
4	4641303	1	Flow Divider Valve Assembly (See FLOW DIVIDER VALVE ASSEMBLY for Breakdown)	
5	4761500	3	Washer 5/16	
6	4761600	4	Washer 3/8	
7	1001186552	1	Main Valve Assembly (See MAIN CONTROL VALVE ASSEMBLY for Breakdown)	

SECTION 2 - GROUND CONTROLS

FIGURE 2-3. FLOW DIVIDER VALVE ASSEMBLY



ART_4641303

SECTION 2 - GROUND CONTROLS

FIGURE 2-3. FLOW DIVIDER VALVE ASSEMBLY

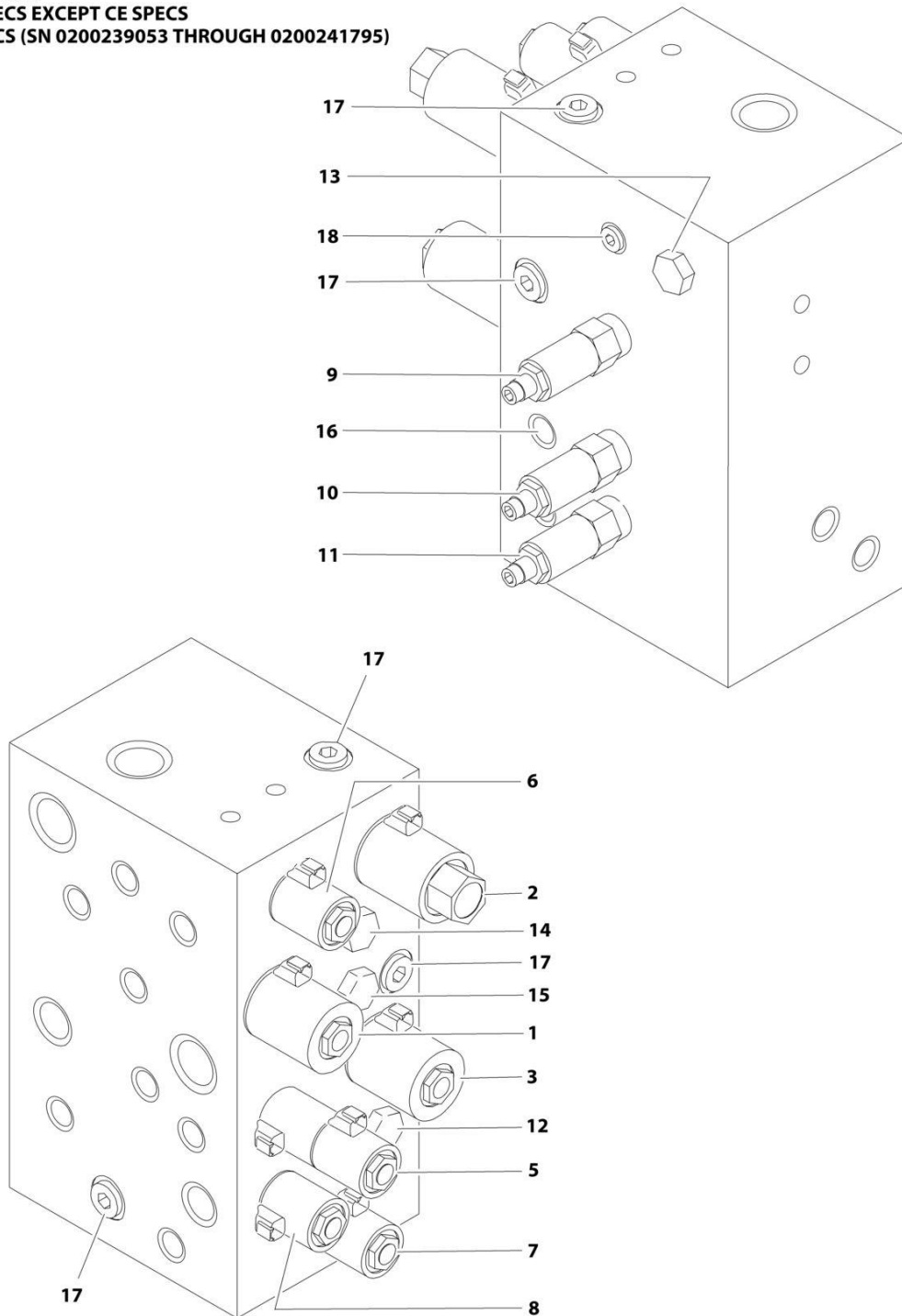
ITEM	PART NUMBER	QTY	DESCRIPTION	REV
	4641303	Ref	FLOW DIVIDER VALVE ASSEMBLY	C
1	7023933	1	Cartridge, Flow Divider	
1	7021625	1	Seal Kit - 7023933 Cartridge	
2	7022397	6	Cartridge, Check	
2	7022399	6	Seal Kit - 7022397 Cartridge	
3	7021639	2	Cartridge, Check Valves	
3	2900756	2	Seal Kit - 7022398 Cartridge	
4	7024881	1	Piston, Pilot	
5	7023917	2	Cartridge, Flow Divider	
5	7021625	2	Seal Kit - 7023917 Cartridge	
6	70003935	2	Orifice	
7	70003936	1	Orifice	

SECTION 2 - GROUND CONTROLS

FIGURE 2-4. MAIN CONTROL VALVE ASSEMBLY

USAGE CHART:

- ALL SPECS EXCEPT CE SPECS
- CE SPECS (SN 0200239053 THROUGH 0200241795)



ART_1001105709

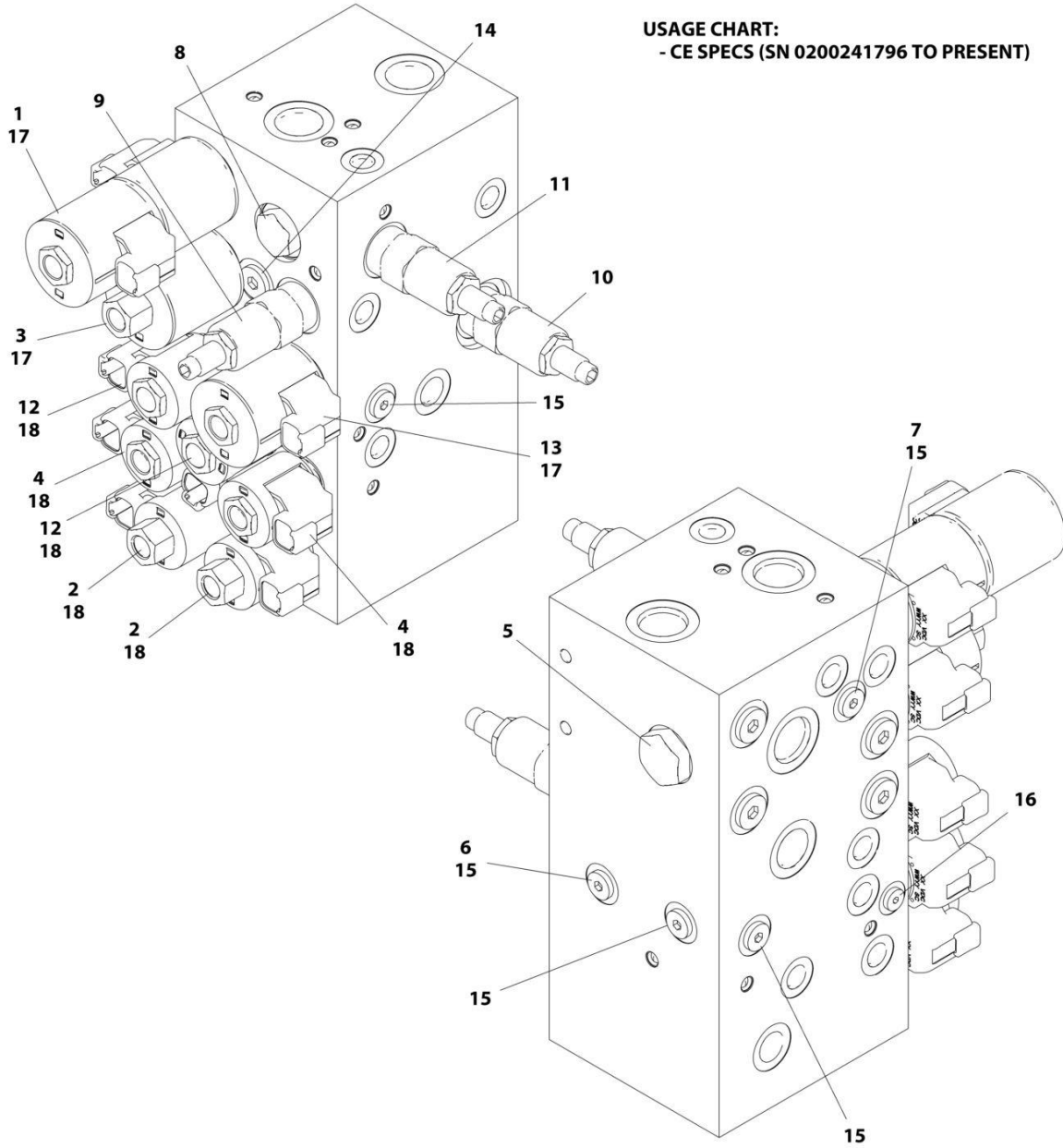
SECTION 2 - GROUND CONTROLS

FIGURE 2-4. MAIN CONTROL VALVE ASSEMBLY

ITEM	PART NUMBER	QTY	DESCRIPTION	REV
		Ref	USAGE CHART:	
		Ref	- All Specs except CE Specs	
		Ref	- CE Specs (SN 0200239053 through 0200241795)	
	1001105709	Ref	MAIN CONTROL VALVE ASSEMBLY	A
1	7012920	1	Cartridge, Solenoid without Coil (Oscillating Axle #2)	
1	7010545	1	Seal Kit - 7012920 Cartridge	
1	70001967	1	Coil	
2	7012910	1	Cartridge, Solenoid without Coil (Dump)	
2	2900708	1	Seal Kit - 7012910 Cartridge	
2	70001967	1	Coil	
3	7010635	1	Cartridge, Solenoid without Coil (Lift Up)	
3	2900708	1	Seal Kit - 7010635 Cartridge	
3	70001967	1	Coil	
5	7017433	1	Cartridge, Solenoid without Coil (Steer)	
5	7017402	1	Seal Kit - 7017433 Cartridge	
5	70001977	2	Coil	
6	7023981	1	Cartridge, Solenoid without Coil (Oscillating Axle #1)	
6	7012905	1	Seal Kit - 7023981 Cartridge	
6	70001977	1	Coil	
7	7012941	1	Cartridge, Solenoid without Coil (2 Speed)	
7	7010543	1	Seal Kit - 7012941 Cartridge	
7	70001977	1	Coil	
8	7012941	1	Cartridge, Solenoid without Coil (Brake)	
8	7010543	1	Seal Kit - 7012941 Cartridge	
8	70001977	1	Coil	
9	70001978	1	Cartridge, Relief	
9	7017496	1	Seal Kit - 70001978 Cartridge	
10	70001979	1	Cartridge, Relief	
10	7017496	1	Seal Kit - 70001979 Cartridge	
11	7023912	1	Cartridge, Relief	
11	7012967	1	Seal Kit - 7023912 Cartridge	
12	7010542	1	Cartridge, Shuttle	
12	7010543	1	Seal Kit - 7010542 Cartridge	
13	4641192	1	Cartridge, Check	
13	7017496	1	Seal Kit - 4641192 Cartridge	
14	70001980	1	Cartridge, Check	
14	7012972	1	Seal Kit - 70001980 Cartridge	
15	70001980	1	Cartridge, Check	
15	7012972	1	Seal Kit - 70001980 Cartridge	
16	See Note	1	Orifice (Note: Not Available for Purchase)	
17	7024844	4	Plug #6	
18	7017406	1	Plug #4	

SECTION 2 - GROUND CONTROLS

FIGURE 2-5. MAIN CONTROL VALVE ASSEMBLY



ART_1001186552

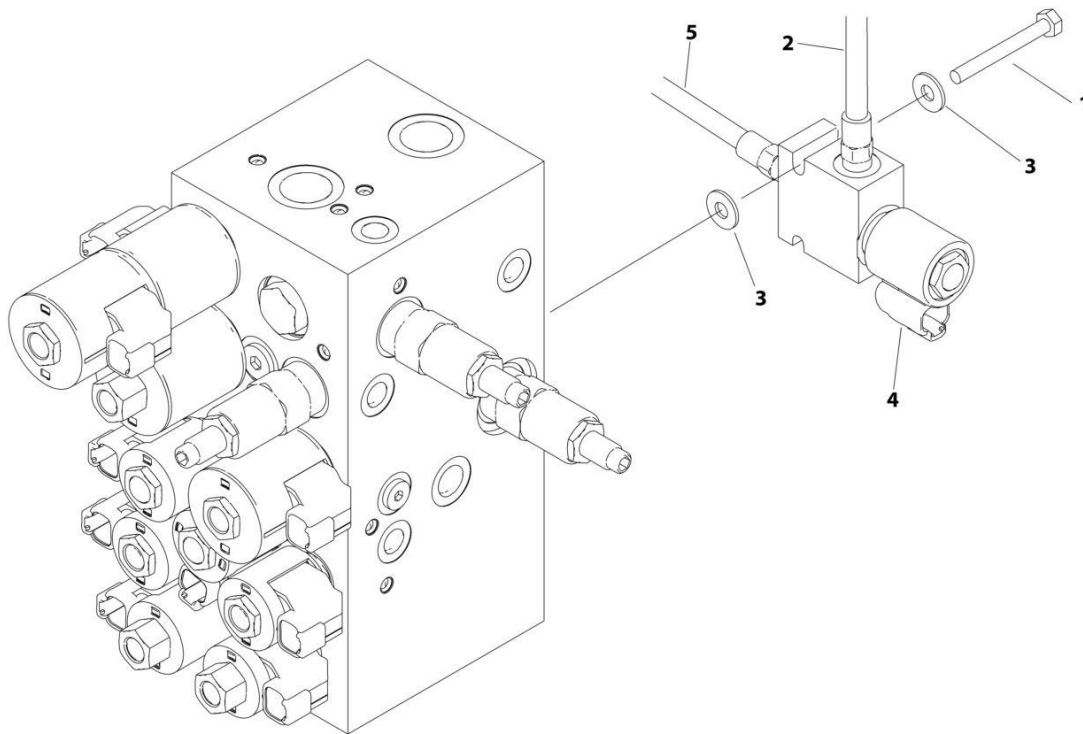
SECTION 2 - GROUND CONTROLS

FIGURE 2-5. MAIN CONTROL VALVE ASSEMBLY

ITEM	PART NUMBER	QTY	DESCRIPTION	REV
		Ref	USAGE CHART:	
		Ref	- CE Specs (SN 0200241796 to Present)	
	1001186552	Ref	MAIN CONTROL VALVE ASSEMBLY	B
1	70005161	1	Cartridge, Solenoid without Coil (Steer)	
1	70005073	1	Seal Kit - 70005161 Cartridge	
1	70003977	1	Nut, Coil	
1	70003024	1	Spacer	
2	70005162	2	Cartridge, Solenoid without Coil (Secondary Axle Release)	
2	7023936	2	Seal Kit - 70005162 Cartridge	
2	70003978	2	Nut, Coil	
3	70005069	1	Cartridge, Solenoid without Coil (Main Dump)	
3	7022399	1	Seal Kit - 70005069 Cartridge	
3	70003977	1	Nut, Coil	
4	70005163	2	Cartridge, Solenoid without Coil (Primary Axle Release)	
4	70005164	2	Seal Kit - 70005163 Cartridge	
4	7022390	2	Nut, Coil	
5	70005100	1	Cartridge, Check Valve	
5	7022399	1	Seal Kit - 70005100 Cartridge	
6	70004389	1	Orifice	
7	7017493	1	Orifice	
8	7022398	1	Cartridge, Load Shuttle	
8	7023900	1	Seal Kit - 7022398 Cartridge	
9	70005080	1	Cartridge, Relief	
9	7022399	1	Seal Kit - 70005080 Cartridge	
10	70005165	1	Cartridge, Relief	
10	7022399	1	Seal Kit - 70005165 Cartridge	
11	70005166	1	Cartridge, Relief	
11	7023936	1	Seal Kit - 70005166 Cartridge	
12	70005167	2	Cartridge, Solenoid Valve without Coil (2 Speed/Brake)	
12	7023900	2	Seal Kit - 7005167 Cartridge	
12	7022390	2	Nut, Coil	
13	70005168	1	Cartridge, Solenoid Valve without Coil (Lift Up)	
13	7022399	1	Seal Kit - 70005168 Cartridge	
13	7022390	1	Nut, Coil	
14	2220885	3	Plug #6	
15	2220883	7	Plug #4	
16	2220881	1	Plug #2	
17	70050516	4	Coil	
18	70002963	6	Coil	

SECTION 2 - GROUND CONTROLS

FIGURE 2-6. POWERDECK AUXILIARY VALVE INSTALLATION (ALL SPECS EXCEPT CE SPEC)
(3394RT) (SN 0200241796 to Present)



ART_1001103751

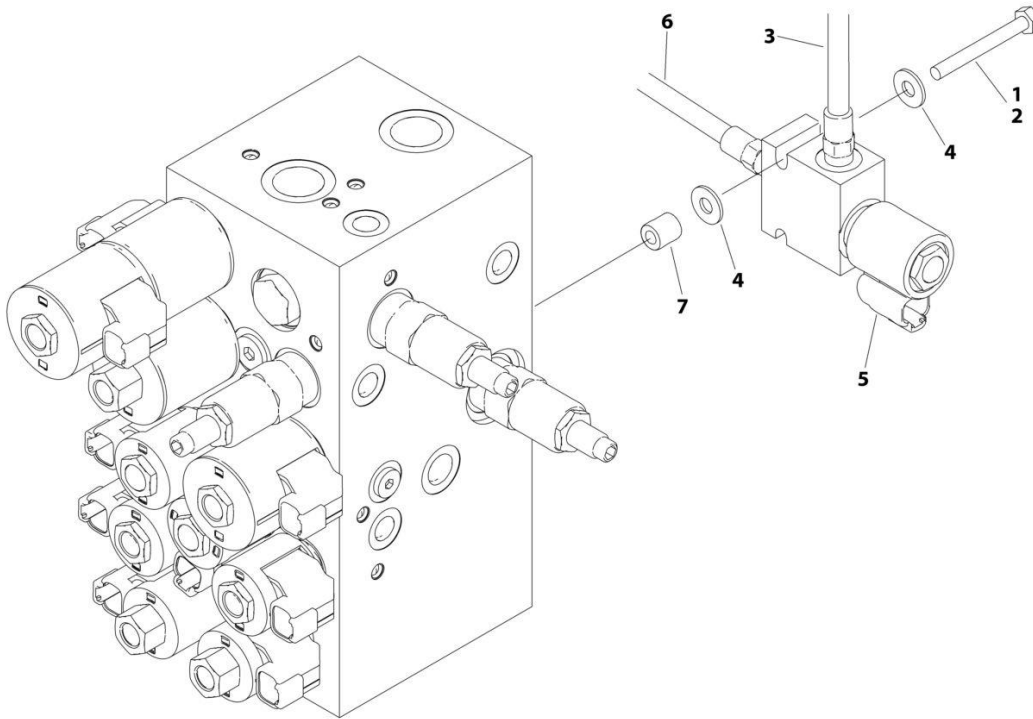
SECTION 2 - GROUND CONTROLS

**FIGURE 2-6. POWERDECK AUXILIARY VALVE INSTALLATION (ALL SPECS EXCEPT CE SPEC)
(3394RT) (SN 0200241796 to Present)**

ITEM	PART NUMBER	QTY	DESCRIPTION	REV
		Ref	Note: All other Powerdeck Components, located in PLATFORM SECTION.	
	1001103751	Ref	POWERDECK AUXILIARY VALVE INSTALLATION (ALL SPECS EXCEPT CE SPECS) (SN 0200241796 to Present)	A
1	0641412	2	Bolt 1/4 x 1-1/2	
2	2753867	1	Hose	
3	4711400	2	Washer 1/4	
4	1001103340	1	Auxiliary Powerdeck Valve Assembly	
4	7017467	1	Cartridge, Solenoid without Coil	
4	7012967	1	Seal Kit - 7017467 Valve	
4	70001977	1	Coil	
5	1001105320	1	Hose	

SECTION 2 - GROUND CONTROLS

FIGURE 2-7. POWERDECK AUXILIARY VALVE INSTALLATION (CE SPEC) (3394RT) (SN 0200241796 to Present)



ART_1001192245

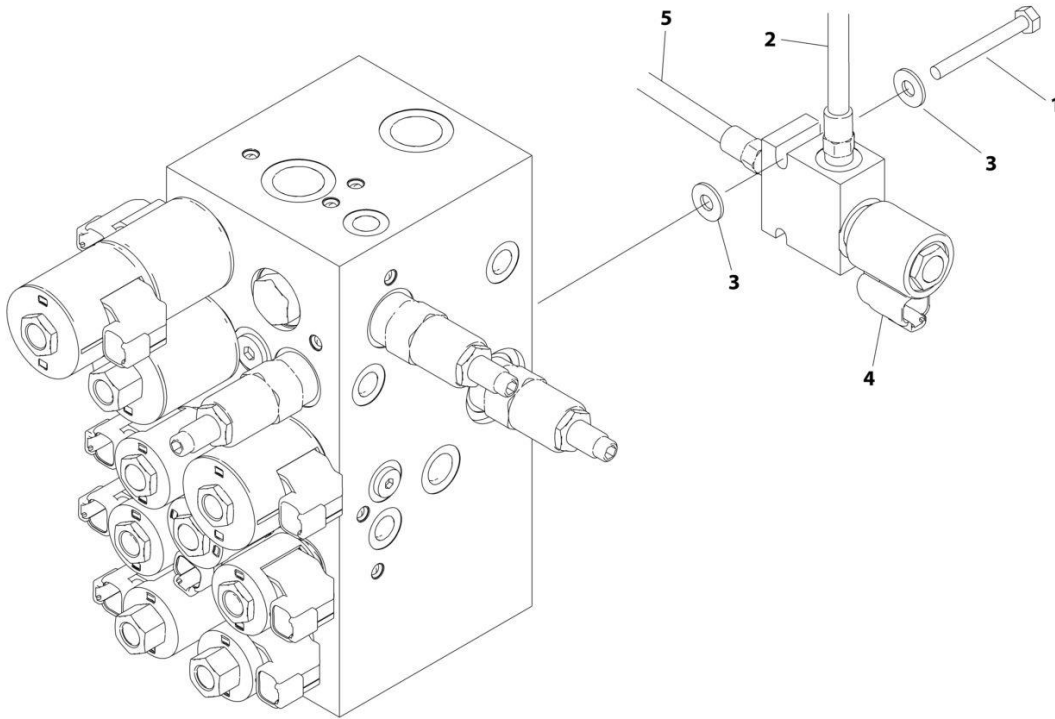
SECTION 2 - GROUND CONTROLS

FIGURE 2-7. POWERDECK AUXILIARY VALVE INSTALLATION (CE SPEC) (3394RT) (SN 0200241796 to Present)

ITEM	PART NUMBER	QTY	DESCRIPTION	REV
		Ref	Note: All other Powerdeck Components, located in PLATFORM SECTION.	
	1001192245	Ref	POWERDECK AUXILIARY VALVE INSTALLATION (CE SPEC) (SN 0200241796 to Present)	A
1	0100011	AR	Compound, Locking	
2	0641418	2	Bolt 1/4 x 1-1/2	
3	2753867	1	Hose	
4	4751400	2	Washer 1/4	
5	1001103340	1	Auxiliary Powerdeck Valve Assembly	
5	7017467	1	Cartridge, Solenoid without Coil	
5	7012967	1	Seal Kit - 7017467 Valve	
5	70001977	1	Coil	
6	1001105320	1	Hose	
7	1001119141	2	Spacer	

SECTION 2 - GROUND CONTROLS

FIGURE 2-8. POWERDECK AUXILIARY VALVE INSTALLATION (ALL SPECS EXCEPT CE SPEC)
(4394RT) (SN 0200241796 to Present)



ART_1001103752

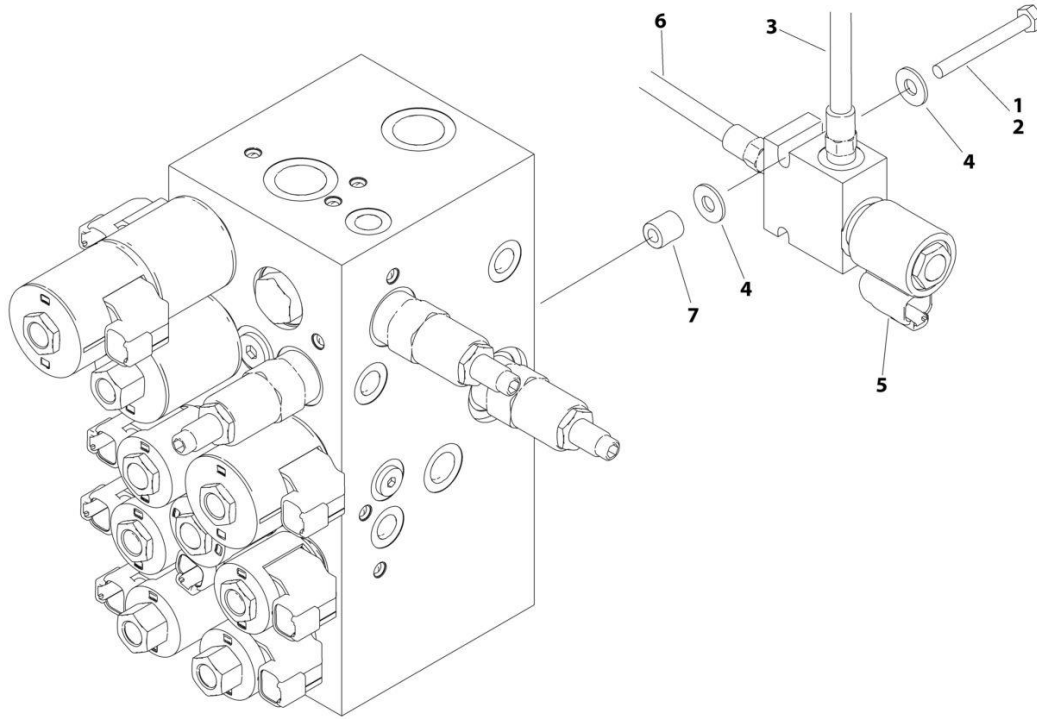
SECTION 2 - GROUND CONTROLS

**FIGURE 2-8. POWERDECK AUXILIARY VALVE INSTALLATION (ALL SPECS EXCEPT CE SPEC)
(4394RT) (SN 0200241796 to Present)**

ITEM	PART NUMBER	QTY	DESCRIPTION	REV
		Ref	Note: All other Powerdeck Components, located in PLATFORM SECTION.	
	1001103752	Ref	POWERDECK AUXILIARY VALVE INSTALLATION (ALL SPECS EXCEPT CE SPEC) (SN 0200241796 to Present)	A
1	0641412	2	Bolt 1/4 x 1-1/2	
2	2753868	1	Hose	
3	4711400	2	Washer 1/4	
4	1001103340	1	Auxiliary Powerdeck Valve Assembly	
4	7017467	1	Cartridge, Solenoid without Coil	
4	7012967	1	Seal Kit - 7017467 Valve	
4	70001977	1	Coil	
5	1001105328	1	Hose	

SECTION 2 - GROUND CONTROLS

FIGURE 2-9. POWERDECK AUXILIARY VALVE INSTALLATION (CE SPEC) (4394RT) (SN 0200241796 to Present)



ART_1001192246

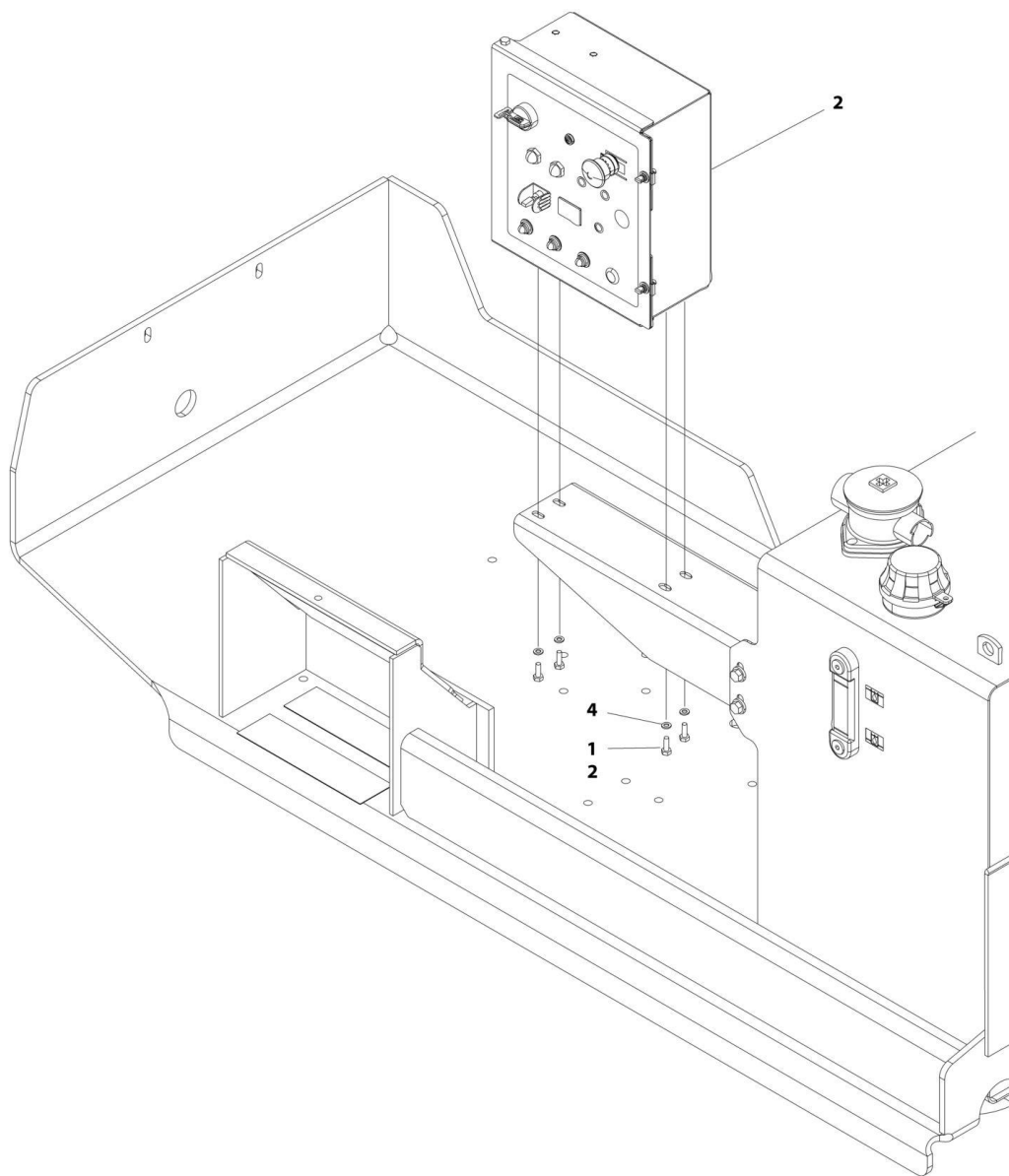
SECTION 2 - GROUND CONTROLS

FIGURE 2-9. POWERDECK AUXILIARY VALVE INSTALLATION (CE SPEC) (4394RT) (SN 0200241796 to Present)

ITEM	PART NUMBER	QTY	DESCRIPTION	REV
		Ref	Note: All other Powerdeck Components, located in PLATFORM SECTION.	
	1001192246	Ref	POWERDECK AUXILIARY VALVE INSTALLATION (CE SPEC) (SN 0200241796 to Present)	A
1	0100011	AR	Compound, Locking	
2	0641418	2	Bolt 1/4 x 1-1/2	
3	2753868	1	Hose	
4	4751400	2	Washer 1/4	
5	1001103340	1	Auxiliary Powerdeck Valve Assembly	
5	7017467	1	Cartridge, Solenoid without Coil	
5	7012967	1	Seal Kit - 7017467 Valve	
5	70001977	1	Coil	
6	1001105328	1	Hose	
7	1001119141	2	Spacer	

SECTION 2 - GROUND CONTROLS

FIGURE 2-10. GROUND CONTROL BOX INSTALLATION - DEUTZ D2011 ENGINE (ANSI EXPORT & AUSTRALIAN SPECS WITHOUT POWER OPTIONS MODULE)



ART_1001105904

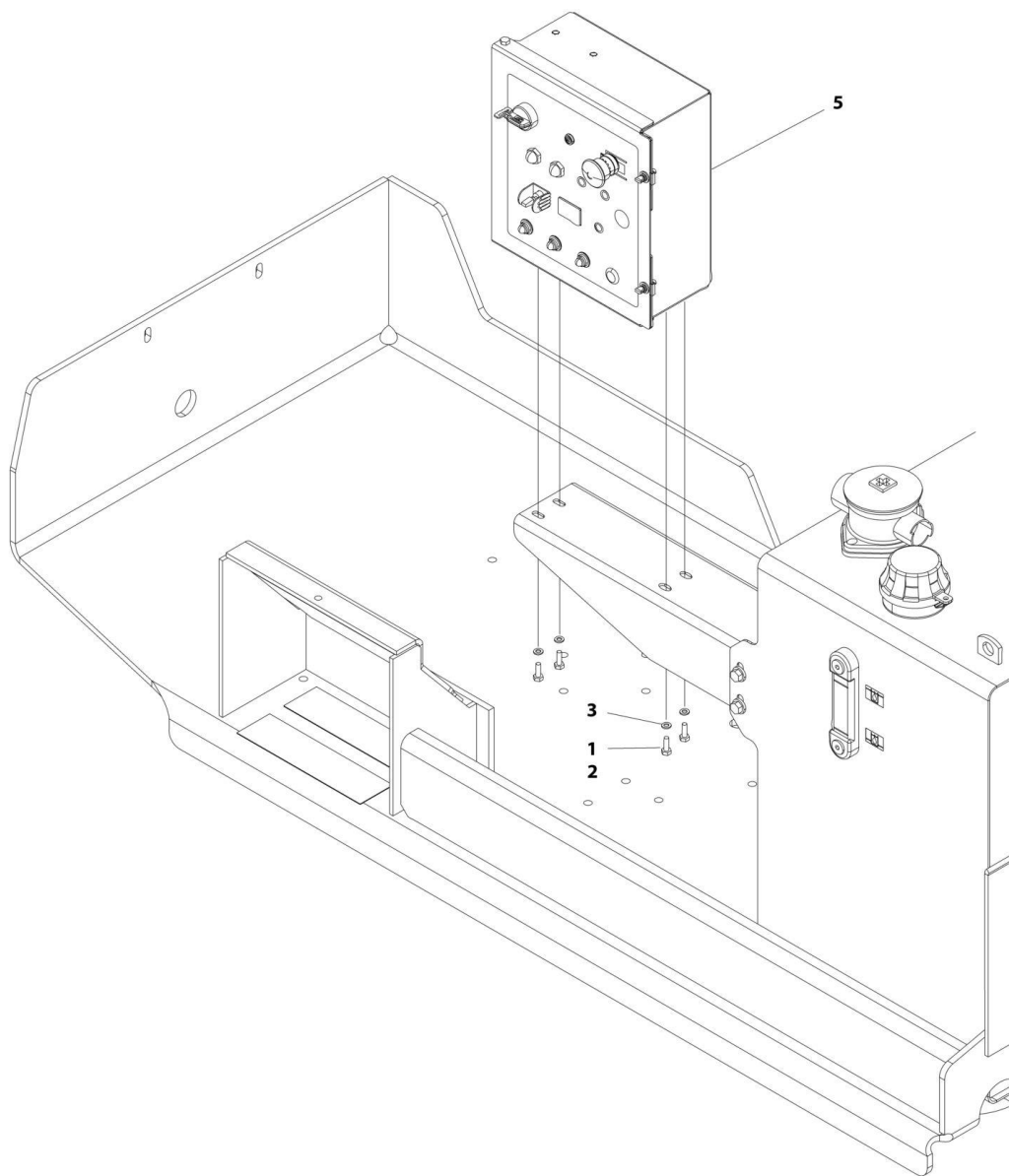
SECTION 2 - GROUND CONTROLS

FIGURE 2-10. GROUND CONTROL BOX INSTALLATION - DEUTZ D2011 ENGINE (ANSI EXPORT & AUSTRALIAN SPECS WITHOUT POWER OPTIONS MODULE)

ITEM	PART NUMBER	QTY	DESCRIPTION	REV
	1001105904	Ref	GROUND CONTROL BOX INSTALLATION - DEUTZ D2011 ENGINE (ANSI EXPORT & AUSTRALIAN SPECS WITHOUT POWER OPTIONS MODULE)	D
1	0100011	AR	Compound, Locking	
2	0271813	1	Ground Control Box Assembly (See GROUND CONTROL BOX ASSEMBLY for Breakdown)	
3	0641406	4	Bolt 1/4 x 3/4	
4	4761400	4	Washer 1/4	
5	1001103489	1	Valve and Engine Harness (Not Shown - See ELECTRICAL SECTION for Breakdown)	

SECTION 2 - GROUND CONTROLS

FIGURE 2-11. GROUND CONTROL BOX INSTALLATION - DEUTZ D2011 ENGINE (ANSI EXPORT SPECS WITHOUT POWER OPTIONS MODULE AND WITH LOW TEMPERATURE CUTOUT)



ART_1001166276

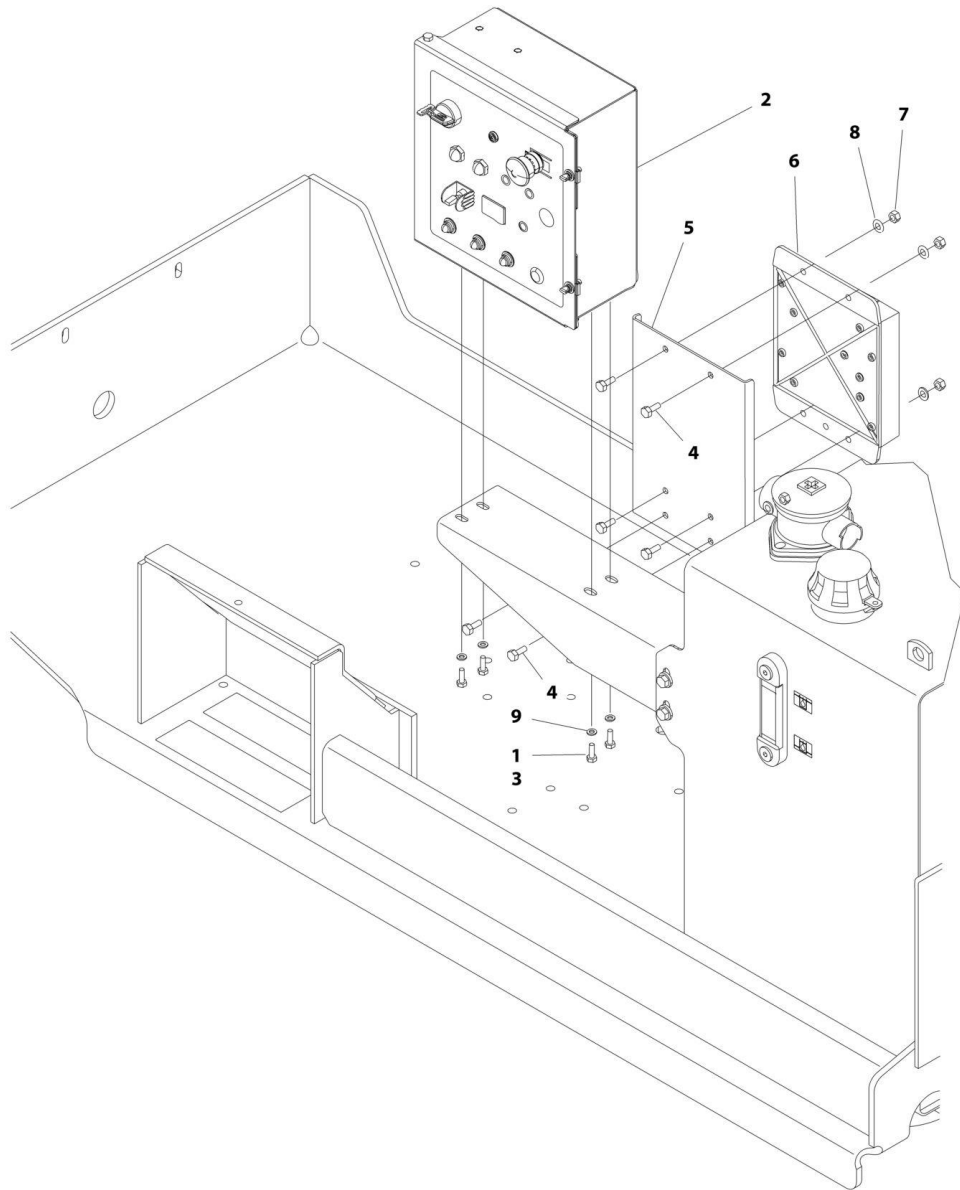
SECTION 2 - GROUND CONTROLS

FIGURE 2-11. GROUND CONTROL BOX INSTALLATION - DEUTZ D2011 ENGINE (ANSI EXPORT SPECS WITHOUT POWER OPTIONS MODULE AND WITH LOW TEMPERATURE CUTOUT)

ITEM	PART NUMBER	QTY	DESCRIPTION	REV
	1001166276	Ref	GROUND CONTROL BOX INSTALLATION - DEUTZ D2011 ENGINE (ANSI EXPORT SPECS WITHOUT POWER OPTIONS MODULE AND WITH LOW TEMPERATURE CUTOUT)	C
1	0100011	AR	Compound, Locking	
2	0641406	4	Bolt 1/4 x 3/4	
3	4761400	4	Washer 1/4	
4	1001103489	1	Valve and Engine Harness (Not Shown - See ELECTRICAL SECTION for Breakdown)	
5	1001164393	1	Ground Control Box Assembly (See GROUND CONTROL BOX ASSEMBLY - WITH LOW TEMPERATURE CUTOUT for Breakdown)	

SECTION 2 - GROUND CONTROLS

FIGURE 2-12. GROUND CONTROL BOX INSTALLATION - DEUTZ D2011 ENGINE (ANSI EXPORT & AUSTRALIAN SPECS WITH POWER OPTIONS MODULE) (SN 0200239053 through 0200241795)



ART_1001168946

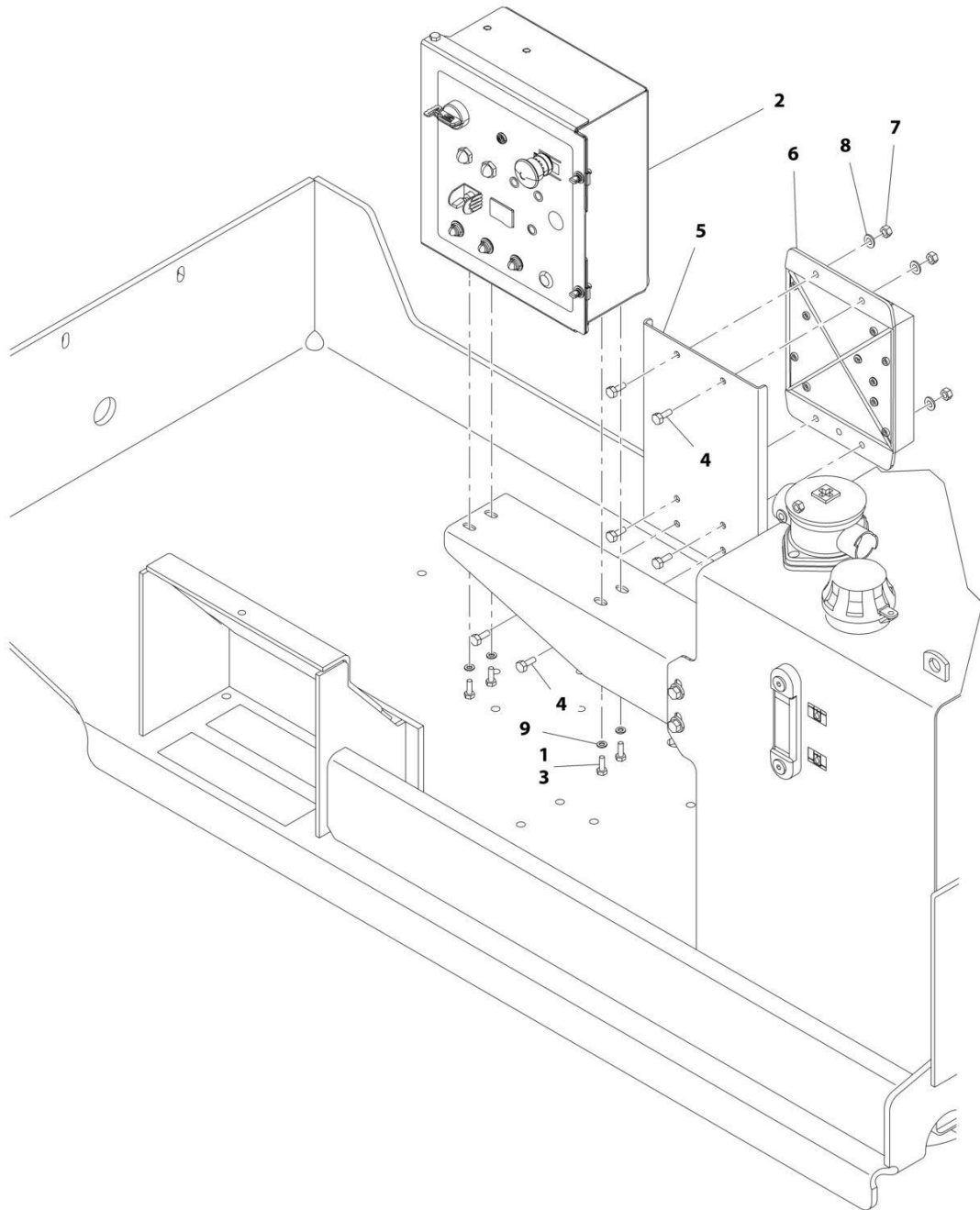
SECTION 2 - GROUND CONTROLS

FIGURE 2-12. GROUND CONTROL BOX INSTALLATION - DEUTZ D2011 ENGINE (ANSI EXPORT & AUSTRALIAN SPECS WITH POWER OPTIONS MODULE) (SN 0200239053 through 0200241795)

ITEM	PART NUMBER	QTY	DESCRIPTION	REV
	1001168946	Ref	GROUND CONTROL BOX INSTALLATION - DEUTZ D2011 ENGINE (ANSI EXPORT & AUSTRALIAN SPECS WITH POWER OPTIONS MODULE) (SN 0200239053 through 0200241795)	G
1	0100011	AR	Compound, Locking	
2	0271813	1	Ground Control Box Assembly (See GROUND CONTROL BOX ASSEMBLY for Breakdown)	
3	0641406	4	Bolt 1/4 x 3/4	
4	0641506	6	Bolt 5/16 x 3/4	
5	0902847	1	Bracket	
6		Ref	Module, Power Options:	
6		Ref	Note: Re-calibration Required when Replaced.	
6	1600336	NLA	Module (Use p/n 1001182481) (SN 0200239053 through 0200241191)	
6	1001182481	1	Module (SN 0200241192 through 0200241795)	
7	3311505	6	Nut 5/16	
8	4711500	6	Washer 5/16	
9	4761400	4	Washer 1/4	
10	1001147974	1	Valve and Engine Harness (Not Shown - See ELECTRICAL SECTION for Breakdown)	

SECTION 2 - GROUND CONTROLS

FIGURE 2-13. GROUND CONTROL BOX INSTALLATION - DEUTZ D2011 ENGINE (ANSI EXPORT & AUSTRALIAN SPECS WITH POWER OPTIONS MODULE) (SN 0200241796 to Present)



ART_1001105907

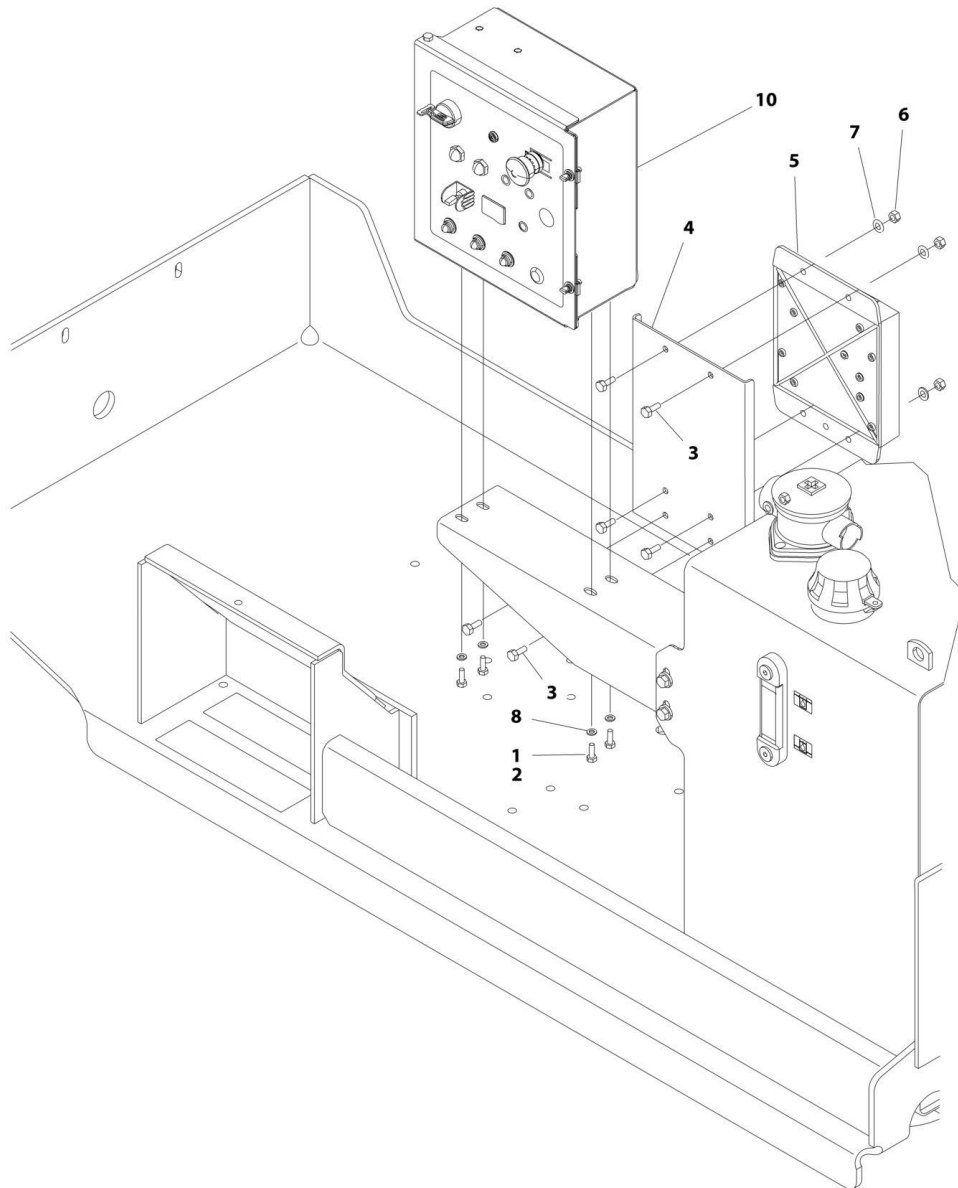
SECTION 2 - GROUND CONTROLS

FIGURE 2-13. GROUND CONTROL BOX INSTALLATION - DEUTZ D2011 ENGINE (ANSI EXPORT & AUSTRALIAN SPECS WITH POWER OPTIONS MODULE) (SN 0200241796 to Present)

ITEM	PART NUMBER	QTY	DESCRIPTION	REV
	1001105907	Ref	GROUND CONTROL BOX INSTALLATION - DEUTZ D2011 ENGINE (ANSI EXPORT & AUSTRALIAN SPECS WITH POWER OPTIONS MODULE) (SN 0200241796 to Present)	B
1	0100011	AR	Compound, Locking	
2	0271813	1	Ground Control Box Assembly (See GROUND CONTROL BOX ASSEMBLY for Breakdown)	
3	0641406	4	Bolt 1/4 x 3/4	
4	0641506	6	Bolt 5/16 x 3/4	
5	0902847	1	Bracket	
6		Ref	Module, Power Options:	
6		Ref	Note: Re-calibration Required when Replaced.	
6	1600336	NLA	Module (Use p/n 1001182481) (SN 0200241796 through 0200251330)	
6	1001182481	1	Module (SN 0200251331 to Present)	
7	3311505	6	Nut 5/16	
8	4711500	6	Washer 5/16	
9	4761400	4	Washer 1/4	
10	1001103489	1	Valve and Engine Harness (Not Shown - See ELECTRICAL SECTION for Breakdown)	

SECTION 2 - GROUND CONTROLS

FIGURE 2-14. GROUND CONTROL BOX INSTALLATION - DEUTZ D2011 ENGINE (ANSI EXPORT SPECS WITH POWER OPTIONS MODULE AND WITH LOW TEMPERATURE CUTOUT)



ART_1001166277

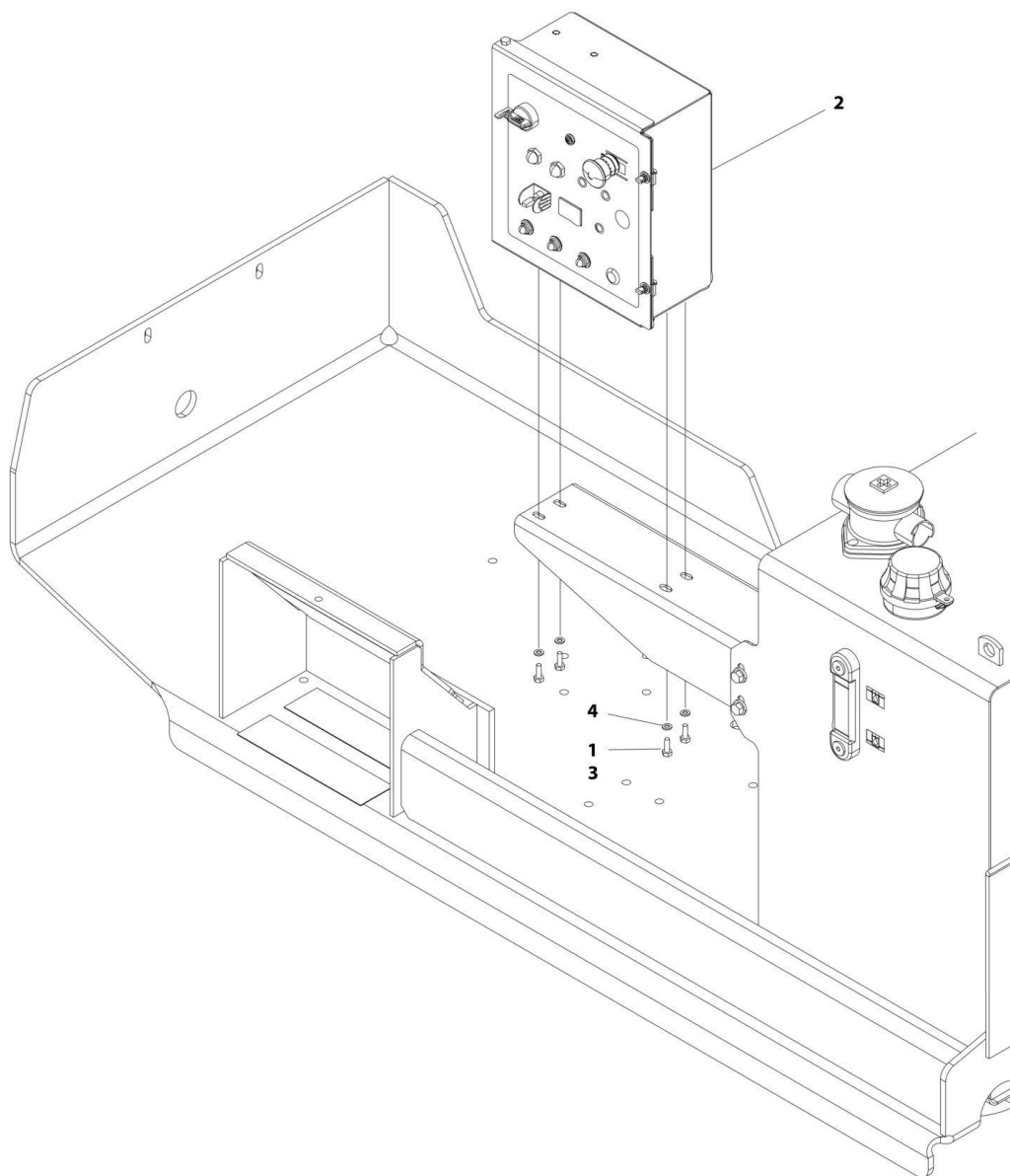
SECTION 2 - GROUND CONTROLS

FIGURE 2-14. GROUND CONTROL BOX INSTALLATION - DEUTZ D2011 ENGINE (ANSI EXPORT SPECS WITH POWER OPTIONS MODULE AND WITH LOW TEMPERATURE CUTOUT)

ITEM	PART NUMBER	QTY	DESCRIPTION	REV
	1001166277	Ref	GROUND CONTROL BOX INSTALLATION - DEUTZ D2011 ENGINE (ANSI EXPORT SPECS WITH POWER OPTIONS MODULE AND WITH LOW TEMPERATURE CUTOUT)	E
1	0100011	AR	Compound, Locking	
2	0641406	4	Bolt 1/4 x 3/4	
3	0641506	6	Bolt 5/16 x 3/4	
4	0902847	1	Bracket	
5		Ref	Module, Power Options:	
5		Ref	Note: Re-calibration Required when Replaced.	
5	1600336	NLA	Module (Use p/n 1001182481) (SN 0200239053 through 0200241191)	
5	1001182481	1	Module (SN 0200241192 to Present)	
6	3311505	6	Nut 5/16	
7	4711500	6	Washer 5/16	
8	4761400	4	Washer 1/4	
9		Ref	Valve and Engine Harness Options (Not Shown - See ELECTRICAL SECTION for Breakdown):	
9	1001147974	1	Harness (SN 0200239053 through 0200246032)	
9	1001103489	1	Harness (SN 0200246033 to Present)	
10	1001164393	1	Ground Control Box Assembly (See GROUND CONTROL BOX ASSEMBLY - WITH LOW TEMPERATURE CUTOUT for Breakdown)	

SECTION 2 - GROUND CONTROLS

FIGURE 2-15. GROUND CONTROL BOX INSTALLATION - DEUTZ D2011 ENGINE (CE SPECS WITHOUT POWER OPTIONS MODULE) (SN 0200239053 through 0200241795)



ART_1001168945

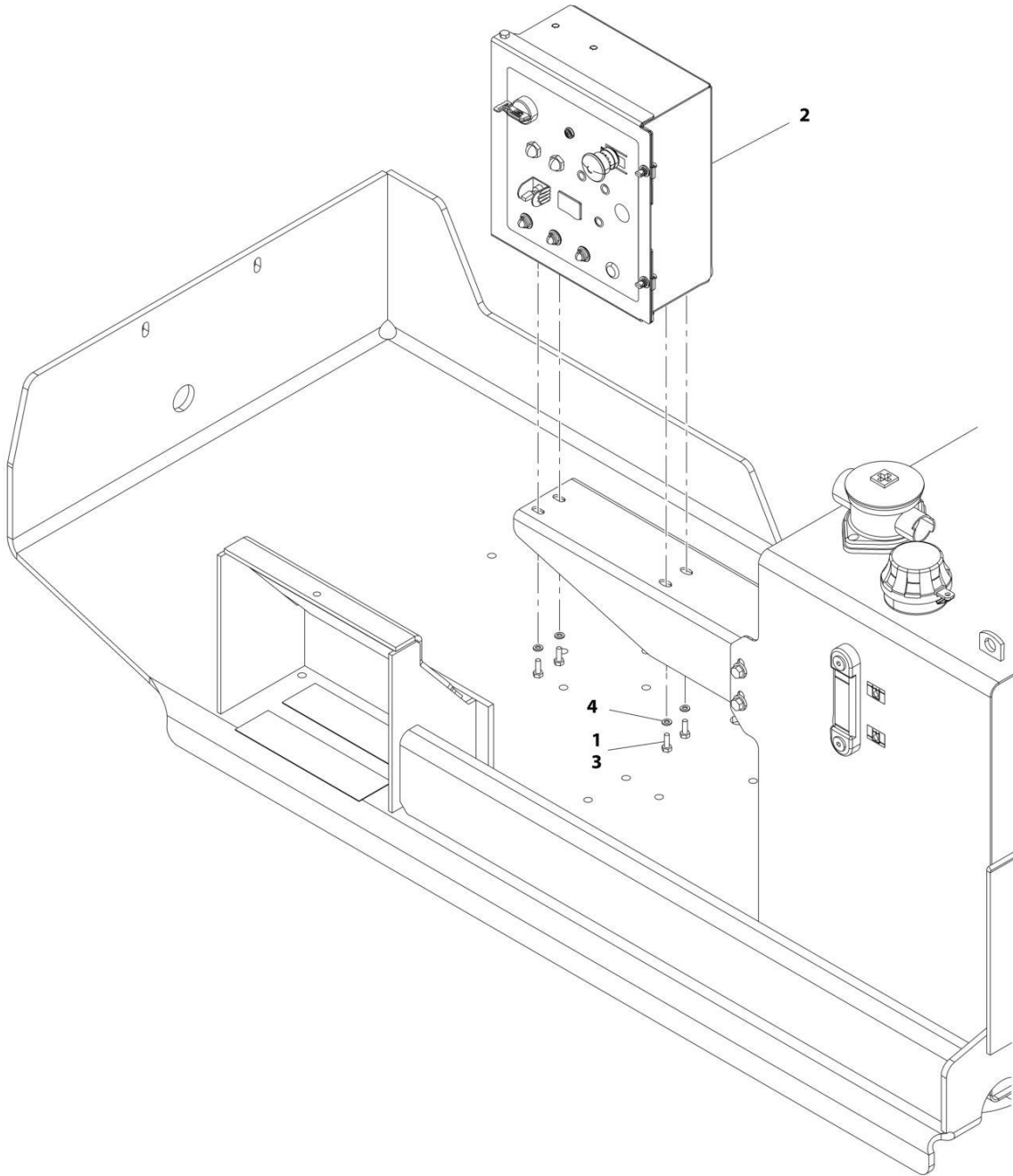
SECTION 2 - GROUND CONTROLS

FIGURE 2-15. GROUND CONTROL BOX INSTALLATION - DEUTZ D2011 ENGINE (CE SPECS WITHOUT POWER OPTIONS MODULE) (SN 0200239053 through 0200241795)

ITEM	PART NUMBER	QTY	DESCRIPTION	REV
	1001168945	Ref	GROUND CONTROL BOX INSTALLATION - DEUTZ D2011 ENGINE (CE SPECS WITHOUT POWER OPTIONS MODULE) (SN 0200239053 through 0200241795)	F
1	0100011	AR	Compound, Locking	
2	0271814	1	Ground Control Box Assembly (See GROUND CONTROL BOX ASSEMBLY for Breakdown)	
3	0641406	4	Bolt 1/4 x 3/4	
4	4761400	4	Washer 1/4	
5	1001147974	1	Valve and Engine Harness (Not Shown - See ELECTRICAL SECTION for Breakdown)	

SECTION 2 - GROUND CONTROLS

FIGURE 2-16. GROUND CONTROL BOX INSTALLATION - DEUTZ D2011 ENGINE (CE SPECS WITHOUT POWER OPTIONS MODULE) (SN 0200241796 to Present)



ART_1001105905

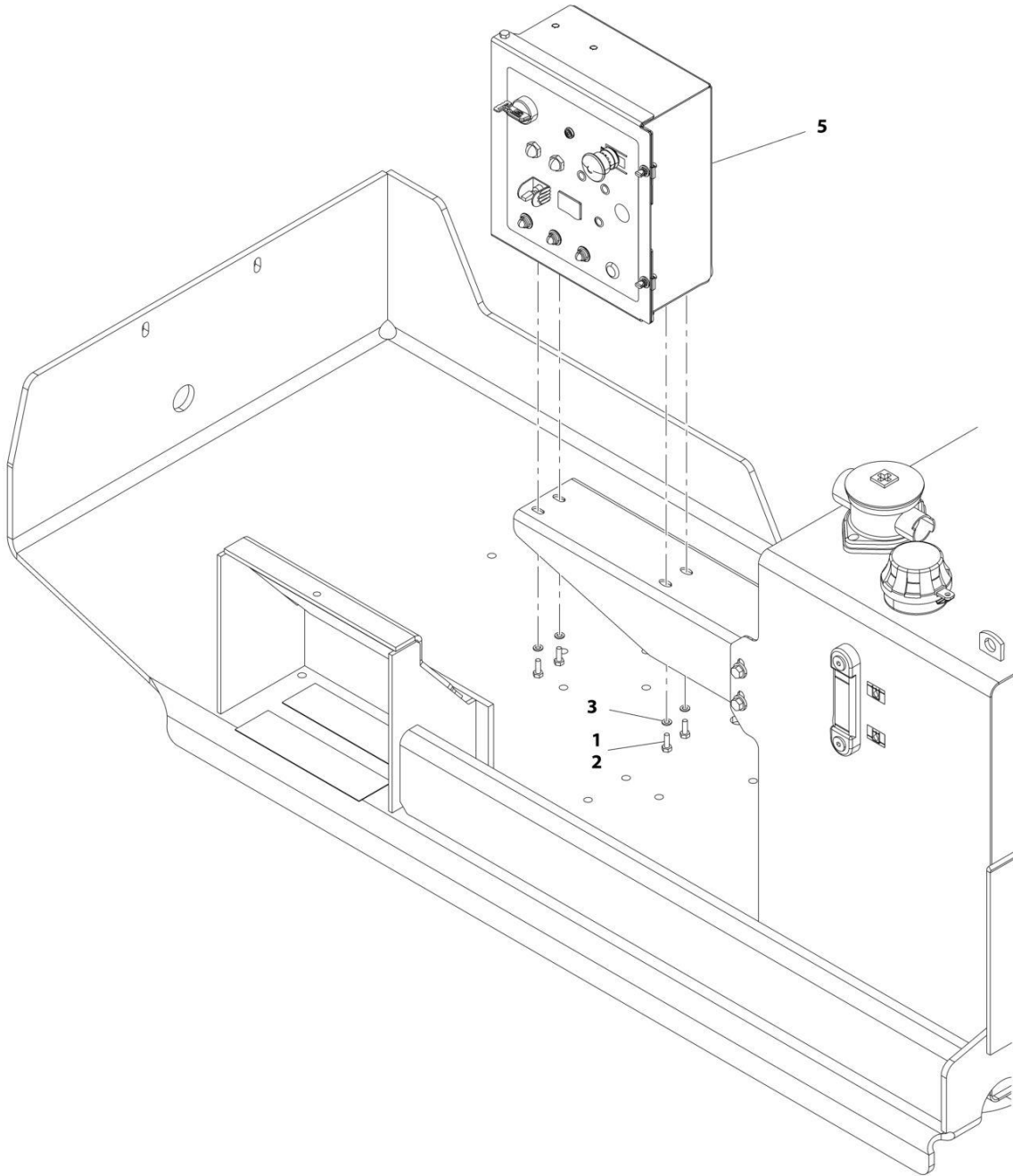
SECTION 2 - GROUND CONTROLS

FIGURE 2-16. GROUND CONTROL BOX INSTALLATION - DEUTZ D2011 ENGINE (CE SPECS WITHOUT POWER OPTIONS MODULE) (SN 0200241796 to Present)

ITEM	PART NUMBER	QTY	DESCRIPTION	REV
	1001105905	Ref	GROUND CONTROL BOX INSTALLATION - DEUTZ D2011 ENGINE (CE SPECS WITHOUT POWER OPTIONS MODULE) (SN 0200241796 to Present)	C
1	0100011	AR	Compound, Locking	
2	0271814	1	Ground Control Box Assembly (See GROUND CONTROL BOX ASSEMBLY for Breakdown)	
3	0641406	4	Bolt 1/4 x 3/4	
4	4761400	4	Washer 1/4	
5	1001103489	1	Valve and Engine Harness (Not Shown - See ELECTRICAL SECTION for Breakdown)	

SECTION 2 - GROUND CONTROLS

FIGURE 2-17. GROUND CONTROL BOX INSTALLATION - DEUTZ D2011 ENGINE (CE SPECS WITHOUT POWER OPTIONS MODULE AND WITH LOW TEMPERATURE CUTOUT)



ART_1001166278

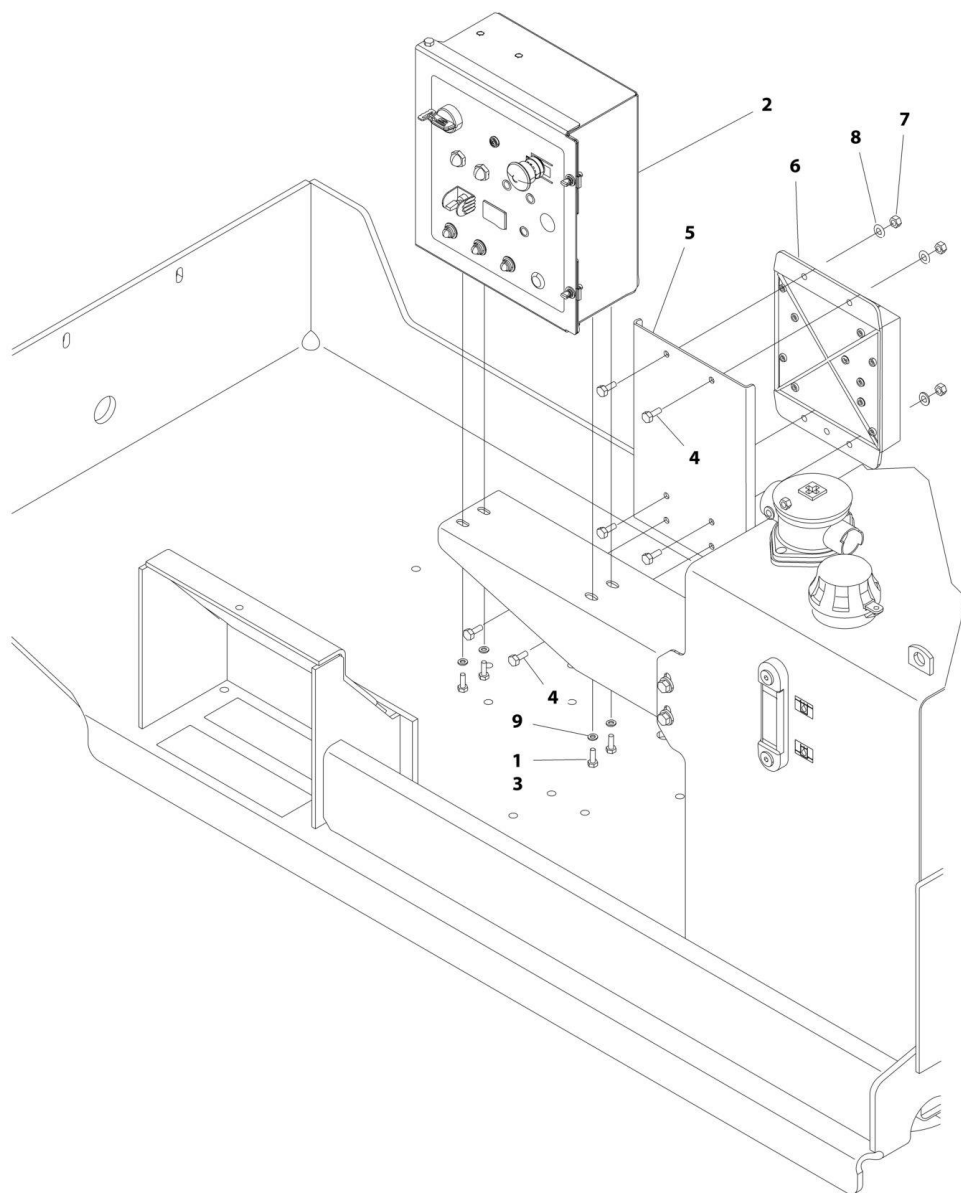
SECTION 2 - GROUND CONTROLS

FIGURE 2-17. GROUND CONTROL BOX INSTALLATION - DEUTZ D2011 ENGINE (CE SPECS WITHOUT POWER OPTIONS MODULE AND WITH LOW TEMPERATURE CUTOUT)

ITEM	PART NUMBER	QTY	DESCRIPTION	REV
	1001166278	Ref	GROUND CONTROL BOX INSTALLATION - DEUTZ D2011 ENGINE (CE SPECS WITHOUT POWER OPTIONS MODULE AND WITH LOW TEMPERATURE CUTOUT)	B
1	0100011	AR	Compound, Locking	
2	0641406	4	Bolt 1/4 x 3/4	
3	4761400	4	Washer 1/4	
4		Ref	Valve and Engine Harness Options (Not Shown - See ELECTRICAL SECTION for Breakdown):	
4	1001147974	1	Harness (SN 0200239053 through 0200246032)	
4	1001103489	1	Harness (SN 0200246033 to Present)	
5	1001164207	1	Ground Control Box Assembly (See GROUND CONTROL BOX ASSEMBLY for Breakdown)	

SECTION 2 - GROUND CONTROLS

FIGURE 2-18. GROUND CONTROL BOX INSTALLATION - DEUTZ D2011 ENGINE (CE SPECS WITH POWER OPTIONS MODULE) (SN 0200239053 through 0200241795)



ART_1001168947

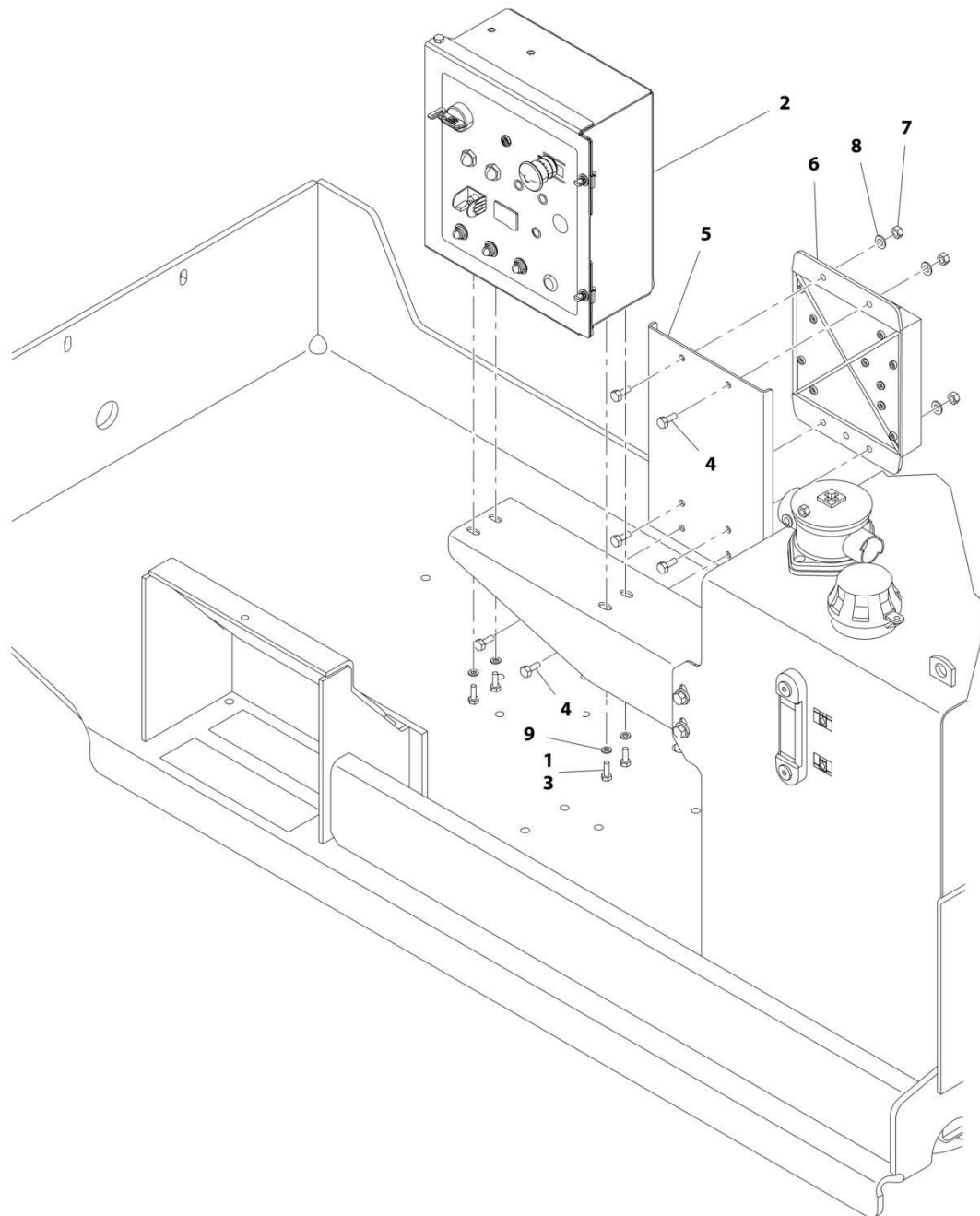
SECTION 2 - GROUND CONTROLS

FIGURE 2-18. GROUND CONTROL BOX INSTALLATION - DEUTZ D2011 ENGINE (CE SPECS WITH POWER OPTIONS MODULE) (SN 0200239053 through 0200241795)

ITEM	PART NUMBER	QTY	DESCRIPTION	REV
	1001168947	Ref	GROUND CONTROL BOX INSTALLATION - DEUTZ D2011 ENGINE (CE SPECS WITH POWER OPTIONS MODULE) (SN 0200239053 through 0200241795)	G
1	0100011	AR	Compound, Locking	
2	0271814	1	Ground Control Box Assembly (See GROUND CONTROL BOX ASSEMBLY for Breakdown)	
3	0641406	4	Bolt 1/4 x 3/4	
4	0641506	6	Bolt 5/16 x 3/4	
5	0902847	1	Bracket	
6		Ref	Module, Power Options:	
6		Ref	Note: Re-calibration Required when Replaced.	
6	1600336	NLA	Module (Use p/n 1001182481) (SN 0200239053 through 0200241191)	
6	1001182481	1	Module (SN 0200241192 through 0200241795)	
7	3311505	6	Nut 5/16	
8	4711500	6	Washer 5/16	
9	4761400	4	Washer 1/4	
10	1001147974	1	Valve and Engine Harness (Not Shown - See ELECTRICAL SECTION for Breakdown)	

SECTION 2 - GROUND CONTROLS

FIGURE 2-19. GROUND CONTROL BOX INSTALLATION - DEUTZ D2011 ENGINE (CE SPECS WITH POWER OPTIONS MODULE) (SN 0200241796 to Present)



ART_1001105908

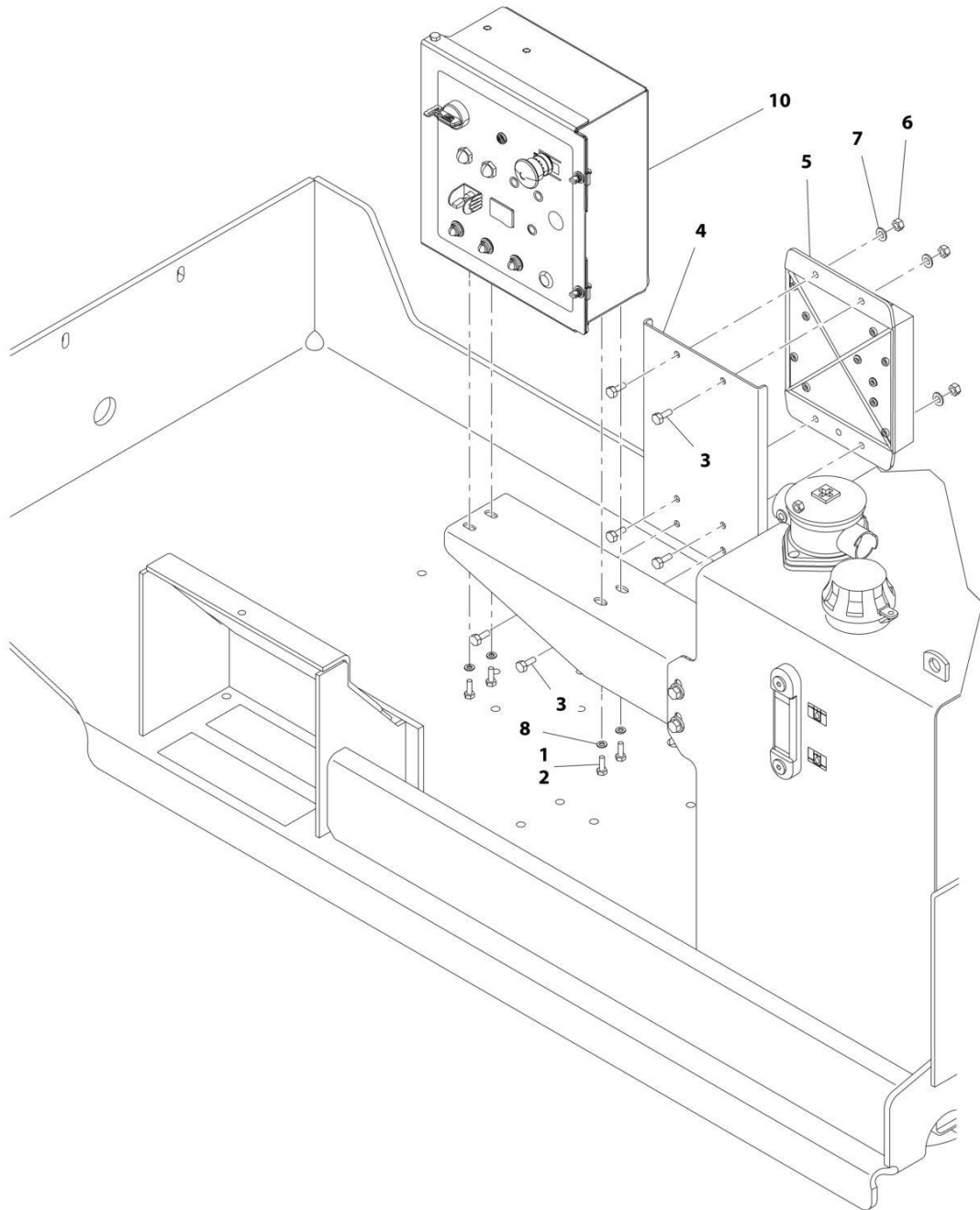
SECTION 2 - GROUND CONTROLS

FIGURE 2-19. GROUND CONTROL BOX INSTALLATION - DEUTZ D2011 ENGINE (CE SPECS WITH POWER OPTIONS MODULE) (SN 0200241796 to Present)

ITEM	PART NUMBER	QTY	DESCRIPTION	REV
	1001105908	Ref	GROUND CONTROL BOX INSTALLATION - DEUTZ D2011 ENGINE (CE SPECS WITH POWER OPTIONS MODULE) (SN 0200241796 to Present)	C
1	0100011	AR	Compound, Locking	
2	0271814	1	Ground Control Box Assembly (See GROUND CONTROL BOX ASSEMBLY for Breakdown)	
3	0641406	4	Bolt 1/4 x 3/4	
4	0641506	6	Bolt 5/16 x 3/4	
5	0902847	1	Bracket	
6		Ref	Module, Power Options:	
6		Ref	Note: Re-calibration Required when Replaced.	
6	1600336	NLA	Module (Use p/n 1001182481) (SN 0200241796 through 0200251330)	
6	1001182481	1	Module (SN 0200251331 to Present)	
7	3311505	6	Nut 5/16	
8	4711500	6	Washer 5/16	
9	4761400	4	Washer 1/4	
10	1001103489	1	Valve and Engine Harness (Not Shown - See ELECTRICAL SECTION for Breakdown)	

SECTION 2 - GROUND CONTROLS

FIGURE 2-20. GROUND CONTROL BOX INSTALLATION - DEUTZ D2011 ENGINE (CE SPECS WITH POWER OPTIONS MODULE AND WITH LOW TEMPERATURE CUTOUT)



ART_1001166279

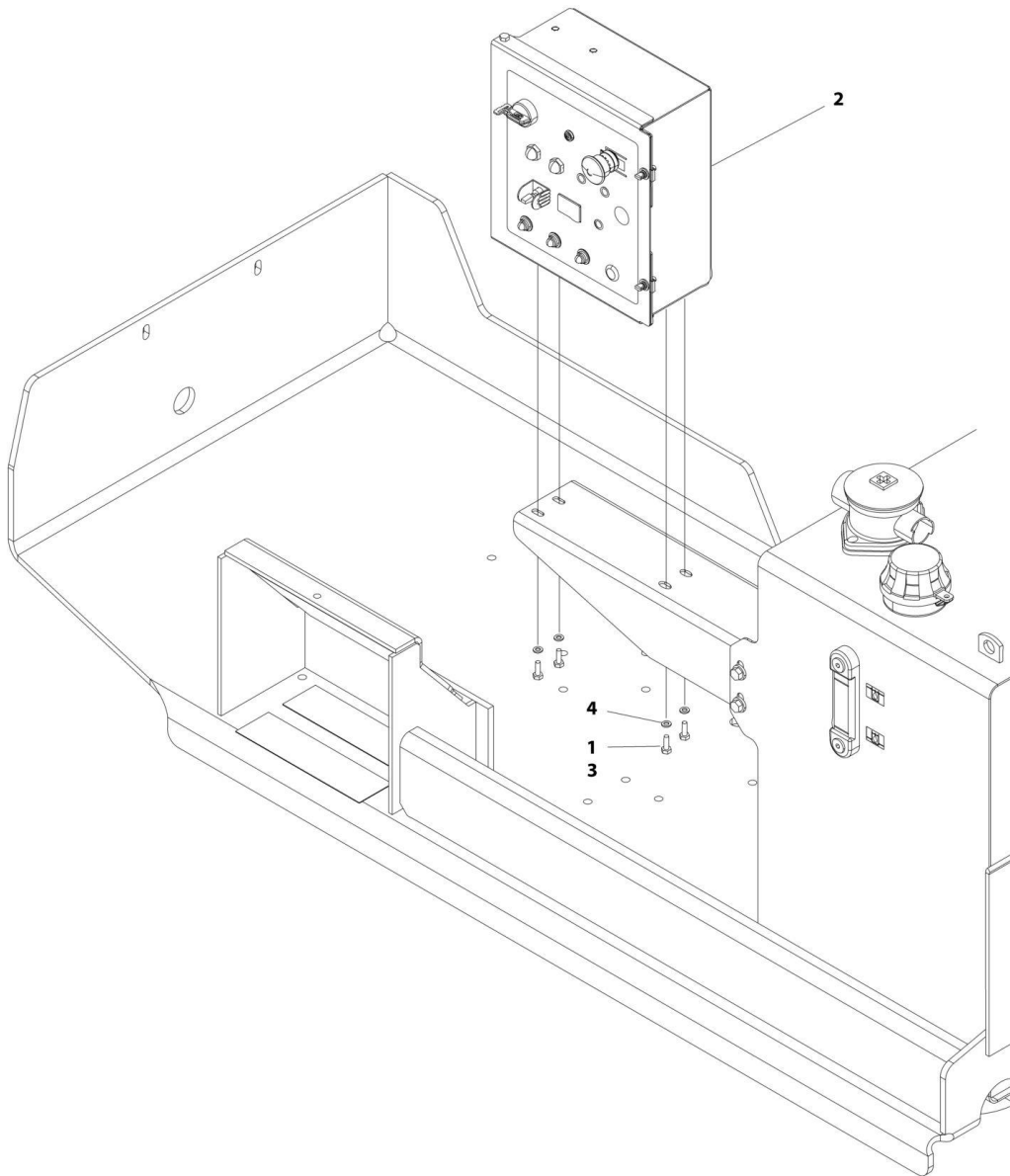
SECTION 2 - GROUND CONTROLS

FIGURE 2-20. GROUND CONTROL BOX INSTALLATION - DEUTZ D2011 ENGINE (CE SPECS WITH POWER OPTIONS MODULE AND WITH LOW TEMPERATURE CUTOUT)

ITEM	PART NUMBER	QTY	DESCRIPTION	REV
	1001166279	Ref	GROUND CONTROL BOX INSTALLATION - DEUTZ D2011 ENGINE (CE SPECS WITH POWER OPTIONS MODULE AND WITH LOW TEMPERATURE CUTOUT)	C
1	0100011	AR	Compound, Locking	
2	0641406	4	Bolt 1/4 x 3/4	
3	0641506	6	Bolt 5/16 x 3/4	
4	0902847	1	Bracket	
5		Ref	Module, Power Options:	
5		Ref	Note: Re-calibration Required when Replaced.	
5	1600336	NLA	Module (Use p/n 1001182481) (SN 0200239053 through 0200241191)	
5	1001182481	1	Module (SN 0200241192 to Present)	
6	3311505	6	Nut 5/16	
7	4711500	6	Washer 5/16	
8	4761400	4	Washer 1/4	
9		Ref	Valve and Engine Harness Options (Not Shown - See ELECTRICAL SECTION for Breakdown):	
9	1001147974	1	Harness (SN 0200239053 through 0200246032)	
9	1001103489	1	Harness (SN 0200246033 to Present)	
10	1001164207	1	Ground Control Box Assembly (See GROUND CONTROL BOX ASSEMBLY for Breakdown)	

SECTION 2 - GROUND CONTROLS

FIGURE 2-21. GROUND CONTROL BOX INSTALLATION - DEUTZ D2.9L4 ENGINE (ANSI, ANSI EXPORT & CSA SPECS WITHOUT POWER OPTIONS MODULE)



ART_1001148077

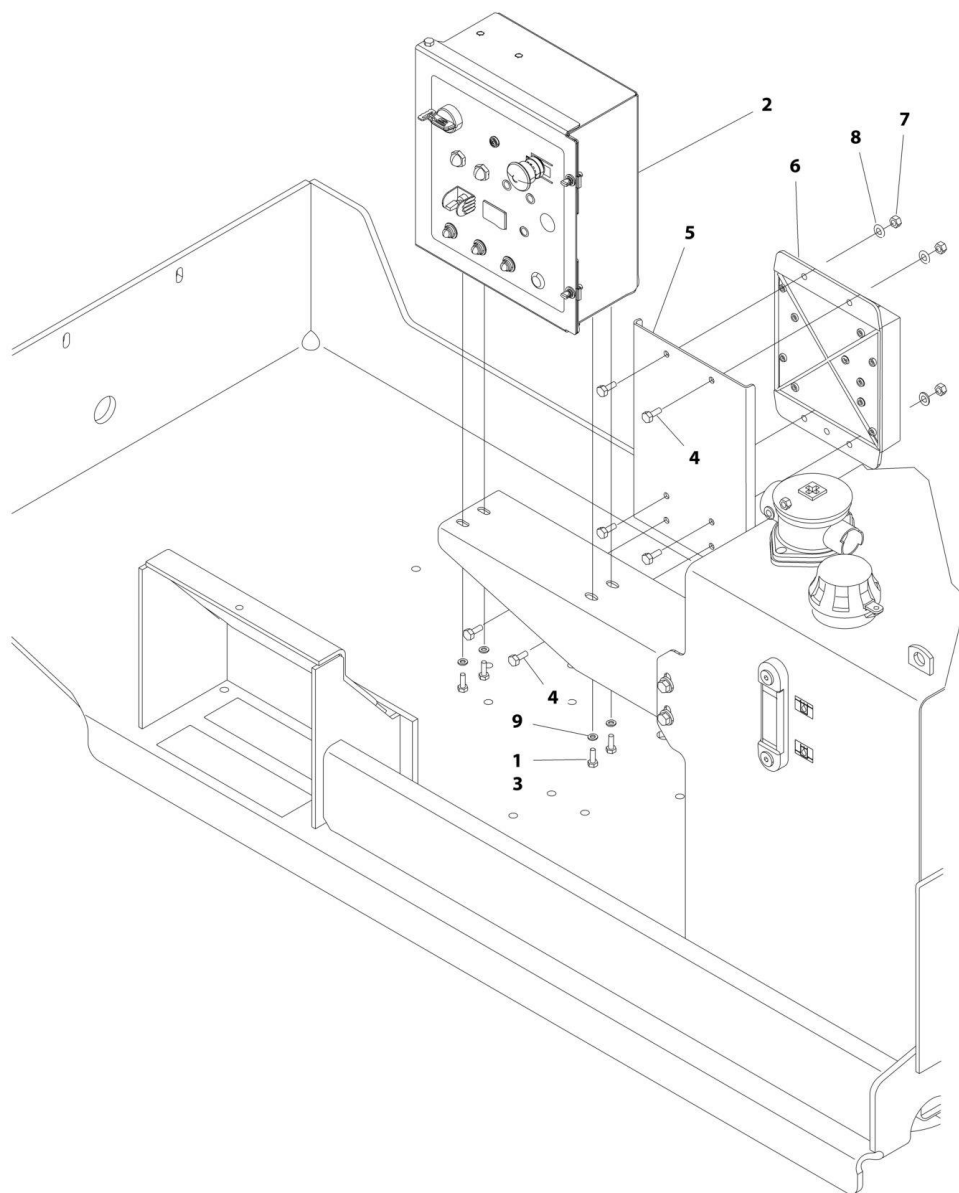
SECTION 2 - GROUND CONTROLS

FIGURE 2-21. GROUND CONTROL BOX INSTALLATION - DEUTZ D2.9L4 ENGINE (ANSI, ANSI EXPORT & CSA SPECS WITHOUT POWER OPTIONS MODULE)

ITEM	PART NUMBER	QTY	DESCRIPTION	REV
	1001148077	Ref	GROUND CONTROL BOX INSTALLATION - DEUTZ D2.9L4 ENGINE (ANSI, ANSI EXPORT & CSA SPECS WITHOUT POWER OPTIONS MODULE)	E
1	0100011	AR	Compound, Locking	
2	0271813	1	Ground Control Box Assembly (See GROUND CONTROL BOX ASSEMBLY for Breakdown)	
3	0641406	4	Bolt 1/4 x 3/4	
4	4761400	4	Washer 1/4	
5	1001147974	1	Valve and Engine Harness (Not Shown - See ELECTRICAL SECTION for Breakdown)	

SECTION 2 - GROUND CONTROLS

FIGURE 2-22. GROUND CONTROL BOX INSTALLATION - DEUTZ D2.9L4 ENGINE (ANSI & CSA SPECS WITH POWER OPTIONS MODULE)



ART_1001156037

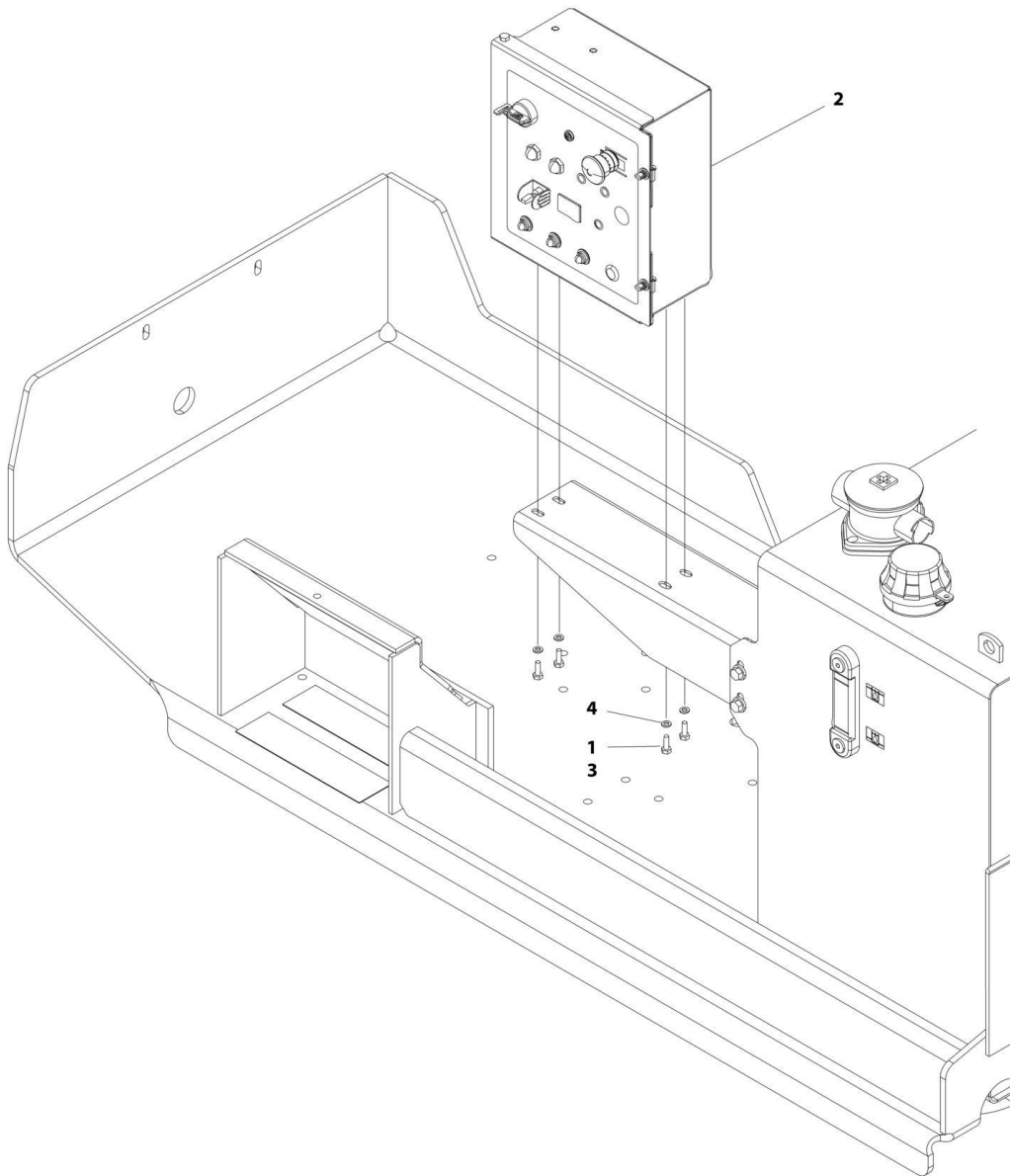
SECTION 2 - GROUND CONTROLS

FIGURE 2-22. GROUND CONTROL BOX INSTALLATION - DEUTZ D2.9L4 ENGINE (ANSI & CSA SPECS WITH POWER OPTIONS MODULE)

ITEM	PART NUMBER	QTY	DESCRIPTION	REV
	1001156037	Ref	GROUND CONTROL BOX INSTALLATION - DEUTZ D2.9L4 ENGINE (ANSI & CSA SPECS WITH POWER OPTIONS MODULE)	E
1	0100011	AR	Compound, Locking	
2	0271813	1	Ground Control Box Assembly (See GROUND CONTROL BOX ASSEMBLY for Breakdown)	
3	0641406	4	Bolt 1/4 x 3/4	
4	0641506	6	Bolt 5/16 x 3/4	
5	0902847	1	Bracket	
6		Ref	Module, Power Options:	
6		Ref	Note: Re-calibration Required when Replaced.	
6	1600336	NLA	Module (Use p/n 1001182481) (SN 0200239053 through 0200241191)	
6	1001182481	1	Module (SN 0200241192 to Present)	
7	3311505	6	Nut 5/16	
8	4711500	6	Washer 5/16	
9	4761400	4	Washer 1/4	
10	1001147974	1	Valve and Engine Harness (Not Shown - See ELECTRICAL SECTION for Breakdown)	

SECTION 2 - GROUND CONTROLS

FIGURE 2-23. GROUND CONTROL BOX INSTALLATION - GM ENGINE (ANSI, ANSI EXPORT & CSA WITHOUT POWER OPTIONS MODULE)



ART_1001105903

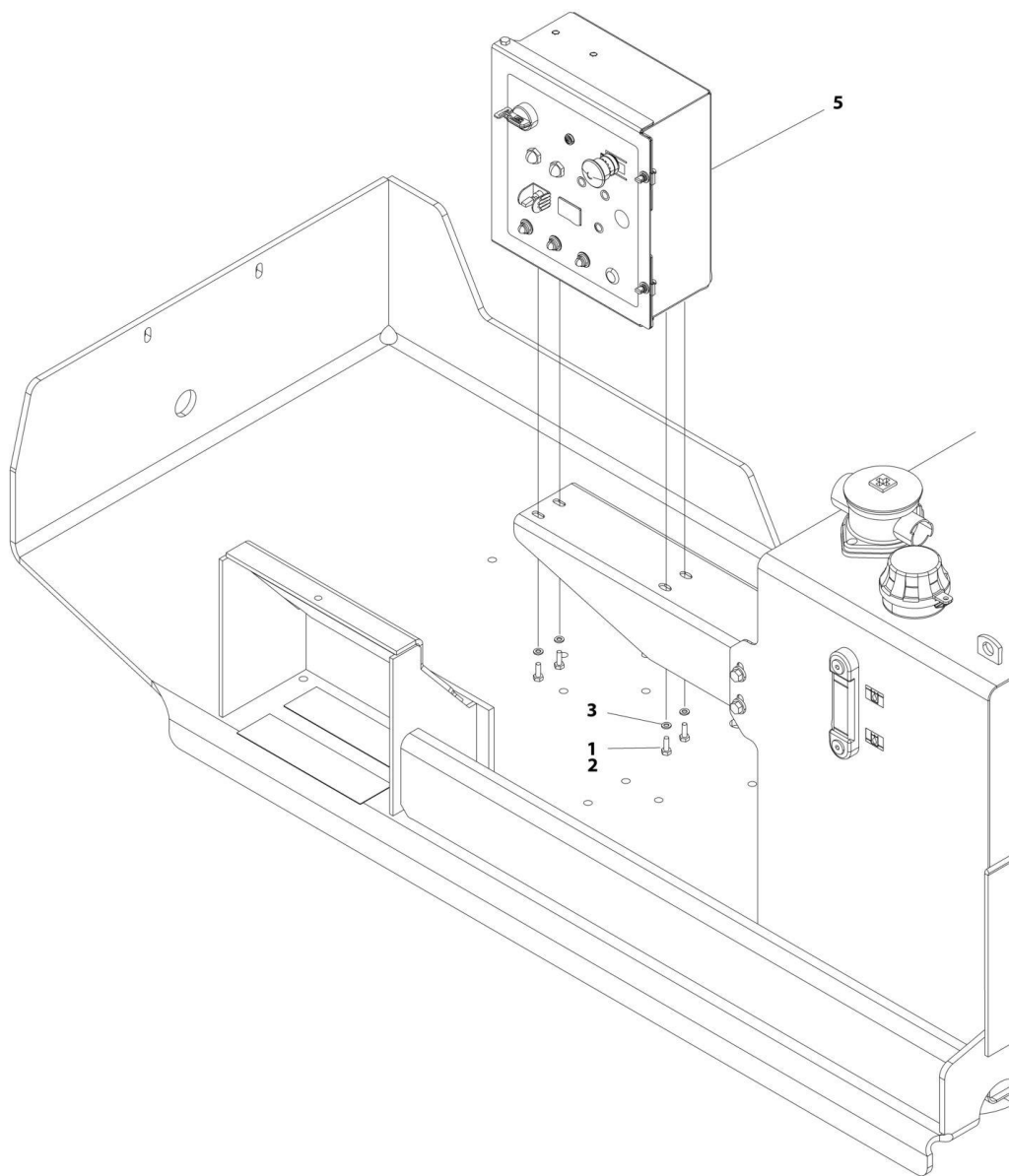
SECTION 2 - GROUND CONTROLS

FIGURE 2-23. GROUND CONTROL BOX INSTALLATION - GM ENGINE (ANSI, ANSI EXPORT & CSA WITHOUT POWER OPTIONS MODULE)

ITEM	PART NUMBER	QTY	DESCRIPTION	REV
	1001105903	Ref	GROUND CONTROL BOX INSTALLATION - GM ENGINE (ANSI, ANSI EXPORT & CSA WITHOUT POWER OPTIONS MODULE)	C
1	0100011	AR	Compound, Locking	
2	0271812	1	Ground Control Box Assembly (See GROUND CONTROL BOX ASSEMBLY for Breakdown)	
3	0641406	4	Bolt 1/4 x 3/4	
4	4761400	4	Washer 1/4	
5	1001104890	1	Valve and Engine Harness (Not Shown - See ELECTRICAL SECTION for Breakdown)	

SECTION 2 - GROUND CONTROLS

FIGURE 2-24. GROUND CONTROL BOX INSTALLATION - GM ENGINE (ANSI & CSA SPECS WITHOUT POWER OPTIONS MODULE AND WITH LOW TEMPERATURE CUTOUT)



ART_1001166274

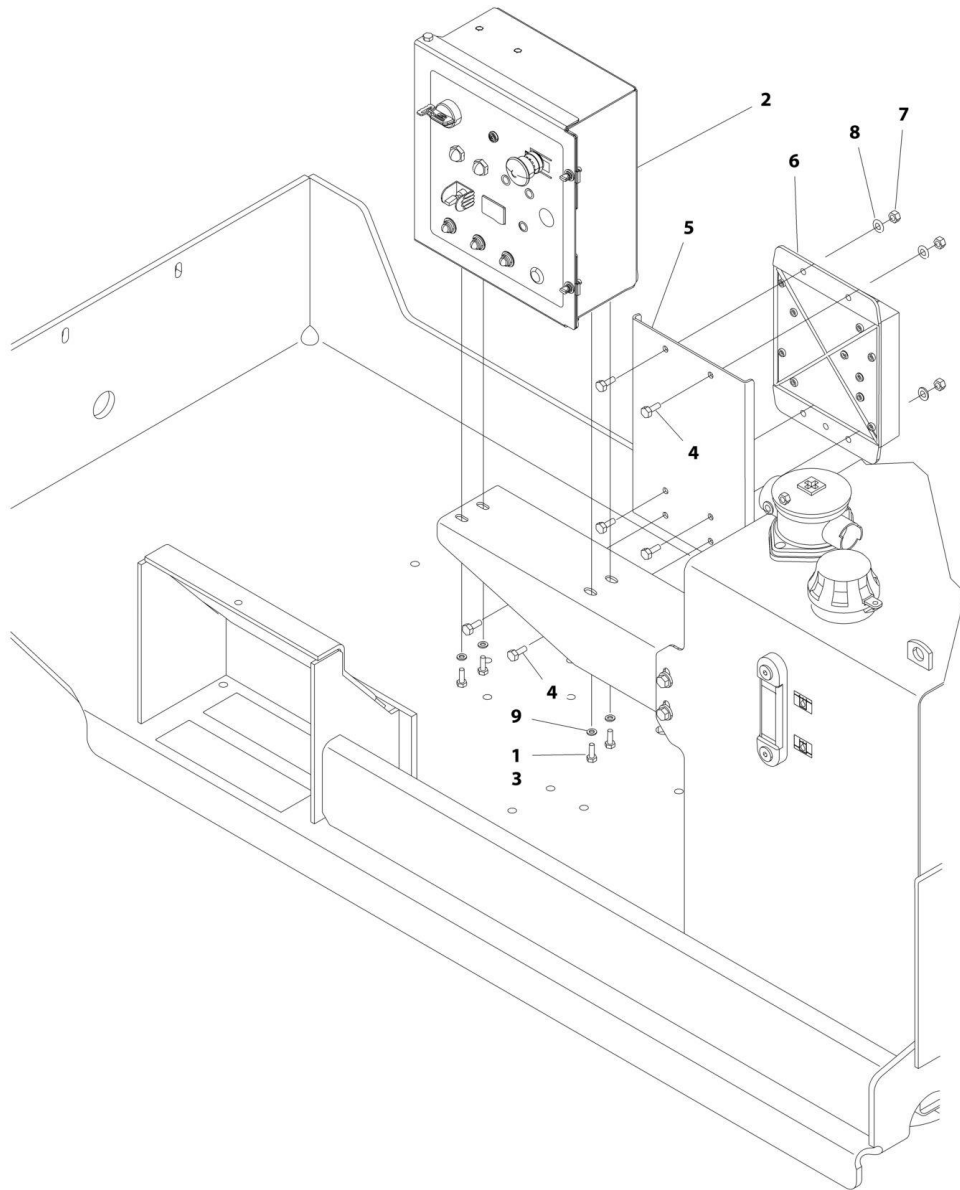
SECTION 2 - GROUND CONTROLS

FIGURE 2-24. GROUND CONTROL BOX INSTALLATION - GM ENGINE (ANSI & CSA SPECS WITHOUT POWER OPTIONS MODULE AND WITH LOW TEMPERATURE CUTOUT)

ITEM	PART NUMBER	QTY	DESCRIPTION	REV
	1001166274	Ref	GROUND CONTROL BOX INSTALLATION - GM ENGINE (ANSI & CSA SPECS WITHOUT POWER OPTIONS MODULE AND WITH LOW TEMPERATURE CUTOUT)	B
1	0100011	AR	Compound, Locking	
2	0641406	4	Bolt 1/4 x 3/4	
3	4761400	4	Washer 1/4	
4	1001104890	1	Valve and Engine Harness (Not Shown - See ELECTRICAL SECTION for Breakdown)	
5	1001164188	1	Ground Control Box Assembly (See GROUND CONTROL BOX ASSEMBLY - WITH LOW TEMPERATURE CUTOUT for Breakdown)	

SECTION 2 - GROUND CONTROLS

FIGURE 2-25. GROUND CONTROL BOX INSTALLATION - GM ENGINE (ANSI, ANSI EXPORT & CSA SPECS WITH POWER OPTIONS MODULE)



ART_1001105906

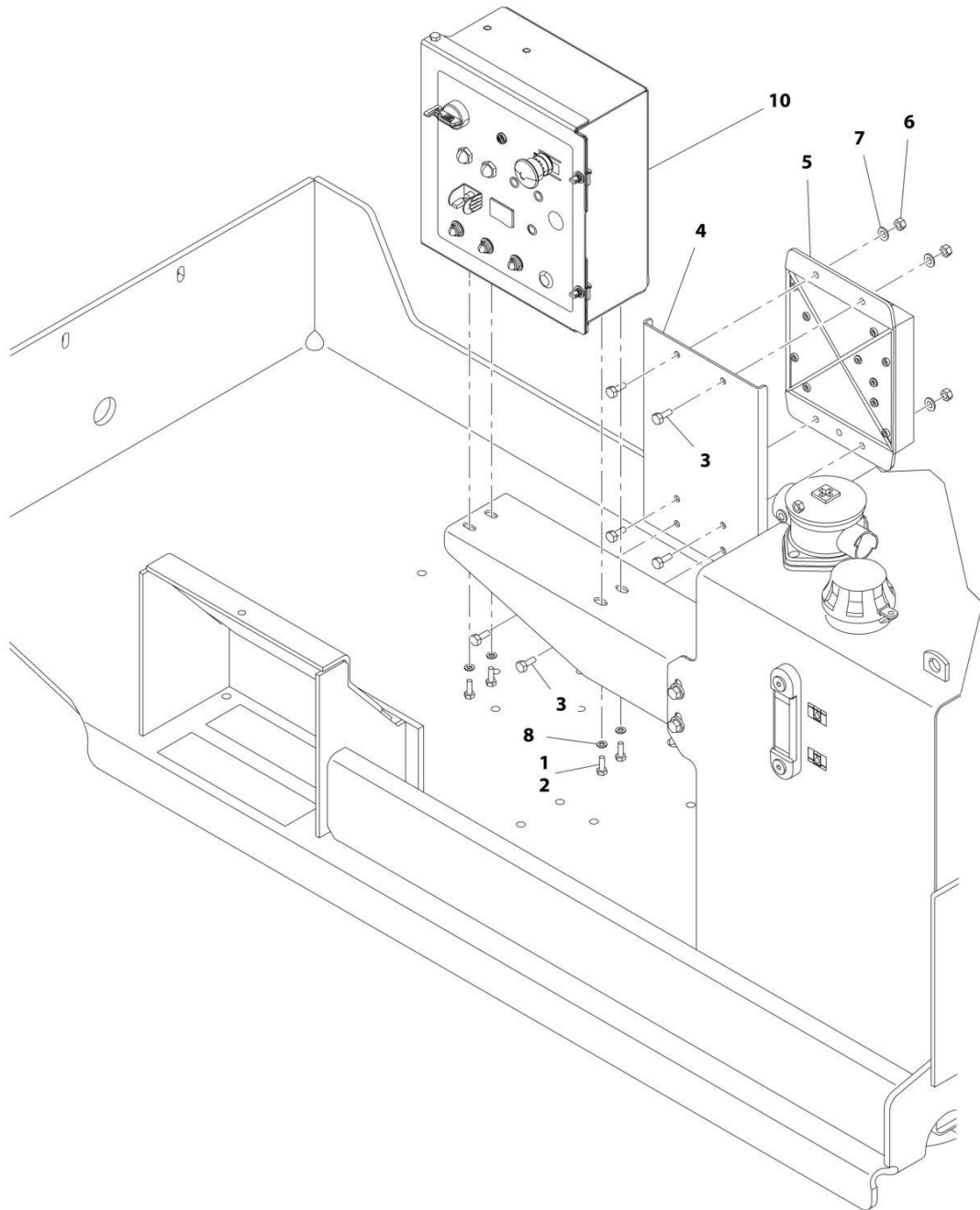
SECTION 2 - GROUND CONTROLS

FIGURE 2-25. GROUND CONTROL BOX INSTALLATION - GM ENGINE (ANSI, ANSI EXPORT & CSA SPECS WITH POWER OPTIONS MODULE)

ITEM	PART NUMBER	QTY	DESCRIPTION	REV
	1001105906	Ref	GROUND CONTROL BOX INSTALLATION - GM ENGINE (ANSI, ANSI EXPORT & CSA SPECS WITH POWER OPTIONS MODULE)	D
1	0100011	AR	Compound, Locking	
2	0271812	1	Ground Control Box Assembly (See GROUND CONTROL BOX ASSEMBLY for Breakdown)	
3	0641406	4	Bolt 1/4 x 3/4	
4	0641506	6	Bolt 5/16 x 3/4	
5	0902847	1	Bracket	
6		Ref	Module, Power Options:	
6		Ref	Note: Re-calibration Required when Replaced.	
6	1600336	NLA	Module (Use p/n 1001182481) (SN 0200239053 through 0200241191)	
6	1001182481	1	Module (SN 0200241192 to Present)	
7	3311505	6	Nut 5/16	
8	4711500	6	Washer 5/16	
9	4761400	4	Washer 1/4	
10	1001104890	1	Valve and Engine Harness (Not Shown - See ELECTRICAL SECTION for Breakdown)	

SECTION 2 - GROUND CONTROLS

FIGURE 2-26. GROUND CONTROL BOX INSTALLATION - GM ENGINE (ANSI & CSA SPECS WITH POWER OPTIONS MODULE AND WITH LOW TEMPERATURE CUTOUT)



ART_1001166275

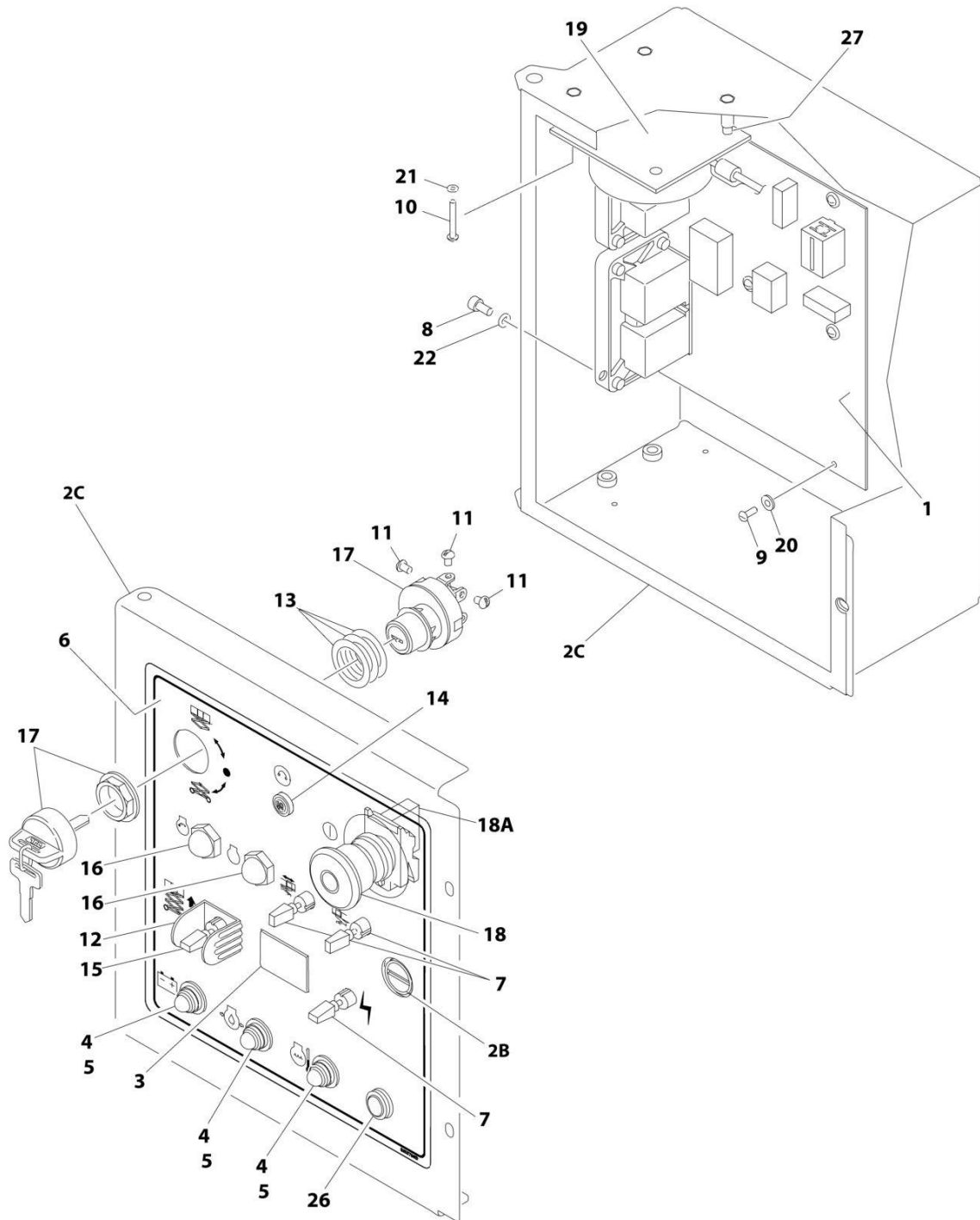
SECTION 2 - GROUND CONTROLS

FIGURE 2-26. GROUND CONTROL BOX INSTALLATION - GM ENGINE (ANSI & CSA SPECS WITH POWER OPTIONS MODULE AND WITH LOW TEMPERATURE CUTOUT)

ITEM	PART NUMBER	QTY	DESCRIPTION	REV
	1001166275	Ref	GROUND CONTROL BOX INSTALLATION - GM ENGINE (ANSI & CSA SPECS WITH POWER OPTIONS MODULE AND WITH LOW TEMPERATURE CUTOUT)	D
1	0100011	AR	Compound, Locking	
2	0641406	4	Bolt 1/4 x 3/4	
3	0641506	6	Bolt 5/16 x 3/4	
4	0902847	1	Bracket	
5		Ref	Module, Power Options:	
5		Ref	Note: Re-calibration Required when Replaced.	
5	1600336	NLA	Module (Use p/n 1001182481) (SN 0200239053 through 0200241191)	
5	1001182481	1	Module (SN 0200241192 to Present)	
6	3311505	6	Nut 5/16	
7	4711500	6	Washer 5/16	
8	4761400	4	Washer 1/4	
9	1001104890	1	Valve and Engine Harness (Not Shown - See ELECTRICAL SECTION for Breakdown)	
10	1001164188	1	Ground Control Box Assembly (See GROUND CONTROL BOX ASSEMBLY - WITH LOW TEMPERATURE CUTOUT for Breakdown)	

SECTION 2 - GROUND CONTROLS

FIGURE 2-27. GROUND CONTROL BOX ASSEMBLY - DEUTZ ENGINE WITHOUT LOW TEMPERATURE CUTOUT (ALL SPECS WITHOUT CE SPECS)



ART_0271813

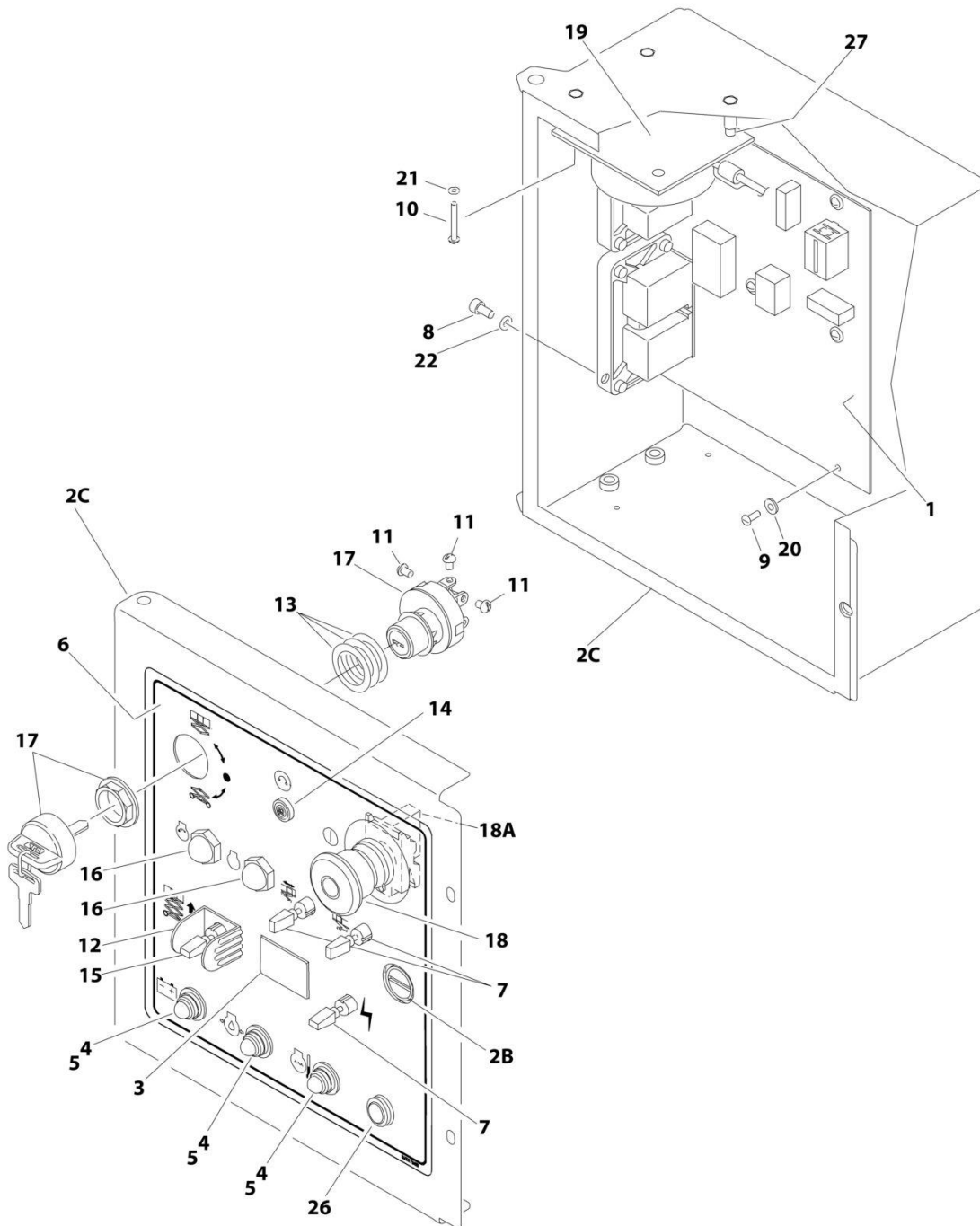
SECTION 2 - GROUND CONTROLS

FIGURE 2-27. GROUND CONTROL BOX ASSEMBLY - DEUTZ ENGINE WITHOUT LOW TEMPERATURE CUTOUT (ALL SPECS WITHOUT CE SPECS)

ITEM	PART NUMBER	QTY	DESCRIPTION	REV
		Ref	Note: For machines with ground control box with cover refer to SPECIAL OPTIONS SECTION.	
	0271813	Ref	GROUND CONTROL BOX ASSEMBLY - DEUTZ ENGINE WITHOUT LOW TEMPERATURE CUTOUT (ALL SPECS WITHOUT CE SPECS)	AE
1		Ref	Module, Ground Control Options:	
1		Ref	Note: Re-calibration Required when Replaced.	
1	1001091731	NLA	Module (Use p/n 1001135570) (SN 0200239053 through 0200246391)	
1	1001135570	1	Module (SN 0200246392 to Present)	
2		Ref	Box Assembly Options:	
2A	0861508	1	Box Assembly (Not Shown) (SN 0200239053 through 0200246032)	
2B	7023212	1	Latch (0861508 Box)	
2C	1001177617	1	Box Assembly (See BOX COMPONENTS for Breakdown) (SN 0200246033 to Present)	
3	2420172	1	Hourmeter	
4	2920026	3	Holder, Lamp	
5	2920029	3	Bulb, Light	
6	1705688	1	Nameplate/Decal	
7	3520028	3	Plug, Hole	
8	3900300	8	Screw	
9	3910606	4	Screw #6 x 3/8	
10	3910616	4	Screw #6 x 1	
11	3910804	3	Screw #8 x 1/4	
12	4060802	1	Guard, Switch	
13	4070987	1	Shim .015	
14	4360070	1	Breaker, Circuit 15Amp	
15	4360328	1	Switch, Toggle	
16	4360387	2	Switch, Push Button	
17	4360469	1	Keyswitch	
17	2860030	1	Key, Replacement	
18	4360475	1	Switch, Push-Pull Emergency Stop	
18	7020175	1	Cap	
18A	7020176	1	Block, Contact	
19	1810140	1	Switch, Dual Axis	
19	4460321	1	Plug, Male - 4 Position	
19	4460267	4	Pin, Male	
20	4750600	4	Washer #6	
21	4760600	4	Washer #6	
22	4761000	8	Washer #10	
24	4922667	1	Ground Control Box Harness (Not Shown - See ELECTRICAL SECTION for Breakdown)	
26	3520193	1	Plug 7/8	
27	1001102512	4	Washer, Spacer	

SECTION 2 - GROUND CONTROLS

FIGURE 2-28. GROUND CONTROL BOX ASSEMBLY - DEUTZ ENGINE WITHOUT LOW TEMPERATURE CUTOUT (CE SPEC)



ART_0271814

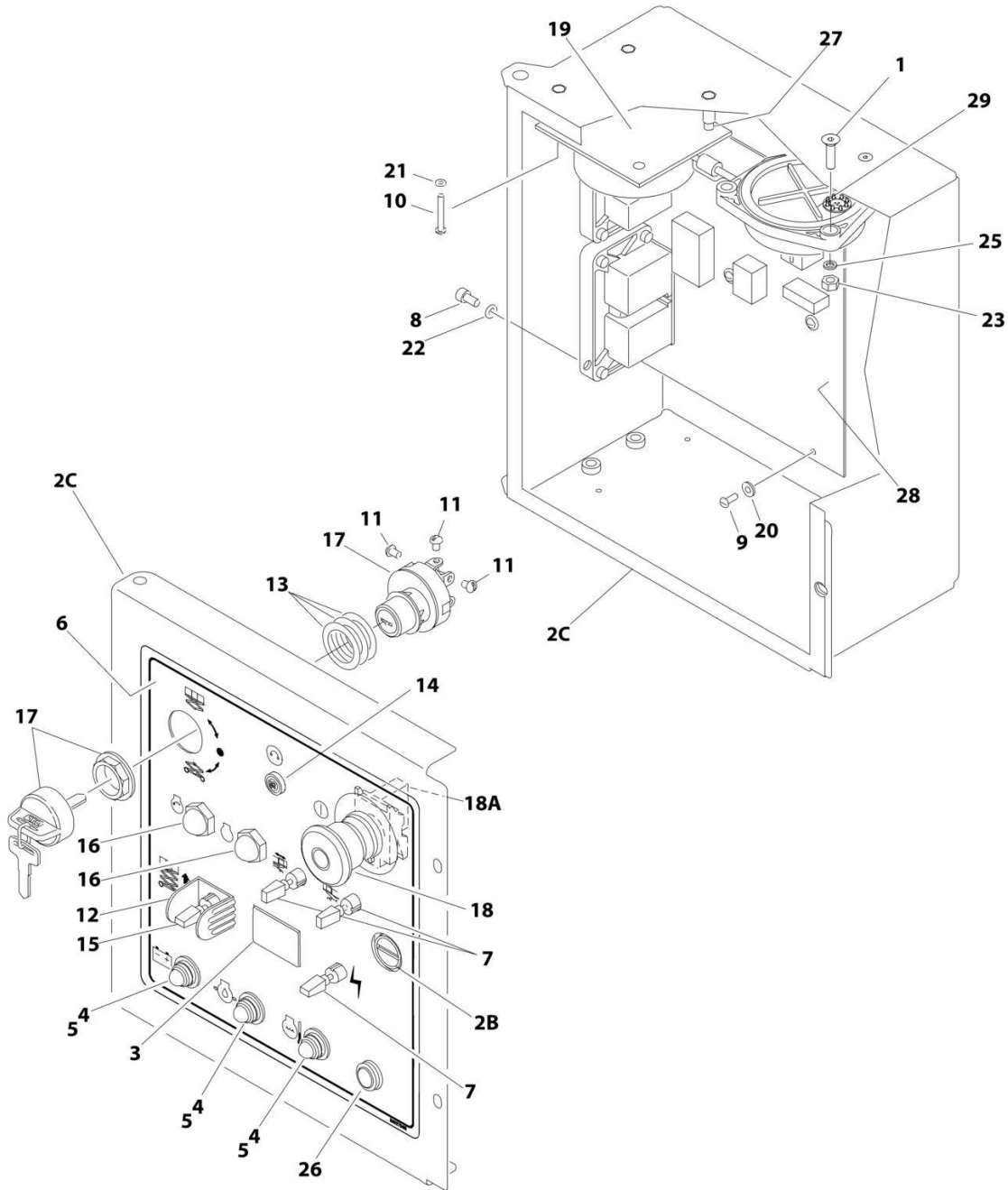
SECTION 2 - GROUND CONTROLS

FIGURE 2-28. GROUND CONTROL BOX ASSEMBLY - DEUTZ ENGINE WITHOUT LOW TEMPERATURE CUTOFF (CE SPEC)

ITEM	PART NUMBER	QTY	DESCRIPTION	REV
		Ref	Note: For machines with ground control box with cover refer to SPECIAL OPTIONS SECTION.	
	0271814	Ref	GROUND CONTROL BOX ASSEMBLY - DEUTZ ENGINE WITHOUT LOW TEMPERATURE CUTOFF (CE SPEC)	AD
1		Ref	Module, Ground Control Options:	
1		Ref	Note: Re-calibration Required when Replaced.	
1	1001091731	NLA	Module (Use p/n 1001135570) (SN 0200239053 through 0200246391)	
1	1001135570	1	Module (SN 0200246392 to Present)	
2		Ref	Box Assembly Options:	
2A	0861508	1	Box Assembly (Not Shown) (SN 0200239053 through 0200246032)	
2B	7023212	1	Latch (0861508 Box)	
2C	1001177617	1	Box Assembly (See BOX COMPONENTS for Breakdown) (SN 0200246033 to Present)	
3	2420172	1	Hourmeter	
4	2920026	3	Holder, Lamp	
5	2920029	3	Bulb, Light	
6	1705688	1	Nameplate/Decal	
7	3520028	3	Plug, Hole	
8	3900300	8	Screw	
9	3910606	4	Screw #6 x 3/8	
10	3910616	4	Screw #6 x 1	
11	3910804	3	Screw #8 x 1/4	
12	4060802	1	Guard, Switch	
13	4070987	1	Shim .015	
14	4360070	1	Breaker, Circuit 15Amp	
15	4360328	1	Switch, Toggle	
16	4360387	2	Switch, Push Button	
17	4360470	1	Keyswitch (SN 0200239053 through 0200246391)	
17	4360469	1	Keyswitch (SN 0200246392 to Present)	
17	2860030	1	Key, Replacement	
18	4360475	1	Switch, Push-Pull Emergency Stop	
18	7020175	1	Cap	
18A	7020176	1	Block, Contact	
19	1810140	1	Switch, Dual Axis	
19	4460321	1	Plug, Male - 4 Position	
19	4460267	4	Pin, Male	
20	4750600	4	Washer #6	
21	4760600	4	Washer #6	
22	4761000	8	Washer #10	
24	4922667	1	Ground Control Box Harness (Not Shown - See ELECTRICAL SECTION for Breakdown)	
26	3520193	1	Plug 7/8	
27	1001102512	4	Washer, Spacer	

SECTION 2 - GROUND CONTROLS

FIGURE 2-29. GROUND CONTROL BOX ASSEMBLY - DEUTZ ENGINE WITH LOW TEMPERATURE CUTOUT (ALL SPECS EXCEPT CE SPEC)



ART_1001164393

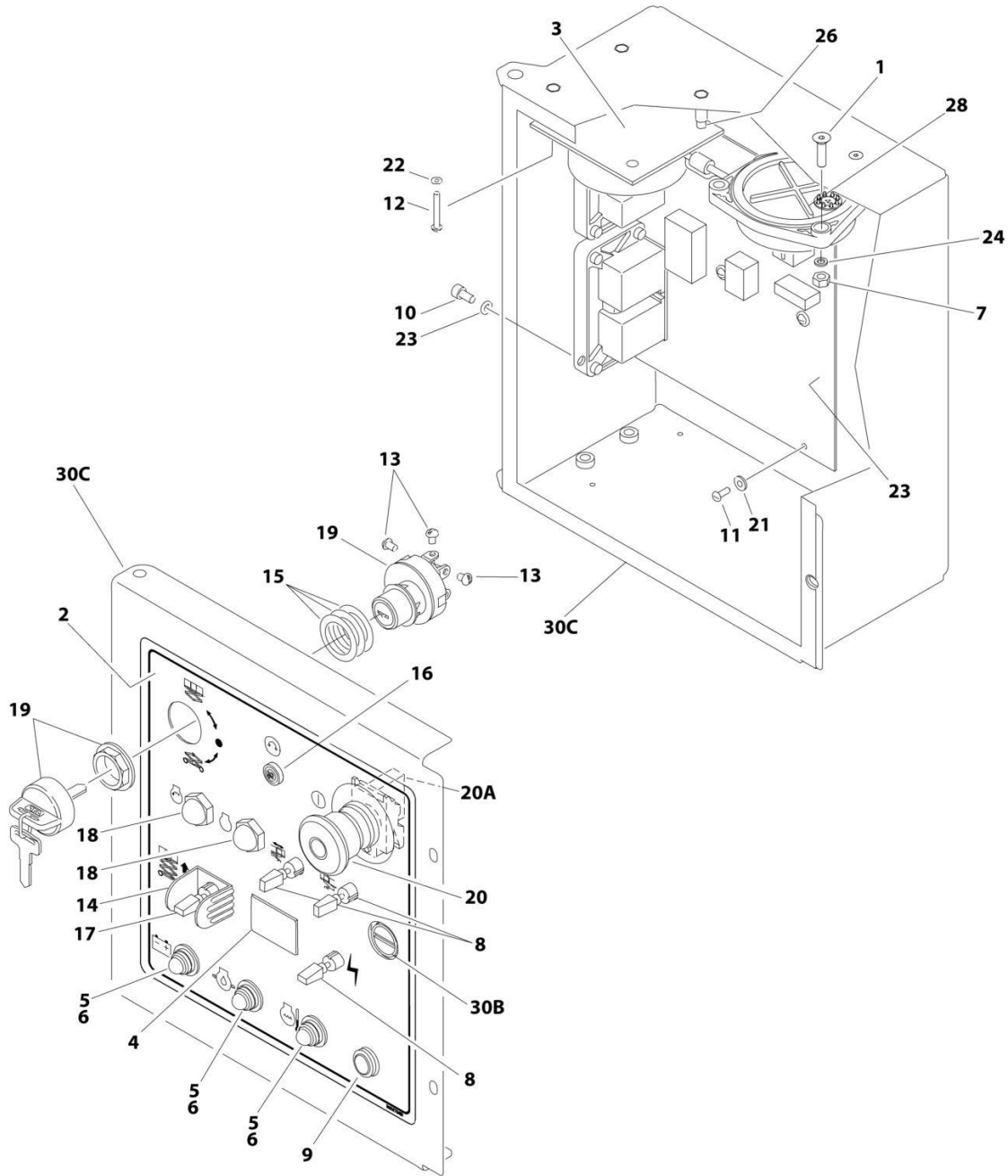
SECTION 2 - GROUND CONTROLS

FIGURE 2-29. GROUND CONTROL BOX ASSEMBLY - DEUTZ ENGINE WITH LOW TEMPERATURE CUTOUT (ALL SPECS EXCEPT CE SPEC)

ITEM	PART NUMBER	QTY	DESCRIPTION	REV
		Ref	Note: For machines with ground control box with cover refer to SPECIAL OPTIONS SECTION.	
	1001164393	Ref	GROUND CONTROL BOX ASSEMBLY - DEUTZ ENGINE WITH LOW TEMPERATURE CUTOUT (ALL SPECS EXCEPT CE SPEC)	D
1	0741408	3	Screw 1/4 x 1	
2		Ref	Box Assembly Options:	
2A	1001164187	1	Box Assembly (Not Shown) (SN 0200239053 through 0200246032)	
2B	7023212	1	Latch (1001164187 Box)	
2C	1001187559	1	Box Assembly (See BOX COMPONENTS for Breakdown) (SN 0200246033 to Present)	
3	2420172	1	Hourmeter	
4	2920026	3	Holder, Lamp	
5	2920029	3	Bulb, Light	
6	1705688	1	Nameplate/Decal	
7	3520028	3	Plug, Hole	
8	3900300	8	Screw	
9	3910606	4	Screw #6 x 3/8	
10	3910616	4	Screw #6 x 1	
11	3910804	3	Screw #8 x 1/4	
12	4060802	1	Guard, Switch	
13	4070987	1	Shim .015	
14	4360070	1	Breaker, Circuit 15Amp	
15	4360328	1	Switch, Toggle	
16	4360387	2	Switch, Push Button	
17	4360469	1	Keyswitch	
17	2860030	1	Key, Replacement	
18	4360475	1	Switch, Push-Pull Emergency Stop	
18	7020175	1	Cap	
18A	7020176	1	Block, Contact	
19	1810140	1	Switch, Dual Axis	
19	4460321	1	Plug, Male - 4 Position	
19	4460267	4	Pin, Male	
20	4750600	4	Washer #6	
21	4760600	4	Washer #6	
22	4761000	8	Washer #10	
23	3271405	3	Nut 1/4	
24	4922667	1	Ground Control Box Harness (Not Shown - See ELECTRICAL SECTION for Breakdown)	
25	4761200	3	Washer #12	
26	3520193	1	Plug 7/8	
27	1001102512	4	Washer, Spacer	
28	1001135570	1	Module, Control (Note: Re-calibration Required when Replaced)	
29	1001163095	1	Sensor, Tilt	
30	1001164103	1	Harness, Temperature Sensor (Not Shown - See ELECTRICAL SECTION for Breakdown)	

SECTION 2 - GROUND CONTROLS

FIGURE 2-30. GROUND CONTROL BOX ASSEMBLY - DEUTZ D2011 ENGINE WITH LOW TEMPERATURE CUTOUT (ANSI EXPORT SPEC)



ART_1001164207

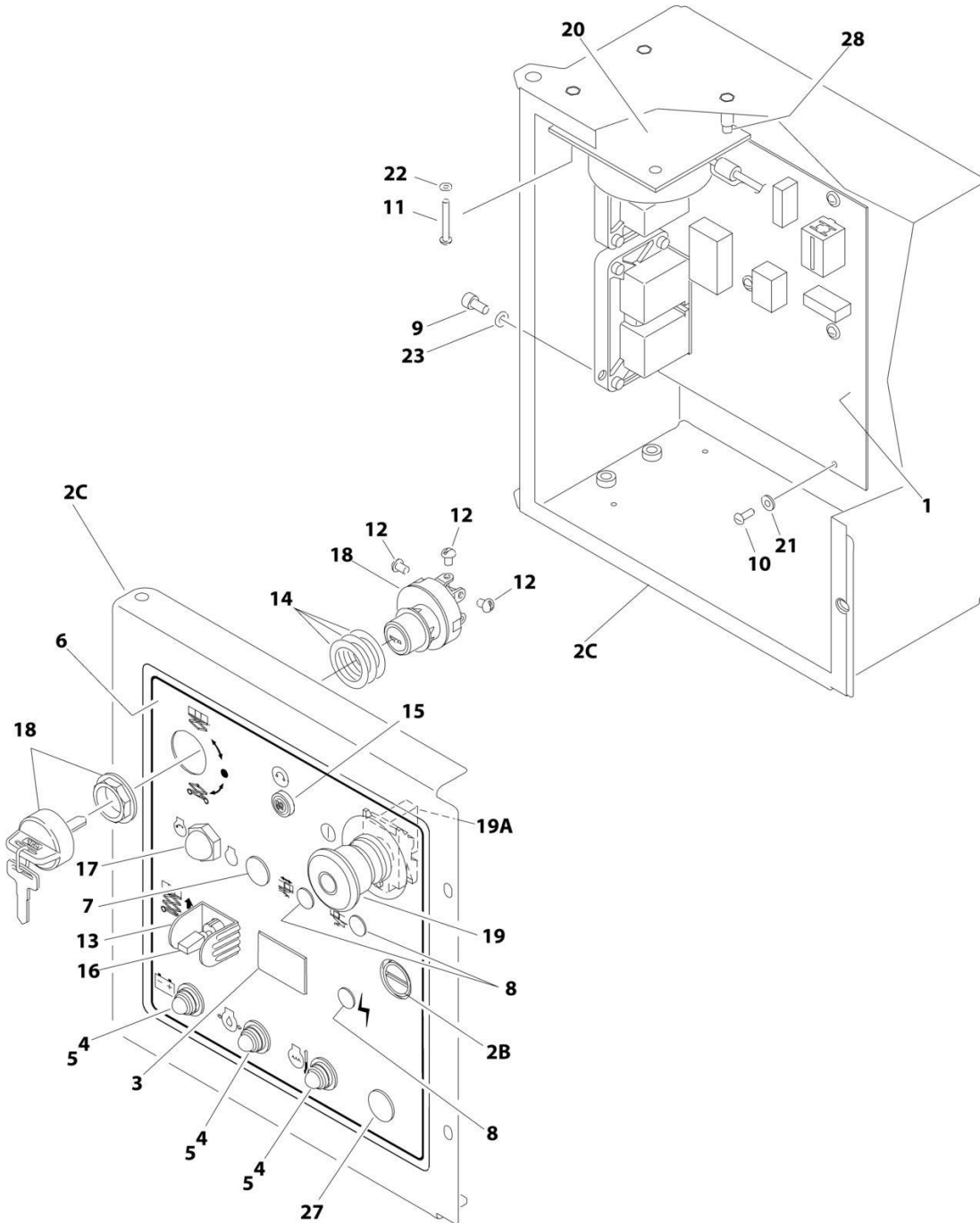
SECTION 2 - GROUND CONTROLS

FIGURE 2-30. GROUND CONTROL BOX ASSEMBLY - DEUTZ D2011 ENGINE WITH LOW TEMPERATURE CUTOUT (ANSI EXPORT SPEC)

ITEM	PART NUMBER	QTY	DESCRIPTION	REV
		Ref	Note: For machines with ground control box with cover refer to SPECIAL OPTIONS SECTION.	
	1001164207	Ref	GROUND CONTROL BOX ASSEMBLY - DEUTZ D2011 ENGINE WITH LOW TEMPERATURE CUTOUT (ANSI EXPORT SPEC)	B
1	0741408	3	Screw 1/4 x 1	
2	1705688	1	Decal - Nameplate	
3	1810140	1	Switch, Dual Axis	
3	4460321	1	Plug, Male - 4 Position	
3	4460267	1	Pin, Male	
4	2420172	1	Hourmeter	
5	2920026	3	Holder, Lamp	
6	2920029	3	Bulb, Light	
7	3271405	3	Nut 1/4	
8	3520028	3	Plug, Hole	
9	3520193	1	Plug 7/8	
10	3900300	8	Screw	
11	3910606	4	Screw #6 x 3/8	
12	3910616	4	Screw #6 x 1	
13	3910804	3	Screw #8 x 1/4	
14	4060802	1	Guard, Switch	
15	4070987	1	Shim .015	
16	4360070	1	Breaker, Circuit 15Amp	
17	4360328	1	Switch, Toggle	
18	4360387	2	Switch, Push Button	
19	4360469	1	Keyswitch	
19	2860030	1	Key, Replacement	
20	4360475	1	Switch, Push-Pull Emergency Stop	
20	7020175	1	Cap	
20A	7020176	1	Block, Contact	
21	4750600	4	Washer #6	
22	4760600	4	Washer #6	
23	4761000	8	Washer #10	
24	4761200	3	Washer #12	
25	4922667	1	Ground Control Box Harness (Not Shown - See ELECTRICAL SECTION for Breakdown)	
26	1001102512	4	Washer, Spacer	
27	1001135570	1	Module, Control (Note: Re-calibration Required when Replaced)	
28	1001163095	1	Sensor, Tilt	
29	1001164103	1	Harness, Temperature Sensor (Not Shown - See ELECTRICAL SECTION for Breakdown)	
30		Ref	Box Assembly Options:	
30A	1001164187	1	Box Assembly (Not Shown) (SN 0200239053 through 0200246032)	
30B	7023212	1	Latch (1001164187 Box)	
30C	1001187559	1	Box Assembly (See BOX COMPONENTS for Breakdown) (SN 0200246033 to Present)	

SECTION 2 - GROUND CONTROLS

FIGURE 2-31. GROUND CONTROL BOX ASSEMBLY - GM ENGINE WITHOUT LOW TEMPERATURE CUTOUT



ART_0271812

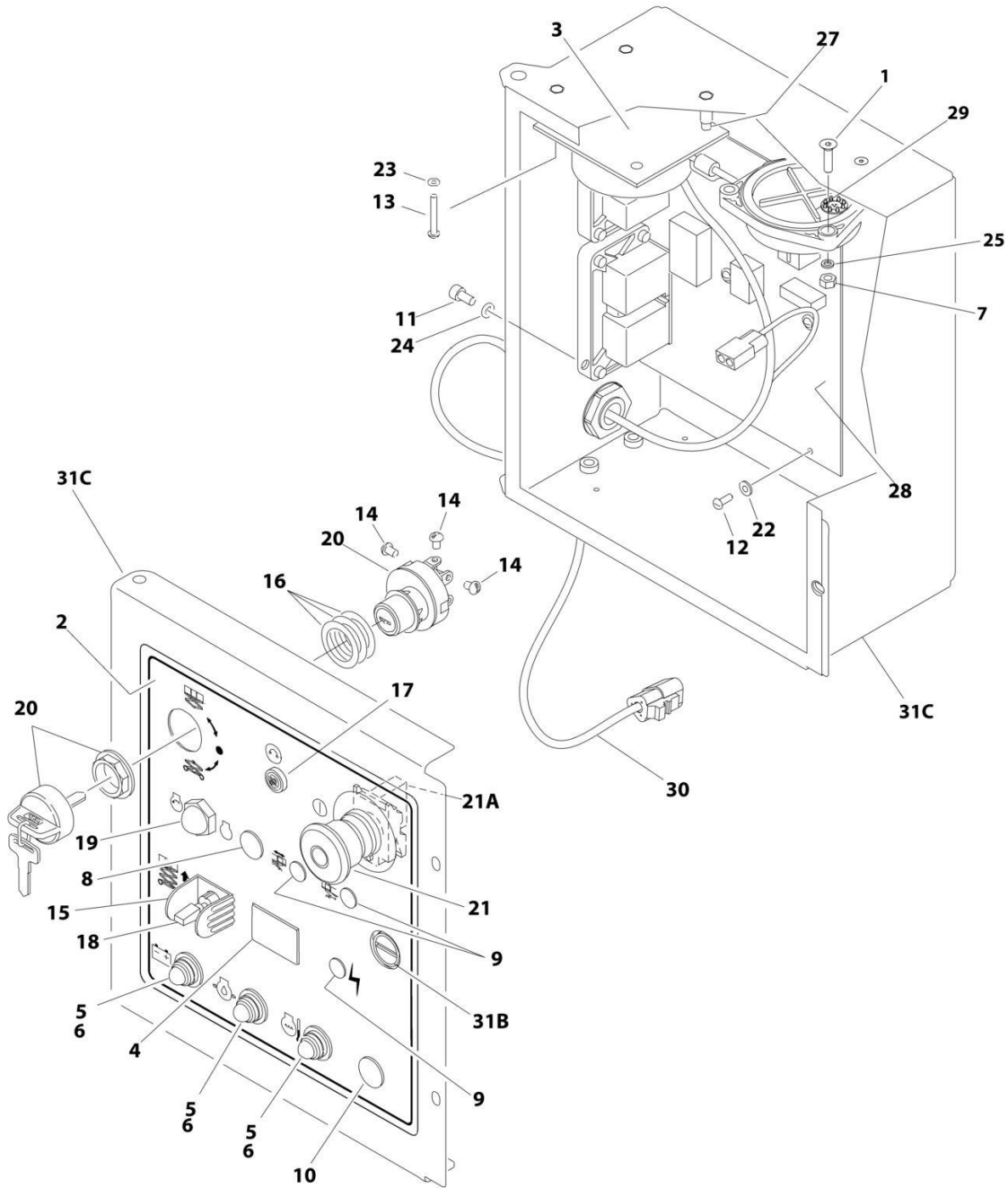
SECTION 2 - GROUND CONTROLS

FIGURE 2-31. GROUND CONTROL BOX ASSEMBLY - GM ENGINE WITHOUT LOW TEMPERATURE CUTOUT

ITEM	PART NUMBER	QTY	DESCRIPTION	REV
		Ref	Note: For machines with ground control box with cover refer to SPECIAL OPTIONS SECTION.	
	0271812	Ref	GROUND CONTROL BOX ASSEMBLY - GM ENGINE WITHOUT LOW TEMPERATURE CUTOUT	AD
1	1001135570	1	Module, Control (Note: Re-calibration Required when Replaced)	
2		Ref	Box Assembly Options:	
2A	0861508	1	Box Assembly (Not Shown) (SN 0200239053 through 0200246032)	
2B	7023212	1	Latch (0861508 Box)	
2C	1001177617	1	Box Assembly (See BOX COMPONENTS for Breakdown) (SN 0200246033 to Present)	
3	2420172	1	Hourmeter	
4	2920026	3	Holder, Lamp	
5	2920029	3	Bulb, Light	
6	1705688	1	Nameplate/Decal	
7	3520026	1	Plug, Hole	
8	3520028	3	Plug, Hole	
9	3900300	8	Screw	
10	3910606	4	Screw #6 x 3/8	
11	3910616	4	Screw #6 x 1	
12	3910804	3	Screw #8 x 1/4	
13	4060802	1	Guard, Switch	
14	4070987	1	Shim .015	
15	4360070	1	Breaker, Circuit 15Amp	
16	4360328	1	Switch, Toggle	
17	4360387	1	Switch, Push Button	
18	4360469	1	Keyswitch	
18	2860030	1	Key, Replacement	
19	4360475	1	Switch, Push-Pull Emergency Stop	
19	7020175	1	Cap	
19A	7020176	1	Block, Contact	
20	1810140	1	Switch, Dual Axis	
20	4460321	1	Plug, Male - 4 Position	
20	4460267	4	Pin, Male	
21	4750600	4	Washer #6	
22	4760600	4	Washer #6	
23	4761000	8	Washer #10	
25	4922667	1	Ground Control Box Harness (Not Shown - See ELECTRICAL SECTION for Breakdown)	
27	3520193	1	Plug 7/8	
28	1001102512	4	Washer, Spacer	

SECTION 2 - GROUND CONTROLS

FIGURE 2-32. GROUND CONTROL BOX ASSEMBLY - GM ENGINE WITH LOW TEMPERATURE CUTOUT



ART_1001164188

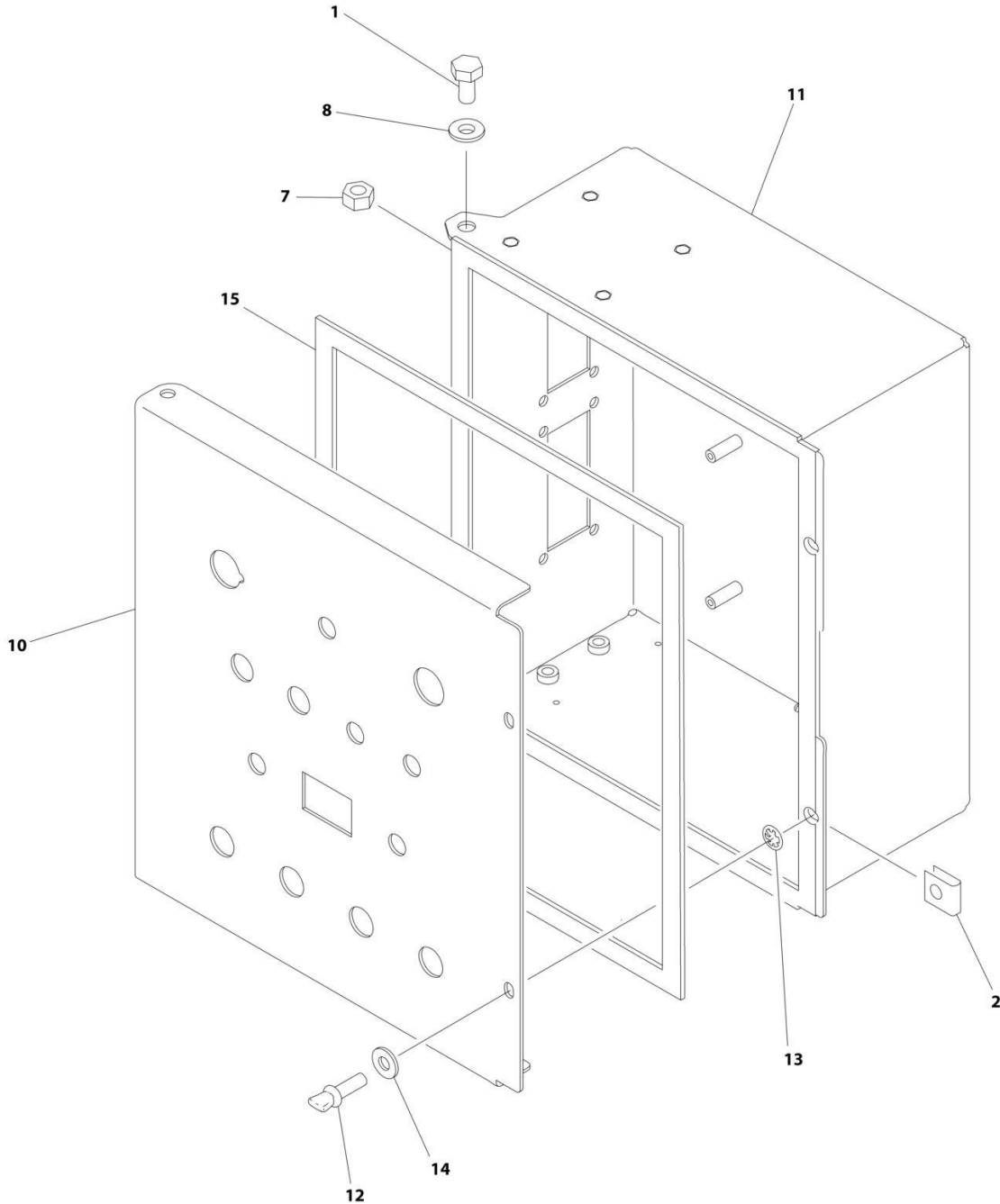
SECTION 2 - GROUND CONTROLS

FIGURE 2-32. GROUND CONTROL BOX ASSEMBLY - GM ENGINE WITH LOW TEMPERATURE CUTOUT

ITEM	PART NUMBER	QTY	DESCRIPTION	REV
		Ref	Note: For machines with ground control box with cover refer to SPECIAL OPTIONS SECTION.	
	1001164188	Ref	GROUND CONTROL BOX ASSEMBLY - GM ENGINE WITH LOW TEMPERATURE CUTOUT	D
1	0741408	3	Screw 1/4 x 1	
2	1705688	1	Decal - Nameplate	
3	1810140	1	Switch, Dual Axis	
3	4460321	1	Plug, Male - 4 Position	
3	4460267	4	Pin, Male	
4	2420172	1	Hourmeter	
5	2920026	3	Holder, Lamp	
6	2920029	3	Bulb, Light	
7	3271405	3	Nut 1/4	
8	3520026	1	Plug, Hole	
9	3520028	3	Plug, Hole	
10	3520193	1	Plug 7/8	
11	3900300	8	Screw	
12	3910606	4	Screw #6 x 3/8	
13	3910616	4	Screw #6 x 1	
14	3910804	3	Screw #8 x 1/4	
15	4060802	1	Guard, Switch	
16	4070987	1	Shim .015	
17	4360070	1	Breaker, Circuit 15Amp	
18	4360328	1	Switch, Toggle	
19	4360387	1	Switch, Push Button	
20	4360469	1	Keyswitch	
20	2860030	1	Key, Replacement	
21	4360475	1	Switch, Push-Pull Emergency Stop	
21	7020175	1	Cap	
21A	7020176	1	Block, Contact	
22	4750600	4	Washer #6	
23	4760600	4	Washer #6	
24	4761000	8	Washer #10	
25	4761200	3	Washer #12	
26	4922667	1	Ground Control Box Harness (Not Shown - See ELECTRICAL SECTION for Breakdown)	
27	1001102512	4	Washer, Spacer	
28	1001135570	1	Module, Control (Note: Re-calibration Required when Replaced)	
29	1001163095	1	Sensor, Tilt	
30	1001164103	1	Harness, Temperature Sensor (See ELECTRICAL SECTION for Breakdown)	
31		Ref	Box Assembly Options:	
31A	1001164187	1	Box Assembly (Not Shown) (SN 0200239053 through 0200246032)	
31B	7023212	1	Latch (1001164187 Box)	
31C	1001187559	1	Box Assembly (See BOX COMPONENTS for Breakdown) (SN 0200246033 to Present)	

SECTION 2 - GROUND CONTROLS

FIGURE 2-33. GROUND CONTROL BOX COMPONENTS - WITHOUT LOW TEMPERATURE CUTOUT
(SN 0200246033 to Present)



ART_1001177617

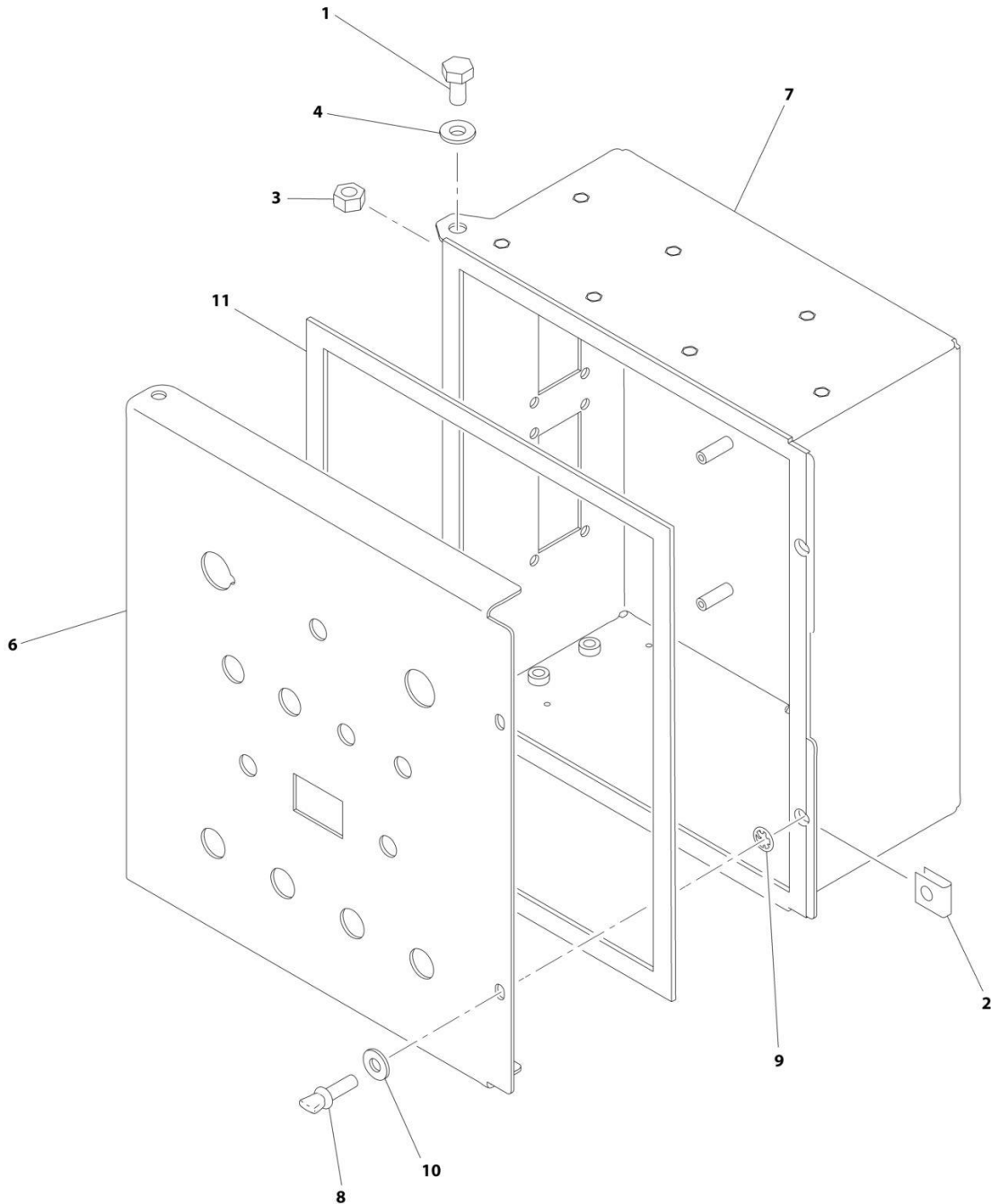
SECTION 2 - GROUND CONTROLS

**FIGURE 2-33. GROUND CONTROL BOX COMPONENTS - WITHOUT LOW TEMPERATURE CUTOUT
(SN 0200246033 to Present)**

ITEM	PART NUMBER	QTY	DESCRIPTION	REV
	1001177617	Ref	GROUND CONTROL BOX COMPONENTS - WITHOUT LOW TEMPERATURE CUTOUT (SN 0200246033 to Present)	G
1	0641404	2	Bolt 1/4 x 1/2	
2	3300353	2	Nut, Tinnerman	
7	3311405	2	Nut 1/4	
8	4740518	2	Washer	
10	1001177618	1	Lid	
11	See Note	NSS	Box (Note: Use p/n 1001177617)	
12	1001103308	2	Screw 1/4 x 3/4	
13	1001188874	2	Nut, Push	
14	4711400	2	Washer 1/4	
15	1001165734	44 in/1.1m	Seal (SN 0200250829 to Present)	

SECTION 2 - GROUND CONTROLS

FIGURE 2-34. GROUND CONTROL BOX COMPONENTS - WITH LOW TEMPERATURE CUTOUT (SN 0200246033 to Present)



ART_1001187559

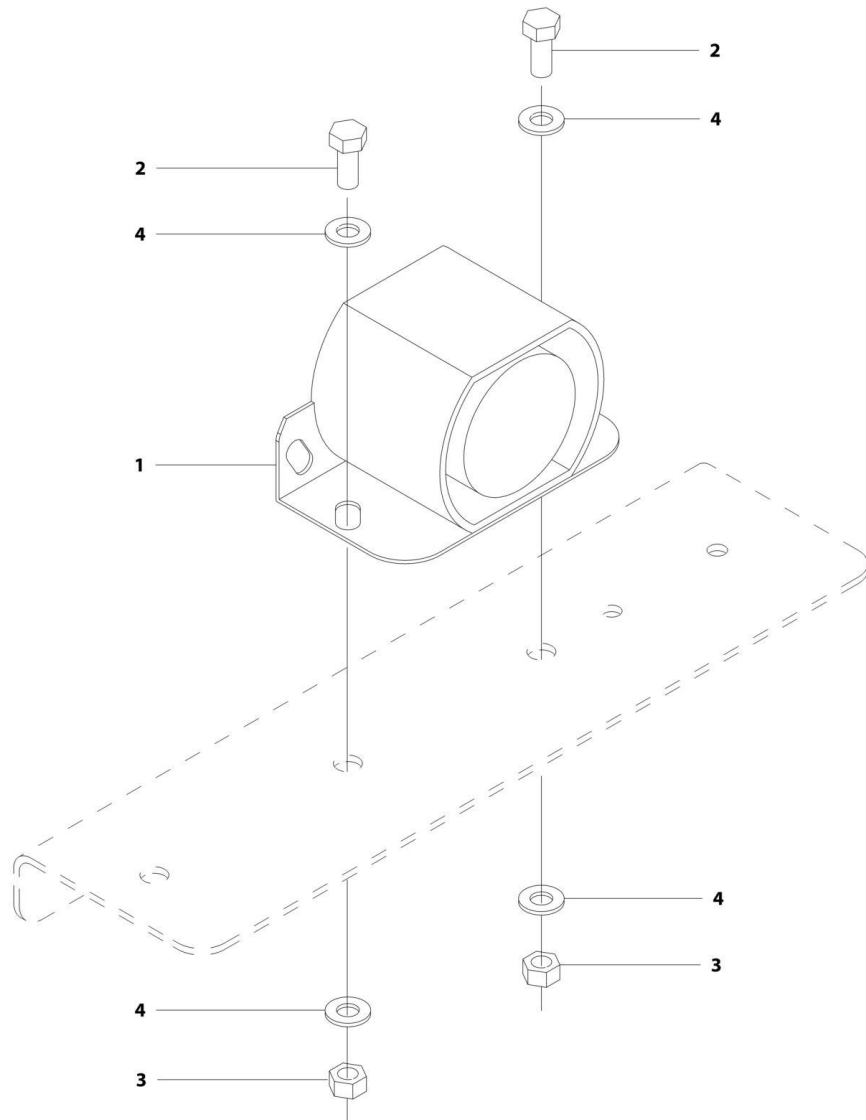
SECTION 2 - GROUND CONTROLS

FIGURE 2-34. GROUND CONTROL BOX COMPONENTS - WITH LOW TEMPERATURE CUTOUT (SN 0200246033 to Present)

ITEM	PART NUMBER	QTY	DESCRIPTION	REV
	1001187559	Ref	GROUND CONTROL BOX COMPONENTS - WITH LOW TEMPERATURE CUTOUT (SN 0200246033 to Present)	B
1	0641404	2	Bolt 1/4 x 1/2	
2	3300353	2	Nut, Tinnerman	
3	3311405	2	Nut 1/4	
4	4740518	2	Washer	
6	1001177618	1	Lid	
7	See Note	NSS	Box (Note: Use p/n 1001187559)	
8	1001103308	2	Screw 1/4 x 3/4	
9	1001188874	2	Nut, Push	
10	4711400	2	Washer 1/4	
11	1001165734	44 in/1.1m	Seal (SN 0200250829 to Present)	

SECTION 2 - GROUND CONTROLS

FIGURE 2-35. HORN INSTALLATION



ART_0273969

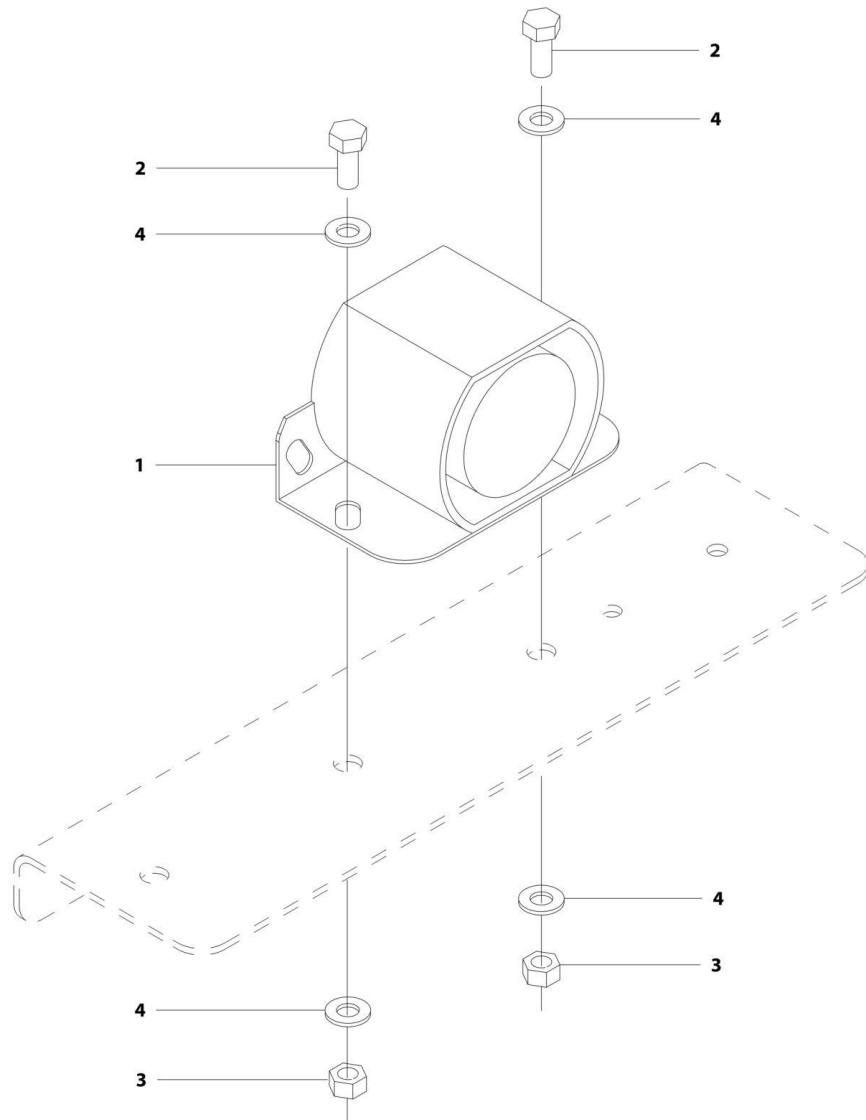
SECTION 2 - GROUND CONTROLS

FIGURE 2-35. HORN INSTALLATION

ITEM	PART NUMBER	QTY	DESCRIPTION	REV
	0273969	Ref	HORN INSTALLATION	B
1	0140032	1	Alarm	
2	0641506	2	Bolt 5/16 x 3/4	
3	3311505	2	Nut 5/16	
4	4711500	4	Washer 5/16	

SECTION 2 - GROUND CONTROLS

FIGURE 2-36. MOTION ALARM INSTALLATION



ART_0271781

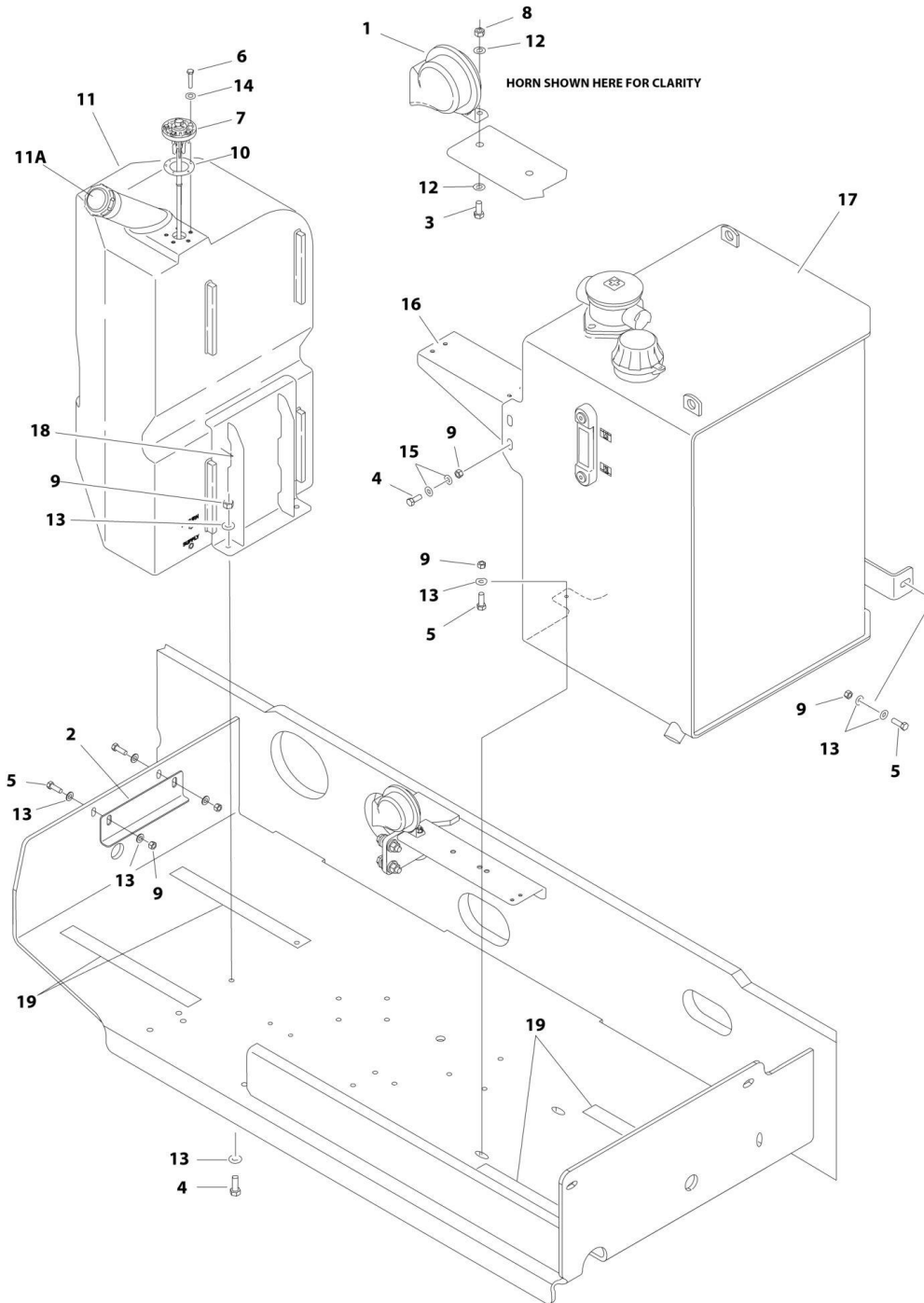
SECTION 2 - GROUND CONTROLS

FIGURE 2-36. MOTION ALARM INSTALLATION

ITEM	PART NUMBER	QTY	DESCRIPTION	REV
	0271781	Ref	MOTION ALARM INSTALLATION	C
1	0140032	1	Alarm	
2	0641506	2	Bolt 5/16 x 3/4	
3	3311505	2	Nut 5/16	
4	4711500	4	Washer 5/16	

SECTION 2 - GROUND CONTROLS

FIGURE 2-37. TANKS INSTALLATION - DIESEL ENGINE MACHINES



ART_1001164722

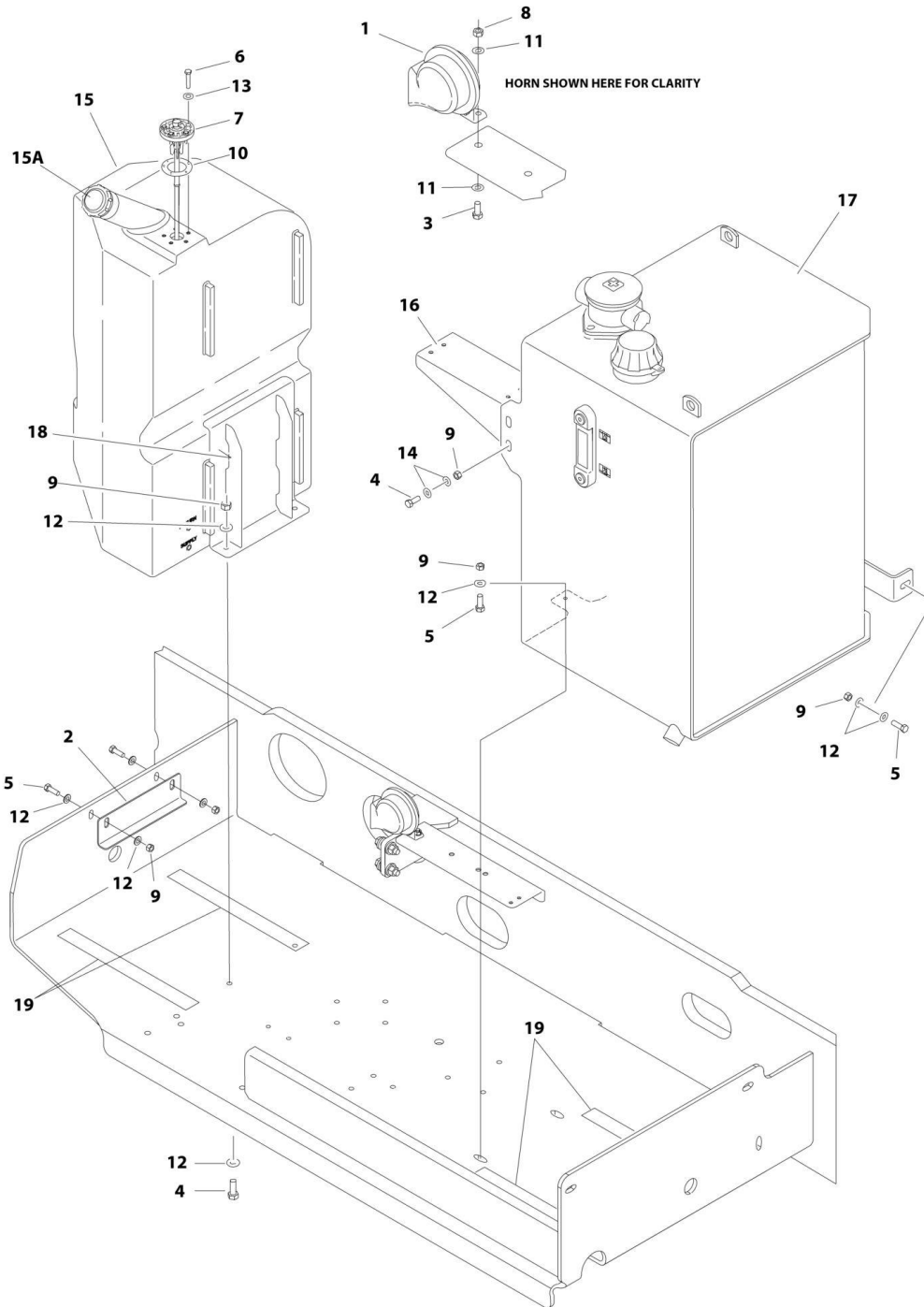
SECTION 2 - GROUND CONTROLS

FIGURE 2-37. TANKS INSTALLATION - DIESEL ENGINE MACHINES

ITEM	PART NUMBER	QTY	DESCRIPTION	REV
	1001164722	Ref	TANKS INSTALLATION - DIESEL ENGINE MACHINES	B
1	0140001	1	Horn	
2	0182033	1	Bracket, Hydraulic Tank Mounting	
3	0641506	1	Bolt 5/16 x 3/4	
4	0641608	6	Bolt 3/8 x 1	
5	0641609	5	Bolt 3/8 x 1-1/8	
6	0731008	5	Screw #10 x 1	
7	2420199	1	Gauge, Fuel Level	
8	3311505	1	Nut 5/16	
9	3311605	11	Nut 3/8	
10	3960525	1	Seal, Gauge	
11	4400436	1	Tank, Fuel	
11A	1120361	1	Cap, Vented Non-Locking	
12	4711500	2	Washer 5/16	
13	4711600	14	Washer 3/8	
14	4751000	5	Washer #10	
15	4891600	8	Washer 3/8	
16	1001102766	1	Bracket, Ground Control Box Mount	
17	1001102823	1	Hydraulic Oil Tank Assembly (See HYDRAULIC OIL TANK ASSEMBLY for Breakdown)	
18	1001164534	1	Bracket, Fuel Tank	
19	4420037	4 ft/1.2m	Tape, Insulation	

SECTION 2 - GROUND CONTROLS

FIGURE 2-38. TANKS INSTALLATION - GAS ENGINE MACHINES



ART_1001166310

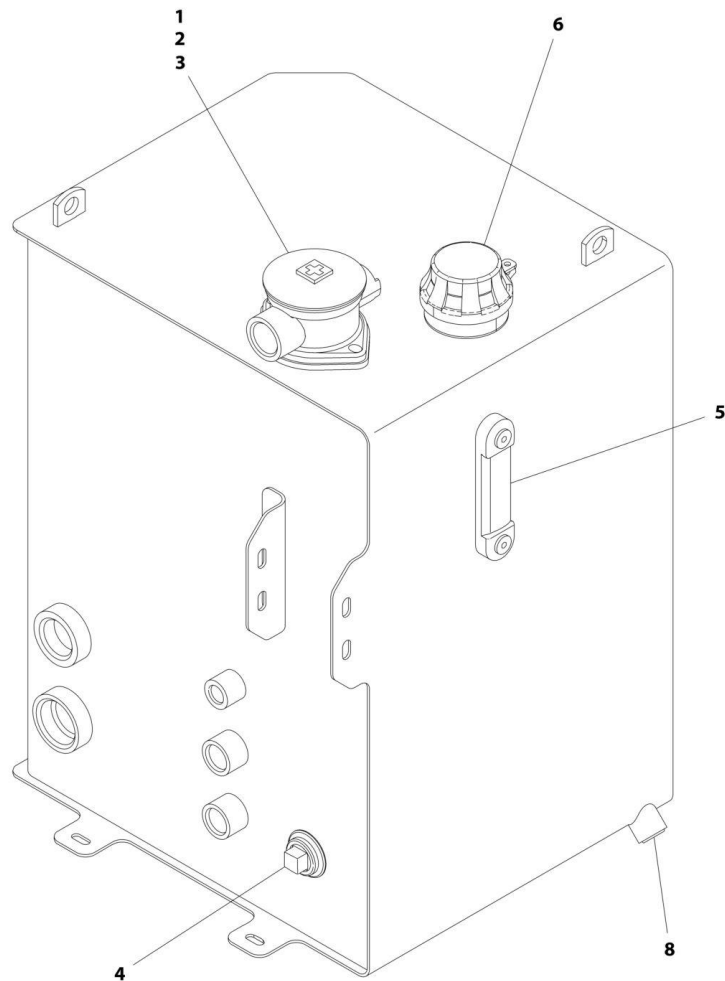
SECTION 2 - GROUND CONTROLS

FIGURE 2-38. TANKS INSTALLATION - GAS ENGINE MACHINES

ITEM	PART NUMBER	QTY	DESCRIPTION	REV
	1001166310	Ref	TANKS INSTALLATION - GAS ENGINE MACHINES	C
1	0140001	1	Horn	
2	0182033	1	Bracket, Hydraulic Tank Mounting	
3	0641506	1	Bolt 5/16 x 3/4	
4	0641608	6	Bolt 3/8 x 1	
5	0641609	5	Bolt 3/8 x 1-1/8	
6	0731008	5	Screw #10 x 1	
7	2420199	1	Gauge, Fuel Level	
8	3311505	1	Nut 5/16	
9	3311605	11	Nut 3/8	
10	3960525	1	Seal, Gauge	
11	4711500	2	Washer 5/16	
12	4711600	14	Washer 3/8	
13	4751000	5	Washer #10	
14	4891600	8	Washer 3/8	
15	1001091564	NLA	Tank, Fuel (Use p/n 1001160561) (SN 0200239053 through 0200241191)	
15	1001160561	1	Tank, Fuel (SN 0200241192 to Present)	
15A	70001103	NLA	Cap, Vented Non-Locking (Use p/n 1001211336)	
15A	1001211336	1	Cap, Vented Non-Locking	
16	1001102766	1	Bracket, Ground Control Box Mount	
17	1001102823	1	Hydraulic Oil Tank Assembly (See HYDRAULIC OIL TANK ASSEMBLY for Breakdown)	
18	1001164534	1	Bracket, Fuel Tank	
19	4420037	4 ft/1.2m	Tape, Insulation	

SECTION 2 - GROUND CONTROLS

FIGURE 2-39. HYDRAULIC OIL TANK ASSEMBLY



ART_1001102823

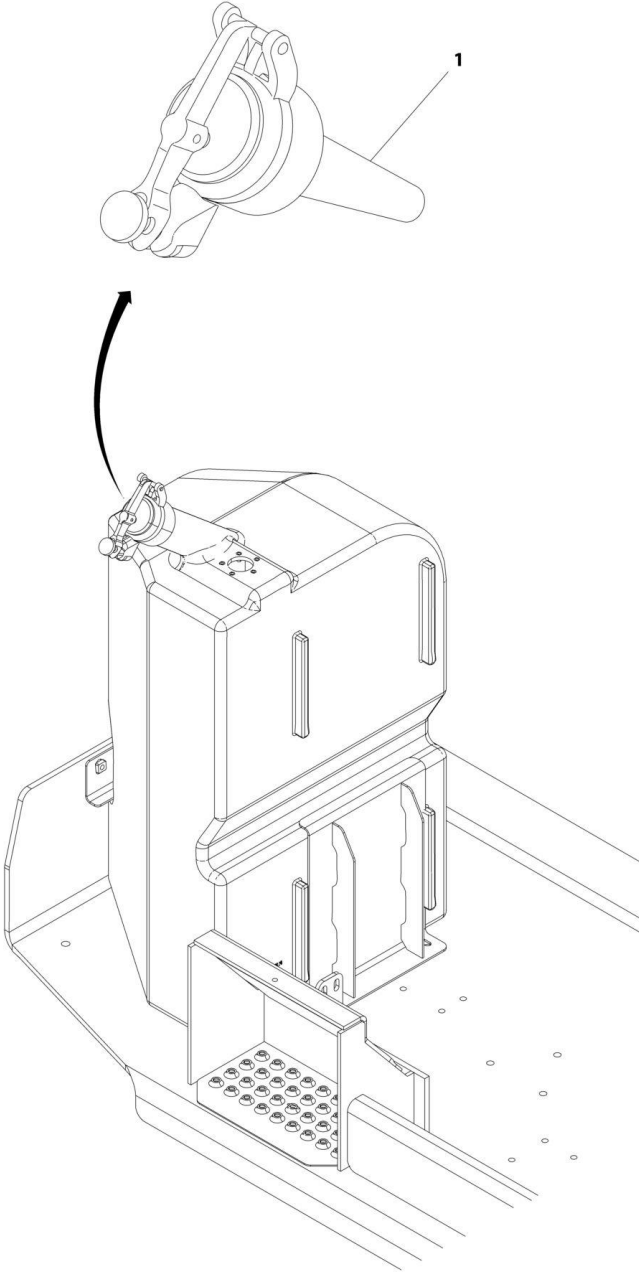
SECTION 2 - GROUND CONTROLS

FIGURE 2-39. HYDRAULIC OIL TANK ASSEMBLY

ITEM	PART NUMBER	QTY	DESCRIPTION	REV
	1001102823	Ref	HYDRAULIC TANK ASSEMBLY	C
1	70001959	1	Filter, Return	
1	70001960	1	Element, Filter	
1	70002768	1	Spring, Return Filter Assembly	
2	7023306	1	Seal Between Filter Cover and Head	
3	7023347	1	Gasket Between Tank and Filter Flange	
4	7024446	1	Plug, Magnetic 1in NPT	
5	7024441	1	Gauge, Fluid Level	
6	70002113	1	Breather/Fill Cap	
7	See Note	NSS	Strainer (Note: Not a serviceable item per vendor)	
8	70002112	1	Plug, Magnetic	

SECTION 2 - GROUND CONTROLS

FIGURE 2-40. FUEL CAP INSTALLATION - LOCKABLE - DIESEL MACHINES (OPTIONAL)



ART_0271775

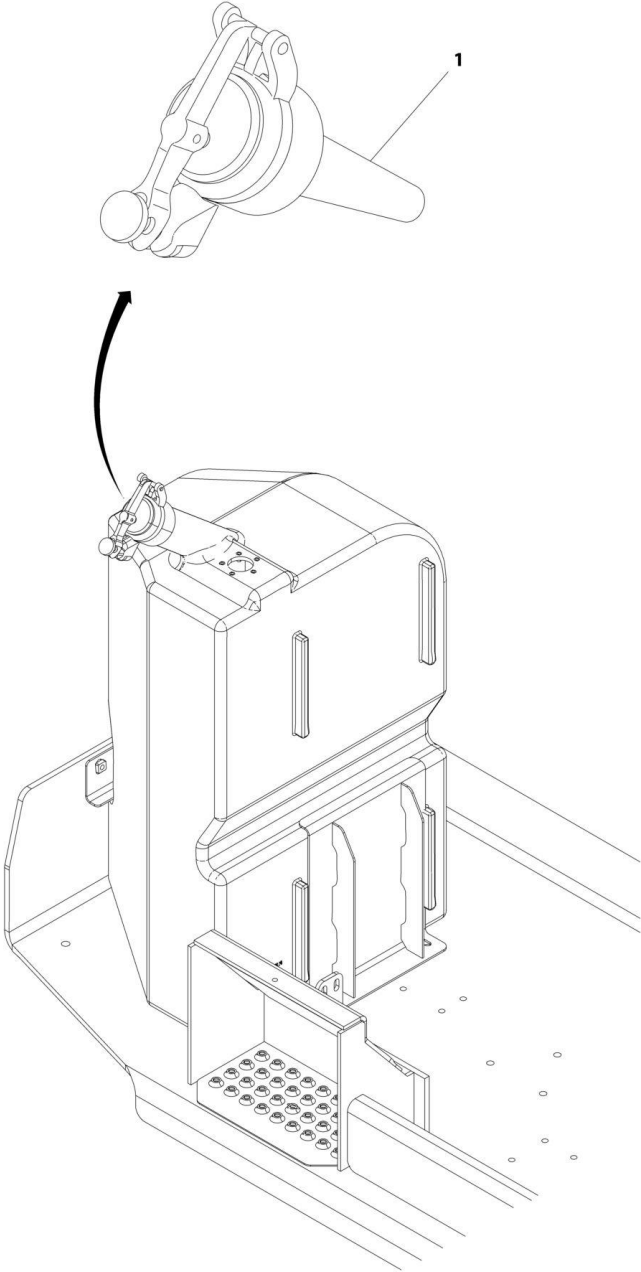
SECTION 2 - GROUND CONTROLS

FIGURE 2-40. FUEL CAP INSTALLATION - LOCKABLE - DIESEL MACHINES (OPTIONAL)

ITEM	PART NUMBER	QTY	DESCRIPTION	REV
	0271775	Ref	FUEL CAP INSTALLATION - LOCKABLE - DIESEL MACHINES (OPTIONAL)	B
1	1120558	1	Cap, Lockable (Blue) (Lock not included)	
1		Ref	Note: For Standard Cap, Refer to TANKS INSTALLATION.	

SECTION 2 - GROUND CONTROLS

FIGURE 2-41. FUEL CAP INSTALLATION - LOCKABLE - GAS MACHINES (OPTIONAL)



ART_0271774

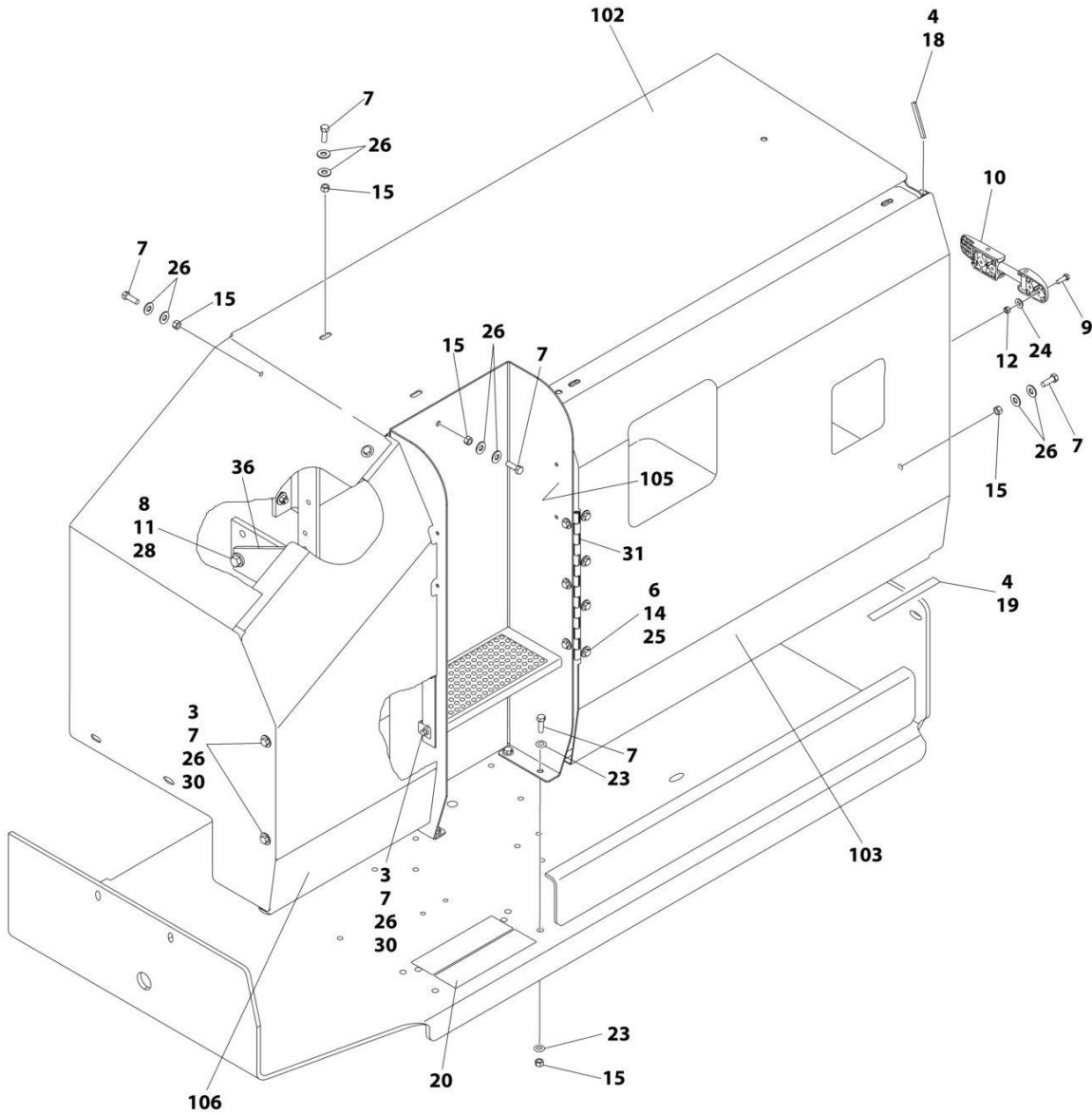
SECTION 2 - GROUND CONTROLS

FIGURE 2-41. FUEL CAP INSTALLATION - LOCKABLE - GAS MACHINES (OPTIONAL)

ITEM	PART NUMBER	QTY	DESCRIPTION	REV
	0271774	Ref	FUEL CAP INSTALLATION - LOCKABLE - GAS MACHINES (OPTIONAL)	B
1	1120485	1	Cap, Lockable (Red) (Lock not included)	
1		Ref	Note: For Standard Cap, Refer to TANKS INSTALLATION.	

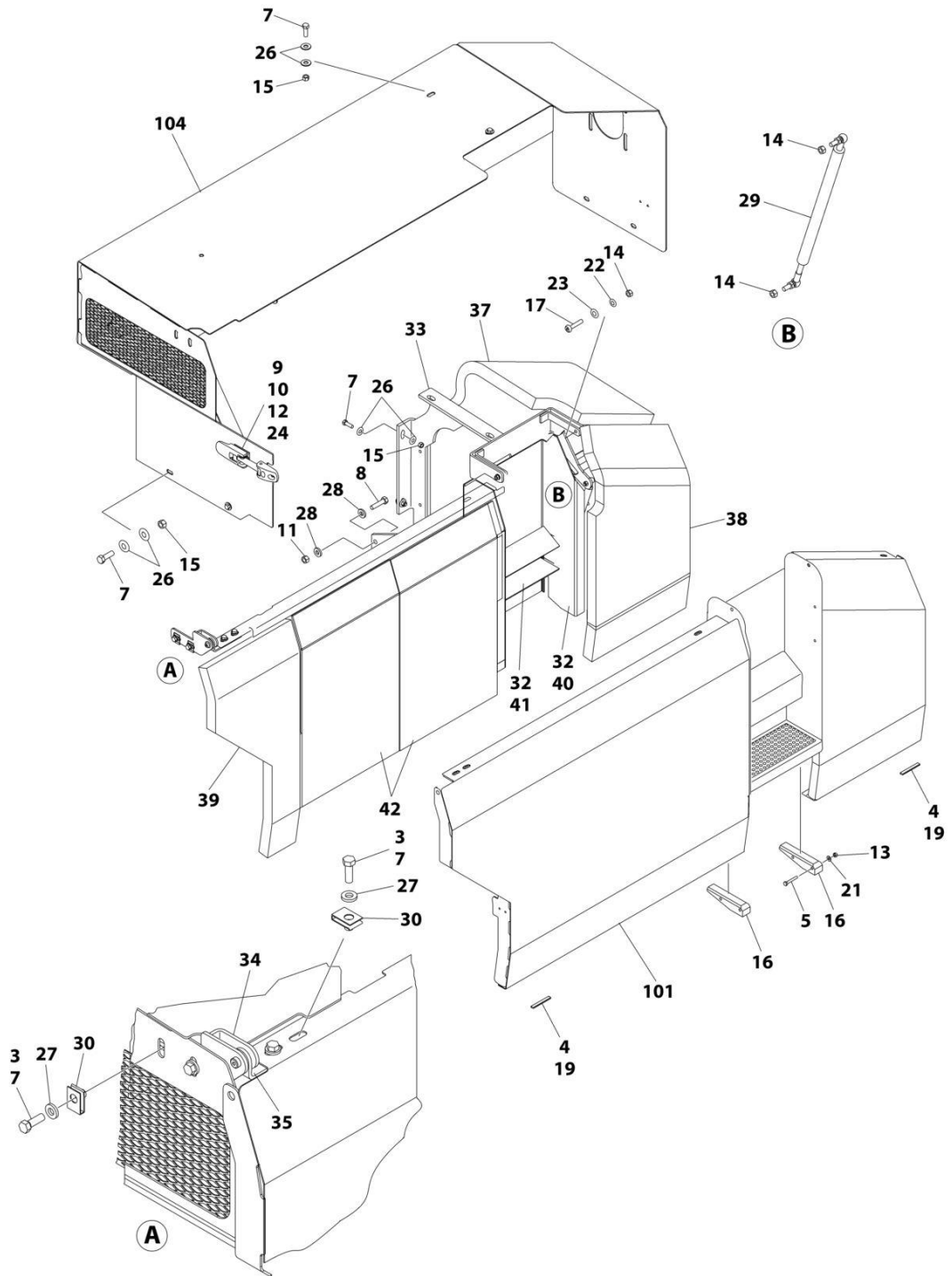
SECTION 2 - GROUND CONTROLS

FIGURE 2-42. HOODS AND COVERS INSTALLATION - DEUTZ D2011 AND GM ENGINE MACHINES (3394RT,4394RT)



ART_1001166503_10F2

SECTION 2 - GROUND CONTROLS



ART_1001166503_20F2

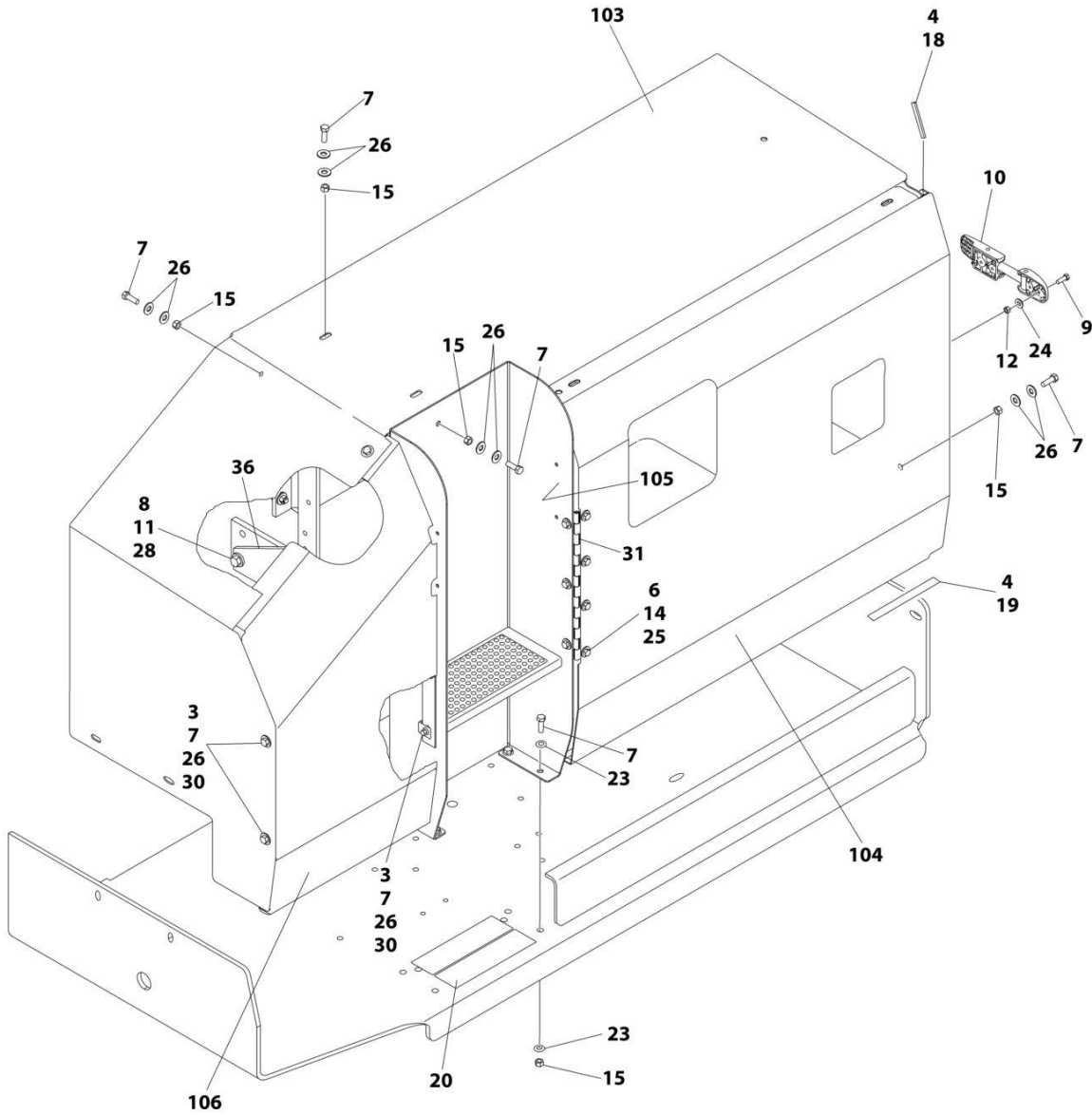
SECTION 2 - GROUND CONTROLS

FIGURE 2-42. HOODS AND COVERS INSTALLATION - DEUTZ D2011 AND GM ENGINE MACHINES (3394RT,4394RT)

ITEM	PART NUMBER	QTY	DESCRIPTION	REV
	1001166503	Ref	HOODS AND COVERS INSTALLATION - DEUTZ D2011 AND GM ENGINE MACHINES	C
3	0100011	AR	Compound Locking	
4	0100081	AR	Adhesive	
5	0641414	4	Bolt 1/4 x 1-3/4	
6	0641506	7	Bolt 5/16 x 3/4	
7	0641609	28	Bolt 3/8 x 1-1/8	
8	0681816	6	Bolt 1/2 x 2	
9	0721004	12	Bolt #10 x 1/2	
10	2940109	3	Latch	
11	3271805	6	Nut 1/2	
12	3311005	12	Nut #10	
13	3311405	4	Nut 1/4	
14	3311505	12	Nut 5/16	
15	3311605	19	Nut 3/8	
16	3340945	2	Pad, Slide	
17	3900290	3	Screw 3/8 x 1	
18	4060803	6 in/ 15cm	Flex - Trim	
19	4060805	1 ft/ .3m	Flex - Trim	
20	4420080	2	Tape, Tread	
21	4711400	4	Washer 1/4	
22	4711500	3	Washer 5/16	
23	4711600	11	Washer 3/8	
24	4750800	12	Washer #8	
25	4751500	14	Washer 5/16	
26	4751600	35	Washer 3/8	
27	4891600	4	Washer 3/8	
28	4891800	12	Washer 1/2	
29	8702156	1	Spring, Gas	
30	88662523	9	Nut Tinnerman	
31	1001096148	1	Hinge	
32	1001117140	AR	Tape, Aluminized	
33	1001165372	1	Support	
34	1001165377	1	Bracket	
35	1001165384	1	Bracket	
36	1001166248	1	Bracket	
37	1001166423	1	Insulation	
38	1001166424	1	Insulation	
39	1001166425	1	Insulation	
40	1001175556	1	Heat Shield	
41	1001175557	2	Heat Shield	
42	1001190697	2	Heat Shield	
100	1001191228	Ref	Hood, Kit (Not Shown)	
101	1001165374	1	Door	
102	1001165375	1	Hood, Hydraulic Side	
103	1001165376	1	Door	
104	1001166168	1	Hood	
105	1001166245	1	Ladder	
106	1001166247	1	Door	

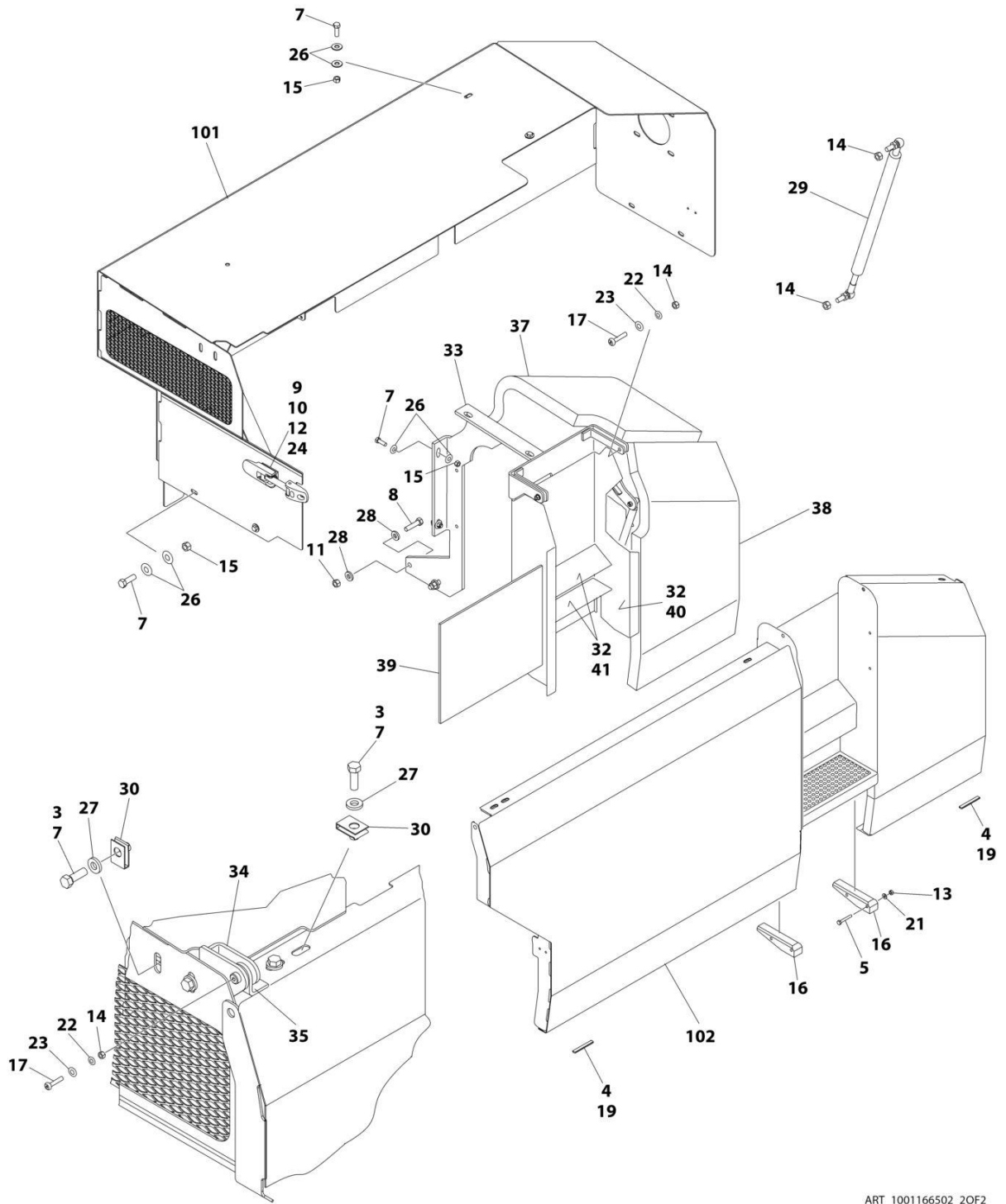
SECTION 2 - GROUND CONTROLS

FIGURE 2-43. HOODS AND COVERS INSTALLATION - DEUTZ D2.9L4 ENGINE MACHINES
(3394RT,4394RT)



ART_1001166502_10F2

SECTION 2 - GROUND CONTROLS



ART_1001166502_2OF2

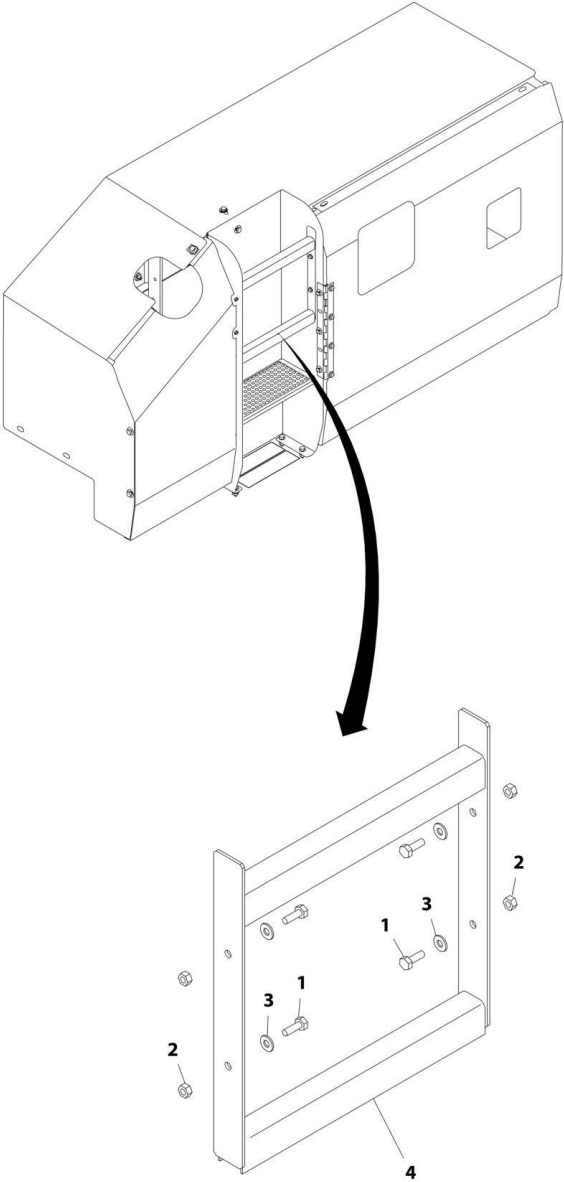
SECTION 2 - GROUND CONTROLS

**FIGURE 2-43. HOODS AND COVERS INSTALLATION - DEUTZ D2.9L4 ENGINE MACHINES
(3394RT,4394RT)**

ITEM	PART NUMBER	QTY	DESCRIPTION	REV
	1001166502	Ref	HOODS AND COVERS INSTALLATION - DEUTZ D2.9L4 ENGINE MACHINES	C
3	0100011	AR	Compound Locking	
4	0100081	AR	Adhesive	
5	0641414	4	Bolt 1/4 x 1-3/4	
6	0641506	7	Bolt 5/16 x 3/4	
7	0641609	28	Bolt 3/8 x 1-1/8	
8	0681816	6	Bolt 1/2 x 2	
9	0721004	12	Bolt #10 x 1/2	
10	2940109	3	Latch	
11	3271805	6	Nut 1/2	
12	3311005	12	Nut #10	
13	3311405	4	Nut 1/4	
14	3311505	12	Nut 5/16	
15	3311605	19	Nut 3/8	
16	3340945	2	Pad, Slide	
17	3900290	3	Screw 3/8 x 1	
18	4060803	6 in/ 15cm	Flex - Trim	
19	4060805	1 ft/ .3m	Flex - Trim	
20	4420080	2	Tape, Tread	
21	4711400	4	Washer 1/4	
22	4711500	3	Washer 5/16	
23	4711600	11	Washer 3/8	
24	4750800	12	Washer #8	
25	4751500	14	Washer 5/16	
26	4751600	35	Washer 3/8	
27	4891600	4	Washer 3/8	
28	4891800	12	Washer 1/2	
29	8702156	1	Spring, Gas	
30	88662523	9	Nut Tinnerman	
31	1001096148	1	Hinge	
32	1001117140	AR	Tape, Aluminized	
33	1001165372	1	Support	
34	1001165377	1	Bracket	
35	1001165384	1	Bracket	
36	1001166248	1	Bracket	
37	1001166423	1	Insulation	
38	1001166424	1	Insulation	
39	1001166426	1	Heat Shield	
40	1001175556	1	Heat Shield	
41	1001175557	2	Heat Shield	
100	1001191227	Ref	Hood, Kit (Not Shown)	
101	1001165373	1	Hood, Engine Side	
102	1001165374	1	Door	
103	1001165375	1	Hood, Hydraulic Side	
104	1001165376	1	Door	
105	1001166245	1	Ladder	
106	1001166247	1	Door	

SECTION 2 - GROUND CONTROLS

FIGURE 2-44. LADDER INSTALLATION (3394RT)



ART_1001171284

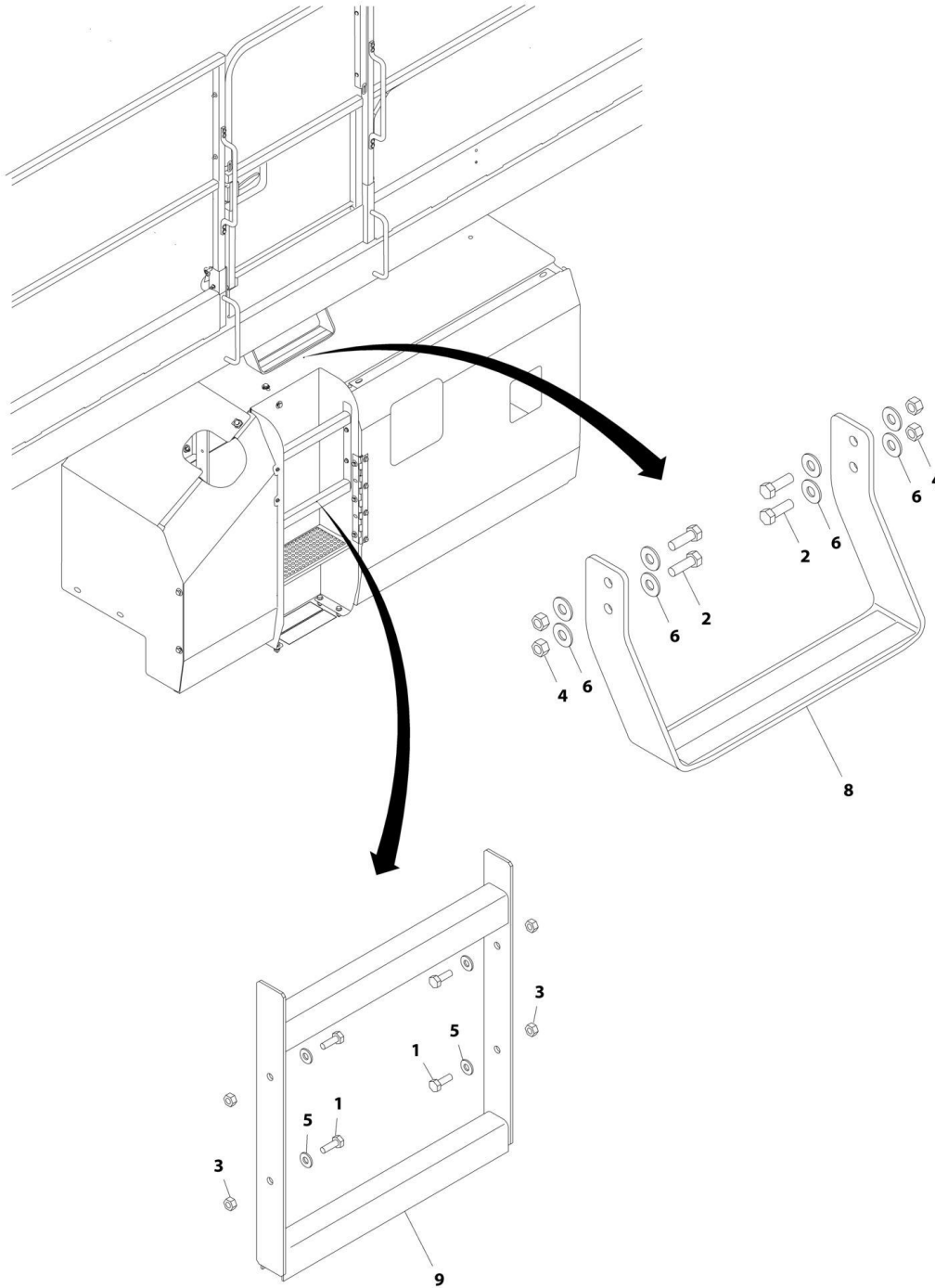
SECTION 2 - GROUND CONTROLS

FIGURE 2-44. LADDER INSTALLATION (3394RT)

ITEM	PART NUMBER	QTY	DESCRIPTION	REV
	1001171284	Ref	LADDER INSTALLATION	B
1	0641406	8	Bolt 1/4 x 3/4	
2	3311405	8	Nut 1/4	
3	4711400	16	Washer 1/4	
4	1001171267	2	Ladder	

SECTION 2 - GROUND CONTROLS

FIGURE 2-45. LADDER INSTALLATION (4394RT)



ART_1001166983

SECTION 2 - GROUND CONTROLS

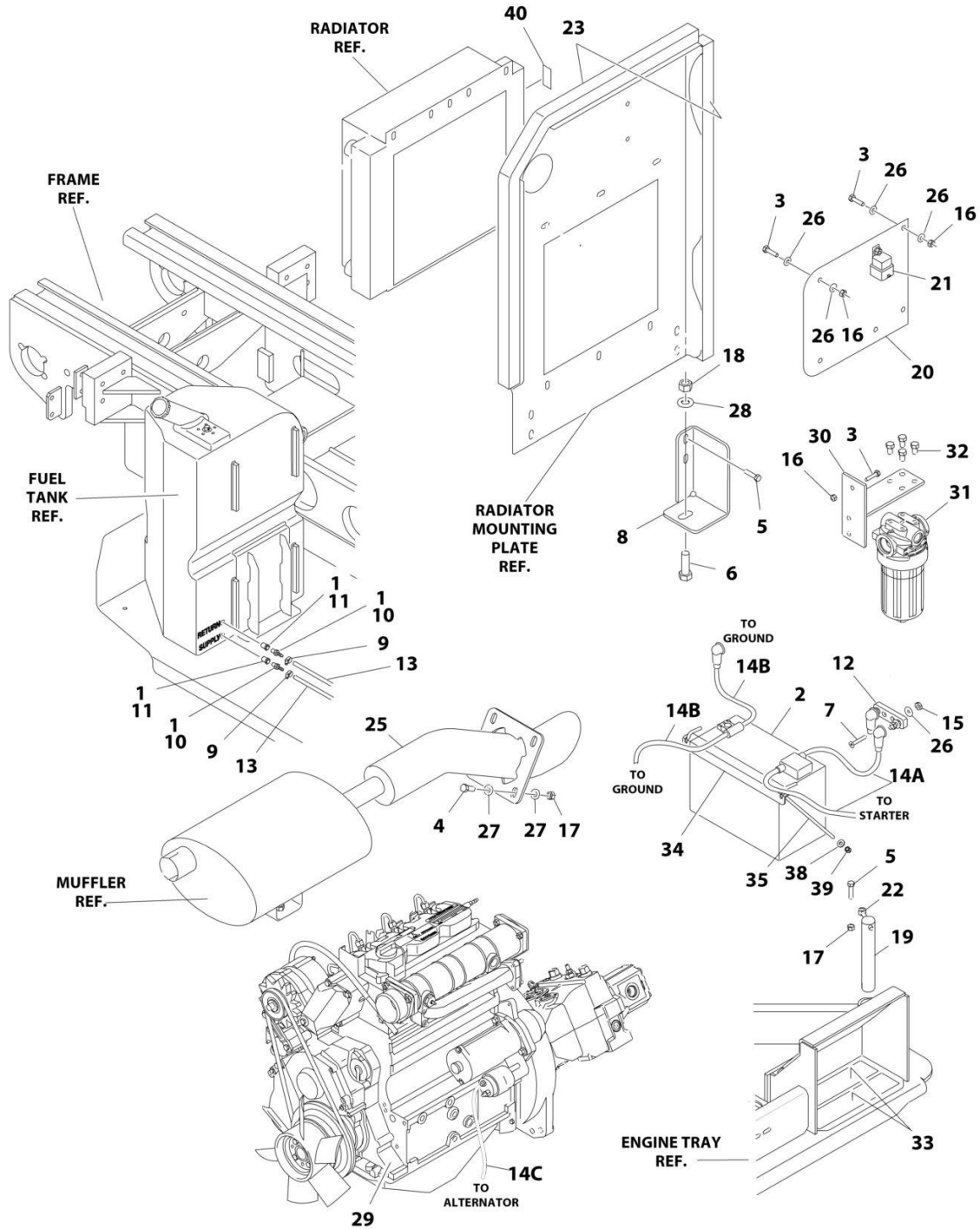
FIGURE 2-45. LADDER INSTALLATION (4394RT)

ITEM	PART NUMBER	QTY	DESCRIPTION	REV
	1001166983	Ref	LADDER INSTALLATION	E
1	0641406	8	Bolt 1/4 x 3/4	
2	0641609	8	Bolt 3/8 x 1-1/8	
3	3311405	8	Nut 1/4	
4	3311605	8	Nut 5/16	
5	4711400	8	Washer 1/4	
6	4751600	16	Washer 3/8	
8	1001092410	2	Ladder	
9	1001171266	2	Ladder	

SECTION 3 - ENGINE

SECTION 3 - ENGINE

FIGURE 3-1. ENGINE INSTALLATION - DEUTZ D2011 ENGINE



ART_1001166252

SECTION 3 - ENGINE

FIGURE 3-1. ENGINE INSTALLATION - DEUTZ D2011 ENGINE

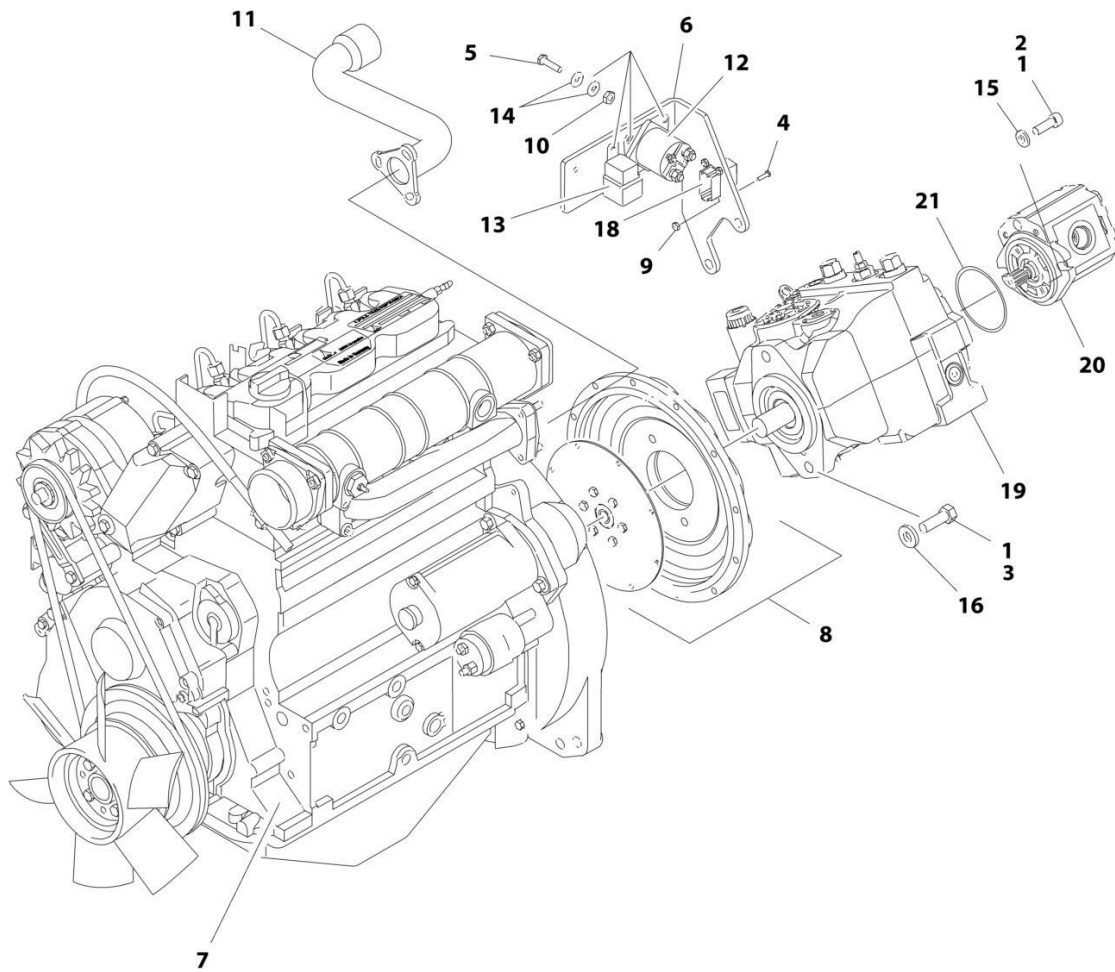
ITEM	PART NUMBER	QTY	DESCRIPTION	REV
	1001166252	Ref	ENGINE INSTALLATION - DEUTZ D2011 ENGINE	E
1	0100079	AR	Sealant, Pipe	
2	0400075	1	Battery	
3	0641408	9	Bolt 1/4 x 1	
4	0641608	4	Bolt 3/8 x 1	
5	0641612	3	Bolt 3/8 x 1-1/2	
6	0642016	1	Bolt 5/8 x 2	
7	0741010	2	Screw #10 x 1-1/4	
8	0902777	1	Bracket, Latch Mounting	
9	1320022	5	Clamp	
10	2180348	2	Fitting, Straight Barbed	
11	2220250	2	Fitting, Reducer	
12	2400044	1	Fuse, Mounting Block	
13	2720058	24 ft/7.3m	Hose	
14	2902132	1	Battery Cable Kit	C
14A	7024585	1	Cable, Battery (Red) (Battery + to Starter and Fuse Block) (Includes 3 Boots)	
14B	7024586	1	Cable, Battery (Black) (Battery to Ground and Fuse Block) (Includes 1 Boots)	
14C	7024587	1	Cable (Red) (Starter to Alternator)	
15	3300408	2	Nut	
16	3311405	9	Nut 1/4	
17	3311605	5	Nut 3/8	
18	3312005	1	Nut 5/8	
19	3422669	1	Pin (SN 0200239053 through 0200249090)	
19	3422582	1	Pin (SN 0200249091 to Present)	
20	3576003	1	Plate, EMR2 Mounting	
21	3740049	1	Relay	
22	3841143	1	Keeper, Pin	
23	3960468	2	Seal	
25	1001165702	1	Pipe, Exhaust	
26	4711400	14	Washer 1/4	
27	4711600	8	Washer 3/8	
28	4712000	1	Washer 5/8	
29	1001100775	1	Engine Assembly - Deutz D2011 (See ENGINE ASSEMBLY - DEUTZ D2011 for Breakdown)	
30	1001104356	1	Bracket, Filter	
31	1001102987	1	Charge Pump Filter Assembly	
31	70010383	1	Filter Element and O-Ring Kit	
32	0641605	4	Bolt 3/8 x 5/8	
33	4420080	2	Tape, Safety Tread Non-Skid Only	
34	91401281	1	Bracket, Battery Hold-down	
35	1001093382	2	Bolt, J-Bolt	
38	4751500	2	Washer 5/16	
39	88521205	1	Nut 5/16	
40	1704972	1	Decal - Warning Explosion/Fire (ANSI Export Spec)	
40	1706098	1	Decal - Warning Explosion/Fire (Australian and CE Specs)	
40	1706059	1	Decal - Warning Explosion/Fire (Brazil Spec - English/Portuguese)	
40	1706060	1	Decal - Warning Explosion/Fire (Chinese Spec - English/Chinese)	
40	1706061	1	Decal - Warning Explosion/Fire (Korean Spec - English/Korean)	

SECTION 3 - ENGINE

ITEM	PART NUMBER	QTY	DESCRIPTION	REV
40	1706063	1	Decal - Warning Explosion/Fire (Latin American - English/Spanish)	

SECTION 3 - ENGINE

FIGURE 3-2. ENGINE AND PUMP SUB-ASSEMBLY - DEUTZ D2011 ENGINE



ART_1001100775

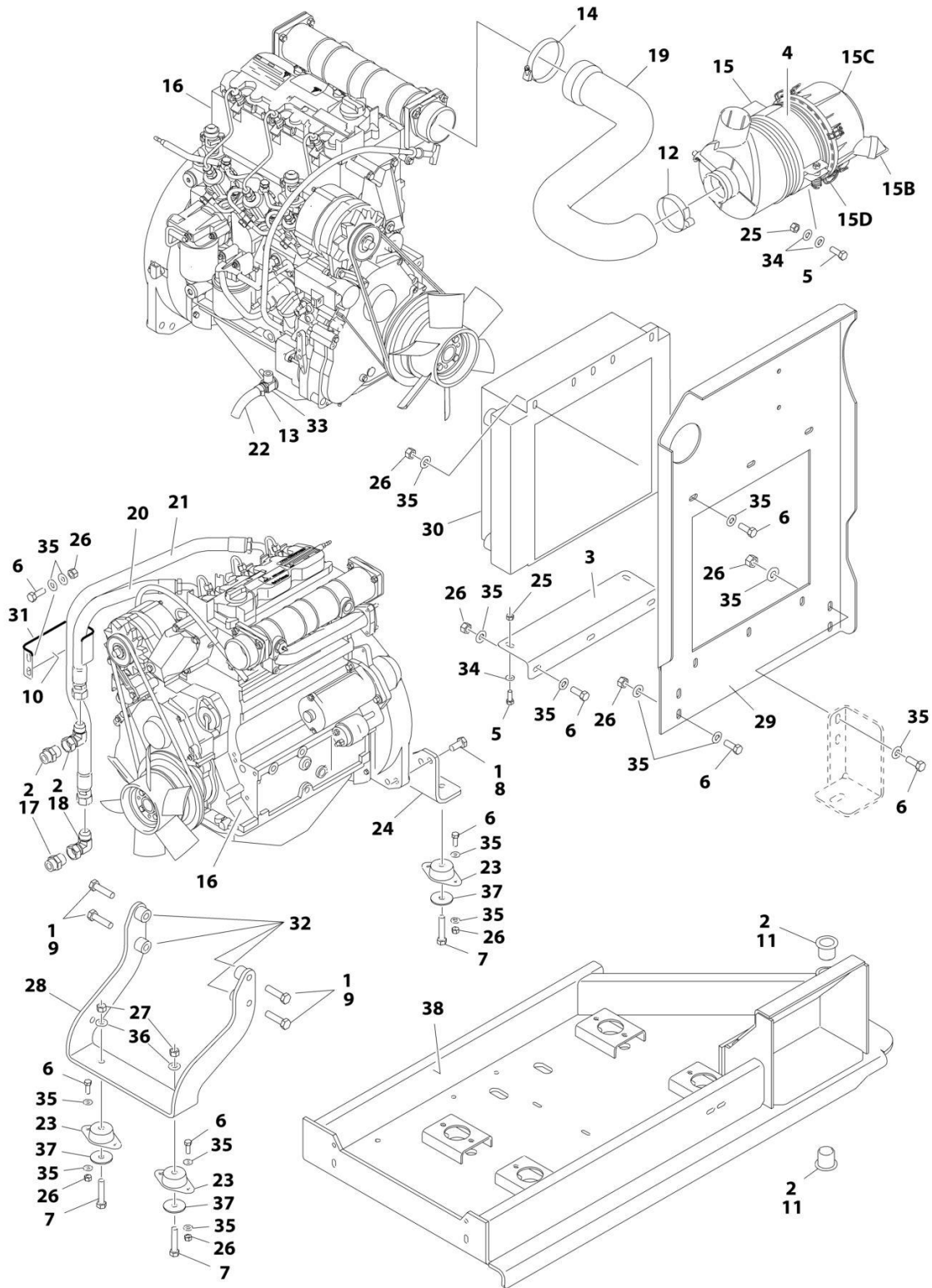
SECTION 3 - ENGINE

FIGURE 3-2. ENGINE AND PUMP SUB-ASSEMBLY - DEUTZ D2011 ENGINE

ITEM	PART NUMBER	QTY	DESCRIPTION	REV
	1001100775	Ref	ENGINE AND PUMP SUB-ASSEMBLY - DEUTZ D2011 ENGINE	N
1	0100011	AR	Compound, Locking	
2	83191040	2	Capscrew M10 x 30	
3	0641814	2	Bolt 1/2 x 1-3/4	
4	0720805	4	Screw #8 x 5/8	
5	0721006	3	Screw #10 x 3/4	
6	0902812	1	Bracket, Relay Mounting	
7	1001104763	1	Engine Assembly - Deutz D2011 Engine (See ENGINE ASSEMBLY - DEUTZ D2011 ENGINE for Breakdown)	
8	2902065	1	Pump Coupling Kit (See PUMP COUPLING KIT for Breakdown)	
9	3310805	4	Nut #8	
10	3311005	3	Nut #10	
11	3460335	1	Pipe, Exhaust	
12	3740067	1	Relay	
13	3740080	1	Relay	
14	4751000	6	Washer #10	
15	4891600	2	Washer 3/8	
16	4891800	2	Washer 1/2	
17	4923386	1	Harness, Deutz Engine (Not Shown - See ELECTRICAL SECTION for Breakdown)	
18	4923478	1	Harness, Deutz Glow Plug	
19	1001101331	1	Piston Pump Assembly (See PISTON PUMP ASSEMBLY for Breakdown)	
20	1001101699	1	Gear Pump Assembly	
20	70002210	1	Seal Kit - 1001101699 Pump (Note: Seal Kit is only service component available.)	
21	3790152	1	O-Ring	

SECTION 3 - ENGINE

FIGURE 3-3. ENGINE ASSEMBLY - DEUTZ D2011 ENGINE



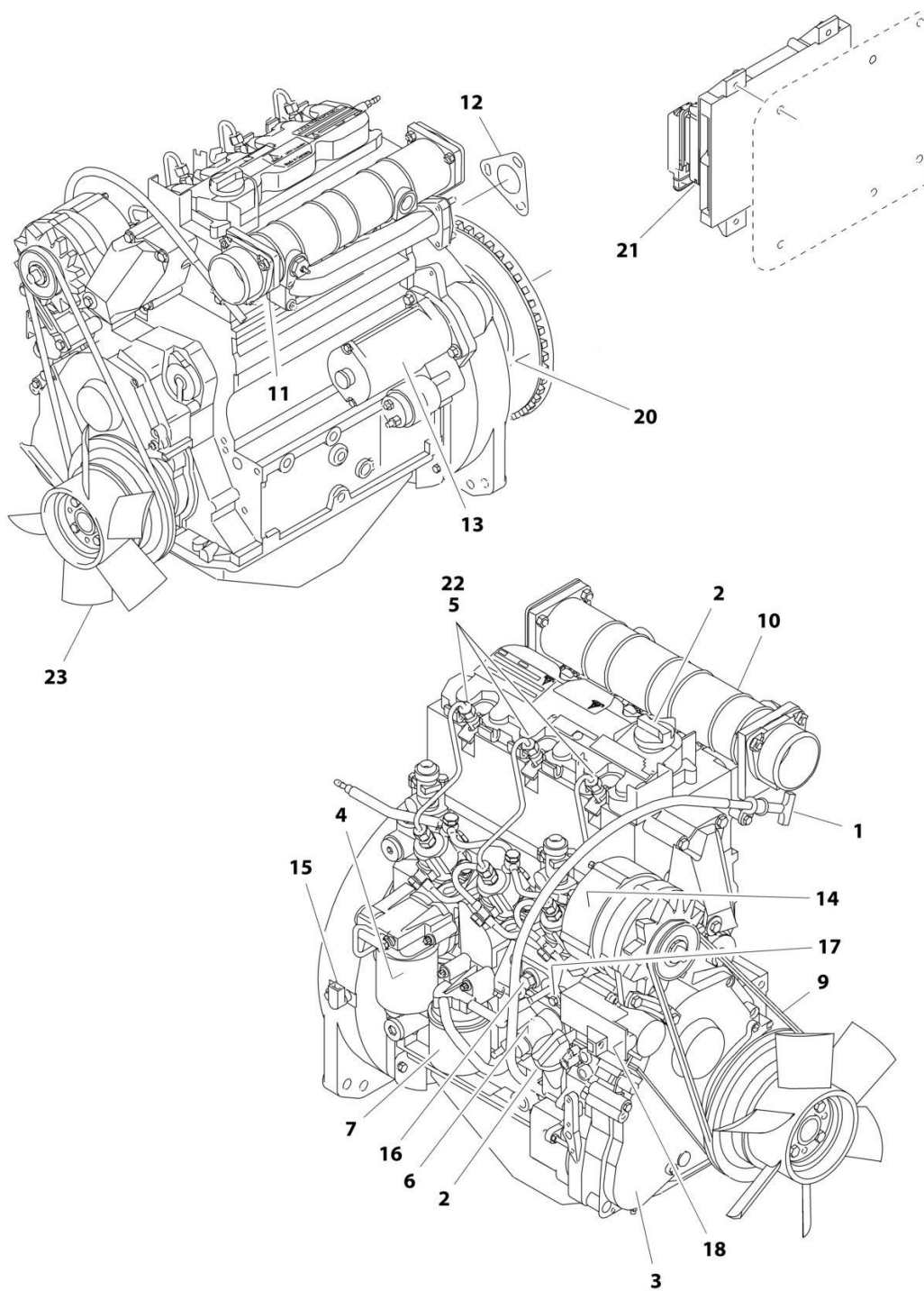
SECTION 3 - ENGINE

FIGURE 3-3. ENGINE ASSEMBLY - DEUTZ D2011 ENGINE

ITEM	PART NUMBER	QTY	DESCRIPTION	REV
	1001104763	Ref	ENGINE ASSEMBLY - DEUTZ D2011 ENGINE	J
1	0100011	AR	Compound, Locking	
2	0100062	AR	Compound, Locking	
3	0182029	1	Angle, Support	
4	0340052	1	Band, Air Cleaner Mounting	
5	0641507	4	Bolt 5/16 x 7/8	
6	0641608	18	Bolt 3/8 x 1	
7	0641820	4	Bolt 1/2 x 2-1/2	
8	0701414	4	Bolt M14 x 30	
9	0701419	4	Bolt M14 x 55	
10	0902786	1	Bracket, Hose Guide	
11	0961986	2	Bushing, Flanged	
12	1320016	1	Clamp	
13	1320022	1	Clamp, Hose	
14	1320058	1	Clamp	
15	1340066	1	Air Cleaner Assembly	
15A	7024438	1	Element, Filter (Not Shown)	
15B	8273291	1	Valve, Actuator	
15C	70001787	1	Cover, Air Cleaner	
15D	70000263	1	Clip	
16	1001092724	1	Engine, Deutz D2011 (See ENGINE COMPONENTS for Breakdown)	
17	2220451	2	Fitting, Straight JIC/ORB	
18	2220655	2	Fitting, 90 JIC/JIC	
19	2720486	1	Hose, Air Cleaner	
20	2720494	1	Hose	
21	2720495	1	Hose	
22	2750532	1 ft/.3m	Hose	
23	3200378	4	Mount, Motor	
24	3200431	1	Plate, Motor Mounting (Rear)	
25	3311505	4	Nut 5/16	
26	3311605	20	Nut 3/8	
27	3311805	4	Nut 1/2	
28	3573288	1	Plate, Motor Mounting (Front)	
29	3573304	1	Plate, Oil Cooler Mounting	
30	3620043	1	Radiator	
31	4060803	4 in/9cm	Flex-Trim	
32	4568398	4	Tube, Spacer	
33	4640751	1	Valve	
34	4711500	4	Washer 5/16	
35	4711600	40	Washer 3/8	
36	4711800	4	Washer 1/2	
37	4740274	4	Washer, Snubbing	
38	1001104765	1	Tray, Engine	

SECTION 3 - ENGINE

FIGURE 3-4. ENGINE COMPONENTS - DEUTZ D2011 ENGINE



ART_1001092724

SECTION 3 - ENGINE

FIGURE 3-4. ENGINE COMPONENTS - DEUTZ D2011 ENGINE

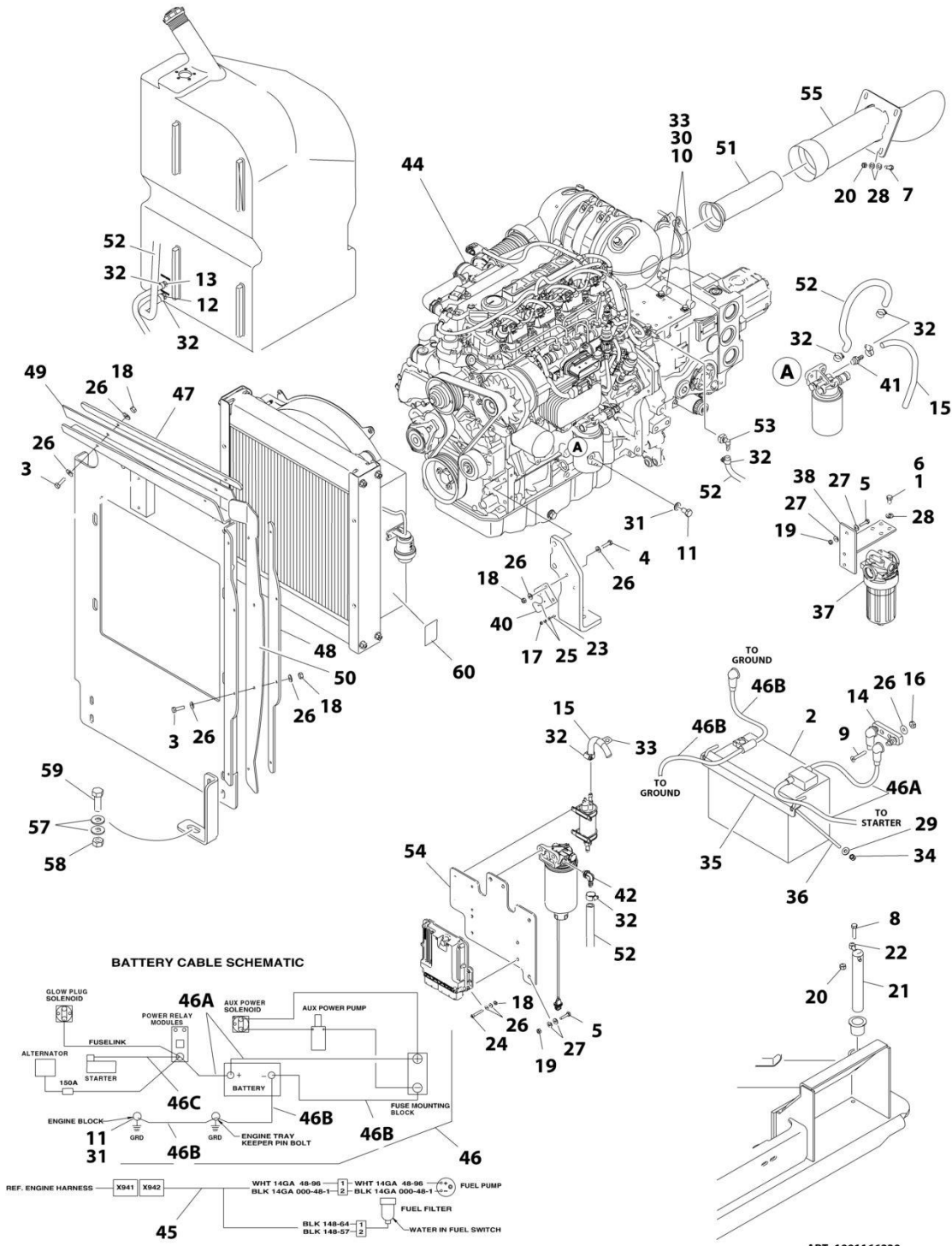
ITEM	PART NUMBER	QTY	DESCRIPTION	REV
	1001092724	Ref	ENGINE COMPONENTS - DEUTZ D2011 ENGINE	E
1	7020026	1	Dipstick	
1	70001002	1	Housing, Dipstick	
2	7020465	2	Cap, Oil Fill	
3	7020495	1	Pump, Oil	
3	7020468	1	Ring, Seal (Oil Pump to Engine Block) (Not Shown)	
4	7016331	1	Filter, Oil	
5		Ref	Pump, Fuel Injection	
5	70000912	3	Pump, Fuel Injection - A	
5	70000913	3	Pump, Fuel Injection - B	
5	70000914	3	Pump, Fuel Injection - C	
5	70000915	3	Pump, Fuel Injection - D	
5	7020447	3	Gasket, Fuel Pump	
6	70000916	1	Pump, Fuel Supply	
6	70000917	1	O-Ring (Not Shown - Fuel Supply Pump to Engine Block)	
6	70000918	1	Ring, Sealing	
6	70000919	1	Handle, Pump	
6	70001435	1	Repair Kit - Fuel Supply Pump	
7	7020023	1	Filter, Spin-On Fuel	
7	7027245	1	Filter, In-Line Fuel (Not Shown)	
9	7020414	1	V-Belt	
10	7027903	1	Air Intake	
10	70001871	3	Gasket (Air Intake to Head)	
10	70003469	1	Flange (Located on End of Air Intake)	
10	70003468	1	O-Ring (Located on End of Air Intake)	
10	3960407	1	Gasket (Located on Breather Side of Air Intake)	
11	7020471	3	Gasket (Exhaust Manifold to Head)	
12	7020486	1	Gasket (Exhaust Manifold to Exhaust Pipe)	
13	7020479	1	Starter	
13	7026608	1	Relay/Solenoid, Starter	
14	7000663	1	Generator	
14	7020494	1	Regulator, Voltage	
15	7024565	1	Sensor, Speed Pick-up	
16	7027790	1	Sensor, Oil Pressure	
17	7027791	1	Sender, Engine Temperature (Located on RH Side of Engine Near #1 Fuel Injector)	
17	7027236	1	Sender, Engine Temperature (Not Shown - Located on RH Side of Engine Near Oil Filter)	
18	7027792	1	Actuator, Throttle	
18	7027276	1	Spring	
18	7027239	1	Solenoid, Throttle Start	
19	70003475	1	Thermostat (Not Shown - Located on RH Side of Engine)	
19	7020460	1	Spring, Thermostat (Not Shown - Located on RH Side of Engine)	
20	70001870	1	Flywheel	
20	7024579	1	Rim, Gear	
21	7027795	1	Deutz EMR2 Controller, Module	
22	70000345	3	Glow Plug	
23	70000783	1	Fan	
24		Ref	Gasket, Head Options (Not Shown):	
24	70003479	1	Gasket - 1 Notch	

SECTION 3 - ENGINE

ITEM	PART NUMBER	QTY	DESCRIPTION	REV
24	70003480	1	Gasket - 2 Notch	
24	70003481	1	Gasket - 3 Notch	
25	7020430	1	Gasket, Cylinder Head Cover (Not Shown)	

SECTION 3 - ENGINE

FIGURE 3-5. ENGINE INSTALLATION - DEUTZ D2.9L4 ENGINE (WITHOUT ARCTIC PACKAGE)



SECTION 3 - ENGINE

FIGURE 3-5. ENGINE INSTALLATION - DEUTZ D2.9L4 ENGINE (WITHOUT ARCTIC PACKAGE)

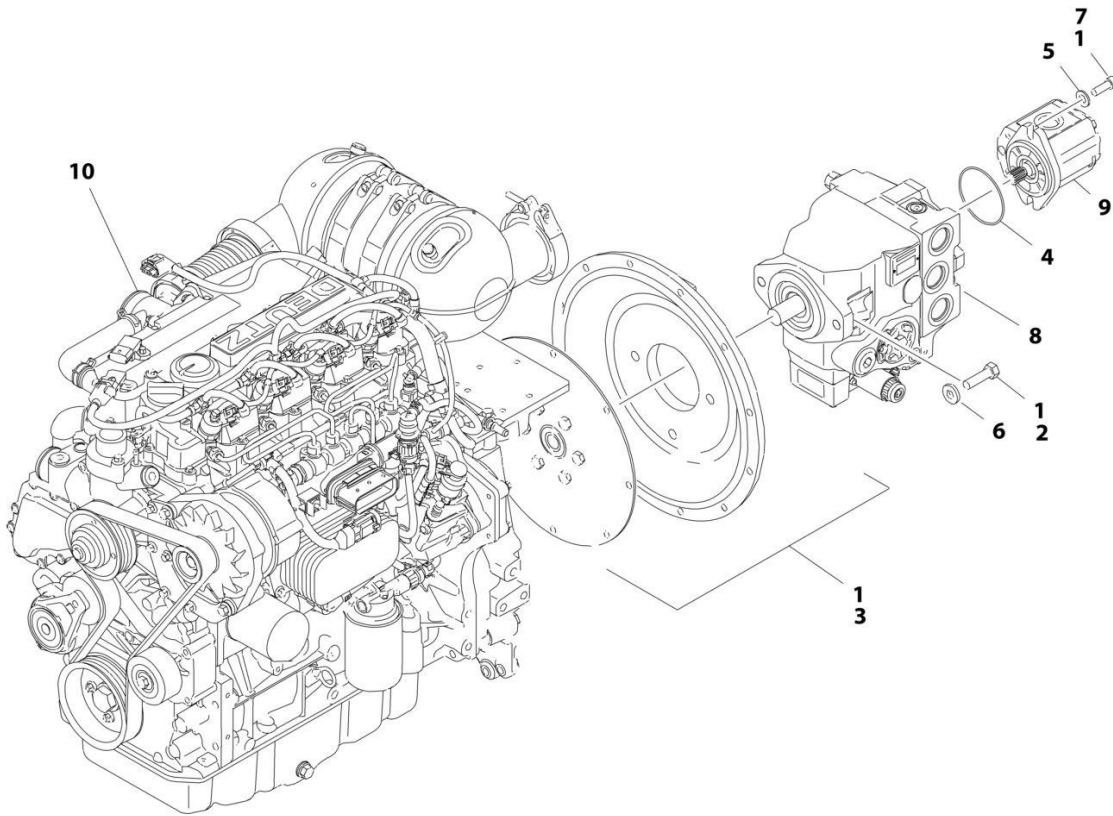
ITEM	PART NUMBER	QTY	DESCRIPTION	REV
	1001166230	Ref	ENGINE INSTALLATION - DEUTZ D2.9L4 ENGINE (WITHOUT ARCTIC PACKAGE)	G
		Ref	Note: Uses RCP Radiator Components. See Special Options Section for machines with Modine Radiator)	
1	0100011	AR	Compound, Locking	
2	0400075	1	Battery	
3	0641407	6	Bolt 1/4 x 7/8	
4	0641408	2	Bolt 1/4 x 1	
5	0641509	5	Bolt 5/16 x 1-1/8	
6	0641605	4	Bolt 3/8 x 5/8	
7	0641608	4	Bolt 3/8 x 1	
8	0641612	1	Bolt 3/8 x 1-1/2	
9	0741010	2	Screw #10 x 1-1/4	
10	0760810	2	Bolt M8 x 20	
11	0771212	1	Bolt M12 x 25 Grade 10.9	
12	2220633	1	Fitting, Barbed	
13	2221114	1	Fitting, Barbed	
14	2400044	1	Fuse, Mounting Block	
15	1001165035	21 ft/6.4m	Hose	
16	3300408	2	Locknut with Nylon Insert	
17	3310401	3	Nut #4	
18	3311405	12	Nut 1/4	
19	3311505	5	Nut 5/16	
20	3311605	5	Nut 3/8	
21	3422669	1	Pin (SN 0200239053 through 0200249090)	
21	3422582	1	Pin (SN 0200249091 to Present)	
22	3841143	1	Keeper, Pin	
23	3910408	3	Screw #4 x 1/2	
24	0641409	4	Bolt 1/4 x 1-1/8	
25	4710400	6	Washer #4	
26	4711400	26	Washer 1/4	
27	4711500	10	Washer 5/16	
28	4711600	12	Washer 3/8	
29	4751500	2	Washer 5/16	
30	4811900	2	Washer M8	
31	4812100	1	Washer M12	
32	8405006	8	Clamp, Gear	
33	8406112	3	Clip	
34	88521205	2	Nut 5/16	
35	91401281	1	Bracket, Battery Hold-down	
36	1001093382	2	Bolt, J-Bolt	
37	1001102987	1	Charge Pump Filter Assembly	
37	70010383	1	Filter Element and O-Ring Kit	
38	1001104356	1	Bracket, Filter	
40	1001139240	1	Bracket	
41	1001141717	1	Fitting, Barbed	
42	1001142501	1	Fitting, Barbed 90	
44	1001146329	1	Engine and Pump Sub-Assembly (See ENGINE AND PUMP SUB-ASSEMBLY for Breakdown)	
45	1001147434	1	Harness, Fuel (See ELECTRICAL SECTION for Breakdown)	

SECTION 3 - ENGINE

ITEM	PART NUMBER	QTY	DESCRIPTION	REV
46	1001147435	1	Battery Cable Kit	B
46A	7027089	1	Cable, Battery (Red) (Battery + to Power Relay and Fuse Block) (Includes 3 Boots)	
46B	7027091	1	Cable, Battery (Black) (Battery to Pivot Pin Ground/Engine and Fuse Block) (Includes 1 Boots)	
46C	7027090	1	Cable (Red) (Power Relay to Starter)	
47	1001147571	1	Plate, Baffle	
48	1001147572	1	Plate, Baffle	
49	1001147629	1	Plate, Baffle	
50	1001147631	1	Plate, Baffle	
51	1001167174	1	Pipe, Exhaust	
52	1001154405	5.5 ft /1.7m	Hose	
53	1001155823	1	Coupling, 90	
54	1001165196	1	Bracket Assembly (Less Filter/Pump (See BRACKET ASSEMBLY (LESS FUEL PUMP AND FILTER) for Breakdown)	
55	1001165702	1	Tube, Exhaust	
57	4712000	2	Washer 5/8	
58	3312005	1	Nut 5/8	
59	0642014	1	Bolt 5/8 x 1-3/4	
60	1704972	1	Decal - Warning Explosion/Fire (ANSI and ANSI Export Specs)	
60	1706064	1	Decal - Warning Explosion/Fire (CSA Spec - French/English)	

SECTION 3 - ENGINE

FIGURE 3-6. ENGINE AND PUMP SUB-ASSEMBLY - DEUTZ D2.9L4 ENGINE



ART_1001146329

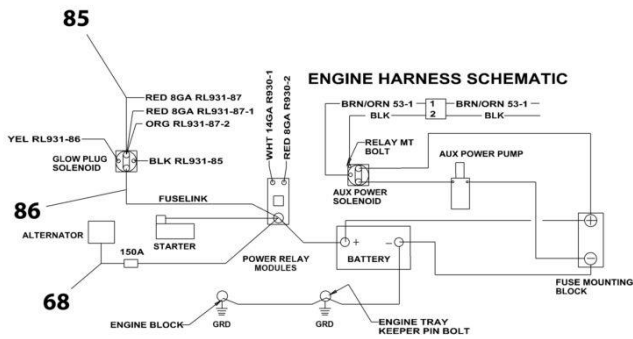
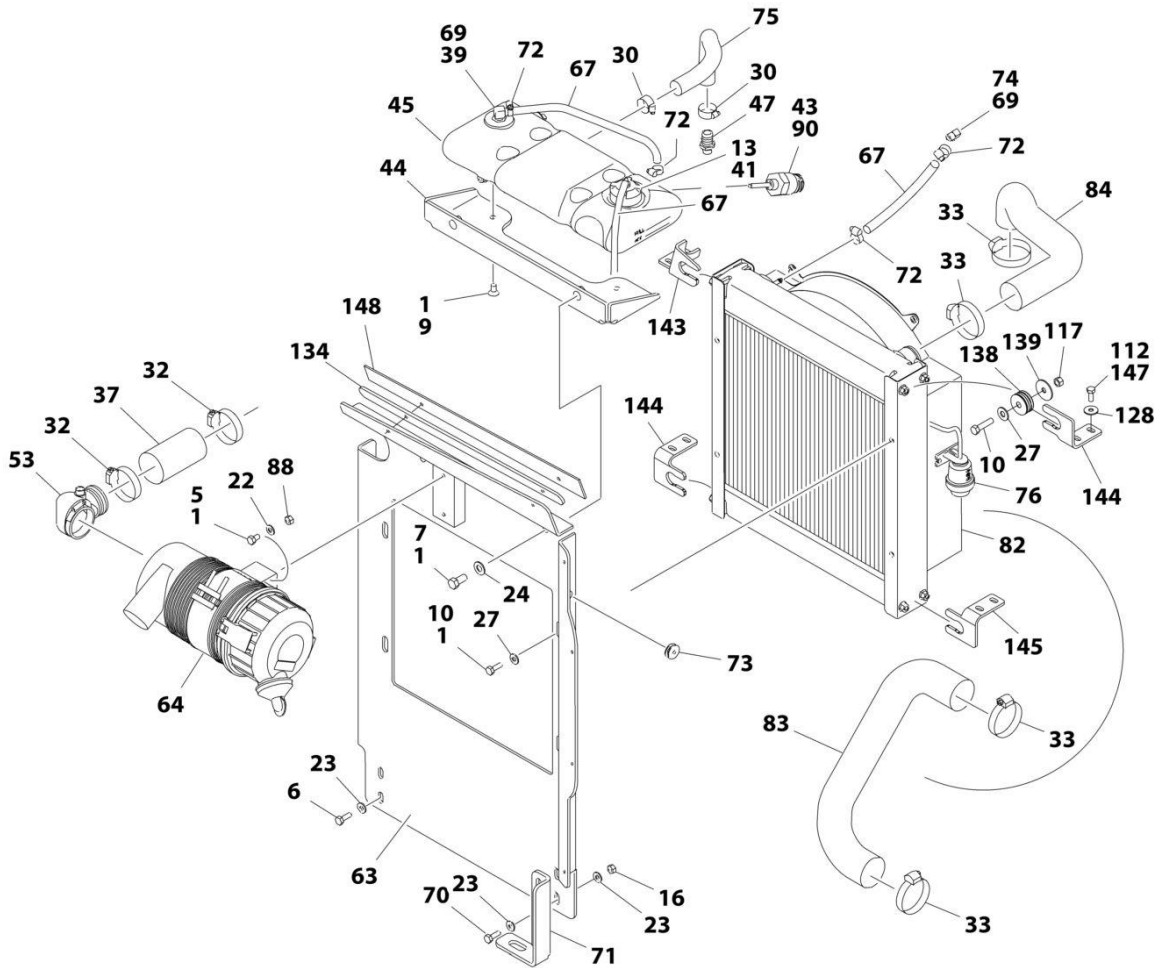
SECTION 3 - ENGINE

FIGURE 3-6. ENGINE AND PUMP SUB-ASSEMBLY - DEUTZ D2.9L4 ENGINE

ITEM	PART NUMBER	QTY	DESCRIPTION	REV
	1001146329	Ref	ENGINE AND PUMP SUB-ASSEMBLY - DEUTZ D2.9L4 ENGINE (WITHOUT ARCTIC PACKAGE)	K
		Ref	Note: Uses RCP Radiator Components. See Special Options Section for machines with Modine Radiator)	
1	0100011	AR	Compound, Locking	
2	0641814	2	Bolt 1/2 x 1-3/4	
3	2902065	1	Pump Coupling Kit (See PUMP COUPLING KIT for Breakdown)	
4	3790152	1	O-Ring	
5	4891600	2	Washer 3/8	
6	4891800	2	Washer 1/2	
7	83191040	2	Capscrew M10 x 30	
8	1001101331	1	Piston Pump Assembly (See PISTON PUMP ASSEMBLY for Breakdown)	
9	1001101699	1	Gear Pump Assembly	
9	70002210	1	Seal Kit - 1001101699 Pump (Note: Seal Kit is only service component available.)	
10	1001146327	1	Engine Assembly - Deutz D2.9L4 Engine (See ENGINE ASSEMBLY - DEUTZ D2.9L4 ENGINE for Breakdown)	

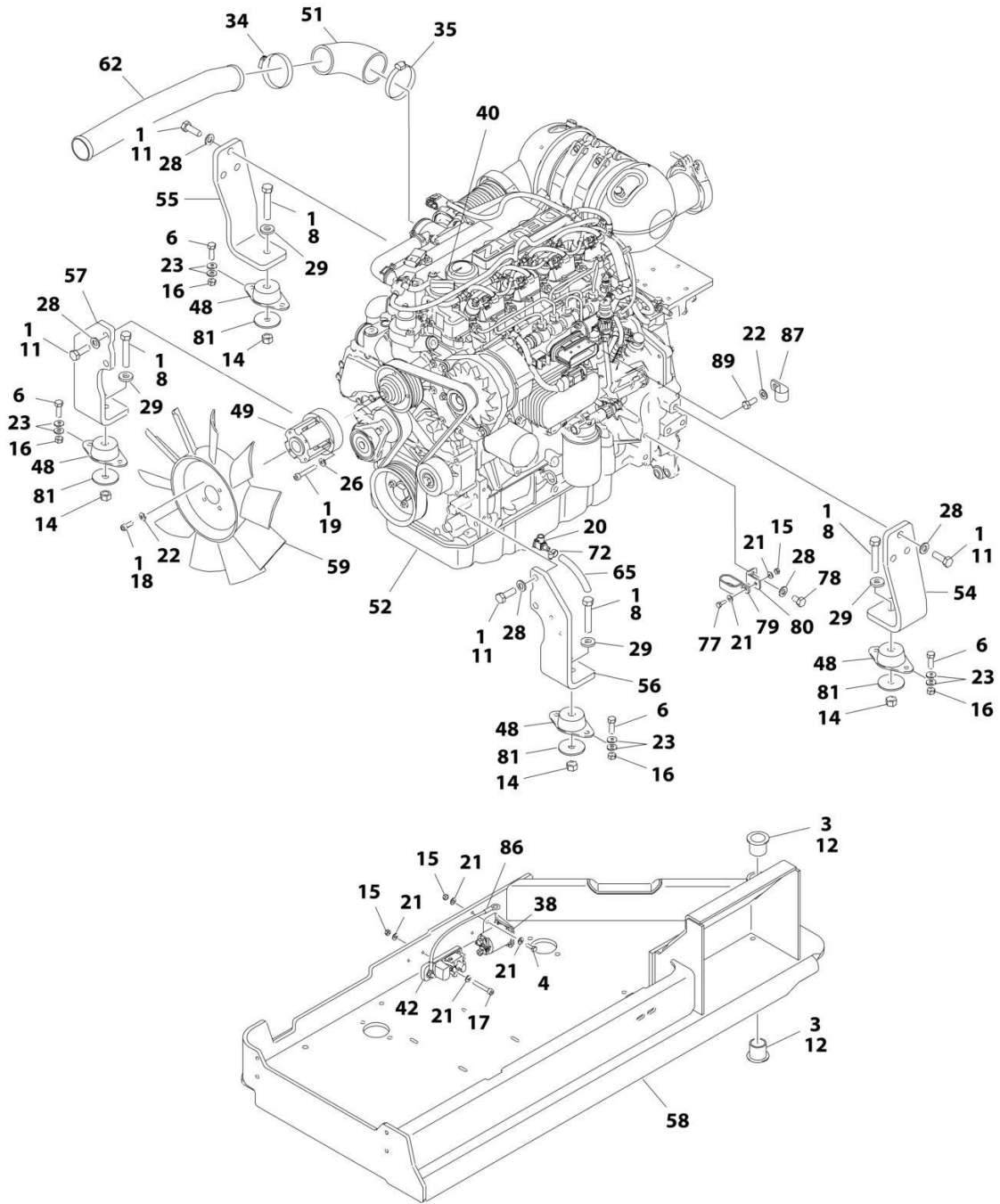
SECTION 3 - ENGINE

FIGURE 3-7. ENGINE ASSEMBLY - DEUTZ D2.9L4 ENGINE (WITHOUT ARCTIC PACKAGE)



ART_1001146327_10F2

SECTION 3 - ENGINE



ART_1001146327_20F2

SECTION 3 - ENGINE

FIGURE 3-7. ENGINE ASSEMBLY - DEUTZ D2.9L4 ENGINE (WITHOUT ARCTIC PACKAGE)

ITEM	PART NUMBER	QTY	DESCRIPTION	REV
	1001146327	Ref	ENGINE ASSEMBLY - DEUTZ D2.9L4 ENGINE (WITHOUT ARCTIC PACKAGE)	N
		Ref	Note: Uses RCP Radiator Components. See Special Options Section for machines with Modine Radiator)	
1	0100011	AR	Compound, Locking	
3	0100062	AR	Compound, Locking	
4	0641407	2	Bolt 1/4 x 7/8	
5	0641506	2	Bolt 5/16 x 3/4	
6	0641609	10	Bolt 3/8 x 1-1/8	
7	0641707	2	Bolt 7/16 x 7/8	
8	0681822	4	Bolt 1/2 x 2-3/4 Grade 8	
9	0741606	2	Screw 3/8 x 3/4	
10	0761008	AR	Bolt M10 x 16	
10	0641612	AR	Bolt 3/8 x 1-1/2	
11	0761215	10	Bolt M12 x 35	
12	0961986	2	Bushing, Flanged	
13	2300004	AR	Coolant	
14	3271801	4	Nut 1/2 Grade 8	
15	3311405	4	Nut 1/4	
16	3311605	12	Nut 3/8	
17	3931436	1	Capscrew 1/4 x 2-1/4	
18	3931512	4	Capscrew 5/16 x 3/4	
19	4031914	4	Bolt M8 x 50	
20	4640751	1	Valve, Oil Drain	
21	4711400	7	Washer 1/4	
22	4711500	7	Washer 5/16	
23	4711600	24	Washer 3/8	
24	4711700	2	Washer 7/16	
26	4811900	4	Washer M8	
27	4812002	AR	Washer M10	
27	4751600	AR	Washer 3/8	
28	4812100	11	Washer M12	
29	4891800	4	Washer 1/2	
30	8405007	2	Clamp, Gear	
32	8405104	2	Clamp, Gear	
33	8405201	4	Clamp, Gear	
34	8405202	1	Clamp, Gear	
35	8410011	1	Clamp, Gear	
37	91563070	1	Coupling, Hose	
38	1001117308	1	Relay	
39	1001134488	1	Fitting, 90 Barbed	
40	1001136079	AR	Oil, Motor	
41	1001136834	1	Cap, Tank	
42	1001138228	1	Relay, Power Module	
42	70023593	1	Fuse - 30Amp (Battery Output)	
42	70023592	1	Fuse - 20Amp (Switched Output)	
43	1001138827	1	Sensor, Coolant Level	
44	1001139303	1	Bracket (RCP Radiator)	
44	1001180314	1	Bracket (Modine Radiator)	
45	1001140535	1	Tank, Surge	

SECTION 3 - ENGINE

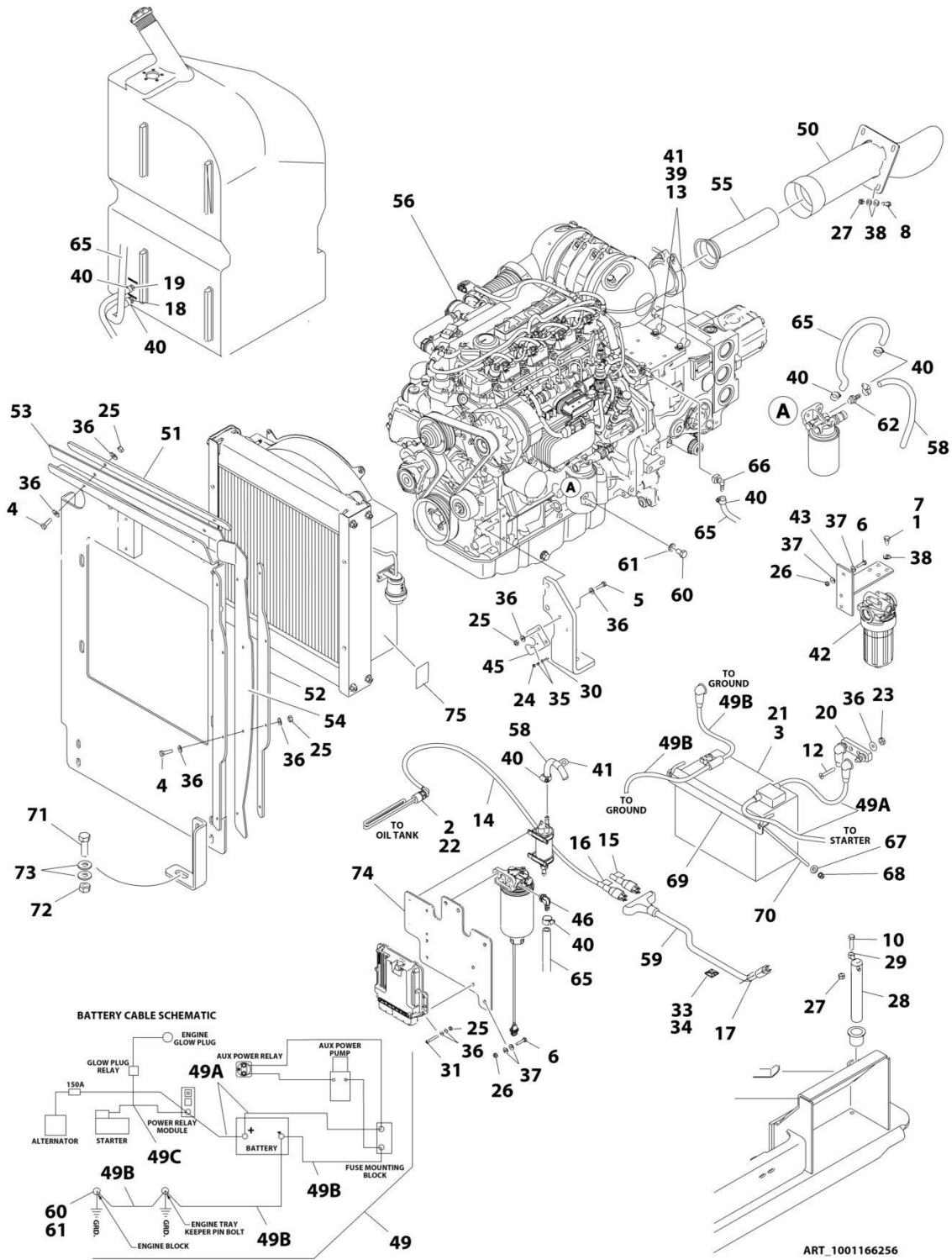
ITEM	PART NUMBER	QTY	DESCRIPTION	REV
47	1001143797	1	Fitting, Straight Barbed	
48	1001144112	4	Mount, Motor	
49	1001144116	1	Adapter	
51	1001145006	1	Hose	
52	1001145758	1	Engine, Deutz D2.9L4 (See ENGINE COMPONENTS for Breakdown)	
53	1001146043	1	Coupling, 90	
54	1001146356	1	Support, Engine	
55	1001146357	1	Support, Engine	
56	1001146358	1	Support, Engine	
57	1001146359	1	Support, Engine	
58	1001146360	1	Tray, Engine	
59	1001146396	1	Fan (RCP Radiator)	
59	1001165849	1	Fan (Modine Radiator)	
62	1001146517	1	Tube, Intake	
63	1001146616	1	Support, Radiator (RCP Radiator)	
63	1001179443	1	Support, Radiator (Modine Radiator)	
64	1001144113	1	Air Cleaner Assembly	
64	70003937	1	Element, Filter	
65	2720340	6 in/ 0.152m	Hose	
67	2720015	5.5 ft/ 1.67m	Hose	
68	1001143907	1	Cable, Alternator Power	
69	0100020	AR	Sealant, Pipe	
70	0641611	2	Bolt 3/8 x 1-3/8	
71	1001154334	1	Bracket	
72	8405009	5	Clamp, Gear	
73	1001111341	1	Grommet	
74	1001140564	1	Fitting, 90 Barbed	
75	1001155477	1	Hose	
76	1001144115	1	Indicator, Service	
77	0641406	1	Bolt 1/4 x 3/4	
78	0761210	1	Bolt M12 x 20	
79	1321716	1	Clamp	
80	1001148641	1	Bracket	
81	1001139409	4	Washer, Special	
82	1001155493	1	Radiator (RCP)	
82	1001167043	1	Radiator (Modine)	
83	1001155874	1	Hose (RCP Radiator)	
83	1001179432	1	Hose (Modine Radiator)	
84	1001155875	1	Hose (RCP Radiator)	
84	1001179431	1	Hose (Modine Radiator)	
85	1001145562	1	Harness, Engine (See ELECTRICAL SECTION for Breakdown)	
86	1001141304	1	Wire, Glow Fuse	
87	8406102	1	Clip	
88	3311508	2	Nut 5/16	
89	0760810	1	Bolt M8 x 20	
90	0100020	AR	Sealant, Pipe (SN 0200239052 through 0200257310)	
90	1001182997	AR	Adhesive (SN 0200257311 to Present)	
	1001200380	Ref	MODINE RADIATOR SERVICE KIT	B
112	0760810	8	Bolt M8 x 20	

SECTION 3 - ENGINE

ITEM	PART NUMBER	QTY	DESCRIPTION	REV
117	3311605	4	Nut 3/8	
128	4811902	8	Washer M8	
134	1001147571	1	Plate	
138	1001169054	4	Isolator	
139	1001169138	4	Washer	
143	1001179833	1	Bracket	
144	1001179834	2	Bracket	
145	1001179835	1	Bracket	
147	1001180620	AR	Adhesive	
148	1001197068	1	Panel, Baffle	

SECTION 3 - ENGINE

FIGURE 3-8. ENGINE INSTALLATION - DEUTZ D2.9L4 ENGINE (WITH ARCTIC PACKAGE)



SECTION 3 - ENGINE

FIGURE 3-8. ENGINE INSTALLATION - DEUTZ D2.9L4 ENGINE (WITH ARCTIC PACKAGE)

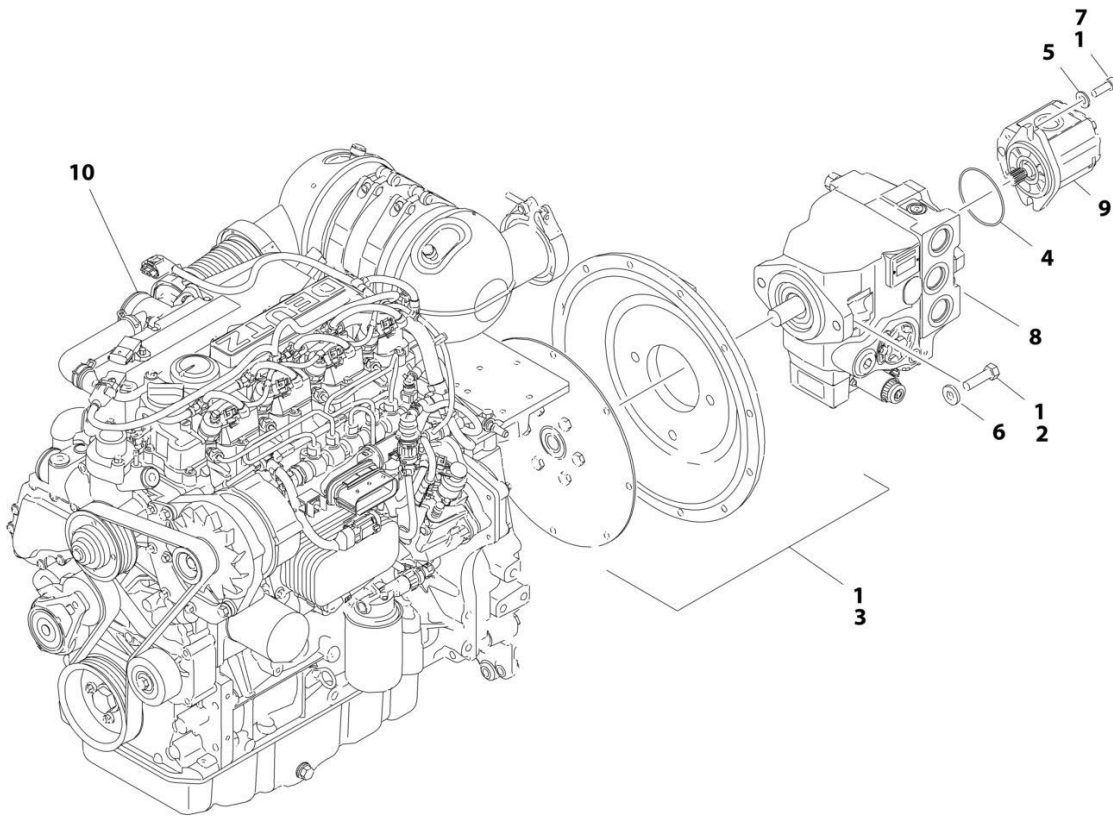
ITEM	PART NUMBER	QTY	DESCRIPTION	REV
	1001166256	Ref	ENGINE INSTALLATION - DEUTZ D2.9L4 ENGINE (WITH ARCTIC PACKAGE)	H
		Ref	Note: Uses RCP Radiator Components. See Special Options Section for machines with Modine Radiator)	
1	0100011	AR	Compound, Locking	
2	0100020	AR	Sealant, Pipe	
3	0400075	1	Battery	
4	0641407	6	Bolt 1/4 x 7/8	
5	0641408	2	Bolt 1/4 x 1	
6	0641509	5	Bolt 5/16 x 1-1/8	
7	0641605	4	Bolt 3/8 x 5/8	
8	0641608	4	Bolt 3/8 x 1	
10	0641612	1	Bolt 3/8 x 1-1/2	
12	0741010	2	Screw #10 x 1-1/4	
13	0760810	2	Bolt M8 x 20	
14	1060625	1	Cable, Immersion Heater (SN 0200239053 through 0200249097)	
14	1001150918	1	Cable, Immersion Heater (SN 0200249098 to Present)	
15	1702941	1	Decal - Battery Heater	
16	1702943	1	Decal - Hydraulic Tank Heater	
17	1702944	1	Decal - Heater Cord	
18	2220633	1	Fitting, Barbed	
19	2221114	1	Fitting, Barbed	
20	2400044	1	Fuse, Mounting Block	
21	2580001	1	Heater, Battery	
22	2580050	1	Heater, Hydraulic Tank (SN 0200239053 through 0200249097)	
22	1001188972	1	Heater, Hydraulic Tank (SN 0200249098 to Present)	
23	3300408	2	Locknut with Nylon Insert	
24	3310401	3	Nut #4	
25	3311405	12	Nut 1/4	
26	3311505	5	Nut 5/16	
27	3311605	5	Nut 3/8	
28	3422669	1	Pin (SN 0200239053 through 0200249090)	
28	3422582	1	Pin (SN 0200249091 to Present)	
29	3841143	1	Keeper, Pin	
30	3910408	3	Screw #4 x 1/2	
31	0641409	4	Bolt 1/4 x 1-1/8	
33	4240099	1	Tie-Strap	
34	4460234	1	Mount, Tie-Strap	
35	4710400	6	Washer #4	
36	4711400	26	Washer 1/4	
37	4711500	10	Washer 5/16	
38	4711600	12	Washer 3/8	
39	4811900	2	Washer M8	
40	8405006	8	Clamp, Gear	
41	8406112	3	Clip	
42	1001102987	1	Charge Pump Filter Assembly	
42	70010383	1	Filter Element and O-Ring Kit	
43	1001104356	1	Bracket, Filter	
45	1001139240	1	Bracket	
46	1001142501	1	Fitting, Barbed 90	

SECTION 3 - ENGINE

ITEM	PART NUMBER	QTY	DESCRIPTION	REV
49	1001147435	1	Battery Cable Kit	B
49A	7027089	1	Cable, Battery (Red) (Battery + to Power Relay and Fuse Block) (Includes 3 Boots)	
49B	7027091	1	Cable, Battery (Black) (Battery to Pivot Pin Ground/Engine and Fuse Block) (Includes 1 Boots)	
49C	7027090	1	Cable (Red) (Power Relay to Starter)	
50	1001165702	1	Tube, Exhaust	
51	1001147571	1	Plate, Baffle	
52	1001147572	1	Plate, Baffle	
53	1001147629	1	Plate, Baffle	
54	1001147631	1	Plate, Baffle	
55	1001167174	1	Pipe, Exhaust	
56	1001148044	1	Engine and Pump Sub-Assembly (See ENGINE AND PUMP SUB-ASSEMBLY for Breakdown)	
58	1001165035	21 ft/6.4m	Hose	
59	1060626	1	Cord, 3-Way Extension	
60	0771212	1	Bolt M12 x 25 Grade 10.9	
61	4812100	1	Washer M12	
62	1001141717	1	Fitting, Barbed	
63	1001147434	1	Harness, Fuel (Not Shown - See ELECTRICAL SECTION for Breakdown)	
65	1001154405	5.5 ft /1.7m	Hose	
66	1001155823	1	Coupling, 90	
67	4751500	2	Washer 5/16	
68	88521205	2	Nut 5/16	
69	91401281	1	Bracket, Battery Hold-down	
70	1001093382	2	Bolt, J-Bolt	
71	0642014	1	Bolt 5/8 x 1-3/4	
72	3312005	1	Nut 5/8	
73	4712000	2	Washer 5/8	
74	1001165196	1	Bracket Assembly (Less Filter/Pump (See BRACKET ASSEMBLY (LESS FUEL PUMP AND FILTER) for Breakdown)	
75	1704972	1	Decal - Warning Explosion/Fire (ANSI and ANSI Export Specs)	
75	1706064	1	Decal - Warning Explosion/Fire (CSA Spec - French/English Specs)	

SECTION 3 - ENGINE

FIGURE 3-9. ENGINE AND PUMP SUB-ASSEMBLY - DEUTZ D2.9L4 ENGINE (WITH ARCTIC PACKAGE)



ART_1001148044

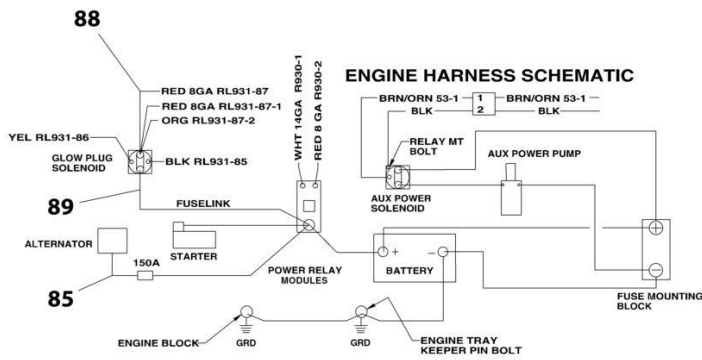
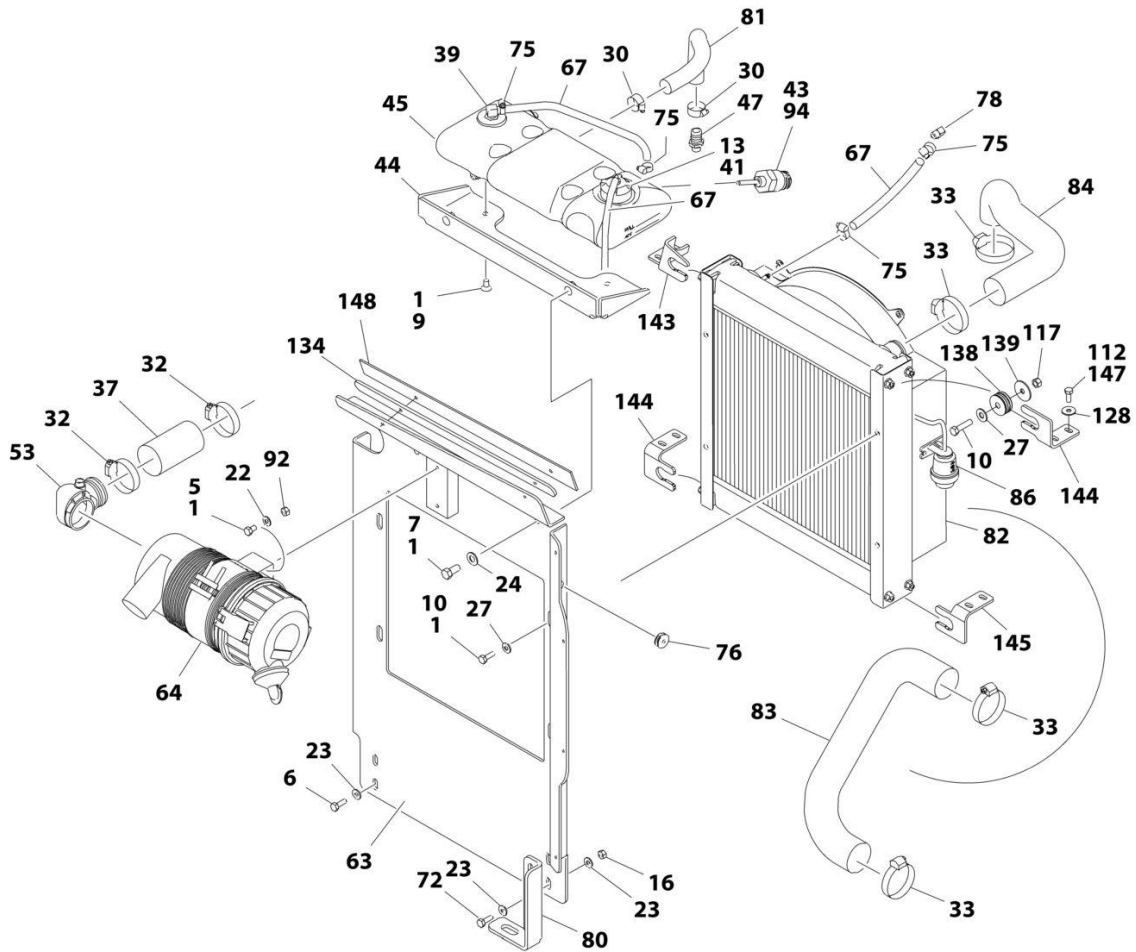
SECTION 3 - ENGINE

FIGURE 3-9. ENGINE AND PUMP SUB-ASSEMBLY - DEUTZ D2.9L4 ENGINE (WITH ARCTIC PACKAGE)

ITEM	PART NUMBER	QTY	DESCRIPTION	REV
	1001148044	Ref	ENGINE AND PUMP SUB-ASSEMBLY - DEUTZ D2.9L4 ENGINE (WITH ARCTIC PACKAGE)	M
		Ref	Note: Uses RCP Radiator Components. See Special Options Section for machines with Modine Radiator)	
1	0100011	AR	Compound, Locking	
2	0641814	2	Bolt 1/2 x 1-3/4	
3	2902065	1	Pump Coupling Kit (See PUMP COUPLING KIT for Breakdown)	
4	3790152	1	O-Ring	
5	4891600	2	Washer 3/8	
6	4891800	2	Washer 1/2	
7	83191040	2	Capscrew M10 x 30	
8	1001101331	1	Piston Pump Assembly (See PISTON PUMP ASSEMBLY for Breakdown)	
9	1001101699	1	Gear Pump Assembly	
9	70002210	1	Seal Kit - 1001101699 Pump (Note: Seal Kit is only service component available.)	
10	1001148043	1	Engine Assembly - Deutz D2.9L4 Engine (See ENGINE ASSEMBLY - DEUTZ D2.9L4 ENGINE for Breakdown)	

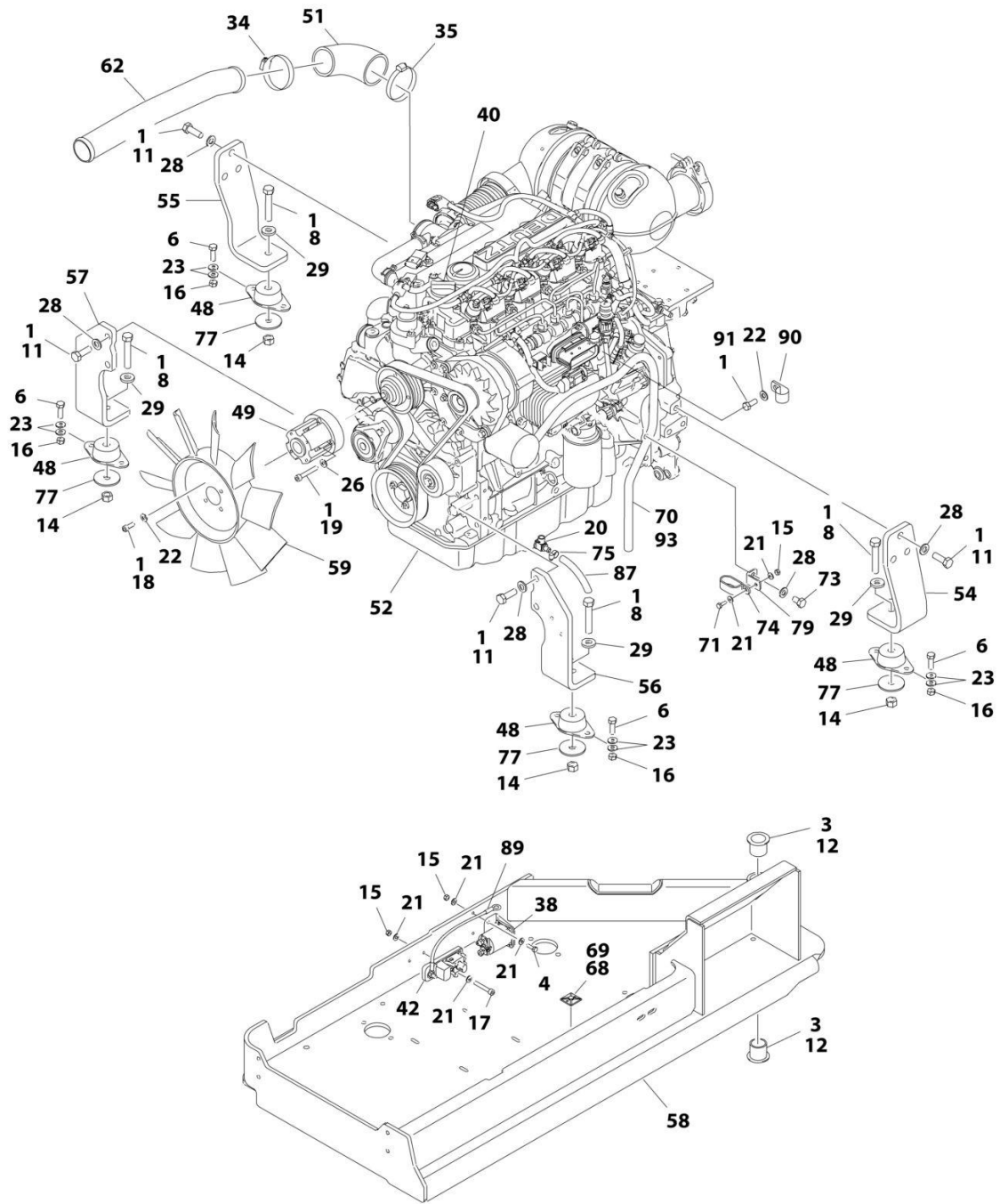
SECTION 3 - ENGINE

FIGURE 3-10. ENGINE ASSEMBLY - DEUTZ D2.9L4 ENGINE (WITH ARCTIC PACKAGE)



ART_1001148043_1OF2

SECTION 3 - ENGINE



ART_1001148043_2OF2

SECTION 3 - ENGINE

FIGURE 3-10. ENGINE ASSEMBLY - DEUTZ D2.9L4 ENGINE (WITH ARCTIC PACKAGE)

ITEM	PART NUMBER	QTY	DESCRIPTION	REV
	1001148043	Ref	ENGINE ASSEMBLY - DEUTZ D2.9L4 ENGINE (WITH ARCTIC PACKAGE)	P
		Ref	Note: Uses RCP Radiator Components. See Special Options Section for machines with Modine Radiator)	
1	0100011	AR	Compound, Locking	
3	0100062	AR	Compound, Locking	
4	0641407	2	Bolt 1/4 x 7/8	
5	0641506	2	Bolt 5/16 x 3/4	
6	0641609	10	Bolt 3/8 x 1-1/8	
7	0641707	2	Bolt 7/16 x 7/8	
8	0681822	4	Bolt 1/2 x 2-3/4 Grade 8	
9	0741606	2	Screw 3/8 x 3/4	
10	0761008	AR	Bolt M10 x 16	
10	0641612	AR	Bolt 3/8 x 1-1/2	
11	0761215	10	Bolt M12 x 35	
12	0961986	2	Bushing, Flanged	
13	2300041	1	Coolant	
14	3271801	4	Nut 1/2 Grade 8	
15	3311405	4	Nut 1/4	
16	3311605	12	Nut 3/8	
17	3931436	1	Capscrew 1/4 x 2-1/4	
18	3931512	4	Capscrew 5/16 x 3/4	
19	4031914	4	Bolt M8 x 50	
20	4640751	1	Valve, Oil Drain	
21	4711400	7	Washer 1/4	
22	4711500	7	Washer 5/16	
23	4711600	24	Washer 3/8	
24	4711700	2	Washer 7/16	
26	4811900	4	Washer M8	
27	4812002	AR	Washer M10	
27	4751600	AR	Washer 3/8	
28	4812100	11	Washer M12	
29	4891800	4	Washer 1/2	
30	8405007	2	Clamp, Gear	
32	8405104	2	Clamp, Gear	
33	8405201	4	Clamp, Gear	
34	8405202	1	Clamp, Gear	
35	8410011	1	Clamp, Gear	
37	91563070	1	Coupling, Hose	
38	1001117308	1	Relay	
39	1001134488	1	Fitting, 90 Barbed	
40	1001136172	2.4 gal /9L	Oil, Motor	
41	1001136834	1	Cap, Tank	
42	1001138228	1	Relay, Power Module	
42	70023593	1	Fuse - 30Amp (Battery Output)	
42	70023592	1	Fuse - 20Amp (Switched Output)	
43	1001138827	1	Sensor, Coolant Level	
44	1001139303	1	Bracket (RCP Radiator)	
44	1001180314	1	Bracket (Modine Radiator)	
45	1001140535	1	Tank, Surge	

SECTION 3 - ENGINE

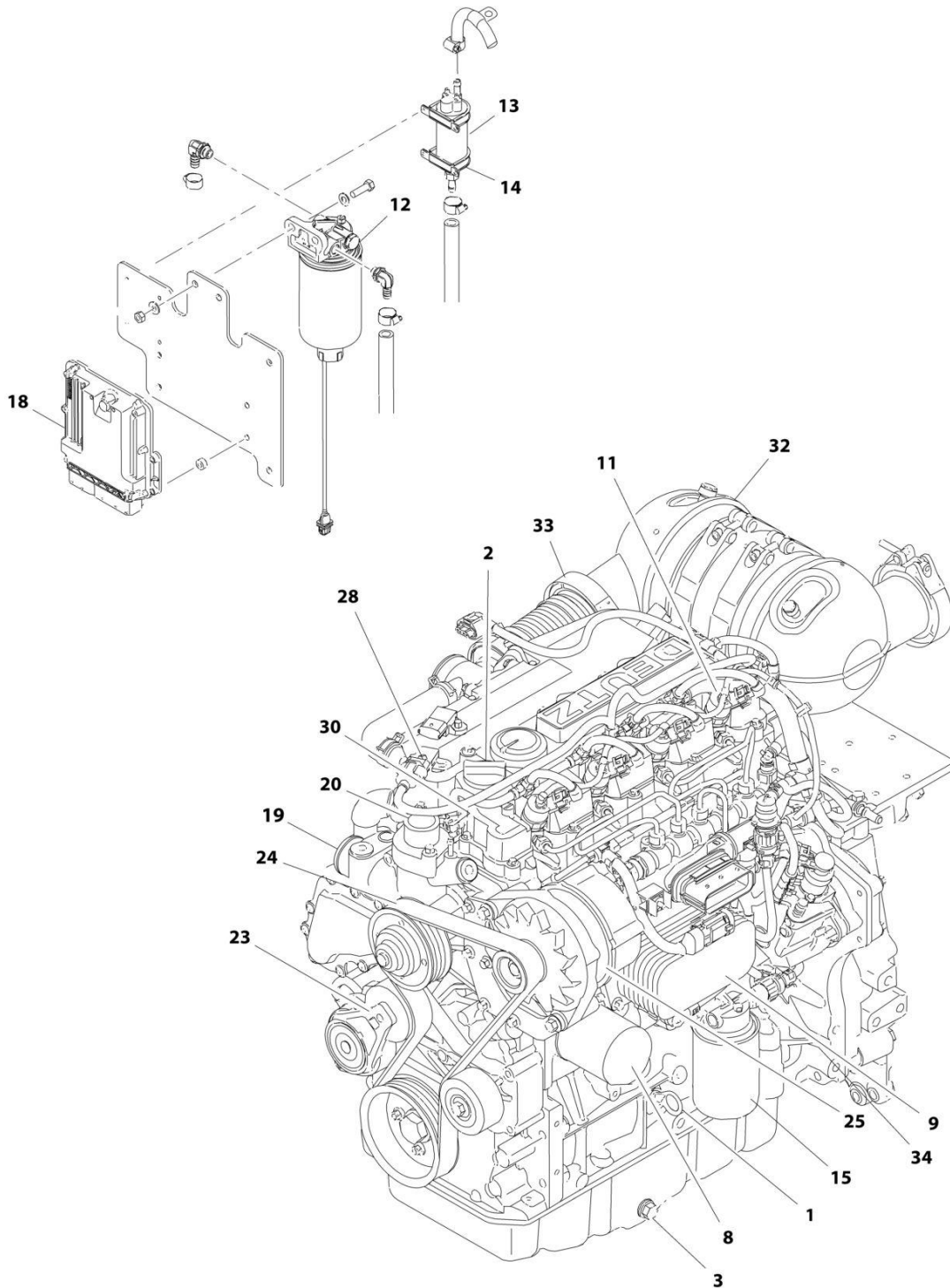
ITEM	PART NUMBER	QTY	DESCRIPTION	REV
47	1001143797	1	Fitting, Straight Barbed	
48	1001144112	4	Mount, Motor	
49	1001144116	1	Adapter	
51	1001145006	1	Hose	
52	1001145758	1	Engine, Deutz D2.9L4 (See ENGINE COMPONENTS for Breakdown)	
53	1001146043	1	Coupling, 90	
54	1001146356	1	Support, Engine	
55	1001146357	1	Support, Engine	
56	1001146358	1	Support, Engine	
57	1001146359	1	Support, Engine	
58	1001146360	1	Tray, Engine	
59	1001146396	1	Fan (RCP Radiator)	
59	1001165849	1	Fan (Modine Radiator)	
62	1001146517	1	Tube, Intake	
63	1001146616	1	Support, Radiator (RCP Radiator)	
63	1001179443	1	Support, Radiator (Modine Radiator)	
64	1001144113	1	Air Cleaner Assembly Filter Element	
67	2720015	5.5 ft/ 1.67m	Hose	
68	4240099	1	Tie-Strap	
69	4460234	1	Mount, Tie-Strap	
70	1001140312	1	Heater, Engine Block	
71	0641406	1	Bolt 1/4 x 3/4	
72	0641611	2	Bolt 3/8 x 1-3/8	
73	0761210	1	Bolt M12 x 20	
74	1321716	1	Clamp	
75	8405009	5	Clamp, Gear	
76	1001111341	1	Grommet	
77	1001139409	4	Washer, Special	
78	1001140564	1	Fitting, 90 Barbed	
79	1001148641	1	Bracket	
80	1001154334	1	Bracket	
81	1001155477	1	Hose	
82	1001155493	1	Radiator (RCP)	
82	1001167043	1	Radiator (Modine)	
83	1001155874	1	Hose (RCP Radiator)	
83	1001179432	1	Hose (Modine Radiator)	
84	1001155875	1	Hose (RCP Radiator)	
84	1001179431	1	Hose (Modine Radiator)	
85	1001143907	1	Cable, Alternator Power	
86	1001144115	1	Indicator, Service	
87	2720340	6 in/ 0.152m	Hose	
88	1001145562	1	Harness, Engine (See ELECTRICAL SECTION for Breakdown)	
89	1001141304	1	Wire, Glow Fuse	
90	8406102	1	Clip	
91	0760810	1	Bolt M8 x 20	
92	3311508	2	Nut 5/16	
93	1001181895	AR	Adhesive	
94	1001182997	AR	Adhesive (SN 0200257311 to Present)	
	1001200380	Ref	MODINE RADIATOR SERVICE KIT	B

SECTION 3 - ENGINE

ITEM	PART NUMBER	QTY	DESCRIPTION	REV
112	0760810	8	Bolt M8 x 20	
117	3311605	4	Nut 3/8	
128	4811902	8	Washer M8	
134	1001147571	1	Plate	
138	1001169054	4	Isolator	
139	1001169138	4	Washer	
143	1001179833	1	Bracket	
144	1001179834	2	Bracket	
145	1001179835	1	Bracket	
147	1001180620	AR	Adhesive	
148	1001197068	1	Panel, Baffle	

SECTION 3 - ENGINE

FIGURE 3-11. ENGINE COMPONENTS - DEUTZ D2.9L4 ENGINE



ART_1001145758

SECTION 3 - ENGINE

FIGURE 3-11. ENGINE COMPONENTS - DEUTZ D2.9L4 ENGINE

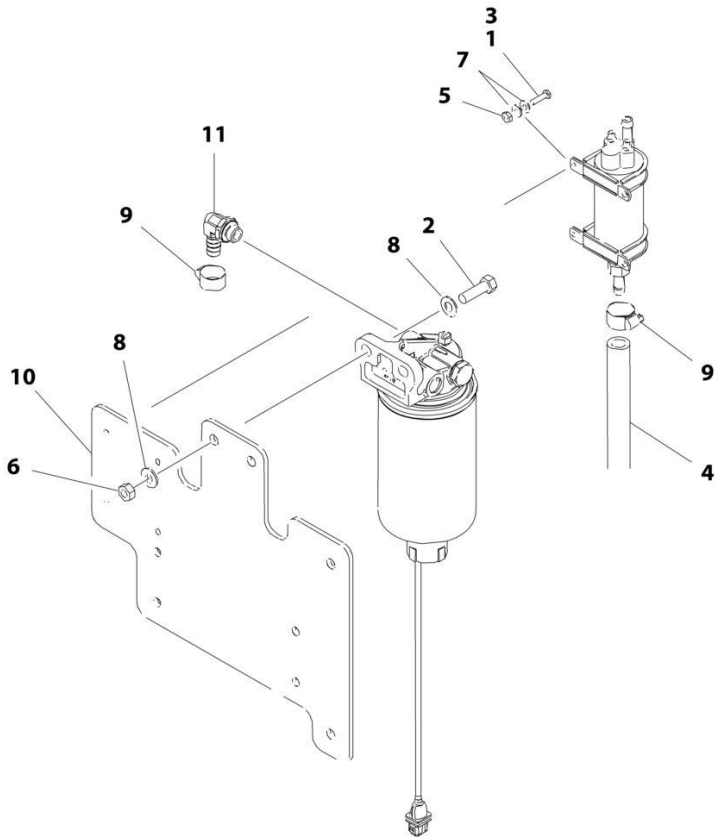
ITEM	PART NUMBER	QTY	DESCRIPTION	REV
	1001145758	Ref	ENGINE COMPONENTS - DEUTZ D2.9L4 ENGINE	I
1	70004274	1	Dipstick (Not Shown - Located On Side Left Front)	
1	70024905	1	Seal	
2	7020465	2	Cap, Oil Fill	
3	70025088	1	Plug	
3	7020404	1	Seal	
4	70001870	1	Flywheel with Ring Gear (Not Shown)	
4	7024579	1	Gear, Ring	
5		Ref	Gasket and Seal Options (Not Shown):	
5	70024906	1	Gasket, Head	
5	70025206	1	Gasket, Small Valve Cover	
5	70025207	1	Gasket, Large Valve Cover	
5	70025208	1	Gasket, Valve Cover to Air Charge Elbow	
5	70002718	1	Seal, Rear Main	
5	70004281	1	Seal, Front Main	
5	70024907	1	Gasket, Front Cover	
5	70025164	1	Gasket, Exhaust Manifold to Head	
5	70025179	1	Gasket, Pipe/Line/Lead to EGR Module	
5	70025180	1	Gasket, Pipe/Line/Lead to EGR Module	
5	70004279	1	Gasket Kit	
6	70025091	1	Plug (Not Shown - Located On Side Left Front)	
6	70025082	1	Seal	
6	70025176	1	Spring	
6	70025076	1	Valve	
7	70025202	1	Pump, Oil Lube (Not Shown - Located Front Left Side)	
7	70025135	1	O-Ring	
7	70025136	1	Seal	
8	7016641	1	Filter, Oil	
9	70004275	1	Cooler, Oil	
9	70024925	1	Gasket	
10	70024924	1	Pump, High Pressure (Not Shown - Located Front Left Side)	
10	70025152	1	O-Ring (Between Pump and Spacer)	
10	70024488	1	Spacer	
10	70024517	1	O-Ring (Between Spacer and Engine Block)	
11	70004281	4	Injector, Fuel	
11	70025140	4	Washer, Sealing	
11	70025146	4	Clamp (Top of Injector)	
11	70025145	4	O-Seal	
11	70025154	4	Shoe, Clamping	
11	70000345	4	Plug, Glow	
11	70025231	1	Harness, Glow Plug (Not Shown)	
12	70025153	NLA	Filter, Fuel (Use p/n 1001225430)	
12	70024961	1	Filter with Head	
12	70025154	1	Filter, Fuel	
12	70024513	1	Cable, Sensor	
12	70025239	1	Seal	
13	70024486	1	Pump, Fuel	
14	70025144	2	Clamp	
15	70025160	1	Filter with Head	
15	70025161	NLA	Filter, Fuel (Use p/n 1001225431)	

SECTION 3 - ENGINE

ITEM	PART NUMBER	QTY	DESCRIPTION	REV
15	70024504	1	Sensor, Pressure	
15	70024920	1	Seal	
17	70025151	1	Rail, Fuel (Not Shown)	
17	70025235	1	Repair Kit	
18	70025210	1	ECU (Engine Control Unit)	
19	70024910	1	Pump, Water	
19	70025200	1	Seal	
19	70025084	2	Plug	
19	7020492	2	Seal	
20	70024473	1	Thermostat	
20	70025143	1	O-Seal	
20	70025142	1	Cover, Thermostat	
21	70025177	1	Pipe (Not Shown)	
21	70025179	2	Gasket	
22	70004283	1	Module, EGR (Not Shown - Located on Left Side)	
23	70025477	1	Tensioner, Belt	
24	70004277	1	Belt, Drive	
25	70024914	1	Alternator	
25	70025149	1	Regulator, Voltage	
26	70024915	1	Starter (Not Shown - Located on Left Side)	
27	70025231	1	Harness, Glow Plug (Not Shown)	
27	70004284	1	Harness, Engine (Not Shown)	
28	70024507	1	Sensor, Pressure	
28	70025120	1	Seal	
29	70024916	2	Sensor, Speed (Not Shown - Located Left Side Front and Flywheel Housing)	
29	70024917	2	Seal	
30	70024918	1	Sender, Temperature	
31	70024504	1	Sensor, Pressure (Not Shown - Located Left Side Front)	
31	70024920	1	Seal	
32	70005446	1	Muffler	
33	70025242	1	Clamp, Exhaust	
33	70025241	1	Gasket, Exhaust (Muffler Inlet to Compensator)	
34	70124530	1	Valve, Pressure Relief	
34	70124538	1	Spring, Compression	
34	70104570	1	Ring, Sealing	
34	70025660	1	Screw	

SECTION 3 - ENGINE

FIGURE 3-12. BRACKET ASSEMBLY (LESS FUEL PUMP AND FILTER)



ART_1001165196

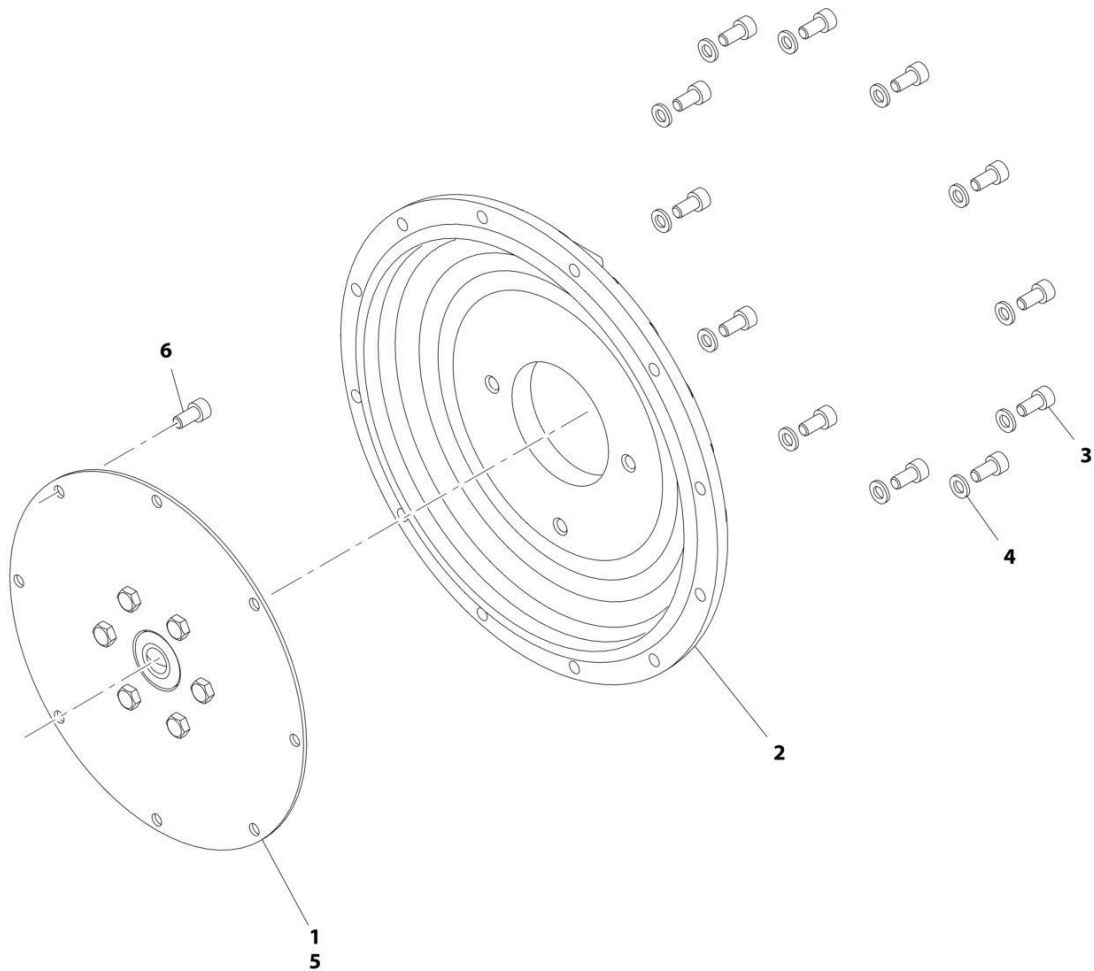
SECTION 3 - ENGINE

FIGURE 3-12. BRACKET ASSEMBLY (LESS FUEL PUMP AND FILTER)

ITEM	PART NUMBER	QTY	DESCRIPTION	REV
	1001165196	Ref	BRACKET ASSEMBLY (LESS FUEL PUMP AND FILTER)	E
1	0100011	AR	Compound, Locking	
2	0641611	2	Bolt 3/8 x 1-3/8	
3	0721006	4	Bolt #10 x 3/4	
4	1001154405	1.5 ft /0.4m	Hose	
5	3311001	4	Nut #10	
6	3311605	2	Nut 3/8	
7	4711000	8	Washer #10	
8	4711600	4	Washer 3/8	
9	8405006	2	Clamp	
10	1001146974	1	Plate, Fuel Pump Mount	
11	1001142501	1	Fitting, Elbow Barbed	

SECTION 3 - ENGINE

FIGURE 3-13. PUMP COUPLING KIT



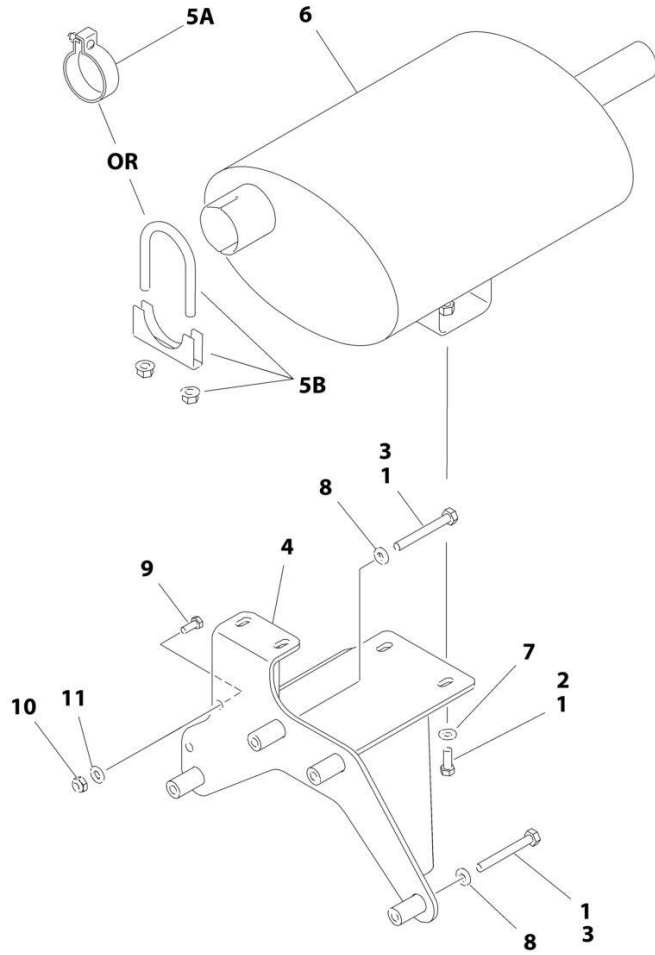
ART_2902065

FIGURE 3-13. PUMP COUPLING KIT

ITEM	PART NUMBER	QTY	DESCRIPTION	REV
	2902065	Ref	PUMP COUPLING KIT	K
1	70000793	1	Coupling, Hayes	
2	See Note	NSS	Plate, Pump Adapter (Note: Use p/n 2902065)	
3	See Note	NSS	Capscrew M10 x 30 Grade 10.9 (Note: Use p/n 2902065)	
4	See Note	NSS	Washer M10 (Note: Use p/n 2902065)	
5	3020021	AR	Grease, Coupling	
6	See Note	NSS	Capscrew M10 x 20 Grade 10.9 (Note: Use p/n 2902065)	

SECTION 3 - ENGINE

FIGURE 3-14. MUFFLER KIT - SPARK ARRESTOR (DEUTZ D2011 ENGINE) (OPTIONAL)



ART_2902243

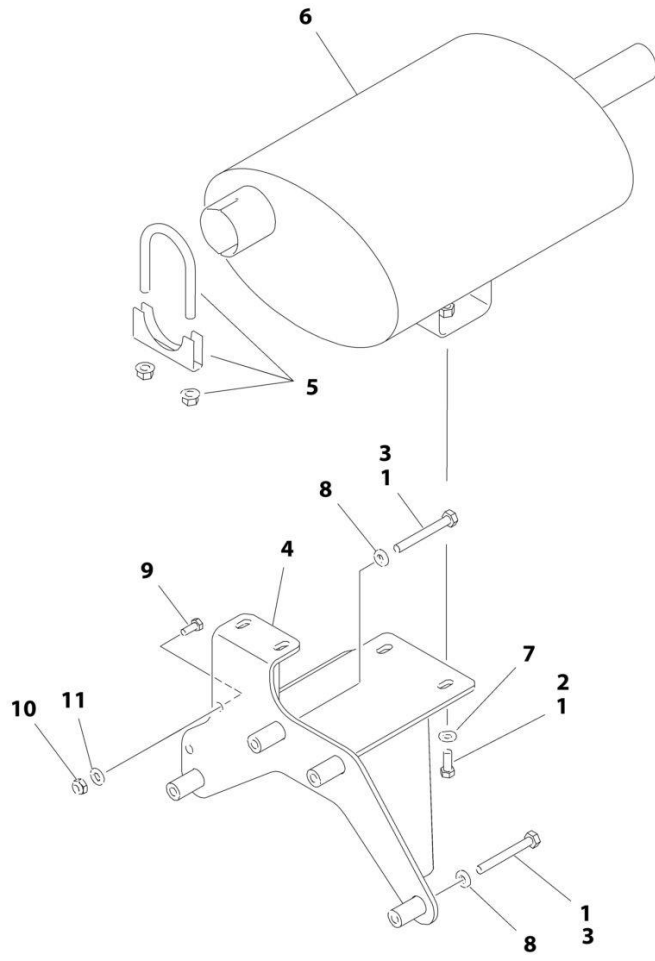
SECTION 3 - ENGINE

FIGURE 3-14. MUFFLER KIT - SPARK ARRESTOR (DEUTZ D2011 ENGINE) (OPTIONAL)

ITEM	PART NUMBER	QTY	DESCRIPTION	REV
	2902243	Ref	MUFFLER KIT - SPARK ARRESTOR (DEUTZ D2011 ENGINE) (OPTIONAL)	G
1	0100011	AR	Compound, Locking	
2	0641608	2	Bolt 3/8 x 1	
3	0711025	4	Bolt M10 x 85	
4	0902885	1	Bracket, Muffler Mount	
5A	70001017	1	Clamp, Circle (Supplied with Item 6)	
5B	1320019	1	Clamp Saddle (Note: Must be Purchase Separately)	
6	3220129	1	Spark Arrestor (Includes Item 5)	
7	4711600	2	Washer 3/8	
8	4891600	4	Washer 3/8	
9	0701013	2	Bolt M10 x 28	
10	3291005	2	Nut M10	
11	4812000	2	Washer M10	

SECTION 3 - ENGINE

FIGURE 3-15. MUFFLER KIT - CATALYTIC MUFFLER (DEUTZ D2011 ENGINE) (OPTIONAL)



ART_2902244

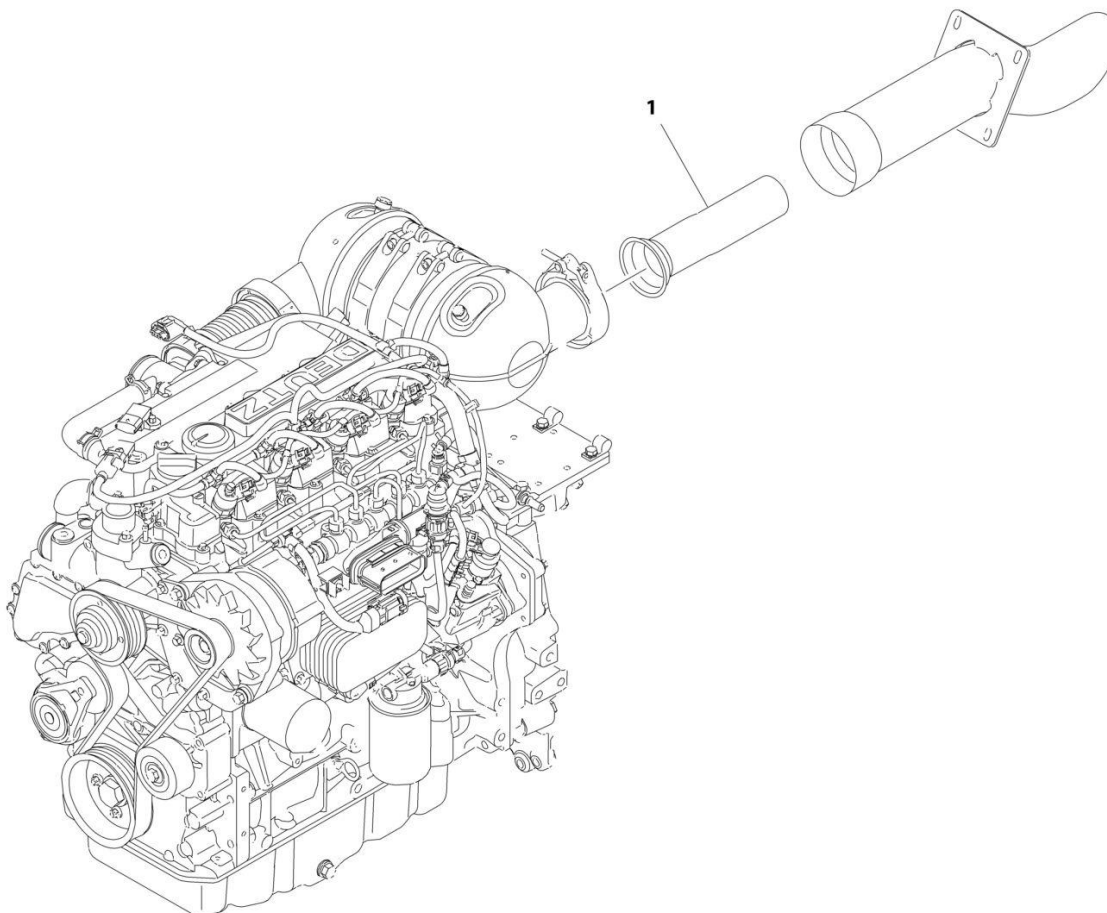
SECTION 3 - ENGINE

FIGURE 3-15. MUFFLER KIT - CATALYTIC MUFFLER (DEUTZ D2011 ENGINE) (OPTIONAL)

ITEM	PART NUMBER	QTY	DESCRIPTION	REV
	2902244	Ref	MUFFLER KIT - CATALYTIC MUFFLER (DEUTZ D2011 ENGINE) (OPTIONAL)	F
1	0100011	AR	Compound, Locking	
2	0641608	2	Bolt 3/8 x 1	
3	0711025	4	Bolt M10 x 85	
4	0902885	1	Bracket, Muffler Mount	
5	1320019	1	Clamp Saddle (Note: Must be purchased separately)	
6	3220131	1	Catalytic	
7	4711600	2	Washer 3/8	
8	4891600	4	Washer 3/8	
9	0701013	2	Bolt M10 x 28	
10	3291005	2	Nut M10	
11	4812000	2	Washer M10	

SECTION 3 - ENGINE

FIGURE 3-16. SPARK ARRESTER INSTALLATION (DEUTZ D2.9L4) (OPTIONAL)



ART_1001147783

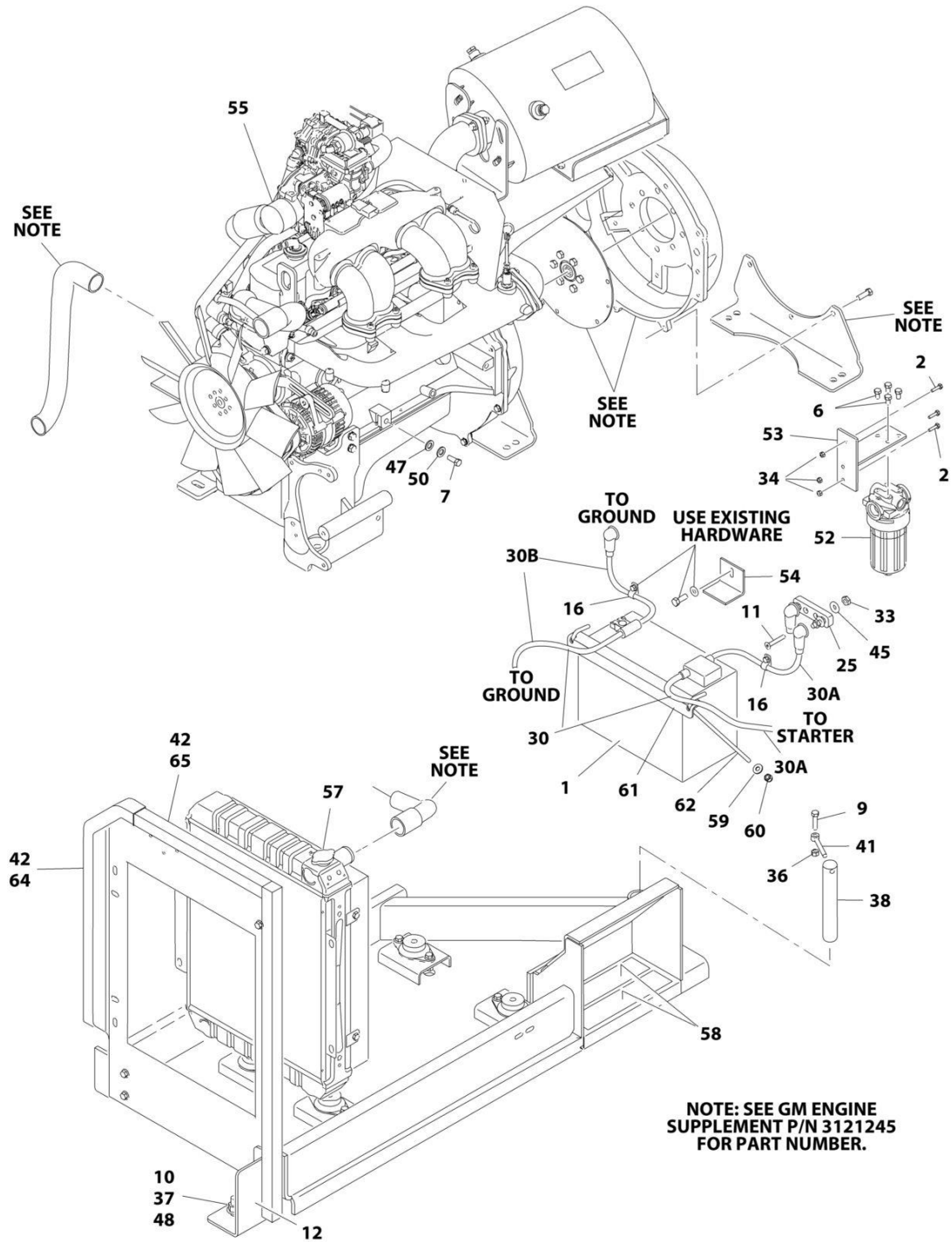
SECTION 3 - ENGINE

FIGURE 3-16. SPARK ARRESTER INSTALLATION (DEUTZ D2.9L4) (OPTIONAL)

ITEM	PART NUMBER	QTY	DESCRIPTION	REV
1	1001147783 1001147775	Ref 1	SPARK ARRESTER INSTALLATION (DEUTZ D2.9L4) (OPTIONAL) Arrester, Spark	A

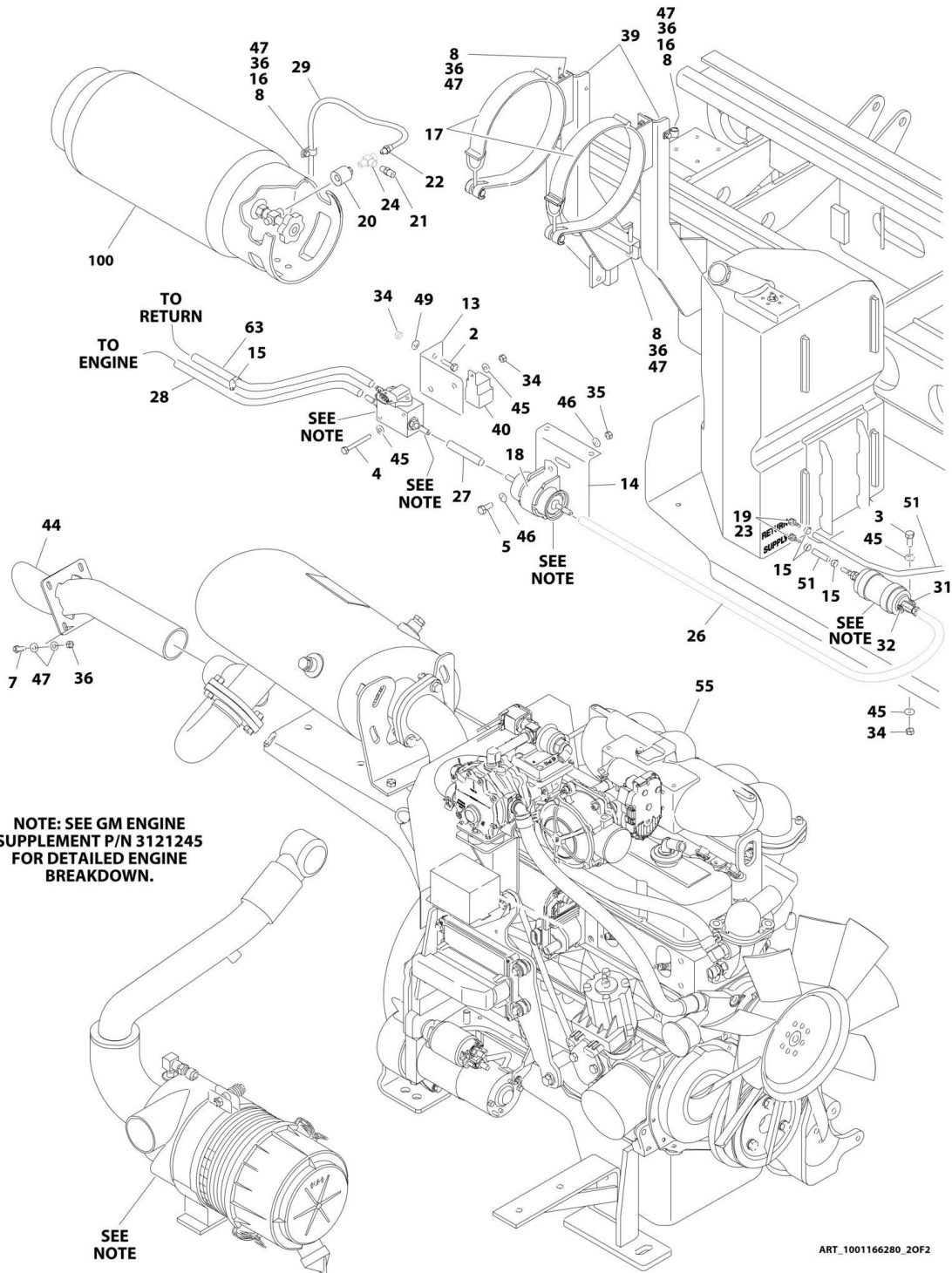
SECTION 3 - ENGINE

FIGURE 3-17. ENGINE INSTALLATION - GM ENGINE (SN 0200239053 through 0200259520)



ART_1001166280_10F2

SECTION 3 - ENGINE



SECTION 3 - ENGINE

FIGURE 3-17. ENGINE INSTALLATION - GM ENGINE (SN 0200239053 through 0200259520)

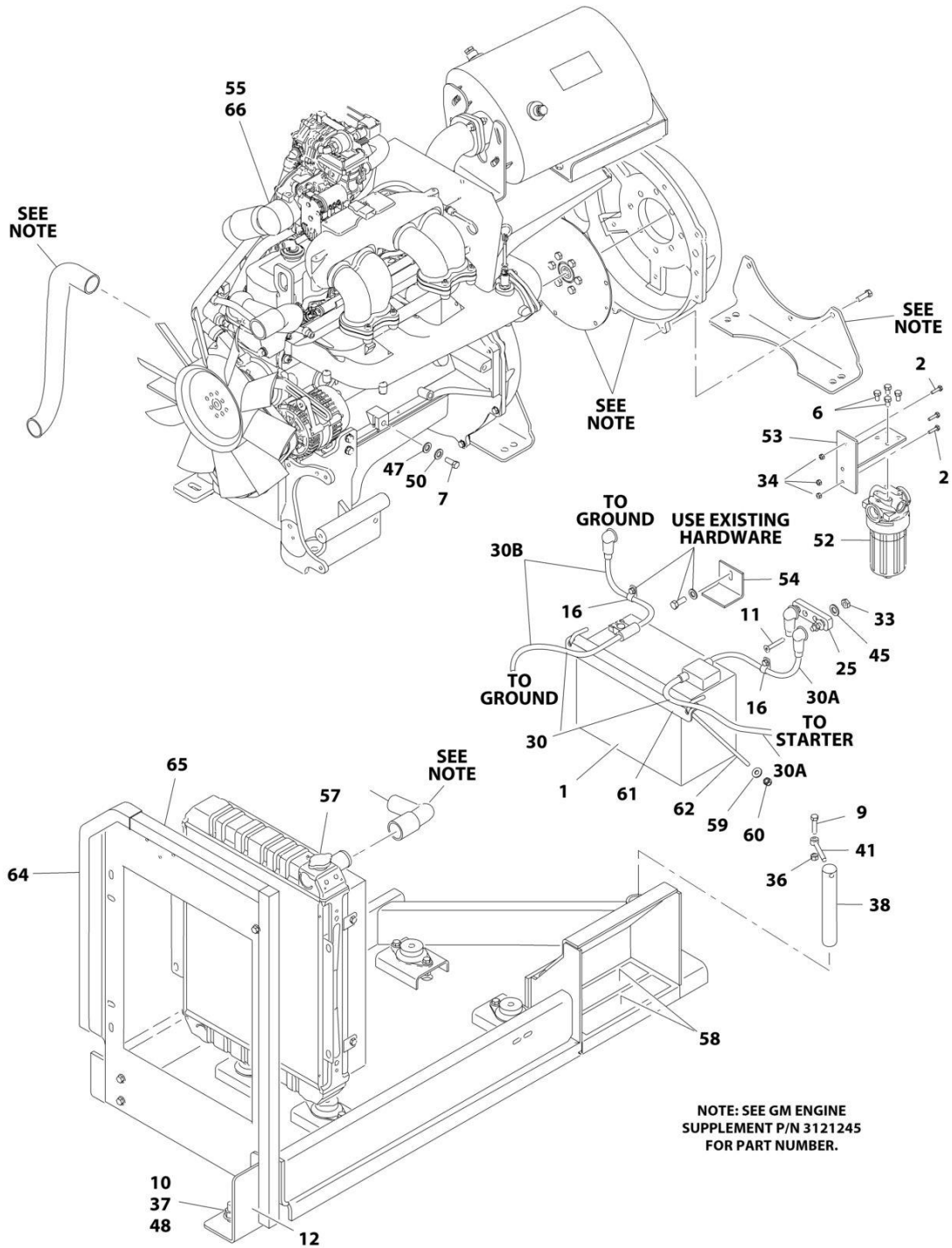
ITEM	PART NUMBER	QTY	DESCRIPTION	REV
	1001166280	Ref	ENGINE INSTALLATION - GM ENGINE (SN 0200239053 through 0200259520)	G
1	0400075	1	Battery	
2	0641408	5	Bolt 1/4 x 1	
3	0641410	2	Bolt 1/4 x 1-1/4	
4	0641418	2	Bolt 1/4 x 2-1/4	
5	0641506	2	Bolt 5/16 x 3/4	
6	0641605	4	Bolt 3/8 x 5/8	
7	0641608	5	Bolt 3/8 x 1	
8	0641610	9	Bolt 3/8 x 1-1/4	
9	0641612	1	Bolt 3/8 x 1-1/2	
10	0642016	1	Bolt 5/8 x 2	
11	0741010	2	Bolt #10 x 1-1/4	
12	0902777	1	Bracket, Engine Tray Latch Mount	
13	0903475	1	Plate, Fuel Regulator	
14	0903476	1	Plate, Fuel Filter	
15	1001174486	2	Clamp	
16	1320061	3	Clamp	
17	1320220	1	Clamp	
18	1320323	1	Clamp	
19	2180348	2	Fitting, Barb	
20	2180387	1	Fitting, LP	
21	2180389	1	Fitting, Relief Valve - LP	
22	2180418	1	Fitting	
23	2220250	2	Fitting, Reducer	
24	2220290	1	Fitting, Tee	
25	2400044	1	Fuse, Mounting Block	
26	1001156820	1	Hose	
27	1001156823	1	Hose	
28	1001156825	1	Hose	
29	2720611	1	Hose, LP	
30	2902534	1	Battery Cable Kit	I
30A	7027019	1	Cable, Battery - Red (Includes 3 Terminal Boots)	
30B	7027020	1	Cable, Battery - Black (Includes 1 Terminal Boots)	
31	3290405	1	Nut M4	
32	3290505	1	Nut M5	
33	3300408	2	Nut	
34	3311405	9	Nut 1/4	
35	3311505	2	Nut 5/16	
36	3311605	14	Nut 3/8	
37	3312005	1	Nut 5/8	
38	3422669	1	Pin (SN 0200239053 through 0200249090)	
38	3422582	1	Pin (SN 0200249091 through 0200259520)	
39	3573440	2	Plate, LP Tank Mount	
40	3740080	1	Relay	
41	3841143	1	Keeper	
42	3960468	1	Seal (SN 0200239053 through 0200249090)	
44	1001165702	1	Tube, Exhaust	
45	4711400	10	Washer 1/4	
46	4711500	4	Washer 5/16	

SECTION 3 - ENGINE

ITEM	PART NUMBER	QTY	DESCRIPTION	REV
47	4711600	27	Washer 3/8	
48	4712000	1	Washer 5/8	
49	4751400	4	Washer 1/4	
50	4761600	1	Washer 3/8	
51	1001177169	1	Hose	
52	1001102987	1	Filter, Charge Pump	
52	70010383	1	Filter Element and O-Ring Kit	
53	1001104356	1	Bracket, Filter	
54	1001104638	1	Bracket, Battery Hold-down	
55	1001114630	1	Engine and Pump Sub-Assembly - GM Engine (See ENGINE AND PUMP SUB-ASSEMBLY for Breakdown)	
56	0100048	AR	Grease, Dielectric (Not Shown)	
57	2300004	AR	Coolant	
58	4420080	2	Tape, Safety Tread Step	
59	4751500	2	Washer 5/16	
60	88521205	2	Nut 5/16	
61	91401281	1	Bracket, Battery Hold-Down	
62	1001093382	2	Bolt, J-Bolt	
63	1001177167	1	Hose	
64	1001191839	1	Seal (SN 0200249091 through 0200259520)	
65	1001191840	1	Seal (SN 0200249091 through 0200259520)	
100	4400420	1	LP Tank Assembly (#43 Steel Tank)	
100	4400275	1	LP Tank Assembly (#43 Aluminum Tank)	

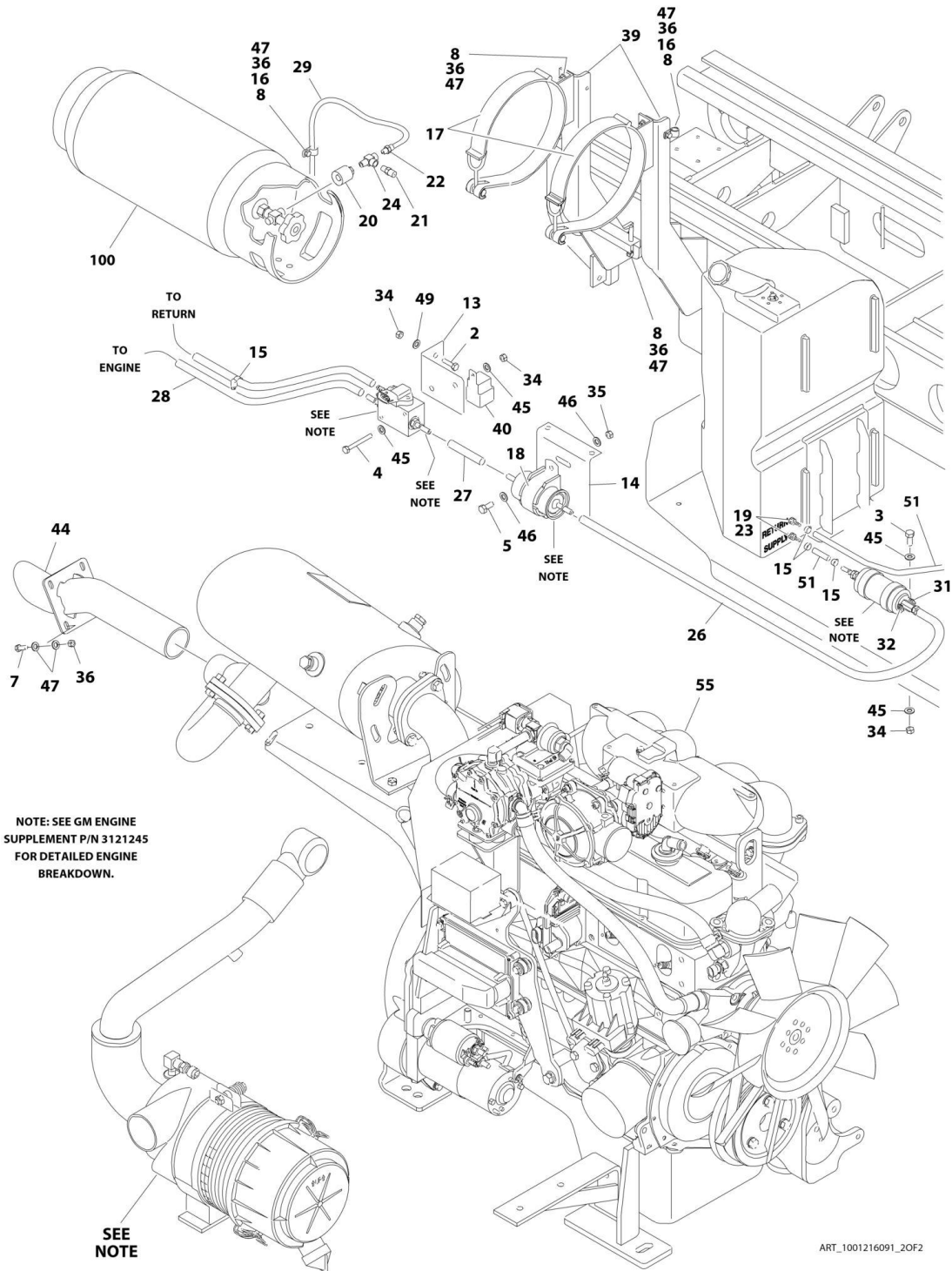
SECTION 3 - ENGINE

FIGURE 3-18. ENGINE INSTALLATION - GM ENGINE (SN 0200259521 to Present)



ART_1001216091_10F2

SECTION 3 - ENGINE



NOTE: SEE GM ENGINE SUPPLEMENT P/N 3121245 FOR DETAILED ENGINE BREAKDOWN.

SEE NOTE

ART_1001216091_2OF2

SECTION 3 - ENGINE

FIGURE 3-18. ENGINE INSTALLATION - GM ENGINE (SN 0200259521 to Present)

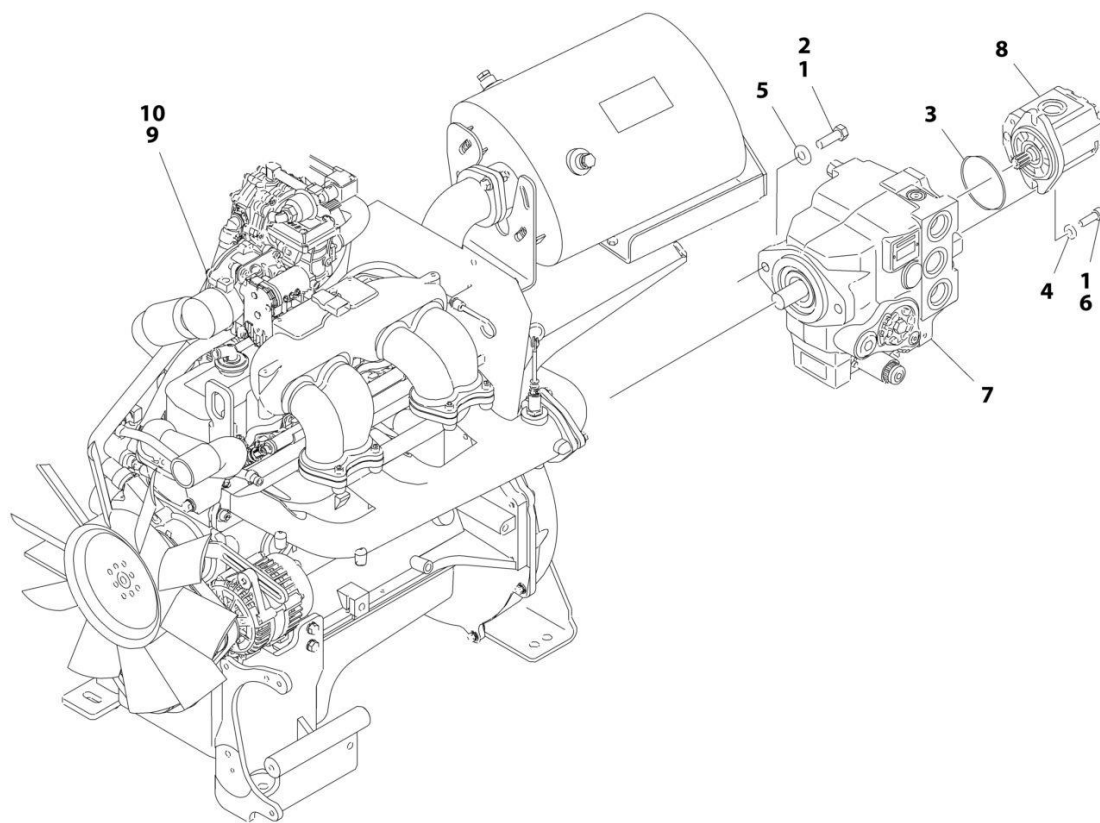
ITEM	PART NUMBER	QTY	DESCRIPTION	REV
	1001216091	Ref	ENGINE INSTALLATION - GM ENGINE (SN 0200259521 to Present)	B
1	0400075	1	Battery	
2	0641408	5	Bolt 1/4 x 1	
3	0641410	2	Bolt 1/4 x 1-1/4	
4	0641418	2	Bolt 1/4 x 2-1/4	
5	0641506	2	Bolt 5/16 x 3/4	
6	0641605	4	Bolt 3/8 x 5/8	
7	0641608	5	Bolt 3/8 x 1	
	0641610	9	Bolt 3/8 x 1-1/4	
9	0641612	1	Bolt 3/8 x 1-1/2	
10	0642016	1	Bolt 5/8 x 2	
11	0741010	2	Bolt #10 x 1-1/4	
12	0902777	1	Bracket, Engine Tray Latch Mount	
13	0903475	1	Plate, Fuel Regulator	
14	0903476	1	Plate, Fuel Filter	
15	1001174486	2	Clamp	
16	1320061	3	Clamp	
17	1320220	1	Clamp	
18	1320323	1	Clamp	
19	2180348	2	Fitting, Barb	
20	2180387	1	Fitting, LP	
21	2180389	1	Fitting, Relief Valve - LP	
22	2180418	1	Fitting	
23	2220250	2	Fitting, Reducer	
24	2220290	1	Fitting, Tee	
25	2400044	1	Fuse, Mounting Block	
26	1001156820	1	Hose	
27	1001156823	1	Hose	
28	1001156825	1	Hose	
29	2720611	1	Hose, LP	
30	2902534	1	Battery, Cable Kit	
30A	7027019	1	Cable, Battery - Red (Includes 3 Terminal Boots)	
30B	7027020	1	Cable, Battery - Black (Includes 1 Terminal Boots)	
31	3290405	1	Nut M4	
32	3290505	1	Nut M5	
33	3300408	2	Nut	
34	3311405	9	Nut 1/4	
35	3311505	2	Nut 5/16	
36	3311605	14	Nut 3/8	
37	3312005	1	Nut 5/8	
38	3422582	1	Pin	
39	3573440	2	Plate, LP Tank Mount	
40	3740080	1	Relay	
41	3841143	1	Keeper	
44	1001165702	1	Tube, Exhaust	
45	4711400	10	Washer 1/4	
46	4711500	4	Washer 5/16	
47	4711600	27	Washer 3/8	
48	4712000	1	Washer 5/8	

SECTION 3 - ENGINE

ITEM	PART NUMBER	QTY	DESCRIPTION	REV
49	4751400	4	Washer 1/4	
50	4761600	1	Washer 3/8	
51	1001177169	1	Hose	
52	1001102987	1	Filter, Charge Pump	
52	70010383	1	Filter, Element and O-Ring Kit	
53	1001104356	1	Bracket, Filter	
54	1001104638	1	Bracket, Battery Hold-Down	
55	1001216090	1	Engine and Pump Sub-Assembly - GM Engine (See ENGINE AND PUMP SUB-ASSEMBLY for Breakdown)	
56	0100048	AR	Grease, Dielectric (Not Shown)	
57	2300004	AR	Coolant	
58	4420080	2	Tape, Safety Tread Step	
59	4751500	2	Washer 5/16	
60	88521205	2	Nut 5/16	
61	91401281	1	Bracket, Battery Hold-Down	
62	1001093382	2	Bolt, J-Bolt	
64	1001191839	1	Seal	
65	1001191840	1	Seal	
66	1001214862	1	Engine, GM 3.0L (See GM Engine Supplement P/N 3121245 for Breakdown of Additional Components)	
100	4400420	1	LP Tank Assembly (#43 Steel Tank)	
100	4400275	1	LP Tank Assembly (#43 Aluminum Tank)	

SECTION 3 - ENGINE

FIGURE 3-19. GM ENGINE AND PUMP SUB-ASSEMBLY (SN 0200239053 through 0200259520)



ART_100114630

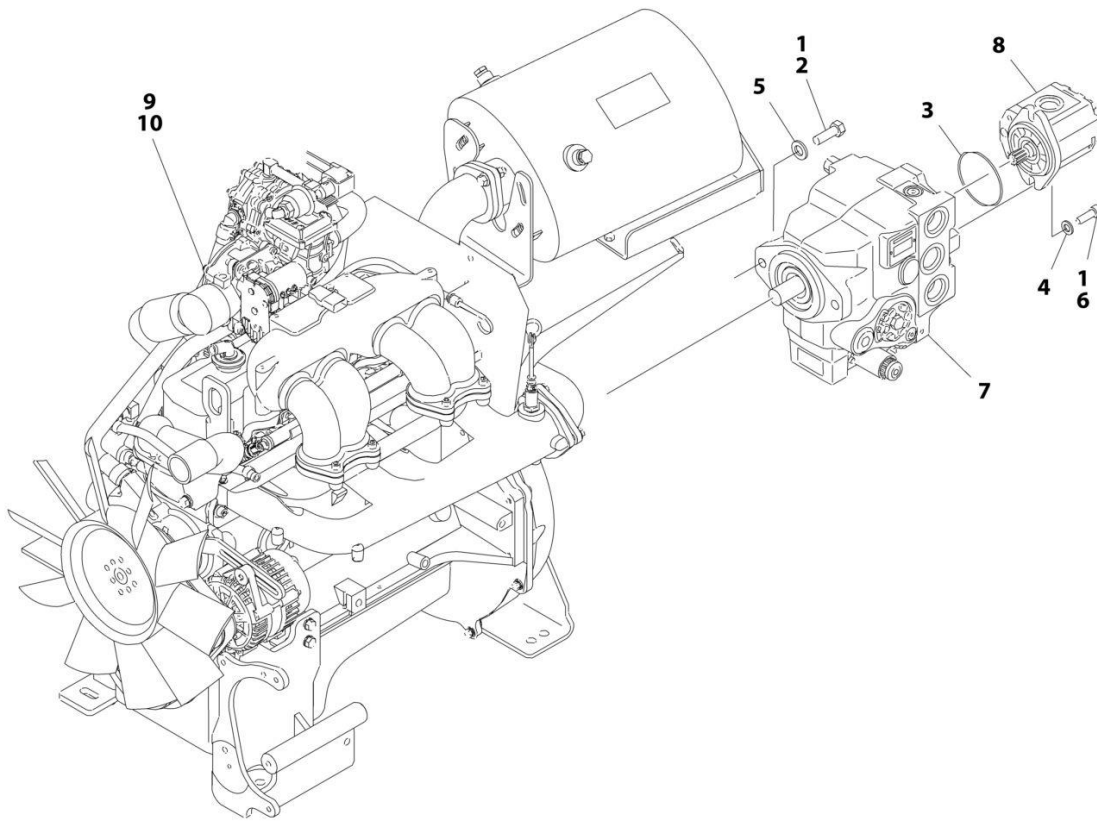
SECTION 3 - ENGINE

FIGURE 3-19. GM ENGINE AND PUMP SUB-ASSEMBLY (SN 0200239053 through 0200259520)

ITEM	PART NUMBER	QTY	DESCRIPTION	REV
	1001114630	Ref	GM ENGINE AND PUMP SUB-ASSEMBLY (SN 0200239053 through 0200259520)	I
1	0100011	AR	Compound, Locking	
2	0641814	2	Bolt 1/2 x 1-3/4	
3	3790152	1	O-Ring	
4	4891600	2	Washer 3/8	
5	4891800	2	Washer 1/2	
6	83191040	2	Bolt M10 x 30	
7	1001101331	1	Piston Pump Assembly (See PISTON PUMP ASSEMBLY for Breakdown)	
8	1001101699	1	Gear Pump Assembly	
8	70002210	1	Seal Kit - 1001101699 Pump	
		Ref	Note: Seal Kit is only service component available.	
9	1001114629	1	Engine Assembly - GM Engine (See ENGINE ASSEMBLY - GM ENGINE for Breakdown)	
10	1001115930	AR	Oil, Motor 10W-30	

SECTION 3 - ENGINE

FIGURE 3-20. GM ENGINE AND PUMP SUB-ASSEMBLY (SN 0200259521 to Present)



ART_1001216090

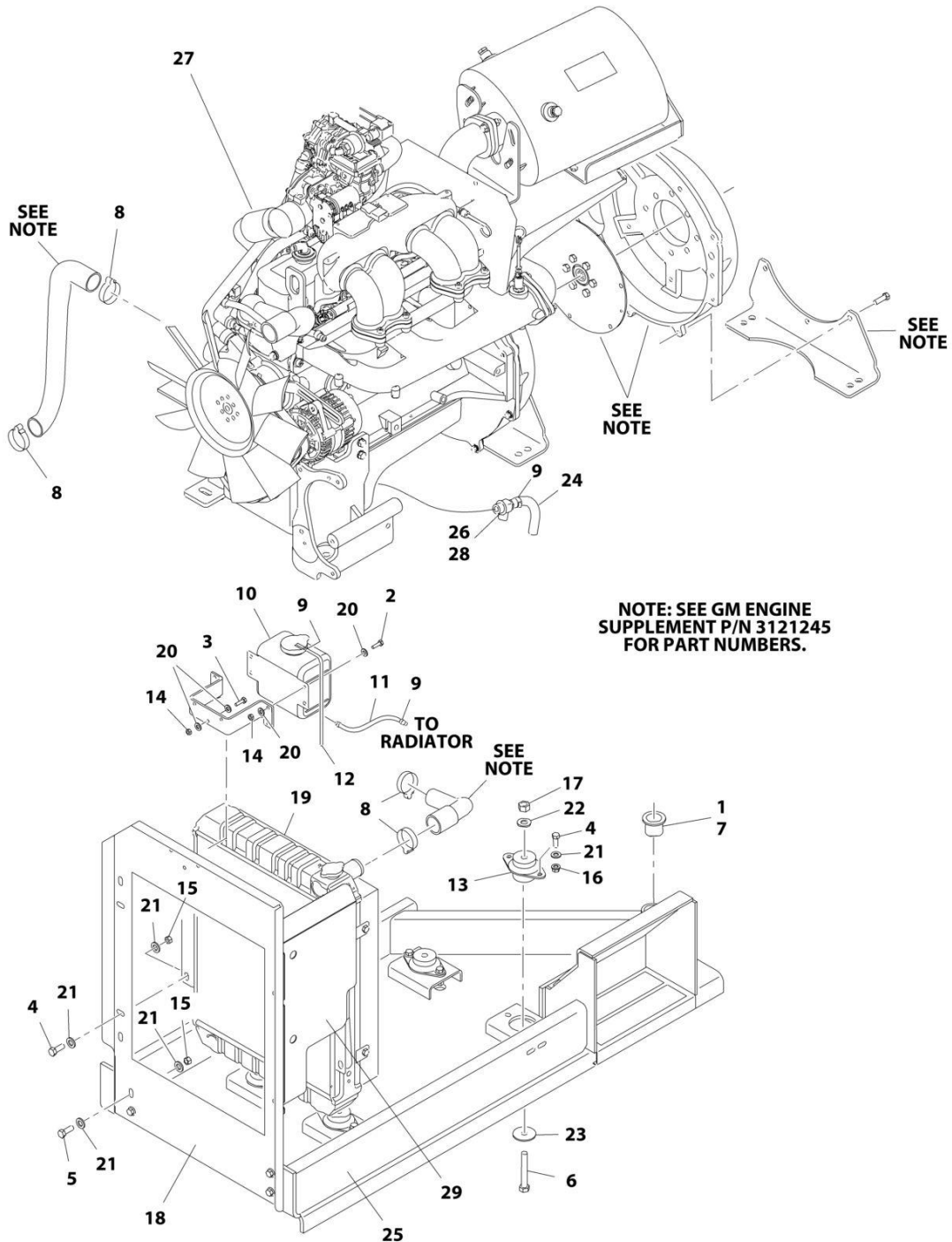
SECTION 3 - ENGINE

FIGURE 3-20. GM ENGINE AND PUMP SUB-ASSEMBLY (SN 0200259521 to Present)

ITEM	PART NUMBER	QTY	DESCRIPTION	REV
	1001216090	Ref	GM ENGINE AND PUMP SUB-ASSEMBLY (SN 0200259521 to Present)	B
1	0100011	AR	Compound, Locking	
2	0641814	2	Bolt 1/2 x 1-3/4	
3	3790152	1	O-Ring	
4	4891600	2	Washer 3/8	
5	4891800	2	Washer 1/2	
6	83191040	2	Bolt M10 x 30	
7	1001101331	1	Piston Pump Assembly (See PISTON PUMP ASSEMBLY for Breakdown)	
8	1001101699	1	Gear Pump Assembly	
8	70002210	1	Seal Kit - 1001101699 Pump	
		Ref	Note: Seal Kit is only service components available.	
9	1001216089	1	Engine Assembly - GM Engine (See ENGINE ASSEMBLY - GM ENGINE for Breakdown)	
10	1001190775	AR	Oil, Motor 5W-30	

SECTION 3 - ENGINE

FIGURE 3-21. GM ENGINE ASSEMBLY (SN 0200239053 through 0200259520)



ART_1001114629

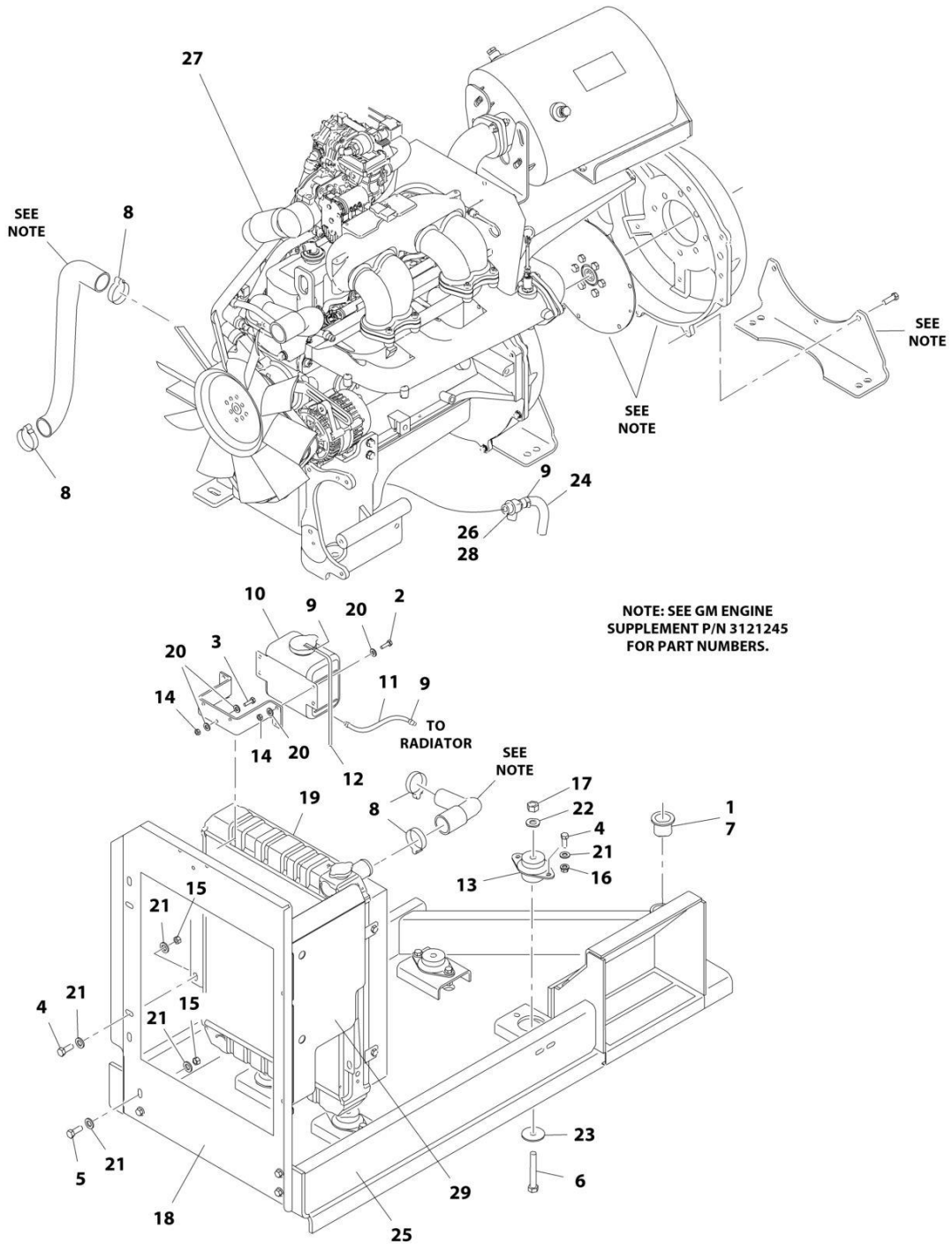
SECTION 3 - ENGINE

FIGURE 3-21. GM ENGINE ASSEMBLY (SN 0200239053 through 0200259520)

ITEM	PART NUMBER	QTY	DESCRIPTION	REV
	1001114629	Ref	GM ENGINE ASSEMBLY (SN 0200239053 through 0200259520)	G
1	0100062	AR	Compound, Locking	
2	0641406	4	Bolt 1/4 x 3/4	
3	0641407	3	Bolt 1/4 x 7/8	
4	0641608	12	Bolt 3/8 x 1	
5	0641609	4	Bolt 3/8 x 1-1/8	
6	0641828	4	Bolt 1/2 x 3-1/2	
7	0961986	2	Flange, Bearing	
8	1320012	4	Clamp	
9	1320022	4	Clamp	
10	1580011	1	Container, Coolant Overflow	
11	2720058	10 in /25.4cm	Hose	
12	2720271	8 in/20cm	Hose	
13	3200362	4	Mount, Resilient Engine	
14	3311405	7	Nut 1/4	
15	3311605	8	Nut 3/8	
16	3311608	8	Nut 3/8	
17	3311805	4	Nut 1/2	
18	3573195	1	Plate, Radiator Mount	
19	3620042	1	Radiator	
19	7027412	1	Cap, Radiator	
20	4711400	14	Washer 1/4	
21	4711600	32	Washer 3/8	
22	4711800	4	Washer 1/2	
23	4740274	4	Washer (Snubbing)	
24	2750532	10 in /25.4cm	Hose	
25	1001105112	1	Support, Engine Tray	
26	4640952	1	Valve, Oil Drain	
27	1001114604	1	Engine, GM 3.0L (See GM Engine Supplement P/N 3121245 for Breakdown of Additional Components)	
27	7027965	1	Filter, Oil	
27	7027972	1	Filter, Fuel - Inlet	
27	70000164	4	Plug, Spark	
27	70002895	1	Module, Engine Control (ECU)	
27	7024438	1	Element, Air Filter	
28	0100020	AR	Sealant, Pipe	
29	1001191842	1	Deflector, Air (SN 0200249091 through 0200259520)	

SECTION 3 - ENGINE

FIGURE 3-22. GM ENGINE ASSEMBLY (SN 0200259521 to Present)



ART_1001216089

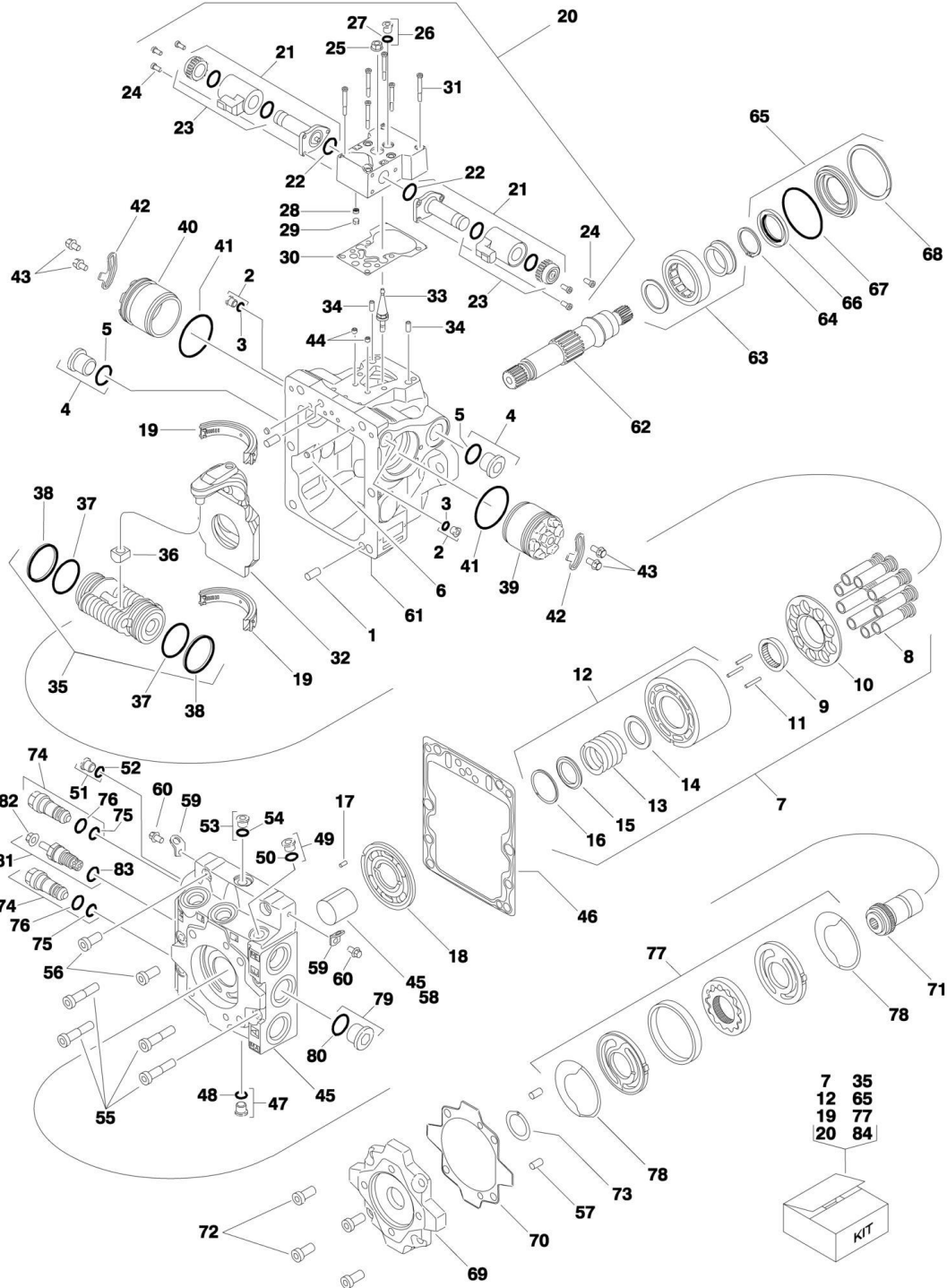
SECTION 3 - ENGINE

FIGURE 3-22. GM ENGINE ASSEMBLY (SN 0200259521 to Present)

ITEM	PART NUMBER	QTY	DESCRIPTION	REV
	1001216089	Ref	GM ENGINE ASSEMBLY (SN 0200259521 to Present)	B
1	0100062	AR	Compound, Locking	
2	0641406	4	Bolt 1/4 x 3/4	
3	0641407	3	Bolt 1/4 x 7/8	
4	0641608	12	Bolt 3/8 x 1	
5	0641609	4	Bolt 3/8 x 1-1/8	
6	0641828	4	Bolt 1/2 x 3-1/2	
7	0961986	2	Flange, Bearing	
8	1320012	4	Clamp	
9	1320022	4	Clamp	
10	1580011	1	Container, Coolant Overflow	
11	2720058	10 in /25.4cm	Hose	
12	2720271	8 in /20cm	Hose	
13	3200362	4	Mount, Resilient Engine	
14	3311405	7	Nut 1/4	
15	3311605	8	Nut 3/8	
16	3311608	8	Nut 3/8	
17	3311805	4	Nut 1/2	
18	3573195	1	Plate, Radiator Mount	
19	3620042	1	Radiator	
19	7027412	1	Cap, Radiator	
20	4711400	14	Washer 1/4	
21	4711600	32	Washer 3/8	
22	4711800	4	Washer 1/2	
23	4740274	4	Washer (Snubbing)	
24	2750532	10 in /25.4cm	Hose	
25	1001105112	1	Support, Engine Tray	
26	4640952	1	Valve, Oil Drain	
27	1001216088	1	Engine, GM 3.0L (See GM Engine Supplement P/N 3121245 for Breakdown of Additional Components)	
27	7027965	1	Filter, Oil	
27	7027972	1	Filter, Fuel - Inlet	
27	70000164	4	Plug, Spark	
27	70002895	1	Module, Engine Control (ECU) (Note: Re-calibration Required when Replaced)	
27	7024438	1	Element, Air Filter	
28	0100020	AR	Sealant, Pipe	
29	1001191842	1	Deflector, Air	

SECTION 3 - ENGINE

FIGURE 3-23. PISTON PUMP ASSEMBLY



ART_1001101331

SECTION 3 - ENGINE

FIGURE 3-23. PISTON PUMP ASSEMBLY

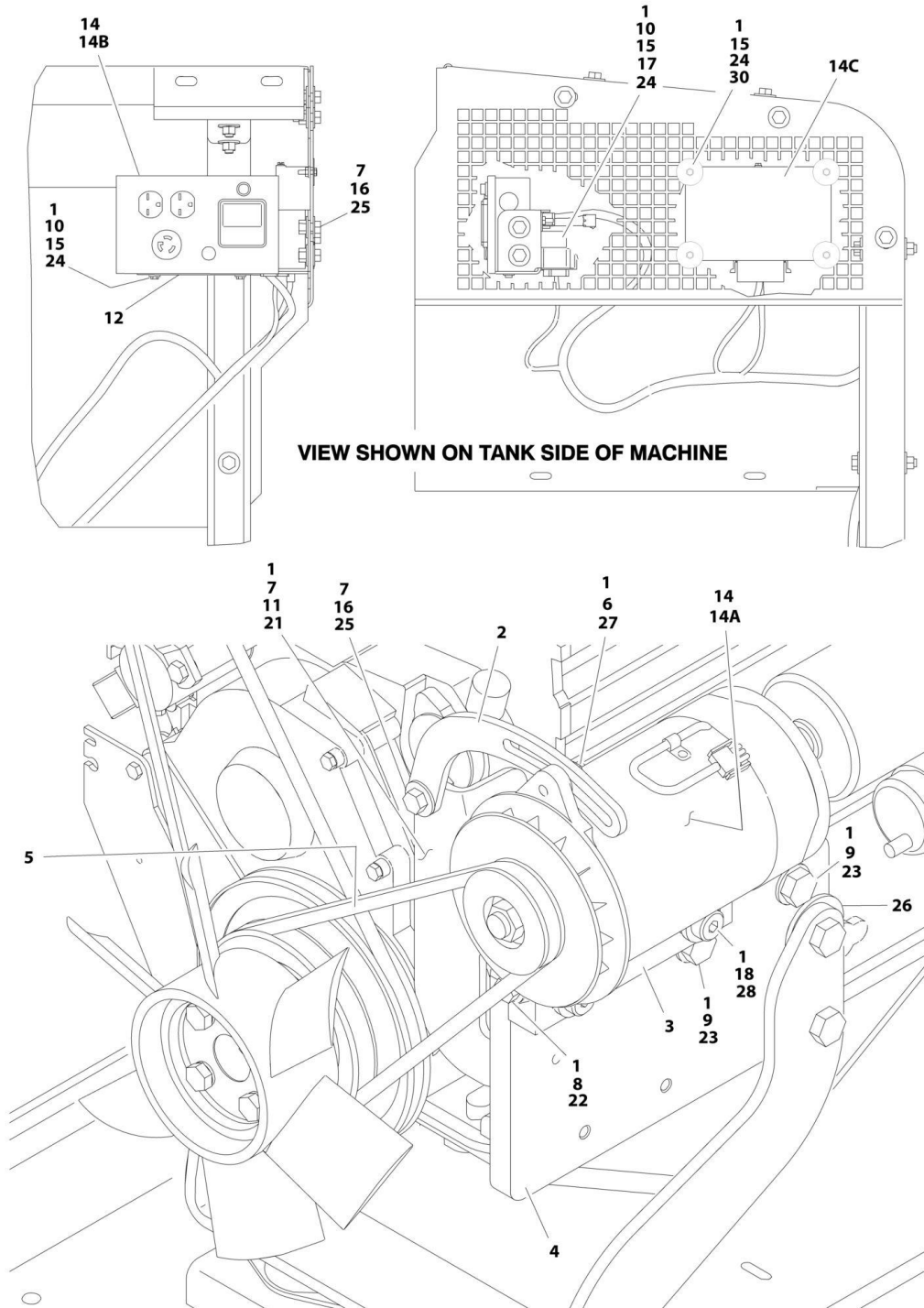
ITEM	PART NUMBER	QTY	DESCRIPTION	REV
	1001101331	Ref	PISTON PUMP ASSEMBLY	D
1	70002132	2	Pin	
2	70002133	2	Plug Assembly (Includes Item 3)	
3	7007207	2	O-Ring (Part of Item 2)	
4	7007419	2	Plug Assembly (Includes Item 5)	
5	7007418	2	O-Ring (Part of Item 4)	
6	70002134	2	Screen	
7	70002135	1	Cylinder Block Kit (Includes Items 8-16)	
8	70002136	1	Piston Assembly Kit (Includes Qty 9 Piston Assemblies) (Part of Item 7)	
9	70002137	1	Guide, Slipper Retainer (Part of Item 7)	
10	70002138	1	Retainer, Slipper (Part of Item 7)	
11	7021275	3	Pin, Slipper Retainer Holddown (Part of Item 7)	
12	70002143	1	Cylinder Block Assembly (Includes Item 13-16) (Part of Item 7)	
13	70002139	1	Spring (Part of Item 12)	
14	70002140	1	Washer (Part of Item 12)	
15	70002141	1	Washer (Part of Item 12)	
16	70002142	1	Ring, Retaining (Part of Item 12)	
17	7007446	1	Pin	
18	70002144	1	Plate, CW Valve	
19	70002145	1	Swashplate Bearing Kit (Includes Qty 2 Bearings)	
20	70002146	1	EDC Kit (Includes Items 21-31)	
21	70002147	2	Solenoid Valve Assembly (Includes Item 22 & 23) (Part of Item 20)	
22	70002148	2	O-Ring (1 Per Valve Assembly) (Part of Item 21)	
23	70002149	2	Coil, Nut and Seals Kit (1 Per Valve Assembly) (Part of Item 21)	
24	70002150	6	Screw (Part of Item 20)	
25	7022301	1	Nut, Seal (Part of Item 20)	
26	70002151	1	Plug Assembly (Part of Item 20) (Includes Item 27)	
27	7007207	1	O-Ring (Part of Item 26)	
28	70002134	1	Screen (Part of Item 20)	
29	70002153	1	Ring, Locking (Part of Item 20)	
30	70002154	1	Gasket, Control (Part of Item 20)	
31	70002156	6	Capscrew (Part of Item 20)	
32	70002152	1	Swashplate	
33	70002155	1	Link, Swashplate	
34	70002157	2	Pin, Dowel	
35	70002158	1	Servo Piston Assembly (Includes Items 36-38)	
36	70002159		Block, Slider (Part of Item 35)	
37	70002160	2	O-Ring (Part of Item 35)	
38	70002161	2	Ring, Piston (Part of Item 35)	
39	70002162	1	Cylinder, Servo	
40	70002162	1	Cylinder, Servo	
41	70002163	2	O-Ring	
42	70002164	2	Plate, Locking	
43	70002165	4	Screw	
44	70002166	2	Orifice	
45	70002167	1	Cap, End (Includes Item 58)	
46	70002168	1	Gasket, End Cap	
47	70001958	1	Plug Assembly (Includes Item 48)	

SECTION 3 - ENGINE

ITEM	PART NUMBER	QTY	DESCRIPTION	REV
48	7021256	1	O-Ring (Part of Item 47)	
49	70001958	1	Plug Assembly (Includes Item 50)	
50	7021256	1	O-Ring (Part of Item 49)	
51	70001958	1	Plug Assembly (Includes Item 52)	
52	7021256	1	O-Ring (Part of Item 51)	
53	70001958	1	Plug Assembly (Includes Item 54)	
54	7021256	1	O-Ring (Part of Item 53)	
55	70002169	4	Capscrew	
56	70002170	2	Capscrew	
57	70002132	2	Pin	
58	70002172	1	Bearing, Journal (Part of Item 45)	
59	7022340	2	Bracket, Lifting	
60	70002165	2	Screw	
61	See Note	1	Housing (Note: Purchase p/n 1001101331)	
62	70002175	1	Shaft	
63	70002176	1	Ball Bearing Kit	
64	70007439	1	Ring, Retaining	
65	70002174	1	Shaft Seal Kit (Includes Items 66-68) (Note: This is a universal kit and will contain extra pieces that are not used on this pump assembly.)	
66	70002177	1	Seal, Lip	
67	70002178	1	O-Ring	
68	70002179	1	Ring, Retaining	
69	70002180	1	Adapter	
70	70002181	1	Seal, Adapter	
71	70002182	1	Coupling	
72	70002185	4	Capscrew	
73	70002186	1	Plate, Thrust	
74	70002188	2	High Pressure Relief Valve Cartridge Assembly (Includes Item 75 & 76)	
75	70002187	2	O-Ring (1 Per Cartridge) (Part of Item 74)	
76	7007415	2	O-Ring (1 Per Cartridge) (Part of Item 74)	
77	70002189	1	Charge Pump Kit (Includes Item 78)	
78	70002190	2	Ring, Seal (Part of Item 77)	
79	7023964	1	Plug Assembly (Includes Item 80)	
80	7007415	1	O-Ring (Part of Item 79)	
81	70002191	1	Charge Relief Valve Cartridge Assembly (Includes Item 82 & 83)	
82	70002187	1	Nut, Seal (Part of Item 81)	
83	7007415	1	O-Ring (Part of Item 81)	
84	70002192	1	Overhaul Seal Kit (Includes Items 3, 5, 22, 27, 30, 37, 38, 41, 48, 50, 52, 54, 66, 67, 70, 75, 76, 78, 82 & 83)	

SECTION 3 - ENGINE

FIGURE 3-24. GENERATOR INSTALLATION - 110V - DEUTZ D2011 ENGINE (OPTIONAL)



ART_0271743

SECTION 3 - ENGINE

FIGURE 3-24. GENERATOR INSTALLATION - 110V - DEUTZ D2011 ENGINE (OPTIONAL)

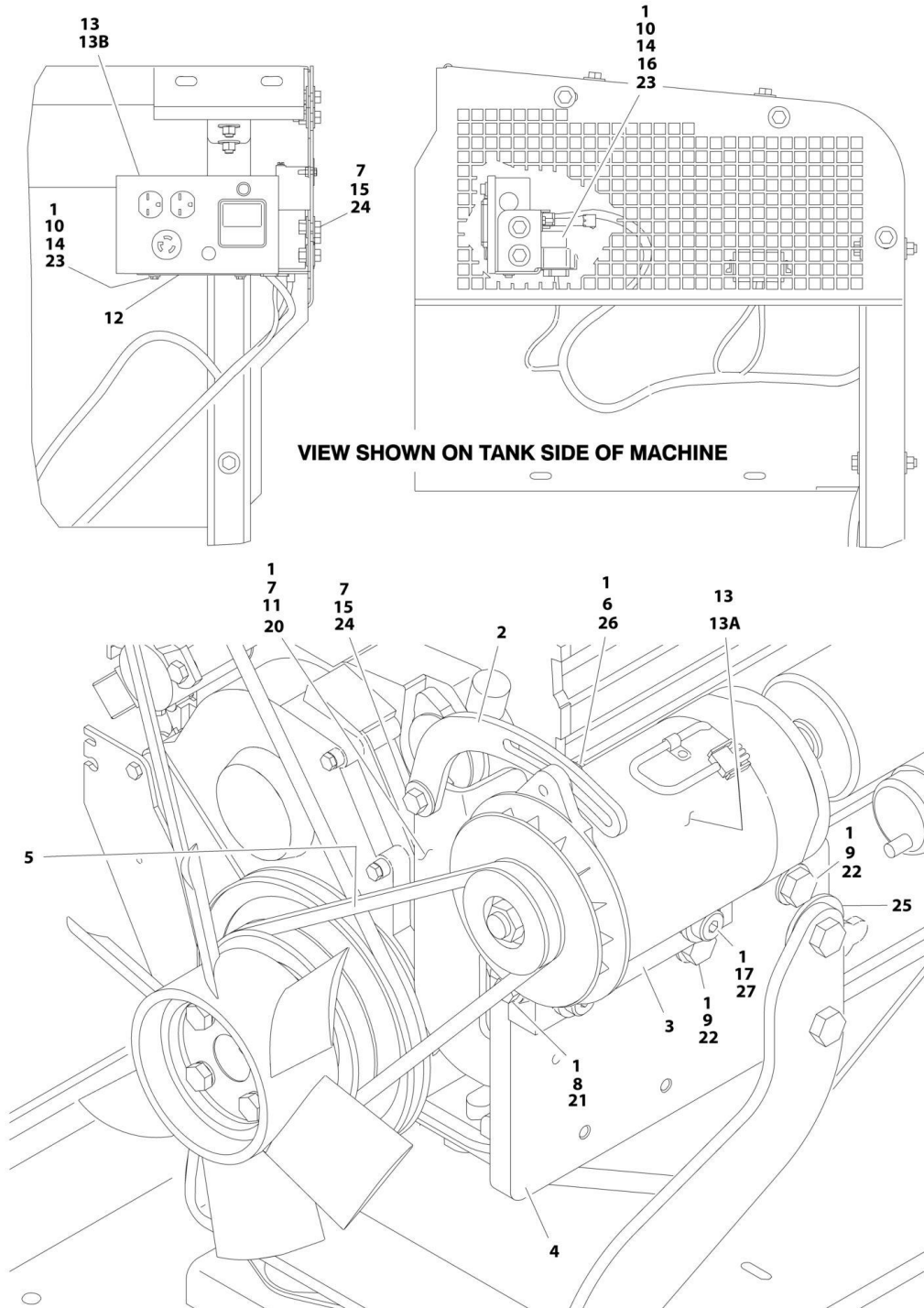
ITEM	PART NUMBER	QTY	DESCRIPTION	REV
	0271743	Ref	GENERATOR INSTALLATION - 110V - DEUTZ D2011 ENGINE (OPTIONAL)	C
1	0100011	AR	Compound, Locking	
2	0200742	1	Arm, Adjusting	
3	0363082	1	Bar, Generator Adjusting	
4	0363098	1	Bar, Generator Mounting	
5	0480124	1	Belt, Drive	
6	0641508	1	Bolt 5/16 x 1	
7	0641608	6	Bolt 3/8 x 1	
8	0641718	2	Bolt 7/16 x 2-1/4	
9	0701418	2	Bolt M14 x 50	
10	0721006	7	Screw #10 x 3/4	
11	0902813	1	Bracket, Arm Mounting	
12	0902842	1	Bracket, Generator Box Mounting	
13	1061006	1	Cable, AC (See ELECTRICAL SECTION for Breakdown)	
14	2460043	1	Generator and Control Box Assembly	B
14A	2460049	1	Generator Only	
14A	70000122	1	Armature with Slip Rings	
14A	7020108	4	Brushes	
14A	7020109	4	Holder, Brush	
14A	7012513	4	Cap, Brush Holder	
14A	7012514	1	Fan	
14A	7020110	1	Bell, Front	
14A	7020111	1	Bell, Rear	
14A	7020190	2	Bearing	
14A	7027887	1	Key, Pulley Woodruff	
14A	3580134	1	Pulley	
14B	70002241	1	Box, Control Assembly	
		Ref	Note: Replacement 110V Control Box comes with 2 standard Receptacles p/n 4460190. Optional Industrial Twist Lock Receptacles p/n 4460027 must be ordered separately.	
14B	70002240	1	Breaker, Circuit	
14B	2420203	1	Voltmeter	
14B	4460190	1	Receptacle -Standard	
14B	4460027	1	Receptacle - Twist-Lock	
14B	2920162	1	Lamp Assembly	
14B	70002237	1	Diode 6A/600V	
14B	3520028	1	Plug	
14C	7026525	1	Regulator, Voltage	
15	3311001	7	Nut #10	
16	3311605	3	Nut 3/8	
17	3740080	1	Relay	
18	3900322	2	Bolt, Shoulder	
19	4060802	1	Guard, Switch (Not Shown - Located on Platform Console Box)	
20	4360482	1	Switch, Toggle (Not Shown - Located on Platform Console Box)	
21	4711600	3	Washer 3/8	
22	4711700	2	Washer 7/16	
23	4711900	2	Washer 9/16	
24	4751000	10	Washer #10	
25	4751600	6	Washer 3/8	

SECTION 3 - ENGINE

ITEM	PART NUMBER	QTY	DESCRIPTION	REV
26	4752200	2	Washer 3/4	
27	4891500	2	Washer 5/16	
28	4892000	2	Washer 5/8	
29	4922800	1	Harness, Generator (Not Shown - See ELECTRICAL SECTION for Breakdown)	
30	4740362	4	Washer, Fender	

SECTION 3 - ENGINE

FIGURE 3-25. GENERATOR INSTALLATION - 220V - DEUTZ D2011 ENGINE (OPTIONAL)



ART_0271745

SECTION 3 - ENGINE

FIGURE 3-25. GENERATOR INSTALLATION - 220V - DEUTZ D2011 ENGINE (OPTIONAL)

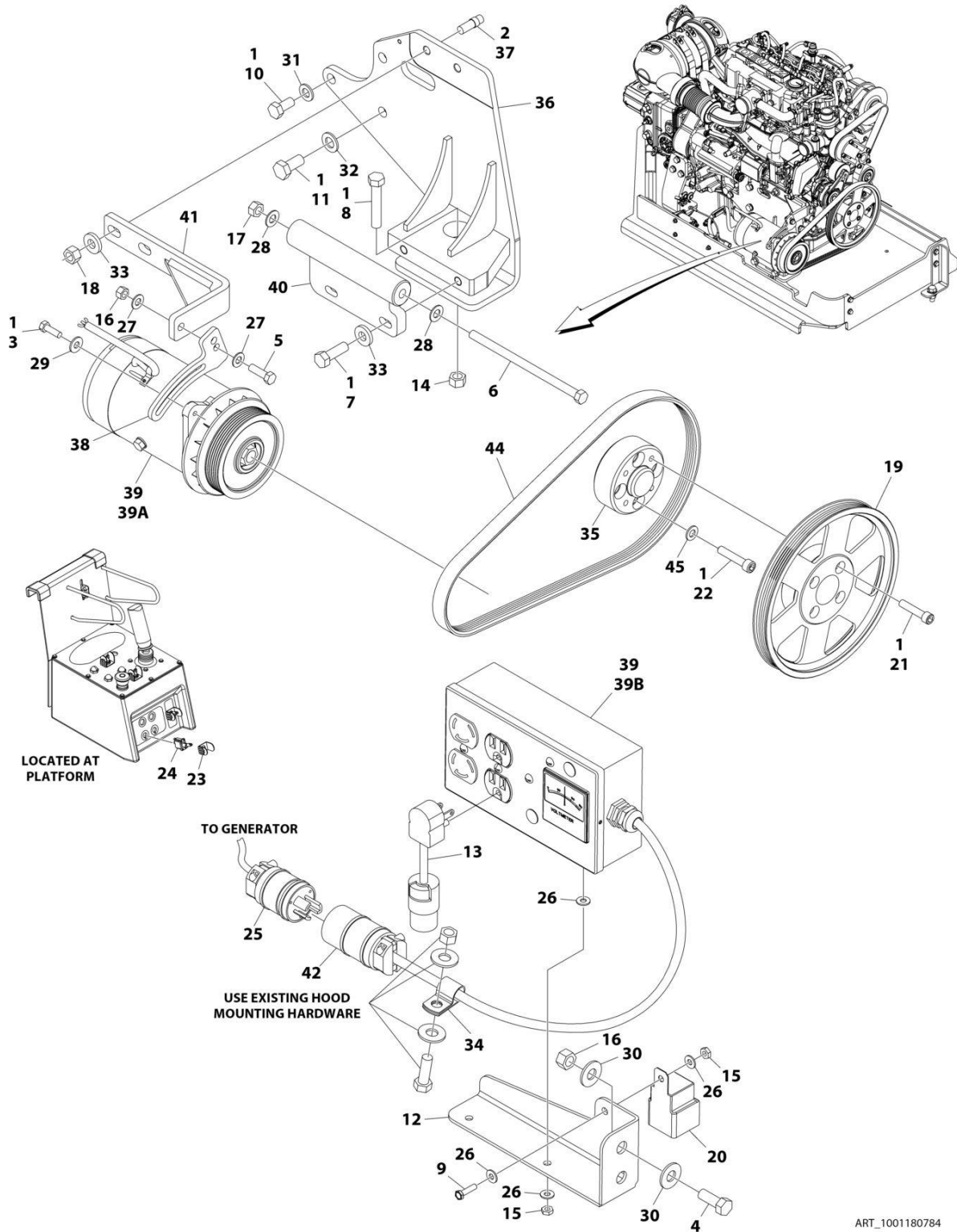
ITEM	PART NUMBER	QTY	DESCRIPTION	REV
	0271745	Ref	GENERATOR INSTALLATION - 220V - DEUTZ D2011 ENGINE (OPTIONAL)	C
1	0100011	AR	Compound, Locking	
2	0200742	1	Arm, Adjusting	
3	0363082	1	Bar, Generator Adjusting	
4	0363098	1	Bar, Generator Mounting	
5	0480124	1	Belt, Drive	
6	0641508	1	Bolt 5/16 x 1	
7	0641608	6	Bolt 3/8 x 1	
8	0641718	2	Bolt 7/16 x 2-1/4	
9	0701418	2	Bolt M14 x 50	
10	0721006	7	Screw #10 x 3/4	
11	0902813	1	Bracket, Arm Mounting	
12	0902842	1	Bracket, Generator Box Mounting	
13	2460047	1	Generator and Control Box Assembly	B
13A	1001100321	1	Generator Only	
13A	70000123	1	Armature with Slip Rings	
13A	7020108	4	Brushes	
13A	7020109	4	Holder, Brush	
13A	7012513	4	Cap, Brush Holder	
13A	7012514	1	Fan	
13A	7020110	1	Bell, Front	
13A	7020111	1	Bell, Rear	
13A	7020190	2	Bearing	
13A	7027887	1	Key, Pulley Woodruff	
13A	3580134	1	Pulley	
13B	70002236	1	Box, Control Assembly	
13B	70000126	1	Breaker, Circuit	
13B	7020192	1	Voltmeter	
13B	70000124	1	Receptacle, Double	
13B	70000125	1	Receptacle, Single	
13B	2920162	1	Lamp Assembly	
13B	70002237	1	Diode 6A/600V	
13B	3520028	1	Plug	
14	3311001	3	Nut #10	
15	3311605	3	Nut 3/8	
16	3740080	1	Relay	
17	3900322	2	Bolt, Shoulder	
18	4060802	1	Guard, Switch (Not Shown - Located on Platform Console Box)	
19	4360482	1	Switch, Toggle (Not Shown - Located on Platform Console Box)	
20	4711600	3	Washer 3/8	
21	4711700	2	Washer 7/16	
22	4711900	2	Washer 9/16	
23	4751000	6	Washer #10	
24	4751600	6	Washer 3/8	
25	4752200	2	Washer 3/4	
26	4891500	2	Washer 5/16	
27	4892000	2	Washer 5/8	
28	4922800	1	Harness, Generator (Not Shown - See ELECTRICAL SECTION for Breakdown)	

SECTION 3 - ENGINE

ITEM	PART NUMBER	QTY	DESCRIPTION	REV
29	1061006	1	Cable, AC (Not Shown - See ELECTRICAL SECTION for Breakdown)	

SECTION 3 - ENGINE

FIGURE 3-26. GENERATOR INSTALLATION - 110V - DEUTZ D2.9L4 (OPTIONAL)



ART_1001180784

SECTION 3 - ENGINE

FIGURE 3-26. GENERATOR INSTALLATION - 110V - DEUTZ D2.9L4 (OPTIONAL)

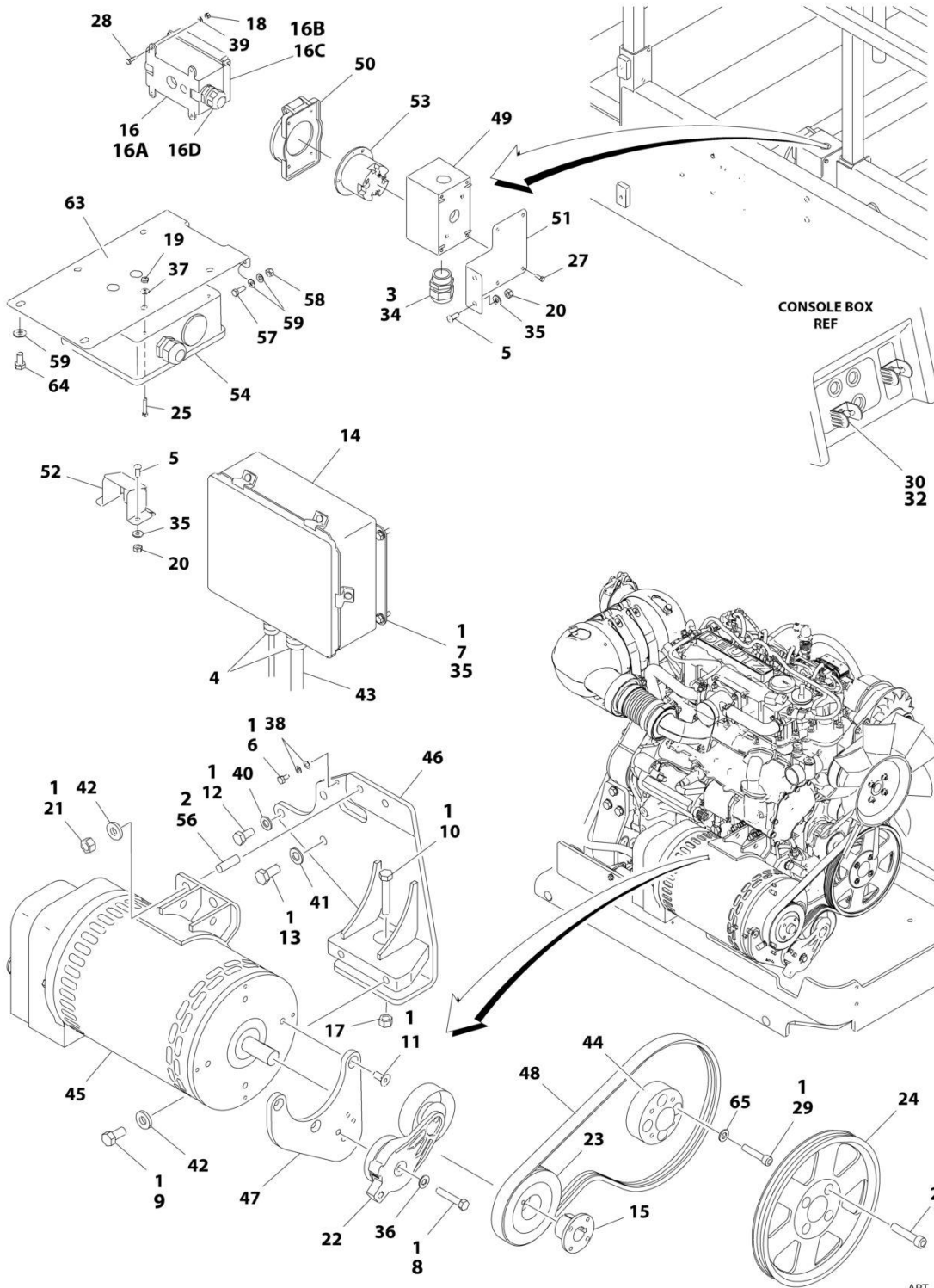
ITEM	PART NUMBER	QTY	DESCRIPTION	REV
	1001180784	Ref	GENERATOR INSTALLATION - 110V - DEUTZ D2.9L4 (OPTIONAL)	B
1	0100011	AR	Compound, Locking	
2	0100019	AR	Compound, Locking	
3	0641508	1	Bolt 5/16 x 1	
4	0641608	2	Bolt 3/8 x 1	
5	0641610	1	Bolt 3/8 x 1-1/4	
6	0641772	1	Bolt 7/16 x 9	
7	0641812	2	Bolt 1/2 x 1-1/2	
8	0681822	1	Bolt 1/2 x 2-3/4	
9	0721006	1	Screw #10 x 3/4	
10	0771212	1	Bolt M12 x 25	
11	0771414	2	Bolt M14 x 30	
12	0902842	1	Bracket, Generator Box	
13	1061006	1	AC Cable (See ELECTRICAL SECTION for Breakdown)	
14	3271801	1	Nut 1/2	
15	3311005	3	Nut #10	
16	3311605	3	Nut 3/8	
17	3311705	1	Nut 7/16	
18	3311801	2	Nut 1/2	
19	3580320	1	Pulley	
20	3740080	1	Relay	
21	3931628	4	Capscrew 3/8 x 1-3/4	
22	4032014	4	Capscrew M10 x 50	
23	4060802	1	Guard, Switch	
24	4360482	1	Switch, Toggle	
25	4460205	1	Plug	
26	4711000	6	Washer #10	
27	4711600	2	Washer 3/8	
28	4711700	2	Washer 7/16	
29	4751500	1	Washer 5/16	
30	4751600	4	Washer 3/8	
31	4812100	1	Washer M12	
32	4812200	2	Washer M14	
33	4891800	4	Washer 1/2	
34	8406101	1	Clamp	
35	1001135679	1	Adapter, Pulley	
36	1001147780	1	Support	
37	1001163599	2	Stud	
38	1001179837	1	Arm, Adjustment	
39	1001180001	1	Generator, 110V-60Hz	
39A	7012558	1	Generator Only	
39A	7026199	1	Armature with Slip Rings	
39A	7020108	4	Brushes	
39A	7020109	4	Holder, Brush	
39A	7012513	4	Cap, Brush Holder	
39A	7012514	1	Fan	
39A	7020110	1	Bell, Front	
39A	7020111	1	Bell, Rear	
39A	7020190	2	Bearing	

SECTION 3 - ENGINE

ITEM	PART NUMBER	QTY	DESCRIPTION	REV
39A	7027887	1	Key, Pulley Woodruff	
39A	3580134	1	Pulley	
39A	7020193	12 ft/3.7m	Cord, Power	
39B	7019680	1	Box, Control Assembly	
		Ref	Note: Replacement 110V Control Box comes with 2 standard Receptacles p/n 4460190. Optional Industrial Twist Lock Receptacles p/n 4460027 must be ordered separately.	
39B	4360542	1	Breaker, Circuit	
39B	2420203	1	Voltmeter	
39B	4460190	1	Receptacle - Standard	
39B	4460027	1	Receptacle - Twist-Lock	
39B	2920162	1	Lamp Assembly	
39B	70002237	1	Diode 6A/600V	
39B	3520028	1	Plug, Hole	
39B	4460961	1	Connector, Harness	
39B	4460705	4	Pin, Male	
40	1001181184	1	Mount, Generator (Lower)	
41	1001183129	1	Mount, Generator (Upper)	
42	1001183913	1	Generator AC Harness (See ELECTRICAL SECTION for Breakdown)	
43	1001183914	1	Generator Harness (Not Shown - See ELECTRICAL SECTION for Breakdown)	
44	1001148138	1	Belt	
45	4812000	AR	Washer M10	

SECTION 3 - ENGINE

FIGURE 3-27. GENERATOR INSTALLATION - 7500W - DEUTZ D2.9L4 ENGINE (OPTIONAL)



SECTION 3 - ENGINE

FIGURE 3-27. GENERATOR INSTALLATION - 7500W - DEUTZ D2.9L4 ENGINE (OPTIONAL)

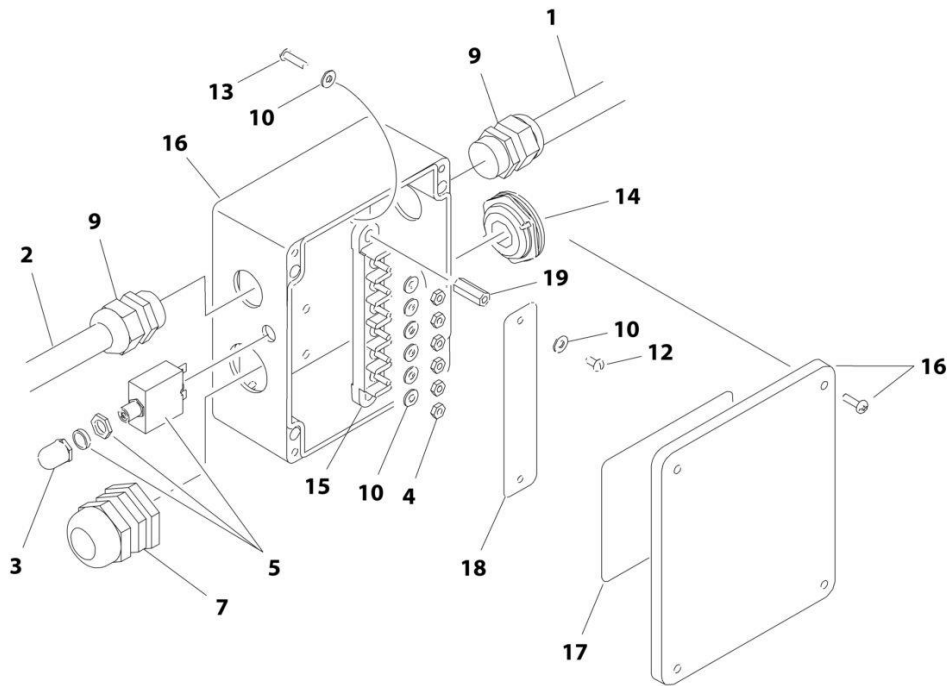
ITEM	PART NUMBER	QTY	DESCRIPTION	REV
	1001167534	Ref	GENERATOR INSTALLATION - 7500W - DEUTZ D2.9L4 ENGINE (OPTIONAL)	F
1	0100011	AR	Compound, Locking	
2	0100019	AR	Compound, Locking	
3	0100020	AR	Sealant, Pipe (Not Shown)	
4	0100048	AR	Grease, Dielectric	
5	0630407	4	Screw 1/4 x 5/8	
6	0641404	1	Bolt 1/4 x 1/2	
7	0641406	4	Bolt 1/4 x 3/4	
8	0641616	1	Bolt 3/8 x 2	
9	0641808	2	Bolt 1/2 x 1	
10	0681822	1	Bolt 1/2 x 2-3/4 Grade 8	
11	0741607	3	Screw 3/8 x 7/8	
12	0771212	1	Bolt M12 x 25 Grade 10.9	
13	0771414	2	Bolt M14 x 30 Grade 10.9	
14	0861538	1	Box, Generator Control	
14	7024488	1	Card, Circuit - Generator Power (Not Shown)	
14	See Note	1	Fuse (Note: Not Available - Purchase Locally)	
14	7024489	1	Card, Circuit - Control (Not Shown)	
14	70000619	1	Harness, Circuit Card	
15	0962520	1	Bushing, Taper	
16	2902431	1	Kit, Receptacle Box	
16A	0861731	1	Box	
16B	1671207	1	Cover	
16C	4460346	1	Receptacle	
16D	4460662	1	Connector, Strain Relief	
17	3271801	1	Nut 1/2 Grade 8	
18	3290405	4	Nut M4	
19	3311005	4	Nut #10	
20	3311405	4	Nut 1/4	
21	3311801	2	Nut 1/2	
22	3580317	1	Tensioner, Belt (Includes Pulley)	
23	3580318	1	Pulley, Generator	
24	3580320	1	Pulley, Engine	
25	3931016	4	Screw #10 x 1	
26	3931628	4	Capscrew 3/8 x 1-3/4	
27	3940804	4	Self-Tapping	
28	4010408	4	Screw M4 x 16	
29	4032014	4	Bolt M10 x 50	
30	4060802	1	Guard, Switch	
31	4240033	AR	Strap, Tie (Not Shown)	
32	4360482	1	Switch, Toggle (Not Shown - Located on Platform Console Box)	
33	4460315	3	Terminal, Spade (Not Shown)	
34	4460612	1	Connector, Strain Relief	
35	4711400	8	Washer 1/4	
36	4711600	1	Washer 3/8	
37	4751000	4	Washer #10	
38	4791400	2	Washer 1/4	
39	4811400	4	Washer M4	
40	4812100	1	Washer M12	

SECTION 3 - ENGINE

ITEM	PART NUMBER	QTY	DESCRIPTION	REV
41	4812200	2	Washer M14	
42	4891800	4	Washer 1/2	
43	4922925	1	Harness (See ELECTRICAL SECTION for Breakdown)	
44	1001135679	1	Spacer, Pulley	
45	1001136104	1	Generator, 7500W (Note: No service parts breakdown at time of printing)	
46	1001147780	1	Support, Mount	
47	1001147972	1	Bracket	
48	1001148138	1	Belt	
49	1001148675	1	Box, Receptacle	
50	1001148676	1	Cover	
51	1001148750	1	Support	
52	1001148844	1	Support	
53	1001148907	1	Connector	
54	1001157593	1	Junction Box Assembly Options (See Items JUNCTION BOX ASSEMBLY for Breakdown)	
55	1001148424	1	7500W Generator Harness (Not Shown - See ELECTRICAL DIAGRAM for Breakdown)	
56	1001163599	2	Stud	
57	0641506	2	Bolt 5/16 x 3/4	
58	3311505	2	Nut 5/16	
59	4711500	6	Washer 5/16	
63	1001148559	1	Support	
64	0641505	2	Bolt 5/16 x 5/8	
65	4812000	AR	Washer M10	

SECTION 3 - ENGINE

FIGURE 3-28. JUNCTION BOX ASSEMBLY - 7500W GENERATOR



ART_1001157593

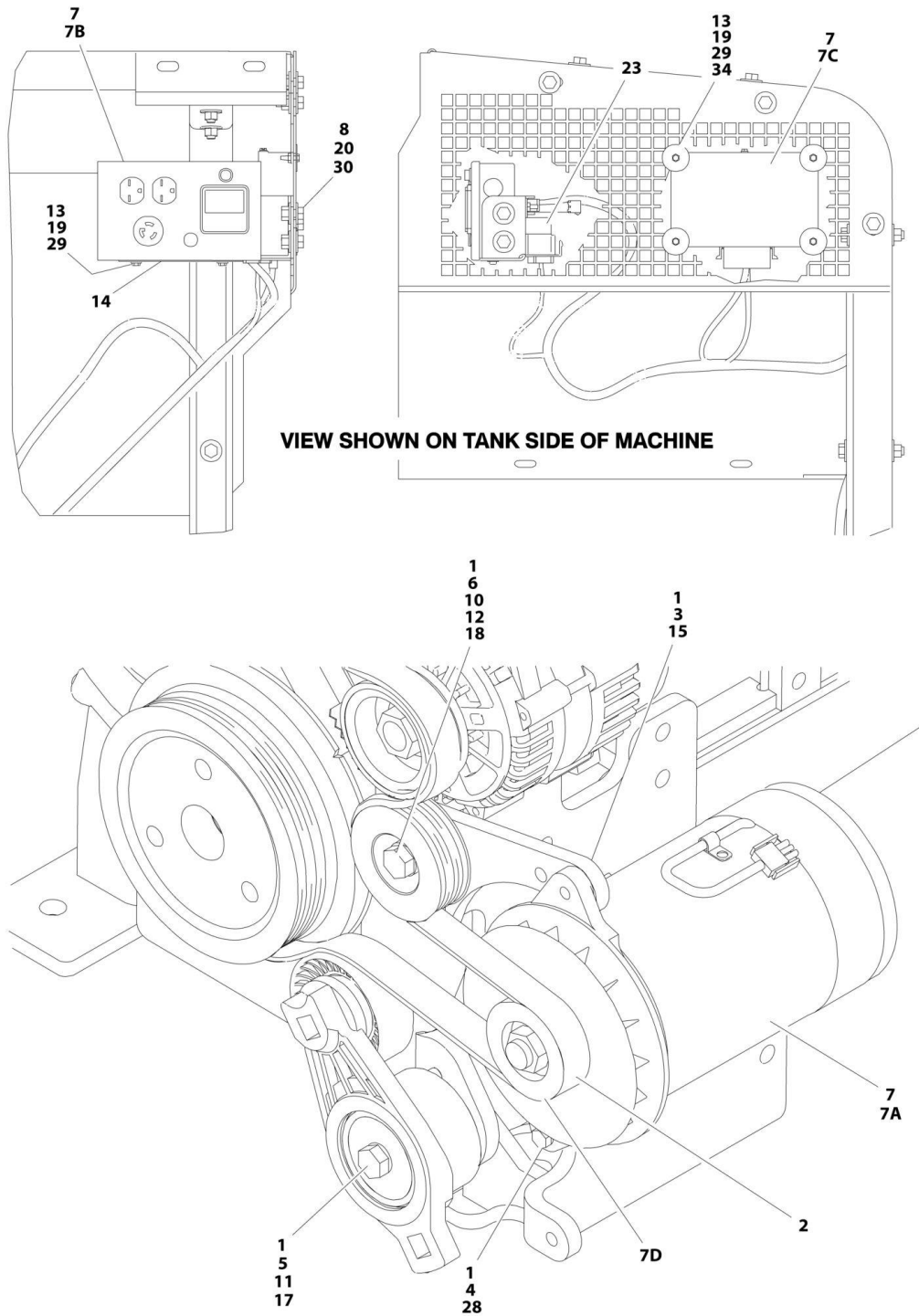
SECTION 3 - ENGINE

FIGURE 3-28. JUNCTION BOX ASSEMBLY - 7500W GENERATOR

ITEM	PART NUMBER	QTY	DESCRIPTION	REV
	1001157593	Ref	JUNCTION BOX ASSEMBLY - 7500W GENERATOR	C
1	1060394	4.5 ft /1.4m	Cable, Electrical 10/4	
2	1060494	3.5 ft/1m	Cable, Electrical 12/3 (SN 0200239053 through 0200246366)	
2	1001179154	3.5 ft/1m	Cable, Electrical 12/3 (SN 0200246367 to Present)	
3	3300396	1	Cover, Fuse	
4	3311001	6	Nut #10	
5	4360070	1	Circuit Breaker - 15Amp	
7	4460426	1	Connector, Strain Relief	
9	4460425	2	Connector, Strain Relief	
10	4711000	10	Washer #10	
12	10702077	2	Screw #10 x 3/8	
13	10702082	2	Screw #10 x 3/4	
14	1001148648	1	Plug	
15	1001157520	1	Block, Terminal	
16	1001157521	1	Box, Junction	
17	1001157530	1	Decal - Wiring Schematic	
18	1001158007	1	Plate	
19	1001158008	2	Standoff	

SECTION 3 - ENGINE

FIGURE 3-29. GENERATOR INSTALLATION - 110V - GM ENGINE (OPTIONAL)



ART_0275141

SECTION 3 - ENGINE

FIGURE 3-29. GENERATOR INSTALLATION - 110V - GM ENGINE (OPTIONAL)

ITEM	PART NUMBER	QTY	DESCRIPTION	REV
	0275141	Ref	110V GENERATOR INSTALLATION (GM ENGINE OPTION)	D
1	0100011	AR	Compound, Locking	
2	0480143	1	Belt, Serpentine	
3	0641510	1	Bolt 5/16 x 1-1/4	
4	0641710	2	Bolt 7/16 x 1-1/4	
5	0700820	1	Bolt M8 x 60	
6	0701016	1	Bolt M10 x 40	
7	2460059	1	Generator and Control Box Assembly	
7A	2460049	1	Generator Assembly	
		Ref	Note: Replacement Generator comes with a 3-1/2in Dia pulley standard, must be changed to p/n 3580324 - 3in pulley (Item 7D) to operate correctly.	
7A	70000122	1	Armature	
7A	7020108	4	Brushes	
7A	7020109	4	Holder, Brush	
7A	7012513	4	Cap, Brush Holder	
7A	7012514	1	Fan	
7A	7020110	1	Bell, Front	
7A	7020111	1	Bell, Rear	
7A	7020190	2	Bearing	
7B	70002241	1	Box, Control Assembly	
		Ref	Note: Replacement 110V Control Box comes with 2 standard Receptacles p/n 4460190. Optional Industrial Twist Lock Receptacles p/n 4460027 must be ordered separately.	
7B	70002240	1	Breaker, Circuit	
7B	2420203	1	Voltmeter	
7B		Ref	Receptacle Options:	
7B	4460190	2	Standard Receptacle	
7B	4460027	2	Twist-Lock Receptacle	
7B	70002237	1	Diode	
7B	3520028	1	Plug	
7C	7026525	1	Regulator, Voltage	
7D	3580324	1	Pulley	
7D	7027887	1	Key, Woodruff	
8	0641606	2	Bolt 3/8 x 3/4	
10	3580312	1	Pulley, Idler	
11	3580348	1	Tensioner, Belt (Includes Pulley)	
12	4568735	1	Tube, Spacer	
13	0721006	7	Screw #10 x 3/4	
14	0902842	1	Bracket, Generator Box Mounting	
15	4751500	AR	Washer 5/16	
16	1061006	1	Cable, AC (See ELECTRICAL SECTION for Breakdown)	
17	4811900	1	Washer M8	
18	4891600	1	Washer 3/8	
19	3311001	7	Nut #10	
20	3311605	2	Nut 3/8	
23	3740080	1	Relay	
25	4060802	1	Guard, Switch (Not Shown - Located on Platform Console Box)	
26	4360482	1	Switch, Toggle (Not Shown - Located on Platform Console Box)	
28	4711700	2	Washer 7/16	

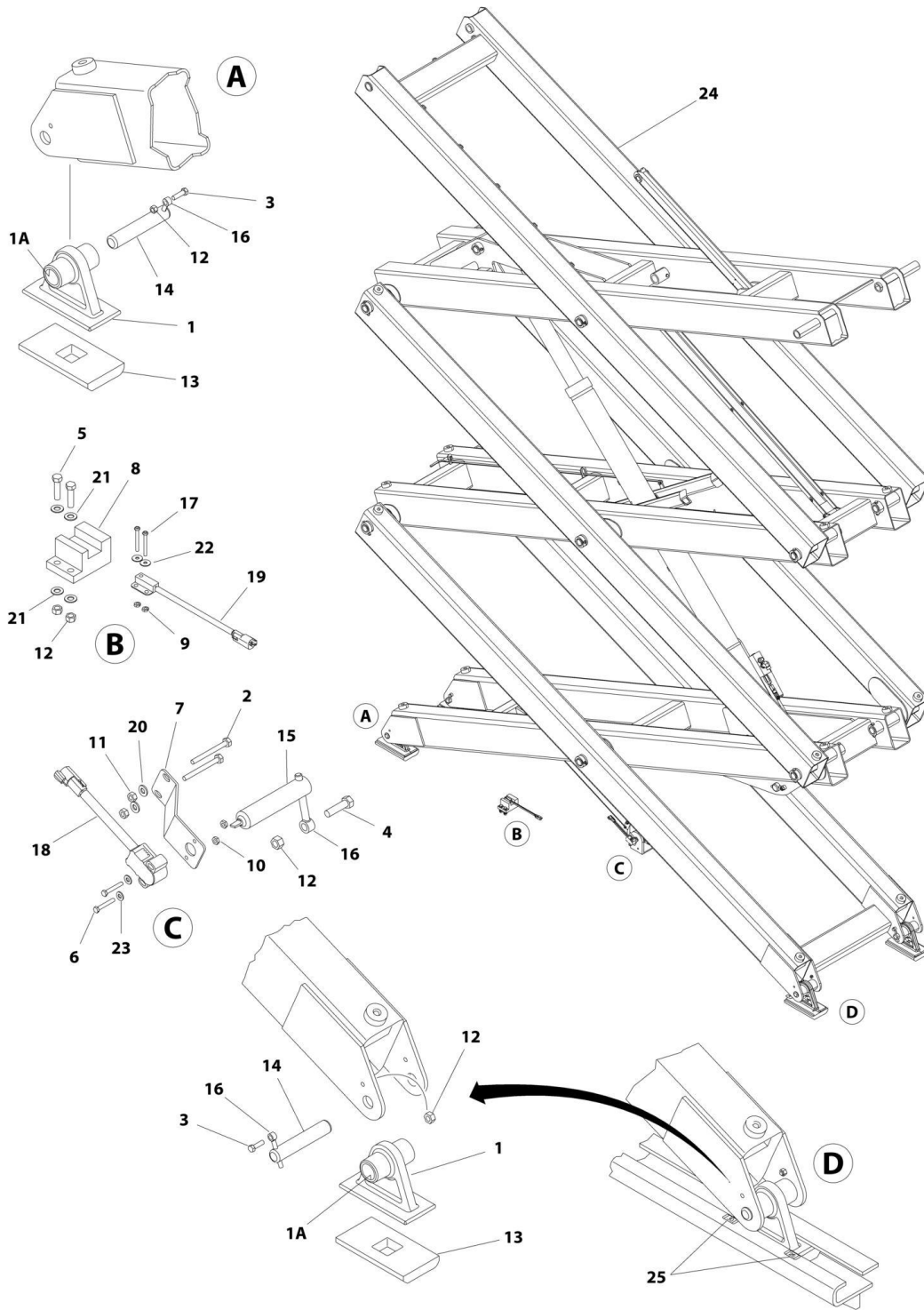
SECTION 3 - ENGINE

ITEM	PART NUMBER	QTY	DESCRIPTION	REV
29	4751000	10	Washer #10	
30	4751600	4	Washer 3/8	
33	4922800	1	Harness, Generator (See ELECTRICAL SECTION for Breakdown)	
34	4740362	4	Washer, Fender	

SECTION 4 - SCISSORS ARMS

SECTION 4 - SCISSORS ARMS

FIGURE 4-1. SCISSOR ARMS INSTALLATION (DEUTZ D2011 ENGINE AND GM ENGINE MACHINES)
(3394RT)



ART_1001103766

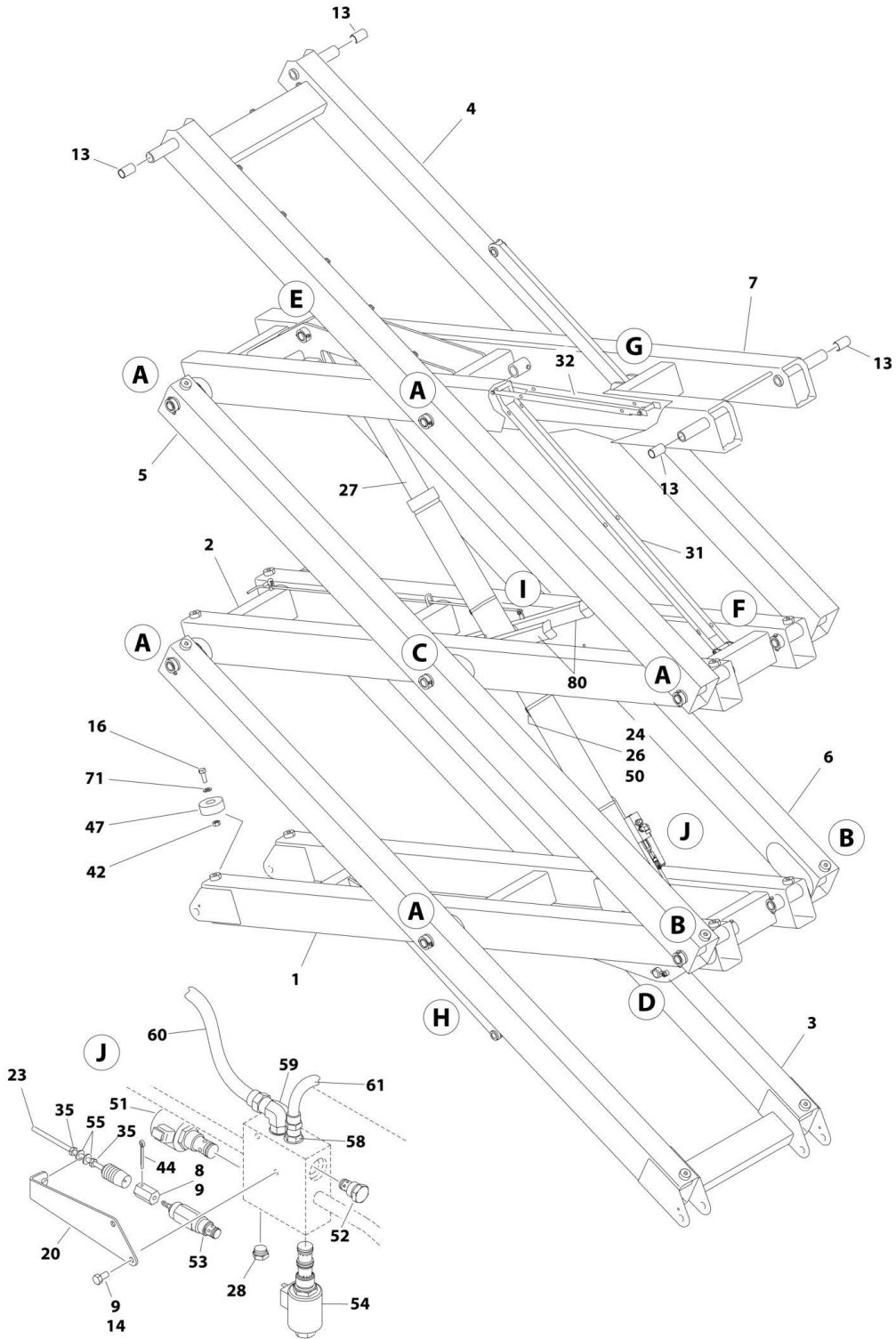
SECTION 4 - SCISSORS ARMS

**FIGURE 4-1. SCISSOR ARMS INSTALLATION (DEUTZ D2011 ENGINE AND GM ENGINE MACHINES)
(3394RT)**

ITEM	PART NUMBER	QTY	DESCRIPTION	REV
	1001103766	Ref	SCISSOR ARMS INSTALLATION (DEUTZ D2011 ENGINE AND GM ENGINE MACHINES)	E
1	1001099623	4	Slider	
1A	0440234	4	Bearing (Qty 2 per Slider)	
2	0641420	2	Bolt 1/4 x 2-1/2	
3	0641610	4	Bolt 3/8 x 1-1/4	
4	0641611	1	Bolt 3/8 x 1-3/8	
5	0641612	2	Bolt 3/8 x 1-1/2	
6	0721010	2	Screw #10 x 1-1/4	
7	0902774	1	Bracket, Switch Mounting	
8	3200447	1	Mount, Proximity Switch	
9	3300455	2	Nut #10	
10	3311005	2	Nut #10	
11	3311405	2	Nut 1/4	
12	3311605	7	Nut 3/8	
13	3340935	4	Pad, Slide	
14	3422961	4	Pin	
15	3422963	1	Pin	
16	3841143	5	Keeper, Pin	
17	3900325	2	Screw #10	
18	4360500	1	Switch, Rotary Angle Sensor	
19	4360502	1	Switch, Proximity Sensor	
20	4711400	2	Washer 1/4	
21	4711600	4	Washer 3/8	
22	4740506	2	Washer #10	
23	4751000	2	Washer #10	
24	1001103765	1	Scissor Arms Assembly (See SCISSOR ARMS ASSEMBLY for Breakdown)	
25	1001125243	1	Decal Kit - Calibration (Includes 2 Decals)	

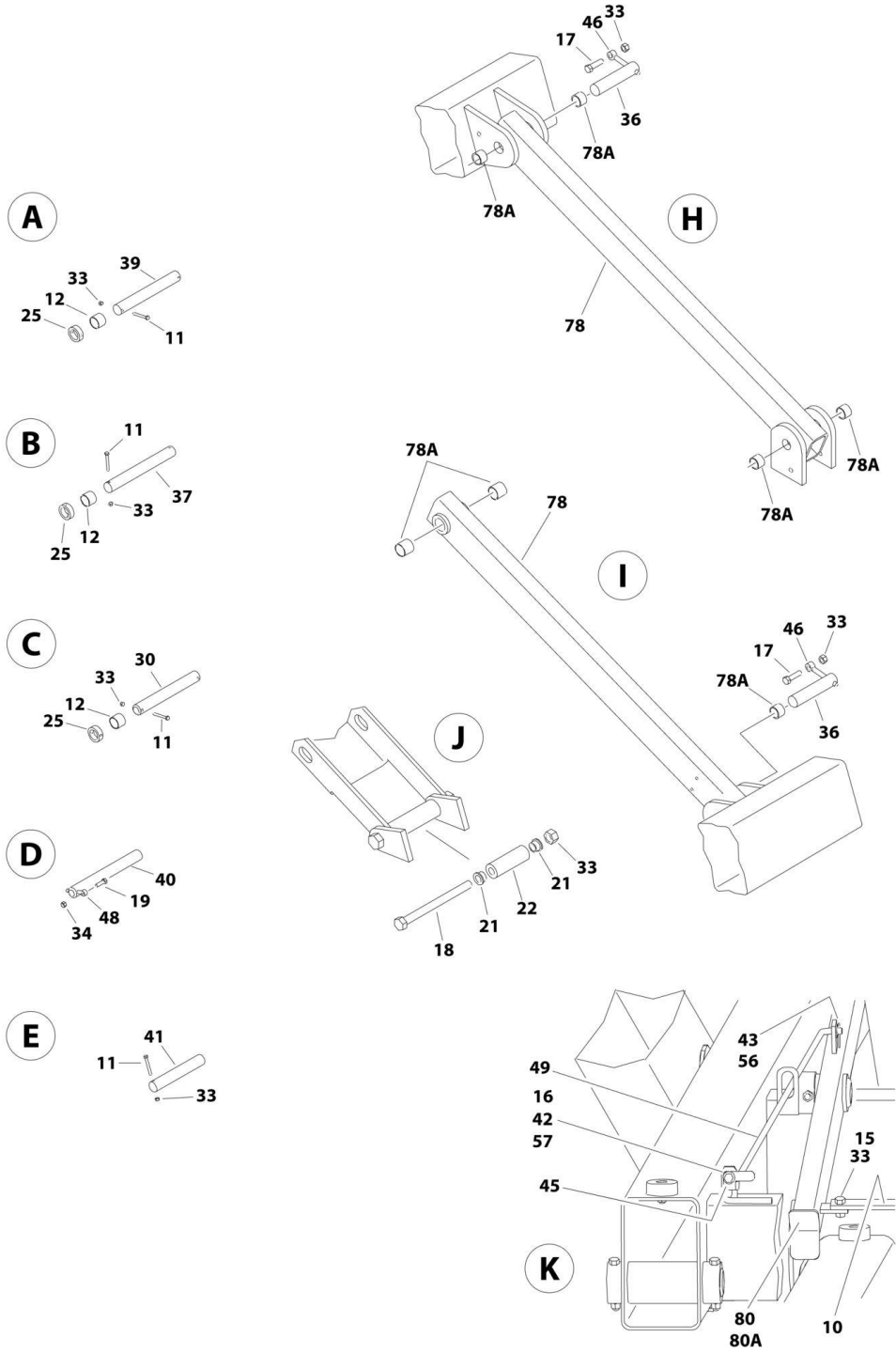
SECTION 4 - SCISSORS ARMS

FIGURE 4-2. SCISSOR ARMS ASSEMBLY (DEUTZ D2011 ENGINE AND GM ENGINE MACHINES)
(3394RT)



ART_1001103765_1OF2

SECTION 4 - SCISSORS ARMS



ART_1001103765_20F2

SECTION 4 - SCISSORS ARMS

**FIGURE 4-2. SCISSOR ARMS ASSEMBLY (DEUTZ D2011 ENGINE AND GM ENGINE MACHINES)
(3394RT)**

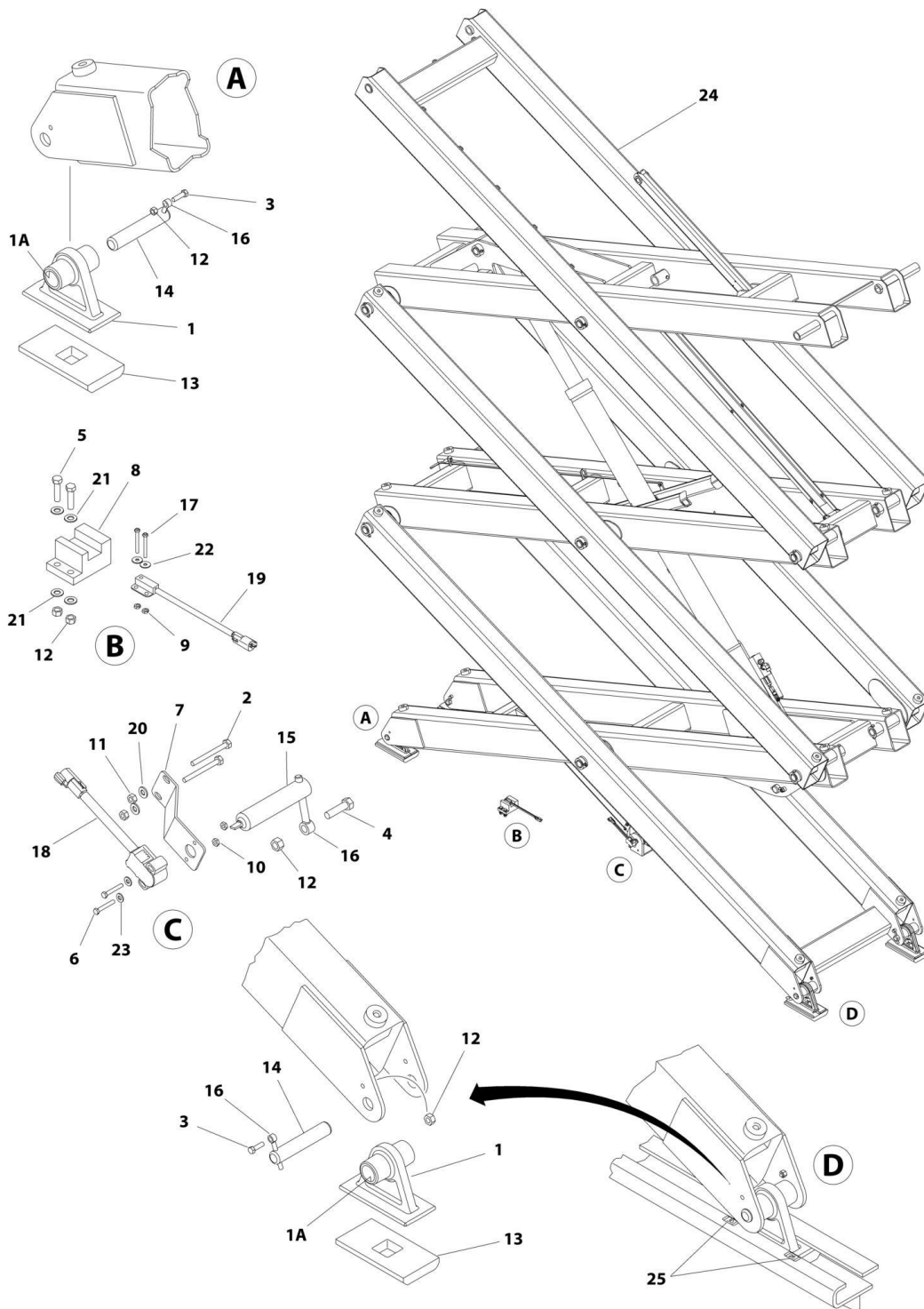
ITEM	PART NUMBER	QTY	DESCRIPTION	REV
	1001103765	Ref	SCISSOR ARMS ASSEMBLY (DEUTZ D2011 ENGINE AND GM ENGINE MACHINES)	D
1	0200712	1	Arm - Lower Inboard	
2	0200713	1	Arm - Mid Inboard	
3	0200716	1	Arm - Lower Outboard	
4	0200717	1	Arm - Upper Inboard	
5	0200718	1	Arm - Mid Outboard (Left Side)	
6	0200719	1	Arm - Mid Outboard (Right Side)	
7	0200723	1	Arm - Upper Outboard	
8	0080190	1	Adapter, Cable	
9	0100011	AR	Compound, Locking	
10	0363050	1	Bar, Prop Attach	
11	0681624	29	Bolt 3/8 x 3 Grade 8	
12	0440236	28	Bearing	
13	0440250	4	Bearing	
14	0641505	2	Bolt 5/16 x 5/8	
15	0681607	2	Bolt 3/8 x 7/8 Grade 8	
16	0641507	16	Bolt 5/16 x 7/8	
17	0681612	2	Bolt 3/8 x 1-1/2 Grade 8	
18	0681632	3	Bolt 3/8 x 4 Grade 8	
19	0681813	1	Bolt 1/2 x 1-5/8 Grade 8	
20	0902773	1	Bracket, Cable Mounting	
21	0962031	8	Bushing, Flanged	
22	0962446	3	Spacer	
23	1060929	1	Cable, Manual Descent	
23	7020218	1	Handle, "T"	
23	7019602	1	Bellow	
23	7020219	1	Washer	
24	1320122	3	Clamp	
25	1440331	14	Collar	
26	1670995	3	Cover, Hose/Cable	
27	1684332	1	Lift Cylinder Assembly (See CYLINDER SECTION for Breakdown)	
28	2220885	1	Plug	
29	2902149	1	Arm Components Kit (Not Shown - Includes Items 1-7, 12, 13, 16, 31, 32, 42, 47, 71, 78 & 80)	
30	3422965	2	Pin	
31	1180371	1	Carrier, Cable	
32	1180372	1	Carrier, Cable	
33	3271605	36	Nut 3/8 Grade 8	
34	3271805	1	Nut 1/2 Grade 8	
35	3321402	2	Nut 1/4	
36	3422943	2	Pin	
37	3422944	2	Pin	
38	2902062	1	Scissor Arm Kit (Not Shown - Includes Items 1-7) (3394RT)	
39	3422945	10	Pin	
40	3422946	1	Pin	
41	3422954	1	Pin	
42	3311505	16	Nut 5/16	
43	3450304	1	Pin, Cotter 3/32 x 1	

SECTION 4 - SCISSORS ARMS

ITEM	PART NUMBER	QTY	DESCRIPTION	REV
44	3450405	1	Pin, Cotter	
45	3573370	1	Plate, Rod Keeper	
46	3841143	2	Keeper, Pin	
47	3340929	16	Pad, Arm	
48	3841203	1	Keeper, Pin	
49	3841556	1	Rod, Prop Actuator	
50	4280295	18 in /46cm	Strip, Protector	
51	1001103760	1	Cartridge, Lift Holding Solenoid	
51	7023923	1	Cartridge - 1001103760 Valve	
51	7023919	1	Seal Kit - 7023923 Valve	
51	70001967	1	Coil - 1001103760 Valve	
52	4641193	1	Cartridge, Check	
52	2900756	1	Seal Kit - 4641193 Valve	
53	4641205	1	Valve, Manual	
53	7017496	1	Seal Kit - 4641205 Valve	
54	4641254	1	Cartridge, Lift Holding Solenoid	
54	7024829	1	Cartridge - 4641254 Valve	
54	7012925	1	Seal Kit - 7024829 Valve	
54	7017451	1	Coil - 4641254 Valve	
55	4711400	2	Washer 1/4	
56	4711600	1	Washer 3/8	
57	4740455	2	Washer, Nylon Shoulder	
58	2110808	1	Fitting, Straight ORFS/ORB	
59	2131008	1	Fitting, 90 ORFS/ORB	
60	2753793	1	Hose	
61	2753794	1	Hose	
62	1060866	1	Cable, Electrical - 12/3	
63	1001103834	1	Ground to Platform Module Harness (See ELECTRICAL SECTION for Breakdown)	
64	4240033	AR	Strap, Tie (Not Shown)	
71	4711500	16	Washer 5/16	
78	0272209	2	Link, Attach	
78A	0962474	8	Bushing (Qty 4 per Link)	
80	0272211	2	Prop, Safety	
80A	0961388	2	Bushing (Qty 1 per Prop)	

SECTION 4 - SCISSORS ARMS

FIGURE 4-3. SCISSOR ARMS INSTALLATION (DEUTZ D2.9L4 ENGINE MACHINES) (3394RT)



ART_1001149320

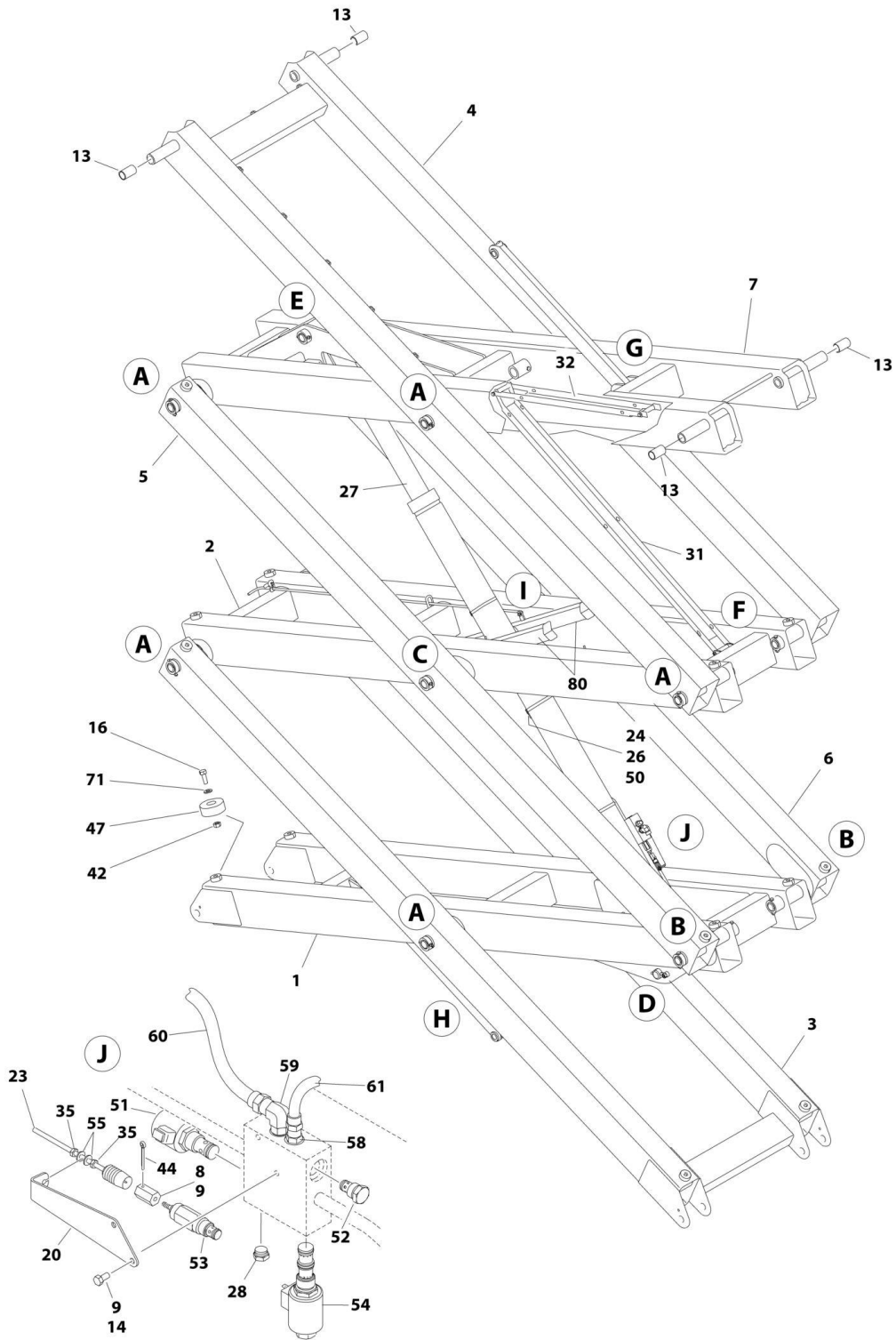
SECTION 4 - SCISSOR ARMS

FIGURE 4-3. SCISSOR ARMS INSTALLATION (DEUTZ D2.9L4 ENGINE MACHINES) (3394RT)

ITEM	PART NUMBER	QTY	DESCRIPTION	REV
	1001149320	Ref	SCISSOR ARMS INSTALLATION (DEUTZ D2.9L4 ENGINE MACHINES)	B
1	1001099623	4	Slider	
1A	0440234	4	Bearing (Qty 2 per Slider)	
2	0641420	2	Bolt 1/4 x 2-1/2	
3	0641610	4	Bolt 3/8 x 1-1/4	
4	0641611	1	Bolt 3/8 x 1-3/8	
5	0641612	2	Bolt 3/8 x 1-1/2	
6	0721010	2	Screw #10 x 1-1/4	
7	0902774	1	Bracket, Switch Mounting	
8	3200447	1	Mount, Proximity Switch	
9	3300455	2	Nut #10	
10	3311005	2	Nut #10	
11	3311405	2	Nut 1/4	
12	3311605	7	Nut 3/8	
13	3340935	4	Pad, Slide	
14	3422961	4	Pin	
15	3422963	1	Pin	
16	3841143	5	Keeper, Pin	
17	3900325	2	Screw #10	
18	4360500	1	Switch, Rotary Angle Sensor	
19	4360502	1	Switch, Proximity Sensor	
20	4711400	2	Washer 1/4	
21	4711600	4	Washer 3/8	
22	4740506	2	Washer #10	
23	4751000	2	Washer #10	
24	1001149319	1	Scissor Arms Assembly (See SCISSOR ARMS ASSEMBLY for Breakdown)	
25	1001125243	1	Decal Kit - Calibration (Includes 2 Decals)	

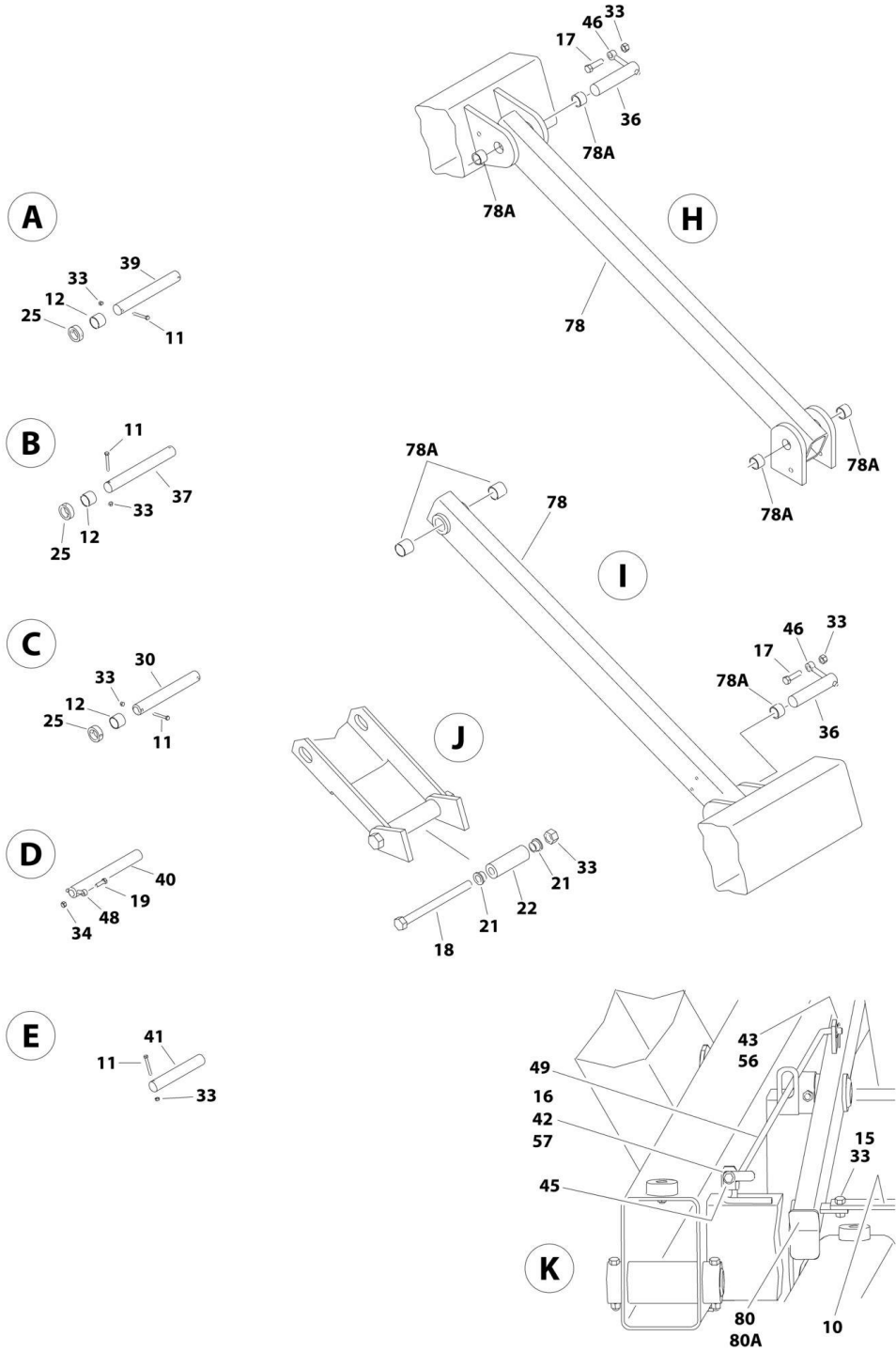
SECTION 4 - SCISSORS ARMS

FIGURE 4-4. SCISSOR ARMS ASSEMBLY (DEUTZ D2.9L4 ENGINE MACHINES) (3394RT)



ART_1001149319_10F2

SECTION 4 - SCISSORS ARMS



ART_1001149319_2OF2

SECTION 4 - SCISSORS ARMS

FIGURE 4-4. SCISSOR ARMS ASSEMBLY (DEUTZ D2.9L4 ENGINE MACHINES) (3394RT)

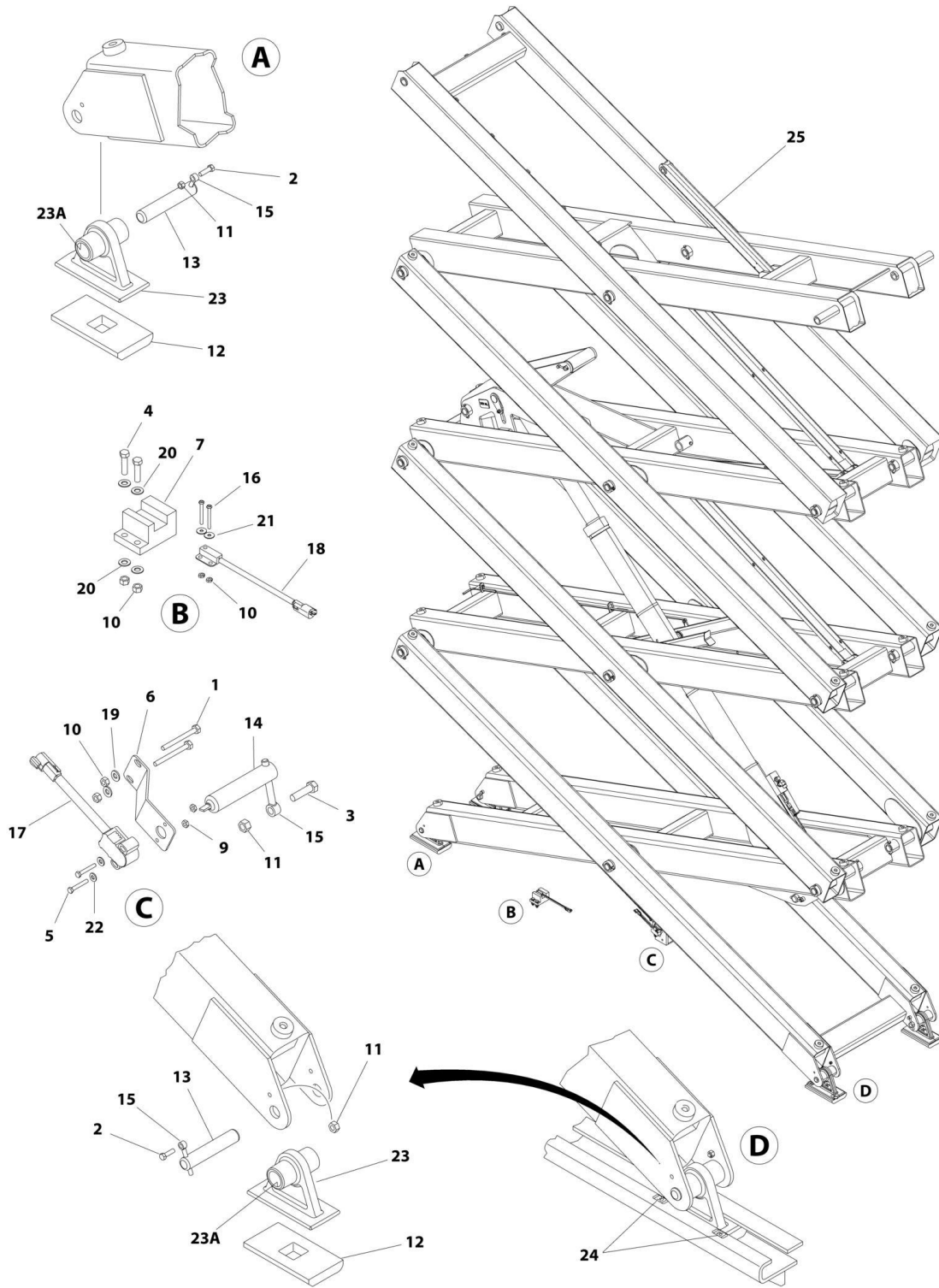
ITEM	PART NUMBER	QTY	DESCRIPTION	REV
	1001149319	Ref	SCISSOR ARMS ASSEMBLY (DEUTZ D2.9L4 ENGINE MACHINES)	C
1	0200712	1	Arm - Lower Inboard	
2	0200713	1	Arm - Mid Inboard	
3	0200716	1	Arm - Lower Outboard	
4	0200717	1	Arm - Upper Inboard	
5	0200718	1	Arm - Mid Outboard (Left Side)	
6	0200719	1	Arm - Mid Outboard (Right Side)	
7	0200723	1	Arm - Upper Outboard	
8	0080190	1	Adapter, Cable	
9	0100011	AR	Compound, Locking	
10	0363050	1	Bar, Prop Attach	
11	0681624	29	Bolt 3/8 x 3 Grade 8	
12	0440236	28	Bearing	
13	0440250	4	Bearing	
14	0641505	2	Bolt 5/16 x 5/8	
15	0681607	2	Bolt 3/8 x 7/8 Grade 8	
16	0641507	16	Bolt 5/16 x 7/8	
17	0681612	2	Bolt 3/8 x 1-1/2 Grade 8	
18	0681632	3	Bolt 3/8 x 4 Grade 8	
19	0681813	1	Bolt 1/2 x 1-5/8 Grade 8	
20	0902773	1	Bracket, Cable Mounting	
21	0962031	8	Bushing, Flanged	
22	0962446	4	Spacer	
23	1060929	1	Cable, Manual Descent	
23	7020218	1	Handle, "T"	
23	7019602	1	Bellow	
23	7020219	1	Washer	
24	1320122	3	Clamp	
25	1440331	14	Collar	
26	1670995	3	Cover, Hose/Cable	
27	1684332	1	Lift Cylinder Assembly (See CYLINDER SECTION for Breakdown)	
28	2220885	1	Plug, ORB	
29	2902149	1	Arm Components Kit (Not Shown - Includes Items 1-7, 12, 13, 16, 31, 32, 42, 47, 71, 78 & 80)	
30	3422965	2	Pin	
31	1180371	1	Carrier, Cable	
32	1180372	1	Carrier, Cable	
33	3271605	36	Nut 3/8 Grade 8	
34	3271805	1	Nut 1/2 Grade 8	
35	3321402	2	Nut 1/4	
36	3422943	2	Pin	
37	3422944	2	Pin	
38	2902062	1	Scissor Arm Kit (Not Shown - Includes Items 1-7) (3394RT)	
39	3422945	10	Pin	
40	3422946	1	Pin	
41	3422954	1	Pin	
42	3311505	16	Nut 5/16	
43	3450304	1	Pin, Cotter 3/32 x 1	
44	3450405	1	Pin, Cotter	

SECTION 4 - SCISSORS ARMS

ITEM	PART NUMBER	QTY	DESCRIPTION	REV
45	3573370	1	Plate, Rod Keeper	
46	3841143	2	Keeper, Pin	
47	3340929	16	Pad, Arm	
48	3841203	1	Keeper, Pin	
49	3841556	1	Rod, Prop Actuator	
50	4280295	18 in /46cm	Strip, Protector	
51	1001103760	1	Cartridge, Lift Holding Solenoid	
51	7023923	1	Cartridge - 1001103760 Valve	
51	7023919	1	Seal Kit - 7023923 Valve	
51	70001967	1	Coil - 1001103760 Valve	
52	4641193	1	Cartridge, Check	
52	2900756	1	Seal Kit - 4641193 Valve	
53	4641205	1	Valve, Manual	
53	7017496	1	Seal Kit - 4641205 Valve	
54	4641254	1	Cartridge, Lift Holding Solenoid	
54	7024829	1	Cartridge - 4641254 Valve	
54	7012925	1	Seal Kit - 7024829 Valve	
54	7017451	1	Coil - 4641254 Valve	
55	4711400	2	Washer 1/4	
56	4711600	1	Washer 3/8	
57	4740455	2	Washer, Nylon Shoulder	
58	2110808	1	Fitting, Straight ORFS/ORB	
59	2131008	1	Fitting, 90 ORFS/ORB	
60	2753793	1	Hose	
61	2753794	1	Hose	
62	1001149324	1	Cable, Electrical - 8/5	
63	1001103834	1	Ground to Platform Module Harness (See ELECTRICAL SECTION for Breakdown)	
64	4240033	AR	Strap, Tie (Not Shown)	
71	4711500	16	Washer 5/16	
78	0272209	2	Link, Attach	
78A	0962474	8	Bushing (Qty 4 per Link)	
80	0272211	2	Prop, Safety	
80A	0961388	2	Bushing (Qty 1 per Prop)	

SECTION 4 - SCISSORS ARMS

FIGURE 4-5. SCISSOR ARMS INSTALLATION (DEUTZ D2011 ENGINE AND GM ENGINE MACHINES)
(4394RT)



ART_1001183061

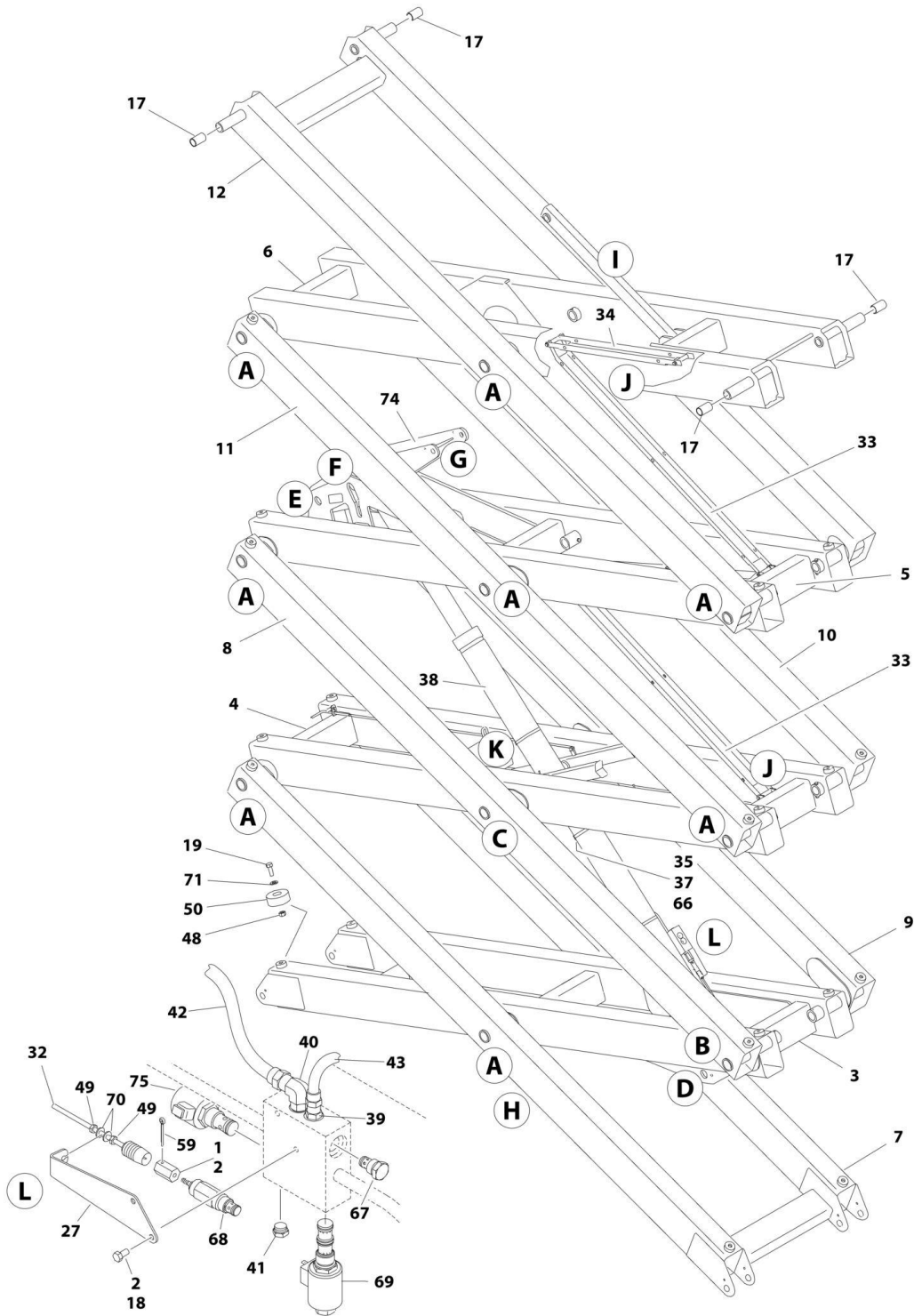
SECTION 4 - SCISSORS ARMS

**FIGURE 4-5. SCISSOR ARMS INSTALLATION (DEUTZ D2011 ENGINE AND GM ENGINE MACHINES)
(4394RT)**

ITEM	PART NUMBER	QTY	DESCRIPTION	REV
	1001183061	Ref	SCISSOR ARMS INSTALLATION (DEUTZ D2011 ENGINE AND GM ENGINE MACHINES)	B
1	0641420	2	Bolt 1/4 x 2-1/2	
2	0641610	4	Bolt 3/8 x 1-1/4	
3	0641611	1	Bolt 3/8 x 1-3/8	
4	0641612	2	Bolt 3/8 x 1-1/2	
5	0721010	2	Screw #10 x 1-1/4	
6	0902774	1	Bracket, Switch Mounting	
7	3200447	1	Mount, Proximity Switch	
8	3300455	2	Nut #10	
9	3311005	2	Nut #10	
10	3311405	4	Nut 1/4	
11	3311605	5	Nut 3/8	
12	3340935	4	Pad, Slide	
13	3422961	4	Pin	
14	3422963	1	Pin	
15	3841143	5	Keeper, Pin	
16	3900325	2	Screw #10	
17	4360500	1	Switch, Rotary Angle Sensor	
18	4360502	1	Switch, Proximity Sensor	
19	4711400	2	Washer 1/4	
20	4711600	4	Washer 3/8	
21	4740506	2	Washer #10	
22	4751000	2	Washer #10	
23	1001099623	4	Slider	
23A	0440234	4	Bearing (Qty 2 per Slider)	
24	1001125242	1	Decal Kit - Calibration (Includes 2 Decals)	
25	1001182989	1	Scissor Arms Assembly (See SCISSOR ARMS ASSEMBLY for Breakdown)	

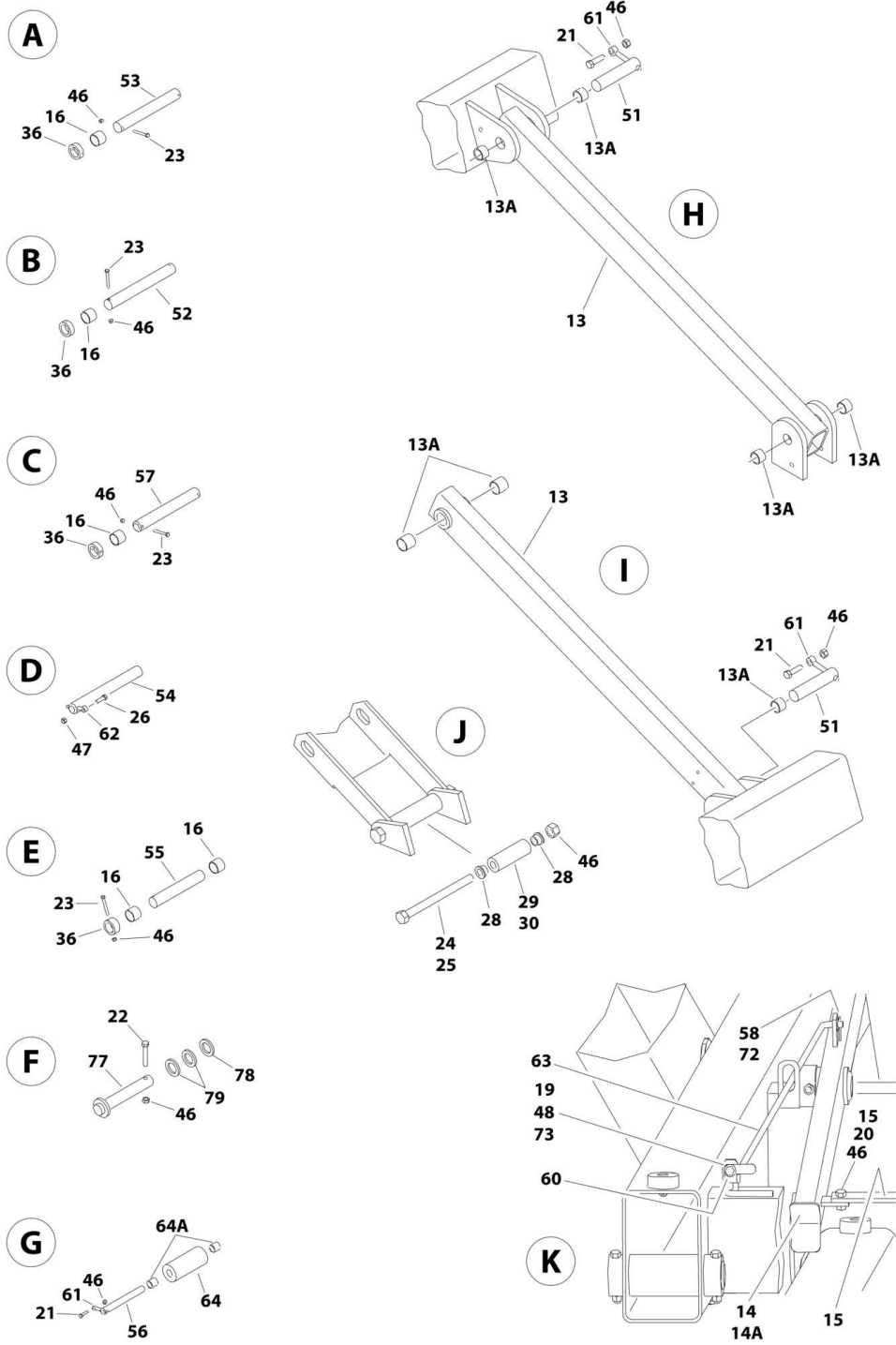
SECTION 4 - SCISSORS ARMS

FIGURE 4-6. SCISSOR ARMS ASSEMBLY (DEUTZ D2011 ENGINE AND GM ENGINE MACHINES)
(4394RT)



ART_1001182989_1OF2

SECTION 4 - SCISSORS ARMS



ART_1001182989_2OF2

SECTION 4 - SCISSORS ARMS

**FIGURE 4-6. SCISSOR ARMS ASSEMBLY (DEUTZ D2011 ENGINE AND GM ENGINE MACHINES)
(4394RT)**

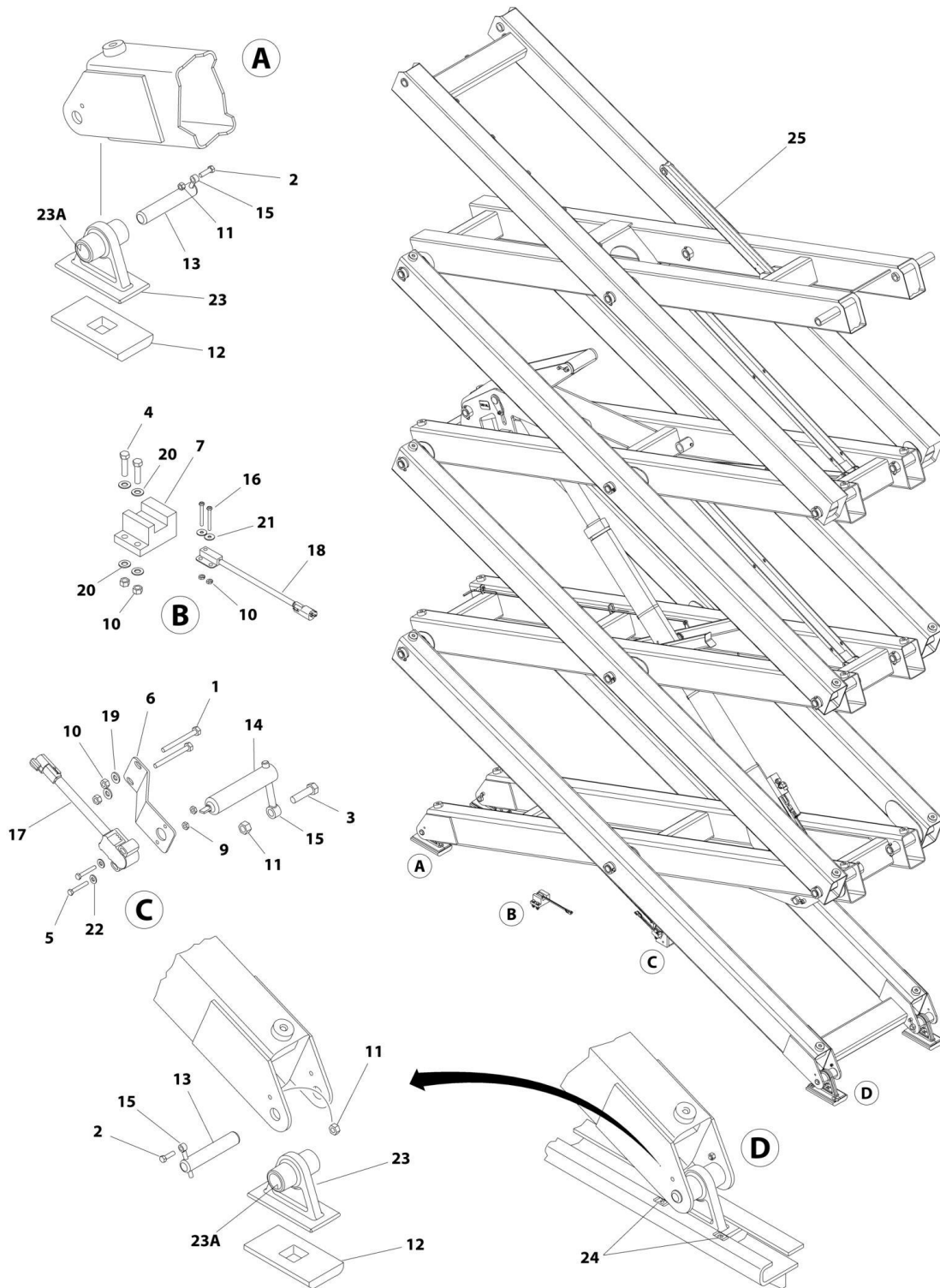
ITEM	PART NUMBER	QTY	DESCRIPTION	REV
	1001182989	Ref	SCISSORS ARMS ASSEMBLY (DEUTZ D2011 ENGINE AND GM ENGINE MACHINES)	B
1	0080190	1	Adapter, Cable	
2	0100011	AR	Compound, Locking	
3	0200712	1	Arm - Lower Inboard	
4	0200713	1	Arm - Upper Mid Inboard	
5	0200714	1	Arm - Upper Mid Inboard	
6	0200715	1	Arm - Upper Inboard	
7	0200716	1	Arm - Lower Outboard	
8	0200718	1	Arm - Lower Mid Outboard (Left Side)	
9	0200719	1	Arm - Lower Mid Outboard (Right Side)	
10	0200720	1	Arm - Upper Mid Outboard (Left Side)	
11	0200721	1	Arm - Upper Mid Outboard (Right Side)	
12	0200722	1	Arm - Upper Outboard	
13	0272209	2	Link, Attach	
13A	0962474	8	Bushing (Qty 4 per Link)	
14	0272211	2	Prop, Safety	
14A	0961388	2	Bushing (Qty 1 per Prop)	
15	0363050	1	Bar, Prop Attach	
16	0440236	42	Bearing	
17	0440250	4	Bearing	
18	0641505	2	Bolt 5/16 x 5/8	
19	0641507	25	Bolt 5/16 x 7/8	
20	0681607	2	Bolt 3/8 x 7/8 Grade 8	
21	0681612	3	Bolt 3/8 x 1-1/2 Grade 8	
22	0681618	1	Bolt 3/8 x 2-1/4 Grade 8	
23	0681624	41	Bolt 3/8 x 3 Grade 8	
24	0681632	4	Bolt 3/8 x 4 Grade 8	
25	0681636	1	Bolt 3/8 x 4-1/2 Grade 8	
26	0681813	1	Bolt 1/2 x 1-5/8 Grade 8	
27	0902773	1	Bracket, Cable Mounting	
28	0962031	16	Bushing, Flanged	
29	0962445	1	Spacer (2.19in Length)	
30	0962446	4	Spacer (2.50in Length)	
31	1060907	1	Cable, Electrical - 12/3 (Not Shown)	
32	1060929	1	Cable, Manual Descent	
32	7020218	1	Handle, "T"	
32	7019602	1	Bellow	
32	7020219	1	Washer	
33	1180371	3	Carrier, Cable	
34	1180372	1	Carrier, Cable	
35	1320122	3	Clamp	
36	1440331	20	Collar	
37	1670995	3	Cover, Hose/Cable	
38	1684332	1	Lift Cylinder Assembly (See CYLINDER SECTION for Breakdown)	
39	2110808	1	Fitting, Straight ORFS/ORB	
40	2131008	1	Fitting, 90 ORFS/ORB	
41	2220885	1	Plug, ORB	
42	2753793	1	Hose	

SECTION 4 - SCISSORS ARMS

ITEM	PART NUMBER	QTY	DESCRIPTION	REV
43	2753794	1	Hose	
44	2902063	1	Scissor Arm Kit (Not Shown - Includes Items 3-12) (4394RT)	
45	2902150	1	Arm Components Kit (Not Shown - Includes Items 3-14, 16, 17, 19, 33, 34, 48,50, 71 & 74)	
46	3271605	52	Nut 3/8 Grade 8	
47	3271805	1	Nut 1/2 Grade 8	
48	3311505	24	Nut 5/16	
49	3321402	2	Nut 1/4	
50	3340929	24	Pad, Arm	
51	3422943	2	Pin	
52	3422944	2	Pin	
53	3422945	16	Pin	
54	3422946	1	Pin	
55	3422948	1	Pin	
56	3422964	1	Pin	
57	3422965	2	Pin	
58	3450304	1	Pin, Cotter 3/32 x 1	
59	3450405	1	Pin, Cotter	
60	3573370	1	Plate, Rod Keeper	
61	3841143	3	Keeper, Pin	
62	3841203	1	Keeper, Pin	
63	3841556	1	Rod, Prop Actuator	
64	3860102	1	Roller	
64A	0962356	2	Bearing	
65	4240033	AR	Strap, Tie (Not Shown)	
66	4280295	18 in /46cm	Strip, Protector	
67	4641193	1	Cartridge, Check	
67	2900756	1	Seal Kit - 4641193 Valve	
68	4641205	1	Valve, Manual	
68	7017496	1	Seal Kit - 4641205 Valve	
69	4641254	1	Cartridge, Lift Holding Solenoid	
69	7024829	1	Cartridge - 4641254 Valve	
69	7012925	1	Seal Kit - 7024829 Valve	
69	7017451	1	Coil - 4641254 Valve	
70	4711400	2	Washer 1/4	
71	4711500	24	Washer 5/16	
72	4711600	1	Washer 3/8	
73	4740455	2	Washer, Nylon Shoulder	
74	4846460	1	Kicker, Arm	
75	1001103760	1	Cartridge, Lift Holding Solenoid	
75	7023923	1	Cartridge - 1001103760 Valve	
75	7023919	1	Seal Kit - 7023923 Valve	
75	70001967	1	Coil - 1001103760 Valve	
76	1001103835	1	Ground to Platform Module Harness (Not Shown - See ELECTRICAL SECTION for Breakdown)	
77	1001174384	1	Pin	
78	1001174386	1	Plate	
79	1001174387	2	Pad, Washer	

SECTION 4 - SCISSORS ARMS

FIGURE 4-7. SCISSOR ARMS INSTALLATION (DEUTZ D2.9L4 ENGINE MACHINES) (4394RT)



ART_1001183070

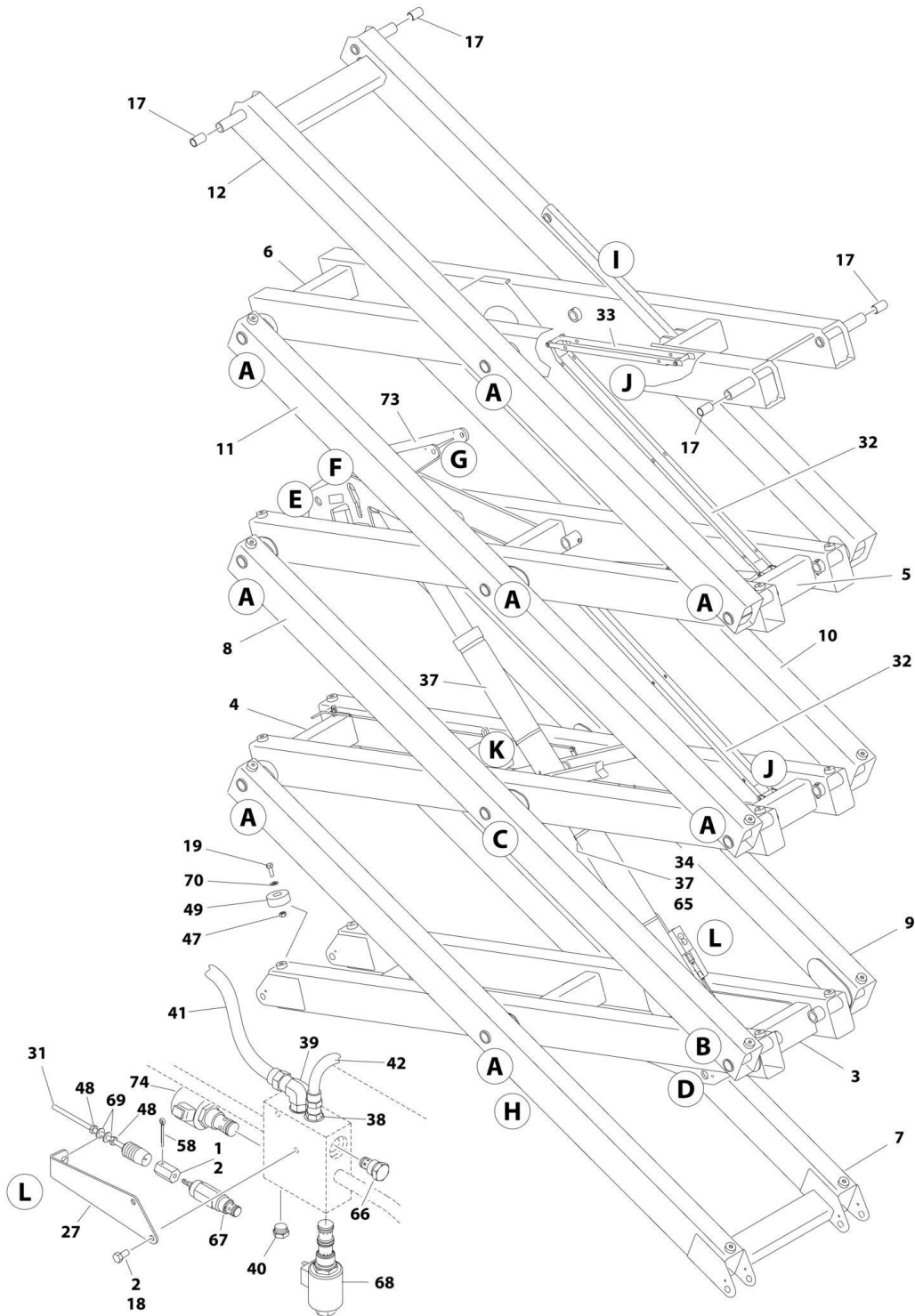
SECTION 4 - SCISSORS ARMS

FIGURE 4-7. SCISSOR ARMS INSTALLATION (DEUTZ D2.9L4 ENGINE MACHINES) (4394RT)

ITEM	PART NUMBER	QTY	DESCRIPTION	REV
	1001183070	Ref	SCISSOR ARMS INSTALLATION (DEUTZ D2.9L4 ENGINE MACHINES)	A
1	0641420	2	Bolt 1/4 x 2-1/2	
2	0641610	4	Bolt 3/8 x 1-1/4	
3	0641611	1	Bolt 3/8 x 1-3/8	
4	0641612	2	Bolt 3/8 x 1-1/2	
5	0721010	2	Screw #10 x 1-1/4	
6	0902774	1	Bracket, Switch Mounting	
7	3200447	1	Mount, Proximity Switch	
8	3300455	2	Nut #10	
9	3311005	2	Nut #10	
10	3311405	4	Nut 1/4	
11	3311605	5	Nut 3/8	
12	3340935	4	Pad, Slide	
13	3422961	4	Pin	
14	3422963	1	Pin	
15	3841143	5	Keeper, Pin	
16	3900325	2	Screw #10	
17	4360500	1	Switch, Rotary Angle Sensor	
18	4360502	1	Switch, Proximity Sensor	
19	4711400	2	Washer 1/4	
20	4711600	4	Washer 3/8	
21	4740506	2	Washer #10	
22	4751000	2	Washer #10	
23	1001099623	4	Slider	
23A	0440234	4	Bearing (Qty 2 per Slider)	
24	1001125242	1	Decal Kit - Calibration (Includes 2 Decals)	
25	1001183060	1	Scissor Arms Assembly (See SCISSOR ARMS ASSEMBLY for Breakdown)	

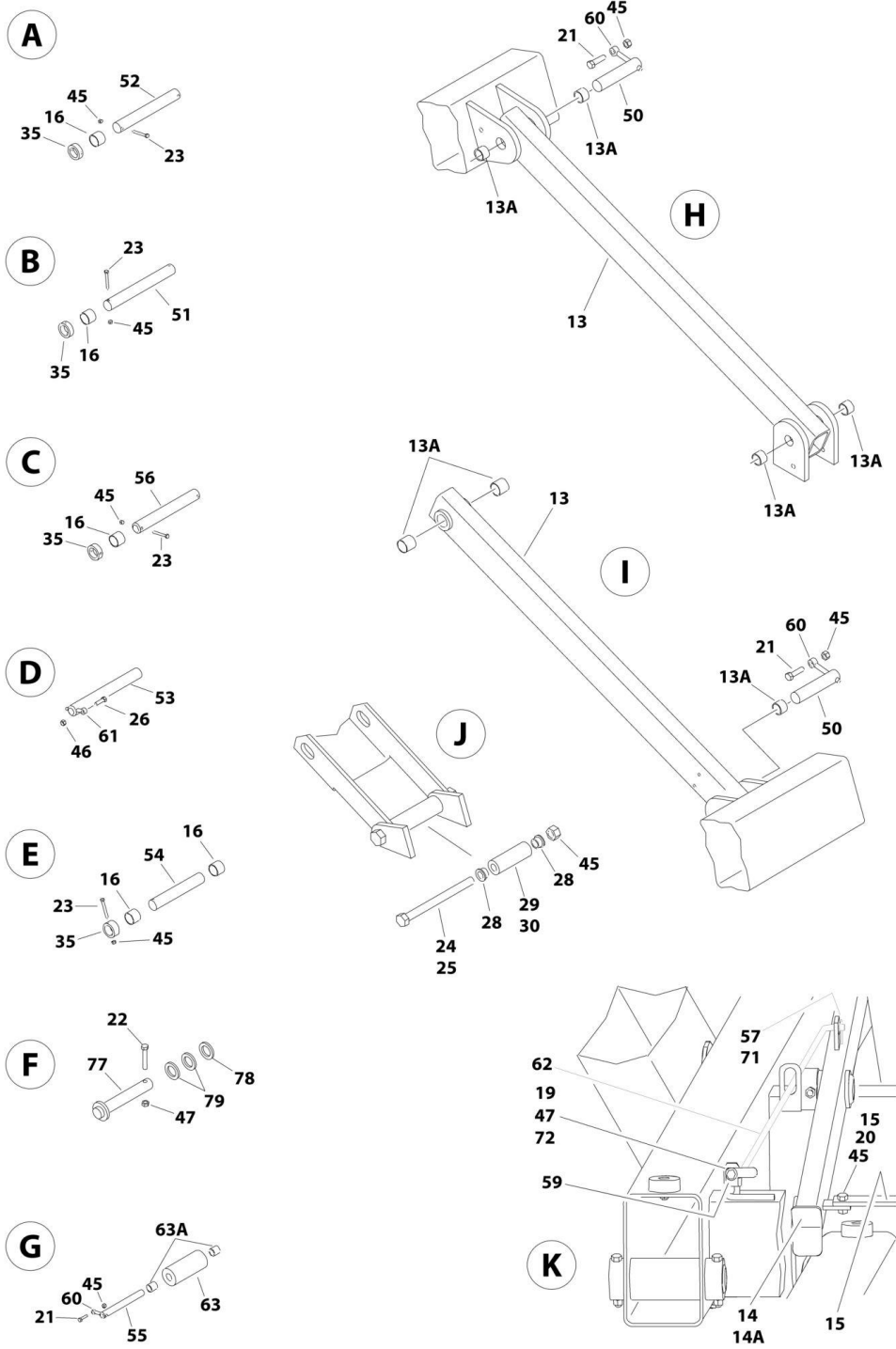
SECTION 4 - SCISSORS ARMS

FIGURE 4-8. SCISSORS ARMS ASSEMBLY (4394RT)



ART_1001183060_10F2

SECTION 4 - SCISSORS ARMS



ART_1001183060_20F2

SECTION 4 - SCISSORS ARMS

FIGURE 4-8. SCISSORS ARMS ASSEMBLY (DEUTZ D2.9L4 ENGINE MACHINES) (4394RT)

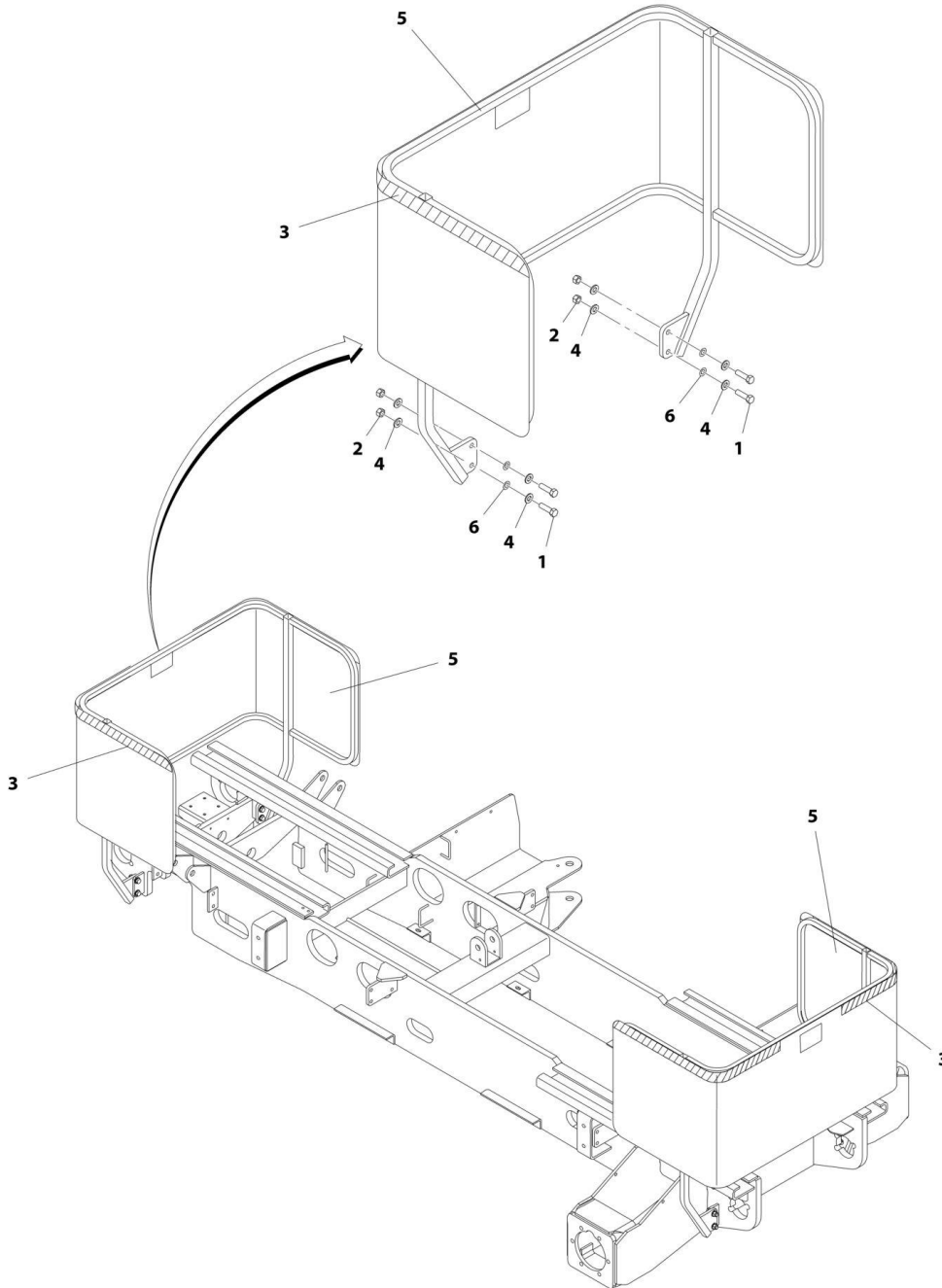
ITEM	PART NUMBER	QTY	DESCRIPTION	REV
	1001183060	Ref	SCISSORS ARMS ASSEMBLY (DEUTZ D2.9L4 ENGINE MACHINES)	B
1	0080190	1	Adapter, Cable	
2	0100011	AR	Compound, Locking	
3	0200712	1	Arm - Lower Inboard	
4	0200713	1	Arm - Upper Mid Inboard	
5	0200714	1	Arm - Upper Mid Inboard	
6	0200715	1	Arm - Upper Inboard	
7	0200716	1	Arm - Lower Outboard	
8	0200718	1	Arm - Lower Mid Outboard (Left Side)	
9	0200719	1	Arm - Lower Mid Outboard (Right Side)	
10	0200720	1	Arm - Upper Mid Outboard (Left Side)	
11	0200721	1	Arm - Upper Mid Outboard (Right Side)	
12	0200722	1	Arm - Upper Outboard	
13	0272209	2	Link, Attach	
13A	0962474	8	Bushing (Qty 4 per Link)	
14	0272211	2	Prop, Safety	
14A	0961388	2	Bushing (Qty 1 per Prop)	
15	0363050	1	Bar, Prop Attach	
16	0440236	42	Bearing	
17	0440250	4	Bearing	
18	0641505	2	Bolt 5/16 x 5/8	
19	0641507	24	Bolt 5/16 x 7/8	
20	0681607	2	Bolt 3/8 x 7/8 Grade 8	
21	0681612	3	Bolt 3/8 x 1-1/2 Grade 8	
22	0681618	1	Bolt 3/8 x 2-1/4 Grade 8	
23	0681624	41	Bolt 3/8 x 3 Grade 8	
24	0681632	4	Bolt 3/8 x 4 Grade 8	
25	0681636	1	Bolt 3/8 x 4-1/2 Grade 8	
26	0681813	1	Bolt 1/2 x 1-5/8 Grade 8	
27	0902773	1	Bracket, Cable Mounting	
28	0962031	16	Bushing, Flanged	
29	0962445	1	Spacer (2.19in Length)	
30	0962446	4	Spacer (2.50in Length)	
31	1060929	1	Cable, Manual Descent	
31	7020218	1	Handle, "T"	
31	7019602	1	Bellow	
31	7020219	1	Washer	
32	1180371	3	Carrier, Cable	
33	1180372	1	Carrier, Cable	
34	1320122	3	Clamp	
35	1440331	20	Collar	
36	1670995	3	Cover, Hose/Cable	
37	1684332	1	Lift Cylinder Assembly (See CYLINDER SECTION for Breakdown)	
38	2110808	1	Fitting, Straight ORFS/ORB	
39	2131008	1	Fitting, 90 ORFS/ORB	
40	2220885	1	Plug, ORB	
41	2753793	1	Hose	
42	2753794	1	Hose	
43	2902063	1	Scissor Arm Kit (Not Shown - Includes Items 3-12) (4394RT)	

SECTION 4 - SCISSORS ARMS

ITEM	PART NUMBER	QTY	DESCRIPTION	REV
44	2902150	1	Arm Components Kit (Not Shown - Includes Items 3-14, 16, 17, 19, 32, 33, 47,49, 70 & 73)	
45	3271605	52	Nut 3/8 Grade 8	
46	3271805	1	Nut 1/2 Grade 8	
47	3311505	24	Nut 5/16	
48	3321402	2	Nut 1/4	
49	3340929	24	Pad, Arm	
50	3422943	2	Pin	
51	3422944	2	Pin	
52	3422945	16	Pin	
53	3422946	1	Pin	
54	3422948	1	Pin	
55	3422964	1	Pin	
56	3422965	2	Pin	
57	3450304	1	Pin, Cotter 3/32 x 1	
58	3450405	1	Pin, Cotter 1/8 x 1-1/4	
59	3573370	1	Plate, Rod Keeper	
60	3841143	3	Keeper, Pin	
61	3841203	1	Keeper, Pin	
62	3841556	1	Rod, Prop Actuator	
63	3860102	1	Roller	
63A	0962356	2	Bearing	
64	4240033	AR	Strap, Tie (Not Shown)	
65	4280295	18 in /46cm	Strip, Protector	
66	4641193	1	Cartridge, Check	
66	2900756	1	Seal Kit - 4641193 Valve	
67	4641205	1	Valve, Manual	
67	7017496	1	Seal Kit - 4641205 Valve	
68	4641254	1	Cartridge, Lift Holding Solenoid	
68	7024829	1	Cartridge - 4641254 Valve	
68	7012925	1	Seal Kit - 7024829 Valve	
68	7017451	1	Coil - 4641254 Valve	
69	4711400	2	Washer 1/4	
70	4711500	24	Washer 5/16	
71	4711600	1	Washer 3/8	
72	4740455	2	Washer, Nylon Shoulder	
73	4846460	1	Kicker, Arm	
74	1001103760	1	Cartridge, Lift Holding Solenoid	
74	7023923	1	Cartridge - 1001103760 Valve	
74	7023919	1	Seal Kit - 7023923 Valve	
74	70001967	1	Coil - 1001103760 Valve	
75	1001103835	1	Ground to Platform Module Harness (Not Shown - See ELECTRICAL SECTION for Breakdown)	
76	1001149325	1	Cable, Electrical - 8/5 (Not Shown)	
77	1001174384	1	Pin	
78	1001174386	1	Plate	
79	1001174387	2	Pad, Washer	

SECTION 4 - SCISSORS ARMS

FIGURE 4-9. ARM GUARDS INSTALLATION (CE SPEC ONLY) (3394RT)



ART_0271747

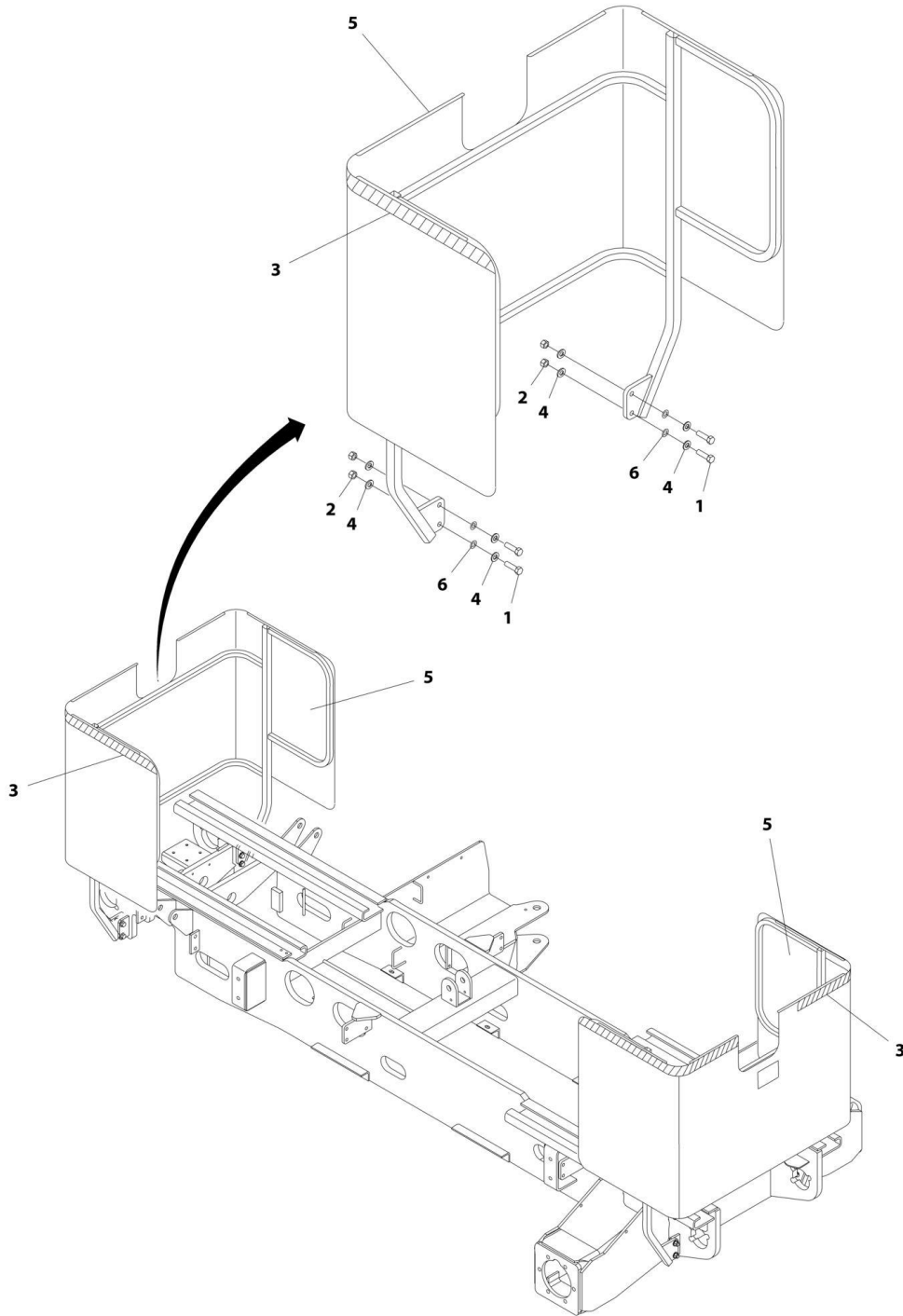
SECTION 4 - SCISSORS ARMS

FIGURE 4-9. ARM GUARDS INSTALLATION (CE SPEC ONLY) (3394RT)

ITEM	PART NUMBER	QTY	DESCRIPTION	REV
	0271747	Ref	ARM GUARDS INSTALLATION (CE SPEC ONLY)	F
1	0641814	8	Bolt 1/2 x 1-3/4	
2	3311805	8	Nut 1/2	
3	4420051	14 ft/4.3m	Tape, Safety (3394RT)	
4	4711800	16	Washer 1/2	
5	4061056	2	Guard, Arm (3394RT)	
6	2080072	8	Retainer, Bolt	

SECTION 4 - SCISSORS ARMS

FIGURE 4-10. ARM GUARDS INSTALLATION (CE SPEC ONLY) (4394RT)



ART_0272351

SECTION 4 - SCISSORS ARMS

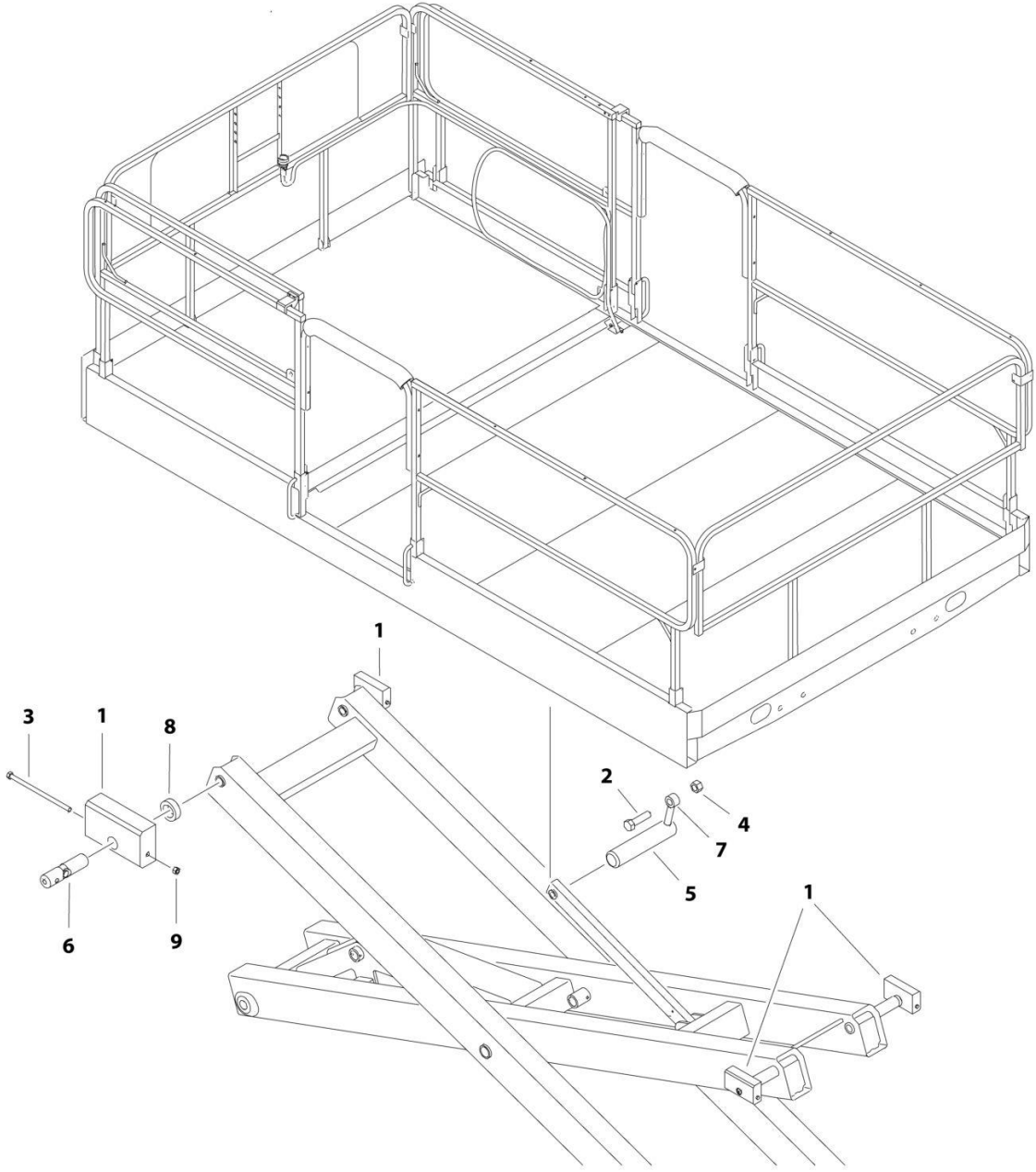
FIGURE 4-10. ARM GUARDS INSTALLATION (CE SPEC ONLY) (4394RT)

ITEM	PART NUMBER	QTY	DESCRIPTION	REV
	0272351	Ref	ARM GUARDS INSTALLATION (CE SPEC ONLY)	G
1	0641814	8	Bolt 1/2 x 1-3/4	
2	3311805	8	Nut 1/2	
3	4420051	13.2 ft/4m	Tape, Safety (4394RT)	
4	4711800	16	Washer 1/2	
5	4061057	2	Guard, Arm (4394RT)	
6	2080072	8	Retainer, Bolt	

SECTION 5 - PLATFORM

SECTION 5 - PLATFORM

FIGURE 5-1. PLATFORM ATTACH INSTALLATIONS - WITHOUT LSS



ART_0271682

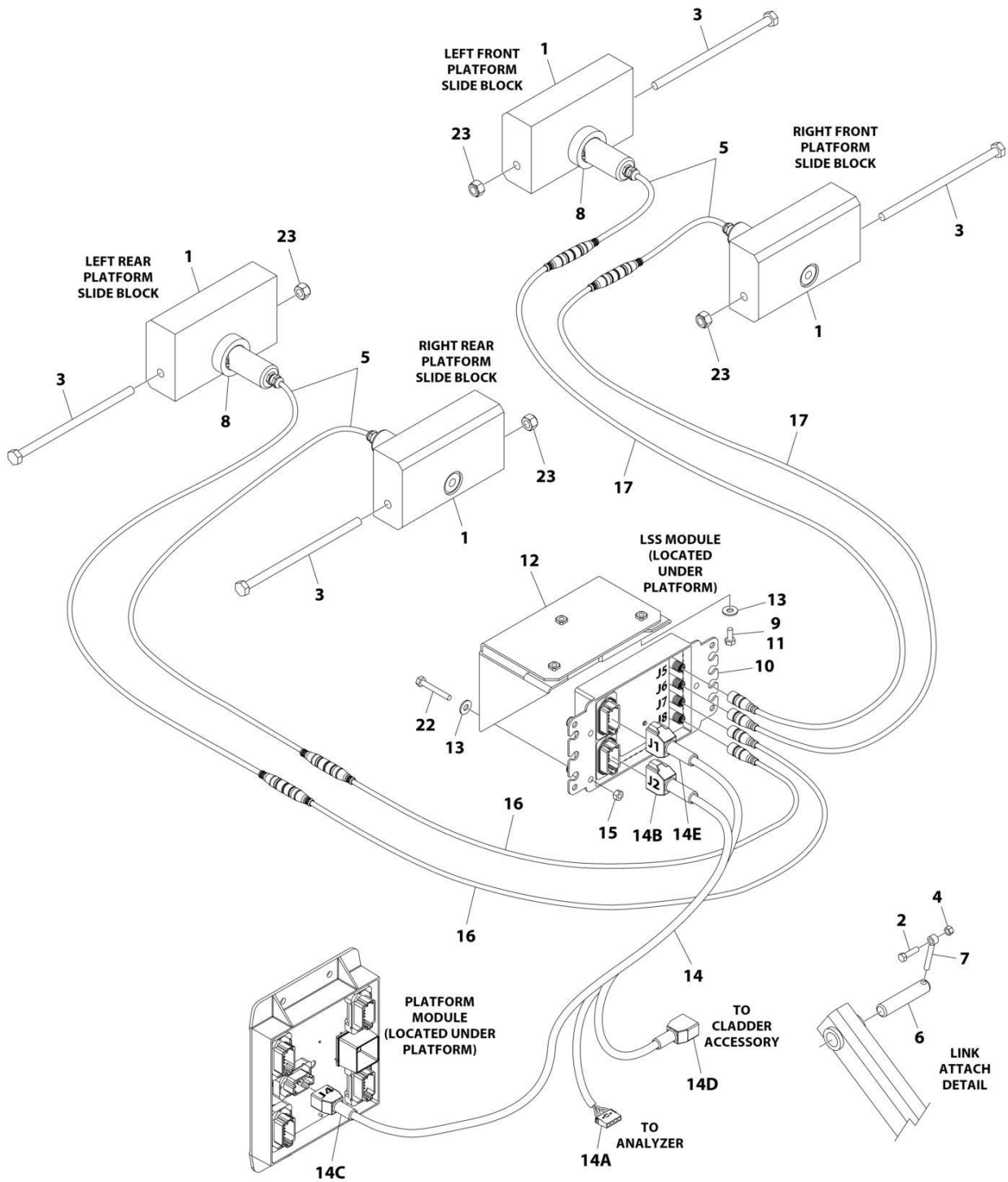
SECTION 5 - PLATFORM

FIGURE 5-1. PLATFORM ATTACH INSTALLATIONS - WITHOUT LSS

ITEM	PART NUMBER	QTY	DESCRIPTION	REV
	0271682	Ref	PLATFORM ATTACH INSTALLATION - WITHOUT LSS	B
1	0561489	4	Block, Slide	
2	0641611	1	Bolt 3/8 x 1-3/8	
3	0701037	4	Bolt M10 x 200	
4	3311605	1	Nut 3/8	
5	3422943	1	Pin	
6	3423049	4	Pin	
7	3841143	1	Keeper, Pin	
8	4568295	4	Tube, Spacer	
9	3291005	4	Nut M10	

SECTION 5 - PLATFORM

FIGURE 5-2. PLATFORM ATTACH INSTALLATION - WITH LSS



ART_0271683

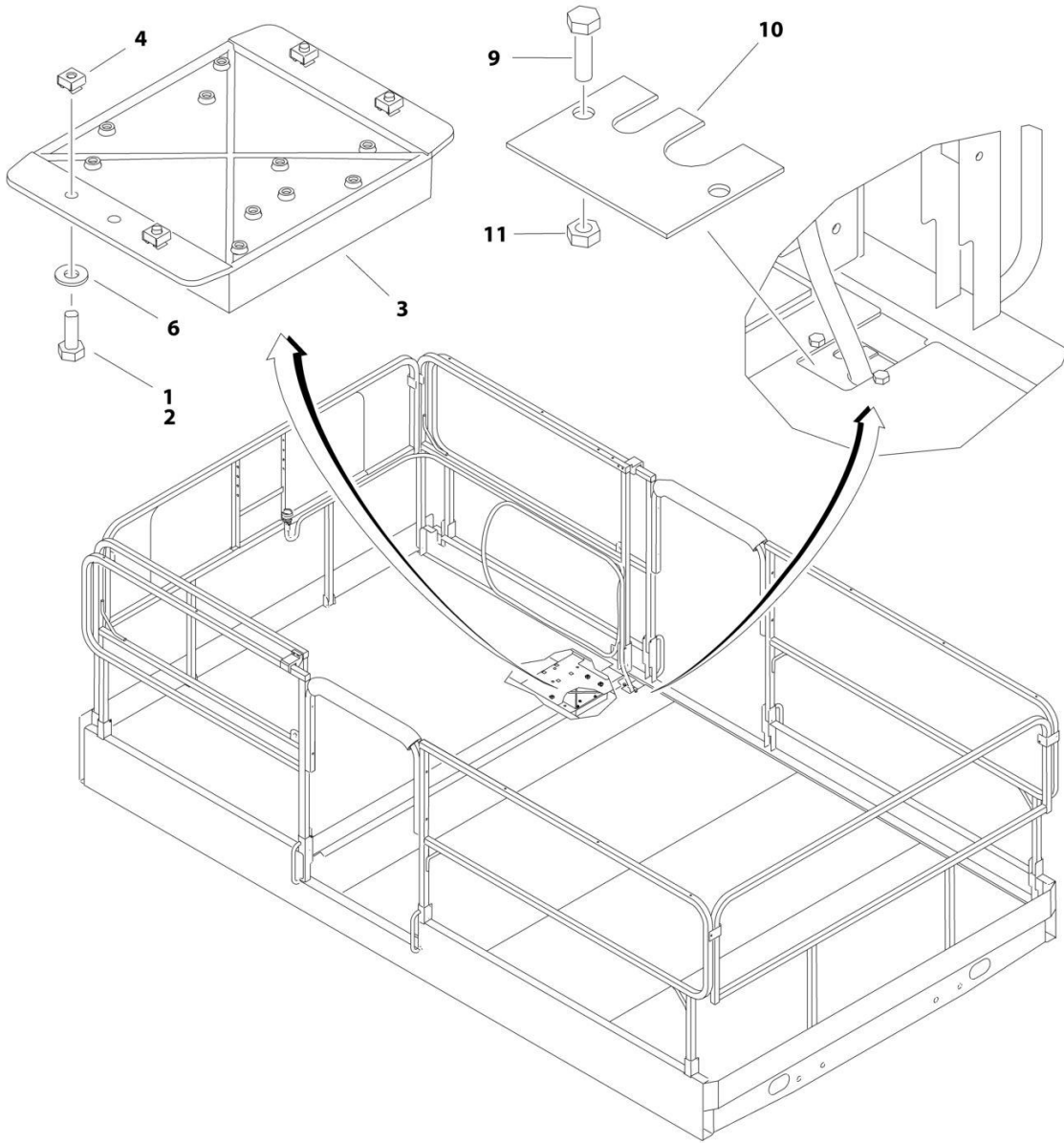
SECTION 5 - PLATFORM

FIGURE 5-2. PLATFORM ATTACH INSTALLATION - WITH LSS

ITEM	PART NUMBER	QTY	DESCRIPTION	REV
	0271683	Ref	PLATFORM ATTACH INSTALLATION - WITH LSS	I
1	0561489	4	Block, Slide	
2	0641611	1	Bolt 3/8 x 1-3/8	
3	0701037	4	Bolt M10 x 200	
4	3311605	1	Nut 3/8	
5	3422938	4	Pin, Load Management (Includes Harness)	
6	3422943	1	Pin	
7	3841143	1	Keeper, Pin	
8	4568295	4	Spacer	
9	0100011	AR	Compound, Locking	
10	1600387	1	Module, LSS (Note: Re-calibration Required when Replaced)	
11	0641405	3	Bolt 1/4 x 5/8	
12	0902837	1	Bracket	
13	4751400	6	Washer 1/4	
14	4922882	1	Module to Analyzer Harness	C
14A	4460761	1	Connector, Female 4 Position	
14A	4460294	4	Pin, Male	
14B	4460836	1	Plug, Male 12 Position	
14B	4460465	8	Socket, Female	
14B	4460466	4	Seal, Plug	
14B	0840055	1	Boot	
14C	4460930	1	Plug, Male 8 Position	
14C	4460465	5	Socket, Female	
14C	4460466	3	Seal, Plug	
14C	0840058	1	Boot	
14D	4460931	1	Connector, Female 8 Position	
14D	4460464	5	Pin, Male	
14D	4460466	3	Seal, Plug	
14D	0840058	1	Boot	
14E	4460933	1	Plug, Male 12 Position	
14E	4460465	2	Socket, Female	
14E	4460466	10	Seal, Plug	
14E	0840055	1	Boot	
15	3311405	3	Nut 1/4	
16	1061020	2	Cable, Extension (1 meter)	
17	1061021	2	Cable, Extension (3 meter)	
18	2920026	1	Light, Indicator (Not Shown - Located on Platform Console)	
19	2920029	1	Bulb, Light (Not Shown - Located on Platform Console)	
20	4240033	AR	Tie-Strap (Not Shown)	
22	0641415	3	Bolt 1/4 x 1-7/8	
23	3291005	4	Nut M10	

SECTION 5 - PLATFORM

FIGURE 5-3. PLATFORM MODULE INSTALLATION (3394RT)



ART_0271708

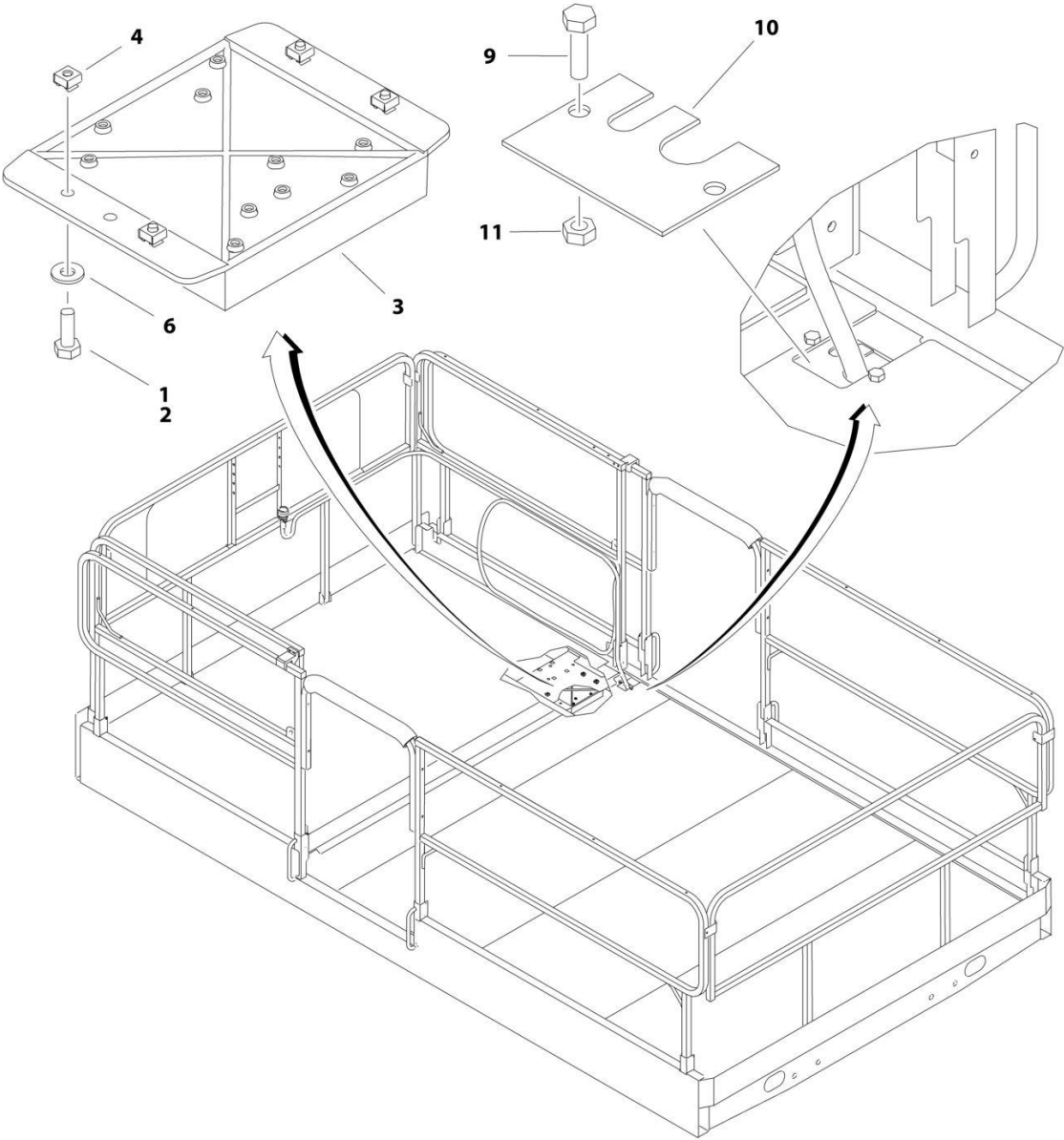
SECTION 5 - PLATFORM

FIGURE 5-3. PLATFORM MODULE INSTALLATION (3394RT)

ITEM	PART NUMBER	QTY	DESCRIPTION	REV
	0271708	Ref	PLATFORM MODULE INSTALLATION	F
1	0100011	AR	Compound, Locking	
2	0641406	4	Bolt 1/4 x 3/4	
3	1001182481	1	Module, Platform (Note: Re-calibration Required when Replaced)	
4	3300182	4	Nut 1/4	
5	4240033	AR	Tie-Strap (Not Shown)	
6	4711400	4	Washer 1/4	
7	4922692	1	Harness, Platform Module (See ELECTRICAL SECTION for Breakdown)	
9	0641404	2	Bolt 1/4 x 1/2	
10	1670988	1	Cover, Cable Access	
11	3311405	2	Nut 1/4	

SECTION 5 - PLATFORM

FIGURE 5-4. PLATFORM MODULE INSTALLATION (4394RT)



ART_0271709

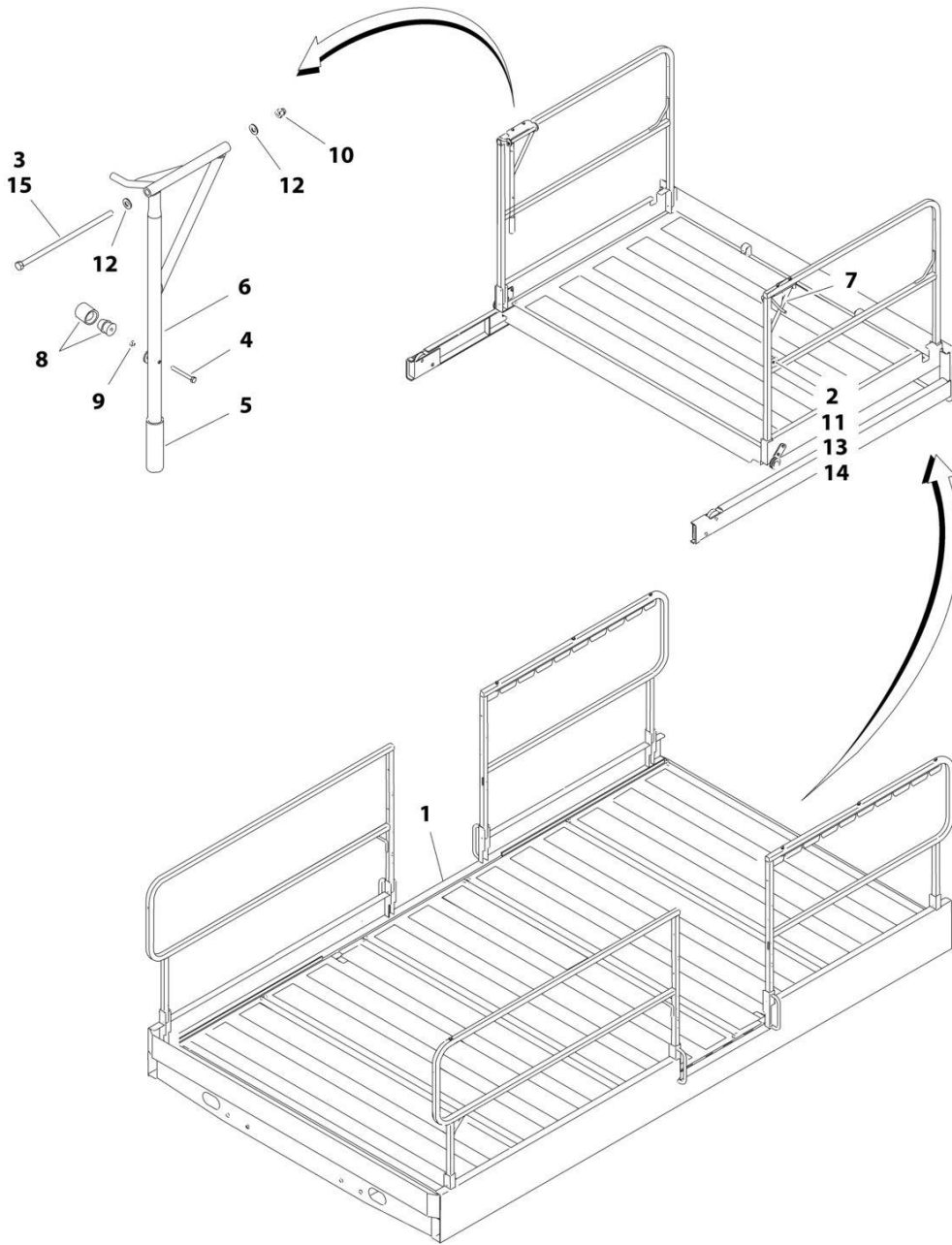
SECTION 5 - PLATFORM

FIGURE 5-4. PLATFORM MODULE INSTALLATION (4394RT)

ITEM	PART NUMBER	QTY	DESCRIPTION	REV
	0271709	Ref	PLATFORM MODULE INSTALLATION	F
1	0100011	AR	Compound, Locking	
2	0641406	4	Bolt 1/4 x 3/4	
3	1001182481	1	Module, Platform (Note: Re-calibration Required when Replaced)	
4	3300182	4	Nut 1/4	
5	4240033	AR	Tie-Strap (Not Shown)	
6	4711400	4	Washer 1/4	
7	4922692	1	Harness, Platform Module (See ELECTRICAL SECTION for Breakdown)	
9	0641404	2	Bolt 1/4 x 1/2	
10	1670988	1	Cover, Cable Access	
11	3311405	2	Nut 1/4	

SECTION 5 - PLATFORM

FIGURE 5-5. MANUAL SINGLE DECK EXTENSION AND PLATFORM INSTALLATION



ART_0275196

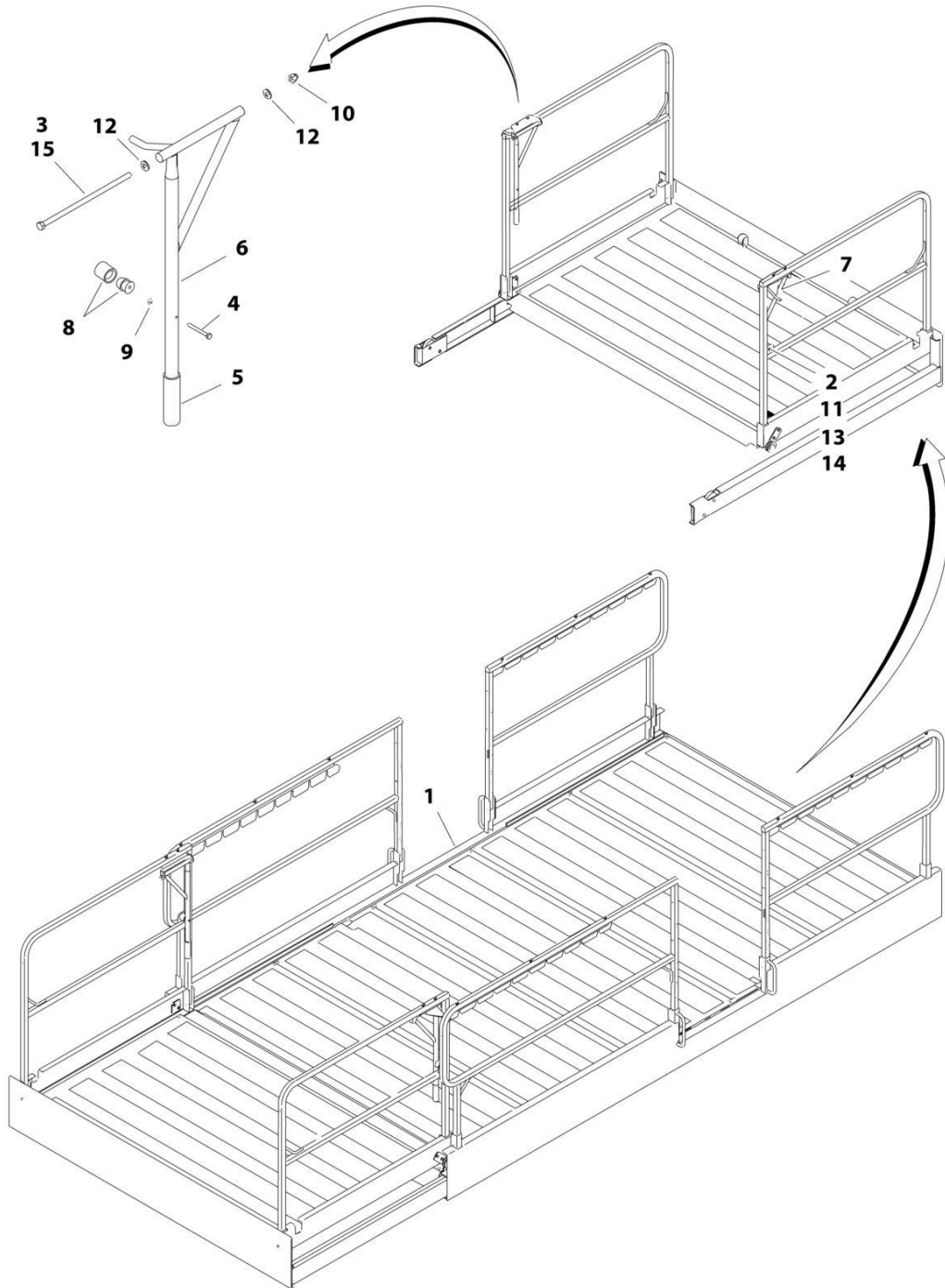
SECTION 5 - PLATFORM

FIGURE 5-5. MANUAL SINGLE DECK EXTENSION AND PLATFORM INSTALLATION

ITEM	PART NUMBER	QTY	DESCRIPTION	REV
	0275196	Ref	MANUAL SINGLE DECK EXTENSION AND PLATFORM INSTALLATION	C
1	0271700	1	Platform and Deck Extension Assembly (See PLATFORM AND MANUAL SINGLE DECK EXTENSION ASSEMBLY for Breakdown)	
2	0641406	2	Bolt 1/4 x 3/4	
3	0641676	2	Bolt 3/8 x 9-1/2	
4	0700619	2	Bolt M6 x 55	
5	2560088	2	Grip, Handle	
6	2560171	1	Handle (Left)	
7	2560172	1	Handle (Right)	
8	2940127	2	Latch	
9	3290601	2	Nut M6	
10	3300467	2	Nut 3/8	
11	3311405	2	Nut 1/4	
12	4711600	4	Washer 3/8	
13	4751400	4	Washer 1/4	
14	4751600	2	Washer 3/8	
15	0100011	AR	Compound, Locking	

SECTION 5 - PLATFORM

FIGURE 5-6. MANUAL DUAL DECK EXTENSION AND PLATFORM INSTALLATION



ART_0275197

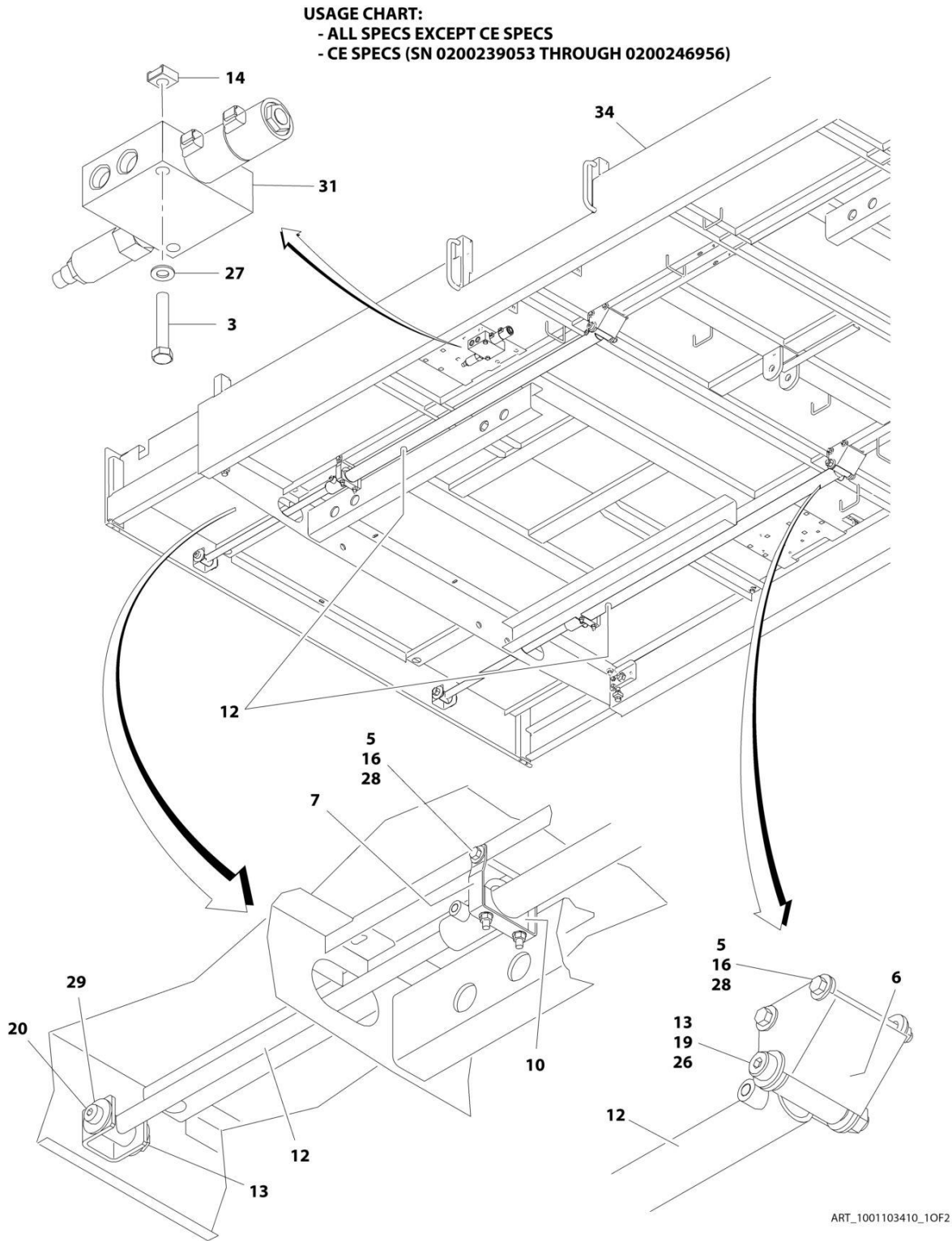
SECTION 5 - PLATFORM

FIGURE 5-6. MANUAL DUAL DECK EXTENSION AND PLATFORM INSTALLATION

ITEM	PART NUMBER	QTY	DESCRIPTION	REV
	0275197	Ref	MANUAL DUAL DECK EXTENSION AND PLATFORM INSTALLATION	C
1	0271704	1	Platform and Extension Assembly (See PLATFORM AND MANUAL DUAL DECK EXTENSION ASSEMBLY for Breakdown)	
2	0641406	4	Bolt 1/4 x 3/4	
3	0641676	4	Bolt 3/8 x 9-1/2	
4	0700619	4	Bolt M6 x 55	
5	2560088	4	Grip, Handle	
6	2560171	2	Handle (Left)	
7	2560172	2	Handle (Right)	
8	2940127	4	Latch	
9	3290601	4	Nut M6	
10	3300467	4	Nut 3/8	
11	3311405	4	Nut 1/4	
12	4711600	8	Washer 3/8	
13	4751400	8	Washer 1/4	
14	4751600	4	Washer 3/8	
15	0100011	AR	Compound, Locking	

SECTION 5 - PLATFORM

FIGURE 5-7. POWER SINGLE DECK EXTENSION AND PLATFORM INSTALLATION (3394RT)



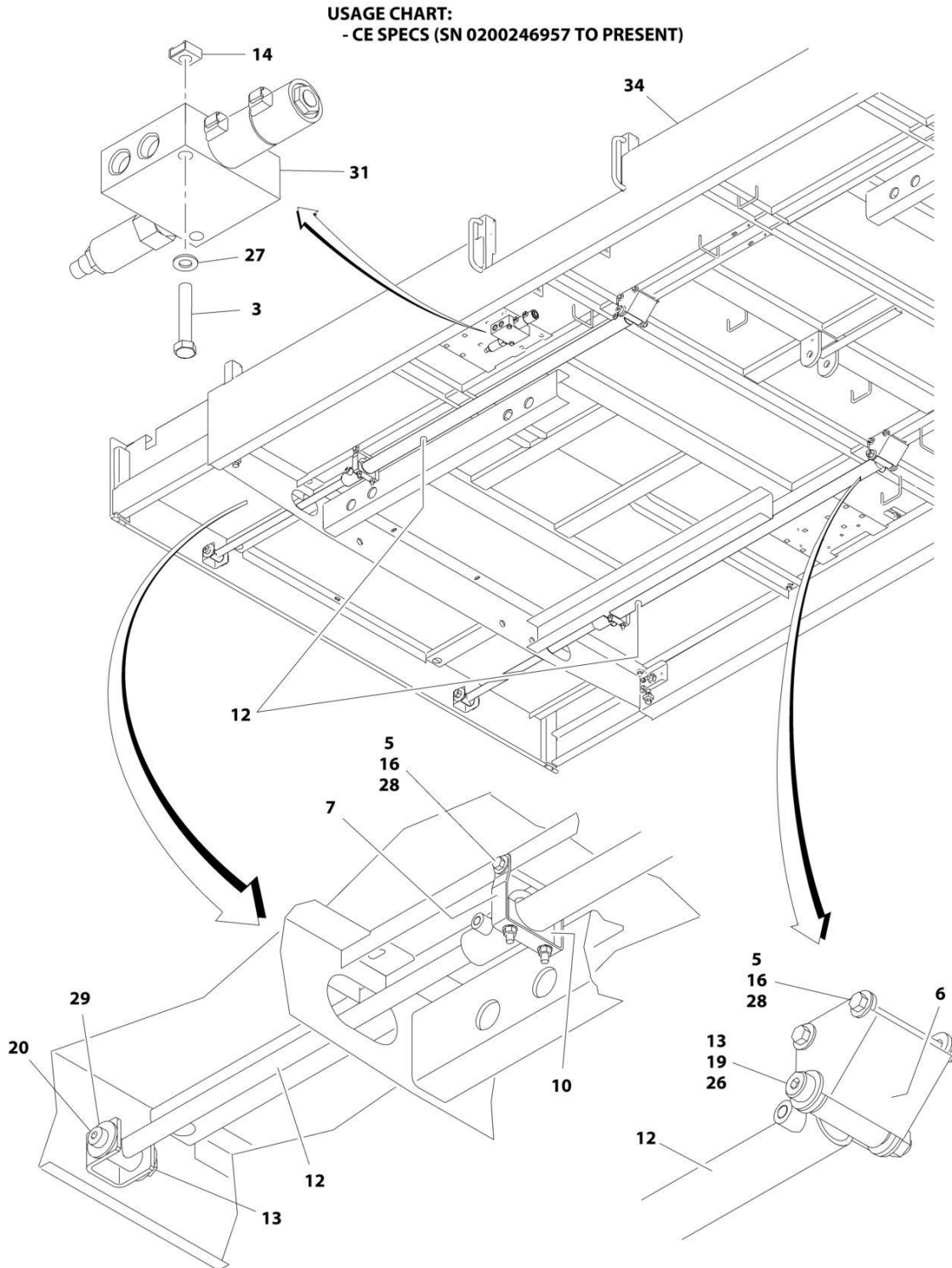
SECTION 5 - PLATFORM

FIGURE 5-7. POWER SINGLE DECK EXTENSION AND PLATFORM INSTALLATION (3394RT)

ITEM	PART NUMBER	QTY	DESCRIPTION	REV
		Ref	USAGE CHART:	
		Ref	- All Specs except CE Specs	
		Ref	- CE Specs (SN 0200239053 through 0200246956)	
	1001103410	Ref	POWER SINGLE DECK EXTENSION AND PLATFORM INSTALLATION	B
		Ref	Note: Replacement Decals Must be Ordered Separately - See DECAL SECTION.	
1	0100011	AR	Compound, Locking	
2	0641405	2	Bolt 1/4 x 5/8	
3	0641413	2	Bolt 1/4 x 1-5/8	
4	0641608	2	Bolt 3/8 x 1	
5	0641636	6	Bolt 3/8 x 4-1/2	
6	0902838	2	Bracket, Cylinder Attach	
7	0902839	4	Bracket, Hanger	
8	1061003	1	Cable, Solenoid	
9	1061004	2	Cable, Solenoid	
10	1320019	4	Clamp	
11	1670995	3	Cover	
12	1684266	2	Extension Cylinder Assembly (See CYLINDER SECTION for Breakdown)	
13	3272005	4	Nut 5/8	
14	3300182	2	Nut 1/4	
15	3311405	2	Nut 1/4	
16	3311605	6	Nut 3/8	
17	3600468	1	Auxiliary Pump Assembly (See POWER DECK AUXILIARY PUMP ASSEMBLY for Breakdown)	
18	3740067	1	Relay	
19	3900254	2	Capscrew 3/4 x 4	
20	3900330	2	Capscrew 3/4 x 2-3/4	
21	4240033	AR	Tie-Strap (Not Shown)	
22	4280295	18 in /46cm	Strip, Protector	
23	4360328	2	Switch, Toggle	
24	4360387	2	Switch, Push Button	
25	4360483	1	Switch, Toggle	
26	4712200	4	Washer 3/4	
27	4751400	6	Washer 1/4	
28	4751600	14	Washer 3/8	
29	4752200	4	Washer 3/4	
30	4922859	1	Auxiliary Power Harness (Not Shown - See ELECTRICAL SECTION for Breakdown)	
31	1001103266	1	Power Deck Valve Assembly (See POWER DECK VALVE ASSEMBLY - SINGLE EXTENSION for Breakdown)	
32	1001103490	1	Power Deck Harness (Not Shown - See ELECTRICAL SECTION for Breakdown)	
33	1001103708	1	Hydraulic Diagram - Power Deck (Not Shown - See HYDRAULIC SECTION for Breakdown)	
34	0272605	1	Platform and Deck Extension Assembly (See PLATFORM AND POWER SINGLE DECK EXTENSION ASSEMBLY for Breakdown)	

SECTION 5 - PLATFORM

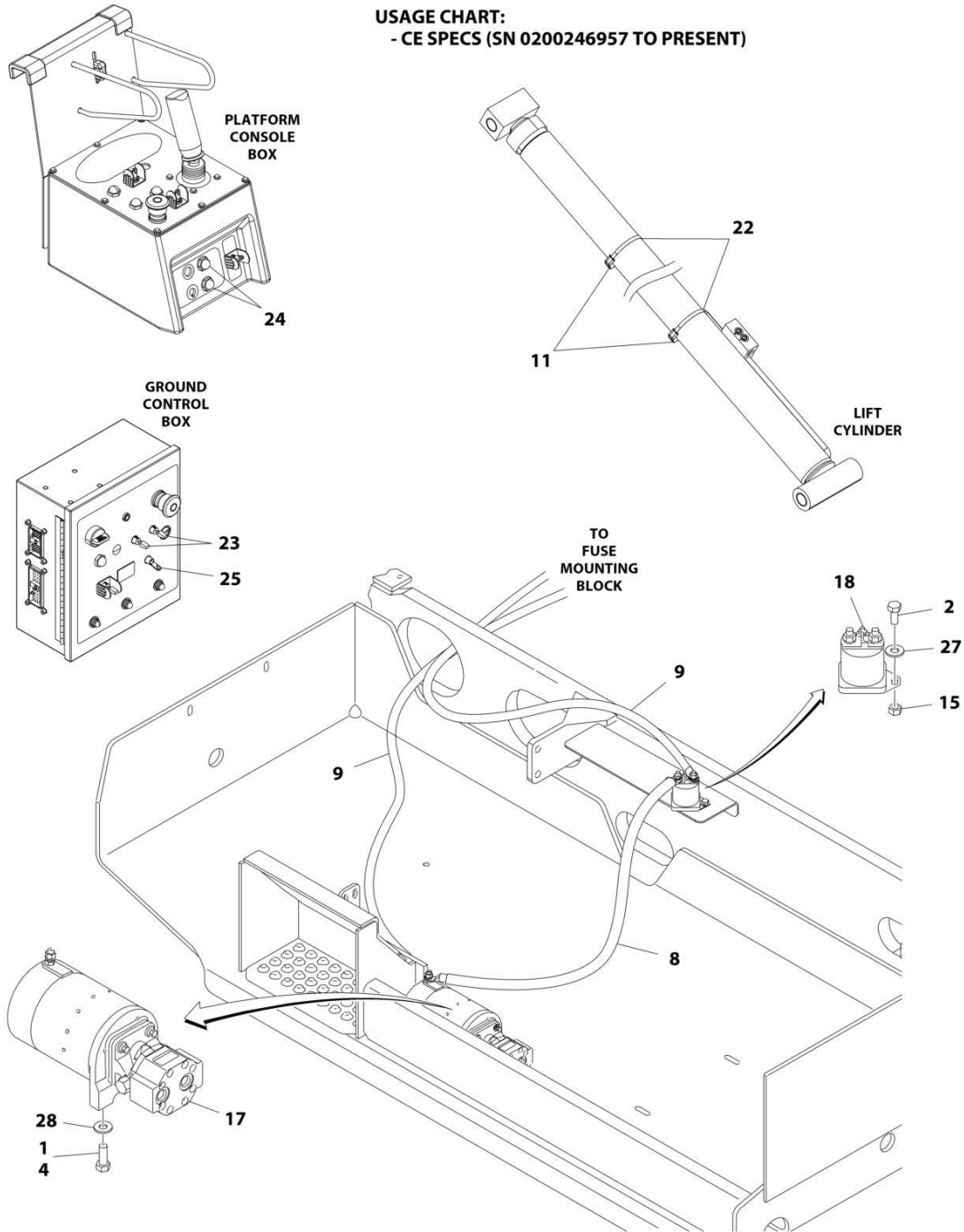
FIGURE 5-8. POWER SINGLE DECK EXTENSION AND PLATFORM INSTALLATION (3394RT)



ART_1001190534_10F2

SECTION 5 - PLATFORM

USAGE CHART:
- CE SPECS (SN 0200246957 TO PRESENT)



ART_1001190534_20F2

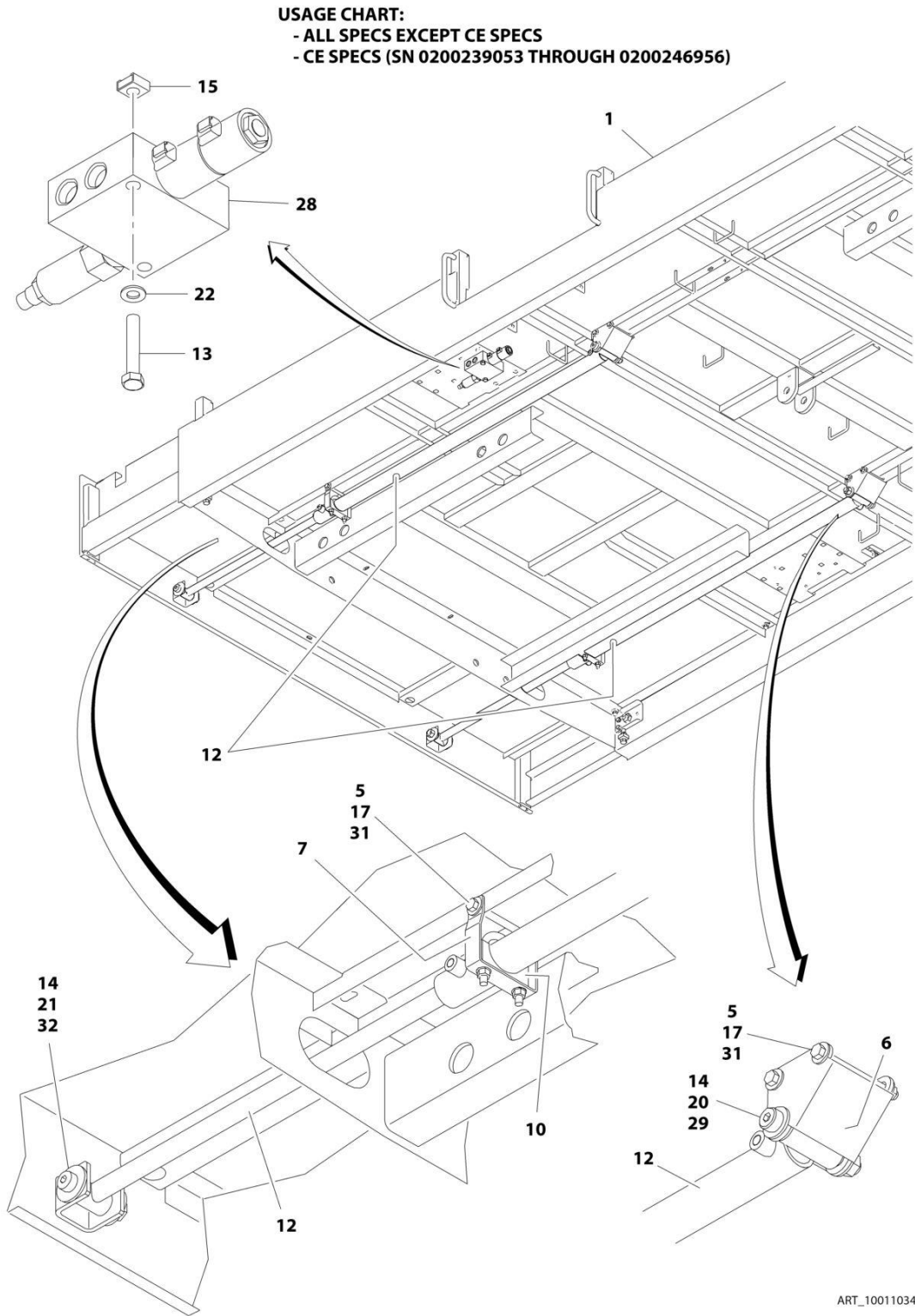
SECTION 5 - PLATFORM

FIGURE 5-8. POWER SINGLE DECK EXTENSION AND PLATFORM INSTALLATION (3394RT)

ITEM	PART NUMBER	QTY	DESCRIPTION	REV
		Ref	USAGE CHART:	
		Ref	- CE Specs (SN 0200246957 to Present)	
	1001190534	Ref	POWER SINGLE DECK EXTENSION AND PLATFORM INSTALLATION	A
		Ref	Note: Replacement Decals Must be Ordered Separately - See DECAL SECTION.	
1	0100011	AR	Compound, Locking	
2	0641405	2	Bolt 1/4 x 5/8	
3	0641413	2	Bolt 1/4 x 1-5/8	
4	0641608	2	Bolt 3/8 x 1	
5	0641636	6	Bolt 3/8 x 4-1/2	
6	0902838	2	Bracket, Cylinder Attach	
7	0902839	4	Bracket, Hanger	
8	1061003	1	Cable, Solenoid	
9	1061004	2	Cable, Solenoid	
10	1320019	4	Clamp	
11	1670995	3	Cover	
12	1684266	4	Extension Cylinder Assembly (See CYLINDER SECTION for Breakdown)	
13	3272005	4	Nut 5/8	
14	3300182	2	Nut 1/4	
15	3311405	2	Nut 1/4	
16	3311605	6	Nut 3/8	
17	3600468	1	Auxiliary Pump Assembly (See POWER DECK AUXILIARY PUMP ASSEMBLY for Breakdown)	
18	3740067	1	Relay	
19	3900254	2	Capscrew 3/4 x 4	
20	3900330	2	Capscrew 3/4 x 2-3/4	
21	4240033	AR	Tie-Strap (Not Shown)	
22	4280295	18 in /46cm	Strip, Protector	
23	4360328	2	Switch, Toggle	
24	4360387	2	Switch, Push Button	
25	4360483	1	Switch, Toggle	
26	4712200	4	Washer 3/4	
27	4751400	6	Washer 1/4	
28	4751600	14	Washer 3/8	
29	4752200	4	Washer 3/4	
30	4922859	1	Auxiliary Power Harness (Not Shown - See ELECTRICAL SECTION for Breakdown)	
31	1001103266	1	Power Deck Valve Assembly (See POWER DECK VALVE ASSEMBLY - SINGLE EXTENSION for Breakdown)	
32	1001103490	1	Power Deck Harness (Not Shown - See ELECTRICAL SECTION for Breakdown)	
33	1001190537	1	Hydraulic Diagram - Power Deck (Not Shown - See HYDRAULIC SECTION for Breakdown)	
34	0272605	1	Platform and Deck Extension Assembly (See PLATFORM AND POWER SINGLE DECK EXTENSION ASSEMBLY for Breakdown)	

SECTION 5 - PLATFORM

FIGURE 5-9. POWER SINGLE DECK EXTENSION AND PLATFORM INSTALLATION (4394RT)

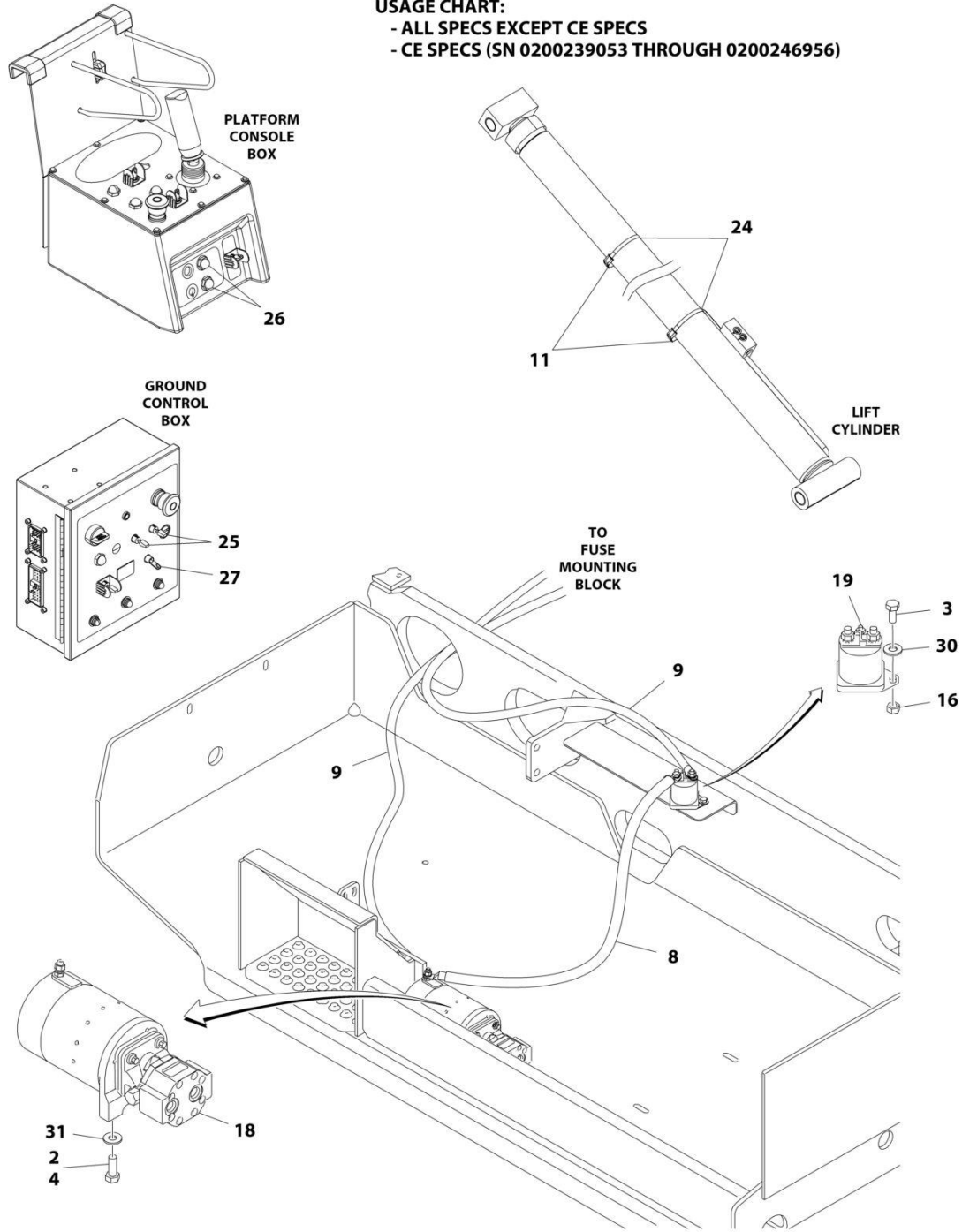


ART_1001103411_10F2

SECTION 5 - PLATFORM

USAGE CHART:

- ALL SPECS EXCEPT CE SPECS
- CE SPECS (SN 0200239053 THROUGH 0200246956)



ART_1001103411_20F2

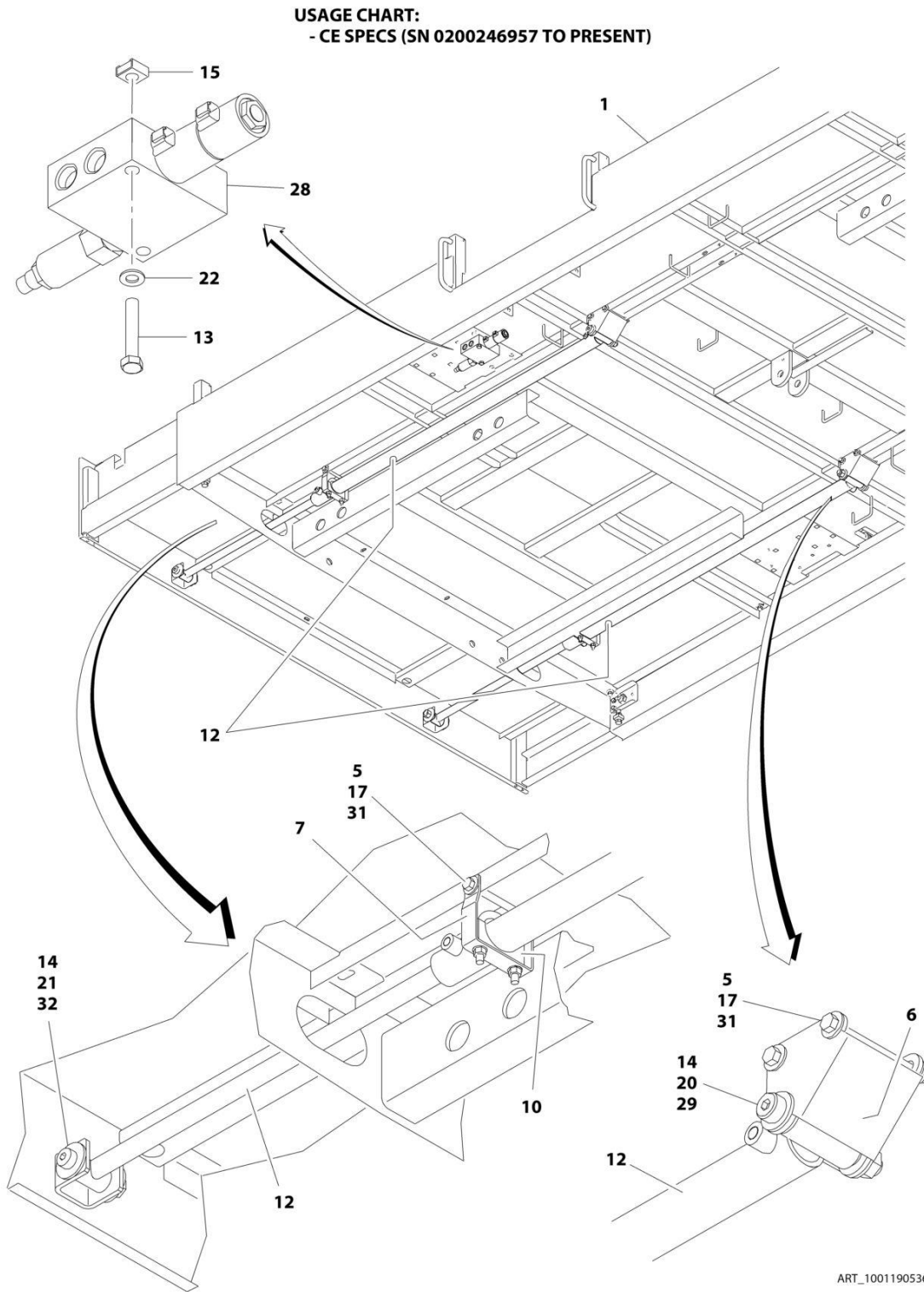
SECTION 5 - PLATFORM

FIGURE 5-9. POWER SINGLE DECK EXTENSION AND PLATFORM INSTALLATION (4394RT)

ITEM	PART NUMBER	QTY	DESCRIPTION	REV
		Ref	USAGE CHART:	
		Ref	- All Specs except CE Spec	
		Ref	- CE Specs (SN 0200239053 through 0200246956)	
	1001103411	Ref	POWER SINGLE DECK EXTENSION AND PLATFORM INSTALLATION	B
		Ref	Note: Replacement Decals Must be Ordered Separately - See DECAL SECTION.	
1	0272605	1	Platform and Deck Extension Assembly (See PLATFORM AND POWER SINGLE DECK EXTENSION ASSEMBLY for Breakdown)	
2	0100011	AR	Compound, Locking	
3	0641405	2	Bolt 1/4 x 5/8	
4	0641608	2	Bolt 3/8 x 1	
5	0641636	6	Bolt 3/8 x 4-1/2	
6	0902838	2	Bracket, Cylinder Attach	
7	0902839	2	Bracket, Hanger	
8	1061003	1	Cable, Solenoid	
9	1061004	2	Cable, Solenoid	
10	1320019	2	Clamp	
11	1670995	3	Cover	
12	1684266	2	Extension Cylinder Assembly (See CYLINDER SECTION for Breakdown)	
13	0641413	2	Bolt 1/4 x 1-5/8	
14	3272005	4	Nut 5/8	
15	3300182	2	Nut 1/4	
16	3311405	2	Nut 1/4	
17	3311605	6	Nut 3/8	
18	3600468	1	Auxiliary Pump Assembly (See POWER DECK AUXILIARY PUMP ASSEMBLY for Breakdown)	
19	3740067	1	Relay	
20	3900254	2	Capscrew 3/4 x 4	
21	3900330	2	Capscrew 3/4 x 2-3/4	
22	4711400	2	Washer 1/4	
23	4240033	AR	Tie-Strap (Not Shown)	
24	4280295	18 in /46cm	Strip, Protector	
25	4360328	2	Switch, Toggle	
26	4360387	2	Switch, Push Button	
27	4360483	1	Switch, Toggle	
28	1001103266	1	Power Deck Valve Assembly (See POWER DECK VALVE ASSEMBLY - SINGLE EXTENSION for Breakdown)	
29	4712200	4	Washer 3/4	
30	4751400	4	Washer 1/4	
31	4751600	14	Washer 3/8	
32	4752200	4	Washer 3/4	
33	1001103570	1	Power Deck Harness (Not Shown - See ELECTRICAL SECTION for Breakdown)	
34	4922859	1	Auxiliary Power Harness (Not Shown - See ELECTRICAL SECTION for Breakdown)	
35	1001103708	1	Hydraulic Diagram - Power Deck (Not Shown - See HYDRAULIC SECTION for Breakdown)	

SECTION 5 - PLATFORM

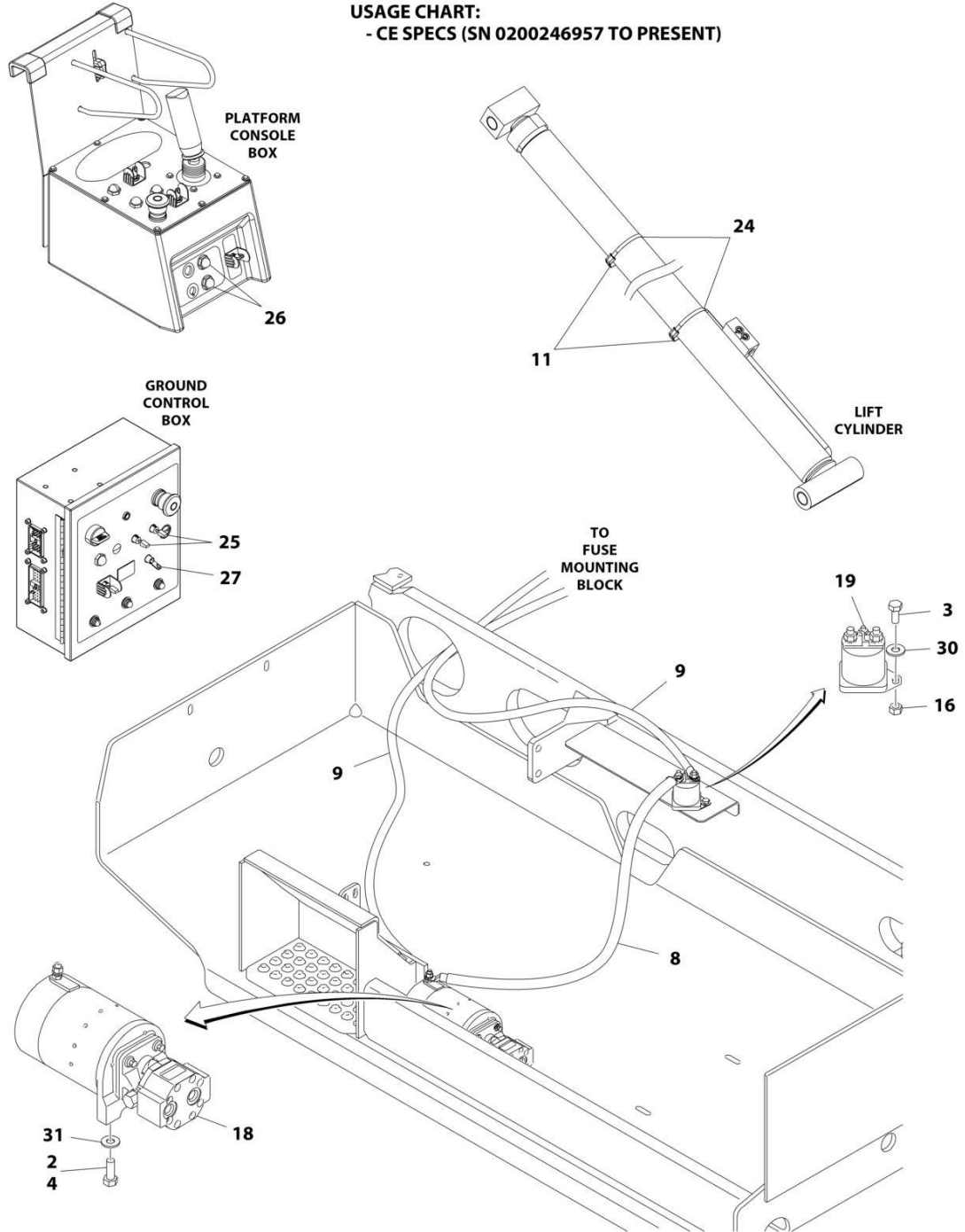
FIGURE 5-10. POWER SINGLE DECK EXTENSION AND PLATFORM INSTALLATION (4394RT)



ART_1001190536_10F2

SECTION 5 - PLATFORM

USAGE CHART:
 - CE SPECS (SN 0200246957 TO PRESENT)



ART_1001190536_20F2

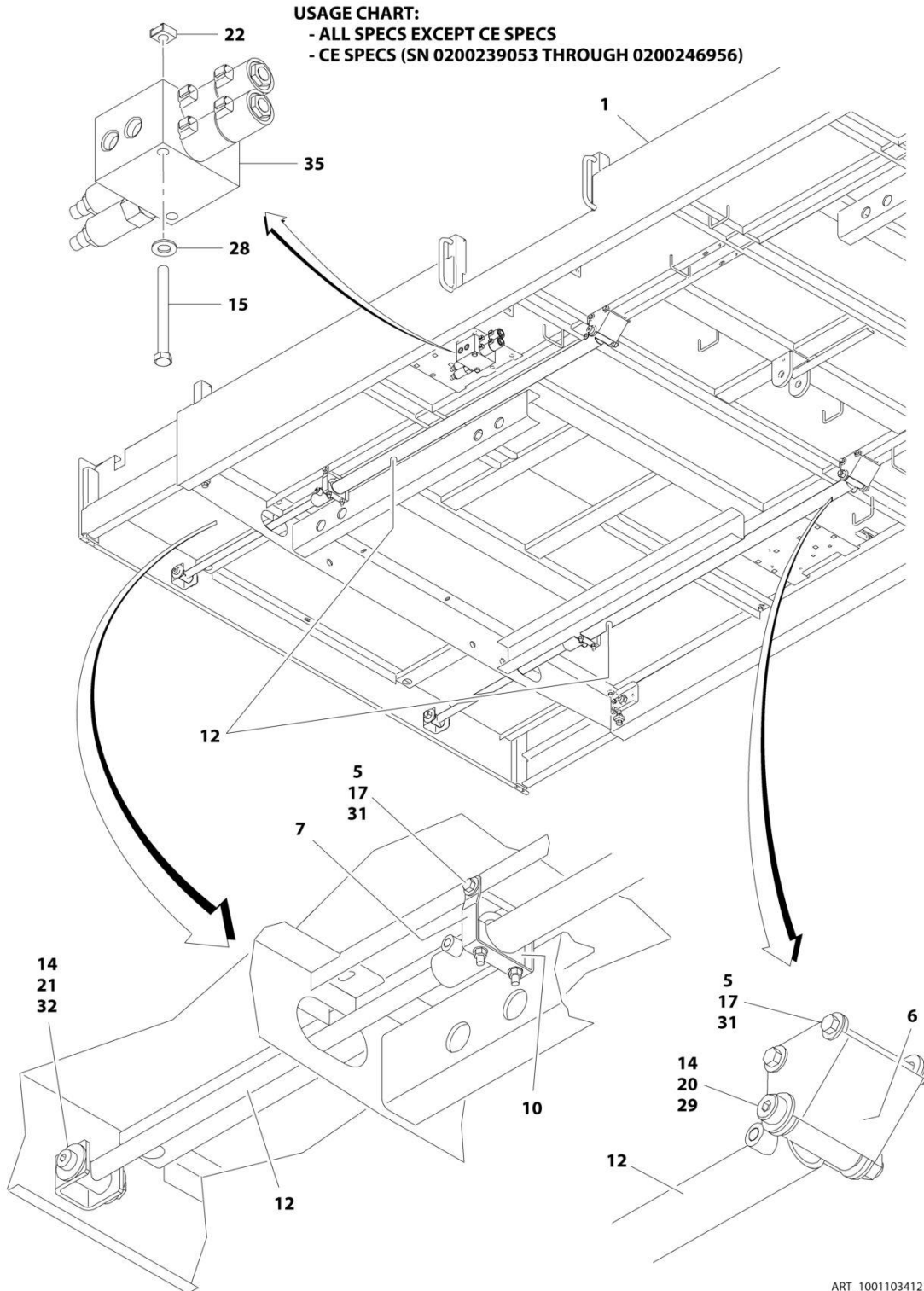
SECTION 5 - PLATFORM

FIGURE 5-10. POWER SINGLE DECK EXTENSION AND PLATFORM INSTALLATION (4394RT)

ITEM	PART NUMBER	QTY	DESCRIPTION	REV
		Ref	USAGE CHART:	
		Ref	- CE Spec (SN 0200246957 to Present)	
	1001190536	Ref	POWER SINGLE DECK EXTENSION AND PLATFORM INSTALLATION	A
		Ref	Note: Replacement Decals Must be Ordered Separately - See DECAL SECTION.	
1	0272605	1	Platform and Deck Extension Assembly (See PLATFORM AND POWER SINGLE DECK EXTENSION ASSEMBLY for Breakdown)	
2	0100011	AR	Compound, Locking	
3	0641405	2	Bolt 1/4 x 5/8	
4	0641608	2	Bolt 3/8 x 1	
5	0641636	6	Bolt 3/8 x 4-1/2	
6	0902838	2	Bracket, Cylinder Attach	
7	0902839	2	Bracket, Hanger	
8	1061003	1	Cable, Solenoid	
9	1061004	2	Cable, Solenoid	
10	1320019	2	Clamp	
11	1670995	3	Cover	
12	1684266	2	Extension Cylinder Assembly (See CYLINDER SECTION for Breakdown)	
13	0641413	2	Bolt 1/4 x 1-5/8	
14	3272005	4	Nut 5/8	
15	3300182	2	Nut 1/4	
16	3311405	2	Nut 1/4	
17	3311605	6	Nut 3/8	
18	3600468	1	Auxiliary Pump Assembly (See POWER DECK AUXILIARY PUMP ASSEMBLY for Breakdown)	
19	3740067	1	Relay	
20	3900254	2	Capscrew 3/4 x 4	
21	3900330	2	Capscrew 3/4 x 2-3/4	
22	4711400	2	Washer 1/4	
23	4240033	AR	Tie-Strap (Not Shown)	
24	4280295	18 in /46cm	Strip, Protector	
25	4360328	2	Switch, Toggle	
26	4360387	2	Switch, Push Button	
27	4360483	1	Switch, Toggle	
28	1001103266	1	Power Deck Valve Assembly (See POWER DECK VALVE ASSEMBLY - SINGLE EXTENSION for Breakdown)	
29	4712200	4	Washer 3/4	
30	4751400	4	Washer 1/4	
31	4751600	14	Washer 3/8	
32	4752200	4	Washer 3/4	
33	1001103570	1	Power Deck Harness (Not Shown - See ELECTRICAL SECTION for Breakdown)	
34	4922859	1	Auxiliary Power Harness (Not Shown - See ELECTRICAL SECTION for Breakdown)	
35	1001190537	1	Hydraulic Diagram - Power Deck (Not Shown - See HYDRAULIC SECTION for Breakdown)	

SECTION 5 - PLATFORM

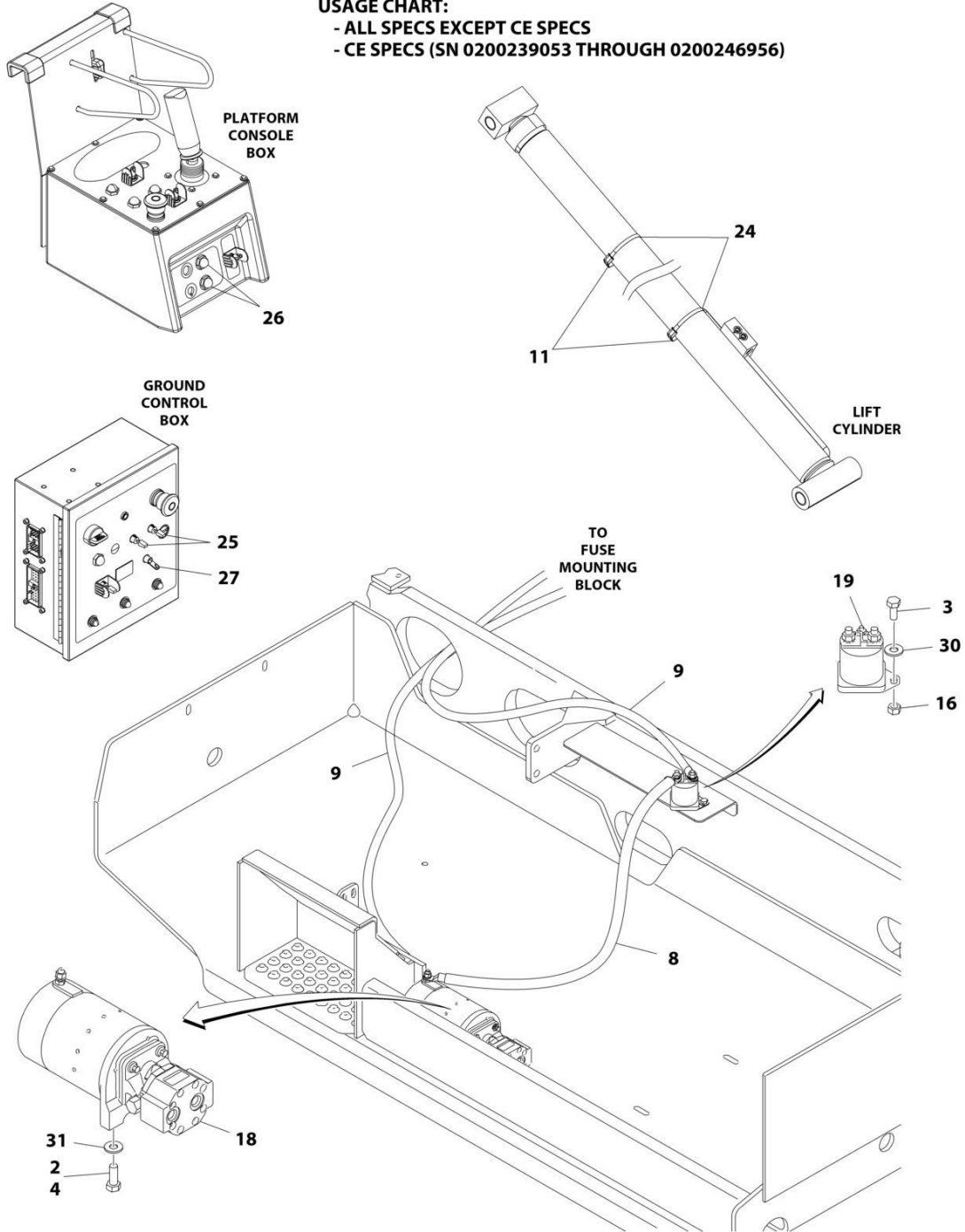
FIGURE 5-11. POWER DUAL DECK EXTENSION AND PLATFORM INSTALLATION (WITH 12.6FT/3.8M LENGTH PLATFORM) (3394RT)



ART_1001103412_10F2

SECTION 5 - PLATFORM

USAGE CHART:
- ALL SPECS EXCEPT CE SPECS
- CE SPECS (SN 0200239053 THROUGH 0200246956)



ART_1001103412_2OF2

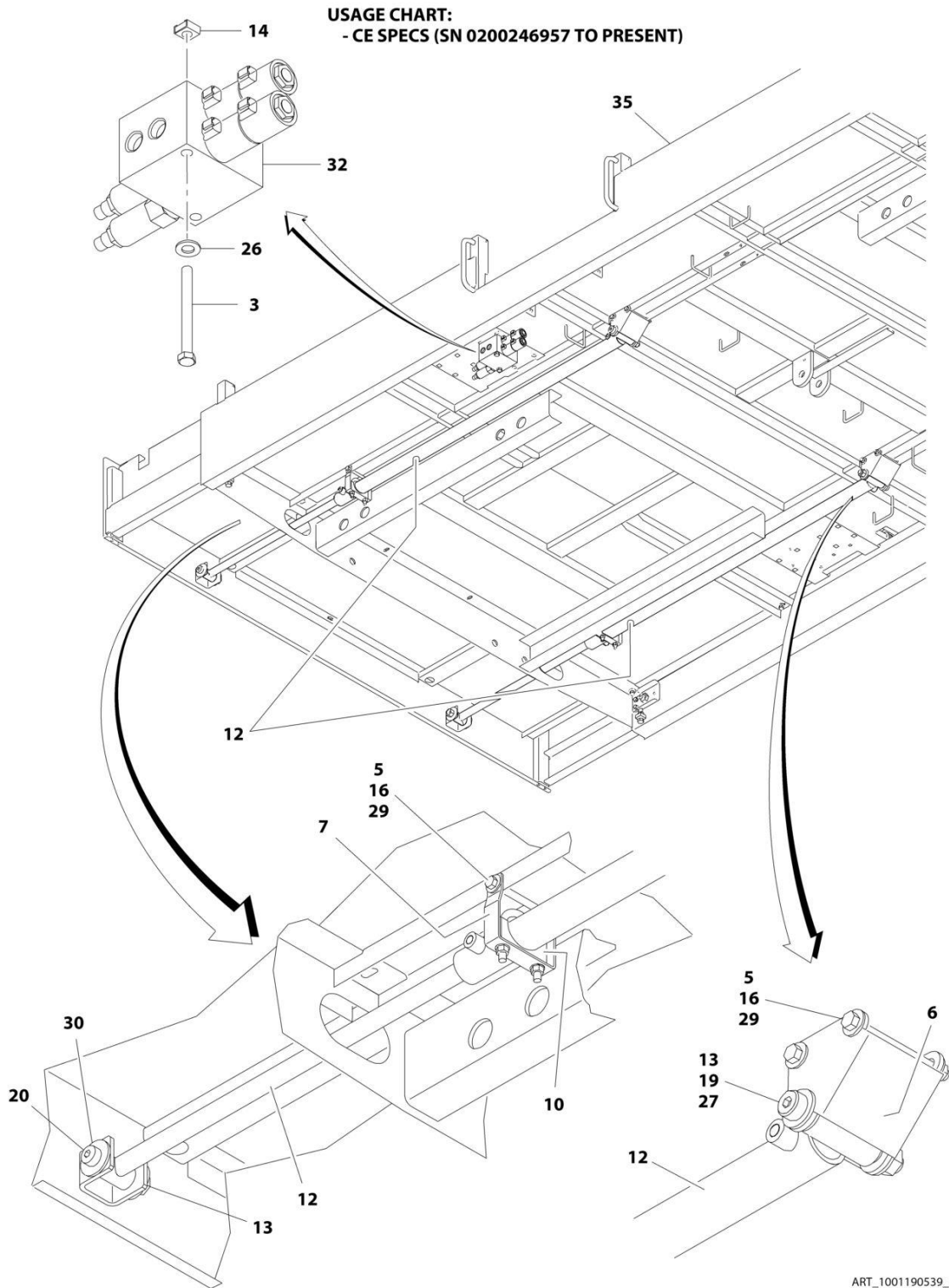
SECTION 5 - PLATFORM

FIGURE 5-11. POWER DUAL DECK EXTENSION AND PLATFORM INSTALLATION (WITH 12.6FT/3.8M LENGTH PLATFORM) (3394RT)

ITEM	PART NUMBER	QTY	DESCRIPTION	REV
		Ref	USAGE CHART:	
		Ref	- All Specs except CE Specs	
		Ref	- CE Specs (SN 0200239053 through 0200246956)	
	1001103412	Ref	POWER DUAL DECK EXTENSION AND PLATFORM INSTALLATION (WITH 12.6FT/3.8M LENGTH PLATFORM)	B
		Ref	Note: Replacement Decals Must be Ordered Separately - See DECAL SECTION.	
1	0272707	1	Platform and Deck Extension Assembly (See PLATFORM AND POWER DUAL DECK EXTENSION ASSEMBLY (WITH 12.6FT/3.8M LENGTH PLATFORM) for Breakdown)	
2	0100011	AR	Compound, Locking	
3	0641405	2	Bolt 1/4 x 5/8	
4	0641608	2	Bolt 3/8 x 1	
5	0641636	12	Bolt 3/8 x 4-1/2	
6	0902838	2	Bracket, Cylinder Attach	
7	0902839	4	Bracket, Hanger	
8	1061003	1	Cable, Solenoid	
9	1061004	2	Cable, Solenoid	
10	1320019	4	Clamp	
11	1670995	3	Cover	
12	1684266	4	Extension Cylinder Assembly (See CYLINDER SECTION for Breakdown)	
14	3272005	8	Nut 5/8	
15	0641426	2	Bolt 1/4 x 3-1/4	
16	3311405	2	Nut 1/4	
17	3311605	12	Nut 3/8	
18	3600468	1	Auxiliary Pump Assembly (See POWER DECK AUXILIARY PUMP ASSEMBLY for Breakdown)	
19	3740067	1	Relay	
20	3900254	4	Capscrew 3/4 x 4	
21	3900330	4	Capscrew 3/4 x 2-3/4	
22	3300182	2	Nut 1/4	
23	4240033	AR	Tie-Strap (Not Shown)	
24	4280295	18 in /46cm	Strip, Protector	
25	4360328	2	Switch, Toggle	
26	4360387	2	Switch, Push Button	
27	4360483	1	Switch, Toggle	
28	4711400	2	Washer 1/4	
29	4712200	4	Washer 3/4	
30	4751400	4	Washer 1/4	
31	4751600	26	Washer 3/8	
32	4752200	8	Washer 3/4	
34	4922859	1	Auxiliary Power Harness (Not Shown - See ELECTRICAL SECTION for Breakdown)	
35	1001103267	1	Power Deck Valve Assembly (See POWER DECK VALVE ASSEMBLY - DUAL EXTENSION for Breakdown)	
36	1001103490	1	Power Deck Harness (Not Shown - See ELECTRICAL SECTION for Breakdown)	
37	1001103709	1	Hydraulic Diagram - Power Deck (Not Shown - See HYDRAULIC SECTION for Breakdown)	

SECTION 5 - PLATFORM

FIGURE 5-12. POWER DUAL DECK EXTENSION AND PLATFORM INSTALLATION (WITH 12.6FT/3.8M LENGTH PLATFORM) (3394RT)



ART_1001190539_10F2

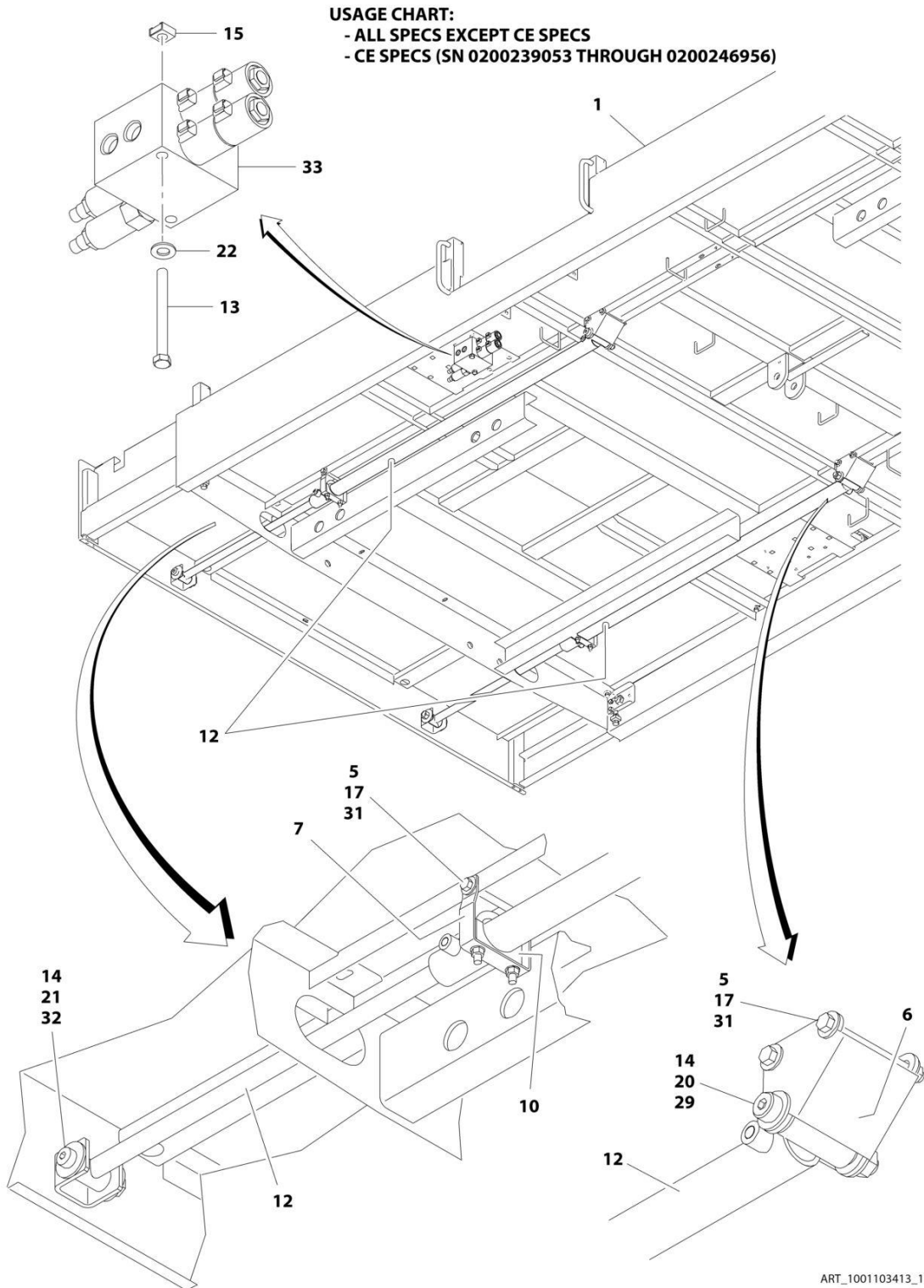
SECTION 5 - PLATFORM

FIGURE 5-12. POWER DUAL DECK EXTENSION AND PLATFORM INSTALLATION (WITH 12.6FT/3.8M LENGTH PLATFORM) (3394RT)

ITEM	PART NUMBER	QTY	DESCRIPTION	REV
		Ref	USAGE CHART:	
		Ref	- CE Specs (SN 0200246957 to Present)	
	1001190539	Ref	POWER DUAL DECK EXTENSION AND PLATFORM INSTALLATION (WITH 12.6FT/3.8M LENGTH PLATFORM)	A
		Ref	Note: Replacement Decals Must be Ordered Separately - See DECAL SECTION.	
1	0100011	AR	Compound, Locking	
2	0641405	2	Bolt 1/4 x 5/8	
3	0641426	2	Bolt 1/4 x 3-1/4	
4	0641608	2	Bolt 3/8 x 1	
5	0641636	12	Bolt 3/8 x 4-1/2	
6	0902838	4	Bracket, Cylinder Attach	
7	0902839	4	Bracket, Hanger	
8	1061003	1	Cable, Solenoid	
9	1061004	2	Cable, Solenoid	
10	1320019	4	Clamp	
11	1670995	3	Cover	
12	1684266	4	Extension Cylinder Assembly (See CYLINDER ASSEMBLY for Breakdown)	
13	3272005	8	Nut 5/8	
14	3300182	2	Nut 1/4	
15	3311405	2	Nut 1/4	
16	3311605	12	Nut 3/8	
17	3600468	1	Auxiliary Pump Assembly (See POWER DECK AUXILIARY PUMP ASSEMBLY for Breakdown)	
18	3740067	1	Relay	
19	3900254	4	Capscrew 3/4 x 4	
20	3900330	4	Capscrew 3/4 x 2-3/4	
21	4240033	12	Tie-Strap (Not Shown)	
22	4280295	18 in /46cm	Strip, Protector	
23	4360328	2	Switch, Toggle	
24	4360387	2	Switch, Push Button	
25	4360483	1	Switch, Toggle	
26	4711400	2	Washer 1/4	
27	4712200	8	Washer 3/4	
28	4751400	4	Washer 1/4	
29	4751600	26	Washer 3/8	
30	4752200	8	Washer 3/4	
31	4922859	1	Auxiliary Power Harness (Not Shown - See ELECTRICAL SECTION for Breakdown)	
32	1001103267	1	Power Deck Valve Assembly (See POWER DECK VALVE ASSEMBLY - DUAL EXTENSION for Breakdown)	
33	1001103490	1	Power Deck Harness (Not Shown - See ELECTRICAL SECTION for Breakdown)	
34	1001190544	1	Hydraulic Diagram - Power Deck (Not Shown - See HYDRAULIC SECTION for Breakdown)	
35	0272707	1	Platform and Deck Extension Assembly (See PLATFORM AND POWER DUAL DECK EXTENSION ASSEMBLY (WITH 12.6FT/3.8M LENGTH PLATFORM) for Breakdown)	

SECTION 5 - PLATFORM

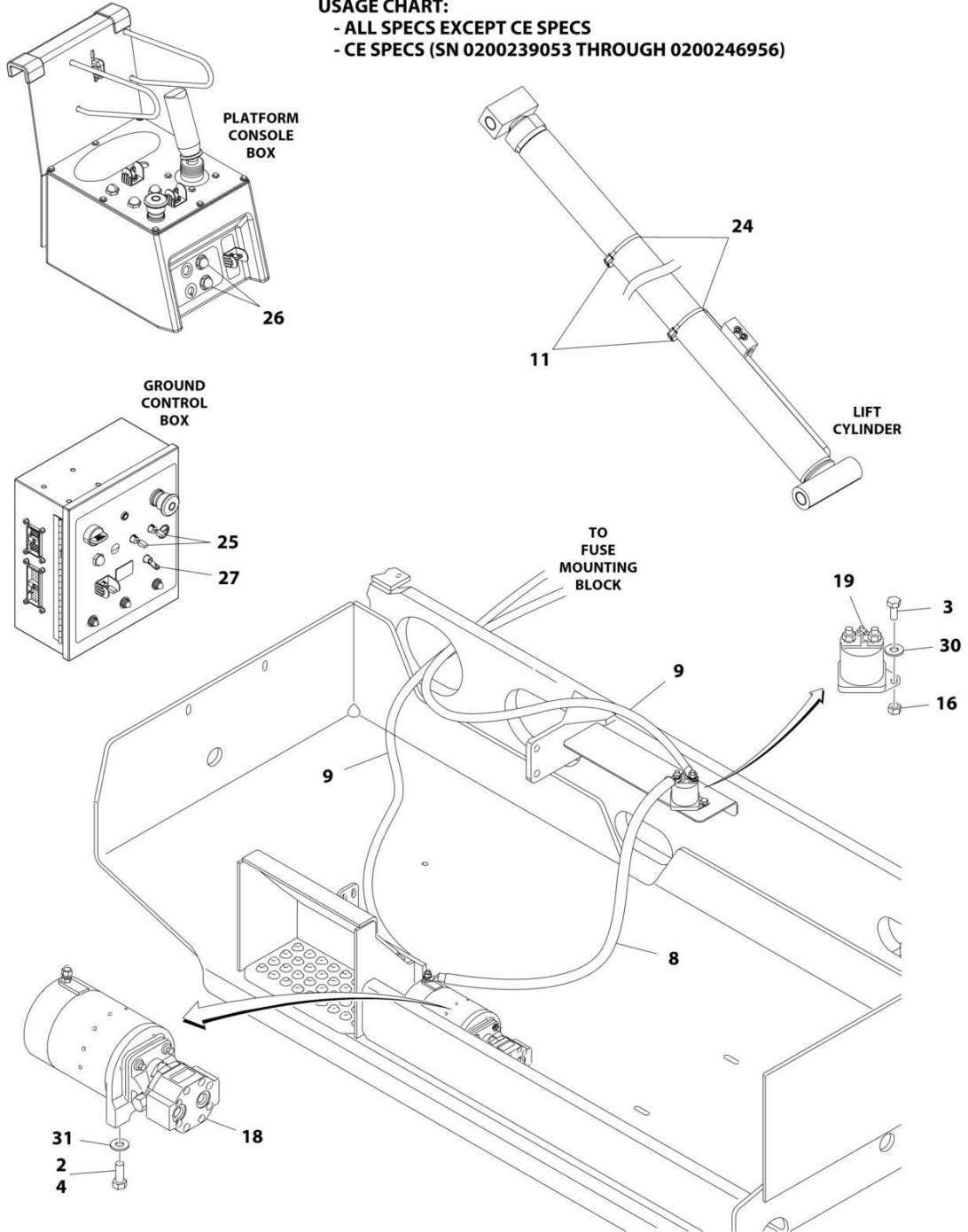
FIGURE 5-13. POWER DUAL DECK EXTENSION AND PLATFORM INSTALLATION (WITH 12.6FT/3.8M LENGTH PLATFORM) (4394RT)



ART_1001103413_1OF2

SECTION 5 - PLATFORM

USAGE CHART:
 - ALL SPECS EXCEPT CE SPECS
 - CE SPECS (SN 0200239053 THROUGH 0200246956)



ART_1001103413_2OF2

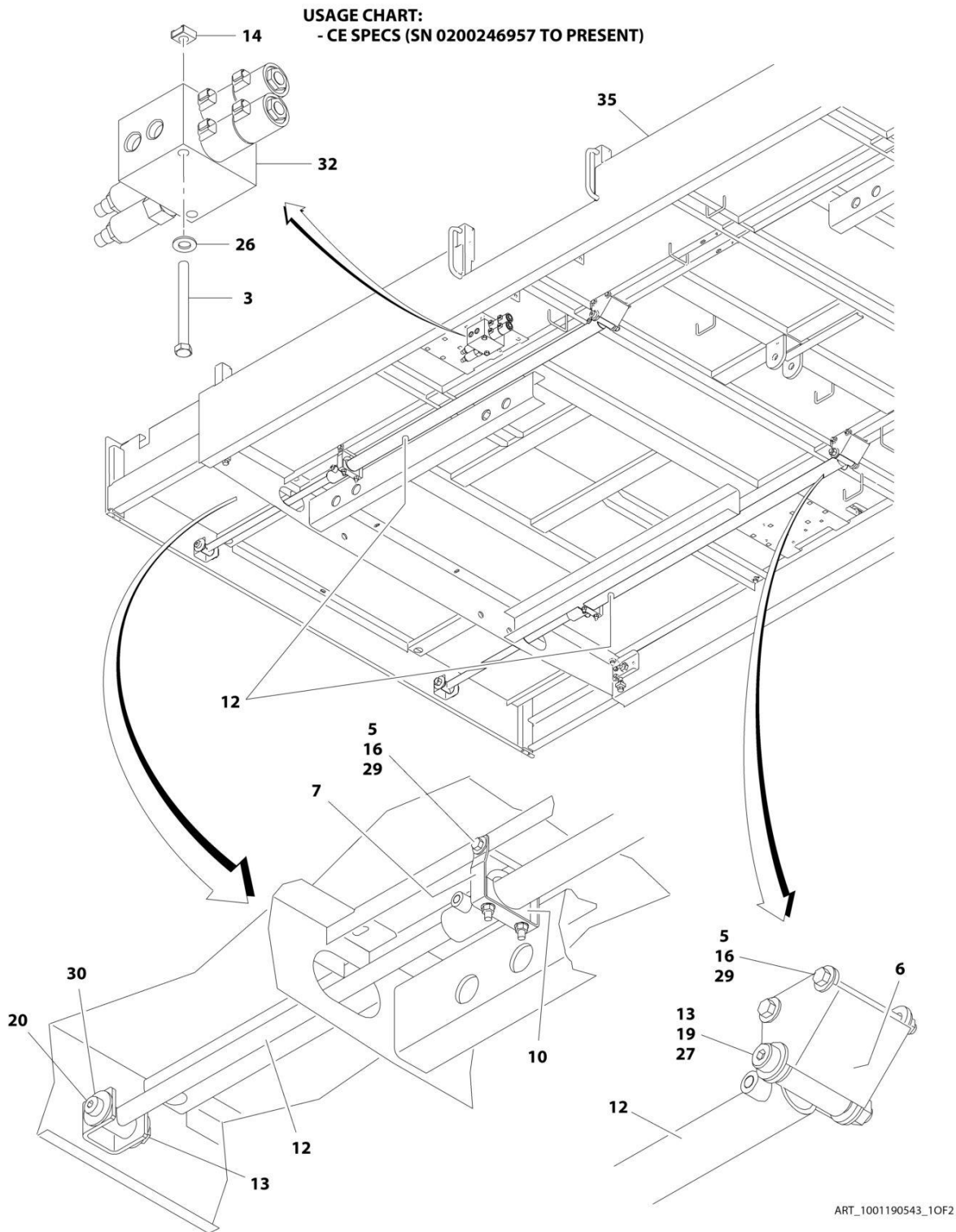
SECTION 5 - PLATFORM

FIGURE 5-13. POWER DUAL DECK EXTENSION AND PLATFORM INSTALLATION (WITH 12.6FT/3.8M LENGTH PLATFORM) (4394RT)

ITEM	PART NUMBER	QTY	DESCRIPTION	REV
		Ref	USAGE CHART:	
		Ref	- All Specs except CE Specs	
		Ref	- CE Specs (SN 0200239053 through 0200246956)	
	1001103413	Ref	POWER DUAL DECK EXTENSION AND PLATFORM INSTALLATION (WITH 12.6FT/3.8M LENGTH PLATFORM)	B
		Ref	Note: Replacement Decals Must be Ordered Separately - See DECAL SECTION.	
1	0272707	1	Platform and Deck Extension Assembly (See PLATFORM AND POWER DUAL DECK EXTENSION ASSEMBLY (WITH 12.6FT/3.8M LENGTH PLATFORM) for Breakdown)	
2	0100011	AR	Compound, Locking	
3	0641405	2	Bolt 1/4 x 5/8	
4	0641608	2	Bolt 3/8 x 1	
5	0641636	12	Bolt 3/8 x 4-1/2	
6	0902838	2	Bracket, Cylinder Attach	
7	0902839	4	Bracket, Hanger	
8	1061003	1	Cable, Solenoid	
9	1061004	2	Cable, Solenoid	
10	1320019	4	Clamp	
11	1670995	3	Cover	
12	1684266	4	Extension Cylinder Assembly (See CYLINDER SECTION for Breakdown)	
13	0641426	2	Bolt 1/4 x 3-1/4	
14	3272005	8	Nut 5/8	
15	3300182	2	Nut 1/4	
16	3311405	2	Nut 1/4	
17	3311605	12	Nut 3/8	
18	3600468	1	Auxiliary Pump Assembly (See POWER DECK AUXILIARY PUMP ASSEMBLY for Breakdown)	
19	3740067	1	Relay	
20	3900254	4	Capscrew 3/4 x 4	
21	3900330	4	Capscrew 3/4 x 2-3/4	
22	4711400	2	Washer 1/4	
23	4240033	AR	Tie-Strap (Not Shown)	
24	4280295	18 in /46cm	Strip, Protector	
25	4360328	2	Switch, Toggle	
26	4360387	2	Switch, Push Button	
27	4360483	1	Switch, Toggle	
28	4922859	1	Auxiliary Power Harness (Not Shown - See ELECTRICAL SECTION for Breakdown)	
29	4712200	4	Washer 3/4	
30	4751400	4	Washer 1/4	
31	4751600	26	Washer 3/8	
32	4752200	8	Washer 3/4	
33	1001103267	1	Power Deck Valve Assembly (See POWER DECK VALVE ASSEMBLY - DUAL EXTENSION for Breakdown)	
34	1001103570	1	Power Deck Harness (Not Shown - See ELECTRICAL SECTION for Breakdown)	
35	1001103709	1	Hydraulic Diagram - Power Deck (Not Shown - See HYDRAULIC SECTION for Breakdown)	

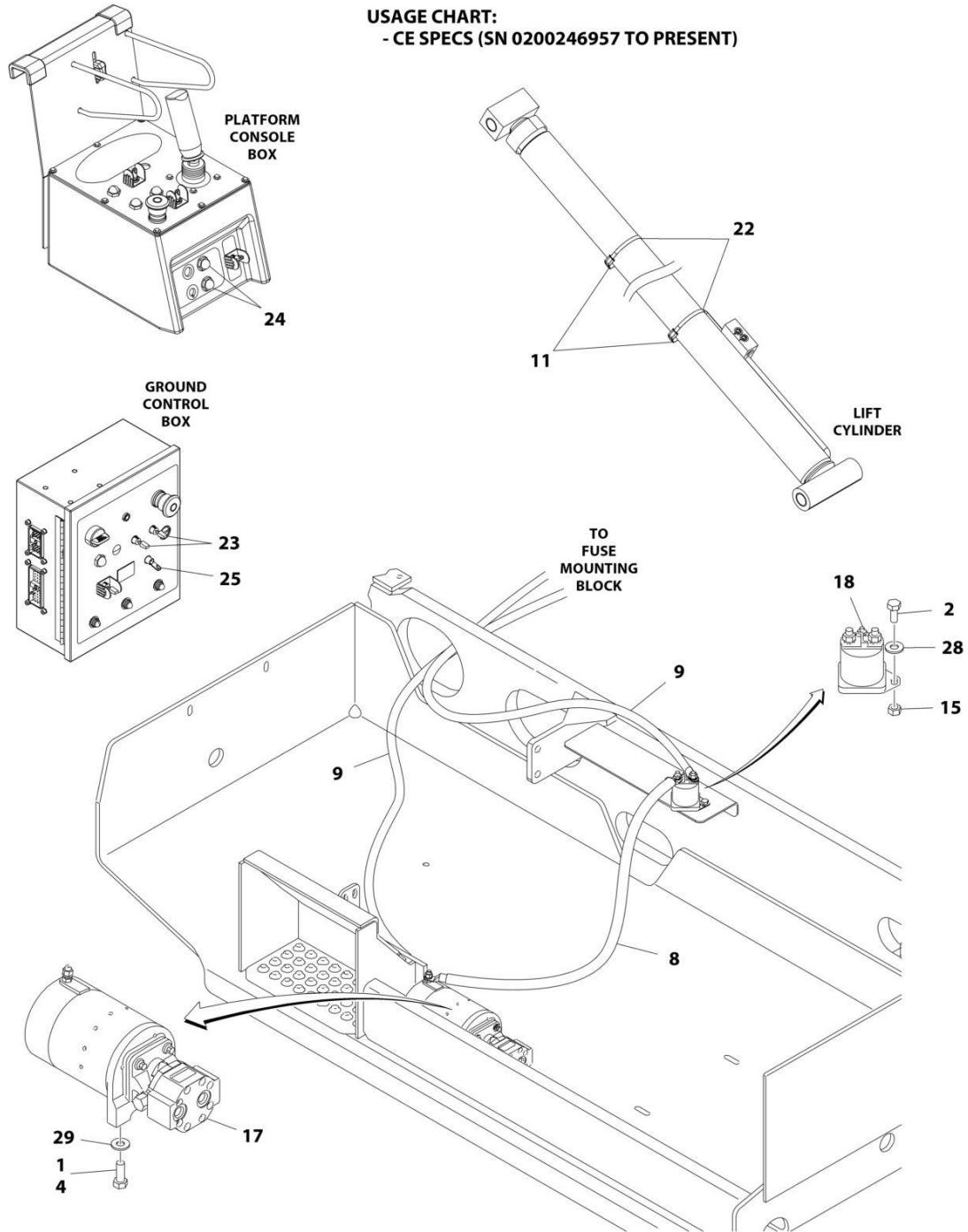
SECTION 5 - PLATFORM

FIGURE 5-14. POWER DUAL DECK EXTENSION AND PLATFORM INSTALLATION (WITH 12.6FT/3.8M LENGTH PLATFORM) (4394RT)



SECTION 5 - PLATFORM

USAGE CHART:
 - CE SPECS (SN 0200246957 TO PRESENT)



ART_1001190543_2OF2

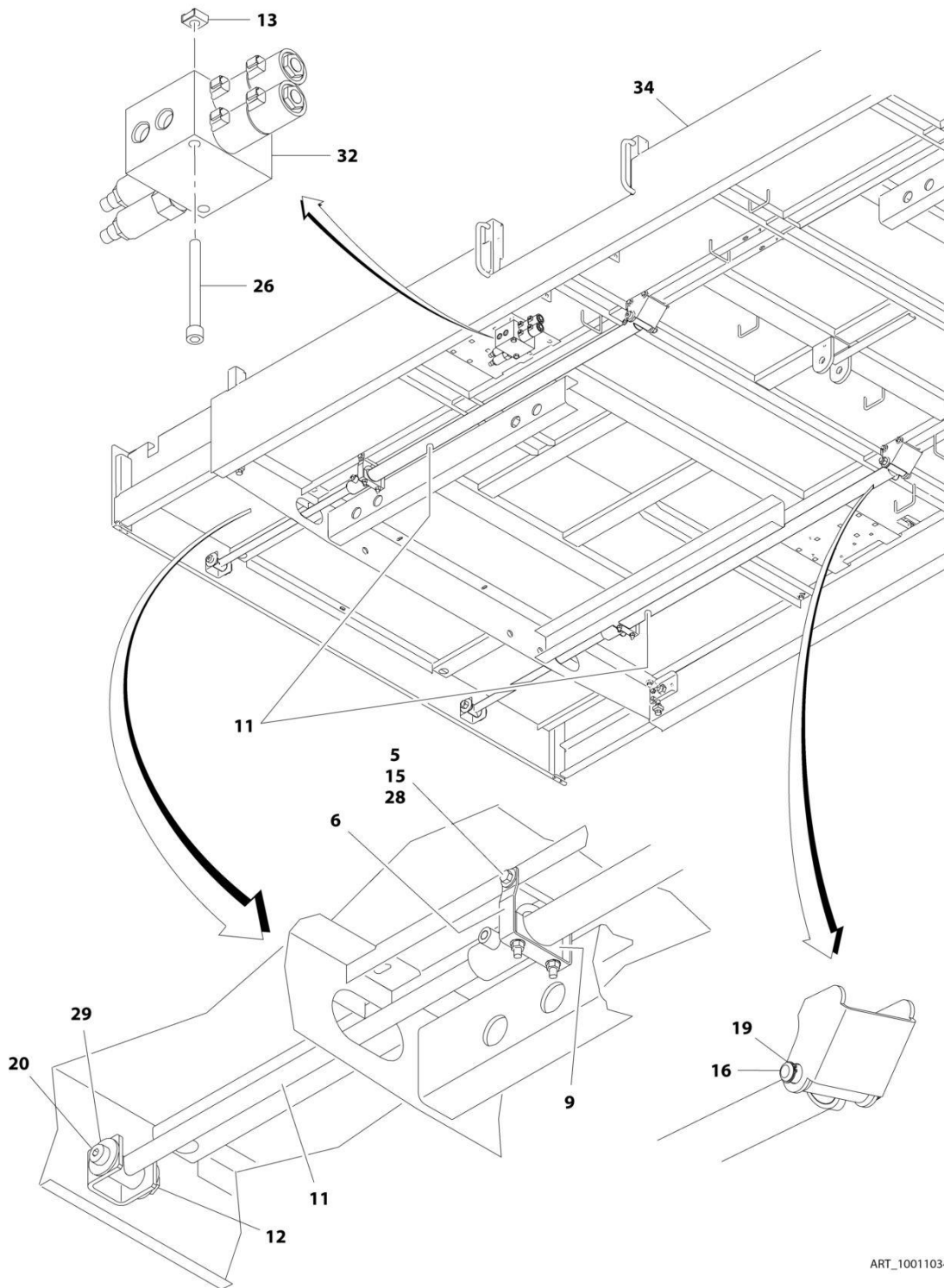
SECTION 5 - PLATFORM

FIGURE 5-14. POWER DUAL DECK EXTENSION AND PLATFORM INSTALLATION (WITH 12.6FT/3.8M LENGTH PLATFORM) (4394RT)

ITEM	PART NUMBER	QTY	DESCRIPTION	REV
		Ref	USAGE CHART:	
		Ref	- CE Specs (SN 0200246957 to Present)	
	1001190543	Ref	POWER DUAL DECK EXTENSION AND PLATFORM INSTALLATION (WITH 12.6FT/3.8M LENGTH PLATFORM)	A
		Ref	Note: Replacement Decals Must be Ordered Separately - See DECAL SECTION.	
1	0100011	AR	Compound, Locking	
2	0641405	2	Bolt 1/4 x 5/8	
3	0641426	2	Bolt 1/4 x 3-1/4	
4	0641608	2	Bolt 3/8 x 1	
5	0641636	12	Bolt 3/8 x 4-1/2	
6	0902838	4	Bracket, Cylinder Attach	
7	0902839	4	Bracket, Hanger	
8	1061003	1	Cable, Solenoid	
9	1061004	2	Cable, Solenoid	
10	1320019	4	Clamp	
11	1670995	3	Cover	
12	1684266	4	Extension Cylinder Assembly (See CYLINDER SECTION for Breakdown)	
13	3272005	8	Nut 5/8	
14	3300182	2	Nut 1/4	
15	3311405	2	Nut 1/4	
16	3311605	12	Nut 3/8	
17	3600468	1	Auxiliary Pump Assembly (See POWER DECK AUXILIARY PUMP ASSEMBLY for Breakdown)	
18	3740067	1	Relay	
19	3900254	4	Capscrew 3/4 x 4	
20	3900330	4	Capscrew 3/4 x 2-3/4	
21	4240033	12	Tie-Strap (Not Shown)	
22	4280295	18 in /46cm	Strip, Protector	
23	4360328	2	Switch, Toggle	
24	4360387	2	Switch, Push Button	
25	4360483	1	Switch, Toggle	
26	4711400	2	Washer 1/4	
27	4712200	8	Washer 3/4	
28	4751400	4	Washer 1/4	
29	4751600	26	Washer 3/8	
30	4752200	8	Washer 3/4	
31	4922859	1	Auxiliary Power Harness (Not Shown - See ELECTRICAL SECTION for Breakdown)	
32	1001103267	1	Power Deck Valve Assembly (See POWER DECK VALVE ASSEMBLY - DUAL EXTENSION for Breakdown)	
33	1001103570	1	Power Deck Harness (Not Shown - See ELECTRICAL SECTION for Breakdown)	
34	1001190544	1	Hydraulic Diagram - Power Deck (Not Shown - See HYDRAULIC SECTION for Breakdown)	
35	0272707	1	Platform and Deck Extension Assembly (See PLATFORM AND POWER DUAL DECK EXTENSION ASSEMBLY (WITH 12.6FT/3.8M LENGTH PLATFORM) for Breakdown)	

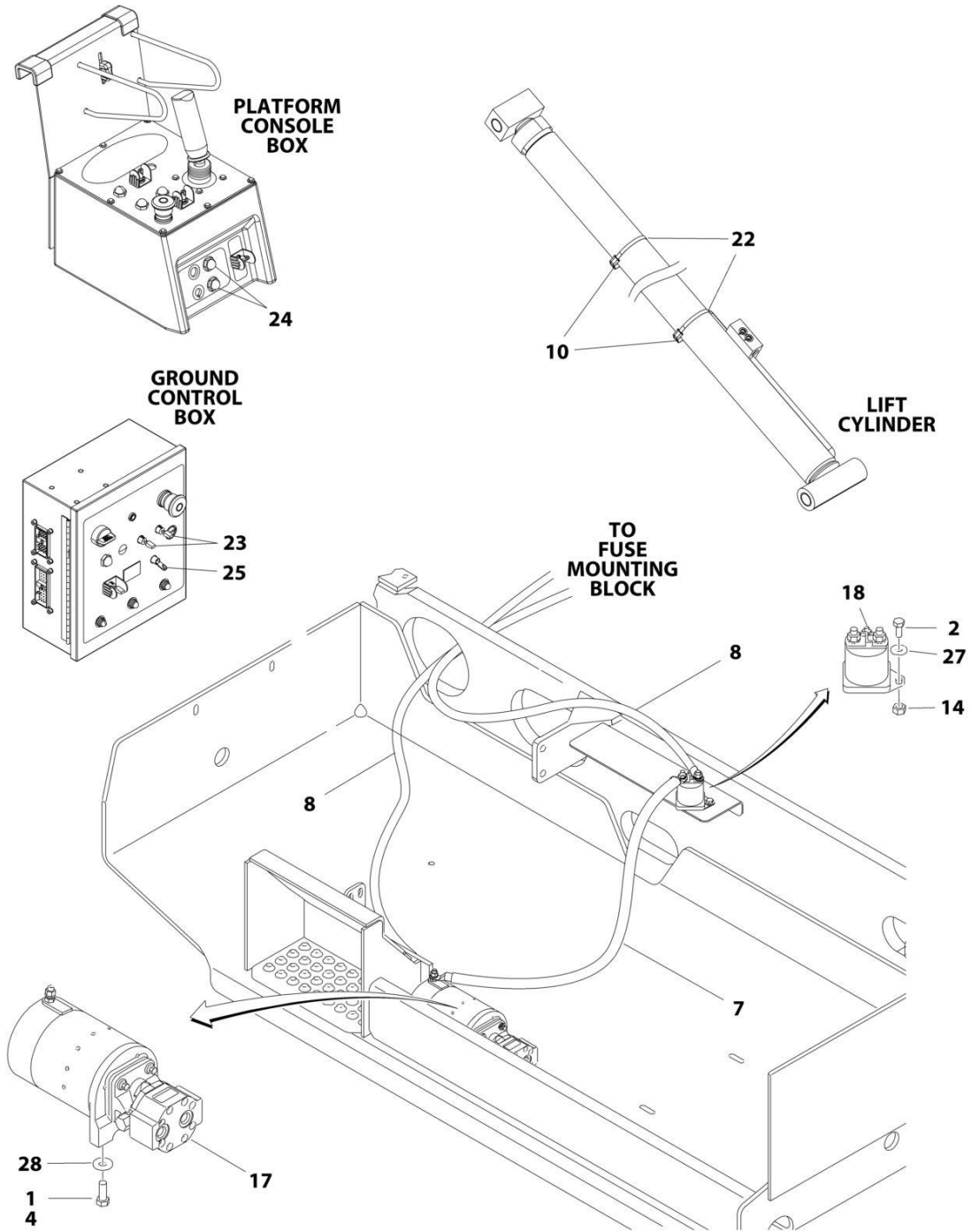
SECTION 5 - PLATFORM

FIGURE 5-15. POWER DUAL DECK EXTENSION AND PLATFORM INSTALLATION (WITH 15.8FT/4.8M LENGTH MEGADECK PLATFORM) (3394RT) (SN 0200239053 through 0200246956)



ART_1001103414_1OF2

SECTION 5 - PLATFORM



ART_1001103414_2OF2

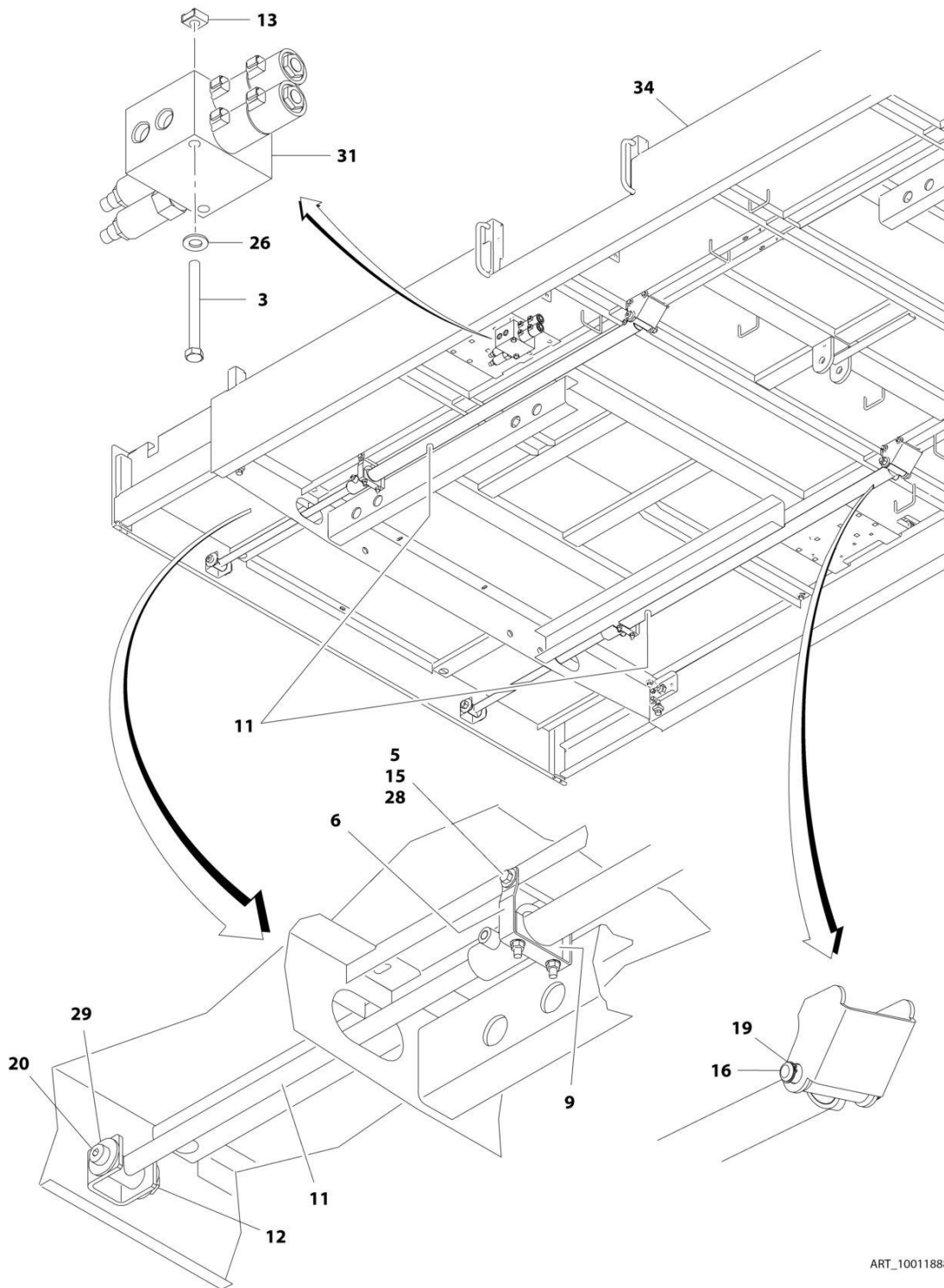
SECTION 5 - PLATFORM

FIGURE 5-15. POWER DUAL DECK EXTENSION AND PLATFORM INSTALLATION (WITH 15.8FT/4.8M LENGTH MEGADECK PLATFORM) (3394RT) (SN 0200239053 through 0200246956)

ITEM	PART NUMBER	QTY	DESCRIPTION	REV
	1001103414	Ref	POWER DUAL DECK EXTENSION AND PLATFORM INSTALLATION (WITH 15.8FT/4.8M LENGTH MEGADECK PLATFORM) (SN 0200239053 through 0200246956)	B
		Ref	Note: Available on CE Spec Only.	
		Ref	Note: Replacement Decals Must be Ordered Separately - See DECAL SECTION.	
1	0100011	AR	Compound, Locking	
2	0641405	2	Bolt 1/4 x 5/8	
3	2792611	1	Hydraulic Diagram - Power Deck (Not Shown - See HYDRAULIC SECTION for Breakdown)	
4	0641608	2	Bolt 3/8 x 1	
5	0641636	4	Bolt 3/8 x 4-1/2	
6	0902839	4	Bracket, Hanger	
7	1061003	1	Cable, Solenoid	
8	1061004	2	Cable, Solenoid	
9	1320019	4	Clamp	
10	1670995	3	Cover	
11	1684266	4	Extension Cylinder Assembly (See CYLINDER SECTION for Breakdown)	
12	3272005	4	Nut 5/8	
13	3300471	8	Nut 3/8	
14	3311405	2	Nut 1/4	
15	3311605	4	Nut 3/8	
16	3423052	4	Pin, Tele Barrel	
17	3600468	1	Auxiliary Pump Assembly (See POWER DECK AUXILIARY PUMP ASSEMBLY for Breakdown)	
18	3740067	1	Relay	
19	3760351	8	Ring, Retaining	
20	3900330	4	Screw, Shoulder	
21	4240033	AR	Tie-Strap (Not Shown)	
22	4280295	18 in /46cm	Strip, Protector	
23	4360328	2	Switch, Toggle	
24	4360387	2	Switch, Push Button	
25	4360483	1	Switch, Toggle	
26	3931664	8	Capscrew 3/8 x 4	
27	4751400	4	Washer 1/4	
28	4751600	10	Washer 3/8	
29	4752200	8	Washer 3/4	
30	4922859	1	Auxiliary Power Harness (Not Shown - See ELECTRICAL SECTION for Breakdown)	
31	4922848	1	Power Deck Harness (Not Shown - See ELECTRICAL SECTION for Breakdown)	
32	1001092957	2	Power Deck Valve Assembly (See POWER DECK VALVE ASSEMBLY - DUAL EXTENSION for Breakdown)	
34	0272990	1	Platform and Deck Extension Assembly (See PLATFORM AND POWER DUAL DECK EXTENSION ASSEMBLY (WITH 15.8FT/4.8M LENGTH MEGADECK PLATFORM) for Breakdown)	

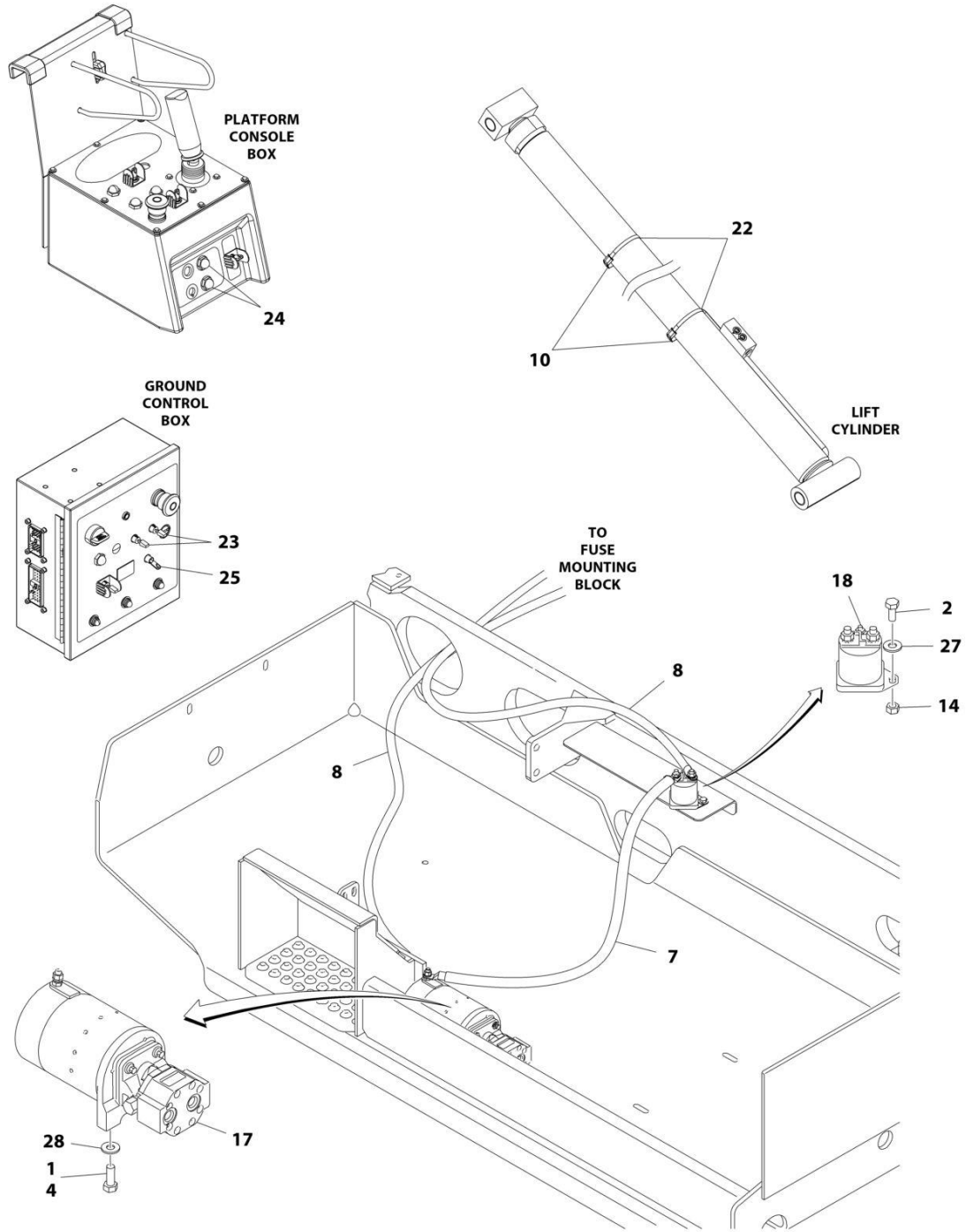
SECTION 5 - PLATFORM

FIGURE 5-16. POWER DUAL DECK EXTENSION AND PLATFORM INSTALLATION (WITH 15.8FT/4.8M LENGTH MEGADECK PLATFORM) (3394RT) (SN 0200246957 to Present)



ART_1001188850_1OF2

SECTION 5 - PLATFORM



ART_1001188850_20F2

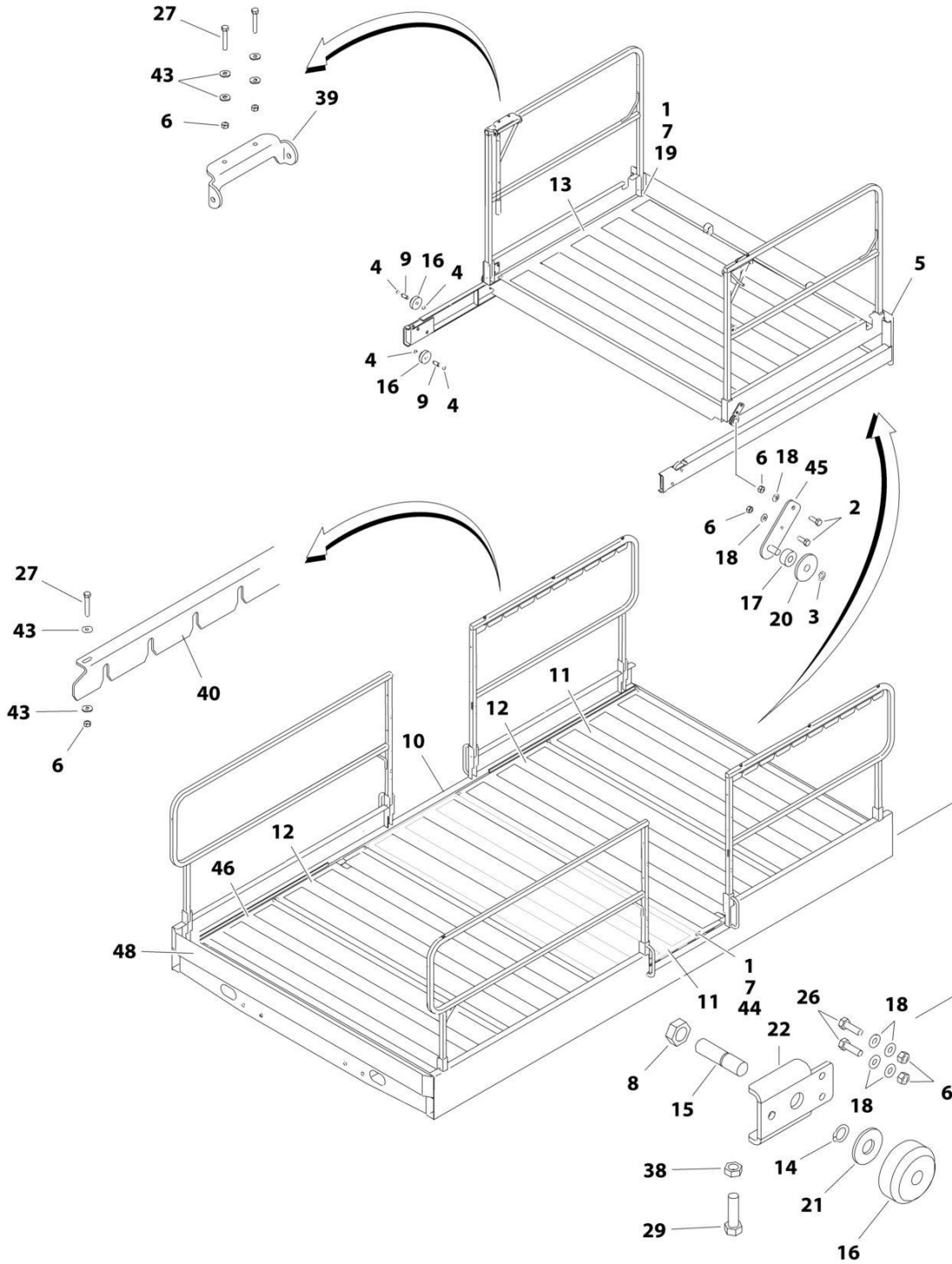
SECTION 5 - PLATFORM

FIGURE 5-16. POWER DUAL DECK EXTENSION AND PLATFORM INSTALLATION (WITH 15.8FT/4.8M LENGTH MEGADECK PLATFORM) (3394RT) (SN 0200246957 to Present)

ITEM	PART NUMBER	QTY	DESCRIPTION	REV
	1001188850	Ref	POWER DUAL DECK EXTENSION AND PLATFORM INSTALLATION (WITH 15.8FT/4.8M LENGTH MEGADECK PLATFORM) (SN 0200246957 to Present)	B
		Ref	Note: Available on CE Spec Only.	
		Ref	Note: Replacement Decals Must be Ordered Separately - See DECAL SECTION.	
1	0100011	AR	Compound, Locking	
2	0641405	2	Bolt 1/4 x 5/8	
3	0641426	2	Bolt 1/4 x 3-1/4	
4	0641608	2	Bolt 3/8 x 1	
5	0641636	4	Bolt 3/8 x 4-1/2	
6	0902839	4	Bracket, Hanger	
7	1061003	1	Cable, Solenoid	
8	1061004	2	Cable, Solenoid	
9	1320019	4	Clamp	
10	1670995	3	Cover	
11	1684266	4	Extension Cylinder Assembly (See CYLINDER SECTION for Breakdown)	
12	3272005	4	Nut 5/8	
13	3300471	8	Nut 3/8	
14	3311405	2	Nut 1/4	
15	3311605	4	Nut 3/8	
16	3423052	4	Pin, Tele Barrel	
17	3600468	1	Auxiliary Pump Assembly (See POWER DECK AUXILIARY PUMP ASSEMBLY for Breakdown)	
18	3740067	1	Relay	
19	3760351	8	Ring, Retaining	
20	3900330	4	Screw, Shoulder	
21	4240033	12	Tie-Strap (Not Shown)	
22	4280295	18 in /46cm	Strip, Protector	
23	4360328	2	Switch, Toggle	
24	4360387	2	Switch, Push Button	
25	4360483	1	Switch, Toggle	
26	4711400	2	Washer 1/4	
27	4751400	4	Washer 1/4	
28	4751600	10	Washer 3/8	
29	4752200	8	Washer 3/4	
30	4922859	1	Auxiliary Power Harness (Not Shown - See ELECTRICAL SECTION for Breakdown)	
31	1001103267	1	Power Deck Valve Assembly (See POWER DECK VALVE ASSEMBLY - DUAL EXTENSION for Breakdown)	
32	1001103570	1	Power Deck Harness (Not Shown - See ELECTRICAL SECTION for Breakdown)	
33	1001188851	1	Hydraulic Diagram - Power Deck (Not Shown - See HYDRAULIC SECTION for Breakdown)	
34	0272990	1	Platform and Deck Extension Assembly (See PLATFORM AND POWER DUAL DECK EXTENSION ASSEMBLY (WITH 15.8FT/4.8M LENGTH MEGADECK PLATFORM) for Breakdown)	

SECTION 5 - PLATFORM

FIGURE 5-17. PLATFORM AND MANUAL SINGLE DECK EXTENSION ASSEMBLY



ART_0271700

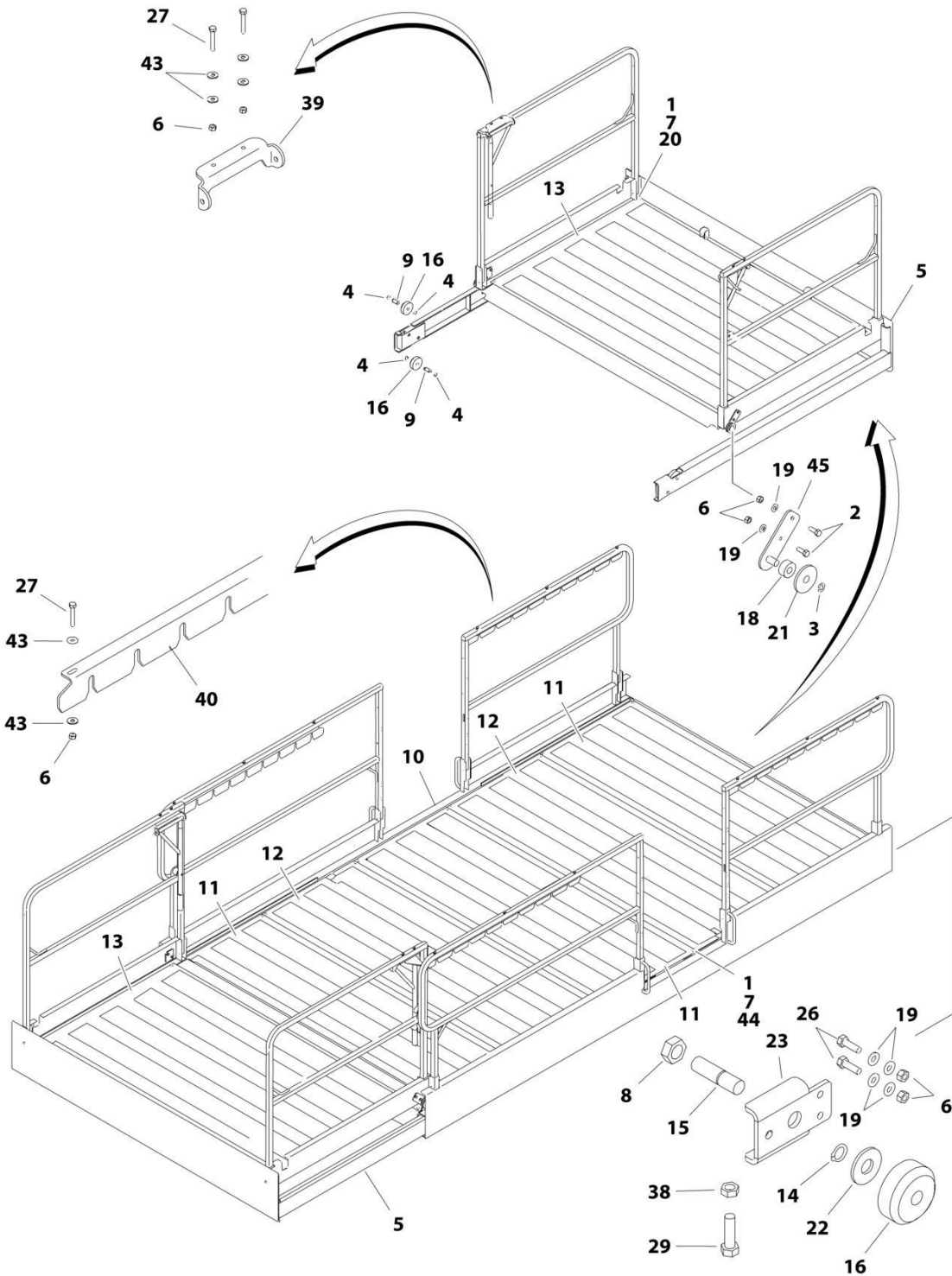
SECTION 5 - PLATFORM

FIGURE 5-17. PLATFORM AND MANUAL SINGLE DECK EXTENSION ASSEMBLY

ITEM	PART NUMBER	QTY	DESCRIPTION	REV
	0271700	Ref	PLATFORM AND MANUAL SINGLE DECK EXTENSION ASSEMBLY	R
		Ref	Note: Replacement Decals Must be Ordered Separately - See DECAL SECTION.	
1	0630485	24	Bolt	
2	0641507	4	Bolt 5/16 x 7/8	
3	1380150	2	E-Clip 1/2	
4	1380151	8	E-Clip 3/4	
5	2020006	1	Deck, Extension	
6	3311505	18	Nut 5/16	
7	3300472	24	Nut 3/8	
8	3322202	2	Nut 3/4	
9	3422966	4	Pin	
10	3510878	1	Platform Weldment	
11	0272241	2	Plate, Floor	
11	4420069	AR	Tape, Safety Tread	
12	0272242	2	Plate, Floor	
12	4420069	AR	Tape, Safety Tread	
13	0272101	1	Plate, Floor	
13	4420069	AR	Tape, Safety Tread	
14	3760348	2	Ring, Retaining	
15	3841233	2	Rod, Roller	
16	3860059	6	Roller, Extension	
17	1001143898	2	Roller	
18	4711500	12	Washer 5/16	
19	4711600	4	Washer 3/8	
20	1001096985	2	Washer	
21	4752200	2	Washer 3/4	
22	4846519	2	Support, Roller	
23	0100048	AR	Grease, Dielectric (Not Shown)	
26	0641508	4	Bolt 5/16 x 1	
27	0641516	10	Bolt 5/16 x 2	
29	0641814	2	Bolt 1/2 x 1-3/4	
38	3311802	2	Nut 1/2	
39	3537609	2	Plate, Pivot	
40	3573438	2	Plate, Latch	
43	4751500	20	Washer 5/16	
44	4751600	20	Washer 3/8	
45	1001143896	2	Mount, Roller	
46	0272243	1	Plate, Floor	
46	4420069	AR	Tape, Safety Tread	
47	4420066	82 ft/25m	Tape, Double Sided (Not Shown - Located Between Floor Plates and Platform Weldment)	
48	4846556		Kickplate	

SECTION 5 - PLATFORM

FIGURE 5-18. PLATFORM AND MANUAL DUAL DECK EXTENSION ASSEMBLY



ART_0271704

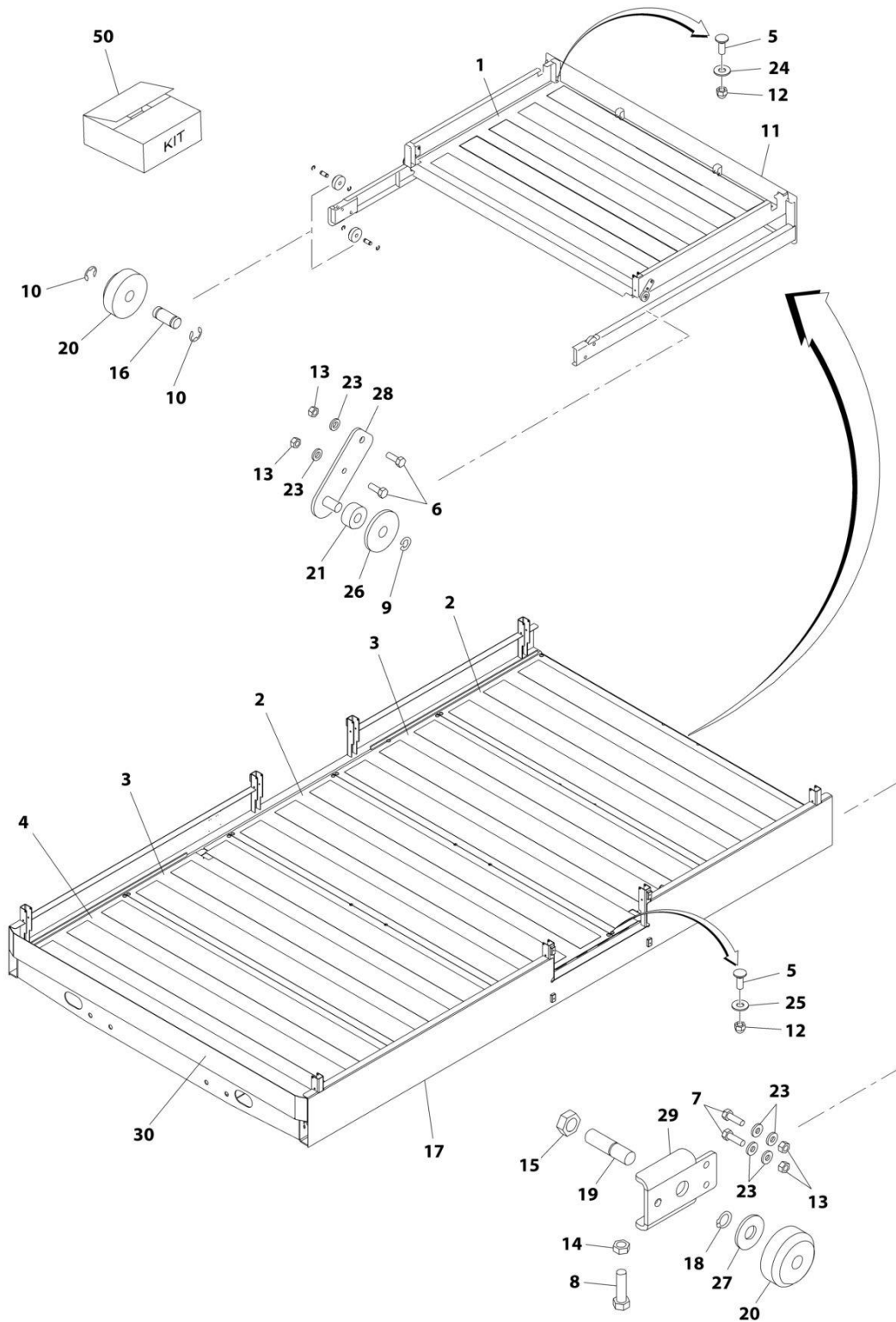
SECTION 5 - PLATFORM

FIGURE 5-18. PLATFORM AND MANUAL DUAL DECK EXTENSION ASSEMBLY

ITEM	PART NUMBER	QTY	DESCRIPTION	REV
	0271704	Ref	PLATFORM AND MANUAL DUAL DECK EXTENSION ASSEMBLY	R
		Ref	Note: Replacement Decals Must be Ordered Separately - See DECAL SECTION.	
1	0630485	28	Bolt	
2	0641507	8	Bolt 5/16 x 7/8	
3	1380150	4	E-Clip 1/2	
4	1380151	16	E-Clip 3/4	
5	2020006	2	Deck, Extension	
6	3311505	36	Nut 5/16	
7	3300472	28	Nut 3/8	
8	3322202	4	Nut 3/4	
9	3422966	8	Pin	
10	3510878	1	Platform Weldment	
11	0272241	3	Plate, Floor	
11	4420069	AR	Tape, Safety Tread	
12	0272242	2	Plate, Floor	
12	4420069	AR	Tape, Safety Tread	
13	0272101	2	Plate, Floor	
13	4420069	AR	Tape, Safety Tread	
14	3760348	4	Ring, Retaining	
15	3841233	4	Rod, Roller	
16	3860059	12	Roller, Extension	
17	0100048	AR	Grease, Dielectric (Not Shown)	
18	1001143898	4	Roller	
19	4711500	24	Washer 5/16	
20	4711600	8	Washer 3/8	
21	1001096985	4	Flatwasher	
22	4752200	4	Washer 3/4	
23	4846519	4	Support, Roller	
26	0641508	8	Bolt 5/16 x 1	
27	0641516	20	Bolt 5/16 x 2	
29	0641814	4	Bolt 1/2 x 1-3/4	
38	3311802	4	Nut 1/2	
39	3537609	4	Plate, Pivot	
40	3573438	4	Plate, Latch	
43	4751500	40	Washer 5/16	
44	4751600	20	Washer 3/8	
45	1001143896	4	Mount, Roller	
46	4420066	97 ft /29.6m	Tape, Double Sided (Not Shown - Located Between Floor Plates and Platform Weldment)	

SECTION 5 - PLATFORM

FIGURE 5-19. PLATFORM AND POWER SINGLE DECK EXTENSION ASSEMBLY



ART_0272605

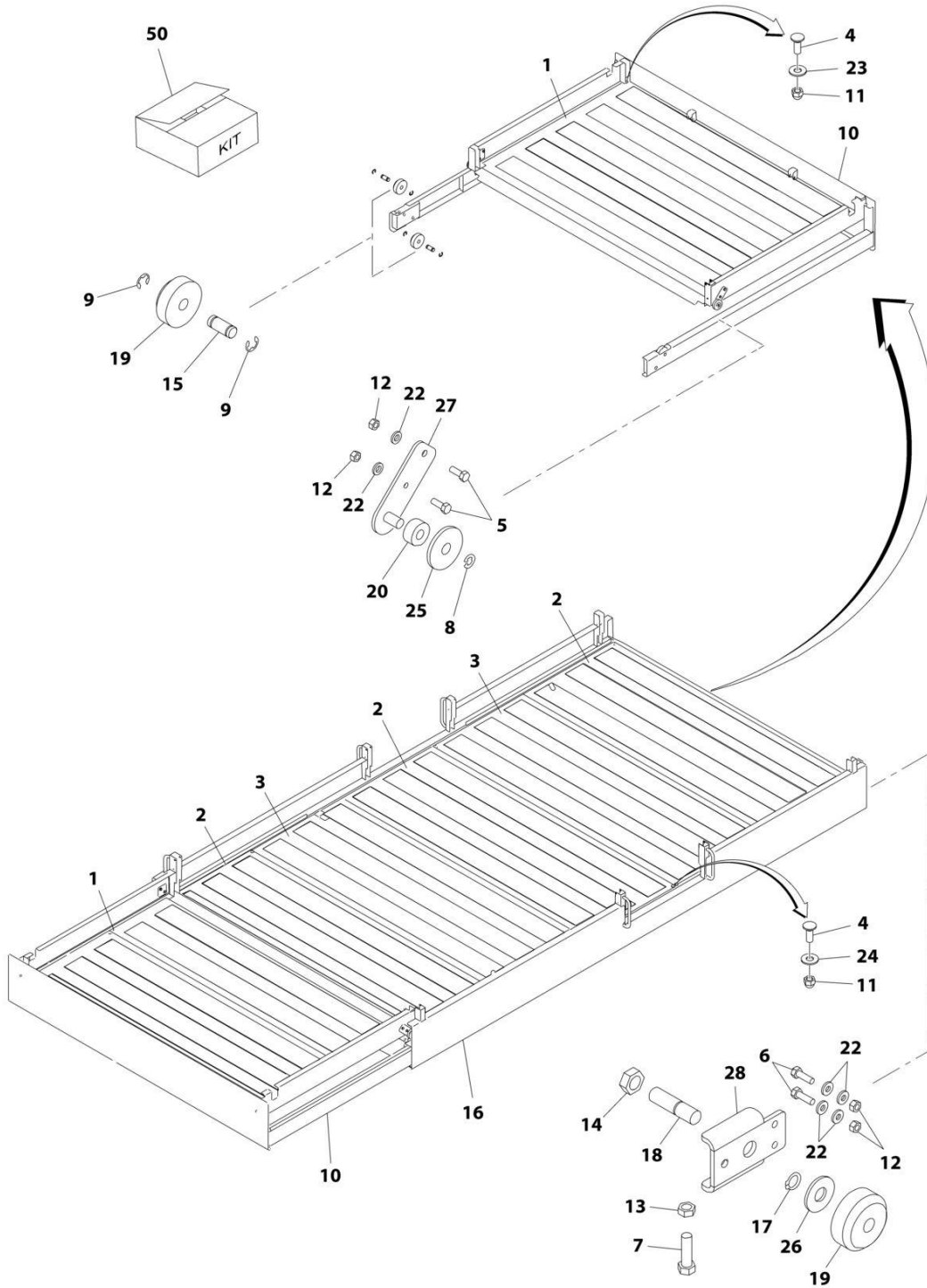
SECTION 5 - PLATFORM

FIGURE 5-19. PLATFORM AND POWER SINGLE DECK EXTENSION ASSEMBLY

ITEM	PART NUMBER	QTY	DESCRIPTION	REV
	0272605	Ref	PLATFORM AND POWER SINGLE DECK EXTENSION ASSEMBLY	I
		Ref	Note: Replacement Decals Must be Ordered Separately - See DECAL SECTION.	
1	0272101	1	Plate, Floor	
1	4420069	30 ft/9m	Tape, Safety Tread	
2	0272241	2	Plate, Floor	
2	4420069	19.5 ft/6m	Tape, Safety Tread	
3	0272242	2	Plate, Floor	
3	4420069	19.5 ft/6m	Tape, Safety Tread	
4	0272243	1	Plate, Floor	
4	4420069	19.5 ft/6m	Tape, Safety Tread	
5	0630485	24	Bolt	
6	0641507	4	Bolt 5/16 x 7/8	
7	0641508	4	Bolt 5/16 x 1	
8	0641814	2	Bolt 1/2 x 1-3/4	
9	1380150	2	E-Clip 1/2	
10	1380151	8	E-Clip 3/4	
11	2020006	1	Deck, Extension	
12	3300472	24	Nut 3/8	
13	3311505	8	Nut 5/16	
14	3311802	2	Nut 1/2	
15	3322202	2	Nut	
16	3422966	4	Pin	
17	3510878	1	Platform	
18	3760348	2	Ring, Retaining	
19	3841233	2	Rod, Roller	
20	3860059	6	Roller, Extension	
21	1001143898	2	Roller	
22	4420066	82 ft/25m	Tape, Double Sided (Not Shown - Located Between Floor Plates and Platform Weldment)	
23	4711500	12	Washer 5/16	
24	4711600	4	Washer 3/8	
25	4751600	20	Washer 3/8	
26	1001096985	2	Washer	
27	4752200	2	Washer 3/4	
28	1001143896	4	Mount, Roller	
29	4846519	2	Support, Roller	
30	4846556	1	Kickplate	
50	1001143909	1	Extension Roller Kit (Includes Items 9, 21, 26 & 28)	

SECTION 5 - PLATFORM

FIGURE 5-20. PLATFORM AND POWER DUAL DECK EXTENSION ASSEMBLY (WITH 12.6FT/3.8M LENGTH PLATFORM)



ART_0272707

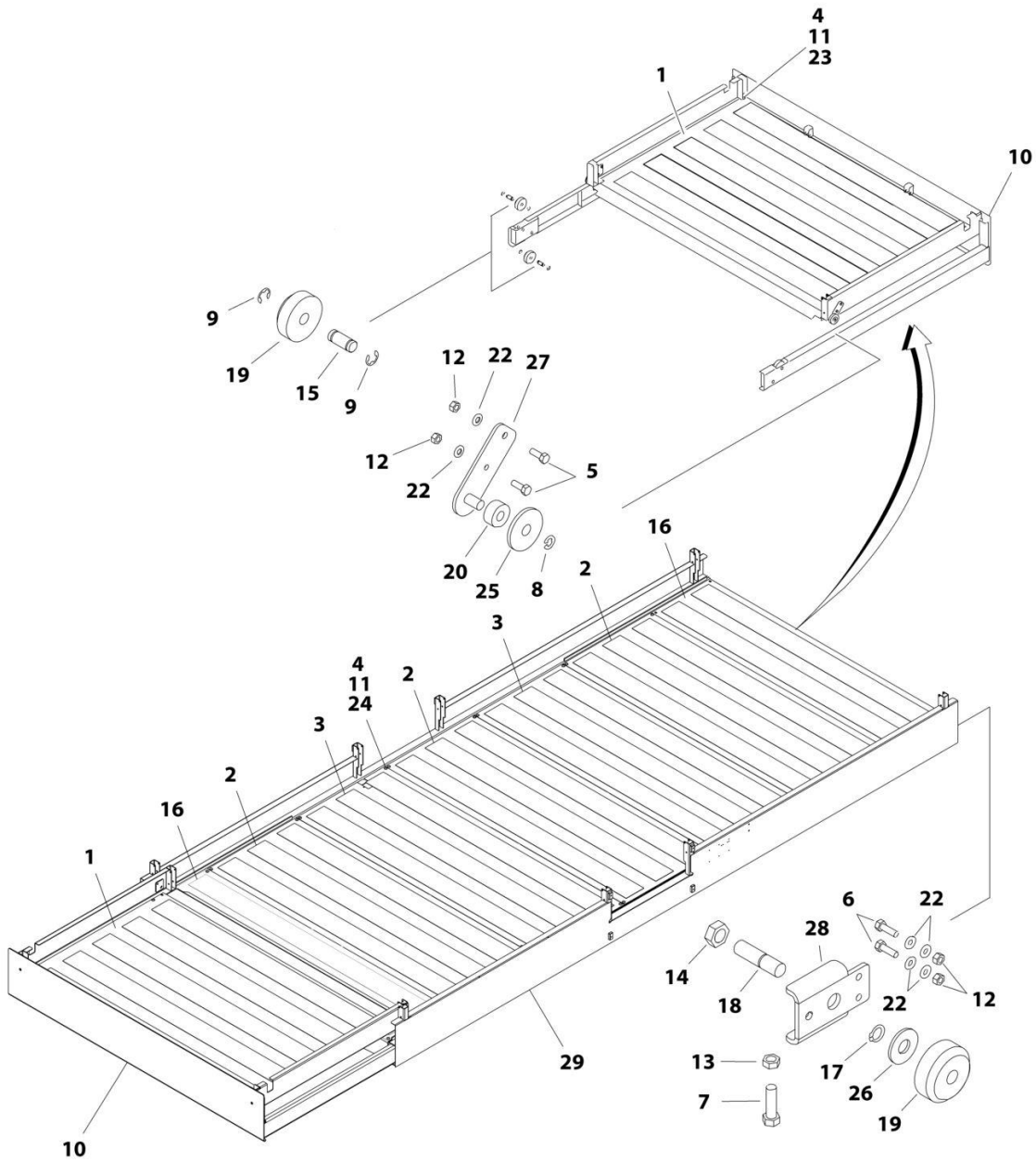
SECTION 5 - PLATFORM

FIGURE 5-20. PLATFORM AND POWER DUAL DECK EXTENSION ASSEMBLY (WITH 12.6FT/3.8M LENGTH PLATFORM)

ITEM	PART NUMBER	QTY	DESCRIPTION	REV
	0272707	Ref	PLATFORM AND POWER DUAL DECK EXTENSION ASSEMBLY (WITH 12.6FT/3.8M LENGTH PLATFORM)	J
		Ref	Note: Replacement Decals Must be Ordered Separately - See DECAL SECTION.	
1	0272101	1	Plate, Floor	
1	4420069	30 ft/9m	Tape, Safety Tread	
2	0272241	3	Plate, Floor	
2	4420069	19.5 ft/6m	Tape, Safety Tread	
3	0272242	2	Plate, Floor	
3	4420069	19.5 ft/6m	Tape, Safety Tread	
4	0630485	28	Bolt	
5	0641507	8	Bolt 5/16 x 7/8	
6	0641508	8	Bolt 5/16 x 1	
7	0641814	4	Bolt 1/2 x 1-3/4	
8	1380150	4	E-Clip 1/2	
9	1380151	16	E-Clip 3/4	
10	2020006	2	Deck, Extension	
11	3300472	28	Nut 3/8	
12	3311505	16	Nut 5/16	
13	3311802	4	Nut 1/2	
14	3322202	4	Nut	
15	3422966	4	Pin	
16	3510878	1	Platform	
17	3760348	4	Ring, Retaining	
18	3841233	4	Rod, Roller	
19	3860059	12	Roller, Extension	
20	1001143898	4	Roller	
21	4420066	97 ft/30m	Tape, Double Sided (Not Shown - Located Between Floor Plates and Platform Weldment)	
22	4711500	24	Washer 5/16	
23	4711600	8	Washer 3/8	
24	4751600	12	Washer 3/8	
25	1001096985	4	Washer	
26	4752200	4	Washer 3/4	
27	1001143896	4	Mount, Roller	
28	4846519	4	Support, Roller	
50	1001143909	1	Extension Roller Kit (Includes Items 8, 20, 25 & 27)	

SECTION 5 - PLATFORM

FIGURE 5-21. PLATFORM AND POWER DUAL DECK EXTENSION ASSEMBLY (WITH 15.8FT/4.8M LENGTH MEGADECK PLATFORM)



ART_0272990

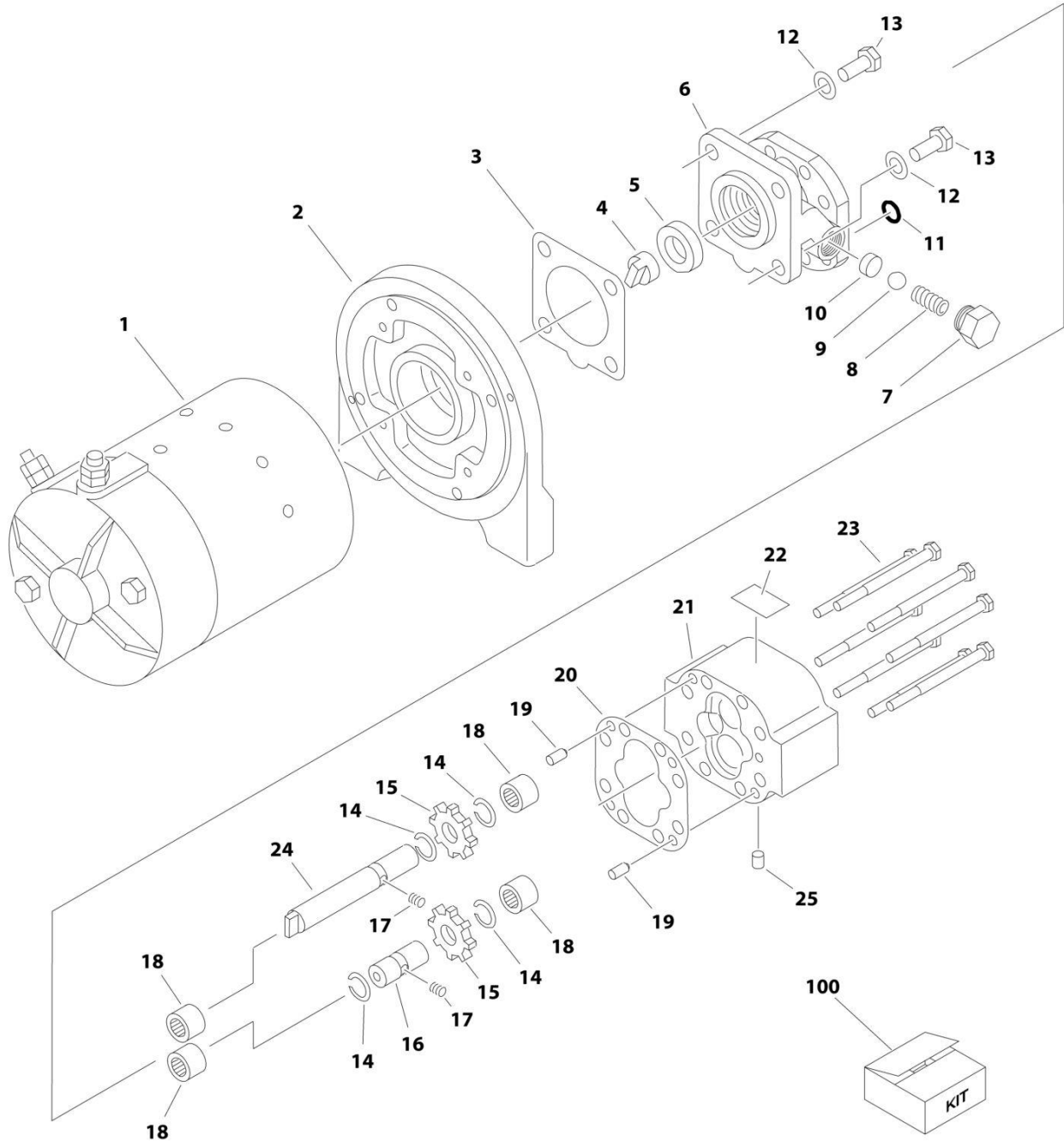
SECTION 5 - PLATFORM

FIGURE 5-21. PLATFORM AND POWER DUAL DECK EXTENSION ASSEMBLY (WITH 15.8FT/4.8M LENGTH MEGADECK PLATFORM)

ITEM	PART NUMBER	QTY	DESCRIPTION	REV
	0272990	Ref	PLATFORM AND POWER DUAL DECK EXTENSION ASSEMBLY (WITH 15.8FT/4.8M LENGTH MEGADECK PLATFORM)	M
		Ref	Note: Replacement Decals Must be Ordered Separately - See DECAL SECTION.	
1	0272101	2	Plate, Floor	
1	4420069	AR	Tape, Safety Tread	
2	0272241	3	Plate, Floor	
2	4420069	AR	Tape, Safety Tread	
3	0272242	2	Plate, Floor	
3	4420069	AR	Tape, Safety Tread	
4	0630485	32	Bolt	
5	0641507	8	Bolt 5/16 x 7/8	
6	0641508	8	Bolt 5/16 x 1	
7	0641814	4	Bolt 1/2 x 1-3/4	
8	1380150	4	E-Clip 1/2	
9	1380151	16	E-Clip 3/4	
10	2020006	2	Deck, Extension	
11	3300472	32	Nut 3/8	
12	3311505	16	Nut 5/16	
13	3311802	4	Nut 1/2	
14	3322202	4	Nut	
15	3422966	8	Pin	
16	0272998	2	Plate, Deck	
16	4420069	AR	Tape, Safety Tread	
17	3760348	4	Ring, Retaining	
18	3841233	4	Rod, Roller	
19	3860059	12	Roller, Extension	
20	1001143898	4	Roller	
21	4420066	113.5 ft /34.60m	Tape, Double Sided (Not Shown - Located Between Floor Plates and Platform Weldment)	
22	4711500	24	Washer 5/16	
23	4711600	8	Washer 3/8	
24	4751600	22	Washer 3/8	
25	1001096985	4	Washer	
26	4752200	4	Washer 3/4	
27	1001143896	4	Mount, Roller	
28	4846519	4	Support, Roller	
29	3510879	1	Platform	

SECTION 5 - PLATFORM

FIGURE 5-22. POWER DECK AUXILIARY PUMP ASSEMBLY



ART_3600468

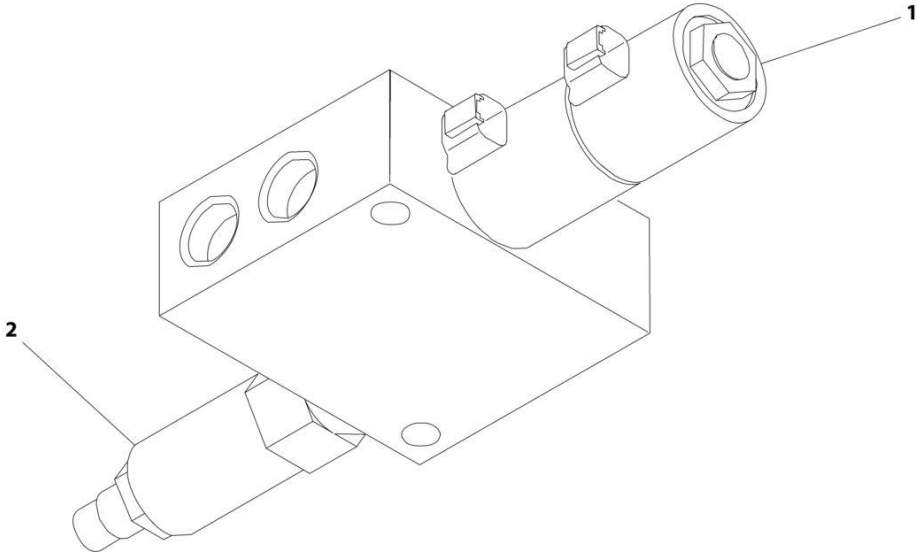
SECTION 5 - PLATFORM

FIGURE 5-22. POWER DECK AUXILIARY PUMP ASSEMBLY

ITEM	PART NUMBER	QTY	DESCRIPTION	REV
	3600468	Ref	POWER DECK AUXILIARY PUMP ASSEMBLY	B
1	7011003	1	Motor	
2	7012576	1	Bracket, Mounting	
3	7011044	1	Gasket, Mounting	
4	7011016	1	Coupling	
5	70000969	1	Seal, Shaft	
6	See Note	NSS	Stator (Note: Use Item 100)	
7	70001079	1	Cap Assembly	
8	70001076	1	Spring	
9	70001081	1	Ball	
10	70001080	1	Seat	
11	7011024	1	Seal	
12	7011048	4	Washer	
13	7011043	4	Screw	
14	70000970	4	Ring, Retaining	
15	70000971	2	Gear	
16	70001112	1	Shaft, Idler	
17	70001065	2	Pin, Drive	
18	70000976	4	Bearing, Needle	
19	7010911	2	Pin, Dowel	
20	70001085	1	Gasket	
21	See Note	NSS	Housing, Gear (Note: Use Item 100)	
22	See Note	NSS	Label (Note: Not Available for Purchase)	
23	70001106	8	Screw	
24	70001107	1	Shaft, Drive	
25	See Note	NSS	Plug (Note: Use Item 100)	
100	70001108	1	Replacement Pump Kit (Includes Items 3-25)	

SECTION 5 - PLATFORM

FIGURE 5-23. POWER DECK VALVE ASSEMBLY - SINGLE EXTENSION



ART_1001103266

SECTION 5 - PLATFORM

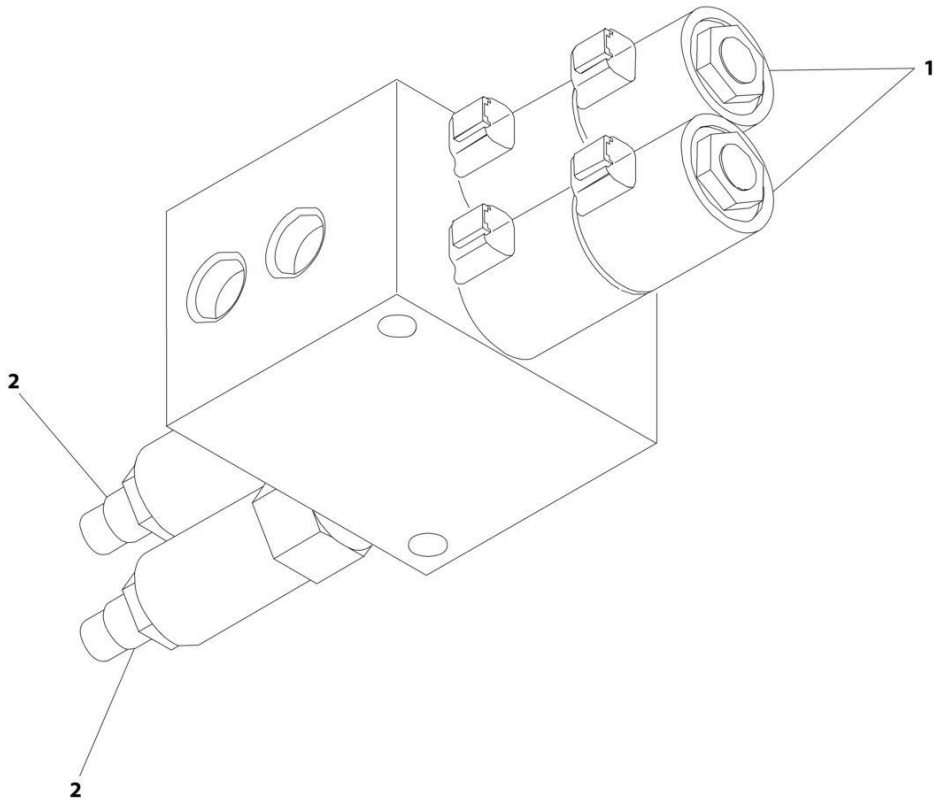
FIGURE 5-23. POWER DECK VALVE ASSEMBLY - SINGLE EXTENSION

ITEM	PART NUMBER	QTY	DESCRIPTION	REV
	1001103266	Ref	POWER DECK VALVE ASSEMBLY - SINGLE EXTENSION	A
1	7017433	1	Solenoid Cartridge Valve Assembly	
1	7017402	1	Seal Kit - 7017433 Cartridge	
1	70001977	2	Coil	
2	7017460	1	Relief Valve Assembly	
2	7017461	1	Seal Kit - 7017460 Cartridge	

SECTION 5 - PLATFORM

FIGURE 5-24. POWER DECK VALVE ASSEMBLY - DUAL EXTENSION

USAGE CHART:
- ALL 12.6FT/3.8M LENGTH PLATFORM
- 15.8FT/4.8M LENGTH MEGADECK PLATFORM
(SN 0200246957 TO PRESENT)



ART_1001103267

SECTION 5 - PLATFORM

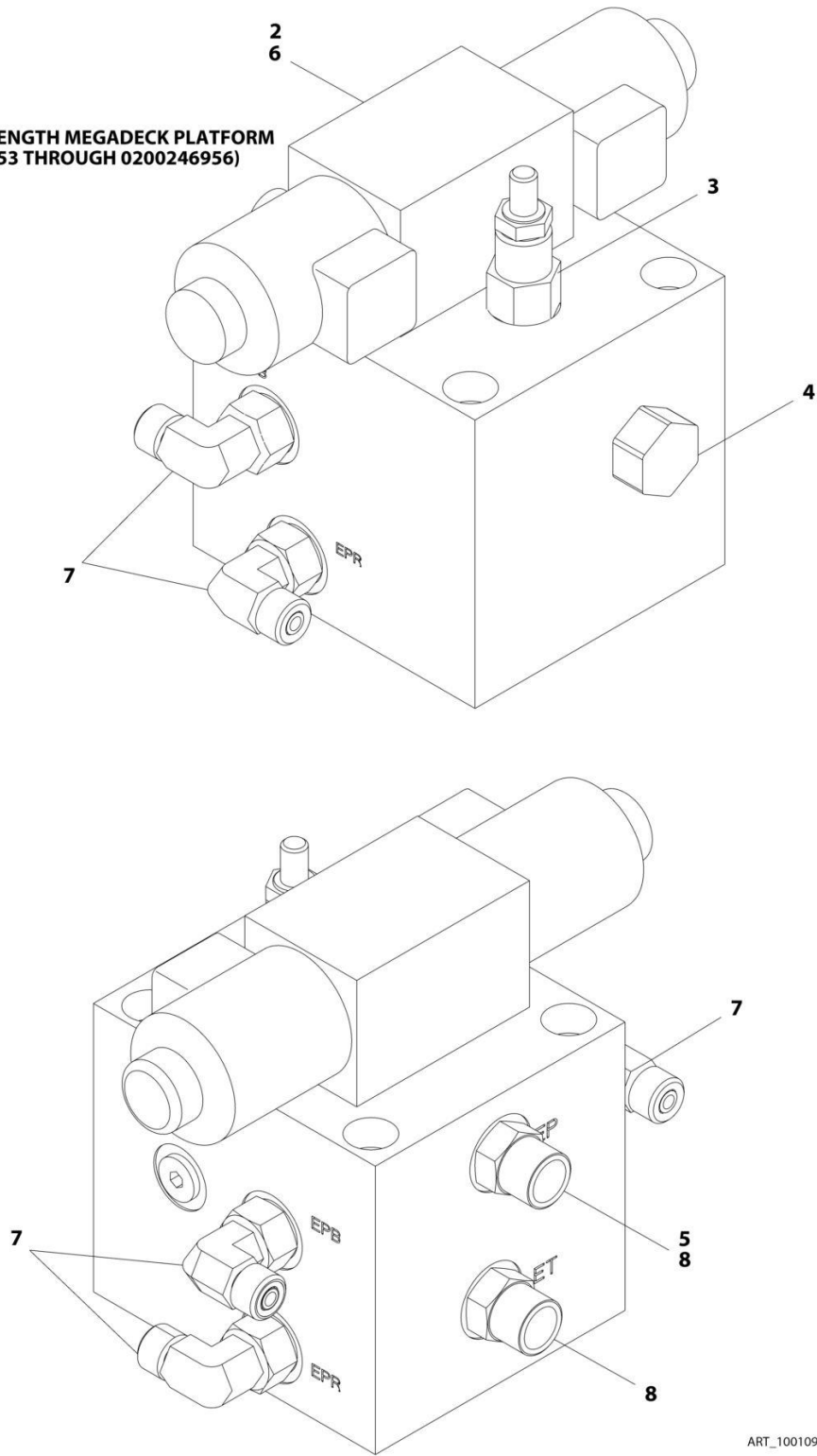
FIGURE 5-24. POWER DECK VALVE ASSEMBLY - DUAL EXTENSION

ITEM	PART NUMBER	QTY	DESCRIPTION	REV
		Ref	USAGE CHART:	
		Ref	- All 12.6ft/3.8m Length Platform	
		Ref	- 15.8ft/4.8m Length Megadeck Platform (SN 0200246957 to Present)	
	1001103267	Ref	POWER DECK VALVE ASSEMBLY - DUAL EXTENSION	A
1	7017433	2	Solenoid Cartridge Valve Assembly	
1	7017402	2	Seal Kit - 7017433 Cartridge	
1	70001977	4	Coil	
2	7017460	2	Relief Valve Assembly	
2	7017461	2	Seal Kit - 7017460 Cartridge	

SECTION 5 - PLATFORM

FIGURE 5-25. POWER DECK VALVE ASSEMBLY - DUAL EXTENSION

USAGE CHART :
- 15.8FT/4.8M LENGTH MEGADECK PLATFORM
(SN 0200239053 THROUGH 0200246956)



ART_1001092957

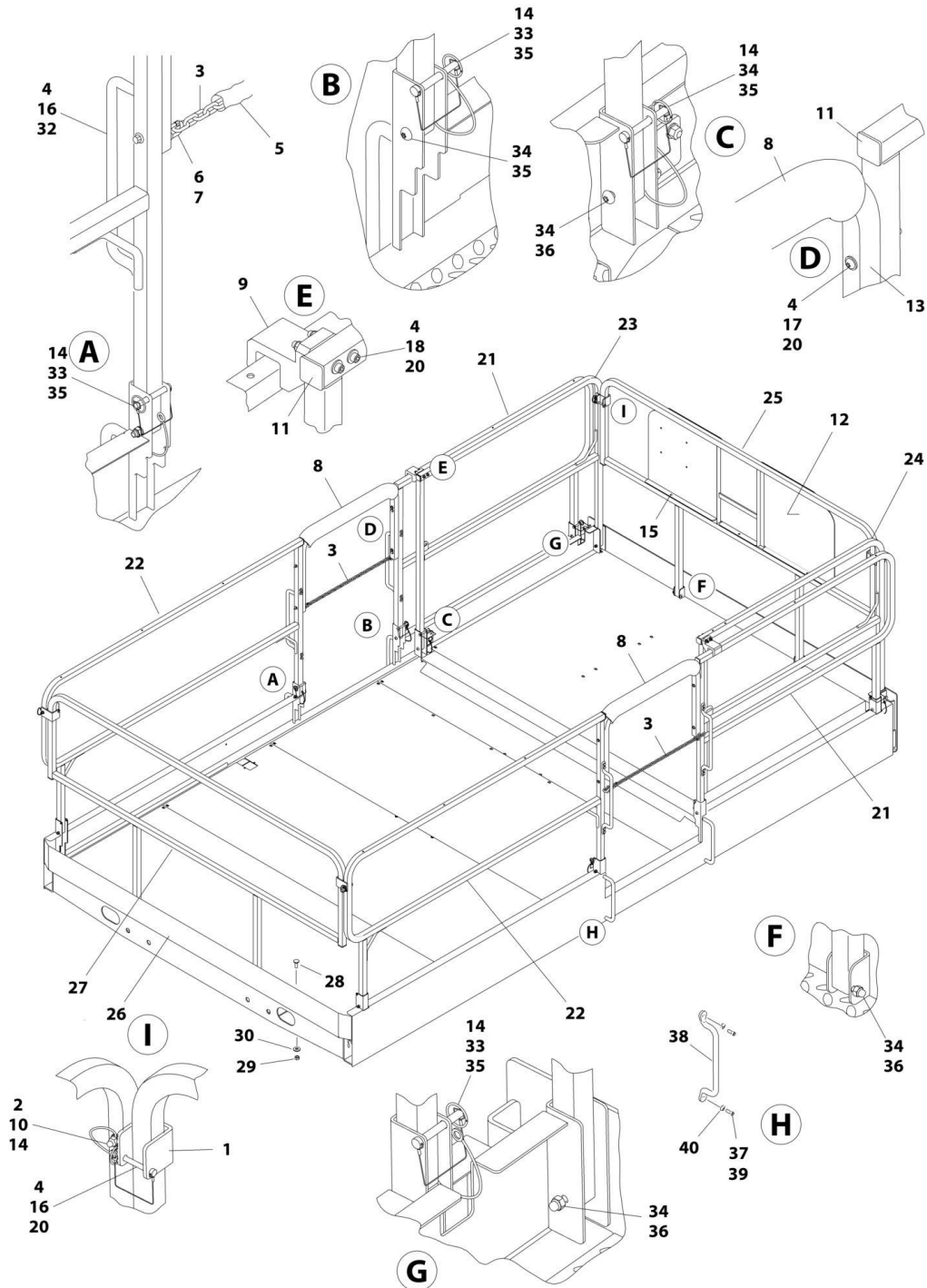
SECTION 5 - PLATFORM

FIGURE 5-25. POWER DECK VALVE ASSEMBLY - DUAL EXTENSION

ITEM	PART NUMBER	QTY	DESCRIPTION	REV
		Ref	USAGE CHART:	
		Ref	- 15.8ft/4.8m Length Megadeck Platform (SN 0200239053 through 0200246956)	
	1001092957	Ref	POWER DECK VALVE ASSEMBLY - DUAL EXTENSION	B
2	70001342	1	Control Valve Assembly	
3	70001343	1	Cartridge, Relief Valve	
3	7011346	1	Seal Kit - 70001343 Valve	
4	7026002	1	Cartridge, Shuttle Valve	
4	2900770	1	Seal Kit - 7026002 Valve	
5	7024926	1	Orifice	
6	7018942	4	Capscrew #10 x 2	
7	2130406	4	Fitting, 90 ORFS/ORB	
8	2110606	2	Fitting, Straight ORFS/ORB	

SECTION 5 - PLATFORM

FIGURE 5-26. RAILS INSTALLATION - CHAIN ENTRY (SINGLE DECK EXTENSION)



ART_0271694

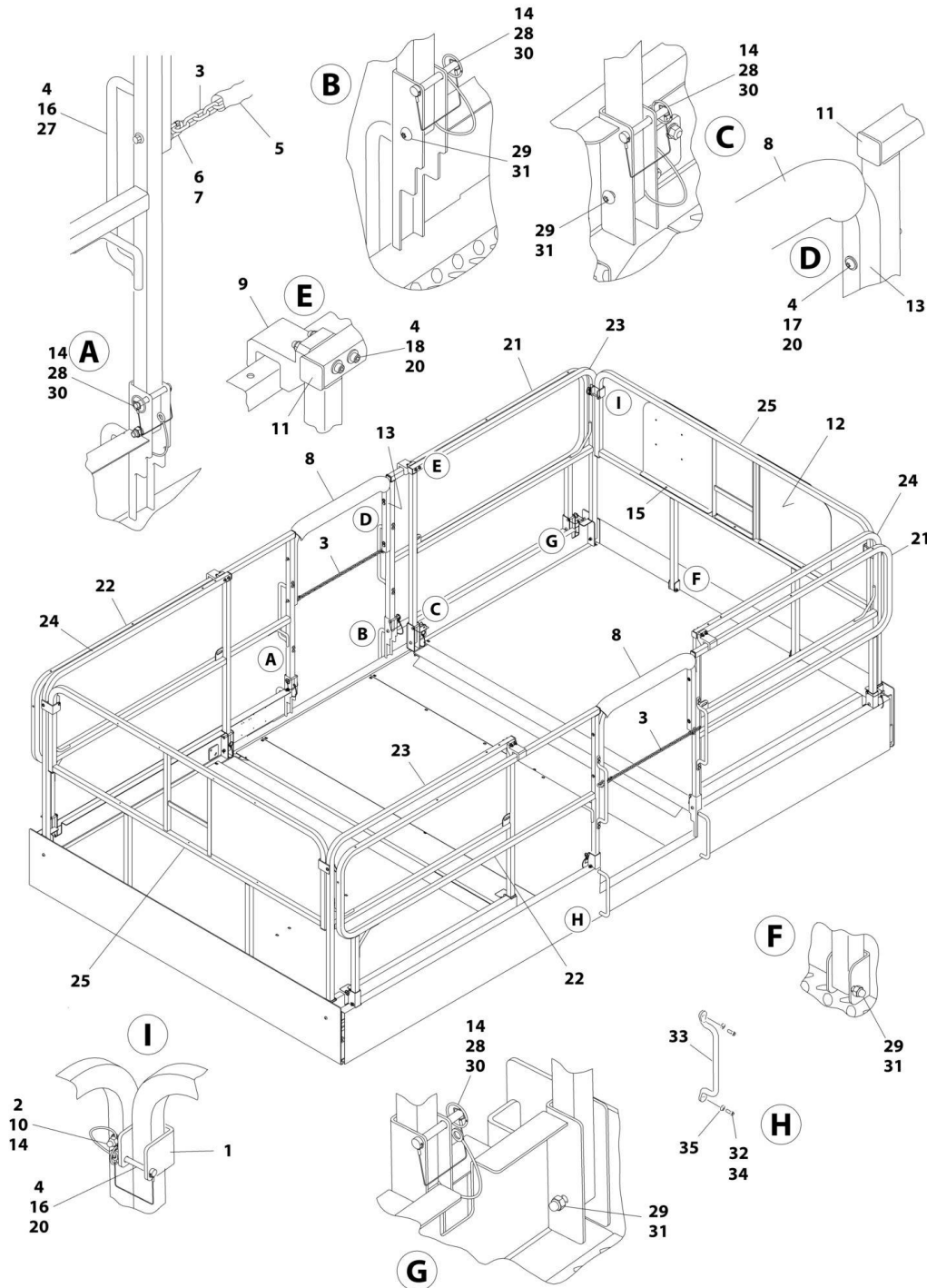
SECTION 5 - PLATFORM

FIGURE 5-26. RAILS INSTALLATION - CHAIN ENTRY (SINGLE DECK EXTENSION)

ITEM	PART NUMBER	QTY	DESCRIPTION	REV
	0271694	Ref	RAILS INSTALLATION - CHAIN ENTRY (SINGLE DECK EXTENSION)	M
1	0901870	4	Bracket	
2	1060379	4	Lanyard	
3	1260136	4 ft /1.2m	Chain	
4	2080063	32	Fastener 1/4	
5	2820097	2	Cover, Chain	
6	2940064	2	Latch, Snap	
7	3010088	4	Link, Repair	
8	3340612	3 ft /0.91m	Cover, Rail	
9	3340937	2	Pad, Slide	
10	3422219	4	Pin, Snap	
11	3520072	10	Plug, Cap	
12	3571862	1	Plate, Placard	
13	4846590	2	Rail	
14	3760170	12	Ring, Split	
15	3820020	7	Rivet	
16	3900318	20	Screw 1/4 x 2	
17	3900319	8	Screw 1/4 x 3	
18	3931436	4	Capscrew 1/4 x 2-1/4	
20	4711400	24	Washer 1/4	
21	4846530	2	Rail, Side	
22	4846531	2	Rail, Side	
23	4846532	1	Rail, Side Extension	
24	4846537	1	Rail, Side Extension	
25	4846542	1	Rail, End Extension	
26	4846556	1	Kickplate	
27	4846557	1	Rail, End	
28	0630485	4	Bolt 3/8	
29	3311605	4	Nut 3/8	
30	4751600	4	Washer 3/8	
31	2902067	1	Rail Kit (Not Shown - Includes Items 12, 13, 15 & 21-27)	
32	2560176	4	Handle	
33	1060808	8	Lanyard	
34	2080064	16	Fastener 5/16	
35	3421565	8	Pin, Snap	
36	3900323	16	Screw 5/16 x 2	
37	0100011	AR	Compound, Locking	
38	2560188	4	Handle	
39	3931512	8	Bolt 5/16 x 3/4	
40	4711500	8	Washer 5/16	

SECTION 5 - PLATFORM

FIGURE 5-27. RAILS INSTALLATION - CHAIN ENTRY (DUAL DECK EXTENSION)



ART_0271711

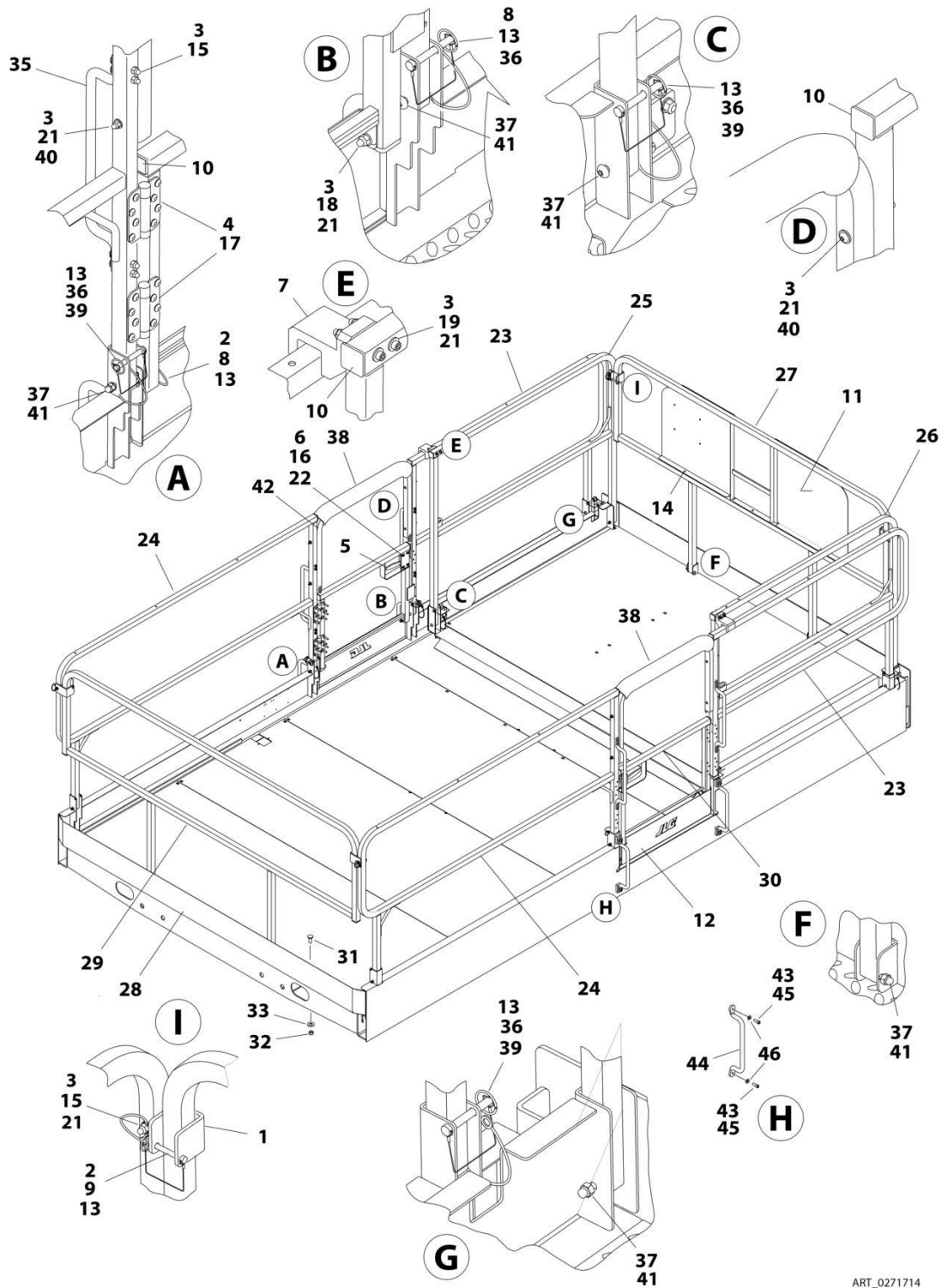
SECTION 5 - PLATFORM

FIGURE 5-27. RAILS INSTALLATION - CHAIN ENTRY (DUAL DECK EXTENSION)

ITEM	PART NUMBER	QTY	DESCRIPTION	REV
	0271711	Ref	RAILS INSTALLATION - CHAIN ENTRY (DUAL DECK EXTENSION)	L
1	0901870	4	Bracket	
2	1060379	4	Lanyard	
3	1260136	4 ft /1.2m	Chain	
4	2080063	36	Fastener 1/4	
5	2820097	2	Cover, Chain	
6	2940064	2	Latch, Snap	
7	3010088	4	Link, Repair	
8	3340612	3 ft /0.91m	Cover, Rail	
9	3340937	4	Pad, Slide	
10	3422219	4	Pin, Snap	
11	3520072	10	Plug, Cap	
12	3571862	1	Plate, Placard	
13	4846590	2	Rail	
14	3760170	16	Ring, Split	
15	3820020	7	Rivet	
16	3900318	20	Screw 1/4 x 2	
17	3900319	8	Screw 1/4 x 3	
18	3931436	8	Capscrew 1/4 x 2-1/4	
20	4711400	32	Washer 1/4	
21	4846530	2	Rail, Side	
22	4846531	2	Rail, Side	
23	4846532	2	Rail, Side Extension	
24	4846537	2	Rail, Side Extension	
25	4846542	2	Rail, End Extension	
26	2902148	1	Rail Kit (Not Shown - Includes Items 12, 13, 15 & 21-25)	
27	2560176	4	Handle	
28	1060808	12	Lanyard	
29	2080064	20	Fastener 5/16	
30	3421565	12	Pin, Snap	
31	3900323	20	Screw 5/16 x 2	
32	0100011	AR	Compound, Locking	
33	2560188	4	Handle	
34	3931512	8	Bolt 5/16 x 3/4	
35	4711500	8	Washer 5/16	

SECTION 5 - PLATFORM

FIGURE 5-28. RAILS INSTALLATION - SWING GATE ENTRY (SINGLE DECK EXTENSION)



ART_0271714

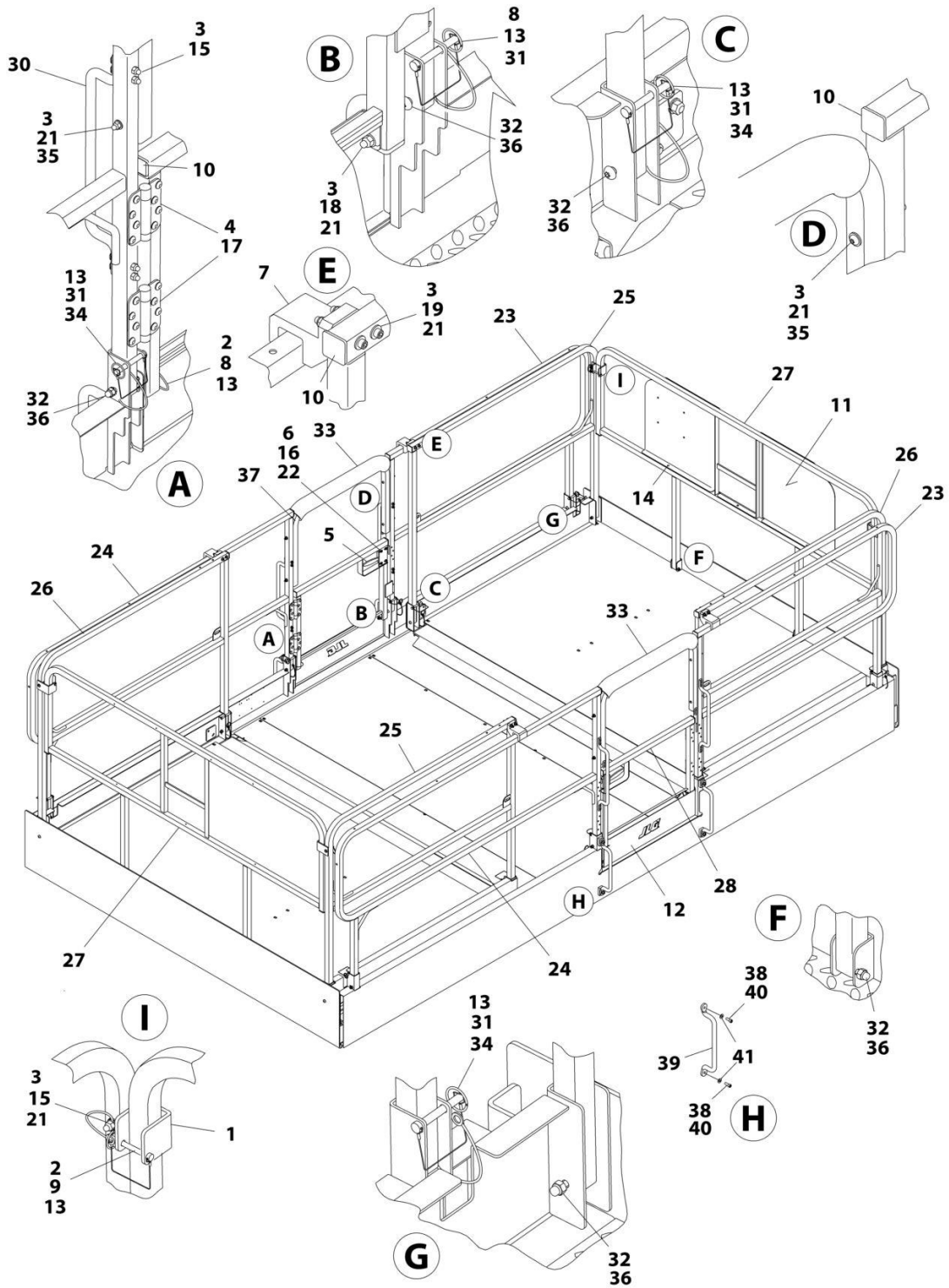
SECTION 5 - PLATFORM

FIGURE 5-28. RAILS INSTALLATION - SWING GATE ENTRY (SINGLE DECK EXTENSION)

ITEM	PART NUMBER	QTY	DESCRIPTION	REV
	0271714	Ref	RAILS INSTALLATION - SWING GATE ENTRY (SINGLE DECK EXTENSION)	K
1	0901870	4	Bracket	
2	1060379	6	Lanyard	
3	2080063	36	Fastener 1/4	
4	2600285	4	Hinge	
5	2940074	2	Latch	
6	3300432	8	Nut #10	
7	3340937	2	Pad, Slide	
8	3421453	4	Pin, Snap	
9	3422219	4	Pin, Snap	
10	3520072	14	Plug, Cap	
11	3571862	1	Plate, Placard	
12	3573472	2	Kickplate	
13	3760170	14	Ring, Split	
14	3820020	7	Rivet	
15	3900318	20	Screw 1/4 x 2	
16	3931010	8	Capscrew #10 x 5/8	
17	2080040	32	Fastener, Huck	
18	3911428	4	Screw 1/4 x 1-3/4	
19	3931436	4	Capscrew 1/4 x 2-1/4	
21	4711400	30	Washer 1/4	
22	4751000	8	Washer #10	
23	4846530	2	Rail, Side	
24	4846531	2	Rail, Side	
25	4846532	1	Rail, Side Extension	
26	4846537	1	Rail, Side Extension	
27	4846542	1	Rail, End Extension	
28	4846556	1	Kickplate	
29	4846557	1	Rail, End	
30	4846570	2	Gate	
31	0630485	4	Bolt	
32	3311605	4	Nut 3/8	
33	4751600	4	Washer 3/8	
34	2902147	1	Rail Kit (Not Shown - Includes Items 11, 12, 14, 23-30 & 42)	
35	2560176	4	Handle	
36	1060808	8	Lanyard	
37	2080064	16	Fastener 5/16	
38	3340612	3 ft /0.91m	Cover, Rail	
39	3421565	6	Pin, Snap	
40	3900319	8	Screw 1/4 x 3	
41	3900323	16	Screw 5/16 x 2	
42	4846590	2	Rail	
43	0100011	AR	Compound, Locking	
44	2560188	4	Handle	
45	3931512	8	Bolt 5/16 x 3/4	
46	4711500	8	Washer 5/16	

SECTION 5 - PLATFORM

FIGURE 5-29. RAILS INSTALLATION - SWING GATE ENTRY (DUAL DECK EXTENSION)



ART_0271715

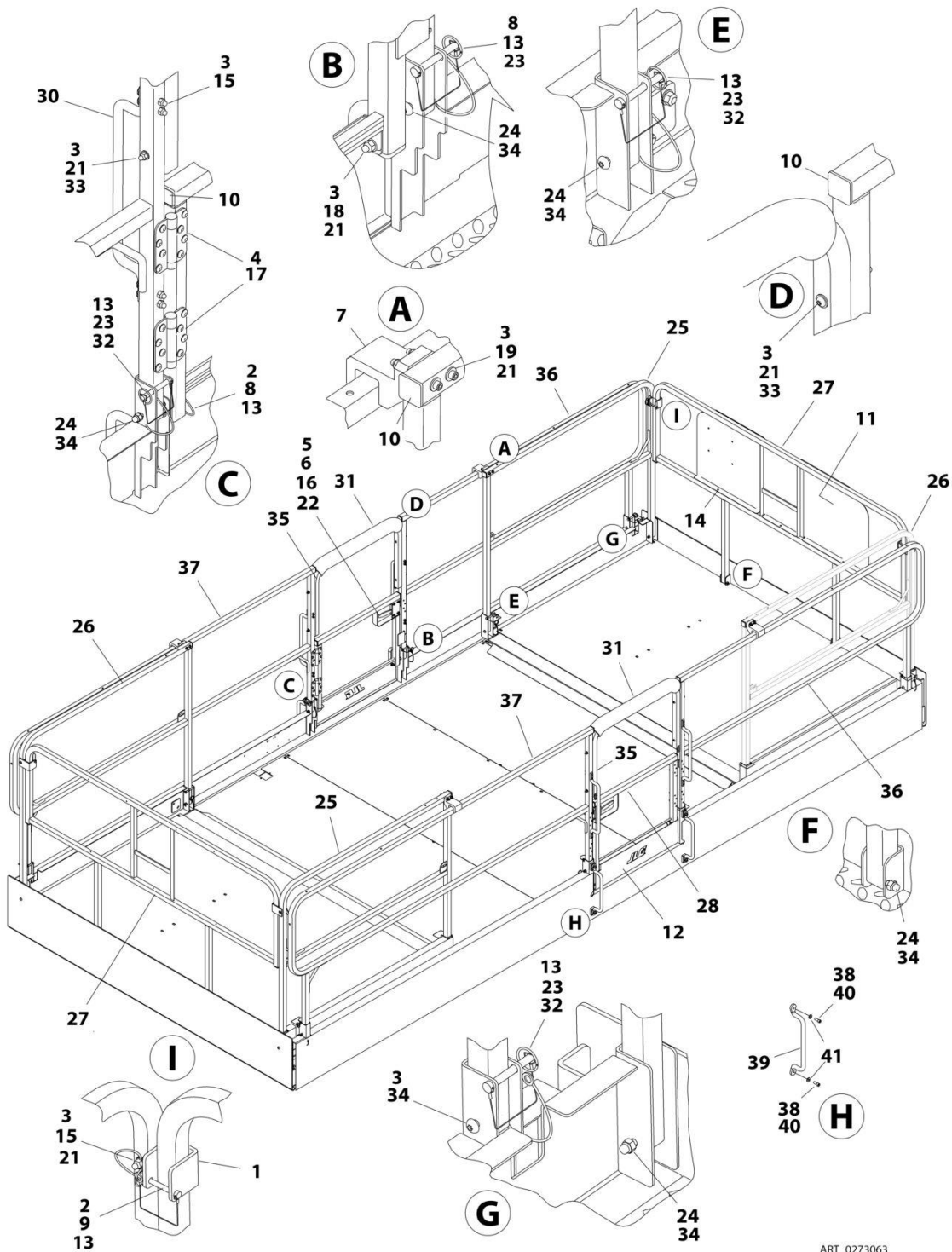
SECTION 5 - PLATFORM

FIGURE 5-29. RAILS INSTALLATION - SWING GATE ENTRY (DUAL DECK EXTENSION)

ITEM	PART NUMBER	QTY	DESCRIPTION	REV
	0271715	Ref	RAILS INSTALLATION - SWING GATE ENTRY (DUAL DECK EXTENSION)	K
1	0901870	4	Bracket	
2	1060379	6	Lanyard	
3	2080063	40	Fastener 1/4	
4	2600285	4	Hinge	
5	2940074	2	Latch	
6	3300432	8	Nut #10	
7	3340937	4	Pad, Slide	
8	3421453	4	Pin, Snap	
9	3422219	4	Pin, Snap	
10	3520072	16	Plug, Cap	
11	3571862	1	Plate, Placard	
12	3573472	2	Kickplate	
13	3760170	18	Ring, Split	
14	3820020	7	Rivet	
15	3900318	20	Screw 1/4 x 2	
16	3931010	8	Capscrew #10 x 5/8	
17	2080040	32	Fastener, Huck	
18	3911428	4	Screw 1/4 x 1-3/4	
19	3931436	8	Capscrew 1/4 x 2-1/4	
21	4711400	38	Washer 1/4	
22	4751000	8	Washer #10	
23	4846530	2	Rail, Side	
24	4846531	2	Rail, Side	
25	4846532	2	Rail, Side Extension	
26	4846537	2	Rail, Side Extension	
27	4846542	2	Rail, End Extension	
28	4846570	2	Gate	
29	2902148	1	Rail Kit (Not Shown - Includes Items 11, 12, 14, 23-28 & 37)	
30	2560176	4	Handle	
31	1060808	12	Lanyard	
32	2080064	20	Fastener 5/16	
33	3340612	3 ft /0.91m	Cover, Rail	
34	3421565	10	Pin, Snap	
35	3900319	8	Screw 1/4 x 3	
36	3900323	20	Screw 5/16 x 2	
37	4846590	2	Rail	
38	0100011	AR	Compound, Locking	
39	2560188	4	Handle	
40	3931512	8	Bolt 5/16 x 3/4	
41	4711500	8	Washer 5/16	

SECTION 5 - PLATFORM

FIGURE 5-30. RAILS INSTALLATION - SWING GATE ENTRY (MEGADECK EXTENSION) (CE SPEC ONLY) (3394RT)



ART_0273063

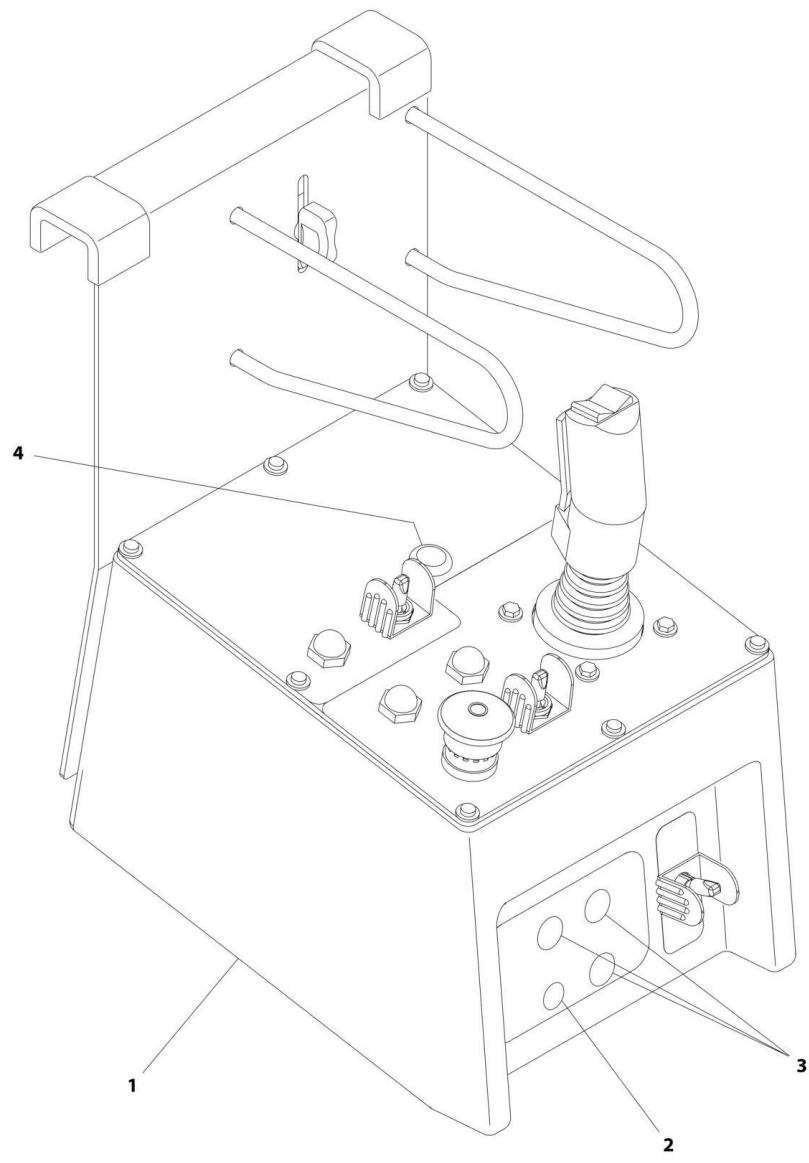
SECTION 5 - PLATFORM

FIGURE 5-30. RAILS INSTALLATION - SWING GATE ENTRY (MEGADECK EXTENSION) (CE SPEC ONLY) (3394RT)

ITEM	PART NUMBER	QTY	DESCRIPTION	REV
	0273063	Ref	RAILS INSTALLATION - SWING GATE ENTRY (MEGADECK EXTENSION) (CE SPEC ONLY)	E
1	0901870	4	Bracket	
2	1060379	6	Lanyard	
3	2080063	40	Fastener 1/4	
4	2600285	4	Hinge	
5	2940074	2	Latch	
6	3300432	8	Nut #10	
7	3340937	4	Pad, Slide	
8	3421453	4	Pin, Snap	
9	3422219	4	Pin, Snap	
10	3520072	16	Plug, Cap	
11	3571862	1	Plate, Placard	
12	3573472	2	Kickplate	
13	3760170	18	Ring, Split	
14	3820020	7	Rivet	
15	3900318	20	Screw 1/4 x 2	
16	3931010	8	Capscrew #10 x 5/8	
17	2080040	32	Fastener, Huck	
18	3911428	4	Screw 1/4 x 1-3/4	
19	3931436	8	Capscrew 1/4 x 2-1/4	
21	4711400	38	Washer 1/4	
22	4751000	8	Washer #10	
23	1060808	12	Lanyard	
24	2080064	20	Fastener 5/16	
25	4846532	2	Rail, Side Extension	
26	4846537	2	Rail, Side Extension	
27	4846542	2	Rail, End Extension	
28	4846570	2	Gate	
29	2902263	1	Rail Kit (Not Shown - Includes Items 11, 12, 14, 25-28 & 35-37)	
30	2560176	4	Handle	
31	3340612	3 ft /0.91m	Cover, Rail	
32	3421565	10	Pin, Snap	
33	3900319	8	Screw 1/4 x 3	
34	3900323	20	Screw 5/16 x 2	
35	4846590	2	Rail	
36	4846843	2	Rail, Side	
37	4846844	2	Rail, Side	
38	0100011	AR	Compound, Locking	
39	2560188	4	Handle	
40	3931512	8	Bolt 5/16 x 3/4	
41	4711500	8	Washer 5/16	

SECTION 5 - PLATFORM

FIGURE 5-31. PLATFORM CONSOLE BOX INSTALLATION - DIESEL MACHINES



ART_0272409

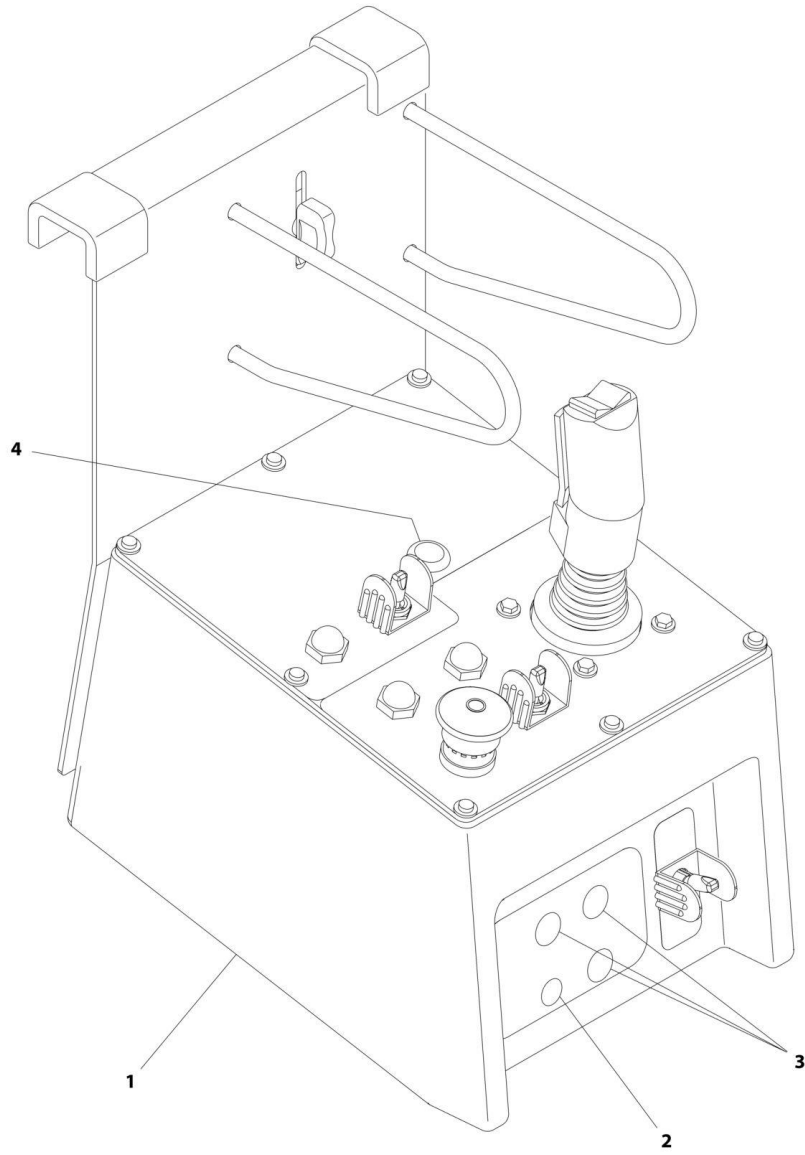
SECTION 5 - PLATFORM

FIGURE 5-31. PLATFORM CONSOLE BOX INSTALLATION - DIESEL MACHINES

ITEM	PART NUMBER	QTY	DESCRIPTION	REV
	0272409	Ref	PLATFORM CONSOLE BOX INSTALLATION - DIESEL MACHINES	C
	See Note	Ref	Note: For machines with platform console box with cover refer to SPECIAL OPTIONS SECTION.	
	See Note	Ref	Note: For machines with platform console box with Turn Signal and Lights refer to SPECIAL OPTIONS SECTION.	
1	0272400	1	Platform Console Box Assembly (See PLATFORM CONSOLE BOX ASSEMBLY - DIESEL MACHINES for Breakdown)	
2	3520079	1	Plug, Hole	
3	3520080	3	Plug, Hole	
4	3520193	1	Plug, Hole	

SECTION 5 - PLATFORM

FIGURE 5-32. PLATFORM CONSOLE BOX INSTALLATION - GAS DUAL FUEL MACHINES



ART_0272405

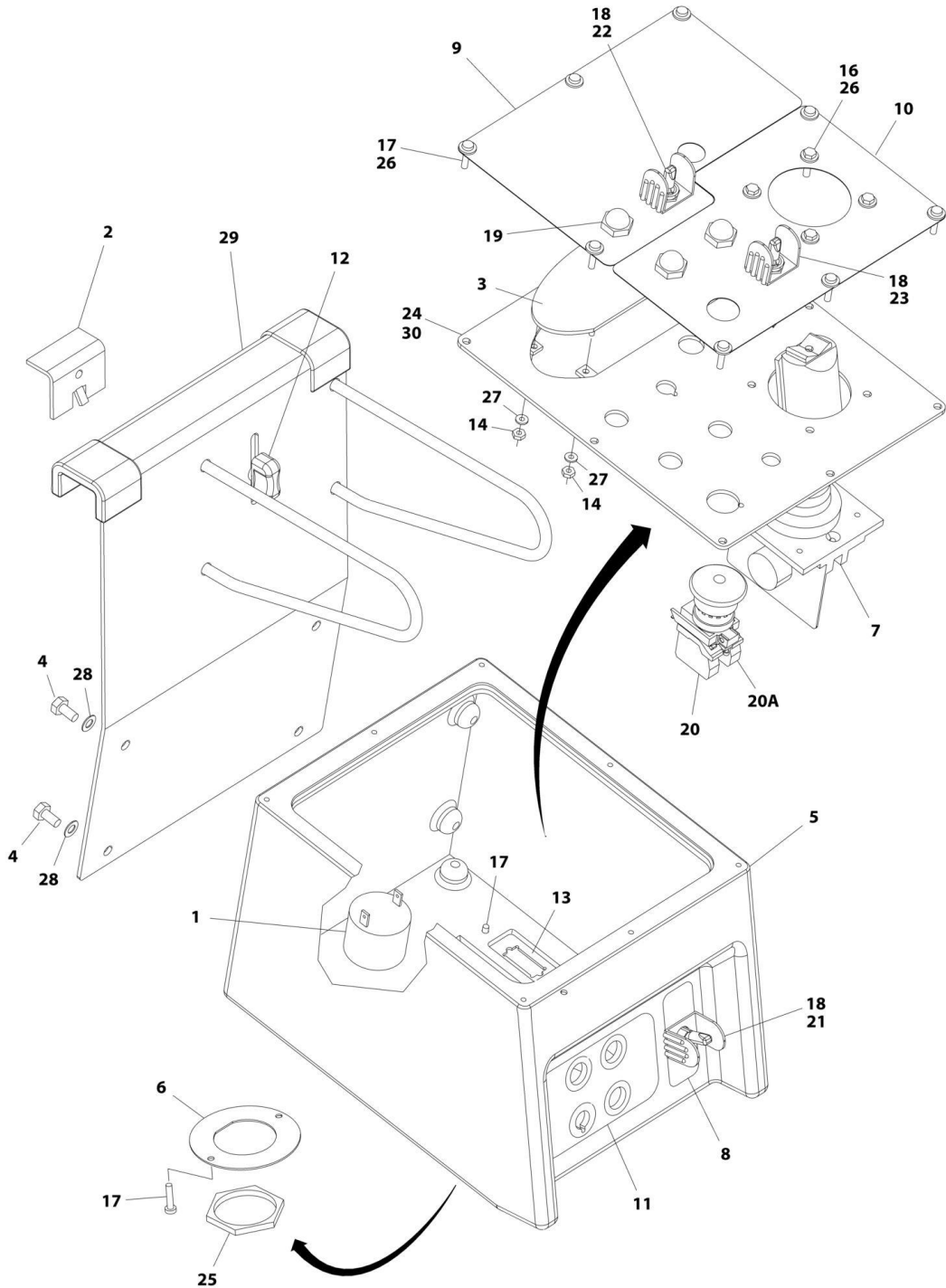
SECTION 5 - PLATFORM

FIGURE 5-32. PLATFORM CONSOLE BOX INSTALLATION - GAS DUAL FUEL MACHINES

ITEM	PART NUMBER	QTY	DESCRIPTION	REV
	0272405	Ref	PLATFORM CONSOLE BOX INSTALLATION - GAS DUAL FUEL MACHINES	C
	See Note	Ref	Note: For machines with platform console box with cover refer to SPECIAL OPTIONS SECTION.	
	See Note	Ref	Note: For machines with platform console box with Turn Signal and Lights refer to SPECIAL OPTIONS SECTION.	
1	0271748	1	Platform Console Box Assembly (See PLATFORM CONSOLE BOX ASSEMBLY - GAS DUAL FUEL MACHINES for Breakdown)	
2	3520079	1	Plug, Hole	
3	3520080	3	Plug, Hole	
4	3520193	1	Plug, Hole	

SECTION 5 - PLATFORM

FIGURE 5-33. PLATFORM CONSOLE BOX ASSEMBLY - DIESEL MACHINES



ART_0272400

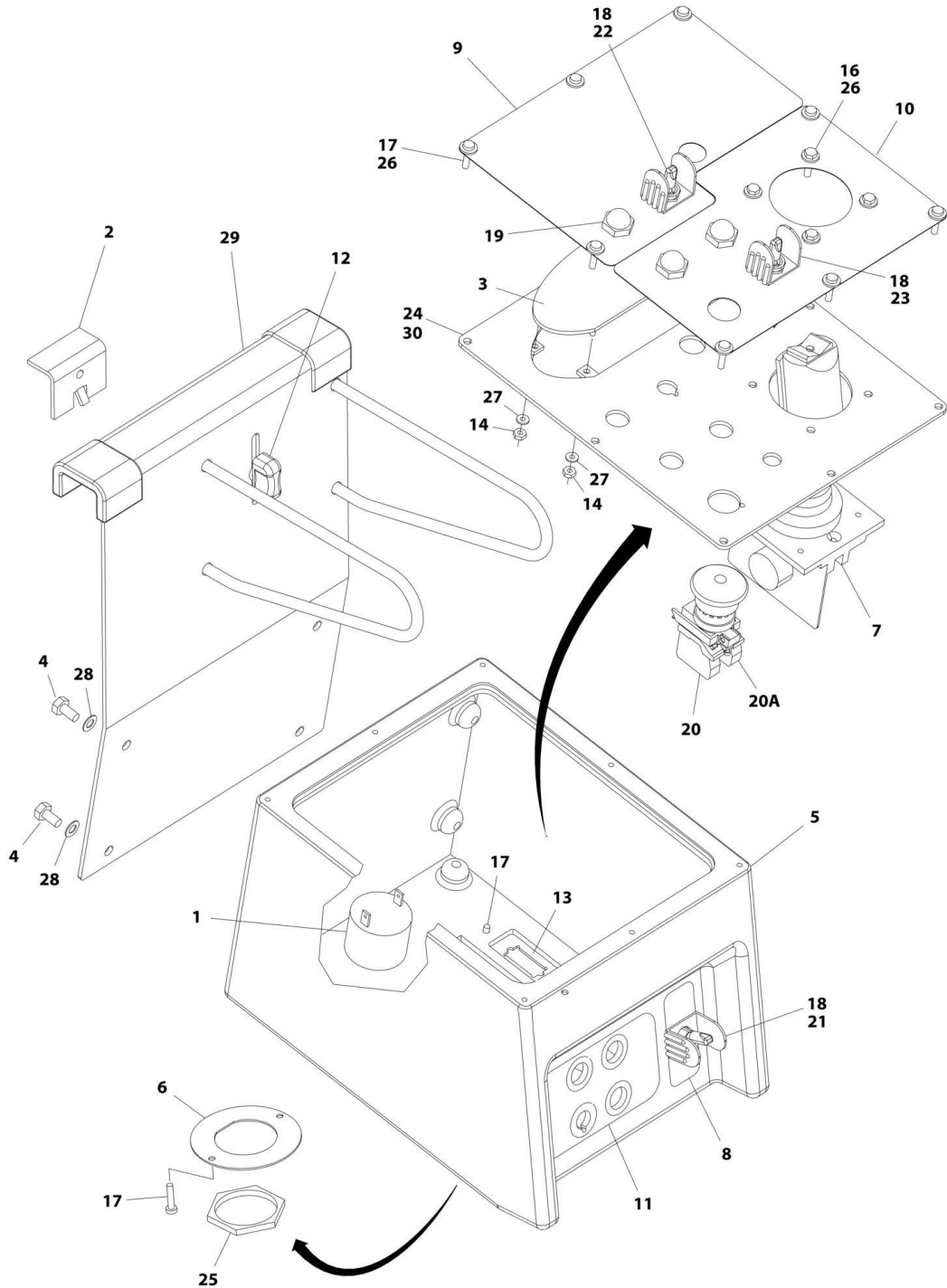
SECTION 5 - PLATFORM

FIGURE 5-33. PLATFORM CONSOLE BOX ASSEMBLY - DIESEL MACHINES

ITEM	PART NUMBER	QTY	DESCRIPTION	REV
	0272400	Ref	PLATFORM CONSOLE BOX ASSEMBLY - DIESEL MACHINES	F
		Ref	Note: For machines with platform console box with cover refer to SPECIAL OPTIONS SECTION.	
		Ref	Note: For machines with platform console box with Turn Signal and Lights refer to SPECIAL OPTIONS SECTION.	
1	0140011	1	Alarm	
2	0181847	1	Angle, Latch	
3	0610169	1	Board, P/C Display	
4	0641404	4	Bolt 1/4 x 1/2	
5	0861554	1	Box, Console	
6	0902499	1	Bracket, D-Ring	
7	1600403	1	Drive/Steer Controller Assembly (See DRIVE/STEER CONTROLLER ASSEMBLY for Breakdown)	
8	1704589	1	Decal - Glow Plug	
9	1705913	1	Decal - Platform Lid (Top Half of 2 Pc Decal)	
10	1705914	1	Decal - Platform Lid (Bottom Half of 2 Pc Decal)	
11	1705392	1	Decal - Outrigger Select	
12	2560141	1	Thumbscrew	
13	3200450	1	Mount, Terminal	
14	3310601	4	Nut #6	
16	3900178	4	Screw Plastite #10 x 1/2	
17	3900265	12	Screw #8 x 3/4	
18	4060802	3	Guard, Switch	
19	4360387	3	Switch, Push Button	
20	4360475	1	Switch, Emergency Stop	
20	7020175	1	Cap	
20A	7020176	1	Block, Contact	
21	4360483	1	Switch, Toggle	
22	4360524	1	Switch, Toggle	
23	4360525	1	Switch, Toggle	
24	4420008	38 in/1m	Tape, Insulation	
25	4460470	1	Nut, Terminal	
26	4740120	12	Washer, Nylon	
27	4760600	4	Washer #6	
28	4791400	4	Washer 1/4	
29	4845938	1	Bracket, Box Mounting	
30	4846655	1	Lid, Box	
31	4922768	1	Platform Console Box Harness (Not Shown - See ELECTRICAL SECTION for Breakdown)	

SECTION 5 - PLATFORM

FIGURE 5-34. PLATFORM CONSOLE BOX ASSEMBLY - GAS DUAL FUEL MACHINES



ART_0271748

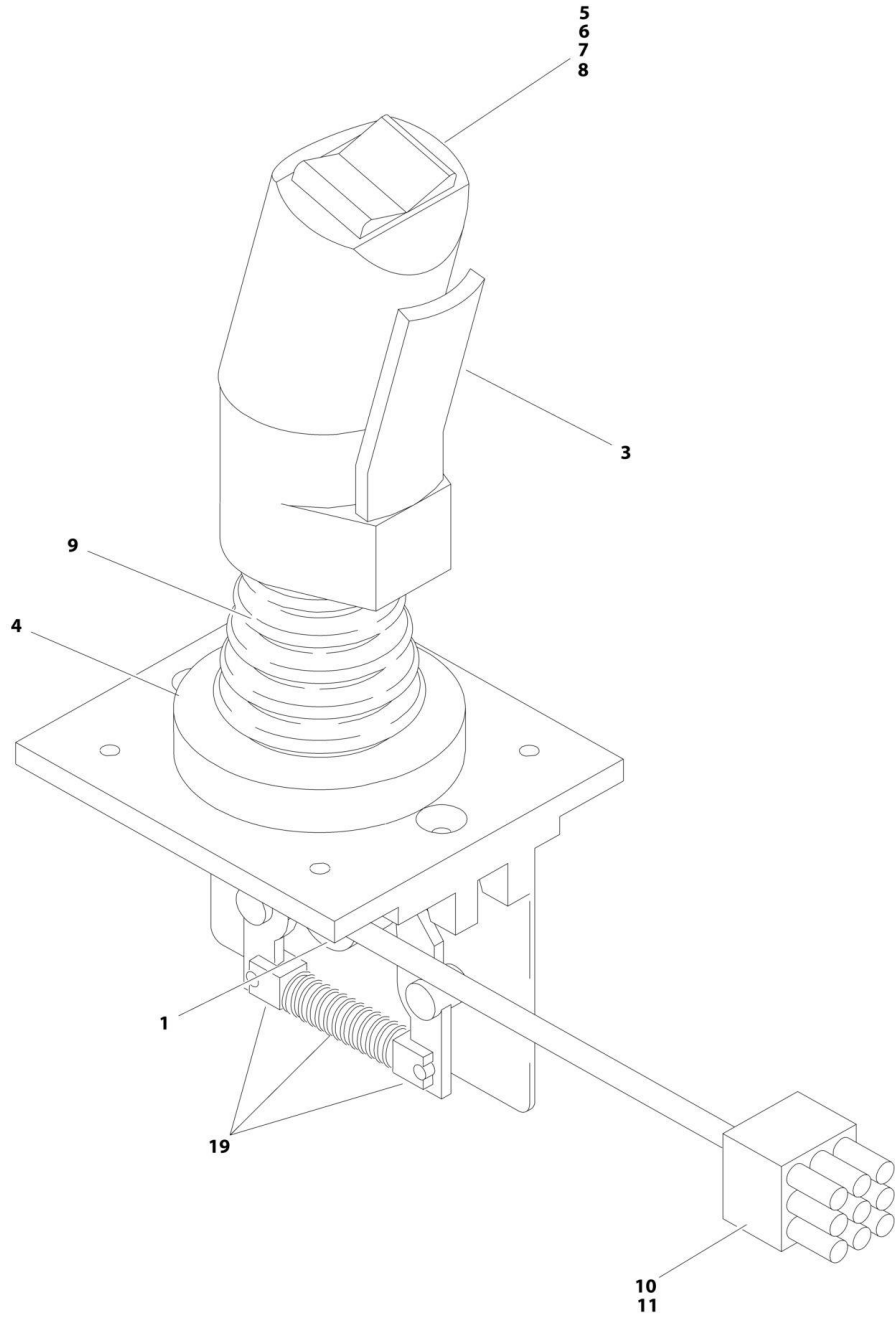
SECTION 5 - PLATFORM

FIGURE 5-34. PLATFORM CONSOLE BOX ASSEMBLY - GAS DUAL FUEL MACHINES

ITEM	PART NUMBER	QTY	DESCRIPTION	REV
	0271748	Ref	PLATFORM CONSOLE BOX ASSEMBLY - GAS DUAL FUEL MACHINES	F
		Ref	Note: For machines with platform console box with cover refer to SPECIAL OPTIONS SECTION.	
		Ref	Note: For machines with platform console box with Turn Signal and Lights refer to SPECIAL OPTIONS SECTION.	
1	0140011	1	Alarm	
2	0181847	1	Angle, Latch	
3	0610169	1	Board, P/C Display	
4	0641404	4	Bolt 1/4 x 1/2	
5	0861554	1	Box, Console	
6	0902499	1	Bracket, D-Ring	
7	1600403	1	Drive/Steer Controller Assembly (See DRIVE/STEER CONTROLLER ASSEMBLY for Breakdown)	
8	1704588	1	Decal - Fuel Select	
9	1705913	1	Decal - Platform Lid (Top Half of 2 Pc Decal)	
10	1705914	1	Platform Lid (Bottom Half of 2 Pc Decal)	
11	1705392	1	Decal - Outrigger Select	
12	2560141	1	Thumbscrew	
13	3200450	1	Mount, Terminal	
14	3310601	4	Nut #6	
16	3900178	4	Screw, Plastite #10 x 1/2	
17	3900265	12	Screw #8 x 3/4	
18	4060802	3	Guard, Switch	
19	4360387	3	Switch, Push Button	
20	4360475	1	Switch, Emergency Stop	
20	7020175	1	Cap	
20A	7020176	1	Block, Contact	
21	4360482	1	Switch, Toggle (Fuel Select)	
22	4360524	1	Switch, Toggle	
23	4360525	1	Switch, Toggle	
24	4420008	38 in/1m	Tape, Insulation	
25	4460470	1	Nut, Terminal	
26	4740120	12	Washer, Nylon	
27	4760600	4	Washer #6	
28	4791400	4	Washer 1/4	
29	4845938	1	Bracket, Box Mounting	
30	4846655	1	Lid, Box	
31	4922768	1	Platform Console Box Harness (See ELECTRICAL SECTION for Breakdown)	

SECTION 5 - PLATFORM

FIGURE 5-35. DRIVE/STEER CONTROLLER ASSEMBLY



ART_1600403

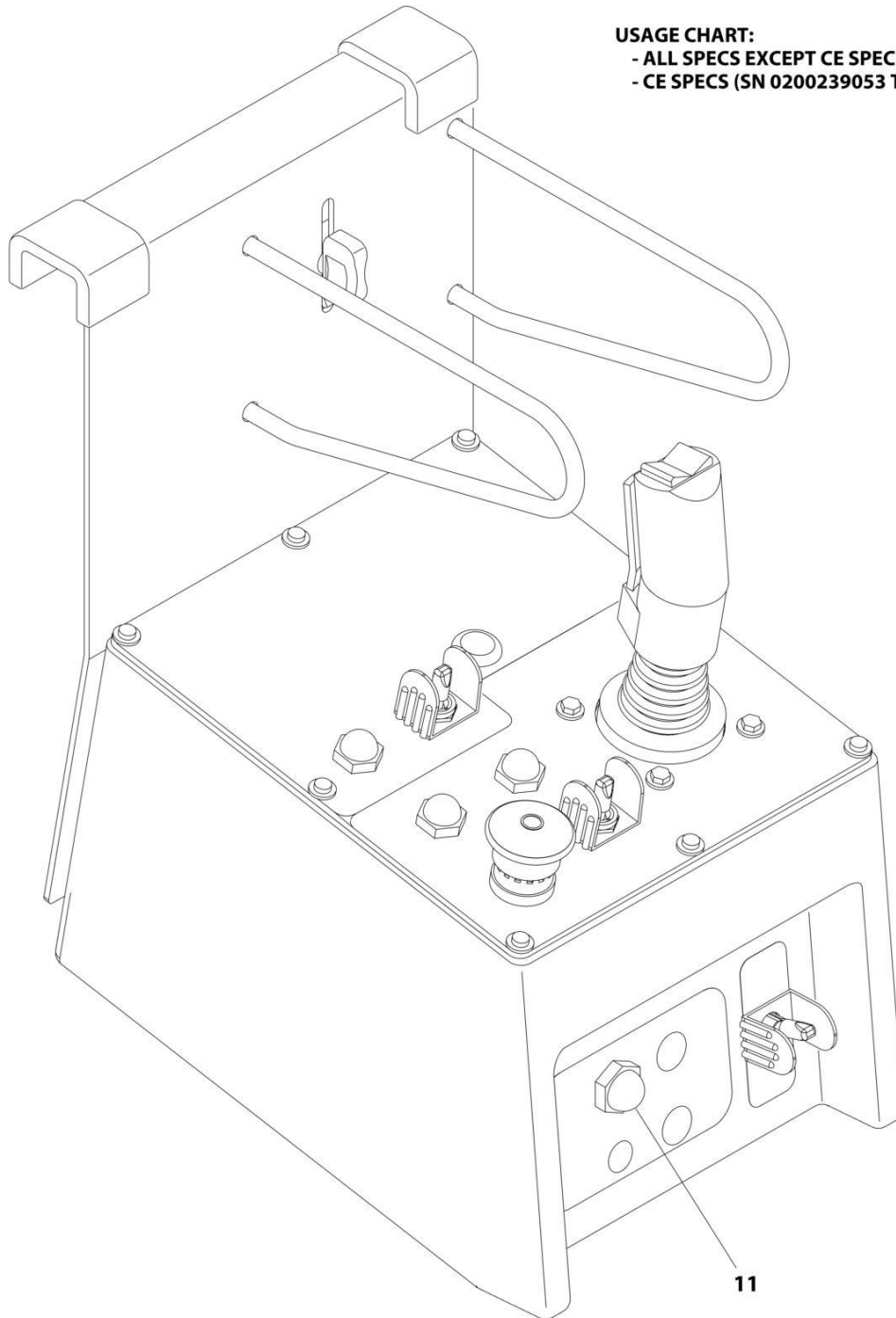
SECTION 5 - PLATFORM

FIGURE 5-35. DRIVE/STEER CONTROLLER ASSEMBLY

ITEM	PART NUMBER	QTY	DESCRIPTION	REV
	1600403	Ref	DRIVE/STEER CONTROLLER ASSEMBLY	F
1	70000081	1	Potentiometer	
1	70005484	1	Gear, Potentiometer	
1	70005485	1	Screw (Attaches Potentiometer Gear to Shaft)	
2	7027367	1	Switch, Push Button (Not Shown - Located Behind #3)	
3	7027765	1	Lever, Enabler	
4	7027766	1	Ring, Retaining	
5	70000082	1	Microswitch	
6	70000083	1	Coupler, Microswitch	
7	70000084	1	Cap, Rubber	
8	7027365	1	Actuator, Switch	
9	70000085	1	Boot, Rubber	
10	4460265	1	Plug, Male - 9 Pin	
11	4460226	8	Socket, Female	
12	70000685	AR	Washer, Plastic (Not Shown)	
13	70000684	AR	Screw, Handle (Not Shown)	
14	See Note	NSS	Nut, Handle (Not Shown) (Note: Not available for purchase)	
15	70000683	AR	Washer, Neoprene (Not Shown)	
16	70000686	AR	Screw, Handle (Not Shown)	
17	4460266	1	Connector, Receptacle - 9 Pin (Not Shown - Part of Console Harness)	
18	4460267	8	Pin, Male (Not Shown - Part of Console Harness)	
19	70004194	1	Return Spring Kit	
	70003650	1	Handle Repair Kit (Includes handle gasket, push button, lever, front handle half, back handle half, top actuator, boot and hardware.	

SECTION 5 - PLATFORM

FIGURE 5-36. LEVELING JACKS SWITCH INSTALLATION



USAGE CHART:
- ALL SPECS EXCEPT CE SPECS
- CE SPECS (SN 0200239053 THROUGH 0200241795)

ART_1001166178_20F2

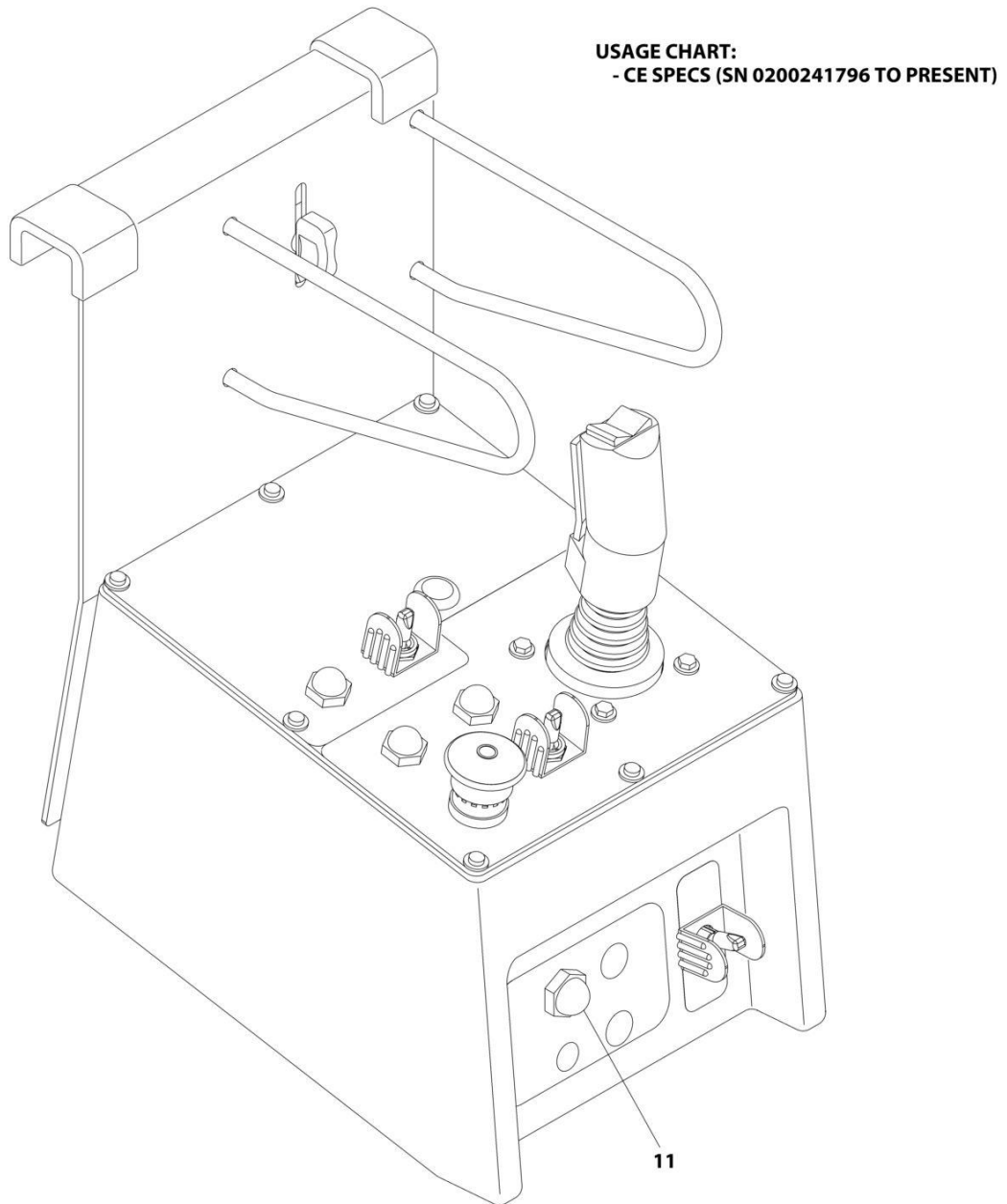
SECTION 5 - PLATFORM

FIGURE 5-36. LEVELING JACKS SWITCH INSTALLATION

ITEM	PART NUMBER	QTY	DESCRIPTION	REV
11	1001166178 4360387	Ref Ref Ref Ref 1	USAGE CHART: - All Specs except CE Specs - CE Specs (SN 0200239053 through 0200241795) LEVELING JACKS SWITCH INSTALLATION Switch, Push Button	B

SECTION 5 - PLATFORM

FIGURE 5-37. LEVELING JACKS SWITCH INSTALLATION



ART_1001188847_20F2

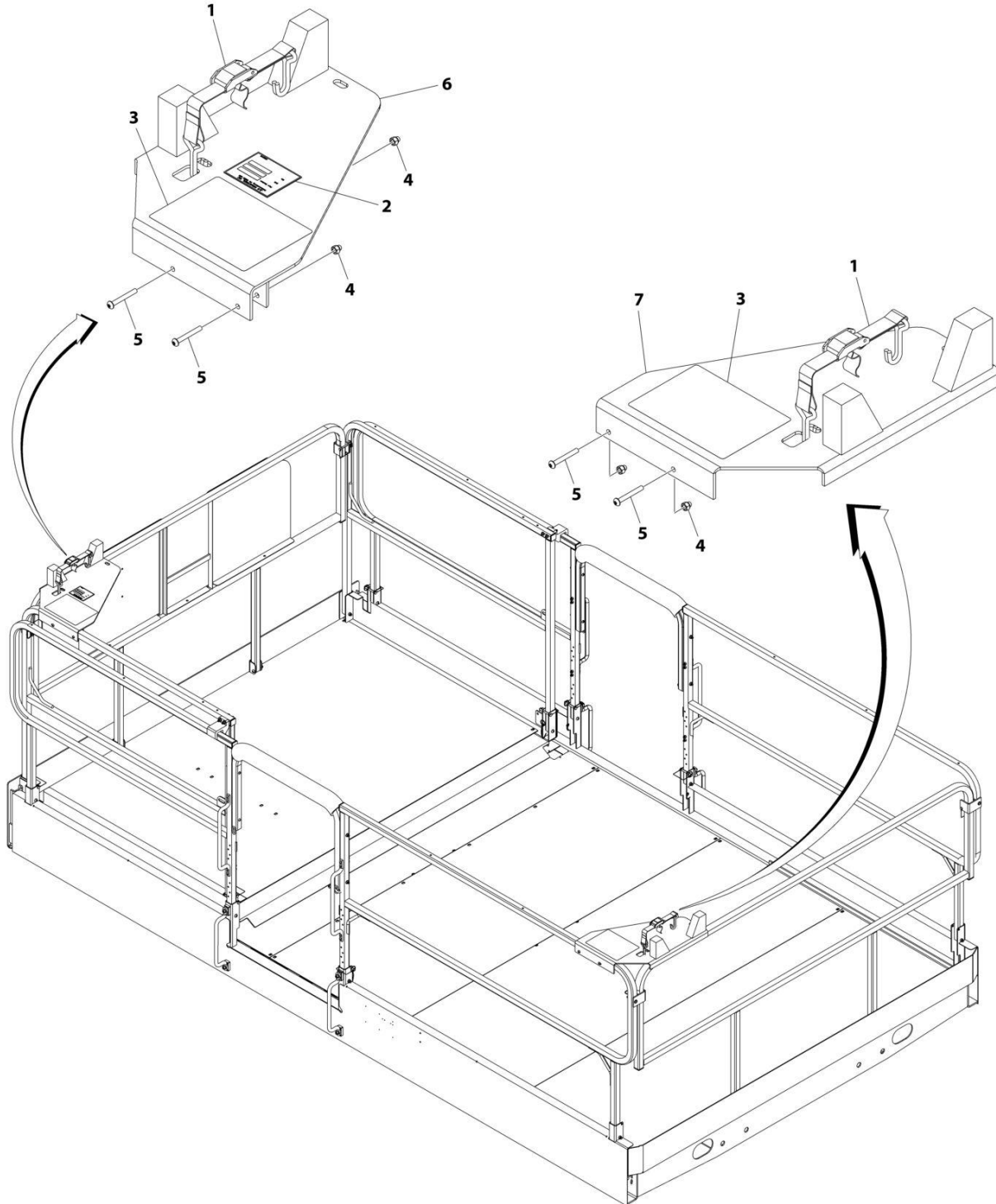
SECTION 5 - PLATFORM

FIGURE 5-37. LEVELING JACKS SWITCH INSTALLATION

ITEM	PART NUMBER	QTY	DESCRIPTION	REV
11	1001188847 4360387	Ref Ref Ref 1	USAGE CHART: - CE Specs (SN 0200241796 to Present) LEVELING JACKS SWITCH INSTALLATION Switch, Push Button	A

SECTION 5 - PLATFORM

FIGURE 5-38. PIPE RACKS INSTALLATION (RAIL MOUNT)



ART_0272829

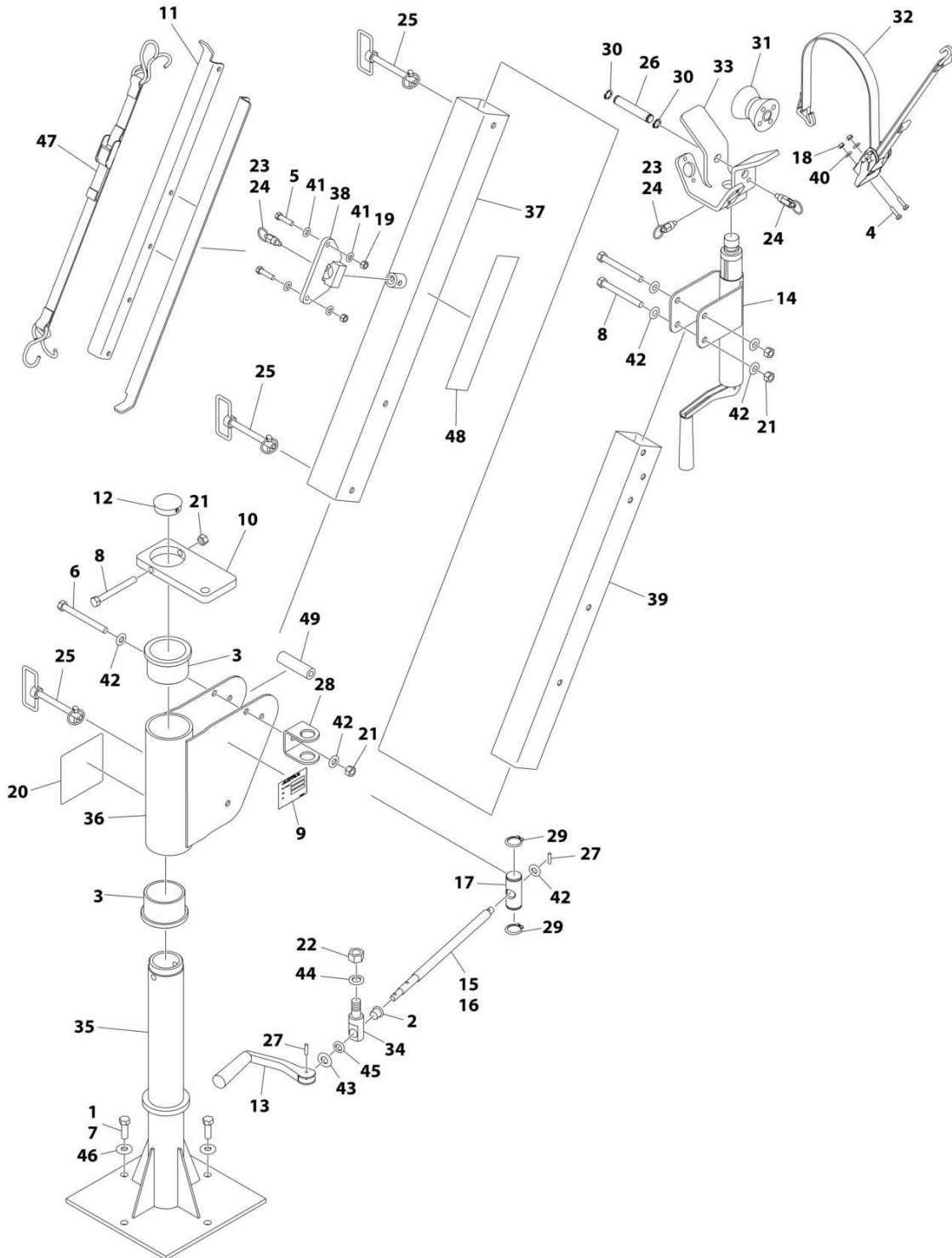
SECTION 5 - PLATFORM

FIGURE 5-38. PIPE RACKS INSTALLATION (RAIL MOUNT)

ITEM	PART NUMBER	QTY	DESCRIPTION	REV
	0272829	Ref	PIPE RACKS INSTALLATION (RAIL MOUNT)	B
1	0480100	2	Belt, Tie Down	
2	See Note	NSS	Nameplate (Note: Not Available for Purchase)	
3	1705637	2	Decal – Pipe Rack Capacity	
4	2080063	4	Fastener 1/4	
5	3900318	4	Screw 1/4 x 2	
6	4845441	1	Support, Pipe Rack	
7	4845442	1	Support, Pipe Rack	

SECTION 5 - PLATFORM

FIGURE 5-39. PIPE RACKS INSTALLATION (SKY POSITIONER)



ART_0274103

SECTION 5 - PLATFORM

FIGURE 5-39. PIPE RACKS INSTALLATION (SKY POSITIONER)

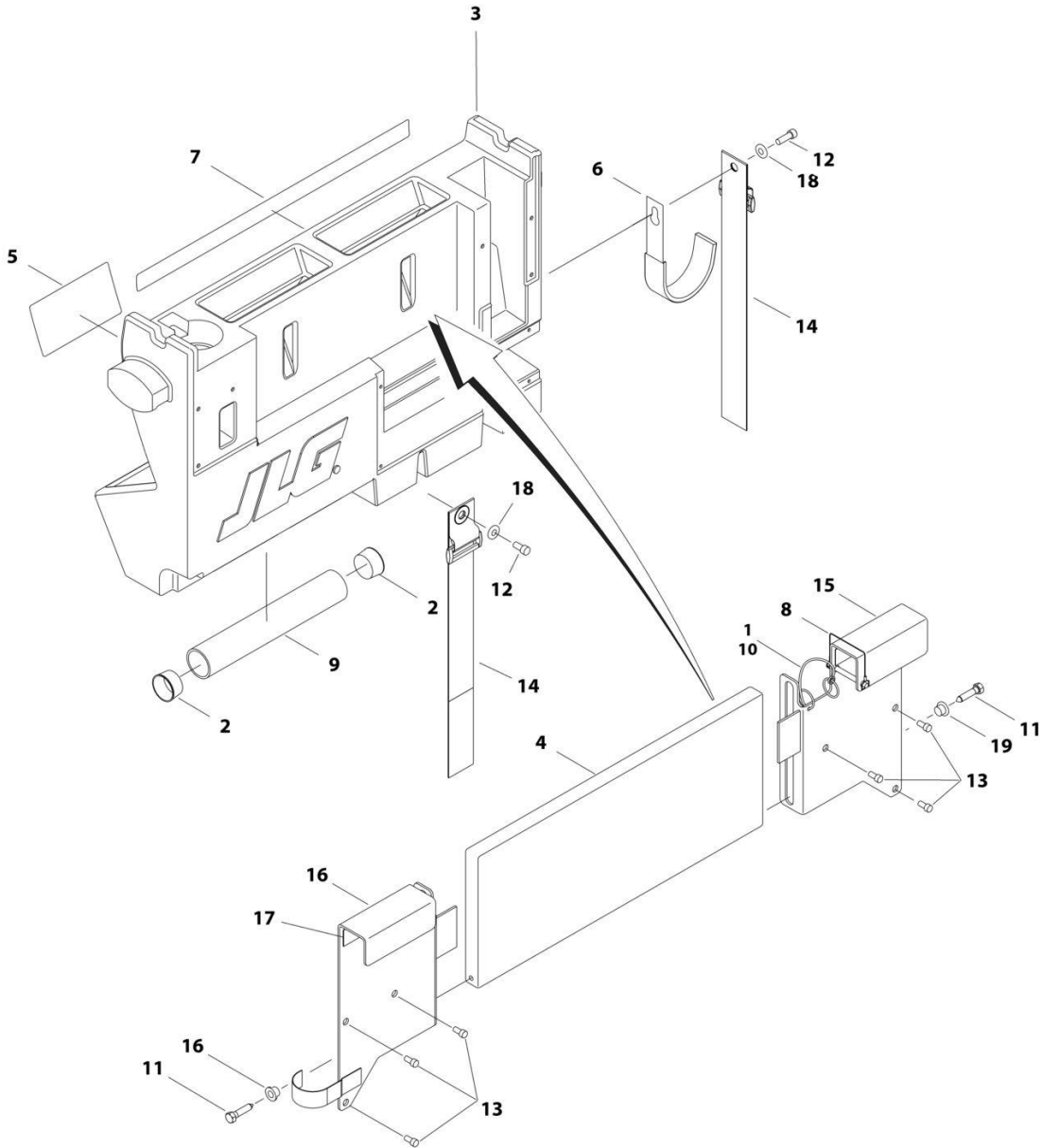
ITEM	PART NUMBER	QTY	DESCRIPTION	REV
	0274103	Ref	PIPE RACKS INSTALLATION (SKY POSITIONER)	C
1	0100011	AR	Compound, Locking	
2	0440311	2	Bearing, Flanged	
3	0440312	4	Bearing, Flanged	
4	0641408	4	Bolt 1/4 x 1	
5	0641612	4	Bolt 3/8 x 1-1/2	
6	0641840	2	Bolt 1/2 x 5	
7	0641812	8	Bolt 1/2 x 1-1/2	
8	0641836	6	Bolt 1/2 x 4-1/2	
9	See Note	2	Nameplate, Accessory Serial Tag (Note: Not Available for Purchase)	
10	0903095	2	Bracket, Jack Mount	
11	0903104	4	Bracket, Duct Mount	
12	1120580	2	Plug	
13	2560186	2	Handle	
14	2840023	2	Jack, Screw	
15	2840024	2	Screw, Jack	
16	3020035	AR	Lubricant (Not Shown)	
17	3300489	2	Nut 3/4	
18	3311405	4	Nut 1/4	
19	3311605	4	Nut 3/8	
20	1706113	2	Decal - Pipe Rack Capacity	
21	3311805	8	Nut 1/2	
22	3312205	2	Nut 3/4	
23	3423047	4	Pin, Plunger (Use p/n 3423151)	
24	3423151	6	Pin, Locking Plunger	
25	3423179	6	Pin, Hitch	
26	3423180	2	Pin	
27	3440816	4	Pin, Roll	
28	3575597	2	Plate, Jack Mount	
29	3760141	4	Ring, Retaining	
30	3760348	4	Ring, Retaining	
31	3860122	2	Roller	
32	4240170	2	Strap, Ratchet Tie Down	
33	4340922	2	Pipe, Support	
34	4340932	2	Mount, Jack Screw	
35	4340933	2	Mount, Pipe Rack	
36	4340934	2	Support, Pipe Rack Arm	
37	4340948	2	Support, Pipe Rack Outer	
38	4340949	2	Mount, Duct	
39	4569126	2	Tube, Pipe Rack Inner	
40	4711400	4	Washer 1/4	
41	4711600	8	Washer 3/8	
42	4711800	14	Washer 1/2	
43	4712000	2	Washer 5/8	
44	4740415	2	Washer, Special	
45	4740529	2	Washer, Thrust	
46	4751800	8	Washer 1/2	
47	4240171	2	Strap	
48	1706197	2	Decal - Sky Positioner	

SECTION 5 - PLATFORM

ITEM	PART NUMBER	QTY	DESCRIPTION	REV
49	4569150	2	Tube, Spacer	

SECTION 5 - PLATFORM

FIGURE 5-40. WORKSTATION WITHOUT DC CONVERTER INSTALLATION



ART_0240087

SECTION 5 - PLATFORM

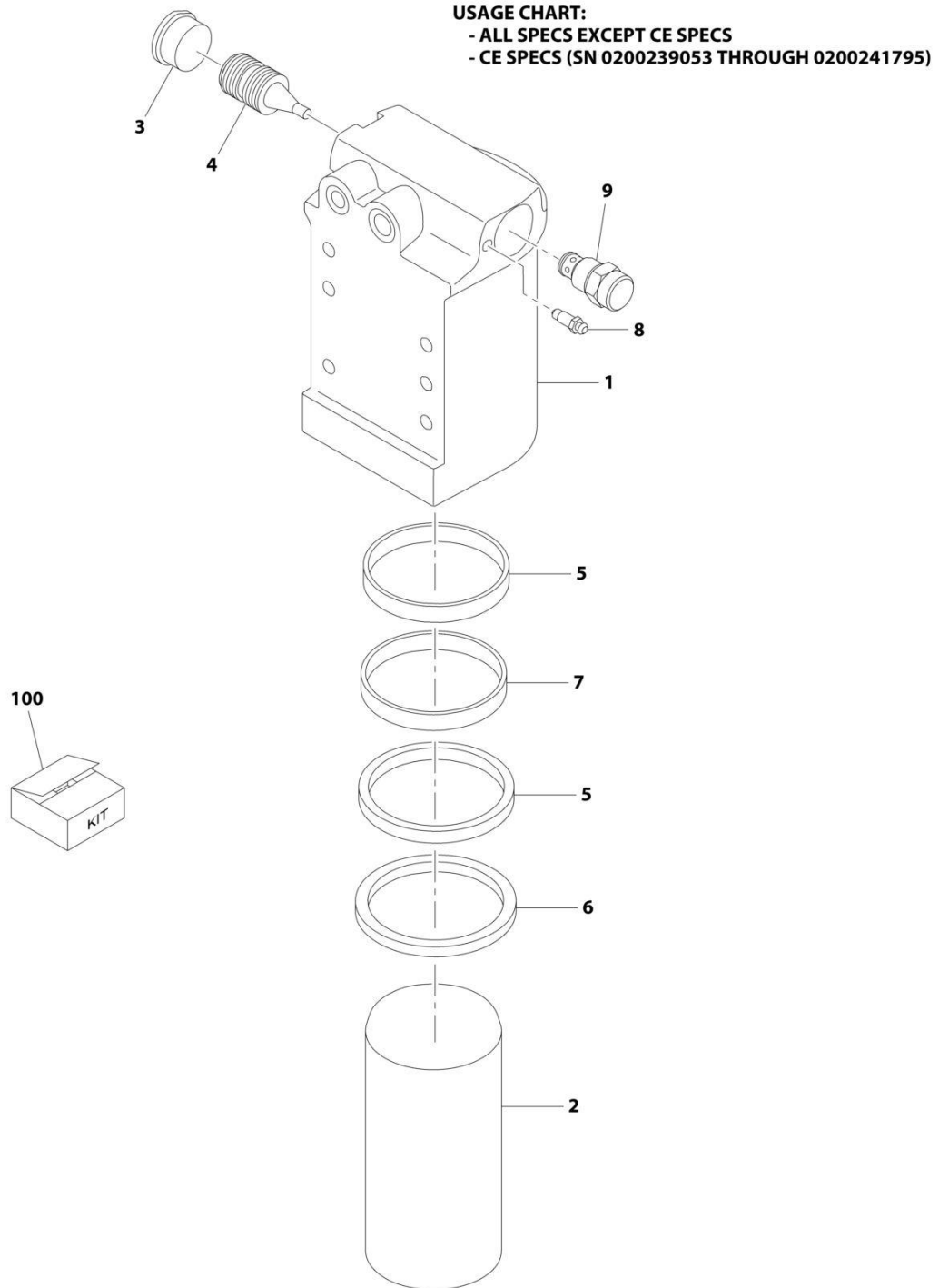
FIGURE 5-40. WORKSTATION WITHOUT DC CONVERTER INSTALLATION

ITEM	PART NUMBER	QTY	DESCRIPTION	REV
	0274260	Ref	WORKSTATION INSTALLATION – REFERENCE CHART	B
	0240087	Ref	WORKSTATION WITHOUT DC CONVERTER INSTALLATION	C
1	1060379	1	Cable, Lanyard	
2	1120555	2	Cap, Manual Storage	
3	1580023	1	Container	
4	1580024	1	Tray	
5	1705997	1	Decal - Workstation	
6	2700100	1	Hook, Hanger	
7	2902348	1	Decal - Workstation Kit	
8	3422219	1	Pin	
9	3460334	1	PVC Pipe	
10	3760170	2	Ring	
11	3900355	2	Screw 5/16 x 1-1/2	
12	3931412	2	Bolt 1/4 x 3/4	
13	3931508	6	Bolt 5/16 x 1/2	
14	4240003	2	Strap	
15	4340853	1	Mount, RH Channel	
16	4340854	1	Mount, LH Channel	
17	4420062	3 ft /0.9m	Tape	
18	4711400	2	Washer 1/4	
19	4740480	2	Insert, Plastic	

SECTION 6 - CYLINDER

SECTION 6 - CYLINDER

FIGURE 6-1. AXLE LOCKOUT CYLINDER ASSEMBLY



ART_1684465

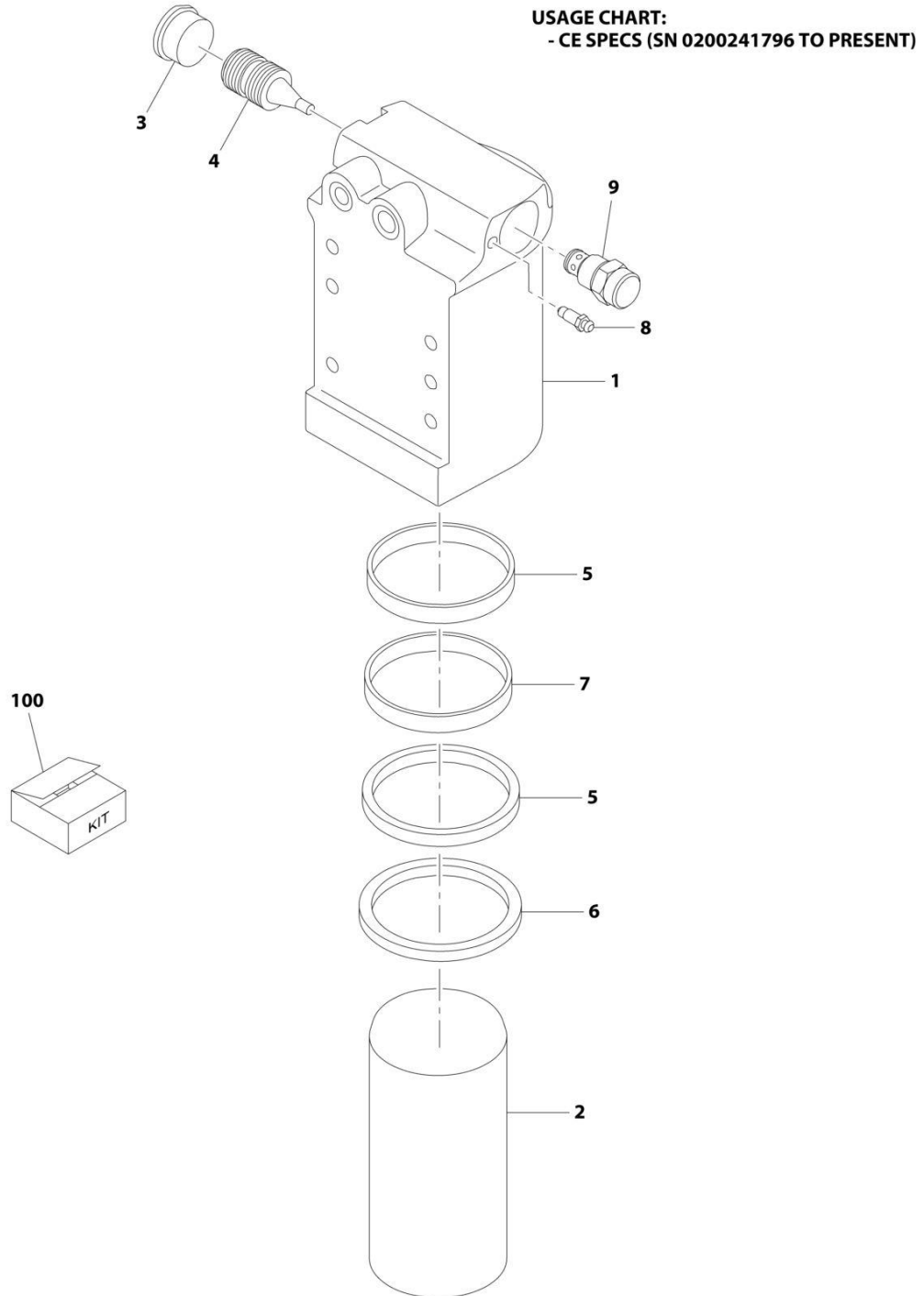
SECTION 6 - CYLINDER

FIGURE 6-1. AXLE LOCKOUT CYLINDER ASSEMBLY

ITEM	PART NUMBER	QTY	DESCRIPTION	REV
		Ref	USAGE CHART:	
		Ref	- All Specs except CE Specs	
		Ref	- CE Specs (SN 0200239053 through 0200241795)	
	1684465	Ref	AXLE LOCKOUT CYLINDER ASSEMBLY	J
1	0370026	1	Barrel	
2	1684290	1	Rod	
3	2220890	1	Plug	
4	3480288	1	Piston, Pilot	
5	See Note	NSS	Ring, Wear (Note: Use Item 100)	
6	See Note	NSS	Wiper (Note: Use Item 100)	
7	See Note	NSS	Seal, Rod (Note: Use Item 100)	
8	4640858	1	Bleeder	
9	4641390	1	Cartridge, Valve	
9	7017496	1	Seal Kit - 4641390 Cartridge	
100	2902266	1	Seal Kit (Includes Items 5-7)	

SECTION 6 - CYLINDER

FIGURE 6-2. AXLE LOCKOUT CYLINDER ASSEMBLY



ART_1001163580

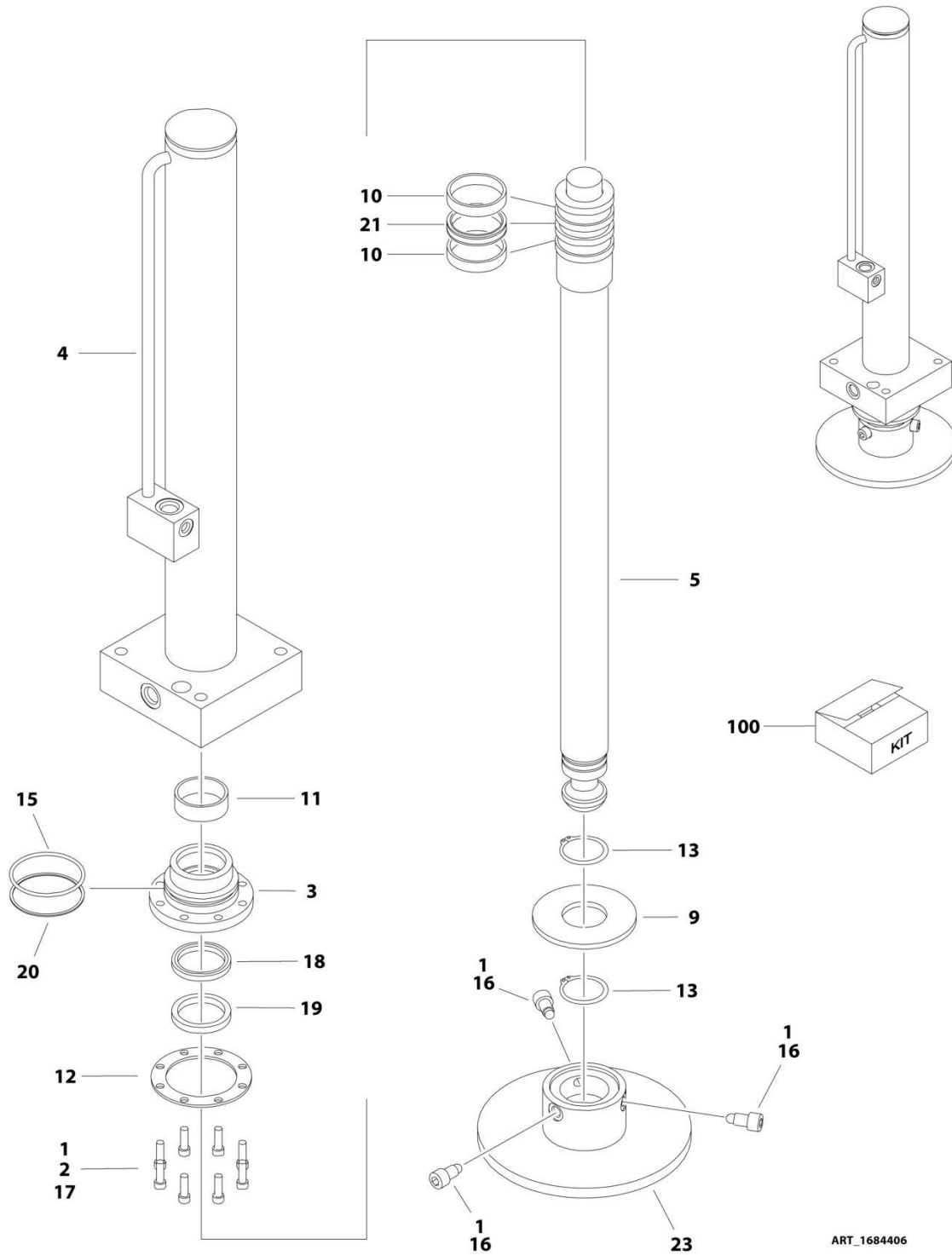
SECTION 6 - CYLINDER

FIGURE 6-2. AXLE LOCKOUT CYLINDER ASSEMBLY

ITEM	PART NUMBER	QTY	DESCRIPTION	REV
		Ref	USAGE CHART:	
		Ref	- CE Specs (SN 0200241796 to Present)	
	1001163580	Ref	AXLE LOCKOUT CYLINDER ASSEMBLY	G
1	0370026	1	Barrel	
2	1684290	1	Rod	
3	2220890	1	Plug	
4	3480288	1	Piston, Pilot	
5	See Note	NSS	Ring, Wear (Note: Use Item 100)	
6	See Note	NSS	Wiper (Note: Use Item 100)	
7	See Note	NSS	Seal, Rod (Note: Use Item 100)	
8	4640858	1	Bleeder	
9	4641390	1	Cartridge, Valve	
9	7017496	1	Seal Kit - 4641390 Cartridge	
100	2902266	1	Seal Kit (Includes Items 5-7)	

SECTION 6 - CYLINDER

FIGURE 6-3. LEVELING JACK CYLINDER ASSEMBLY



ART_1684406

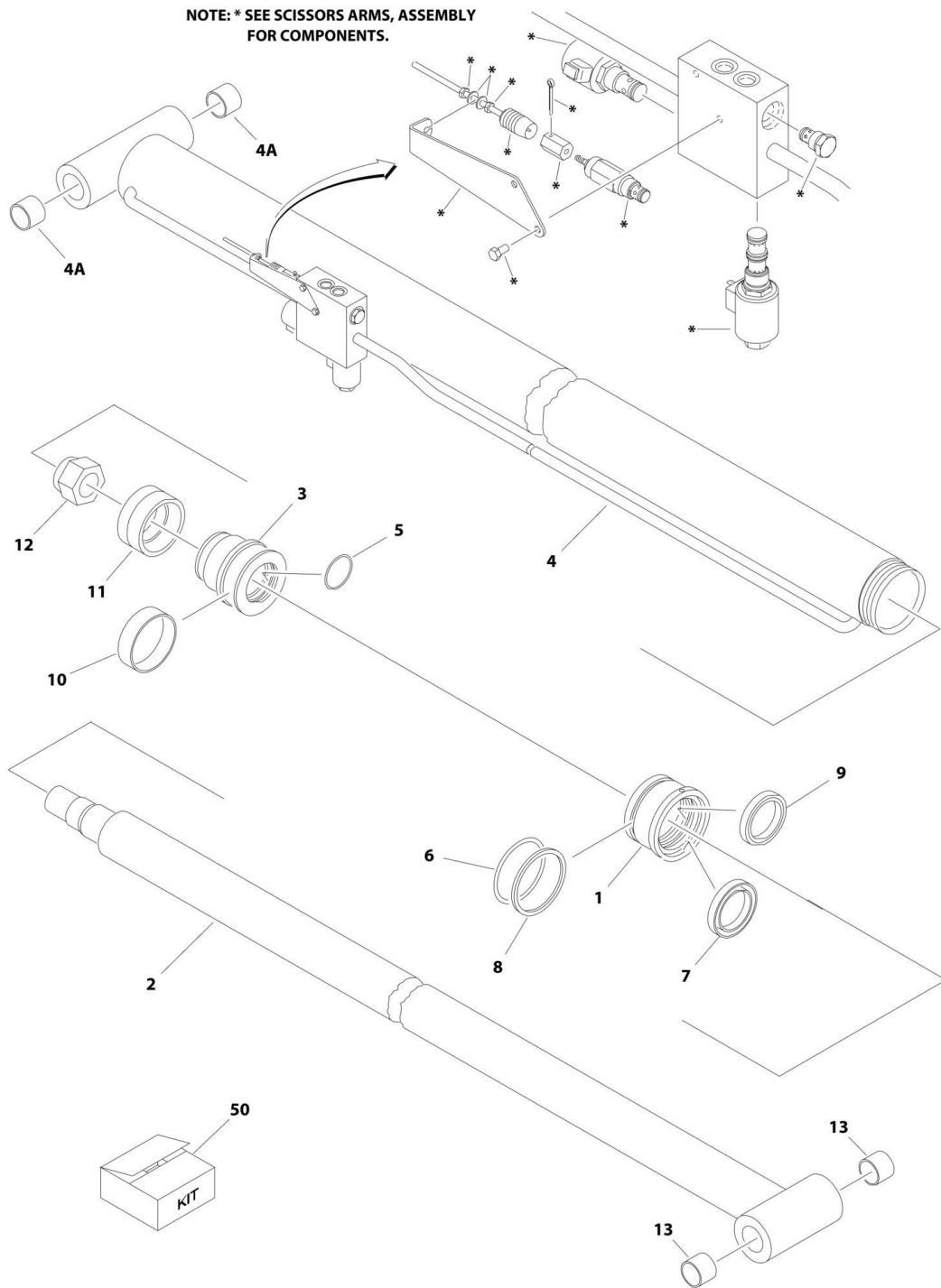
SECTION 6 - CYLINDER

FIGURE 6-3. LEVELING JACK CYLINDER ASSEMBLY

ITEM	PART NUMBER	QTY	DESCRIPTION	REV
	1684406	Ref	LEVELING JACK CYLINDER ASSEMBLY	C
1	0100011	AR	Compound, Locking	
2	0100038	AR	Primer, Locking	
3	1683054	1	Head	
4	0370018	1	Barrel	
5	3850013	1	Rod	
9	3573513	1	Plate, Jack	
10	See Note	NSS	Ring, Lock (Note: Use Item 100)	
11	See Note	NSS	Ring, Wear (Note: Use Item 100)	
12	3760368	1	Ring, Washer	
13	3760460	2	Ring, Retaining	
15	See Note	NSS	O-Ring (Note: Use Item 100)	
16	3900321	3	Screw 1/2 x 1-1/4	
17	3931516	8	Capscrew 5/16 x 1	
18	See Note	NSS	Seal (Note: Use Item 100)	
19	See Note	NSS	Wiper (Note: Use Item 100)	
20	See Note	NSS	Ring, Back-up (Note: Use Item 100)	
21	See Note	NSS	T-Seal (Note: Use Item 100)	
23	4846584	1	Pad, Jack	
100	2902182	1	Seal Kit - 1684406 Cylinder (Includes Items 10, 11, 15 & 18-21)	

SECTION 6 - CYLINDER

FIGURE 6-4. LIFT CYLINDER ASSEMBLY



ART_1684332

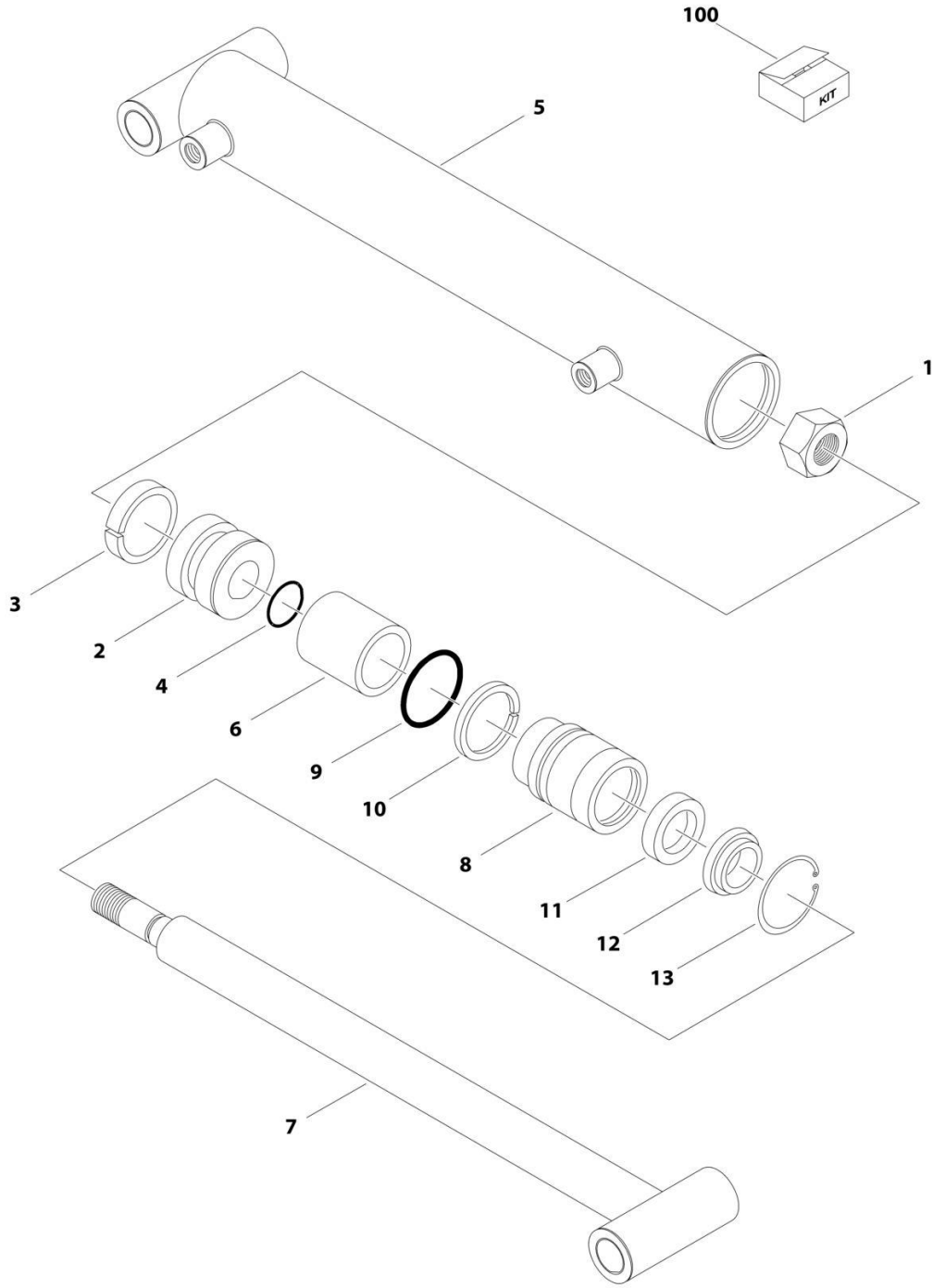
SECTION 6 - CYLINDER

FIGURE 6-4. LIFT CYLINDER ASSEMBLY

ITEM	PART NUMBER	QTY	DESCRIPTION	REV
	1684332	Ref	LIFT CYLINDER ASSEMBLY	D
1	7026585	1	Head	
2	7026584	1	Rod	
3	7026583	1	Piston	
4	7026582	1	Barrel	
4A	70002202	2	Bushing	
5	See Note	NSS	Ring, Back-up (Note: Use Item 50)	
6	See Note	NSS	Seal (Note: Use Item 50)	
7	See Note	NSS	Seal (Note: Use Item 50)	
8	See Note	NSS	Ring, Back-up (Note: Use Item 50)	
9	See Note	NSS	Wiper (Note: Use Item 50)	
10	See Note	NSS	Ring, Wear (Note: Use Item 50)	
11	See Note	NSS	Seal (Note: Use Item 50)	
12	70002203	1	Nut	
13	70002202	2	Bushing	
50	7026586	1	Seal Kit - 1684332 Cylinder (Includes Items 5-11)	

SECTION 6 - CYLINDER

FIGURE 6-5. PLATFORM EXTENSION CYLINDER ASSEMBLY



ART_1674266

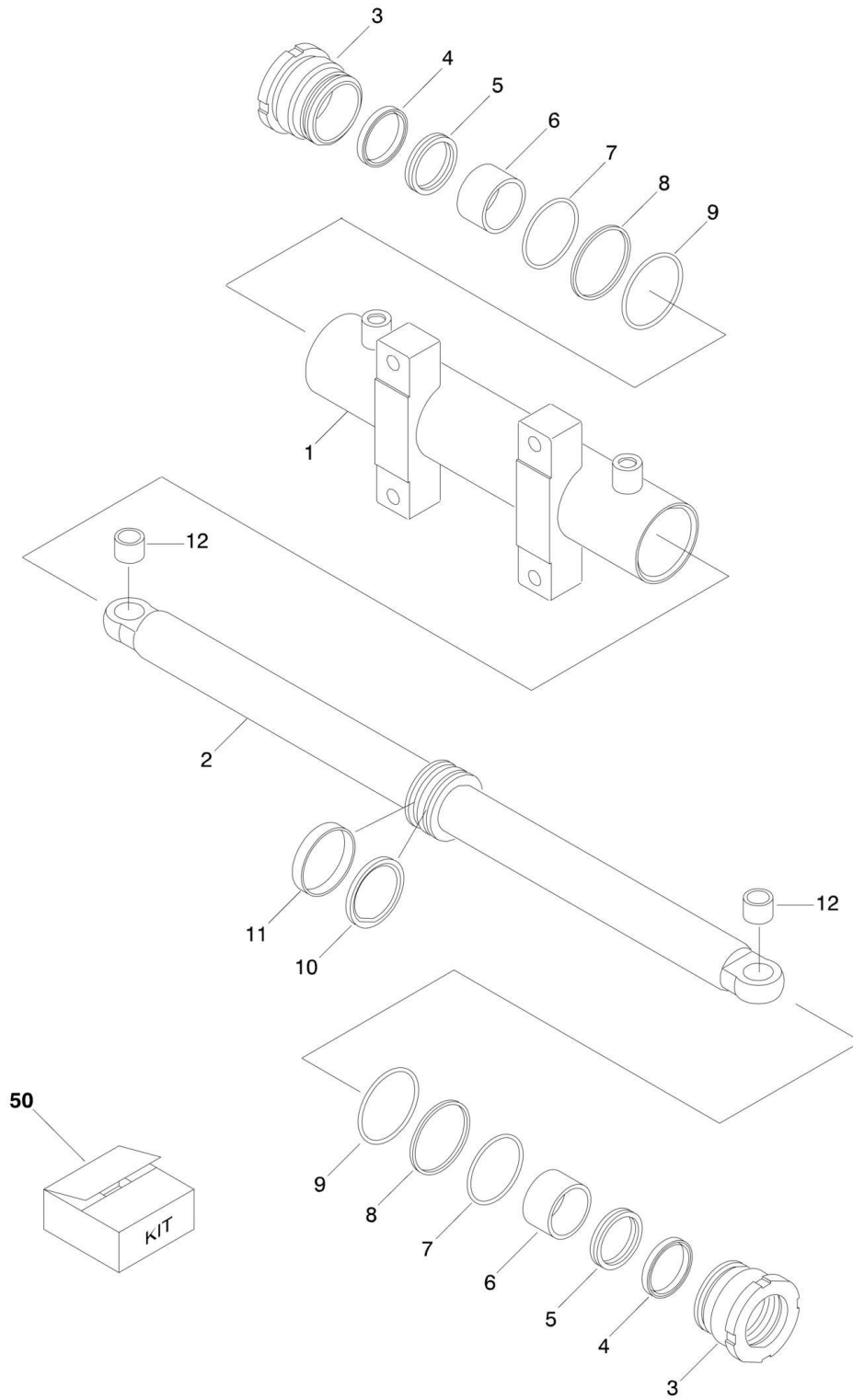
SECTION 6 - CYLINDER

FIGURE 6-5. PLATFORM EXTENSION CYLINDER ASSEMBLY

ITEM	PART NUMBER	QTY	DESCRIPTION	REV
	1684266	Ref	PLATFORM EXTENSION CYLINDER ASSEMBLY	B
1	7001084	1	Locknut	
2	7001610	1	Piston	
3	See Note	NSS	Seal (Note: Use Item 100)	
4	See Note	NSS	O-Ring (Note: Use Item 100)	
5	7023035	1	Barrel	
6	7023036	1	Tube, Spacer	
7	7001617	1	Rod	
8	7001613	1	Head	
9	See Note	NSS	O-Ring (Note: Use Item 100)	
10	See Note	NSS	Ring, Back-up (Note: Use Item 100)	
11	See Note	NSS	Seal (Note: Use Item 100)	
12	See Note	NSS	Ring, Wiper (Note: Use Item 100)	
13	7001614	1	Ring, Retaining	
100	7001608	1	Seal Kit - 1684266 Cylinder (Includes Items 3, 4 & 9-13)	

SECTION 6 - CYLINDER

FIGURE 6-6. STEER CYLINDER ASSEMBLY



SECTION 6 - CYLINDER

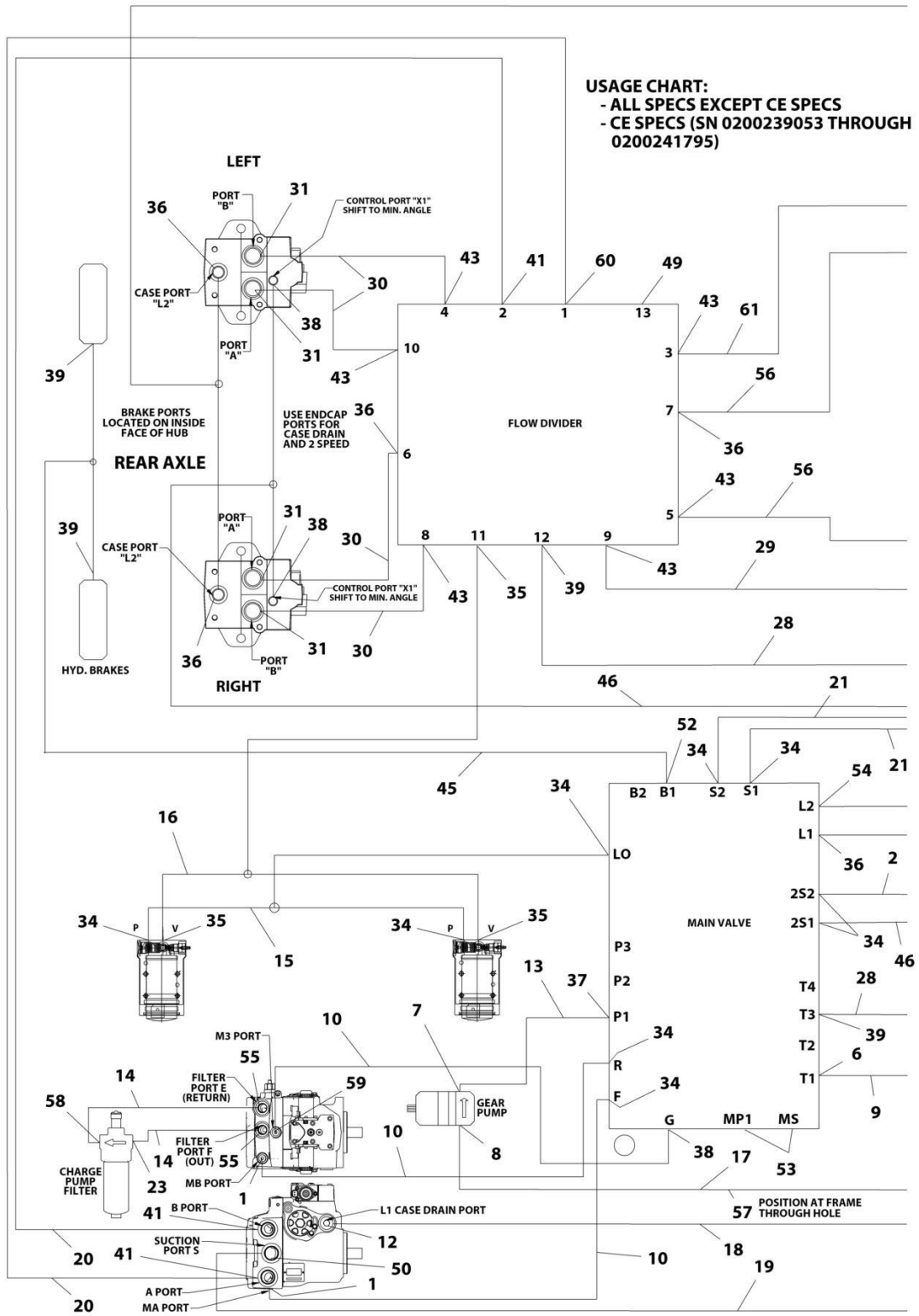
FIGURE 6-6. STEER CYLINDER ASSEMBLY

ITEM	PART NUMBER	QTY	DESCRIPTION	REV
	1001143434	Ref	STEER CYLINDER ASSEMBLY	E
1	70003933	1	Barrel	
2	70003934	1	Rod	
3	70003098	2	Head	
4	See Note	NSS	Wiper (Note: Use Item 50)	
5	See Note	NSS	Seal, Rod (Note: Use Item 50)	
6	70004237	1	Bearing	
7	See Note	NSS	O-Ring (Note: Use Item 50)	
8	See Note	NSS	Ring, Back-up (Note: Use Item 50)	
9	See Note	NSS	O-Ring (Note: Use Item 50)	
10	See Note	NSS	Seal, Piston (Note: Use Item 50)	
11	See Note	NSS	Ring, Wear (Note: Use Item 50)	
12	70007474	2	Bearing	
50	70003099	1	Seal Kit - 1001143434 Cylinder (includes Items 4-12)	

SECTION 7 - HYDRAULIC

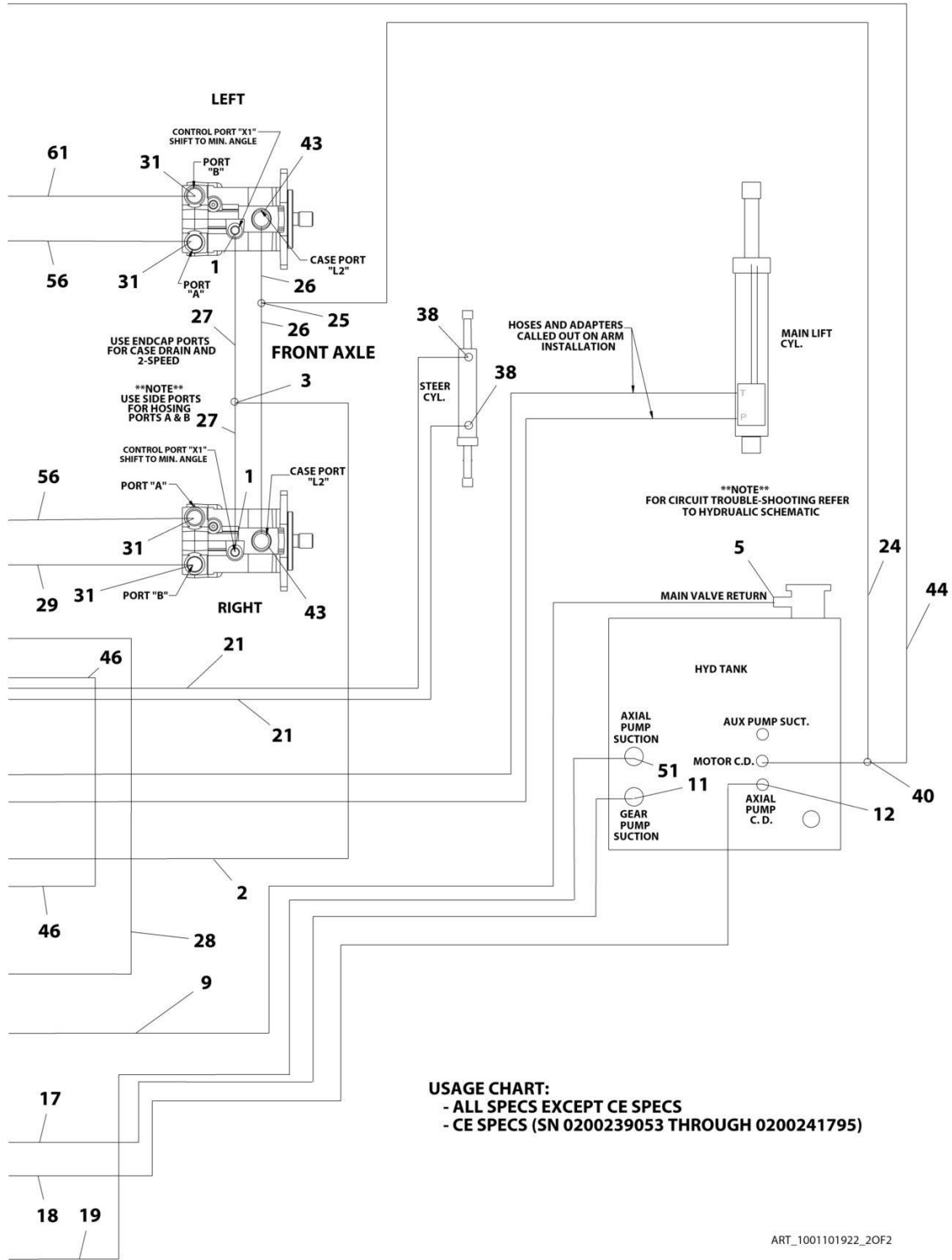
SECTION 7 - HYDRAULIC

FIGURE 7-1. HYDRAULIC DIAGRAM



ART_1001101922_10F2

SECTION 7 - HYDRAULIC



SECTION 7 - HYDRAULIC

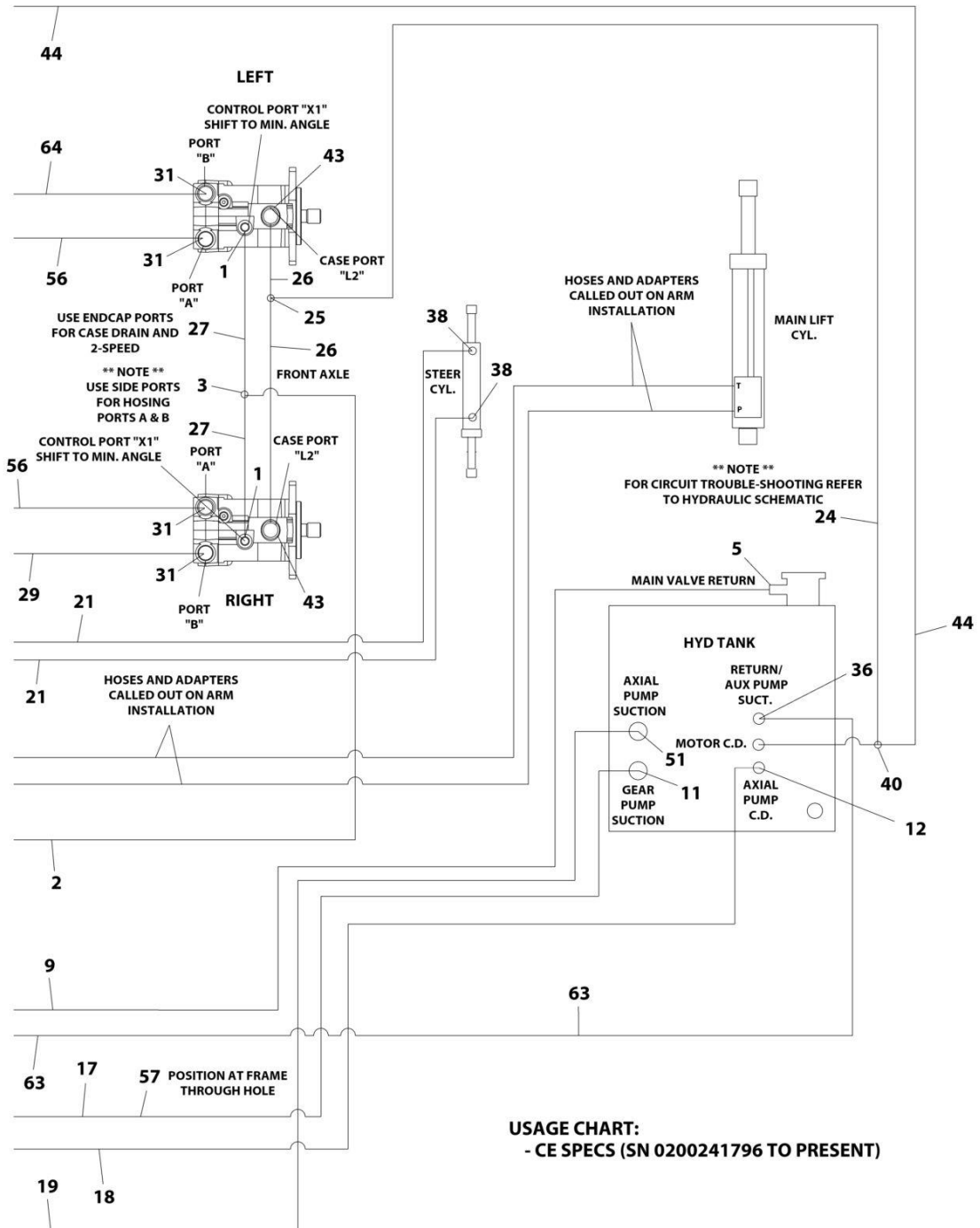
FIGURE 7-1. HYDRAULIC DIAGRAM

ITEM	PART NUMBER	QTY	DESCRIPTION	REV
		Ref	USAGE CHART:	
		Ref	- All Specs except CE Specs	
		Ref	- CE Specs (SN 0200239053 through 0200241795)	
	1001101922	Ref	HYDRAULIC DIAGRAM	J
1	2130406	4	Fitting, 90 ORFS/ORB	
2	2753622	1	Hose	
3	2170504	1	Fitting, Tee ORFS/ORFS/ORFS	
5	2151216	1	Fitting, 45 ORFS/ORB	
6	2111210	1	Fitting, Straight ORFS/ORB	
7	1001103366	1	Valve, Check	
8	2220479	1	Fitting, Straight JIC/ORB	
9	2753704	1	Hose	
10	2753675	3	Hose	
11	8760351	1	Fitting, 45 JIC/ORB	
12	2111212	2	Fitting, Straight ORFS/ORB	
13	2753708	1	Hose	
14	2753582	2	Hose	
15	1001104578	1	Hose	
16	1001104579	1	Hose	
17	1001108128	1	Hose	
18	2753773	1	Hose	
19	1001104581	1	Hose	
20	1001107924	2	Hose	
21	2753784	2	Hose	
23	2130812	1	Fitting, 90 ORFS/ORB	
24	1001104584	1	Hose (SN 0200239053 through 0200249090)	
24	1001202897	1	Hose (SN 0200249091 through 0200251741)	
24	1001104584	1	Hose (SN 0200251742 to Present)	
25	2170508	1	Fitting, Tee ORFS/ORFS/ORFS	
26	2753659	2	Hose (SN 0200239053 through 0200249090)	
26	1001202903	2	Hose (SN 0200249091 to Present)	
27	1001104585	2	Hose (SN 0200239053 through 0200249090)	
27	1001202898	2	Hose (SN 0200249091 to Present)	
28	2753940	1	Hose	
29	1001149199	1	Hose	
30	2753791	4	Hose	
31	2110812	8	Fitting, Straight ORFS/ORB	
34	2110404	9	Fitting, Straight ORFS/ORB	
35	2110606	3	Fitting, Straight ORFS/ORB	
36	2110808	5	Fitting, Straight ORFS/ORB	
37	2111010	1	Fitting, Straight ORFS/ORB	
38	2110406	5	Fitting, Straight ORFS/ORB	
39	2130404	4	Fitting, 90 ORFS/ORB	
40	2221084	1	Fitting, Tee ORFS/ORB/ORFS	
41	2111216	3	Fitting, Straight ORFS/ORB	
43	2130808	8	Fitting, 90 ORFS/ORB	
44	1001104588	1	Hose	
45	1001104589	1	Hose	
46	1001104590	1	Hose	
49	2220238	1	Plug	

SECTION 7 - HYDRAULIC

ITEM	PART NUMBER	QTY	DESCRIPTION	REV
50	2112016	1	Fitting, Straight ORFS/ORB	
51	2152020	1	Fitting, 45 ORFS/ORB	
52	4641281	1	Valve, Orifice Check	
53	2221086	2	Fitting, Gage Adapter	
54	2151010	1	Fitting, 45 ORFS/ORB	
55	2110810	2	Fitting, Straight ORFS/ORB	
56	1001149107	2	Hose	
57	4061032	1	Guard, Hose	
58	2110812	1	Fitting, Straight ORFS/ORB	
59	2150406	1	Fitting, 45 ORFS/ORB	
60	2131216	1	Fitting, 90 ORFS/ORB	
61	1001149199	1	Hose (SN 0200239053 through 0200249090)	
61	1001202907	1	Hose (SN 0200249091 to Present)	

SECTION 7 - HYDRAULIC



ART_1001188563_2OF2

SECTION 7 - HYDRAULIC

FIGURE 7-2. HYDRAULIC DIAGRAM

ITEM	PART NUMBER	QTY	DESCRIPTION	REV
		Ref	USAGE CHART:	
		Ref	- CE Specs (SN 0200241796 to Present)	
	1001188563	Ref	HYDRAULIC DIAGRAM	D
1	2130406	4	Fitting, 90 ORFS/ORB	
2	2753622	1	Hose	
3	2170504	1	Fitting, Tee ORFS/ORFS/ORFS	
5	2151216	1	Fitting, 45 ORFS/ORB	
6	2111210	1	Fitting, Straight ORFS/ORB	
7	1001103366	1	Valve, Check	
8	2220479	1	Fitting, Straight JIC/ORB	
9	2753704	1	Hose	
10	2754263	1	Hose	
11	8760351	1	Fitting, 45 JIC/ORB	
12	2111212	2	Fitting, Straight ORFS/ORB	
13	2753708	1	Hose	
14	2753582	2	Hose	
16	1001104579	1	Hose	
17	1001108128	1	Hose	
18	2753773	1	Hose	
19	1001104581	1	Hose	
20	1001107924	2	Hose	
21	2753784	4	Hose	
23	2130812	1	Fitting, 90 ORFS/ORB	
24	1001104584	1	Hose (SN 0200241796 through 0200249090)	
24	1001202897	1	Hose (SN 0200249091 through 0200251741)	
24	1001104584	1	Hose (SN 0200251742 to Present)	
25	2170508	1	Fitting, Tee ORFS/ORFS/ORFS	
26	2753659	2	Hose (SN 0200241796 through 0200249090)	
26	1001202903	2	Hose (SN 0200249091 to Present)	
27	1001104585	2	Hose (SN 0200241796 through 0200249090)	
27	1001202898	2	Hose (SN 0200249091 to Present)	
28	2753940	1	Hose	
29	1001149199	1	Hose	
30	2753791	4	Hose	
31	2110812	8	Fitting, Straight ORFS/ORB	
34	2110404	7	Fitting, Straight ORFS/ORB	
35	2110606	3	Fitting, Straight ORFS/ORB	
36	2110808	6	Fitting, Straight ORFS/ORB	
37	2111010	1	Fitting, Straight ORFS/ORB	
38	2110406	5	Fitting, Straight ORFS/ORB	
39	2130404	5	Fitting, 90 ORFS/ORB	
40	2221084	2	Fitting, Tee ORFS/ORB/ORFS	
41	2111216	3	Fitting, Straight ORFS/ORB	
43	2130808	8	Fitting, 90 ORFS/ORB	
44	1001104588	1	Hose	
45	1001104589	1	Hose	
46	1001104590	1	Hose	
49	2220238	1	Plug	
50	2112016	1	Fitting, Straight ORFS/ORB	
51	2152020	1	Fitting, 45 ORFS/ORB	

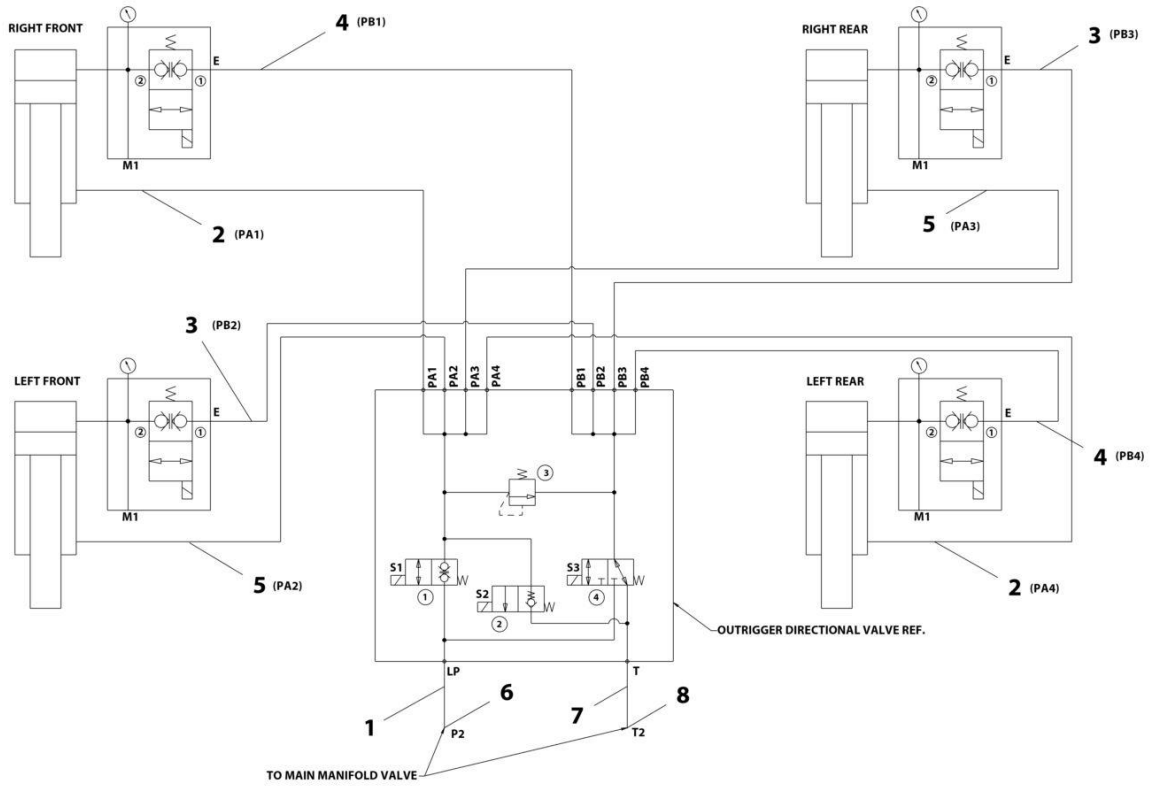
SECTION 7 - HYDRAULIC

ITEM	PART NUMBER	QTY	DESCRIPTION	REV
52	4641281	1	Valve, Orifice Check	
53	2221086	2	Fitting, Gage Adapter	
54	2151010	1	Fitting, 45 ORFS/ORB	
55	2110810	2	Fitting, Straight ORFS/ORB	
56	1001149107	2	Hose	
57	4061032	1	Guard, Hose	
60	2131216	1	Fitting, 90 ORFS/ORB	
61	2110806	1	Fitting, 90 ORFS/ORB	
62	2221183	1	Fitting, Reducer ORFS/ORFS	
63	2753582	1	Hose	
64	1001149199	1	Hose (SN 0200241796 through 0200249090)	
64	1001202907	1	Hose (SN 0200249091 to Present)	

SECTION 7 - HYDRAULIC

FIGURE 7-3. LEVELING JACK HYDRAULIC DIAGRAM

USAGE CHART:
 - ALL SPECS EXCEPT CE SPECS
 - CE SPECS (SN 0200239053 THROUGH 0200241795)



ART_1001103552

SECTION 7 - HYDRAULIC

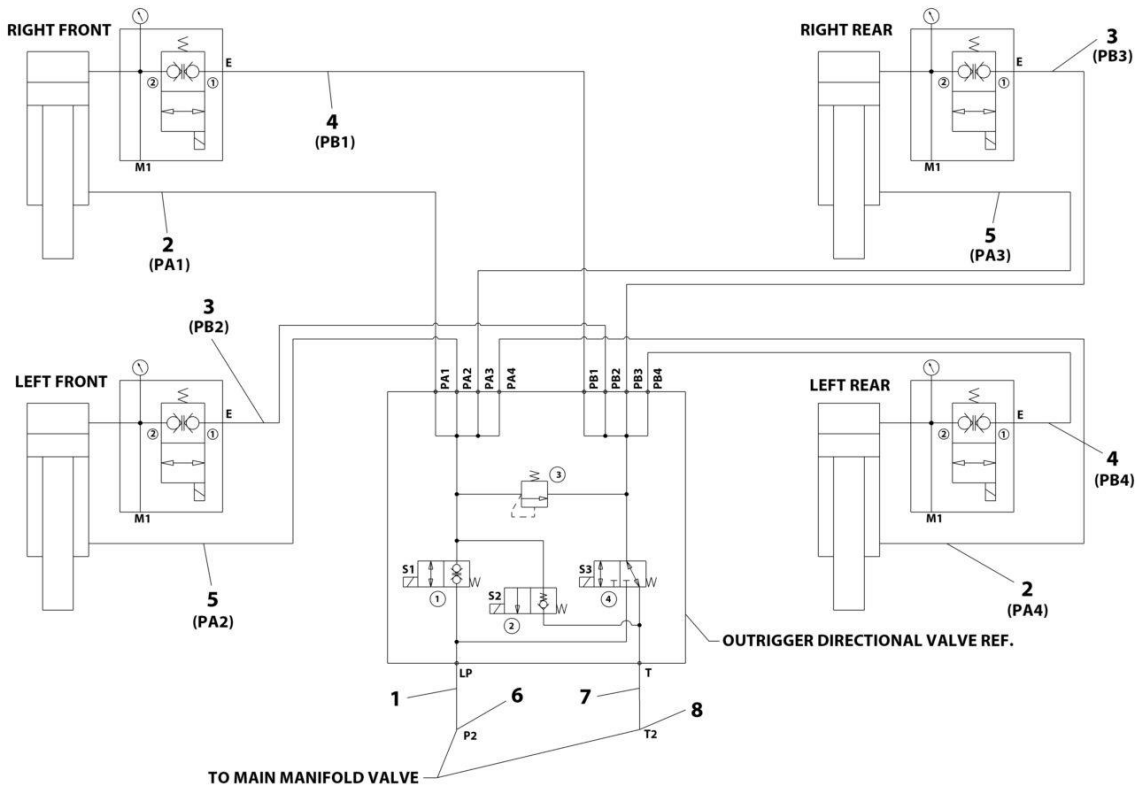
FIGURE 7-3. LEVELING JACK HYDRAULIC DIAGRAM

ITEM	PART NUMBER	QTY	DESCRIPTION	REV
		Ref	USAGE CHART:	
		Ref	- All Specs except CE Specs	
		Ref	- CE Specs (SN 0200239053 through 0200241795)	
	1001103552	Ref	LEVELING JACK HYDRAULIC DIAGRAM	B
1	2753624	1	Hose	
2	2753832	2	Hose	
3	2753833	2	Hose	
4	2753834	2	Hose	
5	2753835	2	Hose	
6	2110606	1	Fitting, Straight ORFS/ORB	
7	2753576	1	Hose	
8	2130606	1	Fitting, 90 ORFS/ORB	

SECTION 7 - HYDRAULIC

FIGURE 7-4. LEVELING JACK HYDRAULIC DIAGRAM

USAGE CHART:
 - CE SPECS (SN 0200241796 TO PRESENT)



ART_1001188848

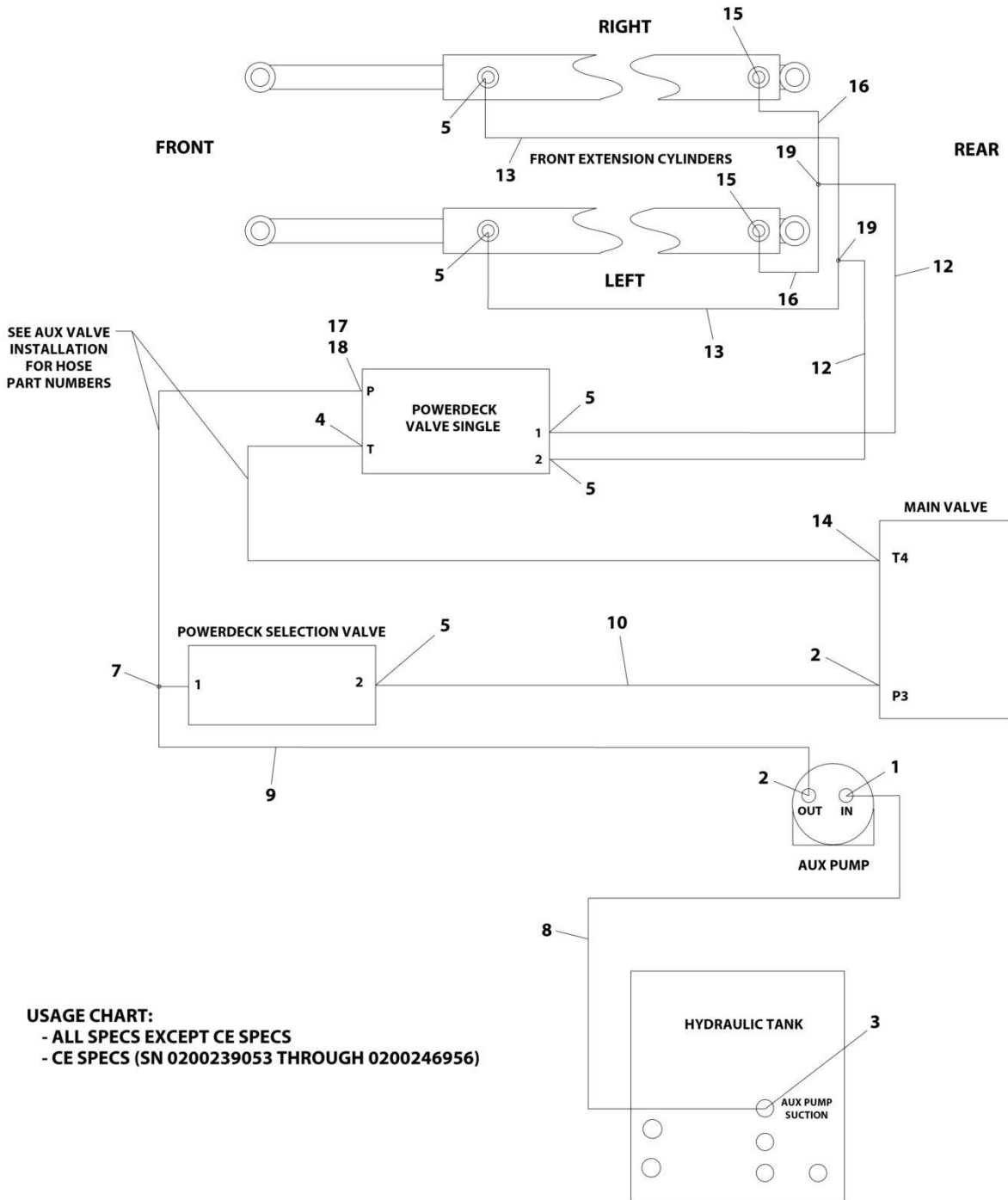
SECTION 7 - HYDRAULIC

FIGURE 7-4. LEVELING JACK HYDRAULIC DIAGRAM

ITEM	PART NUMBER	QTY	DESCRIPTION	REV
		Ref	USAGE CHART:	
		Ref	- CE Specs (SN 0200241796 to Present)	
	1001188848	Ref	LEVELING JACK HYDRAULIC DIAGRAM	A
1	2716960	1	Hose	
2	2753832	2	Hose	
3	2753833	2	Hose	
4	2753834	2	Hose	
5	2753835	2	Hose	
6	2110606	1	Fitting, Straight ORFS/ORB	
7	2753576	1	Hose	
8	2130606	1	Fitting, 90 ORFS/ORB	

SECTION 7 - HYDRAULIC

FIGURE 7-5. POWER SINGLE DECK EXTENSION HYDRAULIC DIAGRAM



ART_1001103708

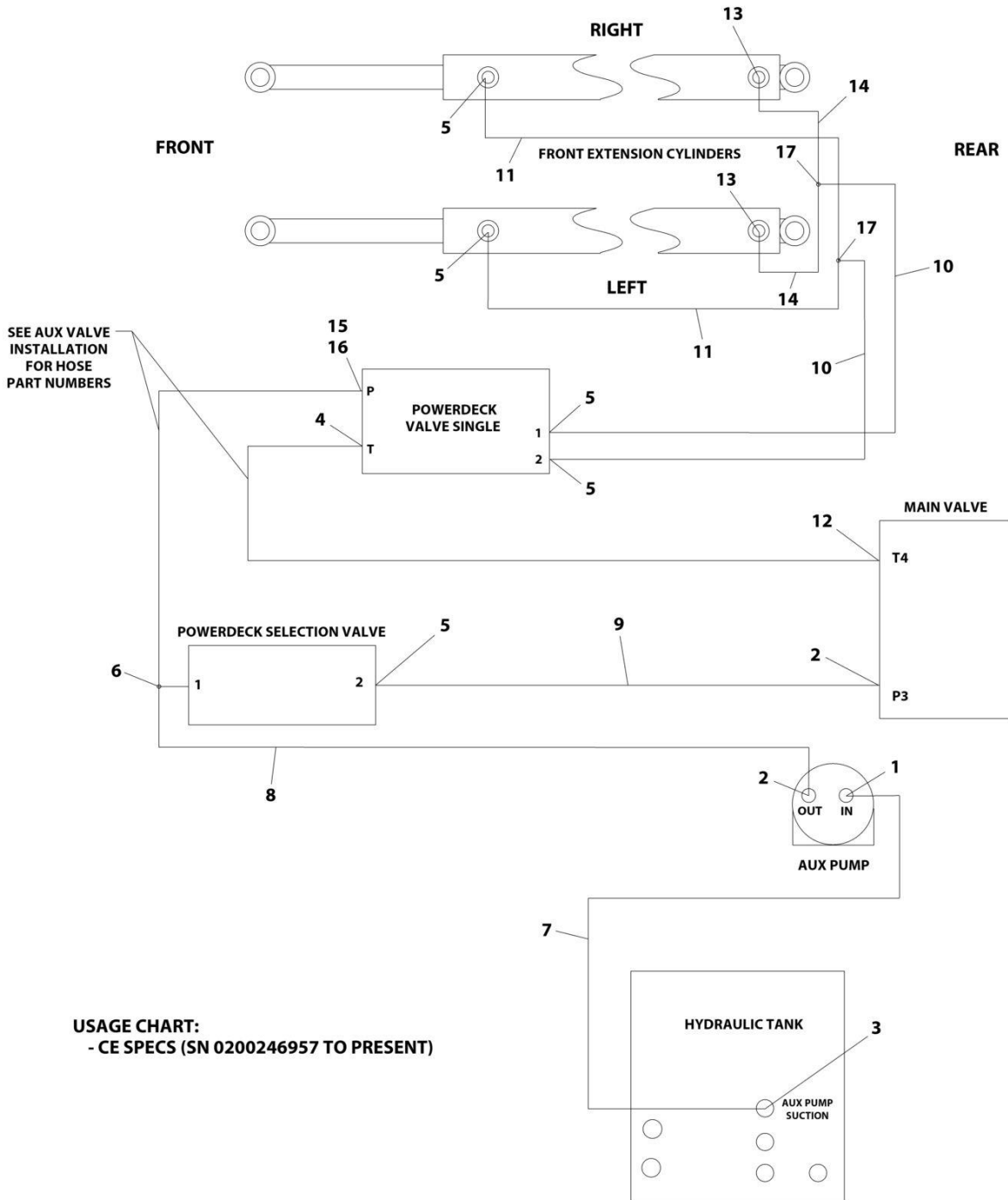
SECTION 7 - HYDRAULIC

FIGURE 7-5. POWER SINGLE DECK EXTENSION HYDRAULIC DIAGRAM

ITEM	PART NUMBER	QTY	DESCRIPTION	REV
		Ref	USAGE CHART:	
		Ref	- All Specs except CE Specs	
		Ref	- CE Specs (SN 0200239053 through 0200246956)	
	1001103708	Ref	POWER SINGLE DECK EXTENSION HYDRAULIC DIAGRAM	B
1	2110806	1	Fitting, Straight ORFS/ORB	
2	2110406	2	Fitting, Straight ORFS/ORB	
3	2110808	1	Fitting, Straight ORFS/ORB	
4	2130604	1	Fitting, 90 ORFS/ORB	
5	2110404	5	Fitting, Straight ORFS/ORB	
7	2170304	1	Fitting, Tee ORFS/ORB/ORFS	
8	2753881	1	Hose	
9	1001105169	1	Hose	
10	2753939	1	Hose	
12	2753550	2	Hose	
13	2753717	2	Hose	
14	2110606	1	Fitting, Straight ORFS/ORB	
15	2170204	2	Fitting, Tee ORFS/ORB	
16	2753555	2	Hose	
17	2180830	1	Orifice (.047)	
18	2172104	1	Fitting, 90 ORFS/FSORFS	
19	2170504	2	Fitting, Tee ORFS/ORFS/ORFS	

SECTION 7 - HYDRAULIC

FIGURE 7-6. POWER SINGLE DECK EXTENSION HYDRAULIC DIAGRAM



ART_1001190537

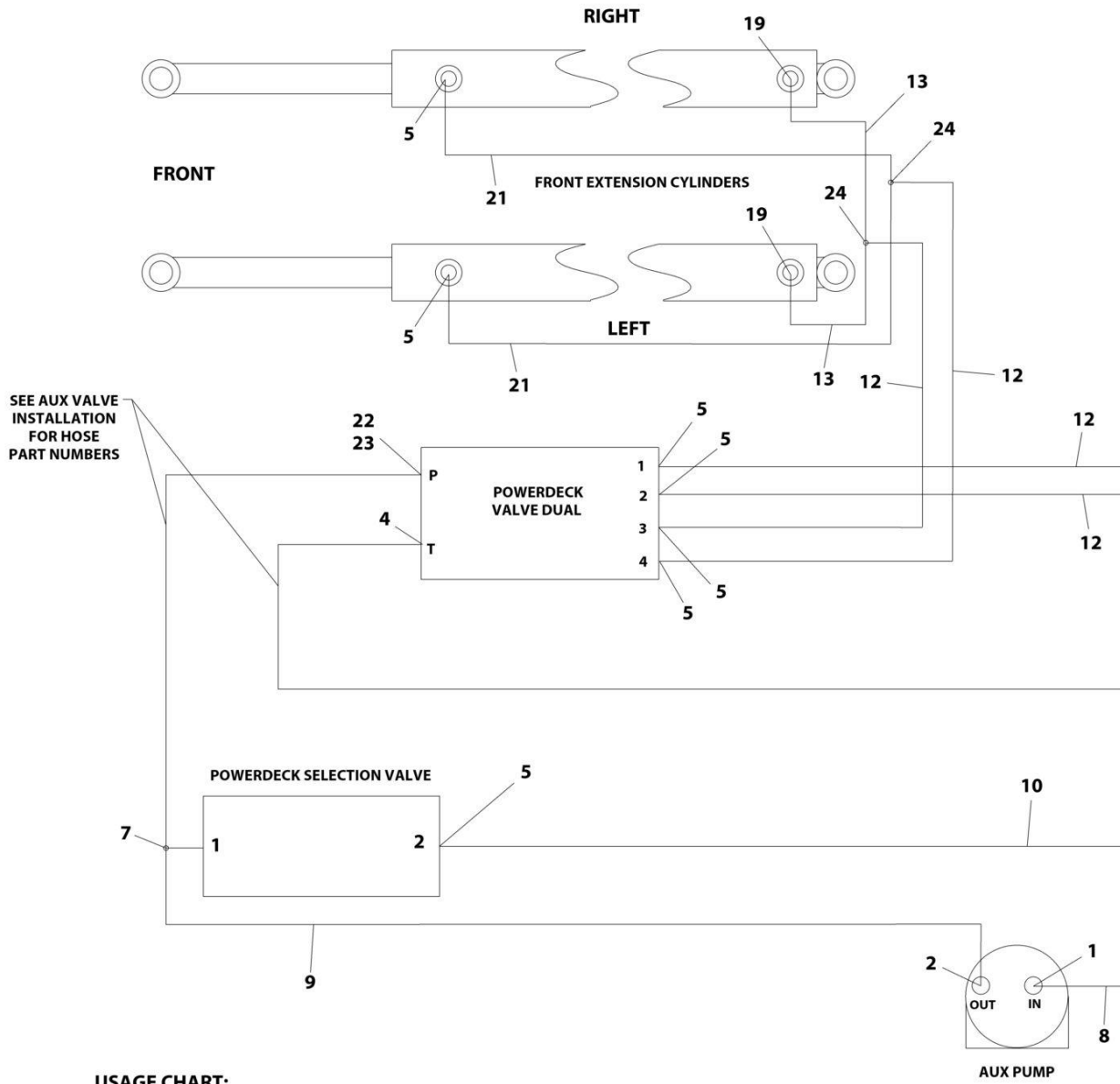
SECTION 7 - HYDRAULIC

FIGURE 7-6. POWER SINGLE DECK EXTENSION HYDRAULIC DIAGRAM

ITEM	PART NUMBER	QTY	DESCRIPTION	REV
		Ref	USAGE CHART:	
		Ref	- CE Specs (SN 0200246957 to Present)	
	1001190537	Ref	POWER SINGLE DECK EXTENSION HYDRAULIC DIAGRAM	A
1	2110806	1	Fitting, Straight ORFS/ORB	
2	2110406	2	Fitting, Straight ORFS/ORB	
3	2170308	1	Fitting, Tee ORFS/ORB/ORFS	
4	2130604	1	Fitting, 90 ORFS/ORB	
5	2110404	5	Fitting, Straight ORFS/ORB	
6	2170304	1	Fitting, Tee ORFS/ORB/ORFS	
7	2753881	1	Hose	
8	1001105169	1	Hose	
9	2753939	1	Hose	
10	2753550	2	Hose	
11	2753717	2	Hose	
12	2110606	1	Fitting, Straight ORFS/ORB	
13	2170204	2	Fitting, 90 ORFS/ORB	
14	2753555	2	Hose	
15	2180830	1	Orifice (.047)	
16	2172104	1	Fitting, Straight ORFS/FSORFS	
17	2170504	2	Fitting, Tee ORFS/ORFS/ORFS	

SECTION 7 - HYDRAULIC

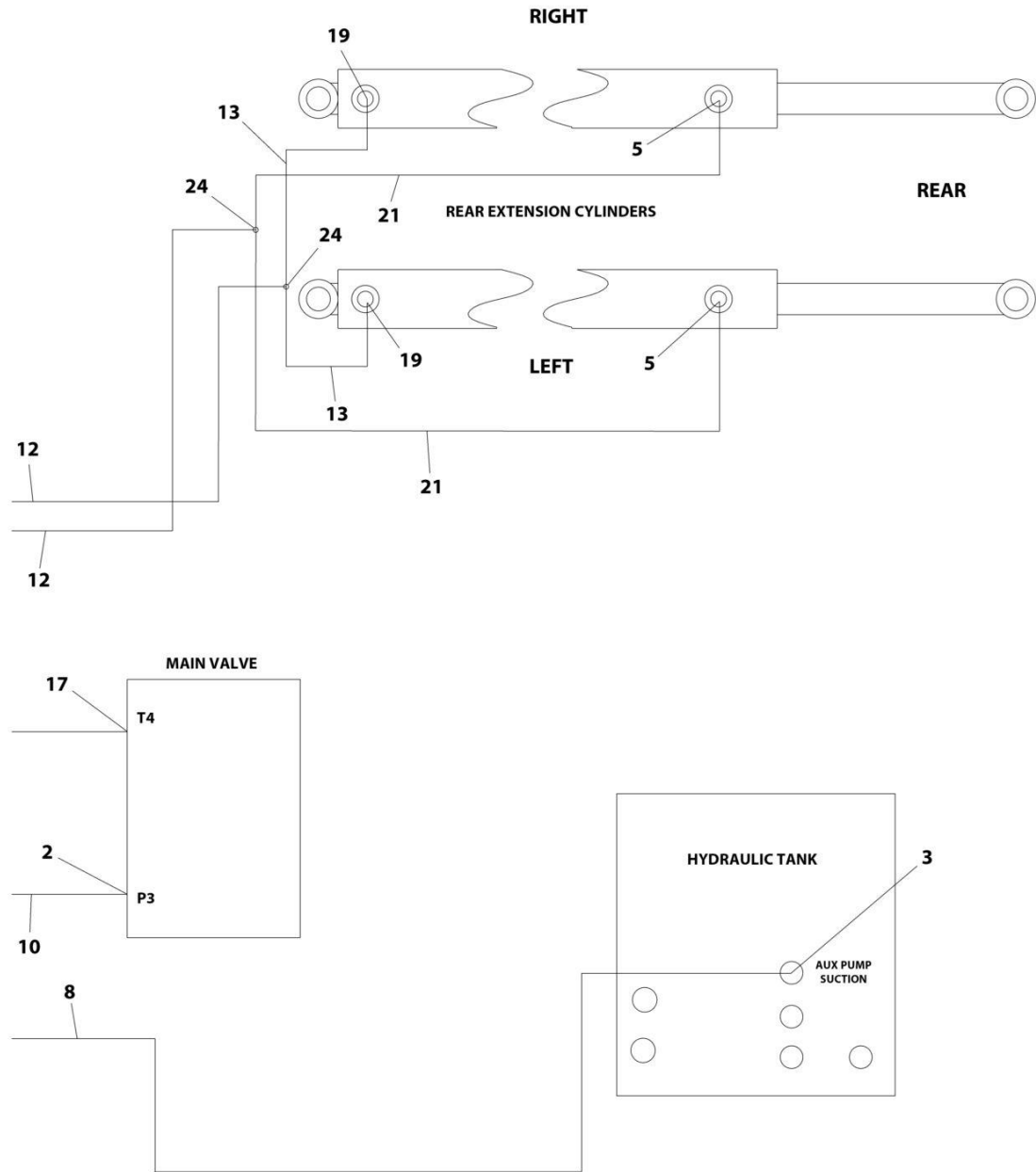
FIGURE 7-7. POWER DUAL DECK EXTENSION (12.6FT/3.8M LENGTH PLATFORM) HYDRAULIC DIAGRAM



USAGE CHART:
 - ALL SPECS EXCEPT CE SPECS
 - CE SPECS (SN 0200239053 THROUGH 0200246956)

ART_1001103709_1OF2

SECTION 7 - HYDRAULIC



USAGE CHART:
 - ALL SPECS EXCEPT CE SPECS
 - CE SPECS (SN 0200239053 THROUGH 0200246956)

ART_1001103709_2OF2

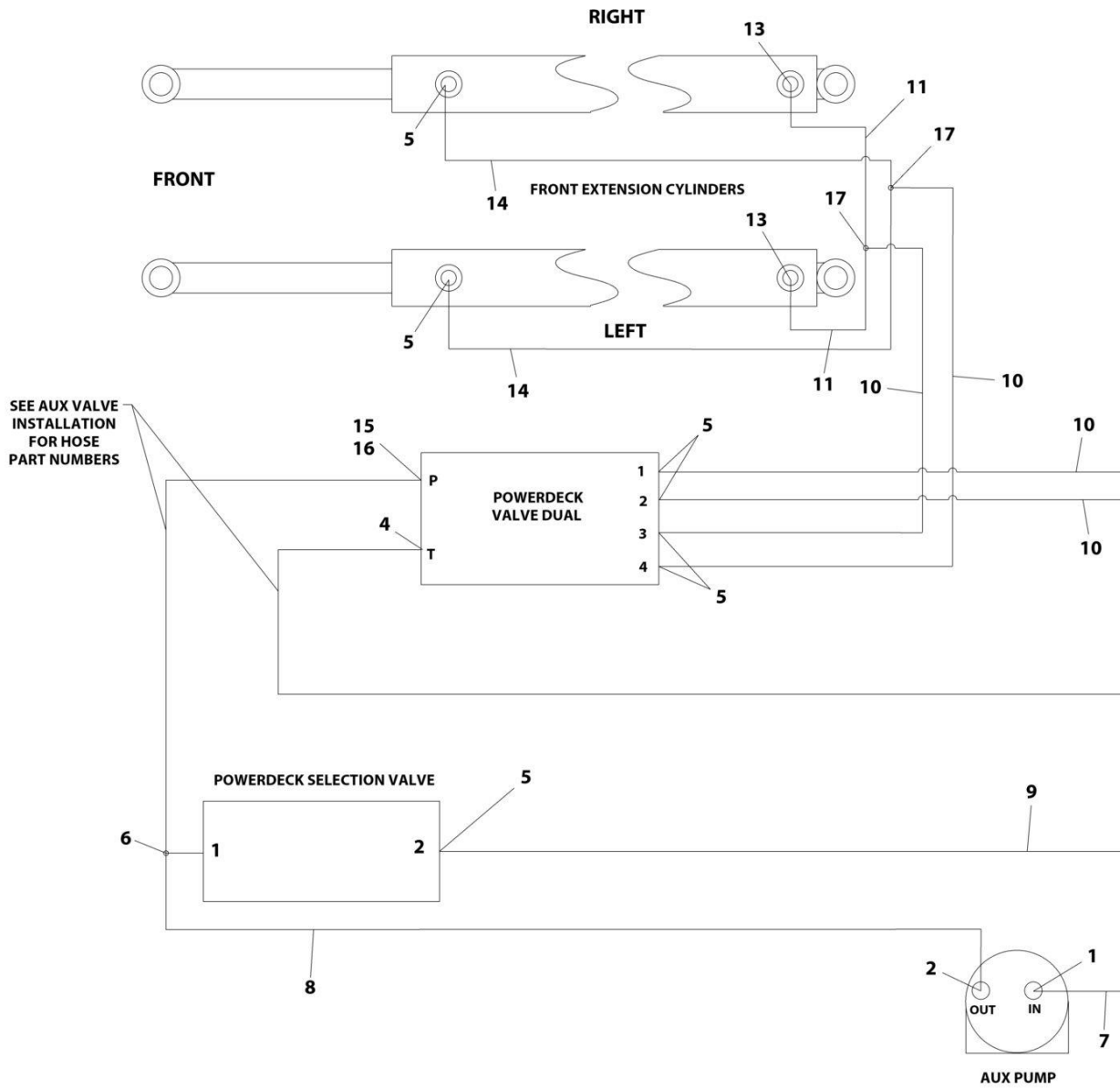
SECTION 7 - HYDRAULIC

FIGURE 7-7. POWER DUAL DECK EXTENSION (12.6FT/3.8M LENGTH PLATFORM) HYDRAULIC DIAGRAM

ITEM	PART NUMBER	QTY	DESCRIPTION	REV
		Ref	USAGE CHART:	
		Ref	- All Specs except CE Specs	
		Ref	- CE Specs (SN 0200239053 through 0200246956)	
	1001103709	Ref	POWER DUAL DECK EXTENSION (12.6FT/3.8M LENGTH PLATFORM) HYDRAULIC DIAGRAM	C
1	2110806	1	Fitting, Straight ORFS/ORB	
2	2110406	2	Fitting, Straight ORFS/ORB	
3	2110808	1	Fitting, Straight ORFS/ORB	
4	2130604	1	Fitting, 90 ORFS/ORB	
5	2110404	9	Fitting, Straight ORFS/ORB	
7	2170304	1	Fitting, Tee ORFS/ORB/ORFS	
8	2753881	1	Hose	
9	1001105169	1	Hose	
10	2753939	1	Hose	
12	2753550	4	Hose	
13	2753554	4	Hose	
17	2110606	1	Fitting, Straight ORFS/ORB	
19	2170204	4	Fitting, 90 ORFS/ORB	
21	2753921	4	Hose	
22	2180830	1	Orifice (.047)	
23	2172104	1	Fitting, 90 ORFS/FSORFS	
24	2170504	4	Fitting, Tee ORFS/ORFS/ORFS	

SECTION 7 - HYDRAULIC

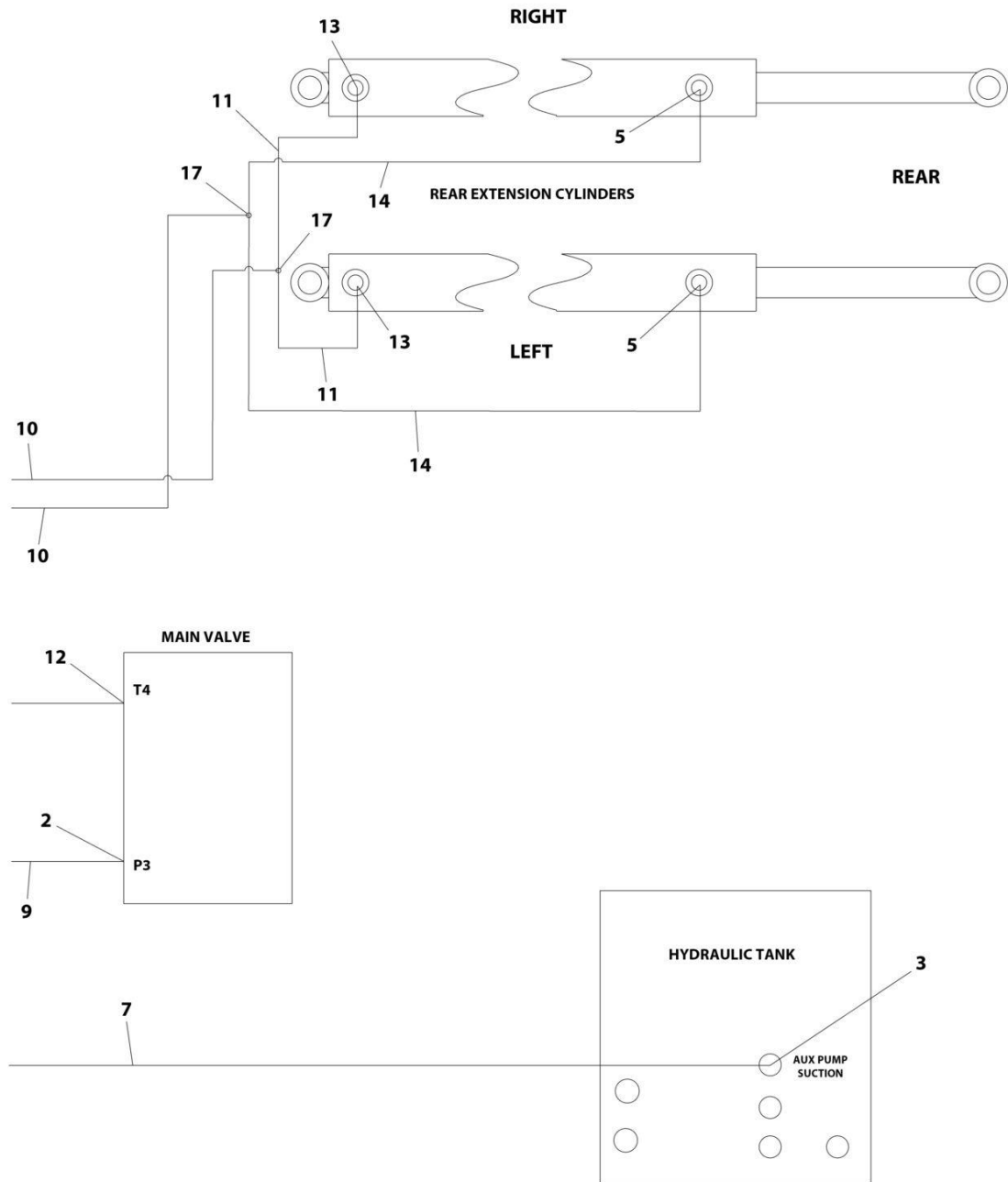
FIGURE 7-8. POWER DUAL DECK EXTENSION (12.6FT/3.8M LENGTH PLATFORM) HYDRAULIC DIAGRAM



USAGE CHART:
 - CE SPECS (SN 0200246957 TO PRESENT)

ART_1001190544_1OF2

SECTION 7 - HYDRAULIC



USAGE CHART:
 - CE SPECS (SN 0200246957 TO PRESENT)

ART_1001190544_2OF2

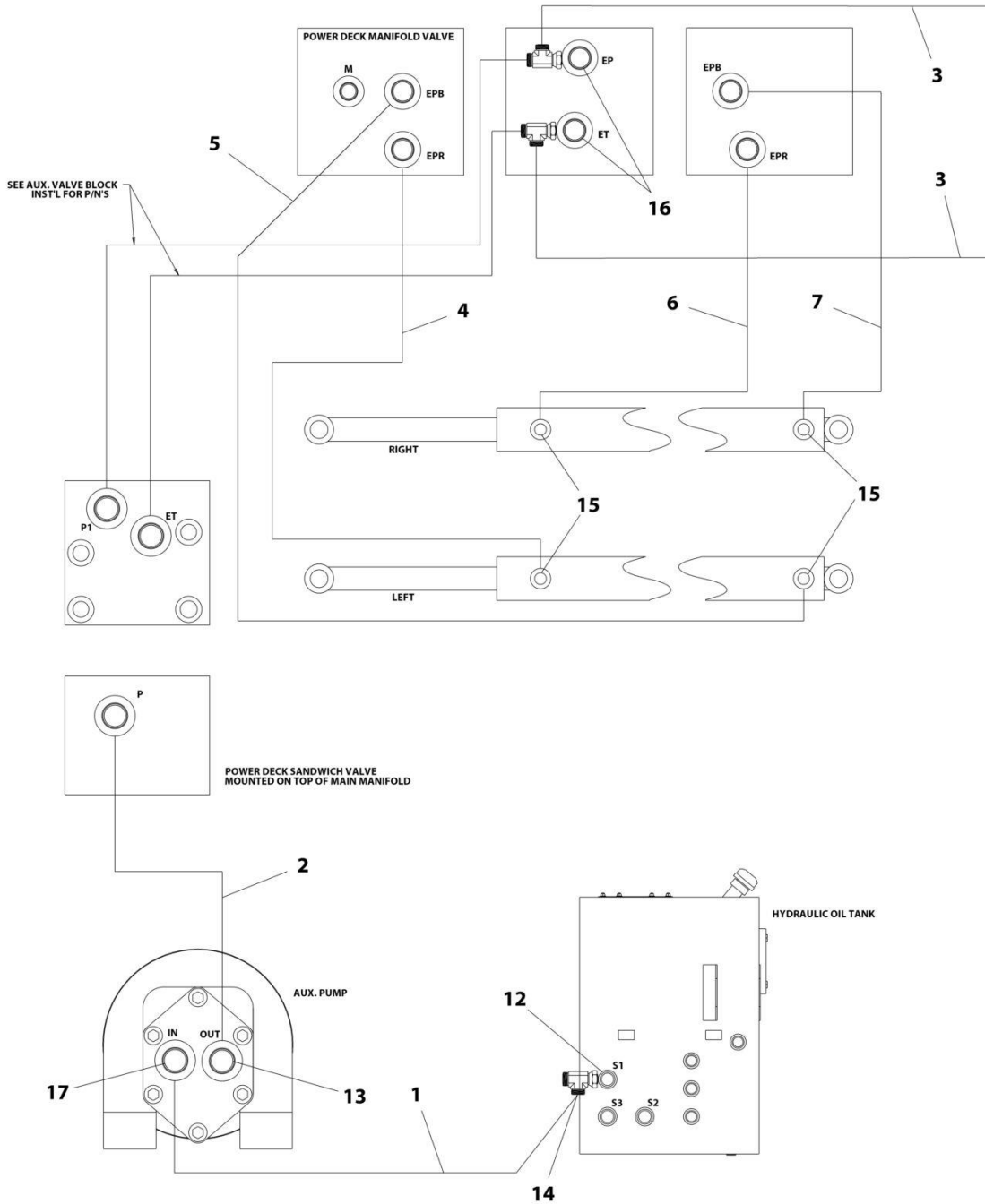
SECTION 7 - HYDRAULIC

FIGURE 7-8. POWER DUAL DECK EXTENSION (12.6FT/3.8M LENGTH PLATFORM) HYDRAULIC DIAGRAM

ITEM	PART NUMBER	QTY	DESCRIPTION	REV
		Ref	USAGE CHART:	
		Ref	- CE Specs (SN 0200246957 to Present)	
	1001190544	Ref	POWER DUAL DECK EXTENSION (12.6FT/3.8M LENGTH PLATFORM) HYDRAULIC DIAGRAM	A
1	2110806	1	Fitting, Straight ORFS/ORB	
2	2110406	2	Fitting, Straight ORFS/ORB	
3	2170308	1	Fitting, Tee ORFS/ORB/ORFS	
4	2130604	1	Fitting, 90 ORFS/ORB	
5	2110404	9	Fitting, Straight ORFS/ORB	
6	2170304	1	Fitting, Tee ORFS/ORB/ORFS	
7	2753881	1	Hose	
8	1001105169	1	Hose	
9	2753939	1	Hose	
10	2753550	4	Hose	
11	2753554	4	Hose	
12	2110606	1	Fitting, Straight ORFS/ORB	
13	2170204	4	Fitting, 90 ORFS/ORB	
14	2753921	4	Hose	
15	2180830	1	Orifice (.047)	
16	2172104	1	Fitting, 90 ORFS/FSORFS	
17	2170504	2	Fitting, Tee ORFS/ORFS/ORFS	

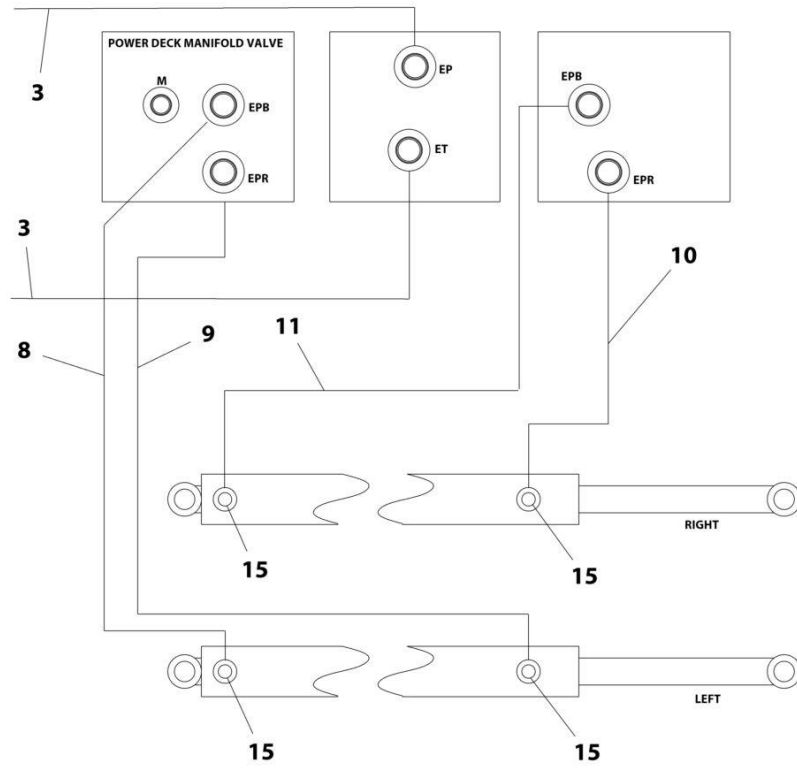
SECTION 7 - HYDRAULIC

**FIGURE 7-9. POWER DUAL DECK EXTENSION (15.8FT/4.8M LENGTH MEGADECK PLATFORM)
HYDRAULIC DIAGRAM (SN 0200239053 through 0200246956)**



ART_2792611_1OF2

SECTION 7 - HYDRAULIC



ART_2792611_2OF2

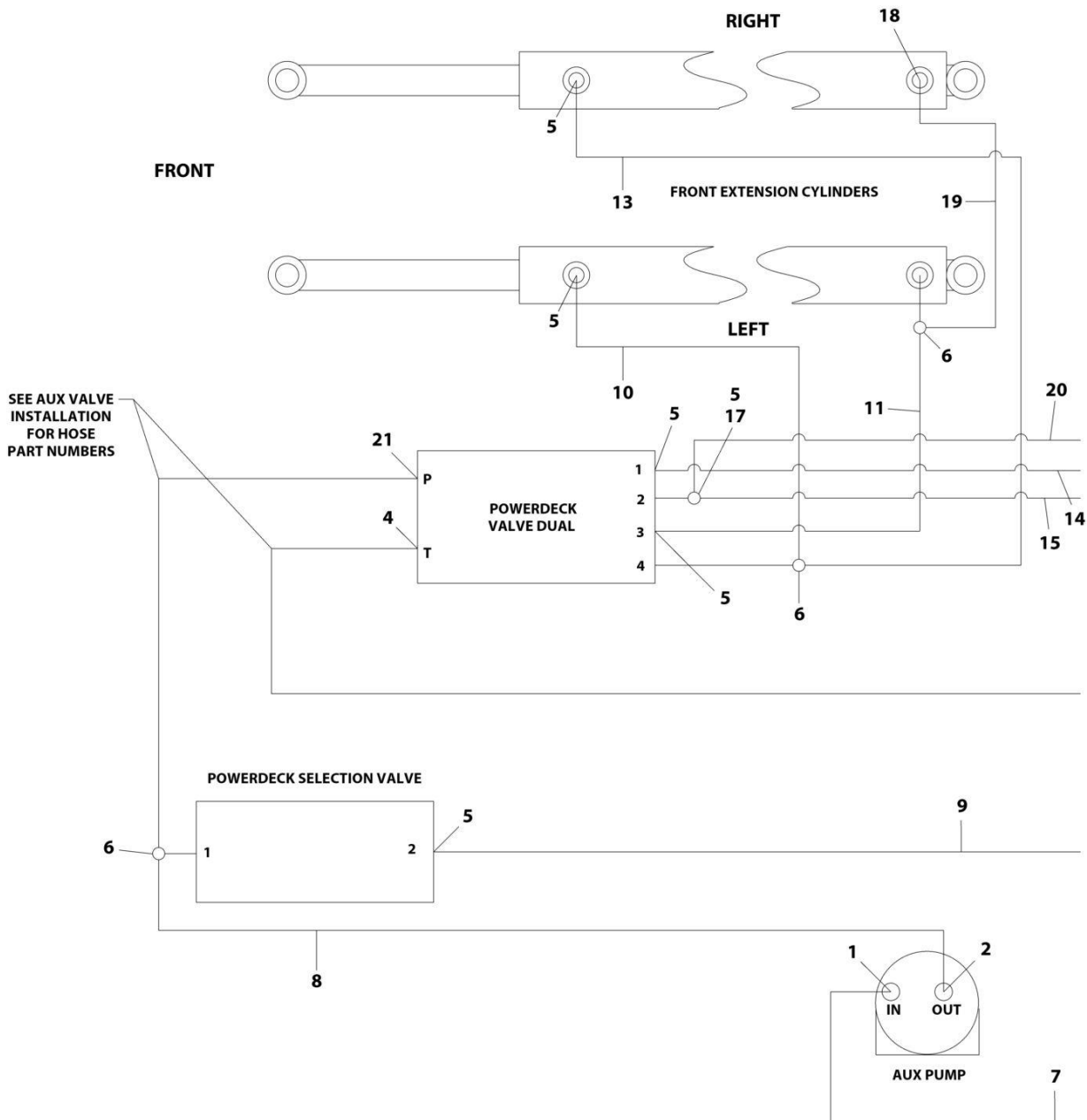
SECTION 7 - HYDRAULIC

**FIGURE 7-9. POWER DUAL DECK EXTENSION (15.8FT/4.8M LENGTH MEGADECK PLATFORM)
HYDRAULIC DIAGRAM (SN 0200239053 through 0200246956)**

ITEM	PART NUMBER	QTY	DESCRIPTION	REV
	2792611	Ref	POWER DUAL DECK EXTENSION (15.8FT/4.8M LENGTH MEGADECK PLATFORM) HYDRAULIC DIAGRAM (SN 0200239053 through 0200246956)	A
1	2753881	1	Hose	
2	2753873	1	Hose	
3	2753879	2	Hose	
4	2753919	1	Hose	
5	2753783	1	Hose	
6	2753920	1	Hose	
7	2753921	1	Hose	
8	2753922	1	Hose	
9	2753878	1	Hose	
10	2753923	1	Hose	
11	2753875	1	Hose	
12	2170716	1	Fitting, Tee ORFS/FSORFS/ORFS	
13	2110606	1	Fitting, Straight ORFS/ORB	
14	2221150	1	Fitting, Reducer ORFS/FSORFS	
15	2110404	8	Fitting, Straight ORFS/ORB	
16	2170706	2	Fitting, Tee ORFS/FSORFS/ORFS	
17	2110806	1	Fitting, Straight ORFS/ORB	

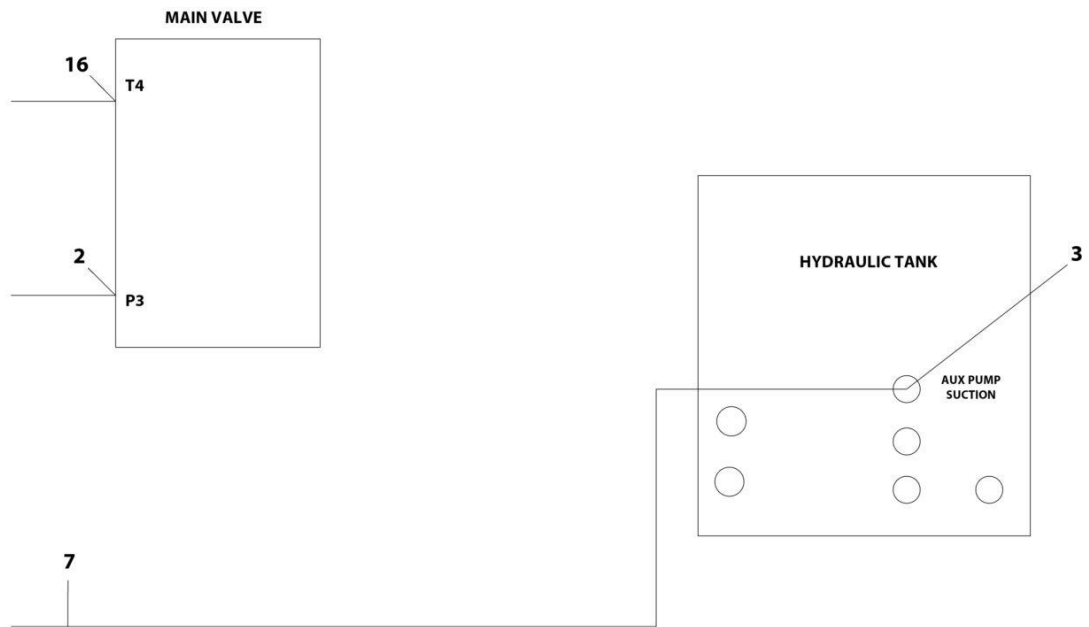
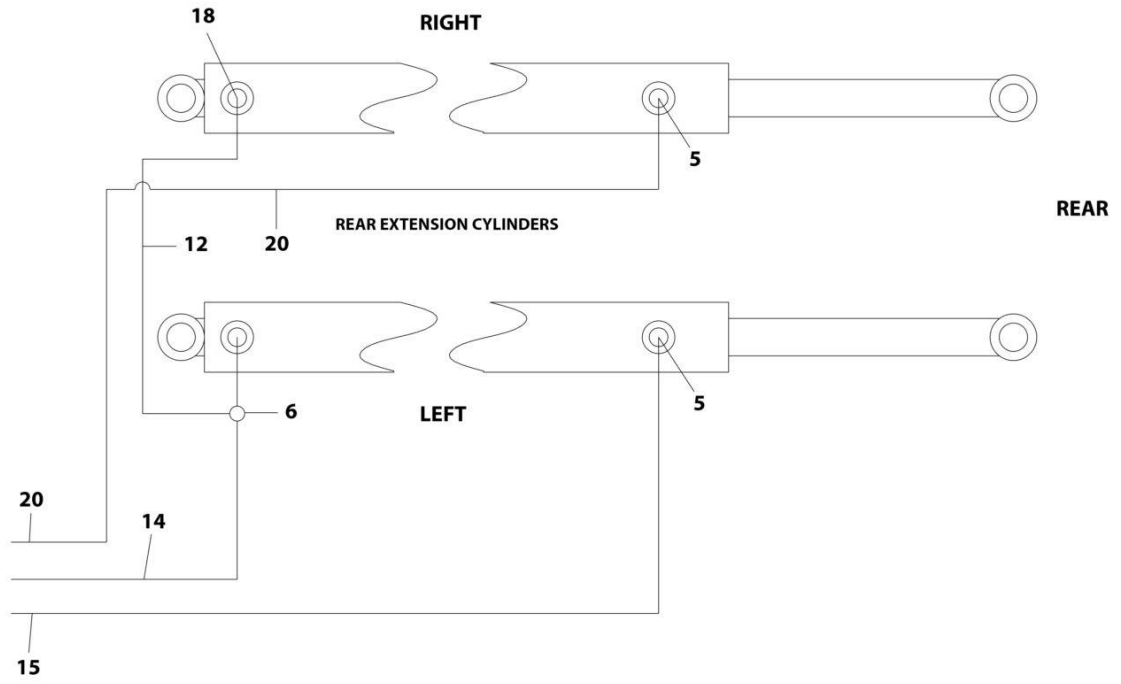
SECTION 7 - HYDRAULIC

FIGURE 7-10. POWER DUAL DECK EXTENSION (15.8FT/4.8M LENGTH MEGADECK PLATFORM) (SN 0200246957 to Present)



ART_1001188851_1OF2

SECTION 7 - HYDRAULIC



ART_1001188851_20F2

SECTION 7 - HYDRAULIC

FIGURE 7-10. POWER DUAL DECK EXTENSION (15.8FT/4.8M LENGTH MEGADECK PLATFORM) (SN 0200246957 to Present)

ITEM	PART NUMBER	QTY	DESCRIPTION	REV
	1001188851	Ref	POWER DUAL DECK EXTENSION (15.8FT/4.8M LENGTH MEGADECK PLATFORM) (SN 0200246957 to Present)	A
1	2110806	1	Fitting, Straight ORFS/ORB	
2	2110406	2	Fitting, Straight ORFS/ORB	
3	2170308	1	Fitting, Tee ORFS/ORB/ORFS	
4	2110604	1	Fitting, Straight ORFS/ORB	
5	2110404	8	Fitting, Straight ORFS/ORB	
6	2170304	4	Fitting, Tee ORFS/ORB/ORFS	
7	2753881	1	Hose	
8	1001105169	1	Hose	
9	2753939	1	Hose	
10	1001105234	1	Hose	
11	1001105235	1	Hose	
12	2753877	1	Hose	
13	1001105236	1	Hose	
14	1001105237	1	Hose	
15	1001105238	1	Hose	
16	2110606	1	Fitting, Straight ORFS/ORB	
17	2170704	1	Fitting, Tee ORFS/FSORFS/ORFS	
18	2170204	2	Fitting, 90 ORFS/ORB	
19	1001105172	1	Hose	
20	1001105239	1	Hose	
21	2180830	1	Orifice (.047)	

SECTION 7 - HYDRAULIC

FIGURE 7-11. HYDRAULIC DIAGRAM LIST

ITEM	PART NUMBER	QTY	DESCRIPTION	REV
		Ref	Note: Information on diagrams not shown are available from JLG Service/Parts Departments. See Service and Maintenance Manual for Schematics.	
		Ref	HYDRAULIC DIAGRAM OPTIONS:	
	1001101922	Ref	Hydraulic Diagram (All Specs except CE Spec)	
	1001101922	Ref	Hydraulic Diagram (CE Specs) (SN 0200239053 through 0200241795)	
	1001188563	Ref	Hydraulic Diagram (CE Specs) (SN 0200241796 to Present)	
		Ref	HYDRAULIC DIAGRAM - LEVELING JACKS OPTIONS:	
	1001103552	Ref	Hydraulic Diagram - Leveling Jacks (All Specs except CE Spec)	
	1001103552	Ref	Hydraulic Diagram - Leveling Jacks (CE Spec) (SN 0200239053 through 0200241795)	
	1001188848	Ref	Hydraulic Diagram - Leveling Jacks (CE Spec) (SN 0200241796 to Present)	
		Ref	HYDRAULIC DIAGRAM - POWER DECK OPTIONS:	
	1001103708	Ref	Hydraulic Diagram - Power Single Deck Extension (All Specs except CE Spec)	
	1001103708	Ref	Hydraulic Diagram - Power Single Deck Extension (CE Spec) (SN 0200239053 through 0200246956)	
	1001190537	Ref	Hydraulic Diagram - Power Single Deck Extension (CE Spec) (SN 0200246957 to Present)	
	1001103709	Ref	Hydraulic Diagram - Power Dual Deck Extension (12.6ft/3.8m Length Platform) (All Specs except CE Spec)	
	1001103709	Ref	Hydraulic Diagram - Power Dual Deck Extension (12.6ft/3.8m Length Platform) (CE Spec) (SN 0200239053 through 0200246956)	
	1001190544	Ref	Hydraulic Diagram - Power Dual Deck Extension (12.6ft/3.8m Length Platform) (CE Spec) (SN 0200246957 to Present)	
	2792611	Ref	Hydraulic Diagram - Power Dual Deck Extension (15.8ft/4.8m Length Megadeck Platform) (SN 0200239053 through 0200246956)	
	1001188851	Ref	Hydraulic Diagram - Power Dual Deck Extension (15.8ft/4.8m Length Megadeck Platform) (SN 0200246957 to Present)	
		Ref	HYDRAULIC SCHEMATIC OPTIONS:	
	1001098823	Ref	Hydraulic Schematic (All Specs except CE Spec)	
	1001098823	Ref	Hydraulic Schematic (CE Spec) (SN 0200239053 through 0200241795)	
	1001188846	Ref	Hydraulic Schematic (CE Spec) (SN 0200241796 to Present)	

SECTION 8 - ELECTRICAL

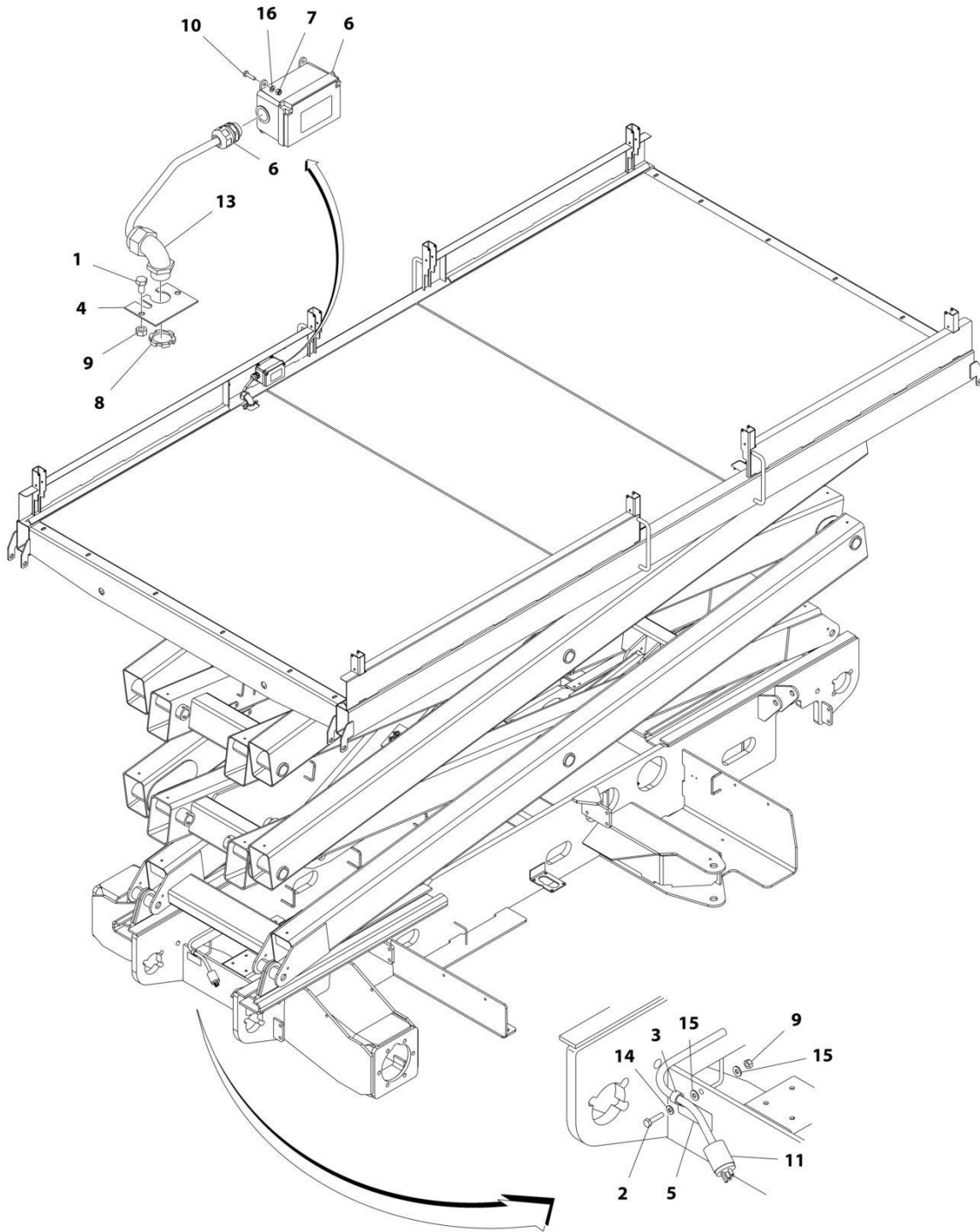
SECTION 8 - ELECTRICAL

FIGURE 8-1. ELECTRICAL DIAGRAM LIST

ITEM	PART NUMBER	QTY	DESCRIPTION	REV
		Ref	ELECTRICAL DIAGRAM LIST	
		Ref	Note: For information, refer to Service Manual or contact JLG Customer Service Department.	
	1001167526	Ref	AC TO PLATFORM ELECTRICAL DIAGRAM - 220V (CEE7 POST GROUND 2X4 BOX) (CE SPEC)	
	1001167527	Ref	AC TO PLATFORM ELECTRICAL DIAGRAM - 220V (CEE7 SIDE GROUND 2X4 BOX) (CE SPEC)	
	1001167529	Ref	AC TO PLATFORM ELECTRICAL DIAGRAM - 220V (AFSINT 107 KEYED GROUND 2X4 BOX) (CE SPEC)	
	1001167530	Ref	AC BOX AT PLATFORM INSTALLATION - 110V (IEC 60309 YELLOW) (CE SPEC)	
	1001167531	Ref	AC BOX AT PLATFORM INSTALLATION - 220V (IEC 60309 BLUE) (CE SPEC)	
	1001167532	Ref	AC BOX AT PLATFORM INSTALLATION - 220V (CEE7 POST GROUND 70mm X 70mm BOX) (CE SPEC)	
	1001167533	Ref	AC BOX AT PLATFORM INSTALLATION - 220V (CEE7 SIDE GROUND 70mm X 70mm BOX) (CE SPEC)	
	1001103488	Ref	ELECTRICAL SCHEMATIC - DUAL FUEL	
	1001103487	Ref	ELECTRICAL SCHEMATIC - DIESEL	
	1001184074	Ref	2500W/60HZ/110V GENERATOR ELECTRICAL DIAGRAM - DEUTZ D2.9L4 ENGINES	
	1001157771	Ref	7500W/60HZ/110V GENERATOR ELECTRICAL DIAGRAM - DEUTZ D2.9L4 ENGINES	
	1870170	Ref	LSS SCHEMATIC	

SECTION 8 - ELECTRICAL

FIGURE 8-2. AC BOX AT PLATFORM INSTALLATION - 110V GFI (ANSI, ANSI EXPORT AND CE SPECS)



ART_1001167523

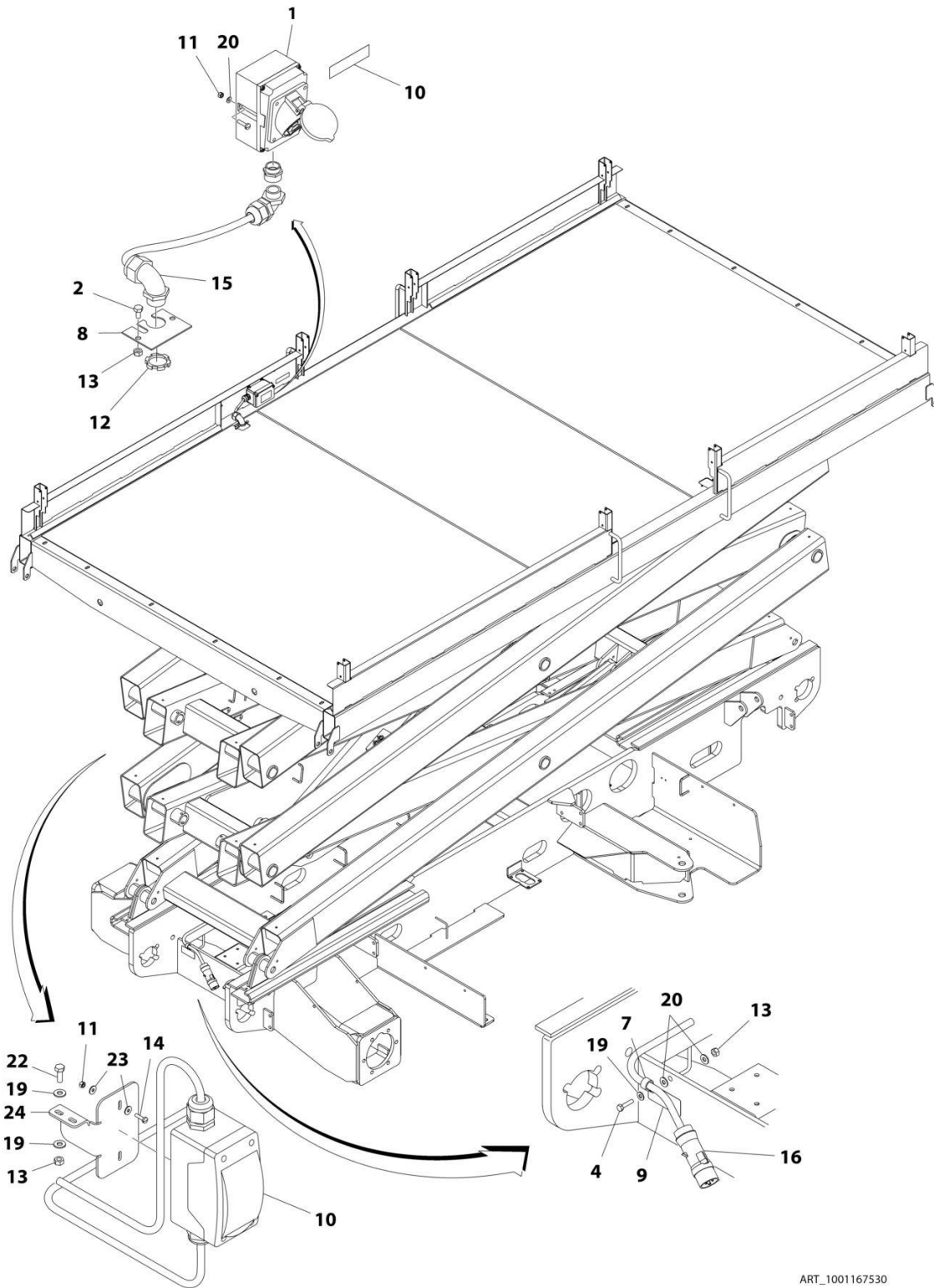
SECTION 8 - ELECTRICAL

FIGURE 8-2. AC BOX AT PLATFORM INSTALLATION - 110V GFI (ANSI, ANSI EXPORT AND CE SPECS)

ITEM	PART NUMBER	QTY	DESCRIPTION	REV
	1001167523	Ref	AC BOX AT PLATFORM INSTALLATION - 110V GFI (ANSI, ANSI EXPORT AND CE SPECS)	C
1	0641404	2	Bolt 1/4 x 1/2	
2	0641409	1	Bolt 1/4 x 1-1/8	
3	1320224	1	Clamp	
4	1670988	1	Cover, Cable Access	
5	1703464	1	Decal - AC Power (120V-60Hz)	
6	2902431	1	Receptacle Box Kit - 110V GFI (See RECEPTACLE BOX KIT - 110V GFI for Breakdown)	
7	3290405	4	Nut M4	
8	3300048	1	Nut, Conduit	
9	3311405	3	Nut 1/4	
10	4010408	4	Screw M4 x 16	
11	4460138	1	Plug, Male	
12	4460315	3	Terminal, Spade (Not Shown)	
13	4460422	1	Terminal, Strain Relief	
14	4711400	1	Washer 1/4	
15	4751400	2	Washer 1/4	
16	4811400	4	Washer M4	

SECTION 8 - ELECTRICAL

FIGURE 8-3. AC BOX AT PLATFORM INSTALLATION - 110V (IEC 60309 YELLOW) (CE SPEC ONLY)



ART_1001167530

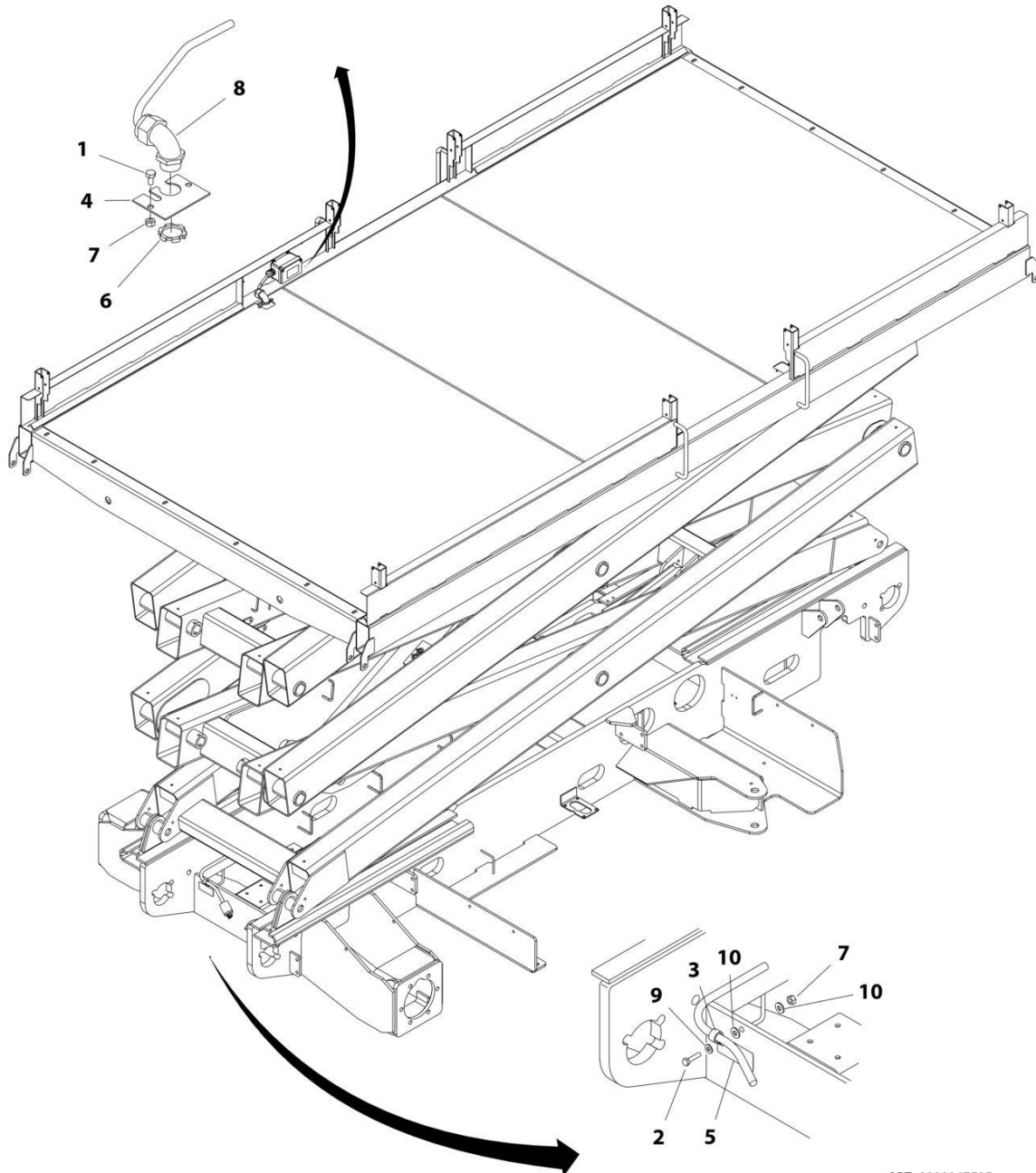
SECTION 8 - ELECTRICAL

FIGURE 8-3. AC BOX AT PLATFORM INSTALLATION - 110V (IEC 60309 YELLOW) (CE SPEC ONLY)

ITEM	PART NUMBER	QTY	DESCRIPTION	REV
	1001167530	Ref	AC BOX AT PLATFORM INSTALLATION - 110V (IEC 60309 YELLOW) (CE SPEC ONLY)	D
1	0275216	1	Receptacle Box Kit (See RECEPTACLE BOX KIT - 110V IEC YELLOW (CE SPEC) for Breakdown)	
2	0641404	2	Bolt 1/4 x 1/2	
4	0641409	1	Bolt 1/4 x 1-1/8	
7	1320224	1	Clamp	
8	1670988	1	Cover, Cable Access	
9	1705325	2	Decal - AC Power (120V-50Hz)	
10	2902549	1	Breaker Box Kit (See BREAKER BOX KIT (CE SPEC) for Breakdown)	
11	3290405	4	Nut M4	
12	3300048	1	Nut, Conduit	
13	3311405	5	Nut 1/4	
14	4010408	4	Screw M4 x 16	
15	4460422	1	Terminal, Strain Relief	
16	4461196	1	Plug, Male	
17	4461257	1	Connector, Strain Relief	
18	4461258	1	Adapter	
19	4711400	5	Washer 1/4	
20	4751400	2	Washer 1/4	
21	4811400	2	Washer M4	
22	0641406	2	Bolt 1/4 x 3/4	
23	1001091102	4	Washer M4	
24	1001094915	1	Bracket	

SECTION 8 - ELECTRICAL

FIGURE 8-4. AC BOX AT PLATFORM INSTALLATION - 220V - NO BOX (ALL SPECS)



ART_1001167525

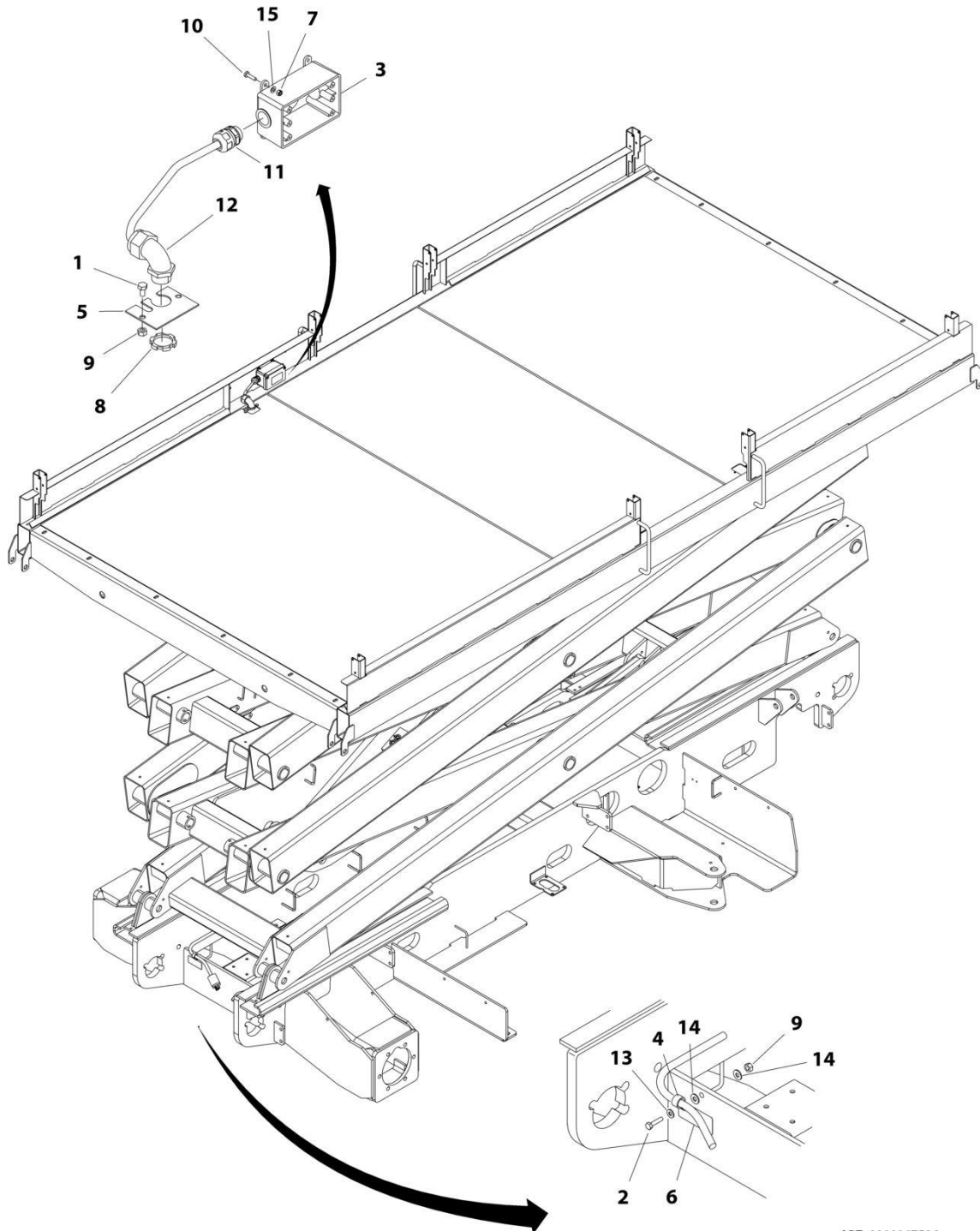
SECTION 8 - ELECTRICAL

FIGURE 8-4. AC BOX AT PLATFORM INSTALLATION - 220V - NO BOX (ALL SPECS)

ITEM	PART NUMBER	QTY	DESCRIPTION	REV
	1001167525	Ref	AC BOX AT PLATFORM INSTALLATION - 220V - NO BOX (ALL SPECS)	C
1	0641404	2	Bolt 1/4 x 1/2	
2	0641409	1	Bolt 1/4 x 1-1/8	
3	1320224	1	Clamp	
4	1670988	1	Cover, Cable Access	
5	3252507	1	Decal - AC Power (220V-50/60Hz)	
6	3300048	1	Nut, Conduit	
7	3311405	3	Nut 1/4	
8	4460422	1	Terminal, Strain Relief	
9	4711400	1	Washer 1/4	
10	4751400	2	Washer 1/4	

SECTION 8 - ELECTRICAL

FIGURE 8-5. AC BOX AT PLATFORM INSTALLATION - 220V (ANSI, ANSI EXPORT AND CSA SPECS)



ART_1001167524

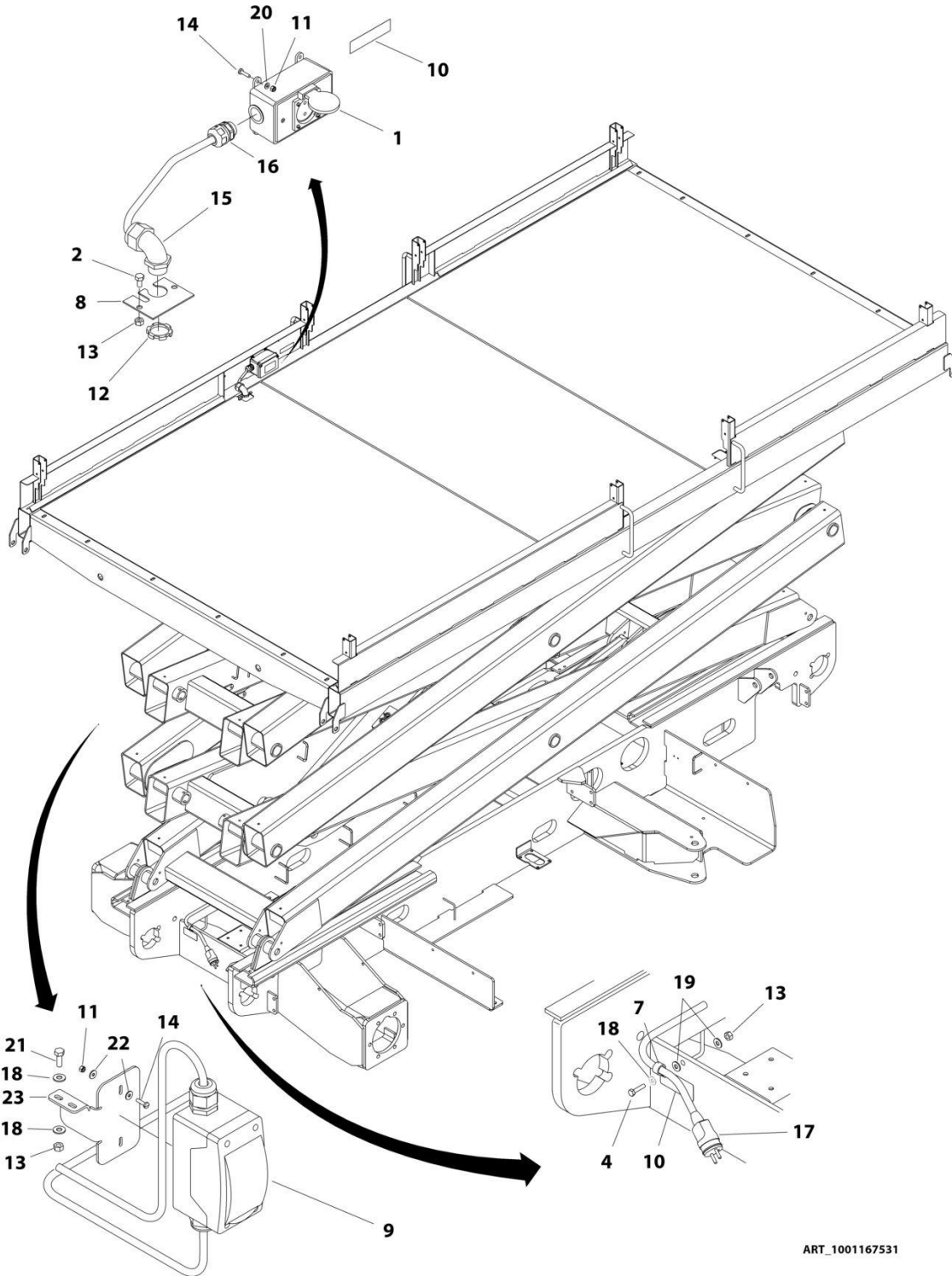
SECTION 8 - ELECTRICAL

FIGURE 8-5. AC BOX AT PLATFORM INSTALLATION - 220V (ANSI, ANSI EXPORT AND CSA SPECS)

ITEM	PART NUMBER	QTY	DESCRIPTION	REV
	1001167524	Ref	AC BOX AT PLATFORM INSTALLATION - 220V (ANSI, ANSI EXPORT AND CSA SPECS)	D
1	0641404	2	Bolt 1/4 x 1/2	
2	0641409	1	Bolt 1/4 x 1-1/8	
3	0861731	1	Box	
4	1320224	1	Clamp	
5	1670988	1	Cover, Cable Access	
6	3252507	1	Decal - AC Power (220V-50/60Hz)	
7	3290405	4	Nut M4	
8	3300048	1	Nut, Conduit	
9	3311405	3	Nut 1/4	
10	4010408	4	Screw M4 x 16	
11	4460071	1	Connector, Strain Relief (SN 0200239053 through 0200260027)	
11	4460662	1	Connector, Strain Relief (SN 0200260028 to Present)	
12	4460422	1	Terminal, Strain Relief	
13	4711400	1	Washer 1/4	
14	4751400	2	Washer 1/4	
15	4811400	4	Washer M4	

SECTION 8 - ELECTRICAL

FIGURE 8-6. AC BOX AT PLATFORM INSTALLATION - 220V (IEC 60309 BLUE) (CE SPEC ONLY)



ART_1001167531

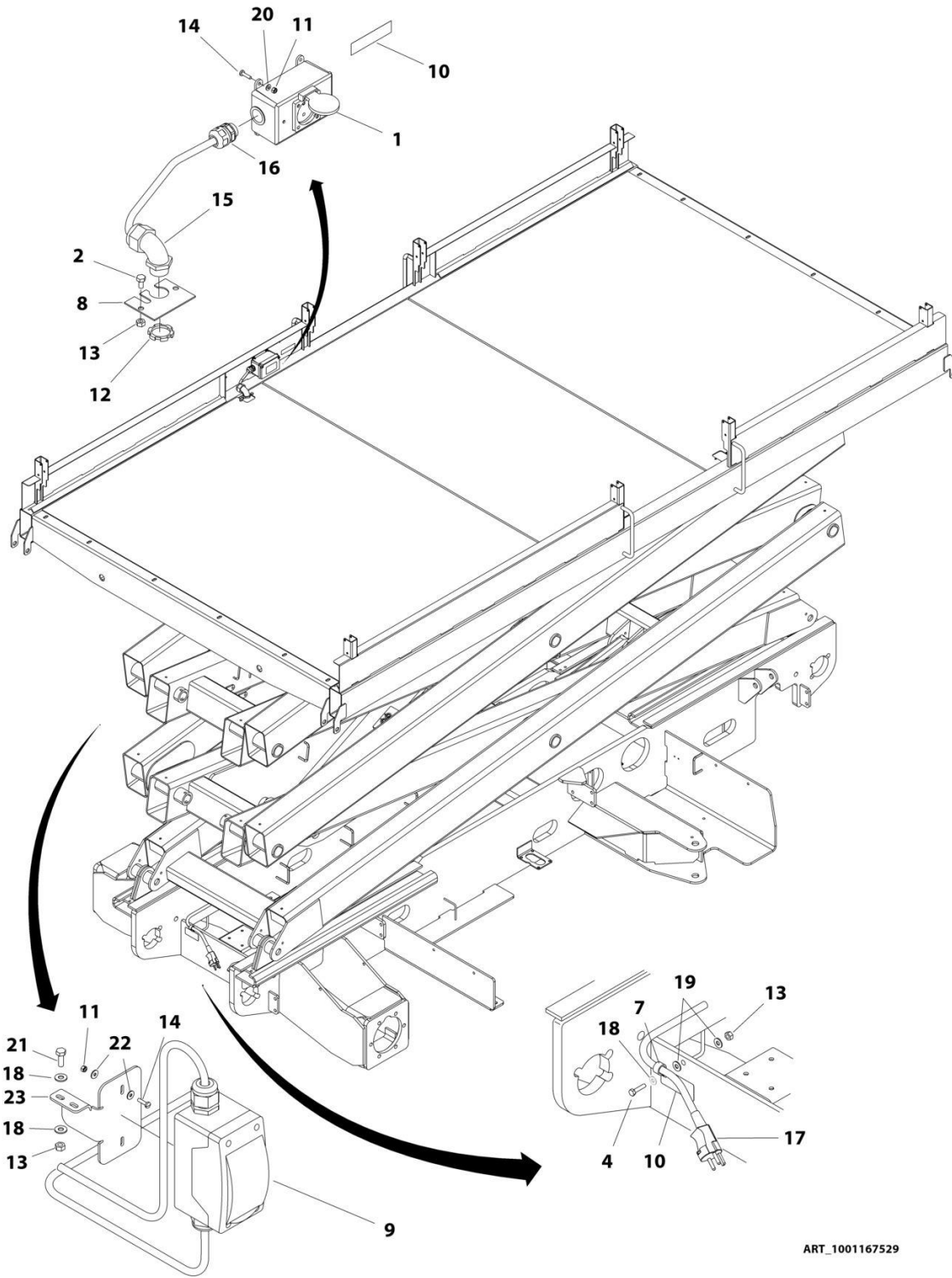
SECTION 8 - ELECTRICAL

FIGURE 8-6. AC BOX AT PLATFORM INSTALLATION - 220V (IEC 60309 BLUE) (CE SPEC ONLY)

ITEM	PART NUMBER	QTY	DESCRIPTION	REV
	1001167531	Ref	AC BOX AT PLATFORM INSTALLATION - 220V (IEC 60309 BLUE) (CE SPEC ONLY)	F
1	0275217	1	Receptacle Box Kit (See RECEPTACLE BOX KIT - 220V IEC BLUE (CE SPEC) for Breakdown)	
2	0641404	2	Bolt 1/4 x 1/2	
4	0641409	1	Bolt 1/4 x 1-1/8	
7	1320224	1	Clamp	
8	1670988	1	Cover, Cable Access	
9	2902549	1	Breaker Box Kit (See BREAKER BOX KIT (CE SPEC) for Breakdown)	
10	3252507	2	Decal - AC Power (220V-50/60Hz)	
11	3290405	6	Nut M4	
12	3300048	1	Nut, Conduit	
13	3311405	5	Nut 1/4	
14	4010408	6	Screw M4 x 16	
15	4460422	1	Terminal, Strain Relief	
16	4460968	1	Connector, Strain Relief (SN 0200239053 through 0200260027)	
16	4460662	1	Connector, Strain Relief (SN 0200260028 to Present)	
17	4461202	1	Plug, Male (SN 0200239052 through 0200256565)	
17	4461205	1	Plug, Male (SN 0200256566 to Present)	
18	4711400	5	Washer 1/4	
19	4751400	2	Washer 1/4	
20	4811400	4	Washer M4	
21	0641406	2	Bolt 1/4 x 3/4	
22	1001091102	4	Washer M4	
23	1001094915	1	Bracket	

SECTION 8 - ELECTRICAL

FIGURE 8-7. AC BOX AT PLATFORM INSTALLATION - 220V (AFSINT 107 KEYED GROUND 2X4 BOX)
(CE SPEC ONLY)



ART_1001167529

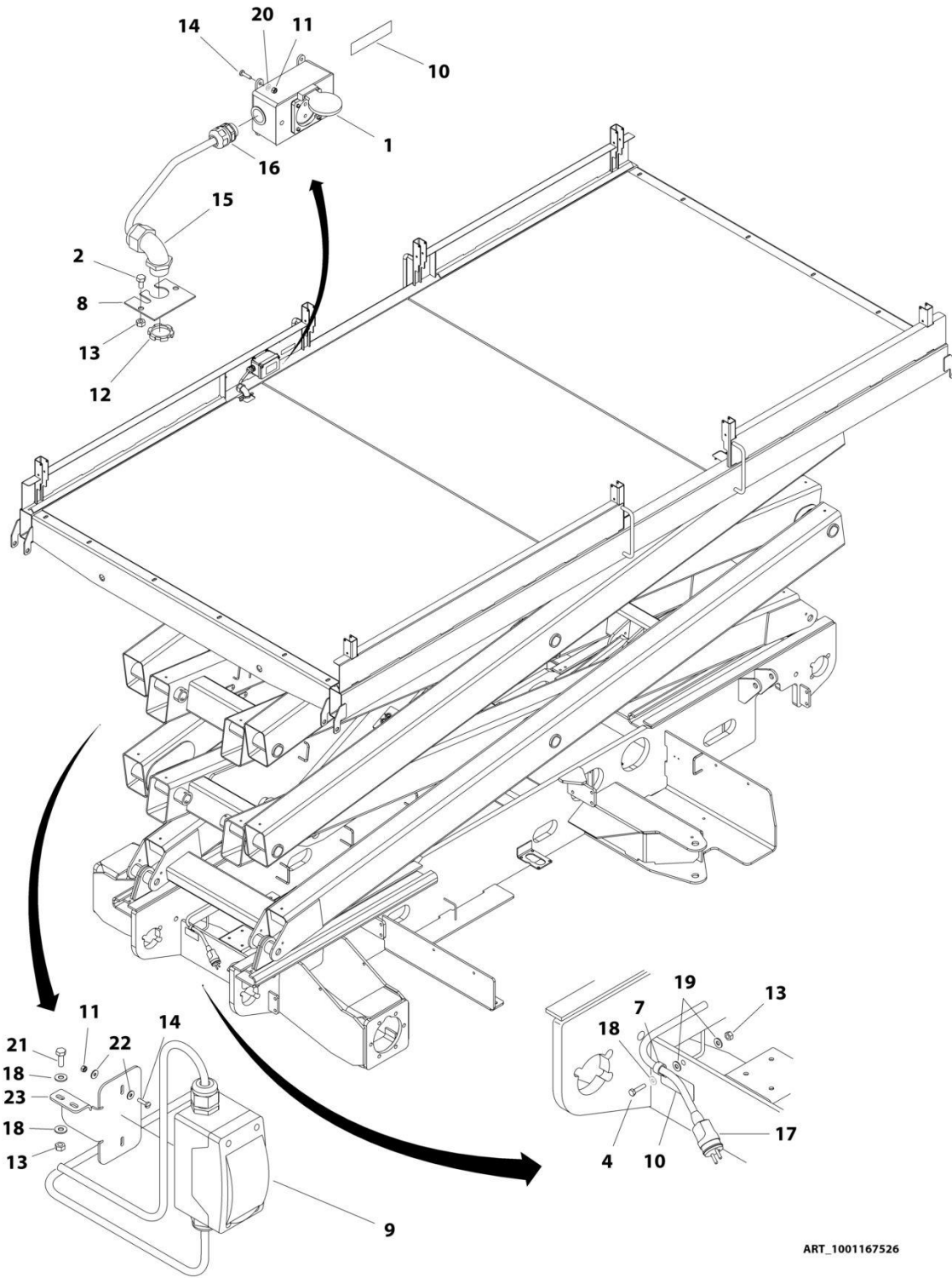
SECTION 8 - ELECTRICAL

**FIGURE 8-7. AC BOX AT PLATFORM INSTALLATION - 220V (AFSINT 107 KEYED GROUND 2X4 BOX)
(CE SPEC ONLY)**

ITEM	PART NUMBER	QTY	DESCRIPTION	REV
	1001167529	Ref	AC BOX AT PLATFORM INSTALLATION - 220V (AFSINT 107 KEYED GROUND 2X4 BOX) (CE SPEC ONLY)	E
1	0275454	1	Receptacle Box Kit (See RECEPTACLE BOX KIT - 220V AFSINT 107 (CE SPEC) for Breakdown)	
2	0641404	2	Bolt 1/4 x 1/2	
4	0641409	1	Bolt 1/4 x 1-1/8	
7	1320224	1	Clamp	
8	1670988	1	Cover, Cable Access	
9	2902549	1	Breaker Box Kit (See BREAKER BOX KIT (CE SPEC) for Breakdown)	
10	3252507	2	Decal - AC Power (220V-50/60Hz)	
11	3290405	6	Nut M4	
12	3300048	1	Nut, Conduit	
13	3311405	5	Nut 1/4	
14	4010408	6	Screw M4 x 16	
15	4460422	1	Terminal, Strain Relief	
16	4460968	1	Connector, Strain Relief (SN 0200239053 through 0200260027)	
16	4460662	1	Connector, Strain Relief (SN 0200260028 to Present)	
17	4461249	1	Plug, Male	
18	4711400	5	Washer 1/4	
19	4751400	2	Washer 1/4	
20	4811400	4	Washer M4	
21	0641406	2	Bolt 1/4 x 3/4	
22	1001091102	4	Washer M4	
23	1001094915	1	Bracket	

SECTION 8 - ELECTRICAL

FIGURE 8-8. AC BOX AT PLATFORM INSTALLATION - 220V (CEE7 POST GROUND 2X4 BOX) (CE SPEC ONLY)



ART_1001167526

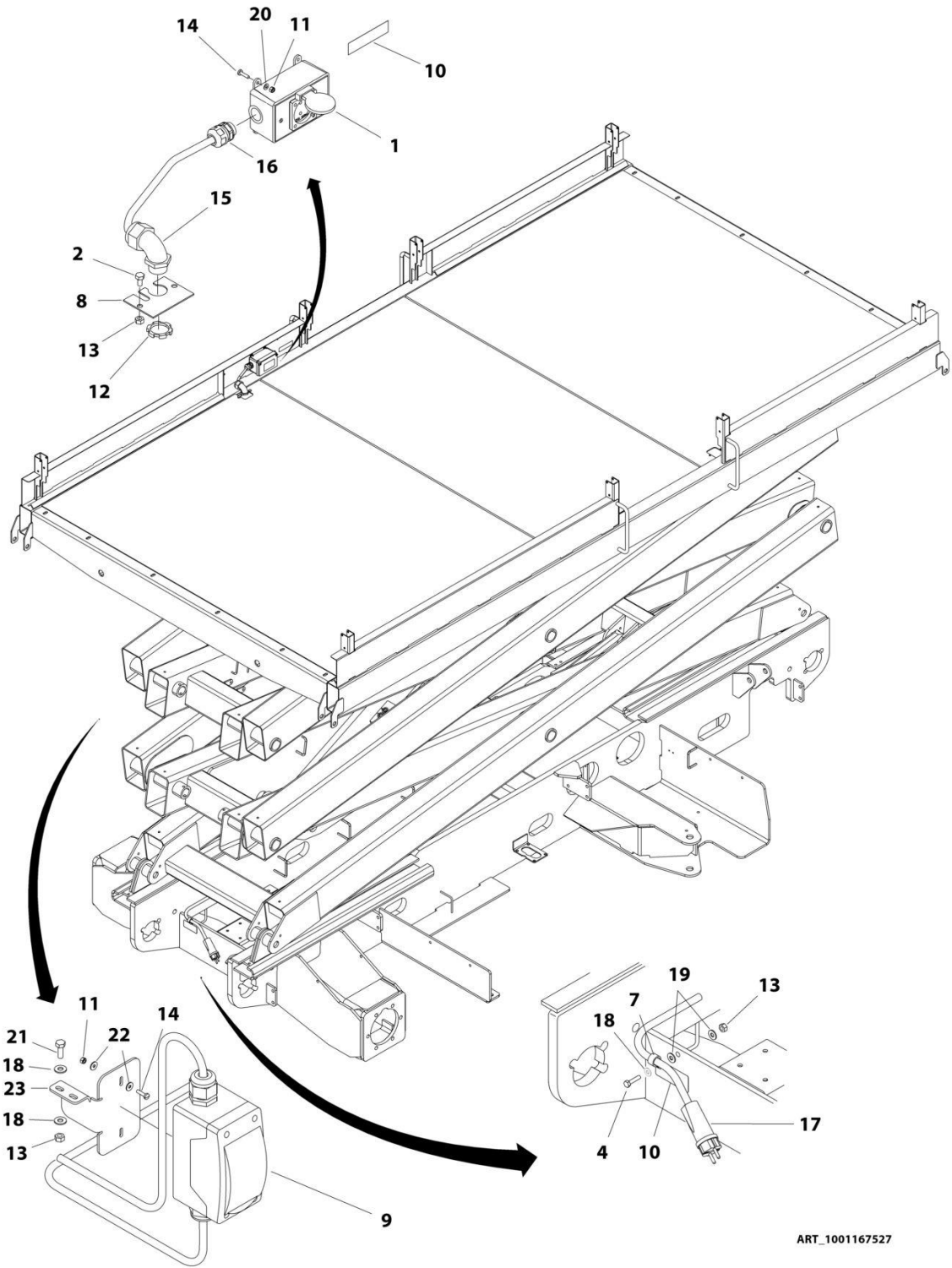
SECTION 8 - ELECTRICAL

FIGURE 8-8. AC BOX AT PLATFORM INSTALLATION - 220V (CEE7 POST GROUND 2X4 BOX) (CE SPEC ONLY)

ITEM	PART NUMBER	QTY	DESCRIPTION	REV
	1001167526	Ref	AC BOX AT PLATFORM INSTALLATION - 220V (CEE7 POST GROUND,2X4 BOX) (CE SPEC ONLY)	F
1	0275452	1	Receptacle Box Kit (See RECEPTACLE BOX KIT - 220V CEE7 POST GROUND 2X4 BOX (CE SPEC) for Breakdown)	
2	0641404	2	Bolt 1/4 x 1/2	
4	0641409	1	Bolt 1/4 x 1-1/8	
7	1320224	1	Clamp	
8	1670988	1	Cover, Cable Access	
9	2902549	1	Breaker Box Kit (See BREAKER BOX KIT (CE SPEC) for Breakdown)	
10	3252507	2	Decal - AC Power (220V-50/60Hz)	
11	3290405	6	Nut M4	
12	3300048	1	Nut, Conduit	
13	3311405	5	Nut 1/4	
14	4010408	6	Screw M4 x 16	
15	4460422	1	Terminal, Strain Relief	
16	4460968	1	Connector, Strain Relief (SN 0200239053 through 0200260027)	
16	4460662	1	Connector, Strain Relief (SN 0200260028 to Present)	
17	4461202	1	Plug, Male (SN 0200239052 through 0200256565)	
17	4461205	1	Plug, Male (SN 0200256566 to Present)	
18	4711400	5	Washer 1/4	
19	4751400	2	Washer 1/4	
20	4811400	4	Washer M4	
21	0641406	2	Bolt 1/4 x 3/4	
22	1001091102	4	Washer M4	
23	1001094915	1	Bracket	

SECTION 8 - ELECTRICAL

FIGURE 8-9. AC BOX AT PLATFORM INSTALLATION - 220V (CEE7 SIDE GROUND 2X4 BOX) (CE SPEC ONLY)



ART_1001167527

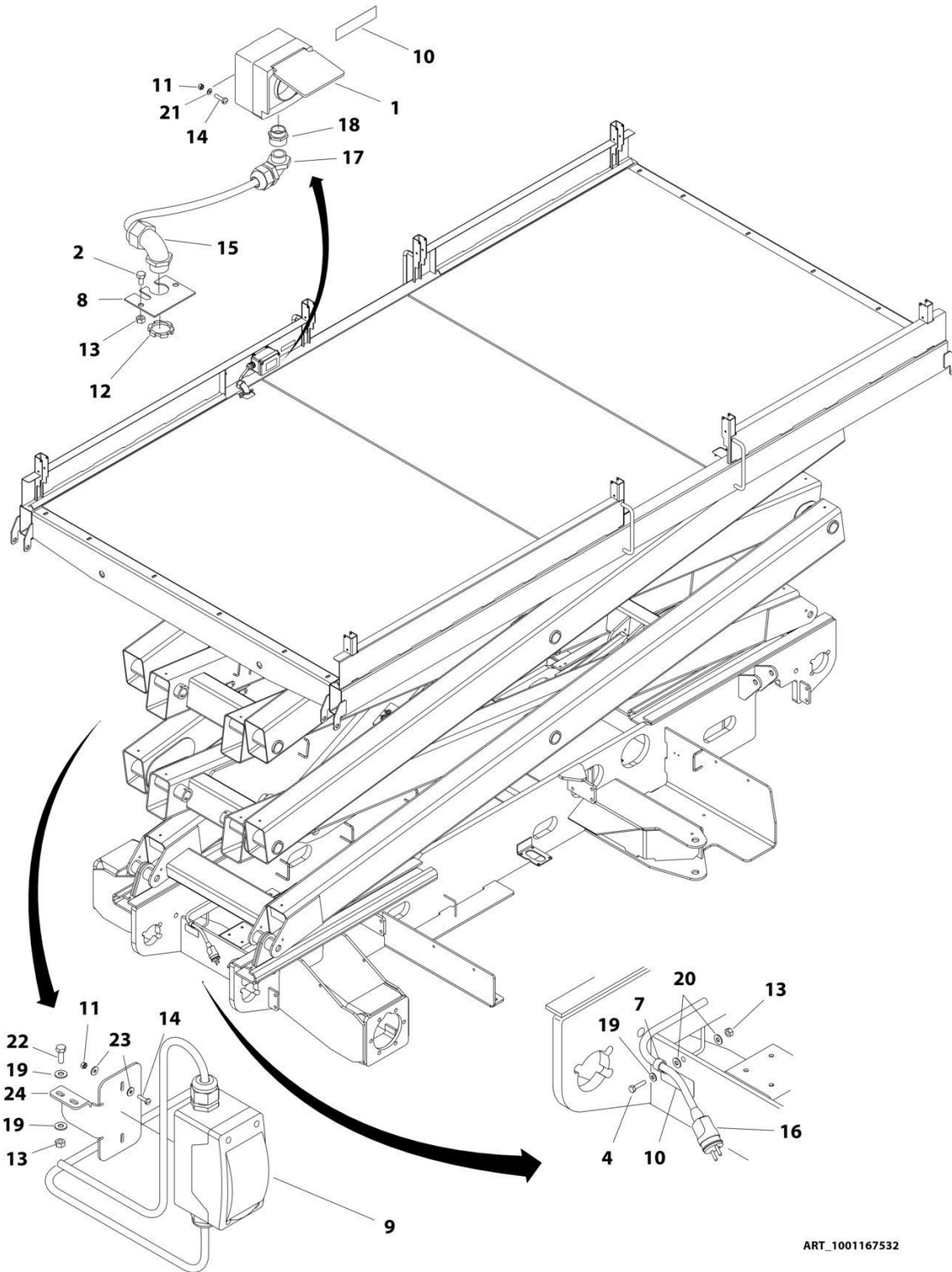
SECTION 8 - ELECTRICAL

FIGURE 8-9. AC BOX AT PLATFORM INSTALLATION - 220V (CEE7 SIDE GROUND 2X4 BOX) (CE SPEC ONLY)

ITEM	PART NUMBER	QTY	DESCRIPTION	REV
	1001167527	Ref	AC BOX AT PLATFORM INSTALLATION - 220V (CEE7 SIDE GROUND,2X4 BOX) (CE SPEC ONLY)	E
1	0275453	1	Receptacle Box Kit (See RECEPTACLE BOX KIT - 220V CEE7 SIDE GROUND 2X4 BOX (CE SPEC) for Breakdown)	
2	0641404	2	Bolt 1/4 x 1/2	
4	0641409	1	Bolt 1/4 x 1-1/8	
7	1320224	1	Clamp	
8	1670988	1	Cover, Cable Access	
9	2902549	1	Breaker Box Kit (See BREAKER BOX KIT (CE SPEC) for Breakdown)	
10	3252507	2	Decal - AC Power (220V-50/60Hz)	
11	3290405	6	Nut M4	
12	3300048	1	Nut, Conduit	
13	3311405	5	Nut 1/4	
14	4010408	6	Screw M4 x 16	
15	4460422	1	Terminal, Strain Relief	
16	4460968	1	Connector, Strain Relief (SN 0200239053 through 0200260027)	
16	4460662	1	Connector, Strain Relief (SN 0200260028 to Present)	
17	4461205	1	Plug, Male	
18	4711400	5	Washer 1/4	
19	4751400	2	Washer 1/4	
20	4811400	4	Washer M4	
21	0641406	2	Bolt 1/4 x 3/4	
22	1001091102	4	Washer M4	
23	1001094915	1	Bracket	

SECTION 8 - ELECTRICAL

FIGURE 8-10. AC BOX AT PLATFORM INSTALLATION - 220V (CEE7 POST GROUND 70X70 BOX) (CE SPEC ONLY)



ART_1001167532

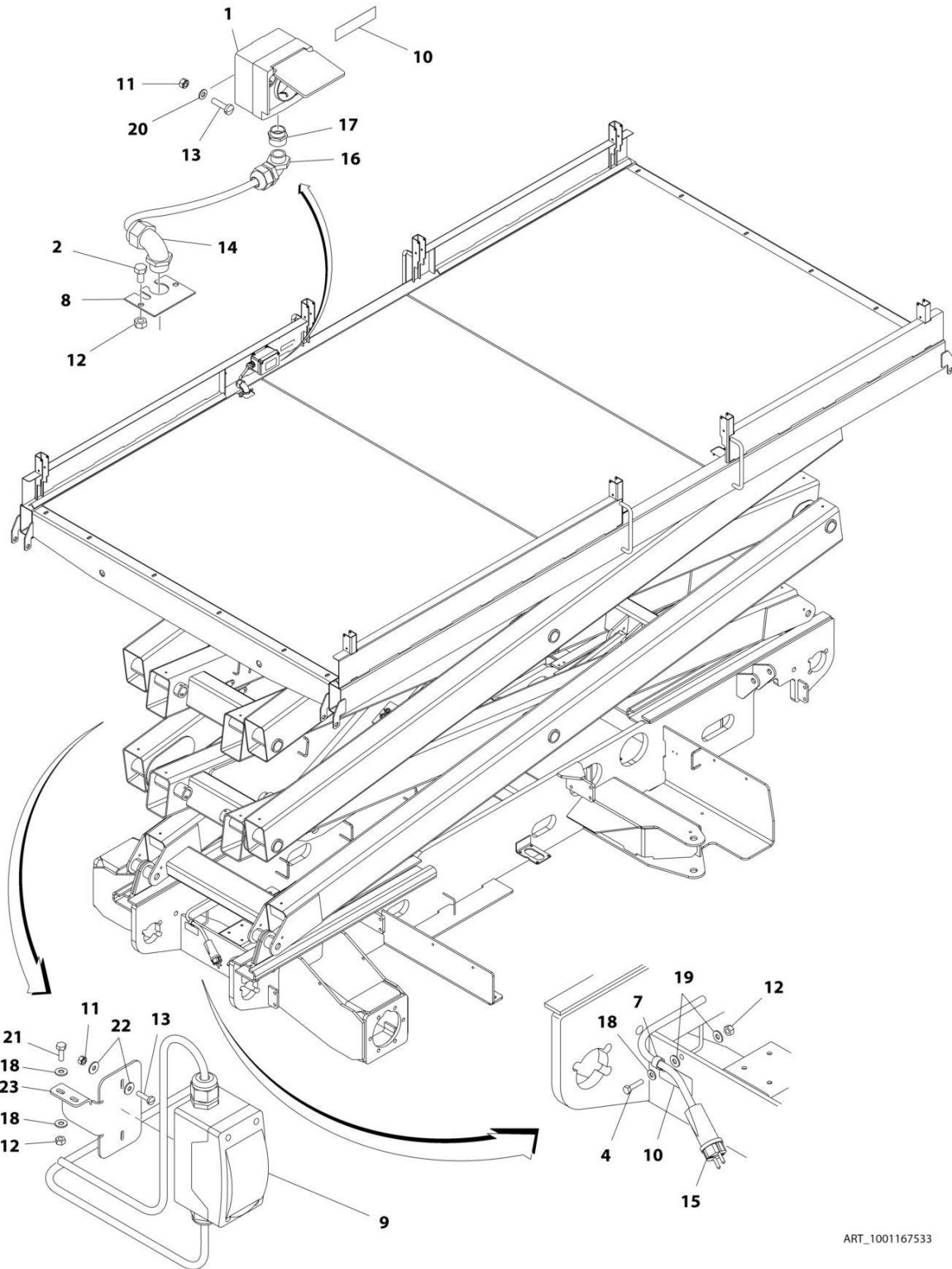
SECTION 8 - ELECTRICAL

FIGURE 8-10. AC BOX AT PLATFORM INSTALLATION - 220V (CEE7 POST GROUND 70X70 BOX) (CE SPEC ONLY)

ITEM	PART NUMBER	QTY	DESCRIPTION	REV
	1001167532	Ref	AC BOX AT PLATFORM INSTALLATION - 220V (CEE7 POST GROUND 70X70 BOX) (CE SPEC ONLY)	E
1	0275218	1	Receptacle Box Kit (See RECEPTACLE BOX KIT - CEE7 POST GROUND 70X70 BOX (CE SPEC) for Breakdown)	
2	0641404	2	Bolt 1/4 x 1/2	
4	0641409	1	Bolt 1/4 x 1-1/8	
7	1320224	1	Clamp	
8	1670988	1	Cover, Cable Access	
9	2902549	1	Breaker Box Kit (See BREAKER BOX KIT (CE SPEC) for Breakdown)	
10	3252507	2	Decal - AC Power (220V-50/60Hz)	
11	3290405	4	Nut M4	
12	3300048	1	Nut, Conduit	
13	3311405	5	Nut 1/4	
14	4010408	4	Screw M4 x 16	
15	4460422	1	Terminal, Strain Relief	
16	4461202	1	Plug, Male (SN 0200239052 through 0200256565)	
16	4461205	1	Plug, Male (SN 0200256566 to Present)	
17	4461257	1	Connector, Strain Relief	
18	4461258	1	Adapter	
19	4711400	5	Washer 1/4	
20	4751400	2	Washer 1/4	
21	4811400	2	Washer M4	
22	0641406	2	Bolt 1/4 x 3/4	
23	1001091102	4	Washer M4	
24	1001094915	1	Bracket	

SECTION 8 - ELECTRICAL

FIGURE 8-11. AC BOX AT PLATFORM INSTALLATION - 220V (CEE7 SIDE GROUND 70X70 BOX) (CE SPEC ONLY)



ART_1001167533

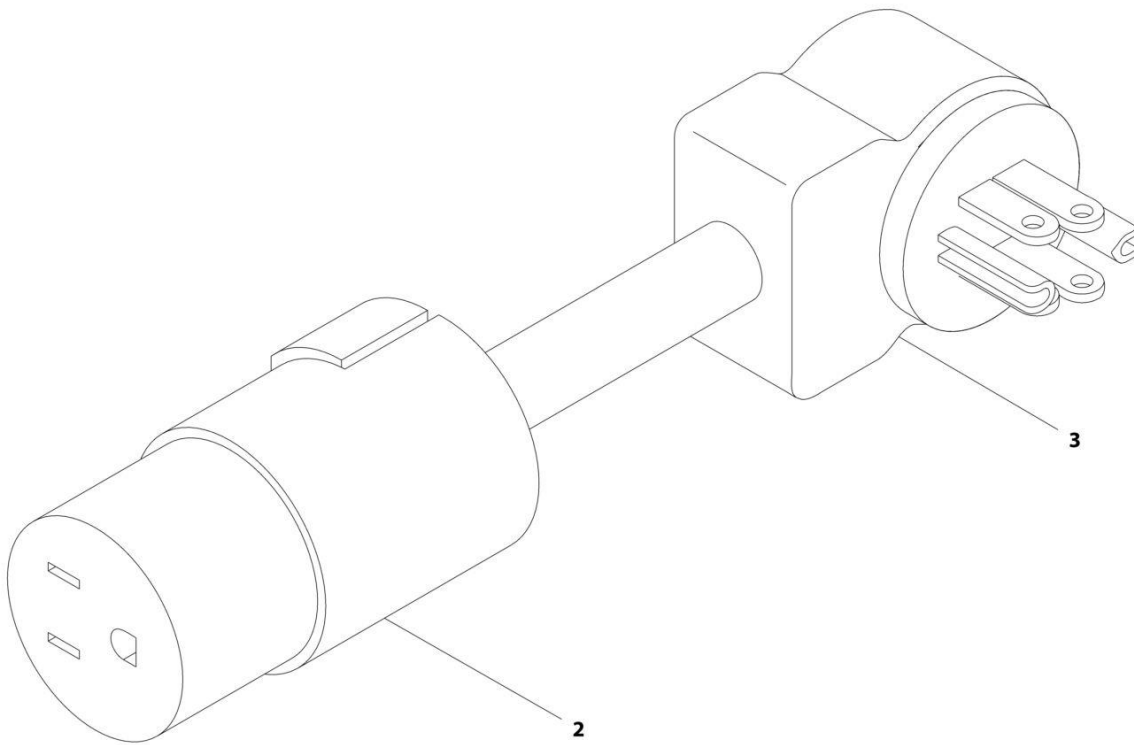
SECTION 8 - ELECTRICAL

FIGURE 8-11. AC BOX AT PLATFORM INSTALLATION - 220V (CEE7 SIDE GROUND 70X70 BOX) (CE SPEC ONLY)

ITEM	PART NUMBER	QTY	DESCRIPTION	REV
	1001167533	Ref	AC BOX AT PLATFORM INSTALLATION - 220V (CEE7 SIDE GROUND 70X70 BOX) (CE SPEC ONLY)	D
1	0275219	1	Receptacle Box Kit (See RECEPTACLE BOX KIT - CEE7 SIDE GROUND 70X70 BOX (CE SPEC) for Breakdown)	
2	0641404	2	Bolt 1/4 x 1/2	
4	0641409	1	Bolt 1/4 x 1-1/8	
7	1320224	1	Clamp	
8	1670988	1	Cover, Cable Access	
9	2902549	1	Breaker Box Kit (See BREAKER BOX KIT (CE SPEC) for Breakdown)	
10	3252507	2	Decal - AC Power (220V-50/60Hz)	
11	3290405	4	Nut M4	
12	3311405	5	Nut 1/4	
13	4010408	4	Screw M4 x 16	
14	4460422	1	Terminal, Strain Relief	
15	4461205	1	Plug, Male	
16	4461257	1	Connector, Strain Relief	
17	4461258	1	Adapter	
18	4711400	5	Washer 1/4	
19	4751400	2	Washer 1/4	
20	4811400	2	Washer M4	
21	0641406	2	Bolt 1/4 x 3/4	
22	1001091102	4	Washer M4	
23	1001094915	1	Bracket	

SECTION 8 - ELECTRICAL

FIGURE 8-12. AC CORD ASSEMBLY - 2000W & 3500W



ART_1061006

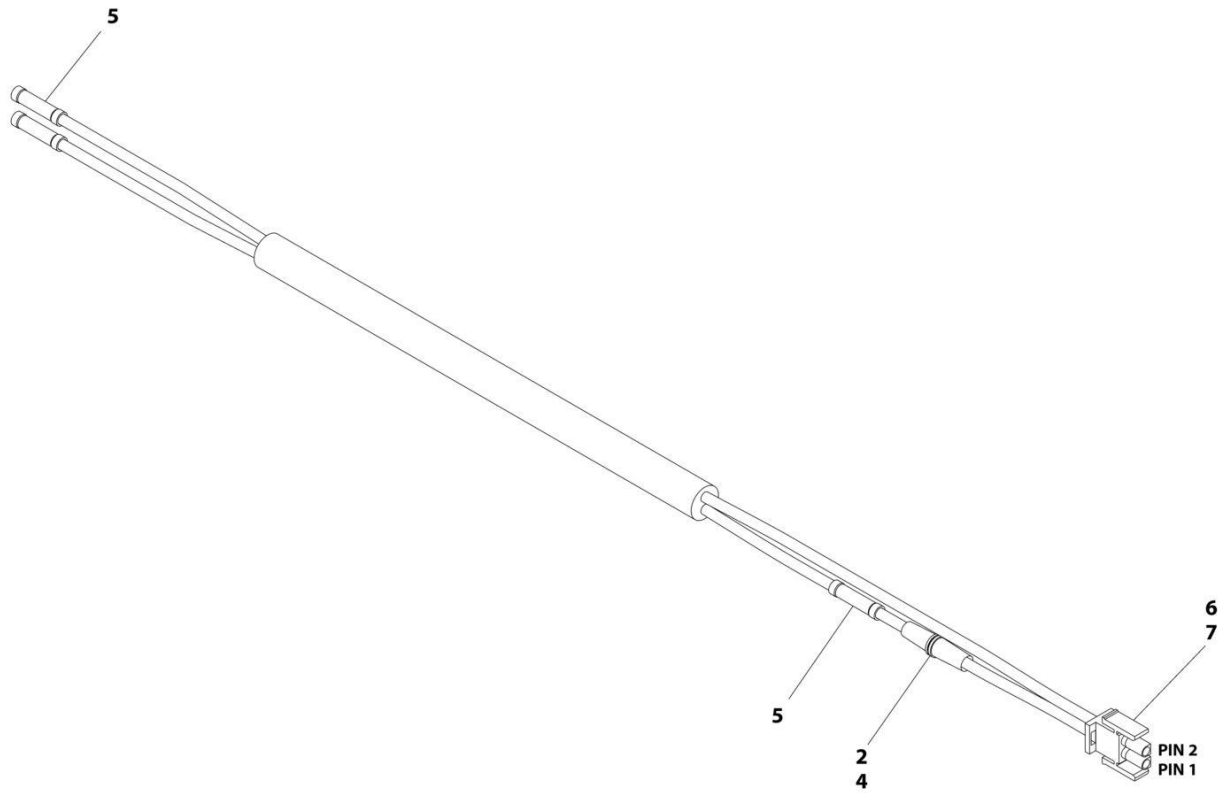
SECTION 8 - ELECTRICAL

FIGURE 8-12. AC CORD ASSEMBLY - 2000W & 3500W

ITEM	PART NUMBER	QTY	DESCRIPTION	REV
	1061006	Ref	AC CORD ASSEMBLY - 2000W & 3500W	A
2	4460779	1	Receptacle, Female	
3	4460858	1	Plug, 90 Male	

SECTION 8 - ELECTRICAL

FIGURE 8-13. BEACON HARNESS ASSEMBLY (OPTIONAL)



ART_4922739

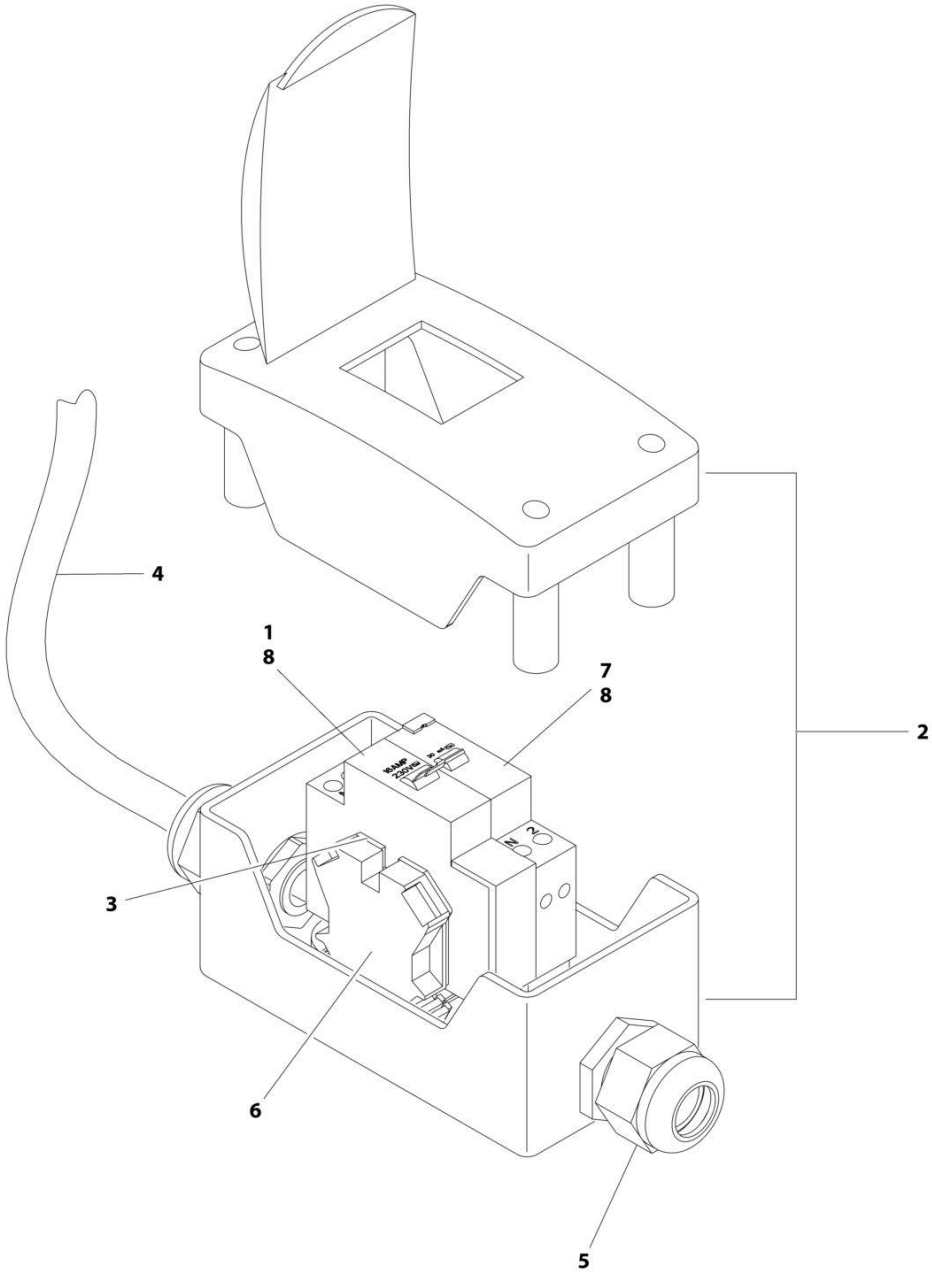
SECTION 8 - ELECTRICAL

FIGURE 8-13. BEACON HARNESS ASSEMBLY (OPTIONAL)

ITEM	PART NUMBER	QTY	DESCRIPTION	REV
	4922739	Ref	BEACON HARNESS ASSEMBLY (OPTIONAL)	B
2	2400056	1	Fuse - 5Amp	
4	4460044	1	Fuseholder	
5	4460248	3	Terminal	
6	4460267	2	Pin, Male	
7	4460320	1	Connector - 2 Position	

SECTION 8 - ELECTRICAL

FIGURE 8-14. BREAKER BOX KIT (CE SPEC)



ART_2902549

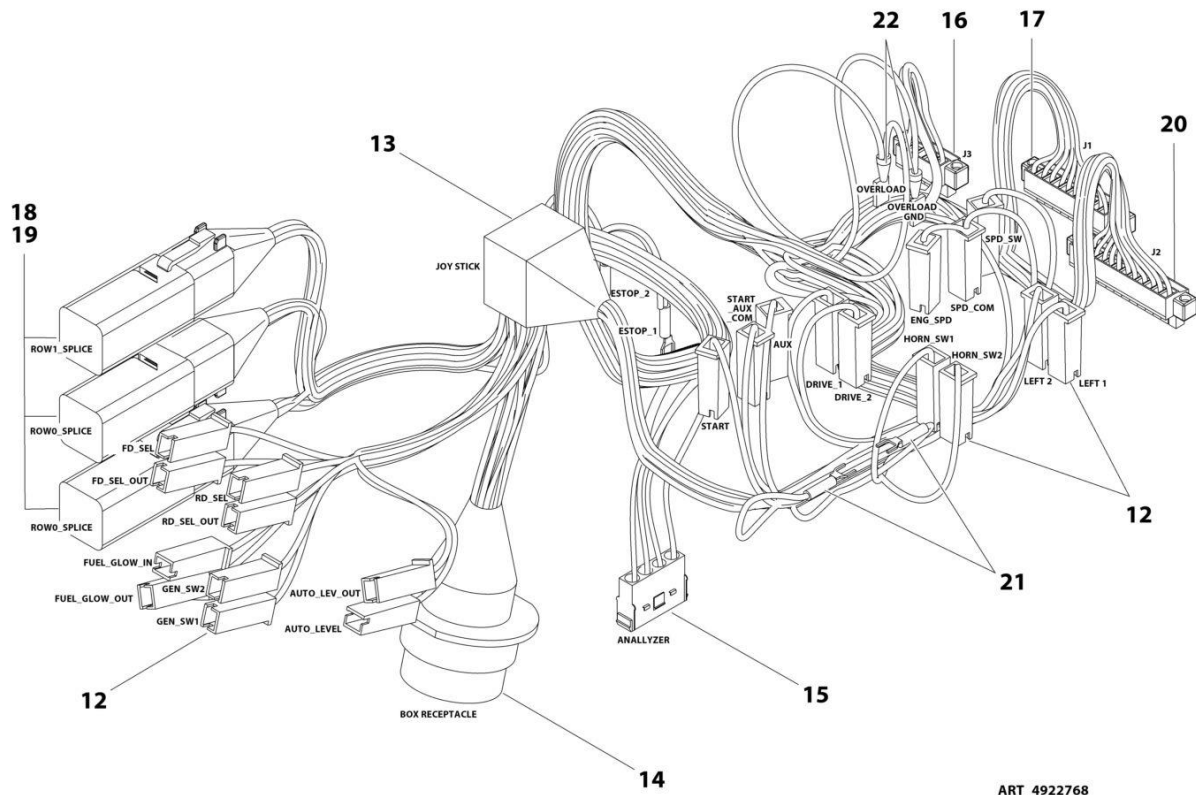
SECTION 8 - ELECTRICAL

FIGURE 8-14. BREAKER BOX KIT (CE SPEC)

ITEM	PART NUMBER	QTY	DESCRIPTION	REV
	2902549	Ref	BREAKER BOX KIT (CE SPEC)	E
1	1001109475	NLA	Breaker 16Amp (Use p/n 1001181045) (SN 0200239053 through 0200245688)	
2	0861880	1	Box, Breaker	
3	4460956	1	Barrier, Terminal	
4	1060908	6 ft /1.83m	Cable, Electrical 12/3	
5	1001097150	2	Connector, Strain Relief	
6	4460957	1	Block, Terminal	
7	1001109482	NLA	Breaker 30mAmp (Use p/n 1001181045) (SN 0200239053 through 0200246688)	
8	1001181045	1	Breaker 16Amp/30mAmp Combination (SN 0200246689 to Present)	

SECTION 8 - ELECTRICAL

FIGURE 8-15. CONSOLE BOX HARNESS



ART_4922768

SECTION 8 - ELECTRICAL

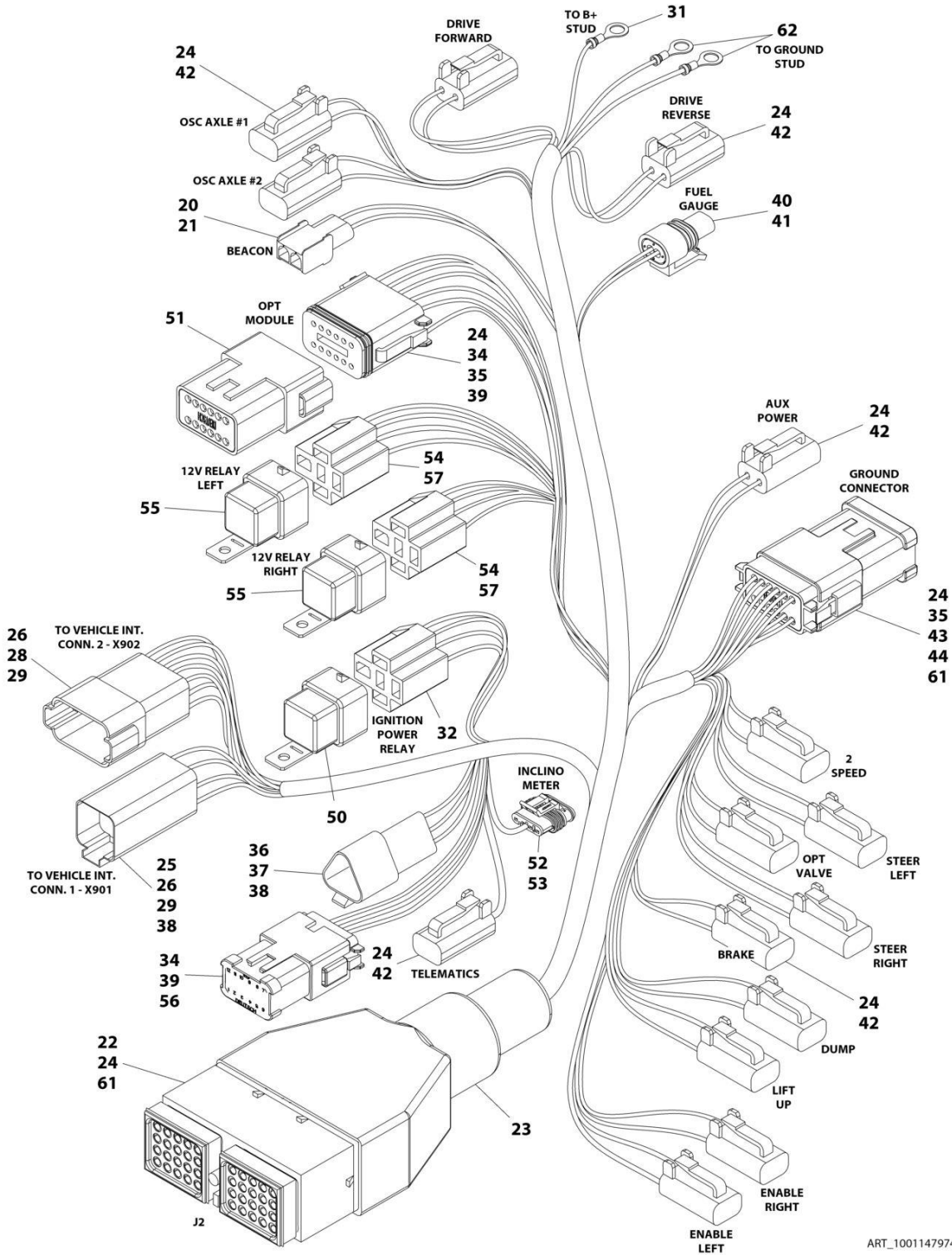
FIGURE 8-15. CONSOLE BOX HARNESS

ITEM	PART NUMBER	QTY	DESCRIPTION	REV
	4922768	Ref	CONSOLE BOX HARNESS	B
12	4460260	22	Terminal, Housing	
12	4460259	22	Terminal	
13	4460266	1	Connector - 9 Position	
13	4460267	8	Pin, Male	
14	4460480	1	Connector - 23 Position	
14	4460465	21	Socket, Female	
15	4460761	1	Connector - 4 Position	
15	4460267	4	Pin, Male	
16	4460817	1	Terminal, Male - 5 Position	
17	4460818	1	Terminal, Male - 10 Position	
18	4460892	3	Terminal, Buss Bar - 6 Position	
18	4460894	3	Connector - 6 Position	
18	4460465	15	Socket, Female	
20	4460895	1	Terminal, Male - 12 Position	
21	4460183	4	Terminal, Ring	
22	4460016	2	Terminal, Receptacle	
26	4240032	57	Tie-Strap (Not Shown)	

SECTION 8 - ELECTRICAL

FIGURE 8-16. ENGINE AND VALVE HARNESS - DEUTZ ENGINE MACHINES

NOTE: SEE USAGE CHART ON PARTS LIST BEFORE ORDERING PARTS.



ART_1001147974

SECTION 8 - ELECTRICAL

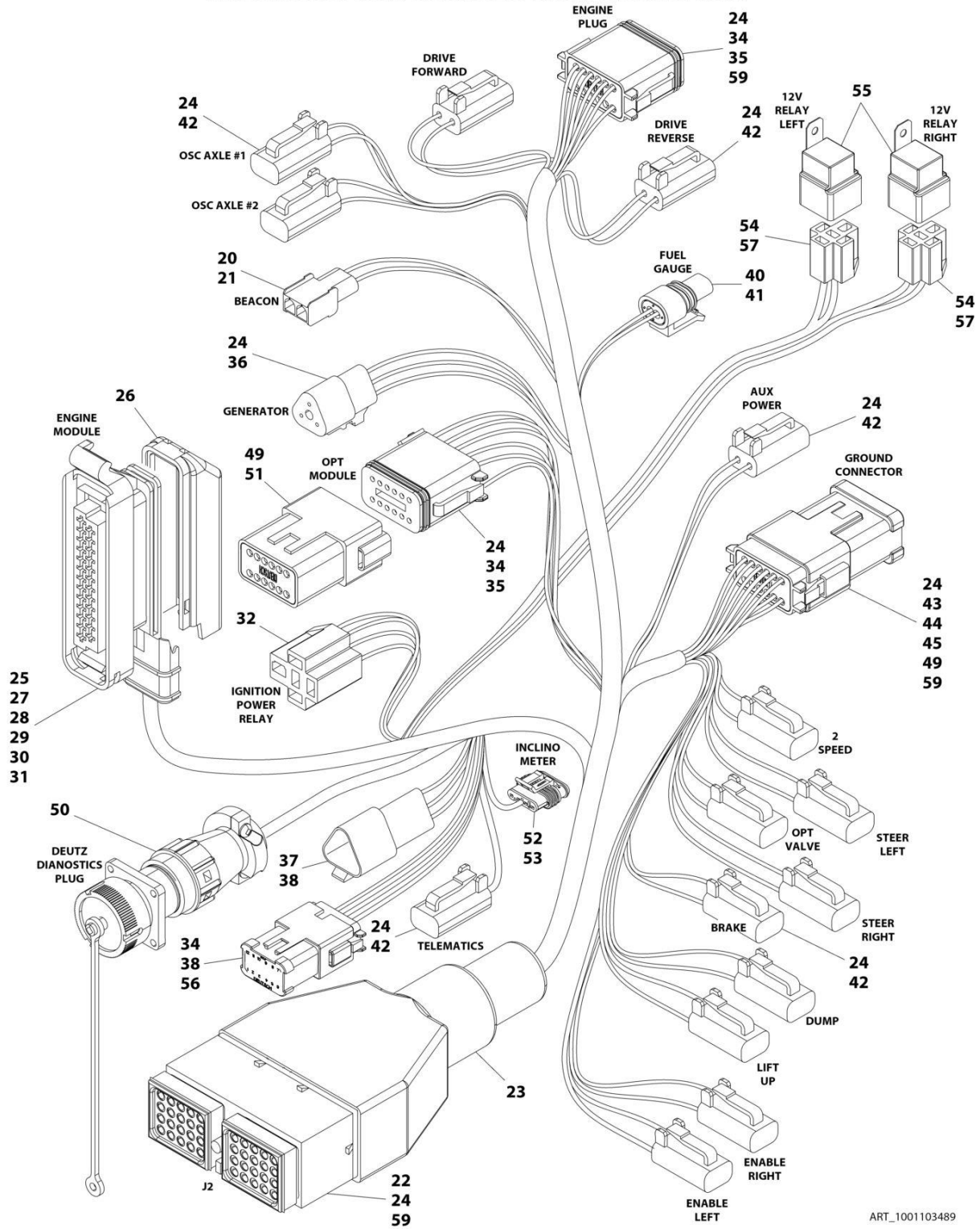
FIGURE 8-16. ENGINE AND VALVE HARNESS - DEUTZ ENGINE MACHINES

ITEM	PART NUMBER	QTY	DESCRIPTION	REV
		Ref	USAGE CHART:	
		Ref	- Machines with Deutz D2011 Engines with Power Options Module ANSI Export and Australian Spec (SN 0200239053 through 0200241795)	
		Ref	- Machines with Deutz D2011 Engines without Power Options Module CE Spec (SN 0200239053 through 0200241795)	
		Ref	- Machines with Deutz D2011 Engines with Power Options Module CE Spec (SN 0200239053 through 0200241795)	
		Ref	- Machines with Deutz D2011 Engines with Low Temperature Cutout (SN 0200239053 through 0200246032)	
		Ref	- Machines with Deutz D2.9L4 Engines	
	1001147974	Ref	ENGINE AND VALVE HARNESS - DEUTZ ENGINE MACHINES	K
20	4460424	1	Connector, Female - 2 Position	
21	4460268	2	Socket, Female	
22	4460814	1	Connector - 40 Position	
23	0840057	1	Boot, Terminal	
24	4460465	AR	Socket, Female	
25	4460899	1	Connector, Male - 6 Position	
26	4460464	7	Pin, Male	
28	4460931	1	Connector, Male - 8 Position	
29	4460466	AR	Seal, Plug	
31	4460670	AR	Terminal, Eyelet	
32	4460741	1	Plug, Male Relay (SN 0200239053 through 0200240770)	
32	4460374	1	Plug, Male Relay (SN 0200240771 to Present)	
32	4460420	4	Terminal, Female (SN 0200239053 through 0200240770)	
32	1001116732	2	Terminal (SN 0200240771 to Present)	
32	1001116734	2	Terminal (SN 0200246392 to Present)	
34	4460933	AR	Connector - 12 Position	
35	0840055	2	Boot, Terminal	
36	4460539	1	Connector - 3 Position (SN 0200239053 through 0200240770)	
37	4460536	1	Connector - 3 Position (SN 0200239053 through 0200246391)	
38	4460943	AR	Pin, Male	
39	4460944	AR	Socket, Female (SN 0200240771 to Present)	
40	4460955	1	Connector - 2 Position	
41	4460842	2	Terminal, Female	
42	4460891	15	Connector - 2 Position	
43	4460836	1	Connector - 12 Position	
44	4460837	1	Connector, Buss Bar - 12 Position	
47	4240032	AR	Tie-Strap (Not Shown)	
48	4240033	AR	Tie-Strap (Not Shown)	
50	3740049	1	Relay (SN 0200239053 through 0200240770)	
50	3740080	1	Relay (SN 0200240771 to Present)	
51	4460970	1	Receptacle, Female	
52	1001103012	1	Connector - 4 Position (SN 0200246392 to Present)	
53	1001107854	4	Socket, Female (SN 0200246392 to Present)	
54	4460375	8	Terminal (SN 0200246392 to Present)	
55	3740080	2	Relay (SN 0200246392 to Present)	
56	1001119020	1	Connector, Buss Bar - 12 Position (SN 0200246392 to Present)	
57	4460374	2	Plug, Relay (SN 0200246392 to Present)	
61	4460942	6	Socket, Female (SN 0200254131 to Present)	
62	4460738	2	Terminal, Eyelet (SN 0200254131 to Present)	

SECTION 8 - ELECTRICAL

FIGURE 8-17. ENGINE AND VALVE HARNESS - DEUTZ ENGINE MACHINES

NOTE: SEE USAGE CHART ON PARTS LIST BEFORE ORDERING PARTS.



ART_1001103489

SECTION 8 - ELECTRICAL

FIGURE 8-17. ENGINE AND VALVE HARNESS - DEUTZ ENGINE MACHINES

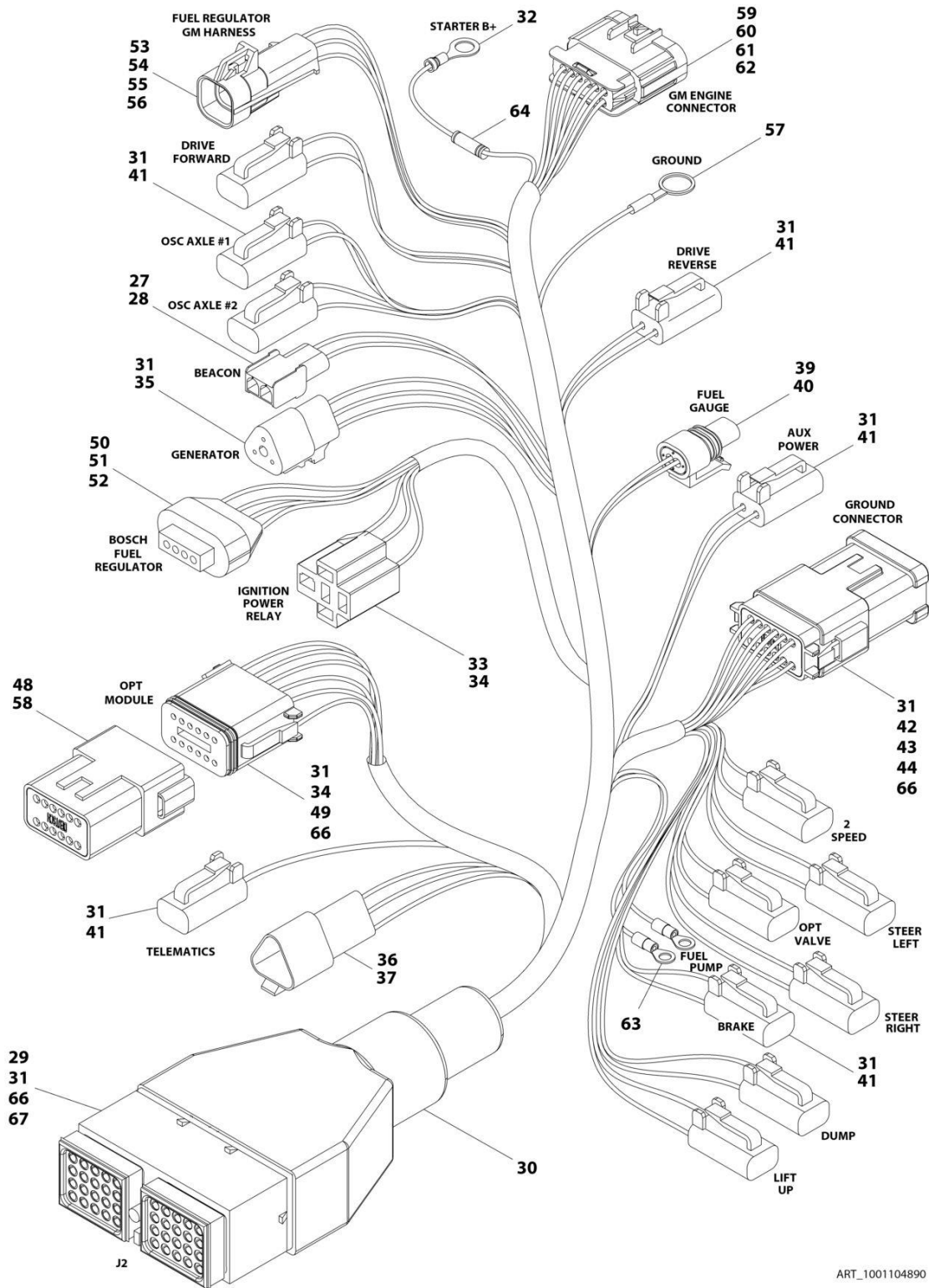
ITEM	PART NUMBER	QTY	DESCRIPTION	REV
		Ref	USAGE CHART:	
		Ref	- Machines with Deutz D2011 Engines without Power Options Module ANSI Export and Australian Spec (SN 0200239053 to Present)	
		Ref	- Machines with Deutz D2011 Engines with Power Options Module ANSI Export and Australian Spec (SN 0200241796 to Present)	
		Ref	- Machines with Deutz D2011 Engines without Power Options Module CE Spec (SN 0200241796 to Present)	
		Ref	- Machines with Deutz D2011 Engines with Power Options Module CE Spec (SN 0200241796 to Present)	
		Ref	- Machines with Deutz D2011 Engines with Low Temperature Cutout (SN 0200246033 to Present)	
	1001103489	Ref	ENGINE AND VALVE HARNESS - DEUTZ ENGINE MACHINES	I
20	4460424	1	Connector, Female - 2 Position	
21	4460268	2	Socket, Female	
22	4460814	1	Connector - 40 Position	
23	0840057	1	Boot, Terminal	
24	4460465	AR	Socket, Female	
25	4461052	1	Connector - 25 Position	
26	4461053	1	Cover, Plug	
27	4461005	5	Terminal (Gold)	
28	4461006	5	Seal, Terminal	
29	4461060	2	Terminal (Tin)	
30	4461054	2	Seal, Terminal	
31	4461008	18	Plug, Hole	
32	4460741	1	Plug, Male Relay	
32	4460420	4	Terminal, Female	
34	4460933	3	Connector - 12 Position	
35	0840055	2	Boot, Terminal	
36	4460539	1	Connector - 3 Position	
37	4460536	1	Connector 3- Position (SN 0200239053 through 0200241795)	
38	4460943	AR	Pin, Male (SN 0200239053 through 0200254130)	
38	4460944	AR	Socket, Female (SN 0200254131 to Present)	
40	4460955	1	Connector - 2 Position	
41	4460842	2	Terminal, Female	
42	4460891	15	Connector - 2 Position	
43	4460836	1	Connector - 12 Position	
44	4460837	1	Connector, Buss Bar - 12 Position	
45	0840055	1	Boot, Terminal	
47	4240032	AR	Tie-Strap (Not Shown)	
48	4240033	AR	Tie-Strap (Not Shown)	
49	4460466	AR	Plug, Sealing	
50	2902443	1	Receptacle Kit	
50	4461071	8	Socket, Female	
50	4461072	1	Receptacle	
50	4461073	1	Cap, Dust	
50	4461074	1	Shell, Black	
51	4460970	1	Receptacle, Female	
52	1001103012	1	Connector - 4 Position (SN 0200241796 to Present)	
53	1001107854	4	Socket, Female (SN 0200241796 to Present)	

SECTION 8 - ELECTRICAL

ITEM	PART NUMBER	QTY	DESCRIPTION	REV
54	4460375	8	Terminal (SN 0200241796 to Present)	
55	3740080	2	Relay (SN 0200241796 to Present)	
56	1001119020	1	Connector, Buss Bar - 12 Position (SN 0200241796 to Present)	
57	4460374	2	Plug, Relay (SN 0200241796 to Present)	
59	4460942	9	Socket, Female (SN 0200254131 to Present)	

SECTION 8 - ELECTRICAL

FIGURE 8-18. ENGINE AND VALVE HARNESS - GM ENGINE MACHINES



ART_1001104890

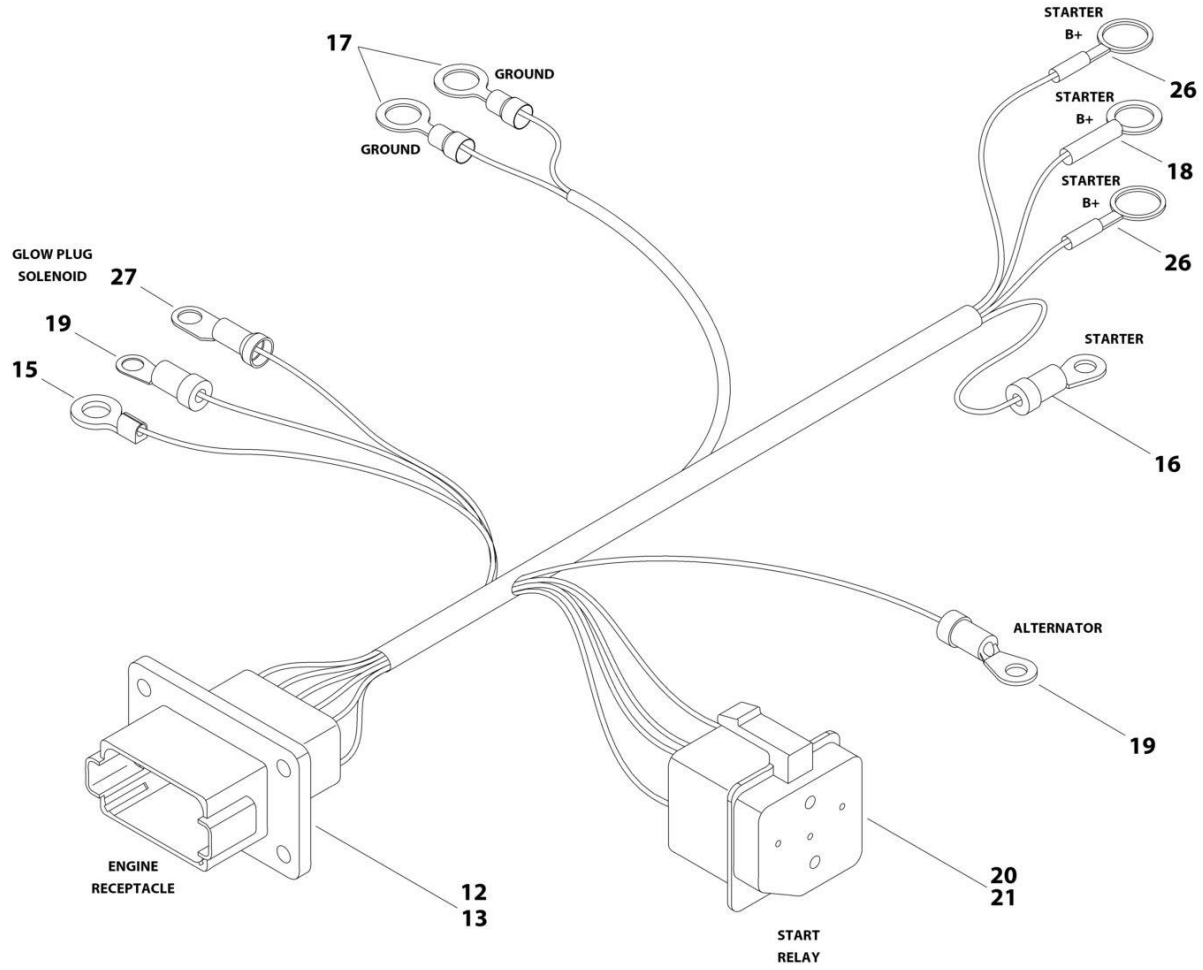
SECTION 8 - ELECTRICAL

FIGURE 8-18. ENGINE AND VALVE HARNESS - GM ENGINE MACHINES

ITEM	PART NUMBER	QTY	DESCRIPTION	REV
	1001104890	Ref	ENGINE AND VALVE HARNESS - GM ENGINE MACHINES	G
27	4460424	1	Connector, Female - 2 Position	
28	4460268	2	Socket, Female	
29	4460814	1	Connector - 40 Position	
30	0840057	1	Boot, Terminal	
31	4460465	69	Socket, Female	
32	4460738	1	Terminal, Eyelet	
33	4460374	1	Plug, Male Relay	
34	4460375	4	Terminal, Female	
35	4460539	1	Plug, Male	
36	4460536	1	Connector 3- Position	
37	4460943	3	Pin, Male	
39	4460955	1	Connector - 2 Position	
40	4460842	2	Terminal, Female	
41	4460891	13	Connector - 2 Position	
42	4460836	1	Connector - 12 Position	
43	4460837	1	Connector, Buss Bar - 12 Position	
44	0840055	2	Boot, Terminal	
46	4240032	AR	Tie-Strap (Not Shown)	
47	4240033	AR	Tie-Strap (Not Shown)	
48	4460466	12	Plug, Sealing	
49	4460933	1	Connector - 12 Position	
50	4461121	1	Connector, Male 4 - Position	
51	4461122	4	Terminal, Female (SN 0200239053 through 0200250623)	
51	1001126484	4	Terminal, Female (SN 0200250624 to Present)	
52	4461123	4	Seal (SN 0200239053 through 0200250263)	
52	1001126485	4	Seal (SN 0200250264 to Present)	
53	4461124	1	Connector, Male 4 - Position	
54	4460693	4	Terminal, Male	
55	4460608	4	Seal	
56	4461161	1	Terminal, Lock	
57	4460019	1	Terminal, Eyelet	
58	4460970	1	Receptacle, Female	
59	4461109	1	Connector - 16 Position	
60	4461111	7	Pin, Male	
61	4461113	7	Seal, Terminal	
62	4461222	9	Terminal, Cavity Plug	
63	4460313	2	Terminal, Eyelet	
64	4460474	1	Terminal, Butt	
66	4460942	6	Socket, Female (SN 0200254131 to Present)	
67	4460944	6	Socket, Female (SN 0200254131 to Present)	

SECTION 8 - ELECTRICAL

FIGURE 8-19. ENGINE HARNESS - DEUTZ D2011 ENGINE



ART_4923386

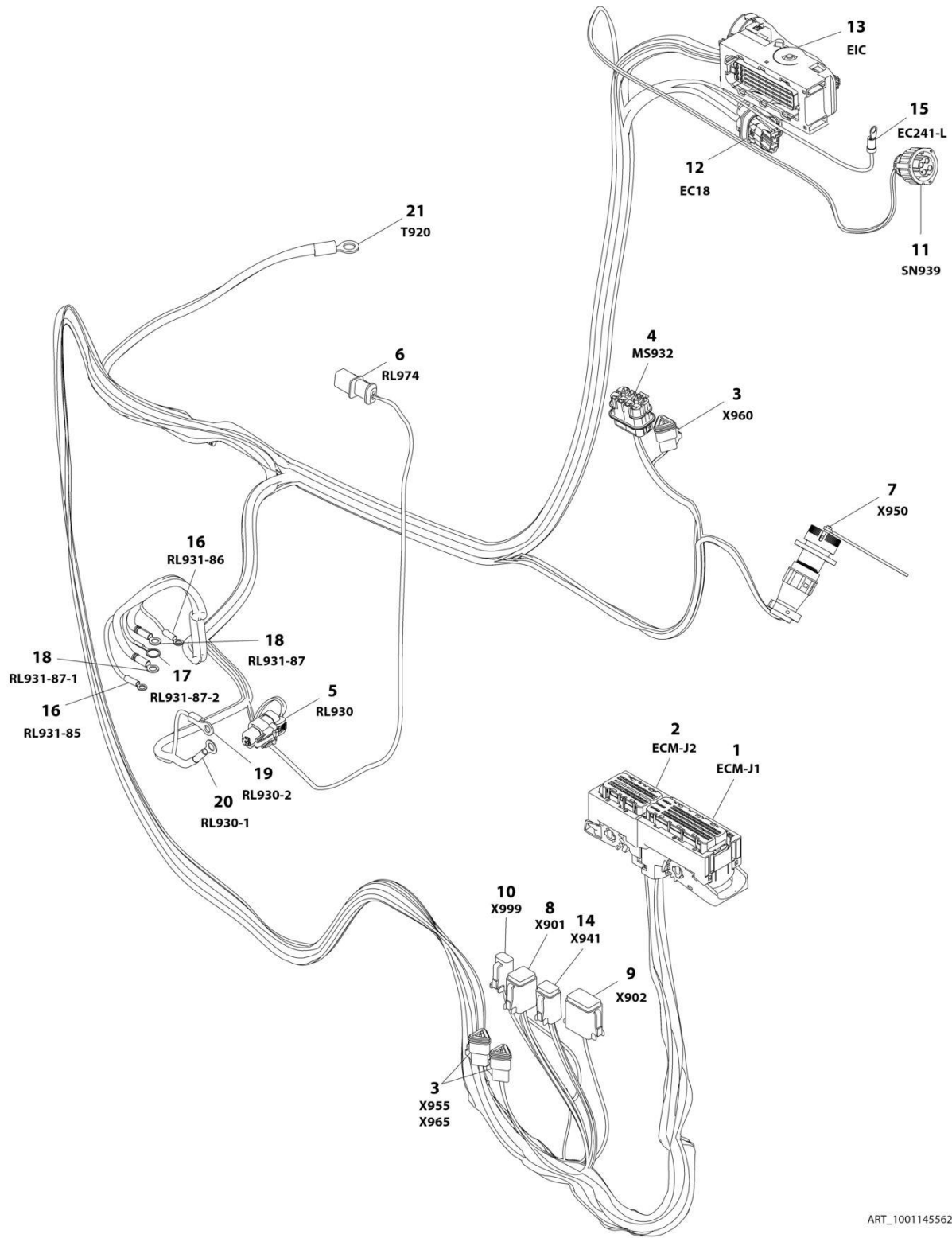
SECTION 8 - ELECTRICAL

FIGURE 8-19. ENGINE HARNESS - DEUTZ D2011 ENGINE

ITEM	PART NUMBER	QTY	DESCRIPTION	REV
	4923386	Ref	ENGINE HARNESS - DEUTZ D2011 ENGINE	A
12	4460939	1	Connector - 12 Position	
13	4460464	10	Pin, Male	
15	4460312	1	Terminal, Ring	
16	4460142	1	Terminal, Ring	
17	4460981	2	Terminal, Ring	
18	4460256	1	Terminal, Ring	
19	4460042	2	Terminal, Ring	
20	4460374	1	Plug, Male Relay	
21	4460375	4	Terminal, Female	
23	4240032	AR	Tie-Strap (Not Shown)	
24	4240033	AR	Tie-Strap (Not Shown)	
26	4460019	2	Terminal, Ring	
27	4461097	1	Terminal, Ring	

SECTION 8 - ELECTRICAL

FIGURE 8-20. ENGINE HARNESS - DEUTZ D2.9L4 ENGINE



ART_1001145562

SECTION 8 - ELECTRICAL

FIGURE 8-20. ENGINE HARNESS - DEUTZ D2.9L4 ENGINE

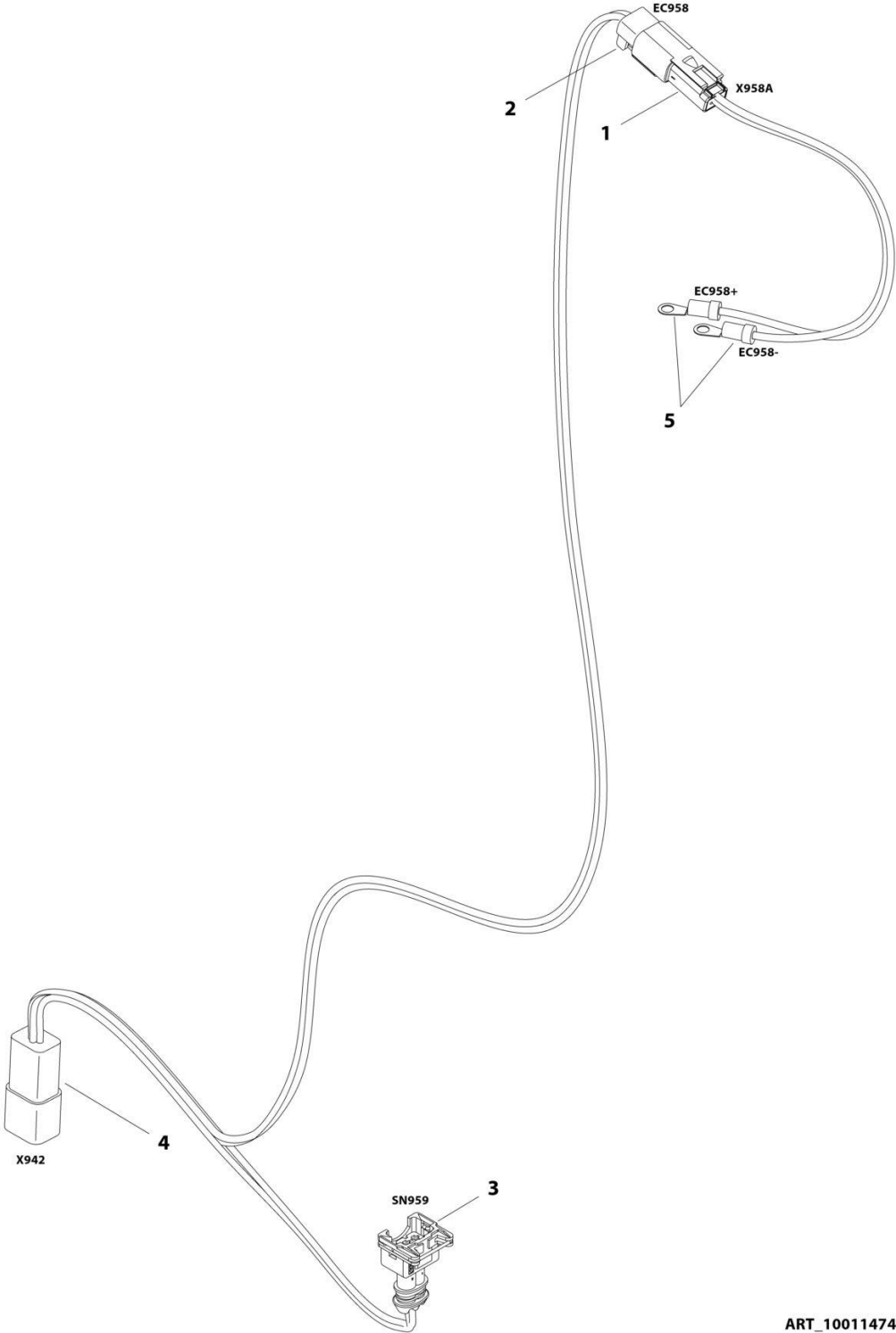
ITEM	PART NUMBER	QTY	DESCRIPTION	REV
	1001145562	Ref	ENGINE HARNESS - DEUTZ D2.9L4 ENGINE	G
1	1001133956	1	Connector (Includes Cover, Locks & Retention Plate)	
1	1001126352	6	Terminal	
1	1001126353	6	Seal, Terminal	
1	1001126384	21	Terminal	
1	1001126351	2	Terminal	
1	1001126356	63	Plug, Seal	
1	1001126357	2	Plug, Seal	
2	1001133957	1	Connector (Includes Cover, Locks & Retention Plate)	
2	1001126384	17	Terminal	
2	1001126351	13	Terminal	
2	1001126356	19	Plug, Seal	
2	1001126357	11	Plug, Seal	
3	4461070	3	Receptacle, Female With Resistor (3 Position)	
3	4461095	3	Plug, Male - 3 Position	
3	4460944	6	Socket, Female	
3	4460466	3	Seal, Plug	
4	80484084	1	Receptacle, Female - 8 Position	
4	8229242	1	Fuse - 5A	
4	80983191	1	Fuse - 10A	
4	1001147264	1	Cap	
4	1001116727	4	Plug	
4	1001116728	4	Terminal	
4	4460458	4	Seal	
5	1001116952	1	Plug, Male - 2 Position	
5	4460465	2	Socket, Female	
6	1001138110	1	Plug, Male - 2 Position	
6	1001138111	2	Socket, Female	
6	1001138113	2	Seal	
7	2902443	1	Kit, Receptacle	
7	4461071	8	Terminal, Female (Gold)	
7	4461072	1	Connector, Flange Mount	
7	4461073	1	Connector, Dust Cap	
7	4461074	1	Connector, Shell	
8	4460894	1	Plug, Male - 6 Position	
8	4460465	3	Socket, Female	
8	4460944	2	Socket, Female	
8	4460466	1	Seal, Plug	
9	4460930	1	Plug, Male - 8 Position	
9	4460465	1	Socket, Female	
9	4460466	7	Seal, Plug	
10	4460897	1	Receptacle, Female - 2 Position	
10	4460464	2	Pin, Male	
10	See Note	1	Resistor - 1.5K Ohm (Note: Not Available at Time of Printing)	
10	4460891	1	Plug, Male - 2 Position	
10	4460465	2	Socket, Female	
11	1001133714	1	Plug, Male - 4 Position	
11	1001133715	3	Terminal, Female	
11	1001135650	3	Seal	
11	1001135651	2	Cavity, Plug	

SECTION 8 - ELECTRICAL

ITEM	PART NUMBER	QTY	DESCRIPTION	REV
12	1001142938	1	Plug, Male - 2 Position	
12	1001142940	2	Terminal, Female	
12	1001142941	2	Seal	
13	1001126362	1	Receptacle, Female - 62 Position	
13	1001126363	33	Terminal	
13	1001126364	33	Seal	
13	1001126391	23	Plug	
13	4461008	4	Plug, Cavity	
13	1001126365	2	Terminal	
13	4461054	2	Seal	
13	1001151856	1	Elbow, Conduit (Not Shown)	
14	4460884	1	Plug, Male - 4 Position (SN 0200239053 through 0200260368)	
14	1001220379	1	Plug, Male - 4 Position (SN 0200260369 to Present)	
14	4460465	2	Socket, Female	
14	4460942	2	Socket, Female	
14	4460932	1	Receptacle, Female - 4 Position (Not Shown)	
14	4460466	4	Plug, Terminal (Not Shown)	
15	4460042	1	Terminal, Ring	
16	4460247	2	Terminal, Ring	
17	4460703	1	Terminal, Ring	
18	1001117107	2	Terminal, Ring	
19	1001117106	1	Terminal, Ring	
20	4460043	1	Terminal, Ring	
21	8220115	1	Terminal, Ring	

SECTION 8 - ELECTRICAL

FIGURE 8-21. FUEL HARNESS - DEUTZ D2.9L4 ENGINE



ART_1001147434

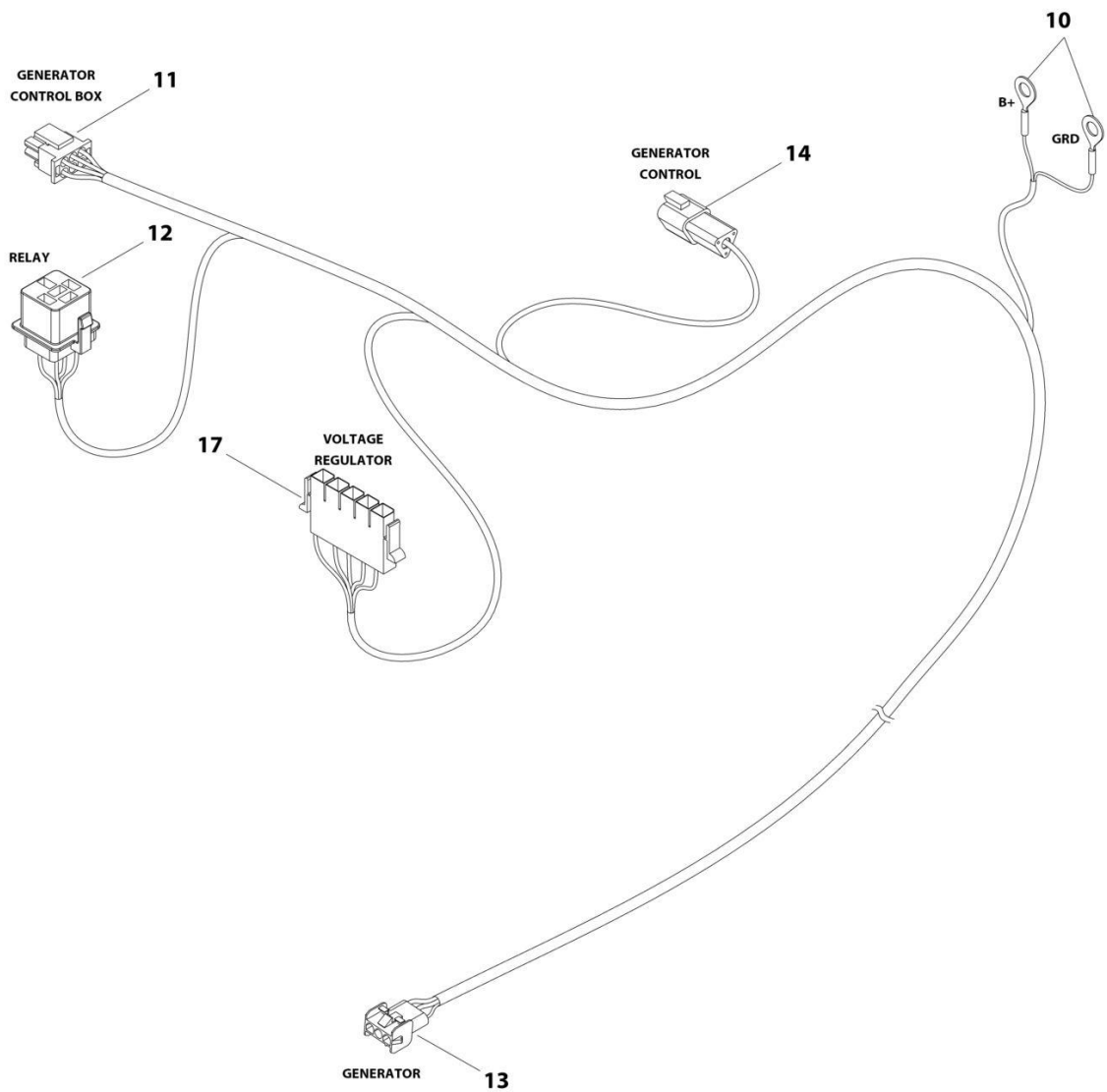
SECTION 8 - ELECTRICAL

FIGURE 8-21. FUEL HARNESS - DEUTZ D2.9L4 ENGINE

ITEM	PART NUMBER	QTY	DESCRIPTION	REV
	1001147434	Ref	FUEL HARNESS - DEUTZ D2.9L4 ENGINE	C
1	4460897	1	Receptacle, Female - 2 Position	
1	4460941	2	Pin, Male	
2	4460891	1	Plug, Male - 2 Position	
2	4460942	2	Socket, Female	
3	1001116983	1	Receptacle, Female - 2 Position	
3	1001116710	2	Terminal	
4	4460932	1	Receptacle, Female - 4 Position	
4	4460941	2	Pin, Male	
4	4460464	2	Pin, Male	
5	4460042	2	Terminal, Ring	

SECTION 8 - ELECTRICAL

FIGURE 8-22. GENERATOR HARNESS - DEUTZ D2011 & GM ENGINES



ART_4922800

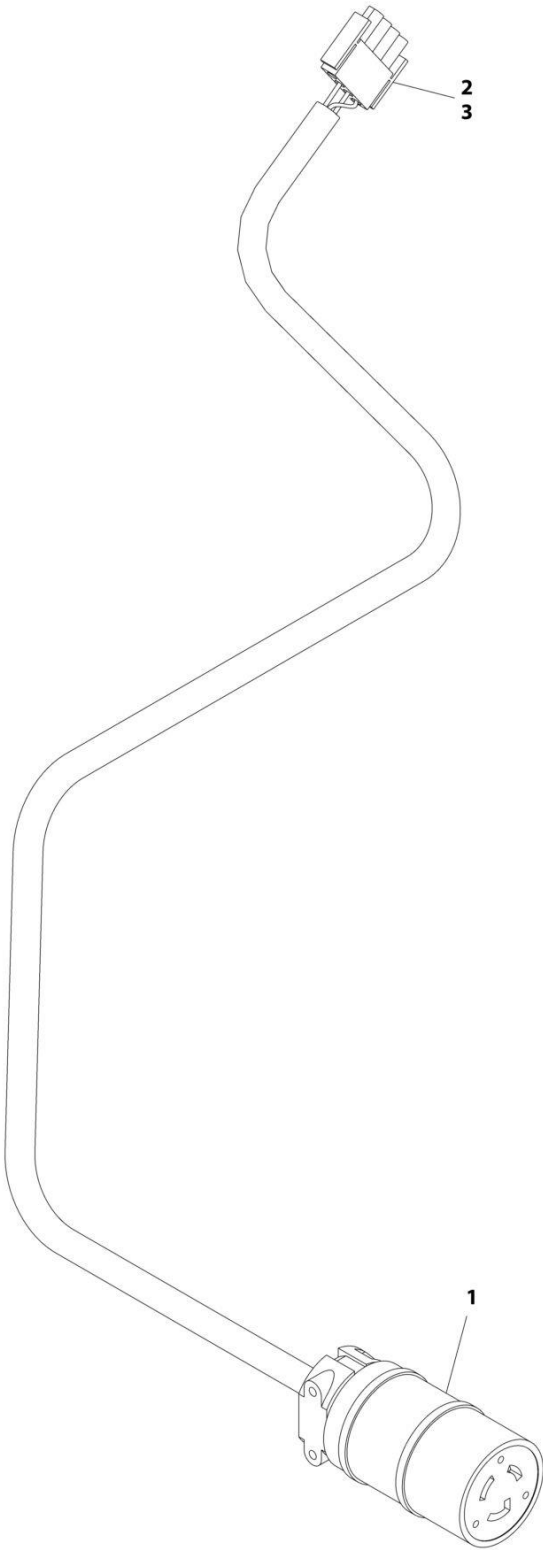
SECTION 8 - ELECTRICAL

FIGURE 8-22. GENERATOR HARNESS - DEUTZ D2011 & GM ENGINES

ITEM	PART NUMBER	QTY	DESCRIPTION	REV
	4922800	Ref	GENERATOR HARNESS - DEUTZ D2011 & GM ENGINES	C
10	4460019	2	Terminal, Ring	
11	4460225	1	Connector - 6 Position	
11	4460267	1	Pin, Male	
11	4460906	2	Socket, Female	
12	4460374	1	Plug, Relay	
12	4460375	4	Terminal	
13	4460445	1	Connector - 3 Position	
13	4460906	3	Socket, Female	
14	4460536	1	Connector - 3 Position	
14	4460464	2	Pin, Male	
17	4460972	1	Connector - 5 Position	
17	4460974	4	Terminal	
17	4460973	1	Terminal	

SECTION 8 - ELECTRICAL

FIGURE 8-23. GENERATOR AC CABLE - DEUTZ D2.9L4 ENGINES - 2500W



ART_1001183913

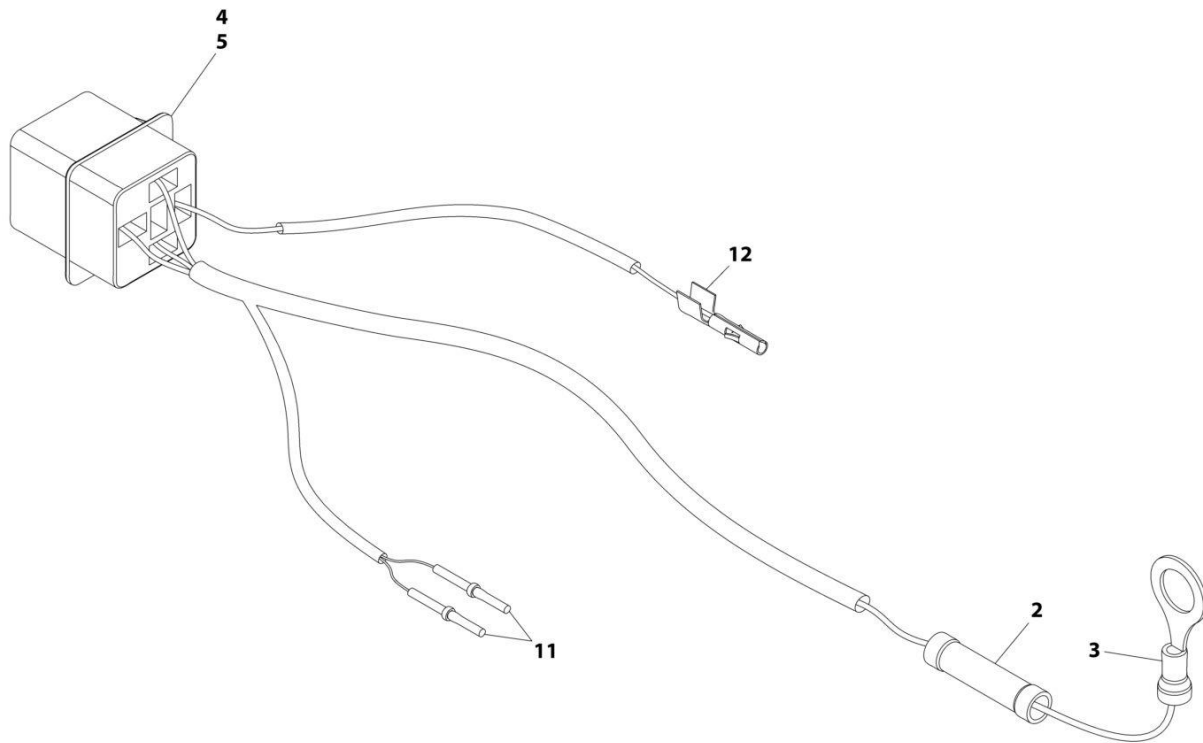
SECTION 8 - ELECTRICAL

FIGURE 8-23. GENERATOR AC CABLE - DEUTZ D2.9L4 ENGINES - 2500W

ITEM	PART NUMBER	QTY	DESCRIPTION	REV
	1001183913	Ref	GENERATOR AC CABLE - DEUTZ D2.9L4 ENGINES - 2500W	A
1	4460134	1	Connector, Female	
2	4460321	1	Plug, Male - 4 Position	
3	4460906	3	Socket, Female	

SECTION 8 - ELECTRICAL

FIGURE 8-24. GENERATOR HARNESS - DEUTZ D2.9L4 ENGINES - 2500W



ART_1001183914

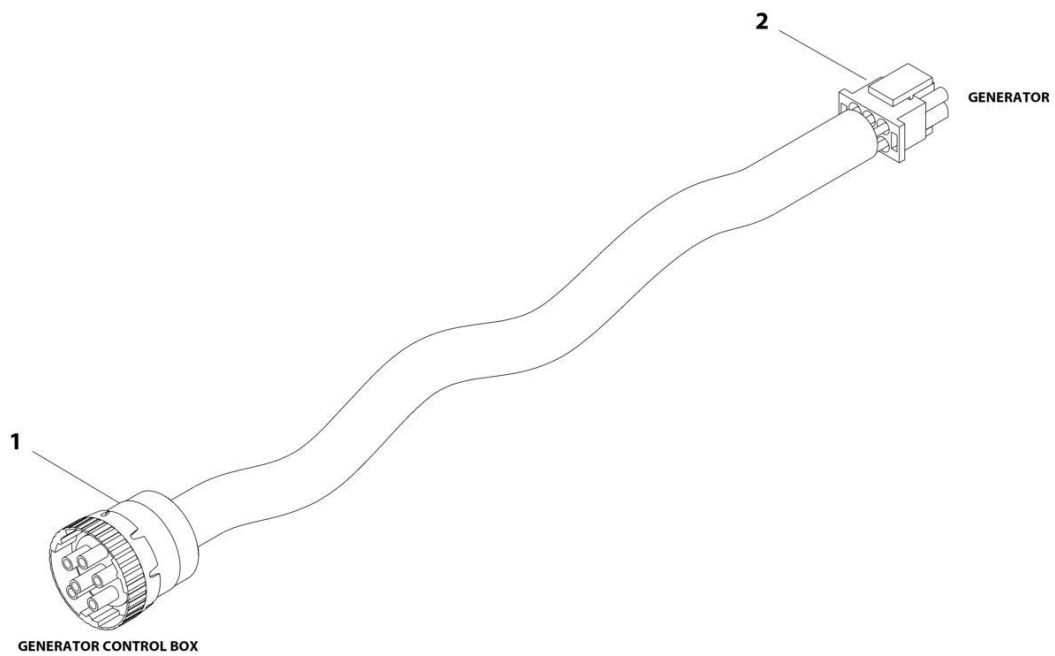
SECTION 8 - ELECTRICAL

FIGURE 8-24. GENERATOR HARNESS - DEUTZ D2.9L4 ENGINES - 2500W

ITEM	PART NUMBER	QTY	DESCRIPTION	REV
	1001183914	Ref	GENERATOR HARNESS - DEUTZ D2.9L4 ENGINES - 2500W	A
2	4460474	1	Terminal, Connector	
3	4460670	1	Terminal, Ring	
4	4460374	1	Terminal, Plug	
5	4460375	4	Terminal	
11	4460465	2	Socket, Female	
12	4460906	1	Socket, Female	

SECTION 8 - ELECTRICAL

FIGURE 8-25. GENERATOR TO CONTROL BOX HARNESS - DEUTZ D2.9L4 ENGINES - 7500W



ART_4922925

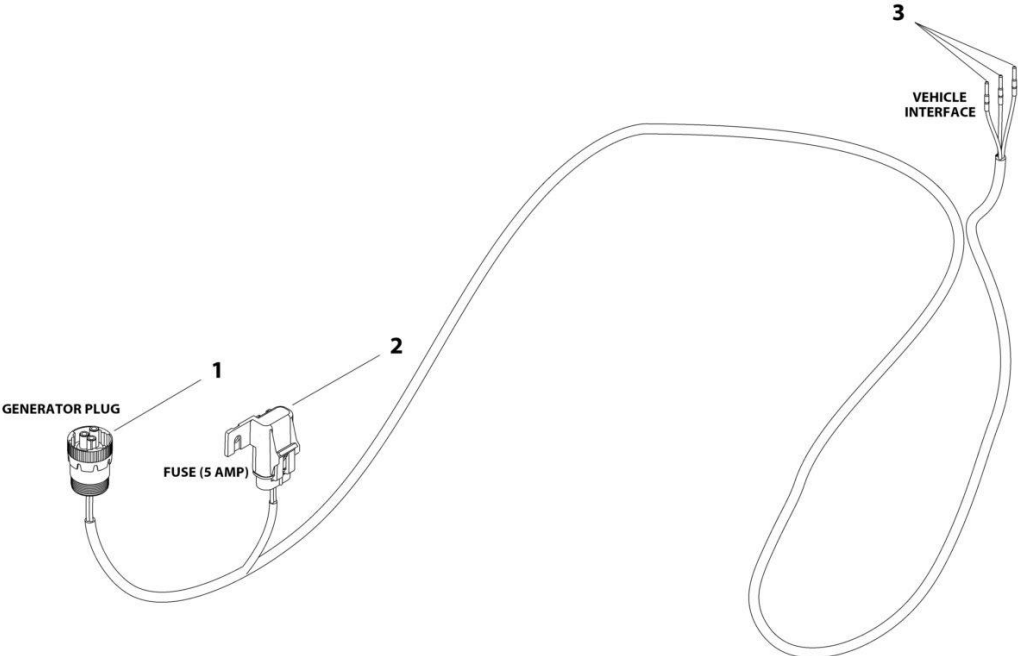
SECTION 8 - ELECTRICAL

FIGURE 8-25. GENERATOR TO CONTROL BOX HARNESS - DEUTZ D2.9L4 ENGINES - 7500W

ITEM	PART NUMBER	QTY	DESCRIPTION	REV
	4922925	Ref	GENERATOR TO CONTROL BOX HARNESS - DEUTZ D2.9L4 ENGINES - 7500W	C
1	77363233	1	Plug, Male - 6 Position	
1	4460465	6	Socket, Female	
2	4460225	1	Plug, Male - 6 Position	
2	4460226	6	Socket, Female	

SECTION 8 - ELECTRICAL

FIGURE 8-26. GENERATOR TO VEHICLE INTERFACE HARNESS - DEUTZ D2.9L4 ENGINES - 7500W



ART_1001148424

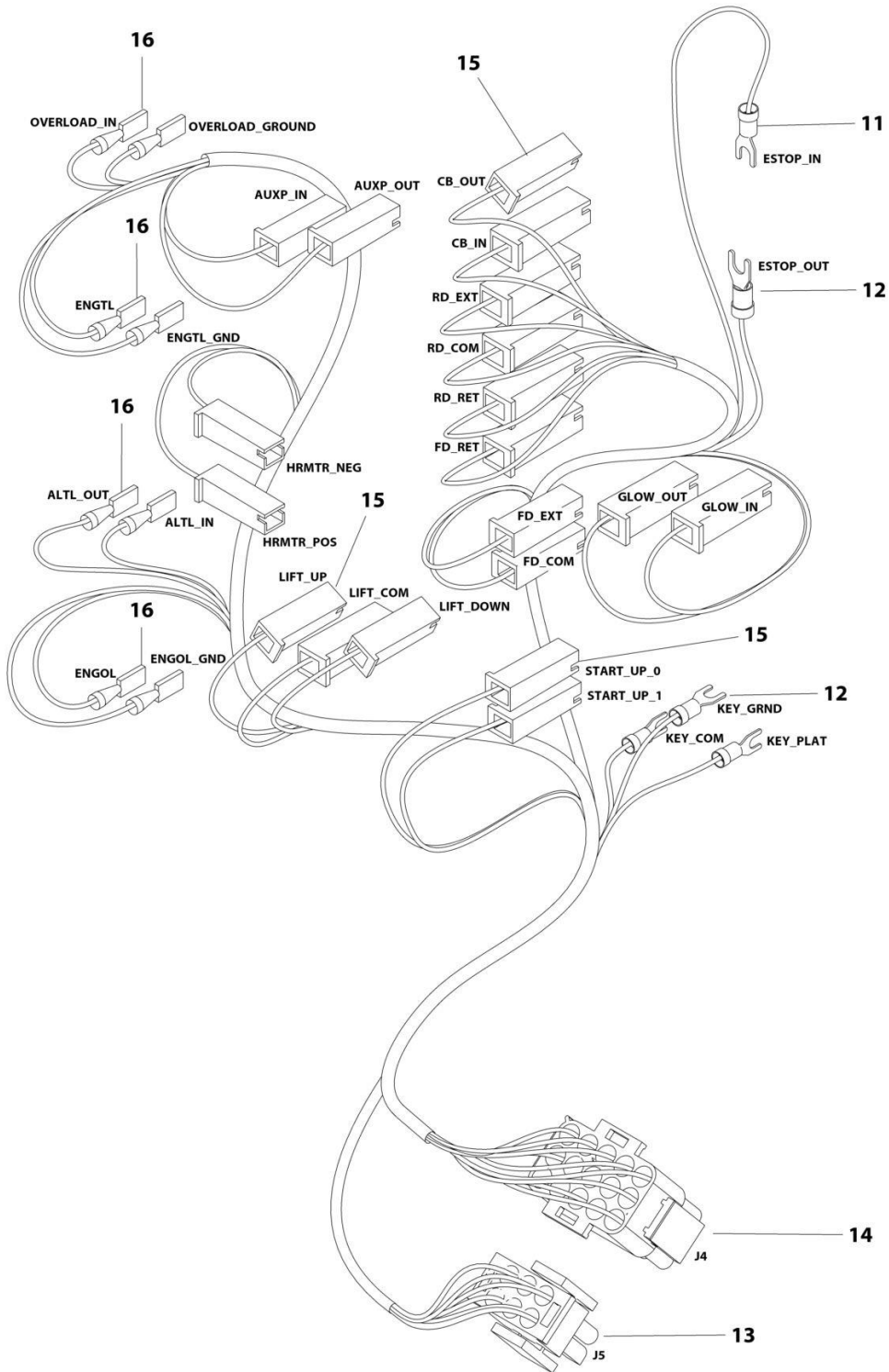
SECTION 8 - ELECTRICAL

FIGURE 8-26. GENERATOR TO VEHICLE INTERFACE HARNESS - DEUTZ D2.9L4 ENGINES - 7500W

ITEM	PART NUMBER	QTY	DESCRIPTION	REV
	1001148424	Ref	GENERATOR TO VEHICLE INTERFACE HARNESS - DEUTZ D2.9L4 ENGINES - 7500W	A
1	4460967	1	Plug, Male - 3 Position	
1	4460465	3	Socket, Female	
2	1001117078	1	Fuseholder (Includes Fuse and Cap)	
2	See Note	NSS	Fuse 5Amp ATO (Note: Purchase Locally)	
3	4460465	3	Socket, Female	

SECTION 8 - ELECTRICAL

FIGURE 8-27. GROUND CONTROL BOX HARNESS



ART_4922667

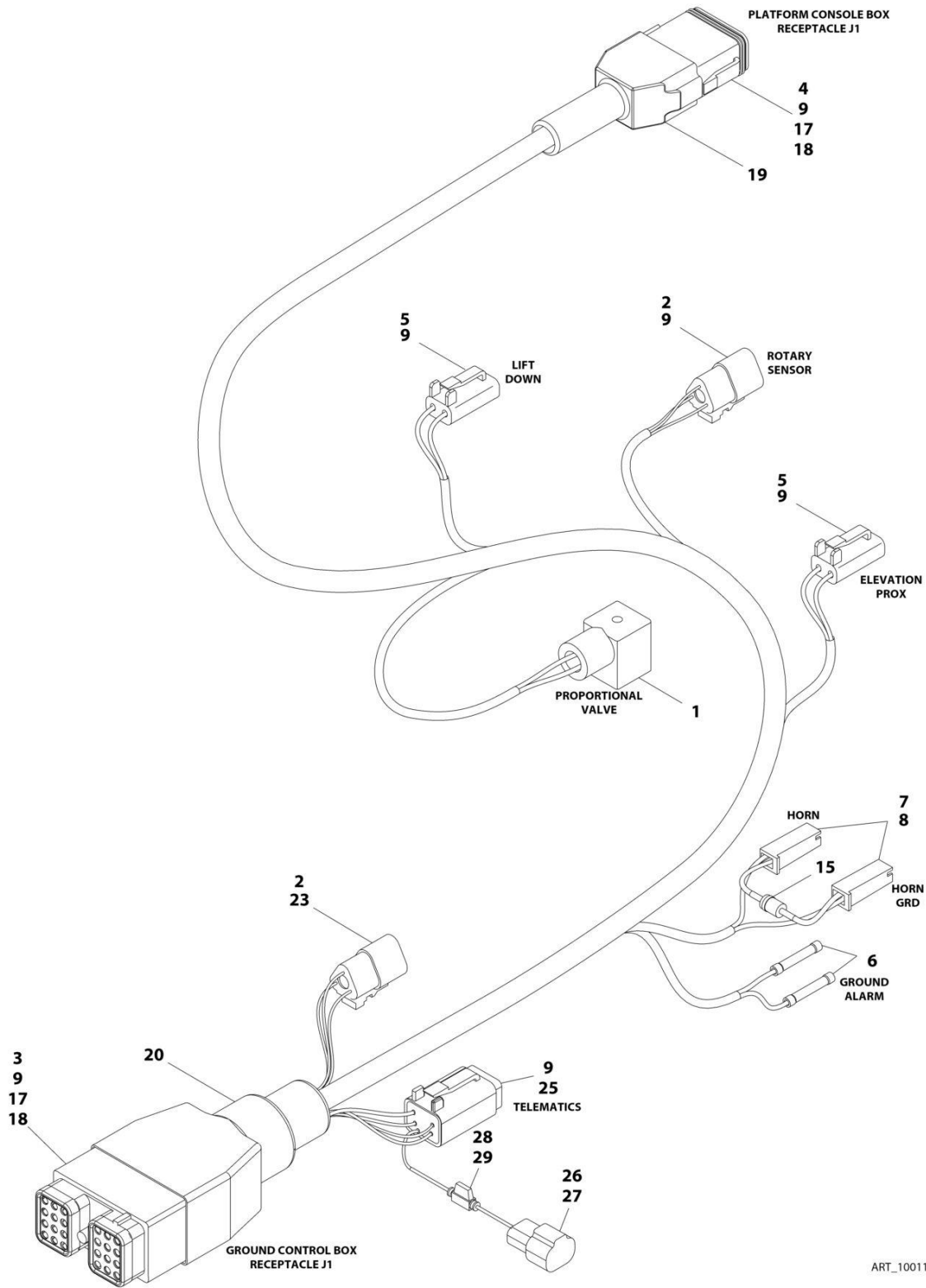
SECTION 8 - ELECTRICAL

FIGURE 8-27. GROUND CONTROL BOX HARNESS

ITEM	PART NUMBER	QTY	DESCRIPTION	REV
	4922667	Ref	GROUND CONTROL BOX HARNESS	B
11	4460115	1	Terminal, Fork	
12	4460183	4	Terminal, Fork	
13	4460225	1	Connector - 6 Position	
13	4460268	5	Socket, Female	
14	4460434	1	Connector - 15 Position	
14	4460268	15	Socket, Female	
15	4460260	19	Terminal, Housing	
15	4460259	19	Terminal	
16	4460016	1	Terminal, Receptacle	

SECTION 8 - ELECTRICAL

FIGURE 8-28. GROUND TO PLATFORM MODULE HARNESS (3394RT)



ART_1001103834

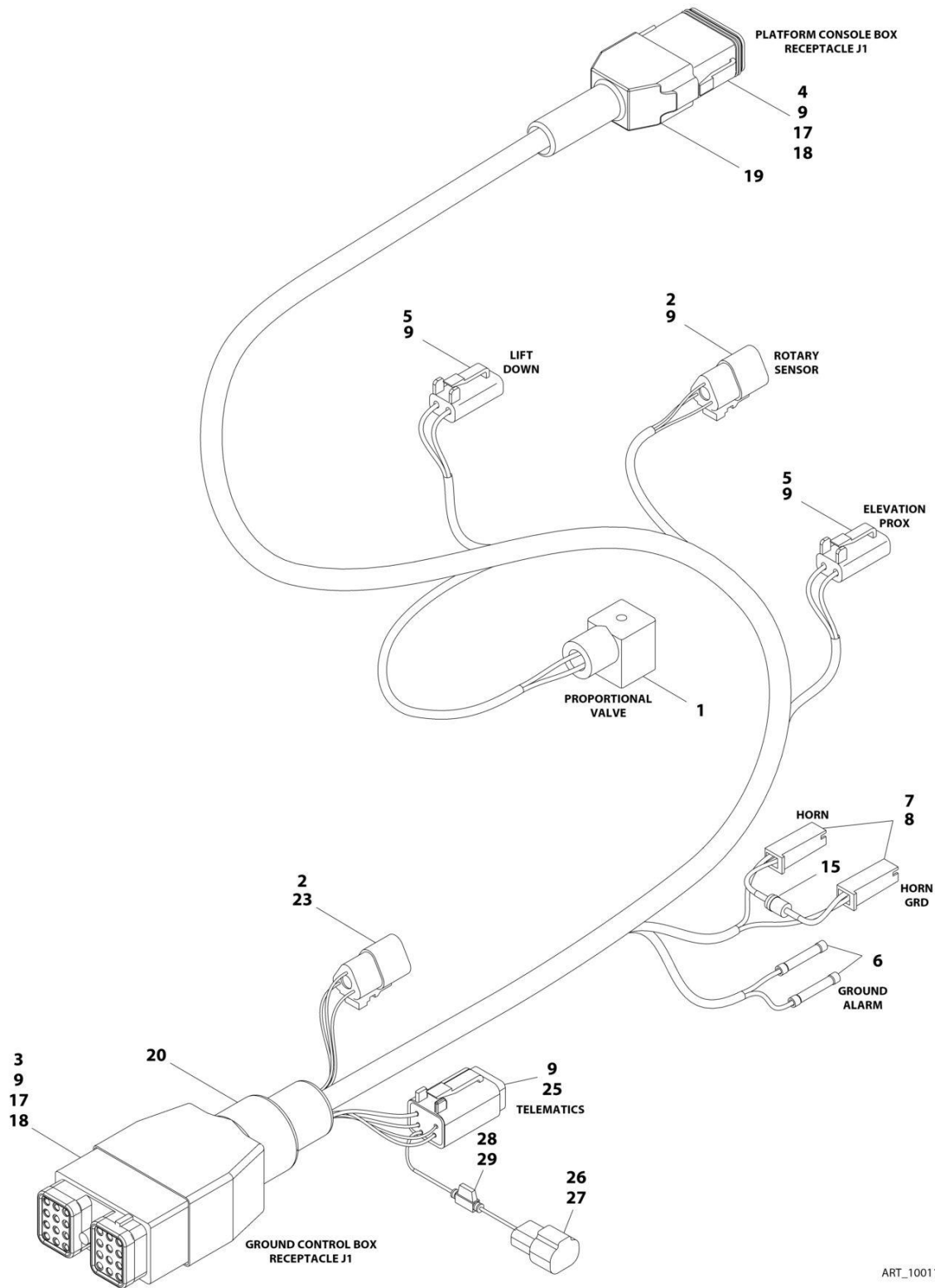
SECTION 8 - ELECTRICAL

FIGURE 8-28. GROUND TO PLATFORM MODULE HARNESS (3394RT)

ITEM	PART NUMBER	QTY	DESCRIPTION	REV
	1001103834	Ref	GROUND TO PLATFORM MODULE HARNESS	B
1	4460499	1	DIN Connector with Diode	
2	4460539	2	Connector - 3 Position	
3	4460812	1	Connector - 24 Position	
4	4460933	1	Connector - 12 Position	
5	4460891	2	Connector - 2 Position	
6	4460248	2	Terminal	
7	4460259	2	Terminal, Positive Lock	
8	4460260	2	Terminal, Housing	
9	4460465	42	Socket, Female	
14	4240033	AR	Strap, Tie (Not Shown)	
15	3990010	1	Diode 6Amp	
17	4460121	2	Cap, Wire	
18	4460466	5	Plug, Sealing	
19	0840055	1	Boot	
20	0840056	1	Boot	
23	4460944	3	Socket, Female	
25	4460884	1	Plug, Male - 4 Position	
26	4460897	1	Receptacle, Female - 2 Position	
27	4460464	1	Pin, Male	
28	2400060	1	Fuseholder with Cover	
29	8229242	1	Fuse 5Amp	

SECTION 8 - ELECTRICAL

FIGURE 8-29. GROUND TO PLATFORM MODULE HARNESS (4394RT)



ART_1001103835

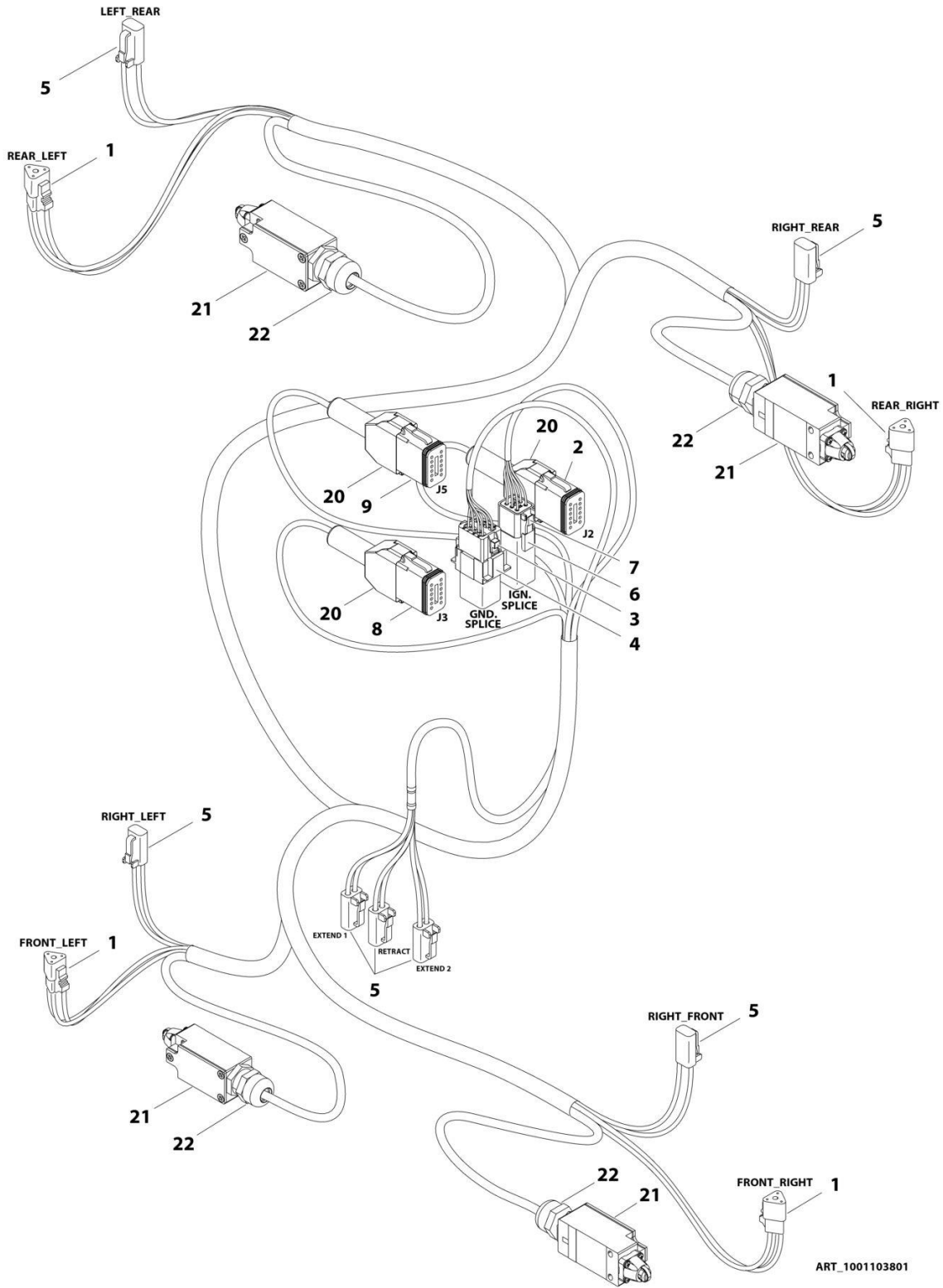
SECTION 8 - ELECTRICAL

FIGURE 8-29. GROUND TO PLATFORM MODULE HARNESS (4394RT)

ITEM	PART NUMBER	QTY	DESCRIPTION	REV
	1001103835	Ref	GROUND TO PLATFORM MODULE HARNESS	B
1	4460499	1	DIN Connector with Diode	
2	4460539	2	Connector - 3 Position	
3	4460812	1	Connector - 24 Position	
4	4460933	1	Connector - 12 Position	
5	4460891	2	Connector - 2 Position	
6	4460248	2	Terminal	
7	4460259	2	Terminal, Positive Lock	
8	4460260	2	Terminal, Housing	
9	4460465	42	Socket, Female	
14	4240033	AR	Strap, Tie (Not Shown)	
15	3990010	1	Diode 6Amp	
17	4460121	2	Cap, Wire	
18	4460466	5	Plug, Sealing	
19	0840055	1	Boot	
20	0840056	1	Boot	
23	4460944	3	Socket, Female	
25	4460884	1	Plug, Male - 4 Position	
26	4460897	1	Receptacle, Female - 2 Position	
27	4460464	1	Pin, Male	
28	2400060	1	Fuseholder with Cover	
29	8229242	1	Fuse 5Amp	

SECTION 8 - ELECTRICAL

FIGURE 8-30. LEVELING JACK HARNESS ASSEMBLY



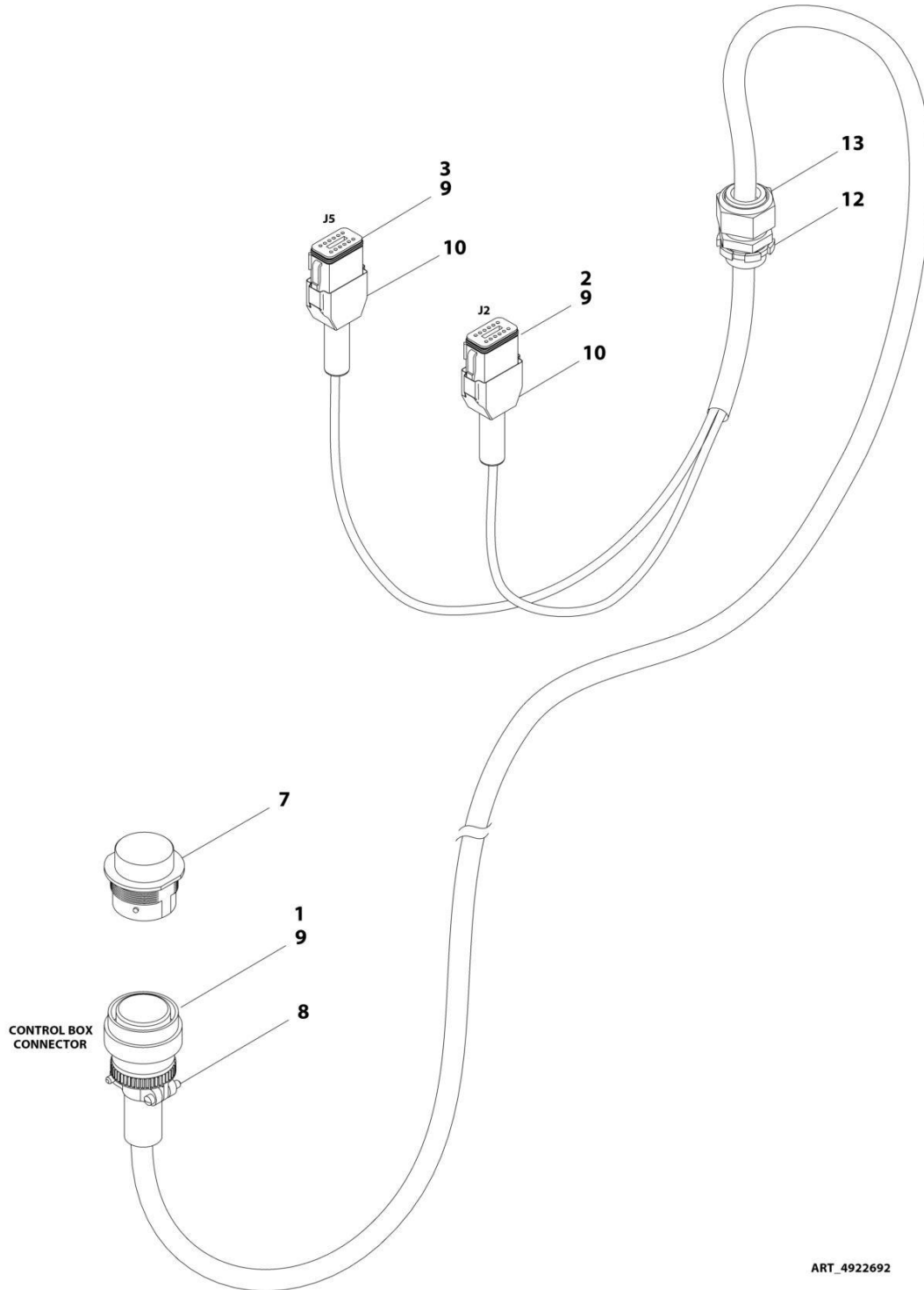
SECTION 8 - ELECTRICAL

FIGURE 8-30. LEVELING JACK HARNESS ASSEMBLY

ITEM	PART NUMBER	QTY	DESCRIPTION	REV
	1001103801	Ref	LEVELING JACK HARNESS ASSEMBLY (OPTIONAL ON 3394RT - STANDARD ON 4394RT)	D
1	4460539	4	Connector - 3 Position	
1	4460465	12	Socket, Female	
2	4460836	1	Connector - 12 Position	
2	4460465	7	Socket, Female	
2	4460466	5	Plug	
3	4460851	1	Connector - 8 Position	
3	4460465	8	Socket, Female	
4	4460852	1	Connector, Buss Bar - 8 Position	
5	4460891	7	Connector - 2 Position	
5	4460465	14	Socket, Female	
6	4460892	1	Terminal, Buss Bar - 6 Position	
7	4460894	1	Connector - 6 Position	
7	4460465	6	Socket, Female	
8	4460934	1	Connector - 12 Position	
8	4460465	12	Socket, Female	
9	4460935	1	Connector - 12 Position	
9	4460465	5	Socket, Female	
9	4460466	7	Plug	
20	0840055	3	Boot	
21	4360548	4	Switch, Limit	
22	4460968	4	Connector, Strain Relief	

SECTION 8 - ELECTRICAL

FIGURE 8-31. PLATFORM MODULE TO CONSOLE BOX HARNESS



ART_4922692

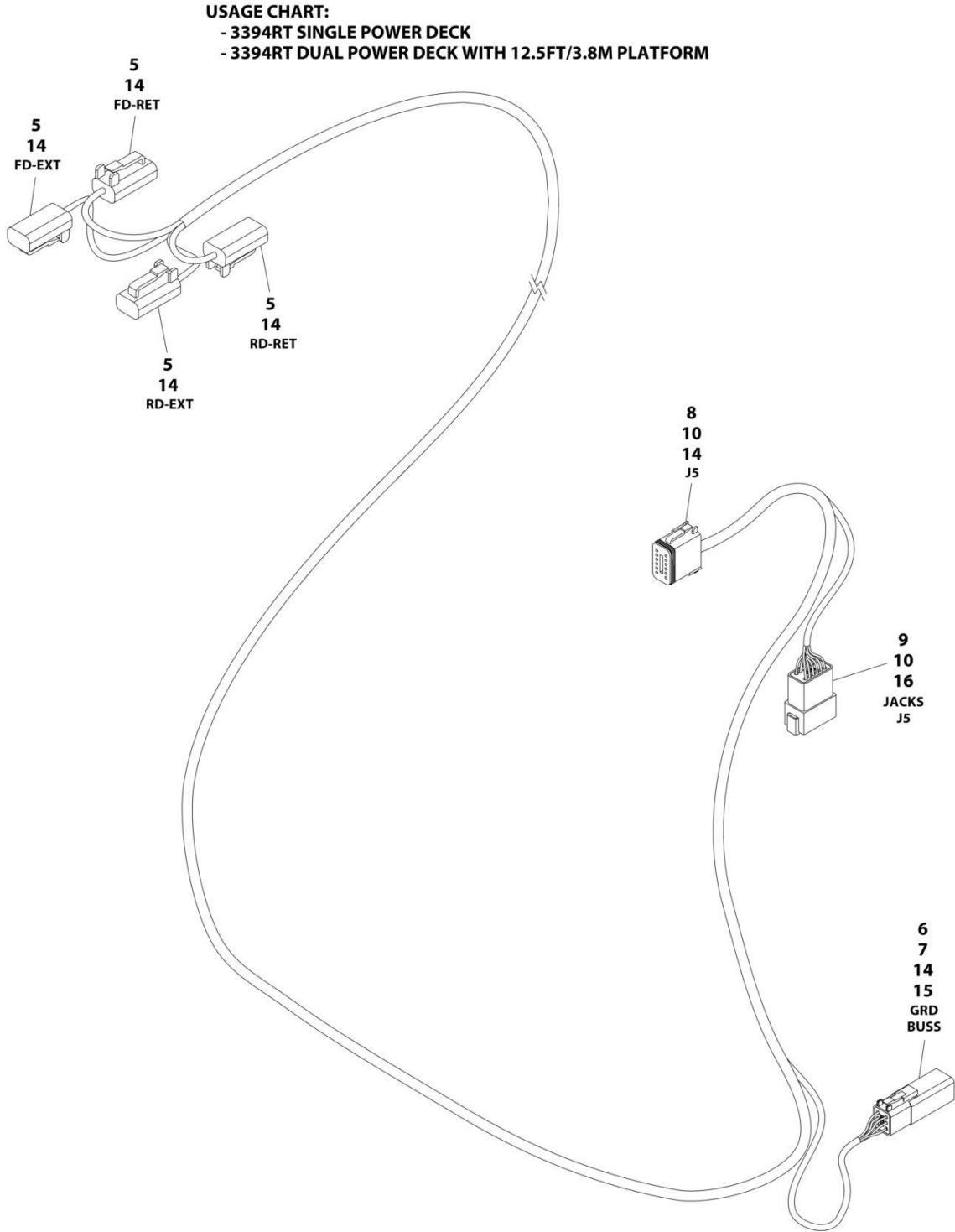
SECTION 8 - ELECTRICAL

FIGURE 8-31. PLATFORM MODULE TO CONSOLE BOX HARNESS

ITEM	PART NUMBER	QTY	DESCRIPTION	REV
	4922692	Ref	PLATFORM MODULE TO CONSOLE BOX HARNESS	E
1	4460481	1	Connector - 23 Position	
1	4460464	21	Pin, Male	
2	4460836	1	Connector - 12 Position	
2	4460465	10	Socket, Female	
3	4460935	1	Connector - 12 position	
3	4460465	11	Socket, Female	
7	4460468	1	Cap, Dust	
8	4460473	1	Clamp Assembly	
9	4460466	5	Seal	
10	0840055	2	Boot	
11	4460121	6	Cap, Wire (Not Shown)	
12	3300048	1	Locknut, Conduit	
13	4460051	1	Connector, Strain Relief	

SECTION 8 - ELECTRICAL

FIGURE 8-32. POWER DECK HARNESS



ART_1001103490

SECTION 8 - ELECTRICAL

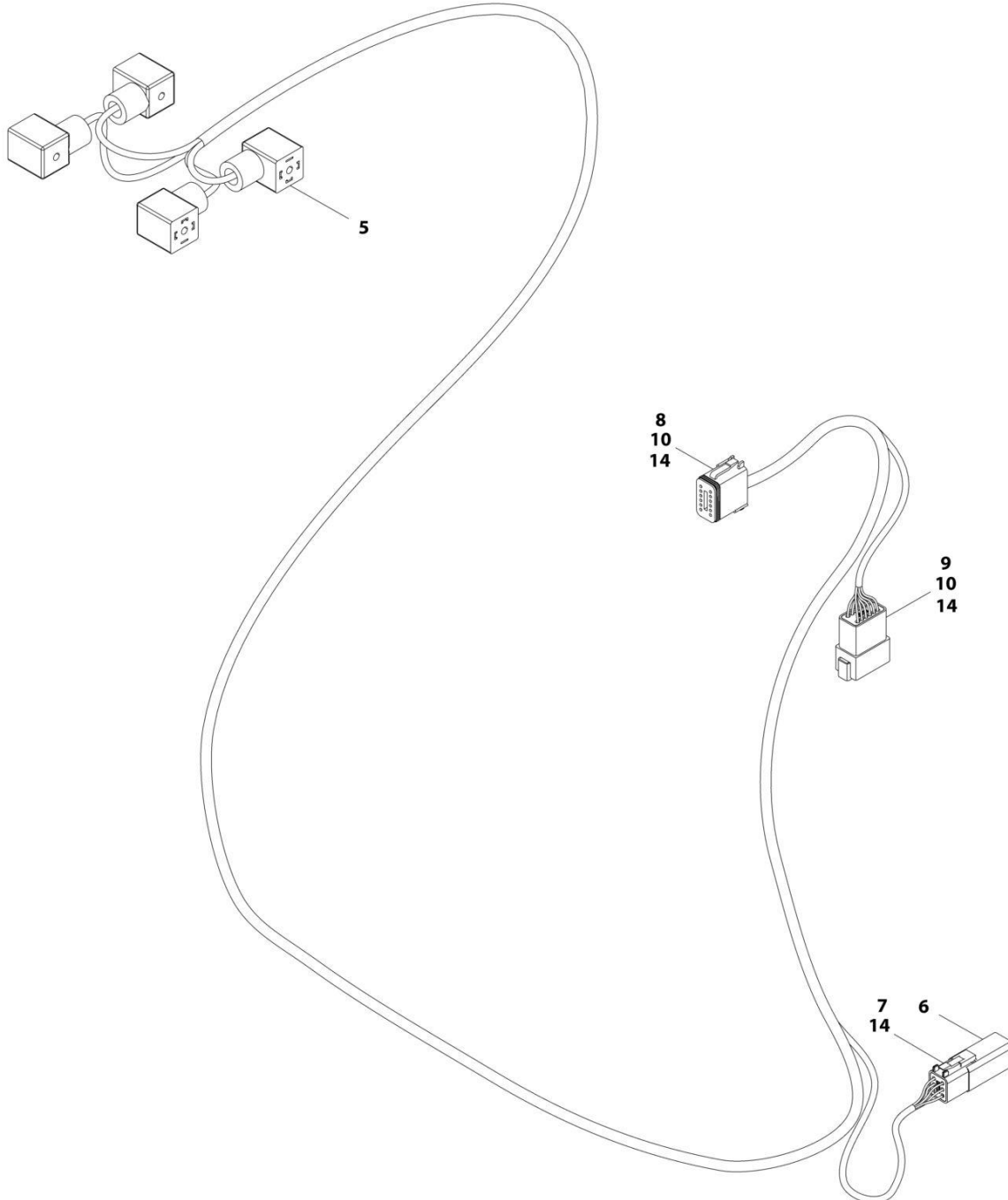
FIGURE 8-32. POWER DECK HARNESS

ITEM	PART NUMBER	QTY	DESCRIPTION	REV
		Ref	USAGE CHART:	
		Ref	- Single Power Deck	
		Ref	- Dual Power Deck with 12.5ft/3.8m Platform	
	1001103490	Ref	POWER DECK HARNESS	A
5	4460891	4	Plug, Male - 2 Position	
6	4460892	1	Receptacle, Buss Bar - 6 Position	
7	4460894	1	Plug, Male - 6 Position	
8	4460935	1	Plug, Male - 12 Position	
9	4460982	1	Receptacle, Female - 12 Position	
10	0840055	1	Boot	
14	4460465	23	Socket, Female	
15	4460466	10	Plug, Terminal	
16	4460464	5	Pin, Male	

SECTION 8 - ELECTRICAL

FIGURE 8-33. POWER DECK HARNESS

USAGE CHART:
- 3394RT DUAL POWER DECK WITH 15.8FT/4.8M MEGADECK PLATFORM
(SN 0200239053 THROUGH 0200246956)



ART_4922848

SECTION 8 - ELECTRICAL

FIGURE 8-33. POWER DECK HARNESS

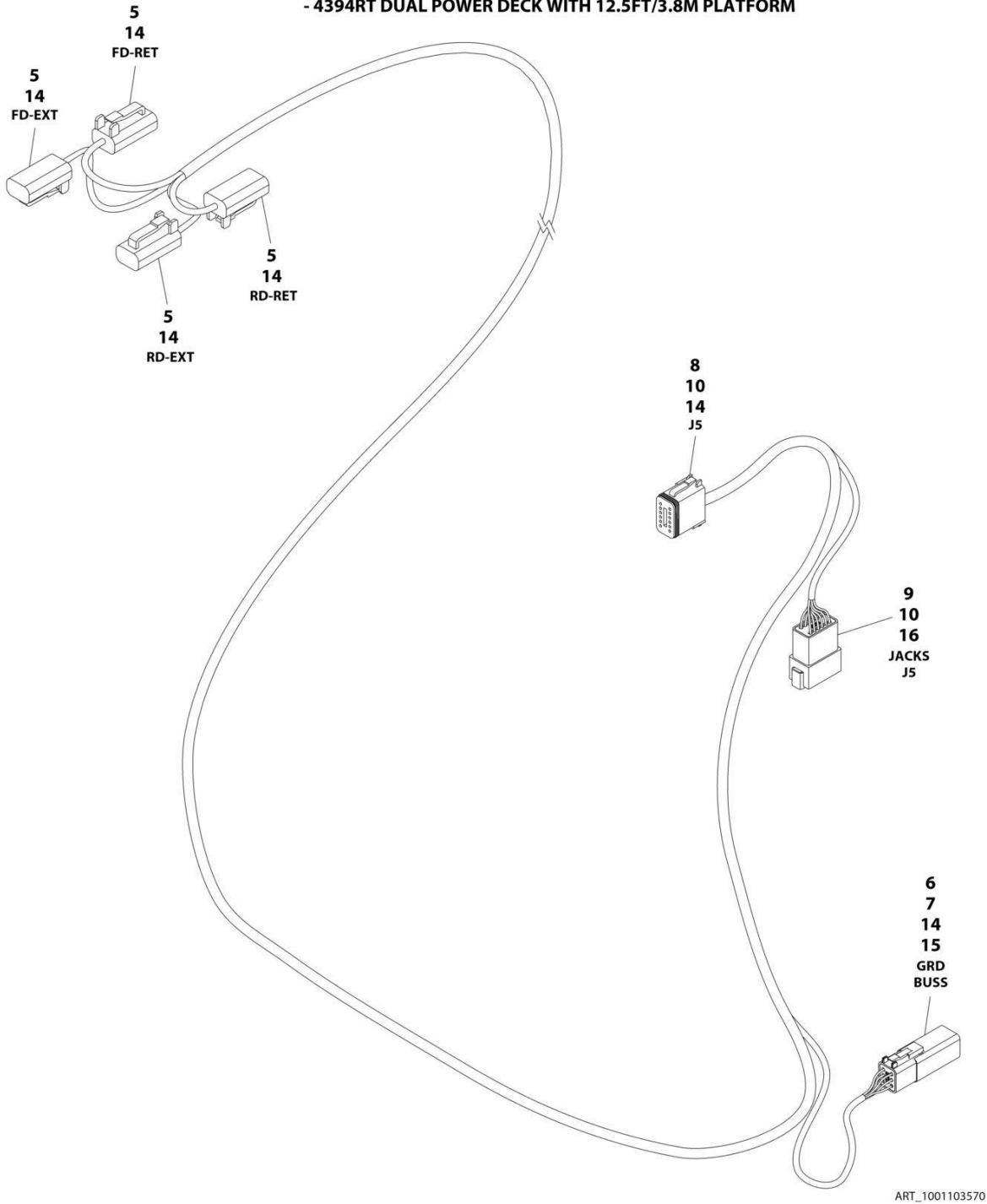
ITEM	PART NUMBER	QTY	DESCRIPTION	REV
		Ref	USAGE CHART:	
		Ref	- Dual Power Deck with 15.8ft/4.8m Megadeck Platform (SN 0200239053 through 0200246956)	
	4922848	Ref	POWER DECK HARNESS	B
5	4460499	4	DIN Connector with Diode	
6	4460892	1	Connector, Buss Bar - 6 Position	
7	4460894	1	Connector - 6 Position	
8	4460935	1	Connector - 12 Position	
9	4460982	1	Connector - 12 Position	
10	0840055	2	Boot, Terminal	
13	4240032	AR	Tie-Strap (Not Shown)	
14	4460465	20	Socket, Female	
15	4460466	10	Plug, Sealing (Not Shown)	

SECTION 8 - ELECTRICAL

FIGURE 8-34. POWER DECK HARNESS

USAGE CHART:

- 3394RT DUAL POWER DECK WITH 15.8FT/4.8M MEGADECK PLATFORM (SN 0200246957 TO PRESENT)
- 4394RT SINGLE POWER DECK
- 4394RT DUAL POWER DECK WITH 12.5FT/3.8M PLATFORM



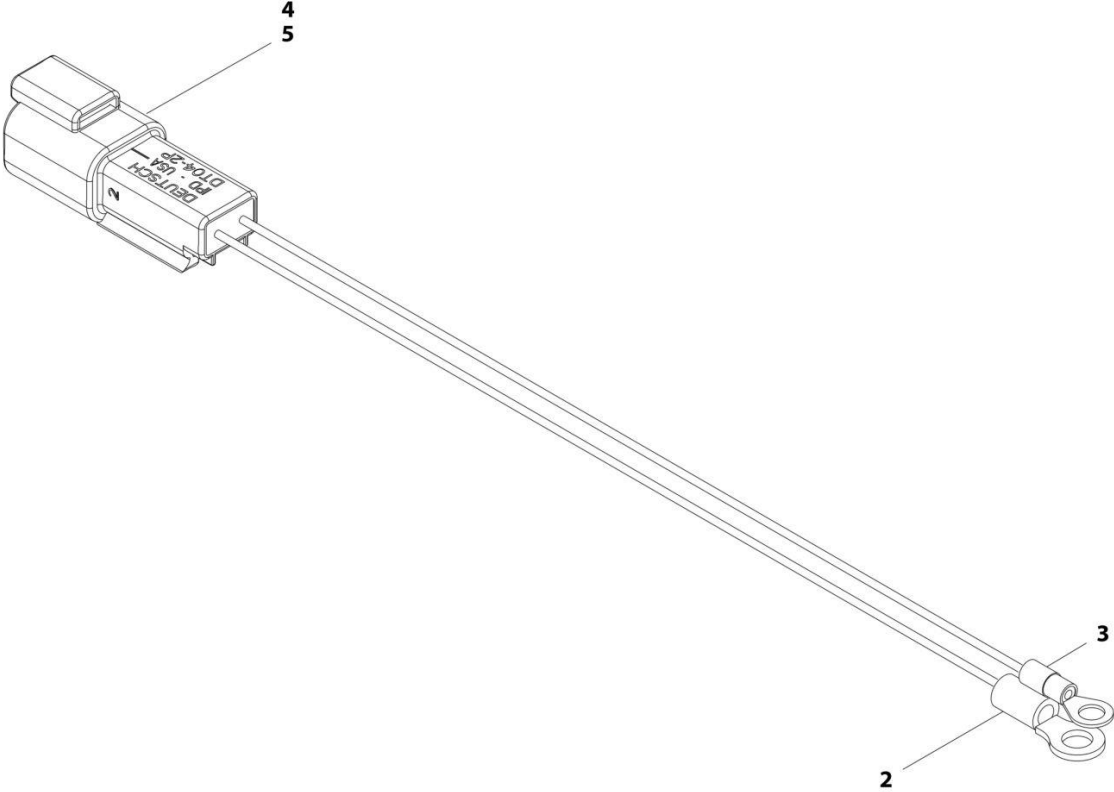
SECTION 8 - ELECTRICAL

FIGURE 8-34. POWER DECK HARNESS

ITEM	PART NUMBER	QTY	DESCRIPTION	REV
		Ref	USAGE CHART:	
		Ref	- Dual Power Deck with 15.8ft/4.8m Megadeck Platform (3394RT) (SN 0200246957 to Present)	
		Ref	- Single Power Deck (4394RT)	
		Ref	- Dual Power Deck with 12.5ft/3.8m Platform (4394RT)	
	1001103570	Ref	POWER DECK HARNESS	A
5	4460891	4	Plug, Male - 2 Position	
6	4460892	1	Receptacle, Buss Bar - 6 Position	
7	4460894	1	Plug, Male - 6 Position	
8	4460935	1	Plug, Male - 12 Position	
9	4460982	1	Receptacle, Female - 12 Position	
10	0840055	1	Boot	
14	4460465	23	Socket, Female	
15	4460466	10	Plug, Terminal	
16	4460464	5	Pin, Male	

SECTION 8 - ELECTRICAL

FIGURE 8-35. POWER DECK AUXILIARY POWER HARNESS



ART_4922859

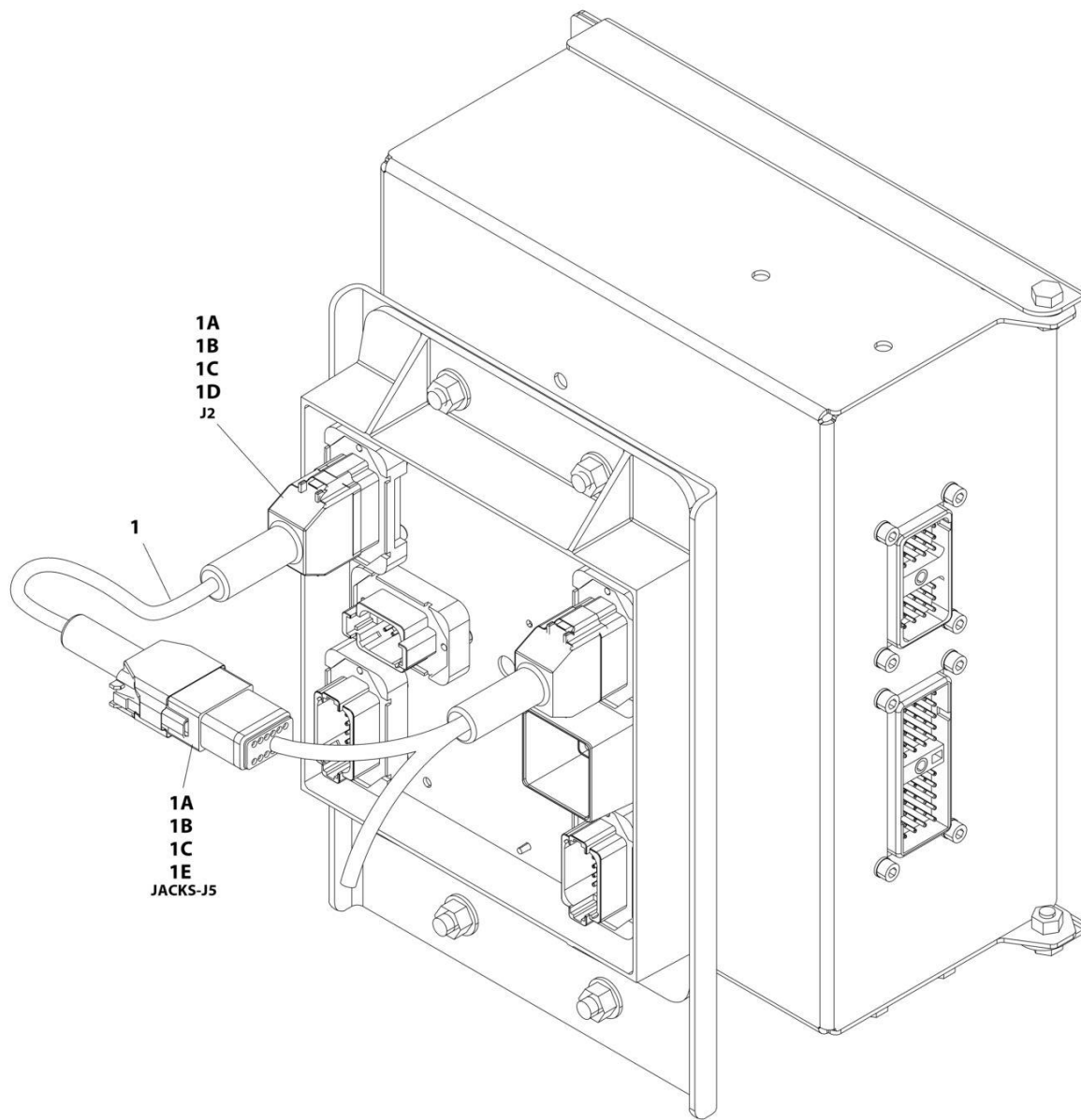
SECTION 8 - ELECTRICAL

FIGURE 8-35. POWER DECK AUXILIARY POWER HARNESS

ITEM	PART NUMBER	QTY	DESCRIPTION	REV
	4922859	Ref	POWER DECK AUXILIARY POWER HARNESS	A
2	4460043	1	Terminal, Ring	
3	4460313	1	Terminal, Ring	
4	4460464	2	Pin, Male	
5	4460897	1	Connector - 2 Position	

SECTION 8 - ELECTRICAL

FIGURE 8-36. POWER DECK JUMPER HARNESS INSTALLATION



ACCESSORY POWER MODULE

ART_0275320

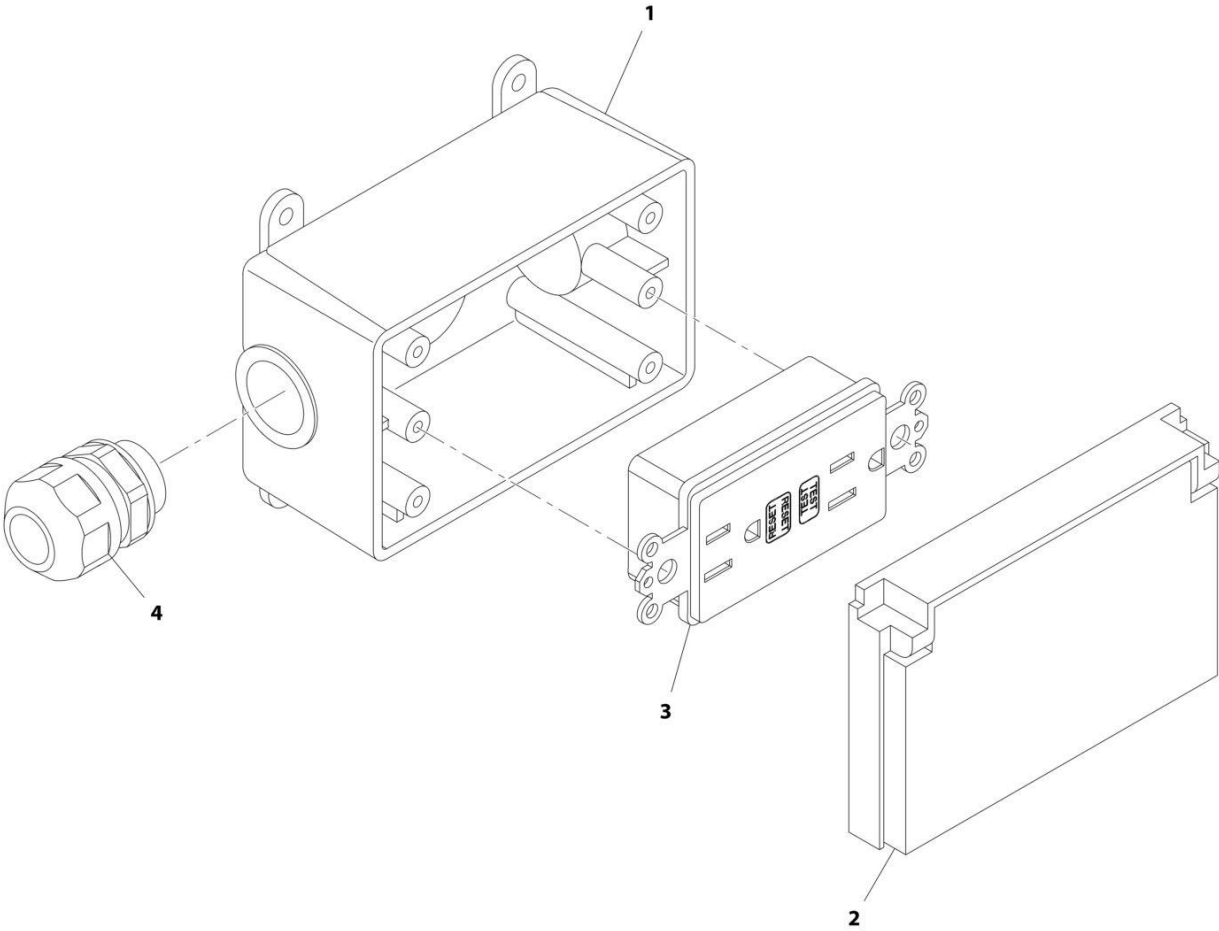
SECTION 8 - ELECTRICAL

FIGURE 8-36. POWER DECK JUMPER HARNESS INSTALLATION

ITEM	PART NUMBER	QTY	DESCRIPTION	REV
	0275320	Ref	POWER DECK JUMPER HARNESS INSTALLATION	A
		Ref	Note: Used with p/n 1001105906, 1001105907, 1001105908, 1001168946, 1001168947 Ground Control Box Installations Only.	
1	4923507	1	Power Deck Jumper Harness	A
1A	0840055	2	Boot	
1B	4460465	2	Socket, Female	
1C	4460466	22	Plug, Terminal	
1D	4460836	1	Connector - 12 Position	
1E	4460935	1	Connector - 12 Position	

SECTION 8 - ELECTRICAL

FIGURE 8-37. RECEPTACLE BOX KIT - 110V GFI



ART_2902431

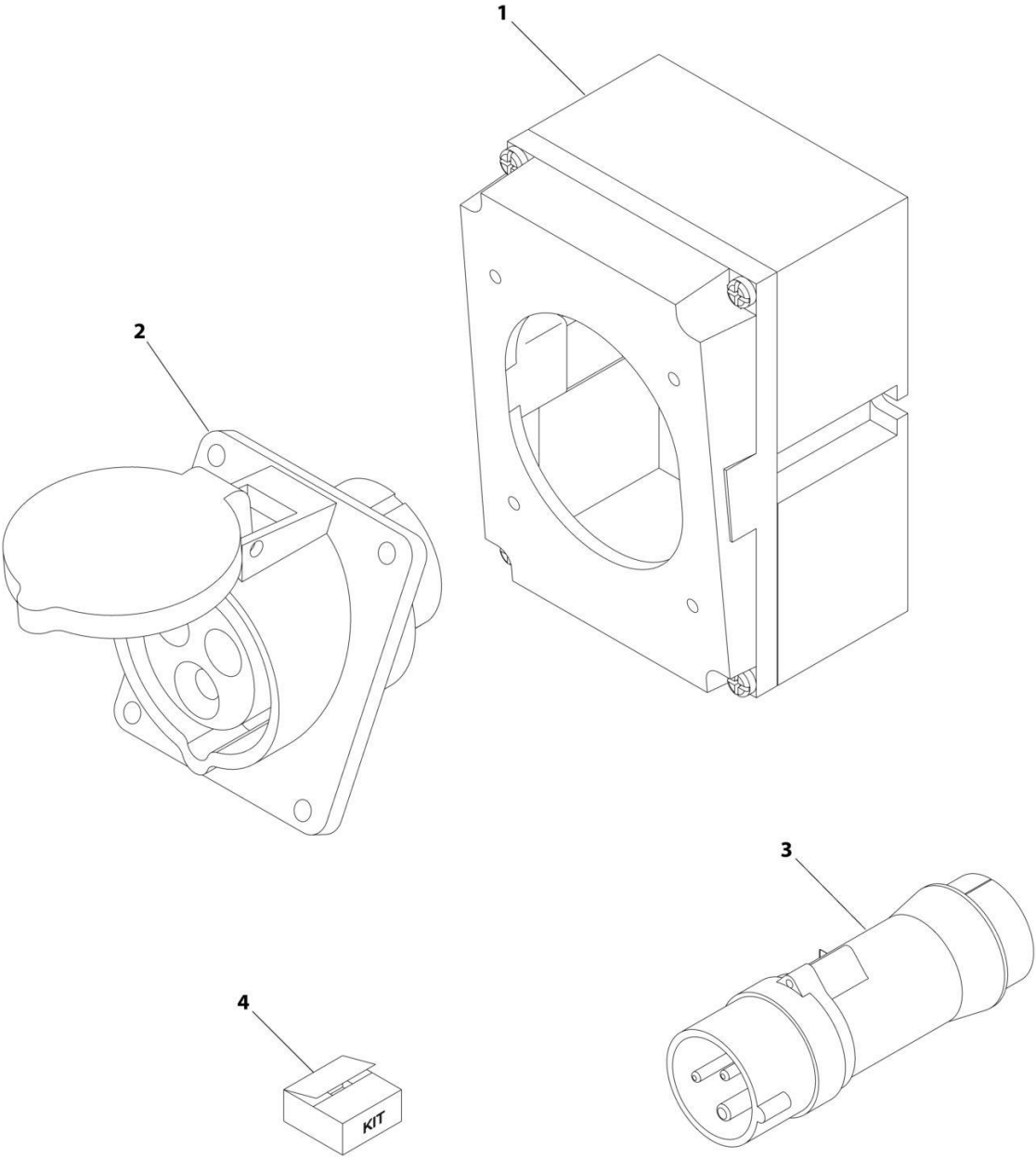
SECTION 8 - ELECTRICAL

FIGURE 8-37. RECEPTACLE BOX KIT - 110V GFI

ITEM	PART NUMBER	QTY	DESCRIPTION	REV
	2902431	Ref	RECEPTACLE BOX KIT - 110V GFI	C
1	0861731	1	Box, Receptacle	
2	1671207	1	Cover, Receptacle	
3	4460346	1	Receptacle	
4	4460662	1	Connector, Strain Relief	

SECTION 8 - ELECTRICAL

FIGURE 8-38. RECEPTACLE BOX KIT - 110V IEC YELLOW (CE SPEC)



ART_0275216

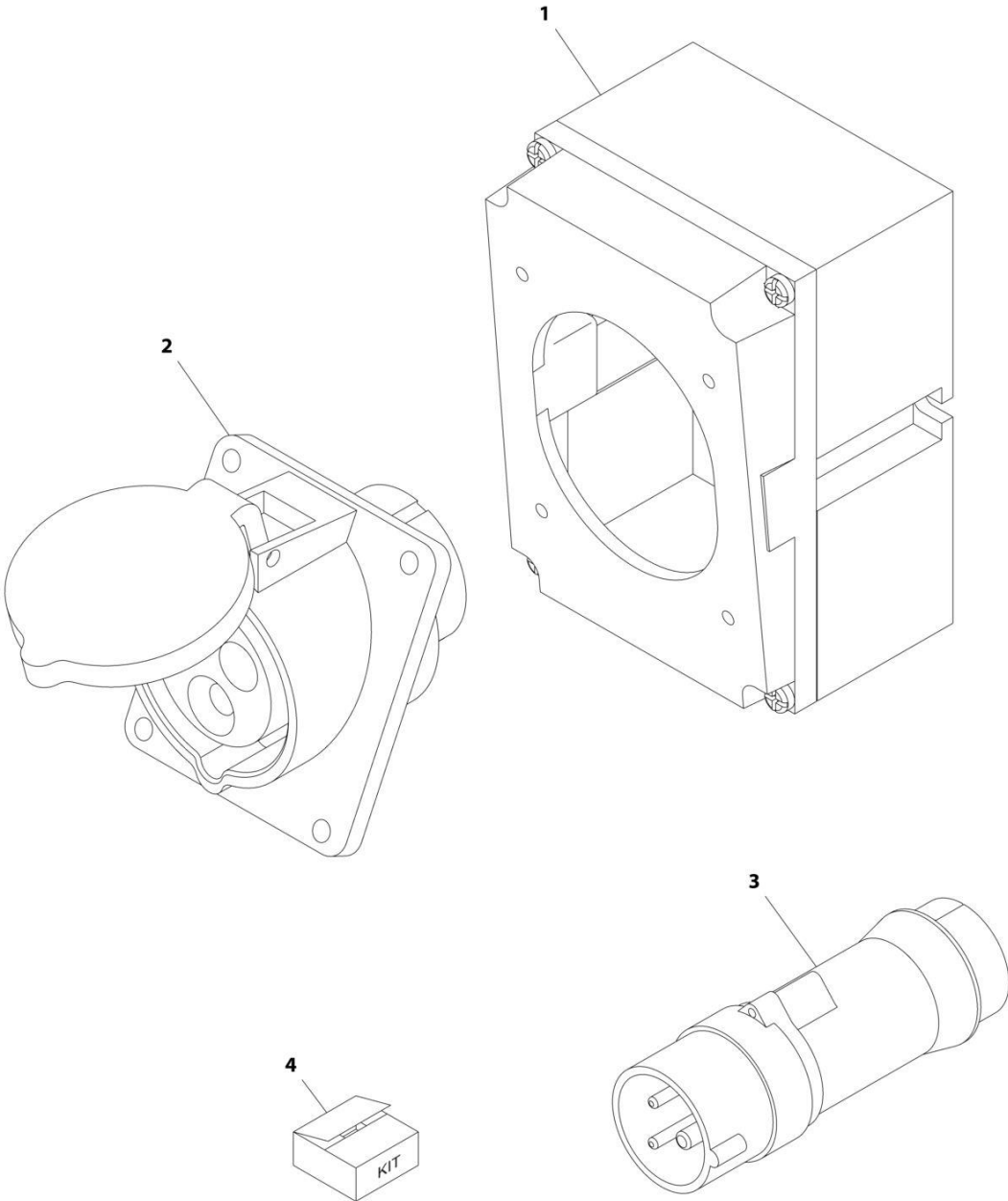
SECTION 8 - ELECTRICAL

FIGURE 8-38. RECEPTACLE BOX KIT - 110V IEC YELLOW (CE SPEC)

ITEM	PART NUMBER	QTY	DESCRIPTION	REV
	0275216	Ref	RECEPTACLE BOX KIT - 110V IEC YELLOW (CE SPEC)	2
1	0861781	1	Box, Switch	
2	4461198	1	Receptacle	
3	4461196	1	Plug, Male	
4	1001100341	1	Plug and Socket Kit (Includes Items 1-3 and Female Plug p/n 4461197)	

SECTION 8 - ELECTRICAL

FIGURE 8-39. RECEPTACLE BOX KIT - 220V IEC BLUE (CE SPEC)



ART_0275217

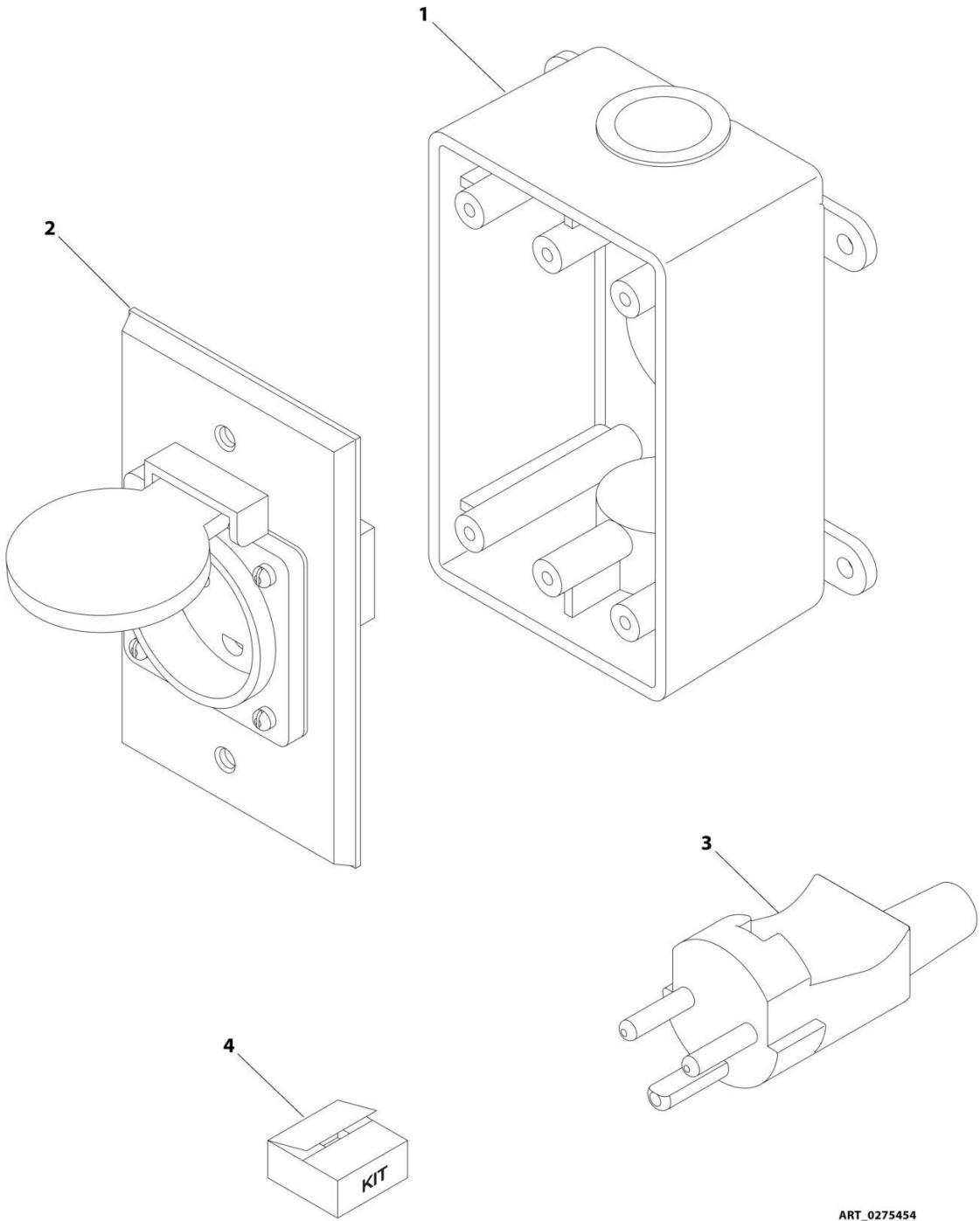
SECTION 8 - ELECTRICAL

FIGURE 8-39. RECEPTACLE BOX KIT - 220V IEC BLUE (CE SPEC)

ITEM	PART NUMBER	QTY	DESCRIPTION	REV
	0275217	Ref	RECEPTACLE BOX KIT - 220V IEC BLUE (CE SPEC)	2
1	0861781	1	Box, Switch	
2	4461201	1	Receptacle	
3	4461199	1	Plug, Male	
4	1001100342	1	Plug and Socket Kit (Includes Items 1-3 and Female Plug p/n 4461200)	

SECTION 8 - ELECTRICAL

FIGURE 8-40. RECEPTACLE BOX KIT - 220V AFSINT 107 (CE SPEC)



ART_0275454

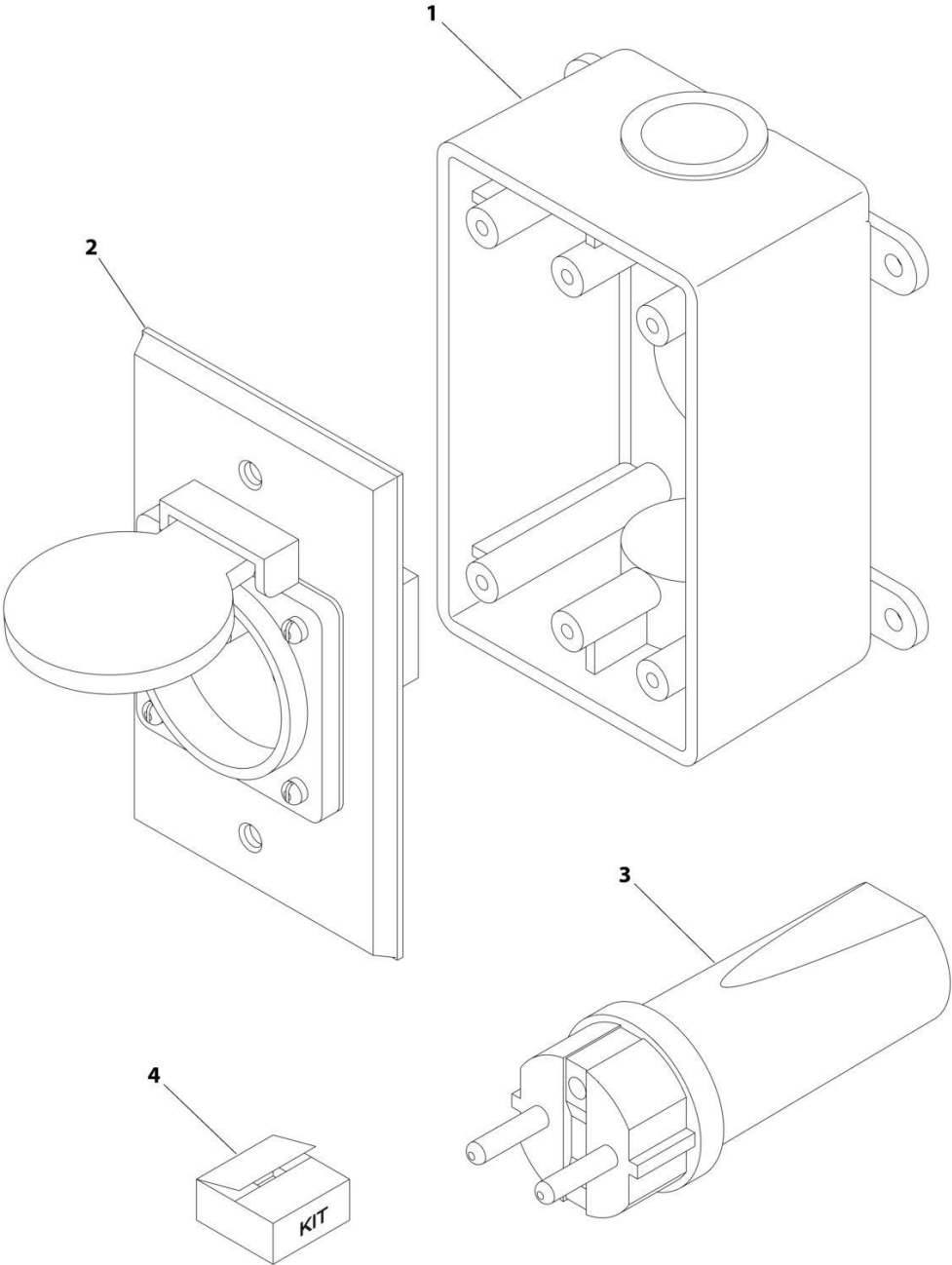
SECTION 8 - ELECTRICAL

FIGURE 8-40. RECEPTACLE BOX KIT - 220V AFSINT 107 (CE SPEC)

ITEM	PART NUMBER	QTY	DESCRIPTION	REV
	0275454	Ref	RECEPTACLE BOX KIT - 220V AFSINT 107 (CE SPEC)	2
1	0861731	1	Box, Switch	
2	4461246	1	Receptacle	
3	4461249	1	Plug, Male	
4	1001100346	1	Plug and Socket Kit (Includes Items 1-3 and Female Plug p/n 4461250)	

SECTION 8 - ELECTRICAL

FIGURE 8-41. RECEPTACLE BOX KIT - 220V CEE7 POST GROUND 2X4 BOX (CE SPEC)



ART_0275452

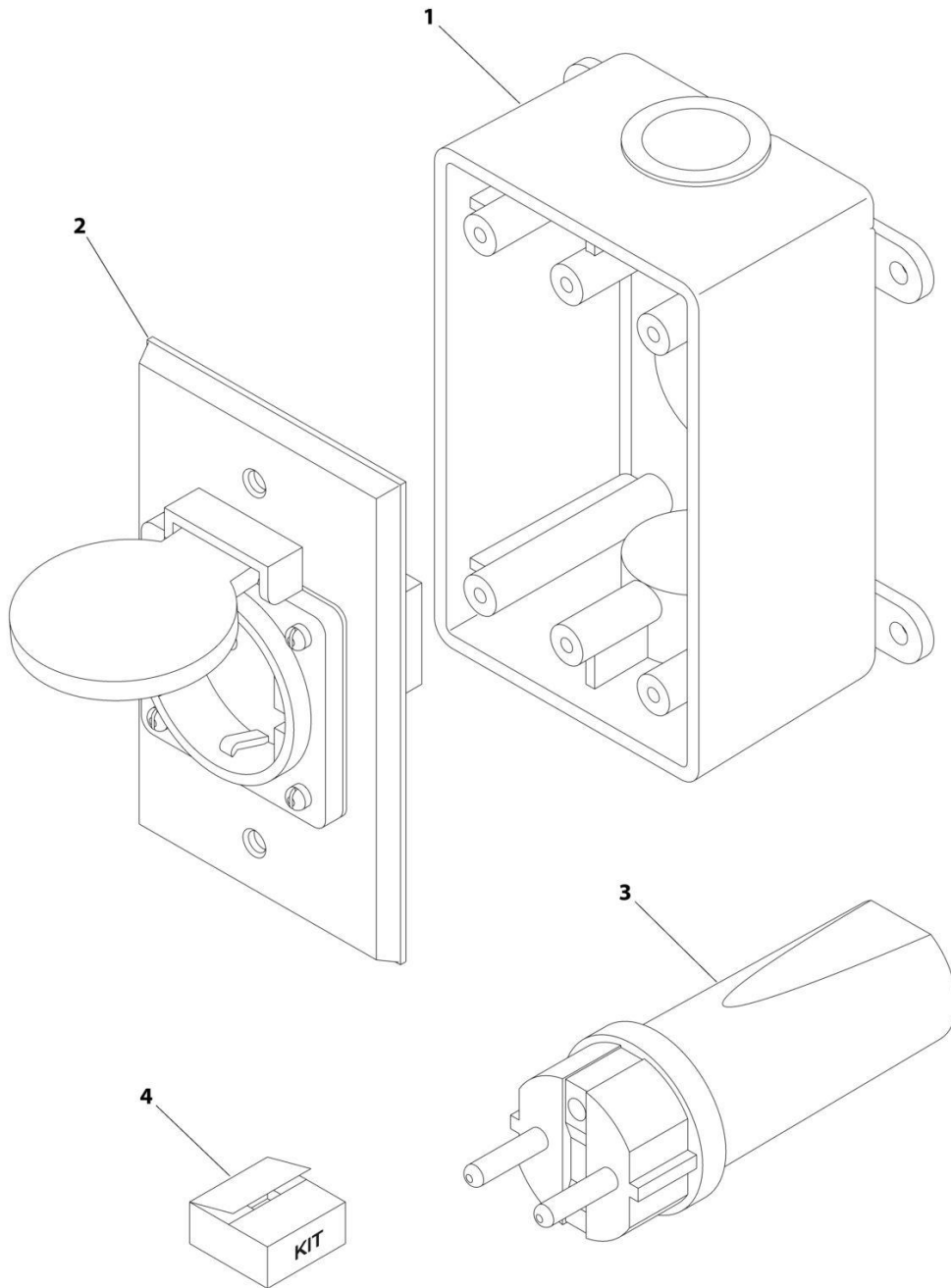
SECTION 8 - ELECTRICAL

FIGURE 8-41. RECEPTACLE BOX KIT - 220V CEE7 POST GROUND 2X4 BOX (CE SPEC)

ITEM	PART NUMBER	QTY	DESCRIPTION	REV
	0275452	Ref	RECEPTACLE BOX KIT - 220V CEE7 POST GROUND 2X4 BOX (CE SPEC)	2
1	0861731	1	Box, Switch	
2	4461244	1	Receptacle	
3	4461202	1	Plug, Male	
4	1001100345	1	Plug and Socket Kit (Includes Items 1-3 and Female Plug p/n 4461206)	

SECTION 8 - ELECTRICAL

FIGURE 8-42. RECEPTACLE BOX KIT - 220V CEE7 SIDE GROUND 2X4 BOX (CE SPEC)



ART_0275453

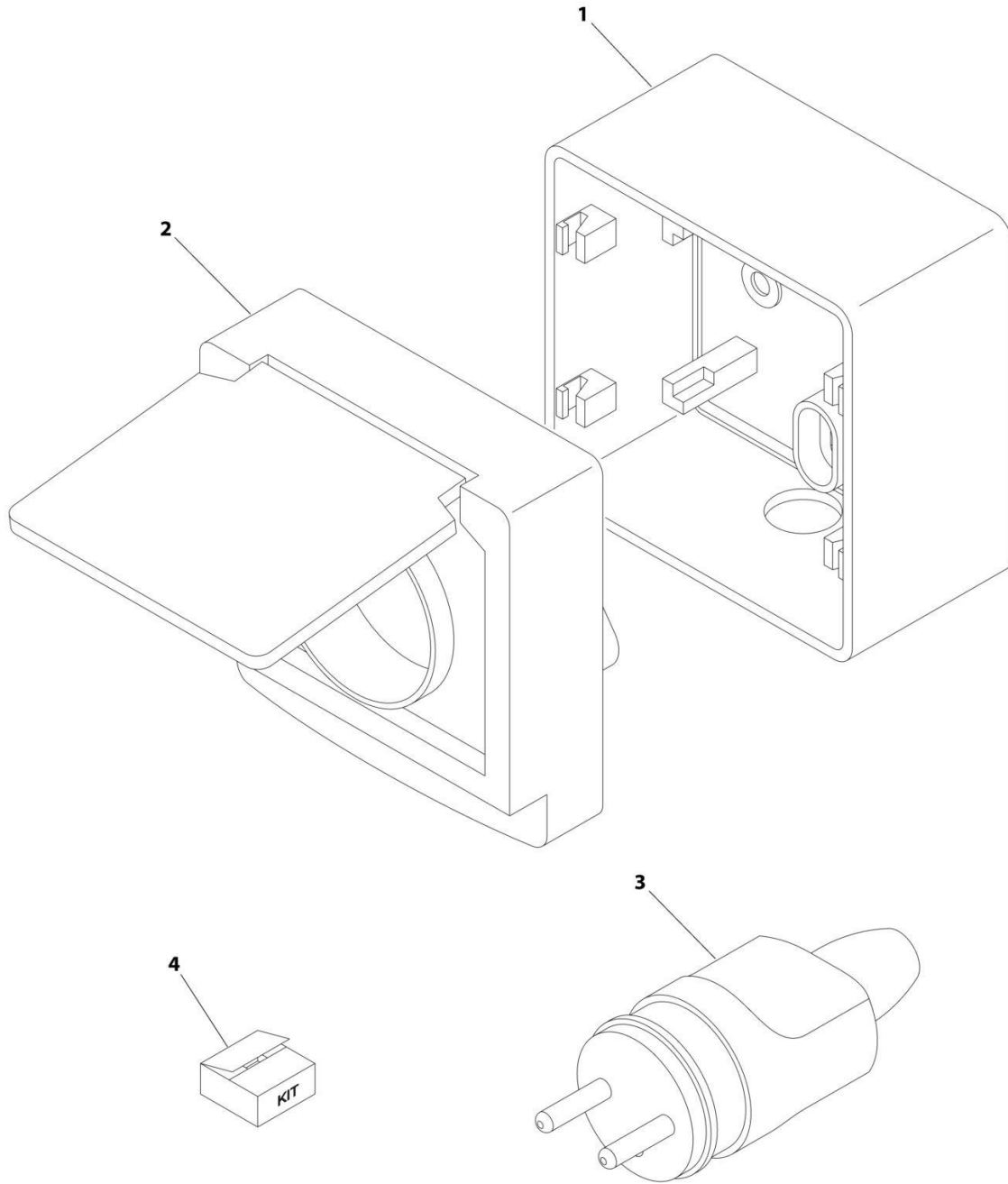
SECTION 8 - ELECTRICAL

FIGURE 8-42. RECEPTACLE BOX KIT - 220V CEE7 SIDE GROUND 2X4 BOX (CE SPEC)

ITEM	PART NUMBER	QTY	DESCRIPTION	REV
	0275453	Ref	RECEPTACLE BOX KIT - 220V CEE7 SIDE GROUND 2X4 BOX (CE SPEC)	1
1	0861731	1	Box, Switch	
2	4461245	1	Receptacle	
3	4461205	1	Plug, Male	
4	1001100347	1	Plug and Socket Kit (Includes Items 1-3 and Female Plug p/n 4461206)	

SECTION 8 - ELECTRICAL

FIGURE 8-43. RECEPTACLE BOX KIT - CEE7 POST GROUND 70X70 BOX (CE SPEC)



ART_0275218

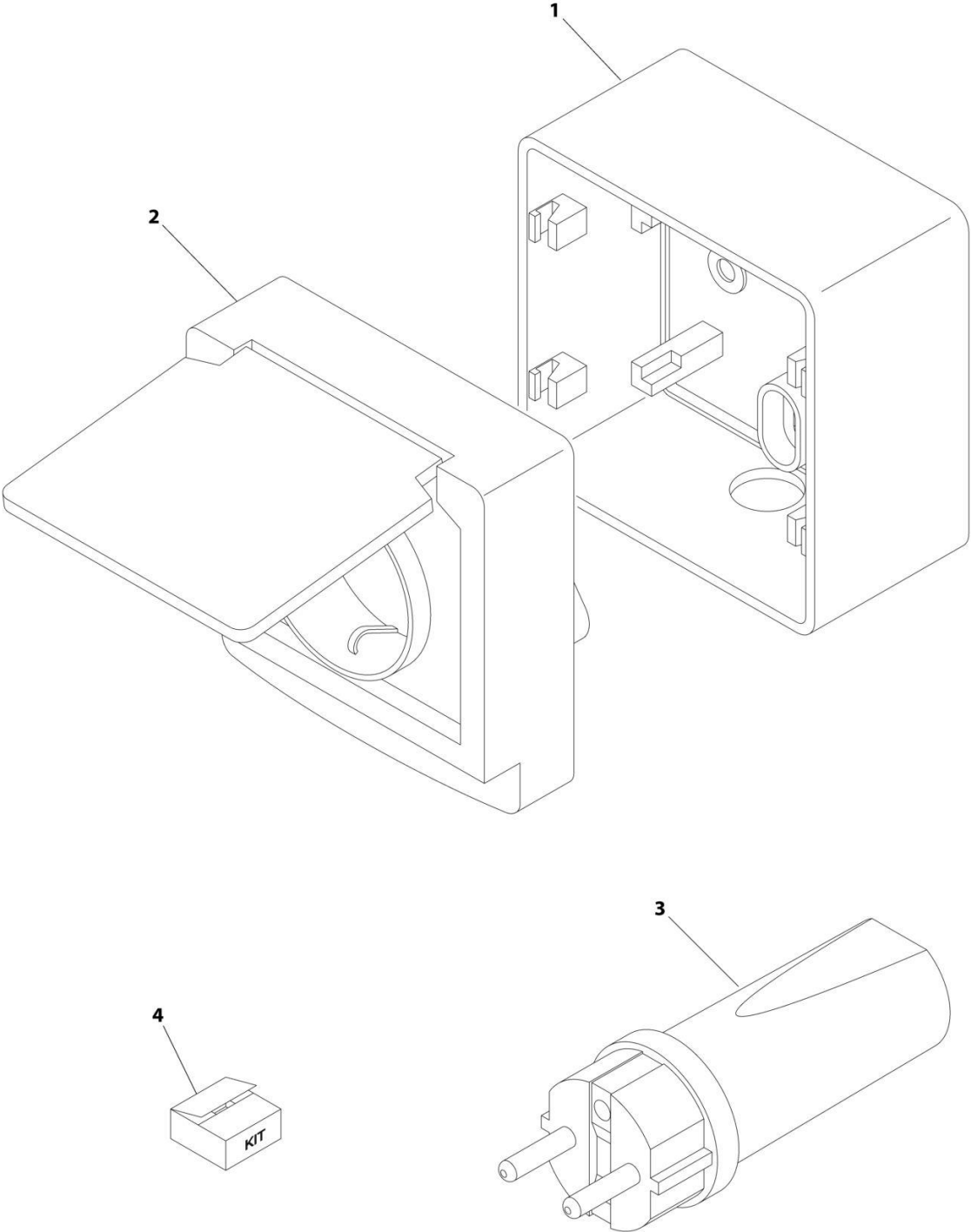
SECTION 8 - ELECTRICAL

FIGURE 8-43. RECEPTACLE BOX KIT - CEE7 POST GROUND 70X70 BOX (CE SPEC)

ITEM	PART NUMBER	QTY	DESCRIPTION	REV
	0275218	Ref	RECEPTACLE BOX KIT - CEE7 POST GROUND 70X70 BOX (CE SPEC)	B
1	1001141967	1	Box, Switch	
2	1001141968	1	Receptacle	
3	4461202	1	Plug, Male	
4	1001141971	1	Plug and Socket Kit (Includes Items 1-3 and Female Plug p/n 4461206)	

SECTION 8 - ELECTRICAL

FIGURE 8-44. RECEPTACLE BOX KIT - CEE7 SIDE GROUND 70X70 BOX (CE SPEC)



ART_0275219

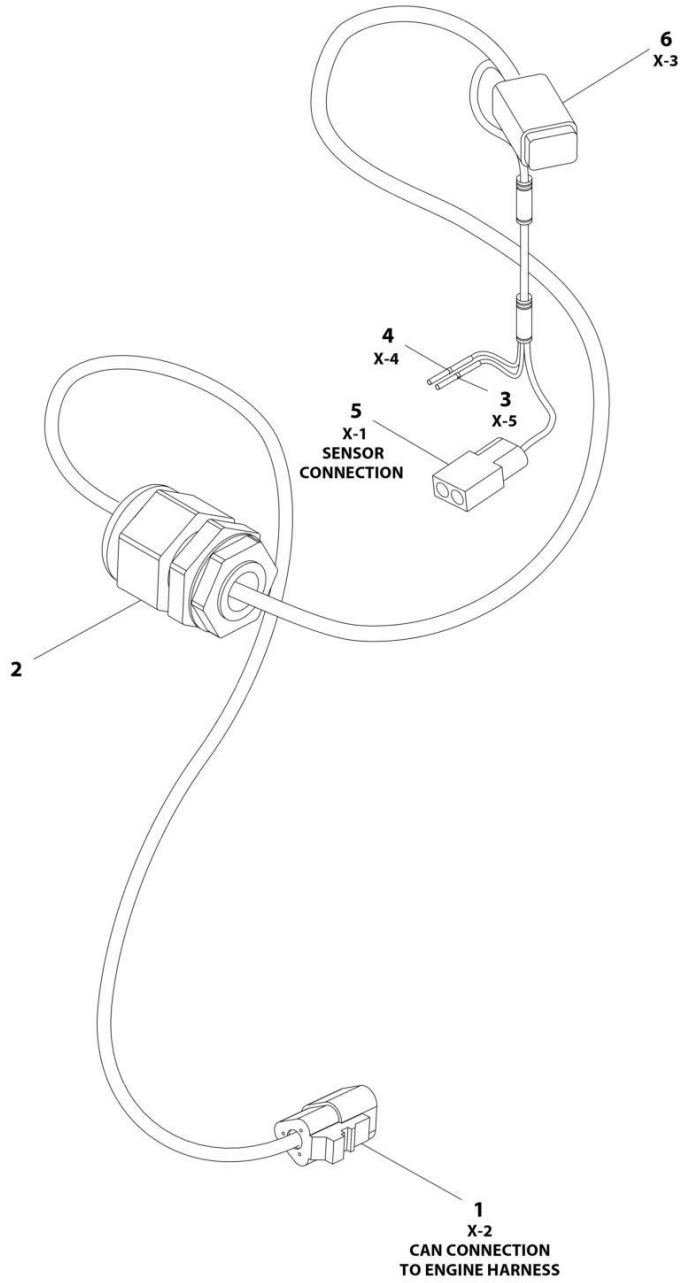
SECTION 8 - ELECTRICAL

FIGURE 8-44. RECEPTACLE BOX KIT - CEE7 SIDE GROUND 70X70 BOX (CE SPEC)

ITEM	PART NUMBER	QTY	DESCRIPTION	REV
	0275219	Ref	RECEPTACLE BOX KIT - CEE7 SIDE GROUND 70X70 BOX (CE SPEC)	B
1	1001141967	1	Box, Switch	
2	1001141969	1	Receptacle	
3	4461205	1	Plug, Male	
4	1001141970	1	Plug and Socket Kit (Includes Items 1-3 and Female Plug p/n 4461206)	

SECTION 8 - ELECTRICAL

FIGURE 8-45. TEMPERATURE SENSOR HARNESS



ART_1001164103

SECTION 8 - ELECTRICAL

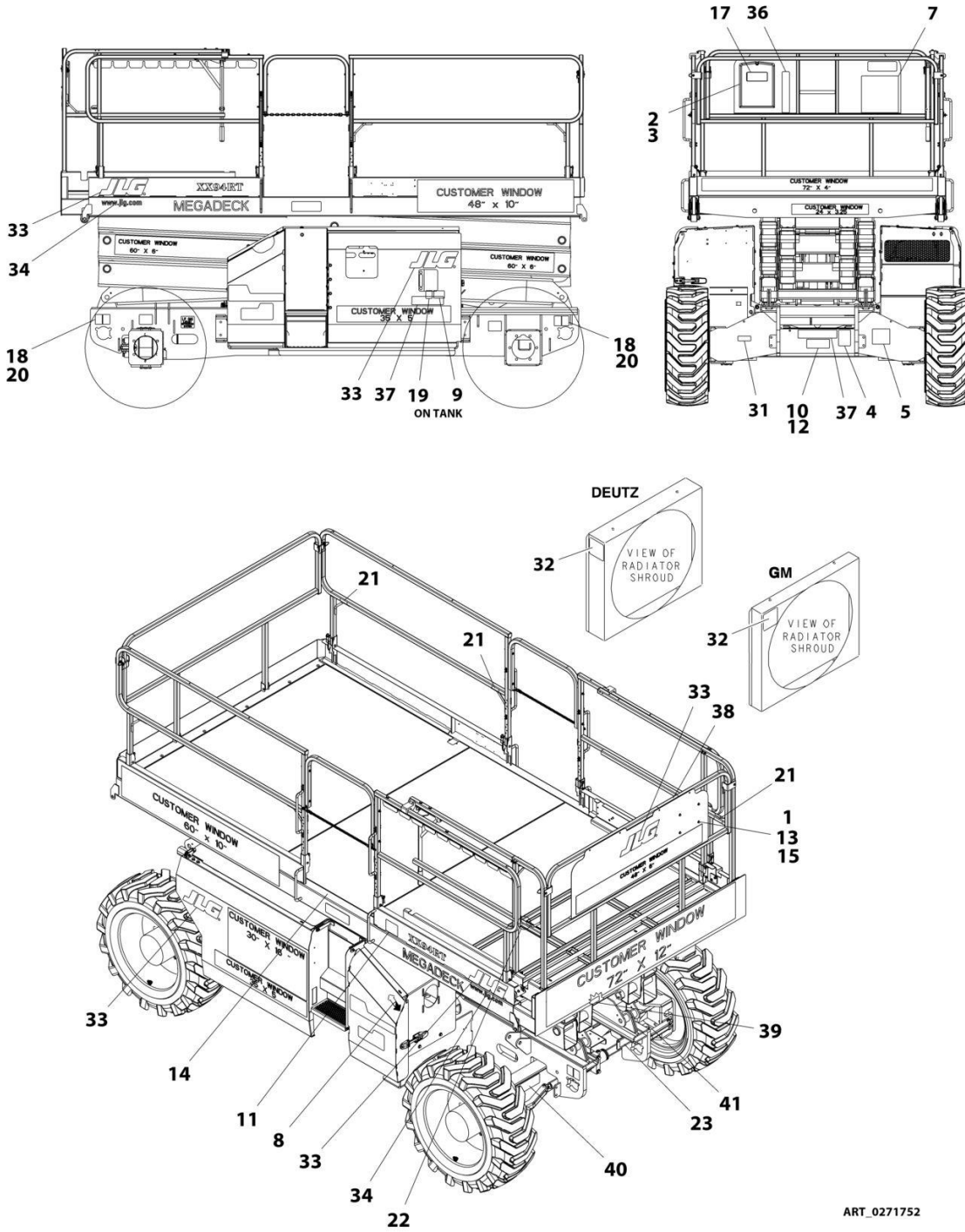
FIGURE 8-45. TEMPERATURE SENSOR HARNESS

ITEM	PART NUMBER	QTY	DESCRIPTION	REV
	1001164103	Ref	TEMPERATURE SENSOR HARNESS	B
1	4460539	1	Connector - 3 Position	
1	4460944	3	Socket, Female	
2	1001097150	1	Connector, Strain Relief	
3	4460268	1	Socket, Female	
4	4460268	1	Socket, Female	
5	4460424	1	Connector, Female - 2 Position	
5	4460267	2	Pin, Male	
6	4460884	1	Connector - 4 Position	
6	4460465	2	Socket, Female	
6	4460944	2	Socket, Female	

SECTION 9 - DECALS

SECTION 9 - DECALS

FIGURE 9-1. DECAL INSTALLATION (ANSI SPEC)



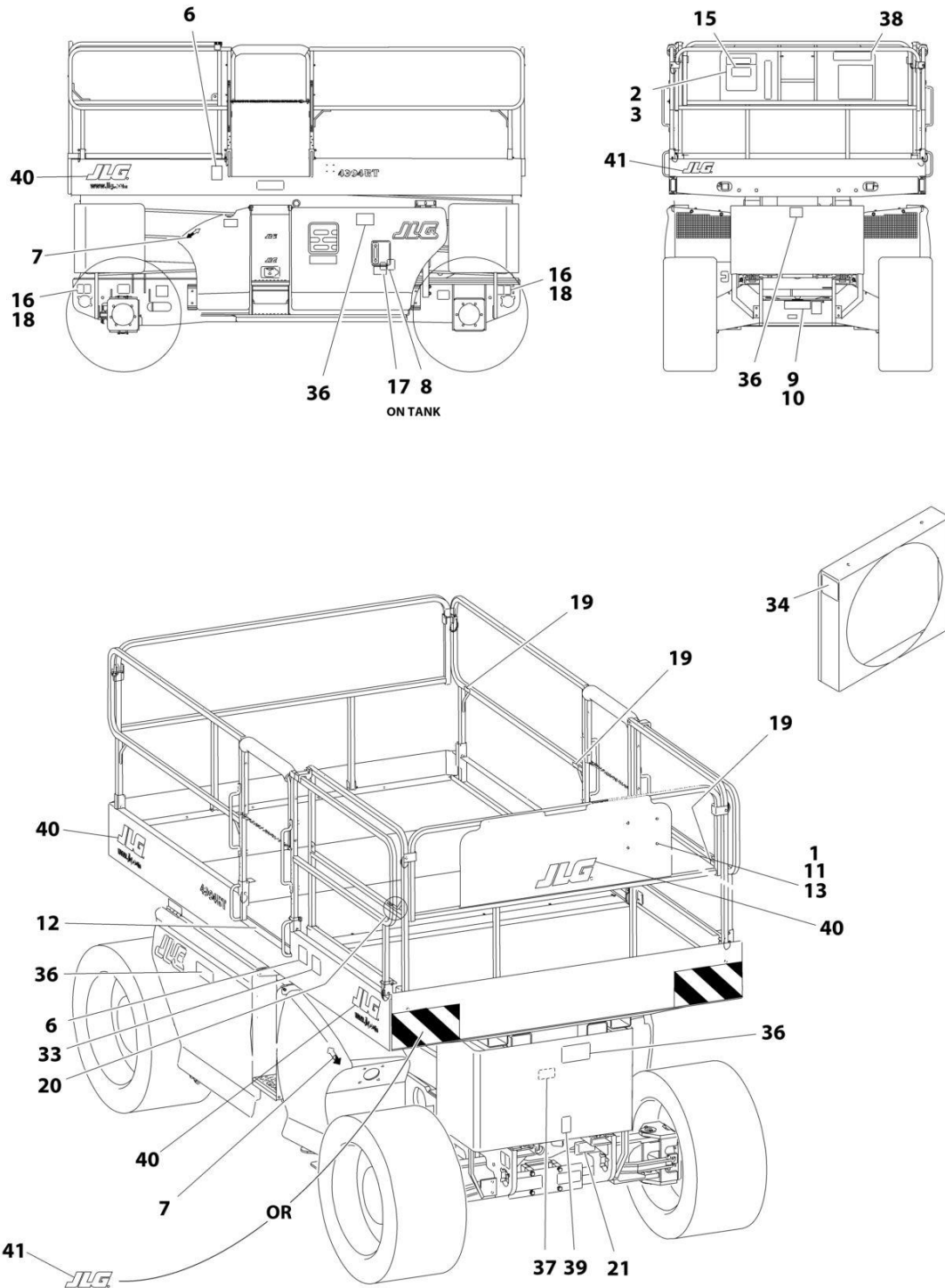
SECTION 9 - DECALS

FIGURE 9-1. DECAL INSTALLATION (ANSI SPEC)

ITEM	PART NUMBER	QTY	DESCRIPTION	REV
	0271752	Ref	DECAL INSTALLATION (ANSI SPEC)	B
		Ref	Note: See DECAL INSTALLATION - OPTIONS for additional decals.	
1	0641405	4	Bolt 1/4 x 5/8	
2	0860520	1	Box, Manual Storage	
3	1060279	1	Cable, Lanyard	
4	1001131270	1	Decal - Patent	
5	1702153	1	Decal - Inspection	
6	See Note	NSS	Decal - Bar Code (Not Shown - Located Near Control Box) (Note: Not Available for Purchase)	
7	1703816	1	Decal - Danger/Warning	
8	1703687	2	Decal - Directional Arrow	
9	1704412	1	Decal - Hydraulic Oil	
10	2080057	4	Fastener	
11	3251813	1	Nameplate - USA	
12	See Note	NSS	Nameplate - Serial Number (Note: Not Available for Purchase)	
13	3311405	4	Nut 1/4	
14	4420067	4 ft/1.2m	Tape, Safety Tread	
15	4711400	8	Washer 1/4	
17	1701509	1	Decal - Manual Reference	
18	1703811	4	Decal - Lifting Lugs	
19	1703812	1	Decal - Oil	
20	1703814	4	Decal - Tie Down	
21	1704277	8	Decal - Attach Lanyard Here	
22	1703819	1	Decal - Directional Arrow	
23	1703822	1	Decal - Manual Descent	
31	1705303	1	Decal - CSA (SN 0200260127 to Present)	
32	1703162	1	Decal - Fan Blade	
33	1702773	5	Decal - JLG	
34	1704885	2	Decal - Website	
36	1705190	1	Decal - Legend	
37	1703818	3	Decal - Crushing Hazard/Danger Electrocution	
38	1703821	1	Decal - Control Box Location	
39	1705019	1	Decal - Safety Prop	
40	1704432	1	Decal - Warning Crushing	
41	1703823	1	Decal - Danger/Electrical Hazard	

SECTION 9 - DECALS

FIGURE 9-2. DECAL INSTALLATION (AUSTRALIAN AND CE SPECS)



ART_0275086

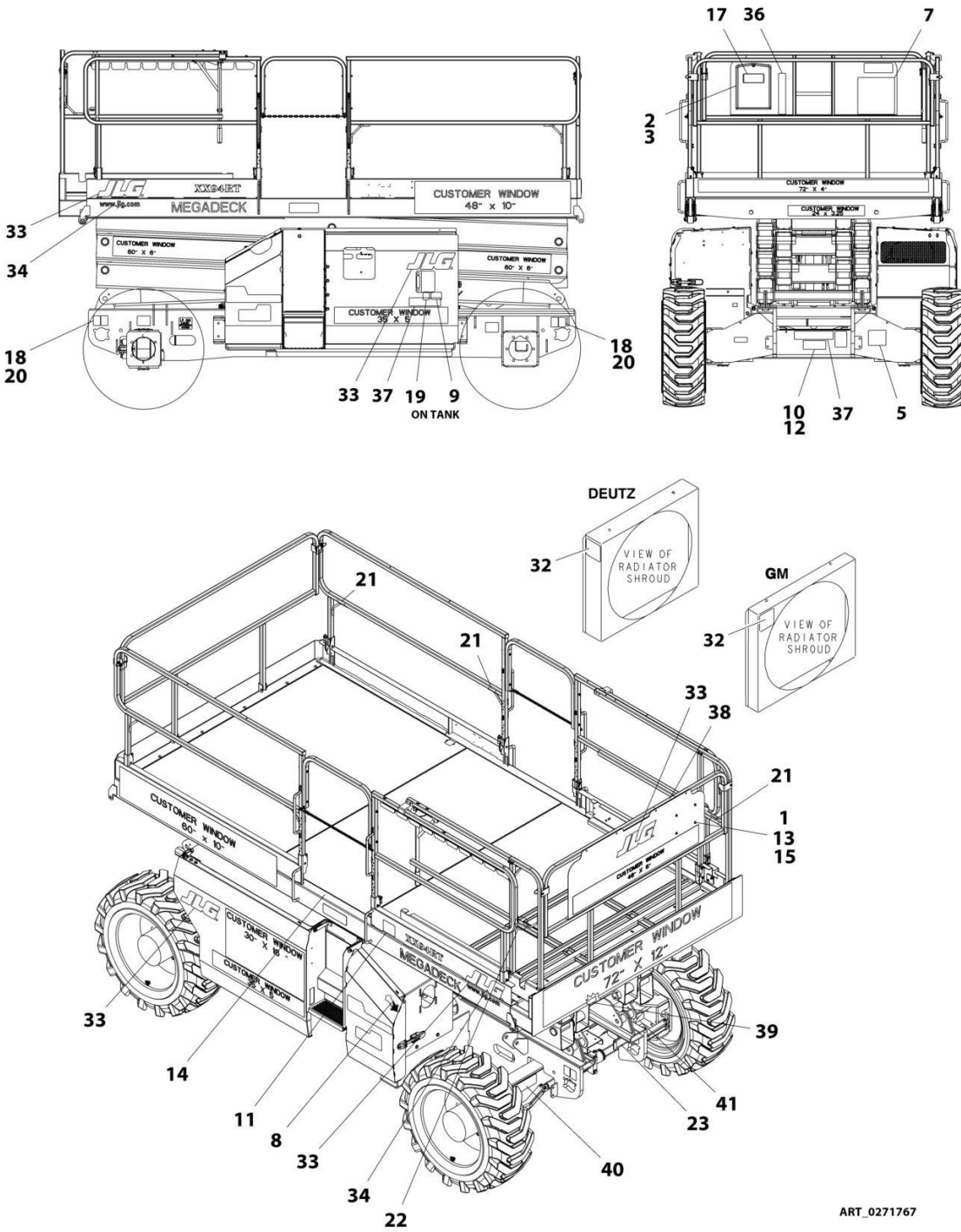
SECTION 9 - DECALS

FIGURE 9-2. DECAL INSTALLATION (AUSTRALIAN AND CE SPECS)

ITEM	PART NUMBER	QTY	DESCRIPTION	REV
	0275086	Ref	DECAL INSTALLATION (AUSTRALIAN AND CE SPECS)	B
		Ref	Note: See DECAL INSTALLATION - OPTIONS for additional decals.	
1	0641405	4	Bolt 1/4 x 5/8	
2	0860520	1	Box, Manual Storage	
3	1060279	1	Cable, Lanyard	
5	See Note	NSS	Decal - Bar Code (Not Shown - Located Near Control Box) (Note: Not Available for Purchase)	
6	1705515	2	Decal - 109db Sound Power Level	
7	1703687	2	Decal - Directional Arrow	
8	1704412	1	Decal - Hydraulic Oil	
9	2080057	2	Fastener	
10	See Note	NSS	Nameplate - Serial Number (Note: Not Available for Purchase)	
11	3311405	4	Nut 1/4	
12	4420067	4 ft/1.2m	Tape, Safety Tread	
13	4711400	8	Washer 1/4	
15	1701509	1	Decal - Manual Reference	
16	1703811	4	Decal - Lifting Lugs	
17	1703812	1	Decal - Oil	
18	1703814	4	Decal - Tie Down	
19	1704277	8	Decal - Attach Lanyard Here	
20	1703819	1	Decal - Directional Arrow	
21	1703822	1	Decal - Manual Descent	
33	3251813	1	Nameplate - USA	
34	1703162	1	Decal - Fan Blade	
36	1706338	4	Decal - Electrocution/Crushing	
37	1705019	1	Decal - Safety Prop	
38	1705671	1	Decal - Caution	
39	1705372	1	Decal - Heading Crushing	
40	1702773	2	Decal - JLG (5in) (SN 0200259806 to Present)	
41	1701435	2	Decal - JLG (3-1/2in) (SN 0200259806 to Present)	

SECTION 9 - DECALS

FIGURE 9-3. DECAL INSTALLATION - BRAZIL SPEC (SPANISH/PORTUGUESE)



ART_0271767

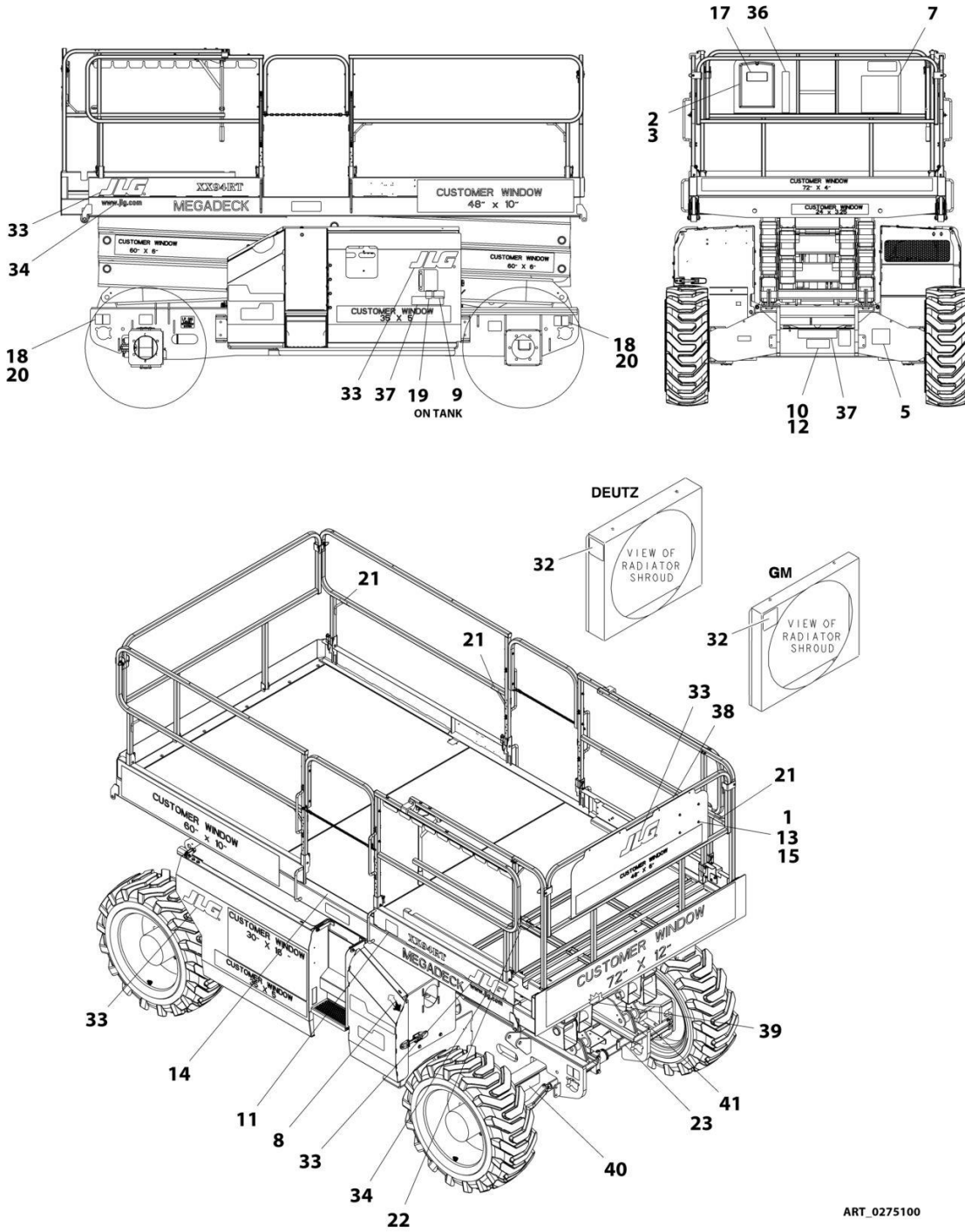
SECTION 9 - DECALS

FIGURE 9-3. DECAL INSTALLATION - BRAZIL SPEC (SPANISH/PORTUGUESE)

ITEM	PART NUMBER	QTY	DESCRIPTION	REV
	0271767	Ref	DECAL INSTALLATION - BRAZIL SPEC (SPANISH/PORTUGUESE)	4
		Ref	Note: See DECAL INSTALLATION - OPTIONS for additional decals.	
1	0641405	4	Bolt 1/4 x 5/8	
2	0860520	1	Box, Manual Storage	
3	1060279	1	Cable, Lanyard	
5	1704008	1	Decal - Inspection	
6	See Note	NSS	Decal - Bar Code (Not Shown - Located Near Control Box) (Note: Not Available for Purchase)	
7	1704699	1	Decal - Danger/Warning	
8	1703687	2	Decal - Directional Arrow	
9	1704412	1	Decal - Hydraulic Oil	
10	2080057	4	Fastener	
11	3251813	1	Nameplate - USA	
12	See Note	NSS	Nameplate - Serial Number (Note: Not Available for Purchase)	
13	3311405	4	Nut 1/4	
14	4420067	4 ft/1.2m	Tape, Safety Tread	
15	4711400	8	Washer 1/4	
17	1701509	1	Decal - Manual Reference	
18	1703811	4	Decal - Lifting Lugs	
19	1703812	1	Decal - Oil	
20	1703814	4	Decal - Tie Down	
21	1704277	8	Decal - Attach Lanyard Here	
22	1703819	1	Decal - Directional Arrow	
23	1703822	1	Decal - Manual Descent	
32	1703162	1	Decal - Fan Blade	
33	1702773	5	Decal - JLG	
34	1704885	2	Decal - Website	
36	1705317	1	Decal - Legend	
37	1704701	4	Decal - Crushing Hazard/Danger Electrocution	
38	1704702	1	Decal - Control Box Location	
39	1705019	1	Decal - Safety Prop	
40	1705318	1	Decal - Warning Crushing	
41	1705043	1	Decal - Danger/Electrical Hazard	

SECTION 9 - DECALS

FIGURE 9-4. DECAL INSTALLATION - CHINESE SPEC (ENGLISH/CHINESE)



ART_0275100

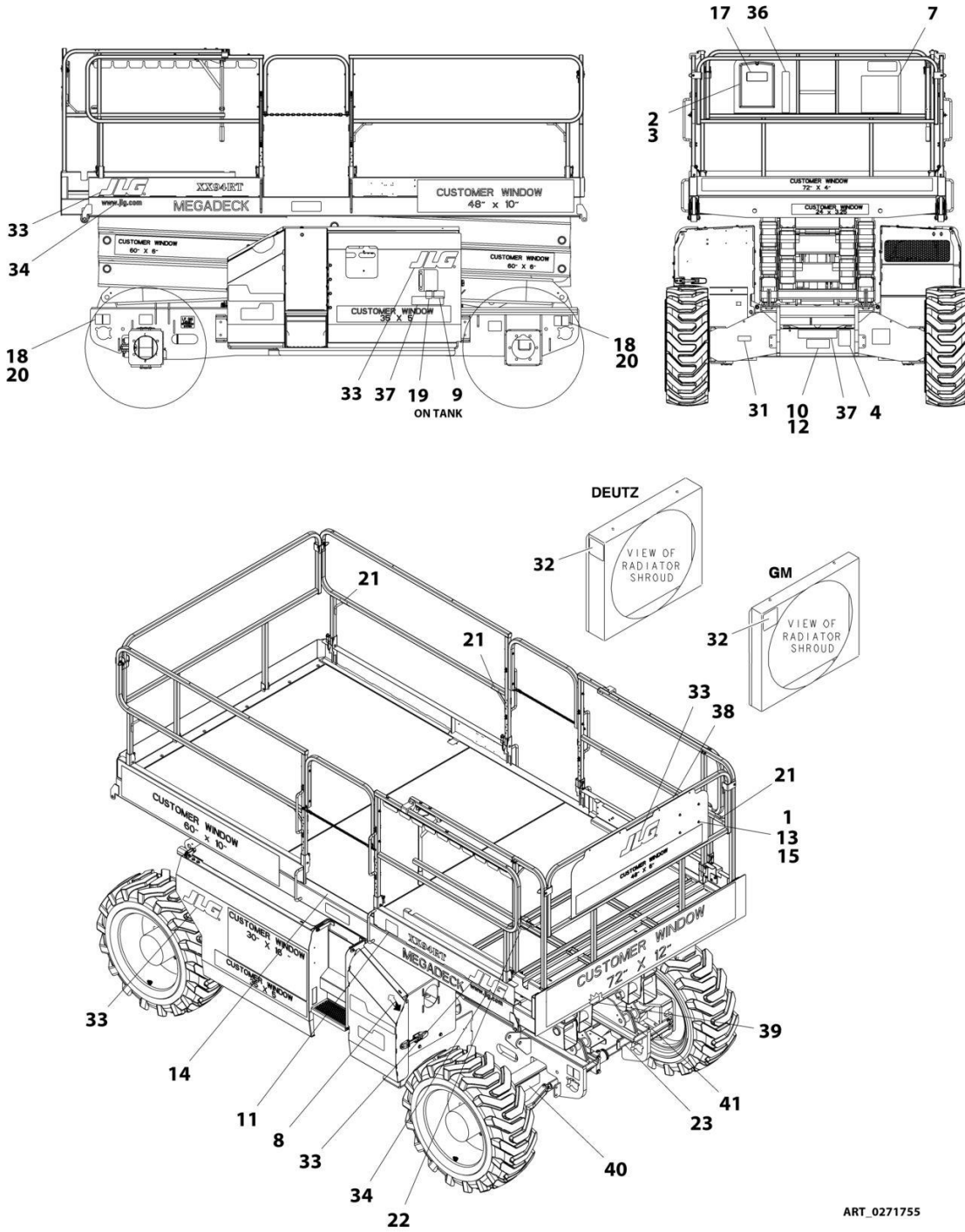
SECTION 9 - DECALS

FIGURE 9-4. DECAL INSTALLATION - CHINESE SPEC (ENGLISH/CHINESE)

ITEM	PART NUMBER	QTY	DESCRIPTION	REV
	0275100	Ref	DECAL INSTALLATION - CHINESE SPEC (ENGLISH/CHINESE)	3
		Ref	Note: See DECAL INSTALLATION - OPTIONS for additional decals.	
1	0641405	4	Bolt 1/4 x 5/8	
2	0860520	1	Box, Manual Storage	
3	1060279	1	Cable, Lanyard	
5	1704607	1	Decal - Inspection	
6	See Note	NSS	Decal - Bar Code (Not Shown - Located Near Control Box) (Note: Not Available for Purchase)	
7	1705195	1	Decal - Danger/Warning	
8	1703687	2	Decal - Directional Arrow	
9	1704412	1	Decal - Hydraulic Oil	
10	2080057	4	Fastener	
11	3251813	1	Nameplate - USA	
12	See Note	NSS	Nameplate - Serial Number (Note: Not Available for Purchase)	
13	3311405	4	Nut 1/4	
14	4420067	4 ft/1.2m	Tape, Safety Tread	
15	4711400	8	Washer 1/4	
17	1701509	1	Decal - Manual Reference	
18	1703811	4	Decal - Lifting Lugs	
19	1703812	1	Decal - Oil	
20	1703814	4	Decal - Tie Down	
21	1704277	8	Decal - Attach Lanyard Here	
22	1703819	1	Decal - Directional Arrow	
23	1703822	1	Decal - Manual Descent	
32	1703162	1	Decal - Fan Blade	
33	1702773	5	Decal - JLG	
34	1704885	2	Decal - Website	
36	1705190	1	Decal - Legend	
37	1705193	3	Decal - Crushing Hazard/Danger Electrocutation	
38	1705194	1	Decal - Control Box Location	
39	1705019	1	Decal - Safety Prop	
40	1705943	1	Decal - Warning Crushing	
41	1705944	1	Decal - Danger/Electrical Hazard	

SECTION 9 - DECALS

FIGURE 9-5. DECAL INSTALLATION - CSA SPEC (ENGLISH/FRENCH)



ART_0271755

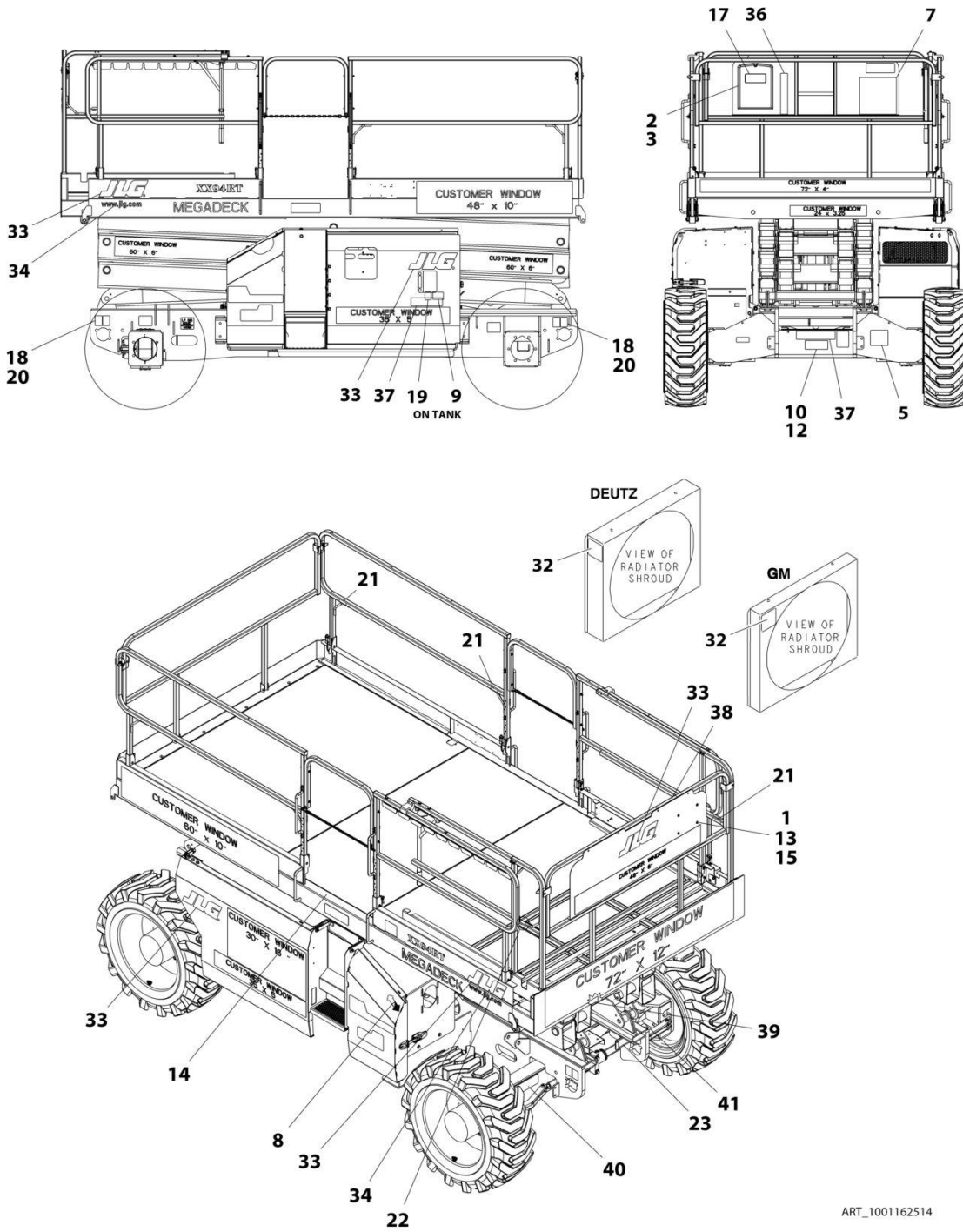
SECTION 9 - DECALS

FIGURE 9-5. DECAL INSTALLATION - CSA SPEC (ENGLISH/FRENCH)

ITEM	PART NUMBER	QTY	DESCRIPTION	REV
	0271755	Ref	DECAL INSTALLATION - CSA SPEC (ENGLISH/FRENCH)	6
		Ref	Note: See DECAL INSTALLATION - OPTIONS for additional decals.	
1	0641405	4	Bolt 1/4 x 5/8	
2	0860520	1	Box, Manual Storage	
3	1060279	1	Cable, Lanyard	
4	1001131270	1	Decal - Patent	
6	See Note	NSS	Decal - Bar Code (Note: Not Available for Purchase)	
7	1704684	1	Decal - Danger/Warning	
8	1703687	2	Decal - Directional Arrow	
9	1704412	1	Decal - Hydraulic Oil	
10	2080057	4	Fastener	
11	3251813	1	Nameplate - USA	
12	See Note	NSS	Nameplate - Serial Number (Note: Not Available for Purchase)	
13	3311405	4	Nut 1/4	
14	4420067	4 ft/1.2m	Tape, Safety Tread	
15	4711400	8	Washer 1/4	
17	1701509	1	Decal - Manual Reference	
18	1703811	4	Decal - Lifting Lugs	
19	1703812	1	Decal - Oil	
20	1703814	4	Decal - Tie Down	
21	1704277	8	Decal - Attach Lanyard Here	
22	1703819	1	Decal - Directional Arrow	
23	1703822	1	Decal - Manual Descent	
31	1705303	1	Decal - CSA	
32	1703162	1	Decal - Fan Blade	
33	1702773	5	Decal - JLG	
34	1704885	2	Decal - Website	
36	1705314	1	Decal - Legend	
37	1704686	3	Decal - Crushing Hazard/Danger Electrocution	
38	1704687	1	Decal - Control Box Location	
39	1705019	1	Decal - Safety Prop	
40	1705311	1	Decal - Warning Crushing	
41	1705040	1	Decal - Danger/Electrical Hazard	

SECTION 9 - DECALS

FIGURE 9-6. DECAL INSTALLATION - KOREAN SPEC (ENGLISH/KOREAN)



ART_1001162514

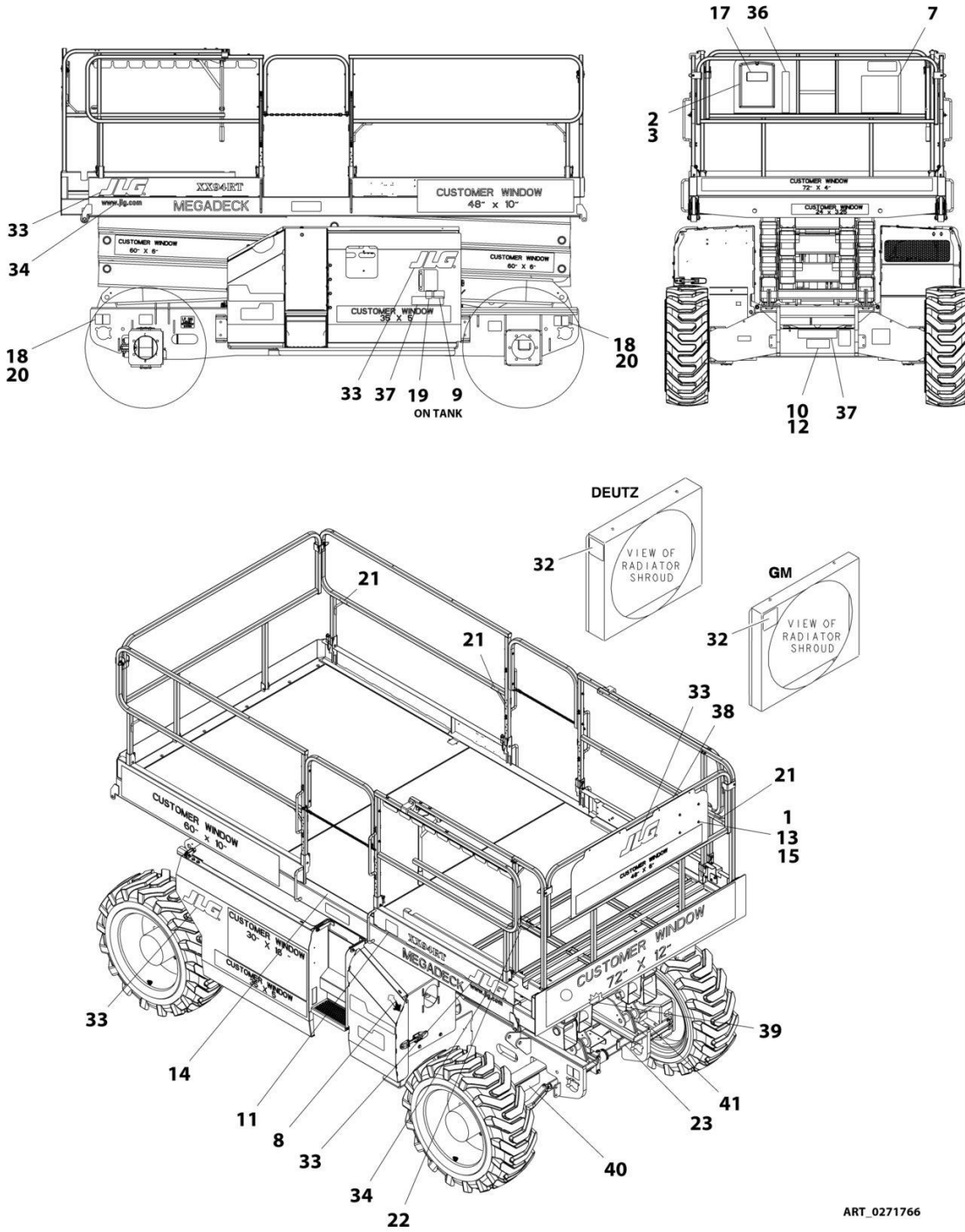
SECTION 9 - DECALS

FIGURE 9-6. DECAL INSTALLATION - KOREAN SPEC (ENGLISH/KOREAN)

ITEM	PART NUMBER	QTY	DESCRIPTION	REV
	1001162514	Ref	DECAL INSTALLATION - KOREAN SPEC (ENGLISH/KOREAN)	A
		Ref	Note: See DECAL INSTALLATION - OPTIONS for additional decals.	
1	0641405	4	Bolt 1/4 x 5/8	
2	0860520	1	Box, Manual Storage	
3	1060279	1	Cable, Lanyard	
5	1704607	1	Decal - Inspection	
6	See Note	NSS	Decal - Bar Code (Not Shown - Located Near Control Box) (Note: Not Available for Purchase)	
7	1001162115	1	Decal - Danger/Warning	
8	1703687	2	Decal - Directional Arrow	
9	1704412	1	Decal - Hydraulic Oil	
10	2080057	4	Fastener	
12	See Note	NSS	Nameplate - Serial Number (Note: Not Available for Purchase)	
13	3311405	4	Nut 1/4	
14	4420067	4 ft/1.2m	Tape, Safety Tread	
15	4711400	8	Washer 1/4	
17	1701509	1	Decal - Manual Reference	
18	1703811	4	Decal - Lifting Lugs	
19	1703812	1	Decal - Oil	
20	1703814	4	Decal - Tie Down	
21	1704277	8	Decal - Attach Lanyard Here	
22	1703819	1	Decal - Directional Arrow	
23	1703822	1	Decal - Manual Descent	
32	1703162	1	Decal - Fan Blade	
33	1702773	4	Decal - JLG	
34	1704885	2	Decal - Website	
36	1001162110	1	Decal - Legend	
37	1001162111	3	Decal - Crushing Hazard/Danger Electrocutation	
38	1001162112	1	Decal - Control Box Location	
39	1705019	1	Decal - Safety Prop	
40	1001162113	1	Decal - Warning Crushing	
41	1001162114	1	Decal - Danger/Electrical Hazard	

SECTION 9 - DECALS

FIGURE 9-7. DECAL INSTALLATION - LATIN AMERICAN SPEC (ENGLISH/SPANISH)



ART_0271766

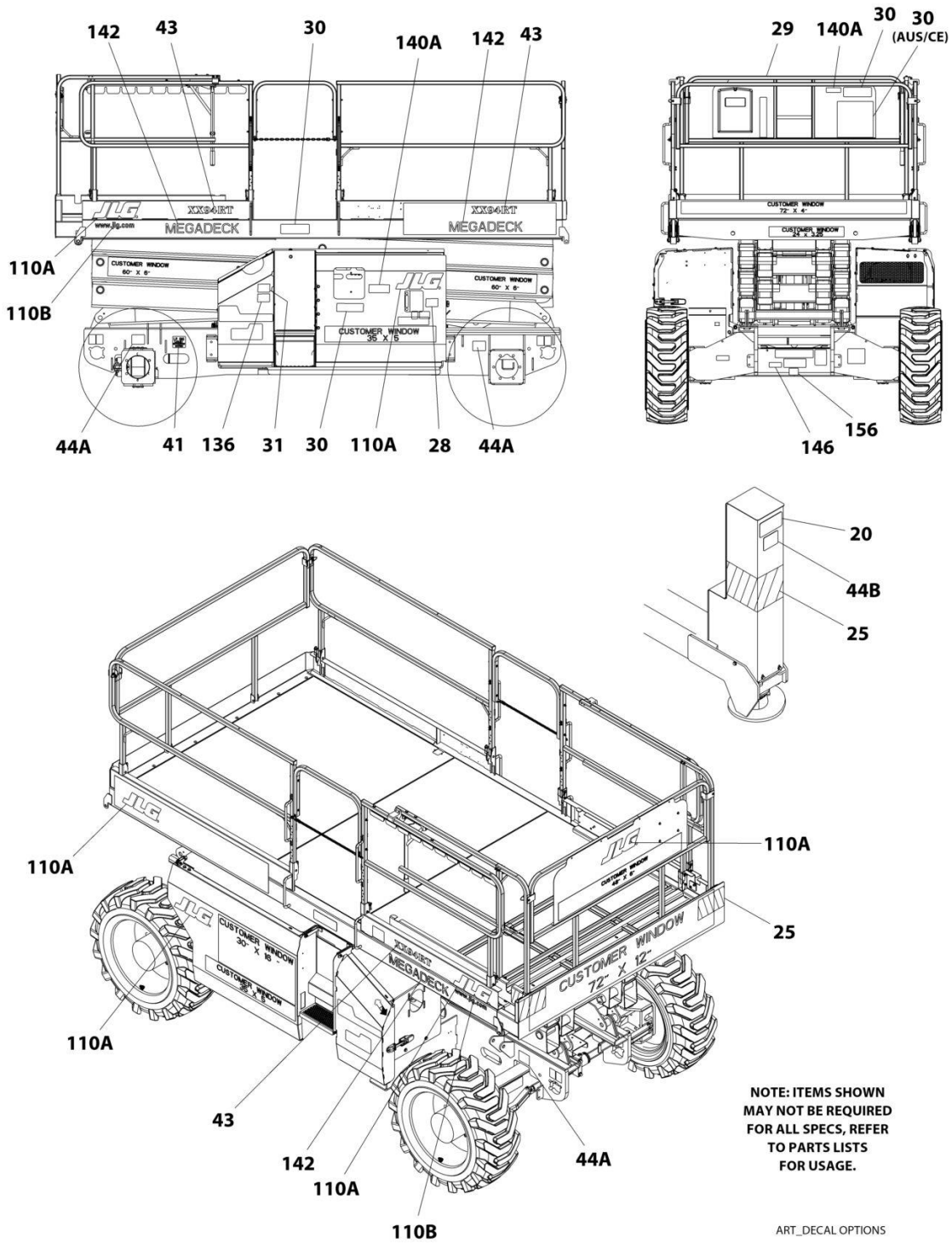
SECTION 9 - DECALS

FIGURE 9-7. DECAL INSTALLATION - LATIN AMERICAN SPEC (ENGLISH/SPANISH)

ITEM	PART NUMBER	QTY	DESCRIPTION	REV
	0271766	Ref	DECAL INSTALLATION - LATIN AMERICAN SPEC (ENGLISH/SPANISH)	5
		Ref	Note: See DECAL INSTALLATION - OPTIONS for additional decals.	
1	0641405	4	Bolt 1/4 x 5/8	
2	0860520	1	Box, Manual Storage	
3	1060279	1	Cable, Lanyard	
6	See Note	NSS	Decal - Bar Code (Not Shown - Located Near Control Box) (Note: Not Available for Purchase)	
7	1704691	1	Decal - Danger/Warning	
8	1703687	2	Decal - Directional Arrow	
9	1704412	1	Decal - Hydraulic Oil	
10	2080057	4	Fastener	
11	3251813	1	Nameplate - USA	
12	See Note	NSS	Nameplate - Serial Number (Note: Not Available for Purchase)	
13	3311405	4	Nut 1/4	
14	4420067	4 ft/1.2m	Tape, Safety Tread	
15	4711400	8	Washer 1/4	
17	1701509	1	Decal - Manual Reference	
18	1703811	4	Decal - Lifting Lugs	
19	1703812	1	Decal - Oil	
20	1703814	4	Decal - Tie Down	
21	1704277	8	Decal - Attach Lanyard Here	
22	1703819	1	Decal - Directional Arrow	
23	1703822	1	Decal - Manual Descent	
32	1703162	1	Decal - Fan Blade	
33	1702773	5	Decal - JLG	
34	1704885	2	Decal - Website	
36	1705315	1	Decal - Legend	
37	1704693	3	Decal - Crushing Hazard/Danger Electrocution	
38	1704694	1	Decal - Control Box Location	
39	1705019	1	Decal - Safety Prop	
40	1705316	1	Decal - Warning Crushing	
41	1705041	1	Decal - Danger/Electrical Hazard	

SECTION 9 - DECALS

FIGURE 9-8. DECAL INSTALLATION - OPTIONS



SECTION 9 - DECALS

FIGURE 9-8. DECAL INSTALLATION - OPTIONS

ITEM	PART NUMBER	QTY	DESCRIPTION	REV
	1001170776	Ref	DECAL INSTALLATION - REFERENCE CHART (ALL SPECS EXCEPT AUSTRALIAN AND CE SPECS)	A
	1283317	Ref	DECAL INSTALLATION - REFERENCE CHART (AUSTRALIAN AND CE SPECS ONLY)	J
	1001165100	Ref	DECAL INSTALLATION - OPTIONS	
20	1701214	8	Decal - Outrigger Warning (ANSI Spec Only) (English)	
20	1701785	8	Decal - Outrigger Warning (Australian and CE Specs Only) (English)	
20	1704698	8	Decal - Outrigger Warning (Brazilian Spec Only) (Spanish/Portuguese)	
20	1704690	8	Decal - Outrigger Warning (CSA Spec Only) (English/French)	
20	1001215447	1	Decal - Outrigger Warning (Korean Spec Only) (English/Korean)	
20	1704697	8	Decal - Outrigger Warning (Latin American Spec Only) (English/Spanish)	
25	0251642	Ref	Corner Stripes Installation - Single Deck Extension	D
25	0253807	Ref	Corner Stripes Installation - Dual Deck Extension	1
25	4420051	AR	Tape, Safety	
28	1704174	1	Decal - Synthetic Biodegradable Hydraulic Fluid (Optional - All Specs except German Spec)	
28	1702788	1	Decal - Biodegradable Hydraulic Fluid (Optional - All Specs except German Spec)	
28	1704175	1	Decal - Synthetic Biodegradable Hydraulic Fluid (German Spec Only)	
28	1703479	1	Decal - Biodegradable Hydraulic Fluid (German Spec Only)	
29	1702962	1	Decal - Warning Prop (Diesel) (ANSI Spec Only)	
29	1702961	1	Decal - Warning Prop (Gas) (ANSI Spec Only)	
30	1705020	4	Decal - Capacity 2250lbs/909kg (with Single Deck Extension) (ANSI and ANSI Export Specs Only) (3394RT)	
30	3252757	4	Decal - Capacity 2000lbs/795kg (with Dual Deck Extension) (ANSI and ANSI Export Specs Only) (3394RT)	
30	1705021	4	Decal - Capacity 1500lbs/681kg (with Single Deck Extension) (ANSI and ANSI Export Specs Only) (4394RT)	
30	1705022	4	Decal - Capacity 1250lbs/568kg (with Dual Deck Extension) (ANSI and ANSI Export Specs Only) (4394RT)	
30	1705034	1	Decal - Capacity 1020kg (with Single Deck Extension) (Australian and CE Specs Only) (3394RT)	
30	1705035	1	Decal - Capacity 905kg (with Dual Deck Extension) (Australian and CE Specs Only) (3394RT)	
30	1705036	1	Decal - Capacity 680kg (with Single Deck Extension) (Australian and CE Specs Only) (4394RT)	
30	1705037	1	Decal - Capacity 565kg (with Dual Deck Extension) (Australian and CE Specs Only) (4394RT)	
31	1701505	1	Decal - Fuel (Diesel)	
31	1701542	1	Decal - Fuel (Gas)	
41	1700818	1	Decal - LP (English Language)	
41	1704271	1	Decal - LP (English/French Language)	
41	1702720	1	Decal - LP (Spanish Language)	
43	1705038	2	Decal - Model Designation (3394RT)	
43	1705039	2	Decal - Model Designation (4394RT)	
44A	1703493	4	Decal - Max Tire Load (Machines without Leveling Jacks)	
44B	1705042	4	Decal - Max Load (Machines with Leveling Jacks)	
110	1001170869	1	JLG Decals Installation (Not Shown)	
110A	1702773	5	Decal - JLG	

SECTION 9 - DECALS

ITEM	PART NUMBER	QTY	DESCRIPTION	REV
110B	1704885	2	Decal - Website	
136	1001125387	1	Decal - Ultra Sulfur Fuel (Deutz D2.9L4 Engine Machines Only)	
140	1001112548	Ref	Decal - Hearing Protection (ANSI Spec Only) (3394RT)	
140A	1706837	2	Decal - Hearing Loss (3394RT)	
142	1001142595	2	Decal - Megadeck	
146	1001143852	1	Decal - Emission Compliance (ANSI Export, Australian and CE Specs Only)	
156	1001214029	Ref	Decal - EAC Installation (CIS and Russia Specs)	
156A	1001173703	1	Decal - EAC	

SECTION 10 - RECOMMENDED SERVICE PARTS STOCK

SECTION 10 - RECOMMENDED SERVICE PARTS STOCK

SECTION 10 - RECOMMENDED SERVICE PARTS STOCK

FIGURE 10-1. RECOMMENDED SERVICE PARTS STOCK

ITEM	PART NUMBER	QTY	DESCRIPTION	REV
		Ref	Note: The following list will service one machine (built to current production per date on the front cover) with emergency repair parts which can be installed in the field. Parts from the list should be replaced when inventory is depleted to keep service parts stock supplied. For further information, contact your JLG dealer or the JLG Industries Parts Department.	
		Ref	STANDARD PARTS	
	70001965	1	Coil	
	7017451	1	Coil	
	3740067	1	Relay	
	3740080	1	Relay	
	70010383	1	Element, Charge Filter	
	70001960	4	Element, Return Filter	
	70002113	1	Breather, Hydraulic Tank	
	4360070	1	Breaker, Circuit	
	4360328	1	Switch, Toggle	
	4360387	1	Switch, Push Button	
	2860030	1	Key, Replacement	
	4360475	1	Switch, Mushroom, Switch, Mushroom	
	1810140	1	Switch, Dual Axis	
	4360500	1	Switch, Rotary Angle Sensor	
	4360502	1	Switch, Proximity	
	4360524	1	Switch, Toggle	
	4360525	1	Switch, Toggle	
	70000082	1	Microswitch	
	7027367	1	Switch, Push Button	
	70000081	1	Potentiometer	
	3990010	2	Diode	
		Ref	VARIABLE PARTS	
	70001977	1	Coil (All Specs except CE Spec)	
	70001967	1	Coil (All Specs except CE Spec)	
	70050516	1	Coil (CE Spec)	
	70002963	1	Coil (CE Spec)	
	70001977	1	Coil (Machines with Power Deck)	
	7016331	1	Filter, Oil (Deutz D2011 Engine Machines)	
	7020023	4	Filter, Spin On Fuel (Deutz D2011 Engine Machines)	
	7027245	4	Filter, Inline Fuel (Deutz D2011 Engine Machines)	
	7024438	1 doz	Element, Air Cleaner (Deutz D2011 Engine)	
	3740049	1	Relay (Deutz D2011 Engine Machines)	
	7016641	1	Filter, Oil (Deutz D2.9L4 Engine Machines)	
	70025154	1	Filter, Fuel (Deutz D2.9L4 Engine Machines)	
	70025161	1	Filter, Fuel (Deutz D2.9L4 Engine Machines)	
	70003937	1 doz	Element, Air Cleaner (Deutz D2.9L4 Engine)	
	70025210	1	Module, Control (Deutz D2.9L4 Engine Machines)	
	1001138228	1	Module, Power Relay (Deutz D2.9L4 Engine Machines)	
	70023593	2	Fuse - 30Amp (Deutz D2.9L4 Engine Machines)	
	70023592	2	Fuse - 20Amp (Deutz D2.9L4 Engine Machines)	
	7027965	1	Filter, Oil (GM Engine Machines)	
	7027972	4	Filter, Inline Fuel (GM Engine Machines)	

SECTION 10 - RECOMMENDED SERVICE PARTS STOCK

ITEM	PART NUMBER	QTY	DESCRIPTION	REV
	7024438	1 doz	Element, Air Cleaner (GM Engine)	
	1001135570	1	Module, Ground Control	
	1001182481	1	Module (Machines with Power Options)	
	3740067	1	Relay (Machines with Power Deck)	
	4360469	1	Switch, Key (All Specs except CE Spec)	
	4360470	1	Switch, Key (CE Spec)	
	4360483	1	Switch, Toggle (Diesel Machines)	
	4360482	1	Switch, Toggle (Gas Machines)	
	3740080	1	Relay (Machines with Generator)	
	4360482	1	Switch, Toggle (Machines with Generator)	
	4360070	1	Breaker, Circuit (Deutz D2.9L4 with 7500W Generator)	
	2940074	1	Latch (With Swing Gates)	
	1001101076	1	Latch, Snap (With Chain Entry)	
	2400056	2	Fuse - 5Amp (With Beacon Light Option)	
	4360548	1	Switch, Limit (With Leveling Jacks)	
	8229242	2	Fuse - 5Amp (Deutz D2.9L4 Engine Machines)	
	80983191	2	Fuse - 10Amp (Deutz D2.9L4 Engine Machines)	

SECTION 11 - SPECIAL OPTIONS

SECTION 11 - SPECIAL OPTIONS

FIGURE 11-1. SPECIAL OPTIONS LIST

ITEM	PART NUMBER	QTY	DESCRIPTION	REV
		Ref	Note: This list is to accommodate machines ordered with special equipment. Options may not be applicable to all models. For more specific parts information contact the JLG Parts Department.	
	1001233047	Ref	Air Intake Breather Heater Add-on Kit (Deutz T4F Engines)	
	0271782	Ref	Airline to Platform Installation - 1/2in (3394RT)	
	0271783	Ref	Airline to Platform Installation - 1/2in (4394RT)	
	1001183337	Ref	Circuit Breaker (RCD) Box Installation	
	1001229107	Ref	ClearSky Telematics Installation	
	0271786	Ref	Cold Weather Package Installation (Deutz D2011 Engine Machines)	
	1001151902	Ref	Cold Weather Package Installation (Deutz D2.9L4 Engine Machines)	
	0275149	Ref	Cold Weather Package Installation (GM Engine Machines)	
	1001108500	Ref	Container Shipment Preparation	
		Ref	Decal Installations	
	1001196612	Ref	Decal - Ahern	
	1001196700	Ref	Decal - Blueline (SN 0200239053 through 0200260361)	
	1001224015	Ref	Decal - Blueline (SN 0200260362 to Present)	
	1001229699	Ref	Decal - ClearSky	
	1001200301	Ref	Decal - Customer Supplied Decals	
	1001115671	Ref	Decal - FedEx	
	0274680	Ref	Decal - Head and Engquist Equipment L.L.C (H&E)	
	1001221960	Ref	Decal - Herc Rentals	
	1001128997	Ref	Decal - Hertz	
	1001222118	Ref	Decal - Hertz (Canada)	
	0274249	Ref	Decal - National Equipment Services (NES)	
	1001218718	Ref	Decal - Riwal	
	0272289	Ref	Decal - Sunbelt (SN 0200239053 through 0200246956)	
	1001197868	Ref	Decal - Sunbelt (3394RT) (SN 0200246957 to Present)	
	1001197870	Ref	Decal - Sunbelt (4394RT) (SN 0200246957 to Present)	
	1001151164	Ref	Decal - Titan Rentals	
	0271666	Ref	Decal - United Rentals	
	1001098292	Ref	Decal - UPS	
	1001141644	Ref	Decal - Volvo	
		Ref	Decal Kits	
	1001125243	Ref	Decal Kit - Calibration (Located on Arms) (3394RT)	
	1001125242	Ref	Decal Kit - Calibration (Located on Arms) (4394RT)	
	2902066	Ref	Decal Kit - Country Spec (ANSI)	
	2902912	Ref	Decal Kit - Country Spec (Brazil) (Spanish/Portuguese Languages)	
	2902190	Ref	Decal Kit - Country Spec (CSA) (English/French Languages)	
	1001162116	Ref	Decal Kit - Country Spec (Korea) (English/Korean Languages)	
	2902191	Ref	Decal Kit - Country Spec (Latin America) (English/Spanish Languages)	
	2901912	Ref	Decal Kit - Master	
	1001209222	Ref	Decal Kit - Service (3394RT)	
	1001209221	Ref	Decal Kit - Service (4394RT)	
	2300040	Ref	Diesel Fuel Conditioner	
		Ref	Electrical Connector Kits	
	1001148902	Ref	Amp Connector Kit	

SECTION 11 - SPECIAL OPTIONS

ITEM	PART NUMBER	QTY	DESCRIPTION	REV
	1001148903	Ref	Deutsch DT Connector Kit	
	1001148904	Ref	Deutsch HD Connector Kit	
	1001148905	Ref	Packard Connector Kit	
	1001148906	Ref	Various Connector Kit	
	1001179261	Ref	Engine Installation with Modine Radiator (Without Arctic Package) (Note: Released after production ceased)	
	1001179260	Ref	Engine Sub-Assembly with Pumps with Modine Radiator (Without Arctic Package) (Note: Released after production ceased)	
	1001179259	Ref	Engine Assembly with Modine Radiator (Without Arctic Package) (Note: Released after production ceased)	
	1001179265	Ref	Engine Installation with Modine Radiator (With Arctic Package) (Note: Released after production ceased)	
	1001179264	Ref	Engine Sub-Assembly with Pumps with Modine Radiator (With Arctic Package) (Note: Released after production ceased)	
	1001179263	Ref	Engine Assembly with Modine Radiator (With Arctic Package) (Note: Released after production ceased)	
	1001156953	Ref	Fan Guard (D2.9L4 Engines)	
	1001235569	Ref	Fan & Belt Shield Add-on Kit (Deutz T4i D2011 Engines)	
		Ref	Filter Kits	
		Ref	Deutz Engine	
	1001114030	1	Combined Filter Kit (Hydraulic/Air and Fuel/Engine Oil) (SN 0200239053 through 0200224892)	
	1001181152	1	Combined Filter Kit (Hydraulic/Air and Fuel/Engine Oil) (SN 0200224893 to Present)	
	1001114029	1	Hydraulic/Air Filter	
	1001111685	1	Fuel/Engine Oil Filter	
		Ref	GM Engine	
	1001150357	1	Combined Filter Kit (Hydraulic/Air and Fuel/Engine Oil)	
	1001175145	Ref	Fire Extinguisher Installation	
		Ref	Fluids	
	2300004	Ref	Coolant, Antifreeze (GM Engines)	
	3020008	Ref	Drive Hub Lubricant	
	2300040	Ref	Diesel Fuel Conditioner	
	1001115930	Ref	Engine Oil 10W-30 (Machines With GM Tier III Engines)	
	2300014	Ref	Hydraulic Fluid - Mobil 424	
	2300027	Ref	Hydraulic Fluid - Mobil 224H Bio	
	2300029	Ref	Hydraulic Fluid - Mobil EAL ISO 46 Bio	
	2300016	Ref	Hydraulic Fluid - Mobil DTE 10 EXCEL 32	
	2300021	Ref	Hydraulic Fluid - Union Carbide Ucon HP5046 Fire Resistant	
	2300027	Ref	Hydraulic Fluid - Mobil EAL 224 H	
	2300039	Ref	Hydraulic Fluid - Exxon Univis HVI 26	
	1001112109	Ref	Forklift Pockets Installations	
	1001202749	Ref	Fuel Cap Cover Installation (Black) (Note: Lock p/n 1001102157 Must be Purchased Separately)	
	1001191395	Ref	Fuel Cap Cover Installation (Green) (Diesel Machines) (Note: Lock p/n 1001102157 Must be Purchased Separately)	
	1001191394	Ref	Fuel Cap Cover Installation (Red) (Gas Machines) (Note: Lock p/n 1001102157 Must be Purchased Separately)	
	1001110509	Ref	Ground Control Box Panel Cover Installation	
	1001111280	Ref	Ground Control Box Panel Light Installation	
	0272726	Ref	Headlights and Taillights Installation without Directional Signals	
	1001110538	Ref	Headlights and Taillights Installation with Directional Signals	
	1001190929	Ref	Kits List	
	1001110706	Ref	Platform Console Box with Cover and Lights Installation	

SECTION 11 - SPECIAL OPTIONS

ITEM	PART NUMBER	QTY	DESCRIPTION	REV
	1001151233	Ref	Platform Console Box with Turn Signal and Lights Installation (Dual Fuel Machines)	
	1001151234	Ref	Platform Console Box with Turn Signal and Lights Installation (Diesel Machines)	
	0271750	Ref	Platform Floodlights Installation (3394RT)	
	0271751	Ref	Platform Floodlights Installation (4394RT)	
	1001165122	Ref	Platform Rail Padding with Limit Switches (Dual Extension) (ANSI and ANSI Export)	
	1001148913	Ref	Platform Top Rail Padding Installation (Single Extension)	
	1001149364	Ref	Platform Top Rail Padding Installation (Dual Extension)	
	0271749	Ref	Platform Worklights Installation (3394RT)	
	1001137964	Ref	Platform Worklights Installation (Dual Extension) (3394RT)	
	0273801	Ref	Platform Worklights Installation (4394RT)	
	1001137965	Ref	Platform Worklights Installation (Dual Extension) (4394RT)	
	0274260	Ref	Platform Workstation Installation	
	1001200380	Ref	Radiator Replacement Kit (Replacing RCP Radiator with Modine Radiator) (ANSI-USA & CSA Specs)	
	1001200299	Ref	Telematics Options (Customer Supplied):	
	1001210089	Ref	CAT	
	1001209282	Ref	Loxam	
	1001210090	Ref	Riwal	
	1001195610	Ref	United Rentals - M6	
	1001214463	Ref	United Rentals - M8	
		Ref	Tools for Service	
		Ref	Note: See GM Engine Supplement P/N 3121245 for GM	
		Ref	Engine Tools	
	7002821	1	Crimper, Wire	
	7002823	1	Extractor, Pin - Universal	
	4460467	AR	Extractor, Pin #16 Gauge	
	4460510	AR	Extractor, Pin #12 Gauge	
	7004275	1	Installer, Cylinder Seal - 1in	
	7004276	1	Installer, Cylinder Seal - 1-1/2in	
	7002826	1	Installer, Cylinder Seal - 2in	
	7016654	1	Screwdriver, Magnetic	
	7002822	1	Screwdriver, Potentiometer	
	7002828	1	Stripper, Wire	
	2901443	1	Analyzer Kit	
	1001137005	1	USB to RS232 Drive Installation (Service Kit)	

PART NUMBER INDEX

SECTION 11 - SPECIAL OPTIONS

0080190....258, 264, 270, 276	0271704..... 295, 339	0275141..... 251	0641413....298, 302, 306, 310
0100011.... 15, 17, 19, 21, 23, 57, 59, 79, 83, 85, 87, 89, 91, 93, 95, 97, 99, 101, 103, 105, 107, 109, 111, 113, 115, 117, 150, 154, 167, 169, 175, 179, 182, 187, 191, 194, 203, 207, 209, 221, 223, 233, 237, 241, 245, 251, 258, 264, 270, 276, 287, 289, 291, 293, 295, 298, 302, 306, 310, 314, 318, 322, 326, 330, 334, 355, 357, 359, 361, 363, 381, 393	0271708..... 289	0275149..... 554	0641414..... 150, 154
0100019.....23, 241, 245	0271709..... 291	0275196..... 293	0641415.....287
0100020.... 183, 187, 225, 227, 245	0271711..... 357	0275197..... 295	0641418.79, 83, 214, 218
0100038.....15, 17, 393	0271714..... 359	0275216..... 441, 515	0641420....255, 261, 267, 273
0100048....215, 219, 245, 337, 339	0271715..... 361	0275217..... 447, 517	0641426....314, 318, 322, 326, 334
0100062.... 169, 182, 194, 225, 227	0271718..... 35, 51	0275218..... 455, 525	0641505....246, 258, 264, 270, 276
0100079.....163	0271719..... 43	0275219..... 457, 527	0641506..89, 91, 93, 101, 103, 105, 109, 115, 117, 135, 137, 139, 141, 150, 154, 182, 194, 214, 218, 246
0100081..... 150, 154	0271743..... 233	0275320..... 511	0641507....169, 258, 264, 270, 276, 337, 339, 341, 343, 345
0140001..... 139, 141	0271745..... 237	0275452..... 451, 521	0641509.....175, 187
0140011.....369, 371	0271746..... 55	0275453..... 453, 523	0641510.....251
0140032.....135, 137	0271747..... 279	0275454..... 449, 519	0641516.....337, 339
0181847.....369, 371	0271748..... 367, 371	0340052..... 169	0641560.....67, 69
0182029.....169	0271749..... 556	0363050 ... 258, 264, 270, 276	0641605.... 163, 175, 187, 214, 218
0182033.....139, 141	0271750..... 556	0363082..... 233, 237	0641606.....251
0200712....258, 264, 270, 276	0271751..... 556	0363098..... 233, 237	0641607.....19, 21
0200713....258, 264, 270, 276	0271752..... 533	0370018..... 393	0641608.67, 69, 139, 141, 163, 169, 175, 187, 207, 209, 214, 218, 225, 227, 233, 237, 241, 298, 302, 306, 310, 314, 318, 322, 326, 330, 334
0200714.....270, 276	0271755..... 541	0370026..... 389, 391	0641609....139, 141, 150, 154, 159, 182, 194, 225, 227
0200715.....270, 276	0271766..... 545	0400075 ... 163, 175, 187, 214, 218	0641610....214, 218, 241, 255, 261, 267, 273
0200716....258, 264, 270, 276	0271767..... 537	0440234 ... 255, 261, 267, 273	0641611.... 183, 195, 203, 255, 261, 267, 273, 285, 287
0200717.....258, 264	0271774..... 147	0440236 ... 258, 264, 270, 276	0641612....163, 175, 182, 187, 194, 214, 218, 255, 261, 267, 273, 381
0200718....258, 264, 270, 276	0271775..... 145	0440250 ... 258, 264, 270, 276	0641616.....245
0200719....258, 264, 270, 276	0271781..... 137	0440271..... 19, 21	0641636....298, 302, 306, 310, 314, 318, 322, 326, 330, 334
0200720.....270, 276	0271782..... 554	0440291..... 19, 21	0641676.....293, 295
0200721.....270, 276	0271783..... 554	0440311..... 381	0641707..... 182, 194
0200722.....270, 276	0271785..... 45	0440312..... 381	0641710.....251
0200723.....258, 264	0271786..... 554	0480100..... 379	0641718.....233, 237
0200742.....233, 237	0271812.... 111, 115, 127	0480124..... 233, 237	0641772.....241
0240087.....385	0271813. 85, 89, 91, 107, 109, 119	0480143..... 251	0641808.....245
0251642.....547	0271814.95, 97, 101, 103, 121	0561489..... 285, 287	0641812.....241, 381
0253807.....547	0272101 ... 337, 339, 341, 343, 345	0610169..... 369, 371	0641814....167, 179, 191, 221, 223, 279, 281, 337, 339, 341, 343, 345
0257755.....35, 51	0272209 ... 259, 265, 270, 276	0630407..... 245	0641820.....169
0257756.....35, 51	0272211 ... 259, 265, 270, 276	0630485 ... 337, 339, 341, 343, 345, 355, 359	0641822..... 15
0258011.....43	0272241 ... 337, 339, 341, 343, 345	0641404 ... 131, 133, 245, 289, 291, 369, 371, 439, 441, 443, 445, 447, 449, 451, 453, 455, 457	0641824.....63
0258012.....43	0272242 ... 337, 339, 341, 343, 345	0641405 ... 287, 298, 302, 306, 310, 314, 318, 322, 326, 330, 334, 533, 535, 537, 539, 541, 543, 545	0641828.....225, 227
0270650.....39, 53	0272243..... 337, 341	0641406 ... 85, 87, 89, 91, 93, 95, 97, 99, 101, 103, 105, 107, 109, 111, 113, 115, 117, 157, 159, 183, 195, 225, 227, 245, 289, 291, 293, 295, 441, 447, 449, 451, 453, 455, 457	0641836.....381
0270653.....47	0272268..... 45	0641407.57, 59, 175, 182, 187, 194, 225, 227	
0271666.....554	0272289..... 554	0641408 ... 163, 175, 187, 214, 218, 381	
0271682.....285	0272351..... 281	0641409 ... 175, 187, 439, 441, 443, 445, 447, 449, 451, 453, 455, 457	
0271683.....287	0272400..... 365, 369	0641410..... 214, 218	
0271694.....355	0272405..... 367	0641412..... 21, 77, 81	
0271700.....293, 337	0272409..... 365		
	0272605 ... 298, 302, 306, 310, 341		
	0272707 ... 314, 318, 322, 326, 343		
	0272726..... 555		
	0272829..... 379		
	0272990.... 330, 334, 345		
	0272998..... 345		
	0273063..... 363		
	0273801..... 556		
	0273969..... 135		
	0274103..... 381		
	0274249..... 554		
	0274260..... 385, 556		
	0274680..... 554		
	0274789..... 37		
	0275086..... 535		
	0275100..... 539		

SECTION 11 - SPECIAL OPTIONS

0641840	381	0861781	515, 517	1001100346.....	519	1001104356.....	163, 175,
0642012	15, 17	0861880	463	1001100347.....	523	187, 215, 219	
0642014	176, 188	0901870 ...	355, 357, 359,	1001100775.....	163, 167	1001104578.....	404
0642016 ...	163, 214, 218	361, 363		1001101076.....	551	1001104579	404, 408
0681607 ...	258, 264, 270,	0902499	369, 371	1001101331.....	167, 179,	1001104581	404, 408
276		0902773 ...	258, 264, 270,	191, 221, 223, 229		1001104584	404, 408
0681612 ...	258, 264, 270,	276		1001101511.....	33, 41, 49	1001104585	404, 408
276		0902774 ...	255, 261, 267,	1001101512.....	33, 49	1001104588	404, 408
0681618	270, 276	273		1001101513.....	33, 49	1001104589	404, 408
0681624 ...	258, 264, 270,	0902777 ...	163, 214, 218	1001101699.....	167, 179,	1001104590	404, 408
276		0902786	169	191, 221, 223		1001104638	215, 219
0681632 ...	258, 264, 270,	0902812	167	1001101922.....	404, 434	1001104763	167, 169
276		0902813	233, 237	1001102190.....	33	1001104765	169
0681636	270, 276	0902837	287	1001102194.....	41	1001104890	111, 113,
0681810	23	0902838 ...	298, 302, 306,	1001102195.....	41	115, 117, 473	
0681813 ...	258, 264, 270,	310, 314, 318, 322, 326		1001102196.....	41	1001105112	225, 227
276		0902839 ...	298, 302, 306,	1001102512.....	119, 121,	1001105169	415, 417,
0681816	150, 154	310, 314, 318, 322,		123, 125, 127, 129		420, 424, 432	
0681820	19	326, 330, 334		1001102766.....	139, 141	1001105172	432
0681822	21, 182, 194,	0902842 ...	233, 237, 241,	1001102804.....	23	1001105234	432
241, 245		251		1001102805.....	23, 31	1001105235	432
0681844	49, 51, 53	0902847 .	89, 91, 93, 101,	1001102823.....	139, 141,	1001105236	432
0682014	23	103, 105, 109, 115, 117		143		1001105237	432
0682230	57, 59	0902885	207, 209	1001102976.....	67	1001105238	432
0700619	293, 295	0903054	63	1001102987.....	163, 175,	1001105239	432
0700820	251	0903095	381	187, 215, 219		1001105320	77, 79
0701013	207, 209	0903104	381	1001103012.....	467, 469	1001105328	81, 83
0701016	251	0903475	214, 218	1001103266.....	298, 302,	1001105700 ...	33, 41, 49
0701037	285, 287	0903476	214, 218	306, 310, 349		1001105709	67, 73
0701222	17	0961388 ...	259, 265, 270,	1001103267.....	314, 318,	1001105903	111
0701414	169	276		322, 326, 334, 351		1001105904	85
0701418	233, 237	0961950	15, 17	1001103308.....	131, 133	1001105905	97
0701419	169	0961986 ...	169, 182, 194,	1001103340....	77, 79, 81,	1001105906	115
0711025	207, 209	225, 227		83		1001105907	91
0720805	167	0962031 ...	258, 264, 270,	1001103366.....	404, 408	1001105908	103
0721004	55, 150, 154	276		1001103410.....	298	1001107854	467, 469
0721006 ...	167, 203, 233,	0962356	271, 277	1001103411.....	306	1001107924	404, 408
237, 241, 251		0962445	270, 276	1001103412.....	314	1001108128	404, 408
0721010 ...	255, 261, 267,	0962446 ...	258, 264, 270,	1001103413.....	322	1001108500	554
273		276		1001103414.....	330	1001109475	463
0731008	139, 141	0962474 ...	259, 265, 270,	1001103487.....	436	1001109482	463
0741010 ...	163, 175, 187,	276		1001103488.....	436	1001110509	555
214, 218		0962520	245	1001103489....	85, 87, 91,	1001110538	555
0741408 ...	123, 125, 129	1001091102.....	441, 447,	93, 97, 99, 103, 105,		1001110706	555
0741606	182, 194	449, 451, 453, 455, 457		469		1001111280	555
0741607	245	1001091564.....	141	1001103490.....	298, 302,	1001111341	183, 195
0760810 ...	175, 183, 187,	1001091731.....	119, 121	314, 318, 503		1001111685	555
195, 196		1001092410.....	159	1001103552.57,	411, 434	1001112109	555
0761008	182, 194	1001092724.....	169, 171	1001103570.....	306, 310,	1001112548	548
0761210	183, 195	1001092957.....	330, 353	322, 326, 334, 507		1001114029	555
0761215	182, 194	1001093382.....	163, 175,	1001103708.....	298, 306,	1001114030	555
0771212 ...	175, 188, 241,	188, 215, 219		415, 434		1001114604	225
245		1001094915.....	441, 447,	1001103709.....	314, 322,	1001114629	221, 225
0771414	241, 245	449, 451, 453, 455, 457		420, 434		1001114630	215, 221
0840055 ...	287, 467, 469,	1001096148.....	150, 154	1001103751.....	77	1001115671	554
473, 495, 497, 499,		1001096985.....	337, 339,	1001103752.....	81	1001115930	221, 555
501, 503, 505, 507, 511		341, 343, 345		1001103760.....	259, 265,	1001116710	481
0840056	495, 497	1001097150.....	463, 529	271, 277		1001116727	477
0840057 ...	467, 469, 473	1001098130.....	15, 17	1001103761.....	63	1001116728	477
0840058	287	1001098292.....	554	1001103762.....	57, 59, 61	1001116732	467
0860520 ...	533, 535, 537,	1001098823.....	434	1001103765.....	255, 258	1001116734	467
539, 541, 543, 545		1001099623.....	255, 261,	1001103766.....	255	1001116867	19, 21
0861508 ...	119, 121, 127	267, 273		1001103801...57,	59, 499	1001116952	477
0861538	245	1001100321.....	237	1001103834.....	259, 265,	1001116983	481
0861554	369, 371	1001100341.....	515	495		1001117078	491
0861731 ...	245, 445, 513,	1001100342.....	517	1001103835.....	271, 277,	1001117106	478
519, 521, 523		1001100345.....	521	497		1001117107	478

SECTION 11 - SPECIAL OPTIONS

1001117140.....150, 154	1001141971.....525	1001148868.....39, 53	1001164393...87, 93, 123
1001117308.....182, 194	1001142501.....175, 187, 203	1001148869.....47	1001164401.....49, 51, 53
1001119020.....467, 470	1001142595.....548	1001148870.....47	1001164534.....139, 141
1001119141.....79, 83	1001142938.....478	1001148902.....554	1001164722.....139
1001125242.....267, 273, 554	1001142940.....478	1001148903.....555	1001165035.....175, 188
1001125243.....255, 261, 554	1001142941.....478	1001148904.....555	1001165100.....547
1001125387.....548	1001143434..19, 21, 399	1001148905.....555	1001165122.....556
1001126351.....477	1001143797.....183, 195	1001148906.....555	1001165196.....176, 188, 203
1001126352.....477	1001143852.....548	1001148907.....246	1001165372.....150, 154
1001126353.....477	1001143896.....337, 339, 341, 343, 345	1001148913.....556	1001165373.....154
1001126356.....477	1001143898.....337, 339, 341, 343, 345	1001149107.....405, 409	1001165374.....150, 154
1001126357.....477	1001143907.....183, 195	1001149199.....404, 405, 408, 409	1001165375.....150, 154
1001126362.....478	1001143909.....341, 343	1001149319.....261, 264	1001165376.....150, 154
1001126363.....478	1001144112.....183, 195	1001149320.....261	1001165377.....150, 154
1001126364.....478	1001144113.....183, 195	1001149324.....265	1001165384.....150, 154
1001126365.....478	1001144115.....183, 195	1001149325.....277	1001165702.....163, 176, 188, 214, 218
1001126384.....477	1001144116.....183, 195	1001149364.....556	1001165734.....131, 133
1001126391.....478	1001145006.....183, 195	1001149953.....47	1001165849.....183, 195
1001126484.....473	1001145562.....183, 195, 477	1001150357.....555	1001166168.....150
1001126485.....473	1001145758.....183, 195, 199	1001150918.....187	1001166176.....63
1001128997.....554	1001146043.....183, 195	1001151164.....554	1001166177.....57, 59, 63
1001131270.....533, 541	1001146327.....179, 182	1001151233.....556	1001166178.....57, 375
1001133714.....477	1001146329.....175, 179	1001151234.....556	1001166230.....175
1001133715.....477	1001146356.....183, 195	1001151856.....478	1001166245.....150, 154
1001133956.....477	1001146357.....183, 195	1001151902.....554	1001166247.....150, 154
1001133957.....477	1001146358.....183, 195	1001154334.....183, 195	1001166248.....150, 154
1001134488.....182, 194	1001146359.....183, 195	1001154405.....176, 188, 203	1001166252.....163
1001135570.....119, 121, 123, 125, 127, 129, 551	1001146360.....183, 195	1001155477.....183, 195	1001166256.....187
1001135650.....477	1001146396.....183, 195	1001155493.....183, 195	1001166274.....113
1001135651.....477	1001146517.....183, 195	1001155823.....176, 188	1001166275.....117
1001135679.....241, 246	1001146616.....183, 195	1001155874.....183, 195	1001166276.....87
1001136079.....182	1001146694.....203	1001155875.....183, 195	1001166277.....93
1001136104.....246	1001147264.....477	1001156037.....109	1001166278.....99
1001136172.....194	1001147274.....39, 47, 53	1001156820.....214, 218	1001166279.....105
1001136834.....182, 194	1001147434.....175, 188, 481	1001156823.....214, 218	1001166280.....214
1001137005.....556	1001147435.....176, 188	1001156825.....214, 218	1001166310.....141
1001137964.....556	1001147571.....176, 184, 188, 196	1001156953.....555	1001166423.....150, 154
1001137965.....556	1001147572.....176, 188	1001157520.....249	1001166424.....150, 154
1001138110.....477	1001147629.....176, 188	1001157521.....249	1001166425.....150
1001138111.....477	1001147631.....176, 188	1001157530.....249	1001166426.....154
1001138113.....477	1001147775.....211	1001157593.....246, 249	1001166502.....154
1001138228.....182, 194, 550	1001147780.....241, 246	1001157771.....436	1001166503.....150
1001138827.....182, 194	1001147783.....211	1001158007.....249	1001166837.....57, 59
1001139141.....19, 21	1001147972.....246	1001158008.....249	1001166983.....159
1001139240.....175, 187	1001147974...89, 93, 95, 99, 101, 105, 107, 109, 467	1001160561.....141	1001167043.....183, 195
1001139303.....182, 194	1001148043.....191, 194	1001162110.....543	1001167174.....176, 188
1001139409.....183, 195	1001148044.....188, 191	1001162111.....543	1001167523.....439
1001139476.....19, 21	1001148077.....107	1001162112.....543	1001167524.....445
1001139626.....15	1001148138.....242, 246	1001162113.....543	1001167525.....443
1001139645.....19, 21	1001148424.....246, 491	1001162114.....543	1001167526.....436, 451
1001139892.....19, 21	1001148559.....246	1001162115.....543	1001167527.....436, 453
1001139935.....19	1001148641.....183, 195	1001162116.....554	1001167529.....436, 449
1001139943.....19, 21	1001148648.....249	1001162514.....543	1001167530.....436, 441
1001140312.....195	1001148675.....246	1001163095.....123, 125, 129	1001167531.....436, 447
1001140535.....182, 194	1001148676.....246	1001163580.....17, 391	1001167532.....436, 455
1001140564.....183, 195	1001148750.....246	1001163599.....241, 246	1001167533.....436, 457
1001141304.....183, 195	1001148844.....246	1001164103.....123, 125, 129, 529	1001167534.....245
1001141644.....554	1001148867.....39, 53	1001164185.....51, 53	1001168945.....95
1001141717.....175, 188		1001164187.....123, 125, 129	1001168946.....89
1001141967.....525, 527		1001164188.....113, 117, 129	1001168947.....101
1001141968.....525		1001164207 99, 105, 125	1001169054.....184, 196
1001141969.....527			1001169138.....184, 196
1001141970.....527			1001169979.....49
			1001169980.....51
			1001169981.....53

SECTION 11 - SPECIAL OPTIONS

1001170776 547	1001188874..... 131, 133	1060625.....187	1670995 ... 258, 264, 270,
1001170869 547	1001188972..... 187	1060626.....188	276, 298, 302, 306,
1001171266 159	1001188990..... 69	1060808....355, 357, 359,	310, 314, 318, 322,
1001171267 157	1001190534..... 302	361, 363	326, 330, 334
1001171284 157	1001190536..... 310	1060866.....259	1671165 57, 59
1001173703 548	1001190537..... 302, 310,	1060907.....270	1671207 245, 513
1001174384 271, 277	417, 434	1060908.....463	1683054 393
1001174386 271, 277	1001190539..... 318	1060929....258, 264, 270,	1684266 ... 298, 302, 306,
1001174387 271, 277	1001190543..... 326	276	310, 314, 318, 322,
1001174486 214, 218	1001190544..... 318, 326,	1061003....298, 302, 306,	326, 330, 334, 397
1001175145 555	424, 434	310, 314, 318, 322,	1684290 389, 391
1001175556 150, 154	1001190697..... 150	326, 330, 334	1684332 ... 258, 264, 270,
1001175557 150, 154	1001190775.....223	1061004....298, 302, 306,	276, 395
1001177167 215	1001190929.....555	310, 314, 318, 322,	1684406 63, 393
1001177169 215, 219	1001191227..... 154	326, 330, 334	1684465 15, 389
1001177617 119, 121,	1001191228..... 150	1061006....233, 238, 241,	1700818 547
127, 131	1001191394.....555	251, 459	1701214 547
1001177618 131, 133	1001191395.....555	1061020.....287	1701435 535
1001179154 249	1001191839..... 215, 219	1061021.....287	1701505 547
1001179259 555	1001191840..... 215, 219	10702077249	1701509 ... 533, 535, 537,
1001179260 555	1001191842..... 225, 227	10702082249	539, 541, 543, 545
1001179261 555	1001192245 79	1120361139	1701542 547
1001179263 555	1001192246 83	1120485147	1701785 547
1001179264 555	1001195610556	1120555385	1702137 37
1001179265 555	1001196612554	1120558145	1702153 533
1001179431 183, 195	1001196700554	1120580381	1702720 547
1001179432 183, 195	1001197068 184, 196	1180371258, 264, 270,	1702740 35, 39, 51, 53
1001179443 183, 195	1001197868554	276	1702773 ... 533, 535, 537,
1001179833 184, 196	1001197870554	1180372....258, 264, 270,	539, 541, 543, 545, 547
1001179834 184, 196	1001200299556	276	1702788 547
1001179835 184, 196	1001200301554	1260136355, 357	1702941 187
1001179837 241	1001200380 183, 195,	1283317547	1702943 187
1001180001 241	556	1320012225, 227	1702944 187
1001180314 182, 194	1001202749555	1320016169	1702961 547
1001180620 184, 196	1001202897 404, 408	1320019....207, 209, 298,	1702962 547
1001180784 241	1001202898 404, 408	302, 306, 310, 314,	1703162 ... 533, 535, 537,
1001181045 463	1001202903 404, 408	318, 322, 326, 330, 334	539, 541, 543, 545
1001181152 555	1001202907 405, 409	1320022163, 169, 225,	1703464 439
1001181184 242	1001209221554	227	1703479 547
1001181895 195	1001209222554	1320058169	1703493 547
1001182481 ... 89, 91, 93,	1001209282556	1320061214, 218	1703687 ... 533, 535, 537,
101, 103, 105, 109,	1001210089556	1320122258, 264, 270,	539, 541, 543, 545
115, 117, 289, 291, 551	1001210090556	276	1703811 ... 533, 535, 537,
1001182989 267, 270	1001211336141	1320220214, 218	539, 541, 543, 545
1001182997 183, 195	1001214029548	1320224439, 441, 443,	1703812 ... 533, 535, 537,
1001183060 273, 276	1001214463556	445, 447, 449, 451,	539, 541, 543, 545
1001183061 267	1001214862219	453, 455, 457	1703814 ... 533, 535, 537,
1001183070 273	1001215447547	1320323214, 218	539, 541, 543, 545
1001183129 242	1001216088227	1321716 183, 195	1703816 533
1001183337 554	1001216089 223, 227	1340066169	1703818 533
1001183913 242, 485	1001216090219, 223	1380150....337, 339, 341,	1703819 ... 533, 535, 537,
1001183914 242, 487	1001216091218	343, 345	539, 541, 543, 545
1001184074 436	1001218718554	1380151337, 339, 341,	1703821 533
1001186467 21	1001220379 478	343, 345	1703822 ... 533, 535, 537,
1001186552 69, 75	1001221960554	1440331258, 264, 270,	539, 541, 543, 545
1001187559 123, 125,	1001222118554	276	1703823 533
129, 133	1001224015554	1580011225, 227	1704008 537
1001187695 21	1001229107554	1580023385	1704174 547
1001187880 21	1001229699554	1580024385	1704175 547
1001188563 408, 434	1001233047554	1600336..89, 91, 93, 101,	1704271 547
1001188845 17	1001235569555	103, 105, 109, 115, 117	1704277 ... 533, 535, 537,
1001188846 434	1060279 ... 533, 535, 537,	1600387287	539, 541, 543, 545
1001188847 59, 377	539, 541, 543, 545	1600403....369, 371, 373	1704412 ... 533, 535, 537,
1001188848 59, 413, 434	1060379 ... 355, 357, 359,	1670988....289, 291, 439,	539, 541, 543, 545
1001188850 334	361, 363, 385	441, 443, 445, 447,	1704432 533
1001188851 334, 432,	1060394 249	449, 451, 453, 455, 457	1704588 371
434	1060494 249		1704589 369

SECTION 11 - SPECIAL OPTIONS

1704607.....539, 543	1870170..... 436	2220250 163, 214, 218	2753582.....404, 408, 409
1704684.....541	2020006 ... 337, 339, 341, 343, 345	2220290 214, 218	2753622.....404, 408
1704686.....541	2080040 359, 361, 363	2220451 169	2753624.....411
1704687.....541	2080057 ... 533, 535, 537, 539, 541, 543, 545	2220479 404, 408	2753659.....404, 408
1704690.....547	2080063 ... 355, 357, 359, 361, 363, 379	2220633 175, 187	2753675.....404
1704691.....545	2080064 ... 355, 357, 359, 361, 363	2220655 169	2753704.....404, 408
1704693.....545	2080072 279, 281	2220881 75	2753708.....404, 408
1704694.....545	2110404 ... 404, 408, 415, 417, 420, 424, 428, 432	2220883 31, 63, 75	2753717.....415, 417
1704697.....547	2110406 ... 404, 408, 415, 417, 420, 424, 432	2220885 75, 258, 264, 270, 276	2753773.....404, 408
1704698.....547	2110604 432	2220886 31	2753783.....428
1704699.....537	211060661, 63, 353, 404, 408, 411, 413, 415, 417, 420, 424, 428, 432	2220890 389, 391	2753784.....404, 408
1704701.....537	2110608 61	2221084 404, 408	2753791.....404, 408
1704702.....537	2110806 ... 409, 415, 417, 420, 424, 428, 432	2221086 405, 409	2753793....259, 265, 270, 276
1704885....533, 537, 539, 541, 543, 545, 548	211080861, 63, 259, 265, 270, 276, 404, 408, 415, 420	2221086 405, 409	2753794....259, 265, 271, 276
1704972.....163, 176, 188	2110810 405, 409	2221114 175, 187	2753832.....411, 413
1705019....533, 535, 537, 539, 541, 543, 545	2110812 404, 405, 408	2221150 428	2753833.....411, 413
1705020.....547	2110812 404, 405, 408	2221183 409	2753834.....411, 413
1705021.....547	2111010 404, 408	2300004 ... 182, 215, 219, 555	2753835.....411, 413
1705022.....547	2111210 404, 408	2300014 555	2753867.....77, 79
1705034.....547	2111212 404, 408	2300016 23, 555	2753868.....81, 83
1705035.....547	2111216 404, 408	2300021 555	2753873.....428
1705036.....547	2112016 405, 408	2300027 555	2753875.....428
1705037.....547	2130404 404, 408	2300029 555	2753877.....432
1705038.....547	2130406 ... 353, 404, 408	2300039 555	2753878.....428
1705039.....547	2130604 ... 415, 417, 420, 424	2300040 554, 555	2753879.....428
1705040.....541	2130606 411, 413	2300041 194	2753881....415, 417, 420, 424, 428, 432
1705041.....545	2130608 61	2400044 ... 163, 175, 187, 214, 218	2753919.....428
1705042.....547	2130808 404, 408	2400056 461, 551	2753920.....428
1705043.....537	2130812 404, 408	2400060 495, 497	2753921....420, 424, 428
1705190.....533, 539	2131008 ... 259, 265, 270, 276	2420172 ... 119, 121, 123, 125, 127, 129	2753922.....428
1705193.....539	2131216 405, 409	2420199 139, 141	2753923.....428
1705194.....539	2150406 405	2420203 233, 242, 251	2753939....415, 417, 420, 424, 432
1705195.....539	2151010 405, 409	2460043 233	2753940.....404, 408
1705303.....533, 541	2151216 404, 408	2460047 237	2754263.....408
1705311.....541	2152020 405, 408	2460049 233, 251	2780267.....23, 27
1705314.....541	2170204 ... 415, 417, 420, 424, 432	2460059 251	2780268.....23, 25
1705315.....545	2170304 ... 415, 417, 420, 424, 432	2560088 293, 295	2792611....330, 428, 434
1705316.....545	2170308 ... 417, 424, 432	2560141 369, 371	2820018.....55
1705317.....537	2170504 ... 404, 408, 415, 417, 420, 424	2560171 293, 295	2820097.....355, 357
1705318.....537	2170508 404, 408	2560172 293, 295	2840023.....381
1705325.....441	2170704 432	2560176 ... 355, 357, 359, 361, 363	2840024.....381
1705372.....535	2170706 428	2560186 381	2860030....119, 121, 123, 125, 127, 129, 550
1705392.....369, 371	2170716 428	2560188 ... 355, 357, 359, 361, 363	2900708.....73
1705515.....535	2172104 ... 415, 417, 420, 424	2580001 187	2900756.....71, 259, 265, 271, 277
1705637.....379	2180348 163, 214, 218	2580050 187	2900770.....353
1705671.....535	2180387 214, 218	2600285 359, 361, 363	2901443.....556
1705688....119, 121, 123, 125, 127, 129	2180389 214, 218	2700100 385	2901912.....554
1705913.....369, 371	2180418 214, 218	2716960 413	2902062.....258, 264
1705914.....369, 371	2180830 ... 415, 417, 420, 424, 432	2720015 183, 195	2902063.....271, 276
1705943.....539	2220238 404, 408	2720058 163, 225, 227	2902065....167, 179, 191, 205
1705944.....539		2720271 225, 227	2902066.....554
1705997.....385		2720340 183, 195	2902067.....355
1706059.....163		2720486 169	2902132.....163
1706060.....163		2720494 169	2902147.....359
1706061.....163		2720495 169	2902148.....357, 361
1706063.....164		2720611 214, 218	2902149.....258, 264
1706064.....176, 188		2750532 169, 225, 227	2902150.....271, 277
1706098.....163		2753550 ... 415, 417, 420, 424	2902182.....393
1706113.....381		2753554 420, 424	2902190.....554
1706197.....381		2753555 415, 417	2902191.....554
1706338.....535		2753576 411, 413	
1706837.....548			
1810140....119, 121, 123, 125, 127, 129, 550			

SECTION 11 - SPECIAL OPTIONS

2902243	207	3300408 ...	163, 175, 187, 214, 218	3322202....	337, 339, 341, 343, 345	3520193 ...	119, 121, 123, 125, 127, 129, 365, 367
2902244	209	3300432	359, 361, 363	3340612....	355, 357, 359, 361, 363	3537609	337, 339
2902263	363	3300455 ...	255, 261, 267, 273	3340929....	259, 265, 271, 277	3571862 ...	355, 357, 359, 361, 363
2902266	389, 391	3300467	293, 295	3340935....	255, 261, 267, 273	3573195	225, 227
2902348	385	3300471	330, 334	3340937....	355, 357, 359, 361, 363	3573288	169
2902431	245, 439, 513	3300472 ...	337, 339, 341, 343, 345	3340937....	355, 357, 359, 361, 363	3573304	169
2902443	469, 477	3300489	381	3340945.....	150, 154	3573370 ...	259, 265, 271, 277
2902534	214, 218	3310401	175, 187	3421453.....	359, 361, 363	3573438	337, 339
2902549 ...	441, 447, 449, 451, 453, 455, 457, 463	3310601	369, 371	3421565....	355, 357, 359, 361, 363	3573440	214, 218
2902912	554	3310805	57, 59, 167	3421565....	355, 357, 359, 361, 363	3573472	359, 361, 363
2920026 ...	119, 121, 123, 125, 127, 129, 287	3311001 ...	203, 233, 237, 249, 251	3422219....	355, 357, 359, 361, 363, 385	3573513	393
2920029 ...	119, 121, 123, 125, 127, 129, 287	3311005	55, 150, 154, 167, 241, 245, 255, 261, 267, 273	3422219....	355, 357, 359, 361, 363, 385	3573658	57, 59
2920146	55	3311405	21, 131, 133, 150, 154, 157, 159, 163, 175, 182, 187, 194, 214, 218, 225, 227, 245, 255, 261, 267, 273, 287, 289, 291, 293, 295, 298, 302, 306, 310, 314, 318, 322, 326, 330, 334, 381, 439, 441, 443, 445, 447, 449, 451, 453, 455, 457, 533, 535, 537, 539, 541, 543, 545	3422582....	163, 175, 187, 214, 218	3575597	381
2920162	233, 237, 242	3311501	67, 69	3422592.....	15, 17	3580003	163
2940064	355, 357	3311505 .	89, 91, 93, 101, 103, 105, 109, 115, 117, 135, 137, 139, 141, 150, 154, 169, 175, 187, 214, 218, 246, 258, 264, 271, 277, 337, 339, 341, 343, 345	3422669....	163, 175, 187, 214	3580134	233, 237, 242
2940074 ...	359, 361, 363, 551	3311508	183, 195	3422669....	163, 175, 187, 214	3580312	251
2940109	150, 154	3311605 ...	139, 141, 150, 154, 159, 163, 169, 175, 182, 184, 187, 194, 196, 203, 214, 218, 225, 227, 233, 237, 241, 251, 255, 261, 267, 273, 285, 287, 298, 302, 306, 310, 314, 318, 322, 326, 330, 334, 355, 359, 381	3422669....	163, 175, 187, 214	3580317	245
2940127	293, 295	3311608	225, 227	3422938.....	287	3580318	245
3010088	355, 357	3311705	241	3422943.....	258, 264, 271, 277, 285, 287	3580320	241, 245
3020008	23, 555	3311801	23, 241, 245	3422943.....	258, 264, 271, 277, 285, 287	3580324	251
3020021	205	3311802 ...	337, 339, 341, 343, 345	3422944....	258, 264, 271, 277	3580348	251
3020029	19, 21	3311805	63, 169, 225, 227, 279, 281, 381	3422945....	258, 264, 271, 277	3600468 ...	298, 302, 306, 310, 314, 318, 322, 326, 330, 334, 347
3020035	381	3312005 ...	163, 176, 188, 214, 218	3422946....	258, 264, 271, 277	3620042	225, 227
3200362	225, 227	3312008	19, 21	3422946....	258, 264, 271, 277	3620043	169
3200378	169	3312205	381	3422948.....	271, 277	3740049	163, 467, 550
3200431	169	3321402 ...	258, 264, 271, 277	3422954.....	258, 264	3740067 ...	167, 298, 302, 306, 310, 314, 318, 322, 326, 330, 334, 550, 551
3200447 ...	255, 261, 267, 273			3422961....	255, 261, 267, 273	3740080 ...	167, 214, 218, 233, 237, 241, 251, 467, 470, 550, 551
3200450	369, 371			3422961....	255, 261, 267, 273	3760141	381
3220129	207			3422963....	255, 261, 267, 273	3760170 ...	355, 357, 359, 361, 363, 385
3220131	209			3422963....	255, 261, 267, 273	3760348	63, 337, 339, 341, 343, 345, 381
3251813 ...	533, 535, 537, 539, 541, 545			3422964.....	271, 277	3760351	330, 334
3252507 ...	443, 445, 447, 449, 451, 453, 455, 457			3422965....	258, 264, 271, 277	3760368	393
3252757	547			3422965....	258, 264, 271, 277	3760460	393
3271405	123, 125, 129			3422966....	337, 339, 341, 343, 345	3780182	19, 21
3271605 ...	258, 264, 271, 277			3422966....	337, 339, 341, 343, 345	3790152 ...	167, 179, 191, 221, 223
3271801 ...	182, 194, 241, 245			3423047.....	381	3820020 ...	355, 357, 359, 361, 363
3271805 .	49, 51, 53, 150, 154, 258, 264, 271, 277			3423049.....	285	3841143 ...	163, 175, 187, 214, 218, 255, 259, 261, 265, 267, 271, 273, 277, 285, 287
3272005 ...	298, 302, 306, 310, 314, 318, 322, 326, 330, 334			3423052.....	330, 334	3841203 ...	259, 265, 271, 277
3272205	57, 59			3423151.....	381	3841233 ...	337, 339, 341, 343, 345
3290405 ...	214, 218, 245, 439, 441, 445, 447, 449, 451, 453, 455, 457			3423179.....	381	3841258	15, 17
3290505	214, 218			3423180.....	381	3841520	19, 21
3290601	293, 295			3440816.....	381	3841556 ...	259, 265, 271, 277
3291005 ...	207, 209, 285, 287			3450304....	258, 264, 271, 277	3841564	63
3300048 ...	439, 441, 443, 445, 447, 449, 451, 453, 455, 501			3450405....	259, 264, 271, 277	3850013	393
3300106	23			3460334.....	385	3860059 ...	337, 339, 341, 343, 345
3300182 ...	289, 291, 298, 302, 306, 310, 314, 318, 322, 326			3460335.....	167	3860102	271, 277
3300353	57, 59, 131, 133			3480288.....	389, 391		
3300396	249			3510878....	337, 339, 341, 343		
				3510879.....	345		
				3520026.....	127, 129		
				3520028....	119, 121, 123, 125, 127, 129, 233, 237, 242, 251		
				3520072....	355, 357, 359, 361, 363		
				3520079.....	365, 367		
				3520080.....	365, 367		

SECTION 11 - SPECIAL OPTIONS

3860122.....381	4240032 ... 465, 467, 469, 473, 475, 505	4420067 ... 533, 535, 537, 539, 541, 543, 545	487, 489, 491, 495, 497, 499, 501, 503, 505, 507, 511, 529
3900178.....369, 371	4240033 ... 245, 259, 265, 271, 277, 287, 289, 291, 298, 302, 306, 310, 314, 318, 322, 326, 330, 334, 467, 469, 473, 475, 495, 497	4420069 ... 337, 339, 341, 343, 345	4460466....287, 467, 469, 473, 477, 478, 495, 497, 499, 501, 503, 505, 507, 511
3900254....298, 302, 306, 310, 314, 318, 322, 326	4240099 187, 195	4420080 ... 150, 154, 163, 215, 219	4460467.....556
3900255.....19, 21	4240170 381	4460016 465, 493	4460468.....501
3900265.....369, 371	4240171 381	4460019 473, 475, 483	4460470.....369, 371
3900290.....150, 154	4280295 ... 259, 265, 271, 277, 298, 302, 306, 310, 314, 318, 322, 326, 330, 334	4460042 475, 478, 481	4460473.....501
3900300....119, 121, 123, 125, 127, 129	4340853 385	4460044 461	4460474.....473, 487
3900318....355, 357, 359, 361, 363, 379	4340854 385	4460051 501	4460480.....465
3900319....355, 357, 359, 361, 363	4340922 381	4460071 445	4460481.....501
3900321 393	4340932 381	4460115 493	4460499.... 495, 497, 505
3900322.....233, 237	4340933 381	4460121 ... 495, 497, 501	4460510.....556
3900323....355, 357, 359, 361, 363	4340934 381	4460134 485	4460536....467, 469, 473, 483
3900325....255, 261, 267, 273	4340948 381	4460138 439	4460539....467, 469, 473, 495, 497, 499, 529
3900330....298, 302, 306, 310, 314, 318, 322, 326, 330, 334	4340949 381	4460142 475	4460608.....473
3900355 385	4360070 ... 119, 121, 123, 125, 127, 129, 249, 550, 551	4460183 465, 493	4460612.....245
3910408.....175, 187	4360328 ... 119, 121, 123, 125, 127, 129, 298, 302, 306, 310, 314, 318, 322, 326, 330, 334, 550	4460190 233, 242, 251	4460662....245, 445, 447, 449, 451, 453, 513
3910606....119, 121, 123, 125, 127, 129	4360387 ... 119, 121, 123, 125, 127, 129, 298, 302, 306, 310, 314, 318, 322, 326, 330, 334, 550	4460205 241	4460670.....467, 487
3910616....119, 121, 123, 125, 127, 129	4360469 ... 119, 121, 123, 125, 127, 129, 551	4460225 483, 489, 493	4460693.....473
3910804....119, 121, 123, 125, 127, 129	4360470 121, 551	4460226 373, 489	4460703.....478
3911428....359, 361, 363	4360475 ... 119, 121, 123, 125, 127, 129, 369, 371, 550	4460234 187, 195	4460705.....242
3930820.....57, 59	4360482 ... 233, 237, 241, 245, 251, 371, 551	4460247 478	4460738.....467, 473
3931010....359, 361, 363	4360483 ... 298, 302, 306, 310, 314, 318, 322, 326, 330, 334, 369, 551	4460248 461, 495, 497	4460741.....467, 469
3931016.....245	4360500 ... 255, 261, 267, 273, 550	4460256 475	4460761.....287, 465
3931412.....385	4360502 ... 255, 261, 267, 273, 550	4460259 ... 465, 493, 495, 497	4460779.....459
3931436....182, 194, 355, 357, 359, 361, 363	4360518 63	4460260 ... 465, 493, 495, 497	4460812.....495, 497
3931508.....385	4360524 369, 371, 550	4460266 373, 465	4460814....467, 469, 473
3931512....182, 194, 355, 357, 359, 361, 363	4360525 369, 371, 550	4460267 ... 119, 121, 123, 125, 127, 129, 373, 461, 465, 483, 529	4460817.....465
3931516.....393	4360542 242	4460268 ... 467, 469, 473, 493, 529	4460818.....465
3931628.....241, 245	4360548 499, 551	4460294 287	4460836....287, 467, 469, 473, 499, 501, 511
3931664.....330	4400275 215, 219	4460312 475	4460837....467, 469, 473
3940804.....245	4400420 215, 219	4460313 473, 509	4460842....467, 469, 473
3960407.....171	4400436 139	4460315 245, 439	4460851.....499
3960468.....163, 214	4420008 369, 371	4460320 461	4460852.....499
3960525.....139, 141	4420037 139, 141	4460321 ... 119, 121, 123, 125, 127, 129, 485	4460858.....459
3960526.....23	4420051 57, 59, 279, 281, 547	4460346 245, 513	4460884....478, 495, 497, 529
3990010....495, 497, 550	4420062 385	4460374 ... 467, 470, 473, 475, 483, 487	4460891....467, 469, 473, 477, 481, 495, 497, 499, 503, 507
4010408....245, 439, 441, 445, 447, 449, 451, 453, 455, 457	4420066 ... 337, 339, 341, 343, 345	4460375 ... 467, 470, 473, 475, 483, 487	4460892....465, 499, 503, 505, 507
4031914.....182, 194		4460420 467, 469	4460894....465, 477, 499, 503, 505, 507
4032014.....241, 245		4460422 ... 439, 441, 443, 445, 447, 449, 451, 453, 455, 457	4460895.....465
4060802....119, 121, 123, 125, 127, 129, 233, 237, 241, 245, 251, 369, 371		4460424 ... 467, 469, 473, 529	4460897....477, 481, 495, 497, 509
4060803....150, 154, 169		4460425 249	4460899.....467
4060805.....150, 154		4460426 249	4460906....483, 485, 487
4061032.....405, 409		4460434 493	4460930.....287, 477
4061056.....279		4460445 483	4460931.....287, 467
4061057.....281		4460458 477	4460932.....478, 481
4070987....119, 121, 123, 125, 127, 129		4460464 ... 287, 467, 475, 477, 481, 483, 495, 497, 501, 503, 507, 509	4460933....287, 467, 469, 473, 495, 497
4160116.....63		4460465 ... 287, 465, 467, 469, 473, 477, 478,	4460934.....499
4240003.....385			4460935....499, 501, 503, 505, 507, 511
			4460939.....475
			4460941.....481

SECTION 11 - SPECIAL OPTIONS

4460942 ... 467, 470, 473, 478, 481	4640113 ... 33, 35, 37, 39, 41, 45, 49, 51, 53	4740415.....381	4846519... 337, 339, 341, 343, 345
4460943 ... 467, 469, 473	4640751 ... 169, 182, 194	4740455....259, 265, 271, 277	4846530 ... 355, 357, 359, 361
4460944 ... 467, 469, 473, 477, 495, 497, 529	4640858 389, 391	4740480.....385	4846531 ... 355, 357, 359, 361
4460955 ... 467, 469, 473	4640952 225, 227	4740506....255, 261, 267, 273	4846532... 355, 357, 359, 361, 363
4460956 463	4641122 41, 45, 47	4740518..... 131, 133	4846537 ... 355, 357, 359, 361, 363
4460957 463	4641192 73	4740529.....381	4846542... 355, 357, 359, 361, 363
4460961 242	4641193 ... 259, 265, 271, 277	4740541..... 15, 17	4846556 ... 337, 341, 355, 359
4460967 491	4641205 ... 259, 265, 271, 277	4750600.... 119, 121, 123, 125, 127, 129	4846557 355, 359
4460968 ... 447, 449, 451, 453, 499	4641254 ... 259, 265, 271, 277	4750800.57, 59, 150, 154	4846570 359, 361, 363
4460970 467, 469, 473	4641281 405, 409	4751000.... 139, 141, 167, 233, 237, 245, 252,	4846584 393
4460972 483	4641303 67, 69, 71	255, 261, 267, 273, 359, 361, 363	4846590 ... 355, 357, 359, 361, 363
4460973 483	4641390 389, 391	475140079, 83, 215, 219, 287, 293, 295, 298,	4846655 369, 371
4460974 483	4710400 175, 187	302, 306, 310, 314, 318, 322, 326, 330,	4846843 363
4460981 475	4711000 203, 241, 249	334, 439, 441, 443, 445, 447, 449, 451, 453, 455, 457	4860179 35, 43, 51
4460982 ... 503, 505, 507	4711400 ... 21, 57, 59, 77, 81, 131, 133, 150, 154, 157, 159, 163, 175, 182, 187, 194, 214, 218, 225, 227, 245, 255, 259, 261, 265, 267, 271, 273, 277, 289, 291, 306, 310, 314, 318, 322, 326, 334, 355, 357, 359, 361, 363, 381, 385, 439, 441, 443, 445, 447, 449, 451, 453, 455, 457, 533, 535, 537, 539, 541, 543, 545	4751500.... 150, 154, 163, 175, 188, 215, 219, 241, 251, 337, 339	4860237 45
4461005 469	4711500 ... 57, 59, 89, 91, 93, 101, 103, 105, 109, 115, 117, 135, 137, 139, 141, 150, 154, 169, 175, 182, 187, 194, 214, 218, 246, 259, 265, 271, 277, 337, 339, 341, 343, 345, 355, 357, 359, 361, 363	4751600.... 150, 154, 159, 182, 194, 233, 237, 241, 252, 293, 295, 298, 302, 306, 310, 314, 318, 322, 326, 330, 334, 337, 339, 341, 343, 345, 355, 359	4891500 234, 237
4461006 469		4751800.....381	4891600 ... 139, 141, 150, 154, 167, 179, 191, 207, 209, 221, 223, 251
4461008 469, 478		4752200.... 234, 237, 298, 302, 306, 310, 314, 318, 322, 326, 330, 334, 337, 339, 341, 343, 345	4891800 ... 15, 19, 21, 23, 49, 51, 53, 150, 154, 167, 179, 182, 191, 194, 221, 223, 241, 246
4461052 469		4760600.... 119, 121, 123, 125, 127, 129, 369, 371	4892000 23, 234, 237
4461053 469		4761000.... 119, 121, 123, 125, 127, 129	4892200 57, 59
4461054 469, 478		4761200.... 123, 125, 129	4922667 ... 119, 121, 123, 125, 127, 129, 493
4461060 469		4761400.... 85, 87, 89, 91, 93, 95, 97, 99, 101, 103, 105, 107, 109, 111, 113, 115, 117	4922692 289, 291, 501
4461070 477		4761500.....67, 69	4922739 55, 461
4461071 469, 477		4761600.67, 69, 215, 219	4922768 369, 371, 465
4461072 469, 477		4791400....245, 369, 371	4922800 ... 234, 237, 252, 483
4461073 469, 477		4811400....245, 439, 441, 445, 447, 449, 451, 453, 455, 457	4922848 330, 505
4461074 469, 477		4811900....175, 182, 187, 194, 251	4922859 ... 298, 302, 306, 310, 314, 318, 322, 326, 330, 334, 509
4461095 477		4811902.....184, 196	4922882 287
4461097 475		4812000....207, 209, 242, 246	4922925 246, 489
4461109 473		4812002.....182, 194	4923386 167, 475
4461111 473		4812100.... 175, 182, 188, 194, 241, 245	4923478 167
4461113 473		4812200.....241, 246	4923507 511
4461121 473		4845441.....379	5241200 17
4461122 473		4845442.....379	70000081 373, 550
4461123 473		4845938.....369, 371	70000082 373, 550
4461124 473		4846460.....271, 277	70000083 373
4461161 473			70000084 373
4461196 441, 515			70000085 373
4461198 515			70000122 233, 251
4461199 517			70000123 237
4461201 517			70000124 237
4461202 ... 447, 451, 455, 521, 525			70000125 237
4461205 ... 447, 451, 453, 455, 457, 523, 527			70000126 237
4461222 473			70000164 225, 227
4461244 521			70000263 169
4461245 523			70000345 171, 199
4461246 519			70000619 245
4461249 449, 519			70000683 373
4461257 ... 441, 455, 457			70000684 373
4461258 ... 441, 455, 457			
4520217 35, 43, 51			
4520240 39, 47, 53			
4520262 45			
4520570 37			
4520571 37			
4520576 37			
4520608 33, 41, 49			
4568295 285, 287			
4568398 169			
4568735 251			
4569126 381			
4569150 382			
	4711700 ... 182, 194, 233, 237, 241, 251		
	4711800 ... 169, 225, 227, 279, 281, 381		
	4711900 233, 237		
	4712000 ... 163, 176, 188, 215, 218, 381		
	4712200 ... 298, 302, 306, 310, 314, 318, 322, 326		
	4740086 19, 21		
	4740120 369, 371		
	4740158 15, 17		
	4740274 169, 225, 227		
	4740362 234, 252		

SECTION 11 - SPECIAL OPTIONS

70000685.....	373	70002147.....	229	70003098.....	399	70024906.....	199
70000686.....	373	70002148.....	229	70003099.....	399	70024907.....	199
70000783.....	171	70002149.....	229	70003468.....	171	70024910.....	200
70000793.....	205	70002150.....	229	70003469.....	171	70024914.....	200
70000797.....	31	70002151.....	229	70003475.....	171	70024915.....	200
70000912.....	171	70002152.....	229	70003479.....	171	70024916.....	200
70000913.....	171	70002153.....	229	70003480.....	172	70024917.....	200
70000914.....	171	70002154.....	229	70003481.....	172	70024918.....	200
70000915.....	171	70002155.....	229	70003650.....	373	70024920.....	200
70000916.....	171	70002156.....	229	70003933.....	399	70024924.....	199
70000917.....	171	70002157.....	229	70003934.....	399	70024925.....	199
70000918.....	171	70002158.....	229	70003935.....	71	70024961.....	199
70000919.....	171	70002159.....	229	70003936.....	71	70025076.....	199
70000969.....	347	70002160.....	229	70003937.....	183, 550	70025082.....	199
70000970.....	347	70002161.....	229	70003977.....	75	70025084.....	200
70000971.....	347	70002162.....	229	70003978.....	75	70025088.....	199
70000976.....	347	70002163.....	229	70004194.....	373	70025091.....	199
70001002.....	171	70002164.....	229	70004237.....	399	70025120.....	200
70001017.....	207	70002165.....	229, 230	70004274.....	199	70025135.....	199
70001065.....	347	70002166.....	229	70004275.....	199	70025136.....	199
70001076.....	347	70002167.....	229	70004277.....	200	70025140.....	199
70001079.....	347	70002168.....	229	70004279.....	199	70025142.....	200
70001080.....	347	70002169.....	230	70004281.....	199	70025143.....	200
70001081.....	347	70002170.....	230	70004283.....	200	70025144.....	199
70001085.....	347	70002172.....	230	70004284.....	200	70025145.....	199
70001103.....	141	70002174.....	230	70004389.....	75	70025146.....	199
70001106.....	347	70002175.....	230	70005069.....	75	70025149.....	200
70001107.....	347	70002176.....	230	70005073.....	75	70025151.....	200
70001108.....	347	70002177.....	230	70005080.....	75	70025152.....	199
70001112.....	347	70002178.....	230	70005100.....	75	70025153.....	199
70001342.....	353	70002179.....	230	70005161.....	75	70025154.....	199, 550
70001343.....	353	70002180.....	230	70005162.....	75	70025160.....	199
70001349.....	25, 27	70002181.....	230	70005163.....	75	70025161.....	199, 550
70001435.....	171	70002182.....	230	70005164.....	75	70025164.....	199
70001787.....	169	70002185.....	230	70005165.....	75	70025176.....	199
70001870.....	171, 199	70002186.....	230	70005166.....	75	70025177.....	200
70001871.....	171	70002187.....	230	70005167.....	75	70025179.....	199, 200
70001932.....	31	70002188.....	230	70005168.....	75	70025180.....	199
70001958.....	229, 230	70002189.....	230	70005446.....	200	70025200.....	200
70001959.....	143	70002190.....	230	70005483.....	28	70025202.....	199
70001960.....	143, 550	70002191.....	230	70005484.....	373	70025206.....	199
70001965.....	61, 63, 550	70002192.....	230	70005485.....	373	70025207.....	199
70001967.....	73, 259, 265, 271, 277, 550	70002202.....	395	70006428.....	25, 28	70025208.....	199
70001977.....	73, 77, 79, 81, 83, 349, 351, 550	70002203.....	395	70006429.....	25, 28	70025210.....	200, 550
70001978.....	73	70002210.....	167, 179, 191, 221, 223	7000663.....	171	70025231.....	199, 200
70001979.....	73	70002236.....	237	7000731.....	28	70025235.....	200
70001980.....	73	70002237.....	233, 237, 242, 251	70007439.....	230	70025239.....	199
7000206.....	25, 27	70002240.....	233, 251	70007474.....	399	70025241.....	200
70002112.....	143	70002241.....	233, 251	70010383.....	163, 175, 187, 215, 219, 550	70025242.....	200
70002113.....	143, 550	7000229.....	25, 27	7001084.....	397	70025477.....	200
70002132.....	229, 230	7000230.....	25, 27	7001608.....	397	70025660.....	200
70002133.....	229	7000232.....	25, 27	7001610.....	397	7002821.....	556
70002134.....	229	7000246.....	25, 27	7001613.....	397	7002822.....	556
70002135.....	229	7000248.....	25, 27	7001614.....	397	7002823.....	556
70002136.....	229	7000253.....	25, 27	7001617.....	397	7002826.....	556
70002137.....	229	7000257.....	25, 27	7001998.....	25, 27	7002828.....	556
70002138.....	229	7000258.....	25, 27	70023592.....	182, 194, 550	7004275.....	556
70002139.....	229	7000261.....	25, 27	70023593.....	182, 194, 550	7004276.....	556
70002140.....	229	7000262.....	25, 27	70024473.....	200	70050516.....	75, 550
70002141.....	229	7000263.....	25, 27	70024486.....	199	7007207.....	229
70002142.....	229	7000268.....	143	70024488.....	199	7007415.....	230
70002143.....	229	70002718.....	199	70024504.....	200	7007418.....	229
70002144.....	229	70002768.....	143	70024507.....	200	7007419.....	229
70002145.....	229	70002895.....	225, 227	70024513.....	199	7007437.....	31
70002146.....	229	70002963.....	75, 550	70024517.....	199	7007438.....	31
		70003024.....	75	70024905.....	199	7007439.....	31
						7007446.....	31, 229

SECTION 11 - SPECIAL OPTIONS

7007601	25, 27	7020109 ...	233, 237, 241, 251	7023900.....	75	7026525	233, 251
7007640	25, 27	7020110 ...	233, 237, 241, 251	7023907.....	31	7026582	395
7010429	25, 27	7020111 ...	233, 237, 241, 251	7023910.....	31	7026583	395
70104570	200	7020175 ...	119, 121, 123, 125, 127, 129, 369, 371	7023912.....	73	7026584	395
7010542	73	7020176 ...	119, 121, 123, 125, 127, 129, 369, 371	7023917.....	71	7026585	395
7010543	73	7020190 ...	233, 237, 241, 251	7023919.....	259, 265, 271, 277	7026586	395
7010545	73	7020192	237	7023923.....	259, 265, 271, 277	7026608	171
7010635	73	7020193	242	7023933.....	71	7027019	214, 218
7010911	347	7020218 ...	258, 264, 270, 276	7023936.....	75	7027020	214, 218
7011003	347	7020219 ...	258, 264, 270, 276	7023964.....	230	7027089	176, 188
7011016	347	7020404	199	7023981.....	73	7027090	176, 188
7011024	347	7020414	171	7024182.....	27, 28	7027091	176, 188
7011043	347	7020430	172	7024189.....	28	7027236	171
7011044	347	7020447	171	7024190.....	28	7027239	171
7011048	347	7020460	171	7024191.....	28	7027245	171, 550
7011346	353	7020465	171, 199	7024192.....	28	7027276	171
70124530	200	7020468	171	7024193.....	28	7027365	373
70124538	200	7020471	171	7024194.....	28	7027367	373, 550
7012513 ...	233, 237, 241, 251	7020479	171	7024196.....	28	7027412	225, 227
7012514 ...	233, 237, 241, 251	7020486	171	7024197.....	28	7027419	31
7012558	241	7020492	200	7024198.....	28	7027765	373
7012576	347	7020494	171	7024199.....	28	7027766	373
7012905	73	7020495	171	7024438.....	169, 225, 227, 550, 551	7027790	171
7012910	73	7021249	31	7024441.....	143	7027791	171
7012920	73	7021256	230	7024446.....	143	7027792	171
7012925 ...	259, 265, 271, 277	7021275	31, 229	7024488.....	245	7027795	171
7012941	73	7021276	31	7024489.....	245	7027887 ...	233, 237, 242, 251
7012967 ...	73, 77, 79, 81, 83	7021277	31	7024497.....	61	7027903	171
7012972	73	7021625	71	7024498.....	61	7027965	225, 227, 550
7016319	55	7021639	71	7024499.....	61	7027972 ...	225, 227, 550
7016331	171, 550	7022301	229	7024500.....	61	77363233	489
7016372	55	7022302	31	7024502.....	61, 63	80484084	477
7016641	199, 550	7022305	31	7024503.....	61	80983191	477, 551
7016654	556	7022310	31	7024504.....	61	8220115	478
7017059	25, 27	7022311	31	7024505.....	61	8229242 ...	477, 495, 497, 551
7017067	25, 27	7022312	31	7024506.....	61, 63	8273291	169
7017070	25, 27	7022314	31	7024507.....	61	83191040 .	167, 179, 191, 221, 223
7017080	25, 27	7022326	31	7024565.....	171	8405006	175, 187, 203
7017402	73, 349, 351	7022328	31	7024579.....	171, 199	8405007	182, 194
7017406	73	7022340	230	7024585.....	163	8405009	183, 195
7017433	73, 349, 351	7022368	31	7024586.....	163	8405104	182, 194
7017451 ...	259, 265, 271, 277, 550	7022369	31	7024587.....	163	8405201	182, 194
7017460	349, 351	7022371	31	7024705.....	27	8405202	182, 194
7017461	349, 351	7022390	75	7024712.....	25, 27	8406101	241
7017467 ...	77, 79, 81, 83	7022397	71	7024713.....	25, 27	8406102	183, 195
7017493	75	7022398	75	7024714.....	25, 27	8406112	175, 187
7017496	73, 259, 265, 271, 277, 389, 391	7022399	71, 75	7024715.....	25, 27	8410011	182, 194
7018942	353	7023035	397	7024716.....	25, 27	8702156	150, 154
7019602 ...	258, 264, 270, 276	7023036	397	7024717.....	27	8760351	404, 408
7019680	242	7023212 ...	119, 121, 123, 125, 127, 129	7024718.....	28	8786514	43
7020023	171, 550	7023306	143	7024829.....	259, 265, 271, 277	88521205 .	163, 175, 188, 215, 219
7020026	171	7023347	143	7024844.....	73	88662523	150, 154
7020108 ...	233, 237, 241, 251			7024854.....	31	91401281 .	163, 175, 188, 215, 219
				7024862.....	31	91563070	182, 194
				7024868.....	31		
				7024881.....	71		
				7024926.....	353		
				7026002.....	353		
				7026199.....	241		



3121643



An Oshkosh Corporation Company

Corporate Office
JLG Industries, Inc.
1 JLG Drive
McConnellsburg, PA 17233-9533 USA
☎ (717) 485-5161 (Corporate)
☎ (877) 554-5438 (Customer Support)
☎ (717) 485-6417

Visit our website for JLG Worldwide Locations.
www.jlg.com