



Illustrated Parts Manual

Models 3394RT & 4394RT

Prior to
SN 0200191606

**P/N
3121836**

August 30, 2018 - Rev AE



An Oshkosh Corporation Company

REVISION LOG

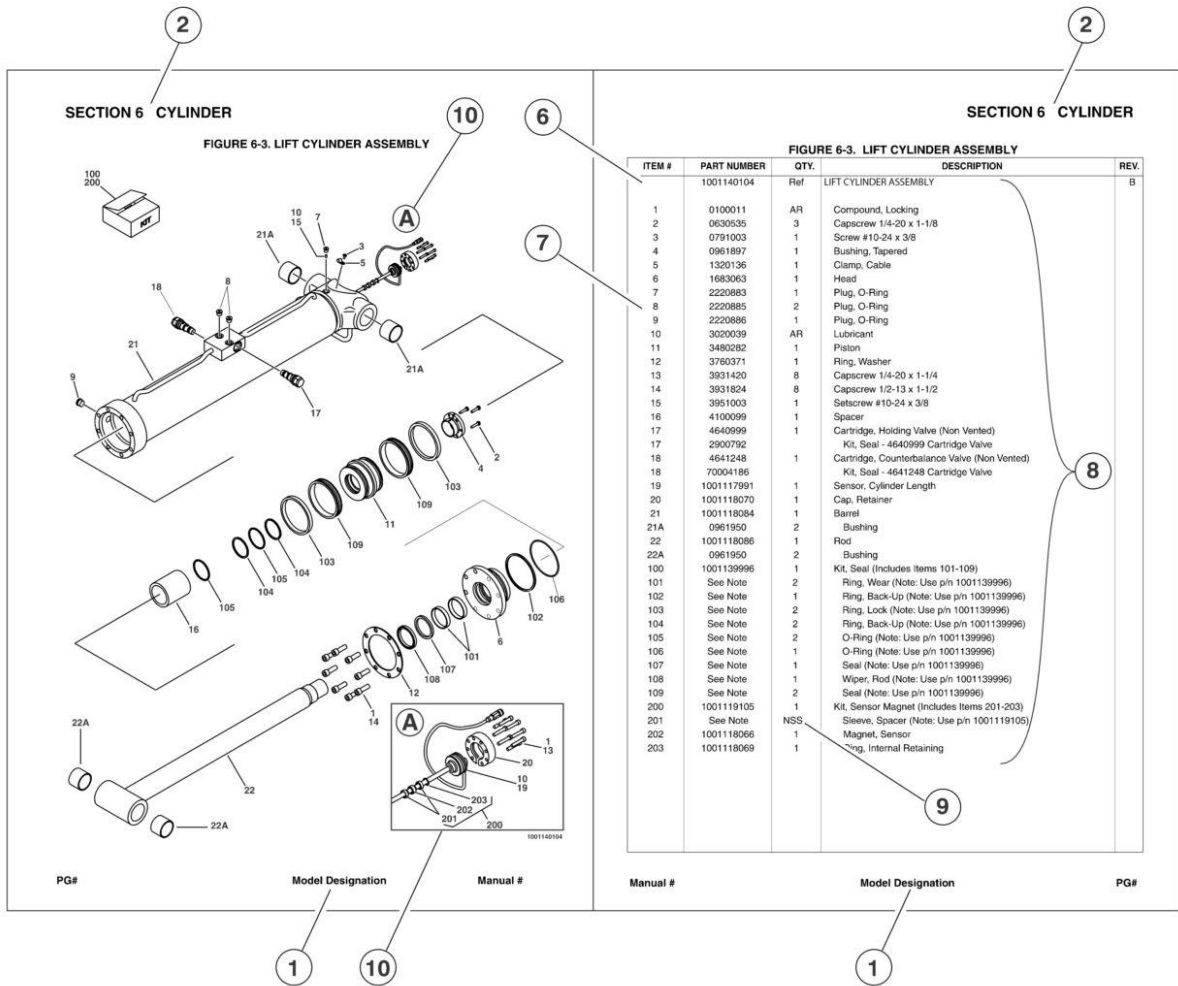
NOTE: For Machines with SN 0200186972, 0200187002 & 0200187013 refer to Illustrated Parts Manual p/n 3121250. These Machines are built to B/M 0010583 Revision 56 or higher specs.

June 1, 2002 - A - Original Issue Of Manual (Manual edited to B/M 0010583 Revision 4)
November 1, 2002 - B - Revised Manual (Manual edited to B/M 0010583 Revision 8)
March 6, 2003 - C - Revised Manual (Manual edited to B/M 0010583 Revision 10)
October 6, 2003 - D - Revised Manual (Manual edited to B/M 0010583 Revision 19)
May 14, 2004 - E - Revised Manual (Manual edited to B/M 0010583 Revision 27)
September 1, 2004 - F - Revised Manual (Manual edited to B/M 0010583 Revision 29)
January 24, 2005 - G - Revised Manual (Manual edited to B/M 0010583 Revision 32)
December 13, 2005 - H - Revised Manual (Manual edited to B/M 0010583 Revision 43)
April 27, 2006 - I - Revised Manual (Manual edited to B/M 0010583 Revision 45)
November 14, 2006 - J - Revised Manual (Manual edited to B/M 0010583 Revision 47)
April 15, 2007 - K - Revised Manual (Manual edited to B/M 0010583 Revision 51)
August 1, 2007 - L - Revised Manual (Manual edited to B/M 0010583 Revision 51)
November 30, 2007 - M - Revised Manual (Manual edited to B/M 0010583 Revision 52)
January 31, 2008 - N - Revised Manual (Manual edited to B/M 0010583 Revision 55)
October 15, 2008 - O - Revised Manual (Manual edited to B/M 0010583 Revision 55)
January 1, 2009 - P - Revised Manual
June 1, 2009 - Q - Revised Manual
October 1, 2010 - R - Revised Manual
June 16, 2011 - S - Revised Manual
September 22, 2011 - T - Revised Manual
February 14, 2012 - U - Revised Manual
June 27, 2012 - V - Revised Manual
September 7, 2012 - W - Revised Manual
January 21, 2013 - X - Revised Manual
April 30, 2013 - Y - Revised Manual

REVISION LOG

July 22, 2013 - Z - Revised Manual
October 14, 2013 - AA - Revised Manual
February 7, 2014 - AB - Revised Manual
February 1, 2015 - AC - Revised Manual
August 1, 2016 - AD - Revised Manual (Revision 1)
August 30, 2018 - AE - Revised Manual

GENERAL INFORMATION



1) MACHINE IDENTIFICATION

Machines are identified by model and in some cases a combination of models, serial number (SN) or regional standard (i.e ANSI, CE, CSA). Components may also be identified by SN or manufacturer. Common components that may be identified by these characteristics are engines and hydraulic components.

2) PARTS MANUAL ORGANIZATION

Product information in this manual is organized under section titles. Frame, Cylinder, Hydraulic and Electrical are a few examples. Each section is organized by figure and page number. The information within the Figure is then organized by item number, part number, description and corresponding illustration (s).

3) TABLE OF CONTENTS

A table of contents is found toward the beginning of the manual. Figure number, description and page number are provided for quick reference to the page containing the related information.

4) RECOMMENDED SPARE PARTS

The Recommended Spare Parts, located near the end of the manual, reference most frequently used maintenance parts.

5) PART NUMBER INDEX

A numerical index listing all part numbers and the corresponding page number(s) appears at the back of the manual.

GENERAL INFORMATION

6) NON-SERVICED PARTS

In some instances, it is necessary to display non-serviced parts, assemblies or installations. In the case of assemblies and installations there will be a Ref in the Qty column. In case of parts that are not available for service within assemblies or components, there will be a NSS (Not Sold Separately) or NLA (No Longer Available) listed in the Qty. column of the manual.

7) PARTS LIST ITEM NUMBERS

Numbers shown in the item# column correspond to numbers used in the associated illustration (s). Item numbers which are missing from the sequence in the parts list are not used on that page.

8) INDENTED PARTS DESCRIPTION

An indented part description is included in the item under which it is indented.

9) ABBREVIATION AND SYMBOLS

AC.....	.. Alternating Current	LCD Liquid Crystal Display
ADE.Advanced Design Electronics	LED Light Emitting Diodes
ANSIAmerican National Standards Institute	LH.....	.. Left Hand
AR.....	..As Required	LSSLoad Sensing System
ASSY Assembly	M(m).....	.. Metric/Meter
AUX.....	..Auxiliary	MM (mm)Milimeter
AWG.....	..American Wire Gauge	mA.....	.. Milliamps
B/M.....	.. Bill of Material	NLA.....	..No Longer Available
CE.....	..European Conformity	NPT National Pipe Threads
CCWCounter Clockwise	NSSNot Sold Separately
cm.....	.. Centimeter	OD.....	..Outside Diameter
CW.....	..Clockwise	ORB.....	.. O-Ring Boss
CSA.Canadian Standards Association	ORFS.....	.. O-Ring Face Seal
CYL.....	..Cylinder	OZ (oz).Ounces
DIA.....	..Diameter	PGPage
DC.....	..Direct Current	P/N.....	..Part Number
EMS Emergency Stop	qt.....	..Quarts
ENGEngine	QTY.....	..Quantity
FT (ft).....	..Feet	REFReference
GA(Ga).....	..Gauge	REVRevision Level
HYDHydraulic	RH.....	.. Right Hand
Hz.....	..Hertz	SAE.....	.. Society of Automotive Engineers
ID.....	..Inside Diameter	SN.....	..Serial Number
in.....	..inches	SPEC(S).....	..Specifications
ISO.....	..International Organization for Standards	T/T.....	..Turntable
JIC.....	..Joint Industry Council	UGMUniversal Ground Module
KGKilogram	V.....	..Volts
L.....	..Liter	W.....	..Watts
LB.....	..Pounds	#.....	..Number

10) ILLUSTRATION REFERENCE LETTERS

When necessary, illustrations may contain reference letters that are intended to track information (i. e. hoses, harnesses) from one point to another or to track visual enlargement of components to show details that may be located in another area on the illustration.

Note: Due to continuous product improvements, JLG Industries, Inc. reserves the right to make specification changes without prior notification. Contact JLG Industries, Inc. for updated information.

TABLE OF CONTENTS

SECTION 1 - FRAME.....	9
FIGURE 1-1. AXLE AND STEERING INSTALLATION - 2WD	10
FIGURE 1-2. AXLE AND STEERING INSTALLATION - 4WD	14
FIGURE 1-3. TIRE AND WHEEL DRIVE INSTALLATIONS.....	18
FIGURE 1-4. DRIVE MOTOR/HUB ASSEMBLY	20
FIGURE 1-5. BEACON LIGHT AND 4WD VALVE INSTALLATIONS (FRAME MOUNTED).....	24
FIGURE 1-6. LEVELING JACKS INSTALLATION.....	26
SECTION 2 - GROUND CONTROLS	29
FIGURE 2-1. CONTROL VALVES INSTALLATION	30
FIGURE 2-2. MAIN CONTROL VALVE ASSEMBLY.....	34
FIGURE 2-3. ENGINE INSTALLATION (DEUTZ).....	36
FIGURE 2-4. GENERATOR INSTALLATION (DEUTZ ENGINE OPTIONS).....	44
FIGURE 2-5. DRIVE PUMP SUB-ASSEMBLY	48
FIGURE 2-6. 2WD PISTON PUMP ASSEMBLY (SINGLE).....	50
FIGURE 2-7. 4WD PISTON PUMP ASSEMBLY (TANDEM).....	54
FIGURE 2-8. GEAR PUMP ASSEMBLY	60
FIGURE 2-9. AUXILIARY PUMP ASSEMBLY.....	62
FIGURE 2-10. TANKS, ALARM AND HORN INSTALLATIONS	64
FIGURE 2-11. GROUND CONTROL BOX INSTALLATION.....	68
FIGURE 2-12. HOODS AND LADDERS INSTALLATIONS (Prior to SN 0200116736).....	72
FIGURE 2-13. HOODS AND LADDERS INSTALLATIONS (SN 0200116736 through 0200191606)	76
SECTION 3 - SCISSOR ARMS.....	81
FIGURE 3-1. SCISSOR ARMS INSTALLATION (3394RT)	82
FIGURE 3-2. SCISSOR ARMS INSTALLATION (4394RT)	86
FIGURE 3-3. ARM GUARDS INSTALLATION	90
SECTION 4 - PLATFORM.....	93
FIGURE 4-1. PLATFORM ATTACH AND MODULE INSTALLATIONS.....	94
FIGURE 4-2. MANUAL SINGLE DECK EXTENSION AND PLATFORM ASSEMBLY	96
FIGURE 4-3. MANUAL DUAL DECK EXTENSION AND PLATFORM ASSEMBLY.....	100
FIGURE 4-4. POWER DECK EXTENSION AND PLATFORM ASSEMBLY.....	104
FIGURE 4-5. RAILS INSTALLATIONS.....	110
FIGURE 4-6. PLATFORM CONSOLE BOX ASSEMBLY	114
FIGURE 4-7. DRIVE/STEER CONTROLLER ASSEMBLY (Prior to SN 0200141441).....	118
FIGURE 4-8. DRIVE/STEER CONTROLLER ASSEMBLY (SN 0200141441 through 0200191606)	120
FIGURE 4-9. EASI-CLADDER™ INSTALLATION.....	122
FIGURE 4-10. PIPE RACKS INSTALLATION (RAIL MOUNT).....	126
FIGURE 4-11. PIPE RACKS INSTALLATION (SKY POSITIONER).....	128
FIGURE 4-12. WORKSTATION WITHOUT DC CONVERTER INSTALLATION.....	132
SECTION 5 - CYLINDER.....	135
FIGURE 5-1. AXLE LOCKOUT CYLINDER ASSEMBLY	136
FIGURE 5-2. LEVEL JACK CYLINDER ASSEMBLY	138
FIGURE 5-3. LIFT CYLINDER ASSEMBLY	140

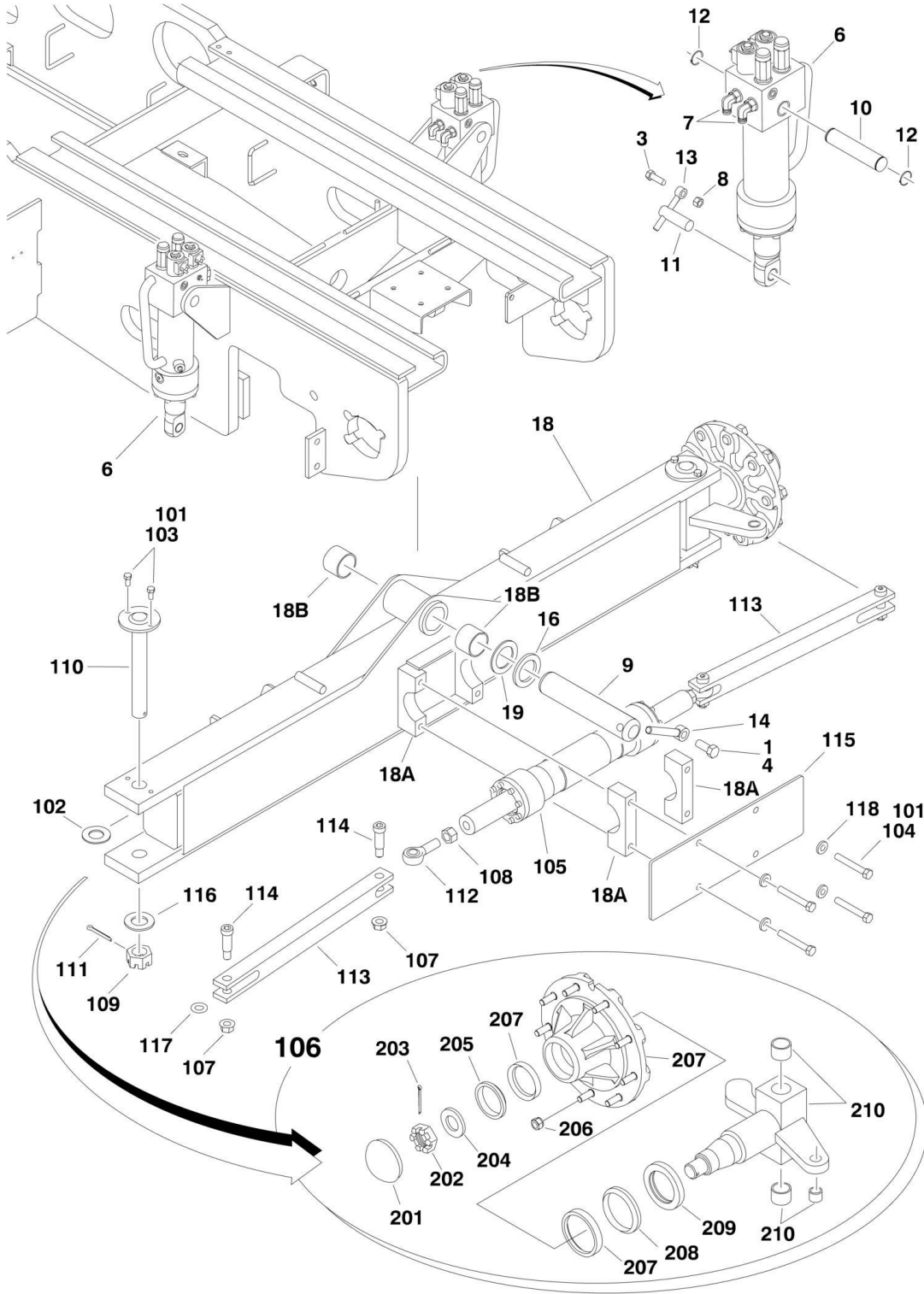
TABLE OF CONTENTS

FIGURE 5-4. PLATFORM EXTENSION CYLINDER ASSEMBLY	144
FIGURE 5-5. STEER CYLINDER ASSEMBLY (Prior to SN 0200134518).....	146
FIGURE 5-6. STEER CYLINDER ASSEMBLY (SN 0200137518 through 0200191606)	148
SECTION 6 - HYDRAULIC	151
FIGURE 6-1. STANDARD HYDRAULIC DIAGRAM (2WD)	152
FIGURE 6-2. STANDARD HYDRAULIC DIAGRAM (4WD)	154
FIGURE 6-3. LEVELING JACK HYDRAULIC DIAGRAM.....	158
FIGURE 6-4. HYDRAULIC DIAGRAM LIST.....	160
SECTION 7 - ELECTRICAL.....	161
FIGURE 7-1. ELECTRICAL COMPONENTS INSTALLATION	162
SECTION 8 - DECALS	173
FIGURE 8-1. DECAL INSTALLATION (Prior to SN 0200150268)	174
FIGURE 8-2. DECAL INSTALLATION (SN 020015026 through 0200191606)	178
SECTION 9 - RECOMMENDED SERVICE PARTS STOCK.....	181
FIGURE 9-1. STANDARD PARTS	182
FIGURE 9-2. VARIABLE PARTS	184
SECTION 10 - SPECIAL OPTIONS	185
FIGURE 10-1. SPECIAL OPTIONS LIST.....	186
PART NUMBER INDEX.....	189

SECTION 1 - FRAME

SECTION 1 - FRAME

FIGURE 1-1. AXLE AND STEERING INSTALLATION - 2WD



SECTION 1 - FRAME

FIGURE 1-1. AXLE AND STEERING INSTALLATION - 2WD

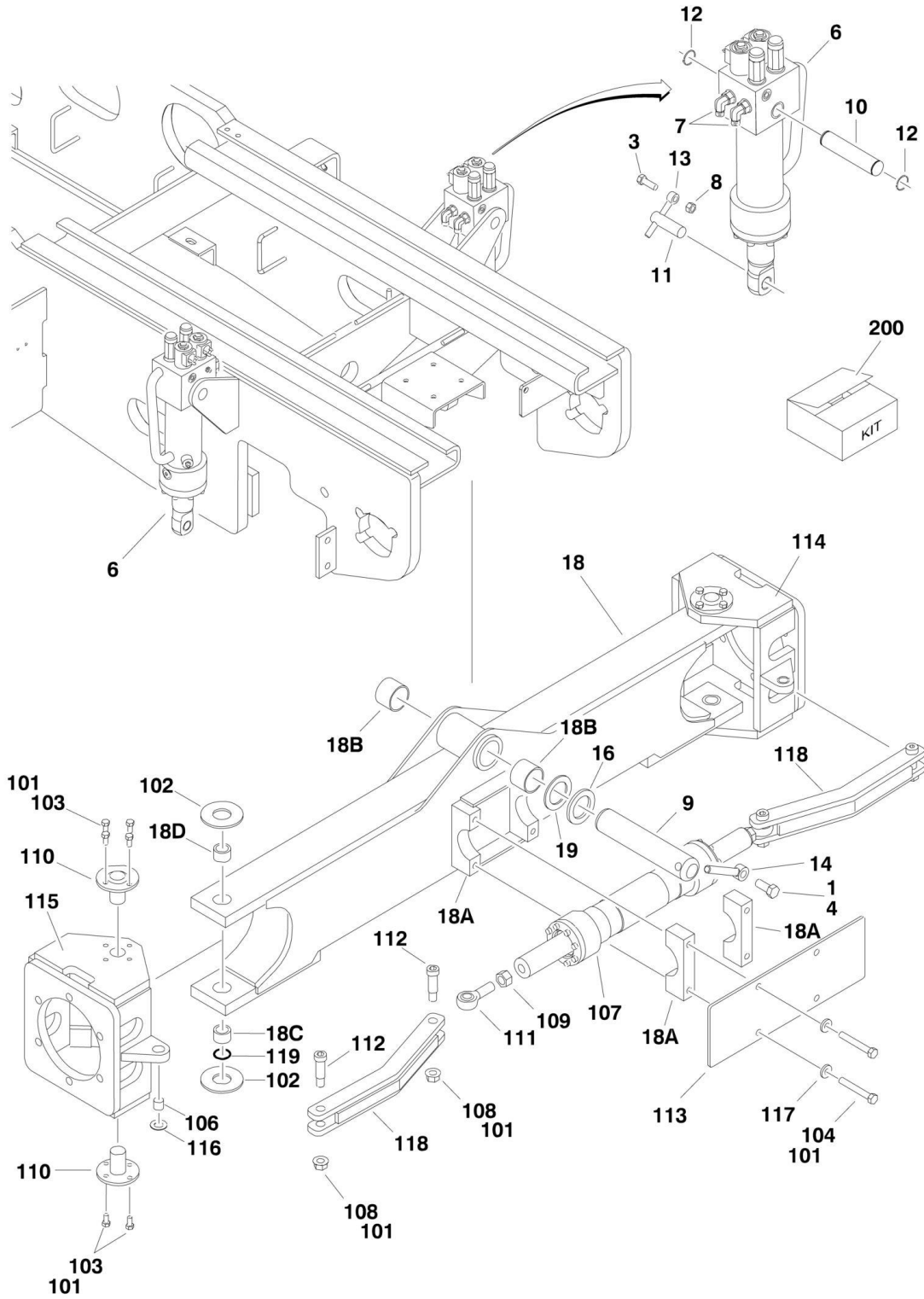
ITEM	PART NUMBER	QTY	DESCRIPTION	REV
	0271691	Ref	OSCILLATING AXLE INSTALLATION	D
1	0100011	AR	Locking, Compound	
3	0641609	2	Bolt 3/8-16NC x 1-1/8	
4	0642012	1	Bolt 5/8-11NC x 1-1/2	
6	1684145	2	Oscillating Axle Cylinder Assembly (See CYLINDER SECTION for Breakdown)	
7	2130406	4	Fitting, 90	
8	3311605	2	Locknut 3/8-16NC	
9	3422592	1	Pin, Axle Pivot	
10	3422745	2	Pin, Cylinder (Top)	
11	3422899	2	Pin, Cylinder (Bottom)	
12	3760115	4	Ring, Retaining	
13	3841143	2	Keeper, Pin	
14	3841258	1	Keeper, Pin	
16	4740158	1	Washer, Thrust	
18	0272212	1	Axle Weldment	
18A	0561300	4	Block, Cylinder	
18B	0961950	2	Bushing	
19	4740541	2	Washer, Thrust	
	0271620	Ref	STEERING INSTALLATION - 2WD FRONT	E
101	0100011	AR	Locking, Compound	
102	0440162	2	Bearing, Thrust	
103	0641606	4	Bolt 3/8-16NC x 3/4	
104		Ref	Bolt Options:	
104	0681828	4	1/2-13NC x 3-1/2 (Grade 8) (Prior to SN 0200113943)	
104	0641824	4	1/2-13NC x 3 (SN 0200113943 through 0200191606)	
105		Ref	Steer Cylinder Assembly Options (See CYLINDER SECTION for Breakdown):	
105	1683614	NLA	Steer Cylinder Assembly (Use p/n 1684412) (Prior to SN 0200137518)	
105	1684412	1	Steer Cylinder Assembly (SN 0200137518 through 0200191606)	
106	2780230	2	Hub/Spindle Assembly (See Items 201 to 210 for Breakdown)	
107	3312008	4	Nut 5/8-11NC	
108	3322201	2	Nut 3/4-16NC	
109	3323003	2	Nut, Slotted 1-1/4-12NC	
110	3422692	2	Kingpin	
111	3450808	2	Pin, Cotter 1/4 x 2	
112	3841367	2	Rod-End with Grease Fitting	
113	3841442	2	Rod-End	
114	3900109	4	Screw, Shoulder	
115	4061048	1	Shield, Cylinder (Prior to SN 0200113943)	
116	4713000	2	Flatwasher 1-1/4 Narrow	
117	4740086	2	Washer, Thrust	
118	4891800	4	Flatwasher, Hardened 1/2	
	2780230	Ref	HUB/SPINDLE ASSEMBLY	A
		Ref	Note: Quantities shown are for 1 assembly. Two Assemblies are required per machine.	
201	7020033	1	Cap, Dust	
202	7020054	1	Nut, Slotted	
203	7010642	1	Pin, Cotter 2 x 3/16	

SECTION 1 - FRAME

ITEM	PART NUMBER	QTY	DESCRIPTION	REV
204	7020055	1	Washer	
205	7020039	1	Bearing, Cone - Outer	
206	7020042	9	Lugnut	
207	7020035	1	Hub (Includes Inner and Outer Bearing Cups)	
208	7020037	1	Bearing, Cone - Inner	
209	7020040	1	Seal	
210	7020034	1	Spindle	
	2360571	Ref	FRAME WELDMENT	

SECTION 1 - FRAME

FIGURE 1-2. AXLE AND STEERING INSTALLATION - 4WD



SECTION 1 - FRAME

FIGURE 1-2. AXLE AND STEERING INSTALLATION - 4WD

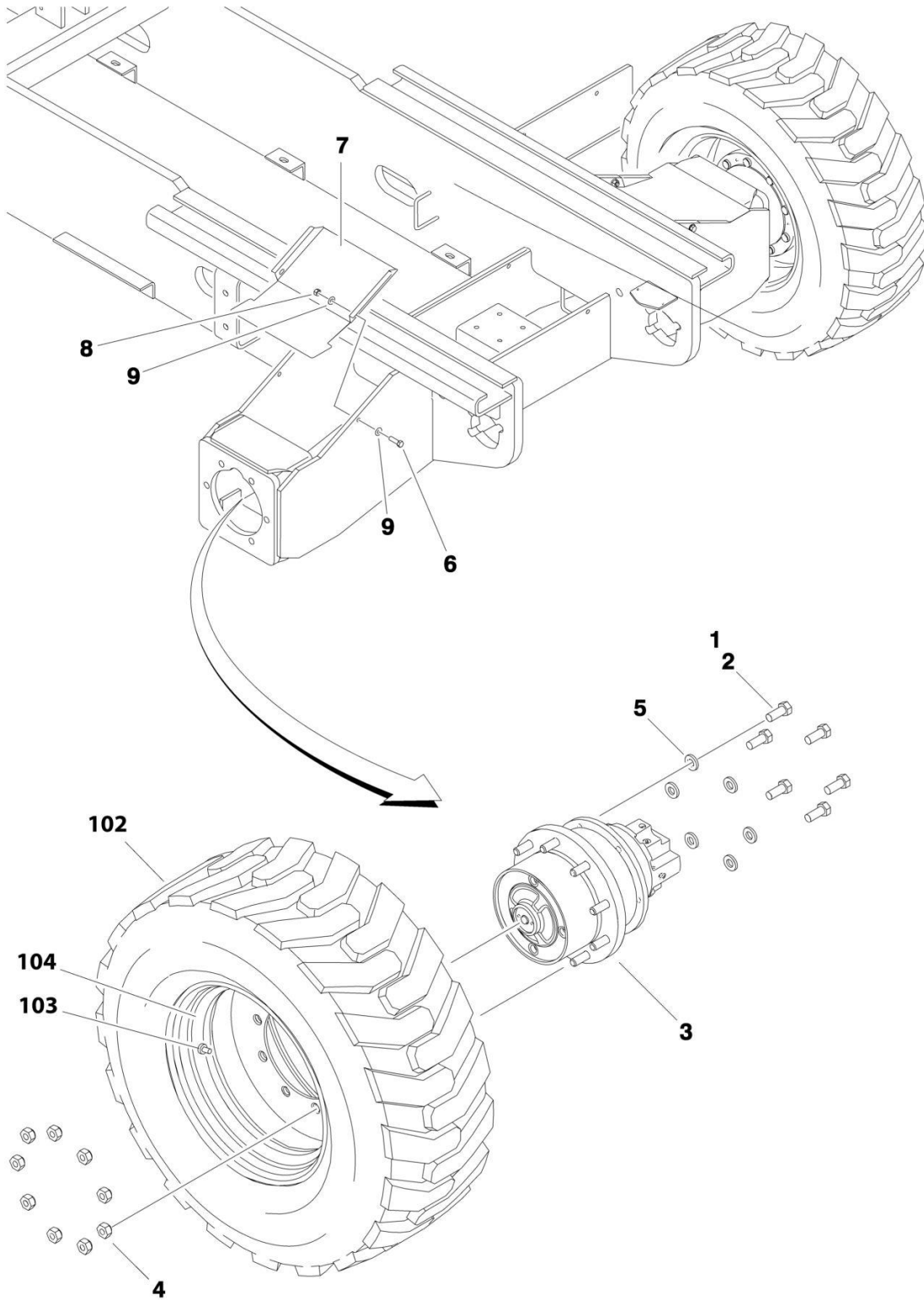
ITEM	PART NUMBER	QTY	DESCRIPTION	REV
	0271509	Ref	OSCILLATING AXLE INSTALLATION	E
1	0100011	AR	Locking, Compound	
3	0641609	2	Bolt 3/8-16NC x 1-1/8	
4	0642012	1	Bolt 5/8-11NC x 1-1/2	
6	1684145	1	Oscillating Axle Cylinder Assembly (See CYLINDER SECTION for Breakdown)	
7	2130406	4	Fitting, 90	
8	3311605	2	Locknut 3/8-16NC	
9	3422592	1	Pin, Axle Pivot	
10	3422745	2	Pin, Cylinder (Top)	
11	3422899	2	Pin, Cylinder (Bottom)	
12	3760115	4	Ring, Retaining	
13	3841143	2	Keeper, Pin	
14	3841258	1	Keeper, Pin	
16	4740158	1	Washer, Thrust	
18	0271790	1	Axle Weldment	C
		Ref	Note: If kingpin holes in axle measure 1.503 diameter or larger in any direction, axle weldment must be replaced	
18A	0561300	4	Block, Cylinder	
18B	0961950	2	Bushing	
18C		Ref	Bearing Options:	
18C	0961951	2	Bearing (Note: See Kit) (Prior to SN 0200122967)	
18C	0440274	2	Bearing (SN 0200122967 through 0200191606)	
18D		Ref	Bearing Options:	
18D	0961951	2	Bearing (Note: See Kit) (Prior to SN 0200122967)	
18D	0440291	2	Bearing (SN 0200122967 through 0200191606)	
19	4740541	2	Washer, Thrust	
	0271507	Ref	STEERING INSTALLATION - 4WD FRONT	I
101	0100011	AR	Locking, Compound	
102		Ref	Thrustwasher Options:	
102	0440161	4	Thrustwasher (Top and Bottom Kingpin Locations) (Note: See Kit) (Prior to SN 0200122967)	
102	4740537	AR	Thrustwasher (.0625) (Top Kingpin Location) (SN 0200122967 through 0200191606)	
102	4740538	AR	Thrustwasher (.125) (Top Kingpin Location) (SN 0200122967 through 0200191606)	
102	4740539	AR	Thrustwasher (.188) (Top Kingpin Location) (SN 0200122967 through 0200191606)	
102	4740540	AR	Thrustwasher (.250) (Top Kingpin Location) (SN 0200122967 through 0200191606)	
102	0440271	AR	Thrustwasher (.250) (Bottom Kingpin Location) (SN 0200122967 through 0200191606)	
103	0641606	Ref	Bolt 3/8-16NC x 3/4	
103	0641606	8	Bolt 3/8-16NC x 3/4 (Prior to SN 0200122967)	
103	0641606	16	Bolt 3/8-16NC x 3/4 (SN 0200122967 through 0200191606)	
104		Ref	Bolt Options:	
104	0681828	4	Bolt 1/2-13NC x 3-1/2 (Grade 8) (Prior to SN 0200113943)	
104	0641824	4	Bolt 1/2-13NC x 3 (SN 0200113943 through 0200191606)	
106	0962140	2	Bearing	
107		Ref	Steer Cylinder Assembly Options (See CYLINDER SECTION for Breakdown):	

SECTION 1 - FRAME

ITEM	PART NUMBER	QTY	DESCRIPTION	REV
107	1683614	NLA	Steer Cylinder Assembly (Use p/n 1684412) (Prior to SN 0200137518)	
107	1684412	1	Steer Cylinder Assembly (SN 0200137518 through 0200191606)	
108	3312008	4	Nut 5/8-11NC	
109	3322201	2	Nut 3/4-16NC	
110		Ref	Kingpin Options:	
110	3422716	4	Kingpin (2 Mounting Bolts) (Note: See Kit) (Prior to SN 0200122967)	
110	3423081	4	Kingpin (4 Mounting Bolts) (SN 0200122967 through 0200191606)	
111	3841367	2	Rod-End with Grease Fitting	
112	3900109	4	Screw, Shoulder	
113	4061048	1	Shield, Cylinder (Prior to SN 0200113943)	
114		Ref	Spindle (Left Side)	
114	4130368	NLA	Spindle (Left Side) (Note: See Kit) (Use p/n 4130403) (Prior to SN 0200122967)	
114	4130403	1	Spindle (Left Side) (SN 0200122967 through 0200191606)	
115		Ref	Spindle (Right Side)	
115	4130369	NLA	Spindle (Right Side) (Note: See Kit) (Use p/n 4130404) (Prior to SN 0200122967)	
115	4130404	1	Spindle (Right Side) (SN 0200122967 through 0200191606)	
116	4740086	4	Washer, Thrust	
117	4891800	4	Flatwasher, Hardened 1/2	
118	4846070	2	Rod-End	
119	3780182	2	O-Ring Only (Bottom Kingpin Location Only) (SN 0200122967 through 0200191606)	
124	3020029	AR	Grease, Bearing (Not Shown)	
200	2902400	1	Kingpin and Bushings Update Kit for Machines Built (Includes Newer "SN 0200122967 to SN 0200191606" Design Items 18C,18D,102,103,110 & 119). See Field Service Bulletin AWP-04-11. (Prior to SN 0200122967)	
		Ref	Note: Newer bushings will fit in "Prior to SN 0200122967" axles however if kingpin holes measure 1.503 diameter or larger in any direction, axle weldment must be replaced before installation of kit.	
		Ref	Note: Spindles require drilling and tapping for 8 additional kingpin mounting bolts. Newer design kingpins require 4 mounting bolts each.	
	2360571	Ref	FRAME WELDMENT	

SECTION 1 - FRAME

FIGURE 1-3. TIRE AND WHEEL DRIVE INSTALLATIONS



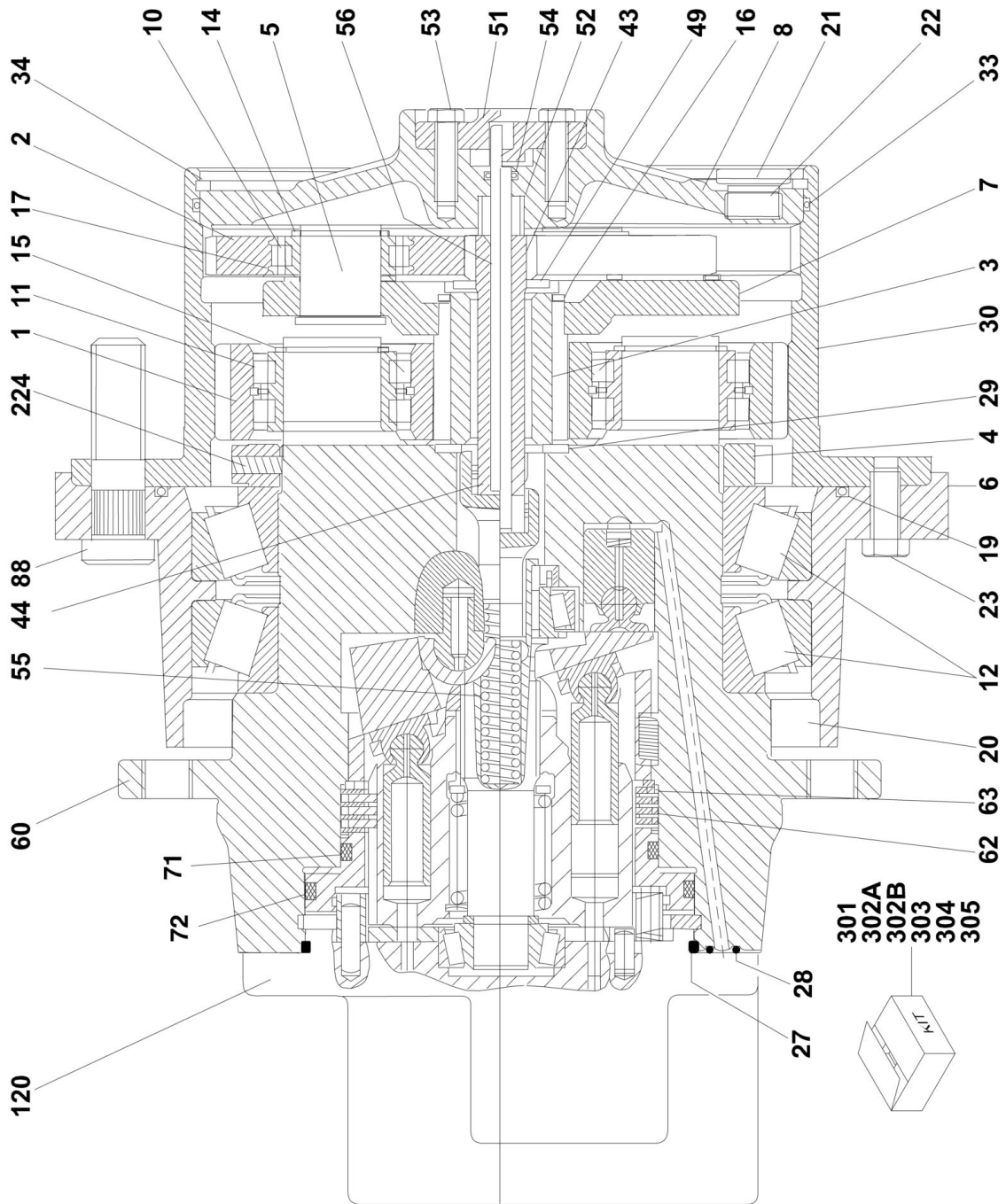
SECTION 1 - FRAME

FIGURE 1-3. TIRE AND WHEEL DRIVE INSTALLATIONS

ITEM	PART NUMBER	QTY	DESCRIPTION	REV
		Ref	WHEEL DRIVE INSTALLATIONS	
	0271695	Ref	2WD	D
	0271508	Ref	4WD	E
		Ref	Note: Quantities are per axle.	
1	0100019	AR	Locking, Compound	
2	0682012	12	Bolt 5/8-11NC x 1-1/2	
3		Ref	Drive Motor/Hub Assembly Options (See DRIVE MOTOR/HUB ASSEMBLY for Breakdown):	
3	2780263	2	2WD	
3	2780262	2	4WD	
4	3300106	18	Lugnut	
5	4892000	12	Washer, Hardened	
6	0641610	4	Bolt 3/8-16NC x 1-1/4	
7	1671056	2	Cover, Rear Axle	
8	3311605	4	Locknut 3/8-16NC	
9	4711600	8	Flatwasher 3/8 Narrow	
		Ref	TIRE AND WHEEL INSTALLATIONS	
	0270092	Ref	12 x 16.5 Foam-Filled Lug Tire	A
	0270653	Ref	12 x 16.5 Foam-Filled Non-Marking Tires	A
	0271719	Ref	33/16LL x 16.5 Foam-Filled Lug Tire	A
	0270076	2	12 x 16.5 Foam-Filled Right Side Lug Tire	A
	0270077	2	12 x 16.5 Foam-Filled Left Side Lug Tire	A
	0270654	2	12 x 16.5 Foam-Filled Right Side Non-Marking Tire	A
	0270655	2	12 x 16.5 Foam-Filled Left Side Non-Marking Tire	A
	0258011	2	33/16LL x 16.5 Foam-Filled Right Side Lug Tire	D
	0258012	2	33/16LL x 16.5 Foam-Filled Left Side Lug Tire	D
		Ref	Note: Assemblies may require ballast/foam filling to manufacturer's specifications prior to installing on a machine. Refer to Operation and Safety or Service and Maintenance Manuals. Purchase individual tire and/or rim only if able to foam fill tire and wheel assembly, otherwise, purchase complete assembly,	
102		Ref	Tire Options:	
102	4520216	1	12 x 16.5 NHS Lug Tire	
102	4520240	1	12 x 16.5 OTR NHS Non-Marking Tire	
102	4520217	1	33/16LL x 16.5 Lug Tire	
103		Ref	Valve, Air Options:	
103	8786514	1	With 0258011 & 0258012 Tire/Wheel Assemblies	
103	4640113	1	All Tire/Wheel Assemblies except 025811 & 0258012	
104		Ref	Rim, Wheel	
104	4860213	1	16.5 x 9.75 (Use with 12 x 16.5 Lug Tires)	
104	4860179	1	16.5 x 12 (Use with 33/16LL x 16.5 Lug Tires)	

SECTION 1 - FRAME

FIGURE 1-4. DRIVE MOTOR/HUB ASSEMBLY



SECTION 1 - FRAME

FIGURE 1-4. DRIVE MOTOR/HUB ASSEMBLY

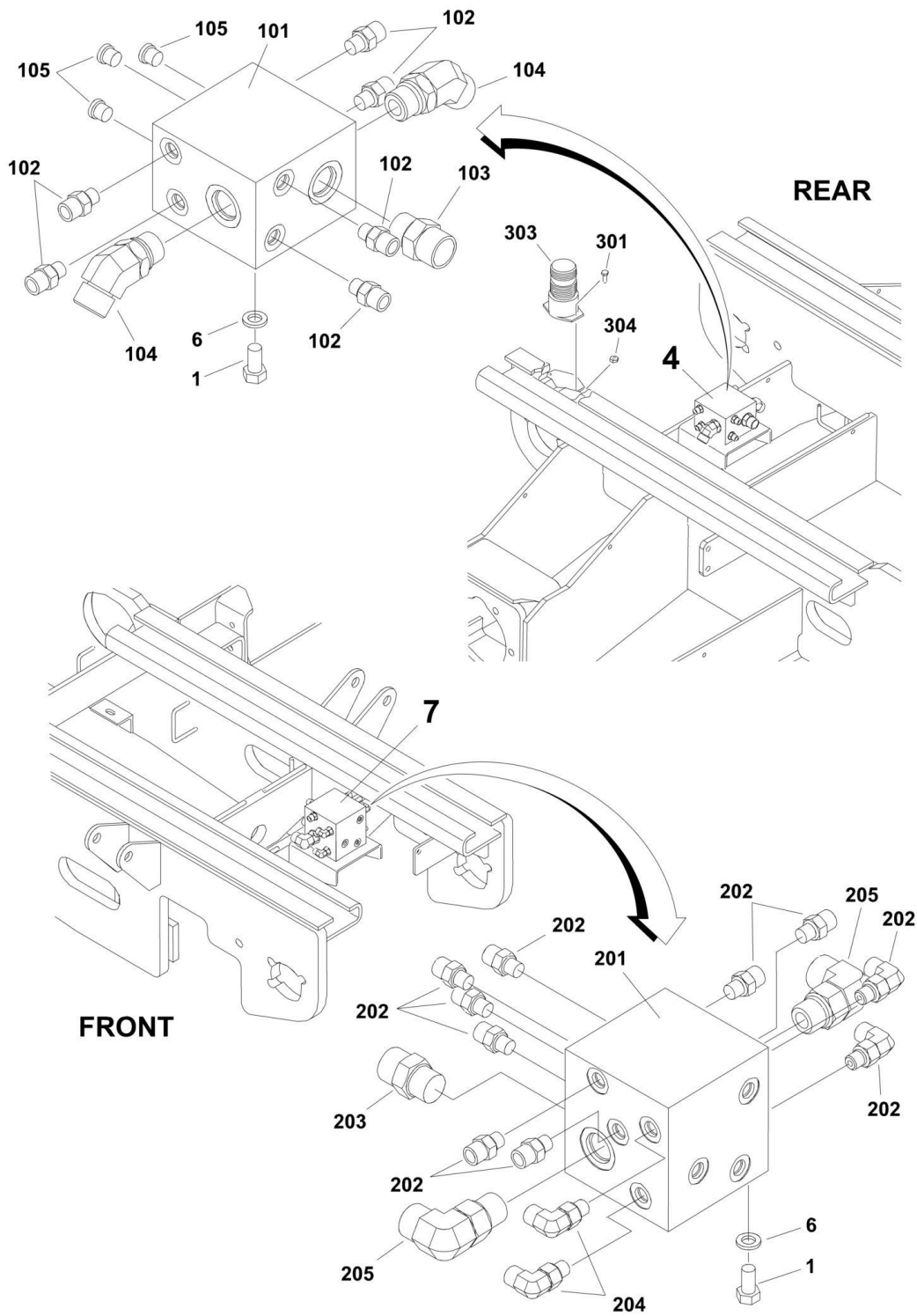
ITEM	PART NUMBER	QTY	DESCRIPTION	REV
		Ref	DRIVE MOTOR/HUB ASSEMBLY	
	2780263	Ref	2WD	B
	2780262	Ref	4WD	B
		Ref	Note: Unless there is capability to torque shaft (item 4) to 626 ft/lbs (850Nm) Repair beyond this level is not advised.	
1	See Note	NSS	Gear, Planet (Note: Use Item 301)	
2	See Note	NSS	Gear, Planet (Note: Use Item 302A or 302B)	
3	7021325	1	Gear, Sun	
4	See Note	NSS	Nut, Shaft (Note: Use Item 303)	
		Ref	Note: Unless there is capability to torque shaft nut (Item 4) to 626 ft/lbs (850Nm) Repair beyond this level is not advised.	
5	7021326	3	Pin, Planet	
6	7021327	1	Ring, Support	
7	7021328	1	Carrier, Planet	
8	See Note	NSS	Cover (Note: Use Item 304)	
10	See Note	NSS	Bearing, Roller (Note: Use Item 302A or 302B)	
11	See Note	NSS	Bearing, Roller (Note: Use Item 301)	
12	See Note	NSS	Bearing, Tapered Roller (Note: Use Item 303)	
14	See Note	NSS	Ring, Retaining (Note: Use Item 302A or 302B)	
15	See Note	NSS	Ring, Retaining (Note: Use Item 301)	
16	7021341	1	Ring, Retaining	
17	See Note	NSS	Disk, Support (Note: Use Item 302A or 302B)	
19	See Note	NSS	O-Ring (Note: Use Item 303)	
20	See Note	NSS	Seal, Shaft (Note: Use Item 303)	
21	See Note	NSS	Plug, screw (Note: Use Item 304)	
22	7024048	3	Ring, Seal	
23	See Note	NSS	Bolt (Note: Use Item 303)	
27	70002303	1	O-Ring	
28	70002304	1	Seal	
29	7024049	1	Washer, Thrust	
30		Ref	Gear, Ring Options:	
30	7021335	1	2WD	
30	7021346	1	4WD	
33	See Note	NSS	O-Ring (Note: Use Item 303 or 304)	
34	See Note	NSS	Ring, Retaining (Note: Use Item 304)	
43		Ref	Shaft, Sun Gear Options:	
43	7021336	1	2WD	
43	7021347	1	4WD	
44	7024050	1	Shaft, Input	
49	7024051	1	Washer, Thrust	
51	See Note	NSS	Cover (Note: Use Item 304 or 305)	
52	See Note	NSS	Sleeve (Note: Use Item 304)	
53	See Note	NSS	Bolt (Note: Use Item 304 or 305)	
54	See Note	NSS	O-Ring (Note: Use Item 304 or 305)	
55	7024053	1	Spring	
56	See Note	NSS	Rod, Shift (Note: Use Item 305)	
60	See Note	NSS	Housing, Brake (Note: Not Available - Purchase Complete Assy)	
62	70005672	3	Disc, Lamination	
63	70005673	4	Disc, Counter	
71	70005674	1	O-Ring	

SECTION 1 - FRAME

ITEM	PART NUMBER	QTY	DESCRIPTION	REV
72	70005675	1	O-Ring	
88	7021344	9	Stud, Wheel	
120	7024055	1	Motor, Hydraulic	
224	See Note	NSS	Dowel, Spring Sleeve (Note: Use Item 303)	
		Ref	REPAIR KIT OPTIONS	
301	7022544	1	Planet Gear Kit (Includes Items 1, 11, 15)	
302		Ref	Planet Gear Kit Options: (Includes Items 2, 10, 14, 17)	
302A	7024027	1	2WD	
302B	7022545	1	4WD	
303	7024047	1	Bearing Kit (Includes Items 4, 12, 19, 20, 23, 33, 224)	
		Ref	Note: Unless there is capability to torque shaft nut (Item 4) to 626 ft/lbs (850Nm) Repair beyond this level is not advised.	
304	7021329	1	Cover Kit (Includes Items 8, 21, 22, 33, 34, 51, 52, 53, 54)	
305	7024054	1	Mechanical Disconnect Kit (Includes 51, 53, 54, 56)	

SECTION 1 - FRAME

FIGURE 1-5. BEACON LIGHT AND 4WD VALVE INSTALLATIONS (FRAME MOUNTED)



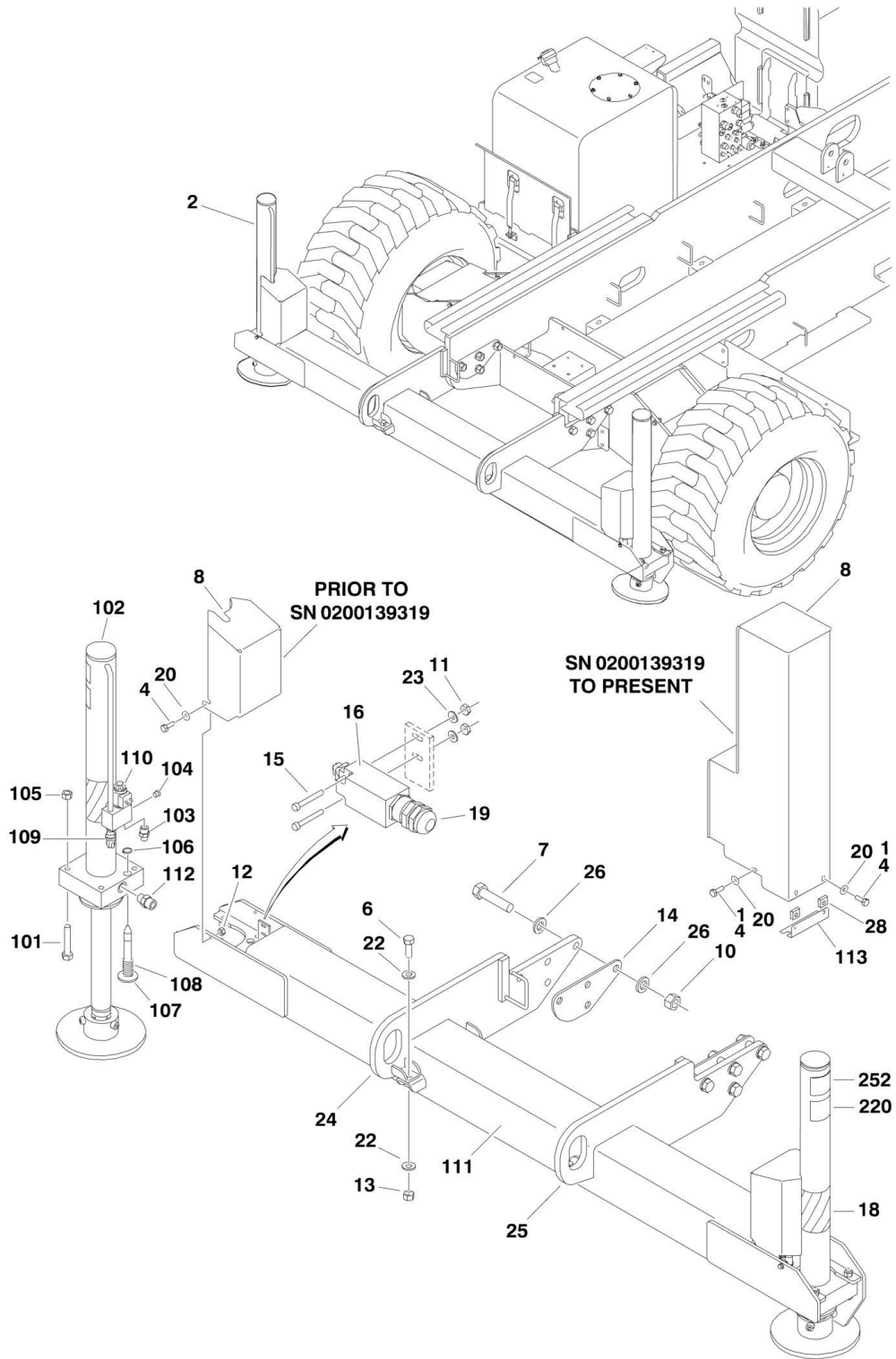
SECTION 1 - FRAME

FIGURE 1-5. BEACON LIGHT AND 4WD VALVE INSTALLATIONS (FRAME MOUNTED)

ITEM	PART NUMBER	QTY	DESCRIPTION	REV
	0271779	Ref	4WD VALVE INSTALLATIONS (FRAME MOUNTED)	C
1	0641606	8	Bolt 3/8-16NC x 3/4	
4	4641225	1	Valve Assembly - 4WD Rear Axle (See Items 101 to 105 for Breakdown)	
6	4761600	2	Lockwasher 3/8	
7	4641220	1	Valve Assembly - 4WD Front Axle (See Items 201 to 205 for Breakdown)	
	4641225	Ref	VALVE ASSEMBLY - REAR AXLE (4WD)	C
101	See Note	NSS	Block, Manifold (Note: Not Available for Purchase)	
102	2110404	6	Fitting, Straight	
103	2111010	1	Fitting, Straight	
104	2151010	2	Fitting, 45	
105	See Note	NSS	Orifice (Note: Not Available for Purchase)	
	4641220	Ref	VALVE ASSEMBLY - FRONT AXLE (4WD)	C
201	See Note	NSS	Block, Manifold (Note: Not Available for Purchase)	
202	2110404	8	Fitting, Straight	
203	2111010	1	Fitting, Straight	
204	2130404	4	Fitting, 90	
205	2131010	2	Fitting, 90	
	0271746	Ref	BEACON LIGHT INSTALLATION	A
301	0721004	2	Screw #10-24NC x 1/2	
302	2820018	2 in/8cm	Heat-Shrink (Not Shown)	
303	2920146	1	Beacon Light Assembly	
303	7016319	1	Bulb, Replacement	
303	7016372	1	Lens, Replacement	
304	3311005	2	Locknut #10-24NC	
305	4922739	1	Harness, Beacon Light (Not Shown - See ELECTRICAL SECTION for Breakdown)	

SECTION 1 - FRAME

FIGURE 1-6. LEVELING JACKS INSTALLATION



SECTION 1 - FRAME

FIGURE 1-6. LEVELING JACKS INSTALLATION

ITEM	PART NUMBER	QTY	DESCRIPTION	REV
		Ref	LEVELING JACKS INSTALLATIONS:	
	0271776	Ref	Leveling Jacks Installations (Prior to SN 0200139319)	F
	0274623	Ref	Leveling Jacks Installations (SN 0200139319 through 0200191606)	B
1	0100011	AR	Locking, Compound (Not Shown)	
2		Ref	Leveling Jack Assembly Options (See Items 101-113 for Breakdown):	
2	0272261	2	Leveling Jack Assembly (Prior to SN 0200139319)	
2	0274622	2	Leveling Jack Assembly (SN 0200139319 through 0200191606)	
3	0272278	1	Directional Valve Assembly (Not Shown - See GROUND CONTROLS SECTION for Breakdown)	
4		Ref	Bolt Options:	
4	0641406	8	Bolt 1/4-20NC x 3/4 (Prior to SN 0200139319)	
4	0641407	16	Bolt 1/4-20NC x 7/8 (SN 0200139319 through 0200191606)	
6	0641811	8	Bolt 1/2-13NC x 1-3/8	
7	0682226	16	Bolt 3/4-10NC x 3-1/4	
8		Ref	Cover Options:	
8	1671071	4	Cover (Prior to SN 0200139319)	
8	1671165	4	Cover (SN 0200139319 through 0200191606)	
10	3272205	16	Locknut 3/4-10NC	
11	3310805	8	Locknut #8-32NC	
12	3311405	8	Locknut 1/4-20NC (Prior to SN 0200139319)	
13	3311805	8	Locknut 1/2-13NC	
14	3573658	4	Plate	
15	3930820	8	Capscrew #8-32NC	
16		Ref	Switch, Limit Options:	
16	4360548	4	Switch, Limit (Prior to SN 0200115380)	
16	See Note	4	Switch, Limit (Note: See ELECTRICAL SECTION) (SN 0200115380 through 0200191606)	
18		Ref	Tape, Safety Options:	
18	4420052	3 ft/1m	Tape, Safety (Prior to SN 0200139319)	
18	4420052	8 ft/2.4m	Tape, Safety (SN 0200139319 through 0200149812)	
18	4420051	8 ft/2.4m	Tape, Safety (SN 0200149813 through 0200191606)	
19	4460968	4	Connector, Strain Relief (Prior to SN 0200115380)	
20	4711400	AR	Flatwasher 1/4 Narrow	
22	4711800	16	Flatwasher 1/2 Narrow	
23	4750800	8	Flatwasher #8 Thick	
24	4846620	2	Support (Front Right/Rear Left)	
25	4846621	2	Support (Front Left/Rear Right)	
26	4892200	32	Washer, Hardened 3/4	
27	4922748	1	Harness, Leveling Jack (See ELECTRICAL SECTION for Breakdown)	
28	3300353	16	Nut, Tinnerman (SN 0200139319 through 0200191606)	
		Ref	LEVELING JACK ASSEMBLIES:	
	0272261	Ref	Leveling Jack Assemblies (Prior to SN 0200139319)	C
	0274622	Ref	Leveling Jack Assemblies (SN 0200139319 through 0200191606)	A
		Ref	Note: Qty shown is for one Level Jack Assembly. Two assemblies required per machine.	
101	0641824	8	Bolt 1/2-13NC x 3	

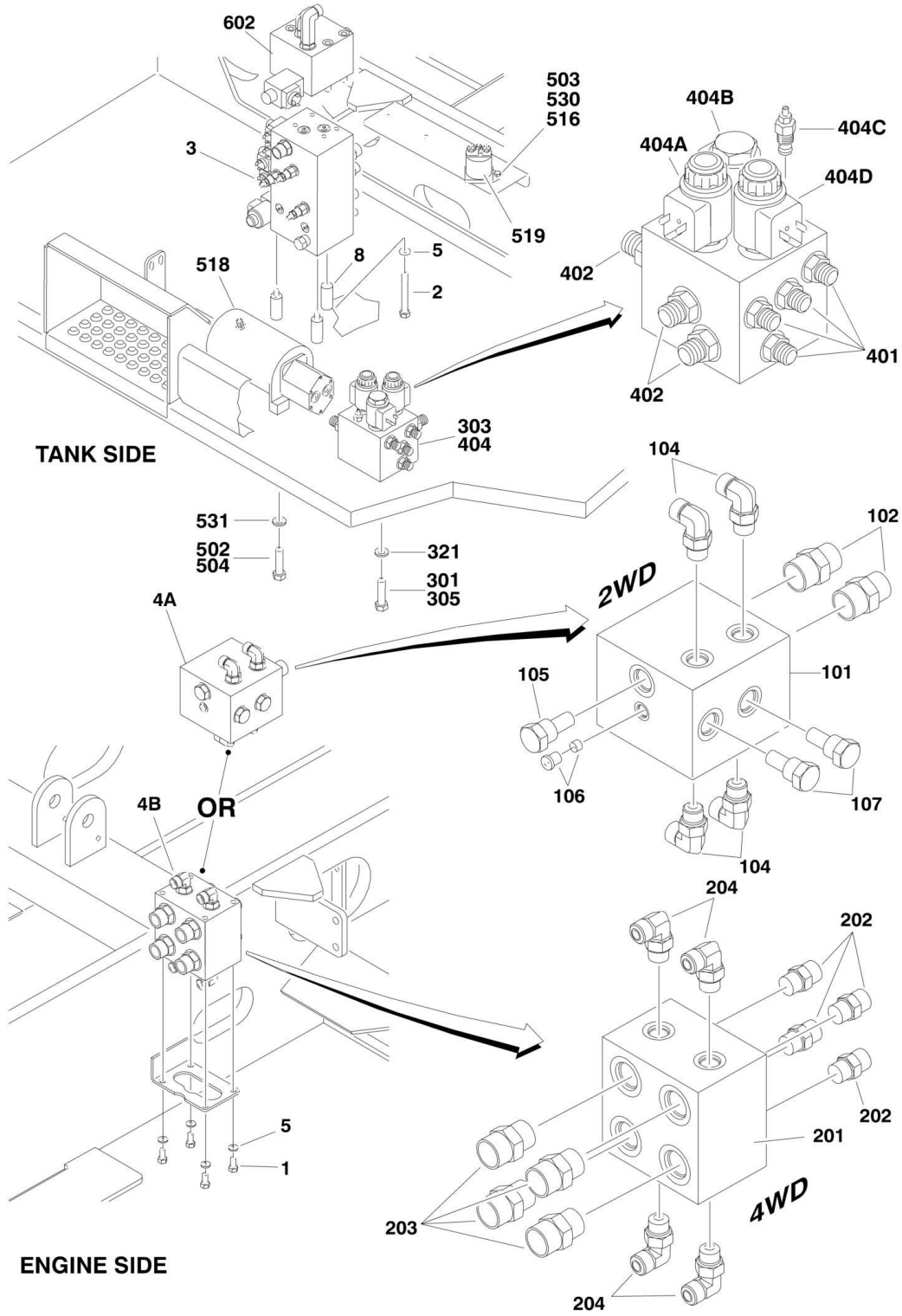
SECTION 1 - FRAME

ITEM	PART NUMBER	QTY	DESCRIPTION	REV
102		Ref	Jack Cylinder Assembly Options (See CYLINDER SECTION for Breakdown):	
102	1684220	2	Jack Cylinder Assembly (Prior to SN 0200139319)	
102	1684406	2	Jack Cylinder Assembly (SN 0200139319 through 0200191606)	
103	2110606	2	Fitting, Straight	
104	2220883	2	Plug	
105	3311805	8	Locknut 1/2-13NC	
106	3760348	2	Ring, Retaining	
107	3841564	2	Rod	
108	4160116	2	Spring	
109	4360518	2	Transducer, Pressure	
110	4641238	2	Cartridge, Solenoid Valve	
110	7024502	2	Seal Kit - 4641238 Valve (1 Per Cartridge)	
110	7024501	2	Coil (1 Per Cartridge)	
110	7024506	2	Coil Nut Kit (1 Per Cartridge)	
111		Ref	Mount, Leveling Jack Options:	
111	4846619	1	Mount, Leveling Jack (Prior to SN 0200139319)	
111	4210028	1	Mount, Leveling Jack (SN 0200139319 through 0200191606)	
112	2110808	2	Fitting, Straight	
113	0903054	2	Bracket, Jack Cover (SN 0200139319 through 0200191606)	
	0010583	Ref	DECALS INSTALLATION	
220		Ref	Decal - Outrigger Warning Options:	
220	1701214	4	ANSI Spec (English)	
220	1704690	4	CSA Spec (English/French)	
220	1704698	4	Brazilian Spec (Spanish/Portuguese)	
220	1704697	4	Latin American Spec (English/Spanish)	
252	1705042	4	Decal - Maximum Load	

SECTION 2 - GROUND CONTROLS

SECTION 2 - GROUND CONTROLS

FIGURE 2-1. CONTROL VALVES INSTALLATION



SECTION 2 - GROUND CONTROLS

FIGURE 2-1. CONTROL VALVES INSTALLATION

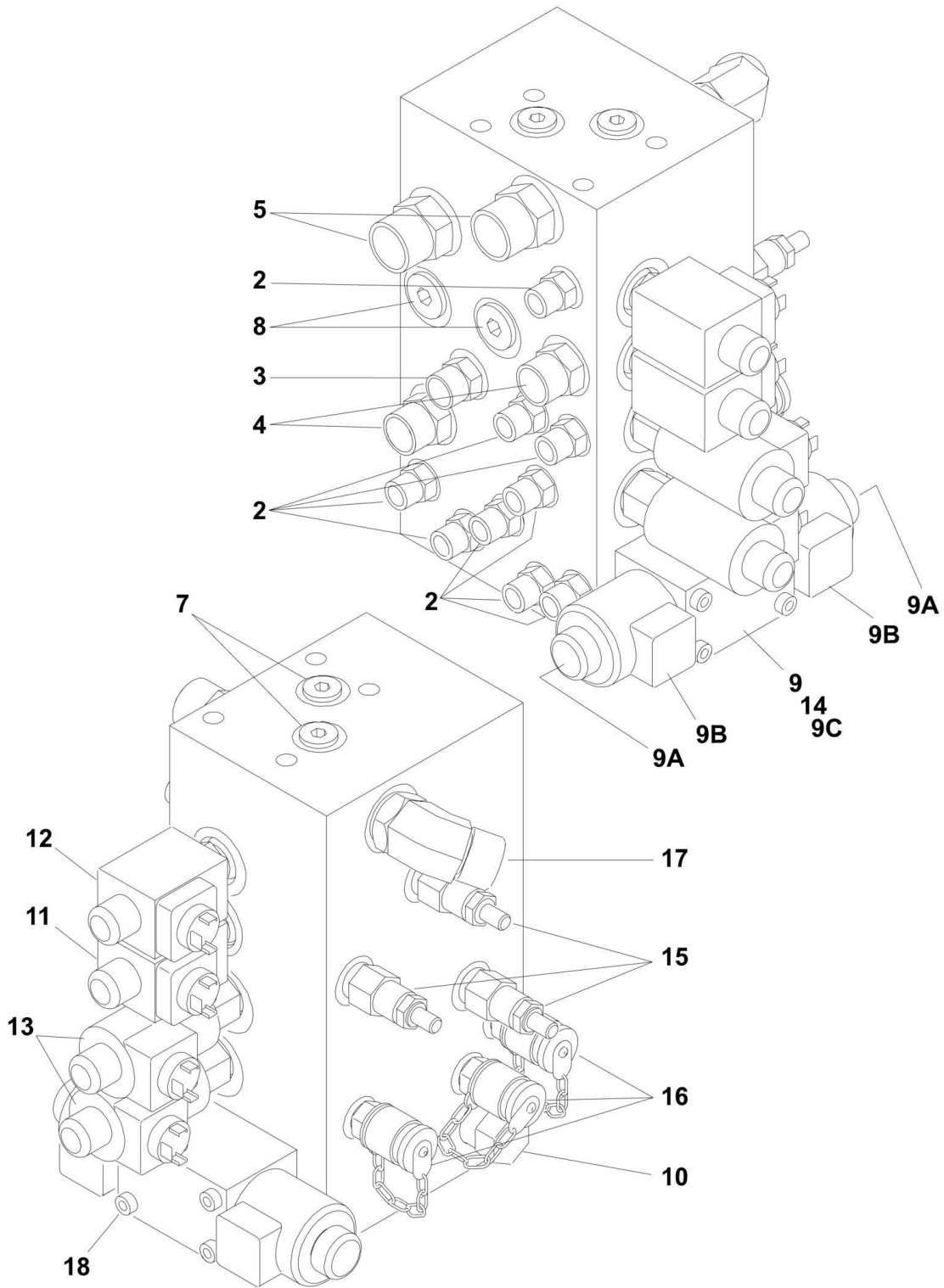
ITEM	PART NUMBER	QTY	DESCRIPTION	REV
		Ref	CONTROL VALVE INSTALLATION	
	0271778	Ref	2WD	B
	0271779	Ref	4WD	C
1	0641606	4	Bolt 3/8-16NC x 3/4	
2	0641624	3	Bolt 3/8-16NC x 3	
3	4641211	1	Valve Assembly - Main (See MAIN CONTROL VALVE ASSEMBLY for Breakdown)	
4		Ref	Valve Assembly - Drive Header Options:	
4A	4641228	1	2WD (See Items 101-106 for Breakdown)	
4B	4641227	1	4WD (See Items 201-204 for Breakdown)	
5	4761600	7	Lockwasher 3/8	
8	4568114	3	Spacer, Tube	
	4641228	Ref	VALVE ASSEMBLY - DRIVE HEADER (2WD)	C
101	See Note	NSS	Block, Manifold (Note: Not Available for Purchase)	
102	2111212	2	Fitting, Straight	
104	2130808	4	Fitting, 90	
105	7026010	1	Cartridge	
105	70002519	1	Seal Kit - 7026010 Cartridge	
106	7018905	1	Plug, O-Ring	
106	7022523	1	Orifice	
107	7026012	2	Cartridge	
107	7011346	2	Seal Kit - 7026012 Cartridge	
	4641227	Ref	VALVE ASSEMBLY - DRIVE HEADER (4WD)	C
201	See Note	NSS	Block, Manifold (Note: Not Available for Purchase)	
202	2110808	4	Fitting, Straight	
203	2111212	4	Fitting, Straight	
204	2130808	4	Fitting, 90	
		Ref	LEVELING JACK VALVE INSTALLATION	B
	0271776	Ref	Leveling Jack Valve Installation (Prior to SN 0200139319)	
	0274623	Ref	Leveling Jack Valve Installation (SN 0200139319 through 0200191606)	
301	0100011	AR	Locking, Compound	
303	0272278	1	Leveling Jack Valve Assembly (See Items 401-403 for Breakdown)	
305	0641508	3	Bolt 5/16-18NC x 1	
321	4711500	3	Flatwasher 5/16 Narrow	
	0272278	Ref	LEVELING JACK VALVE SUB-ASSEMBLY	C
401	2110606	4	Fitting, Straight	
402	2110808	6	Fitting, Straight	
404	4641240	1	Valve Assembly	
404A	7024497	1	Cartridge without Coil (Retract)	
404A	7024502	1	Seal Kit - 7024497 Cartridge	
404A	7024501	1	Coil	
404A	7024506	1	Coil Nut Kit	
404B	7024498	1	Cartridge without Coil (Extend)	
404B	7024503	1	Seal Kit - 7024498 Cartridge	
404B	7024501	1	Coil	
404B	7024507	1	Coil Nut Kit	
404C	7024499	1	Cartridge	
404C	7024504	1	Seal Kit - 7024499 Cartridge	

SECTION 2 - GROUND CONTROLS

ITEM	PART NUMBER	QTY	DESCRIPTION	REV
404D	7024500	1	Cartridge without Coil	
404D	7024505	1	Seal Kit - 7024500 Cartridge	
404D	7024501	1	Coil	
404D	7024506	1	Coil Nut Kit	
		Ref	POWER DECK EXTENSION AUXILIARY PUMP INSTALLATION	
	0271701	Ref	Power Deck Extension Auxiliary Pump Installation - with Single Deck Extension (3394RT)	E
	0271705	Ref	Power Deck Extension Auxiliary Pump Installation - with Dual Deck Extension (3394RT)	E
	0271702	Ref	Power Deck Extension Auxiliary Pump Installation - with Single Deck Extension (4394RT)	E
	0271706	Ref	Power Deck Extension Auxiliary Pump Installation - with Dual Deck Extension (4394RT)	E
502	0100011	AR	Locking, Compound	
503	0641405	2	Bolt 1/4-20NC x 5/8	
504	0641608	2	Bolt 3/8-16NC x 1	
516	3311405	2	Locknut 1/4-20NC	
518		Ref	Auxiliary Power Pump Assembly Options (See AUXILIARY PUMP ASSEMBLY for Breakdown):	
518	3600208	NLA	Auxiliary Power Pump Assembly (Use p/n 3600468) (Prior to SN 0200164133)	
518	3600468	1	Auxiliary Power Pump Assembly (SN 0200164133 through 0200191606)	
519	3740067	1	Relay	
530	4751400	4	Flatwasher 1/4 Wide	
531	4751600	2	Flatwasher 3/8 Wide	
		Ref	AUXILIARY POWER VALVE BLOCK INSTALLATION	
	0272687	Ref	Auxiliary Power Valve Block Installation - with Dual Deck Extension (3394RT)	A
	0272688	Ref	Auxiliary Power Valve Block Installation - with Dual Deck Extension (4394RT)	A
601	2753867	2	Hose (Not Shown - Runs From Auxiliary Power Block to Power deck Valve) (3394RT)	
601	2753868	2	Hose (Not Shown - Runs From Auxiliary Power Block to Power deck Valve) (4394RT)	
602	4641226	1	Valve, Power Deck Sandwich	D
602	7026012	1	Cartridge	
602	7011346	1	Seal Kit - 7026012 Cartridge	
602	7024573	1	Cartridge without Coil	
602	7024574	1	Seal Kit - 7024573 Cartridge	
602	7011354	1	Coil	

SECTION 2 - GROUND CONTROLS

FIGURE 2-2. MAIN CONTROL VALVE ASSEMBLY



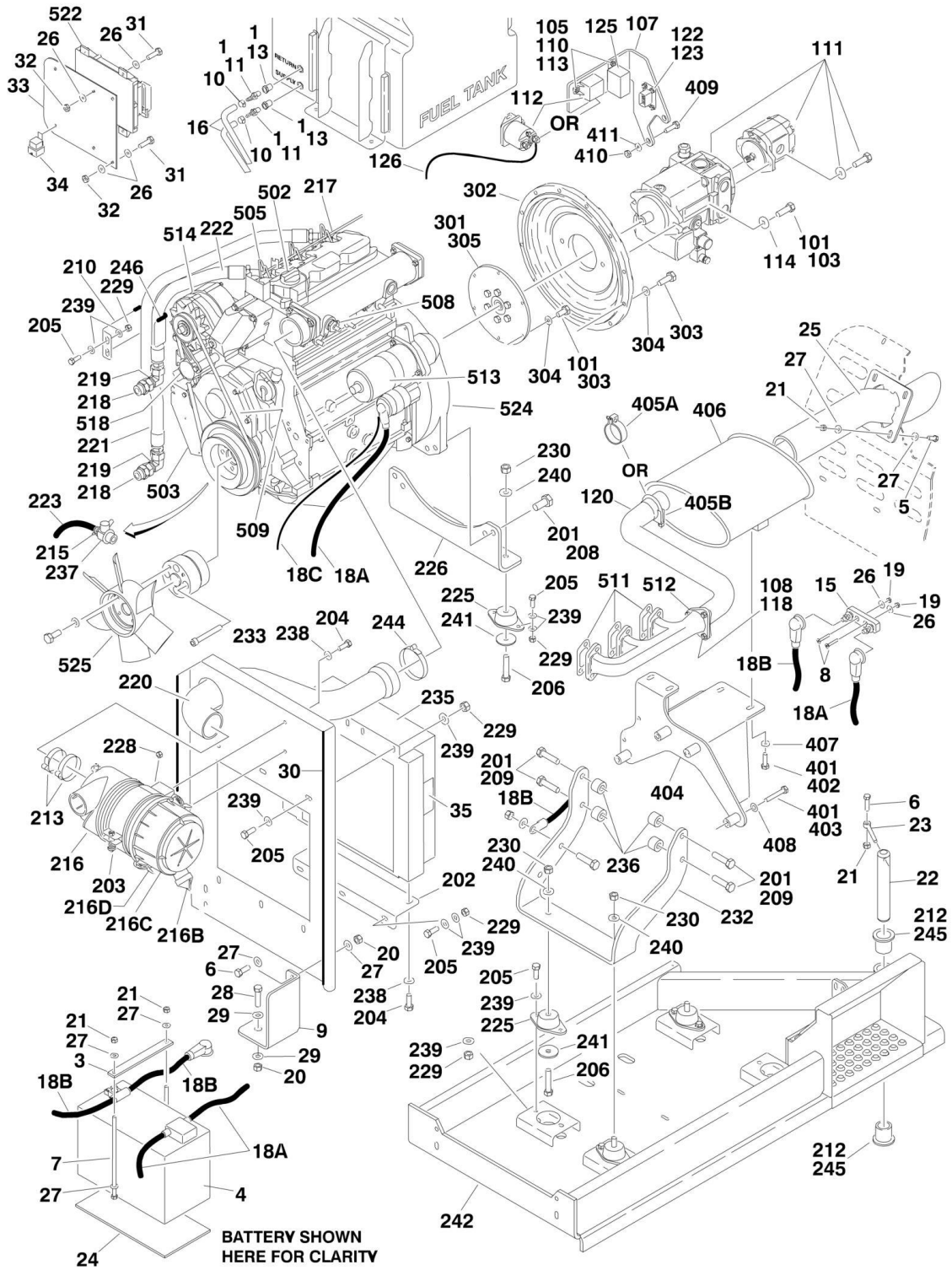
SECTION 2 - GROUND CONTROLS

FIGURE 2-2. MAIN CONTROL VALVE ASSEMBLY

ITEM	PART NUMBER	QTY	DESCRIPTION	REV
	4641211	Ref	MAIN CONTROL VALVE ASSEMBLY	E
2	2110404	9	Fitting, Straight	
3	2110606	1	Fitting, Straight	
4	2110808	2	Fitting, Straight	
5	2111010	2	Fitting, Straight	
7	2220885	2	Plug	
8	2220884	2	Plug	
9	7021365	1	Control Valve Assembly (Steer)	
9	7012773	1	Seal Kit - 7021365 Valve	
9A	7021375	2	Nut, Coil	
9B	7021376	2	Coil	
9C	7018998	2	Spring	
10	7011355	1	Cartridge (Steer Shuttle)	
10	2900770	1	Seal Kit - 7011355 Cartridge	
11	7024573	1	Cartridge without Coil (Lift)	
11	2900770	1	Seal Kit - 7024573 Cartridge	
11	7011354	1	Coil	
11	7024577	1	Seal Kit - 7011354 Coil	
12	7024576	1	Cartridge without Coil (Dump)	
12	7024574	1	Seal Kit - 7024576 Cartridge	
12	7011354	1	Coil	
12	7024577	1	Seal Kit - 7011354 Coil	
13	7024570	2	Cartridge without Coil (Brake/2 Speed)	
13	70001930	2	Seal Kit - 7024570 Cartridge	
13	7024571	2	Coil	
13	7024578	2	Seal Kit - 7024571 Coil	
14	7018900	1	Orifice (Steer)	
15	7024572	3	Cartridge (Main/Lift/Steer)	
15	7011346	3	Seal Kit - 7024572 Cartridge	
16	2221086	3	Fitting	
17	2151010	1	Fitting, 45	
18	7018942	4	Capscrew #10-24NC x 2in	

SECTION 2 - GROUND CONTROLS

FIGURE 2-3. ENGINE INSTALLATION (DEUTZ)



SECTION 2 - GROUND CONTROLS

FIGURE 2-3. ENGINE INSTALLATION (DEUTZ)

ITEM	PART NUMBER	QTY	DESCRIPTION	REV
		Ref	ENGINE INSTALLATIONS - DEUTZ	
	0271697	Ref	2WD (Prior to SN 0200120143)	D
	0271773	Ref	4WD (Prior to SN 0200120143)	D
	0273846	Ref	Engine Installations - Deutz (SN 0200120143 through 0200138633)	C
	0274602	Ref	Engine Installations - Deutz (SN 0200138634 through 0200191606)	B
1	0100079	AR	Sealant, Pipe	
3	0361810	1	Bar, Battery Hold-Down	
4	0400075	1	Battery	
5	0641608	4	Bolt 3/8-16NC x 1	
6	0641612	3	Bolt 3/8-16NC x 1-1/2	
7	0641680	2	Bolt 3/8-16NC x 10	
8	0741010	2	Screw, Countersunk #10-24NC x 1-1/4	
9	0902777	1	Bracket, Latch Mounting	
10	1320022	4	Clamp	
11		Ref	Fitting, Straight Barbed Options:	
11	2180536	1	Fitting, Straight Barbed (Return Line) (Prior to SN 0200120143)	
11	2180348	1	Fitting, Straight Barbed (Supply Line) (Prior to SN 0200120143)	
11	2180348	2	Fitting, Straight Barbed (Both Lines) (SN 0200120143 through 0200191606)	
13		Ref	Fitting, Reducer Options:	
13	2220430	1	Fitting, Reducer (Return Line) (Prior to SN 0200120143)	
13	2220250	1	Fitting, Reducer (Supply Line) (Prior to SN 0200120143)	
13	2220250	2	Fitting, Reducer (Both Lines) (SN 0200120143 through 0200191606)	
14	4923062	1	Harness, Start Assist Solenoid (Not Shown - See ELECTRICAL SECTION for Breakdown) (Prior to SN 0200138634)	
15	2400044	1	Fuse, Mounting Block	
16		Ref	Hose Options:	
16	2720271	12 ft/3.7m	Hose (Return Line) (Prior to SN 0200120143)	
16	2720058	12 ft/3.7m	Hose (Supply Line) (Prior to SN 0200120143)	
16	2720058	24 ft/7.3m	Hose (Both Lines) (SN 0200120143 through 0200191606)	
18	2902132	1	Battery Cable Kit	A
18A	7024585	1	Cable, Battery (Red) (Includes 3 Boots)	
18B	7024586	1	Cable, Battery (Black) (Includes 1 Boots)	
18C	7024587	1	Cable (Red)	
19	3300408	2	Locknut with Nylon Insert	
20	3312005	1	Locknut 5/8-11NC	
21	3311605	7	Locknut 3/8-16NC	
22	3422669	1	Pin	
23	3841143	1	Keeper, Pin	
24	3980007	1	Seat, Battery	
25	4568499	1	Pipe, Exhaust	
26	4711400	AR	Flatwasher 1/4 Narrow	
27	4711600	12	Flatwasher 3/8 Narrow	
28	0642016	1	Bolt 5/8-11NC x 2	
29	4712000	1	Flatwasher 5/8 Narrow	
30	3960468	2	Seal	

SECTION 2 - GROUND CONTROLS

ITEM	PART NUMBER	QTY	DESCRIPTION	REV
31	0641408	6	Bolt 1/4-20NC x 1 (SN 0200138634 through 0200191606)	
32	3311405	6	Locknut 1/4-20NC (SN 0200138634 through 0200191606)	
33	3576003	1	Plate, EMR2 Mounting (SN 0200138634 through 0200191606)	
34	3740049	1	Relay (SN 0200138634 through 0200191606)	
35		Ref	Decal - Warning Explosion/Fire Options: (SN 0200148587 through 0200191606)	
35	1704972	1	ANSI and ANSI Export Spec	
35	1706064	1	CSA Spec	
35	1706059	1	Brazil Spec (English/Portuguese)	
35	1706060	1	Chinese Spec (English/Chinese)	
35	1706063	1	Latin American Spec (English/Spanish)	
		Ref	ENGINE AND PUMP ASSEMBLIES	
	0271920	Ref	2WD (Prior to SN 0200120143)	L
	0271921	Ref	4WD (Prior to SN 0200120143)	L
	2000239	Ref	Engine and Pump Assemblies (SN 0200120143 through 0200138633)	F
	2000309	Ref	Engine and Pump Assemblies (SN 0200138634 through 0200191606)	J
101	0100011	AR	Locking, Compound	
103	0641812	2	Bolt 1/2-13NC x 1-1/2	
105	0721006	3	Screw #10-24NC x 3/4	
107	0902812	1	Bracket, Relay Mounting	
108	0701025	4	Bolt 10mm x 85mm	
110	3311005	3	Locknut #10-24NC	
111		Ref	Pump Assembly Options (See DRIVE PUMP SUB-ASSEMBLY for Breakdown):	
111	3600344	1	2WD	
111		Ref	4WD Options:	
111	3600336	NLA	Pump Assembly (Use p/n 3600371) (Prior to SN 0200128982)	
111	3600371	1	Pump Assembly (SN 0200128982 through 0200191606)	
112		Ref	Relay Options:	
112	3740112	1	Relay (Prior to SN 0200149013)	
112	3740067	1	Relay (SN 0200149013 through 0200191606)	
113	4751000	6	Flatwasher #10	
114	4891800	2	Flatwasher 1/2 Hardened	
116		Ref	Harness, Engine Options (Not Shown - See ELECTRICAL SECTION for Breakdown):	
116	4922709	1	Harness, Engine (Prior to SN 0200138634)	
116	4923276	1	Harness, Engine (SN 0200138634 through 0200149012)	
116	4923386	1	Harness, Engine (SN 0200149013 through 0200191606)	
118	4891600	4	Flatwasher 3/8 Hardened	
120	3460335	1	Pipe, Exhaust Options:	
120	3460332	NLA	Pipe, Exhaust (Use p/n 2902271) (Prior to SN 0200113034)	
120	2902271	1	Pipe, Exhaust (SN 0200113034 through 0200120142)	
120	3460335	1	Pipe, Exhaust (SN 0200120143 through 0200191606)	
122	0720805	4	Screw #8-32NC x 5/8	
123	3310805	4	Locknut #8	
125	3740080	1	Relay	
126	4923478	1	Harness, Glow Plug (SN 0200149013 through 0200191606)	
		Ref	ENGINE ASSEMBLIES	
	0271819	Ref	Engine Assemblies (Prior to SN 0200120143)	G
	2000238	Ref	Engine Assemblies (SN 0200120143 through 0200138633)	B

SECTION 2 - GROUND CONTROLS

ITEM	PART NUMBER	QTY	DESCRIPTION	REV
	2000310	Ref	Engine Assemblies (SN 0200138634 through 0200191606)	E
201	0100011	AR	Locking, Compound	
202	0182029	1	Angle, Support	
203	0340052	1	Band, Air Cleaner Mounting	
204	0641507	4	Bolt 5/16-18NC x 7/8	
205	0641608	20	Bolt 3/8-16NC x 1	
206	0641820	4	Bolt 1/2-13NC x 2-1/2	
208	0701414	4	Bolt14mm x 30mm	
209	0701419	4	Bolt 14mm x 55mm	
210	0902786	1	Bracket, Hose Guide	
212	0961986	2	Bushing, Flanged	
213	1320016	AR	Clamp	
215	1320022	1	Clamp, Hose	
216	1340066	1	Air Cleaner Assembly Filter Element	
216A	7024438	1	Element, Filter (Not Shown)	
216B	8273291	1	Valve, Vactuator	
216C	70001787	1	Cover, Air Cleaner	
216D	70000263	1	Clip	
217		Ref	Engine, Deutz Diesel Options:	
217	2000184	1	Engine, Deutz Diesel (Prior to SN 0200120143)	
217	2000237	1	Engine, Deutz Diesel (SN 0200120143 through 0200138633)	
217	2000308	1	Engine, Deutz Diesel (SN 0200138634 through 0200149012)	
217	2000341	1	Engine, Deutz Diesel (SN 0200149013 through 0200166291)	
217	1001092724	1	Engine, Deutz Diesel (SN 0200166292 through 0200191606)	
218	2220451	2	Fitting, Straight	
219	2220655	2	Fitting, 90	
220	2720486	1	Hose, Air Cleaner	
221	2720494	1	Hose	
222	2720495	1	Hose	
223	2750532	1 ft/30cm	Hose, Oil Drain	
225	3200378	4	Mount, Motor	
226	3200431	1	Plate, Motor Mounting (Rear)	
228	3311505	4	Locknut 5/16-18NC	
229	3311605	20	Locknut 3/8-16NC	
230	3311805	4	Locknut 1/2-13NC	
232	3573288	1	Plate, Motor Mounting (Front)	
233	3573304	1	Plate, Oil Cooler Mounting	
235	3620043	1	Radiator	
236	4568398	4	Tube, Spacer	
237	4640751	1	Valve, Oil Drain	
238	4711500	4	Flatwasher 5/16 Narrow	
239	4711600	40	Flatwasher 3/8 Narrow	
240	4711800	4	Flatwasher 1/2 Narrow	
241	4740274	4	Washer, Snubbing	
242	4846480	1	Tray, Engine	
244	1320058	1	Clamp	
245	0100062	AR	Loctite #RC/680	
246	4060803	4 in/9cm	Flex-Trim	
		Ref	PUMP COUPLING KITS	
	2902065	Ref	2WD	G
	2902101	Ref	4WD	B

SECTION 2 - GROUND CONTROLS

ITEM	PART NUMBER	QTY	DESCRIPTION	REV
301		Ref	Coupling, Hayes Options:	
301	70000793	1	2WD	
301	7027232	1	4WD	
302		Ref	Plate, Pump Adapter Options:	
302	See Note	NSS	2WD (Note: Use p/n 2902065)	
302	7027233	1	4WD	
303		Ref	Bolt Metric 10mm	
303	See Note	NSS	2WD (Note: Use p/n 2902065)	
303	See Note	NSS	4WD (Note: Use p/n 2902101)	
304		Ref	Flatwasher 10mm	
304	See Note	NSS	2WD (Note: Use p/n 2902065)	
304	See Note	NSS	4WD (Note: Use p/n 2902101)	
305	3020021	AR	Grease, Coupling	
		Ref	MUFFLER KIT OPTIONS:	
	0271920	Ref	2WD (Prior to SN 0200110801)	L
	0271921	Ref	4WD (Prior to SN 0200110801)	L
	2902243	Ref	Spark Arrestor (SN 0200110801 through 0200191606)	F
	2902244	Ref	Catalytic (SN 0200110801 through 0200191606)	E
401	0100011	AR	Locking, Compound	
402	0641608	2	Bolt, 3/8-16NC x 1	
403		Ref	Bolt Options:	
403	0701015	4	Bolt 10mm x 35mm	
403	0701013	4	Bolt 10mm x 28mm	
403	0711025	4	Bolt 10mm x 85mm (was p/n 0701025)	
404		Ref	Bracket, Muffler Mount Options:	
404	0902788	1	Bracket, Muffler Mount (Not Shown) (Prior to SN 0200110801)	
404	0902885	1	Bracket, Muffler Mount (SN 0200110801 through 0200191606)	
405		Ref	Clamp, Muffler Options:	
405A	70001017	1	Clamp, Circle (Supplied with 406A)	
405B	1320019	1	Clamp Saddle (Note: Must be purchased separately)	
406		Ref	Muffler Options:	
406	3220129	1	Spark Arrestor (Includes Item 405A)	
406	3220131	1	Catalytic	
407	4711600	2	Flatwasher 3/8 Narrow	
408	4891600	4	Flatwasher 3/8 Hardened	
409	0701013	2	Bolt 10mm x 28mm	
410	3291005	2	Locknut 10mm	
411	4812000	2	Flatwasher 10mm	
		Ref	ENGINE COMPONENTS	
	2000184	Ref	Engine Components (Prior to SN 0200120143)	
	2000237	Ref	Engine Components (SN 0200120143 through 0200138633)	
	2000308	Ref	Engine Components (SN 0200138634 through 0200149012)	
	2000341	Ref	Engine Components (SN 0200149013 through 0200166291)	
	1001092724	Ref	Engine Components (SN 0200166292 through 0200191606)	
501		Ref	Dipstick (Not Shown - Located on RH Side of Engine)	
501	7020026	1	Used with Engine p/n 2000184	
501	7020026	1	Used with Engine p/n's 2000237, 2000308, 2000341 & 1001092724 (was p/n 7027244)	
502	7020465	2	Cap, Oil Fill	
503		Ref	Pump, Oil (RH Side Lower Front)	
503	7020467	1	Used with Engine p/n 2000184	

SECTION 2 - GROUND CONTROLS

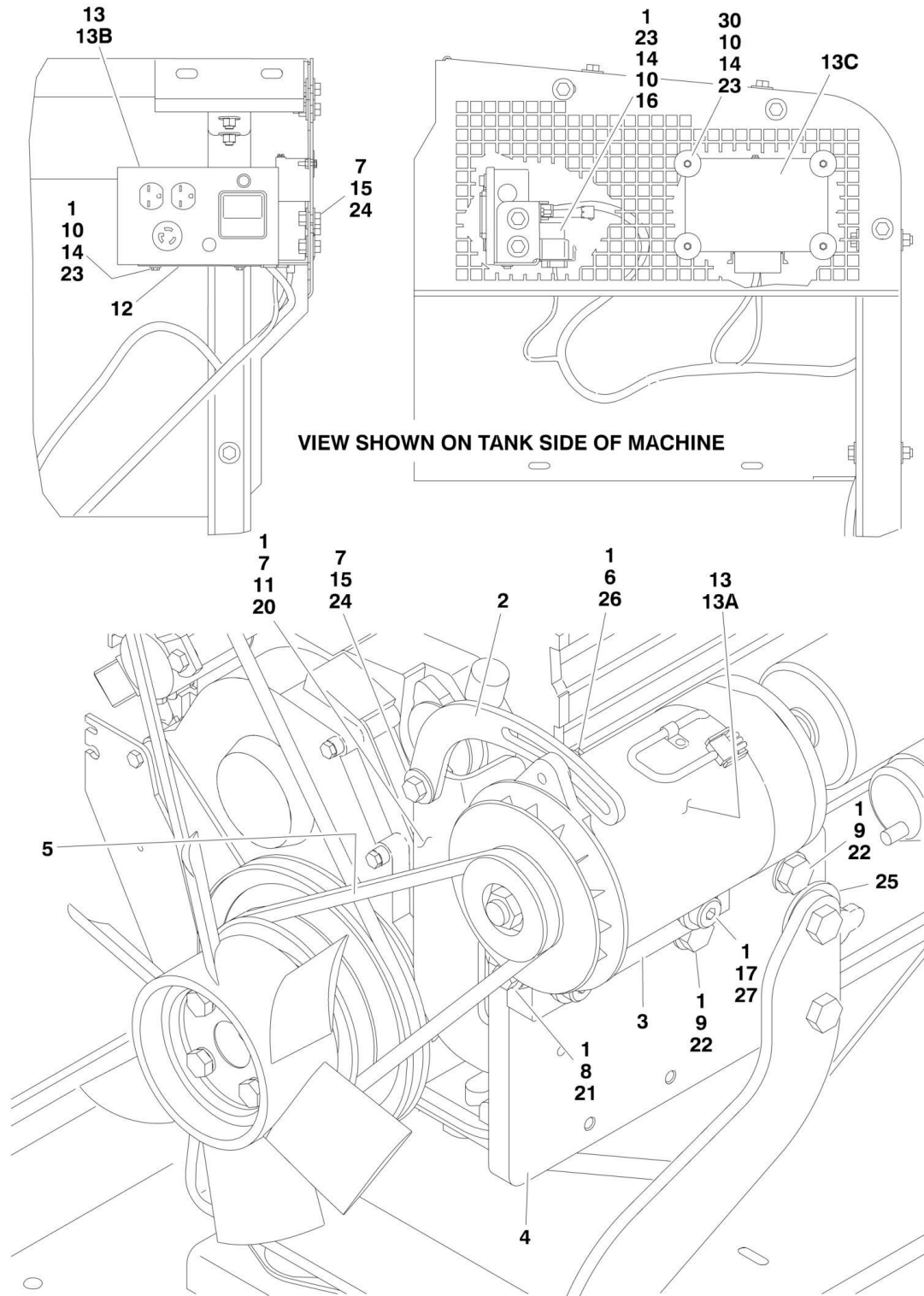
ITEM	PART NUMBER	QTY	DESCRIPTION	REV
503	7020495	1	Used with Engine p/n's 2000237, 2000308, 2000341 & 1001092724	
503	7020468	1	Ring, Seal (Oil Pump to Engine Block) (Not Shown)	
504	7016331	1	Filter, Oil (Not Shown - Located on RH Side of Engine)	
505		Ref	Pump, Fuel Injection	
505	7024318	3	Used with Engine p/n 2000184	
505		Ref	Used with Engine p/n's 2000237, 2000308, 2000341 & 1001092724	
505	70000912	3	Pump, Fuel Injection - A (was p/n 7027246)	
505	70000913	3	Pump, Fuel Injection - B (was p/n 7027608)	
505	70000914	3	Pump, Fuel Injection - C (was p/n 7027609)	
505	70000915	3	Pump, Fuel Injection - D (was p/n 7027610)	
505	7020447	3	Gasket, Fuel Pump	
506		Ref	Pump, Fuel Supply (Not Shown - Located on RH Side of Engine)	
506	7020463	1	Used with Engine p/n 2000184 (was p/n 7020490)	
506	70000916	1	Used with Engine p/n's 2000237, 2000308, 2000341, 1001092724 (WAS P/N 7027238)	
506	7020411	1	O-Ring (Fuel Supply Pump to Engine Block) (Not Shown)	
507	7020023	1	Filter, Spin-On Fuel (Not Shown - Located on RH Side of Engine)	
507	70001423	1	Bracket, Spin-On Fuel Filter (Not Shown - Located on RH Side of Engine)	
507	7027245	1	Filter, In-Line Fuel (Not Shown)	
508	7020491	1	Plug, Glow (Used with Engine p/n's 2000184, 2000237 & 2000308)	
508	7020492	1	Seal (Glow Plug to Manifold) (Not Shown)	
509	7020414	1	V-Belt	
510	70001871	3	Gasket (Air Intake to Head) (Not Shown) (was p/n 7020449)	
511	7020471	3	Gasket (Exhaust Manifold to Head)	
512	7020486	1	Gasket (Exhaust Manifold to Exhaust Pipe)	
513	7020479	1	Starter	
513	7026608	1	Relay/Solenoid, Starter	
514	7000663	1	Generator (was p/n 7020493)	
514	7020494	1	Regulator, Voltage	
515	7024565	1	Sensor, Speed Pick-up (Not Shown - Located on RH Side of Bellhousing)	
516		Ref	Sensor, Oil Pressure Options (Not Shown - Located on RH Side of Engine about Fuel Pump):	
516	7020461	1	Used with Engine p/n's 2000184 & 2000237	
516	7027790	1	Used with Engine p/n's 2000308, 2000341 & 1001092724	
517		Ref	Sender, Engine Temperature (Not Shown - Located on RH Side of Engine Beside Fuel Injector #1)	
517	7020168	1	Used with Engine p/n 2000184	
517	7027241	1	Used with Engine p/n 2000237	
517	7020480	1	Ring, Sealing (Used with Engine p/n's 2000184 & p/n 2000237)	
517	7027791	1	Used with Engine p/n's 2000308, 2000341 & 1001092724	
517		Ref	Sender, Engine Temperature (Not Shown - Located on RH Side of Engine Near Oil Filter)	
517	See Note	NSS	Used with Engine p/n 2000184 (Note: Not Available for Purchase)	
517	7027236	1	Used with Engine p/n's 2000308, 2000341 & 1001092724	
518		Ref	Actuator, Throttle Options:	
518	7020458	1	Used with Engine p/n's 2000184 & 2000237	
518	7027792	1	Used with Engine p/n's 2000308, 2000341 & 1001092724	
518	7027276	2	Spring, Actuator	

SECTION 2 - GROUND CONTROLS

ITEM	PART NUMBER	QTY	DESCRIPTION	REV
519		Ref	Thermostat (Not Shown - Located on RH Side of Engine)	
519	See Note	NSS	Used with Engine p/n 2000184 (Note: Not Available for Purchase)	
519	70003475	1	Used with Engine p/n's 2000237, 2000308, 2000341 & 1001092724 (was p/n 7020459)	
519		Ref	Spring, Thermostat (Not Shown - Located on RH Side of Engine)	
519	See Note	NSS	Used with Engine p/n 2000184 (Note: Not Available for Purchase)	
519	7020460	1	USED WITH ENGINE P/N'S 2000237, 2000308, 2000341 & 1001092724	
520	See Note	NSS	Flywheel (Not Shown - Located at Rear of Engine) (Note: Not Available for Purchase)	
520	7024579	1	Rim, Gear (Not Shown - Part of Flywheel)	
521	7027239	1	Solenoid, Start (Not Shown - Located on RH Side of Engine near the Front) (Used with Engine p/n's 2000237, 2000308, 2000341 & 1001092724)	
522	7027795	1	Deutz EMR2 Controller, Module (Used with Engine p/n 2000308, p/n 2000341 & p/n 1001092724)	
523	70000345	4	Glow PLug (Not Shown) (Used with Engine p/n 2000341 & p/n 1001092724)	
524	7027231	1	Housing, Bell	
525	70000783	1	Fan (Used with Engine p/n's 2000341 & 1001092724)	
526		Ref	Gasket, Head Options (Not Shown):	
526		Ref	Gasket for 2000184	
526	70003001	1	Gasket - 1 Notch	
526	70003002	1	Gasket - 2 Notch	
526	70003003	1	Gasket - 3 Notch	
526		Ref	Gasket for 2000237, 2000308, 2000341 & 1001098211 Engines	
526	70003479	1	Gasket - 1 Notch	
526	70003480	1	Gasket - 2 Notch	
526	70003481	1	Gasket - 3 Notch	

SECTION 2 - GROUND CONTROLS

FIGURE 2-4. GENERATOR INSTALLATION (DEUTZ ENGINE OPTIONS)



SECTION 2 - GROUND CONTROLS

FIGURE 2-4. GENERATOR INSTALLATION (DEUTZ ENGINE OPTIONS)

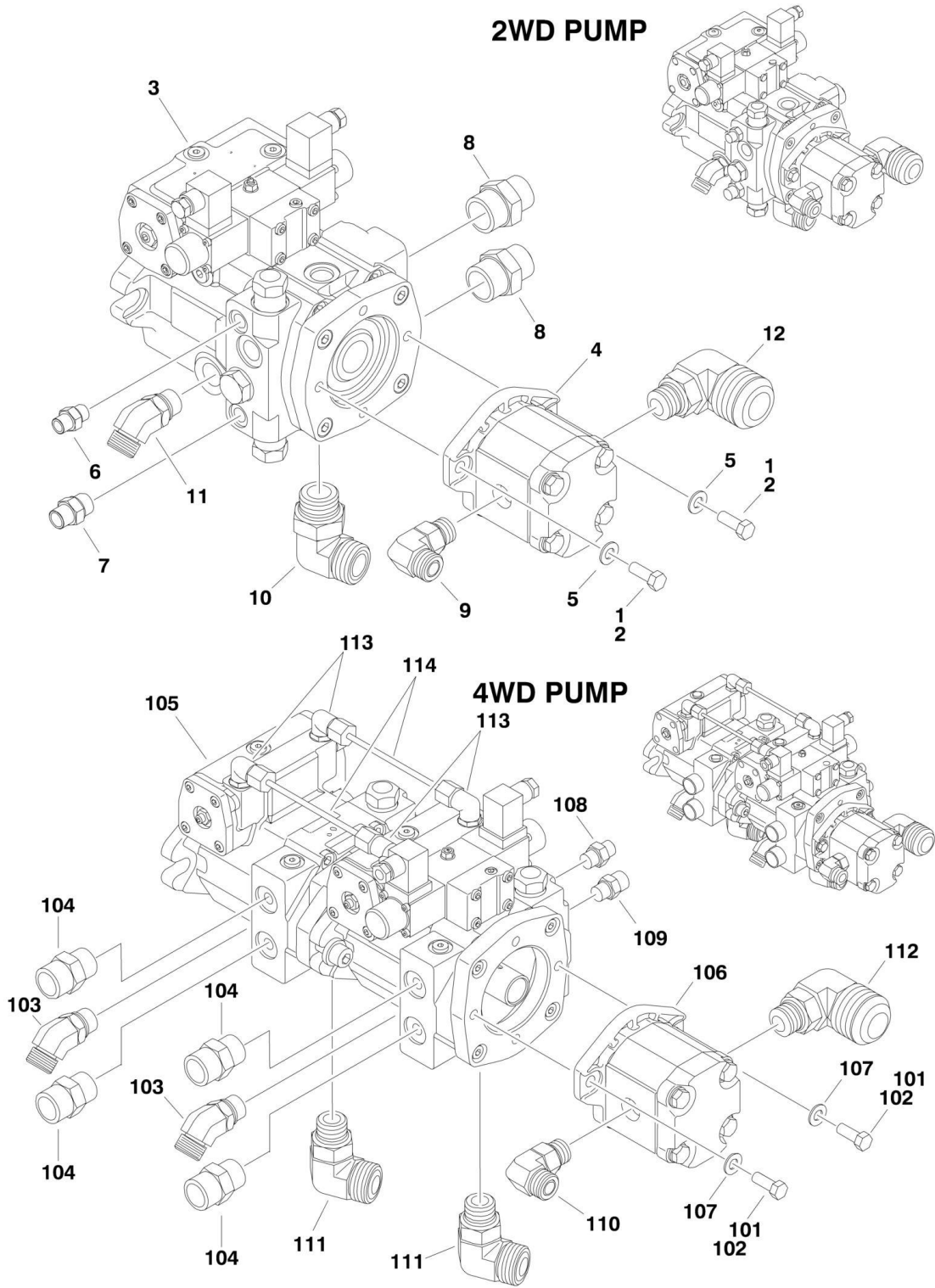
ITEM	PART NUMBER	QTY	DESCRIPTION	REV
		Ref	GENERATOR INSTALLATIONS (DEUTZ ENGINE OPTION)	
	0271743	Ref	110V (ANSI and ANSI Export Specs)	B
	0271745	Ref	220V (ANSI Export Spec)	B
1	0100011	AR	Locking, Compound	
2	0200742	1	Arm, Adjusting	
3	0363082	1	Bar, Generator Adjusting	
4	0363098	1	Bar, Generator Mounting	
5	0480124	1	Belt, Drive	
6	0641508	1	Bolt 5/16-18NC x 1	
7	0641608	6	Bolt 3/8-16NC x 1	
8	0641718	2	Bolt 7/16-14NC x 2-1/4	
9	0701418	2	Bolt, Metric 14mm x 50mm	
10	0721006	7	Screw #10-24NC x 3/4	
11	0902813	1	Bracket, Arm Mounting	
12	0902842	1	Bracket, Generator Box Mounting	
13		Ref	Generator and Control Box Assembly Options:	
13	2460043	1	110V Generator and Control Box (ANSI and ANSI Export Specs)	B
13	2460047	1	220V Generator and Control Box (ANSI Export Spec)	B
13A		Ref	Generator Assembly Options:	
13A	2460049	1	110V Generator Only	
13A	1001100321	1	220V Generator Only	
13A		Ref	Armature with Slip Rings Options:	
13A	70000122	1	110V Armature	
13A	70000123	1	220V Armature	
13A	7020108	4	Brushes	
13A	7020109	4	Holder, Brush	
13A	7012513	4	Cap, Brush Holder	
13A	7012514	1	Fan	
13A	7020110	1	Bell, Front	
13A	7020111	1	Bell, Rear	
13A	7020190	2	Bearing	
13A	7027887	1	Key, Pulley Woodruff	
13A	3580134	1	Pulley	
13B		Ref	Box, Control Assembly Options:	
13B	70002241	1	110V Generator Control Box	
		Ref	Note: Replacement 110V Control Box comes with 2 standard Receptacles p/n 4460190. Optional Industrial Twist Lock Receptacles p/n 4460027 must be ordered separately.	
13B	70002236	1	220V Generator Control Box	
13B		Ref	Breaker, Circuit Options:	
13B	70002240	1	110V Generator Breaker	
13B	70000126	1	220V Generator Breaker	
13B		Ref	Voltmeter Options:	
13B	2420203	1	110V Generator Voltmeter	
13B	7020192	1	220V Generator Voltmeter	
13B		Ref	Receptacle Options:	
13B	4460190	1	110V Standard Receptacle	
13B	4460027	1	110V Twist-Lock Receptacle	

SECTION 2 - GROUND CONTROLS

ITEM	PART NUMBER	QTY	DESCRIPTION	REV
13B	70000124	1	220V Double Receptacle	
13B	70000125	1	220V Single Receptacle	
13B	2920162	1	Lamp Assembly	
13B	70002237	1	Diode 6A/600V	
13B	3520028	1	Plug	
13C	7026525	1	Regulator, Voltage (110V Only)	
14	3311001	3	Nut #10-24NC	
15	3311605	3	Locknut 3/8-16NC	
16	3740080	1	Relay	
17	3900322	2	Bolt, Shoulder	
18	4060802	1	Guard, Switch (Not Shown - Located on Platform Console Box)	
19	4360482	1	Switch, Toggle (Not Shown - Located on Platform Console Box)	
20	4711600	3	Flatwasher 3/8 Narrow	
21	4711700	2	Flatwasher 7/16 Narrow	
22	4711900	2	Flatwasher 9/16 Narrow	
23	4751000	10	Flatwasher #10 Regular	
24	4751600	8	Flatwasher 3/8 Regular	
25	4752200	2	Flatwasher 3/4 Regular	
26	4891500	2	Flatwasher 5/16 Hardened	
27	4892000	2	Flatwasher 5/8 Hardened	
28	4922800	1	Harness, Generator (See ELECTRICAL SECTION for Breakdown)	
29	1061006	1	Cable, AC (See ELECTRICAL SECTION for Breakdown)	
30	4740362	4	Washer, Fender	

SECTION 2 - GROUND CONTROLS

FIGURE 2-5. DRIVE PUMP SUB-ASSEMBLY



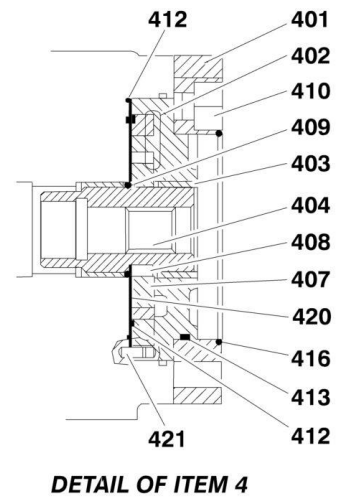
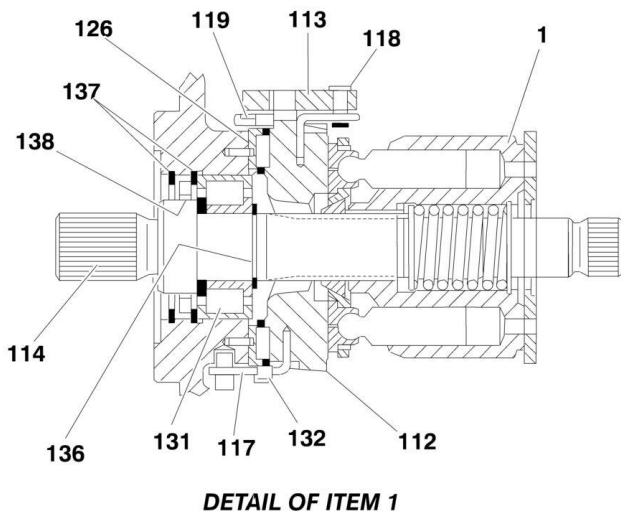
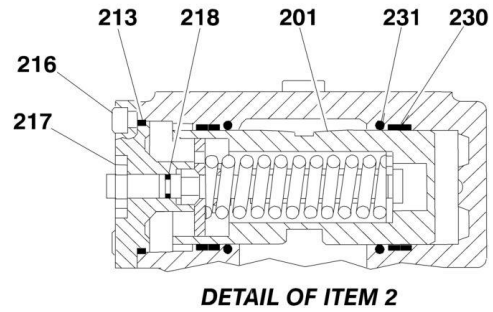
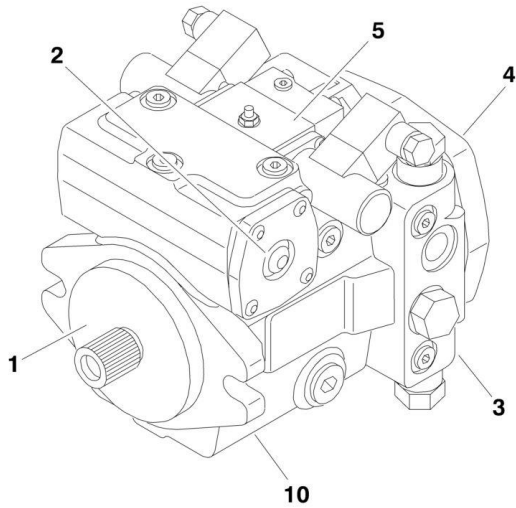
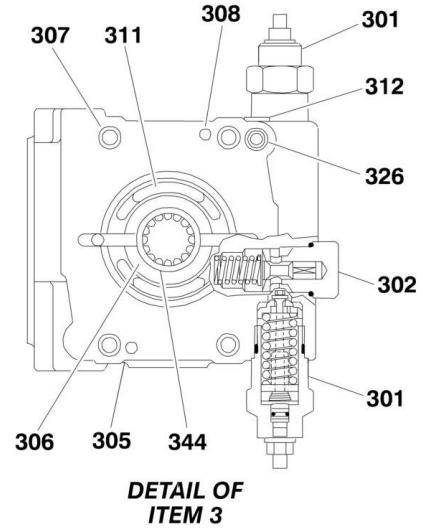
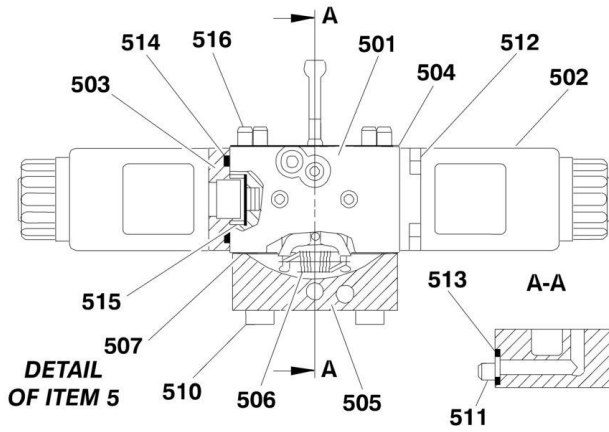
SECTION 2 - GROUND CONTROLS

FIGURE 2-5. DRIVE PUMP SUB-ASSEMBLY

ITEM	PART NUMBER	QTY	DESCRIPTION	REV
	3600344	Ref	2WD DRIVE PUMP SUB-ASSEMBLY	B
1	0100011	AR	Locking, Compound	
2	0641608	2	Bolt 3/8-16NC x 1	
3	3600335	1	Piston Pump Assembly - Single (See 2WD PISTON PUMP ASSEMBLY (SINGLE) for Breakdown)	
4	3600338	1	Gear Pump Assembly (See GEAR PUMP ASSEMBLY for Breakdown)	
5	4711600	2	Flatwasher 3/8 Narrow	
6	2110406	1	Fitting, Straight	
7	2110608	1	Fitting, Straight	
8	2111216	2	Fitting, Straight	
9	2131010	1	Fitting, 90	
10	2131616	1	Fitting, 90	
11	2151010	1	Fitting, 45	
12	2221118	1	Fitting, Straight	
		Ref	4WD DRIVE PUMP SUB-ASSEMBLY OPTIONS:	
	3600336	Ref	4WD Drive Pump Sub-Assembly (Prior to SN 0200128982)	C
	3600371	Ref	4WD Drive Pump Sub-Assembly (SN 0200128982 through 0200191606)	C
101	0100011	AR	Locking, Compound	
102	0641608	2	Bolt 3/8-16NC x 1	
103	2151008	2	Fitting, 45	
104	2111212	4	Fitting, Straight	
105	3600337	1	Piston Pump Assembly - Tandem (See 4WD PISTON PUMP ASSEMBLY (TANDEM) for Breakdown)	
106		Ref	Gear Pump Assembly Options: (See GEAR PUMP ASSEMBLY for Breakdown)	
106	3600338	NLA	Gear Pump Assembly (Use p/n 3600370) (Prior to SN 0200128982)	
106	3600370	1	Gear Pump Assembly (SN 0200128982 through 0200191606)	
107	4711600	2	Flatwasher 3/8 Narrow	
108	2110406	1	Fitting, Straight	
109	2110606	1	Fitting, Straight	
110	2131010	1	Fitting, 90	
111	2131612	2	Fitting, 90	
112	2221118	1	Fitting, Straight	
113	2220466	4	Fitting, 90	
114	70000435	2	Hose	

SECTION 2 - GROUND CONTROLS

FIGURE 2-6. 2WD PISTON PUMP ASSEMBLY (SINGLE)



SECTION 2 - GROUND CONTROLS

FIGURE 2-6. 2WD PISTON PUMP ASSEMBLY (SINGLE)

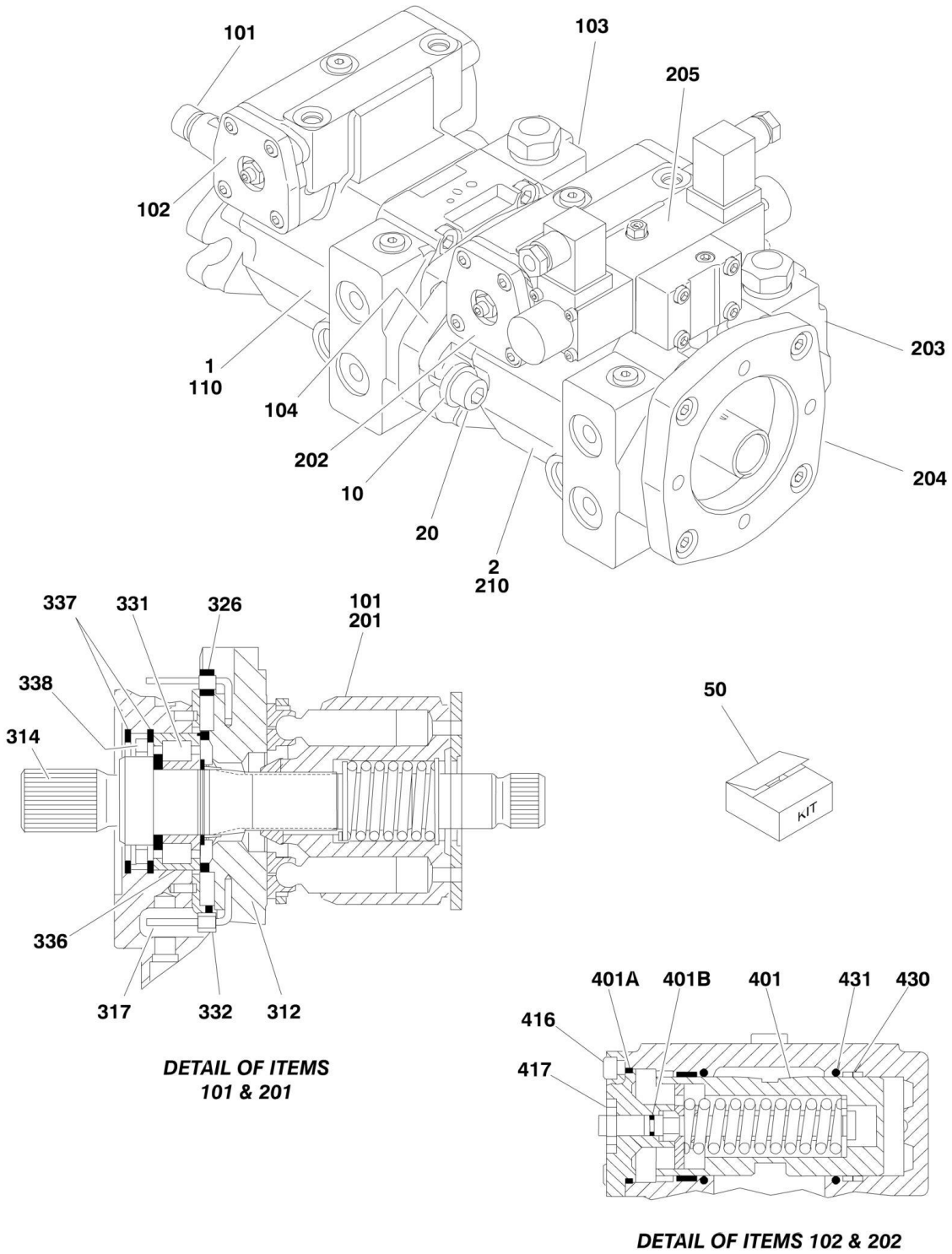
ITEM	PART NUMBER	QTY	DESCRIPTION	REV
	3600335	Ref	SINGLE PUMP ASSEMBLY	A
1	7024064	1	Rotary Group (See Items 101-138 for Breakdown)	
2	7024065	1	Control Assembly (See Items 201-231 for Breakdown)	
3	7024066	1	Valve Plate Assembly (See Items 301-344 for Breakdown)	
4	7024067	1	Internal Pump Assembly (See Items 401-421 for Breakdown)	
5	7024068	1	Module Assembly (See Items 501-516 for Breakdown)	
10	See Note	NSS	Housing (Note: Not Available - Purchase Complete Assy)	
13	See Note	NSS	Joint, Pin (Not Shown) (Note: Not Available - Purchase Complete Assy)	
14	See Note	NSS	Pin, Dowel (Not Shown) (Note: Not Available - Purchase Complete Assy)	
20	See Note	NSS	Screw, Locking (Not Shown) (Note: Not Available - Purchase Complete Assy)	
22	See Note	NSS	Screw, Locking (Not Shown) (Note: Not Available - Purchase Complete Assy)	
23	See Note	NSS	Screw, Locking (Not Shown) (Note: Not Available - Purchase Complete Assy)	
24	See Note	NSS	Screw, Locking (Not Shown) (Note: Not Available - Purchase Complete Assy)	
27	See Note	NSS	Pin, Breakoff (Not Shown) (Note: Not Available - Purchase Complete Assy)	
28	7018936	2	Orifice (Not Shown)	
31	See Note	NSS	Pin, Clamping (Not Shown) (Note: Not Available - Purchase Complete Assy)	
41	7024069	1	O-Ring (Not Shown)	
49	See Note	NSS	Plug (Not Shown) (Note: Not Available - Purchase Complete Assy)	
	7024064	Ref	Rotary Group	
112	See Note	NSS	Cradle (Note: Purchase Assembly p/n 7024064)	
113	See Note	NSS	Ring, Slide (Note: Purchase Assembly p/n 7024064)	
114	See Note	NSS	Driveshaft (Note: Purchase Assembly p/n 7024064)	
117	See Note	NSS	Wire (Note: Purchase Assembly p/n 7024064)	
118	See Note	NSS	Joint, Pin (Note: Purchase Assembly p/n 7024064)	
119	See Note	NSS	Wire (Note: Purchase Assembly p/n 7024064)	
126	See Note	NSS	Liner, Bearing (Note: Purchase Assembly p/n 7024064)	
131	See Note	NSS	Bearing, Roller (Note: Purchase Assembly p/n 7024064)	
132	See Note	NSS	Cradle Bearing Assembly (Note: Purchase Assembly p/n 7024064)	
136	See Note	NSS	Ring, Retaining (Note: Purchase Assembly p/n 7024064)	
137	See Note	NSS	Ring, Retaining (Note: Purchase Assembly p/n 7024064)	
138	7024070	1	Seal, Shaft Ring	
	7024065	Ref	CONTROL ASSEMBLY	
201	See Note	NSS	Piston, Positioning - Complete (Note: Use p/n 7024065) (Includes Items 213 & 218)	
213	7024071	1	O-Ring, Outer Seal	
216	See Note	NSS	Capscrew, Socket Head (Note: Use p/n 7024065)	
217	See Note	NSS	Nut, Hex (Note: Use p/n 7024065)	
218	7024072	1	O-Ring, Stem	
230	See Note	NSS	Ring, Guide (Note: Use p/n 7024065)	
231	See Note	NSS	Ring, Glide (Note: Use p/n 7024065)	
	7024066	Ref	VALVE PLATE ASSEMBLY	
301	7024073	2	Cartridge, Relief Valve (Note: Sold as an Assembly Except O-Ring and Back-up Ring.)	
301	7024075	2	O-Ring (1 Per Assembly)	

SECTION 2 - GROUND CONTROLS

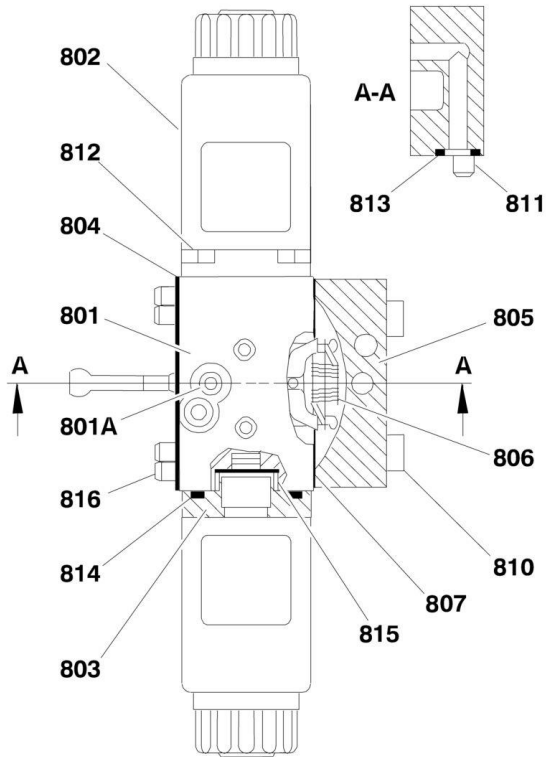
ITEM	PART NUMBER	QTY	DESCRIPTION	REV
301	7024076	2	Ring, Back-up (1 Per Assembly)	
302	7023881	1	Cartridge, Relief Valve (Note: Sold as an Assembly Except O-Ring.)	
302	7024077	1	O-Ring	
305	See Note	NSS	Plate, Port (Note: Use p/n 7024066)	
306	See Note	NSS	Bushing, Bearing (Note: Use p/n 7024066)	
307	See Note	NSS	Capscrew (Note: Use p/n 7024066)	
308	See Note	NSS	Pin, Dowel (Note: Use p/n 7024066)	
311	See Note	NSS	Pin, Breakoff (Note: Use p/n 7024066)	
312	See Note	NSS	Screw, Locking (Note: Use p/n 7024066)	
326	7024074	1	O-Ring	
335	See Note	NSS	Screw, Locking (Not Shown) (Note: Use p/n 7024066)	
344	See Note	NSS	Bearing, Roller (Note: Use p/n 7024066)	
	7024067	Ref	INTERNAL PUMP ASSEMBLY	
401	See Note	NSS	Plate, Sandwich (Note: Use p/n 7024067)	
402	See Note	NSS	Housing, Gear (Note: Use p/n 7024067)	
403	See Note	NSS	Bushing, Bearing (Note: Use p/n 7024067)	
404	See Note	NSS	Coupling, Shaft (Note: Use p/n 7024067)	
407	7024078	1	Gear Set	
408	7024079	1	Key, Shaft	
409	See Note	NSS	Ring, Retaining (Note: Use p/n 7024067)	
410	See Note	NSS	Capscrew (Note: Use p/n 7024067)	
412	7024080	2	Seal	
413	7024081	1	O-Ring	
416	7024082	1	O-Ring	
420	7024005	1	Plate, Wear	
421	See Note	NSS	Pin, Dowel (Note: Use p/n 7024067)	
	7024068	Ref	MODULE ASSEMBLY	
501	7024084	1	Module, Control (Valve Block) Less Coils (Note: No Internal Replacement Parts Available. Sold as an Assembly Only.)	
502	7024083	2	Coil, Solenoid	
502	70002569	2	Nut, Coil	
503	See Note	NSS	Adapter, Valve Block to Coil (Note: Use p/n 7024068)	
504	7024085	1	Gasket	
505	See Note	NSS	Cover (Note: Use p/n 7024068)	
506	See Note	NSS	Spring, Draw (Note: Use p/n 7024068)	
507	7024086	1	Gasket	
510	See Note	NSS	Capscrew (Note: Use p/n 7024068)	
511	See Note	NSS	Capscrew (Note: Use p/n 7024068)	
512	See Note	NSS	Capscrew (Note: Use p/n 7024068)	
513	7024087	1	O-Ring	
514	7024088	2	O-Ring	
515	7024089	2	Cup, Spring	
516	See Note	NSS	Pin, Dowel (Note: Use p/n 7024068)	

SECTION 2 - GROUND CONTROLS

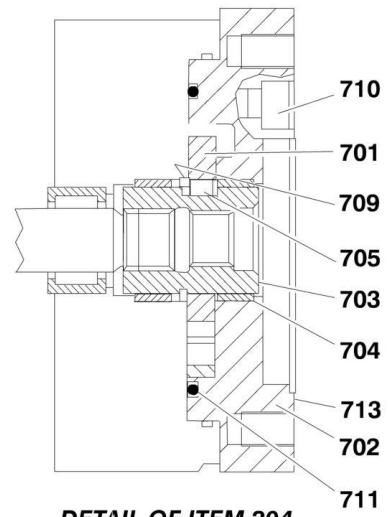
FIGURE 2-7. 4WD PISTON PUMP ASSEMBLY (TANDEM)



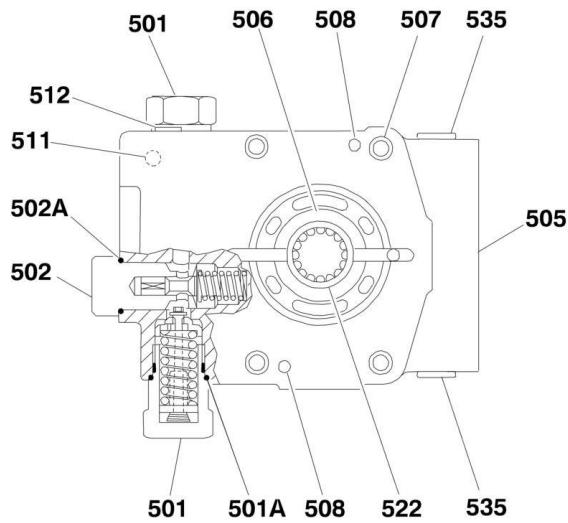
SECTION 2 - GROUND CONTROLS



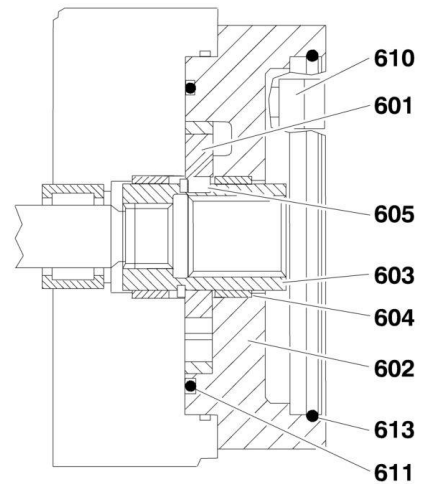
DETAIL OF ITEM 205



DETAIL OF ITEM 204



**DETAIL OF ITEMS
103 & 203**



DETAIL OF ITEM 104

SECTION 2 - GROUND CONTROLS

FIGURE 2-7. 4WD PISTON PUMP ASSEMBLY (TANDEM)

ITEM	PART NUMBER	QTY	DESCRIPTION	REV
	3600337	Ref	TANDEM PUMP ASSEMBLY	A
1	7024045	1	Front Pump Assembly - Complete (See Item 101-147 for Breakdown)	
2	7024046	1	Middle Pump Assembly - Complete (See Item 201-249 for Breakdown)	
10	7024091	2	Flatwasher	
20	7024092	2	Capscrew, Socket Head 1/2-13NC x 1 1/2	
50	70002277	2	Seal Kit (Includes Items 141, 241, 338, 501A, 611, 711, 801A, 804, 807, 813 & 814) (Requires Qty 1 for each Pump Assembly)	
	7024045	Ref	FRONT PUMP ASSEMBLY	
101	7023825	1	Rotary Group (Includes Items 301-338 for Breakdown)	
102	7024093	1	Hydraulic Control (Includes Items 401-431 for Breakdown)	
103	7024094	1	Port Plate with Valves (Includes Items 501-535 for Breakdown)	
104	7024095	1	Internal Gear Pump Assembly (Includes Items 601-613 for Breakdown)	
110	See Note	NSS	Housing (Note: Use p/n 7024095)	
113	See Note	NSS	Pin, Dowel (Not Shown) (Note: Use p/n 7024095)	
118	See Note	NSS	Ring, Slide (Not Shown) (Note: Use p/n 7024095)	
120	See Note	NSS	Screw 3/4-16NC (Not Shown) (Note: Use p/n 7024095)	
122	See Note	NSS	Screw 7/16-20NF (Not Shown) (Note: Use p/n 7024095)	
124	See Note	NSS	Screw M10 x 1 (Not Shown) (Note: Use p/n 7024095)	
126	See Note	NSS	Screw 9/16-18NF (Not Shown) (Note: Use p/n 7024095)	
128	See Note	NSS	Orifice (Not Shown) (Note: Use p/n 7024095)	
131	See Note	NSS	Pin, Clamping (Not Shown) (Note: Use p/n 7024095)	
141	See Note	NSS	O-Ring (Note: Use p/n 70002277)	
146	See Note	NSS	Screw, Eccentric (Not Shown) (Note: Use p/n 7024095)	
147	See Note	NSS	Seal, Locknut M10 x 1 (Not Shown) (Note: Use p/n 7024095)	
	7024046	Ref	MIDDLE PUMP ASSEMBLY	
201	7023825	1	Rotary Group (Includes Items 301-338 for Breakdown)	
202	7024098	1	Hydraulic Control (Includes Items 401-431 for Breakdown)	
203	7024099	1	Port Plate with Valves (Includes Items 501-535 for Breakdown)	
204	7024900	1	Internal Gear Pump (Includes Items 701-713 for Breakdown)	
205	7024901	1	Control Module (Includes Items 801-816 for Breakdown)	
210	See Note	NSS	Housing (Note: Use p/n 7024046)	
213	See Note	NSS	Pin, Joint (Not Shown) (Note: Use p/n 7024046)	
214	See Note	NSS	Pin, Cylinder (Not Shown) (Note: Use p/n 7024046)	
218	See Note	NSS	Ring, Slide (Not Shown) (Note: Use p/n 7024046)	
220	See Note	NSS	Screw, Locking 3/4-16NF (Not Shown) (Note: Use p/n 7024046)	
222	See Note	NSS	Screw 7/16-20NF (Not Shown) (Note: Use p/n 7024046)	
224	See Note	NSS	Screw, Locking M10 x 1 (Not Shown) (Note: Use p/n 7024046)	
227	See Note	NSS	Pin, Break-Off (Not Shown) (Note: Use p/n 7024046)	
228	See Note	NSS	Orifice (Not Shown) (Note: Use p/n 7024046)	
231	See Note	NSS	Pin, Clamping (Not Shown) (Note: Use p/n 7024046)	
241	See Note	NSS	O-Ring (Not Shown) (Note: Use p/n 70002277)	
249	See Note	NSS	Plug (Not Shown) (Note: Use p/n 7024046)	
	7023825	Ref	ROTARY GROUP	
312	See Note	NSS	Cradle (Note: Use p/n 7023825)	
314	See Note	NSS	Driveshaft (Note: Use p/n 7023825)	
317	See Note	NSS	Wire (Note: Use p/n 7023825)	
326	See Note	NSS	Liner, Bearing (Note: Use p/n 7023825)	

SECTION 2 - GROUND CONTROLS

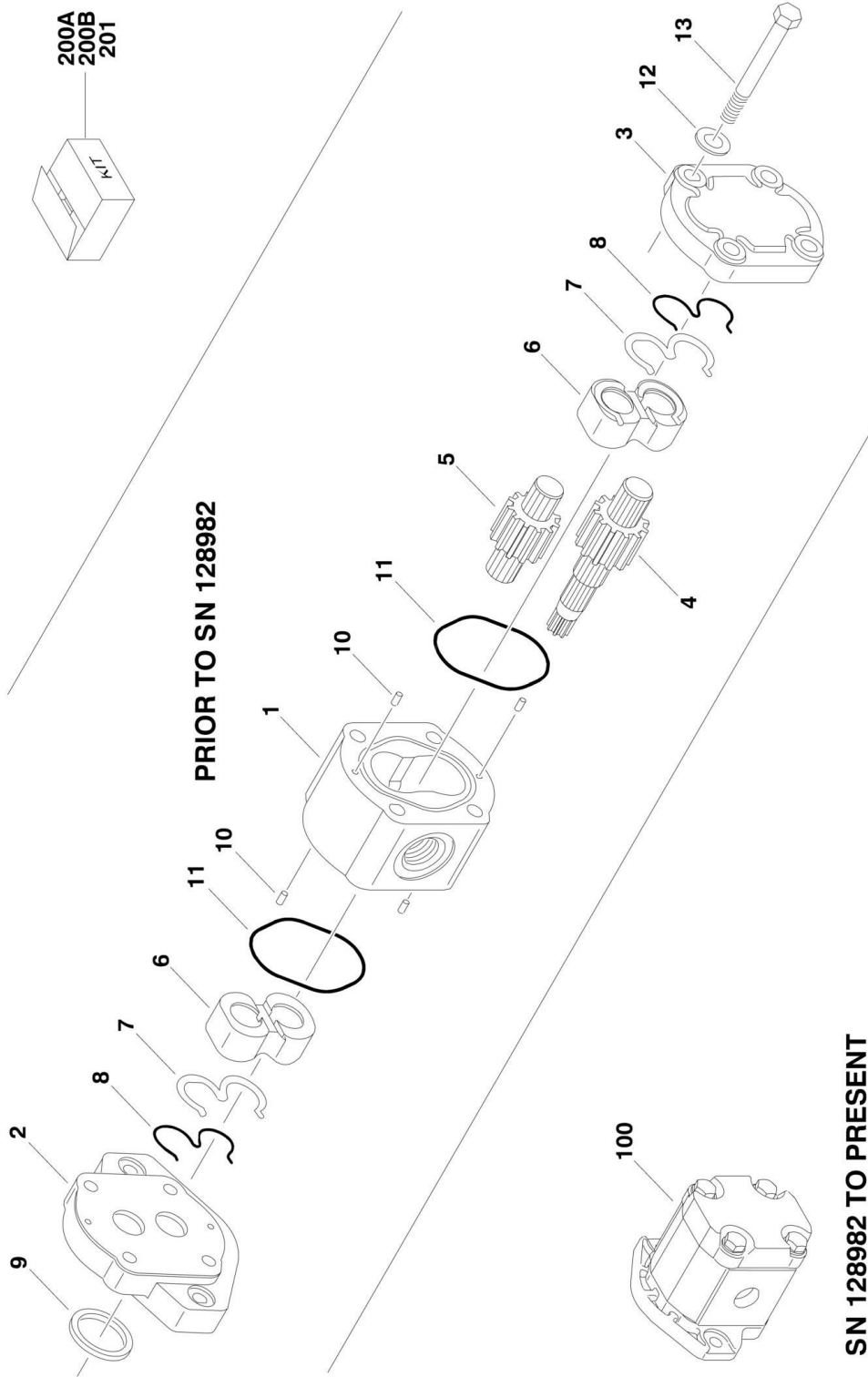
ITEM	PART NUMBER	QTY	DESCRIPTION	REV
331	See Note	NSS	Bearing, Roller (Note: Use p/n 7023825)	
332	See Note	NSS	Cradle Bearing Assembly (Note: Use p/n 7023825)	
336	See Note	NSS	Ring, Retaining (Note: Use p/n 7023825)	
337	See Note	NSS	Ring, Retaining (Note: Use p/n 7023825)	
338	See Note	NSS	Seal, Shaft (Note: Use p/n 70002277)	
		Ref	HYDRAULIC CONTROLS	
	7024093	Ref	Front Pump Assembly	
	7024098	Ref	Middle Pump Assembly	
401		Ref	Piston, Positioning - Complete (Note: Sold as an Assembly Except Outer Seal O-Ring and Stem O-Ring.)	
401	7024096	1	Front Pump Assembly	
401	7023840	1	Middle Pump Assembly	
401A	7024071	1	O-Ring	
401B	7024072	1	O-Ring, Stem	
416	7023846	4	Screw, Socket Head M6 x 10-8.8	
417	7023847	1	Nut	
430	See Note	NSS	Ring, Guide (Note: Use p/n 7024093 or 7024098)	
431	See Note	NSS	O-Ring (Note: Use p/n 7024093 or 7024098)	
		Ref	PORT PLATE WITH VALVES	
	7024094	Ref	Front Pump Assembly	
	7024099	Ref	Middle Pump Assembly	
501	7023848	2	Cartridge, Relief Valve (High Pressure) (Note: Sold as an Assembly)	
501A	See Note	NSS	O-Ring (Note: Use p/n 70002277)	
502	7024097	1	Cartridge, Relief Valve (Boost Pressure) (Note: Sold as an Assembly)	
502A	7024075	1	O-Ring	
505	See Note	NSS	Plate, Port (Note: Use p/n 7024094 or 7024099)	
506	See Note	NSS	Bushing, Bearing (Note: Use p/n 7024094 or 7024099)	
507	See Note	NSS	Screw, Socket Head M10 x 50 (Note: Use p/n 7024094 or 7024099)	
508	See Note	NSS	Pin, Dowel (Note: Use p/n 7024094 or 7024099)	
511	See Note	NSS	Pin, Break-Off (Note: Use p/n 7024094 or 7024099)	
512	See Note	NSS	Screw, Locking (Note: Use p/n 7024094 or 7024099)	
522	See Note	NSS	Bearing, Roller (Note: Use p/n 7024094 or 7024099)	
535	See Note	NSS	Screw, Locking (Note: Use p/n 7024094 or 7024099)	
	7024095	Ref	INTERNAL GEAR PUMP ASSEMBLY (FRONT PUMP ONLY)	
601	See Note	NSS	Gear, Set (Note: Use p/n 7024095)	
602	See Note	NSS	Flange, Intermediate (Note: Use p/n 7024095)	
603	See Note	NSS	Coupling, Driveshaft Through (Note: Use p/n 7024095)	
604	See Note	NSS	Bushing, Bearing (Note: Use p/n 7024095)	
605	See Note	NSS	Key (Note: Use p/n 7024095)	
610	See Note	NSS	Socket, Socket Head (Note: Use p/n 7024095)	
611	See Note	NSS	O-Ring (Note: Use p/n 70002277)	
613	3790155	1	O-Ring	
	7024095	Ref	INTERNAL GEAR PUMP ASSEMBLY (MIDDLE PUMP ONLY)	
701	7024902	1	Gear Set	
702	See Note	NSS	Flange, Intermediate (Note: Use p/n 7024095)	
703	See Note	NSS	Coupling, Driveshaft Through (Note: Use p/n 7024095)	
704	See Note	NSS	Bushing, Bearing (Note: Use p/n 7024095)	
705	See Note	NSS	Key (Note: Use p/n 7024095)	
709	See Note	NSS	Ring, Retaining (Note: Use p/n 7024095)	

SECTION 2 - GROUND CONTROLS

ITEM	PART NUMBER	QTY	DESCRIPTION	REV
710	See Note	NSS	Screw, Socket Head M8 x 22-8.8 (Note: Use p/n 7024095)	
711	See Note	NSS	O-Ring (Note: Use p/n 70002277)	
713	3790151	1	O-Ring	
	7024901	Ref	CONTROL MODULE (MIDDLE PUMP ONLY)	
801	7024903	1	Module, Control (Valve Block) Less Coils (Note: No Internal Replacement Parts Available. Sold as an Assembly Only.)	
		Ref	Note: No Internal Replacement Parts Available. Sold as an Assembly Only.	
801A	See Note	NSS	O-Ring (On Eccentric Pin) (Note: Use p/n 70002277)	
802	7024083	2	Coil, Solenoid	
803	See Note	NSS	Adapter, Solenoid (Note: Use p/n 7024901)	
804	7024085	2	Gasket	
805	See Note	NSS	Cover (Note: Use p/n 7024901)	
806	See Note	NSS	Spring (Note: Use p/n 7024901)	
807	7024086	1	Gasket	
810	See Note	NSS	Screw, Socket Head M6 x 65-8.8 (Note: Use p/n 7024901)	
811	See Note	NSS	Screw, Socket M6 x 45-8.8 (Note: Use p/n 7024901)	
812	See Note	NSS	Screw, Socket Head M5 x 10-8.8 (Note: Use p/n 7024901)	
813	See Note	NSS	O-Ring (Note: Use p/n 70002277)	
814	See Note	NSS	O-Ring (Note: Use p/n 70002277)	
815	7024089	2	Cup, Spring	
816	See Note	NSS	Pin, Cylinder (Note: Use p/n 7024901)	

SECTION 2 - GROUND CONTROLS

FIGURE 2-8. GEAR PUMP ASSEMBLY



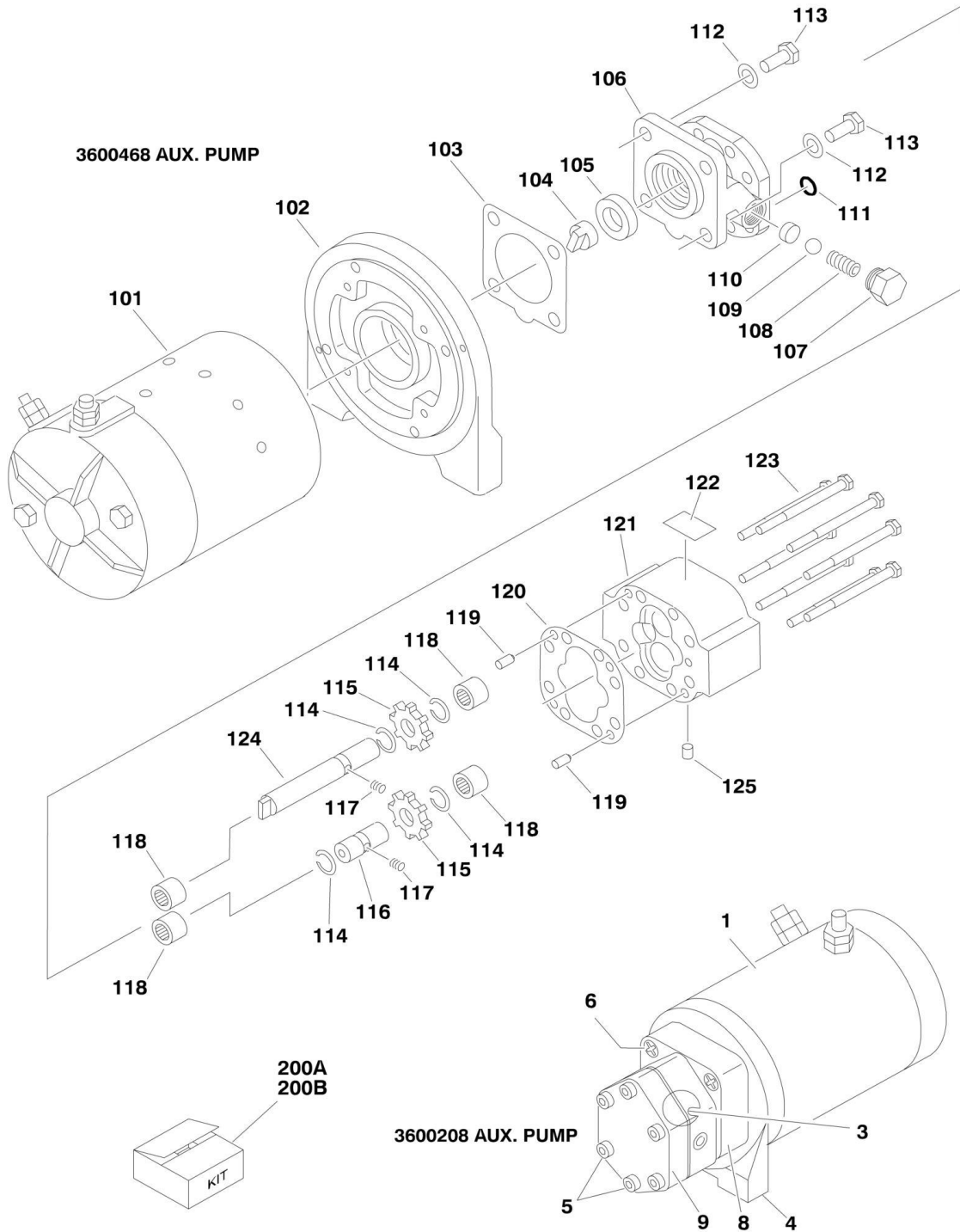
SECTION 2 - GROUND CONTROLS

FIGURE 2-8. GEAR PUMP ASSEMBLY

ITEM	PART NUMBER	QTY	DESCRIPTION	REV
		Ref	GEAR PUMP ASSEMBLY	
		Ref	Note: Original Equipment gear pump may have been replaced with Service Replacement gear pump p/n 3600370. Refer to tag on pump for identification before ordering parts.	
	3600338	Ref	Gear Pump Assembly (Original Equipment) (Prior to SN 0200128982)	B
1	See Note	NSS	Body (Note: Use p/n 3600370)	
2	See Note	NSS	Cover, Front (Note: Use p/n 3600370)	
3	See Note	NSS	Cover, Rear (Note: Use p/n 3600370)	
4	See Note	NSS	Shaft, Gear (Note: Use p/n 3600370)	
5	See Note	NSS	Gear (Note: Use p/n 3600370)	
6	7023819	2	Block, Bearing	
7	See Note	NSS	Seal, Loading (Note: Use Item 200A or 200B)	
8	See Note	NSS	Seal, Anti-Extrusion (Note: Use Item 200A or 200B)	
9	See Note	NSS	Seal, Shaft (Note: Use Item 200A or 200B)	
10	See Note	NSS	Pin, Dowel (Note: Use p/n 3600370)	
11	See Note	NSS	Ring, Square (Note: Use Item 200A or 200B)	
12	7023813	4	Flatwasher M10	
13	7024057	4	Capscrew M10 x 90mm	
100	3600370	Ref	Gear Pump Assembly (SN 0200128982 through 0200191606)	B
		Ref	Note: The only parts available are the shaft seal and seal kit.	
100	70000946	1	Seal, Shaft	
		Ref	Kit Options:	
200		Ref	Kit Options for Machines: (Prior to SN 0200128982)	
200A	7023808	1	Seal Kit (Includes Items 7, 8, 9, 11)	
200B	7023819	1	Bearing and Seal Kit (Includes Items 6, 7, 8, 9, 11)	
201	70000945	1	Seal Kit for Machines (SN 0200128982 through 0200191606)	

SECTION 2 - GROUND CONTROLS

FIGURE 2-9. AUXILIARY PUMP ASSEMBLY



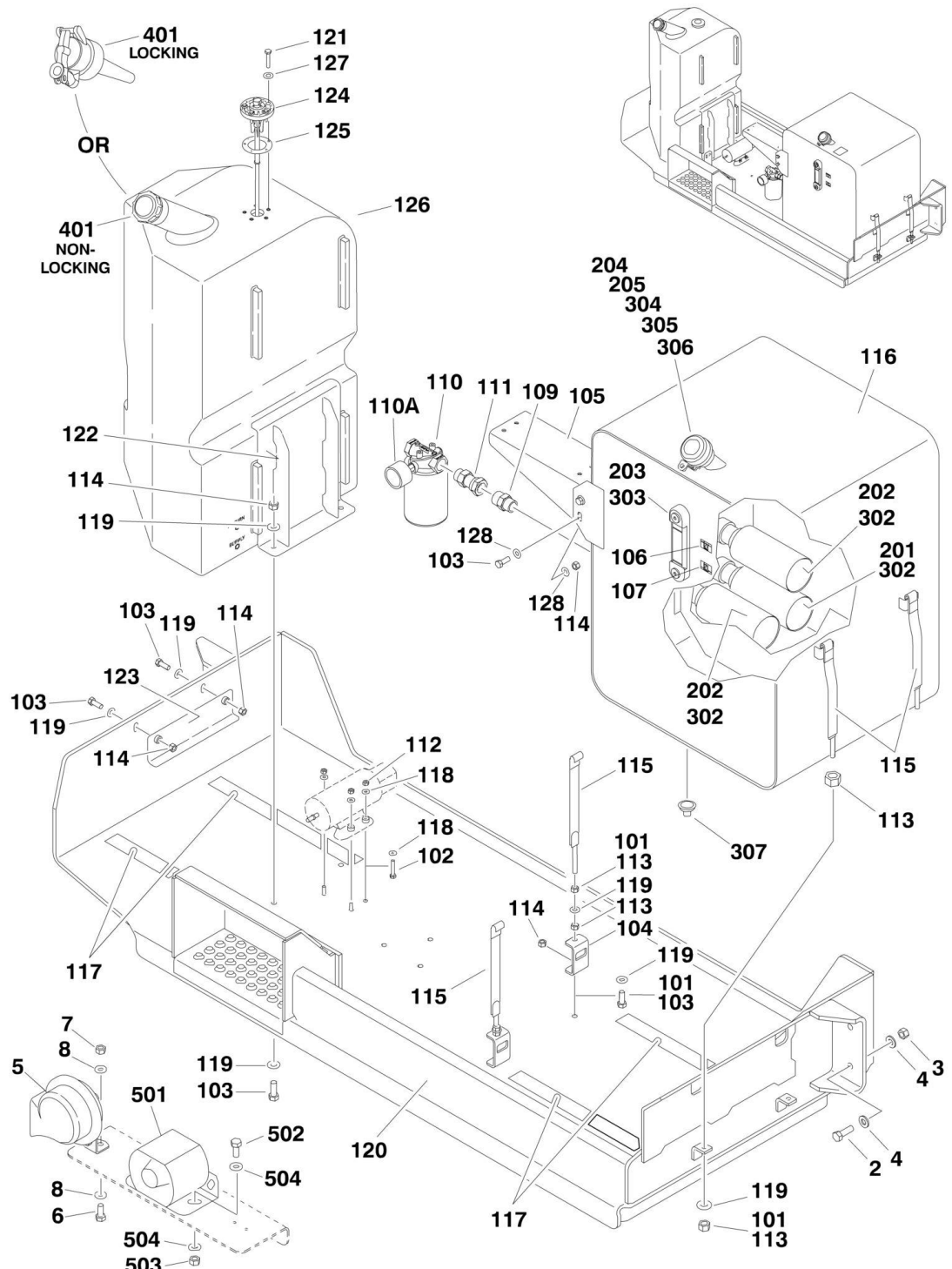
SECTION 2 - GROUND CONTROLS

FIGURE 2-9. AUXILIARY PUMP ASSEMBLY

ITEM	PART NUMBER	QTY	DESCRIPTION	REV
		Ref	Auxiliary Pump Assembly	
		Ref	Note: Original Equipment pump may have been replaced with Service Replacement pump p/n 3600468. Refer to tag on pump for identification before ordering parts.	
	3600208	Ref	Gear Pump Assembly (Original Equipment) (Prior to SN 0200164133)	B
1	7013710	1	Motor	
1	7013753	1	Brush Kit	
3	7013711	1	Coupling, Drive	
4	See Note	NSS	Bracket, Mounting (Note: Not Available for Purchase)	
4	See Note	NSS	Bracket, Mounting (Note: Use p/n 3600468)	
5	See Note	NSS	Capscrew 5/16-24NF x 2-1/2 (Note: Not Available - Purchase Locally)	
6	See Note	NSS	Screw 5/16-18NF x 1 (Note: Not Available - Purchase Locally)	
7	See Note	NSS	Pin (Not Shown) (Note: Use p/n 3600468)	
8	7016746	1	Adapter	
9	7013712	1	Pump, Replacement	
	3600468	Ref	Gear Pump Assembly (Service Replacement) (SN 0200164133 through 0200191606)	A
101	7011003	1	Motor	
102	7012576	1	Bracket, Mounting	
103	7011044	1	Gasket, Mounting	
104	7011016	1	Coupling	
105	70000969	1	Seal, Shaft	
106	See Note	NSS	Stator (Note: Use Item 200B)	
107	70001079	1	Cap Assembly	
108	70001076	1	Spring	
109	70001081	1	Ball	
110	70001080	1	Seat	
111	7011024	1	Seal	
112	7011048	4	Washer	
113	7011043	4	Screw	
114	70000970	4	Ring, Retaining	
115	70000971	2	Gear	
116	70001112	1	Shaft, Idler	
117	70001065	2	Pin, Drive	
118	70000976	4	Bearing, Needle	
119	7010911	2	Pin, Dowel	
120	70001085	1	Gasket	
121	See Note	NSS	Housing, Gear (Note: Use Item 200B)	
122	See Note	NSS	Label (Note: Not Available for Purchase)	
123	70001106	8	Screw	
124	70001107	1	Shaft, Drive	
125	See Note	NSS	Plug (Note: Use Item 200B)	
		Ref	REPAIR KIT OPTIONS	
200		Ref	Replacement Pump Kit Options:	
200A	See Note	NSS	Replacement Pump Kit (Note: Use p/n 366048) (Prior to SN 0200164133)	
200B	70001108	1	Replacement Pump Kit (Includes Items 103-125) (SN 0200164133 through 0200191606)	

SECTION 2 - GROUND CONTROLS

FIGURE 2-10. TANKS, ALARM AND HORN INSTALLATIONS



NOTE: MOUNTING BRACKET
LOCATED ON INSIDE OF HOOD.

SECTION 2 - GROUND CONTROLS

FIGURE 2-10. TANKS, ALARM AND HORN INSTALLATIONS

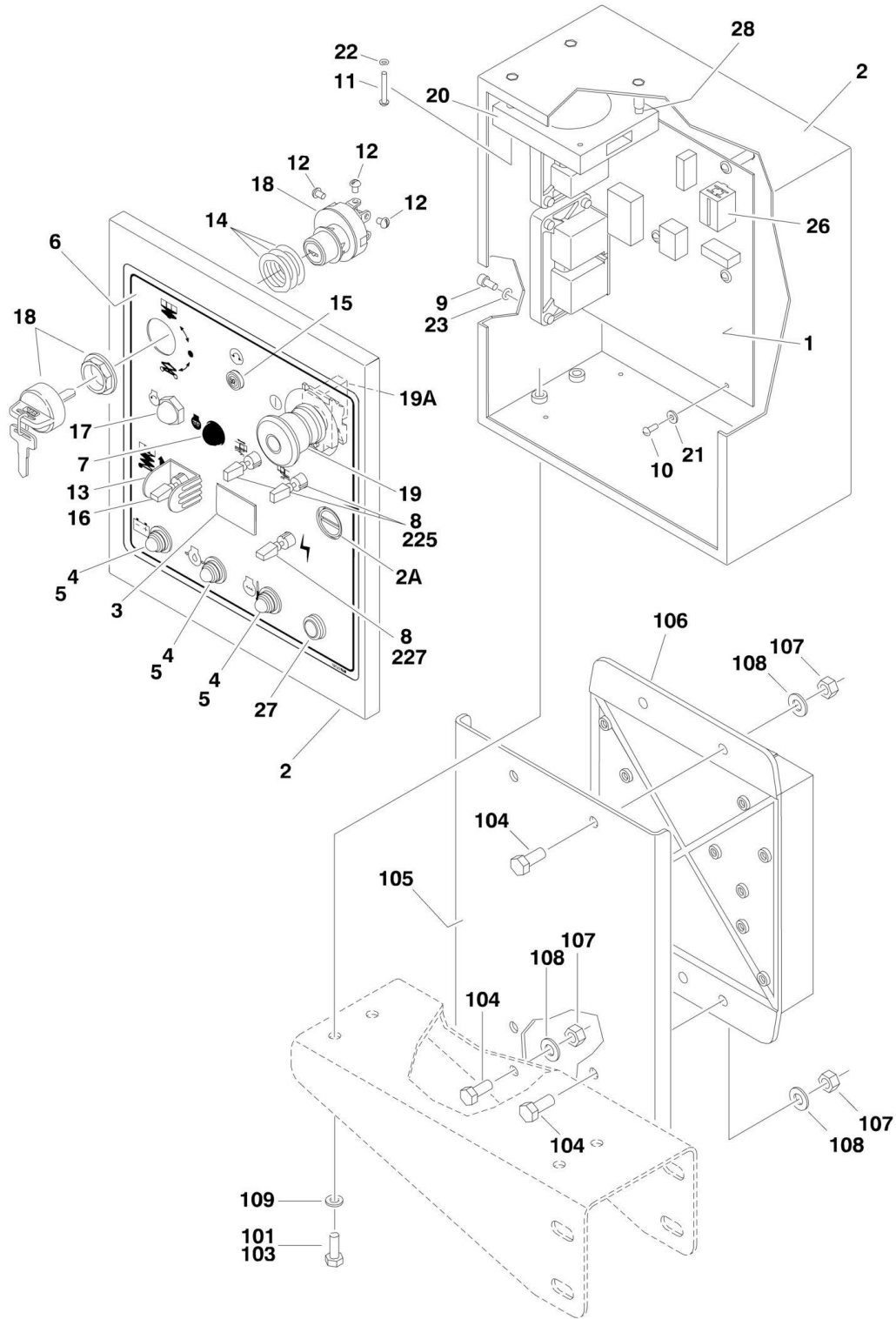
ITEM	PART NUMBER	QTY	DESCRIPTION	REV
	0271698	Ref	TANK TRAY INSTALLATION	B
2	0641812	4	Bolt 1/2in-13NC x 1 1/2in	
3	3311805	4	Locknut 1/2in-13NC	
4	4711800	8	Flatwasher 1/2in Narrow	
5	0140001	1	Horn	
6	0641506	1	Bolt 5/16in-18NC x 3/4in	
7	3311505	1	Locknut 5/16in-18NC	
8	4711500	2	Flatwasher 5/16in Narrow	
	0271959	Ref	TANK TRAY ASSEMBLY	L
101	0100011	AR	Locking, Compound (Prior to SN 0200113871)	
102		Ref	Bolt Options:	
102	0641412	3	Bolt 1/4in-20NC x 1 1/2 (Prior to SN 0200134783)	
102	0641410	2	Bolt 1/4in-20NC x 1 1/4 (SN 0200134783 through 0200191606)	
103	0641608	AR	Bolt 3/8in-16NC x 1in	
104	0902592	2	Bracket, Tank Tie-Down (Prior to SN 0200113871)	
105	0902789	1	Bracket, Ground Control Box Mount	
106	1701502	1	Decal - Oil Level High	
107	1701503	1	Decal - Oil Level Low	
109	2111212	1	Fitting, Straight	
110	2120165	1	Filter, Oil	
110	2120158	1	Element, Filter	
110A	7020021	1	Clog Indicator Gauge Assembly (Includes Gauge, Adapter and Seal Ring)	
111	2221111	1	Fitting, Straight	
112	3311405	3	Locknut 1/4in-20NC	
113	3311601	8	Nut 3/8in-16NC (Prior to SN 0200113871)	
114	3311605	AR	Locknut 3/8in-16NC	
115	4240112	4	Strap, Tank (Prior to SN 0200113871)	
116		Ref	Hydraulic Oil Tank Assembly Options:	
116	4400445	1	Hydraulic Oil Tank Assembly (See Items 201 to 205 for Breakdown) (Prior to SN 0200113871)	
116	4400456	1	Hydraulic Oil Tank Assembly (See Items 301 to 308 for Breakdown) (SN 0200113871 through 0200191606)	
117	4420037	3 ft/1m	Tape, Insulation	
118	4711400	AR	Flatwasher 1/4in Narrow	
119	4711600	AR	Flatwasher 3/8in Narrow	
120	4846548	1	Tray	
121	0731008	5	Screw, Machine #10-32NF x 1in	
122	0902801	1	Bracket, Fuel Tank Mount	
123		Ref	Bracket, Tank Mounting Options:	
123	0902802	1	Bracket, Tank Mounting (Prior to SN 0200134783)	
123	0182033	1	Bracket, Tank Mounting (SN 0200134783 through 0200191606)	
124	2420199	1	Gauge, Fuel Level	
125	3960525	1	Seal, Gauge	
126	4400436	1	Tank, Fuel	
127	4751000	5	Flatwasher #10	
128	4891600	8	Flatwasher 3/8in Hardened	
129	0641609	AR	Bolt 3/8in-16NC x 1-1/8in (Not Shown)	
		Ref	Hydraulic Tank Assembly Options:	
	4400445	Ref	Hydraulic Tank Assembly (Prior to SN 0200113871)	E

SECTION 2 - GROUND CONTROLS

ITEM	PART NUMBER	QTY	DESCRIPTION	REV
201	7014818	1	Strainer 1-1/2NPT	
202	7014801	2	Strainer 1-1/4NPT	
203	7014802	1	Gauge, Sight	
204	7014811	1	Breather/Fill Cap	
205	7020256	1	Neck, Fill	
205	7014816	1	Screen	
	4400456	Ref	Hydraulic Tank Assembly (SN 0200113871 through 0200191606)	J
301	7024440	1	Gasket (Not Shown)	
302	7024481	3	Strainer	
303	7024441	1	Gauge, Fluid Level	
304	7014811	1	Breather/Fill Cap	
305	7020256	1	Neck, Fill	
305	7014816	1	Screen	
306	7024445	1	Strainer	
307	7024446	1	Plug, Magnetic 1NPT	
308	7026122	1	Cover (Not Shown)	
		Ref	FUEL TANK CAP INSTALLATIONS	
	4400436	Ref	Machines with Non-Locking Cap	
	0271775	Ref	Machines with Locking Cap	A
401		Ref	Cap Options:	
401	1120361	1	Standard Vented Non-Locking Cap (Part of Item 126 p/n 4400436 Tank)	
401	1120558	1	Optional Blue Vented Locking Cap	
		Ref	ALARMS INSTALLATION	
	0271781	Ref	Motion Alarm	B
	0273969	Ref	Horn	A
501	0140032	1	Alarm	
502	0641506	2	Bolt 5/16in-18NC x 3/4in	
503	3311505	2	Locknut 5/16in-18NC	
504	4711500	4	Flatwasher 5/16in Narrow	

SECTION 2 - GROUND CONTROLS

FIGURE 2-11. GROUND CONTROL BOX INSTALLATION



SECTION 2 - GROUND CONTROLS

FIGURE 2-11. GROUND CONTROL BOX INSTALLATION

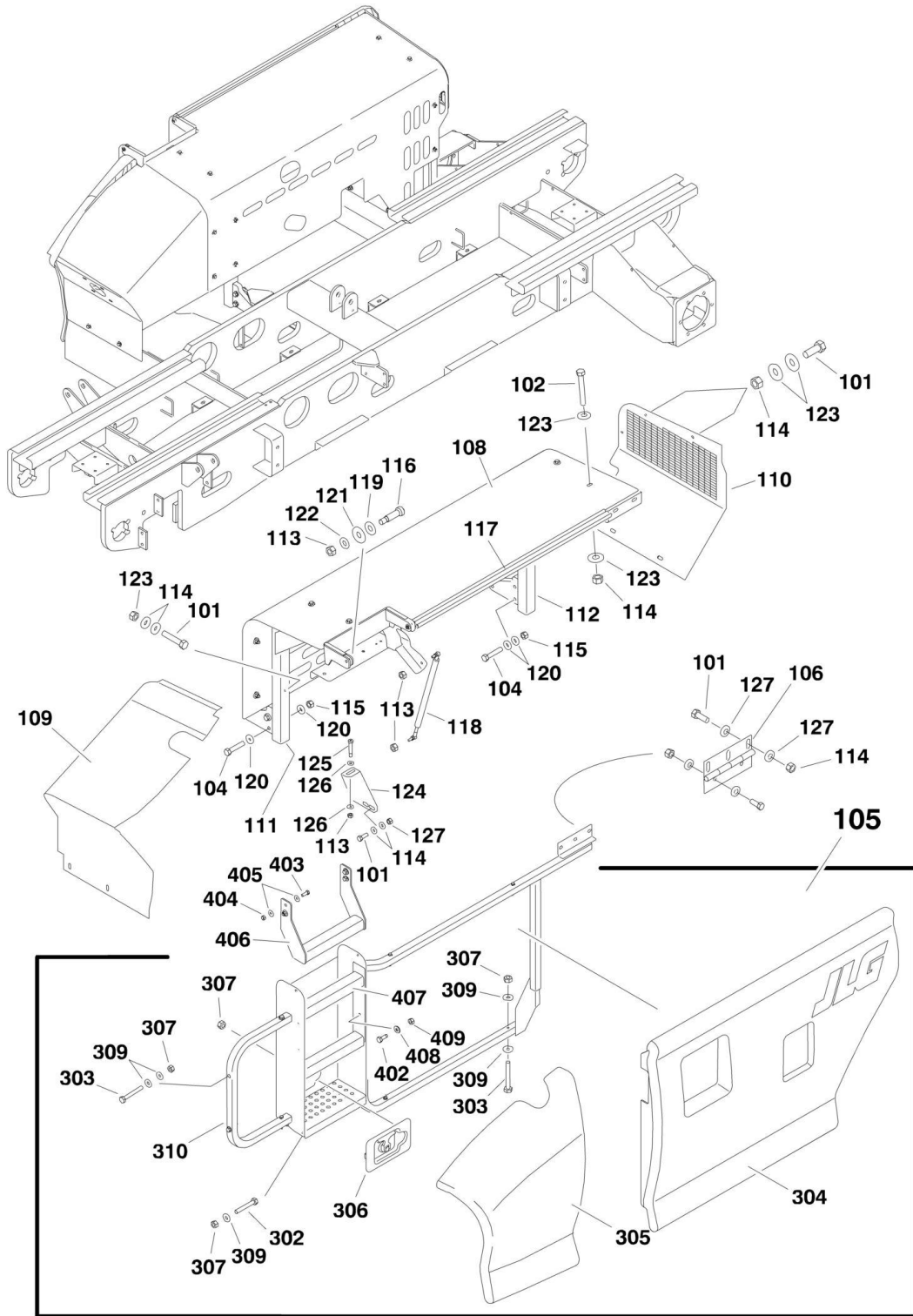
ITEM	PART NUMBER	QTY	DESCRIPTION	REV
	0271814	Ref	GROUND CONTROL BOX ASSEMBLY	X
1	0610152	NLA	Board, Circuit (Note: Control System must be recalibrated when Module is replaced) (Use p/n 1001091731)	
1	2915022	1	Update Kit (Includes Cables, Programming Instructions and CD Software)	
2	0861508	1	Box Assembly	B
2A	7023212	1	Latch	
3	2420172	1	Hourmeter	
4	2920026	3	Holder, Lamp	
5	2920029	3	Bulb, Light	
6		Ref	Nameplate/Decal Options:	
6	3252796	1	Nameplate/Decal (Prior to SN 0200112736)	
6	1705688	1	Nameplate/Decal (SN 0200112736 through 0200191606)	
7	Not Required	0	Plug, Hole	
8	3520028	3	Plug, Hole	
9	3900300	8	Screw	
10	3910606	4	Screw #6-32 x 3/8	
11		Ref	Screw Options:	
11	3910612	4	#6-32 x 3/4 Length	
11	3910616	4	#6-32 x 1 Length	
12	3910804	3	Screw #8-24 x 1/4	
13	4060802	1	Guard, Switch	
14	4070987	1	Shim .015	
15	4360070	1	Breaker, Circuit 15Amp	
16	4360328	1	Switch, Toggle	
17	4360387	2	Switch, Push Button	
18	4360470	1	Keypad	
18	2860030	1	Key, Replacement	
19	4360475	1	Switch, Push-Pull Emergency Stop	
19	7020175	1	Cap	
19A	7020176	1	Block, Contact	
20		Ref	Switch, Dual Axis Options:	
20	4360481	NLA	Switch, Dual Axis (Use p/n 1001102811) (Prior to SN 0200123252)	
20	4000006	NLA	Switch, Dual Axis (Use p/n 1001102811) (SN 0200123252 through 0200184435)	
20	1810140	1	Switch, Dual Axis (SN 0200184436 through 0200191606)	
21	4750600	4	Flatwasher #6	
22	4760600	4	Lockwasher #6	
23	4761000	8	Lockwasher #10	
24	4922339	4	Tilt Harness Assembly (Not Shown - See ELECTRICAL SECTION for Breakdown) (Prior to SN 0200123252)	
25	4922667	1	Ground Control Box Harness (Not Shown - See ELECTRICAL SECTION for Breakdown)	
26	2820155	1	Bead, Ferrite (Prior to SN 0200123252)	
27		Ref	Component Options:	
27	3520193	1	Plug, 7/8	
27	2920026	1	Holder, Lamp	
27	2920029	1	Bulb, Light	
28	1001102512	4	Washer, Spacer	
		Ref	GROUND CONTROL BOX INSTALLATION OPTIONS:	

SECTION 2 - GROUND CONTROLS

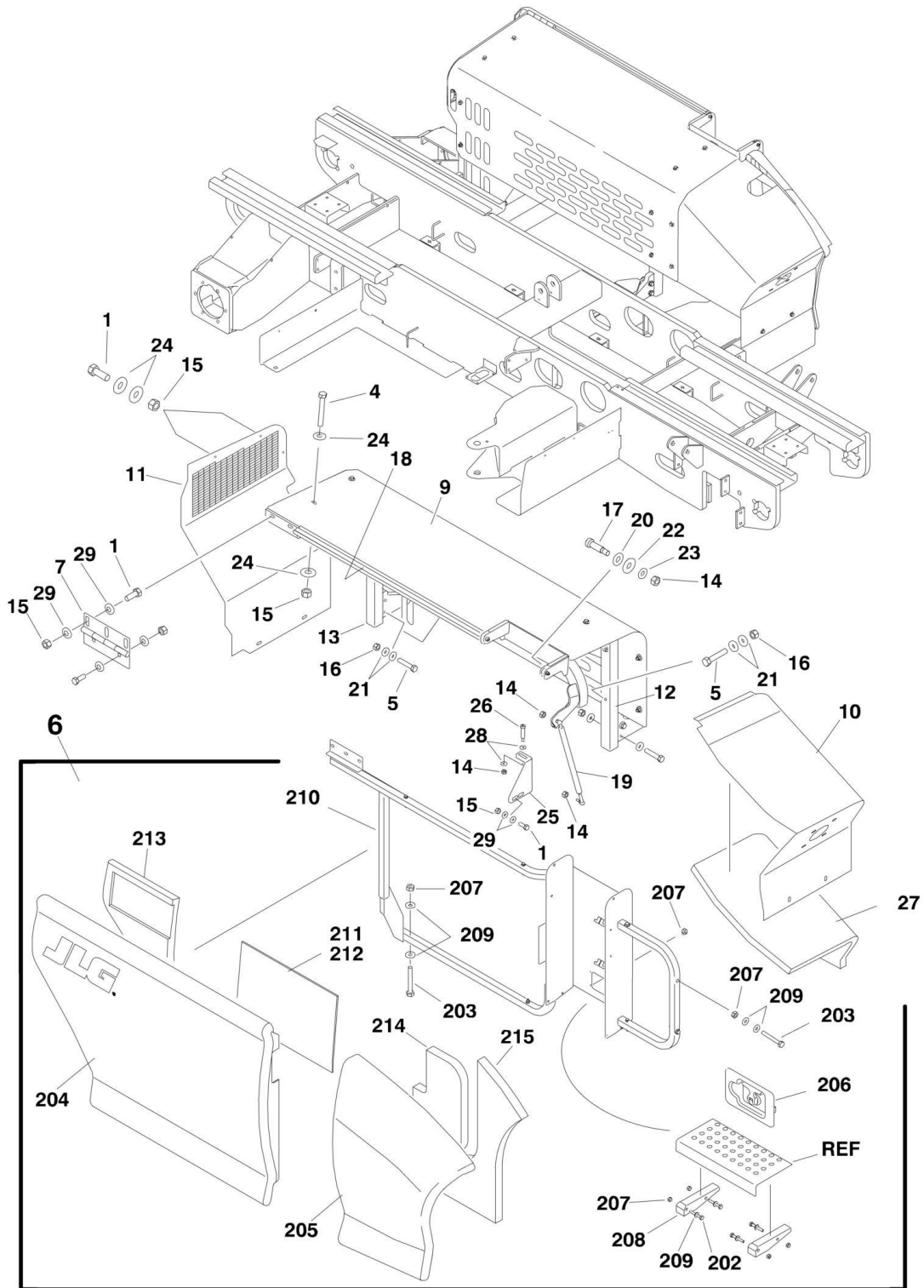
ITEM	PART NUMBER	QTY	DESCRIPTION	REV
	0271731	Ref	Diesel Machines without Options Module	B
	0271734	Ref	Diesel Machines with Options Module	B
101	0100011	AR	Locking, Compound	
103	0641406	4	Bolt 1/4-20NC x 3/4	
104	0641506	6	Bolt 5/16-18 x 3/4 (With Options Module Only)	
105	0902847	1	Bracket, Mounting (With Options Module Only)	
106	1600336	1	Module, Options (Note: Control System must be recalibrated when Module is replaced)	
107	3311505	6	Locknut 5/16-18NC (With Options Module Only)	
108	4711500	6	Flatwasher 5/16 (With Options Module Only)	
109	4761400	4	Lockwasher 1/4	
110		Ref	Valve and Engine Harness Options (Not Shown - See ELECTRICAL SECTION for Breakdown):	
110	4922715	1	Valve and Engine Harness (Prior to SN 0200138634)	
110	4923307	1	Valve and Engine Harness (SN 0200138634 through 0200191606)	
		Ref	POWER DECK SWITCH INSTALLATIONS	
225	4360328	Ref	Switch, Toggle	
225	4360328	1	Single Deck Extension	
225	4360328	2	Dual Deck Extension	
227	4360483	1	Switch, Toggle	

SECTION 2 - GROUND CONTROLS

FIGURE 2-12. HOODS AND LADDERS INSTALLATIONS (Prior to SN 0200116736)



SECTION 2 - GROUND CONTROLS



SECTION 2 - GROUND CONTROLS

FIGURE 2-12. HOODS AND LADDERS INSTALLATIONS (Prior to SN 0200116736)

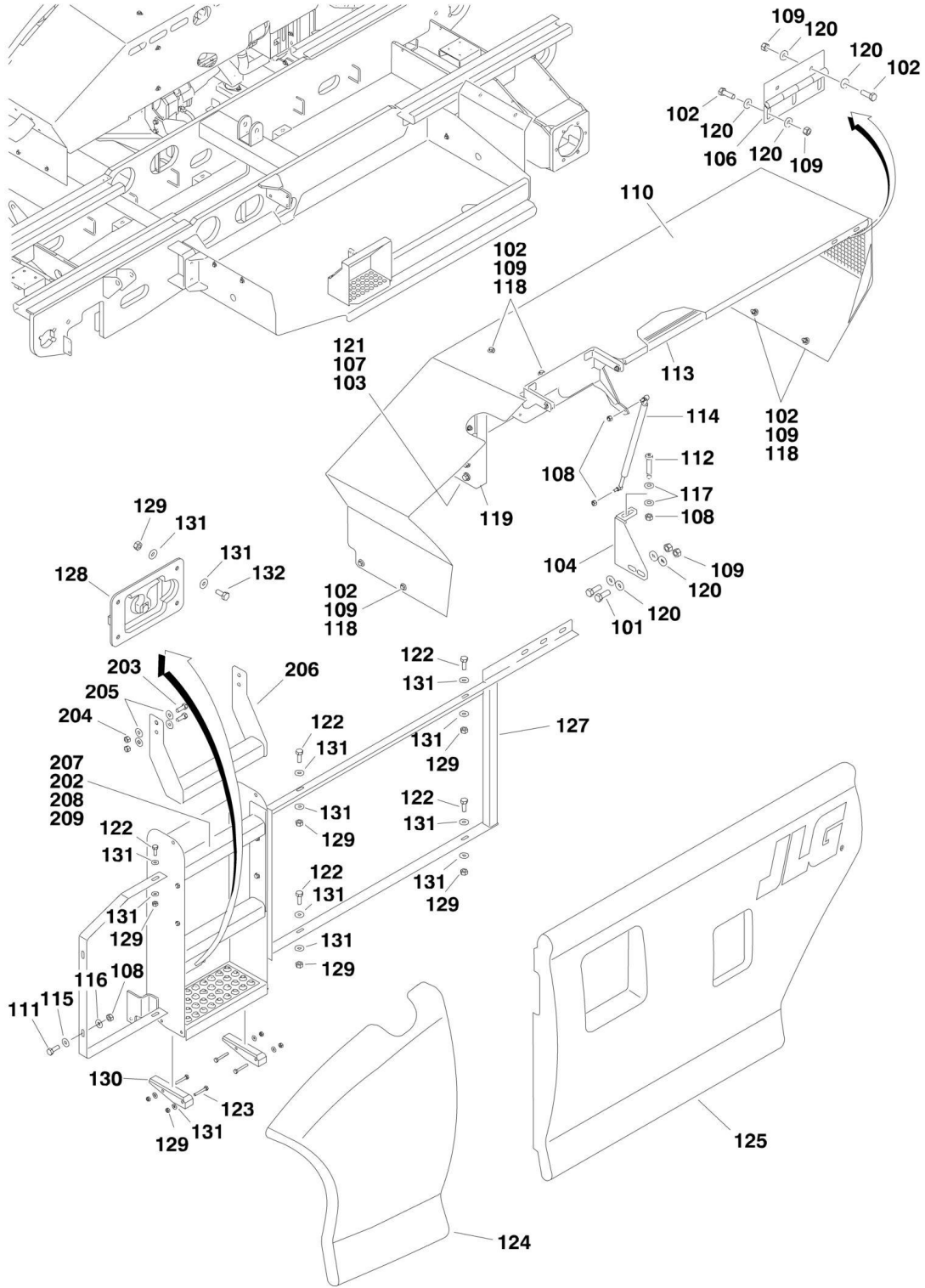
ITEM	PART NUMBER	QTY	DESCRIPTION	REV
	0271699	Ref	HOODS INSTALLATIONS (Prior to SN 0200116736)	A
	0272038	Ref	Engine Side Hood Assembly	D
1	0641608	12	Bolt 3/816NC x 1	
2	0641610	4	Bolt 3/8-16NC x 1-1/4	
4	0641622	8	Bolt 3/8-16NC x 2-3/4	
5	0681820	6	Bolt 1/2-13NC x 2-1/2 (Grade 8)	
6	1780325	1	Door Assembly - Engine Side (See Items 201 to 215 for Breakdown)	
7	2600286	1	Hinge	
9	1671060	1	Cover, Back	
10	1671069	1	Cover, Front	
11	3573535	1	Cover, Rear	
12	4846564	1	Support, Front	
13	4846565	1	Support, Rear	
14	3311505	5	Locknut 5/16-18NC	
15	3311605	24	Locknut 3/8-16NC	
16	3271805	6	Locknut 1/2-13NC (Grade 8)	
17	3900290	2	Screw 3/8 x 1	
18	3960559	1	Seal	
19	4160196	1	Spring, Gas	
20	4711600	2	Flatwasher 3/8 Narrow	
21	4891800	12	Washer, Hardened 1/2	
22	4740520	2	Washer, Thrust	
23	4711500	2	Flatwasher 5/16 Narrow	
24	4751600	34	Flatwasher 3/8 Thick	
25	0902831	1	Bracket	
26	3900328	1	Screw, Shoulder 3/8 x 1-1/2	
27	2820159	1	Insulation	
28	4751400	2	Flatwasher 1/4	
29	4891600	14	Flatwasher 3/8 Hardened	
	2902188	1	Cover Kit - Engine Side (Includes 9-13)	
		Ref	Note: Replacement Decals Must be Ordered Separately - See DECAL SECTION.	
	0272039	Ref	Tank Side Hood Assembly	D
101	0641608	14	Bolt 3/816NC x 1	
102	0641622	8	Bolt 3/8-16NC x 2-3/4	
104	0681820	6	Bolt 1/2-13NC x 2 1/2 (Grade 8)	
105	1780326	1	Door Assembly - Engine Side (See Items 301 to 310 for Breakdown)	
106	2600286	1	Hinge	
108	1671061	1	Cover, Back	
109	1671070	1	Cover, Front	
110	3573536	1	Cover, Rear	
111	4846564	1	Support, Front	
112	4846565	1	Support, Rear	
113	3311505	5	Locknut 5/16-18NC	
114	3311605	22	Locknut 3/8-16NC	
115	3271805	6	Locknut 1/2-13NC (Grade 8)	
116	3900290	2	Screw 3/8 x 1	
117	3960559	1	Seal	

SECTION 2 - GROUND CONTROLS

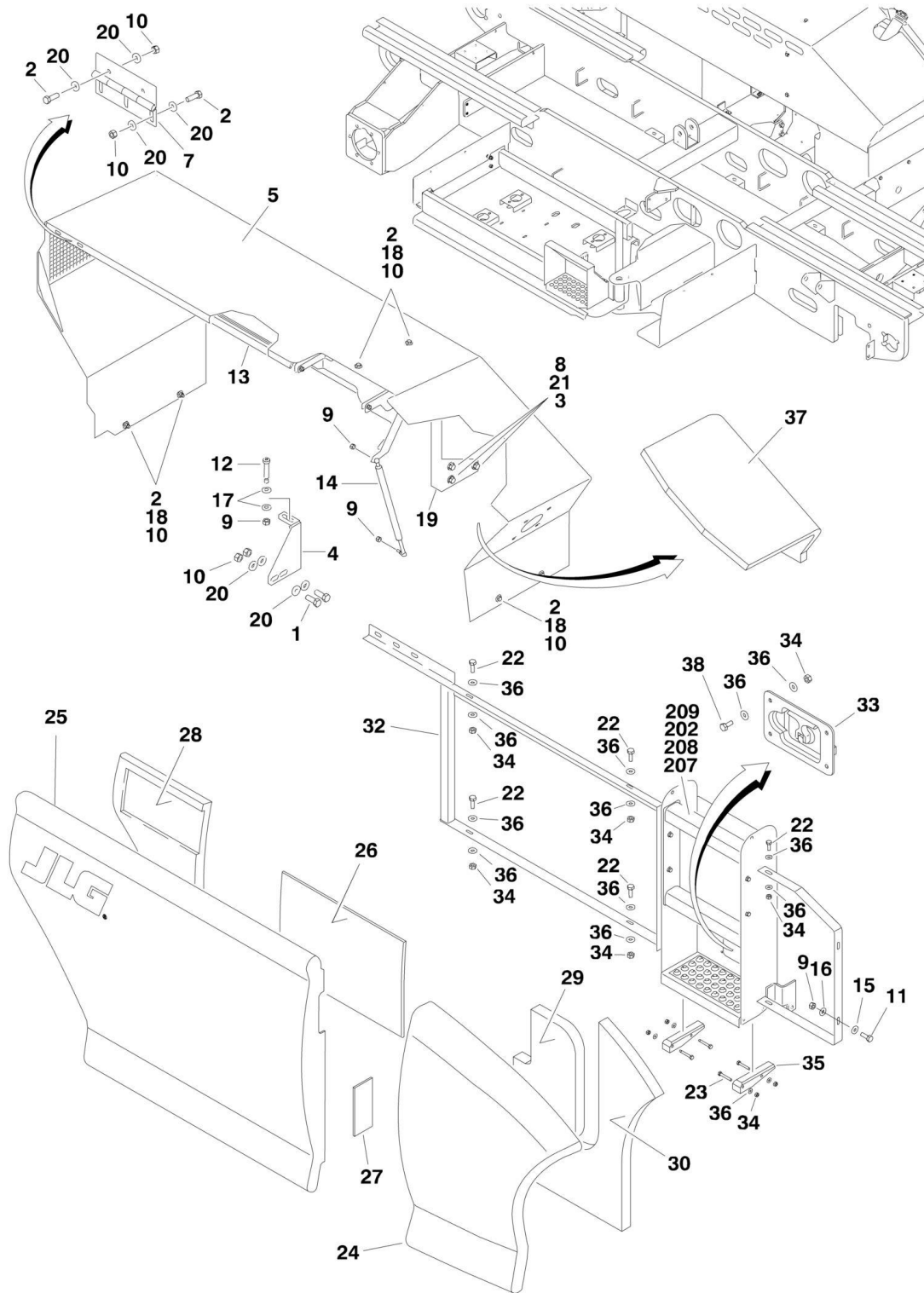
ITEM	PART NUMBER	QTY	DESCRIPTION	REV
118	4160196	1	Spring, Gas	
119	4711600	2	Flatwasher 3/8 Narrow	
120	4891800	12	Washer, Hardened 1/2	
121	4740520	2	Washer, Thrust	
122	4711500	2	Flatwasher 5/16 Narrow	
123	4751600	30	Flatwasher 3/8 Thick	
124	0902831	1	Bracket	
125	3900328	1	Screw, Shoulder 3/8 x 1-1/2	
126	4751400	2	Flatwasher 1/4	
127	4891600	14	Flatwasher 3/8 Hardened	
	2902189	1	Cover Kit - Tank Side (Includes 108-112)	
		Ref	Note: Replacement Decals Must be Ordered Separately - See DECAL SECTION.	
	1780325	Ref	DOOR ASSEMBLY - ENGINE SIDE (Prior to SN 0200116736)	E
202	0641414	4	Bolt 1/4-20NC x 1-3/4	
203	0641416	8	Bolt 1/4-20NC x 2	
204	2680504	1	Door, Left	
205	2680505	1	Door, Right	
206	2940147	1	Latch	
207	3311405	16	Locknut 1/4-20NC	
208	3340945	2	Pad	
209	4711400	20	Flatwasher 1/4 Narrow	
210	4846544	1	Step	
211	2820153	1	Insulation	
212	2820154	1	Insulation	
213	2820156	1	Insulation	
214	2820157	1	Insulation	
215	2820158	1	Insulation	
	1780326	Ref	DOOR ASSEMBLY - TANK SIDE (Prior to SN 0200116736)	D
302	0641414	4	Bolt 1/4-20NC x 1-3/4	
303	0641416	8	Bolt 1/4-20NC x 2	
304	2680507	1	Door, Right	
305	2680508	1	Door, Left	
306	2940147	1	Latch	
307	3311405	16	Locknut 1/4-20NC	
308	3340945	2	Pad	
309	4711400	20	Flatwasher 1/4 Narrow	
310	4846545	1	Step	
		Ref	LADDER INSTALLATIONS	
	0272228	Ref	Ladder Installations (3394RT)	C
	0272229	Ref	Ladder Installations (4394RT)	D
402	0641406	8	Bolt 1/4-20NC x 3/4	
403	0641608	8	Bolt 3/8-16NC x 1 (4394RT)	
404	3311605	8	Locknut 3/8-16NC (4394RT)	
405	4751600	16	Flatwasher 3/8 Thick (4394RT)	
406	4846569	2	Ladder (Use p/n 1001092410) (4394RT)	
407		Ref	Ladder Options:	
407	4846612	2	Ladder (3394RT)	
407	4846612	2	Ladder (4394RT)	
408	4711400	8	Flatwasher 1/4 Narrow	
409	3311405	8	Locknut 1/4-20NC	

SECTION 2 - GROUND CONTROLS

FIGURE 2-13. HOODS AND LADDERS INSTALLATIONS (SN 0200116736 through 0200191606)



SECTION 2 - GROUND CONTROLS



SECTION 2 - GROUND CONTROLS

FIGURE 2-13. HOODS AND LADDERS INSTALLATIONS (SN 0200116736 through 0200191606)

ITEM	PART NUMBER	QTY	DESCRIPTION	REV
	0273788	Ref	HOODS INSTALLATIONS (SN 0200116736 through 0200191606)	B
	0272944	Ref	Engine Side Hood Assembly	I
1	0641608	2	Bolt 3/816NC x 1	
2	0641609	13	Bolt 3/8-16NC x 1-1/8	
3	0681816	3	Screw 1/2-13NC x 2	
4	0902831	1	Bracket	
5	1671099	1	Cover, Engine	
7	2600286	1	Hinge	
8	3271805	3	Locknut 1/2-13NC (Grade 8)	
9	3311605	AR	Locknut 3/8-16NC	
9	3311601	AR	Nut 3/8-16NC	
9	3311605	AR	Locknut 3/8-16NC	
10	3311605	16	Locknut 3/8-16NC	
11	3900290	2	Screw 3/8 x 1	
12		Ref	Screw, Shoulder Options:	
12	3900328	1	Screw, Shoulder (Use p/n 0641620) (Prior to SN 0200125739)	
12	0641620	1	Screw, Shoulder (SN 0200125739 through 0200191606)	
13	3960559	1	Seal	
14	4160196	1	Spring, Gas	
15	4711500	2	Flatwasher 5/16 Narrow	
16	4711600	4	Flatwasher 3/8 Narrow	
17	4751400	2	Flatwasher 1/4 (Prior to SN 0200125739)	
18	4751600	16	Flatwasher 3/8 Thick	
19	4846825	1	Weld, Hood Support	
20	4891600	14	Flatwasher 3/8 Hardened	
21	4891800	6	Washer, Hardened 1/2	
22	0641406	8	Bolt, 1/4-20NC x 3/4	
23	0641414	4	Bolt, 1/4-20NC x 1-3/4	
24	2680505	1	Hood, ABS, Nose, Engine Cover	
25	See Note	NSS	Hood, ABS, Main Engine Cover, RT (Use p/n 1001097967)	
26	2820153	1	Insulation, Heat Shield	
27	2820154	1	Insulation, Heat Shield	
28	2820156	1	Insulation, Sound (Low Temp)	
29	2820157	1	Insulation, Sound Absorb	
30	2820158	1	Insulation, Sound Absorb	
32	4846826	1	Weld, Engine Cover Frame	
33	2940147	1	Latch, Rotary ,T Handle	
34	3311405	16	Locknut, 1/4-20NC	
35	3340945	2	Pad, Ladder Slide	
36	4711400	28	Flatwasher, 1/4	
37	2820159	1	Insulation, Sound Absorb	
38	0641405	4	Bolt 1/4-20NC x 5/8	
	2902337	1	Cover Kit - Engine Side (Includes 5, 19 & 32)	
	1001097967	1	Hood Kit - Engine Side (Includes 25 - 28)	
		Ref	Note: Replacement Decals Must be Ordered Separately - See DECAL SECTION.	
	0272945	Ref	Tank Side Hood Assembly	E
101	0641608	2	Bolt 3/816NC x 1	
102	0641609	13	Bolt 3/8-16NC x 1-1/8	
103	0681816	3	Bolt 1/2-16NC x 2	

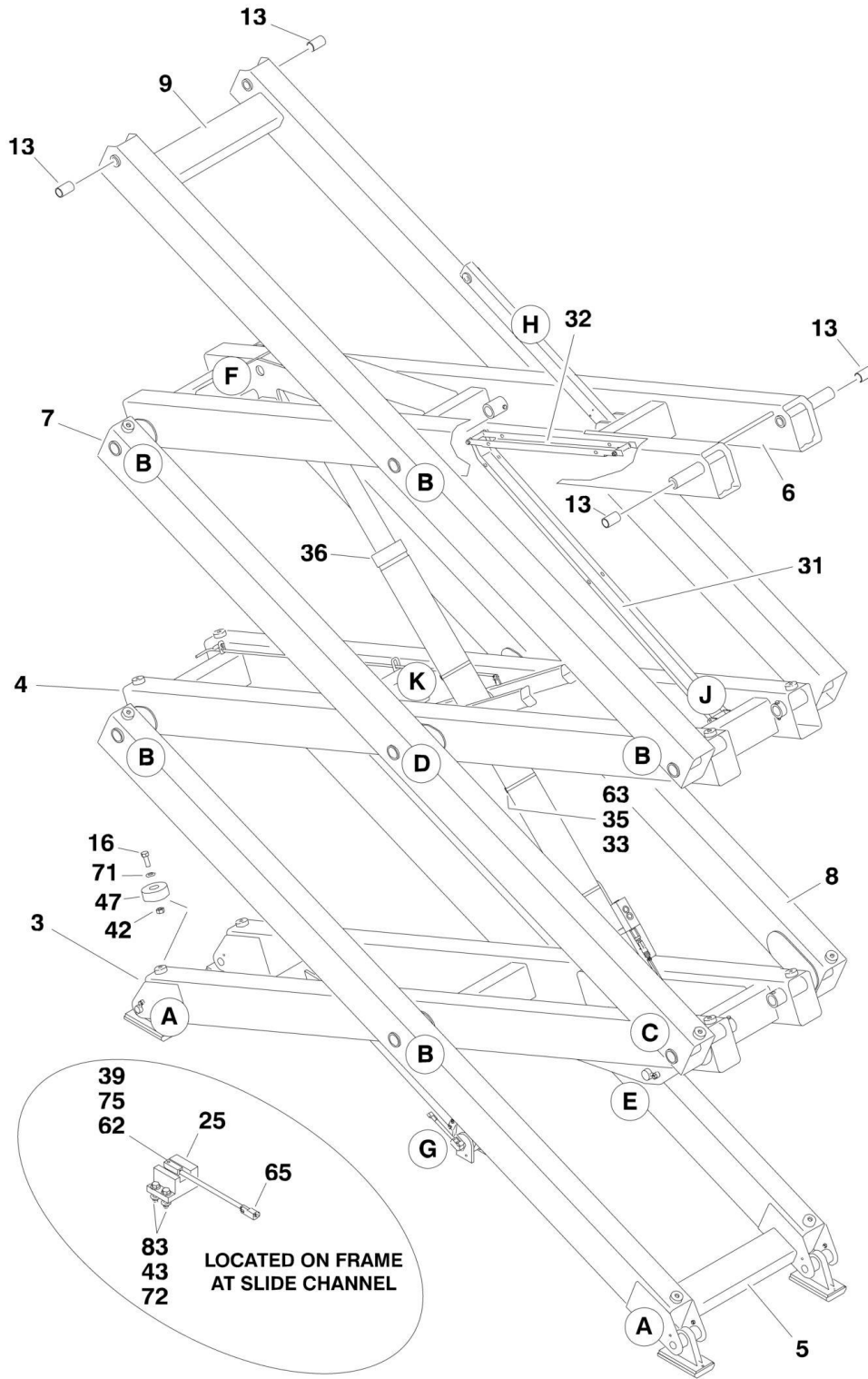
SECTION 2 - GROUND CONTROLS

ITEM	PART NUMBER	QTY	DESCRIPTION	REV
104	0902831	1	Bracket	
106	2600286	1	Hinge	
107	3271805	3	Locknut 1/2-13NC (Grade 8)	
108	3311505	AR	Locknut 5/16-18NC	
108	3311605	AR	Locknut 3/8-16NC	
108	3311601	AR	Nut 3/8-16NC	
109	3311605	16	Locknut 3/8-16NC	
110	3380495	1	Panel, Hyd. Cover	
111	3900290	2	Screw 3/8 x 1	
112		Ref	Screw, Shoulder Options:	
112	3900328	1	Screw, Shoulder (Use p/n 0641620) (Prior to SN 0200125739)	
112	0641620	1	Screw, Shoulder (SN 0200125739 through 0200191606)	
113	3960559	1	Seal	
114	4160196	1	Spring, Gas	
115	4711500	2	Flatwasher 5/16 Narrow	
116	4711600	4	Flatwasher 3/8 Narrow	
117	4751400	2	Flatwasher 1/4 (Prior to SN 0200125739)	
118	4751600	16	Flatwasher 3/8 Thick	
119	4846825	1	Weld, Hood Support	
120	4891600	14	Flatwasher 3/8 Hardened	
121	4891800	6	Flatwasher 1/2 Hardened	
122	0641406	8	Bolt, 1/4-20NC x 3/4	
123	0641414	4	Bolt, 1/4-20NC x 1-3/4	
124	2680508	1	Hood, ABS, Nose, Hydraulic Compartment	
125	2680519	1	Hood, Main Hydraulic Compartment, RT	
127	4846827	1	Weld, Hyd. Compartment Cover Frame	
128	2940147	1	Latch, Rotary ?T Handle	
129	3311405	16	Locknut, 1/4-20NC	
130	3340945	2	Pad, Ladder Slide	
131	4711400	28	Flatwasher, 1/4	
132	0641405	4	Bolt 1/4-20NC x 5/8	
	2902338	1	Cover Kit - Tank Side (Includes 110, 119 & 127)	
		Ref	Note: Replacement Decals Must be Ordered Separately - See DECAL SECTION.	
		Ref	LADDER INSTALLATIONS	
	0272228	Ref	Ladder Installations (3394RT)	C
	0272229	Ref	Ladder Installation (4394RT)	D
202	0641406	8	Bolt 1/4-20NC x 3/4	
203	0641608	8	Bolt 3/8-16NC x 1 (4394RT)	
204	3311605	8	Locknut 3/8-16NC (4394RT)	
205	4751600	16	Flatwasher 3/8 Thick (4394RT)	
206		Ref	Ladder Options (4394RT)	
206	4846569	2	Ladder (Use p/n 1001092410) (4394RT) (Prior to SN 0200166189)	
206	1001092410	2	Ladder (4394RT) (SN 0200166189 through 0200191606)	
207		Ref	Ladder Options:	
207	4846611	2	Ladder (3394RT)	
207	4846612	2	Ladder (4394RT)	
208	4711400	8	Flatwasher 1/4 Narrow	
209	3311405	8	Locknut 1/4-20NC	

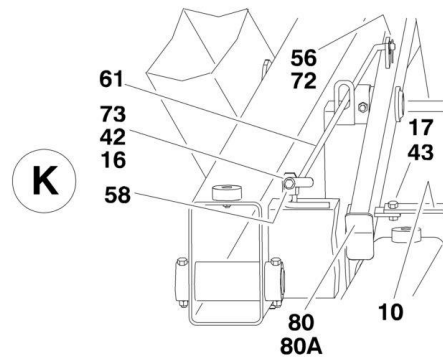
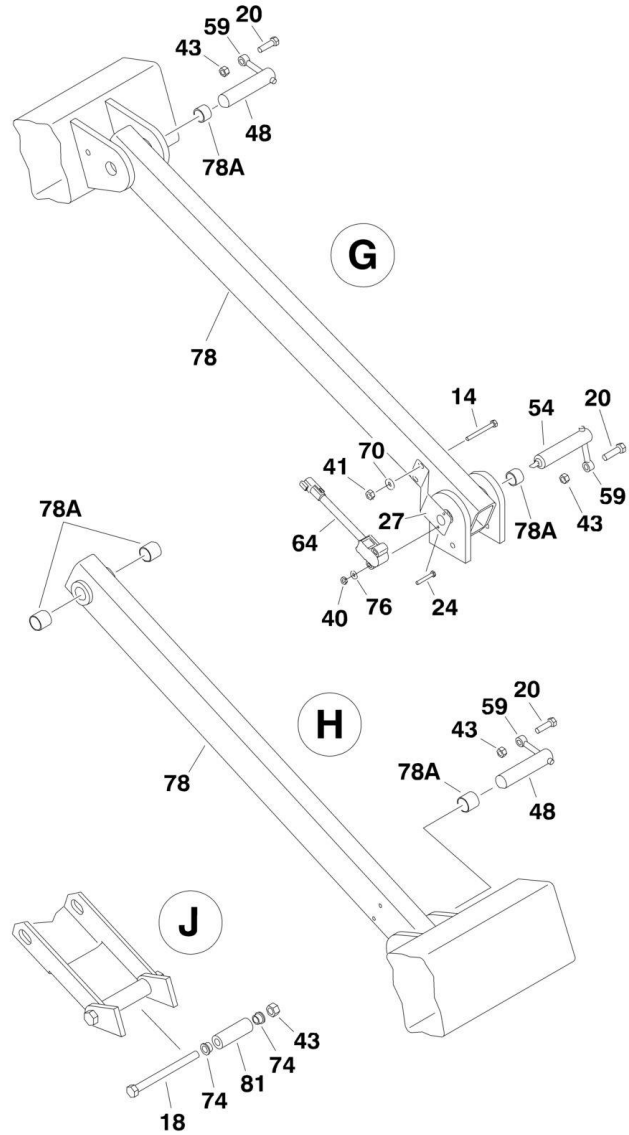
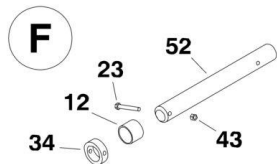
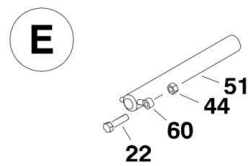
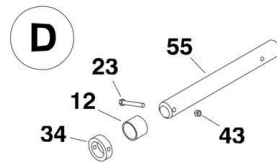
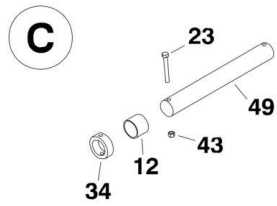
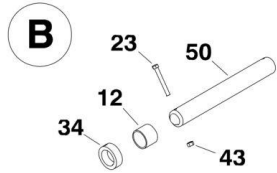
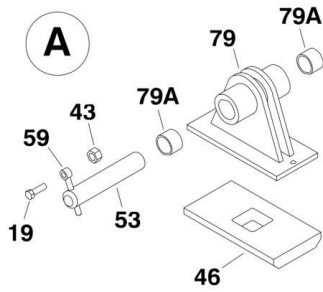
SECTION 3 - SCISSOR ARMS

SECTION 3 - SCISSOR ARMS

FIGURE 3-1. SCISSOR ARMS INSTALLATION (3394RT)



SECTION 3 - SCISSOR ARMS



SECTION 3 - SCISSOR ARMS

FIGURE 3-1. SCISSOR ARMS INSTALLATION (3394RT)

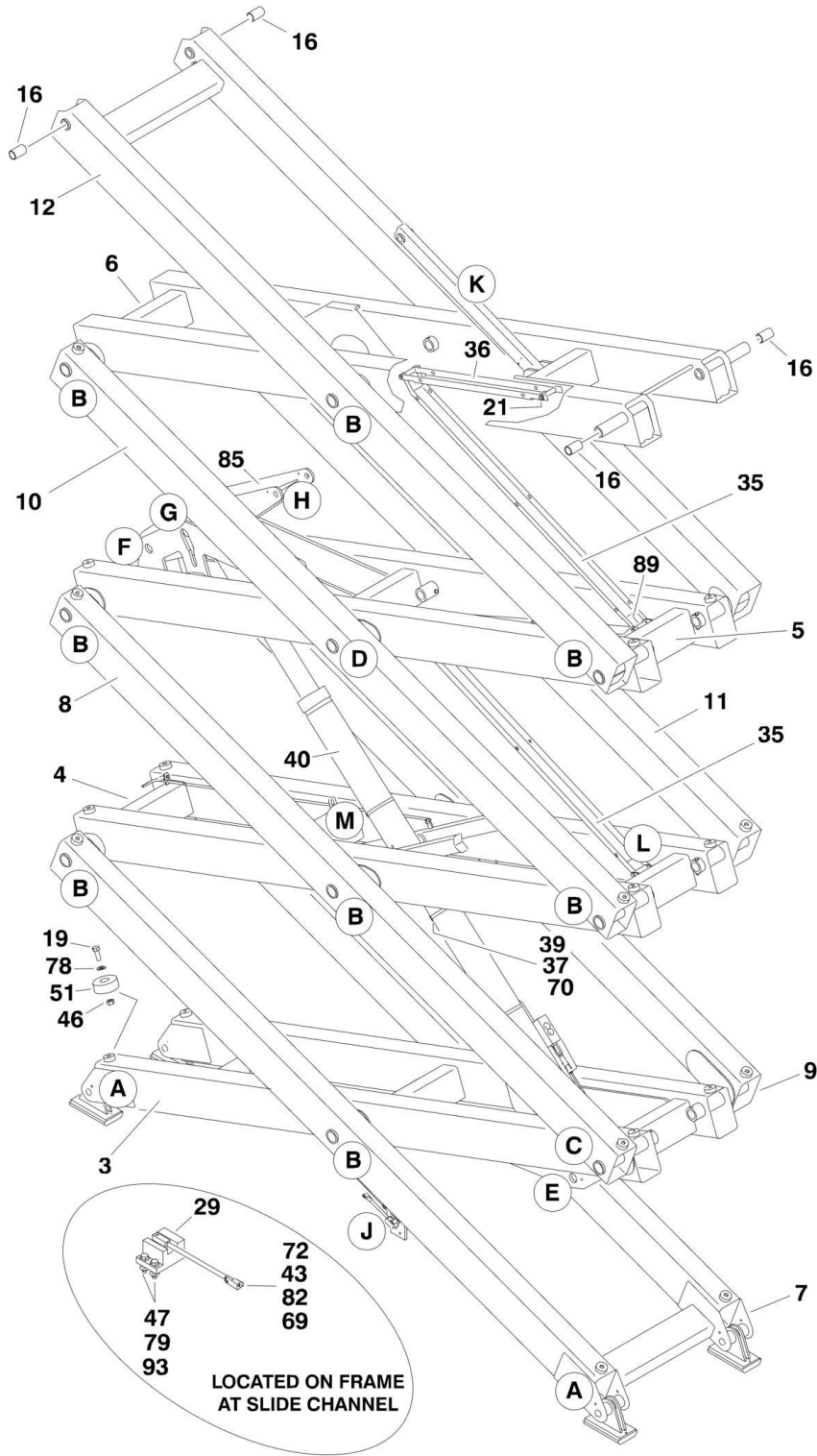
ITEM	PART NUMBER	QTY	DESCRIPTION	REV
	0271497	Ref	SCISSOR ARMS INSTALLATIONS	J
	0275483	Ref	SCISSOR ARMS ASSEMBLY	A
3	0200712	1	Arm - Lower Inboard	
4	0200713	1	Arm - Mid Inboard	
5	0200716	1	Arm - Lower Outboard	
6	0200717	1	Arm - Upper Inboard	
7	0200718	1	Arm - Mid Outboard (Left Side)	
8	0200719	1	Arm - Mid Outboard (Right Side)	
9	0200723	1	Arm - Upper Outboard	
10	0363050	1	Bar, Prop Attach	
12	0440236	28	Bearing	
13	0440250	4	Bearing	
14	0641420	2	Bolt 1/4-20NC x 2-1/2	
16	0641507	1	Bolt 5/16-18NC x 7/8	
17	0641607	2	Bolt 3/8-16NC x 7/8	
18	0641632	3	Bolt 3/8-16NC x 4	
19	0641610	4	Bolt 3/8-16NC x 1-1/4	
20	0641611	3	Bolt 3/8-16NC x 1-3/8	
22	0641813	1	Bolt 1/2-13NC x 1-5/8	
23	0630557	29	Bolt 3/8-16NC x 3	
24	0721010	2	Screw #10-24NC x 1-1/4	
25	3200447	1	Mount, Proximity Switch	
27	0902774	1	Bracket, Switch Mounting	
31	1180371	1	Carrier, Cable	
32	1180372	1	Carrier, Cable	
33	1320122	3	Clamp	
34	1440331	14	Collar	
35	1670995	3	Cover, Hose/Cable	
36		Ref	Lift Cylinder Assembly (See CYLINDER SECTION for Breakdown)	
36	1684147	NLA	Lift Cylinder Assembly (Use p/n 1684332) (Prior to SN 0200114765)	
36	1684332	1	Lift Cylinder Assembly (SN 0200114765 through 0200191606)	
39	3300455	2	Locknut, Stainless #10-24NC	
40	3311005	2	Locknut #10-24NC	
41	3311405	2	Locknut 1/4-20NC	
42	3311505	16	Locknut 5/16-18NC	
43	3311605	43	Locknut 3/8-16NC	
44	3311805	1	Locknut 1/2-13NC	
46	3340935	4	Pad, Slide	
47	3340929	16	Pad, Arm	
48	3422943	2	Pin	
49	3422944	2	Pin	
50	3422945	10	Pin	
51	3422946	1	Pin	
52	3422954	1	Pin	
53	3422961	4	Pin	
54	3422963	1	Pin	
55	3422965	2	Pin	
56	3450304	1	Pin, Cotter 3/32 x 1	
58	3573370	1	Plate, Rod Keeper	

SECTION 3 - SCISSOR ARMS

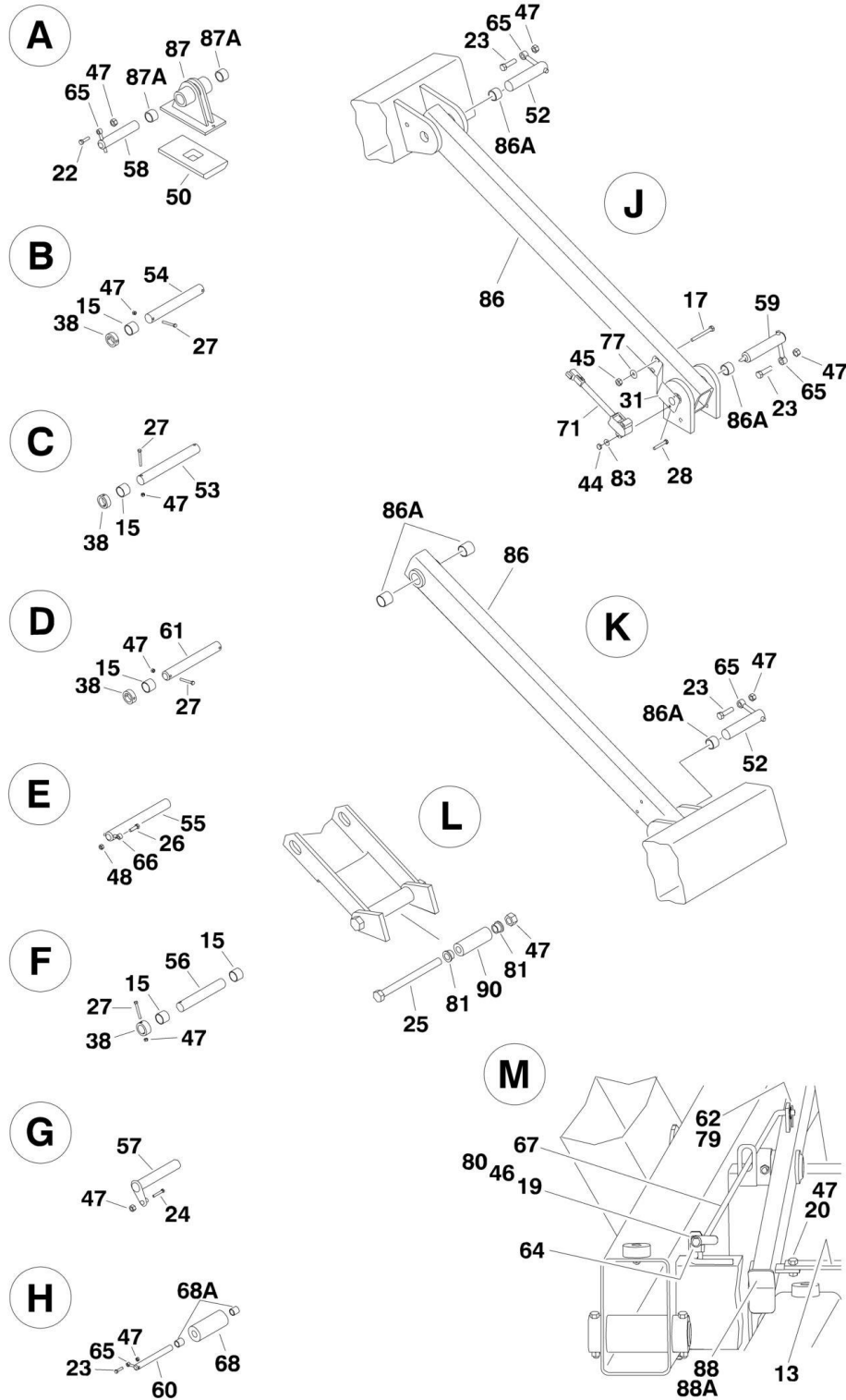
ITEM	PART NUMBER	QTY	DESCRIPTION	REV
59	3841143	7	Keeper, Pin	
60	3841203	1	Keeper, Pin	
61	3841556	1	Rod, Prop Actuator	
62	3900325	2	Screw, Stainless #10-24NC	
63	4280295	18 in /46cm	Strip, Protector	
64	4360500	1	Switch, Rotary Angle Sensor	
65	4360502	1	Switch, Proximity Sensor	
70	4711400	2	Flatwasher 1/4 Narrow	
71	4711500	16	Flatwasher 5/16 Narrow	
72	4711600	5	Flatwasher 3/8 Narrow	
73	4740455	2	Washer, Nylon Shoulder	
74	0962031	8	Bushing, Flanged	
75	4740506	2	Washer, Stainless#10	
76	4751000	2	Flatwasher #10	
78	0272209	2	Link, Attach	
78A	0962474	8	Bushing (Qty 4 per Link)	
79	0272210	NLA	Slider (Use p/n 1001099623)	
79A	0440234	4	Bearing (Qty 2 per Slider)	
80	0272211	2	Prop, Safety	
80A	0961388	2	Bushing (Qty 1 per Prop)	
81	0962446	4	Spacer	
83	0641612	2	Bolt 3/8-16NC x 1-1/2	
84	2110808	1	Fitting, Straight (Not Shown - See HYDRAULIC SECTION for fitting) (SN 0200152397 through 0200191606)	
85	2131008	1	Fitting, 90 (Not Shown - See HYDRAULIC SECTION for fitting) (SN 0200152397 through 0200191606)	
86	2753793	1	Hose (Not Shown - See HYDRAULIC SECTION for fitting) (SN 0200152397 through 0200191606)	
87	2753794	1	Hose (Not Shown - See HYDRAULIC SECTION for fitting) (SN 0200152397 through 0200191606)	
88	1060866	1	Cable, 12/3 (220 Volt) (Not Shown - See ELECTRICAL SECTION for Cable)	
89	4923309	1	Ground to Platform Module Harness (Not Shown - See ELECTRICAL SECTION for Cable) (SN 0200152397 through 0200191606)	
90	4240033	AR	Strap, Tie (SN 0200152397 through 0200191606)	
	2902062	1	Scissor Arm Kit (Includes Items 3-9) (3394RT)	
	2902149	1	Arm Components Kit (Includes Items 3-9, 12, 13, 16, 31, 32, 42, 47, 71, 78 & 80)	6

SECTION 3 - SCISSOR ARMS

FIGURE 3-2. SCISSOR ARMS INSTALLATION (4394RT)



SECTION 3 - SCISSOR ARMS



SECTION 3 - SCISSOR ARMS

FIGURE 3-2. SCISSOR ARMS INSTALLATION (4394RT)

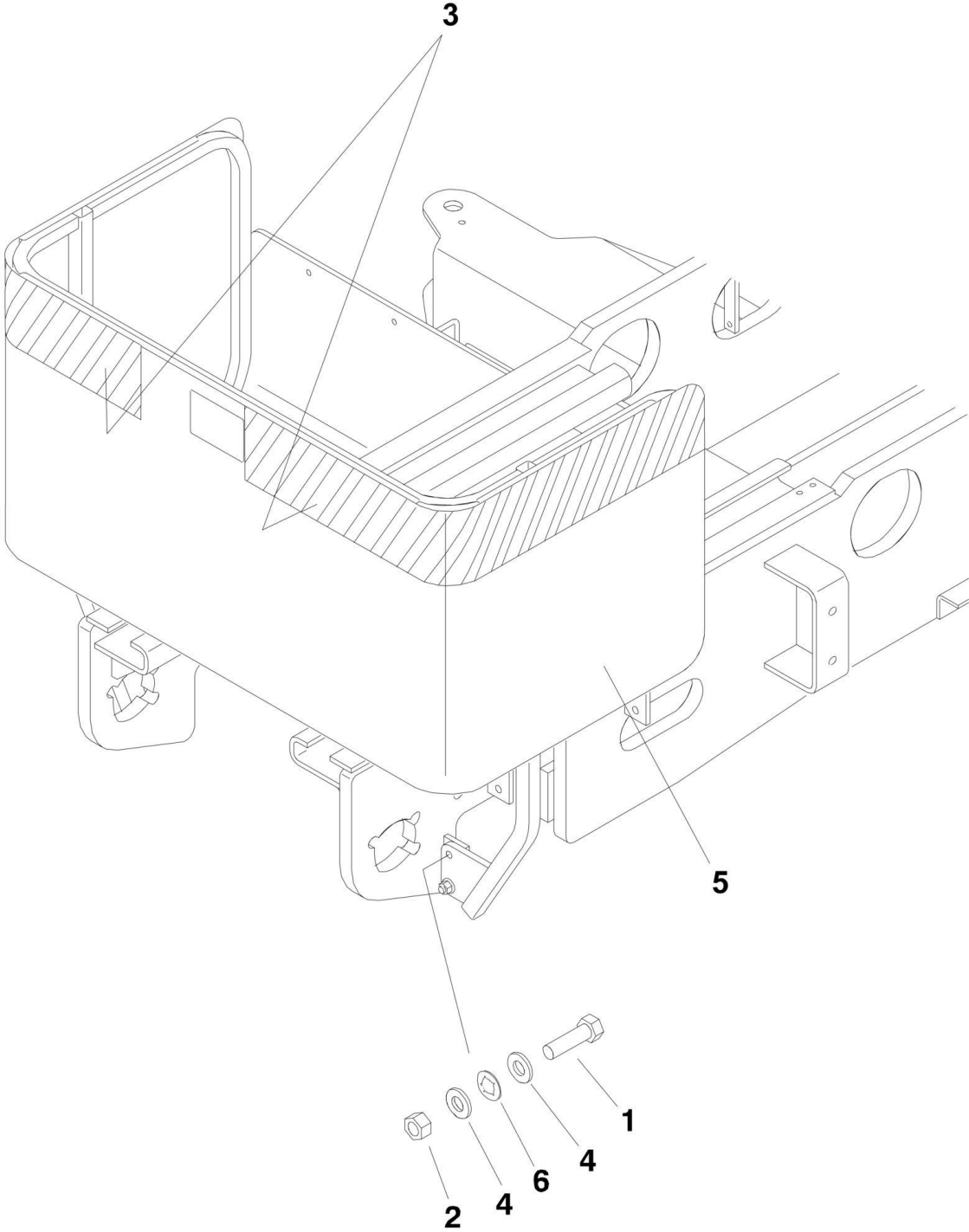
ITEM	PART NUMBER	QTY	DESCRIPTION	REV
	0271498	Ref	SCISSOR ARMS INSTALLATION	J
	0275484	Ref	SCISSOR ARMS ASSEMBLY	A
3	0200712	1	Arm - Lower Inboard	
4	0200713	1	Arm - Upper Mid Inboard	
5	0200714	1	Arm - Upper Mid Inboard	
6	0200715	1	Arm - Upper Inboard	
7	0200716	1	Arm - Lower Outboard	
8	0200718	1	Arm - Lower Mid Outboard (Left Side)	
9	0200719	1	Arm - Lower Mid Outboard (Right Side)	
10	0200720	1	Arm - Upper Mid Outboard (Left Side)	
11	0200721	1	Arm - Upper Mid Outboard (Right Side)	
12	0200722	1	Arm - Upper Outboard	
13	0363050	1	Bar, Prop Attach	
15	0440236	42	Bearing	
16	0440250	4	Bearing	
17	0641420	2	Bolt 1/4-20NC x 2-1/2	
19	0641507	25	Bolt 5/16-18NC x 7/8	
20	0641607	2	Bolt 3/8-16NC x 7/8	
21	0641636	1	Bolt 3/8-16NC x 4-1/2	
22	0641610	4	Bolt 3/8-16NC x 1-1/4	
23	0641611	4	Bolt 3/8-16NC x 1-3/8	
24	0681618	1	Bolt 3/8-16NC x 2-1/4 (Grade 8)	
25	0641632	4	Bolt 3/8-16NC x 4	
26	0641813	1	Bolt 1/2-13NC x 1-5/8	
27	0630557	41	Bolt 3/8-16NC x 3	
28	0721010	2	Screw #10-24NC x 1-1/4	
29	3200447	1	Bracket, Proximity Switch Mounting	
31	0902774	1	Bracket, Switch Mounting	
35	1180371	3	Carrier, Cable	
36	1180372	1	Carrier, Cable	
37	1320122	3	Clamp	
38	1440331	20	Collar	
39	1670995	3	Cover, Hose/Cable	
40		Ref	Lift Cylinder Assembly (See CYLINDER SECTION for Breakdown)	
40	1684147	NLA	Lift Cylinder Assembly (Use p/n 1684332) (Prior to SN 0200114765)	
40	1684332	1	Lift Cylinder Assembly (SN 0200114765 through 0200191606)	
43	3300455	2	Locknut, Stainless #10-24NC	
44	3311005	2	Locknut #10-24NC	
45	3311405	2	Locknut 1/4-20NC	
46	3311505	25	Locknut 5/16-18NC	
47	3311605	59	Locknut 3/8-16NC	
48	3311805	1	Locknut 1/2-13NC	
50	3340935	4	Pad, Slide	
51	3340929	24	Pad, Arm	
52	3422943	2	Pin	
53	3422944	2	Pin	
54	3422945	16	Pin	
55	3422946	1	Pin	
56	3422948	1	Pin	

SECTION 3 - SCISSOR ARMS

ITEM	PART NUMBER	QTY	DESCRIPTION	REV
57	3422952	1	Pin	
58	3422961	4	Pin	
59	3422963	1	Pin	
60	3422964	1	Pin	
61	3422965	2	Pin	
62	3450304	1	Pin, Cotter 3/32 x 1	
64	3573370	1	Plate, Rod Keeper	
65	3841143	8	Keeper, Pin	
66	3841203	1	Keeper, Pin	
67	3841556	1	Rod, Prop Actuator	
68	3860102	1	Roller	
68A	0962356	2	Bearing	
69	3900306	2	Screw, Stainless #10-24NC x 1/2	
70	4280295	18 in /46cm	Strip, Protector	
71	4360500	1	Switch, Rotary Angle Sensor	
72	4360502	1	Switch, Proximity Sensor	
77	4711400	2	Flatwasher 1/4 Narrow	
78	4711500	24	Flatwasher 5/16 Narrow	
79	4711600	5	Flatwasher 3/8 Narrow	
80	4740455	2	Washer, Nylon Shoulder	
81	0962031	16	Bushing, Flanged	
82	4740506	2	Washer, Stainless#10	
83	4751000	2	Flatwasher #10	
85	4846460	1	Kicker, Arm	
86	0272209	2	Link, Attach	
86A	0962474	8	Bushing (Qty 4 per Link)	
87	0272210	NLA	Slider (Use p/n 1001099623)	
87A	0440234	4	Bearing (Qty 2 per Slider)	
88	0272211	2	Prop, Safety	
88A	0961388	2	Bushing (Qty 1 per Prop)	
89	0962445	1	Spacer	
90	0962446	4	Spacer	
93	0641612	2	Bolt 3/8-16NC x 1-1/2	
94	1060907	1	Cable, 12/3 (220 Volt) (Not Shown - See ELECTRICAL SECTION for Cable)	
95	2110808	1	Fitting, Straight (Not Shown - See HYDRAULIC SECTION for fitting) (SN 0200152397 through 0200191606)	
96	2131008	1	Fitting, 90 (Not Shown - See HYDRAULIC SECTION for fitting) (SN 0200152397 through 0200191606)	
97	2753793	1	Hose (Not Shown - See HYDRAULIC SECTION for fitting) (SN 0200152397 through 0200191606)	
98	2753794	1	Hose (Not Shown - See HYDRAULIC SECTION for fitting) (SN 0200152397 through 0200191606)	
99	4923308	1	Ground to Platform Module Harness (Not Shown - See ELECTRICAL SECTION for Cable) (SN 0200152397 through 0200191606)	
100	4240033	AR	Strap, Tie (SN 0200152397 through 0200191606)	
	2902063	1	Scissor Arm Kit (Includes Items 3-12) (4394RT)	
	2902150	1	Arm Components Kit (Includes Items 3-12, 15, 16, 19, 35, 36, 46, 51, 78, 79, 85, 86 & 88)	6

SECTION 3 - SCISSOR ARMS

FIGURE 3-3. ARM GUARDS INSTALLATION



SECTION 3 - SCISSOR ARMS

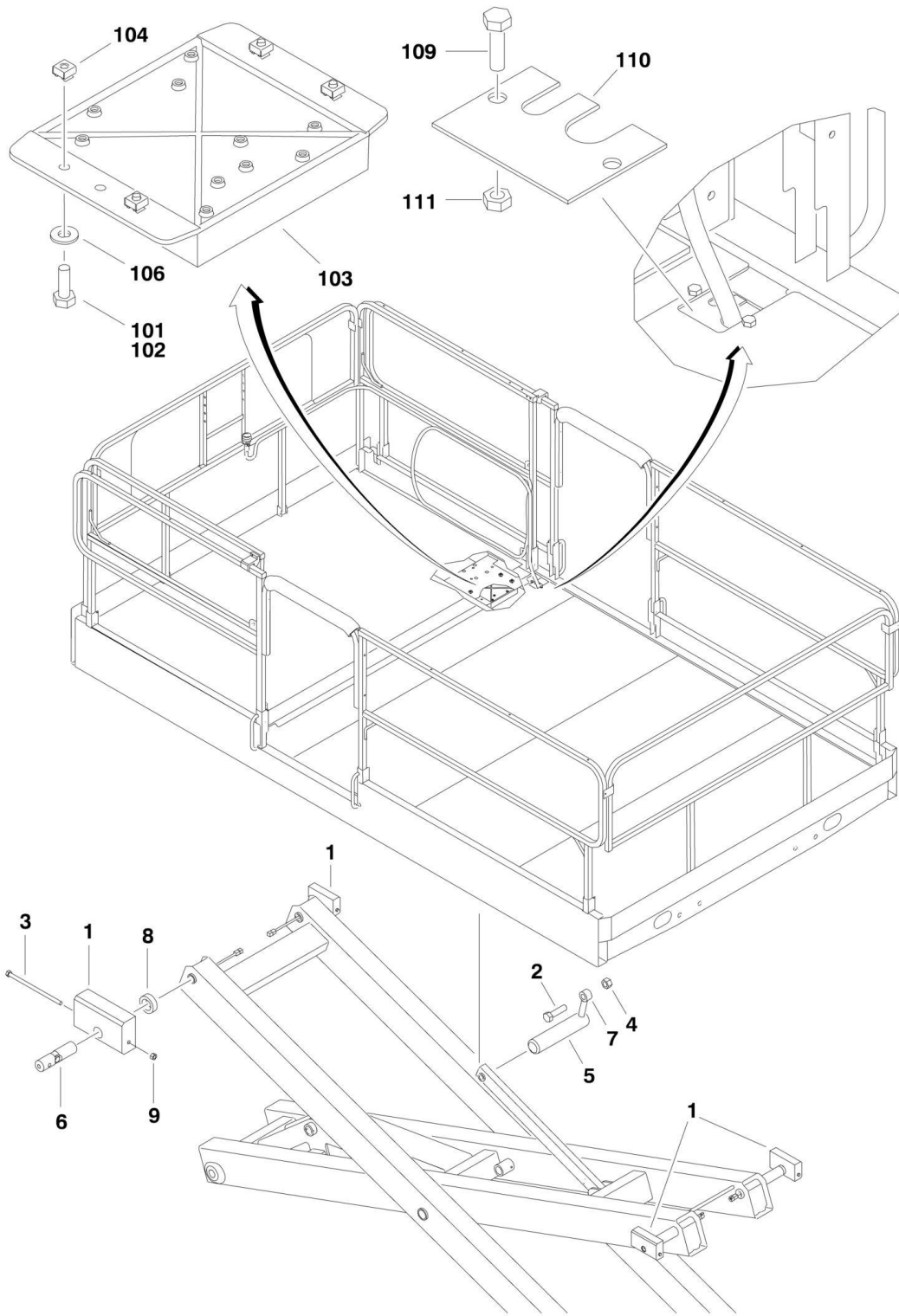
FIGURE 3-3. ARM GUARDS INSTALLATION

ITEM	PART NUMBER	QTY	DESCRIPTION	REV
		Ref	ARM GUARDS INSTALLATION	
	0271747	Ref	Arm Guards Installation (3394RT)	E
	0272351	Ref	Arm Guards Installation (4394RT)	F
1	0641814	8	Bolt 1/2in-13NC x 1 3/4in	
2	3311405	8	Locknut 1/2in-13NC	
3		Ref	Tape, Safety	
3	4420052	14 ft/4.3m	Tape, Safety (3394RT) (Prior to SN 0200149813)	
3	4420051	14 ft/4.3m	Tape, Safety (3394RT) (SN 0200149813 through 0200191606)	
3	4420052	13.2 ft/4m	Tape, Safety (4394RT) (Prior to SN 0200149813)	
3	4420051	13.2 ft/4m	Tape, Safety (4394RT) (SN 0200149813 through 0200191606)	
4	4711800	16	Flatwasher 1/2in Narrow	
5		Ref	Guard, Arm Options:	
5		Ref	Guard, Arm (3394RT)	
5	4846635	1	Guard, Arm (3394RT) (Prior to SN 0200113052)	
5	4061056	1	Guard, Arm (3394RT) (SN 0200113052 through 0200191606)	
5		Ref	Guard, Arm (4394RT)	
5	4846636	1	Guard, Arm (4394RT) (Prior to SN 0200113052)	
5	4061057	1	Guard, Arm (4394RT) (SN 0200113052 through 0200191606)	
6	2080072	8	Fastener, 1/2in Bolt Retainer	

SECTION 4 - PLATFORM

SECTION 4 - PLATFORM

FIGURE 4-1. PLATFORM ATTACH AND MODULE INSTALLATIONS



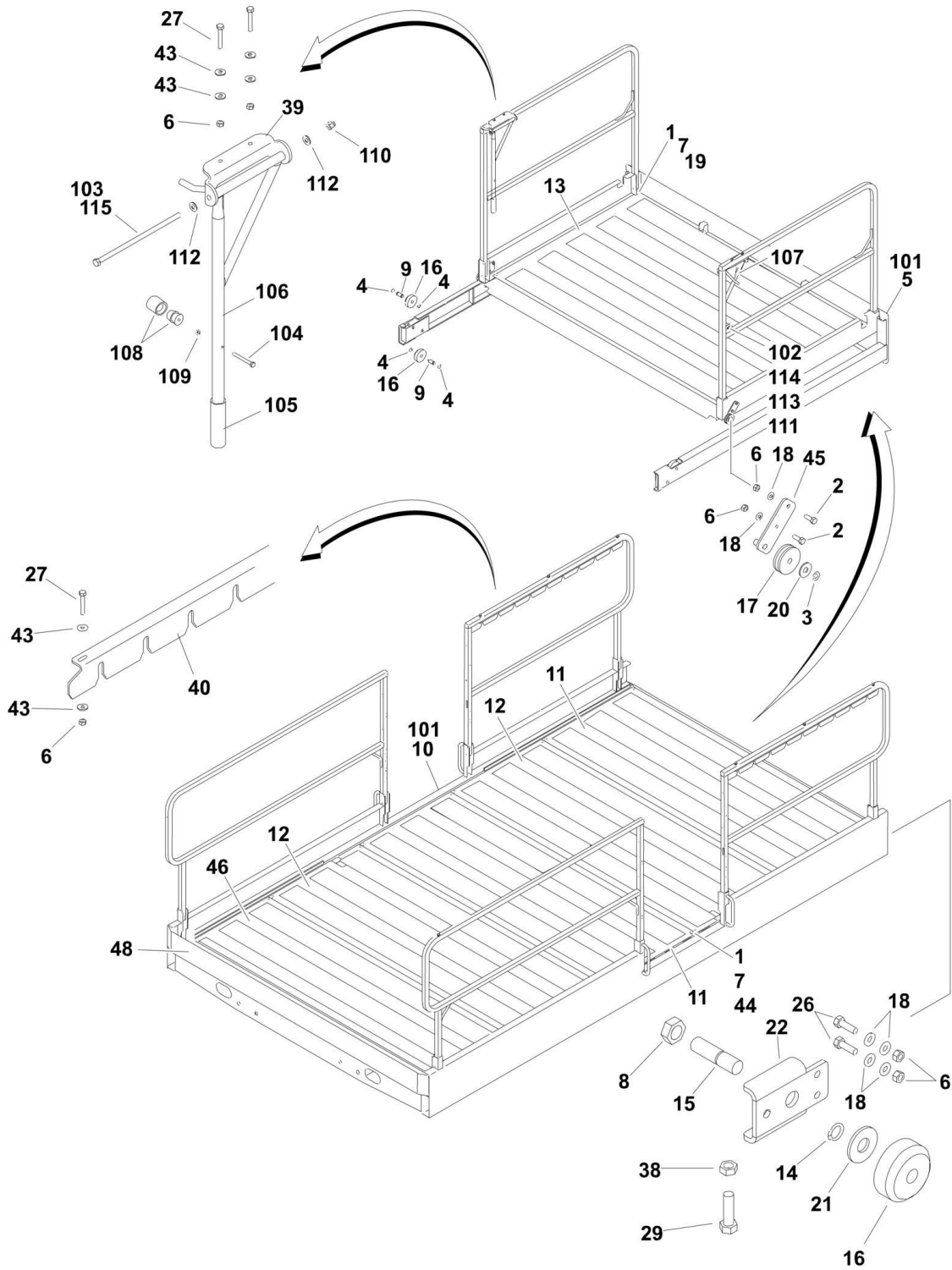
SECTION 4 - PLATFORM

FIGURE 4-1. PLATFORM ATTACH AND MODULE INSTALLATIONS

ITEM	PART NUMBER	QTY	DESCRIPTION	REV
		Ref	PLATFORM ATTACH INSTALLATIONS	
	0271682	Ref	Standard Platform	B
	See Note	Ref	Platform with Load Management System Note: See JLG Supplement p/n 3124288 for Components.	
1	0561489	4	Block, Slide	
2	0641611	1	Bolt 3/8in-16NC x 1 3/8in	
3		Ref	Bolt Options:	
3	0641660	4	Bolt 3/8in-16NC x 7 1/2 (Prior to SN 0200152397)	
3	0701037	4	Bolt (Metric) 10 X 200 (SN 0200152397 through 0200191606)	
4	3311605	1	Locknut 3/8in-16NC	
5	3422943	1	Pin	
6		Ref	Pin Options:	
6		Ref	Standard Platform	
6	3422962	4	Pin (Prior to SN 0200152397)	
6	3423049	4	Pin (SN 0200152397 through 0200191606)	
6	See Note	4	Platform with Load Management System Note: See JLG Supplement p/n 3124288 for Components.	
7	3841143	1	Keeper, Pin	
8	4568295	4	Tube, Spacer	
9		Ref	Locknut Options:	
9	3311605	4	Locknut 3/8in-16NC (Prior to SN 0200152397)	
9	3291005	4	Locknut (Metric) M10 x 1.5 (SN 0200152397 through 0200191606)	
		Ref	PLATFORM MODULE INSTALLATION	
	0271708	Ref	Platform Module Installation (3394RT)	D
	0271709	Ref	Platform Module Installation (4394RT)	D
101	0100011	AR	Locking, Compound	
102	0641406	4	Bolt 1/4in-20NC x 3/4in	
103	1600336	1	Module, Platform	
104	3300182	4	Nut, Retainer 1/4in-20NC	
105	4240035	25	Tie-Strap (Not Shown)	
106	4711400	4	Flatwasher 1/4in Narrow	
109	0641404	2	Bolt 1/4in-20NC x 1/2in	
110	1670988	1	Cover, Cable Access	
111	3311405	2	Locknut 1/4in-20NC	

SECTION 4 - PLATFORM

FIGURE 4-2. MANUAL SINGLE DECK EXTENSION AND PLATFORM ASSEMBLY



SECTION 4 - PLATFORM

FIGURE 4-2. MANUAL SINGLE DECK EXTENSION AND PLATFORM ASSEMBLY

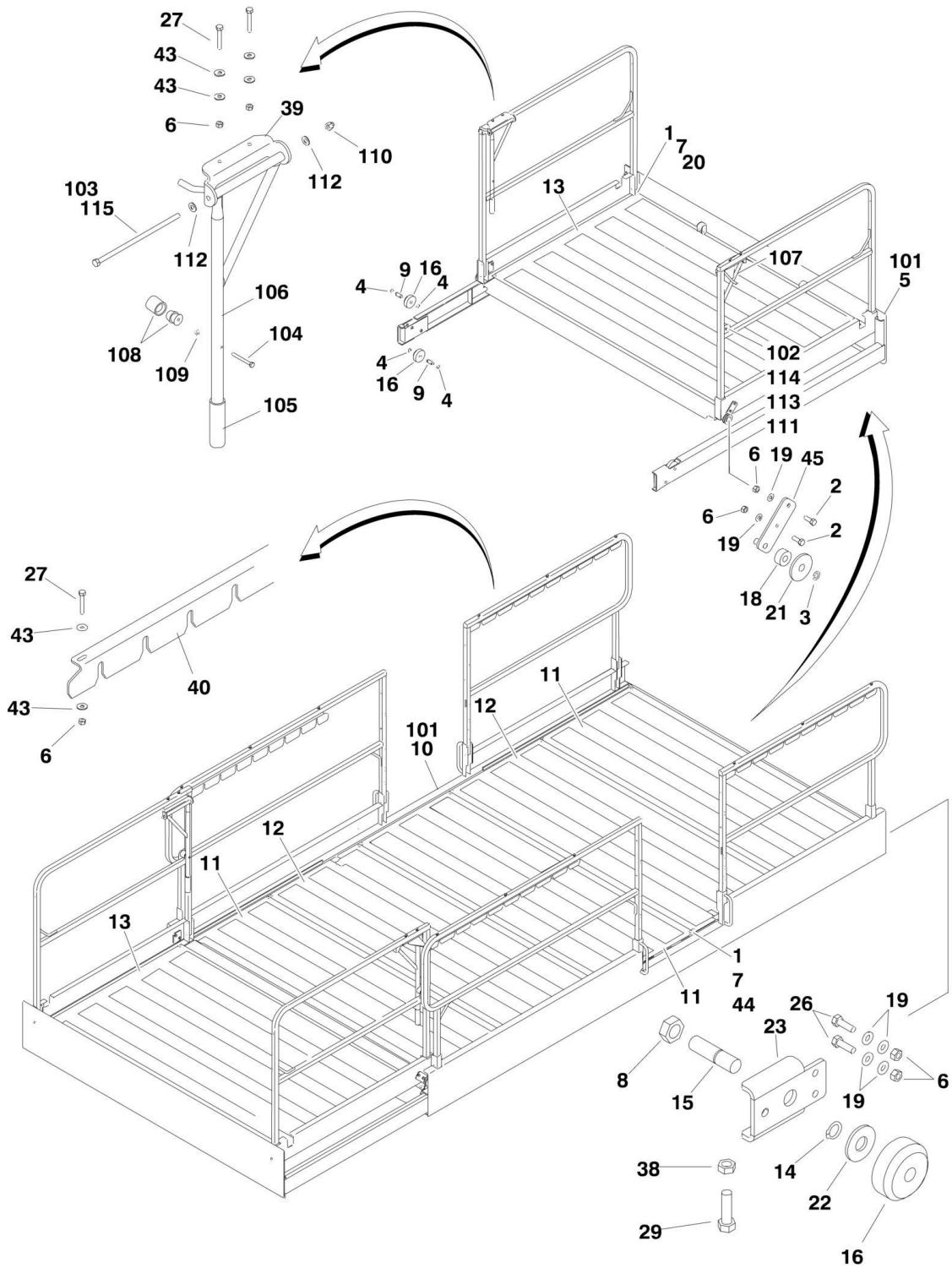
ITEM	PART NUMBER	QTY	DESCRIPTION	REV
	0271700	Ref	MANUAL SINGLE DECK EXTENSION AND PLATFORM ASSEMBLIES	N
		Ref	Note: Replacement Decals Must be Ordered Separately - See DECAL SECTION.	
1	0630485	24	Bolt, Carriage	
2	0641507	4	Bolt 5/16-18NC x 7/8	
3	1380150	2	E-Clip 1/2	
4	1380151	8	E-Clip 3/4	
5	2020006	1	Deck, Extension	
6	3311505	18	Locknut 5/16-18NC	
7	3300472	24	Nut, Acorn 3/8-16NC	
8	3322202	2	Nut, Jam	
9	3422966	4	Pin	
10		Ref	Platform Weldment Options:	
10	3510806	1	Platform (Prior to SN 0200141094)	
10	3510878	1	Platform (SN 0200141094 through 0200191606)	
11	0272241	2	Plate, Floor	
11	4420069	AR	Tape, Safety Tread	
12	0272242	2	Plate, Floor	
12	4420069	AR	Tape, Safety Tread	
13	0272101	1	Plate, Floor	
13	4420069	AR	Tape, Safety Tread	
14	3760348	2	Ring, Retaining	
15	3841233	2	Rod, Roller	
16	3860059	6	Roller, Extension	
17		Ref	Roller Options:	
17	3860100	NLA	Roller (Use p/n 1001097107) (Prior to SN 0200178257)	
17	1001096984	2	Roller (SN 0200178257 through 0200191606)	
18	4711500	12	Flatwasher 5/16 Narrow	
19	4711600	4	Flatwasher 3/8 Narrow	
20		Ref	Washer Options:	
20	4751800	2	Washer (Prior to SN 0200178257)	
20	1001096985	2	Washer (SN 0200178257 through 0200191606)	
21	4752200	2	Flatwasher 3/4 Wide	
22	4846519	2	Support, Roller	
23	0100048	AR	Grease, Dielectric (Not Shown)	
26	0641508	4	Bolt 5/16-18NC x 1	
27	0641516	10	Bolt 5/16-18NC x 2	
29	0641814	2	Bolt 1/2-13NC x 1-3/4	
38	3311802	2	Nut, Jam 1/2-13NC	
39	3537609	2	Plate, Pivot	
40	3573438	2	Plate, Latch	
43	4751500	20	Flatwasher 5/16 Wide	
44	4751600	20	Flatwasher 3/8 Wide	
45		Ref	Mount, Roller Options:	
45	4846517	NLA	Mount (Use p/n 1001097107) (Prior to SN 0200178257)	
45	1001096983	2	Mount (SN 0200178257 through 0200191606)	
46	0272243	1	Plate, Floor	
47	4420066	82 ft/25m	Tape, Double Sided (Not Shown - Located Between Floor Plates and Platform Weldment)	

SECTION 4 - PLATFORM

ITEM	PART NUMBER	QTY	DESCRIPTION	REV
48	4846556		Kickplate	
	0275196	Ref	MANUAL SINGLE DECK EXTENSION	B
101	0271700	1	Platform and Extension (See Items 1 - 48 for Breakdown)	
102	0641406	2	Bolt 1/4-20NC x 3/4	
103	0641676	2	Bolt 3/8-16NC x 9-1/2	
104	0700619	2	Bolt, Metric M6 x 55mm	
105	2560088	2	Grip, Handle	
106	2560171	1	Handle (Left)	
107	2560172	1	Handle (Right)	
108	2940127	2	Latch	
109	3290601	2	Nut, Metric M6	
110	3300467	2	Nut, Acorn 3/8-16NC	
111	3311405	2	Locknut 1/4-20NC	
112	4711600	4	Flatwasher 3/8 Narrow	
113	4751400	4	Flatwasher 1/4 Wide	
114	4751600	2	Flatwasher 3/8 Wide	
115	0100011	AR	Locking, Compound	

SECTION 4 - PLATFORM

FIGURE 4-3. MANUAL DUAL DECK EXTENSION AND PLATFORM ASSEMBLY



SECTION 4 - PLATFORM

FIGURE 4-3. MANUAL DUAL DECK EXTENSION AND PLATFORM ASSEMBLY

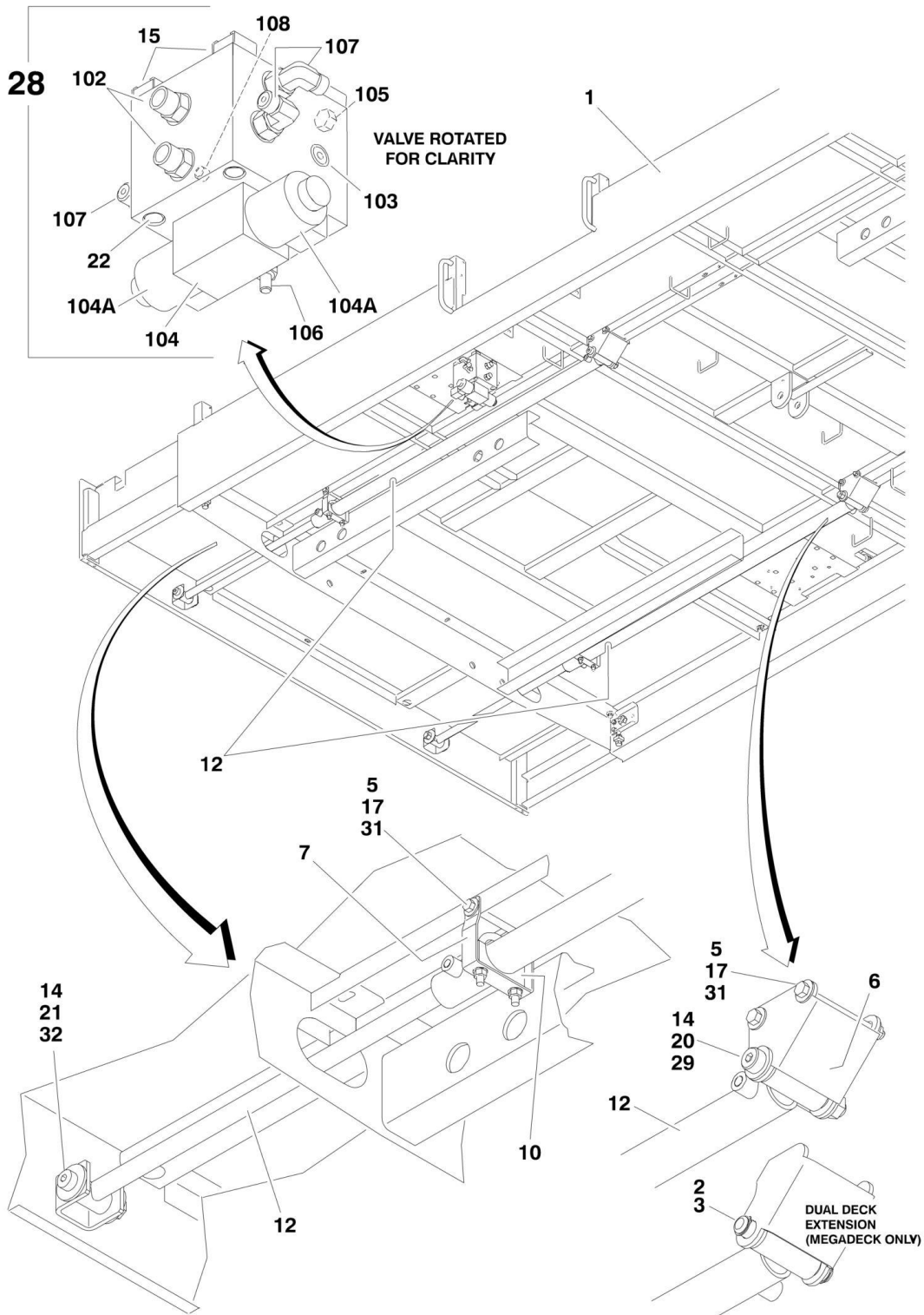
ITEM	PART NUMBER	QTY	DESCRIPTION	REV
	0271704	Ref	MANUAL DUAL DECK EXTENSION AND PLATFORM ASSEMBLIES	N
		Ref	Note: Replacement Decals Must be Ordered Separately - See DECAL SECTION.	
1	0630485	28	Bolt, Carriage	
2	0641507	8	Bolt 5/16-18NC x 7/8	
3	1380150	4	E-Clip 1/2	
4	1380151	16	E-Clip 3/4	
5	2020006	2	Deck, Extension	
6	3311505	36	Locknut 5/16-18NC	
7	3300472	28	Nut, Acorn 3/8-16NC	
8	3322202	4	Nut, Jam	
9	3422966	8	Pin	
10		Ref	Platform Weldment Options:	
10	3510806	1	Platform (Prior to SN 0200141094)	
10	3510878	1	Platform (SN 0200141094 through 0200191606)	
11	0272241	3	Plate, Floor	
11	4420069	AR	Tape, Safety Tread	
12	0272242	2	Plate, Floor	
12	4420069	AR	Tape, Safety Tread	
13	0272101	2	Plate, Floor	
13	4420069	AR	Tape, Safety Tread	
14	3760348	4	Ring, Retaining	
15	3841233	4	Rod, Roller	
16	3860059	12	Roller, Extension	
17	0100048	AR	Grease, Dielectric (Not Shown)	
18		Ref	Roller Options:	
18	3860100	NLA	Roller (Use p/n 1001097107) (Prior to SN 0200182214)	
18	1001096984	4	Roller (SN 0200182214 through 0200191606)	
19	4711500	24	Flatwasher 5/16 Narrow	
20	4711600	8	Flatwasher 3/8 Narrow	
21		Ref	Flatwasher Options:	
21	4751800	4	Flatwasher (Prior to SN 0200182214)	
21	1001096985	4	Flatwasher (SN 0200182214 through 0200191606)	
22	4752200	4	Flatwasher 3/4 Wide	
23	4846519	4	Support, Roller	
26	0641508	8	Bolt 5/16-18NC x 1	
27	0641516	20	Bolt 5/16-18NC x 2	
29	0641814	4	Bolt 1/2-13NC x 1-3/4	
38	3311802	4	Nut, Jam 1/2-13NC	
39	3537609	4	Plate, Pivot	
40	3573438	4	Plate, Latch	
43	4751500	40	Flatwasher 5/16 Wide	
44	4751600	20	Flatwasher 3/8 Wide	
45		Ref	Mount, Roller Options:	
45	4846517	NLA	Mount, Roller (Use p/n 1001097107) (Prior to SN 0200182214)	
45	1001096983	4	Mount, Roller (SN 0200182214 through 0200191606)	
46	4420066	97 ft /29.6m	Tape, Double Sided (Not Shown - Located Between Floor Plates and Platform Weldment)	
	0275197	Ref	MANUAL DUAL DECK EXTENSION	B

SECTION 4 - PLATFORM

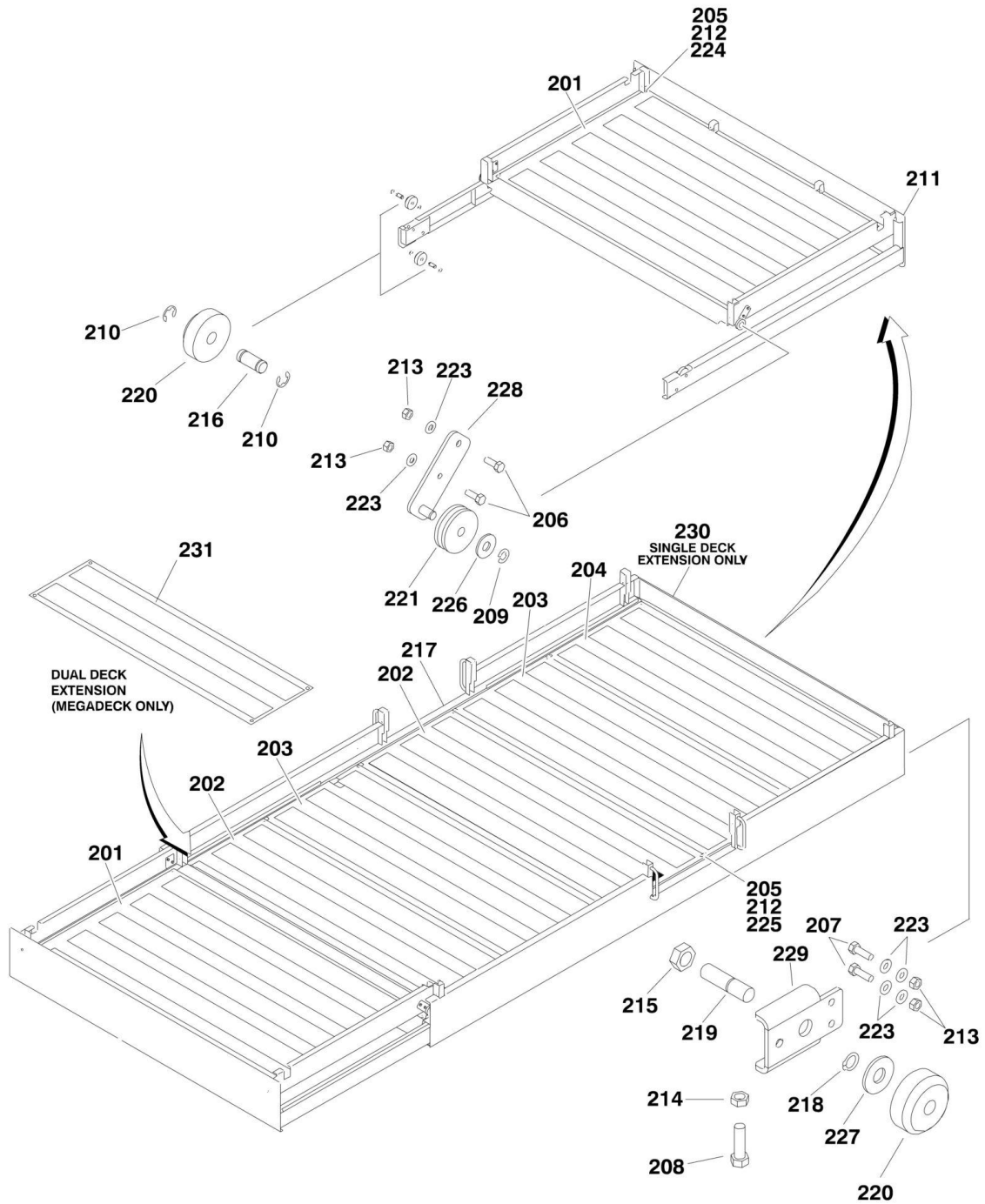
ITEM	PART NUMBER	QTY	DESCRIPTION	REV
101	0271704	1	Platform and Extension (See Items 1 - 46 for Breakdown)	
102	0641406	4	Bolt 1/4-20NC x 3/4	
103	0641676	4	Bolt 3/8-16NC x 9-1/2	
104	0700619	4	Bolt, Metric M6 x 55mm	
105	2560088	4	Grip, Handle	
106	2560171	2	Handle (Left)	
107	2560172	2	Handle (Right)	
108	2940127	4	Latch	
109	3290601	4	Nut, Metric M6	
110	3300467	4	Nut, Acorn 3/8-16NC	
111	3311405	4	Locknut 1/4-20NC	
112	4711600	8	Flatwasher 3/8 Narrow	
113	4751400	8	Flatwasher 1/4 Wide	
114	4751600	4	Flatwasher 3/8 Wide	
115	0100011	AR	Locking, Compound	

SECTION 4 - PLATFORM

FIGURE 4-4. POWER DECK EXTENSION AND PLATFORM ASSEMBLY



SECTION 4 - PLATFORM



SECTION 4 - PLATFORM

FIGURE 4-4. POWER DECK EXTENSION AND PLATFORM ASSEMBLY

ITEM	PART NUMBER	QTY	DESCRIPTION	REV
		Ref	POWER DECK EXTENSION AND PLATFORM ASSEMBLIES	
	0271701	Ref	Machines with Single Deck Extension (Platform Length - 12.6ft/3.8m) (3394RT)	E
	0271705	Ref	Machines with Dual Deck Extension(Platform Length - 12.6ft/3.8m) (3394RT)	E
	0271702	Ref	Machines with Single Deck Extension(Platform Length - 12.6ft/3.8m) (4394RT)	E
	0271706	Ref	Machines with Dual Deck Extension (Platform Length - 12.6ft/3.8m) (4394RT)	E
	0273062	Ref	Machines with Dual Deck Extension (Platform Length - 15.8ft/4.8m) (Megadeck) (3394RT)	E
		Ref	Note: Quantities Shown are for Single Deck Extension. Double Quantity as needed for Dual Deck Extension.	
		Ref	Note: Replacement Decals Must be Ordered Separately - See DECAL SECTION.	
1		Ref	Platform and Deck Extension Assembly (See Items 201 to 230 for Breakdown)	
1	0272605	1	Single Deck Extension (Length - 12.6ft/3.8m)	
1	0272707	1	Dual Deck Extension (Length - 12.6ft/3.8m)	
1	0272990	1	Dual Deck Extension (Length - 15.8ft/4.8m) (Megadeck)	
2	3423052	4	Pin, Tele Barrel - Dual Deck Extension (Length - 15.8ft/4.8m) (Megadeck Only)	
3	3760351	8	Ring, Retaining - Dual Deck Extension (Length - 15.8ft/4.8m) (Megadeck Only)	
5	0641636	6	Bolt 3/8-16NC x 4-1/2	
6	0902838	2	Bracket, Cylinder Attach	
7	0902839	2	Bracket, Hanger	
10	1320019	2	Clamp	
12	1684266	2	Extension Cylinder Assembly (See CYLINDER SECTION for Breakdown)	
14	3272005	4	Locknut 5/8-11NC	
15	3300471	4	Nut, Retainer 3/8-16NC	
17	3311605	6	Locknut 3/8-16NC	
20	3900254	2	Screw, Shoulder	
21	3900330	2	Screw, Shoulder	
22	3931664	4	Capscrew 3/8-16NC x 4	
28		Ref	Valve Assembly Options (See Items 101-107 for Breakdown):	
28	4641219	NLA	Valve (Use p/n 1001092957) (Prior to SN 0200156384)	
28	1001092957	1	Valve (SN 0200156384 through 0200191606)	
29	4712200	4	Flatwasher 3/4 Narrow	
31	4751600	12	Flatwasher 3/8 Wide	
32	4752200	4	Flatwasher 3/4 Wide	
		Ref	VALVE ASSEMBLY	
	4641219	Ref	Valve Assembly (Prior to SN 0200156384)	D
	1001092957	Ref	Valve Assembly (SN 0200156384 through 0200191606)	B
102	2110806	2	Fitting, Straight	
103	2220883	1	Plug	
104		Ref	Control Valve Assembly Options:	
104	70001342	1	Valve (was p/n 7024019) (Prior to SN 0200156384)	
104	7012773	1	Seal Kit - 7024019 Valve	
104	70001342	1	Valve (SN 0200156384 through 0200191606)	
104	See Note	NSS	Seal Kit - 70001342 Valve (Note: Not Available for Purchase)	

SECTION 4 - PLATFORM

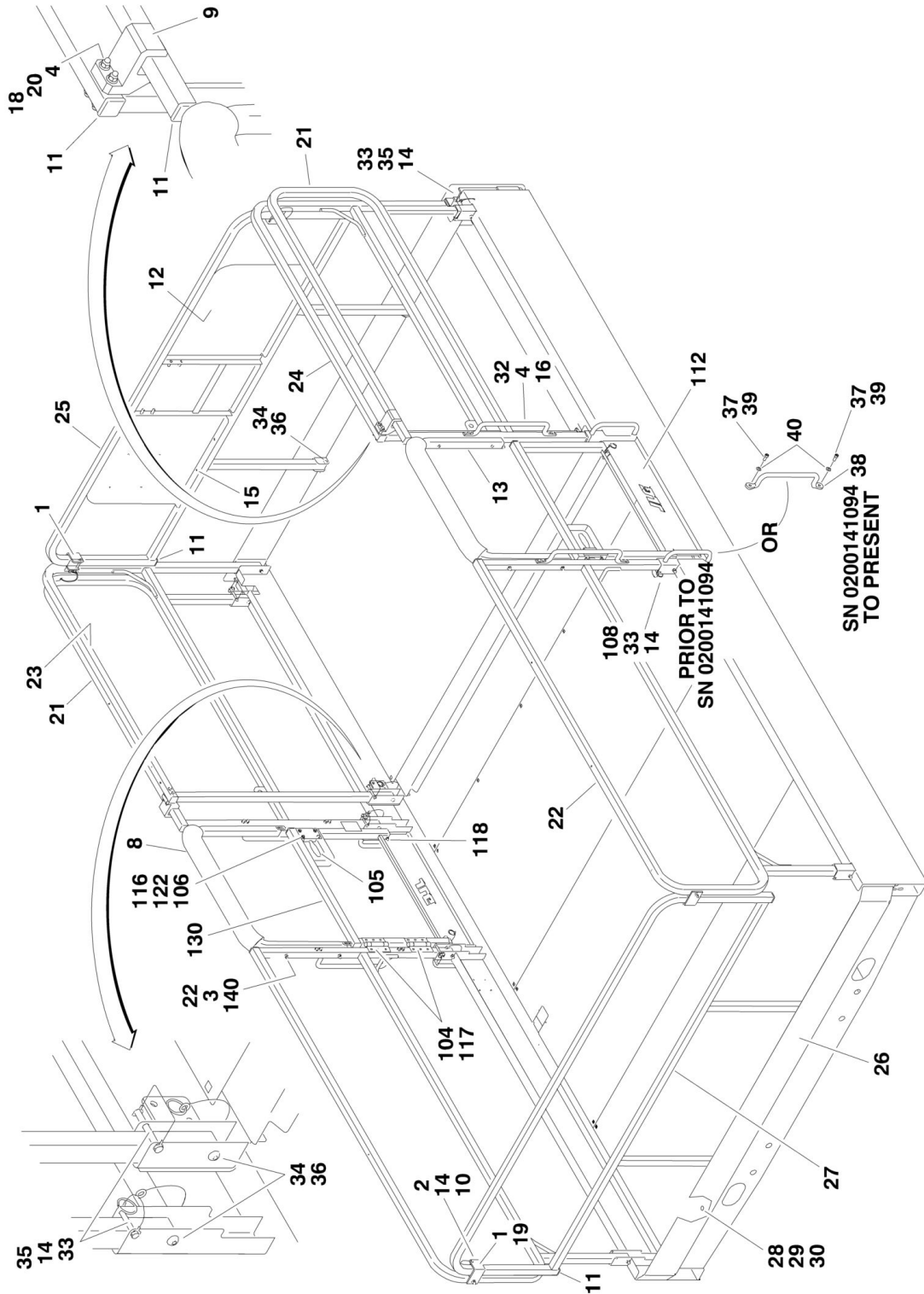
ITEM	PART NUMBER	QTY	DESCRIPTION	REV
104A	7024013	2	Coil (4641219 Valve Only)	
105	7026002	1	Cartridge	
105	2900770	1	Seal Kit - 7026002 Cartridge	
106		Ref	Cartridge Options:	
106	7024572	1	Cartridge (Prior to SN 0200156384)	
106	70001343	1	Cartridge (SN 0200156384 through 0200191606)	
106	7011346	1	Seal Kit	
107	2130406	4	Fitting, 90	
108	7024926	1	Orifice	
		Ref	PLATFORM AND DECK EXTENSION ASSEMBLY	
	0272605	Ref	Single Deck Extension (Length - 12.6ft/3.8m)	F
	0272707	Ref	Dual Deck Extension (Length - 12.6ft/3.8m)	F
	0272990	Ref	Dual Deck Extension (Length - 15.8ft/4.8m) (Megadeck)	I
		Ref	Note: Quantities Shown are for Single Deck Extension. Double Quantity as needed for Dual Deck Extension.	
		Ref	Note: Replacement Decals Must be Ordered Separately - See DECAL SECTION.	
201	0272101	1	Plate, Floor	
201	4420069	30 ft/9m	Tape, Safety Tread	
202	0272241	Ref	Plate, Floor Options:	
202	0272241	2	Single Deck Extension	
202	0272241	3	Dual Deck Extension	
202	4420069	19.5 ft/6m	Tape, Safety Tread	
203	0272242	2	Plate, Floor	
203	4420069	19.5 ft/6m	Tape, Safety Tread	
204		Ref	Plate, Floor Options:	
204	0272243	1	Single Deck Extension	
204	0272241	1	Dual Deck Extension	
204	4420069	19.5 ft/6m	Tape, Safety Tread	
205	0630485	24	Bolt, Carriage	
206	0641507	4	Bolt 5/16-18NC x 7/8	
207	0641508	4	Bolt 5/16-18NC x 1	
208	0641814	2	Bolt 1/2-13NC x 1-3/4	
209	1380150	2	E-Clip 1/2	
210	1380151	8	E-Clip 3/4	
211	2020006	1	Deck, Extension	
212	3300472	24	Nut, Acorn 3/8-16NC	
213	3311505	8	Locknut 5/16-18NC	
214	3311802	2	Nut, Jam 1/2-13NC	
215	3322202	2	Nut, Jam	
216	3422966	4	Pin	
217		Ref	Platform Weldment Options:	
217		Ref	Single and Dual Deck Extension (Length - 12.6ft/3.8m)	
217	3510806	1	Standard Extension (Prior to SN 0200141094)	
217	3510878	1	Standard Extension (SN 0200141094 through 0200191606)	
217		Ref	Dual Deck Extension (Length - 15.8ft/4.8m) (Megadeck)	
217	3510842	1	Megadeck Extension (Prior to SN 0200141094)	
217	3510879	1	Megadesk Extension (SN 0200141094 through 0200191606)	
218	3760348	2	Ring, Retaining	
219	3841233	2	Rod, Roller	
220	3860059	6	Roller, Extension	
221		Ref	Roller Options:	

SECTION 4 - PLATFORM

ITEM	PART NUMBER	QTY	DESCRIPTION	REV
221	3860100	NLA	Roller (Use p/n 1001097107) (Prior to SN 0200178257)	
221	1001096984	2	Roller (SN 0200178257 through 0200191606)	
222	4420066	Ref	Tape, Double Sided (Not Shown - Located Between Floor Plates and Platform Weldment)	
222	4420066	82 ft/25m	Single Deck Extension	
222	4420066	92 ft/28m	Dual Deck Extension	
223	4711500	12	Flatwasher 5/16 Narrow	
224	4711600	4	Flatwasher 3/8 Narrow	
225	4751600	20	Flatwasher 3/8 Wide	
226		Ref	Washer Options:	
226	4751800	2	Washer (Prior to SN 0200178257)	
226	1001096985	2	Washer (SN 0200178257 through 0200191606)	
227	4752200	2	Flatwasher 3/4 Wide	
228		Ref	Mount, Roller Options:	
228	4846517	NLA	Mount (Use p/n 1001097107) (Prior to SN 0200178257)	
228	1001096983	2	Mount (SN 0200178257 through 0200191606)	
229	4846519	2	Support, Roller	
230	4846556	1	Kickplate (Single Deck Extension Only)	
231	0272998	2	Plate, Deck (Dual Deck Extension w/ Megadeck Only)	

SECTION 4 - PLATFORM

FIGURE 4-5. RAILS INSTALLATIONS



SECTION 4 - PLATFORM

FIGURE 4-5. RAILS INSTALLATIONS

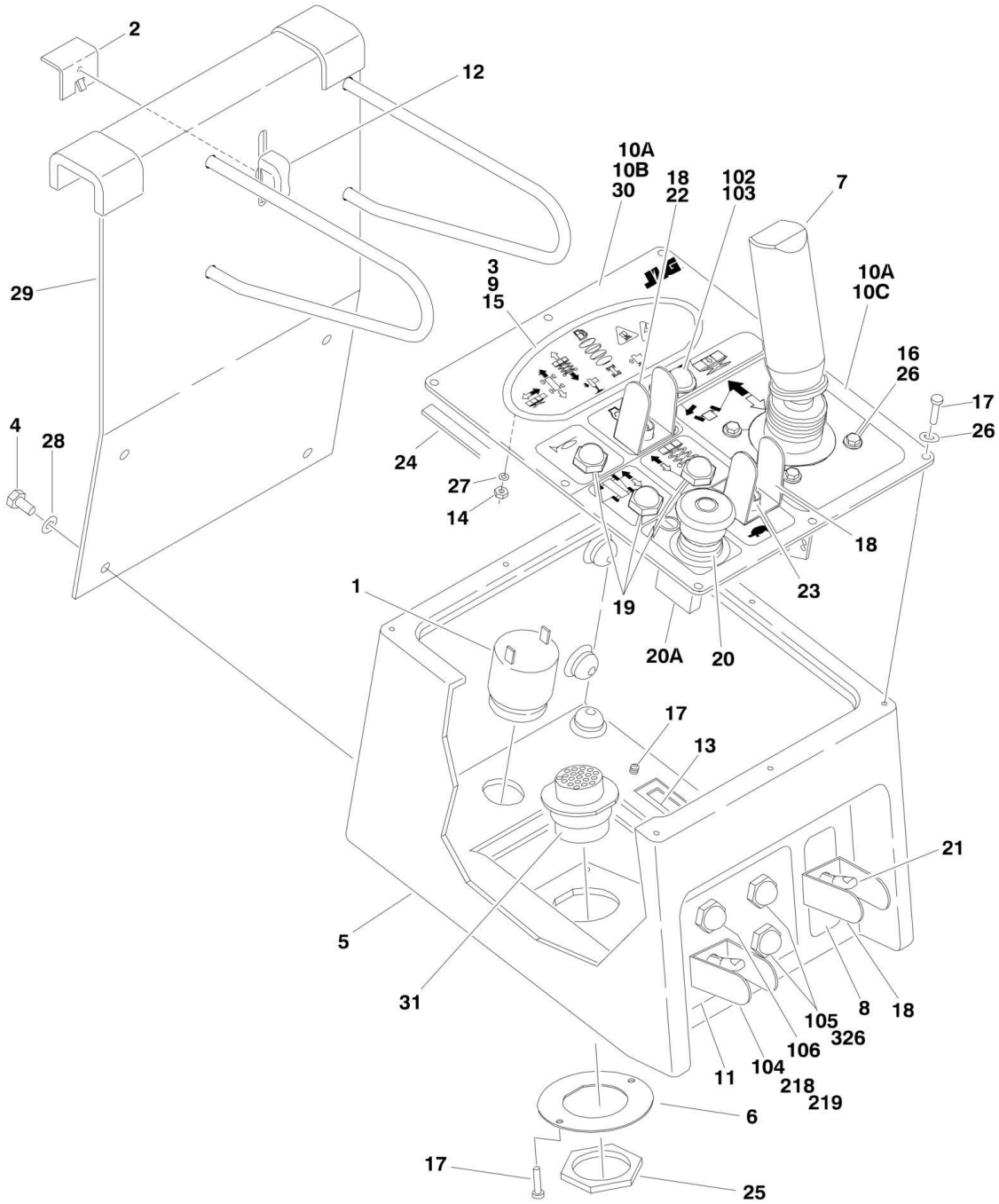
ITEM	PART NUMBER	QTY	DESCRIPTION	REV
		Ref	RAILS INSTALLATIONS	
	0271714	Ref	Swing Gate Entry (Single Deck Extension) (Platform Length - 12.6ft/3.8m)	J
	0271715	Ref	Swing Gate Entry (Dual Deck Extension) (Platform Length - 12.6ft/3.8m)	J
	0273063	Ref	Swing Gate Entry (Dual Deck Extension) (Platform Length - 15.8ft/4.8m) (Megadeck)	D
1	0901870	4	Bracket	
2	1060379	6	Lanyard	
4	2080063	Ref	Fastener 1/4in-20NC	
4	2080063	36	Single Deck Extension	
4	2080063	40	Dual Deck Extension	
8	3340612	1 ft/30cm	Cover, Rail	
9	3340937	Ref	Pad, Slide	
9	3340937	2	Single Deck Extension	
9	3340937	4	Dual Deck Extension	
10	3422219	4	Pin, Snap	
11	3520072	AR	Plug, Cap	
12	3571862	1	Plate, Placard	
13	4846590	2	Rail	
14	3760170	Ref	Ring, Split	
14	3760170	12	Swing Gate Entry (Single Deck Extension)	
14	3760170	14	Swing Gate Entry (Dual Deck Extension)	
15	3820020	7	Rivet	
16	3900318	20	Screw, Button Head 1/4in-20NC x 2in	
18	3931436	Ref	Capscrew 1/4in-20NC x 2 1/4in	
18	3931436	4	Single Deck Extension	
18	3931436	8	Dual Deck Extension	
19	4420055	1 ft/30cm	Tape (Prior to SN 0200118849)	
20	4711400	Ref	Flatwasher 1/4in Narrow	
20	4711400	30	Single Deck Extension	
20	4711400	38	Dual Deck Extension	
21		Ref	Rail, Side Options:	
21	4846530	2	Swing Gate Entry (Single Deck Extension) (Platform Length - 12.6ft/3.8m)	
21	4846843	2	Swing Gate Entry (Dual Deck Extension) (Platform Length - 15.8ft/4.8m) (Megadeck)	
22		Ref	Rail, Side Options:	
22	4846531	2	Swing Gate Entry (Single Deck Extension) (Platform Length - 12.6ft/3.8m)	
22	4846844	2	Swing Gate Entry (Dual Deck Extension) (Platform Length - 15.8ft/4.8m) (Megadeck)	
23	4846532	1	Rail, Side Extension	
24	4846537	1	Rail, Side Extension	
25	4846542	1	Rail, End Extension	
26		Ref	Kickplate Options:	
26	4846556	1	Single Deck Extension	
26	Not Required	0	Dual Deck Extension	
27		Ref	Rail, End Options:	
27	4846557	1	Single Deck Extension	
27	Not Required	0	Dual Deck Extension	

SECTION 4 - PLATFORM

ITEM	PART NUMBER	QTY	DESCRIPTION	REV
28	0630485	4	Bolt, Carriage 3/8in-16NC (Single Deck Extension)	
29	3311605	4	Locknut 3/8in-16NC (Single Deck Extension)	
30	4751600	4	Flatwasher 3/8in Wide (Single Deck Extension)	
32	2560176	4	Handle	
33	1060808	Ref	Lanyard	
33	1060808	8	Single Deck Extension	
33	1060808	12	Single Deck Extension	
34	2080064	16	Fastener 5/16in-18NC	
35	3421565	8	Pin, Snap	
36	3900323	16	Screw, Button Head 5/16in-18NC x 2in	
37	0100011	AR	Locking, Compound (SN 0200141094 through 0200191606)	
38	2560188	4	Handle (SN 0200141094 through 0200191606)	
39	3931512	8	Bolt 5/16in-18NC x 3/4 (SN 0200141094 through 0200191606)	
40	4711500	8	Flatwasher 5/16in Narrow (SN 0200141094 through 0200191606)	
		Ref	Rails Kit Options:	
	2902147	1	Swing Gate Entry (Single Deck Extension) (Includes Items 12-13, 15, 21-25, 112 & 130)	
	2902148	1	Swing Gate Entry (Dual Deck Extension) (Includes Items 12-13, 15, 21-25, 112 & 130)	
	2902263	1	Swing Gate Entry (Dual Deck Extension) (Megadeck) (Includes Items 12-13, 15, 21-25, 112 & 130)	
		Ref	SWING GATE INSTALLATION	
	0271714	Ref	Single Deck Extension (Platform Length - 12.6ft/3.8m)	I
	0271715	Ref	Dual Deck Extension (Platform Length - 12.6ft/3.8m)	J
	0273063	Ref	Dual Deck Extension (Platform Length - 15.8ft/4.8m) (Megadeck)	C
104	2600285	4	Hinge	
105	2940074	2	Latch	
106	3300432	8	Nut, Acorn #10-24NC	
108	3421453	4	Pin, Snap	
112	3573472	2	Kickplate	
116	3911428	8	Screw 1/4-20NC x 1 3/4in	
117	2080040	32	Fastener, Huck	
118	3931028	4	Capscrew #10-24NC x 1 3/4in	
122	4751000	8	Flatwasher #10 Wide	
130	4846570	2	Gate	
140	3900319	8	Screw, Button 1/4in-20NC x 3in	

SECTION 4 - PLATFORM

FIGURE 4-6. PLATFORM CONSOLE BOX ASSEMBLY



SECTION 4 - PLATFORM

FIGURE 4-6. PLATFORM CONSOLE BOX ASSEMBLY

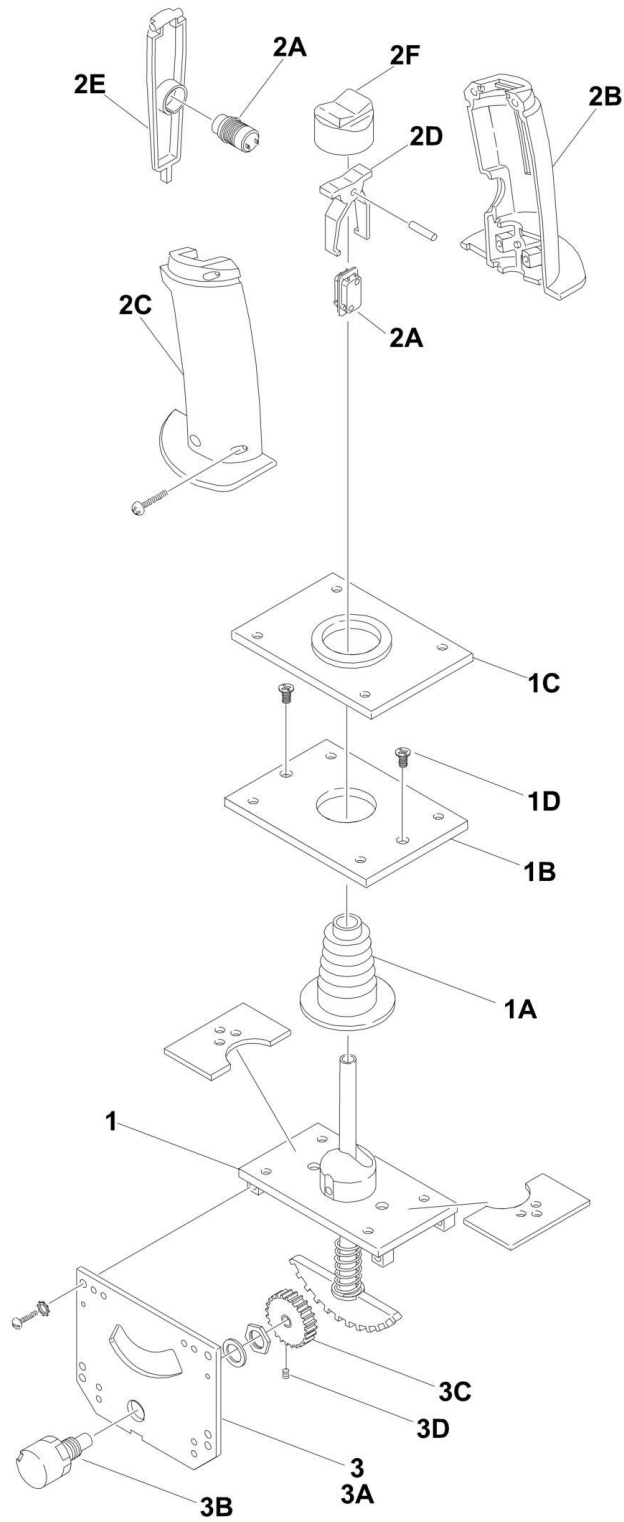
ITEM	PART NUMBER	QTY	DESCRIPTION	REV
	0272400	Ref	CONSOLE BOX ASSEMBLY OPTIONS:	F
1	0140011	1	Alarm	
2	0181847	1	Angle, Latch	
3		Ref	Board, P/C Display Options:	
3	0610145	NLA	Board, P/C Display (Use p/n 0610169) (Prior to SN 0200121277)	
3	0610169	1	Board, P/C Display (SN 0200121277 through 0200191606)	
4	0641404	4	Bolt 1/4-20NC x 1/2	
5	0861554	1	Box, Console	
6	0902499	1	Bracket, D-Ring	
7		Ref	Drive/Steer Controller Assembly Options:	
7	1600308	NLA	Drive/Steer Controller Assembly (Use p/n 1600403) (See DRIVE/STEER CONTROLLER ASSEMBLY for Breakdown) (Prior to SN 0200141441)	
7	1600403	1	Drive/Steer Controller Assembly (See DRIVE/STEER CONTROLLER ASSEMBLY for Breakdown) (SN 0200141441 through 0200191606)	
8		Ref	Decal - Toggle Switch Function Options:	
8	1704589	1	Glow Plug (Diesel Machines)	
8	1704588	1	Fuel Select (Gas Dual Fuel Machines)	
9	1705189	NLA	Decal - Display Board (Use p/n 1705913) (Prior to SN 0200121277)	
10		Ref	Decal - Platform Lid Options:	
10A	1705390	NLA	Decal - Platform Lid (Was 1 pc Decal p/n 1705390) (note: Use Items 10B & 10C) (Prior to SN 0200121277)	
10B	1705913	1	Decal - Platform Lid (Top Half of 2 Pc Decal) (SN 0200121277 through 0200191606)	
10C	1705914	1	Decal - Platform Lid (Bottom Half of 2 Pc Decal) (SN 0200121277 through 0200191606)	
11	1705392	1	Decal - Outrigger Select	
12	2560141	1	Thumbscrew	
13	3200450	1	Mount, Terminal	
14	3310601	4	Nut #6-32NC	
15	3340895	1	Pad, Spacer Only (Prior to SN 0200121277)	
16	3900178	4	Screw, Plastite #10-32NC x 1/2	
17	3900265	12	Screw, Self-Tapping #8-18 x 3/4	
18	4060802	3	Guard, Switch	
19	4360387	3	Switch, Push Button	
20	4360475	1	Switch, Emergency Stop	
20	7020175	1	Ring, Sealing	
20A	7020176	1	Block, Contact	
21	4360483	1	Switch, Toggle	
22	4360524	1	Switch, Toggle	
23	4360525	1	Switch, Toggle	
24	4420008	38 in/1m	Tape, Insulation	
25	4460470	1	Nut, Terminal	
26	4740120	12	Washer, Nylon	
27	4760600	4	Lockwasher #6	
28	4791400	4	Starwasher 1/4	
29	4845938	1	Bracket, Box Mounting	
30	4846655	1	Lid, Box	

SECTION 4 - PLATFORM

ITEM	PART NUMBER	QTY	DESCRIPTION	REV
31	4922768	1	Platform Console Box Harness (See ELECTRICAL SECTION for Breakdown)	
		Ref	CONSOLE BOX INSTALLATIONS	
	0272409	Ref	Without Leveling Jacks/Without Load Management System	C
	0272410	Ref	With Leveling Jacks/Without Load Management System	D
	0272411	Ref	Without Leveling Jacks/With Load Management System	B
	0272412	Ref	With Leveling Jacks/With Load Management System	B
102		Ref	Component Options:	
102	3520193	1	Plug, Hole (Without Load Management)	
102	2920026	1	Lamp, Indicator (With Load Management)	
103	2920029	1	Bulb, Light (With Load Management)	
104	3520079	1	Plug, Hole	
105	3520080	2	Plug, Hole	
106		Ref	Component Options:	
106	3520080	1	Plug, Hole (Without Leveling Jacks)	
106	4360387	1	Switch, Push Button (With Leveling Jacks)	
		Ref	GENERATOR CONTROL SWITCH INSTALLATIONS	
218	4060802	1	Guard, Switch	
219	4360482	1	Switch, Toggle	
		Ref	POWER DECK SWITCH INSTALLATIONS	
326	4360387	Ref	Switch, Push Button	
326	4360387	1	Single Deck Extension	
326	4360387	2	Dual Deck Extension	

SECTION 4 - PLATFORM

FIGURE 4-7. DRIVE/STEER CONTROLLER ASSEMBLY (Prior to SN 0200141441)



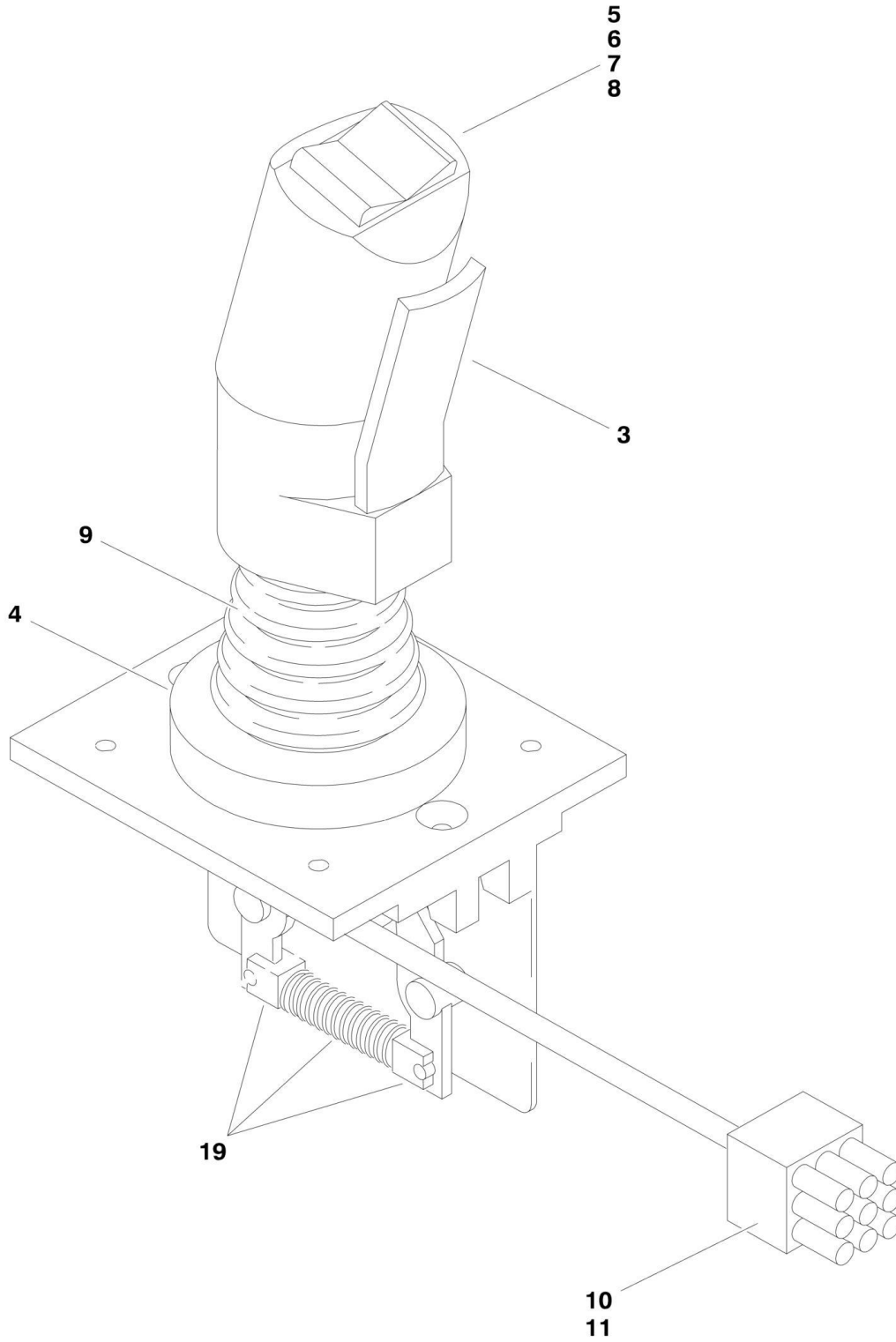
SECTION 4 - PLATFORM

FIGURE 4-7. DRIVE/STEER CONTROLLER ASSEMBLY (Prior to SN 0200141441)

ITEM	PART NUMBER	QTY	DESCRIPTION	REV
	1600308	Ref	CONTROLLER ASSEMBLY Note: Original Equipment Assembly p/n 1600308 may have been replaced with p/n 1600403 as Service Replacement Assembly. Identify P/N before ordering replacement components. If equipped with p/n 1600403 refer to next figure.	C
		Ref		
	7020527	1	Mechanical Assembly	
1	7020503	1	Handle/Housing Assembly	
1A	7020520	1	Housing	
1B	7020504	1	Plate, Mounting	
1C	7020502	1	Gasket	
1D	7020528	2	Screw #10-32NC x 3/8in	
2	7020529	1	Grip Assembly	
2A	7020530	1	Switch, Push Button	
2A	7020500	1	Microswitch	
2B	7020541	1	Grip - Right Half (was p/n 7020531)	
2C	7020541	1	Grip - Left Half (was p/n 7020532)	
2D	7003791	1	Actuator, Switch	
2E	7011997	1	Trigger	
2F	7003790	1	Cap, Rubber	
3	7020533	1	Electrical Assembly	
3	7020535	2	Resistor	
3A	7020509	1	Plate, Mounting - Potentiometer	
3B	7020534	1	Potentiometer	
3C	7011940	1	Gear, Pinion	
3D	7020511	1	Setscrew #6-32 x 1/8in	
	4460265	1	Plug, Male - 9 Pin (Not Shown)	
	4460268	8	Socket, Female (Not Shown)	
	4460266	1	Connector, Receptacle - 9 Pin (Not Shown - Part of Console Harness)	
	4460267	8	Pin, Male (Not Shown - Part of Console Harness)	

SECTION 4 - PLATFORM

FIGURE 4-8. DRIVE/STEER CONTROLLER ASSEMBLY (SN 0200141441 through 0200191606)



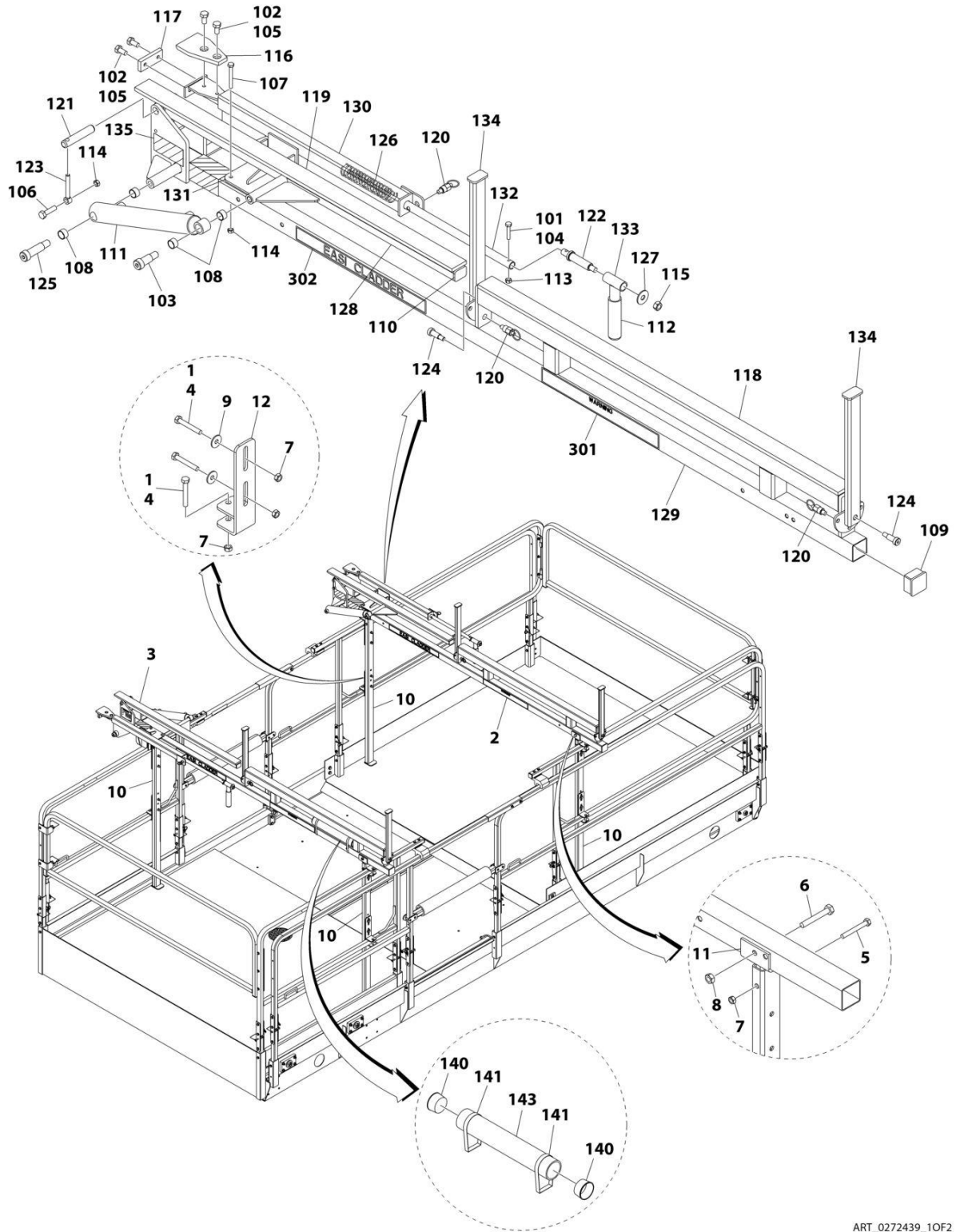
SECTION 4 - PLATFORM

FIGURE 4-8. DRIVE/STEER CONTROLLER ASSEMBLY (SN 0200141441 through 0200191606)

ITEM	PART NUMBER	QTY	DESCRIPTION	REV
	1600403	Ref	CONTROLLER ASSEMBLY	F
1	70000081	1	Potentiometer	
2	7027367	1	Switch, Push Button (Not Shown - Located Behind #3)	
3	7027765	1	Lever, Enabler	
4	7027766	1	Ring, Retaining	
5	70000082	1	Microswitch	
6	70000083	1	Coupler, Microswitch	
7	70000084	1	Cap, Rubber	
8	7027365	1	Actuator, Switch	
9	70000085	1	Boot, Rubber	
10	4460265	1	Plug, Male - 9 Pin	
11	4460226	8	Socket, Female	
12	70000685	AR	Washer, Plastic (Not Shown)	
13	70000684	AR	Screw, Handle (Not Shown)	
14	See Note	AR	Nut, Handle (Not Shown) (Note: Not Available for Purchase)	
15	70000683	AR	Washer, Neoprene (Not Shown)	
16	70000686	AR	Screw, Handle (Not Shown)	
17	4460266	1	Connector, Receptacle - 9 Pin (Not Shown - Part of Console Harness)	
18	4460267	8	Pin, Male (Not Shown - Part of Console Harness)	
19	70004194	1	Return Spring Kit	
	70003650	1	Handle Repair Kit (Includes handle gasket, push button, lever, front handle half, back handle half, top actuator, boot and hardware.	

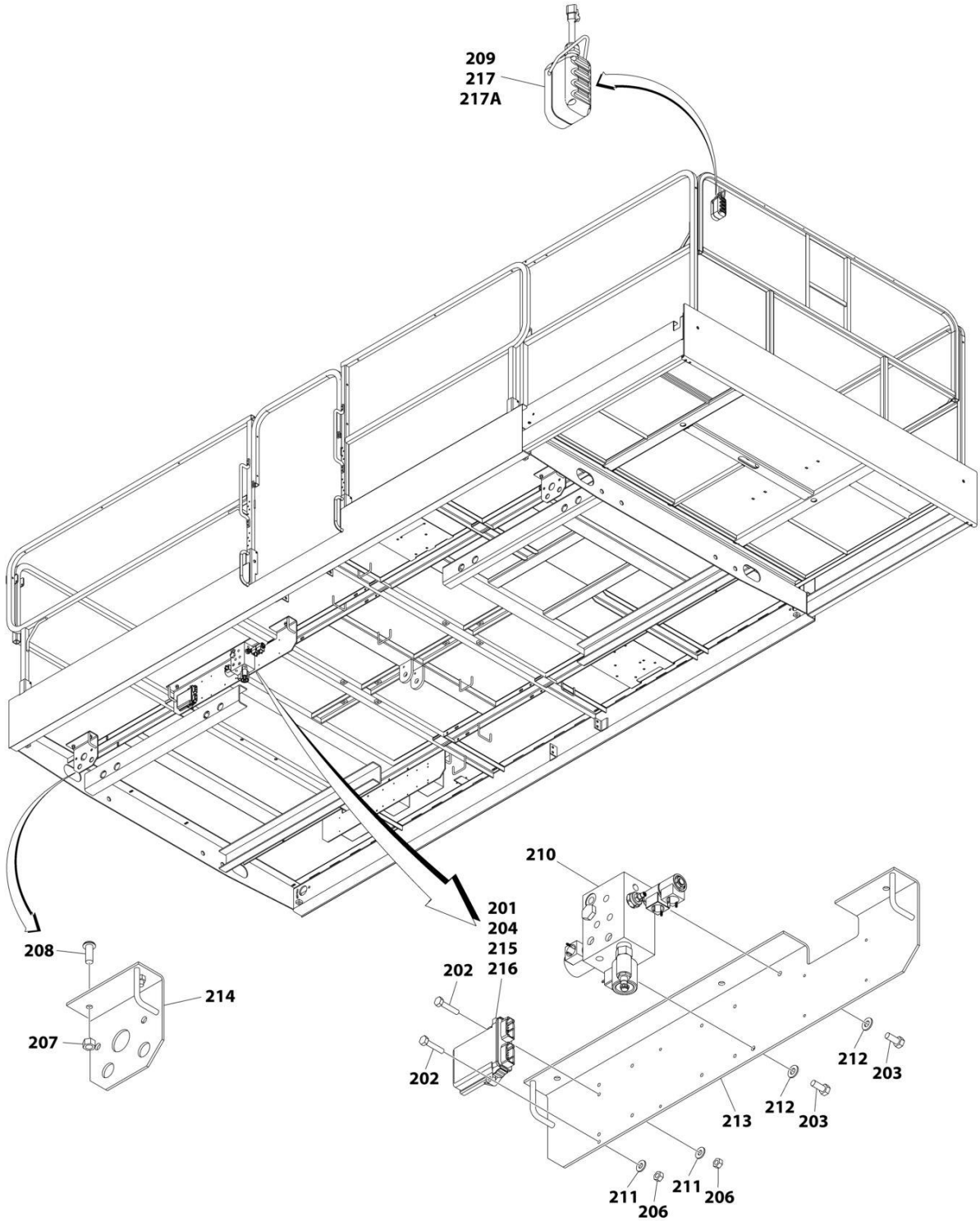
SECTION 4 - PLATFORM

FIGURE 4-9. EASI-CLADDER™ INSTALLATION



ART_0272439_10F2

SECTION 4 - PLATFORM



ART_0272439_20F2

SECTION 4 - PLATFORM

FIGURE 4-9. EASI-CLADDER™ INSTALLATION

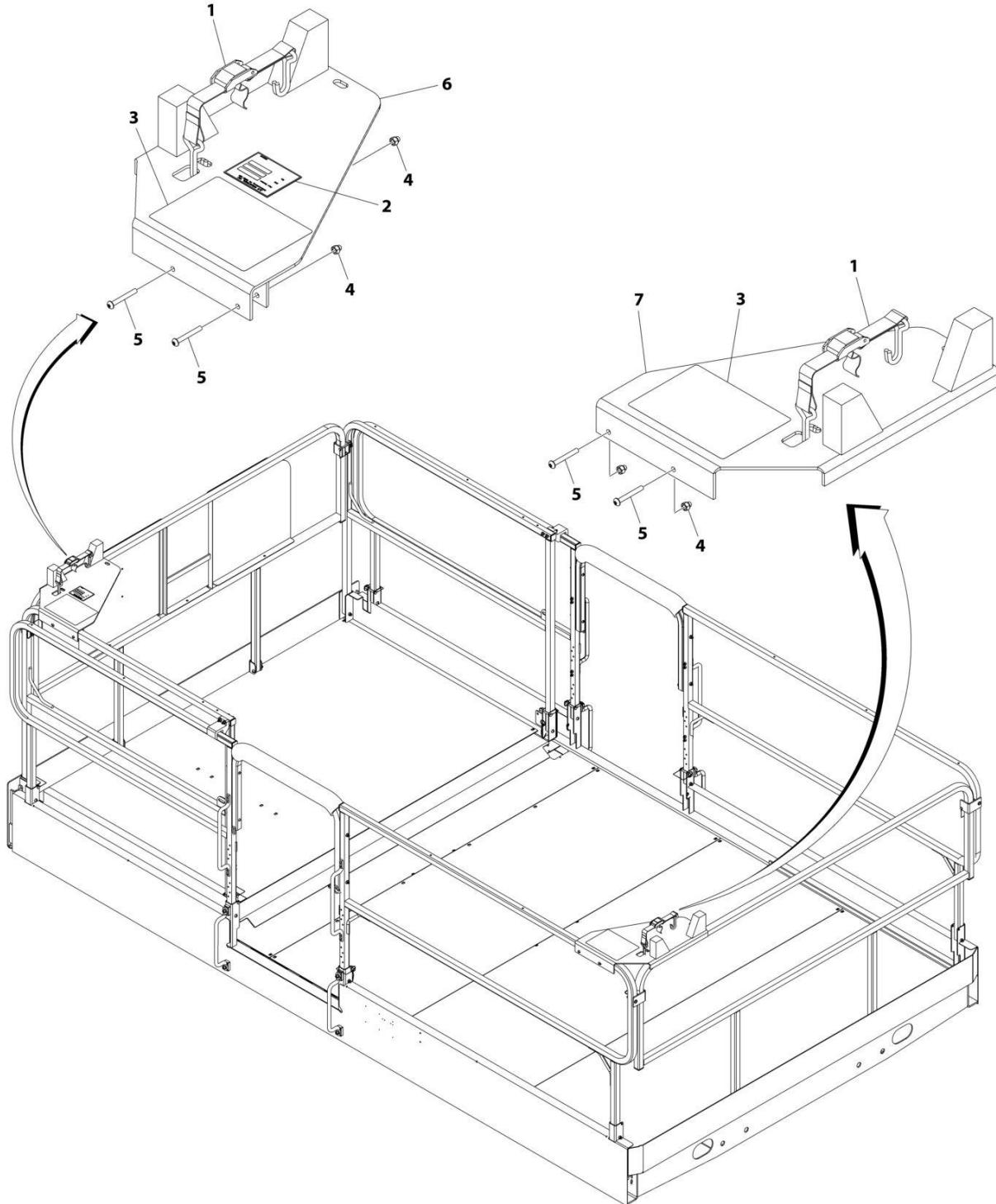
ITEM	PART NUMBER	QTY	DESCRIPTION	REV
	0272439	Ref	EASI-CLADDER™ INSTALLATION	B
1	0100011	AR	Loctite #242	
2	0272378	1	Cladder Assembly - Left (Note: See Items 101-135 for Breakdown)	
3	0272379	1	Cladder Assembly - Right (Note: See Items 101-143 for Breakdown)	
4	0700819	24	Bolt M8 x 55	
5	0700821	4	Bolt M8 x 65	
6	0701022	4	Bolt M10 x 70	
7	3290801	28	Nut M8 x 1.25	
8	3291001	4	Nut M10 x 1.5	
9	4811902	16	Washer M8	
10	4846643	4	Leg	
11	4846648	4	Leg Mount	
12	4846672	8	Bracket	
		Ref	EASI-CLADDER™ ASSEMBLY	
	0272378	Ref	Cladder Assembly - Left Side (Shown)	B
	0272379	Ref	Cladder Assembly - Right Side	B
101	0100011	AR	Loctite #242	
102	0100081	AR	Loctite #454	
103	0630516	1	Screw, Shoulder	
104	0700614	1	Bolt M6 x 30	
105	0700808	4	Bolt M8 x 16	
106	0700814	1	Bolt M8 x 30	
107	0700821	2	Bolt M8 x 65	
108	0962173	4	Bushing	
109	1120556	1	Cap	
110	1120557	1	Cap	
111	1684236	1	Cylinder, Cladder	
111	0962173	4	Bushing	
112	2560088	1	Handle	
113	3290601	1	Nut M6	
114	3290801	3	Nut M8	
115	3291201	1	Nut M12	
116	3340950	1	Pad, Top	
117	3340951	1	Pad, Front	
118	3340952	1	Pad, Storage	
119	3340953	1	Pad, Tilt Plate	
120	3422369	3	Pin, Plunger	
121	3422977	1	Pin, Pivot	
122	3422994	1	Pin, Handle Mount	
123	3841143	1	Keeper	
124	3900269	2	Shoulder Bolt M0.5 x 1	
125	3900327	2	Bolt, Shoulder	
126	4160198	3	Spring	
127	4812102	1	Washer M12	
128	4846640	1	Arm, Tilt	
129	4846644	1	Support, Main	
130		Ref	Arm, Pivot Options:	
130	4846645	1	LH	
130	4846662	1	RH	

SECTION 4 - PLATFORM

ITEM	PART NUMBER	QTY	DESCRIPTION	REV
131	4846646	1	Finger Guard	
132	4846647	1	Arm	
133	4846654	1	Handle	
134	4846668	2	Stop	
135	4420051	5	Safety, Tape	
140	1120555	2	Cap (Right Side Cladder Only)	
141	1320059	2	Clamp (Right Side Cladder Only)	
142	See Note	1	Nameplate - Serial Number (Not Shown - Located on Item 29)	
143	3460334	1	Tube, PVC (Right Side Cladder Only)	
	0272586	Ref	EASI-CLADDER™ BOX PENDANT AND VALVE INSTALLATION	
201	0610157	1	PC Board (Prior to SN 112230)	
202	0641410	2	Bolt 1/4 x 1-1/4	
203	0641506	2	Bolt 5/16 x 3/4	
204	0861492	1	Box, Circuit Card (Prior to SN 112230)	
206	3311405	2	Nut 1/4-20	
207	3311605	7	Nut 3/8-16	
208	3900316	7	Screw, Button 3/8 x 1	
209	4360533	1	Pendant Control Box Assembly (Includes Electrical Cable) (Prior to SN 112230)	
210	4641249	1	Control Valve Assembly	
211	4711400	2	Flatwasher 1/4	
212	4711500	2	Flatwasher 5/16	
213	4846674	1	Bracket	
214	4846675	2	Bracket, Coupler	
215	4922812	1	Harness, Wiring	3/C
215	4460880	3	Connector, DIN	
215	4460930	1	Plug, Male - 8 Position	
215	4460465	15	Socket, Female	
215	4460909	1	Plug - 12 Position (Black)	
215	4460908	1	Plug - 12 Position (Gray)	
215	4460928	11	Socket, Female	
215	4460761	1	Receptacle, Female - 4 Position	
215	4460267	4	Pin, Male	
215	4460851	1	Plug, Male - 8 Position	
215	4460852	1	Connector - 8 Position Bussbar Jumper	
215	4460536	1	Receptacle, Female - 3 Position (SN 112230 to Present)	
215	4460464	3	Pin, Male (SN 112230 to Present)	
215	0840058	1	Boot (SN 112230 to Present)	
216	1600348	1	Module (SN 112230 to Present)	
217	0861565	1	Pendant Control Box Assembly (SN 112230 to Present)	A
217	4360532	1	Switch	
217A	4460539	1	Plug, Male - 3 Position	
217A	4460465	3	Terminal	
	0272528	Ref	DECAL INSTALLATION	B
301	1705462	4	Decal - Easi-Cladder™ Capacity	
302	1705532	4	Decal - Easi-Cladder™	

SECTION 4 - PLATFORM

FIGURE 4-10. PIPE RACKS INSTALLATION (RAIL MOUNT)



ART_0272829

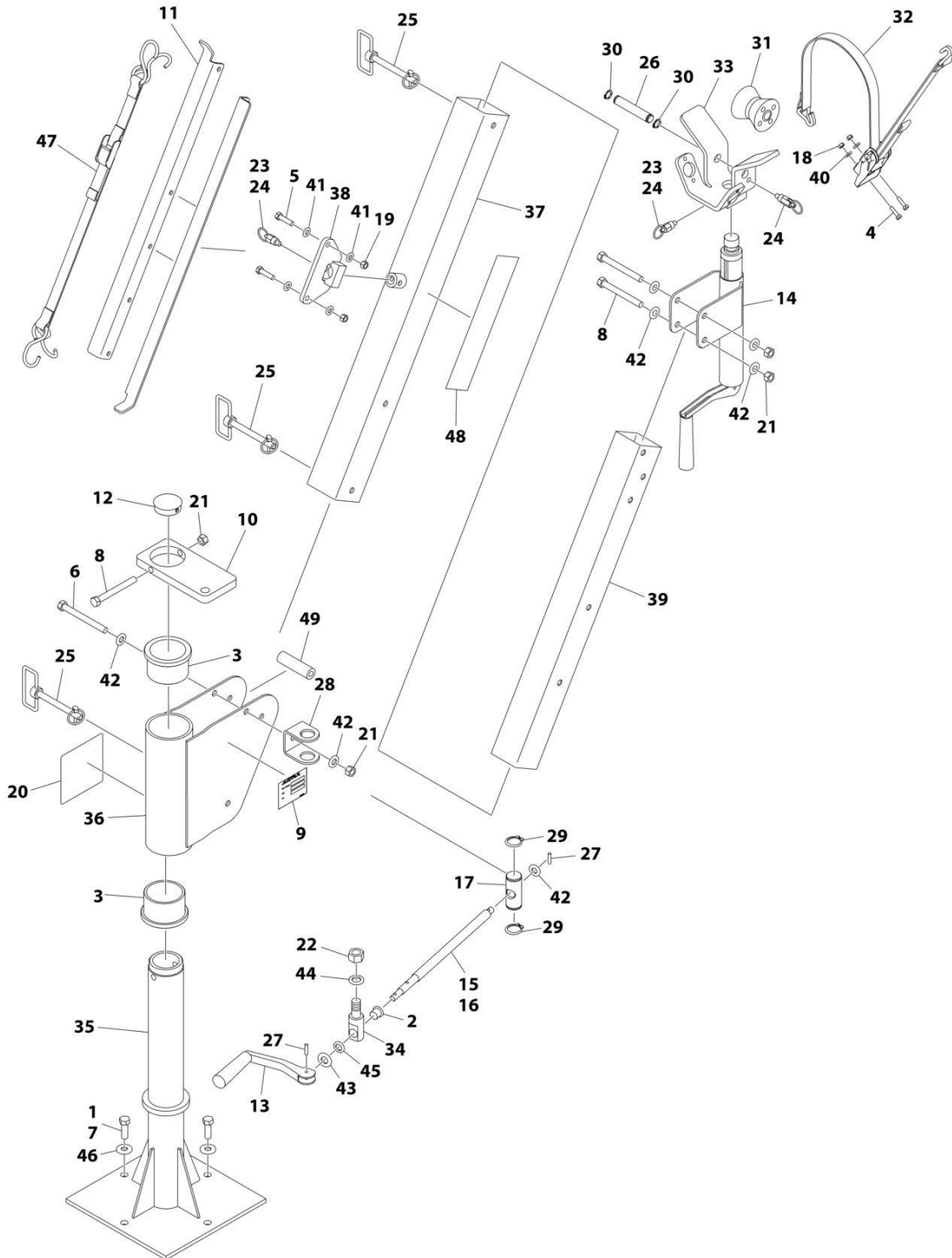
SECTION 4 - PLATFORM

FIGURE 4-10. PIPE RACKS INSTALLATION (RAIL MOUNT)

ITEM	PART NUMBER	QTY	DESCRIPTION	REV
	0272829	Ref	PIPE RACKS INSTALLATION (RAIL MOUNT)	B
1	0480100	2	Belt, Tie Down	
2	See Note	NSS	Nameplate (Note: Not Available for Purchase)	
3	1705637	2	Decal - Pipe Rack Capacity	
4	2080063	4	Fastener 1/4	
5	3900318	4	Screw 1/4 x 2	
6	4845441	1	Support, Pipe Rack	
7	4845442	1	Support, Pipe Rack	

SECTION 4 - PLATFORM

FIGURE 4-11. PIPE RACKS INSTALLATION (SKY POSITIONER)



ART_0274103

SECTION 4 - PLATFORM

FIGURE 4-11. PIPE RACKS INSTALLATION (SKY POSITIONER)

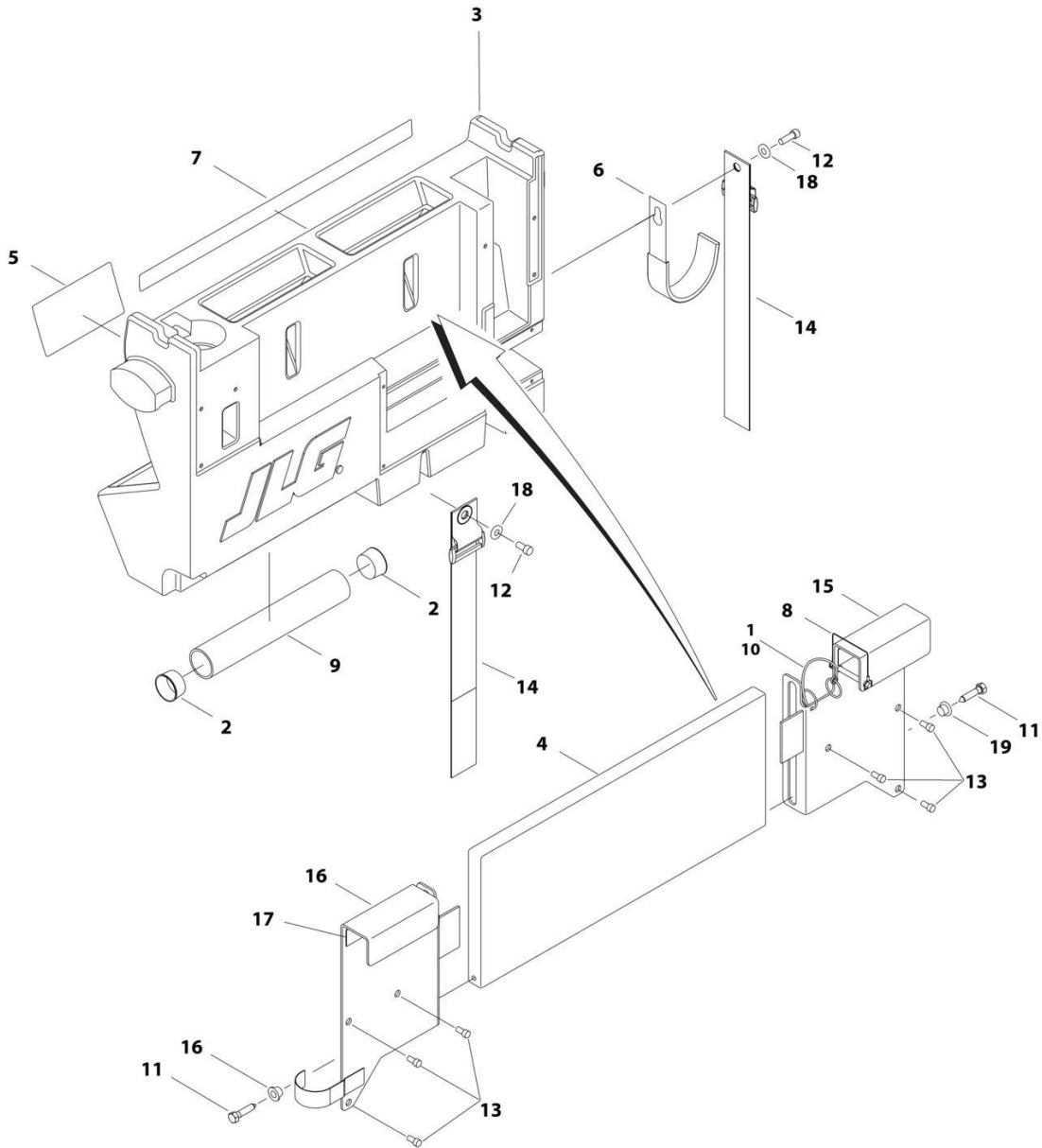
ITEM	PART NUMBER	QTY	DESCRIPTION	REV
	0274103	Ref	PIPE RACKS INSTALLATION (SKY POSITIONER)	C
1	0100011	AR	Compound, Locking	
2	0440311	2	Bearing, Flanged	
3	0440312	4	Bearing, Flanged	
4	0641408	4	Bolt 1/4 x 1	
5	0641612	4	Bolt 3/8 x 1-1/2	
6	0641840	2	Bolt 1/2 x 5	
7	0641812	8	Bolt 1/2 x 1-1/2	
8	0641836	6	Bolt 1/2 x 4-1/2	
9	See Note	2	Nameplate, Accessory Serial Tag (Note: Not Available for Purchase)	
10	0903095	2	Bracket, Jack Mount	
11	0903104	4	Bracket, Duct Mount	
12	1120580	2	Plug	
13	2560186	2	Handle	
14	2840023	2	Jack, Screw	
15	2840024	2	Screw, Jack	
16	3020035	AR	Lubricant (Not Shown)	
17	3300489	2	Nut 3/4	
18	3311405	4	Nut 1/4	
19	3311605	4	Nut 3/8	
20	1706113	2	Decal - Pipe Rack Capacity	
21	3311805	8	Nut 1/2	
22	3312205	2	Nut 3/4	
23	3423047	NLA	Pin, Plunger (Use p/n 3423151)	
24	3423151	6	Pin, Locking Plunger	
25	3423179	6	Pin, Hitch	
26	3423180	2	Pin	
27	3440816	4	Pin, Roll	
28	3575597	2	Plate, Jack Mount	
29	3760141	4	Ring, Retaining	
30	3760348	4	Ring, Retaining	
31	3860122	2	Roller	
32	4240170	2	Strap, Ratchet Tie Down	
33	4340922	2	Pipe, Support	
34	4340932	2	Mount, Jack Screw	
35	4340933	2	Mount, Pipe Rack	
36	4340934	2	Support, Pipe Rack Arm	
37	4340948	2	Support, Pipe Rack Outer	
38	4340949	2	Mount, Duct	
39	4569126	2	Tube, Pipe Rack Inner	
40	4711400	4	Washer 1/4	
41	4711600	8	Washer 3/8	
42	4711800	14	Washer 1/2	
43	4712000	2	Washer 5/8	
44	4740415	2	Washer, Special	
45	4740529	2	Washer, Thrust	
46	4751800	8	Washer 1/2	
47	4240171	2	Strap	
48	1706197	2	Decal - Sky Positioner	

SECTION 4 - PLATFORM

ITEM	PART NUMBER	QTY	DESCRIPTION	REV
49	4569150	2	Tube, Spacer	

SECTION 4 - PLATFORM

FIGURE 4-12. WORKSTATION WITHOUT DC CONVERTER INSTALLATION



ART_0240087

SECTION 4 - PLATFORM

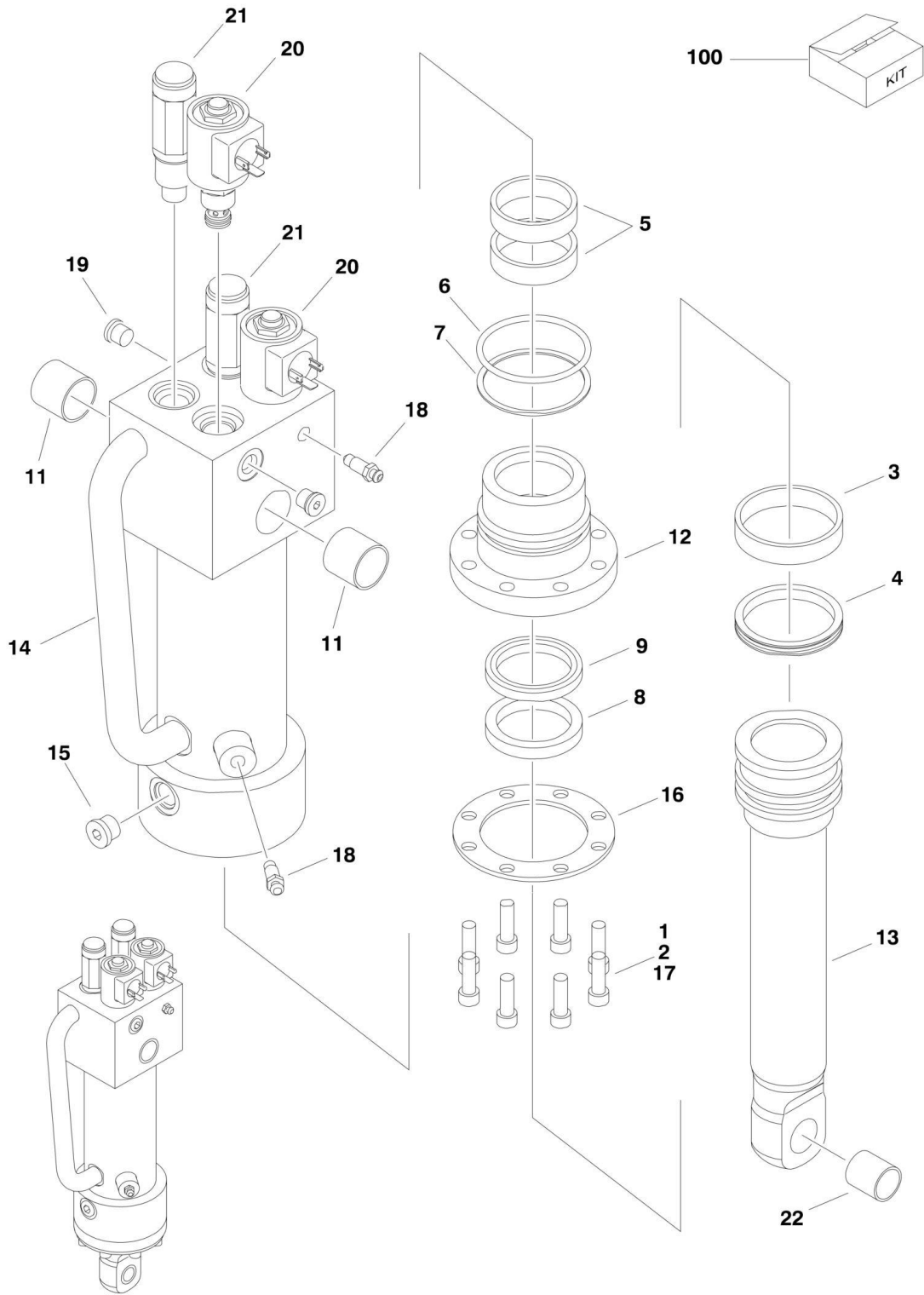
FIGURE 4-12. WORKSTATION WITHOUT DC CONVERTER INSTALLATION

ITEM	PART NUMBER	QTY	DESCRIPTION	REV
	0274260	Ref	WORKSTATION INSTALLATION - REFERENCE CHART	B
	0240087	Ref	WORKSTATION WITHOUT DC CONVERTER INSTALLATION	C
1	1060379	1	Cable, Lanyard	
2	1120555	2	Cap, Manual Storage	
3	1580023	1	Container	
4	1580024	1	Tray	
5	1705997	1	Decal - Workstation	
6	2700100	1	Hook, Hanger	
7	2902348	1	Decal - Workstation Kit	
8	3422219	1	Pin	
9	3460334	1	PVC Pipe	
10	3760170	2	Ring	
11	3900355	2	Screw 5/16 x 1-1/2	
12	3931412	2	Bolt 1/4 x 3/4	
13	3931508	6	Bolt 5/16 x 1/2	
14	4240003	2	Strap	
15	4340853	1	Mount, RH Channel	
16	4340854	1	Mount, LH Channel	
17	4420062	3 ft/0.9m	Tape	
18	4711400	2	Washer 1/4	
19	4740480	2	Insert, Plastic	

SECTION 5 - CYLINDER

SECTION 5 - CYLINDER

FIGURE 5-1. AXLE LOCKOUT CYLINDER ASSEMBLY



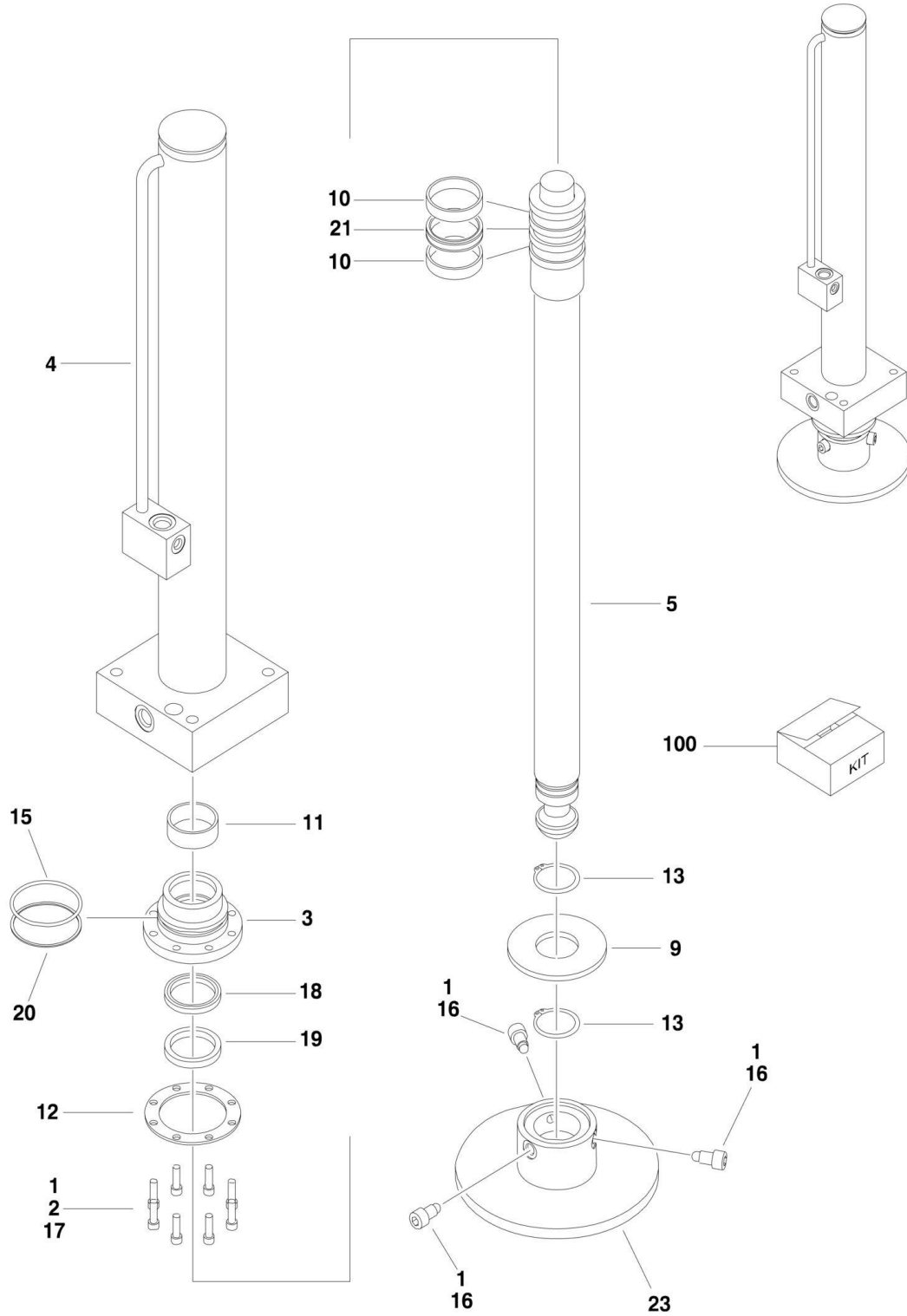
SECTION 5 - CYLINDER

FIGURE 5-1. AXLE LOCKOUT CYLINDER ASSEMBLY

ITEM	PART NUMBER	QTY	DESCRIPTION	REV
	1684145	Ref	AXLE LOCKOUT CYLINDER ASSEMBLY	B
1	0100011	AR	Locking, Compound	
2	0100038	AR	Primer, Locking	
3	See Note	NSS	Ring, Wear (Note: Use Item 100)	
4	See Note	NSS	T-Seal (Note: Use Item 100)	
5	See Note	NSS	Ring, Wear (Note: Use Item 100)	
6	See Note	NSS	O-Ring (Note: Use Item 100)	
7	See Note	NSS	Ring, Bach-up (Note: Use Item 100)	
8	See Note	NSS	Seal, Wiper (Note: Use Item 100)	
9	See Note	NSS	Polyseal (Note: Use Item 100)	
11	0962474	2	Bushing	
12	1683076	1	Head	
13	1684146	1	Rod	
14	1684205	1	Barrel	
15	2220885	1	Plug, O-Ring	
16	3760367	1	Ring, Washer	
17	3931516	8	Capscrew 5/16 x 1	
18	4640858	2	Bleeder	
19	2220883	2	Plug, O-Ring	
20	4641173	2	Solenoid Valve Assembly	
20	70000898	2	Cartridge without Coil (1 Per Assembly)	
20	7024502	2	Seal Kit - 70000898 Cartridge (1 Per Assembly)	
20	7024501	2	Coil (1 Per Assembly)	
21	4641174	2	Valve, Relief	
21	7023902	2	Seal Kit - 4641174 Cartridge (1 Per Assembly)	
22	0440228	1	Bearing	
100	2901548	1	Seal Kit - 1684145 Cylinder (Includes Items 3-9)	

SECTION 5 - CYLINDER

FIGURE 5-2. LEVEL JACK CYLINDER ASSEMBLY



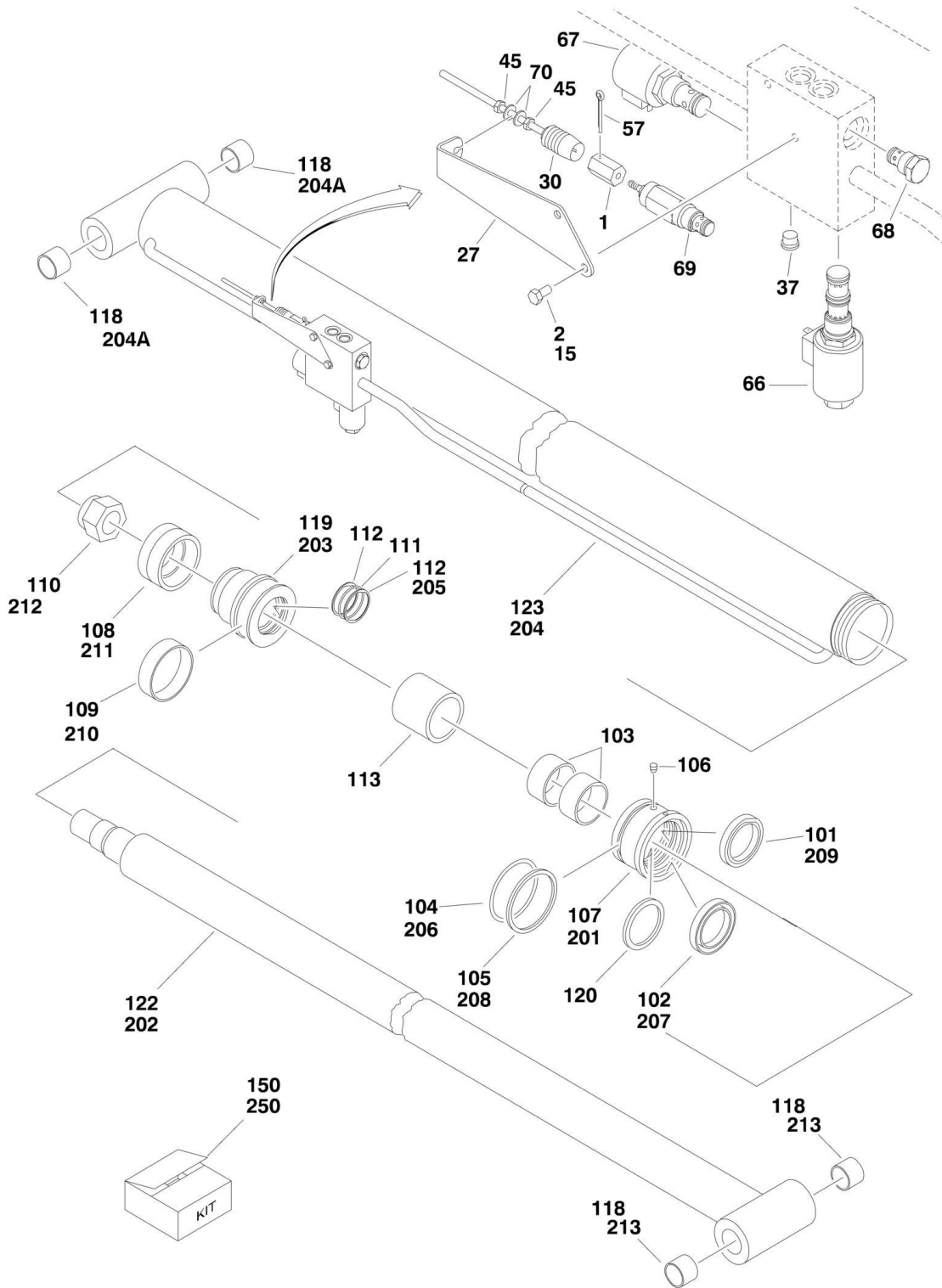
SECTION 5 - CYLINDER

FIGURE 5-2. LEVEL JACK CYLINDER ASSEMBLY

ITEM	PART NUMBER	QTY	DESCRIPTION	REV
		Ref	LEVELING JACK CYLINDER ASSEMBLIES (HYDRAULIC JACK OPTION):	
	1684220	Ref	Leveling Jack Cylinder Assemblies (Prior to SN 0200139319)	D
	1684406	Ref	Leveling Jack Cylinder Assemblies (SN 0200139319 through 0200191606)	A
1	0100011	AR	Locking, Compound	
2	0100038	AR	Primer, Locking	
3	1683054	1	Head	
4		Ref	Barrel Options:	
4	1684221	1	Barrel (Prior to SN 0200139319)	
4	0370018	1	Barrel (SN 0200139319 through 0200191606)	
5		Ref	Rod Options:	
5	1684223	1	Rod (Prior to SN 0200139319)	
5	3850013	1	Rod (SN 0200139319 through 0200191606)	
9	3573513	1	Plate, Jack	
10	See Note	NSS	Ring, Lock (Note: Use Item 100)	
11	See Note	NSS	Ring, Wear (Note: Use Item 100)	
12	3760368	1	Ring, Washer	
13	3760460	2	Ring, Retaining	
15	See Note	NSS	O-Ring (Note: Use Item 100)	
16	3900321	3	Screw 1/2 x 1-1/4	
17	3931516	8	Capscrew 5/16 x 1	
18	See Note	NSS	Seal (Note: Use Item 100)	
19	See Note	NSS	Wiper (Note: Use Item 100)	
20	See Note	NSS	Ring, Back-up (Note: Use Item 100)	
21	See Note	NSS	T-Seal (Note: Use Item 100)	
23	4846584	1	Pad, Jack	
100	2902182	1	Seal Kit - 1684220 & 1684406 Cylinders (Includes Items 10,11,15 & 18-21)	

SECTION 5 - CYLINDER

FIGURE 5-3. LIFT CYLINDER ASSEMBLY



SECTION 5 - CYLINDER

FIGURE 5-3. LIFT CYLINDER ASSEMBLY

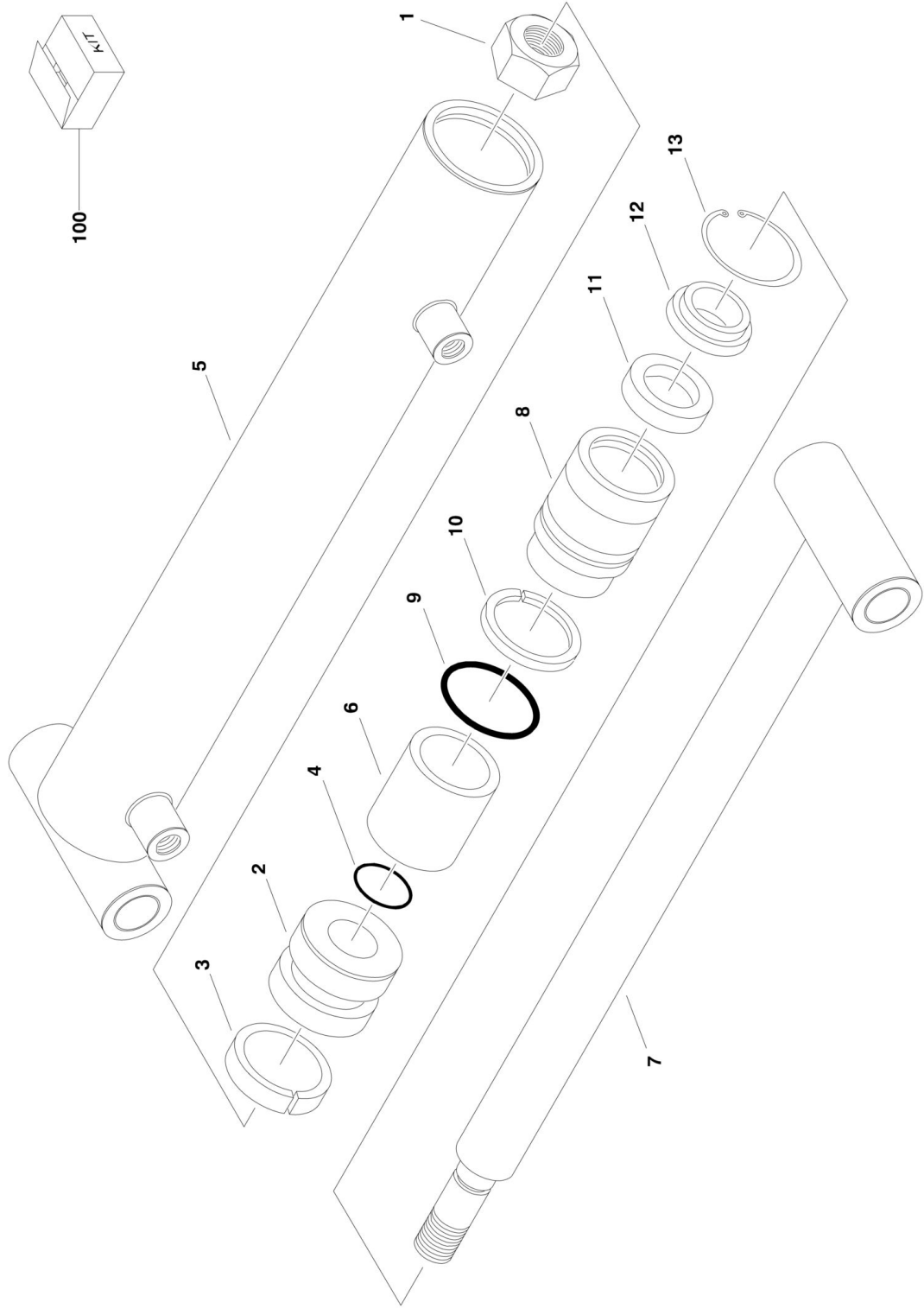
ITEM	PART NUMBER	QTY	DESCRIPTION	REV
		Ref	LIFT CYLINDER SUB-ASSEMBLIES	
	0271497	Ref	Lift Cylinder Sub-Assemblies - Installation (3394RT)	J
	0275483	Ref	Lift Cylinder Sub-Assemblies - Assembly (3394RT)	A
	0271498	Ref	Lift Cylinder Sub-Assemblies - Installation (4394RT)	J
	0275484	Ref	Lift Cylinder Sub-Assemblies - Assembly (4394RT)	A
1	0080190	1	Adapter, Cable	
2	0100011	AR	Locking, Compound	
15	0641505	2	Bolt 5/16 x 5/8	
27	0902773	1	Bracket	
30	1060929	1	Cable, Manual Descent	
30	7020218	1	Handle, "T"	
30	7019602	1	Bellow	
30	7020219	1	Washer	
37	2220885	1	Plug, O-Ring	
45	3321402	2	Nut, Jam 1/4-28NF	
57	3450405	1	Pin, Cotter 1/8 x 1-1/4	
66	4641254	1	Cartridge, Lift Holding Solenoid	
66	7024829	1	Cartridge - 4641254 Valve	
66	7012925	1	Seal Kit - 4641254 Valve	
66	7017451	1	Coil - 4641254 Valve	
67	4641188	1	Cartridge, Lift Holding Solenoid	
67	7023923	1	Cartridge - 4641188 Valve	
67	7023919	1	Seal Kit - 4641188 Valve	
67	7012943	1	Coil - 4641188 Valve	
68	4641193	1	Cartridge, Check	
68	2900756	1	Seal Kit - 4641193 Valve	
69	4641205	1	Valve, Manual	
69	7017496	1	Seal Kit - 4641205 Valve	
70	4711400	2	Flatwasher 1/4 Narrow	
		Ref	LIFT CYLINDER ASSEMBLY OPTIONS:	
		Ref	Note: Original Equipment Cylinder may have been replaced with Service Replacement p/n 1684332. Identify p/n stamped on cylinder before ordering parts.	
	1684147	Ref	Lift Cylinder Assembly (Original Equipment) (Prior to SN 0200114765)	B
101	See Note	NSS	Wiper (Note: Use Item 150)	
102	See Note	NSS	Seal (Note: Use Item 150)	
103	See Note	NSS	Ring, Wear (Note: Use Item 150)	
104	See Note	NSS	Seal (Note: Use Item 150)	
105	See Note	NSS	Ring, Back-Up (Note: Use Item 150)	
106	See Note	NSS	Setscrew (Note: Not Available-Purchase Locally)	
107	7024516	1	Head	
108	See Note	NSS	Seal (Note: Use Item 150)	
109	See Note	NSS	Ring, Wear (Note: Use Item 150)	
110	7024515	1	Nut	
111	See Note	NSS	Seal (Note: Use Item 150)	
112	See Note	NSS	Ring, Back-Up (Note: Use Item 150)	
113	7024514	1	Spacer	
118	7024513	4	Bushing	
119	7024512	1	Piston	

SECTION 5 - CYLINDER

ITEM	PART NUMBER	QTY	DESCRIPTION	REV
120	7024511	1	Seal	
122	7024510	1	Rod	
123	7024509	1	Barrel	
150	7024517	1	Seal Kit - 1684147 Cylinder (Includes Items 101-105,108,109,111 & 112)	
	1684332	Ref	Lift Cylinder Assembly (Service Replacement) (SN 0200114765 through 0200191606)	A
201	7026585	1	Head	
202	7026584	1	Rod	
203	7026583	1	Piston	
204	7026582	1	Barrel	
204A	70002202	2	Bushing	
205	See Note	NSS	Ring, Back-Up (Note: Use Item 250)	
206	See Note	NSS	Seal (Note: Use Item 250)	
207	See Note	NSS	Seal (Note: Use Item 250)	
208	See Note	NSS	Ring, Back-Up (Note: Use Item 250)	
209	See Note	NSS	Wiper (Note: Use Item 250)	
210	See Note	NSS	Ring, Wear (Note: Use Item 250)	
211	See Note	NSS	Seal (Note: Use Item 250)	
212	70002203	1	Nut	
213	70002202	2	Bushing	
250	7026586	1	Seal Kit - 1684332 Cylinder (Includes Items 205-211)	

SECTION 5 - CYLINDER

FIGURE 5-4. PLATFORM EXTENSION CYLINDER ASSEMBLY



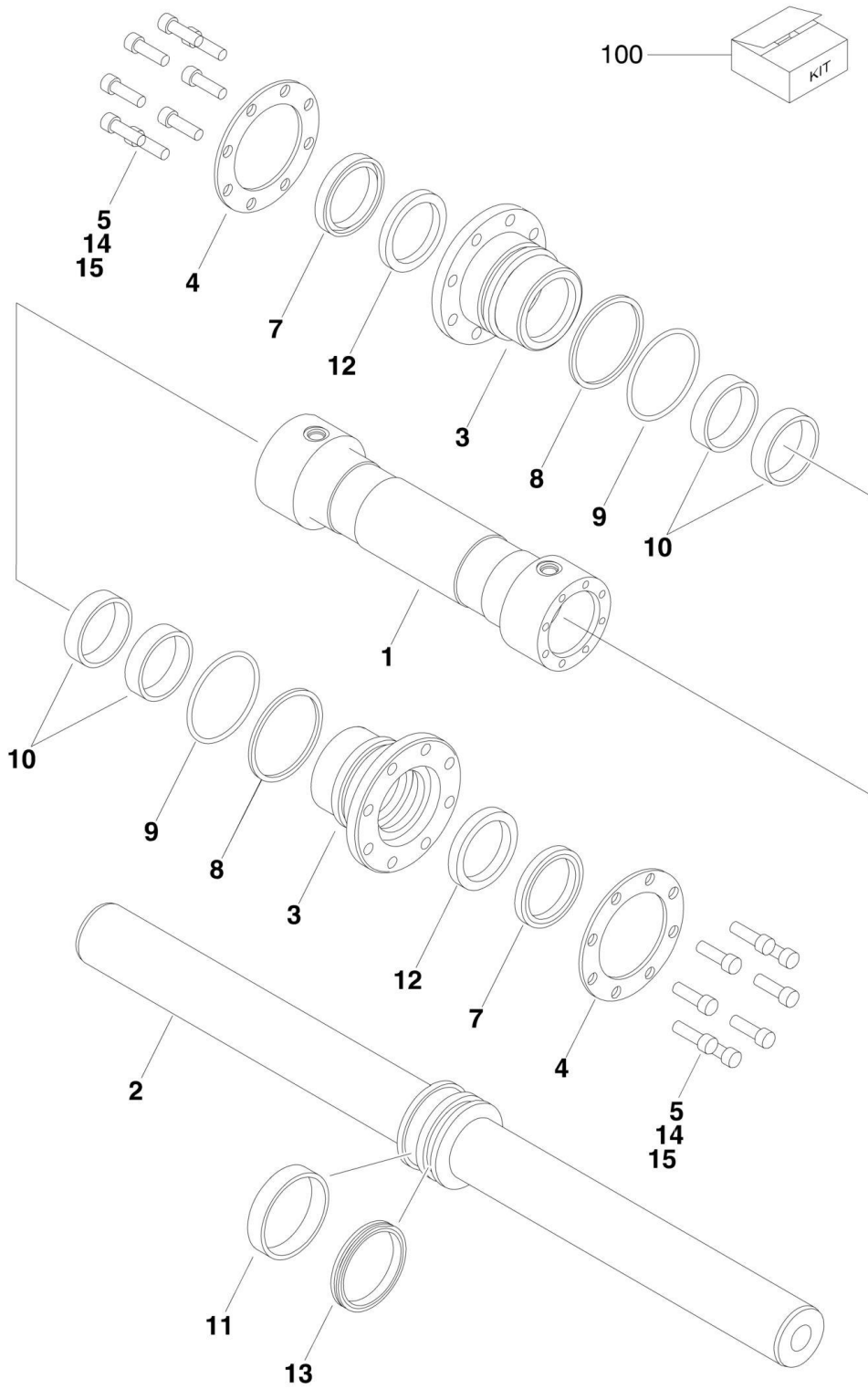
SECTION 5 - CYLINDER

FIGURE 5-4. PLATFORM EXTENSION CYLINDER ASSEMBLY

ITEM	PART NUMBER	QTY	DESCRIPTION	REV
	1684266	Ref	PLATFORM EXTENSION CYLINDER ASSEMBLY	A
1	7001084	1	Locknut	
2	7001610	1	Piston	
3	See Note	NSS	Seal (Note: Use Item 100)	
4	See Note	NSS	O-Ring (Note: Use Item 100)	
5	7023035	1	Barrel	
6	7023036	1	Tube, Spacer	
7	7001617	1	Rod	
8	7001613	1	Head	
9	See Note	NSS	O-Ring (Note: Use Item 100)	
10	See Note	NSS	Ring, Back-up (Note: Use Item 100)	
11	See Note	NSS	Seal (Note: Use Item 100)	
12	See Note	NSS	Ring, Wiper (Note: Use Item 100)	
13	7001614	1	Ring, Retaining	
100	7001608	1	Seal Kit - 1684266 Cylinder (Includes Items 3, 4 & 9-13)	

SECTION 5 - CYLINDER

FIGURE 5-5. STEER CYLINDER ASSEMBLY (Prior to SN 0200134518)



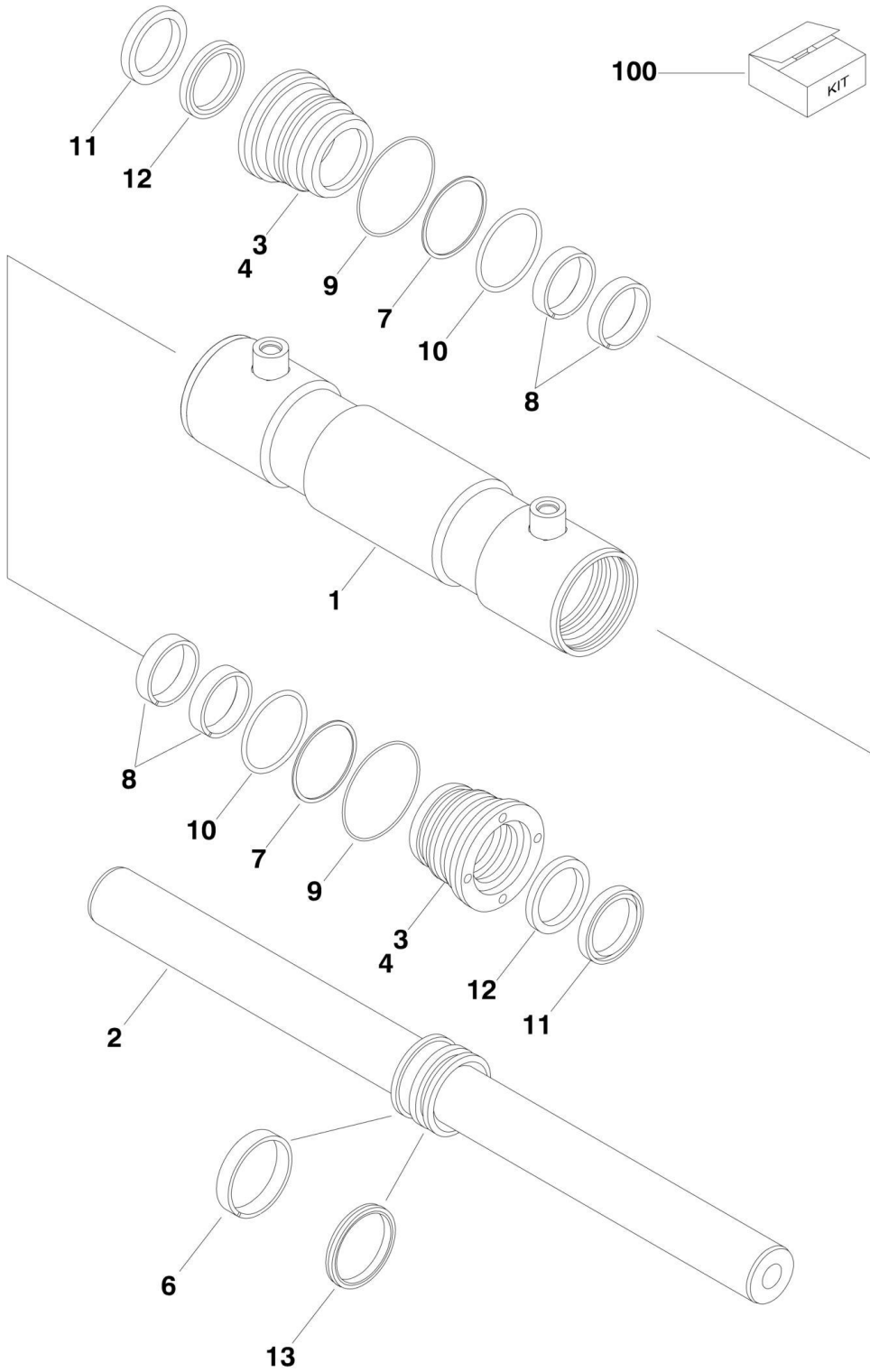
SECTION 5 - CYLINDER

FIGURE 5-5. STEER CYLINDER ASSEMBLY (Prior to SN 0200134518)

ITEM	PART NUMBER	QTY	DESCRIPTION	REV
		Ref	Note: Original Equipment Cylinder may have been replaced with Service Replacement p/n 1684412 - see next figure. Identify p/n stamped on cylinder before ordering parts.	
	1683614	Ref	STEER CYLINDER ASSEMBLY	B
1	1683615	1	Barrel Weldment	
2	1683658	1	Rod Weldment	
3	1683076	2	Cap	
4	3760367	2	Washer, Ring	
5	3931516	16	Bolt, Socket Head 5/16-18NC x 2	
7	See Note	NSS	Wiper (Note: Use Item 100)	
8	See Note	NSS	Ring, Back-up (Note: Use Item 100)	
9	See Note	NSS	O-Ring (Note: Use Item 100)	
10	See Note	NSS	Ring, Wear (Note: Use Item 100)	
11	See Note	NSS	Ring, Wear (Note: Use Item 100)	
12	See Note	NSS	Seal (Note: Use Item 100)	
13	See Note	NSS	T-Seal (Note: Use Item 100)	
14	0100011	AR	Locking, Compound	
15	0100038	AR	Primer, Locking	
100	2901547	1	Seal Kit - 1683614 (Includes Items 7-13)	

SECTION 5 - CYLINDER

FIGURE 5-6. STEER CYLINDER ASSEMBLY (SN 0200137518 through 0200191606)



SECTION 5 - CYLINDER

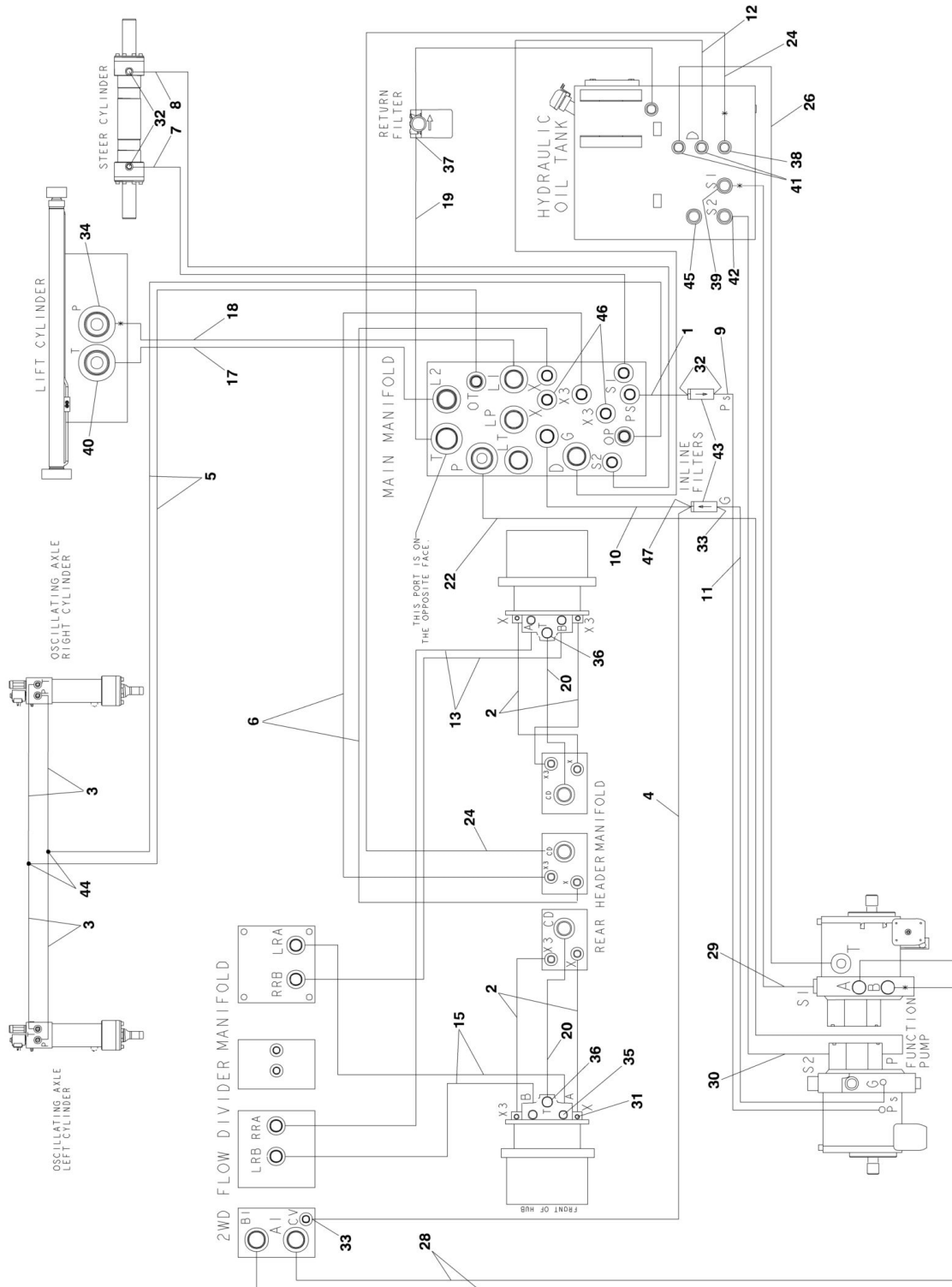
FIGURE 5-6. STEER CYLINDER ASSEMBLY (SN 0200137518 through 0200191606)

ITEM	PART NUMBER	QTY	DESCRIPTION	REV
	1684412	Ref	STEER CYLINDER ASSEMBLY	A
1	0370024	1	Barrel Weldment	
2	1683658	1	Rod Weldment	
3	2570008	2	Head, Cylinder	
4	3020043	1	Lube, Anti-Seize	
6	See Note	NSS	Ring, Wear (Note: Use Item 100)	
7	See Note	NSS	Ring, Back-up (Note: Use Item 100)	
8	See Note	NSS	Ring, Wear (Note: Use Item 100)	
9	See Note	NSS	O-Ring (Note: Use Item 100)	
10	See Note	NSS	O-Ring (Note: Use Item 100)	
11	See Note	NSS	Wiper (Note: Use Item 100)	
12	See Note	NSS	Seal (Note: Use Item 100)	
13	See Note	NSS	T-Seal (Note: Use Item 100)	
100	2902409	1	Seal Kit (Includes Items 6-13)	

SECTION 6 - HYDRAULIC

SECTION 6 - HYDRAULIC

FIGURE 6-1. STANDARD HYDRAULIC DIAGRAM (2WD)



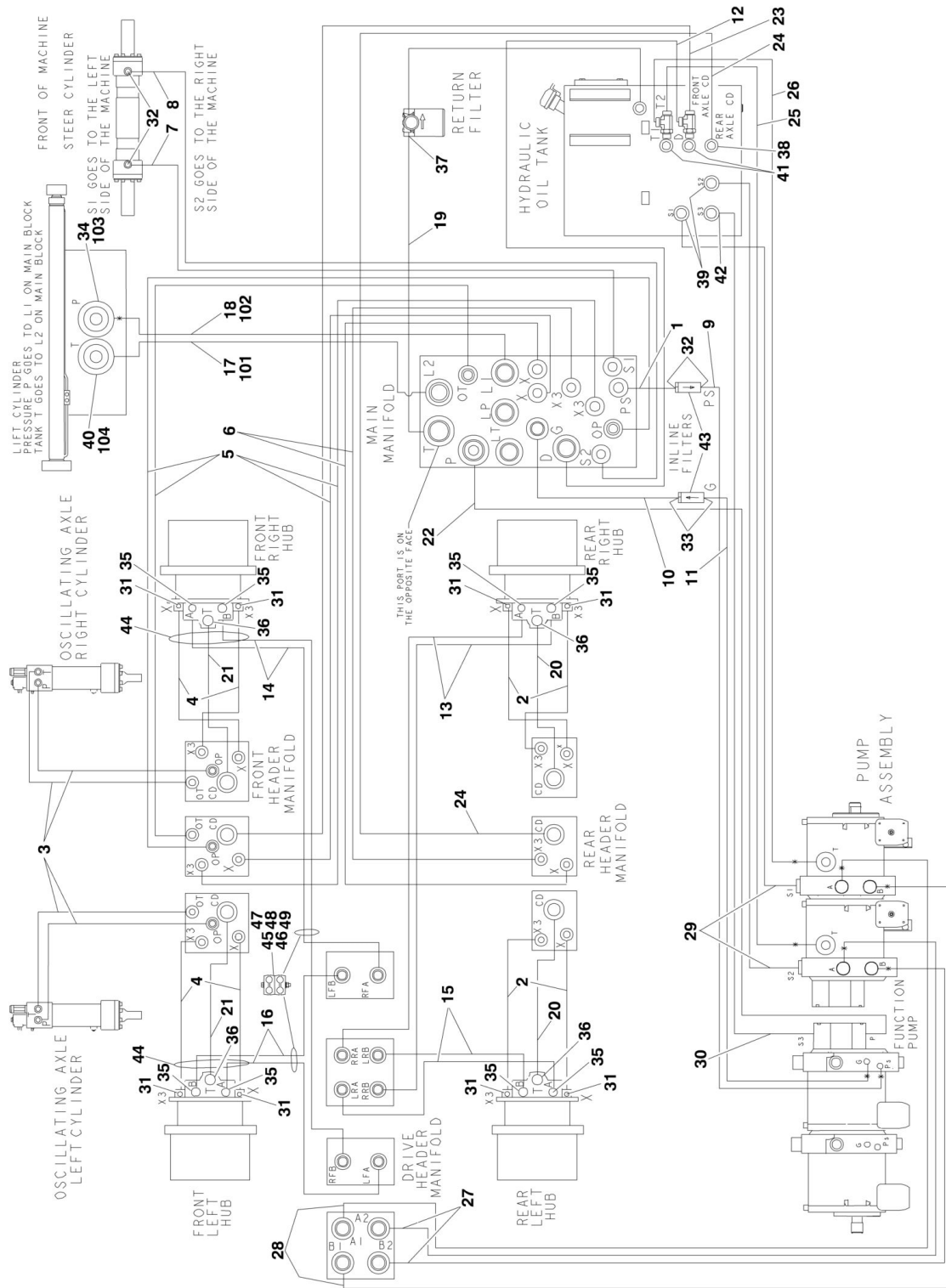
SECTION 6 - HYDRAULIC

FIGURE 6-1. STANDARD HYDRAULIC DIAGRAM (2WD)

ITEM	PART NUMBER	QTY	DESCRIPTION	REV
	2792541	Ref	HYDRAULIC DIAGRAM - 2WD	A
1	2753538	1	Hose	
2	2753781	4	Hose	
3	2753844	4	Hose	
4	2753851	1	Hose	
5	2753550	2	Hose	
6	2753675	2	Hose	
7	2753785	1	Hose	
8	2753786	1	Hose	
9	2753787	1	Hose	
10	2753624	1	Hose	
11	2753729	1	Hose	
12	2753788	1	Hose	
13	2753789	2	Hose	
15	2753791	2	Hose	
17	2753793	1	Hose	
18	2753794	1	Hose	
19	2753795	1	Hose	
20	2753796	2	Hose	
22	2753798	1	Hose	
24	2753800	1	Hose	
26	2753802	1	Hose	
28	2753804	2	Hose	
29	2753805	1	Hose	
30	2753806	1	Hose	
31	2110404	4	Fitting, Straight	
32	2110406	4	Fitting, Straight	
33	2110606	3	Fitting, Straight	
34	2110808	1	Fitting, Straight	
35	2110810	4	Fitting, Straight	
36	2111010	2	Fitting, Straight	
37	2111012	1	Fitting, Straight	
38	2111212	1	Fitting, Straight	
39	2111620	1	Fitting, Straight	
40	2131008	1	Fitting, 90	
41	2131212	2	Fitting, Straight	
42	2220765	1	Fitting, Straight	
43	2120172	2	Filter, In-Line	
44	2170504	2	Fitting, Tee	
45	2220243	1	Plug	
46	2170904	2	Cap	
47	2170306	1	Fitting, Tee	

SECTION 6 - HYDRAULIC

FIGURE 6-2. STANDARD HYDRAULIC DIAGRAM (4WD)



SECTION 6 - HYDRAULIC

FIGURE 6-2. STANDARD HYDRAULIC DIAGRAM (4WD)

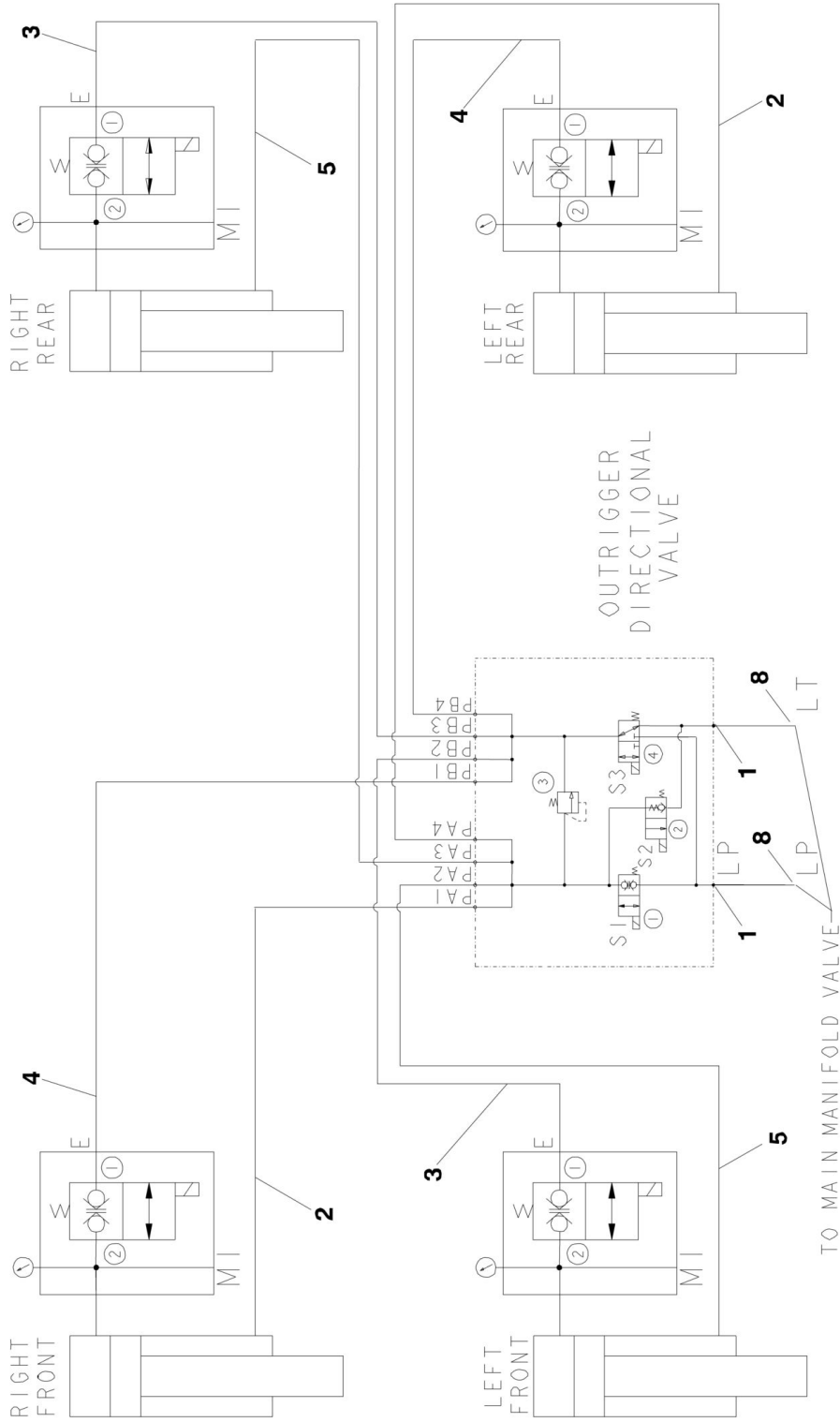
ITEM	PART NUMBER	QTY	DESCRIPTION	REV
	2792542	Ref	HYDRAULIC DIAGRAM - 4WD	H
1	2753538	1	Hose	
2	2753781	4	Hose	
3	2753782	4	Hose	
4	2753783	4	Hose	
5	2753784	4	Hose	
6		Ref	Hose Options:	
6	2753675	2	Hose (Prior to SN 0200125739)	
6	2753784	2	Hose (SN 0200125739 through 0200191606)	
7	2753785	1	Hose	
8	2753786	1	Hose	
9	2753787	1	Hose	
10	2753624	1	Hose	
11	2753729	1	Hose	
12	2753788	1	Hose	
13	2753789	2	Hose	
14	2753790	2	Hose	
15	2753791	2	Hose	
16	2753792	2	Hose	
17	2753793	1	Hose (Prior to SN 0200152397)	
18	2753794	1	Hose (Prior to SN 0200152397)	
19	2753795	1	Hose	
20	2753796	2	Hose	
21	2753797	2	Hose	
22	2753798	1	Hose	
23	2753799	1	Hose	
24	2753800	1	Hose (Prior to SN 0200119593)	
25	2753801	1	Hose	
26	2753802	1	Hose	
27	2753803	2	Hose	
28	2753804	2	Hose	
29	2753805	2	Hose	
30	2753806	1	Hose	
31	2110404	8	Fitting, Straight	
32	2110406	4	Fitting, Straight	
33	2110606	2	Fitting, Straight	
34	2110808	1	Fitting, Straight (Prior to SN 0200152397)	
35	2110810	8	Fitting, Straight	
36	2111010	4	Fitting, Straight	
37	2111012	1	Fitting, Straight	
38	2111212	1	Fitting, Straight	
39	2111620	2	Fitting, Straight	
40	2131008	1	Fitting, 90 (Prior to SN 0200152397)	
41	2170312	2	Fitting, Tee	
42	2220765	1	Fitting, Straight	
43	2120172	2	Filter, In-Line	
44	4100033	69 in /1.75m	Sleeve, Nylon	
45	77323029	2	Clamp, Twin (was p/n 1320192)	
46	1320194	2	Lockwasher	

SECTION 6 - HYDRAULIC

ITEM	PART NUMBER	QTY	DESCRIPTION	REV
47	4711600	3	Flatwasher 3/8in Narrow	
48	0641628	1	Bolt 3/8in-16NC x 3 1/2in	
49	3311605	1	Locknut 3/8in-16NC	
	0275483	Ref	SCISSOR ARMS ASSEMBLY (3394RT)	A
	0275484	Ref	SCISSOR ARMS ASSEMBLY (4394RT)	A
101	2753793	1	Hose	
102	2753794	1	Hose	
103	2110808	1	Fitting, Straight	
104	2131008	1	Fitting, 90	

SECTION 6 - HYDRAULIC

FIGURE 6-3. LEVELING JACK HYDRAULIC DIAGRAM



SECTION 6 - HYDRAULIC

FIGURE 6-3. LEVELING JACK HYDRAULIC DIAGRAM

ITEM	PART NUMBER	QTY	DESCRIPTION	REV
	2792569	Ref	HYDRAULIC DIAGRAM - LEVELING JACKS	B
1	2753681	2	Hose	
2	2753832	2	Hose	
3	2753833	2	Hose	
4	2753834	2	Hose	
5	2753835	2	Hose	
8	2110808	2	Fitting, Straight	

SECTION 6 - HYDRAULIC

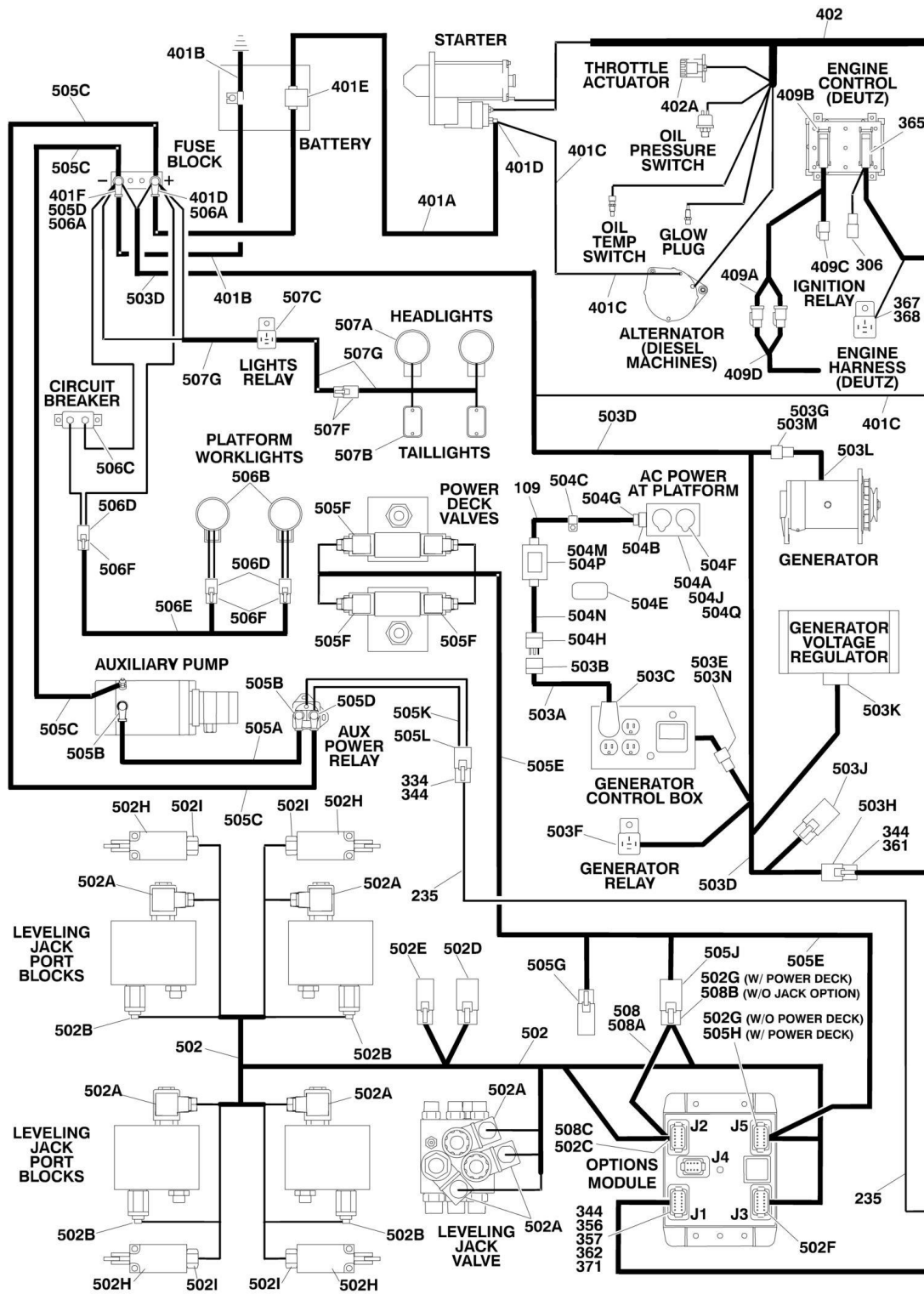
FIGURE 6-4. HYDRAULIC DIAGRAM LIST

ITEM	PART NUMBER	QTY	DESCRIPTION	REV
		Ref	Note: Diagrams not shown is available from JLG Customer Service Department.	
	2792541	Ref	Hydraulic Diagram - 2WD	
	2792542	Ref	Hydraulic Diagram - 4WD	
	2792569	Ref	Hydraulic Diagram - Leveling Jacks (Optional)	
	2792594	Ref	Hydraulic Diagram - Deck Extension (Single) (Length - 12.6ft/3.8m)	
	2792592	Ref	Hydraulic Diagram - Deck Extension (Dual) (Length - 12.6ft/3.8m)	
	2792611	Ref	Hydraulic Diagram - Deck Extension (Dual) (Megadeck) (Length - 15.8ft/4.8m)	
	2792585	Ref	Hydraulic Diagram - Easi-Cladder	
	2792544	Ref	Hydraulic Schematic - 2WD	
	2792543	Ref	Hydraulic Schematic - 4WD	

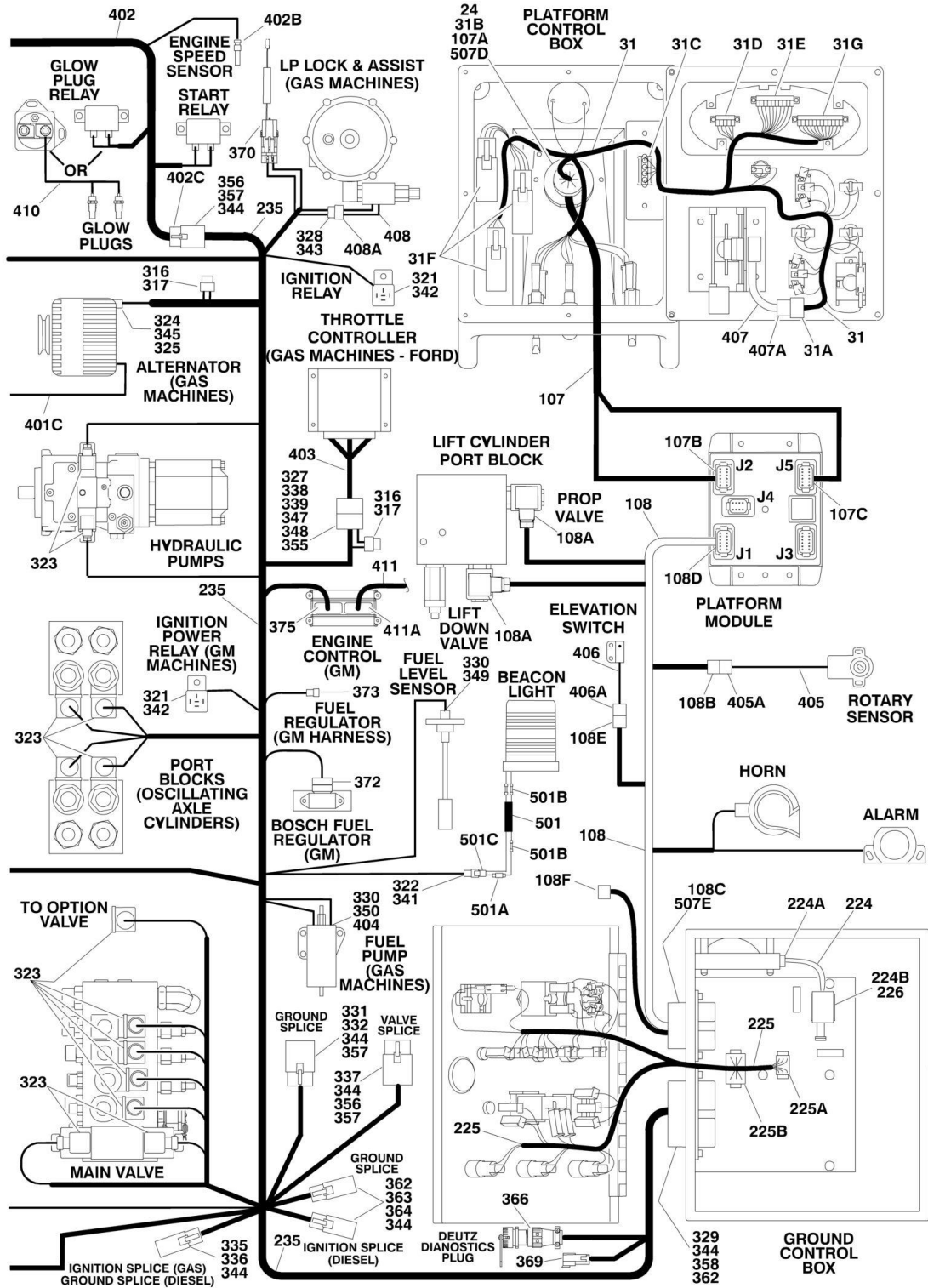
SECTION 7 - ELECTRICAL

SECTION 7 - ELECTRICAL

FIGURE 7-1. ELECTRICAL COMPONENTS INSTALLATION



SECTION 7 - ELECTRICAL



SECTION 7 - ELECTRICAL

FIGURE 7-1. ELECTRICAL COMPONENTS INSTALLATION

ITEM	PART NUMBER	QTY	DESCRIPTION	REV
		Ref	CONSOLE BOX COMPONENTS	
24	4460470	1	Nut, Terminal	
31	4922768	1	Console Box Harness	B
31A	4460266	1	Connector - 9 Position	
31A	4460267	8	Pin, Male	
31B	4460480	1	Connector - 23 Position	
31B	4460465	21	Socket, Female	
31C	4460761	1	Connector - 4 Position	
31C	4460267	4	Pin, Male	
31D	4460817	1	Terminal, Male - 5 Position	
31E	4460818	1	Terminal, Male - 10 Position	
31F	4460892	3	Terminal, Buss Bar - 6 Position	
31F	4460894	3	Connector - 6 Position	
31F	4460465	15	Socket, Female	
31G	4460895	1	Terminal, Male - 12 Position	
		Ref	PLATFORM CABLES INSTALLATION	
	0271708	Ref	Platform Cables Installation (3394RT)	D
	0271709	Ref	Platform Cables Installation (4394RT)	D
	0275483	Ref	SCISSOR ARMS ASSEMBLY (3394RT)	A
	0275484	Ref	SCISSOR ARMS ASSEMBLY (4394RT)	A
107	4922692	1	Platform Module to Console Box Harness	C
107A	4460481	1	Connector - 23 Position	
107A	4460464	21	Pin, Male	
107B	4460836	1	Connector - 12 Position	
107B	4460465	10	Socket, Female	
107B	0840055	1	Boot	
107C	4460935	1	Connector - 12 position	
107C	4460465	11	Socket, Female	
107C	0840055	1	Boot	
108		Ref	Ground to Platform Module Harness Options:	
108	4922694	1	Ground to Platform Module Harness (3394RT) (Prior to SN 0200138634)	D
108	4923309	1	Ground to Platform Module Harness (3394RT) (SN 0200138634 through 0200191606)	A
108	4922693	1	Ground to Platform Module Harness (4394RT) (Prior to SN 0200138634)	D
108	4923308	1	Ground to Platform Module Harness (4394RT) (SN 0200138634 through 0200191606)	A
108	3990010	1	Diode 6 Amp	
108A	4460499	2	DIN Connector with Diode	
108B	4460539	1	Connector - 3 Position	
108B	4460465	3	Socket, Female	
108C	4460812	1	Connector - 24 Position	
108C	4460465	23	Socket, Female	
108C	4460466	1	Plug, Sealing	
108C	0840056	1	Boot	
108D	4460933	1	Connector - 12 Position	
108D	4460465	10	Socket, Female	
108D	4460466	2	Plug, Sealing	
108D	0840055	1	Boot	

SECTION 7 - ELECTRICAL

ITEM	PART NUMBER	QTY	DESCRIPTION	REV
108E	4460891	1	Connector - 2 Position	
108E	4460465	2	Socket, Female	
108F	4460539	1	Connector - 3 Position (SN 0200138634 through 0200191606)	
108F	4460944	3	Socket, Female	
109		Ref	Cable, Electrical - 12/3	
109	1060866	1	Cable, Electrical - 12/3 (3394RT)	
109	1060907	1	Cable, Electrical - 12/3 (4394RT)	
		Ref	GROUND CONTROL BOX ASSEMBLY AND INSTALLATIONS	
224		Ref	Tilt Harness Options:	
224	4922339	1	Tilt Harness (Prior to SN 0200123252)	
224	Not Required	0	Tilt Harness (Harness part of Tilt Sensor) (SN 0200123252 through 0200191606)	D
224A	4460824	1	Connector, Female - 6 Position (4922339 Harness Only)	
224A	4460825	4	Socket, Female (4922339 Harness Only)	
224B	4460321	1	Connector - 4 Position	
224B	4460267	4	Pin, Male	
225	4922667	1	Ground Control Box Harness	B
225A	4460225	1	Connector - 6 Position	
225A	4460268	5	Socket, Female	
225B	4460434	1	Connector - 15 Position	
225B	4460268	15	Socket, Female	
226	2820155	1	Insulator, Ferrite Bead	
235		Ref	Engine and Valve Harness Options (See Items 301 to 369 for Breakdown):	
235	4922715	1	Diesel Machines (Prior to SN 0200138634)	
235	4923307	1	Diesel Machines (SN 0200138634 through 0200191606)	
		Ref	ENGINE AND VALVE HARNESS	
	4922715	Ref	Diesel Machines (Prior to SN 0200138634)	D
	4923307	Ref	Diesel Machines (SN 0200138634 through 0200191606)	C
316 to 317	Not Required	0	Not Required	
321	Not Required	0	Not Required	
322	4460424	1	Connector, Female - 2 Position	
323	4460499	13	Connector, DIN with Diode	
324 to 325	Not Required	0	Not Required	
327 to 328	Not Required	0	Not Required	
329	4460814	1	Connector - 40 Position	
330	4460955	1	Connector - 2 Position	
331	4460836	1	Connector - 12 Position	
332	4460837	1	Connector, Buss Bar - 12 Position	
333	Not Required	0	Not Required	
334	4460891	1	Connector - 2 Position	
335	4460892	1	Connector, Buss Bar - 6 Position	
336	4460894	1	Connector - 6 Position	
337	4460898	1	Connector, Buss Bar - 12 Position	
338 to 339	Not Required	0	Not Required	
341	4460268	2	Socket, Female	
342 to 343	Not Required	0	Not Required	
344	4460465	AR	Socket, Female	
345 to 348	Not Required	0	Not Required	
349	4460842	2	Terminal, Female	
350	Not Required	0	Not Required	

SECTION 7 - ELECTRICAL

ITEM	PART NUMBER	QTY	DESCRIPTION	REV
355	Not Required	0	Not Required	
356	4460933	AR	Connector - 12 Position	
357	0840055	AR	Boot, Terminal	
358	0840057	1	Boot, Terminal	
361	4460539	1	Plug, Male	
362	4460466	AR	Plug, Sealing	
363	4460884	AR	Connector - 4 Position	
364	4460893	2	Connector, Buss Bar - 4 Position	
365	4461052	1	Connector - 25 Position Deutz Engine Only (SN 0200138634 through 0200191606)	
365	4461005	5	Terminal (Gold) (Deutz Engine Only)	
365	4461006	5	Seal, Terminal (Deutz Engine Only)	
365	4461060	2	Terminal (Tin) (Deutz Engine Only)	
365	4461054	2	Seal, Terminal (Deutz Engine Only)	
365	4461053	1	Cover, Plug (Deutz Engine Only)	
365	4461008	18	Plug, Hole (Deutz Engine Only)	
366	2902443	1	Receptacle Kit (Deutz Only)	
366	4461071	8	Socket, Female	
366	4461072	1	Receptacle	
366	4461073	1	Cap, Dust	
366	4461074	1	Shell, Black	
367	4460741	1	Plug, Male Relay (Deutz Engine Only)	
368	4460420	4	Terminal, Female (Deutz Engine Only)	
369	4460536	1	Connector, Female 3 - Position (Deutz Engine Only)	
369	4460943	3	Pin, Male (Deutz Engine Only)	
371	4460970	1	Receptacle, Female (Deutz Engine Only)	
372 to 375	Not Required	0	Not Required	
		Ref	STANDARD HARNESS COMPONENTS	
401	2902132	1	Battery Cable Kit	A
401A	7024585	1	Cable, Battery - Red (Start Solenoid to Battery + to Fuse)	
401B	7024586	1	Cable, Battery - Black (Battery - to Ground)	
401C	7024587	1	Cable - Red (From Start Solenoid)	
402		Ref	Engine Harness (Diesel Machines Only)	
402	4922709	1	Engine Harness (Diesel Machines Only) (Prior to SN 0200138634)	
402	4923276	1	Engine Harness (Diesel Machines Only) (SN 0200138634 through 0200149012)	
402	4923386	1	Engine Harness (Diesel Machines Only) (SN 0200149013 through 0200191606)	
402A	4460449	1	DIN Connector without Diode (Prior to SN 0200138634)	
402B	4460890	1	Connector - 2 Position (Prior to SN 0200138634)	
402B	4460889	2	Terminal (Prior to SN 0200138634)	
402C	4460939	1	Connector - 12 Position	
402C	4460464	AR	Pin, Male	
403 to 404	Not Required	0	Not Required	
405	See Note	1	Scissor Arms Rotary Angle Sensor Harness (Note: For Replacement Purchase p/n 4360500 Sensor)	
405A	4460536	1	Connector - 3 Position	
405A	4460464	3	Pin, Male	
406	See Note	1	Scissor Arms Proximity Harness (Note: For Replacement Purchase p/n 4360502 Sensor)	
406A	4460897	1	Connector - 2 Position	
406A	4460464	2	Pin, Male	

SECTION 7 - ELECTRICAL

ITEM	PART NUMBER	QTY	DESCRIPTION	REV
407	Not Available	1	Harness, Controller (Part of Electrical Assembly)	
407A	4460265	1	Connector - 9 Position	
407A	4460268	8	Socket, Female	
408 to 408	Not Required	0	Not Required	
409	See Note	NSS	Deutz Engine Harness Components (Deutz Engine Machines Only) (Note: Not Available for Purchase)	
409A	7027796	1	Deutz Engine Harness	
409B	See Note	NSS	Receptacle, Female - 25 Position (Note: Not Available - Purchase Complete Harness)	
409C	7027793	1	Plug-In, Connector	
409D	7027794	1	Deutz Engine Harness (For other replacement parts refer to Deutz engine dealer)	
410	4923478	1	Harness, Glow Plugs (Deutz Engine Machines Only) (SN 0200149013 through 0200191606)	
411 to 411	Not Required	0	Not Required	
		Ref	OPTIONAL HARNESS COMPONENTS	
501	4922739	1	Beacon Harness	A
501	1060680	5 ft/1.5m	Cable, Electrical - 18/2	
501A	2400056	1	Fuse - 5 Amp	
501A	4460044	1	Fuseholder	
501B	4460248	3	Terminal, Butt	
501C	4460267	2	Pin, Male	
501C	4460320	1	Connector - 2 Position	
502	4922748	1	Harness - Leveling Jacks	D
502A	4460499	7	DIN Connector	
502B	4460539	4	Connector - 3 Position	
502B	4460465	12	Socket, Female	
502C	4460836	1	Connector - 12 Position	
502C	0840055	1	Boot	
502C	4460465	7	Socket, Female	
502C	4460466	5	Plug	
502D	4460851	1	Connector - 8 Position	
502D	4460852	1	Connector, Buss Bar - 8 Position	
502D	4460465	8	Socket, Female	
502E	4460892	1	Connector, Buss Bar - 6 Position	
502E	4460894	1	Connector - 6 Position	
502E	4460465	6	Socket, Female	
502F	4460934	1	Connector - 12 Position	
502F	0840055	1	Boot	
502F	4460465	12	Socket, Female	
502G	4460935	1	Connector - 12 Position	
502G	0840055	1	Boot	
502G	4460465	5	Socket, Female	
502G	4460466	7	Plug	
502H	4360548	4	Switch, Limit	
502I	4460968	4	Connector, Strain Relief	
503		Ref	Generator Electrical Components	
503	0271743	AR	110V/3500W/60Hz (CE Spec Only)	B
503	0271745	AR	220V/2000W/50Hz (CE and Australian Specs)	B
503A	1061006	1	AC Cord Assembly Options:	A
503A	1060308	11 ft/3.3m	Cable, Electrical - 12/3	
503B	4460779	1	Receptacle, Female	

SECTION 7 - ELECTRICAL

ITEM	PART NUMBER	QTY	DESCRIPTION	REV
503C	4460858	1	Plug, 90 Male	
503D	4922800	1	Generator Harness	C
503E	4460225	1	Connector - 6 Position	
503E	4460267	4	Pin, Male	
503E	4460906	2	Socket, Female	
503F	4460374	1	Plug, Relay	
503F	4460375	4	Terminal	
503G	4460445	1	Connector - 3 Position	
503G	4460906	3	Socket, Female	
503H	4460536	1	Connector - 3 Position	
503H	4460464	2	Pin, Male	
503J	4460884	1	Connector - 4 Position (Prior to SN 0200116947)	
503J	4460893	1	Plug, Buss Bar - 4 Position (Prior to SN 0200116947)	
503J	4460465	3	Socket, Female (Prior to SN 0200116947)	
503K	4460972	1	Connector - 5 Position	
503K	4460974	4	Terminal	
503L	7020193	1	Generator Power Cable (12ft Length)	
503M	4460326	1	Connector - 3 Position	
503M	4460705	3	Pin, Male	
503N	4460224	1	Connector - 6 Position	
503N	4460268	4	Socket, Female	
503N	4460705	2	Pin, Male	
504		Ref	AC to Platform Receptacle Components Options:	
504	1001091592	Ref	110V Receptacle Installation (IEC Yellow)	A
504	0271736	Ref	220V Receptacle Installation (Without Receptacles - 3394RT was 0271736 / 4394RT was 0271739 Only) (Prior to SN 0200164174)	F
504	0271737	Ref	220V Receptacle Installation (Without Receptacles and Boxes - 3394RT was 0271737 / 4394RT was 0271740)	F
504	1001091589	Ref	220V Receptacle Installation (CEE 7 Post Ground w/2x4 Box)	A
504	1001091590	Ref	220V Receptacle Installation (CEE 7 Side Ground w/2x4 Box)	A
504	1001091591	Ref	220V RECEPTACLE INSTALLATION (AFSINT 107 KEYED GROUND)	A
504	1001091593	Ref	220V Receptacle Installation (IEC Blue)	A
504	1001091594	Ref	220V Receptacle Installation (CEE 7 Post Ground w/70mm x 70mm Box)	A
504	1001091595	Ref	220V Receptacle Installation (CEE 7 Side Ground w/70mm x 70mm Box)	A
504A		Ref	Box, Switch Options:	
504A	0861781	1	1001091592/1001091593 Installations	
504A	0860038	1	0271736 Installations	
504A	See Note	1	0271955 Installation (Purchase Locally)	
504A	0861731	1	1001091589/ 1001091590/ 1001091591 Installations	
504A	See Note	NLA	1001091594/1001091595 Installations (Note: Was p/n 0861782 which is no longer available. Use p/n 1001141970 CEE 7 Side Ground Service Kit or p/n 1001141971 CEE 7 Post Ground Service Kit. Kits includes Box p/n 1001141967 and items 801F-801H.)	
504A	1001141967	1	1001100343, 1001100344, 1001141970 & 1001141971 Kits	
504B		Ref	Adapter Options:	
504B	4461258	1	1001091592/ 1001091593/ 1001091594/ 1001091595 Installations	
504B	Not Required	0	0271736/ 0271737/ 1001091589/ 1001091590 Installations	
504C	1320224	1	Clamp	

SECTION 7 - ELECTRICAL

ITEM	PART NUMBER	QTY	DESCRIPTION	REV
504D	1670988	1	Cover, Access (Not Shown - Located on Platform Floor)	
504E		Ref	Decal - AC Power Options:	
504E	1705325	1	1001091592 Installation	
504E	3252507	1	0271736/ 0271737/ 1001091589/ 1001091590/ 1001091591/ 1001091593/ 1001091594/ 1001091595 Installations	
504F		Ref	Shield, Cover Options:	
504F	Not Required	0	1001091592/ 1001091589/ 1001091590/ 1001091591/ 1001091593/ 1001091594/ 1001091595 Installations	
504F	See Note	1	0271736/0271737 Installations (Note: Purchase Locally)	
504G		Ref	Connector, Strain Relief Options:	
504G	4461257	1	1001091592/ 1001091593/ 1001091594/ 1001091595 Installation	
504G	4460051	1	0271736 Installation (Prior to SN 0200110801)	
504G	4460071	1	0271736 Installation (SN 0200110801 through 0200191606)	
504G	See Note	1	0271737 Installation (Note: Purchase Locally)	
504G	4460968	1	1001091589/ 1001091590/ 1001091591 Installations	
504H		Ref	Plug, Male Options:	
504H	4464496	1	1001091592 Installation	
504H	See Note	1	0271736/0271737 Installations (Note: Purchase Locally)	
504H	4461202	1	1001091589/1001091594 Installations and 1001100343 & 1001141971 Kits	
504H	4461205	1	1001091590/1001091595 Installations and 1001100344 & 1001141970 Kits	
504H	4461249	1	1001091591 Installation	
504H	4461199	1	1001091593 Installation	
504J		Ref	Receptacle Options:	
504J	4461198	1	1001091592 Installation	
504J	See Note	1	0271736/0271737 Installations (Note: Purchase Locally)	
504J	4461244	1	1001091589 Installation	
504J	4461245	1	1001091590 Installation	
504J	4461246	1	1001091591 Installation	
504J	4461201	1	1001091593 Installation	
504J	4461204	NLA	1001091594 Installation (Use p/n 1001100343)	
504J	4461207	NLA	1001091595 Installation (Use p/n 1001100344)	
504J	1001141968	1	1001100343 & 1001141971 Kits	
504J	1001141969	1	1001100344 & 1001141970 Kits	
504K	3300048	1	Locknut, Conduit 3/4 (Not Shown)	
504L	4460422	1	Terminal, Strain Relief (Not Shown)	
504M		Ref	Breaker Assembly, Circuit Options:	
504M	2902549	1	1001091592/ 1001091589/ 1001091590/ 1001091591/ 1001091593/ 1001091594/ 1001091595 Installations	
504M	2400093	1	Breaker 16 Amp	
504M	0861880	1	Box, Breaker	
504M	4460633	NLA	Connector, Strain Relief (Use p/n 1001097150)	
504M	Not Required	0	0271736/0271737 Installations (Purchase Locally)	
504N		Ref	Cable, Electrical - 12/3 Options:	
504N	1060908	10 ft/3.1m	1001091592/ 1001091589/ 1001091590/ 1001091591/ 1001091593/ 1001091594/ 1001091595 Installations	
504N	Not Required	0	0271736/0271737 Installations	
504P		Ref	Bracket, Circuit Breaker Options (Not Shown):	
504P	0903612	1	1001091592/ 1001091589/ 1001091590/ 1001091591/ 1001091593/ 1001091594/ 1001091595 Installations	
504P	Not Required	0	0271736/0271737 Installations	

SECTION 7 - ELECTRICAL

ITEM	PART NUMBER	QTY	DESCRIPTION	REV
504Q		Ref	Bracket, Receptacle Box Options (Not Shown):	
504Q	1001091642	1	1001091592/ 1001091589/ 1001091590/ 1001091591/ 1001091593/ 1001091594/ 1001091595 Installations	
504Q	Not Required	0	0271736/0271737 Installations	
505		Ref	Power Deck Component Options:	
505	0271701	AR	Power Deck Component - with Single Power Deck (3394RT)	E
505	0271705	AR	Power Deck Component - with Dual Power Deck (3394RT)	E
505	0271702	AR	Power Deck Component - with Single Power Deck (4394RT)	E
505	0271706	AR	Power Deck Component - with Dual Power Deck (4394RT)	E
505A	1061003	1	Cable, Electrical	
505B	0840041	2	Boot, Terminal	
505C	1061004	2	Cable, Electrical	
505D	0840041	2	Boot, Terminal (1 Per Assembly)	
505E	1670995	3	Cover, Cable	
505E	4282845	AR	Strip, Protective	
505E	4240033	6	Tie-Strap	
505E		Ref	Power Deck Harness Options (Ground to Platform)	
505E	4922845	1	Power Deck Harness (3394RT)	C
505E	4922848	1	Power Deck Harness (4394RT)	C
505F	4460499	4	Connector, DIN	
505G	4460892	1	Terminal, Buss Bar - 6 Position	
505G	4460894	1	Connector - 6 Position	
505G	4460465	5	Socket, Female	
505G	4460466	1	Plug, Sealing	
505H	4460935	1	Connector - 12 Position	
505H	0840055	1	Boot, Terminal	
505H	4460465	10	Socket, Female	
505H	4460466	2	Plug, Sealing	
505J	4460982	1	Connector - 12 Position	
505J	0840055	1	Boot, Terminal	
505J	4460464	5	Pin, Male	
505J	4460466	7	Plug, Sealing	
505K	4922859	1	Auxiliary Power Harness	
505L	4460897	1	Connector - 2 Position	
505L	4460464	2	Pin, Male	
506		Ref	Platform Worklight Component Options:	
506A	0840026	2	Boot, Terminal	
506B	2920140	2	Worklight and Harness (without Terminal Ends)	
506B	7016399	2	Bulb, Replacement (1 per Assembly)	
506B	0901930	2	Bracket, Mounting (Not Shown)	
506C	4360448	1	Breaker, Circuit - 10 Amp	
506D	4460267	6	Pin, Male	
506D	4460424	3	Connector - 2 Position	
506E	1060341	90 ft /27.4m	Cable, Electrical - 16/2	
506F	4460320	3	Connector - 2 Position	
506F	4460268	6	Socket, Female	
507		Ref	Headlight and Taillight Component Options:	
507A	2920110	2	Headlight and Harness (without Terminal Ends)	
507A	7016628	2	Bulb, Replacement (1 Per Assembly)	
507A	3574164	2	Bracket, Mounting (Not Shown)	
507B	2920113	2	Headlight and Harness (without Terminal Ends)	

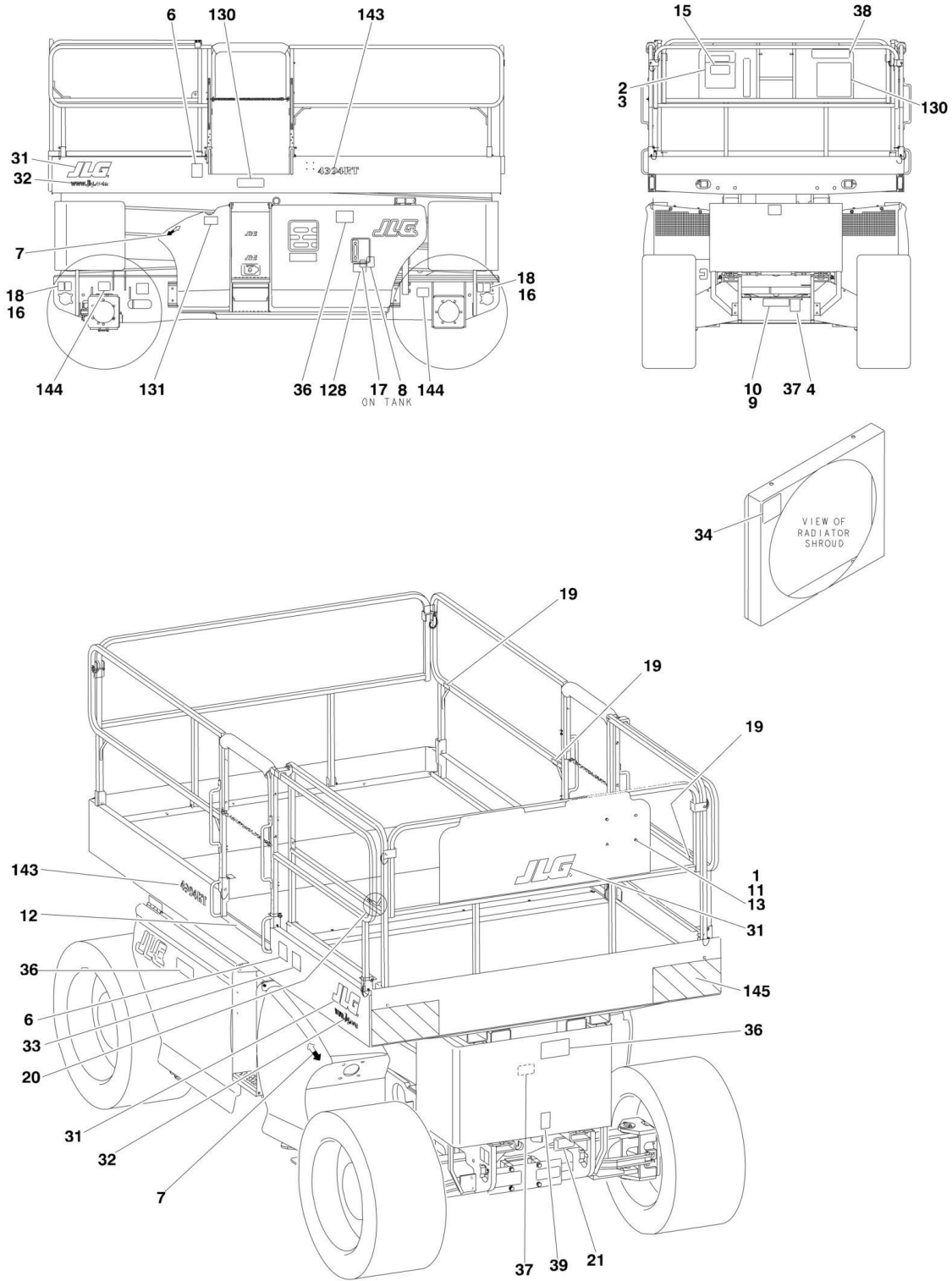
SECTION 7 - ELECTRICAL

ITEM	PART NUMBER	QTY	DESCRIPTION	REV
507B	3574153	2	Bracket, Mounting (Not Shown)	
507C	3740080	1	Relay	
507D	4460464	1	Pin, Male	
507D	4460465	1	Socket, Female	
507E	4460206	1	Pin, Male	
507E	4460185	1	Socket, Female	
507F	4460892	1	Terminal, Buss Bar - 6 Position	
507F	4460894	1	Connector - 6 Position	
507F	4460465	10	Socket, Female	
507F	4460466	2	Plug, Sealing	
507G	1060341	90 ft /27.4m	Cable, Electrical - 16/2	
507H	4360482	1	Switch, Toggle (Not Shown)	
507H	4060802	1	Shield, Switch (Not Shown)	
508	0275320	1	Power Deck Jumper Harness (SN 0200151143 through 0200191606)	
508A	4923507	1	Harness, Jumper	
508B	4460935	1	Connector - 12 Position	
508B	0840055	1	Boot	
508B	4460465	1	Socket, Female	
508B	4460466	11	Plug	
508C	4460836	1	Connector - 12 Position	
508C	0840055	1	Boot	
508C	4460465	1	Socket, Female	
508C	4460466	11	Plug	
		Ref	TOOLS FOR SERVICE (NOT SHOWN)	
	7002821	1	Crimper, Wire	
	7002823	1	Extractor, Pin - Universal	
	4460467	AR	Extractor, Pin #16 Gauge	
	4460510	AR	Extractor, Pin #12 Gauge	
	7002828	1	Stripper, Wire	
	2901443	1	Analyzer Kit	

SECTION 8 - DECALS

SECTION 8 - DECALS

FIGURE 8-1. DECAL INSTALLATION (Prior to SN 0200150268)



SECTION 8 - DECALS

FIGURE 8-1. DECAL INSTALLATION (Prior to SN 0200150268)

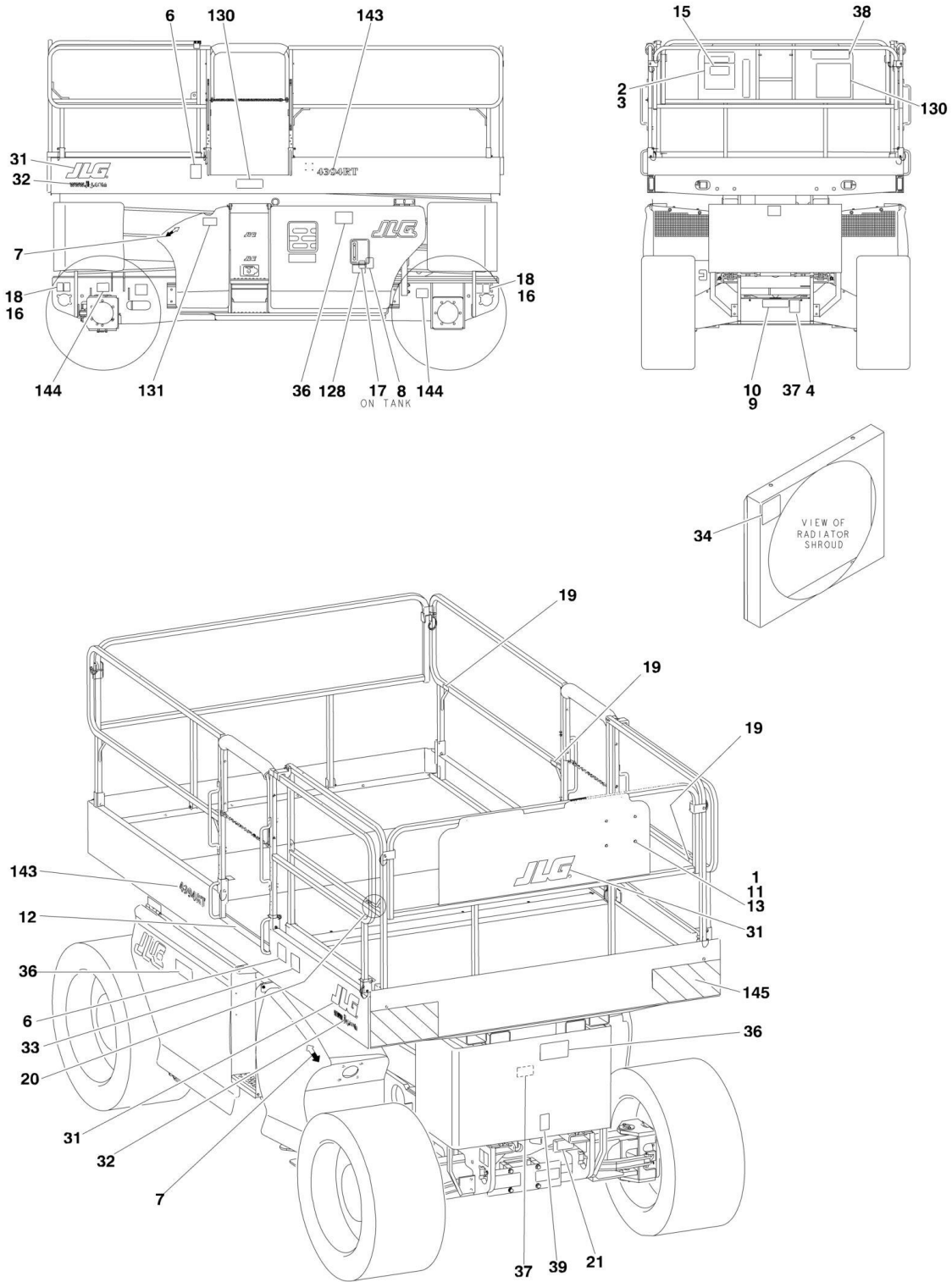
ITEM	PART NUMBER	QTY	DESCRIPTION	REV
		Ref	DECALS INSTALLATION	
	0271754	Ref	Australian Spec	3
	0271764	Ref	Danish Spec	3
	0271759	Ref	Dutch Spec	3
	0271763	Ref	Finnish Spec	3
	0271756	Ref	French Spec	3
	0271757	Ref	German Spec	4
	0271758	Ref	Italian Spec	3
	0273222	Ref	Norwegian Spec	2
	0271765	Ref	Polish Spec	3
	0271761	Ref	Portuguese Spec	3
	0271760	Ref	Spanish Spec	3
	0271762	Ref	Swedish Spec	3
	0271753	Ref	UK Spec	5
	0274987	Ref	Decal Installation - CE, Pictograms	2
	0271777	Ref	Decal Installation - JLG	2
1	0641405	4	Bolt 1/4in-20NC x 5/8in	
2	0860520	1	Box, Manual Storage	
3	1060279	1	Cable, Lanyard	
4	1700584	1	Decal - Patent	
5	See Note	NSS	Decal - Bar Code (Note: Not Available for Purchase)	
6		Ref	Decal - 109db Sound Power Level	
6	Not Required	0	Australian Spec	
6	1705515	2	All Other Specs except Australian	
7	1703687	2	Decal - Directional Arrow	
8	1704412	1	Decal - Hydraulic Oil	
9	2080057	2	Fastener	
10	See Note	NSS	Nameplate - Serial Number (Note: Not Available for Purchase)	
11	3311405	4	Locknut 1/4in-20NC	
12	4420067	4 ft/1.2m	Tape, Safety Tread	
13	4711400	AR	Flatwasher 1/4in Narrow	
15	1701509	1	Decal - Manual Reference	
16	1703811	4	Decal - Lifting Lugs	
17	1703812	1	Decal - Oil	
18	1703814	4	Decal - Tie Down	
19	1704277	8	Decal - Attach Lanyard Here	
20	1703819	1	Decal - Directional Arrow	
21	1703822	1	Decal - Manual Descent	
31	1702773	3	Decal - JLG	
32	1704885	2	Decal - Website	
33	3251813	1	Nameplate - USA	
34	1703162	1	Decal - Fan Blade	
36		Ref	Decal - Electrocution/Crushing Options:	
36	1705192	4	All Spec except CE, Pictograms	
36	1706338	4	CE, Pictograms	
37	1705019	1	Decal - Safety Prop	
38		Ref	Decal - Caution Options:	
38	1704625	1	Australian Spec	
38	1705322	1	Danish Spec	
38	1704649	1	Dutch Spec	

SECTION 8 - DECALS

ITEM	PART NUMBER	QTY	DESCRIPTION	REV
38	1705321	1	Finish Spec	
38	1704626	1	French Spec	
38	1704674	1	German Spec	
38	1704673	1	Italian Spec	
38	1704625	1	Norwegian Spec	
38	1705323	1	Polish Spec	
38	1705324	1	Portuguese Spec	
38	1704672	1	Spanish Spec	
38	1705320	1	Swedish Spec	
38	1704625	1	UK Spec	
38	1705671	1	CE, Pictograms	
39	1705372	1	Decal - Heading Crushing	
	0010583	Ref	DECAL OPTIONS	
128		Ref	Decal - Hydraulic Fluid Options:	
128	1702788	1	English Language (Biodegradable Hydraulic Fluid)	
128	1704174	1	English Language (Synthetic Biodegradable Hydraulic Fluid)	
128	1703479	1	German Language (Biodegradable Hydraulic Fluid)	
128	1704175	1	German Language (Synthetic Biodegradable Hydraulic Fluid)	
128	Not Required	0	All Other Languages and Specs	
130		Ref	Decal - Capacity Options:	
130	1705034	1	1020kg (with Single Deck Extension) (3394RT)	
130	1705035	1	905kg (with Dual Deck Extension) (3394RT)	
130	1705036	1	680kg (with Single Deck Extension) (4394RT)	
130	1705037	1	565kg (with Dual Deck Extension) (4394RT)	
131	1701505	1	Decal - Fuel	
143		Ref	Decal - Model Designation Options:	
143	1705038	1	Decal - Model Designation (3394RT)	
143	1705039	1	Decal - Model Designation (4394RT)	
144	1703493	4	Decal - Max Tire Load (Not Used on Machines with Leveling Jacks)	
145	4420051	Ref	Warning Tape Options (Standard on CE and Australian Specs/ Optional on all other Specs):	
145	4420051	4 ft/1.2m	With Single Extension	
145	4420051	8 ft/2.4m	With Dual Extension	

SECTION 8 - DECALS

FIGURE 8-2. DECAL INSTALLATION (SN 020015026 through 0200191606)



SECTION 8 - DECALS

FIGURE 8-2. DECAL INSTALLATION (SN 020015026 through 0200191606)

ITEM	PART NUMBER	QTY	DESCRIPTION	REV
		Ref	DECALS INSTALLATIONS	
	0275086	Ref	CE and Australian Spec, Pictograms	1
	0271777	Ref	Decal Installation - JLG	2
1	0641405	4	Bolt 1/4in-20NC x 5/8in	
2	0860520	1	Box, Manual Storage	
3	1060279	1	Cable, Lanyard	
4	1700584	1	Decal - Patent	
5	See Note	NSS	Decal - Bar Code (Note: Not Available for Purchase)	
6	1705515	2	Decal - 109db Sound Power Level	
7	1703687	2	Decal - Directional Arrow	
8	1704412	1	Decal - Hydraulic Oil	
9	2080057	2	Fastener	
10	See Note	NSS	Nameplate - Serial Number (Note: Not Available for Purchase)	
11	3311405	4	Locknut 1/4in-20NC	
12	4420067	4 ft/1.2m	Tape, Safety Tread	
13	4711400	8	Flatwasher 1/4in Narrow	
15	1701509	1	Decal - Manual Reference	
16	1703811	4	Decal - Lifting Lugs	
17	1703812	1	Decal - Oil	
18	1703814	4	Decal - Tie Down	
19	1704277	8	Decal - Attach Lanyard Here	
20	1703819	1	Decal - Directional Arrow	
21	1703822	1	Decal - Manual Descent	
31	1702773	3	Decal - JLG	
32	1704885	2	Decal - Website	
33	3251813	1	Nameplate - USA	
34	1703162	1	Decal - Fan Blade	
36	1706338	4	Decal - Electrocution/Crushing	
37	1705019	1	Decal - Safety Prop	
38	1705671	1	Decal - Caution	
39	1705372	1	Decal - Heading Crushing	
	0010583	Ref	DECAL OPTIONS	
128		Ref	Decal - Hydraulic Fluid Options:	
128	1702788	1	English Language (Biodegradable Hydraulic Fluid)	
128	1704174	1	English Language (Synthetic Biodegradable Hydraulic Fluid)	
128	1703479	1	German Language (Biodegradable Hydraulic Fluid)	
128	1704175	1	German Language (Synthetic Biodegradable Hydraulic Fluid)	
128	Not Required	0	All Other Languages and Specs	
130		Ref	Decal - Capacity Options:	
130	1705034	1	1020kg (with Single Deck Extension) (3394RT)	
130	1705035	1	905kg (with Dual Deck Extension) (3394RT)	
130	1705036	1	680kg (with Single Deck Extension) (4394RT)	
130	1705037	1	565kg (with Dual Deck Extension) (4394RT)	
131	1701505	1	Decal - Fuel	
143		Ref	Decal - Model Designation Options:	
143	1705038	1	Decal - Model Designation (3394RT)	
143	1705039	1	Decal - Model Designation (4394RT)	
144	1703493	4	Decal - Max Tire Load (Not Used on Machines with Leveling Jacks)	
145	4420051	Ref	Warning Tape Options:	

SECTION 8 - DECALS

ITEM	PART NUMBER	QTY	DESCRIPTION	REV
145	4420051	4 ft/1.2m	With Single Extension	
145	4420051	8 ft/2.4m	With Dual Extension	

SECTION 9 - RECOMMENDED SERVICE PARTS STOCK

SECTION 9 - RECOMMENDED SERVICE PARTS STOCK

SECTION 9 - RECOMMENDED SERVICE PARTS STOCK

FIGURE 9-1. STANDARD PARTS

ITEM	PART NUMBER	QTY	DESCRIPTION	REV
		Ref	Note: The following list will service one machine (built to current production per date on the front cover) with emergency repair parts which can be installed in the field. Parts from the list should be replaced when inventory is depleted to keep service parts stock supplied. For further information, contact your JLG dealer or the JLG Industries Parts Department.	
		Ref	STANDARD PARTS	
	7024501	1	Coil	
	7021376	1	Coil	
	7024571	1	Coil	
	7024438	1 doz	Element, Air Cleaner	
	3740112	1	Relay (Deutz Engine Machines)	
	2120158	4	Element, Hydraulic Tank Filter	
	7014811	1	Breather, Hydraulic Tank	
	4360070	1	Breaker, Circuit	
	4360328	1	Switch, Toggle	
	4360387	1	Switch, Push Button	
	4360470	1	Switch, Key	
	2860030	1	Key, Replacement	
	4360475	1	Switch, Mushroom	
	1810140	1	Switch, Dual Axis	
	4360500	1	Switch, Rotary Angle Sensor	
	4360502	1	Switch, Proximity	
	2940074	1	Latch	
	4360483	1	Switch, Toggle (Machines with Power Deck Extensions)	
	4360524	1	Switch, Toggle	
	4360525	1	Switch, Toggle	
	70000082	1	Microswitch	
	7027367	1	Push Button Switch	
	70000081	1	Potentiometer	
	7012944	1	Coil	
	7017451	1	Coil	
	7012943	1	Coil	
	2120172	1	Filter, In-Line	

SECTION 9 - RECOMMENDED SERVICE PARTS STOCK

FIGURE 9-2. VARIABLE PARTS

ITEM	PART NUMBER	QTY	DESCRIPTION	REV
		Ref	Note: The following list will service one machine (built to current production per date on the front cover) with emergency repair parts which can be installed in the field. Parts from the list should be replaced when inventory is depleted to keep service parts stock supplied. For further information, contact your JLG dealer or the JLG Industries Parts Department.	
		Ref	VARIABLE PARTS	
	7011354	1	Coil (Machines with Dual Power Deck Extensions)	
	7016331	1 doz	Filter, Oil (Deutz Engine Machines)	
	7020023	4	Filter, Spin On Fuel (Deutz Engine Machines)	
	7027245	4	Filter, Inline Fuel (Deutz Engine Machines)	
	1600336	1	Module	
	3740080	1	Relay (Machines with Generator)	
	7021868	1 doz	Filter, Oil (Ford Engine Machines)	
	7022135	4	Filter, Fuel (Ford Engine Machines)	
	7022168	1	Solenoid Valve (Ford Engine Machines)	
	1600374	1	Module, Engine ECM Control (Ford Engine Machines)	
	1001091731	1	Module, Ground Control	
	2400056	2	Fuse - 5 Amp (With Beacon Light Option)	
	3990010	2	Diode (Machines with Generator Option)	

SECTION 10 - SPECIAL OPTIONS

SECTION 10 - SPECIAL OPTIONS

FIGURE 10-1. SPECIAL OPTIONS LIST

ITEM	PART NUMBER	QTY	DESCRIPTION	REV
		Ref	SPECIAL OPTIONS LIST	
		Ref	Note: This list is to accommodate machines ordered with special equipment. Options may not be applicable to all models. For more specific parts information contact the JLG Parts Department.	
		Ref	Airline to Platform Installation - 1/2	
	0271782	Ref	Airline to Platform Installation - 1/2 (3394RT)	
	0271783	Ref	Airline to Platform Installation - 1/2 (4394RT)	
	0271786	Ref	Cold Weather Package Installation (Deutz Engine Machines)	
		Ref	Decal Options	
	0253807	Ref	Decal - Corner Stripes (Dual Deck Extension)	
	0251642	Ref	Decal - Corner Stripes (Single Deck Extension)	
		Ref	Decal Kits	
	2902183	1	Decal Kit - Australian Spec	
	2902201	1	Decal Kit - Danish Spec	
	2902196	1	Decal Kit - Dutch Spec	
	2902200	1	Decal Kit - Finish Spec	
	2902193	1	Decal Kit - French Spec	
	2902194	1	Decal Kit - German Spec	
	2902195	1	Decal Kit - Italian Spec	
	2902272	1	Decal Kit - Norwegian Spec	
	2902202	1	Decal Kit - Polish Spec	
	2902198	1	Decal Kit - Portuguese Spec	
	2902197	1	Decal Kit - Spanish Spec	
	2902199	1	Decal Kit - Swedish Spec	
	2902183	1	Decal Kit - UK Spec	
	2902498	1	Decal Kit - CE, Pictograms	
	2901912	Ref	Decal Kit - Master	
	2910832	Ref	Decal Kit - Service	
	0273304	Ref	Easi-Cladder Plus, Arm Installation (3394RT)	
	0273303	Ref	Easi-Cladder Plus, Vacuum Installation (3394RT)	
	2902277	Ref	Easi-Cladder Plus, Under Deck Prep Kit (3394RT)	
	1001235569	ref	Fan & Belt Shield Add-on Kit (Deutz T4i D2011 Engines)	
		Ref	Filter Kits (Deutz Engine Machines Only)	
	1001111697	1	Combined Filter Kit (Hydraulic/Air and Fuel/Engine Oil)	
	1001111670	1	Hydraulic/Air Filter	
	1001111685	1	Fuel/Engine Oil Filter	
	0272726	Ref	Headlights and Taillights Installation	
		Ref	Hydraulic Fluids Options:	
	2300014	Ref	Mobil 424	
	2300027	Ref	Mobil 224H Bio	
	2300029	Ref	Mobil EAL ISO 46 Bio	
	2300016	Ref	Mobil DTE 10 EXCEL 32	
	2300021	Ref	Union Carbide Ucon HP5046 Fire Resistant	
	2300027	Ref	Mobil EAL 224 H	
	2300039	Ref	Exxon Univis HVI 26	
	2300040	Ref	Diesel Fuel Conditioner	
	0861688	Ref	LSS Conversion Ground Control Box	
		Ref	Platform and Extension Installations Options (Easi-Clad):	

SECTION 10 - SPECIAL OPTIONS

ITEM	PART NUMBER	QTY	DESCRIPTION	REV
	0271703	Ref	Manual Dual Deck Extension	
	0271707	Ref	Power Dual Deck Extension Installation (3394RT)	
	0272764	Ref	Power Dual Deck Extension Installation (4394RT)	
	0272801	Ref	Power Dual Deck Extension Assembly	
	0271749	Ref	Platform Worklights Installation (3394RT)	
	0273801	Ref	Platform Worklights Installation (4394RT)	
	2902348	Ref	Platform Workstation Decal Capacity Kit	
		Ref	Floodlights Installation Options:	
	0271750	Ref	Floodlights Installation (3394RT)	
	0271751	Ref	Floodlights Installation (4394RT)	
		Ref	Tools for Service	
	7002821	1	Crimper, Wire	
	7002823	1	Extractor, Pin - Universal	
	4460467	AR	Extractor, Pin #16 Gauge	
	4460510	AR	Extractor, Pin #12 Gauge	
	7004275	1	Installer, Cylinder Seal - 1in	
	7004276	1	Installer, Cylinder Seal - 1 1/2in	
	7002826	1	Installer, Cylinder Seal - 2in	
	7016654	1	Screwdriver, Magnetic	
	7002822	1	Screwdriver, Potentiometer	
	7002828	1	Stripper, Wire	
	2901443	1	Analyzer Kit	

PART NUMBER INDEX

SECTION 10 - SPECIAL OPTIONS

0010583.....28, 176, 179	0271719..... 19	0272688..... 32	0641406....27, 70, 75, 78,
0080190.....141	0271731..... 70	0272707..... 106, 107	79, 95, 98, 102
0100011.... 11, 15, 27, 31,	0271734..... 70	0272726..... 186	0641407..... 27
32, 38, 39, 40, 45, 49,	0271736..... 168	0272764..... 187	0641408..... 38, 129
65, 70, 95, 98, 102,	0271737..... 168	0272801..... 187	0641410..... 65, 125
112, 124, 129, 137,	0271743..... 45, 167	0272829..... 127	0641412..... 65
139, 141, 147	0271745..... 45, 167	0272944..... 78	0641414..... 75, 78, 79
0100019..... 19	0271746..... 25	0272945..... 78	0641416..... 75
0100038.... 137, 139, 147	0271747..... 91	0272990..... 106, 107	0641420..... 84, 88
0100048..... 97, 101	0271749..... 187	0272998..... 108	0641505..... 141
0100062..... 39	0271750..... 187	0273062..... 106	0641506... 65, 66, 70, 125
0100079..... 37	0271751..... 187	0273063..... 111, 112	0641507.... 39, 84, 88, 97,
0100081..... 124	0271753..... 175	0273222..... 175	101, 107
0140001..... 65	0271754..... 175	0273303..... 186	0641508..31, 45, 97, 101,
0140011..... 115	0271756..... 175	0273304..... 186	107
0140032..... 66	0271757..... 175	0273788..... 78	0641516..... 97, 101
0181847..... 115	0271758..... 175	0273801..... 187	0641606.... 11, 15, 25, 31
0182029..... 39	0271759..... 175	0273846..... 37	0641607..... 84, 88
0182033..... 65	0271760..... 175	0273969..... 66	0641608.... 32, 37, 39, 40,
0200712..... 84, 88	0271761..... 175	0274103..... 129	45, 49, 65, 74, 75, 78,
0200713..... 84, 88	0271762..... 175	0274260..... 133	79
0200714..... 88	0271763..... 175	0274602..... 37	0641609.... 11, 15, 65, 78
0200715..... 88	0271764..... 175	0274622..... 27	0641610.... 19, 74, 84, 88
0200716..... 84, 88	0271765..... 175	0274623..... 27, 31	0641611..... 84, 88, 95
0200717..... 84	0271773..... 37	0274987..... 175	0641612... 37, 85, 89, 129
0200718..... 84, 88	0271775..... 66	0275086..... 179	0641620..... 78, 79
0200719..... 84, 88	0271776..... 27, 31	0275196..... 98	0641622..... 74
0200720..... 88	0271777..... 175, 179	0275197..... 101	0641624..... 31
0200721..... 88	0271778..... 31	0275320..... 171	0641628..... 156
0200722..... 88	0271779..... 25, 31	0275483 84, 141, 156,	0641632..... 84, 88
0200723..... 84	0271781..... 66	164	0641636..... 88, 106
0200742..... 45	0271782..... 186	0275484 88, 141, 156,	0641660..... 95
0240087..... 133	0271783..... 186	164	0641676..... 98, 102
0251642..... 186	0271786..... 186	0340052..... 39	0641680..... 37
0253807..... 186	0271790..... 15	0361810..... 37	0641718..... 45
0258011..... 19	0271814..... 69	0363050..... 84, 88	0641811..... 27
0258012..... 19	0271819..... 38	0363082..... 45	0641812..... 38, 65, 129
0270076..... 19	0271920..... 38, 40	0363098..... 45	0641813..... 84, 88
0270077..... 19	0271921..... 38, 40	0370018..... 139	0641814. 91, 97, 101, 107
0270092..... 19	0271959..... 65	0370024..... 149	0641820..... 39
0270653..... 19	0272038..... 74	0400075..... 37	0641824..... 11, 15, 27
0270654..... 19	0272039..... 74	0440161..... 15	0641836..... 129
0270655..... 19	0272101 97, 101, 107	0440162..... 11	0641840..... 129
0271497..... 84, 141	0272209..... 85, 89	0440228..... 137	0642012..... 11, 15
0271498..... 88, 141	0272210..... 85, 89	0440234..... 85, 89	0642016..... 37
0271507..... 15	0272211..... 85, 89	0440236..... 84, 88	0681618..... 88
0271508..... 19	0272212..... 11	0440250..... 84, 88	0681816..... 78
0271509..... 15	0272228..... 75, 79	0440271..... 15	0681820..... 74
0271620..... 11	0272229..... 75, 79	0440274..... 15	0681828..... 11, 15
0271682..... 95	0272241 97, 101, 107	0440291..... 15	0682012..... 19
0271691..... 11	0272242 97, 101, 107	0440311..... 129	0682226..... 27
0271695..... 19	0272243 97, 107	0440312..... 129	0700614..... 124
0271697..... 37	0272261..... 27	0480100..... 127	0700619..... 98, 102
0271698..... 65	0272278..... 27, 31	0480124..... 45	0700808..... 124
0271699..... 74	0272351..... 91	0561300..... 11, 15	0700814..... 124
0271700..... 97, 98	0272378..... 124	0561489..... 95	0700819..... 124
0271701..... 32, 106, 170	0272379..... 124	0610145..... 115	0700821..... 124
0271702..... 32, 106, 170	0272400..... 115	0610152..... 69	0701013..... 40
0271703..... 187	0272409..... 116	0610157..... 125	0701015..... 40
0271704..... 101, 102	0272410..... 116	0610169..... 115	0701022..... 124
0271705..... 32, 106, 170	0272411..... 116	0630485 97, 101, 107,	0701025..... 38
0271706..... 32, 106, 170	0272412..... 116	112	0701037..... 95
0271707..... 187	0272439..... 124	0630516..... 124	0701414..... 39
0271708..... 95, 164	0272528..... 125	0630557..... 84, 88	0701418..... 45
0271709..... 95, 164	0272586..... 125	0641404..... 95, 115	0701419..... 39
0271714..... 111, 112	0272605..... 106, 107	0641405 . 32, 78, 79, 175,	0711025..... 40
0271715..... 111, 112	0272687..... 32	179	0720805..... 38

SECTION 10 - SPECIAL OPTIONS

0721004.....	25	1001092724.....	39, 40	1683614.....	11, 16, 147	1705392.....	115
0721006.....	38, 45	1001092957.....	106	1683615.....	147	1705462.....	125
0721010.....	84, 88	1001096983.97, 101, 108		1683658.....	147, 149	1705515.....	175, 179
0731008.....	65	1001096984.97, 101, 108		1684145.....	11, 15, 137	1705532.....	125
0741010.....	37	1001096985.97, 101, 108		1684146.....	137	1705637.....	127
0840026.....	170	1001097967.....	78	1684147.....	84, 88, 141	1705671.....	176, 179
0840041.....	170	1001100321.....	45	1684205.....	137	1705688.....	69
0840055... 164, 166, 167, 170, 171		1001102512.....	69	1684220.....	28, 139	1705913.....	115
0840056.....	164	1001111670.....	186	1684221.....	139	1705914.....	115
0840057.....	166	1001111685.....	186	1684223.....	139	1705997.....	133
0840058.....	125	1001111697.....	186	1684236.....	124	1706059.....	38
0860038.....	168	1001141967.....	168	1684266.....	106, 145	1706060.....	38
0860520.....	175, 179	1001141968.....	169	1684332.....	84, 88, 142	1706063.....	38
0861492.....	125	1001141969.....	169	1684406.....	28, 139	1706064.....	38
0861508.....	69	1001235569.....	186	1684412.....	11, 16, 149	1706113.....	129
0861554.....	115	1060279.....	175, 179	1700584.....	175, 179	1706197.....	129
0861565.....	125	1060308.....	167	1701214.....	28	1706338.....	175, 179
0861688.....	186	1060341.....	170, 171	1701502.....	65	1780325.....	74, 75
0861731.....	168	1060379.....	111, 133	1701503.....	65	1780326.....	74, 75
0861781.....	168	1060680.....	167	1701505.....	176, 179	1810140.....	69, 182
0861880.....	169	1060808.....	112	1701509.....	175, 179	2000184.....	39, 40
0901870.....	111	1060866.....	85, 165	1702773.....	175, 179	2000237.....	39, 40
0901930.....	170	1060907.....	89, 165	1702788.....	176, 179	2000238.....	38
0902499.....	115	1060908.....	169	1703162.....	175, 179	2000239.....	38
0902592.....	65	1060929.....	141	1703479.....	176, 179	2000308.....	39, 40
0902773.....	141	1061003.....	170	1703493.....	176, 179	2000309.....	38
0902774.....	84, 88	1061004.....	170	1703687.....	175, 179	2000310.....	39
0902777.....	37	1061006.....	46, 167	1703811.....	175, 179	2000341.....	39, 40
0902786.....	39	1120361.....	66	1703812.....	175, 179	2020006.....	97, 101, 107
0902788.....	40	1120555.....	125, 133	1703814.....	175, 179	2080040.....	112
0902789.....	65	1120556.....	124	1703819.....	175, 179	2080057.....	175, 179
0902801.....	65	1120557.....	124	1703822.....	175, 179	2080063.....	111, 127
0902802.....	65	1120558.....	66	1704174.....	176, 179	2080064.....	112
0902812.....	38	1120580.....	129	1704175.....	176, 179	2080072.....	91
0902813.....	45	1180371.....	84, 88	1704277.....	175, 179	2110404.25, 35, 153, 155	
0902831... 74, 75, 78, 79		1180372.....	84, 88	1704412.....	175, 179	2110406.....	49, 153, 155
0902838.....	106	1320016.....	39	1704588.....	115	2110606... 28, 31, 35, 49, 153, 155	
0902839.....	106	1320019.....	40, 106	1704589.....	115	2110608.....	49
0902842.....	45	1320022.....	37, 39	1704625.....	175, 176	2110806.....	106
0902847.....	70	1320058.....	39	1704626.....	176	2110808... 28, 31, 35, 85, 89, 153, 155, 156, 159	
0902885.....	40	1320059.....	125	1704649.....	175	2110810.....	153, 155
0903054.....	28	1320122.....	84, 88	1704672.....	176	2111010.25, 35, 153, 155	
0903095.....	129	1320194.....	155	1704673.....	176	2111012.....	153, 155
0903104.....	129	1320224.....	168	1704674.....	176	2111212. 31, 49, 65, 153, 155	
0903612.....	169	1340066.....	39	1704690.....	28	2111216.....	49
0961388.....	85, 89	1380150.....	97, 101, 107	1704697.....	28	2111620.....	153, 155
0961950.....	11, 15	1380151.....	97, 101, 107	1704698.....	28	2120158.....	65, 182
0961951.....	15	1440331.....	84, 88	1704885.....	175, 179	2120165.....	65
0961986.....	39	1580023.....	133	1704972.....	38	2120172... 153, 155, 182	
0962031.....	85, 89	1580024.....	133	1705019.....	175, 179	2130404.....	25
0962140.....	15	1600308.....	115, 119	1705034.....	176, 179	2130406.....	11, 15, 107
0962173.....	124	1600336.....	70, 95, 184	1705035.....	176, 179	2130808.....	31
0962356.....	89	1600348.....	125	1705036.....	176, 179	213100885, 89, 153, 155, 156	
0962445.....	89	1600374.....	184	1705037.....	176, 179	2131010.....	25, 49
0962446.....	85, 89	1600403.....	115, 121	1705038.....	176, 179	2131212.....	153
0962474.....	85, 89, 137	1670988.....	95, 169	1705039.....	176, 179	2131612.....	49
1001091589.....	168	1670995.....	84, 88, 170	1705042.....	28	2131616.....	49
1001091590.....	168	1671056.....	19	1705189.....	115	2151008.....	49
1001091591.....	168	1671060.....	74	1705192.....	175	2151010.....	25, 35, 49
1001091592.....	168	1671061.....	74	1705320.....	176	2170306.....	153
1001091593.....	168	1671069.....	74	1705321.....	176	2170312.....	155
1001091594.....	168	1671070.....	74	1705322.....	175	2170504.....	153
1001091595.....	168	1671071.....	27	1705323.....	176	2170904.....	153
1001091642.....	170	1671077.....	27	1705324.....	176		
1001091731.....	184	1671099.....	78	1705325.....	169		
1001092410.....	79	1671165.....	27	1705325.....	169		
		1683054.....	139	1705372.....	176, 179		
		1683076.....	137, 147	1705390.....	115		

SECTION 10 - SPECIAL OPTIONS

2180348.....	37	2753788.....	153, 155	2902182.....	139	3300455.....	84, 88
2180536.....	37	2753789.....	153, 155	2902183.....	186	3300467.....	98, 102
2220243.....	153	2753790.....	155	2902188.....	74	3300471.....	106
2220250.....	37	2753791.....	153, 155	2902189.....	75	3300472.....	97, 101, 107
2220430.....	37	2753792.....	155	2902193.....	186	3300489.....	129
2220451.....	39	275379385, 89, 153, 155,		2902194.....	186	3310601.....	115
2220466.....	49	156		2902195.....	186	3310805.....	27, 38
2220655.....	39	275379485, 89, 153, 155,		2902196.....	186	3311001.....	46
2220765.....	153, 155	156		2902197.....	186	3311005.....	25, 38, 84, 88
2220883.....	28, 106, 137	2753795.....	153, 155	2902198.....	186	3311405.....	27, 32, 38, 65,
2220884.....	35	2753796.....	153, 155	2902199.....	186	75, 78, 79, 84, 88, 91,	
2220885.....	35, 137, 141	2753797.....	155	2902200.....	186	95, 98, 102, 125, 129,	
2221086.....	35	2753798.....	153, 155	2902201.....	186	175, 179	
2221111.....	65	2753799.....	155	2902202.....	186	3311505.....	39, 65, 66, 70,
2221118.....	49	2753800.....	153, 155	2902243.....	40	74, 79, 84, 88, 97, 101,	
2300014.....	186	2753801.....	155	2902244.....	40	107	
2300016.....	186	2753802.....	153, 155	2902263.....	112	3311601.....	65, 78, 79
2300021.....	186	2753803.....	155	2902271.....	38	3311605.....	11, 15, 19, 37,
2300027.....	186	2753804.....	153, 155	2902272.....	186	39, 46, 65, 74, 75, 78,	
2300029.....	186	2753805.....	153, 155	2902277.....	186	79, 84, 88, 95, 106,	
2300039.....	186	2753806.....	153, 155	2902337.....	78	112, 125, 129, 156	
2300040.....	186	2753832.....	159	2902338.....	79	3311802.....	97, 101, 107
2360571.....	12, 16	2753833.....	159	2902348.....	133, 187	3311805.....	27, 28, 39, 65,
2400044.....	37	2753834.....	159	2902400.....	16	84, 88, 129	
2400056.....	167, 184	2753835.....	159	2902409.....	149	3312005.....	37
2400093.....	169	2753844.....	153	2902443.....	166	3312008.....	11, 16
2420172.....	69	2753851.....	153	2902498.....	186	3312205.....	129
2420199.....	65	2753867.....	32	2902549.....	169	3321402.....	141
2420203.....	45	2753868.....	32	2910832.....	186	3322201.....	11, 16
2460043.....	45	2780230.....	11	2915022.....	69	3322202.....	97, 101, 107
2460047.....	45	2780262.....	19, 21	2920026.....	69, 116	3323003.....	11
2460049.....	45	2780263.....	19, 21	2920029.....	69, 116	3340612.....	111
2560088.....	98, 102, 124	2792541.....	153, 160	2920110.....	170	3340895.....	115
2560141.....	115	2792542.....	155, 160	2920113.....	170	3340929.....	84, 88
2560171.....	98, 102	2792543.....	160	2920140.....	170	3340935.....	84, 88
2560172.....	98, 102	2792544.....	160	2920146.....	25	3340937.....	111
2560176.....	112	2792569.....	159, 160	2920162.....	46	3340945.....	75, 78, 79
2560186.....	129	2792585.....	160	2940074.....	112, 182	3340950.....	124
2560188.....	112	2792592.....	160	2940127.....	98, 102	3340951.....	124
2570008.....	149	2792594.....	160	2940147.....	75, 78, 79	3340952.....	124
2600285.....	112	2792611.....	160	3020021.....	40	3340953.....	124
2600286.....	74, 78, 79	2820018.....	25	3020029.....	16	3380495.....	79
2680504.....	75	2820153.....	75, 78	3020035.....	129	3421453.....	112
2680505.....	75, 78	2820154.....	75, 78	3020043.....	149	3421565.....	112
2680507.....	75	2820155.....	69, 165	3200378.....	39	3422219.....	111, 133
2680508.....	75, 79	2820156.....	75, 78	3200431.....	39	3422369.....	124
2680519.....	79	2820157.....	75, 78	3200447.....	84, 88	3422592.....	11, 15
2700100.....	133	2820158.....	75, 78	3200450.....	115	3422669.....	37
2720058.....	37	2820159.....	74, 78	3220129.....	40	3422692.....	11
2720271.....	37	2840023.....	129	3220131.....	40	3422716.....	16
2720486.....	39	2840024.....	129	3251813.....	175, 179	3422745.....	11, 15
2720494.....	39	2860030.....	69, 182	3252507.....	169	3422899.....	11, 15
2720495.....	39	2900756.....	141	3252796.....	69	3422943.....	84, 88, 95
2750532.....	39	2900770.....	35, 107	3271805.....	74, 78, 79	3422944.....	84, 88
2753538.....	153, 155	2901443.....	171, 187	3272005.....	106	3422945.....	84, 88
2753550.....	153	2901547.....	147	3272205.....	27	3422946.....	84, 88
2753624.....	153, 155	2901548.....	137	3290601.....	98, 102, 124	3422948.....	88
2753675.....	153, 155	2901912.....	186	3290801.....	124	3422952.....	89
2753681.....	159	2902062.....	85	3291001.....	124	3422954.....	84
2753729.....	153, 155	2902063.....	89	3291005.....	40, 95	3422961.....	84, 89
2753781.....	153, 155	2902065.....	39	3291201.....	124	3422962.....	95
2753782.....	155	2902101.....	39	3300048.....	169	3422963.....	84, 89
2753783.....	155	2902132.....	37, 166	3300106.....	19	3422964.....	89
2753784.....	155	2902147.....	112	3300182.....	95	3422965.....	84, 89
2753785.....	153, 155	2902148.....	112	3300353.....	27	3422966.....	97, 101, 107
2753786.....	153, 155	2902149.....	85	3300408.....	37	3422977.....	124
2753787.....	153, 155	2902150.....	89	3300432.....	112	3422994.....	124

SECTION 10 - SPECIAL OPTIONS

3423047	129	3841143	11, 15, 37, 85, 89, 95, 124	4210028	28	4460326	168
3423049	95	3841203	85, 89	4240003	133	4460374	168
3423052	106	3841233	97, 101, 107	4240033	85, 89, 170	4460375	168
3423081	16	3841258	11, 15	4240035	95	4460420	166
3423151	129	3841367	11, 16	4240112	65	4460422	169
3423179	129	3841442	11	4240170	129	4460424	165, 170
3423180	129	3841556	85, 89	4240171	129	4460434	165
3440816	129	3841564	28	4280295	85, 89	4460445	168
3450304	84, 89	3850013	139	4282845	170	4460449	166
3450405	141	3860059	97, 101, 107	4340853	133	4460464	125, 164, 166, 168, 170, 171
3450808	11	3860100	97, 101, 108	4340854	133	4460465	125, 164, 165, 167, 168, 170, 171
3460332	38	3860102	89	4340922	129	4460466	164, 166, 167, 170, 171
3460334	125, 133	3860122	129	4340932	129	4460467	171, 187
3460335	38	3900109	11, 16	4340933	129	4460470	115, 164
3510806	97, 101, 107	3900178	115	4340934	129	4460480	164
3510842	107	3900254	106	4340948	129	4460481	164
3510878	97, 101, 107	3900265	115	4340949	129	4460489	164, 165, 167, 170
3510879	107	3900269	124	4360070	69, 182	4460510	171, 187
3520028	46, 69	3900290	74, 78, 79	4360328	69, 70, 182	4460536	125, 166, 168
3520072	111	3900300	69	4360387	69, 115, 116, 182	4460539	125, 164, 165, 166, 167
3520079	116	3900306	89	4360448	170	4460633	169
3520080	116	3900316	125	4360470	69, 182	4460705	168
3520193	69, 116	3900318	111, 127	4360475	69, 115, 182	4460741	166
3537609	97, 101	3900319	112	4360481	69	4460761	125, 164
3571862	111	3900321	139	4360482	46, 116, 171	4460779	167
3573288	39	3900322	46	4360483	70, 115, 182	4460812	164
3573304	39	3900323	112	4360500	85, 89, 182	4460814	165
3573370	84, 89	3900325	85	4360502	85, 89, 182	4460817	164
3573438	97, 101	3900327	124	4360518	28	4460818	164
3573472	112	3900328	74, 75, 78, 79	4360524	115, 182	4460824	165
3573513	139	3900330	106	4360525	115, 182	4460825	165
3573535	74	3900355	133	4360532	125	4460836	164, 165, 167, 171
3573536	74	3910606	69	4360533	125	4460837	165
3573658	27	3910612	69	4360548	27, 167	4460842	165
3574153	171	3910616	69	4400436	65, 66	4460851	125, 167
3574164	170	3910804	69	4400445	65	4460852	125, 167
3575597	129	3911428	112	4400456	65, 66	4460858	168
3576003	38	3930820	27	4420008	115	4460880	125
3580134	45	3931028	112	4420037	65	4460884	166, 168
3600208	32, 63	3931412	133	4420051	27, 91, 125, 176, 179, 180	4460889	166
3600335	49, 51	3931436	111	4420052	27, 91	4460890	166
3600336	38, 49	3931508	133	4420055	111	4460891	165
3600337	49, 56	3931512	112	4420062	133	4460892	164, 165, 167, 170, 171
3600338	49, 61	3931516	137, 139, 147	4420066	97, 101, 108	4460893	166, 168
3600344	38, 49	3960468	37	4420067	175, 179	4460894	164, 165, 167, 170, 171
3600370	49, 61	3960525	65	4420069	97, 101, 107	4460895	164
3600371	38, 49	3960559	74, 78, 79	4460027	45	4460897	166, 170
3600468	32, 63	3980007	37	4460044	167	4460898	165
3620043	39	3990010	164, 184	4460051	169	4460906	168
3740049	38	4000006	69	4460071	169	4460908	125
3740067	32, 38	4060802	46, 69, 115, 116, 171	4460185	171	4460909	125
3740080	38, 46, 171, 184	4060803	39	4460190	45	4460928	125
3740112	38, 182	4061048	11, 16	4460206	171	4460930	125
3760115	11, 15	4061056	91	4460224	168	4460933	164, 166
3760141	129	4061057	91	4460225	165, 168	4460934	167
3760170	111, 133	4070987	69	4460226	121	4460935	164, 167, 170, 171
3760348	28, 97, 101, 107, 129	4100033	155	4460248	167	4460939	166
3760351	106	4130368	16	4460265	119, 121, 167	4460943	166
3760367	137, 147	4130369	16	4460266	119, 121, 164		
3760368	139	4130403	16	4460267	119, 121, 125, 164, 165, 167, 168, 170		
3760460	139	4130404	16	4460268	119, 165, 167, 168, 170		
3780182	16	4160116	28	4460320	167, 170		
3790151	58	4160196	74, 75, 78, 79	4460321	165		
3790155	57	4160198	124				
3820020	111						

SECTION 10 - SPECIAL OPTIONS

4460944.....	165	89, 97, 101, 108, 112,	4846556	98, 108, 111	70000082.....	121, 182
4460955.....	165	125	4846557	111	70000083.....	121
4460968.....	27, 167, 169	4711600 ...	4846564	74	70000084.....	121
4460970.....	166	46, 49, 65, 74, 75, 78,	4846565	74	70000085.....	121
4460972.....	168	79, 85, 89, 97, 98, 101,	4846569	75, 79	70000122.....	45
4460974.....	168	102, 108, 129, 156	4846570	112	70000123.....	45
4460982.....	170	4711700	4846584	139	70000124.....	46
4461005.....	166	4711800 ...	4846590	111	70000125.....	46
4461006.....	166	129	4846611	79	70000126.....	45
4461008.....	166	4711900	4846612	75, 79	70000263.....	39
4461052.....	166	4712000	4846619	28	70000345.....	42
4461053.....	166	4712200	4846620	27	70000435.....	49
4461054.....	166	4713000	4846621	27	70000683.....	121
4461060.....	166	4740086	4846635	91	70000684.....	121
4461071.....	166	4740120	4846636	91	70000685.....	121
4461072.....	166	4740158	4846640	124	70000686.....	121
4461073.....	166	4740274	4846643	124	70000783.....	42
4461074.....	166	4740362	4846644	124	70000793.....	40
4461198.....	169	4740415	4846645	124	70000898.....	137
4461199.....	169	4740455	4846646	125	70000912.....	41
4461201.....	169	4740480	4846647	125	70000913.....	41
4461202.....	169	4740506	4846648	124	70000914.....	41
4461204.....	169	4740520	4846654	125	70000915.....	41
4461205.....	169	4740529	4846655	115	70000916.....	41
4461207.....	169	4740537	4846662	124	70000945.....	61
4461244.....	169	4740538	4846668	125	70000946.....	61
4461245.....	169	4740539	4846672	124	70000969.....	63
4461246.....	169	4740540	4846674	125	70000970.....	63
4461249.....	169	4740541	4846675	125	70000971.....	63
4461257.....	169	4750600	4846825	78, 79	70000976.....	63
4461258.....	168	4750800	4846826	78	70001017.....	40
4464496.....	169	4751000 ...	4846827	79	70001065.....	63
4520216.....	19	89, 112	4846843	111	70001076.....	63
4520217.....	19	4751400 ...	4846844	111	70001079.....	63
4520240.....	19	79, 98, 102	4860179	19	70001080.....	63
4568114.....	31	4751500	4860213	19	70001081.....	63
4568295.....	95	4751600 ...	4891500	46	70001085.....	63
4568398.....	39	78, 79, 97, 98, 101,	4891600 ...	38, 40, 65, 74,	70001106.....	63
4568499.....	37	102, 106, 108, 112	75, 78, 79	4891800 ...	70001107.....	63
4569126.....	129	4751800	11, 16, 38, 74,	75, 78, 79	70001108.....	63
4569150.....	130	129	4892000	19, 46	70001112.....	63
4640113.....	19	4752200 46, 97, 101, 106,	4892200	27	70001342.....	106
4640751.....	39	108	4922339	69, 165	70001343.....	107
4640858.....	137	4760600	4922667	69, 165	70001423.....	41
4641173.....	137	4761000	4922692	164	70001787.....	39
4641174.....	137	4761400	4922693	164	70001871.....	41
4641188.....	141	4761600	4922694	164	70001930.....	35
4641193.....	141	4791400	4922709	38, 166	70002202.....	142
4641205.....	141	4811902	4922715	70, 165	70002203.....	142
4641211.....	31, 35	4812000	4922739	25, 167	70002236.....	45
4641219.....	106	4812102	4922748	27, 167	70002237.....	46
4641220.....	25	4845441	4922768	116, 164	70002240.....	45
4641225.....	25	4845442	4922800	46, 168	70002241.....	45
4641226.....	32	4845938	4922812	125	70002277.....	56
4641227.....	31	4846070	4922845	170	70002303.....	21
4641228.....	31	4846460	4922848	170	70002304.....	21
4641238.....	28	4846480	4922859	170	70002519.....	31
4641240.....	31	4846517	4923062	37	70002569.....	52
4641249.....	125	4846519	4923276	38, 166	70003001.....	42
4641254.....	141	4846530	4923307	70, 165	70003002.....	42
4711400....	27, 37, 65, 75,	4846531	4923308	89, 164	70003003.....	42
78, 79, 85, 89, 95, 111,		4846532	4923309	85, 164	70003475.....	42
125, 129, 133, 141,		4846537	4923386	38, 166	70003479.....	42
175, 179		4846542	4923478	38, 167	70003480.....	42
4711500....	31, 39, 65, 66,	4846544	4923507	171	70003481.....	42
70, 74, 75, 78, 79, 85,		4846545	70000081	121, 182	70003650.....	121
		4846548			70004194.....	121

SECTION 10 - SPECIAL OPTIONS

70005672	21	7020033	11	7021375	35	7024095	56, 57
70005673	21	7020034	12	7021376	35, 182	7024096	57
70005674	21	7020035	12	7021868	184	7024097	57
70005675	22	7020037	12	7022135	184	7024098	56, 57
7000663	41	7020039	12	7022168	184	7024099	56, 57
7001084	145	7020040	12	7022523	31	7024318	41
7001608	145	7020042	12	7022544	22	7024438	39, 182
7001610	145	7020054	11	7022545	22	7024440	66
7001613	145	7020055	12	7023035	145	7024441	66
7001614	145	7020108	45	7023036	145	7024445	66
7001617	145	7020109	45	7023212	69	7024446	66
7002821	171, 187	7020110	45	7023808	61	7024481	66
7002822	187	7020111	45	7023813	61	7024497	31
7002823	171, 187	7020168	41	7023819	61	7024498	31
7002826	187	7020175	69, 115	7023825	56	7024499	31
7002828	171, 187	7020176	69, 115	7023840	57	7024500	32
7003790	119	7020190	45	7023846	57	7024501	28, 31, 32, 137, 182
7003791	119	7020192	45	7023847	57	7024502	28, 31, 137
7004275	187	7020193	168	7023848	57	7024503	31
7004276	187	7020218	141	7023881	52	7024504	31
7010642	11	7020219	141	7023902	137	7024505	32
7010911	63	7020256	66	7023919	141	7024506	28, 31, 32
7011003	63	7020411	41	7023923	141	7024507	31
7011016	63	7020414	41	7024005	52	7024509	142
7011024	63	7020447	41	7024013	107	7024510	142
7011043	63	7020458	41	7024027	22	7024511	142
7011044	63	7020460	42	7024045	56	7024512	141
7011048	63	7020461	41	7024046	56	7024513	141
7011346	31, 32, 35, 107	7020463	41	7024047	22	7024514	141
7011354	32, 35, 184	7020465	40	7024048	21	7024515	141
7011355	35	7020467	40	7024049	21	7024516	141
7011940	119	7020468	41	7024050	21	7024517	142
7011997	119	7020471	41	7024051	21	7024565	41
7012513	45	7020479	41	7024053	21	7024570	35
7012514	45	7020480	41	7024054	22	7024571	35, 182
7012576	63	7020486	41	7024055	22	7024572	35, 107
7012773	35, 106	7020491	41	7024057	61	7024573	32, 35
7012925	141	7020492	41	7024064	51	7024574	32, 35
7012943	141, 182	7020494	41	7024065	51	7024576	35
7012944	182	7020495	41	7024066	51	7024577	35
7013710	63	7020500	119	7024067	51, 52	7024578	35
7013711	63	7020502	119	7024068	51, 52	7024579	42
7013712	63	7020503	119	7024069	51	7024585	37, 166
7013753	63	7020504	119	7024070	51	7024586	37, 166
7014801	66	7020509	119	7024071	51, 57	7024587	37, 166
7014802	66	7020511	119	7024072	51, 57	7024829	141
7014811	66, 182	7020520	119	7024073	51	7024900	56
7014816	66	7020527	119	7024074	52	7024901	56, 58
7014818	66	7020528	119	7024075	51, 57	7024902	57
7016319	25	7020529	119	7024076	52	7024903	58
7016331	41, 184	7020530	119	7024077	52	7024926	107
7016372	25	7020533	119	7024078	52	7026002	107
7016399	170	7020534	119	7024079	52	7026010	31
7016628	170	7020535	119	7024080	52	7026012	31, 32
7016654	187	7020541	119	7024081	52	7026122	66
7016746	63	7021325	21	7024082	52	7026525	46
7017451	141, 182	7021326	21	7024083	52, 58	7026582	142
7017496	141	7021327	21	7024084	52	7026583	142
7018900	35	7021328	21	7024085	52, 58	7026584	142
7018905	31	7021329	22	7024086	52, 58	7026585	142
7018936	51	7021335	21	7024087	52	7026586	142
7018942	35	7021336	21	7024088	52	7026608	41
7018998	35	7021341	21	7024089	52, 58	7027231	42
7019602	141	7021344	22	7024091	56	7027232	40
7020021	65	7021346	21	7024092	56	7027233	40
7020023	41, 184	7021347	21	7024093	56, 57	7027236	41
7020026	40	7021365	35	7024094	56, 57		

SECTION 10 - SPECIAL OPTIONS

7027239.....	42	7027367	121, 182	7027792	41	7027887.....	45
7027241.....	41	7027765	121	7027793	167	77323029.....	155
7027245.....	41, 184	7027766	121	7027794	167	8273291.....	39
7027276.....	41	7027790	41	7027795	42	8786514.....	19
7027365.....	121	7027791	41	7027796	167		



3121836



An Oshkosh Corporation Company

Corporate Office
JLG Industries, Inc.
1 JLG Drive
McConnellsburg, PA 17233-9533 USA
☎ (717) 485-5161 (Corporate)
☎ (877) 554-5438 (Customer Support)
☎ (717) 485-6417

Visit our website for JLG Worldwide Locations.
www.jlg.com