



# Illustrated Parts Manual

***Model  
4045R***

**P/N  
3121753**

February 7, 2020 - Rev G

***ANSI***

**CE**



***AS/NZS***



An Oshkosh Corporation Company



## REVISION LOG

### NOTES:

**NOTE: Country of Assembly - The R Scissor Lifts are assembled by JLG Industries in the following countries: USA, China and Mexico. Refer to the Serial Number Tag to identify the country of assembly. R Scissors assembled in USA will have a serial number prefix of 02 (i.e. 02XXXXXXXX). R Scissors manufactured in China will have a serial number prefix of B2 (i.e. B2XXXXXXXX). R Scissors manufactured in Mexico will have a serial number prefix of M2 (i.e. M2XXXXXXXX).**

### REVISION LOG:

**April 24, 2017 - A - Original Issue of Manual (1001212500 Rev B, 1001223183 Rev B & 1001223928 Rev B) (Revision 2)**  
**July 14, 2017 - B - Revised Manual (1001212500 Rev E & 1001227279 Rev B) (Revision 2)**  
**November 30, 2017 - C - Revised Manual (1001212500 Rev E & 1001227279 Rev B) (Revision 1)**  
**March 15, 2018 - D - Revised Manual (1001212500 Rev E & 1001227279 Rev B) (Revision 3)**  
**July 23, 2018 - E - Revised Manual (1001212500 Rev E & 1001227279 Rev B) (Revision 1)**  
**November 16, 2018 - F - Revised Manual (1001212500 Rev S & 1001227279 Rev D) (Revision 2)**  
**February 7, 2020 - G - Revised Manual (1001212500 Rev T & 1001227279 Rev E)**

# GENERAL INFORMATION

**SECTION 6 CYLINDER**

**FIGURE 6-3. LIFT CYLINDER ASSEMBLY**

PG#      Model Designation      Manual #

**SECTION 6 CYLINDER**

**FIGURE 6-3. LIFT CYLINDER ASSEMBLY**

ITEM #	PART NUMBER	QTY.	DESCRIPTION	REV.
	1001140104	Ref	LIFT CYLINDER ASSEMBLY	B
1	0100011	AR	Compound, Locking	
2	0630535	3	Capscrew 1/4-20 x 1-1/8	
3	0791003	1	Screw #10-24 x 3/8	
4	0961897	1	Bushing, Tapered	
5	1320136	1	Clamp, Cable	
6	1663063	1	Head	
7	2220893	1	Plug, O-Ring	
8	2220885	2	Plug, O-Ring	
9	2220886	1	Plug, O-Ring	
10	3020039	AR	Lubricant	
11	3480282	1	Piston	
12	3760371	1	Ring, Washer	
13	3931420	8	Capscrew 1/4-20 x 1-1/4	
14	3931824	8	Capscrew 1/2-13 x 1-1/2	
15	3951003	1	Set screw #10-24 x 3/8	
16	4100099	1	Spacer	
17	4640999	1	Cartridge, Holding Valve (Non Vented)	
17	2900792		Kit, Seal - 4640999 Cartridge Valve	
18	4641248	1	Cartridge, Counterbalance Valve (Non Vented)	
18	70004186		Kit, Seal - 4641248 Cartridge Valve	
19	1001117991	1	Sensor, Cylinder Length	
20	1001118070	1	Cap, Retainer	
21	1001118084	1	Barrel	
21A	0961950	2	Bushing	
22	1001118086	1	Rod	
22A	0961950	2	Bushing	
100	1001139996	1	Kit, Seal (Includes Items 101-109)	
101	See Note	2	Ring, Wear (Note: Use p/n 1001139996)	
102	See Note	1	Ring, Back-Up (Note: Use p/n 1001139996)	
103	See Note	2	Ring, Lock (Note: Use p/n 1001139996)	
104	See Note	2	Ring, Back-Up (Note: Use p/n 1001139996)	
105	See Note	2	O-Ring (Note: Use p/n 1001139996)	
106	See Note	1	O-Ring (Note: Use p/n 1001139996)	
107	See Note	1	Seal (Note: Use p/n 1001139996)	
108	See Note	1	Wiper, Rod (Note: Use p/n 1001139996)	
109	See Note	2	Seal (Note: Use p/n 1001139996)	
200	1001119105	1	Kit, Sensor Magnet (Includes Items 201-203)	
201	See Note	NSS	Sleeve, Spacer (Note: Use p/n 1001119105)	
202	1001118066	1	Magnet, Sensor	
203	1001118069	1	Ring, Internal Retaining	

Manual #      Model Designation      PG#

## 1) MACHINE IDENTIFICATION

Machines are identified by model and in some cases a combination of models, serial number (SN) or regional standard (i.e. ANSI, CE, CSA). Components may also be identified by SN or manufacturer. Common components that may be identified by these characteristics are engines and hydraulic components.

## 2) PARTS MANUAL ORGANIZATION

Product information in this manual is organized under section titles. Frame, Cylinder, Hydraulic and Electrical are a few examples. Each section is organized by figure and page number. The information within the Figure is then organized by item number, part number, description and corresponding illustration(s).

## 3) TABLE OF CONTENTS

A table of contents is found toward the beginning of the manual. Figure number, description and page number are provided for quick reference to the page containing the related information.

## 4) RECOMMENDED SPARE PARTS

The Recommended Spare Parts, located near the end of the manual, reference most frequently used maintenance parts.

## 5) PART NUMBER INDEX

A numerical index listing all part numbers and the corresponding page number(s) appears at the back of the manual.



## GENERAL INFORMATION

### 6) NON-SERVICED PARTS

In some instances, it is necessary to display non-serviced parts, assemblies or installations. In the case of assemblies and installations there will be a Ref in the Qty column. In case of parts that are not available for service within assemblies and components, there will be a NSS (Not Sold Separately) or NLA (No Longer Available) listed in the Qty. column of the manual.

### 7) PARTS LIST ITEM NUMBERS

Numbers shown in the item# column correspond to numbers used in the associated illustration (s). Item numbers which are missing from the sequence in the parts list are not used on that page

### 8) INDENTED PARTS DESCRIPTION

An indented part description is included in the item under which it is indented.

### 9) ABBREVIATION AND SYMBOLS

AC.....	.. Alternating Current	LCD.....	Liquid Crystal Display
ADE.....	Advanced Design Electronics	LED.....	Light Emitting Diodes
ANSI.....	American National Standards Institute	LH.....	Left Hand
AR.....	..As Required	LSS.....	..Load Sensing System
ASSY.....	Assembly	M(m).....	Metric/Meter
AUX.....	Auxiliary	MM (mm).....	Milimeter
AWG.....	..American Wire Gauge	mA.....	Miliamps
B/M.....	..Bill of Material	NLA.....	No Longer Available
CE.....	..European Conformity	NPT.....	National Pipe Threads
CCW.....	..Counter Clockwise	NSS.....	Not Sold Separately
cm.....	Centimeter	OD.....	..Outside Diameter
CW.....	..Clockwise	ORB.....	O-Ring Boss
CSA.....	..Canadian Standard Association	ORFS.....	O-Ring Face Seal
CYL.....	Cylinder	OZ (oz).....	..Ounces
DIA.....	Diameter	PG.....	..Page
DC.....	Direct Current	P/N.....	..Part Number
EMS.....	Emergency Stop	qt.....	..Quarts
ENG.....	Engine	QTY.....	..Quantity
FT(ft).....	Feet	REF.....	..Reference
GA(Ga).....	Gauge	REV.....	..Revision Level
HYD.....	Hydraulic	RH.....	..Right Hand
Hz.....	Hertz	SAE.....	Society of Automotive Engineers
ID.....	Inside Diameter	SN.....	..Serial Number
in.....	inches	SPEC(S).....	..Specifications
ISO.....	International Organization for Standards	T/T.....	..Turntable
JIC.....	Joint Industry Council	UGM.....	..Universal Ground Module
KG.....	..Kilogram	V.....	..Volts
L.....	..Liter	W.....	..Watts
LB.....	..Pounds	#.....	..Number

### 10) ILLUSTRATION REFERENCE LETTERS

When necessary, illustrations may contain reference letters that are intended to track information (i. e. hoses, harness) from one point to another or to track visual enlargement of components to show details that may be located in another area on the illustration.

*Note: Due to continuous product improvements, JLG Industries, Inc. reserves the right to make specification changes without prior notification. Contact JLG Industries, Inc. for updated information.*



# TABLE OF CONTENTS

SECTION 1 - FRAME.....	11
FIGURE 1-1. STEER INSTALLATION .....	12
FIGURE 1-2. DRIVE/BRAKE INSTALLATION .....	14
FIGURE 1-3. DRIVE MOTOR ASSEMBLY .....	16
FIGURE 1-4. TIRE AND WHEEL INSTALLATION .....	18
FIGURE 1-5. POTHOLE PROTECTION SYSTEM INSTALLATION .....	20
FIGURE 1-6. TILT SENSOR INSTALLATION .....	22
FIGURE 1-7. BATTERY CHARGER INSTALLATION - DELTA-Q (LOCALLY SUPPLIED PLUG) .....	24
FIGURE 1-8. BATTERY CHARGER INSTALLATION - DELTA-Q (110V PLUG) .....	26
FIGURE 1-9. BATTERY CHARGER INSTALLATION - DELTA-Q (AUSTRALIAN PLUG) .....	28
FIGURE 1-10. BATTERY CHARGER INSTALLATION - DELTA-Q (KOREAN PLUG) .....	30
FIGURE 1-11. BATTERY CHARGER INSTALLATION - EAGLE PERFORMANCE (110V PLUG) .....	32
FIGURE 1-12. BATTERY CHARGER INSTALLATION - GREEN POWER (LOCALLY SUPPLIED PLUG) .....	34
FIGURE 1-13. BATTERY CHARGER INSTALLATION - GREEN POWER (CHINA PLUG) .....	36
FIGURE 1-14. STROBE LIGHT INSTALLATION - SINGLE ECCO BRAND (AMBER) (WITHOUT GUARD) .....	38
FIGURE 1-15. STROBE LIGHT INSTALLATION - SINGLE SAMMOON BRAND (WITHOUT GUARD) .....	40
FIGURE 1-16. STROBE LIGHT INSTALLATION - SINGLE SLIM (AMBER) (WITHOUT GUARD) .....	42
FIGURE 1-17. STROBE LIGHT INSTALLATION - SINGLE ECCO BRAND (AMBER) (WITH GUARD) .....	44
FIGURE 1-18. STROBE LIGHT INSTALLATION - SINGLE SAMMOON BRAND (WITH GUARD) .....	46
FIGURE 1-19. STROBE LIGHT INSTALLATION - SINGLE SLIM (AMBER) (WITH GUARD) .....	48
FIGURE 1-20. STROBE LIGHT INSTALLATION - DUAL ECCO BRAND (AMBER) (WITHOUT GUARD) .....	50
FIGURE 1-21. STROBE LIGHT INSTALLATION - DUAL SAMMOON BRAND (WITHOUT GUARD) .....	52
FIGURE 1-22. STROBE LIGHT INSTALLATION - DUAL SLIM (AMBER) (WITHOUT GUARD) .....	54
FIGURE 1-23. STROBE LIGHT INSTALLATION - DUAL ECCO BRAND (AMBER) (WITH GUARD) .....	56
FIGURE 1-24. STROBE LIGHT INSTALLATION - DUAL SAMMOON BRAND (WITH GUARD) .....	58
FIGURE 1-25. STROBE LIGHT INSTALLATION - DUAL SLIM (AMBER) (WITH GUARD) .....	60
FIGURE 1-26. ALARM INSTALLATION (AMBIENT/WHITE NOISE) .....	62
FIGURE 1-27. LADDER INSTALLATION .....	64
SECTION 2 - GROUND CONTROLS .....	67
FIGURE 2-1. HYDRAULIC COMPONENTS INSTALLATION .....	68
FIGURE 2-2. VALVE ASSEMBLY .....	70
FIGURE 2-3. ELECTRICAL COMPONENTS INSTALLATION (CHINA BUILT MACHINES) .....	72
FIGURE 2-4. ELECTRICAL COMPONENTS INSTALLATION (USA & MEXICO BUILT MACHINES) .....	74
FIGURE 2-5. MDI INSTALLATION .....	76
FIGURE 2-6. BATTERIES INSTALLATION - STANDARD 12V-150AH .....	78
FIGURE 2-7. BATTERIES INSTALLATION - STANDARD 12V-185AH .....	80
FIGURE 2-8. BATTERIES INSTALLATION - AGM 12V-150AH .....	82
FIGURE 2-9. INVERTER INSTALLATION (OPTIONAL) .....	84
FIGURE 2-10. DOORS INSTALLATION .....	86
SECTION 3 - SCISSORS ARMS .....	89
FIGURE 3-1. SCISSORS ARMS INSTALLATION .....	90
FIGURE 3-2. ARM GUARD INSTALLATION .....	94
SECTION 4 - PLATFORM .....	97
FIGURE 4-1. PLATFORM INSTALLATION .....	98
FIGURE 4-2. PLATFORM EXTENSION INSTALLATION .....	100
FIGURE 4-3. RAILS INSTALLATION (SIDE BY SIDE) .....	102
FIGURE 4-4. RAILS INSTALLATION (TUBE IN TUBE) .....	104
FIGURE 4-5. EXTENSION HANDLES INSTALLATION (OPTIONAL) .....	106
FIGURE 4-6. PLATFORM CONSOLE INSTALLATION .....	108
FIGURE 4-7. DRIVE/STEER CONTROLLER ASSEMBLY .....	112
FIGURE 4-8. ELECTRICIAN'S TREE INSTALLATION (OPTIONAL) .....	114
FIGURE 4-9. PANEL CARRIER INSTALLATION (OPTIONAL) .....	116
FIGURE 4-10. PIPE RACKS INSTALLATION (SIDE BY SIDE RAILS) (OPTIONAL) .....	118
FIGURE 4-11. PIPE RACKS INSTALLATION (TUBE IN TUBE RAILS) (OPTIONAL) .....	120
FIGURE 4-12. QUIK WELDER INSTALLATION (OPTIONAL) .....	122
FIGURE 4-13. VISE INSTALLATION (OPTIONAL) .....	124
FIGURE 4-14. WORKSTATION INSTALLATION (OPTIONAL) .....	126
FIGURE 4-15. OVERHEAD PROTECTION INSTALLATION (KOREAN SPECS) .....	128

# TABLE OF CONTENTS

SECTION 5 - CYLINDER .....	131
FIGURE 5-1. LIFT CYLINDER ASSEMBLY - LOWER .....	132
FIGURE 5-2. LIFT CYLINDER ASSEMBLY - UPPER.....	134
FIGURE 5-3. STEER CYLINDER ASSEMBLY .....	136
SECTION 6 - HYDRAULIC .....	139
FIGURE 6-1. HYDRAULIC COMPONENTS INSTALLATION .....	140
SECTION 7 - ELECTRICAL .....	143
FIGURE 7-1. AC BOX AT PLATFORM INSTALLATION - 110V GFI (ALL SPECS EXCEPT AUSTRALIAN & CE SPECS) .....	144
FIGURE 7-2. AC BOX AT PLATFORM INSTALLATION (AUSTRALIAN SPECS) .....	146
FIGURE 7-3. AC BOX AT PLATFORM INSTALLATION - 110V IEC YELLOW (CE SPECS) .....	148
FIGURE 7-4. AC BOX AT PLATFORM INSTALLATION - 220V IEC BLUE (CE SPECS) .....	150
FIGURE 7-5. AC BOX AT PLATFORM INSTALLATION - 220V CEE7 POST GROUND (CE SPECS) .....	152
FIGURE 7-6. AC BOX AT PLATFORM INSTALLATION - 220V CEE7 SIDE GROUND (CE SPECS) .....	154
FIGURE 7-7. AC BOX AT PLATFORM INSTALLATION - 220V AFSINT 107 (CE SPECS).....	156
FIGURE 7-8. AC BOX AT PLATFORM INSTALLATION - 220V CHINA PLUG (CHINA SPECS).....	158
FIGURE 7-9. AC BOX AT PLATFORM INSTALLATION - 220V LOCALLY SUPPLIED COMPONENTS (ALL SPECS) .....	160
FIGURE 7-10. BREAKER BOX KIT WITH 1 DOUBLE BREAKER .....	162
FIGURE 7-11. BREAKER BOX KIT WITH 3 BREAKERS .....	164
FIGURE 7-12. CHASSIS HARNESS .....	166
FIGURE 7-13. GROUND TO PLATFORM CABLE INSTALLATION - WITHOUT PLATFORM COIL CABLE (CHINA BUILT MACHINES).....	170
FIGURE 7-14. GROUND TO PLATFORM CABLE INSTALLATION - WITH PLATFORM COIL CABLE (CHINA BUILT MACHINES).....	172
FIGURE 7-15. GROUND TO PLATFORM CABLE INSTALLATION - WITHOUT PLATFORM COIL CABLE AND WITH FOOTSWITCH (CHINA BUILT MACHINES).....	174
FIGURE 7-16. GROUND TO PLATFORM CABLE INSTALLATION - WITH PLATFORM COIL CABLE & FOOTSWITCH (CHINA BUILT MACHINES) .....	176
FIGURE 7-17. GROUND TO PLATFORM CABLE INSTALLATION - PLATFORM STRAIGHT CABLE ONLY (MEXICO BUILT MACHINES).....	178
FIGURE 7-18. GROUND TO PLATFORM CABLE INSTALLATION - PLATFORM COIL CABLE ONLY (MEXICO BUILT MACHINES).....	180
FIGURE 7-19. GROUND TO PLATFORM CABLE INSTALLATION - SCISSORS ARMS CABLE ONLY (MEXICO BUILT MACHINES).....	182
FIGURE 7-20. INVERTER HARNESS.....	184
FIGURE 7-21. LIFT DOWN HARNESS - LOWER .....	186
FIGURE 7-22. LIFT DOWN HARNESS - UPPER .....	188
FIGURE 7-23. LSS HARNESS.....	190
FIGURE 7-24. PLATFORM CONTROL BOX HARNESS .....	192
FIGURE 7-25. RECEPTACLE BOX KIT - 110V GFI.....	194
FIGURE 7-26. RECEPTACLE BOX KIT - 110V IEC YELLOW (CE SPEC) .....	196
FIGURE 7-27. RECEPTACLE BOX KIT - 220V IEC BLUE (CE SPEC) .....	198
FIGURE 7-28. RECEPTACLE BOX KIT - 220V CEE7 POST GROUND (CE SPEC) .....	200
FIGURE 7-29. RECEPTACLE BOX KIT - 220V CEE7 SIDE GROUND (CE SPEC) .....	202
FIGURE 7-30. RECEPTACLE BOX KIT - 220V AFSINT 107 (CE SPEC) .....	204
FIGURE 7-31. RECEPTACLE & BREAKER ASSEMBLY (AUSTRALIAN SPECS) .....	206
FIGURE 7-32. ELECTRICAL LAYOUT TEST .....	208
SECTION 8 - DECALS .....	211
FIGURE 8-1. DECAL INSTALLATION (ANSI SPECS) .....	212
FIGURE 8-2. DECAL INSTALLATION (AUSTRALIAN SPECS) .....	214
FIGURE 8-3. DECAL INSTALLATION (BRAZIL SPECS) .....	216
FIGURE 8-4. DECAL INSTALLATION (CE SPECS) .....	218
FIGURE 8-5. DECAL INSTALLATION (CHINA SPECS) .....	220
FIGURE 8-6. DECAL INSTALLATION (CSA SPECS) .....	222
FIGURE 8-7. DECAL INSTALLATION (KOREAN SPECS) .....	224
FIGURE 8-8. DECAL INSTALLATION (LATIN AMERICAN SPECS) .....	226
FIGURE 8-9. DECAL INSTALLATION - OPTIONS.....	228
SECTION 9 - RECOMMENDED SERVICE PARTS STOCK .....	231
FIGURE 9-1. RECOMMENDED SERVICE PARTS STOCK.....	232

# TABLE OF CONTENTS

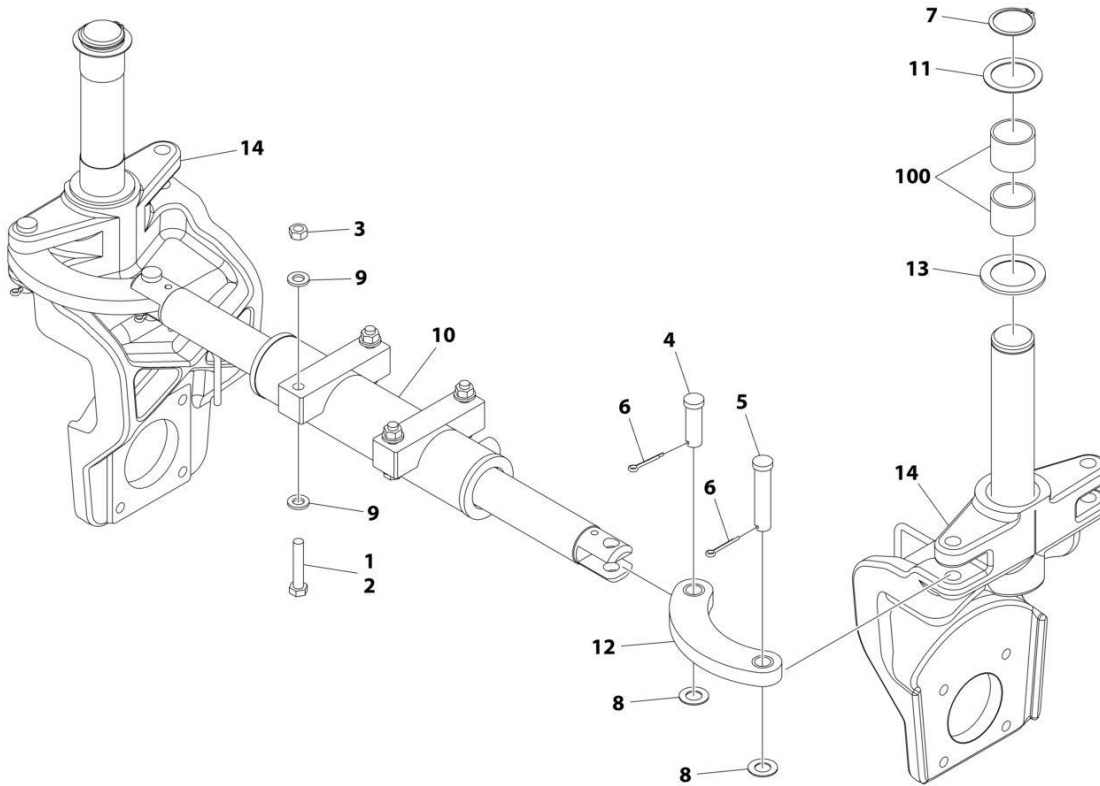
SECTION 10 - SPECIAL OPTIONS .....	233
FIGURE 10-1. SPECIAL OPTIONS.....	234
PART NUMBER INDEX .....	237



**SECTION 1 - FRAME**

# SECTION 1 - FRAME

## FIGURE 1-1. STEER INSTALLATION



ART\_1001213926



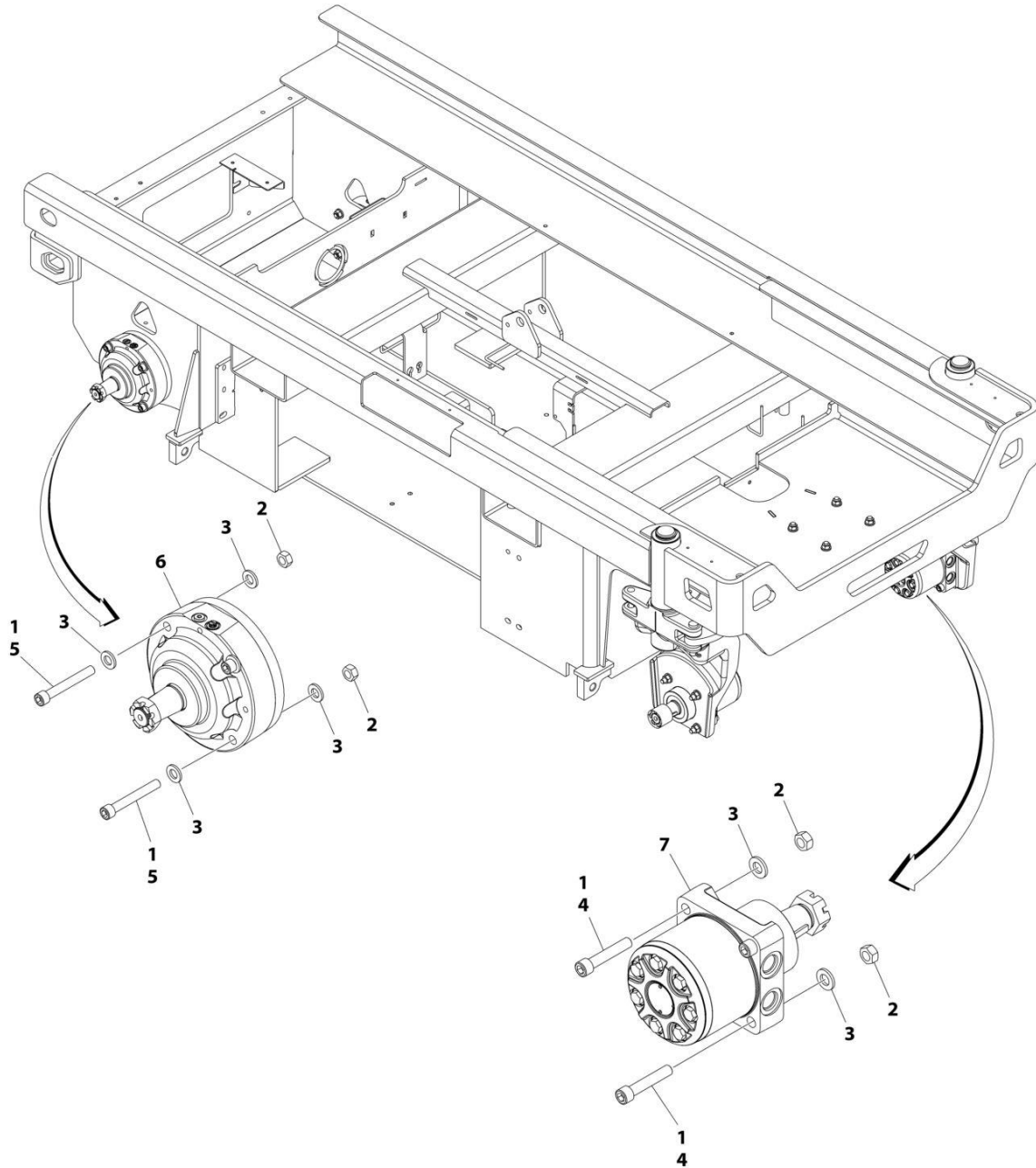
# SECTION 1 - FRAME

## FIGURE 1-1. STEER INSTALLATION

ITEM	PART NUMBER	QTY	DESCRIPTION	REV
	1001213926	Ref	STEER INSTALLATION	A
1	0100011	AR	Compound, Locking	
2	0711221	4	Bolt M12 x 65	
3	3331211	4	Nut M12	
4	3431218	2	Pin	
5	3431228	2	Pin	
6	3450505	4	Pin, 5/32 x 1/2	
7	3760217	2	Ring, Retaining	
8	4740086	4	Washer	
9	5241200	8	Washer M12	
10	1001163178	1	Steer Cylinder Assembly (See Separate Breakdown in CYLINDER SECTION)	
11	1001197396	2	Washer	
12	1001213747	2	Link	
13	1001214024	2	Washer	
14	1001214152	2	Spindle	
100	1001153785	4	Bearing (Part of Frame)	

# SECTION 1 - FRAME

## FIGURE 1-2. DRIVE/BRAKE INSTALLATION



ART\_1001213816

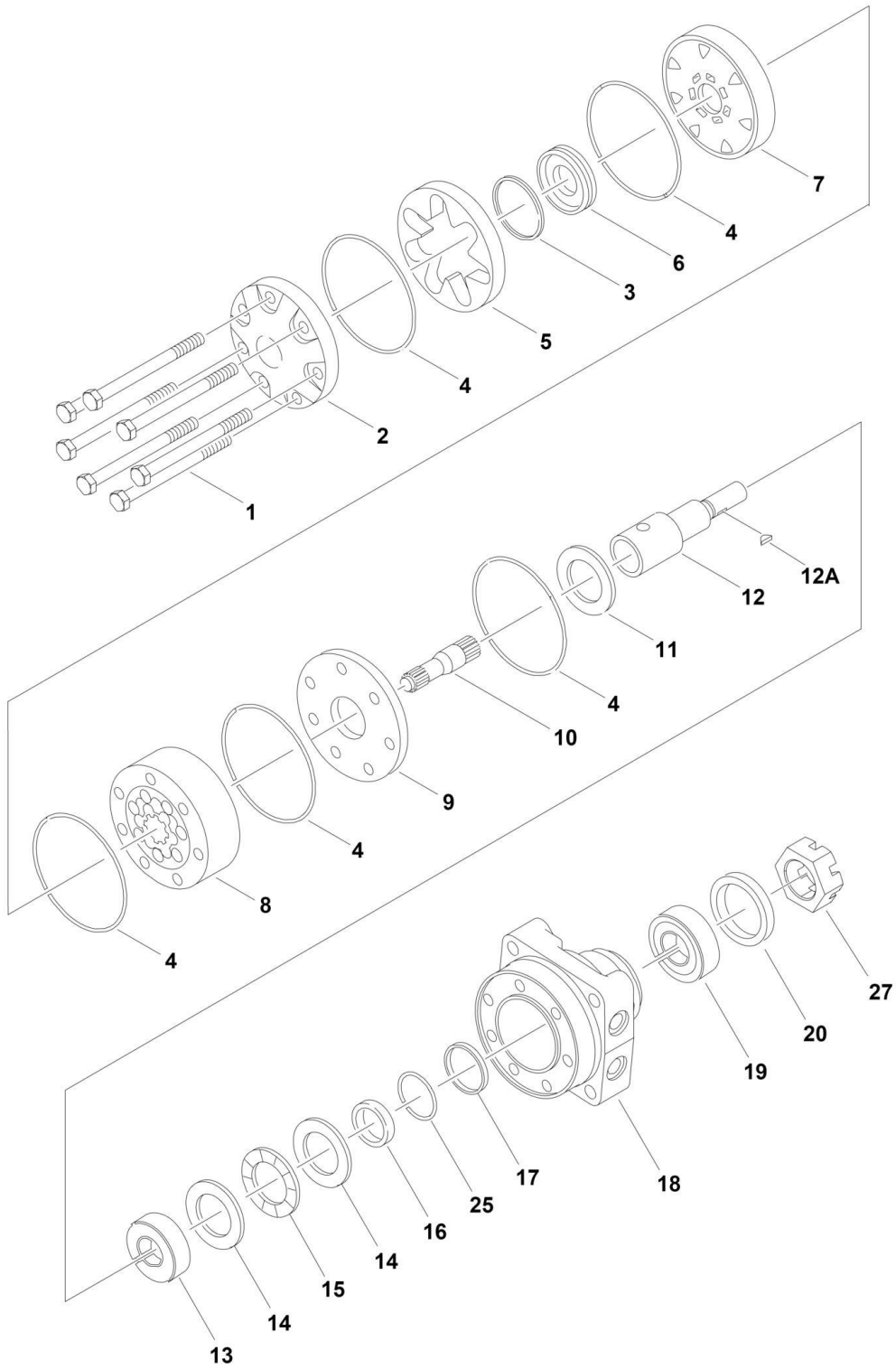
# SECTION 1 - FRAME

## FIGURE 1-2. DRIVE/BRAKE INSTALLATION

ITEM	PART NUMBER	QTY	DESCRIPTION	REV
	1001213816	Ref	DRIVE/BRAKE INSTALLATION	A
1	0100011	AR	Compound, Locking	
2	3331211	16	Nut M12	
3	5241200	24	Washer M12	
4	5272120	8	Capscrew M12 x 80	
5	5272122	8	Capscrew M12 x 90	
6	1001202773	2	Drive Brake Assembly (Note: No Internal Service Parts Available.)	
6	70005918	1	Key, Shaft	
6	70005919	1	Nut 1-1/8	
7	1001213264	2	Drive Motor Assembly (See Separate Breakdown in this Section)	

# SECTION 1 - FRAME

## FIGURE 1-3. DRIVE MOTOR ASSEMBLY



ART\_1001213264

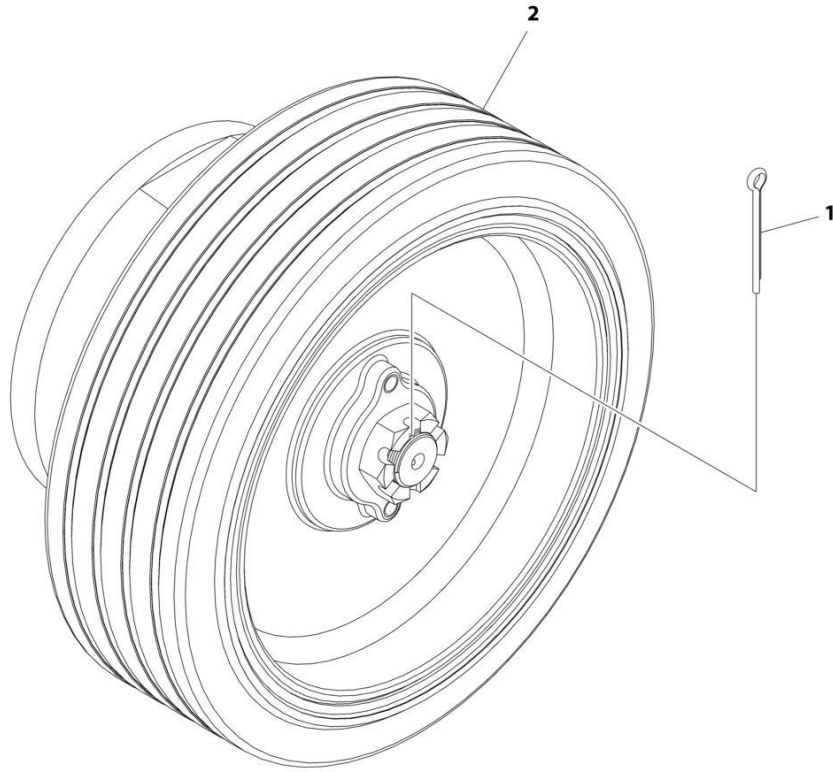
# SECTION 1 - FRAME

## FIGURE 1-3. DRIVE MOTOR ASSEMBLY

ITEM	PART NUMBER	QTY	DESCRIPTION	REV
	1001213264	Ref	DRIVE MOTOR ASSEMBLY	B
1	7023329	7	Bolt	
2	7023328	1	Cover	
3	7023318	1	Seal, Commutator	
4	7023310	5	Ring, Seal	
5	7023315	1	Commutator (Includes Item 6)	
6	See Note	NSS	Ring, Commutator (Use p/n 7023315)	
7	70005812	1	Manifold	
8	70006245	1	Rotor Set	
9	7023311	1	Plate, Wear	
10	70006244	1	Link, Drive	
11	7023308	1	Bearing, Thrust	
12	70005813	1	Shaft	
12A	7023324	1	Key, Shaft (Supplied with Shaft)	
12A	7026179	1	Key, Shaft (Supplied Individually)	
13	7026174	1	Bearing, Inner	
14	70006724	2	Thrustwasher	
15	7023407	1	Bearing, Thrust	
16	70006725	1	Seal	
17	7023321	1	Washer, Backup	
18	See Note	NSS	Housing (Note: Use p/n 1001213264)	
19	7023408	1	Bearing, Outer	
20	70007513	1	Seal, Dirt and Water	
25	7023322	1	Washer, Backup	
27	70005807	1	Nut	

# SECTION 1 - FRAME

## FIGURE 1-4. TIRE AND WHEEL INSTALLATION



ART\_1001213928

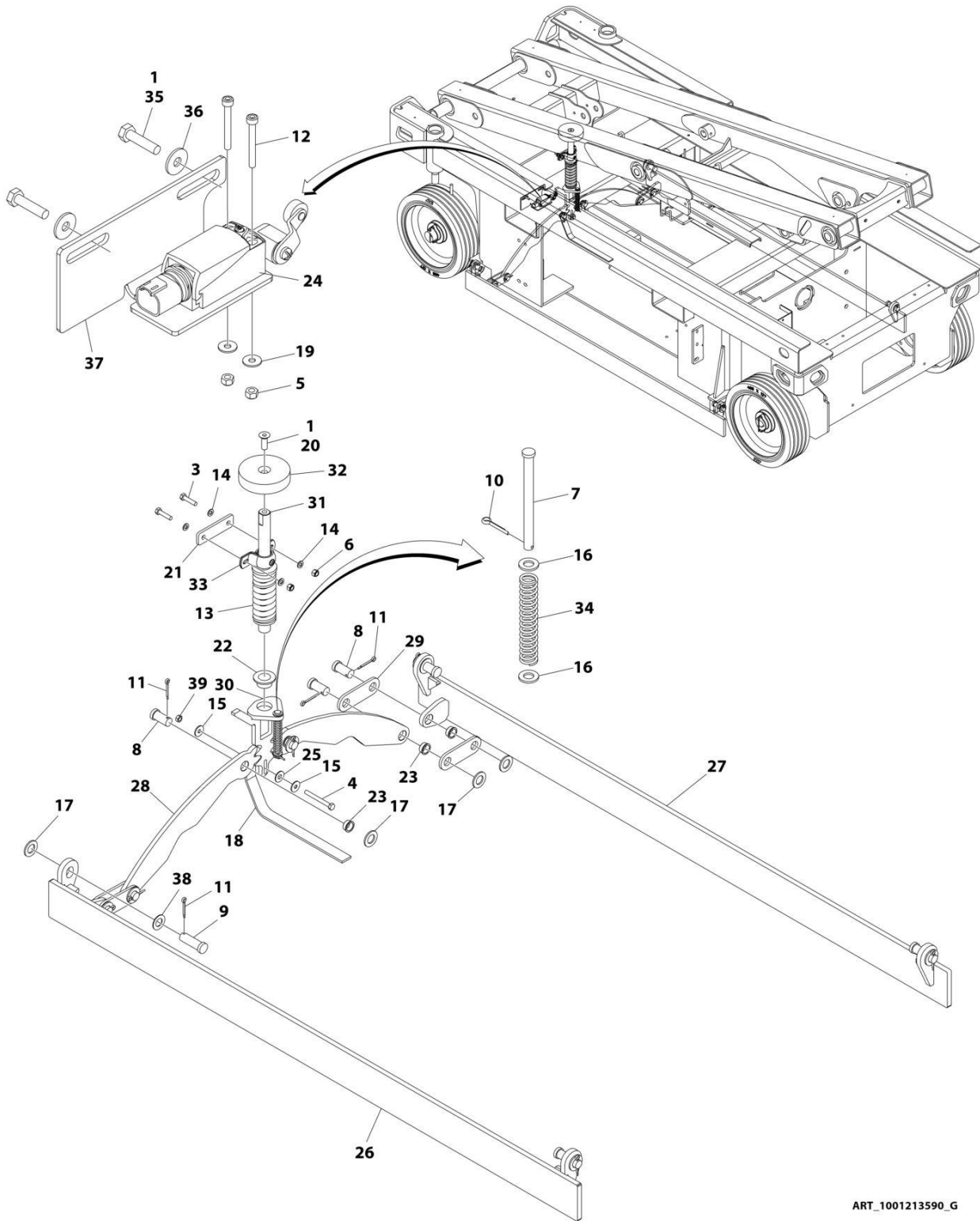
# SECTION 1 - FRAME

## FIGURE 1-4. TIRE AND WHEEL INSTALLATION

ITEM	PART NUMBER	QTY	DESCRIPTION	REV
		Ref	Note: Must Replace Tire and Wheel Assemblies in pairs per axle.	
1	3450508	4	Pin, Cotter 5/32 x 2	
2	1001212187	4	Tire and Wheel	

# SECTION 1 - FRAME

## FIGURE 1-5. POTHOLE PROTECTION SYSTEM INSTALLATION



ART\_1001213590\_G



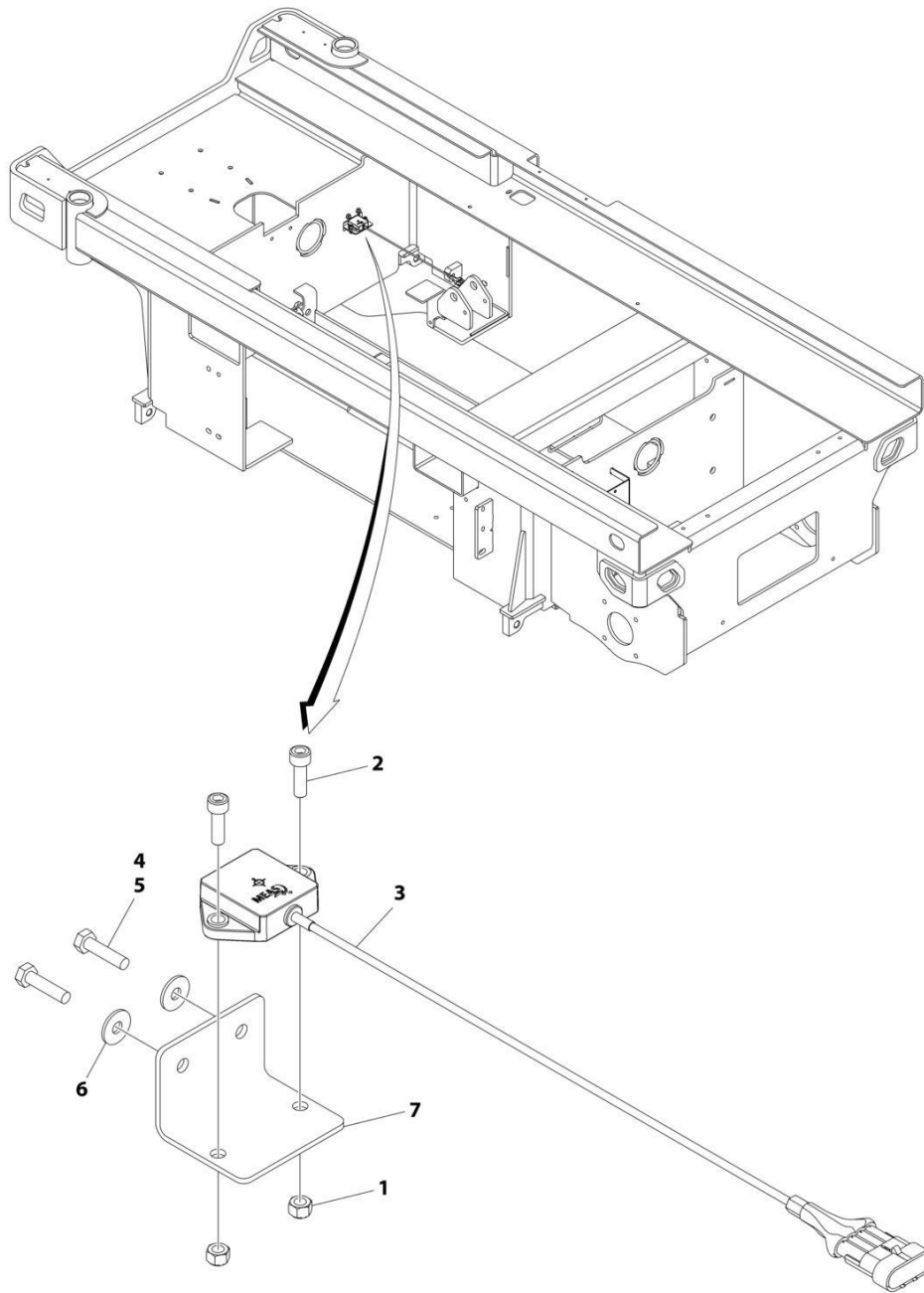
# SECTION 1 - FRAME

## FIGURE 1-5. POTHOLE PROTECTION SYSTEM INSTALLATION

ITEM	PART NUMBER	QTY	DESCRIPTION	REV
	1001213590	Ref	POTHOLE PROTECTION SYSTEM INSTALLATION	G
1	0100011	AR	Compound, Locking	
3	0700815	2	Bolt M8 x 35	
4	0700823	1	Bolt M8 x 75	
5	3290405	2	Nut M4	
6	3290805	2	Nut M8	
7	3430636	1	Pin	
8	3431212	6	Pin	
9	3431218	4	Pin	
10	3450403	1	Pin 1/8 x 3/4	
11	3450505	10	Pin 5/32 x 1/2	
12	4031511	2	Capscrew M4 x 35	
13	4160202	1	Spring	
14	4811900	4	Washer M8	
15	4811902	2	Washer M8	
16	4812000	2	Washer M10	
17	4812500	10	Washer M20	
18	4240147	1	Strap, Anti-Static	
19	1001091102	2	Washer M4	
20	1001110302	1	Screw M12 x 35	
21	1001202987	1	Plate, Mounting	
22	1001203869	1	Bearing	
23	1001203870	6	Bearing	
24	1001203871	1	Switch, Limit	
25	1001203872	1	Washer	
26	1001213591	1	Bar (LH)	
27	1001213595	1	Bar (RH)	
28	1001242587	2	Plate, Pinion	
29	1001202999	4	Link	
30	1001214526	1	Actuator (Lower)	
31	1001214528	1	Actuator (Upper)	
32	1001214534	1	Pad	
33	1001215953	1	Bearing	
34	1001227855	1	Spring	
35	0700612	2	Bolt M6 x 25	
36	4811702	2	Washer M6	
37	1001218307	1	Plate, Sensor Mounting	
38	4740086	2	Washer	
39	3290801	1	Nut M8	

# SECTION 1 - FRAME

## FIGURE 1-6. TILT SENSOR INSTALLATION



ART\_1001214217

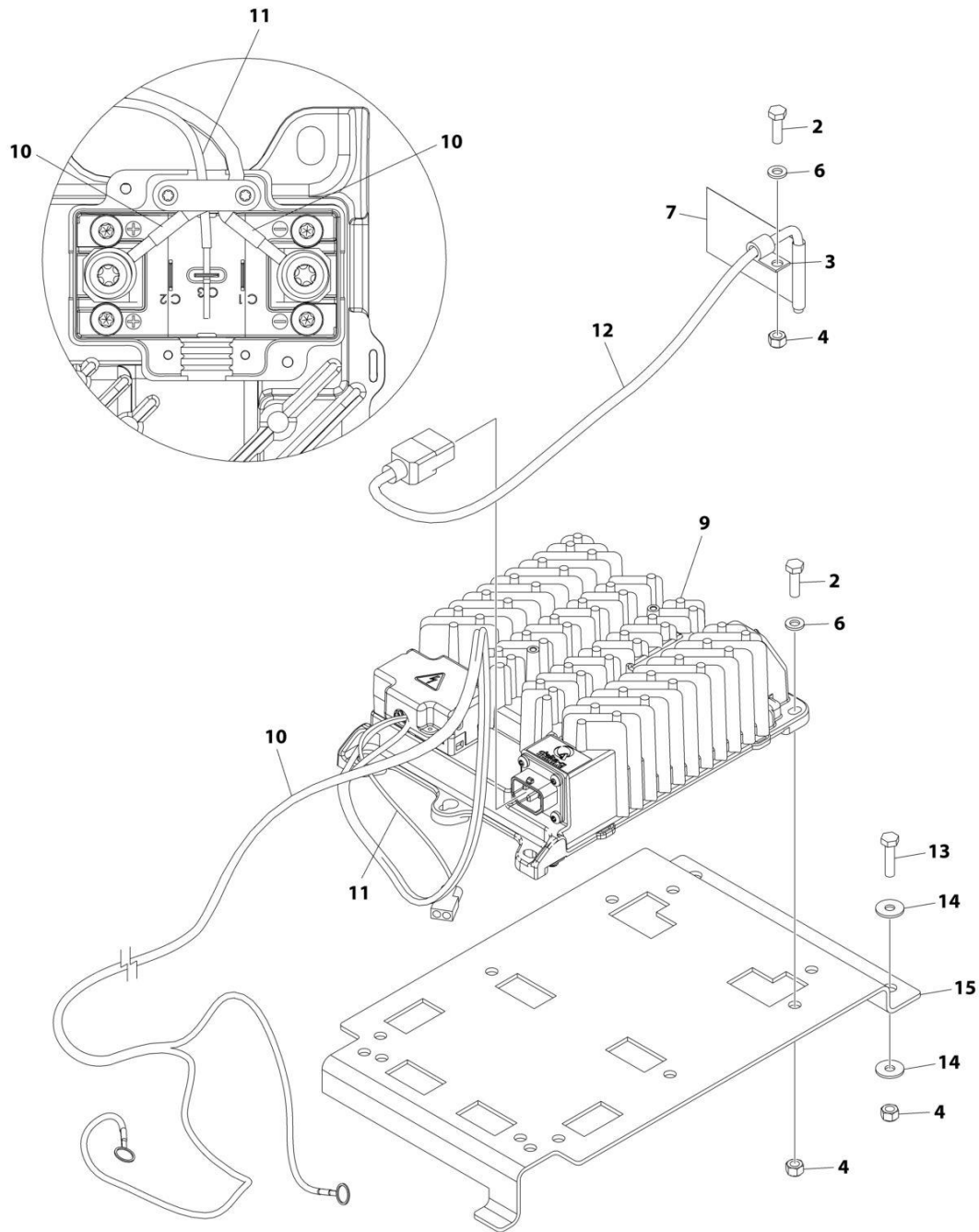
# SECTION 1 - FRAME

## FIGURE 1-6. TILT SENSOR INSTALLATION

ITEM	PART NUMBER	QTY	DESCRIPTION	REV
	1001214217	Ref	TILT SENSOR INSTALLATION	D
1	3290601	2	Nut M6	
2	4031708	2	Capscrew M6 x 20	
3	1001186466	1	Sensor, Tilt	
4	0100011	AR	Compound, Locking	
5	0700612	2	Bolt M6 x 25	
6	4811702	2	Washer M6	
7	1001217059	1	Plate, Mounting	

# SECTION 1 - FRAME

FIGURE 1-7. BATTERY CHARGER INSTALLATION - DELTA-Q (LOCALLY SUPPLIED PLUG)



ART\_1001218851

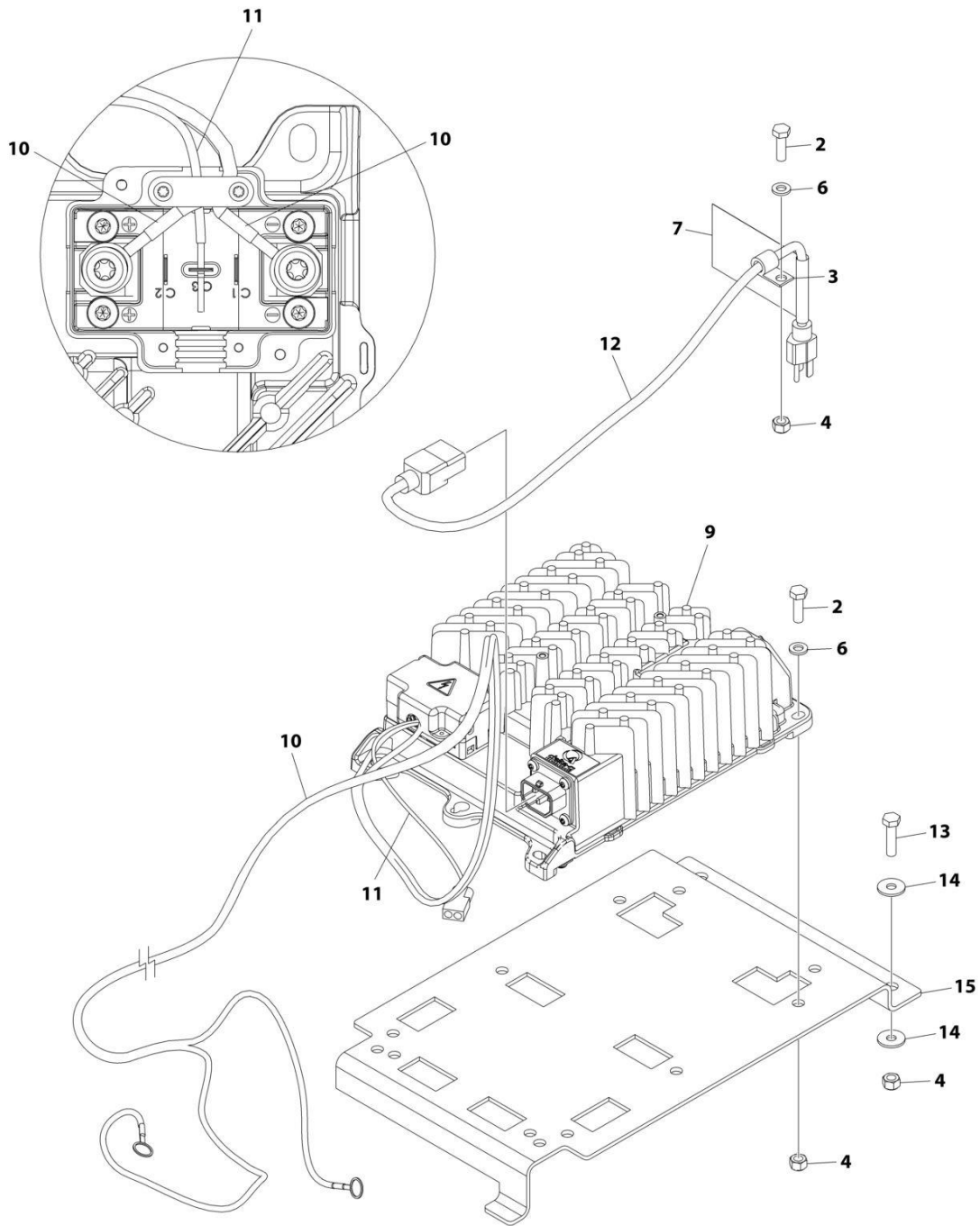
## SECTION 1 - FRAME

**FIGURE 1-7. BATTERY CHARGER INSTALLATION - DELTA-Q (LOCALLY SUPPLIED PLUG)**

ITEM	PART NUMBER	QTY	DESCRIPTION	REV
	1001218851	Ref	BATTERY CHARGER INSTALLATION - DELTA-Q (LOCALLY SUPPLIED PLUG)	C
2	0760610	5	Bolt M6 x 20	
3	1321293	1	Clamp	
4	3290605	7	Nut M6	
5	4240017	AR	Tie-Strap (Not Shown)	
6	4811700	5	Washer M6	
7	1001102489	1	Decal - Charger Label	
9	1001200561	1	Charger, Battery - Delta-Q	
10	1001215074	1	Battery Charger DC Harness	
11	1001207009	1	Charger Interlock Harness	
11	4460424	1	Receptacle, Female - 2 Position	
11	4460227	2	Pin, Male	
12	1001207974	1	Battery Charger to AC Connection Cable (Note: See SPECIAL OPTIONS for Korean Specs Cable)	
13	0760612	2	Bolt M6 x 25	
14	4811702	4	Washer M6	
15	1001214195	1	Bracket	

# SECTION 1 - FRAME

## FIGURE 1-8. BATTERY CHARGER INSTALLATION - DELTA-Q (110V PLUG)



ART\_1001214214

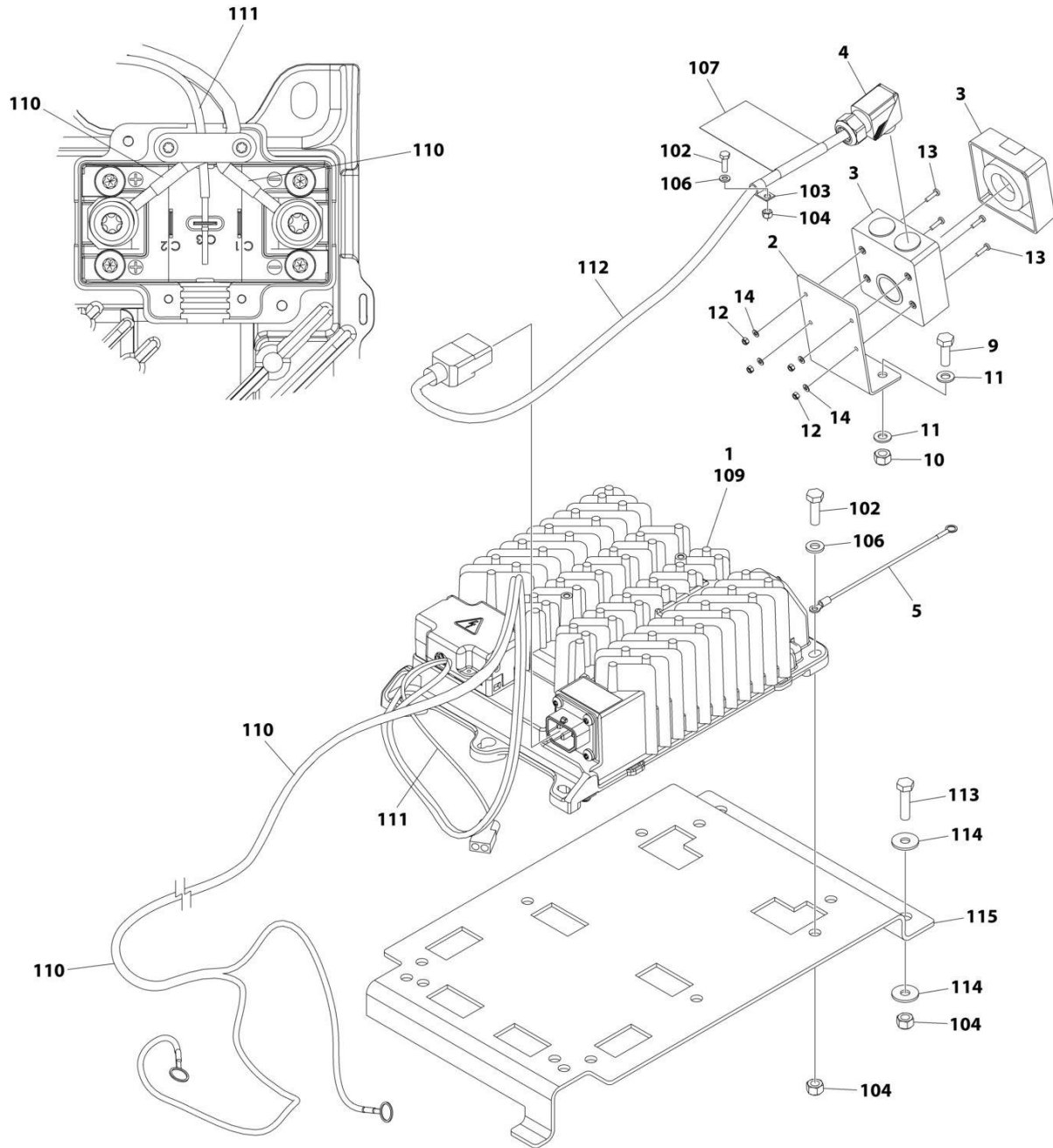
## SECTION 1 - FRAME

**FIGURE 1-8. BATTERY CHARGER INSTALLATION - DELTA-Q (110V PLUG)**

ITEM	PART NUMBER	QTY	DESCRIPTION	REV
	1001214214	Ref	BATTERY CHARGER INSTALLATION - DELTA-Q (110V PLUG)	C
2	0760610	5	Bolt M6 x 20	
3	1321293	1	Clamp	
4	3290605	7	Nut M6	
5	4240017	AR	Tie-Strap (Not Shown)	
6	4811700	5	Washer M6	
7	1001102489	1	Decal - Charger Label	
9	1001200561	1	Charger, Battery - Delta-Q	
10	1001215074	1	Battery Charger DC Harness	
11	1001207009	1	Charger Interlock Harness	
11	4460424	1	Receptacle, Female - 2 Position	
11	4460227	2	Pin, Male	
12	1001207970	1	Battery Charger to AC Connection Cable	
13	0760612	2	Bolt M6 x 25	
14	4811702	4	Washer M6	
15	1001214195	1	Bracket	

# SECTION 1 - FRAME

## FIGURE 1-9. BATTERY CHARGER INSTALLATION - DELTA-Q (AUSTRALIAN PLUG)



ART\_1001244446



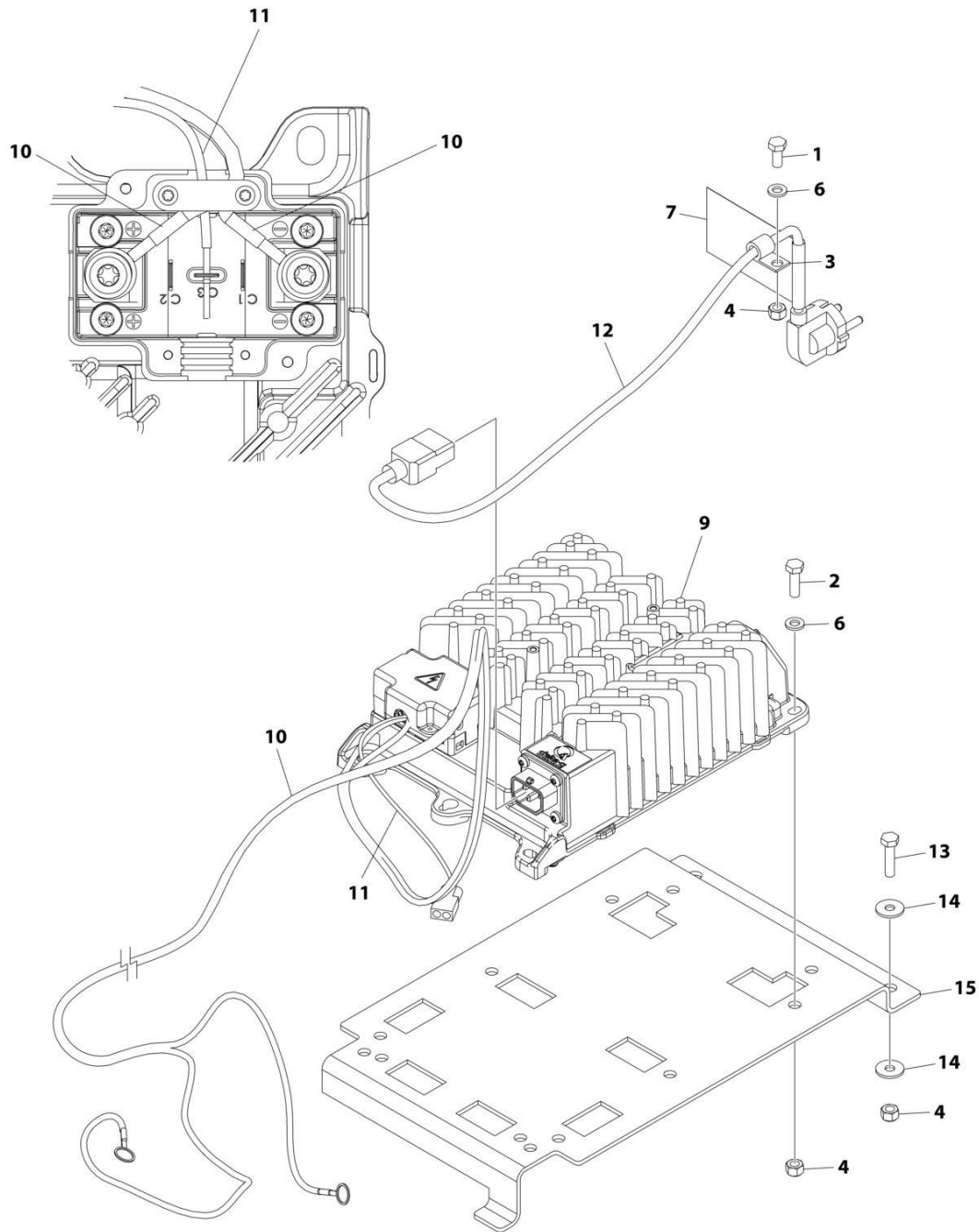
## SECTION 1 - FRAME

**FIGURE 1-9. BATTERY CHARGER INSTALLATION - DELTA-Q (AUSTRALIAN PLUG)**

ITEM	PART NUMBER	QTY	DESCRIPTION	REV
	1001244446	Ref	BATTERY CHARGER INSTALLATION - DELTA-Q (AUSTRALIAN PLUG)	A
1	1001218851	Ref	Battery Charger Installation (See Items 102-115 for Breakdown)	
2	1001234397	1	Bracket	
3	1001227267	1	Socket, Electrical - Australian	
4	1001245917	1	Connector, Strain Relief - 90	
5	1001227219	1	Harness, Ground	
9	0761014	2	Bolt M10 x 30	
10	3291005	2	Nut M10	
11	4812000	4	Washer M10	
12	3290405	4	Nut M4	
13	4010408	4	Screw M4 x 16	
14	4811400	4	Washer M4	
	1001218851	Ref	BATTERY CHARGER INSTALLATION - DELTA-Q	C
102	0760610	5	Bolt M6 x 20	
103	1321293	1	Clamp	
104	3290605	7	Nut M6	
105	4240017	AR	Tie-Strap (Not Shown)	
106	4811700	5	Washer M6	
107	1001102489	1	Decal - Charger Label	
109	1001200561	1	Charger, Battery - Delta-Q	
110	1001215074	1	Battery Charger DC Harness	
111	1001207009	1	Charger Interlock Harness	
111	4460424	1	Receptacle, Female - 2 Position	
111	4460227	2	Pin, Male	
112	1001207974	1	Battery Charger to AC Connection Cable	
113	0760612	2	Bolt M6 x 25	
114	4811702	4	Washer M6	
115	1001214195	1	Bracket	

# SECTION 1 - FRAME

## FIGURE 1-10. BATTERY CHARGER INSTALLATION - DELTA-Q (KOREAN PLUG)



ART\_1001226422

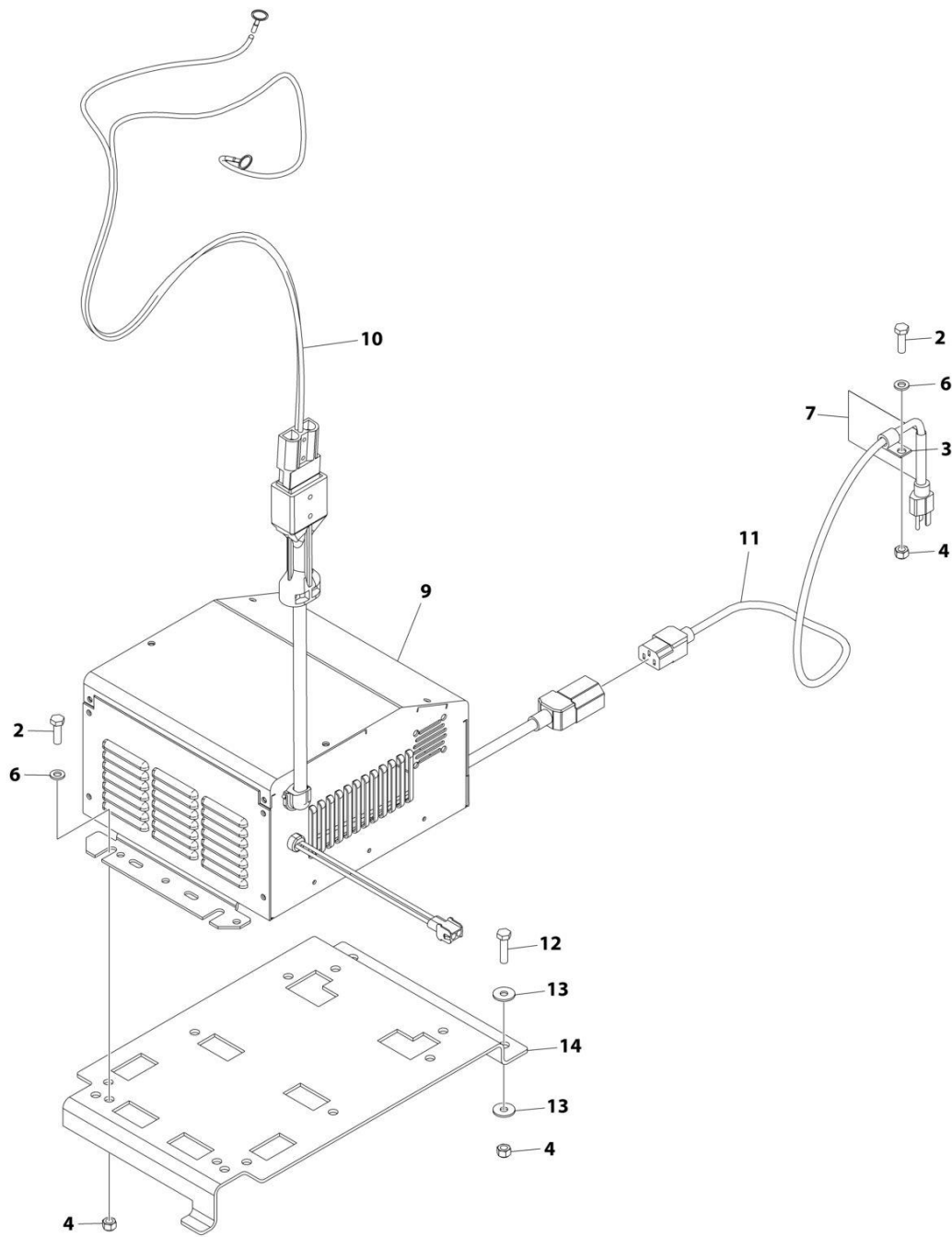
## SECTION 1 - FRAME

**FIGURE 1-10. BATTERY CHARGER INSTALLATION - DELTA-Q (KOREAN PLUG)**

ITEM	PART NUMBER	QTY	DESCRIPTION	REV
	1001226422	Ref	BATTERY CHARGER INSTALLATION - DELTA-Q (KOREAN PLUG)	A
1	0760607	1	Bolt M6 x 14	
2	0760610	4	Bolt M6 x 20	
3	1321293	1	Clamp	
4	3290605	7	Nut M6	
5	4240017	AR	Tie-Strap (Not Shown)	
6	4811700	5	Washer M6	
7	1001102489	1	Decal - Charger Label	
9	1001200561	1	Charger, Battery - Delta-Q	
10	1001215074	1	Battery Charger DC Harness	
11	1001207009	1	Charger Interlock Harness	
11	4460424	1	Receptacle, Female - 2 Position	
11	4460227	2	Pin, Male	
12	1001221949	1	Battery Charger to AC Connection Cable	
13	0760612	2	Bolt M6 x 25	
14	4811702	4	Washer M6	
15	1001214195	1	Bracket	

# SECTION 1 - FRAME

## FIGURE 1-11. BATTERY CHARGER INSTALLATION - EAGLE PERFORMANCE (110V PLUG)



ART\_1001219077

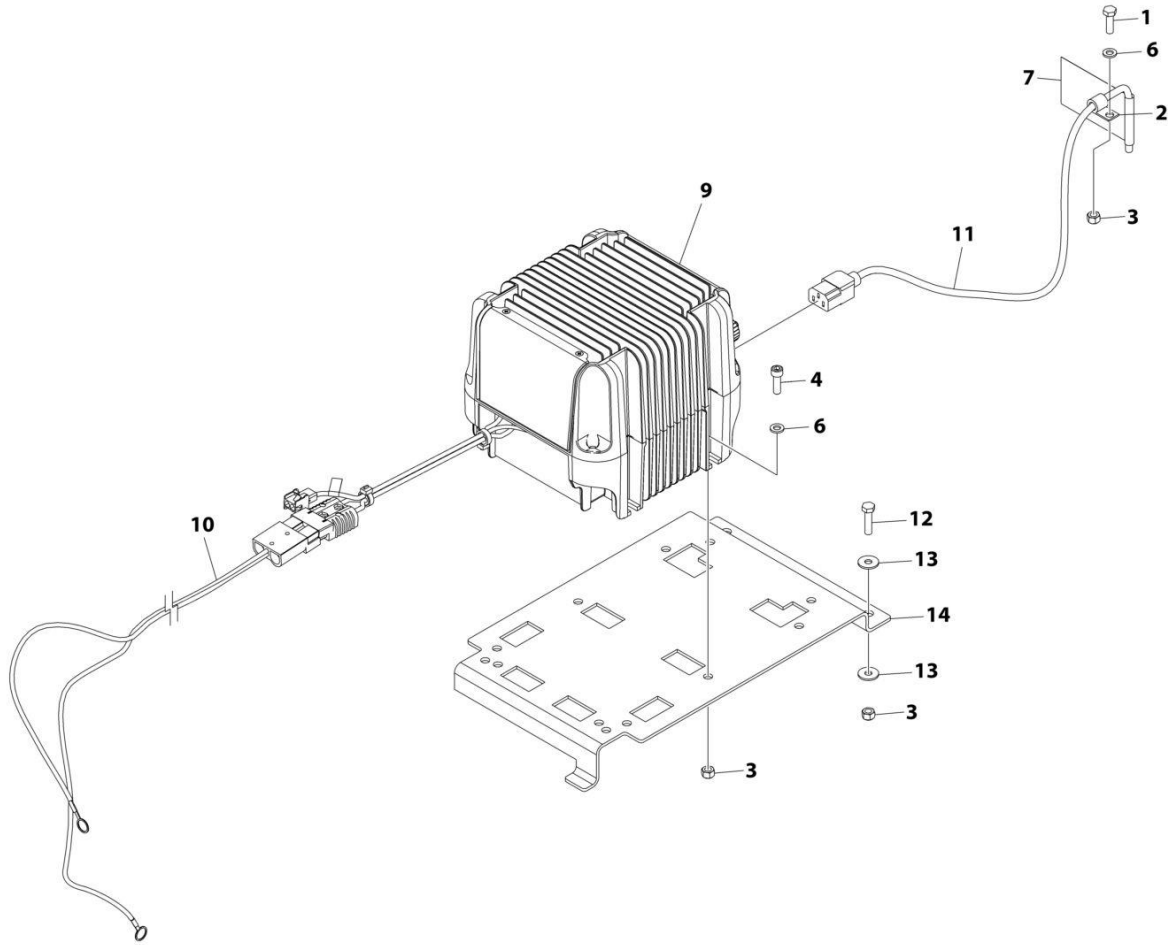
## SECTION 1 - FRAME

**FIGURE 1-11. BATTERY CHARGER INSTALLATION - EAGLE PERFORMANCE (110V PLUG)**

ITEM	PART NUMBER	QTY	DESCRIPTION	REV
	1001219077	Ref	BATTERY CHARGER INSTALLATION - EAGLE PERFORMANCE (110V PLUG)	C
2	0760610	5	Bolt M6 x 20	
3	1321293	1	Clamp	
4	3290605	7	Nut M6	
5	4240017	AR	Tie-Strap (Not Shown)	
6	4811700	5	Washer M6	
7	1001102489	1	Decal - Charger Label	
9	1001206995	1	Charger, Battery - Eagle Performance	
10	1001215075	1	Battery Charger DC Connection Harness	
11	1001207970	1	Battery Charger to AC Connection Cable	
12	0760612	2	Bolt M6 x 25	
13	4811702	4	Washer M6	
14	1001214195	1	Bracket	

# SECTION 1 - FRAME

## FIGURE 1-12. BATTERY CHARGER INSTALLATION - GREEN POWER (LOCALLY SUPPLIED PLUG)



ART\_1001218989

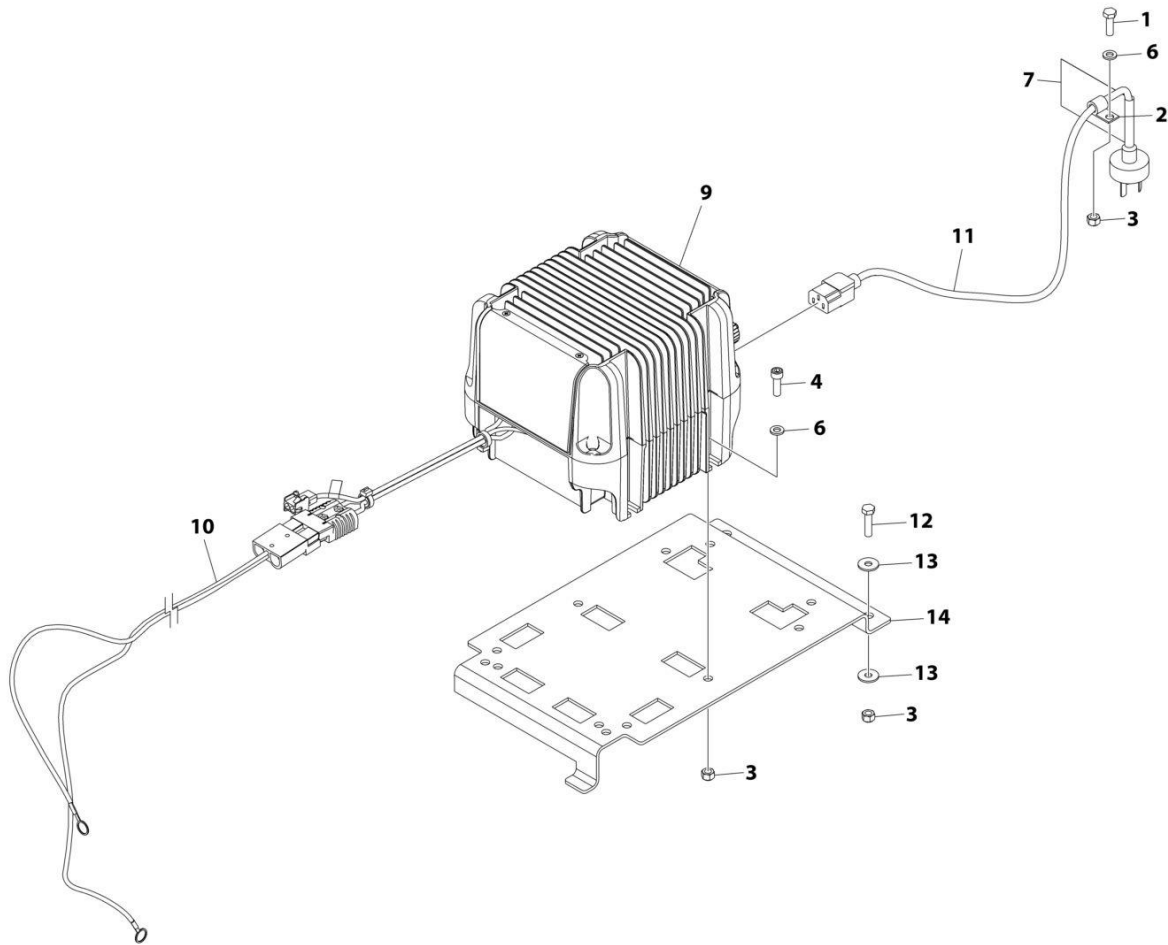
## SECTION 1 - FRAME

**FIGURE 1-12. BATTERY CHARGER INSTALLATION - GREEN POWER (LOCALLY SUPPLIED PLUG)**

ITEM	PART NUMBER	QTY	DESCRIPTION	REV
	1001218989	Ref	BATTERY CHARGER INSTALLATION - GREEN POWER (LOCALLY SUPPLIED PLUG)	C
1	0760610	1	Bolt M6 x 20	
2	1321293	1	Clamp	
3	3290605	7	Nut M6	
4	4031708	4	Capscrew M6 x 20	
5	4240017	AR	Tie-Strap (Not Shown)	
6	4811700	5	Washer M6	
7	1001102489	1	Decal - Charger Label	
9	1001205598	1	Charger, Battery - Green Power	
10	1001215075	1	Battery Charger DC Connection Harness	
11	1001207974	1	Battery Charger to AC Connection Cable (Note: See SPECIAL OPTIONS for Korean Specs Cable)	
12	0760612	2	Bolt M6 x 25	
13	4811702	4	Washer M6	
14	1001214195	1	Bracket	

# SECTION 1 - FRAME

## FIGURE 1-13. BATTERY CHARGER INSTALLATION - GREEN POWER (CHINA PLUG)



ART\_1001218933



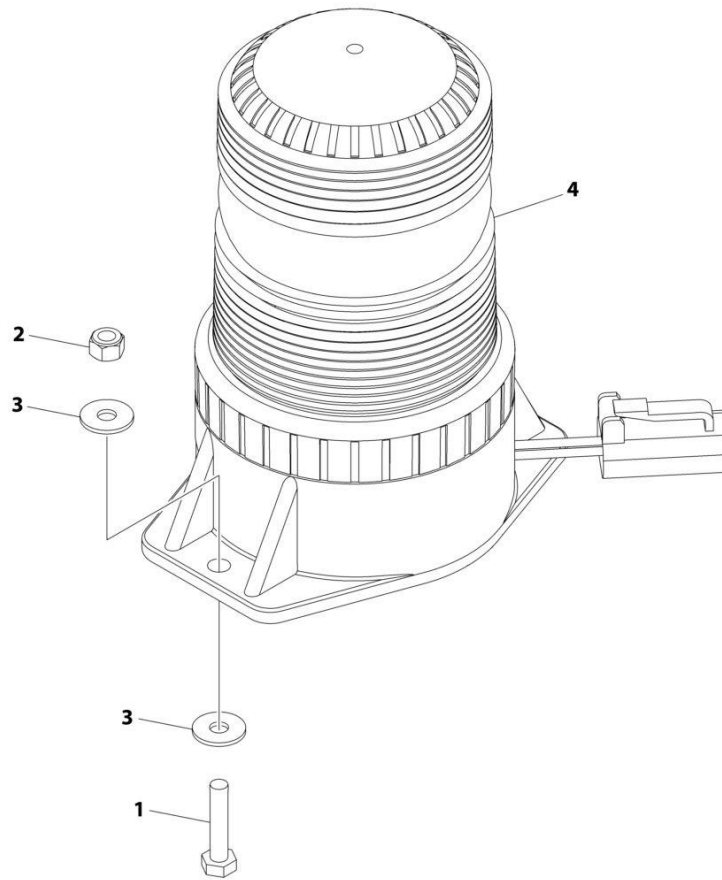
## SECTION 1 - FRAME

**FIGURE 1-13. BATTERY CHARGER INSTALLATION - GREEN POWER (CHINA PLUG)**

ITEM	PART NUMBER	QTY	DESCRIPTION	REV
	1001218933	Ref	BATTERY CHARGER INSTALLATION - GREEN POWER (CHINA PLUG)	C
1	0760610	1	Bolt M6 x 20	
2	1321293	1	Clamp	
3	3290605	7	Nut M6	
4	4031708	4	Capscrew M6 x 20	
5	4240017	AR	Tie-Strap (Not Shown)	
6	4811700	5	Washer M6	
7	1001102489	1	Decal - Charger Label	
9	1001205598	1	Charger, Battery - Green Power	
10	1001215075	1	Battery Charger DC Connection Harness	
11	1001207973	1	Battery Charger to AC Connection Cable (Note: See SPECIAL OPTIONS for Korean Specs Cable)	
12	0760612	2	Bolt M6 x 25	
13	4811702	4	Washer M6	
14	1001214195	1	Bracket	

# SECTION 1 - FRAME

FIGURE 1-14. STROBE LIGHT INSTALLATION - SINGLE ECCO BRAND (AMBER) (WITHOUT GUARD)



ART\_1001214211

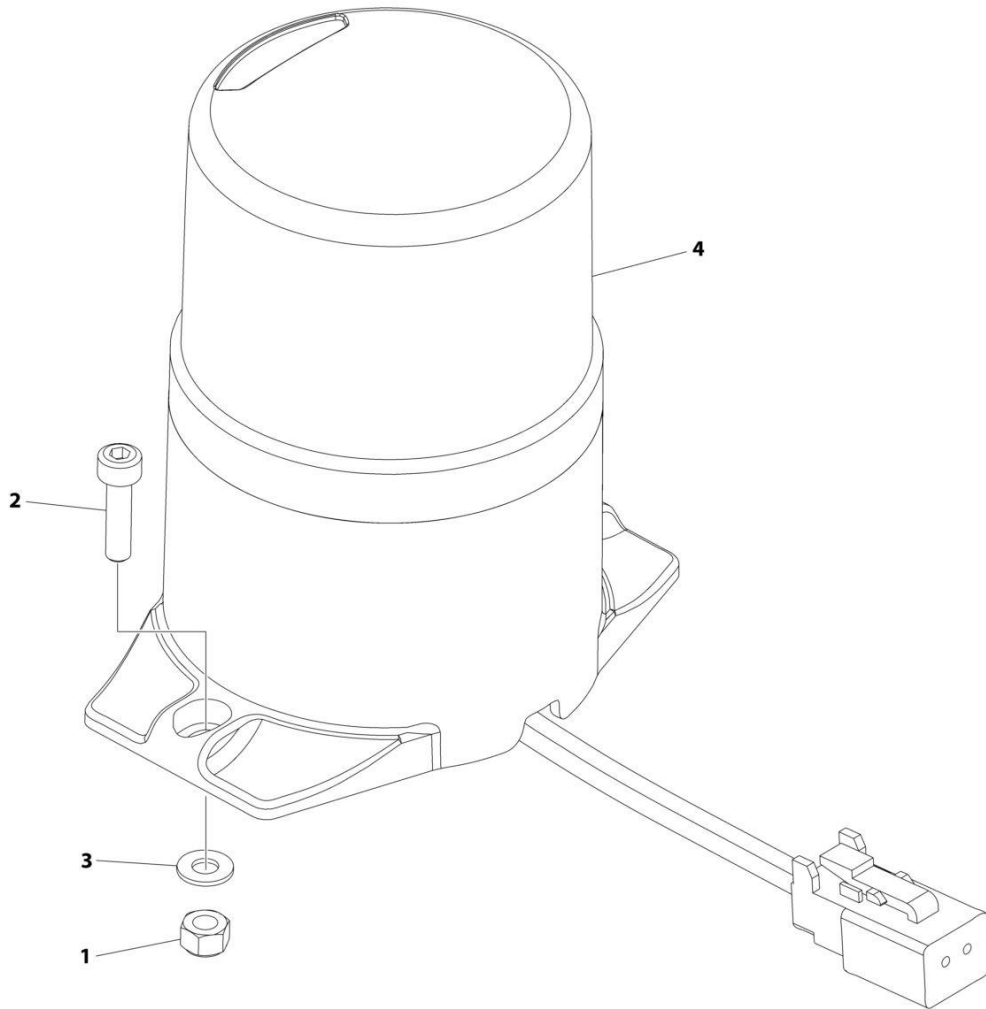
## SECTION 1 - FRAME

**FIGURE 1-14. STROBE LIGHT INSTALLATION - SINGLE ECCO BRAND (AMBER) (WITHOUT GUARD)**

ITEM	PART NUMBER	QTY	DESCRIPTION	REV
	1001214211	Ref	STROBE LIGHT INSTALLATION - SINGLE (AMBER) (WITHOUT GUARD)	B
1	0700410	2	Bolt M4 x 20	
2	3290405	2	Nut M4	
3	1001091102	4	Washer M4	
4	1001191139	1	Light, Strobe (Amber)	
4	4460891	1	Plug, Male - 2 Position	
4	4460465	2	Socket, Female	

# SECTION 1 - FRAME

FIGURE 1-15. STROBE LIGHT INSTALLATION - SINGLE SAMMOON BRAND (WITHOUT GUARD)



ART\_1001238862

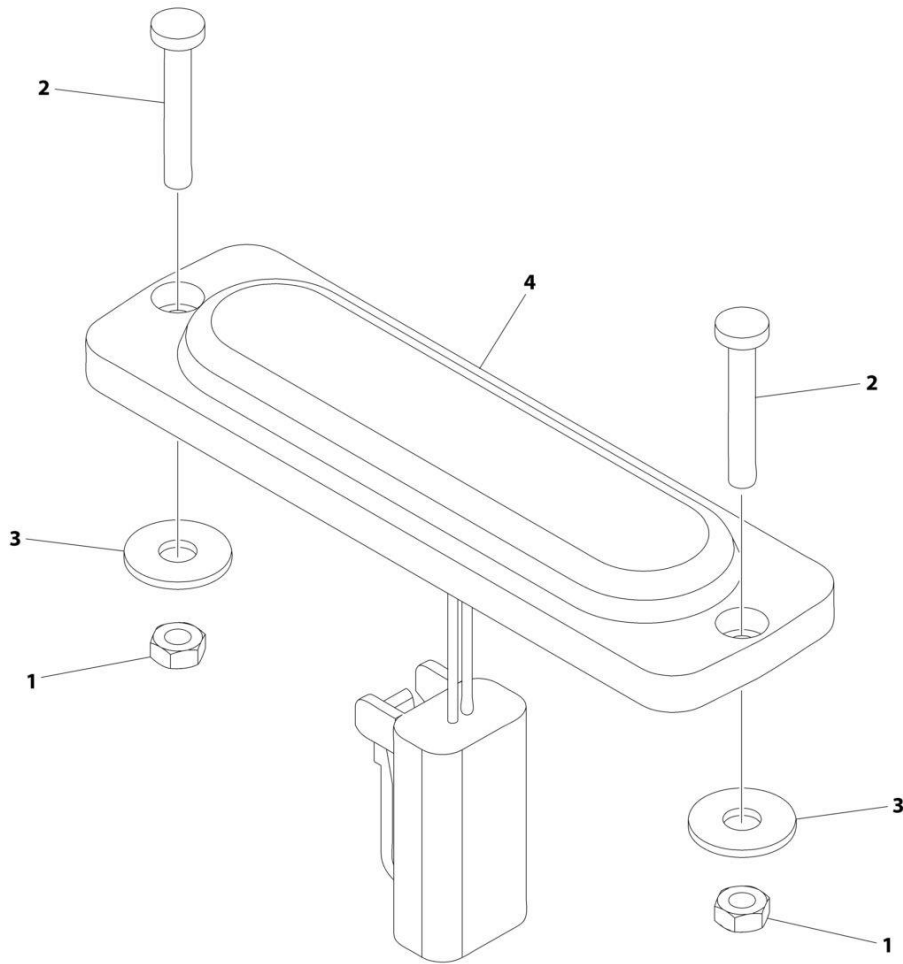
## SECTION 1 - FRAME

**FIGURE 1-15. STROBE LIGHT INSTALLATION - SINGLE SAMMOON BRAND (WITHOUT GUARD)**

ITEM	PART NUMBER	QTY	DESCRIPTION	REV
	1001238862	Ref	STROBE LIGHT INSTALLATION - SINGLE (WITHOUT GUARD)	A
1	3290405	2	Nut M4	
2	4031507	2	Bolt M4 x 16	
3	4811400	2	Washer M4	
4	1001233479	1	Light, Strobe	
4	4460891	1	Plug, Male - 2 Position	
4	4460465	2	Socket, Female	

# SECTION 1 - FRAME

FIGURE 1-16. STROBE LIGHT INSTALLATION - SINGLE SLIM (AMBER) (WITHOUT GUARD)



ART\_1001242988

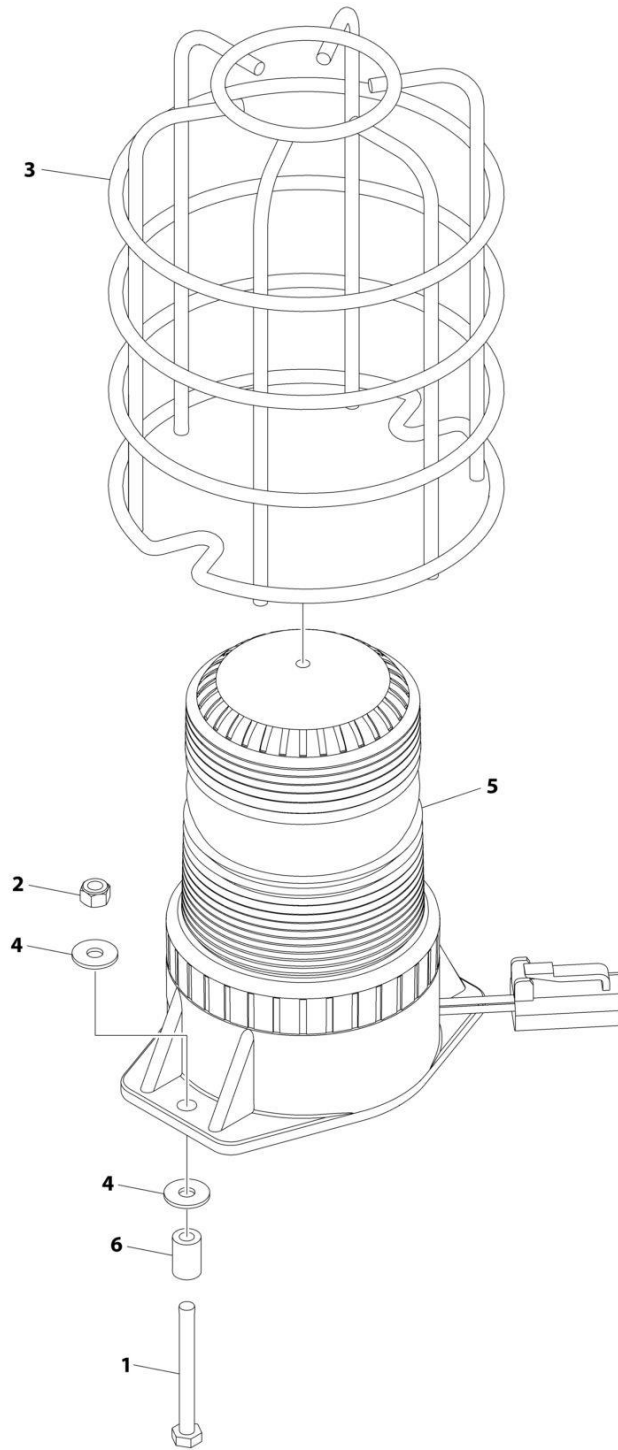
## SECTION 1 - FRAME

**FIGURE 1-16. STROBE LIGHT INSTALLATION - SINGLE SLIM (AMBER) (WITHOUT GUARD)**

ITEM	PART NUMBER	QTY	DESCRIPTION	REV
	1001242988	Ref	STROBE LIGHT INSTALLATION - SINGLE (AMBER) (WITHOUT GUARD)	C
1	3290305	2	Nut M3	
2	4010310	2	Screw M3 x 20	
3	1001091102	2	Washer M4	
4	1001239224	1	Light, Strobe	
4	4460891	1	Plug, Male - 2 Position	
4	4460465	2	Socket, Female	

# SECTION 1 - FRAME

FIGURE 1-17. STROBE LIGHT INSTALLATION - SINGLE ECCO BRAND (AMBER) (WITH GUARD)



ART\_1001219596



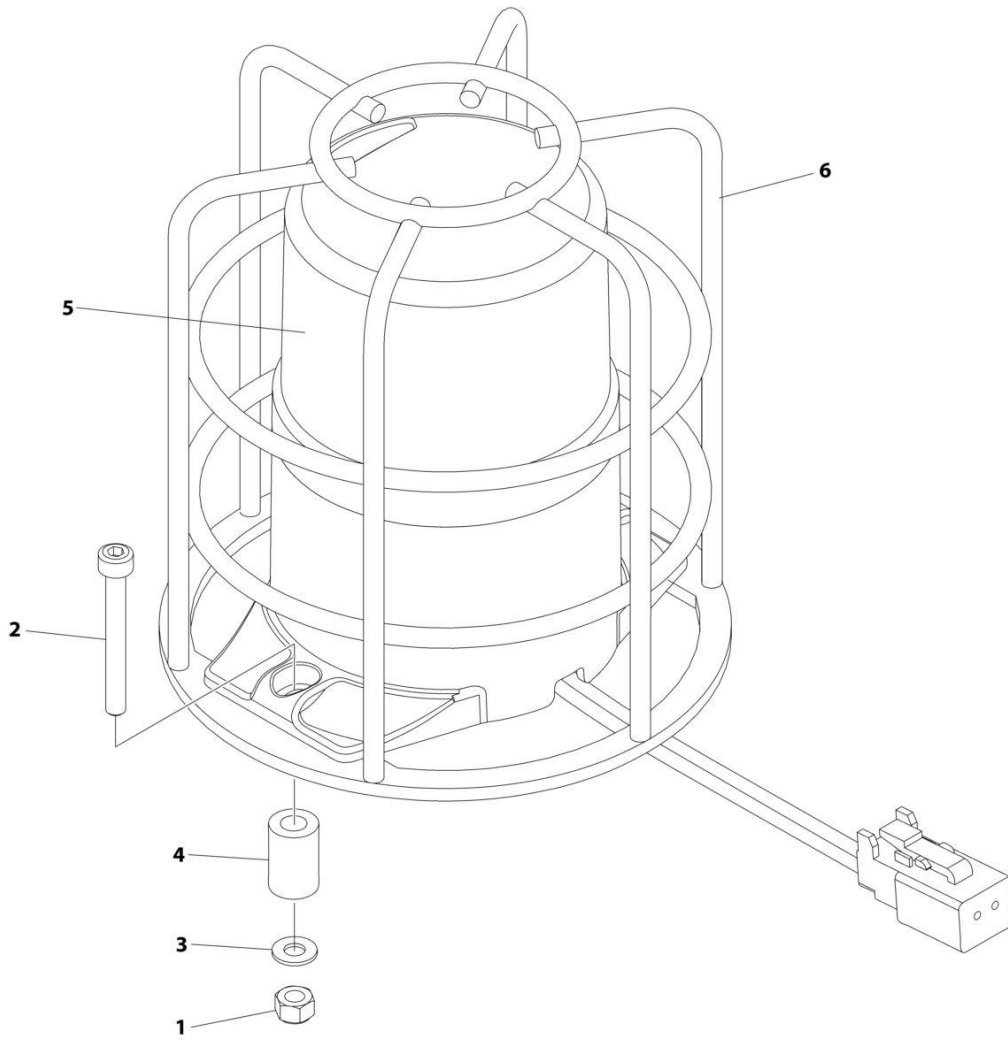
## SECTION 1 - FRAME

**FIGURE 1-17. STROBE LIGHT INSTALLATION - SINGLE ECCO BRAND (AMBER) (WITH GUARD)**

ITEM	PART NUMBER	QTY	DESCRIPTION	REV
	1001219596	Ref	STROBE LIGHT INSTALLATION - SINGLE (AMBER) (WITH GUARD)	B
1	0700416	2	Bolt M4 x 40	
2	3290405	2	Nut M4	
3	4060865	1	Guard	
4	1001091102	4	Washer M4	
5	1001191139	1	Light, Strobe (Amber)	
5	4460891	1	Plug, Male - 2 Position	
5	4460465	2	Socket, Female	
6	1001220766	2	Sleeve	

# SECTION 1 - FRAME

FIGURE 1-18. STROBE LIGHT INSTALLATION - SINGLE SAMMOON BRAND (WITH GUARD)



ART\_1001238864

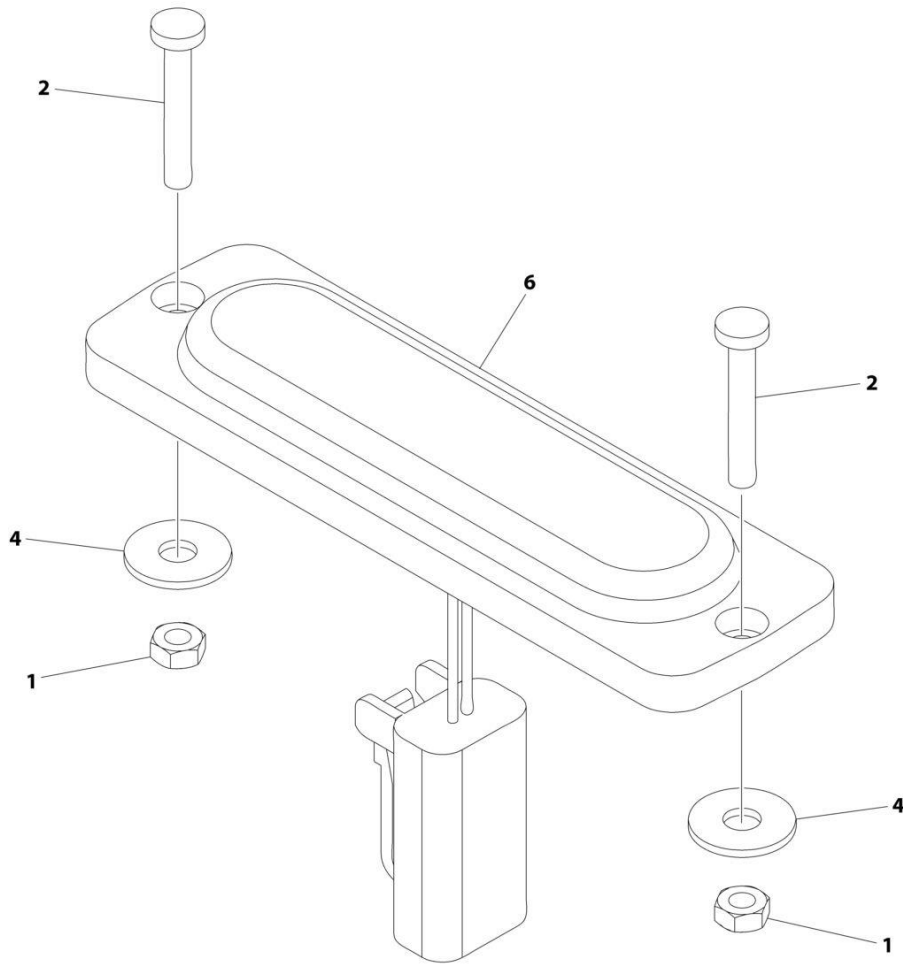
## SECTION 1 - FRAME

**FIGURE 1-18. STROBE LIGHT INSTALLATION - SINGLE SAMMOON BRAND (WITH GUARD)**

ITEM	PART NUMBER	QTY	DESCRIPTION	REV
	1001238864	Ref	STROBE LIGHT INSTALLATION - SINGLE (WITH GUARD)	A
1	3290405	2	Nut M4	
2	4031511	2	Bolt M4 x 35	
3	4811400	2	Washer M4	
4	1001220766	2	Sleeve	
5	1001233479	1	Light, Strobe	
5	4460891	1	Plug, Male - 2 Position	
5	4460465	1	Socket, Female	
6	1001233998	1	Guard	

# SECTION 1 - FRAME

FIGURE 1-19. STROBE LIGHT INSTALLATION - SINGLE SLIM (AMBER) (WITH GUARD)



ART\_1001242989

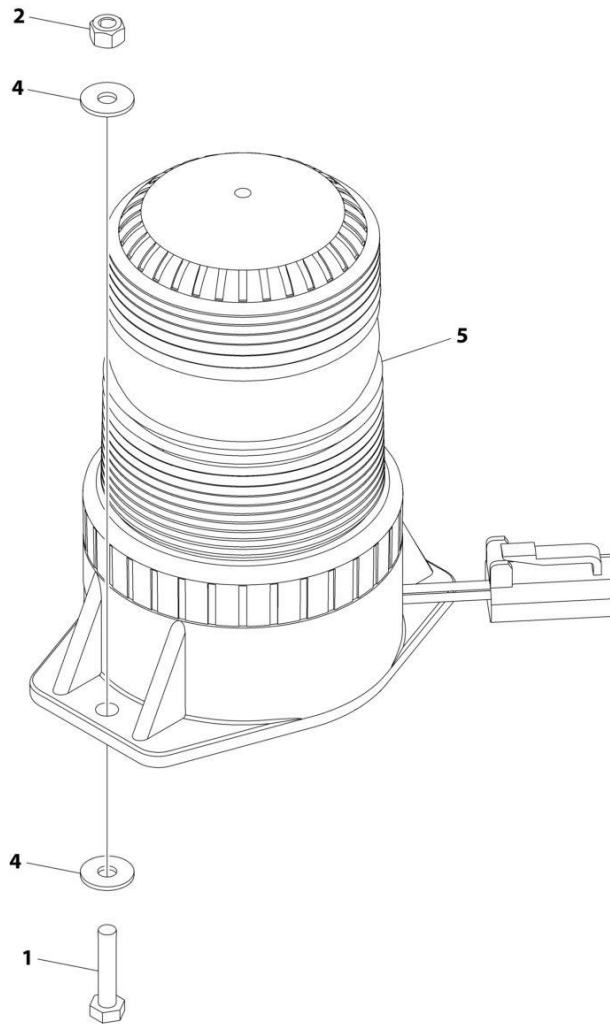
## SECTION 1 - FRAME

**FIGURE 1-19. STROBE LIGHT INSTALLATION - SINGLE SLIM (AMBER) (WITH GUARD)**

ITEM	PART NUMBER	QTY	DESCRIPTION	REV
	1001242989	Ref	STROBE LIGHT INSTALLATION - DUAL (AMBER) (WITHOUT GUARD)	C
1	3290305	4	Nut M3	
2	4010310	4	Screw M3 x 20	
3	4240018	AR	Tie-Strap (Not Shown)	
4	1001091102	4	Washer M4	
5	1001215216	1	Strobe Light Jumper Harness (Not Shown)	
5	4460897	2	Receptacle, Female - 2 Position	
5	4460464	4	Pin, Male	
5	4460891	1	Plug, Male - 2 Position	
5	4460465	2	Socket, Female	
6	1001239224	2	Light, Strobe	
6	4460891	1	Plug, Male - 2 Position	
6	4460465	2	Socket, Female	

# SECTION 1 - FRAME

FIGURE 1-20. STROBE LIGHT INSTALLATION - DUAL ECCO BRAND (AMBER) (WITHOUT GUARD)



ART\_1001214212

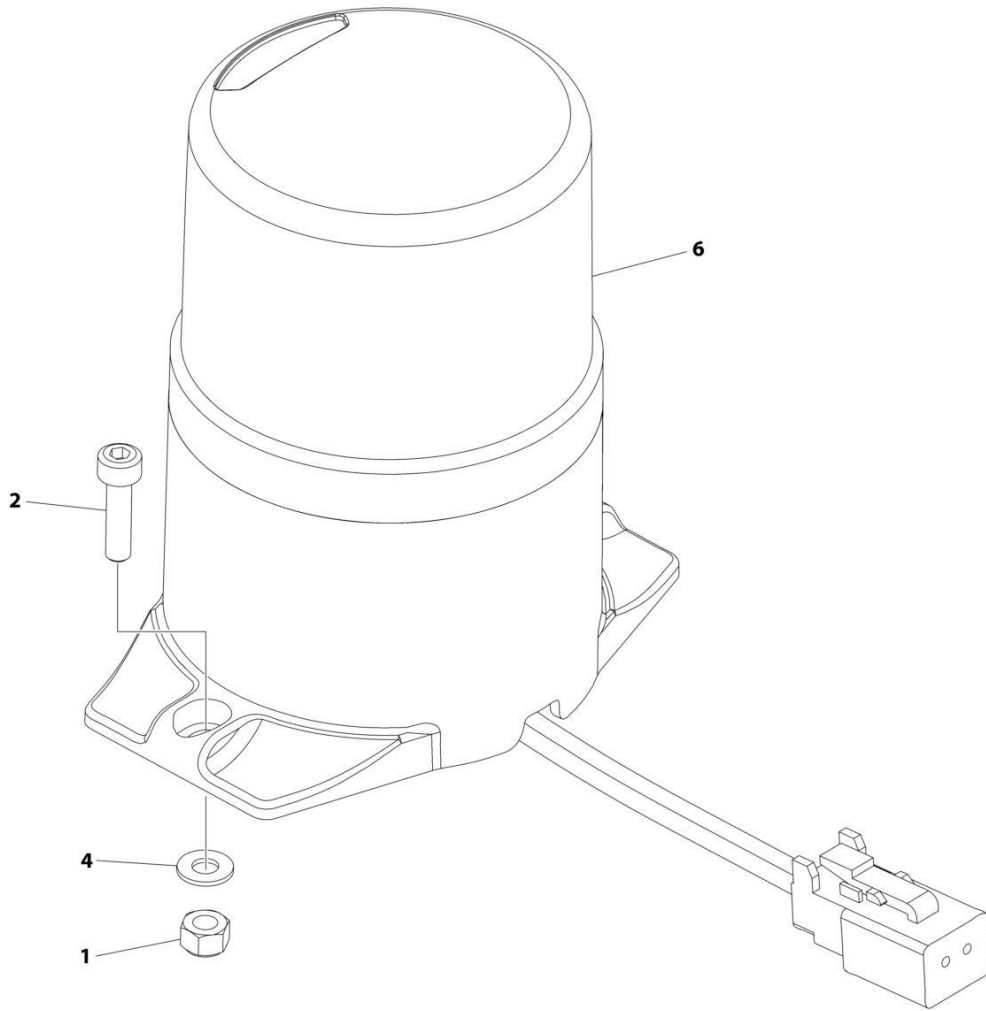
## SECTION 1 - FRAME

**FIGURE 1-20. STROBE LIGHT INSTALLATION - DUAL ECCO BRAND (AMBER) (WITHOUT GUARD)**

ITEM	PART NUMBER	QTY	DESCRIPTION	REV
	1001214212	Ref	STROBE LIGHT INSTALLATION - DUAL (AMBER) (WITHOUT GUARD)	B
1	0700410	4	Bolt M4 x 20	
2	3290405	4	Nut M4	
3	4240018	4	Tie-Strap (Not Shown)	
4	1001091102	8	Washer M4	
5	1001191139	2	Light, Strobe (Amber)	
5	4460891	1	Plug, Male - 2 Position	
5	4460465	2	Socket, Female	
6	1001215216	1	Strobe Light Jumper Harness (Not Shown)	
6	4460897	2	Receptacle, Female - 2 Position	
6	4460464	4	Pin, Male	
6	4460891	1	Plug, Male - 2 Position	
6	4460465	2	Socket, Female	

# SECTION 1 - FRAME

FIGURE 1-21. STROBE LIGHT INSTALLATION - DUAL SAMMOON BRAND (WITHOUT GUARD)



ART\_1001238863



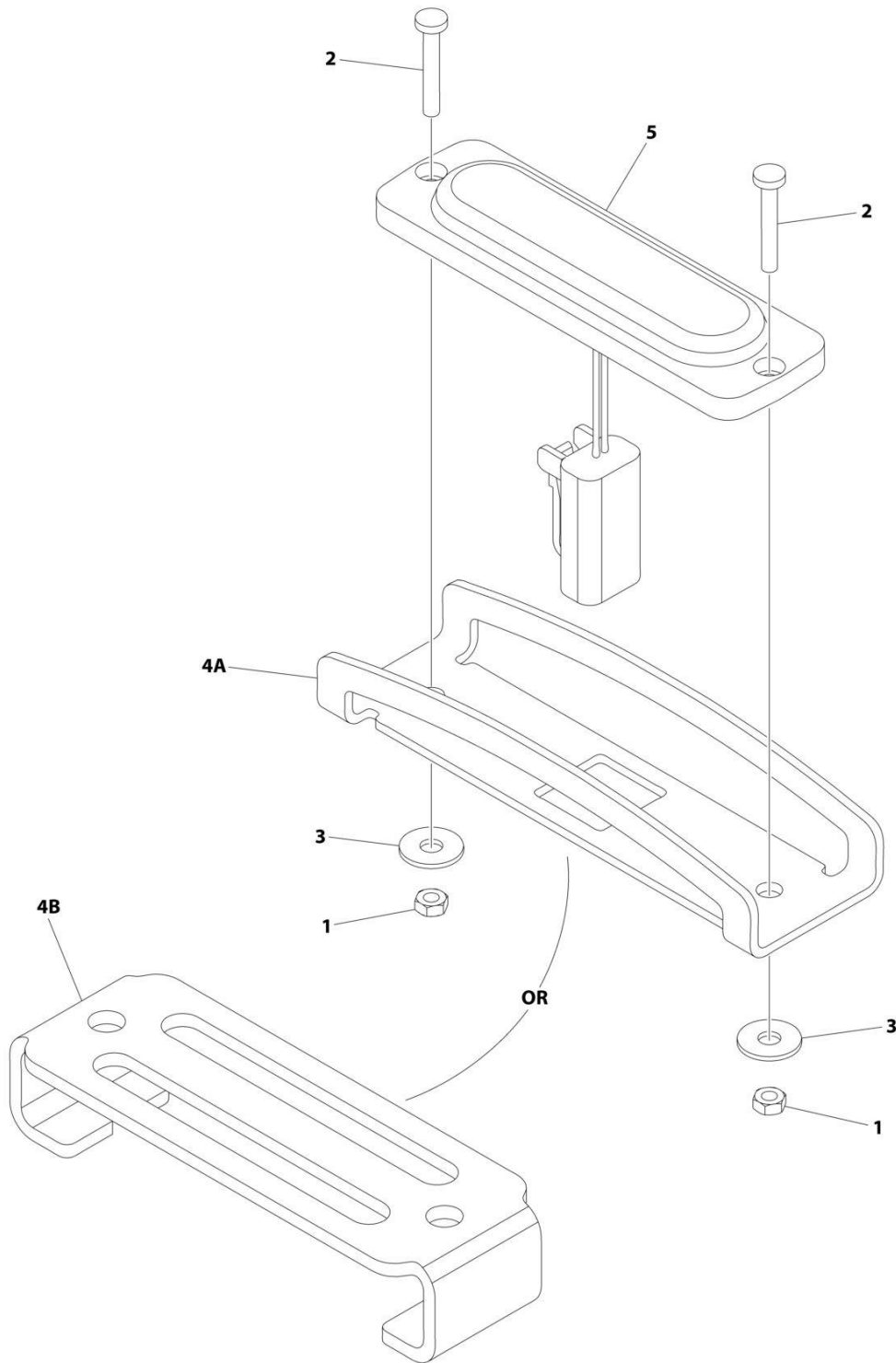
## SECTION 1 - FRAME

**FIGURE 1-21. STROBE LIGHT INSTALLATION - DUAL SAMMOON BRAND (WITHOUT GUARD)**

ITEM	PART NUMBER	QTY	DESCRIPTION	REV
	1001238863	Ref	STROBE LIGHT INSTALLATION - DUAL (WITHOUT GUARD)	A
1	3290405	4	Nut M4	
2	4031507	4	Bolt M4 x 16	
3	4240018	4	Tie-Strap (Not Shown)	
4	4811400	4	Washer M4	
5	1001215216	1	Strobe Light Jumper Harness (Not Shown)	
5	4460897	2	Receptacle, Female - 2 Position	
5	4460464	4	Pin, Male	
5	4460891	1	Plug, Male - 2 Position	
5	4460465	2	Socket, Female	
6	1001233479	2	Light, Strobe	
6	4460891	1	Plug, Male - 2 Position	
6	4460465	2	Socket, Female	

# SECTION 1 - FRAME

FIGURE 1-22. STROBE LIGHT INSTALLATION - DUAL SLIM (AMBER) (WITHOUT GUARD)



ART\_1001242697

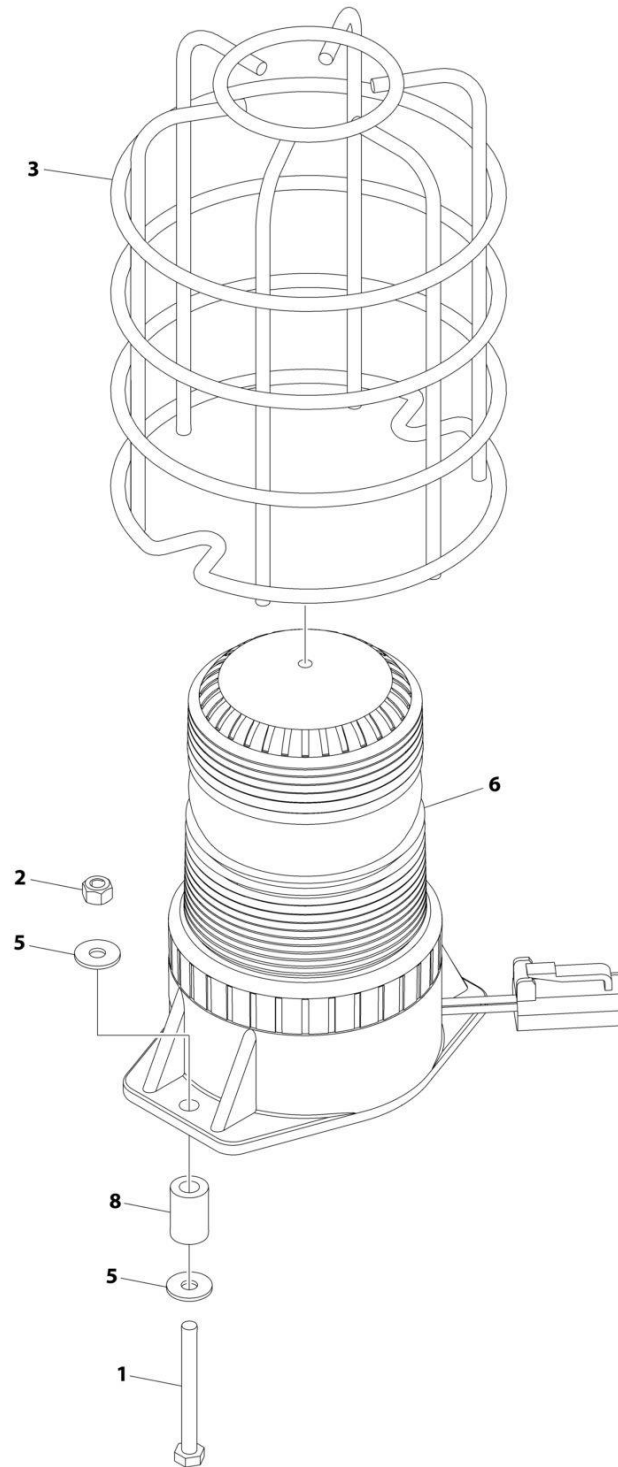
## SECTION 1 - FRAME

**FIGURE 1-22. STROBE LIGHT INSTALLATION - DUAL SLIM (AMBER) (WITHOUT GUARD)**

ITEM	PART NUMBER	QTY	DESCRIPTION	REV
	1001242697	Ref	STROBE LIGHT INSTALLATION - SINGLE (AMBER) (WITH GUARD)	D
1	3290305	2	Nut M3	
2	4010310	2	Screw M3 x 20	
3	1001091102	2	Washer M4	
4A	1001242539	1	Guard	
4B	1001239661	1	Cover	
5	1001239224	1	Light, Strobe	
5	4460891	1	Plug, Male - 2 Position	
5	4460465	2	Socket, Female	

# SECTION 1 - FRAME

FIGURE 1-23. STROBE LIGHT INSTALLATION - DUAL ECCO BRAND (AMBER) (WITH GUARD)



ART\_1001219597

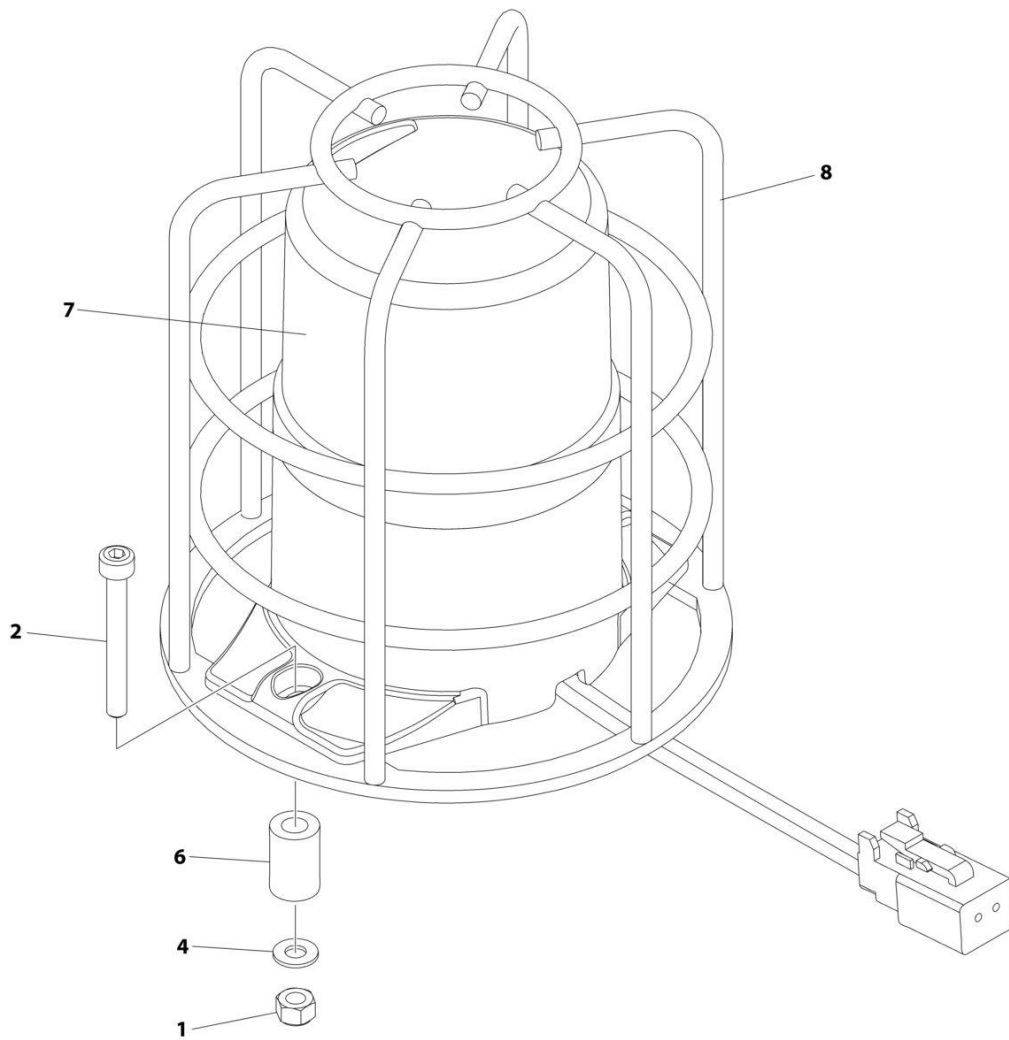
## SECTION 1 - FRAME

**FIGURE 1-23. STROBE LIGHT INSTALLATION - DUAL ECCO BRAND (AMBER) (WITH GUARD)**

ITEM	PART NUMBER	QTY	DESCRIPTION	REV
	1001219597	Ref	STROBE LIGHT INSTALLATION - DUAL (AMBER) (WITH GUARD)	B
1	0700416	4	Bolt M4 x 40	
2	3290405	4	Nut M4	
3	4060865	2	Guard	
4	4240018	4	Tie-Strap (Not Shown)	
5	1001091102	8	Washer M4	
6	1001191139	2	Light, Strobe (Amber)	
6	4460891	1	Plug, Male - 2 Position	
6	4460465	2	Socket, Female	
6	4460865	1	Guard (Must be Purchased Separately) (Not Shown)	
7	1001215216	1	Strobe Light Jumper Harness (Not Shown)	
7	4460897	2	Receptacle, Female - 2 Position	
7	4460464	4	Pin, Male	
7	4460891	1	Plug, Male - 2 Position	
7	4460465	2	Socket, Female	
8	1001220766	4	Sleeve	

# SECTION 1 - FRAME

FIGURE 1-24. STROBE LIGHT INSTALLATION - DUAL SAMMOON BRAND (WITH GUARD)



ART\_1001238865

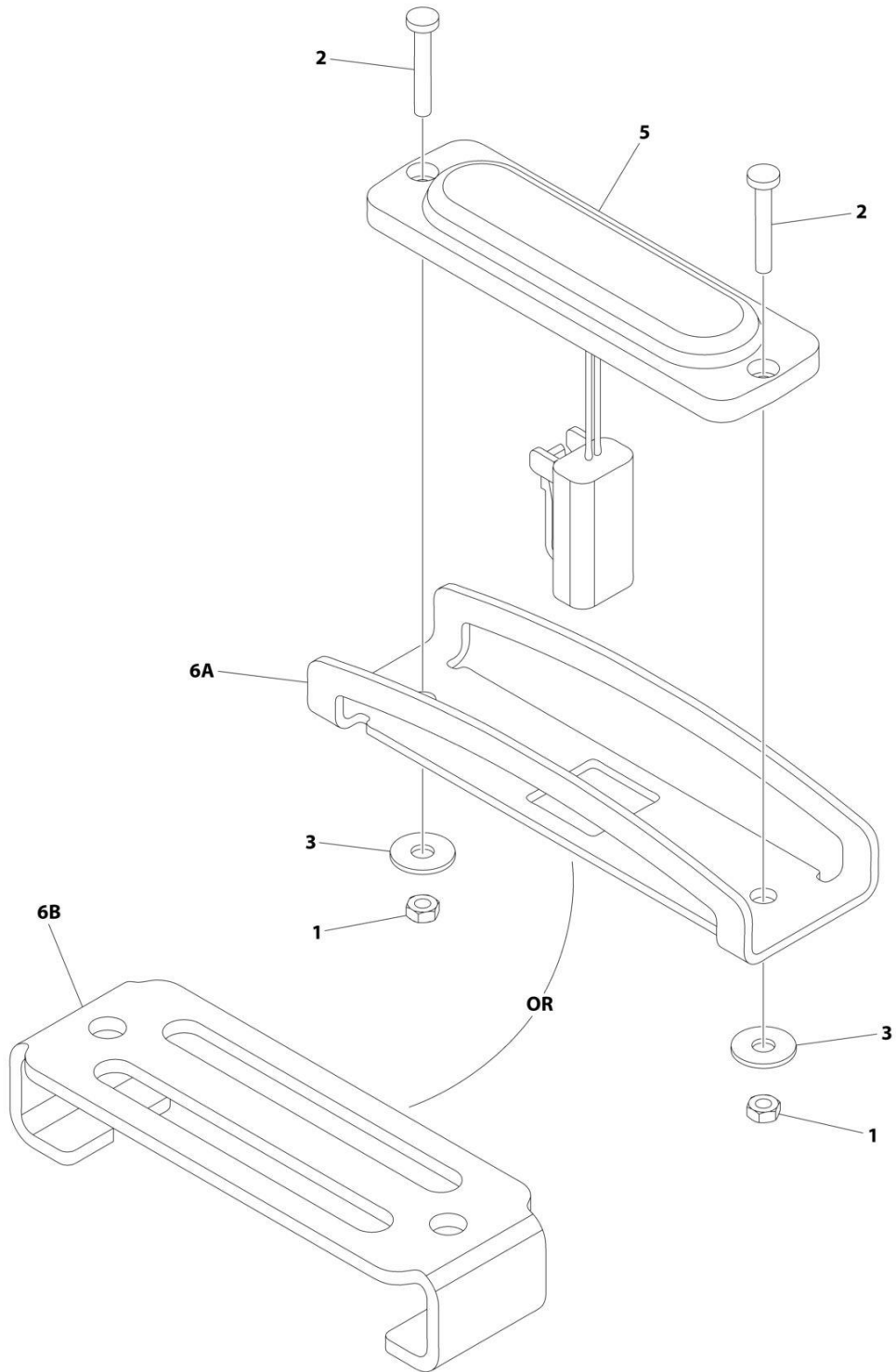
## SECTION 1 - FRAME

**FIGURE 1-24. STROBE LIGHT INSTALLATION - DUAL SAMMOON BRAND (WITH GUARD)**

ITEM	PART NUMBER	QTY	DESCRIPTION	REV
	1001238865	Ref	STROBE LIGHT INSTALLATION - DUAL (WITH GUARD)	A
1	3290405	4	Nut M4	
2	4031511	4	Bolt M4 x 35	
3	4240018	4	Tie-Strap (Not Shown)	
4	4811400	4	Washer M4	
5	1001215216	1	Strobe Light Jumper Harness (Not Shown)	
5	4460897	2	Receptacle, Female - 2 Position	
5	4460464	4	Pin, Male	
5	4460891	1	Plug, Male - 2 Position	
5	4460465	2	Socket, Female	
6	1001220766	4	Sleeve	
7	1001233479	2	Light, Strobe	
7	4460891	1	Plug, Male - 2 Position	
7	4460465	2	Socket, Female	
7	4460865	1	Guard (Must be Purchased Separately) (Not Shown)	
8	1001233998	2	Guard	

# SECTION 1 - FRAME

## FIGURE 1-25. STROBE LIGHT INSTALLATION - DUAL SLIM (AMBER) (WITH GUARD)



ART\_1001242990



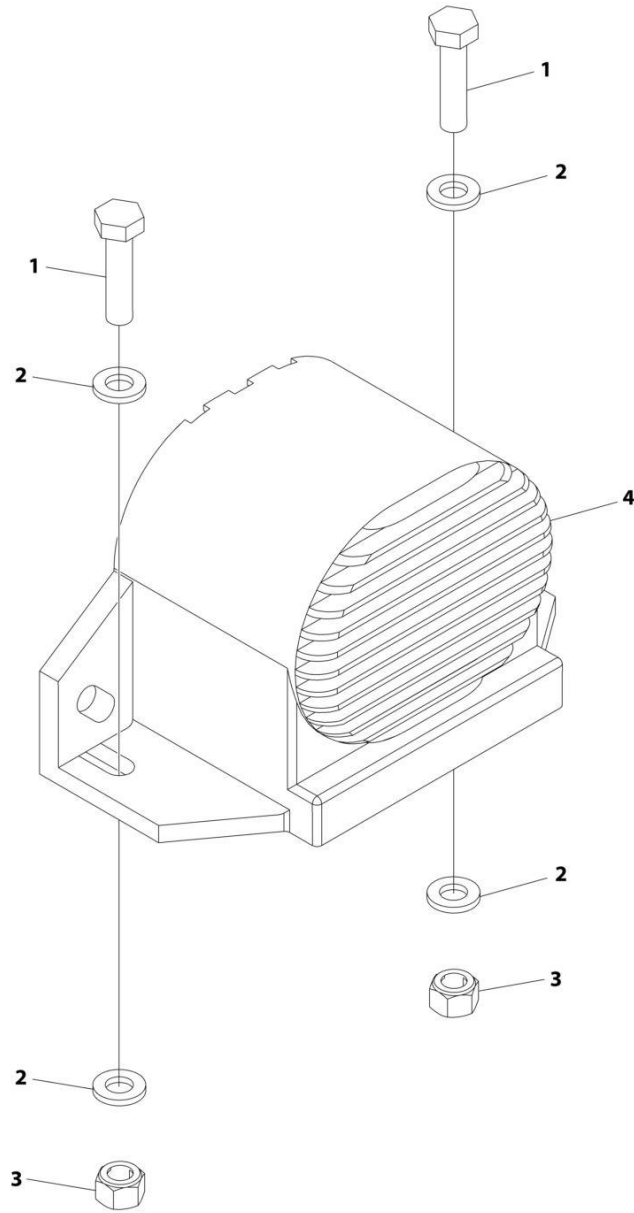
## SECTION 1 - FRAME

**FIGURE 1-25. STROBE LIGHT INSTALLATION - DUAL SLIM (AMBER) (WITH GUARD)**

ITEM	PART NUMBER	QTY	DESCRIPTION	REV
	1001242990	Ref	STROBE LIGHT INSTALLATION - DUAL (AMBER) (WITH GUARD)	D
1	3290305	4	Nut M3	
2	4010310	4	Screw M3 x 20	
3	1001091102	4	Washer M4	
4	1001215216	1	Strobe Light Jumper Harness (Not Shown)	
4	4460897	2	Receptacle, Female - 2 Position	
4	4460464	4	Pin, Male	
4	4460891	1	Plug, Male - 2 Position	
4	4460465	2	Socket, Female	
5	1001239224	2	Light, Strobe	
5	4460891	1	Plug, Male - 2 Position	
5	4460465	2	Socket, Female	
6A	1001242539	2	Guard	
6B	1001239661	2	Cover	
7	4240018	AR	Tie-Strap (Not Shown)	

# SECTION 1 - FRAME

FIGURE 1-26. ALARM INSTALLATION (AMBIENT/WHITE NOISE)



ART\_1001214150

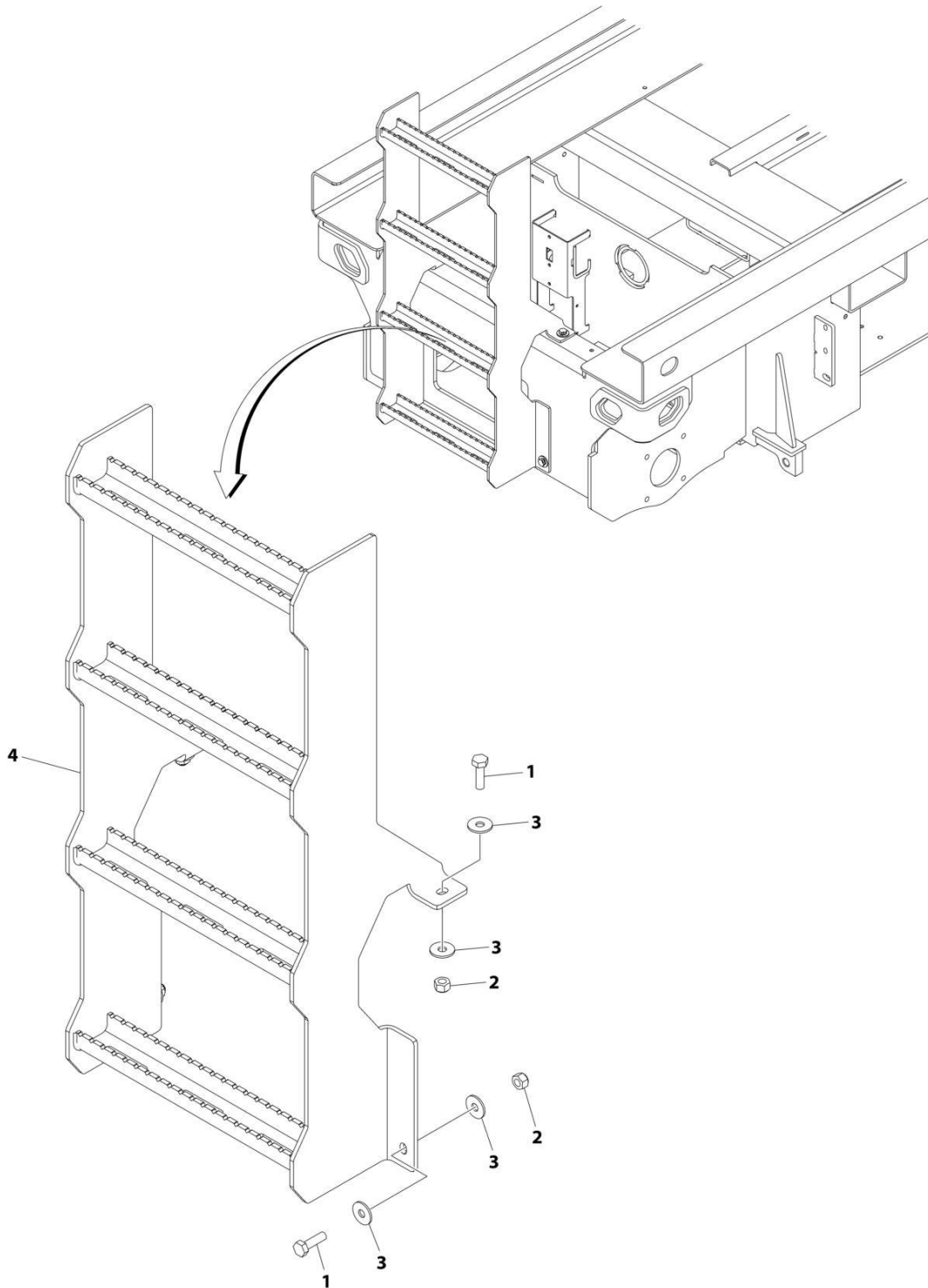
# SECTION 1 - FRAME

## FIGURE 1-26. ALARM INSTALLATION (AMBIENT/WHITE NOISE)

ITEM	PART NUMBER	QTY	DESCRIPTION	REV
	1001214150	Ref	ALARM INSTALLATION (AMBIENT/WHITE NOISE)	B
1	0760612	2	Bolt M6 x 25	
2	4811700	4	Washer M6	
3	3290605	2	Nut, Tinnerman M6	
4	1001182806	1	Alarm	
4	4460897	1	Receptacle, Female - 2 Position	
4	4460464	2	Pin, Male	

# SECTION 1 - FRAME

## FIGURE 1-27. LADDER INSTALLATION



ART\_1001214219

**FIGURE 1-27. LADDER INSTALLATION**

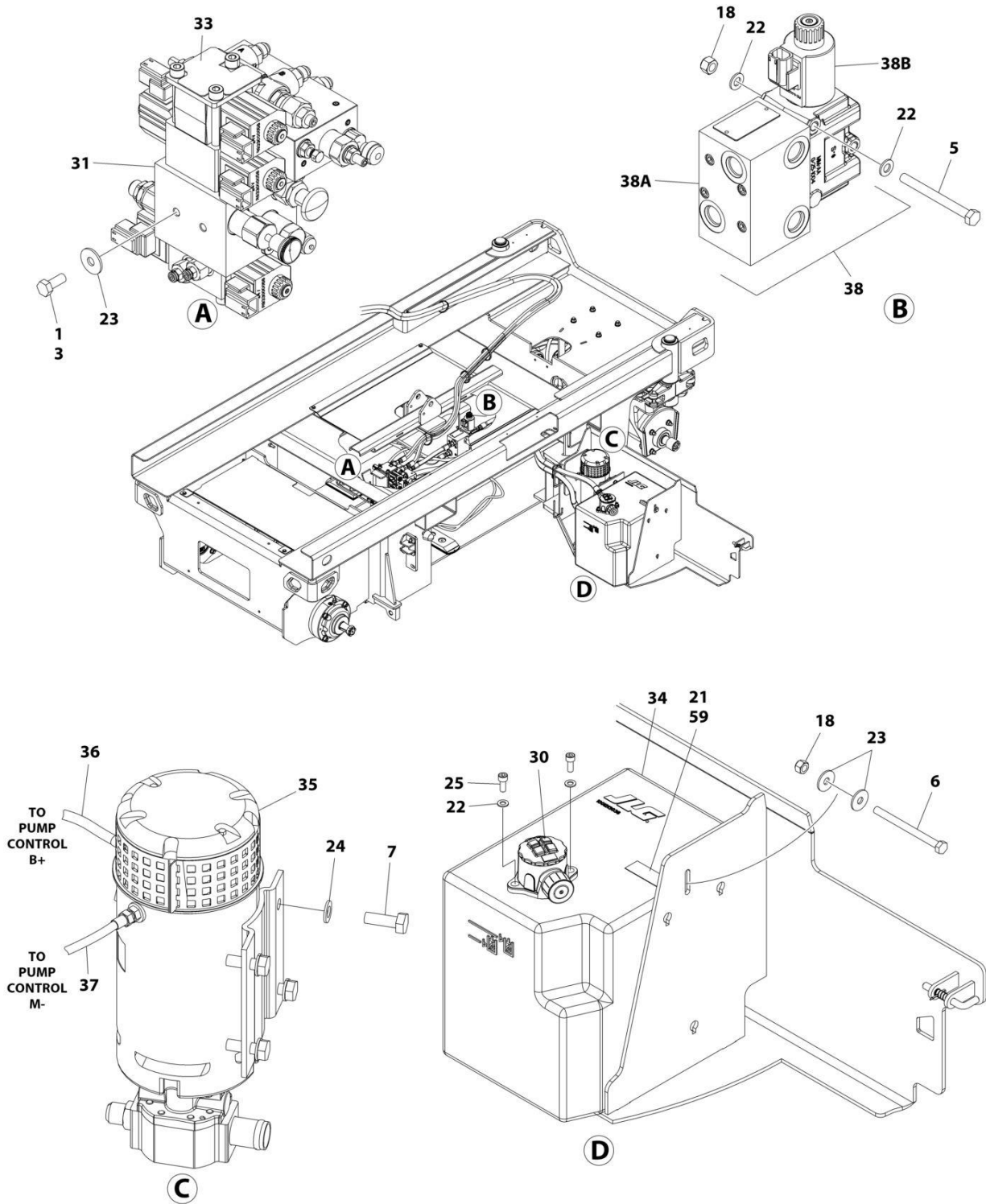
<b>ITEM</b>	<b>PART NUMBER</b>	<b>QTY</b>	<b>DESCRIPTION</b>	<b>REV</b>
	1001214219	Ref	LADDER INSTALLATION	A
1	0761015	4	Bolt M10 x 35	
2	3291005	4	Nut M10	
3	4812002	8	Washer M10	
4	1001217216	1	Ladder	



**SECTION 2 - GROUND CONTROLS**

# SECTION 2 - GROUND CONTROLS

## FIGURE 2-1. HYDRAULIC COMPONENTS INSTALLATION



ART\_1001213815\_10F2



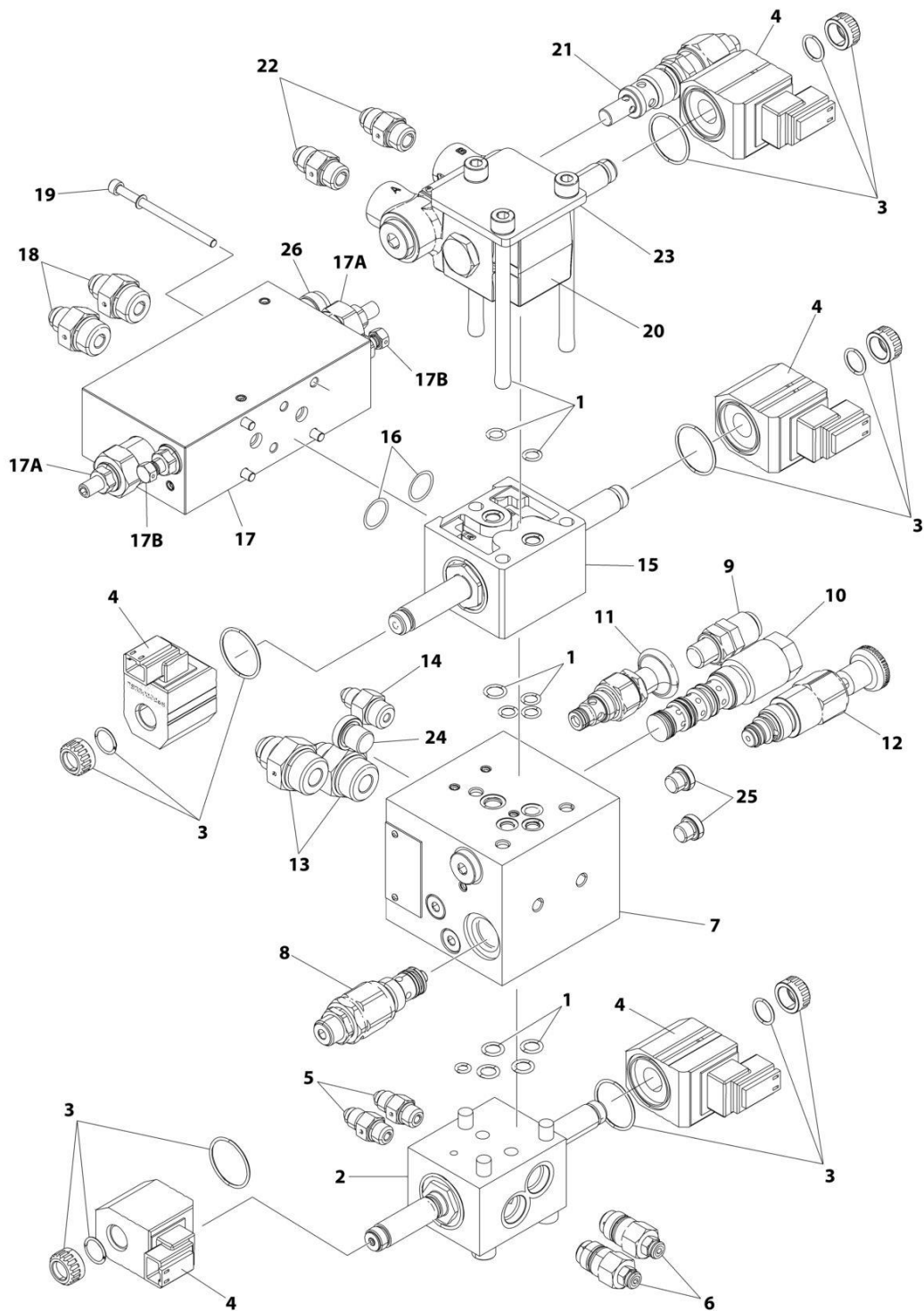
## SECTION 2 - GROUND CONTROLS

### FIGURE 2-1. HYDRAULIC COMPONENTS INSTALLATION

ITEM	PART NUMBER	QTY	DESCRIPTION	REV
	1001213815	Ref	HYDRAULIC COMPONENTS INSTALLATION	J
1	0100011	AR	Compound, Locking	
3	0760810	2	Bolt M8 x 20	
5	0700825	2	Bolt M8 x 85	
6	0760827	1	Bolt M8 x 100 (Prior to SN B200046105, Prior to SN 0200267008)	
6	0760812	1	Bolt M8 x 25 (SN B200046105 to Present, SN 0200267008 to Present, SN M200000001 to Present)	
7	0761014	4	Bolt M10 x 30	
18	3290805	AR	Nut M8	
21	4420062	3 in/ 75mm	Tape	
22	4811900	AR	Washer M8	
23	4811902	4	Washer M8	
24	4812000	4	Washer M10	
25	5271808	2	Capscrew M8 x 20	
30	1001202851	1	Filter, Hydraulic	
30	70005423	1	Service Kit (Includes Element & Cap & Bowl O-Rings)	
30	70007946	1	O-Ring, Bowl	
31	1001215433	1	Main Valve Assembly (See Separate Breakdown in this Section)	
33	1001212294	1	Decal - Manifold	
34	1001213036	1	Tank, Hydraulic	
35	1001213875	1	Motor/Pump Assembly	
35	70006351	1	Motor, Replacement	
35	70006352	1	Pump, Replacement	
35	70005816	1	Pump Seal & Mounting Kit (Includes Shaft Seal, Retaining Ring, Gasket, Bolts & Washers)	
36	1001214875	1	Cable, Pump (+)	
37	1001214876	1	Cable, Pump (-)	
38	1001215434	1	Traction Valve Assembly	
38	70006295	4	Screw	
38A	70004465	1	Valve, Flow Divider	
38A	70004164	1	Seal Kit - 70004465 Valve	
38B	70006296	1	Valve, Diverter	
38B	70006297	1	Coil	
38B	70006298	1	Seal, Interface	
38B	70006299	1	Coil Seal & Nut Kit	
59	1001231841	1	Bracket, Hydraulic Tank (SN B200046105 to Present, SN 0200267008 to Present, SN M200000001 to Present)	

# SECTION 2 - GROUND CONTROLS

## FIGURE 2-2. VALVE ASSEMBLY



ART\_1001215433

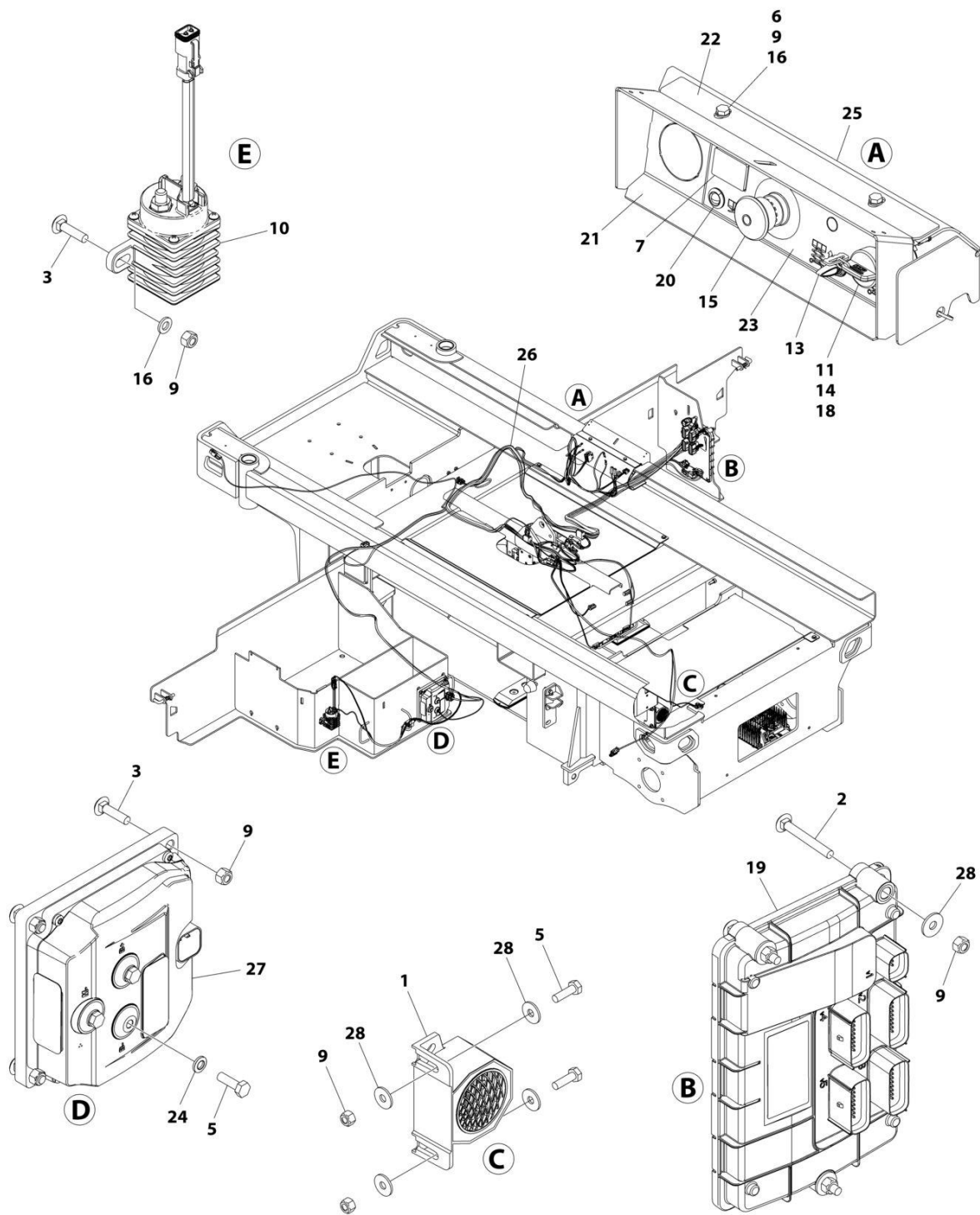
## SECTION 2 - GROUND CONTROLS

### FIGURE 2-2. VALVE ASSEMBLY

ITEM	PART NUMBER	QTY	DESCRIPTION	REV
	1001215433	Ref	VALVE ASSEMBLY	A
1	70005891	1	Assembly Kit (Includes Assembly Hardware and Seals Between Valve Blocks)	
2	70006302	1	Valve Assembly Less Coil (Steer)	
3	70021209	5	Coil Retainer Kit	
4	70005893	5	Coil	
5	2220415	2	Fitting, Straight	
6	70006301	3	Valve, Cartridge (Steer)	
7	See Note	NSS	Block, Valve (Entry Valve) (Note: Use p/n 1001215433)	
8	70005896	1	Valve, Cartridge	
9	2221086	1	Fitting, Hydraulic Test	
10	70005898	1	Valve, Cartridge	
11	70005899	1	Valve, Cartridge	
12	70005900	1	Valve, Cartridge	
13	2220374	2	Fitting, Straight JIC/ORB	
14	2220582	1	Fitting, Straight JIC/ORB	
15	70005903	1	Valve Assembly Less Coil (Lower Drive Valve)	
16	70005904	1	Seal Kit	
17	70006300	1	Valve Assembly (Upper Drive Valve)	
17A	See Note	NSS	Valve, Cartridge (Note: Use p/n 70006300)	
17B	See Note	NSS	Valve, Cartridge (Note: Use p/n 70006300)	
18	2220372	2	Fitting, Straight JIC/ORB	
19	70005907	1	Hardware Kit - Valve Mounting	
20	70005908	1	Valve Assembly Less Coil (Lift)	
21	70005909	1	Valve, Cartridge	
22	2220371	2	Fitting, Straight JIC/ORB	
23	70005911	1	Plate, End	
24	70005912	1	Plug	
25	70005913	2	Plug	
26	70005914	1	Valve, Cartridge	

# SECTION 2 - GROUND CONTROLS

## FIGURE 2-3. ELECTRICAL COMPONENTS INSTALLATION (CHINA BUILT MACHINES)



ART\_1001217492

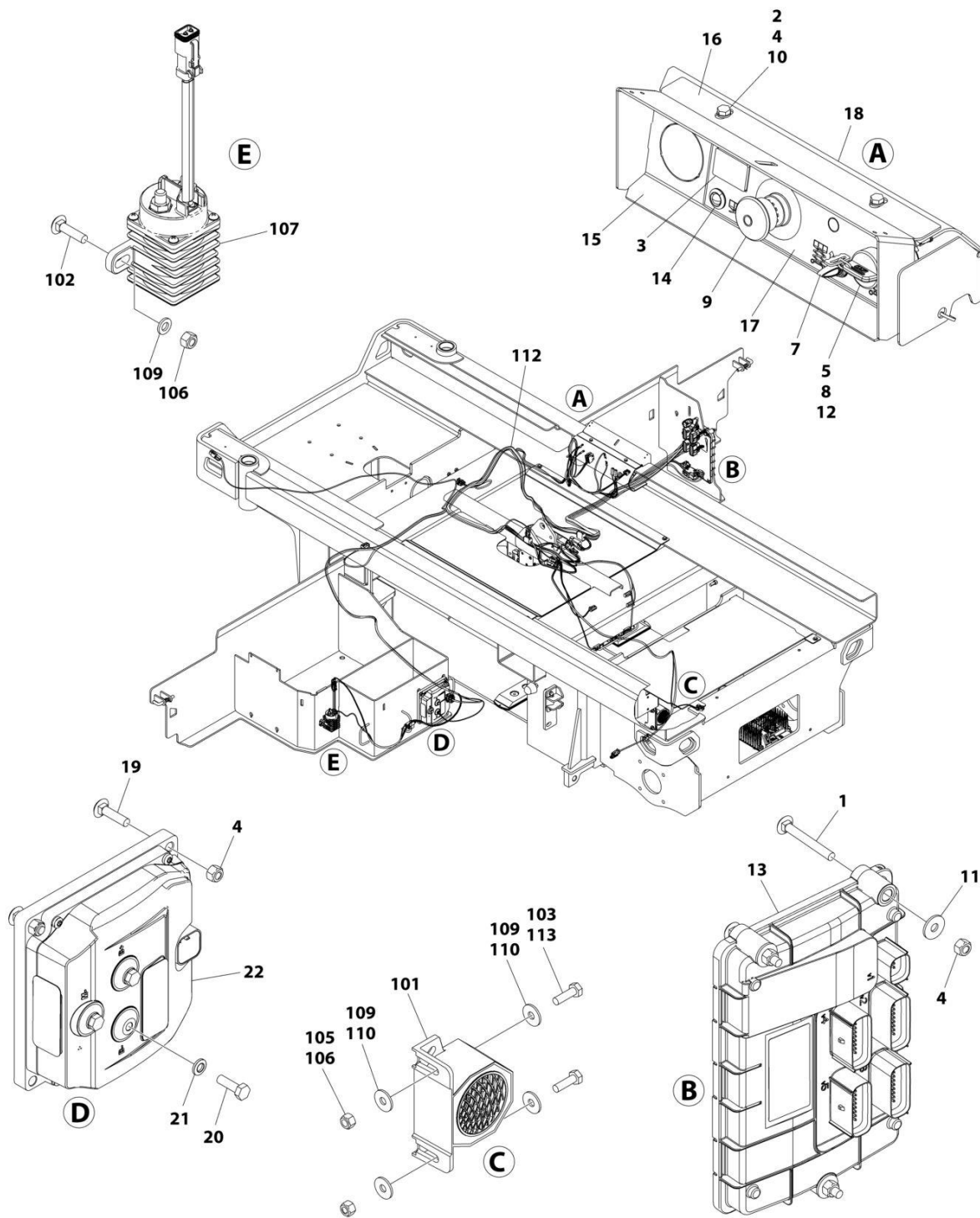
## SECTION 2 - GROUND CONTROLS

**FIGURE 2-3. ELECTRICAL COMPONENTS INSTALLATION (CHINA BUILT MACHINES)**

ITEM	PART NUMBER	QTY	DESCRIPTION	REV
	1001217492	Ref	ELECTRICAL COMPONENTS INSTALLATION (CHINA BUILT MACHINES)	D
1	0140043	1	Alarm	
2	0630586	3	Bolt M6 x 50	
3	0630587	4	Bolt M6 x 25	
5	0760610	AR	Bolt M6 x 20	
6	0760612	2	Bolt M6 x 25	
7	2420172	1	Hourmeter	
9	3290605	AR	Nut M6	
10	3740150	1	Relay	
11	3910804	3	Screw #8 x 1/4	
12	4240017	AR	Tie-Strap (Not Shown)	
13	4360328	1	Switch, Toggle	
14	4360469	1	Switch, Key	
14	2860030	1 Set	Key, Replacement	
15	4360475	1	Switch, Emergency Stop	
15	7020175	1	Cap	
15	7020176	1	Block, Contact	
16	4811700	6	Washer M6 <b>(Prior to SN B200045699)</b>	
18	1001130590	1	Plate, Key Switch	
19	1001200629	1	Module, Control (Note: Recalibration Required when Replaced)	
20	1001200631	1	Light, Indicator (Red)	
21	1001207214	1	Support	
22	1001207215	1	Bracket	
23	1001209682	1	Decal - Ground Control	
24	1001210966	3	Washer	
25	1001214088	1	Cover, Rubber <b>(Prior to SN B200045699)</b>	
25	1001231264	1	Bracket, Ground Control Back <b>(SN B200045699 to Present)</b>	
26	1001214596	1	Chassis Harness (See Separate Breakdown in ELECTRICAL SECTION)	
27	1001216062	1	Module, Power (Note: Recalibration Required when Replaced)	
28	4811702	AR	Washer M6	

# SECTION 2 - GROUND CONTROLS

## FIGURE 2-4. ELECTRICAL COMPONENTS INSTALLATION (USA & MEXICO BUILT MACHINES)



ART\_1001223790

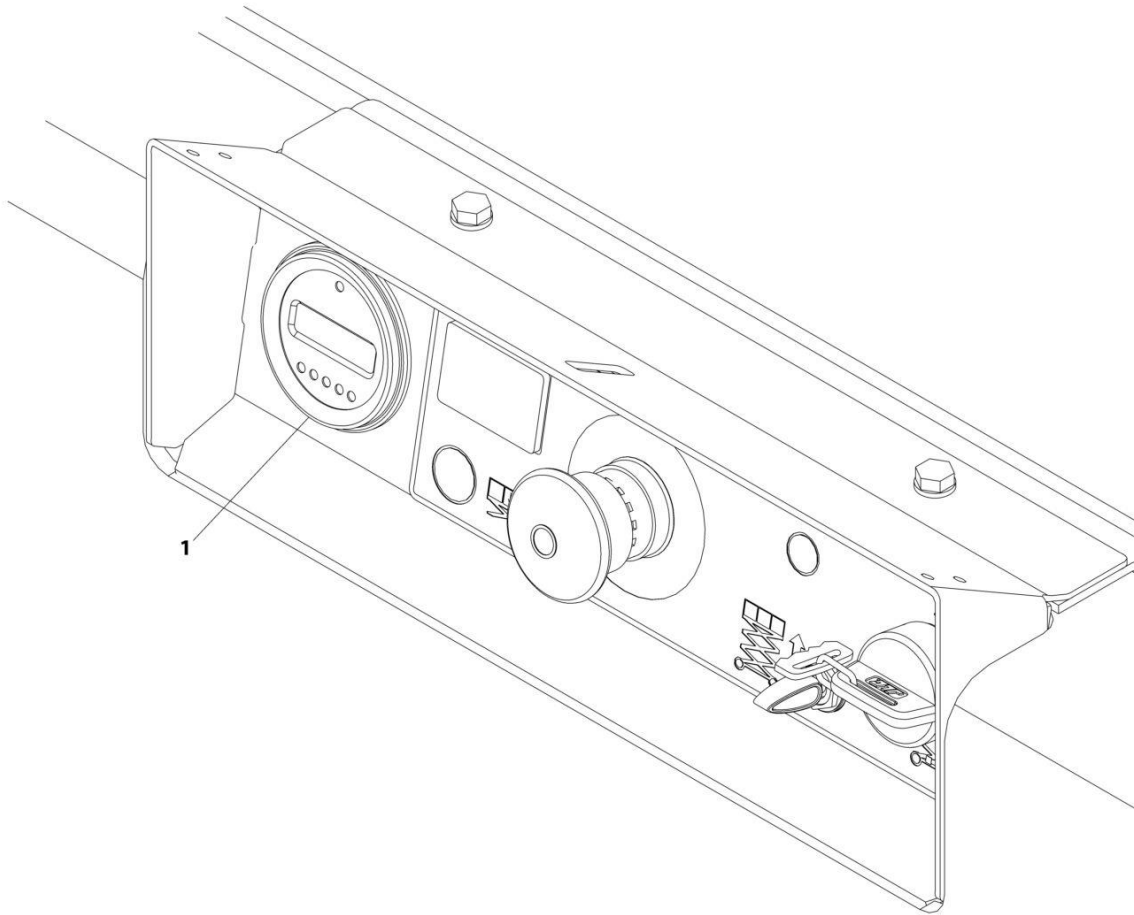
## SECTION 2 - GROUND CONTROLS

**FIGURE 2-4. ELECTRICAL COMPONENTS INSTALLATION (USA & MEXICO BUILT MACHINES)**

ITEM	PART NUMBER	QTY	DESCRIPTION	REV
		Ref	ELECTRICAL COMPONENTS INSTALLATION (USA & MEXICO BUILT MACHINES)	
	1001223790	Ref	GOUND CONTROL AND MODULE INSTALLATION	D
1	0630586	3	Bolt M6 x 50	
2	0760612	2	Bolt M6 x 25	
3	2420172	1	Hourmeter	
4	3290605	AR	Nut M6	
5	3910804	3	Screw #8 x 1/4	
6	4240017	AR	Tie-Strap (Not Shown)	
7	4360328	1	Switch, Toggle	
8	4360469	1	Switch, Key	
8	2860030	1 Set	Key, Replacement	
9	4360475	1	Switch, Emergency Stop	
9	7020175	1	Cap	
9	7020176	1	Block, Contact	
10	4811700	4	Washer M6 ( <b>Prior to SN 0200266823</b> )	
11	4811702	AR	Washer M6	
12	1001130590	1	Plate. Key Switch	
13	1001200629	1	Module, Control (Note: Recalibration Required when Replaced)	
14	1001200631	1	Light, Indicator (Red)	
15	1001207214	1	Support	
16	1001207215	1	Bracket	
17	1001209682	1	Decal - Ground Control	
18	1001214088	1	Cover, Rubber ( <b>Prior to SN 0200266823</b> )	
18	1001231264	1	Bracket, Ground Control Back ( <b>SN 0200266823 to Present, SN M200000001 to Present</b> )	
19	0630587	2	Bolt M6 x 25	
20	0760610	3	Bolt M6 x 20	
21	1001210966	3	Washer	
22	1001216062	1	Control, Power (Note: Recalibration Required when Replaced)	
	1001223446	Ref	ALARM, RELAY AND POWER MODULE INSTALLATION	C
101	0140043	1	Alarm	
102	0630587	2	Bolt M6 x 25	
103	0700408	AR	Bolt M4 x 16	
105	3290405	AR	Nut M4	
106	3290605	AR	Nut M6	
107	3740150	1	Relay	
108	4240017	AR	Tie-Strap (Not Shown)	
109	4811702	AR	Washer M6	
110	1001091102	AR	Washer M4	
112	1001214596	1	Chassis Harness (See Separate Breakdown in ELECTRICAL SECTION)	
113	0760610	AR	Bolt M6 x 20	

# SECTION 2 - GROUND CONTROLS

## FIGURE 2-5. MDI INSTALLATION



ART\_1001207293



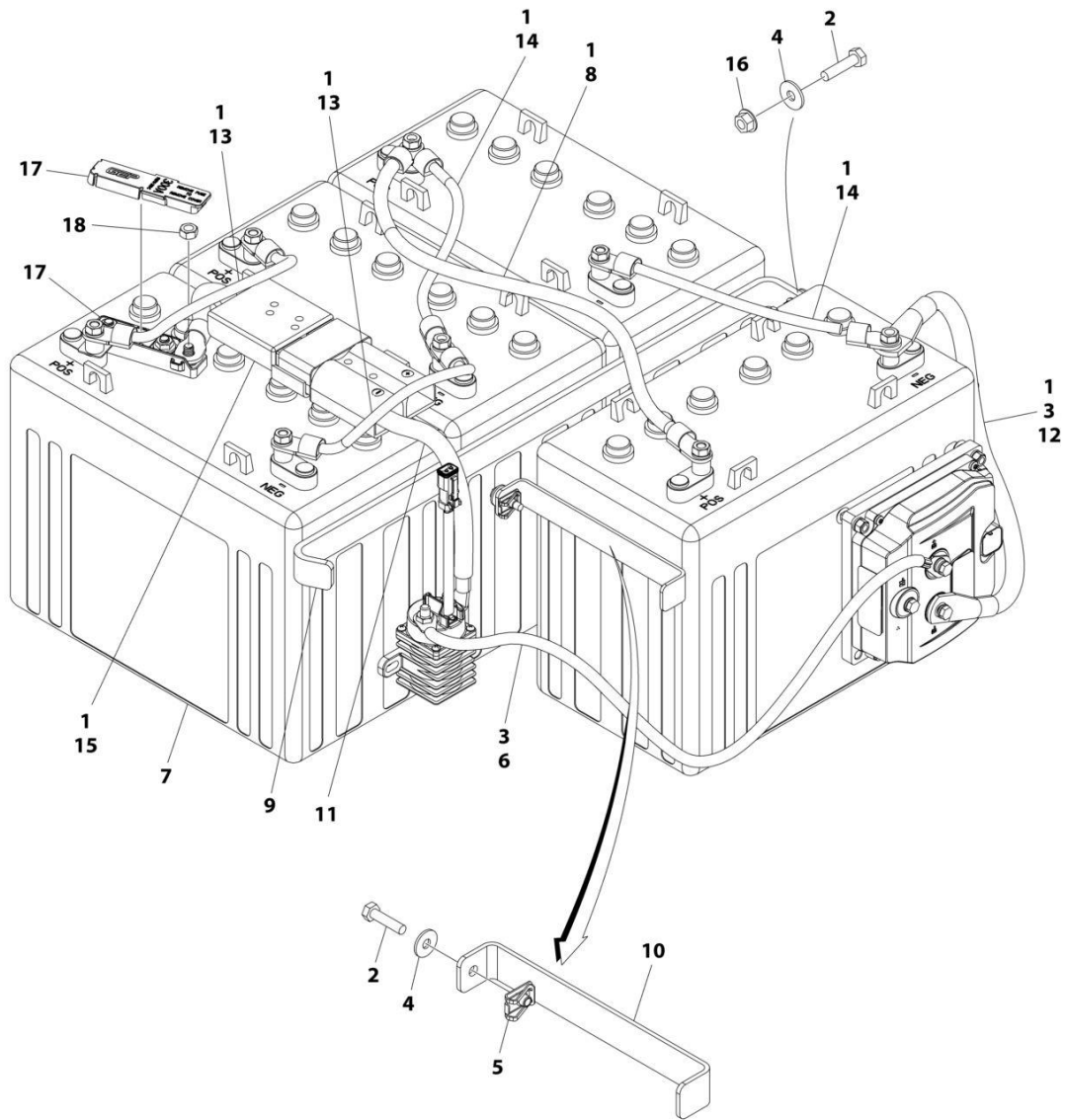
## SECTION 2 - GROUND CONTROLS

FIGURE 2-5. MDI INSTALLATION

ITEM	PART NUMBER	QTY	DESCRIPTION	REV
1	1001207293	Ref	MDI INSTALLATION	B
	1001200632	1	Gauge, MDI	

# SECTION 2 - GROUND CONTROLS

## FIGURE 2-6. BATTERIES INSTALLATION - STANDARD 12V-150AH



ART\_1001214913

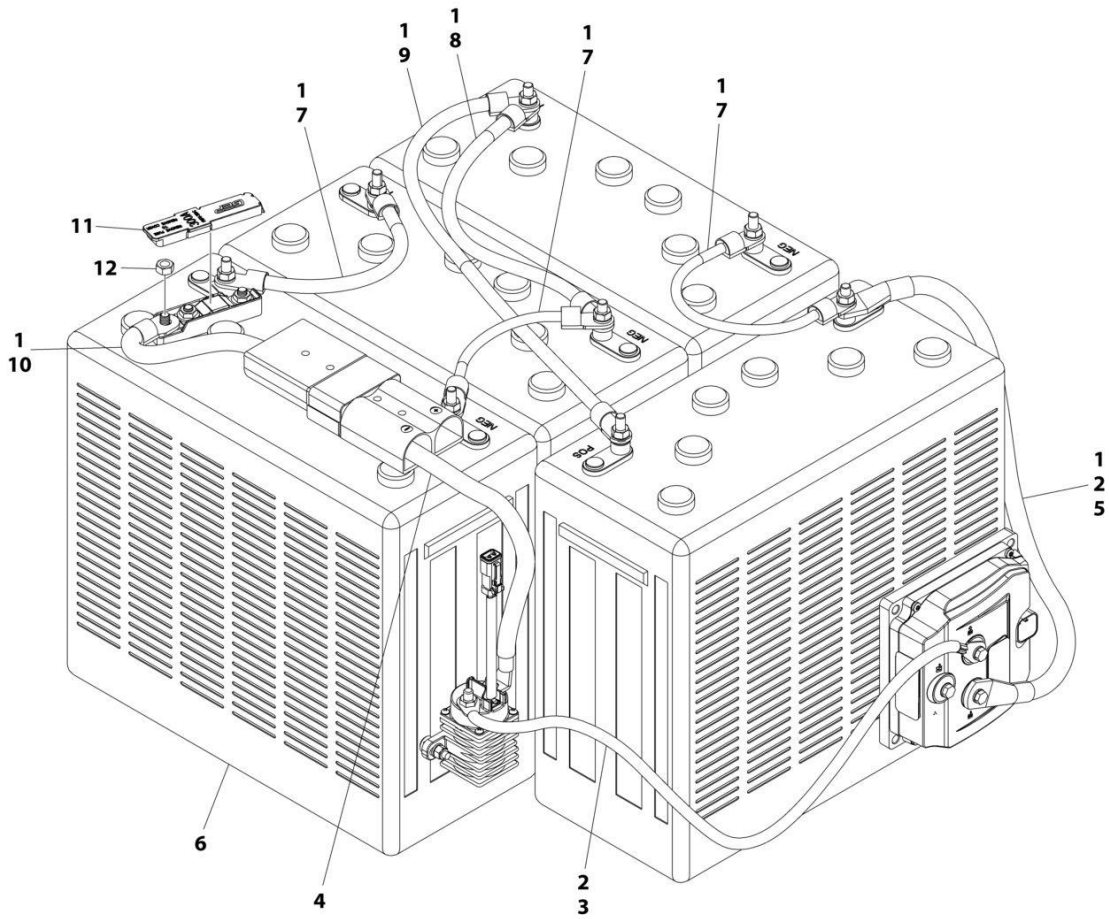
## SECTION 2 - GROUND CONTROLS

**FIGURE 2-6. BATTERIES INSTALLATION - STANDARD 12V-150AH**

ITEM	PART NUMBER	QTY	DESCRIPTION	REV
	1001214913	Ref	BATTERIES INSTALLATION - STANDARD 12V-150AH	D
1	0100051	AR	Grease, Terminal	
2	0760612	2	Bolt M6 x 25	
3	4240017	AR	Tie-Strap	
4	4811702	2	Washer M6	
5	8305919	1	Nut, Retainer, M6	
6	1001214877	1	Cable, Contactor to Pump Control B+ ( <b>Prior to SN B200040799, Prior to SN 0200266700</b> )	
7	1001214981	4	Battery	
8	1001216411	1	Cable, Battery (+ to -)	
9	1001220904	1	Bracket	
10	1001220905	1	Bracket	
11	1001214878	1	Cable, Contactor to Battery Disconnect	
11	4460290	1	Connector, Anderson	
12	1001214879	1	Cable, Battery to Pump Control B-	
13	1001216409	2	Cable	
14	1001216410	2	Cable	
15	1001216417	1	Cable, Battery Disconnect +	
15	2400087	1	Fuse - 300Amp	
16	5260600	1	Nut, M6 Class 10	
17	1001229522	1	Holder, Mega Fuse 300A ( <b>SN B200040799 to Present, SN 0200266700 to Present, SN M200000001 to Present</b> )	
18	3290801	1	Nut M8 ( <b>SN B200040799 to Present, SN 0200266700 to Present, SN M200000001 to Present</b> )	

# SECTION 2 - GROUND CONTROLS

## FIGURE 2-7. BATTERIES INSTALLATION - STANDARD 12V-185AH



ART\_1001214915

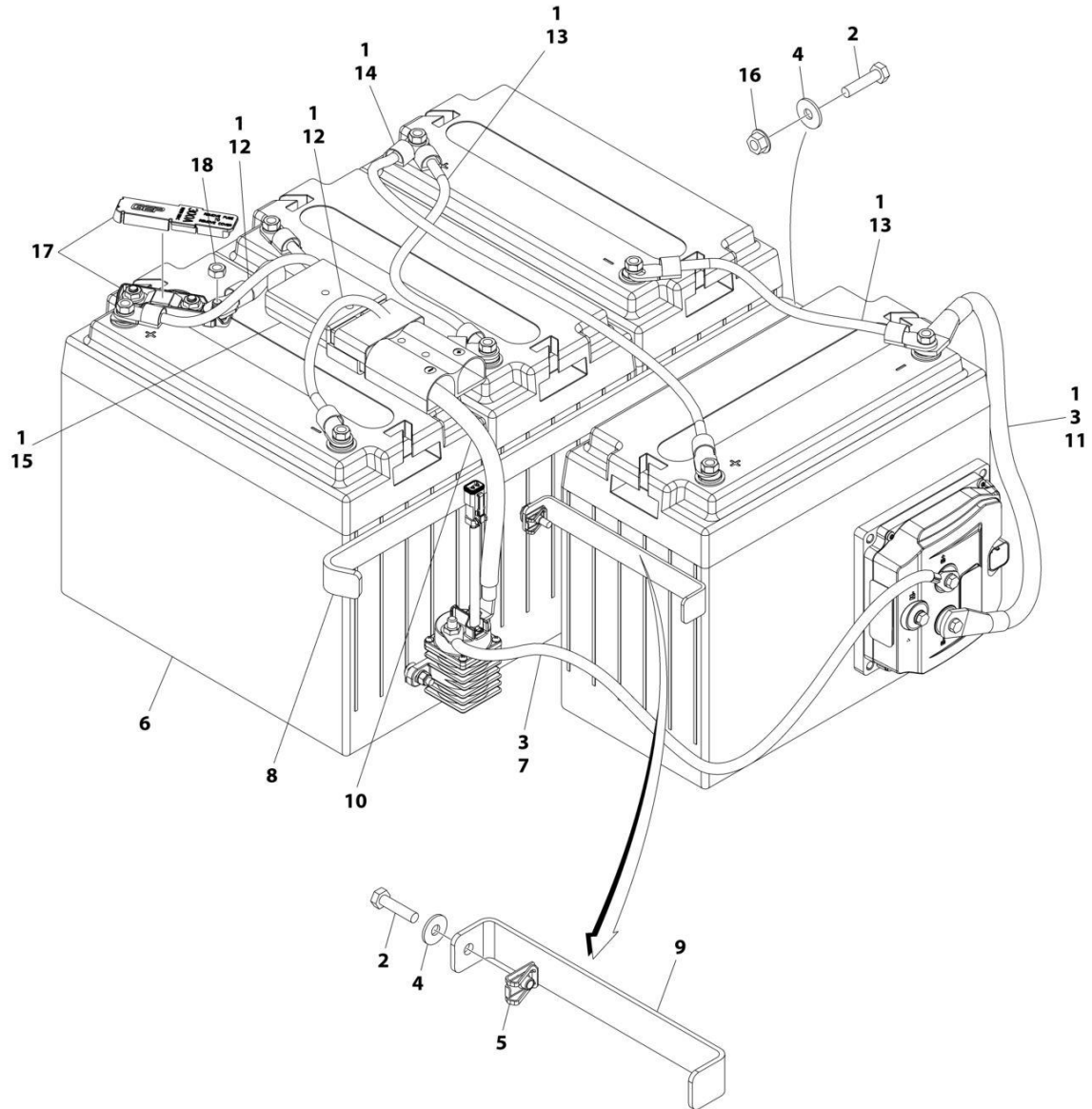
## SECTION 2 - GROUND CONTROLS

**FIGURE 2-7. BATTERIES INSTALLATION - STANDARD 12V-185AH**

ITEM	PART NUMBER	QTY	DESCRIPTION	REV
	1001214915	Ref	BATTERIES INSTALLATION - STANDARD 12V-185AH	D
1	0100051	AR	Grease, Terminal	
2	4240017	AR	Tie-Strap	
3	1001214877	1	Cable, Contactor to Pump Control B+ ( <b>Prior to SN B200040799, Prior to SN 0200266700</b> )	
4	1001214878	1	Cable, Contactor to Battery Disconnect	
4	4460290	1	Connector, Anderson	
5	1001214879	1	Cable, Battery - to Pump Control B-	
6	1001214980	4	Battery	
7	1001216409	3	Cable, Battery	
8	1001216410	1	Cable, Battery (+ to -)	
9	1001216411	1	Cable, Battery (+ to +)	
10	1001216417	1	Cable, Battery Disconnect to Fuse	
10	4460290	1	Connector, Anderson	
10	2400087	1	Fuse - 300Amp	
11	1001229522	1	Holder, Mega Fuse 300A ( <b>SN B200040799 to Present, SN 0200266700 to Present, SN M200000001 to Present</b> )	
12	3290801	1	Nut M8 ( <b>SN B200040799 to Present, SN 0200266700 to Present, SN M200000001 to Present</b> )	

# SECTION 2 - GROUND CONTROLS

## FIGURE 2-8. BATTERIES INSTALLATION - AGM 12V-150AH



ART\_1001214911

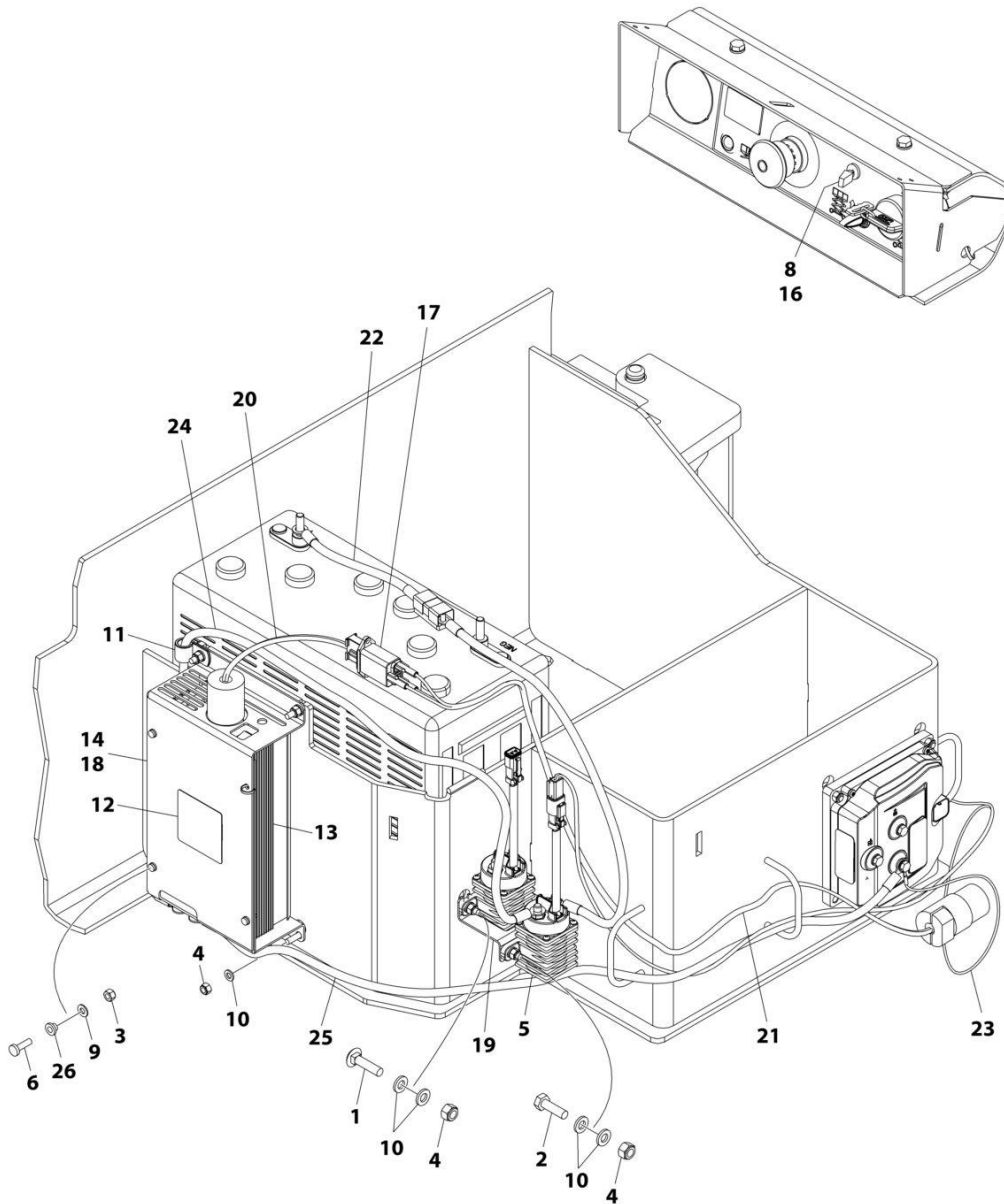
## SECTION 2 - GROUND CONTROLS

**FIGURE 2-8. BATTERIES INSTALLATION - AGM 12V-150AH**

ITEM	PART NUMBER	QTY	DESCRIPTION	REV
	1001214911	Ref	BATTERIES INSTALLATION - AGM 12V-150AH	D
1	0100051	AR	Grease, Terminal	
2	0760612	2	Bolt M6 x 25	
3	4240017	AR	Tie-Strap	
4	4811702	2	Washer M6	
5	8305919	1	Nut, Retainer, M6	
6	1001214309	4	Battery	
7	1001214877	1	Cable, Contactor to Pump Control B+ ( <b>Prior to SN B200040799, Prior to SN 0200266700</b> )	
8	1001220904	1	Bracket	
9	1001220905	1	Bracket	
10	1001214878	1	Cable, Contactor to Battery Disconnect	
10	4460290	1	Connector, Anderson	
11	1001214879	1	Cable, Battery to Pump Control B-	
12	1001216409	2	Cable, Battery	
13	1001216410	2	Cable, Battery	
14	1001216411	1	Cable, Battery (+ to +)	
15	1001216417	1	Cable, Battery Disconnect +	
15	2400087	1	Fuse - 300Amp	
16	5260600	1	Nut, M6 Class 10	
17	1001229522	1	Holder, Mega Fuse 300A ( <b>SN B200040799 to Present, SN 0200266700 to Present, SN M200000001 to Present</b> )	
18	3290801	1	Nut M8 ( <b>SN B200040799 to Present, SN 0200266700 to Present, SN M200000001 to Present</b> )	

# SECTION 2 - GROUND CONTROLS

## FIGURE 2-9. INVERTER INSTALLATION (OPTIONAL)



ART\_1001214215



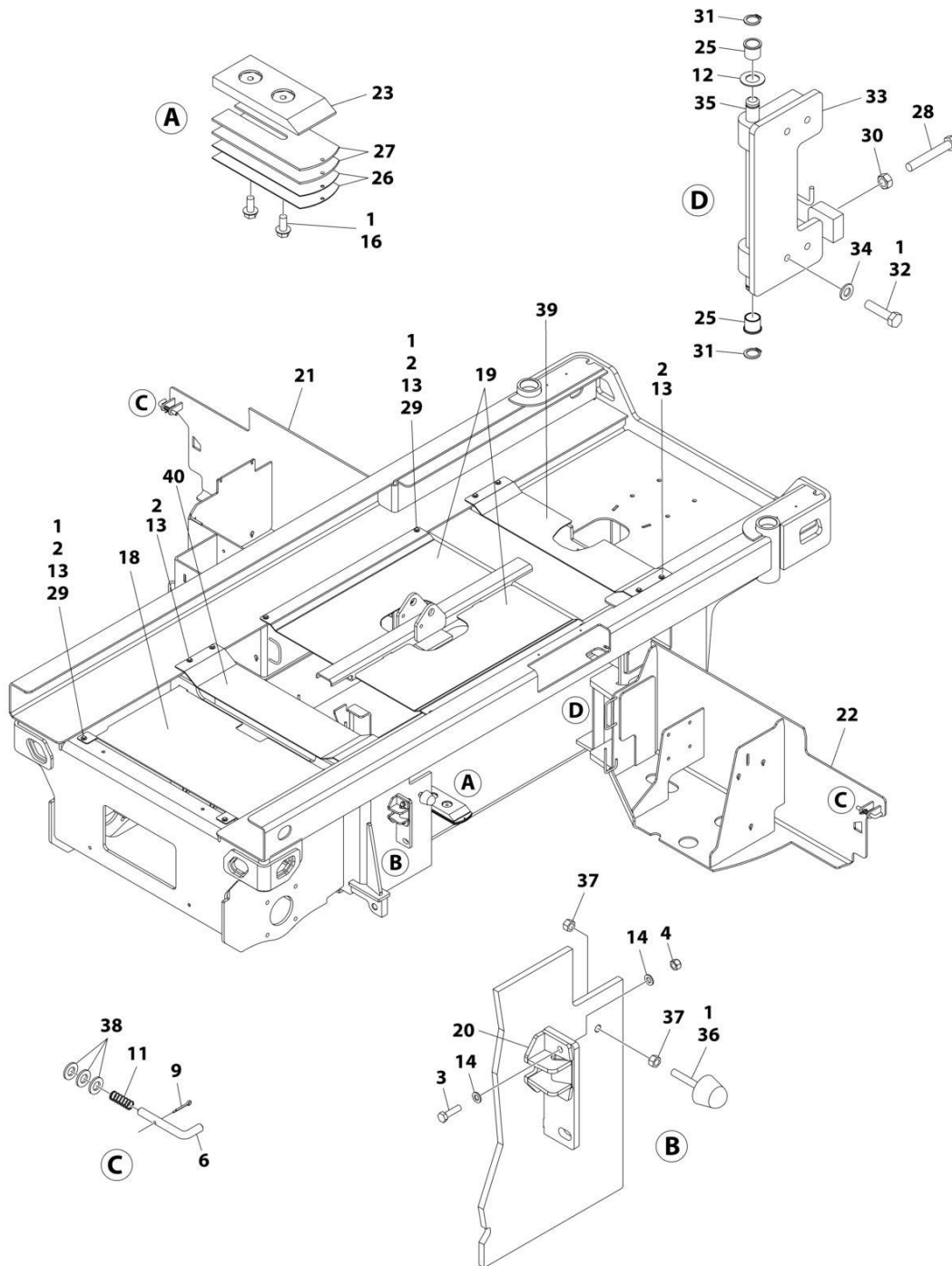
## SECTION 2 - GROUND CONTROLS

### FIGURE 2-9. INVERTER INSTALLATION (OPTIONAL)

ITEM	PART NUMBER	QTY	DESCRIPTION	REV
	1001214215	Ref	INVERTER INSTALLATION (OPTIONAL)	B
1	0630587	6	Bolt M6 x 25	
2	0760610	2	Bolt M6 x 20	
3	3290405	3	Nut M4	
4	3290605	8	Nut M6	
5	3740150	1	Relay	
6	1001101540	3	Screw M4 x 14	
7	4240017	AR	Tie-Strap (Not Shown)	
8	4360336	1	Switch, Toggle	
9	4811400	3	Washer M4	
10	4811700	8	Washer M6	
11	85941016	1	Clamp	
12	1001125483	1	Decal - Pressure Wash	
13	1001136757	1	Inverter	
14	1001142173	1	Insulate	
15	1001143009	1	Decal - Inverter (Not Shown - Located on LH side of Frame)	
16	1001143010	1	Decal - On/Off Inverter	
17	1001157547	1	Inverter	
18	1001210440	1	Support	
19	1001210605	1	Support	
20	1001210881	1	Cable, Inverter to AC Filter	
20	4460138	1	Plug, Male - 3 Prong	
20	1001157513	1	Plug, Male - 3 Position	
20	1001157790	3	Terminal	
21	1001210882	1	Cable AC Filter to AC Plug	
21	4460779	1	Receptacle, Female	
22	1001214880	1	Cable, Battery + to Relay	
23	1001214994	1	Harness, Inverter (See Separate Breakdown in ELECTRICAL SECTION)	
24	1001215215	1	Cable, Inverter + to Relay	
25	1001217445	1	Cable, Pump Control B- to Inverter -	
26	1001142174	3	Washer 1/8	

# SECTION 2 - GROUND CONTROLS

## FIGURE 2-10. DOORS INSTALLATION



ART\_1001216353

## SECTION 2 - GROUND CONTROLS

### FIGURE 2-10. DOORS INSTALLATION

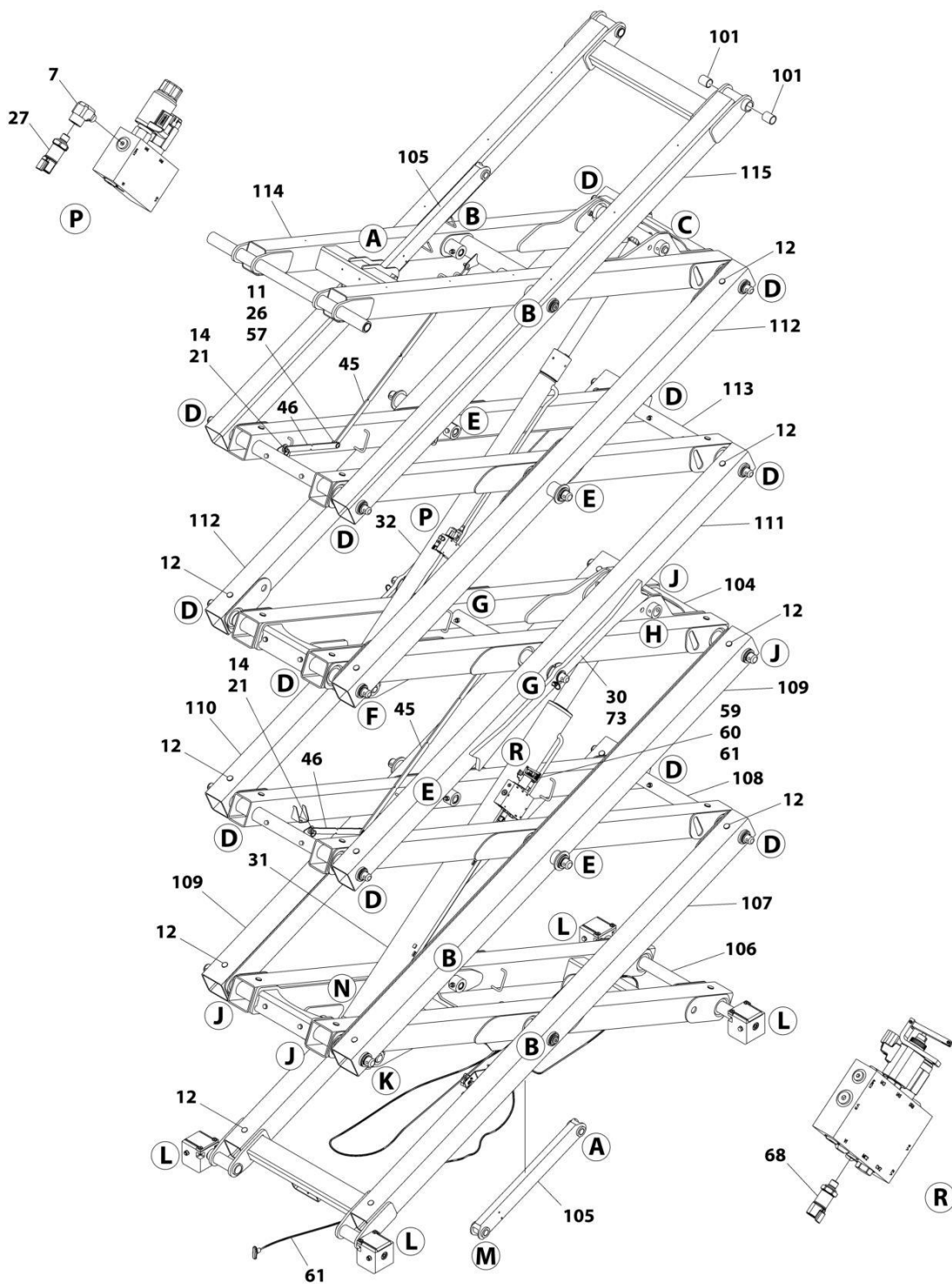
ITEM	PART NUMBER	QTY	DESCRIPTION	REV
	1001216353	Ref	DOORS INSTALLATION	F
1	0100011	AR	Compound, Locking	
2	0700612	AR	Bolt M6 x 25	
3	0700814	AR	Bolt M8 x 30	
3	0700817	AR	Bolt M8 x 45	
4	3290805	4	Nut M8	
6	3423243	2	Pin, Latch	
9	3450303	2	Pin	
11	4160214	2	Spring	
12	4740086	2	Washer	
13	4811702	AR	Washer M6	
14	4811902	AR	Washer M8	
16	5251011	4	Bolt M10 x 22	
18	1001217458	1	Cover	
19	1001217464	2	Panel	
20	1001217916	2	Bracket (Prior to SN B200045402)	
20	1001214810	2	Bracket (SN B200045402 to Present, SN M200000001 to Present, Including 0200000001)	
21	1001218048	1	Door, Battery	
22	1001218181	1	Door, Hydraulic	
23	1001218563	2	Pad, Wear	
25	1001218573	4	Bearing	
26	1001219828	4	Shim 18GA	
27	1001219829	4	Shim, Wear Pad 11GA	
28	0761224	2	Bolt M12 x 80	
29	3290605	AR	Nut M6	
30	3291201	2	Nut M12	
31	3760348	4	Ring, Retaining	
32	0761218001	8	Bolt M12 x 50	
33	1001223073	2	Hinge	
34	4812100001	8	Washer M12	
35	1001223171	2	Pin	
36	0940071	2	Bumper	
37	3271601	4	Nut 3/8	
38	4812000	AR	Washer M10	
39	1001234257	1	Panel (SN B200045793 to Present)	
40	1001234301	1	Panel (SN B200045793 to Present, SN M200000001 to Present, Including 0200000001)	



**SECTION 3 - SCISSORS ARMS**

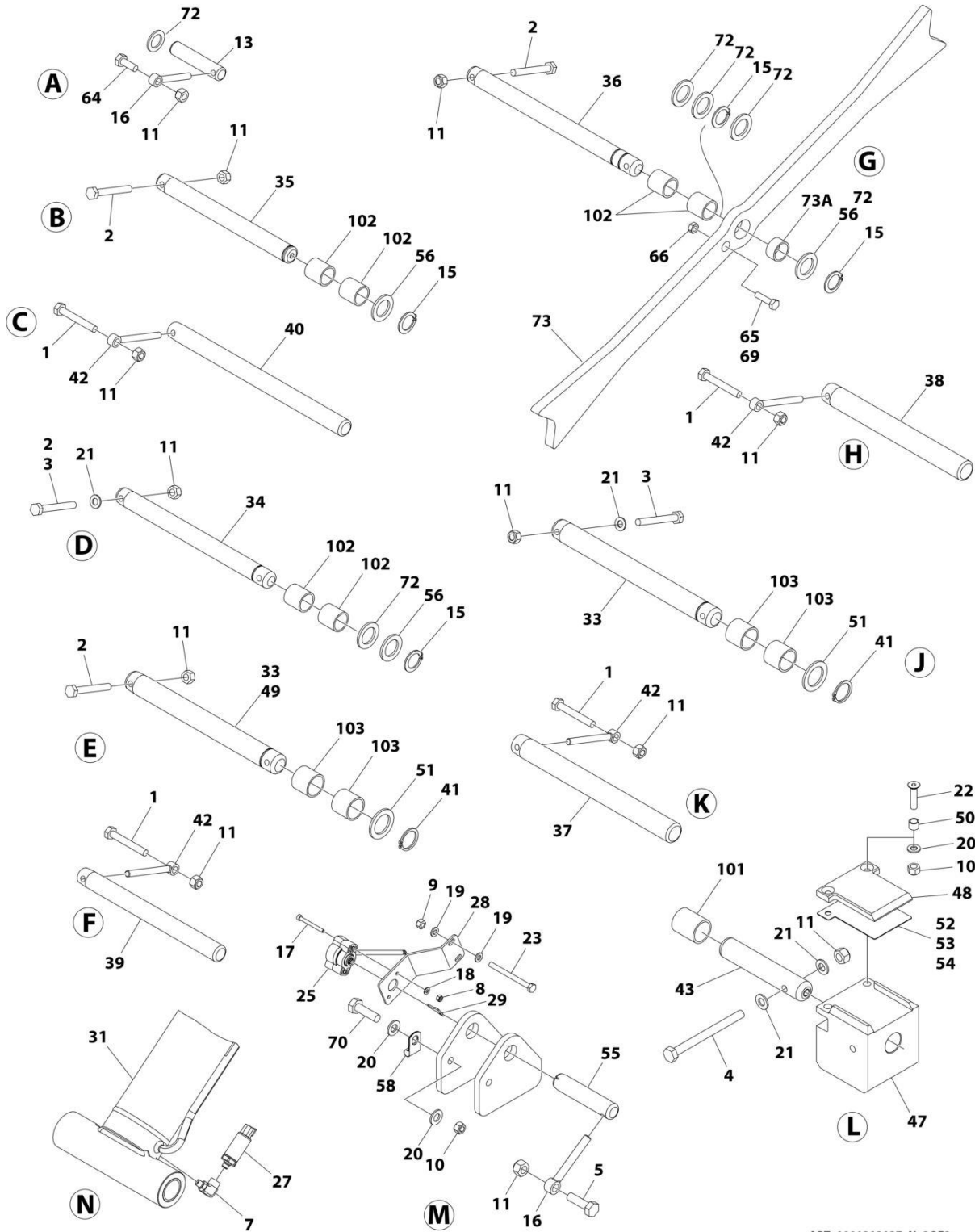
# SECTION 3 - SCISSORS ARMS

## FIGURE 3-1. SCISSORS ARMS INSTALLATION



ART\_1001213137\_N\_10F2

# SECTION 3 - SCISSORS ARMS



ART\_1001213137\_N\_20F2

# SECTION 3 - SCISSORS ARMS

## FIGURE 3-1. SCISSORS ARMS INSTALLATION

ITEM	PART NUMBER	QTY	DESCRIPTION	REV
	1001213137	Ref	SCISSORS ARMS INSTALLATION	N
1	0701022	4	Bolt M10 x 70	
2	0701024	18	Bolt M10 x 80	
3	0701025	8	Bolt M10 x 85	
4	0701030	AR	Bolt M10 x 130	
5	0701015	1	Bolt M10 x 35	
7	2221116	2	Fitting, 90 ORB/ORB	
8	3290405	2	Nut M4	
9	3290605	2	Nut M6	
10	3290805	9	Nut M8	
11	3291005	39	Nut M10	
12	1001228533	36	Pad	
13	3422943	2	Pin	
14	3760170	4	Ring, Split	
15	3760387	20	Ring, Retaining	
16	3841143	3	Keeper, Pin	
17	4031512	2	Capscrew M4 x 40	
18	4811400	2	Washer M4	
19	4811700	4	Washer M6	
20	4811900	10	Washer M8	
21	4812000	24	Washer M10	
22	1001094312	8	Screw M8 x 30	
23	1001096653	2	Bolt M6 x 70	
25	1001146963	1	Sensor, BEI Angle	
25	4460899	1	Receptacle, Female - 6 Position	
25	4460464	6	Pin, Male	
26	1001153195	6	Washer M10	
27	1001227516	2	Transducer, Pressure	
28	1001222308	1	Bracket	
29	1001234204	1	Key, Sensor	
31	1001212482	1	Lift Cylinder Assembly - Lower (See Separate Breakdown in CYLINDER SECTION)	
32	1001212483	1	Lift Cylinder Assembly - Upper (See Separate Breakdown in CYLINDER SECTION)	
33	1001214625	8	Pin	
34	1001214641	12	Pin	
35	1001214644	4	Pin	
36	1001231837	2	Pin	
37	1001214646	1	Pin	
38	1001214648	1	Pin	
39	1001214649	1	Pin	
40	1001214650	1	Pin	
41	1001214689	8	Ring, Reatining	
42	1001214907	4	Keeper, Pin	
43	1001215790	4	Pin	
45	1001216690	2	Support, Cable	
46	1001216691	2	Support, Cable	
47	1001216781	4	Block, Slide	
48	1001216792	4	Pad, Slide	
49	1001216808	NLA	Pin (Use P/N 1001214625)	

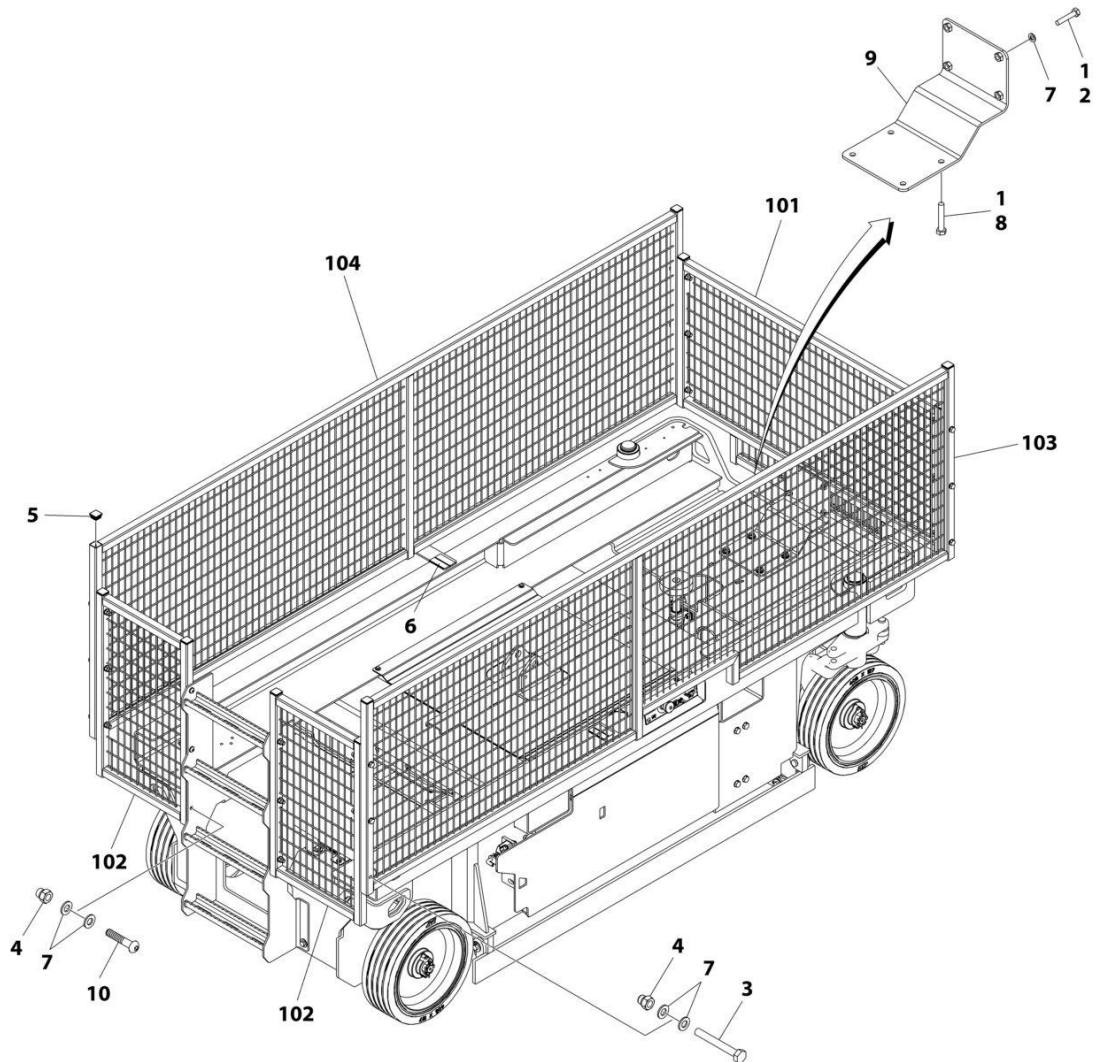


## SECTION 3 - SCISSORS ARMS

ITEM	PART NUMBER	QTY	DESCRIPTION	REV
50	1001217110	8	Sleeve	
51	1001217457	8	Washer	
52	1001217466	AR	Shim, 20 Gauge	
53	1001219834	AR	Shim, 15 Gauge	
54	1001219835	AR	Shim, 24 Gauge	
55	1001220144	1	Pin, Sensor	
56	1001220407	16	Washer	
57	1001174673	2	Screw M10 x 30	
58	8406003	1	Clamp	
59	3321402	1	Nut 1/4	
60	4160078	1	Spring	
61	1001218696	1	Cable, Manual Descent	
61	7020218	1	Handle	
62	1001216594	1	Lift Down Harness - Lower (Not Shown) (See Separate Breakdown in ELECTRICAL SECTION)	
63	1001216595	1	Lift Down Harness - Upper (Not Shown) (See Separate Breakdown in ELECTRICAL SECTION)	
64	0701014	2	Bolt M10 x 30	
65	0701016	2	Bolt M10 x 40	
66	3291001	2	Nut M10	
67	1001216593	1	LSS Harness (Not Shown - See Separate Breakdown in ELECTRICAL SECTION)	
68	1001225164	1	Sensor, Pressure Transducer	
69	0100011	AR	Compound, Locking	
70	0700814	1	Bolt M8 x 30	
72	1001231270	AR	Shim	
73	1001231890	2	Assembly, Safety Prop	
73A	1001227919	1	Bearing, Bronze	
	1001219766	Ref	ARM KIT	
101	0440266	8	Bearing	
102	0440267	36	Bearing	
103	0962272	16	Bearing	
104	1001211677	1	Arm - Inner 3	
105	1001211951	2	Link	
105	0962474	4	Bushing	
106	1001212768	1	Arm - Inner 1	
107	1001212795	1	Arm - Outer 1	
108	1001212829	1	Arm - Inner 2	
109	1001212958	2	Arm - Outer 2	
110	1001212963	1	Arm - Outer 3 (LH)	
111	1001212964	1	Arm - Outer 3 (RH)	
112	1001212967	2	Arm - Outer 4	
113	1001212970	1	Arm - Inner 4	
114	1001212971	1	Arm - Inner 5	
115	1001212972	1	Arm - Outer 5	

# SECTION 3 - SCISSORS ARMS

## FIGURE 3-2. ARM GUARD INSTALLATION



ART\_1001226220

## SECTION 3 - SCISSORS ARMS

**FIGURE 3-2. ARM GUARD INSTALLATION**

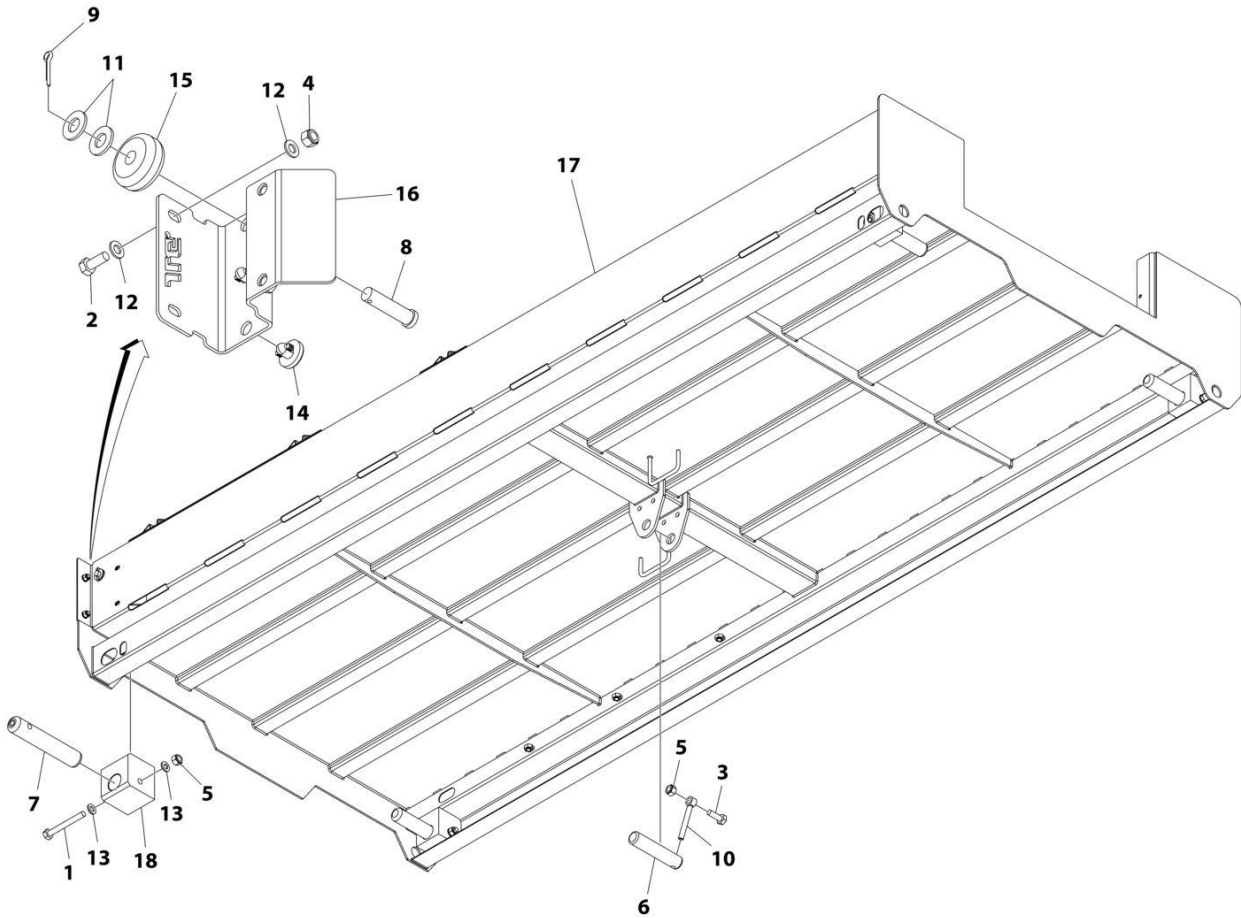
ITEM	PART NUMBER	QTY	DESCRIPTION	REV
	1001226220	Ref	ARM GUARD INSTALLATION	A
1	0100011	AR	Compound, Locking	
2	0701019	4	Bolt M10 x 55	
3	0701024	12	Bolt M10 x 80	
4	3291006	18	Nut M10	
5	3520072	10	Plug	
6	4420062	1 ft/30cm	Tape	
7	4812000	40	Washer M10	
8	1001098828	4	Bolt M12 x 70 Garde 10.9	
9	1001226215	1	Bracket	
10	1001229529	6	Screw M10 x 50	
100	1001226219	1	Arm Guard Kit (Not Shown)	
101	1001226216	1	Guard, Arm (Front)	
102	1001226218	2	Guard, Arm (Rear)	
103	1001229950	1	Guard, Arm (RH)	
104	1001229951	1	Guard, Arm (LH)	



**SECTION 4 - PLATFORM**

# SECTION 4 - PLATFORM

## FIGURE 4-1. PLATFORM INSTALLATION



ART\_1001213267

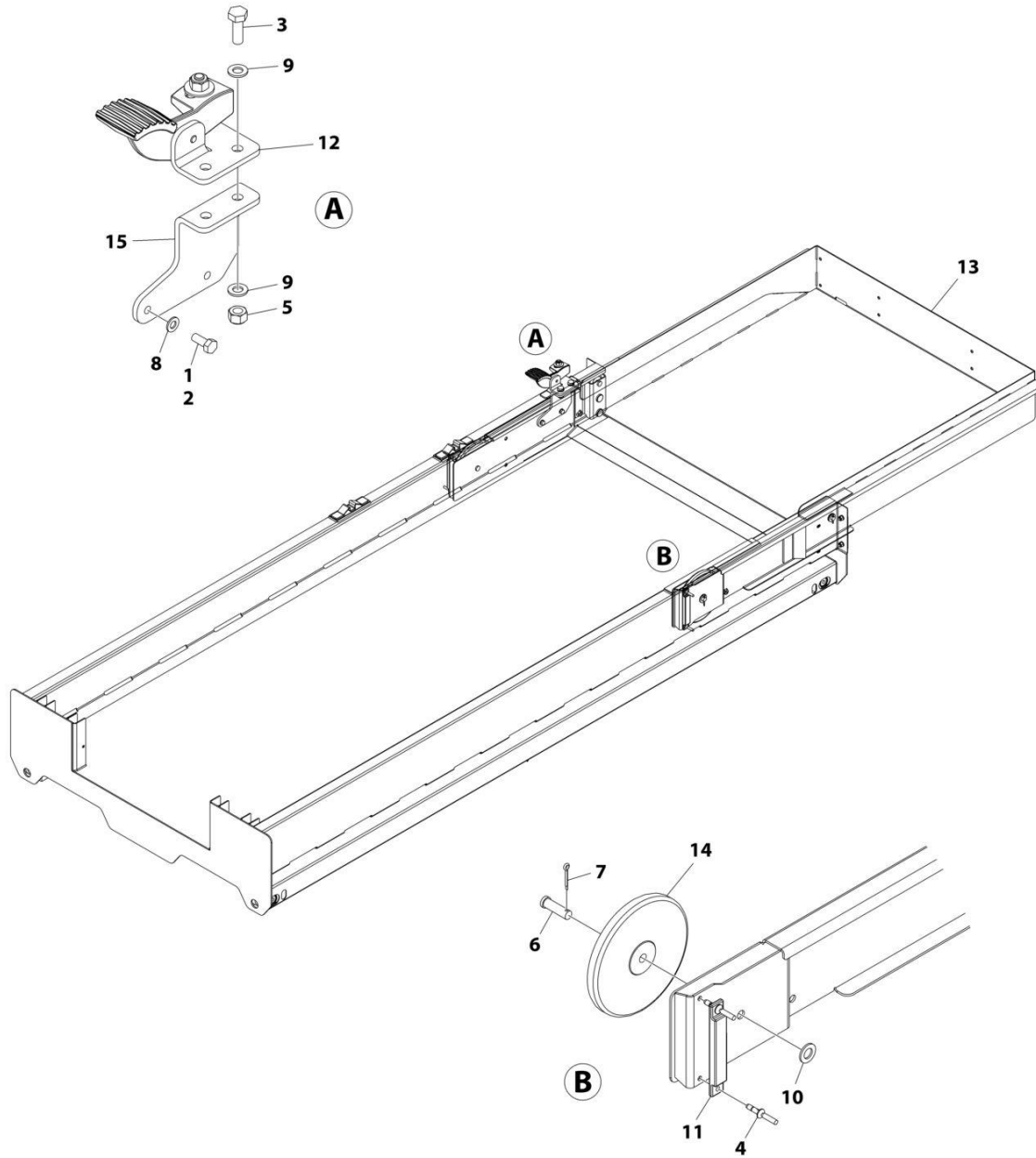
## SECTION 4 - PLATFORM

**FIGURE 4-1. PLATFORM INSTALLATION**

ITEM	PART NUMBER	QTY	DESCRIPTION	REV
	1001213267	Ref	PLATFORM INSTALLATION	F
1	0701026	4	Bolt M10 x 90	
2	0760810	4	Bolt M8 x 20	
3	0761014	1	Bolt M10 x 30	
4	3290805	4	Nut M8	
5	3291005	5	Nut M10	
6	3422943	1	Pin	
7	1001215790	4	Pin	
8	3430816	2	Pin	
9	3450403	2	Pin 1/8 x 3/4	
10	3841143	1	Keeper, Pin	
11	4711800	4	Washer 1/2	
12	4811900	8	Washer M8	
13	4812000	8	Washer M10	
14	1001137675	4	Bumper	
15	1001205422	2	Roller	
16	1001210064	2	Support, Roller	
17	1001213275	1	Platform	
18	1001214268	4	Block, Slide	

# SECTION 4 - PLATFORM

## FIGURE 4-2. PLATFORM EXTENSION INSTALLATION



ART\_1001213268



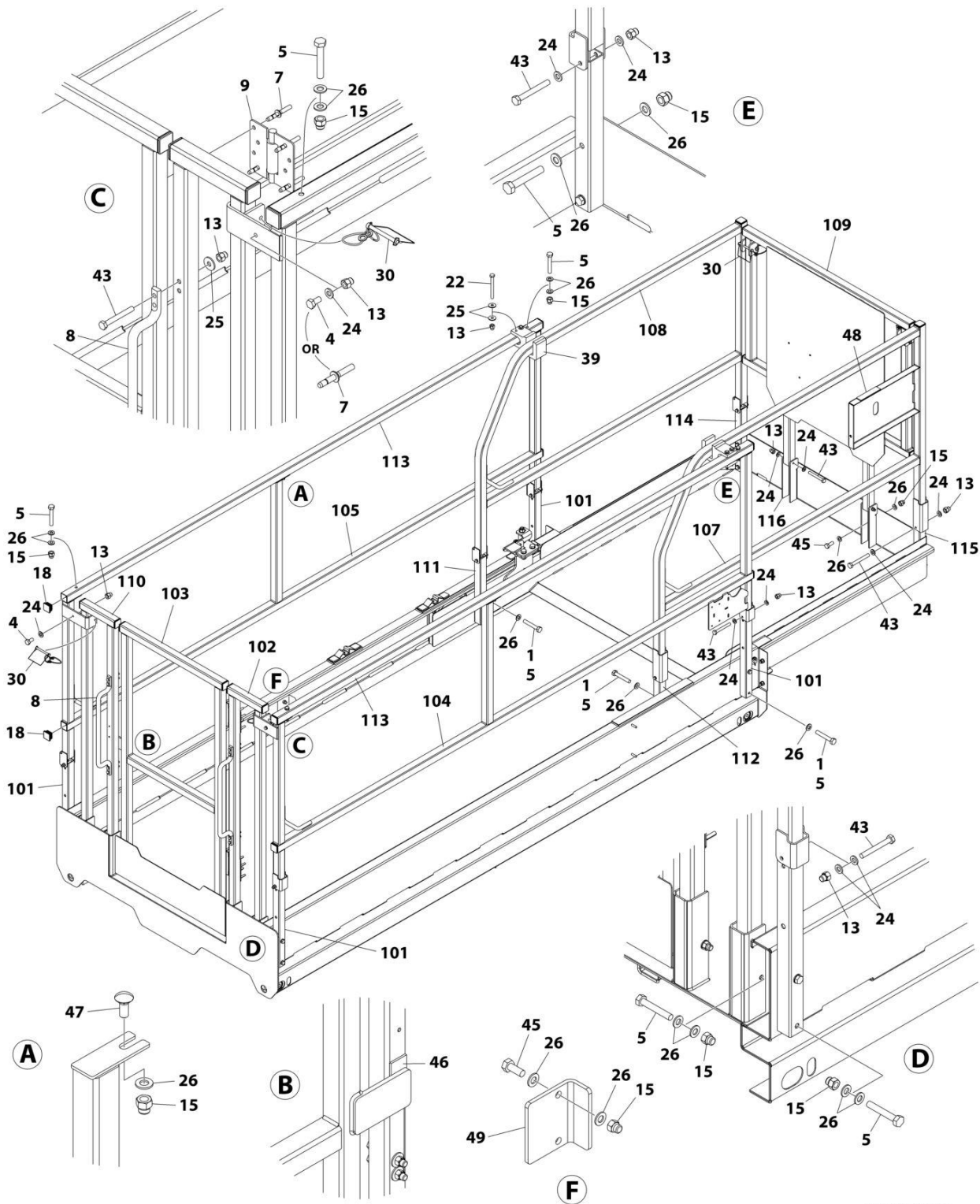
## SECTION 4 - PLATFORM

### FIGURE 4-2. PLATFORM EXTENSION INSTALLATION

ITEM	PART NUMBER	QTY	DESCRIPTION	REV
	1001213268	Ref	PLATFORM EXTENSION INSTALLATION	C
1	0100011	AR	Compound, Locking	
2	0760810	AR	Bolt M8 x 20	
2	0760812	AR	Bolt M8 x 25	
3	0761014	2	Bolt M10 x 30	
4	2080040	4	Fastener	
5	3291005	2	Nut M10	
6	3430813	2	Pin	
7	3450404	2	Pin 1/8 x 1	
8	4811900	2	Washer M8	
9	4812000	4	Washer M10	
10	4812200	2	Washer M14	
11	1001208852	2	Pad, Slide	
12	1001209256	1	Bracket, Latch ( <b>Prior to SN 0200267720, Prior to SN B200051692</b> )	
12	1001234407	1	Bracket, Latch ( <b>SN 0200267720 to Present, SN B200051692 to Present, SN M200000001 to Present</b> )	
13	1001213470	1	Extension	
14	1001213550	2	Roller	
15	1001213838	1	Plate	

# SECTION 4 - PLATFORM

## FIGURE 4-3. RAILS INSTALLATION (SIDE BY SIDE)



ART\_1001213270

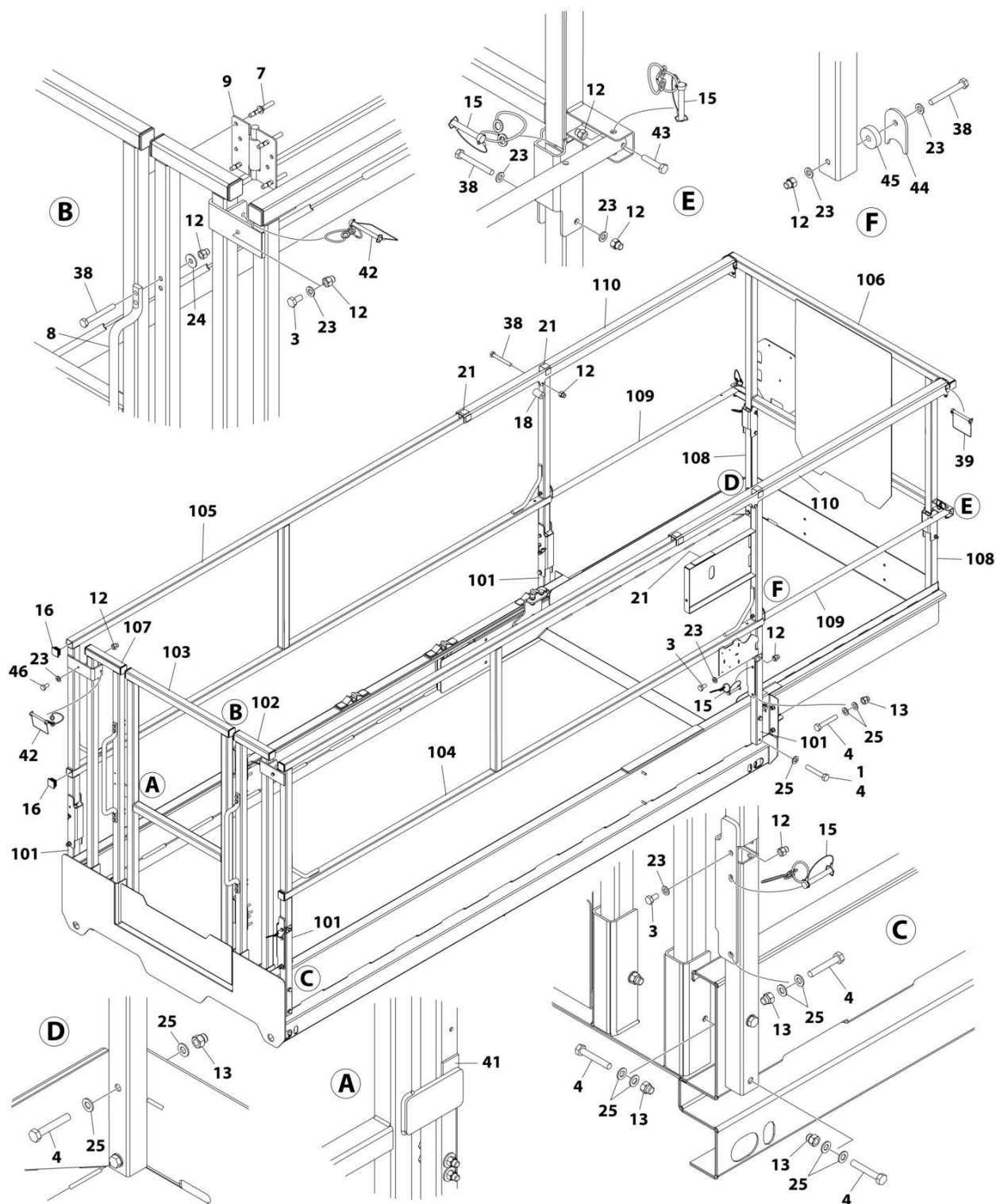
## SECTION 4 - PLATFORM

**FIGURE 4-3. RAILS INSTALLATION (SIDE BY SIDE)**

ITEM	PART NUMBER	QTY	DESCRIPTION	REV
	1001213270	Ref	RAILS INSTALLATION (SIDE BY SIDE)	J
1	0100011	AR	Compound, Locking	
4	0760606	AR	Bolt M6 x 12	
5	0700818	24	Bolt M8 x 50	
7	2080040	AR	Fastener	
8	2560176	2	Handle <b>(Prior to SN B200051326, Prior to SN 0200268303)</b>	
9	2600281	2	Hinge	
13	3290606	AR	Nut M6	
15	3290806	AR	Nut M8	
18	3520072	20	Plug	
22	0700621	AR	Bolt M6 x 65	
22	0700617	AR	Bolt M6 x 45	
24	4811700	AR	Washer M6	
25	4811702	AR	Washer M6	
26	4811900	AR	Washer M8	
30	1001187587	1	Pin, Snap with Lanyard	
39	1001213884	NLA	Pad, Slide (Use p/n 1001237911) <b>(Prior to SN B200051326, Prior to SN 0200268303)</b>	
39	1001237911	2	Bracket, Slide <b>(SN B200051326 to Present, SN 0200268303 to Present, SN M200000001 to Present)</b>	
43	0700618	AR	Bolt M6 x 50	
45	0760810	AR	Bolt M8 x 20	
46	3080007	1	Magnet, Gate	
47	1001186235	2	Bolt M8 x 20	
48	4420062	4 in/ 10cm	Tape	
49	1001232622	1	Bracket, Stop <b>(SN B200044498 to Present, SN 0200266699 to Present, SN M200000001 to Present)</b>	
	1001218264	Ref	Rail Kit	
101	1001213393	4	Tube	
102	1001213394	1	Rail, Rear (RH)	
103	1001213397	1	Gate	
104	1001222907	1	Rail, Side (RH)	
105	1001222913	1	Rail, Side (LH)	
107	1001213915	1	Rail, Extension Side (RH)	
108	1001213916	1	Rail, Extension Side (LH)	
109	1001213931	1	Rail, Extension Front	
110	1001222742	1	Rail, Rear (LH)	
111	1001222861	1	Tube (LH)	
112	1001222869	1	Tube (RH)	
113	1001223040	2	Rail, Top	
114	1001223165	1	Tube, Extension (LH)	
115	1001223166	1	Tube, Extension (RH)	
116	1001223053	2	Bracket	

# SECTION 4 - PLATFORM

## FIGURE 4-4. RAILS INSTALLATION (TUBE IN TUBE)



ART\_1001213269

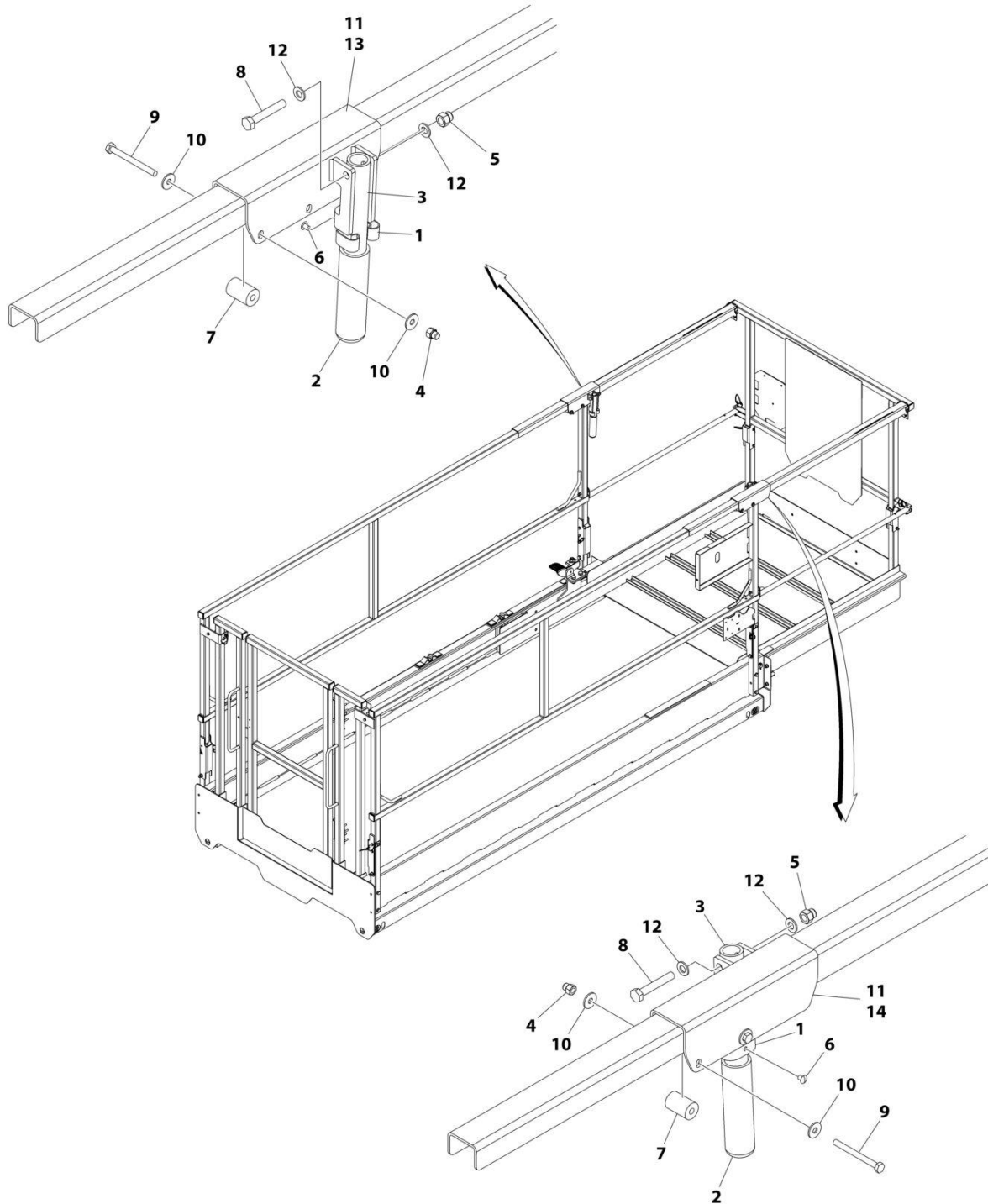
## SECTION 4 - PLATFORM

**FIGURE 4-4. RAILS INSTALLATION (TUBE IN TUBE)**

ITEM	PART NUMBER	QTY	DESCRIPTION	REV
	1001213269	Ref	RAILS INSTALLATION (TUBE IN TUBE)	H
1	0100011	AR	Compound, Locking	
3	0760606	4	Bolt M6 x 12	
4	0700818	20	Bolt M8 x 50	
7	2080040	16	Fastener	
8	2560176	2	Handle (Prior to SN B200051326, Prior to SN 0200268303)	
9	2600281	2	Hinge	
12	3290606	AR	Nut M6	
13	3290806	16	Nut M8	
15	3423278	8	Pin, Snap	
16	3520072	14	Plug	
18	3860111	2	Roller	
21	4420062	16 in/ 40cm	Tape	
23	4811700	14	Washer M6	
24	4811702	AR	Washer M6	
25	4811900	36	Washer M8	
38	0700618	AR	Bolt M6 x 50	
39	3422219	2	Pin, Snap	
41	3080007	1	Magnet, Gate	
42	1001187587	2	Pin, Snap with Lanyard	
43	0700614	2	Bolt M6 x 30	
44	1001227972	2	Plate, Extension Rod Stop	
45	1001227994	2	Washer	
46	0760608	2	Bolt M6 x 16	
	1001218263	Ref	RAIL KIT	
101	1001213393	4	Tube	
102	1001213394	1	Rail, Rear (RH)	
103	1001213397	1	Gate	
104	1001213403	1	Rail, Side (RH)	
105	1001213407	1	Rail, Side (LH)	
106	1001213409	1	Rail, Extension Front	
107	1001222742	1	Rail, Rear (LH)	
108	1001223164	2	Tube, Extension	
109	1001227969	2	Rail, Center Slide	
110	1001213416	2	Rail, Top Slide	

# SECTION 4 - PLATFORM

## FIGURE 4-5. EXTENSION HANDLES INSTALLATION (OPTIONAL)



ART\_1001215446

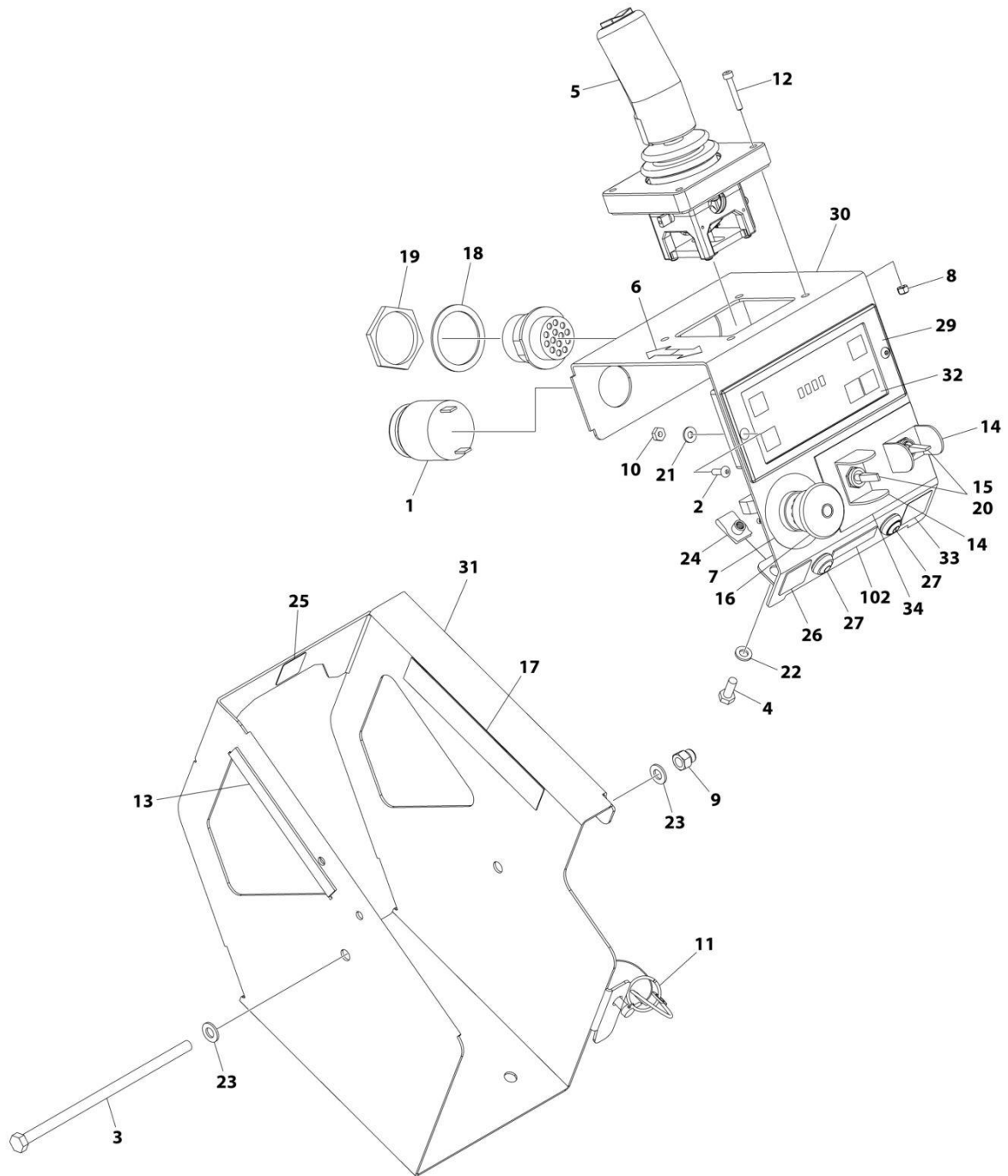
## SECTION 4 - PLATFORM

**FIGURE 4-5. EXTENSION HANDLES INSTALLATION (OPTIONAL)**

ITEM	PART NUMBER	QTY	DESCRIPTION	REV
	1001215446	Ref	EXTENSION HANDLES INSTALLATION (OPTIONAL)	E
1	1380132	2	Clip	
2	2560088	2	Grip	
3	2560190	2	Handle	
4	3290606	2	Nut M6	
5	3290806	2	Nut M8	
6	3820019	2	Rivet	
7	3860111	2	Roller	
8	0700818	AR	Bolt M8 x 50	
9	0700621	AR	Bolt M6 x 65	
10	4811702	AR	Washer M6	
11	1001216823	2	Bracket (Prior to SN 0200267774, SN B200000100 to Present)	
12	4811900	AR	Washer M8	
13	1001235560	1	Bracket (LH) (SN 0200267774 to Present, SN M200000001 to Present)	
14	1001235561	1	Bracket (RH) (SN 0200267774 to Present, SN M200000001 to Present)	

# SECTION 4 - PLATFORM

## FIGURE 4-6. PLATFORM CONSOLE INSTALLATION



ART\_1001214924



## SECTION 4 - PLATFORM

### FIGURE 4-6. PLATFORM CONSOLE INSTALLATION

ITEM	PART NUMBER	QTY	DESCRIPTION	REV
	1001214924	Ref	PLATFORM CONSOLE ASSEMBLY	F
1	0140030	1	Alarm	
2	0630473	2	Screw #8 x 1/2	
2	1001047064	2	Screw (Socket Head)	
3	0700835	1	Bolt M8 x 180	
4	0760610	2	Bolt M6 x 20	
5	1600402	1	Controller Assembly (See Separate Breakdown in this Section)	
6	1703819	1	Decal - Arrow	
7	1704260	1	Decal - Emergency Stop	
8	3290405	AR	Nut M4	
9	3290806	1	Nut M8	
10	3310805	AR	Nut #8	
11	3423278	1	Pin, Snap with Lanyard	
12	4031509	4	Capscrew M4 x 25	
13	4060803	6 in /14cm	Flex-Trim	
14	4060906	2	Guard, Switch	
15	4360345	2	Switch, Toggle	
16	4360475	1	Switch, Emergency Stop	
16	7020175	1	Cap	
16	7020176	1	Block, Contact	
17	4420062	12 in/ 30cm	Tape	
18	4460496	1	Washer, Terminal	
19	4460497	1	Nut, Terminal	
20	4711700	2	Washer 7/16	
21	4750800	AR	Washer #8	
21	4811400	AR	Washer M4	
22	4811700	2	Washer M6	
23	4811900	2	Washer M8	
24	1001130220	2	Nut, Tinnerman M6	
25	1001132358	1	Decal - Steer	
26	1001132361	1	Decal - Horn	
27	1001200633	2	Switch - Push Button ( <b>Prior to SN B200045699, Prior to SN 0200266945</b> )	
27	1001226749	2	Switch - Push Button ( <b>SN B200045699 to Present, SN 0200266945 to Present, SN M200000001 to Present</b> )	
28	1001200819	1	Platform Control Box Harness (Not Shown) (See Separate Breakdown in ELECTRICAL SECTION)	
29	1001224873	1	Module, Platform Control ( <b>Prior to SN B200045699, Prior to SN 0200266945</b> )	
29	1001228112	1	Module, Platform Control ( <b>SN B200045699 to Present, SN 0200266945 to Present, SN M200000001 to Present</b> )	
30	1001209595	1	Plate, Box (Inside)	
31	1001209596	1	Plate, Box (Outside)	
32	1001210436	1	Decal - Platform Control ( <b>Prior to SN B200045699, Prior to SN 0200266945</b> )	
32	1001218285	1	Decal - Platform Control ( <b>SN B200045699 to Present, SN 0200266945 to Present, SN M200000001 to Present</b> )	
33	1001213886	1	Decal - Indoor/Outdoor	
34	1001220893	1	Decal - Lift/Drive Function	
	1001214151	Ref	PLATFORM CONSOLE INSTALLATION	D

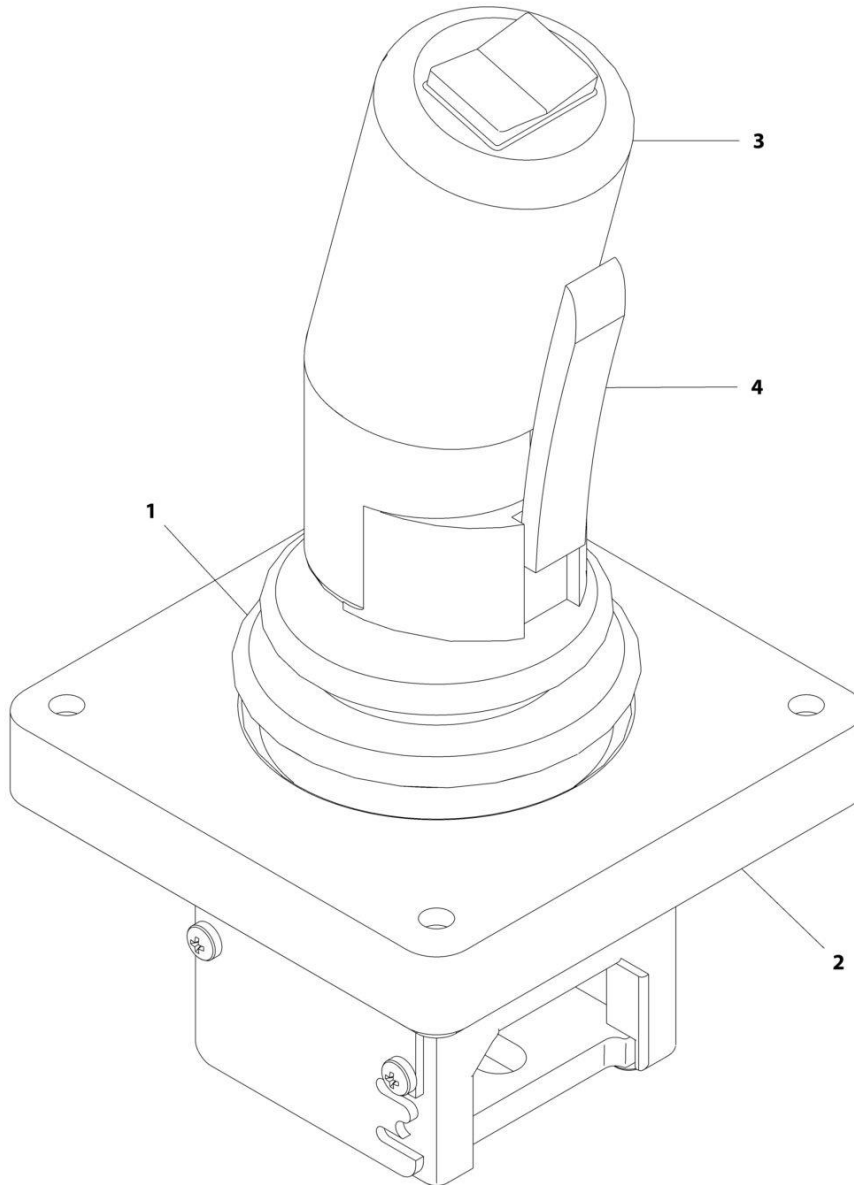
## SECTION 4 - PLATFORM

ITEM	PART NUMBER	QTY	DESCRIPTION	REV
102	1001220889	1	Decal - 3246R/4045R	



# SECTION 4 - PLATFORM

## FIGURE 4-7. DRIVE/STEER CONTROLLER ASSEMBLY



ART\_1600402

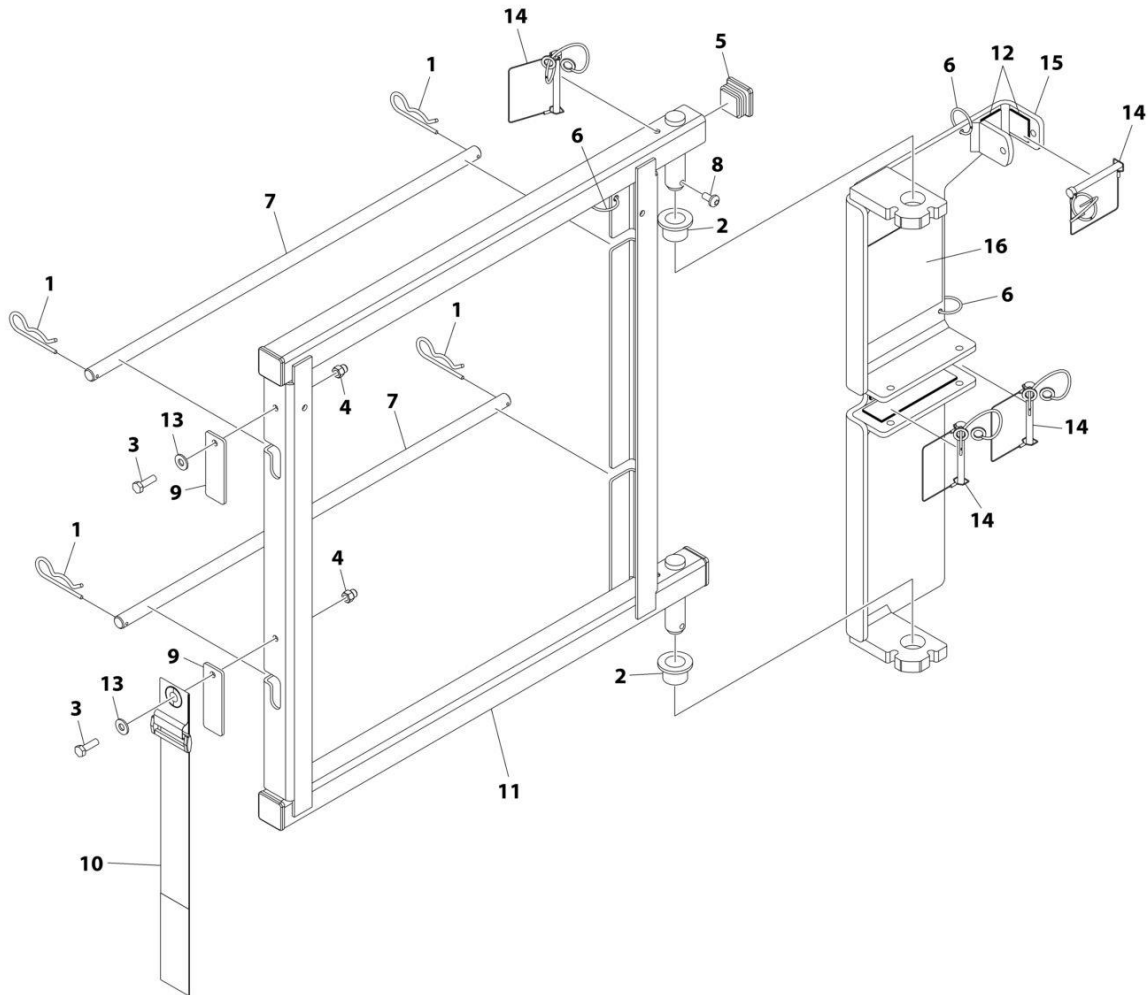
## SECTION 4 - PLATFORM

**FIGURE 4-7. DRIVE/STEER CONTROLLER ASSEMBLY**

ITEM	PART NUMBER	QTY	DESCRIPTION	REV
	1600402	Ref	DRIVE/STEER CONTROLLER ASSEMBLY	A
1	70001250	1	Boot, Panel	
2	70001252	1	Gasket, Mounting	
2	70001251	1	Bezel, Mounting	
3	70003650	1	Handle Repair Kit (Includes handle gasket, item#4 push button and item #4 lever installed in front handle half, back handle half, top actuator, boot and hardware.)	
3	70000084	1	Cap, Rubber	
3	70000082	1	Microswitch	
3	7027766	1	Ring, Retaining	
3	7027365	1	Actuator, Handle	
3	70001253	1	Gasket, Handle	
3	70000683	4	Washer, Neoprene	
3	70000685	2	Spacer, Plastic	
3	70000686	2	Screw (Top)	
3	70000684	2	Screw (Bottom)	
4	7027367	1	Switch, Push Button	
4	7027765	1	Lever, Enable	

# SECTION 4 - PLATFORM

## FIGURE 4-8. ELECTRICIAN'S TREE INSTALLATION (OPTIONAL)



ART\_1001219622

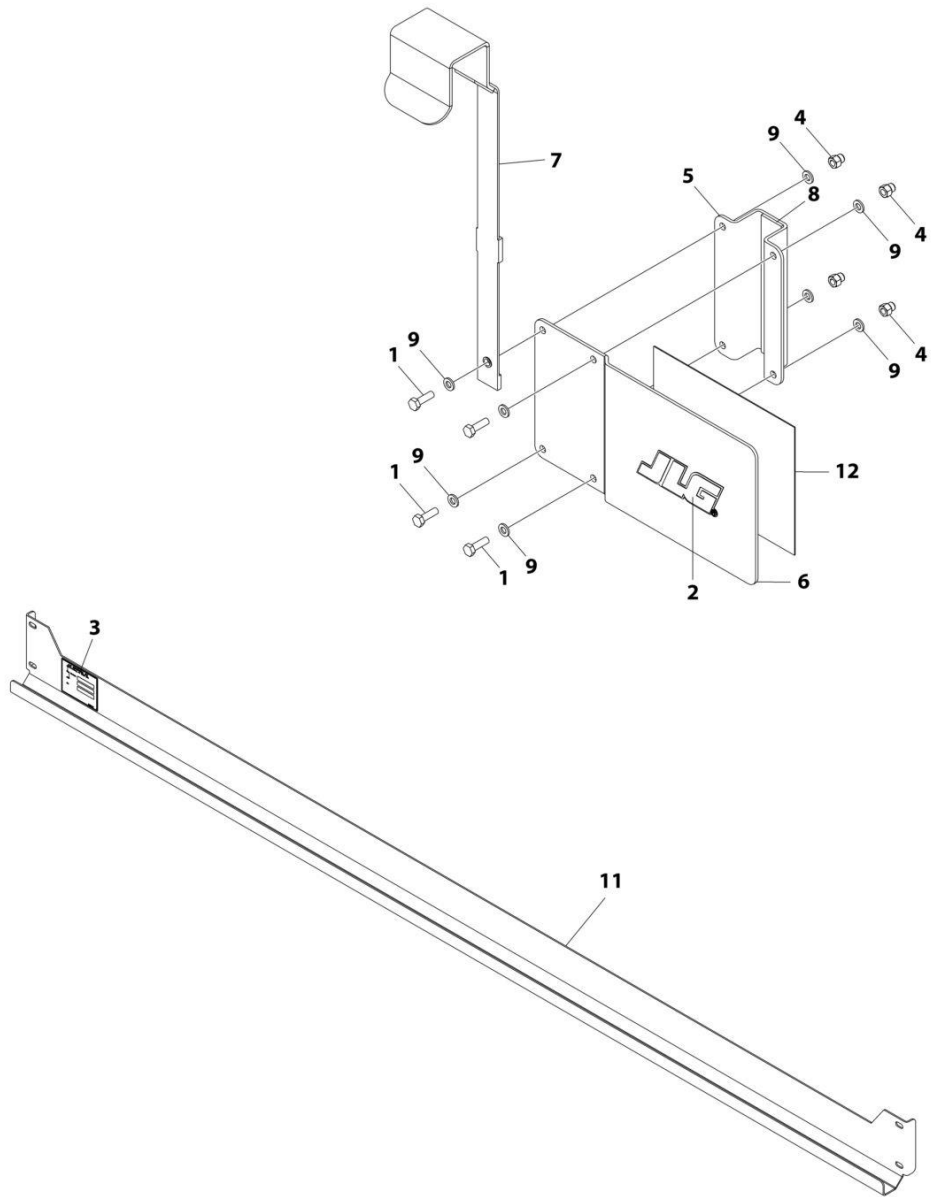
## SECTION 4 - PLATFORM

**FIGURE 4-8. ELECTRICIAN'S TREE INSTALLATION (OPTIONAL)**

ITEM	PART NUMBER	QTY	DESCRIPTION	REV
	1001214274	Ref	ELECTRICIAN'S TREE INSTALLATION	A
	1001219622	Ref	ELECTRICIAN'S TREE ASSEMBLY	A
1	80325	4	Hairpin	
2	0440223	2	Bushing	
3	0700610	2	Bolt M6 x 20	
4	3290606	2	Nut M6	
5	3520072	4	Plug	
6	3760170	3	Ring	
7	3841675	2	Rod, Spool	
8	4191706	1	Screw M6 x 12	
9	4220227	2	Stop	
10	4240003	1	Strap, Cinch	
11	4340947	1	Mount	
12	4420062	15 in/ 38cm	Tape	
13	4711400	2	Washer 1/4	
14	1001187587	4	Pin, Snap with Lanyard	
15	1001219670	1	Mount	
16	1001220894	1	Decal - Electrician's Tree	

# SECTION 4 - PLATFORM

## FIGURE 4-9. PANEL CARRIER INSTALLATION (OPTIONAL)



ART\_1001216779



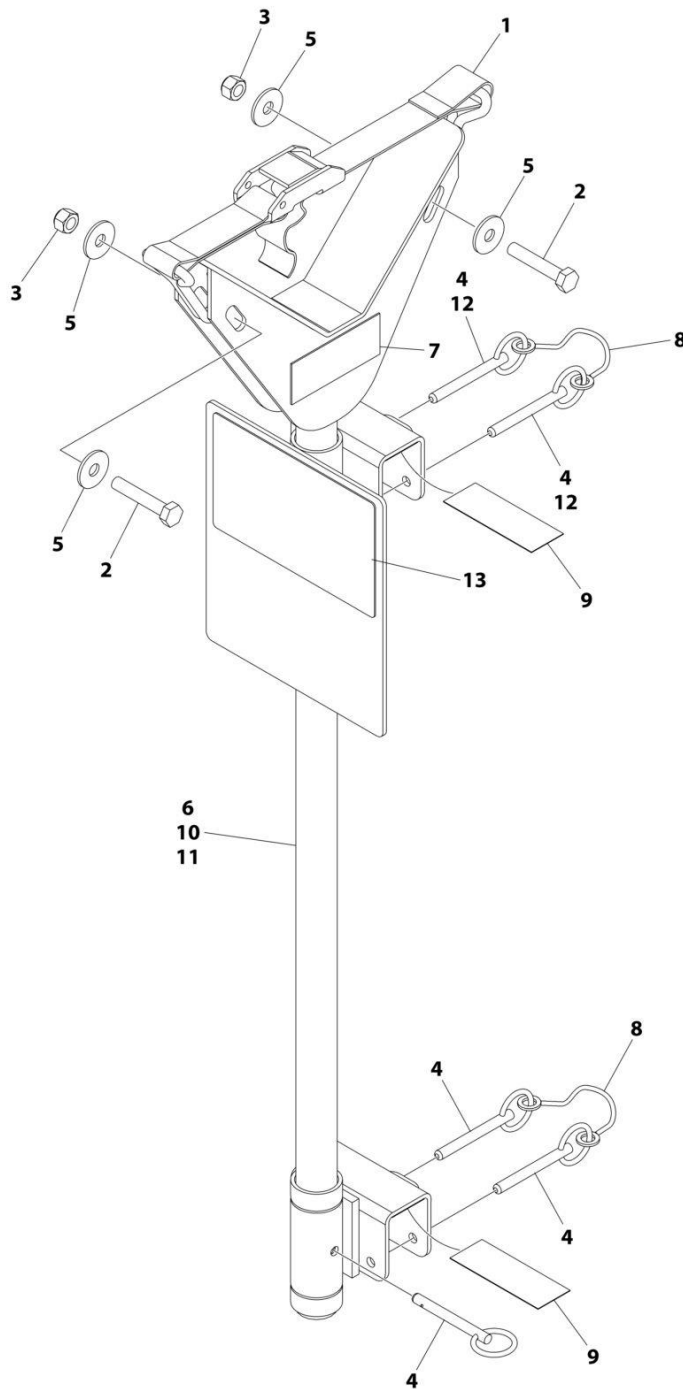
## SECTION 4 - PLATFORM

**FIGURE 4-9. PANEL CARRIER INSTALLATION (OPTIONAL)**

ITEM	PART NUMBER	QTY	DESCRIPTION	REV
	1001216779	Ref	PANEL CARRIER INSTALLATION (OPTIONAL)	B
1	0760610	4	Bolt M6 x 20	
2	1702010	1	Decal - JLG	
3	See Note	NSS	Nameplate - Accessory SN (Note: Not Available for Purchase)	
4	3290606	4	Nut M6	
5	3574505	1	Bracket	
6	3574506	1	Plate, Billboard	
7	4240165	1	Strap	
8	4420037	6 in /15cm	Tape	
9	4811700	8	Washer M6	
11	1001216816	1	Channel, Panel Carrier	
12	1001220891	1	Decal - Capacity	

# SECTION 4 - PLATFORM

## FIGURE 4-10. PIPE RACKS INSTALLATION (SIDE BY SIDE RAILS) (OPTIONAL)



ART\_1001214229

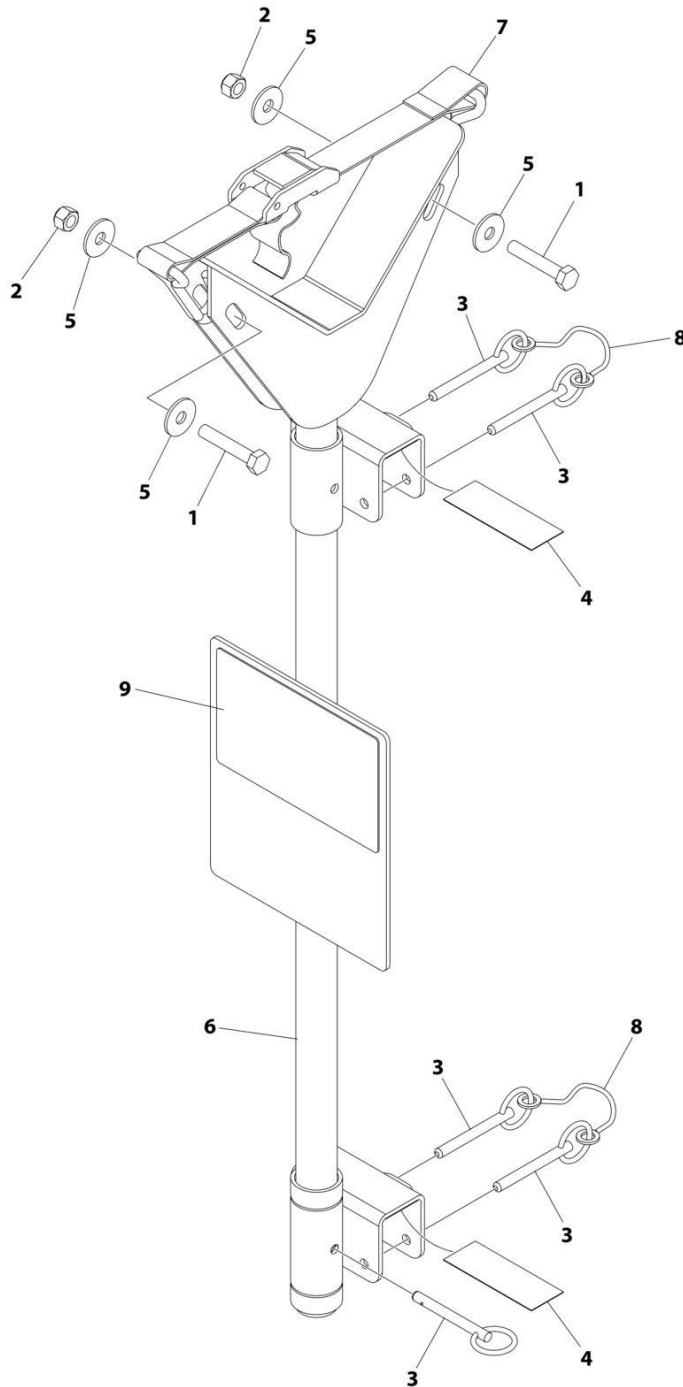
## SECTION 4 - PLATFORM

**FIGURE 4-10. PIPE RACKS INSTALLATION (SIDE BY SIDE RAILS) (OPTIONAL)**

ITEM	PART NUMBER	QTY	DESCRIPTION	REV
	1001214229	Ref	PIPE RACKS INSTALLATION (SIDE BY SIDE RAILS) (OPTIONAL)	B
1	0480100	2	Strap	
2	0700817	4	Bolt M8 x 45	
3	3290805	4	Nut M8	
4	3422661	AR	Pin	
5	4811902	8	Washer M6	
6	4845582	2	Rack, Tube ( <b>Prior to SN 0200268169, SN B200000100 to Present</b> )	
7	1001220892	2	Decal - Tube Rack Capacity ( <b>Prior to SN 0200268169, SN B200000100 to Present</b> )	
8	1060379	4	Lanyard ( <b>SN 0200268170 to Present, SN B2000051240 to Present, SN M200000001 to Present</b> )	
9	4420062	AR	Tape ( <b>SN 0200268170 to Present, SN B2000051240 to Present, SN M200000001 to Present</b> )	
10	1001235498	1	Rack, Tube (Rear) ( <b>SN 0200268170 to Present, SN B2000051240 to Present, SN M200000001 to Present</b> )	
11	1001235509	1	Rack, Tube (Front) ( <b>SN 0200268170 to Present, SN B2000051240 to Present, SN M200000001 to Present</b> )	
12	1001235941	2	Pin ( <b>SN 0200268170 to Present, SN B2000051240 to Present, SN M200000001 to Present</b> )	
13	1001236621	2	Decal - Pipe Rack Capacity ( <b>SN 0200268170 to Present, SN B2000051240 to Present, SN M200000001 to Present</b> )	

# SECTION 4 - PLATFORM

## FIGURE 4-11. PIPE RACKS INSTALLATION (TUBE IN TUBE RAILS) (OPTIONAL)



ART\_1001235849

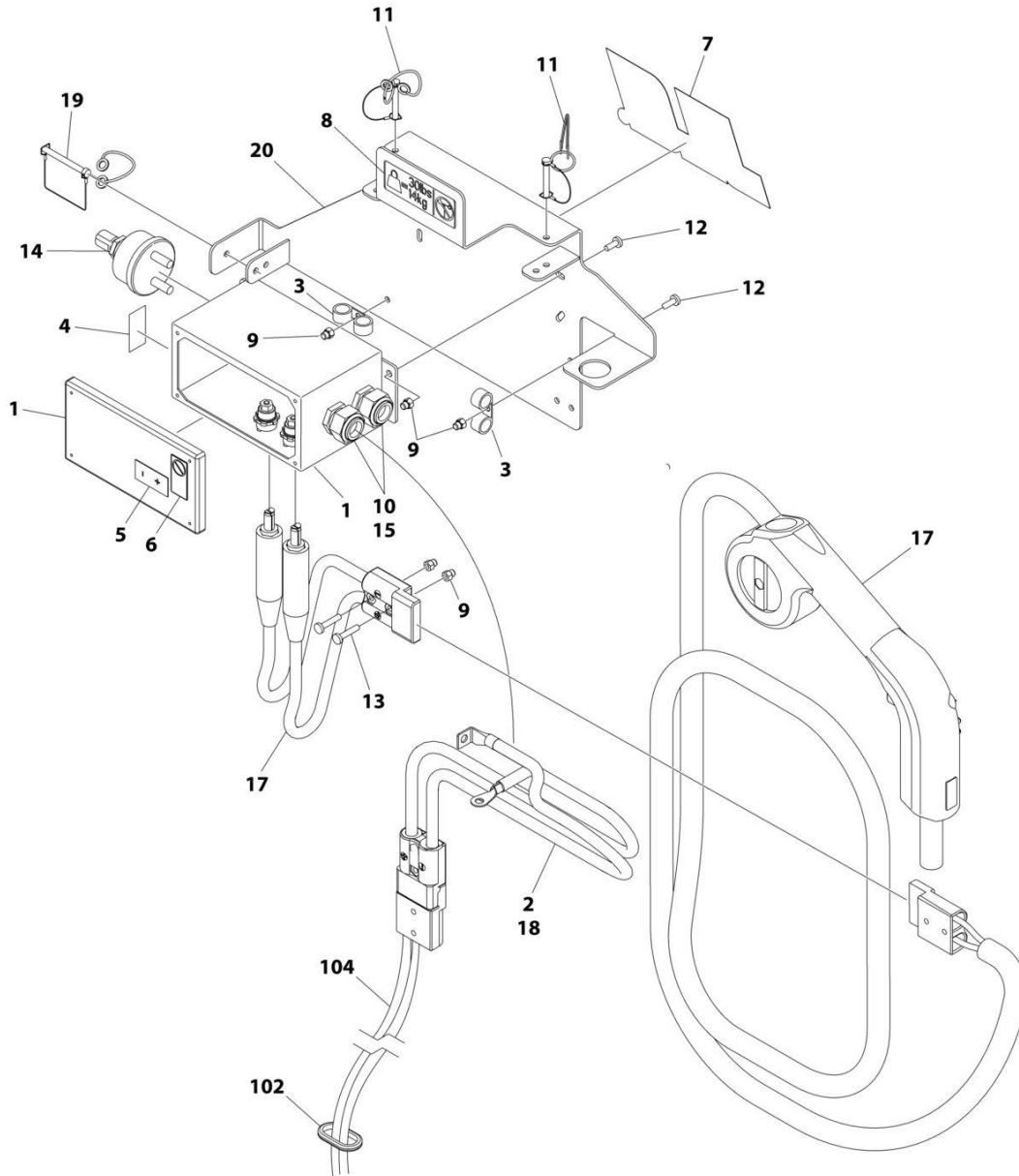
## SECTION 4 - PLATFORM

**FIGURE 4-11. PIPE RACKS INSTALLATION (TUBE IN TUBE RAILS) (OPTIONAL)**

ITEM	PART NUMBER	QTY	DESCRIPTION	REV
	1001235849	Ref	PIPE RACKS INSTALLATION (OPTIONAL)	A
1	0700817	4	Bolt M8 x 45	
2	3290805	4	Nut M8	
3	3422661	10	Pin	
4	4420062	AR	Tape	
5	4811902	8	Washer M6	
6	1001235498	2	Rack, Tube	
7	0480100	2	Strap	
8	1060379	4	Lanyard	
9	1001236621	2	Decal - Tube Rack Capacity	

# SECTION 4 - PLATFORM

## FIGURE 4-12. QUIK WELDER INSTALLATION (OPTIONAL)



ART\_1001219333

## SECTION 4 - PLATFORM

**FIGURE 4-12. QUIK WELDER INSTALLATION (OPTIONAL)**

ITEM	PART NUMBER	QTY	DESCRIPTION	REV
	1001219333	Ref	QUIK WELDER KIT	C
1	0861527	1	Box, Disconnect	
2	1060957	1	Cable, Welder	
3	1320224	4	Clamp	
4	1705213	1	Decal - On/Off	
5	1705214	1	Decal - Plus/Minus	
6	1705305	1	Decal - Weld Lead	
7	1705754	1	Decal - JLG	
8	1705953	1	Decal - Weight	
9	3290606	8	Nut M6	
10	3300048	2	Nut - Conduit	
11	3423278	2	Pin, Snap	
12	4010608	6	Screw M6 x 16	
13	4010614	2	Screw M6 x 30	
14	4360155	1	Switch, Master Disconnect	
15	4460328	2	Connector, Strain Relief	
17	4530021	1	Welder Kit	
18	4923048	1	Cable, Quik Welder	
19	1001187587	1	Pin, Snap with Lanyard	
20	1001220158	1	Mount	
	1001214228	Ref	QUIK WELDER INSTALLATION	B
101	4240018	4	Tie-Strap (Not Shown)	
102	1001213945	1	Grommet	
104	1001219740	1	Cable, Quik Welder (Ground to Platform)	





## SECTION 4 - PLATFORM

**FIGURE 4-13. VISE INSTALLATION (OPTIONAL)**

ITEM	PART NUMBER	QTY	DESCRIPTION	REV
	1001219133	Ref	WISE INSTALLATION (OPTIONAL)	A
1	1705985	1	Decal - Weight	
2	3291205	3	Nut M12	
3	3423278	2	Pin, Snap with Lanyard	
4	3760170	2	Ring	
5	4032111	3	Capscrew M12 x 35	
6	4420062	39 in/ 99cm	Tape	
7	4812100	3	Washer M12	
8	8005670	1	Decal - Instruction/Read Operators Manual	
9	1001157050	1	Vise	
10	1001219319	1	Bracket	



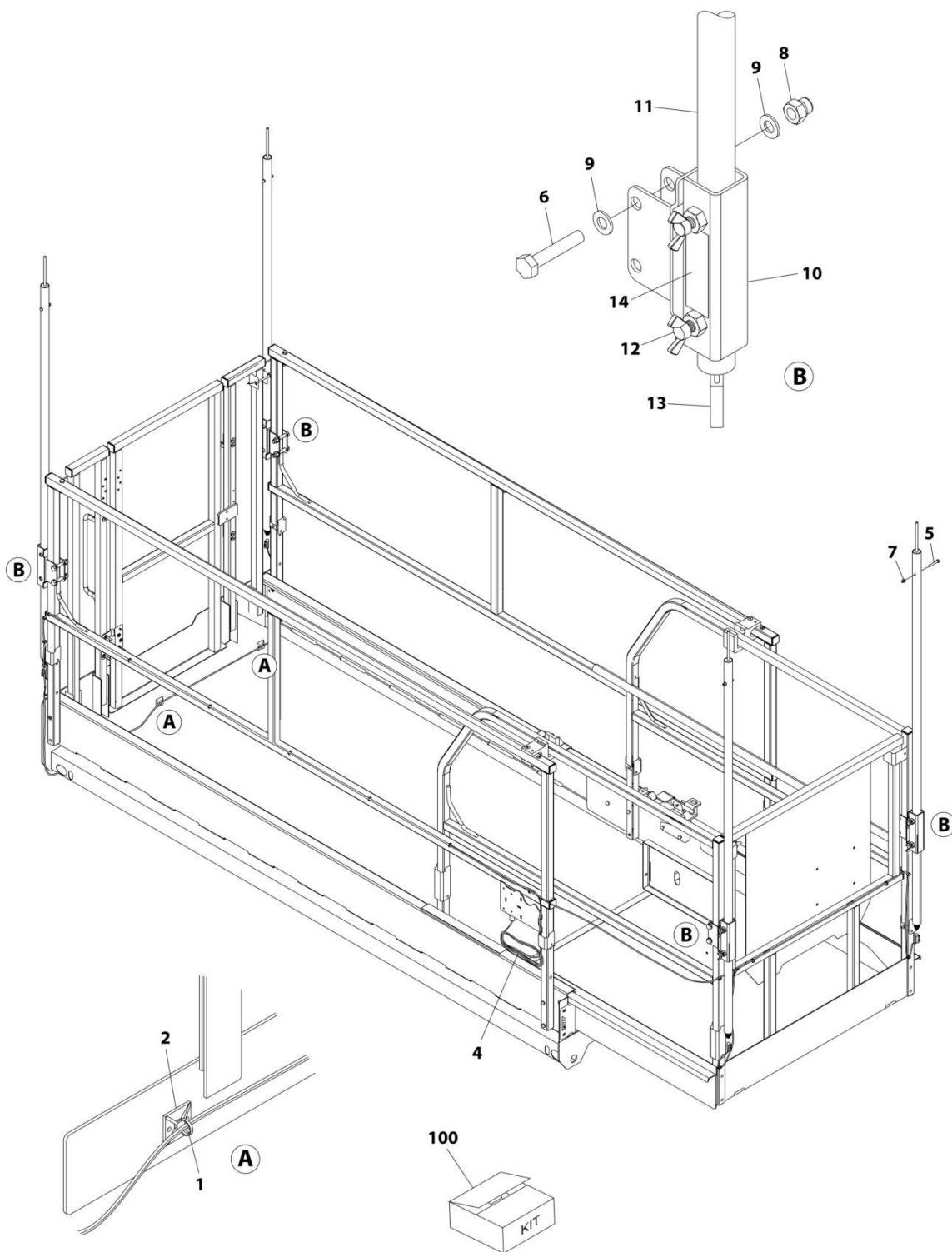
## SECTION 4 - PLATFORM

**FIGURE 4-14. WORKSTATION INSTALLATION (OPTIONAL)**

ITEM	PART NUMBER	QTY	DESCRIPTION	REV
	1001218190	Ref	WORKSTATION INSTALLATION	A
	1001220771	Ref	WORKSTATION ASSEMBLY	A
1	1060379	1	Lanyard	
2	1120555	2	Cap	
3	1580023	1	Container, Work Bench	
4	1580024	1	Tray	
5	1705997	1	Decal - Workstation	
6	2700100	1	Hook	
7	3422219	1	Pin, Snap	
8	3460334	1	Tube	
9	3760170	2	Ring	
10	3900355	2	Screw 5/16	
11	3931412	2	Capscrew 1/4 x 3/4	
12	3931508	6	Capscrew 5/16 x 1/2	
13	4240003	2	Strap, Cinch	
14	4340853	1	Mount (RH)	
15	4340854	1	Mount (LH)	
16	4711400	2	Washer 1/4	
17	4740480	2	Insert	
18	1001220890	1	Decal - Workstation Capacity	

# SECTION 4 - PLATFORM

## FIGURE 4-15. OVERHEAD PROTECTION INSTALLATION (KOREAN SPECS)



ART\_1001226901

## SECTION 4 - PLATFORM

**FIGURE 4-15. OVERHEAD PROTECTION INSTALLATION (KOREAN SPECS)**

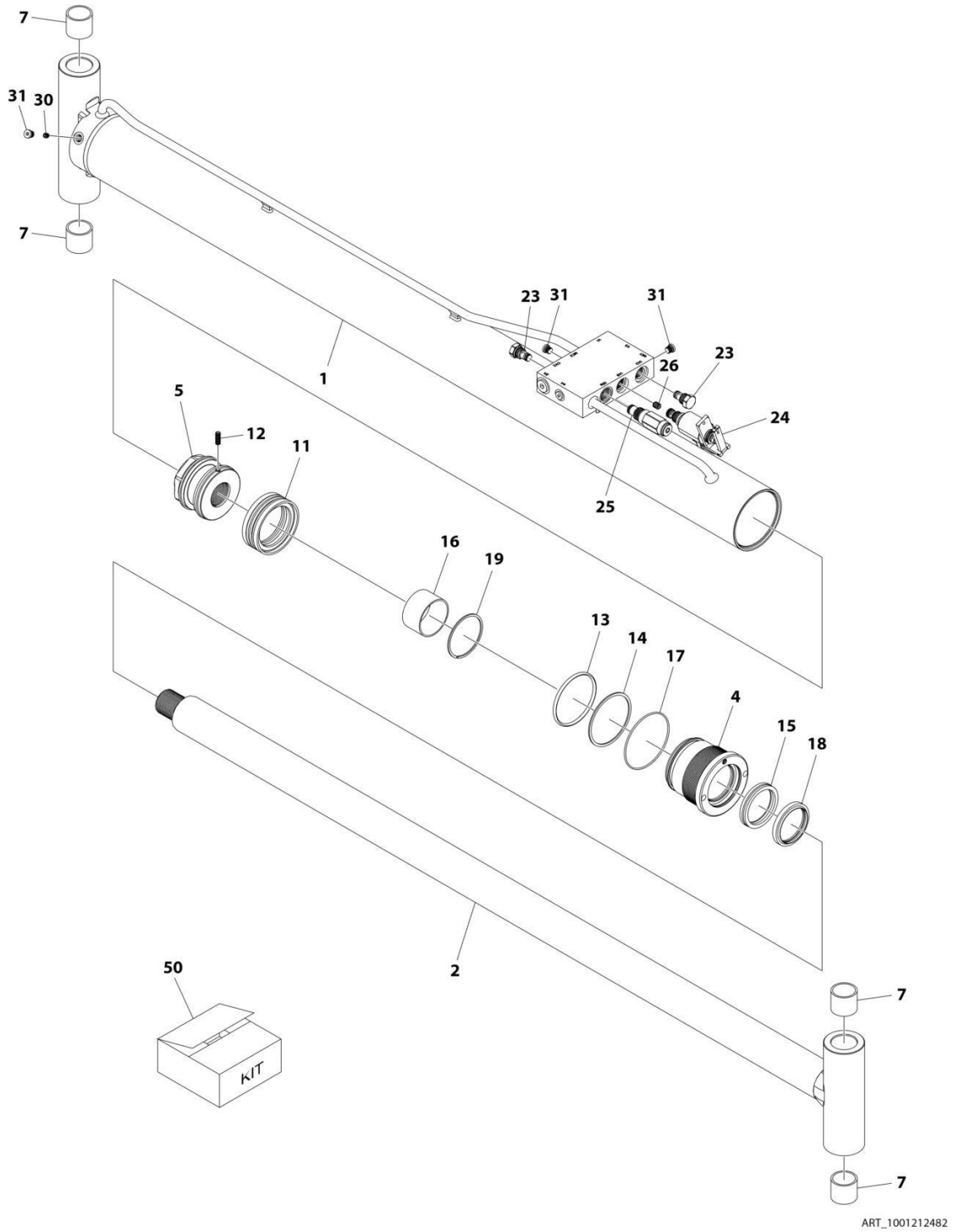
ITEM	PART NUMBER	QTY	DESCRIPTION	REV
	1001226901	Ref	OVERHEAD PROTECTION INSTALLATION (KOREAN SPECS)	A
1	4240017	AR	Tie-Strap	
2	4460234	2	Mount, Tie-Strap	
4	1001227728	1	Overhead Protection Harness	A
4	4460891	4	Plug, Male - 2 Position (X503-X506)	
4	4460465	8	Socket, Female	
4	4460536	1	Receptacle, Female - 3 Position (X507)	
4	4460464	2	Pin, Male	
4	4460466	1	Plug, Terminal	
5	0700616	4	Bolt M6 x 40	
6	0701019	8	Bolt M10 x 55	
7	3290606	4	Nut M6	
8	3291006	8	Nut M10	
9	4812000	16	Washer M10	
10	1001221275	4	Bracket	
11	1001221276	4	Tube	
12	1001222914	8	Thumb Screw	
13	1001226277	4	Switch, Overhead Protection	
14	1001228184	1	Decal - Overhaed Protection Weight	
100	1001221244	1	Overhead Protection Kit (Includes Items 5-14)	



**SECTION 5 - CYLINDER**

# SECTION 5 - CYLINDER

## FIGURE 5-1. LIFT CYLINDER ASSEMBLY - LOWER





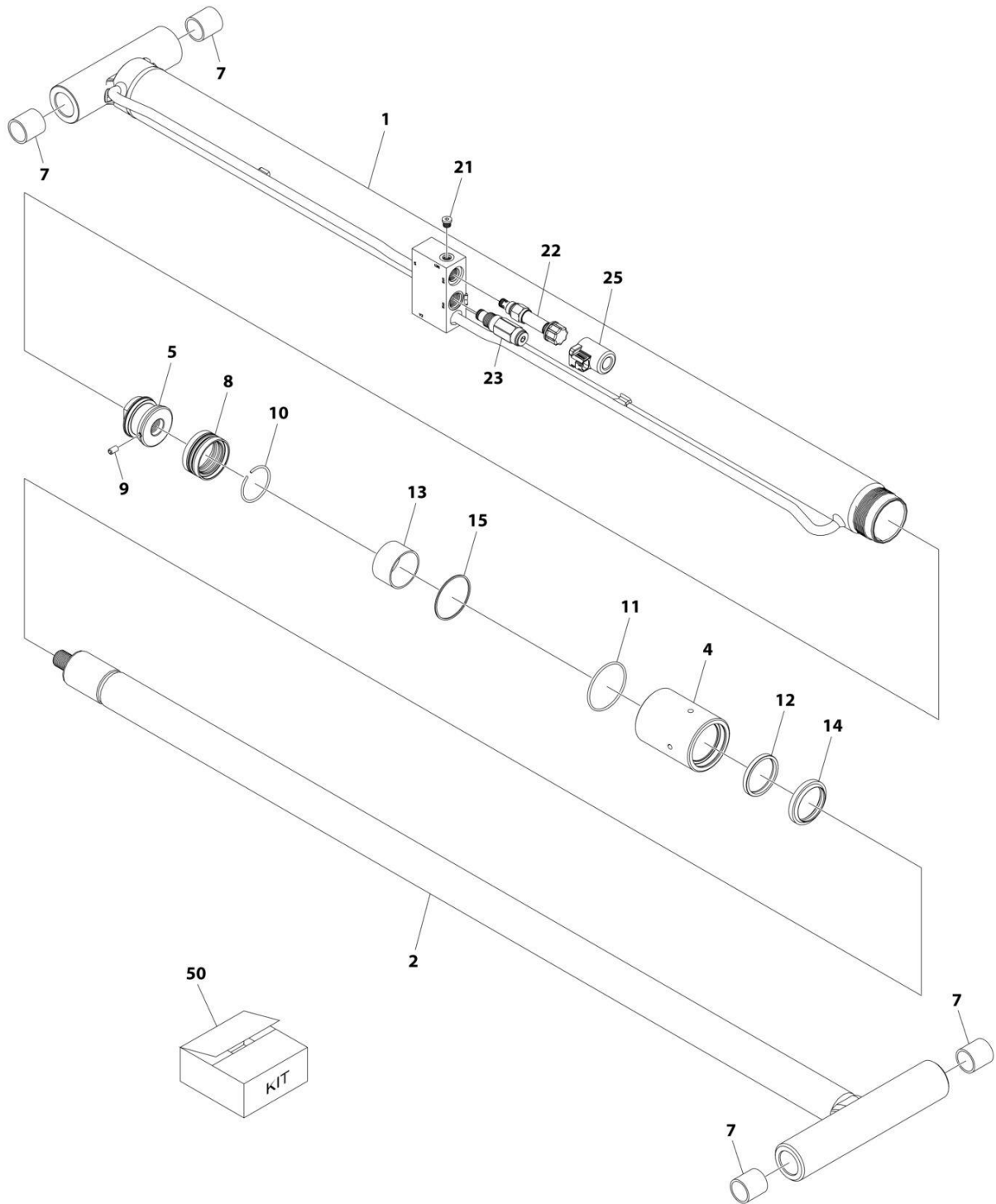
## SECTION 5 - CYLINDER

### FIGURE 5-1. LIFT CYLINDER ASSEMBLY - LOWER

ITEM	PART NUMBER	QTY	DESCRIPTION	REV
	1001212482	Ref	LIFT CYLINDER ASSEMBLY - LOWER	G
		Ref	<b>Note: Original Cylinder May Have Been Replaced with Service Replacement. Identify PN Stamped on Cylinder Before Ordering Parts.</b>	
1	70006316	1	Barrel	
2	70006317	1	Rod	
4	70006318	1	Head	
5	70000764	1	Piston	
7	0962272	4	Bushing	
11	See Note	NSS	Seal, Piston (Note: Use Item 50)	
12	70006319	1	Setscrew	
13	See Note	NSS	O-Ring (Note: Use Item 50)	
14	See Note	NSS	Ring, Back-up (Note: Use Item 50)	
15	See Note	NSS	Seal, Rod (Note: Use Item 50)	
16	70006320	1	Spacer	
17	See Note	NSS	O-Ring (Note: Use Item 50)	
18	See Note	NSS	Wiper (Note: Use Item 50)	
19	70006321	1	Ring, Retaining	
23	7012955	2	Valve, Check	
23	7012967	2	Seal Kit - 7012955 Valve	
24	70005236	1	Solenoid Valve Assembly (Note: Sold as Assembly Only)	
25	70006325	1	Valve, Relief	
25	7017496	1	Seal Kit - 70006325 Valve	
26	70006322	1	Orifice	
30	70006323	1	Orifice	
31	70025619	3	Plug	
50	70005664	1	Seal Kit - 1001212482 Cylinder (Includes Items 11,13,14,15,17 & 18)	

# SECTION 5 - CYLINDER

## FIGURE 5-2. LIFT CYLINDER ASSEMBLY - UPPER



ART\_1001212483

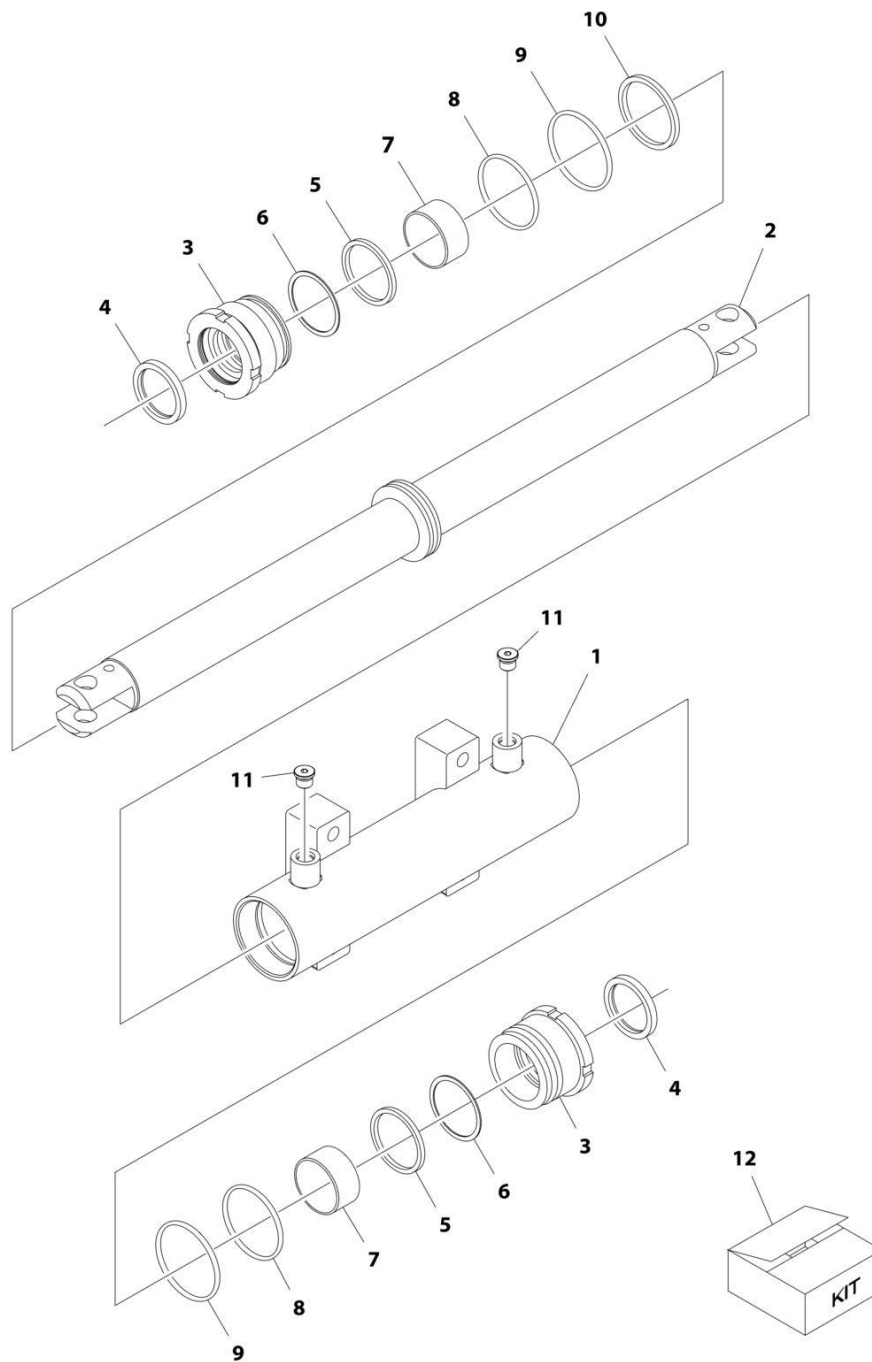
## SECTION 5 - CYLINDER

### FIGURE 5-2. LIFT CYLINDER ASSEMBLY - UPPER

ITEM	PART NUMBER	QTY	DESCRIPTION	REV
	1001212483	Ref	LIFT CYLINDER ASSEMBLY - UPPER	I
		Ref	<b>Note: Original Cylinder May Have Been Replaced with Service Replacement. Identify PN Stamped on Cylinder Before Ordering Parts.</b>	
1	70006326	1	Barrel	
2	70006327	1	Rod	
4	70006328	1	Head	
5	70006329	1	Piston	
7	0440267	4	Bushing	
8	See Note	NSS	Seal, Piston (Note: Use Item 50)	
9	70025605	1	Setscrew	
10	70006330	1	Ring, Retaining	
11	See Note	NSS	O-Ring (Note: Use Item 50)	
12	See Note	NSS	Seal, Rod (Note: Use Item 50)	
13	70006331	1	Spacer	
14	See Note	NSS	Wiper (Note: Use Item 50)	
15	70025627	1	Ring, Retaining	
21	70025619	3	Plug	
22	70006333	1	Cartridge, Solenoid Less Coil	
22	70006334	1	Seal Kit - 70006333 Valve	
23	70006325	1	Valve, Relief	
23	7017496	1	Seal Kit - 70006325 Valve	
25	70006335	1	Coil	
50	70005665	1	Seal Kit - 1001212483 Cylinder (Includes Items 8,11,12 & 14)	

# SECTION 5 - CYLINDER

## FIGURE 5-3. STEER CYLINDER ASSEMBLY



ART\_1001163178

## SECTION 5 - CYLINDER

**FIGURE 5-3. STEER CYLINDER ASSEMBLY**

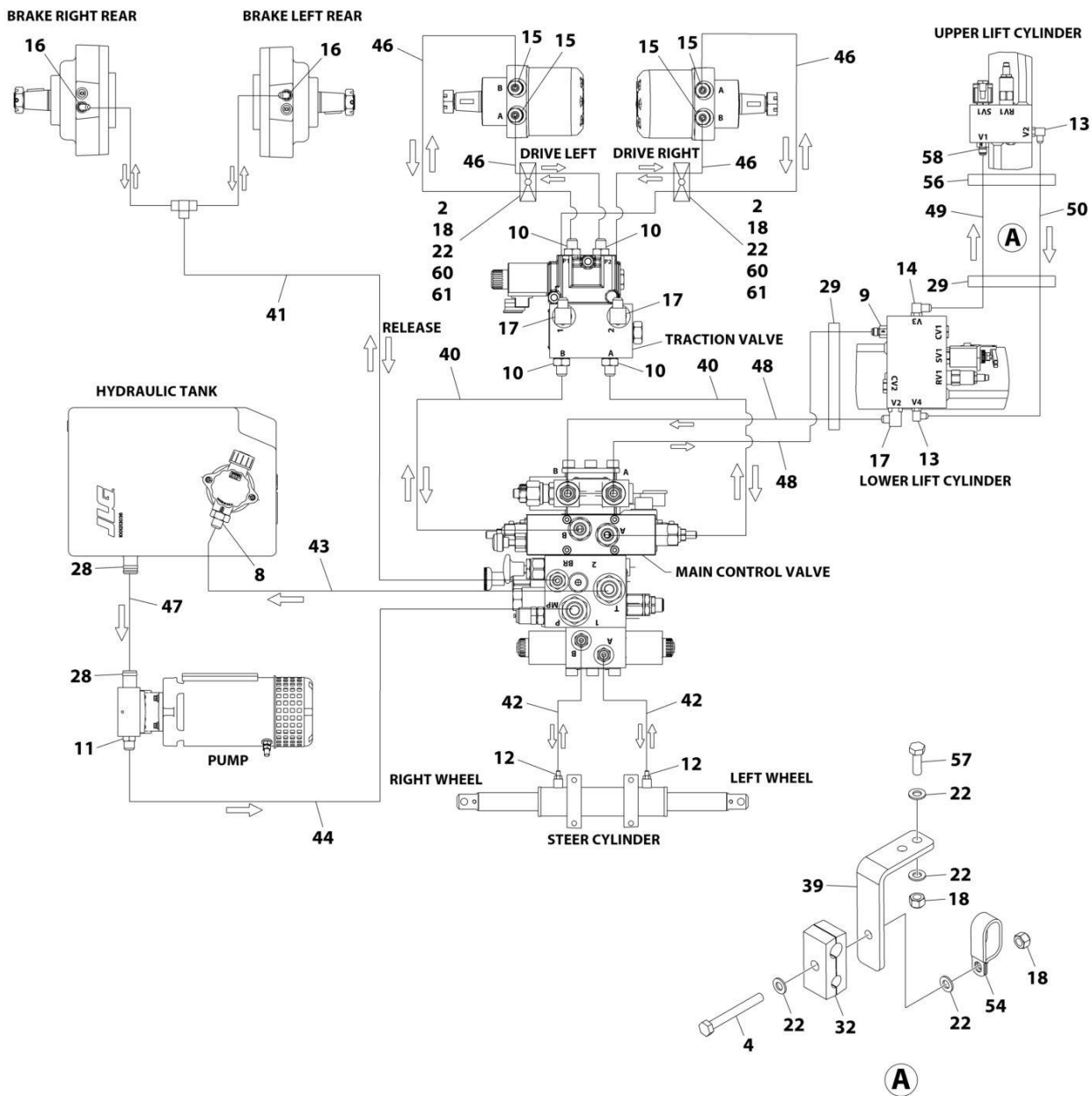
ITEM	PART NUMBER	QTY	DESCRIPTION	REV
	1001163178	Ref	STEER CYLINDER ASSEMBLY	E
		Ref	Note: Original Cylinder May Have Been Replaced with Service Replacement. Identify PN Stamped on Cylinder Before Ordering Parts.	
1	70005150	1	Barrel	
2	70005151	1	Rod	
3	70005152	2	Head	
4	See Note	NSS	Wiper (Note: Use Item 12)	
5	See Note	NSS	Seal, Rod (Note: Use Item 12)	
6	See Note	NSS	Ring, Back-up (Note: Use Item 12)	
7	70005153	2	Bearing, Dry	
8	See Note	NSS	O-Ring (Note: Use Item 12)	
9	See Note	NSS	O-Ring (Note: Use Item 12)	
10	See Note	NSS	Seal, Piston (Note: Use Item 12)	
11	See Note	2	Plug 9/16 (Note: Not Available for Purchase)	
12	70005154	1	Seal Kit - 1001163178 Cylinder (Includes Items 4-6 & 8-10)	



**SECTION 6 - HYDRAULIC**

# SECTION 6 - HYDRAULIC

## FIGURE 6-1. HYDRAULIC COMPONENTS INSTALLATION



ART\_1001213815\_20F2



## SECTION 6 - HYDRAULIC

### FIGURE 6-1. HYDRAULIC COMPONENTS INSTALLATION

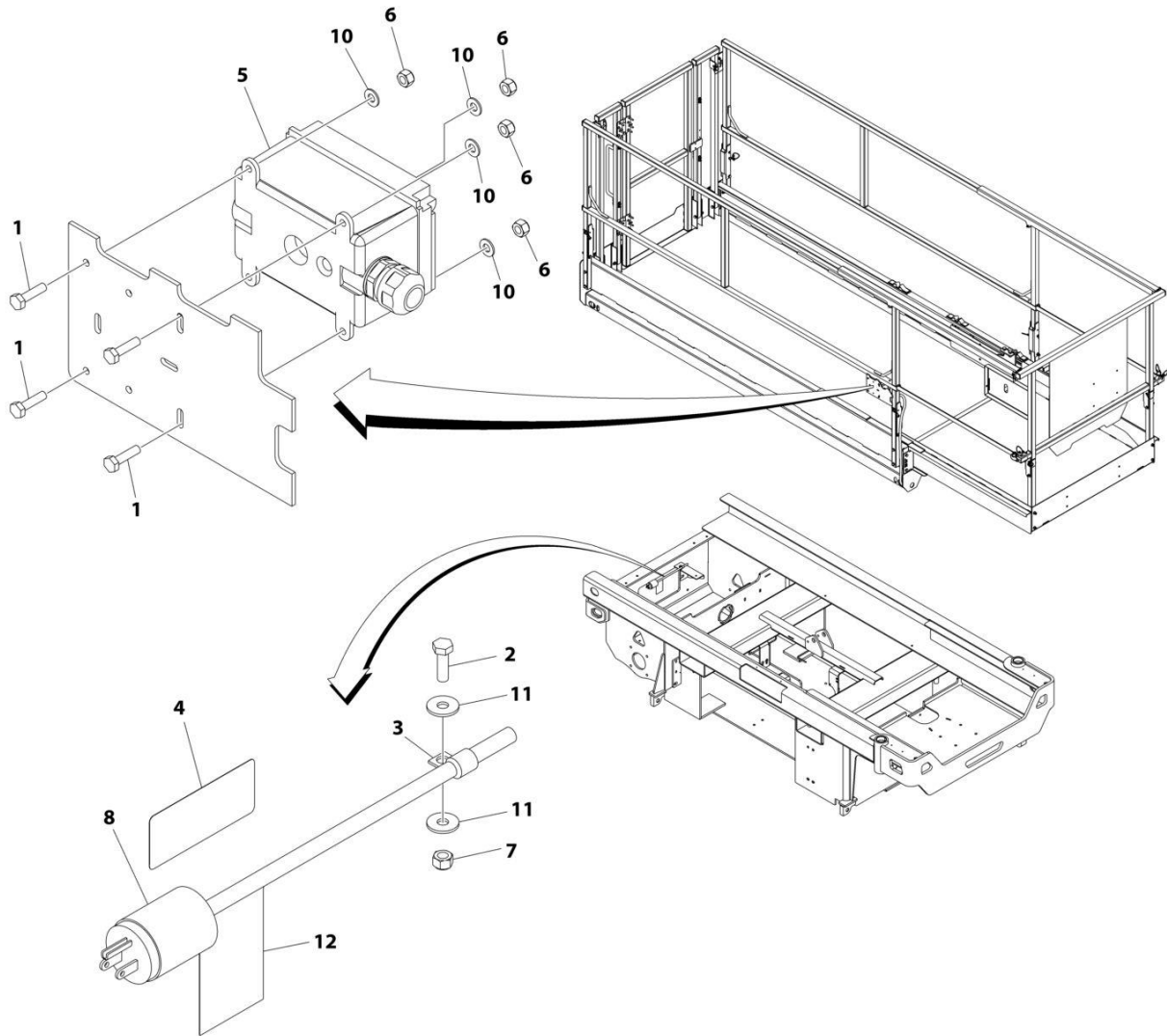
ITEM	PART NUMBER	QTY	DESCRIPTION	REV
	1001213815	Ref	HYDRAULIC COMPONENTS INSTALLATION	J
2	0760818	2	Bolt M8 x 50 <b>(Prior to SN B200046105, Prior to SN 0200267008)</b>	
	0700819	AR	Bolt M8 x 55 <b>(SN B200046105 to Present, SN 0200267008 to Present, SN M200000001 to Present)</b>	
4	0760822	1	Bolt M8 x 70	
8	2220346	1	Fitting, Straight JIC/NPT	
9	4640780	1	Valve, Cartridge - Check	
10	2220372	4	Fitting, Straight JIC/ORB	
11	2220373	1	Fitting, Straight JIC/ORB	
12	2220582	2	Fitting, Straight JIC/ORB	
13	2220466	2	Fitting, 90 JIC/ORB	
14	2220473	1	Fitting, 90 JIC/ORB	
15	2220497	4	Fitting, Straight JIC/ORB	
16	2220502	2	Fitting, 45 JIC/ORB	
17	2220628	3	Fitting, 90 JIC/ORB	
18	3290805	AR	Nut M8	
20	4240018	AR	Tie-Strap (Not Shown)	
22	4811900	AR	Washer M8	
26	77133139	2	Clamp Set <b>(Prior to SN B200052413, Prior to SN 0200268630)</b>	
28	1001143501	2	Clamp	
29	1001143645	3	Strap, Cinch	
32	1001209953	NLA	Clamp (Use p/n 1001243109) <b>(Prior to SN B200052413, Prior to SN 0200268630)</b>	
32	1001243109	1	Clamp <b>(SN B200052413 to Present, SN 0200268630 to Present, SN M200000001 to Present)</b>	
39	1001217386	1	Bracket	
40	1001218159	2	Hose	
41	1001218160	1	Hose	
42	1001218161	2	Hose	
43	1001218162	1	Hose	
44	1001218163	1	Hose	
46	1001218165	4	Hose	
47	1001218167	1	Hose	
48	1001218168	2	Hose	
49	1001218169	1	Hose	
50	1001218170	1	Hose	
54	1321283	1	Clamp	
56	1001137263	2	Strap, Cinch	
57	0700812	2	Bolt M8 x 25	
58	2220371	1	Fitting, Straight JIC/ORB	
60	1320187	2	Clamp, Twin <b>(SN B200052413 to Present, SN 0200268630 to Present, SN M200000001 to Present)</b>	
61	1321752	2	Clamp, Top Plate <b>(SN B200052413 to Present, SN 0200268630 to Present, SN M200000001 to Present)</b>	



**SECTION 7 - ELECTRICAL**

# SECTION 7 - ELECTRICAL

FIGURE 7-1. AC BOX AT PLATFORM INSTALLATION - 110V GFI (ALL SPECS EXCEPT AUSTRALIAN & CE SPECS)



ART\_1001214446

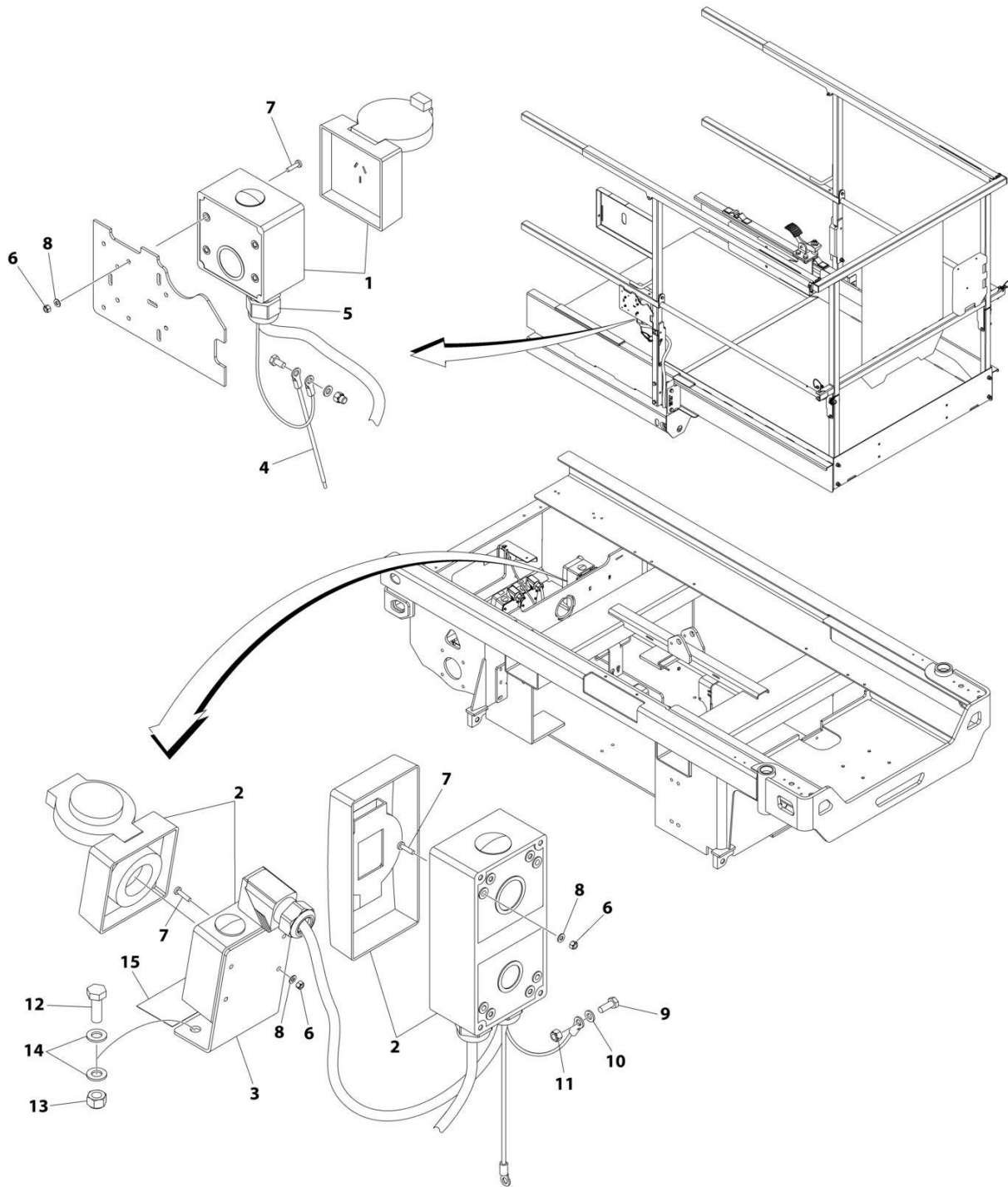
## SECTION 7 - ELECTRICAL

**FIGURE 7-1. AC BOX AT PLATFORM INSTALLATION - 110V GFI (ALL SPECS EXCEPT AUSTRALIAN & CE SPECS)**

ITEM	PART NUMBER	QTY	DESCRIPTION	REV
	1001214446	Ref	AC BOX AT PLATFORM INSTALLATION - 110V GFI (ALL SPECS EXCEPT AUSTRALIAN, CE & UK CA SPECS)	B
1	0760408	4	Bolt M4 x 16	
2	0760610	1	Bolt M6 x 20	
3	1321293	1	Clamp	
4	1703464	1	Decal - AC Power	
5	2902431	1	Receptacle Box Kit (See Separate Breakdown in this Section)	
6	3290405	4	Nut M4	
7	3290605	1	Nut M6	
8	4460138	1	Plug, Male - AC	
9	4460315	1	Terminal (Not Shown)	
10	4811400	4	Washer M4	
11	4811702	2	Washer M6	
12	1001102258	1	Decal - AC Label	

# SECTION 7 - ELECTRICAL

## FIGURE 7-2. AC BOX AT PLATFORM INSTALLATION (AUSTRALIAN SPECS)



ART\_1001245255

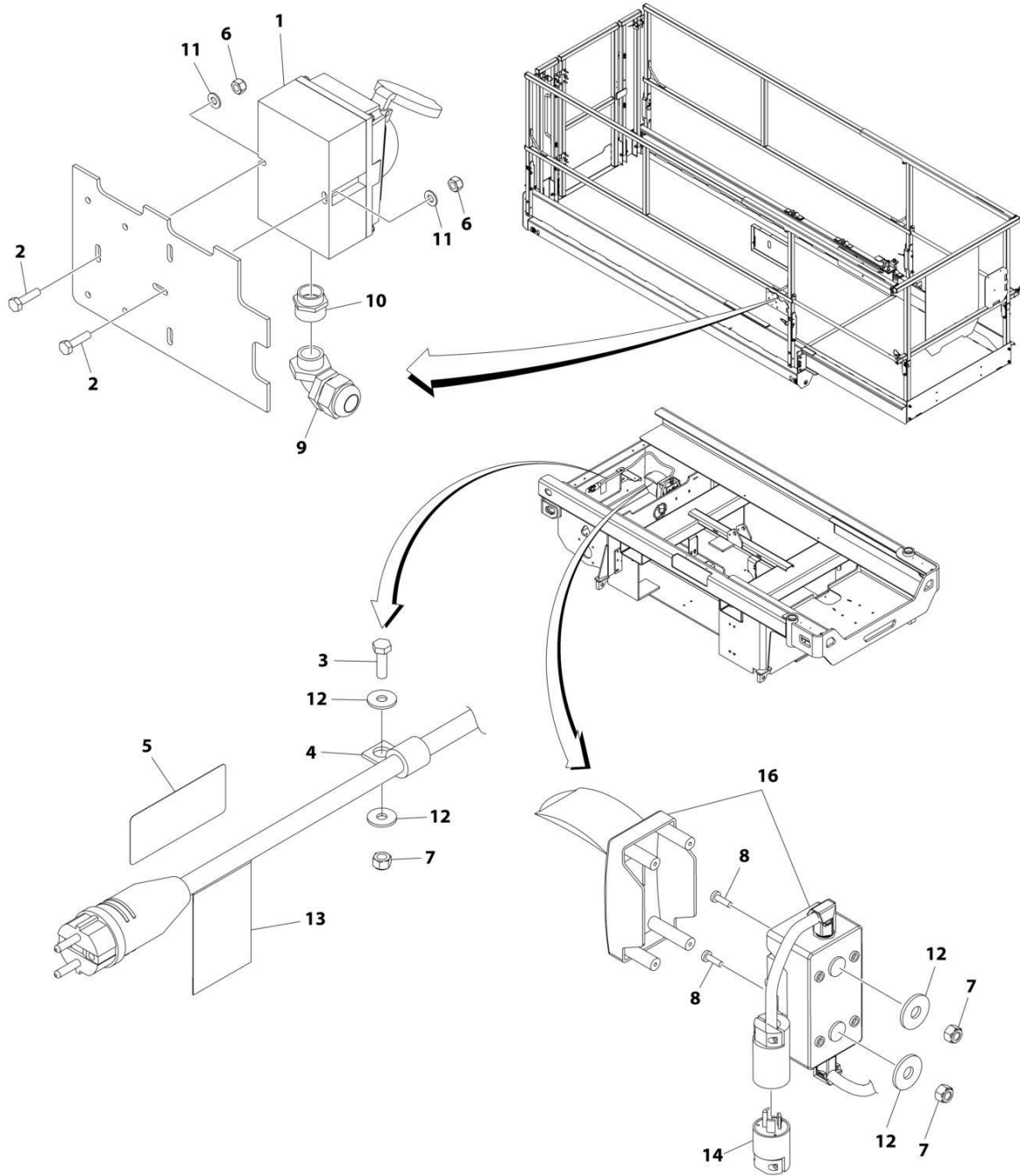
## SECTION 7 - ELECTRICAL

**FIGURE 7-2. AC BOX AT PLATFORM INSTALLATION (AUSTRALIAN SPECS)**

ITEM	PART NUMBER	QTY	DESCRIPTION	REV
	1001245255	Ref	AC BOX AT PLATFORM INSTALLATION	A
1	1001227268	1	Receptacle (Australian)	
2	1001246085	1	Receptacle and Breaker Assembly (See Separate Breakdown in this Section)	
3	1001234397	1	Bracket	
4	1001245744	1	Harness, Ground	
5	1001097150	1	Connector Strain Relief	
6	3290405	12	Nut M4	
7	4010408	12	Screw M4 x 16	
8	4811400	12	Washer M4	
9	0760608	1	Bolt M6 x 16	
10	4811700	1	Washer M6	
11	3290605	1	Nut M6	
12	0761014	2	Bolt M10 x 30	
13	3291005	2	Nut M10	
14	4812000	4	Washer M10	
15	1001102258	1	Decal - AC Label	

# SECTION 7 - ELECTRICAL

## FIGURE 7-3. AC BOX AT PLATFORM INSTALLATION - 110V IEC YELLOW (CE SPECS)



ART\_1001214453



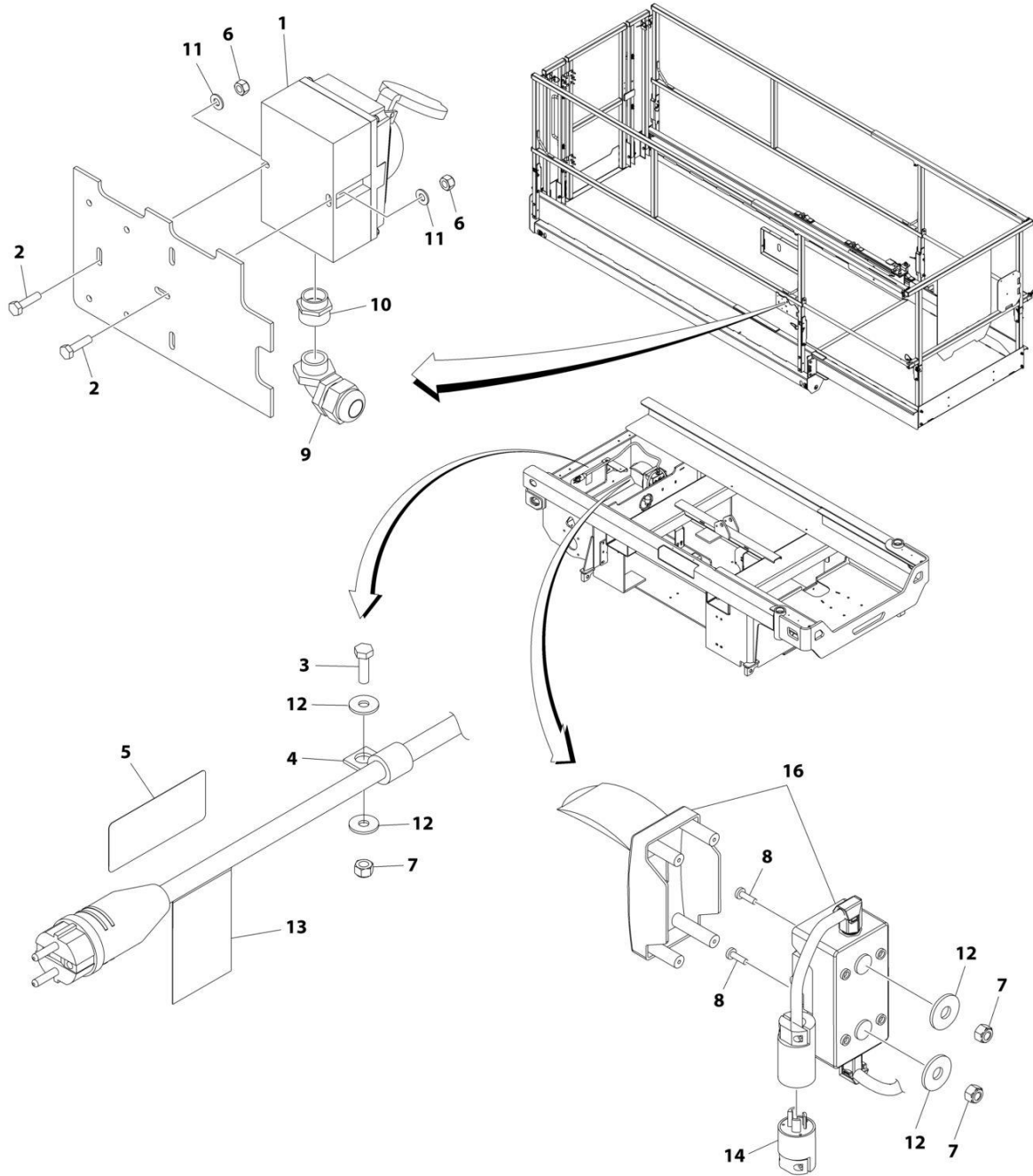
## SECTION 7 - ELECTRICAL

**FIGURE 7-3. AC BOX AT PLATFORM INSTALLATION - 110V IEC YELLOW (CE SPECS)**

ITEM	PART NUMBER	QTY	DESCRIPTION	REV
	1001214453	Ref	AC BOX AT PLATFORM INSTALLATION - 110V IEC YELLOW (CE & UK CA SPECS)	C
1	0275216	1	Receptacle Box Kit - 110V IEC Yellow (See Separate Breakdown in this Section)	
2	0760408	2	Bolt M4 x 16	
3	0760610	1	Bolt M6 x 20	
4	1321293	1	Clamp	
5	1703464	1	Decal - AC Power	
6	3290405	2	Nut M4	
7	3290605	3	Nut M6	
8	4010610	2	Screw M6 x 20	
9	4461257	1	Connector, Strain Relief	
10	4461258	1	Connector, Adapter	
11	4811400	2	Washer M4	
12	4811702	4	Washer M6	
13	1001102258	1	Decal - AC Label	
14	1001120204	1	Plug, Male Twist	
16	1001219041	1	Breaker Box Kit (See Separate Breakdown in this Section)	

# SECTION 7 - ELECTRICAL

## FIGURE 7-4. AC BOX AT PLATFORM INSTALLATION - 220V IEC BLUE (CE SPECS)



ART\_1001214456

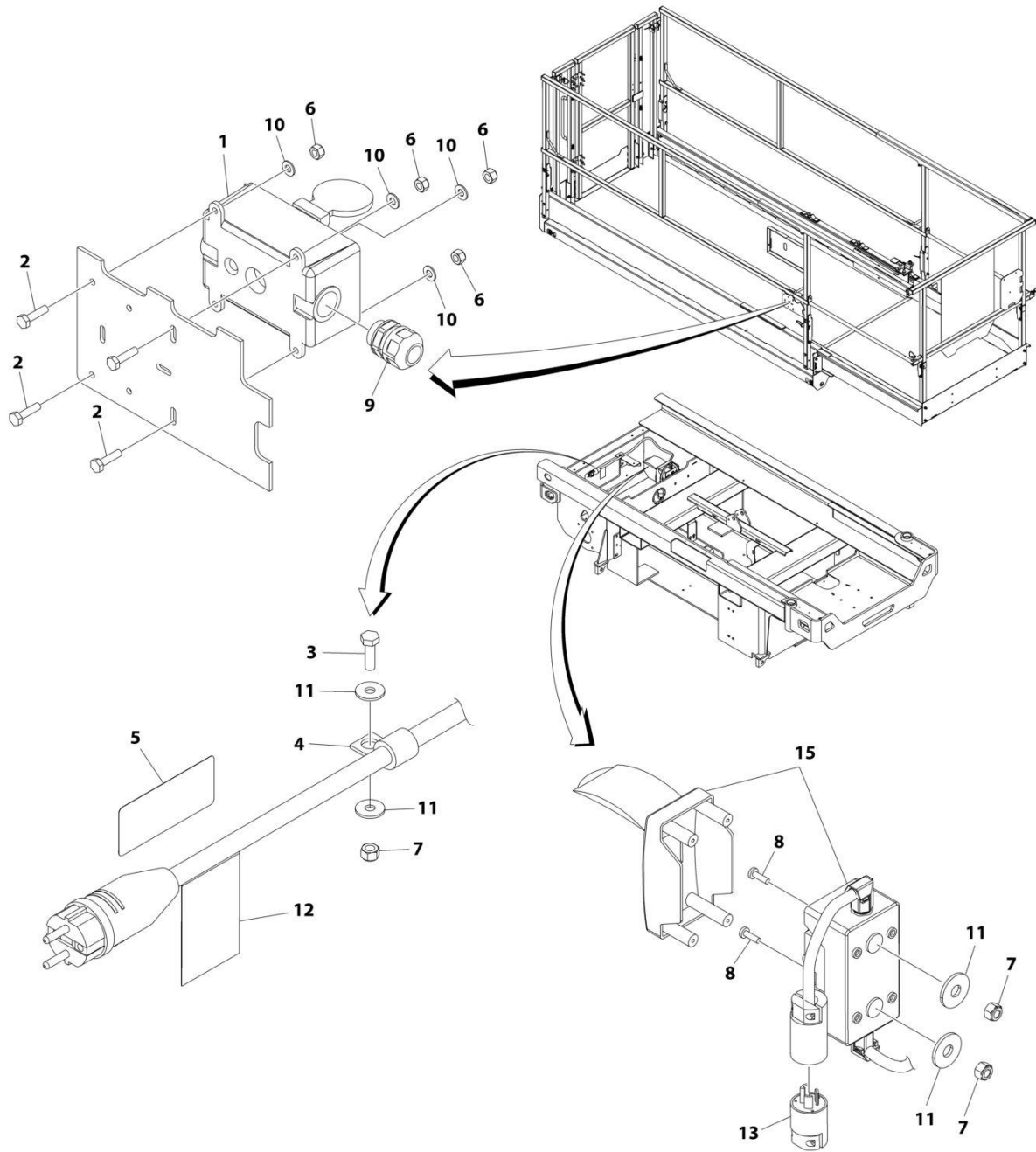
## SECTION 7 - ELECTRICAL

**FIGURE 7-4. AC BOX AT PLATFORM INSTALLATION - 220V IEC BLUE (CE SPECS)**

ITEM	PART NUMBER	QTY	DESCRIPTION	REV
	1001214456	1	AC BOX AT PLATFORM INSTALLATION - 220V IEC BLUE (CE & UK CA SPECS)	
1	0275217	1	Receptacle Box Kit - 220V IEC Blue (See Separate Breakdown in this Section)	
2	0760408	2	Bolt M4 x 16	
3	0760610	1	Bolt M6 x 20	
4	1321293	1	Clamp	
5	3252507	1	Decal - AC Power	
6	3290405	2	Nut M4	
7	3290605	3	Nut M6	
8	4010610	2	Screw M6 x 20	
9	4461257	1	Connector, Strain Relief	
10	4461258	1	Connector, Adapter	
11	4811400	2	Washer M4	
12	4811702	4	Washer M6	
13	1001102258	1	Decal - AC Label	
14	1001120204	1	Plug, Male Twist	
16	1001219041	1	Breaker Box Kit (See Separate Breakdown in this Section)	

# SECTION 7 - ELECTRICAL

## FIGURE 7-5. AC BOX AT PLATFORM INSTALLATION - 220V CEE7 POST GROUND (CE SPECS)



ART\_1001214450

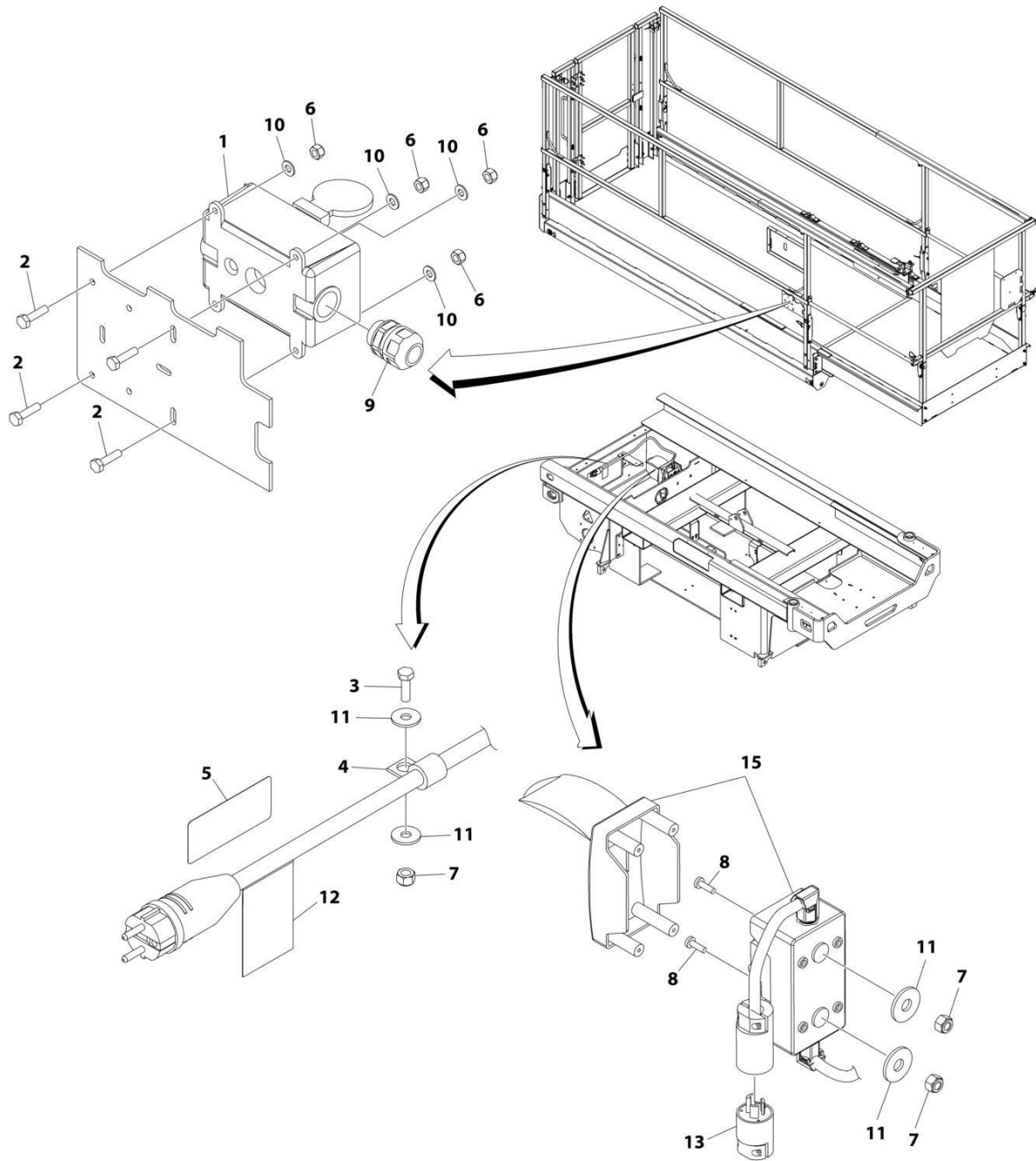
## SECTION 7 - ELECTRICAL

**FIGURE 7-5. AC BOX AT PLATFORM INSTALLATION - 220V CEE7 POST GROUND (CE SPECS)**

ITEM	PART NUMBER	QTY	DESCRIPTION	REV
	1001214450	Ref	AC BOX AT PLATFORM INSTALLATION - 220V CEE7 POST GROUND (CE & UK CA SPECS)	B
1	0275452	1	Receptacle Box Kit - 220V CEE7 Post Ground (See Separate Breakdown in this Section)	
2	0760408	4	Bolt M4 x 16	
3	0760610	1	Bolt M6 x 20	
4	1321293	1	Clamp	
5	3252507	1	Decal - AC Power	
6	3290405	4	Nut M4	
7	3290605	3	Nut M6	
8	4010610	2	Screw M6 x 20	
9	4460662	1	Connector, Strain Relief	
10	4811400	4	Washer M4	
11	4811702	4	Washer M6	
12	1001102258	1	Decal - AC Label	
13	1001120204	1	Plug, Male Twist	
15	1001219018	1	Breaker Box Kit (See Separate Breakdown in this Section)	

# SECTION 7 - ELECTRICAL

## FIGURE 7-6. AC BOX AT PLATFORM INSTALLATION - 220V CEE7 SIDE GROUND (CE SPECS)



ART\_1001214451

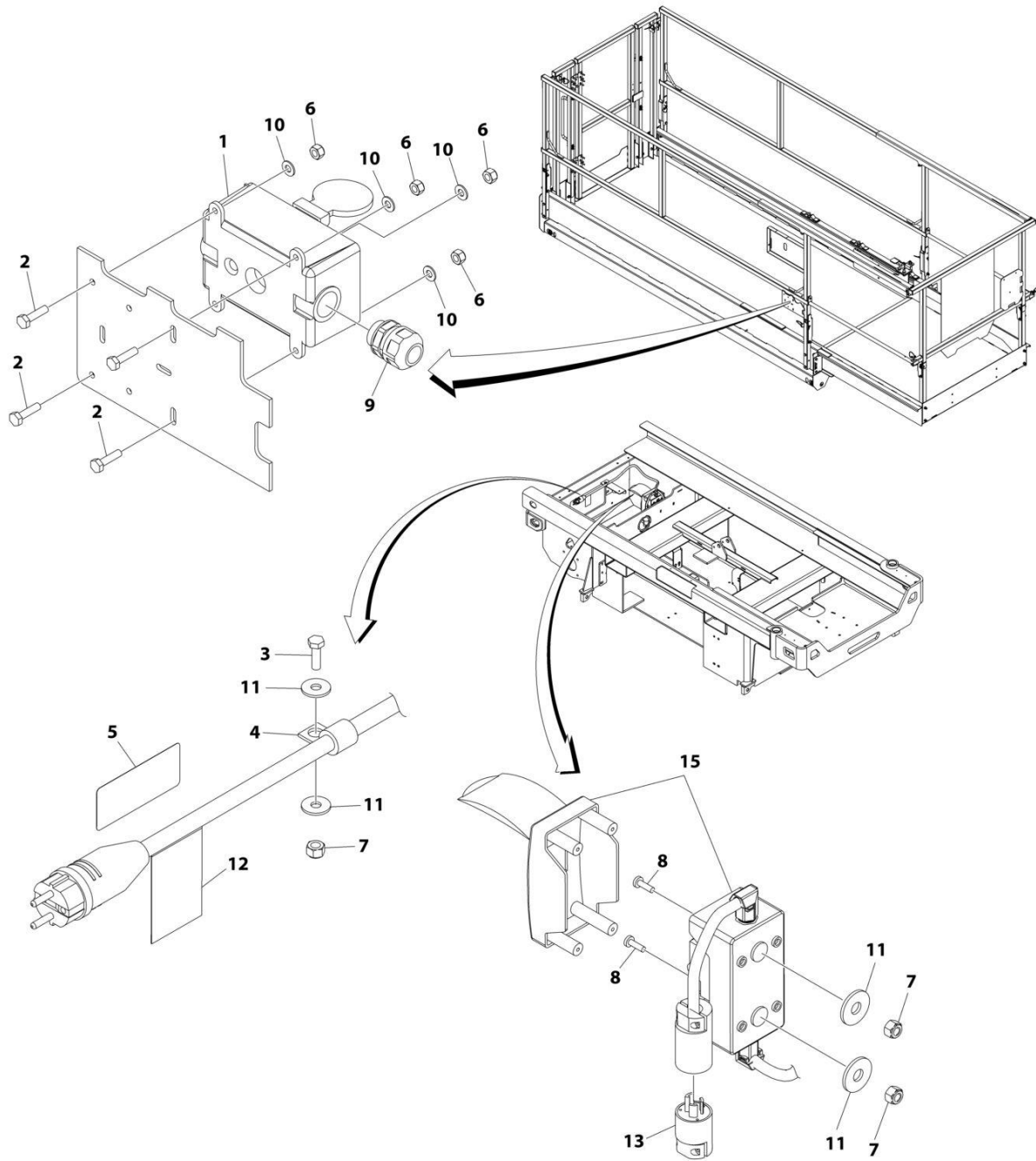
## SECTION 7 - ELECTRICAL

**FIGURE 7-6. AC BOX AT PLATFORM INSTALLATION - 220V CEE7 SIDE GROUND (CE SPECS)**

ITEM	PART NUMBER	QTY	DESCRIPTION	REV
	1001214451	Ref	AC BOX AT PLATFORM INSTALLATION - 220V CEE7 SIDE GROUND (CE & UK CA SPECS)	B
1	0275453	1	Receptacle Box Kit - 220V CEE7 Side Ground (See Separate Breakdown in this Section)	
2	0760408	4	Bolt M4 x 16	
3	0760610	1	Bolt M6 x 20	
4	1321293	1	Clamp	
5	3252507	1	Decal - AC Power	
6	3290405	4	Nut M4	
7	3290605	3	Nut M6	
8	4010610	2	Screw M6 x 20	
9	4460662	1	Connector, Strain Relief	
10	4811400	4	Washer M4	
11	4811702	4	Washer M6	
12	1001102258	1	Decal - AC Label	
13	1001120204	1	Plug, Male Twist	
15	1001219018	1	Breaker Box Kit (See Separate Breakdown in this Section)	

# SECTION 7 - ELECTRICAL

## FIGURE 7-7. AC BOX AT PLATFORM INSTALLATION - 220V AFSINT 107 (CE SPECS)



ART\_1001214452



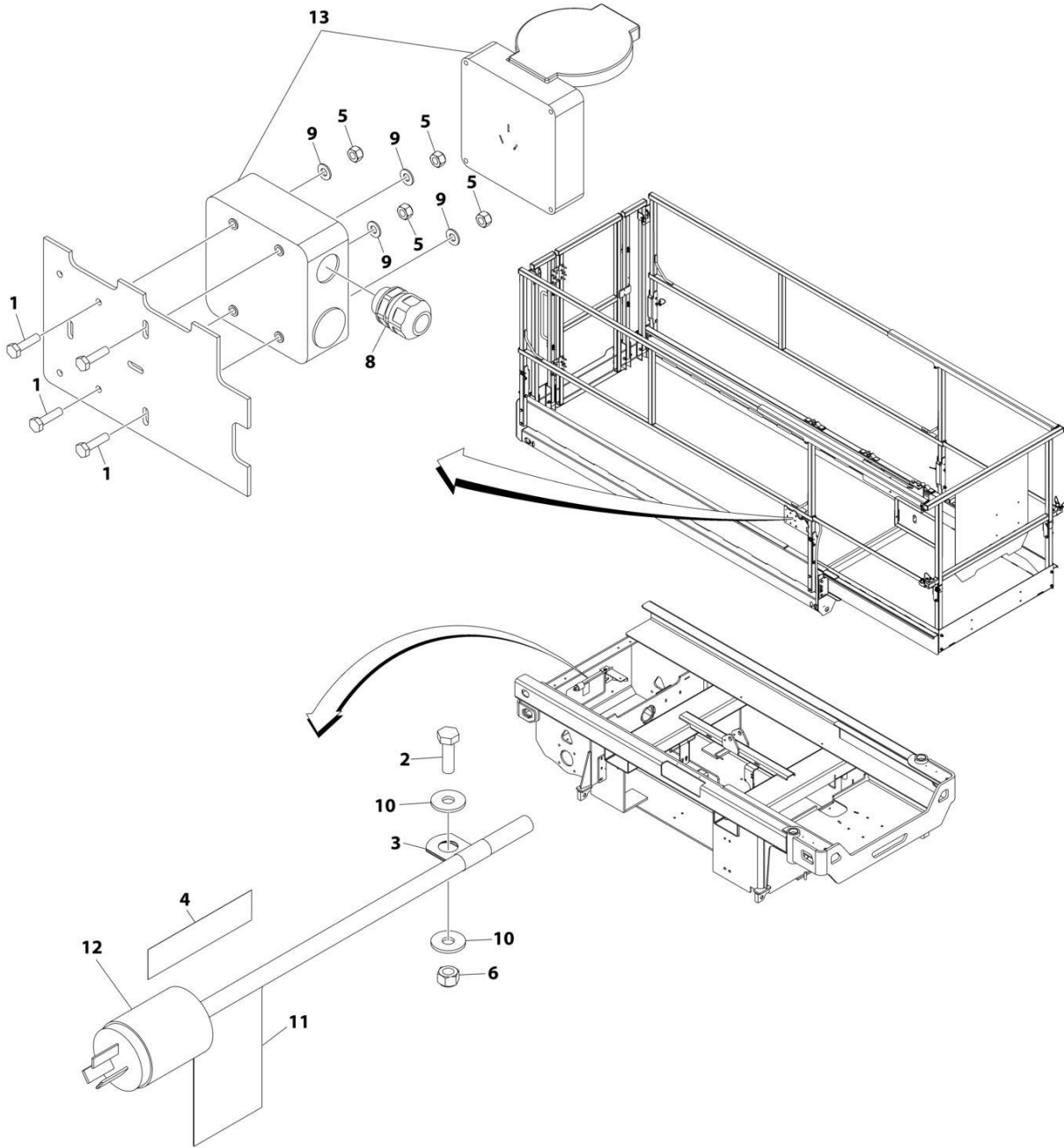
## SECTION 7 - ELECTRICAL

**FIGURE 7-7. AC BOX AT PLATFORM INSTALLATION - 220V AFSINT 107 (CE SPECS)**

ITEM	PART NUMBER	QTY	DESCRIPTION	REV
	1001214452	Ref	AC BOX AT PLATFORM INSTALLATION - 220V AFSINT 107 (CE & UK CA SPECS)	B
1	0275454	1	Receptacle Box Kit - 220V AFSINT 107 (See Separate Breakdown in this Section)	
2	0760408	4	Bolt M4 x 16	
3	0760610	1	Bolt M6 x 20	
4	1321293	1	Clamp	
5	3252507	1	Decal - AC Power	
6	3290405	4	Nut M4	
7	3290605	3	Nut M6	
8	4010610	2	Screw M6 x 20	
9	4460662	1	Connector, Strain Relief	
10	4811400	4	Washer M4	
11	4811702	4	Washer M6	
12	1001102258	1	Decal - AC Label	
13	1001120204	1	Plug, Male Twist	
15	1001219041	1	Breaker Box Kit (See Separate Breakdown in this Section)	

# SECTION 7 - ELECTRICAL

## FIGURE 7-8. AC BOX AT PLATFORM INSTALLATION - 220V CHINA PLUG (CHINA SPECS)



ART\_1001214457

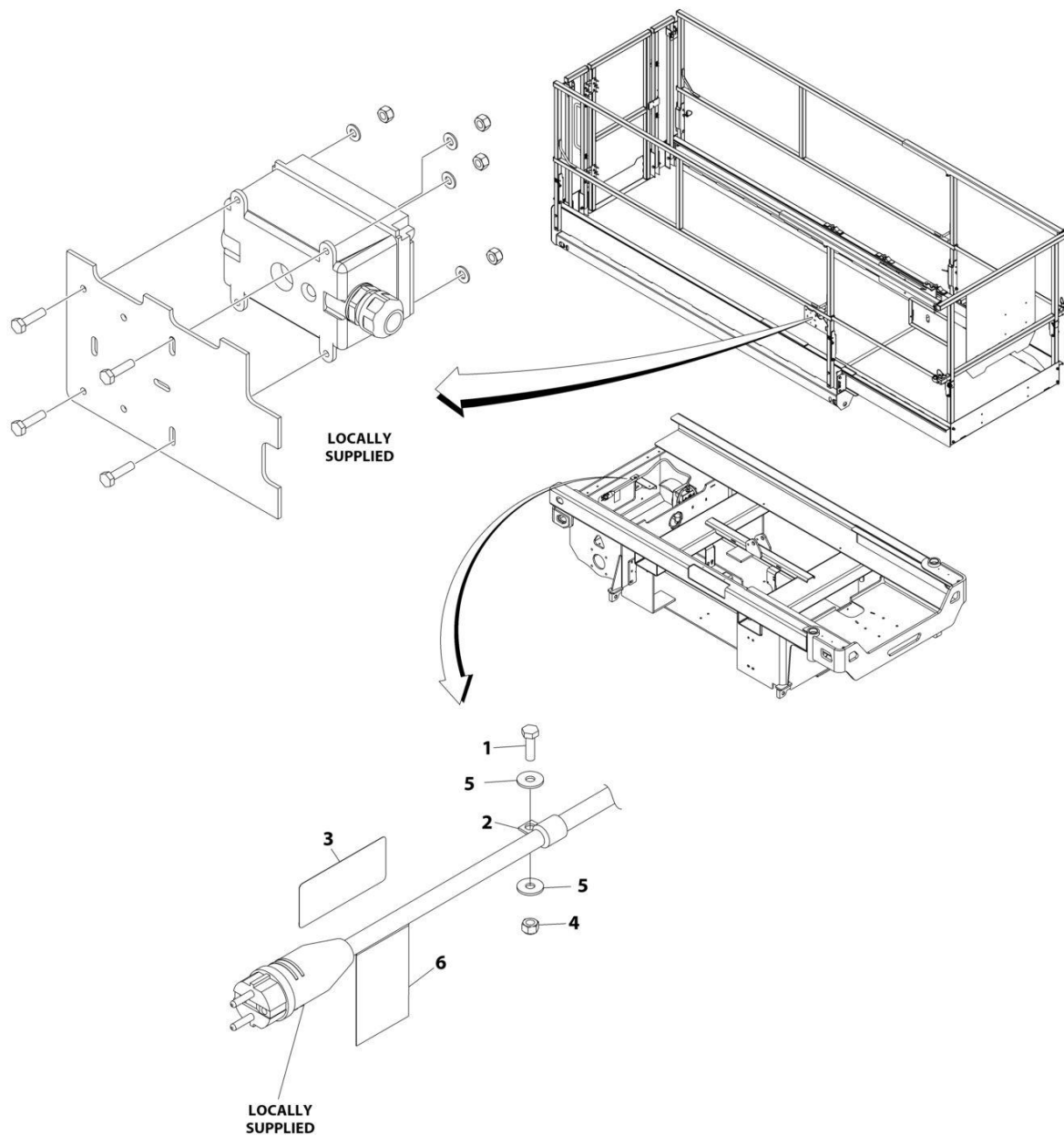
## SECTION 7 - ELECTRICAL

**FIGURE 7-8. AC BOX AT PLATFORM INSTALLATION - 220V CHINA PLUG (CHINA SPECS)**

ITEM	PART NUMBER	QTY	DESCRIPTION	REV
	1001214457	Ref	AC BOX AT PLATFORM INSTALLATION - 220V CHINA PLUG (CHINA SPECS)	A
1	0760408	4	Bolt M4 x 16	
2	0760610	1	Bolt M6 x 20	
3	8406003	1	Clamp	
4	3252507	1	Decal - 220 Volt	
5	3290405	4	Nut M4	
6	3290605	1	Nut M6	
7	4460315	1	Terminal (Not Shown)	
8	4460968	1	Connector, Strain Relief	
9	4811400	4	Washer M4	
10	4811702	2	Washer M6	
11	1001102258	1	Decal - AC Label	
12	1001187816	1	Plug	
13	1001188116	1	Box	

# SECTION 7 - ELECTRICAL

## FIGURE 7-9. AC BOX AT PLATFORM INSTALLATION - 220V LOCALLY SUPPLIED COMPONENTS (ALL SPECS)



ART\_1001214447

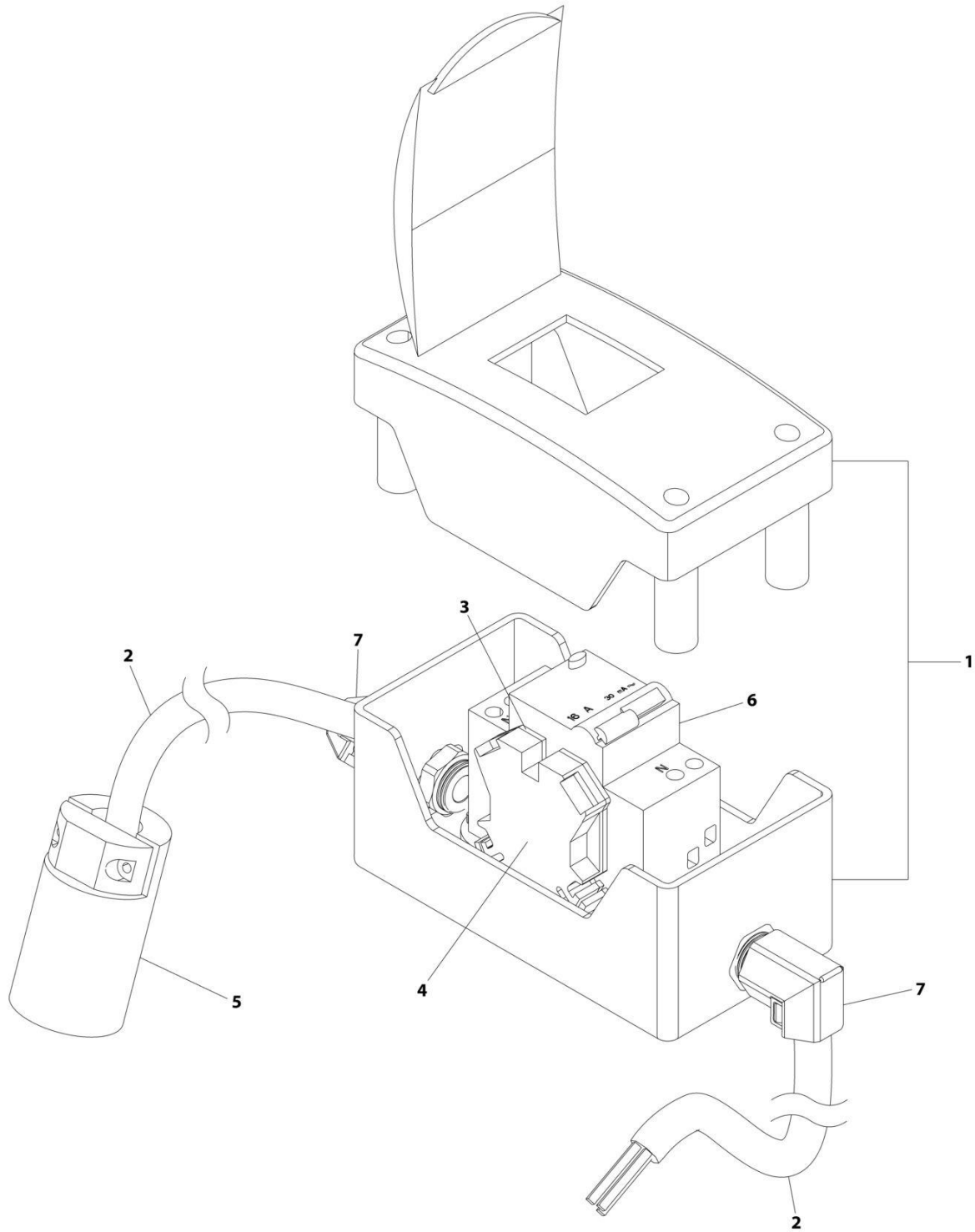
## SECTION 7 - ELECTRICAL

**FIGURE 7-9. AC BOX AT PLATFORM INSTALLATION - 220V LOCALLY SUPPLIED COMPONENTS  
(ALL SPECS)**

ITEM	PART NUMBER	QTY	DESCRIPTION	REV
	1001214447	Ref	AC BOX AT PLATFORM INSTALLATION - 220V LOCALLY SUPPLIED COMPONENTS (ALL SPECS)	A
1	0760610	1	Bolt M6 x 20	
2	1321293	1	Clamp	
3	3252507	1	Decal - 220 Volt	
4	3290605	1	Nut M6	
5	4811702	2	Washer M6	
6	1001102258	1	Decal - AC Label	

# SECTION 7 - ELECTRICAL

## FIGURE 7-10. BREAKER BOX KIT WITH 1 DOUBLE BREAKER



ART\_1001219041

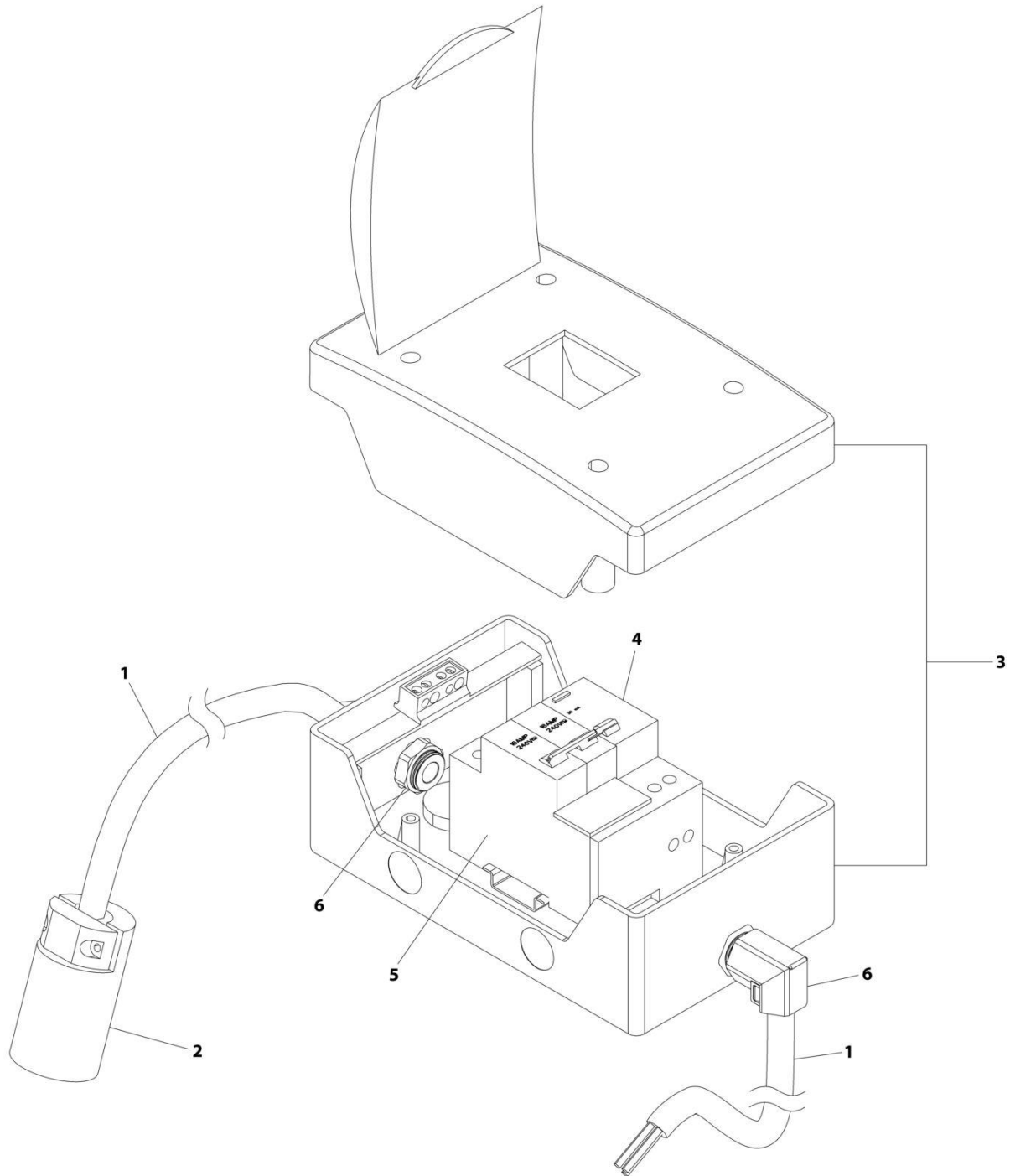
## SECTION 7 - ELECTRICAL

**FIGURE 7-10. BREAKER BOX KIT WITH 1 DOUBLE BREAKER**

ITEM	PART NUMBER	QTY	DESCRIPTION	REV
	1001219041	Ref	BREAKER BOX KIT WITH 1 DOUBLE BREAKER	A
1	0861880	1	Box	
2	1060908	4.5 ft/ 1.3m	Cable, 12/3	
3	4460956	1	Barrier, Terminal	
4	4460957	1	Block, Terminal	
5	1001120205	1	Connector, Female Twist	
6	1001181045	1	Breaker 30mAmp/16 Amp	
7	1001217164	2	Connector, Strain Relief 90	

# SECTION 7 - ELECTRICAL

## FIGURE 7-11. BREAKER BOX KIT WITH 3 BREAKERS



ART\_1001219018



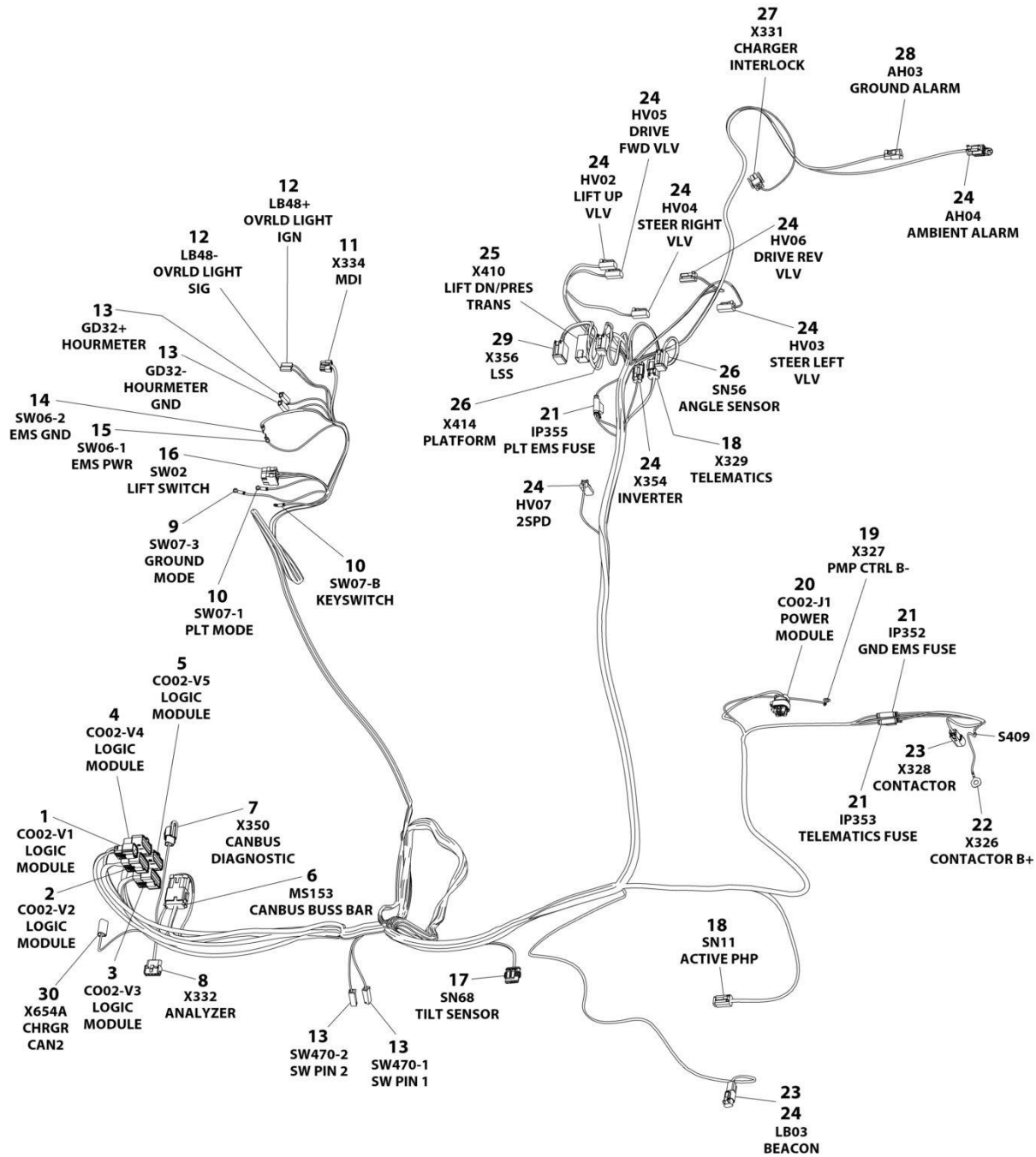
## SECTION 7 - ELECTRICAL

### FIGURE 7-11. BREAKER BOX KIT WITH 3 BREAKERS

ITEM	PART NUMBER	QTY	DESCRIPTION	REV
	1001219018	Ref	BREAKER BOX KIT WITH 3 BREAKERS	B
1	1060908	4.5 ft/ 1.3m	Cable, 12/3	
2	1001120205	1	Connector, Female Twist	
3	1001152483	1	Box	
4	1001189171	1	Breaker, 30mAmp	
5	1001189172	1	Breaker 16 Amp, Double	
6	1001217164	2	Connector, Strain Relief 90	

# SECTION 7 - ELECTRICAL

## FIGURE 7-12. CHASSIS HARNESS



ART\_1001214596

# SECTION 7 - ELECTRICAL

## FIGURE 7-12. CHASSIS HARNESS

ITEM	PART NUMBER	QTY	DESCRIPTION	REV
	1001214596	Ref	CHASSIS HARNESS	G
1	1001205409	1	Connector - 8 Position	
1	1001162887	6	Terminal	
1	1001163340	2	Plug, Terminal	
2	1001205410	1	Connector - 20 Position	
2	1001162887	13	Terminal	
2	1001163340	7	Plug, Terminal	
3	1001162886	1	Connector - 20 Position	
3	1001162887	14	Terminal	
3	1001163340	6	Plug, Terminal	
4	1001205411	1	Connector - 20 Position	
4	1001162887	15	Terminal	
4	1001163340	5	Plug, Terminal	
5	1001205412	1	Connector - 20 Position	
5	1001162887	18	Terminal	
5	1001163340	2	Plug, Terminal	
6	4460933	1	Plug, Male - 12 Position	
6	4460944	12	Socket, Female	
6	1001125677	1	Receptacle, Female Buss Bar - 2x6 Position	
7	1001116812	1	Receptacle, Female - 3 Position	
7	4460944	2	Pin, Male	
7	1001144296	1	Cover	
8	4460761	2	Plug, Male - 4 Position	
8	4460227	8	Socket, Female	
9	4460042	1	Terminal, Ring	
10	4460247	2	Terminal, Ring	
11	1001151629	1	Plug, Male - 8 Position	
11	4461023	2	Terminal	
11	4460877	2	Terminal	
12	1001117000	2	Cover, Terminal	
12	1001118387	2	Terminal	
13	4460260	4	Cover, Terminal	
13	4460259	4	Terminal	
14	4460115	1	Terminal, Ring	
15	4460183	1	Terminal, Ring	
16	4460418	1	Connector - 6 Position	
16	4460419	3	Terminal	
17	1001103012	1	Plug, Male - 4 Position	
17	1001107854	4	Socket, Female	
18	4460884	2	Plug, Male - 4 Position	
18	4460465	8	Socket, Female	
18	1001192401	1	Cover	
19	1001207173	1	Terminal, Ring	
20	1001113961	1	Connector - 8 Position	
20	4460871	4	Socket, Female	
20	4460905	4	Plug, Terminal	
21	2400060	3	Fuseholder with Cover	
21	8229242	2	Fuse 5 Amp	
21	8229244	1	Fuse 15 Amp	
22	1001211775	1	Terminal, Ring	

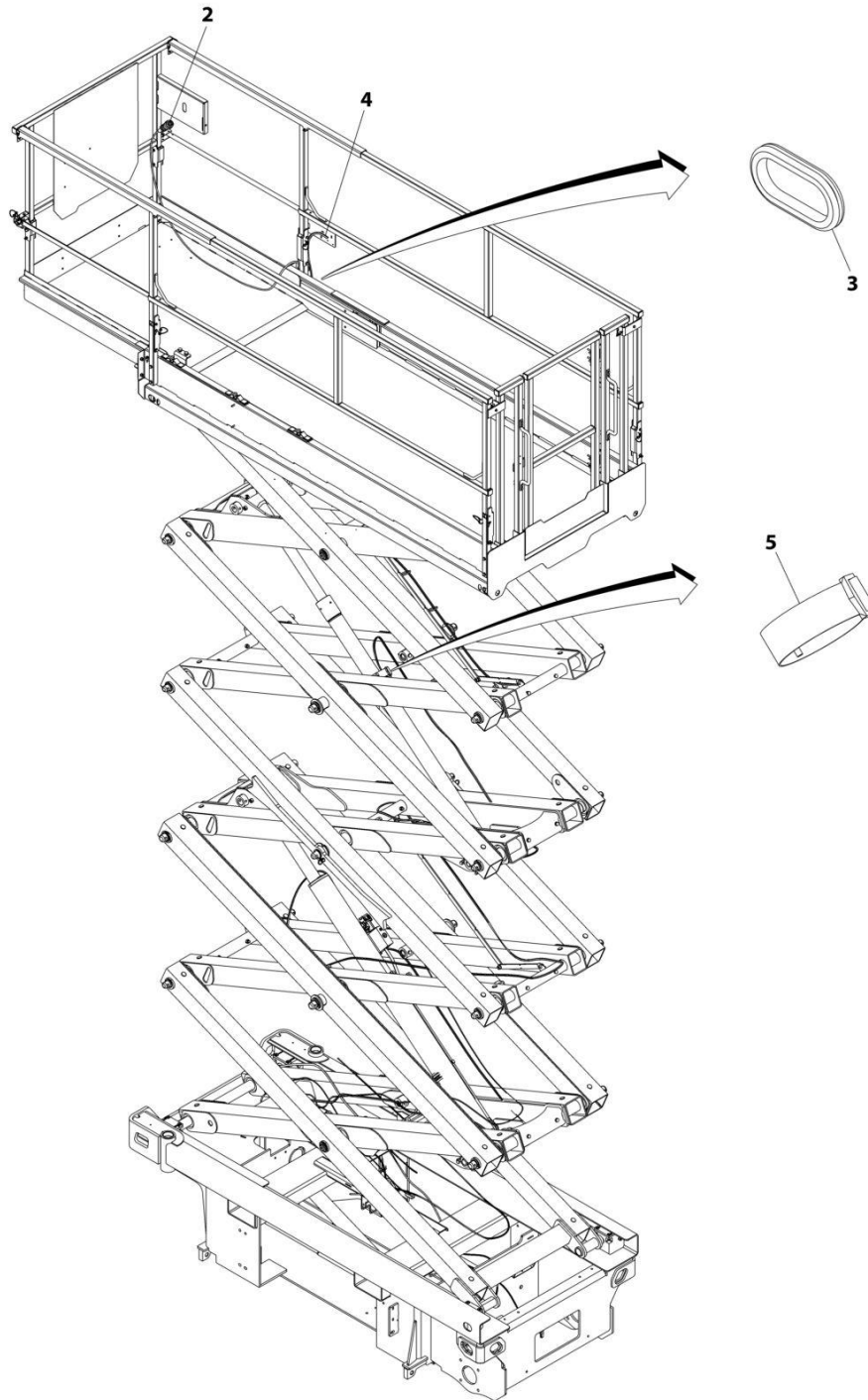
## SECTION 7 - ELECTRICAL

ITEM	PART NUMBER	QTY	DESCRIPTION	REV
23	4460897	2	Receptacle, Female - 2 Position	
23	4460464	4	Pin, Male	
24	4460891	9	Plug, Male - 2 Position	
24	4460465	16	Socket, Female	
24	4460466	2	Plug, Terminal	
25	4460899	1	Receptacle, Female - 6 Position	
25	4460464	4	Pin, Male	
25	4460466	2	Plug, Terminal	
26	4460894	2	Plug, Male - 6 Position	
26	4460465	12	Socket, Female	
27	4460320	1	Plug, Male - 2 Position	
27	4460226	1	Socket, Female	
28	4460539	1	Plug, Male - 3 Position	
28	4460465	3	Socket, Female	
29	4460930	1	Plug, Male - 8 Position	
29	4460465	6	Socket, Female	
29	4460466	2	Plug, Terminal	
30	4460965	1	Plug, Male - 3 Position	
30	4460944	2	Socket, Female	
30	4460466	1	Plug, Terminal	



# SECTION 7 - ELECTRICAL

## FIGURE 7-13. GROUND TO PLATFORM CABLE INSTALLATION - WITHOUT PLATFORM COIL CABLE (CHINA BUILT MACHINES)



ART\_1001214442

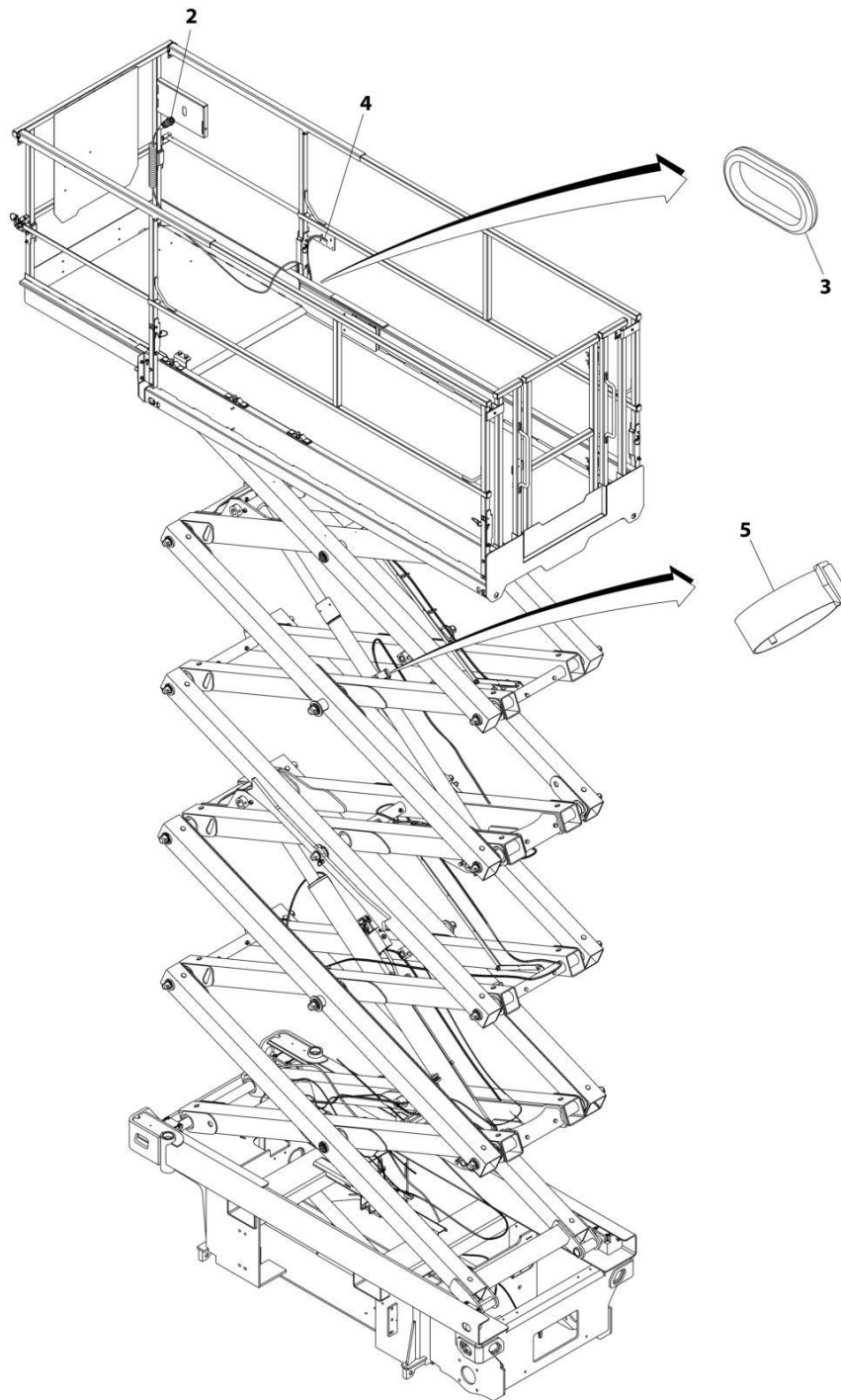
## SECTION 7 - ELECTRICAL

**FIGURE 7-13. GROUND TO PLATFORM CABLE INSTALLATION - WITHOUT PLATFORM COIL CABLE  
(CHINA BUILT MACHINES)**

ITEM	PART NUMBER	QTY	DESCRIPTION	REV
	1001214442	Ref	GROUND TO PLATFORM CABLE INSTALLATION - WITHOUT PLATFORM COIL CABLE	E
1	4240017	AR	Tie-Strap (Not Shown)	
2	1001200812	1	Platform Harness	
2	4460899	1	Receptacle, Female - 6 Position (To Item 4)	
2	4460464	4	Pin, Male	
2	4460943	2	Pin, Male	
2	4460754	1	Connector - 14 Position (To Console Box)	
2	4460465	8	Socket, Female	
2	4460466	6	Plug, Terminal	
3	1001213945	1	Grommet	
4	1001215732	1	Cable Assembly - Ground to Platform	
4	4460894	1	Plug, Male - 6 Position (To Platform Harness Item 2)	
4	4460465	4	Socket, Female	
4	4460944	2	Socket, Female	
4	4460899	1	Receptacle, Female - 6 Position (To Chassis Harness)	
4	4460464	4	Pin, Male	
4	4460943	2	Pin, Male	
5	1001137263	1	Strap, Cinch	

## SECTION 7 - ELECTRICAL

FIGURE 7-14. GROUND TO PLATFORM CABLE INSTALLATION - WITH PLATFORM COIL CABLE  
(CHINA BUILT MACHINES)



ART\_1001214443



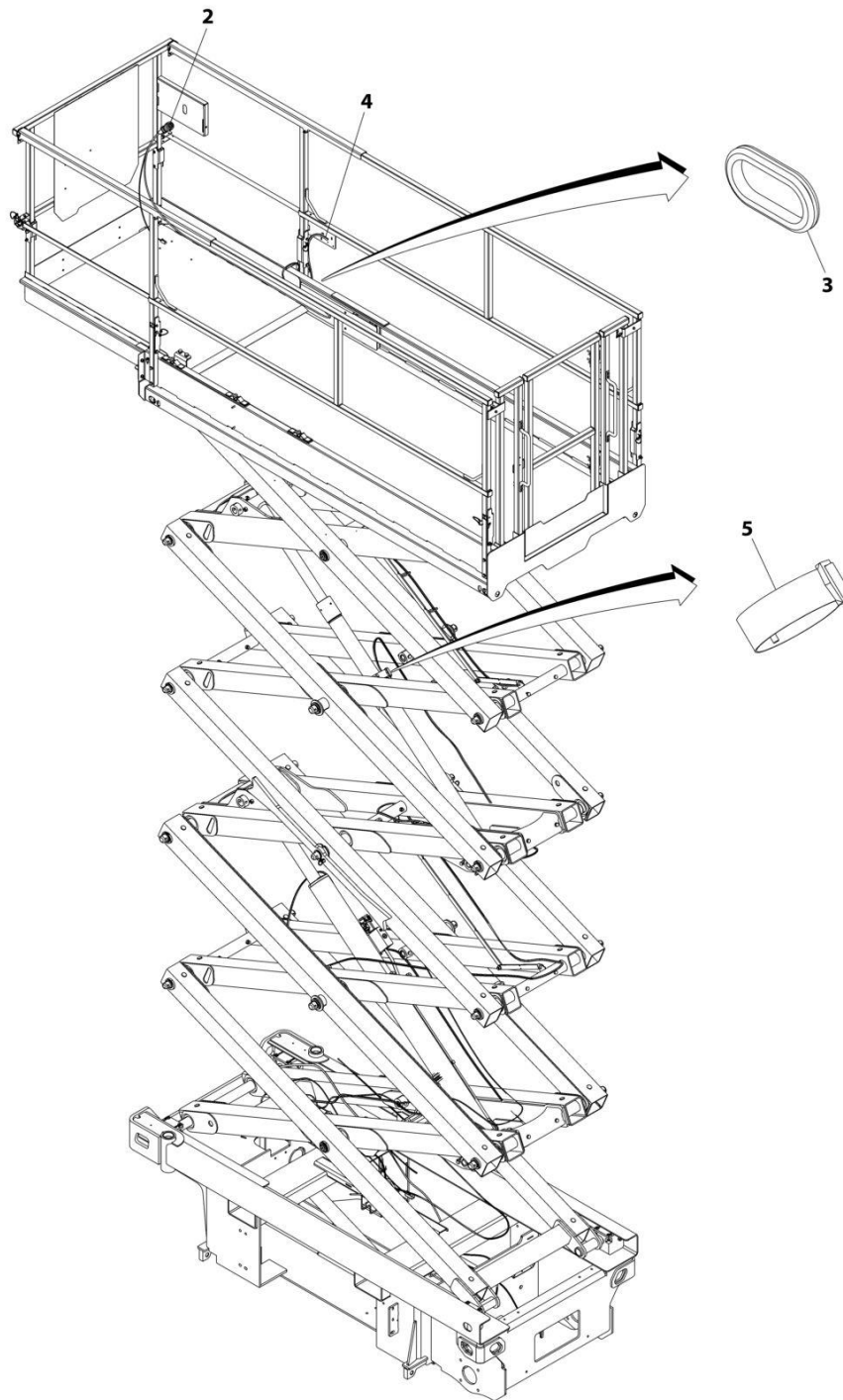
## SECTION 7 - ELECTRICAL

**FIGURE 7-14. GROUND TO PLATFORM CABLE INSTALLATION - WITH PLATFORM COIL CABLE  
(CHINA BUILT MACHINES)**

ITEM	PART NUMBER	QTY	DESCRIPTION	REV
	1001214443	Ref	GROUND TO PLATFORM CABLE INSTALLATION - WITH PLATFORM COIL CABLE	E
1	4240017	AR	Tie-Strap (Not Shown)	
2	1001202184	1	Platform Harness	
2	4460899	1	Receptacle, Female - 6 Position (To Item 4)	
2	4460464	4	Pin, Male	
2	4460943	2	Pin, Male	
2	4460754	1	Connector - 14 Position (To Console Box)	
2	4460465	8	Socket, Female	
2	4460466	6	Plug, Terminal	
3	1001213945	1	Grommet	
4	1001215732	1	Cable Assembly - Ground to Platform	
4	4460894	1	Plug, Male - 6 Position (To Platform Harness Item 2)	
4	4460465	4	Socket, Female	
4	4460944	2	Socket, Female	
4	4460899	1	Receptacle, Female - 6 Position (To Chassis Harness)	
4	4460464	4	Pin, Male	
4	4460943	2	Pin, Male	
5	1001137263	1	Strap, Cinch	

## SECTION 7 - ELECTRICAL

FIGURE 7-15. GROUND TO PLATFORM CABLE INSTALLATION - WITHOUT PLATFORM COIL CABLE AND WITH FOOTSWITCH (CHINA BUILT MACHINES)



ART\_1001214444

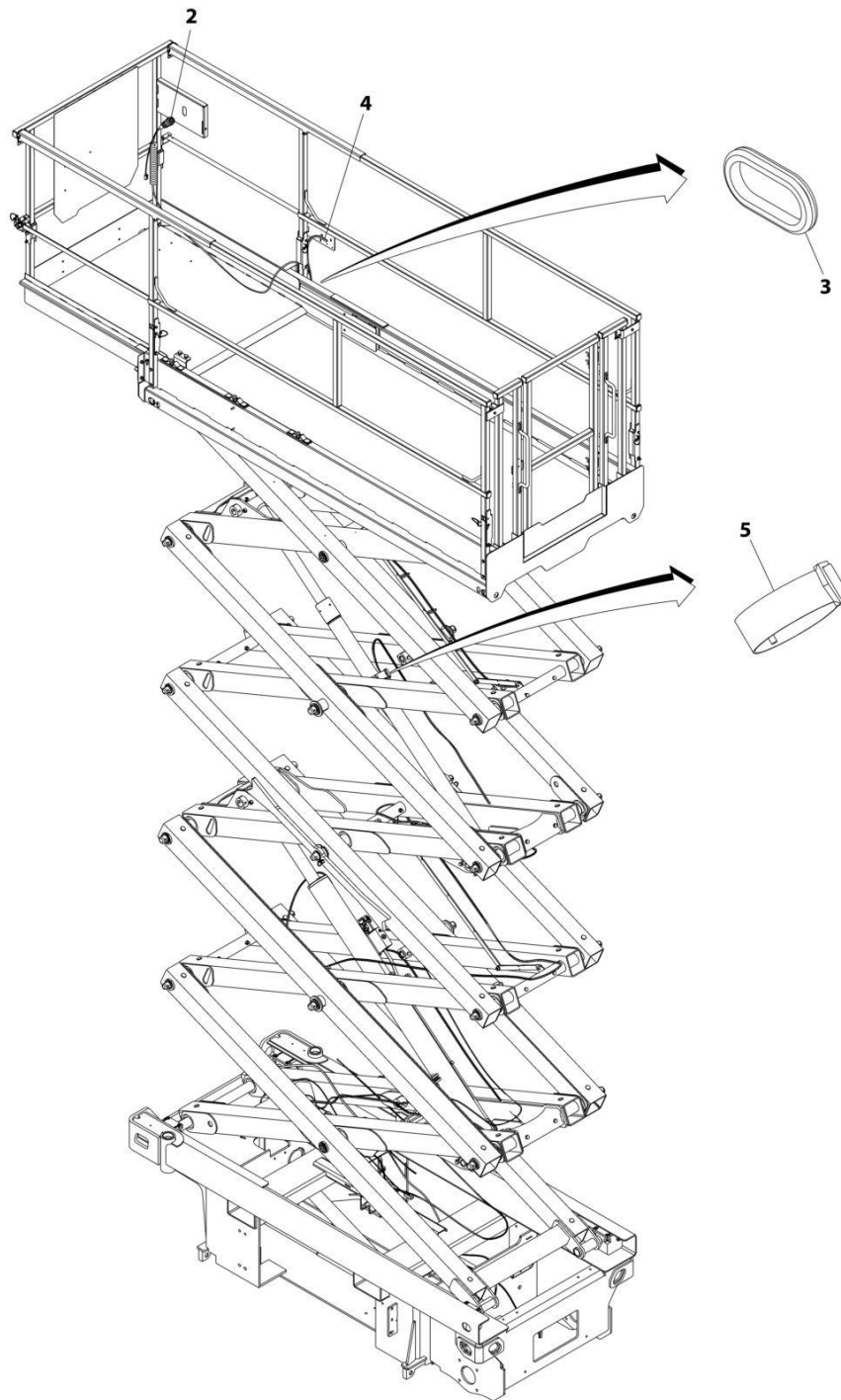
## SECTION 7 - ELECTRICAL

**FIGURE 7-15. GROUND TO PLATFORM CABLE INSTALLATION - WITHOUT PLATFORM COIL CABLE AND WITH FOOTSWITCH (CHINA BUILT MACHINES)**

ITEM	PART NUMBER	QTY	DESCRIPTION	REV
	1001214444	Ref	GROUND TO PLATFORM CABLE INSTALLATION - WITHOUT PLATFORM COIL CABLE AND WITH FOOTSWITCH	F
		Ref	Note: Only Available on Japanese Specs.	
1	4240017	AR	Tie-Strap (Not Shown)	
2	1001223263	1	Platform Harness - Without Coil Cable	
2	4460899	1	Receptacle, Female - 6 Position (To Ground to Platform Cable to Item 4)	
2	4460464	4	Pin, Male	
2	4460943	2	Pin, Male	
2	4460539	1	Plug, Male - 3 Position (To Overhead Switches)	
2	4460465	2	Socket, Female	
2	4460466	1	Plug, Terminal	
2	4460891	1	Plug, Male - 2 Position (To Footswitch)	
2	4460465	2	Socket, Female	
2	4460754	1	Connector - 14 Position (To Platform Box)	
2	4460465	8	Socket, Female	
2	4460944	2	Socket, Female	
2	4460466	4	Plug, Terminal	
2	4460897	1	Receptacle, Female - 2 Position (Jumper for Footswitch Plug)	
2	4460464	2	Pin, Male	
3	1001213945	1	Grommet	
4	1001215732	1	Cable Assembly - Ground to Platform	
4	4460894	1	Plug, Male - 6 Position (To Platform Harness Item 2)	
4	4460465	4	Socket, Female	
4	4460944	2	Socket, Female	
4	4460899	1	Receptacle, Female - 6 Position (To Chassis Harness)	
4	4460464	4	Pin, Male	
4	4460943	2	Pin, Male	
5	1001137263	1	Strap, Cinch	

## SECTION 7 - ELECTRICAL

FIGURE 7-16. GROUND TO PLATFORM CABLE INSTALLATION - WITH PLATFORM COIL CABLE & FOOTSWITCH (CHINA BUILT MACHINES)



ART\_1001214445

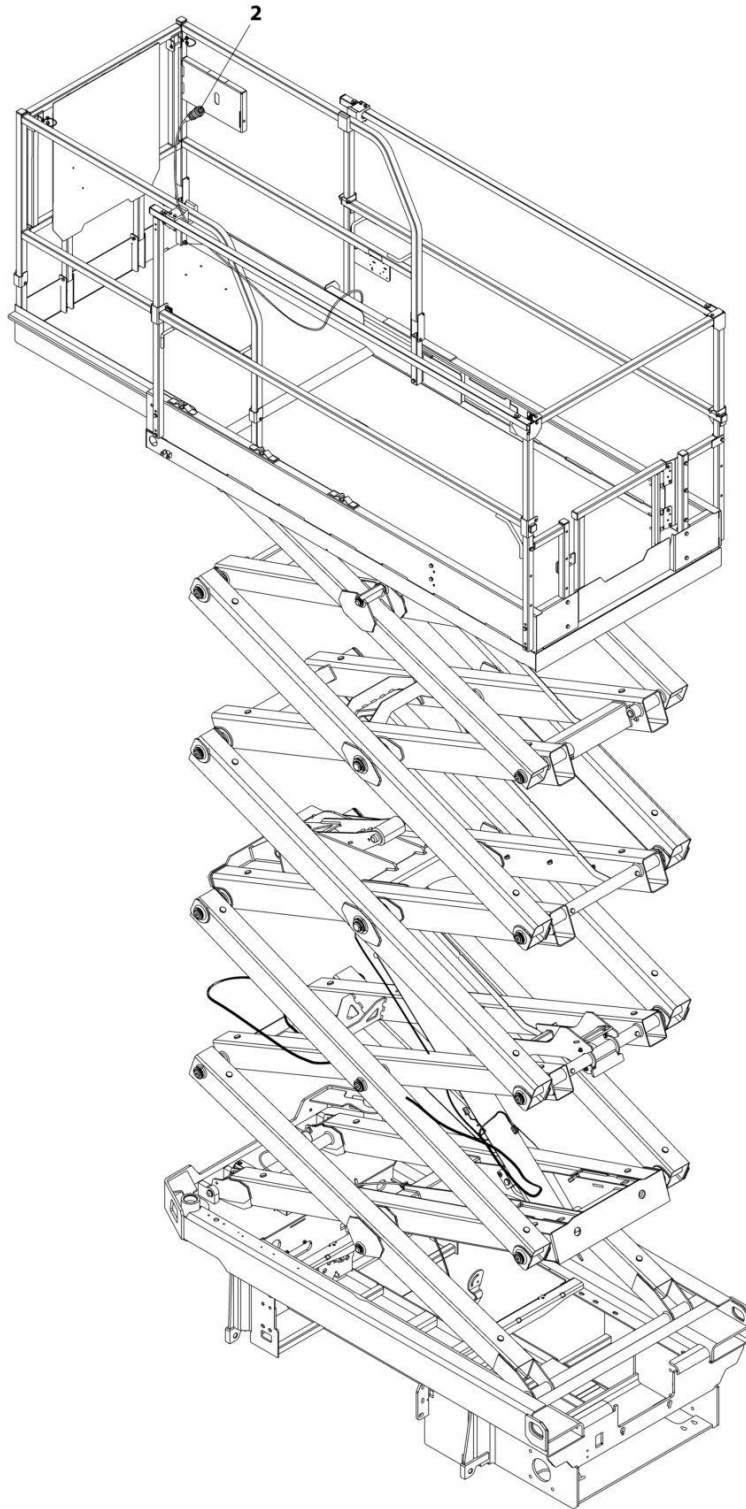
## SECTION 7 - ELECTRICAL

**FIGURE 7-16. GROUND TO PLATFORM CABLE INSTALLATION - WITH PLATFORM COIL CABLE & FOOTSWITCH (CHINA BUILT MACHINES)**

ITEM	PART NUMBER	QTY	DESCRIPTION	REV
	1001214445	Ref	GROUND TO PLATFORM CABLE INSTALLATION - WITH PLATFORM COIL CABLE AND FOOTSWITCH	F
		Ref	Note: Only Available on Japanese Specs.	
1	4240017	AR	Tie-Strap (Not Shown)	
2	1001223262	1	Platform Harness - With Coil Cable	
2	4460899	1	Receptacle, Female - 6 Position (To Ground to Platform Cable to Item 4)	
2	4460464	4	Pin, Male	
2	4460943	2	Pin, Male	
2	4460539	1	Plug, Male - 3 Position (To Overhead Switches)	
2	4460465	2	Socket, Female	
2	4460466	1	Plug, Terminal	
2	4460891	1	Plug, Male - 2 Position (To Footswitch)	
2	4460465	2	Socket, Female	
2	4460754	1	Connector - 14 Position (To Platform Box)	
2	4460465	8	Socket, Female	
2	4460944	2	Socket, Female	
2	4460466	4	Plug, Terminal	
2	4460897	1	Receptacle, Female - 2 Position (Jumper for Footswitch Plug)	
2	4460464	2	Pin, Male	
3	1001213945	1	Grommet	
4	1001215732	1	Cable Assembly - Ground to Platform	
4	4460894	1	Plug, Male - 6 Position (To Platform Harness Item 2)	
4	4460465	4	Socket, Female	
4	4460944	2	Socket, Female	
4	4460899	1	Receptacle, Female - 6 Position (To Chassis Harness)	
4	4460464	4	Pin, Male	
4	4460943	2	Pin, Male	
5	1001137263	1	Strap, Cinch	

## SECTION 7 - ELECTRICAL

FIGURE 7-17. GROUND TO PLATFORM CABLE INSTALLATION - PLATFORM STRAIGHT CABLE ONLY (MEXICO BUILT MACHINES)



ART\_1001223650

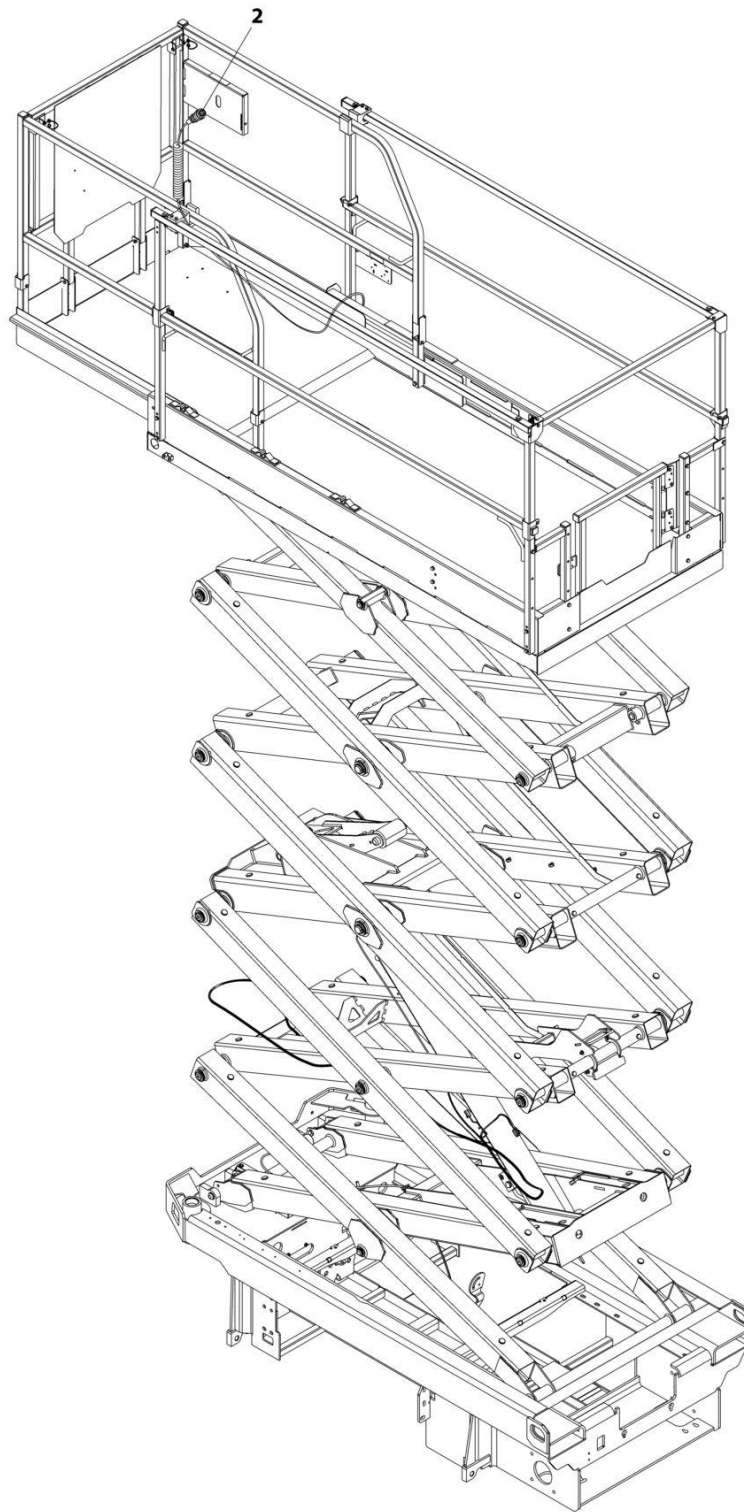
## SECTION 7 - ELECTRICAL

**FIGURE 7-17. GROUND TO PLATFORM CABLE INSTALLATION - PLATFORM STRAIGHT CABLE ONLY (MEXICO BUILT MACHINES)**

ITEM	PART NUMBER	QTY	DESCRIPTION	REV
	1001223650	Ref	GROUND TO PLATFORM CABLE INSTALLATION	A
1	4240017	AR	Tie-Strap (Not Shown)	
2	1001200812	1	Platform Harness	
2	4460899	1	Receptacle, Female - 6 position (To Platform/AC Cable Connector)	
2	4460464	4	Pin, Male	
2	4460943	2	Pin, Male	
2	4460754	1	Connector - 14 Position (To Console Box)	
2	4460465	8	Socket, Female	
2	4460466	6	Plug, Terminal	

## SECTION 7 - ELECTRICAL

FIGURE 7-18. GROUND TO PLATFORM CABLE INSTALLATION - PLATFORM COIL CABLE ONLY  
(MEXICO BUILT MACHINES)



ART\_1001223651



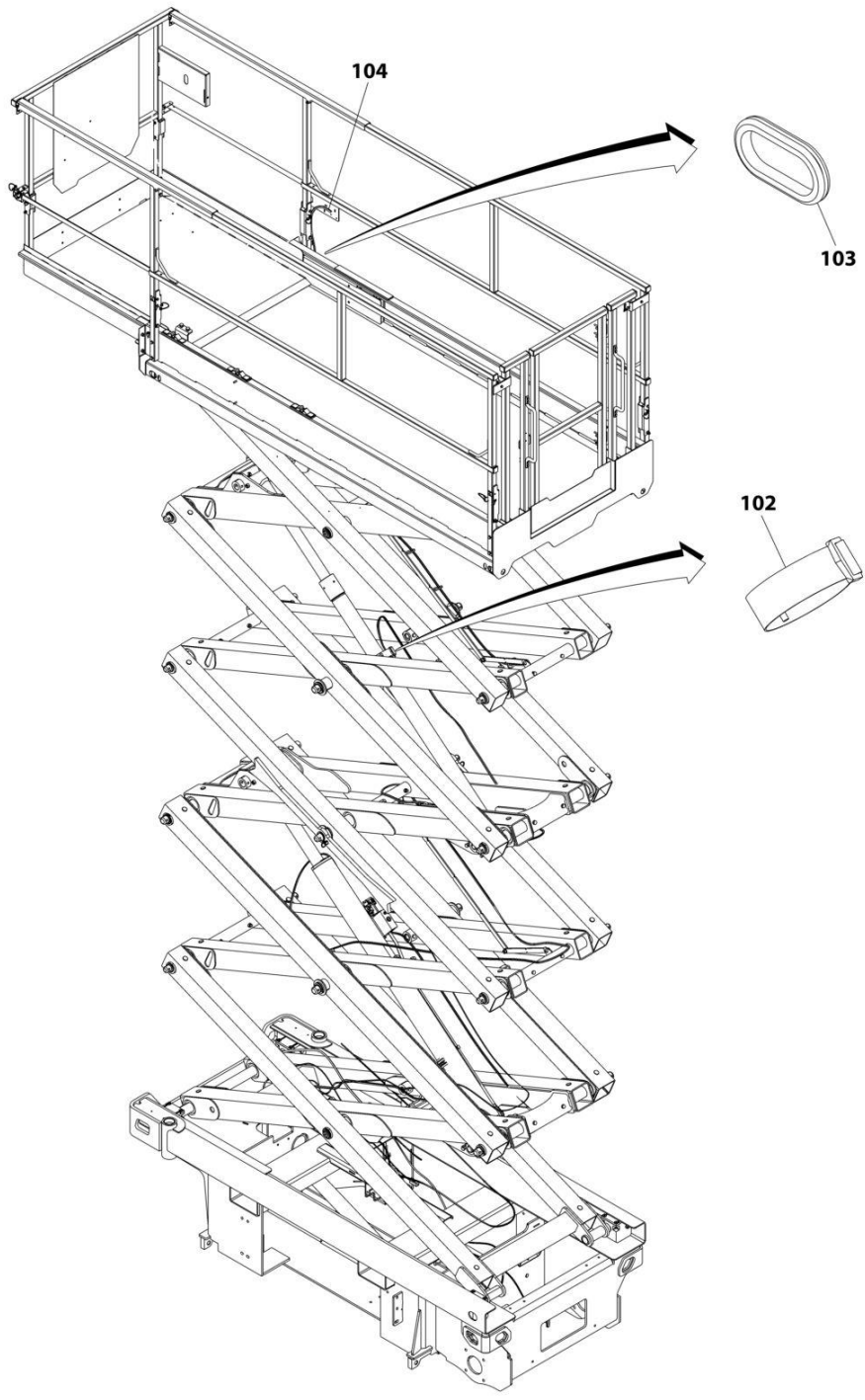
## SECTION 7 - ELECTRICAL

**FIGURE 7-18. GROUND TO PLATFORM CABLE INSTALLATION - PLATFORM COIL CABLE ONLY  
(MEXICO BUILT MACHINES)**

ITEM	PART NUMBER	QTY	DESCRIPTION	REV
	1001223651	Ref	GROUND TO PLATFORM CABLE INSTALLATION	A
1	4240017	AR	Tie-Strap (Not Shown)	
2	1001202184	1	Platform Harness	
2	4460899	1	Receptacle, Female - 6 position (To Platform/AC Cable Connector)	
2	4460464	4	Pin, Male	
2	4460943	2	Pin, Male	
2	4460754	1	Connector - 14 Position (To Console Box)	
2	4460465	8	Socket, Female	
2	4460466	6	Plug, Terminal	

# SECTION 7 - ELECTRICAL

## FIGURE 7-19. GROUND TO PLATFORM CABLE INSTALLATION - SCISSORS ARMS CABLE ONLY (MEXICO BUILT MACHINES)



ART\_1001223447

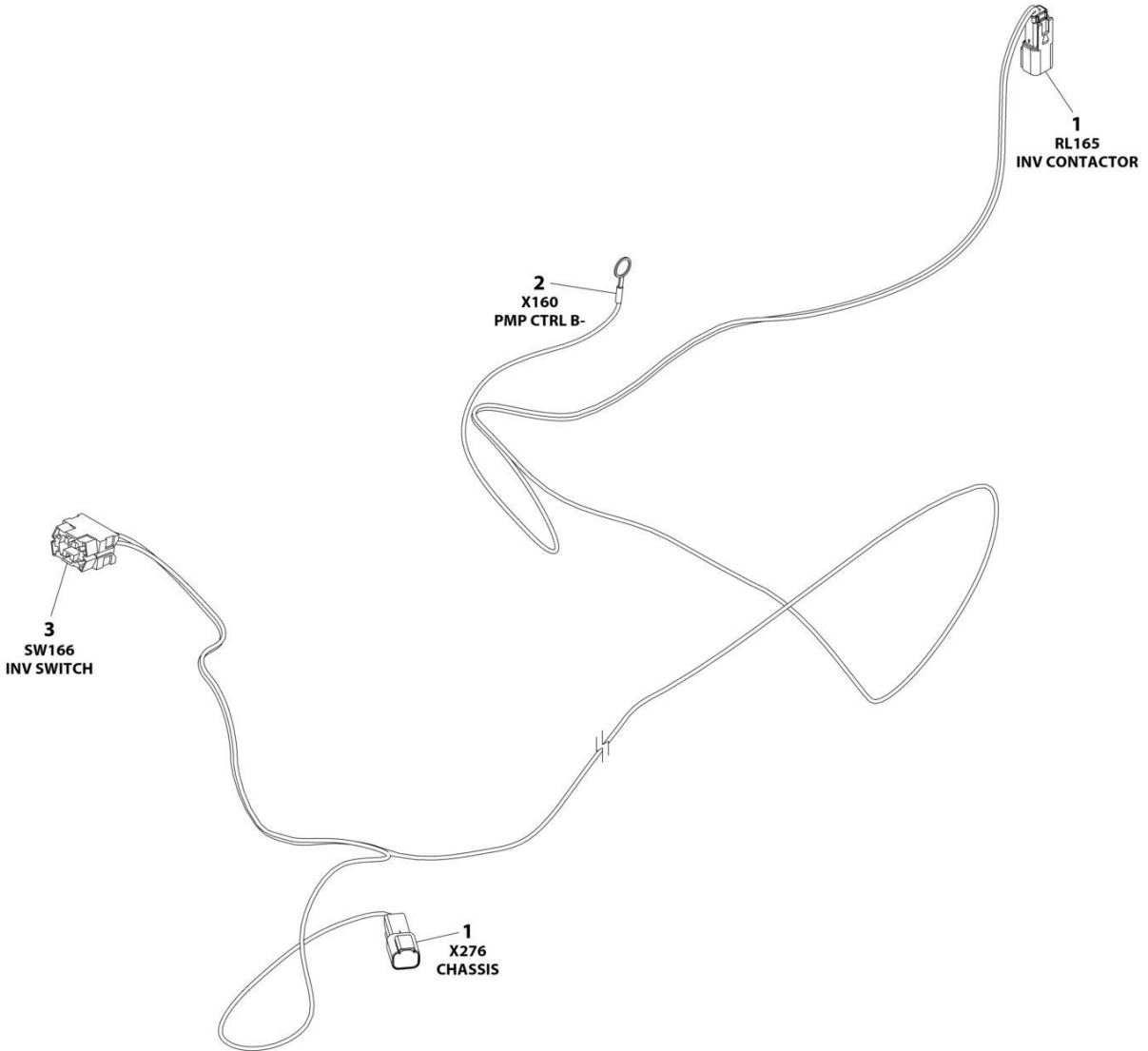
## SECTION 7 - ELECTRICAL

**FIGURE 7-19. GROUND TO PLATFORM CABLE INSTALLATION - SCISSORS ARMS CABLE ONLY  
(MEXICO BUILT MACHINES)**

ITEM	PART NUMBER	QTY	DESCRIPTION	REV
	1001223447	Ref	GROUND TO PLATFORM CABLE INSTALLATION	A
101	4240017	AR	Tie-Strap (Not Shown)	
102	1001137263	1	Strap, Cinch	
103	1001213945	1	Grommet	
104	1001215732	1	Cable Assembly - Ground to Platform	
104	4460894	1	Plug, Male - 6 Position (To Platform Harness Item 2)	
104	4460465	4	Socket, Female	
104	4460944	2	Socket, Female	
104	4460899	1	Receptacle, Female - 6 Position (To Chassis Harness)	
104	4460464	4	Pin, Male	
104	4460943	2	Pin, Male	

# SECTION 7 - ELECTRICAL

## FIGURE 7-20. INVERTER HARNESS



ART\_1001214994

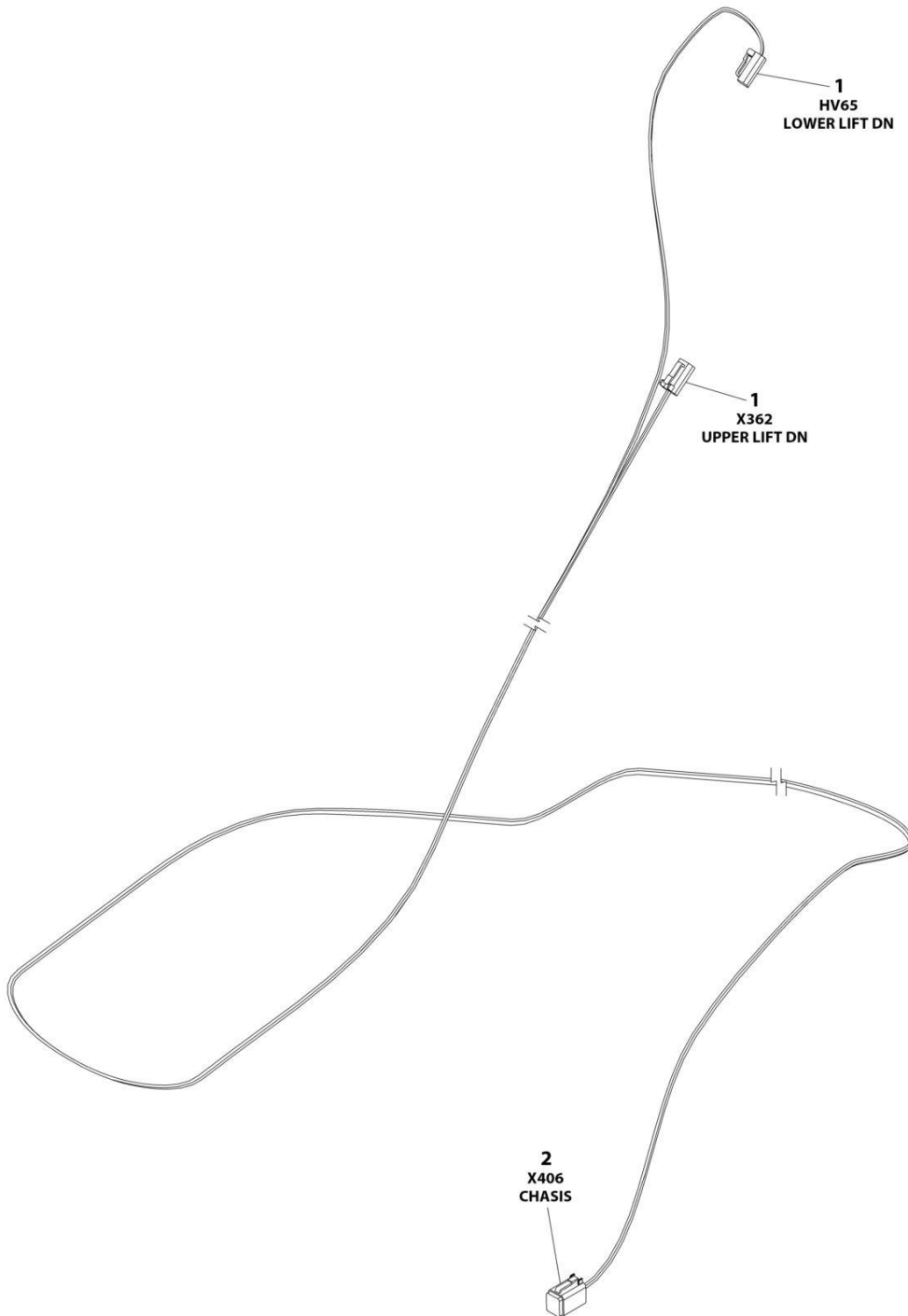
# SECTION 7 - ELECTRICAL

## FIGURE 7-20. INVERTER HARNESS

ITEM	PART NUMBER	QTY	DESCRIPTION	REV
	1001214994	Ref	INVERTER HARNESS	A
1	4460897	2	Receptacle, Female - 2 Position	
1	4460464	3	Pin, Male	
1	4460466	1	Plug, Terminal	
2	4460722	1	Terminal, Ring	
3	4460418	1	Connector - 6 Position	
3	4460419	2	Terminal	

# SECTION 7 - ELECTRICAL

## FIGURE 7-21. LIFT DOWN HARNESS - LOWER



ART\_1001216594

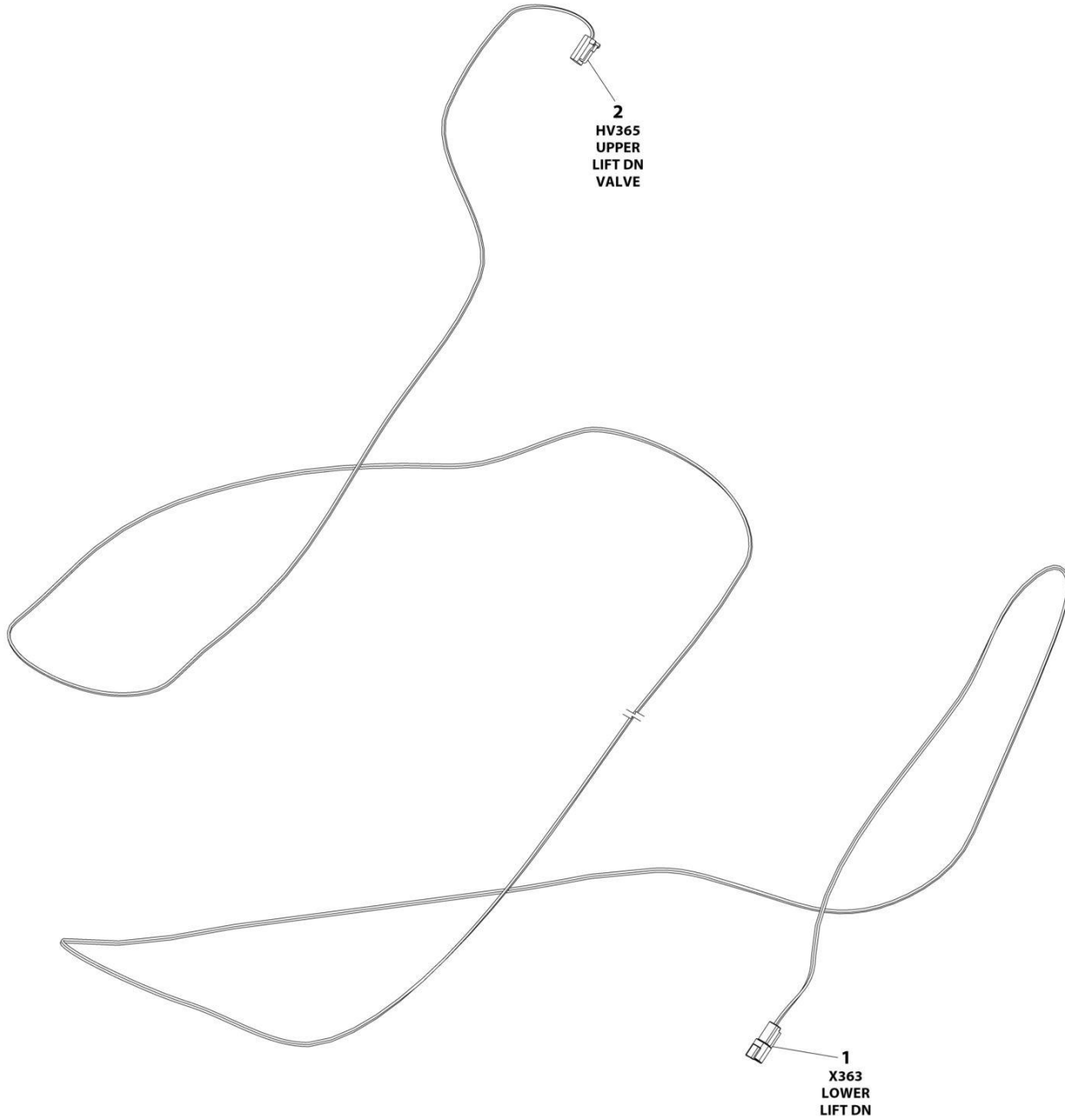
# SECTION 7 - ELECTRICAL

## FIGURE 7-21. LIFT DOWN HARNESS - LOWER

ITEM	PART NUMBER	QTY	DESCRIPTION	REV
	1001216594	Ref	LIFT DOWN HARNESS - LOWER	D
1	4460891	2	Plug, Male - 2 Position	
1	4460465	4	Socket, Female	
2	4460894	1	Plug, Male - 6 Position	
2	4460465	4	Socket, Female	
2	4460466	2	Plug, Terminal	

# SECTION 7 - ELECTRICAL

## FIGURE 7-22. LIFT DOWN HARNESS - UPPER



ART\_1001216595



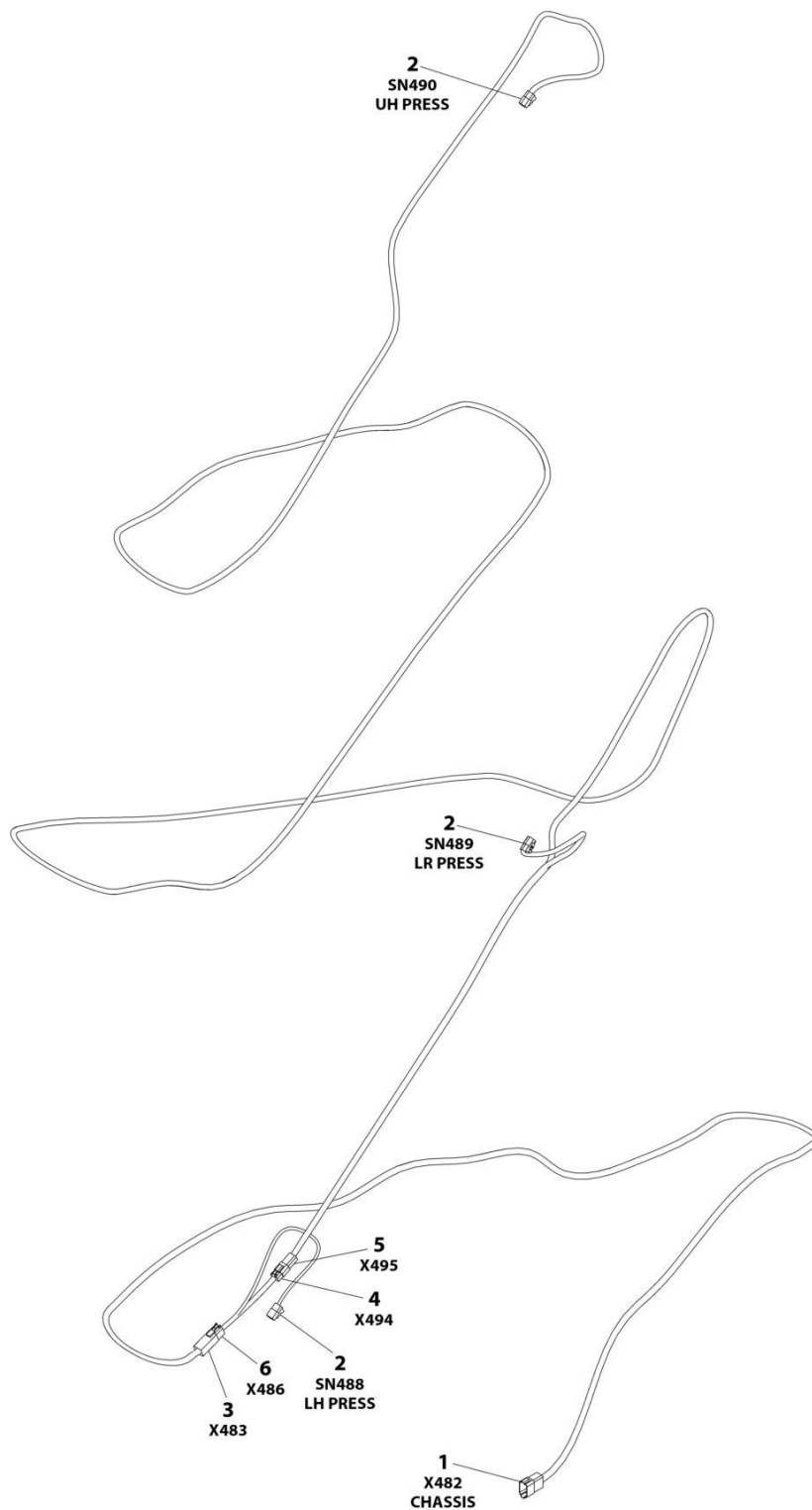
# SECTION 7 - ELECTRICAL

## FIGURE 7-22. LIFT DOWN HARNESS - UPPER

ITEM	PART NUMBER	QTY	DESCRIPTION	REV
	1001216595	Ref	LIFT DOWN HARNESS - UPPER	A
1	4460897	1	Receptacle, Female - 2 Position	
1	4460464	2	Pin, Male	
2	4460891	1	Plug, Male - 2 Position	
2	4460465	2	Socket, Female	

# SECTION 7 - ELECTRICAL

## FIGURE 7-23. LSS HARNESS



ART\_1001216593

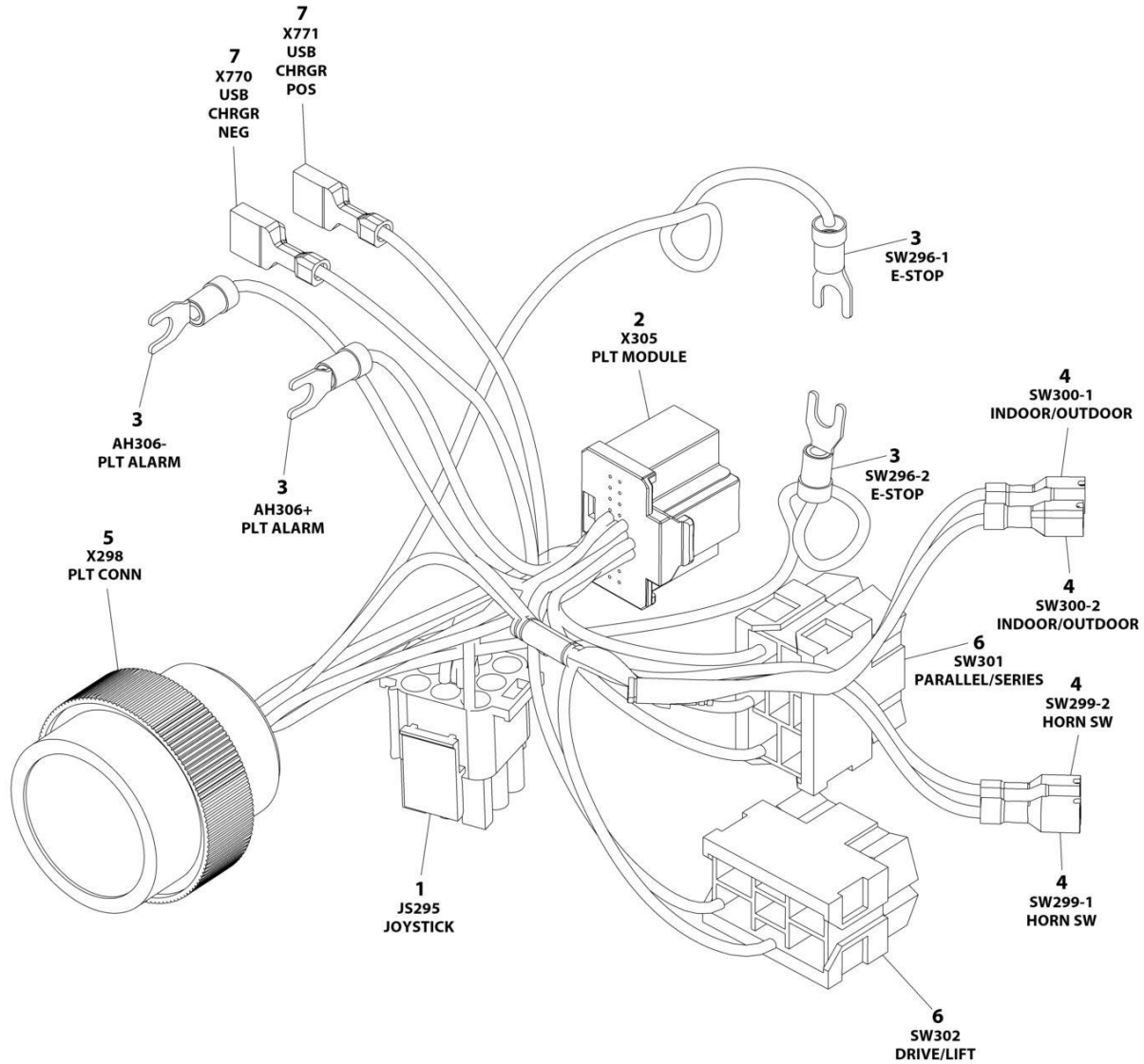
## SECTION 7 - ELECTRICAL

**FIGURE 7-23. LSS HARNESS**

ITEM	PART NUMBER	QTY	DESCRIPTION	REV
	1001216593	Ref	LSS HARNESS	C
1	4460931	1	Receptacle, Female - 8 Position	
1	4460464	6	Pin, Male	
1	4460466	2	Plug, Terminal	
2	4460539	3	Plug, Male - 3 Position	
2	4460465	9	Socket, Female	
3	4460899	1	Receptacle, Female - 6 Position	
3	4460464	6	Pin, Male	
4	4460884	1	Plug, Male - 6 Position	
4	4460465	4	Socket, Female	
5	4460932	1	Receptacle, Female - 4 Position	
5	4460464	4	Pin, Male	
6	4460894	1	Plug, Male - 6 Position	
6	4460465	6	Socket, Female	

# SECTION 7 - ELECTRICAL

## FIGURE 7-24. PLATFORM CONTROL BOX HARNESS



ART\_1001200819

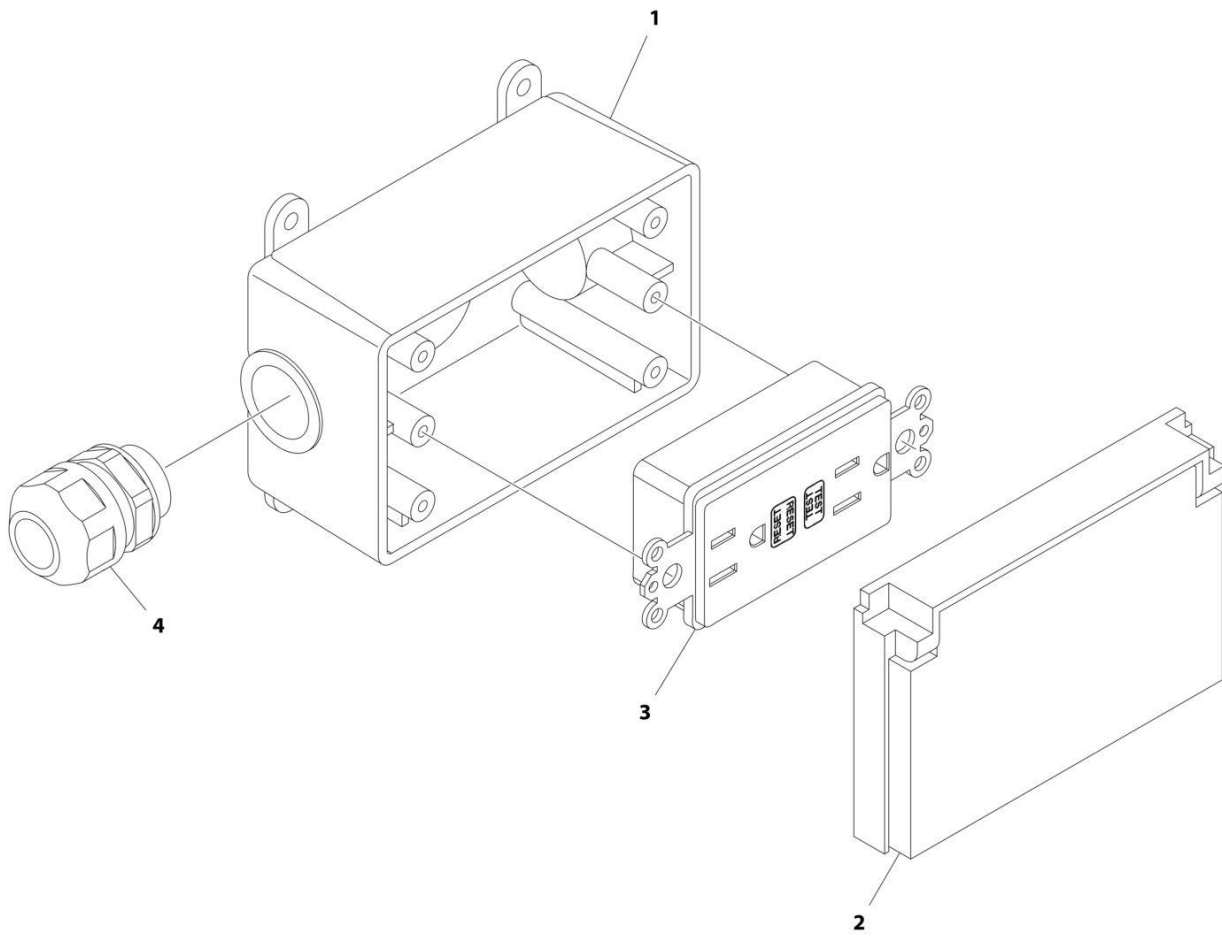
## SECTION 7 - ELECTRICAL

### FIGURE 7-24. PLATFORM CONTROL BOX HARNESS

ITEM	PART NUMBER	QTY	DESCRIPTION	REV
	1001200819	Ref	PLATFORM CONTROL BOX HARNESS	E
1	4460265	1	Plug, Male - 9 Position	
1	4460267	6	Pin, Male	
2	1001212036	1	Connector - 20 Position	
2	1001212035	16	Terminal	
3	4460183	4	Terminal, Fork	
4	1001201885	4	Terminal with Cover	
5	4461016	1	Connector - 14 Position	
5	4460464	8	Pin, Male	
5	4460466	6	Plug, Terminal	
6	4460418	2	Connector - 6 Position	
6	1001159186	5	Terminal	
7	1001194421	2	Terminal	

# SECTION 7 - ELECTRICAL

## FIGURE 7-25. RECEPTACLE BOX KIT - 110V GFI



ART\_2902431

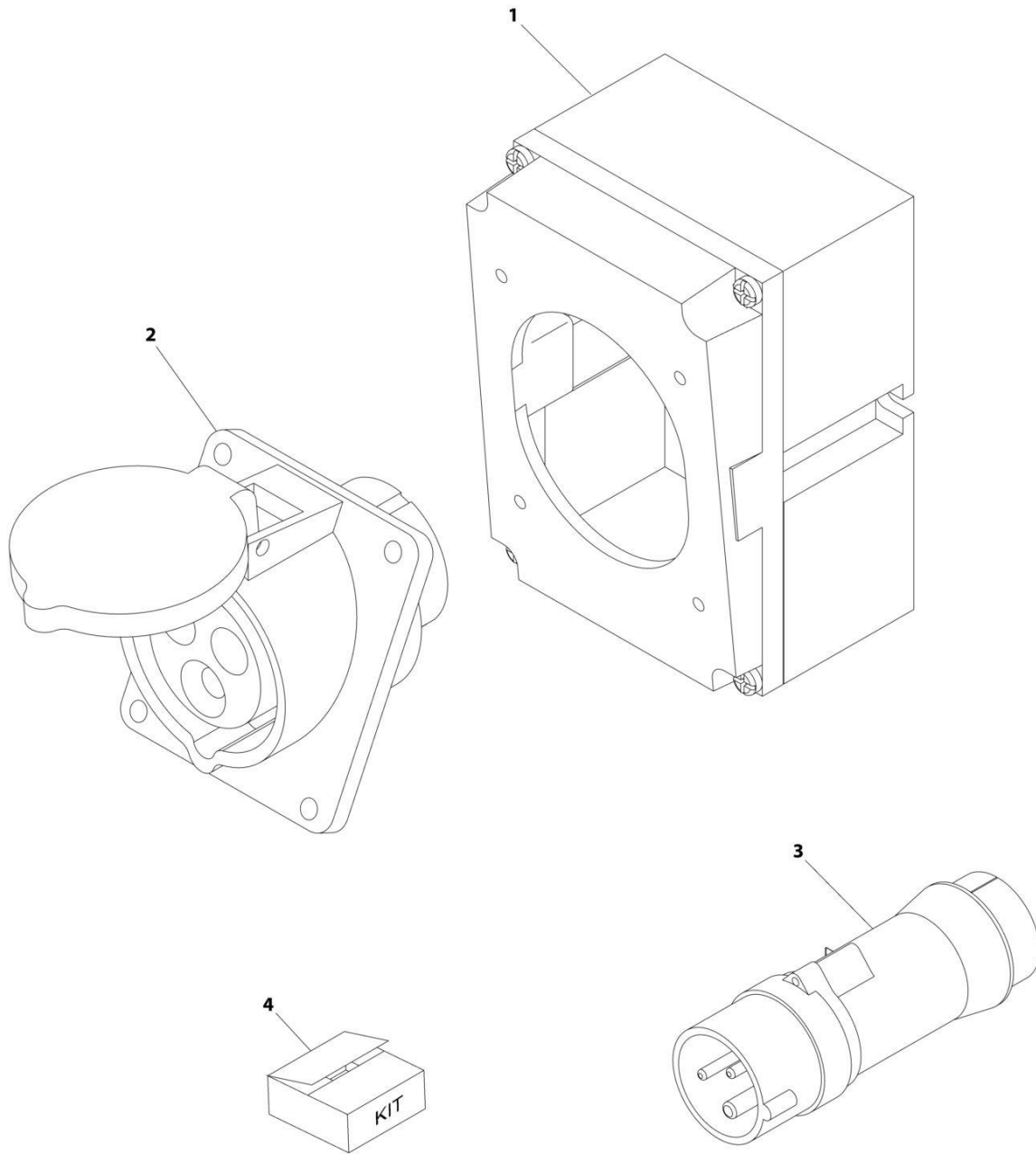
## SECTION 7 - ELECTRICAL

### FIGURE 7-25. RECEPTACLE BOX KIT - 110V GFI

ITEM	PART NUMBER	QTY	DESCRIPTION	REV
	2902431	Ref	RECEPTACLE BOX KIT - 110V GFI	D
1	0861731	1	Box, Receptacle	
2	1671207	1	Cover, Receptacle	
3	4460346	1	Receptacle	
4	4460662	1	Connector, Strain Relief	

# SECTION 7 - ELECTRICAL

FIGURE 7-26. RECEPTACLE BOX KIT - 110V IEC YELLOW (CE SPEC)



ART\_0275216



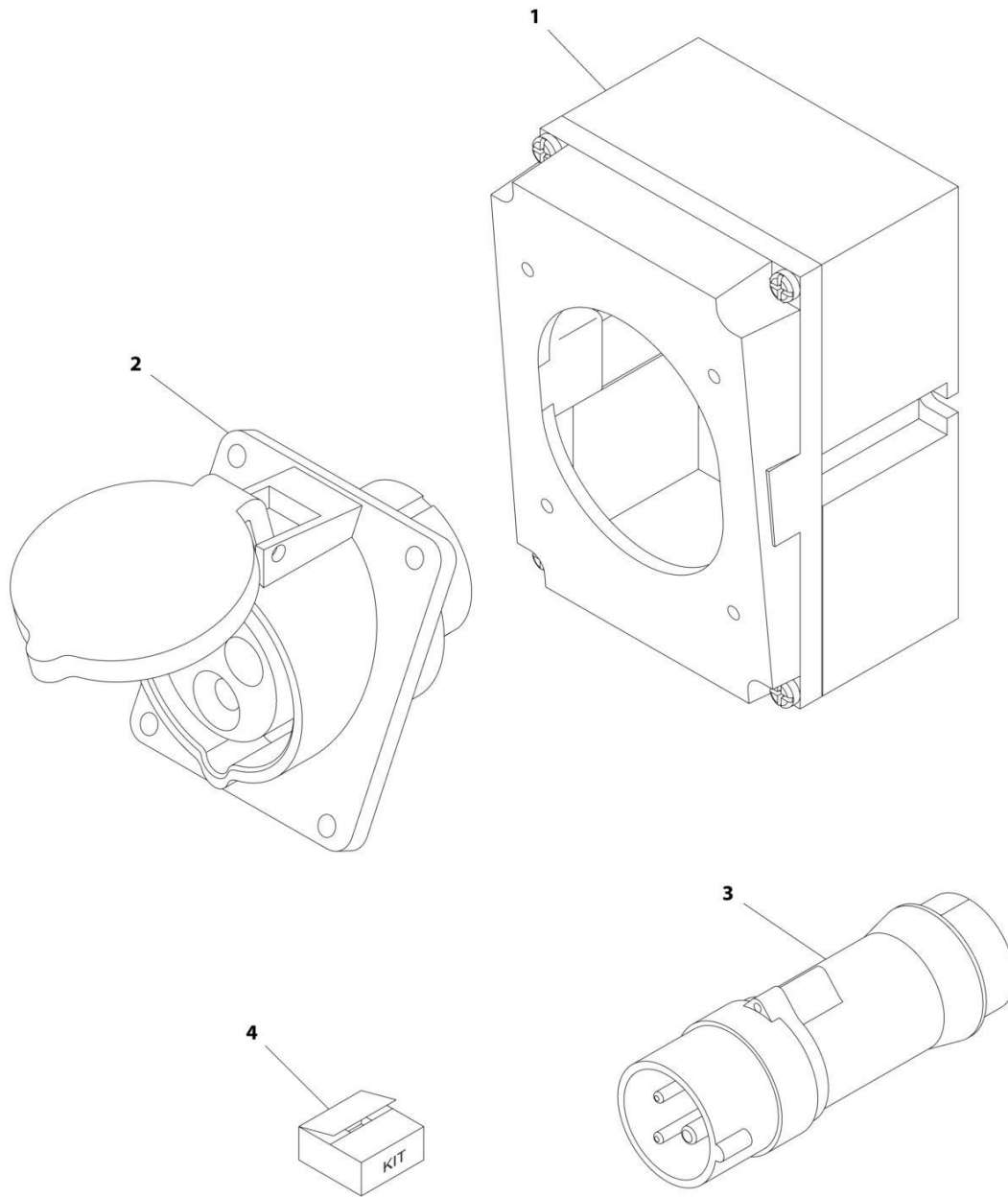
## SECTION 7 - ELECTRICAL

**FIGURE 7-26. RECEPTACLE BOX KIT - 110V IEC YELLOW (CE SPEC)**

ITEM	PART NUMBER	QTY	DESCRIPTION	REV
	0275216	Ref	RECEPTACLE BOX KIT - 110V IEC YELLOW	B
1	0861781	1	Box, Switch	
2	4461198	1	Receptacle	
3	4461196	1	Plug, Male	
4	1001100341	1	Plug and Socket Kit (Includes Items 1-3 and Female Plug p/n 4461197)	

# SECTION 7 - ELECTRICAL

FIGURE 7-27. RECEPTACLE BOX KIT - 220V IEC BLUE (CE SPEC)



ART\_0275217

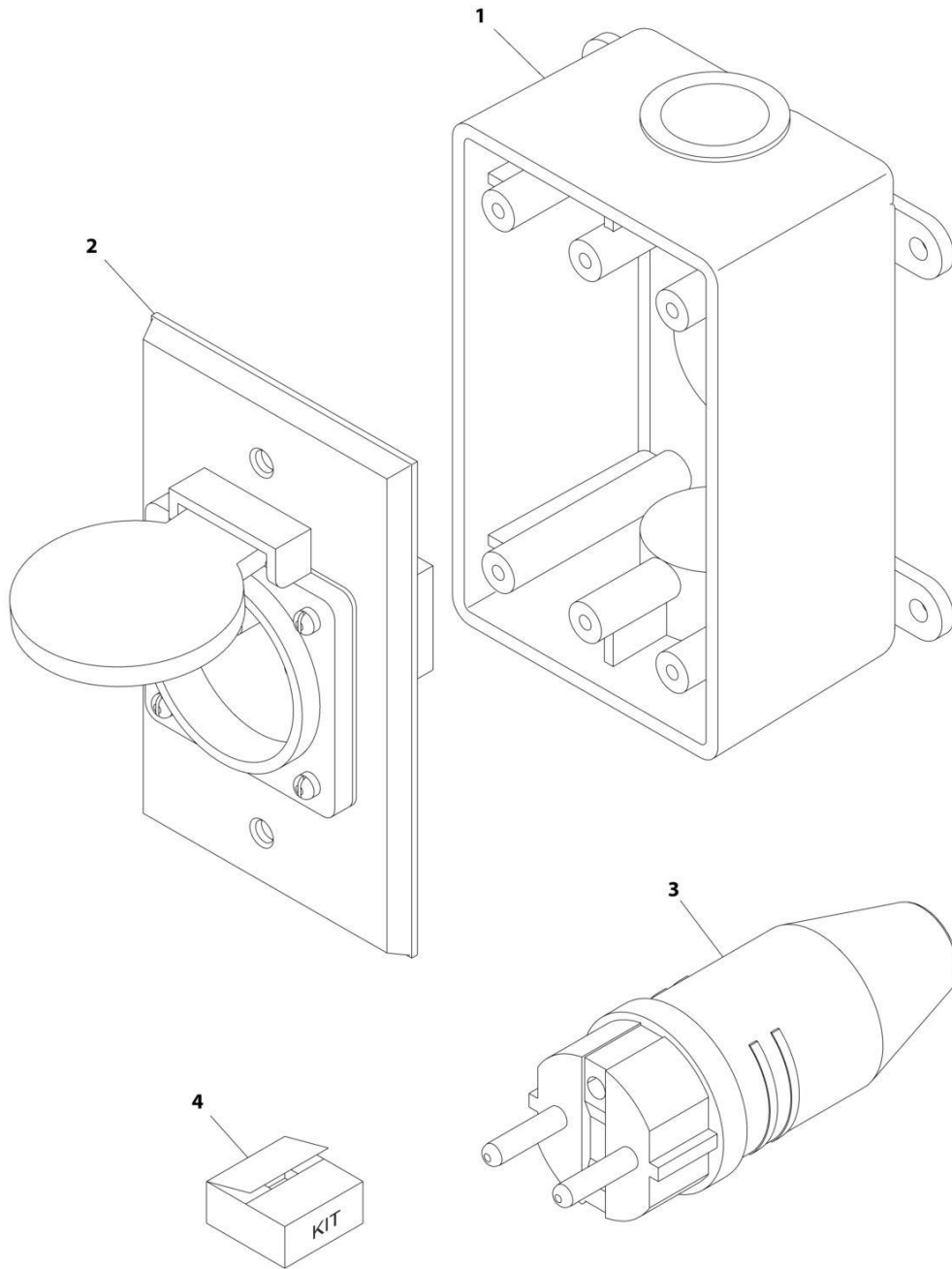
## SECTION 7 - ELECTRICAL

**FIGURE 7-27. RECEPTACLE BOX KIT - 220V IEC BLUE (CE SPEC)**

ITEM	PART NUMBER	QTY	DESCRIPTION	REV
	0275217	Ref	RECEPTACLE BOX KIT - 220V IEC BLUE	B
1	0861781	1	Box, Switch	
2	4461201	1	Receptacle	
3	4461199	1	Plug, Male	
4	1001100342	1	Plug and Socket Kit (Includes Items 1-3 and Female Plug p/n 4461200)	

# SECTION 7 - ELECTRICAL

FIGURE 7-28. RECEPTACLE BOX KIT - 220V CEE7 POST GROUND (CE SPEC)



ART\_0275452-C

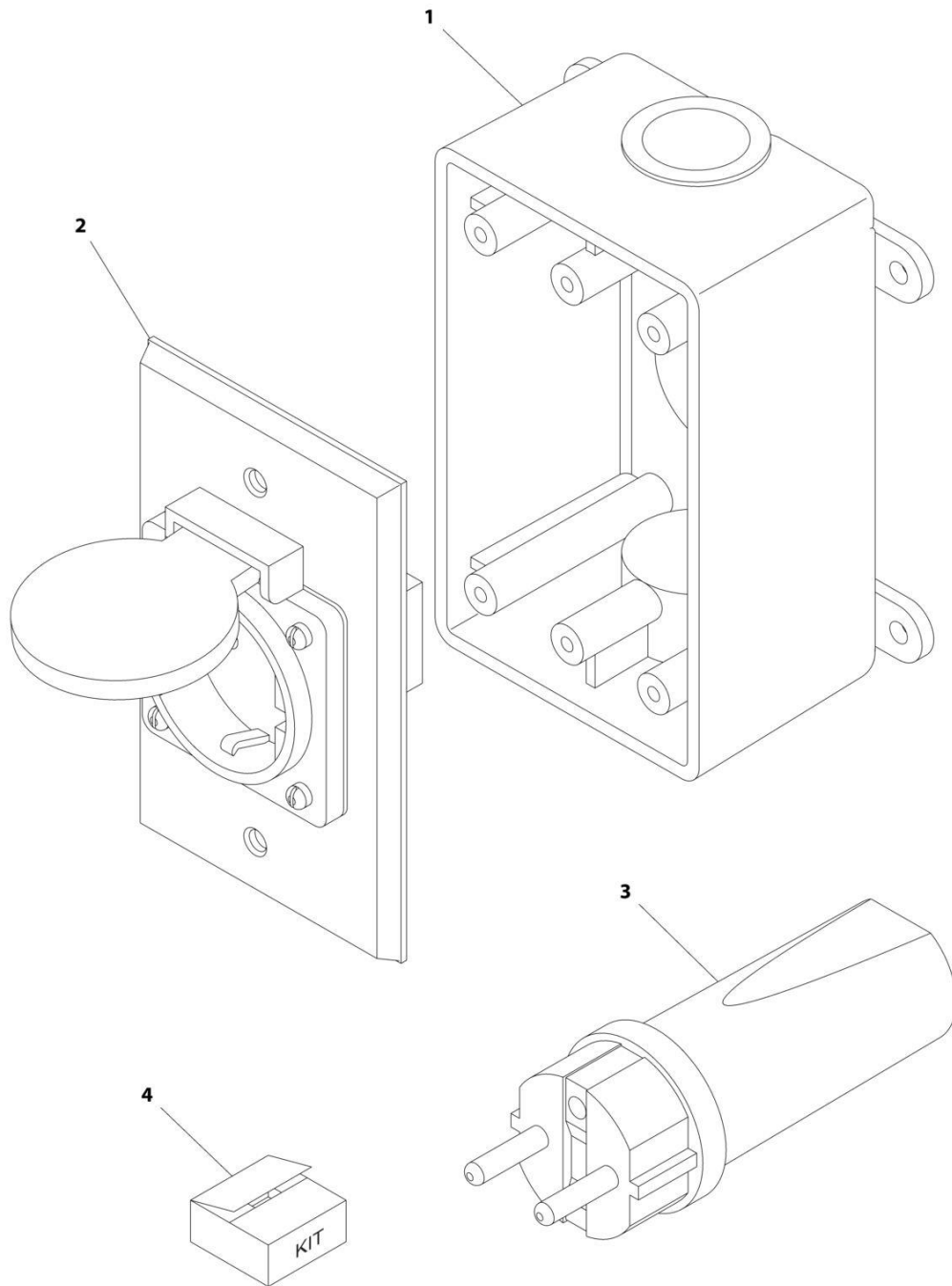
## SECTION 7 - ELECTRICAL

**FIGURE 7-28. RECEPTACLE BOX KIT - 220V CEE7 POST GROUND (CE SPEC)**

ITEM	PART NUMBER	QTY	DESCRIPTION	REV
	0275452	Ref	RECEPTACLE BOX KIT - 220V CEE7 POST GROUND 2IN X 4IN BOX	C
1	0861731	1	Box, Switch	
2	4461244	1	Receptacle	
3	4461205	1	Plug, Male	
4	1001100345	1	Plug and Socket Kit (Includes Items 1-3 and Female Plug p/n 4461203)	

# SECTION 7 - ELECTRICAL

FIGURE 7-29. RECEPTACLE BOX KIT - 220V CEE7 SIDE GROUND (CE SPEC)



ART\_0275453

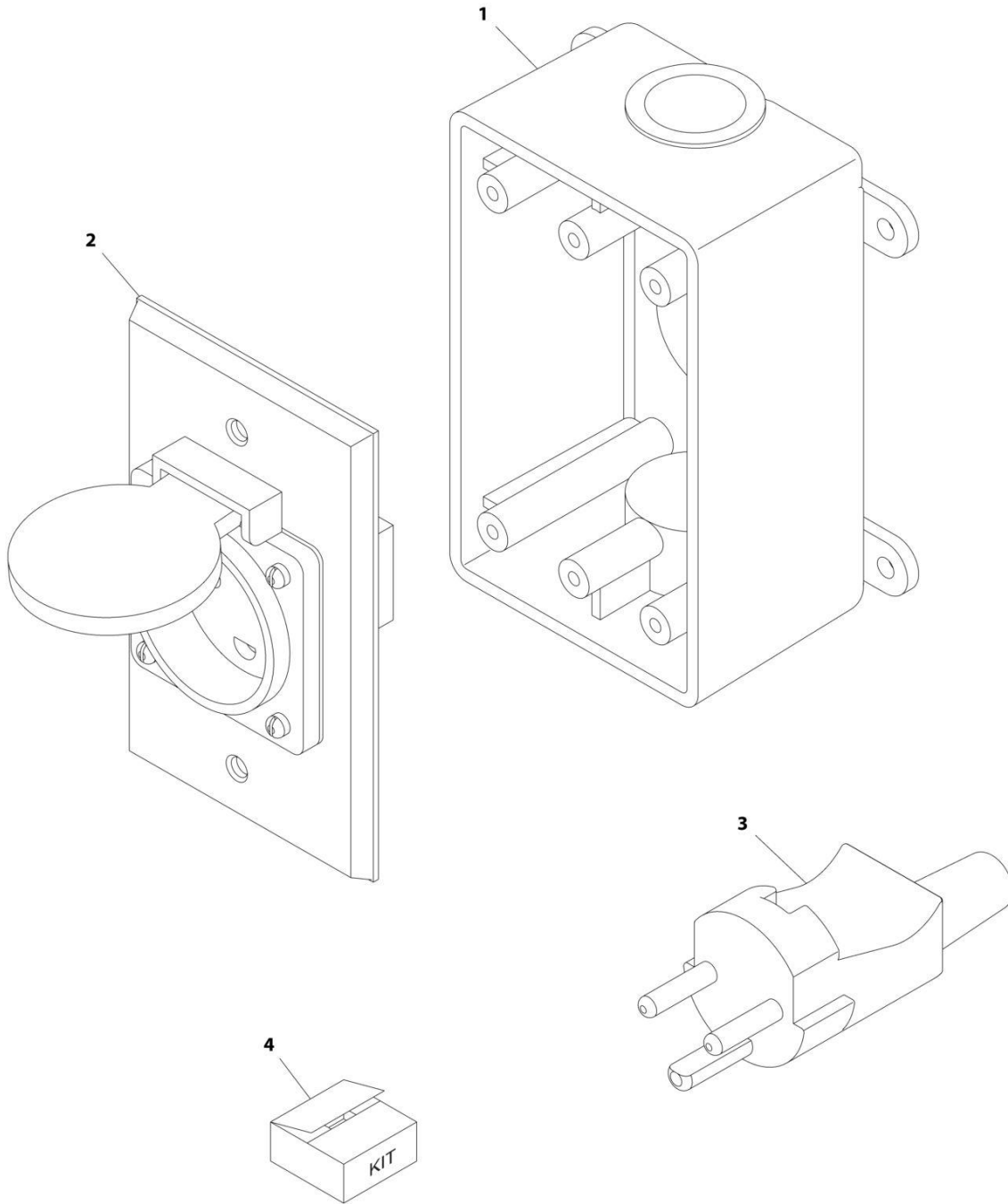
## SECTION 7 - ELECTRICAL

**FIGURE 7-29. RECEPTACLE BOX KIT - 220V CEE7 SIDE GROUND (CE SPEC)**

ITEM	PART NUMBER	QTY	DESCRIPTION	REV
	0275453	Ref	RECEPTACLE BOX KIT - 220V CEE7 SIDE GROUND	B
1	0861731	1	Box, Switch	
2	4461245	1	Receptacle	
3	4461205	1	Plug, Male	
4	1001100347	1	Plug and Socket Kit (Includes Items 1-3 and Female Plug p/n 4461206)	

# SECTION 7 - ELECTRICAL

FIGURE 7-30. RECEPTACLE BOX KIT - 220V AFSINT 107 (CE SPEC)



ART\_0275454



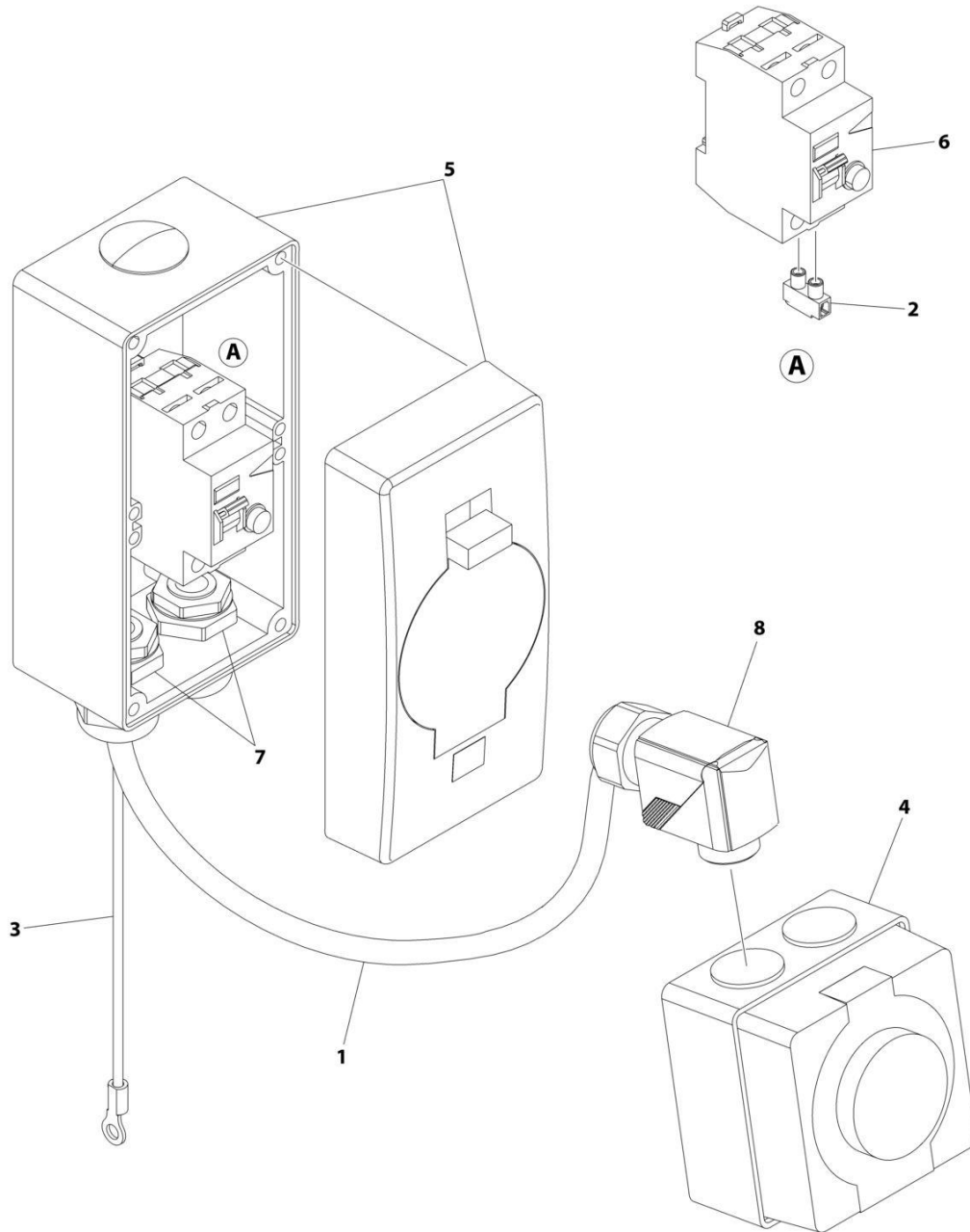
## SECTION 7 - ELECTRICAL

**FIGURE 7-30. RECEPTACLE BOX KIT - 220V AFSINT 107 (CE SPEC)**

ITEM	PART NUMBER	QTY	DESCRIPTION	REV
	0275454	Ref	RECEPTACLE BOX KIT - 220V AFSINT 107	B
1	0861731	1	Box, Switch	
2	4461246	1	Receptacle	
3	4461249	1	Plug, Male	
4	1001100346	1	Plug and Socket Kit (Includes Items 1-3 and Female Plug p/n 4461250)	

# SECTION 7 - ELECTRICAL

## FIGURE 7-31. RECEPTACLE & BREAKER ASSEMBLY (AUSTRALIAN SPECS)



ART\_1001246085

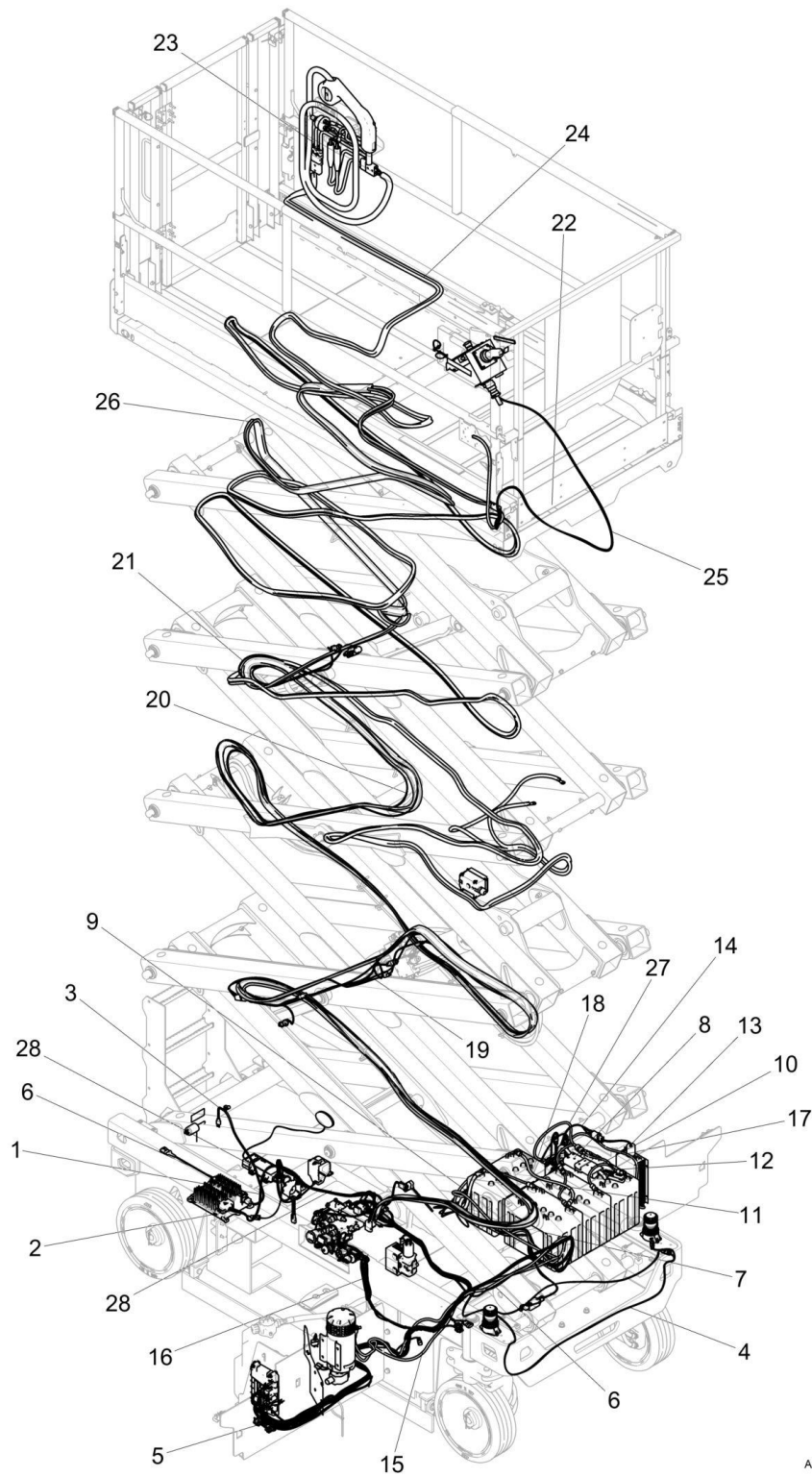
## SECTION 7 - ELECTRICAL

**FIGURE 7-31. RECEPTACLE & BREAKER ASSEMBLY (AUSTRALIAN SPECS)**

ITEM	PART NUMBER	QTY	DESCRIPTION	REV
	1001246085	Ref	RECEPTACLE AND BREAKER ASSEMBLY	A
1	1060908	1 ft/ 60cm	Cable, 12/3	
2	1001245743	1	Block, Terminal	
3	1001245744	1	Harness, Ground	
4	1001227267	1	Receptacle and Enclosure (Australian)	
5	1001227269	1	Box, Breaker with Cover	
5	1001246171	1	Cover	
6	1001228191	1	Breaker 250V / 10A-30MA Double	
7	1001097150	2	Connector, Strain Relief	
8	1001245917	1	Connector, Strain Relief 90	

# SECTION 7 - ELECTRICAL

## FIGURE 7-32. ELECTRICAL LAYOUT TEST



ART\_ELEC\_LAYOUT\_TEST

## SECTION 7 - ELECTRICAL

**FIGURE 7-32. ELECTRICAL LAYOUT TEST**

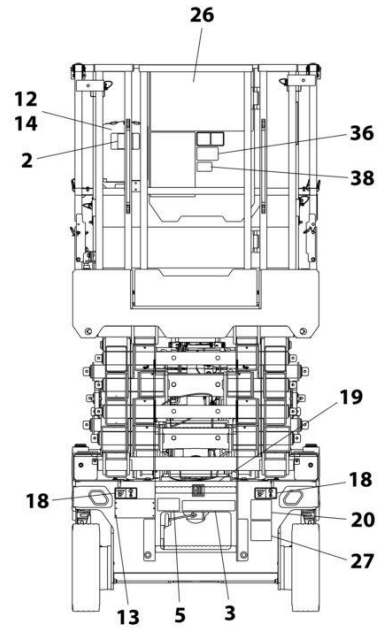
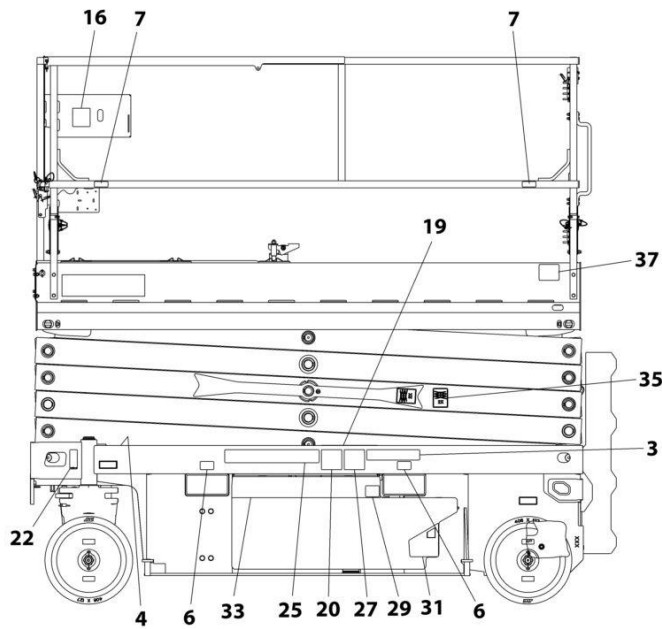
ITEM	PART NUMBER	QTY	DESCRIPTION	REV
REF		Ref	<b>ELECTRICAL LAYOUT - 4045R</b>	
1	See Note	1	Charger DC Connection Harness (See Battery Charger Installation for PN)	
2	See Note	1	Charger Interlock Harness (See Battery Charger Installation for PN)	
3	See Note	1	AC Plug to Charger Cable (See Battery Charger Installation for PN)	
4	See Note	1	Strobe Light Jumper Harness (See Strobe Light Installation - Dual for PN)	
5	See Note	1	Chassis Harness (See Separate Breakdown in this Section)	
6	See Note	1	Contactor to Pump Control B+ Cable (See Batteries Installation for PN)	
7	See Note	1	Battery Cable (+ to +) (See Batteries Installation for PN)	
8	See Note	1	Contactor to Battery Disconnect Cable (See Batteries Installation for PN)	
9	See Note	1	Battery to Pump Control B- Cable (See Batteries Installation for PN)	
10	See Note	1	Battery Cable (See Batteries Installation for PN)	
11	See Note	1	Battery Cable (See Batteries Installation for PN)	
12	See Note	1	Battery Disconnect + Cable (See Batteries Installation for PN)	
13	See Note	1	Inverter to AC Filter Cable (See Inverter Installation for PN)	
14	See Note	1	AC Filter to AC Plug Cable (See Inverter Installation for PN)	
15	See Note	1	Battery + to Relay Cable (See Inverter Installation for PN)	
16	See Note	1	Inverter Harness (See Separate Breakdown in this Section)	
17	See Note	1	Inverter + to Relay Cable (See Inverter Installation for PN)	
18	See Note	1	Pump Control B- to Inverter - Cable (See Inverter Installation for PN)	
19	See Note	1	Lift Down Harness - Lower (See Separate Breakdown in this Section)	
20	See Note	1	Lift Down Harness - Upper (See Separate Breakdown in this Section)	
21	See Note	1	LSS Harness (See Separate Breakdown in this Section)	
22	See Note	1	Platform Control Box Harness (See Separate Breakdown in this Section)	
23	See Note	1	Quik Welder Cable (At Platform) (See Quik Welder Installation for PN)	
24	See Note	1	Quik Welder Cable (Ground to Platform) (See Quik Welder Installation for PN)	
25	See Note	1	Platform Harness (See Separate Breakdown in this Section)	
26	See Note	1	Ground to Platform Cable (See Separate Breakdown in this Section)	
27	See Note	1	Pump - to Pump Control M Cable (See Hyd Components Installation for PN)	
28	See Note	1	Pump + to Pump Control B +/Contactor Output Cable (See Hyd Components Installation for PN)	



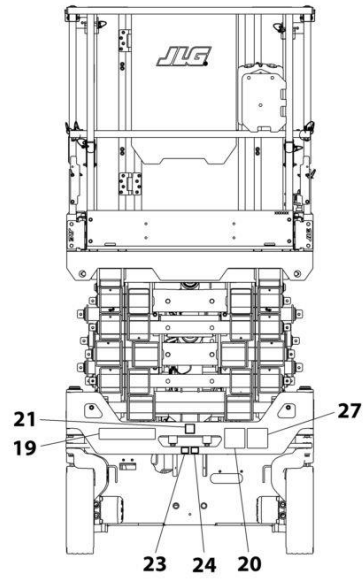
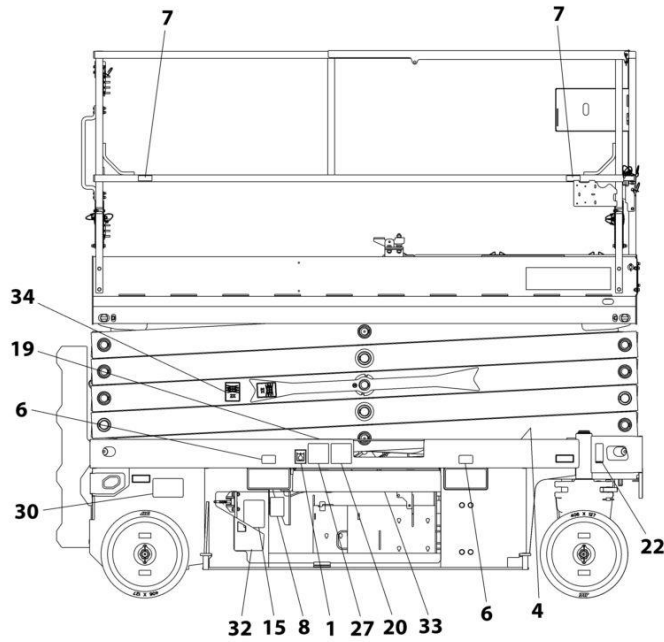
**SECTION 8 - DECALS**

# SECTION 8 - DECALS

## FIGURE 8-1. DECAL INSTALLATION (ANSI SPECS)



NOTE: ITEMS SHOWN MAY NOT BE REQUIRED FOR ALL SPECS. REFER TO PARTS LISTS FOR USAGE.  
 NOTE: ADDITIONAL DECALS CALLED OUT ON DECAL INSTALLATION - OPTIONS



ART\_1001222124



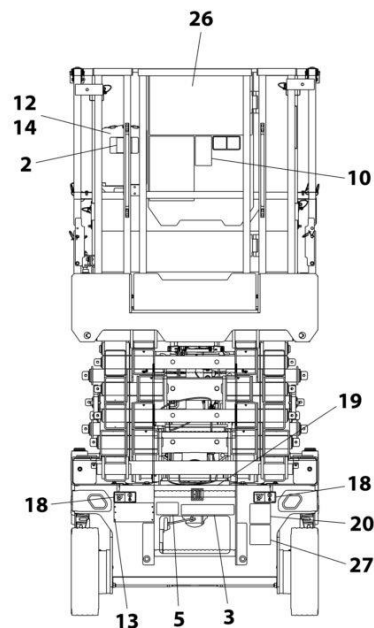
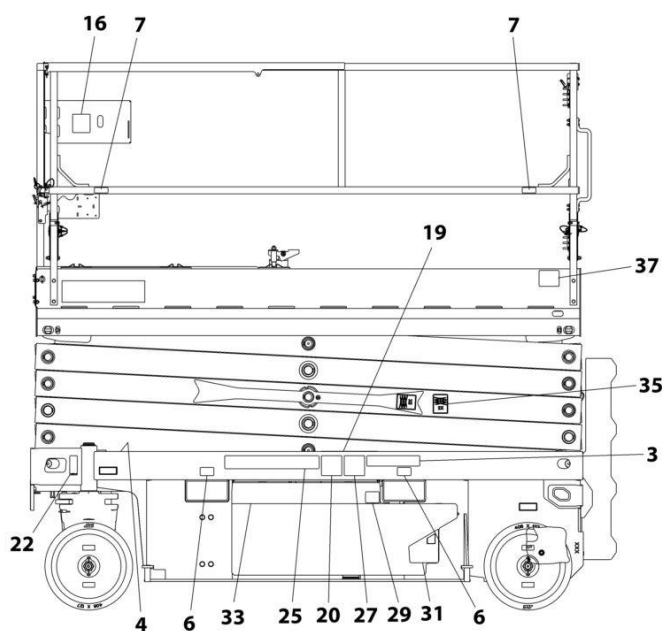
## SECTION 8 - DECALS

**FIGURE 8-1. DECAL INSTALLATION (ANSI SPECS)**

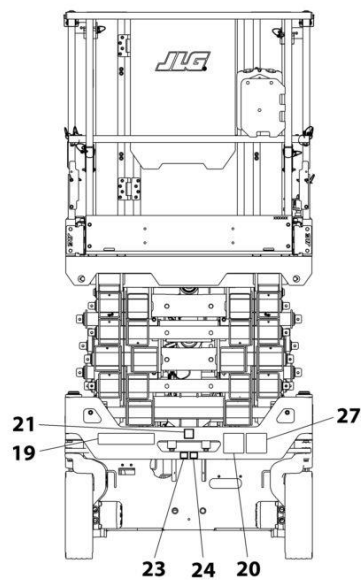
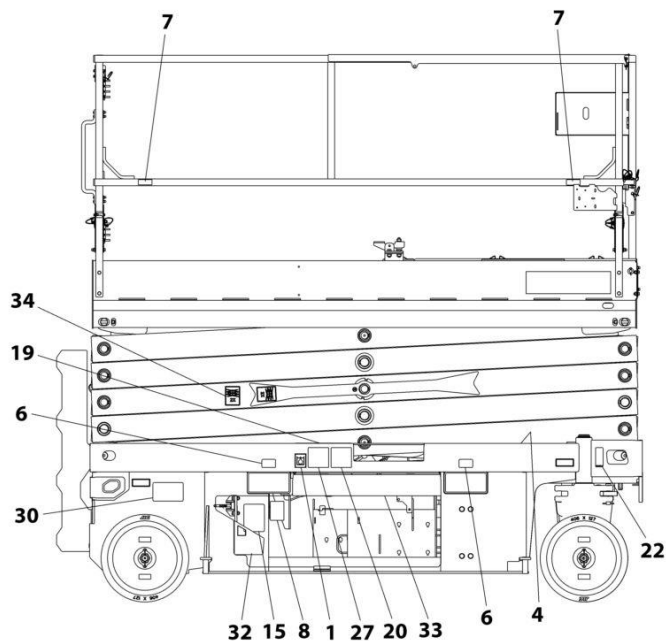
ITEM	PART NUMBER	QTY	DESCRIPTION	REV
	1001222124	Ref	DECAL INSTALLATION (ANSI SPECS)	F
	1001217031	Ref	DECAL REFERENCE CHART	L
1	1701504	1	Decal - Hydraulic Oil	
2	1701640	1	Decal - Manual	
3	1703813	2	Decal - Warning Battery Ventilation	
4	1703819	4	Decal - Direction Arrow	
5	1703822	1	Decal - Manual Descent Instruction	
6	1704016	4	Decal - Forklift	
7	1704277	4	Decal - Lanyard Attach	
8	1704412	1	Decal - Hydraulic Oil	
12	2080040	3	Fastener	
13	2080057	4	Fastener	
14	8990147	1	Box, Manual	
15	1001131270	1	Decal - Patent	
16	1001132359	1	Decal - Control Box Locate	
18	1001162864	2	Decal - Lift Up/Tie Down	
19	1001211777	4	Decal - Crushing Hazard	
20	1001211779	4	Decal - Electrocution	
21	1001212290	1	Decal - Tie Down	
22	1001213442	2	Decal - Lift and Tie Down	
23	1001212292	1	Decal - No Lifting	
24	1001212293	1	Decal - No Forklift	
25	1001146794	1	Decal - Battery/Charger Service	
26	1703816	1	Decal - Danger/Warning	
29	1702155	1	Decal - Battery Disconnect	
30	1001223055	1	Decal - Yearly Inspection	
33	1001225622	2	Decal - Black Strip	
34	1001228641	2	Decal - Safety Prop (RH)	
35	1001228642	2	Decal - Safety Prop (LH)	
36	1001231801	1	Decal - Warning Prop 65	
38	1001228370	1	Decal - ICES (CAN) - 001	

# SECTION 8 - DECALS

## FIGURE 8-2. DECAL INSTALLATION (AUSTRALIAN SPECS)



NOTE: ITEMS SHOWN MAY NOT BE REQUIRED FOR ALL SPECS. REFER TO PARTS LISTS FOR USAGE.  
NOTE: ADDITIONAL DECALS CALLED OUT ON DECAL INSTALLATION - OPTIONS



ART\_1001222131

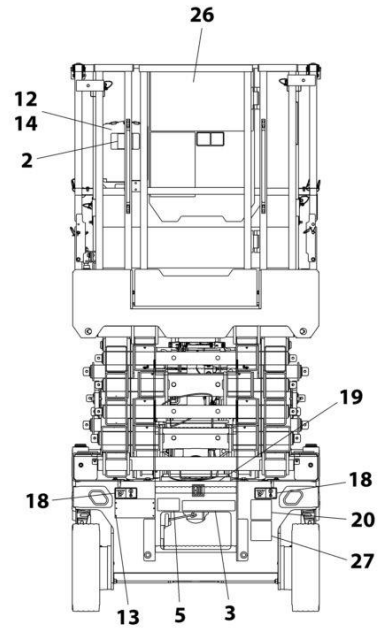
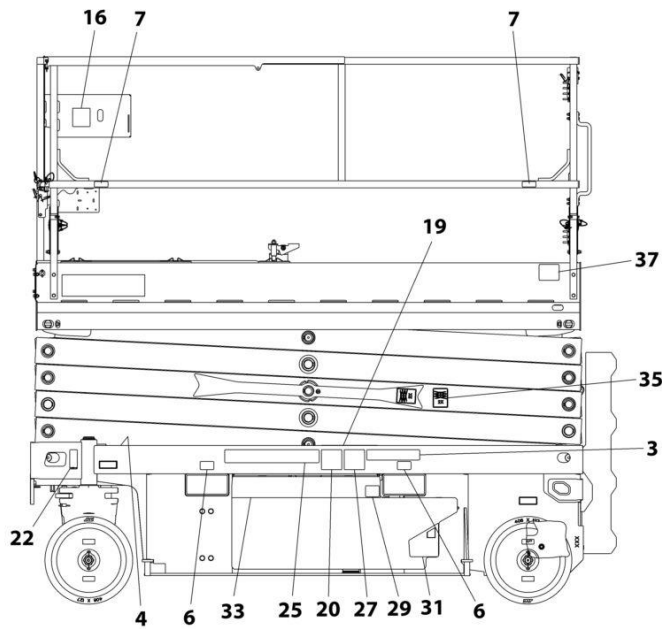
## SECTION 8 - DECALS

**FIGURE 8-2. DECAL INSTALLATION (AUSTRALIAN SPECS)**

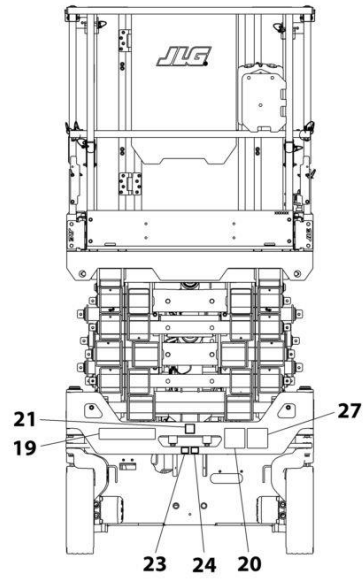
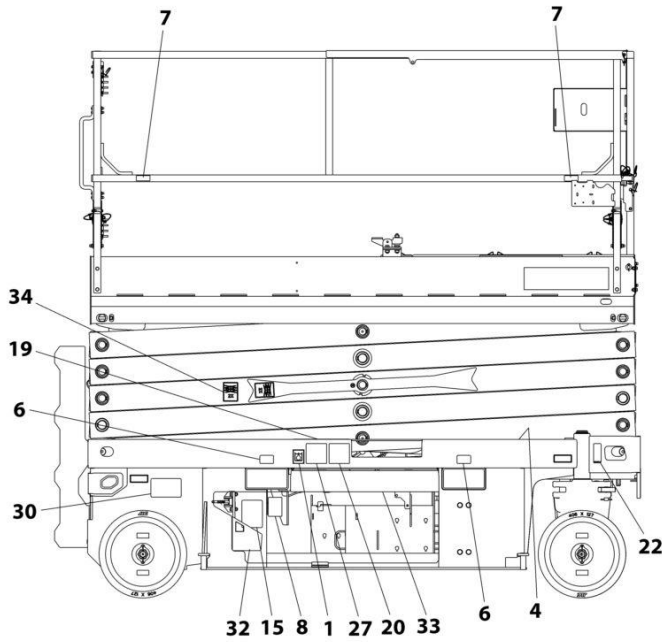
ITEM	PART NUMBER	QTY	DESCRIPTION	REV
	1001222131	Ref	DECAL INSTALLATION (AUSTRALIAN SPECS)	D
	1001217031	Ref	DECAL REFERENCE CHART	L
1	1701504	1	Decal - Hydraulic Oil	
2	1701640	1	Decal - Manual	
3	1705670	2	Decal - Fire Hazard	
4	1703819	4	Decal - Dircetion Arrow	
5	1703822	1	Decal - Manual Descent Instruction	
6	1704016	4	Decal - Forklift	
7	1704277	4	Decal - Lanyard Attach	
8	1704412	1	Decal - Hydraulic Oil	
12	2080040	3	Fastener	
13	2080057	4	Fastener	
14	8990147	1	Box, Manual	
16	1001132359	1	Decal - Control Box Locate	
18	1001162864	2	Decal - Lift Up/Tie Down	
19	1705673	4	Decal - Crushing	
20	1705671	5	Decal - Electrocution	
21	1001212290	1	Decal - Tie Down	
22	1001213442	2	Decal - Lift and Tie Down	
23	1001212292	1	Decal - No Lifting	
24	1001212293	1	Decal - No Forklift	
25	1001146794	1	Decal - Battery/Charger Service	
29	1702155	1	Decal - Battery Disconnect	
33	1001225622	2	Decal - Black Strip	
34	1001228641	2	Decal - Safety Prop (RH)	
35	1001228642	2	Decal - Safety Prop (LH)	

# SECTION 8 - DECALS

## FIGURE 8-3. DECAL INSTALLATION (BRAZIL SPECS)



NOTE: ITEMS SHOWN MAY NOT BE REQUIRED FOR ALL SPECS. REFER TO PARTS LISTS FOR USAGE.  
NOTE: ADDITIONAL DECALS CALLED OUT ON DECAL INSTALLATION - OPTIONS



ART\_1001222127

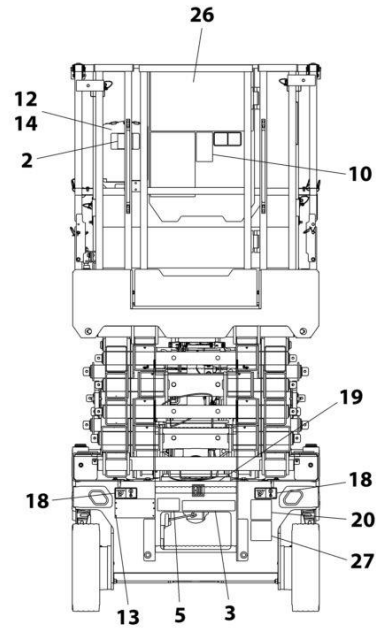
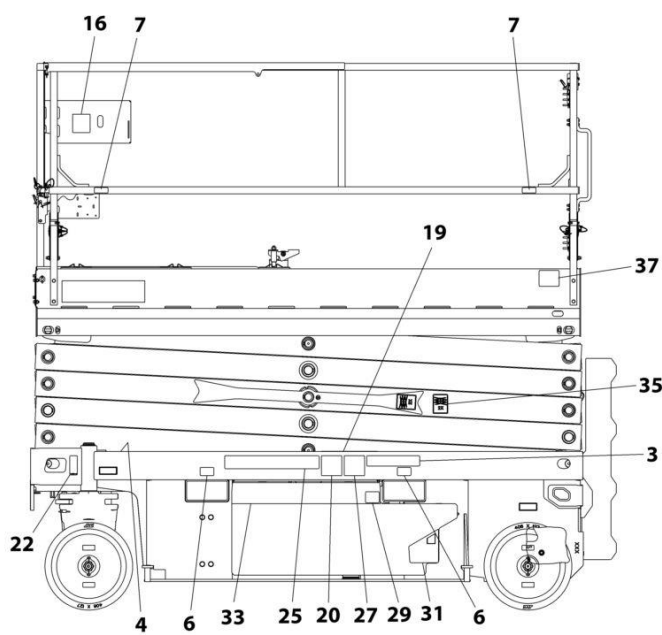
## SECTION 8 - DECALS

**FIGURE 8-3. DECAL INSTALLATION (BRAZIL SPECS)**

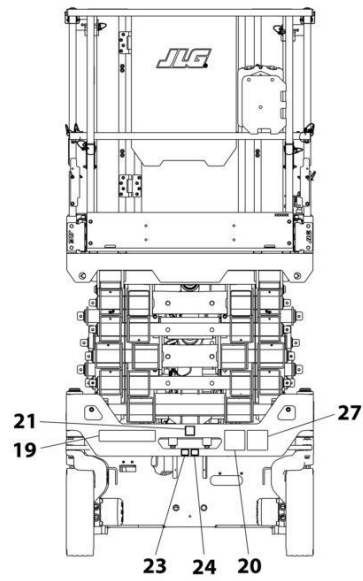
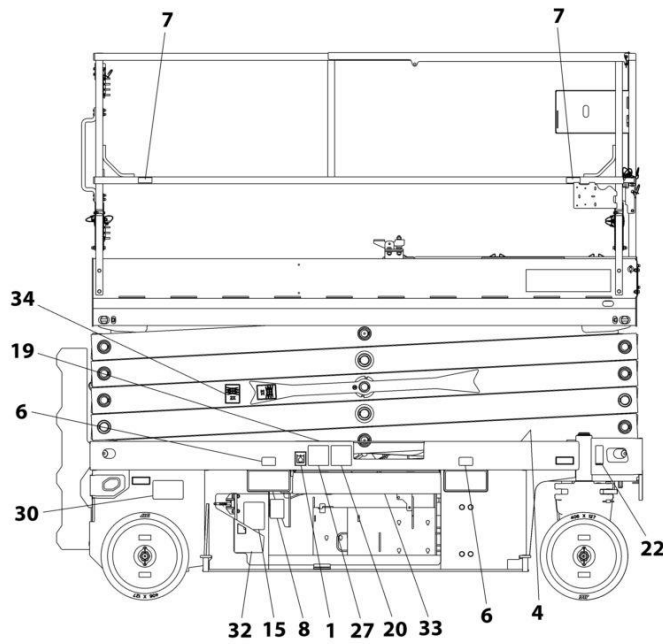
ITEM	PART NUMBER	QTY	DESCRIPTION	REV
	1001222127	Ref	DECAL INSTALLATION (BRAZIL SPECS)	E
	1001217031	Ref	DECAL REFERENCE CHART	L
1	1701504	1	Decal - Hydraulic Oil	
2	1701640	1	Decal - Manual	
3	1704341	2	Decal - Warning Battery Ventilation	
4	1703819	4	Decal - Direction Arrow	
5	1703822	1	Decal - Manual Descent Instruction	
6	1704016	4	Decal - Forklift	
7	1704277	4	Decal - Lanyard Attach	
8	1704412	1	Decal - Hydraulic Oil	
12	2080040	3	Fastener	
13	2080057	4	Fastener	
14	8990147	1	Box, Manual	
16	1001132359	1	Decal - Control Box Locate	
18	1001162864	2	Decal - Lift Up/Tie Down	
19	1001216650	4	Decal - Crushing Hazard	
20	1001215748	4	Decal - Danger Electrocution	
21	1001212290	1	Decal - Tie Down	
22	1001213442	2	Decal - Lift and Tie Down	
23	1001212292	1	Decal - No Lifting	
24	1001212293	1	Decal - No Forklift	
25	1001146794	1	Decal - Battery/Charger Service	
26	1704699	1	Decal - Danger/Warning	
27	1001216648	4	Decal - Danger Electrocution	
29	1702155	1	Decal - Battery Disconnect	
30	1001224052	1	Decal - Yearly Inspection	
33	1001225622	2	Decal - Black Strip	
34	1001228641	2	Decal - Safety Prop (RH)	
35	1001228642	2	Decal - Safety Prop (LH)	

# SECTION 8 - DECALS

## FIGURE 8-4. DECAL INSTALLATION (CE SPECS)



NOTE: ITEMS SHOWN MAY NOT BE REQUIRED FOR ALL SPECS. REFER TO PARTS LISTS FOR USAGE.  
 NOTE: ADDITIONAL DECALS CALLED OUT ON DECAL INSTALLATION - OPTIONS



ART\_1001222130

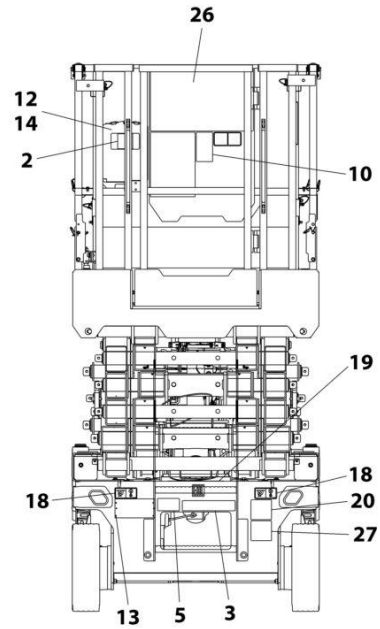
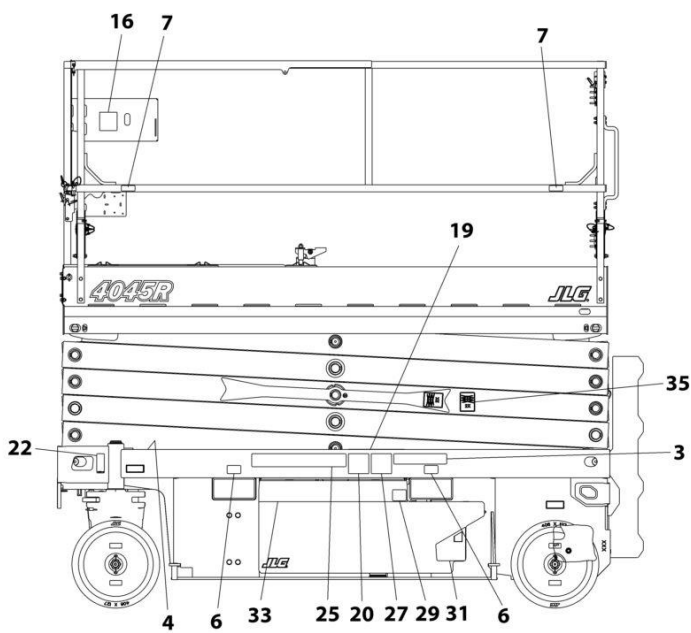
## SECTION 8 - DECALS

**FIGURE 8-4. DECAL INSTALLATION (CE SPECS)**

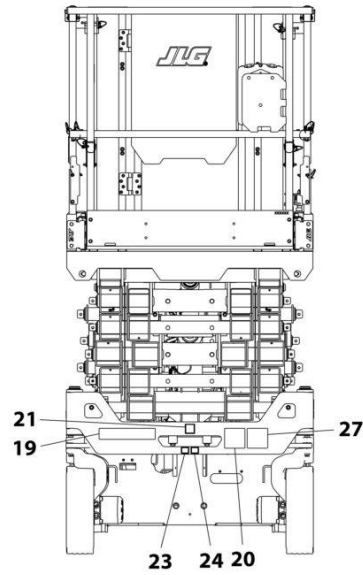
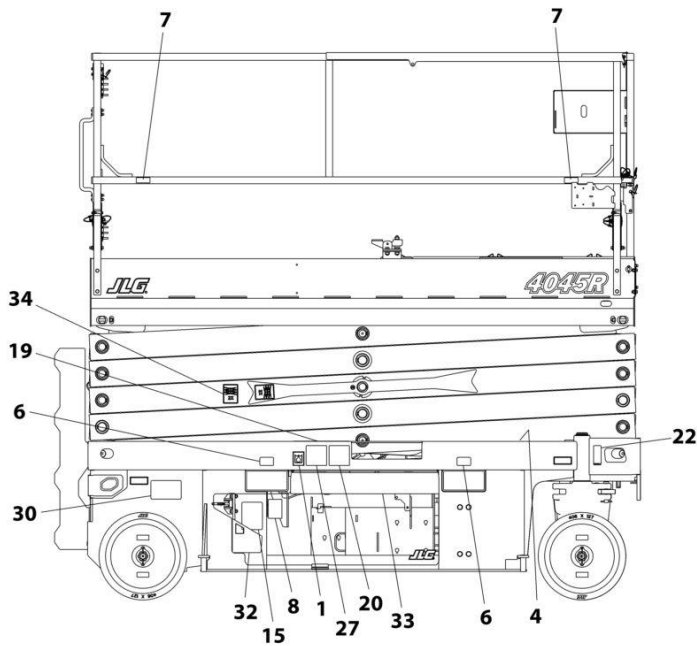
ITEM	PART NUMBER	QTY	DESCRIPTION	REV
	1001222130	Ref	DECAL INSTALLATION (CE & UK CA SPECS)	D
	1001217031	Ref	DECAL REFERENCE CHART	L
1	1701504	1	Decal - Hydraulic Oil	
2	1701640	1	Decal - Manual	
3	1705670	2	Decal - Fire Hazard	
4	1703819	4	Decal - Direction Arrow	
5	1703822	1	Decal - Manual Descent Instruction	
6	1704016	4	Decal - Forklift	
7	1704277	4	Decal - Lanyard Attach	
8	1704412	1	Decal - Hydraulic Oil	
12	2080040	3	Fastener	
13	2080057	4	Fastener	
14	8990147	1	Box, Manual	
16	1001132359	1	Decal - Control Box Locate	
18	1001162864	2	Decal - Lift Up/Tie Down	
19	1705673	4	Decal - Crushing	
20	1705671	5	Decal - Electrocution	
21	1001212290	1	Decal - Tie Down	
22	1001213442	2	Decal - Lift and Tie Down	
23	1001212292	1	Decal - No Lifting	
24	1001212293	1	Decal - No Forklift	
25	1001146795	1	Decal - See Manual	
29	1702155	1	Decal - Battery Disconnect	
33	1001225622	2	Decal - Black Strip	
34	1001228641	2	Decal - Safety Prop (RH)	
35	1001228642	2	Decal - Safety Prop (LH)	

# SECTION 8 - DECALS

## FIGURE 8-5. DECAL INSTALLATION (CHINA SPECS)



NOTE: ITEMS SHOWN MAY NOT BE REQUIRED FOR ALL SPECS. REFER TO PARTS LISTS FOR USAGE.  
NOTE: ADDITIONAL DECALS CALLED OUT ON DECAL INSTALLATION - OPTIONS



ART\_1001222126



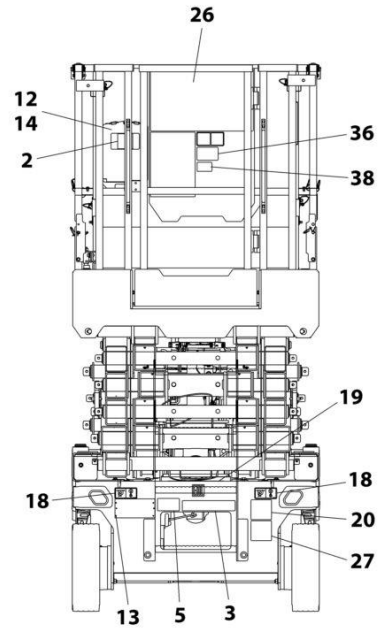
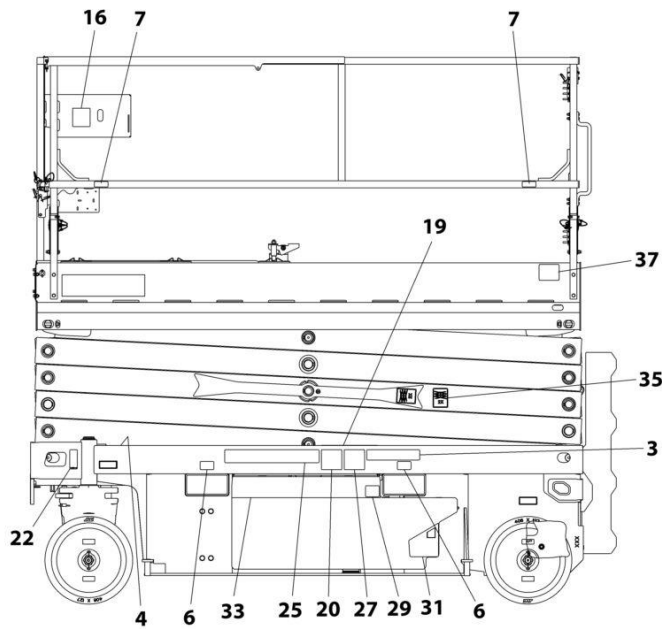
## SECTION 8 - DECALS

**FIGURE 8-5. DECAL INSTALLATION (CHINA SPECS)**

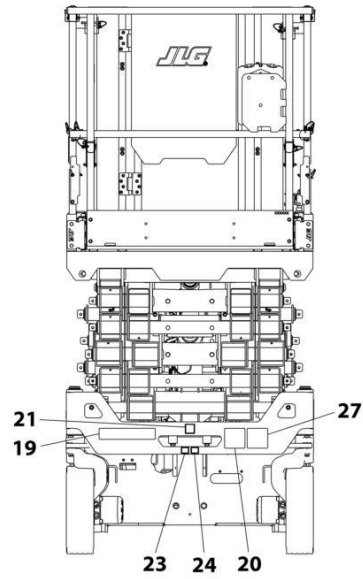
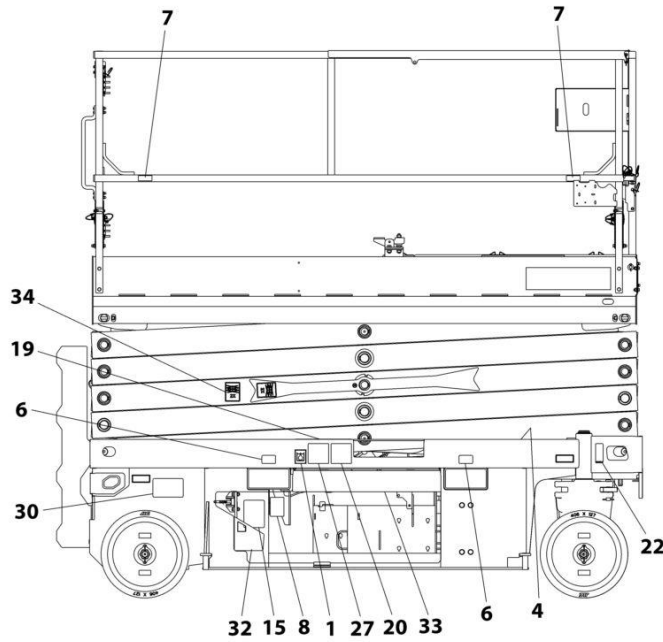
ITEM	PART NUMBER	QTY	DESCRIPTION	REV
	1001222126	Ref	DECAL INSTALLATION (CHINA SPECS)	C
	1001217031	Ref	DECAL REFERENCE CHART	G
1	1701504	1	Decal - Hydraulic Oil	
2	1701640	1	Decal - Manual	
3	1704344	2	Decal - Warning Battery Ventilation	
4	1703819	4	Decal - Direction Arrow	
5	1703822	1	Decal - Manual Descent Instruction	
6	1704016	4	Decal - Forklift	
7	1704277	4	Decal - Lanyard Attach	
8	1704412	1	Decal - Hydraulic Oil	
10	1705946	1	Decal - Legend	
12	2080040	3	Fastener	
13	2080057	4	Fastener	
14	8990147	1	Box, Manual	
16	1001132359	1	Decal - Control Box Locate	
18	1001162864	2	Decal - Lift Up/Tie Down	
19	1001215752	4	Decal - Crushing Hazard	
20	1001211779	4	Decal - Electrocution	
21	1001212290	1	Decal - Tie Down	
22	1001213442	2	Decal - Lift and Tie Down	
23	1001212292	1	Decal - No Lifting	
24	1001212293	1	Decal - No Forklift	
25	1001146794	1	Decal - Battery/Charger Service	
26	1705195	1	Decal - Danger/Warning	
27	1001215747	4	Decal - Danger Electrocution	
29	1702155	1	Decal - Battery Disconnect	
30	1001224051	1	Decal - Yearly Inspection	
31	1001225620	1	Decal - Model Designation (RH)	
32	1001225621	1	Decal - Model Designation (LH)	
33	1001225622	2	Decal - Black Strip	
34	1001228641	2	Decal - Safety Prop (RH)	
35	1001228642	2	Decal - Safety Prop (LH)	

# SECTION 8 - DECALS

## FIGURE 8-6. DECAL INSTALLATION (CSA SPECS)



NOTE: ITEMS SHOWN MAY NOT BE REQUIRED FOR ALL SPECS. REFER TO PARTS LISTS FOR USAGE.  
NOTE: ADDITIONAL DECALS CALLED OUT ON DECAL INSTALLATION - OPTIONS



ART\_1001222129

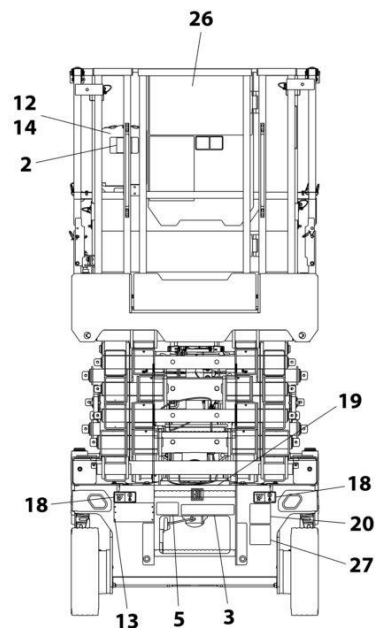
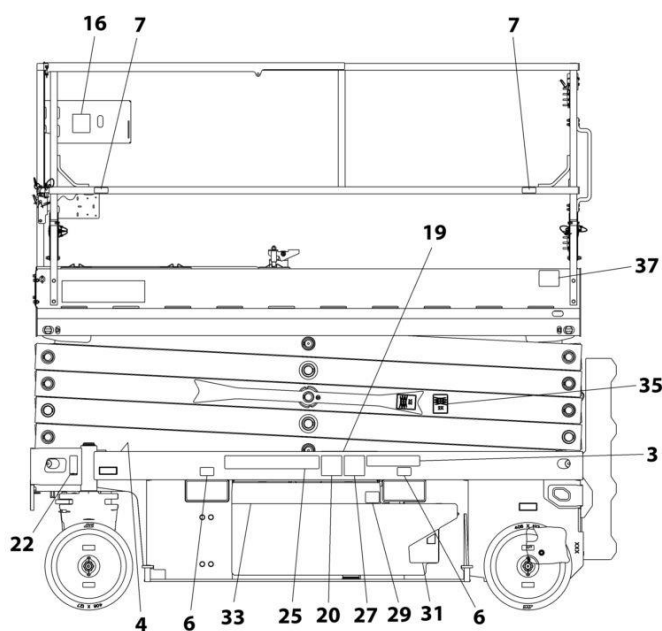
## SECTION 8 - DECALS

**FIGURE 8-6. DECAL INSTALLATION (CSA SPECS)**

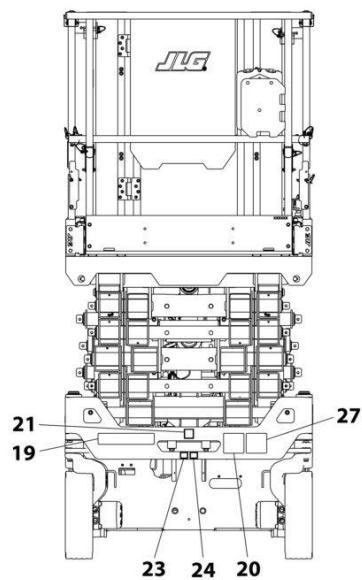
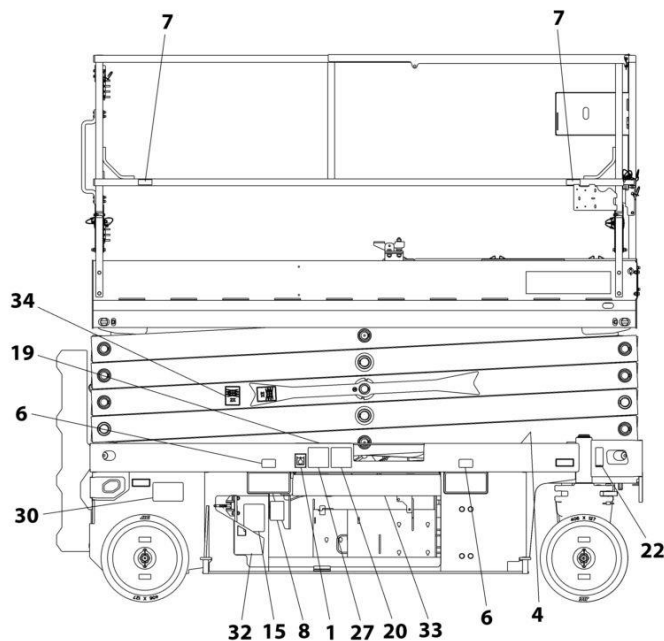
ITEM	PART NUMBER	QTY	DESCRIPTION	REV
	1001222129	Ref	DECAL INSTALLATION (CSA SPECS)	E
	1001217031	Ref	DECAL REFERENCE CHART	L
1	1701504	1	Decal - Hydraulic Oil	
2	1701640	1	Decal - Manual	
3	1704340	2	Decal - Warning Battery Ventilation	
4	1703819	4	Decal - Direction Arrow	
5	1703822	1	Decal - Manual Descent Instruction	
6	1704016	4	Decal - Forklift	
7	1704277	4	Decal - Lanyard Attach	
8	1704412	1	Decal - Hydraulic Oil	
12	2080040	3	Fastener	
13	2080057	4	Fastener	
14	8990147	1	Box, Manual	
15	1001131270	1	Decal - Patent	
16	1001132359	1	Decal - Control Box Locate	
18	1001162864	2	Decal - Lift Up/Tie Down	
19	1001215755	4	Decal - Crushing Hazard	
20	1001211779	4	Decal - Electrocution	
21	1001212290	1	Decal - Tie Down	
22	1001213442	2	Decal - Lift and Tie Down	
23	1001212292	1	Decal - No Lifting	
24	1001212293	1	Decal - No Forklift	
25	1001146794	1	Decal - Battery/Charger Service	
26	1704684	1	Decal - Danger/Warning	
27	1001215749	4	Decal - Danger Electrocution	
29	1702155	1	Decal - Battery Disconnect	
30	1001223971	1	Decal - Yearly Inspection	
33	1001225622	2	Decal - Black Strip	
34	1001228641	2	Decal - Safety Prop (RH)	
35	1001228642	2	Decal - Safety Prop (LH)	
36	1001231801	1	Decal - Warning Prop 65	
38	1001228370	1	Decal - ICES (CAN) - 001	

# SECTION 8 - DECALS

## FIGURE 8-7. DECAL INSTALLATION (KOREAN SPECS)



NOTE: ITEMS SHOWN MAY NOT BE REQUIRED FOR ALL SPECS. REFER TO PARTS LISTS FOR USAGE.  
NOTE: ADDITIONAL DECALS CALLED OUT ON DECAL INSTALLATION - OPTIONS



ART\_1001222125

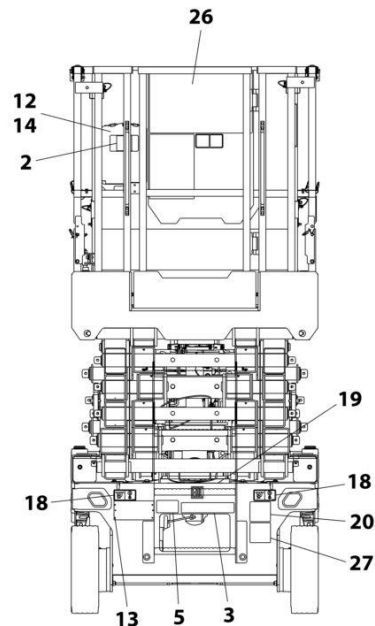
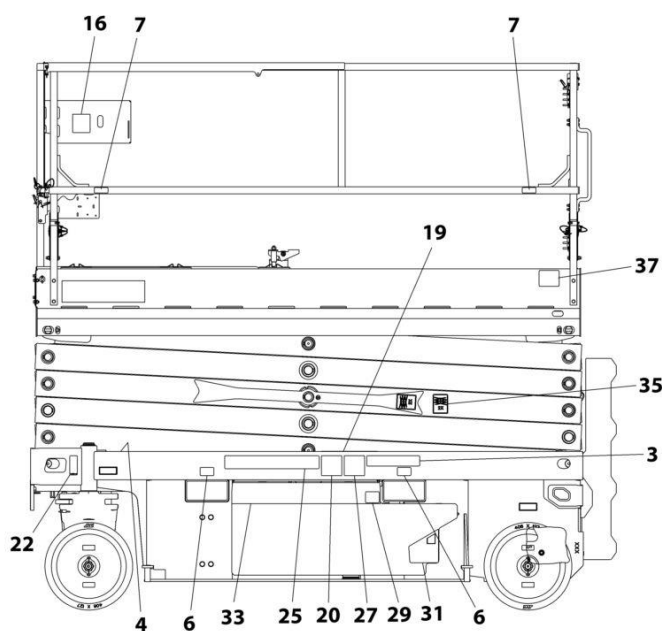
## SECTION 8 - DECALS

**FIGURE 8-7. DECAL INSTALLATION (KOREAN SPECS)**

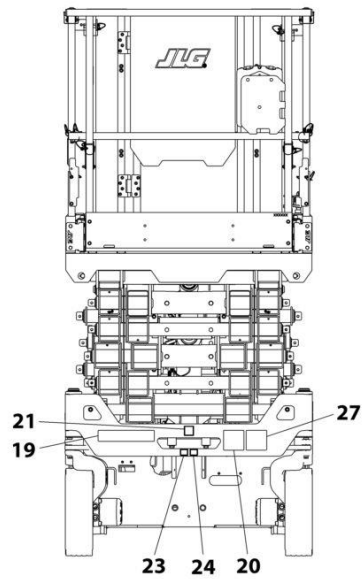
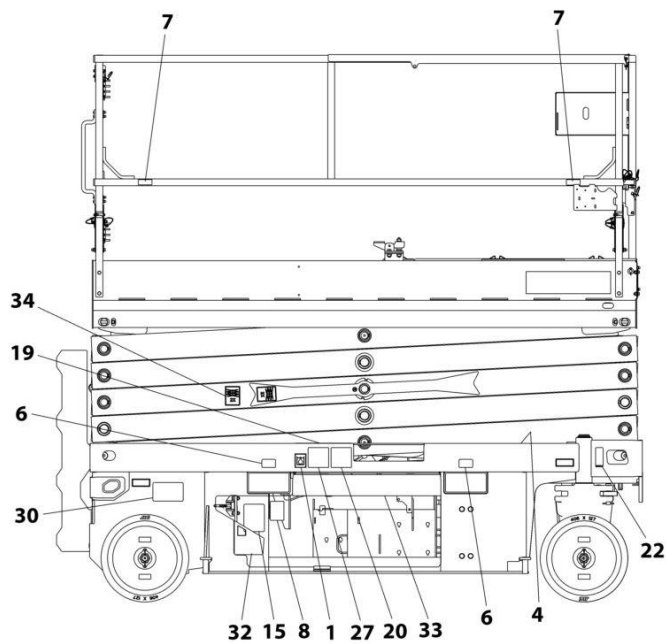
ITEM	PART NUMBER	QTY	DESCRIPTION	REV
	1001222125	Ref	DECAL INSTALLATION (KOREAN SPECS)	E
	1001217031	Ref	DECAL REFERENCE CHART	L
1	1701504	1	Decal - Hydraulic Oil	
2	1701640	1	Decal - Manual	
3	1707022	2	Decal - Warning Battery Ventilation	
4	1703819	4	Decal - Direction Arrow	
5	1703822	1	Decal - Manual Descent Instruction	
6	1704016	4	Decal - Forklift	
7	1704277	4	Decal - Lanyard Attach	
8	1704412	1	Decal - Hydraulic Oil	
12	2080040	3	Fastener	
13	2080057	4	Fastener	
14	8990147	1	Box, Manual	
16	1001132359	1	Decal - Control Box Locate	
18	1001162864	2	Decal - Lift Up/Tie Down	
19	1001215751	4	Decal - Crushing Hazard	
20	1001211779	4	Decal - Electrocution	
21	1001212290	1	Decal - Tie Down	
22	1001213442	2	Decal - Lift and Tie Down	
23	1001212292	1	Decal - No Lifting	
24	1001212293	1	Decal - No Forklift	
25	1001146794	1	Decal - Battery/Charger Service	
26	1001162115	1	Decal - Danger/Warning	
27	1001215750	4	Decal - Danger Electrocution	
29	1702155	1	Decal - Battery Disconnect	
30	1001224048	1	Decal - Yearly Inspection	
33	1001225622	2	Decal - Black Strip	
34	1001228641	2	Decal - Safety Prop (RH)	
35	1001228642	2	Decal - Safety Prop (LH)	

# SECTION 8 - DECALS

## FIGURE 8-8. DECAL INSTALLATION (LATIN AMERICAN SPECS)



NOTE: ITEMS SHOWN MAY NOT BE REQUIRED FOR ALL SPECS. REFER TO PARTS LISTS FOR USAGE.  
NOTE: ADDITIONAL DECALS CALLED OUT ON DECAL INSTALLATION - OPTIONS



ART\_1001222128

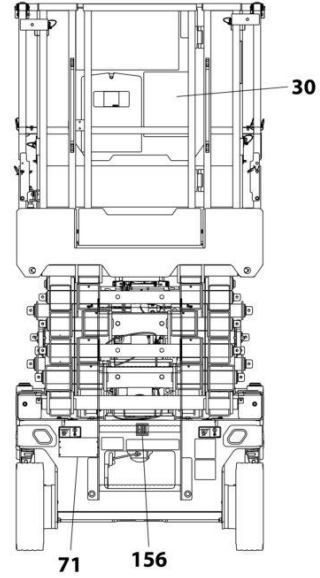
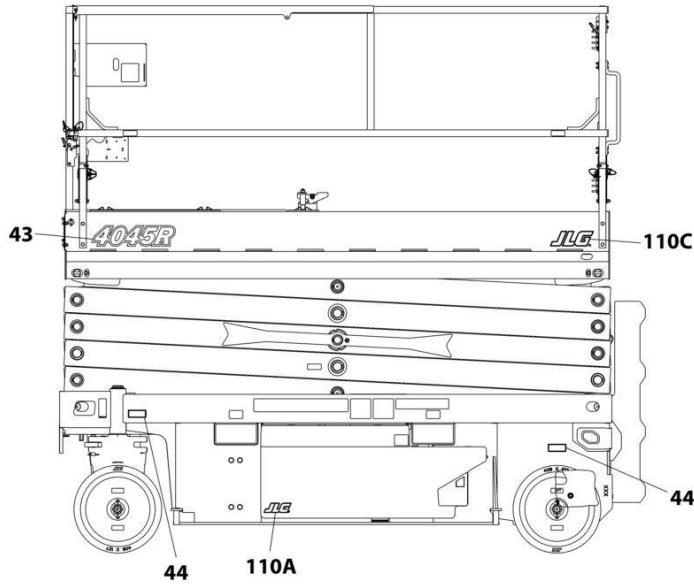
## SECTION 8 - DECALS

**FIGURE 8-8. DECAL INSTALLATION (LATIN AMERICAN SPECS)**

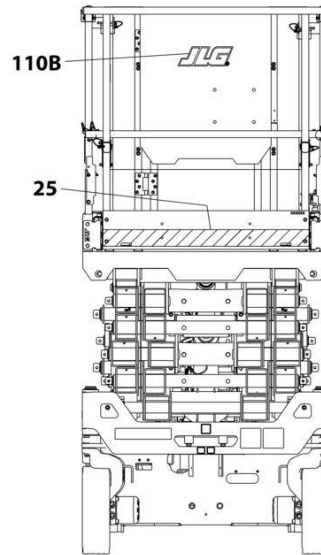
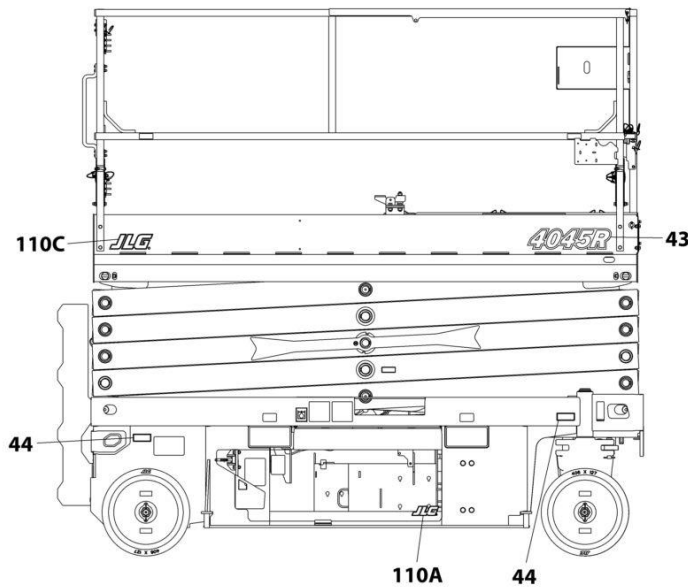
ITEM	PART NUMBER	QTY	DESCRIPTION	REV
	1001222128	Ref	DECAL INSTALLATION (LATIN AMERICAN SPECS)	E
	1001217031	Ref	DECAL REFERENCE CHART	L
1	1701504	1	Decal - Hydraulic Oil	
2	1701640	1	Decal - Manual	
3	1704339	2	Decal - Warning Battery Ventilation	
4	1703819	4	Decal - Direction Arrow	
5	1703822	1	Decal - Manual Descent Instruction	
6	1704016	4	Decal - Forklift	
7	1704277	4	Decal - Lanyard Attach	
8	1704412	1	Decal - Hydraulic Oil	
12	2080040	3	Fastener	
13	2080057	4	Fastener	
14	8990147	1	Box, Manual	
16	1001132359	1	Decal - Control Box Locate	
18	1001162864	2	Decal - Lift Up/Tie Down	
19	1001215754	4	Decal - Crushing Hazard	
20	1001211779	4	Decal - Electrocution	
21	1001212290	1	Decal - Tie Down	
22	1001213442	2	Decal - Lift and Tie Down	
23	1001212292	1	Decal - No Lifting	
24	1001212293	1	Decal - No Forklift	
25	1001146794	1	Decal - Battery/Charger Service	
26	1704691	1	Decal - Danger/Warning	
27	1001215748	4	Decal - Danger Electrocution	
29	1702155	1	Decal - Battery Disconnect	
30	1001224049	1	Decal - Yearly Inspection	
33	1001225622	2	Decal - Black Strip	
34	1001228641	2	Decal - Safety Prop (RH)	
35	1001228642	2	Decal - Safety Prop (LH)	

# SECTION 8 - DECALS

## FIGURE 8-9. DECAL INSTALLATION - OPTIONS



NOTE: ITEMS SHOWN MAY NOT BE REQUIRED FOR ALL SPECS. REFER TO PARTS LISTS FOR USAGE.



ART\_DECAL\_OPTIONS



## SECTION 8 - DECALS

**FIGURE 8-9. DECAL INSTALLATION - OPTIONS**

ITEM	PART NUMBER	QTY	DESCRIPTION	REV
		Ref	DECAL INSTALLATION - OPTIONS	
25	1001217894	Ref	Corner Stripes Installation	
25	4420051	62 in/ 156cm	Tape, Safety	
30		Ref	Decal - Capacity Options	
30	1001220378	1	Decal - Capacity (All Specs except Australian & Japanese Specs)	
30	1001229804	1	Decal - Capacity (Australian Specs)	
30	1001231228	1	Decal - Capacity (Japanese Specs)	
43	1001220380	2	Decal - 4045R	
44	1001224553	4	Decal - Maximum Tire Load	
71	See Note	NSS	Decal - Manufacturers Serial Number (Note: Not Available for Purchase)	
110	1001224578	Ref	JLG Decals Installation	
110A	1703177	2	Decal - JLG	
110B	1705754	1	Decal - JLG	
110C	1705781	2	Decal - JLG	
156	1001173703	1	Decal - EAC (Russian/CIS Specs)	



## **SECTION 9 - RECOMMENDED SERVICE PARTS STOCK**

## **SECTION 9 - RECOMMENDED SERVICE PARTS STOCK**

## SECTION 9 - RECOMMENDED SERVICE PARTS STOCK

FIGURE 9-1. RECOMMENDED SERVICE PARTS STOCK

ITEM	PART NUMBER	QTY	DESCRIPTION	REV
		Ref	Note: The following list will service one machine (built to current production per date on the front cover) with emergency repair parts which can be installed in the field. Parts from the list should be replaced when inventory is depleted to keep service parts stock supplied. For further information, contact your JLG dealer or the JLG Industries Parts Department.	
		Ref	STANDARD PARTS	
	70005423	6	Hydraulic Filter Service Kit	
	70006297	1	Coil	
	3740150	1	Relay	
	70005893	1	Coil	
	4360328	1	Switch, Toggle	
	4360469	1	Switch, Key (All Specs except CE Specs)	
	2860030	1	Key, Replacement	
	4360475	1	Switch, Mushroom	
	2400087	2	Fuse - 300Amp	
	3080007	1	Magnet, Latch	
	1600402	1	Controller, Drive/Steer	
	4360345	1	Switch, Toggle	
	1001200633	1	Switch, Push Button	
	8229242	2	Fuse 5Amp	
	70006335	1	Coil	
		Ref	VARIABLE PARTS	
	1001203871	1	Switch, Roller	
	1001186466	1	Sensor, Tilt	
	1001200629	1	Module, Control	
	1001216062	1	Module, Power	
	4360336	1	Switch, Toggle (Machines with Inverter)	
	1001146963	1	Sensor, Angle	
	1001224873	1	Module, Platform	
	1001181045	1	Breaker 30mAmp/16Amp (CE Specs Machines)	
	1001189171	1	Breaker 30mAmp (CE Specs Machines)	
	1001189172	1	Breaker 16Amp Double (CE Specs Machines)	

**SECTION 10 - SPECIAL OPTIONS**

# SECTION 10 - SPECIAL OPTIONS

## FIGURE 10-1. SPECIAL OPTIONS

ITEM	PART NUMBER	QTY	DESCRIPTION	REV
		Ref	Note: This list is to accommodate machines ordered with special equipment. Options may not be applicable to all models. For more specific parts information contact the JLG Parts Department.	
		Ref	SPECIAL OPTIONS	
	1001209921	Ref	Antivandalism Package	
	1001225173	Ref	Anti-Vandalism Add-on Kit	
	1001225169	Ref	Beacon Add-on Kit (Single)	
	1001225170	Ref	Beacon Add-on Kit - (Dual)	
		Ref	ClearSky Installation Options:	
	1001229107	Ref	ClearSky Installation - 3 Wire (ANSI & CSA Specs)	
	1001233237	Ref	ClearSky Installation - 3 Wire (ANSI Export & CE Specs)	
	1001235697	Ref	ClearSky Installation - Canbus (ANSI & CSA Specs)	
	1001246530	Ref	ClearSky Installation - Canbus (Australian Specs)	
	1001236982	Ref	ClearSky Installation - Canbus (ANSI Export & CE Specs)	
	1001246531	Ref	ClearSky Installation - Canbus (China Specs)	
	1001236983	Ref	Decal - ClearSky	
	1001239115	Ref	Control Box Cover Installation Kit	
	1001233422	Ref	Decal Kit – 4045R	
	1001216582	Ref	Drive Motor Covers installation	
		Ref	Electrical Connector Kits	
	1001148902	Ref	Amp/Tyco Electrical Connector Kit	
	1001148903	Ref	Deutsch DT Electrical Connector Kit	
	1001148904	Ref	Deutsch HD Electrical Connector Kit	
	1001148905	Ref	Packard Electrical Connector Kit	
	1001148906	Ref	Various Electrical Connector Kit	
	1001218728	Ref	Fire Extinguisher Installation	
		Ref	Fluid Options	
	2300014	Ref	Hydraulic Fluid - Mobil 424 (Machines with Standard Oil)	
	2300042	Ref	Hydraulic Fluid - Mobil EAL H 32 (Machines with Biodegradeable Oil)	
	2300028	Ref	Hydraulic Fluid - Mobil DTE 10 XL15 (Cold Weather Conditions)	
	1001215448	Ref	Footswitch Installation (ANSI Export & Japanese Specs Only)	
	1001234379	Ref	Frame Cover Upgrade Kit	
	1001232356	Ref	Ground Control Panel Cover Add-on Kit	
	1001225172	Ref	Inverter Add-on Kit (ANSI USA Specs Only)	
	1001226903	Ref	Low Height Restriction System Installation	
	1001161710	Ref	Switch, Toggle	
	1001229728	Ref	Overhead Protection Add-on Kit (ANSI Export Specs Only)	
	1001231309	Ref	Platform Extension Deployment Handles Add-on Kit	
	1001223283	Ref	Platform Gate Latch (Magnetic) Installation	
	1001214226	Ref	Platform Worklight Installation	
	1001225171	Ref	Platform Work Lights Add-on Kit	
	1001224583	Ref	Service Kits List	E
		Ref	Soft-Touch Installation Options:	
	1001224567	Ref	Soft-Touch Installation (With Switches & Without Padding)	
	1001224566	Ref	Soft-Touch Installation (With Switches & With Padding) (Tube-in-Tube Extension)	
	1001214272	Ref	Soft-Touch Installation (Without Switches & With Padding) (Tube-in-Tube Extension)	

## SECTION 10 - SPECIAL OPTIONS

ITEM	PART NUMBER	QTY	DESCRIPTION	REV
	1001220127	Ref	Soft-Touch Installation (Without Switches & With Padding) (Side-by-Side Extension)	
		Ref	Tools For Service:	
	2901443	1	Analyzer Kit	
	1001232474	1	Bench-Top R-Scissors Harness	
	8896941	1	Wire Stripper	
	7002821	1	Wire Crimper (To Install Wire Ends to Wires)	
	7002823	1	Pin/Socket Extractor - Universal (To Remove Pins/Sockets from Connectors)	
	4460467	1	Extractor - 16-18 Gauge (For Removal Pins/Sockets from Deutsch Connectors)	
	4460510	1	Extractor - 12-14 Gauge (For Removal of Pins/Sockets from Deutsch Connectors)	
	7002822	1	Screwdriver, Potentiometer (To Adjust Drive Controllers)	
	7016654	1	Screwdriver, Magnetic	
	7004275	1	Seal Installation Tool - 1in	
	7004276	1	Seal Installation - 1-1/2in	
	7002826	1	Seal Installation Tool - 2in	
	1001225174	Ref	Welder Add-on Kit (Quik Welder)	





## **PART NUMBER INDEX**

0100011.....13, 15, 21, 23, 69, 87, 93, 95, 101, 103, 105	0761224 .....87	1001152483 ..... 165	1001209256.....101
0100051.....79, 81, 83	0861527 ..... 123	1001153195 ..... 92	1001209595.....109
0140030..... 109	0861731 .... 195, 201, 203, 205	1001153785 ..... 13	1001209596.....109
0140043.....73, 75	0861781 .....197, 199	1001157050 ..... 125	1001209682.....73, 75
0275216..... 149, 197	0861880 ..... 163	1001157513 ..... 85	1001209921.....234
0275217..... 151, 199	0940071 .....87	1001157547 ..... 85	1001209953..... 141
0275452..... 153, 201	0962272 .....93, 133	1001157790 ..... 85	1001210064..... 99
0275453..... 155, 203	0962474 ..... 93	1001159186 ..... 193	1001210436.....109
0275454..... 157, 205	1001047064..... 109	1001161710 ..... 234	1001210440.....85
0440223..... 115	1001091102.... 21, 39, 43, 45, 49, 51, 55, 57, 61, 75	1001162115 ..... 225	1001210605.....85
0440266..... 93	1001094312..... 92	1001162864 .....213, 215, 217, 219, 221, 223, 225, 227	1001210881.....85
0440267..... 93, 135	1001096653..... 92	1001162886 ..... 167	1001210882.....85
0480100..... 119, 121	1001097150.....147, 207	1001162887 ..... 167	1001210966.....73, 75
0630473..... 109	1001098828..... 95	1001163178 ..... 13, 137	1001211677..... 93
0630586.....73, 75	1001100341..... 197	1001163340 ..... 167	1001211775..... 167
0630587.....73, 75, 85	1001100342..... 199	1001173703 ..... 229	1001211777.....213
0700408..... 75	1001100345.....201	1001174673 ..... 93	1001211779.....213, 221, 223, 225, 227
0700410.....39, 51	1001100346.....205	1001181045 ..... 163, 232	1001211951..... 93
0700416.....45, 57	1001100347.....203	1001182806 ..... 63	1001212035..... 193
0700610..... 115	1001101540.....85	1001186235 ..... 103	1001212036..... 193
0700612.....21, 23, 87	1001102258.....145, 147, 149, 151, 153, 155, 157, 159, 161	1001186466 .....23, 232	1001212187..... 19
0700614..... 105	1001102489.... 25, 27, 29, 31, 33, 35, 37	1001187587 ..... 103, 105, 115, 123	1001212290.....213, 215, 217, 219, 221, 223, 225, 227
0700616..... 129	1001103012..... 167	1001187816 ..... 159	1001212292.....213, 215, 217, 219, 221, 223, 225, 227
0700617..... 103	1001107854..... 167	1001188116 ..... 159	1001212293.....213, 215, 217, 219, 221, 223, 225, 227
0700618..... 103, 105	1001110302.....21	1001189171 ..... 165, 232	1001212294..... 69
0700621..... 103, 107	1001113961..... 167	1001189172 ..... 165, 232	1001212482.....92, 133
0700812..... 141	1001116812..... 167	1001191139 ....39, 45, 51, 57	1001212483.....92, 135
0700814.....87, 93	1001117000..... 167	1001192401 ..... 167	1001212768..... 93
0700815..... 21	1001118387..... 167	1001194421 ..... 193	1001212795..... 93
0700817.....87, 119, 121	1001120204.....149, 151, 153, 155, 157	1001197396 ..... 13	1001212829..... 93
0700818.....103, 105, 107	1001120205.....163, 165	1001200561 ....25, 27, 29, 31	1001212958..... 93
0700819..... 141	1001125483.....85	1001200629 ..73, 75, 232	1001212963..... 93
0700823..... 21	1001125677..... 167	1001200631 .....73, 75	1001212964..... 93
0700825..... 69	1001130220..... 109	1001200632 ..... 77	1001212967..... 93
0700835..... 109	1001130590.....73, 75	1001200633 ..... 109, 232	1001212970..... 93
0701014..... 93	1001131270.....213, 223	1001200812 ..... 171, 179	1001212971..... 93
0701015..... 92	1001132358..... 109	1001200819 ..... 109, 193	1001212972..... 93
0701016..... 93	1001132359.....213, 215, 217, 219, 221, 223, 225, 227	1001201885 ..... 193	1001212973..... 93
0701019.....95, 129	1001132361..... 109	1001202184 ..... 173, 181	1001212977..... 69
0701022..... 92	1001132361..... 109	1001202773 ..... 15	1001213137..... 92
0701024.....92, 95	1001136757.....85	1001202851 ..... 69	1001213264.....15, 17
0701025..... 92	1001137263.....141, 171, 173, 175, 177, 183	1001202987 ..... 21	1001213267..... 99
0701026..... 99	1001137675..... 99	1001202999 ..... 21	1001213268..... 101
0701030..... 92	1001142173.....85	1001203869 ..... 21	1001213269..... 105
0711221..... 13	1001142174.....85	1001203870 ..... 21	1001213270..... 103
0760408....145, 149, 151, 153, 155, 157, 159	1001143009.....85	1001203871 .....21, 232	1001213275..... 99
0760606..... 103, 105	1001143010.....85	1001205409 ..... 167	1001213393.....103, 105
0760607.....31	1001143501..... 141	1001205410 ..... 167	1001213394.....103, 105
0760608.....105, 147	1001143645..... 141	1001205411 ..... 167	1001213397.....103, 105
0760610....25, 27, 29, 31, 33, 35, 37, 73, 75, 85, 109, 117, 145, 149, 151, 153, 155, 157, 159, 161	1001144296..... 167	1001205412 ..... 167	1001213403..... 105
0760612....25, 27, 29, 31, 33, 35, 37, 63, 73, 75, 79, 83	1001146794.....213, 215, 217, 221, 223, 225, 227	1001205422 ..... 99	1001213407..... 105
0760810.69, 99, 101, 103	1001146795.....219	1001205598 .....35, 37	1001213409..... 105
0760812.....69, 101	1001146963.....92, 232	1001206995 ..... 33	1001213416..... 105
0760818..... 141	1001148902.....234	1001207009 ....25, 27, 29, 31	1001213442.....213, 215, 217, 219, 221, 223, 225, 227
0760822..... 141	1001148903.....234	1001207173 ..... 167	1001213470..... 101
0760827..... 69	1001148904.....234	1001207214 .....73, 75	1001213550..... 101
0761014....29, 69, 99, 101, 147	1001148905.....234	1001207215 .....73, 75	1001213590..... 21
0761015..... 65	1001148906.....234	1001207293 ..... 77	1001213591..... 21
0761218001 ..... 87	1001151629..... 167	1001207970 .....27, 33	1001213595..... 21
		1001207973 ..... 37	1001213747..... 13
		1001207974 ....25, 29, 35	1001213815.....69, 141
		1001208852 ..... 101	

1001213816 .....	15	1001214994 .....	85, 185	1001218170 .....	141	1001223053 .....	103
1001213838 .....	101	1001215074 .....	25, 27, 29, 31	1001218181 .....	87	1001223055 .....	213
1001213875 .....	69	1001215075 .....	33, 35, 37	1001218190 .....	127	1001223073 .....	87
1001213884 .....	103	1001215215 .....	85	1001218263 .....	105	1001223164 .....	105
1001213886 .....	109	1001215216 .....	49, 51, 53, 57, 59, 61	1001218264 .....	103	1001223165 .....	103
1001213915 .....	103	1001215433 .....	69, 71	1001218285 .....	109	1001223166 .....	103
1001213916 .....	103	1001215434 .....	69	1001218307 .....	21	1001223171 .....	87
1001213926 .....	13	1001215446 .....	107	1001218563 .....	87	1001223262 .....	177
1001213931 .....	103	1001215448 .....	234	1001218573 .....	87	1001223263 .....	175
1001213945 .....	123, 171, 173, 175, 177, 183	1001215732 .....	171, 173, 175, 177, 183	1001218696 .....	93	1001223283 .....	234
1001214024 .....	13	1001215747 .....	221	1001218728 .....	234	1001223446 .....	75
1001214088 .....	73, 75	1001215748 .....	217, 227	1001218851 .....	25, 29	1001223447 .....	183
1001214150 .....	63	1001215749 .....	223	1001218933 .....	37	1001223650 .....	179
1001214151 .....	109	1001215750 .....	225	1001218989 .....	35	1001223651 .....	181
1001214152 .....	13	1001215751 .....	225	1001219018 .....	153, 155, 165	1001223790 .....	75
1001214195 .....	25, 27, 29, 31, 33, 35, 37	1001215752 .....	221	1001219041 .....	149, 151, 157, 163	1001223971 .....	223
1001214211 .....	39	1001215754 .....	227	1001219077 .....	33	1001224048 .....	225
1001214212 .....	51	1001215755 .....	223	1001219133 .....	125	1001224049 .....	227
1001214214 .....	27	1001215790 .....	92, 99	1001219319 .....	125	1001224051 .....	221
1001214215 .....	85	1001215953 .....	21	1001219333 .....	123	1001224052 .....	217
1001214217 .....	23	1001216062 .....	73, 75, 232	1001219596 .....	45	1001224553 .....	229
1001214219 .....	65	1001216353 .....	87	1001219597 .....	57	1001224566 .....	234
1001214226 .....	234	1001216409 .....	79, 81, 83	1001219622 .....	115	1001224567 .....	234
1001214228 .....	123	1001216410 .....	79, 81, 83	1001219670 .....	115	1001224578 .....	229
1001214229 .....	119	1001216411 .....	79, 81, 83	1001219740 .....	123	1001224583 .....	234
1001214268 .....	99	1001216417 .....	79, 81, 83	1001219766 .....	93	1001224873 .....	109, 232
1001214272 .....	234	1001216582 .....	234	1001219828 .....	87	1001225169 .....	234
1001214274 .....	115	1001216593 .....	93, 191	1001219829 .....	87	1001225170 .....	234
1001214309 .....	83	1001216594 .....	93, 187	1001219834 .....	93	1001225171 .....	234
1001214442 .....	171	1001216595 .....	93, 189	1001219835 .....	93	1001225172 .....	234
1001214443 .....	173	1001216648 .....	217	1001220127 .....	235	1001225173 .....	234
1001214444 .....	175	1001216650 .....	217	1001220144 .....	93	1001225174 .....	235
1001214445 .....	177	1001216690 .....	92	1001220158 .....	123	1001225620 .....	221
1001214446 .....	145	1001216691 .....	92	1001220189 .....	229	1001225621 .....	221
1001214447 .....	161	1001216779 .....	117	1001220378 .....	229	1001225622 .....	213, 215, 217, 219, 221, 223, 225, 227
1001214450 .....	153	1001216781 .....	92	1001220380 .....	229	1001226215 .....	95
1001214451 .....	155	1001216792 .....	92	1001220407 .....	93	1001226216 .....	95
1001214452 .....	157	1001216808 .....	92	1001220766 .....	45, 47, 57, 59	1001226218 .....	95
1001214453 .....	149	1001216816 .....	117	1001220771 .....	127	1001226219 .....	95
1001214456 .....	151	1001216823 .....	107	1001220889 .....	110	1001226220 .....	95
1001214457 .....	159	1001217031 .....	213, 215, 217, 219, 221, 223, 225, 227	1001220890 .....	127	1001226221 .....	95
1001214526 .....	21	1001217059 .....	23	1001220891 .....	117	1001226222 .....	129
1001214528 .....	21	1001217110 .....	93	1001220892 .....	119	1001226227 .....	31
1001214534 .....	21	1001217164 .....	163, 165	1001220893 .....	109	1001226422 .....	109
1001214596 .....	73, 75, 167	1001217216 .....	65	1001220894 .....	115	1001226749 .....	109
1001214625 .....	92	1001217386 .....	141	1001220904 .....	79, 83	1001226901 .....	129
1001214641 .....	92	1001217445 .....	85	1001220905 .....	79, 83	1001226903 .....	234
1001214644 .....	92	1001217457 .....	93	1001220905 .....	79, 83	1001227219 .....	29
1001214646 .....	92	1001217458 .....	87	1001221244 .....	129	1001227267 .....	29, 207
1001214648 .....	92	1001217464 .....	87	1001221275 .....	129	1001227268 .....	147
1001214649 .....	92	1001217466 .....	93	1001221276 .....	129	1001227269 .....	207
1001214650 .....	92	1001217492 .....	73	1001221949 .....	31	1001227516 .....	92
1001214689 .....	92	1001217492 .....	73	1001222124 .....	213	1001227728 .....	129
1001214810 .....	87	1001217894 .....	229	1001222125 .....	225	1001227855 .....	21
1001214875 .....	69	1001217916 .....	87	1001222126 .....	221	1001227919 .....	93
1001214876 .....	69	1001218048 .....	87	1001222127 .....	217	1001227969 .....	105
1001214877 .....	79, 81, 83	1001218159 .....	141	1001222128 .....	227	1001227972 .....	105
1001214878 .....	79, 81, 83	1001218160 .....	141	1001222129 .....	223	1001227972 .....	105
1001214879 .....	79, 81, 83	1001218161 .....	141	1001222130 .....	219	1001228112 .....	109
1001214880 .....	85	1001218162 .....	141	1001222131 .....	215	1001228184 .....	129
1001214907 .....	92	1001218163 .....	141	1001222308 .....	92	1001228184 .....	129
1001214911 .....	83	1001218165 .....	141	1001222742 .....	103, 105	1001228191 .....	207
1001214913 .....	79	1001218167 .....	141	1001222861 .....	103	1001228370 .....	213, 223
1001214915 .....	81	1001218168 .....	141	1001222869 .....	103	1001228533 .....	92
1001214924 .....	109	1001218169 .....	141	1001222907 .....	103	1001228641 .....	213, 215, 217, 219, 221, 223, 225, 227
1001214980 .....	81			1001222913 .....	103		
1001214981 .....	79			1001222914 .....	129		
				1001223040 .....	103		

1001228642 .....	213, 215, 217, 219, 221, 223, 225, 227	1060957 .....	123	2220466 .....	141	3450404 .....	101
1001229107 .....	234	1120555 .....	127	2220473 .....	141	3450505 .....	13, 21
1001229522 .....	79, 81, 83	1320187 .....	141	2220497 .....	141	3450508 .....	19
1001229529 .....	95	1320224 .....	123	2220502 .....	141	3460334 .....	127
1001229728 .....	234	1321283 .....	141	2220582 .....	71, 141	3520072 .....	95, 103, 105, 115
1001229804 .....	229	1321293 .....	25, 27, 29, 31, 33, 35, 37, 145, 149, 151, 153, 155, 157, 161	2221086 .....	71	3574505 .....	117
1001229950 .....	95	1321752 .....	141	2221116 .....	92	3574506 .....	117
1001229951 .....	95	1380132 .....	107	2300014 .....	234	3740150 .....	73, 75, 85, 232
1001231228 .....	229	1580023 .....	127	2300028 .....	234	3760170 .....	92, 115, 125, 127
1001231264 .....	73, 75	1580024 .....	127	2300042 .....	234	3760217 .....	13
1001231270 .....	93	1600402 .....	109, 113, 232	2400060 .....	167	3760348 .....	87
1001231309 .....	234	1671207 .....	195	2400087 .....	79, 81, 83, 232	3760387 .....	92
1001231801 .....	213, 223	1701504 .....	213, 215, 217, 219, 221, 223, 225, 227	2420172 .....	73, 75	3820019 .....	107
1001231837 .....	92	1701640 .....	213, 215, 217, 219, 221, 223, 225, 227	2560088 .....	107	3841143 .....	92, 99
1001231841 .....	69	1702010 .....	117	2560176 .....	103, 105	3841675 .....	115
1001231890 .....	93	1702155 .....	213, 215, 217, 219, 221, 223, 225, 227	2560190 .....	107	3860111 .....	105, 107
1001232356 .....	234	1703177 .....	229	2600281 .....	103, 105	3900355 .....	127
1001232474 .....	235	1703464 .....	145, 149	2700100 .....	127	3910804 .....	73, 75
1001232622 .....	103	1703813 .....	213	2860030 .....	73, 75, 232	3931412 .....	127
1001233237 .....	234	1703816 .....	213	2901443 .....	235	3931508 .....	127
1001233422 .....	234	1703819 .....	109, 213, 215, 217, 219, 221, 223, 225, 227	2902431 .....	145, 195	4010310 .....	43, 49, 55, 61
1001233479 .....	41, 47, 53, 59	1704016 .....	213, 215, 217, 219, 221, 223, 225, 227	3080007 .....	103, 105, 232	4010408 .....	29, 147
1001233998 .....	47, 59	1704260 .....	109	3252507 .....	151, 153, 155, 157, 159, 161	4010608 .....	123
1001234204 .....	92	1704277 .....	213, 215, 217, 219, 221, 223, 225, 227	3271601 .....	87	4010610 .....	149, 151, 153, 155, 157
1001234257 .....	87	1704339 .....	227	3290305 .....	43, 49, 55, 61	4010614 .....	123
1001234301 .....	87	1704340 .....	223	3290405 .....	21, 29, 39, 41, 45, 47, 51, 53, 57, 59, 75, 85, 92, 109, 145, 147, 149, 151, 153, 155, 157, 159	4031507 .....	41, 53
1001234379 .....	234	1704341 .....	217	3290601 .....	23	4031509 .....	109
1001234397 .....	29, 147	1704344 .....	221	3290605 .....	25, 27, 29, 31, 33, 35, 37, 63, 73, 75, 85, 87, 92, 145, 147, 149, 151, 153, 155, 157, 159, 161	4031511 .....	21, 47, 59
1001234407 .....	101	1704412 .....	213, 215, 217, 219, 221, 223, 225, 227	3290606 .....	103, 105, 107, 115, 117, 123, 129	4031512 .....	92
1001235498 .....	119, 121	1704684 .....	223	3290801 .....	21, 79, 81, 83	4031708 .....	23, 35, 37
1001235509 .....	119	1704691 .....	227	3290805 .....	21, 69, 87, 92, 99, 119, 121, 141	4032111 .....	125
1001235560 .....	107	1704699 .....	217	3290806 .....	103, 105, 107, 109	4060803 .....	109
1001235561 .....	107	1705195 .....	221	3291001 .....	93	4060865 .....	45, 57
1001235697 .....	234	1705213 .....	123	3291005 .....	29, 65, 92, 99, 101, 147	4060906 .....	109
1001235849 .....	121	1705214 .....	123	3291006 .....	95, 129	4160078 .....	93
1001235941 .....	119	1705305 .....	123	3291201 .....	87	4160202 .....	21
1001236621 .....	119, 121	1705670 .....	215, 219	3291205 .....	125	4160214 .....	87
1001236982 .....	234	1705671 .....	215, 219	3300048 .....	123	4191706 .....	115
1001236983 .....	234	1705754 .....	123, 229	3310805 .....	109	4220227 .....	115
1001237911 .....	103	1705781 .....	229	3321402 .....	93	4240003 .....	115, 127
1001238862 .....	41	1705946 .....	221	3331211 .....	13, 15	4240017 .....	25, 27, 29, 31, 33, 35, 37, 73, 75, 79, 81, 83, 85, 129, 171, 173, 175, 177, 179, 181, 183
1001238863 .....	53	1705953 .....	123	3422219 .....	105, 127	4240018 .....	49, 51, 53, 57, 59, 61, 123, 141
1001238864 .....	47	1705985 .....	125	3422661 .....	119, 121	4240147 .....	21
1001238865 .....	59	1705997 .....	127	3422943 .....	92, 99	4240165 .....	117
1001239115 .....	234	1707022 .....	225	3423243 .....	87	4340853 .....	127
1001239224 .....	43, 49, 55, 61	2080040 .....	101, 103, 105, 213, 215, 217, 219, 221, 223, 225, 227	3423278 .....	105, 109, 123, 125	4340854 .....	127
1001239661 .....	55, 61	2080057 .....	213, 215, 217, 219, 221, 223, 225, 227	3430636 .....	21	4340947 .....	115
1001242539 .....	55, 61	2220346 .....	141	3430813 .....	101	4360155 .....	123
1001242587 .....	21	2220371 .....	71, 141	3430816 .....	99	4360328 .....	73, 75, 232
1001242697 .....	55	2220372 .....	71, 141	3431212 .....	21	4360336 .....	85, 232
1001242988 .....	43	2220373 .....	141	3431218 .....	13, 21	4360345 .....	109, 232
1001242989 .....	49	2220374 .....	71	3431228 .....	13	4360469 .....	73, 75, 232
1001242990 .....	61	2220377 .....	141	3450303 .....	87	4360475 .....	73, 75, 109, 232
1001243109 .....	141	2220415 .....	71	3450403 .....	21, 99	4420037 .....	117
1001244446 .....	29					4420051 .....	229
1001245255 .....	147					4420062 .....	69, 95, 103, 105, 109, 115, 119, 121, 125
1001245743 .....	207					4460042 .....	167
1001245744 .....	147, 207					4460115 .....	167
1001245917 .....	29, 207					4460138 .....	85, 145
1001246085 .....	147, 207					4460183 .....	167, 193
1001246171 .....	207						
1001246530 .....	234						
1001246531 .....	234						
1060379 .....	119, 121, 127						
1060908 .....	163, 165, 207						

4460226 .....	168	4460932 .....	191	5272120 .....	15	70006325 .....	133, 135
4460227 ....	25, 27, 29, 31, 167	4460933 .....	167	5272122 .....	15	70006326 .....	135
4460234 .....	129	4460943 ....	171, 173, 175, 177, 179, 181, 183	70000082 .....	113	70006327 .....	135
4460247 .....	167	4460944 ....	167, 168, 171, 173, 175, 177, 183	70000084 .....	113	70006328 .....	135
4460259 .....	167	4460956 .....	163	70000683 .....	113	70006329 .....	135
4460260 .....	167	4460957 .....	163	70000684 .....	113	70006330 .....	135
4460265 .....	193	4460965 .....	168	70000685 .....	113	70006331 .....	135
4460267 .....	193	4460968 .....	159	70000686 .....	113	70006333 .....	135
4460290 .....	79, 81, 83	4461016 .....	193	70000764 .....	133	70006334 .....	135
4460315 .....	145, 159	4461023 .....	167	70001250 .....	113	70006335 .....	135, 232
4460320 .....	168	4461196 .....	197	70001251 .....	113	70006351 .....	69
4460328 .....	123	4461198 .....	197	70001252 .....	113	70006352 .....	69
4460346 .....	195	4461199 .....	199	70001253 .....	113	70006724 .....	17
4460418 ....	167, 185, 193	4461201 .....	199	70003650 .....	113	70006725 .....	17
4460419 .....	167, 185	4461205 .....	201, 203	70004164 .....	69	70007513 .....	17
4460424 ....	25, 27, 29, 31	4461244 .....	201	70004465 .....	69	70007946 .....	69
4460464 ....	49, 51, 53, 57, 59, 61, 63, 92, 129, 168, 171, 173, 175, 177, 179, 181, 183, 185, 189, 191, 193	4461245 .....	203	70005150 .....	137	70021209 .....	71
4460465 ....	39, 41, 43, 45, 47, 49, 51, 53, 55, 57, 59, 61, 129, 167, 168, 171, 173, 175, 177, 179, 181, 183, 187, 189, 191	4461246 .....	205	70005151 .....	137	70025605 .....	135
4460466 ....	129, 168, 171, 173, 175, 177, 179, 181, 185, 187, 191, 193	4461249 .....	205	70005152 .....	137	70025619 .....	133, 135
4460467 .....	235	4461257 .....	149, 151	70005153 .....	137	70025627 .....	135
4460496 .....	109	4461258 .....	149, 151	70005154 .....	137	7002821 .....	235
4460497 .....	109	4530021 .....	123	70005236 .....	133	7002822 .....	235
4460510 .....	235	4640780 .....	141	70005423 .....	69, 232	7002823 .....	235
4460536 .....	129	4711400 .....	115, 127	70005664 .....	133	7002826 .....	235
4460539 ....	168, 175, 177, 191	4711700 .....	109	70005665 .....	135	7004275 .....	235
4460662 ....	153, 155, 157, 195	4711800 .....	99	70005807 .....	17	7004276 .....	235
4460722 .....	185	4740086 .....	13, 21, 87	70005812 .....	17	7012955 .....	133
4460754 ....	171, 173, 175, 177, 179, 181	4740480 .....	127	70005813 .....	17	7012967 .....	133
4460761 .....	167	4750800 .....	109	70005816 .....	69	7016654 .....	235
4460779 .....	85	4811400 ....	29, 41, 47, 53, 59, 85, 92, 109, 145, 147, 149, 151, 153, 155, 157, 159	70005891 .....	71	7017496 .....	133, 135
4460865 .....	57, 59	4811700 ....	25, 27, 29, 31, 33, 35, 37, 63, 73, 75, 85, 92, 103, 105, 109, 117, 147	70005893 .....	71, 232	7020175 .....	73, 75, 109
4460871 .....	167	4811702 ....	21, 23, 25, 27, 29, 31, 33, 35, 37, 73, 75, 79, 83, 87, 103, 105, 107, 145, 149, 151, 153, 155, 157, 159, 161	70005896 .....	71	7020176 .....	73, 75, 109
4460877 .....	167	4811900 ....	21, 69, 92, 99, 101, 103, 105, 107, 109, 141	70005898 .....	71	7020218 .....	93
4460884 .....	167, 191	4811902 ..	21, 69, 87, 119, 121	70005899 .....	71	7023308 .....	17
4460891 ....	39, 41, 43, 45, 47, 49, 51, 53, 55, 57, 59, 61, 129, 168, 175, 177, 187, 189	4811902 ..	21, 69, 87, 119, 121	70005900 .....	71	7023310 .....	17
4460894 ....	168, 171, 173, 175, 177, 183, 187, 191	4812000 ....	21, 29, 69, 87, 92, 95, 99, 101, 129, 147	70005903 .....	71	7023311 .....	17
4460897 ....	49, 51, 53, 57, 59, 61, 63, 168, 175, 177, 185, 189	4812002 .....	65	70005904 .....	71	7023315 .....	17
4460899 .....	92, 168, 171, 173, 175, 177, 179, 181, 183, 191	4812100 .....	125	70005907 .....	71	7023318 .....	17
4460905 .....	167	4812100001 ..	87	70005908 .....	71	7023321 .....	17
4460930 .....	168	4812200 .....	101	70005909 .....	71	7023322 .....	17
4460931 .....	191	4812500 .....	21	70005911 .....	71	7023324 .....	17
		4845582 .....	119	70005912 .....	71	7023328 .....	17
		4923048 .....	123	70005913 .....	71	7023329 .....	17
		5241200 .....	13, 15	70005914 .....	71	7023407 .....	17
		5251011 .....	87	70005918 .....	15	7023408 .....	17
		5260600 .....	79, 83	70005919 .....	15	7026174 .....	17
		5271808 .....	69	70006244 .....	17	7026179 .....	17
				70006245 .....	17	7027365 .....	113
				70006295 .....	69	7027367 .....	113
				70006296 .....	69	7027765 .....	113
				70006297 .....	69, 232	7027766 .....	113
				70006298 .....	69	77133139 .....	141
				70006299 .....	69	8005670 .....	125
				70006300 .....	71	80325 .....	115
				70006301 .....	71	8229242 .....	167, 232
				70006302 .....	71	8229244 .....	167
				70006316 .....	133	8305919 .....	79, 83
				70006317 .....	133	8406003 .....	93, 159
				70006318 .....	133	85941016 .....	85
				70006319 .....	133	8896941 .....	235
				70006320 .....	133	8990147 ....	213, 215, 217, 219, 221, 223, 225, 227
				70006321 .....	133		
				70006322 .....	133		
				70006323 .....	133		



3121753



An Oshkosh Corporation Company

**Corporate Office**  
**JLG Industries, Inc.**  
**1 JLG Drive**  
**McConnellsburg, PA 17233-9533 USA**  
**☎ (717) 485-5161 (Corporate)**  
**☎ (877) 554-5438 (Customer Support)**  
**☎ (717) 485-6417**

**Visit our website for JLG Worldwide Locations.**  
**[www.jlg.com](http://www.jlg.com)**